



Australian Government

IP Australia

AUSTRALIAN OFFICIAL JOURNAL

OF

DESIGNS

Did you know a searchable version of this journal is now available online?

It's FREE and EASY to SEARCH.

Find it at

<http://pericles.ipaustralia.gov.au/ols/epublish/content/olsEpublications.jsp>
or using the "Online Journals" link on the IP Australia home page.

This Page Left Intentionally Blank

Contents

General Information & Notices

**Proceedings Under the Designs Act 1906 preserved as a result of the provisions of Chapter 12
Part 2 of the Designs Act 2003**

Applications for Extension of Time	812
Corrigenda	813
Extension of Period of Registration of Designs	812
Registrations Ceased	812

Proceedings Under the Designs Act 2003

Applications for Extension of Time Under Section 137	820
Applications Lapsed	819
Applications Lodged	817
Certificate of Examination	821
Extension of Time Granted Under Section 137	820
Publication and Registration Proceedings	
Designs Registered 323935 to 324240.....	822
Registrations Ceased	820

This Page Left Intentionally Blank

For information on the following please see our website www.ipaustralia.gov.au or contact our Customer Service Network on 1300651010

[Editorial enquiries](#)

[Contact information](#)

[Freedom of Information ACT](#)

[Professional Standards Board](#)

[Sales](#)

[Requests for Information under Section 194 \(c\)](#)

[Country Codes](#)

[Trade Mark and Designs Hearing Sessions](#)

[INID \(Internationally agreed Numbers for the Identification of Data\)](#)

“INID” NUMBERS in use on Australian Design Documents

“INID” is an acronym for “Internationally agreed Numbers for the Identification of Data”.

(10) Data concerning the registration/renewal

- (11) Serial number of the registration and/or number of the design document
- (12) Plain language designation of the kind of published document
- (19) Identification, using the two-letter code according to WIPO Standard ST.3, of the authority publishing or registering the industrial design

(20) Data concerning the application

- (21) Serial number of the application
- (22) Date of filing of the application
- (24) Date from which the industrial design right has effect

(30) Data relating to priority under the Paris Convention

- (31) Serial number assigned to the priority application
- (32) Date of filing of the priority application
- (33) Two-letter code, according to WIPO Standard ST.3, identifying the authority with which the priority application was made

(40) Date(s) of making information available to the public

- (45) Date of publication of the registered industrial design by printing or similar process, or making it available to the public by any other means

(50) Miscellaneous Information

- (51) International Classification for Industrial Designs (class and subclass of the Locarno Classification)
- (54) Designation of article(s) or product(s) covered by the industrial design or title of the industrial design
- (55) Reproduction of the industrial design (e.g., drawing, photograph) and explanations relating to the reproduction
- (56) List of prior art documents, if separate from descriptive text
- (57) Description of characteristic features of the industrial design including indication of colours

(60) References to other legally related application(s) and registration(s)

- (62) Serial number(s) and, if available, filing date(s) of application(s), registration(s) or document(s) related by division
- (66) Serial number(s) of the application, or the registration, of the design(s) which is (are) a variant(s) of the present one

(70) Identification of parties concerned with the application or registration

- (71) Name(s) and address(es) of the applicant(s)
- (72) Name(s) of the creator(s) if known to be such
- (74) Name(s) and address(es) of the representative(s)

This Page Left Intentionally Blank

Official Notice**Declaration of the days in 2009 when the Designs Office, the Patent Office, the PBR Office and the Trade Marks Office and their sub-offices are taken not to be open for business**

The close-down provisions in the designs, olympic insignia protection, patents, plant breeder's rights and trade marks legislation provide for the effect of Designs Office, the Patent Office, the PBR Office and the Trade Marks Office ('the Canberra offices') or any of their sub-offices in the State capitals ('State offices') not being open for business.

On 22 January 2009, the Director General of IP Australia declared under the close-down provisions the days when the Canberra offices and the State offices will not be open for business for the 2009 Calendar year. A copy of the declaration is attached. You will note that it covers the period from 22 January 2009 to 1 January 2010.

The Canberra offices and the State offices will not be open for business on the following days in the period 22 January 2009 to 1 January 2010.

All the Canberra offices and the State offices:

All Saturdays and Sundays in the period

Monday 26 January 2009	Australia Day
Friday, 10 April 2009	Good Friday
Monday, 13 April 2009	Easter Monday;
Friday, 25 December 2009 to Friday 1 January 2010	Christmas to New Year close-down.

The following are the days in 2009 when the Canberra offices and particular States offices will not be open for business:

The Canberra offices

Monday 9 March 2009	Canberra Day
Monday, 27 April 2009	Anzac Day;
Monday 8 June 2009	Queen's Birthday holiday
Monday 5 October 2009	Labour Day
Tuesday, 3 November 2009	Family and Community Day; and

The New South Wales office

Monday 8 June 2009	Queen's Birthday holiday
Monday 5 October 2009	Labour Day

The Queensland office

Monday 4 May 2009	Labour Day
Monday 8 June 2009	Queen's Birthday holiday
Wednesday 12 August 2009	Royal Queensland Show Day

The South Australian office

Monday 9 March 2009	Adelaide Cup Day
Monday 8 June 2009	Queen's Birthday holiday
Monday 5 October 2009	Labour Day

The Tasmanian office

Monday 9 February 2009	Royal Hobart Regatta holiday
Monday 9 March 2009	Eight Hours Day
Monday 8 June 2009	Queen's Birthday holiday
Thursday 22 October 2009	Royal Hobart Show Day

The Victorian office

Monday 9 March 2009	Labour Day
Monday 8 June 2009	Queen's Birthday holiday
Tuesday 3 November 2009	Melbourne Cup Day

The Western Australian office

Monday 2 March 2009	Labour Day
Monday 27 April 2009	Anzac Day
Monday 1 June 2009	Foundation Day
Monday 28 September 2009	Queen's Birthday holiday

For more information on the effect of the close-down provisions, please see the Official Notices of 23 March 2007 titled *Intellectual Property Legislation Amendment Regulations 2007 (No. 1)* and *The new close-down provisions in the trade marks legislation* available on IP Australia's website through the page www.ipaustralia.gov.au/resources/officialnotices.shtml.

Contact: IP Australia
Phone: 1300 651 010
Fax: +61 2 6283 7999
E-mail: assist@ipaustralia.gov.au
Web: www.ipaustralia.gov.au

Official Notice**Designs Act 2003
Amendments to Registered Designs at Examination**

The following amendments have been made to details previously published in the Australian Official Journal of Designs during the Examination process:

Registration Numbers	Amendment type	New details
318918	Classification	21-01A
318919	Classification	21-01A
318920	Classification	21-01A
318921	Classification	21-01A
320599	Classification	14-03B, 14-03E

Contact: IP Australia
Phone: 1300 651 010
Fax: +61 2 6283 7999
E-mail: assist@ipaustrialia.gov.au
Web: www.ipaustrialia.gov.au

Proceedings under the Designs Act 1906 preserved as a result of the provisions of Chapter 12 Part 2 of the Designs Act 2003.

This Page Left Intentionally Blank

Applications Lapsed

There were no Applications Lapsed under this section

Extension of Period of Registration of Designs

2nd Period (Section 27A(12))

149408	150246	151270
151319	151403	151540
151541	151610	151635
151640	151732	151763
151848	151850	151851
151865	151985	151987
152021	152026	152328
152446	152555	152676
152958	152959	152960
152961	152962	152963
153034	153055	153318
153708	153710	153711
153712	153713	153895
154013	154411	154602
154603	154823	155528
155857	156283	156956

3rd Period (Section 27A(13))

133174	134178	134320
134517	134532	134574
134770	134967	135166
135259	135556	135594
135595	135596	135619
135620	135738	135739
135817	135818	136943
137283	138822	139006
139255	140353	151540
151541		

134757	135300	135500
136305	136879	137755
137757	139016	148485
148486	148638	149322
149323	149409	149411
149412	149413	149422
149423	149424	149425
149585	149586	149785
150025	150111	150112
150165	150196	150264
150571	150572	150673
151206	151260	151687
153787	153907	154147
154204	155760	

Applications for Extension of time

Applications for extension of time have been lodged. Objections must be lodged within 1 month from the date of this journal.

131024 **Kevin John Wood** Extension of time to extend a registration. Address for Service: K. J. Wood 5/474 Nepean Highway CHELSEA VIC 3196

Registrations Ceased

Note: Some of the following Registrations may have been previously advertised as ceased. In this instance, the previous advertisement still prevails.

116395	117717	117722
117797	117801	117804
117830	117850	118017
118114	118127	118212
118213	118314	118691
119273	119275	119277
119390	119391	119392
119397	119690	120606
122226	122828	122829
122830	122831	122832
124655	128510	131463
131664	132464	132470
132486	132487	132488
132509	132549	132718
132781	132783	132805
132806	132964	133122
133283	133651	133722
133986	134089	134756

Corrigenda

Number

In Vol 23 , No 2 , page 530 under the heading **Extension
of Period of Registration** of 134574 should be deleted.

This Page Left Intentionally Blank

Proceedings under the Designs Act 2003.

This Page Left Intentionally Blank

Applications Lodged

Lodgement information is in the following order: **Applicant's Name**; International Classification, Name of Product, Lodgement Date and **Design Number**. If the applicant claims an earlier priority date under an International Convention, the Convention Country and the associated filing date are shown in parentheses before the Lodgement Date. Divisional information will also appear in parentheses before the Lodgement Date.

Agressor Corporation Pty Ltd; 09-03H, A collapsible container, 14 Jan 2009	10094/2009	Club Car, Inc.; 12-08, Vehicle, (US, 18 Jul 2008) 16 Jan 2009	10128/2009
Alpers, Benjamin Philip Erik; Duncan, Simon Jeremy; 03-01D, 08-08G, Drill holder, 24 Oct 2008	15101/2008	Club Car, Inc.; 12-16NES, Vehicle dashboard, (US, 18 Jul 2008) 16 Jan 2009	10129/2009
Apple Inc.; 14-01, Electronic device, (US, 31 Aug 2007) 20 Jan 2009	10152/2009	Cook, David George; 23-01B, Tube connector, 05 Jan 2009	10014/2009
Artoon Pty Ltd; 06-09, Inflatable pillow, 21 Jan 2009	10162/2009	Cook, David George; 23-01B, Tube connector, 05 Jan 2009	10015/2009
ADC Communications (Australia) Pty Limited; 13-03B, Electrical connector, 19 Jan 2009	10138/2009	Cook, David George; 23-01B, Tube connector, 05 Jan 2009	10016/2009
ADC Communications (Australia) Pty Limited; 13-03C, Electrically conductive contact, 19 Jan 2009	10144/2009	Cook, David George; 23-01B, Tube connector, 05 Jan 2009	10017/2009
Berenstein, Yoram Tzvi; Gersh, Ruven; 11-01NES, Diamonds and precious stones, 16 Jan 2009	10115/2009	Cook, David George; 23-01B, Tube connector, 05 Jan 2009	10018/2009
Berenstein, Yoram Tzvi; Gersh, Ruven; 11-01NES, Diamonds and precious stones, 16 Jan 2009	10116/2009	Cook, David George; 23-01B, Tube connector, 05 Jan 2009	10013/2009
Berenstein, Yoram Tzvi; Gersh, Ruven; 11-01NES, Diamonds and precious stones, 16 Jan 2009	10117/2009	Country Road Clothing Pty Ltd; 06-13C, Towel, 23 Oct 2008	15099/2008
Bond Tissue Products Pty Limited; 05-06NES, Toilet tissue, 19 Jan 2009	10124/2009	Country Road Clothing Pty Ltd; 06-13C, Towel, 23 Oct 2008	15100/2008
Bond Tissue Products Pty Limited; 05-06NES, Napkin, 19 Jan 2009	10125/2009	Cutler, Daniel; 03-03, Canopy, (EM, 16 Apr 2008) 16 Oct 2008	10147/2009
Bond Tissue Products Pty Limited; 05-06NES, Kitchen towel, 19 Jan 2009	10126/2009	Cutler, Daniel; 03-03, Canopy, (EM, 16 Apr 2008) 16 Oct 2008	10148/2009
Bond Tissue Products Pty Limited; 05-06NES, Toilet tissue, 19 Jan 2009	10123/2009	Cutler, Daniel; 03-03, Canopy, (EM, 16 Apr 2008) 16 Oct 2008	10149/2009
Bose Corporation; 14-01, Audio system, (US, 27 Aug 2008) 14 Jan 2009	10089/2009	Dart Industries Inc.; 07-01NES, Dishes, (US, 07 Aug 2008) 19 Jan 2009	10145/2009
BrainScope Company, Inc.; 24-04, Flexible headset, (US, 18 Jul 2008) 16 Jan 2009	10127/2009	Dart Industries Inc.; 07-01NES, Cover, (US, 07 Aug 2008) 19 Jan 2009	10146/2009
Brasch, Jeffrey Thomas; 23-01E, Watering and fertilising equipment for trees and plants, 19 Jan 2009	10139/2009	Davies, Cindy-Lee; 11-02F, Butterfly wall piece used for decoration, 19 Jan 2009	10122/2009
Bridgestone Corporation; 12-15A, Automobile tire, 24 Oct 2008	15123/2008	Davy, William John; 08-08G, Device for wall mounting objects, 20 Jan 2009	10140/2009
Burgundy Trial Pty Ltd; 08-07, Catch, 14 Jan 2009	10093/2009	Dias Aluminium Products Pty. Ltd.; 08-08B, Shower door captive pivot pin, 12 Jan 2009	10061/2009
Cassar, Victor; 15-04, Magnetic device for securing steel mesh used in mine roofing to the mining machine installing the mesh, 19 Jan 2009	10121/2009	Duncan, Simon Jeremy; Alpers, Benjamin Philip Erik; 03-01D, 08-08G, Drill holder, 24 Oct 2008	15101/2008
		Dyson Limited; 23-04, Fan, (GB, 19 Jul 2008) 15 Jan 2009	10108/2009
		Dyson Limited; 23-04, Fan head, (GB, 19 Jul 2008) 15 Jan 2009	10107/2009

Ellis, William Trethewie; Ellis, Barbara Sue; 30-05, A registered trade mark is current for the product. Registered class 8 agricultural tools (hand operated) reg., no 1199792, 21 Jan 2009	10160/2009	Kabushiki Kaisha Audio-Technica; 14-01, Headphone, (JP, 14 Nov 2008) 15 Jan 2009	10114/2009
Ellis, Barbara Sue; Ellis, William Trethewie; 30-05, A registered trade mark is current for the product. Registered class 8 agricultural tools (hand operated) reg., no 1199792, 21 Jan 2009	10160/2009	Konami Gaming, Inc.; 21-03, Game machine, (US, 16 Sep 2008) 13 Jan 2009	10087/2009
Everpads Co., Ltd; 12-15NES, Track shoe for endless-track vehicle, (EM, 06 Aug 2008) 14 Jan 2009	10099/2009	Luxuria Global Pty Ltd; 07-02E, Barbecue (class 07-02E), 14 Jan 2009	10102/2009
FireAngel Limited; 10-05, Carbon monoxide smoke alarm, 13 Jan 2009	10081/2009	LGP Ltd; 10-02, Band support, (US, 06 Aug 2008) 15 Jan 2009	10091/2009
FireAngel Limited; 10-05, Carbon monoxide smoke alarm, 13 Jan 2009	10082/2009	Mahan, Paul Berard; 25-02C, Pool fencing, 15 Jan 2009	10090/2009
Freewave One Pty Ltd; 12-02, Industrial, commercial, residential, concrete, earth, landscaping supplies, etc., 12 Jan 2009	10085/2009	McCormick & Company, Incorporated; 15-09, Head for an adjustable grinder, (US, 08 Apr 2008) 08 Oct 2008	16089/2008
Freewave One Pty Ltd; 12-02, Industrial, commercial, residential, eg concret, earth, landscaping supplies, etc, 12 Jan 2009	10086/2009	McCormick & Company, Incorporated; 09-01K, Bottle, (US, 29 May 2008) 15 Oct 2008	10097/2009
Gersh, Ruven; Berenstein, Yoram Tzvi; 11-01NES, Diamonds and precious stones, 16 Jan 2009	10116/2009	McCormick & Company, Incorporated; 15-09, Adjustable grinder, (US, 08 Apr 2008) 08 Oct 2008	16090/2008
Gersh, Ruven; Berenstein, Yoram Tzvi; 11-01NES, Diamonds and precious stones, 16 Jan 2009	10117/2009	McCormick & Company, Incorporated; 09-01K, Bottle, (US, 29 May 2008) 15 Oct 2008	10096/2009
Gersh, Ruven; Berenstein, Yoram Tzvi; 11-01NES, Diamonds and precious stones, 16 Jan 2009	10115/2009	MAM Babyartikel Gesellschaft m.b.H.; 24-04, Pacifier, (EM, 30 Jul 2008) 20 Jan 2009	10157/2009
Grant Olver Investments Pty Ltd trading as Pilgrim Clothing; 02-02C, 02-02NES, Dresses and tops, 28 Oct 2008	15132/2008	MAM Babyartikel Gesellschaft m.b.H.; 24-04, Pacifier, (EM, 30 Jul 2008) 20 Jan 2009	10158/2009
Hansa Metallwerke AG; 23-01H, Mixing tap, (EM, 23 Jul 2008) 21 Jan 2009	10161/2009	MUSIC LIFE (societe de droit chinois); 14-01, Cover for a sound reproduction apparatus, (EM, 18 Jul 2008) 15 Jan 2009	10109/2009
Hardwick, Christopher; 25-01E, 08-99, Builder's hurdle, 30 Oct 2008	15173/2008	MUSIC LIFE (societe de droit chinois); 14-01, Cover for a sound reproduction apparatus, (EM, 18 Jul 2008) 15 Jan 2009	10110/2009
Hilton, Charlize; 02-02C, The design is a ravewear product design, similar to leg warmers which I call Gators. Some people also call them, fluffy socks, boot covers, etc, 20 Jan 2009	10137/2009	MUSIC LIFE (societe de droit chinois); 14-01, Cover for a sound reproduction apparatus, (EM, 18 Jul 2008) 15 Jan 2009	10111/2009
Illinois Tool Works Inc.; 23-01K, Metering valve for a fuel cell, (US, 23 Apr 2008) 16 Jan 2009	10119/2009	MUSIC LIFE (societe de droit chinois); 14-01, Cover for a sound reproduction apparatus, (EM, 18 Jul 2008) 15 Jan 2009	10112/2009
Jowett, Kiersten; 07-04, Adult and baby elephant is a sandwich/cookie/biscuit/ bread/crust cutter in the shape of an adult elephant, together with a baby, 21 Jan 2009	10150/2009	MUSIC LIFE (societe de droit chinois); 14-01, Sound reproduction apparatus, (EM, 18 Jul 2008) 15 Jan 2009	10113/2009
Jowett, Kiersten; 07-04, Dog in house is a sandwich/cookie/biscuit/bread/crust cutter in the shape of a dog inside a house/dog house, 21 Jan 2009	10151/2009	Natuzzi, S.p.A.; 06-01G, Sofa, (EM, 08 Oct 2008) 20 Jan 2009	10153/2009
		Natuzzi, S.p.A.; 06-01G, Armchair, (EM, 08 Oct 2008) 20 Jan 2009	10154/2009
		Natuzzi, S.p.A.; 06-01G, Sofa, (EM, 08 Oct 2008) 20 Jan 2009	10155/2009
		Natuzzi, S.p.A.; 06-01G, Sofa, (EM, 08 Oct 2008) 20 Jan 2009	10156/2009
		Norton, Mathew; 08-08NES, For a new curved and raised floor grinder bracket design, 15 Jan 2009	10095/2009
		Orfanos, George; 11-05, Article in respect of which the design relates to: flag, 15 Jan 2009	10100/2009

Orfanos, George; 11-05, Article in respect of which the design relates to : flag, 15 Jan 2009	10101/2009	Tefal; 07-02N, Kitchen electrical utensil (pic n' dip), (FR, 15 Jul 2008) 15 Jan 2009	10104/2009
Owen, Gwyn John; 15-02, Water pump, 16 Jan 2009	10103/2009	The Coleman Company, Inc.; 21-04, Tent, (US, 16 Jul 2008) 13 Jan 2009	10079/2009
Pellow, Leslie Valentine; 08-08NES, 25-02A, A post, 23 Oct 2008	15112/2008	The Gillette Company; 28-03A, Razor handle, (US, 14 Jul 2008) 14 Jan 2009	10092/2009
Perry Innovation Limited; 23-02B, Bath water barrier, (EM, 08 Sep 2008) 16 Jan 2009	10106/2009	The Gillette Company; 28-03A, Razor handle, (US, 14 Jul 2008) 14 Jan 2009	10098/2009
Preformed Line Products (Australia) Pty Ltd; 08-08NES, Securing clip, 16 Jan 2009	10131/2009	Theodor, Christen; 12-06C, Water craft, (WO, 21 Jul 2008) 19 Jan 2009	10143/2009
Raven Products Pty Ltd; 08-09, 25-01A, Threshold plate locating block, 29 Oct 2008	15160/2008	Tru-Tech Fibreglass Industries Ltd; 09-09, Recycling bin cover, (NZ, 04 Dec 2008) 16 Jan 2009	10105/2009
Raven Products Pty Ltd; 08-09, Threshold plate, 29 Oct 2008	15161/2008	THE IAMS COMPANY; 20-02C, Product display, (US, 22 Jul 2008) 21 Jan 2009	10159/2009
Raven Products Pty Ltd; 08-09, Door bottom seal, 29 Oct 2008	15162/2008	Unique Product & Design Co., Ltd.; 21-02C, Golf cart, 16 Jan 2009	10118/2009
Review Australia Pty Ltd; 02-02C, 02-02NES, Ladies garments, 27 Oct 2008	15135/2008	USG Interiors, Inc.; 08-08NES, Four-way intersection clip, (US, 14 Jul 2008) 14 Jan 2009	10088/2009
S&C Smart Pty Ltd; 15-03A, A digging point, 19 Jan 2009	10134/2009	Velardo, Edward; 09-07NES, A lid for a jar, bottle that dispenses items, (pills) within preferably pharmaceutical industry, 14 Jan 2009	10080/2009
S&C Smart Pty Ltd; 15-03A, An adaptor for a plough digging point, 19 Jan 2009	10135/2009	Wookang Tech Co., Ltd.; 26-06, Headlight for heavy equipment, 13 Jan 2009	10083/2009
S&C Smart Pty Ltd; 15-03A, An adaptor for a plough digging point, 19 Jan 2009	10136/2009	Wookang Tech Co., Ltd.; 26-06, Headlight for heavy equipment, 13 Jan 2009	10084/2009
Somerville, Benjamin Andrew; 11-02NES, Souvenir/toy, 19 Jan 2009	10120/2009	Zhejiang Zhengte Group Co., Ltd.; 03-03, Circular suspensory umbrella, (CN, 23 Sep 2008) 23 Dec 2008	16013/2008
Sony Computer Entertainment Inc.; 14-02, Keyboard, (JP, 19 Aug 2008) 19 Jan 2009	10132/2009	Zhejiang Zhengte Group Co., Ltd.; 03-03, Square suspensory umbrella, (CN, 23 Sep 2008) 23 Dec 2008	16014/2008
Sony Computer Entertainment Inc.; 14-02, Keyboard, (JP, 19 Aug 2008) 19 Jan 2009	10133/2009		
Stokely-Van Camp, Inc.; 09-01K, Bottle, 19 Jan 2009	10141/2009		
Stokely-Van Camp, Inc.; 09-01K, Bottle, 19 Jan 2009	10142/2009		
SDI Limited; 24-99, A dental capsule, 02 Jan 2009	10001/2009		

Applications Lapsed

13156 / 2008 (08-07)	13348 / 2008 (02-02C)
13543 / 2008 (14-04)	13761 / 2008 (16-99)
14056 / 2008 (06-09)	14319 / 2008 (08-08K)
14320 / 2008 (08-08K)	14696 / 2008 (09-03NES)
14782 / 2008 (08-05A)	14783 / 2008 (08-05A)
14784 / 2008 (08-05A)	15216 / 2008 (12-10)
15238 / 2008 (20-03NES)	15353 / 2008 (30-04)
15367 / 2008 (09-03E)	

Registrations Ceased

315310	318362	318375
318377	318378	318379
318380	318382	318383
318384	318385	318386
318387	318388	319010

Applications for Extension of time under Section 137

Applications under section 137 for extension of time have been lodged. Objections must be lodged within 1 month from the date of this journal.

10152/2009 **Apple Inc.** Address for Service: Freehills Patent & Trade Mark MLC Centre Martin Place SYDNEY NSW 2000

Extensions of time granted under Section 137

Applications lodged under section 137 for extension of time have been granted.

12675/2008 **Somfy SAS**

12903/2008 **Interact Marketing Pty Ltd**

12904/2008 **Interact Marketing Pty Ltd**

13435/2008 **John B. Jones**

13436/2008 **John B. Jones**

13996/2008 **Keith Melbourne**

Certificate(s) of Examination

Examination of the following Design Registration(s) has been completed. Infringement proceedings may now be commenced.

313609	02-02B	21/01/2009
314163	28-99	16/01/2009
316191	25-02C	16/01/2009
320361	09-03M	20/01/2009
320362	09-03M	20/01/2009
320363	09-03M	20/01/2009
320574	14-03NES	19/01/2009
320575	14-03NES	19/01/2009
320576	14-03NES	19/01/2009
320577	14-03NES	19/01/2009
320578	14-03NES	19/01/2009
320627	12-15B	27/01/2009
320628	12-15B	28/01/2009
320718	07-01A	21/01/2009
320719	07-01A	21/01/2009
320720	07-01A	21/01/2009
320721	07-01B	23/01/2009
320722	07-01B	23/01/2009
321031	04-01	22/01/2009
321032	04-01	22/01/2009
321033	04-01	22/01/2009
321034	04-01	22/01/2009
321155	08-07	20/01/2009
321159	08-03	27/01/2009
321409	14-02	20/01/2009
321415	12-05	20/01/2009

Publication and Registration Proceedings

Designs Registered

This section provides a concordance between design number and registration number of Designs covered in this journal. It also shows the main class and registration date.

This section covers Registration numbers 323935 to 324240 .

The registration number shown below should be used in all future correspondence.

Design Number	Registration Number	International Classification Code (IDC)	Registration Date	Design Number	Registration Number	International Classification Code (IDC)	Registration Date
11697/2008	324035	08-99	21/01/2009	14449/2008	324009	12-11	19/01/2009
11698/2008	324036	08-99	21/01/2009	14534/2008	324038	24-04	21/01/2009
12011/2008	324135	15-05	22/01/2009	14536/2008	324039	24-04	21/01/2009
12062/2008	324171	02-02NES	23/01/2009	14538/2008	324040	24-04	21/01/2009
12391/2008	323966	03-01B	27/01/2009	14540/2008	324041	24-04	21/01/2009
12494/2008	324117	07-03	22/01/2009	14542/2008	324042	24-04	21/01/2009
12495/2008	324118	07-03	22/01/2009	14544/2008	324043	24-04	21/01/2009
12496/2008	324119	07-03	22/01/2009	14581/2008	323982	25-01E	19/01/2009
12497/2008	324120	07-03	22/01/2009	14582/2008	323983	25-01E	19/01/2009
12498/2008	324121	07-03	22/01/2009	14583/2008	323973	06-01F	27/01/2009
12499/2008	324122	07-03	22/01/2009	14670/2008	323954	13-01	19/01/2009
12500/2008	324123	07-03	22/01/2009	14689/2008	324010	06-04NES	19/01/2009
12501/2008	324124	07-03	22/01/2009	14692/2008	323984	08-07	19/01/2009
12502/2008	324125	07-03	22/01/2009	14724/2008	323955	12-05	19/01/2009
12503/2008	324126	07-03	22/01/2009	14725/2008	323956	12-05	19/01/2009
12504/2008	324127	07-03	22/01/2009	14726/2008	323957	12-05	19/01/2009
12505/2008	324128	07-03	22/01/2009	14727/2008	324151	06-09	23/01/2009
12506/2008	324129	07-03	22/01/2009	14753/2008	324022	29-02	20/01/2009
12507/2008	324130	07-03	22/01/2009	14754/2008	324023	29-02	20/01/2009
12508/2008	324131	07-03	22/01/2009	14756/2008	324024	02-01B	20/01/2009
12509/2008	324132	07-03	22/01/2009	14759/2008	323939	03-01NES	19/01/2009
12510/2008	324133	07-03	22/01/2009	14760/2008	323940	03-01NES	19/01/2009
12618/2008	324015	12-08	20/01/2009	14761/2008	323941	03-01NES	19/01/2009
12619/2008	324016	12-08	20/01/2009	14762/2008	323942	03-01NES	19/01/2009
12620/2008	324017	12-08	20/01/2009	14763/2008	323943	03-01NES	19/01/2009
12621/2008	324018	12-08	20/01/2009	14764/2008	323944	03-01NES	19/01/2009
12760/2008	323935	20-02NES	19/01/2009	14766/2008	323945	09-07A	19/01/2009
12845/2008	323972	06-01H	27/01/2009	14767/2008	323946	07-01C	19/01/2009
12859/2008	324137	15-05	22/01/2009	14768/2008	323947	23-02A	19/01/2009
13048/2008	324134	08-08A	22/01/2009	14769/2008	323948	04-02	19/01/2009
13169/2008	323936	30-04	19/01/2009	14770/2008	323949	23-02A	19/01/2009
13654/2008	323967	08-05NES	27/01/2009	14771/2008	323950	07-01NES	19/01/2009
13883/2008	323968	08-06	27/01/2009	14772/2008	323951	06-07	19/01/2009
13884/2008	323969	08-06	27/01/2009	14802/2008	324175	15-09	23/01/2009
13962/2008	324037	24-04	21/01/2009	14818/2008	324025	29-02	20/01/2009
13977/2008	324139	15-05	22/01/2009	14841/2008	323974	24-04	27/01/2009
14093/2008	324002	09-05	19/01/2009	14842/2008	323976	24-04	27/01/2009
14094/2008	324003	09-05	19/01/2009	14843/2008	323975	24-01	27/01/2009
14120/2008	323970	08-05A	27/01/2009	14849/2008	324172	02-02NES	23/01/2009
14141/2008	324019	23-04	20/01/2009	14852/2008	324173	02-02NES	23/01/2009
14252/2008	324004	13-01	19/01/2009	14853/2008	324174	02-02NES	23/01/2009
14253/2008	324005	13-03NES	19/01/2009	14855/2008	324141	23-01K	22/01/2009
14254/2008	324006	13-03NES	19/01/2009	14859/2008	323977	24-01	27/01/2009
14256/2008	323937	08-05NES	19/01/2009	14860/2008	323978	24-01	27/01/2009
14321/2008	323971	06-04NES	27/01/2009	14861/2008	323979	24-01	27/01/2009
14344/2008	324020	19-06	20/01/2009	14906/2008	324142	08-06	22/01/2009
14345/2008	323938	08-05F	19/01/2009	14907/2008	324143	08-06	22/01/2009
14357/2008	324044	24-01	21/01/2009	14908/2008	324144	08-06	22/01/2009
14380/2008	324007	09-02B	19/01/2009	14934/2008	324047	02-01B	21/01/2009
14395/2008	324021	20-03NES	20/01/2009	15115/2008	324048	08-03	21/01/2009
14439/2008	324045	26-03	21/01/2009	15170/2008	324049	01-01	21/01/2009
14440/2008	324046	26-03	21/01/2009	15171/2008	324050	01-01	21/01/2009
14443/2008	324008	12-16E	19/01/2009	15276/2008	324081	06-01G	22/01/2009

Publication and Registration Proceedings - Designs Registered cont'd

Design Number	Registration Number	International Classification Code (IDC)	Registration Date	Design Number	Registration Number	International Classification Code (IDC)	Registration Date
15277/2008	324082	06-01G	22/01/2009	15578/2008	324001	06-03A	19/01/2009
15278/2008	324083	06-01G	22/01/2009	15579/2008	324029	23-04	20/01/2009
15279/2008	324084	06-01G	22/01/2009	15580/2008	324030	23-01A	20/01/2009
15280/2008	324085	06-01G	22/01/2009	15582/2008	324031	23-01F	20/01/2009
15281/2008	324086	06-01G	22/01/2009	15584/2008	324032	07-02B	20/01/2009
15282/2008	324087	06-01G	22/01/2009	15586/2008	324033	04-02	20/01/2009
15283/2008	324088	06-01G	22/01/2009	15587/2008	324011	06-01NES	19/01/2009
15284/2008	324089	06-01G	22/01/2009	15588/2008	324012	06-01NES	19/01/2009
15285/2008	324090	06-01G	22/01/2009	15590/2008	324013	23-01E	19/01/2009
15286/2008	323952	09-03F	19/01/2009	15591/2008	324065	23-01D	22/01/2009
15292/2008	324100	06-01G	21/01/2009	15592/2008	324014	13-03B	19/01/2009
15293/2008	324101	06-01G	21/01/2009	15593/2008	324066	09-03A	22/01/2009
15294/2008	324102	06-01G	21/01/2009	15594/2008	324067	09-03A	22/01/2009
15295/2008	324103	06-01G	21/01/2009	15595/2008	324068	09-03A	22/01/2009
15296/2008	324104	06-01G	21/01/2009	15596/2008	324069	09-03A	22/01/2009
15297/2008	324105	06-01G	21/01/2009	15597/2008	324070	14-01	22/01/2009
15298/2008	324106	06-01G	21/01/2009	15598/2008	324071	02-04NES	22/01/2009
15299/2008	324107	06-01G	21/01/2009	15599/2008	324072	14-01	22/01/2009
15300/2008	324108	06-01G	21/01/2009	15600/2008	324073	14-01	22/01/2009
15307/2008	323953	07-02E	19/01/2009	15601/2008	324074	14-01	22/01/2009
15325/2008	324064	28-03NES	22/01/2009	15602/2008	324075	14-01	22/01/2009
15326/2008	324109	06-01G	21/01/2009	15603/2008	324076	14-01	22/01/2009
15327/2008	324110	06-01G	21/01/2009	15604/2008	324077	14-01	22/01/2009
15337/2008	324111	06-01G	21/01/2009	15605/2008	324078	21-01E	22/01/2009
15410/2008	323985	06-03A	19/01/2009	15606/2008	324079	08-08B	22/01/2009
15485/2008	324220	19-06	27/01/2009	15607/2008	324080	07-02L	22/01/2009
15519/2008	324051	08-05P	21/01/2009	15608/2008	324054	24-04	20/01/2009
15521/2008	323958	13-03C	19/01/2009	15609/2008	324055	21-02C	20/01/2009
15522/2008	323959	13-03C	19/01/2009	15610/2008	324056	21-02C	20/01/2009
15536/2008	323980	07-02P	27/01/2009	15611/2008	324057	21-02C	20/01/2009
15538/2008	323960	13-03C	19/01/2009	15617/2008	324058	20-99	20/01/2009
15539/2008	323961	13-03C	19/01/2009	15618/2008	324059	13-02	20/01/2009
15540/2008	323962	15-01	19/01/2009	15619/2008	324060	13-02	20/01/2009
15542/2008	324208	06-03NES	23/01/2009	15620/2008	324061	08-01	20/01/2009
15545/2008	323963	08-03	19/01/2009	15621/2008	324062	13-03B	20/01/2009
15546/2008	323964	08-03	19/01/2009	15622/2008	324063	15-05	20/01/2009
15547/2008	323965	07-01F	19/01/2009	15629/2008	324034	26-04	20/01/2009
15548/2008	324052	07-01NES	21/01/2009	15631/2008	324091	13-03NES	22/01/2009
15549/2008	324026	14-03B	20/01/2009	15632/2008	324092	26-05C	22/01/2009
15551/2008	324053	08-03	21/01/2009	15633/2008	324093	12-16F	22/01/2009
15552/2008	323986	25-02C	19/01/2009	15634/2008	324094	12-16F	22/01/2009
15553/2008	323987	25-02C	19/01/2009	15636/2008	324095	07-02F	22/01/2009
15554/2008	323988	25-02C	19/01/2009	15637/2008	324096	28-03NES	22/01/2009
15555/2008	323989	25-02C	19/01/2009	15638/2008	324097	08-08A	22/01/2009
15556/2008	323990	10-04	19/01/2009	15639/2008	324098	09-03M	22/01/2009
15557/2008	323991	10-04	19/01/2009	15640/2008	324099	09-03M	22/01/2009
15558/2008	323992	07-02NES	19/01/2009	15648/2008	324112	25-02NES	21/01/2009
15559/2008	323993	08-03	19/01/2009	15649/2008	324195	25-02NES	27/01/2009
15560/2008	323994	10-04	19/01/2009	15650/2008	324113	25-02NES	21/01/2009
15561/2008	323995	08-03	19/01/2009	15652/2008	324114	08-10	21/01/2009
15562/2008	323996	08-03	19/01/2009	15653/2008	324115	14-03E	21/01/2009
15563/2008	323997	10-04	19/01/2009	15654/2008	324116	08-10	21/01/2009
15564/2008	323998	06-01F	19/01/2009	15660/2008	324152	23-04	23/01/2009
15568/2008	323999	12-16M	19/01/2009	15661/2008	324153	23-04	23/01/2009
15569/2008	324000	07-01C	19/01/2009	15662/2008	324154	23-04	23/01/2009
15573/2008	324209	23-01E	23/01/2009	15663/2008	324169	13-03NES	23/01/2009
15575/2008	324027	01-01	20/01/2009	15664/2008	324170	13-03NES	23/01/2009
15577/2008	324028	14-01	20/01/2009	15665/2008	324187	12-16L	23/01/2009

Publication and Registration Proceedings - Designs Registered cont'd

Design Number	Registration Number	International Classification Code (IDC)	Registration Date	Design Number	Registration Number	International Classification Code (IDC)	Registration Date
15668/2008	324155	14-03E	23/01/2009	15764/2008	324183	08-06	23/01/2009
15669/2008	324156	14-03E	23/01/2009	15770/2008	324207	12-10	23/01/2009
15670/2008	324157	14-03E	23/01/2009	15775/2008	324184	07-02L	23/01/2009
15671/2008	324158	14-03A	23/01/2009	15776/2008	324185	14-03E	23/01/2009
15672/2008	324159	14-03A	23/01/2009	15777/2008	324186	25-02K	23/01/2009
15673/2008	324160	14-03E	23/01/2009	15779/2008	324223	13-03D	27/01/2009
15674/2008	324161	14-03A	23/01/2009	15804/2008	324224	03-01B	27/01/2009
15675/2008	324162	09-01D	23/01/2009	15810/2008	324221	19-06	27/01/2009
15677/2008	324188	21-02C	23/01/2009	15811/2008	324222	19-06	27/01/2009
15680/2008	324189	09-07A	23/01/2009	15812/2008	324225	25-01E	27/01/2009
15681/2008	324190	14-03A	23/01/2009	15813/2008	324226	25-01E	27/01/2009
15682/2008	324191	14-03A	23/01/2009	15814/2008	324227	09-07C	27/01/2009
15690/2008	324192	12-11	23/01/2009	15815/2008	324228	09-07C	27/01/2009
15691/2008	324193	08-10	23/01/2009	15816/2008	324229	09-07C	27/01/2009
15697/2008	324194	15-02	23/01/2009	15817/2008	324230	09-07C	27/01/2009
15703/2008	324196	13-03NES	23/01/2009	15821/2008	324231	09-01NES	27/01/2009
15704/2008	324197	26-02	23/01/2009	15822/2008	324232	09-01NES	27/01/2009
15705/2008	324198	26-02	23/01/2009	15823/2008	324233	09-01NES	27/01/2009
15714/2008	324199	19-99	23/01/2009	15824/2008	324234	09-01NES	27/01/2009
15715/2008	324200	19-99	23/01/2009	15825/2008	324235	09-01NES	27/01/2009
15716/2008	324201	19-99	23/01/2009	15826/2008	324236	09-07C	27/01/2009
15722/2008	324202	25-02H	23/01/2009	15827/2008	324237	09-07C	27/01/2009
15723/2008	324203	25-02H	23/01/2009	15828/2008	324238	09-07C	27/01/2009
15724/2008	324204	25-02H	23/01/2009	15829/2008	324239	09-07C	27/01/2009
15725/2008	324205	25-02H	23/01/2009	15830/2008	324240	09-07C	27/01/2009
15726/2008	324206	25-02H	23/01/2009	15853/2008	324210	06-01G	23/01/2009
15735/2008	324163	03-01D	23/01/2009	15854/2008	324211	06-01G	23/01/2009
15736/2008	324164	03-01D	23/01/2009	15855/2008	324212	06-01E	23/01/2009
15737/2008	324145	09-03M	22/01/2009	15856/2008	324213	06-01E	23/01/2009
15738/2008	324146	15-07	22/01/2009	15896/2008	324214	12-15A	23/01/2009
15740/2008	324147	99-00	22/01/2009	15897/2008	324215	28-03NES	23/01/2009
15741/2008	324148	11-04	22/01/2009	15901/2008	324216	21-02C	23/01/2009
15742/2008	324149	07-99A	22/01/2009	15902/2008	324217	21-02C	23/01/2009
15746/2008	324150	12-15B	22/01/2009	15903/2008	324218	08-08NES	23/01/2009
15747/2008	324165	07-02L	23/01/2009	15904/2008	324219	12-16K	23/01/2009
15748/2008	324166	07-02L	23/01/2009	16082/2008	324136	15-05	22/01/2009
15750/2008	324167	12-15C	23/01/2009	16083/2008	324138	15-05	22/01/2009
15752/2008	324168	12-06NES	23/01/2009	16084/2008	324140	15-05	22/01/2009
15753/2008	323981	25-02NES	27/01/2009	16089/2008	324176	15-09	23/01/2009
15754/2008	324178	09-07A	23/01/2009	16090/2008	324177	15-09	23/01/2009
15757/2008	324179	04-02	23/01/2009				
15760/2008	324180	21-01F	23/01/2009				
15762/2008	324181	08-08NES	23/01/2009				
15763/2008	324182	08-08NES	23/01/2009				

Publication and Registration Proceedings
Class Listing of Designs Published or Registered

The following section shows an International Classification Code listing of the Registered or Published Designs covered in this supplement.

Classification	Registration Number	Design Number	Classification	Registration Number	Design Number
01-01	324027	15575/2008	06-01 NES	324012	15588/2008
01-01	324049	15170/2008	06-03 A	323985	15410/2008
01-01	324050	15171/2008	06-03 A	324001	15578/2008
02-01 B	324024	14756/2008	06-03 C	324020	14344/2008
02-01 B	324047	14934/2008	06-03 NES	324208	15542/2008
02-02 NES	324171	12062/2008	06-04 NES	323971	14321/2008
02-02 NES	324172	14849/2008	06-04 NES	324010	14689/2008
02-02 NES	324173	14852/2008	06-06 G	324211	15854/2008
02-02 NES	324174	14853/2008	06-07	323951	14772/2008
02-04 NES	324071	15598/2008	06-09	324151	14727/2008
03-01 B	323966	12391/2008	07-01 B	323997	15563/2008
03-01 B	324224	15804/2008	07-01 C	323946	14767/2008
03-01 D	324163	15735/2008	07-01 C	324000	15569/2008
03-01 D	324164	15736/2008	07-01 F	323965	15547/2008
03-01 NES	323939	14759/2008	07-01 NES	323950	14771/2008
03-01 NES	323940	14760/2008	07-01 NES	324052	15548/2008
03-01 NES	323941	14761/2008	07-02 B	324032	15584/2008
03-01 NES	323942	14762/2008	07-02 E	323953	15307/2008
03-01 NES	323943	14763/2008	07-02 F	324095	15636/2008
03-01 NES	323944	14764/2008	07-02 L	324080	15607/2008
03-01 NES	324163	15735/2008	07-02 L	324165	15747/2008
03-01 NES	324164	15736/2008	07-02 L	324166	15748/2008
04-02	323948	14769/2008	07-02 L	324184	15775/2008
04-02	324033	15586/2008	07-02 NES	323992	15558/2008
04-02	324179	15757/2008	07-02 P	323980	15536/2008
06-01 E	324212	15855/2008	07-02 R	323996	15562/2008
06-01 E	324213	15856/2008	07-03	323994	15560/2008
06-01 F	323973	14583/2008	07-03	324117	12494/2008
06-01 F	323998	15564/2008	07-03	324118	12495/2008
06-01 F	324210	15853/2008	07-03	324119	12496/2008
06-01 G	324081	15276/2008	07-03	324120	12497/2008
06-01 G	324082	15277/2008	07-03	324121	12498/2008
06-01 G	324083	15278/2008	07-03	324122	12499/2008
06-01 G	324084	15279/2008	07-03	324123	12500/2008
06-01 G	324085	15280/2008	07-03	324124	12501/2008
06-01 G	324086	15281/2008	07-03	324125	12502/2008
06-01 G	324087	15282/2008	07-03	324126	12503/2008
06-01 G	324088	15283/2008	07-03	324127	12504/2008
06-01 G	324089	15284/2008	07-03	324128	12505/2008
06-01 G	324090	15285/2008	07-03	324129	12506/2008
06-01 G	324100	15292/2008	07-03	324130	12507/2008
06-01 G	324101	15293/2008	07-03	324131	12508/2008
06-01 G	324102	15294/2008	07-03	324132	12509/2008
06-01 G	324103	15295/2008	07-03	324133	12510/2008
06-01 G	324104	15296/2008	07-04	323992	15558/2008
06-01 G	324105	15297/2008	07-04	324189	15680/2008
06-01 G	324106	15298/2008	07-99 A	324149	15742/2008
06-01 G	324107	15299/2008	08-01	324061	15620/2008
06-01 G	324108	15300/2008	08-03	323963	15545/2008
06-01 G	324109	15326/2008	08-03	323964	15546/2008
06-01 G	324110	15327/2008	08-03	323993	15559/2008
06-01 G	324111	15337/2008	08-03	323995	15561/2008
06-01 G	324210	15853/2008	08-03	323996	15562/2008
06-01 G	324211	15854/2008	08-03	324048	15115/2008
06-01 H	323972	12845/2008	08-03	324053	15551/2008
06-01 NES	324011	15587/2008	08-05 A	323970	14120/2008

Registration Proceedings - Class Listing of Designs Published or Registered cont'd

Classification	Registration Number	Design Number	Classification	Registration Number	Design Number
08-05 F	323938	14345/2008	09-07 B	324240	15830/2008
08-05 NES	323937	14256/2008	09-07 C	324227	15814/2008
08-05 NES	323967	13654/2008	09-07 C	324228	15815/2008
08-05 P	324051	15519/2008	09-07 C	324229	15816/2008
08-06	323968	13883/2008	09-07 C	324230	15817/2008
08-06	323969	13884/2008	09-07 C	324236	15826/2008
08-06	324142	14906/2008	09-07 C	324237	15827/2008
08-06	324143	14907/2008	09-07 C	324238	15828/2008
08-06	324144	14908/2008	09-07 C	324239	15829/2008
08-06	324183	15764/2008	09-07 C	324240	15830/2008
08-07	323984	14692/2008	10-04	323990	15556/2008
08-08 A	324097	15638/2008	10-04	323991	15557/2008
08-08 A	324134	13048/2008	10-04	323994	15560/2008
08-08 B	323986	15552/2008	10-04	323997	15563/2008
08-08 B	323987	15553/2008	10-05	324044	14357/2008
08-08 B	323988	15554/2008	10-05	324196	15703/2008
08-08 B	323989	15555/2008	10-06	323986	15552/2008
08-08 B	324079	15606/2008	10-06	323987	15553/2008
08-08 NES	323986	15552/2008	10-06	323988	15554/2008
08-08 NES	323987	15553/2008	10-06	323989	15555/2008
08-08 NES	323988	15554/2008	11-04	324148	15741/2008
08-08 NES	323989	15555/2008	12-05	323955	14724/2008
08-08 NES	324181	15762/2008	12-05	323956	14725/2008
08-08 NES	324182	15763/2008	12-05	323957	14726/2008
08-08 NES	324218	15903/2008	12-06 NES	324168	15752/2008
08-10	324114	15652/2008	12-08	324015	12618/2008
08-10	324116	15654/2008	12-08	324016	12619/2008
08-10	324193	15691/2008	12-08	324017	12620/2008
08-99	324035	11697/2008	12-08	324018	12621/2008
08-99	324036	11698/2008	12-10	324187	15665/2008
09-01 D	324162	15675/2008	12-10	324196	15703/2008
09-01 G	324064	15325/2008	12-10	324207	15770/2008
09-01 NES	324231	15821/2008	12-11	324009	14449/2008
09-01 NES	324232	15822/2008	12-11	324093	15633/2008
09-01 NES	324233	15823/2008	12-11	324094	15634/2008
09-01 NES	324234	15824/2008	12-11	324192	15690/2008
09-01 NES	324235	15825/2008	12-15 A	324214	15896/2008
09-02 B	324007	14380/2008	12-15 B	324150	15746/2008
09-03 A	324066	15593/2008	12-15 C	324167	15750/2008
09-03 A	324067	15594/2008	12-16 E	324008	14443/2008
09-03 A	324068	15595/2008	12-16 F	324093	15633/2008
09-03 A	324069	15596/2008	12-16 F	324094	15634/2008
09-03 F	323952	15286/2008	12-16 K	324219	15904/2008
09-03 M	324098	15639/2008	12-16 L	324187	15665/2008
09-03 M	324099	15640/2008	12-16 M	323999	15568/2008
09-03 M	324145	15737/2008	13-01	323954	14670/2008
09-05	324002	14093/2008	13-01	324004	14252/2008
09-05	324003	14094/2008	13-02	324059	15618/2008
09-07 A	323945	14766/2008	13-02	324060	15619/2008
09-07 A	324178	15754/2008	13-03 B	324014	15592/2008
09-07 A	324189	15680/2008	13-03 B	324062	15621/2008
09-07 B	324227	15814/2008	13-03 C	323958	15521/2008
09-07 B	324228	15815/2008	13-03 C	323959	15522/2008
09-07 B	324229	15816/2008	13-03 C	323960	15538/2008
09-07 B	324230	15817/2008	13-03 C	323961	15539/2008
09-07 B	324236	15826/2008	13-03 D	324223	15779/2008
09-07 B	324237	15827/2008	13-03 NES	324005	14253/2008
09-07 B	324238	15828/2008	13-03 NES	324006	14254/2008
09-07 B	324239	15829/2008	13-03 NES	324091	15631/2008

Registration Proceedings - Class Listing of Designs Published or Registered cont'd

Classification	Registration Number	Design Number	Classification	Registration Number	Design Number
13-03 NES	324169	15663/2008	21-02 C	324188	15677/2008
13-03 NES	324170	15664/2008	21-02 C	324216	15901/2008
13-03 NES	324196	15703/2008	21-02 C	324217	15902/2008
14-01	324028	15577/2008	23-01 A	324030	15580/2008
14-01	324070	15597/2008	23-01 D	324065	15591/2008
14-01	324072	15599/2008	23-01 E	324013	15590/2008
14-01	324073	15600/2008	23-01 E	324030	15580/2008
14-01	324074	15601/2008	23-01 E	324065	15591/2008
14-01	324075	15602/2008	23-01 E	324209	15573/2008
14-01	324076	15603/2008	23-01 F	324031	15582/2008
14-01	324077	15604/2008	23-01 K	324141	14855/2008
14-02	324115	15653/2008	23-02 A	323947	14768/2008
14-02	324223	15779/2008	23-02 A	323949	14770/2008
14-03 A	324158	15671/2008	23-04	324019	14141/2008
14-03 A	324159	15672/2008	23-04	324029	15579/2008
14-03 A	324161	15674/2008	23-04	324152	15660/2008
14-03 A	324190	15681/2008	23-04	324153	15661/2008
14-03 A	324191	15682/2008	23-04	324154	15662/2008
14-03 B	324026	15549/2008	24-01	323975	14843/2008
14-03 E	324115	15653/2008	24-01	323977	14859/2008
14-03 E	324155	15668/2008	24-01	323978	14860/2008
14-03 E	324156	15669/2008	24-01	323979	14861/2008
14-03 E	324157	15670/2008	24-01	324044	14357/2008
14-03 E	324160	15673/2008	24-02	324033	15586/2008
14-03 E	324185	15776/2008	24-04	323974	14841/2008
14-03 NES	324023	14754/2008	24-04	323976	14842/2008
14-99	324044	14357/2008	24-04	324037	13962/2008
15-01	323962	15540/2008	24-04	324038	14534/2008
15-02	324194	15697/2008	24-04	324039	14536/2008
15-05	324022	14753/2008	24-04	324040	14538/2008
15-05	324063	15622/2008	24-04	324041	14540/2008
15-05	324135	12011/2008	24-04	324042	14542/2008
15-05	324136	16082/2008	24-04	324043	14544/2008
15-05	324137	12859/2008	24-04	324054	15608/2008
15-05	324138	16083/2008	25-01 E	323982	14581/2008
15-05	324139	13977/2008	25-01 E	323983	14582/2008
15-05	324140	16084/2008	25-01 E	324225	15812/2008
15-07	324146	15738/2008	25-01 E	324226	15813/2008
15-09	324175	14802/2008	25-02 C	323986	15552/2008
15-09	324176	16089/2008	25-02 C	323987	15553/2008
15-09	324177	16090/2008	25-02 C	323988	15554/2008
19-04	324058	15617/2008	25-02 C	323989	15555/2008
19-06	324020	14344/2008	25-02 H	324202	15722/2008
19-06	324220	15485/2008	25-02 H	324203	15723/2008
19-06	324221	15810/2008	25-02 H	324204	15724/2008
19-06	324222	15811/2008	25-02 H	324205	15725/2008
19-99	324199	15714/2008	25-02 H	324206	15726/2008
19-99	324200	15715/2008	25-02 K	324186	15777/2008
19-99	324201	15716/2008	25-02 NES	323981	15753/2008
20-02 C	324146	15738/2008	25-02 NES	324112	15648/2008
20-02 NES	323935	12760/2008	25-02 NES	324113	15650/2008
20-03 NES	324021	14395/2008	25-02 NES	324195	15649/2008
20-99	324058	15617/2008	26-02	324197	15704/2008
21-01 E	324078	15605/2008	26-02	324198	15705/2008
21-01 F	324180	15760/2008	26-03	324045	14439/2008
21-01 M	323971	14321/2008	26-03	324046	14440/2008
21-02 C	324055	15609/2008	26-04	324034	15629/2008
21-02 C	324056	15610/2008	26-05 C	324092	15632/2008
21-02 C	324057	15611/2008	28-03 NES	324033	15586/2008

Registration Proceedings - Class Listing of Designs Published or Registered cont'd

Classification	Registration Number	Design Number	Classification	Registration Number	Design Number
28-03 NES	324064	15325/2008	29-02	324025	14818/2008
28-03 NES	324096	15637/2008	30-04	323936	13169/2008
28-03 NES	324215	15897/2008	99-00	324147	15740/2008
29-02	324022	14753/2008			
29-02	324023	14754/2008			

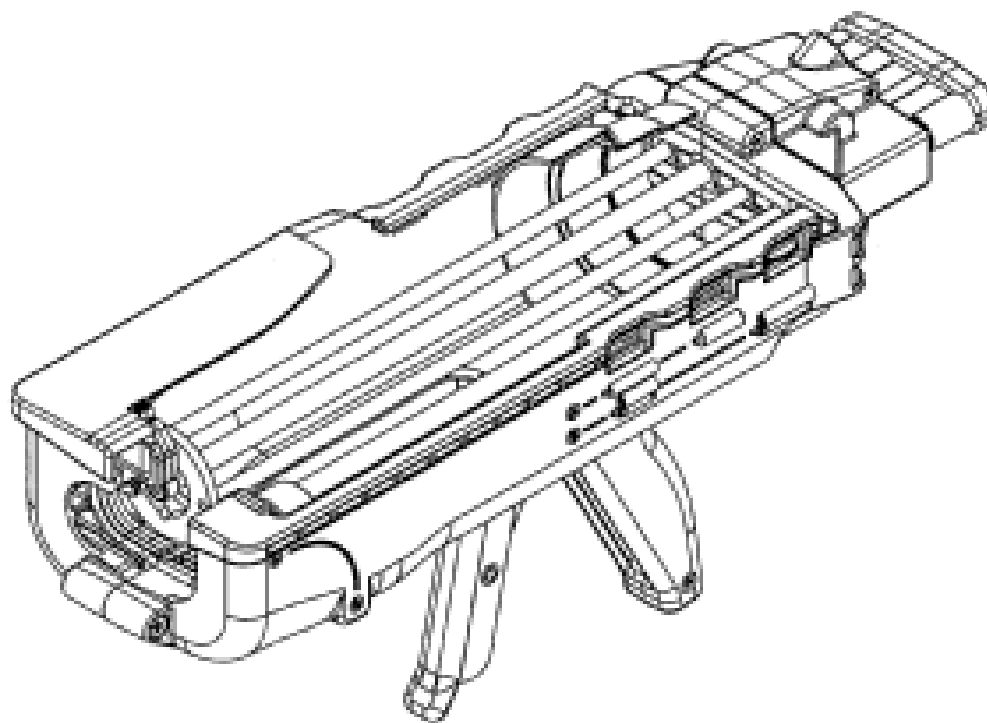
- (21) Design Number: **12760/2008**
(22) Date of Filing Application: **10 June 2008**
(24) Date from which industrial property rights may have effect: **10 June 2008**
(54) Product in respect of which the design is registered: **Swivel Counter Display Stand**
(51) International Design Classification: **20-02NES**
(71) Name(s) and Address(s) of Applicant(s):
Neals Yard Pty Ltd
Unit 1/42 William Street Botany New South Wales 2019 Australia
(72) Name(s) of Designer(s): **Neal Karpas**
(45) Registration Date: **19 January 2009**
(56) Related Art Documents: **Not Applicable**
(57) Statement of Newness and Distinctiveness: **Unique features are 1) The top piece is insertable on the inside of the bottom piece. 2) The top piece covers the bottom piece at the top. 3) The design is available in various sizes and proportions. 4) Swivel base.**



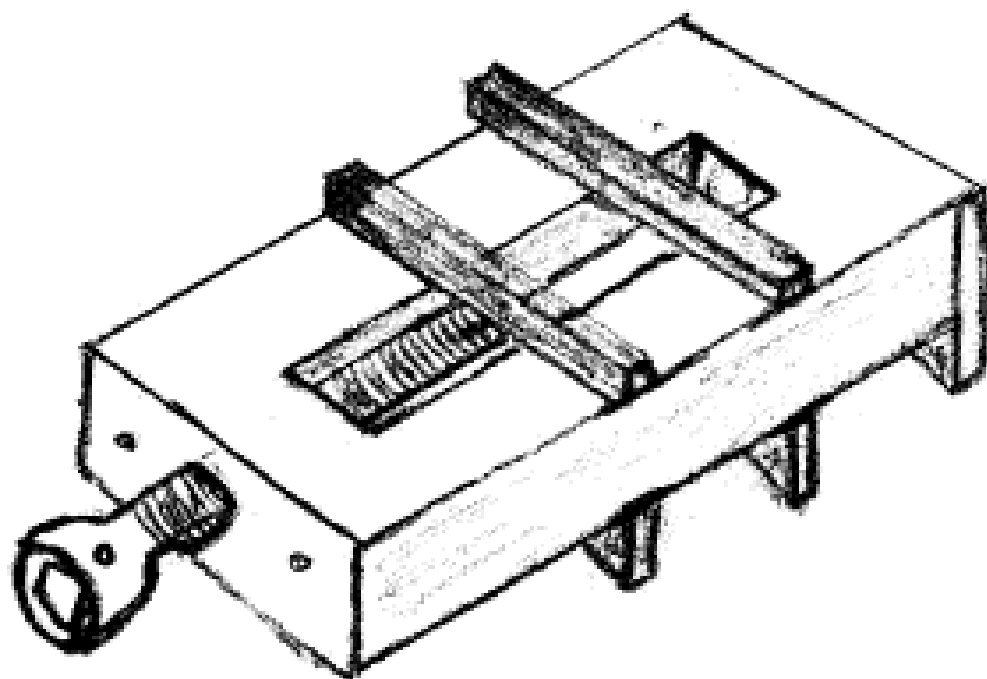
- (21) Design Number: **13169/2008**
(22) Date of Filing Application: **08 July 2008**
(24) Date from which industrial property rights may have effect: **08 July 2008**
(54) Product in respect of which the design is registered: **A saddle tree**
(51) International Design Classification: **30-04**
(71) Name(s) and Address(s) of Applicant(s):
John Christopher Brophy
PO Box 82 Dayboro Queensland 4521 Australia
(72) Name(s) of Designer(s): **John Christopher Brophy**
(45) Registration Date: **19 January 2009**
(56) Related Art Documents: **Not Applicable**
(57) Statement of Newness and Distinctiveness: **The shape and configuration of the saddle tree is new and distinctive except for the horn mounted on top of the swells.**



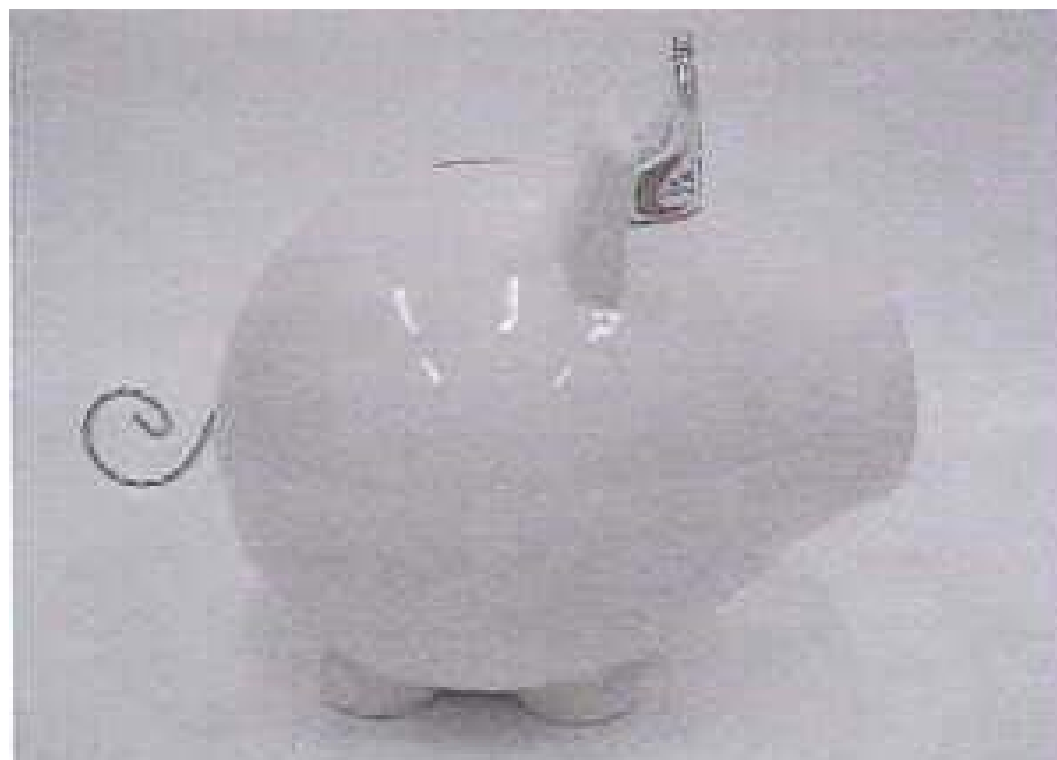
- (21) Design Number: **14256/2008**
(22) Date of Filing Application: **03 September 2008**
(24) Date from which industrial property rights may have effect: **03 September 2008**
(54) Product in respect of which the design is registered: **Caulking gun**
(51) International Design Classification: **08-05NES**
(71) Name(s) and Address(s) of Applicant(s):
Kroger A/S
Geminivej 4-6 DK-2670 Greve Denmark
(72) Name(s) of Designer(s): **Jorgen Elmelund**
(45) Registration Date: **19 January 2009**
(30) Convention priority data:
(31) Number (32) Date (33) Country
000890413 04 Mar 2008 EUROPEAN COMMUNITY
(56) Related Art Documents: **Not Applicable**
(57) Statement of Newness and Distinctiveness: **Those features of caulking gun depicted in the representations that are new and distinctive are the shape and/or configuration.**



- (21) Design Number: **14345/2008**
(22) Date of Filing Application: **09 September 2008**
(24) Date from which industrial property rights may have effect: **09 September 2008**
(54) Product in respect of which the design is registered: **Deck Clamp**
(51) International Design Classification: **08-05F**
(71) Name(s) and Address(s) of Applicant(s):
Paul Francesco Romeo
5 Threadneedle Street Attwood Victoria 3049 Australia
(72) Name(s) of Designer(s): **Paul Francesco Romeo**
(45) Registration Date: **19 January 2009**
(56) Related Art Documents: **Not Applicable**
(57) Statement of Newness and Distinctiveness: **Nil**



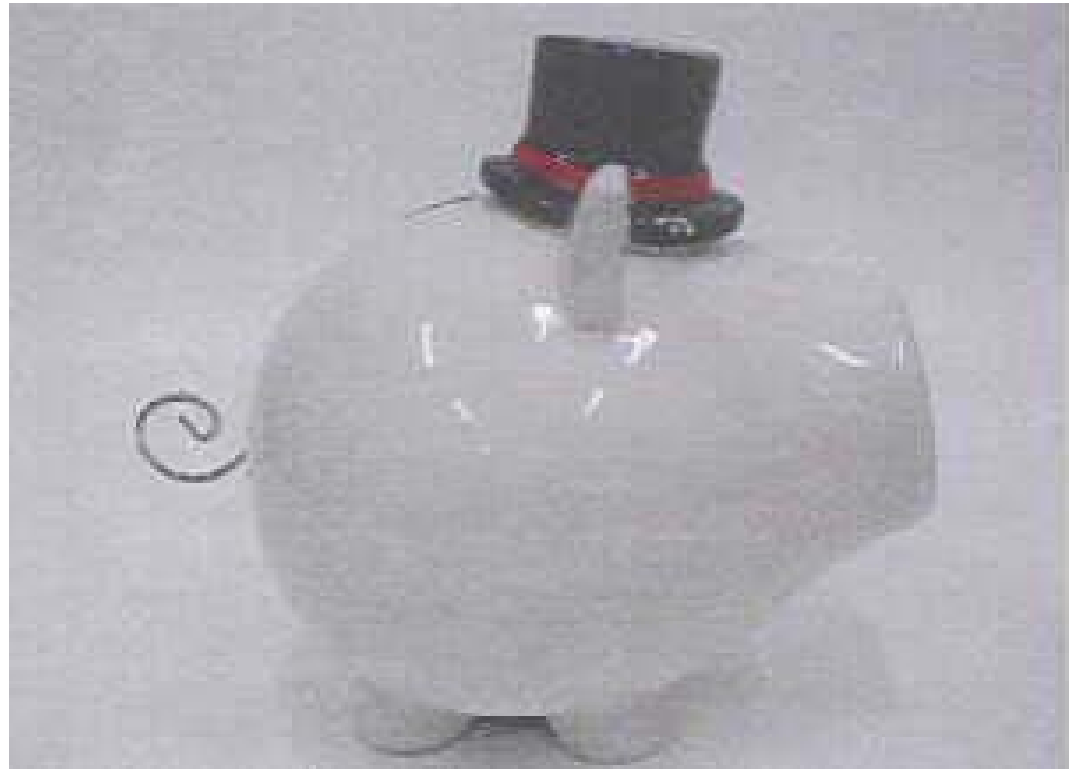
- (21) Design Number: **14759/2008**
(22) Date of Filing Application: **02 October 2008**
(24) Date from which industrial property rights may have effect: **02 October 2008**
(54) Product in respect of which the design is registered: **Money box**
(51) International Design Classification: **03-01NES**
(71) Name(s) and Address(s) of Applicant(s):
Bambis Imports Co. Pty Ltd
1-9 Moreland Road East Coburg Victoria 3058 Australia
(72) Name(s) of Designer(s): **Sissi Stasios**
(45) Registration Date: **19 January 2009**
(56) Related Art Documents: **Not Applicable**
(57) Statement of Newness and Distinctiveness: **Body shape, piggy tail, eyes, ears and tiara colour and pattern may vary.**



- (21) Design Number: **14760/2008**
(22) Date of Filing Application: **02 October 2008**
(24) Date from which industrial property rights may have effect: **02 October 2008**
(54) Product in respect of which the design is registered: **Money box**
(51) International Design Classification: **03-01NES**
(71) Name(s) and Address(s) of Applicant(s):
Bambis Imports Co. Pty Ltd
1-9 Moreland Road East Coburg Victoria 3058 Australia
(72) Name(s) of Designer(s): **Sissi Stasios**
(45) Registration Date: **19 January 2009**
(56) Related Art Documents: **Not Applicable**
(57) Statement of Newness and Distinctiveness: **Body shape, piggy tail, eyes, ears and crown colour and pattern may vary.**



- (21) Design Number: **14761/2008**
(22) Date of Filing Application: **02 October 2008**
(24) Date from which industrial property rights may have effect: **02 October 2008**
(54) Product in respect of which the design is registered: **Money box**
(51) International Design Classification: **03-01NES**
(71) Name(s) and Address(s) of Applicant(s):
Bambis Imports Co. Pty Ltd
1-9 Moreland Road East Coburg Victoria 3058 Australia
(72) Name(s) of Designer(s): **Sissi Stasios**
(45) Registration Date: **19 January 2009**
(56) Related Art Documents: **Not Applicable**
(57) Statement of Newness and Distinctiveness: **Body shape, piggy tail, eyes, ears and top hat colour and pattern may vary.**



- (21) Design Number: **14762/2008**
(22) Date of Filing Application: **02 October 2008**
(24) Date from which industrial property rights may have effect: **02 October 2008**
(54) Product in respect of which the design is registered: **Money box**
(51) International Design Classification: **03-01NES**
(71) Name(s) and Address(s) of Applicant(s):
Bambis Imports Co. Pty Ltd
1-9 Moreland Road East Coburg Victoria 3058 Australia
(72) Name(s) of Designer(s): **Sissi Stasios**
(45) Registration Date: **19 January 2009**
(56) Related Art Documents: **Not Applicable**
(57) Statement of Newness and Distinctiveness: **Body shape, piggy tail, eyes, ears and flower colour and pattern may vary.**



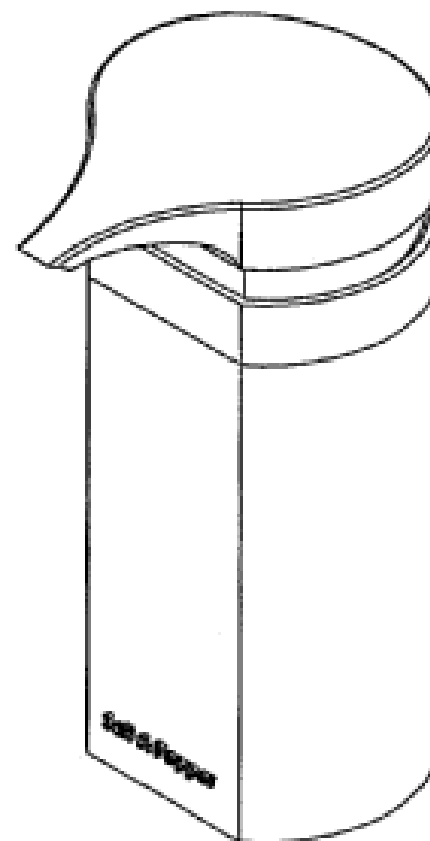
- (21) Design Number: **14763/2008**
(22) Date of Filing Application: **02 October 2008**
(24) Date from which industrial property rights may have effect: **02 October 2008**
(54) Product in respect of which the design is registered: **Money box**
(51) International Design Classification: **03-01NES**
(71) Name(s) and Address(s) of Applicant(s):
Bambis Imports Co. Pty Ltd
1-9 Moreland Road East Coburg Victoria 3058 Australia
(72) Name(s) of Designer(s): **Sissi Stasios**
(45) Registration Date: **19 January 2009**
(56) Related Art Documents: **Not Applicable**
(57) Statement of Newness and Distinctiveness: **Body shape, piggy tail, eyes, ears and horns colour and pattern may vary.**



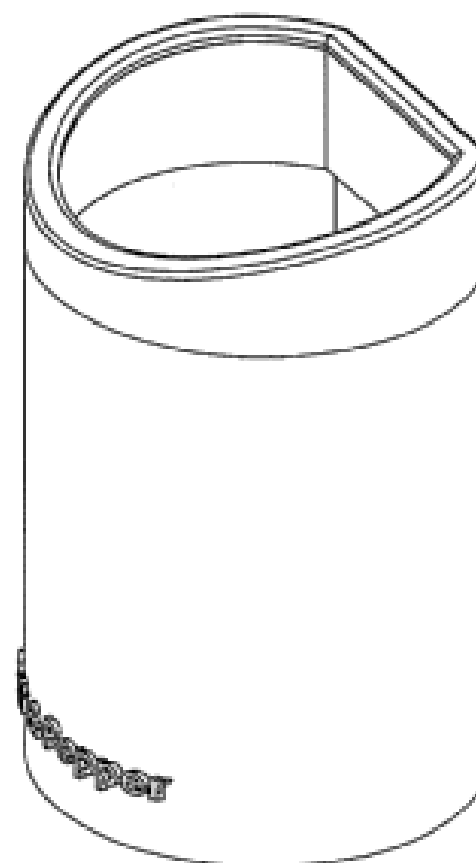
- (21) Design Number: **14764/2008**
(22) Date of Filing Application: **02 October 2008**
(24) Date from which industrial property rights may have effect: **02 October 2008**
(54) Product in respect of which the design is registered: **Money box**
(51) International Design Classification: **03-01NES**
(71) Name(s) and Address(s) of Applicant(s):
Bambis Imports Co. Pty Ltd
1-9 Moreland Road East Coburg Victoria 3058 Australia
(72) Name(s) of Designer(s): **Sissi Stasios**
(45) Registration Date: **19 January 2009**
(56) Related Art Documents: **Not Applicable**
(57) Statement of Newness and Distinctiveness: **Body shape, piggy tail, eyes, ears, wings and halo colour and pattern may vary.**



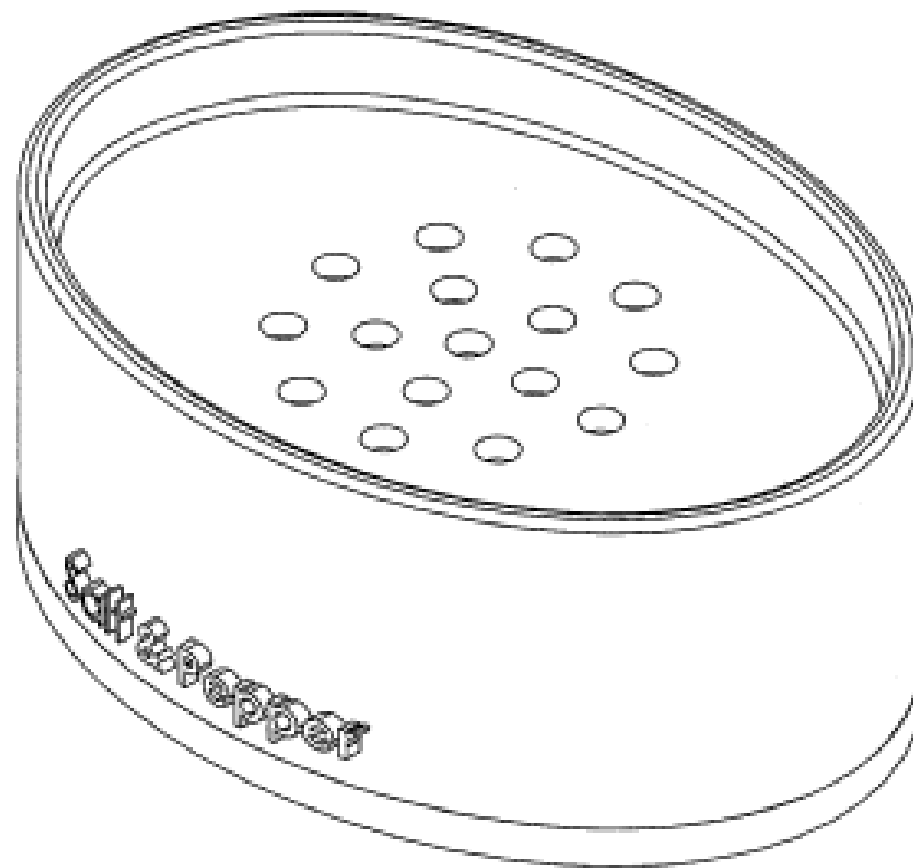
- (21) Design Number: **14766/2008**
(22) Date of Filing Application: **02 October 2008**
(24) Date from which industrial property rights may have effect: **02 October 2008**
(54) Product in respect of which the design is registered: **Liquid dispenser**
(51) International Design Classification: **09-07A**
(71) Name(s) and Address(s) of Applicant(s):
Bambis Imports Co. Pty Ltd
1-9 Moreland Road East Coburg Victoria 3058 Australia
(72) Name(s) of Designer(s): **Sissi Stasios**
(45) Registration Date: **19 January 2009**
(56) Related Art Documents: **Not Applicable**
(57) Statement of Newness and Distinctiveness: **Pump shape.**



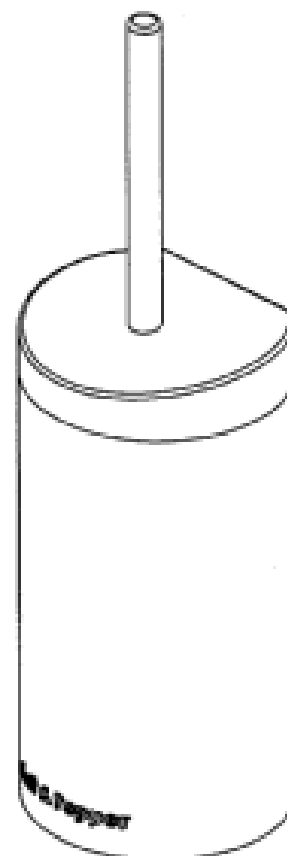
- (21) Design Number: **14767/2008**
(22) Date of Filing Application: **02 October 2008**
(24) Date from which industrial property rights may have effect: **02 October 2008**
(54) Product in respect of which the design is registered: **Tumbler**
(51) International Design Classification: **07-01C**
(71) Name(s) and Address(s) of Applicant(s):
Bambis Imports Co. Pty Ltd
1-9 Moreland Road East Coburg Victoria 3058 Australia
(72) Name(s) of Designer(s): **Sissi Stasios**
(45) Registration Date: **19 January 2009**
(56) Related Art Documents: **Not Applicable**
(57) Statement of Newness and Distinctiveness: **Top shape.**



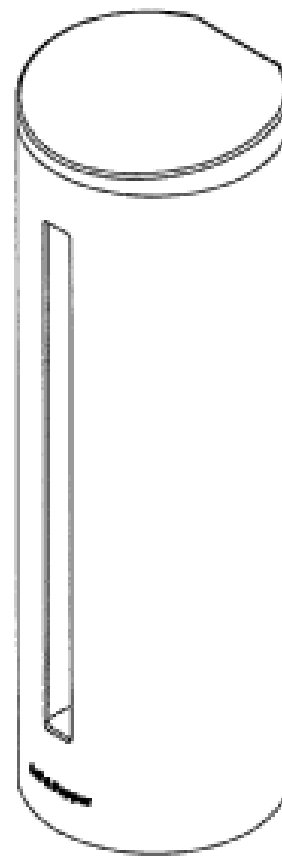
- (21) Design Number: **14768/2008**
- (22) Date of Filing Application: **02 October 2008**
- (24) Date from which industrial property rights may have effect: **02 October 2008**
- (54) Product in respect of which the design is registered: **Soap holder**
- (51) International Design Classification: **23-02A**
- (71) Name(s) and Address(s) of Applicant(s):
Bambis Imports Co. Pty Ltd
1-9 Moreland Road East Coburg Victoria 3058 Australia
- (72) Name(s) of Designer(s): **Sissi Stasios**
- (45) Registration Date: **19 January 2009**
- (56) Related Art Documents: **Not Applicable**
- (57) Statement of Newness and Distinctiveness: **Nil**



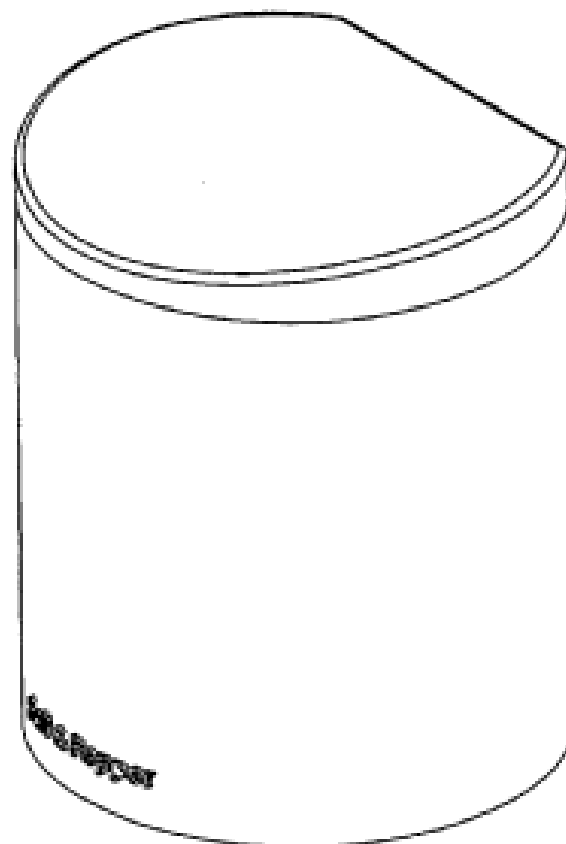
- (21) Design Number: **14769/2008**
- (22) Date of Filing Application: **02 October 2008**
- (24) Date from which industrial property rights may have effect: **02 October 2008**
- (54) Product in respect of which the design is registered: **Toilet brush and holder**
- (51) International Design Classification: **04-02**
- (71) Name(s) and Address(s) of Applicant(s):
Bambis Imports Co. Pty Ltd
1-9 Moreland Road East Coburg Victoria 3058 Australia
- (72) Name(s) of Designer(s): **Sissi Stasios**
- (45) Registration Date: **19 January 2009**
- (56) Related Art Documents: **Not Applicable**
- (57) Statement of Newness and Distinctiveness: **Brush handle's shape.**



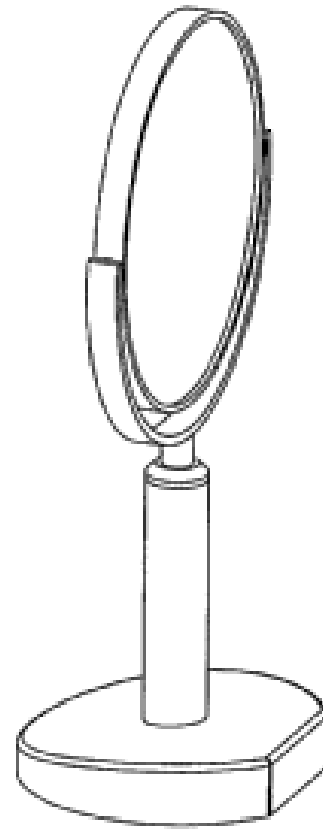
- (21) Design Number: **14770/2008**
- (22) Date of Filing Application: **02 October 2008**
- (24) Date from which industrial property rights may have effect: **02 October 2008**
- (54) Product in respect of which the design is registered: **Paper roll holder**
- (51) International Design Classification: **23-02A**
- (71) Name(s) and Address(s) of Applicant(s):
Bambis Imports Co. Pty Ltd
1-9 Moreland Road East Coburg Victoria 3058 Australia
- (72) Name(s) of Designer(s): **Sissi Stasios**
- (45) Registration Date: **19 January 2009**
- (56) Related Art Documents: **Not Applicable**
- (57) Statement of Newness and Distinctiveness: **Lid shape.**



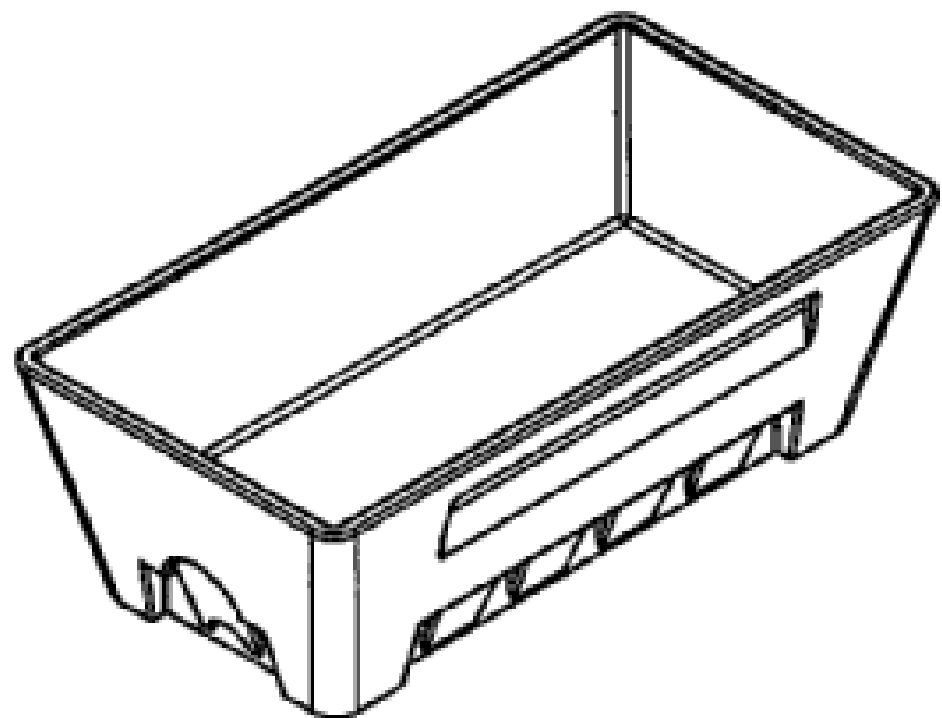
- (21) Design Number: **14771/2008**
- (22) Date of Filing Application: **02 October 2008**
- (24) Date from which industrial property rights may have effect: **02 October 2008**
- (54) Product in respect of which the design is registered: **Canister**
- (51) International Design Classification: **07-01NES**
- (71) Name(s) and Address(s) of Applicant(s):
Bambis Imports Co. Pty Ltd
1-9 Moreland Road East Coburg Victoria 3058 Australia
- (72) Name(s) of Designer(s): **Sissi Stasios**
- (45) Registration Date: **19 January 2009**
- (56) Related Art Documents: **Not Applicable**
- (57) Statement of Newness and Distinctiveness: **Lid shape.**



- (21) Design Number: **14772/2008**
(22) Date of Filing Application: **02 October 2008**
(24) Date from which industrial property rights may have effect: **02 October 2008**
(54) Product in respect of which the design is registered: **Mirror**
(51) International Design Classification: **06-07**
(71) Name(s) and Address(s) of Applicant(s):
Bambis Imports Co. Pty Ltd
1-9 Moreland Road East Coburg Victoria 3058 Australia
(72) Name(s) of Designer(s): **Sissi Stasios**
(45) Registration Date: **19 January 2009**
(56) Related Art Documents: **Not Applicable**
(57) Statement of Newness and Distinctiveness: **Base shape.**



- (21) Design Number: **15286/2008**
(22) Date of Filing Application: **10 November 2008**
(24) Date from which industrial property rights may have effect: **10 November 2008**
(54) Product in respect of which the design is registered: **Plant growing container**
(51) International Design Classification: **09-03F**
(71) Name(s) and Address(s) of Applicant(s):
Choreto Pty Ltd
Suite 2/2 Barolin Street Bundaberg Queensland 4670 Australia
(72) Name(s) of Designer(s): **Barry David Davies**
(45) Registration Date: **19 January 2009**
(56) Related Art Documents: **Not Applicable**
(57) Statement of Newness and Distinctiveness: **1 metre by 0.5 metre growing container 0.35 metre's high providing a growing compartment of 25 cm with 10 cm for water catchment. Hole at the bottom of both ends for drainage. Built in compartment divider between growing medium and water storage.**



(21) Design Number: **15307/2008**

(22) Date of Filing Application: **10 November 2008**

(24) Date from which industrial property rights may have effect: **10 November 2008**

(54) Product in respect of which the design is registered: **Cooking apparatus**

(51) International Design Classification: **07-02E**

(71) Name(s) and Address(s) of Applicant(s):

Garth Living Pty Ltd

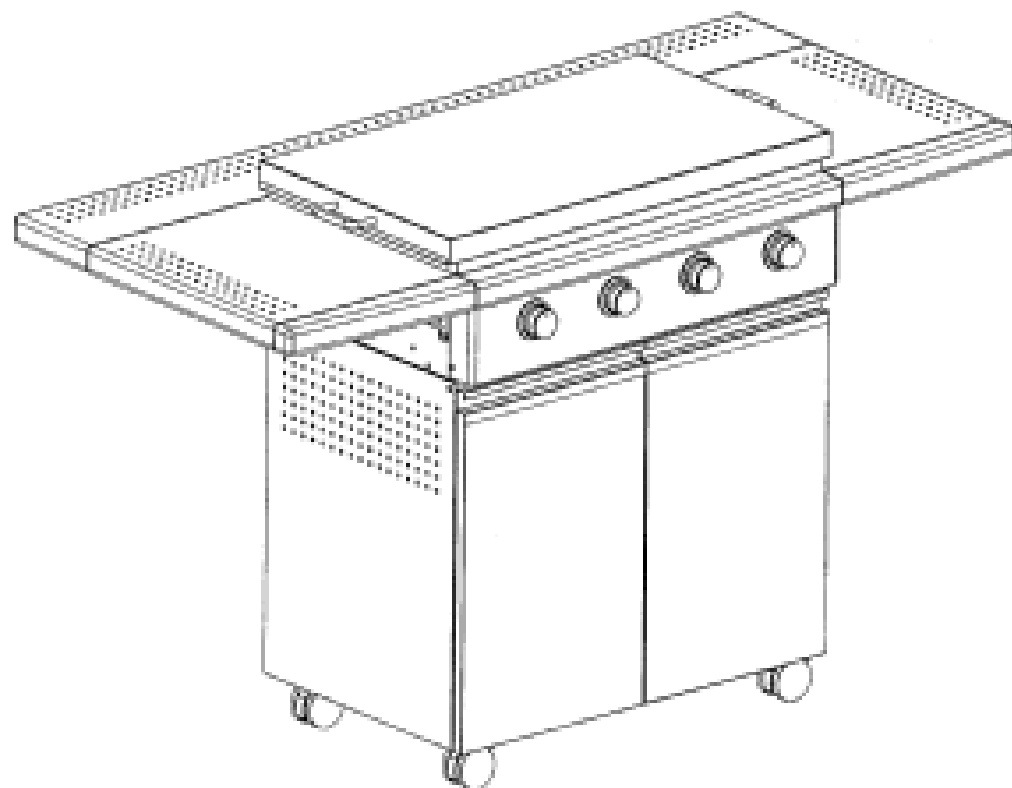
C/o 45 Yale Drive Epping Victoria 3076 Australia

(72) Name(s) of Designer(s): **Gavin Hill**

(45) Registration Date: **19 January 2009**

(56) Related Art Documents: **Not Applicable**

(57) Statement of Newness and Distinctiveness: **Newness and distinctiveness reside in the features of the design as shown in the representations.**



(21) Design Number: **14670/2008**

(22) Date of Filing Application: **30 September 2008**

(24) Date from which industrial property rights may have effect: **30 September 2008**

(54) Product in respect of which the design is registered: **Solar powered 240/110 volt. AC. generator portable**

(51) International Design Classification: **13-01**

(71) Name(s) and Address(s) of Applicant(s):

Brian John Hudson

1 Fischle Street Chermside Queensland 4032 Australia

(72) Name(s) of Designer(s): **Brian John Hudson**

(45) Registration Date: **19 January 2009**

(56) Related Art Documents: **Not Applicable**

(57) Statement of Newness and Distinctiveness: **In consideration of the front recessed instrument panel at the front and the solar panel at the top these are a feature of the enclosure and should remain as such.**



(21) Design Number: **14724/2008**
(22) Date of Filing Application: **03 October 2008**
(24) Date from which industrial property rights may have effect: **03 October 2008**
(54) Product in respect of which the design is registered: **Pit jack carriage**
(51) International Design Classification: **12-05**
(71) Name(s) and Address(s) of Applicant(s):
Hartex Engineering and Installation Services Pty Ltd
5 Hexham Place Wetherill Park New South Wales 2164 Australia
(72) Name(s) of Designer(s): **Harry Minassian**
(45) Registration Date: **19 January 2009**
(56) Related Art Documents: **Not Applicable**
(57) Statement of Newness and Distinctiveness: **Collapsible cartridges on front face colour : golden / safety yellow.**



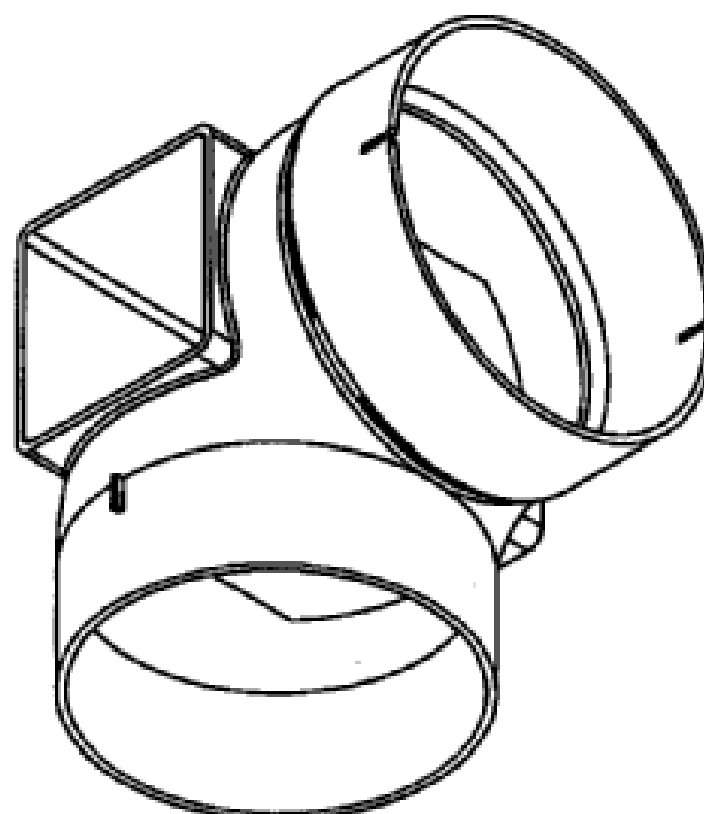
(21) Design Number: **14725/2008**
(22) Date of Filing Application: **03 October 2008**
(24) Date from which industrial property rights may have effect: **03 October 2008**
(54) Product in respect of which the design is registered: **Axle pick up head**
(51) International Design Classification: **12-05**
(71) Name(s) and Address(s) of Applicant(s):
Hartex Engineering and Installation Services Pty Ltd
5 Hexham Place Wetherill Park New South Wales 2164 Australia
(72) Name(s) of Designer(s): **Harry Minassian**
(45) Registration Date: **19 January 2009**
(56) Related Art Documents: **Not Applicable**
(57) Statement of Newness and Distinctiveness: **Colour: golden / safety yellow. Red pad (circular).**



(21) Design Number: **14726/2008**
(22) Date of Filing Application: **03 October 2008**
(24) Date from which industrial property rights may have effect: **03 October 2008**
(54) Product in respect of which the design is registered: **Pit jack**
(51) International Design Classification: **12-05**
(71) Name(s) and Address(s) of Applicant(s):
Hartex Engineering and Installation Services Pty Ltd
5 Hexham Place Wetherill Park New South Wales 2164 Australia
(72) Name(s) of Designer(s): **Harry Minassian**
(45) Registration Date: **19 January 2009**
(56) Related Art Documents: **Not Applicable**
(57) Statement of Newness and Distinctiveness: **Colour: royal blue. Valve at bottom of cylinder. Cylinder boss on rectangular plate.**



(21) Design Number: **15521/2008**
(22) Date of Filing Application: **24 November 2008**
(24) Date from which industrial property rights may have effect: **24 November 2008**
(54) Product in respect of which the design is registered: **A corner adaptor**
(51) International Design Classification: **13-03C**
(71) Name(s) and Address(s) of Applicant(s):
RJR Innovations Pty Ltd
10 Langley Road Victor Harbor South Australia 5211 Australia
(72) Name(s) of Designer(s): **John Charles Quill and Richard Christopher Grummett and Ryan Thomas Coombe**
(45) Registration Date: **19 January 2009**
(56) Related Art Documents: **Not Applicable**
(57) Statement of Newness and Distinctiveness: **Nil**



(21) Design Number: **15522/2008**

(22) Date of Filing Application: **24 November 2008**

(24) Date from which industrial property rights may have effect: **24 November 2008**

(54) Product in respect of which the design is registered: **A 4-way adaptor**

(51) International Design Classification: **13-03C**

(71) Name(s) and Address(s) of Applicant(s):

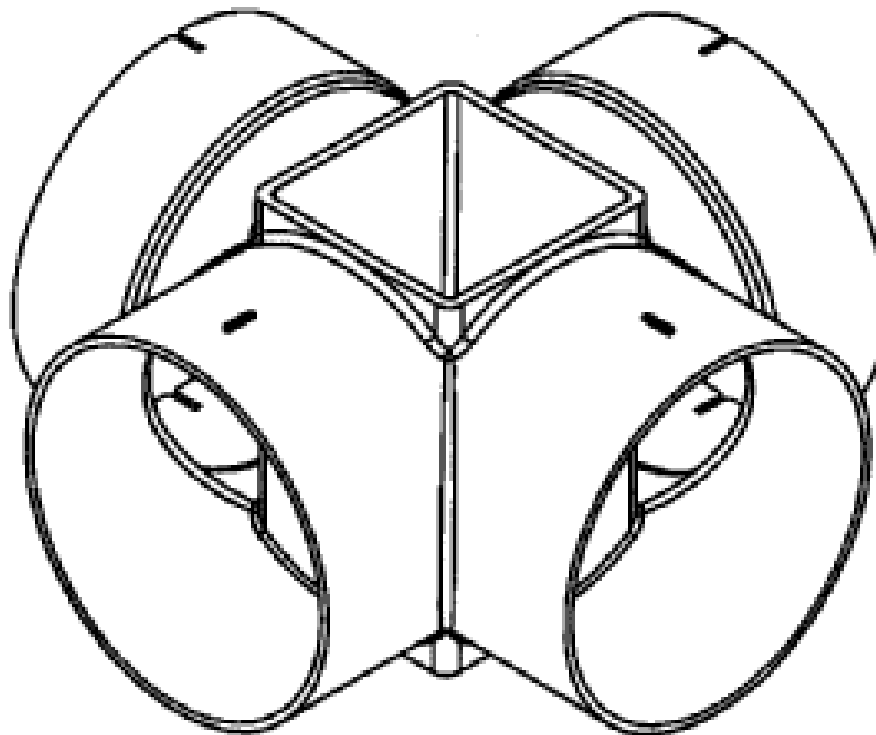
**RJR Innovations Pty Ltd
10 Langley Road Victor Harbor South Australia 5211 Australia**

(72) Name(s) of Designer(s): **John Charles Quill and Richard Christopher Grummett and Ryan Thomas Coombe**

(45) Registration Date: **19 January 2009**

(56) Related Art Documents: **Not Applicable**

(57) Statement of Newness and Distinctiveness: **Nil**



(21) Design Number: **15538/2008**

(22) Date of Filing Application: **24 November 2008**

(24) Date from which industrial property rights may have effect: **24 November 2008**

(54) Product in respect of which the design is registered: **A straight adaptor**

(51) International Design Classification: **13-03C**

(71) Name(s) and Address(s) of Applicant(s):

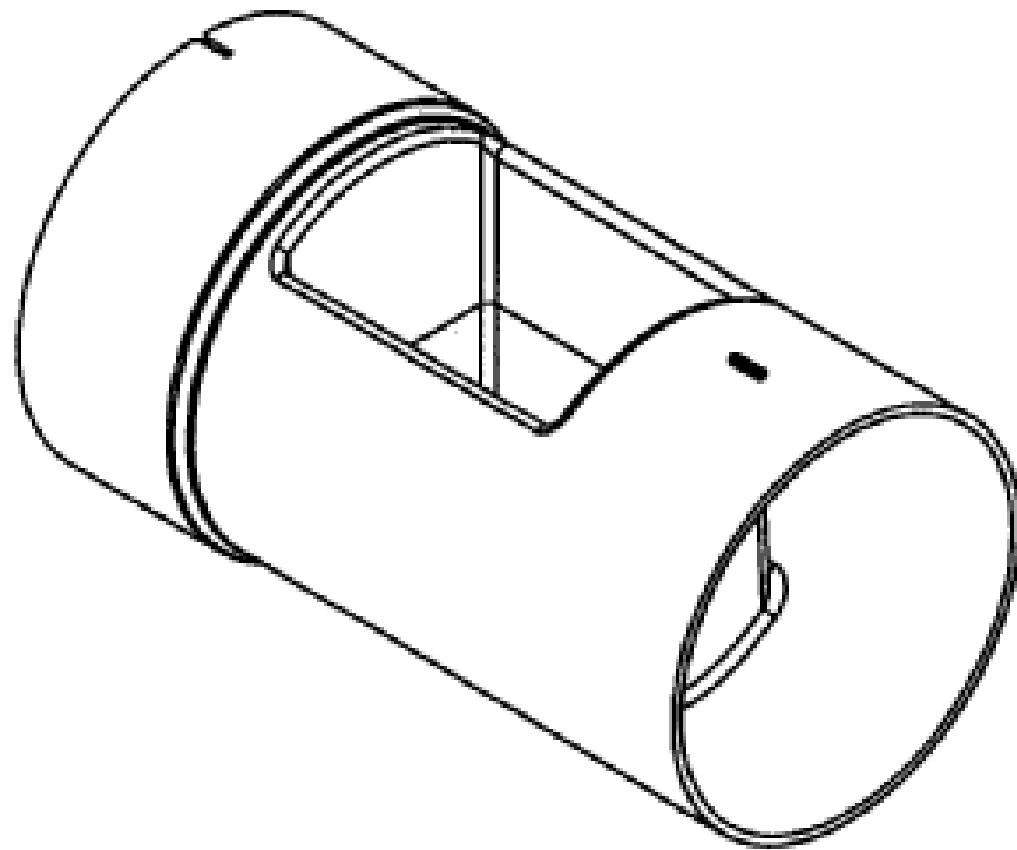
**RJR Innovations Pty Ltd
10 Langley Road Victor Harbor South Australia 5211 Australia**

(72) Name(s) of Designer(s): **John Charles Quill and Richard Christopher Grummett and Ryan Thomas Coombe**

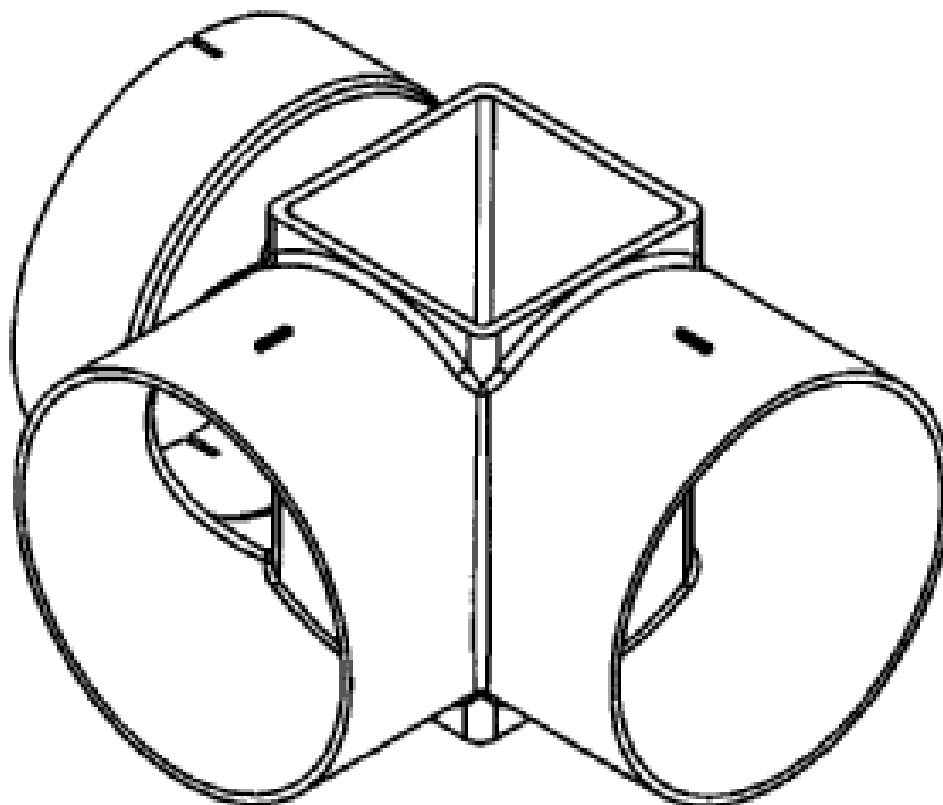
(45) Registration Date: **19 January 2009**

(56) Related Art Documents: **Not Applicable**

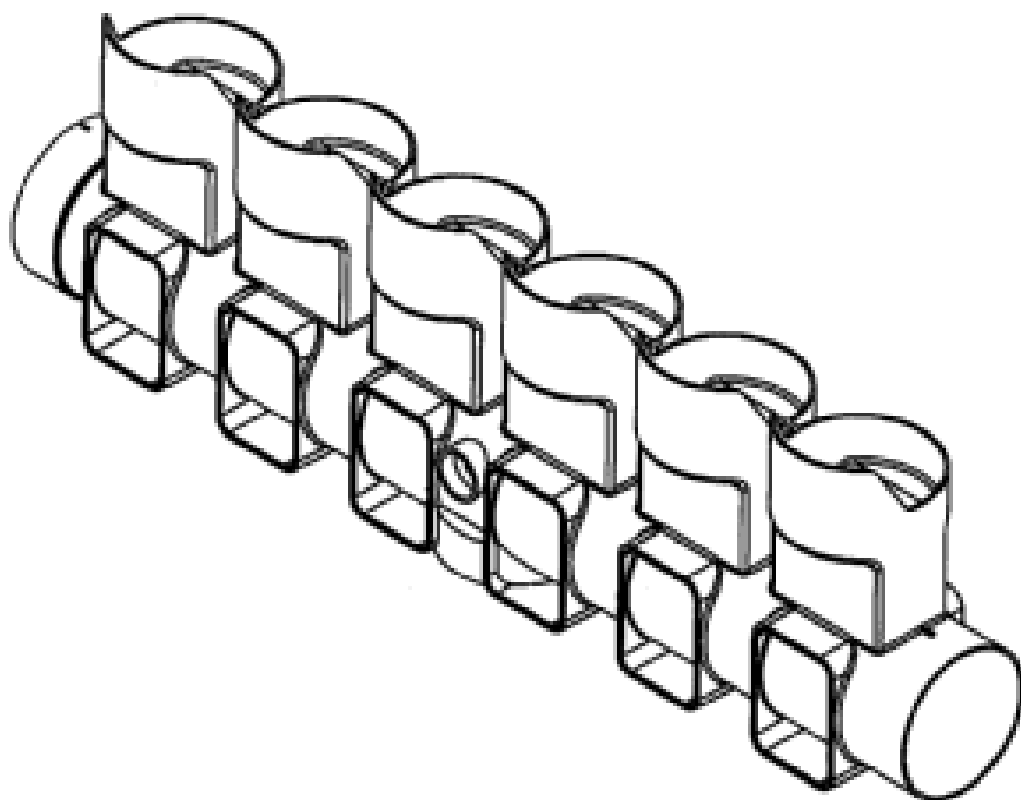
(57) Statement of Newness and Distinctiveness: **Nil**



(21) Design Number: **15539/2008**
(22) Date of Filing Application: **24 November 2008**
(24) Date from which industrial property rights may have effect: **24 November 2008**
(54) Product in respect of which the design is registered: **A T adaptor**
(51) International Design Classification: **13-03C**
(71) Name(s) and Address(s) of Applicant(s):
RJR Innovations Pty Ltd
10 Langley Road Victor Harbor South Australia 5211 Australia
(72) Name(s) of Designer(s): **John Charles Quill and Richard Christopher Grummett and Ryan Thomas Coombe**
(45) Registration Date: **19 January 2009**
(56) Related Art Documents: **Not Applicable**
(57) Statement of Newness and Distinctiveness: **Nil**



(21) Design Number: **15540/2008**
(22) Date of Filing Application: **24 November 2008**
(24) Date from which industrial property rights may have effect: **24 November 2008**
(54) Product in respect of which the design is registered: **A manifold**
(51) International Design Classification: **15-01**
(71) Name(s) and Address(s) of Applicant(s):
RJR Innovations Pty Ltd
10 Langley Road Victor Harbor South Australia 5211 Australia
(72) Name(s) of Designer(s): **John Charles Quill and Richard Christopher Grummett and Ryan Thomas Coombe**
(45) Registration Date: **19 January 2009**
(56) Related Art Documents: **Not Applicable**
(57) Statement of Newness and Distinctiveness: **Nil**



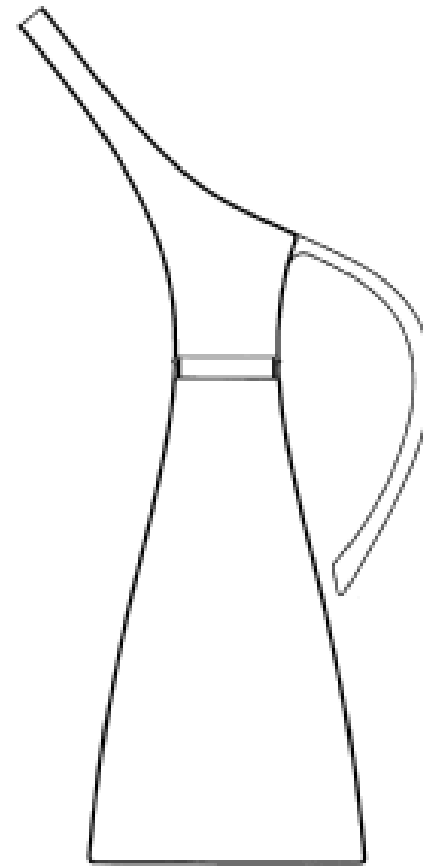
- (21) Design Number: **15545/2008**
(22) Date of Filing Application: **24 November 2008**
(24) Date from which industrial property rights may have effect: **24 November 2008**
(54) Product in respect of which the design is registered: **Chef knife**
(51) International Design Classification: **08-03**
(71) Name(s) and Address(s) of Applicant(s):
Harry Pourounidis
C/- Foodfight Ltd 1-9 Moreland Road East Coburg Victoria 3058
Australia
Curtis Stone
C/- Foodfight Ltd 1-9 Moreland Road East Coburg Victoria 3058
Australia
(72) Name(s) of Designer(s): **Harry Pourounidis and Curtis Stone**
(45) Registration Date: **19 January 2009**
(56) Related Art Documents: **Not Applicable**
(57) Statement of Newness and Distinctiveness: **Handle shape and blade detail.**



- (21) Design Number: **15546/2008**
(22) Date of Filing Application: **24 November 2008**
(24) Date from which industrial property rights may have effect: **24 November 2008**
(54) Product in respect of which the design is registered: **Serrated utility knife**
(51) International Design Classification: **08-03**
(71) Name(s) and Address(s) of Applicant(s):
Harry Pourounidis
C/- Foodfight Ltd 1-9 Moreland Road East Coburg Victoria 3058
Australia
Curtis Stone
C/- Foodfight Ltd 1-9 Moreland Road East Coburg Victoria 3058
Australia
(72) Name(s) of Designer(s): **Harry Pourounidis and Curtis Stone**
(45) Registration Date: **19 January 2009**
(56) Related Art Documents: **Not Applicable**
(57) Statement of Newness and Distinctiveness: **Handle shape and blade detail.**



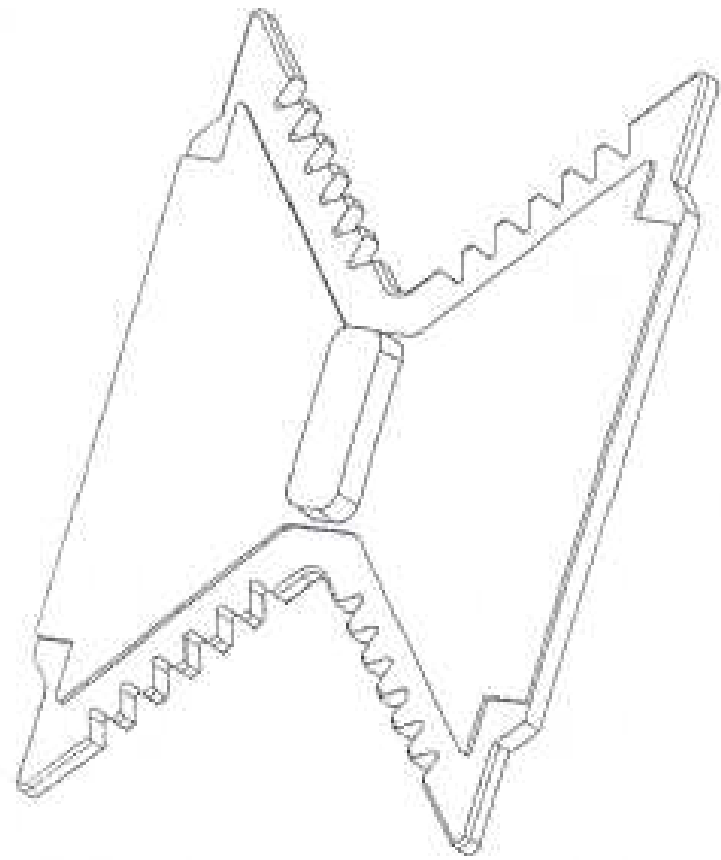
- (21) Design Number: **15547/2008**
(22) Date of Filing Application: **24 November 2008**
(24) Date from which industrial property rights may have effect: **24 November 2008**
(54) Product in respect of which the design is registered: **Oil/vinegar dispenser**
(51) International Design Classification: **07-01F**
(71) Name(s) and Address(s) of Applicant(s):
Harry Pourounidis
C/- Foodfight Ltd 1-9 Moreland Road East Coburg Victoria 3058
Australia
Curtis Stone
C/- Foodfight Ltd 1-9 Moreland Road East Coburg Victoria 3058
Australia
(72) Name(s) of Designer(s): **Harry Pourounidis and Curtis Stone**
(45) Registration Date: **19 January 2009**
(56) Related Art Documents: **Not Applicable**
(57) Statement of Newness and Distinctiveness: **Curved handle shape - end of the handle is disconnected from body of dispenser. Spout shape and body shape. Material stainless steel**



- (21) Design Number: **12391/2008**
(22) Date of Filing Application: **20 May 2008**
(24) Date from which industrial property rights may have effect: **20 May 2008**
(54) Product in respect of which the design is registered: **Healthcare workers toolbelt, pouch, organiser**
(51) International Design Classification: **03-01B**
(71) Name(s) and Address(s) of Applicant(s):
Nursesheart Pty Ltd
PO Box 156 Blackburn South Victoria 3130 Australia
(72) Name(s) of Designer(s): **Wendy Miles**
(45) Registration Date: **27 January 2009**
(56) Related Art Documents: **Not Applicable**
(57) Statement of Newness and Distinctiveness: **This is a system of specifically sized and layered pockets designed to sit around the waist/hips of healthcare workers. The pocket sizing matches and carries small medical items. The pouch is made from material that is washable in domestic washing machines (infection control) and compliments the material of worker's uniforms.**



- (21) Design Number: **13654/2008**
(22) Date of Filing Application: **01 August 2008**
(24) Date from which industrial property rights may have effect: **01 August 2008**
(54) Product in respect of which the design is registered: **Inside corner gate for paper beading apparatus**
(51) International Design Classification: **08-05NES**
(71) Name(s) and Address(s) of Applicant(s):
United States Gypsum Company
550 West Adams Street Chicago Illinois 60661-3676 United States of America
(72) Name(s) of Designer(s): **Aaron Charles Rosso and Matthew Earle Myers and Amar Arvind Patel and Joseph Z. Wascow and Stephen M. Oshgan and Brian A. Retzke and Scott Fong**
(45) Registration Date: **27 January 2009**
(30) Convention priority data:
(31) Number (32) Date (33) Country
29/304,087 25 Feb 2008 UNITED STATES OF AMERICA
(56) Related Art Documents: **Not Applicable**
(57) Statement of Newness and Distinctiveness: **Nil**



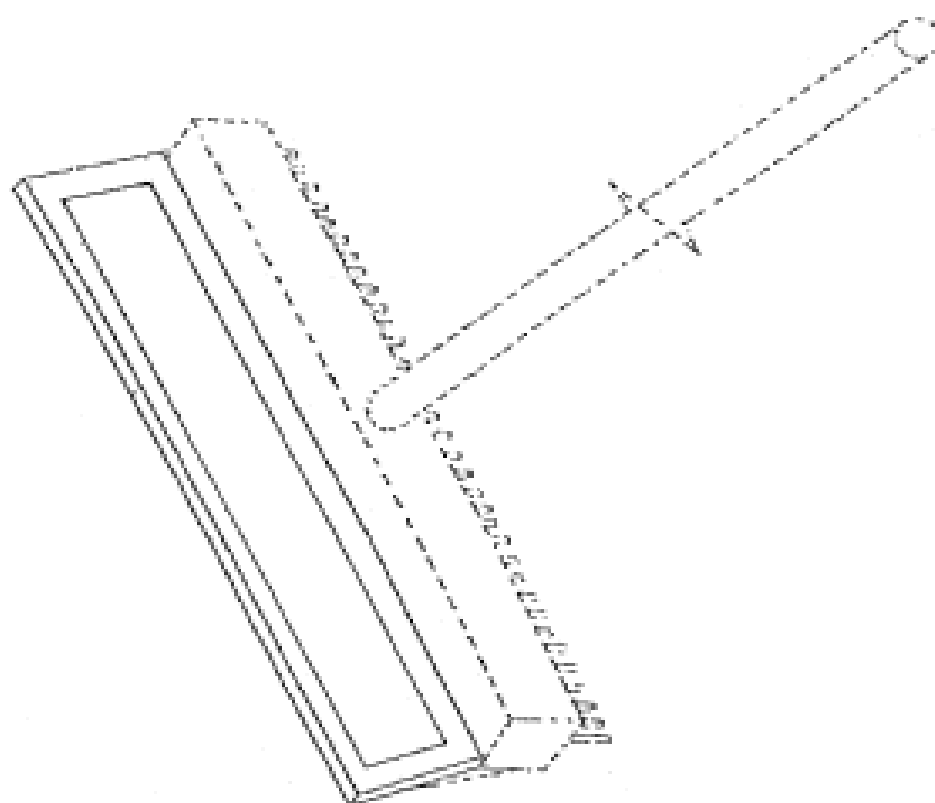
- (21) Design Number: **13883/2008**
(22) Date of Filing Application: **12 August 2008**
(24) Date from which industrial property rights may have effect: **12 August 2008**
(54) Product in respect of which the design is registered: **Design addition to floor grinder handle and bracket design no 315633**
(51) International Design Classification: **08-06**
(71) Name(s) and Address(s) of Applicant(s):
Mathew Norton
24 Dapper Street Sunnybank Hills Queensland 4109 Australia
(72) Name(s) of Designer(s): **Mathew Norton**
(45) Registration Date: **27 January 2009**
(56) Related Art Documents: **Not Applicable**
(57) Statement of Newness and Distinctiveness: **Monopoly is claimed in the shape and configuration of the disc shaped Ryobi grinder trigger lock handle mounting as shown in the representations.**



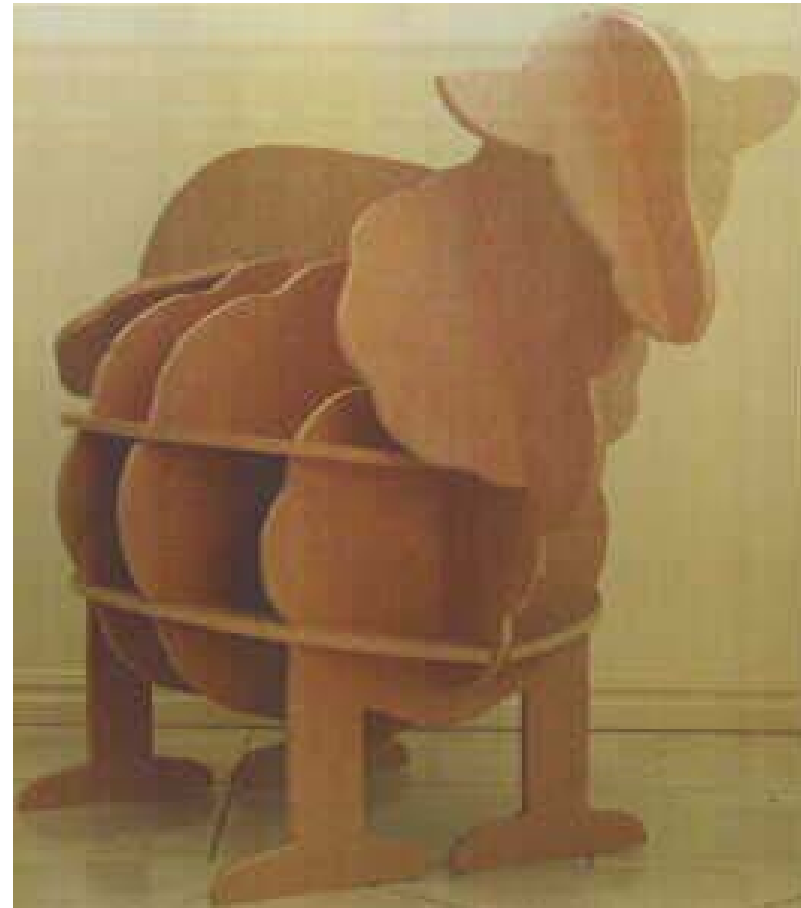
- (21) Design Number: **13884/2008**
(22) Date of Filing Application: **12 August 2008**
(24) Date from which industrial property rights may have effect: **12 August 2008**
(54) Product in respect of which the design is registered: **Design addition to floor grinder handle and bracket design no 315633**
(51) International Design Classification: **08-06**
(71) Name(s) and Address(s) of Applicant(s):
Mathew Norton
24 Dapper Street Sunnybank Hills Queensland 4109 Australia
(72) Name(s) of Designer(s): **Mathew Norton**
(45) Registration Date: **27 January 2009**
(56) Related Art Documents: **Not Applicable**
(57) Statement of Newness and Distinctiveness: **Monopoly is claimed in the shape and configuration of the attachment section for the attachment of grinder handle as shown in the representations.**



- (21) Design Number: **14120/2008**
(22) Date of Filing Application: **25 August 2008**
(24) Date from which industrial property rights may have effect: **25 August 2008**
(54) Product in respect of which the design is registered: **A rake**
(51) International Design Classification: **08-05A**
(71) Name(s) and Address(s) of Applicant(s):
Andre Steenkamp, as trustee of Je-Shan Trust
10 Church Street Mossel Bay Republic of South Africa
(72) Name(s) of Designer(s): **Andre Steenkamp**
(45) Registration Date: **27 January 2009**
(30) Convention priority data:
(31) Number (32) Date (33) Country
A2008/00329 25 Feb 2008 SOUTH AFRICA
(56) Related Art Documents: **Not Applicable**
(57) Statement of Newness and Distinctiveness: **The newness and distinctiveness of the design resides in the visual features of shape and/or configuration of a rake as shown in solid lines in the accompanying representations.**



- (21) Design Number: **14321/2008**
(22) Date of Filing Application: **08 September 2008**
(24) Date from which industrial property rights may have effect: **08 September 2008**
(54) Product in respect of which the design is registered: **bookcase/magazine rack**
(51) International Design Classification: **06-04NES, 21-01M**
(71) Name(s) and Address(s) of Applicant(s):
Johnny Jiunn-Cherng Hwang
43 Lancaster Circuit Stretton Queensland 4116 Australia
Sharon Chin Fang Tey
43 Lancaster Circuit Stretton Queensland 4116 Australia
(72) Name(s) of Designer(s): **Sharon Chin Fang Tey and Johnny Jiunn-Cherng Hwang**
(45) Registration Date: **27 January 2009**
(56) Related Art Documents: **Not Applicable**
(57) Statement of Newness and Distinctiveness: **3d puzzle/jigsaw**



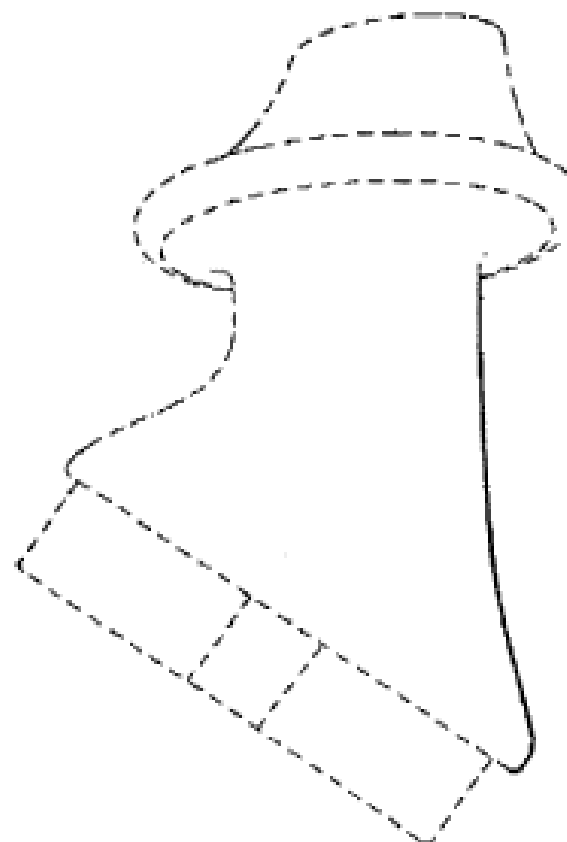
- (21) Design Number: **12845/2008**
(22) Date of Filing Application: **12 June 2008**
(24) Date from which industrial property rights may have effect: **12 June 2008**
(54) Product in respect of which the design is registered: **Sun lounger**
(51) International Design Classification: **06-01H**
(71) Name(s) and Address(s) of Applicant(s):
DEDON GmbH
Zeppelinstrasse 22 21337 Luneburg Germany
(72) Name(s) of Designer(s): **Martin Bergmann and Gernot Bohmann**
(45) Registration Date: **27 January 2009**
(56) Related Art Documents: **Not Applicable**
(57) Statement of Newness and Distinctiveness: **Nil**



- (21) Design Number: **14583/2008**
(22) Date of Filing Application: **25 September 2008**
(24) Date from which industrial property rights may have effect: **25 September 2008**
(54) Product in respect of which the design is registered: **Squash me chair**
(51) International Design Classification: **06-01F**
(71) Name(s) and Address(s) of Applicant(s):
Ross Gardam
17 Austin Way Fitzroy North Victoria 3068 Australia
(72) Name(s) of Designer(s): **Ross Gardam**
(45) Registration Date: **27 January 2009**
(56) Related Art Documents: **Not Applicable**
(57) Statement of Newness and Distinctiveness: **The 'squash me' chair utilises a slatted ply seat and is supported via the use of squash balls.**



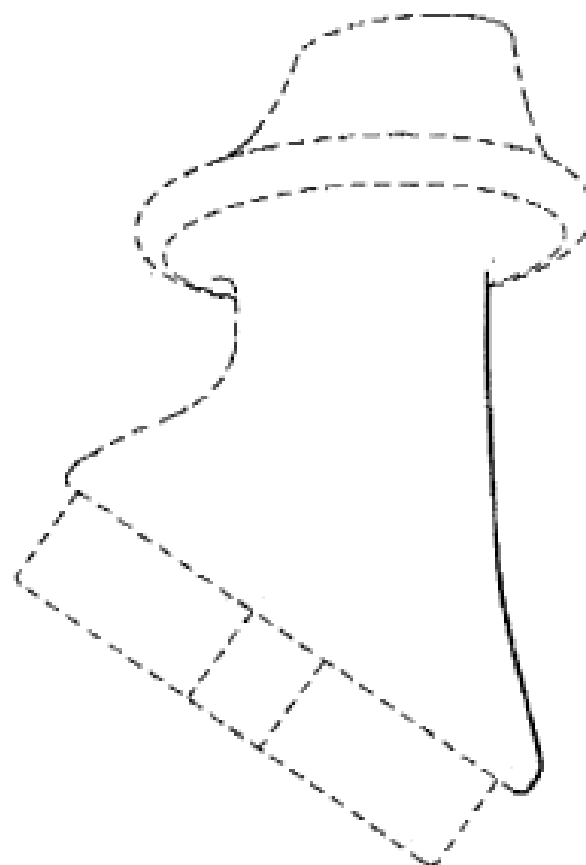
- (21) Design Number: **14841/2008**
(22) Date of Filing Application: **10 October 2008**
(24) Date from which industrial property rights may have effect: **10 October 2008**
(54) Product in respect of which the design is registered: **Nasal pillows**
(51) International Design Classification: **24-04**
(71) Name(s) and Address(s) of Applicant(s):
Fisher & Paykel Healthcare Limited
15 Maurice Paykel Place East Tamaki Auckland New Zealand
(72) Name(s) of Designer(s): **Alastair Edwin McAuley and Craig Robert Prentice and Rory Alexander Monro and Nadjean Maurice Gabriel Geslain and Isaac Tristram Tane Mason**
(45) Registration Date: **27 January 2009**
(56) Related Art Documents: **Not Applicable**
(57) Statement of Newness and Distinctiveness: **Newness and distinctiveness reside in the features of shape and/or configuration of the nasal pillows as illustrated by the unbroken lines in the representations and irrespective of the features shown as broken lines.**



- (21) Design Number: **14843/2008**
(22) Date of Filing Application: **10 October 2008**
(24) Date from which industrial property rights may have effect: **10 October 2008**
(54) Product in respect of which the design is registered: **Diagnostic test strip**
(51) International Design Classification: **24-01**
(71) Name(s) and Address(s) of Applicant(s):
Oxoid Limited
Wade Road Basingstoke Hampshire RG24 8PW United Kingdom
(72) Name(s) of Designer(s): **Stephen Dimmer and James Anthony Michael Lees-Smith and Ian Thomas Hart and Ali Malone**
(45) Registration Date: **27 January 2009**
(30) Convention priority data:
(31) Number (32) Date (33) Country
29/306598 11 Apr 2008 UNITED STATES OF AMERICA
(56) Related Art Documents: **Not Applicable**
(57) Statement of Newness and Distinctiveness: **Newness and distinctiveness is claimed in the features of pattern and/or ornamentation of a diagnostic test strip as illustrated in continuous lines in the accompanying representations, in particular, the chevron in combination with the repeating bow-tie pattern.**



- (21) Design Number: **14842/2008**
(22) Date of Filing Application: **10 October 2008**
(24) Date from which industrial property rights may have effect: **10 October 2008**
(54) Product in respect of which the design is registered: **Nasal pillows**
(51) International Design Classification: **24-04**
(71) Name(s) and Address(s) of Applicant(s):
Fisher & Paykel Healthcare Limited
15 Maurice Paykel Place East Tamaki Auckland New Zealand
(72) Name(s) of Designer(s): **Alastair Edwin McAuley and Craig Robert Prentice and Rory Alexander Monro and Nadjean Maurice Gabriel Geslain and Isaac Tristram Tane Mason**
(45) Registration Date: **27 January 2009**
(56) Related Art Documents: **Not Applicable**
(57) Statement of Newness and Distinctiveness: **Newness and distinctiveness reside in the features of shape and/or configuration of the nasal pillows as illustrated by the unbroken lines in the representations and irrespective of the features shown as broken lines.**



- (21) Design Number: **14859/2008**
(22) Date of Filing Application: **10 October 2008**
(24) Date from which industrial property rights may have effect: **10 October 2008**
(54) Product in respect of which the design is registered: **Diagnostic test strip**
(51) International Design Classification: **24-01**
(71) Name(s) and Address(s) of Applicant(s):
Oxoid Limited
Wade Road Basingstoke Hampshire RG24 8PW United Kingdom
(72) Name(s) of Designer(s): **Stephen Dimmer and James Anthony Michael Lees-Smith and Ian Thomas Hart and Ali Malone**
(45) Registration Date: **27 January 2009**
(30) Convention priority data:
(31) Number (32) Date (33) Country
29/306598 11 Apr 2008 UNITED STATES OF AMERICA
(56) Related Art Documents: **Not Applicable**
(57) Statement of Newness and Distinctiveness: **Newness and distinctiveness is claimed in the features of pattern and/or ornamentation of a diagnostic test strip as illustrated in continuous lines in the accompanying representations, in particular, the chevron in combination with the repeating bow-tie pattern.**



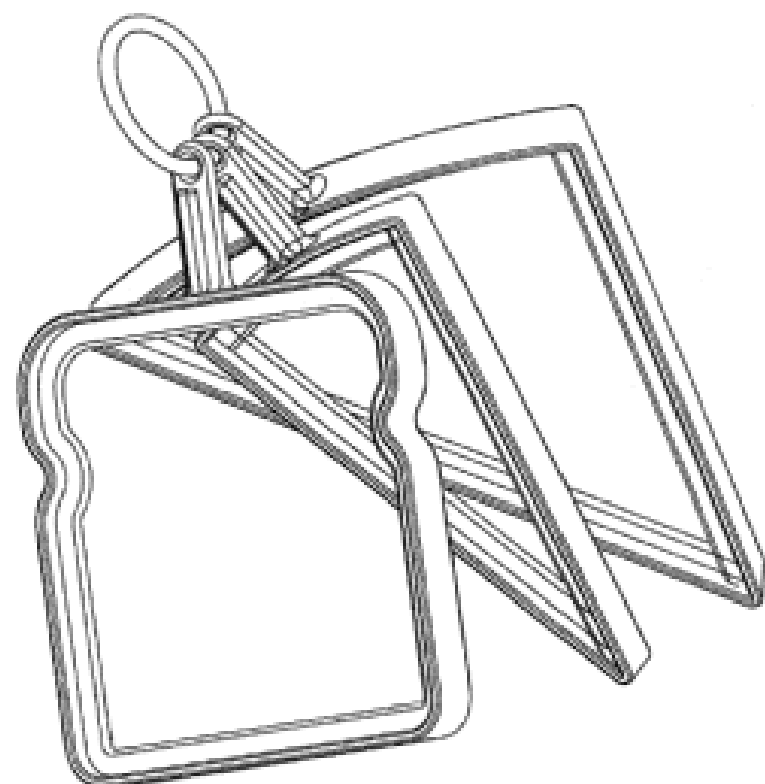
- (21) Design Number: **14860/2008**
(22) Date of Filing Application: **10 October 2008**
(24) Date from which industrial property rights may have effect: **10 October 2008**
(54) Product in respect of which the design is registered: **Diagnostic test strip**
(51) International Design Classification: **24-01**
(71) Name(s) and Address(s) of Applicant(s):
Oxoid Limited
Wade Road Basingstoke Hampshire RG24 8PW United Kingdom
(72) Name(s) of Designer(s): **Stephen Dimmer and James Anthony Michael Lees-Smith and Ian Thomas Hart and Ali Malone**
(45) Registration Date: **27 January 2009**
(30) Convention priority data:
(31) Number (32) Date (33) Country
29/306598 11 Apr 2008 UNITED STATES OF AMERICA
(56) Related Art Documents: **Not Applicable**
(57) Statement of Newness and Distinctiveness: **Newness and distinctiveness is claimed in the features of pattern and/or ornamentation of a diagnostic test strip as illustrated in continuous lines in the accompanying representations, in particular, the repeating bow-tie pattern.**



- (21) Design Number: **14861/2008**
(22) Date of Filing Application: **10 October 2008**
(24) Date from which industrial property rights may have effect: **10 October 2008**
(54) Product in respect of which the design is registered: **Diagnostic test strip**
(51) International Design Classification: **24-01**
(71) Name(s) and Address(s) of Applicant(s):
Oxoid Limited
Wade Road Basingstoke Hampshire RG24 8PW United Kingdom
(72) Name(s) of Designer(s): **Stephen Dimmer and James Anthony Michael Lees-Smith and Ian Thomas Hart and Ali Malone**
(45) Registration Date: **27 January 2009**
(30) Convention priority data:
(31) Number (32) Date (33) Country
29/306598 11 Apr 2008 UNITED STATES OF AMERICA
(56) Related Art Documents: **Not Applicable**
(57) Statement of Newness and Distinctiveness: **Newness and distinctiveness is claimed in the features of pattern and/or ornamentation of a diagnostic test strip as illustrated in continuous lines in the accompanying representations, in particular, the repeating bow-tie pattern.**



- (21) Design Number: **15536/2008**
(22) Date of Filing Application: **21 November 2008**
(24) Date from which industrial property rights may have effect: **21 November 2008**
(54) Product in respect of which the design is registered: **Baked product template**
(51) International Design Classification: **07-02P**
(71) Name(s) and Address(s) of Applicant(s):
JF Arbuckle Medical Pty Ltd
152 Olsen Avenue Arundel Queensland 4214 Australia
(72) Name(s) of Designer(s): **Adam Doyle and Reilly Edwards**
(45) Registration Date: **27 January 2009**
(56) Related Art Documents: **Not Applicable**
(57) Statement of Newness and Distinctiveness: **The newness and distinctiveness of the design resides in the features of shape, and/or configuration, shown in unbroken lines in the accompanying representations.**



(21) Design Number: **15753/2008**

(22) Date of Filing Application: **05 December 2008**

(24) Date from which industrial property rights may have effect: **05 December 2008**

(54) Product in respect of which the design is registered: **A manhole frame and cover assembly**

(51) International Design Classification: **25-02NES**

(71) Name(s) and Address(s) of Applicant(s):

NORINCO

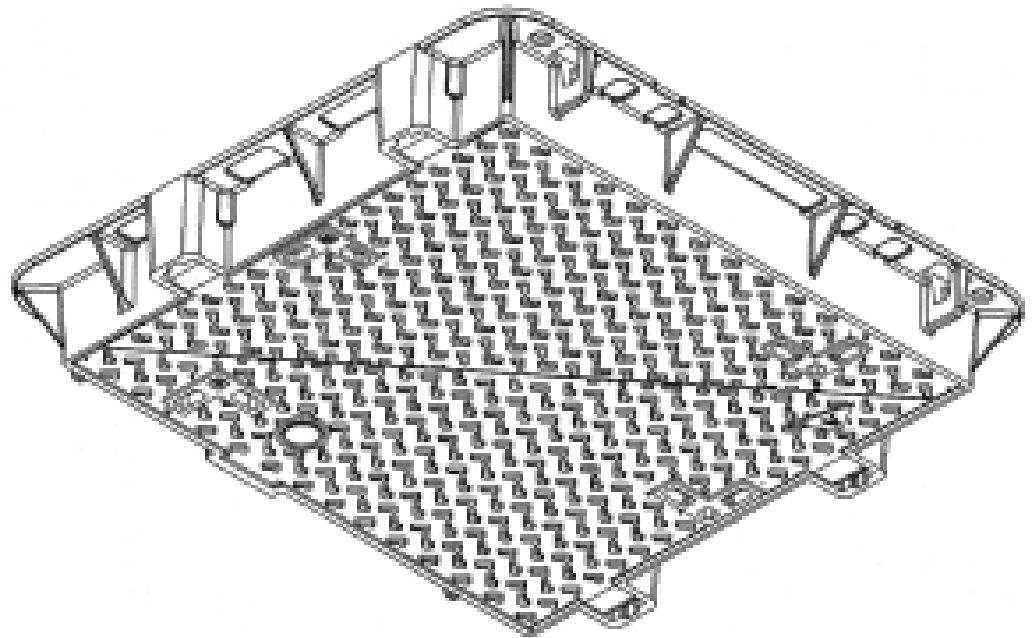
Z.I. de Marivaux 60149 Saint Crepin Ibouvillers France

(72) Name(s) of Designer(s): **Bruno Turbat**

(45) Registration Date: **27 January 2009**

(56) Related Art Documents: **Not Applicable**

(57) Statement of Newness and Distinctiveness: **Newness and distinctiveness reside in the features of the design as shown in the representations.**



(21) Design Number: **14581/2008**

(22) Date of Filing Application: **25 September 2008**

(24) Date from which industrial property rights may have effect: **25 September 2008**

(54) Product in respect of which the design is registered: **Clik 'N' Fit slotted fence-post channel**

(51) International Design Classification: **25-01E**

(71) Name(s) and Address(s) of Applicant(s):

Edward Turnour

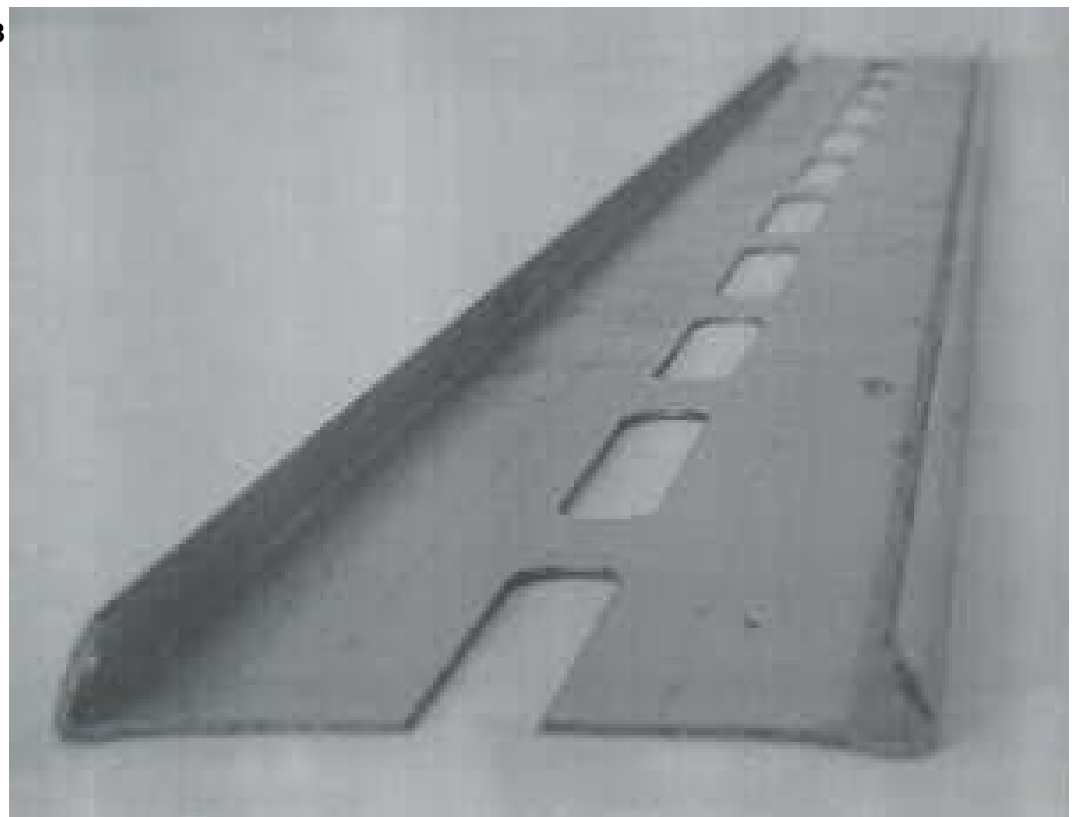
14 Parooba Avenue Camp Hill Queensland 4152 Australia

(72) Name(s) of Designer(s): **Edward Turnour and Neville Sherlock**

(45) Registration Date: **19 January 2009**

(56) Related Art Documents: **Not Applicable**

(57) Statement of Newness and Distinctiveness: **Monopoly and novelty reside in the shape and configuration of the metal slotted channel of indefinite length. The slotted channel allows for slats to be inserted into any Colorbond post type. The size, shape and location of the holes will vary according to slat size and spacing.**



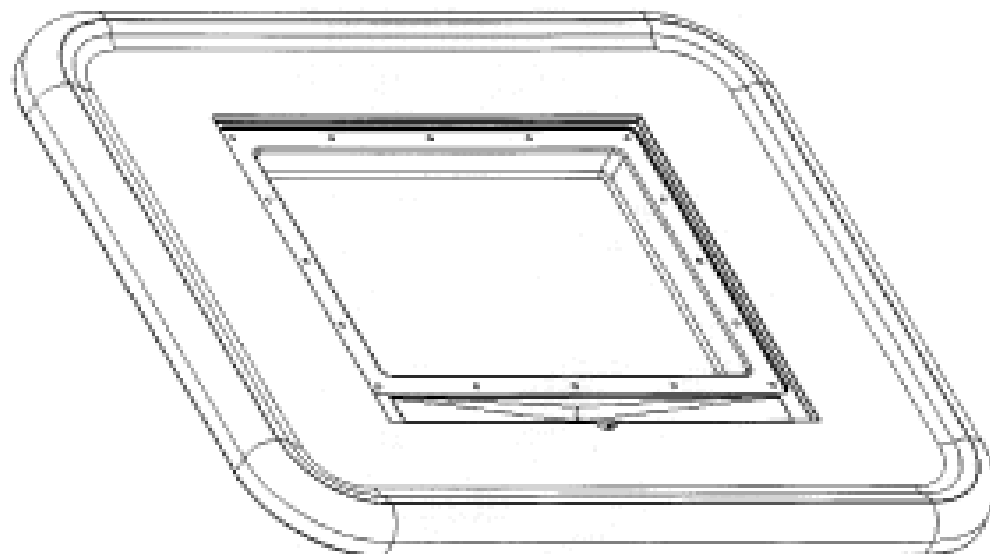
- (21) Design Number: **14582/2008**
(22) Date of Filing Application: **25 September 2008**
(24) Date from which industrial property rights may have effect: **25 September 2008**
(54) Product in respect of which the design is registered: **Clik 'N' Fit fence-post channel**
(51) International Design Classification: **25-01E**
(71) Name(s) and Address(s) of Applicant(s):
Edward Turnour
14 Parooba Avenue Camp Hill Queensland 4152 Australia
(72) Name(s) of Designer(s): **Edward Turnour and Neville Sherlock**
(45) Registration Date: **19 January 2009**
(56) Related Art Documents: **Not Applicable**
(57) Statement of Newness and Distinctiveness: **Monopoly and novelty reside in the shape and configuration of the metal channel of indefinite length which allows the channel to be inserted into any Colorbond post type as a blank infill.**



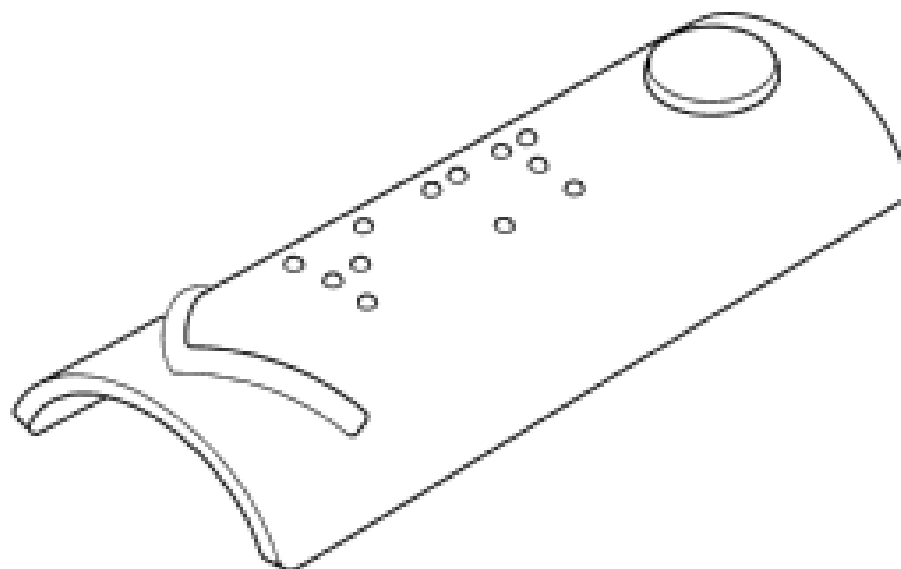
- (21) Design Number: **14692/2008**
(22) Date of Filing Application: **01 October 2008**
(24) Date from which industrial property rights may have effect: **01 October 2008**
(54) Product in respect of which the design is registered: **Door lock**
(51) International Design Classification: **08-07**
(71) Name(s) and Address(s) of Applicant(s):
Watts Hardware Manufacturing Pty Ltd
8 Ross Street South Melbourne Victoria 3205 Australia
(72) Name(s) of Designer(s): **David Greenbury**
(45) Registration Date: **19 January 2009**
(56) Related Art Documents: **Not Applicable**
(57) Statement of Newness and Distinctiveness: **Nil**



- (21) Design Number: **15410/2008**
(22) Date of Filing Application: **17 November 2008**
(24) Date from which industrial property rights may have effect: **17 November 2008**
(54) Product in respect of which the design is registered: **A tabletop with recess for receiving a cooking device**
(51) International Design Classification: **06-03A**
(71) Name(s) and Address(s) of Applicant(s):
Coral Golf Pty Ltd
18 Watergum Parade Molendinar Queensland 4214 Australia
(72) Name(s) of Designer(s): **Peter Cherry**
(45) Registration Date: **19 January 2009**
(56) Related Art Documents: **Not Applicable**
(57) Statement of Newness and Distinctiveness: **The features of shape and configuration of the design are new and distinctive.**



- (21) Design Number: **15552/2008**
(22) Date of Filing Application: **24 November 2008**
(24) Date from which industrial property rights may have effect: **24 November 2008**
(54) Product in respect of which the design is registered: **Handrail tactile indicator**
(51) International Design Classification: **25-02C, 08-08B, 08-08NES, 10-06**
(71) Name(s) and Address(s) of Applicant(s):
CTA Australia Pty Ltd
Unit 4 7 Commercial Court Tullamarine Victoria 3043 Australia
(72) Name(s) of Designer(s): **Daniel DeDomenico**
(45) Registration Date: **19 January 2009**
(56) Related Art Documents: **Not Applicable**
(57) Statement of Newness and Distinctiveness: **Nil**



(21) Design Number: **15553/2008**

(22) Date of Filing Application: **24 November 2008**

(24) Date from which industrial property rights may have effect: **24 November 2008**

(54) Product in respect of which the design is registered: **Handrail tactile indicator**

(51) International Design Classification: **25-02C, 10-06, 08-08B, 08-08NES**

(71) Name(s) and Address(s) of Applicant(s):

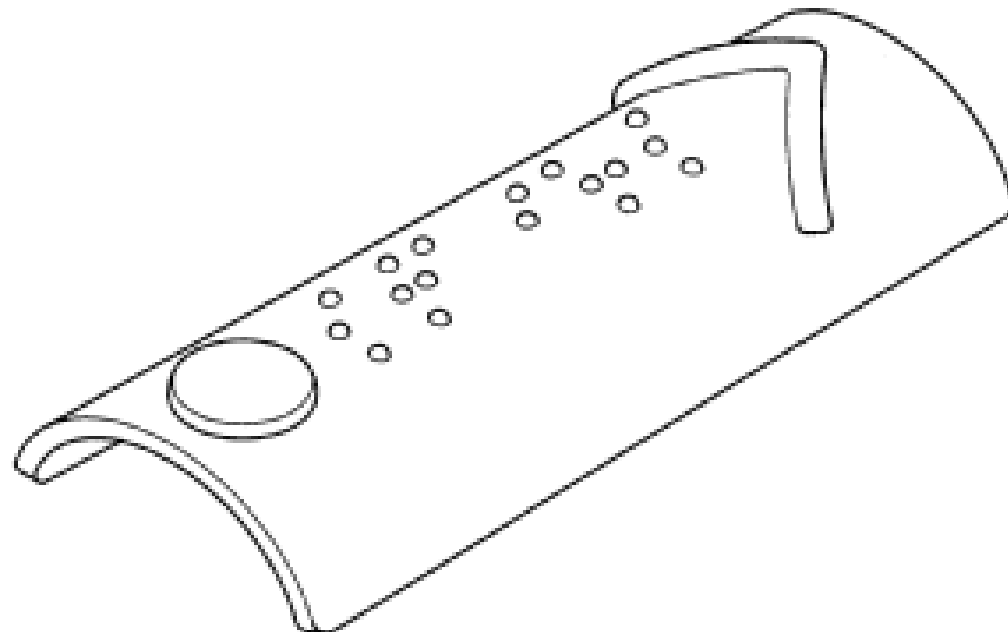
CTA Australia Pty Ltd
Unit 4 7 Commercial Court Tullamarine Victoria 3043 Australia

(72) Name(s) of Designer(s): **Daniel DeDomenico**

(45) Registration Date: **19 January 2009**

(56) Related Art Documents: **Not Applicable**

(57) Statement of Newness and Distinctiveness: **Nil**



(21) Design Number: **15554/2008**

(22) Date of Filing Application: **24 November 2008**

(24) Date from which industrial property rights may have effect: **24 November 2008**

(54) Product in respect of which the design is registered: **Handrail tactile indicator**

(51) International Design Classification: **25-02C, 10-06, 08-08B, 08-08NES**

(71) Name(s) and Address(s) of Applicant(s):

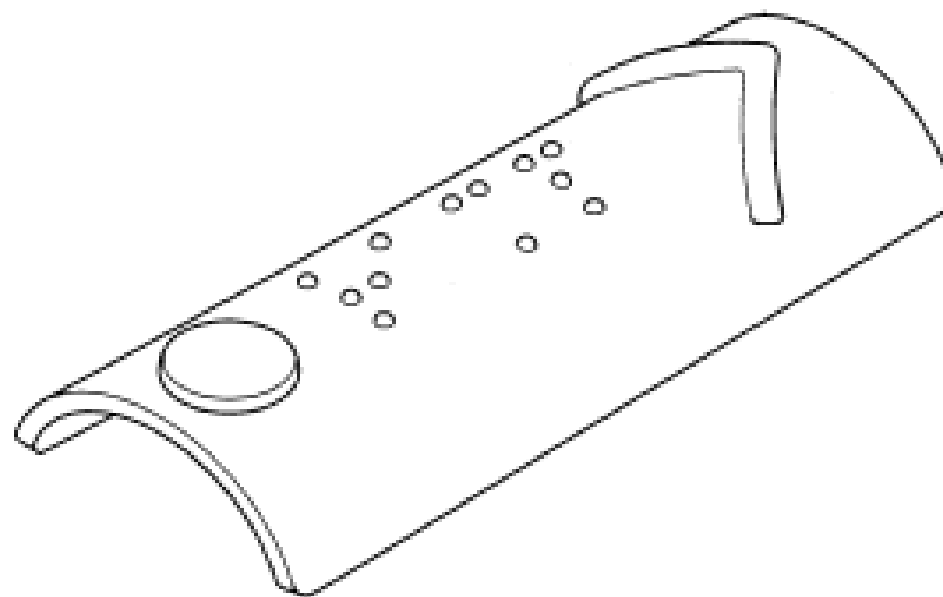
CTA Australia Pty Ltd
Unit 4 7 Commercial Court Tullamarine Victoria 3043 Australia

(72) Name(s) of Designer(s): **Daniel DeDomenico**

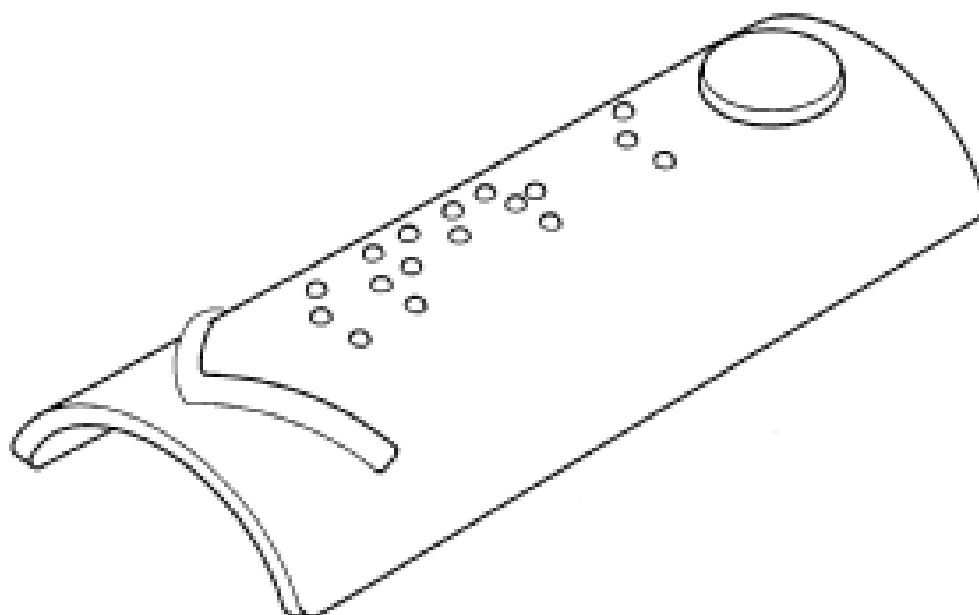
(45) Registration Date: **19 January 2009**

(56) Related Art Documents: **Not Applicable**

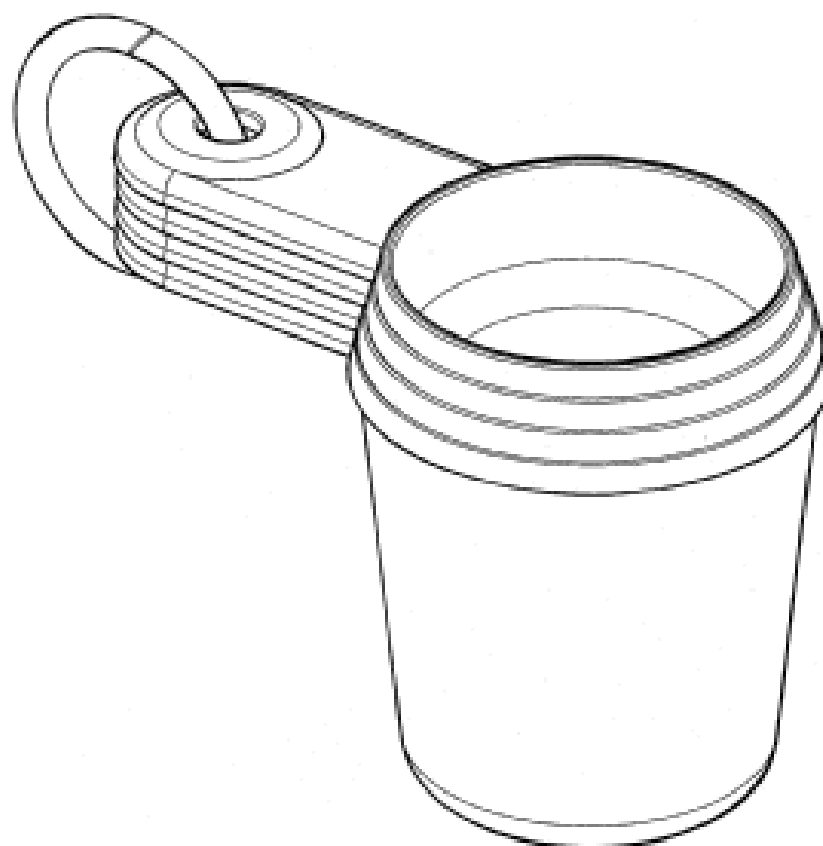
(57) Statement of Newness and Distinctiveness: **Nil**



(21) Design Number: **15555/2008**
(22) Date of Filing Application: **24 November 2008**
(24) Date from which industrial property rights may have effect: **24 November 2008**
(54) Product in respect of which the design is registered: **Handrail tactile indicator**
(51) International Design Classification: **25-02C, 10-06, 08-08B, 08-08NES**
(71) Name(s) and Address(s) of Applicant(s):
CTA Australia Pty Ltd
Unit 4 7 Commercial Court Tullamarine Victoria 3043 Australia
(72) Name(s) of Designer(s): **Daniel DeDomenico**
(45) Registration Date: **19 January 2009**
(56) Related Art Documents: **Not Applicable**
(57) Statement of Newness and Distinctiveness: **Nil**



(21) Design Number: **15556/2008**
(22) Date of Filing Application: **24 November 2008**
(24) Date from which industrial property rights may have effect: **24 November 2008**
(54) Product in respect of which the design is registered: **Set of measuring cups**
(51) International Design Classification: **10-04**
(71) Name(s) and Address(s) of Applicant(s):
The Decor Corporation Pty Ltd
1314 Ferntree Gully Road Scoresby Victoria 3179 Australia
(72) Name(s) of Designer(s): **Anthony Henry Wolfenden**
(45) Registration Date: **19 January 2009**
(56) Related Art Documents: **Not Applicable**
(57) Statement of Newness and Distinctiveness: **Nil**



(21) Design Number: **15557/2008**

(22) Date of Filing Application: **24 November 2008**

(24) Date from which industrial property rights may have effect: **24 November 2008**

(54) Product in respect of which the design is registered: **Set of measuring spoons**

(51) International Design Classification: **10-04**

(71) Name(s) and Address(s) of Applicant(s):

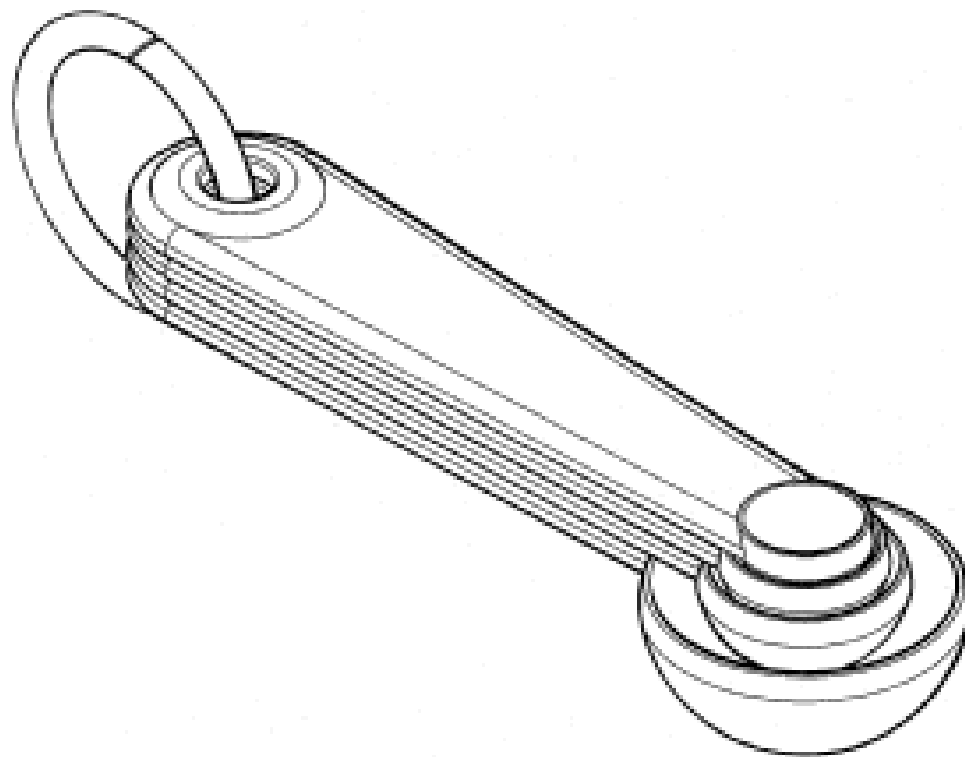
**The Decor Corporation Pty Ltd
1314 Ferntree Gully Road Scoresby Victoria 3179 Australia**

(72) Name(s) of Designer(s): **Anthony Henry Wolfenden**

(45) Registration Date: **19 January 2009**

(56) Related Art Documents: **Not Applicable**

(57) Statement of Newness and Distinctiveness: **Nil**



(21) Design Number: **15558/2008**

(22) Date of Filing Application: **24 November 2008**

(24) Date from which industrial property rights may have effect: **24 November 2008**

(54) Product in respect of which the design is registered: **Scraper**

(51) International Design Classification: **07-02NES, 07-04**

(71) Name(s) and Address(s) of Applicant(s):

**The Decor Corporation Pty Ltd
1314 Ferntree Gully Road Scoresby Victoria 3179 Australia**

(72) Name(s) of Designer(s): **Anthony Henry Wolfenden**

(45) Registration Date: **19 January 2009**

(56) Related Art Documents: **Not Applicable**

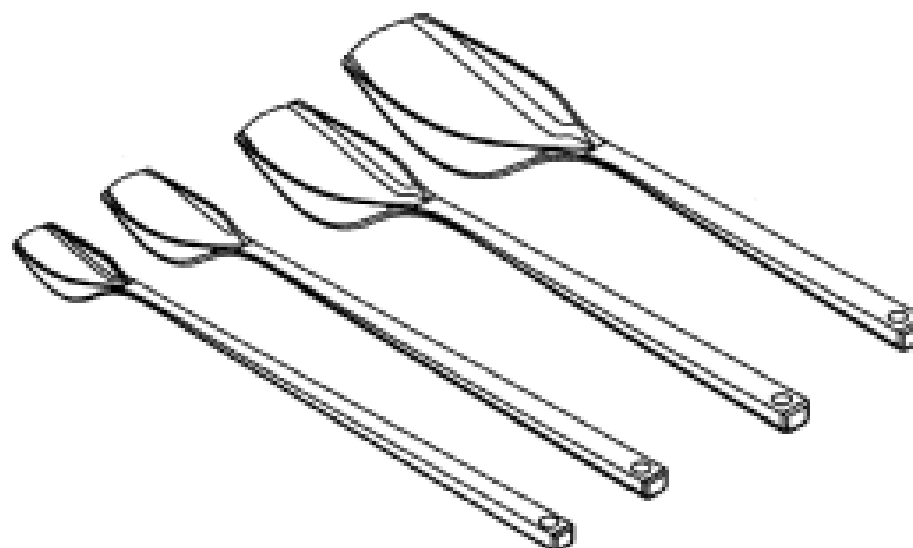
(57) Statement of Newness and Distinctiveness: **Nil**



- (21) Design Number: **15559/2008**
(22) Date of Filing Application: **24 November 2008**
(24) Date from which industrial property rights may have effect: **24 November 2008**
(54) Product in respect of which the design is registered: **Utility knife**
(51) International Design Classification: **08-03**
(71) Name(s) and Address(s) of Applicant(s):
Harry Pourounidis
C/- Foodfight Ltd 1-9 Moreland Road East Coburg Victoria 3058
Australia
Curtis Stone
C/- Foodfight Ltd 1-9 Moreland Road East Coburg Victoria 3058
Australia
(72) Name(s) of Designer(s): **Harry Pourounidis and Curtis Stone**
(45) Registration Date: **19 January 2009**
(56) Related Art Documents: **Not Applicable**
(57) Statement of Newness and Distinctiveness: **Handle shape and blade detail.**



- (21) Design Number: **15560/2008**
(22) Date of Filing Application: **24 November 2008**
(24) Date from which industrial property rights may have effect: **24 November 2008**
(54) Product in respect of which the design is registered: **Ceramic measuring spoons**
(51) International Design Classification: **10-04, 07-03**
(71) Name(s) and Address(s) of Applicant(s):
Harry Pourounidis
C/- Foodfight Ltd 1-9 Moreland Road East Coburg Victoria 3058
Australia
Curtis Stone
C/- Foodfight Ltd 1-9 Moreland Road East Coburg Victoria 3058
Australia
(72) Name(s) of Designer(s): **Harry Pourounidis and Curtis Stone**
(45) Registration Date: **19 January 2009**
(56) Related Art Documents: **Not Applicable**
(57) Statement of Newness and Distinctiveness: **Shape and design of measuring spoons and base.**



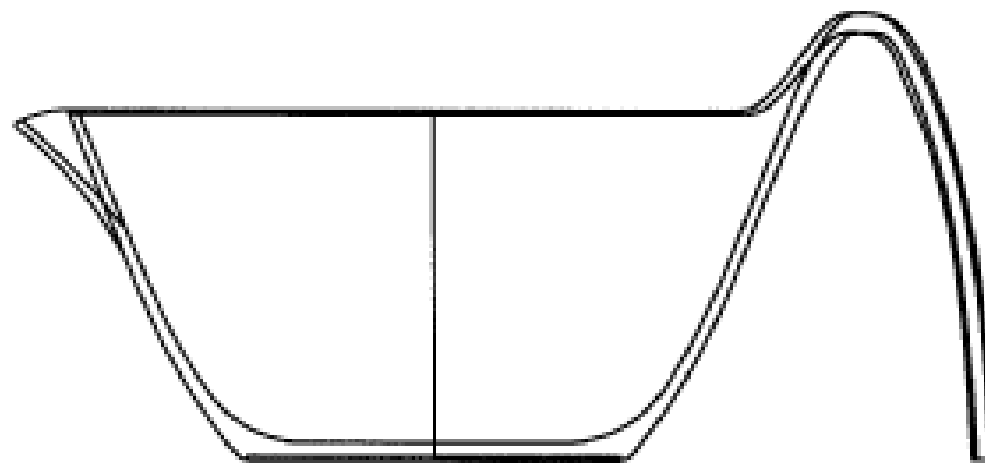
- (21) Design Number: **15561/2008**
(22) Date of Filing Application: **24 November 2008**
(24) Date from which industrial property rights may have effect: **24 November 2008**
(54) Product in respect of which the design is registered: **Carving knife**
(51) International Design Classification: **08-03**
(71) Name(s) and Address(s) of Applicant(s):
Harry Pourounidis
C/- Foodfight Ltd 1-9 Moreland Road East Coburg Victoria 3058
Australia
Curtis Stone
C/- Foodfight Ltd 1-9 Moreland Road East Coburg Victoria 3058
Australia
(72) Name(s) of Designer(s): **Harry Pourounidis and Curtis Stone**
(45) Registration Date: **19 January 2009**
(56) Related Art Documents: **Not Applicable**
(57) Statement of Newness and Distinctiveness: **Handle shape and blade detail.**



- (21) Design Number: **15562/2008**
(22) Date of Filing Application: **24 November 2008**
(24) Date from which industrial property rights may have effect: **24 November 2008**
(54) Product in respect of which the design is registered: **Handle for a knife**
(51) International Design Classification: **08-03, 07-02R**
(71) Name(s) and Address(s) of Applicant(s):
Harry Pourounidis
C/- Foodfight Ltd 1-9 Moreland Road East Coburg Victoria 3058
Australia
Curtis Stone
C/- Foodfight Ltd 1-9 Moreland Road East Coburg Victoria 3058
Australia
(72) Name(s) of Designer(s): **Harry Pourounidis and Curtis Stone**
(45) Registration Date: **19 January 2009**
(56) Related Art Documents: **Not Applicable**
(57) Statement of Newness and Distinctiveness: **Handle detail on knives.**



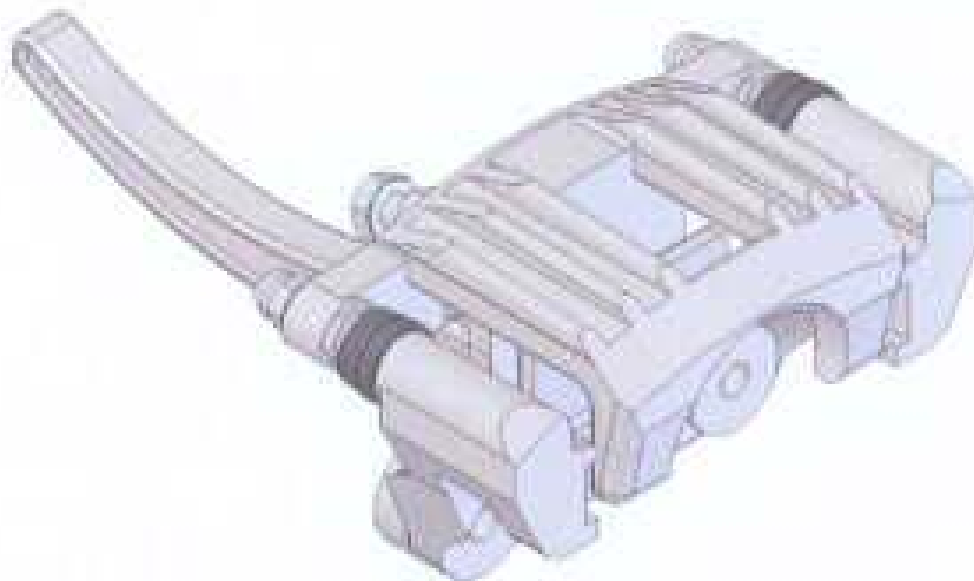
(21) Design Number: **15563/2008**
 (22) Date of Filing Application: **24 November 2008**
 (24) Date from which industrial property rights may have effect: **24 November 2008**
 (54) Product in respect of which the design is registered: **Ceramic mixing bowls and measuring cups**
 (51) International Design Classification: **10-04, 07-01B**
 (71) Name(s) and Address(s) of Applicant(s):
Harry Pourounidis
C/- Foodfight Ltd 1-9 Moreland Road East Coburg Victoria 3058
Australia
Curtis Stone
C/- Foodfight Ltd 1-9 Moreland Road East Coburg Victoria 3058
Australia
 (72) Name(s) of Designer(s): **Harry Pourounidis and Curtis Stone**
 (45) Registration Date: **19 January 2009**
 (56) Related Art Documents: **Not Applicable**
 (57) Statement of Newness and Distinctiveness: **Curved handle shape.**



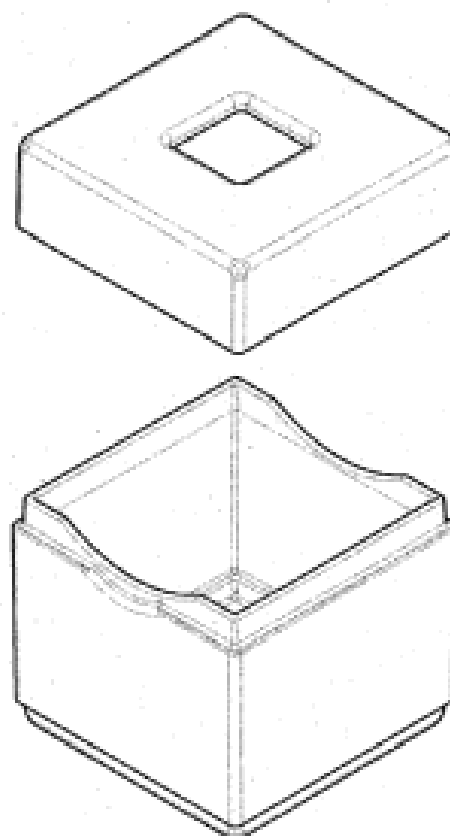
(21) Design Number: **15564/2008**
 (22) Date of Filing Application: **24 November 2008**
 (24) Date from which industrial property rights may have effect: **24 November 2008**
 (54) Product in respect of which the design is registered: **Seating unit**
 (51) International Design Classification: **06-01F**
 (71) Name(s) and Address(s) of Applicant(s):
Steelcase, Inc.
CD.6W.02 PO Box 1967 Grand Rapids 49501-1967 MI United States of
America
 (72) Name(s) of Designer(s): **Luke Pearson and Tom Lloyd and Nick Carpenter**
and James Ludwig and Bruce Smith
 (45) Registration Date: **19 January 2009**
 (30) Convention priority data:
 (31) Number (32) Date (33) Country
29/318691 26 May 2008 UNITED STATES OF AMERICA
 (56) Related Art Documents: **Not Applicable**
 (57) Statement of Newness and Distinctiveness: **Nil**



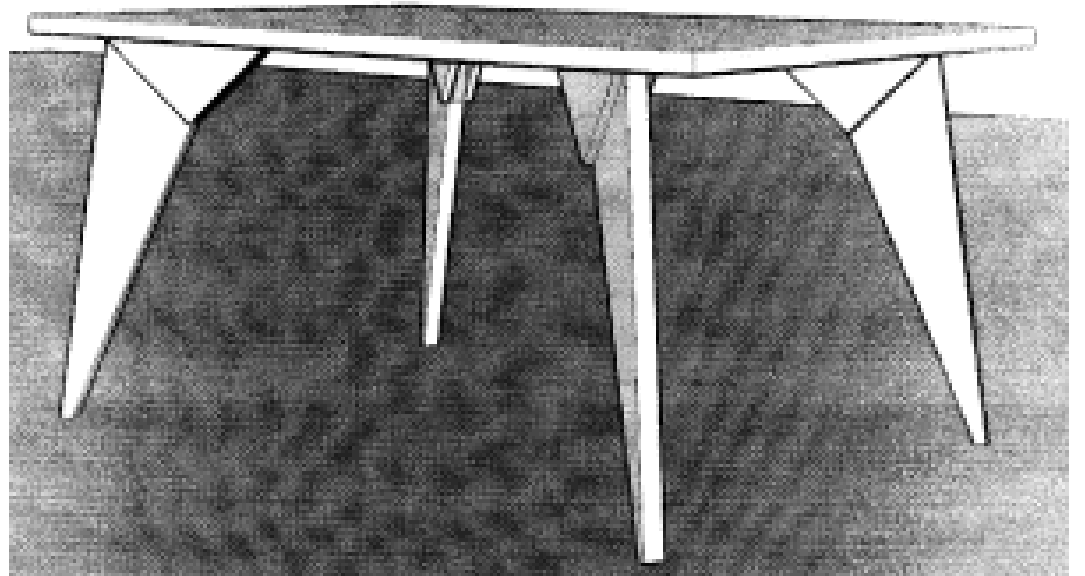
- (21) Design Number: **15568/2008**
(22) Date of Filing Application: **24 November 2008**
(24) Date from which industrial property rights may have effect: **24 November 2008**
(54) Product in respect of which the design is registered: **Mechanical calliper**
(51) International Design Classification: **12-16M**
(71) Name(s) and Address(s) of Applicant(s):
AL-KO International Pty Ltd
67-91 Nathan Road Dandenong South Victoria 3175 Australia
(72) Name(s) of Designer(s): **Slobodan Cabarkapa**
(45) Registration Date: **19 January 2009**
(56) Related Art Documents: **Not Applicable**
(57) Statement of Newness and Distinctiveness: **The shape of the nuts attached to the calliper, as shown in the representations, are excluded from the design.**



- (21) Design Number: **15569/2008**
(22) Date of Filing Application: **24 November 2008**
(24) Date from which industrial property rights may have effect: **24 November 2008**
(54) Product in respect of which the design is registered: **Drinking vessel**
(51) International Design Classification: **07-01C**
(71) Name(s) and Address(s) of Applicant(s):
Sean Randall Trading as Bar Icon Group
16 Drury Street West End Queensland 4101 Australia
(72) Name(s) of Designer(s): **Sean Randall**
(45) Registration Date: **19 January 2009**
(56) Related Art Documents: **Not Applicable**
(57) Statement of Newness and Distinctiveness: **Monopoly is claimed in the shape and/or configuration of a drinking vessel as shown in the representations.**



- (21) Design Number: **15578/2008**
(22) Date of Filing Application: **24 November 2008**
(24) Date from which industrial property rights may have effect: **24 November 2008**
(54) Product in respect of which the design is registered: **Flexible height table; which can be used for dining or as a coffee table**
(51) International Design Classification: **06-03A**
(71) Name(s) and Address(s) of Applicant(s):
David Revay
22 Wonga Road Cremorne New South Wales 2090 Australia
Beah Revay
22 Wonga Road Cremorne New South Wales 2090 Australia
(72) Name(s) of Designer(s): **David Revay**
(45) Registration Date: **19 January 2009**
(56) Related Art Documents: **Not Applicable**
(57) Statement of Newness and Distinctiveness: **Table uses a distinctive leg and bracket system: In coffee table form the leg points toward table centre with leg width and bracket providing height. Leg flips outward for dining. Position is maintained by gravity (though they can be pinned for extra security).**



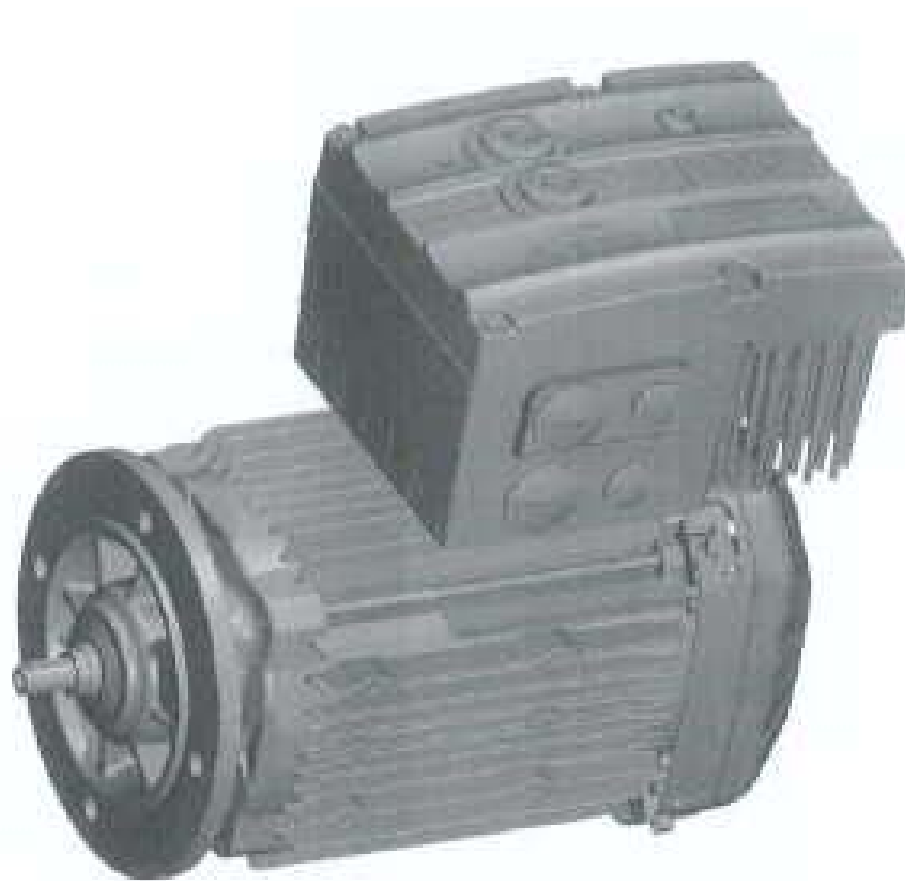
- (21) Design Number: **14093/2008**
(22) Date of Filing Application: **25 August 2008**
(24) Date from which industrial property rights may have effect: **25 August 2008**
(54) Product in respect of which the design is registered: **PractiPak-medication management device**
(51) International Design Classification: **09-05**
(71) Name(s) and Address(s) of Applicant(s):
Darren Small
4A BayView Street Nelson Bay New South Wales 2315 Australia
(72) Name(s) of Designer(s): **Darren Small**
(45) Registration Date: **19 January 2009**
(56) Related Art Documents: **Not Applicable**
(57) Statement of Newness and Distinctiveness: **PractiPak - medication management device is a two part system using cold seal technology or heat seal technology to provide a tamper evident seal. The two parts adhere to each other directly, with no exterior cover or folder required to hold the blister and foil seal.**



- (21) Design Number: **14094/2008**
(22) Date of Filing Application: **25 August 2008**
(24) Date from which industrial property rights may have effect: **25 August 2008**
(54) Product in respect of which the design is registered: **Reverse PractiPak-medication management device**
(51) International Design Classification: **09-05**
(71) Name(s) and Address(s) of Applicant(s):
Darren Small
4A BayView Street Nelson Bay New South Wales 2315 Australia
(72) Name(s) of Designer(s): **Darren Small**
(45) Registration Date: **19 January 2009**
(56) Related Art Documents: **Not Applicable**
(57) Statement of Newness and Distinctiveness: **PractiPak - medication management device is a two part system using cold seal technology or heat seal technology to provide a tamper evident seal. The two parts adhere to each other directly, with no exterior cover or folder required to hold the blister and foil seal.**



- (21) Design Number: **14252/2008**
(22) Date of Filing Application: **03 September 2008**
(24) Date from which industrial property rights may have effect: **03 September 2008**
(54) Product in respect of which the design is registered: **Electric motor**
(51) International Design Classification: **13-01**
(71) Name(s) and Address(s) of Applicant(s):
SEW-EURODRIVE GmbH & Co. KG
Ernst-Blickle-Strasse 42 76646 Bruchsal Germany
(72) Name(s) of Designer(s): **Hans-Jurgen Lannoch**
(45) Registration Date: **19 January 2009**
(30) Convention priority data:
(31) Number (32) Date (33) Country
402008001260.7 04 Mar 2008 GERMANY
(56) Related Art Documents: **Not Applicable**
(57) Statement of Newness and Distinctiveness: **The features of shape and configuration of the electric motor shown in the representations are new and distinctive. Text and indicia shown in the representations is not part of the design and is to be disregarded when assessing whether this design is substantially similar in overall impression to another design.**



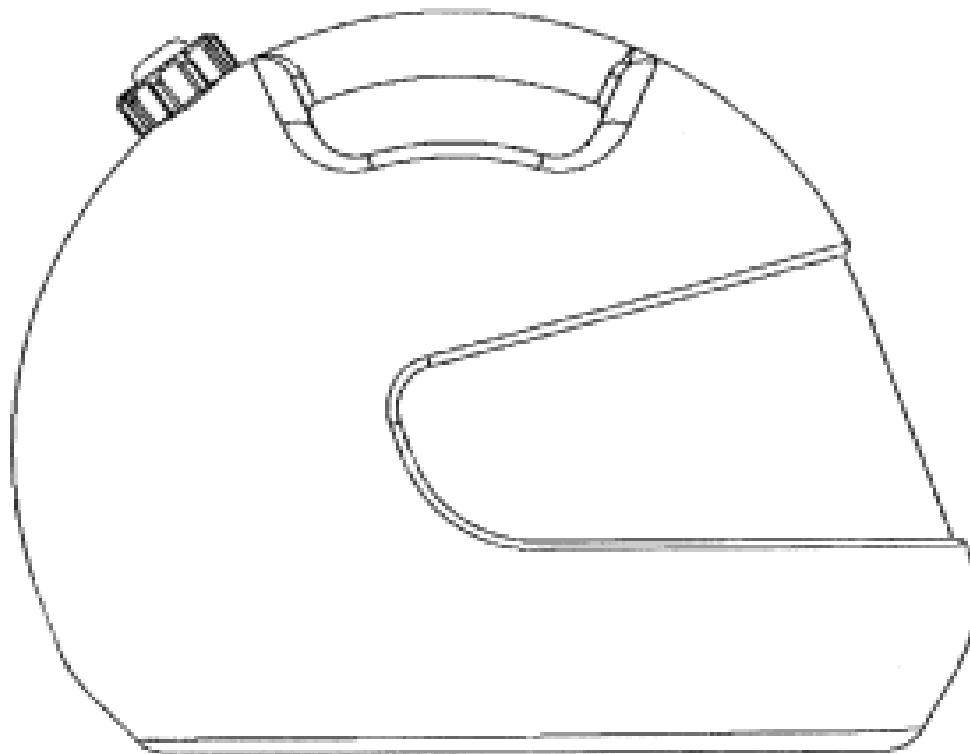
- (21) Design Number: **14253/2008**
(22) Date of Filing Application: **03 September 2008**
(24) Date from which industrial property rights may have effect: **03 September 2008**
(54) Product in respect of which the design is registered: **Equipment for distribution of electric power**
(51) International Design Classification: **13-03NES**
(71) Name(s) and Address(s) of Applicant(s):
SEW-EURODRIVE GmbH & Co. KG
Ernst-Blickle-Strasse 42 76646 Bruchsal Germany
(72) Name(s) of Designer(s): **Hans-Jurgen Lannoch**
(45) Registration Date: **19 January 2009**
(30) Convention priority data:
(31) Number (32) Date (33) Country
402008001260.7 04 Mar 2008 GERMANY
(56) Related Art Documents: **Not Applicable**
(57) Statement of Newness and Distinctiveness: **The features of shape and configuration of the equipment for distribution of electric power shown in the representations are new and distinctive. Text and indicia shown in the representations is not part of the design and is to be disregarded when assessing whether this design is substantially similar in overall impression to another design.**



- (21) Design Number: **14254/2008**
(22) Date of Filing Application: **03 September 2008**
(24) Date from which industrial property rights may have effect: **03 September 2008**
(54) Product in respect of which the design is registered: **Equipment for distribution of electric power**
(51) International Design Classification: **13-03NES**
(71) Name(s) and Address(s) of Applicant(s):
SEW-EURODRIVE GmbH & Co. KG
Ernst-Blickle-Strasse 42 76646 Bruchsal Germany
(72) Name(s) of Designer(s): **Hans-Jurgen Lannoch**
(45) Registration Date: **19 January 2009**
(30) Convention priority data:
(31) Number (32) Date (33) Country
402008001260.7 04 Mar 2008 GERMANY
(56) Related Art Documents: **Not Applicable**
(57) Statement of Newness and Distinctiveness: **The features of shape and configuration of the equipment for distribution of electric power shown in the representations are new and distinctive. Text and indicia shown in the representations is not part of the design and is to be disregarded when assessing whether this design is substantially similar in overall impression to another design.**



(21) Design Number: **14380/2008**
(22) Date of Filing Application: **11 September 2008**
(24) Date from which industrial property rights may have effect: **11 September 2008**
(54) Product in respect of which the design is registered: **Container**
(51) International Design Classification: **09-02B**
(71) Name(s) and Address(s) of Applicant(s):
Fuel Transfer Technologies Inc.
50 Harris Avenue Moncton New Brunswick E1C 4N6 Canada
(72) Name(s) of Designer(s): **Mark Bonner**
(45) Registration Date: **19 January 2009**
(30) Convention priority data:
(31) Number (32) Date (33) Country
29305231 14 Mar 2008 UNITED STATES OF AMERICA
(56) Related Art Documents: **Not Applicable**
(57) Statement of Newness and Distinctiveness: **Nil**



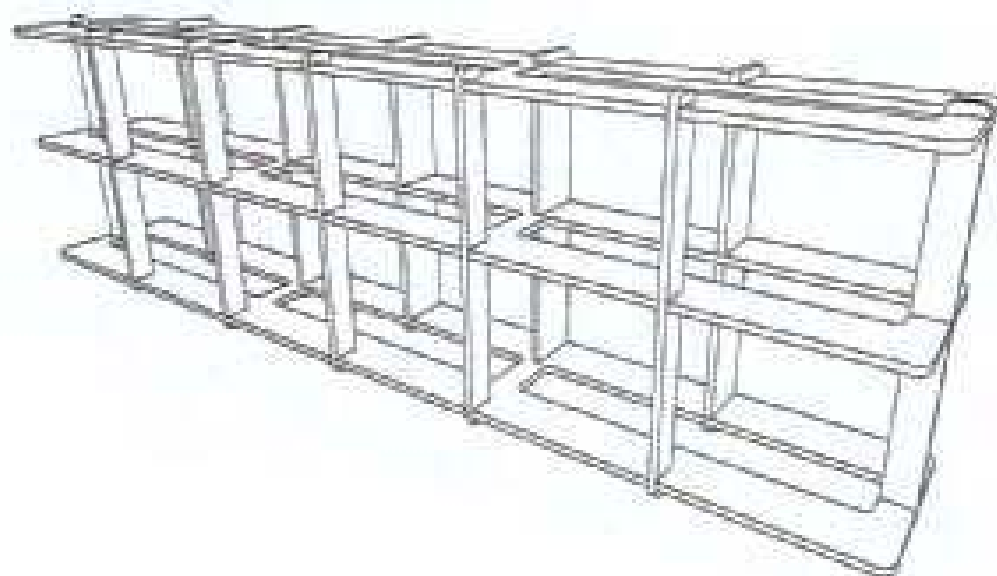
(21) Design Number: **14443/2008**
(22) Date of Filing Application: **17 September 2008**
(24) Date from which industrial property rights may have effect: **17 September 2008**
(54) Product in respect of which the design is registered: **A front combination lamp case for a motor scooter**
(51) International Design Classification: **12-16E**
(71) Name(s) and Address(s) of Applicant(s):
Honda Motor Co., Ltd.
1-1 Minami-Aoyama 2-Chome Minato-ku Tokyo Japan
(72) Name(s) of Designer(s): **Daisuke Takahashi and Valerio Aiello**
(45) Registration Date: **19 January 2009**
(30) Convention priority data:
(31) Number (32) Date (33) Country
2008-006504 17 Mar 2008 JAPAN
(56) Related Art Documents: **Not Applicable**
(57) Statement of Newness and Distinctiveness: **Newness and distinctiveness is claimed in the features of shape and/or configuration of a front combination lamp case for a motor scooter as illustrated in the accompanying representations.**



- (21) Design Number: **14449/2008**
(22) Date of Filing Application: **17 September 2008**
(24) Date from which industrial property rights may have effect: **17 September 2008**
(54) Product in respect of which the design is registered: **A motor scooter**
(51) International Design Classification: **12-11**
(71) Name(s) and Address(s) of Applicant(s):
Honda Motor Co., Ltd.
1-1 Minami-Aoyama 2-Chome Minato-ku Tokyo Japan
(72) Name(s) of Designer(s): **Daisuke Takahashi and Valerio Aiello**
(45) Registration Date: **19 January 2009**
(30) Convention priority data:
(31) Number (32) Date (33) Country
2008-006503 17 Mar 2008 JAPAN
(56) Related Art Documents: **Not Applicable**
(57) Statement of Newness and Distinctiveness: **Newness and distinctiveness is claimed in the features of shape and/or configuration of a motor scooter as illustrated in the accompanying representations.**



- (21) Design Number: **14689/2008**
(22) Date of Filing Application: **02 October 2008**
(24) Date from which industrial property rights may have effect: **02 October 2008**
(54) Product in respect of which the design is registered: **Flat jack, X board bookcase/storage unit**
(51) International Design Classification: **06-04NES**
(71) Name(s) and Address(s) of Applicant(s):
Ross Gardam
17 Austin Way Fitzroy North Victoria 3068 Australia
(72) Name(s) of Designer(s): **Ross Gardam**
(45) Registration Date: **19 January 2009**
(56) Related Art Documents: **Not Applicable**
(57) Statement of Newness and Distinctiveness: **Flat jack is a storage solution manufactured from the X-board material. The unit slots together from cut sheets.**



- (21) Design Number: **15587/2008**
- (22) Date of Filing Application: **26 November 2008**
- (24) Date from which industrial property rights may have effect: **26 November 2008**
- (54) Product in respect of which the design is registered: **Chair**
- (51) International Design Classification: **06-01NES**
- (71) Name(s) and Address(s) of Applicant(s):

Seating Matters Ltd
Aghanloo Road Limavady County Londonderry BT49 0HE Northern
Ireland United Kingdom

(72) Name(s) of Designer(s): **Martin Tierney**

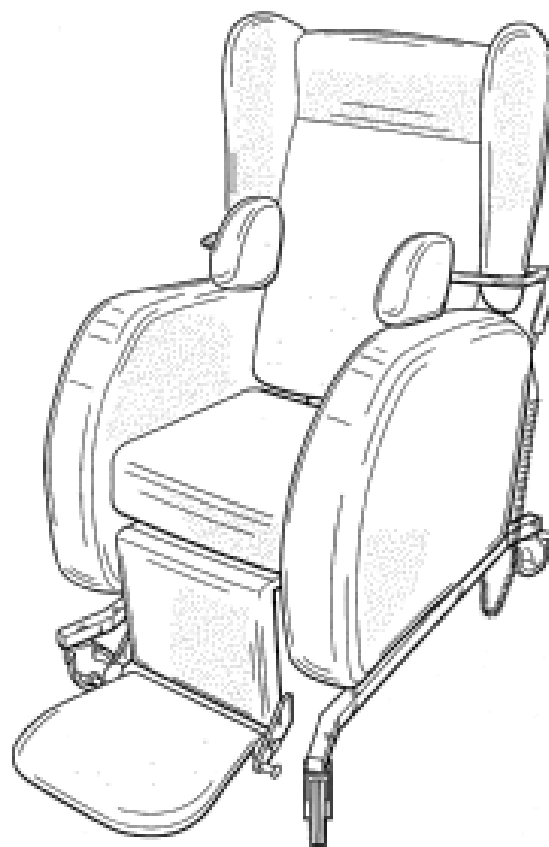
(45) Registration Date: **19 January 2009**

(30) Convention priority data:

(31) Number	(32) Date	(33) Country
000942180	28 May 2008	EUROPEAN COMMUNITY

(56) Related Art Documents: **Not Applicable**

(57) Statement of Newness and Distinctiveness: **Newness and distinctiveness is claimed in the shape and/or configuration of a chair as shown in the accompanying representations.**



- (21) Design Number: **15588/2008**
- (22) Date of Filing Application: **26 November 2008**
- (24) Date from which industrial property rights may have effect: **26 November 2008**
- (54) Product in respect of which the design is registered: **Chair**
- (51) International Design Classification: **06-01NES**
- (71) Name(s) and Address(s) of Applicant(s):

Seating Matters Ltd
Aghanloo Road Limavady Country Londonderry BT49 0HE Northern
Ireland United Kingdom

(72) Name(s) of Designer(s): **Martin Tierney**

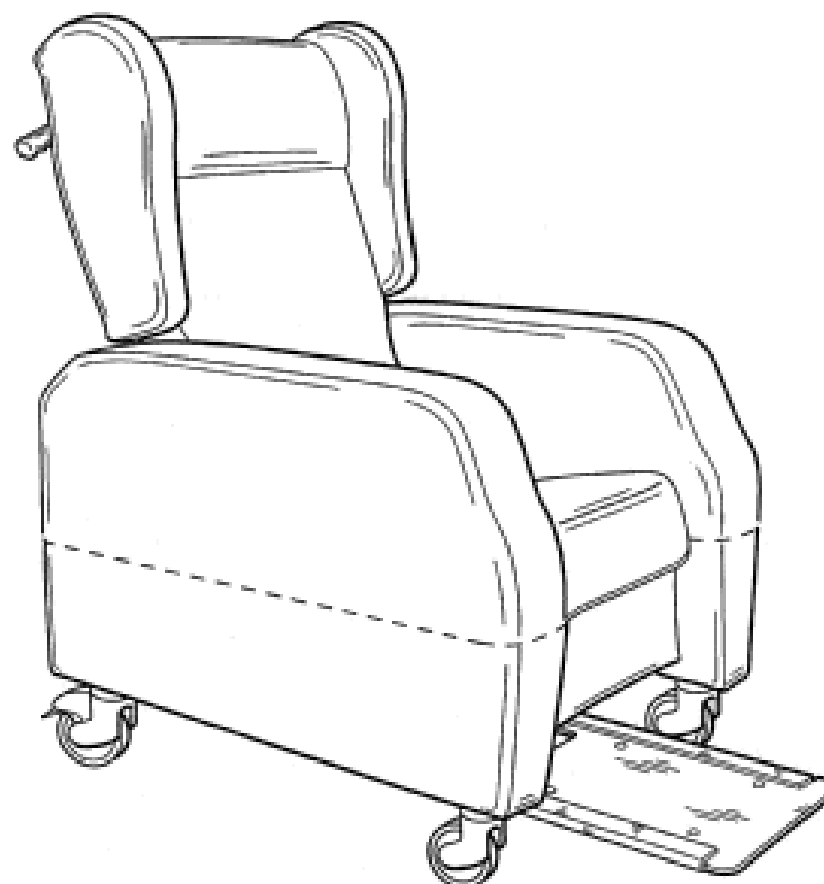
(45) Registration Date: **19 January 2009**

(30) Convention priority data:

(31) Number	(32) Date	(33) Country
000942180	28 May 2008	EUROPEAN COMMUNITY

(56) Related Art Documents: **Not Applicable**

(57) Statement of Newness and Distinctiveness: **Newness and distinctiveness is claimed in the shape and/or configuration of a chair as shown in the accompanying representations.**



(21) Design Number: **15590/2008**

(22) Date of Filing Application: **26 November 2008**

(24) Date from which industrial property rights may have effect: **26 November 2008**

(54) Product in respect of which the design is registered: **Drain inlet**

(51) International Design Classification: **23-01E**

(71) Name(s) and Address(s) of Applicant(s):

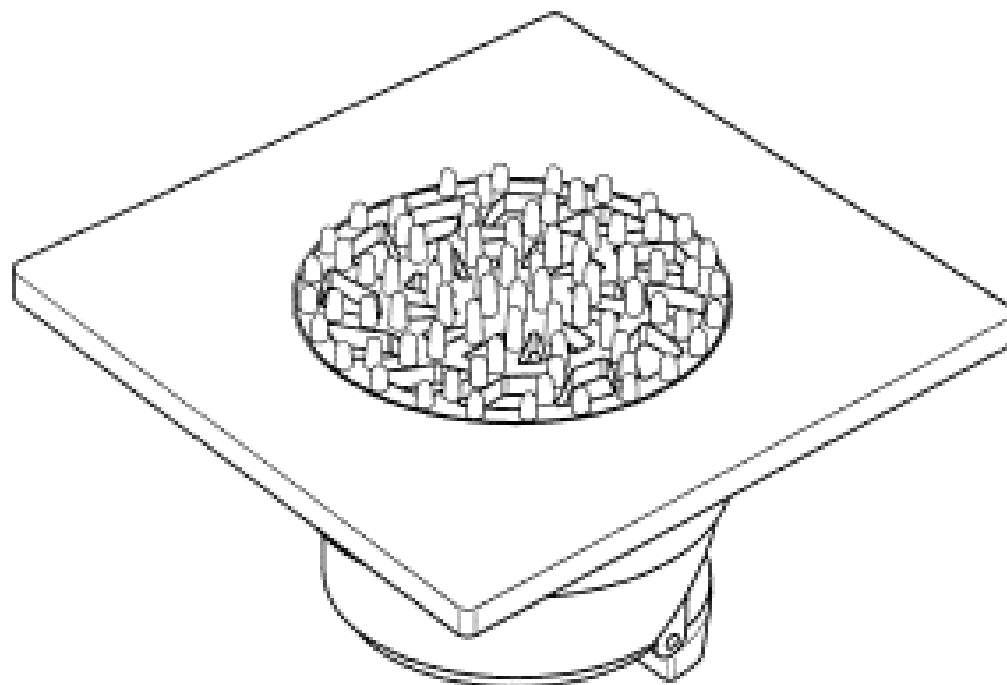
Murray Norman Cook
52 Treave Street Cloverdale Western Australia 6105 Australia

(72) Name(s) of Designer(s): **Murray Norman Cook**

(45) Registration Date: **19 January 2009**

(56) Related Art Documents: **Not Applicable**

(57) Statement of Newness and Distinctiveness: **Newness resides in the features of shape and configuration of an article as depicted in the accompanying representations.**



(21) Design Number: **15592/2008**

(22) Date of Filing Application: **26 November 2008**

(24) Date from which industrial property rights may have effect: **26 November 2008**

(54) Product in respect of which the design is registered: **An electrical connector**

(51) International Design Classification: **13-03B**

(71) Name(s) and Address(s) of Applicant(s):

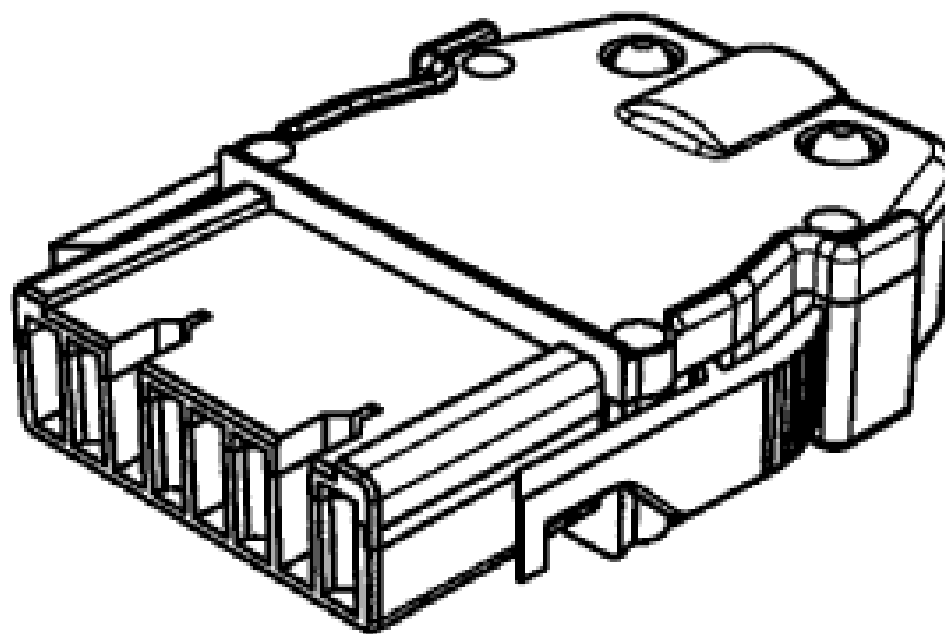
Assembly Electronics Pty Ltd
Unit 3 29 Mitchell Road Brookvale New South Wales 2100 Australia

(72) Name(s) of Designer(s): **John Schmidli**

(45) Registration Date: **19 January 2009**

(56) Related Art Documents: **Not Applicable**

(57) Statement of Newness and Distinctiveness: **Nil**



(21) Design Number: **12618/2008**

(22) Date of Filing Application: **30 May 2008**

(24) Date from which industrial property rights may have effect: **30 May 2008**

(54) Product in respect of which the design is registered: **Automobile**

(51) International Design Classification: **12-08**

(71) Name(s) and Address(s) of Applicant(s):

**Toyota Jidosha Kabushiki Kaisha
1 Toyota-cho Toyota-shi AICHI-KEN 471-8571 Japan**

(72) Name(s) of Designer(s): **Masanari Sakae and Hiroyuki Tada and Shinno Kato**

(45) Registration Date: **20 January 2009**

(56) Related Art Documents: **Not Applicable**

(57) Statement of Newness and Distinctiveness: **The newness and distinctiveness of the design resides in the shape and configuration and/or pattern and ornamentation of the automobile shown in the representations.**



(21) Design Number: **12619/2008**

(22) Date of Filing Application: **30 May 2008**

(24) Date from which industrial property rights may have effect: **30 May 2008**

(54) Product in respect of which the design is registered: **Automobile**

(51) International Design Classification: **12-08**

(71) Name(s) and Address(s) of Applicant(s):

**Toyota Jidosha Kabushiki Kaisha
1 Toyota-cho Toyota-shi AICHI-KEN 471-8571 Japan**

(72) Name(s) of Designer(s): **Masanari Sakae and Hiroyuki Tada**

(45) Registration Date: **20 January 2009**

(56) Related Art Documents: **Not Applicable**

(57) Statement of Newness and Distinctiveness: **The newness and distinctiveness of the design resides in the shape and configuration and/or pattern and ornamentation of the automobile shown in the representations.**



- (21) Design Number: **12620/2008**
(22) Date of Filing Application: **30 May 2008**
(24) Date from which industrial property rights may have effect: **30 May 2008**
(54) Product in respect of which the design is registered: **Automobile**
(51) International Design Classification: **12-08**
(71) Name(s) and Address(s) of Applicant(s):
Toyota Jidosha Kabushiki Kaisha
1 Toyota-cho Toyota-shi AICHI-KEN 471-8571 Japan
(72) Name(s) of Designer(s): **Masanari Sakae and Hiroyuki Tada and Shinno Kato and Tokiko Gamou**
(45) Registration Date: **20 January 2009**
(56) Related Art Documents: **Not Applicable**
(57) Statement of Newness and Distinctiveness: **The newness and distinctiveness of the design resides in the shape and configuration and/or pattern and ornamentation of the automobile shown in the representations.**



- (21) Design Number: **12621/2008**
(22) Date of Filing Application: **30 May 2008**
(24) Date from which industrial property rights may have effect: **30 May 2008**
(54) Product in respect of which the design is registered: **Automobile**
(51) International Design Classification: **12-08**
(71) Name(s) and Address(s) of Applicant(s):
Toyota Jidosha Kabushiki Kaisha
1 Toyota-cho Toyota-shi AICHI-KEN 471-8571 Japan
(72) Name(s) of Designer(s): **Masanari Sakae and Tokiko Gamou**
(45) Registration Date: **20 January 2009**
(56) Related Art Documents: **Not Applicable**
(57) Statement of Newness and Distinctiveness: **The newness and distinctiveness of the design resides in the shape and configuration and/or pattern and ornamentation of the automobile shown in the representations.**



(21) Design Number: **14141/2008**

(22) Date of Filing Application: **28 August 2008**

(24) Date from which industrial property rights may have effect: **28 August 2008**

(54) Product in respect of which the design is registered: **Air purifier**

(51) International Design Classification: **23-04**

(71) Name(s) and Address(s) of Applicant(s):

**Environ Air Pty Ltd
Unit 3 5A Pioneer Avenue Tuggerah New South Wales 2250 Australia**

(72) Name(s) of Designer(s): **Nicholas Kraus**

(45) Registration Date: **20 January 2009**

(56) Related Art Documents: **Not Applicable**

(57) Statement of Newness and Distinctiveness: **Monopoly is claimed in respect of the shape and configuration of an air purifier as shown in the attached representations.**



(21) Design Number: **14344/2008**

(22) Date of Filing Application: **08 September 2008**

(24) Date from which industrial property rights may have effect: **08 September 2008**

(54) Product in respect of which the design is registered: **Desk whiteboard**

(51) International Design Classification: **19-06, 06-03C**

(71) Name(s) and Address(s) of Applicant(s):

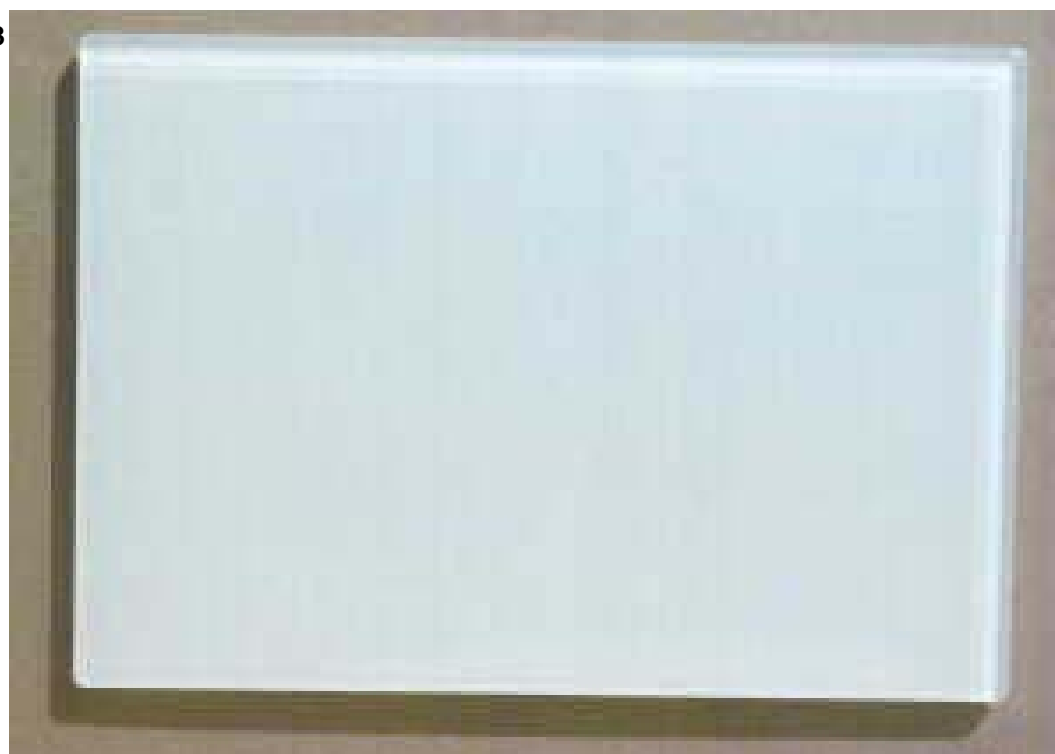
**Silvertrees Properties Pty Ltd
8-22 Bowden Street Alexandria New South Wales 2015 Australia**

(72) Name(s) of Designer(s): **Gerard O'Farrell**

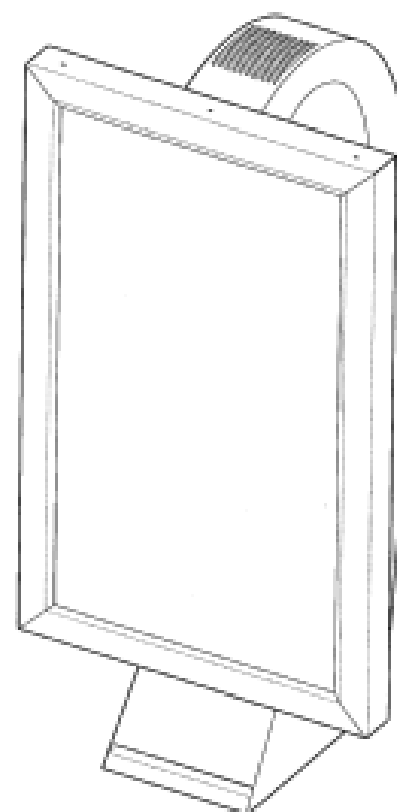
(45) Registration Date: **20 January 2009**

(56) Related Art Documents: **Not Applicable**

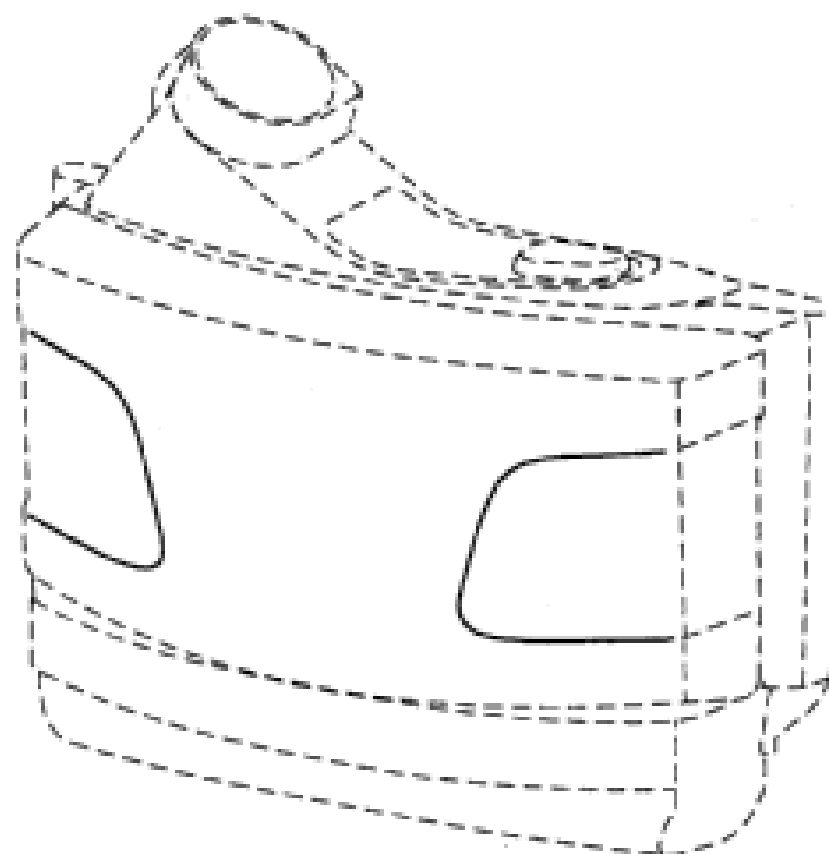
(57) Statement of Newness and Distinctiveness: **Monopoly is claimed in the features of shape and configuration of a desk whiteboard as shown in the accompanying drawings.**



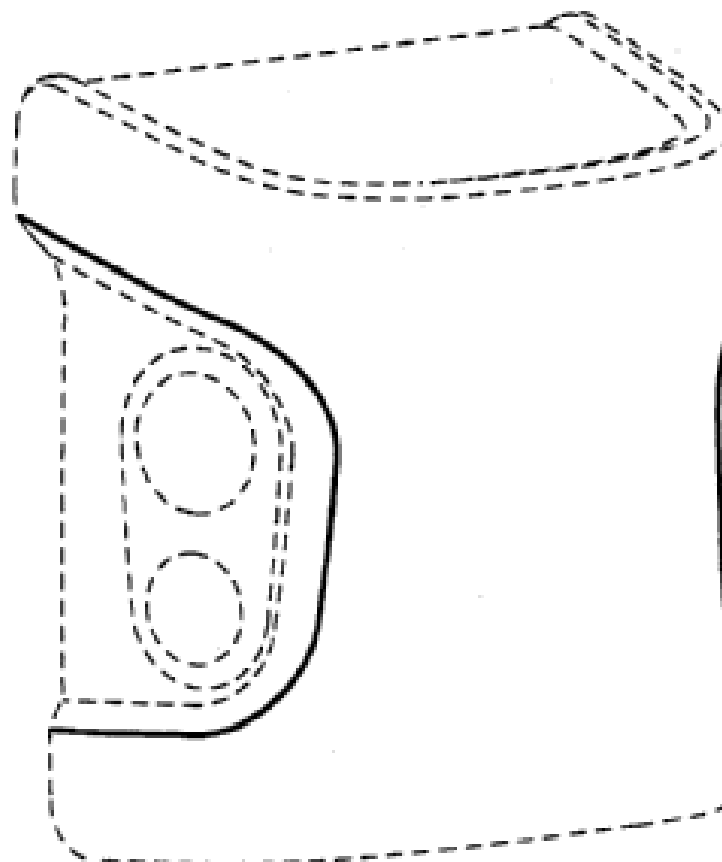
- (21) Design Number: **14395/2008**
(22) Date of Filing Application: **12 September 2008**
(24) Date from which industrial property rights may have effect: **12 September 2008**
(54) Product in respect of which the design is registered: **Advertising display structure**
(51) International Design Classification: **20-03NES**
(71) Name(s) and Address(s) of Applicant(s):
Eye Corp Pty Limited
Level 5 35 Saunders Street Pymont New South Wales 2009 Australia
(72) Name(s) of Designer(s): **Stephen Rubie and Edwin Lin**
(45) Registration Date: **20 January 2009**
(56) Related Art Documents: **Not Applicable**
(57) Statement of Newness and Distinctiveness: **Nil**



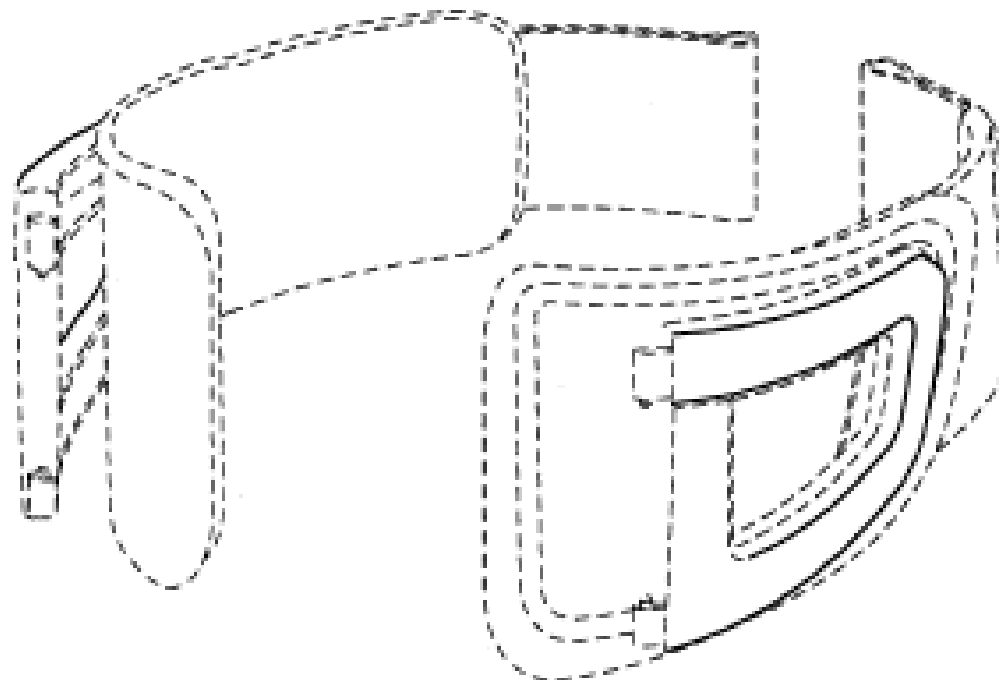
- (21) Design Number: **14753/2008**
(22) Date of Filing Application: **02 October 2008**
(24) Date from which industrial property rights may have effect: **02 October 2008**
(54) Product in respect of which the design is registered: **Air blower**
(51) International Design Classification: **29-02, 15-05**
(71) Name(s) and Address(s) of Applicant(s):
3M Innovative Properties Company
3M Center Saint Paul Minnesota 55133-3427 United States of America
(72) Name(s) of Designer(s): **Desmond T. Curran and Alan Lee and Andrew Murphy and Daniel Tyce and James May and Stuart J. King and Michael C. Bainton**
(45) Registration Date: **20 January 2009**
(30) Convention priority data:
(31) Number (32) Date (33) Country
908751-01/02 04 Apr 2008 EUROPEAN COMMUNITY
(56) Related Art Documents: **Not Applicable**
(57) Statement of Newness and Distinctiveness: **Newness and distinctiveness is claimed in the visual features shown in solid lines in the representations.**



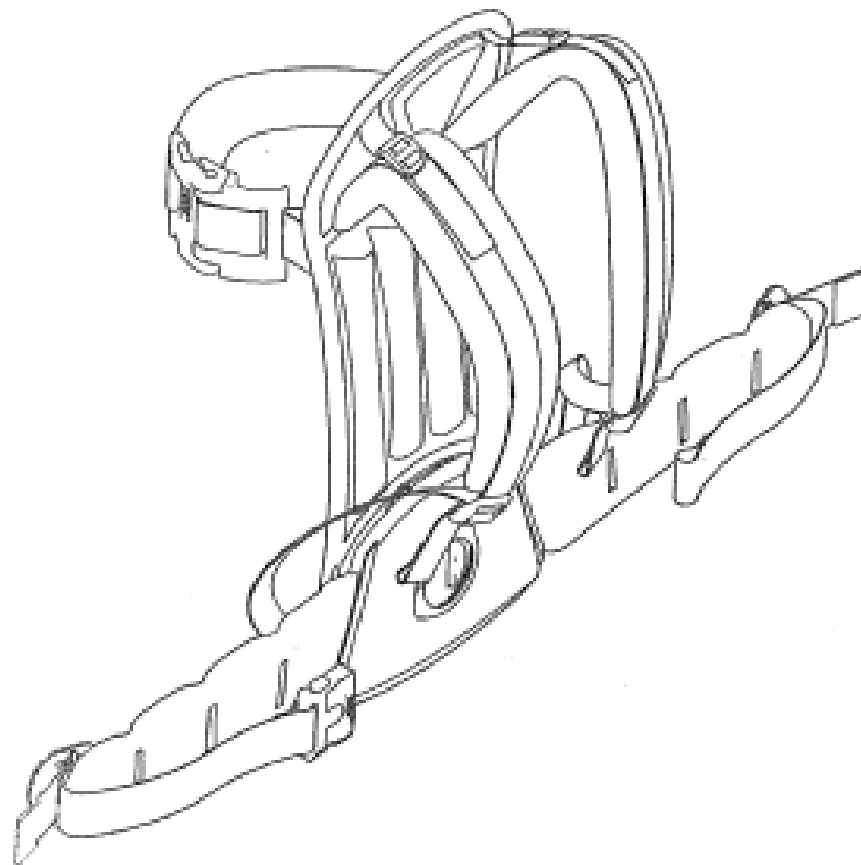
(21) Design Number: **14754/2008**
 (22) Date of Filing Application: **02 October 2008**
 (24) Date from which industrial property rights may have effect: **02 October 2008**
 (54) Product in respect of which the design is registered: **Remote controller**
 (51) International Design Classification: **29-02, 14-03NES**
 (71) Name(s) and Address(s) of Applicant(s):
3M Innovative Properties Company
3M Center Saint Paul Minnesota 55133-3427 United States of America
 (72) Name(s) of Designer(s): **Desmond T. Curran and Alan Lee and Andrew Murphy and Daniel Tyce and James May and Stuart J. King and Michael C. Bainton**
 (45) Registration Date: **20 January 2009**
 (30) Convention priority data:
 (31) Number (32) Date (33) Country
9088769-01/02 04 Apr 2008 EUROPEAN COMMUNITY
 (56) Related Art Documents: **Not Applicable**
 (57) Statement of Newness and Distinctiveness: **Newness and distinctiveness is claimed in the visual features shown in solid lines in the representations.**



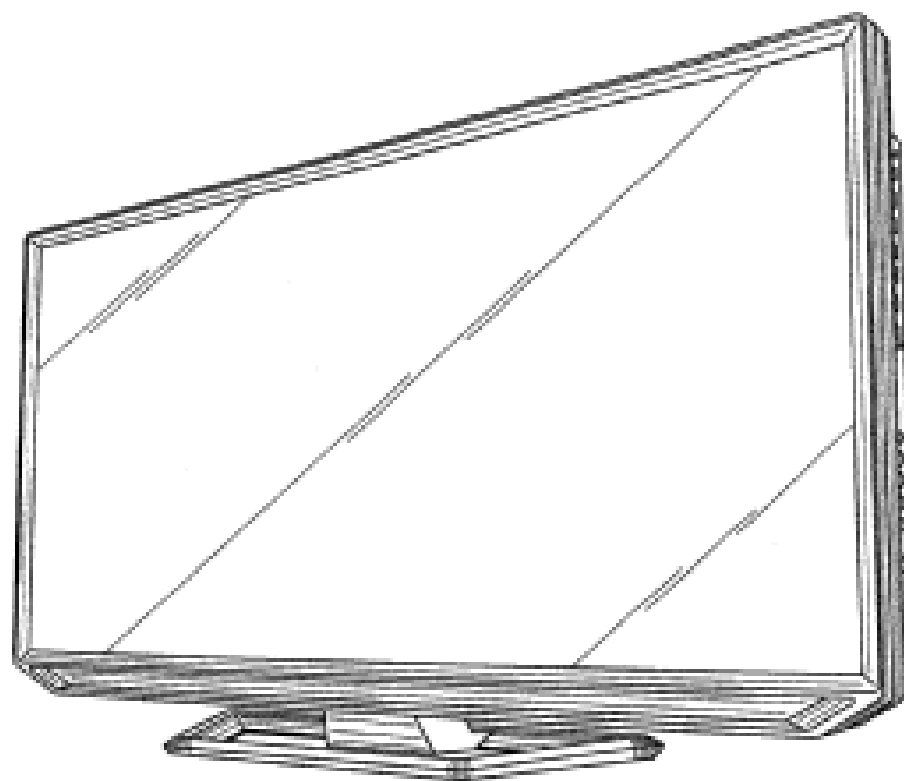
(21) Design Number: **14756/2008**
 (22) Date of Filing Application: **02 October 2008**
 (24) Date from which industrial property rights may have effect: **02 October 2008**
 (54) Product in respect of which the design is registered: **Belt**
 (51) International Design Classification: **02-01B**
 (71) Name(s) and Address(s) of Applicant(s):
3M Innovative Properties Company
3M Center Saint Paul Minnesota 55133-3427 United States of America
 (72) Name(s) of Designer(s): **Desmond T. Curran and Andrew Murphy and James May and Stuart J. King and Michael C. Bainton**
 (45) Registration Date: **20 January 2009**
 (30) Convention priority data:
 (31) Number (32) Date (33) Country
908793-01/02 04 Apr 2008 EUROPEAN COMMUNITY
 (56) Related Art Documents: **Not Applicable**
 (57) Statement of Newness and Distinctiveness: **Newness and distinctiveness is claimed in the visual features shown in solid lines in the representations.**



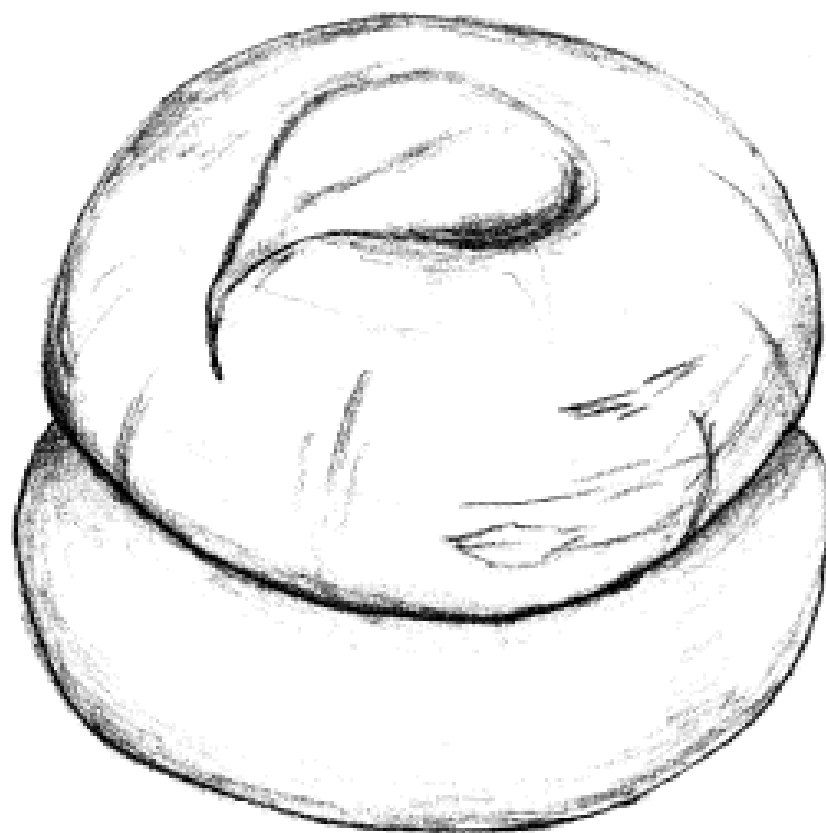
- (21) Design Number: **14818/2008**
(22) Date of Filing Application: **09 October 2008**
(24) Date from which industrial property rights may have effect: **09 October 2008**
(54) Product in respect of which the design is registered: **Harness for carrying breathing apparatus**
(51) International Design Classification: **29-02**
(71) Name(s) and Address(s) of Applicant(s):
Scott Health & Safety Ltd
Pimbo Road West Pimbo Skelmersdale Lancashire WN8 9RA United Kingdom
(72) Name(s) of Designer(s): **Robert Carr and Steven Thurgood and Barry Lewin and Tony Pickett**
(45) Registration Date: **20 January 2009**
(30) Convention priority data:
(31) Number (32) Date (33) Country
000915491 09 Apr 2008 EUROPEAN COMMUNITY
(56) Related Art Documents: **Not Applicable**
(57) Statement of Newness and Distinctiveness: **Newness and distinctiveness of the design as applied to a harness for carrying breathing apparatus lies in the shape and/or configuration thereof shown in the accompanying drawings.**



- (21) Design Number: **15549/2008**
(22) Date of Filing Application: **24 November 2008**
(24) Date from which industrial property rights may have effect: **24 November 2008**
(54) Product in respect of which the design is registered: **A television receiver**
(51) International Design Classification: **14-03B**
(71) Name(s) and Address(s) of Applicant(s):
Kabushiki Kaisha Toshiba also trading as Toshiba Corporation
1-1 Shibaura 1-chome Minato-ku Tokyo Japan
(72) Name(s) of Designer(s): **Takeshi Suzuki**
(45) Registration Date: **20 January 2009**
(30) Convention priority data:
(31) Number (32) Date (33) Country
2008-018367 16 Jul 2008 JAPAN
(56) Related Art Documents: **Not Applicable**
(57) Statement of Newness and Distinctiveness: **The features of the design that are new and distinctive are the shape and configuration of the product as shown in the accompanying representations.**



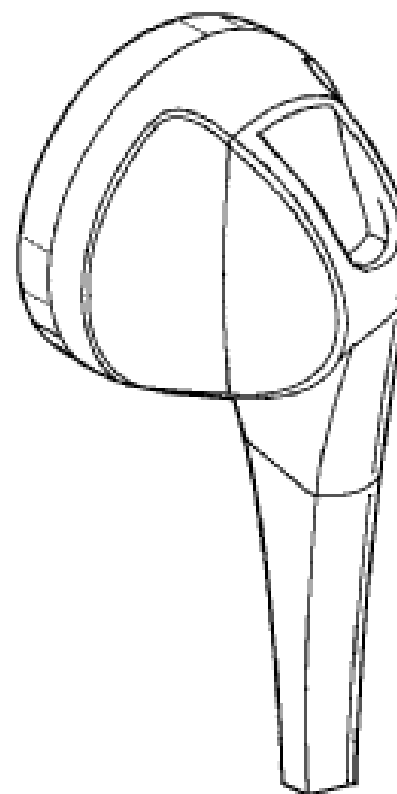
- (21) Design Number: **15575/2008**
(22) Date of Filing Application: **25 November 2008**
(24) Date from which industrial property rights may have effect: **25 November 2008**
(54) Product in respect of which the design is registered: **Meringue based dessert**
(51) International Design Classification: **01-01**
(71) Name(s) and Address(s) of Applicant(s):
Country Chef Pty Ltd
7 Hi-Tech Drive Kunda Park Queensland 4556 Australia
(72) Name(s) of Designer(s): **Kenneth Bartlett**
(45) Registration Date: **20 January 2009**
(56) Related Art Documents: **Not Applicable**
(57) Statement of Newness and Distinctiveness: **The particular visual features of the meringue based dessert that are to be regarded as new and distinctive are the double drop body and dome top of the meringue based dessert without regard to the shape of the peak.**



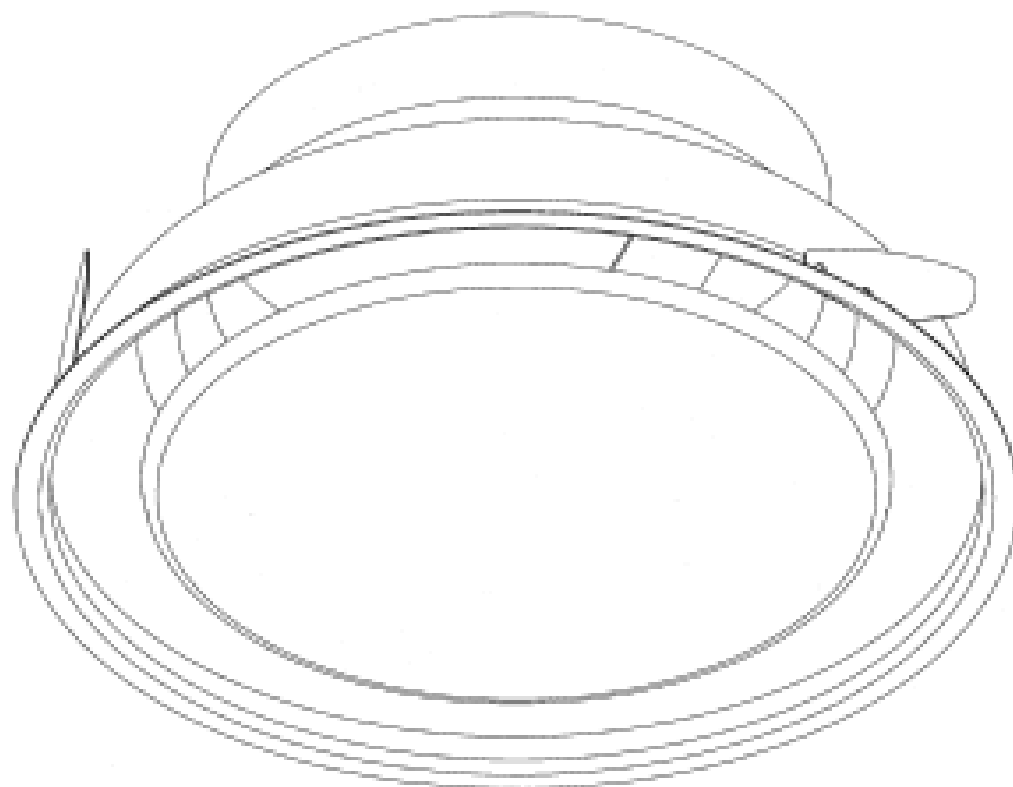
- (21) Design Number: **15577/2008**
(22) Date of Filing Application: **25 November 2008**
(24) Date from which industrial property rights may have effect: **25 November 2008**
(54) Product in respect of which the design is registered: **Headphone**
(51) International Design Classification: **14-01**
(71) Name(s) and Address(s) of Applicant(s):
Kabushiki Kaisha Audio-Technica Trading as Audio-Technica Corporation
2206 Naruse Machida-shi Tokyo Japan
(72) Name(s) of Designer(s): **Kozo Ando**
(45) Registration Date: **20 January 2009**
(30) Convention priority data:

(31) Number	(32) Date	(33) Country
JP2008-013669	30 May 2008	JAPAN

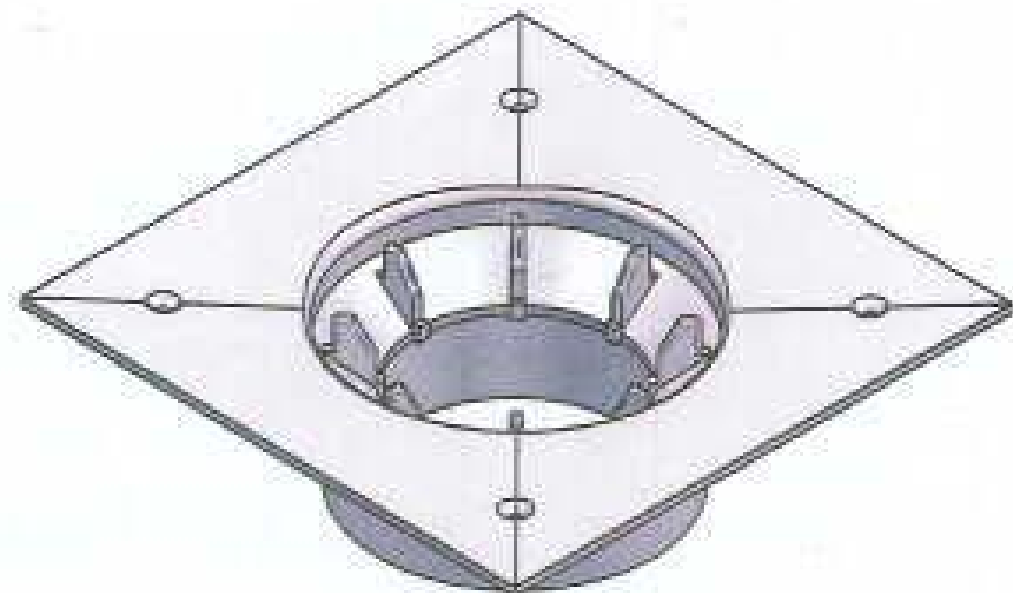
(56) Related Art Documents: **Not Applicable**
(57) Statement of Newness and Distinctiveness: **The features of the design that are new and distinctive are the shape and configuration of the product as shown in the accompanying representations.**



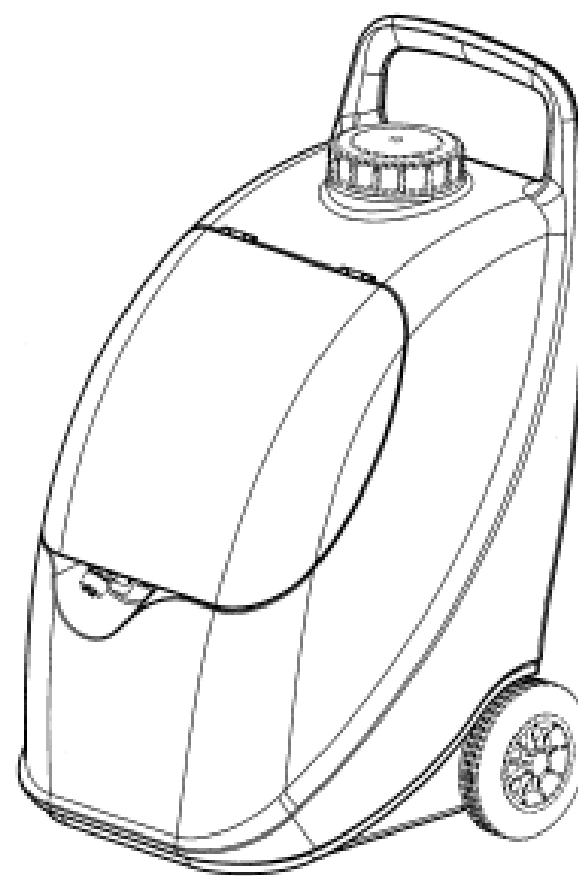
- (21) Design Number: **15579/2008**
(22) Date of Filing Application: **25 November 2008**
(24) Date from which industrial property rights may have effect: **25 November 2008**
(54) Product in respect of which the design is registered: **Exhaust fan and air duct ceiling cover**
(51) International Design Classification: **23-04**
(71) Name(s) and Address(s) of Applicant(s):
Simon Duff
PO Box 216 Berowra New South Wales 2081 Australia
Shaun Dudley
PO Box 216 Berowra New South Wales 2081 Australia
(72) Name(s) of Designer(s): **Simon Duff and Shaun Dudley**
(45) Registration Date: **20 January 2009**
(56) Related Art Documents: **Not Applicable**
(57) Statement of Newness and Distinctiveness: **Nil**



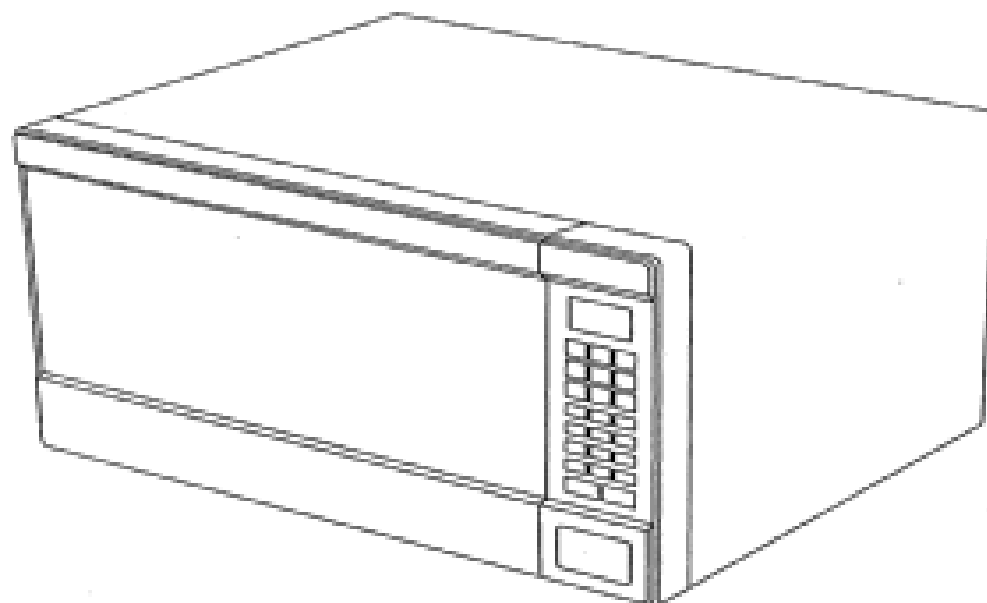
- (21) Design Number: **15580/2008**
(22) Date of Filing Application: **25 November 2008**
(24) Date from which industrial property rights may have effect: **25 November 2008**
(54) Product in respect of which the design is registered: **Leak control flange**
(51) International Design Classification: **23-01A, 23-01E**
(71) Name(s) and Address(s) of Applicant(s):
James Demetriou
5 Mara Close Wantirna South Victoria 3152 Australia
(72) Name(s) of Designer(s): **James Demetriou**
(45) Registration Date: **20 January 2009**
(56) Related Art Documents: **Not Applicable**
(57) Statement of Newness and Distinctiveness: **Designed to accept multiple water drain fittings and multiple water pipe fittings.**



- (21) Design Number: **15582/2008**
(22) Date of Filing Application: **25 November 2008**
(24) Date from which industrial property rights may have effect: **25 November 2008**
(54) Product in respect of which the design is registered: **Mobile liquid supply apparatus**
(51) International Design Classification: **23-01F**
(71) Name(s) and Address(s) of Applicant(s):
Salvatore Giuseppe Ragusa
Unit 5 2 North Road Avondale Heights Victoria 3034 Australia
(72) Name(s) of Designer(s): **Salvatore Giuseppe Ragusa**
(45) Registration Date: **20 January 2009**
(56) Related Art Documents: **Not Applicable**
(57) Statement of Newness and Distinctiveness: **Newness and distinctiveness is claimed in the visual features shown in solid lines in the representations.**



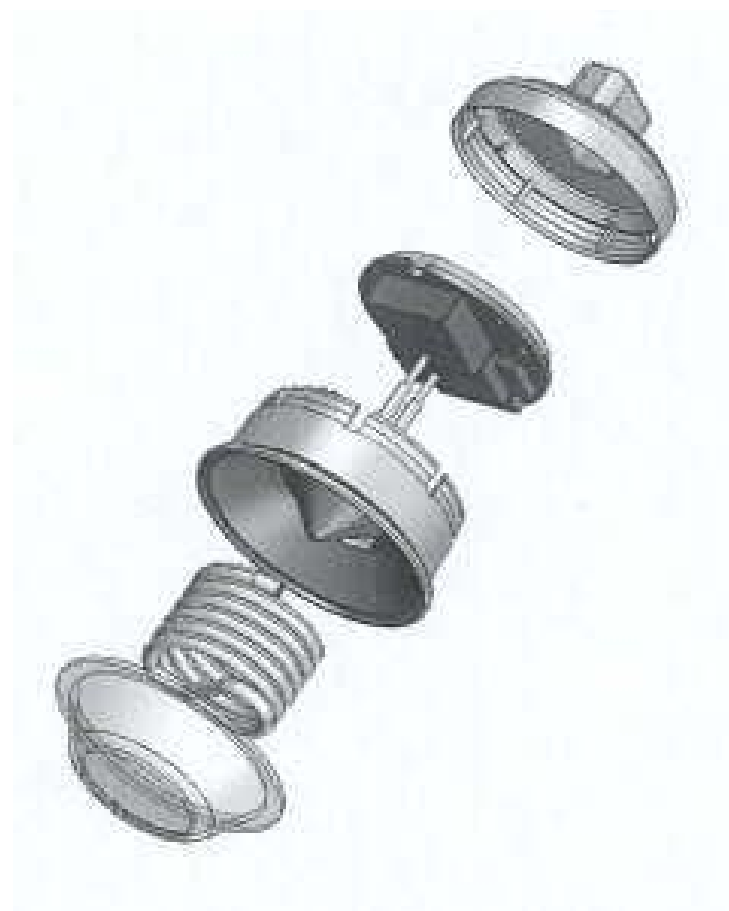
- (21) Design Number: **15584/2008**
(22) Date of Filing Application: **25 November 2008**
(24) Date from which industrial property rights may have effect: **25 November 2008**
(54) Product in respect of which the design is registered: **Microwave oven**
(51) International Design Classification: **07-02B**
(71) Name(s) and Address(s) of Applicant(s):
Panasonic Corporation
1006 Oaza Kadoma Kadoma-shi Osaka 571-8501 Japan
(72) Name(s) of Designer(s): **Ken Oomae**
(45) Registration Date: **20 January 2009**
(56) Related Art Documents: **Not Applicable**
(57) Statement of Newness and Distinctiveness: **Newness and distinctiveness is claimed in the features of shape and/or configuration of a microwave oven as illustrated in the accompanying representations.**



- (21) Design Number: **15586/2008**
(22) Date of Filing Application: **26 November 2008**
(24) Date from which industrial property rights may have effect: **26 November 2008**
(54) Product in respect of which the design is registered: **Tooth and gum cleaning device**
(51) International Design Classification: **04-02, 24-02, 28-03NES**
(71) Name(s) and Address(s) of Applicant(s):
TAG Oral Health Care Technologies Inc.
Box 23056 South Hill Prince Albert Saskatchewan S6V 8A7 Canada
(72) Name(s) of Designer(s): **Michael S. McGuire and Lamberta Klassen and James B. Klassen**
(45) Registration Date: **20 January 2009**
(30) Convention priority data:
(31) Number (32) Date (33) Country
29/319002 02 Jun 2008 UNITED STATES OF AMERICA
(56) Related Art Documents: **Not Applicable**
(57) Statement of Newness and Distinctiveness: **The newness and distinctiveness of the design resides in the shape and/or configuration of the tooth and gum cleaning device shown in the representations.**



- (21) Design Number: **15629/2008**
(22) Date of Filing Application: **25 November 2008**
(24) Date from which industrial property rights may have effect: **25 November 2008**
(54) Product in respect of which the design is registered: **The product is a light bulb assembly**
(51) International Design Classification: **26-04**
(71) Name(s) and Address(s) of Applicant(s):
Indice Pty Ltd
G05 175 Sturt Street Southbank Melbourne Victoria 3006 Australia
(72) Name(s) of Designer(s): **Alex Knott and James Hamond and Aaron Brown**
(45) Registration Date: **20 January 2009**
(56) Related Art Documents: **Not Applicable**
(57) Statement of Newness and Distinctiveness: **The lamp and the reflector are new and distinctive. A monopoly is claimed on the design of the reflector.**



(21) Design Number: **11697/2008**

(22) Date of Filing Application: **09 April 2008**

(24) Date from which industrial property rights may have effect: **09 April 2008**

(54) Product in respect of which the design is registered: **Drill core holder**

(51) International Design Classification: **08-99**

(71) Name(s) and Address(s) of Applicant(s):

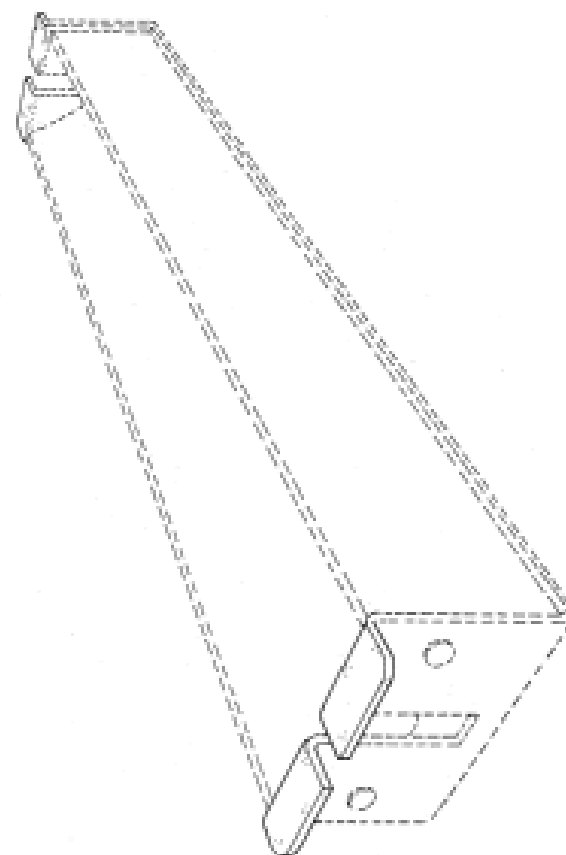
**Almonte Diamond Pty Ltd
19 Katanning Street Bayswater Western Australia 6053 Australia**

(72) Name(s) of Designer(s): **John Wilder**

(45) Registration Date: **21 January 2009**

(56) Related Art Documents: **Not Applicable**

(57) Statement of Newness and Distinctiveness: **The particular visual features of the design which are new and distinctive are shape or configuration. In considering the scope of the design the parts shown in phantom are to be disregarded.**



(21) Design Number: **11698/2008**

(22) Date of Filing Application: **09 April 2008**

(24) Date from which industrial property rights may have effect: **09 April 2008**

(54) Product in respect of which the design is registered: **Drill core holder**

(51) International Design Classification: **08-99**

(71) Name(s) and Address(s) of Applicant(s):

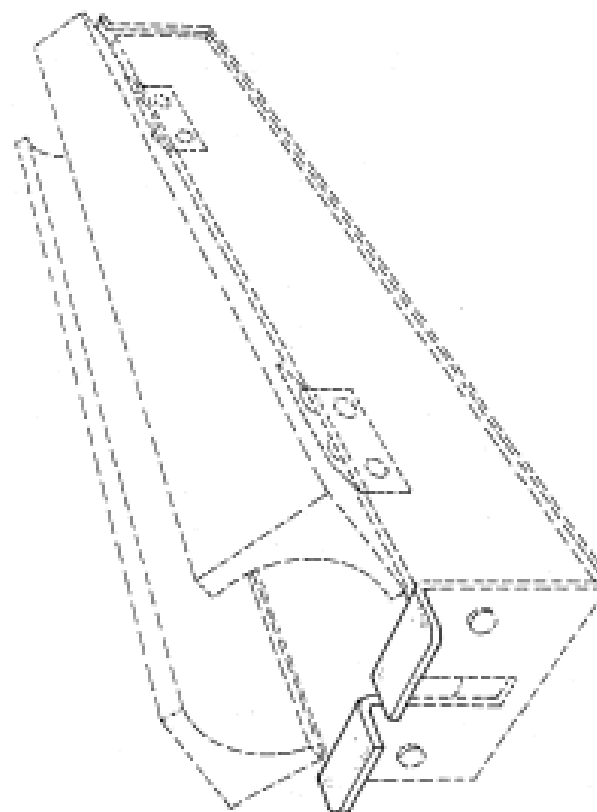
**Almonte Diamond Pty Ltd
19 Katanning Street Bayswater Western Australia 6053 Australia**

(72) Name(s) of Designer(s): **John Wilder**

(45) Registration Date: **21 January 2009**

(56) Related Art Documents: **Not Applicable**

(57) Statement of Newness and Distinctiveness: **The particular visual features of the design which are new and distinctive are shape or configuration. In considering the scope of the design the parts shown in phantom are to be disregarded.**



(21) Design Number: **13962/2008**

(22) Date of Filing Application: **15 August 2008**

(24) Date from which industrial property rights may have effect: **15 August 2008**

(54) Product in respect of which the design is registered: **Mouthpiece**

(51) International Design Classification: **24-04**

(71) Name(s) and Address(s) of Applicant(s):

Glaxo Group Limited

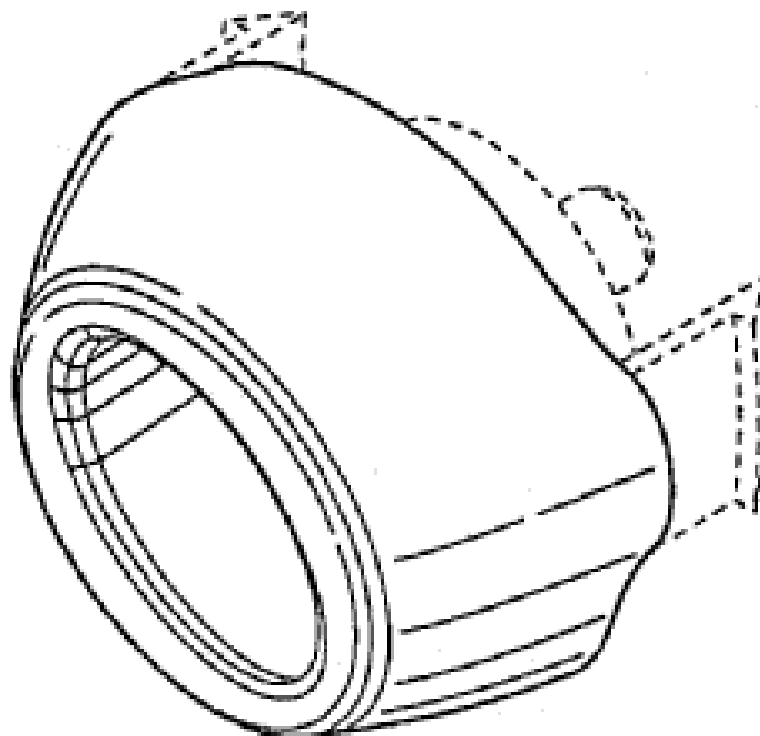
**Glaxo Wellcome House Berkeley Avenue Greenford Middlesex UB6
0NN United Kingdom**

(72) Name(s) of Designer(s): **Gregor John McLennan Anderson and Gary Thomas Crosby and Philip William Farr and Andrew Michael Kelly and Mark Digby Teucher and James Anthony West**

(45) Registration Date: **21 January 2009**

(56) Related Art Documents: **Not Applicable**

(57) Statement of Newness and Distinctiveness: **Those features of the mouthpiece depicted in the representations that are new and distinctive are the shape and/or configuration. The features shown in broken lines are to be disregarded when considering the overall impression of the design.**



(21) Design Number: **14534/2008**

(22) Date of Filing Application: **15 August 2008**

(24) Date from which industrial property rights may have effect: **15 August 2008**

(54) Product in respect of which the design is registered: **Mouthpiece**

(51) International Design Classification: **24-04**

(71) Name(s) and Address(s) of Applicant(s):

Glaxo Group Limited

**Glaxo Wellcome House Berkeley Avenue Greenford Middlesex UB6
0NN United Kingdom**

(72) Name(s) of Designer(s): **Gregor John McLennan Anderson and Gary Thomas Crosby and Philip William Farr and Andrew Michael Kelly and Mark Digby Teucher and James Anthony West**

(45) Registration Date: **21 January 2009**

(30) Convention priority data:

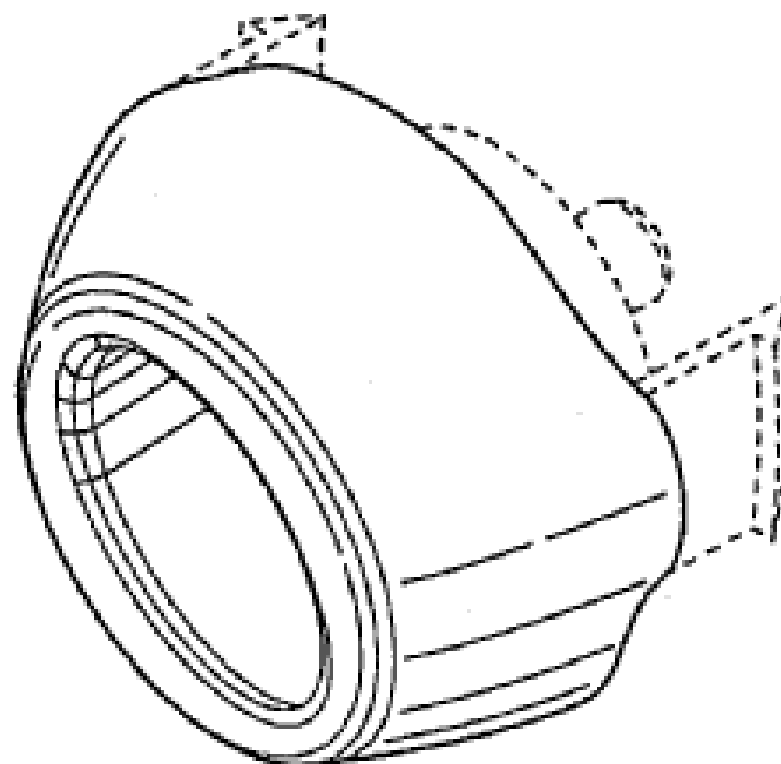
(31) Number
4006454

(32) Date
18 Feb 2008

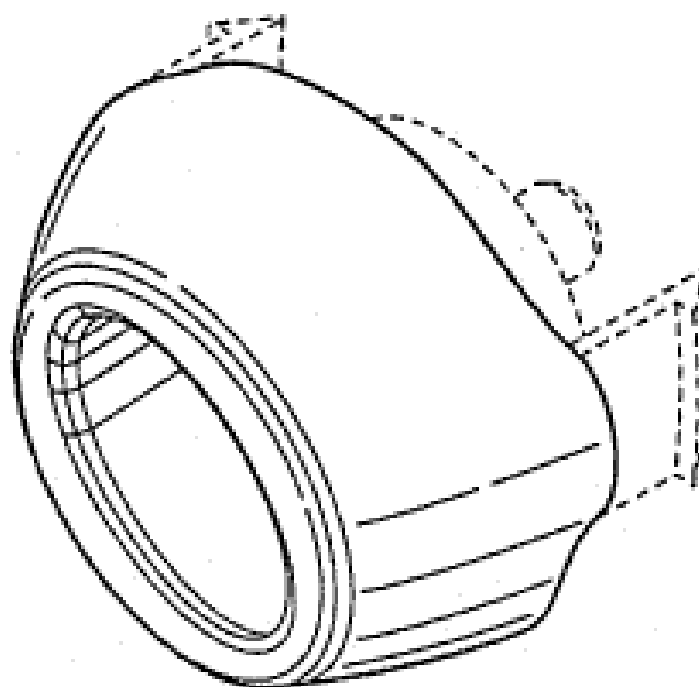
(33) Country
UNITED KINGDOM

(56) Related Art Documents: **Not Applicable**

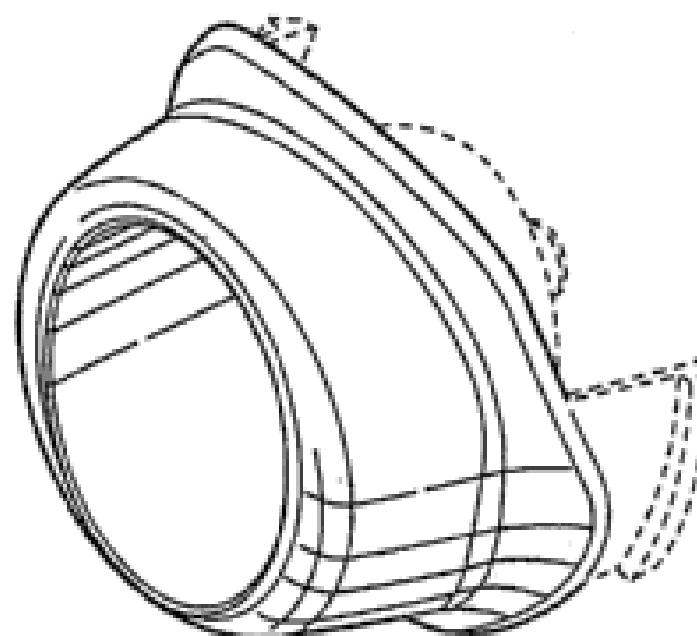
(57) Statement of Newness and Distinctiveness: **Those features of the mouthpiece depicted in the representations that are new and distinctive are the shape and/or configuration. The features shown in broken lines are to be disregarded when considering the overall impression of the design.**



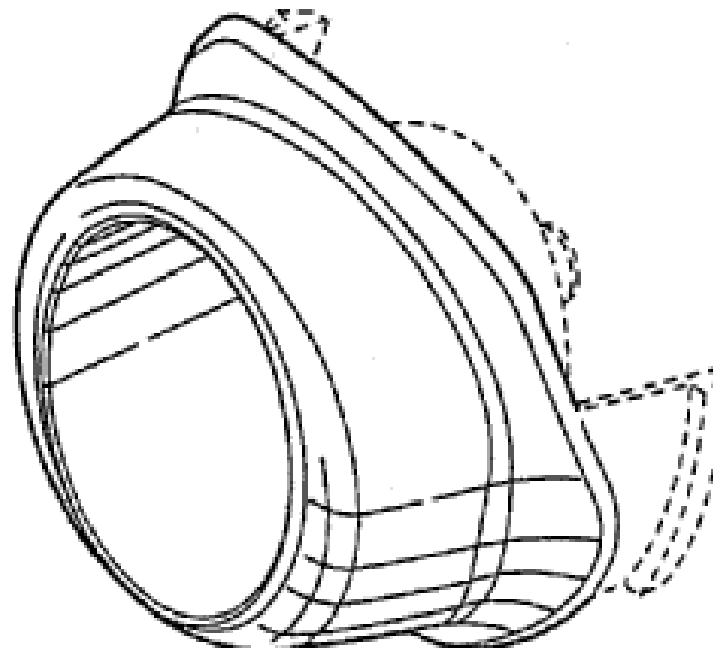
- (21) Design Number: **14536/2008**
(22) Date of Filing Application: **15 August 2008**
(24) Date from which industrial property rights may have effect: **15 August 2008**
(54) Product in respect of which the design is registered: **Mouthpiece**
(51) International Design Classification: **24-04**
(71) Name(s) and Address(s) of Applicant(s):
Glaxo Group Limited
Glaxo Wellcome House Berkeley Avenue Greenford Middlesex UB6
0NN United Kingdom
(72) Name(s) of Designer(s): **Gregor John McLennan Anderson and Philip**
William Farr and Andrew Michael Kelly and Mark Digby Teucher and
James Anthony West and Gary Thomas Crosby
(45) Registration Date: **21 January 2009**
(56) Related Art Documents: **Not Applicable**
(57) Statement of Newness and Distinctiveness: **Those features of the**
mouthpiece depicted in the representations that are new and distinctive
are the shape and/or configuration. The features shown in broken lines
are to be disregarded when considering the overall impression of the
design.



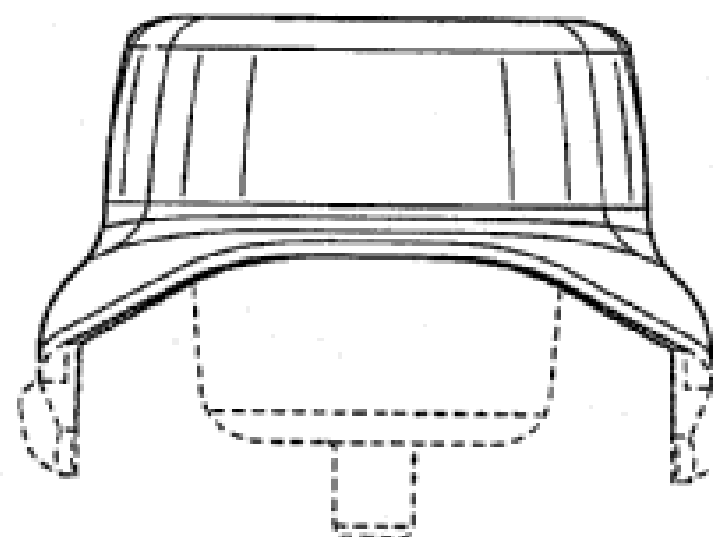
- (21) Design Number: **14538/2008**
(22) Date of Filing Application: **15 August 2008**
(24) Date from which industrial property rights may have effect: **15 August 2008**
(54) Product in respect of which the design is registered: **Mouthpiece**
(51) International Design Classification: **24-04**
(71) Name(s) and Address(s) of Applicant(s):
Glaxo Group Limited
Glaxo Wellcome House Berkeley Avenue Greenford Middlesex UB6
0NN United Kingdom
(72) Name(s) of Designer(s): **Gregor John McLennan Anderson and Gary**
Thomas Crosby and Philip William Farr and Joseph Paul Marino and
Mark Digby Teucher and James Anthony West
(45) Registration Date: **21 January 2009**
(30) Convention priority data:
(31) Number (32) Date (33) Country
4006510 18 Feb 2008 UNITED KINGDOM
(56) Related Art Documents: **Not Applicable**
(57) Statement of Newness and Distinctiveness: **Those features of the**
mouthpiece depicted in the representations that are new and distinctive
are the shape and/or configuration. The features shown in broken lines
are to be disregarded when considering the overall impression of the
design.



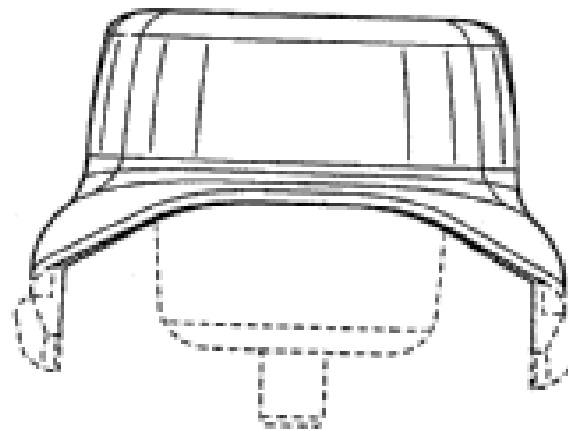
- (21) Design Number: **14540/2008**
(22) Date of Filing Application: **15 August 2008**
(24) Date from which industrial property rights may have effect: **15 August 2008**
(54) Product in respect of which the design is registered: **Mouthpiece**
(51) International Design Classification: **24-04**
(71) Name(s) and Address(s) of Applicant(s):
Glaxo Group Limited
Glaxo Wellcome House Berkeley Avenue Greenford Middlesex UB6
0NN United Kingdom
(72) Name(s) of Designer(s): **Gregor John McLennan Anderson and Gary**
Thomas Crosby and Philip William Farr and Joseph Paul Marino and
Mark Digby Teucher and James Anthony West
(45) Registration Date: **21 January 2009**
(30) Convention priority data:
(31) Number (32) Date (33) Country
4006517 18 Feb 2008 UNITED KINGDOM
(56) Related Art Documents: **Not Applicable**
(57) Statement of Newness and Distinctiveness: **Those features of the**
mouthpiece depicted in the representations that are new and distinctive
are the shape and/or configuration. The features shown in broken lines
are to be disregarded when considering the overall impression of the
design.



- (21) Design Number: **14542/2008**
(22) Date of Filing Application: **15 August 2008**
(24) Date from which industrial property rights may have effect: **15 August 2008**
(54) Product in respect of which the design is registered: **Mouthpiece**
(51) International Design Classification: **24-04**
(71) Name(s) and Address(s) of Applicant(s):
Glaxo Group Limited
Glaxo Wellcome House Berkeley Avenue Greenford Middlesex UB6
0NN United Kingdom
(72) Name(s) of Designer(s): **Gregor John McLennan Anderson and Gary**
Thomas Crosby and Philip William Farr and Joseph Paul Marino and
Mark Digby Teucher and James Anthony West
(45) Registration Date: **21 January 2009**
(30) Convention priority data:
(31) Number (32) Date (33) Country
4006559 18 Feb 2008 UNITED KINGDOM
(56) Related Art Documents: **Not Applicable**
(57) Statement of Newness and Distinctiveness: **Those features of the**
mouthpiece depicted in the representations that are new and distinctive
are the shape and/or configuration. The features shown in broken lines
are to be disregarded when considering the overall impression of the
design.



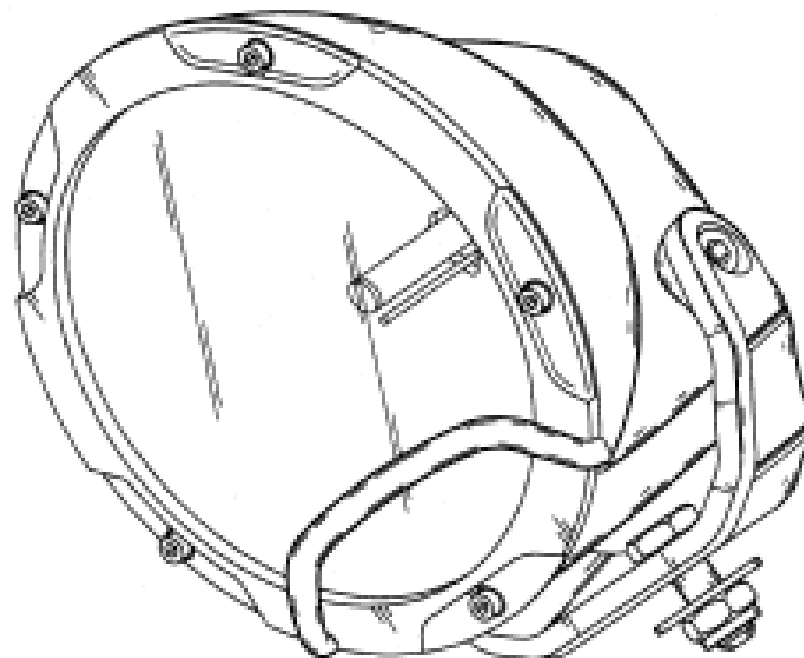
- (21) Design Number: **14544/2008**
(22) Date of Filing Application: **15 August 2008**
(24) Date from which industrial property rights may have effect: **15 August 2008**
(54) Product in respect of which the design is registered: **Mouthpiece**
(51) International Design Classification: **24-04**
(71) Name(s) and Address(s) of Applicant(s):
Glaxo Group Limited
Glaxo Wellcome House Berkeley Avenue Greenford Middlesex UB6
0NN United Kingdom
(72) Name(s) of Designer(s): **Gregor John McLennan Anderson and Gary**
Thomas Crosby and Philip William Farr and Joseph Paul Marino and
Mark Digby Teucher and James Anthony West
(45) Registration Date: **21 January 2009**
(56) Related Art Documents: **Not Applicable**
(57) Statement of Newness and Distinctiveness: **Those features of the**
mouthpiece depicted in the representations that are new and distinctive
are the shape and/or configuration. The features shown in broken lines
are to be disregarded when considering the overall impression of the
design.



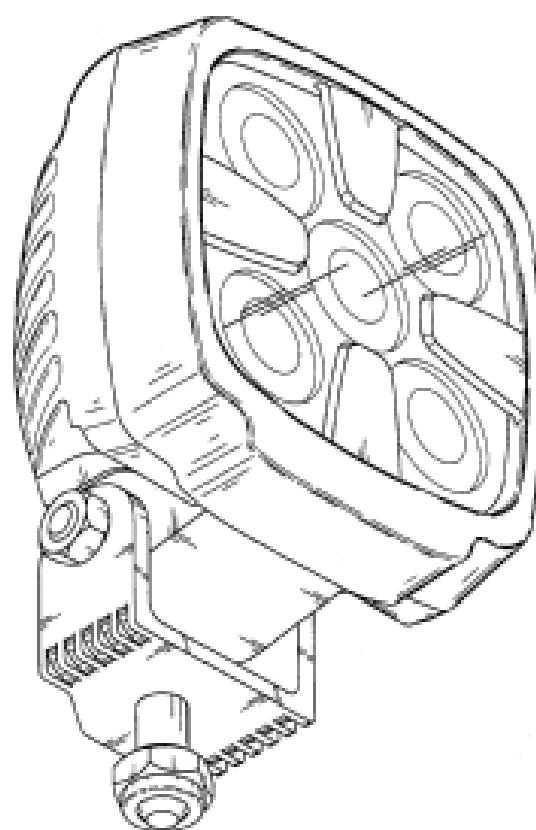
- (21) Design Number: **14357/2008**
(22) Date of Filing Application: **10 September 2008**
(24) Date from which industrial property rights may have effect: **10 September 2008**
(54) Product in respect of which the design is registered: **Cardiopulmonary**
resuscitation meter (CPR meter)
(51) International Design Classification: **24-01, 10-05, 14-99**
(71) Name(s) and Address(s) of Applicant(s):
Laerdal Medical AS
Tanke Svilands gate 30 4007 Stavanger Norway
(72) Name(s) of Designer(s): **Mathias Molden and Harald Saevareid**
(45) Registration Date: **21 January 2009**
(30) Convention priority data:
(31) Number (32) Date (33) Country
20080162 07 Mar 2008 NORWAY
(56) Related Art Documents: **Not Applicable**
(57) Statement of Newness and Distinctiveness: **Newness and distinctiveness is**
claimed in the visual features shown in the representations. In
considering the extent of the newness distinctiveness, the section
shown within the broken lines should be disregarded, as this may
optionally include a power cord module or an on/off button module.



- (21) Design Number: **14439/2008**
(22) Date of Filing Application: **16 September 2008**
(24) Date from which industrial property rights may have effect: **16 September 2008**
(54) Product in respect of which the design is registered: **Worklight**
(51) International Design Classification: **26-03**
(71) Name(s) and Address(s) of Applicant(s):
Herrmans Oy Ab
Pannaistentie 143 FI-68601 Pietarsaari Finland
(72) Name(s) of Designer(s): **Janne Lindholm**
(45) Registration Date: **21 January 2009**
(56) Related Art Documents: **Not Applicable**
(57) Statement of Newness and Distinctiveness: **Nil**



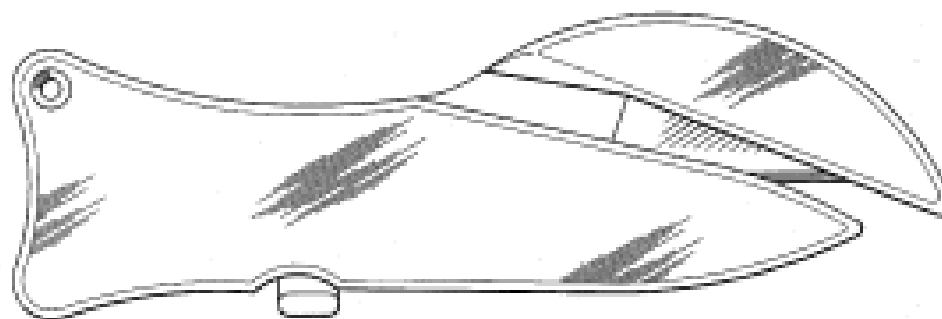
- (21) Design Number: **14440/2008**
(22) Date of Filing Application: **16 September 2008**
(24) Date from which industrial property rights may have effect: **16 September 2008**
(54) Product in respect of which the design is registered: **Worklight**
(51) International Design Classification: **26-03**
(71) Name(s) and Address(s) of Applicant(s):
Herrmans Oy Ab
Pannaistentie 143 FI-68601 Pietarsaari Finland
(72) Name(s) of Designer(s): **Janne Lindholm**
(45) Registration Date: **21 January 2009**
(56) Related Art Documents: **Not Applicable**
(57) Statement of Newness and Distinctiveness: **Nil**



- (21) Design Number: **14934/2008**
(22) Date of Filing Application: **14 October 2008**
(24) Date from which industrial property rights may have effect: **14 October 2008**
(54) Product in respect of which the design is registered: **Cushie tushies all-in-one fitted nappy**
(51) International Design Classification: **02-01B**
(71) Name(s) and Address(s) of Applicant(s):
Cushie Tushies Pty Ltd
93 Mildura Drive Helensvale Queensland 4212 Australia
(72) Name(s) of Designer(s): **Michelle Fowler**
(45) Registration Date: **21 January 2009**
(56) Related Art Documents: **Not Applicable**
(57) Statement of Newness and Distinctiveness: **A fitted one-size-fits-all cloth nappy featuring a unique folding design allowing the one nappy to fit from newborn to toddler without the need for different sizes. The absorbency levels and positions can be adjusted to suit boys or girls and different absorbency requirements.**



- (21) Design Number: **15115/2008**
(22) Date of Filing Application: **23 October 2008**
(24) Date from which industrial property rights may have effect: **23 October 2008**
(54) Product in respect of which the design is registered: **Knife**
(51) International Design Classification: **08-03**
(71) Name(s) and Address(s) of Applicant(s):
WA1 Designs Limited
22 The Parks Minehead Somerset United Kingdom
(72) Name(s) of Designer(s): **William Alfred Ireland**
(45) Registration Date: **21 January 2009**
(30) Convention priority data:
(31) Number (32) Date (33) Country
000933510-0001 08 May 2008 EUROPEAN COMMUNITY
(56) Related Art Documents: **Not Applicable**
(57) Statement of Newness and Distinctiveness: **Newness and distinctiveness is claimed in the shape and/or configuration of a knife as illustrated in the representations.**



(21) Design Number: **15170/2008**

(22) Date of Filing Application: **30 October 2008**

(24) Date from which industrial property rights may have effect: **30 October 2008**

(54) Product in respect of which the design is registered: **Chocolate confectionery**

(51) International Design Classification: **01-01**

(71) Name(s) and Address(s) of Applicant(s):

Cadbury UK Limited

Bournville Birmingham B30 2LU United Kingdom

(72) Name(s) of Designer(s): **John Tonks**

(45) Registration Date: **21 January 2009**

(56) Related Art Documents: **Not Applicable**

(57) Statement of Newness and Distinctiveness: **Nil**



(21) Design Number: **15171/2008**

(22) Date of Filing Application: **30 October 2008**

(24) Date from which industrial property rights may have effect: **30 October 2008**

(54) Product in respect of which the design is registered: **Chocolate confectionery**

(51) International Design Classification: **01-01**

(71) Name(s) and Address(s) of Applicant(s):

Cadbury UK Limited

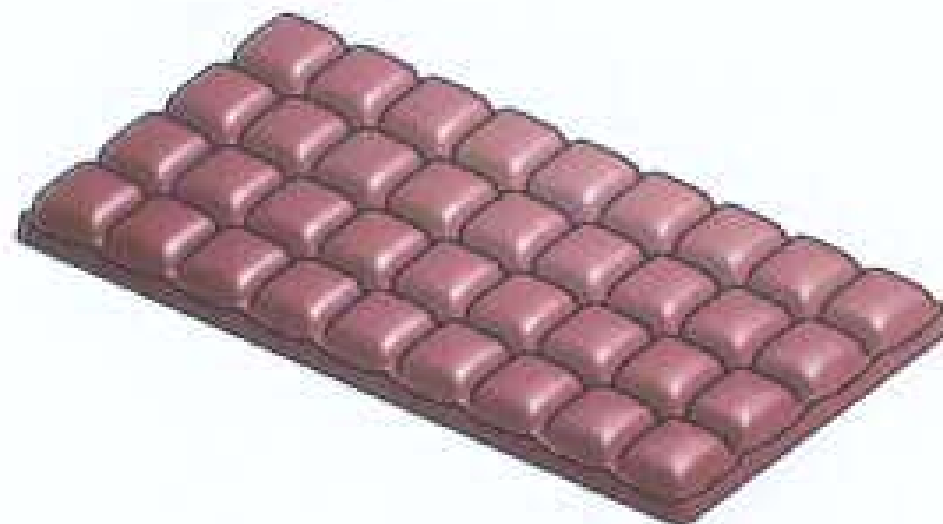
Bournville Birmingham B30 2LU United Kingdom

(72) Name(s) of Designer(s): **John Tonks**

(45) Registration Date: **21 January 2009**

(56) Related Art Documents: **Not Applicable**

(57) Statement of Newness and Distinctiveness: **Nil**



(21) Design Number: **15519/2008**

(22) Date of Filing Application: **24 November 2008**

(24) Date from which industrial property rights may have effect: **24 November 2008**

(54) Product in respect of which the design is registered: **Spanner and socket**

(51) International Design Classification: **08-05P**

(71) Name(s) and Address(s) of Applicant(s):

Iain Ewing

4/24 Deakin Street Brendale Queensland 4500 Australia

(72) Name(s) of Designer(s): **Iain Ewing and Warren Ewing**

(45) Registration Date: **21 January 2009**

(56) Related Art Documents: **Not Applicable**

(57) Statement of Newness and Distinctiveness: **Newness and distinctiveness are claimed in the shape and configuration of the spanner and socket depicted in the accompanying representations.**



(21) Design Number: **15548/2008**

(22) Date of Filing Application: **24 November 2008**

(24) Date from which industrial property rights may have effect: **24 November 2008**

(54) Product in respect of which the design is registered: **Container**

(51) International Design Classification: **07-01NES**

(71) Name(s) and Address(s) of Applicant(s):

Sandra Joan Staley

9 Gott Court Romsey Victoria 3434 Australia

Terry Camilleri

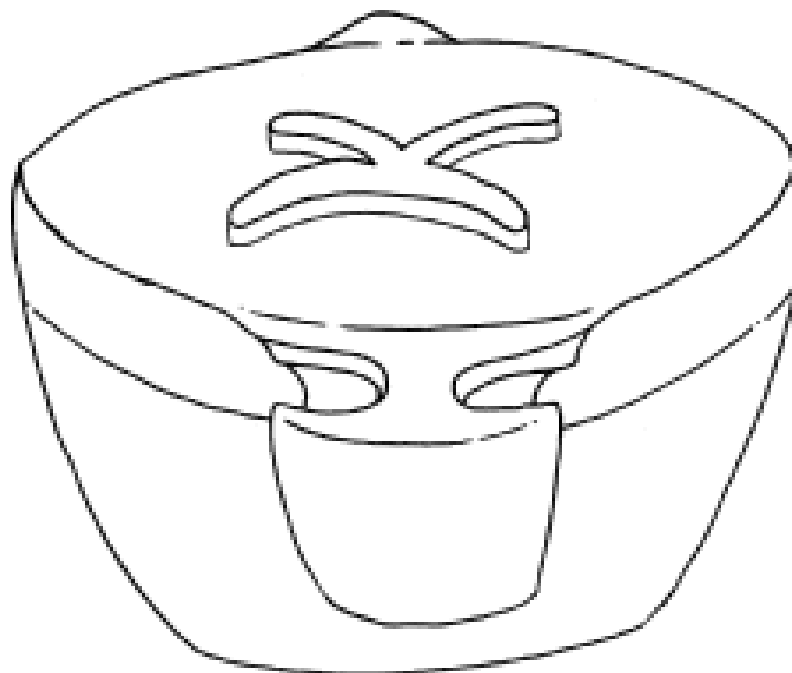
2 Silky Oak Grove Sunbury Victoria 3429 Australia

(72) Name(s) of Designer(s): **Terry Camilleri and Sandra Joan Staley**

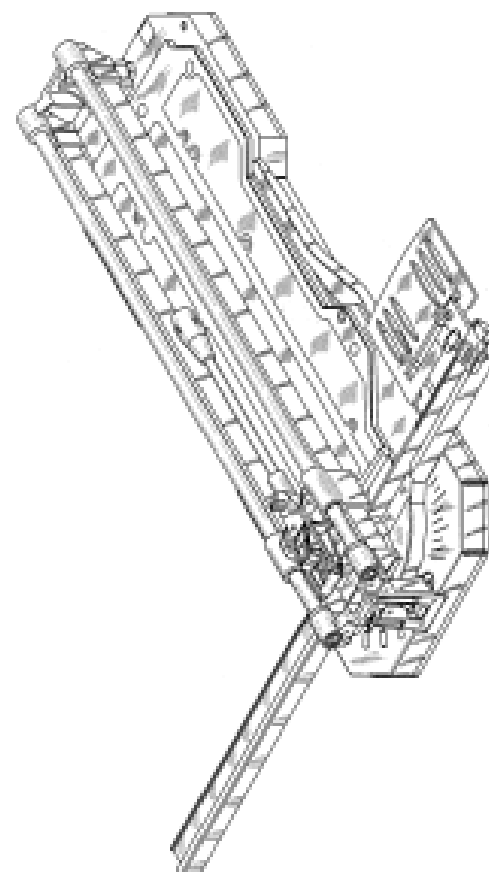
(45) Registration Date: **21 January 2009**

(56) Related Art Documents: **Not Applicable**

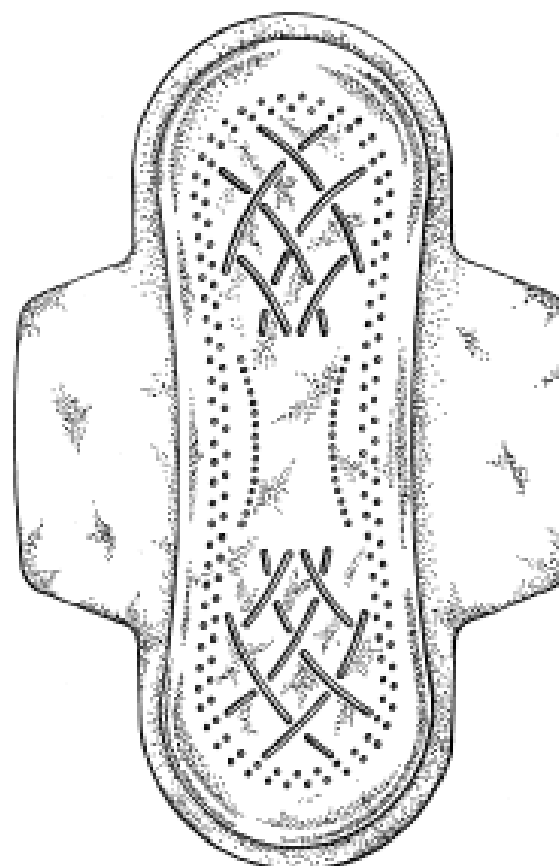
(57) Statement of Newness and Distinctiveness: **The newness and distinctiveness of the design resides in the shape and/or configuration of the container shown in the representations.**



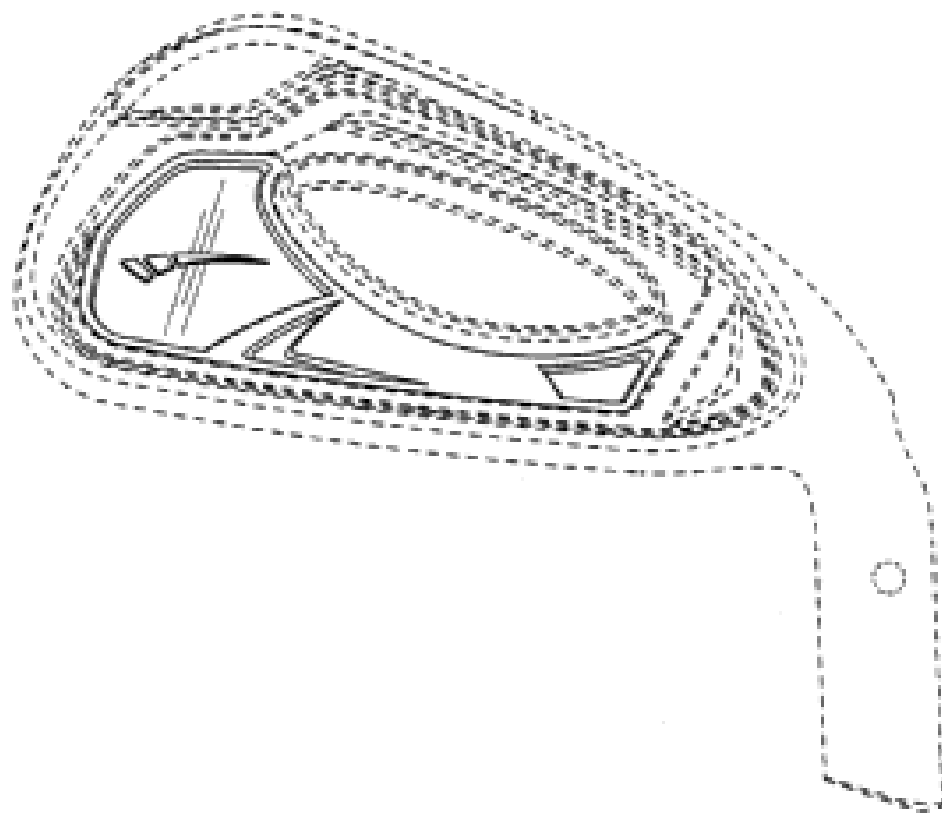
(21) Design Number: **15551/2008**
(22) Date of Filing Application: **24 November 2008**
(24) Date from which industrial property rights may have effect: **24 November 2008**
(54) Product in respect of which the design is registered: **Cutter device**
(51) International Design Classification: **08-03**
(71) Name(s) and Address(s) of Applicant(s):
Germans Boada, S.A.
Pol. Ind. Can. Roses, Avda. Olimpiades, s/n., Rubi (Barcelona), 08191
Spain
(72) Name(s) of Designer(s): **Joseph Carbonell Callico**
(45) Registration Date: **21 January 2009**
(30) Convention priority data:
(31) Number (32) Date (33) Country
000939079 23 May 2008 EUROPEAN COMMUNITY
(56) Related Art Documents: **Not Applicable**
(57) Statement of Newness and Distinctiveness: **Nil**



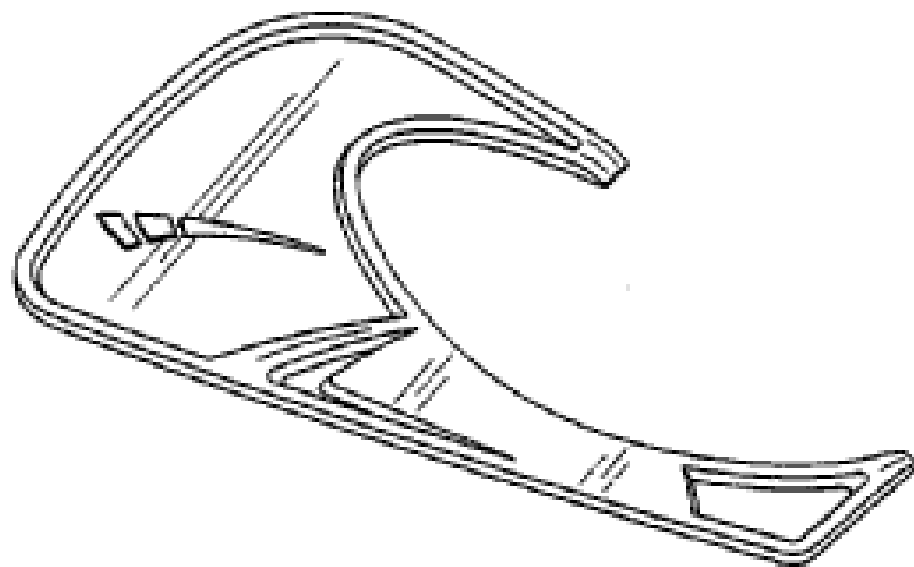
(21) Design Number: **15608/2008**
(22) Date of Filing Application: **27 November 2008**
(24) Date from which industrial property rights may have effect: **27 November 2008**
(54) Product in respect of which the design is registered: **Embossed sanitary article**
(51) International Design Classification: **24-04**
(71) Name(s) and Address(s) of Applicant(s):
Johnson & Johnson Ind. E Com. Ltda
Rodovia Presidente Dutra KM-154 Sao Jose dos Campos CEP
12237-350 Sao Paulo Brazil
(72) Name(s) of Designer(s): **Francisco J. V. Hernandez**
(45) Registration Date: **20 January 2009**
(30) Convention priority data:
(31) Number (32) Date (33) Country
29/319395 09 Jun 2008 UNITED STATES OF AMERICA
(56) Related Art Documents: **Not Applicable**
(57) Statement of Newness and Distinctiveness: **Newness and distinctiveness reside in the shape and configuration and/or pattern and ornamentation of the design for an embossed sanitary article displayed in the figures. Those sections shown boarded in broken lines are not considered to be part of the design.**



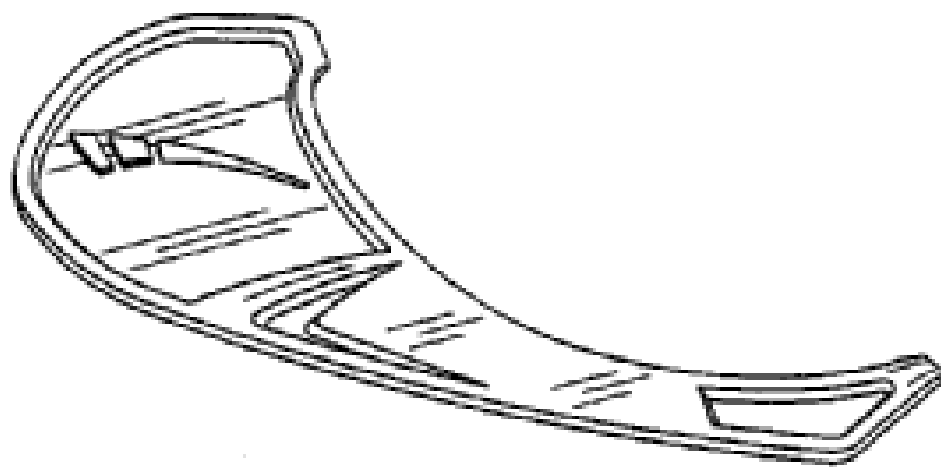
- (21) Design Number: **15609/2008**
(22) Date of Filing Application: **27 November 2008**
(24) Date from which industrial property rights may have effect: **27 November 2008**
(54) Product in respect of which the design is registered: **Badge for golf club head**
(51) International Design Classification: **21-02C**
(71) Name(s) and Address(s) of Applicant(s):
Karsten Manufacturing Corporation
2201 West Desert Cove Phoenix Arizona 85029 United States of America
(72) Name(s) of Designer(s): **Bradley D. Schweigert and Xiaojian Chen and Michael R. Nicolette**
(45) Registration Date: **20 January 2009**
(30) Convention priority data:
(31) Number (32) Date (33) Country
29/321456 16 Jul 2008 UNITED STATES OF AMERICA
(56) Related Art Documents: **Not Applicable**
(57) Statement of Newness and Distinctiveness: **Newness and distinctiveness is claimed in the visual features of a badge for a golf club head shown in the representations. The golf club head shown in broken line in figure 1 forms no part of the design.**



- (21) Design Number: **15610/2008**
(22) Date of Filing Application: **27 November 2008**
(24) Date from which industrial property rights may have effect: **27 November 2008**
(54) Product in respect of which the design is registered: **Badge for golf club head**
(51) International Design Classification: **21-02C**
(71) Name(s) and Address(s) of Applicant(s):
Karsten Manufacturing Corporation
2210 West Desert Cove Phoenix Arizona 85029 United States of America
(72) Name(s) of Designer(s): **Xiaojian Chen and Michael R. Nicolette and Bradley D. Schwigert**
(45) Registration Date: **20 January 2009**
(30) Convention priority data:
(31) Number (32) Date (33) Country
29/321456 16 Jul 2008 UNITED STATES OF AMERICA
(56) Related Art Documents: **Not Applicable**
(57) Statement of Newness and Distinctiveness: **Nil**



(21) Design Number: **15611/2008**
(22) Date of Filing Application: **27 November 2008**
(24) Date from which industrial property rights may have effect: **27 November 2008**
(54) Product in respect of which the design is registered: **Badge for golf club head**
(51) International Design Classification: **21-02C**
(71) Name(s) and Address(s) of Applicant(s):
Karsten Manufacturing Corporation
2201 West Desert Cove Phoenix Arizona 85029 United States of America
(72) Name(s) of Designer(s): **Bradley D. Schweigert and Xiaojian Chen and Michael R. Nicolette**
(45) Registration Date: **20 January 2009**
(30) Convention priority data:
(31) Number (32) Date (33) Country
29/321456 16 Jul 2008 UNITED STATES OF AMERICA
(56) Related Art Documents: **Not Applicable**
(57) Statement of Newness and Distinctiveness: **Nil**



(21) Design Number: **15617/2008**
(22) Date of Filing Application: **27 November 2008**
(24) Date from which industrial property rights may have effect: **27 November 2008**
(54) Product in respect of which the design is registered: **Swatch book**
(51) International Design Classification: **20-99, 19-04**
(71) Name(s) and Address(s) of Applicant(s):
Paul Michael Edwards
Springfield Farm Orsett Essex RM16 3ND United Kingdom
(72) Name(s) of Designer(s): **Paul Michael Edwards**
(45) Registration Date: **20 January 2009**
(30) Convention priority data:
(31) Number (32) Date (33) Country
000940515 27 May 2008 EUROPEAN COMMUNITY
(56) Related Art Documents: **Not Applicable**
(57) Statement of Newness and Distinctiveness: **Nil**



(21) Design Number: **15618/2008**

(22) Date of Filing Application: **27 November 2008**

(24) Date from which industrial property rights may have effect: **27 November 2008**

(54) Product in respect of which the design is registered: **Power tool battery**

(51) International Design Classification: **13-02**

(71) Name(s) and Address(s) of Applicant(s):

GMC Worldwide Pty Ltd
45-55 South Centre Road Melbourne Airport Victoria 3045 Australia

(72) Name(s) of Designer(s): **James Hastie**

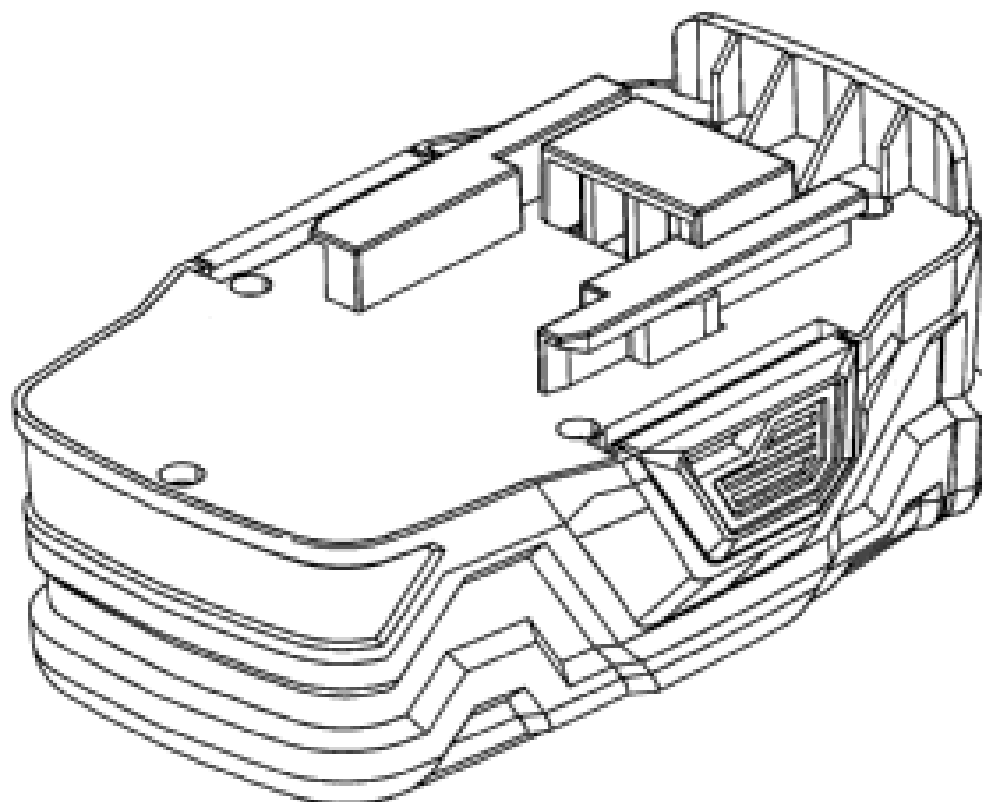
(45) Registration Date: **20 January 2009**

(30) Convention priority data:

(31) Number	(32) Date	(33) Country
200830125092.1	03 Jun 2008	CHINA

(56) Related Art Documents: **Not Applicable**

(57) Statement of Newness and Distinctiveness: **Newness and distinctiveness resides in the features of shape and configuration of a power tool battery as shown in the accompanying representations.**



(21) Design Number: **15619/2008**

(22) Date of Filing Application: **27 November 2008**

(24) Date from which industrial property rights may have effect: **27 November 2008**

(54) Product in respect of which the design is registered: **Battery charger**

(51) International Design Classification: **13-02**

(71) Name(s) and Address(s) of Applicant(s):

GMC Worldwide Pty Ltd
45-55 South Centre Road Melbourne Airport Victoria 3045 Australia

(72) Name(s) of Designer(s): **James Hastie**

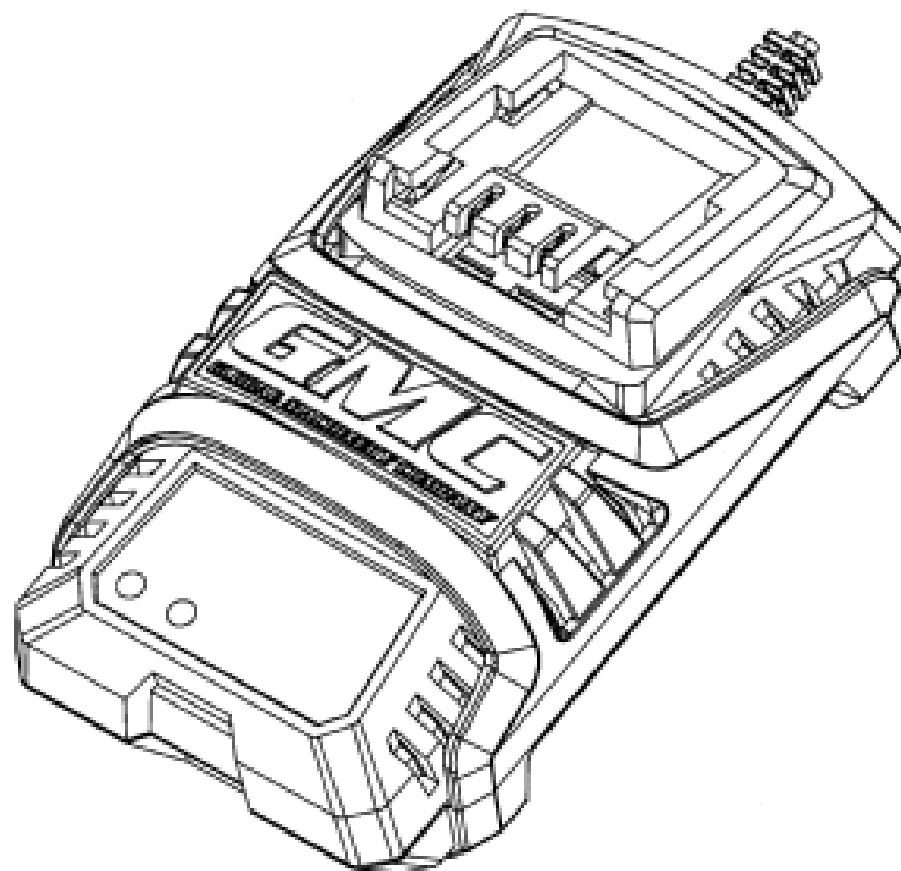
(45) Registration Date: **20 January 2009**

(30) Convention priority data:

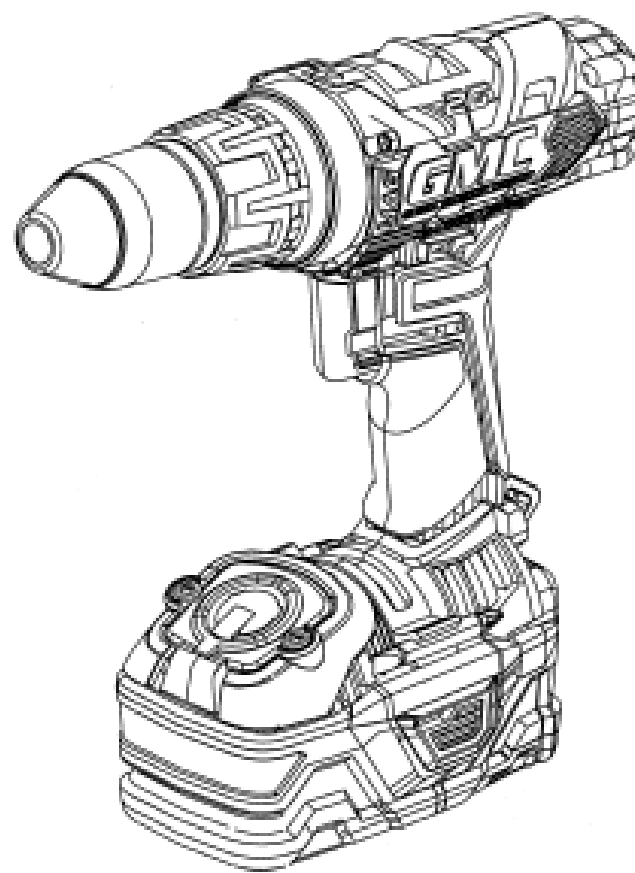
(31) Number	(32) Date	(33) Country
200830125091.7	03 Jun 2008	CHINA

(56) Related Art Documents: **Not Applicable**

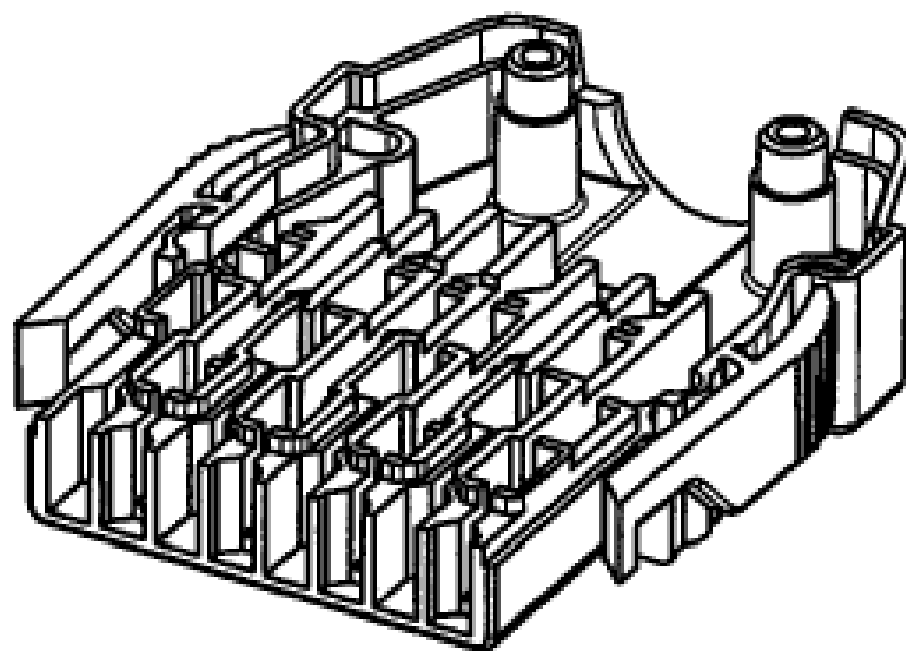
(57) Statement of Newness and Distinctiveness: **Newness and distinctiveness resides in the features of shape and configuration of a battery charger as shown in the accompanying representations.**



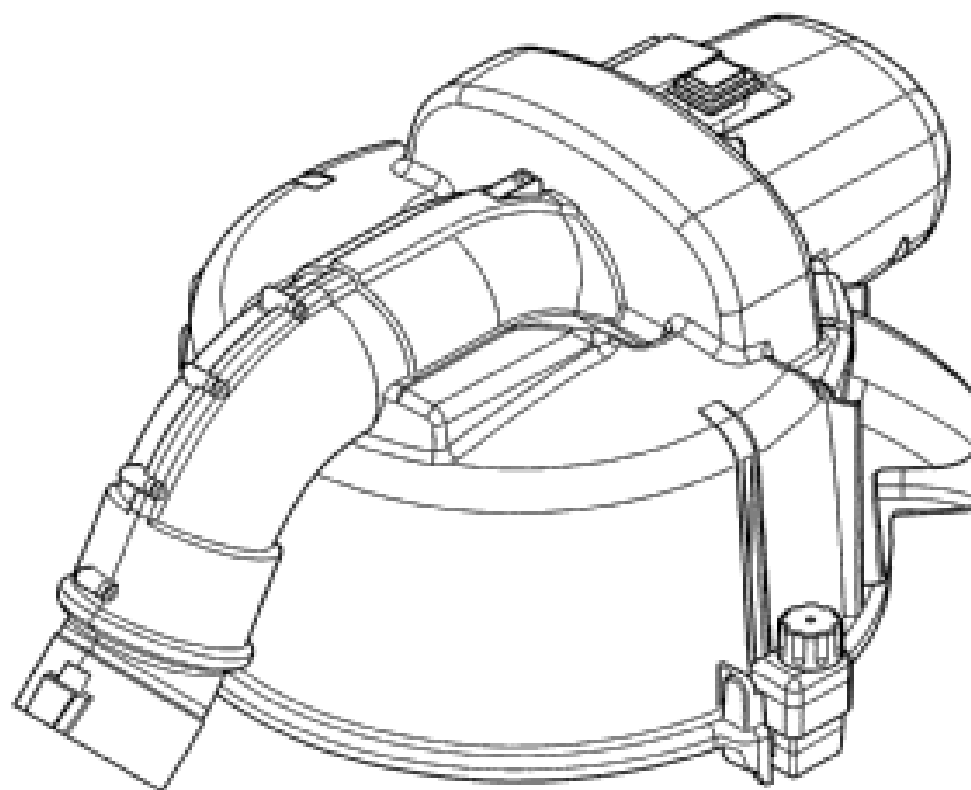
- (21) Design Number: **15620/2008**
(22) Date of Filing Application: **27 November 2008**
(24) Date from which industrial property rights may have effect: **27 November 2008**
(54) Product in respect of which the design is registered: **Powered drill**
(51) International Design Classification: **08-01**
(71) Name(s) and Address(s) of Applicant(s):
GMC Worldwide Pty Ltd
45-55 South Centre Road Melbourne Airport Victoria 3045 Australia
(72) Name(s) of Designer(s): **James Hastie**
(45) Registration Date: **20 January 2009**
(30) Convention priority data:
(31) Number (32) Date (33) Country
200830125093.6 03 Jun 2008 CHINA
(56) Related Art Documents: **Not Applicable**
(57) Statement of Newness and Distinctiveness: **Newness and distinctiveness resides in the features of shape and configuration of a powered drill as shown in the accompanying representations.**



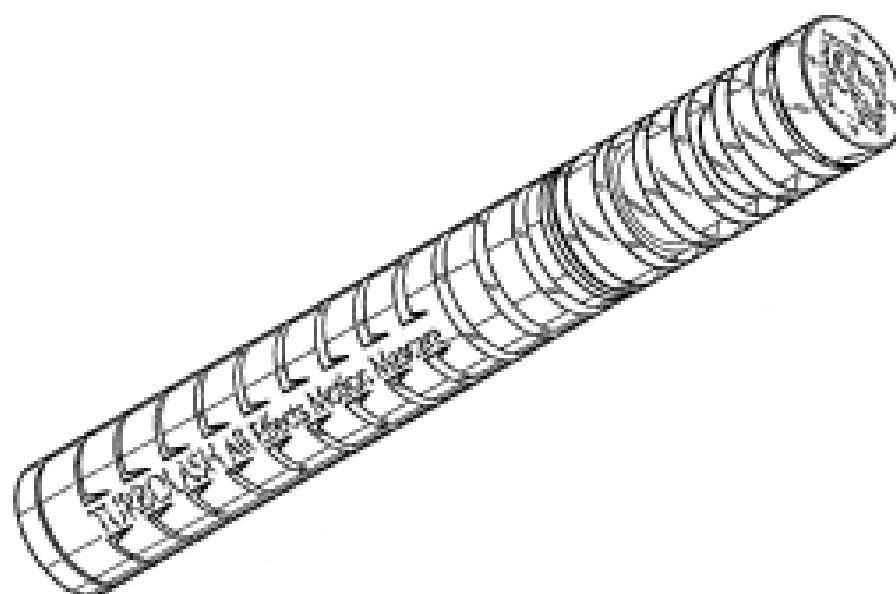
- (21) Design Number: **15621/2008**
(22) Date of Filing Application: **27 November 2008**
(24) Date from which industrial property rights may have effect: **27 November 2008**
(54) Product in respect of which the design is registered: **A connector base**
(51) International Design Classification: **13-03B**
(71) Name(s) and Address(s) of Applicant(s):
Assembly Electronics Pty Ltd
Unit 3 29 Mitchell Road Brookvale New South Wales 2100 Australia
(72) Name(s) of Designer(s): **John Schmidli**
(45) Registration Date: **20 January 2009**
(56) Related Art Documents: **Not Applicable**
(57) Statement of Newness and Distinctiveness: **Nil**



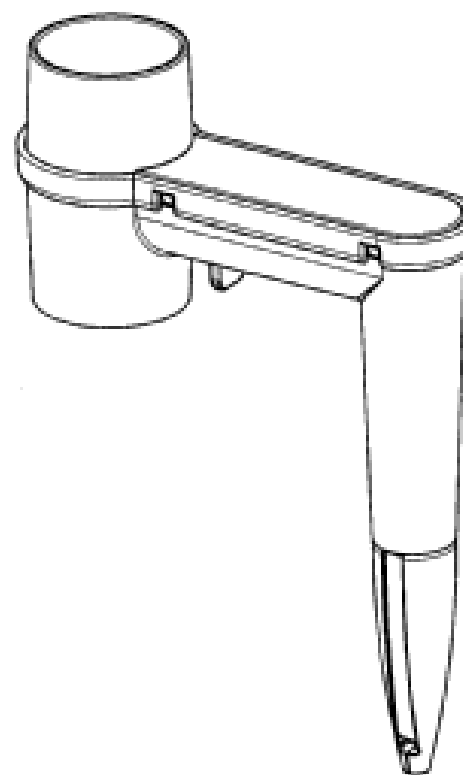
(21) Design Number: **15622/2008**
 (22) Date of Filing Application: **27 November 2008**
 (24) Date from which industrial property rights may have effect: **27 November 2008**
 (54) Product in respect of which the design is registered: **Yard vacuum**
 (51) International Design Classification: **15-05**
 (71) Name(s) and Address(s) of Applicant(s):
Shop-Vac Corporation
2323 Reach Road Williamsport PA 17701 United States of America
 (72) Name(s) of Designer(s): **Robert Lent Crevling Jr. and Jason Gottschall**
 (45) Registration Date: **20 January 2009**
 (30) Convention priority data:
 (31) Number (32) Date (33) Country
29/319762 13 Jun 2008 UNITED STATES OF AMERICA
 (56) Related Art Documents: **Not Applicable**
 (57) Statement of Newness and Distinctiveness: **Nil**



(21) Design Number: **15325/2008**
 (22) Date of Filing Application: **12 November 2008**
 (24) Date from which industrial property rights may have effect: **12 November 2008**
 (54) Product in respect of which the design is registered: **Mascara package**
 (51) International Design Classification: **28-03NES, 09-01G**
 (71) Name(s) and Address(s) of Applicant(s):
ELC Management LLC
767 Fifth Avenue New York New York 10153 United States of America
 (72) Name(s) of Designer(s): **Yukiko Kojima and Leo R. Mascotte**
 (45) Registration Date: **22 January 2009**
 (30) Convention priority data:
 (31) Number (32) Date (33) Country
29/325,543 02 Oct 2008 UNITED STATES OF AMERICA
 (56) Related Art Documents: **Not Applicable**
 (57) Statement of Newness and Distinctiveness: **Nil**



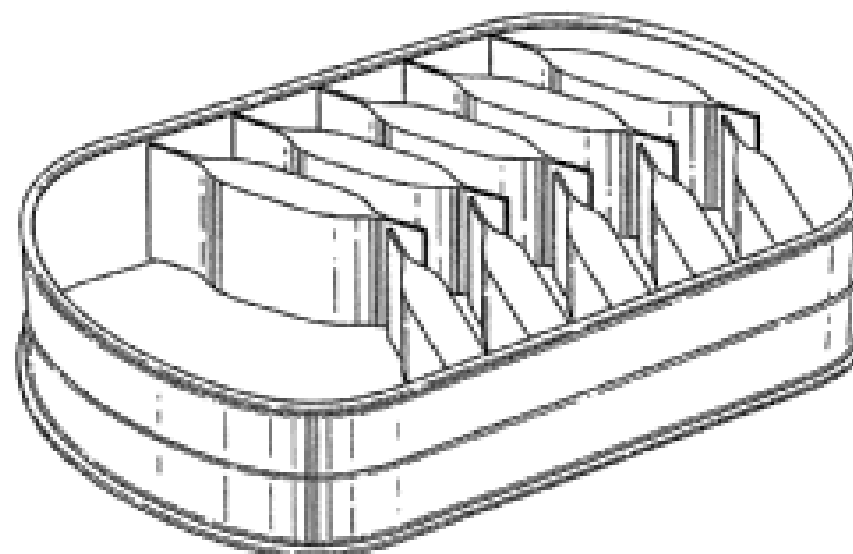
(21) Design Number: **15591/2008**
(22) Date of Filing Application: **27 November 2008**
(24) Date from which industrial property rights may have effect: **27 November 2008**
(54) Product in respect of which the design is registered: **Watering device**
(51) International Design Classification: **23-01D, 23-01E**
(71) Name(s) and Address(s) of Applicant(s):
Moisture Matic Pty. Ltd.
2 Osborne Circuit Hawthorn Victoria 3122 Australia
(72) Name(s) of Designer(s): **James Edgar Oates and Graeme J. Whitty**
(45) Registration Date: **22 January 2009**
(56) Related Art Documents: **Not Applicable**
(57) Statement of Newness and Distinctiveness: **Nil**



(21) Design Number: **15593/2008**
(22) Date of Filing Application: **26 November 2008**
(24) Date from which industrial property rights may have effect: **26 November 2008**
(54) Product in respect of which the design is registered: **Packaging**
(51) International Design Classification: **09-03A**
(71) Name(s) and Address(s) of Applicant(s):
Imperial Tobacco Canada Limited
3810 Sainte Antoine Montreal Quebec H4C 1B5 Canada
(72) Name(s) of Designer(s): **Fred Leclizio**
(45) Registration Date: **22 January 2009**
(30) Convention priority data:

(31) Number	(32) Date	(33) Country
DM/070371	01 Jul 2008	INTERNATIONAL BUREAU (WIPO)

(56) Related Art Documents: **Not Applicable**
(57) Statement of Newness and Distinctiveness: **Newness and distinctiveness resides in the features of shape and/or configuration of a packaging as illustrated in the accompanying representations.**



(21) Design Number: **15594/2008**
(22) Date of Filing Application: **26 November 2008**
(24) Date from which industrial property rights may have effect: **26 November 2008**
(54) Product in respect of which the design is registered: **Packaging**
(51) International Design Classification: **09-03A**
(71) Name(s) and Address(s) of Applicant(s):

Imperial Tobacco Canada Limited
3810 Sainte Antoine Montreal Quebec H4C 1B5 Canada

(72) Name(s) of Designer(s): **Fred Leclezio**

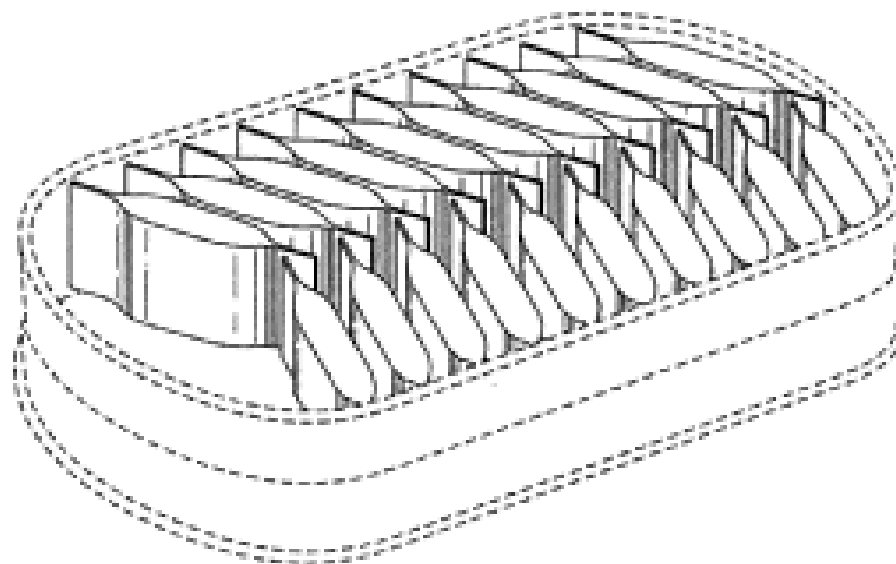
(45) Registration Date: **22 January 2009**

(30) Convention priority data:

(31) Number	(32) Date	(33) Country
DM/070371	01 Jul 2008	INTERNATIONAL BUREAU (WIPO)

(56) Related Art Documents: **Not Applicable**

(57) Statement of Newness and Distinctiveness: **Newness and distinctiveness resides in the features of shape and/or configuration of a packaging as illustrated in the accompanying representations. The features shown in broken outline do not form part of the design.**



(21) Design Number: **15595/2008**
(22) Date of Filing Application: **26 November 2008**
(24) Date from which industrial property rights may have effect: **26 November 2008**
(54) Product in respect of which the design is registered: **Packaging**
(51) International Design Classification: **09-03A**
(71) Name(s) and Address(s) of Applicant(s):

Imperial Tobacco Canada Limited
3810 Sainte Antoine Montreal Quebec H4C 1B5 Canada

(72) Name(s) of Designer(s): **Fred Leclezio**

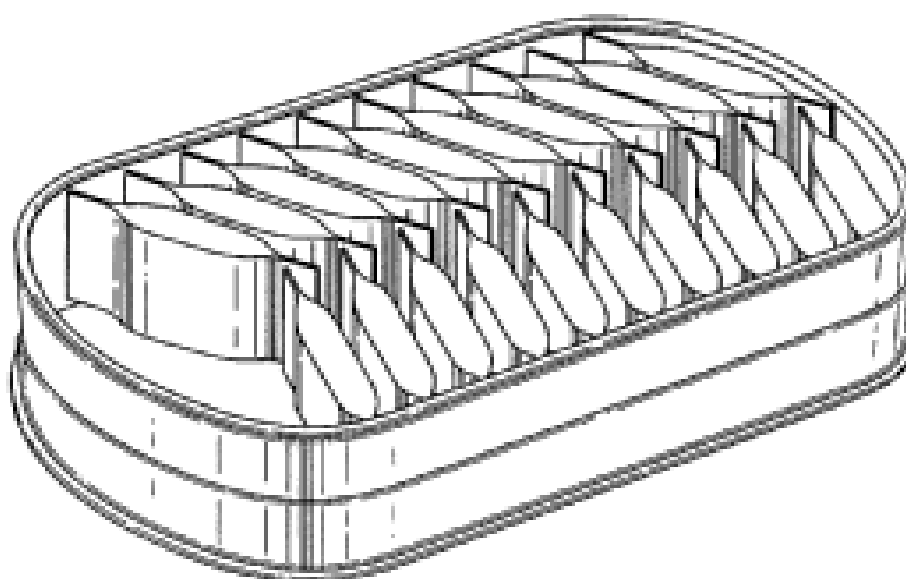
(45) Registration Date: **22 January 2009**

(30) Convention priority data:

(31) Number	(32) Date	(33) Country
DM/070371	01 Jul 2008	INTERNATIONAL BUREAU (WIPO)

(56) Related Art Documents: **Not Applicable**

(57) Statement of Newness and Distinctiveness: **Newness and distinctiveness resides in the features of shape and/or configuration of a packaging as illustrated in the accompanying representations.**



(21) Design Number: **15596/2008**
(22) Date of Filing Application: **26 November 2008**
(24) Date from which industrial property rights may have effect: **26 November 2008**
(54) Product in respect of which the design is registered: **Packaging**
(51) International Design Classification: **09-03A**
(71) Name(s) and Address(s) of Applicant(s):

Imperial Tobacco Canada Limited
3810 Sainte Antoine Montreal Quebec H4C 1B5 Canada

(72) Name(s) of Designer(s): **Fred Leclezio**

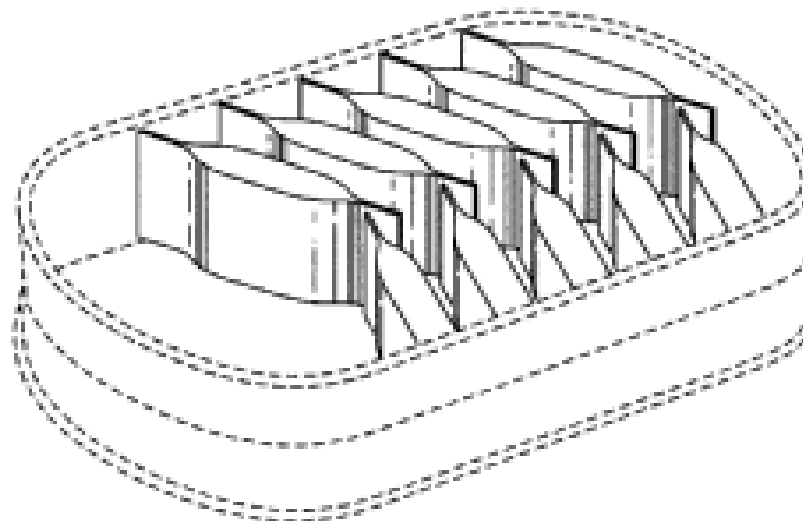
(45) Registration Date: **22 January 2009**

(30) Convention priority data:

(31) Number	(32) Date	(33) Country
DM/070371	01 Jul 2008	INTERNATIONAL BUREAU (WIPO)

(56) Related Art Documents: **Not Applicable**

(57) Statement of Newness and Distinctiveness: **Newness and distinctiveness resides in the features of shape and/or configuration of a packaging as illustrated in the accompanying representations. The features shown in broken outline do not form part of the design.**



(21) Design Number: **15597/2008**
(22) Date of Filing Application: **26 November 2008**
(24) Date from which industrial property rights may have effect: **26 November 2008**
(54) Product in respect of which the design is registered: **Headphone**
(51) International Design Classification: **14-01**
(71) Name(s) and Address(s) of Applicant(s):

Kabushiki Kaisha Audio-Technica trading as Audio-Technica Corporation
2206 Naruse Machida-shi Tokyo Japan

(72) Name(s) of Designer(s): **Kozo Ando**

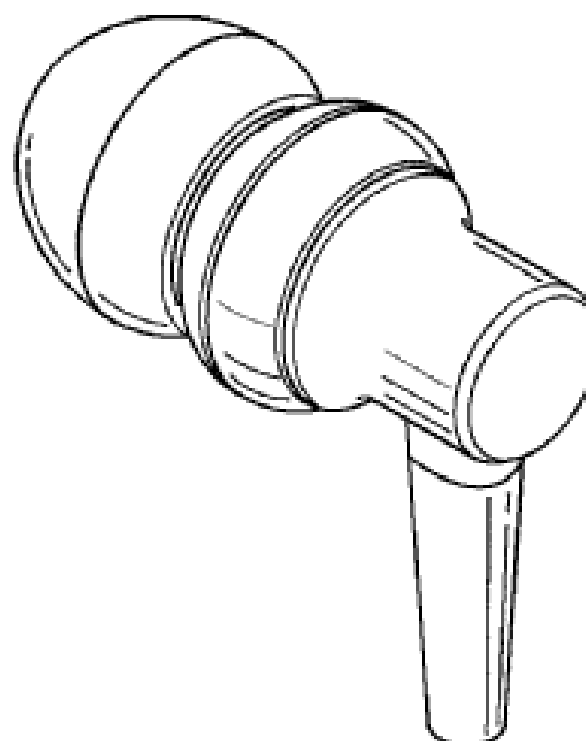
(45) Registration Date: **22 January 2009**

(30) Convention priority data:

(31) Number	(32) Date	(33) Country
JP2008-013668	30 May 2008	JAPAN

(56) Related Art Documents: **Not Applicable**

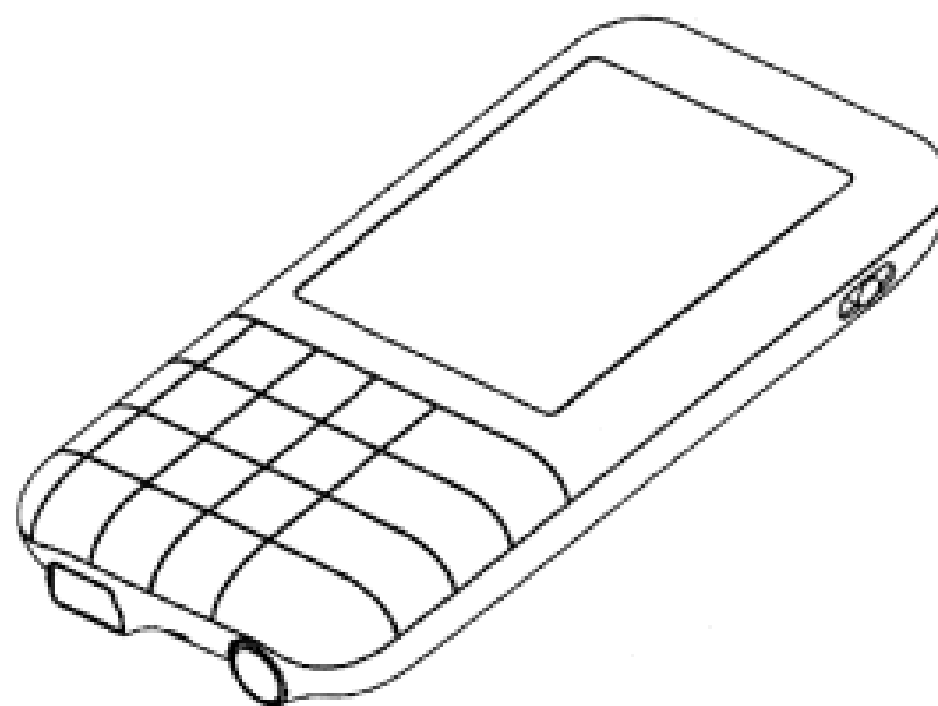
(57) Statement of Newness and Distinctiveness: **The features of the design that are new and distinctive are the shape and configuration of the product as shown in the accompanying representations.**



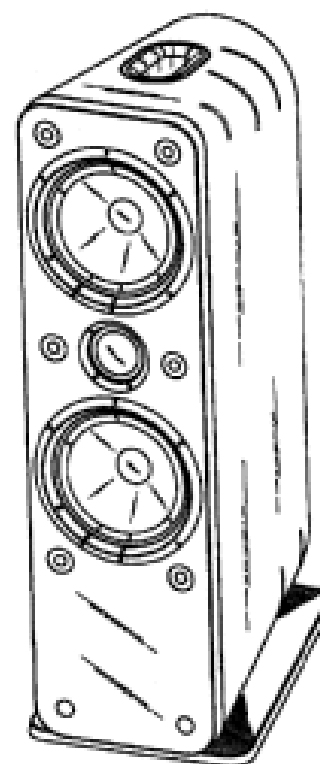
- (21) Design Number: **15598/2008**
(22) Date of Filing Application: **26 November 2008**
(24) Date from which industrial property rights may have effect: **26 November 2008**
(54) Product in respect of which the design is registered: **Shoe**
(51) International Design Classification: **02-04NES**
(71) Name(s) and Address(s) of Applicant(s):
Billie Group Pty Ltd
57 Johnstone Street Peakhurst New South Wales 2210 Australia
(72) Name(s) of Designer(s): **Susannah Khouzame**
(45) Registration Date: **22 January 2009**
(56) Related Art Documents: **Not Applicable**
(57) Statement of Newness and Distinctiveness: **Newness and distinctiveness is claimed in the features of shape and/or configuration of a shoe as illustrated in the accompanying representations.**



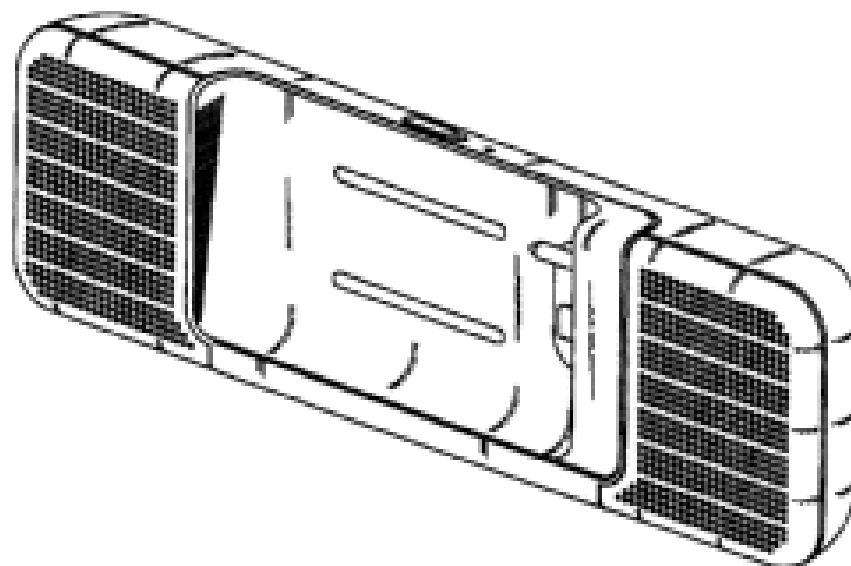
- (21) Design Number: **15599/2008**
(22) Date of Filing Application: **26 November 2008**
(24) Date from which industrial property rights may have effect: **26 November 2008**
(54) Product in respect of which the design is registered: **Media player**
(51) International Design Classification: **14-01**
(71) Name(s) and Address(s) of Applicant(s):
Creative Technology Ltd
31 International Business Park Creative Resource Singapore 609921
(72) Name(s) of Designer(s): **Qing Li and Kok Chong Anthony Oh and Ai Wei Tan**
(45) Registration Date: **22 January 2009**
(30) Convention priority data:
(31) Number (32) Date (33) Country
D2008/649/G 16 Jul 2008 SINGAPORE
(56) Related Art Documents: **Not Applicable**
(57) Statement of Newness and Distinctiveness: **The newness and distinctiveness of the design resides in the features of shape and configuration as depicted in the attached representations.**



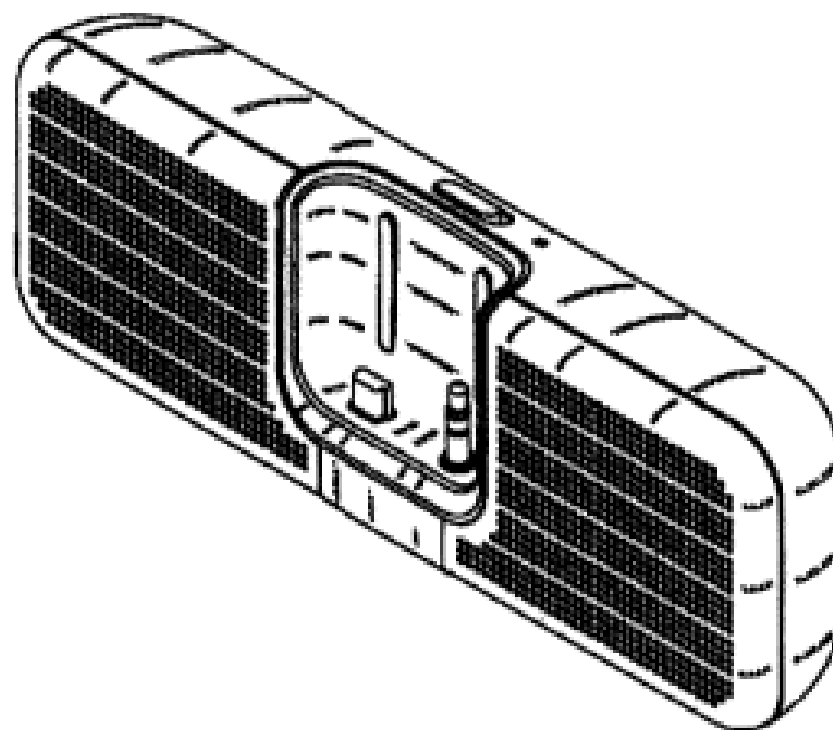
(21) Design Number: **15600/2008**
(22) Date of Filing Application: **26 November 2008**
(24) Date from which industrial property rights may have effect: **26 November 2008**
(54) Product in respect of which the design is registered: **Loudspeaker**
(51) International Design Classification: **14-01**
(71) Name(s) and Address(s) of Applicant(s):
Creative Technology Ltd
31 International Business Park Creative Resource Singapore 609921
(72) Name(s) of Designer(s): **Mei San Gigi Cho**
(45) Registration Date: **22 January 2009**
(30) Convention priority data:
(31) Number (32) Date (33) Country
29/320,350 25 Jun 2008 UNITED STATES OF AMERICA
(56) Related Art Documents: **Not Applicable**
(57) Statement of Newness and Distinctiveness: **The newness and distinctiveness of the design resides in the features of shape and configuration as depicted in the attached representations.**



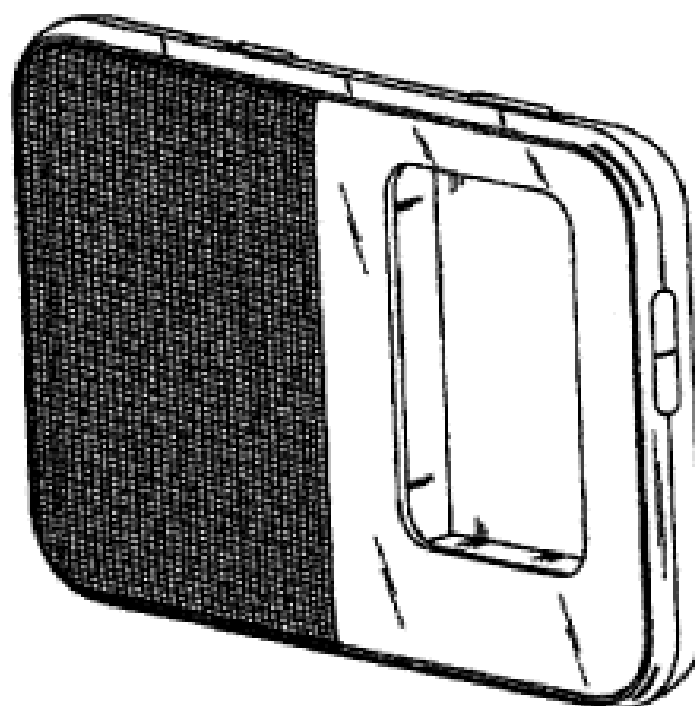
(21) Design Number: **15601/2008**
(22) Date of Filing Application: **26 November 2008**
(24) Date from which industrial property rights may have effect: **26 November 2008**
(54) Product in respect of which the design is registered: **Loudspeaker**
(51) International Design Classification: **14-01**
(71) Name(s) and Address(s) of Applicant(s):
Creative Technology Ltd
31 International Business Park Creative Resource Singapore 609921
(72) Name(s) of Designer(s): **Mei San Gigi Cho and Soo Beng Damien Khoo and Chien Mei Linda Ang and Huang Pheng Vince Ang**
(45) Registration Date: **22 January 2009**
(30) Convention priority data:
(31) Number (32) Date (33) Country
29/322,071 29 Jul 2008 UNITED STATES OF AMERICA
(56) Related Art Documents: **Not Applicable**
(57) Statement of Newness and Distinctiveness: **The newness and distinctiveness of the design resides in the features of shape and configuration as depicted in the attached representations.**



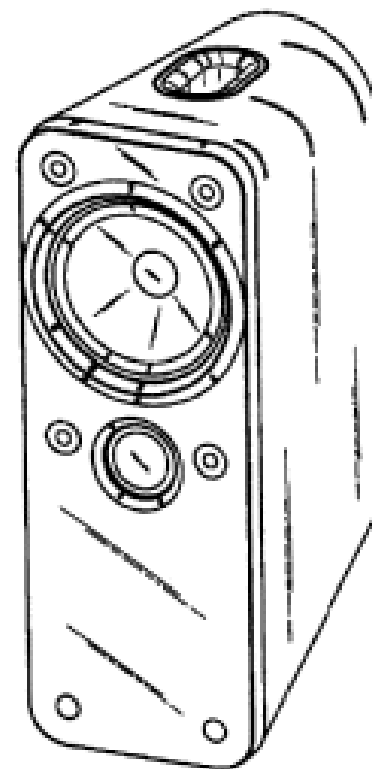
(21) Design Number: **15602/2008**
(22) Date of Filing Application: **26 November 2008**
(24) Date from which industrial property rights may have effect: **26 November 2008**
(54) Product in respect of which the design is registered: **Loudspeaker**
(51) International Design Classification: **14-01**
(71) Name(s) and Address(s) of Applicant(s):
Creative Technology Ltd
31 International Business Park Creative Resource Singapore 609921
(72) Name(s) of Designer(s): **Mei San Gigi Cho and Soo Beng Damien Khoo and Chien Mei Linda Ang and Huang Pheng Vince Ang**
(45) Registration Date: **22 January 2009**
(30) Convention priority data:
(31) Number (32) Date (33) Country
29/322,066 29 Jul 2008 UNITED STATES OF AMERICA
(56) Related Art Documents: **Not Applicable**
(57) Statement of Newness and Distinctiveness: **The newness and distinctiveness of the design resides in the features of shape and configuration as depicted in the attached representations.**



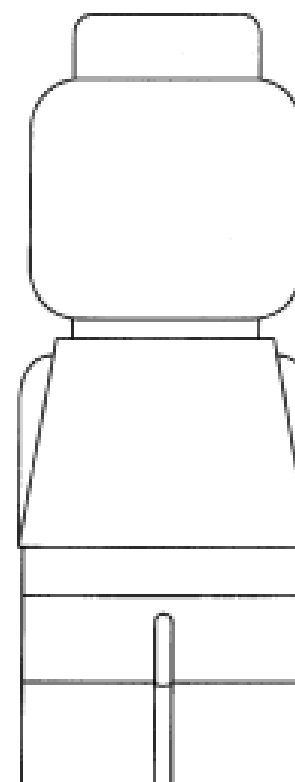
(21) Design Number: **15603/2008**
(22) Date of Filing Application: **26 November 2008**
(24) Date from which industrial property rights may have effect: **26 November 2008**
(54) Product in respect of which the design is registered: **Loudspeaker**
(51) International Design Classification: **14-01**
(71) Name(s) and Address(s) of Applicant(s):
Creative Technology Ltd
31 International Business Park Creative Resource Singapore 609921
(72) Name(s) of Designer(s): **Yan Hui Zha**
(45) Registration Date: **22 January 2009**
(30) Convention priority data:
(31) Number (32) Date (33) Country
29/322,842 13 Aug 2008 UNITED STATES OF AMERICA
(56) Related Art Documents: **Not Applicable**
(57) Statement of Newness and Distinctiveness: **The newness and distinctiveness of the design resides in the features of shape and configuration as depicted in the attached representations.**



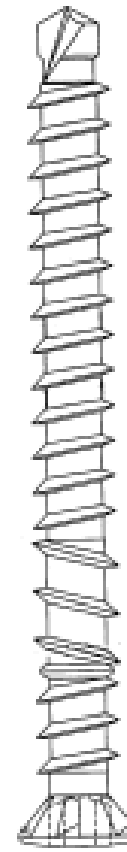
(21) Design Number: **15604/2008**
(22) Date of Filing Application: **26 November 2008**
(24) Date from which industrial property rights may have effect: **26 November 2008**
(54) Product in respect of which the design is registered: **Loudspeaker**
(51) International Design Classification: **14-01**
(71) Name(s) and Address(s) of Applicant(s):
Creative Technology Ltd
31 International Business Park Creative Resource Singapore 609921
(72) Name(s) of Designer(s): **Mei San Gigi Cho**
(45) Registration Date: **22 January 2009**
(30) Convention priority data:
(31) Number (32) Date (33) Country
29/320,355 25 Jun 2008 UNITED STATES OF AMERICA
(56) Related Art Documents: **Not Applicable**
(57) Statement of Newness and Distinctiveness: **The newness and distinctiveness of the design resides in the features of shape and configuration as depicted in the attached representations.**



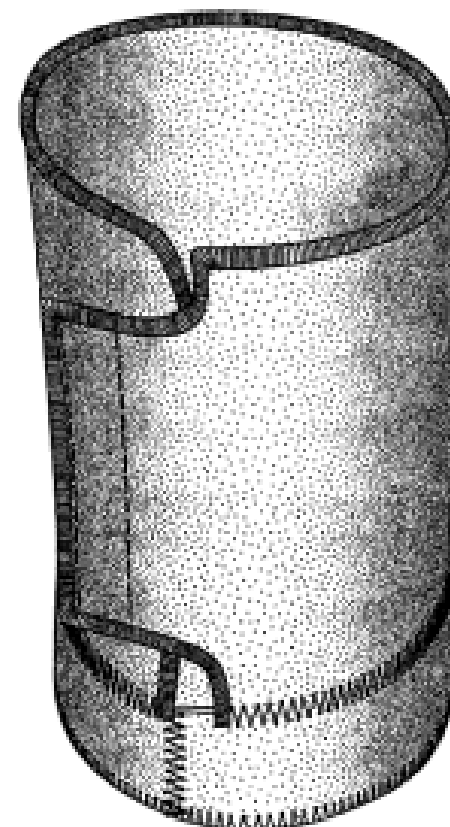
(21) Design Number: **15605/2008**
(22) Date of Filing Application: **26 November 2008**
(24) Date from which industrial property rights may have effect: **26 November 2008**
(54) Product in respect of which the design is registered: **Toy building element**
(51) International Design Classification: **21-01E**
(71) Name(s) and Address(s) of Applicant(s):
Lego A/S
Aastvej 1 Billund DK-7190 Denmark
(72) Name(s) of Designer(s): **Cynthia Bodin**
(45) Registration Date: **22 January 2009**
(30) Convention priority data:
(31) Number (32) Date (33) Country
001036289 10 Nov 2008 EUROPEAN COMMUNITY
(56) Related Art Documents: **Not Applicable**
(57) Statement of Newness and Distinctiveness: **Nil**



- (21) Design Number: **15606/2008**
(22) Date of Filing Application: **26 November 2008**
(24) Date from which industrial property rights may have effect: **26 November 2008**
(54) Product in respect of which the design is registered: **Fastener**
(51) International Design Classification: **08-08B**
(71) Name(s) and Address(s) of Applicant(s):
Powers Fasteners Australasia Pty Ltd
Factory 3 205 Abbots Road Dandenong South Victoria 3175 Australia
(72) Name(s) of Designer(s): **Phillip Rose**
(45) Registration Date: **22 January 2009**
(56) Related Art Documents: **Not Applicable**
(57) Statement of Newness and Distinctiveness: **The features of the fastener of indeterminate length being the adjacent reverse threading; the shape and configuration of the head; and, the cutting tip considered individually or in combination.**



- (21) Design Number: **15607/2008**
(22) Date of Filing Application: **27 November 2008**
(24) Date from which industrial property rights may have effect: **27 November 2008**
(54) Product in respect of which the design is registered: **Thermal insulation sleeve for a beverage maker**
(51) International Design Classification: **07-02L**
(71) Name(s) and Address(s) of Applicant(s):
Pi-Design AG
Kantonsstrasse 100 6234 Triengen Switzerland
(72) Name(s) of Designer(s): **Jorgen Bodum**
(45) Registration Date: **22 January 2009**
(30) Convention priority data:
(31) Number (32) Date (33) Country
DM 070 319 24 Jun 2008 DOMINICA
(56) Related Art Documents: **Not Applicable**
(57) Statement of Newness and Distinctiveness: **Nil**



(21) Design Number: **15276/2008**
(22) Date of Filing Application: **07 November 2008**
(24) Date from which industrial property rights may have effect: **07 November 2008**
(54) Product in respect of which the design is registered: **Sofa**
(51) International Design Classification: **06-01G**
(71) Name(s) and Address(s) of Applicant(s):
De Coro Limited
1401 Hutchison House 10 Harcourt Road Hong Kong
(72) Name(s) of Designer(s): **Luca Ricci**
(45) Registration Date: **22 January 2009**
(30) Convention priority data:
(31) Number (32) Date (33) Country
0802474.3M008 09 Oct 2008 HONG KONG
(56) Related Art Documents: **Not Applicable**
(57) Statement of Newness and Distinctiveness: **Nil**



(21) Design Number: **15277/2008**
(22) Date of Filing Application: **07 November 2008**
(24) Date from which industrial property rights may have effect: **07 November 2008**
(54) Product in respect of which the design is registered: **Sofa**
(51) International Design Classification: **06-01G**
(71) Name(s) and Address(s) of Applicant(s):
De Coro Limited
1401 Hutchison House 10 Harcourt Road Hong Kong
(72) Name(s) of Designer(s): **Luca Ricci**
(45) Registration Date: **22 January 2009**
(30) Convention priority data:
(31) Number (32) Date (33) Country
0802474.3M019 09 Oct 2008 HONG KONG
(56) Related Art Documents: **Not Applicable**
(57) Statement of Newness and Distinctiveness: **Nil**



(21) Design Number: **15278/2008**
(22) Date of Filing Application: **07 November 2008**
(24) Date from which industrial property rights may have effect: **07 November 2008**
(54) Product in respect of which the design is registered: **Sofa**
(51) International Design Classification: **06-01G**
(71) Name(s) and Address(s) of Applicant(s):

De Coro Limited
1401 Hutchison House 10 Harcourt Road Hong Kong

(72) Name(s) of Designer(s): **Luca Ricci**

(45) Registration Date: **22 January 2009**

(30) Convention priority data:

(31) Number	(32) Date	(33) Country
0802474.3M002	09 Oct 2008	HONG KONG

(56) Related Art Documents: **Not Applicable**

(57) Statement of Newness and Distinctiveness: **Nil**



(21) Design Number: **15279/2008**
(22) Date of Filing Application: **07 November 2008**
(24) Date from which industrial property rights may have effect: **07 November 2008**
(54) Product in respect of which the design is registered: **Sofa**
(51) International Design Classification: **06-01G**
(71) Name(s) and Address(s) of Applicant(s):

De Coro Limited
1401 Hutchison House 10 Harcourt Road Hong Kong

(72) Name(s) of Designer(s): **Luca Ricci**

(45) Registration Date: **22 January 2009**

(30) Convention priority data:

(31) Number	(32) Date	(33) Country
0802474.3M004	09 Oct 2008	HONG KONG

(56) Related Art Documents: **Not Applicable**

(57) Statement of Newness and Distinctiveness: **Nil**



(21) Design Number: **15280/2008**
(22) Date of Filing Application: **07 November 2008**
(24) Date from which industrial property rights may have effect: **07 November 2008**
(54) Product in respect of which the design is registered: **Sofa**
(51) International Design Classification: **06-01G**
(71) Name(s) and Address(s) of Applicant(s):
De Coro Limited
1401 Hutchison House 10 Harcourt Road Hong Kong
(72) Name(s) of Designer(s): **Luca Ricci**
(45) Registration Date: **22 January 2009**
(30) Convention priority data:
(31) Number (32) Date (33) Country
0802474.3M010 09 Oct 2008 HONG KONG
(56) Related Art Documents: **Not Applicable**
(57) Statement of Newness and Distinctiveness: **Nil**



(21) Design Number: **15281/2008**
(22) Date of Filing Application: **07 November 2008**
(24) Date from which industrial property rights may have effect: **07 November 2008**
(54) Product in respect of which the design is registered: **Sofa**
(51) International Design Classification: **06-01G**
(71) Name(s) and Address(s) of Applicant(s):
De Coro Limited
1401 Hutchison House 10 Harcourt Road Hong Kong
(72) Name(s) of Designer(s): **Luca Ricci**
(45) Registration Date: **22 January 2009**
(30) Convention priority data:
(31) Number (32) Date (33) Country
0802474.3M001 09 Oct 2008 HONG KONG
(56) Related Art Documents: **Not Applicable**
(57) Statement of Newness and Distinctiveness: **Nil**



(21) Design Number: **15282/2008**
(22) Date of Filing Application: **07 November 2008**
(24) Date from which industrial property rights may have effect: **07 November 2008**
(54) Product in respect of which the design is registered: **Sofa**
(51) International Design Classification: **06-01G**
(71) Name(s) and Address(s) of Applicant(s):

De Coro Limited
1401 Hutchison House 10 Harcourt Road Hong Kong

(72) Name(s) of Designer(s): **Luca Ricci**

(45) Registration Date: **22 January 2009**

(30) Convention priority data:

(31) Number	(32) Date	(33) Country
0802474.3M013	09 Oct 2008	HONG KONG

(56) Related Art Documents: **Not Applicable**

(57) Statement of Newness and Distinctiveness: **Nil**



(21) Design Number: **15283/2008**
(22) Date of Filing Application: **07 November 2008**
(24) Date from which industrial property rights may have effect: **07 November 2008**
(54) Product in respect of which the design is registered: **Sofa**
(51) International Design Classification: **06-01G**
(71) Name(s) and Address(s) of Applicant(s):

De Coro Limited
1401 Hutchison House 10 Harcourt Road Hong Kong

(72) Name(s) of Designer(s): **Luca Ricci**

(45) Registration Date: **22 January 2009**

(30) Convention priority data:

(31) Number	(32) Date	(33) Country
0802474.3M014	09 Oct 2008	HONG KONG

(56) Related Art Documents: **Not Applicable**

(57) Statement of Newness and Distinctiveness: **Nil**



(21) Design Number: **15284/2008**

(22) Date of Filing Application: **07 November 2008**

(24) Date from which industrial property rights may have effect: **07 November 2008**

(54) Product in respect of which the design is registered: **Sofa**

(51) International Design Classification: **06-01G**

(71) Name(s) and Address(s) of Applicant(s):

De Coro Limited

1401 Hutchison House 10 Harcourt Road Hong Kong

(72) Name(s) of Designer(s): **Luca Ricci**

(45) Registration Date: **22 January 2009**

(30) Convention priority data:

(31) Number

(32) Date

(33) Country

0802474.3M017

09 Oct 2008

HONG KONG

(56) Related Art Documents: **Not Applicable**

(57) Statement of Newness and Distinctiveness: **Nil**



(21) Design Number: **15285/2008**

(22) Date of Filing Application: **07 November 2008**

(24) Date from which industrial property rights may have effect: **07 November 2008**

(54) Product in respect of which the design is registered: **Sofa**

(51) International Design Classification: **06-01G**

(71) Name(s) and Address(s) of Applicant(s):

De Coro Limited

1401 Hutchison House 10 Harcourt Road Hong Kong

(72) Name(s) of Designer(s): **Luca Ricci**

(45) Registration Date: **22 January 2009**

(30) Convention priority data:

(31) Number

(32) Date

(33) Country

0802474.3M011

09 Oct 2008

HONG KONG

(56) Related Art Documents: **Not Applicable**

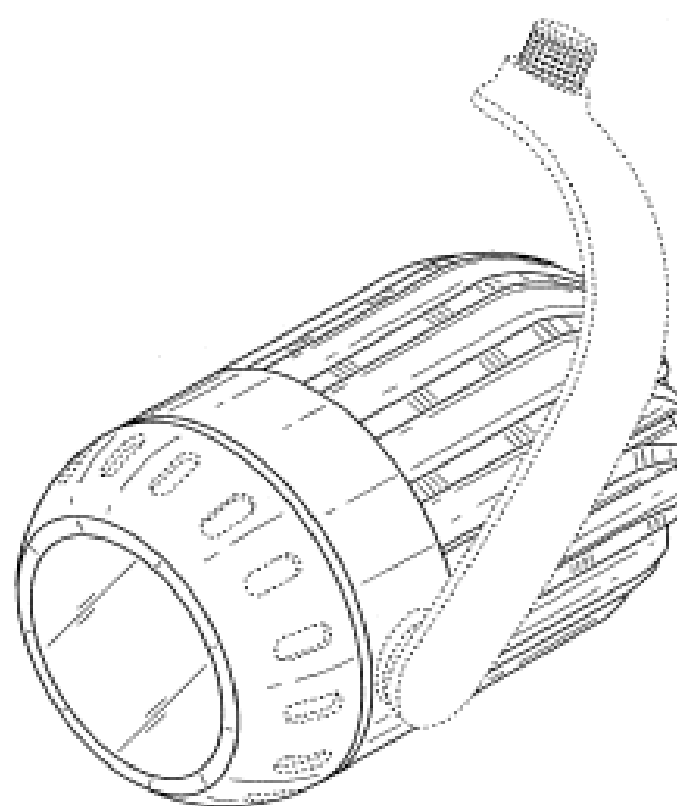
(57) Statement of Newness and Distinctiveness: **Nil**



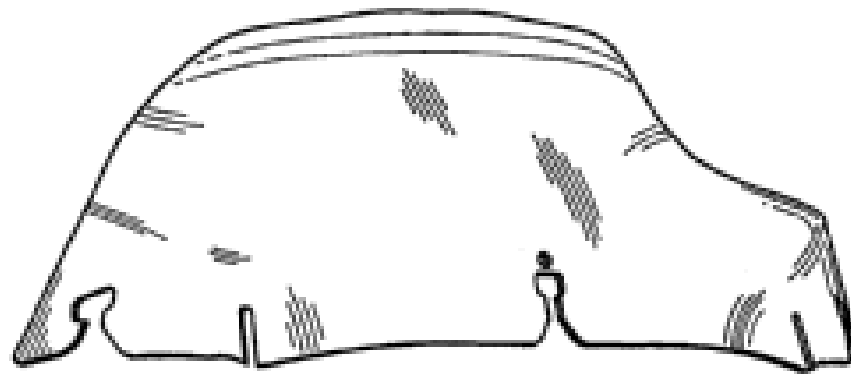
(21) Design Number: **15631/2008**
(22) Date of Filing Application: **28 November 2008**
(24) Date from which industrial property rights may have effect: **28 November 2008**
(54) Product in respect of which the design is registered: **Patch panel**
(51) International Design Classification: **13-03NES**
(71) Name(s) and Address(s) of Applicant(s):
Clipsal Australia Pty Limited
2 Solent Circuit Norwest Business Park Baulkam Hills New South
Wales 2153 Australia
(72) Name(s) of Designer(s): **Shung Key Anthony Fok and Royce McDonald**
(45) Registration Date: **22 January 2009**
(30) Convention priority data:
(31) Number (32) Date (33) Country
0801486.8 04 Jun 2008 HONG KONG
(56) Related Art Documents: **Not Applicable**
(57) Statement of Newness and Distinctiveness: **Newness and distinctiveness**
reside in the shape or configuration of the patch panel illustrated in the
accompanying representations.



(21) Design Number: **15632/2008**
(22) Date of Filing Application: **28 November 2008**
(24) Date from which industrial property rights may have effect: **28 November 2008**
(54) Product in respect of which the design is registered: **Light fixture**
(51) International Design Classification: **26-05C**
(71) Name(s) and Address(s) of Applicant(s):
Journee Lighting, Inc.
4607 Lakeview Canyon Road #500 Westlake Village California 91361
United States of America
(72) Name(s) of Designer(s): **Fernando Pardo and Clayton Alexander and**
Brandon S. Mundell
(45) Registration Date: **22 January 2009**
(30) Convention priority data:
(31) Number (32) Date (33) Country
29/300902 28 May 2008 UNITED STATES OF AMERICA
(56) Related Art Documents: **Not Applicable**
(57) Statement of Newness and Distinctiveness: **Newness and distinctiveness is**
claimed in the features of shape and/or configuration of a light fixture as
illustrated in solid lines in the accompanying representations.

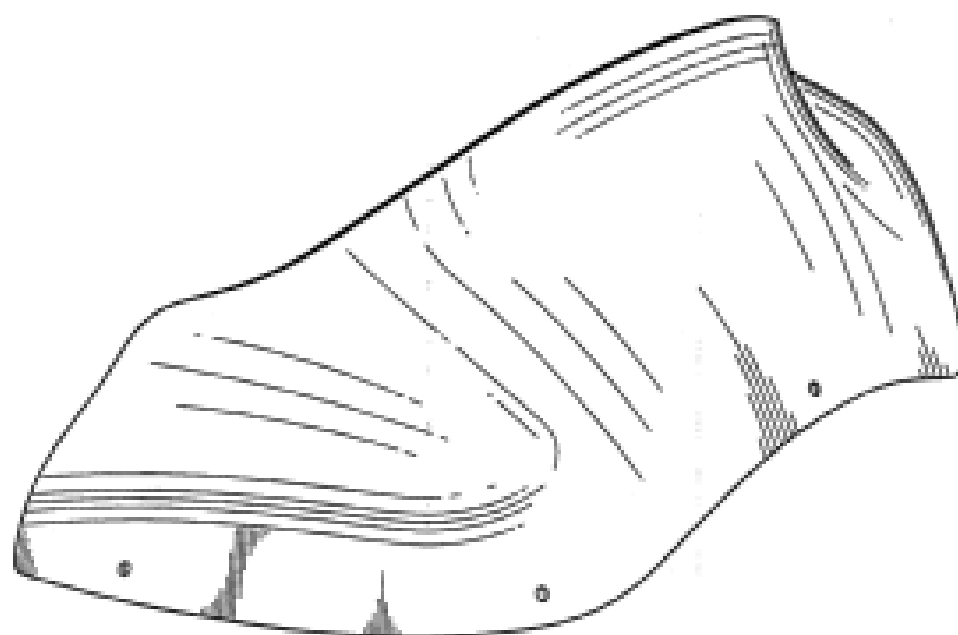


- (21) Design Number: **15633/2008**
(22) Date of Filing Application: **28 November 2008**
(24) Date from which industrial property rights may have effect: **28 November 2008**
(54) Product in respect of which the design is registered: **A flared windshield for a motorcycle**
(51) International Design Classification: **12-16F, 12-11**
(71) Name(s) and Address(s) of Applicant(s):
Brian Klock
915 S. Kimball Mitchell South Dakota 57301 United States of America
(72) Name(s) of Designer(s): **Brian Klock**
(45) Registration Date: **22 January 2009**
(56) Related Art Documents: **Not Applicable**
(57) Statement of Newness and Distinctiveness: **Newness and distinctiveness is claimed in the features of shape and/or configuration of a flared windshield for a motorcycle as illustrated in the accompanying representations.**



Front Perspective View

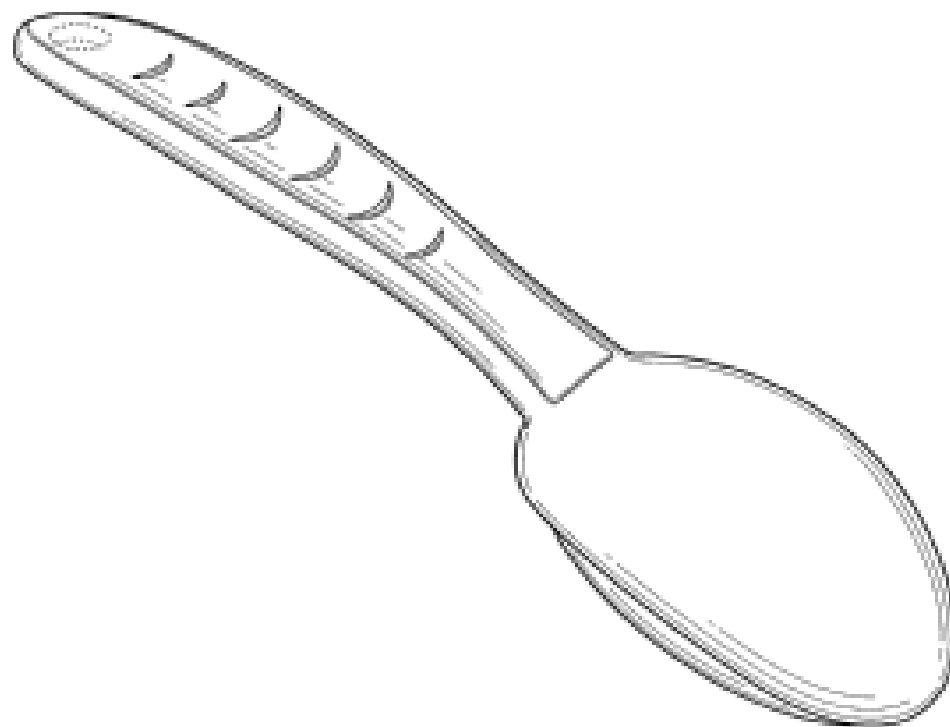
- (21) Design Number: **15634/2008**
(22) Date of Filing Application: **28 November 2008**
(24) Date from which industrial property rights may have effect: **28 November 2008**
(54) Product in respect of which the design is registered: **A flared windshield for a motorcycle**
(51) International Design Classification: **12-16F, 12-11**
(71) Name(s) and Address(s) of Applicant(s):
Brian Klock
915 S. Kimball Mitchell South Dakota 57301 United States of America
(72) Name(s) of Designer(s): **Brian Klock**
(45) Registration Date: **22 January 2009**
(56) Related Art Documents: **Not Applicable**
(57) Statement of Newness and Distinctiveness: **Newness and distinctiveness is claimed in the features of shape and/or configuration of a flared windshield for a motorcycle as illustrated in the accompanying representations.**



- (21) Design Number: **15636/2008**
(22) Date of Filing Application: **28 November 2008**
(24) Date from which industrial property rights may have effect: **28 November 2008**
(54) Product in respect of which the design is registered: **Toaster**
(51) International Design Classification: **07-02F**
(71) Name(s) and Address(s) of Applicant(s):
Magimix
48 rue des Vignerons 94300 Vincennes France
(72) Name(s) of Designer(s): **Gilbert Verdun**
(45) Registration Date: **22 January 2009**
(30) Convention priority data:
(31) Number (32) Date (33) Country
000959952-0001 30 Jun 2008 EUROPEAN COMMUNITY
(56) Related Art Documents: **Not Applicable**
(57) Statement of Newness and Distinctiveness: **Newness and distinctiveness reside in the features of the design as shown in the representations.**



- (21) Design Number: **15637/2008**
(22) Date of Filing Application: **28 November 2008**
(24) Date from which industrial property rights may have effect: **28 November 2008**
(54) Product in respect of which the design is registered: **Foot file with handle**
(51) International Design Classification: **28-03NES**
(71) Name(s) and Address(s) of Applicant(s):
International Edge Inc.
79 Two Bridges Road Fairfield NJ 07004 United States of America
(72) Name(s) of Designer(s): **Rajoo N. Shahani**
(45) Registration Date: **22 January 2009**
(30) Convention priority data:
(31) Number (32) Date (33) Country
29/308208 03 Jun 2008 UNITED STATES OF AMERICA
(56) Related Art Documents: **Not Applicable**
(57) Statement of Newness and Distinctiveness: **When determining whether the design 1 is substantially similar in overall impression to another design, no regard is to be had to those features shown in dotted outline in the accompanying drawings.**



(21) Design Number: **15638/2008**

(22) Date of Filing Application: **28 November 2008**

(24) Date from which industrial property rights may have effect: **28 November 2008**

(54) Product in respect of which the design is registered: **Anti-slip safety stud**

(51) International Design Classification: **08-08A**

(71) Name(s) and Address(s) of Applicant(s):

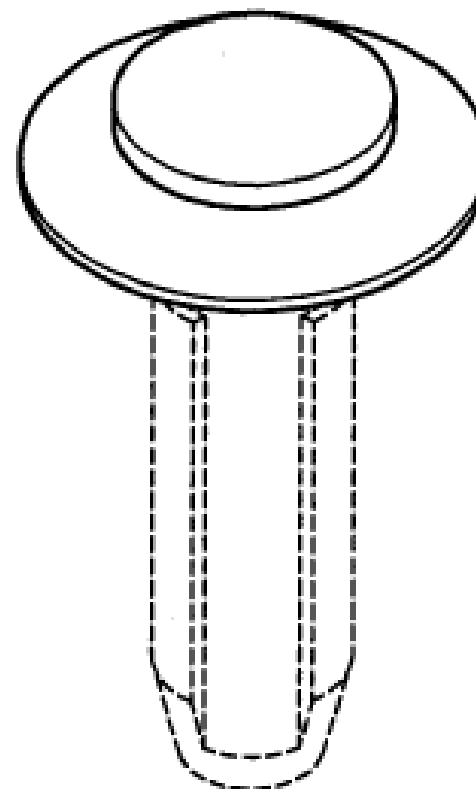
**CTA Australia Pty Ltd
Unit 4 7 Commercial Court Tullamarine Victoria 3043 Australia**

(72) Name(s) of Designer(s): **Daniel DeDomenico**

(45) Registration Date: **22 January 2009**

(56) Related Art Documents: **Not Applicable**

(57) Statement of Newness and Distinctiveness: **Newness and distinctiveness is claimed in the visual features shown in solid lines in the representations.**



(21) Design Number: **15639/2008**

(22) Date of Filing Application: **28 November 2008**

(24) Date from which industrial property rights may have effect: **28 November 2008**

(54) Product in respect of which the design is registered: **Leakproof carton and blank for forming same**

(51) International Design Classification: **09-03M**

(71) Name(s) and Address(s) of Applicant(s):

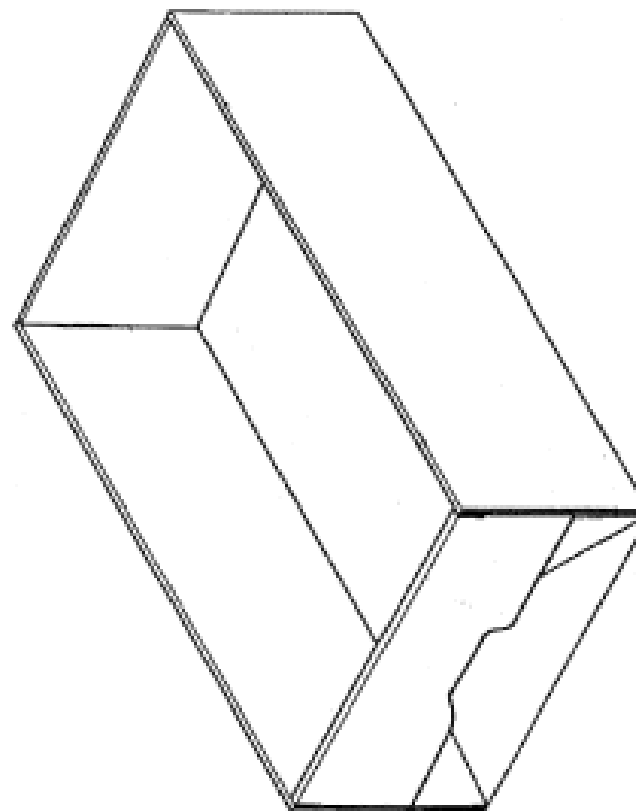
**Visy R & D Pty Ltd
Level 11 2 Southbank Boulevard Southbank Victoria 3006 Australia**

(72) Name(s) of Designer(s): **Todd Daley and Wayne Summers**

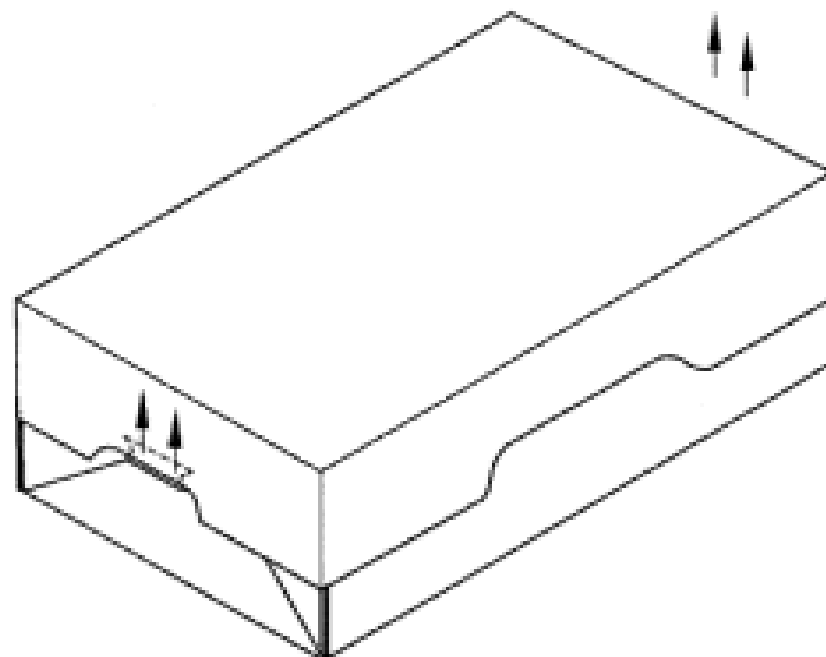
(45) Registration Date: **22 January 2009**

(56) Related Art Documents: **Not Applicable**

(57) Statement of Newness and Distinctiveness: **The features of the design that are new and distinctive are the end panels and flaps of the blank and carton as illustrated in the blank and partly assembled views.**



- (21) Design Number: **15640/2008**
(22) Date of Filing Application: **28 November 2008**
(24) Date from which industrial property rights may have effect: **28 November 2008**
(54) Product in respect of which the design is registered: **Lid for leakproof carton and blank for forming same and lid and carton combination**
(51) International Design Classification: **09-03M**
(71) Name(s) and Address(s) of Applicant(s):
Visy R & D Pty Ltd
Level 11 2 Southbank Boulevard Southbank Victoria 3006 Australia
(72) Name(s) of Designer(s): **Todd Daley and Wayne Summers**
(45) Registration Date: **22 January 2009**
(56) Related Art Documents: **Not Applicable**
(57) Statement of Newness and Distinctiveness: **The features of the design that are new and distinctive are the handle tabs at the ends of the lid and blank.**



- (21) Design Number: **15292/2008**
(22) Date of Filing Application: **07 November 2008**
(24) Date from which industrial property rights may have effect: **07 November 2008**
(54) Product in respect of which the design is registered: **Sofa**
(51) International Design Classification: **06-01G**
(71) Name(s) and Address(s) of Applicant(s):
De Coro Limited
1401 Hutchison House 10 Harcourt Road Hong Kong
(72) Name(s) of Designer(s): **Luca Ricci**
(45) Registration Date: **21 January 2009**
(30) Convention priority data:
(31) Number (32) Date (33) Country
0802474.3M003 09 Oct 2008 HONG KONG
(56) Related Art Documents: **Not Applicable**
(57) Statement of Newness and Distinctiveness: **Nil**



(21) Design Number: **15293/2008**

(22) Date of Filing Application: **07 November 2008**

(24) Date from which industrial property rights may have effect: **07 November 2008**

(54) Product in respect of which the design is registered: **Sofa**

(51) International Design Classification: **06-01G**

(71) Name(s) and Address(s) of Applicant(s):

De Coro Limited

1401 Hutchison House 10 Harcourt Road Hong Kong

(72) Name(s) of Designer(s): **Luca Ricci**

(45) Registration Date: **21 January 2009**

(30) Convention priority data:

(31) Number

(32) Date

(33) Country

0802474.3M005

09 Oct 2008

HONG KONG

(56) Related Art Documents: **Not Applicable**

(57) Statement of Newness and Distinctiveness: **Nil**



(21) Design Number: **15294/2008**

(22) Date of Filing Application: **07 November 2008**

(24) Date from which industrial property rights may have effect: **07 November 2008**

(54) Product in respect of which the design is registered: **Sofa**

(51) International Design Classification: **06-01G**

(71) Name(s) and Address(s) of Applicant(s):

De Coro Limited

1401 Hutchison House 10 Harcourt Road Hong Kong

(72) Name(s) of Designer(s): **Luca Ricci**

(45) Registration Date: **21 January 2009**

(30) Convention priority data:

(31) Number

(32) Date

(33) Country

0802474.3M009

09 Oct 2008

HONG KONG

(56) Related Art Documents: **Not Applicable**

(57) Statement of Newness and Distinctiveness: **Nil**



(21) Design Number: **15295/2008**
(22) Date of Filing Application: **07 November 2008**
(24) Date from which industrial property rights may have effect: **07 November 2008**
(54) Product in respect of which the design is registered: **Sofa**
(51) International Design Classification: **06-01G**
(71) Name(s) and Address(s) of Applicant(s):

De Coro Limited
1401 Hutchison House 10 Harcourt Road Hong Kong

(72) Name(s) of Designer(s): **Luca Ricci**

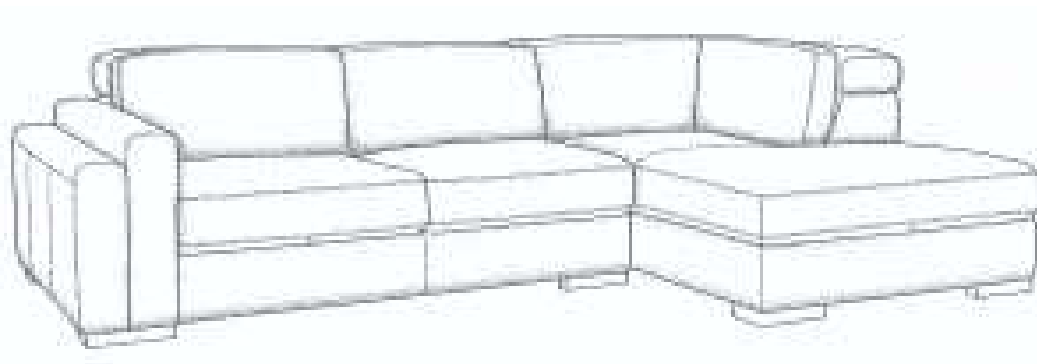
(45) Registration Date: **21 January 2009**

(30) Convention priority data:

(31) Number	(32) Date	(33) Country
0802474.3M006	09 Oct 2008	HONG KONG

(56) Related Art Documents: **Not Applicable**

(57) Statement of Newness and Distinctiveness: **Nil**



(21) Design Number: **15296/2008**
(22) Date of Filing Application: **07 November 2008**
(24) Date from which industrial property rights may have effect: **07 November 2008**
(54) Product in respect of which the design is registered: **Sofa**
(51) International Design Classification: **06-01G**
(71) Name(s) and Address(s) of Applicant(s):

De Coro Limited
1401 Hutchison House 10 Harcourt Road Hong Kong

(72) Name(s) of Designer(s): **Luca Ricci**

(45) Registration Date: **21 January 2009**

(30) Convention priority data:

(31) Number	(32) Date	(33) Country
0802474.3M012	09 Oct 2008	HONG KONG

(56) Related Art Documents: **Not Applicable**

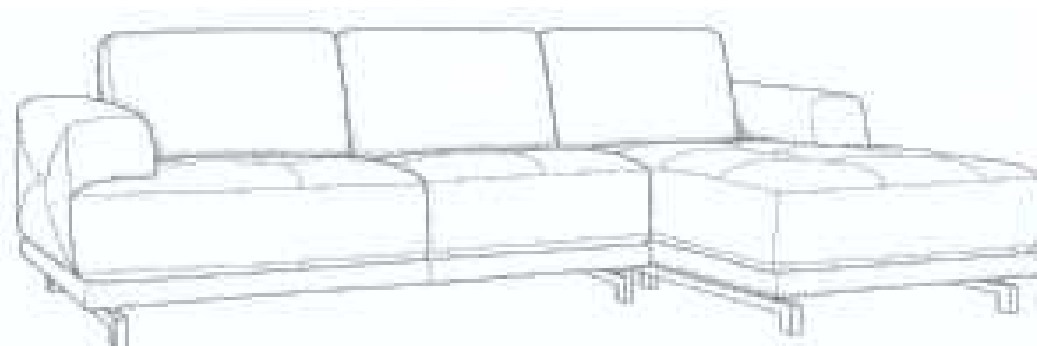
(57) Statement of Newness and Distinctiveness: **Nil**



(21) Design Number: **15297/2008**
(22) Date of Filing Application: **07 November 2008**
(24) Date from which industrial property rights may have effect: **07 November 2008**
(54) Product in respect of which the design is registered: **Sofa**
(51) International Design Classification: **06-01G**
(71) Name(s) and Address(s) of Applicant(s):
De Coro Limited
1401 Hutchison House 10 Harcourt Road Hong Kong
(72) Name(s) of Designer(s): **Luca Ricci**
(45) Registration Date: **21 January 2009**
(30) Convention priority data:
(31) Number (32) Date (33) Country
0802474.3M015 09 Oct 2008 HONG KONG
(56) Related Art Documents: **Not Applicable**
(57) Statement of Newness and Distinctiveness: **Nil**



(21) Design Number: **15298/2008**
(22) Date of Filing Application: **07 November 2008**
(24) Date from which industrial property rights may have effect: **07 November 2008**
(54) Product in respect of which the design is registered: **Sofa**
(51) International Design Classification: **06-01G**
(71) Name(s) and Address(s) of Applicant(s):
De Coro Limited
1401 Hutchison House 10 Harcourt Road Hong Kong
(72) Name(s) of Designer(s): **Luca Ricci**
(45) Registration Date: **21 January 2009**
(30) Convention priority data:
(31) Number (32) Date (33) Country
0802474.3M016 09 Oct 2008 HONG KONG
(56) Related Art Documents: **Not Applicable**
(57) Statement of Newness and Distinctiveness: **Nil**



(21) Design Number: **15299/2008**
(22) Date of Filing Application: **07 November 2008**
(24) Date from which industrial property rights may have effect: **07 November 2008**
(54) Product in respect of which the design is registered: **Sofa**
(51) International Design Classification: **06-01G**
(71) Name(s) and Address(s) of Applicant(s):

De Coro Limited
1401 Hutchison House 10 Harcourt Road Hong Kong

(72) Name(s) of Designer(s): **Luca Ricci**

(45) Registration Date: **21 January 2009**

(30) Convention priority data:

(31) Number	(32) Date	(33) Country
0802474.3M007	09 Oct 2008	HONG KONG

(56) Related Art Documents: **Not Applicable**

(57) Statement of Newness and Distinctiveness: **Nil**



(21) Design Number: **15300/2008**
(22) Date of Filing Application: **07 November 2008**
(24) Date from which industrial property rights may have effect: **07 November 2008**
(54) Product in respect of which the design is registered: **Sofa**
(51) International Design Classification: **06-01G**
(71) Name(s) and Address(s) of Applicant(s):

De Coro Limited
1401 Hutchison House 10 Harcourt Road Hong Kong

(72) Name(s) of Designer(s): **Luca Ricci**

(45) Registration Date: **21 January 2009**

(30) Convention priority data:

(31) Number	(32) Date	(33) Country
0802474.3M018	09 Oct 2008	HONG KONG

(56) Related Art Documents: **Not Applicable**

(57) Statement of Newness and Distinctiveness: **Nil**



(21) Design Number: **15326/2008**
(22) Date of Filing Application: **11 November 2008**
(24) Date from which industrial property rights may have effect: **11 November 2008**
(54) Product in respect of which the design is registered: **Sofa**
(51) International Design Classification: **06-01G**
(71) Name(s) and Address(s) of Applicant(s):

De Coro Limited
1401 Hutchison House 10 Harcourt Road Hong Kong

(72) Name(s) of Designer(s): **Luca Ricci**

(45) Registration Date: **21 January 2009**

(30) Convention priority data:

(31) Number	(32) Date	(33) Country
0802484.4M002	10 Oct 2008	HONG KONG

(56) Related Art Documents: **Not Applicable**

(57) Statement of Newness and Distinctiveness: **Nil**



(21) Design Number: **15327/2008**
(22) Date of Filing Application: **11 November 2008**
(24) Date from which industrial property rights may have effect: **11 November 2008**
(54) Product in respect of which the design is registered: **Sofa**
(51) International Design Classification: **06-01G**
(71) Name(s) and Address(s) of Applicant(s):

De Coro Limited
1401 Hutchison House 10 Harcourt Road Hong Kong

(72) Name(s) of Designer(s): **Luca Ricci**

(45) Registration Date: **21 January 2009**

(30) Convention priority data:

(31) Number	(32) Date	(33) Country
0802484.M001	10 Oct 2008	HONG KONG

(56) Related Art Documents: **Not Applicable**

(57) Statement of Newness and Distinctiveness: **Nil**



(21) Design Number: **15337/2008**

(22) Date of Filing Application: **11 November 2008**

(24) Date from which industrial property rights may have effect: **11 November 2008**

(54) Product in respect of which the design is registered: **Sofa**

(51) International Design Classification: **06-01G**

(71) Name(s) and Address(s) of Applicant(s):

De Coro Limited

1401 Hutchison House 10 Harcourt Road Hong Kong

(72) Name(s) of Designer(s): **Luca Ricci**

(45) Registration Date: **21 January 2009**

(30) Convention priority data:

(31) Number

(32) Date

(33) Country

0802484.4M003

10 Oct 2008

HONG KONG

(56) Related Art Documents: **Not Applicable**

(57) Statement of Newness and Distinctiveness: **Nil**



(21) Design Number: **15648/2008**

(22) Date of Filing Application: **01 December 2008**

(24) Date from which industrial property rights may have effect: **01 December 2008**

(54) Product in respect of which the design is registered: **A manhole frame and cover assembly**

(51) International Design Classification: **25-02NES**

(71) Name(s) and Address(s) of Applicant(s):

NORINCO

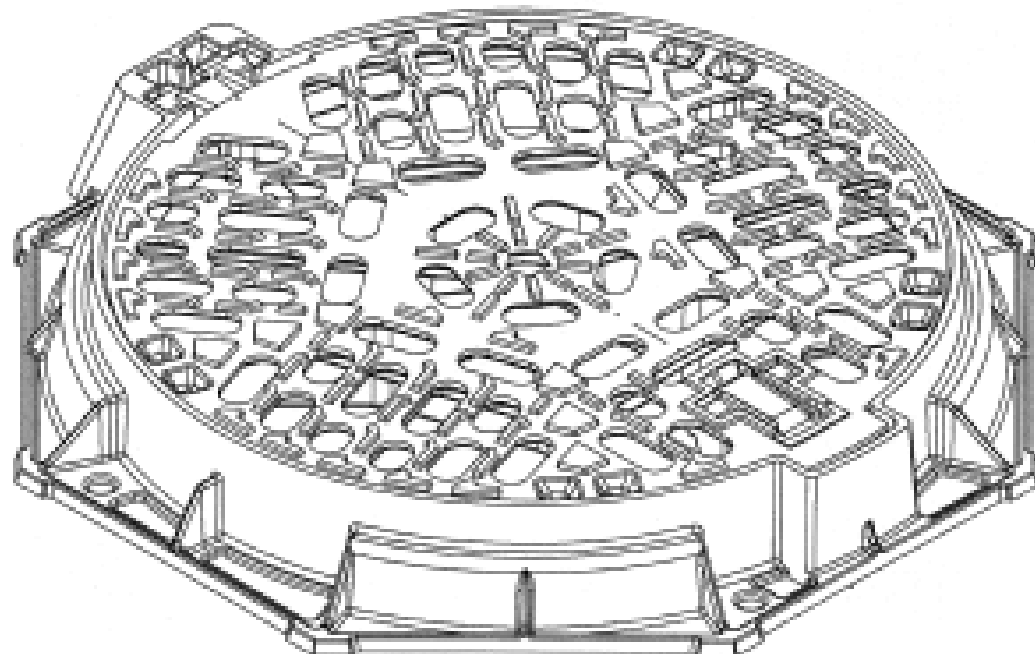
Z.I. de Marivaux 60149 Saint Crepin Ibouvillers France

(72) Name(s) of Designer(s): **Bruno Turbat**

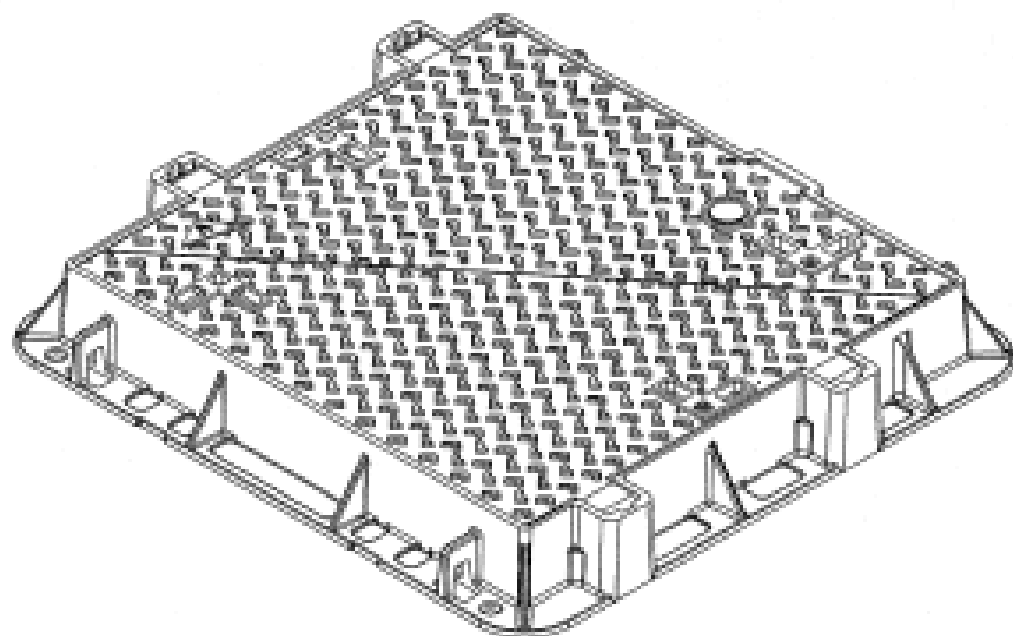
(45) Registration Date: **21 January 2009**

(56) Related Art Documents: **Not Applicable**

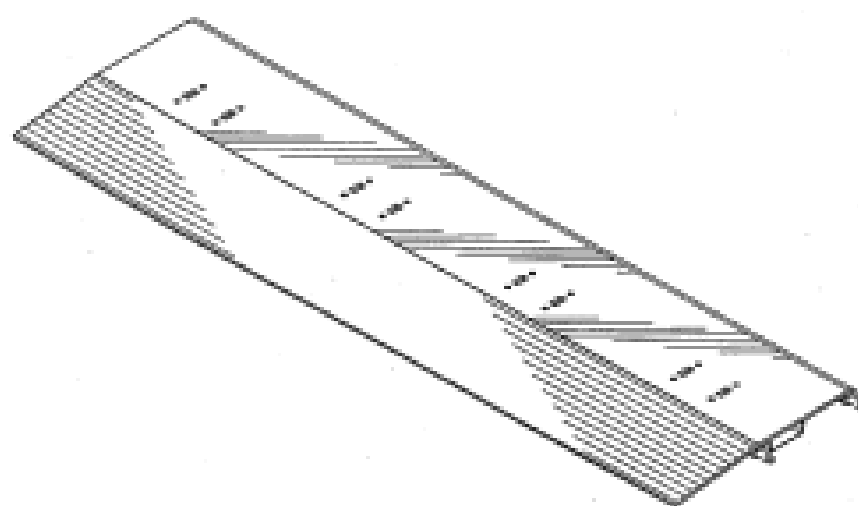
(57) Statement of Newness and Distinctiveness: **Newness and distinctiveness reside in the features of the design as shown in the representations.**



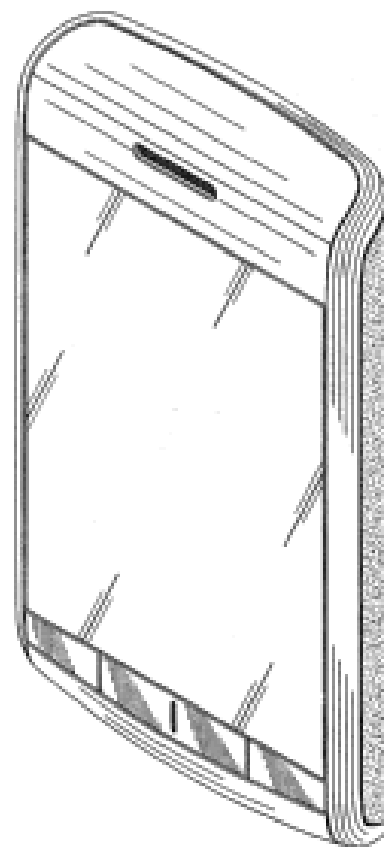
- (21) Design Number: **15650/2008**
(22) Date of Filing Application: **01 December 2008**
(24) Date from which industrial property rights may have effect: **01 December 2008**
(54) Product in respect of which the design is registered: **A manhole frame and cover assembly**
(51) International Design Classification: **25-02NES**
(71) Name(s) and Address(s) of Applicant(s):
NORINCO
Z.I. de Marivaux 60149 Saint Crepin Ibouvillers France
(72) Name(s) of Designer(s): **Bruno Turbat**
(45) Registration Date: **21 January 2009**
(56) Related Art Documents: **Not Applicable**
(57) Statement of Newness and Distinctiveness: **Newness and distinctiveness reside in the features of the design as shown in the representations.**



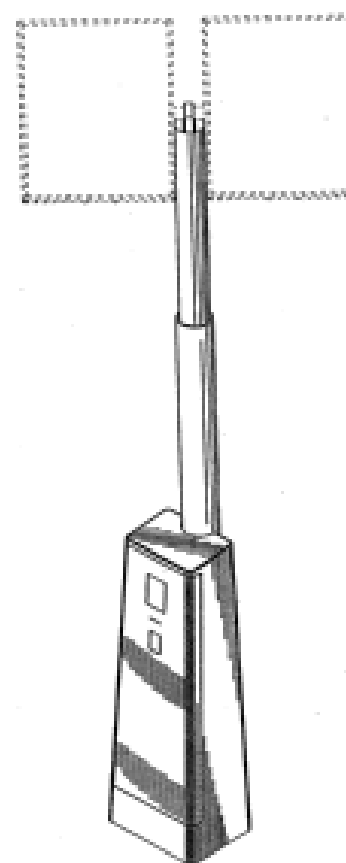
- (21) Design Number: **15652/2008**
(22) Date of Filing Application: **01 December 2008**
(24) Date from which industrial property rights may have effect: **01 December 2008**
(54) Product in respect of which the design is registered: **Elongated base for a bicycle providing station**
(51) International Design Classification: **08-10**
(71) Name(s) and Address(s) of Applicant(s):
Societe en commandite Stationnement de Montreal
704 Saint-Jacques Street Montreal Quebec H3C 1E9 Canada
(72) Name(s) of Designer(s): **Michel Dallaire**
(45) Registration Date: **21 January 2009**
(30) Convention priority data:
(31) Number (32) Date (33) Country
29/319365 06 Jun 2008 UNITED STATES OF AMERICA
(56) Related Art Documents: **Not Applicable**
(57) Statement of Newness and Distinctiveness: **Newness and distinctiveness is claimed in the features of shape and/or configuration of an elongated base for a bicycle providing station as illustrated in the accompanying representations**



- (21) Design Number: **15653/2008**
(22) Date of Filing Application: **01 December 2008**
(24) Date from which industrial property rights may have effect: **01 December 2008**
(54) Product in respect of which the design is registered: **Hand-held electronic device**
(51) International Design Classification: **14-03E, 14-02**
(71) Name(s) and Address(s) of Applicant(s):
Research In Motion Limited
295 Phillip Street Waterloo Ontario N2L 3W8 Canada
(72) Name(s) of Designer(s): **Marco Sixtus Ferrari and Cortez Corley and Todd Andrew Wood and Norman Ladouceur**
(45) Registration Date: **21 January 2009**
(30) Convention priority data:
(31) Number (32) Date (33) Country
29/320032 19 Jun 2008 UNITED STATES OF AMERICA
(56) Related Art Documents: **Not Applicable**
(57) Statement of Newness and Distinctiveness: **Newness and distinctiveness is claimed in the features of shape and/or configuration of a hand-held electronic device as illustrated in the accompanying representations.**



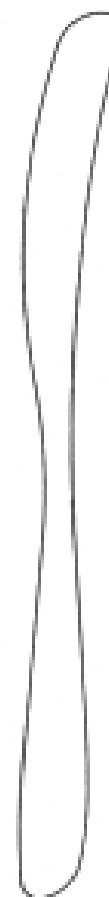
- (21) Design Number: **15654/2008**
(22) Date of Filing Application: **01 December 2008**
(24) Date from which industrial property rights may have effect: **01 December 2008**
(54) Product in respect of which the design is registered: **Bicycle providing station with integrated solar energy providing means**
(51) International Design Classification: **08-10**
(71) Name(s) and Address(s) of Applicant(s):
Societe en commandite Stationnement de Montreal
704 Saint-Jacques Street Montreal Quebec H3C 1E9 Canada
(72) Name(s) of Designer(s): **Michel Dallaire**
(45) Registration Date: **21 January 2009**
(30) Convention priority data:
(31) Number (32) Date (33) Country
29/319367 06 Jun 2008 UNITED STATES OF AMERICA
(56) Related Art Documents: **Not Applicable**
(57) Statement of Newness and Distinctiveness: **Newness and distinctiveness is claimed in the features of shape and/or configuration of a bicycle providing station with integrated solar energy providing means as illustrated in solid, continuous lines in the accompanying representations.**



(21) Design Number: **12494/2008**
(22) Date of Filing Application: **27 May 2008**
(24) Date from which industrial property rights may have effect: **27 May 2008**
(54) Product in respect of which the design is registered: **Cutlery**
(51) International Design Classification: **07-03**
(71) Name(s) and Address(s) of Applicant(s):
William Welch Design Ltd
Goose Hill Charingworth Chipping Campden Gloucestershire GL55
6NU United Kingdom
(72) Name(s) of Designer(s): **William Welch**
(45) Registration Date: **22 January 2009**
(56) Related Art Documents: **Not Applicable**
(57) Statement of Newness and Distinctiveness: **Nil**



(21) Design Number: **12495/2008**
(22) Date of Filing Application: **27 May 2008**
(24) Date from which industrial property rights may have effect: **27 May 2008**
(54) Product in respect of which the design is registered: **Cutlery**
(51) International Design Classification: **07-03**
(71) Name(s) and Address(s) of Applicant(s):
William Welch Design Ltd
Goose Hill Charingworth Chipping Campden Gloucestershire GL55
6NU United Kingdom
(72) Name(s) of Designer(s): **William Welch**
(45) Registration Date: **22 January 2009**
(56) Related Art Documents: **Not Applicable**
(57) Statement of Newness and Distinctiveness: **Nil**



(21) Design Number: **12496/2008**

(22) Date of Filing Application: **27 May 2008**

(24) Date from which industrial property rights may have effect: **27 May 2008**

(54) Product in respect of which the design is registered: **Cutlery**

(51) International Design Classification: **07-03**

(71) Name(s) and Address(s) of Applicant(s):

William Welch Design Ltd

Goose Hill Charingworth Chipping Campden Gloucestershire GL55

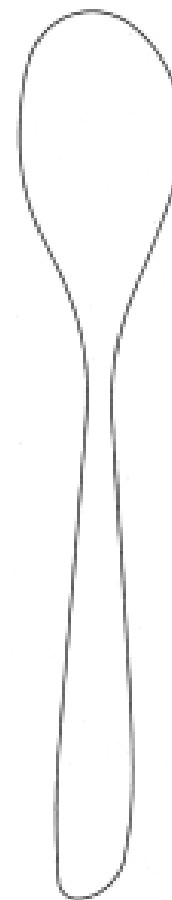
6NU United Kingdom

(72) Name(s) of Designer(s): **William Welch**

(45) Registration Date: **22 January 2009**

(56) Related Art Documents: **Not Applicable**

(57) Statement of Newness and Distinctiveness: **Nil**



(21) Design Number: **12497/2008**

(22) Date of Filing Application: **27 May 2008**

(24) Date from which industrial property rights may have effect: **27 May 2008**

(54) Product in respect of which the design is registered: **Cutlery**

(51) International Design Classification: **07-03**

(71) Name(s) and Address(s) of Applicant(s):

William Welch Design Ltd

Goose Hill Charingworth Chipping Campden Gloucestershire GL55

6NU United Kingdom

(72) Name(s) of Designer(s): **William Welch**

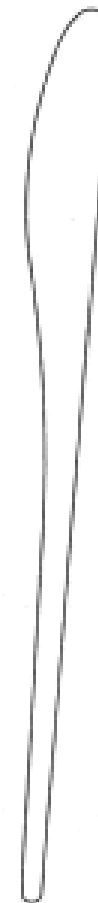
(45) Registration Date: **22 January 2009**

(56) Related Art Documents: **Not Applicable**

(57) Statement of Newness and Distinctiveness: **Nil**



(21) Design Number: **12498/2008**
(22) Date of Filing Application: **27 May 2008**
(24) Date from which industrial property rights may have effect: **27 May 2008**
(54) Product in respect of which the design is registered: **Cutlery**
(51) International Design Classification: **07-03**
(71) Name(s) and Address(s) of Applicant(s):
William Welch Design Ltd
Goose Hill Charingworth Chipping Campden Gloucestershire GL55
6NU United Kingdom
(72) Name(s) of Designer(s): **William Welch**
(45) Registration Date: **22 January 2009**
(56) Related Art Documents: **Not Applicable**
(57) Statement of Newness and Distinctiveness: **Nil**



(21) Design Number: **12499/2008**
(22) Date of Filing Application: **27 May 2008**
(24) Date from which industrial property rights may have effect: **27 May 2008**
(54) Product in respect of which the design is registered: **Cutlery**
(51) International Design Classification: **07-03**
(71) Name(s) and Address(s) of Applicant(s):
William Welch Design Ltd
Goose Hill Charingworth Chipping Campden Gloucestershire GL55
6NU United Kingdom
(72) Name(s) of Designer(s): **William Welch**
(45) Registration Date: **22 January 2009**
(56) Related Art Documents: **Not Applicable**
(57) Statement of Newness and Distinctiveness: **Nil**



(21) Design Number: **12500/2008**
(22) Date of Filing Application: **27 May 2008**
(24) Date from which industrial property rights may have effect: **27 May 2008**
(54) Product in respect of which the design is registered: **Cutlery**
(51) International Design Classification: **07-03**
(71) Name(s) and Address(s) of Applicant(s):
William Welch Design Ltd
Goose Hill Charingworth Chipping Campden Gloucestershire GL55
6NU United Kingdom
(72) Name(s) of Designer(s): **William Welch**
(45) Registration Date: **22 January 2009**
(56) Related Art Documents: **Not Applicable**
(57) Statement of Newness and Distinctiveness: **Nil**



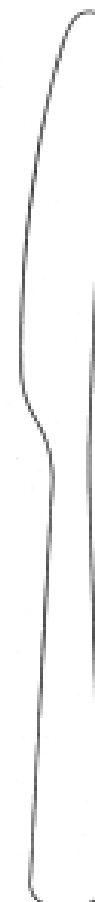
(21) Design Number: **12501/2008**
(22) Date of Filing Application: **27 May 2008**
(24) Date from which industrial property rights may have effect: **27 May 2008**
(54) Product in respect of which the design is registered: **Cutlery**
(51) International Design Classification: **07-03**
(71) Name(s) and Address(s) of Applicant(s):
William Welch Design Ltd
Goose Hill Charingworth Chipping Campden Gloucestershire GL55
6NU United Kingdom
(72) Name(s) of Designer(s): **William Welch**
(45) Registration Date: **22 January 2009**
(56) Related Art Documents: **Not Applicable**
(57) Statement of Newness and Distinctiveness: **Nil**



- (21) Design Number: **12502/2008**
- (22) Date of Filing Application: **27 May 2008**
- (24) Date from which industrial property rights may have effect: **27 May 2008**
- (54) Product in respect of which the design is registered: **Cutlery**
- (51) International Design Classification: **07-03**
- (71) Name(s) and Address(s) of Applicant(s):
William Welch Design Ltd
Goose Hill Charingworth Chipping Campden Gloucestershire GL55
6NU United Kingdom
- (72) Name(s) of Designer(s): **William Welch**
- (45) Registration Date: **22 January 2009**
- (56) Related Art Documents: **Not Applicable**
- (57) Statement of Newness and Distinctiveness: **Nil**



- (21) Design Number: **12503/2008**
- (22) Date of Filing Application: **27 May 2008**
- (24) Date from which industrial property rights may have effect: **27 May 2008**
- (54) Product in respect of which the design is registered: **Cutlery**
- (51) International Design Classification: **07-03**
- (71) Name(s) and Address(s) of Applicant(s):
William Welch Design Ltd
Goose Hill Charingworth Chipping Campden Gloucestershire GL55
6NU United Kingdom
- (72) Name(s) of Designer(s): **William Welch**
- (45) Registration Date: **22 January 2009**
- (56) Related Art Documents: **Not Applicable**
- (57) Statement of Newness and Distinctiveness: **Nil**



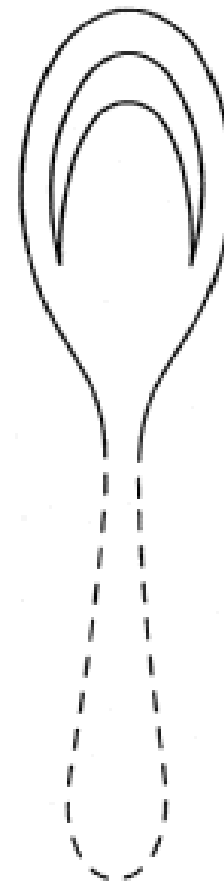
- (21) Design Number: **12504/2008**
(22) Date of Filing Application: **27 May 2008**
(24) Date from which industrial property rights may have effect: **27 May 2008**
(54) Product in respect of which the design is registered: **Cutlery**
(51) International Design Classification: **07-03**
(71) Name(s) and Address(s) of Applicant(s):
William Welch Design Ltd
Goose Hill Charingworth Chipping Campden Gloucestershire GL55
6NU United Kingdom
(72) Name(s) of Designer(s): **William Welch**
(45) Registration Date: **22 January 2009**
(56) Related Art Documents: **Not Applicable**
(57) Statement of Newness and Distinctiveness: **Nil**



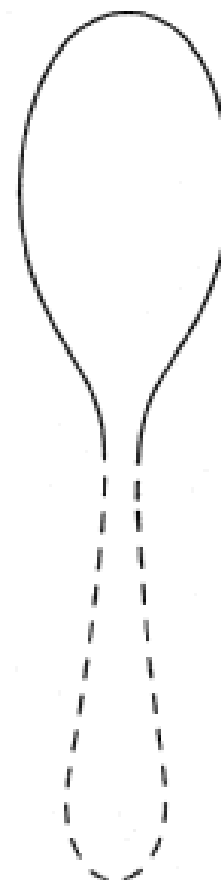
- (21) Design Number: **12505/2008**
(22) Date of Filing Application: **27 May 2008**
(24) Date from which industrial property rights may have effect: **27 May 2008**
(54) Product in respect of which the design is registered: **Cutlery**
(51) International Design Classification: **07-03**
(71) Name(s) and Address(s) of Applicant(s):
William Welch Design Ltd
Goose Hill Charingworth Chipping Campden Gloucestershire GL55
6NU United Kingdom
(72) Name(s) of Designer(s): **William Welch**
(45) Registration Date: **22 January 2009**
(56) Related Art Documents: **Not Applicable**
(57) Statement of Newness and Distinctiveness: **Nil**



(21) Design Number: **12506/2008**
(22) Date of Filing Application: **27 May 2008**
(24) Date from which industrial property rights may have effect: **27 May 2008**
(54) Product in respect of which the design is registered: **Cutlery**
(51) International Design Classification: **07-03**
(71) Name(s) and Address(s) of Applicant(s):
William Welch Design Ltd
Goose Hill Charingworth Chipping Campden Gloucestershire GL55
6NU United Kingdom
(72) Name(s) of Designer(s): **William Welch**
(45) Registration Date: **22 January 2009**
(56) Related Art Documents: **Not Applicable**
(57) Statement of Newness and Distinctiveness: **Nil**



(21) Design Number: **12507/2008**
(22) Date of Filing Application: **27 May 2008**
(24) Date from which industrial property rights may have effect: **27 May 2008**
(54) Product in respect of which the design is registered: **Cutlery**
(51) International Design Classification: **07-03**
(71) Name(s) and Address(s) of Applicant(s):
William Welch Design Ltd
Goose Hill Charingworth Chipping Campden Gloucestershire GL55
6NU United Kingdom
(72) Name(s) of Designer(s): **William Welch**
(45) Registration Date: **22 January 2009**
(56) Related Art Documents: **Not Applicable**
(57) Statement of Newness and Distinctiveness: **Nil**



(21) Design Number: **12508/2008**

(22) Date of Filing Application: **27 May 2008**

(24) Date from which industrial property rights may have effect: **27 May 2008**

(54) Product in respect of which the design is registered: **Cutlery**

(51) International Design Classification: **07-03**

(71) Name(s) and Address(s) of Applicant(s):

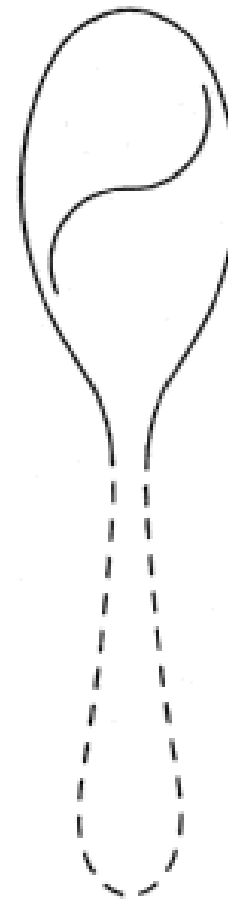
William Welch Design Ltd
Goose Hill Charingworth Chipping Campden Gloucestershire GL55
6NU United Kingdom

(72) Name(s) of Designer(s): **William Welch**

(45) Registration Date: **22 January 2009**

(56) Related Art Documents: **Not Applicable**

(57) Statement of Newness and Distinctiveness: **Nil**



(21) Design Number: **12509/2008**

(22) Date of Filing Application: **27 May 2008**

(24) Date from which industrial property rights may have effect: **27 May 2008**

(54) Product in respect of which the design is registered: **Cutlery**

(51) International Design Classification: **07-03**

(71) Name(s) and Address(s) of Applicant(s):

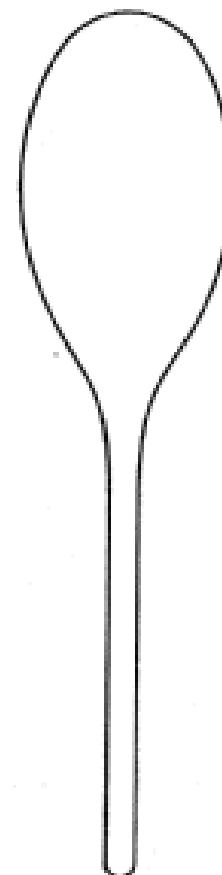
William Welch Design Ltd
Goose Hill Charingworth Chipping Campden Gloucestershire GL55
6NU United Kingdom

(72) Name(s) of Designer(s): **William Welch**

(45) Registration Date: **22 January 2009**

(56) Related Art Documents: **Not Applicable**

(57) Statement of Newness and Distinctiveness: **Nil**



(21) Design Number: **12510/2008**

(22) Date of Filing Application: **27 May 2008**

(24) Date from which industrial property rights may have effect: **27 May 2008**

(54) Product in respect of which the design is registered: **Cutlery**

(51) International Design Classification: **07-03**

(71) Name(s) and Address(s) of Applicant(s):

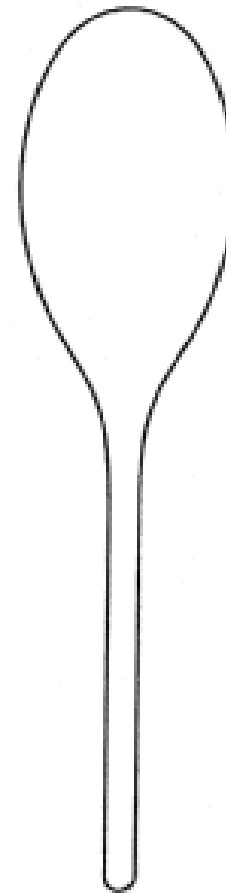
William Welch Design Ltd
Goose Hill Charingworth Chipping Campden Gloucestershire GL55
6NU United Kingdom

(72) Name(s) of Designer(s): **William Welch**

(45) Registration Date: **22 January 2009**

(56) Related Art Documents: **Not Applicable**

(57) Statement of Newness and Distinctiveness: **Nil**



(21) Design Number: **13048/2008**

(22) Date of Filing Application: **02 July 2008**

(24) Date from which industrial property rights may have effect: **02 July 2008**

(54) Product in respect of which the design is registered: **Resilient wall tie**

(51) International Design Classification: **08-08A**

(71) Name(s) and Address(s) of Applicant(s):

Matrix Industries Pty Limited
144 Oxley Island Road Oxley Island New South Wales 2430 Australia

(72) Name(s) of Designer(s): **Phillip Thornton**

(45) Registration Date: **22 January 2009**

(56) Related Art Documents: **Not Applicable**

(57) Statement of Newness and Distinctiveness: **Monopoly is claimed in the shape and configuration of a wall tie shown in the accompanying representations in particular the "U" clamp holding the foam isolation pad and the two (2) extruded anti-compression holes located therein.**



(21) Design Number: **12011/2008**

(22) Date of Filing Application: **30 April 2008**

(24) Date from which industrial property rights may have effect: **30 April 2008**

(54) Product in respect of which the design is registered: **Vacuum cleaner**

(51) International Design Classification: **15-05**

(71) Name(s) and Address(s) of Applicant(s):

**Aktiebolaget Electrolux
S:t Goransgatan 143 SE 105-45 Stockholm Sweden**

(72) Name(s) of Designer(s): **Joachim Nordwall**

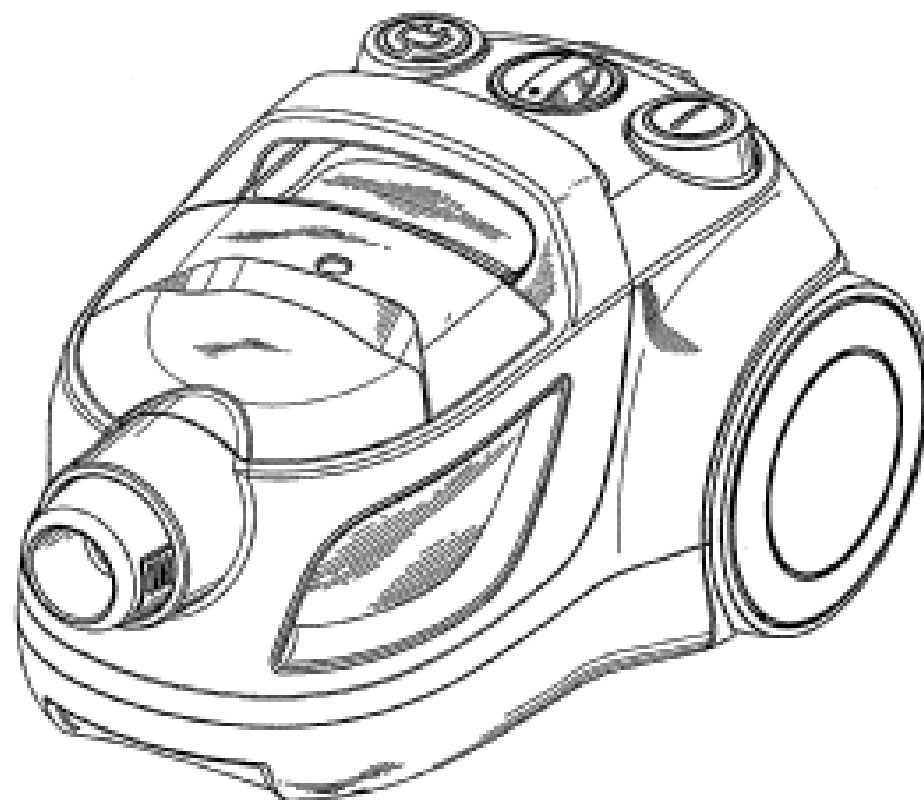
(45) Registration Date: **22 January 2009**

(30) Convention priority data:

(31) Number	(32) Date	(33) Country
000882592	20 Feb 2008	EUROPEAN COMMUNITY

(56) Related Art Documents: **Not Applicable**

(57) Statement of Newness and Distinctiveness: **Newness and distinctiveness is claimed in those visual features depicted in unbroken lines.**



(21) Design Number: **16082/2008**

(22) Date of Filing Application: **30 April 2008**

(24) Date from which industrial property rights may have effect: **30 April 2008**

(54) Product in respect of which the design is registered: **Vacuum cleaner**

(51) International Design Classification: **15-05**

(71) Name(s) and Address(s) of Applicant(s):

**Aktiebolaget Electrolux
S:t Goransgatan 143 SE 105-45 Stockholm Sweden**

(72) Name(s) of Designer(s): **Joachim Nordwall**

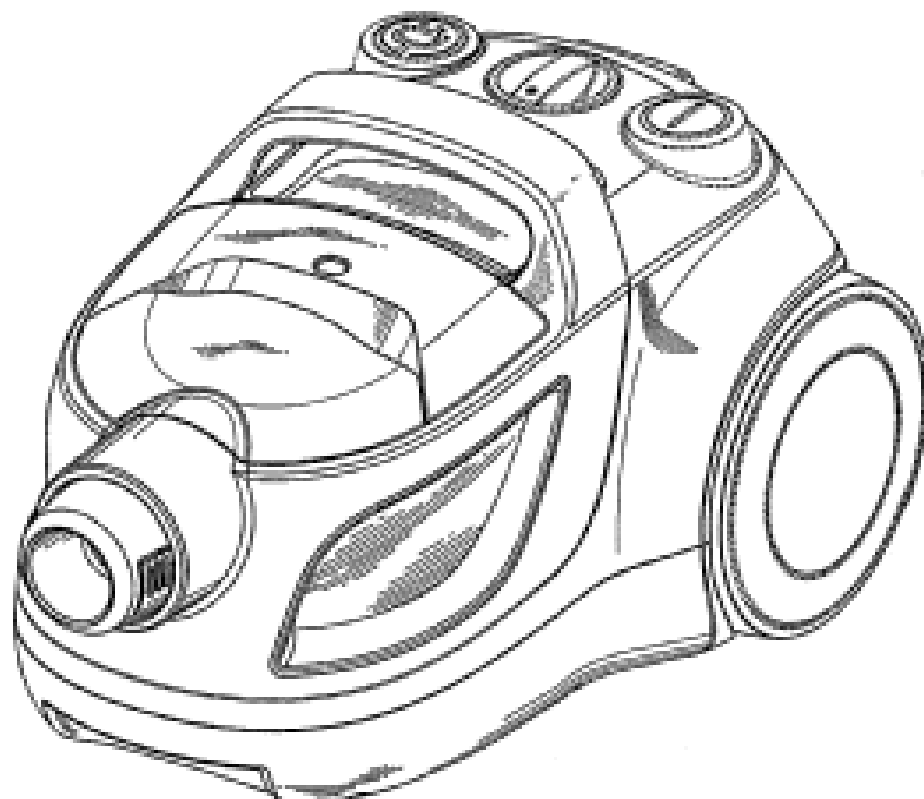
(45) Registration Date: **22 January 2009**

(30) Convention priority data:

(31) Number	(32) Date	(33) Country
000 882592	20 Feb 2008	EUROPEAN COMMUNITY

(56) Related Art Documents: **Not Applicable**

(57) Statement of Newness and Distinctiveness: **Newness and distinctiveness is claimed in those visual features depicted in unbroken lines.**



(21) Design Number: **12859/2008**

(22) Date of Filing Application: **16 June 2008**

(24) Date from which industrial property rights may have effect: **16 June 2008**

(54) Product in respect of which the design is registered: **Vacuum cleaner**

(51) International Design Classification: **15-05**

(71) Name(s) and Address(s) of Applicant(s):

**Aktiebolaget Electrolux
S:t Goransgatan 143 SE 105-45 Stockholm Sweden**

(72) Name(s) of Designer(s): **Esbjorn Svantesson**

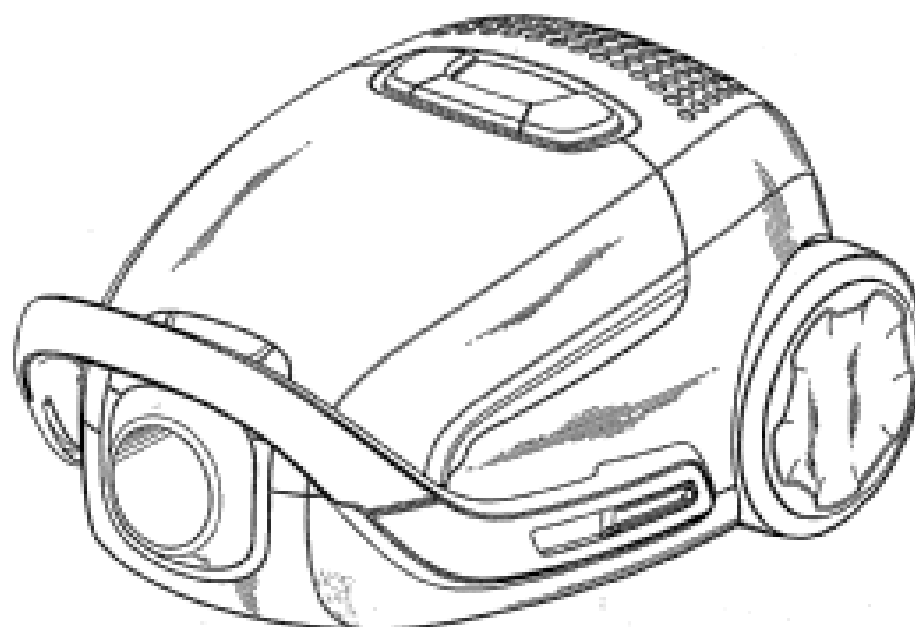
(45) Registration Date: **22 January 2009**

(30) Convention priority data:

(31) Number	(32) Date	(33) Country
000882626	20 Feb 2008	EUROPEAN COMMUNITY

(56) Related Art Documents: **Not Applicable**

(57) Statement of Newness and Distinctiveness: **Newness and distinctiveness is claimed in those visual features depicted in unbroken lines.**



(21) Design Number: **16083/2008**

(22) Date of Filing Application: **16 June 2008**

(24) Date from which industrial property rights may have effect: **16 June 2008**

(54) Product in respect of which the design is registered: **Vacuum cleaner**

(51) International Design Classification: **15-05**

(71) Name(s) and Address(s) of Applicant(s):

**Aktiebolaget Electrolux
S:t Goransgatan 143 SE 105-45 Stockholm Sweden**

(72) Name(s) of Designer(s): **Esbjorn Svantesson**

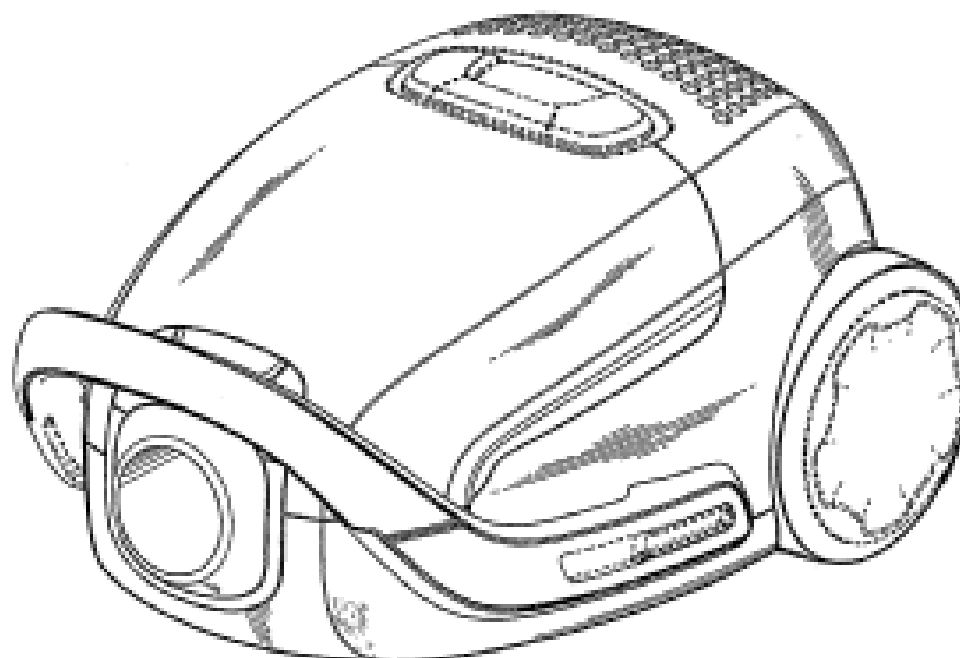
(45) Registration Date: **22 January 2009**

(30) Convention priority data:

(31) Number	(32) Date	(33) Country
000 882626	20 Feb 2008	EUROPEAN COMMUNITY

(56) Related Art Documents: **Not Applicable**

(57) Statement of Newness and Distinctiveness: **Newness and distinctiveness is claimed in those visual features depicted in unbroken lines.**



(21) Design Number: **13977/2008**
(22) Date of Filing Application: **14 August 2008**
(24) Date from which industrial property rights may have effect: **14 August 2008**
(54) Product in respect of which the design is registered: **Floor cleaning machine - H2O MOP ULTRA**
(51) International Design Classification: **15-05**
(71) Name(s) and Address(s) of Applicant(s):
Thane Direct Company
Centennial Centre 5409 Eglinton Avenue West Suite 203 Toronto
Ontario M9C5K6 Canada
(72) Name(s) of Designer(s): **Sladjana Tukulj**
(45) Registration Date: **22 January 2009**
(30) Convention priority data:
(31) Number (32) Date (33) Country
000906524 31 Mar 2008 EUROPEAN COMMUNITY
(56) Related Art Documents: **Not Applicable**
(57) Statement of Newness and Distinctiveness: **Nil**



(21) Design Number: **16084/2008**
(22) Date of Filing Application: **14 August 2008**
(24) Date from which industrial property rights may have effect: **14 August 2008**
(54) Product in respect of which the design is registered: **Accessory tray - H2O MOP ULTRA**
(51) International Design Classification: **15-05**
(71) Name(s) and Address(s) of Applicant(s):
Thane Direct Company
Centennial Centre 5409 Eglinton Avenue West Suite 203 Toronto
Ontario M9C5K6 Canada
(72) Name(s) of Designer(s): **Sladjana Tukulj**
(45) Registration Date: **22 January 2009**
(30) Convention priority data:
(31) Number (32) Date (33) Country
000906524 31 Mar 2008 EUROPEAN COMMUNITY
(56) Related Art Documents: **Not Applicable**
(57) Statement of Newness and Distinctiveness: **Nil**



(21) Design Number: **14855/2008**

(22) Date of Filing Application: **10 October 2008**

(24) Date from which industrial property rights may have effect: **10 October 2008**

(54) Product in respect of which the design is registered: **Valve cap for a fuel cell**

(51) International Design Classification: **23-01K**

(71) Name(s) and Address(s) of Applicant(s):

**Illinois Tool Works Inc.
3600 West Lake Avenue Glenview Illinois 60026-1215 United States of America**

(72) Name(s) of Designer(s): **Maureen L. Shea and Eric S. Gibson and Robert S. Buetow**

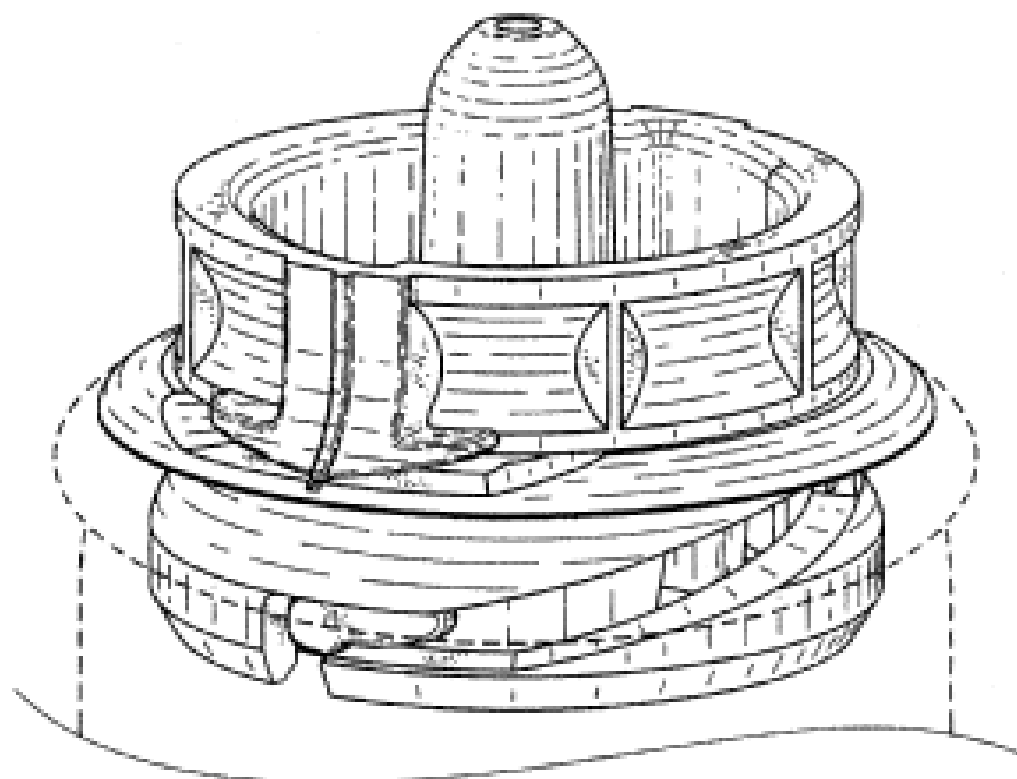
(45) Registration Date: **22 January 2009**

(30) Convention priority data:

(31) Number	(32) Date	(33) Country
29/306898	18 Apr 2008	UNITED STATES OF AMERICA

(56) Related Art Documents: **Not Applicable**

(57) Statement of Newness and Distinctiveness: **Newness and distinctiveness is claimed in the visual features shown in solid lines in the representations.**



(21) Design Number: **14906/2008**

(22) Date of Filing Application: **13 October 2008**

(24) Date from which industrial property rights may have effect: **13 October 2008**

(54) Product in respect of which the design is registered: **Tool handle**

(51) International Design Classification: **08-06**

(71) Name(s) and Address(s) of Applicant(s):

**Brico Depot
30-32 rue de la Tourelle 91310 Longpont-sur-Orge France**

(72) Name(s) of Designer(s): **Chen Wenbin**

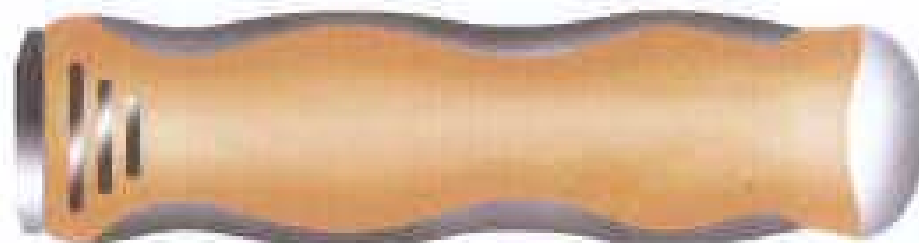
(45) Registration Date: **22 January 2009**

(30) Convention priority data:

(31) Number	(32) Date	(33) Country
000916150	14 Apr 2008	EUROPEAN COMMUNITY

(56) Related Art Documents: **Not Applicable**

(57) Statement of Newness and Distinctiveness: **Newness and distinctiveness of the design resides in the features of shape and/or configuration as shown in the accompanying drawings.**



(21) Design Number: **14907/2008**

(22) Date of Filing Application: **13 October 2008**

(24) Date from which industrial property rights may have effect: **13 October 2008**

(54) Product in respect of which the design is registered: **Tool handle**

(51) International Design Classification: **08-06**

(71) Name(s) and Address(s) of Applicant(s):

Brico Depot
30-32 rue de la Tourelle 91310 Longpont-sur-Orge France

(72) Name(s) of Designer(s): **Chen Wenbin**

(45) Registration Date: **22 January 2009**

(30) Convention priority data:

(31) Number	(32) Date	(33) Country
000916150	14 Apr 2008	EUROPEAN COMMUNITY

(56) Related Art Documents: **Not Applicable**

(57) Statement of Newness and Distinctiveness: **Newness and distinctiveness of the design resides in the features of shape and/or configuration as shown in the accompanying drawings.**



(21) Design Number: **14908/2008**

(22) Date of Filing Application: **13 October 2008**

(24) Date from which industrial property rights may have effect: **13 October 2008**

(54) Product in respect of which the design is registered: **Tool handle**

(51) International Design Classification: **08-06**

(71) Name(s) and Address(s) of Applicant(s):

Brico Depot
30-32 rue de la Tourelle 91310 Longpont-sur-Orge France

(72) Name(s) of Designer(s): **Chen Wenbin**

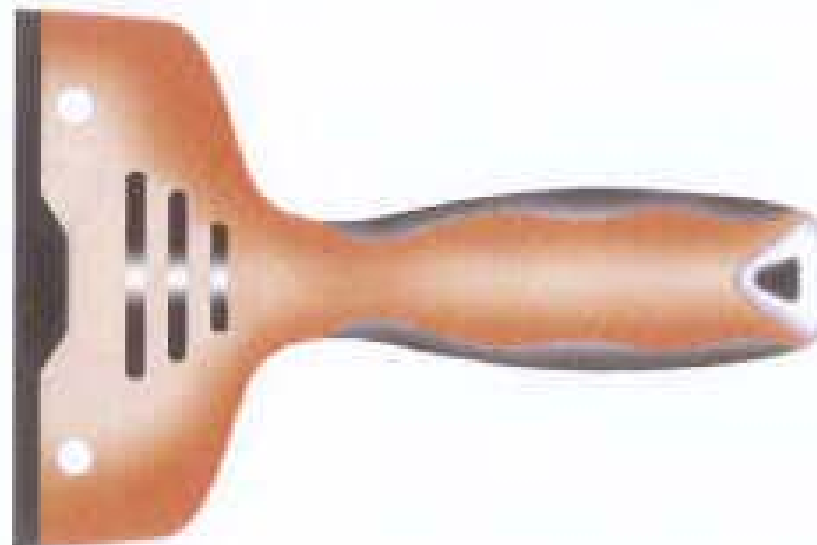
(45) Registration Date: **22 January 2009**

(30) Convention priority data:

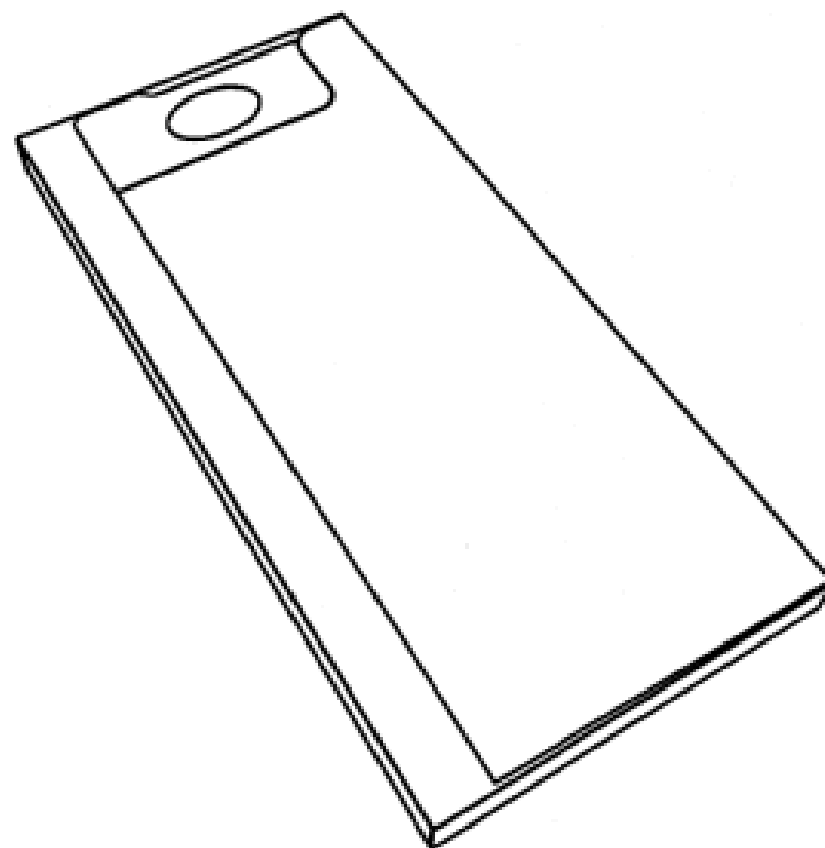
(31) Number	(32) Date	(33) Country
000916150	14 Apr 2008	EUROPEAN COMMUNITY

(56) Related Art Documents: **Not Applicable**

(57) Statement of Newness and Distinctiveness: **Newness and distinctiveness of the design resides in the features of shape and/or configuration as shown in the accompanying drawings.**



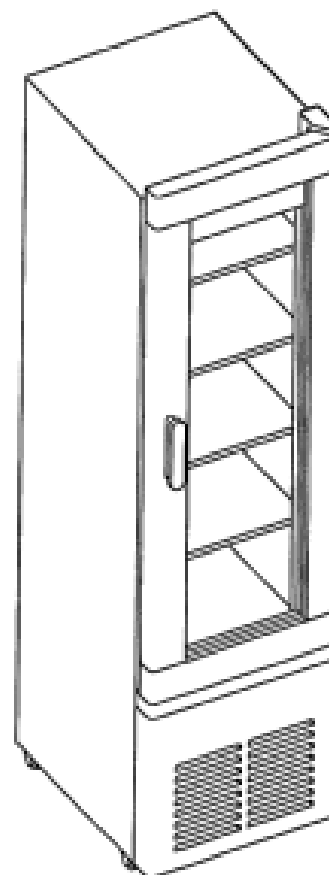
- (21) Design Number: **15737/2008**
(22) Date of Filing Application: **04 December 2008**
(24) Date from which industrial property rights may have effect: **04 December 2008**
(54) Product in respect of which the design is registered: **A carton**
(51) International Design Classification: **09-03M**
(71) Name(s) and Address(s) of Applicant(s):
Cadbury Enterprises Pte Ltd
346 Jalan Boon Lay Jurong 619528 Singapore
(72) Name(s) of Designer(s): **Philip Davies and Silvio Bugelli**
(45) Registration Date: **22 January 2009**
(56) Related Art Documents: **Not Applicable**
(57) Statement of Newness and Distinctiveness: **Newness and distinctiveness is claimed in the features of shape and configuration of the carton shown in the representations.**



- (21) Design Number: **15738/2008**
(22) Date of Filing Application: **04 December 2008**
(24) Date from which industrial property rights may have effect: **04 December 2008**
(54) Product in respect of which the design is registered: **Cold storage showcase**
(51) International Design Classification: **15-07, 20-02C**
(71) Name(s) and Address(s) of Applicant(s):
Sanyo Electric Co., Ltd.
5-5 Keihanondori 2-chome Moriguchi-shi Osaka 570-8677 Japan
(72) Name(s) of Designer(s): **Sou Kumazawa and Keizo Kashiwabara**
(45) Registration Date: **22 January 2009**
(30) Convention priority data:

(31) Number	(32) Date	(33) Country
2008-023257	10 Sep 2008	JAPAN

(56) Related Art Documents: **Not Applicable**
(57) Statement of Newness and Distinctiveness: **Nil**



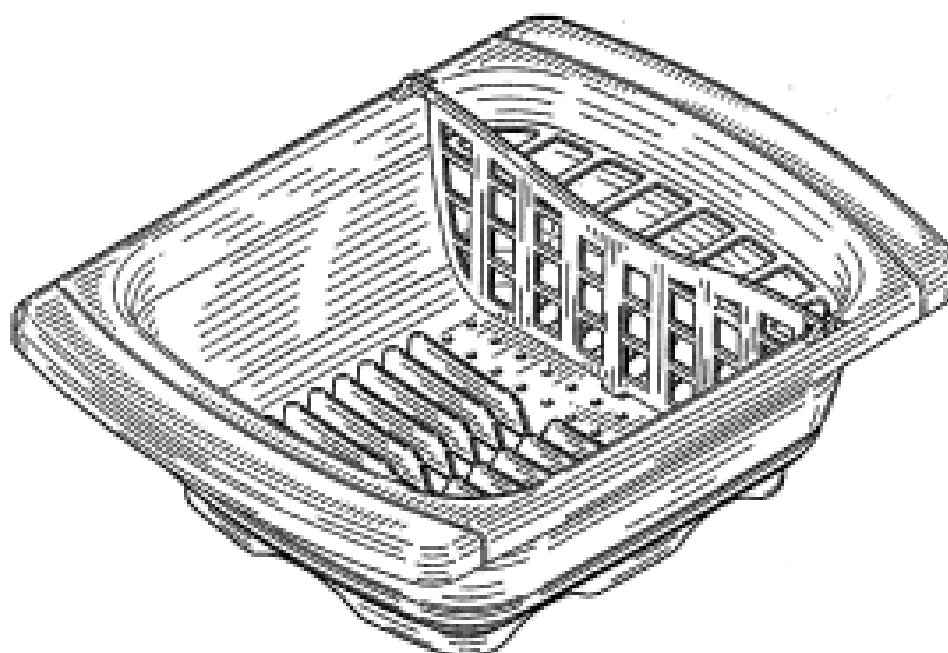
- (21) Design Number: **15740/2008**
(22) Date of Filing Application: **05 December 2008**
(24) Date from which industrial property rights may have effect: **05 December 2008**
(54) Product in respect of which the design is registered: **Mail-box**
(51) International Design Classification: **99-00**
(71) Name(s) and Address(s) of Applicant(s):
Henry Stubbings
44 Magdalene Terrace Pasadena South Australia 5042 Australia
(72) Name(s) of Designer(s): **Henry Stubbings**
(45) Registration Date: **22 January 2009**
(56) Related Art Documents: **Not Applicable**
(57) Statement of Newness and Distinctiveness: **A clear vision - mail box. As to delivery same with supporting frame work of decorative appearance.**



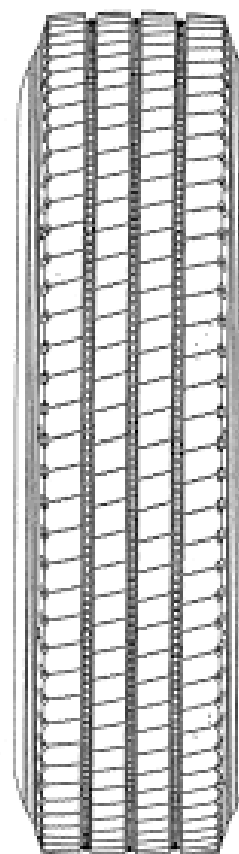
- (21) Design Number: **15741/2008**
(22) Date of Filing Application: **05 December 2008**
(24) Date from which industrial property rights may have effect: **05 December 2008**
(54) Product in respect of which the design is registered: **Beaded tree with 4 legs**
(51) International Design Classification: **11-04**
(71) Name(s) and Address(s) of Applicant(s):
Christine McCann
46 Annandale Street Annandale New South Wales 2038 Australia
(72) Name(s) of Designer(s): **Christine McCann**
(45) Registration Date: **22 January 2009**
(56) Related Art Documents: **Not Applicable**
(57) Statement of Newness and Distinctiveness: **Nil**



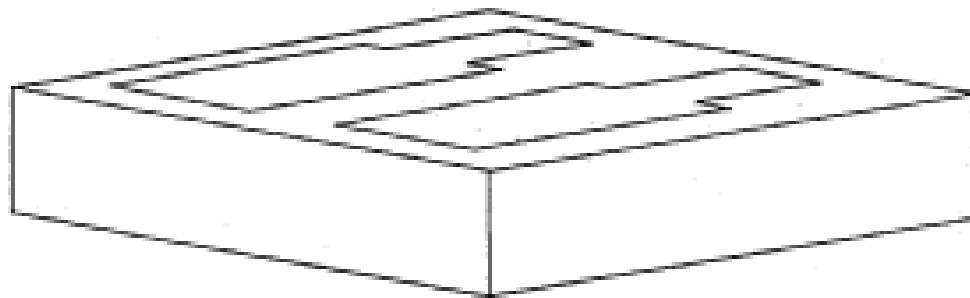
(21) Design Number: **15742/2008**
(22) Date of Filing Application: **05 December 2008**
(24) Date from which industrial property rights may have effect: **05 December 2008**
(54) Product in respect of which the design is registered: **Collapsible over the sink dish drainer**
(51) International Design Classification: **07-99A**
(71) Name(s) and Address(s) of Applicant(s):
Progressive International Corporation
6111 South 228th Street Kent WA 98032 United States of America
(72) Name(s) of Designer(s): **Heather Curtin**
(45) Registration Date: **22 January 2009**
(30) Convention priority data:
(31) Number (32) Date (33) Country
29/319,227 05 Jun 2008 UNITED STATES OF AMERICA
(56) Related Art Documents: **Not Applicable**
(57) Statement of Newness and Distinctiveness: **Nil**



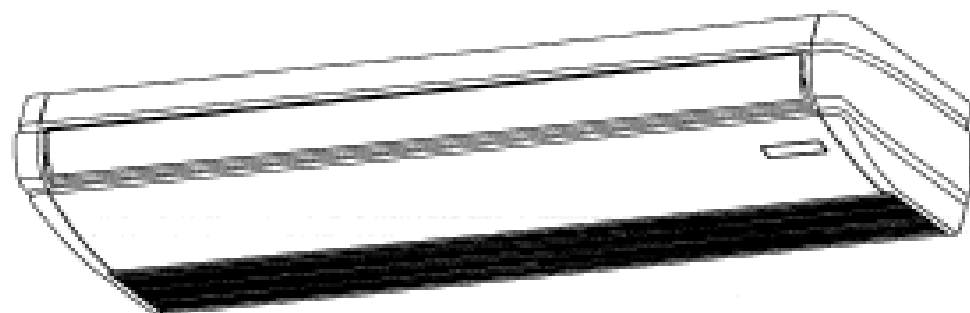
(21) Design Number: **15746/2008**
(22) Date of Filing Application: **05 December 2008**
(24) Date from which industrial property rights may have effect: **05 December 2008**
(54) Product in respect of which the design is registered: **A tyre**
(51) International Design Classification: **12-15B**
(71) Name(s) and Address(s) of Applicant(s):
Societe De Technologie Michelin
23 rue Breschet F-63000 Clermont-Ferrand France
Michelin Recherche et Technique S.A.
Route Louis Braille 10 1763 Granges-Paccot Switzerland
(72) Name(s) of Designer(s): **Renaud Durand**
(45) Registration Date: **22 January 2009**
(30) Convention priority data:
(31) Number (32) Date (33) Country
08/2854 19 Jun 2008 FRANCE
(56) Related Art Documents: **Not Applicable**
(57) Statement of Newness and Distinctiveness: **Newness and distinctiveness resides in the appearance of the tread region of the tyre, the remainder of the tyre does not form part of the design.**



- (21) Design Number: **14727/2008**
(22) Date of Filing Application: **03 October 2008**
(24) Date from which industrial property rights may have effect: **03 October 2008**
(54) Product in respect of which the design is registered: **Foam feeding pillow - designed for bottle feeding twin babies**
(51) International Design Classification: **06-09**
(71) Name(s) and Address(s) of Applicant(s):
Christy Puddicombe
35 Mileham Avenue Castle Hill New South Wales 2154 Australia
(72) Name(s) of Designer(s): **Christy Puddicombe**
(45) Registration Date: **23 January 2009**
(56) Related Art Documents: **Not Applicable**
(57) Statement of Newness and Distinctiveness: **Foam pillow with two raised cut-out sections for two babies to lie in. Flat foam base and raised head-rests.**



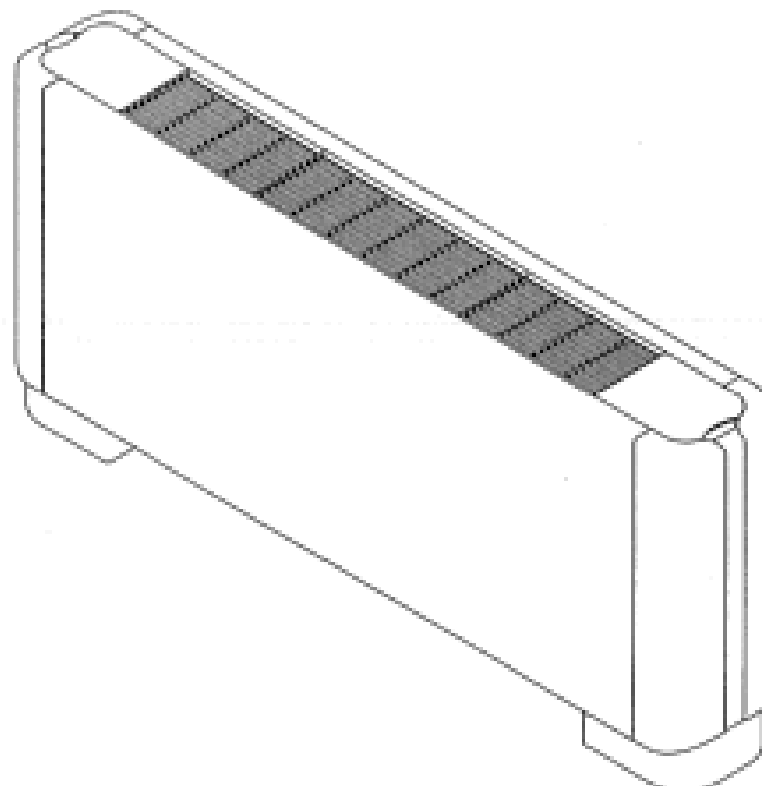
- (21) Design Number: **15660/2008**
(22) Date of Filing Application: **02 December 2008**
(24) Date from which industrial property rights may have effect: **02 December 2008**
(54) Product in respect of which the design is registered: **Air conditioner**
(51) International Design Classification: **23-04**
(71) Name(s) and Address(s) of Applicant(s):
Daikin Industries Ltd
Umeda Centre Building 4-12 Nakazaki-Nishi 2-Chome Kita-ku
Osaka-Shi Osaka-Fu Japan
(72) Name(s) of Designer(s): **Masahiko Chouji**
(45) Registration Date: **23 January 2009**
(30) Convention priority data:
(31) Number (32) Date (33) Country
2008-028055 31 Oct 2008 JAPAN
(56) Related Art Documents: **Not Applicable**
(57) Statement of Newness and Distinctiveness: **Nil**



(21) Design Number: **15661/2008**
(22) Date of Filing Application: **02 December 2008**
(24) Date from which industrial property rights may have effect: **02 December 2008**
(54) Product in respect of which the design is registered: **Air conditioner**
(51) International Design Classification: **23-04**
(71) Name(s) and Address(s) of Applicant(s):
Daikin Industries Ltd
Umeda Centre Building 4-12 Nakazaki-Nishi 2-Chome Kita-ku
Osaka-Shi Osaka-Fu Japan
(72) Name(s) of Designer(s): **Masahiko Chouji and Manabu Katou and Kaichi Tsuji**
(45) Registration Date: **23 January 2009**
(30) Convention priority data:
(31) Number (32) Date (33) Country
2008-028056 31 Oct 2008 JAPAN
(56) Related Art Documents: **Not Applicable**
(57) Statement of Newness and Distinctiveness: **Nil**



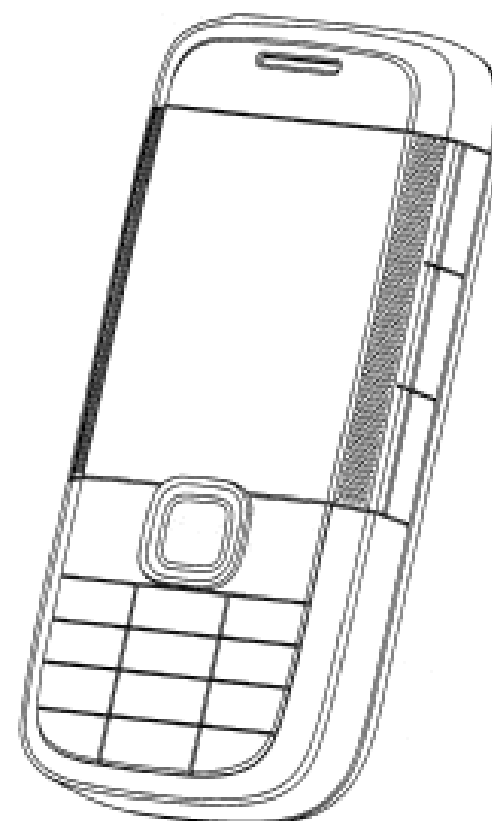
(21) Design Number: **15662/2008**
(22) Date of Filing Application: **02 December 2008**
(24) Date from which industrial property rights may have effect: **02 December 2008**
(54) Product in respect of which the design is registered: **Air conditioner**
(51) International Design Classification: **23-04**
(71) Name(s) and Address(s) of Applicant(s):
Daikin Industries Ltd
Umeda Centre Building 4-12 Nakazaki-Nishi 2-Chome Kita-ku
Osaka-Shi Osaka-Fu Japan
(72) Name(s) of Designer(s): **Kaichi Tsuji**
(45) Registration Date: **23 January 2009**
(30) Convention priority data:
(31) Number (32) Date (33) Country
2008-028296 04 Nov 2008 JAPAN
(56) Related Art Documents: **Not Applicable**
(57) Statement of Newness and Distinctiveness: **Nil**



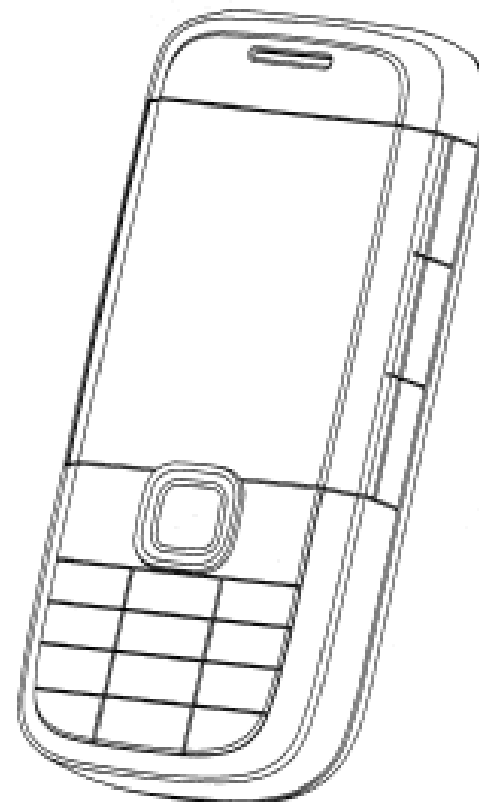
- (21) Design Number: **15668/2008**
(22) Date of Filing Application: **02 December 2008**
(24) Date from which industrial property rights may have effect: **02 December 2008**
(54) Product in respect of which the design is registered: **Handset**
(51) International Design Classification: **14-03E**
(71) Name(s) and Address(s) of Applicant(s):
Nokia Corporation
Keilalahdentie 4 FIN-02150 Espoo Finland
(72) Name(s) of Designer(s): **Wei-Jones He**
(45) Registration Date: **23 January 2009**
(30) Convention priority data:
(31) Number (32) Date (33) Country
29319990 18 Jun 2008 UNITED STATES OF AMERICA
(56) Related Art Documents: **Not Applicable**
(57) Statement of Newness and Distinctiveness: **Newness and distinctiveness is claimed in the visual features shown in solid lines in the representations.**



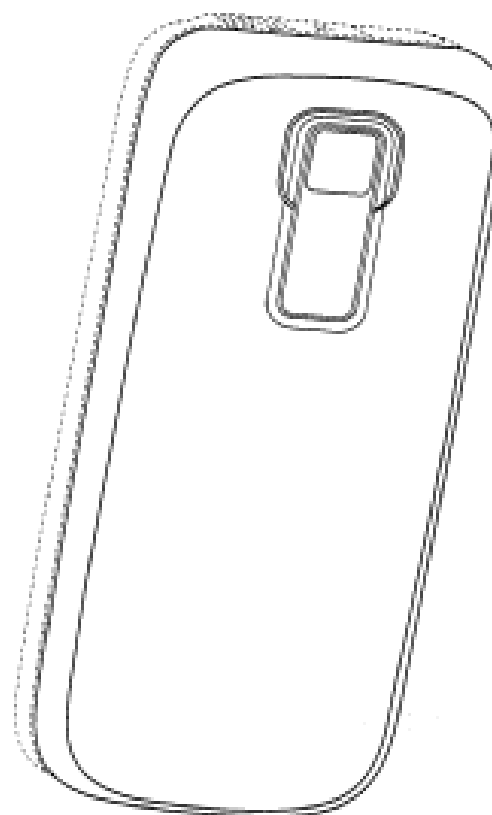
- (21) Design Number: **15669/2008**
(22) Date of Filing Application: **02 December 2008**
(24) Date from which industrial property rights may have effect: **02 December 2008**
(54) Product in respect of which the design is registered: **Handset**
(51) International Design Classification: **14-03E**
(71) Name(s) and Address(s) of Applicant(s):
Nokia Corporation
Keilalahdentie 4 FIN-02150 Espoo Finland
(72) Name(s) of Designer(s): **Wei-Jones He**
(45) Registration Date: **23 January 2009**
(30) Convention priority data:
(31) Number (32) Date (33) Country
29319284 06 Jun 2008 UNITED STATES OF AMERICA
(56) Related Art Documents: **Not Applicable**
(57) Statement of Newness and Distinctiveness: **Newness and distinctiveness is claimed in the visual features shown in solid lines in the representations.**



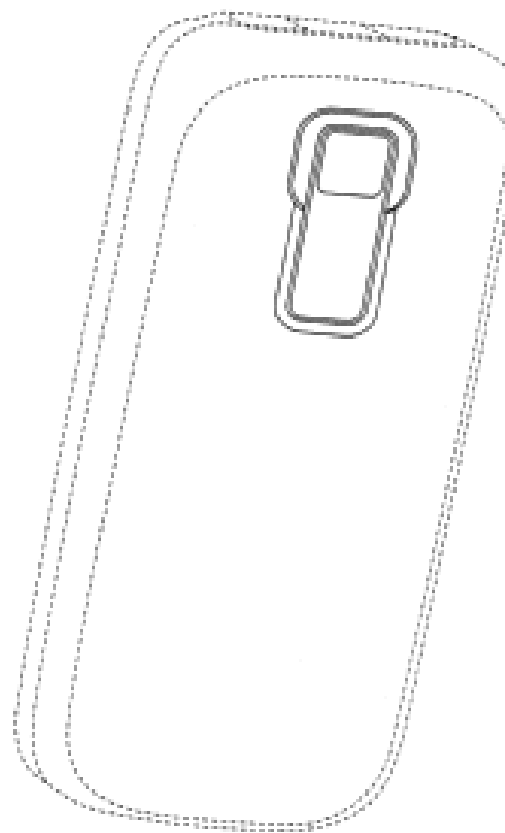
- (21) Design Number: **15670/2008**
(22) Date of Filing Application: **02 December 2008**
(24) Date from which industrial property rights may have effect: **02 December 2008**
(54) Product in respect of which the design is registered: **Handset**
(51) International Design Classification: **14-03E**
(71) Name(s) and Address(s) of Applicant(s):
Nokia Corporation
Keilalahdentie 4 FIN-02150 Espoo Finland
(72) Name(s) of Designer(s): **Wei-Jones He**
(45) Registration Date: **23 January 2009**
(30) Convention priority data:
(31) Number (32) Date (33) Country
29319287 06 Jun 2008 UNITED STATES OF AMERICA
(56) Related Art Documents: **Not Applicable**
(57) Statement of Newness and Distinctiveness: **Newness and distinctiveness is claimed in the visual features shown in solid lines in the representations.**



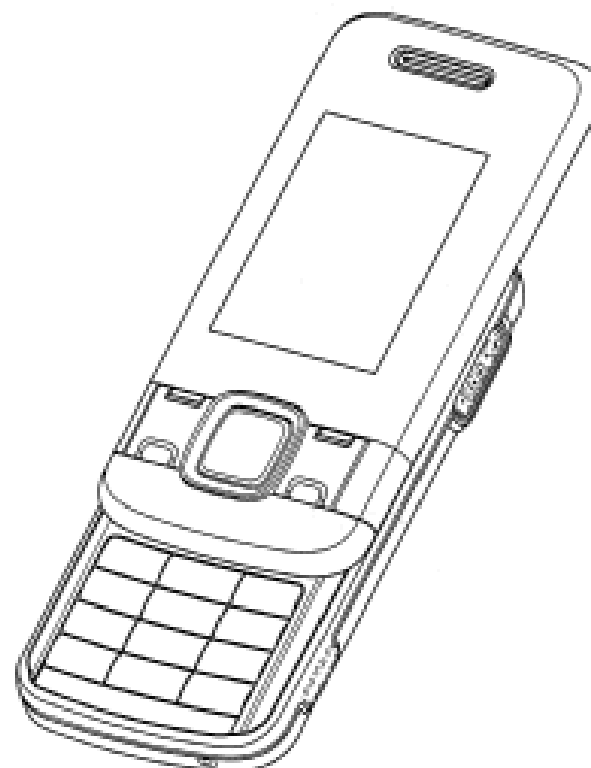
- (21) Design Number: **15671/2008**
(22) Date of Filing Application: **02 December 2008**
(24) Date from which industrial property rights may have effect: **02 December 2008**
(54) Product in respect of which the design is registered: **Back cover for a handset**
(51) International Design Classification: **14-03A**
(71) Name(s) and Address(s) of Applicant(s):
Nokia Corporation
Keilalahdentie 4 FIN-02150 Espoo Finland
(72) Name(s) of Designer(s): **Wei-Jones He**
(45) Registration Date: **23 January 2009**
(30) Convention priority data:
(31) Number (32) Date (33) Country
29319285 06 Jun 2008 UNITED STATES OF AMERICA
(56) Related Art Documents: **Not Applicable**
(57) Statement of Newness and Distinctiveness: **Newness and distinctiveness is claimed in the visual features shown in solid lines in the representations.**



- (21) Design Number: **15672/2008**
(22) Date of Filing Application: **02 December 2008**
(24) Date from which industrial property rights may have effect: **02 December 2008**
(54) Product in respect of which the design is registered: **Camera for a handset**
(51) International Design Classification: **14-03A**
(71) Name(s) and Address(s) of Applicant(s):
Nokia Corporation
Keilalahdentie 4 FIN-02150 Espoo Finland
(72) Name(s) of Designer(s): **Wei-Jones He**
(45) Registration Date: **23 January 2009**
(30) Convention priority data:
(31) Number (32) Date (33) Country
29319283 06 Jun 2008 UNITED STATES OF AMERICA
(56) Related Art Documents: **Not Applicable**
(57) Statement of Newness and Distinctiveness: **Newness and distinctiveness is claimed in the visual features shown in solid lines in the representations.**



- (21) Design Number: **15673/2008**
(22) Date of Filing Application: **02 December 2008**
(24) Date from which industrial property rights may have effect: **02 December 2008**
(54) Product in respect of which the design is registered: **Handset**
(51) International Design Classification: **14-03E**
(71) Name(s) and Address(s) of Applicant(s):
Nokia Corporation
Keilalahdentie 4 FIN-02150 Espoo Finland
(72) Name(s) of Designer(s): **Wei-Jones He**
(45) Registration Date: **23 January 2009**
(30) Convention priority data:
(31) Number (32) Date (33) Country
29319991 18 Jun 2008 UNITED STATES OF AMERICA
(56) Related Art Documents: **Not Applicable**
(57) Statement of Newness and Distinctiveness: **Newness and distinctiveness is claimed in the visual features shown in solid lines in the representations.**



(21) Design Number: **15674/2008**

(22) Date of Filing Application: **02 December 2008**

(24) Date from which industrial property rights may have effect: **02 December 2008**

(54) Product in respect of which the design is registered: **Keypad for a handset**

(51) International Design Classification: **14-03A**

(71) Name(s) and Address(s) of Applicant(s):

Nokia Corporation
Keilalahdentie 4 FIN-02150 Espoo Finland

(72) Name(s) of Designer(s): **Wei-Jones He**

(45) Registration Date: **23 January 2009**

(30) Convention priority data:

(31) Number	(32) Date	(33) Country
29320585	30 Jun 2008	UNITED STATES OF AMERICA

(56) Related Art Documents: **Not Applicable**

(57) Statement of Newness and Distinctiveness: **Newness and distinctiveness is claimed in the visual features shown in solid lines in the representations including the colours shown for the icons.**



(21) Design Number: **15675/2008**

(22) Date of Filing Application: **02 December 2008**

(24) Date from which industrial property rights may have effect: **02 December 2008**

(54) Product in respect of which the design is registered: **Bottle**

(51) International Design Classification: **09-01D**

(71) Name(s) and Address(s) of Applicant(s):

Plup Oy Ab Ltd
Topeliuksenkatu 13 FI-00250 Helsinki Finland

(72) Name(s) of Designer(s): **Stefan Lindfors**

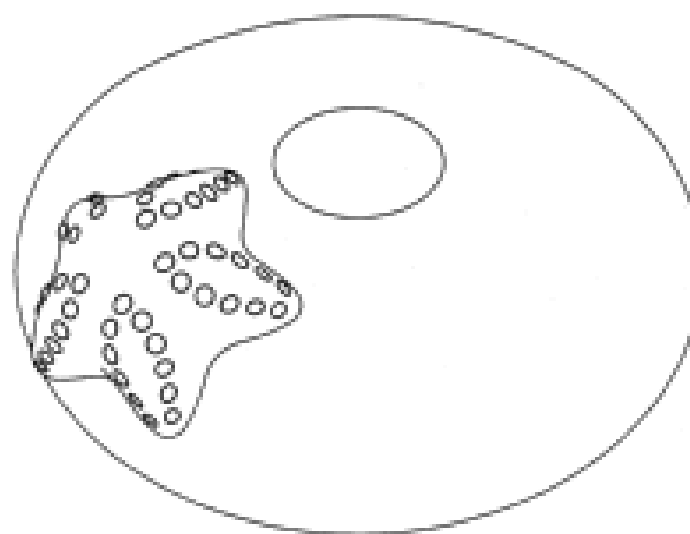
(45) Registration Date: **23 January 2009**

(30) Convention priority data:

(31) Number	(32) Date	(33) Country
000947072	05 Jun 2008	EUROPEAN COMMUNITY

(56) Related Art Documents: **Not Applicable**

(57) Statement of Newness and Distinctiveness: **Newness and distinctiveness is claimed in the visual features shown in solid lines in the representations.**



(21) Design Number: **15735/2008**

(22) Date of Filing Application: **04 December 2008**

(24) Date from which industrial property rights may have effect: **04 December 2008**

(54) Product in respect of which the design is registered: **Container**

(51) International Design Classification: **03-01D, 03-01NES**

(71) Name(s) and Address(s) of Applicant(s):

Reece Pty Ltd

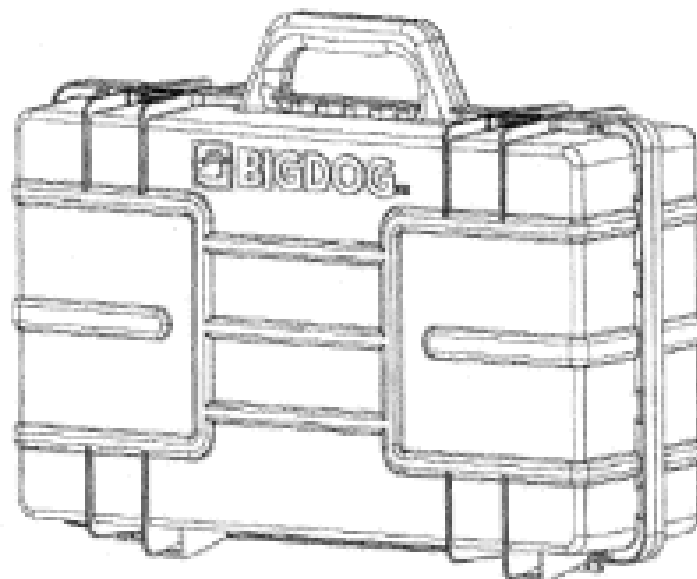
118 Burwood Highway Victoria 3125 Australia

(72) Name(s) of Designer(s): **Robert Graham and Vicky Huang**

(45) Registration Date: **23 January 2009**

(56) Related Art Documents: **Not Applicable**

(57) Statement of Newness and Distinctiveness: **Newness and distinctiveness resides in the visual features of shape and/or configuration of a container as illustrated in the accompanying representations. The words 'BIGDOG' and the paw device do not form part of the design and are to be disregarded when considering whether the design is identical to or substantially similar in overall impression to another design.**



(21) Design Number: **15736/2008**

(22) Date of Filing Application: **04 December 2008**

(24) Date from which industrial property rights may have effect: **04 December 2008**

(54) Product in respect of which the design is registered: **Container**

(51) International Design Classification: **03-01D, 03-01NES**

(71) Name(s) and Address(s) of Applicant(s):

Reece Pty Ltd

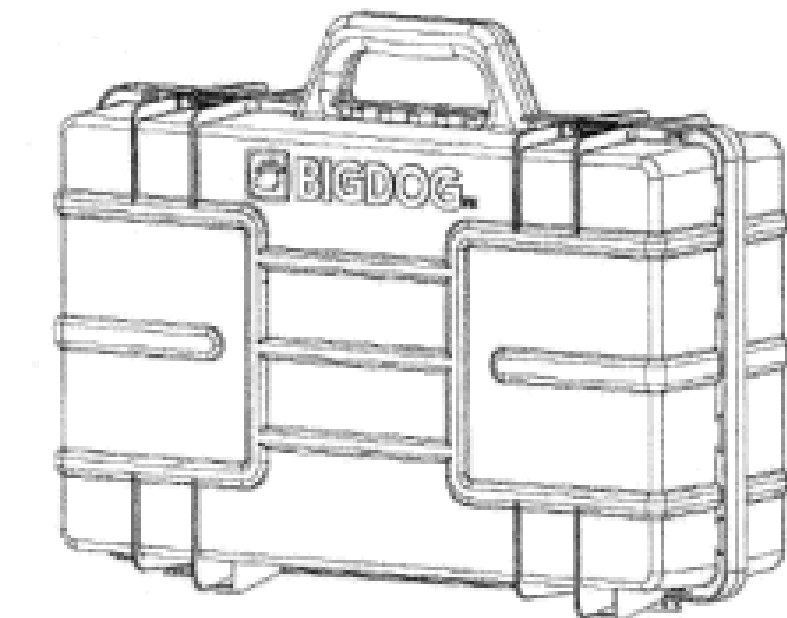
118 Burwood Highway Victoria 3125 Australia

(72) Name(s) of Designer(s): **Robert Graham and Vicky Huang**

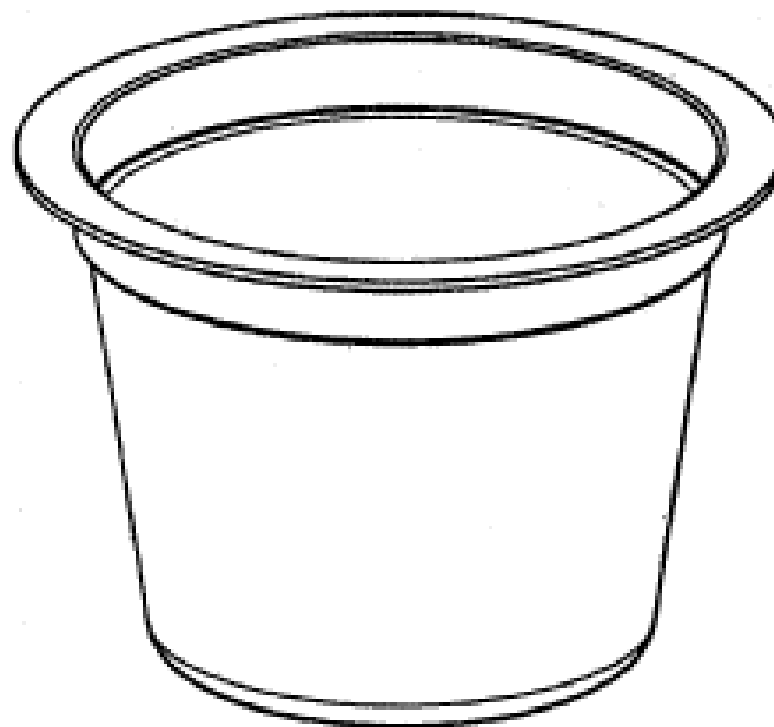
(45) Registration Date: **23 January 2009**

(56) Related Art Documents: **Not Applicable**

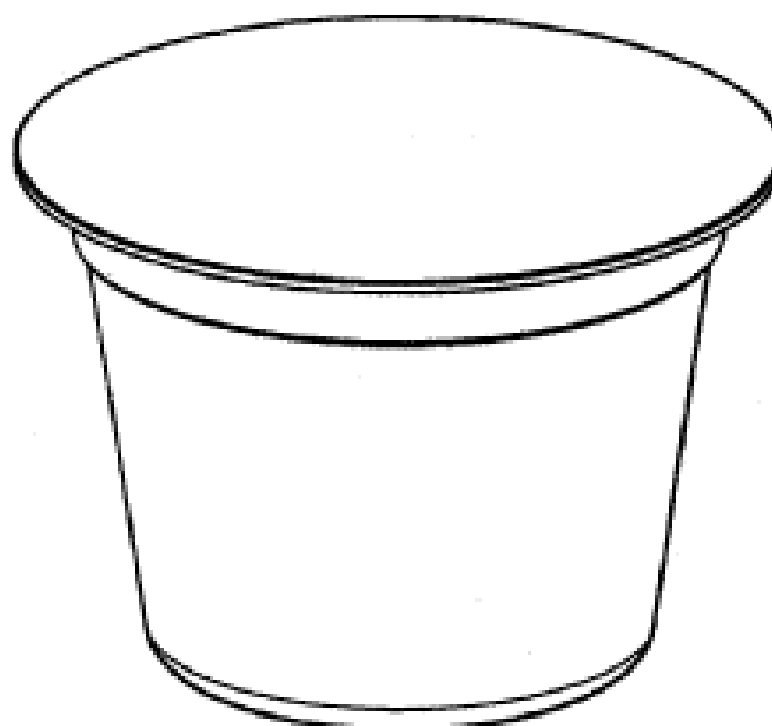
(57) Statement of Newness and Distinctiveness: **Newness and distinctiveness resides in the visual features of shape and/or configuration of a container as illustrated in the accompanying representations. The words 'BIGDOG' and the paw device do not form part of the design and are to be disregarded when considering whether the design is identical to or substantially similar in overall impression to another design.**



(21) Design Number: **15747/2008**
(22) Date of Filing Application: **05 December 2008**
(24) Date from which industrial property rights may have effect: **05 December 2008**
(54) Product in respect of which the design is registered: **Coffee capsule**
(51) International Design Classification: **07-02L**
(71) Name(s) and Address(s) of Applicant(s):
Swiss Caffè Asia Ltd
Flat G 10/F Valiant Ind. Ctr. 2-12 Au Pui Wan Street Fo Tan Shatin N.T
Hong Kong
(72) Name(s) of Designer(s): **Cornelis J. M. Aardenburg**
(45) Registration Date: **23 January 2009**
(30) Convention priority data:
(31) Number (32) Date (33) Country
000950100 12 Jun 2008 EUROPEAN COMMUNITY
(56) Related Art Documents: **Not Applicable**
(57) Statement of Newness and Distinctiveness: **Nil**



(21) Design Number: **15748/2008**
(22) Date of Filing Application: **05 December 2008**
(24) Date from which industrial property rights may have effect: **05 December 2008**
(54) Product in respect of which the design is registered: **Coffee capsule**
(51) International Design Classification: **07-02L**
(71) Name(s) and Address(s) of Applicant(s):
Swiss Caffè Asia Ltd
Flat G 10/F Valiant Ind. Ctr. 2-12 Au Pui Wan Street Fo Tan Shatin N.T
Hong Kong
(72) Name(s) of Designer(s): **Cornelis J. M. Aardenburg**
(45) Registration Date: **23 January 2009**
(30) Convention priority data:
(31) Number (32) Date (33) Country
000950100 12 Jun 2008 EUROPEAN COMMUNITY
(56) Related Art Documents: **Not Applicable**
(57) Statement of Newness and Distinctiveness: **Nil**



- (21) Design Number: **15750/2008**
- (22) Date of Filing Application: **05 December 2008**
- (24) Date from which industrial property rights may have effect: **05 December 2008**
- (54) Product in respect of which the design is registered: **Tire**
- (51) International Design Classification: **12-15C**
- (71) Name(s) and Address(s) of Applicant(s):

Bridgestone Firestone North American Tire, LLC
535 Marriott Drive Nashville Tennessee 37214 United States of America

- (72) Name(s) of Designer(s): **Bill J. Wallet and John J. Regallis and Jeffrey D. Parker and Nobuo Shimizu and Andrew T. Miklic**

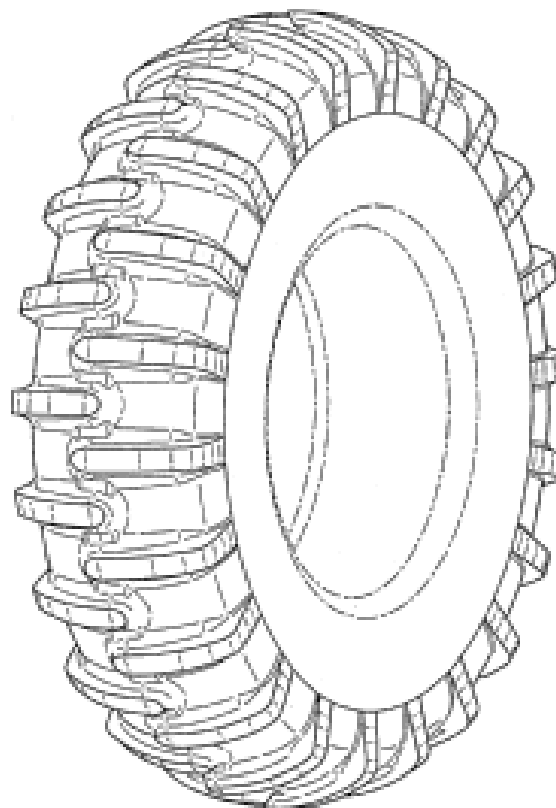
- (45) Registration Date: **23 January 2009**

- (30) Convention priority data:

(31) Number	(32) Date	(33) Country
29/319,298	06 Jun 2008	UNITED STATES OF AMERICA

- (56) Related Art Documents: **Not Applicable**

- (57) Statement of Newness and Distinctiveness: **Those features of the tire depicted in the representations that are new and distinctive are the shape and/or configuration of the tread of the tire. The side walls and features shown in broken line are not part of the design and are to be disregarded when considering the overall impression of the design.**



- (21) Design Number: **15752/2008**
- (22) Date of Filing Application: **05 December 2008**
- (24) Date from which industrial property rights may have effect: **05 December 2008**
- (54) Product in respect of which the design is registered: **Trim plate for a boat**
- (51) International Design Classification: **12-06NES**
- (71) Name(s) and Address(s) of Applicant(s):

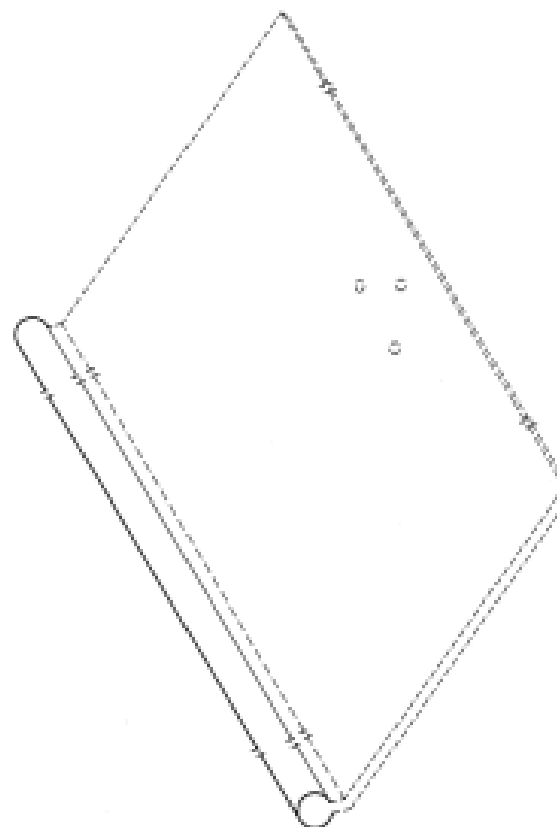
Rockbank (Aust) Pty Ltd
25-31 Ventura Place Dandenong South Victoria 3175 Australia

- (72) Name(s) of Designer(s): **Warren Frank Cleland and Peter Bruce Cleland**

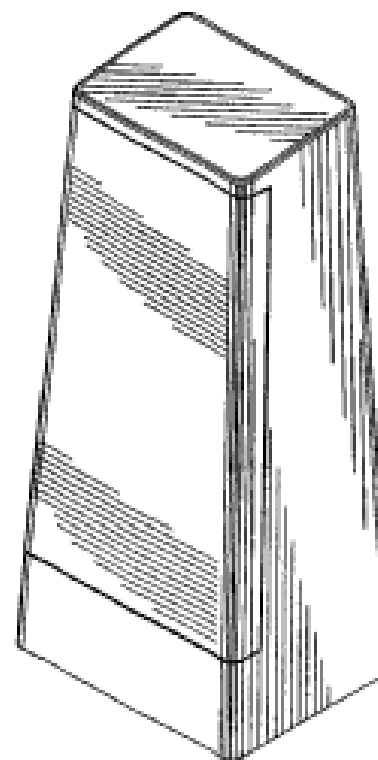
- (45) Registration Date: **23 January 2009**

- (56) Related Art Documents: **Not Applicable**

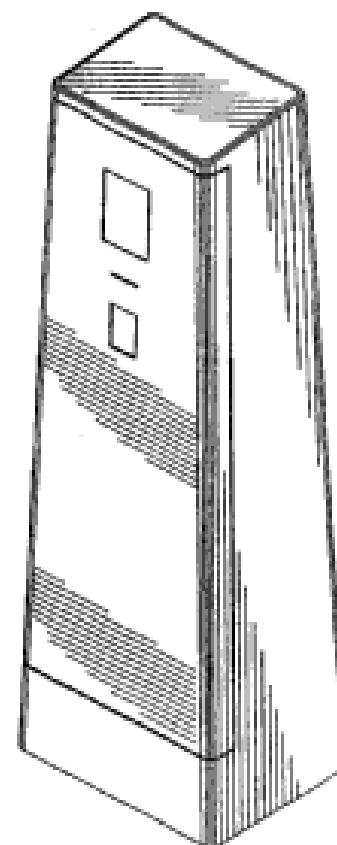
- (57) Statement of Newness and Distinctiveness: **Newness and distinctiveness is claimed in the visual features shown in solid lines in the representations.**



- (21) Design Number: **15663/2008**
(22) Date of Filing Application: **02 December 2008**
(24) Date from which industrial property rights may have effect: **02 December 2008**
(54) Product in respect of which the design is registered: **Terminal station housing**
(51) International Design Classification: **13-03NES**
(71) Name(s) and Address(s) of Applicant(s):
Societe en commandite Stationnement de Montreal
704 Saint-Jacques Street Montreal QC H3C 1E9 Canada
(72) Name(s) of Designer(s): **Michel Dellaire**
(45) Registration Date: **23 January 2009**
(30) Convention priority data:
(31) Number (32) Date (33) Country
29/319,372 06 Jun 2008 UNITED STATES OF AMERICA
(56) Related Art Documents: **Not Applicable**
(57) Statement of Newness and Distinctiveness: **The features of shape and configuration of the product shown in the representations are features of the design.**



- (21) Design Number: **15664/2008**
(22) Date of Filing Application: **02 December 2008**
(24) Date from which industrial property rights may have effect: **02 December 2008**
(54) Product in respect of which the design is registered: **Terminal station housing**
(51) International Design Classification: **13-03NES**
(71) Name(s) and Address(s) of Applicant(s):
Societe en commandite Stationnement de Montreal
704 Saint-Jacques Street Montreal QC H3C 1E9 Canada
(72) Name(s) of Designer(s): **Michel Dellaire**
(45) Registration Date: **23 January 2009**
(30) Convention priority data:
(31) Number (32) Date (33) Country
29/319,373 06 Jun 2008 UNITED STATES OF AMERICA
(56) Related Art Documents: **Not Applicable**
(57) Statement of Newness and Distinctiveness: **The features of shape and configuration of the product shown in the representations are features of the design.**



- (21) Design Number: **12062/2008**
(22) Date of Filing Application: **02 May 2008**
(24) Date from which industrial property rights may have effect: **02 May 2008**
(54) Product in respect of which the design is registered: **Ladies clothing**
(51) International Design Classification: **02-02NES**
(71) Name(s) and Address(s) of Applicant(s):
Melro Distributors Pty Ltd
377 Burnley Street Richmond Victoria 3121 Australia
(72) Name(s) of Designer(s): **Melinda Nunn**
(45) Registration Date: **23 January 2009**
(56) Related Art Documents: **Not Applicable**
(57) Statement of Newness and Distinctiveness: **Nil**



- (21) Design Number: **14849/2008**
(22) Date of Filing Application: **02 May 2008**
(24) Date from which industrial property rights may have effect: **02 May 2008**
(54) Product in respect of which the design is registered: **Ladies clothing**
(51) International Design Classification: **02-02NES**
(71) Name(s) and Address(s) of Applicant(s):
Melro Distributors Pty Ltd
377 Burnley Street Richmond Victoria 3121 Australia
(72) Name(s) of Designer(s): **Melinda Nunn**
(45) Registration Date: **23 January 2009**
(56) Related Art Documents: **Not Applicable**
(57) Statement of Newness and Distinctiveness: **Nil**



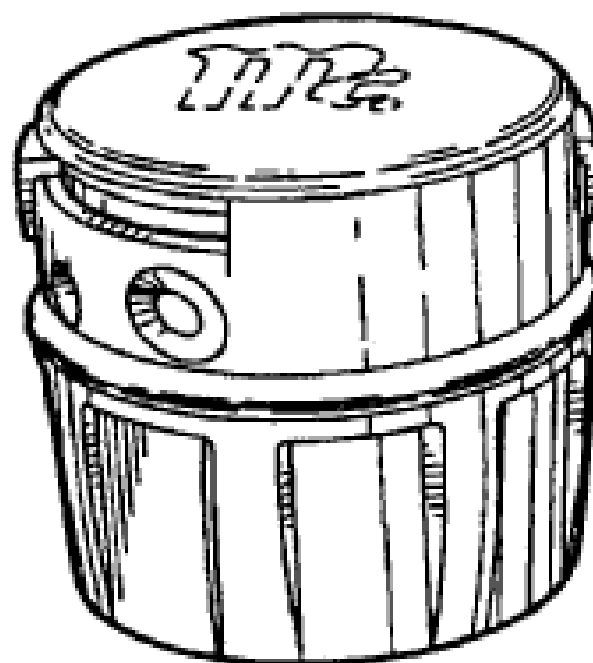
- (21) Design Number: **14852/2008**
- (22) Date of Filing Application: **02 May 2008**
- (24) Date from which industrial property rights may have effect: **02 May 2008**
- (54) Product in respect of which the design is registered: **Ladies clothing**
- (51) International Design Classification: **02-02NES**
- (71) Name(s) and Address(s) of Applicant(s):
Melro Distributors Pty Ltd
377 Burnley Street Richmond Victoria 3121 Australia
- (72) Name(s) of Designer(s): **Melinda Nunn**
- (45) Registration Date: **23 January 2009**
- (56) Related Art Documents: **Not Applicable**
- (57) Statement of Newness and Distinctiveness: **Nil**



- (21) Design Number: **14853/2008**
- (22) Date of Filing Application: **02 May 2008**
- (24) Date from which industrial property rights may have effect: **02 May 2008**
- (54) Product in respect of which the design is registered: **Ladies clothing**
- (51) International Design Classification: **02-02NES**
- (71) Name(s) and Address(s) of Applicant(s):
Melro Distributors Pty Ltd
377 Burnley Street Richmond Victoria 3121 Australia
- (72) Name(s) of Designer(s): **Melinda Nunn**
- (45) Registration Date: **23 January 2009**
- (56) Related Art Documents: **Not Applicable**
- (57) Statement of Newness and Distinctiveness: **Nil**



- (21) Design Number: **14802/2008**
(22) Date of Filing Application: **08 October 2008**
(24) Date from which industrial property rights may have effect: **08 October 2008**
(54) Product in respect of which the design is registered: **Head for an adjustable grinder**
(51) International Design Classification: **15-09**
(71) Name(s) and Address(s) of Applicant(s):
McCormick & Company, Incorporated
18 Loveton Circle Sparks Maryland 21152 United States of America
(72) Name(s) of Designer(s): **Tracie Wilson and Sebastien Rime and Olivier Rattin and Enrique Nifco**
(45) Registration Date: **23 January 2009**
(30) Convention priority data:
(31) Number (32) Date (33) Country
29306364 08 Apr 2008 UNITED STATES OF AMERICA
(56) Related Art Documents: **Not Applicable**
(57) Statement of Newness and Distinctiveness: **The phantom-line and/or broken-line depictions in the drawings are shown for enviromental and illustrative purposes only, and form no part of the claimed design**



- (21) Design Number: **16089/2008**
(22) Date of Filing Application: **08 October 2008**
(24) Date from which industrial property rights may have effect: **08 October 2008**
(54) Product in respect of which the design is registered: **Head for an adjustable grinder**
(51) International Design Classification: **15-09**
(71) Name(s) and Address(s) of Applicant(s):
McCormick & Company, Incorporated
18 Loveton Circle Sparks Maryland 21152 United States of America
(72) Name(s) of Designer(s): **Tracie Wilson and Sebastien Rime and Olivier Rattin and Enrique Nifco**
(45) Registration Date: **23 January 2009**
(30) Convention priority data:
(31) Number (32) Date (33) Country
29306364 08 Apr 2008 UNITED STATES OF AMERICA
(56) Related Art Documents: **Not Applicable**
(57) Statement of Newness and Distinctiveness: **The phantom-line and/or broken-line depictions in the drawings are shown for environmental and illustrative purposes only, and form no part of the claimed design.**



(21) Design Number: **16090/2008**

(22) Date of Filing Application: **08 October 2008**

(24) Date from which industrial property rights may have effect: **08 October 2008**

(54) Product in respect of which the design is registered: **Adjustable grinder**

(51) International Design Classification: **15-09**

(71) Name(s) and Address(s) of Applicant(s):

McCormick & Company, Incorporated
18 Loveton Circle Sparks Maryland 21152 United States of America

(72) Name(s) of Designer(s): **Tracie Wilson and Sebastien Rime and Olivier Rattin and Enrique Nifco**

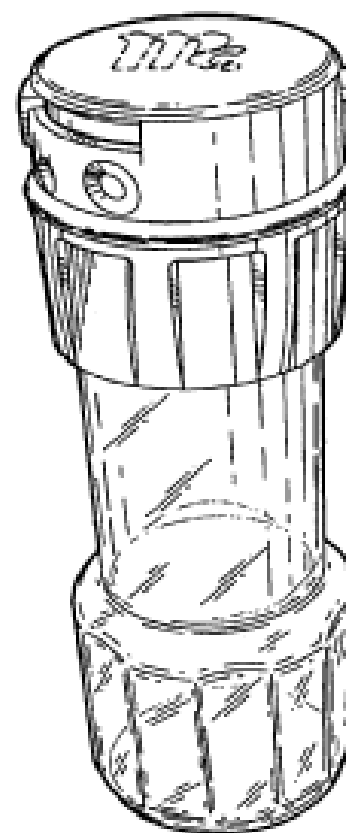
(45) Registration Date: **23 January 2009**

(30) Convention priority data:

(31) Number	(32) Date	(33) Country
29306364	08 Apr 2008	UNITED STATES OF AMERICA

(56) Related Art Documents: **Not Applicable**

(57) Statement of Newness and Distinctiveness: **The phantom-line and/or broken-line depictions in the drawings are shown for environmental and illustrative purposes only, and form no part of the claimed design.**



(21) Design Number: **15754/2008**

(22) Date of Filing Application: **05 December 2008**

(24) Date from which industrial property rights may have effect: **05 December 2008**

(54) Product in respect of which the design is registered: **Dispenser**

(51) International Design Classification: **09-07A**

(71) Name(s) and Address(s) of Applicant(s):

Reckitt Benckiser Inc.
Morris Corporate Center IV 399 Interpace Parkway Parsippany New Jersey 07054 United States of America

(72) Name(s) of Designer(s): **Diane Burt and Daniel Genord**

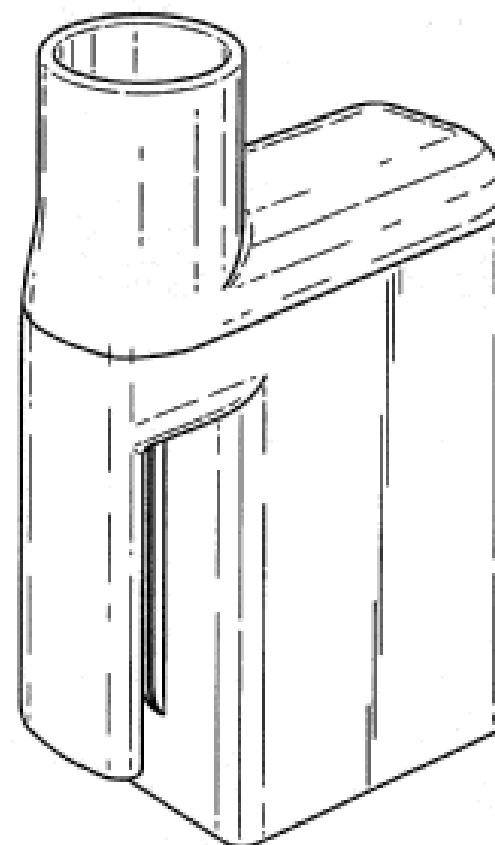
(45) Registration Date: **23 January 2009**

(30) Convention priority data:

(31) Number	(32) Date	(33) Country
000966007-0001	08 Jul 2008	EUROPEAN COMMUNITY

(56) Related Art Documents: **Not Applicable**

(57) Statement of Newness and Distinctiveness: **Newness and distinctiveness reside in the features of the design as shown in the representations.**



(21) Design Number: **15757/2008**
(22) Date of Filing Application: **08 December 2008**
(24) Date from which industrial property rights may have effect: **08 December 2008**
(54) Product in respect of which the design is registered: **Toothbrush handle**
(51) International Design Classification: **04-02**
(71) Name(s) and Address(s) of Applicant(s):
Braun GmbH
Frankfurter Strasse 145 61476 Kronberg Germany
(72) Name(s) of Designer(s): **Bjoern Kling**
(45) Registration Date: **23 January 2009**
(30) Convention priority data:
(31) Number (32) Date (33) Country
29/308373 13 Jun 2008 UNITED STATES OF AMERICA
(56) Related Art Documents: **Not Applicable**
(57) Statement of Newness and Distinctiveness: **Newness and distinctiveness reside in the features of shape and/or configuration of the toothbrush handle, as shown in the representations.**



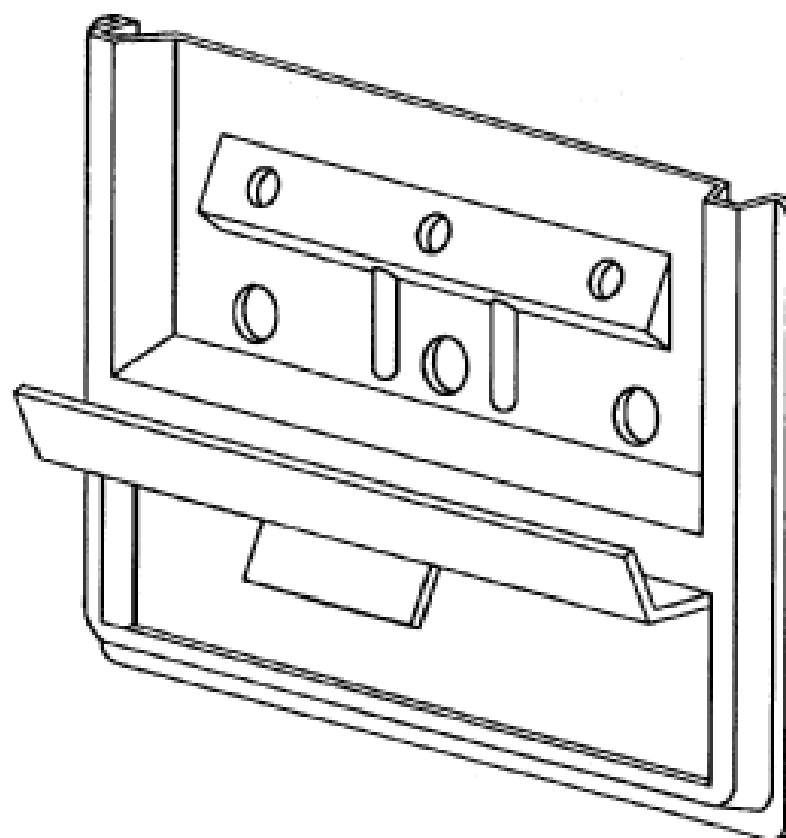
(21) Design Number: **15760/2008**
(22) Date of Filing Application: **08 December 2008**
(24) Date from which industrial property rights may have effect: **08 December 2008**
(54) Product in respect of which the design is registered: **Vehicle**
(51) International Design Classification: **21-01F**
(71) Name(s) and Address(s) of Applicant(s):
Maas van Beek
Stationweg 119 3771 VE Barneveld Netherlands
(72) Name(s) of Designer(s): **Maas van Beek**
(45) Registration Date: **23 January 2009**
(30) Convention priority data:
(31) Number (32) Date (33) Country
000949094 10 Jun 2008 EUROPEAN COMMUNITY
(56) Related Art Documents: **Not Applicable**
(57) Statement of Newness and Distinctiveness: **Nil**



- (21) Design Number: **15762/2008**
(22) Date of Filing Application: **08 December 2008**
(24) Date from which industrial property rights may have effect: **08 December 2008**
(54) Product in respect of which the design is registered: **Metal fitting**
(51) International Design Classification: **08-08NES**
(71) Name(s) and Address(s) of Applicant(s):

Nichiha Corporation
12 Shiodome-cho Minato-ku Nagoya-shi Aichi 455-8550 Japan

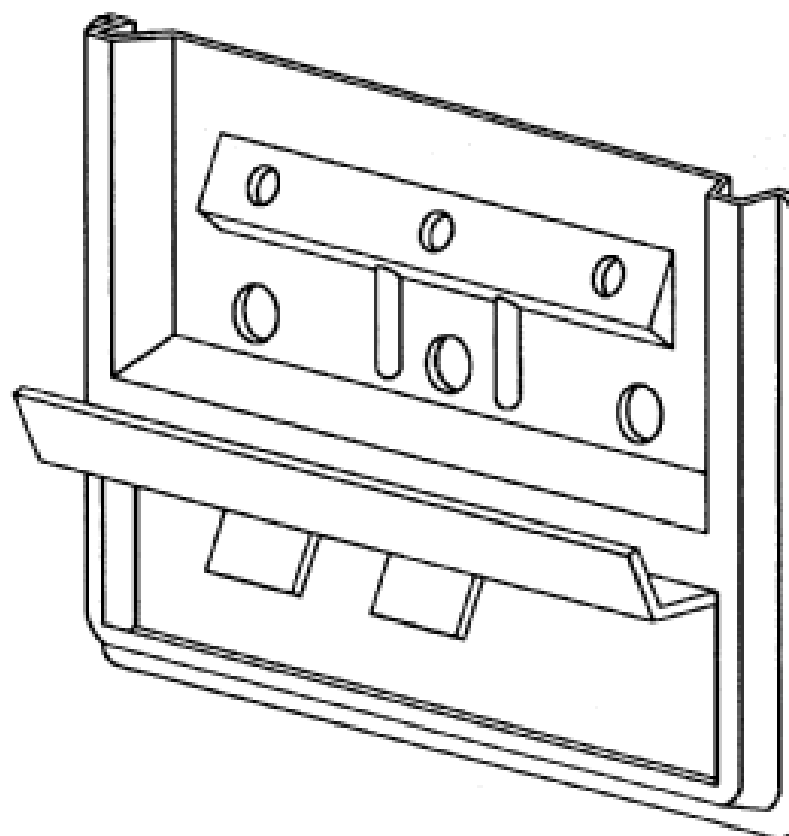
- (72) Name(s) of Designer(s): **Satoshi Hikai**
(45) Registration Date: **23 January 2009**
(30) Convention priority data:
(31) Number (32) Date (33) Country
2008-021762 25 Aug 2008 JAPAN
(56) Related Art Documents: **Not Applicable**
(57) Statement of Newness and Distinctiveness: **The newness and distinctiveness of the design resides in the features of shape and/or configuration of the metal fitting shown in the accompanying representations.**



- (21) Design Number: **15763/2008**
(22) Date of Filing Application: **08 December 2008**
(24) Date from which industrial property rights may have effect: **08 December 2008**
(54) Product in respect of which the design is registered: **Metal fitting**
(51) International Design Classification: **08-08NES**
(71) Name(s) and Address(s) of Applicant(s):

Nichiha Corporation
12 Shiodome-cho Minato-ku Nagoya-shi Aichi 455-8550 Japan

- (72) Name(s) of Designer(s): **Satoshi Hikai**
(45) Registration Date: **23 January 2009**
(30) Convention priority data:
(31) Number (32) Date (33) Country
2008-021763 25 Aug 2008 JAPAN
(56) Related Art Documents: **Not Applicable**
(57) Statement of Newness and Distinctiveness: **The newness and distinctiveness of the design resides in the features of shape and/or configuration of the metal fitting shown in the accompanying representations.**



(21) Design Number: **15764/2008**
(22) Date of Filing Application: **08 December 2008**
(24) Date from which industrial property rights may have effect: **08 December 2008**
(54) Product in respect of which the design is registered: **Tool handle**
(51) International Design Classification: **08-06**
(71) Name(s) and Address(s) of Applicant(s):

Cheng-Wei Su
1F No.403 Taichung Road East District Taichung City 40146 Taiwan

(72) Name(s) of Designer(s): **Cheng-Wei Su**

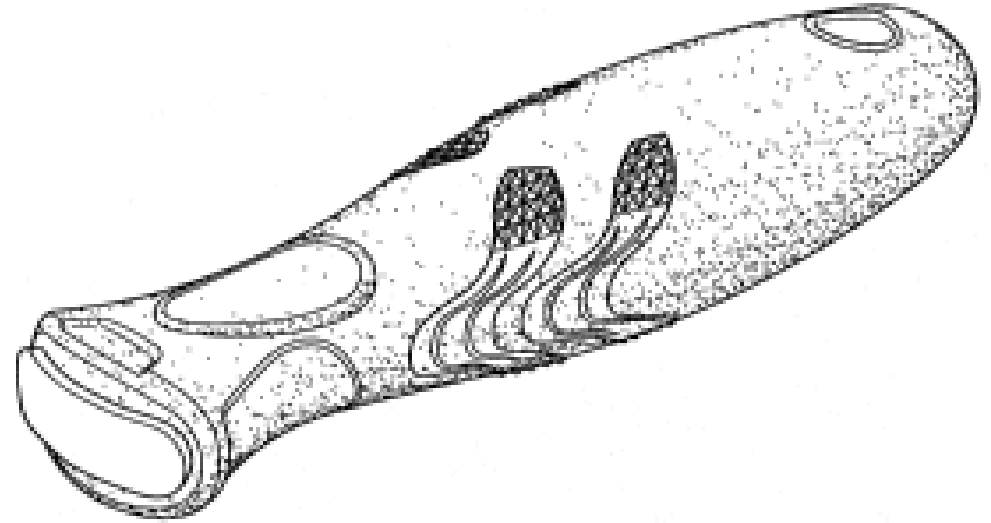
(45) Registration Date: **23 January 2009**

(30) Convention priority data:

(31) Number	(32) Date	(33) Country
97303380	09 Jun 2008	TAIWAN

(56) Related Art Documents: **Not Applicable**

(57) Statement of Newness and Distinctiveness: **Nil**



(21) Design Number: **15775/2008**
(22) Date of Filing Application: **09 December 2008**
(24) Date from which industrial property rights may have effect: **09 December 2008**
(54) Product in respect of which the design is registered: **Beverage maker**
(51) International Design Classification: **07-02L**
(71) Name(s) and Address(s) of Applicant(s):

Pi-Design AG
Kantonsstrasse 100 6234 Triengen Switzerland

(72) Name(s) of Designer(s): **Jorgen Bodum**

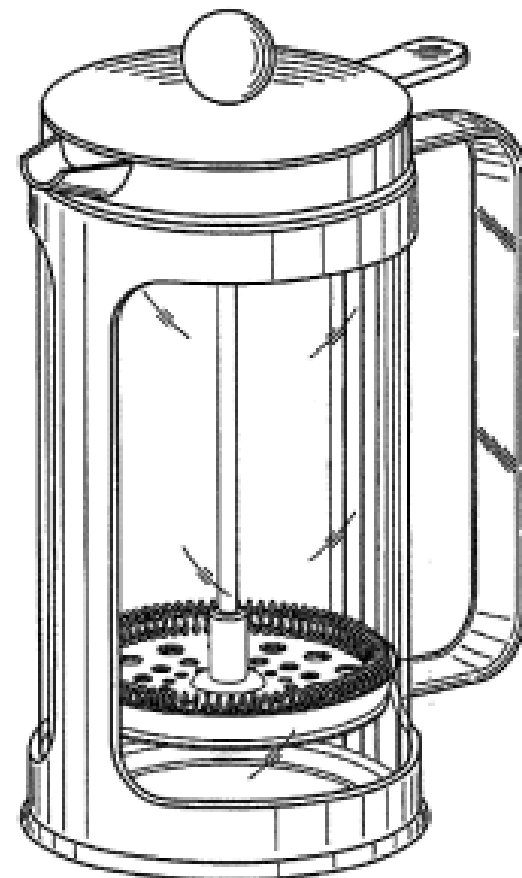
(45) Registration Date: **23 January 2009**

(30) Convention priority data:

(31) Number	(32) Date	(33) Country
DM 070 345	30 Jun 2008	DOMINICA

(56) Related Art Documents: **Not Applicable**

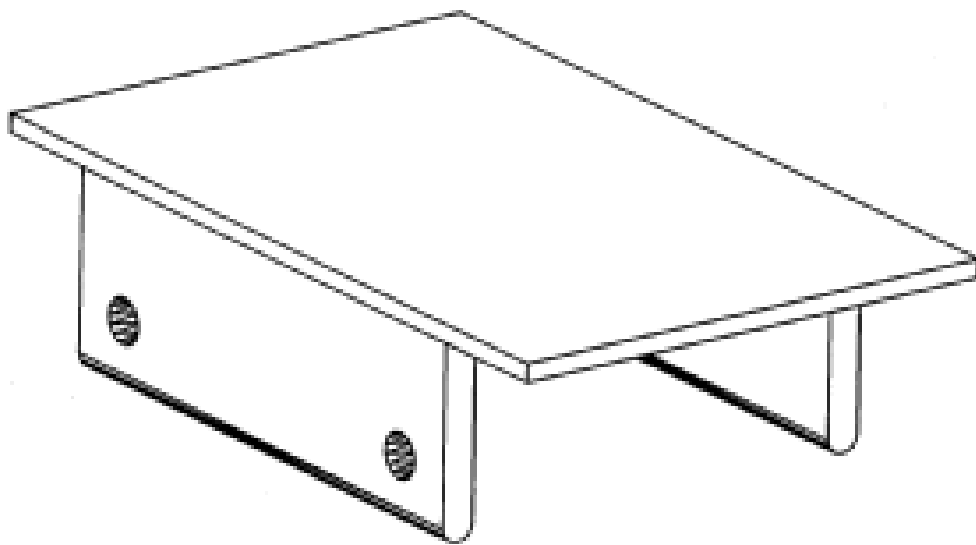
(57) Statement of Newness and Distinctiveness: **The following visual features of the design are new and distinctive: the presence and shape of the spout in the lid; and the presence of the thumb operated lever on the lid.**



(21) Design Number: **15776/2008**
(22) Date of Filing Application: **30 July 2008**
(24) Date from which industrial property rights may have effect: **30 July 2008**
(54) Product in respect of which the design is registered: **Handset**
(51) International Design Classification: **14-03E**
(71) Name(s) and Address(s) of Applicant(s):
Nokia Corporation
Keilalahdentie 4 FIN-02150 Espoo Finland
(72) Name(s) of Designer(s): **Frank Nuovo**
(45) Registration Date: **23 January 2009**
(30) Convention priority data:
(31) Number (32) Date (33) Country
29306623 11 Apr 2008 UNITED STATES OF AMERICA
(62) Divisional of: **323740**
(56) Related Art Documents: **Not Applicable**
(57) Statement of Newness and Distinctiveness: **Nil**



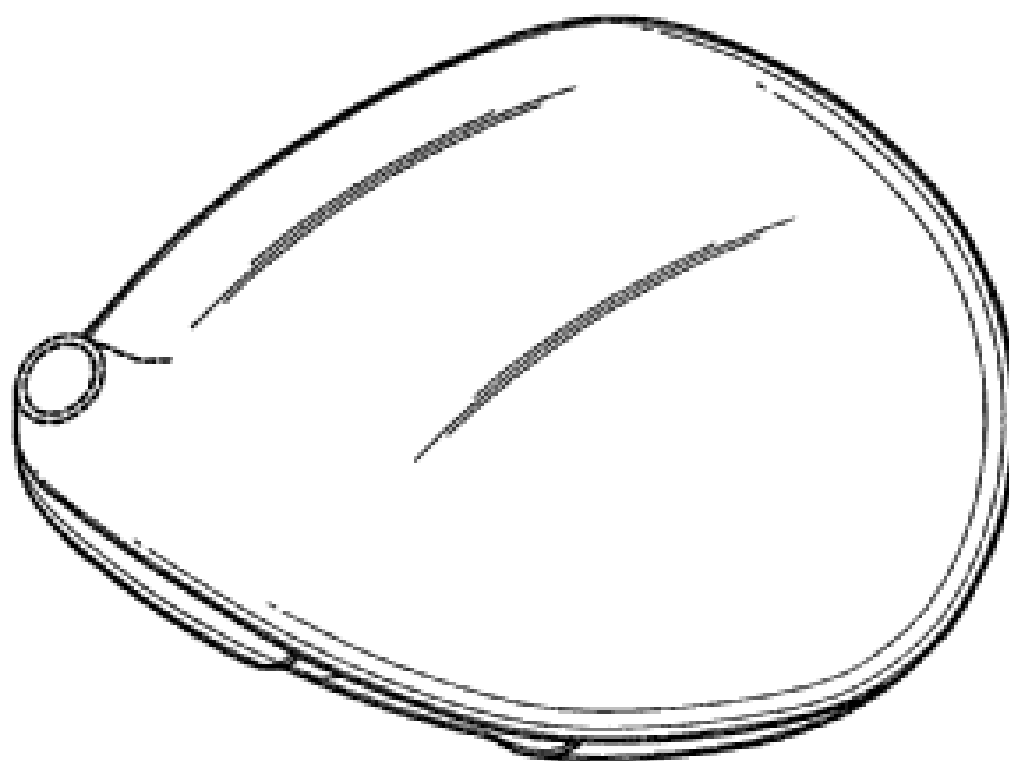
(21) Design Number: **15777/2008**
(22) Date of Filing Application: **09 December 2008**
(24) Date from which industrial property rights may have effect: **09 December 2008**
(54) Product in respect of which the design is registered: **End cap for louvre blade**
(51) International Design Classification: **25-02K**
(71) Name(s) and Address(s) of Applicant(s):
Peter John Rutgers
5 Clyde Court Oak Park Victoria 3046 Australia
Diane Lee Rutgers
5 Clyde Court Oak Park Victoria 3046 Australia
(72) Name(s) of Designer(s): **Peter John Rutgers and Diane Lee Rutgers**
(45) Registration Date: **23 January 2009**
(56) Related Art Documents: **Not Applicable**
(57) Statement of Newness and Distinctiveness: **Monopoly is claimed in the features of shape or configuration of the louvre blade as illustrated in the representations.**



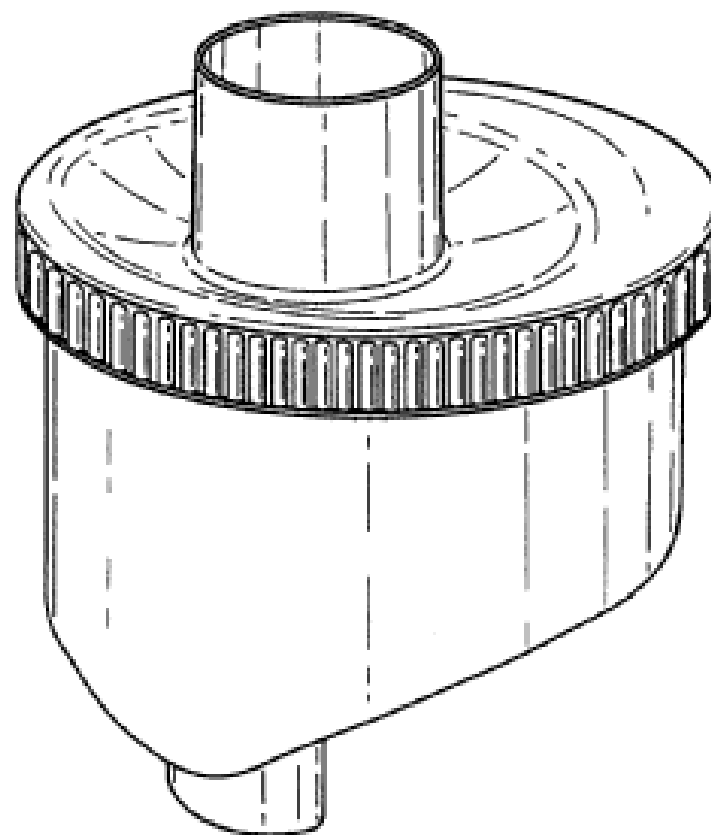
- (21) Design Number: **15665/2008**
(22) Date of Filing Application: **03 December 2008**
(24) Date from which industrial property rights may have effect: **03 December 2008**
(54) Product in respect of which the design is registered: **Trailer plug**
(51) International Design Classification: **12-16L, 12-10**
(71) Name(s) and Address(s) of Applicant(s):
Dennis Ronald Gravalin
271 River Street Maclean New South Wales 2463 Australia
Sandra Lorraine Gravalin
271 River Street Maclean New South Wales 2463 Australia
(72) Name(s) of Designer(s): **Dennis Ronald Gravalin and Sandra Lorraine Gravalin**
(45) Registration Date: **23 January 2009**
(56) Related Art Documents: **Not Applicable**
(57) Statement of Newness and Distinctiveness: **Newness and Distinctiveness of the design is claimed in the features and shape and or configuration of a trailer plug as illustrated in the accompanying representations.**



- (21) Design Number: **15677/2008**
(22) Date of Filing Application: **03 December 2008**
(24) Date from which industrial property rights may have effect: **03 December 2008**
(54) Product in respect of which the design is registered: **Golf club head**
(51) International Design Classification: **21-02C**
(71) Name(s) and Address(s) of Applicant(s):
Callaway Golf Company
2180 Rutherford Road Carlsbad California 92008-7328 United States of America
(72) Name(s) of Designer(s): **Philip G. Foster and Luke R. Williams**
(45) Registration Date: **23 January 2009**
(30) Convention priority data:
(31) Number (32) Date (33) Country
29/319123 04 Jun 2008 UNITED STATES OF AMERICA
(56) Related Art Documents: **Not Applicable**
(57) Statement of Newness and Distinctiveness: **Newness and distinctiveness is claimed in those features of shape and/or configuration of a golf club head illustrated in the accompanying representations.**



(21) Design Number: **15680/2008**
(22) Date of Filing Application: **03 December 2008**
(24) Date from which industrial property rights may have effect: **03 December 2008**
(54) Product in respect of which the design is registered: **Dispenser**
(51) International Design Classification: **09-07A, 07-04**
(71) Name(s) and Address(s) of Applicant(s):
Reckitt Benckiser Inc.
Morris Corporate Center IV 399 Interpace Parkway Parsippany New Jersey 07054 United States of America
(72) Name(s) of Designer(s): **Daniel Genford and Christopher King and Pawel Rudzinski**
(45) Registration Date: **23 January 2009**
(30) Convention priority data:
(31) Number (32) Date (33) Country
000952817-0001 16 Jun 2008 EUROPEAN COMMUNITY
(56) Related Art Documents: **Not Applicable**
(57) Statement of Newness and Distinctiveness: **Newness and distinctiveness reside in the features of the design as shown in the representations.**



(21) Design Number: **15681/2008**
(22) Date of Filing Application: **03 December 2008**
(24) Date from which industrial property rights may have effect: **03 December 2008**
(54) Product in respect of which the design is registered: **Ear pieces**
(51) International Design Classification: **14-03A**
(71) Name(s) and Address(s) of Applicant(s):
Racal Acoustics Limited
Waverly Industrial Estate Hailsham Drive Harrow Middlesex HA1 4TR United Kingdom
(72) Name(s) of Designer(s): **Timothy Robert Burnham**
(45) Registration Date: **23 January 2009**
(30) Convention priority data:
(31) Number (32) Date (33) Country
000947676-0001 04 Jun 2008 EUROPEAN COMMUNITY
(56) Related Art Documents: **Not Applicable**
(57) Statement of Newness and Distinctiveness: **Newness and distinctiveness reside in the shape and/or configuration of the design as shown in the representations, excluding those features marked in box "A".**



(21) Design Number: **15682/2008**

(22) Date of Filing Application: **03 December 2008**

(24) Date from which industrial property rights may have effect: **03 December 2008**

(54) Product in respect of which the design is registered: **Ear pieces**

(51) International Design Classification: **14-03A**

(71) Name(s) and Address(s) of Applicant(s):

Racal Acoustics Limited
Waverly Industrial Estate Hailsham Drive Harrow Middlesex HA1 4TR
United Kingdom

(72) Name(s) of Designer(s): **Timothy Robert Burnham**

(45) Registration Date: **23 January 2009**

(30) Convention priority data:

(31) Number	(32) Date	(33) Country
000947676-0002	04 Jun 2008	EUROPEAN COMMUNITY

(56) Related Art Documents: **Not Applicable**

(57) Statement of Newness and Distinctiveness: **Newness and distinctiveness reside in the shape and/or configuration of the design as shown in the representations, excluding those features marked in box "A".**



(21) Design Number: **15690/2008**

(22) Date of Filing Application: **03 December 2008**

(24) Date from which industrial property rights may have effect: **03 December 2008**

(54) Product in respect of which the design is registered: **Bicycle**

(51) International Design Classification: **12-11**

(71) Name(s) and Address(s) of Applicant(s):

Societe en commandite Stationnement de Montreal
704 Saint-Jacques Street Montreal Quebec H3C 1E9 Canada

(72) Name(s) of Designer(s): **Michel Dallaire**

(45) Registration Date: **23 January 2009**

(30) Convention priority data:

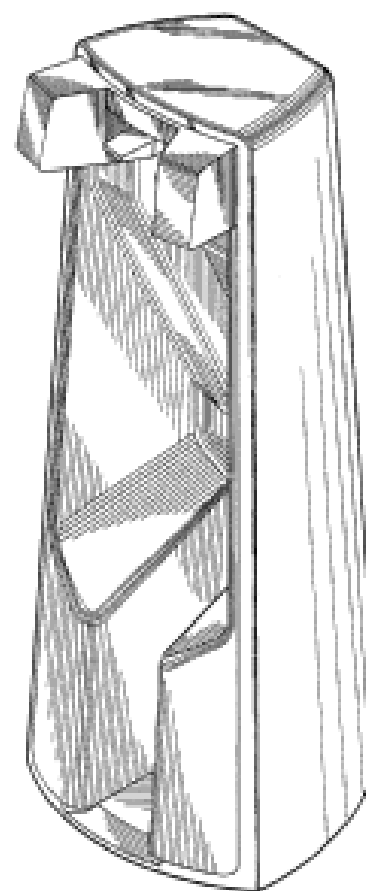
(31) Number	(32) Date	(33) Country
29319352	06 Jun 2008	UNITED STATES OF AMERICA

(56) Related Art Documents: **Not Applicable**

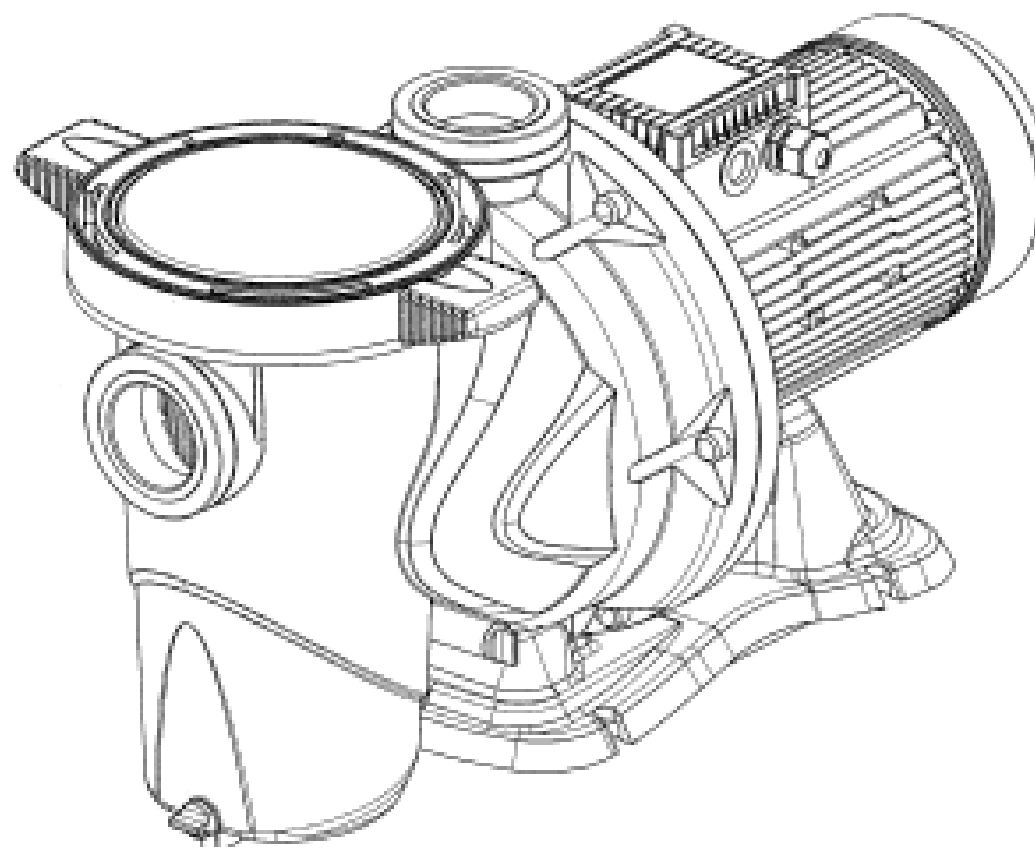
(57) Statement of Newness and Distinctiveness: **Newness and distinctiveness is claimed in the visual features shown in solid lines in the representations.**



(21) Design Number: **15691/2008**
(22) Date of Filing Application: **03 December 2008**
(24) Date from which industrial property rights may have effect: **03 December 2008**
(54) Product in respect of which the design is registered: **Bicycle rack**
(51) International Design Classification: **08-10**
(71) Name(s) and Address(s) of Applicant(s):
Societe en commandite Stationnement de Montreal
704 Saint-Jacques Street Montreal Quebec H3C 1E9 Canada
(72) Name(s) of Designer(s): **Michel Dallaire**
(45) Registration Date: **23 January 2009**
(30) Convention priority data:
(31) Number (32) Date (33) Country
29319364 06 Jun 2008 UNITED STATES OF AMERICA
(56) Related Art Documents: **Not Applicable**
(57) Statement of Newness and Distinctiveness: **Nil**



(21) Design Number: **15697/2008**
(22) Date of Filing Application: **03 December 2008**
(24) Date from which industrial property rights may have effect: **03 December 2008**
(54) Product in respect of which the design is registered: **Pump**
(51) International Design Classification: **15-02**
(71) Name(s) and Address(s) of Applicant(s):
DAB PUMPS S.P.A
Via Marco Polo 14 Mestrino (Prov. of PADOVA) 35035 Italy
(72) Name(s) of Designer(s): **Francesco Sinico**
(45) Registration Date: **23 January 2009**
(30) Convention priority data:
(31) Number (32) Date (33) Country
001020598 14 Oct 2008 EUROPEAN COMMUNITY
(56) Related Art Documents: **Not Applicable**
(57) Statement of Newness and Distinctiveness: **Nil**



(21) Design Number: **15649/2008**

(22) Date of Filing Application: **01 December 2008**

(24) Date from which industrial property rights may have effect: **01 December 2008**

(54) Product in respect of which the design is registered: **A manhole frame and cover assembly**

(51) International Design Classification: **25-02NES**

(71) Name(s) and Address(s) of Applicant(s):

NORINCO

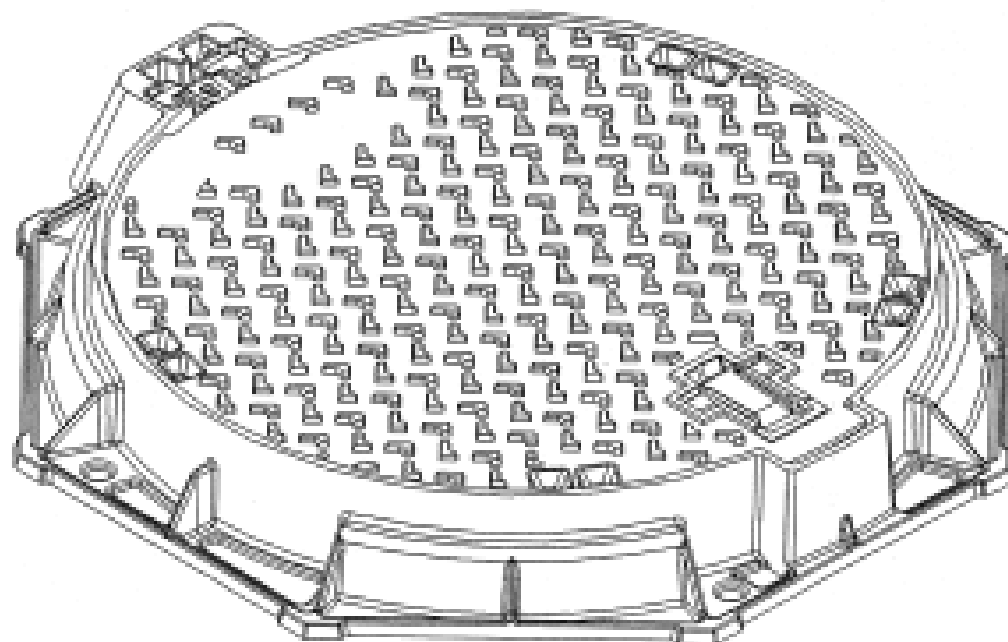
Z.I. de Marivaux 60149 Saint Crepin Ibouvillers France

(72) Name(s) of Designer(s): **Bruno Turbat**

(45) Registration Date: **27 January 2009**

(56) Related Art Documents: **Not Applicable**

(57) Statement of Newness and Distinctiveness: **Newness and distinctiveness reside in the features of the design as shown in the representations.**



(21) Design Number: **15703/2008**

(22) Date of Filing Application: **04 December 2008**

(24) Date from which industrial property rights may have effect: **04 December 2008**

(54) Product in respect of which the design is registered: **Breakaway switch**

(51) International Design Classification: **13-03NES, 12-10, 10-05**

(71) Name(s) and Address(s) of Applicant(s):

Dennis Ronald Gravolin

271 River Street Maclean New South Wales 2463 Australia

Sandra Lorraine Gravolin

271 River Street Maclean New South Wales 2463 Australia

(72) Name(s) of Designer(s): **Dennis Ronald Gravolin and Sandra Lorraine Gravolin**

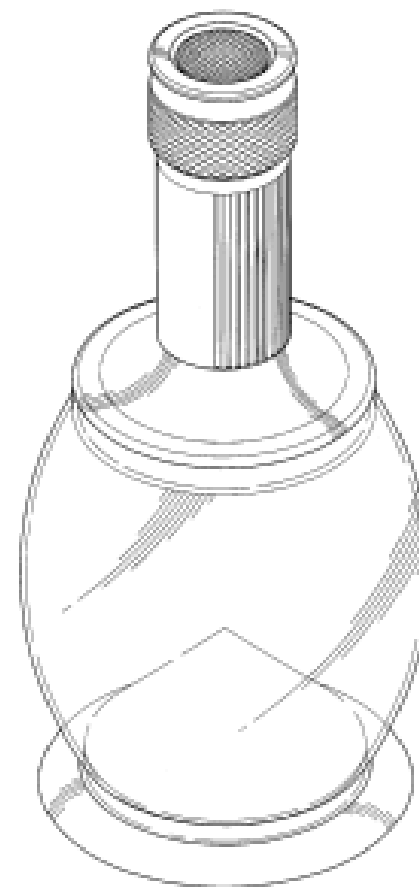
(45) Registration Date: **23 January 2009**

(56) Related Art Documents: **Not Applicable**

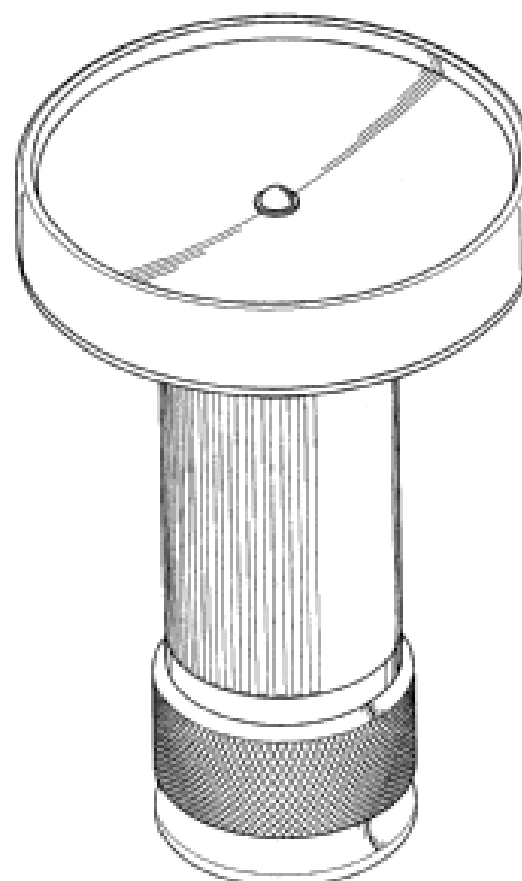
(57) Statement of Newness and Distinctiveness: **Newness and distinctiveness of the design is claimed in the features and shape and or configuration of a switch as illustrated in the accompanying representations.**



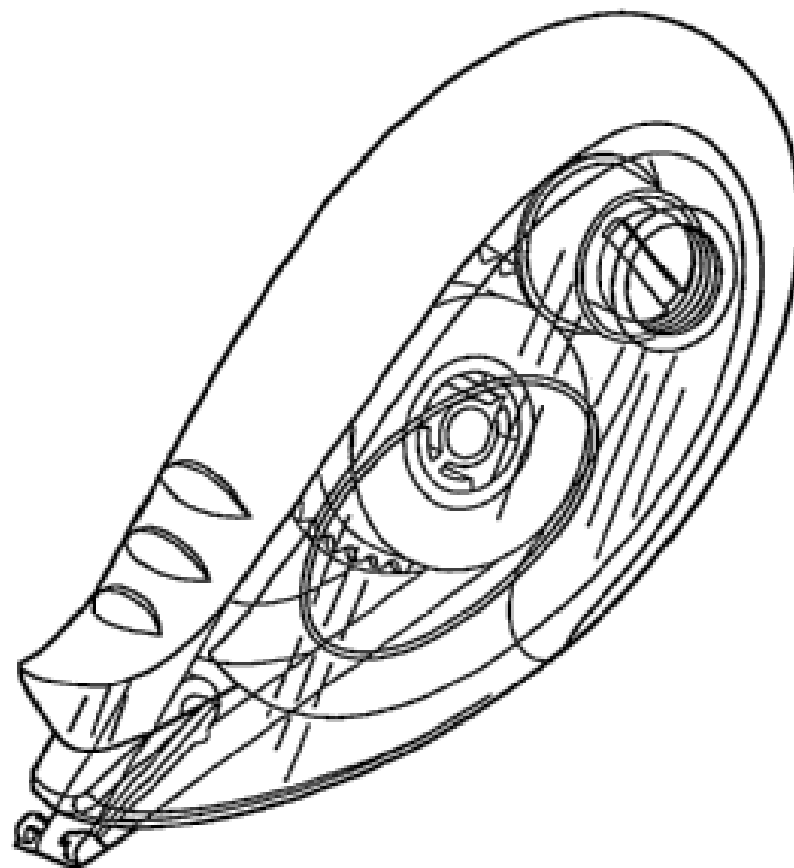
- (21) Design Number: **15704/2008**
(22) Date of Filing Application: **03 December 2008**
(24) Date from which industrial property rights may have effect: **03 December 2008**
(54) Product in respect of which the design is registered: **Portable light**
(51) International Design Classification: **26-02**
(71) Name(s) and Address(s) of Applicant(s):
Yun-Zhao Liu
No. 3 2nd Street Hsinfeng Road Huangpu Township Zhongshan City
Guangdong Province P.R. China
(72) Name(s) of Designer(s): **Yun-Zhao Liu**
(45) Registration Date: **23 January 2009**
(30) Convention priority data:
(31) Number (32) Date (33) Country
097304527 04 Aug 2008 CHINA
(56) Related Art Documents: **Not Applicable**
(57) Statement of Newness and Distinctiveness: **Nil**



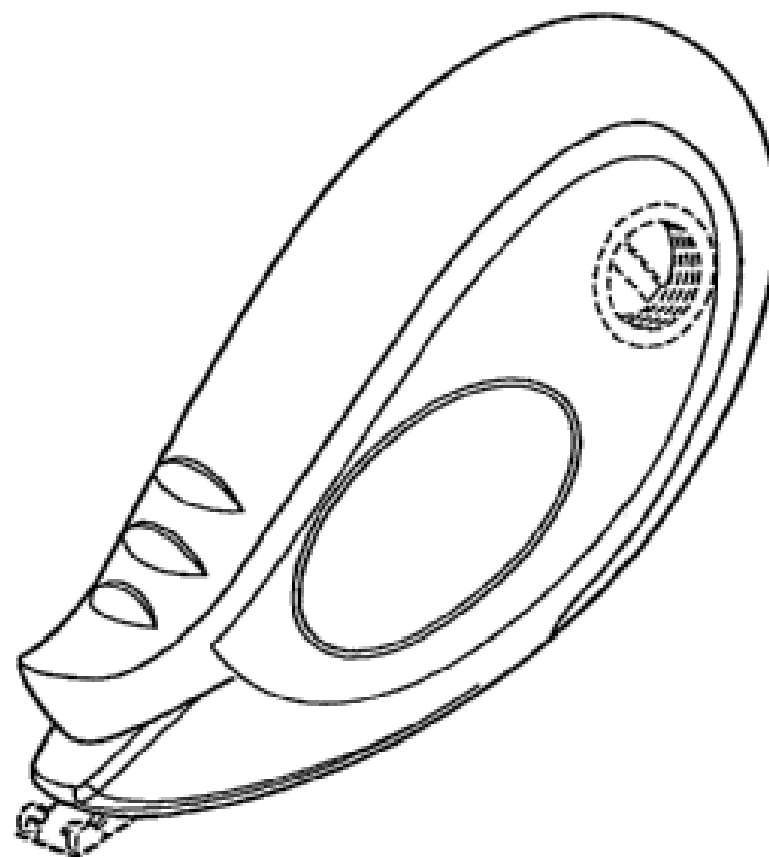
- (21) Design Number: **15705/2008**
(22) Date of Filing Application: **03 December 2008**
(24) Date from which industrial property rights may have effect: **03 December 2008**
(54) Product in respect of which the design is registered: **Flashlight**
(51) International Design Classification: **26-02**
(71) Name(s) and Address(s) of Applicant(s):
Yun-Zhao Liu
No. 3 2nd Street Hsinfeng Road Huangpu Township Zhongshan City
Guangdong Province P.R. China
(72) Name(s) of Designer(s): **Yun-Zhao Liu**
(45) Registration Date: **23 January 2009**
(30) Convention priority data:
(31) Number (32) Date (33) Country
097304602 07 Aug 2008 CHINA
(56) Related Art Documents: **Not Applicable**
(57) Statement of Newness and Distinctiveness: **Nil**



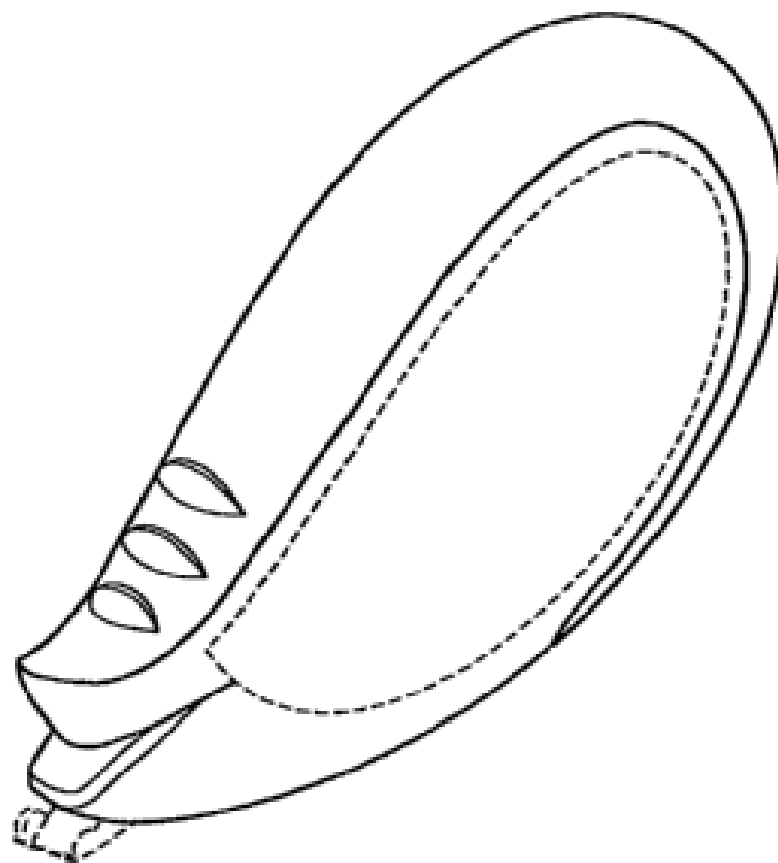
- (21) Design Number: **15714/2008**
(22) Date of Filing Application: **04 December 2008**
(24) Date from which industrial property rights may have effect: **04 December 2008**
(54) Product in respect of which the design is registered: **Correction tape dispenser**
(51) International Design Classification: **19-99**
(71) Name(s) and Address(s) of Applicant(s):
Sanford, L.P.
2707 Butterfield Road Oak Brook IL 60523 United States of America
(72) Name(s) of Designer(s): **Fabrice Gallay**
(45) Registration Date: **23 January 2009**
(30) Convention priority data:
(31) Number (32) Date (33) Country
29/324,495 12 Sep 2008 UNITED STATES OF AMERICA
(56) Related Art Documents: **Not Applicable**
(57) Statement of Newness and Distinctiveness: **Nil**



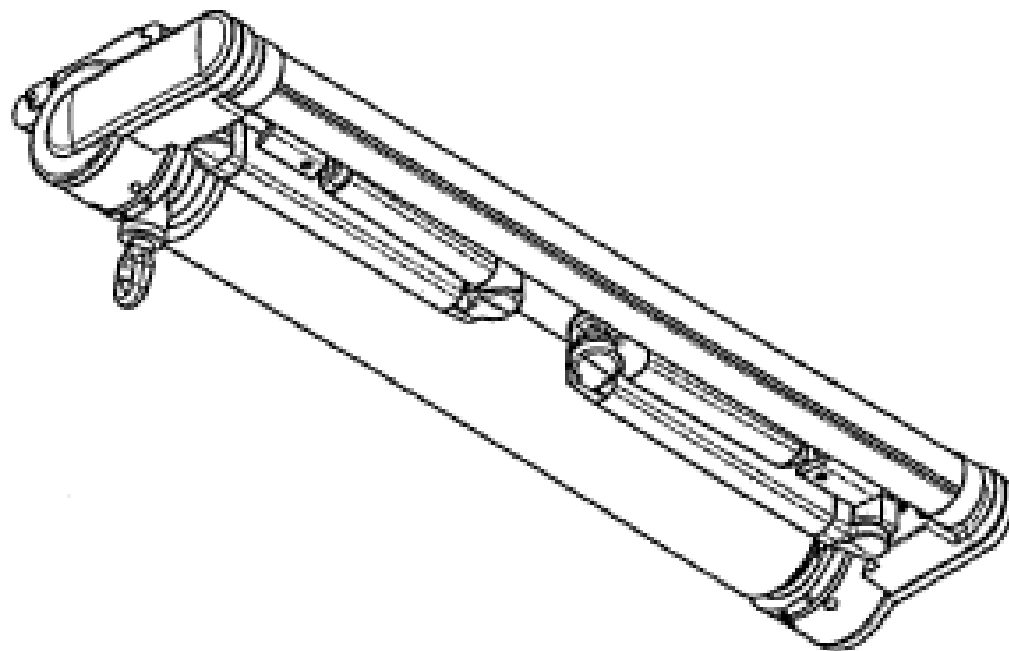
- (21) Design Number: **15715/2008**
(22) Date of Filing Application: **04 December 2008**
(24) Date from which industrial property rights may have effect: **04 December 2008**
(54) Product in respect of which the design is registered: **Correction tape dispenser**
(51) International Design Classification: **19-99**
(71) Name(s) and Address(s) of Applicant(s):
Sanford, L.P.
2707 Butterfield Road Oak Brook IL 60523 United States of America
(72) Name(s) of Designer(s): **Fabrice Gallay**
(45) Registration Date: **23 January 2009**
(30) Convention priority data:
(31) Number (32) Date (33) Country
29/324,495 12 Sep 2008 UNITED STATES OF AMERICA
(56) Related Art Documents: **Not Applicable**
(57) Statement of Newness and Distinctiveness: **The newness and distinctiveness of the design resides in the features of shape, configuration, shown in solid outline in the accompanying representations.**



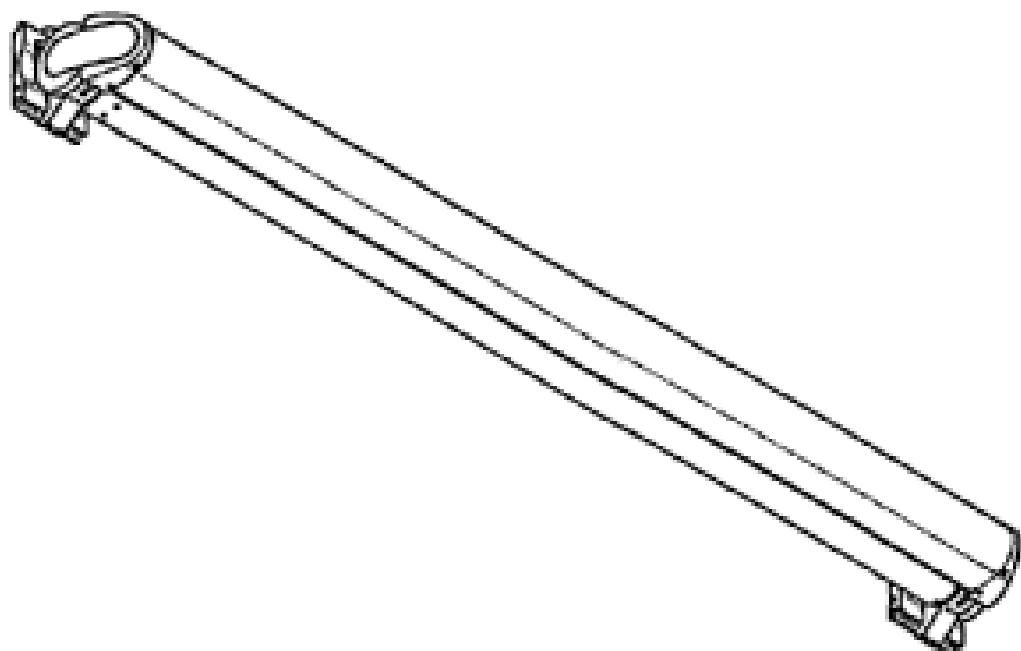
- (21) Design Number: **15716/2008**
(22) Date of Filing Application: **04 December 2008**
(24) Date from which industrial property rights may have effect: **04 December 2008**
(54) Product in respect of which the design is registered: **Correction tape dispenser**
(51) International Design Classification: **19-99**
(71) Name(s) and Address(s) of Applicant(s):
Sanford, L.P.
2707 Butterfield Road Oak Brook IL 60523 United States of America
(72) Name(s) of Designer(s): **Fabrice Gallay**
(45) Registration Date: **23 January 2009**
(30) Convention priority data:
(31) Number (32) Date (33) Country
29/324,495 12 Sep 2008 UNITED STATES OF AMERICA
(56) Related Art Documents: **Not Applicable**
(57) Statement of Newness and Distinctiveness: **The newness and distinctiveness of the design resides in the features of shape, configuration, shown in solid outline in the accompanying representations.**



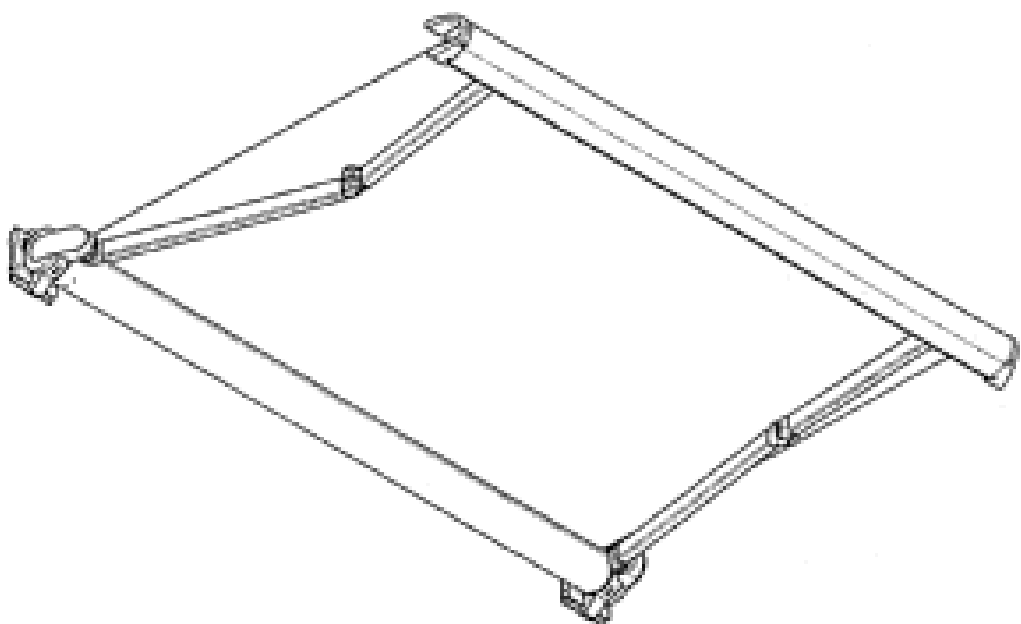
- (21) Design Number: **15722/2008**
(22) Date of Filing Application: **04 December 2008**
(24) Date from which industrial property rights may have effect: **04 December 2008**
(54) Product in respect of which the design is registered: **Awning**
(51) International Design Classification: **25-02H**
(71) Name(s) and Address(s) of Applicant(s):
Schmitz-Werke GmbH + Co. KG
Hansestrasse 87 48282 Emsdetten Germany
(72) Name(s) of Designer(s): **Andreas Kramer**
(45) Registration Date: **23 January 2009**
(30) Convention priority data:
(31) Number (32) Date (33) Country
000958137-0001 25 Jun 2008 EUROPEAN COMMUNITY
(56) Related Art Documents: **Not Applicable**
(57) Statement of Newness and Distinctiveness: **Those features of the awning depicted in the representations that are new and distinctive are the shape and/or configuration.**



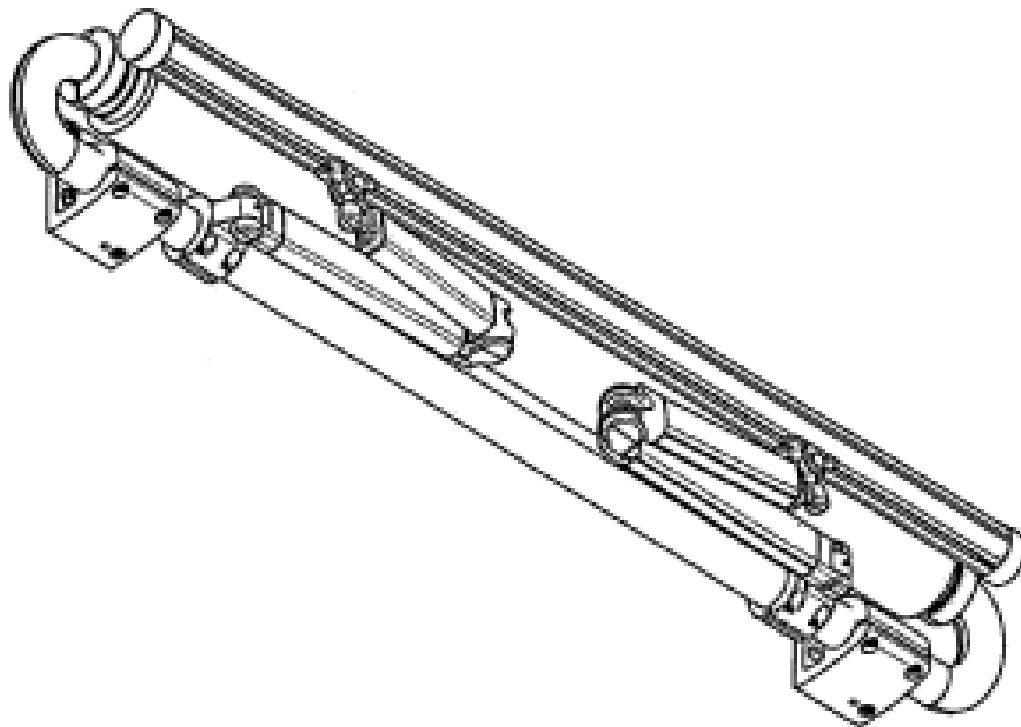
- (21) Design Number: **15723/2008**
(22) Date of Filing Application: **04 December 2008**
(24) Date from which industrial property rights may have effect: **04 December 2008**
(54) Product in respect of which the design is registered: **Awning**
(51) International Design Classification: **25-02H**
(71) Name(s) and Address(s) of Applicant(s):
Schmitz-Werke GmbH + Co. KG
Hansestrasse 87 48282 Emsdetten Germany
(72) Name(s) of Designer(s): **Andreas Kramer**
(45) Registration Date: **23 January 2009**
(30) Convention priority data:
(31) Number (32) Date (33) Country
000958137-0003 25 Jun 2008 EUROPEAN COMMUNITY
(56) Related Art Documents: **Not Applicable**
(57) Statement of Newness and Distinctiveness: **Those features of the awning depicted in the representations that are new and distinctive are the shape and/or configuration.**



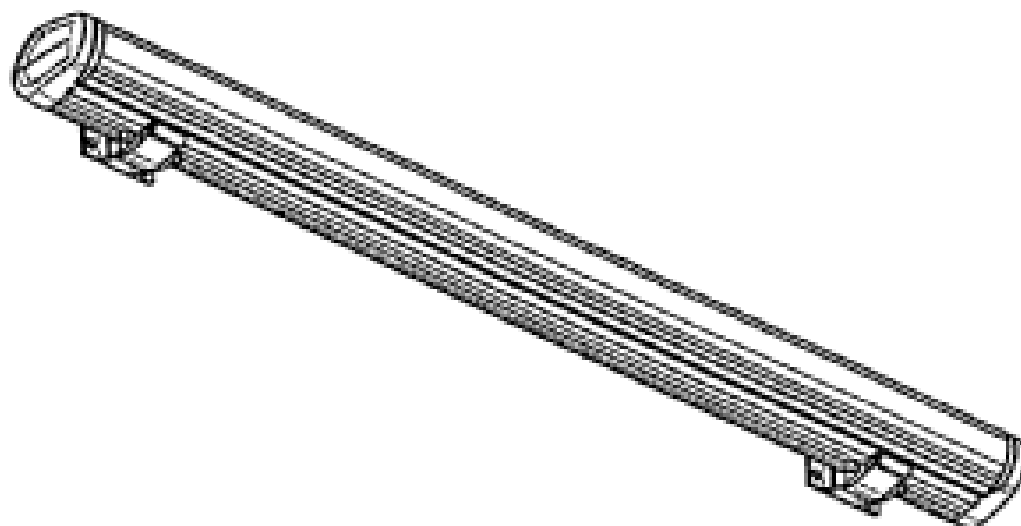
- (21) Design Number: **15724/2008**
(22) Date of Filing Application: **04 December 2008**
(24) Date from which industrial property rights may have effect: **04 December 2008**
(54) Product in respect of which the design is registered: **Awning**
(51) International Design Classification: **25-02H**
(71) Name(s) and Address(s) of Applicant(s):
Schmitz-Werke GmbH + Co. KG
Hansestrasse 87 48282 Emsdetten Germany
(72) Name(s) of Designer(s): **Andreas Kramer**
(45) Registration Date: **23 January 2009**
(30) Convention priority data:
(31) Number (32) Date (33) Country
000958137-0004 25 Jun 2008 EUROPEAN COMMUNITY
(56) Related Art Documents: **Not Applicable**
(57) Statement of Newness and Distinctiveness: **Those features of the awning depicted in the representations that are new and distinctive are the shape and/or configuration.**



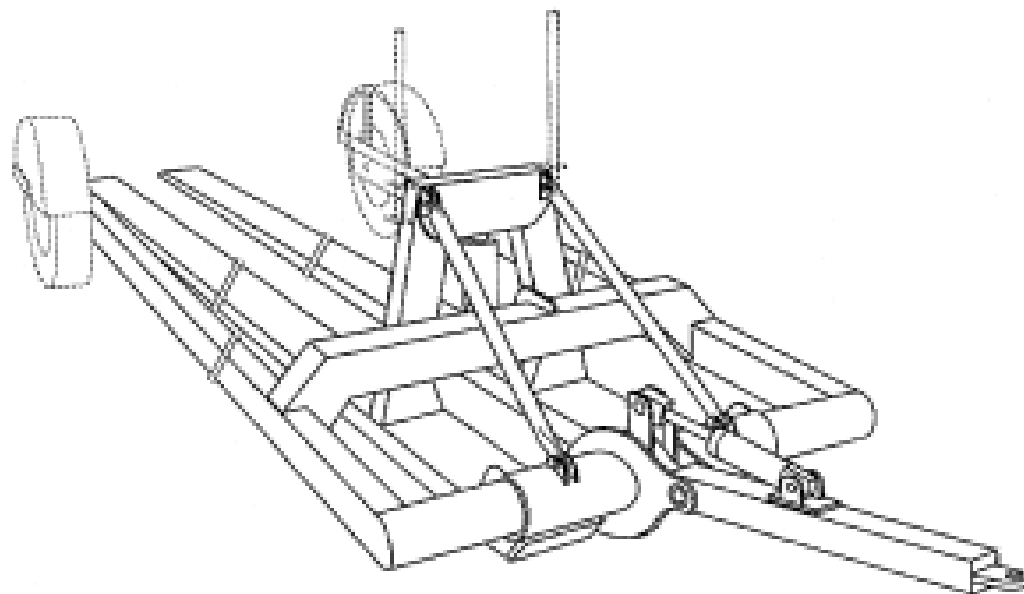
- (21) Design Number: **15725/2008**
(22) Date of Filing Application: **04 December 2008**
(24) Date from which industrial property rights may have effect: **04 December 2008**
(54) Product in respect of which the design is registered: **Awning**
(51) International Design Classification: **25-02H**
(71) Name(s) and Address(s) of Applicant(s):
Schmitz-Werke GmbH + Co. KG
Hansestrasse 87 48282 Emsdetten Germany
(72) Name(s) of Designer(s): **Bernhard Wessels**
(45) Registration Date: **23 January 2009**
(30) Convention priority data:
(31) Number (32) Date (33) Country
000958137-0005 25 Jun 2008 EUROPEAN COMMUNITY
(56) Related Art Documents: **Not Applicable**
(57) Statement of Newness and Distinctiveness: **Those features of the awning depicted in the representations that are new and distinctive are the shape and/or configuration.**



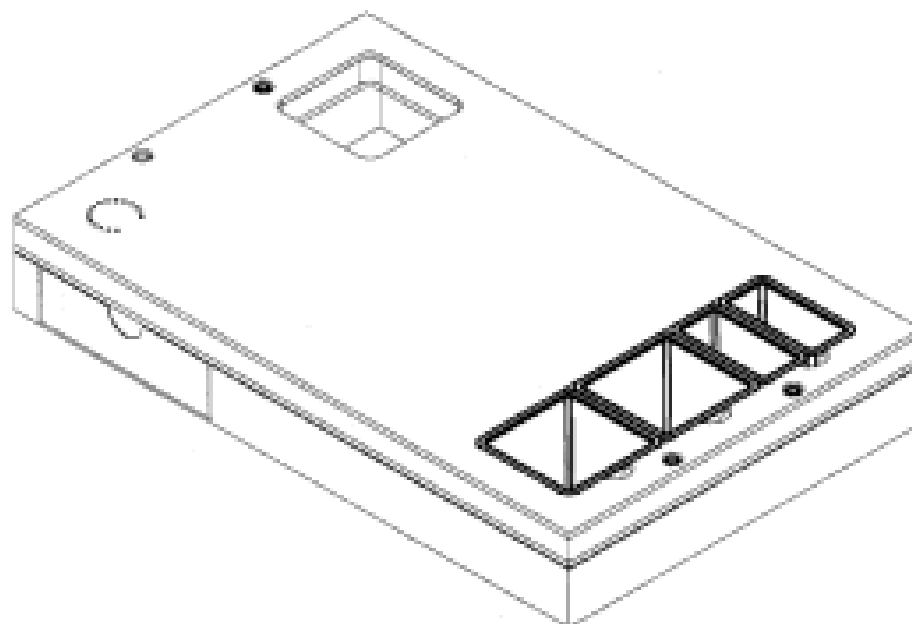
- (21) Design Number: **15726/2008**
(22) Date of Filing Application: **04 December 2008**
(24) Date from which industrial property rights may have effect: **04 December 2008**
(54) Product in respect of which the design is registered: **Awning**
(51) International Design Classification: **25-02H**
(71) Name(s) and Address(s) of Applicant(s):
Schmitz-Werke GmbH + Co. KG
Hansestrasse 87 48282 Emsdetten Germany
(72) Name(s) of Designer(s): **Andreas Kramer**
(45) Registration Date: **23 January 2009**
(30) Convention priority data:
(31) Number (32) Date (33) Country
000958137-0007 25 Jun 2008 EUROPEAN COMMUNITY
(56) Related Art Documents: **Not Applicable**
(57) Statement of Newness and Distinctiveness: **Those features of the awning depicted in the representations that are new and distinctive are the shape and/or configuration.**



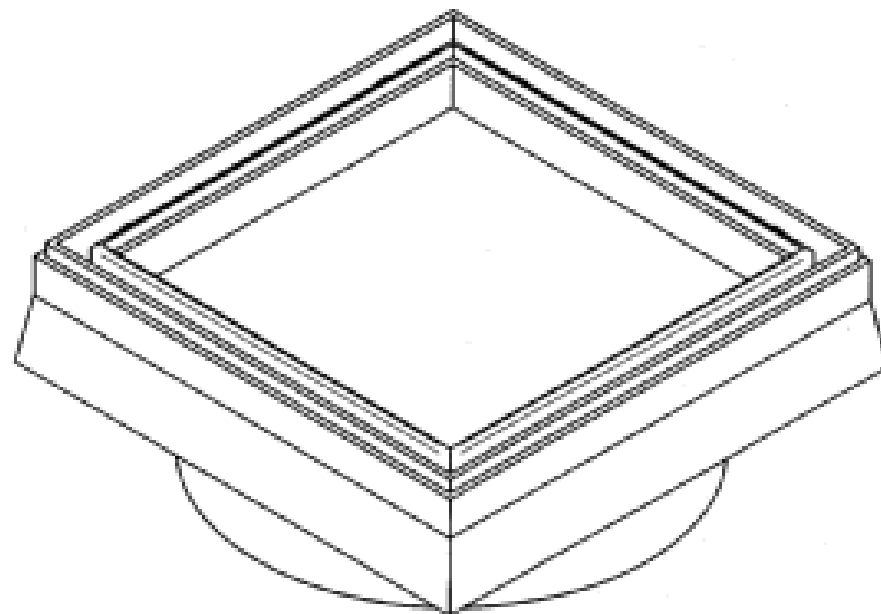
- (21) Design Number: **15770/2008**
(22) Date of Filing Application: **09 December 2008**
(24) Date from which industrial property rights may have effect: **09 December 2008**
(54) Product in respect of which the design is registered: **A trailer**
(51) International Design Classification: **12-10**
(71) Name(s) and Address(s) of Applicant(s):
Peter David Guy
30 Hau Road Motueka 7120 New Zealand
(72) Name(s) of Designer(s): **Peter David Guy**
(45) Registration Date: **23 January 2009**
(56) Related Art Documents: **Not Applicable**
(57) Statement of Newness and Distinctiveness: **Newness and distinctiveness reside in the features of shape and/or configuration of the trailer, as shown in the representations. Newness and distinctiveness are not claimed in relation to the features shown in phantom lines in the representations. The side frame members and forks are of indefinite length.**



- (21) Design Number: **15542/2008**
(22) Date of Filing Application: **24 November 2008**
(24) Date from which industrial property rights may have effect: **24 November 2008**
(54) Product in respect of which the design is registered: **Work bench chef's station**
(51) International Design Classification: **06-03NES**
(71) Name(s) and Address(s) of Applicant(s):
Harry Pourounidis
C/- Foodfight Ltd 1-9 Moreland Road East Coburg Victoria 3058 Australia
Curtis Stone
C/- Foodfight Ltd 1-9 Moreland Road East Coburg Victoria 3058 Australia
(72) Name(s) of Designer(s): **Harry Pourounidis and Curtis Stone**
(45) Registration Date: **23 January 2009**
(56) Related Art Documents: **Not Applicable**
(57) Statement of Newness and Distinctiveness: **Distinct design and function.**



- (21) Design Number: **15573/2008**
(22) Date of Filing Application: **25 November 2008**
(24) Date from which industrial property rights may have effect: **25 November 2008**
(54) Product in respect of which the design is registered: **Water drain outlet fitting**
(51) International Design Classification: **23-01E**
(71) Name(s) and Address(s) of Applicant(s):
James Demetriou
5 Mara Close Wantirna South Victoria 3152 Australia
(72) Name(s) of Designer(s): **James Demetriou**
(45) Registration Date: **23 January 2009**
(56) Related Art Documents: **Not Applicable**
(57) Statement of Newness and Distinctiveness: **Designed to accept multiple water pipe fittings.**



- (21) Design Number: **15853/2008**
(22) Date of Filing Application: **12 December 2008**
(24) Date from which industrial property rights may have effect: **12 December 2008**
(54) Product in respect of which the design is registered: **Chair**
(51) International Design Classification: **06-01G, 06-01F**
(71) Name(s) and Address(s) of Applicant(s):
Ekornes ASA
N-6222 Ikornnes Norway
(72) Name(s) of Designer(s): **Rikke Wold**
(45) Registration Date: **23 January 2009**
(30) Convention priority data:

(31) Number	(32) Date	(33) Country
20080545	03 Oct 2008	NORWAY

(56) Related Art Documents: **Not Applicable**
(57) Statement of Newness and Distinctiveness: **Nil**



(21) Design Number: **15854/2008**
(22) Date of Filing Application: **12 December 2008**
(24) Date from which industrial property rights may have effect: **12 December 2008**
(54) Product in respect of which the design is registered: **Chair**
(51) International Design Classification: **06-01G, 06-06G**
(71) Name(s) and Address(s) of Applicant(s):

Ekornes ASA
N-6222 Ikornnes Norway

(72) Name(s) of Designer(s): **Rikke Wold**

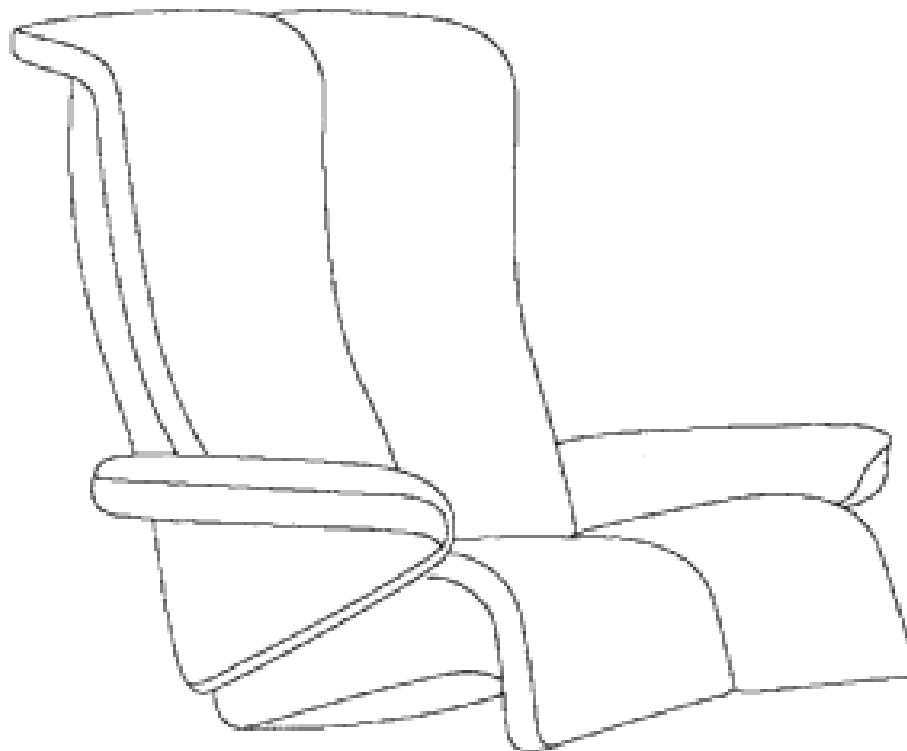
(45) Registration Date: **23 January 2009**

(30) Convention priority data:

(31) Number	(32) Date	(33) Country
20080545	03 Oct 2008	NORWAY

(56) Related Art Documents: **Not Applicable**

(57) Statement of Newness and Distinctiveness: **Nil**



(21) Design Number: **15855/2008**
(22) Date of Filing Application: **12 December 2008**
(24) Date from which industrial property rights may have effect: **12 December 2008**
(54) Product in respect of which the design is registered: **Stool**
(51) International Design Classification: **06-01E**
(71) Name(s) and Address(s) of Applicant(s):

Ekornes ASA
N-6222 Ikornnes Norway

(72) Name(s) of Designer(s): **Rikke Wold**

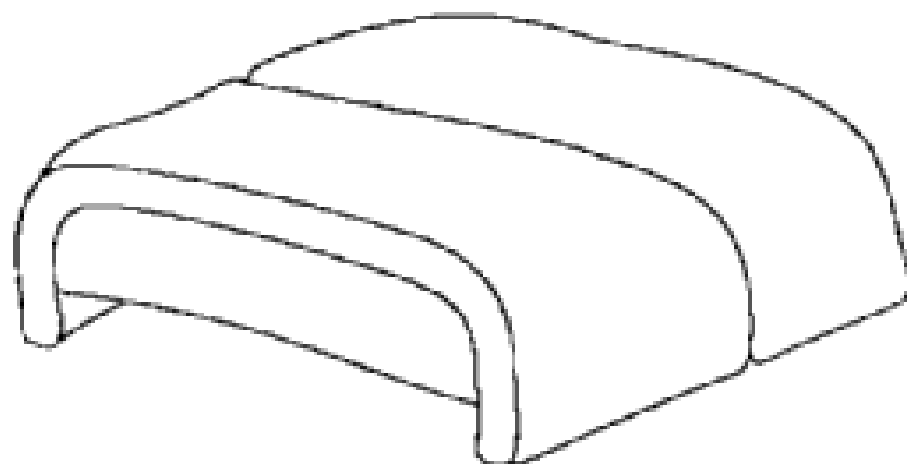
(45) Registration Date: **23 January 2009**

(30) Convention priority data:

(31) Number	(32) Date	(33) Country
20080545	03 Oct 2008	NORWAY

(56) Related Art Documents: **Not Applicable**

(57) Statement of Newness and Distinctiveness: **Nil**



(21) Design Number: **15856/2008**
(22) Date of Filing Application: **12 December 2008**
(24) Date from which industrial property rights may have effect: **12 December 2008**
(54) Product in respect of which the design is registered: **Stool**
(51) International Design Classification: **06-01E**
(71) Name(s) and Address(s) of Applicant(s):

Ekornes ASA
N-6222 Ikkornnes Norway

(72) Name(s) of Designer(s): **Rikke Wold**

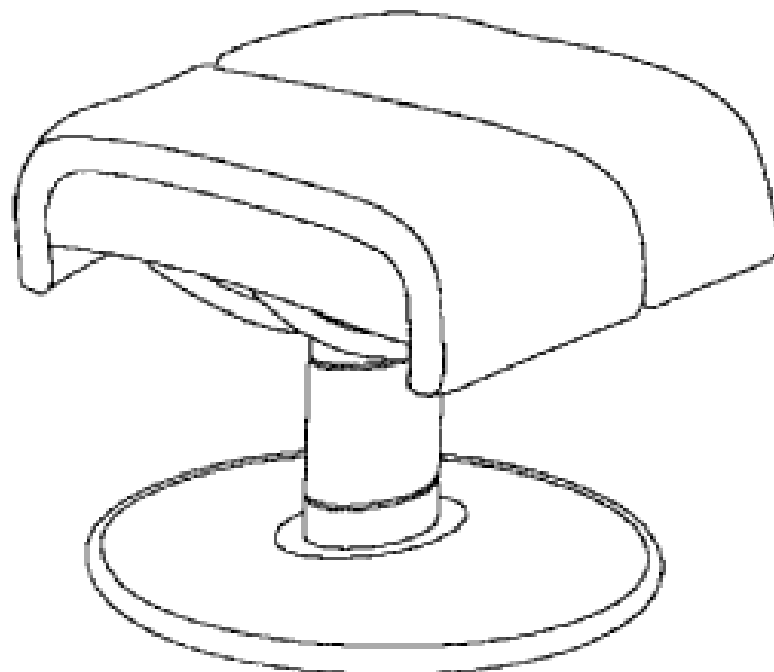
(45) Registration Date: **23 January 2009**

(30) Convention priority data:

(31) Number	(32) Date	(33) Country
20080545	03 Oct 2008	NORWAY

(56) Related Art Documents: **Not Applicable**

(57) Statement of Newness and Distinctiveness: **Nil**



(21) Design Number: **15896/2008**
(22) Date of Filing Application: **16 December 2008**
(24) Date from which industrial property rights may have effect: **16 December 2008**
(54) Product in respect of which the design is registered: **A tyre**
(51) International Design Classification: **12-15A**
(71) Name(s) and Address(s) of Applicant(s):

Societe De Technologie Michelin
23 rue Breschet F-63000 Clermont-Ferrand Cedex France
Michelin Recherche et Technique S.A.
Route Louis Braille 10 et 12 CH-1763 Granges-Paccot Switzerland

(72) Name(s) of Designer(s): **Denis Fleuriau**

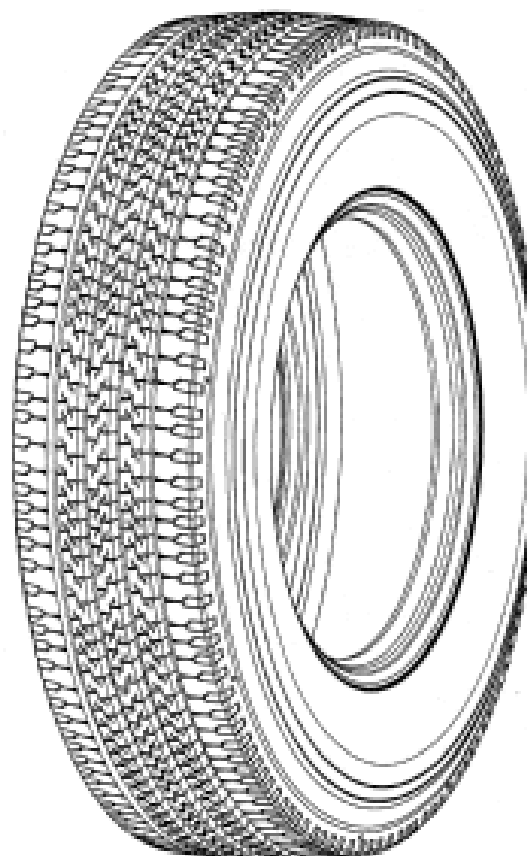
(45) Registration Date: **23 January 2009**

(30) Convention priority data:

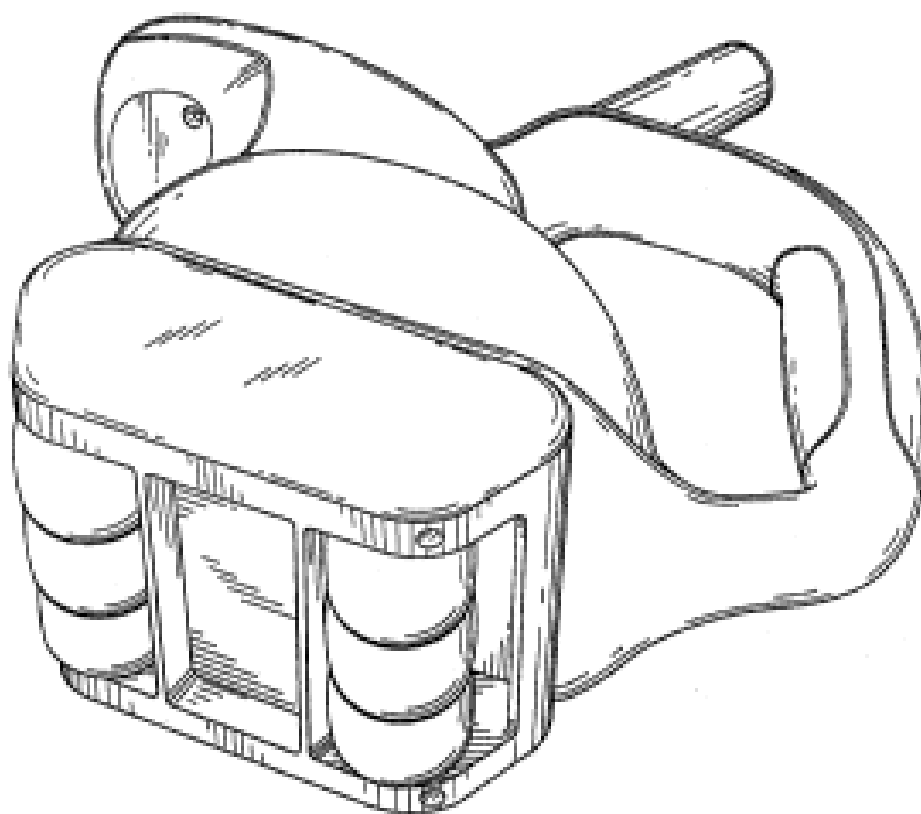
(31) Number	(32) Date	(33) Country
08/2858	19 Jun 2008	FRANCE

(56) Related Art Documents: **Not Applicable**

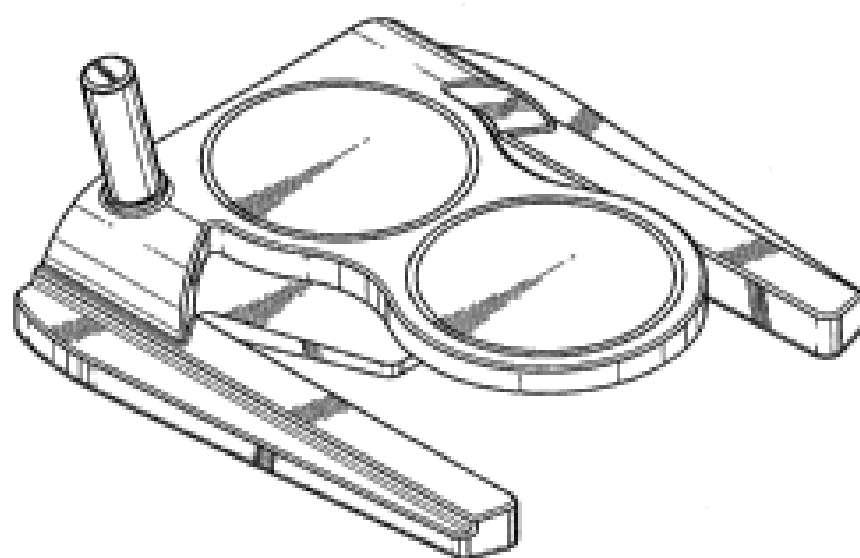
(57) Statement of Newness and Distinctiveness: **Newness and distinctiveness resides in the appearance of the tread region of the tyre with the side wall region of the tyre not forming part of the design.**



(21) Design Number: **15897/2008**
(22) Date of Filing Application: **16 December 2008**
(24) Date from which industrial property rights may have effect: **16 December 2008**
(54) Product in respect of which the design is registered: **Handpiece for massage or therapy**
(51) International Design Classification: **28-03NES**
(71) Name(s) and Address(s) of Applicant(s):
Eleme Medical Inc
Heron Cove Office Park 10 A1 Paul Lane Suite 102 Merrimack NH
03054 United States of America
(72) Name(s) of Designer(s): **Darrin Manke and Derek Verhoorn and James Rudolph**
(45) Registration Date: **23 January 2009**
(30) Convention priority data:
(31) Number (32) Date (33) Country
29/320,417 26 Jun 2008 UNITED STATES OF AMERICA
(56) Related Art Documents: **Not Applicable**
(57) Statement of Newness and Distinctiveness: **Nil**



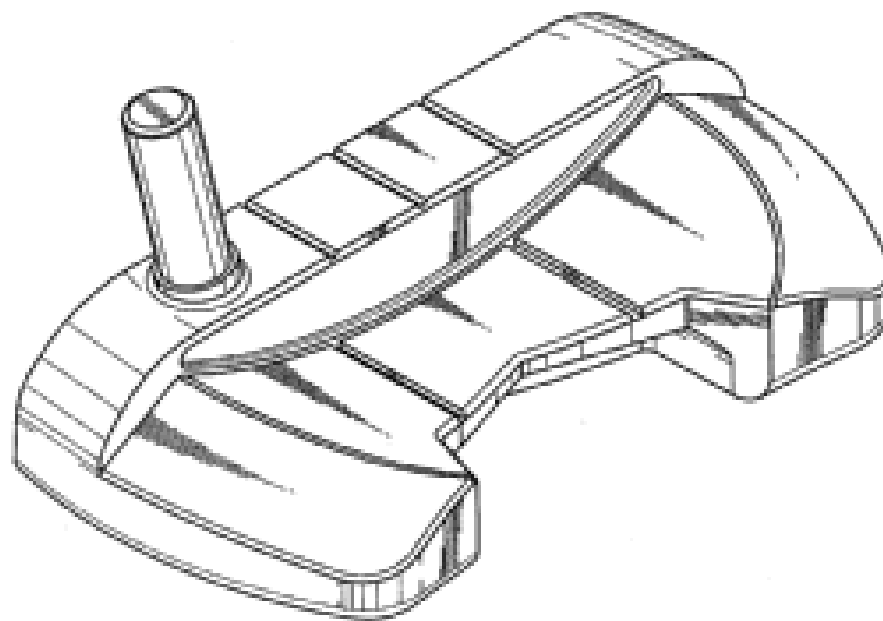
(21) Design Number: **15901/2008**
(22) Date of Filing Application: **16 December 2008**
(24) Date from which industrial property rights may have effect: **16 December 2008**
(54) Product in respect of which the design is registered: **Putter head**
(51) International Design Classification: **21-02C**
(71) Name(s) and Address(s) of Applicant(s):
Callaway Golf Company
2180 Rutherford Road Carlsbad California 92008-7328 United States of America
(72) Name(s) of Designer(s): **Larry G. Tang and Augustin W. Rollinson and Denver Holt**
(45) Registration Date: **23 January 2009**
(30) Convention priority data:
(31) Number (32) Date (33) Country
29/319883 17 Jun 2008 UNITED STATES OF AMERICA
(56) Related Art Documents: **Not Applicable**
(57) Statement of Newness and Distinctiveness: **Newness and distinctiveness is claimed in the features of shape and/or configuration of a putter head as illustrated in the accompanying representations.**



(21) Design Number: **15902/2008**
 (22) Date of Filing Application: **16 December 2008**
 (24) Date from which industrial property rights may have effect: **16 December 2008**
 (54) Product in respect of which the design is registered: **Putter head**
 (51) International Design Classification: **21-02C**
 (71) Name(s) and Address(s) of Applicant(s):
Callaway Golf Company
2180 Rutherford Road Carlsbad California 92008-7328 United States of America
 (72) Name(s) of Designer(s): **Philip G. Foster and Augustin W. Rollinson**
 (45) Registration Date: **23 January 2009**
 (30) Convention priority data:

(31) Number	(32) Date	(33) Country
29/320326	25 Jun 2008	UNITED STATES OF AMERICA

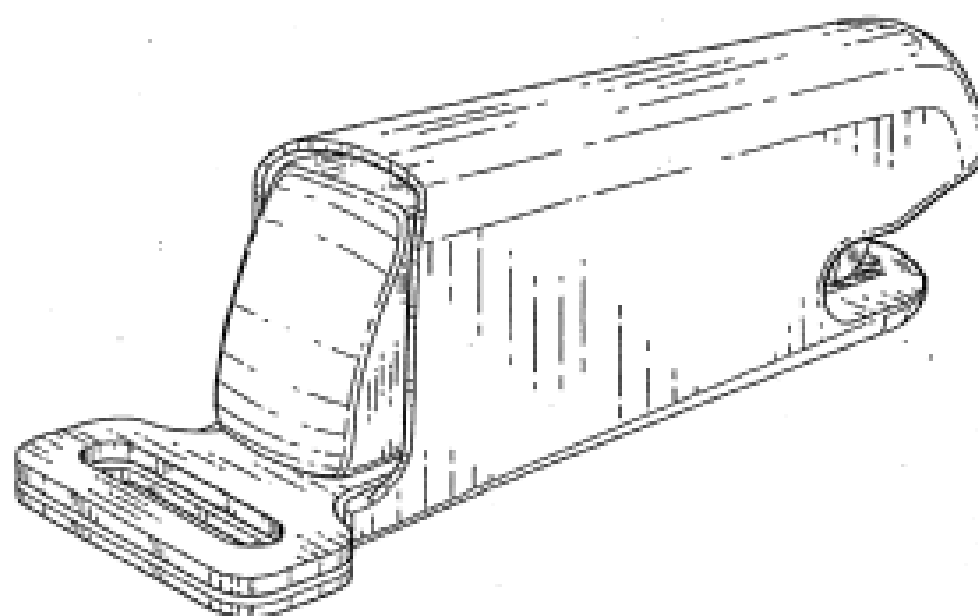
 (56) Related Art Documents: **Not Applicable**
 (57) Statement of Newness and Distinctiveness: **Newness and distinctiveness is claimed in the features of shape and/or configuration of a putter head as illustrated in the accompanying representations.**



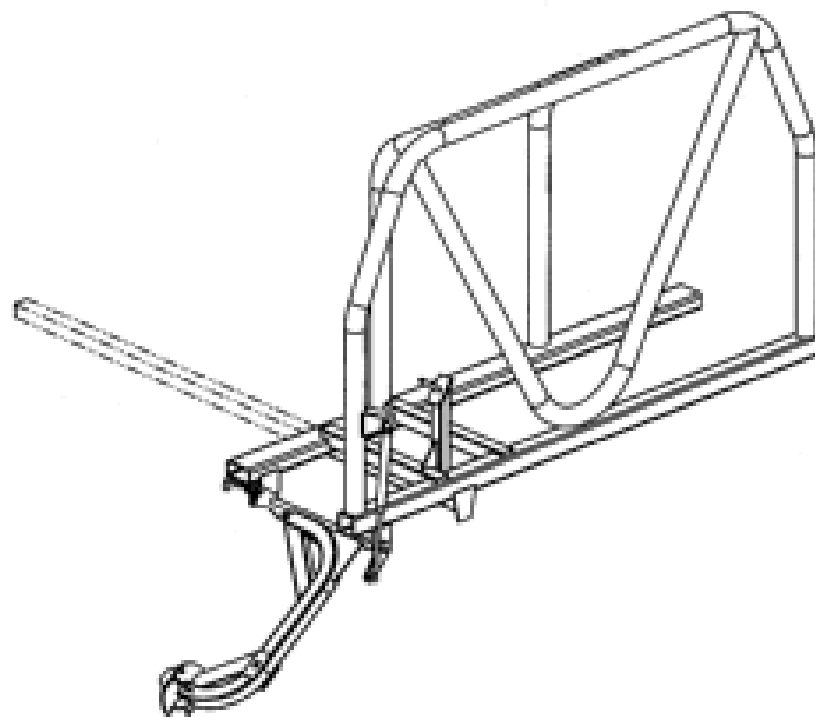
(21) Design Number: **15903/2008**
 (22) Date of Filing Application: **16 December 2008**
 (24) Date from which industrial property rights may have effect: **16 December 2008**
 (54) Product in respect of which the design is registered: **Child seat mounting connector**
 (51) International Design Classification: **08-08NES**
 (71) Name(s) and Address(s) of Applicant(s):
Indiana Mills & Manufacturing, Inc.
18881 U.S. 31 North PO Box 408 Westfield Indiana 46074-0408 United States of America
 (72) Name(s) of Designer(s): **Eugene R. Balensiefer**
 (45) Registration Date: **23 January 2009**
 (30) Convention priority data:

(31) Number	(32) Date	(33) Country
29/320233	24 Jun 2008	UNITED STATES OF AMERICA

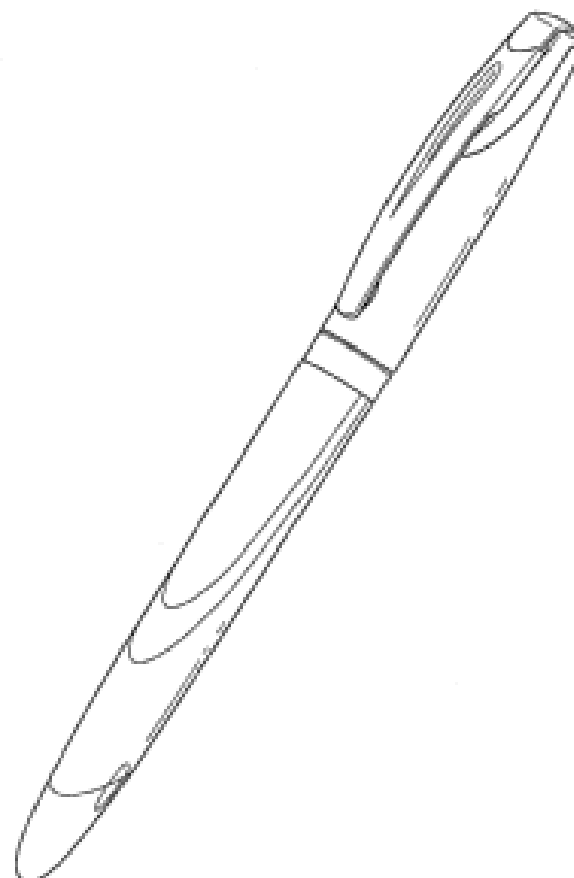
 (56) Related Art Documents: **Not Applicable**
 (57) Statement of Newness and Distinctiveness: **Newness and distinctiveness is claimed in the features of shape and/or configuration of a child seat mounting connector as illustrated in the accompanying representations.**



- (21) Design Number: **15904/2008**
(22) Date of Filing Application: **16 December 2008**
(24) Date from which industrial property rights may have effect: **16 December 2008**
(54) Product in respect of which the design is registered: **Swing out tyre carrier**
(51) International Design Classification: **12-16K**
(71) Name(s) and Address(s) of Applicant(s):
Macs Engineering Pty Ltd
1C Victoria Street Mackay Queensland 4740 Australia
(72) Name(s) of Designer(s): **Ross Fredrickson and Shane Johns and Michael Cavanagh**
(45) Registration Date: **23 January 2009**
(56) Related Art Documents: **Not Applicable**
(57) Statement of Newness and Distinctiveness: **The newness and distinctiveness of the design resides in the shape and/or configuration of the SWING OUT TYRE CARRIER shown in the representations. The parts shown in broken outline do not form part of the monopoly claimed.**



- (21) Design Number: **15485/2008**
(22) Date of Filing Application: **19 November 2008**
(24) Date from which industrial property rights may have effect: **19 November 2008**
(54) Product in respect of which the design is registered: **Writing instrument with cap**
(51) International Design Classification: **19-06**
(71) Name(s) and Address(s) of Applicant(s):
Societe Bic
14 rue Jeanne d'Asnieres 92110 Clichy France
(72) Name(s) of Designer(s): **Franck Rolion and Franck Vadenne**
(45) Registration Date: **27 January 2009**
(30) Convention priority data:
(31) Number (32) Date (33) Country
000984364-0001 08 Aug 2008 EUROPEAN COMMUNITY
(56) Related Art Documents: **Not Applicable**
(57) Statement of Newness and Distinctiveness: **Those features of the writing instrument with cap depicted in the representations that are new and distinctive are the shape and/or configuration.**



(21) Design Number: **15810/2008**

(22) Date of Filing Application: **19 November 2008**

(24) Date from which industrial property rights may have effect: **19 November 2008**

(54) Product in respect of which the design is registered: **Cap for writing instrument**

(51) International Design Classification: **19-06**

(71) Name(s) and Address(s) of Applicant(s):

Societe Bic

14 rue Jeanne d'Asnieres 92110 Clichy France

(72) Name(s) of Designer(s): **Franck Rolion and Franck Vadenne**

(45) Registration Date: **27 January 2009**

(30) Convention priority data:

(31) Number

(32) Date

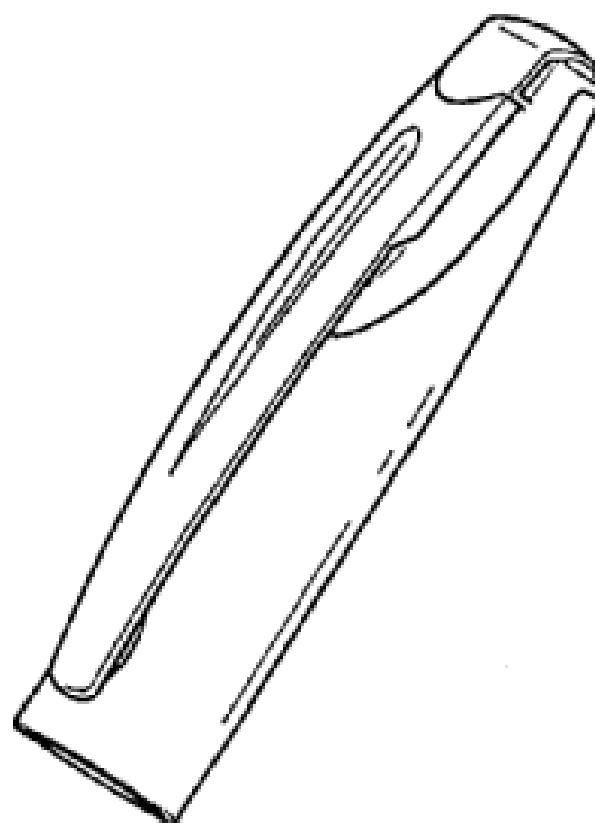
(33) Country

000984364-0002 08 Aug 2008

EUROPEAN COMMUNITY

(56) Related Art Documents: **Not Applicable**

(57) Statement of Newness and Distinctiveness: **Those features of the cap for writing instrument depicted in the representations that are new and distinctive are the shape and/or configuration.**



(21) Design Number: **15811/2008**

(22) Date of Filing Application: **19 November 2008**

(24) Date from which industrial property rights may have effect: **19 November 2008**

(54) Product in respect of which the design is registered: **Writing instrument**

(51) International Design Classification: **19-06**

(71) Name(s) and Address(s) of Applicant(s):

Societe Bic

14 rue Jeanne d'Asnieres 92110 Clichy France

(72) Name(s) of Designer(s): **Franck Rolion and Franck Vadenne**

(45) Registration Date: **27 January 2009**

(30) Convention priority data:

(31) Number

(32) Date

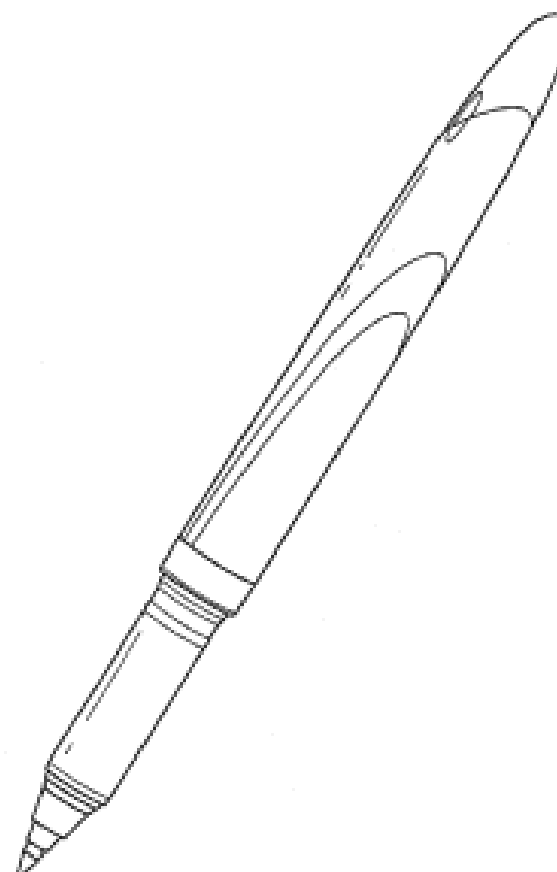
(33) Country

000984364-0003 08 Aug 2008

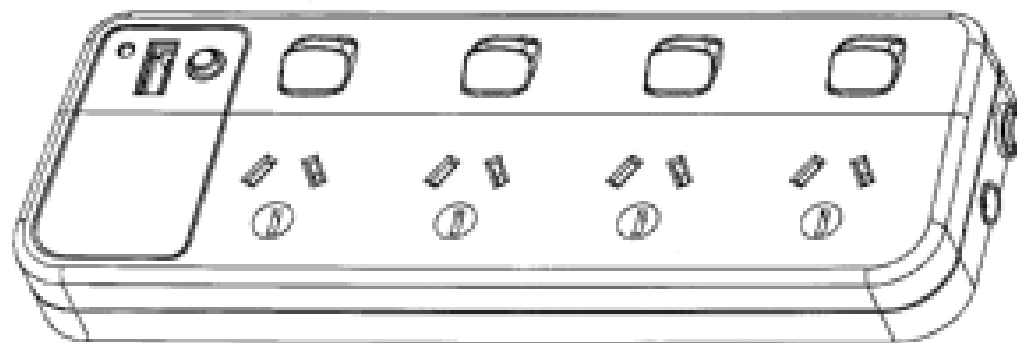
EUROPEAN COMMUNITY

(56) Related Art Documents: **Not Applicable**

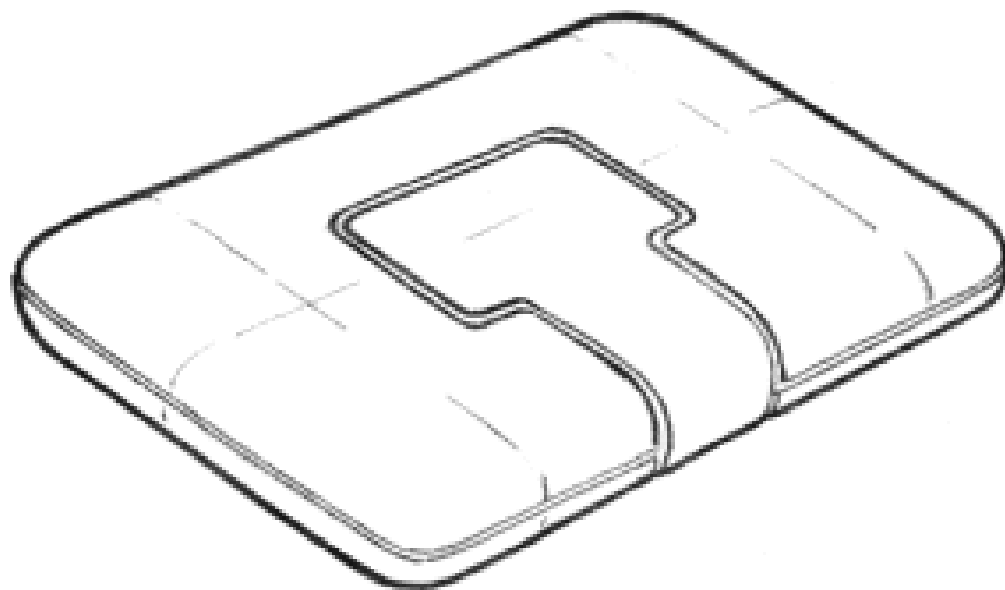
(57) Statement of Newness and Distinctiveness: **Those features of the writing instrument depicted in the representations that are new and distinctive are the shape and/or configuration.**



- (21) Design Number: **15779/2008**
(22) Date of Filing Application: **11 December 2008**
(24) Date from which industrial property rights may have effect: **11 December 2008**
(54) Product in respect of which the design is registered: **Power board with USB charger**
(51) International Design Classification: **13-03D, 14-02**
(71) Name(s) and Address(s) of Applicant(s):
Arlec Australia Pty Ltd
272-274 Maroondah Highway Chirnside Park Victoria 3116 Australia
(72) Name(s) of Designer(s): **Michael Nimmervoll**
(45) Registration Date: **27 January 2009**
(56) Related Art Documents: **Not Applicable**
(57) Statement of Newness and Distinctiveness: **Nil**



- (21) Design Number: **15804/2008**
(22) Date of Filing Application: **11 December 2008**
(24) Date from which industrial property rights may have effect: **11 December 2008**
(54) Product in respect of which the design is registered: **Wallets, purses, credit card holders**
(51) International Design Classification: **03-01B**
(71) Name(s) and Address(s) of Applicant(s):
Samuel Canning
41 Cambridge Street Rocklea Queensland 4106 Australia
Michael Beggs
41 Cambridge Street Rocklea Queensland 4106 Australia
(72) Name(s) of Designer(s): **Samuel Canning and Michael Beggs**
(45) Registration Date: **27 January 2009**
(56) Related Art Documents: **Not Applicable**
(57) Statement of Newness and Distinctiveness: **The wallet/credit card holder/container is moulded from a flexible elastomeric material featuring a single piece body with a moulded hinge. A flexible elastomeric catch uses its memory to return to its relaxed (it is moulded in a closed position) state to hold the container in a closed position. This flexible catch is flexed out of the way in order to open the container.**



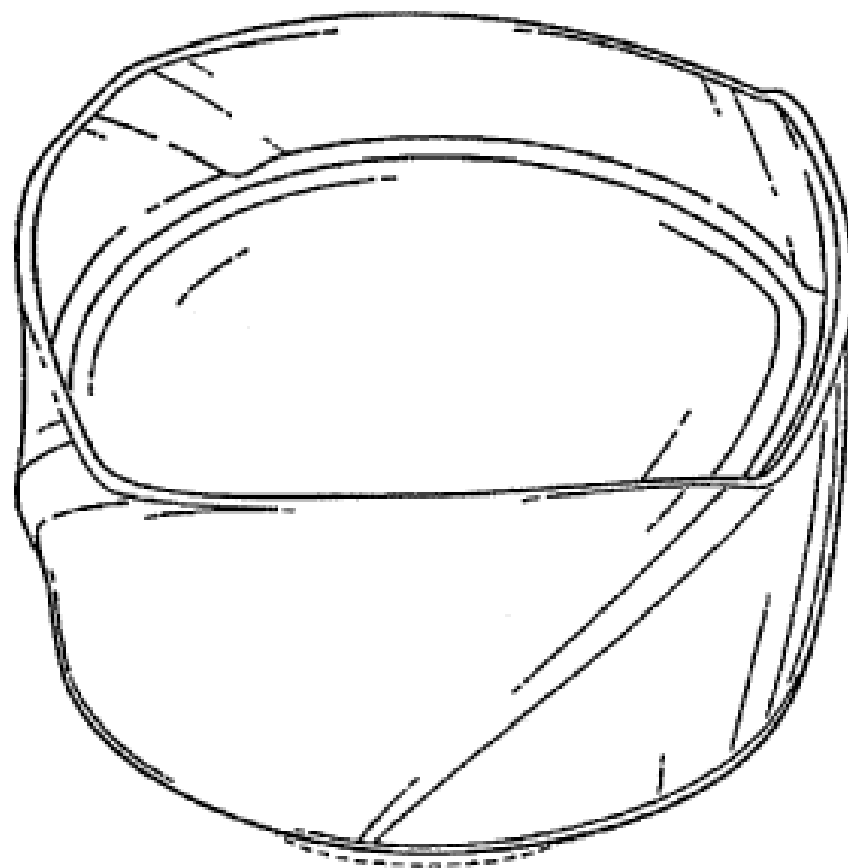
-
- (21) Design Number: **15812/2008**
(22) Date of Filing Application: **12 December 2008**
(24) Date from which industrial property rights may have effect: **12 December 2008**
(54) Product in respect of which the design is registered: **Picket (1800mm)**
(51) International Design Classification: **25-01E**
(71) Name(s) and Address(s) of Applicant(s):
 Hurricane Wire Products Pty Ltd
 6 Geonic Street Woodridge Queensland 4114 Australia
(72) Name(s) of Designer(s): **Adrian Strath and Christopher Clyde Collier**
(45) Registration Date: **27 January 2009**
(56) Related Art Documents: **Not Applicable**
(57) Statement of Newness and Distinctiveness: **Monopoly is claimed in the shape and configuration of a picket as illustrated in the accompanying representations.**



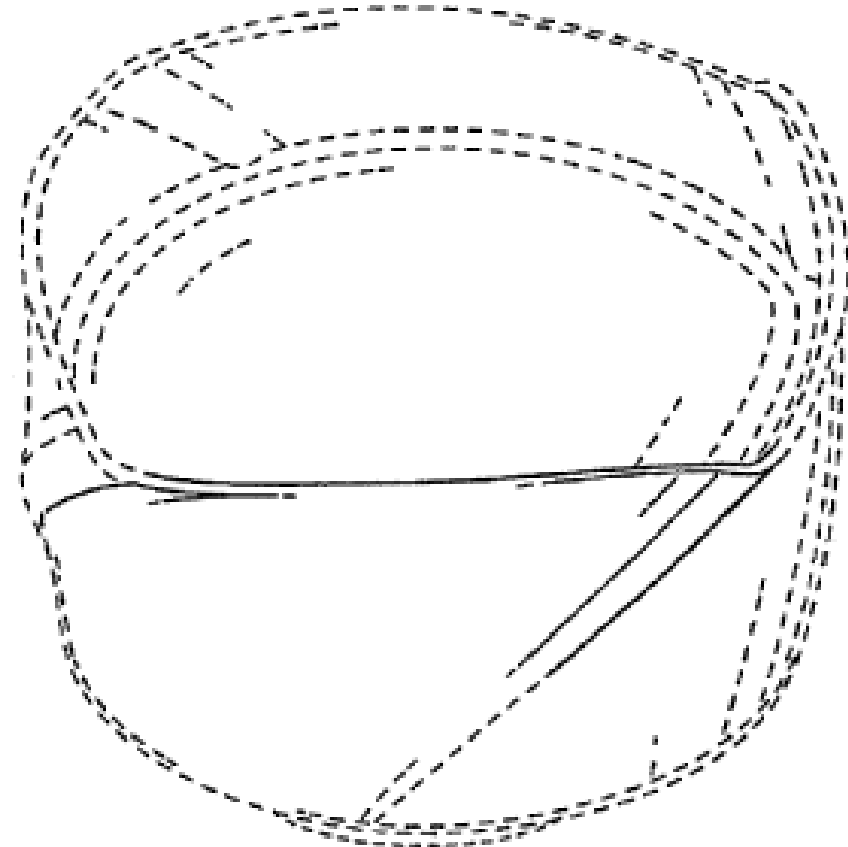
-
- (21) Design Number: **15813/2008**
(22) Date of Filing Application: **12 December 2008**
(24) Date from which industrial property rights may have effect: **12 December 2008**
(54) Product in respect of which the design is registered: **Picket (1650mm)**
(51) International Design Classification: **25-01E**
(71) Name(s) and Address(s) of Applicant(s):
 Hurricane Wire Products Pty Ltd
 6 Geonic Street Woodridge Queensland 4114 Australia
(72) Name(s) of Designer(s): **Adrian Strath and Christopher Clyde Collier**
(45) Registration Date: **27 January 2009**
(56) Related Art Documents: **Not Applicable**
(57) Statement of Newness and Distinctiveness: **Monopoly is claimed in the shape and configuration of a picket as illustrated in the accompanying representations.**



(21) Design Number: **15814/2008**
(22) Date of Filing Application: **11 December 2008**
(24) Date from which industrial property rights may have effect: **11 December 2008**
(54) Product in respect of which the design is registered: **Cap**
(51) International Design Classification: **09-07C, 09-07B**
(71) Name(s) and Address(s) of Applicant(s):
The Procter & Gamble Company
One Procter & Gamble Plaza Cincinnati Ohio 45202 United States of America
(72) Name(s) of Designer(s): **Brian Lee Floyd**
(45) Registration Date: **27 January 2009**
(30) Convention priority data:
(31) Number (32) Date (33) Country
29/308,331 11 Jun 2008 UNITED STATES OF AMERICA
(56) Related Art Documents: **Not Applicable**
(57) Statement of Newness and Distinctiveness: **Newness and distinctiveness reside in the features of shape and/or configuration of the cap, as shown in the representations. Newness and distinctiveness are not claimed in relation to the features shown in broken lines in the representations.**



(21) Design Number: **15815/2008**
(22) Date of Filing Application: **11 December 2008**
(24) Date from which industrial property rights may have effect: **11 December 2008**
(54) Product in respect of which the design is registered: **Cap**
(51) International Design Classification: **09-07C, 09-07B**
(71) Name(s) and Address(s) of Applicant(s):
The Procter & Gamble Company
One Procter & Gamble Plaza Cincinnati Ohio 45202 United States of America
(72) Name(s) of Designer(s): **Brian Lee Floyd**
(45) Registration Date: **27 January 2009**
(30) Convention priority data:
(31) Number (32) Date (33) Country
29/308,331 11 Jun 2008 UNITED STATES OF AMERICA
(56) Related Art Documents: **Not Applicable**
(57) Statement of Newness and Distinctiveness: **Newness and distinctiveness reside in the features of shape and/or configuration of the cap, as shown in the representations. Newness and distinctiveness are not claimed in relation to the features shown in broken lines in the representations.**



(21) Design Number: **15816/2008**
(22) Date of Filing Application: **11 December 2008**
(24) Date from which industrial property rights may have effect: **11 December 2008**
(54) Product in respect of which the design is registered: **Cap**
(51) International Design Classification: **09-07C, 09-07B**
(71) Name(s) and Address(s) of Applicant(s):

The Procter & Gamble Company
One Procter & Gamble Plaza Cincinnati Ohio 45202 United States of America

(72) Name(s) of Designer(s): **Brian Lee Floyd**

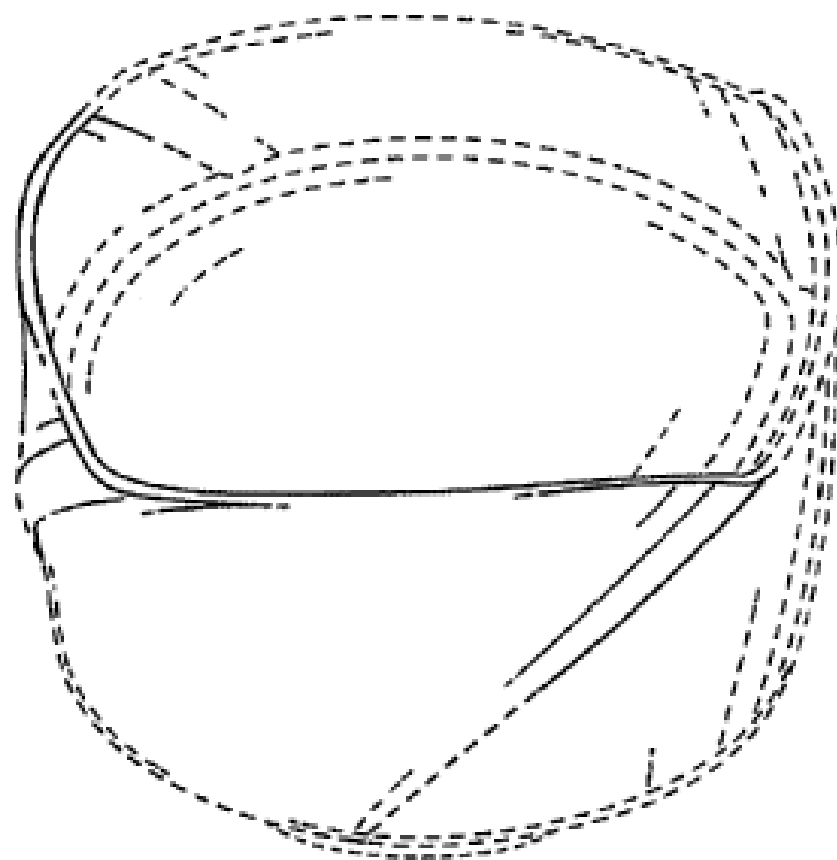
(45) Registration Date: **27 January 2009**

(30) Convention priority data:

(31) Number	(32) Date	(33) Country
29/308,331	11 Jun 2008	UNITED STATES OF AMERICA

(56) Related Art Documents: **Not Applicable**

(57) Statement of Newness and Distinctiveness: **Newness and distinctiveness reside in the features of shape and/or configuration of the cap, as shown in the representations. Newness and distinctiveness are not claimed in relation to the features shown in broken lines in the representations.**



(21) Design Number: **15817/2008**
(22) Date of Filing Application: **11 December 2008**
(24) Date from which industrial property rights may have effect: **11 December 2008**
(54) Product in respect of which the design is registered: **Cap**
(51) International Design Classification: **09-07C, 09-07B**
(71) Name(s) and Address(s) of Applicant(s):

The Procter & Gamble Company
One Procter & Gamble Plaza Cincinnati Ohio 45202 United States of America

(72) Name(s) of Designer(s): **Brian Lee Floyd**

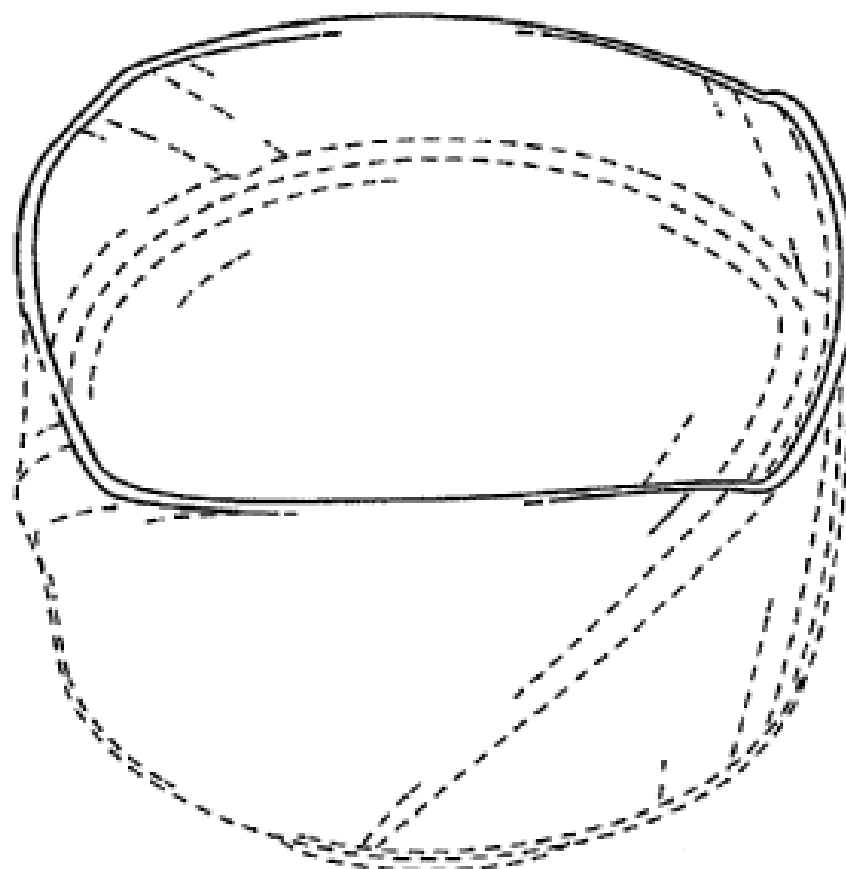
(45) Registration Date: **27 January 2009**

(30) Convention priority data:

(31) Number	(32) Date	(33) Country
29/308,331	11 Jun 2008	UNITED STATES OF AMERICA

(56) Related Art Documents: **Not Applicable**

(57) Statement of Newness and Distinctiveness: **Newness and distinctiveness reside in the features of shape and/or configuration of the cap, as shown in the representations. Newness and distinctiveness are not claimed in relation to the features shown in broken lines in the representations.**



- (21) Design Number: **15821/2008**
- (22) Date of Filing Application: **11 December 2008**
- (24) Date from which industrial property rights may have effect: **11 December 2008**
- (54) Product in respect of which the design is registered: **Bottle**
- (51) International Design Classification: **09-01NES**
- (71) Name(s) and Address(s) of Applicant(s):

The Procter & Gamble Company
One Procter & Gamble Plaza Cincinnati Ohio 45202 United States of America

(72) Name(s) of Designer(s): **Brian Lee Floyd**

(45) Registration Date: **27 January 2009**

(30) Convention priority data:

(31) Number	(32) Date	(33) Country
29/308,331	11 Jun 2008	UNITED STATES OF AMERICA

(56) Related Art Documents: **Not Applicable**

(57) Statement of Newness and Distinctiveness: **Newness and distinctiveness reside in the features of shape and/or configuration of the bottle, as shown in the representations. Newness and distinctiveness are not claimed in relation to the features shown in broken lines in the representations.**



- (21) Design Number: **15822/2008**
- (22) Date of Filing Application: **11 December 2008**
- (24) Date from which industrial property rights may have effect: **11 December 2008**
- (54) Product in respect of which the design is registered: **Bottle**
- (51) International Design Classification: **09-01NES**
- (71) Name(s) and Address(s) of Applicant(s):

The Procter & Gamble Company
One Procter & Gamble Plaza Cincinnati Ohio 45202 United States of America

(72) Name(s) of Designer(s): **Brian Lee Floyd**

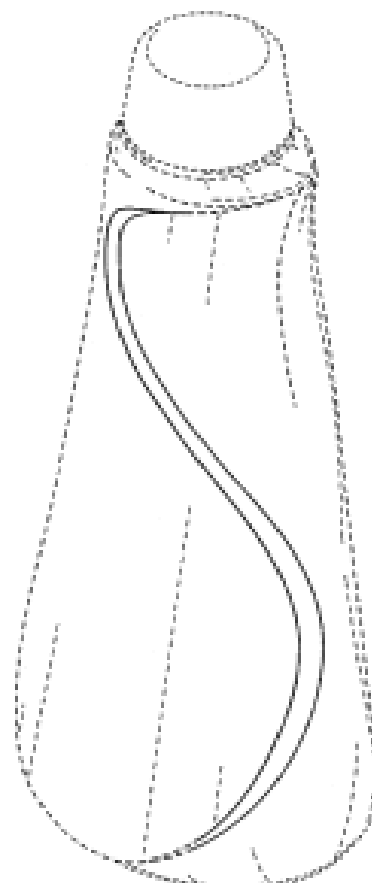
(45) Registration Date: **27 January 2009**

(30) Convention priority data:

(31) Number	(32) Date	(33) Country
29/308,331	11 Jun 2008	UNITED STATES OF AMERICA

(56) Related Art Documents: **Not Applicable**

(57) Statement of Newness and Distinctiveness: **Newness and distinctiveness reside in the features of shape and/or configuration of the bottle, as shown in the representations. Newness and distinctiveness are not claimed in relation to the features shown in broken lines in the representations.**



- (21) Design Number: **15823/2008**
- (22) Date of Filing Application: **11 December 2008**
- (24) Date from which industrial property rights may have effect: **11 December 2008**
- (54) Product in respect of which the design is registered: **Bottle**
- (51) International Design Classification: **09-01NES**
- (71) Name(s) and Address(s) of Applicant(s):

The Procter & Gamble Company
One Procter & Gamble Plaza Cincinnati Ohio 45202 United States of America

- (72) Name(s) of Designer(s): **Brian Lee Floyd**

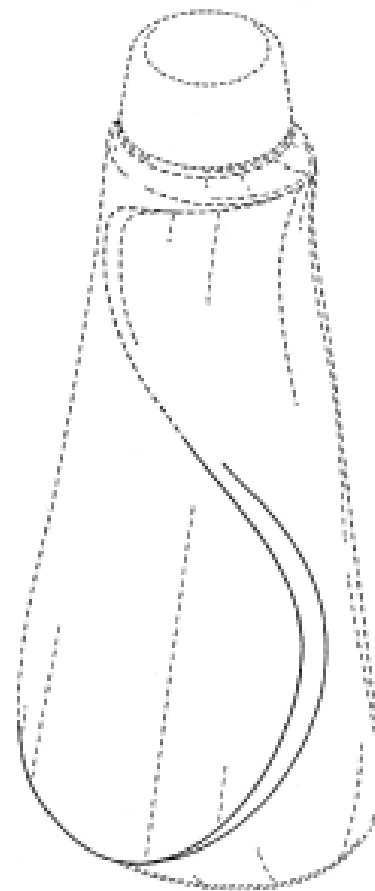
- (45) Registration Date: **27 January 2009**

- (30) Convention priority data:

(31) Number	(32) Date	(33) Country
29/308,331	11 Jun 2008	UNITED STATES OF AMERICA

- (56) Related Art Documents: **Not Applicable**

- (57) Statement of Newness and Distinctiveness: **Newness and distinctiveness reside in the features of shape and/or configuration of the bottle, as shown in the representations. Newness and distinctiveness are not claimed in relation to the features shown in broken lines in the representations.**



- (21) Design Number: **15824/2008**
- (22) Date of Filing Application: **11 December 2008**
- (24) Date from which industrial property rights may have effect: **11 December 2008**
- (54) Product in respect of which the design is registered: **Bottle**
- (51) International Design Classification: **09-01NES**
- (71) Name(s) and Address(s) of Applicant(s):

The Procter & Gamble Company
One Procter & Gamble Plaza Cincinnati Ohio 45202 United States of America

- (72) Name(s) of Designer(s): **Brian Lee Floyd**

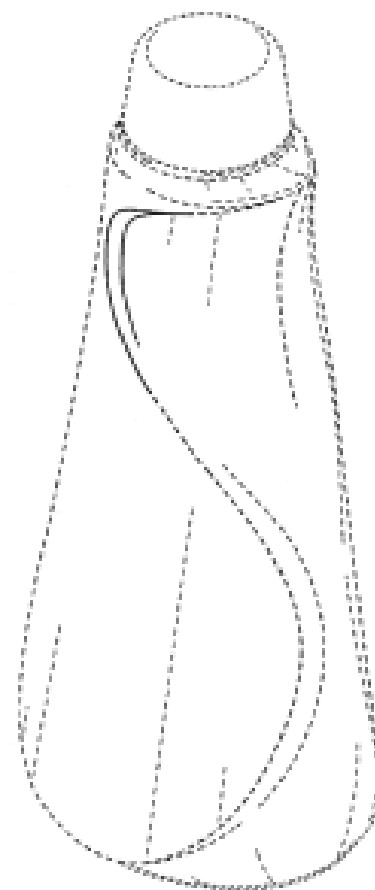
- (45) Registration Date: **27 January 2009**

- (30) Convention priority data:

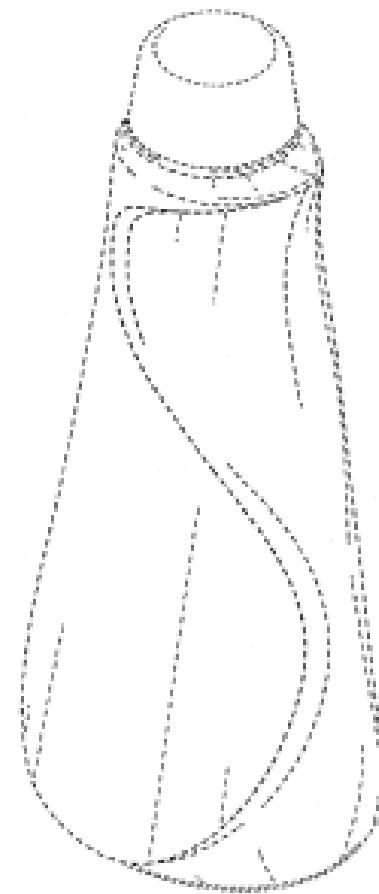
(31) Number	(32) Date	(33) Country
29/308,331	11 Jun 2008	UNITED STATES OF AMERICA

- (56) Related Art Documents: **Not Applicable**

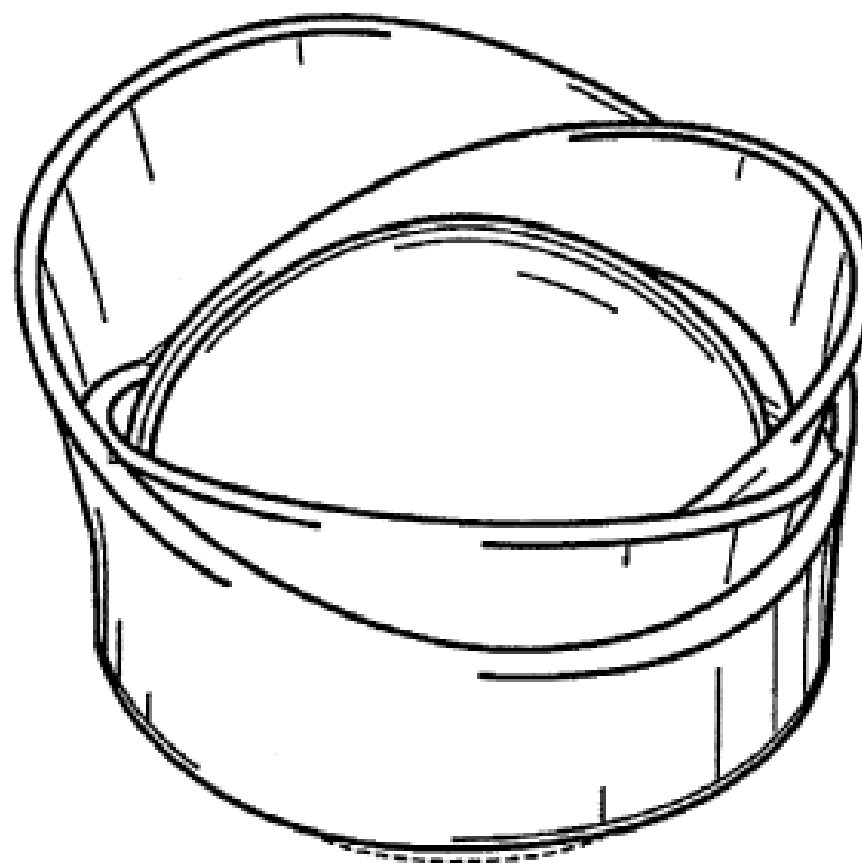
- (57) Statement of Newness and Distinctiveness: **Newness and distinctiveness reside in the features of shape and/or configuration of the bottle, as shown in the representations. Newness and distinctiveness are not claimed in relation to the features shown in broken lines in the representations.**



(21) Design Number: **15825/2008**
(22) Date of Filing Application: **11 December 2008**
(24) Date from which industrial property rights may have effect: **11 December 2008**
(54) Product in respect of which the design is registered: **Bottle**
(51) International Design Classification: **09-01NES**
(71) Name(s) and Address(s) of Applicant(s):
The Procter & Gamble Company
One Procter & Gamble Plaza Cincinnati Ohio 45202 United States of America
(72) Name(s) of Designer(s): **Brian Lee Floyd**
(45) Registration Date: **27 January 2009**
(30) Convention priority data:
(31) Number (32) Date (33) Country
29/308,331 11 Jun 2008 UNITED STATES OF AMERICA
(56) Related Art Documents: **Not Applicable**
(57) Statement of Newness and Distinctiveness: **Newness and distinctiveness reside in the features of shape and/or configuration of the bottle, as shown in the representations. Newness and distinctiveness are not claimed in relation to the features shown in broken lines in the representations.**



(21) Design Number: **15826/2008**
(22) Date of Filing Application: **11 December 2008**
(24) Date from which industrial property rights may have effect: **11 December 2008**
(54) Product in respect of which the design is registered: **Cap**
(51) International Design Classification: **09-07C, 09-07B**
(71) Name(s) and Address(s) of Applicant(s):
The Procter & Gamble Company
One Procter & Gamble Plaza Cincinnati Ohio 45202 United States of America
(72) Name(s) of Designer(s): **Brian Lee Floyd**
(45) Registration Date: **27 January 2009**
(30) Convention priority data:
(31) Number (32) Date (33) Country
29/308,331 11 Jun 2008 UNITED STATES OF AMERICA
(56) Related Art Documents: **Not Applicable**
(57) Statement of Newness and Distinctiveness: **Newness and distinctiveness reside in the features of shape and/or configuration of the cap, as shown in the representations. Newness and distinctiveness are not claimed in relation to the features shown in broken lines in the representations.**



(21) Design Number: **15827/2008**
 (22) Date of Filing Application: **11 December 2008**
 (24) Date from which industrial property rights may have effect: **11 December 2008**
 (54) Product in respect of which the design is registered: **Cap**
 (51) International Design Classification: **09-07C, 09-07B**
 (71) Name(s) and Address(s) of Applicant(s):

The Procter & Gamble Company
One Procter & Gamble Plaza Cincinnati Ohio 45202 United States of America

(72) Name(s) of Designer(s): **Brian Lee Floyd**

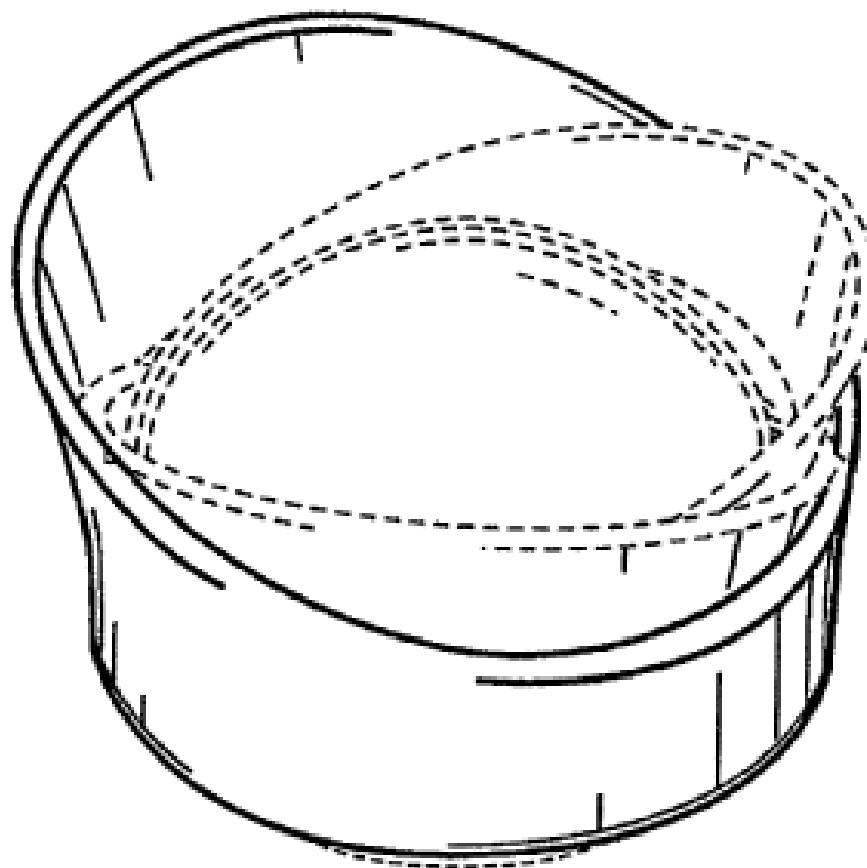
(45) Registration Date: **27 January 2009**

(30) Convention priority data:

(31) Number	(32) Date	(33) Country
29/308,331	11 Jun 2008	UNITED STATES OF AMERICA

(56) Related Art Documents: **Not Applicable**

(57) Statement of Newness and Distinctiveness: **Newness and distinctiveness reside in the features of shape and/or configuration of the cap, as shown in the representations. Newness and distinctiveness are not claimed in relation to the features shown in broken lines in the representations.**



(21) Design Number: **15828/2008**
 (22) Date of Filing Application: **11 December 2008**
 (24) Date from which industrial property rights may have effect: **11 December 2008**
 (54) Product in respect of which the design is registered: **Cap**
 (51) International Design Classification: **09-07C, 09-07B**
 (71) Name(s) and Address(s) of Applicant(s):

The Procter & Gamble Company
One Procter & Gamble Plaza Cincinnati Ohio 45202 United States of America

(72) Name(s) of Designer(s): **Brian Lee Floyd**

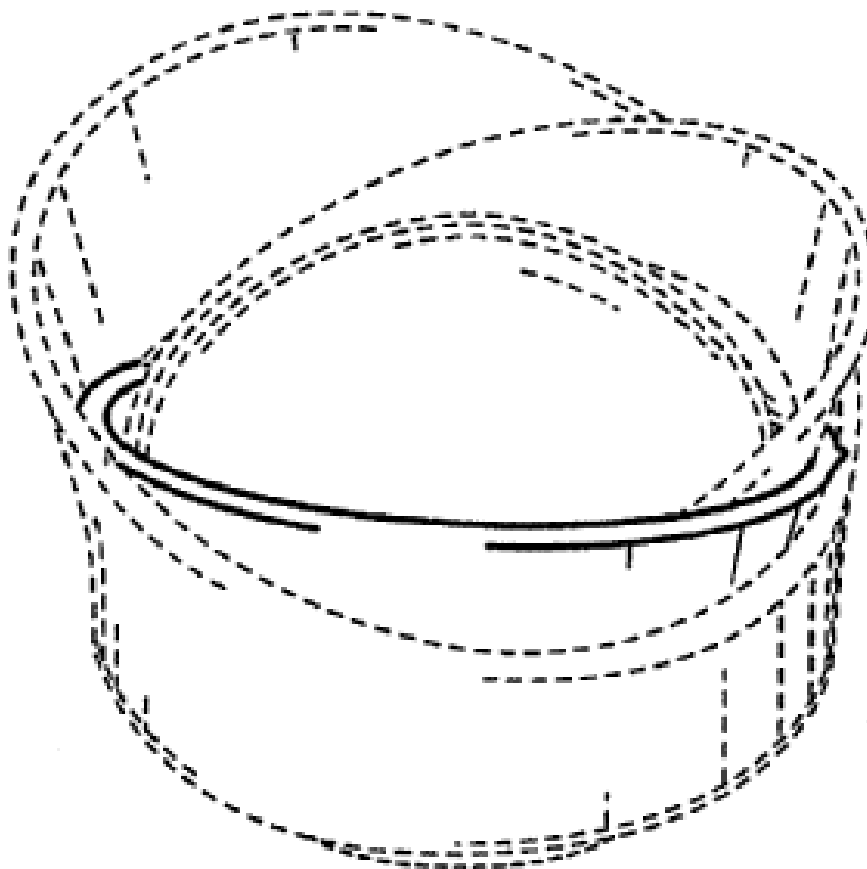
(45) Registration Date: **27 January 2009**

(30) Convention priority data:

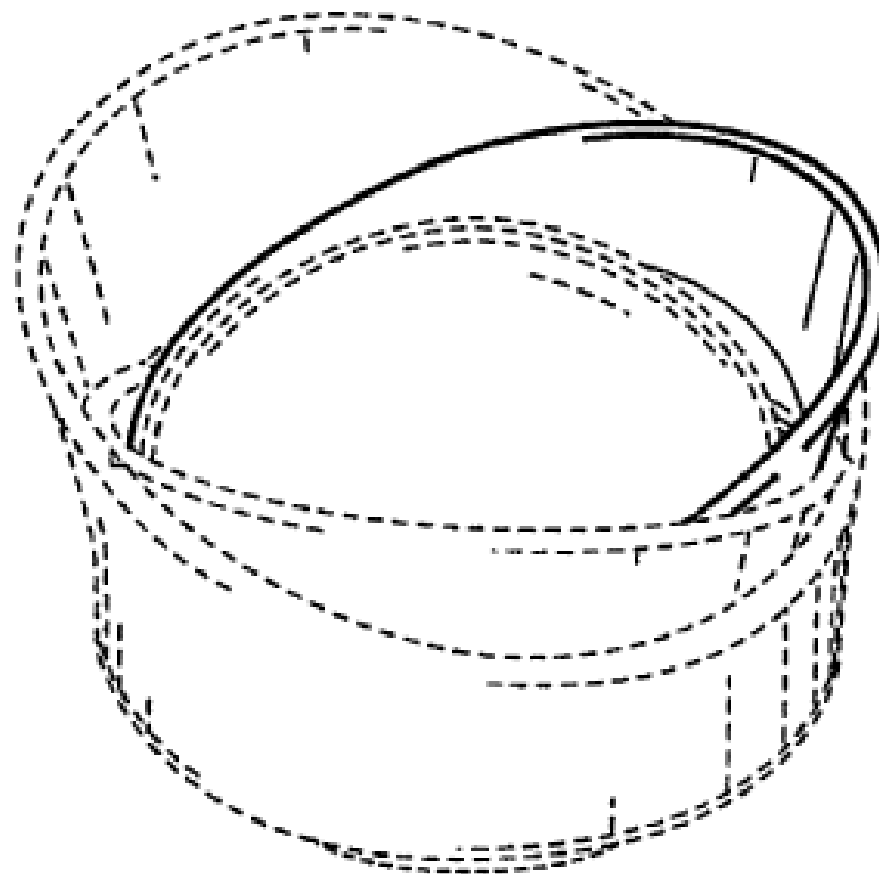
(31) Number	(32) Date	(33) Country
29/308,331	11 Jun 2008	UNITED STATES OF AMERICA

(56) Related Art Documents: **Not Applicable**

(57) Statement of Newness and Distinctiveness: **Newness and distinctiveness reside in the features of shape and/or configuration of the cap, as shown in the representations. Newness and distinctiveness are not claimed in relation to the features shown in broken lines in the representations.**



(21) Design Number: **15829/2008**
(22) Date of Filing Application: **11 December 2008**
(24) Date from which industrial property rights may have effect: **11 December 2008**
(54) Product in respect of which the design is registered: **Cap**
(51) International Design Classification: **09-07C, 09-07B**
(71) Name(s) and Address(s) of Applicant(s):
The Procter & Gamble Company
One Procter & Gamble Plaza Cincinnati Ohio 45202 United States of America
(72) Name(s) of Designer(s): **Brian Lee Floyd**
(45) Registration Date: **27 January 2009**
(30) Convention priority data:
(31) Number (32) Date (33) Country
29/308,331 11 Jun 2008 UNITED STATES OF AMERICA
(56) Related Art Documents: **Not Applicable**
(57) Statement of Newness and Distinctiveness: **Newness and distinctiveness reside in the features of shape and/or configuration of the cap, as shown in the representations. Newness and distinctiveness are not claimed in relation to the features shown in broken lines in the representations.**



(21) Design Number: **15830/2008**
(22) Date of Filing Application: **11 December 2008**
(24) Date from which industrial property rights may have effect: **11 December 2008**
(54) Product in respect of which the design is registered: **Cap**
(51) International Design Classification: **09-07C, 09-07B**
(71) Name(s) and Address(s) of Applicant(s):
The Procter & Gamble Company
One Procter & Gamble Plaza Cincinnati Ohio 45202 United States of America
(72) Name(s) of Designer(s): **Brian Lee Floyd**
(45) Registration Date: **27 January 2009**
(30) Convention priority data:
(31) Number (32) Date (33) Country
29/308,331 11 Jun 2008 UNITED STATES OF AMERICA
(56) Related Art Documents: **Not Applicable**
(57) Statement of Newness and Distinctiveness: **Newness and distinctiveness reside in the features of shape and/or configuration of the cap, as shown in the representations. Newness and distinctiveness are not claimed in relation to the features shown in broken lines in the representations.**

