



Australian Government

IP Australia

AUSTRALIAN OFFICIAL JOURNAL

OF

DESIGNS

Did you know a searchable version of this journal is now available online?
It's FREE and EASY to SEARCH.

Find it at

<http://pericles.ipaustralia.gov.au/ols/epublish/content/olsEpublications.jsp>
or using the "Online Journals" link on the IP Australia home page.

This Page Left Intentionally Blank

Contents

General Information & Notices

Proceedings Under the Designs Act 1906 preserved as a result of the provisions of Chapter 12 Part 2 of the Designs Act 2003

Extension of Period of Registration of Designs	984
Names Registered - Alterations and Amendments	988
Registrations Ceased	984
Subsequent Owners Registered	984

Proceedings Under the Designs Act 2003

Applications Lapsed	1003
Applications Lodged	993
Applications Withdrawn	1003
Certificate of Examination	1009
Corrigenda	1008
Extension of Period of Registration of Design	1005
Extension of Time Granted Under Section 137	1005
Names Registered - Alterations and Amendments	1007
Publication and Registration Proceedings	
Designs Registered 324241 to 324621.....	1010
Registrations Ceased	1005
Subsequent Owners Registered	1005

This Page Left Intentionally Blank

For information on the following please see our website www.ipaustralia.gov.au or contact our Customer Service Network on 1300651010

[Editorial enquiries](#)

[Contact information](#)

[Freedom of Information ACT](#)

[Professional Standards Board](#)

[Sales](#)

[Requests for Information under Section 194 \(c\)](#)

[Country Codes](#)

[Trade Mark and Designs Hearing Sessions](#)

[INID \(Internationally agreed Numbers for the Identification of Data\)](#)

“INID” NUMBERS in use on Australian Design Documents

“INID” is an acronym for “Internationally agreed Numbers for the Identification of Data”.

(10) Data concerning the registration/renewal

- (11) Serial number of the registration and/or number of the design document
- (12) Plain language designation of the kind of published document
- (19) Identification, using the two-letter code according to WIPO Standard ST.3, of the authority publishing or registering the industrial design

(20) Data concerning the application

- (21) Serial number of the application
- (22) Date of filing of the application
- (24) Date from which the industrial design right has effect

(30) Data relating to priority under the Paris Convention

- (31) Serial number assigned to the priority application
- (32) Date of filing of the priority application
- (33) Two-letter code, according to WIPO Standard ST.3, identifying the authority with which the priority application was made

(40) Date(s) of making information available to the public

- (45) Date of publication of the registered industrial design by printing or similar process, or making it available to the public by any other means

(50) Miscellaneous Information

- (51) International Classification for Industrial Designs (class and subclass of the Locarno Classification)
- (54) Designation of article(s) or product(s) covered by the industrial design or title of the industrial design
- (55) Reproduction of the industrial design (e.g., drawing, photograph) and explanations relating to the reproduction
- (56) List of prior art documents, if separate from descriptive text
- (57) Description of characteristic features of the industrial design including indication of colours

(60) References to other legally related application(s) and registration(s)

- (62) Serial number(s) and, if available, filing date(s) of application(s), registration(s) or document(s) related by division
- (66) Serial number(s) of the application, or the registration, of the design(s) which is (are) a variant(s) of the present one

(70) Identification of parties concerned with the application or registration

- (71) Name(s) and address(es) of the applicant(s)
- (72) Name(s) of the creator(s) if known to be such
- (74) Name(s) and address(es) of the representative(s)

This Page Left Intentionally Blank

Official Notice**Designs Act 2003
Amendments to Registered Designs at Examination**

The following amendments have been made to details previously published in the Australian Official Journal of Designs during the Examination process:

Registration Numbers	Amendment type	New details
318077	Classification	15-04, 12-16Z
314163	Classification	28-99
313609	Classification	02-02B, 02-04C

Contact: IP Australia
Phone: 1300 651 010
Fax: +61 2 6283 7999
E-mail: assist@ipaustralia.gov.au
Web: www.ipaustralia.gov.au

Proceedings under the Designs Act 1906 preserved as a result of the provisions of Chapter 12 Part 2 of the Designs Act 2003.

This Page Left Intentionally Blank

Applications Lapsed

There were no Applications Lapsed under this section

Extension of Period of Registration of Designs

137924	137925	137947
137986	139188	140673
141765		

2nd Period (Section 27A(12))

149547	151395	151435
151462	151463	151464
151465	151466	151467
151646	151703	151734
151770	151784	151814
151931	151945	151946
151947	151970	151986
151988	152027	152029
152030	152046	152069
152105	152109	152138
152139	152197	152198
152199	152234	152263
152265	152311	152333
152387	152424	152425
152426	152427	152428
152429	152461	152556
152572	152590	152591
152660	152735	152737
152759	152964	153181
153228	153229	153303
153319	153416	153417
153444	153445	153572
153590	153709	153867
154089	154207	154208
154252	154709	154903
154945	155289	155603
155622	155623	155624
155625	155626	155627
155642	155643	155644
155645	155671	155837
155838	155891	155894
155895	155961	156144
156301	156343	156661
156662	156663	156664
156665	156666	156667
156668	157555	157720

3rd Period (Section 27A(13))

133196	133475	133476
133477	133479	133681
133682	133685	134177
134476	134477	134559
134560	134616	134647
134671	134730	134755
134761	134774	134775
134795	134813	134913
134914	134915	134916
134936	134968	134996
135121	135130	135320
135543	135678	135832
135903	136269	136330
137167	137177	137441
137580	137694	137923

Registrations Ceased

Note: Some of the following Registrations may have been previously advertised as ceased. In this instance, the previous advertisement still prevails.

117851	117852	117855
117857	117858	117879
117880	117948	117952
118018	118020	118030
118033	118057	118128
118129	118163	118339
118370	118373	118374
118546	118715	118899
119696	120814	121545
121639	121913	122234
126208	132561	132572
132592	132599	132600
132656	132662	132701
132704	132809	133179
133419	133511	133582
133698	134014	134359
134360	134369	134565
134665	135088	136284
136821	136929	137040
148827	148965	149461
149462	149469	149470
149471	149472	149525
149526	149527	149528
149543	149663	149694
149749	149750	149757
149758	149796	149797
149897	149898	150026
150113	150183	150200
150225	150226	150386
150635	150712	150842
150980	151207	151356
151470	151629	151799
153047	153048	153107
153788	153789	153862
154109	154224	154440

Subsequent Owners Registered

(The name in parentheses is that of the subsequent owner)

125863	(Mars Chocolate UK Limited) Mars Drinks UK Limited
154826	(OJOP Sweden AB) Lars Eriksson
154827	(OJOP Sweden AB) Lars Eriksson
146756	(Sonsam Pty Ltd) Arlec Australia Limited
150426	(Sonsam Pty Ltd) Arlec Australia Limited
150427	(Sonsam Pty Ltd) Arlec Australia Limited
150428	(Sonsam Pty Ltd) Arlec Australia Limited

Subsequent Owners Registered

150429 (**Sonsam Pty Ltd**) Arlec Australia Limited
 150430 (**Sonsam Pty Ltd**) Arlec Australia Limited
 150431 (**Sonsam Pty Ltd**) Arlec Australia Limited
 150432 (**Sonsam Pty Ltd**) Arlec Australia Limited
 150433 (**Sonsam Pty Ltd**) Arlec Australia Limited
 150434 (**Sonsam Pty Ltd**) Arlec Australia Limited
 150435 (**Sonsam Pty Ltd**) Arlec Australia Limited
 150436 (**Sonsam Pty Ltd**) Arlec Australia Limited
 150437 (**Sonsam Pty Ltd**) Arlec Australia Limited
 150438 (**Sonsam Pty Ltd**) Arlec Australia Limited
 150439 (**Sonsam Pty Ltd**) Arlec Australia Limited
 150440 (**Sonsam Pty Ltd**) Arlec Australia Limited
 150445 (**Sonsam Pty Ltd**) Arlec Australia Limited
 150560 (**Sonsam Pty Ltd**) Arlec Australia Limited
 151469 (**Sonsam Pty Ltd**) Arlec Australia Limited
 151585 (**Sonsam Pty Ltd**) Arlec Australia Limited
 152061 (**Sonsam Pty Ltd**) Arlec Australia Limited
 153767 (**Sonsam Pty Ltd**) Arlec Australia Limited
 156023 (**Sonsam Pty Ltd**) Arlec Australia Limited
 156819 (**Sonsam Pty Ltd**) Arlec Australia Limited
 147943 (**Media Mail Technology Pty Ltd**) Media Technology Pty Ltd
 147944 (**Media Mail Technology Pty Ltd**) Media Technology Pty Ltd
 154767 (**Media Mail Technology Pty Ltd**) Media Technology Pty Ltd
 154768 (**Media Mail Technology Pty Ltd**) Media Technology Pty Ltd
 154769 (**Media Mail Technology Pty Ltd**) Media Technology Pty Ltd
 154770 (**Media Mail Technology Pty Ltd**) Media Technology Pty Ltd
 154771 (**Media Mail Technology Pty Ltd**) Media Technology Pty Ltd
 156703 (**Media Mail Technology Pty Ltd**) Media Technology Pty Ltd
 158302 (**Media Mail Technology Pty Ltd**) Media Technology Pty Ltd
 158313 (**Media Mail Technology Pty Ltd**) Media Technology Pty Ltd
 156077 (**Media Mail Technology Pty Ltd**) Media Technology Pty Ltd
 135130 (**VACF Pty Limited as trustee of the Berman Retail Trust**) Good Nuts Pty Limited
 118167 (**GM Global Technology Operations, Inc.**) Holden Ltd
 119189 (**GM Global Technology Operations, Inc.**) Holden Ltd
 120815 (**GM Global Technology Operations, Inc.**) Holden Ltd
 120816 (**GM Global Technology Operations, Inc.**) Holden Ltd
 120817 (**GM Global Technology Operations, Inc.**) Holden Ltd
 120818 (**GM Global Technology Operations, Inc.**) Holden Ltd
 120819 (**GM Global Technology Operations, Inc.**) Holden Ltd
 120820 (**GM Global Technology Operations, Inc.**) Holden Ltd
 120821 (**GM Global Technology Operations, Inc.**) Holden Ltd

Subsequent Owners Registered

120822 (**GM Global Technology Operations, Inc.**) Holden Ltd
 120823 (**GM Global Technology Operations, Inc.**) Holden Ltd
 121948 (**GM Global Technology Operations, Inc.**) Holden Ltd
 121953 (**GM Global Technology Operations, Inc.**) Holden Ltd
 131876 (**GM Global Technology Operations, Inc.**) Holden Ltd
 136899 (**GM Global Technology Operations, Inc.**) Holden Ltd
 137737 (**GM Global Technology Operations, Inc.**) Holden Ltd
 137956 (**GM Global Technology Operations, Inc.**) Holden Ltd
 137957 (**GM Global Technology Operations, Inc.**) Holden Ltd
 137958 (**GM Global Technology Operations, Inc.**) Holden Ltd
 137992 (**GM Global Technology Operations, Inc.**) Holden Ltd
 137993 (**GM Global Technology Operations, Inc.**) Holden Ltd
 137994 (**GM Global Technology Operations, Inc.**) Holden Ltd
 138049 (**GM Global Technology Operations, Inc.**) Holden Ltd
 138050 (**GM Global Technology Operations, Inc.**) Holden Ltd
 138072 (**GM Global Technology Operations, Inc.**) Holden Ltd
 138086 (**GM Global Technology Operations, Inc.**) Holden Ltd
 138087 (**GM Global Technology Operations, Inc.**) Holden Ltd
 138088 (**GM Global Technology Operations, Inc.**) Holden Ltd
 138089 (**GM Global Technology Operations, Inc.**) Holden Ltd
 138090 (**GM Global Technology Operations, Inc.**) Holden Ltd
 138091 (**GM Global Technology Operations, Inc.**) Holden Ltd
 138092 (**GM Global Technology Operations, Inc.**) Holden Ltd
 138093 (**GM Global Technology Operations, Inc.**) Holden Ltd
 138094 (**GM Global Technology Operations, Inc.**) Holden Ltd
 138095 (**GM Global Technology Operations, Inc.**) Holden Ltd
 138096 (**GM Global Technology Operations, Inc.**) Holden Ltd
 138097 (**GM Global Technology Operations, Inc.**) Holden Ltd
 138137 (**GM Global Technology Operations, Inc.**) Holden Ltd
 138138 (**GM Global Technology Operations, Inc.**) Holden Ltd
 138711 (**GM Global Technology Operations, Inc.**) Holden Ltd
 138712 (**GM Global Technology Operations, Inc.**) Holden Ltd
 138832 (**GM Global Technology Operations, Inc.**) Holden Ltd
 138833 (**GM Global Technology Operations, Inc.**) Holden Ltd
 138996 (**GM Global Technology Operations, Inc.**) GM Holden Ltd
 139007 (**GM Global Technology Operations, Inc.**) Holden Ltd
 139008 (**GM Global Technology Operations, Inc.**) Holden Ltd
 139009 (**GM Global Technology Operations, Inc.**) Holden Ltd
 139010 (**GM Global Technology Operations, Inc.**) Holden Ltd
 139264 (**GM Global Technology Operations, Inc.**) Holden Ltd
 139265 (**GM Global Technology Operations, Inc.**) Holden Ltd
 139266 (**GM Global Technology Operations, Inc.**) Holden Ltd
 139624 (**GM Global Technology Operations, Inc.**) Holden Ltd
 139625 (**GM Global Technology Operations, Inc.**) Holden Ltd
 140356 (**GM Global Technology Operations, Inc.**) Holden Ltd
 140545 (**GM Global Technology Operations, Inc.**) Holden Ltd
 140936 (**GM Global Technology Operations, Inc.**) Holden Ltd
 140937 (**GM Global Technology Operations, Inc.**) Holden Ltd
 140938 (**GM Global Technology Operations, Inc.**) Holden Ltd

Subsequent Owners Registered

157709 (GM Global Technology Operations, Inc.) Holden Ltd
 157710 (GM Global Technology Operations, Inc.) Holden Ltd
 157711 (GM Global Technology Operations, Inc.) Holden Ltd
 157712 (GM Global Technology Operations, Inc.) Holden Ltd
 157713 (GM Global Technology Operations, Inc.) Holden Ltd
 157714 (GM Global Technology Operations, Inc.) Holden Ltd
 157715 (GM Global Technology Operations, Inc.) Holden Ltd
 157716 (GM Global Technology Operations, Inc.) Holden Ltd
 157717 (GM Global Technology Operations, Inc.) Holden Ltd
 157718 (GM Global Technology Operations, Inc.) Holden Ltd
 157736 (GM Global Technology Operations, Inc.) Holden Ltd
 157737 (GM Global Technology Operations, Inc.) Holden Ltd
 157738 (GM Global Technology Operations, Inc.) Holden Ltd
 157932 (GM Global Technology Operations, Inc.) Holden Ltd
 157994 (GM Global Technology Operations, Inc.) Holden Ltd
 157995 (GM Global Technology Operations, Inc.) Holden Ltd
 158007 (GM Global Technology Operations, Inc.) Holden Ltd
 158008 (GM Global Technology Operations, Inc.) Holden Ltd
 158015 (GM Global Technology Operations, Inc.) Holden Ltd
 158017 (GM Global Technology Operations, Inc.) Holden Ltd
 158032 (GM Global Technology Operations, Inc.) Holden Ltd
 158033 (GM Global Technology Operations, Inc.) Holden Ltd
 158034 (GM Global Technology Operations, Inc.) Holden Ltd
 158035 (GM Global Technology Operations, Inc.) Holden Ltd
 158036 (GM Global Technology Operations, Inc.) Holden Ltd
 158037 (GM Global Technology Operations, Inc.) Holden Ltd
 158038 (GM Global Technology Operations, Inc.) Holden Ltd
 158039 (GM Global Technology Operations, Inc.) Holden Ltd
 158056 (GM Global Technology Operations, Inc.) Holden Ltd
 158057 (GM Global Technology Operations, Inc.) Holden Ltd
 158058 (GM Global Technology Operations, Inc.) Holden Ltd
 158059 (GM Global Technology Operations, Inc.) Holden Ltd
 158060 (GM Global Technology Operations, Inc.) Holden Ltd
 158061 (GM Global Technology Operations, Inc.) Holden Ltd
 158062 (GM Global Technology Operations, Inc.) Holden Ltd
 158145 (GM Global Technology Operations, Inc.) Holden Ltd
 158146 (GM Global Technology Operations, Inc.) Holden Ltd
 158147 (GM Global Technology Operations, Inc.) Holden Ltd
 158151 (GM Global Technology Operations, Inc.) Holden Ltd
 158152 (GM Global Technology Operations, Inc.) Holden Ltd
 158182 (GM Global Technology Operations, Inc.) Holden Ltd
 158183 (GM Global Technology Operations, Inc.) Holden Ltd
 158184 (GM Global Technology Operations, Inc.) Holden Ltd
 158472 (GM Global Technology Operations, Inc.) Holden Ltd

150427 (Arlec Australia Pty. Ltd.) Sonsam Pty Ltd
 150428 (Arlec Australia Pty. Ltd.) Sonsam Pty Ltd
 150429 (Arlec Australia Pty. Ltd.) Sonsam Pty Ltd
 150430 (Arlec Australia Pty. Ltd.) Sonsam Pty Ltd
 150431 (Arlec Australia Pty. Ltd.) Sonsam Pty Ltd
 150432 (Arlec Australia Pty. Ltd.) Sonsam Pty Ltd
 150433 (Arlec Australia Pty. Ltd.) Sonsam Pty Ltd
 150434 (Arlec Australia Pty. Ltd.) Sonsam Pty Ltd
 150435 (Arlec Australia Pty. Ltd.) Sonsam Pty Ltd
 150436 (Arlec Australia Pty. Ltd.) Sonsam Pty Ltd
 150437 (Arlec Australia Pty. Ltd.) Sonsam Pty Ltd
 150438 (Arlec Australia Pty. Ltd.) Sonsam Pty Ltd
 150439 (Arlec Australia Pty. Ltd.) Sonsam Pty Ltd
 150440 (Arlec Australia Pty. Ltd.) Sonsam Pty Ltd
 150445 (Arlec Australia Pty. Ltd.) Sonsam Pty Ltd
 150560 (Arlec Australia Pty. Ltd.) Sonsam Pty Ltd
 151469 (Arlec Australia Pty. Ltd.) Sonsam Pty Ltd
 151585 (Arlec Australia Pty. Ltd.) Sonsam Pty Ltd
 152061 (Arlec Australia Pty. Ltd.) Sonsam Pty Ltd
 153767 (Arlec Australia Pty. Ltd.) Sonsam Pty Ltd
 156023 (Arlec Australia Pty. Ltd.) Sonsam Pty Ltd
 156819 (Arlec Australia Pty. Ltd.) Sonsam Pty Ltd

Names Registered - Alterations and Amendments

(The name in parentheses is the new name of the proprietor)

146756 (Arlec Australia Pty. Ltd.) Sonsam Pty Ltd
 150426 (Arlec Australia Pty. Ltd.) Sonsam Pty Ltd

This Page Left Intentionally Blank

Proceedings under the Designs Act 2003.

This Page Left Intentionally Blank

Applications Lodged

Lodgement information is in the following order: **Applicant's Name**; International Classification, Name of Product, Lodgement Date and **Design Number**. If the applicant claims an earlier priority date under an International Convention, the Convention Country and the associated filing date are shown in parentheses before the Lodgement Date. Divisional information will also appear in parentheses before the Lodgement Date.

Actervis, GmbH; 04-02, Brush, (EM, 10 Mar 2008) 10 Sep 2008	14368/2008	B&R Enclosures Pty Ltd; 08-08L, Mounting bracket, 23 Dec 2008	16006/2008
Advance Scaffold Solutions Pty Ltd; 25-04, Alscaf speedy fibreglass fold scaffolding, 13 May 2008	14815/2008	Badelles, Lamberto Bingo; 06-04A, 06-01F, Seat, 29 Jan 2009	10267/2009
Aktiebolaget Electrolux; 04-01, 15-05, A multi tool for a vacuum cleaner, (EM, 14 Jan 2008) 09 Apr 2008	10302/2009	Bambis Import Co Pty Ltd; 06-06NES, 19-99, Cook book stand, 29 Aug 2008	14229/2008
Aluminium Industries of Australia Pty Ltd; 11-05, 25-01K, Pole section for banner pole product, 25 Mar 2008	14232/2008	Bambis Import Co Pty Ltd; 07-04, Chopping boards and storage unit, 29 Aug 2008	14228/2008
Aluminium Industries of Australia Pty Ltd; 11-05, 25-01K, Infill cover for banner pole product, 25 Mar 2008	14233/2008	Bardot Pty Ltd; 02-02NES, Fashion blouse, 09 Jan 2009	10054/2009
Aluminium Industries of Australia Pty Ltd; 11-05, 25-01K, 08-99, Banner tensioning arm for banner pole product, 25 Mar 2008	14234/2008	Beaulieu Group, LLC; 20-02NES, Display device, (US, 30 Jan 2008) 29 Jul 2008	15359/2008
Aluminium Industries of Australia Pty Ltd; 11-05, 25-01K, Pole arm strut for banner pole product, 25 Mar 2008	14235/2008	Beaulieu Group, LLC; 20-02NES, Display device, (US, 30 Jan 2008) 29 Jul 2008	15360/2008
Aluminium Industries of Australia Pty Ltd; 11-05, 08-08NES, Adjustable arm fixing spigot for banner pole product, 25 Mar 2008	14236/2008	Becton, Dickinson and Company; 24-02, Safety blood collection assembly, (US, 07 Mar 2008) 29 Aug 2008	14182/2008
Amtcor Limited; 09-03H, Partition and blank therefor, 10 Sep 2008	14354/2008	Becton, Dickinson and Company; 24-02, Safety blood collection assembly, (US, 07 Mar 2008) 29 Aug 2008	14183/2008
Amcontrol Pty Ltd; 26-04, Light display console, 06 Feb 2009	10327/2009	Becton, Dickinson and Company; 24-02, Safety blood collection assembly, (US, 07 Mar 2008) 29 Aug 2008	14184/2008
Argo Development and Manufacturing Ltd; 20-03NES, Advertising device, 30 Jan 2009	10250/2009	Becton, Dickinson and Company; 24-02, Safety blood collection assembly, (US, 07 Mar 2008) 29 Aug 2008	14185/2008
Art Plastics Pty Ltd; 23-04, Adjustable expansion coupling 100mm Adjustable expansion coupling 90mm, 28 Jan 2009	10208/2009	Becton, Dickinson and Company; 24-02, Safety blood collection assembly, (US, 07 Mar 2008) 29 Aug 2008	14186/2008
Aspira Pty Ltd; 13-03C, Cable organiser, 23 Jan 2009	10190/2009	Becton, Dickinson and Company; 24-02, Safety blood collection assembly, (US, 07 Mar 2008) 29 Aug 2008	14187/2008
Aurora Limited; 26-05A, Lamp and lampholder, (EM, 16 Jul 2008) 29 Oct 2008	15157/2008	Becton, Dickinson and Company; 24-02, Safety blood collection assembly, (US, 07 Mar 2008) 29 Aug 2008	14188/2008
Aurora Limited; 26-05A, Lamp and lampholder, (EM, 16 Jul 2008) 29 Oct 2008	15158/2008	Becton, Dickinson and Company; 24-02, Safety blood collection assembly, (US, 07 Mar 2008) 29 Aug 2008	14189/2008
Aurora Limited; 26-05A, Lamp and lampholder, (EM, 16 Jul 2008) 29 Oct 2008	15159/2008	Becton, Dickinson and Company; 24-02, Safety blood collection assembly, (US, 07 Mar 2008) 29 Aug 2008	14190/2008
Australian Timber Distributors; Rajkumar, Nagarajah; 25-01NES, Nail free decking installation, using solid timber or engineered timber, 22 Jan 2009	10179/2009	Becton, Dickinson and Company; 24-02, Safety blood collection assembly, (US, 07 Mar 2008) 29 Aug 2008	14191/2008
AZ Designz Pty Ltd; 13-02, 14-02, Carry case with built-in battery charger for iphone, 11 Aug 2008	13858/2008	Becton, Dickinson and Company; 24-02, Safety blood collection assembly, (US, 07 Mar 2008) 29 Aug 2008	14192/2008

Becton, Dickinson and Company; 24-02, Safety blood collection assembly, (US, 07 Mar 2008) 29 Aug 2008	14197/2008	British American Tobacco (Investments) Limited; 09-03A, Ribbed pack, (WO, 02 May 2008) 31 Oct 2008	15198/2008
Becton, Dickinson and Company; 24-02, Safety blood collection assembly, (US, 07 Mar 2008) 29 Aug 2008	14198/2008	British American Tobacco (Investments) Limited; 09-03A, Ribbed pack blank, (WO, 02 May 2008) 31 Oct 2008	15199/2008
Becton, Dickinson and Company; 24-02, Safety blood collection assembly, (US, 07 Mar 2008) 29 Aug 2008	14180/2008	British American Tobacco (Investments) Limited; 09-03A, Ribbed pack, (WO, 02 May 2008) 31 Oct 2008	15200/2008
Becton, Dickinson and Company; 24-02, Safety blood collection assembly, (US, 07 Mar 2008) 29 Aug 2008	14181/2008	British American Tobacco (Investments) Limited; 09-03A, Ribbed pack blank, (WO, 02 May 2008) 31 Oct 2008	15197/2008
Bergman, Edward; 08-03, Carton/box opener, 23 Jan 2009	10165/2009	Building Systems Pty Ltd; Hazzard, Chris; Gillam, Ali; 25-03, 12-99, Transportable building, 29 Aug 2008	14217/2008
Beverage Gun Holster Pty Ltd; 07-06A, Holder for a drink dispenser, 23 Jan 2009	10189/2009	Bulgari S.p.A.; 09-01G, Bottle with cap, (EM, 02 Jul 2008) 02 Jan 2009	10004/2009
Bissell Homecare, Inc.; 08-05L, Quick dry stain tool, (US, 13 Mar 2008) 10 Sep 2008	14365/2008	BISSELL Homecare, Inc.; 15-05, Floor cleaning extraction upright portion, (US, 11 Mar 2008) 05 Sep 2008	14300/2008
Bissell Homecare, Inc.; 15-05, Floor cleaner base portion, (US, 11 Mar 2008) 05 Sep 2008	14291/2008	BISSELL Homecare, Inc.; 15-05, Floor cleaner upright portion, (US, 11 Mar 2008) 05 Sep 2008	14301/2008
Bissell Homecare, Inc.; 15-05, Floor cleaning extraction base portion, (US, 11 Mar 2008) 02 Sep 2008	14244/2008	BISSELL Homecare, Inc.; 15-05, Floor cleaning extraction upright portion, (US, 11 Mar 2008) 05 Sep 2008	14302/2008
Blue Star Products Pty Ltd; 20-03NES, 08-08NES, Mounting adaptor for a sign, 27 Jan 2009	10192/2009	BISSELL Homecare, Inc.; 15-05, Floor cleaner base portion, (US, 11 Mar 2008) 05 Sep 2008	14299/2008
Brackley, Paul; 06-09, Curved sided preassure relieving mattress, 28 Jan 2009	10205/2009	BISSELL Homecare, Inc.; 15-05, Hand held vacuum cleaner nozzle, (US, 12 Mar 2008) 11 Sep 2008	14378/2008
Bridgestone Corporation; 12-15B, Automobile tyre, (JP, 05 Aug 2008) 05 Feb 2009	10310/2009	BISSELL Homecare, Inc.; 15-05, Hand held vacuum cleaner body, (US, 12 Mar 2008) 11 Sep 2008	14379/2008
Bridgestone Corporation; 12-15B, Automobile tyre, (JP, 05 Aug 2008) 05 Feb 2009	10311/2009	BISSELL Homecare, Inc.; 15-05, Hand held vacuum cleaner nozzle, (US, 12 Mar 2008) 11 Sep 2008	14377/2008
Bridgestone Corporation; 12-15A, Automobile tyre, (JP, 05 Aug 2008) 05 Feb 2009	10312/2009	Cadbury UK Limited; 01-01, Chocolate confectionery, 30 Oct 2008	15170/2008
Bridgestone Corporation; 12-15A, Automobile tyre, (JP, 05 Aug 2008) 05 Feb 2009	10313/2009	Cadbury UK Limited; 01-01, Chocolate confectionery, 30 Oct 2008	15171/2008
British American Tobacco (Investments) Limited; 27-06, Tobacco box, (EM, 29 Aug 2008) 30 Jan 2009	10257/2009	Caimon Enterprise Co., Ltd.; 19-02, Tape cutting dispenser, (TW, 05 Dec 2008) 27 Jan 2009	10202/2009
British American Tobacco (Investments) Limited; 27-06, Tobacco box, (EM, 29 Aug 2008) 30 Jan 2009	10258/2009	Callaway Golf Company; 21-02C, Golf club head, (US, 02 Jul 2008) 23 Dec 2008	16021/2008
British American Tobacco (Investments) Limited; 27-06, Tobacco box, (EM, 29 Aug 2008) 30 Jan 2009	10256/2009	Callaway Golf Company; 21-02C, Iron golf club head, (US, 25 Jul 2008) 23 Jan 2009	10181/2009

Callaway Golf Company; 21-02C, Golf club head, (US, 02 Jul 2008) 23 Dec 2008	16022/2008	Deckers Outdoor Corporation; 02-04NES, Portion of a footwear upper, (US, 27 Oct 2008) 07 Jan 2009	10048/2009
Callaway Golf Company; 21-02C, Putter head, (US, 07 Jul 2008) 02 Jan 2009	10008/2009	Decor Corporation Pty Ltd, The; 08-06, 09-07A, Trigger handle for a mop or like tool, 02 Feb 2009	10268/2009
Campbell Soup Company; 09-01NES, Bottle, (US, 28 Jul 2008) 08 Jan 2009	10053/2009	Decor Corporation Pty Ltd, The; 04-01, Mop head, 02 Feb 2009	10269/2009
Cassar, Victor; 23-01G, Magnetic water conditioner, 27 Jan 2009	10177/2009	Delta FX (Pty) Ltd (M.Walker/T.Walker.); 12-10, A light personal leisure trailer, 28 Oct 2008	15216/2008
Cassar, Victor; 23-01G, Magnetic water conditioner mining, 27 Jan 2009	10178/2009	Dias Aluminium Products Pty. Ltd.; 08-09, Shower door captive pivot block, 12 Jan 2009	10059/2009
Ceccato, Dane; 03-01NES, 07-05C, Peg container, 30 Jan 2009	10260/2009	Dias Aluminium Products Pty. Ltd.; 08-09, 08-08D, Shower door captive pivot block, pin and clamp assembly, 12 Jan 2009	10060/2009
Ceccato, Dane; 03-01NES, 07-05C, Peg container, 30 Jan 2009	10261/2009	Disc Brakes Australia Pty Ltd; 12-16M, Slotted rotor, 29 Aug 2008	14240/2008
Ceccato, Dane; 03-01NES, 07-05C, Peg container, 30 Jan 2009	10262/2009	Dr. Ing.h.c. F Porsche Aktiengesellschaft; 12-16N, Exhaust and pipe, 31 Oct 2008	15184/2008
Clipsal Australia Pty Ltd; 13-03E, Electric switch, 22 Dec 2008	16008/2008	Dr. Ing.h.c. F Porsche Aktiengesellschaft; 12-16N, Exhaust and pipe, 31 Oct 2008	15185/2008
Clipsal Australia Pty Ltd; 13-03E, Electric switch, 22 Dec 2008	16009/2008	Dr. Ing.h.c. F Porsche Aktiengesellschaft; 12-16D, Ornamental scuff plate, 31 Oct 2008	15186/2008
Clipsal Australia Pty Ltd; 13-03E, Electric switch, 22 Dec 2008	16010/2008	Dr. Ing.h.c. F Porsche Aktiengesellschaft; 12-16D, Ornamental scuff plate, 31 Oct 2008	15187/2008
Closet Case Pty Ltd; 09-03M, Christening / communion box, 04 Sep 2008	14269/2008	Dr. Ing.h.c. F Porsche Aktiengesellschaft; 12-08, Motor vehicle, 31 Oct 2008	15188/2008
Cool Energy Limited; 21-01A, Stress toy, 01 Sep 2008	14238/2008	Dr. Ing.h.c. F Porsche Aktiengesellschaft; 12-08, Motor vehicle, 31 Oct 2008	15189/2008
Cowelle Pty Ltd; 12-16NES, 07-01D, A cup, 02 Jan 2009	10011/2009	Dr. Ing.h.c. F Porsche Aktiengesellschaft; 12-16H, Side rear-view mirror, 31 Oct 2008	15190/2008
Daikin Industries Ltd.; 23-04, Air conditioner, (JP, 11 Nov 2008) 28 Jan 2009	10220/2009	Draper, Shirelle Ruth; Mctaggart, Sarah Jane; Shopping trolley cover, 22 Aug 2008	14100/2008
Daikin Industries Ltd.; 23-04, Air conditioner, (JP, 11 Nov 2008) 28 Jan 2009	10221/2009	Drauben Pty Ltd; 07-07A, Soft ice bucket, 03 Sep 2008	14242/2008
Daikin Industries Ltd.; 23-04, Air conditioner, (JP, 11 Nov 2008) 28 Jan 2009	10219/2009	Drauben Pty Ltd; 07-07A, Soft ice bucket, 03 Sep 2008	14243/2008
Dart Industries Inc.; 09-07B, Lid, (US, 21 Mar 2008) 29 Aug 2008	14199/2008	DECE Holdings Pty Ltd; 08-08B, Cap and mounting plug portion of a tactile indicator, 31 Oct 2008	15180/2008
Dart Industries Inc.; 09-01NES, Container, (US, 07 Aug 2008) 02 Feb 2009	10278/2009	DECE Holdings Pty Ltd; 08-08B, Cap and mounting plug portion of a tactile indicator strip, 31 Oct 2008	15179/2008
Datalogic Mobile S.r.l.; 14-02, Code reader, (EM, 05 Mar 2008) 05 Sep 2008	14298/2008	Earl, Jonathan P.; 25-01E, Fence Post, 01 Sep 2008	14227/2008
Davey Water Products Pty Ltd; 15-02, A pump controller, 05 Feb 2009	10319/2009	Eaton Corporation; 21-02C, Golf grip, (US, 25 Jul 2008) 27 Jan 2009	10203/2009
Davy, William John; 08-05K, Tile spacers, 05 Sep 2008	14270/2008	Eveready Battery Company, Inc.; 26-02, Lighting device, (US, 26 Aug 2008) 28 Jan 2009	10218/2009
		Eveready Battery Company, Inc.; 16-02, Lighting device, (US, 10 Sep 2008) 06 Feb 2009	10328/2009

Everstone International Pty Ltd; 25-01F, Tile formation, 28 Jan 2009	10236/2009	Fuel Transfer Technologies Inc.; 09-02B, Container, (US, 14 Mar 2008) 11 Sep 2008	14380/2008
Everstone International Pty Ltd; 20-02E, Double sided shelf for display, 23 Jan 2009	10187/2009	Fusion HVAC Pty Limited; 23-04, 23-03G, Heating, ventilation and air-conditioning unit, 04 Sep 2008	14285/2008
Everstone International Pty Ltd; 20-02E, Display stand components including rotatable display boxes, 23 Jan 2009	10188/2009	FKA Distributing Co., doing business as HoMedics, Inc.; 28-03NES, Foot massager, (US, 07 Aug 2008) 29 Jan 2009	10222/2009
EMBRAER-Empresa Brasileira de Aeronautica S.A.; 12-07, 14-02, 13-03NES, Aircraft control panel, 23 Dec 2008	16015/2008	Garth Living Pty Ltd; 07-02E, Cooking apparatus, 04 Feb 2009	10303/2009
EMBRAER-Empresa Brasileira de Aeronautica S.A.; 12-07, 12-16NES, Aircraft cockpit throttle console, 23 Dec 2008	16016/2008	Gillam, Ali; Hazzard, Chris; Building Systems Pty Ltd; 25-03, 12-99, Transportable building, 29 Aug 2008	14217/2008
EMBRAER-Empresa Brasileira de Aeronautica S.A.; 12-07, 12-16NES, Aircraft control yoke, 23 Dec 2008	16017/2008	Glassfence.com; 08-08K, Glassfence or barriers and other materials, 08 Sep 2008	14319/2008
Fallon, Jeanette; 25-03, Room, 21 Jan 2009	10180/2009	Glassfence.com; 08-08K, Glassfence or barriers and other materials, 08 Sep 2008	14320/2008
Fawoo Technology Co Ltd; 26-04, Led lamp, (KR, 13 Mar 2008) 11 Sep 2008	14375/2008	Golland, Nicole Maree; 19-01, Organic cotton reusable envelopes/multi-use bags, 15 Jul 2008	15247/2008
Fearman, Andrew Charles; 12-06A, 12-06B, Boat hull, 27 Jan 2009	10207/2009	Goodyear Tire & Rubber Company, The; 12-15A, Tyre, (US, 11 Aug 2008) 03 Feb 2009	10286/2009
Ferry, Howard; 23-01F, Water tank, 08 Sep 2008	14313/2008	Grant Olver Investments, trading as Pilgrim Clothing; 02-02NES, Womens garments, 19 Nov 2008	16091/2008
Ferry, Howard; 25-02NES, Road crash barrier, 23 Jan 2009	10166/2009	Grant Olver Investments trading Pilgrim Clothing Pty Ltd.; 02-02C, 02-02NES, Ladies garments, 29 Jan 2009	10217/2009
Ferry, Howard; 25-02NES, Road crash barrier, 23 Jan 2009	10167/2009	Grendene S.A.; 02-04NES, Footwear, (BR, 07 Aug 2008) 29 Jan 2009	10229/2009
Ferry, Howard; 23-01F, Water tank, 08 Sep 2008	14314/2008	Grendene S.A.; 02-04NES, Footwear, (BR, 07 Aug 2008) 29 Jan 2009	10230/2009
Ferry, Howard; 23-01F, Water tank, 08 Sep 2008	14315/2008	GM Global Technology Operations, Inc.; 12-16A, Vehicle wheel, 30 Jan 2009	10244/2009
Ferry, Howard; 23-01F, Water tank, 08 Sep 2008	14316/2008	GM Global Technology Operations, Inc.; 12-16A, Vehicle wheel, 30 Jan 2009	10246/2009
Ferry, Howard; 23-01F, Water tank, 08 Sep 2008	14317/2008	GM Global Technology Operations, Inc.; 12-16A, Vehicle wheel, 30 Jan 2009	10247/2009
Ferry, Howard; 23-01NES, Baffle for water tank, 08 Sep 2008	14218/2008	GM Global Technology Operations, Inc.; 12-16B, Vehicle grille, 30 Jan 2009	10248/2009
Flameproof Engineering Pty Ltd; 13-03E, 29-02, Flameproof pushbuttons, 31 Oct 2008	15168/2008	GM Global Technology Operations, Inc.; 12-16C, Vehicle hood header, 30 Jan 2009	10249/2009
Flameproof Engineering Pty Ltd; 09-03NES, 29-02, Flameproof enclosure, 30 Oct 2008	15175/2008	GM Global Technology Operations, Inc.; 12-16E, Left-side and right-side vehicle lamp surrounds, 30 Jan 2009	10242/2009
Forge, Kenneth Leslie; 25-01E, Fence post, 05 Sep 2008	14303/2008	GM Global Technology Operations, Inc.; 12-16E, Left-side and right-side vehicle lamp surrounds, 30 Jan 2009	10243/2009
Foster's Group Limited; 20-02NES, Brand display, 23 Jan 2009	10175/2009	GM Global Technology Operations, Inc.; 12-16B, Vehicle grille surround, 30 Jan 2009	10238/2009
Foster's Group Limited; 20-02NES, Mounting device, 23 Jan 2009	10176/2009		

GM Global Technology Operations, Inc; 12-16B, Vehicle grille, 30 Jan 2009	10239/2009	Hoshizaki Denki Kabushiki Kaisha; 15-07, 07-07A, Ice machine, (JP, 10 Mar 2008) 10 Sep 2008	14361/2008
GM Global Technology Operations, Inc; 12-16A, Vehicle wheel, 30 Jan 2009	10245/2009	Hoshizaki Denki Kabushiki Kaisha; 07-07A, 15-07, Ice machine, (JP, 10 Mar 2008) 10 Sep 2008	14364/2008
GM Global Technology Operations, Inc; 12-16B, Vehicle grille, 30 Jan 2009	10240/2009	Hoshizaki Denki Kabushiki Kaisha; 07-07A, 15-07, Ice machine, (JP, 10 Mar 2008) 10 Sep 2008	14359/2008
GM Global Technology Operations, Inc; 12-16B, Left-side and right-side vehicle grilles, 30 Jan 2009	10241/2009	Hoshizaki Denki Kabushiki Kaisha; 07-07A, 15-07, Ice machine, (JP, 10 Mar 2008) 10 Sep 2008	14362/2008
GM Global Technology Operations, Inc; 12-16B, Vehicle grille surround, 30 Jan 2009	10237/2009	Hoshizaki Denki Kabushiki Kaisha; 07-07A, 15-07, Ice machine, (JP, 10 Mar 2008) 10 Sep 2008	14363/2008
GM Global Technology Operations, Inc.; 12-16B, Vehicle fascia, 03 Sep 2008	14257/2008	Hoshizaki Denki Kabushiki Kaisha; 07-07A, 15-07, Ice machine, (JP, 10 Mar 2008) 10 Sep 2008	14360/2008
GM Global Technology Operations, Inc.; 12-16B, Vehicle fascia, 03 Sep 2008	14258/2008	Hoshizaki Denki Kabushiki Kaisha; 07-07A, 15-07, Ice machine, (JP, 10 Mar 2008) 10 Sep 2008	10304/2009
Haviland, Sean; 12-13, 29-99, 23-01NES, Storm - track powered water cannon, 29 Jan 2009	10216/2009	Huang, Dazhi; 14-03NES, Remote control, 05 Feb 2009	10305/2009
Hazzard, Chris; Gillam, Ali; Building Systems Pty Ltd; 25-03, 12-99, Transportable building, 29 Aug 2008	14217/2008	Huang, Dazhi; 14-99, Remote control base, 05 Feb 2009	10306/2009
Hi-Rise Vegie Garden; 11-02B, 09-03F, Raised garden's, 12 Sep 2008	14369/2008	Huang, Dazhi; 14-03NES, Remote control, 05 Feb 2009	10307/2009
Hill, Kristy; Martin, Tina; Jaafar, Kyra; Martin, Fiona; 03-01A, Reusable flat bottom lunch bag, 05 Sep 2008	14280/2008	Huang, Dazhi; 08-08H, 13-01, Curtain and blind motor and system, 05 Feb 2009	10308/2009
Honda Motor Co., Ltd.; 13-01, Engine operated generator, (JP, 01 Aug 2008) 30 Jan 2009	10259/2009	Huang, Dazhi; 08-08H, 13-01, Curtain and blind motor, 05 Feb 2009	10309/2009
Honda Motor Co., Ltd.; 26-06, A rear combination lamp for a motor scooter, (JP, 06 Aug 2008) 05 Feb 2009	10314/2009	Hunter Pacific International Pty Ltd; 23-04, Extraction fan inlet cover, 11 Sep 2008	14373/2008
Honda Motor Co., Ltd.; 12-11, Motor scooter, (JP, 06 Aug 2008) 05 Feb 2009	10315/2009	Hunter Pacific International Pty Ltd; 23-04, 13-01, Extraction fan stator, 11 Sep 2008	14374/2008
Honda Motor Co., Ltd.; 12-16B, A front top cover for a motor scooter, (JP, 06 Aug 2008) 05 Feb 2009	10316/2009	Huon Pine Pty; 09-08, Pallet, 01 Sep 2008	14226/2008
Honda Motor Co., Ltd.; 12-11, A motorcycle, (US, 06 Mar 2008) 05 Sep 2008	14306/2008	Hussy Clothing; 02-02C, , 28 Jan 2009	10197/2009
Honda Motor Co., Ltd.; 26-06, Rear combination lamp for automobile, (JP, 27 Jun 2008) 22 Dec 2008	16003/2008	Hussy Clothing; 02-02C, , 28 Jan 2009	10198/2009
Honda Motor Co., Ltd.; 12-16NES, 12-11, A fuel tank for a motorcycle, (US, 06 Mar 2008) 05 Sep 2008	14307/2008	Hussy Clothing; 02-02C, , 28 Jan 2009	10199/2009
Honda Motor Co., Ltd.; 26-06, Rear combination lamp for automobile, (JP, 27 Jun 2008) 22 Dec 2008	16004/2008	Hwang, Johnny Jiunn-Cherng; Tey, Sharon Chin Fang; 06-04NES, 21-01M, bookcase/magazine rack, 08 Sep 2008	10196/2009
Honda Motor Co., Ltd.; 26-06, Front combination lamp for automobile, (JP, 27 Jun 2008) 22 Dec 2008	16005/2008	Ikhwan, Nismawati; 11-99, 05-05NES, 20-02E, Jewellery hanger vertical layout, 05 Jan 2009	14321/2008
Honda Motor Co., Ltd.; 12-16NES, 12-11, An air cleaner cover for a motorcycle, (US, 06 Mar 2008) 05 Sep 2008	14308/2008	Ikhwan, Nismawati; 11-99, 05-05NES, 20-02E, Jewellery hanger horizontal layout, 05 Jan 2009	10019/2009
			10020/2009

Illinois Tool Works Inc.; 23-01K, Valve cap for a fuel cell, (US, 18 Apr 2008) (Divisional of 14855/2008) 10 Oct 2008	10057/2009	Joules Limited; 02-04NES, Boot, (EM, 23 Jul 2008) 23 Jan 2009	10182/2009
Intralot, Inc.; 20-01, Lottery ticket dispenser, (US, 31 Jul 2008) 30 Jan 2009	10254/2009	Kabushiki Kaisha Pilot Corporation, also trading as Pilot Corporation; 19-06, Cap of pen, (JP, 02 Jul 2008) 02 Jan 2009	10005/2009
Intralot, Inc.; 20-01, Lottery ticket dispenser front panel, (US, 31 Jul 2008) 30 Jan 2009	10253/2009	Kabushiki Kaisha Toshiba; 14-03B, Television set, (JP, 21 Nov 2008) 30 Jan 2009	10265/2009
Intralot, Inc.; 20-01, Lottery ticket dispenser front panel, (US, 31 Jul 2008) 30 Jan 2009	10252/2009	Kabushiki Kaisha Toshiba; 14-03B, Television set, (JP, 21 Nov 2008) 30 Jan 2009	10266/2009
Intralot, Inc.; 20-01, Lottery ticket dispenser front panel, (US, 31 Jul 2008) 30 Jan 2009	10255/2009	Kabushiki Kaisha Toshiba; 14-03B, Television set, (JP, 21 Nov 2008) 30 Jan 2009	10263/2009
Inventio AG; 25-02C, Modular handrail component, (EM, 25 Jul 2008) 22 Dec 2008	16001/2008	Kabushiki Kaisha Toshiba; 16-02, Data projector, (JP, 27 Aug 2008) 30 Jan 2009	10264/2009
Isuzu Motors Limited; 12-16B, Radiator grille for truck, 05 Sep 2008	14309/2008	Karndean International Pty Ltd; 25-01C, Plank, 01 Sep 2008	14222/2008
IGEL Technology GmbH; 14-02, Computer housing, (DE, 04 Dec 2008) 29 Jan 2009	10232/2009	Karndean International Pty Ltd; 25-01C, Plank, 01 Sep 2008	14223/2008
ITW Australia Pty Ltd; 08-08L, Bracket, 06 Feb 2009	10326/2009	Karndean International Pty Ltd; 25-01F, Tile, 01 Sep 2008	14221/2008
Jaafar, Kyra; Martin, Tina; Hill, Kristy; Martin, Fiona; 03-01A, Reusable flat bottom lunch bag, 05 Sep 2008	14280/2008	Karndean International Pty Ltd; 25-01F, Tile, 01 Sep 2008	14224/2008
Jackson Industries Pty Limited; 13-03D, 13-03E, A power adaptor, 23 Dec 2008	16018/2008	Kelly, Wayne; Johnston, Michael; 12-05, Topargee RV levelling systems, 23 Jan 2009	10163/2009
Jackson Industries Pty Limited; 13-03D, 13-03E, 14-02, A power adapter with removable cover, 23 Dec 2008	16019/2008	King Furniture (Australia) Pty Ltd; 06-06G, Back rest for a chair, 10 Sep 2008	14355/2008
Jackson Industries Pty Limited; 13-03D, 13-03E, 14-02, A power adaptor, 23 Dec 2008	16020/2008	King Furniture (Australia) Pty Ltd; Back support for a chair, 09 Sep 2008	14348/2008
Jackson Industries Pty Limited; 13-03D, 13-03E, 14-02, A power board, 02 Jan 2009	10007/2009	King Furniture (Australia) Pty Ltd; 06-06G, Back support for a chair, 10 Sep 2008	14356/2008
Jackson Industries Pty Limited; 13-03D, 13-03E, 14-02, A power board, 02 Jan 2009	10006/2009	Kohler Co.; 23-01H, A faucet, (US, 05 Mar 2008) 01 Sep 2008	14248/2008
Jemella Group Limited; 28-03B, Hair styling apparatus, (EM, 03 Mar 2008) (Divisional of 15124/2008) 28 Jan 2009	10209/2009	Kohler Co.; 23-02F, A wash basin, (US, 13 Mar 2008) 11 Sep 2008	14371/2008
Jemella Group Limited; 28-03B, Hair styling apparatus, (EM, 03 Mar 2008) (Divisional of 15124/2008) 28 Jan 2009	10210/2009	Kohler Co.; 23-02F, A wash basin, (US, 13 Mar 2008) 11 Sep 2008	14372/2008
Jemella Group Limited; 28-03B, Hair styling apparatus, (EM, 03 Mar 2008) (Divisional of 15124/2008) 28 Jan 2009	10211/2009	Kohler Co.; 23-01H, A faucet, (US, 05 Mar 2008) 01 Sep 2008	14239/2008
Jemella Group Limited; 28-03B, Hair styling apparatus, (EM, 03 Mar 2008) (Divisional of 15124/2008) 28 Jan 2009	10212/2009	Konami Gaming, Inc.; 21-03, Game machine, (US, 02 Jun 2008) 29 Aug 2008	14245/2008
Johnston, Michael; Kelly, Wayne; 12-05, Topargee RV levelling systems, 23 Jan 2009	10163/2009	Konami Gaming, Inc.; 21-03, Game machine, (US, 09 Jun 2008) 29 Aug 2008	14246/2008
		Konami Gaming, Inc.; 21-03, Game machine, (US, 04 Jun 2008) 29 Aug 2008	14247/2008

Kroger A/S; 08-05NES, Caulking gun, (EM, 04 Mar 2008) 03 Sep 2008	14256/2008	Mctaggart, Sarah Jane; Draper, Shirelle Ruth; Shopping trolley cover, 22 Aug 2008	14100/2008
Laerdal Medical AS; 24-01, Display panel of a cardiopulmonary resuscitation (CPR) meter, (NO, 07 Mar 2008) 10 Sep 2008	14358/2008	McGrath, Travis Joseph; 12-05, 08-99, Conveyor idler handling device, 05 Sep 2008	14297/2008
Laerdal Medical AS; 24-01, 10-05, 14-99, Cardiopulmonary resuscitation meter (CPR meter), (NO, 07 Mar 2008) 10 Sep 2008	14357/2008	McNeil-PPC, Inc.; 24-04, Sanitary napkin, (US, 30 Jul 2008) 22 Jan 2009	10164/2009
Leatherman Tool Group, Inc.; 08-03, 10-04, Scales for knives, hand tools, and the like, (Divisional of 15330/2008) 12 Nov 2008	10225/2009	McSpadden, Neta Isabelle; 99-00, Coffin, 03 Sep 2008	14250/2008
Lego A/S; 21-01E, Toy building element, (EM, 10 Nov 2008) 06 Feb 2009	10332/2009	Meadway Holdings Pty Ltd; Zou Zou Holdings Pty Ltd; 02-04A, Shoe pillow foot support, 02 Sep 2008	14230/2008
Lego A/S; 21-01E, Toy building element, (EM, 10 Nov 2008) 06 Feb 2009	10333/2009	Mellow Bay Pty Ltd; 20-02NES, Graphic display unit, 09 Jan 2009	10055/2009
Lego A/S; 21-01E, Toy building element, (EM, 10 Nov 2008) 06 Feb 2009	10334/2009	Metroll Queensland Pty Ltd; 08-08G, 25-01G, Spacer for roof sheeting clip device, 31 Oct 2008	15194/2008
Lego A/S; 21-01E, Toy building element, (EM, 10 Nov 2008) 06 Feb 2009	10335/2009	Metroll Queensland Pty Ltd; 08-08A, Roof sheeting clip device, 31 Oct 2008	15195/2008
Lelox (Australia) Pty Ltd; 12-16E, Vehicle light mount, 23 Dec 2008	16023/2008	Meura, Frank George; 26-05NES, Directional light, 29 Jan 2009	10227/2009
Lelox (Australia) Pty Ltd; 12-16E, Vehicle light mount, 23 Dec 2008	16024/2008	Meyer Intellectual Properties Limited; 07-02K, Tea maker, (US, 10 Mar 2008) 04 Sep 2008	14272/2008
Lelox (Australia) Pty Ltd; 12-16E, Vehicle light mount, 23 Dec 2008	16025/2008	Michelin Recherche et Technique S.A.; Societe De Technologie Michelin; 12-15B, A tyre, (FR, 03 Mar 2008) 02 Sep 2008	14241/2008
Lesniowski, Alexander; 06-03NES, 06-04NES, Tables, display units, stands, shelves, 02 Feb 2009	10281/2009	Motorola, Inc.; 14-03NES, Communication device, (US, 29 Aug 2008) 06 Feb 2009	10329/2009
Logix Engineering Pty Ltd; 25-01K, Aluminium extrusion, 29 Jan 2009	10224/2009	Neoperl GmbH; 23-01B, Flow regulator, (EM, 08 Sep 2008) 04 Feb 2009	10299/2009
Lucas, Kain; 06-04NES, 06-06A, Coatrack - wall mounted, 10 Sep 2008	14351/2008	Neoperl GmbH; 23-01B, Liquid flow aerator/regulator, (EM, 27 Aug 2008) 04 Feb 2009	10300/2009
Lucas, Kain; 06-13A, Placemat, 10 Sep 2008	14352/2008	New WinCup Holdings, Inc.; 09-07B, Cup lid, (US, 29 Jul 2008) 27 Jan 2009	10193/2009
Lucas, Kain; 07-04, Cutting board and serving platter, 10 Sep 2008	14353/2008	New WinCup Holdings, Inc.; 09-07B, Cup lid, (US, 29 Jul 2008) 27 Jan 2009	10194/2009
Madinoz Pty Ltd; 08-06, Handle, 30 Oct 2008	15163/2008	Newitt, Johnathon; 08-08NES, 29-02, A roof anchor, 16 Jan 2009	10130/2009
Marais, Petrus Jacobus; 08-08NES, Rotating holder for epos scanner, 31 Oct 2008	15193/2008	Ngu, Toh Ung; 02-04NES, Animal shaped footwear, 29 Jan 2009	10223/2009
Martin, Fiona; Martin, Tina; Jaafar, Kyra; Hill, Kristy; 03-01A, Reusable flat bottom lunch bag, 05 Sep 2008	14280/2008	Nintendo Co., Ltd.; 14-03NES, Repeater for communication, (JP, 07 Mar 2008) 05 Sep 2008	14304/2008
Martin, Tina; Jaafar, Kyra; Hill, Kristy; Martin, Fiona; 03-01A, Reusable flat bottom lunch bag, 05 Sep 2008	14280/2008	Nuriinternational Co., Ltd.; 09-09, Trash can, (KR, 02 May 2008) 30 Oct 2008	15178/2008
		NEC Personal Products, Ltd.; 14-02, Personal computer, (JP, 04 Aug 2008) 27 Jan 2009	10204/2009
		One Love Memorial Urns; 99-00, Funeral urn, 12 Jan 2009	10058/2009

Orica Australia Pty Ltd; 08-05A, Watering can, 10 Sep 2008	14366/2008	Prodrome Designs Pty Ltd; 25-02C, 25-01K, A balustrade rail extrusion, 09 Jan 2009	10063/2009
Orica Australia Pty Ltd; 08-05A, 10-04, Measuring cup for watering can, 10 Sep 2008	14367/2008	Prodrome Designs Pty Ltd; 08-08L, 25-02C, A hand rail mounting member, 09 Jan 2009	10064/2009
Orion Lighting Systems Pty Ltd; 12-16E, Vehicle's tail light with in-built vacuum chrome reflector, 06 Feb 2009	10324/2009	Pur Water Purification Products, Inc.; 23-01G, A connector for a faucet mounted water filter, (US, 17 Apr 2008) 14 Oct 2008	14926/2008
Orion Lighting Systems Pty Ltd; 12-16E, Vehicle's tail light with in-built reflex reflector, 06 Feb 2009	10325/2009	Pur Water Purification Products, Inc.; 23-01G, A connector for a faucet mounted water filter, (US, 17 Apr 2008) 14 Oct 2008	14927/2008
Oz Ring Pty Ltd; 21-02NES, Side swinging basketball tower, 31 Oct 2008	15177/2008	Pur Water Purification Products, Inc.; 23-01G, A connector for a faucet mounted water filter, (US, 17 Apr 2008) 14 Oct 2008	14928/2008
P P & L Enterprises Pty Ltd; Trailers by Design Pty Ltd; 12-10, Foldable motorbike trailer, 03 Sep 2008	14249/2008	Pur Water Purification Products, Inc.; 23-01G, A connector for a faucet mounted water filter, (US, 17 Apr 2008) 14 Oct 2008	14929/2008
Palmer, Phillip; 23-02D, A plug for drains that can be fitted and removed as required, 30 Jan 2009	10279/2009	Rajkumar, Nagarajah; Australian Timber Distributors; 25-01NES, Nail free decking installation, using solid timber or engineered timber, 22 Jan 2009	10179/2009
Partyware Pty Ltd; 07-01A, Disposable plastic round plate, 06 Feb 2009	10320/2009	Reckitt Benckiser (Australia) Pty Limited; 22-06, Rodent bait station, (EM, 17 Sep 2008) 06 Feb 2009	10330/2009
Partyware Pty Ltd; 07-01B, Disposable plastic round bowl, 06 Feb 2009	10321/2009	Reckitt Benckiser (Australia) Pty Limited; 22-06, Mousetrap, (EM, 28 Jul 2008) 08 Jan 2009	10052/2009
Partyware Pty Ltd; 07-01A, Disposable plastic oval plate, 06 Feb 2009	10322/2009	Reckitt Benckiser (UK) Limited; 28-03NES, Cosmetic container, (EM, 17 Mar 2008) 29 Aug 2008	14196/2008
Partyware Pty Ltd; 07-01C, Double wall paper coffee cups, 06 Feb 2009	10323/2009	Reckitt Benckiser (UK) Limited; 09-01K, Refill bottle, (EM, 14 Aug 2008) 02 Feb 2009	10274/2009
Penny Farthings Pushbike Parking Pty Ltd; 08-10, Bicycle rack, 03 Feb 2009	10273/2009	Reckitt Benckiser Inc.; 09-05, 28-03NES, Dispenser, (EM, 24 Jul 2008) 23 Jan 2009	10174/2009
Perusahaan Otomobil Nasional SDN. BHD.; 12-08, A vehicle, (MY, 07 May 2008) 29 Oct 2008	15176/2008	Redfern, Jason; Stirling-Loftus, R.; 07-02N, Cooking pans, 03 Feb 2009	10287/2009
Playtex Products, Inc.; 09-02NES, Canister, (US, 23 May 2008) (Divisional of 15572/2008) 24 Nov 2008	10275/2009	Reilly, Nicole; Orthotic/insert for high-heeled shoe, 08 May 2008	14220/2008
Playtex Products, Inc.; 09-02NES, Canister, (US, 23 May 2008) (Divisional of 15566/2008) 24 Nov 2008	10276/2009	Rennie, Nick; 06-01L, 'Idee' chair, 01 Sep 2008	14225/2008
Playtex Products, Inc.; 09-02NES, Canister, (US, 23 May 2008) (Divisional of 15566/2008) 24 Nov 2008	10277/2009	Research In Motion Limited; 14-02, Hand-held electronic device., (US, 25 Aug 2008) 03 Feb 2009	10285/2009
Pope, Bruce; 23-02A, Soap dispenser, 05 Sep 2008	14310/2008	Roadvision Pty Ltd; 26-06, Lighting assembly, 28 Jan 2009	10200/2009
Premark FEG L.L.C.; 15-05, Dishwasher, hoods, control panels and spray arms, (EM, 06 Aug 2008) 23 Jan 2009	10183/2009	Roadvision Pty Ltd; 26-06, Lighting assembly, 28 Jan 2009	10201/2009
Preston, Brett; 21-01F, A metal dome shape, with steering handles that look like ears. It has four wheels and is a ride on toy for children., 05 Jan 2009	10003/2009	Robert Bosch GmbH; 08-04, Cordless screwdriver, (EM, 13 Aug 2008) 04 Feb 2009	10297/2009
Prodir SA; 19-06, Writing instrument, (CH, 08 Dec 2008) 05 Feb 2009	10318/2009	Robert Bosch GmbH; 08-04, Cordless screwdriver, (EM, 11 Aug 2008) 04 Feb 2009	10298/2009

Robert Welch Designs Limited; 26-01, Candle holder, (EM, 04 Sep 2008) 03 Feb 2009	10290/2009	RAUSCH Classics GmbH; 06-01F, Chair, (DE, 02 Aug 2008) 28 Jan 2009	10213/2009
Robert Welch Designs Limited; 07-03, Table knife, 03 Feb 2009	10293/2009	RAUSCH Classics GmbH; 06-01G, Armchair, (DE, 02 Aug 2008) 28 Jan 2009	10214/2009
Robert Welch Designs Limited; 07-03, Table fork, 03 Feb 2009	10294/2009	RAUSCH Classics GmbH; 06-01H, Chaise lounge, (DE, 02 Aug 2008) 28 Jan 2009	10215/2009
Robert Welch Designs Limited; 07-03, Table spoon, 03 Feb 2009	10295/2009	RF Surgical Systems, Inc.; 24-02, 14-03NES, Transponder housing, (US, 06 Aug 2008) 05 Feb 2009	10317/2009
Robert Welch Designs Limited; 26-01, Candle holder, (EM, 06 Aug 2008) 03 Feb 2009	10289/2009	RJR Innovations Pty Ltd; 15-01, A manifold, 23 Dec 2008	16007/2008
Robert Welch Designs Limited; 07-03, Table knife, (EM, 04 Sep 2008) 03 Feb 2009	10282/2009	Santos, (a French societe par actions simpliffee); 31-00, Liquid dispenser, (EM, 17 Jan 2008) 09 Jan 2009	10065/2009
Robert Welch Designs Limited; 07-03, Table fork, (EM, 04 Sep 2008) 03 Feb 2009	10283/2009	Sanyang Industry Co., Ltd; 12-11, Motorcycle, 27 Jan 2009	10191/2009
Robert Welch Designs Limited; 07-03, Table spoon, (EM, 04 Sep 2008) 03 Feb 2009	10284/2009	Sanyang Industry Co., Ltd; 12-11, Motorcycle, 22 Dec 2008	16002/2008
Robert Welch Designs Limited; 26-01, Candlestick, (EM, 06 Aug 2008) 03 Feb 2009	10296/2009	Sao Paulo Alpargatas S.A.; 03-01B, A bag, (BR, 10 Dec 2007) 06 Jun 2008	15317/2008
Rodriguez, Ana; 02-02B, 06-13C, Ponchtowel, 23 Jan 2009	10206/2009	Sharard, Andrew; 02-01A, A brassiere, 29 Jan 2009	10233/2009
Roman Camping Equipment Pty Ltd; A swag skylight Previous design number 12022/2008, 05 Sep 2008	14277/2008	Sharard, Andrew; 02-01A, A brassiere, 29 Jan 2009	10234/2009
Roman Camping Equipment Pty Ltd; Tent light Previous design numbers 12025/2008 and 12029/2008, 05 Sep 2008	14276/2008	Shaw, Joshua; 23-04, 11-99, 13-03NES, , (US, 18 Aug 2008) 28 Jan 2009	10226/2009
Roman Camping Equipment Pty Ltd; Tent light Previous design numbers 12025/2008 and 12029/2008, 05 Sep 2008	14290/2008	Silhouette International Schmied AG; 16-06, Sunglasses, (EM, 02 Jan 2009) 03 Feb 2009	10291/2009
Roman Camping Equipment Pty Ltd; 08-08C, 21-04, Camping stretcher clip, 05 Sep 2008	14273/2008	Silhouette International Schmied AG; 16-06, Sunglasses, (EM, 02 Jan 2009) 03 Feb 2009	10292/2009
Rotowash Reinigungsmaschinenfabrik GmbH; 15-05, Floor cleaning machine, (EM, 05 Mar 2008) 04 Sep 2008	14281/2008	Silicea Pty Ltd; 09-01NES, Bottle, 29 Jan 2009	10235/2009
Rotowash Reinigungsmaschinenfabrik GmbH; 15-05, Floor cleaning machine, (EM, 05 Mar 2008) 04 Sep 2008	14282/2008	Silvan Australia Pty Ltd; 23-04, 15-03A, 15-03B, A set of air outlets, 29 Jul 2008	15209/2008
Rotowash Reinigungsmaschinenfabrik GmbH; 15-05, Part of floor cleaning machine, (EM, 05 Mar 2008) 04 Sep 2008	14283/2008	Simsbiz Pty Ltd; 02-04NES, Shoes, 29 Oct 2008	10168/2009
Rotowash Reinigungsmaschinenfabrik GmbH; 15-05, Floor cleaning machine, (EM, 05 Mar 2008) 04 Sep 2008	14278/2008	Simsbiz Pty Ltd; 02-04NES, Shoes, 29 Oct 2008	10169/2009
Rotowash Reinigungsmaschinenfabrik GmbH; 15-05, Floor cleaning machine, (EM, 05 Mar 2008) 04 Sep 2008	14279/2008	Simsbiz Pty Ltd; 02-04NES, Shoes, 29 Oct 2008	10170/2009
		Simsbiz Pty Ltd; 02-04NES, Shoes, 29 Oct 2008	10171/2009
		Simsbiz Pty Ltd; 02-04NES, Shoes, 29 Oct 2008	10172/2009
		Simsbiz Pty Ltd; 02-04NES, Shoes, 29 Oct 2008	10173/2009
		Slidetrack Blinds Pty Ltd; 25-01K, 06-10, 08-08H, A drawbar for a blind assembly, 29 Aug 2008	14216/2008

Smart, Anna trading as Anna Stockel Designs; 02-02C, Dress, 28 Jan 2009	10195/2009	SEW-EURODRIVE GmbH & Co. KG; 13-03NES, Equipment for distribution of electric power, (DE, 04 Mar 2008) 03 Sep 2008	14254/2008
Snaith Industries Pty Ltd; 09-09, A bin, 04 Sep 2008	14287/2008	SMK Co., Ltd.; 08-05M, Lower electrode structure for welding, (JP, 24 Jun 2008) 23 Dec 2008	16011/2008
Societe des Produits Nestle S.A.; 01-01, Chocolate, (CH, 02 Sep 2008) 29 Jan 2009	10231/2009	SMK Co., Ltd.; 08-05M, Lower electrode structure for welding, (JP, 20 Oct 2008) 23 Dec 2008	16012/2008
Societe Bic; 19-06, Cap for writing instrument, (EM, 08 Aug 2008) 19 Nov 2008	15810/2008	SPILLIP PTY LTD; 07-01NES, A seal, 03 Feb 2009	10288/2009
Societe Bic; 19-06, Writing instrument, (EM, 08 Aug 2008) 19 Nov 2008	15811/2008	Talon Design Pty Limited; 12-16C, Front bumper bar cover, 06 Feb 2009	10331/2009
Societe De Technologie Michelin; Michelin Recherche et Technique S.A.; 12-15B, A tyre, (FR, 03 Mar 2008) 02 Sep 2008	14241/2008	Team Poly Pty Ltd; 12-16C, Front bumper for a vehicle, 04 Sep 2008	14284/2008
Steele, Timothy Andrew; 23-03D, 23-03G, Mobile solar dryer, 31 Oct 2008	15202/2008	Teamworx Australia Pty. Ltd.; 02-03, 26-99, Cap with embedded LED lights and battery compartment, 05 Feb 2009	10301/2009
Stirling-Loftus, R.; Redfern, Jason; 07-02N, Cooking pans, 03 Feb 2009	10287/2009	Tey, Sharon Chin Fang; Hwang, Johnny Jiunn-Cherng; 06-04NES, 21-01M, bookcase/magazine rack, 08 Sep 2008	14321/2008
Stojanovski, Otsi; 13-03D, 08-08NES, A face plate, 03 Feb 2009	10270/2009	The Coca-Cola Company; 31-00, 15-07, 20-01, Dispenser, (US, 16 May 2008) 31 Oct 2008	15182/2008
Strain, Peter; 03-01NES, A sand proof small neoprene bag, 03 Feb 2009	10272/2009	The Coca-Cola Company; 31-00, Cartridge for beverage dispenser, (US, 12 Aug 2008) 23 Jan 2009	10184/2009
Stratco (Australia) Pty Limited; 25-01F, A tile sheet, 05 Sep 2008	14293/2008	The Coca-Cola Company; 31-00, Cartridge for beverage dispenser, (US, 12 Aug 2008) 23 Jan 2009	10185/2009
Sudres, Laurence Carretero; 11-05, Christmas tree, 04 Feb 2009	10280/2009	The Goodyear Tire & Rubber Company; 12-15C, Tyre, (US, 06 Aug 2008) 29 Jan 2009	10228/2009
Suleyman, Haluk; 08-09, Door stop, 04 Sep 2008	14271/2008	The Procter & Gamble Company; 09-03M, Dentifrice packaging, (EM, 30 Apr 2008) 30 Oct 2008	15174/2008
Sunbeam Corporation Limited; 07-02K, Kettle and base, 03 Nov 2008	15196/2008	The Procter & Gamble Company; 09-03M, Dentifrice packaging, (EM, 30 Apr 2008) 30 Oct 2008	15167/2008
Sutherland, Doniain Andrew; Sutherland, John Finlay; 26-05A, Fluorescent lights, 03 Feb 2009	10271/2009	Thomas, Ramon Sydney; 02-07C, 08-05NES, Button engagement device, 14 Aug 2008	13857/2008
Sutherland, John Finlay; Sutherland, Doniain Andrew; 26-05A, Fluorescent lights, 03 Feb 2009	10271/2009	Thomson, David; 02-04A, Gumboot mounted concrete float holster, 27 Jan 2009	10186/2009
Swatch AG (Swatch SA) (Swatch Ltd); 10-07, Watch presentation case with insert, (WO, 15 Jul 2008) 31 Oct 2008	15191/2008	Toyota Jidosha Kabushiki Kaisha; 12-16C, Front bumper for an automobile, (JP, 27 Jun 2008) 24 Oct 2008	15102/2008
Swatch AG (Swatch SA) (Swatch Ltd); 10-07, Watch case, (WO, 16 Apr 2008) 04 Sep 2008	14274/2008	Toyota Jidosha Kabushiki Kaisha; 12-08, Automobile, (JP, 29 Sep 2008) 08 Jan 2009	10051/2009
Swatch AG (Swatch SA) (Swatch Ltd); 10-07, Watch case, (WO, 16 Apr 2008) 04 Sep 2008	14275/2008	Toyota Jidosha Kabushiki Kaisha; 12-08, Automobile, (JP, 29 Sep 2008) 08 Jan 2009	10050/2009
SEW-EURODRIVE GmbH & Co. KG; 13-01, Electric motor, (DE, 04 Mar 2008) 03 Sep 2008	14252/2008	Toyota Jidosha Kabushiki Kaisha; 12-16B, Front grille for an automobile, (JP, 27 Jun 2008) 24 Oct 2008	15103/2008
SEW-EURODRIVE GmbH & Co. KG; 13-03NES, Equipment for distribution of electric power, (DE, 04 Mar 2008) 03 Sep 2008	14253/2008		

Toyota Jidosha Kabushiki Kaisha; 12-16H, Outer mirror for an automobile, (JP, 27 Jun 2008) 24 Oct 2008	15104/2008	UCB Pharma SA; 24-02, System for administering medication, (US, 18 Jul 2008) 02 Jan 2009	10002/2009
Toyota Jidosha Kabushiki Kaisha; 12-16NES, Rear garnish for an automobile, (JP, 27 Jun 2008) 24 Oct 2008	15105/2008	Weir, Susan; 06-05, Composite of vertically stackable pieces of furniture comprised of lounge, two dining chairs, seat cushion,, ottomen, neck rest, two clutch pillows, 29 Aug 2008	14219/2008
Toyota Jidosha Kabushiki Kaisha; 12-16C, Rear bumper for an automobile, 24 Oct 2008	15106/2008	Wenn, Colleen; 11-05, Christmas crackers, 06 Feb 2009	10336/2009
Toyota Jidosha Kabushiki Kaisha; 12-16C, Front bumper for an automobile, (JP, 27 Jun 2008) 24 Oct 2008	15107/2008	Wildcard Pty Ltd; 02-02C, Baby romper suit, 23 Oct 2008	15094/2008
Toyota Jidosha Kabushiki Kaisha; 12-16B, Front grille for an automobile, (JP, 27 Jun 2008) 24 Oct 2008	15108/2008	Wildcard Pty Ltd; 02-02C, Baby romper suit, 23 Oct 2008	15095/2008
Toyota Jidosha Kabushiki Kaisha; 26-06, Front combination lamp for an automobile, (JP, 27 Jun 2008) 24 Oct 2008	15109/2008	Wildcard Pty Ltd; 02-02C, Baby romper suit, 23 Oct 2008	15096/2008
Toyota Jidosha Kabushiki Kaisha; 26-06, Rear combination lamp for an automobile, (JP, 27 Jun 2008) 24 Oct 2008	15110/2008	Wildcard Pty Ltd; 02-02C, Baby romper suit, 23 Oct 2008	15097/2008
Trailers by Design Pty Ltd; P P & L Enterprises Pty Ltd; 12-10, Foldable motorbike trailer, 03 Sep 2008	14249/2008	Wildcard Pty Ltd; 02-02C, Baby romper suit, 23 Oct 2008	15098/2008
Tru-Test Limited; 08-08K, 13-99, Electric fence outrigger, 30 Jan 2009	10251/2009	Wobbly Wedge Limited; 08-08NES, The design is to be applied to a stabiliser, (NZ, 27 Jun 2008) 05 Jan 2009	10012/2009
Trydel Research Pty Ltd; 15-02, Apparatus for repairing and inflating of damaged inflatable articles, 09 Jan 2009	10056/2009	Wyeth; 03-01NES, 24-02, Tool for aiding self-injection, (JP, 02 May 2008) 31 Oct 2008	15181/2008
Turner, Michael; 06-01NES, Chair, 03 Sep 2008	14255/2008	Yanmar Co., Ltd.; 15-01, Internal combustion engine, (JP, 01 Sep 2008) 05 Jan 2009	10009/2009
TNG Enterprises LLC; 02-04A, Protective sports spat for cleated or spiked sports shoes, 09 Jan 2009	10049/2009	Yanmar Co., Ltd.; 12-16NES, 15-01, Turbocharger cover for internal combustion engine, (JP, 01 Sep 2008) 05 Jan 2009	10010/2009
Unique Product & Design Co., Ltd.; 12-12, A pushchair frame, 08 Sep 2008	14311/2008	Yanmar Co., Ltd.; 15-04, Cabin for a vehicle, (JP, 06 Mar 2008) 29 Aug 2008	14193/2008
United Bonded Fabrics Pty Ltd; 08-08NES, 29-02, A batt support fitting surround frame, 31 Oct 2008	15192/2008	Zodiac Pool Care Europe; 15-05, Swimming pool cleaner robot, (EM, 23 Jun 2008) 30 Oct 2008	15172/2008
Usual Suspects Pty Ltd; 02-02C, The design of studs featured on the garment denim jeans, pants as photo provided (men's and ladies), 11 Sep 2008	14376/2008	Zou Zou Holdings Pty Ltd; Meadway Holdings Pty Ltd; 02-04A, Shoe pillow foot support, 02 Sep 2008	14230/2008

Applications Withdrawn

13945 / 2008 (02-02C)

Applications Lapsed

13462 / 2008 (02-02C)
13746 / 2008 (12-08)

13506 / 2008 (02-02C)
14095 / 2008 (25-02C)

14097 / 2008 (25-02C)
14596 / 2008 (07-01NES)

14099 / 2008 (03-01B)
15145 / 2008 (26-05B)

15226 / 2008 (12-16NES)
15679 / 2008 (02-02C)

15642 / 2008 (21-01L)

Extension of Period of Registration of Designs

300218	300219	300642
300778	302034	302035

Registrations Ceased

315959	318908	318909
319072	319073	319250
319251		

Extensions of time granted under Section 137

Applications lodged under section 137 for extension of time have been granted.

- 13694/2008 **D & D Group Pty Ltd**
- 15216/2008 **Delta FX (Pty) Ltd (M.Walker/T.Walker.)**
- 15238/2008 **Robert Long**

Subsequent Owners Registered

(The name in parentheses is that of the subsequent owner)

- 312912 (**Cap Fencing Pty Ltd ACN 123 901 995**) Alkmist Pty Ltd
- 308467 (**Deryan Design Holding B.V.**) Roy van Aalst
- 303806 (**Discus Dental, LLC**) Discus Dental Impressions, Inc.
- 303808 (**Discus Dental, LLC**) Discus Dental Impressions, Inc.
- 303809 (**Discus Dental, LLC**) Discus Dental Impressions, Inc.
- 303810 (**Discus Dental, LLC**) Discus Dental Impressions, Inc.
- 304009 (**Discus Dental, LLC**) Discus Dental Impressions, Inc.
- 303807 (**Discus Dental, LLC**) Discus Dental Impressions, Inc.
- 300821 (**Sonsam Pty Ltd**) Arlec Australia Limited
- 300822 (**Sonsam Pty Ltd**) Arlec Australia Limited
- 300823 (**Sonsam Pty Ltd**) Arlec Australia Limited
- 300824 (**Sonsam Pty Ltd**) Arlec Australia Limited
- 300825 (**Sonsam Pty Ltd**) Arlec Australia Limited
- 300826 (**Sonsam Pty Ltd**) Arlec Australia Limited
- 307891 (**Sonsam Pty Ltd**) Arlec Australia Limited
- 300351 (**Media Mail Technology Pty Ltd**) Media Technology Pty Ltd
- 302776 (**Media Mail Technology Pty Ltd**) Media Technology Pty Ltd
- 306323 (**Media Mail Technology Pty Ltd**) Media Technology Pty Ltd
- 305840 (**Media Mail Technology Pty Ltd**) Media Technology Pty Ltd
- 321677 (**Nuna International B.V.**) Wonderland Nurserygoods Co., Ltd.
- 322022 (**Nuna International B.V.**) Wonderland Nurserygoods Co., Ltd.
- 320401 (**Nuna International B.V.**) Wonderland Nurserygoods Co., Ltd.
- 310171 (**GM Global Technology Operations, Inc.**) GM Holden Ltd
- 305935 (**GM Global Technology Operations, Inc.**) GM Holden Ltd
- 305941 (**GM Global Technology Operations, Inc.**) GM Holden Ltd
- 305989 (**GM Global Technology Operations, Inc.**) GM Holden Ltd

311319	(GM Global Technology Operations, Inc.) GM Holden Ltd		
311320	(GM Global Technology Operations, Inc.) GM Holden Ltd	311414	(GM Global Technology Operations, Inc.) GM Holden Ltd
311321	(GM Global Technology Operations, Inc.) GM Holden Ltd	301161	(GM Global Technology Operations, Inc.) Holden Ltd
311322	(GM Global Technology Operations, Inc.) GM Holden Ltd	301164	(GM Global Technology Operations, Inc.) Holden Ltd
311323	(GM Global Technology Operations, Inc.) GM Holden Ltd	301663	(GM Global Technology Operations, Inc.) Holden Ltd
311324	(GM Global Technology Operations, Inc.) GM Holden Ltd	301664	(GM Global Technology Operations, Inc.) Holden Ltd
311325	(GM Global Technology Operations, Inc.) GM Holden Ltd	301665	(GM Global Technology Operations, Inc.) Holden Ltd
311326	(GM Global Technology Operations, Inc.) GM Holden Ltd	301666	(GM Global Technology Operations, Inc.) Holden Ltd
311327	(GM Global Technology Operations, Inc.) GM Holden Ltd	301667	(GM Global Technology Operations, Inc.) Holden Ltd
311328	(GM Global Technology Operations, Inc.) GM Holden Ltd	301668	(GM Global Technology Operations, Inc.) Holden Ltd
311332	(GM Global Technology Operations, Inc.) GM Holden Ltd	301669	(GM Global Technology Operations, Inc.) Holden Ltd
311333	(GM Global Technology Operations, Inc.) GM Holden Ltd	301670	(GM Global Technology Operations, Inc.) Holden Ltd
311334	(GM Global Technology Operations, Inc.) GM Holden Ltd	301671	(GM Global Technology Operations, Inc.) Holden Ltd
311335	(GM Global Technology Operations, Inc.) GM Holden Ltd	301672	(GM Global Technology Operations, Inc.) Holden Ltd
311356	(GM Global Technology Operations, Inc.) GM Holden Ltd	301673	(GM Global Technology Operations, Inc.) Holden Ltd
311357	(GM Global Technology Operations, Inc.) GM Holden Ltd	301674	(GM Global Technology Operations, Inc.) Holden Ltd
311358	(GM Global Technology Operations, Inc.) GM Holden Ltd	301675	(GM Global Technology Operations, Inc.) Holden Ltd
311359	(GM Global Technology Operations, Inc.) GM Holden Ltd	301676	(GM Global Technology Operations, Inc.) Holden Ltd
311378	(GM Global Technology Operations, Inc.) GM Holden Ltd	302543	(GM Global Technology Operations, Inc.) Holden Ltd
311403	(GM Global Technology Operations, Inc.) GM Holden Ltd	302575	(GM Global Technology Operations, Inc.) Holden Ltd
311404	(GM Global Technology Operations, Inc.) GM Holden Ltd	302662	(GM Global Technology Operations, Inc.) Holden Ltd
311405	(GM Global Technology Operations, Inc.) GM Holden Ltd	302758	(GM Global Technology Operations, Inc.) Holden Ltd
311406	(GM Global Technology Operations, Inc.) GM Holden Ltd	302800	(GM Global Technology Operations, Inc.) Holden Ltd
311407	(GM Global Technology Operations, Inc.) GM Holden Ltd	305910	(GM Global Technology Operations, Inc.) Holden Ltd
311408	(GM Global Technology Operations, Inc.) GM Holden Ltd	305911	(GM Global Technology Operations, Inc.) Holden Ltd
311409	(GM Global Technology Operations, Inc.) GM Holden Ltd	306821	(GM Global Technology Operations, Inc.) Holden Ltd
311410	(GM Global Technology Operations, Inc.) GM Holden Ltd		
311411	(GM Global Technology Operations, Inc.) GM Holden Ltd		
311412	(GM Global Technology Operations, Inc.) GM Holden Ltd		
311413	(GM Global Technology Operations, Inc.) GM Holden Ltd		

Names Registered - Alterations and Amendments

(The name in parentheses is that of the subsequent applicant)

300821	(Arlec Australia Pty. Ltd.) Sonsam Pty Ltd
300822	(Arlec Australia Pty. Ltd.) Sonsam Pty Ltd
300823	(Arlec Australia Pty. Ltd.) Sonsam Pty Ltd
300824	(Arlec Australia Pty. Ltd.) Sonsam Pty Ltd
300825	(Arlec Australia Pty. Ltd.) Sonsam Pty Ltd
300826	(Arlec Australia Pty. Ltd.) Sonsam Pty Ltd
307891	(Arlec Australia Pty. Ltd.) Sonsam Pty Ltd
302266	(Pelco, Inc.) Pelco
302267	(Pelco, Inc.) Pelco
302268	(Pelco, Inc.) Pelco
302269	(Pelco, Inc.) Pelco
302270	(Pelco, Inc.) Pelco
306197	(Pelco, Inc.) Pelco
306198	(Pelco, Inc.) Pelco
306199	(Pelco, Inc.) Pelco

Corrigenda

Number 324353

In Vol 22 , No 24 , page 2861 under the heading **Applications Lodged**; Filing date should be 31/10/2008.

Number 323483

In Vol 22 , No 24 , page 2861 under the heading **Applications Lodged**; Filing date should be 30/10/2008.

Certificate(s) of Examination

Examination of the following Design Registration(s) has been completed. Infringement proceedings may now be commenced.

310490	09-03F	30/01/2009
316913	23-01E	04/02/2009
318968	14-01	05/02/2009
320108	09-01B	29/01/2009
320109	09-01B	29/01/2009
320110	09-01B	29/01/2009
320111	09-01B	29/01/2009
320112	09-01B	29/01/2009
320393	09-03H	30/01/2009
320395	09-03H	30/01/2009
320544	21-02NES	11/02/2009
320629	12-15NES	03/02/2009
320630	12-15NES	05/02/2009
320842	09-01K	06/02/2009
320843	09-01B	06/02/2009
320897	09-03M	09/02/2009
320898	09-03M	09/02/2009
320899	09-03M	09/02/2009
320900	09-03M	09/02/2009
320901	09-03M	09/02/2009
320902	09-03M	09/02/2009
321344	10-04	05/02/2009
321358	24-01	05/02/2009
321407	28-03NES	04/02/2009
321408	28-03NES	04/02/2009
321411	22-06	10/02/2009
321412	07-06A	11/02/2009
321413	22-06	10/02/2009
321414	22-06	10/02/2009
321463	12-02	11/02/2009

Publication and Registration Proceedings

Designs Registered

This section provides a concordance between design number and registration number of Designs covered in this journal. It also shows the main class and registration date.

This section covers Registration numbers 324241 to 324621 .

The registration number shown below should be used in all future correspondence.

Design Number	Registration Number	International Classification Code (IDC)	Registration Date	Design Number	Registration Number	International Classification Code (IDC)	Registration Date
12223/2008	324272	28-03C	02/02/2009	14774/2008	324245	25-02NES	03/02/2009
12903/2008	324576	20-02NES	10/02/2009	14779/2008	324287	15-05	04/02/2009
12904/2008	324577	20-02NES	10/02/2009	14932/2008	324469	07-99NES	05/02/2009
12982/2008	324349	03-01NES	04/02/2009	14939/2008	324273	14-03A	02/02/2009
12983/2008	324350	13-02	04/02/2009	14960/2008	324352	09-01K	04/02/2009
13148/2008	324389	25-04	03/02/2009	14965/2008	324277	21-04	04/02/2009
13149/2008	324390	25-04	03/02/2009	14971/2008	324414	03-03	04/02/2009
13383/2008	324415	18-99	06/02/2009	14974/2008	324508	03-01B	10/02/2009
13416/2008	324495	30-03	11/02/2009	14975/2008	324509	03-01B	10/02/2009
13417/2008	324496	30-03	11/02/2009	14976/2008	324510	07-02C	10/02/2009
13418/2008	324497	30-03	11/02/2009	14978/2008	324511	07-02C	10/02/2009
13435/2008	324423	12-06C	04/02/2009	15013/2008	324591	02-04NES	10/02/2009
13436/2008	324424	12-06C	04/02/2009	15014/2008	324289	07-02A	02/02/2009
13577/2008	324590	02-02C	10/02/2009	15034/2008	324446	10-04	06/02/2009
13932/2008	324533	02-02NES	06/02/2009	15102/2008	324316	12-16C	11/02/2009
13933/2008	324534	02-02C	06/02/2009	15103/2008	324317	12-16B	02/02/2009
13934/2008	324535	02-02NES	06/02/2009	15104/2008	324318	12-16H	02/02/2009
13935/2008	324536	02-02NES	06/02/2009	15105/2008	324319	12-16NES	02/02/2009
13936/2008	324537	02-02C	06/02/2009	15106/2008	324320	12-16C	02/02/2009
13937/2008	324538	02-02NES	06/02/2009	15107/2008	324321	12-16C	02/02/2009
13938/2008	324539	02-02B	06/02/2009	15108/2008	324322	12-16B	02/02/2009
13939/2008	324540	02-02C	06/02/2009	15109/2008	324323	26-06	02/02/2009
13940/2008	324541	02-02C	06/02/2009	15110/2008	324324	26-06	02/02/2009
13941/2008	324542	02-02C	06/02/2009	15124/2008	324468	28-03B	05/02/2009
13942/2008	324543	02-02NES	06/02/2009	15167/2008	324512	09-03M	10/02/2009
13943/2008	324544	02-02B	06/02/2009	15174/2008	324513	09-03M	10/02/2009
13944/2008	324545	02-02C	06/02/2009	15183/2008	324532	12-16N	10/02/2009
13946/2008	324546	02-02C	06/02/2009	15184/2008	324514	12-16N	10/02/2009
13947/2008	324547	02-02C	06/02/2009	15185/2008	324515	12-16N	10/02/2009
13948/2008	324548	02-02C	06/02/2009	15186/2008	324516	12-16D	10/02/2009
13949/2008	324549	02-02C	06/02/2009	15187/2008	324517	12-16D	10/02/2009
13950/2008	324550	02-02C	06/02/2009	15188/2008	324518	12-08	10/02/2009
13951/2008	324551	02-02C	06/02/2009	15189/2008	324531	12-08	10/02/2009
13952/2008	324552	02-02NES	06/02/2009	15190/2008	324519	12-16H	10/02/2009
13953/2008	324553	02-02C	06/02/2009	15201/2008	324520	02-04NES	10/02/2009
13954/2008	324554	02-02C	06/02/2009	15217/2008	324353	13-03E	04/02/2009
13955/2008	324555	02-02NES	06/02/2009	15252/2008	324527	24-02	10/02/2009
13956/2008	324556	02-02NES	06/02/2009	15253/2008	324426	14-03B	04/02/2009
13957/2008	324557	02-02C	06/02/2009	15274/2008	324447	13-01	06/02/2009
13958/2008	324558	02-02C	06/02/2009	15319/2008	324564	24-01	11/02/2009
13959/2008	324559	02-02C	06/02/2009	15330/2008	324592	10-04	10/02/2009
13960/2008	324560	02-02NES	06/02/2009	15339/2008	324528	14-03E	10/02/2009
13961/2008	324561	02-02NES	06/02/2009	15366/2008	324459	12-12	05/02/2009
13996/2008	324425	26-05B	04/02/2009	15380/2008	324448	21-01L	06/02/2009
14007/2008	324416	30-99	06/02/2009	15401/2008	324246	14-02	03/02/2009
14008/2008	324417	25-02C	06/02/2009	15425/2008	324529	16-01	10/02/2009
14061/2008	324418	12-10	06/02/2009	15460/2008	324578	09-02B	10/02/2009
14230/2008	324419	02-04A	06/02/2009	15467/2008	324247	10-05	03/02/2009
14615/2008	324443	12-08	06/02/2009	15468/2008	324248	10-05	03/02/2009
14640/2008	324241	07-01C	03/02/2009	15527/2008	324391	02-02A	03/02/2009
14755/2008	324444	02-03	06/02/2009	15528/2008	324392	02-02A	03/02/2009
14757/2008	324242	02-03	03/02/2009	15574/2008	324288	14-03A	04/02/2009
14765/2008	324351	03-01NES	04/02/2009	15623/2008	324274	09-03G	02/02/2009

Publication and Registration Proceedings - Designs Registered cont'd

Design Number	Registration Number	International Classification Code (IDC)	Registration Date	Design Number	Registration Number	International Classification Code (IDC)	Registration Date
15694/2008	324420	02-03	06/02/2009	15888/2008	324376	09-05	04/02/2009
15695/2008	324421	02-03	06/02/2009	15889/2008	324377	09-05	04/02/2009
15696/2008	324422	02-03	06/02/2009	15890/2008	324378	09-05	04/02/2009
15707/2008	324354	12-15A	04/02/2009	15891/2008	324379	09-05	04/02/2009
15711/2008	324505	23-01B	11/02/2009	15899/2008	324380	26-05C	04/02/2009
15712/2008	324506	23-01B	11/02/2009	15900/2008	324381	26-05C	04/02/2009
15751/2008	324579	12-15C	10/02/2009	15913/2008	324382	02-02C	04/02/2009
15774/2008	324290	11-02NES	02/02/2009	15914/2008	324383	02-02NES	04/02/2009
15781/2008	324530	09-01NES	10/02/2009	15915/2008	324384	02-02NES	04/02/2009
15782/2008	324279	12-08	04/02/2009	15916/2008	324385	02-02NES	04/02/2009
15783/2008	324278	12-16NES	04/02/2009	15917/2008	324386	02-02B	04/02/2009
15784/2008	324280	12-16E	04/02/2009	15919/2008	324304	20-02B	02/02/2009
15785/2008	324281	12-16E	04/02/2009	15920/2008	324305	09-02B	02/02/2009
15786/2008	324282	31-00	04/02/2009	15925/2008	324306	20-01	02/02/2009
15787/2008	324283	31-00	04/02/2009	15926/2008	324307	20-01	02/02/2009
15788/2008	324355	31-00	04/02/2009	15928/2008	324308	23-04	02/02/2009
15789/2008	324356	31-00	04/02/2009	15930/2008	324309	09-09	02/02/2009
15790/2008	324357	10-04	04/02/2009	15931/2008	324310	10-04	02/02/2009
15791/2008	324358	25-01K	04/02/2009	15932/2008	324311	07-06NES	02/02/2009
15792/2008	324359	25-01K	04/02/2009	15933/2008	324312	07-01NES	02/02/2009
15793/2008	324360	25-01K	04/02/2009	15934/2008	324313	09-07A	02/02/2009
15794/2008	324361	25-01K	04/02/2009	15935/2008	324314	09-07A	02/02/2009
15795/2008	324362	25-01K	04/02/2009	15936/2008	324315	07-04	02/02/2009
15796/2008	324363	25-01K	04/02/2009	15942/2008	324291	21-02A	02/02/2009
15797/2008	324364	25-01K	04/02/2009	15944/2008	324292	25-01F	02/02/2009
15798/2008	324365	12-16C	04/02/2009	15945/2008	324293	25-01F	02/02/2009
15800/2008	324366	02-04NES	04/02/2009	15946/2008	324294	25-01F	02/02/2009
15801/2008	324367	02-04NES	04/02/2009	15947/2008	324295	25-01F	02/02/2009
15843/2008	324252	14-03E	02/02/2009	15948/2008	324460	12-16A	05/02/2009
15844/2008	324253	14-03E	02/02/2009	15949/2008	324296	25-04	02/02/2009
15846/2008	324254	15-04	02/02/2009	15950/2008	324297	25-03	02/02/2009
15849/2008	324255	06-01NES	02/02/2009	15951/2008	324298	23-04	02/02/2009
15850/2008	324256	06-01NES	02/02/2009	15953/2008	324299	09-03NES	02/02/2009
15857/2008	324257	24-04	02/02/2009	15954/2008	324300	09-03NES	02/02/2009
15858/2008	324258	24-04	02/02/2009	15955/2008	324301	09-03NES	02/02/2009
15859/2008	324259	24-04	02/02/2009	15956/2008	324302	09-03NES	02/02/2009
15860/2008	324260	24-04	02/02/2009	15962/2008	324333	15-01	03/02/2009
15861/2008	324261	24-04	02/02/2009	15963/2008	324334	15-03B	03/02/2009
15864/2008	324262	30-04	02/02/2009	15964/2008	324335	18-02	03/02/2009
15865/2008	324263	03-01C	02/02/2009	15965/2008	324336	12-08	03/02/2009
15866/2008	324264	03-01C	02/02/2009	15966/2008	324337	12-08	03/02/2009
15867/2008	324265	03-01C	02/02/2009	15967/2008	324464	21-02C	05/02/2009
15868/2008	324266	03-01C	02/02/2009	15968/2008	324465	15-01	05/02/2009
15869/2008	324368	21-02C	04/02/2009	15972/2008	324461	06-01D	05/02/2009
15870/2008	324275	08-01	02/02/2009	15973/2008	324462	13-03D	05/02/2009
15871/2008	324276	08-01	02/02/2009	15974/2008	324463	06-13B	05/02/2009
15872/2008	324267	25-01K	02/02/2009	15975/2008	324466	09-01K	05/02/2009
15873/2008	324268	08-08A	02/02/2009	15976/2008	324467	09-01B	05/02/2009
15874/2008	324269	08-08A	02/02/2009	15980/2008	324338	31-00	03/02/2009
15875/2008	324369	08-08G	04/02/2009	15981/2008	324339	19-06	03/02/2009
15876/2008	324370	09-05	04/02/2009	15982/2008	324340	09-99	03/02/2009
15877/2008	324371	09-05	04/02/2009	15983/2008	324341	21-02F	03/02/2009
15878/2008	324372	09-05	04/02/2009	15985/2008	324581	02-04B	10/02/2009
15879/2008	324373	09-05	04/02/2009	15986/2008	324582	02-04B	10/02/2009
15880/2008	324374	09-05	04/02/2009	15987/2008	324342	07-02G	03/02/2009
15881/2008	324375	09-05	04/02/2009	15988/2008	324343	07-02G	03/02/2009
15886/2008	324270	13-03E	02/02/2009	15990/2008	324344	14-03A	03/02/2009
15887/2008	324271	13-03E	02/02/2009	15992/2008	324345	04-02	03/02/2009

Publication and Registration Proceedings - Designs Registered cont'd

Design Number	Registration Number	International Classification Code (IDC)	Registration Date	Design Number	Registration Number	International Classification Code (IDC)	Registration Date
15993/2008	324346	02-02NES	03/02/2009	16081/2008	324482	01-06	05/02/2009
15994/2008	324303	06-04B	02/02/2009	16087/2008	324580	12-15C	10/02/2009
15995/2008	324347	26-05C	03/02/2009	10004/2009	324458	09-01G	06/02/2009
15996/2008	324348	09-05	03/02/2009	10006/2009	324430	13-03D	04/02/2009
15997/2008	324325	06-06C	02/02/2009	10007/2009	324431	13-03D	04/02/2009
16001/2008	324326	25-02C	02/02/2009	10008/2009	324432	21-02C	04/02/2009
16002/2008	324583	12-11	10/02/2009	10009/2009	324433	15-01	04/02/2009
16003/2008	324327	26-06	02/02/2009	10010/2009	324434	12-16NES	04/02/2009
16004/2008	324328	26-06	02/02/2009	10011/2009	324435	12-16NES	04/02/2009
16005/2008	324329	26-06	02/02/2009	10019/2009	324483	11-99	05/02/2009
16008/2008	324330	13-03E	02/02/2009	10020/2009	324484	11-99	05/02/2009
16009/2008	324331	13-03E	02/02/2009	10021/2009	324437	23-01H	04/02/2009
16010/2008	324332	13-03E	02/02/2009	10023/2009	324438	14-01	04/02/2009
16015/2008	324449	12-07	06/02/2009	10024/2009	324439	21-01N	04/02/2009
16016/2008	324450	12-07	06/02/2009	10025/2009	324440	14-01	04/02/2009
16017/2008	324451	12-07	06/02/2009	10026/2009	324441	21-01N	04/02/2009
16018/2008	324452	13-03D	06/02/2009	10027/2009	324442	26-02	04/02/2009
16019/2008	324453	13-03D	06/02/2009	10038/2009	324593	02-07B	10/02/2009
16020/2008	324454	13-03D	06/02/2009	10039/2009	324594	12-08	10/02/2009
16021/2008	324455	21-02C	06/02/2009	10040/2009	324595	12-16B	10/02/2009
16022/2008	324456	21-02C	06/02/2009	10041/2009	324596	12-16B	10/02/2009
16026/2008	324457	02-02B	06/02/2009	10046/2009	324597	09-09	10/02/2009
16027/2008	324427	09-05	04/02/2009	10049/2009	324249	02-04A	03/02/2009
16028/2008	324428	09-05	04/02/2009	10050/2009	324598	12-08	10/02/2009
16030/2008	324429	19-06	04/02/2009	10051/2009	324599	12-08	10/02/2009
16032/2008	324393	08-03	03/02/2009	10055/2009	324565	20-02NES	11/02/2009
16034/2008	324394	08-08NES	03/02/2009	10056/2009	324566	15-02	11/02/2009
16044/2008	324445	02-03	06/02/2009	10057/2009	324567	23-01K	11/02/2009
16045/2008	324243	02-03	03/02/2009	10063/2009	324568	25-02C	11/02/2009
16046/2008	324244	02-03	03/02/2009	10064/2009	324569	08-08L	11/02/2009
16048/2008	324395	13-03D	03/02/2009	10065/2009	324570	31-00	11/02/2009
16050/2008	324396	01-06	03/02/2009	10066/2009	324571	09-07A	11/02/2009
16051/2008	324397	01-06	03/02/2009	10067/2009	324572	09-01A	11/02/2009
16052/2008	324398	01-06	03/02/2009	10068/2009	324573	06-01E	11/02/2009
16053/2008	324399	01-06	03/02/2009	10069/2009	324284	15-05	04/02/2009
16054/2008	324400	01-06	03/02/2009	10070/2009	324285	15-05	04/02/2009
16056/2008	324401	23-02E	03/02/2009	10071/2009	324286	15-05	04/02/2009
16057/2008	324402	09-05	03/02/2009	10072/2009	324574	04-02	11/02/2009
16058/2008	324403	09-03M	03/02/2009	10073/2009	324575	04-02	11/02/2009
16059/2008	324404	14-01	03/02/2009	10075/2009	324584	24-04	10/02/2009
16061/2008	324405	07-02N	03/02/2009	10076/2009	324585	24-04	10/02/2009
16062/2008	324406	07-99NES	03/02/2009	10077/2009	324586	24-04	10/02/2009
16063/2008	324407	07-99NES	03/02/2009	10078/2009	324587	24-04	10/02/2009
16064/2008	324408	07-99NES	03/02/2009	10079/2009	324498	21-04	11/02/2009
16065/2008	324409	07-99NES	03/02/2009	10082/2009	324499	10-05	11/02/2009
16067/2008	324470	14-03NES	05/02/2009	10083/2009	324500	26-06	11/02/2009
16068/2008	324471	09-02B	05/02/2009	10084/2009	324501	26-06	11/02/2009
16069/2008	324472	09-02B	05/02/2009	10087/2009	324502	21-03	11/02/2009
16070/2008	324473	20-02C	05/02/2009	10089/2009	324503	14-01	11/02/2009
16071/2008	324474	20-02C	05/02/2009	10091/2009	324504	10-02	11/02/2009
16072/2008	324475	20-02C	05/02/2009	10096/2009	324387	09-01K	04/02/2009
16073/2008	324476	20-02C	05/02/2009	10097/2009	324388	09-01K	04/02/2009
16075/2008	324477	20-02C	05/02/2009	10099/2009	324507	12-15F	11/02/2009
16076/2008	324478	20-02C	05/02/2009	10100/2009	324250	11-05	03/02/2009
16077/2008	324479	20-02C	05/02/2009	10101/2009	324251	11-05	03/02/2009
16078/2008	324480	20-02C	05/02/2009	10106/2009	324601	23-02B	10/02/2009
16079/2008	324410	08-09	03/02/2009	10125/2009	324588	05-06NES	10/02/2009
16080/2008	324481	01-06	05/02/2009	10126/2009	324589	05-06NES	10/02/2009

Publication and Registration Proceedings - Designs Registered cont'd

Design Number	Registration Number	International Classification Code (IDC)	Registration Date	Design Number	Registration Number	International Classification Code (IDC)	Registration Date
10138/2009	324606	13-03B	10/02/2009	10259/2009	324562	13-01	10/02/2009
10140/2009	324608	08-08G	10/02/2009	10263/2009	324563	14-03B	10/02/2009
10141/2009	324607	09-01K	10/02/2009	10264/2009	324436	16-02	10/02/2009
10142/2009	324609	09-01K	10/02/2009	10265/2009	324493	14-03B	05/02/2009
10143/2009	324610	12-06C	10/02/2009	10266/2009	324494	14-03B	05/02/2009
10147/2009	324411	03-03	04/02/2009	10269/2009	324487	04-01	05/02/2009
10148/2009	324412	03-03	04/02/2009	10270/2009	324602	13-03D	10/02/2009
10149/2009	324413	03-03	04/02/2009	10274/2009	324603	09-01K	10/02/2009
10168/2009	324521	02-04NES	10/02/2009	10275/2009	324611	09-02NES	10/02/2009
10169/2009	324522	02-04NES	10/02/2009	10276/2009	324612	09-02NES	10/02/2009
10170/2009	324523	02-04NES	10/02/2009	10277/2009	324613	09-02NES	10/02/2009
10171/2009	324524	02-04NES	10/02/2009	10278/2009	324614	09-01NES	10/02/2009
10172/2009	324525	02-04NES	10/02/2009	10280/2009	324615	11-05	10/02/2009
10173/2009	324526	02-04NES	10/02/2009	10285/2009	324616	14-02	10/02/2009
10203/2009	324488	21-02C	05/02/2009	10286/2009	324617	12-15A	10/02/2009
10225/2009	324600	08-03	10/02/2009	10291/2009	324604	16-06	10/02/2009
10228/2009	324489	12-15C	05/02/2009	10292/2009	324605	16-06	10/02/2009
10231/2009	324490	01-01	05/02/2009	10297/2009	324618	08-04	10/02/2009
10233/2009	324491	02-01A	05/02/2009	10298/2009	324619	08-04	10/02/2009
10234/2009	324492	02-01A	05/02/2009	10300/2009	324620	23-01B	10/02/2009
10235/2009	324485	09-01NES	05/02/2009	10303/2009	324621	07-02E	10/02/2009
10236/2009	324486	25-01F	05/02/2009				

Publication and Registration Proceedings
Class Listing of Designs Published or Registered

The following section shows an International Classification Code listing of the Registered or Published Designs covered in this supplement.

Classification	Registration Number	Design Number	Classification	Registration Number	Design Number
01-01	324490	10231/2009	02-03	324445	16044/2008
01-06	324396	16050/2008	02-04 A	324249	10049/2009
01-06	324397	16051/2008	02-04 A	324419	14230/2008
01-06	324398	16052/2008	02-04 B	324581	15985/2008
01-06	324399	16053/2008	02-04 B	324582	15986/2008
01-06	324400	16054/2008	02-04 NES	324366	15800/2008
01-06	324481	16080/2008	02-04 NES	324367	15801/2008
01-06	324482	16081/2008	02-04 NES	324520	15201/2008
02-01 A	324491	10233/2009	02-04 NES	324521	10168/2009
02-01 A	324492	10234/2009	02-04 NES	324522	10169/2009
02-02 A	324391	15527/2008	02-04 NES	324523	10170/2009
02-02 A	324392	15528/2008	02-04 NES	324524	10171/2009
02-02 B	324386	15917/2008	02-04 NES	324525	10172/2009
02-02 B	324457	16026/2008	02-04 NES	324526	10173/2009
02-02 B	324539	13938/2008	02-04 NES	324591	15013/2008
02-02 B	324544	13943/2008	02-07 B	324593	10038/2009
02-02 C	324382	15913/2008	03-01 B	324508	14974/2008
02-02 C	324534	13933/2008	03-01 B	324509	14975/2008
02-02 C	324537	13936/2008	03-01 C	324263	15865/2008
02-02 C	324540	13939/2008	03-01 C	324264	15866/2008
02-02 C	324541	13940/2008	03-01 C	324265	15867/2008
02-02 C	324542	13941/2008	03-01 C	324266	15868/2008
02-02 C	324545	13944/2008	03-01 NES	324349	12982/2008
02-02 C	324546	13946/2008	03-01 NES	324351	14765/2008
02-02 C	324547	13947/2008	03-03	324411	10147/2009
02-02 C	324548	13948/2008	03-03	324412	10148/2009
02-02 C	324549	13949/2008	03-03	324413	10149/2009
02-02 C	324550	13950/2008	03-03	324414	14971/2008
02-02 C	324551	13951/2008	04-01	324487	10269/2009
02-02 C	324553	13953/2008	04-02	324345	15992/2008
02-02 C	324554	13954/2008	04-02	324574	10072/2009
02-02 C	324557	13957/2008	04-02	324575	10073/2009
02-02 C	324558	13958/2008	05-05 NES	324483	10019/2009
02-02 C	324559	13959/2008	05-05 NES	324484	10020/2009
02-02 C	324590	13577/2008	05-06 NES	324588	10125/2009
02-02 NES	324346	15993/2008	05-06 NES	324589	10126/2009
02-02 NES	324383	15914/2008	06-01 D	324461	15972/2008
02-02 NES	324384	15915/2008	06-01 E	324573	10068/2009
02-02 NES	324385	15916/2008	06-01 NES	324255	15849/2008
02-02 NES	324533	13932/2008	06-01 NES	324256	15850/2008
02-02 NES	324535	13934/2008	06-04 B	324303	15994/2008
02-02 NES	324536	13935/2008	06-06 C	324325	15997/2008
02-02 NES	324538	13937/2008	06-06 NES	324325	15997/2008
02-02 NES	324543	13942/2008	06-13 B	324463	15974/2008
02-02 NES	324552	13952/2008	07-01 C	324241	14640/2008
02-02 NES	324555	13955/2008	07-01 D	324435	10011/2009
02-02 NES	324556	13956/2008	07-01 NES	324312	15933/2008
02-02 NES	324560	13960/2008	07-02 A	324289	15014/2008
02-02 NES	324561	13961/2008	07-02 C	324510	14976/2008
02-03	324242	14757/2008	07-02 C	324511	14978/2008
02-03	324243	16045/2008	07-02 E	324621	10303/2009
02-03	324244	16046/2008	07-02 G	324342	15987/2008
02-03	324420	15694/2008	07-02 G	324343	15988/2008
02-03	324421	15695/2008	07-02 N	324405	16061/2008
02-03	324422	15696/2008	07-03	324310	15931/2008
02-03	324444	14755/2008	07-04	324315	15936/2008

Registration Proceedings - Class Listing of Designs Published or Registered cont'd

Classification	Registration Number	Design Number	Classification	Registration Number	Design Number
07-06 NES	324311	15932/2008	09-05	324265	15867/2008
07-06 NES	324315	15936/2008	09-05	324266	15868/2008
07-99 NES	324312	15933/2008	09-05	324348	15996/2008
07-99 NES	324406	16062/2008	09-05	324370	15876/2008
07-99 NES	324407	16063/2008	09-05	324371	15877/2008
07-99 NES	324408	16064/2008	09-05	324372	15878/2008
07-99 NES	324409	16065/2008	09-05	324373	15879/2008
07-99 NES	324469	14932/2008	09-05	324374	15880/2008
08-01	324275	15870/2008	09-05	324375	15881/2008
08-01	324276	15871/2008	09-05	324376	15888/2008
08-03	324393	16032/2008	09-05	324377	15889/2008
08-03	324600	10225/2009	09-05	324378	15890/2008
08-04	324618	10297/2009	09-05	324379	15891/2008
08-04	324619	10298/2009	09-05	324402	16057/2008
08-05 G	324314	15935/2008	09-05	324427	16027/2008
08-06	324410	16079/2008	09-05	324428	16028/2008
08-06	324416	14007/2008	09-05	324495	13416/2008
08-08 A	324268	15873/2008	09-07 A	324313	15934/2008
08-08 A	324269	15874/2008	09-07 A	324314	15935/2008
08-08 G	324369	15875/2008	09-07 A	324571	10066/2009
08-08 G	324608	10140/2009	09-07 B	324349	12982/2008
08-08 L	324569	10064/2009	09-09	324309	15930/2008
08-08 NES	324268	15873/2008	09-09	324597	10046/2009
08-08 NES	324269	15874/2008	09-99	324340	15982/2008
08-08 NES	324394	16034/2008	10-02	324504	10091/2009
08-08 NES	324602	10270/2009	10-04	324310	15931/2008
08-09	324410	16079/2008	10-04	324357	15790/2008
09-01 A	324572	10067/2009	10-04	324446	15034/2008
09-01 B	324467	15976/2008	10-04	324592	15330/2008
09-01 G	324458	10004/2009	10-04	324600	10225/2009
09-01 K	324352	14960/2008	10-05	324247	15467/2008
09-01 K	324387	10096/2009	10-05	324248	15468/2008
09-01 K	324388	10097/2009	10-05	324499	10082/2009
09-01 K	324466	15975/2008	11-02 NES	324290	15774/2008
09-01 K	324603	10274/2009	11-05	324250	10100/2009
09-01 K	324607	10141/2009	11-05	324251	10101/2009
09-01 K	324609	10142/2009	11-05	324615	10280/2009
09-01 NES	324485	10235/2009	11-99	324483	10019/2009
09-01 NES	324530	15781/2008	11-99	324484	10020/2009
09-01 NES	324614	10278/2009	12-06 C	324423	13435/2008
09-02 B	324305	15920/2008	12-06 C	324424	13436/2008
09-02 B	324471	16068/2008	12-06 C	324610	10143/2009
09-02 B	324472	16069/2008	12-07	324449	16015/2008
09-02 B	324578	15460/2008	12-07	324450	16016/2008
09-02 NES	324611	10275/2009	12-07	324451	16017/2008
09-02 NES	324612	10276/2009	12-08	324279	15782/2008
09-02 NES	324613	10277/2009	12-08	324336	15965/2008
09-03 G	324274	15623/2008	12-08	324337	15966/2008
09-03 M	324403	16058/2008	12-08	324443	14615/2008
09-03 M	324512	15167/2008	12-08	324518	15188/2008
09-03 M	324513	15174/2008	12-08	324531	15189/2008
09-03 NES	324299	15953/2008	12-08	324594	10039/2009
09-03 NES	324300	15954/2008	12-08	324598	10050/2009
09-03 NES	324301	15955/2008	12-08	324599	10051/2009
09-03 NES	324302	15956/2008	12-10	324418	14061/2008
09-03 NES	324496	13417/2008	12-11	324583	16002/2008
09-03 NES	324497	13418/2008	12-12	324459	15366/2008
09-05	324263	15865/2008	12-15 A	324354	15707/2008
09-05	324264	15866/2008	12-15 A	324617	10286/2009

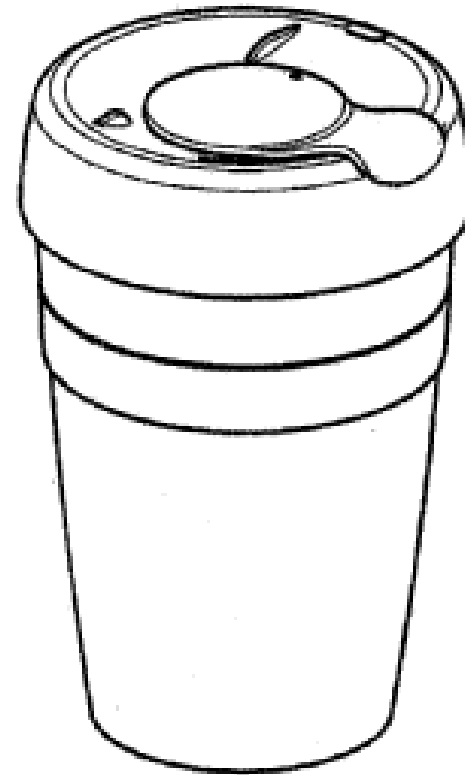
Registration Proceedings - Class Listing of Designs Published or Registered cont'd

Classification	Registration Number	Design Number	Classification	Registration Number	Design Number
12-15 C	324489	10228/2009	14-02	324246	15401/2008
12-15 C	324579	15751/2008	14-02	324430	10006/2009
12-15 C	324580	16087/2008	14-02	324431	10007/2009
12-15 F	324507	10099/2009	14-02	324449	16015/2008
12-16 A	324460	15948/2008	14-02	324453	16019/2008
12-16 B	324317	15103/2008	14-02	324454	16020/2008
12-16 B	324322	15108/2008	14-02	324616	10285/2009
12-16 B	324595	10040/2009	14-03 A	324273	14939/2008
12-16 B	324596	10041/2009	14-03 A	324288	15574/2008
12-16 C	324316	15102/2008	14-03 A	324344	15990/2008
12-16 C	324320	15106/2008	14-03 B	324426	15253/2008
12-16 C	324321	15107/2008	14-03 B	324493	10265/2009
12-16 C	324365	15798/2008	14-03 B	324494	10266/2009
12-16 D	324516	15186/2008	14-03 B	324563	10263/2009
12-16 D	324517	15187/2008	14-03 E	324252	15843/2008
12-16 E	324280	15784/2008	14-03 E	324253	15844/2008
12-16 E	324281	15785/2008	14-03 E	324528	15339/2008
12-16 H	324318	15104/2008	14-03 NES	324306	15925/2008
12-16 H	324519	15190/2008	14-03 NES	324307	15926/2008
12-16 L	324418	14061/2008	14-03 NES	324470	16067/2008
12-16 N	324514	15184/2008	14-99	324474	16071/2008
12-16 N	324515	15185/2008	14-99	324475	16072/2008
12-16 N	324532	15183/2008	14-99	324476	16073/2008
12-16 NES	324278	15783/2008	14-99	324477	16075/2008
12-16 NES	324319	15105/2008	14-99	324479	16077/2008
12-16 NES	324434	10010/2009	15-01	324333	15962/2008
12-16 NES	324435	10011/2009	15-01	324433	10009/2009
12-16 NES	324450	16016/2008	15-01	324434	10010/2009
12-16 NES	324451	16017/2008	15-01	324465	15968/2008
13-01	324447	15274/2008	15-02	324566	10056/2009
13-01	324562	10259/2009	15-03 B	324334	15963/2008
13-02	324350	12983/2008	15-04	324254	15846/2008
13-03 B	324606	10138/2009	15-04	324507	10099/2009
13-03 D	324395	16048/2008	15-05	324284	10069/2009
13-03 D	324430	10006/2009	15-05	324285	10070/2009
13-03 D	324431	10007/2009	15-05	324286	10071/2009
13-03 D	324452	16018/2008	15-05	324287	14779/2008
13-03 D	324453	16019/2008	15-07	324426	15253/2008
13-03 D	324454	16020/2008	15-99	324306	15925/2008
13-03 D	324462	15973/2008	15-99	324307	15926/2008
13-03 D	324602	10270/2009	16-01	324529	15425/2008
13-03 E	324270	15886/2008	16-02	324436	10264/2009
13-03 E	324271	15887/2008	16-06	324604	10291/2009
13-03 E	324330	16008/2008	16-06	324605	10292/2009
13-03 E	324331	16009/2008	18-02	324335	15964/2008
13-03 E	324332	16010/2008	18-99	324415	13383/2008
13-03 E	324353	15217/2008	19-06	324339	15981/2008
13-03 E	324430	10006/2009	19-06	324429	16030/2008
13-03 E	324431	10007/2009	20-01	324306	15925/2008
13-03 E	324452	16018/2008	20-01	324307	15926/2008
13-03 E	324453	16019/2008	20-02 B	324304	15919/2008
13-03 E	324454	16020/2008	20-02 C	324473	16070/2008
13-03 NES	324349	12982/2008	20-02 C	324474	16071/2008
13-03 NES	324350	12983/2008	20-02 C	324475	16072/2008
13-03 NES	324449	16015/2008	20-02 C	324476	16073/2008
14-01	324404	16059/2008	20-02 C	324477	16075/2008
14-01	324438	10023/2009	20-02 C	324478	16076/2008
14-01	324440	10025/2009	20-02 C	324479	16077/2008
14-01	324503	10089/2009	20-02 C	324480	16078/2008

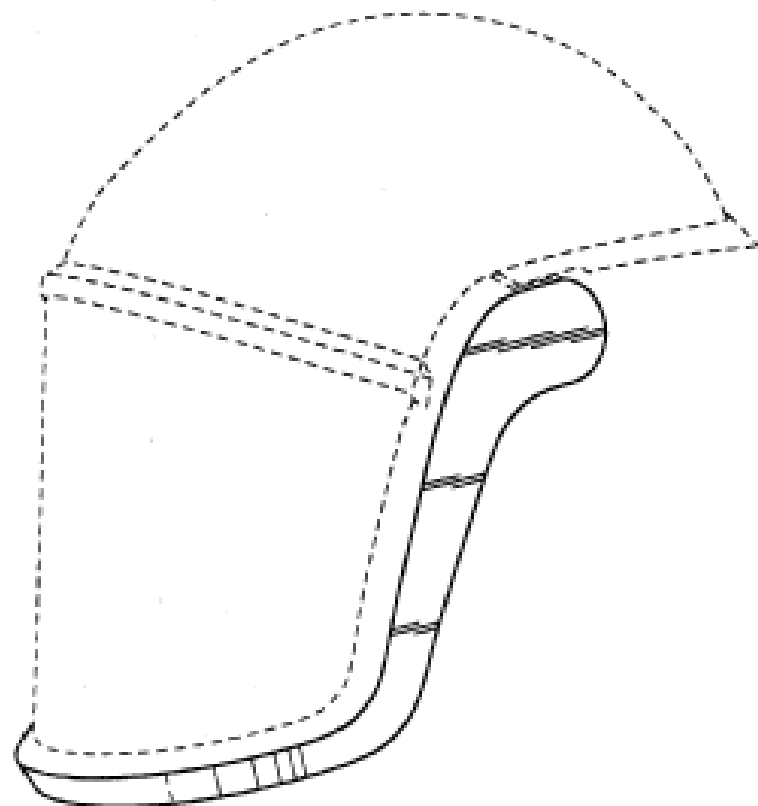
Registration Proceedings - Class Listing of Designs Published or Registered cont'd

Classification	Registration Number	Design Number	Classification	Registration Number	Design Number
20-02 E	324483	10019/2009	25-01 K	324358	15791/2008
20-02 E	324484	10020/2009	25-01 K	324359	15792/2008
20-02 NES	324565	10055/2009	25-01 K	324360	15793/2008
20-02 NES	324576	12903/2008	25-01 K	324361	15794/2008
20-02 NES	324577	12904/2008	25-01 K	324362	15795/2008
21-01 L	324448	15380/2008	25-01 K	324363	15796/2008
21-01 N	324439	10024/2009	25-01 K	324364	15797/2008
21-01 N	324441	10026/2009	25-01 K	324568	10063/2009
21-02 A	324291	15942/2008	25-02 C	324326	16001/2008
21-02 C	324368	15869/2008	25-02 C	324417	14008/2008
21-02 C	324432	10008/2009	25-02 C	324568	10063/2009
21-02 C	324455	16021/2008	25-02 C	324569	10064/2009
21-02 C	324456	16022/2008	25-02 NES	324245	14774/2008
21-02 C	324464	15967/2008	25-03	324297	15950/2008
21-02 C	324488	10203/2009	25-04	324296	15949/2008
21-02 F	324341	15983/2008	25-04	324389	13148/2008
21-03	324502	10087/2009	25-04	324390	13149/2008
21-04	324277	14965/2008	26-02	324442	10027/2009
21-04	324498	10079/2009	26-05 B	324425	13996/2008
23-01 B	324505	15711/2008	26-05 C	324347	15995/2008
23-01 B	324506	15712/2008	26-05 C	324380	15899/2008
23-01 B	324620	10300/2009	26-05 C	324381	15900/2008
23-01 H	324437	10021/2009	26-06	324280	15784/2008
23-01 K	324567	10057/2009	26-06	324281	15785/2008
23-02 B	324601	10106/2009	26-06	324323	15109/2008
23-02 E	324401	16056/2008	26-06	324324	15110/2008
23-02 NES	324505	15711/2008	26-06	324327	16003/2008
23-02 NES	324506	15712/2008	26-06	324328	16004/2008
23-04	324298	15951/2008	26-06	324329	16005/2008
23-04	324308	15928/2008	26-06	324500	10083/2009
24-01	324564	15319/2008	26-06	324501	10084/2009
24-02	324527	15252/2008	28-03 B	324468	15124/2008
24-04	324257	15857/2008	28-03 C	324272	12223/2008
24-04	324258	15858/2008	30-03	324495	13416/2008
24-04	324259	15859/2008	30-03	324496	13417/2008
24-04	324260	15860/2008	30-03	324497	13418/2008
24-04	324261	15861/2008	30-04	324262	15864/2008
24-04	324584	10075/2009	30-99	324416	14007/2008
24-04	324585	10076/2009	30-99	324417	14008/2008
24-04	324586	10077/2009	31-00	324282	15786/2008
24-04	324587	10078/2009	31-00	324283	15787/2008
25-01 F	324292	15944/2008	31-00	324338	15980/2008
25-01 F	324293	15945/2008	31-00	324355	15788/2008
25-01 F	324294	15946/2008	31-00	324356	15789/2008
25-01 F	324295	15947/2008	31-00	324570	10065/2009
25-01 F	324486	10236/2009			
25-01 K	324267	15872/2008			
25-01 K	324268	15873/2008			
25-01 K	324269	15874/2008			

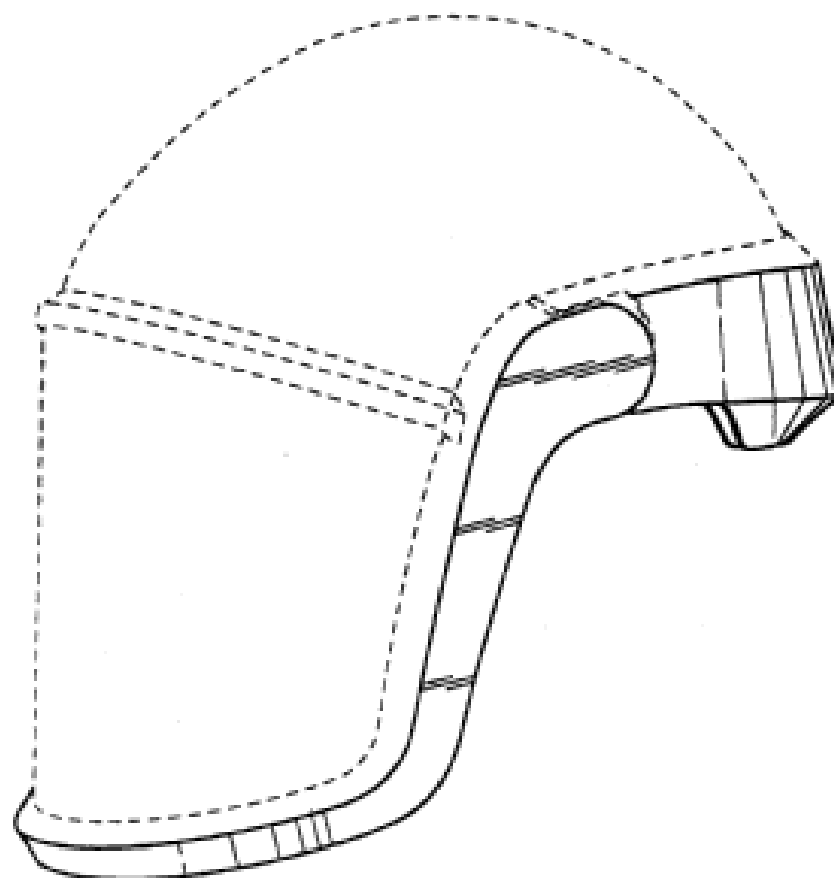
- (21) Design Number: **14640/2008**
(22) Date of Filing Application: **29 September 2008**
(24) Date from which industrial property rights may have effect: **29 September 2008**
(54) Product in respect of which the design is registered: **Cup**
(51) International Design Classification: **07-01C**
(71) Name(s) and Address(s) of Applicant(s):
KeepCup Pty Ltd
405 Collins Street Melbourne Victoria 3000 Australia
(72) Name(s) of Designer(s): **Abigail Forsyth**
(45) Registration Date: **03 February 2009**
(56) Related Art Documents: **Not Applicable**
(57) Statement of Newness and Distinctiveness: **Nil**



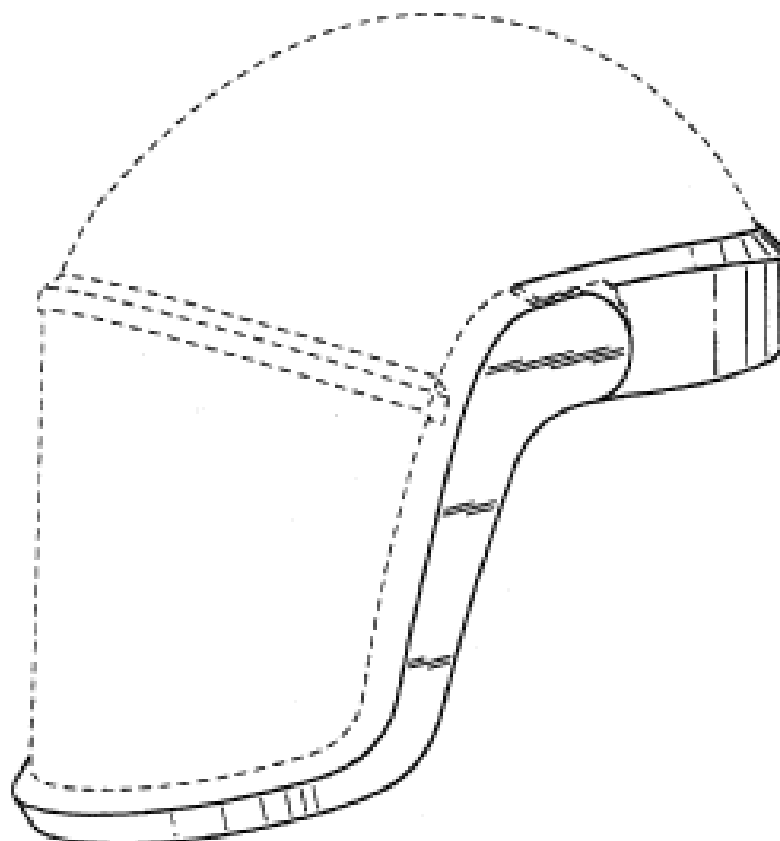
- (21) Design Number: **14757/2008**
(22) Date of Filing Application: **02 October 2008**
(24) Date from which industrial property rights may have effect: **02 October 2008**
(54) Product in respect of which the design is registered: **Visor frame for headgear article**
(51) International Design Classification: **02-03**
(71) Name(s) and Address(s) of Applicant(s):
3M Innovative Properties Company
3M Center Saint Paul Minnesota 55133-3427 United States of America
(72) Name(s) of Designer(s): **Thomas Jeffrey Brace and Mark Anthony John Fernandes and Benjamin Alan Johnson and Stuart James King and James Michael Ulwelling**
(45) Registration Date: **03 February 2009**
(30) Convention priority data:
(31) Number (32) Date (33) Country
29/306141 03 Apr 2008 UNITED STATES OF AMERICA
(56) Related Art Documents: **Not Applicable**
(57) Statement of Newness and Distinctiveness: **Newness and distinctiveness is claimed in the visual features shown in solid lines in the representations. The broken lines form no part of the claimed design, and any shading is provided to illustrate contour only and is not an indication of texture, gloss, etc.**



- (21) Design Number: **16045/2008**
(22) Date of Filing Application: **02 October 2008**
(24) Date from which industrial property rights may have effect: **02 October 2008**
(54) Product in respect of which the design is registered: **Visor frame for headgear article**
(51) International Design Classification: **02-03**
(71) Name(s) and Address(s) of Applicant(s):
3M Innovative Properties Company
3M Center Saint Paul Minnesota 55133-3427 United States of America
(72) Name(s) of Designer(s): **Thomas Jeffrey Brace and Mark Anthony John Fernandes and Benjamin Alan Johnson and Stuart James King and James Michael Ulwelling**
(45) Registration Date: **03 February 2009**
(30) Convention priority data:
(31) Number (32) Date (33) Country
29/306141 03 Apr 2008 UNITED STATES OF AMERICA
(56) Related Art Documents: **Not Applicable**
(57) Statement of Newness and Distinctiveness: **Newness and distinctiveness is claimed in the visual features shown in solid lines in the representations. The broken lines form no part of the claimed design, and any shading is provided to illustrate contour only and is not an indication of texture, gloss, etc.**



- (21) Design Number: **16046/2008**
(22) Date of Filing Application: **02 October 2008**
(24) Date from which industrial property rights may have effect: **02 October 2008**
(54) Product in respect of which the design is registered: **Visor frame for headgear article**
(51) International Design Classification: **02-03**
(71) Name(s) and Address(s) of Applicant(s):
3M Innovative Properties Company
3M Center Saint Paul Minnesota 55133-3427 United States of America
(72) Name(s) of Designer(s): **Thomas Jeffrey Brace and Mark Anthony John Fernandes and Benjamin Alan Johnson and Stuart James King and James Michael Ulwelling**
(45) Registration Date: **03 February 2009**
(30) Convention priority data:
(31) Number (32) Date (33) Country
29/306141 03 Apr 2008 UNITED STATES OF AMERICA
(56) Related Art Documents: **Not Applicable**
(57) Statement of Newness and Distinctiveness: **Newness and distinctiveness is claimed in the visual features shown in solid lines in the representations. The broken lines form no part of the claimed design, and any shading is provided to illustrate contour only and is not an indication of texture, gloss, etc.**



(21) Design Number: **14774/2008**

(22) Date of Filing Application: **03 October 2008**

(24) Date from which industrial property rights may have effect: **03 October 2008**

(54) Product in respect of which the design is registered: **Hoardings**

(51) International Design Classification: **25-02NES**

(71) Name(s) and Address(s) of Applicant(s):

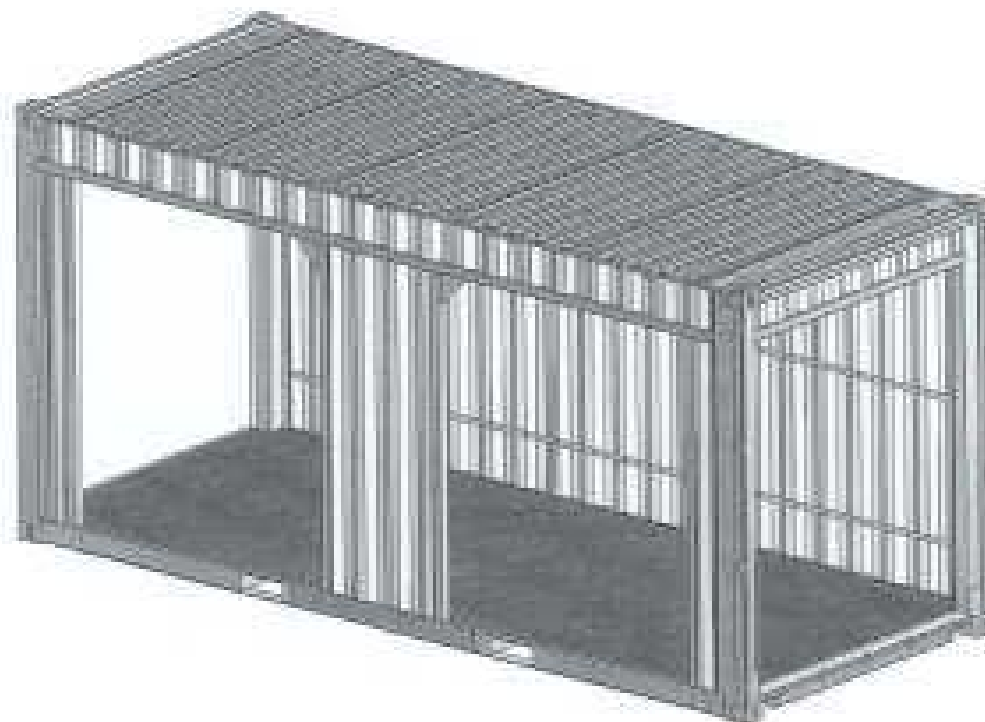
**Royal Wolf Trading Australia Pty Limited
Suite 202 Level 2 22-28 Edgeworth David Avenue Hornsby New South
Wales 2077 Australia**

(72) Name(s) of Designer(s): **Scott Ryan**

(45) Registration Date: **03 February 2009**

(56) Related Art Documents: **Not Applicable**

(57) Statement of Newness and Distinctiveness: **Newness and distinctiveness is claimed in the visual features shown in solid lines in the representations.**



(21) Design Number: **15401/2008**

(22) Date of Filing Application: **17 November 2008**

(24) Date from which industrial property rights may have effect: **17 November 2008**

(54) Product in respect of which the design is registered: **Cover for a hand-held display**

(51) International Design Classification: **14-02**

(71) Name(s) and Address(s) of Applicant(s):

**Peter Allan Murray
21 Waverley Ridge Road Crafers West South Australia 5152 Australia**

(72) Name(s) of Designer(s): **Peter Allan Murray**

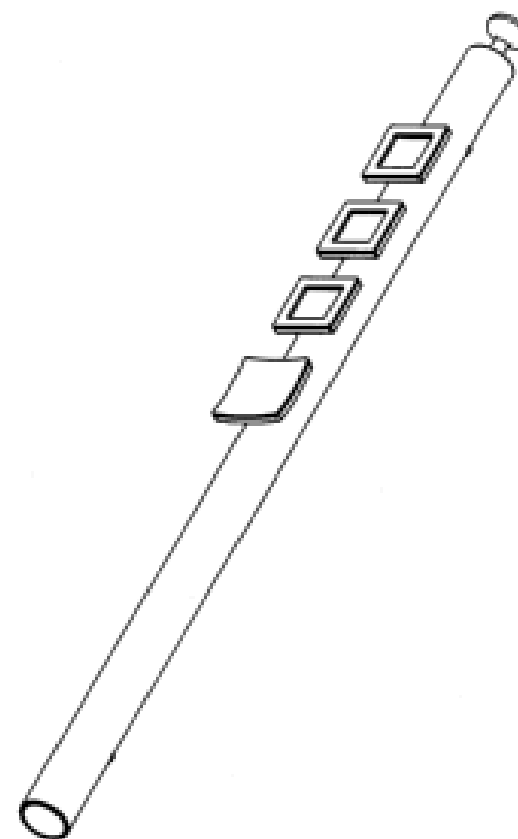
(45) Registration Date: **03 February 2009**

(56) Related Art Documents: **Not Applicable**

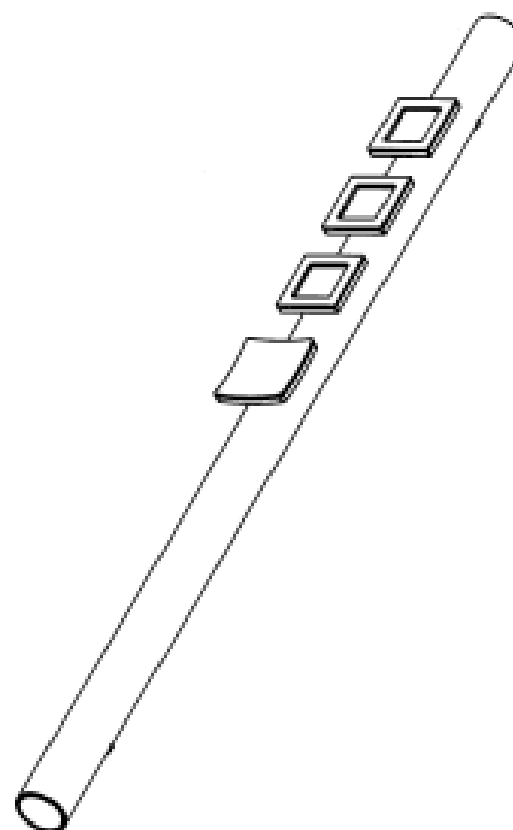
(57) Statement of Newness and Distinctiveness: **Newness and distinctiveness is claimed in the external shape of the cover for a hand-held or portable display unit.**



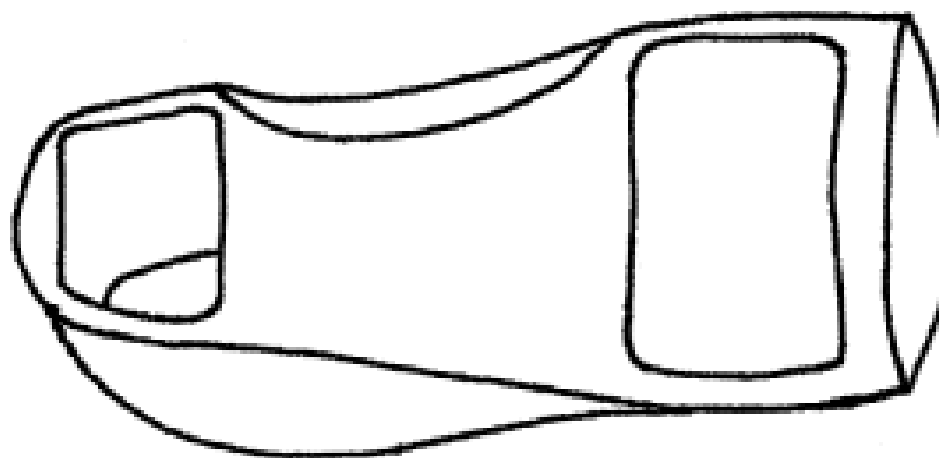
- (21) Design Number: **15467/2008**
(22) Date of Filing Application: **18 November 2008**
(24) Date from which industrial property rights may have effect: **18 November 2008**
(54) Product in respect of which the design is registered: **An electronic alarm and/or control device**
(51) International Design Classification: **10-05**
(71) Name(s) and Address(s) of Applicant(s):
Bang & Olufsen A/S
Peter Bangs Vej 15 7600 Struer Denmark
(72) Name(s) of Designer(s): **Steffen Schmelling**
(45) Registration Date: **03 February 2009**
(30) Convention priority data:
(31) Number (32) Date (33) Country
DA 2008 23 May 2008 DENMARK
00138
(56) Related Art Documents: **Not Applicable**
(57) Statement of Newness and Distinctiveness: **Nil**



- (21) Design Number: **15468/2008**
(22) Date of Filing Application: **18 November 2008**
(24) Date from which industrial property rights may have effect: **18 November 2008**
(54) Product in respect of which the design is registered: **An electronic alarm and/or control device**
(51) International Design Classification: **10-05**
(71) Name(s) and Address(s) of Applicant(s):
Bang & Olufsen A/S
Peter Bangs Vej 15 7600 Struer Denmark
(72) Name(s) of Designer(s): **Steffen Schmelling**
(45) Registration Date: **03 February 2009**
(30) Convention priority data:
(31) Number (32) Date (33) Country
DA 2008 23 May 2008 DENMARK
00138
(56) Related Art Documents: **Not Applicable**
(57) Statement of Newness and Distinctiveness: **Nil**



- (21) Design Number: **10049/2009**
(22) Date of Filing Application: **09 January 2009**
(24) Date from which industrial property rights may have effect: **09 January 2009**
(54) Product in respect of which the design is registered: **Protective sports spat for cleated or spiked sports shoes**
(51) International Design Classification: **02-04A**
(71) Name(s) and Address(s) of Applicant(s):
TNG Enterprises LLC
9784 Mosby Drive Olive Branch MS 38654 United States of America
(72) Name(s) of Designer(s): **Joseph A. Teichert and Carl E. Langley III and Eddie A. Parker**
(45) Registration Date: **03 February 2009**
(56) Related Art Documents: **Not Applicable**
(57) Statement of Newness and Distinctiveness: **Nil**



- (21) Design Number: **10100/2009**
(22) Date of Filing Application: **15 January 2009**
(24) Date from which industrial property rights may have effect: **15 January 2009**
(54) Product in respect of which the design is registered: **Article in respect of which the design relates to: flag**
(51) International Design Classification: **11-05**
(71) Name(s) and Address(s) of Applicant(s):
George Orfanos
10 Duke Street Forestville New South Wales 2087 Australia
(72) Name(s) of Designer(s): **George Orfanos**
(45) Registration Date: **03 February 2009**
(56) Related Art Documents: **Not Applicable**
(57) Statement of Newness and Distinctiveness: **Those features of the representations in respect of which the applicant for registration of the design wishes to claim a monopoly are the features of pattern and ornamentation of the flag and those features of the representations that are to be disregarded in considering the extent of monopoly protection are the colours of the flag.**



(19) AU

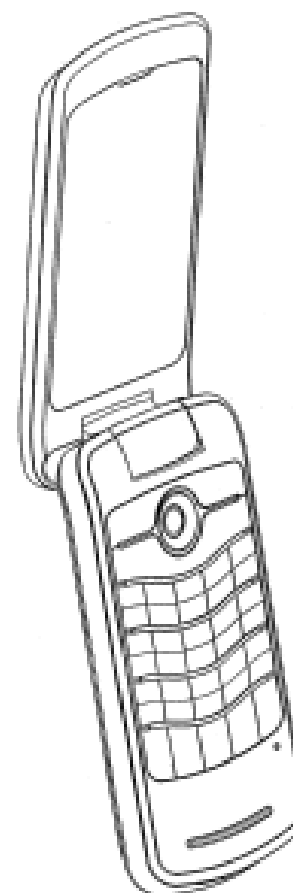
- (21) Design Number: **10101/2009**
- (22) Date of Filing Application: **15 January 2009**
- (24) Date from which industrial property rights may have effect: **15 January 2009**
- (54) Product in respect of which the design is registered: **Article in respect of which the design relates to : flag**
- (51) International Design Classification: **11-05**
- (71) Name(s) and Address(s) of Applicant(s):
George Orfanos
10 Duke Street Forestville New South Wales 2087 Australia
- (72) Name(s) of Designer(s): **George Orfanos**
- (45) Registration Date: **03 February 2009**
- (56) Related Art Documents: **Not Applicable**
- (57) Statement of Newness and Distinctiveness: **Those features of the representations in respect of which the applicant for registration of the design wishes to claim a monopoly are the features of pattern and ornamentation of the flag and those features of the representations that are to be disregarded in considering the extent of monopoly protection are the colours of the flag.**



(19) AU

- (21) Design Number: **15843/2008**
- (22) Date of Filing Application: **12 December 2008**
- (24) Date from which industrial property rights may have effect: **12 December 2008**
- (54) Product in respect of which the design is registered: **Dual screen hand-held electronic device**
- (51) International Design Classification: **14-03E**
- (71) Name(s) and Address(s) of Applicant(s):
Research In Motion Limited
295 Phillip Street Waterloo Ontario N2L 3W8 Canada
- (72) Name(s) of Designer(s): **Kwok Ching Leung and Archer Chi Kwong Wun and Todd Andrew Wood**
- (45) Registration Date: **02 February 2009**
- (30) Convention priority data:

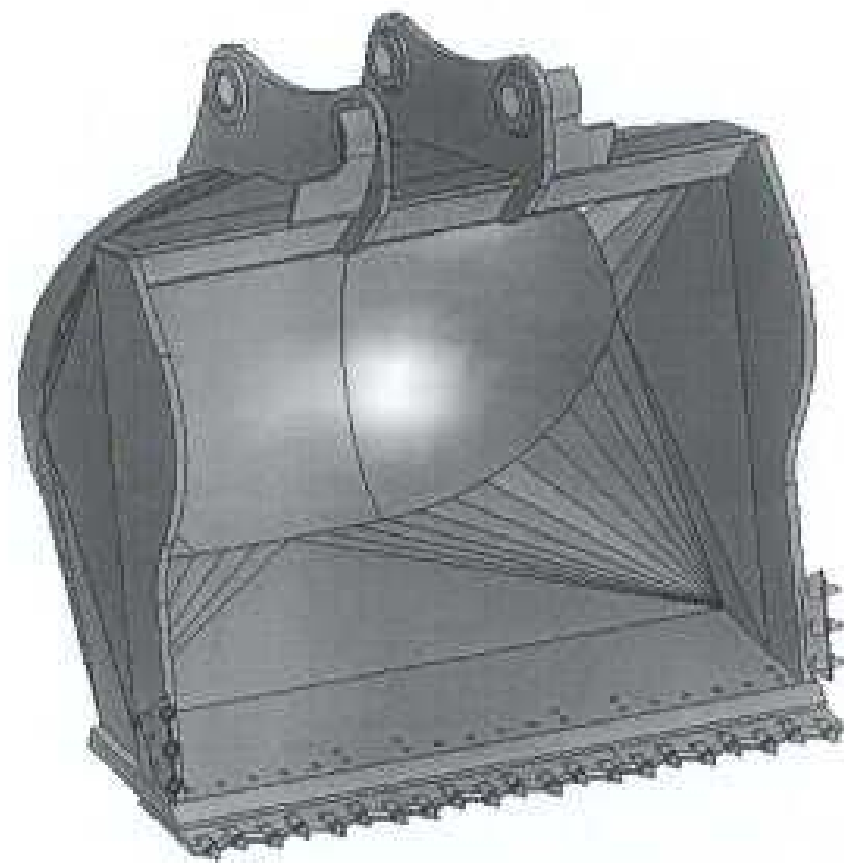
(31) Number	(32) Date	(33) Country
29/320045	19 Jun 2008	UNITED STATES OF AMERICA
- (56) Related Art Documents: **Not Applicable**
- (57) Statement of Newness and Distinctiveness: **Newness and distinctiveness is claimed in the features of shape and/or configuration of a dual screen hand-held electronic device as illustrated in the accompanying representations.**



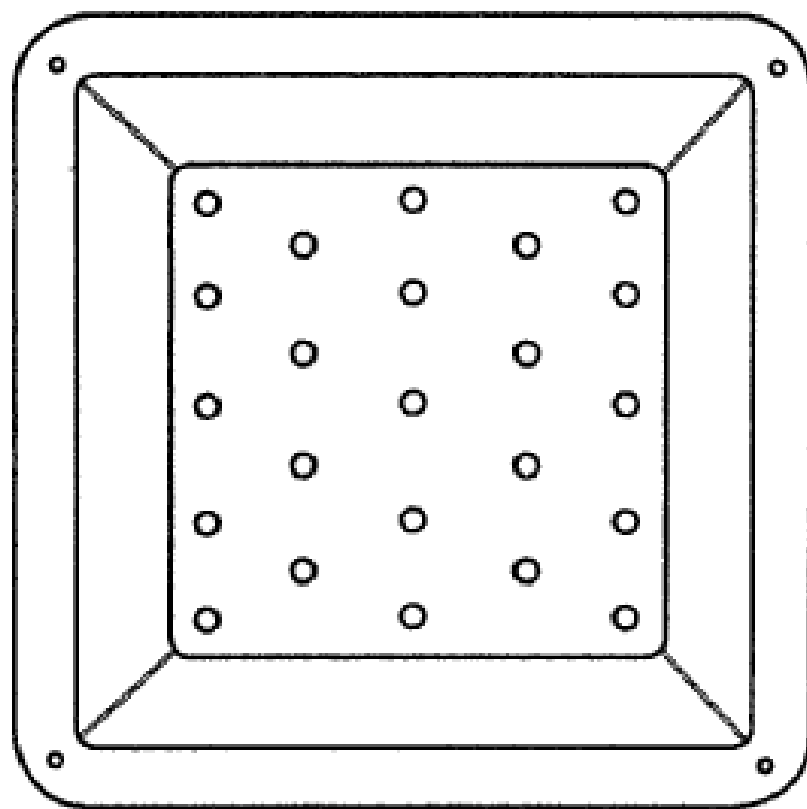
- (21) Design Number: **15844/2008**
(22) Date of Filing Application: **12 December 2008**
(24) Date from which industrial property rights may have effect: **12 December 2008**
(54) Product in respect of which the design is registered: **Dual screen hand-held electronic device**
(51) International Design Classification: **14-03E**
(71) Name(s) and Address(s) of Applicant(s):
Research In Motion Limited
295 Phillip Street Waterloo Ontario N2L 3W8 Canada
(72) Name(s) of Designer(s): **Kwok Ching Leung and Archer Chi Kwong Wun and Todd Andrew Wood**
(45) Registration Date: **02 February 2009**
(30) Convention priority data:
(31) Number (32) Date (33) Country
29/320045 19 Jun 2008 UNITED STATES OF AMERICA
(56) Related Art Documents: **Not Applicable**
(57) Statement of Newness and Distinctiveness: **Newness and distinctiveness is claimed in the features of shape and/or configuration of a dual screen hand-held electronic device as illustrated in the accompanying representations.**



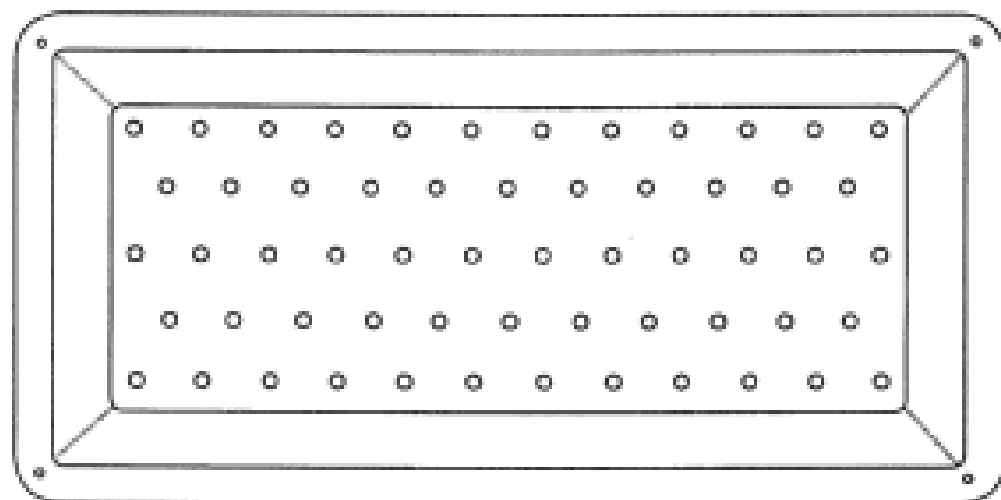
- (21) Design Number: **15846/2008**
(22) Date of Filing Application: **11 December 2008**
(24) Date from which industrial property rights may have effect: **11 December 2008**
(54) Product in respect of which the design is registered: **An excavator bucket**
(51) International Design Classification: **15-04**
(71) Name(s) and Address(s) of Applicant(s):
Swift Assets Pty Ltd
c/- 15 Patrick Street Aitkenvale Queensland 4814 Australia
(72) Name(s) of Designer(s): **Michael John Hilton**
(45) Registration Date: **02 February 2009**
(56) Related Art Documents: **Not Applicable**
(57) Statement of Newness and Distinctiveness: **Nil**



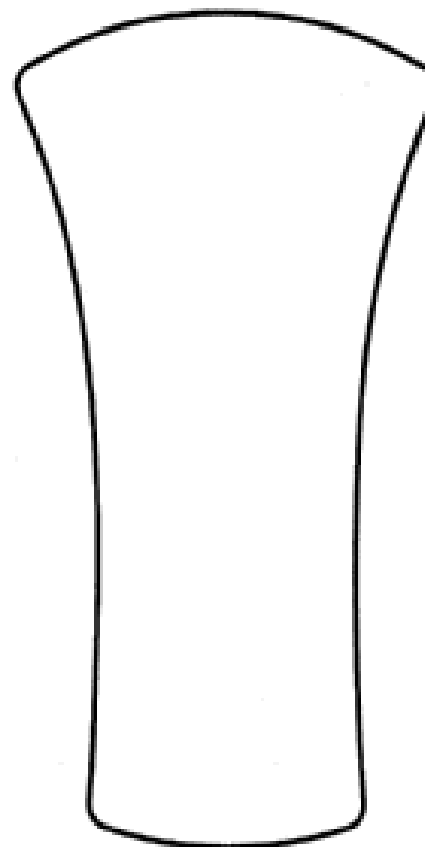
- (21) Design Number: **15849/2008**
- (22) Date of Filing Application: **12 December 2008**
- (24) Date from which industrial property rights may have effect: **12 December 2008**
- (54) Product in respect of which the design is registered: **Component for an article of furniture**
- (51) International Design Classification: **06-01NES**
- (71) Name(s) and Address(s) of Applicant(s):
King Furniture (Australia) Pty Ltd
123 Turrella Street Turrella New South Wales 2205 Australia
- (72) Name(s) of Designer(s): **David Russell King and Steve Higgs**
- (45) Registration Date: **02 February 2009**
- (56) Related Art Documents: **Not Applicable**
- (57) Statement of Newness and Distinctiveness: **Newness and distinctiveness reside in the features of the design as shown in the representations.**



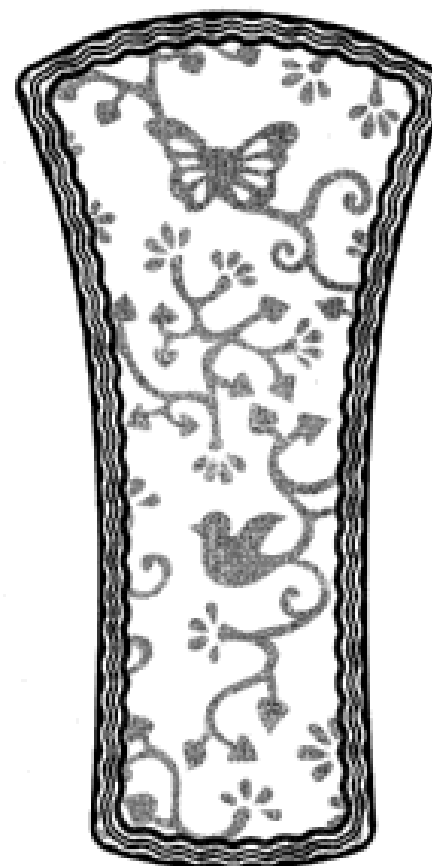
- (21) Design Number: **15850/2008**
- (22) Date of Filing Application: **12 December 2008**
- (24) Date from which industrial property rights may have effect: **12 December 2008**
- (54) Product in respect of which the design is registered: **Component for an article of furniture**
- (51) International Design Classification: **06-01NES**
- (71) Name(s) and Address(s) of Applicant(s):
King Furniture (Australia) Pty Ltd
123 Turrella Street Turrella New South Wales 2205 Australia
- (72) Name(s) of Designer(s): **David Russell King and Steve Higgs**
- (45) Registration Date: **02 February 2009**
- (56) Related Art Documents: **Not Applicable**
- (57) Statement of Newness and Distinctiveness: **Newness and distinctiveness reside in the features of the design as shown in the representations.**



(21) Design Number: **15857/2008**
(22) Date of Filing Application: **12 December 2008**
(24) Date from which industrial property rights may have effect: **12 December 2008**
(54) Product in respect of which the design is registered: **Sanitary towel/panty liner**
(51) International Design Classification: **24-04**
(71) Name(s) and Address(s) of Applicant(s):
SCA Hygiene Products AB
S-405 03 Goteborg Sweden
(72) Name(s) of Designer(s): **Magdalena Gunnarsson and My Erwander and Linda Pabst**
(45) Registration Date: **02 February 2009**
(30) Convention priority data:
(31) Number (32) Date (33) Country
000957428-001 12 Jun 2008 EUROPEAN COMMUNITY
(56) Related Art Documents: **Not Applicable**
(57) Statement of Newness and Distinctiveness: **Nil**



(21) Design Number: **15858/2008**
(22) Date of Filing Application: **12 December 2008**
(24) Date from which industrial property rights may have effect: **12 December 2008**
(54) Product in respect of which the design is registered: **Sanitary towel/ panty liner**
(51) International Design Classification: **24-04**
(71) Name(s) and Address(s) of Applicant(s):
SCA Hygiene Products AB
S-405 03 Goteborg Sweden
(72) Name(s) of Designer(s): **Magdalena Gunnarsson and My Erwander and Linda Pabst**
(45) Registration Date: **02 February 2009**
(30) Convention priority data:
(31) Number (32) Date (33) Country
000957428-001 12 Jun 2008 EUROPEAN COMMUNITY
(56) Related Art Documents: **Not Applicable**
(57) Statement of Newness and Distinctiveness: **Nil**



(21) Design Number: **15859/2008**

(22) Date of Filing Application: **12 December 2008**

(24) Date from which industrial property rights may have effect: **12 December 2008**

(54) Product in respect of which the design is registered: **Sanitary towel/panty liner**

(51) International Design Classification: **24-04**

(71) Name(s) and Address(s) of Applicant(s):

**SCA Hygiene Products AB
S-405 03 Goteborg Sweden**

(72) Name(s) of Designer(s): **Magdalena Gunnarsson and My Erwander and Linda Pabst**

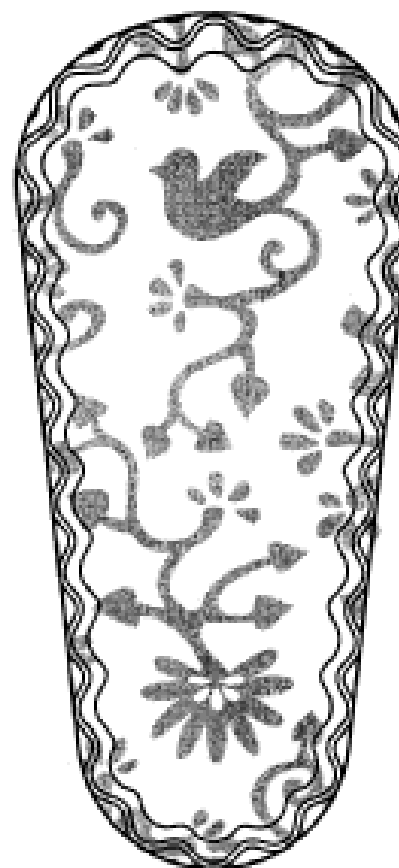
(45) Registration Date: **02 February 2009**

(30) Convention priority data:

(31) Number	(32) Date	(33) Country
000957428-001	12 Jun 2008	EUROPEAN COMMUNITY

(56) Related Art Documents: **Not Applicable**

(57) Statement of Newness and Distinctiveness: **Nil**



(21) Design Number: **15860/2008**

(22) Date of Filing Application: **12 December 2008**

(24) Date from which industrial property rights may have effect: **12 December 2008**

(54) Product in respect of which the design is registered: **Sanitary towel/panty liner**

(51) International Design Classification: **24-04**

(71) Name(s) and Address(s) of Applicant(s):

**SCA Hygiene Products AB
S-405 03 Goteborg Sweden**

(72) Name(s) of Designer(s): **Magdalena Gunnarsson and My Erwander and Linda Pabst**

(45) Registration Date: **02 February 2009**

(30) Convention priority data:

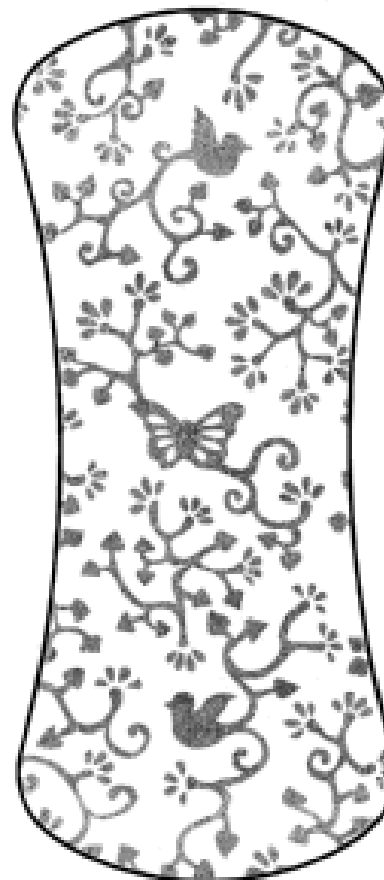
(31) Number	(32) Date	(33) Country
000957428-001	12 Jun 2008	EUROPEAN COMMUNITY

(56) Related Art Documents: **Not Applicable**

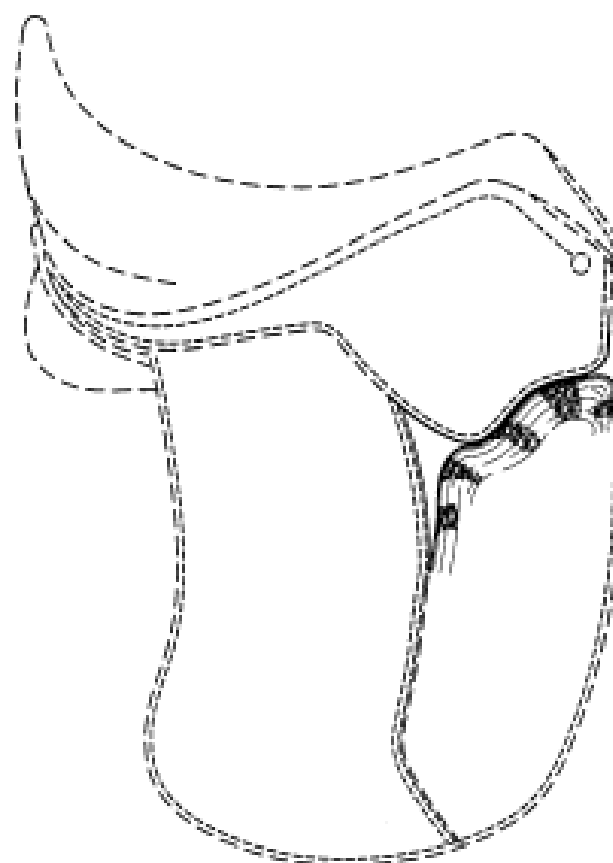
(57) Statement of Newness and Distinctiveness: **Nil**



- (21) Design Number: **15861/2008**
(22) Date of Filing Application: **12 December 2008**
(24) Date from which industrial property rights may have effect: **12 December 2008**
(54) Product in respect of which the design is registered: **Sanitary towel/panty liner**
(51) International Design Classification: **24-04**
(71) Name(s) and Address(s) of Applicant(s):
SCA Hygiene Products AB
S-405 03 Goteborg Sweden
(72) Name(s) of Designer(s): **Magdalena Gunnarsson and My Erwander and Linda Pabst**
(45) Registration Date: **02 February 2009**
(30) Convention priority data:
(31) Number (32) Date (33) Country
000957428-001 12 Jun 2008 EUROPEAN COMMUNITY
(56) Related Art Documents: **Not Applicable**
(57) Statement of Newness and Distinctiveness: **Nil**



- (21) Design Number: **15864/2008**
(22) Date of Filing Application: **12 December 2008**
(24) Date from which industrial property rights may have effect: **12 December 2008**
(54) Product in respect of which the design is registered: **A saddle**
(51) International Design Classification: **30-04**
(71) Name(s) and Address(s) of Applicant(s):
Hammersmith Nominees Pty Ltd
430 Newcastle Street West Perth Western Australia 6005 Australia
(72) Name(s) of Designer(s): **Ronald Gordon Bates**
(45) Registration Date: **02 February 2009**
(56) Related Art Documents: **Not Applicable**
(57) Statement of Newness and Distinctiveness: **Newness and distinctiveness is claimed in the shape and configuration of the junction between the lower edge of the skirt marked "A" and the upper edge of the knee insert marked "B" as shown in solid lines in the representations.**



- (21) Design Number: **15865/2008**
(22) Date of Filing Application: **12 December 2008**
(24) Date from which industrial property rights may have effect: **12 December 2008**
(54) Product in respect of which the design is registered: **Optical media disc case**
(51) International Design Classification: **03-01C, 09-05**
(71) Name(s) and Address(s) of Applicant(s):

Encore Holdings Ltd
Kings Court Bay Street PO Box N- 3944 Nassau Bahamas

- (72) Name(s) of Designer(s): **King Yeung Choi**

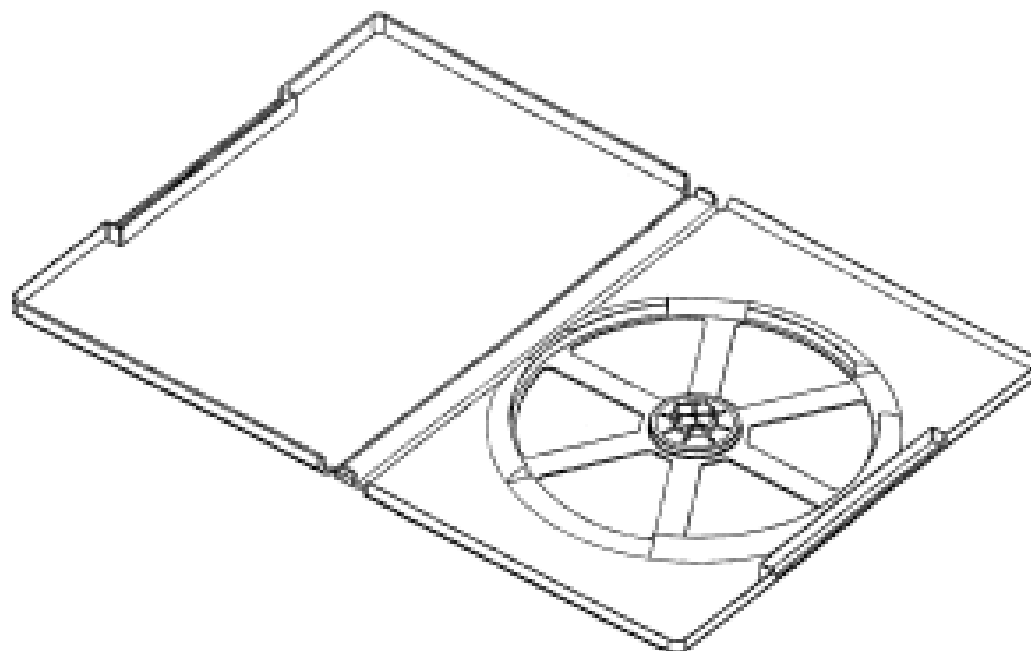
- (45) Registration Date: **02 February 2009**

- (30) Convention priority data:

(31) Number	(32) Date	(33) Country
001032734	03 Nov 2008	EUROPEAN COMMUNITY

- (56) Related Art Documents: **Not Applicable**

- (57) Statement of Newness and Distinctiveness: **Newness and distinctiveness resides in the features of shape and configuration of an optical media disc case as shown in the accompanying representations.**



- (21) Design Number: **15866/2008**
(22) Date of Filing Application: **12 December 2008**
(24) Date from which industrial property rights may have effect: **12 December 2008**
(54) Product in respect of which the design is registered: **Optical media disc case**
(51) International Design Classification: **03-01C, 09-05**
(71) Name(s) and Address(s) of Applicant(s):

Encore Holdings Ltd
Kings Court Bay Street PO Box N- 3944 Nassau Bahamas

- (72) Name(s) of Designer(s): **King Yeung Choi**

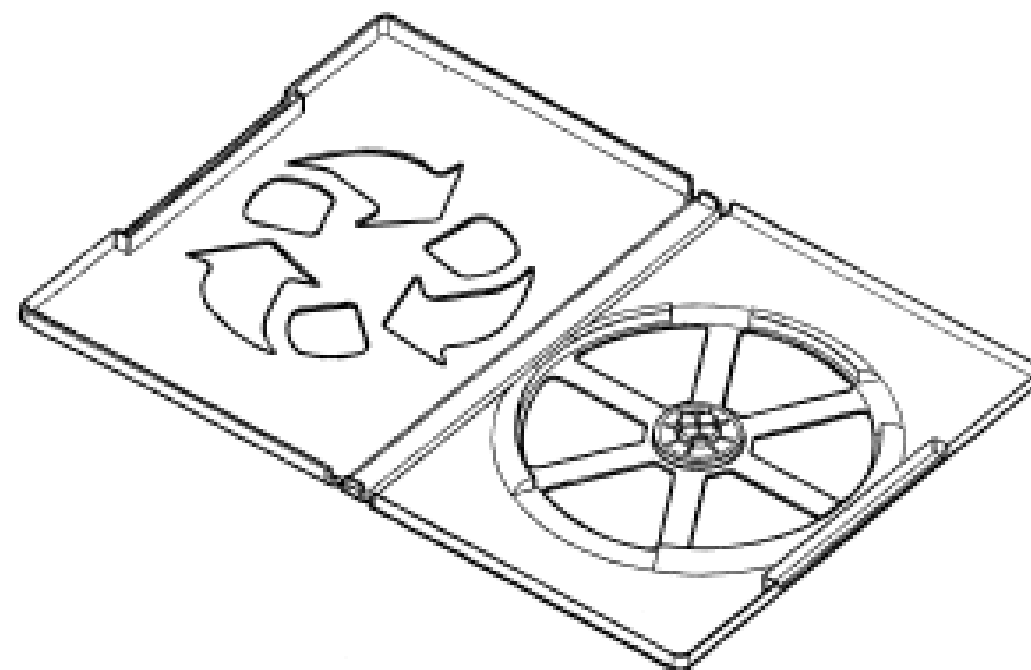
- (45) Registration Date: **02 February 2009**

- (30) Convention priority data:

(31) Number	(32) Date	(33) Country
001032734	03 Nov 2008	EUROPEAN COMMUNITY

- (56) Related Art Documents: **Not Applicable**

- (57) Statement of Newness and Distinctiveness: **Newness and distinctiveness resides in the features of shape and configuration of an optical media disc case as shown in the accompanying representations.**



- (21) Design Number: **15867/2008**
(22) Date of Filing Application: **12 December 2008**
(24) Date from which industrial property rights may have effect: **12 December 2008**
(54) Product in respect of which the design is registered: **Optical media disc case**
(51) International Design Classification: **03-01C, 09-05**
(71) Name(s) and Address(s) of Applicant(s):

Encore Holdings Ltd
Kings Court Bay Street PO Box N- 3944 Nassau Bahamas

(72) Name(s) of Designer(s): **King Yeung Choi**

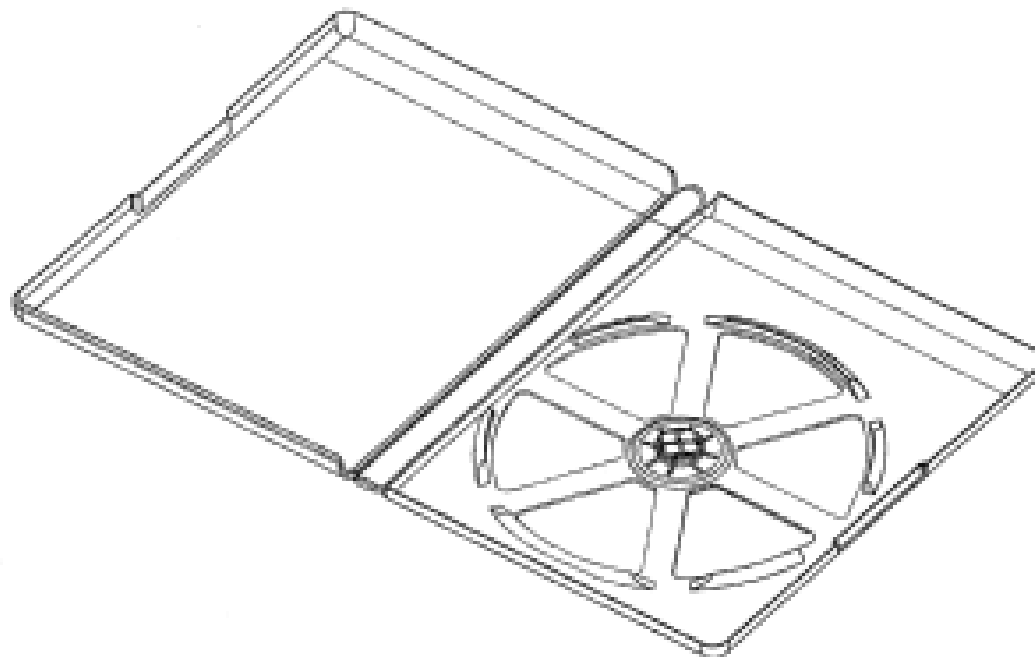
(45) Registration Date: **02 February 2009**

(30) Convention priority data:

(31) Number	(32) Date	(33) Country
001032734	03 Nov 2008	EUROPEAN COMMUNITY

(56) Related Art Documents: **Not Applicable**

(57) Statement of Newness and Distinctiveness: **Newness and distinctiveness resides in the features of shape and configuration of an optical media disc case as shown in the accompanying representations.**



- (21) Design Number: **15868/2008**
(22) Date of Filing Application: **12 December 2008**
(24) Date from which industrial property rights may have effect: **12 December 2008**
(54) Product in respect of which the design is registered: **Optical media disc case**
(51) International Design Classification: **03-01C, 09-05**
(71) Name(s) and Address(s) of Applicant(s):

Encore Holdings Ltd
Kings Court Bay Street PO Box N- 3944 Nassau Bahamas

(72) Name(s) of Designer(s): **King Yeung Choi**

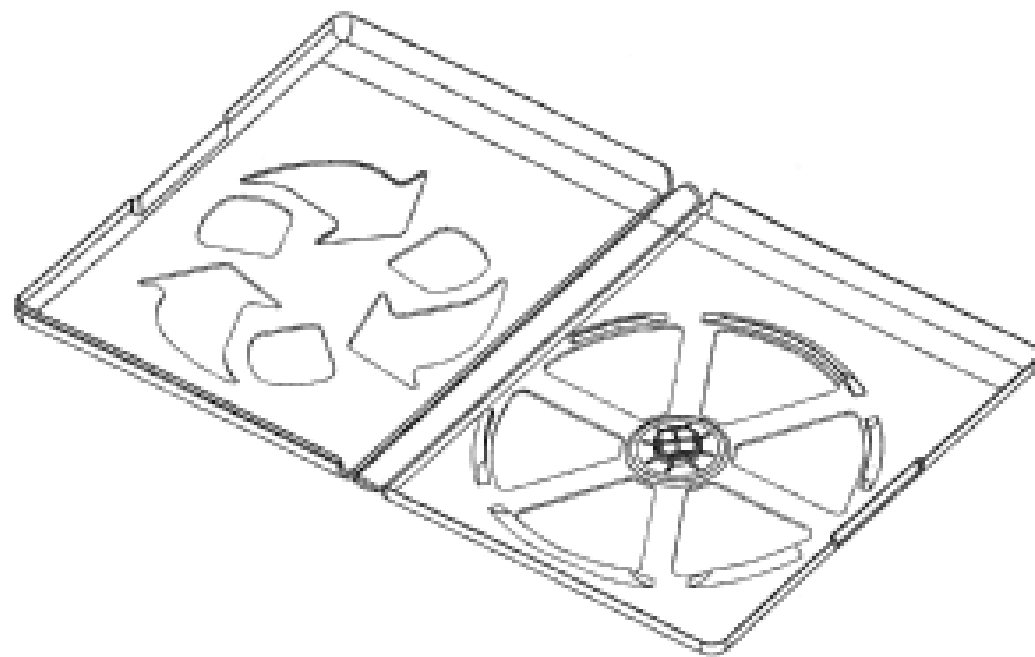
(45) Registration Date: **02 February 2009**

(30) Convention priority data:

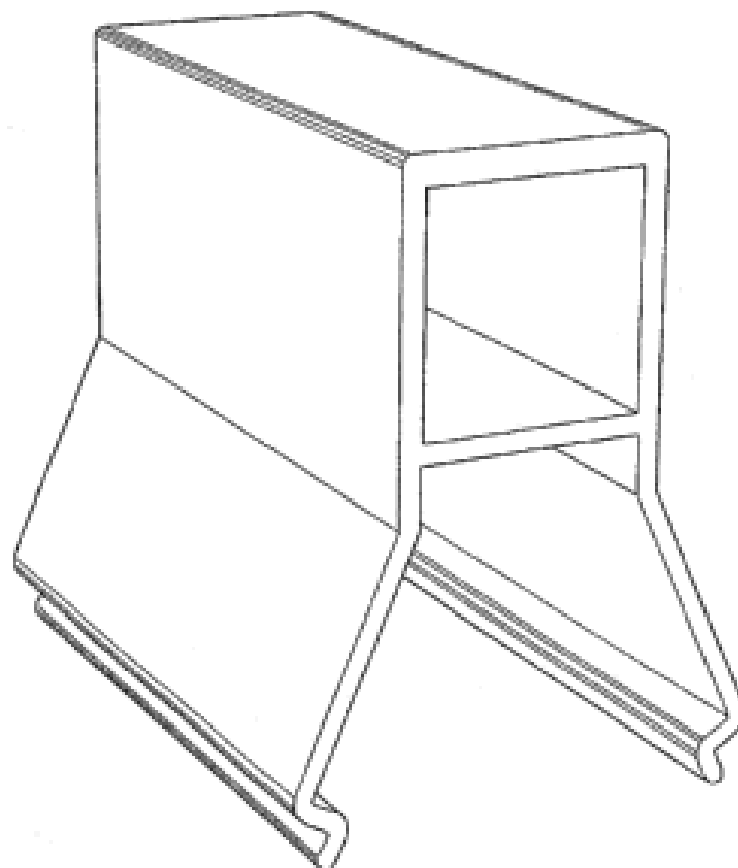
(31) Number	(32) Date	(33) Country
001032734	03 Nov 2008	EUROPEAN COMMUNITY

(56) Related Art Documents: **Not Applicable**

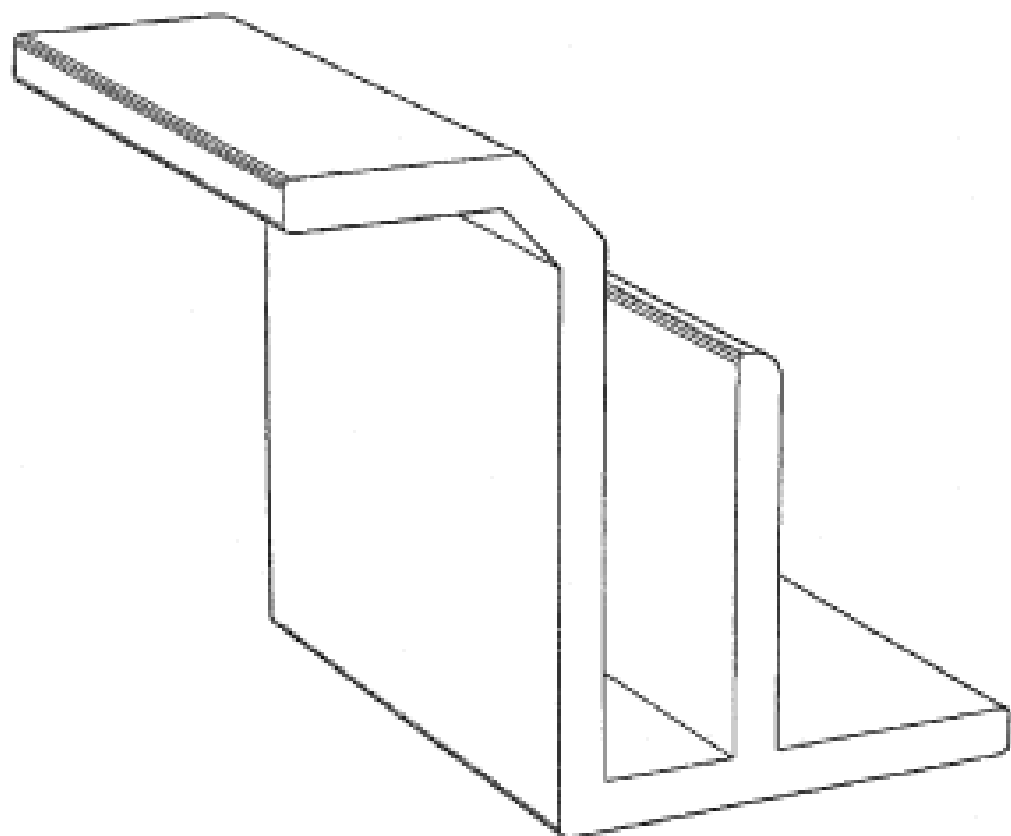
(57) Statement of Newness and Distinctiveness: **Newness and distinctiveness resides in the features of shape and configuration of an optical media disc case as shown in the accompanying representations.**



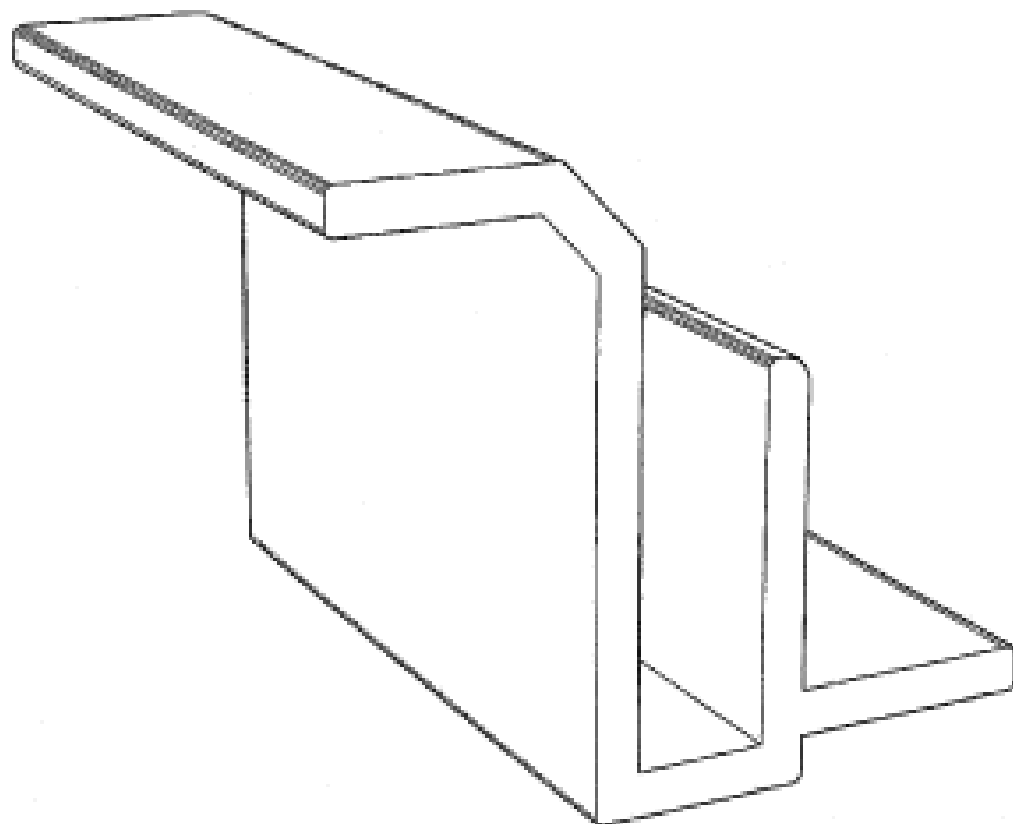
- (21) Design Number: **15872/2008**
(22) Date of Filing Application: **12 December 2008**
(24) Date from which industrial property rights may have effect: **12 December 2008**
(54) Product in respect of which the design is registered: **Roof walkway mount extrusion**
(51) International Design Classification: **25-01K**
(71) Name(s) and Address(s) of Applicant(s):
Cladding & Roofing Contractors Pty Ltd
163 William Street Beverley South Australia 5009 Australia
(72) Name(s) of Designer(s): **James Rorison**
(45) Registration Date: **02 February 2009**
(56) Related Art Documents: **Not Applicable**
(57) Statement of Newness and Distinctiveness: **Nil**



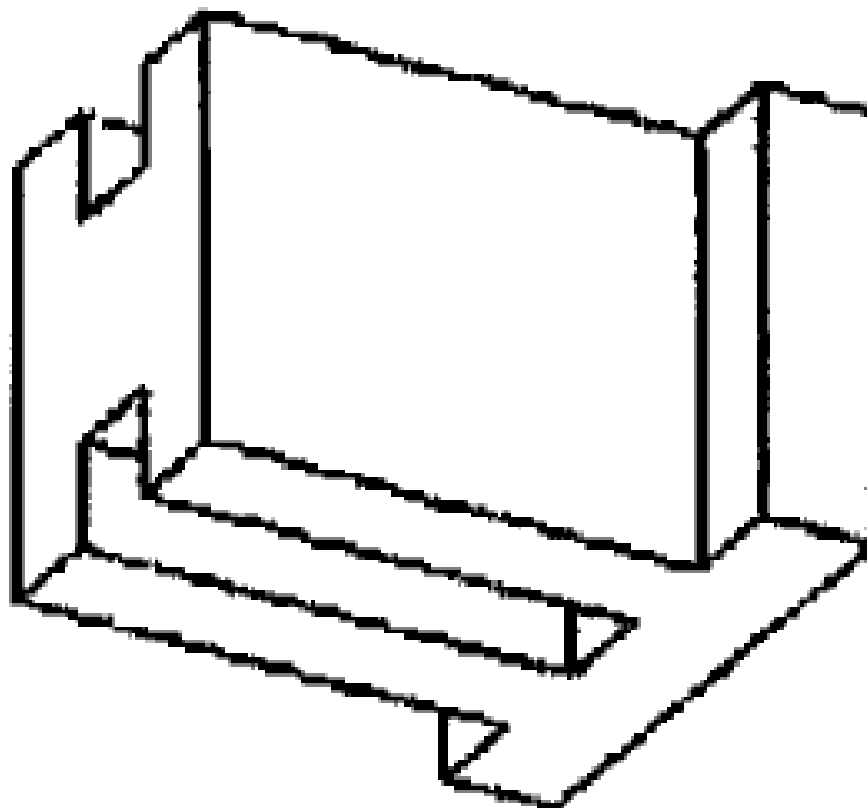
- (21) Design Number: **15873/2008**
(22) Date of Filing Application: **12 December 2008**
(24) Date from which industrial property rights may have effect: **12 December 2008**
(54) Product in respect of which the design is registered: **A connecting clip for composite panels**
(51) International Design Classification: **08-08A, 08-08NES, 25-01K**
(71) Name(s) and Address(s) of Applicant(s):
Cladding & Roofing Contractors Pty Ltd
163 William Street Beverley South Australia 5009 Australia
(72) Name(s) of Designer(s): **James Rorison**
(45) Registration Date: **02 February 2009**
(56) Related Art Documents: **Not Applicable**
(57) Statement of Newness and Distinctiveness: **Nil**



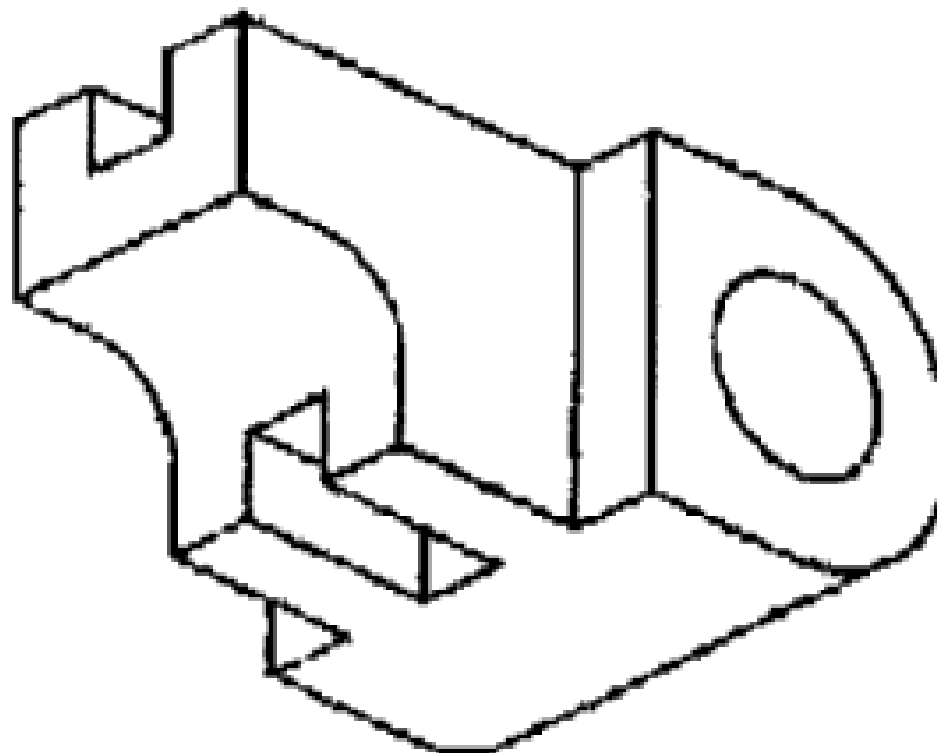
- (21) Design Number: **15874/2008**
(22) Date of Filing Application: **12 December 2008**
(24) Date from which industrial property rights may have effect: **12 December 2008**
(54) Product in respect of which the design is registered: **A connecting clip for composite panels**
(51) International Design Classification: **08-08A, 08-08NES, 25-01K**
(71) Name(s) and Address(s) of Applicant(s):
Cladding & Roofing Contractors Pty Ltd
163 William Street Beverley South Australia 5009 Australia
(72) Name(s) of Designer(s): **James Rorison**
(45) Registration Date: **02 February 2009**
(56) Related Art Documents: **Not Applicable**
(57) Statement of Newness and Distinctiveness: **Nil**



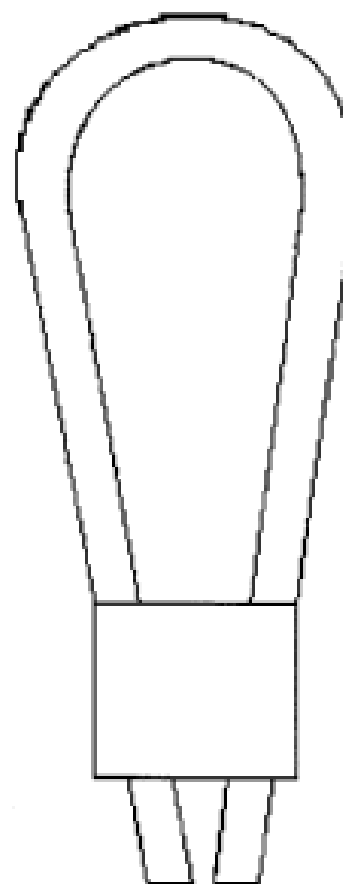
- (21) Design Number: **15886/2008**
(22) Date of Filing Application: **12 December 2008**
(24) Date from which industrial property rights may have effect: **12 December 2008**
(54) Product in respect of which the design is registered: **Plug**
(51) International Design Classification: **13-03E**
(71) Name(s) and Address(s) of Applicant(s):
Hurricane Wire Products Pty Ltd
6 Geonic Street Woodridge Queensland 4114 Australia
(72) Name(s) of Designer(s): **Adrian Strath and Christopher Clyde Collier**
(45) Registration Date: **02 February 2009**
(56) Related Art Documents: **Not Applicable**
(57) Statement of Newness and Distinctiveness: **Monopoly is claimed in the shape and configuration of a plug as illustrated in the accompanying representations.**



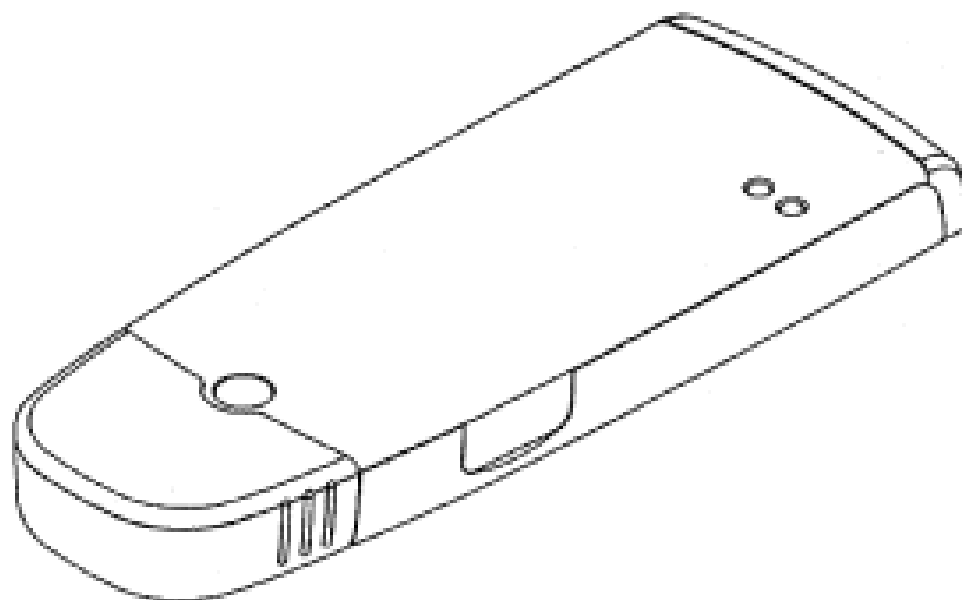
- (21) Design Number: **15887/2008**
(22) Date of Filing Application: **12 December 2008**
(24) Date from which industrial property rights may have effect: **12 December 2008**
(54) Product in respect of which the design is registered: **Plug with aperture**
(51) International Design Classification: **13-03E**
(71) Name(s) and Address(s) of Applicant(s):
Hurricane Wire Products Pty Ltd
6 Geonic Street Woodridge Queensland 4114 Australia
(72) Name(s) of Designer(s): **Adrian Strath and Christopher Clyde Collier**
(45) Registration Date: **02 February 2009**
(56) Related Art Documents: **Not Applicable**
(57) Statement of Newness and Distinctiveness: **Monopoly is claimed in the shape and configuration of a plug as illustrated in the accompanying representations.**



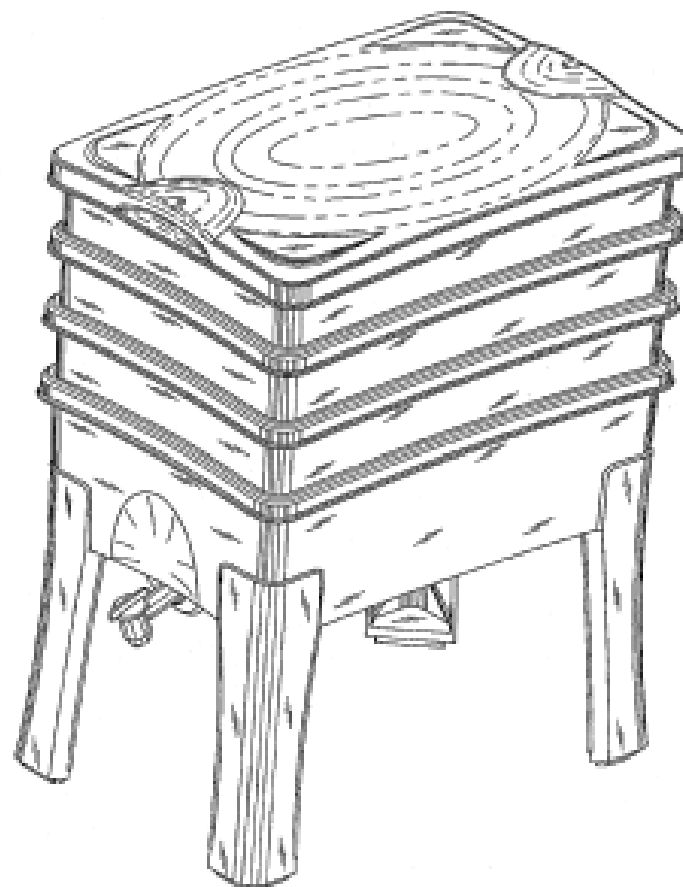
- (21) Design Number: **12223/2008**
(22) Date of Filing Application: **07 May 2008**
(24) Date from which industrial property rights may have effect: **07 May 2008**
(54) Product in respect of which the design is registered: **A HAIR EXTENSION ANCHOR**
(51) International Design Classification: **28-03C**
(71) Name(s) and Address(s) of Applicant(s):
Giovanni Marangoni
7 Beatrice Street Ashfield New South Wales 2131 Australia
(72) Name(s) of Designer(s): **Giovanni Marangoni**
(45) Registration Date: **02 February 2009**
(56) Related Art Documents: **Not Applicable**
(57) Statement of Newness and Distinctiveness: **Newness and distinctiveness is claimed in the features of shape and configuration of a hair extension anchor as illustrated in the accompanying representations.**



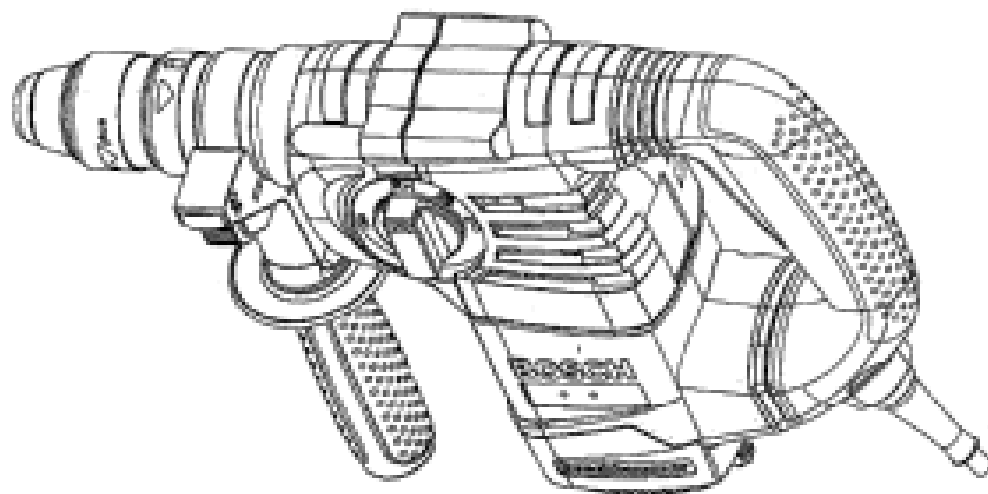
- (21) Design Number: **14939/2008**
(22) Date of Filing Application: **15 October 2008**
(24) Date from which industrial property rights may have effect: **15 October 2008**
(54) Product in respect of which the design is registered: **Wireless USB Modem**
(51) International Design Classification: **14-03A**
(71) Name(s) and Address(s) of Applicant(s):
Sierra Wireless, Inc.
13811 Wireless Way Richmond BC V6V 3A4 Canada
(72) Name(s) of Designer(s): **William A. Gilbert and Pedro A. Gutierrez and James B. Engleson**
(45) Registration Date: **02 February 2009**
(30) Convention priority data:
(31) Number (32) Date (33) Country
125736 24 Apr 2008 CANADA
(56) Related Art Documents: **Not Applicable**
(57) Statement of Newness and Distinctiveness: **Nil**



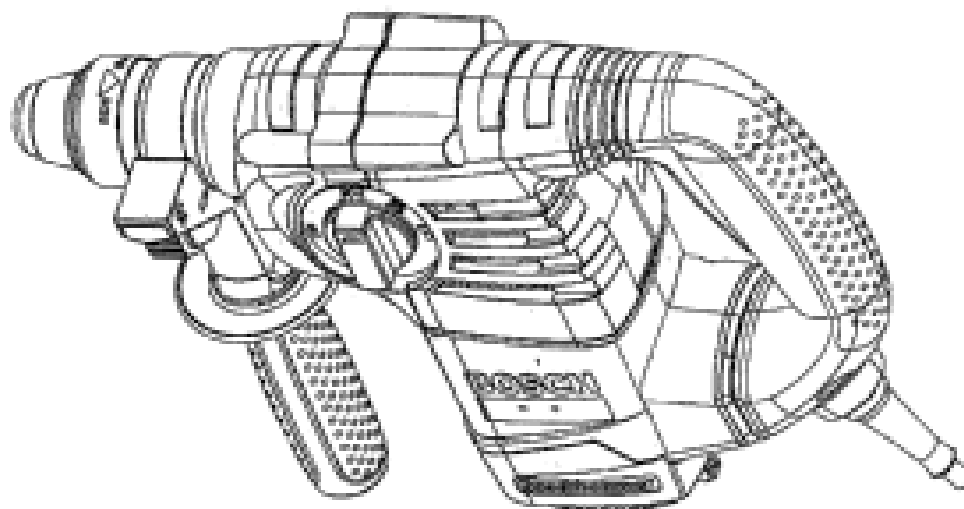
- (21) Design Number: **15623/2008**
(22) Date of Filing Application: **25 November 2008**
(24) Date from which industrial property rights may have effect: **25 November 2008**
(54) Product in respect of which the design is registered: **Organic matter digester**
(51) International Design Classification: **09-03G**
(71) Name(s) and Address(s) of Applicant(s):
ReIn Pty Limited
14B Williamson Road Ingleburn New South Wales 2565 Australia
(72) Name(s) of Designer(s): **Nigel Natrass and Owen Luke**
(45) Registration Date: **02 February 2009**
(56) Related Art Documents: **Not Applicable**
(57) Statement of Newness and Distinctiveness: **Nil**



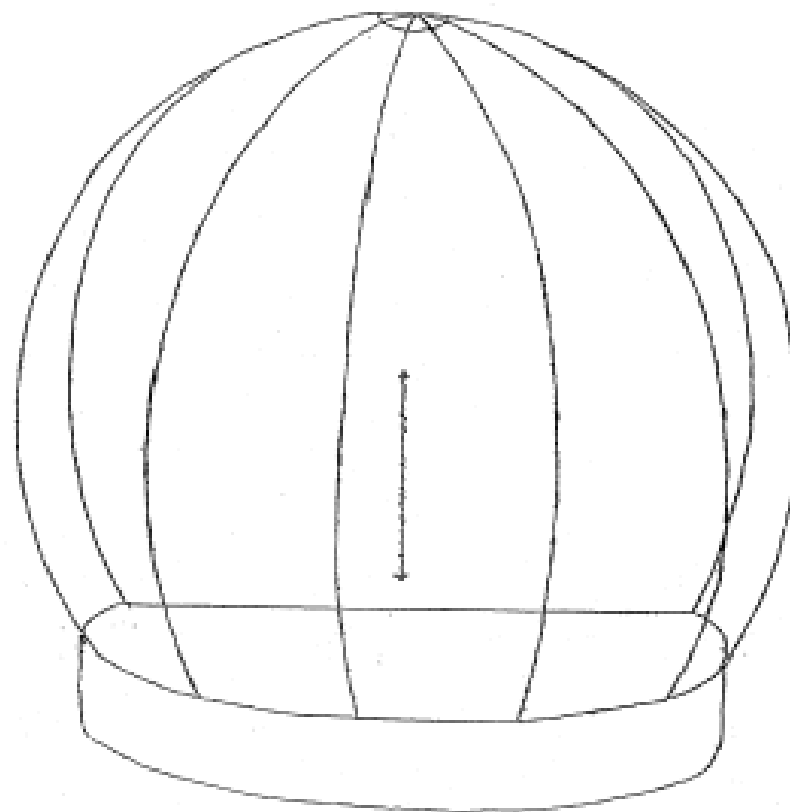
- (21) Design Number: **15870/2008**
(22) Date of Filing Application: **15 December 2008**
(24) Date from which industrial property rights may have effect: **15 December 2008**
(54) Product in respect of which the design is registered: **Hammer drill**
(51) International Design Classification: **08-01**
(71) Name(s) and Address(s) of Applicant(s):
Robert Bosch GmbH
Wernerstr. 1 70469 Stuttgart Germany
(72) Name(s) of Designer(s): **Hans-Peter Aglassinger**
(45) Registration Date: **02 February 2009**
(30) Convention priority data:
(31) Number (32) Date (33) Country
001007041 22 Sep 2008 EUROPEAN COMMUNITY
(56) Related Art Documents: **Not Applicable**
(57) Statement of Newness and Distinctiveness: **Newness and distinctiveness is claimed in the shape and/or configuration of a hammer drill as shown in the representation, except that the literary matter is to be disregarded.**



- (21) Design Number: **15871/2008**
(22) Date of Filing Application: **15 December 2008**
(24) Date from which industrial property rights may have effect: **15 December 2008**
(54) Product in respect of which the design is registered: **Hammer drill**
(51) International Design Classification: **08-01**
(71) Name(s) and Address(s) of Applicant(s):
Robert Bosch GmbH
Wernerstr. 1 70469 Stuttgart Germany
(72) Name(s) of Designer(s): **Hans-Peter Aglassinger**
(45) Registration Date: **02 February 2009**
(30) Convention priority data:
(31) Number (32) Date (33) Country
001007041 22 Sep 2008 EUROPEAN COMMUNITY
(56) Related Art Documents: **Not Applicable**
(57) Statement of Newness and Distinctiveness: **Newness and distinctiveness is claimed in the shape and/or configuration of a hammer drill as shown in the representation, except that the literary matter is to be disregarded.**



- (21) Design Number: **14965/2008**
(22) Date of Filing Application: **16 October 2008**
(24) Date from which industrial property rights may have effect: **16 October 2008**
(54) Product in respect of which the design is registered: **An inflatable chamber for receiving people therein**
(51) International Design Classification: **21-04**
(71) Name(s) and Address(s) of Applicant(s):
Joseph Manning
241 Goffs Lane Cheshunt Hertfordshire EN7 5QQ United Kingdom
Alistair Heelas
Bantry House 307 Scalby Road Scarborough North Yorkshire YO12 6TF United Kingdom
(72) Name(s) of Designer(s): **Alistair Heelas and Joseph Manning**
(45) Registration Date: **04 February 2009**
(30) Convention priority data:
(31) Number (32) Date (33) Country
000925078 18 Apr 2008 EUROPEAN COMMUNITY
(56) Related Art Documents: **Not Applicable**
(57) Statement of Newness and Distinctiveness: **Newness and distinctiveness is claimed in the features of an internal dividing wall (as shown in phantom line) and multiple exterior panels of an inflatable chamber for receiving people therein, as illustrated in the accompanying representations.**



- (21) Design Number: **15783/2008**
(22) Date of Filing Application: **10 December 2008**
(24) Date from which industrial property rights may have effect: **10 December 2008**
(54) Product in respect of which the design is registered: **Instrument panel for an automobile**
(51) International Design Classification: **12-16NES**
(71) Name(s) and Address(s) of Applicant(s):
Honda Motor Co. Ltd
No. 1-1 Minami-Aoyama 2-chome Minatu-ku Tokyo Japan
(72) Name(s) of Designer(s): **Kotaro Mori**
(45) Registration Date: **04 February 2009**
(30) Convention priority data:
(31) Number (32) Date (33) Country
2008014767 10 Jun 2008 JAPAN
(56) Related Art Documents: **Not Applicable**
(57) Statement of Newness and Distinctiveness: **Nil**



(21) Design Number: **15782/2008**
(22) Date of Filing Application: **10 December 2008**
(24) Date from which industrial property rights may have effect: **10 December 2008**
(54) Product in respect of which the design is registered: **Automobile**
(51) International Design Classification: **12-08**
(71) Name(s) and Address(s) of Applicant(s):
Honda Motor Co. Ltd
No. 1-1 Minami-Aoyama 2-chome Minatu-ku Tokyo Japan
(72) Name(s) of Designer(s): **Manabu Konaka and Hisakazu Hanaoka**
(45) Registration Date: **04 February 2009**
(30) Convention priority data:
(31) Number (32) Date (33) Country
2008015087 13 Jun 2008 JAPAN
(56) Related Art Documents: **Not Applicable**
(57) Statement of Newness and Distinctiveness: **Nil**



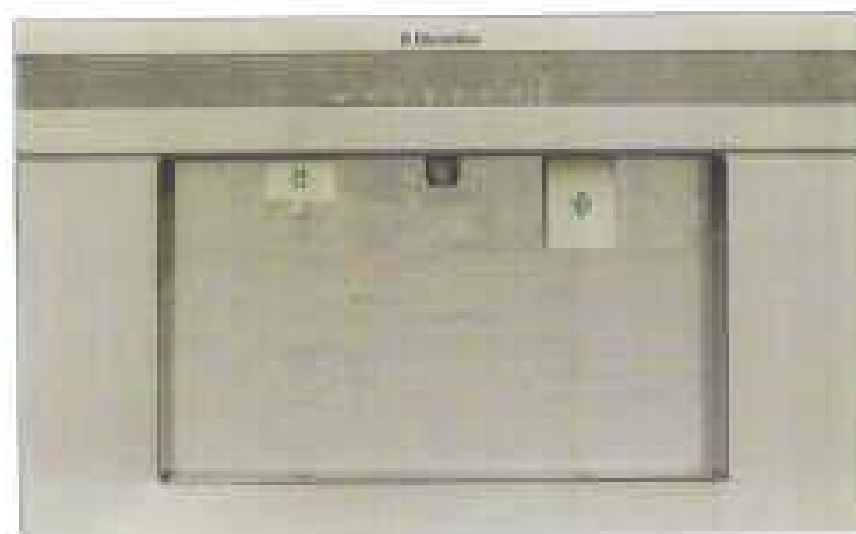
(21) Design Number: **15784/2008**
(22) Date of Filing Application: **10 December 2008**
(24) Date from which industrial property rights may have effect: **10 December 2008**
(54) Product in respect of which the design is registered: **Front combination lamp for an automobile**
(51) International Design Classification: **12-16E, 26-06**
(71) Name(s) and Address(s) of Applicant(s):
Honda Motor Co. Ltd
No. 1-1 Minami-Aoyama 2-chome Minatu-ku Tokyo Japan
(72) Name(s) of Designer(s): **Hisakazu Hanaoka**
(45) Registration Date: **04 February 2009**
(30) Convention priority data:
(31) Number (32) Date (33) Country
2008014764 10 Jun 2008 JAPAN
(56) Related Art Documents: **Not Applicable**
(57) Statement of Newness and Distinctiveness: **Nil**



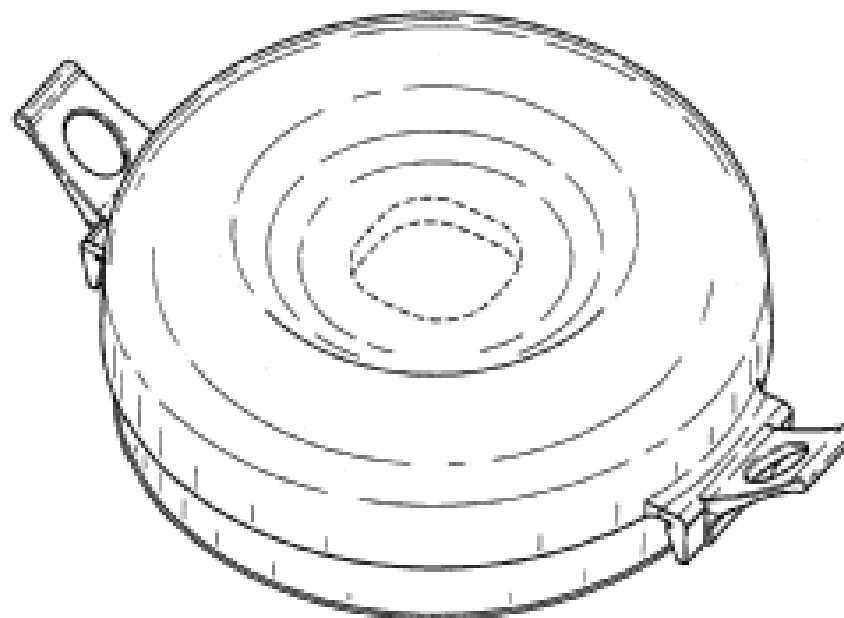
(21) Design Number: **15785/2008**
(22) Date of Filing Application: **10 December 2008**
(24) Date from which industrial property rights may have effect: **10 December 2008**
(54) Product in respect of which the design is registered: **Rear combination lamp for an automobile**
(51) International Design Classification: **12-16E, 26-06**
(71) Name(s) and Address(s) of Applicant(s):
Honda Motor Co. Ltd
No. 1-1 Minami-Aoyama 2-chome Minatu-ku Tokyo Japan
(72) Name(s) of Designer(s): **Hisakazu Hanaoka**
(45) Registration Date: **04 February 2009**
(30) Convention priority data:
(31) Number (32) Date (33) Country
2008014765 10 Jun 2008 JAPAN
(56) Related Art Documents: **Not Applicable**
(57) Statement of Newness and Distinctiveness: **Nil**



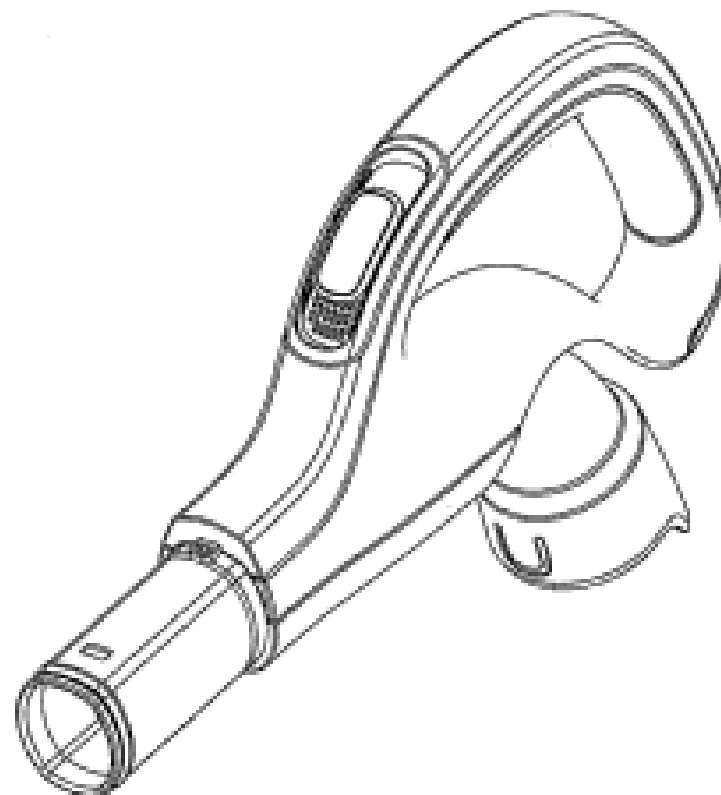
(21) Design Number: **15786/2008**
(22) Date of Filing Application: **03 October 2008**
(24) Date from which industrial property rights may have effect: **03 October 2008**
(54) Product in respect of which the design is registered: **Beverage dispenser**
(51) International Design Classification: **31-00**
(71) Name(s) and Address(s) of Applicant(s):
Electrolux Home Products Corporation N.V.
Belgicastraat 17 Zaventem 1930 Belgium
(72) Name(s) of Designer(s): **Luciano Cesa**
(45) Registration Date: **04 February 2009**
(30) Convention priority data:
(31) Number (32) Date (33) Country
000909114 04 Apr 2008 EUROPEAN COMMUNITY
(62) Divisional of: **323785**
(56) Related Art Documents: **Not Applicable**
(57) Statement of Newness and Distinctiveness: **Nil**



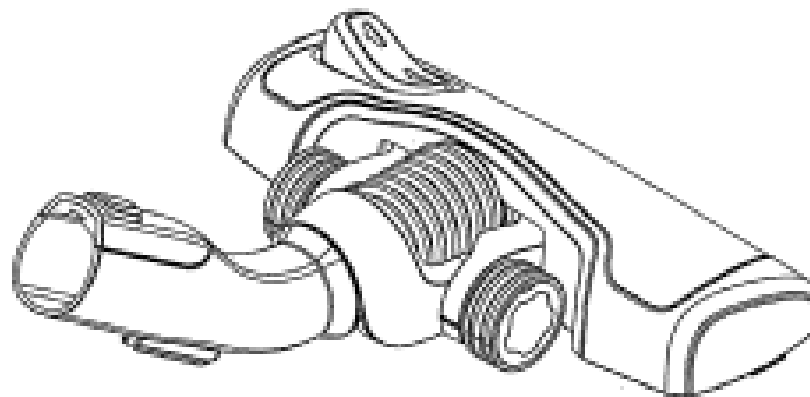
(21) Design Number: **15787/2008**
(22) Date of Filing Application: **10 December 2008**
(24) Date from which industrial property rights may have effect: **10 December 2008**
(54) Product in respect of which the design is registered: **Cover for a blender container**
(51) International Design Classification: **31-00**
(71) Name(s) and Address(s) of Applicant(s):
Vita-Mix Corporation
8615 Usher Road Cleveland Ohio 44138 United States of America
(72) Name(s) of Designer(s): **Richard D. Boozer and David J. Kolar and Fred H. Mehlman**
(45) Registration Date: **04 February 2009**
(30) Convention priority data:
(31) Number (32) Date (33) Country
29310184 30 Jul 2008 UNITED STATES OF AMERICA
(56) Related Art Documents: **Not Applicable**
(57) Statement of Newness and Distinctiveness: **Newness and distinctiveness is claimed in the visual features shown in the representations but excluding the part shown in broken lines.**



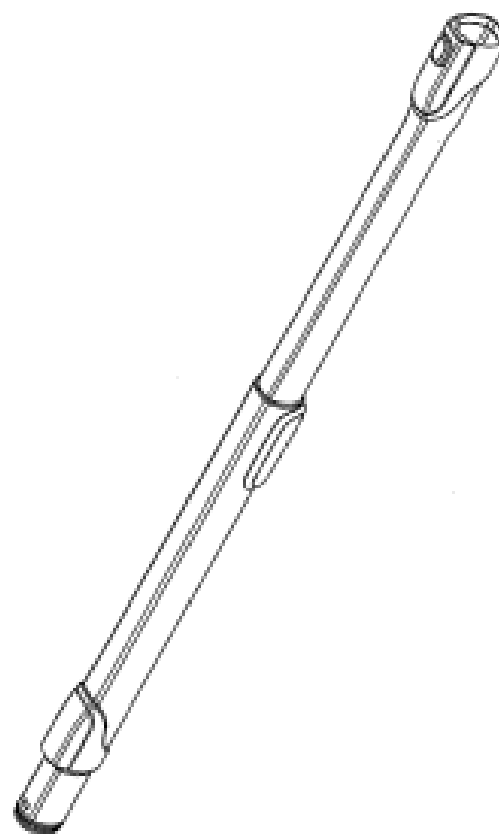
(21) Design Number: **10069/2009**
(22) Date of Filing Application: **07 October 2008**
(24) Date from which industrial property rights may have effect: **07 October 2008**
(54) Product in respect of which the design is registered: **Vacuum cleaner component**
(51) International Design Classification: **15-05**
(71) Name(s) and Address(s) of Applicant(s):
Aktiebolaget Electrolux
S:t Goransgatan 143 SE 105-45 Stockholm Sweden
(72) Name(s) of Designer(s): **Oskar Fjellman**
(45) Registration Date: **04 February 2009**
(30) Convention priority data:
(31) Number (32) Date (33) Country
000915269 10 Apr 2008 EUROPEAN COMMUNITY
(56) Related Art Documents: **Not Applicable**
(57) Statement of Newness and Distinctiveness: **Nil**



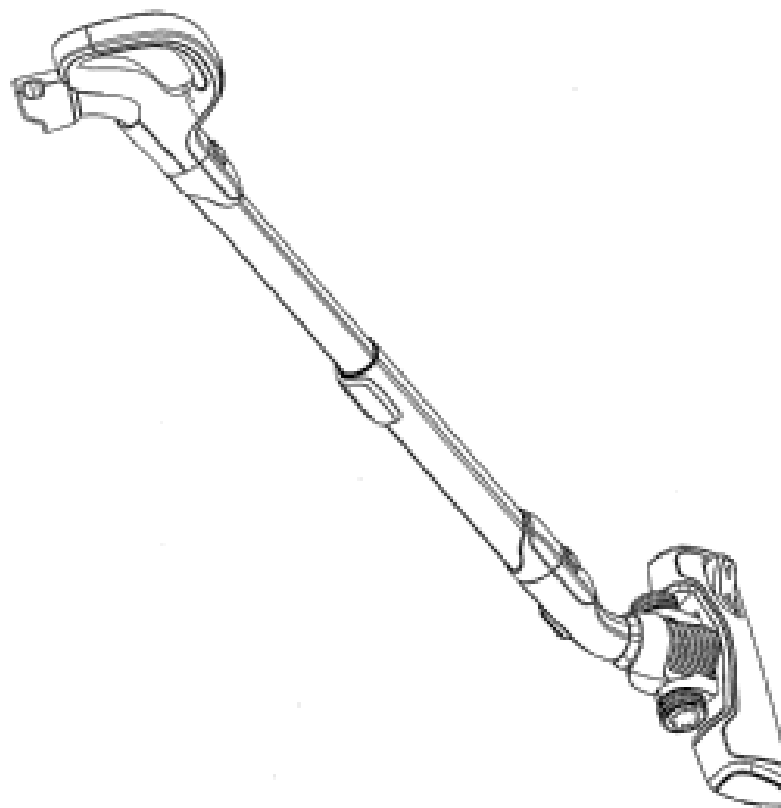
(21) Design Number: **10070/2009**
(22) Date of Filing Application: **07 October 2008**
(24) Date from which industrial property rights may have effect: **07 October 2008**
(54) Product in respect of which the design is registered: **Vacuum cleaner component**
(51) International Design Classification: **15-05**
(71) Name(s) and Address(s) of Applicant(s):
Aktiebolaget Electrolux
S:t Goransgatan 143 SE 105-45 Stockholm Sweden
(72) Name(s) of Designer(s): **Oskar Fjellman**
(45) Registration Date: **04 February 2009**
(30) Convention priority data:
(31) Number (32) Date (33) Country
000915269 10 Apr 2008 EUROPEAN COMMUNITY
(56) Related Art Documents: **Not Applicable**
(57) Statement of Newness and Distinctiveness: **Nil**



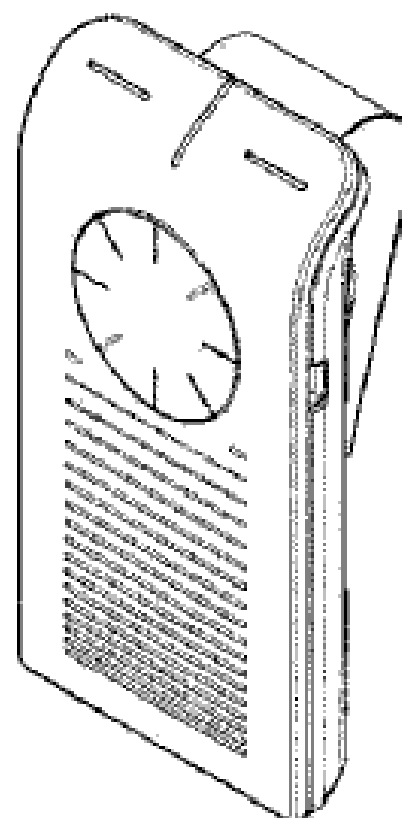
(21) Design Number: **10071/2009**
(22) Date of Filing Application: **07 October 2008**
(24) Date from which industrial property rights may have effect: **07 October 2008**
(54) Product in respect of which the design is registered: **Vacuum cleaner component**
(51) International Design Classification: **15-05**
(71) Name(s) and Address(s) of Applicant(s):
Aktiebolaget Electrolux
S:t Goransgatan 143 SE 105-45 Stockholm Sweden
(72) Name(s) of Designer(s): **Oskar Fjellman**
(45) Registration Date: **04 February 2009**
(30) Convention priority data:
(31) Number (32) Date (33) Country
000915269 10 Apr 2008 EUROPEAN COMMUNITY
(56) Related Art Documents: **Not Applicable**
(57) Statement of Newness and Distinctiveness: **Nil**



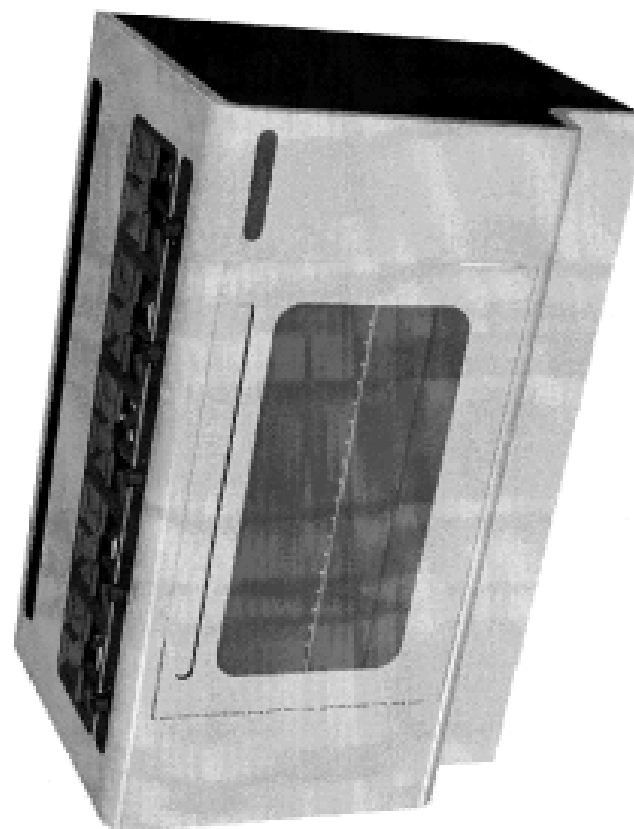
(21) Design Number: **14779/2008**
(22) Date of Filing Application: **07 October 2008**
(24) Date from which industrial property rights may have effect: **07 October 2008**
(54) Product in respect of which the design is registered: **Vacuum cleaner**
(51) International Design Classification: **15-05**
(71) Name(s) and Address(s) of Applicant(s):
Aktiebolaget Electrolux
S:t Goransgatan 143 SE 105-45 Stockholm Sweden
(72) Name(s) of Designer(s): **Oskar Fjellman**
(45) Registration Date: **04 February 2009**
(30) Convention priority data:
(31) Number (32) Date (33) Country
000915269 10 Apr 2008 EUROPEAN COMMUNITY
(56) Related Art Documents: **Not Applicable**
(57) Statement of Newness and Distinctiveness: **Nil**



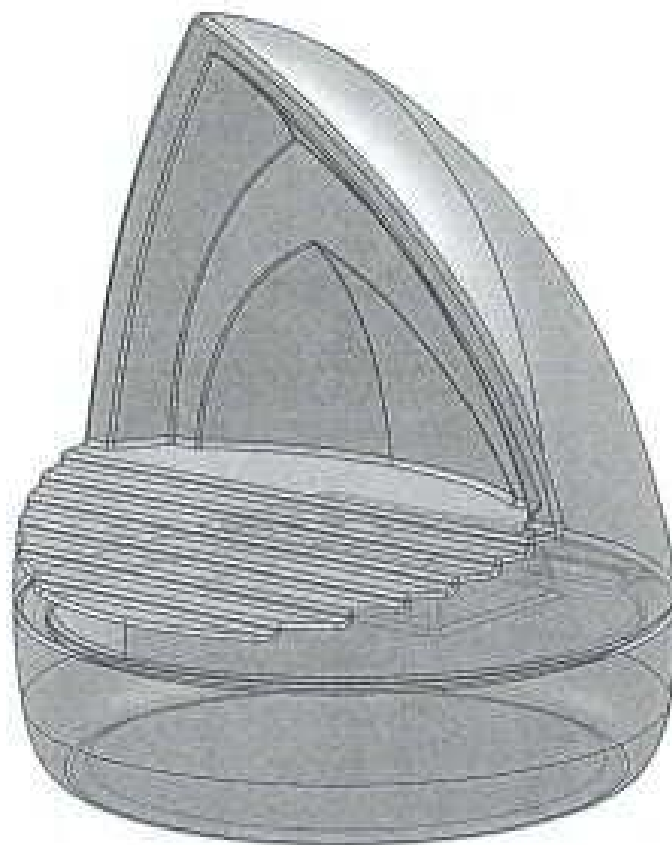
(21) Design Number: **15574/2008**
(22) Date of Filing Application: **26 November 2008**
(24) Date from which industrial property rights may have effect: **26 November 2008**
(54) Product in respect of which the design is registered: **Speakerphone**
(51) International Design Classification: **14-03A**
(71) Name(s) and Address(s) of Applicant(s):
Blueant Wireless Pty Limited
245 St Kilda Road St Kilda Victoria 3182 Australia
(72) Name(s) of Designer(s): **Lisa Edlund-Tjernberg and Andrew Kellock and Troy Nyssen**
(45) Registration Date: **04 February 2009**
(56) Related Art Documents: **Not Applicable**
(57) Statement of Newness and Distinctiveness: **Novelty resides in the features of shape and configuration as shown in the accompanying representations.**



- (21) Design Number: **15014/2008**
(22) Date of Filing Application: **17 October 2008**
(24) Date from which industrial property rights may have effect: **17 October 2008**
(54) Product in respect of which the design is registered: **Cooking appliance**
(51) International Design Classification: **07-02A**
(71) Name(s) and Address(s) of Applicant(s):
Glem Gas S.p.A
Via Modenese 4266 41018 San Cesario sul Panaro (MO) Italy
(72) Name(s) of Designer(s): **Marcello Cutino**
(45) Registration Date: **02 February 2009**
(30) Convention priority data:
(31) Number (32) Date (33) Country
000976089-0002 24 Jul 2008 EUROPEAN COMMUNITY
(56) Related Art Documents: **Not Applicable**
(57) Statement of Newness and Distinctiveness: **Nil**



- (21) Design Number: **15774/2008**
(22) Date of Filing Application: **09 December 2008**
(24) Date from which industrial property rights may have effect: **09 December 2008**
(54) Product in respect of which the design is registered: **Souvenir, collectible**
(51) International Design Classification: **11-02NES**
(71) Name(s) and Address(s) of Applicant(s):
Global Icons Pty Ltd
1 Bevin Avenue Five Dock New South Wales 2046 Australia
(72) Name(s) of Designer(s): **Paul Bailey**
(45) Registration Date: **02 February 2009**
(56) Related Art Documents: **Not Applicable**
(57) Statement of Newness and Distinctiveness: **Three-tiered arches visible from front view and rear view. Silhouette angles and proportions. Top of stairs directly adjoining arch.**



(21) Design Number: **15942/2008**

(22) Date of Filing Application: **03 July 2008**

(24) Date from which industrial property rights may have effect: **03 July 2008**

(54) Product in respect of which the design is registered: **Ball**

(51) International Design Classification: **21-02A**

(71) Name(s) and Address(s) of Applicant(s):

Pet Brands PLC
Ladybird House The Avenue Rubery Birmingham B45 9AL United Kingdom

(72) Name(s) of Designer(s): **David Alton**

(45) Registration Date: **02 February 2009**

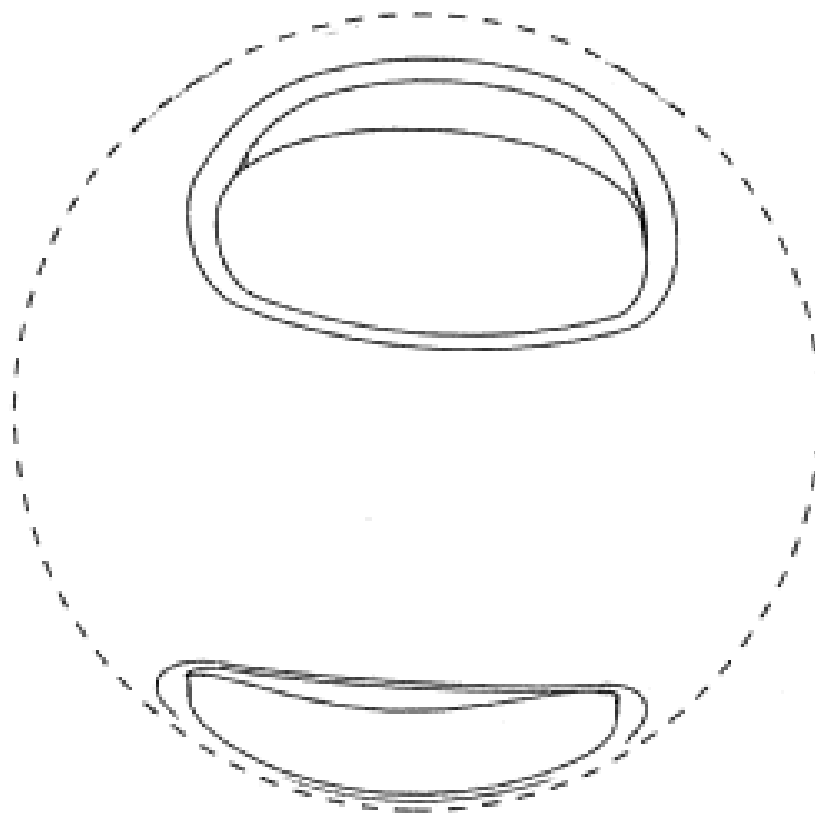
(30) Convention priority data:

(31) Number	(32) Date	(33) Country
000955349	19 Jun 2008	EUROPEAN COMMUNITY

(62) Divisional of: **323822**

(56) Related Art Documents: **Not Applicable**

(57) Statement of Newness and Distinctiveness: **Those features of the ball depicted in the representations that are new and distinctive are the shape and/or configuration of the handles of the ball. The features shown in broken lines are to be disregarded when considering the overall impression of the design.**



(21) Design Number: **15944/2008**

(22) Date of Filing Application: **17 December 2008**

(24) Date from which industrial property rights may have effect: **17 December 2008**

(54) Product in respect of which the design is registered: **Tile formation**

(51) International Design Classification: **25-01F**

(71) Name(s) and Address(s) of Applicant(s):

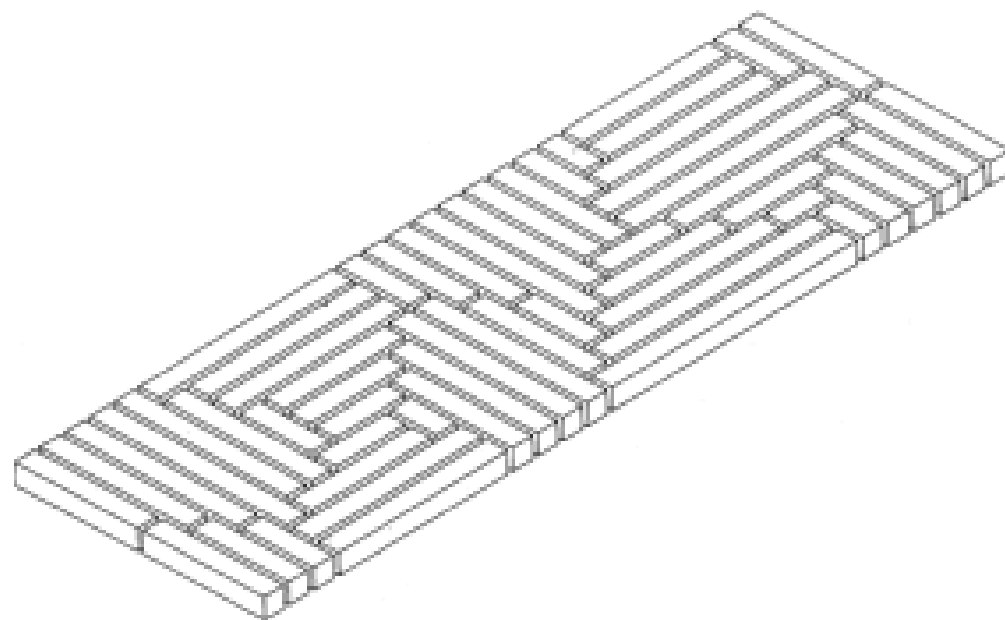
Everstone International Pty Ltd
8 George Young Street Auburn New South Wales 2144 Australia

(72) Name(s) of Designer(s): **John Zeng**

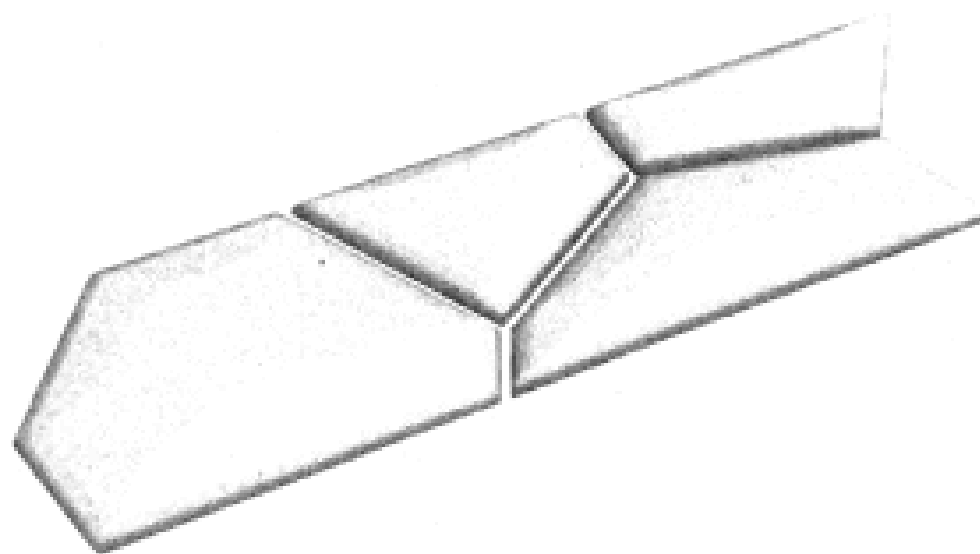
(45) Registration Date: **02 February 2009**

(56) Related Art Documents: **Not Applicable**

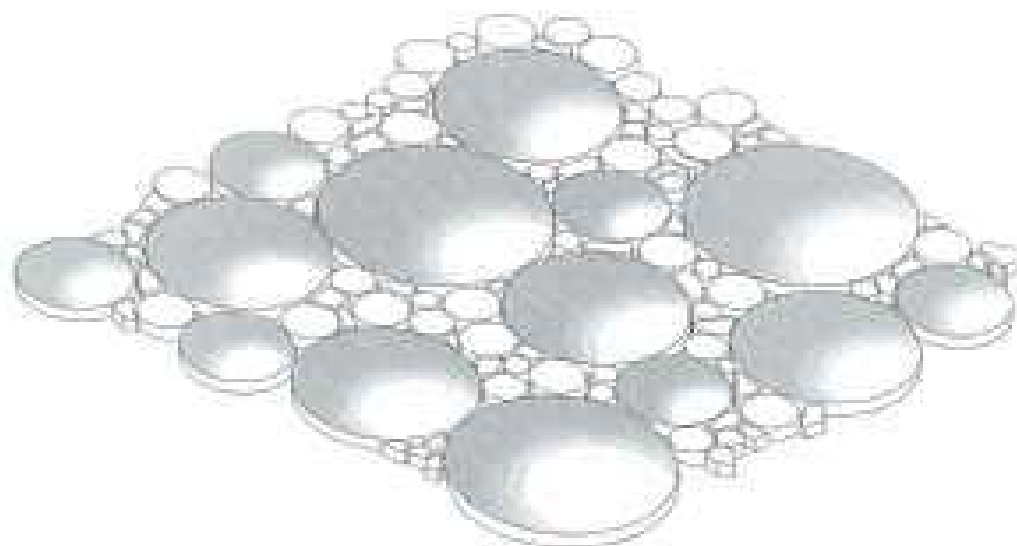
(57) Statement of Newness and Distinctiveness: **Nil**



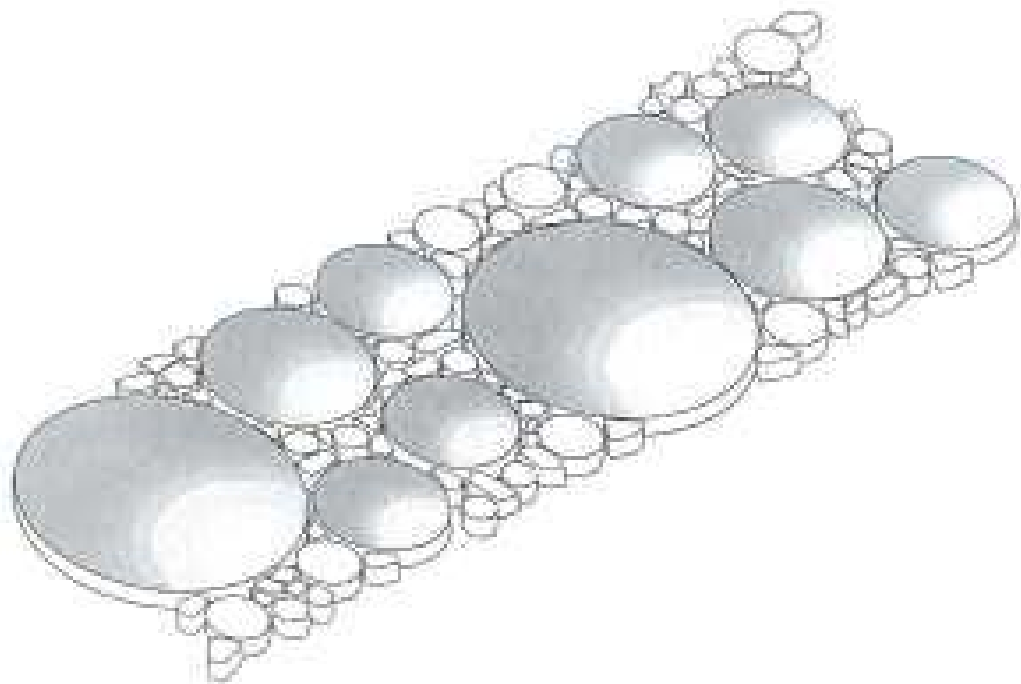
(21) Design Number: **15945/2008**
(22) Date of Filing Application: **17 December 2008**
(24) Date from which industrial property rights may have effect: **17 December 2008**
(54) Product in respect of which the design is registered: **Tile formation**
(51) International Design Classification: **25-01F**
(71) Name(s) and Address(s) of Applicant(s):
Everstone International Pty Ltd
8 George Young Street Auburn New South Wales 2144 Australia
(72) Name(s) of Designer(s): **John Zeng**
(45) Registration Date: **02 February 2009**
(56) Related Art Documents: **Not Applicable**
(57) Statement of Newness and Distinctiveness: **Nil**



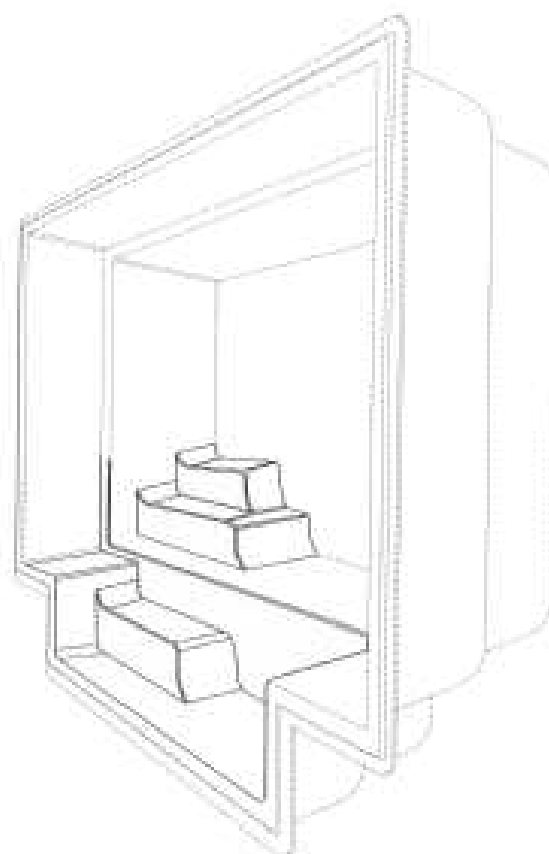
(21) Design Number: **15946/2008**
(22) Date of Filing Application: **17 December 2008**
(24) Date from which industrial property rights may have effect: **17 December 2008**
(54) Product in respect of which the design is registered: **Tile formation**
(51) International Design Classification: **25-01F**
(71) Name(s) and Address(s) of Applicant(s):
Everstone International Pty Ltd
8 George Young Street Auburn New South Wales 2144 Australia
(72) Name(s) of Designer(s): **John Zeng**
(45) Registration Date: **02 February 2009**
(56) Related Art Documents: **Not Applicable**
(57) Statement of Newness and Distinctiveness: **Nil**



- (21) Design Number: **15947/2008**
(22) Date of Filing Application: **17 December 2008**
(24) Date from which industrial property rights may have effect: **17 December 2008**
(54) Product in respect of which the design is registered: **Tile formation**
(51) International Design Classification: **25-01F**
(71) Name(s) and Address(s) of Applicant(s):
Everstone International Pty Ltd
8 George Young Street Auburn New South Wales 2144 Australia
(72) Name(s) of Designer(s): **John Zeng**
(45) Registration Date: **02 February 2009**
(56) Related Art Documents: **Not Applicable**
(57) Statement of Newness and Distinctiveness: **Nil**



- (21) Design Number: **15949/2008**
(22) Date of Filing Application: **18 December 2008**
(24) Date from which industrial property rights may have effect: **18 December 2008**
(54) Product in respect of which the design is registered: **Pool steps**
(51) International Design Classification: **25-04**
(71) Name(s) and Address(s) of Applicant(s):
Leisure Pools and Spas Manufacturing Pty Ltd
6 Computer Road Yatala Queensland 4207 Australia
(72) Name(s) of Designer(s): **Kerry Pain**
(45) Registration Date: **02 February 2009**
(56) Related Art Documents: **Not Applicable**
(57) Statement of Newness and Distinctiveness: **The newness and distinctiveness of the design resides in the shape and/or configuration of the POOL STEPS shown in the representations. Monopoly is claimed in the configuration or shape of a set of steps for a pool as shown in the figures. The details shown in broken outline are for context only and do not form part of the monopoly claimed.**



(21) Design Number: **15950/2008**

(22) Date of Filing Application: **18 December 2008**

(24) Date from which industrial property rights may have effect: **18 December 2008**

(54) Product in respect of which the design is registered: **Swimming pool shell**

(51) International Design Classification: **25-03**

(71) Name(s) and Address(s) of Applicant(s):

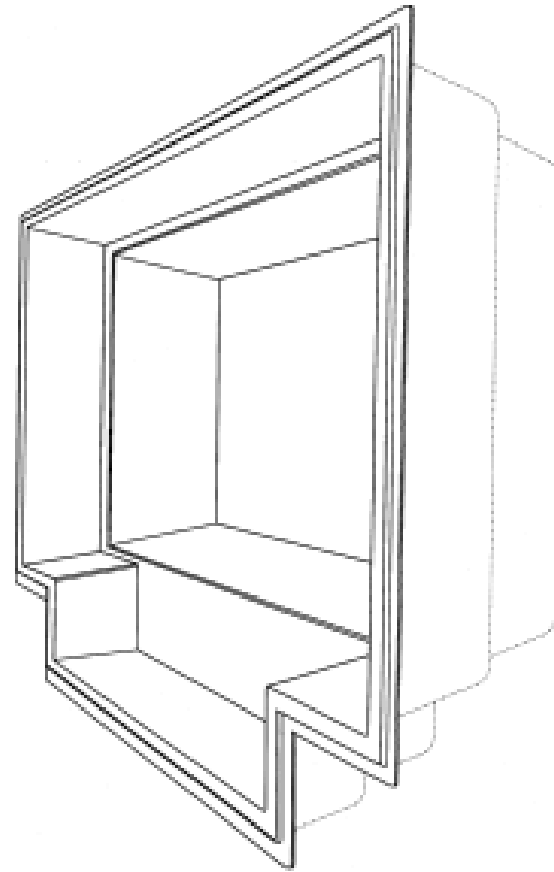
**Leisure Pools and Spas Manufacturing Pty Ltd
6 Computer Road Yatala Queensland 4207 Australia**

(72) Name(s) of Designer(s): **Kerry Pain**

(45) Registration Date: **02 February 2009**

(56) Related Art Documents: **Not Applicable**

(57) Statement of Newness and Distinctiveness: **The newness and distinctiveness of the design resides in the shape and/or configuration of the SWIMMING POOL SHELL shown in the representations. Monopoly is claimed in the shape and configuration of the inner walls and upper surround of a swimming pool as shown in the representations. The details shown in broken outline and the shape and configuration of the outer side walls and outer bottom surface do not form part of the monopoly claimed. The monopoly claimed also does not extend to any steps.**



(21) Design Number: **15951/2008**

(22) Date of Filing Application: **18 December 2008**

(24) Date from which industrial property rights may have effect: **18 December 2008**

(54) Product in respect of which the design is registered: **Fan**

(51) International Design Classification: **23-04**

(71) Name(s) and Address(s) of Applicant(s):

**Martec Pty Ltd
Unit 1/2 13 Garema Circuit Kingsgrove New South Wales 2208
Australia**

(72) Name(s) of Designer(s): **Cristian Victor Care**

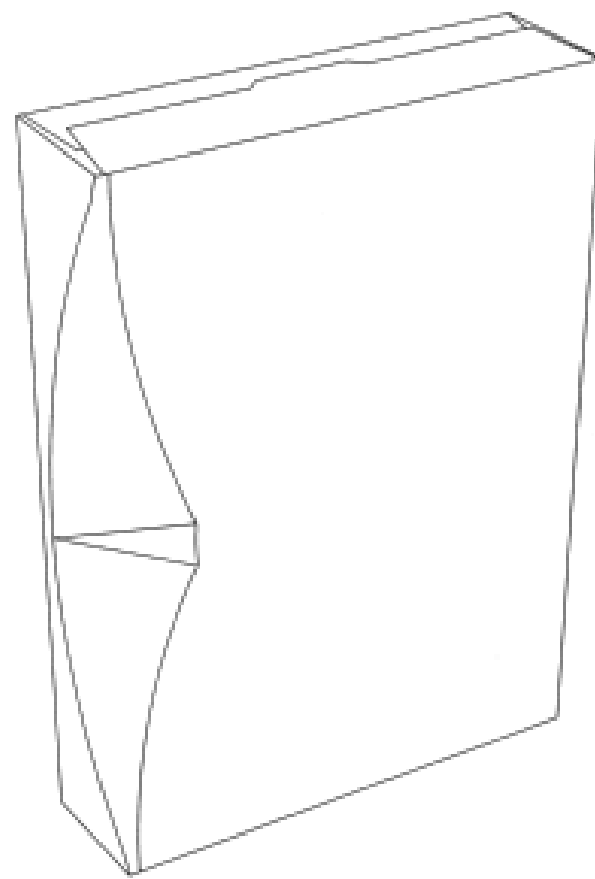
(45) Registration Date: **02 February 2009**

(56) Related Art Documents: **Not Applicable**

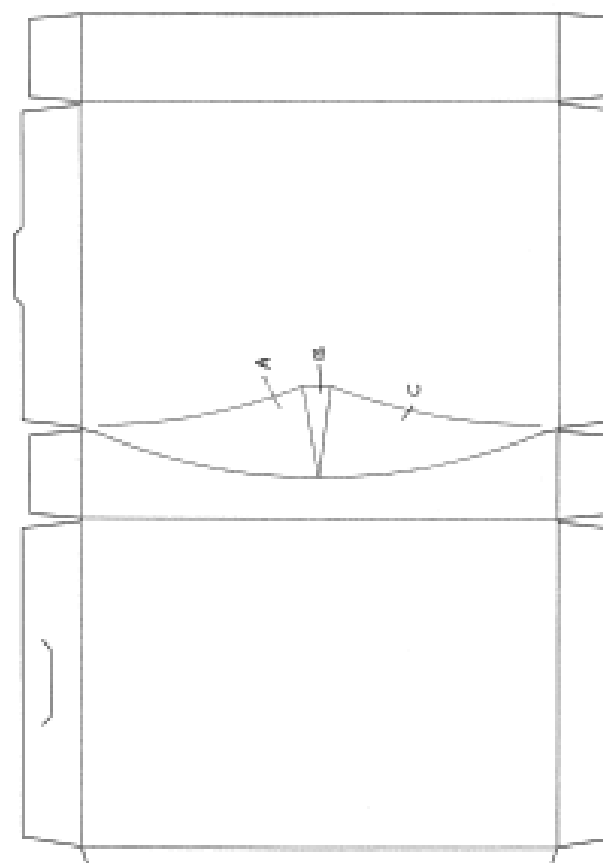
(57) Statement of Newness and Distinctiveness: **The shape and configuration of the external components of the fan, excluding the blades, are new and distinctive.**



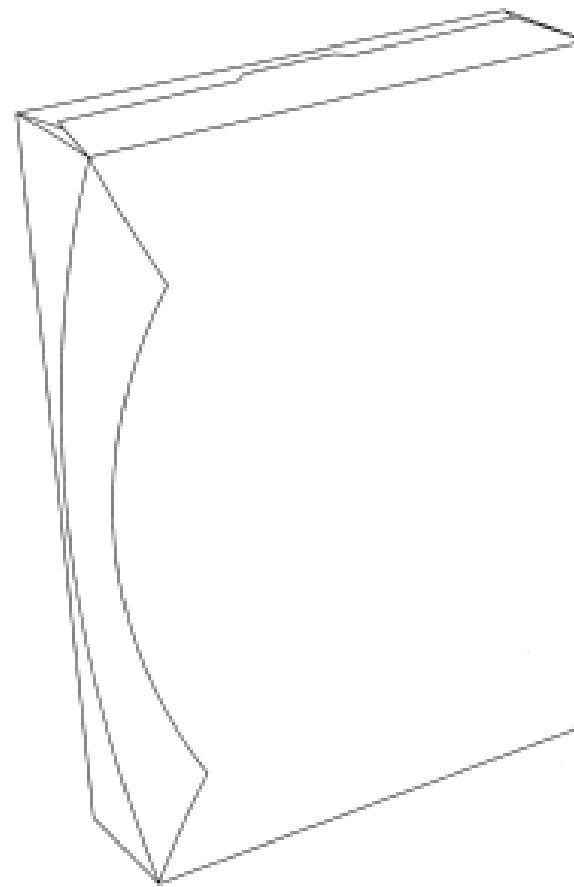
- (21) Design Number: **15953/2008**
(22) Date of Filing Application: **18 December 2008**
(24) Date from which industrial property rights may have effect: **18 December 2008**
(54) Product in respect of which the design is registered: **A box**
(51) International Design Classification: **09-03NES**
(71) Name(s) and Address(s) of Applicant(s):
Carter Holt Harvey Packaging Pty Limited
56 Pitt Street Sydney New South Wales 2000 Australia
(72) Name(s) of Designer(s): **Silvio Bugelli**
(45) Registration Date: **02 February 2009**
(56) Related Art Documents: **Not Applicable**
(57) Statement of Newness and Distinctiveness: **Newness and distinctiveness resides in the shape and configuration of the bevel panel extending between the front panel and the left side panel as shown in the representations. In deciding whether a design is substantially similar in overall impression to another design, no regard is to be given to the closure flaps shown in the representations.**



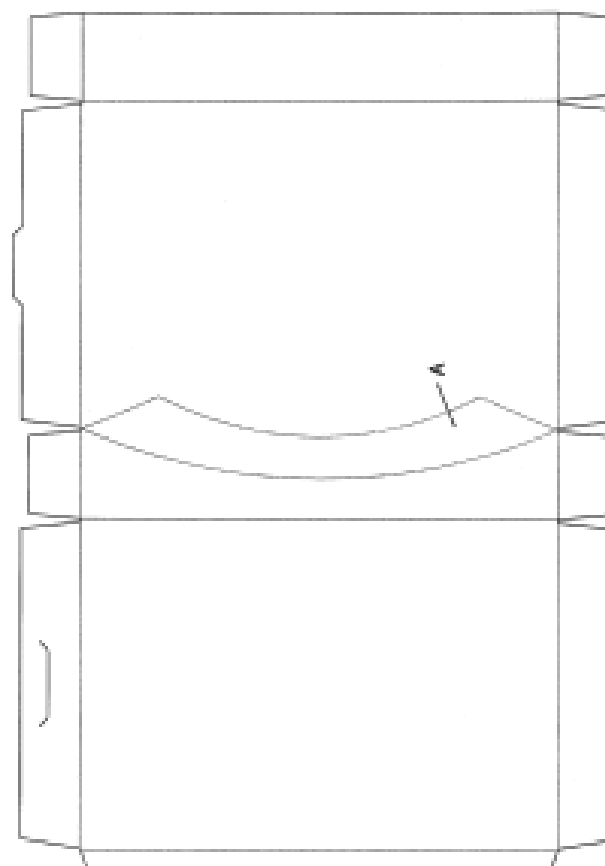
- (21) Design Number: **15954/2008**
(22) Date of Filing Application: **18 December 2008**
(24) Date from which industrial property rights may have effect: **18 December 2008**
(54) Product in respect of which the design is registered: **A blank**
(51) International Design Classification: **09-03NES**
(71) Name(s) and Address(s) of Applicant(s):
Carter Holt Harvey Packaging Pty Limited
56 Pitt Street Sydney New South Wales 2000 Australia
(72) Name(s) of Designer(s): **Silvio Bugelli**
(45) Registration Date: **02 February 2009**
(56) Related Art Documents: **Not Applicable**
(57) Statement of Newness and Distinctiveness: **Newness and distinctiveness resides in the shape and configuration of the panel(s) labelled A, B and C in the representations. In deciding whether a design is substantially similar in overall impression to another design, no regard is to be given to the closure flaps shown in the representations.**



- (21) Design Number: **15955/2008**
- (22) Date of Filing Application: **18 December 2008**
- (24) Date from which industrial property rights may have effect: **18 December 2008**
- (54) Product in respect of which the design is registered: **A box**
- (51) International Design Classification: **09-03NES**
- (71) Name(s) and Address(s) of Applicant(s):
Carter Holt Harvey Packaging Pty Limited
56 Pitt Street Sydney New South Wales 2000 Australia
- (72) Name(s) of Designer(s): **Silvio Bugelli**
- (45) Registration Date: **02 February 2009**
- (56) Related Art Documents: **Not Applicable**
- (57) Statement of Newness and Distinctiveness: **Newness and distinctiveness resides in the shape and configuration of the bevel panel extending between the front panel and the left side panel as shown in the representations. In deciding whether a design is substantially similar in overall impression to another design, no regard is to be given to the closure flaps shown in the representations.**



- (21) Design Number: **15956/2008**
- (22) Date of Filing Application: **18 December 2008**
- (24) Date from which industrial property rights may have effect: **18 December 2008**
- (54) Product in respect of which the design is registered: **A blank**
- (51) International Design Classification: **09-03NES**
- (71) Name(s) and Address(s) of Applicant(s):
Carter Holt Harvey Packaging Pty Limited
56 Pitt Street Sydney New South Wales 2000 Australia
- (72) Name(s) of Designer(s): **Silvio Bugelli**
- (45) Registration Date: **02 February 2009**
- (56) Related Art Documents: **Not Applicable**
- (57) Statement of Newness and Distinctiveness: **Newness and distinctiveness resides in the shape and configuration of the panel labelled A in the representations. In deciding whether a design is substantially similar in overall impression to another design, no regard is to be given to the closure flaps shown in the representations.**



(21) Design Number: **15994/2008**
(22) Date of Filing Application: **17 December 2008**
(24) Date from which industrial property rights may have effect: **17 December 2008**
(54) Product in respect of which the design is registered: **Under desk storage unit**
(51) International Design Classification: **06-04B**
(71) Name(s) and Address(s) of Applicant(s):

Furnware Limited
1128 Omaha Road Hastings New Zealand

(72) Name(s) of Designer(s): **Murray Neil Pilcher**

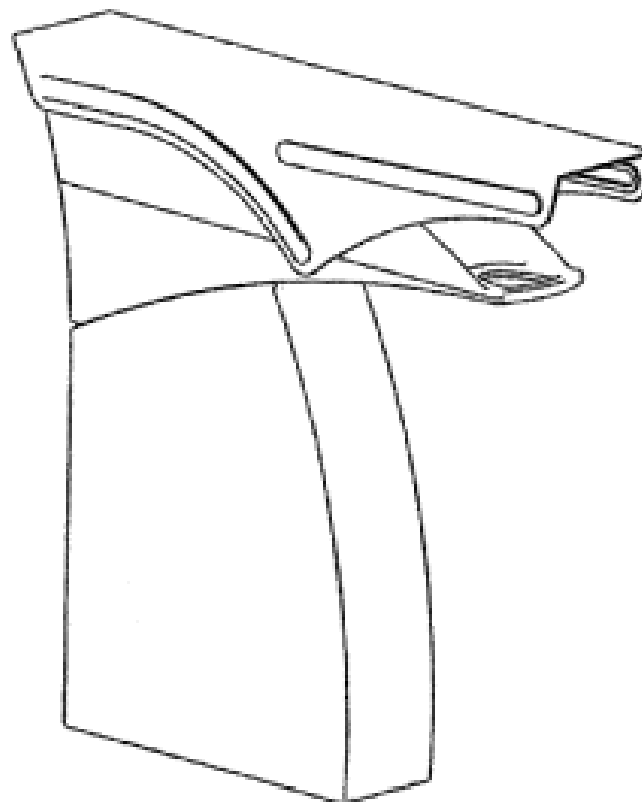
(45) Registration Date: **02 February 2009**

(30) Convention priority data:

(31) Number	(32) Date	(33) Country
410976	01 Jul 2008	NEW ZEALAND

(56) Related Art Documents: **Not Applicable**

(57) Statement of Newness and Distinctiveness: **Nil**



(21) Design Number: **15919/2008**
(22) Date of Filing Application: **17 December 2008**
(24) Date from which industrial property rights may have effect: **17 December 2008**
(54) Product in respect of which the design is registered: **Mannequin (doll) with arms**
(51) International Design Classification: **20-02B**
(71) Name(s) and Address(s) of Applicant(s):

Kabushiki Kaisha Bandai
4-8 Komagata 1-chome Taito-ku Tokyo 111-8081 Japan

(72) Name(s) of Designer(s): **Saki Kawai**

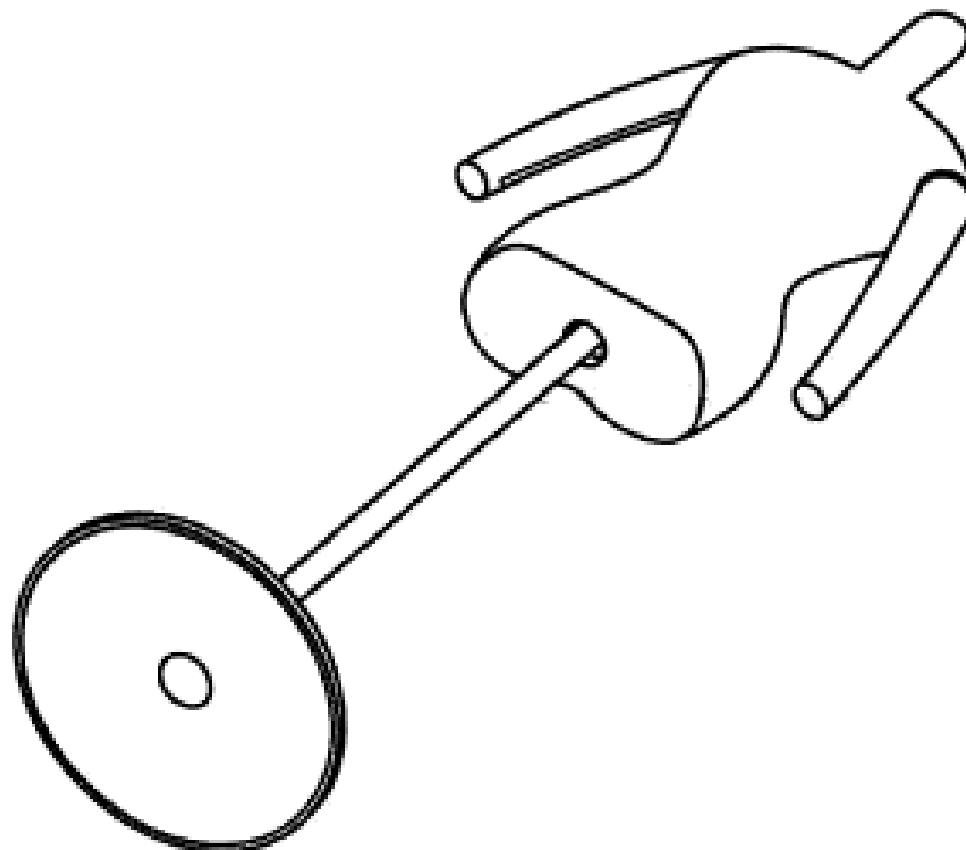
(45) Registration Date: **02 February 2009**

(30) Convention priority data:

(31) Number	(32) Date	(33) Country
2008-018896	23 Jul 2008	JAPAN

(56) Related Art Documents: **Not Applicable**

(57) Statement of Newness and Distinctiveness: **Nil**



- (21) Design Number: **15920/2008**
- (22) Date of Filing Application: **17 December 2008**
- (24) Date from which industrial property rights may have effect: **17 December 2008**
- (54) Product in respect of which the design is registered: **Container**
- (51) International Design Classification: **09-02B**
- (71) Name(s) and Address(s) of Applicant(s):

Mark Bonner
PO Box 23014 Moncton New Brunswick E1A 6S8 Canada

(72) Name(s) of Designer(s): **Mark Bonner**

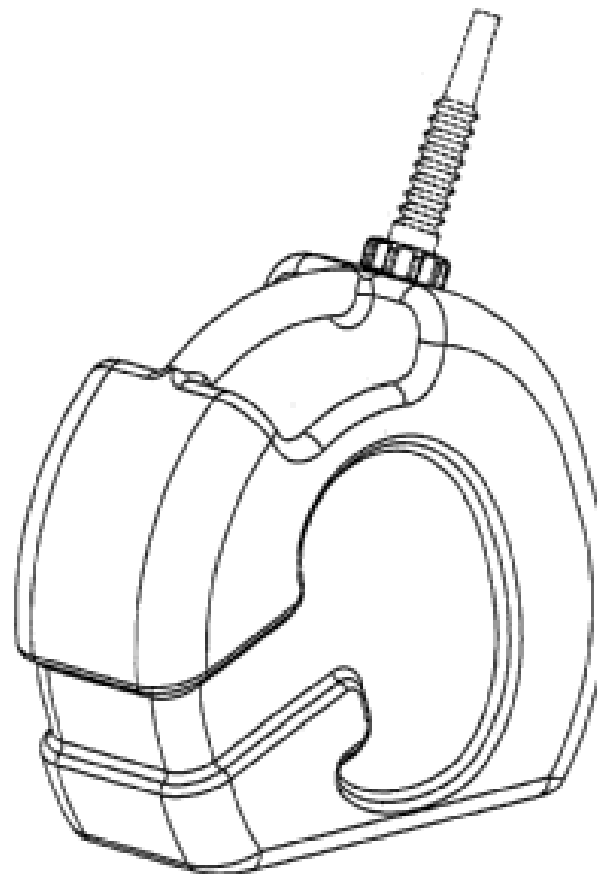
(45) Registration Date: **02 February 2009**

(30) Convention priority data:

(31) Number	(32) Date	(33) Country
29/319889	17 Jun 2008	UNITED STATES OF AMERICA

(56) Related Art Documents: **Not Applicable**

(57) Statement of Newness and Distinctiveness: **The newness and distinctiveness of the design resides in the shape and/or configuration of the Container (disregarding the nozzle in dotted outline) shown in the representations.**



- (21) Design Number: **15925/2008**
- (22) Date of Filing Application: **17 December 2008**
- (24) Date from which industrial property rights may have effect: **17 December 2008**
- (54) Product in respect of which the design is registered: **Automatic teller**
- (51) International Design Classification: **20-01, 15-99, 14-03NES**
- (71) Name(s) and Address(s) of Applicant(s):

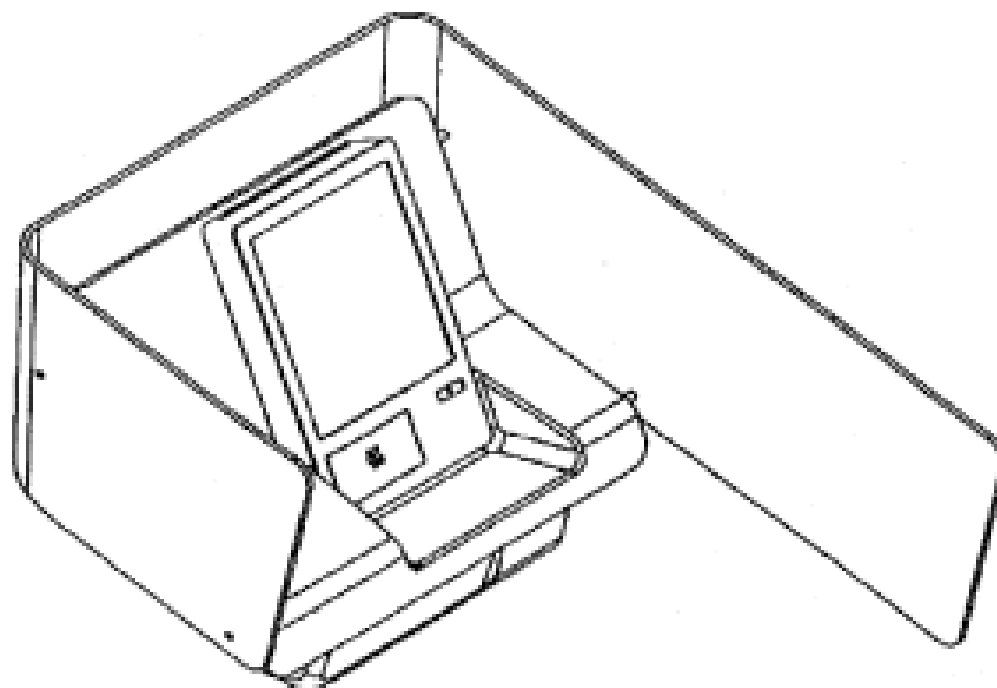
Banco Bilbao Vizcaya Argentaria, S.A.
Plaza de San Nicolas 4 E-48005 Bilbao (Vizcaya) Spain

(72) Name(s) of Designer(s): **Beatriz Angela Lara Bartolome**

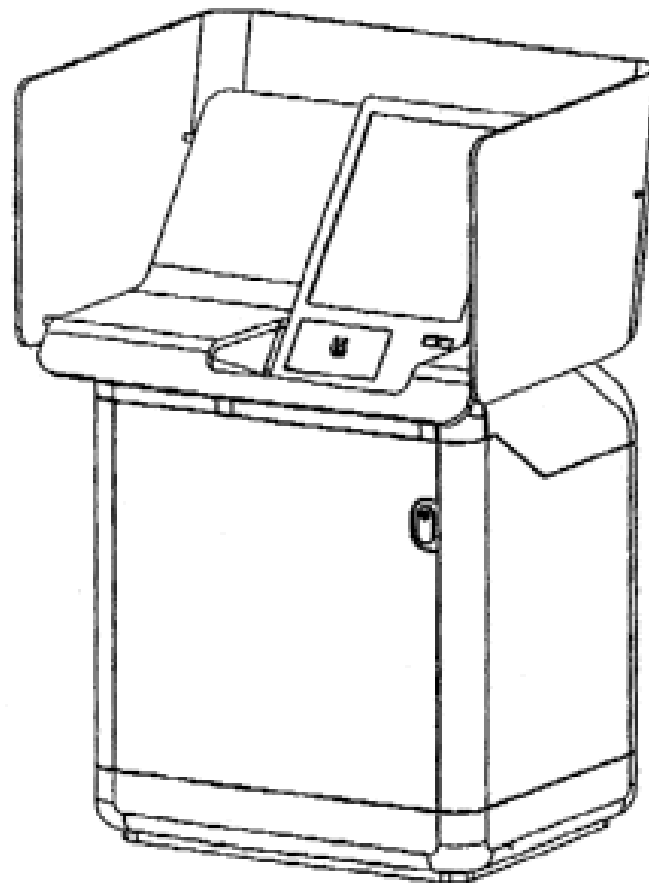
(45) Registration Date: **02 February 2009**

(56) Related Art Documents: **Not Applicable**

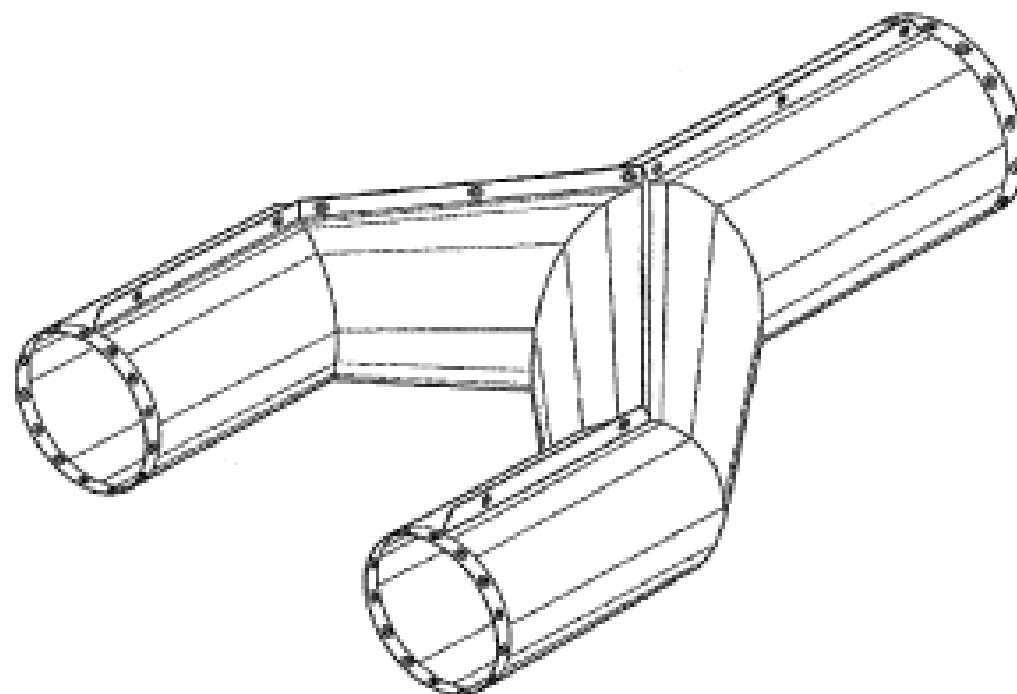
(57) Statement of Newness and Distinctiveness: **Nil**



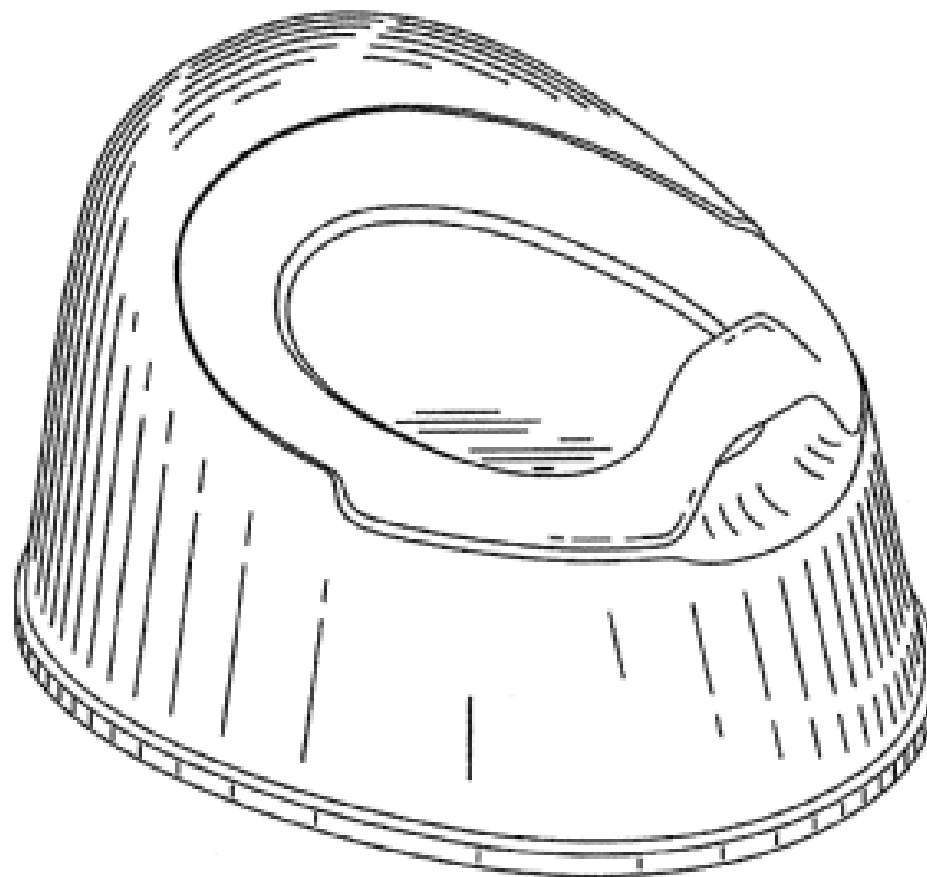
- (21) Design Number: **15926/2008**
- (22) Date of Filing Application: **17 December 2008**
- (24) Date from which industrial property rights may have effect: **17 December 2008**
- (54) Product in respect of which the design is registered: **Automatic teller**
- (51) International Design Classification: **20-01, 15-99, 14-03NES**
- (71) Name(s) and Address(s) of Applicant(s):
Banco Bilbao Vizcaya Argentaria, S.A.
Plaza de San Nicolas 4 E-48005 Bilbao (Vizcaya) Spain
- (72) Name(s) of Designer(s): **Beatriz Angela Lara Bartolome**
- (45) Registration Date: **02 February 2009**
- (56) Related Art Documents: **Not Applicable**
- (57) Statement of Newness and Distinctiveness: **Nil**



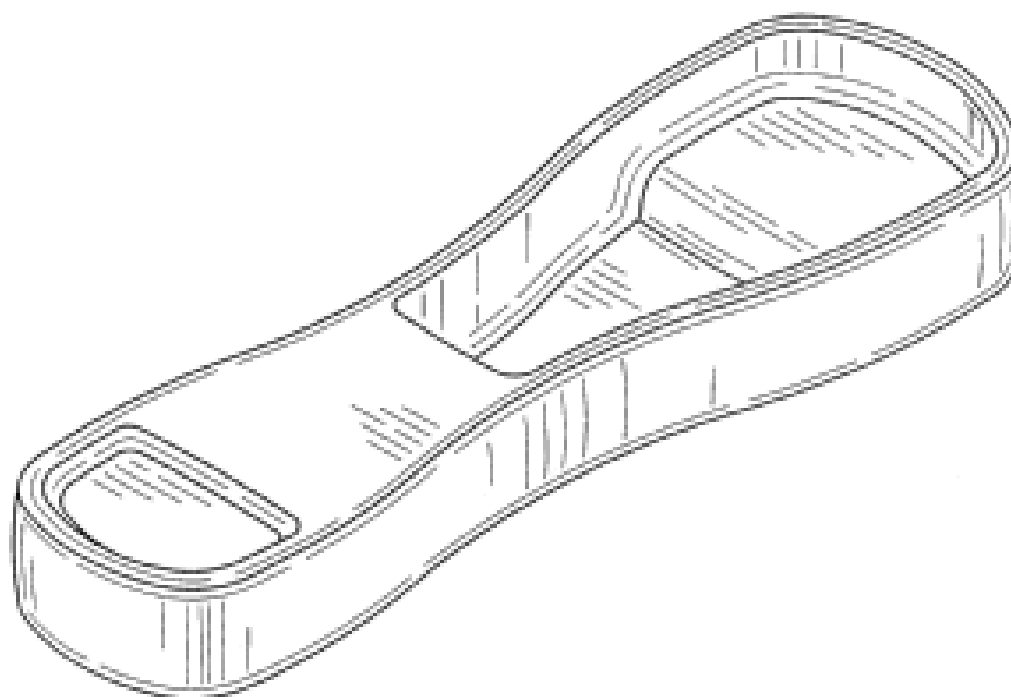
- (21) Design Number: **15928/2008**
- (22) Date of Filing Application: **17 December 2008**
- (24) Date from which industrial property rights may have effect: **17 December 2008**
- (54) Product in respect of which the design is registered: **A new mine ventilation system**
- (51) International Design Classification: **23-04**
- (71) Name(s) and Address(s) of Applicant(s):
Christopher David Wilson
PO Box 5184 South Lake Western Australia 6164 Australia
- (72) Name(s) of Designer(s): **Christopher David Wilson**
- (45) Registration Date: **02 February 2009**
- (56) Related Art Documents: **Not Applicable**
- (57) Statement of Newness and Distinctiveness: **Nil**



- (21) Design Number: **15930/2008**
(22) Date of Filing Application: **17 December 2008**
(24) Date from which industrial property rights may have effect: **17 December 2008**
(54) Product in respect of which the design is registered: **Potty**
(51) International Design Classification: **09-09**
(71) Name(s) and Address(s) of Applicant(s):
Baby Bjorn AB
Satraangsvagen 8 S-182 15 Danderyd Sweden
(72) Name(s) of Designer(s): **Sofia Jacobsson Warfaa**
(45) Registration Date: **02 February 2009**
(30) Convention priority data:
(31) Number (32) Date (33) Country
001022677 17 Oct 2008 EUROPEAN COMMUNITY
(56) Related Art Documents: **Not Applicable**
(57) Statement of Newness and Distinctiveness: **Newness and distinctiveness is claimed in the features of shape and/or configuration of a potty as illustrated in the accompanying representations, apart from the inner part labelled "A" in the representations.**



- (21) Design Number: **15931/2008**
(22) Date of Filing Application: **17 December 2008**
(24) Date from which industrial property rights may have effect: **17 December 2008**
(54) Product in respect of which the design is registered: **Measuring spoon**
(51) International Design Classification: **10-04, 07-03**
(71) Name(s) and Address(s) of Applicant(s):
Dart Industries Inc
14901 S. Orange Blossom Trail Orlando Florida 32837 United States of America
(72) Name(s) of Designer(s): **Hanno Kortleven**
(45) Registration Date: **02 February 2009**
(30) Convention priority data:
(31) Number (32) Date (33) Country
29/310,009 22 Jul 2008 UNITED STATES OF AMERICA
(56) Related Art Documents: **Not Applicable**
(57) Statement of Newness and Distinctiveness: **Those features of the measuring spoon depicted in the representations that are new and distinctive are the shape and/or configuration.**



(21) Design Number: **15932/2008**
 (22) Date of Filing Application: **17 December 2008**
 (24) Date from which industrial property rights may have effect: **17 December 2008**
 (54) Product in respect of which the design is registered: **Tongs**
 (51) International Design Classification: **07-06NES**
 (71) Name(s) and Address(s) of Applicant(s):

Dart Industries Inc
14901 S. Orange Blossom Trail Orlando Florida 32837 United States of America

(72) Name(s) of Designer(s): **Jan-Hendrik de Groote and Vincent Jalet**

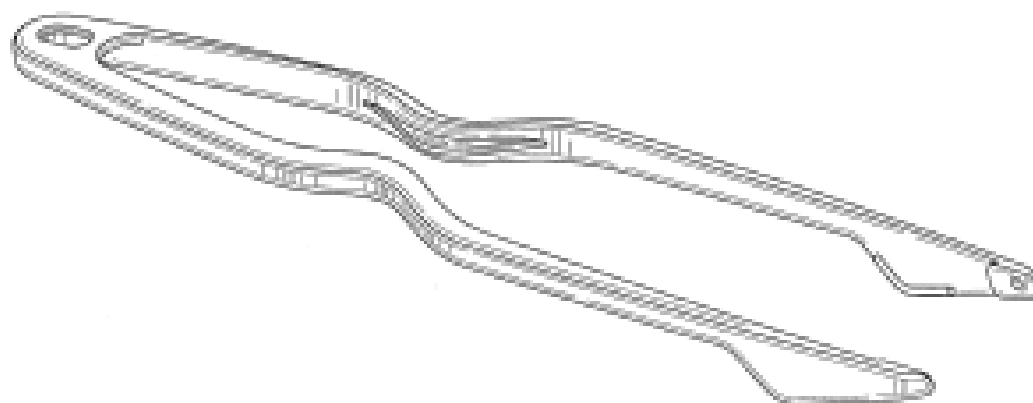
(45) Registration Date: **02 February 2009**

(30) Convention priority data:

(31) Number	(32) Date	(33) Country
29/310,024	22 Jul 2008	UNITED STATES OF AMERICA

(56) Related Art Documents: **Not Applicable**

(57) Statement of Newness and Distinctiveness: **Those features of the tongs depicted in the representations that are new and distinctive are the shape and/or configuration.**



(21) Design Number: **15933/2008**
 (22) Date of Filing Application: **17 December 2008**
 (24) Date from which industrial property rights may have effect: **17 December 2008**
 (54) Product in respect of which the design is registered: **Container**
 (51) International Design Classification: **07-01NES, 07-99NES**
 (71) Name(s) and Address(s) of Applicant(s):

Dart Industries Inc
14901 S. Orange Blossom Trail Orlando Florida 32837 United States of America

(72) Name(s) of Designer(s): **Vincent Jalet**

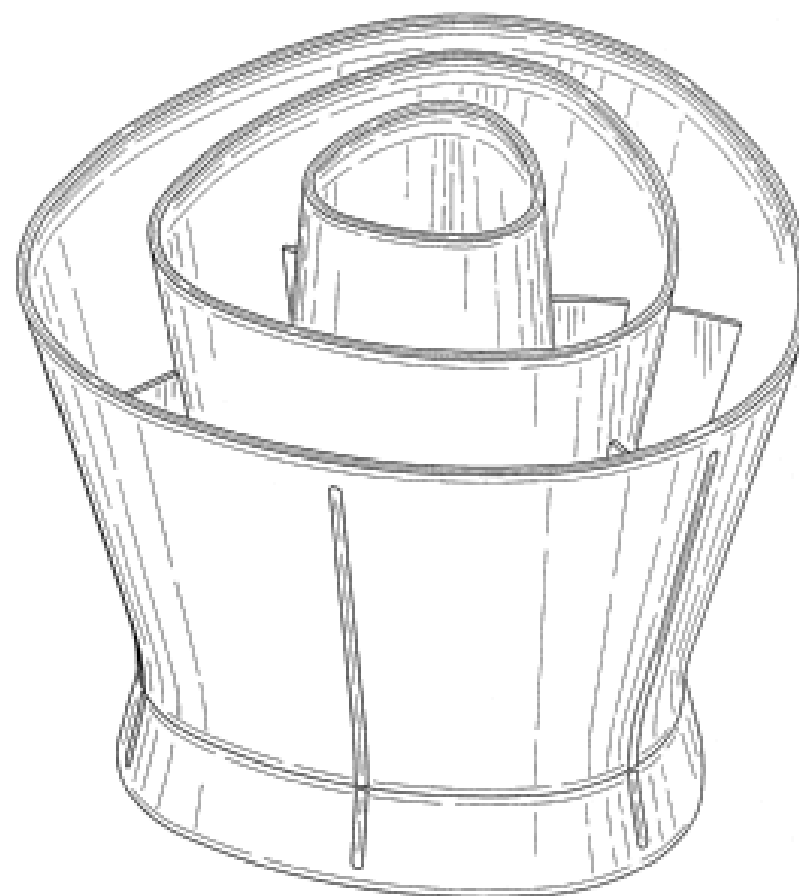
(45) Registration Date: **02 February 2009**

(30) Convention priority data:

(31) Number	(32) Date	(33) Country
29/308,891	14 Jul 2008	UNITED STATES OF AMERICA

(56) Related Art Documents: **Not Applicable**

(57) Statement of Newness and Distinctiveness: **Those features of the container depicted in the representations that are new and distinctive are the shape and/or configuration.**



(21) Design Number: **15934/2008**

(22) Date of Filing Application: **17 December 2008**

(24) Date from which industrial property rights may have effect: **17 December 2008**

(54) Product in respect of which the design is registered: **Pourer**

(51) International Design Classification: **09-07A**

(71) Name(s) and Address(s) of Applicant(s):

Dart Industries Inc
14901 S. Orange Blossom Trail Orlando Florida 32837 United States of America

(72) Name(s) of Designer(s): **Vincent Jalet**

(45) Registration Date: **02 February 2009**

(30) Convention priority data:

(31) Number	(32) Date	(33) Country
29/308,884	14 Jul 2008	UNITED STATES OF AMERICA

(56) Related Art Documents: **Not Applicable**

(57) Statement of Newness and Distinctiveness: **Those features of the pourer depicted in the representations that are new and distinctive are the shape and/or configuration.**



(21) Design Number: **15935/2008**

(22) Date of Filing Application: **17 December 2008**

(24) Date from which industrial property rights may have effect: **17 December 2008**

(54) Product in respect of which the design is registered: **Pump**

(51) International Design Classification: **09-07A, 08-05G**

(71) Name(s) and Address(s) of Applicant(s):

Dart Industries Inc
14901 S. Orange Blossom Trail Orlando Florida 32837 United States of America

(72) Name(s) of Designer(s): **Vincent Jalet**

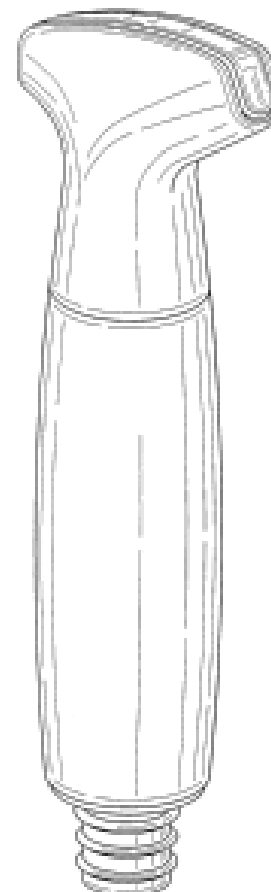
(45) Registration Date: **02 February 2009**

(30) Convention priority data:

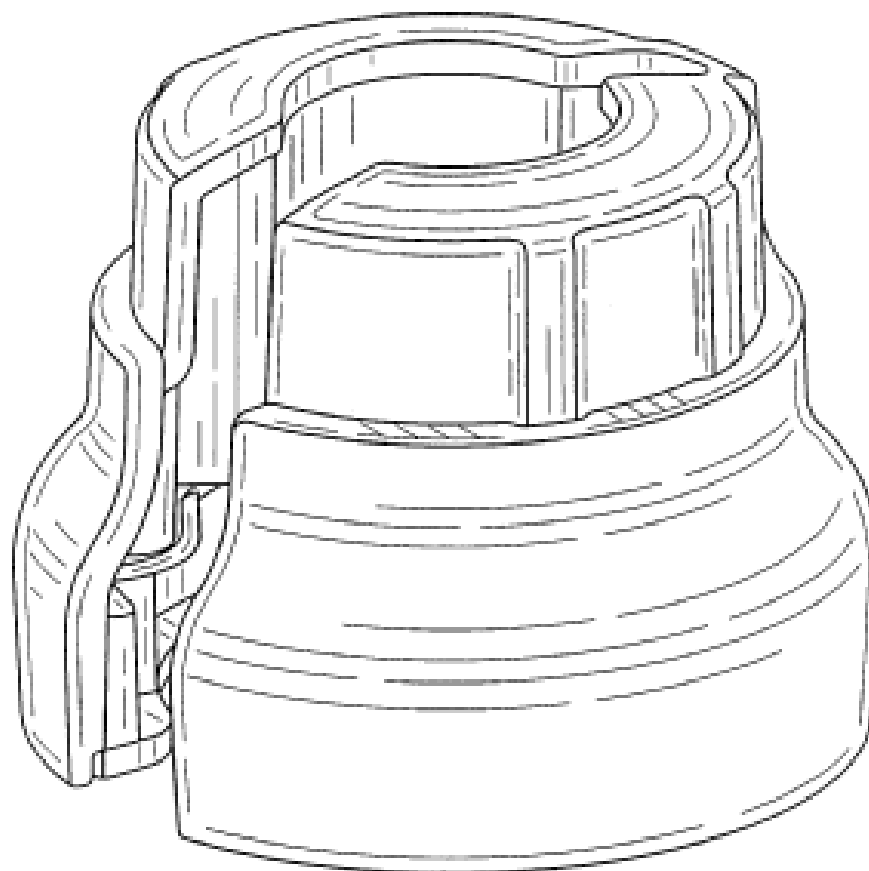
(31) Number	(32) Date	(33) Country
29/308,886	14 Jul 2008	UNITED STATES OF AMERICA

(56) Related Art Documents: **Not Applicable**

(57) Statement of Newness and Distinctiveness: **Those features of the pump depicted in the representations that are new and distinctive are the shape and/or configuration.**



(21) Design Number: **15936/2008**
(22) Date of Filing Application: **17 December 2008**
(24) Date from which industrial property rights may have effect: **17 December 2008**
(54) Product in respect of which the design is registered: **Cutter**
(51) International Design Classification: **07-04, 07-06NES**
(71) Name(s) and Address(s) of Applicant(s):
Dart Industries Inc
14901 S. Orange Blossom Trail Orlando Florida 32837 United States of America
(72) Name(s) of Designer(s): **Vincent Jalet**
(45) Registration Date: **02 February 2009**
(30) Convention priority data:
(31) Number (32) Date (33) Country
29/310,017 22 Jul 2008 UNITED STATES OF AMERICA
(56) Related Art Documents: **Not Applicable**
(57) Statement of Newness and Distinctiveness: **Those features of the cutter depicted in the representations that are new and distinctive are the shape and/or configuration.**



(21) Design Number: **15102/2008**
(22) Date of Filing Application: **24 October 2008**
(24) Date from which industrial property rights may have effect: **24 October 2008**
(54) Product in respect of which the design is registered: **Front bumper for an automobile**
(51) International Design Classification: **12-16C**
(71) Name(s) and Address(s) of Applicant(s):
Toyota Jidosha Kabushiki Kaisha
1 Toyota-cho Toyota-shi Aichi-ken 471-8571 Japan
(72) Name(s) of Designer(s): **Hiroyuki Tada and Masanari Sakae**
(45) Registration Date: **11 February 2009**
(30) Convention priority data:
(31) Number (32) Date (33) Country
2008-016654 27 Jun 2008 JAPAN
(56) Related Art Documents: **Not Applicable**
(57) Statement of Newness and Distinctiveness: **The newness and distinctiveness of the design resides in the shape and/or configuration of the FRONT BUMPER FOR AN AUTOMOBILE shown in the representations.**



- (21) Design Number: **15103/2008**
(22) Date of Filing Application: **24 October 2008**
(24) Date from which industrial property rights may have effect: **24 October 2008**
(54) Product in respect of which the design is registered: **Front grille for an automobile**
(51) International Design Classification: **12-16B**
(71) Name(s) and Address(s) of Applicant(s):
Toyota Jidosha Kabushiki Kaisha
1 Toyota-cho Toyota-shi Aichi-ken 471-8571 Japan
(72) Name(s) of Designer(s): **Moto Takabatake**
(45) Registration Date: **02 February 2009**
(30) Convention priority data:
(31) Number (32) Date (33) Country
2008-016655 27 Jun 2008 JAPAN
(56) Related Art Documents: **Not Applicable**
(57) Statement of Newness and Distinctiveness: **The newness and distinctiveness of the design resides in the shape and/or configuration of the FRONT GRILLE FOR AN AUTOMOBILE shown in the representations.**



- (21) Design Number: **15104/2008**
(22) Date of Filing Application: **24 October 2008**
(24) Date from which industrial property rights may have effect: **24 October 2008**
(54) Product in respect of which the design is registered: **Outer mirror for an automobile**
(51) International Design Classification: **12-16H**
(71) Name(s) and Address(s) of Applicant(s):
Toyota Jidosha Kabushiki Kaisha
1 Toyota-cho Toyota-shi Aichi-ken 471-8571 Japan
(72) Name(s) of Designer(s): **Moto Takabatake**
(45) Registration Date: **02 February 2009**
(30) Convention priority data:
(31) Number (32) Date (33) Country
2008-016656 27 Jun 2008 JAPAN
(56) Related Art Documents: **Not Applicable**
(57) Statement of Newness and Distinctiveness: **The newness and distinctiveness of the design resides in the shape and/or configuration of the OUTER MIRROR FOR AN AUTOMOBILE shown in the representations.**



- (21) Design Number: **15105/2008**
(22) Date of Filing Application: **24 October 2008**
(24) Date from which industrial property rights may have effect: **24 October 2008**
(54) Product in respect of which the design is registered: **Rear garnish for an automobile**
(51) International Design Classification: **12-16NES**
(71) Name(s) and Address(s) of Applicant(s):
Toyota Jidosha Kabushiki Kaisha
1 Toyota-cho Toyota-shi Aichi-ken 471-8571 Japan
(72) Name(s) of Designer(s): **Tokiko Gamou**
(45) Registration Date: **02 February 2009**
(30) Convention priority data:

(31) Number	(32) Date	(33) Country
2008-016657	27 Jun 2008	JAPAN

(56) Related Art Documents: **Not Applicable**
(57) Statement of Newness and Distinctiveness: **The newness and distinctiveness of the design resides in the shape and/or configuration of the REAR GARNISH FOR AN AUTOMOBILE shown in the representations.**



- (21) Design Number: **15106/2008**
(22) Date of Filing Application: **24 October 2008**
(24) Date from which industrial property rights may have effect: **24 October 2008**
(54) Product in respect of which the design is registered: **Rear bumper for an automobile**
(51) International Design Classification: **12-16C**
(71) Name(s) and Address(s) of Applicant(s):
Toyota Jidosha Kabushiki Kaisha
1 Toyota-cho Toyota-shi Aichi-ken 471-8571 Japan
(72) Name(s) of Designer(s): **Masanari Sakae and Hiroyuki Tada**
(45) Registration Date: **02 February 2009**
(56) Related Art Documents: **Not Applicable**
(57) Statement of Newness and Distinctiveness: **The newness and distinctiveness of the design resides in the shape and/or configuration of the REAR BUMPER FOR AN AUTOMOBILE shown in the representations.**



- (21) Design Number: **15107/2008**
(22) Date of Filing Application: **24 October 2008**
(24) Date from which industrial property rights may have effect: **24 October 2008**
(54) Product in respect of which the design is registered: **Front bumper for an automobile**
(51) International Design Classification: **12-16C**
(71) Name(s) and Address(s) of Applicant(s):
Toyota Jidosha Kabushiki Kaisha
1 Toyota-cho Toyota-shi Aichi-ken 471-8571 Japan
(72) Name(s) of Designer(s): **Masanari Sakae and Tokiko Gamou**
(45) Registration Date: **02 February 2009**
(30) Convention priority data:
(31) Number (32) Date (33) Country
2008-016658 27 Jun 2008 JAPAN
(56) Related Art Documents: **Not Applicable**
(57) Statement of Newness and Distinctiveness: **The newness and distinctiveness of the design resides in the shape and/or configuration of the FRONT BUMPER FOR AN AUTOMOBILE shown in the representations.**



- (21) Design Number: **15108/2008**
(22) Date of Filing Application: **24 October 2008**
(24) Date from which industrial property rights may have effect: **24 October 2008**
(54) Product in respect of which the design is registered: **Front grille for an automobile**
(51) International Design Classification: **12-16B**
(71) Name(s) and Address(s) of Applicant(s):
Toyota Jidosha Kabushiki Kaisha
1 Toyota-cho Toyota-shi Aichi-ken 471-8571 Japan
(72) Name(s) of Designer(s): **Masanari Sakae and Tokiko Gamou**
(45) Registration Date: **02 February 2009**
(30) Convention priority data:
(31) Number (32) Date (33) Country
2008-016659 27 Jun 2008 JAPAN
(56) Related Art Documents: **Not Applicable**
(57) Statement of Newness and Distinctiveness: **The newness and distinctiveness of the design resides in the shape and/or configuration of the FRONT GRILLE FOR AN AUTOMOBILE shown in the representations.**



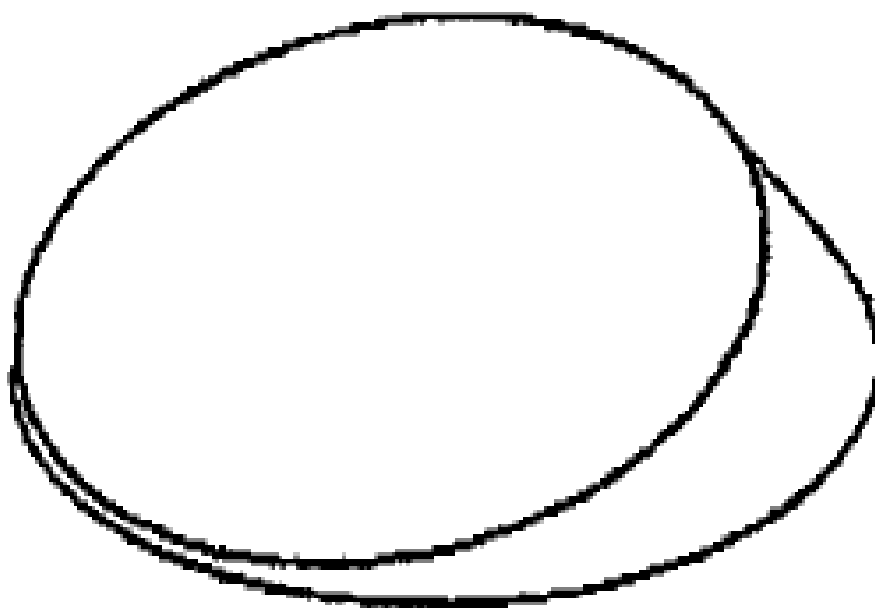
- (21) Design Number: **15109/2008**
(22) Date of Filing Application: **24 October 2008**
(24) Date from which industrial property rights may have effect: **24 October 2008**
(54) Product in respect of which the design is registered: **Front combination lamp for an automobile**
(51) International Design Classification: **26-06**
(71) Name(s) and Address(s) of Applicant(s):
Toyota Jidosha Kabushiki Kaisha
1 Toyota-cho Toyota-shi Aichi-ken 471-8571 Japan
(72) Name(s) of Designer(s): **Kenichi Okamura and Tatsuo Takazawa**
(45) Registration Date: **02 February 2009**
(30) Convention priority data:
(31) Number (32) Date (33) Country
2008-016652 27 Jun 2008 JAPAN
(56) Related Art Documents: **Not Applicable**
(57) Statement of Newness and Distinctiveness: **The newness and distinctiveness of the design resides in the shape and/or configuration of the FRONT COMBINATION LAMP FOR AN AUTOMOBILE shown in the representations.**



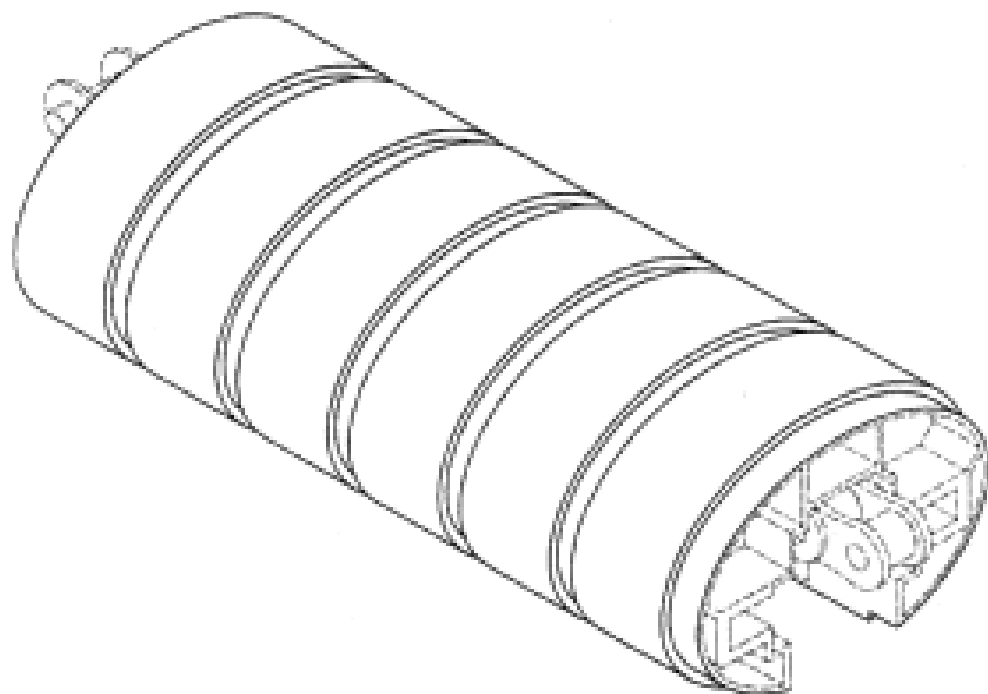
- (21) Design Number: **15110/2008**
(22) Date of Filing Application: **24 October 2008**
(24) Date from which industrial property rights may have effect: **24 October 2008**
(54) Product in respect of which the design is registered: **Rear combination lamp for an automobile**
(51) International Design Classification: **26-06**
(71) Name(s) and Address(s) of Applicant(s):
Toyota Jidosha Kabushiki Kaisha
1 Toyota-cho Toyota-shi Aichi-ken 471-8571 Japan
(72) Name(s) of Designer(s): **Kenichi Okamura and Hiroshi Fujimoto and Tatsuo Takazawa**
(45) Registration Date: **02 February 2009**
(30) Convention priority data:
(31) Number (32) Date (33) Country
2008-016653 27 Jun 2008 JAPAN
(56) Related Art Documents: **Not Applicable**
(57) Statement of Newness and Distinctiveness: **The newness and distinctiveness of the design resides in the shape and/or configuration of the REAR COMBINATION LAMP FOR AN AUTOMOBILE shown in the representations.**



(21) Design Number: **15997/2008**
(22) Date of Filing Application: **22 December 2008**
(24) Date from which industrial property rights may have effect: **22 December 2008**
(54) Product in respect of which the design is registered: **The design is to be applied to a stabiliser**
(51) International Design Classification: **06-06C, 06-06NES**
(71) Name(s) and Address(s) of Applicant(s):
Wobbly Wedge Limited
Level 1, VTR House 24 Manukau Road, Epsom Auckland New Zealand
(72) Name(s) of Designer(s): **Michael Wayne Rather**
(45) Registration Date: **02 February 2009**
(30) Convention priority data:
(31) Number (32) Date (33) Country
410974 27 Jun 2008 NEW ZEALAND
(56) Related Art Documents: **Not Applicable**
(57) Statement of Newness and Distinctiveness: **The design is to be applied to a stabiliser and the novelty in the design resides in the features of shape and configuration as shown in the accompanying representations.**



(21) Design Number: **16001/2008**
(22) Date of Filing Application: **22 December 2008**
(24) Date from which industrial property rights may have effect: **22 December 2008**
(54) Product in respect of which the design is registered: **Modular handrail component**
(51) International Design Classification: **25-02C**
(71) Name(s) and Address(s) of Applicant(s):
Inventio AG
Seestrasse 55 Ch-6052 Hergiswil Switzerland
(72) Name(s) of Designer(s): **Michael Matheisl and Thomas Novacek and Thomas Illedits**
(45) Registration Date: **02 February 2009**
(30) Convention priority data:
(31) Number (32) Date (33) Country
000977244 25 Jul 2008 EUROPEAN COMMUNITY
(56) Related Art Documents: **Not Applicable**
(57) Statement of Newness and Distinctiveness: **Newness and distinctiveness resides in the appearance of the outer shell of the handrail component with the inner structure (shown in hashed lines) not forming part of the design.**



- (21) Design Number: **16003/2008**
(22) Date of Filing Application: **22 December 2008**
(24) Date from which industrial property rights may have effect: **22 December 2008**
(54) Product in respect of which the design is registered: **Rear combination lamp for automobile**
(51) International Design Classification: **26-06**
(71) Name(s) and Address(s) of Applicant(s):
Honda Motor Co., Ltd.
1-1 Minamiaoyama 2-chome Minato-ku Tokyo Japan
(72) Name(s) of Designer(s): **Wataru Murakami**
(45) Registration Date: **02 February 2009**
(30) Convention priority data:
(31) Number (32) Date (33) Country
2008-016613 27 Jun 2008 JAPAN
(56) Related Art Documents: **Not Applicable**
(57) Statement of Newness and Distinctiveness: **Newness and distinctiveness is claimed in the features of shape and/or configuration of a rear combination lamp for automobile as illustrated in the accompanying representations.**



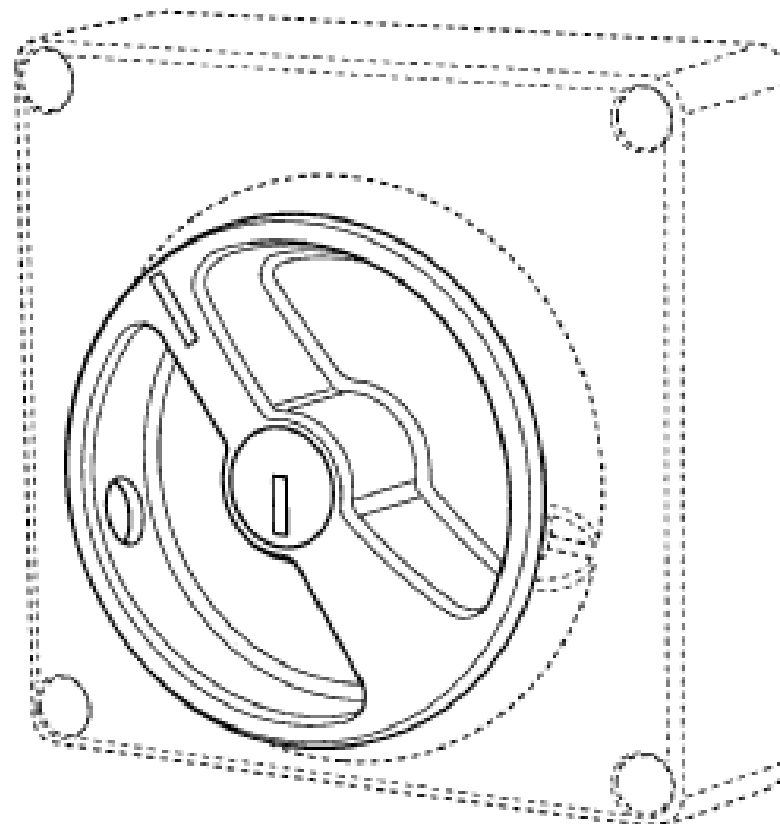
- (21) Design Number: **16004/2008**
(22) Date of Filing Application: **22 December 2008**
(24) Date from which industrial property rights may have effect: **22 December 2008**
(54) Product in respect of which the design is registered: **Rear combination lamp for automobile**
(51) International Design Classification: **26-06**
(71) Name(s) and Address(s) of Applicant(s):
Honda Motor Co., Ltd.
1-1 Minamiaoyama 2-chome Minato-ku Tokyo Japan
(72) Name(s) of Designer(s): **Shuji Koman**
(45) Registration Date: **02 February 2009**
(30) Convention priority data:
(31) Number (32) Date (33) Country
2008-016612 27 Jun 2008 JAPAN
(56) Related Art Documents: **Not Applicable**
(57) Statement of Newness and Distinctiveness: **Newness and distinctiveness is claimed in the features of shape and/or configuration of a rear combination lamp for automobile as illustrated in the accompanying representations.**



- (21) Design Number: **16005/2008**
(22) Date of Filing Application: **22 December 2008**
(24) Date from which industrial property rights may have effect: **22 December 2008**
(54) Product in respect of which the design is registered: **Front combination lamp for automobile**
(51) International Design Classification: **26-06**
(71) Name(s) and Address(s) of Applicant(s):
Honda Motor Co., Ltd.
1-1 Minamiaoyama 2-chome Minato-ku Tokyo Japan
(72) Name(s) of Designer(s): **Shuji Koman and Wataru Murakami**
(45) Registration Date: **02 February 2009**
(30) Convention priority data:
(31) Number (32) Date (33) Country
2008-016611 27 Jun 2008 JAPAN
(56) Related Art Documents: **Not Applicable**
(57) Statement of Newness and Distinctiveness: **Newness and distinctiveness is claimed in the features of shape and/or configuration of a front combination lamp for automobile as illustrated in the accompanying representations.**



- (21) Design Number: **16008/2008**
(22) Date of Filing Application: **22 December 2008**
(24) Date from which industrial property rights may have effect: **22 December 2008**
(54) Product in respect of which the design is registered: **Electric switch**
(51) International Design Classification: **13-03E**
(71) Name(s) and Address(s) of Applicant(s):
Clipsal Australia Pty Ltd
12 Park Terrace Bowden South Australia 5007 Australia
(72) Name(s) of Designer(s): **Pasquale Vitalone**
(45) Registration Date: **02 February 2009**
(56) Related Art Documents: **Not Applicable**
(57) Statement of Newness and Distinctiveness: **Newness and distinctiveness resides in the shape of the switch knob illustrated in solid lines in the accompanying representations. In considering the scope of the design, no regard should be had to the features shown in dotted lines.**



(21) Design Number: **16009/2008**

(22) Date of Filing Application: **22 December 2008**

(24) Date from which industrial property rights may have effect: **22 December 2008**

(54) Product in respect of which the design is registered: **Electric switch**

(51) International Design Classification: **13-03E**

(71) Name(s) and Address(s) of Applicant(s):

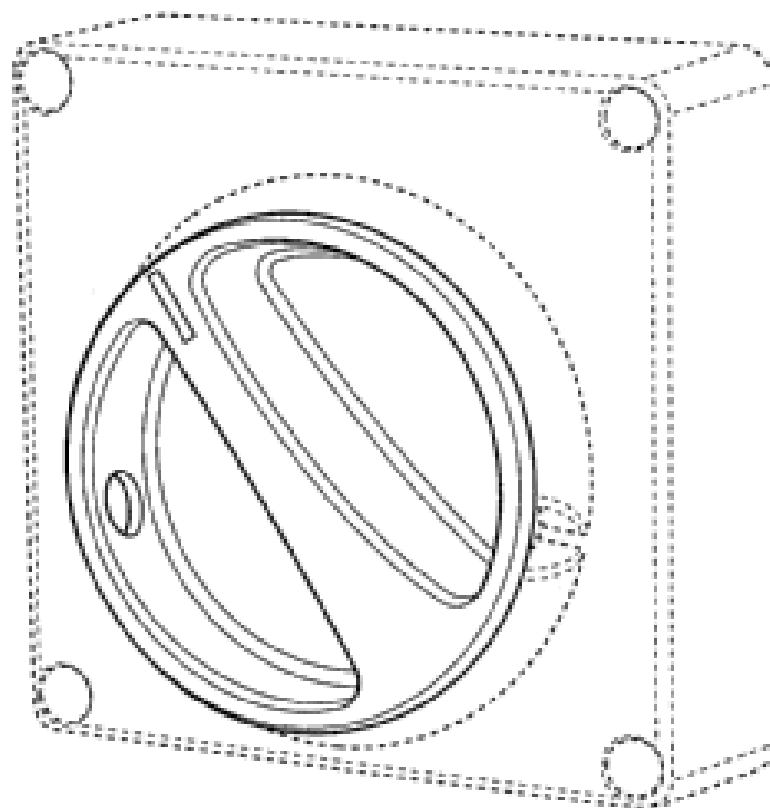
Clipsal Australia Pty Ltd
12 Park Terrace Bowden South Australia 5007 Australia

(72) Name(s) of Designer(s): **Pasquale Vitalone**

(45) Registration Date: **02 February 2009**

(56) Related Art Documents: **Not Applicable**

(57) Statement of Newness and Distinctiveness: **Newness and distinctiveness resides in the shape of the switch knob illustrated in solid lines in the accompanying representations. In considering the scope of the design, no regard should be had to the features shown in dotted lines.**



(21) Design Number: **16010/2008**

(22) Date of Filing Application: **22 December 2008**

(24) Date from which industrial property rights may have effect: **22 December 2008**

(54) Product in respect of which the design is registered: **Electric switch**

(51) International Design Classification: **13-03E**

(71) Name(s) and Address(s) of Applicant(s):

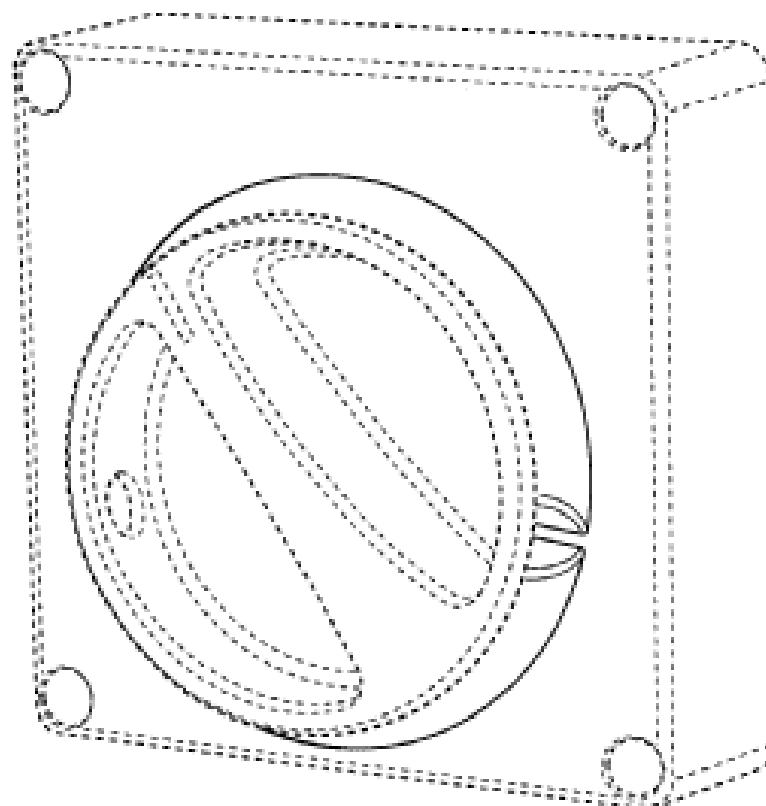
Clipsal Australia Pty Ltd
12 Park Terrace Bowden South Australia 5007 Australia

(72) Name(s) of Designer(s): **Pasquale Vitalone**

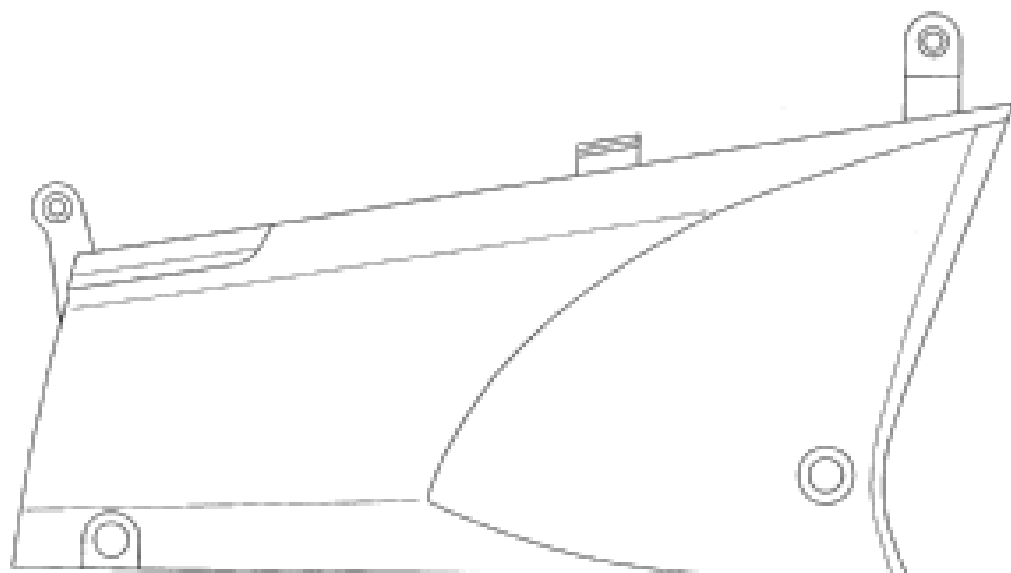
(45) Registration Date: **02 February 2009**

(56) Related Art Documents: **Not Applicable**

(57) Statement of Newness and Distinctiveness: **Newness and distinctiveness resides in the shape and configuration of the collar and apertures therein shown in solid lines. In considering the scope of the design, no regard should be had to the features shown in dotted lines.**



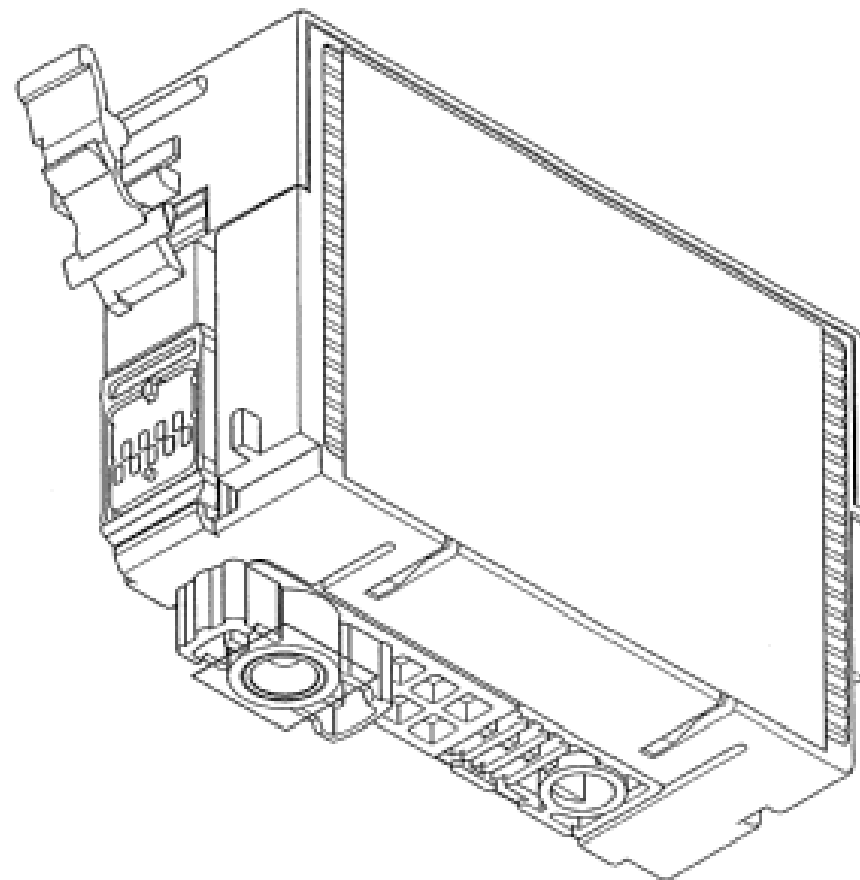
- (21) Design Number: **15962/2008**
(22) Date of Filing Application: **18 December 2008**
(24) Date from which industrial property rights may have effect: **18 December 2008**
(54) Product in respect of which the design is registered: **Lower mount cover for outboard motor machine**
(51) International Design Classification: **15-01**
(71) Name(s) and Address(s) of Applicant(s):
Honda Motor Co., Ltd.
1-1 Minamiaoyama 2-chome Minato-ku Tokyo Japan
(72) Name(s) of Designer(s): **Masahiko Yamagishi and Masahiro Anzai**
(45) Registration Date: **03 February 2009**
(30) Convention priority data:
(31) Number (32) Date (33) Country
2008-16363 25 Jun 2008 JAPAN
(56) Related Art Documents: **Not Applicable**
(57) Statement of Newness and Distinctiveness: **Newness and distinctiveness is claimed in the features of shape and/or configuration of a lower mount cover for outboard motor machine as illustrated in the accompanying representations.**



- (21) Design Number: **15963/2008**
(22) Date of Filing Application: **18 December 2008**
(24) Date from which industrial property rights may have effect: **18 December 2008**
(54) Product in respect of which the design is registered: **Lawn mower**
(51) International Design Classification: **15-03B**
(71) Name(s) and Address(s) of Applicant(s):
Honda Motor Co., Ltd.
1-1 Minamiaoyama 2-chome Minato-ku Tokyo Japan
(72) Name(s) of Designer(s): **Jun Ito and Yuko Fujiki**
(45) Registration Date: **03 February 2009**
(30) Convention priority data:
(31) Number (32) Date (33) Country
2008-015795 20 Jun 2008 JAPAN
(56) Related Art Documents: **Not Applicable**
(57) Statement of Newness and Distinctiveness: **Newness and distinctiveness is claimed in the features of shape and/or configuration of a lawn mower as illustrated in the accompanying representations.**



(21) Design Number: **15964/2008**
(22) Date of Filing Application: **18 December 2008**
(24) Date from which industrial property rights may have effect: **18 December 2008**
(54) Product in respect of which the design is registered: **Ink cartridge**
(51) International Design Classification: **18-02**
(71) Name(s) and Address(s) of Applicant(s):
Seiko Epson Corporation
4-1 Nishi-Shinjuku 2-chome Shinjuku-ku Tokyo 163-0811 Japan
(72) Name(s) of Designer(s): **Taku Ishizawa and Takayoshi Katsumura**
(45) Registration Date: **03 February 2009**
(30) Convention priority data:
(31) Number (32) Date (33) Country
2008-018072 14 Jul 2008 JAPAN
(56) Related Art Documents: **Not Applicable**
(57) Statement of Newness and Distinctiveness: **Newness and distinctiveness is claimed in the features of shape and/or configuration of an ink cartridge as illustrated in the accompanying representations.**



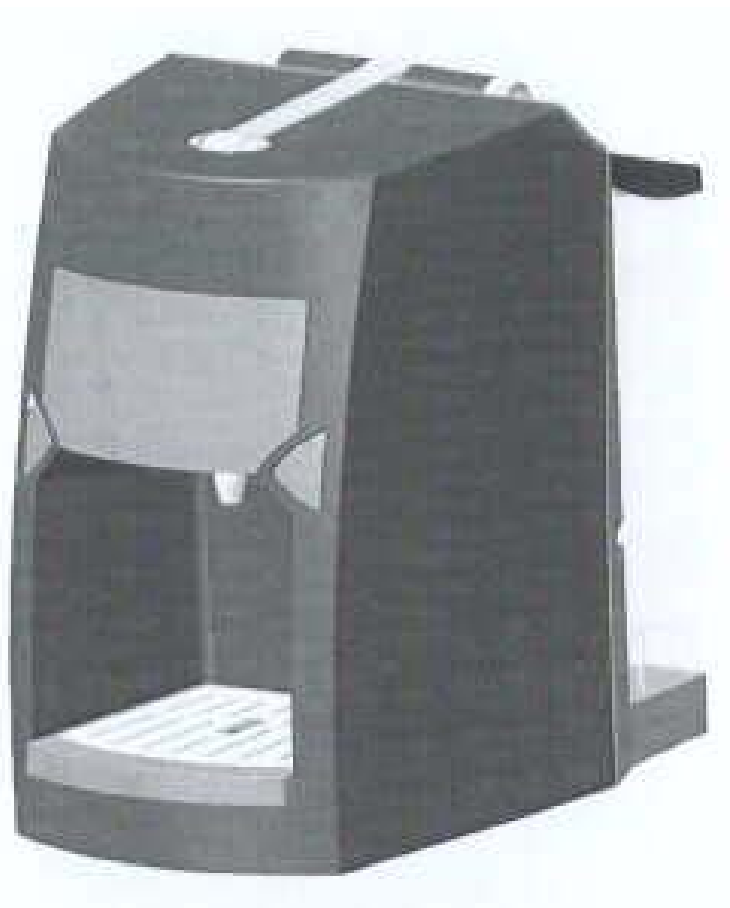
(21) Design Number: **15965/2008**
(22) Date of Filing Application: **18 December 2008**
(24) Date from which industrial property rights may have effect: **18 December 2008**
(54) Product in respect of which the design is registered: **Automobile**
(51) International Design Classification: **12-08**
(71) Name(s) and Address(s) of Applicant(s):
Honda Motor Co., Ltd.
1-1 Minamiaoyama 2-chome Minato-ku Tokyo Japan
(72) Name(s) of Designer(s): **Wataru Murakami**
(45) Registration Date: **03 February 2009**
(30) Convention priority data:
(31) Number (32) Date (33) Country
2008-018207 15 Jul 2008 JAPAN
(56) Related Art Documents: **Not Applicable**
(57) Statement of Newness and Distinctiveness: **Newness and distinctiveness is claimed in the features of shape and/or configuration of an automobile as illustrated in the accompanying representations.**



- (21) Design Number: **15966/2008**
(22) Date of Filing Application: **18 December 2008**
(24) Date from which industrial property rights may have effect: **18 December 2008**
(54) Product in respect of which the design is registered: **Automobile**
(51) International Design Classification: **12-08**
(71) Name(s) and Address(s) of Applicant(s):
Honda Motor Co., Ltd.
1-1 Minamiaoyama 2-chome Minato-ku Tokyo Japan
(72) Name(s) of Designer(s): **Shuji Koman and Wataru Murakami and Daisuke Tanii**
(45) Registration Date: **03 February 2009**
(30) Convention priority data:
(31) Number (32) Date (33) Country
2008-018208 15 Jul 2008 JAPAN
(56) Related Art Documents: **Not Applicable**
(57) Statement of Newness and Distinctiveness: **Newness and distinctiveness is claimed in the features of shape and/or configuration of an automobile as illustrated in the accompanying representations.**



- (21) Design Number: **15980/2008**
(22) Date of Filing Application: **19 December 2008**
(24) Date from which industrial property rights may have effect: **19 December 2008**
(54) Product in respect of which the design is registered: **Beverage maker**
(51) International Design Classification: **31-00**
(71) Name(s) and Address(s) of Applicant(s):
Celaya, Empanaza Y Galdos, Internacional, S.A.
Artapadura 11 E-01013 Vitoria (Alava) Spain
(72) Name(s) of Designer(s): **Luis Moreno Jordana**
(45) Registration Date: **03 February 2009**
(30) Convention priority data:
(31) Number (32) Date (33) Country
000995741-0001 03 Sep 2008 EUROPEAN COMMUNITY
(56) Related Art Documents: **Not Applicable**
(57) Statement of Newness and Distinctiveness: **Those features of the beverage maker depicted in the representations that are new and distinctive are the shape and/or configuration.**



- (21) Design Number: **15981/2008**
(22) Date of Filing Application: **19 December 2008**
(24) Date from which industrial property rights may have effect: **19 December 2008**
(54) Product in respect of which the design is registered: **Writing instrument**
(51) International Design Classification: **19-06**
(71) Name(s) and Address(s) of Applicant(s):

Societe Bic
14 rue Jeanne d'Asnieres 92110 Clichy France

- (72) Name(s) of Designer(s): **Franck Rolion and Franck Vadenne**

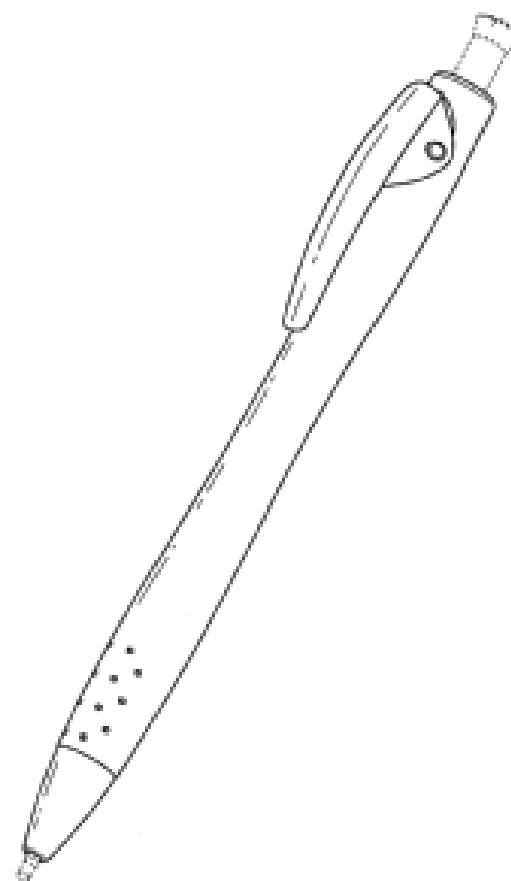
- (45) Registration Date: **03 February 2009**

- (30) Convention priority data:

(31) Number	(32) Date	(33) Country
001011050-0001	29 Sep 2008	EUROPEAN COMMUNITY

- (56) Related Art Documents: **Not Applicable**

- (57) Statement of Newness and Distinctiveness: **Those features of the writing instrument depicted in the representations that are new and distinctive are the shape and/or configuration. The features shown in broken lines are not part of the design and should be disregarded when considering the overall impression of the design.**



- (21) Design Number: **15982/2008**
(22) Date of Filing Application: **19 December 2008**
(24) Date from which industrial property rights may have effect: **19 December 2008**
(54) Product in respect of which the design is registered: **An accessory for the transport or handling of goods**
(51) International Design Classification: **09-99**
(71) Name(s) and Address(s) of Applicant(s):

Christelle Cronje
516 Arcon Heights Phoenix Place Arcon Park South Africa

- (72) Name(s) of Designer(s): **Johan Gerhard Cronje**

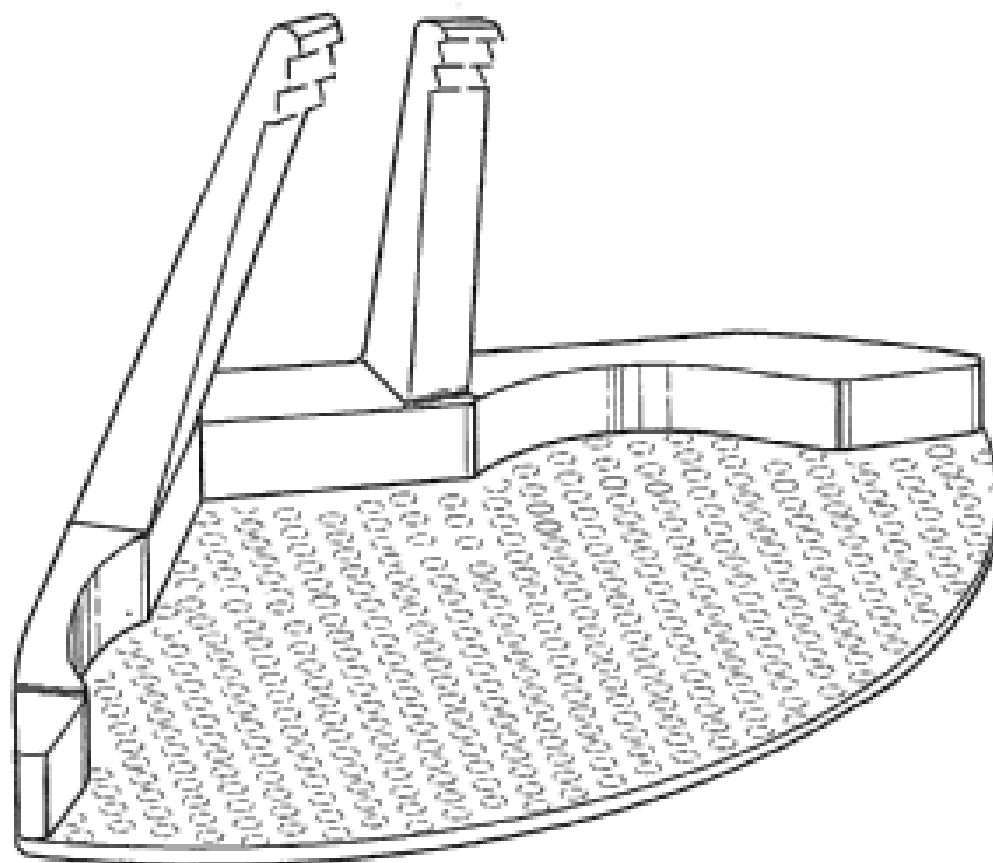
- (45) Registration Date: **03 February 2009**

- (30) Convention priority data:

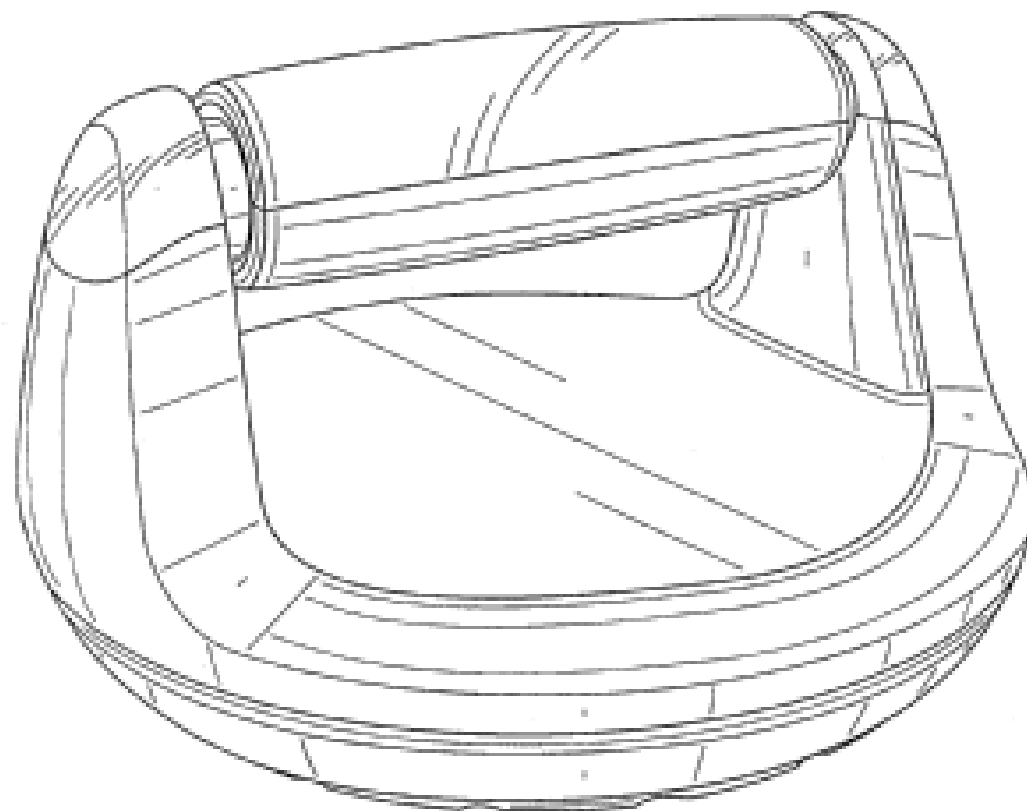
(31) Number	(32) Date	(33) Country
F2008/01055	04 Jul 2008	SOUTH AFRICA

- (56) Related Art Documents: **Not Applicable**

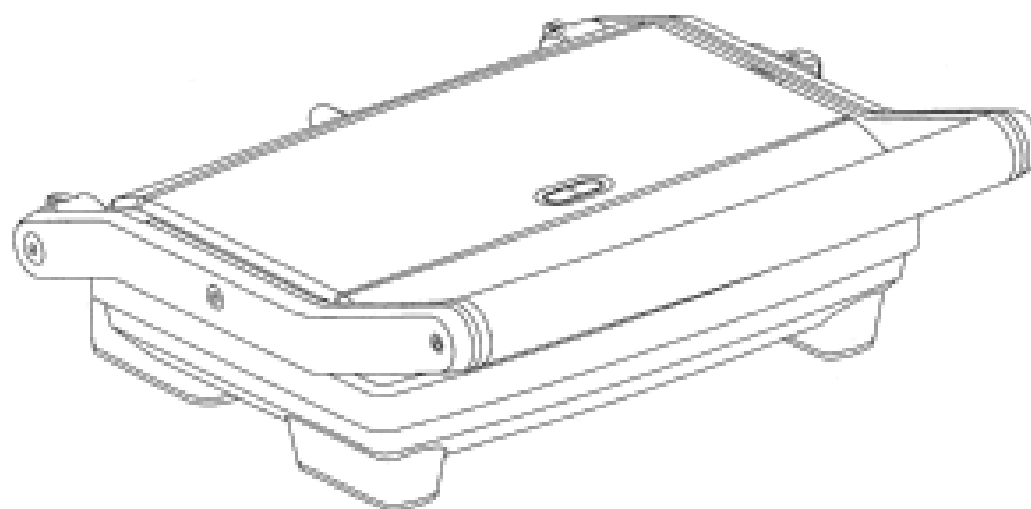
- (57) Statement of Newness and Distinctiveness: **The features of this design for which protection is claimed include the shape and/or configuration of an accessory for the transport or handling of goods, as shown in the representations, with those features shown in broken lines not forming part of the design, being for illustrative purposes only and being disclaimed.**



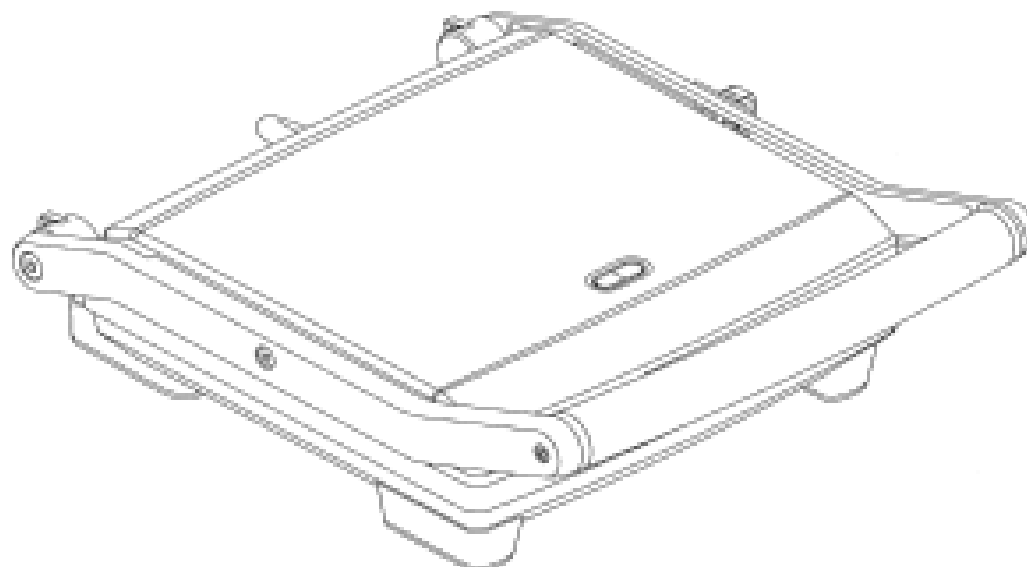
(21) Design Number: **15983/2008**
(22) Date of Filing Application: **19 December 2008**
(24) Date from which industrial property rights may have effect: **19 December 2008**
(54) Product in respect of which the design is registered: **Push-up exercise device**
(51) International Design Classification: **21-02F**
(71) Name(s) and Address(s) of Applicant(s):
Perfect Pushup, LLC
447 Miller Avenue Suite E Mill Valley California 94941 United States of America
(72) Name(s) of Designer(s): **Mark B. Friedman and Alden M. Mills and John Holland and Kevan Hollenback**
(45) Registration Date: **03 February 2009**
(30) Convention priority data:
(31) Number (32) Date (33) Country
29/326,490 20 Oct 2008 UNITED STATES OF AMERICA
(56) Related Art Documents: **Not Applicable**
(57) Statement of Newness and Distinctiveness: **Nil**



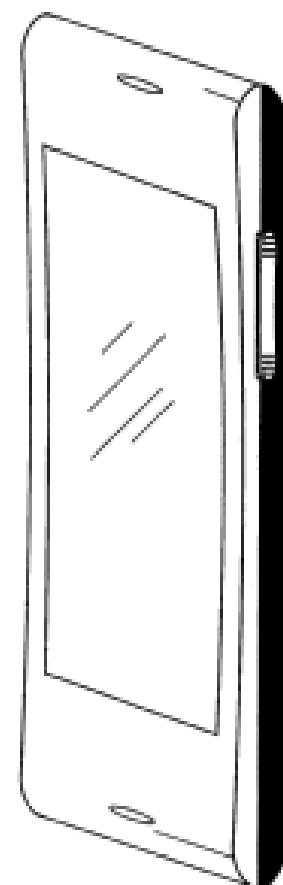
(21) Design Number: **15987/2008**
(22) Date of Filing Application: **19 December 2008**
(24) Date from which industrial property rights may have effect: **19 December 2008**
(54) Product in respect of which the design is registered: **Two sandwich grill**
(51) International Design Classification: **07-02G**
(71) Name(s) and Address(s) of Applicant(s):
Breville Pty Limited
Building 2 Port Air Industrial Estate 1A Hale St Botany New South Wales 2019 Australia
(72) Name(s) of Designer(s): **Garth Ryan**
(45) Registration Date: **03 February 2009**
(56) Related Art Documents: **Not Applicable**
(57) Statement of Newness and Distinctiveness: **Newness is claimed in the features of shape and configuration of the two sandwich grill as shown in the accompanying representations.**



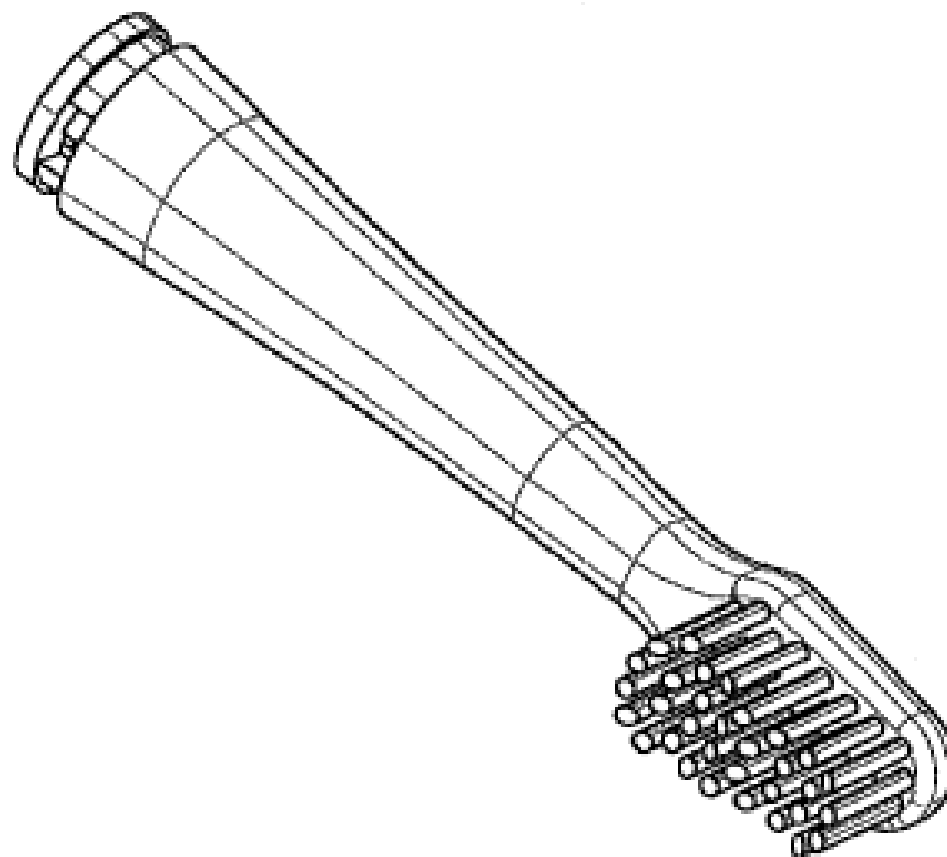
- (21) Design Number: **15988/2008**
(22) Date of Filing Application: **19 December 2008**
(24) Date from which industrial property rights may have effect: **19 December 2008**
(54) Product in respect of which the design is registered: **Four sandwich grill**
(51) International Design Classification: **07-02G**
(71) Name(s) and Address(s) of Applicant(s):
Breville Pty Limited
Building 2 Port Air Industrial Estate 1A Hale St Botany New South
Wales 2019 Australia
(72) Name(s) of Designer(s): **Garth Ryan**
(45) Registration Date: **03 February 2009**
(56) Related Art Documents: **Not Applicable**
(57) Statement of Newness and Distinctiveness: **Newness is claimed in the features of shape and configuration of the four sandwich grill as shown in the accompanying representations.**



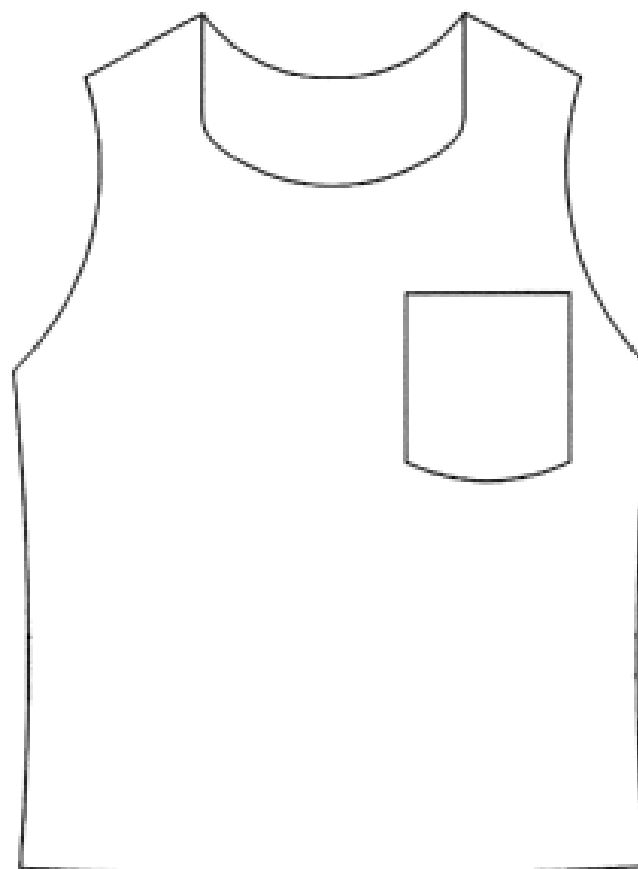
- (21) Design Number: **15990/2008**
(22) Date of Filing Application: **22 December 2008**
(24) Date from which industrial property rights may have effect: **22 December 2008**
(54) Product in respect of which the design is registered: **Mobile phone casing**
(51) International Design Classification: **14-03A**
(71) Name(s) and Address(s) of Applicant(s):
X-Ped Holdings Pty Ltd
Innovation House 1st Avenue Technology Park Mawson Lakes South
Australia 5095 Australia
(72) Name(s) of Designer(s): **Chris Wood and John Schultz**
(45) Registration Date: **03 February 2009**
(56) Related Art Documents: **Not Applicable**
(57) Statement of Newness and Distinctiveness: **Nil**



- (21) Design Number: **15992/2008**
(22) Date of Filing Application: **22 December 2008**
(24) Date from which industrial property rights may have effect: **22 December 2008**
(54) Product in respect of which the design is registered: **Toothbrush head**
(51) International Design Classification: **04-02**
(71) Name(s) and Address(s) of Applicant(s):
Braun GMBH
Frankfurter Strasse 145 61476 Kronberg Germany
(72) Name(s) of Designer(s): **Ulrich Stoerkel and Georges Driesen and Michael Schmid and Uwe Jungnickel and Norbert Schaefer and Hansjoerg Reick**
(45) Registration Date: **03 February 2009**
(30) Convention priority data:
(31) Number (32) Date (33) Country
29/308,763 03 Jul 2008 UNITED STATES OF AMERICA
(56) Related Art Documents: **Not Applicable**
(57) Statement of Newness and Distinctiveness: **Newness and distinctiveness reside in the features of shape and/or configuration of the toothbrush head, as shown in the representations.**



- (21) Design Number: **15993/2008**
(22) Date of Filing Application: **22 December 2008**
(24) Date from which industrial property rights may have effect: **22 December 2008**
(54) Product in respect of which the design is registered: **Singlet design**
(51) International Design Classification: **02-02NES**
(71) Name(s) and Address(s) of Applicant(s):
Nidal Eid
1/94 The Avenue Bankstown New South Wales 2200 Australia
Matthew Paul Martin
1/94 The Avenue Bankstown New South Wales 2200 Australia
(72) Name(s) of Designer(s): **Nidal Eid and Matthew Paul Martin**
(45) Registration Date: **03 February 2009**
(56) Related Art Documents: **Not Applicable**
(57) Statement of Newness and Distinctiveness: **Singlet with front pocket attached.**



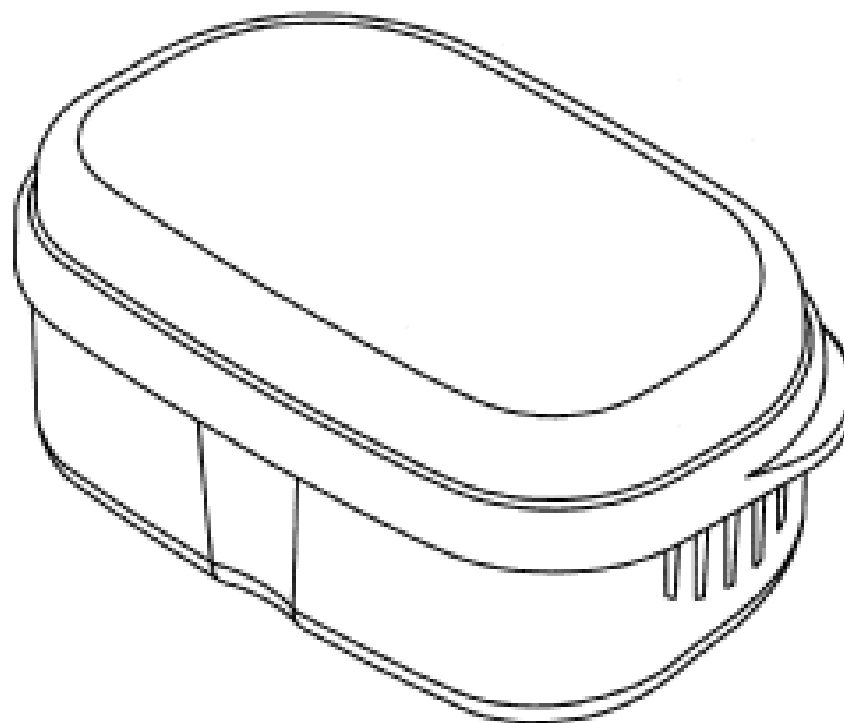
(21) Design Number: **15995/2008**
(22) Date of Filing Application: **18 December 2008**
(24) Date from which industrial property rights may have effect: **18 December 2008**
(54) Product in respect of which the design is registered: **A lighting device**
(51) International Design Classification: **26-05C**
(71) Name(s) and Address(s) of Applicant(s):
Rhino Manufacturing Limited
19 Willmott Place Rotorua 3015 New Zealand
(72) Name(s) of Designer(s): **Edwin Peter Genefaas**
(45) Registration Date: **03 February 2009**
(30) Convention priority data:
(31) Number (32) Date (33) Country
411627 17 Nov 2008 NEW ZEALAND
(56) Related Art Documents: **Not Applicable**
(57) Statement of Newness and Distinctiveness: **Nil**



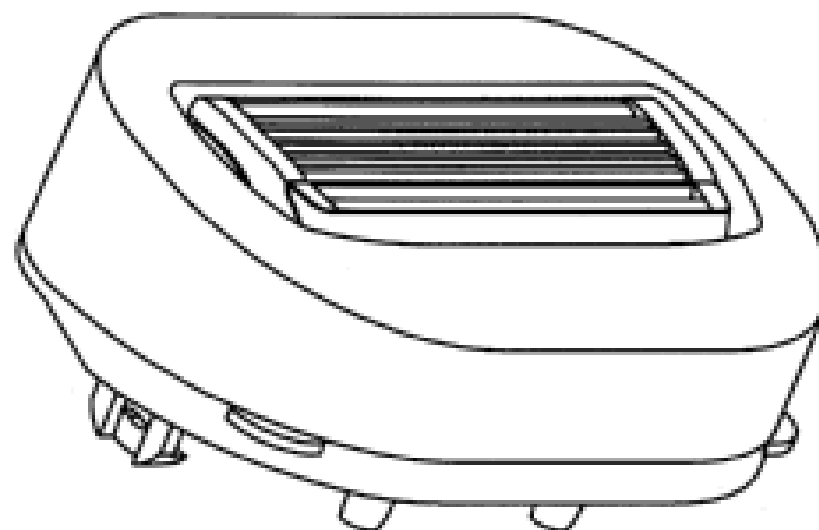
(21) Design Number: **15996/2008**
(22) Date of Filing Application: **19 December 2008**
(24) Date from which industrial property rights may have effect: **19 December 2008**
(54) Product in respect of which the design is registered: **Toothbrush package**
(51) International Design Classification: **09-05**
(71) Name(s) and Address(s) of Applicant(s):
The Procter & Gamble Company
One Procter & Gamble Plaza Cincinnati Ohio 45202 United States of America
(72) Name(s) of Designer(s): **Sara Keating and Casey Joseph Gustafson and Petra Gerda Karey and Jeffrey William Winkle and Victoria Lynn Bischoff and Kate Coslett and Kelly Lane Smith**
(45) Registration Date: **03 February 2009**
(30) Convention priority data:
(31) Number (32) Date (33) Country
29/308,505 20 Jun 2008 UNITED STATES OF AMERICA
(56) Related Art Documents: **Not Applicable**
(57) Statement of Newness and Distinctiveness: **Newness and distinctiveness reside in the features of shape and/or configuration and pattern and/or ornament of the toothbrush package, as shown in the representations. Newness and distinctiveness are not claimed in relation to the features shown in broken lines in the representations.**



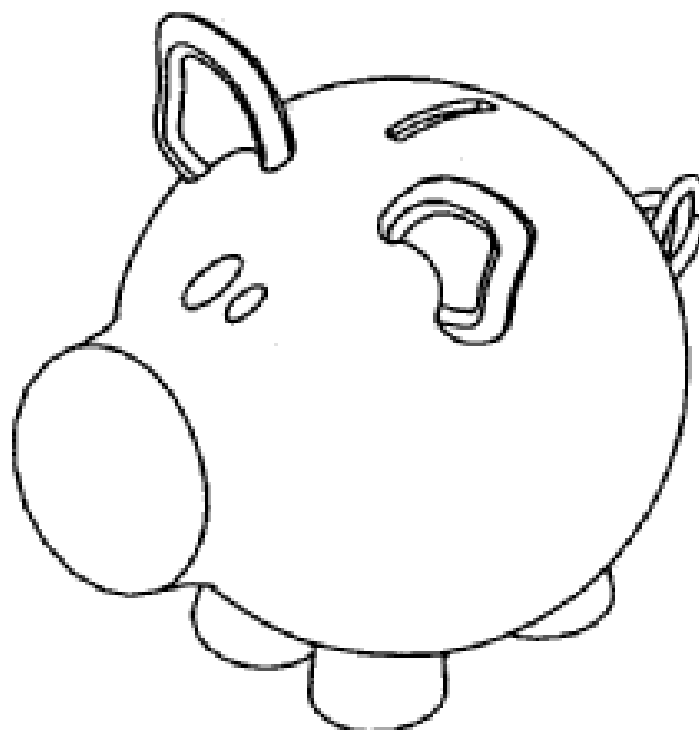
(21) Design Number: **12982/2008**
(22) Date of Filing Application: **26 June 2008**
(24) Date from which industrial property rights may have effect: **26 June 2008**
(54) Product in respect of which the design is registered: **Tub and lid**
(51) International Design Classification: **03-01NES, 09-07B, 13-03NES**
(71) Name(s) and Address(s) of Applicant(s):
Eveready Battery Company, Inc.
533 Maryville University Drive St Louis Missouri 63141 United States of America
(72) Name(s) of Designer(s): **Mark S. Peyser and Donald P. Roche and Paul Skibo**
(45) Registration Date: **04 February 2009**
(30) Convention priority data:
(31) Number (32) Date (33) Country
29/320234 24 Jun 2008 UNITED STATES OF AMERICA
(56) Related Art Documents: **Not Applicable**
(57) Statement of Newness and Distinctiveness: **Nil**



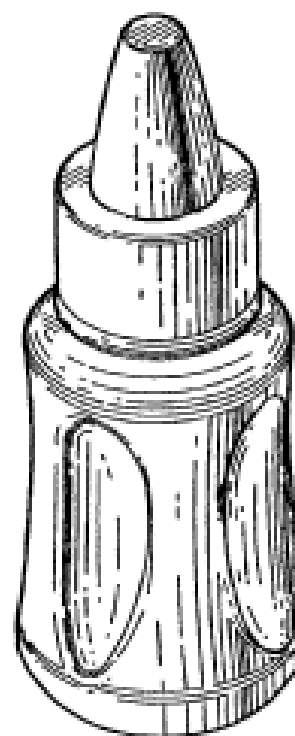
(21) Design Number: **12983/2008**
(22) Date of Filing Application: **26 June 2008**
(24) Date from which industrial property rights may have effect: **26 June 2008**
(54) Product in respect of which the design is registered: **Refill and base insert**
(51) International Design Classification: **13-02, 13-03NES**
(71) Name(s) and Address(s) of Applicant(s):
Eveready Battery Company, Inc.
533 Maryville University Drive St Louis Missouri 63141 United States of America
(72) Name(s) of Designer(s): **Mark S. Peyser and Donald P. Roche and Paul Skibo**
(45) Registration Date: **04 February 2009**
(30) Convention priority data:
(31) Number (32) Date (33) Country
29/320238 24 Jun 2008 UNITED STATES OF AMERICA
(56) Related Art Documents: **Not Applicable**
(57) Statement of Newness and Distinctiveness: **Nil**



- (21) Design Number: **14765/2008**
(22) Date of Filing Application: **02 October 2008**
(24) Date from which industrial property rights may have effect: **02 October 2008**
(54) Product in respect of which the design is registered: **Money box**
(51) International Design Classification: **03-01NES**
(71) Name(s) and Address(s) of Applicant(s):
Bambis Import Pty Ltd.
1-9 Moreland Road East Coburg Victoria 3058 Australia
(72) Name(s) of Designer(s): **Sissi Stasios**
(45) Registration Date: **04 February 2009**
(56) Related Art Documents: **Not Applicable**
(57) Statement of Newness and Distinctiveness: **Body shape, piggy tail, eyes and ears color and pattern may vary.**



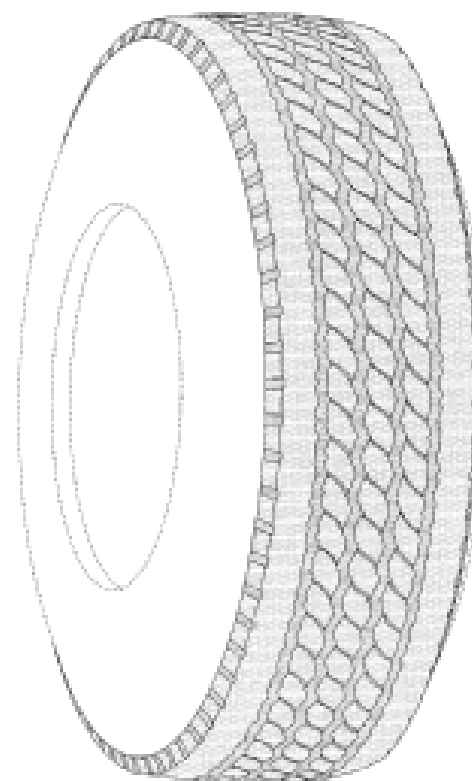
- (21) Design Number: **14960/2008**
(22) Date of Filing Application: **15 October 2008**
(24) Date from which industrial property rights may have effect: **15 October 2008**
(54) Product in respect of which the design is registered: **Bottle**
(51) International Design Classification: **09-01K**
(71) Name(s) and Address(s) of Applicant(s):
McCormick & Company, Incorporated
18 Loveton Circle Sparks Maryland 21152 United States of America
(72) Name(s) of Designer(s): **Tracie Wilson and Porter Gieske and Jane Brubaker**
(45) Registration Date: **04 February 2009**
(30) Convention priority data:
(31) Number (32) Date (33) Country
29/318844 29 May 2008 UNITED STATES OF AMERICA
(56) Related Art Documents: **Not Applicable**
(57) Statement of Newness and Distinctiveness: **Nil**



- (21) Design Number: **15217/2008**
(22) Date of Filing Application: **31 October 2008**
(24) Date from which industrial property rights may have effect: **31 October 2008**
(54) Product in respect of which the design is registered: **Flameproof pushbuttons**
(51) International Design Classification: **13-03E**
(71) Name(s) and Address(s) of Applicant(s):
Flameproof Engineering Pty Ltd
Unit 18/276 New Line Road Dural New South Wales 2158 Australia
(72) Name(s) of Designer(s): **Giuseppe Venuti**
(45) Registration Date: **04 February 2009**
(56) Related Art Documents: **Not Applicable**
(57) Statement of Newness and Distinctiveness: **Flameproof and dustproof pushbuttons, with multiple choices of external operators (E-stop, flush button, key switch selector switch), having the visible part under the operator with a half tapered, half cylindrical shape, where the tapered section has the company trade mark engraved, and the cylindrical section carries the compliance marking.**



- (21) Design Number: **15707/2008**
(22) Date of Filing Application: **03 December 2008**
(24) Date from which industrial property rights may have effect: **03 December 2008**
(54) Product in respect of which the design is registered: **Automobile tyre**
(51) International Design Classification: **12-15A**
(71) Name(s) and Address(s) of Applicant(s):
Bridgestone Corporation
10-1 Kyobashi 1-chome Chuo-ku Tokyo 104-8340 Japan
(72) Name(s) of Designer(s): **Teruhiko Hagiwara**
(45) Registration Date: **04 February 2009**
(56) Related Art Documents: **Not Applicable**
(57) Statement of Newness and Distinctiveness: **The shape and configuration of the parts of the design shown by means of solid lines in the representations are new and distinctive.**



(21) Design Number: **15788/2008**
 (22) Date of Filing Application: **10 December 2008**
 (24) Date from which industrial property rights may have effect: **10 December 2008**
 (54) Product in respect of which the design is registered: **Container for a blender**
 (51) International Design Classification: **31-00**
 (71) Name(s) and Address(s) of Applicant(s):

Vita-Mix Corporation
8615 Usher Road Cleveland Ohio 44138 United States of America

(72) Name(s) of Designer(s): **John K. Barnard and Richard D. Boozer and Fred H. Mehlman**

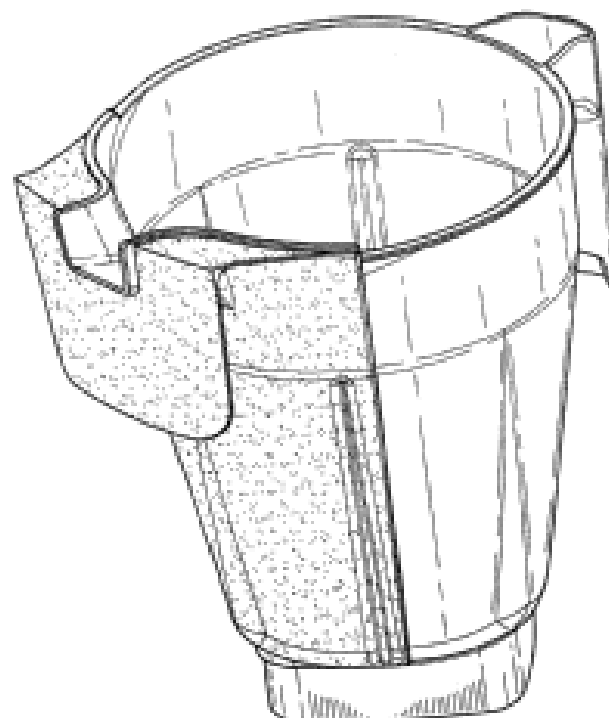
(45) Registration Date: **04 February 2009**

(30) Convention priority data:

(31) Number	(32) Date	(33) Country
29310189	30 Jul 2008	UNITED STATES OF AMERICA

(56) Related Art Documents: **Not Applicable**

(57) Statement of Newness and Distinctiveness: **Newness and distinctiveness is claimed in the visual features shown in the representations but excluding the features of the bottom of the container as shown in broken lines.**



(21) Design Number: **15789/2008**
 (22) Date of Filing Application: **10 December 2008**
 (24) Date from which industrial property rights may have effect: **10 December 2008**
 (54) Product in respect of which the design is registered: **Base for a blender**
 (51) International Design Classification: **31-00**
 (71) Name(s) and Address(s) of Applicant(s):

Vita-Mix Corporation
8615 Usher Road Cleveland Ohio 44138 United States of America

(72) Name(s) of Designer(s): **John K. Barnard and Richard D. Boozer and David J. Kolar and Eugene J. Kozlowski and Robert M. Ulanski**

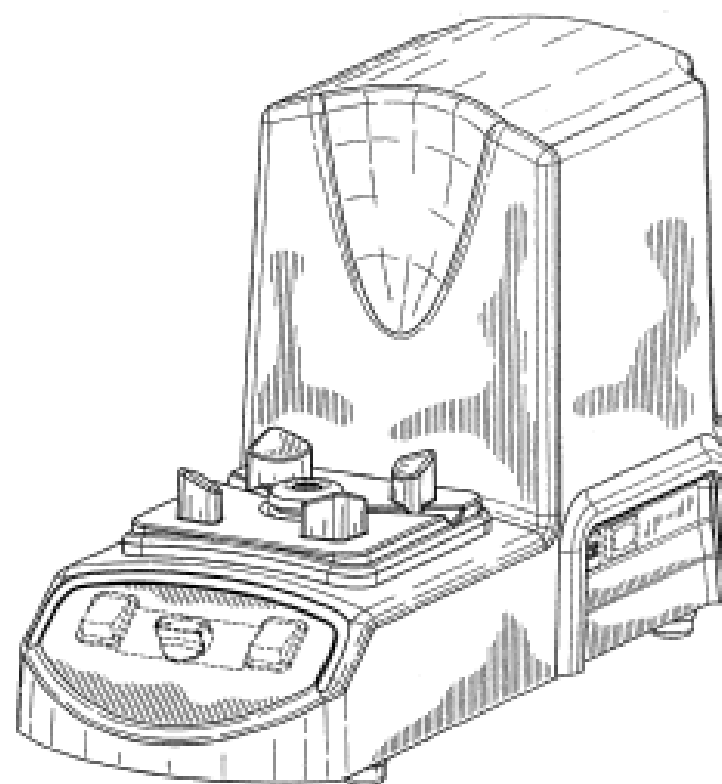
(45) Registration Date: **04 February 2009**

(30) Convention priority data:

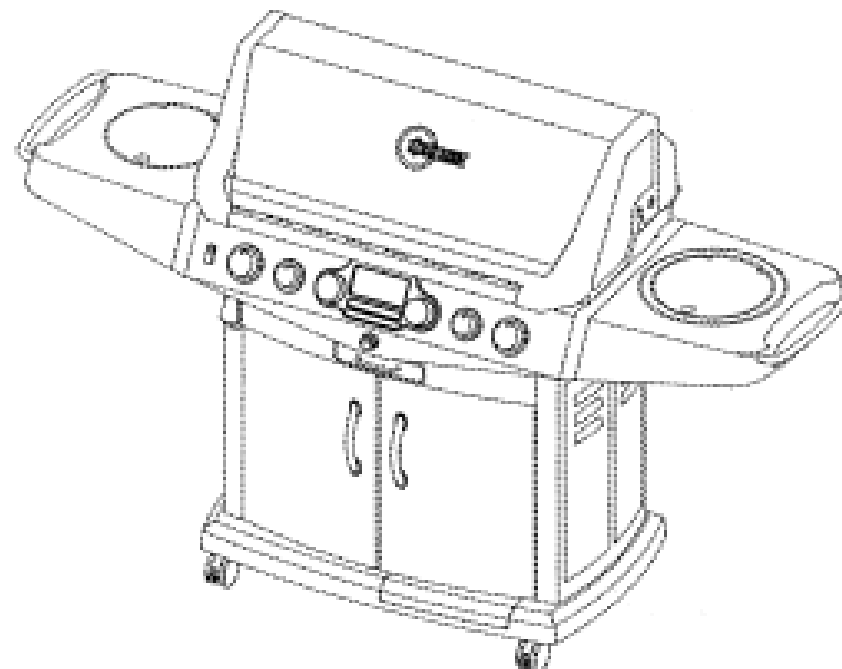
(31) Number	(32) Date	(33) Country
29310183	30 Jul 2008	UNITED STATES OF AMERICA

(56) Related Art Documents: **Not Applicable**

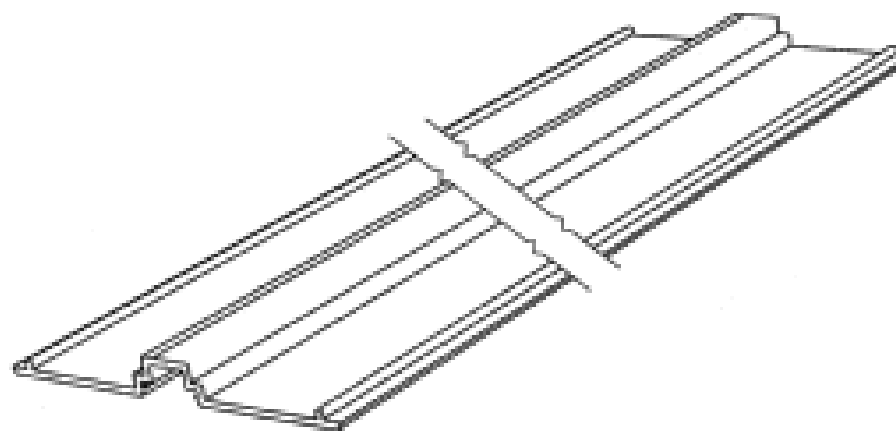
(57) Statement of Newness and Distinctiveness: **Newness and distinctiveness is claimed in the visual features shown in the representations but excluding the parts shown in broken lines.**



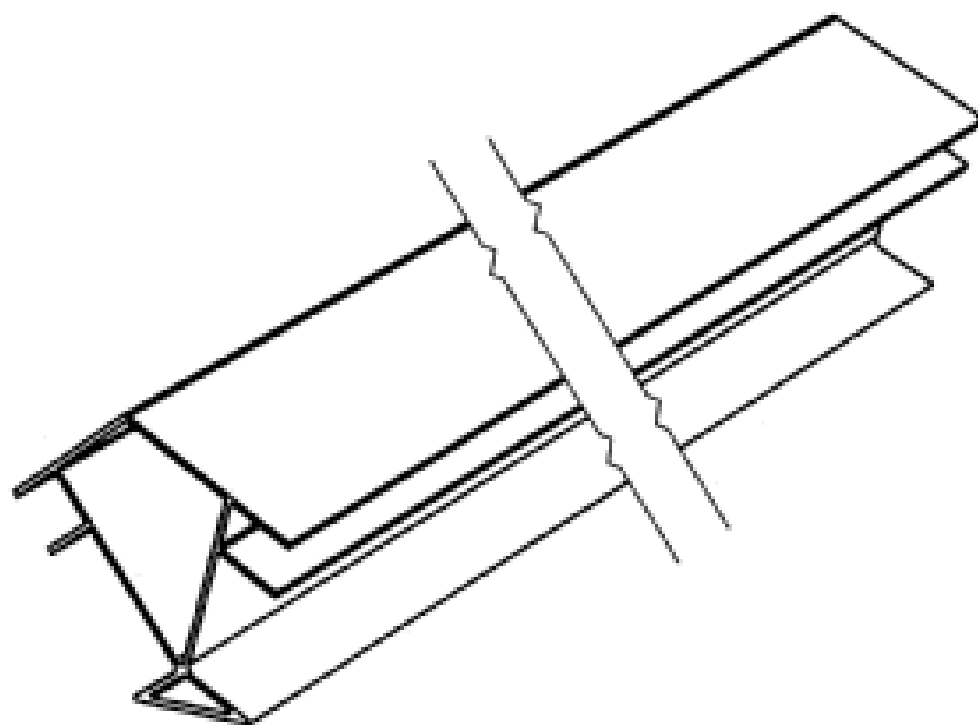
- (21) Design Number: **15790/2008**
(22) Date of Filing Application: **28 July 2008**
(24) Date from which industrial property rights may have effect: **28 July 2008**
(54) Product in respect of which the design is registered: **Barbeque temperature control**
(51) International Design Classification: **10-04**
(71) Name(s) and Address(s) of Applicant(s):
Wolfedale Engineering Limited
2 Walker Drive Brampton Ont L6T 5E1 Canada
(72) Name(s) of Designer(s): **Sydney Barkhouse and Stuart T. McKenzie**
(45) Registration Date: **04 February 2009**
(62) Divisional of: **323522**
(56) Related Art Documents: **Not Applicable**
(57) Statement of Newness and Distinctiveness: **The newness and distinctiveness of the design resides in the features of shape and/or configuration of the temperature control shown in unbroken lines in the accompanying representations. The features of the barbeque shown in broken lines are for illustrative purposes only and form no part of the design.**



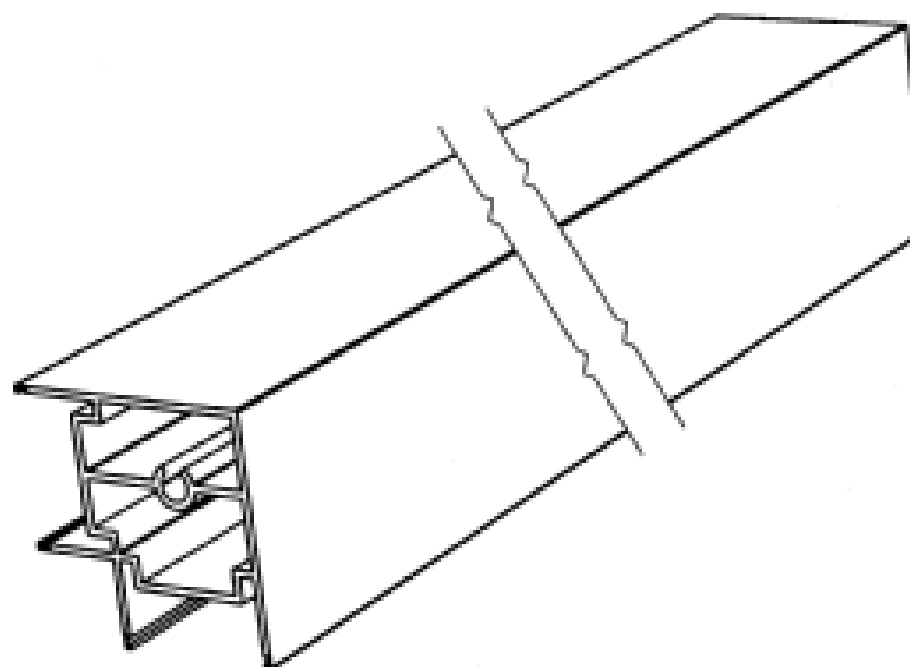
- (21) Design Number: **15791/2008**
(22) Date of Filing Application: **10 December 2008**
(24) Date from which industrial property rights may have effect: **10 December 2008**
(54) Product in respect of which the design is registered: **An extrusion**
(51) International Design Classification: **25-01K**
(71) Name(s) and Address(s) of Applicant(s):
David John Holmes
10 Moray Court Highland Park Queensland 4211 Australia
(72) Name(s) of Designer(s): **David John Holmes**
(45) Registration Date: **04 February 2009**
(56) Related Art Documents: **Not Applicable**
(57) Statement of Newness and Distinctiveness: **The newness and distinctiveness of the design resides in the shape and/or configuration of an extrusion of indefinite length as shown in the representations.**



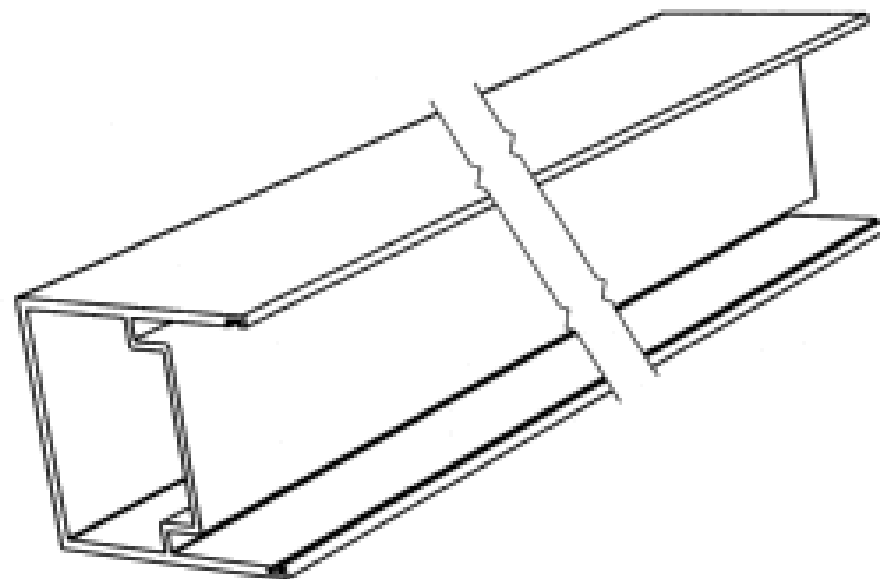
- (21) Design Number: **15792/2008**
(22) Date of Filing Application: **10 December 2008**
(24) Date from which industrial property rights may have effect: **10 December 2008**
(54) Product in respect of which the design is registered: **An extrusion**
(51) International Design Classification: **25-01K**
(71) Name(s) and Address(s) of Applicant(s):
David John Holmes
10 Moray Court Highland Park Queensland 4211 Australia
(72) Name(s) of Designer(s): **David John Holmes**
(45) Registration Date: **04 February 2009**
(56) Related Art Documents: **Not Applicable**
(57) Statement of Newness and Distinctiveness: **The newness and distinctiveness of the design resides in the shape and/or configuration of an extrusion of indefinite length as shown in the representations.**



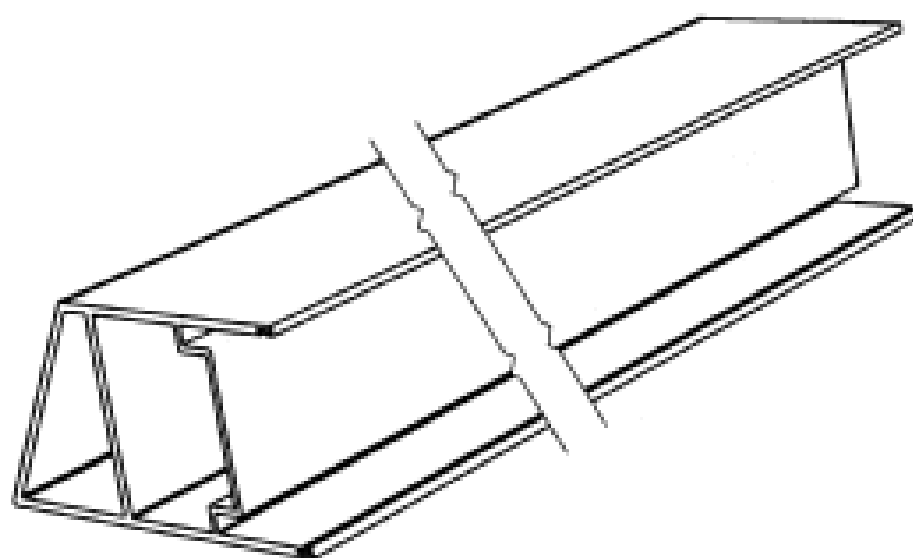
- (21) Design Number: **15793/2008**
(22) Date of Filing Application: **10 December 2008**
(24) Date from which industrial property rights may have effect: **10 December 2008**
(54) Product in respect of which the design is registered: **An extrusion**
(51) International Design Classification: **25-01K**
(71) Name(s) and Address(s) of Applicant(s):
David John Holmes
10 Moray Court Highland Park Queensland 4211 Australia
(72) Name(s) of Designer(s): **David John Holmes**
(45) Registration Date: **04 February 2009**
(56) Related Art Documents: **Not Applicable**
(57) Statement of Newness and Distinctiveness: **The newness and distinctiveness of the design resides in the shape and/or configuration of an extrusion of indefinite length as shown in the representations.**



- (21) Design Number: **15794/2008**
(22) Date of Filing Application: **10 December 2008**
(24) Date from which industrial property rights may have effect: **10 December 2008**
(54) Product in respect of which the design is registered: **An extrusion**
(51) International Design Classification: **25-01K**
(71) Name(s) and Address(s) of Applicant(s):
David John Holmes
10 Moray Court Highland Park Queensland 4211 Australia
(72) Name(s) of Designer(s): **David John Holmes**
(45) Registration Date: **04 February 2009**
(56) Related Art Documents: **Not Applicable**
(57) Statement of Newness and Distinctiveness: **The newness and distinctiveness of the design resides in the shape and/or configuration of an extrusion of indefinite length as shown in the representations.**



- (21) Design Number: **15795/2008**
(22) Date of Filing Application: **10 December 2008**
(24) Date from which industrial property rights may have effect: **10 December 2008**
(54) Product in respect of which the design is registered: **An extrusion**
(51) International Design Classification: **25-01K**
(71) Name(s) and Address(s) of Applicant(s):
David John Holmes
10 Moray Court Highland Park Queensland 4211 Australia
(72) Name(s) of Designer(s): **David John Holmes**
(45) Registration Date: **04 February 2009**
(56) Related Art Documents: **Not Applicable**
(57) Statement of Newness and Distinctiveness: **The newness and distinctiveness of the design resides in the shape and/or configuration of an extrusion of indefinite length as shown in the representations.**



(21) Design Number: **15796/2008**

(22) Date of Filing Application: **10 December 2008**

(24) Date from which industrial property rights may have effect: **10 December 2008**

(54) Product in respect of which the design is registered: **An extrusion**

(51) International Design Classification: **25-01K**

(71) Name(s) and Address(s) of Applicant(s):

David John Holmes

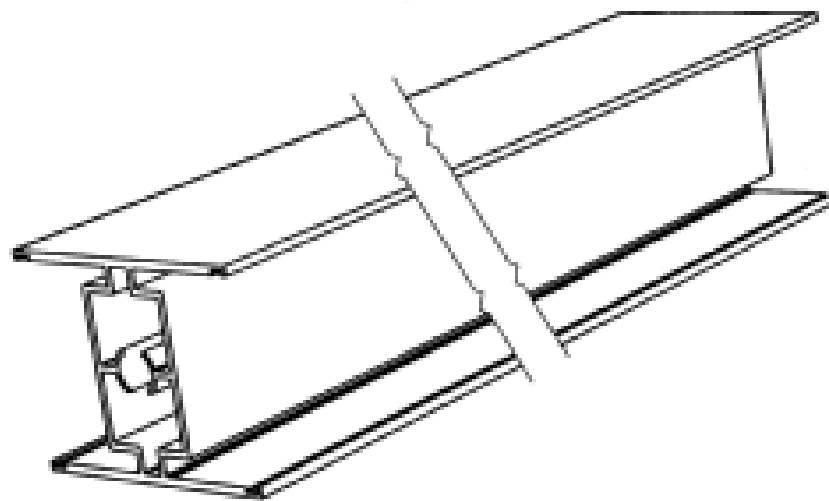
10 Moray Court Highland Park Queensland 4211 Australia

(72) Name(s) of Designer(s): **David John Holmes**

(45) Registration Date: **04 February 2009**

(56) Related Art Documents: **Not Applicable**

(57) Statement of Newness and Distinctiveness: **The newness and distinctiveness of the design resides in the shape and/or configuration of an extrusion of indefinite length as shown in the representations.**



(21) Design Number: **15797/2008**

(22) Date of Filing Application: **10 December 2008**

(24) Date from which industrial property rights may have effect: **10 December 2008**

(54) Product in respect of which the design is registered: **An extrusion**

(51) International Design Classification: **25-01K**

(71) Name(s) and Address(s) of Applicant(s):

David John Holmes

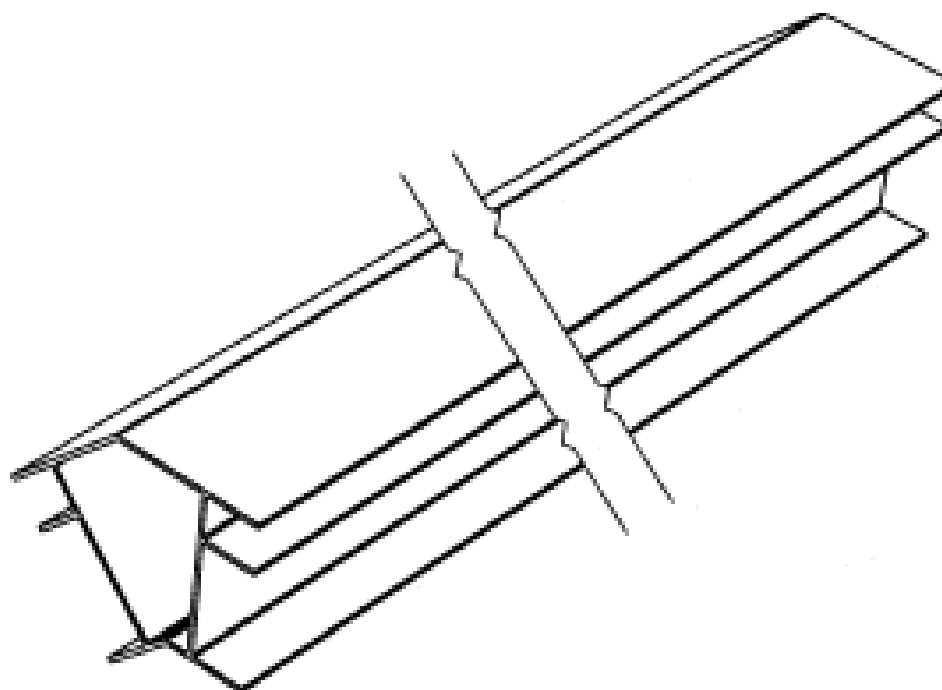
10 Moray Court Highland Park Queensland 4211 Australia

(72) Name(s) of Designer(s): **David John Holmes**

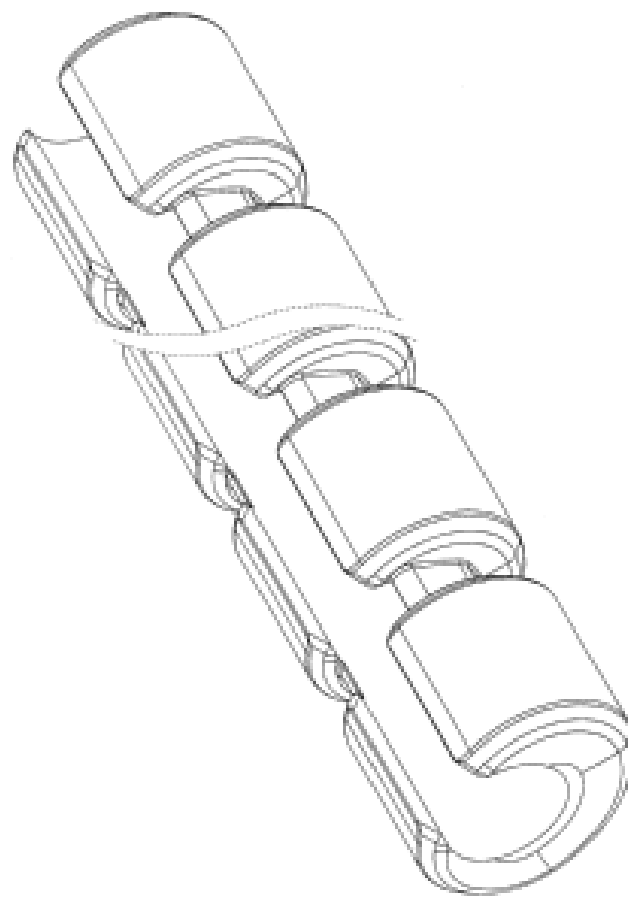
(45) Registration Date: **04 February 2009**

(56) Related Art Documents: **Not Applicable**

(57) Statement of Newness and Distinctiveness: **The newness and distinctiveness of the design resides in the shape and/or configuration of an extrusion of indefinite length as shown in the representations.**



- (21) Design Number: **15798/2008**
(22) Date of Filing Application: **10 December 2008**
(24) Date from which industrial property rights may have effect: **10 December 2008**
(54) Product in respect of which the design is registered: **Padding**
(51) International Design Classification: **12-16C**
(71) Name(s) and Address(s) of Applicant(s):
Minecorp Pty Ltd
20 Postle Street Coopers Plains Queensland 4108 Australia
(72) Name(s) of Designer(s): **Mark Lacey and Ian Schultz and Brad Burns**
(45) Registration Date: **04 February 2009**
(56) Related Art Documents: **Not Applicable**
(57) Statement of Newness and Distinctiveness: **Nil**



- (21) Design Number: **15800/2008**
(22) Date of Filing Application: **10 December 2008**
(24) Date from which industrial property rights may have effect: **10 December 2008**
(54) Product in respect of which the design is registered: **Footwear**
(51) International Design Classification: **02-04NES**
(71) Name(s) and Address(s) of Applicant(s):
Grendene S.A.
Av. Pimentel Gomes 214 Expectativa Sobral CE CEP 62040-050 Brazil
(72) Name(s) of Designer(s): **Volnei Tadeu Dal Magro**
(45) Registration Date: **04 February 2009**
(30) Convention priority data:

(31) Number	(32) Date	(33) Country
DI6802772-9	23 Jun 2008	BRAZIL

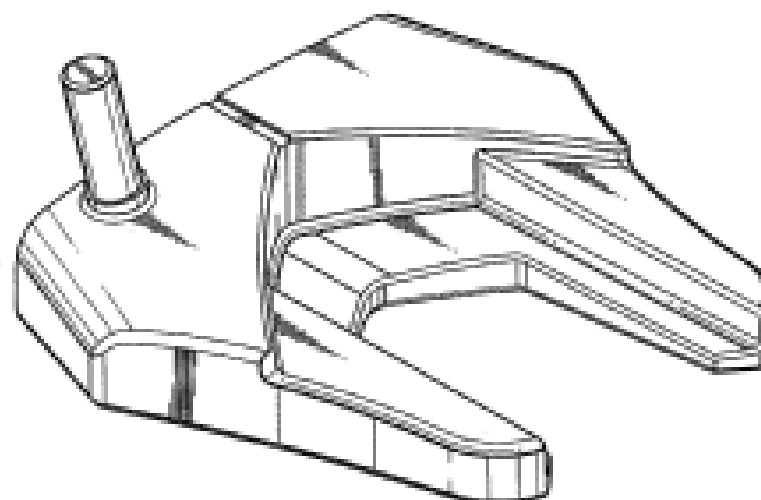
(56) Related Art Documents: **Not Applicable**
(57) Statement of Newness and Distinctiveness: **Those features of the footwear depicted in the representations that are new and distinctive are the shape and/or configuration.**



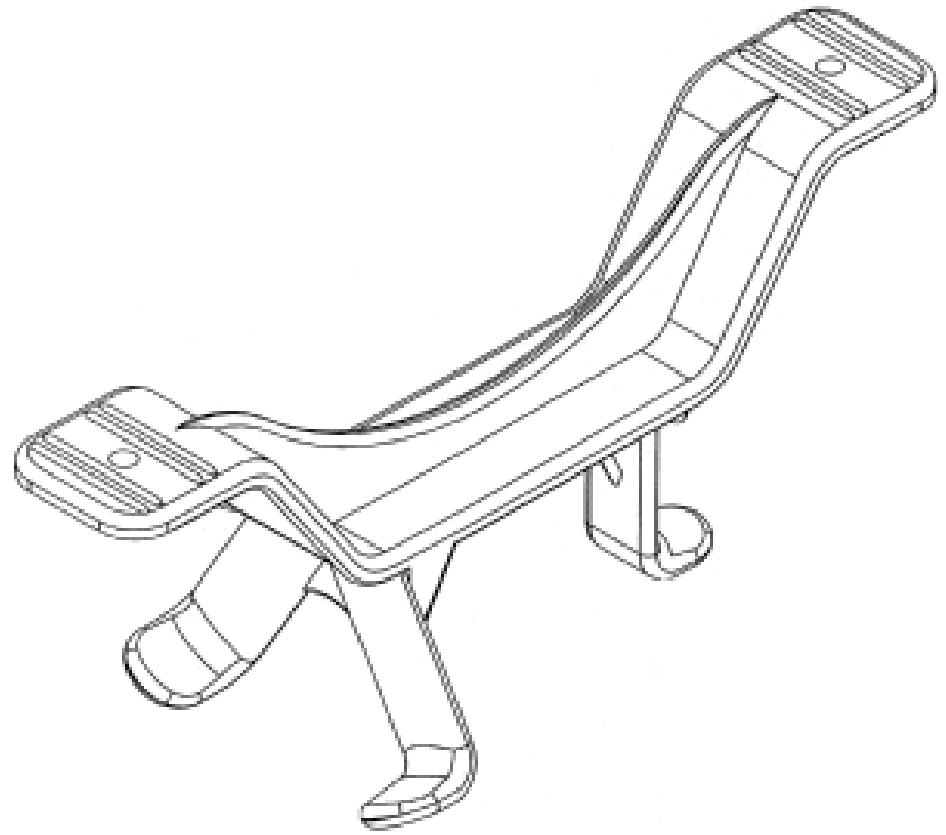
(21) Design Number: **15801/2008**
(22) Date of Filing Application: **10 December 2008**
(24) Date from which industrial property rights may have effect: **10 December 2008**
(54) Product in respect of which the design is registered: **Footwear**
(51) International Design Classification: **02-04NES**
(71) Name(s) and Address(s) of Applicant(s):
Grendene S.A.
Av. Pimentel Gomes 214 Expectativa Sobral CE CEP 62040-050 Brazil
(72) Name(s) of Designer(s): **Volnei Tadeu Dal Magro**
(45) Registration Date: **04 February 2009**
(30) Convention priority data:
(31) Number (32) Date (33) Country
DI6802773-7 23 Jul 2008 BRAZIL
(56) Related Art Documents: **Not Applicable**
(57) Statement of Newness and Distinctiveness: **Those features of the footwear depicted in the representations that are new and distinctive are the shape and/or configuration.**



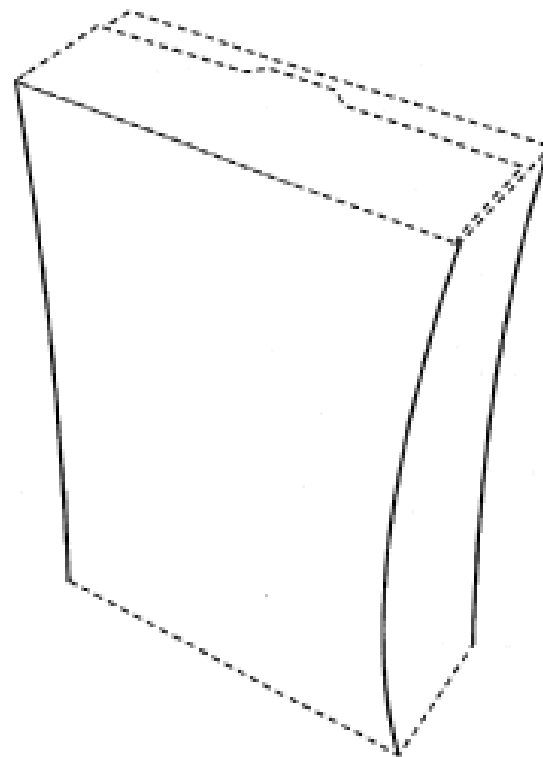
(21) Design Number: **15869/2008**
(22) Date of Filing Application: **15 December 2008**
(24) Date from which industrial property rights may have effect: **15 December 2008**
(54) Product in respect of which the design is registered: **Putter head**
(51) International Design Classification: **21-02C**
(71) Name(s) and Address(s) of Applicant(s):
Callaway Golf Company
2180 Rutherford Road Carlsbad California 92008-7328 United States of America
(72) Name(s) of Designer(s): **Kevin Weejoung Kim and Augustin W. Rollinson**
(45) Registration Date: **04 February 2009**
(30) Convention priority data:
(31) Number (32) Date (33) Country
29/319810 16 Jun 2008 UNITED STATES OF AMERICA
(56) Related Art Documents: **Not Applicable**
(57) Statement of Newness and Distinctiveness: **Newness and distinctiveness is claimed in the features of shape and/or configuration of a putter head as illustrated in the accompanying representations.**



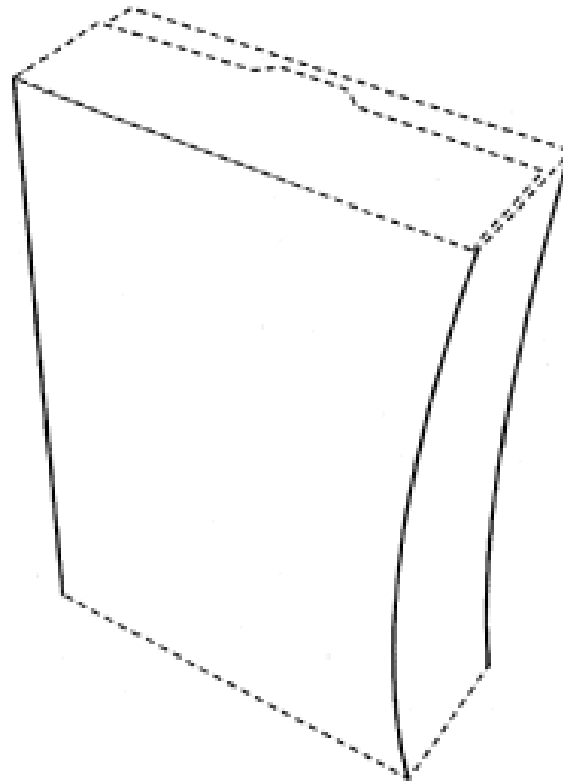
- (21) Design Number: **15875/2008**
(22) Date of Filing Application: **15 December 2008**
(24) Date from which industrial property rights may have effect: **15 December 2008**
(54) Product in respect of which the design is registered: **Lead hook**
(51) International Design Classification: **08-08G**
(71) Name(s) and Address(s) of Applicant(s):
Landy Investments Pty Ltd as trustee for G & K Landy Family Trust
10 Enmore Street North Geelong Victoria 3215 Australia
(72) Name(s) of Designer(s): **Graeme Vincent Landy**
(45) Registration Date: **04 February 2009**
(56) Related Art Documents: **Not Applicable**
(57) Statement of Newness and Distinctiveness: **Nil**



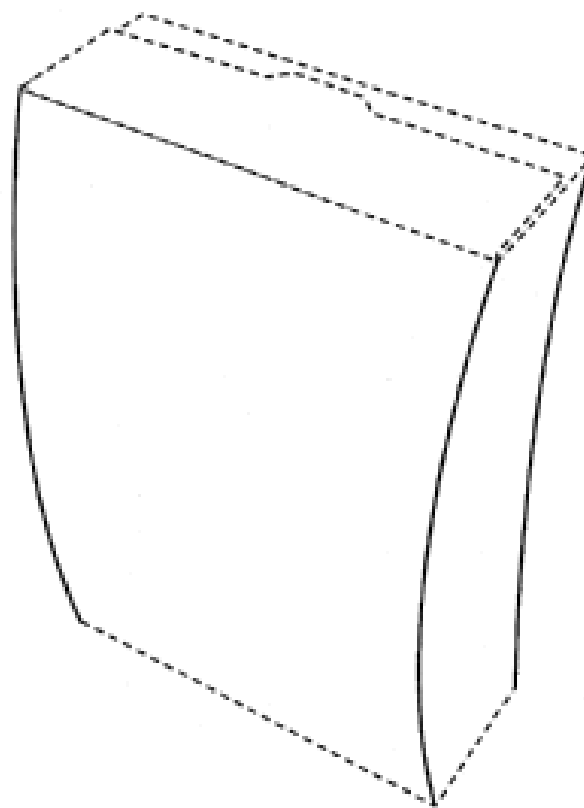
- (21) Design Number: **15876/2008**
(22) Date of Filing Application: **15 December 2008**
(24) Date from which industrial property rights may have effect: **15 December 2008**
(54) Product in respect of which the design is registered: **Snack crisp package**
(51) International Design Classification: **09-05**
(71) Name(s) and Address(s) of Applicant(s):
The Procter & Gamble Company
One Procter & Gamble Plaza Cincinnati Ohio 45202 United States of America
(72) Name(s) of Designer(s): **Gary James Dechert and Stephen Lee Childs and Gregory Raymond Follmer**
(45) Registration Date: **04 February 2009**
(30) Convention priority data:
(31) Number (32) Date (33) Country
29/308,514 20 Jun 2008 UNITED STATES OF AMERICA
(56) Related Art Documents: **Not Applicable**
(57) Statement of Newness and Distinctiveness: **Newness and distinctiveness reside in the features of shape and/or configuration of the snack crisp package, as shown in the representations. Newness and distinctiveness are not claimed in relation to the features shown in broken lines in the representations.**



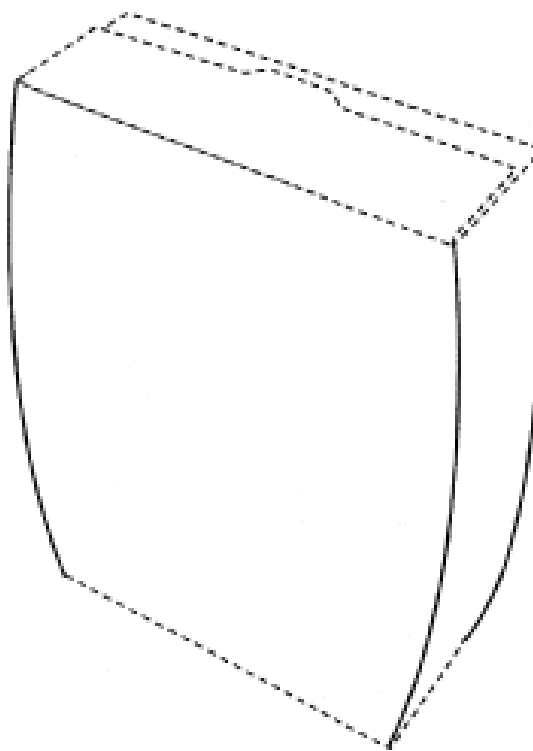
- (21) Design Number: **15877/2008**
(22) Date of Filing Application: **15 December 2008**
(24) Date from which industrial property rights may have effect: **15 December 2008**
(54) Product in respect of which the design is registered: **Snack crisp package**
(51) International Design Classification: **09-05**
(71) Name(s) and Address(s) of Applicant(s):
The Procter & Gamble Company
One Procter & Gamble Plaza Cincinnati Ohio 45202 United States of America
(72) Name(s) of Designer(s): **Gary James Dechert and Stephen Lee Childs and Gregory Raymond Follmer**
(45) Registration Date: **04 February 2009**
(30) Convention priority data:
(31) Number (32) Date (33) Country
29/308,514 20 Jun 2008 UNITED STATES OF AMERICA
(56) Related Art Documents: **Not Applicable**
(57) Statement of Newness and Distinctiveness: **Newness and distinctiveness reside in the features of shape and/or configuration of the snack crisp package, as shown in the representations. Newness and distinctiveness are not claimed in relation to the features shown in broken lines in the representations.**



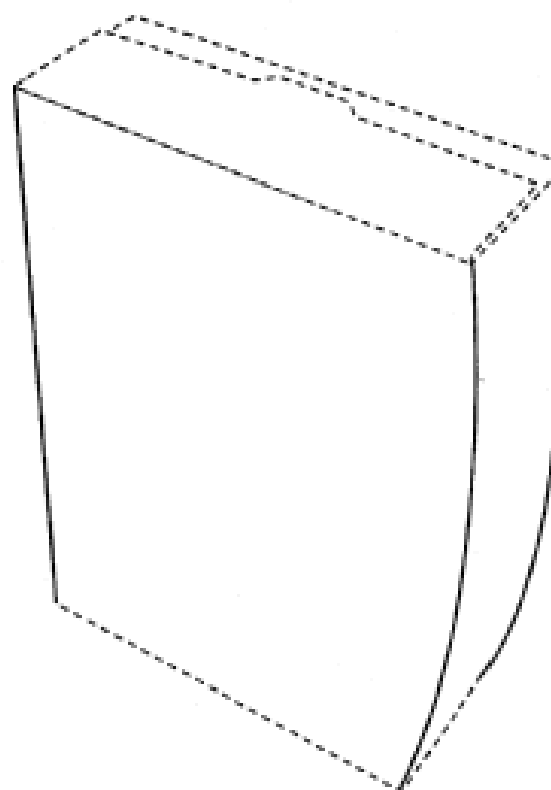
- (21) Design Number: **15878/2008**
(22) Date of Filing Application: **15 December 2008**
(24) Date from which industrial property rights may have effect: **15 December 2008**
(54) Product in respect of which the design is registered: **Snack crisp package**
(51) International Design Classification: **09-05**
(71) Name(s) and Address(s) of Applicant(s):
The Procter & Gamble Company
One Procter & Gamble Plaza Cincinnati Ohio 45202 United States of America
(72) Name(s) of Designer(s): **Gary James Dechert and Stephen Lee Childs and Gregory Raymond Follmer**
(45) Registration Date: **04 February 2009**
(30) Convention priority data:
(31) Number (32) Date (33) Country
29/308,514 20 Jun 2008 UNITED STATES OF AMERICA
(56) Related Art Documents: **Not Applicable**
(57) Statement of Newness and Distinctiveness: **Newness and distinctiveness reside in the features of shape and/or configuration of the snack crisp package, as shown in the representations. Newness and distinctiveness are not claimed in relation to the features shown in broken lines in the representations.**



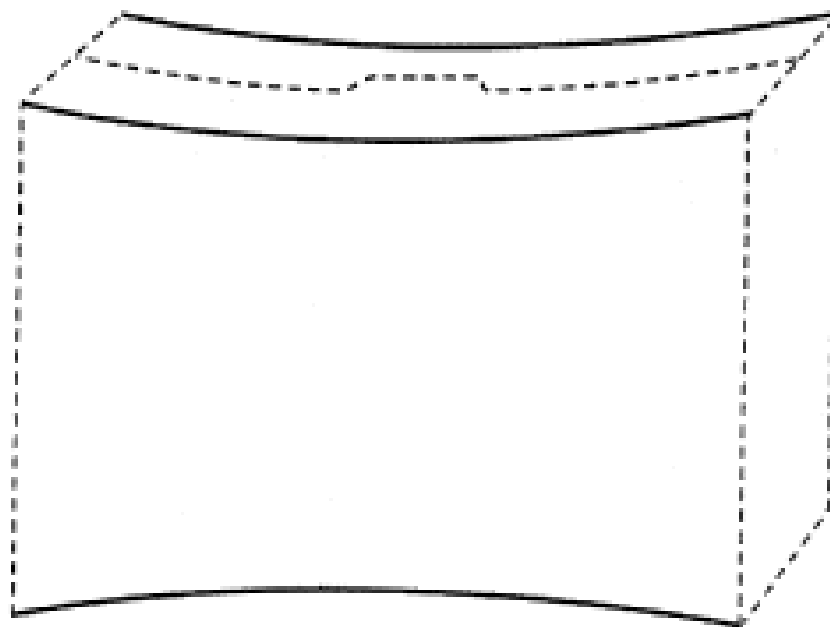
- (21) Design Number: **15879/2008**
(22) Date of Filing Application: **15 December 2008**
(24) Date from which industrial property rights may have effect: **15 December 2008**
(54) Product in respect of which the design is registered: **Snack crisp package**
(51) International Design Classification: **09-05**
(71) Name(s) and Address(s) of Applicant(s):
The Procter & Gamble Company
One Procter & Gamble Plaza Cincinnati Ohio 45202 United States of America
(72) Name(s) of Designer(s): **Gary James Dechert and Stephen Lee Childs and Gregory Raymond Follmer**
(45) Registration Date: **04 February 2009**
(30) Convention priority data:
(31) Number (32) Date (33) Country
29/308,514 20 Jun 2008 UNITED STATES OF AMERICA
(56) Related Art Documents: **Not Applicable**
(57) Statement of Newness and Distinctiveness: **Newness and distinctiveness reside in the features of shape and/or configuration of the snack crisp package, as shown in the representations. Newness and distinctiveness are not claimed in relation to the features shown in broken lines in the representations.**



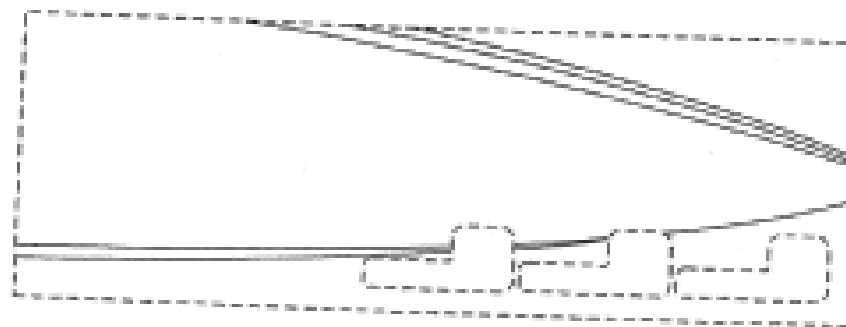
- (21) Design Number: **15880/2008**
(22) Date of Filing Application: **15 December 2008**
(24) Date from which industrial property rights may have effect: **15 December 2008**
(54) Product in respect of which the design is registered: **Snack crisp package**
(51) International Design Classification: **09-05**
(71) Name(s) and Address(s) of Applicant(s):
The Procter & Gamble Company
One Procter & Gamble Plaza Cincinnati Ohio 45202 United States of America
(72) Name(s) of Designer(s): **Gary James Dechert and Stephen Lee Childs and Gregory Raymond Follmer**
(45) Registration Date: **04 February 2009**
(30) Convention priority data:
(31) Number (32) Date (33) Country
29/308,514 20 Jun 2008 UNITED STATES OF AMERICA
(56) Related Art Documents: **Not Applicable**
(57) Statement of Newness and Distinctiveness: **Newness and distinctiveness reside in the features of shape and/or configuration of the snack crisp package, as shown in the representations. Newness and distinctiveness are not claimed in relation to the features shown in broken lines in the representations.**



(21) Design Number: **15881/2008**
(22) Date of Filing Application: **15 December 2008**
(24) Date from which industrial property rights may have effect: **15 December 2008**
(54) Product in respect of which the design is registered: **Snack crisp package**
(51) International Design Classification: **09-05**
(71) Name(s) and Address(s) of Applicant(s):
The Procter & Gamble Company
One Procter & Gamble Plaza Cincinnati Ohio 45202 United States of America
(72) Name(s) of Designer(s): **Gary James Dechert and Stephen Lee Childs and Gregory Raymond Follmer**
(45) Registration Date: **04 February 2009**
(30) Convention priority data:
(31) Number (32) Date (33) Country
29/308,514 20 Jun 2008 UNITED STATES OF AMERICA
(56) Related Art Documents: **Not Applicable**
(57) Statement of Newness and Distinctiveness: **Newness and distinctiveness reside in the features of shape and/or configuration of the snack crisp package, as shown in the representations. Newness and distinctiveness are not claimed in relation to the features shown in broken lines in the representations.**



(21) Design Number: **15888/2008**
(22) Date of Filing Application: **15 December 2008**
(24) Date from which industrial property rights may have effect: **15 December 2008**
(54) Product in respect of which the design is registered: **A package**
(51) International Design Classification: **09-05**
(71) Name(s) and Address(s) of Applicant(s):
The Procter & Gamble Company
One Procter & Gamble Plaza Cincinnati Ohio 45202 United States of America
(72) Name(s) of Designer(s): **David Frank and Kate Coslett and Emily Chapel**
(45) Registration Date: **04 February 2009**
(30) Convention priority data:
(31) Number (32) Date (33) Country
29/308,524 20 Jun 2008 UNITED STATES OF AMERICA
(56) Related Art Documents: **Not Applicable**
(57) Statement of Newness and Distinctiveness: **Newness and distinctiveness reside in the features of pattern and/or ornament of the package, as shown in the representations. Newness and distinctiveness are not claimed in relation to the features shown in broken lines in the representations.**



- (21) Design Number: **15889/2008**
- (22) Date of Filing Application: **15 December 2008**
- (24) Date from which industrial property rights may have effect: **15 December 2008**
- (54) Product in respect of which the design is registered: **Toothbrush package**
- (51) International Design Classification: **09-05**
- (71) Name(s) and Address(s) of Applicant(s):

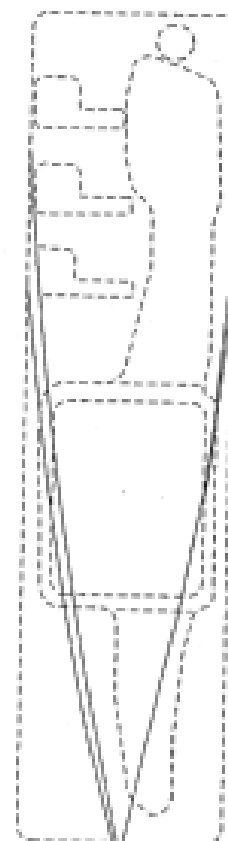
The Procter & Gamble Company
One Procter & Gamble Plaza Cincinnati Ohio 45202 United States of America

- (72) Name(s) of Designer(s): **David Frank and Kate Coslett and Emily Chapel**
- (45) Registration Date: **04 February 2009**

- (30) Convention priority data:

(31) Number	(32) Date	(33) Country
29/308,530	20 Jun 2008	UNITED STATES OF AMERICA

- (56) Related Art Documents: **Not Applicable**
- (57) Statement of Newness and Distinctiveness: **Newness and distinctiveness reside in the features of pattern and/or ornament of the toothbrush package, as shown in the representations. Newness and distinctiveness are not claimed in relation to the features shown in broken lines in the representations.**



- (21) Design Number: **15890/2008**
- (22) Date of Filing Application: **15 December 2008**
- (24) Date from which industrial property rights may have effect: **15 December 2008**
- (54) Product in respect of which the design is registered: **Toothpaste container**
- (51) International Design Classification: **09-05**
- (71) Name(s) and Address(s) of Applicant(s):

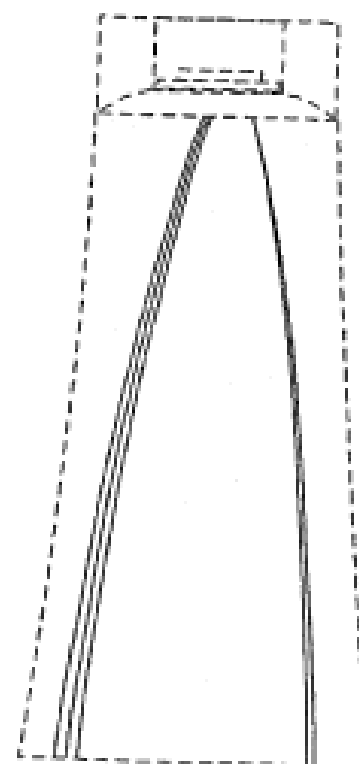
The Procter & Gamble Company
One Procter & Gamble Plaza Cincinnati Ohio 45202 United States of America

- (72) Name(s) of Designer(s): **David Frank and Kate Coslett and Emily Chapel**
- (45) Registration Date: **04 February 2009**

- (30) Convention priority data:

(31) Number	(32) Date	(33) Country
29/308,525	20 Jun 2008	UNITED STATES OF AMERICA

- (56) Related Art Documents: **Not Applicable**
- (57) Statement of Newness and Distinctiveness: **Newness and distinctiveness reside in the features of pattern and/or ornament of the toothpaste container, as shown in the representations. Newness and distinctiveness are not claimed in relation to the features shown in broken lines in the representations.**



- (21) Design Number: **15891/2008**
(22) Date of Filing Application: **15 December 2008**
(24) Date from which industrial property rights may have effect: **15 December 2008**
(54) Product in respect of which the design is registered: **A package**
(51) International Design Classification: **09-05**
(71) Name(s) and Address(s) of Applicant(s):

The Procter & Gamble Company
One Procter & Gamble Plaza Cincinnati Ohio 45202 United States of America

(72) Name(s) of Designer(s): **David Frank and Kate Coslett and Emily Chapel**

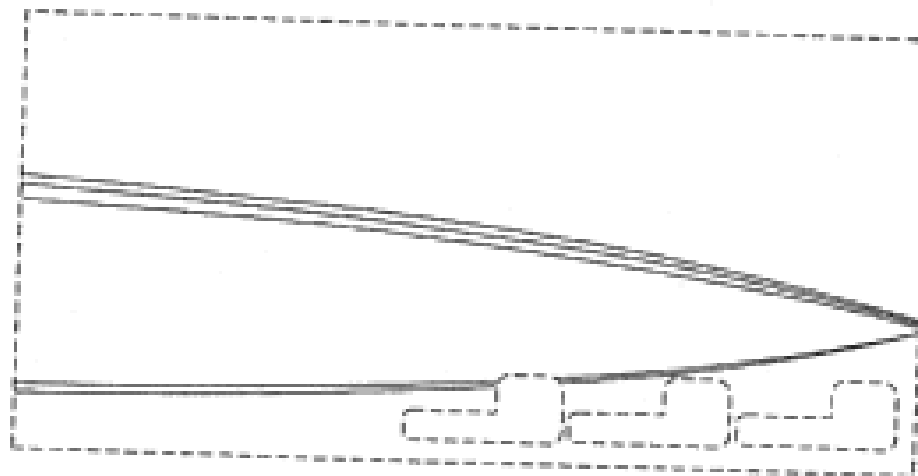
(45) Registration Date: **04 February 2009**

(30) Convention priority data:

(31) Number	(32) Date	(33) Country
29/308,548	20 Jun 2008	UNITED STATES OF AMERICA

(56) Related Art Documents: **Not Applicable**

(57) Statement of Newness and Distinctiveness: **Newness and distinctiveness reside in the features of pattern and/or ornament of the package, as shown in the representations. Newness and distinctiveness are not claimed in relation to the features shown in broken lines in the representations.**



- (21) Design Number: **15899/2008**
(22) Date of Filing Application: **03 October 2008**
(24) Date from which industrial property rights may have effect: **03 October 2008**
(54) Product in respect of which the design is registered: **Lighting**
(51) International Design Classification: **26-05C**
(71) Name(s) and Address(s) of Applicant(s):

LSI Industries, Inc.
10000 Alliance Road Cincinnati Ohio 452420 United States of America

(72) Name(s) of Designer(s): **John D. Boyer**

(45) Registration Date: **04 February 2009**

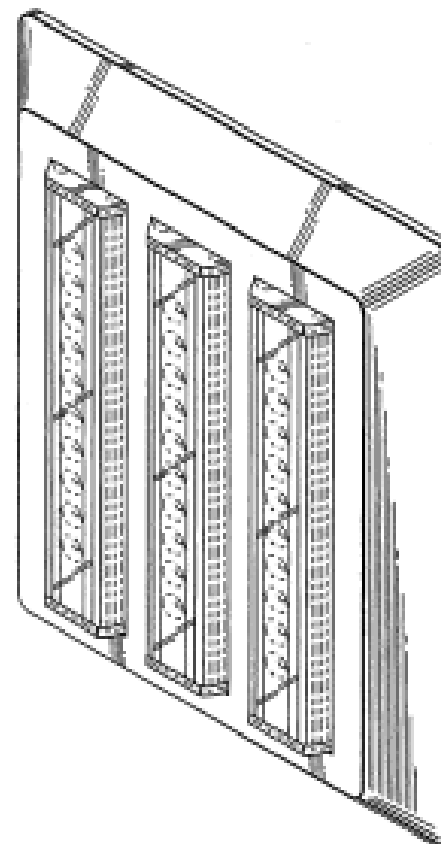
(30) Convention priority data:

(31) Number	(32) Date	(33) Country
29306595	11 Apr 2008	UNITED STATES OF AMERICA

(62) Divisional of: **323771**

(56) Related Art Documents: **Not Applicable**

(57) Statement of Newness and Distinctiveness: **Newness and distinctiveness is claimed in the visual features shown in solid lines in the representations. The shading presented in the representations is provided merely to highlight the contour of the product and is not intended to be illustrative of texture or gloss.**



(21) Design Number: **15900/2008**

(22) Date of Filing Application: **03 October 2008**

(24) Date from which industrial property rights may have effect: **03 October 2008**

(54) Product in respect of which the design is registered: **Lighting**

(51) International Design Classification: **26-05C**

(71) Name(s) and Address(s) of Applicant(s):

LSI Industries, Inc.

10000 Alliance Road Cincinnati Ohio 452420 United States of America

(72) Name(s) of Designer(s): **John D. Boyer**

(45) Registration Date: **04 February 2009**

(30) Convention priority data:

(31) Number
29306578

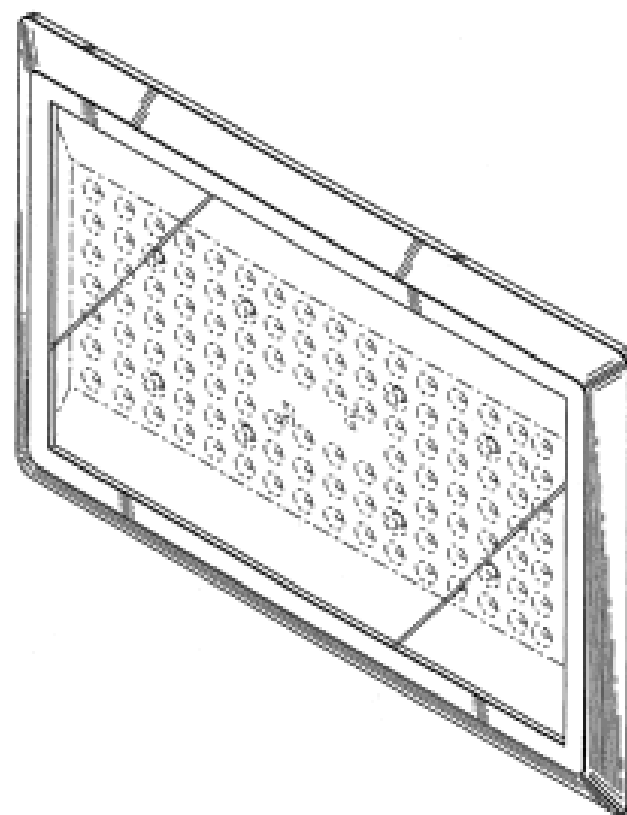
(32) Date
11 Apr 2008

(33) Country
UNITED STATES OF AMERICA

(62) Divisional of: **323904**

(56) Related Art Documents: **Not Applicable**

(57) Statement of Newness and Distinctiveness: **Newness and distinctiveness is claimed in the visual features shown in solid lines in the representations. The shading presented in the representations is provided merely to highlight the contour of the product and is not intended to be illustrative of texture or gloss.**



(21) Design Number: **15913/2008**

(22) Date of Filing Application: **17 December 2008**

(24) Date from which industrial property rights may have effect: **17 December 2008**

(54) Product in respect of which the design is registered: **Dress**

(51) International Design Classification: **02-02C**

(71) Name(s) and Address(s) of Applicant(s):

Bardot Pty Ltd

63 Victoria Crescent Abbotsford Victoria 3067 Australia

(72) Name(s) of Designer(s): **Hannah Gaunt**

(45) Registration Date: **04 February 2009**

(56) Related Art Documents: **Not Applicable**

(57) Statement of Newness and Distinctiveness: **Nil**



(21) Design Number: **15914/2008**

(22) Date of Filing Application: **17 December 2008**

(24) Date from which industrial property rights may have effect: **17 December 2008**

(54) Product in respect of which the design is registered: **Printed blouse**

(51) International Design Classification: **02-02NES**

(71) Name(s) and Address(s) of Applicant(s):

Bardot Pty Ltd

63 Victoria Crescent Abbotsford Victoria 3067 Australia

(72) Name(s) of Designer(s): **Hannah Gaunt**

(45) Registration Date: **04 February 2009**

(56) Related Art Documents: **Not Applicable**

(57) Statement of Newness and Distinctiveness: **Nil**



(21) Design Number: **15915/2008**

(22) Date of Filing Application: **17 December 2008**

(24) Date from which industrial property rights may have effect: **17 December 2008**

(54) Product in respect of which the design is registered: **Ladies fashion top**

(51) International Design Classification: **02-02NES**

(71) Name(s) and Address(s) of Applicant(s):

Bardot Pty Ltd

63 Victoria Crescent Abbotsford Victoria 3067 Australia

(72) Name(s) of Designer(s): **Hannah Gaunt**

(45) Registration Date: **04 February 2009**

(56) Related Art Documents: **Not Applicable**

(57) Statement of Newness and Distinctiveness: **Nil**



(21) Design Number: **15916/2008**

(22) Date of Filing Application: **17 December 2008**

(24) Date from which industrial property rights may have effect: **17 December 2008**

(54) Product in respect of which the design is registered: **Ladies fashion blouse**

(51) International Design Classification: **02-02NES**

(71) Name(s) and Address(s) of Applicant(s):

Bardot Pty Ltd

63 Victoria Crescent Abbotsford Victoria 3067 Australia

(72) Name(s) of Designer(s): **Hannah Gaunt**

(45) Registration Date: **04 February 2009**

(56) Related Art Documents: **Not Applicable**

(57) Statement of Newness and Distinctiveness: **Nil**



(21) Design Number: **15917/2008**

(22) Date of Filing Application: **17 December 2008**

(24) Date from which industrial property rights may have effect: **17 December 2008**

(54) Product in respect of which the design is registered: **Camisole with lace**

(51) International Design Classification: **02-02B**

(71) Name(s) and Address(s) of Applicant(s):

Bardot Pty Ltd

63 Victoria Crescent Abbotsford Victoria 3067 Australia

(72) Name(s) of Designer(s): **Hannah Gaunt**

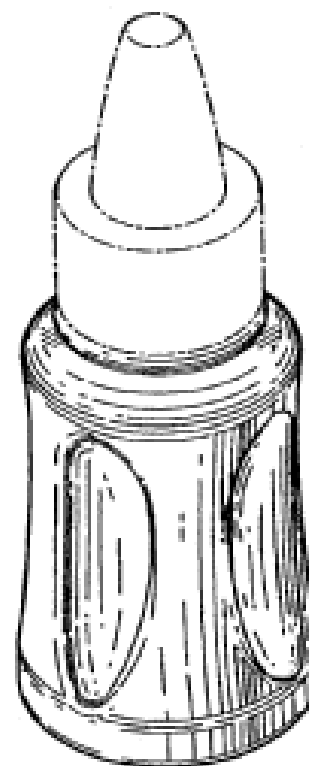
(45) Registration Date: **04 February 2009**

(56) Related Art Documents: **Not Applicable**

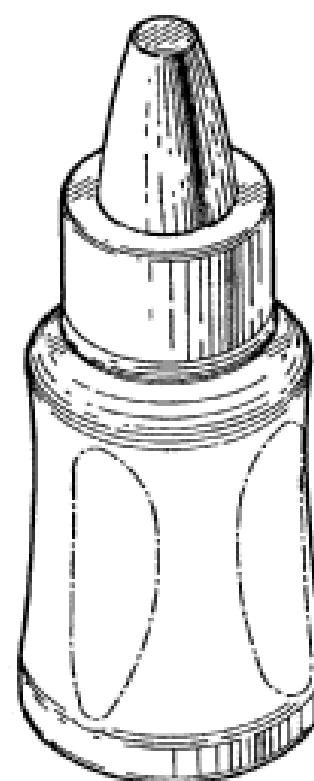
(57) Statement of Newness and Distinctiveness: **Nil**



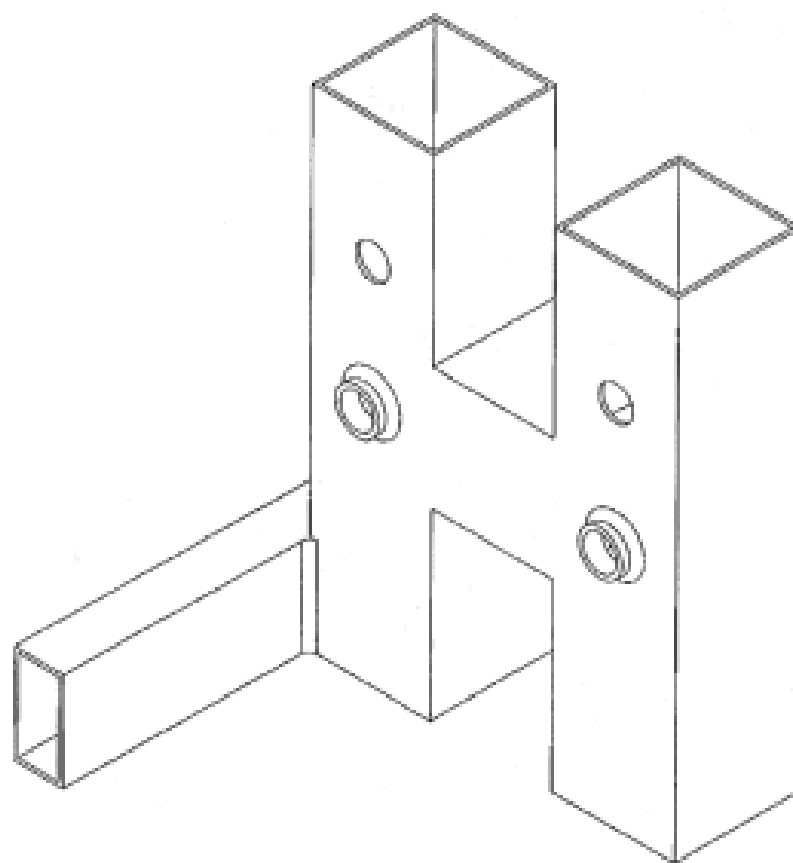
- (21) Design Number: **10096/2009**
(22) Date of Filing Application: **15 October 2008**
(24) Date from which industrial property rights may have effect: **15 October 2008**
(54) Product in respect of which the design is registered: **Bottle**
(51) International Design Classification: **09-01K**
(71) Name(s) and Address(s) of Applicant(s):
McCormick & Company, Incorporated
18 Loveton Circle Sparks Maryland 21152 United States of America
(72) Name(s) of Designer(s): **Tracie Wilson and Porter Gieske and Jane Brubaker**
(45) Registration Date: **04 February 2009**
(30) Convention priority data:
(31) Number (32) Date (33) Country
29/318844 29 May 2008 UNITED STATES OF AMERICA
(56) Related Art Documents: **Not Applicable**
(57) Statement of Newness and Distinctiveness: **The phantom-line and/or broken-line depictions in the drawings are shown for environmental and illustrative purposes only and form no part of the claimed design.**



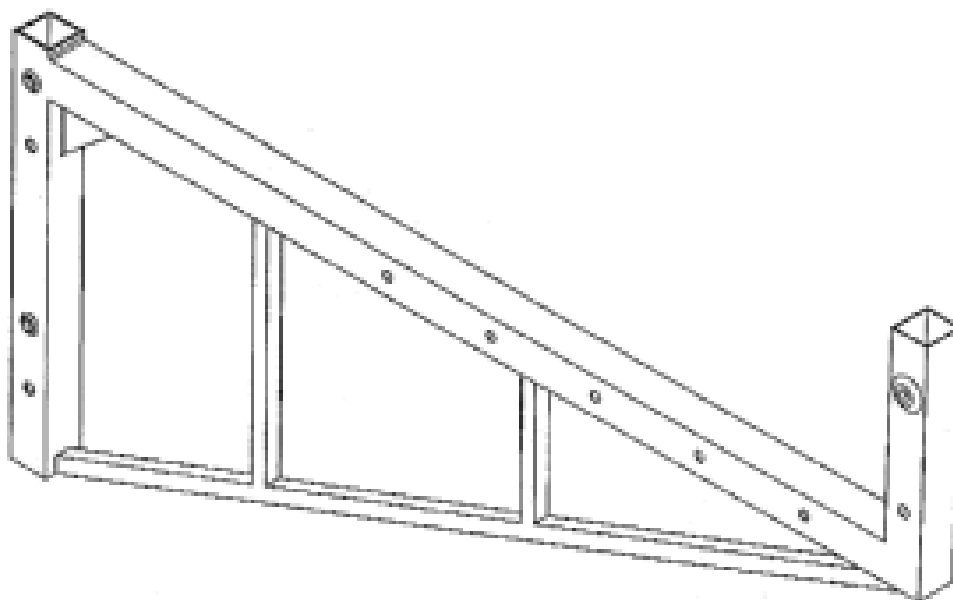
- (21) Design Number: **10097/2009**
(22) Date of Filing Application: **15 October 2008**
(24) Date from which industrial property rights may have effect: **15 October 2008**
(54) Product in respect of which the design is registered: **Bottle**
(51) International Design Classification: **09-01K**
(71) Name(s) and Address(s) of Applicant(s):
McCormick & Company, Incorporated
18 Loveton Circle Sparks Maryland 21152 United States of America
(72) Name(s) of Designer(s): **Tracie Wilson and Porter Gieske and Jane Brubaker**
(45) Registration Date: **04 February 2009**
(30) Convention priority data:
(31) Number (32) Date (33) Country
29/318844 29 May 2008 UNITED STATES OF AMERICA
(56) Related Art Documents: **Not Applicable**
(57) Statement of Newness and Distinctiveness: **The phantom-line and/or broken-line depictions in the drawings are shown for enviromental and illustrative purposes only and form no part of the claimed design.**



- (21) Design Number: **13148/2008**
- (22) Date of Filing Application: **04 July 2008**
- (24) Date from which industrial property rights may have effect: **04 July 2008**
- (54) Product in respect of which the design is registered: **Scaffolding frame member**
- (51) International Design Classification: **25-04**
- (71) Name(s) and Address(s) of Applicant(s):
Luke Canham trading as LC industry
26 Burrundulla Avenue Mudgee New South Wales 2850 Australia
- (72) Name(s) of Designer(s): **Luke Canham and Peter Hartnett**
- (45) Registration Date: **03 February 2009**
- (56) Related Art Documents: **Not Applicable**
- (57) Statement of Newness and Distinctiveness: **Nil**



- (21) Design Number: **13149/2008**
- (22) Date of Filing Application: **04 July 2008**
- (24) Date from which industrial property rights may have effect: **04 July 2008**
- (54) Product in respect of which the design is registered: **Scaffolding frame member**
- (51) International Design Classification: **25-04**
- (71) Name(s) and Address(s) of Applicant(s):
Luke Canham trading as LC industry
26 Burrundulla Avenue Mudgee New South Wales 2850 Australia
- (72) Name(s) of Designer(s): **Luke Canham and Peter Hartnett**
- (45) Registration Date: **03 February 2009**
- (56) Related Art Documents: **Not Applicable**
- (57) Statement of Newness and Distinctiveness: **Nil**



(21) Design Number: **15527/2008**

(22) Date of Filing Application: **17 November 2008**

(24) Date from which industrial property rights may have effect: **17 November 2008**

(54) Product in respect of which the design is registered: **Swimwear**

(51) International Design Classification: **02-02A**

(71) Name(s) and Address(s) of Applicant(s):

JETS Swimwear PTY LTD

8-18 Bowden Street Alexandria New South Wales 2015 Australia

(72) Name(s) of Designer(s): **Jessika Allen**

(45) Registration Date: **03 February 2009**

(56) Related Art Documents: **Not Applicable**

(57) Statement of Newness and Distinctiveness: **Newness and distinctiveness reside in the features of shape and configuration of the design as shown in the representation, which include without limitation: a deep V plunging neckline with a tie-front and keyhole at the bust; the neckline and tie front have a bagged out band that creates a large bow for the tie front and continues into the adjustable tie neck; the leg line has a soft edged bagged out band and the appearance of buttoned pockets at the front side seams. Further more the design is not limited to the fabric displayed on the accompanying representation which includes that fabric and all other fabrics.**



(21) Design Number: **15528/2008**

(22) Date of Filing Application: **17 November 2008**

(24) Date from which industrial property rights may have effect: **17 November 2008**

(54) Product in respect of which the design is registered: **Swimwear**

(51) International Design Classification: **02-02A**

(71) Name(s) and Address(s) of Applicant(s):

JETS Swimwear PTY LTD

8-18 Bowden Street Alexandria New South Wales 2015 Australia

(72) Name(s) of Designer(s): **Jessika Allen**

(45) Registration Date: **03 February 2009**

(56) Related Art Documents: **Not Applicable**

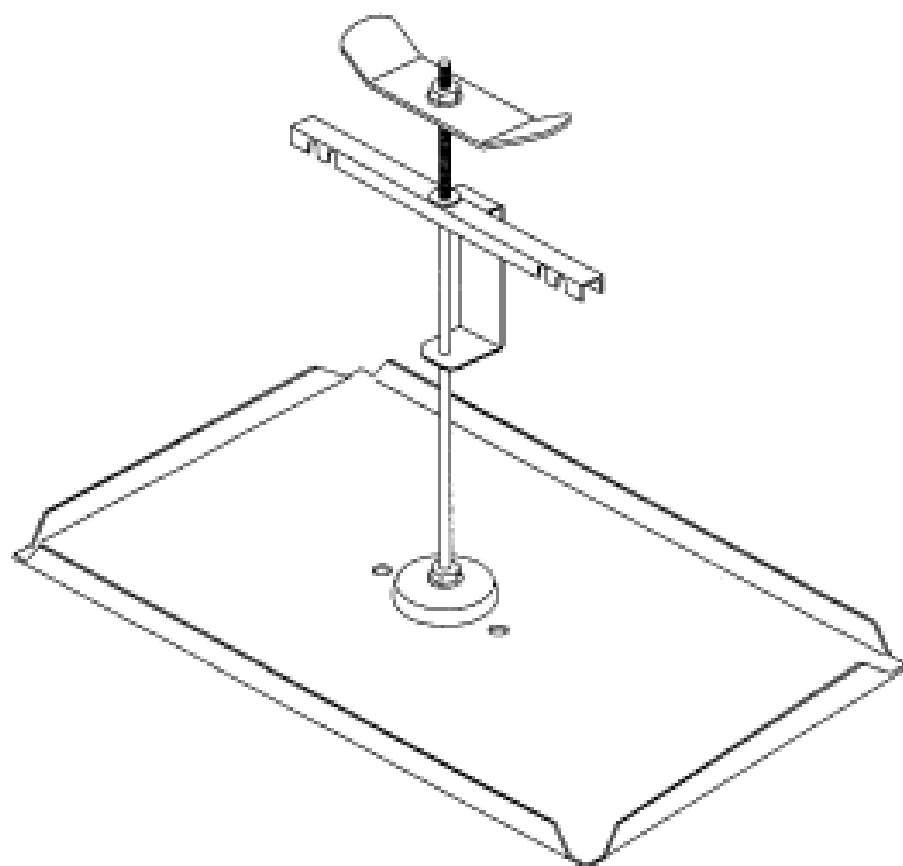
(57) Statement of Newness and Distinctiveness: **Newness and distinctiveness reside in the features of shape and configuration of the design as shown in the representation, which include without limitation: the neck edge and the underbust have a folded edge mesh ruffle secured from the inside and stitched down. Further more the design is not limited to the fabric displayed on the accompanying representation which includes that fabric and all other fabrics.**



- (21) Design Number: **16032/2008**
(22) Date of Filing Application: **23 December 2008**
(24) Date from which industrial property rights may have effect: **23 December 2008**
(54) Product in respect of which the design is registered: **Cutting machine**
(51) International Design Classification: **08-03**
(71) Name(s) and Address(s) of Applicant(s):
Germans Boada, S.A.
Pol. Ind. Can Roses Avda. Olimpiades s/n. Rubi (Barcelona) 08191
Spain
(72) Name(s) of Designer(s): **Josep Torrents I. Comas**
(45) Registration Date: **03 February 2009**
(30) Convention priority data:
(31) Number (32) Date (33) Country
000955638-0002 23 Jun 2008 EUROPEAN COMMUNITY
(56) Related Art Documents: **Not Applicable**
(57) Statement of Newness and Distinctiveness: **Newness and distinctiveness is claimed in the shape and configuration of the cutting machine as shown in the representations.**



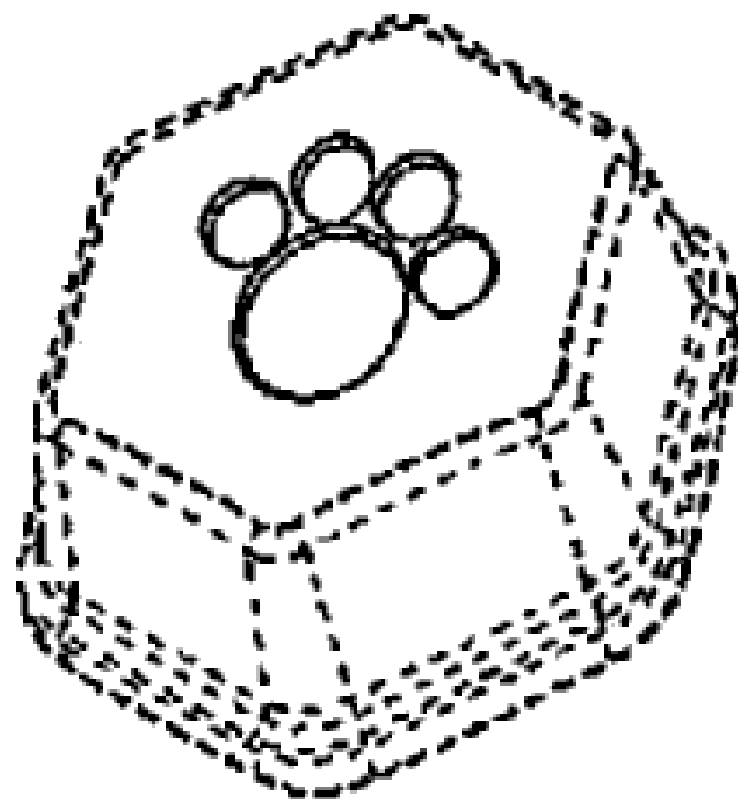
- (21) Design Number: **16034/2008**
(22) Date of Filing Application: **23 December 2008**
(24) Date from which industrial property rights may have effect: **23 December 2008**
(54) Product in respect of which the design is registered: **Bracket for gas bottle cylinders**
(51) International Design Classification: **08-08NES**
(71) Name(s) and Address(s) of Applicant(s):
ADMB Pty Ltd
344 High Street Lower Templestowe Victoria 3107 Australia
(72) Name(s) of Designer(s): **Mark Palmarini**
(45) Registration Date: **03 February 2009**
(56) Related Art Documents: **Not Applicable**
(57) Statement of Newness and Distinctiveness: **The features of shape and configuration of the bracket for gas bottle cylinders shown in the accompanying representations are considered to be new and distinctive.**



(21) Design Number: **16048/2008**
(22) Date of Filing Application: **24 December 2008**
(24) Date from which industrial property rights may have effect: **24 December 2008**
(54) Product in respect of which the design is registered: **Switch**
(51) International Design Classification: **13-03D**
(71) Name(s) and Address(s) of Applicant(s):
Somfy SAS
50 avenue du Nouveau Monde Cluses 74300 France
(72) Name(s) of Designer(s): **Olivier Charleux and Clino Trini Castelli**
(45) Registration Date: **03 February 2009**
(30) Convention priority data:
(31) Number (32) Date (33) Country
000958012-0008 25 Jun 2008 EUROPEAN COMMUNITY
(56) Related Art Documents: **Not Applicable**
(57) Statement of Newness and Distinctiveness: **Nil**



(21) Design Number: **16050/2008**
(22) Date of Filing Application: **24 December 2008**
(24) Date from which industrial property rights may have effect: **24 December 2008**
(54) Product in respect of which the design is registered: **Pet food supplement**
(51) International Design Classification: **01-06**
(71) Name(s) and Address(s) of Applicant(s):
The Iams Company
7250 Poe Avenue Dayton Ohio 45414 United States of America
(72) Name(s) of Designer(s): **George Scott Kerr and Gregory Dean Sunvold and Lawrence Andrew Schumacher and David William Schuller and Robbert H. Ter Haar and Gary J. Kohlman**
(45) Registration Date: **03 February 2009**
(30) Convention priority data:
(31) Number (32) Date (33) Country
29/320,850 07 Jul 2008 UNITED STATES OF AMERICA
(56) Related Art Documents: **Not Applicable**
(57) Statement of Newness and Distinctiveness: **Newness and distinctiveness reside in the features of shape and/or configuration of the pet food supplement, as shown in the representations. Newness and distinctiveness are not claimed in relation to the features shown in broken lines in the representations.**



- (21) Design Number: **16051/2008**
- (22) Date of Filing Application: **24 December 2008**
- (24) Date from which industrial property rights may have effect: **24 December 2008**
- (54) Product in respect of which the design is registered: **Pet food supplement**
- (51) International Design Classification: **01-06**
- (71) Name(s) and Address(s) of Applicant(s):

The Iams Company
7250 Poe Avenue Dayton Ohio 45414 United States of America

- (72) Name(s) of Designer(s): **George Scott Kerr and Gregory Dean Sunvold and Lawrence Andrew Schumacher and David William Schuller and Robbert H. Ter Haar and Gary J. Kohlman**

- (45) Registration Date: **03 February 2009**

- (30) Convention priority data:

(31) Number	(32) Date	(33) Country
29/320,850	07 Jul 2008	UNITED STATES OF AMERICA

- (56) Related Art Documents: **Not Applicable**

- (57) Statement of Newness and Distinctiveness: **Newness and distinctiveness reside in the features of shape and/or configuration of the pet food supplement, as shown in the representations. Newness and distinctiveness are not claimed in relation to the features shown in broken lines in the representations.**



- (21) Design Number: **16052/2008**
- (22) Date of Filing Application: **24 December 2008**
- (24) Date from which industrial property rights may have effect: **24 December 2008**
- (54) Product in respect of which the design is registered: **Pet food supplement**
- (51) International Design Classification: **01-06**
- (71) Name(s) and Address(s) of Applicant(s):

The Iams Company
7250 Poe Avenue Dayton Ohio 45414 United States of America

- (72) Name(s) of Designer(s): **George Scott Kerr and Gregory Dean Sunvold and Lawrence Andrew Schumacher and David William Schuller and Robbert H. Ter Haar and Gary J. Kohlman**

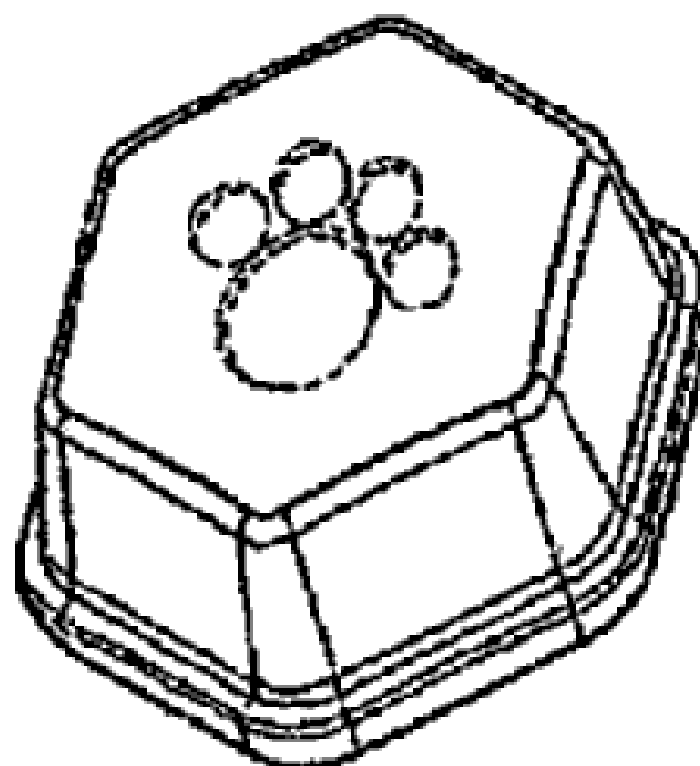
- (45) Registration Date: **03 February 2009**

- (30) Convention priority data:

(31) Number	(32) Date	(33) Country
29/320,850	07 Jul 2008	UNITED STATES OF AMERICA

- (56) Related Art Documents: **Not Applicable**

- (57) Statement of Newness and Distinctiveness: **Newness and distinctiveness reside in the features of shape and/or configuration of the pet food supplement, as shown in the representations. Newness and distinctiveness are not claimed in relation to the features shown in broken lines in the representations.**



(21) Design Number: **16053/2008**
 (22) Date of Filing Application: **24 December 2008**
 (24) Date from which industrial property rights may have effect: **24 December 2008**
 (54) Product in respect of which the design is registered: **Pet food supplement**
 (51) International Design Classification: **01-06**
 (71) Name(s) and Address(s) of Applicant(s):

The Iams Company
7250 Poe Avenue Dayton Ohio 45414 United States of America

(72) Name(s) of Designer(s): **George Scott Kerr and Gregory Dean Sunvold and Lawrence Andrew Schumacher and David William Schuller and Robbert H. Ter Haar and Gary J. Kohlman**

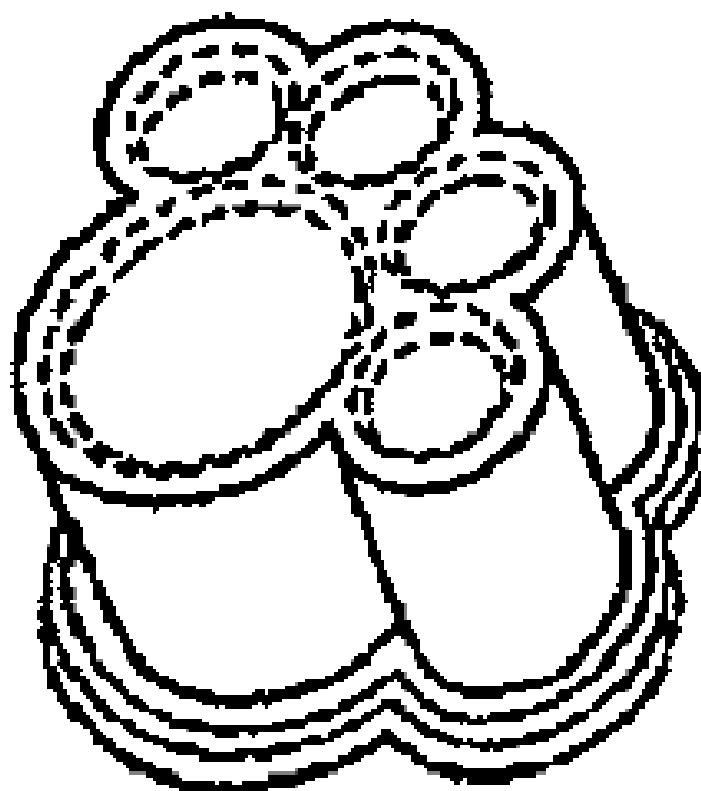
(45) Registration Date: **03 February 2009**

(30) Convention priority data:

(31) Number	(32) Date	(33) Country
29/320,850	07 Jul 2008	UNITED STATES OF AMERICA

(56) Related Art Documents: **Not Applicable**

(57) Statement of Newness and Distinctiveness: **Newness and distinctiveness reside in the features of shape and/or configuration of the pet food supplement, as shown in the representations. Newness and distinctiveness are not claimed in relation to the features shown in broken lines in the representations.**



(21) Design Number: **16054/2008**
 (22) Date of Filing Application: **24 December 2008**
 (24) Date from which industrial property rights may have effect: **24 December 2008**
 (54) Product in respect of which the design is registered: **Pet food supplement**
 (51) International Design Classification: **01-06**
 (71) Name(s) and Address(s) of Applicant(s):

The Iams Company
7250 Poe Avenue Dayton Ohio 45414 United States of America

(72) Name(s) of Designer(s): **George Scott Kerr and Gregory Dean Sunvold and Lawrence Andrew Schumacher and David William Schuller and Robbert H. Ter Haar and Gary J. Kohlman**

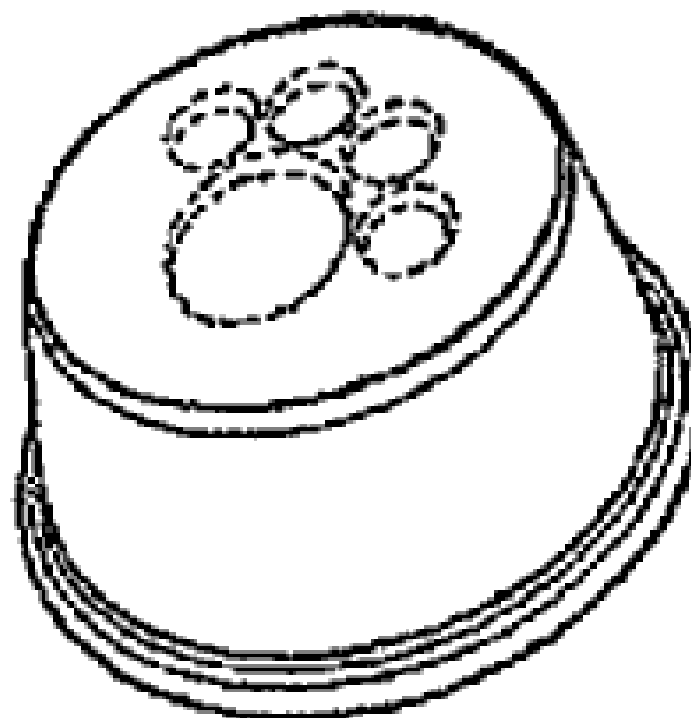
(45) Registration Date: **03 February 2009**

(30) Convention priority data:

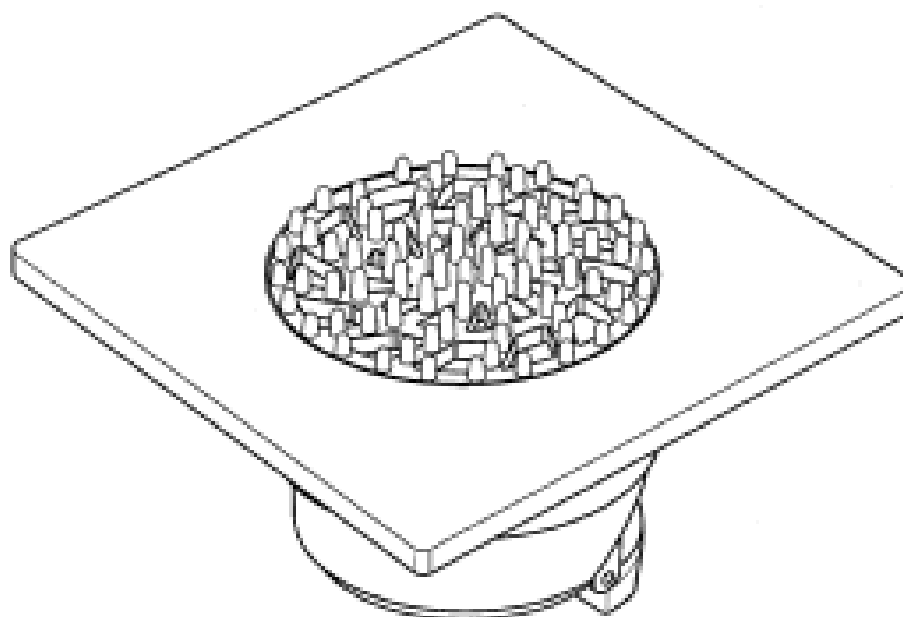
(31) Number	(32) Date	(33) Country
29/320,850	07 Jul 2008	UNITED STATES OF AMERICA

(56) Related Art Documents: **Not Applicable**

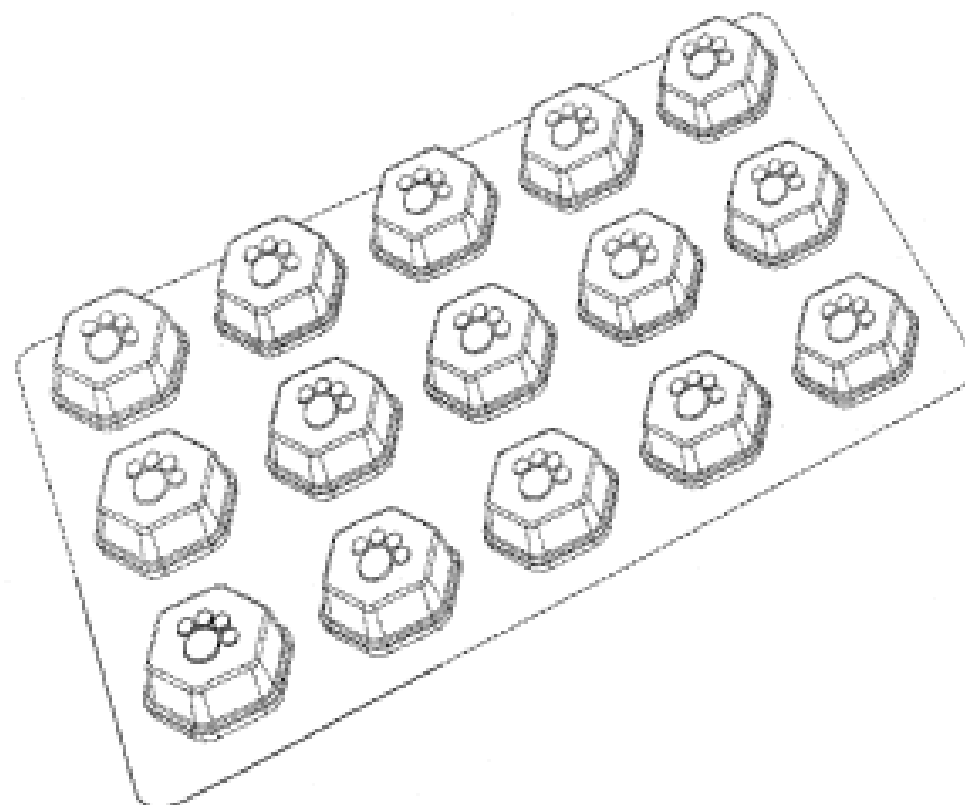
(57) Statement of Newness and Distinctiveness: **Newness and distinctiveness reside in the features of shape and/or configuration of the pet food supplement, as shown in the representations. Newness and distinctiveness are not claimed in relation to the features shown in broken lines in the representations.**



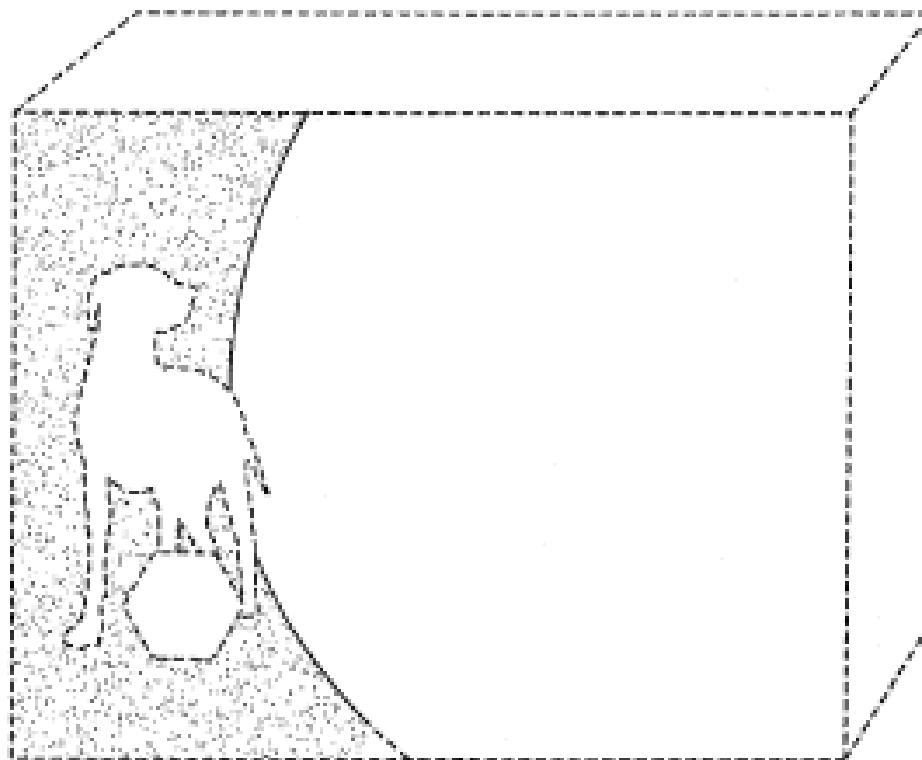
- (21) Design Number: **16056/2008**
- (22) Date of Filing Application: **24 December 2008**
- (24) Date from which industrial property rights may have effect: **24 December 2008**
- (54) Product in respect of which the design is registered: **Drain inlet (Case B)**
- (51) International Design Classification: **23-02E**
- (71) Name(s) and Address(s) of Applicant(s):
Murray Norman Cook
52 Treave Street Cloverdale Western Australia 6105 Australia
- (72) Name(s) of Designer(s): **Murray Norman Cook**
- (45) Registration Date: **03 February 2009**
- (56) Related Art Documents: **Not Applicable**
- (57) Statement of Newness and Distinctiveness: **Newness resides in the features of shape and configuration of an article as depicted in the accompanying representations.**



- (21) Design Number: **16057/2008**
- (22) Date of Filing Application: **24 December 2008**
- (24) Date from which industrial property rights may have effect: **24 December 2008**
- (54) Product in respect of which the design is registered: **Pet food supplement package**
- (51) International Design Classification: **09-05**
- (71) Name(s) and Address(s) of Applicant(s):
The Iams Company
7250 Poe Avenue Dayton Ohio 45414 United States of America
- (72) Name(s) of Designer(s): **George Scott Kerr and Gregory Dean Sunvold and Lawrence Andrew Schumacher and David William Schuller and Robbert H. Ter Haar and Gary J. Kohlman**
- (45) Registration Date: **03 February 2009**
- (30) Convention priority data:
(31) Number (32) Date (33) Country
29/320,852 07 Jul 2008 UNITED STATES OF AMERICA
- (56) Related Art Documents: **Not Applicable**
- (57) Statement of Newness and Distinctiveness: **Newness and distinctiveness reside in the features of shape and/or configuration of the pet food supplement package, as shown in the representations. Newness and distinctiveness are not claimed in relation to the features shown in broken lines in the representations.**



- (21) Design Number: **16058/2008**
(22) Date of Filing Application: **24 December 2008**
(24) Date from which industrial property rights may have effect: **24 December 2008**
(54) Product in respect of which the design is registered: **Carton for a pet food supplement**
(51) International Design Classification: **09-03M**
(71) Name(s) and Address(s) of Applicant(s):
The Iams Company
7250 Poe Avenue Dayton Ohio 45414 United States of America
(72) Name(s) of Designer(s): **George Scott Kerr and Gregory Dean Sunvold and Lawrence Andrew Schumacher and David William Schuller and Robbert H. Ter Haar and Gary J. Kohlman**
(45) Registration Date: **03 February 2009**
(30) Convention priority data:
(31) Number (32) Date (33) Country
29/320,854 07 Jul 2008 UNITED STATES OF AMERICA
(56) Related Art Documents: **Not Applicable**
(57) Statement of Newness and Distinctiveness: **Newness and distinctiveness reside in the features of pattern and/or ornament of the carton for a pet food supplement, as shown in the representations. The stippled portions indicate a contrast in colour. Newness and distinctiveness are not claimed in relation to the features shown in broken lines in the representations.**



- (21) Design Number: **16059/2008**
(22) Date of Filing Application: **24 December 2008**
(24) Date from which industrial property rights may have effect: **24 December 2008**
(54) Product in respect of which the design is registered: **Table-top microphone**
(51) International Design Classification: **14-01**
(71) Name(s) and Address(s) of Applicant(s):
DEV-AUDIO Pty Ltd
Unit 41/1 Bronberg Court Southport Queensland 4215 Australia
(72) Name(s) of Designer(s): **Alexander Patrick Wall and Warren Derek Thomas Schroder**
(45) Registration Date: **03 February 2009**
(56) Related Art Documents: **Not Applicable**
(57) Statement of Newness and Distinctiveness: **Nil**



(21) Design Number: **16061/2008**
(22) Date of Filing Application: **24 December 2008**
(24) Date from which industrial property rights may have effect: **24 December 2008**
(54) Product in respect of which the design is registered: **Frying pan**
(51) International Design Classification: **07-02N**
(71) Name(s) and Address(s) of Applicant(s):

Pi-Design AG
Kantonsstrasse 100 Postfach 463 CH-6234 Triengen Switzerland

(72) Name(s) of Designer(s): **Jorgen Bodum**

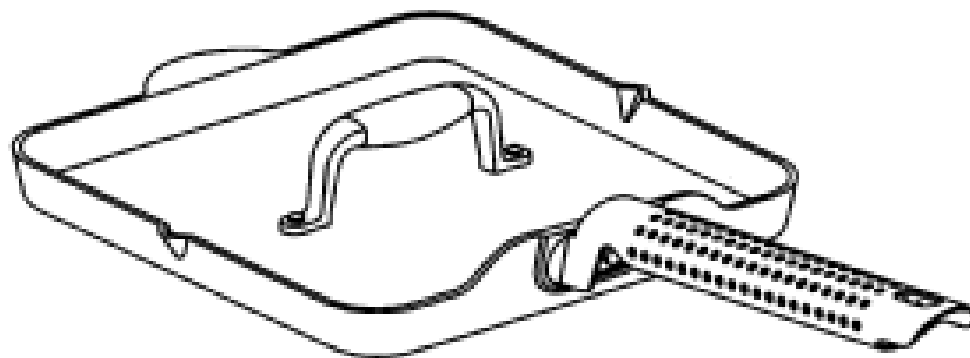
(45) Registration Date: **03 February 2009**

(30) Convention priority data:

(31) Number	(32) Date	(33) Country
DA 2008 00168	11 Jul 2008	DENMARK

(56) Related Art Documents: **Not Applicable**

(57) Statement of Newness and Distinctiveness: **Nil**



(21) Design Number: **16062/2008**
(22) Date of Filing Application: **24 December 2008**
(24) Date from which industrial property rights may have effect: **24 December 2008**
(54) Product in respect of which the design is registered: **Knife block**
(51) International Design Classification: **07-99NES**
(71) Name(s) and Address(s) of Applicant(s):

Pi-Design AG
Kantonsstrasse 100 Postfach 463 CH-6234 Triengen Switzerland

(72) Name(s) of Designer(s): **Jorgen Bodum**

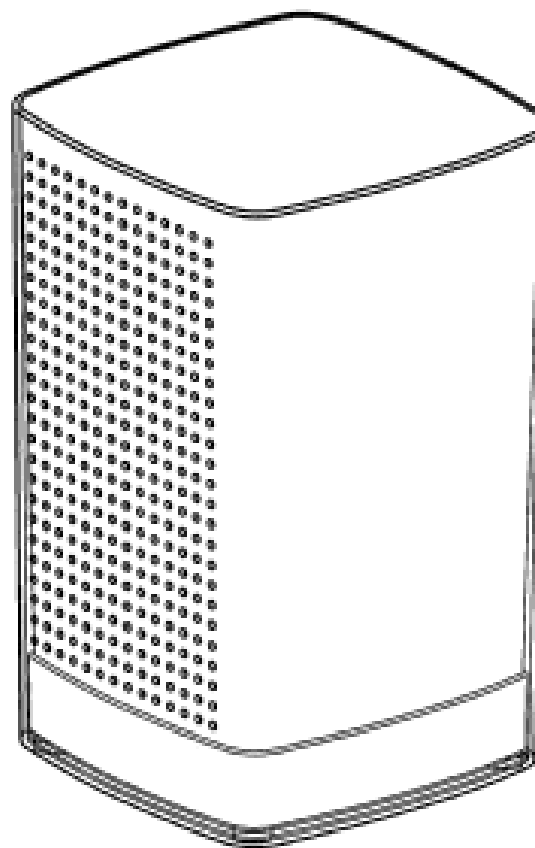
(45) Registration Date: **03 February 2009**

(30) Convention priority data:

(31) Number	(32) Date	(33) Country
DA 2008 00168	11 Jul 2008	DENMARK

(56) Related Art Documents: **Not Applicable**

(57) Statement of Newness and Distinctiveness: **Nil**



(21) Design Number: **16063/2008**
(22) Date of Filing Application: **24 December 2008**
(24) Date from which industrial property rights may have effect: **24 December 2008**
(54) Product in respect of which the design is registered: **Knife block**
(51) International Design Classification: **07-99NES**
(71) Name(s) and Address(s) of Applicant(s):

Pi-Design AG
Kantonsstrasse 100 Postfach 463 CH-6234 Triengen Switzerland

(72) Name(s) of Designer(s): **Jorgen Bodum**

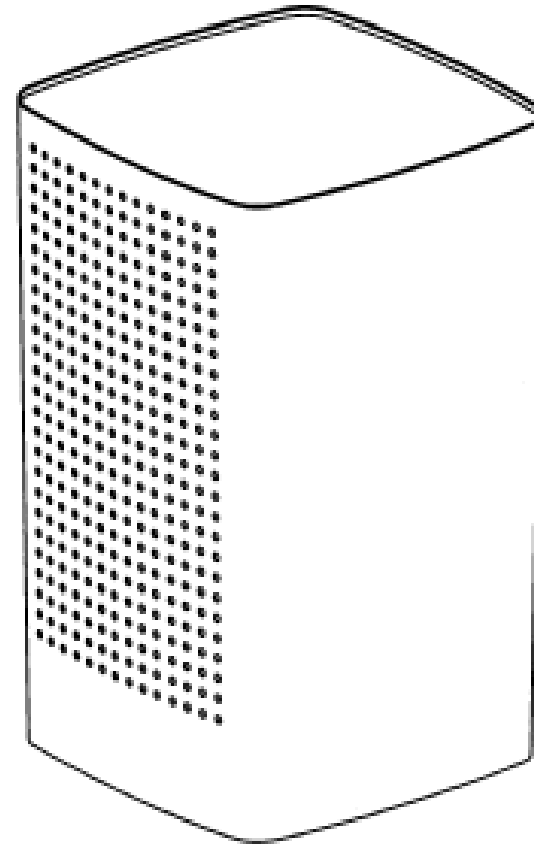
(45) Registration Date: **03 February 2009**

(30) Convention priority data:

(31) Number	(32) Date	(33) Country
DA 2008 00168	11 Jul 2008	DENMARK

(56) Related Art Documents: **Not Applicable**

(57) Statement of Newness and Distinctiveness: **Nil**



(21) Design Number: **16064/2008**
(22) Date of Filing Application: **24 December 2008**
(24) Date from which industrial property rights may have effect: **24 December 2008**
(54) Product in respect of which the design is registered: **Knife block**
(51) International Design Classification: **07-99NES**
(71) Name(s) and Address(s) of Applicant(s):

Pi-Design AG
Kantonsstrasse 100 Postfach 463 CH-6234 Triengen Switzerland

(72) Name(s) of Designer(s): **Jorgen Bodum**

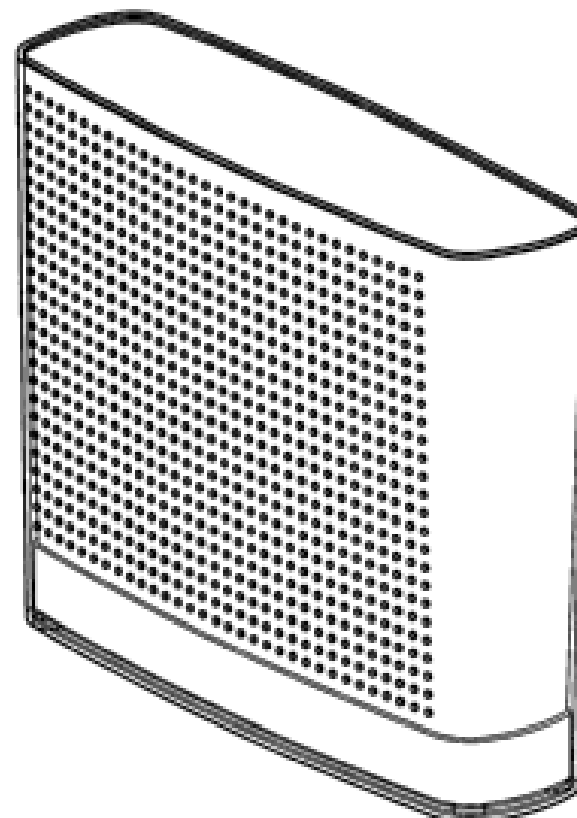
(45) Registration Date: **03 February 2009**

(30) Convention priority data:

(31) Number	(32) Date	(33) Country
DA 2008 00168	11 Jul 2008	DENMARK

(56) Related Art Documents: **Not Applicable**

(57) Statement of Newness and Distinctiveness: **Nil**



- (21) Design Number: **16065/2008**
(22) Date of Filing Application: **24 December 2008**
(24) Date from which industrial property rights may have effect: **24 December 2008**
(54) Product in respect of which the design is registered: **Knife block**
(51) International Design Classification: **07-99NES**
(71) Name(s) and Address(s) of Applicant(s):

Pi-Design AG
Kantonsstrasse 100 Postfach 463 CH-6234 Triengen Switzerland

(72) Name(s) of Designer(s): **Jorgen Bodum**

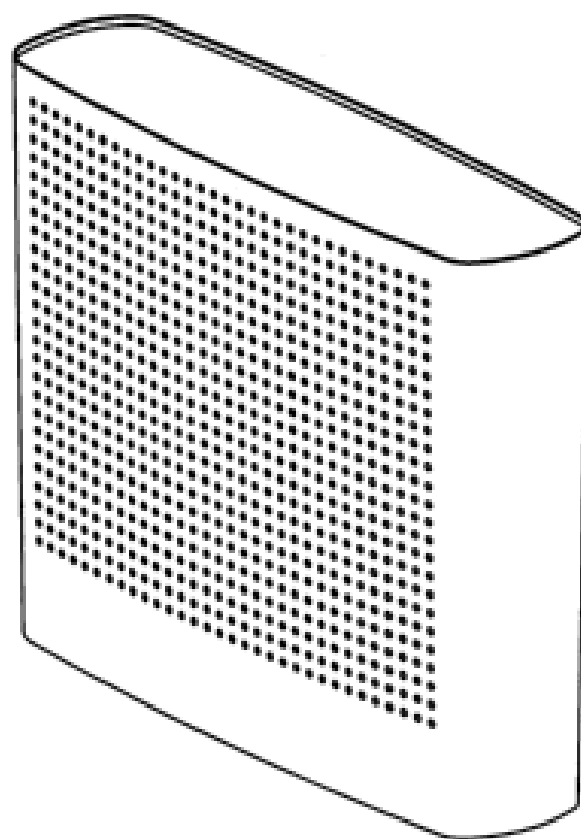
(45) Registration Date: **03 February 2009**

(30) Convention priority data:

(31) Number	(32) Date	(33) Country
DA 2008 00168	11 Jul 2008	DENMARK

(56) Related Art Documents: **Not Applicable**

(57) Statement of Newness and Distinctiveness: **Nil**



- (21) Design Number: **16079/2008**
(22) Date of Filing Application: **23 December 2008**
(24) Date from which industrial property rights may have effect: **23 December 2008**
(54) Product in respect of which the design is registered: **Handle for use in window winder**
(51) International Design Classification: **08-09, 08-06**
(71) Name(s) and Address(s) of Applicant(s):

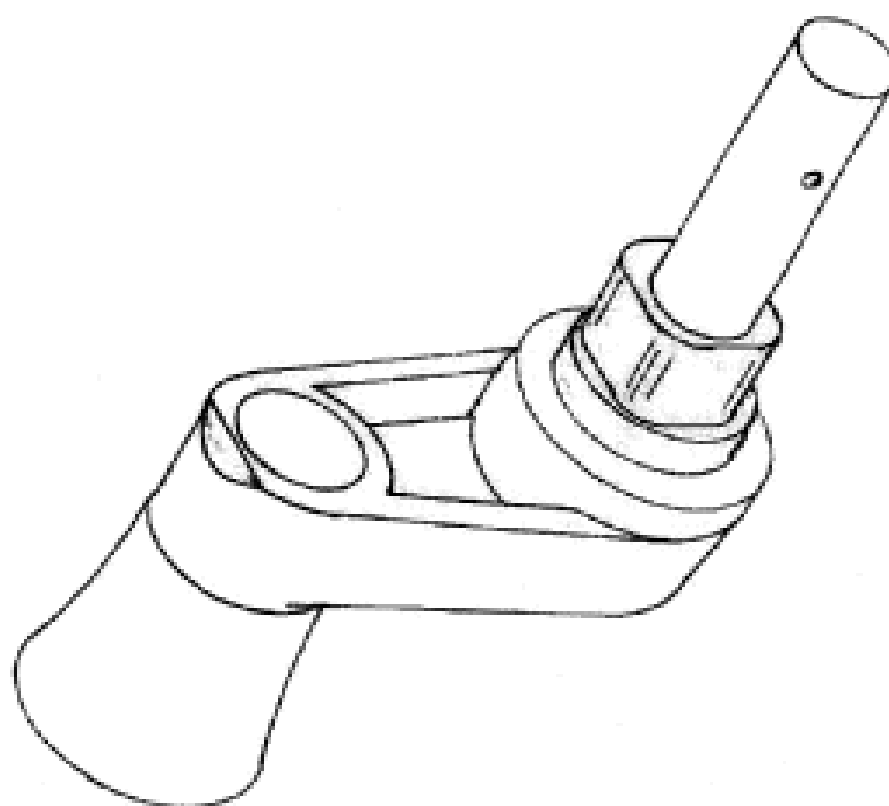
Pacific Enterprises (Aust) Pty Ltd
125 Henderson Road Rowville Victoria 3178 Australia

(72) Name(s) of Designer(s): **Graeme Byrne and David Li**

(45) Registration Date: **03 February 2009**

(56) Related Art Documents: **Not Applicable**

(57) Statement of Newness and Distinctiveness: **Newness and distinctiveness are claimed in the features of shape and/or configuration of a handle for use in window winder, as illustrated in the accompanying representations.**



- (21) Design Number: **10147/2009**
(22) Date of Filing Application: **16 October 2008**
(24) Date from which industrial property rights may have effect: **16 October 2008**
(54) Product in respect of which the design is registered: **Canopy**
(51) International Design Classification: **03-03**
(71) Name(s) and Address(s) of Applicant(s):

Daniel Cutler
10c Chemin des Bois 1255 Veyrier Geneva Switzerland

(72) Name(s) of Designer(s): **Daniel Cutler**

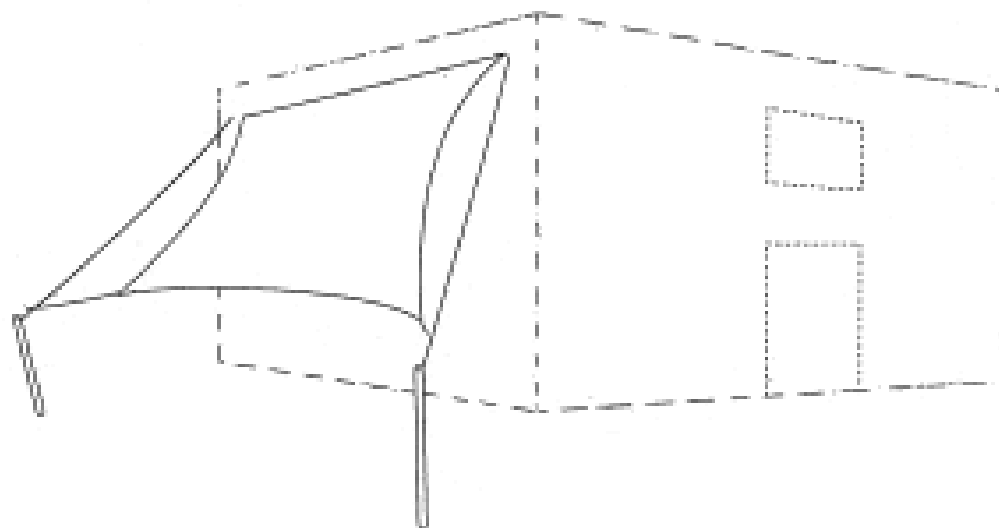
(45) Registration Date: **04 February 2009**

(30) Convention priority data:

(31) Number	(32) Date	(33) Country
000921036	16 Apr 2008	EUROPEAN COMMUNITY

(56) Related Art Documents: **Not Applicable**

(57) Statement of Newness and Distinctiveness: **Those features of the canopy depicted in the representations that are new and distinctive are the shape and/or configuration. The features shown in broken lines are not part of the design and are to be disregarded when considering the overall impression of the design.**



- (21) Design Number: **10148/2009**
(22) Date of Filing Application: **16 October 2008**
(24) Date from which industrial property rights may have effect: **16 October 2008**
(54) Product in respect of which the design is registered: **Canopy**
(51) International Design Classification: **03-03**
(71) Name(s) and Address(s) of Applicant(s):

Daniel Cutler
10c Chemin des Bois 1255 Veyrier Geneva Switzerland

(72) Name(s) of Designer(s): **Daniel Cutler**

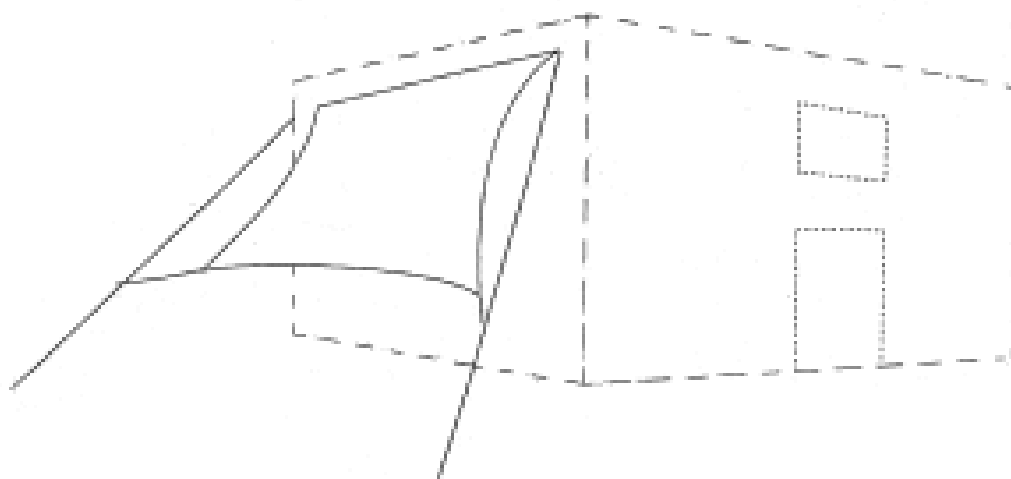
(45) Registration Date: **04 February 2009**

(30) Convention priority data:

(31) Number	(32) Date	(33) Country
000921036	16 Apr 2008	EUROPEAN COMMUNITY

(56) Related Art Documents: **Not Applicable**

(57) Statement of Newness and Distinctiveness: **Those features of the canopy depicted in the representations that are new and distinctive are the shape and/or configuration. The features shown in broken lines are not part of the design and are to be disregarded when considering the overall impression of the design.**



- (21) Design Number: **10149/2009**
(22) Date of Filing Application: **16 October 2008**
(24) Date from which industrial property rights may have effect: **16 October 2008**
(54) Product in respect of which the design is registered: **Canopy**
(51) International Design Classification: **03-03**
(71) Name(s) and Address(s) of Applicant(s):

Daniel Cutler
10c Chemin des Bois 1255 Veyrier Geneva Switzerland

(72) Name(s) of Designer(s): **Daniel Cutler**

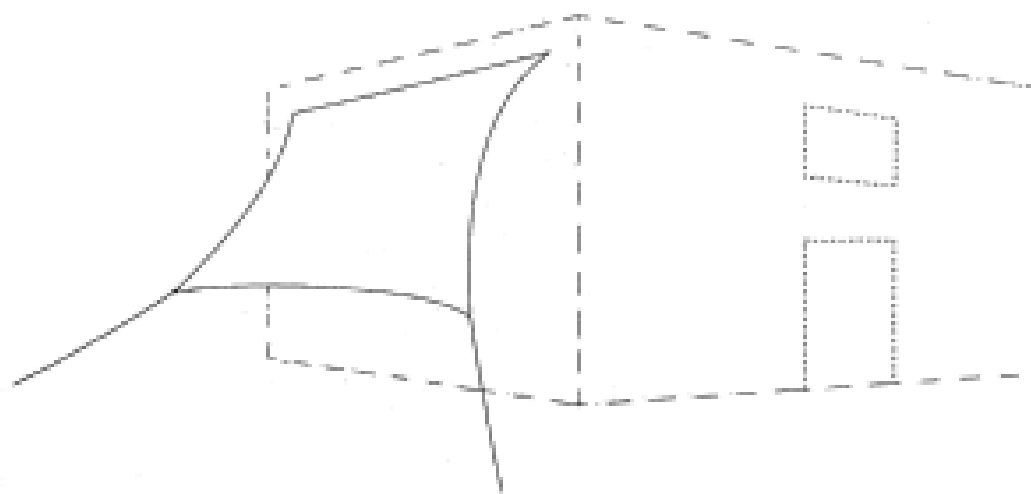
(45) Registration Date: **04 February 2009**

(30) Convention priority data:

(31) Number	(32) Date	(33) Country
000921036	16 Apr 2008	EUROPEAN COMMUNITY

(56) Related Art Documents: **Not Applicable**

(57) Statement of Newness and Distinctiveness: **Those features of the canopy depicted in the representations that are new and distinctive are the shape and/or configuration. The features shown in broken lines are not part of the design and are to be disregarded when considering the overall impression of the design.**



- (21) Design Number: **14971/2008**
(22) Date of Filing Application: **16 October 2008**
(24) Date from which industrial property rights may have effect: **16 October 2008**
(54) Product in respect of which the design is registered: **Canopy**
(51) International Design Classification: **03-03**
(71) Name(s) and Address(s) of Applicant(s):

Daniel Cutler
10c Chemin des Bois 1255 Veyrier Geneva Switzerland

(72) Name(s) of Designer(s): **Daniel Butler**

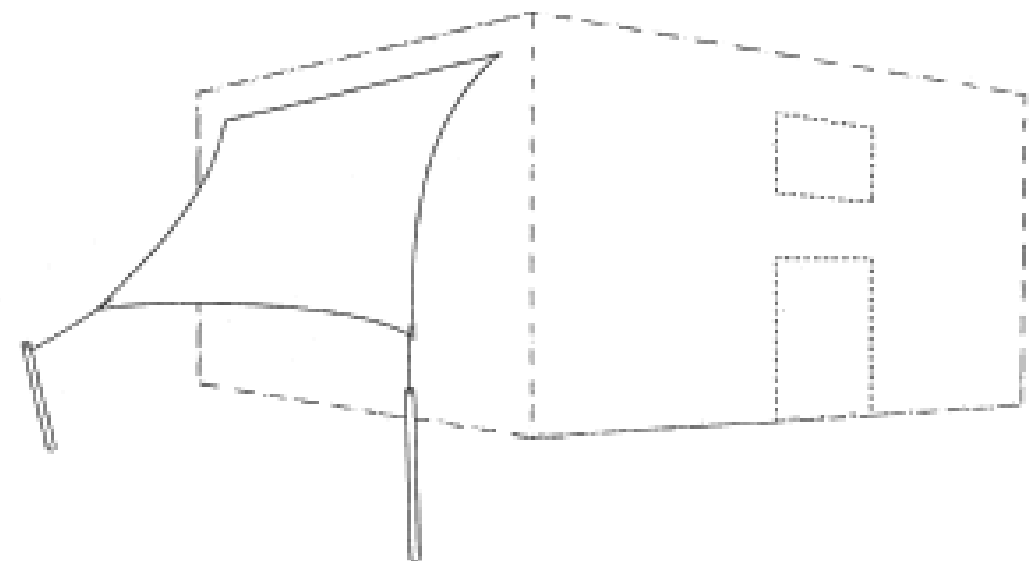
(45) Registration Date: **04 February 2009**

(30) Convention priority data:

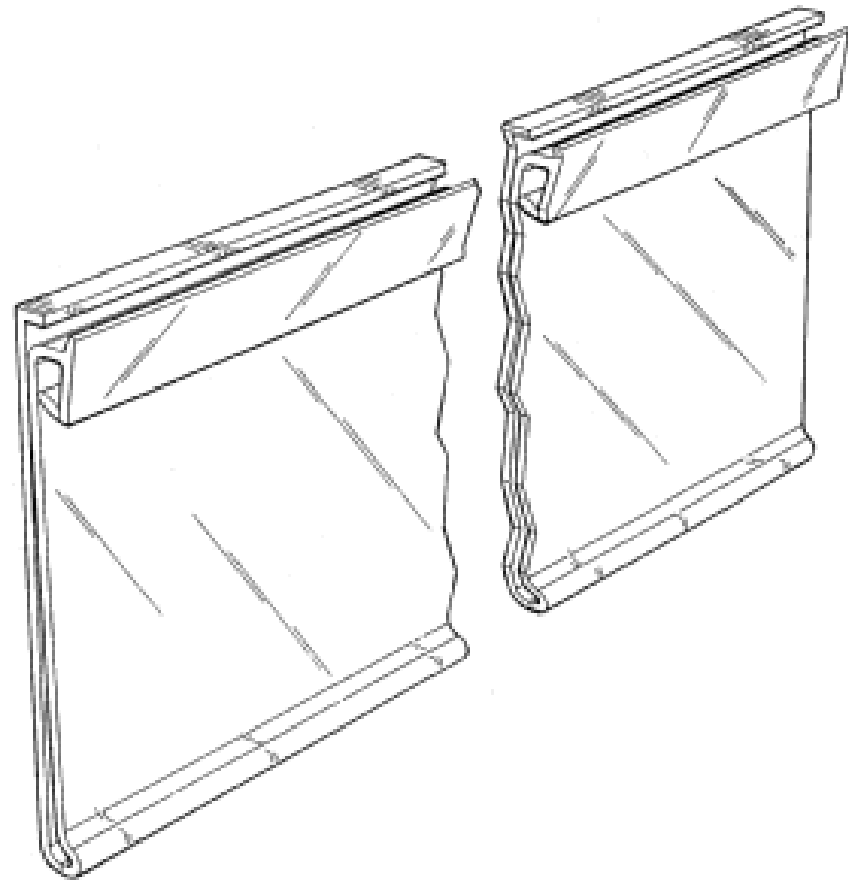
(31) Number	(32) Date	(33) Country
000921036	16 Apr 2008	EUROPEAN COMMUNITY

(56) Related Art Documents: **Not Applicable**

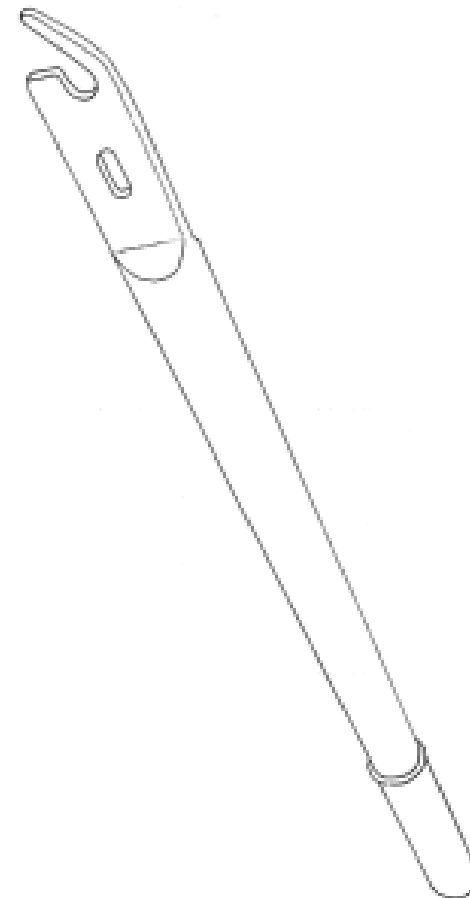
(57) Statement of Newness and Distinctiveness: **Those features of the canopy depicted in the representations that are new and distinctive are the shape and/or configuration. The features shown in broken lines are not part of the design and are to be disregarded when considering the overall impression of the design.**



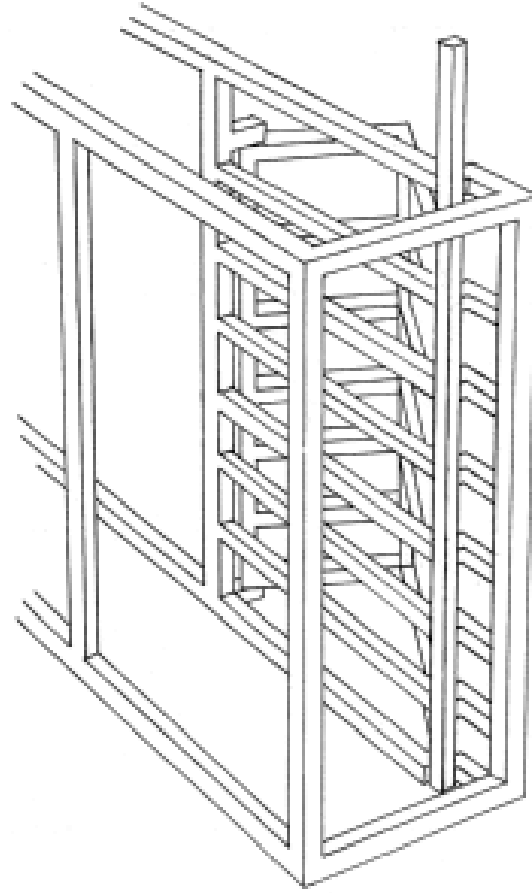
- (21) Design Number: **13383/2008**
(22) Date of Filing Application: **18 July 2008**
(24) Date from which industrial property rights may have effect: **18 July 2008**
(54) Product in respect of which the design is registered: **Label mounting device**
(51) International Design Classification: **18-99**
(71) Name(s) and Address(s) of Applicant(s):
POSM (Point of Sale Material) Pty Ltd
8 McIntyre Way Bomaderry New South Wales 2541 Australia
(72) Name(s) of Designer(s): **Mike James and Steve Cloughton**
(45) Registration Date: **06 February 2009**
(56) Related Art Documents: **Not Applicable**
(57) Statement of Newness and Distinctiveness: **Newness and distinctiveness resides in the visual features of shape and/or configuration of a label mounting device of indefinite length as illustrated in the accompanying representations.**



- (21) Design Number: **14007/2008**
(22) Date of Filing Application: **20 August 2008**
(24) Date from which industrial property rights may have effect: **20 August 2008**
(54) Product in respect of which the design is registered: **Cattle crush/headbar operating handle**
(51) International Design Classification: **30-99, 08-06**
(71) Name(s) and Address(s) of Applicant(s):
Murray McRae Schaefer
2 Bayview Street Nelson Bay New South Wales 2315 Australia
(72) Name(s) of Designer(s): **Murray McRae Schaefer**
(45) Registration Date: **06 February 2009**
(56) Related Art Documents: **Not Applicable**
(57) Statement of Newness and Distinctiveness: **Monopoly is claimed in respect of the shape and configuration of the cattle crush/headbar operating handle as shown in the representations.**



- (21) Design Number: **14008/2008**
(22) Date of Filing Application: **20 August 2008**
(24) Date from which industrial property rights may have effect: **20 August 2008**
(54) Product in respect of which the design is registered: **Blocking gate for livestock crush/fence**
(51) International Design Classification: **25-02C, 30-99**
(71) Name(s) and Address(s) of Applicant(s):
Murray McRae Schaefer
2 Bayview Street Nelson Bay New South Wales 2315 Australia
(72) Name(s) of Designer(s): **Murray McRae Schaefer**
(45) Registration Date: **06 February 2009**
(56) Related Art Documents: **Not Applicable**
(57) Statement of Newness and Distinctiveness: **Monopoly is claimed in respect of the shape and configuration of the blocking gate for livestock crush/fence as shown in the representations**



- (21) Design Number: **14061/2008**
(22) Date of Filing Application: **19 August 2008**
(24) Date from which industrial property rights may have effect: **19 August 2008**
(54) Product in respect of which the design is registered: **A trailer axle for portable trailers .ie. dinghy, motorbike etc; where - by the main drawbar is able to be detached from**
(51) International Design Classification: **12-10, 12-16L**
(71) Name(s) and Address(s) of Applicant(s):
Gavin Ager
34 Boronia Road Banjup Western Australia 6164 Australia
(72) Name(s) of Designer(s): **Gavin R. Ager**
(45) Registration Date: **06 February 2009**
(56) Related Art Documents: **Not Applicable**
(57) Statement of Newness and Distinctiveness: **A trailer axle design where - by a main drawbar member is able to slide thru and or be removable from the central axle housing.**



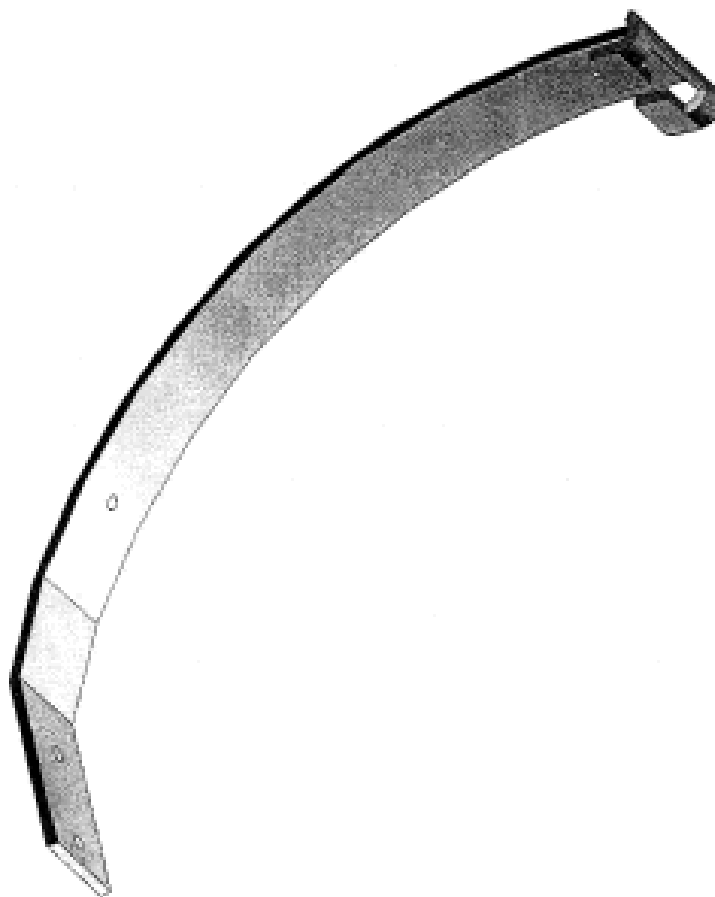
- (21) Design Number: **14230/2008**
(22) Date of Filing Application: **02 September 2008**
(24) Date from which industrial property rights may have effect: **02 September 2008**
(54) Product in respect of which the design is registered: **Shoe pillow foot support**
(51) International Design Classification: **02-04A**
(71) Name(s) and Address(s) of Applicant(s):
Meadway Holdings Pty Ltd
6 Meadway Close Pymble New South Wales 2073 Australia
Zou Zou Holdings Pty Ltd
6 Meadway Close Pymble New South Wales 2073 Australia
(72) Name(s) of Designer(s): **Mark Ninio and Michael Kinchington**
(45) Registration Date: **06 February 2009**
(56) Related Art Documents: **Not Applicable**
(57) Statement of Newness and Distinctiveness: **The newness and distinctiveness of the design are the shape and configuration of the shoe pillow foot support which is a novel advancement of existing shoe-foot supports commonly used to aid musculoskeletal foot conditions and enhance shoe comfort.**



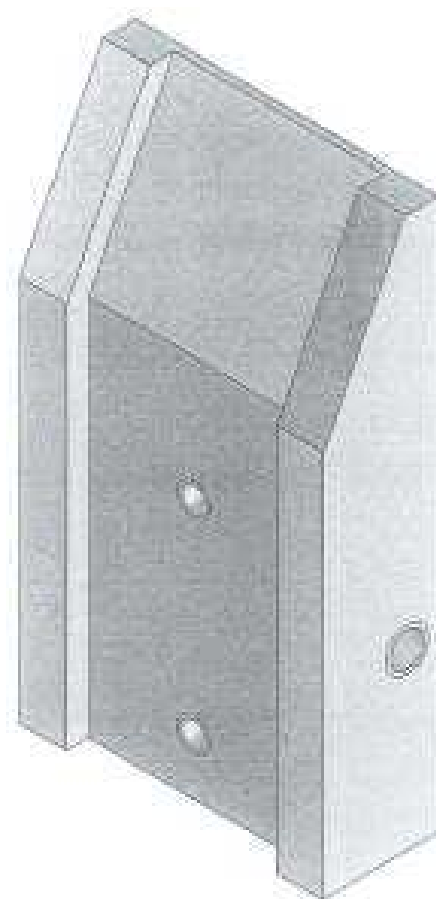
- (21) Design Number: **15694/2008**
(22) Date of Filing Application: **03 December 2008**
(24) Date from which industrial property rights may have effect: **03 December 2008**
(54) Product in respect of which the design is registered: **Helmet visor frame**
(51) International Design Classification: **02-03**
(71) Name(s) and Address(s) of Applicant(s):
Avner Klein
145 Wells Street South Melbourne Victoria 3205 Australia
(72) Name(s) of Designer(s): **Avner Klein**
(45) Registration Date: **06 February 2009**
(56) Related Art Documents: **Not Applicable**
(57) Statement of Newness and Distinctiveness: **The newness and distinctiveness of the design resides in the shape and/or configuration of the HELMET VISOR FRAME shown in the representations.**



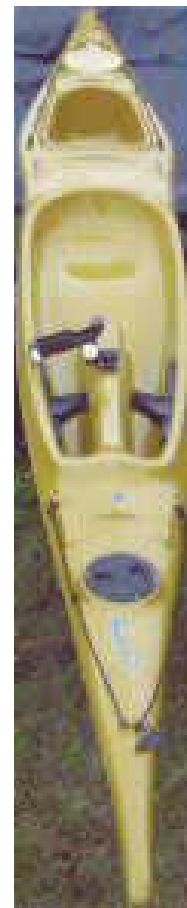
- (21) Design Number: **15695/2008**
(22) Date of Filing Application: **03 December 2008**
(24) Date from which industrial property rights may have effect: **03 December 2008**
(54) Product in respect of which the design is registered: **Helmet visor slide track**
(51) International Design Classification: **02-03**
(71) Name(s) and Address(s) of Applicant(s):
Avner Klein
145 Wells Street South Melbourne Victoria 3205 Australia
(72) Name(s) of Designer(s): **Avner Klein**
(45) Registration Date: **06 February 2009**
(56) Related Art Documents: **Not Applicable**
(57) Statement of Newness and Distinctiveness: **The newness and distinctiveness of the design resides in the shape and/or configuration of the HELMET VISOR SLIDE TRACK shown in the representations.**



- (21) Design Number: **15696/2008**
(22) Date of Filing Application: **03 December 2008**
(24) Date from which industrial property rights may have effect: **03 December 2008**
(54) Product in respect of which the design is registered: **Mounting block for helmet visor system**
(51) International Design Classification: **02-03**
(71) Name(s) and Address(s) of Applicant(s):
Avner Klein
145 Wells Street South Melbourne Victoria 3205 Australia
(72) Name(s) of Designer(s): **Avner Klein**
(45) Registration Date: **06 February 2009**
(56) Related Art Documents: **Not Applicable**
(57) Statement of Newness and Distinctiveness: **The newness and distinctiveness of the design resides in the shape and/or configuration of the MOUNTING BLOCK FOR HELMET VISOR SYSTEM shown in the representations.**



(21) Design Number: **13435/2008**
(22) Date of Filing Application: **23 July 2008**
(24) Date from which industrial property rights may have effect: **23 July 2008**
(54) Product in respect of which the design is registered: **Sea kayaking**
(51) International Design Classification: **12-06C**
(71) Name(s) and Address(s) of Applicant(s):
John B. Jones
1 Dangarfield Road Aberbeen New South Wales 2336 Australia
(72) Name(s) of Designer(s): **John B. Jones**
(45) Registration Date: **04 February 2009**
(56) Related Art Documents: **Not Applicable**
(57) Statement of Newness and Distinctiveness: **Nil**



(21) Design Number: **13436/2008**
(22) Date of Filing Application: **23 July 2008**
(24) Date from which industrial property rights may have effect: **23 July 2008**
(54) Product in respect of which the design is registered: **Sea kayaking**
(51) International Design Classification: **12-06C**
(71) Name(s) and Address(s) of Applicant(s):
John B. Jones
1 Dangarfield Road Aberbeen New South Wales 2336 Australia
(72) Name(s) of Designer(s): **John B. Jones**
(45) Registration Date: **04 February 2009**
(56) Related Art Documents: **Not Applicable**
(57) Statement of Newness and Distinctiveness: **Nil**



(21) Design Number: **13996/2008**

(22) Date of Filing Application: **19 August 2008**

(24) Date from which industrial property rights may have effect: **19 August 2008**

(54) Product in respect of which the design is registered: **Twilight lighting series based on the design and manufactured in a range of sizes.**

(51) International Design Classification: **26-05B**

(71) Name(s) and Address(s) of Applicant(s):

Keith Melbourne

23/34 Smith Street Collingwood Victoria 3066 Australia

(72) Name(s) of Designer(s): **Keith Melbourne**

(45) Registration Date: **04 February 2009**

(56) Related Art Documents: **Not Applicable**

(57) Statement of Newness and Distinctiveness: **The 'Twilight' body is formed by machining a flat wedge shaped piece of material and then bending this material into a twisted 'U' shaped form. Where the bends are placed at angles to the edge of the wedge, such that the body of the lamp twists and travels sideways as it wraps around the corners, producing a distinctive and expressive form. 'Twilight' has an extremely thin body (typically 3 to 4mm) and no apparent wiring between the base and LED lighting source. This is achieved through a new approach to lighting design and use of materials. The low voltage electricity is transmitted through the two aluminum surface layers of the light body, which are insulated from each other by a plastic core. In this implementation of 'Twilight' an array of low profiles Light Emitting Diodes (LEDs) is used. An area of the 'Twilight' body is rebated out to mount the LEDs, ensuring the profile of the light remains extremely thin.**



(21) Design Number: **15253/2008**

(22) Date of Filing Application: **07 November 2008**

(24) Date from which industrial property rights may have effect: **07 November 2008**

(54) Product in respect of which the design is registered: **Glass door chiller with TV screen incorporated**

(51) International Design Classification: **14-03B, 15-07**

(71) Name(s) and Address(s) of Applicant(s):

Crispin Jean Beek

115 Conclusion Street Ascot Park Porirua 5024 New Zealand

(72) Name(s) of Designer(s): **Crispin Jean Beek**

(45) Registration Date: **04 February 2009**

(30) Convention priority data:

(31) Number

(32) Date

(33) Country

410833

22 May 2008

NEW ZEALAND

(56) Related Art Documents: **Not Applicable**

(57) Statement of Newness and Distinctiveness: **The design is to be applied to chiller television and the novelty of the design reside in the features of shape/or configuration of the article as shown on the accompanying representations.**



(21) Design Number: **16027/2008**

(22) Date of Filing Application: **23 December 2008**

(24) Date from which industrial property rights may have effect: **23 December 2008**

(54) Product in respect of which the design is registered: **Pouch**

(51) International Design Classification: **09-05**

(71) Name(s) and Address(s) of Applicant(s):

**Hosokawa Yoko Co. Ltd
11-5 Nibancho Chiyoda-ku Tokyo Japan**

(72) Name(s) of Designer(s): **Koki Abe and Toru Ichikawa**

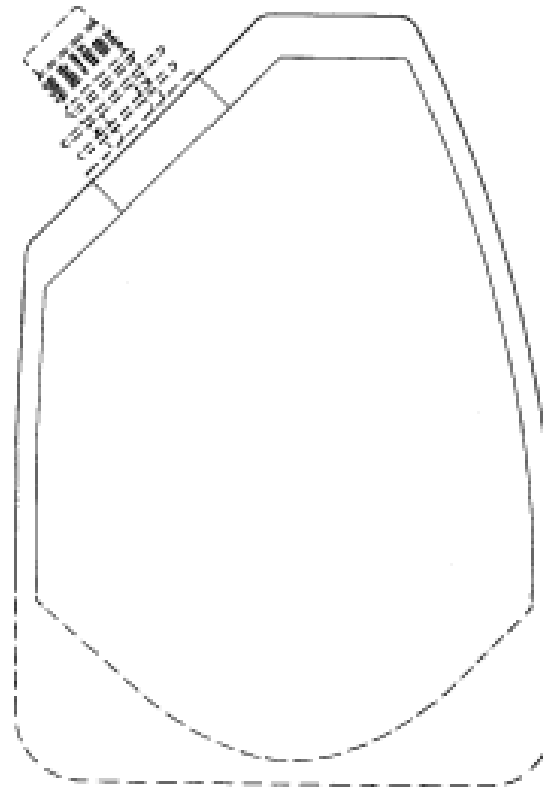
(45) Registration Date: **04 February 2009**

(30) Convention priority data:

(31) Number	(32) Date	(33) Country
2008-16821	30 Jun 2008	JAPAN

(56) Related Art Documents: **Not Applicable**

(57) Statement of Newness and Distinctiveness: **The shape and configuration of those parts of the design shown by means of solid lines in the representations are new and distinctive.**



(21) Design Number: **16028/2008**

(22) Date of Filing Application: **23 December 2008**

(24) Date from which industrial property rights may have effect: **23 December 2008**

(54) Product in respect of which the design is registered: **Pouch**

(51) International Design Classification: **09-05**

(71) Name(s) and Address(s) of Applicant(s):

**Hosokawa Yoko Co. Ltd
11-5 Nibancho Chiyoda-ku Tokyo Japan**

(72) Name(s) of Designer(s): **Koki Abe and Toru Ichikawa**

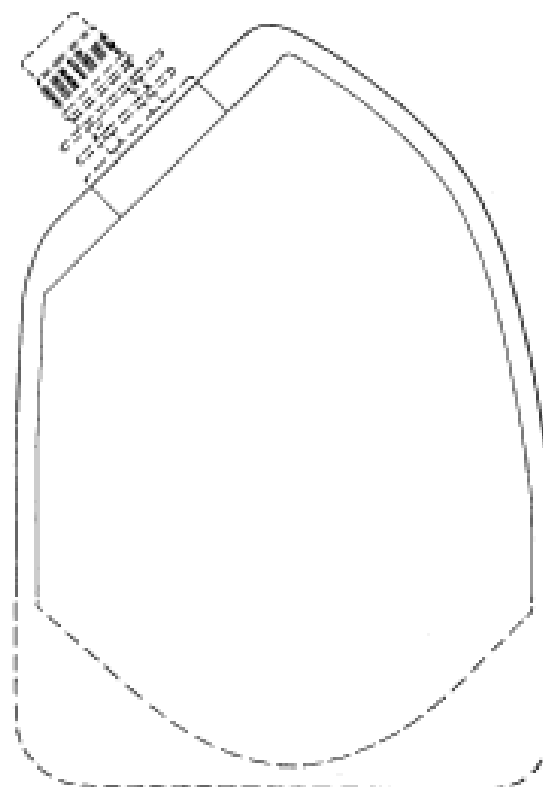
(45) Registration Date: **04 February 2009**

(30) Convention priority data:

(31) Number	(32) Date	(33) Country
2008-016826	30 Jun 2008	JAPAN

(56) Related Art Documents: **Not Applicable**

(57) Statement of Newness and Distinctiveness: **The shape and configuration of those parts of the design shown by means of solid lines in the representations are new and distinctive.**



- (21) Design Number: **16030/2008**
(22) Date of Filing Application: **23 December 2008**
(24) Date from which industrial property rights may have effect: **23 December 2008**
(54) Product in respect of which the design is registered: **Writing instrument**
(51) International Design Classification: **19-06**
(71) Name(s) and Address(s) of Applicant(s):

Societe Bic
14 rue Jeanne d'Asnieres 92110 Clichy France

- (72) Name(s) of Designer(s): **Franck Rolion and Franck Vadenne**

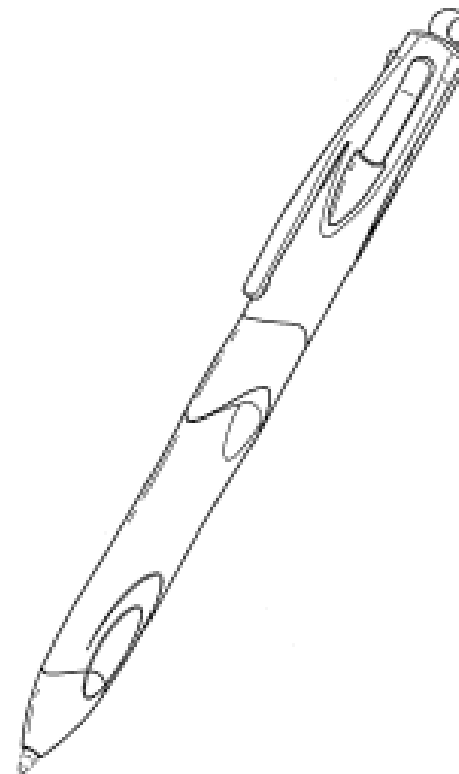
- (45) Registration Date: **04 February 2009**

- (30) Convention priority data:

(31) Number	(32) Date	(33) Country
001011035-0001	29 Sep 2008	EUROPEAN COMMUNITY

- (56) Related Art Documents: **Not Applicable**

- (57) Statement of Newness and Distinctiveness: **Those features of the writing instrument depicted in the representations that are new and distinctive are the shape and/or configuration. The features shown in broken lines are to be disregarded when considering the overall impression of the design.**



- (21) Design Number: **10006/2009**
(22) Date of Filing Application: **02 January 2009**
(24) Date from which industrial property rights may have effect: **02 January 2009**
(54) Product in respect of which the design is registered: **A power board**
(51) International Design Classification: **13-03D, 13-03E, 14-02**
(71) Name(s) and Address(s) of Applicant(s):

Jackson Industries Pty Limited
16 Brookhollow Avenue Norwest Business Park Baulkham Hills New South Wales 2153 Australia

- (72) Name(s) of Designer(s): **Ross Jackson**

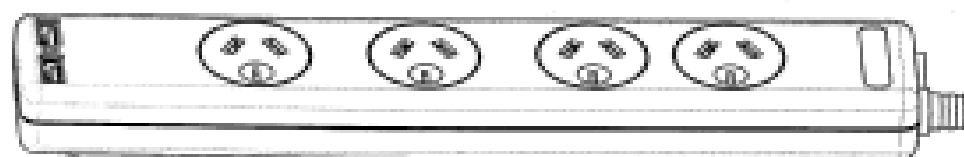
- (45) Registration Date: **04 February 2009**

- (56) Related Art Documents: **Not Applicable**

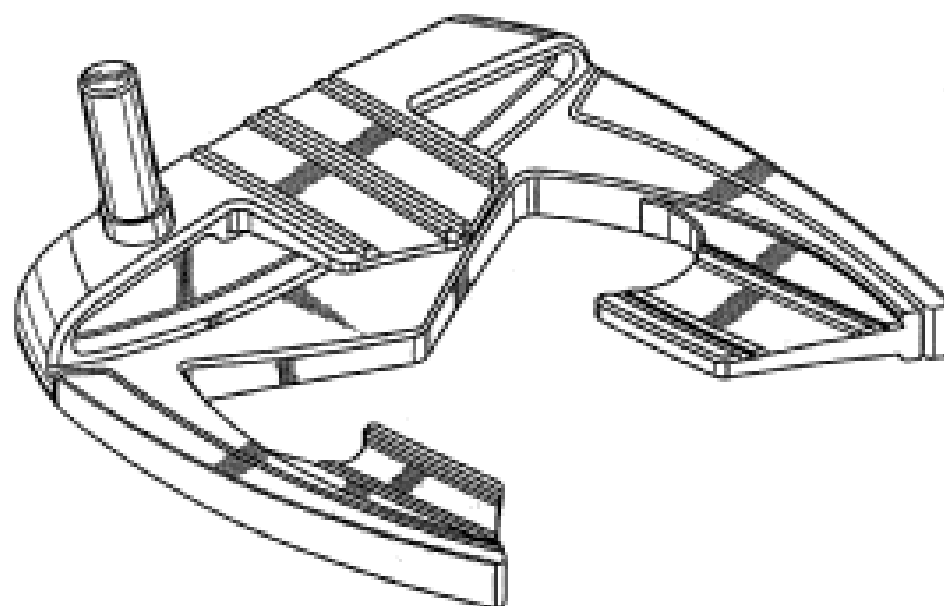
- (57) Statement of Newness and Distinctiveness: **Newness and distinctiveness is claimed in the features of shape and/or configuration of the curved shape and placement of USB sockets of a power board as illustrated in the following representations.**



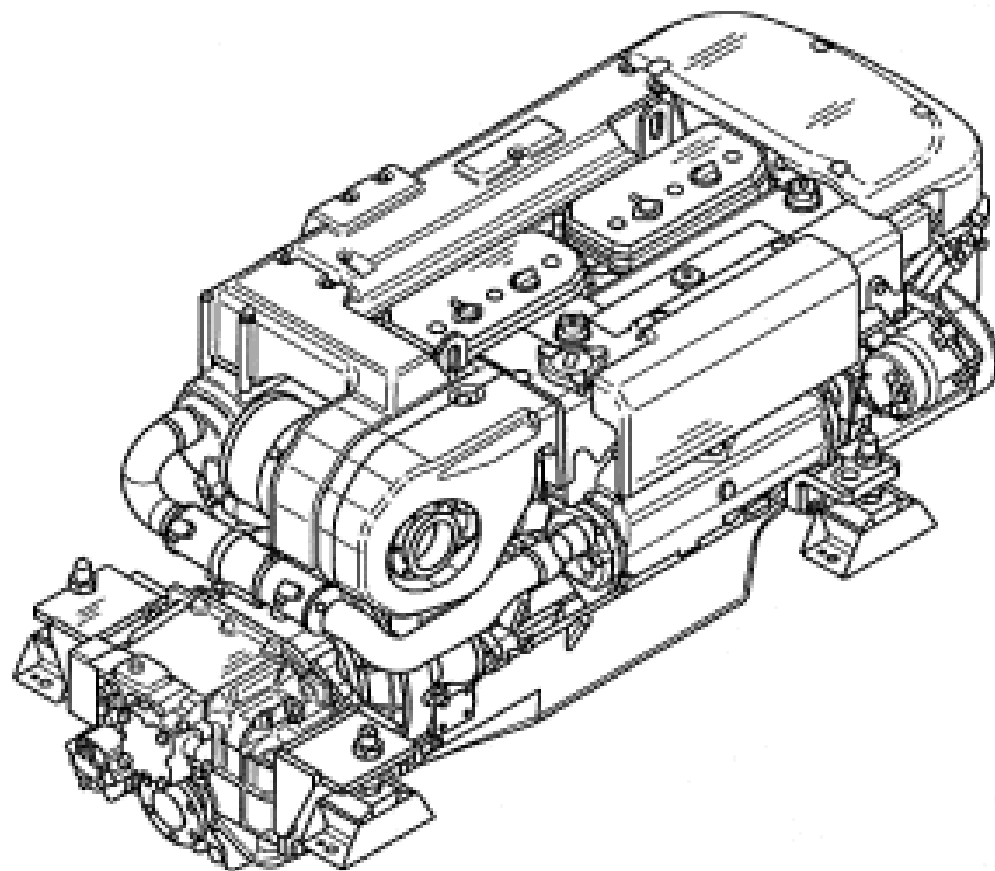
(21) Design Number: **10007/2009**
 (22) Date of Filing Application: **02 January 2009**
 (24) Date from which industrial property rights may have effect: **02 January 2009**
 (54) Product in respect of which the design is registered: **A power board**
 (51) International Design Classification: **13-03D, 13-03E, 14-02**
 (71) Name(s) and Address(s) of Applicant(s):
Jackson Industries Pty Limited
16 Brookhollow Avenue Norwest Business Park Baulkham Hills New
South Wales 2153 Australia
 (72) Name(s) of Designer(s): **Ross Jackson**
 (45) Registration Date: **04 February 2009**
 (56) Related Art Documents: **Not Applicable**
 (57) Statement of Newness and Distinctiveness: **Newness and distinctiveness is claimed in the features of shape and/or configuration of the curved shape and placement of USB sockets of a power board as illustrated in the following representations.**



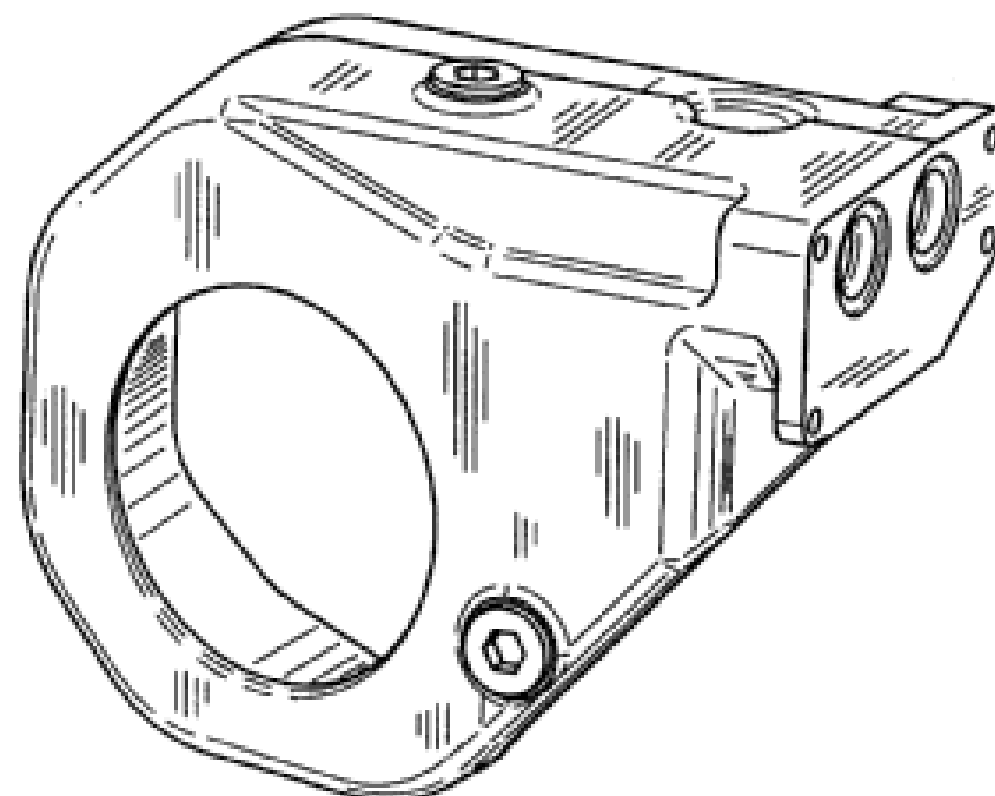
(21) Design Number: **10008/2009**
 (22) Date of Filing Application: **02 January 2009**
 (24) Date from which industrial property rights may have effect: **02 January 2009**
 (54) Product in respect of which the design is registered: **Putter head**
 (51) International Design Classification: **21-02C**
 (71) Name(s) and Address(s) of Applicant(s):
Callaway Golf Company
2180 Rutherford Road Carlsbad California 92008-7328 United States
of America
 (72) Name(s) of Designer(s): **Thomas R. Hilton**
 (45) Registration Date: **04 February 2009**
 (30) Convention priority data:
 (31) Number (32) Date (33) Country
29/320853 07 Jul 2008 UNITED STATES OF AMERICA
 (56) Related Art Documents: **Not Applicable**
 (57) Statement of Newness and Distinctiveness: **Newness and distinctiveness is claimed in the features of shape and/or configuration of a putter head as illustrated in the accompanying representations.**



- (21) Design Number: **10009/2009**
(22) Date of Filing Application: **05 January 2009**
(24) Date from which industrial property rights may have effect: **05 January 2009**
(54) Product in respect of which the design is registered: **Internal combustion engine**
(51) International Design Classification: **15-01**
(71) Name(s) and Address(s) of Applicant(s):
Yanmar Co., Ltd.
1-32 Chayamachi Kita-ku Osaka-shi Osaka 530-0013 Japan
(72) Name(s) of Designer(s): **Terumitsu Takahata and Hidenori Nomura and Satomi Ukai**
(45) Registration Date: **04 February 2009**
(30) Convention priority data:
(31) Number (32) Date (33) Country
2008-22469 01 Sep 2008 JAPAN
(56) Related Art Documents: **Not Applicable**
(57) Statement of Newness and Distinctiveness: **Newness and distinctiveness reside in the features of the design as shown in the representations.**



- (21) Design Number: **10010/2009**
(22) Date of Filing Application: **05 January 2009**
(24) Date from which industrial property rights may have effect: **05 January 2009**
(54) Product in respect of which the design is registered: **Turbocharger cover for internal combustion engine**
(51) International Design Classification: **12-16NES, 15-01**
(71) Name(s) and Address(s) of Applicant(s):
Yanmar Co., Ltd.
1-32 Chayamachi Kita-ku Osaka-shi Osaka 530-0013 Japan
(72) Name(s) of Designer(s): **Terumitsu Takahata**
(45) Registration Date: **04 February 2009**
(30) Convention priority data:
(31) Number (32) Date (33) Country
2008-22470 01 Sep 2008 JAPAN
(56) Related Art Documents: **Not Applicable**
(57) Statement of Newness and Distinctiveness: **Newness and distinctiveness reside in the features of the design as shown in the representations.**



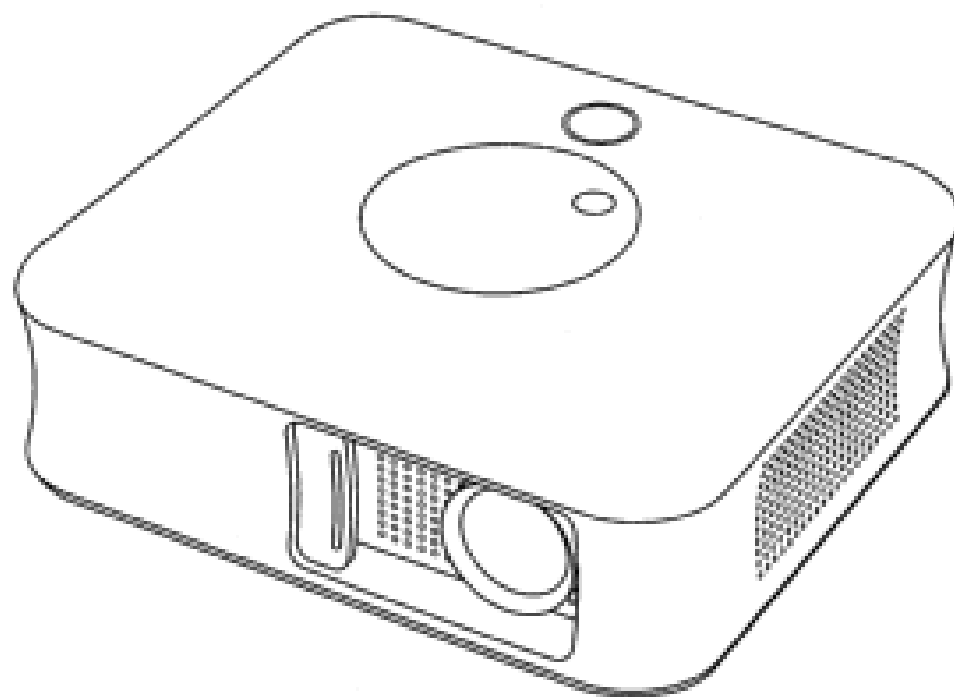
- (21) Design Number: **10011/2009**
(22) Date of Filing Application: **02 January 2009**
(24) Date from which industrial property rights may have effect: **02 January 2009**
(54) Product in respect of which the design is registered: **A cup**
(51) International Design Classification: **12-16NES, 07-01D**
(71) Name(s) and Address(s) of Applicant(s):
Cowelle Pty Ltd
55 Monte Carlo Street Wishart Queensland 4122 Australia
(72) Name(s) of Designer(s): **Chun Keung Chow**
(45) Registration Date: **04 February 2009**
(56) Related Art Documents: **Not Applicable**
(57) Statement of Newness and Distinctiveness: **The novelty claimed for the design resides in the features of shape and/or configuration all as shown in the representations.**



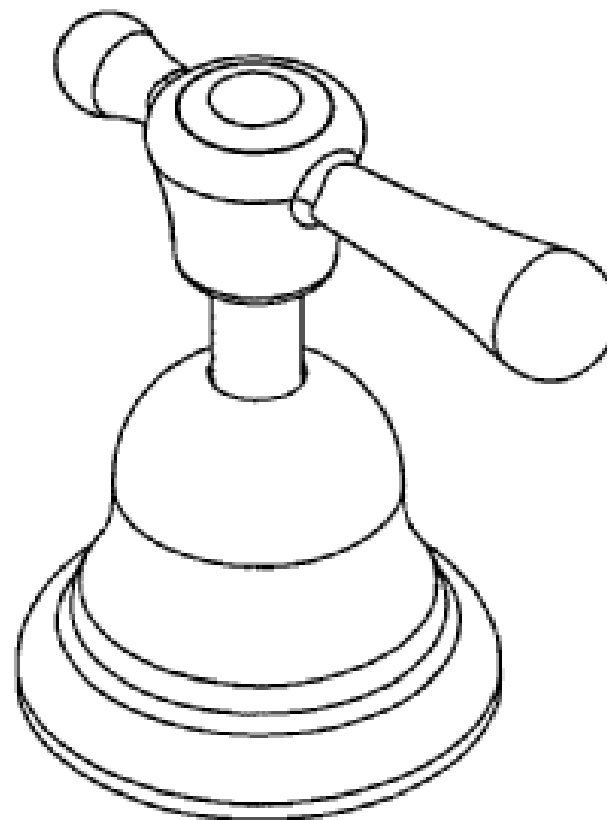
- (21) Design Number: **10264/2009**
(22) Date of Filing Application: **30 January 2009**
(24) Date from which industrial property rights may have effect: **30 January 2009**
(54) Product in respect of which the design is registered: **Data projector**
(51) International Design Classification: **16-02**
(71) Name(s) and Address(s) of Applicant(s):
Kabushiki Kaisha Toshiba
1-1 Shibaura 1-chome Minato-ku Tokyo Japan
(72) Name(s) of Designer(s): **Koji Nagase**
(45) Registration Date: **10 February 2009**
(30) Convention priority data:

(31) Number	(32) Date	(33) Country
2008021979	27 Aug 2008	JAPAN

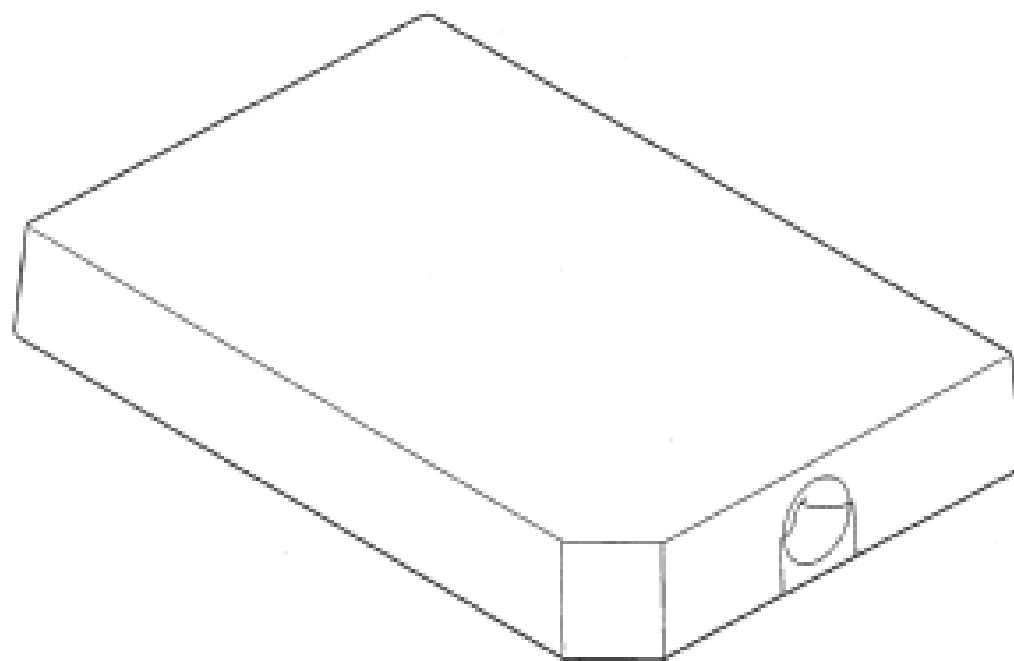
(56) Related Art Documents: **Not Applicable**
(57) Statement of Newness and Distinctiveness: **Nil**



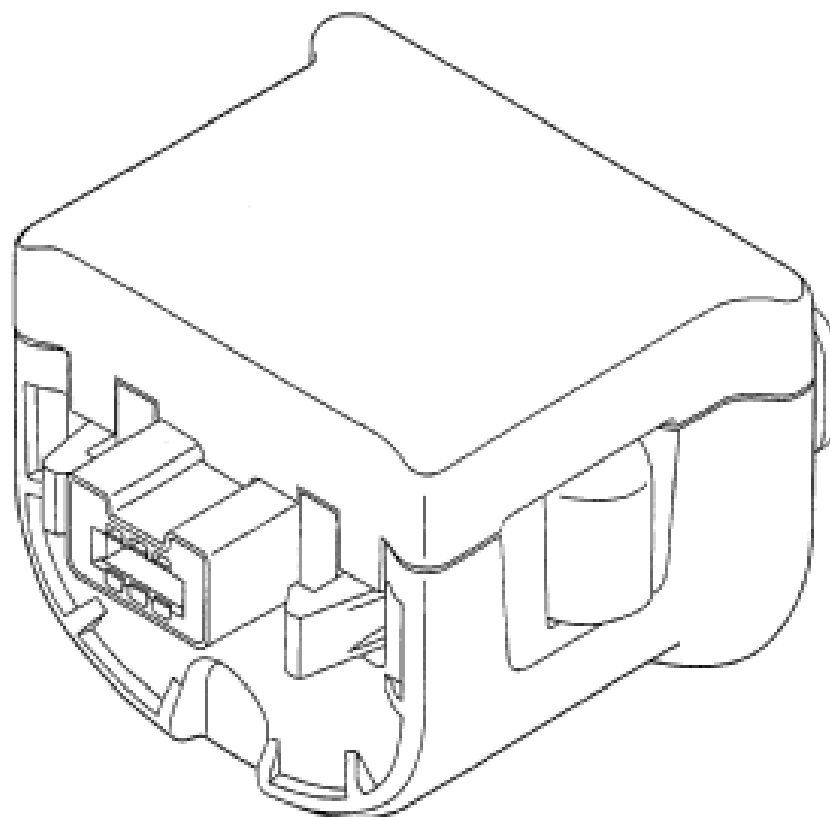
(21) Design Number: **10021/2009**
(22) Date of Filing Application: **06 January 2009**
(24) Date from which industrial property rights may have effect: **06 January 2009**
(54) Product in respect of which the design is registered: **A tap handle and flange**
(51) International Design Classification: **23-01H**
(71) Name(s) and Address(s) of Applicant(s):
Phoenix Industries Pty Ltd
31 Gilbert Park Drive Knoxfield Victoria 3180 Australia
(72) Name(s) of Designer(s): **Andrew Cocks**
(45) Registration Date: **04 February 2009**
(56) Related Art Documents: **Not Applicable**
(57) Statement of Newness and Distinctiveness: **Nil**



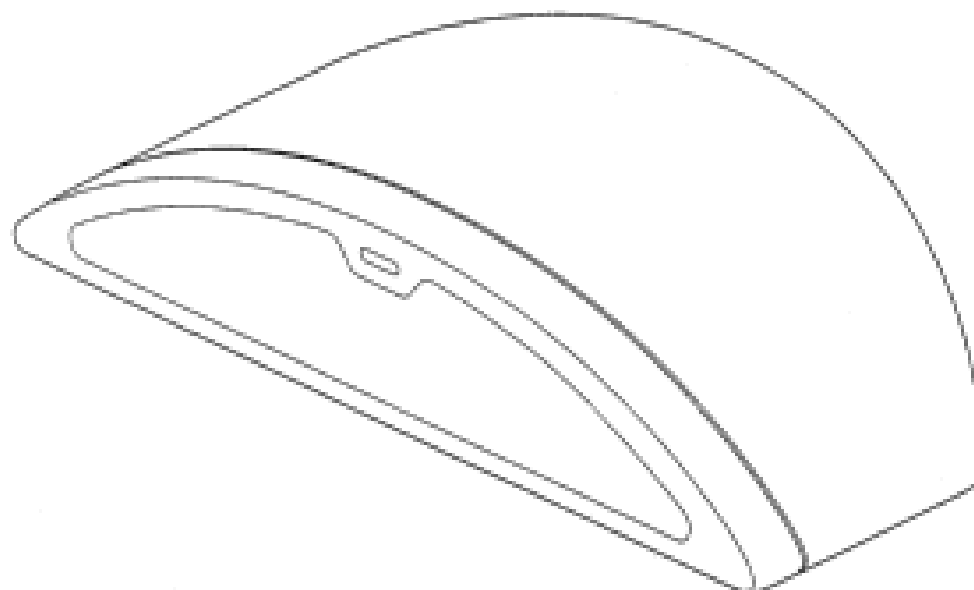
(21) Design Number: **10023/2009**
(22) Date of Filing Application: **06 January 2009**
(24) Date from which industrial property rights may have effect: **06 January 2009**
(54) Product in respect of which the design is registered: **Sound processor unit**
(51) International Design Classification: **14-01**
(71) Name(s) and Address(s) of Applicant(s):
Nintendo Co., Ltd.
11-1 Hokotate-cho Kamitoba Minami-ku Kyoto-shi Kyoto Japan
(72) Name(s) of Designer(s): **Fumiyoshi Suetake and Shinji Yamamoto and Yuji Hori**
(45) Registration Date: **04 February 2009**
(30) Convention priority data:
(31) Number (32) Date (33) Country
2008-017375 07 Jul 2008 JAPAN
(56) Related Art Documents: **Not Applicable**
(57) Statement of Newness and Distinctiveness: **Nil**



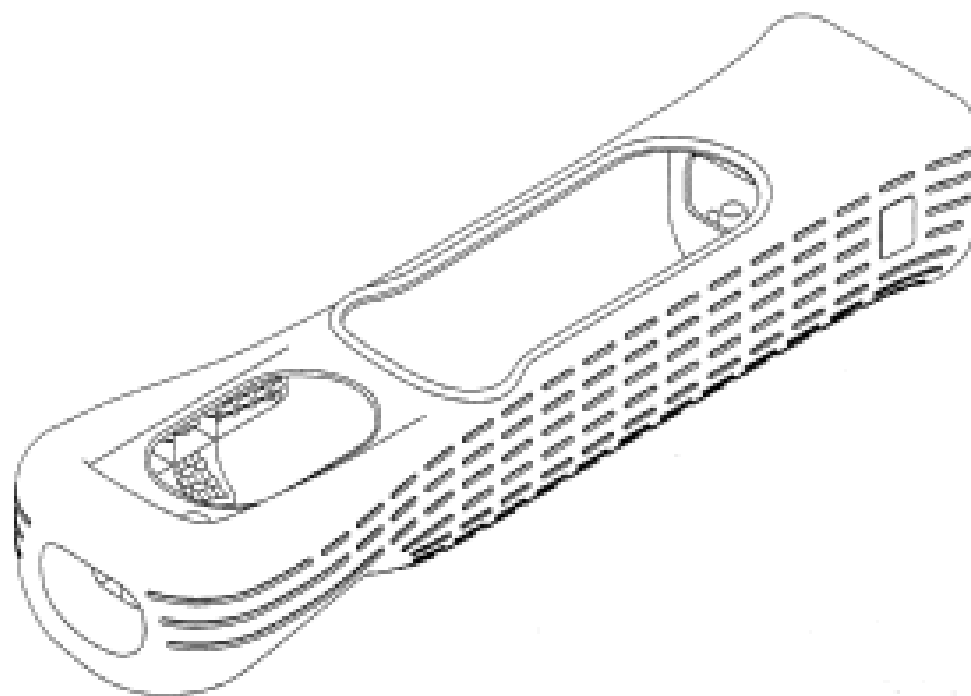
(21) Design Number: **10024/2009**
(22) Date of Filing Application: **06 January 2009**
(24) Date from which industrial property rights may have effect: **06 January 2009**
(54) Product in respect of which the design is registered: **Controller expander**
(51) International Design Classification: **21-01N**
(71) Name(s) and Address(s) of Applicant(s):
Nintendo Co., Ltd.
11-1 Hokotate-cho Kamitoba Minami-ku Kyoto-shi Kyoto Japan
(72) Name(s) of Designer(s): **Fumiyoshi Suetake and Noboru Wakitani and Masato Ibuki and Junji Takamoto**
(45) Registration Date: **04 February 2009**
(30) Convention priority data:
(31) Number (32) Date (33) Country
2008-025255 01 Oct 2008 JAPAN
(56) Related Art Documents: **Not Applicable**
(57) Statement of Newness and Distinctiveness: **Nil**



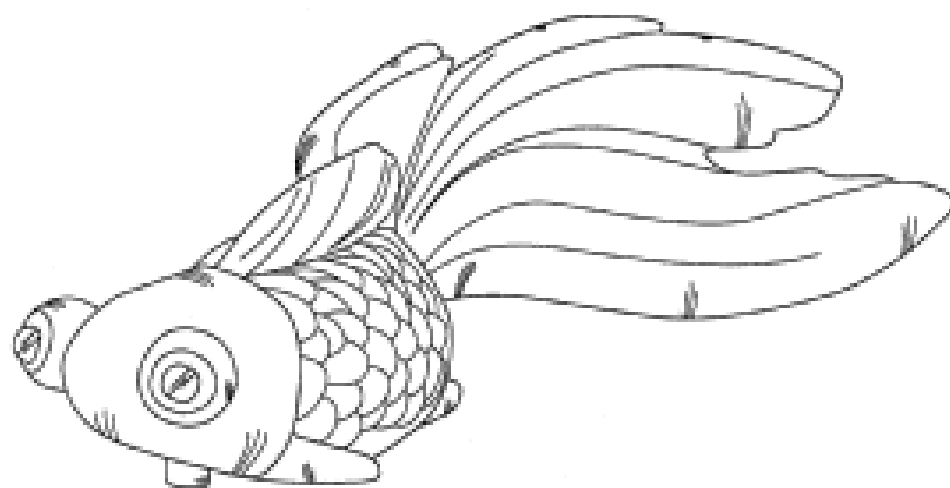
(21) Design Number: **10025/2009**
(22) Date of Filing Application: **06 January 2009**
(24) Date from which industrial property rights may have effect: **06 January 2009**
(54) Product in respect of which the design is registered: **Microphone unit**
(51) International Design Classification: **14-01**
(71) Name(s) and Address(s) of Applicant(s):
Nintendo Co., Ltd.
11-1 Hokotate-cho Kamitoba Minami-ku Kyoto-shi Kyoto Japan
(72) Name(s) of Designer(s): **Fumiyoshi Suetake and Shinji Yamamoto and Yuji Hori**
(45) Registration Date: **04 February 2009**
(30) Convention priority data:
(31) Number (32) Date (33) Country
2008-017374 07 Jul 2008 JAPAN
(56) Related Art Documents: **Not Applicable**
(57) Statement of Newness and Distinctiveness: **Nil**



- (21) Design Number: **10026/2009**
(22) Date of Filing Application: **06 January 2009**
(24) Date from which industrial property rights may have effect: **06 January 2009**
(54) Product in respect of which the design is registered: **Controller cover**
(51) International Design Classification: **21-01N**
(71) Name(s) and Address(s) of Applicant(s):
Nintendo Co., Ltd.
11-1 Hokotate-cho Kamitoba Minami-ku Kyoto-shi Kyoto Japan
(72) Name(s) of Designer(s): **Fumiyoshi Suetake and Noboru Wakitani and Junji Takamoto and Masato Ibuki**
(45) Registration Date: **04 February 2009**
(30) Convention priority data:
(31) Number (32) Date (33) Country
2008-017376 07 Jul 2008 JAPAN
(56) Related Art Documents: **Not Applicable**
(57) Statement of Newness and Distinctiveness: **Nil**



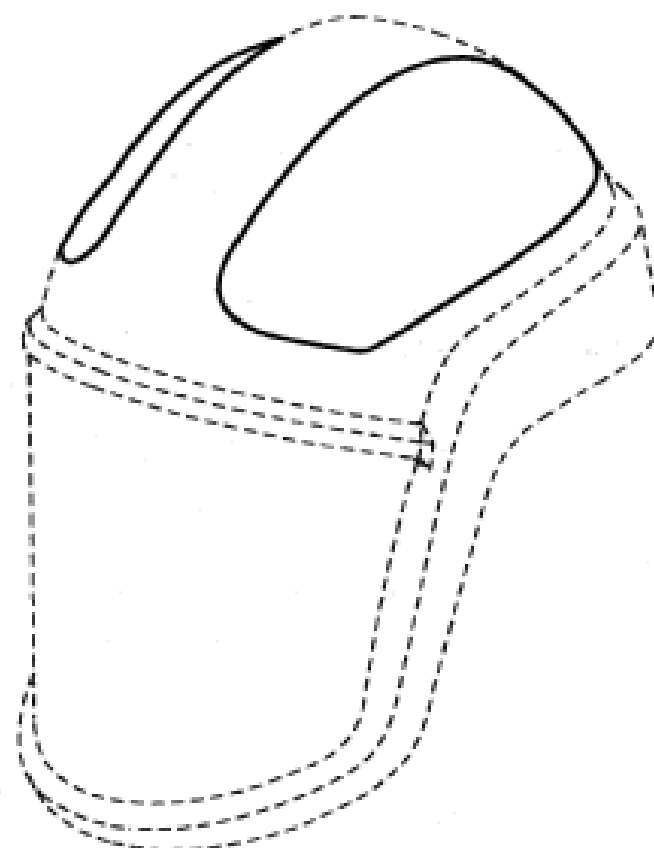
- (21) Design Number: **10027/2009**
(22) Date of Filing Application: **06 January 2009**
(24) Date from which industrial property rights may have effect: **06 January 2009**
(54) Product in respect of which the design is registered: **Keylight**
(51) International Design Classification: **26-02**
(71) Name(s) and Address(s) of Applicant(s):
Kikkerland Design, Inc.
423-427 West 127th Street New York New York 10027 United States of America
(72) Name(s) of Designer(s): **Jan van der Lande**
(45) Registration Date: **04 February 2009**
(56) Related Art Documents: **Not Applicable**
(57) Statement of Newness and Distinctiveness: **Nil**



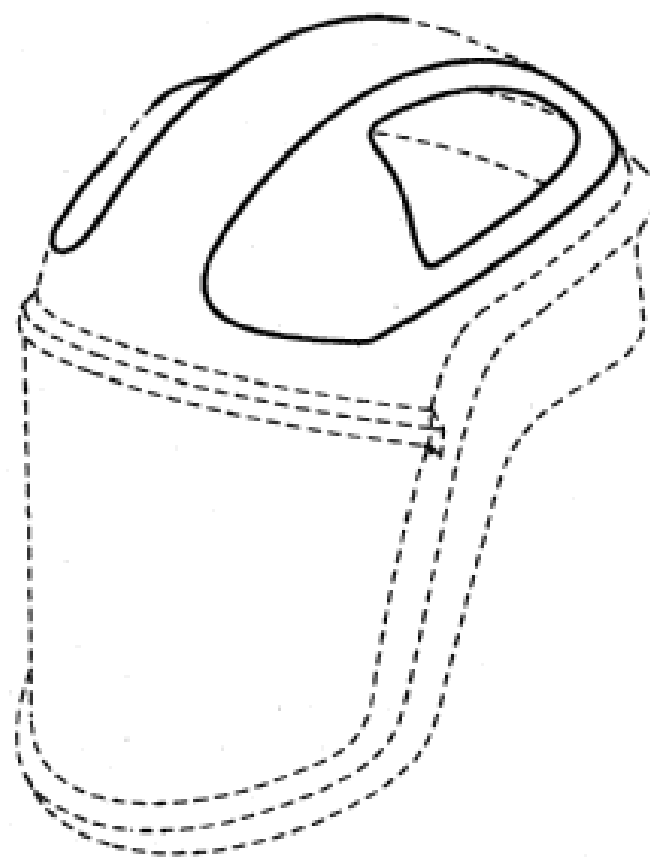
(21) Design Number: **14615/2008**
(22) Date of Filing Application: **26 September 2008**
(24) Date from which industrial property rights may have effect: **26 September 2008**
(54) Product in respect of which the design is registered: **Motor vehicle**
(51) International Design Classification: **12-08**
(71) Name(s) and Address(s) of Applicant(s):
Mazda Motor Corporation
No. 3-1 Shinchi Fuchu-cho Aki-gun Hiroshima Japan
(72) Name(s) of Designer(s): **Kunihiko Kurisu and Akira Tamatani and Masatoshi Miyake and Tetsuji Kawakami and Masanori Ito and Kenichi Tsushima**
(45) Registration Date: **06 February 2009**
(30) Convention priority data:
(31) Number (32) Date (33) Country
D2008-017425 07 Jul 2008 JAPAN
(56) Related Art Documents: **Not Applicable**
(57) Statement of Newness and Distinctiveness: **Newness and distinctiveness is claimed in the features of shape and/or configuration of a motor vehicle as illustrated in the accompanying representations.**



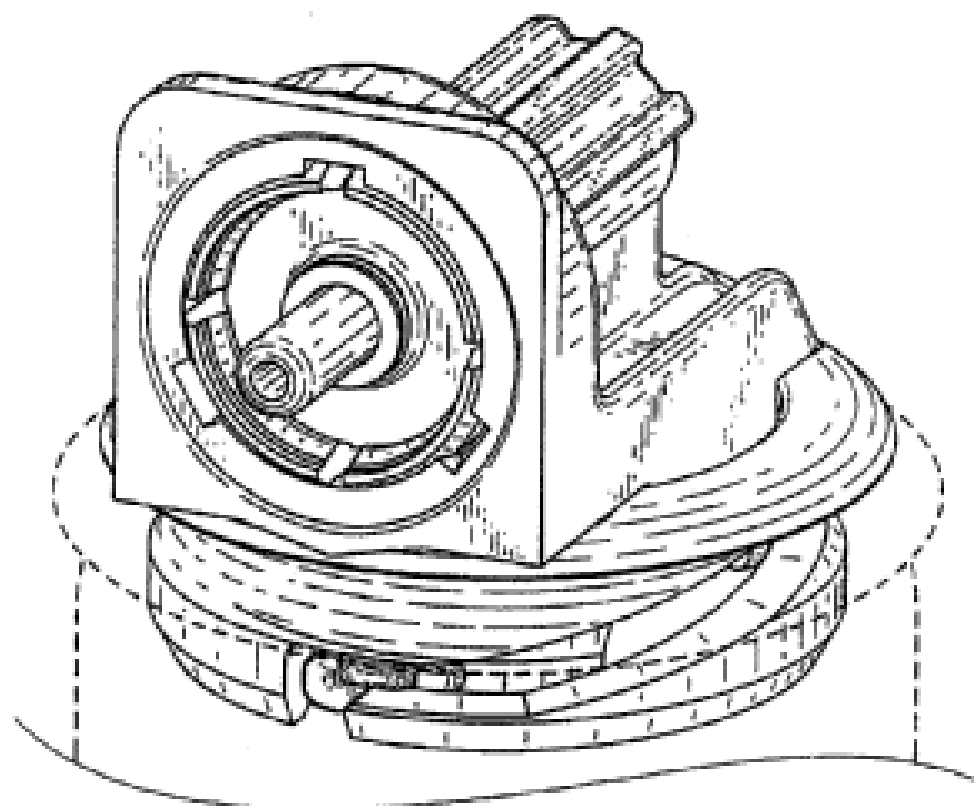
(21) Design Number: **14755/2008**
(22) Date of Filing Application: **02 October 2008**
(24) Date from which industrial property rights may have effect: **02 October 2008**
(54) Product in respect of which the design is registered: **Headgear article having recessed portions**
(51) International Design Classification: **02-03**
(71) Name(s) and Address(s) of Applicant(s):
3M Innovative Properties Company
3M Center Saint Paul Minnesota 55133-3427 United States of America
(72) Name(s) of Designer(s): **Thomas Jeffrey Brace and Stuart James King and Mark Anthony John Fernandes and Bruce Earl Nelson and James Michael Ulwelling**
(45) Registration Date: **06 February 2009**
(30) Convention priority data:
(31) Number (32) Date (33) Country
29/306136 03 Apr 2008 UNITED STATES OF AMERICA
(56) Related Art Documents: **Not Applicable**
(57) Statement of Newness and Distinctiveness: **Newness and distinctiveness is claimed in the visual features shown in solid lines in the representations.**



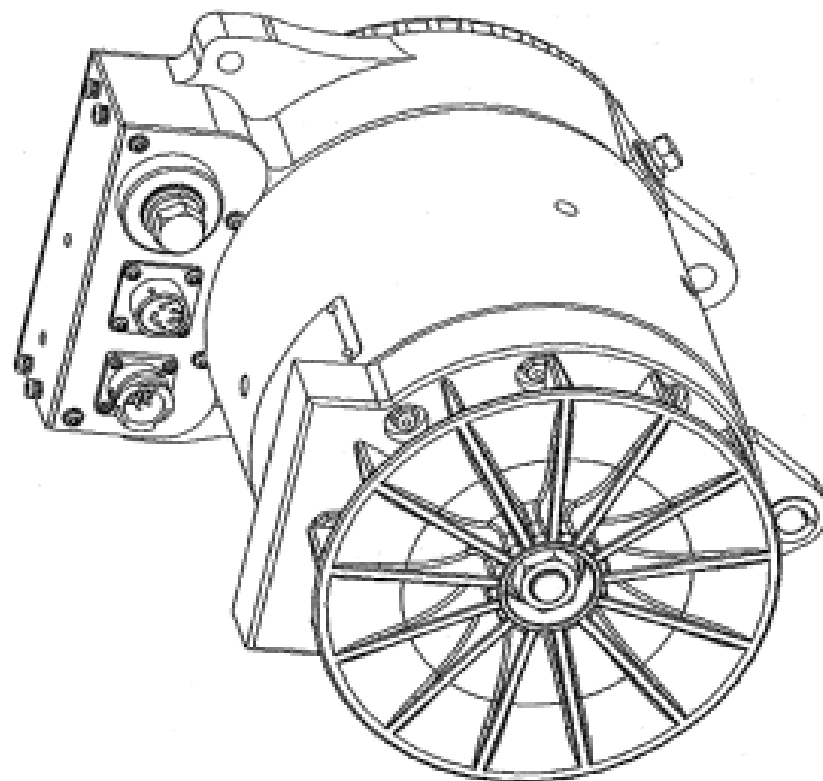
- (21) Design Number: **16044/2008**
(22) Date of Filing Application: **02 October 2008**
(24) Date from which industrial property rights may have effect: **02 October 2008**
(54) Product in respect of which the design is registered: **Headgear article having recessed portions**
(51) International Design Classification: **02-03**
(71) Name(s) and Address(s) of Applicant(s):
3M Innovative Properties Company
3M Center Saint Paul Minnesota 55133-3427 United States of America
(72) Name(s) of Designer(s): **Thomas Jeffrey Brace and Stuart James King and Mark Anthony John Fernandes and Bruce Earl Nelson and James Michael Ulwelling**
(45) Registration Date: **06 February 2009**
(30) Convention priority data:
(31) Number (32) Date (33) Country
29/306136 03 Apr 2008 UNITED STATES OF AMERICA
(56) Related Art Documents: **Not Applicable**
(57) Statement of Newness and Distinctiveness: **Newness and distinctiveness is claimed in the visual features shown in solid lines in the representations.**



- (21) Design Number: **15034/2008**
(22) Date of Filing Application: **20 October 2008**
(24) Date from which industrial property rights may have effect: **20 October 2008**
(54) Product in respect of which the design is registered: **Metering valve for a fuel cell**
(51) International Design Classification: **10-04**
(71) Name(s) and Address(s) of Applicant(s):
Illinois Tool Works Inc.
3600 West Lake Avenue Glenview Illinois 60026-1215 United States of America
(72) Name(s) of Designer(s): **Maureen L. Shea and Eric S. Gibson and Robert S. Buetow**
(45) Registration Date: **06 February 2009**
(30) Convention priority data:
(31) Number (32) Date (33) Country
29/317155 23 Apr 2008 UNITED STATES OF AMERICA
(56) Related Art Documents: **Not Applicable**
(57) Statement of Newness and Distinctiveness: **Newness and distinctiveness is claimed in the visual features shown in solid lines in the representations.**



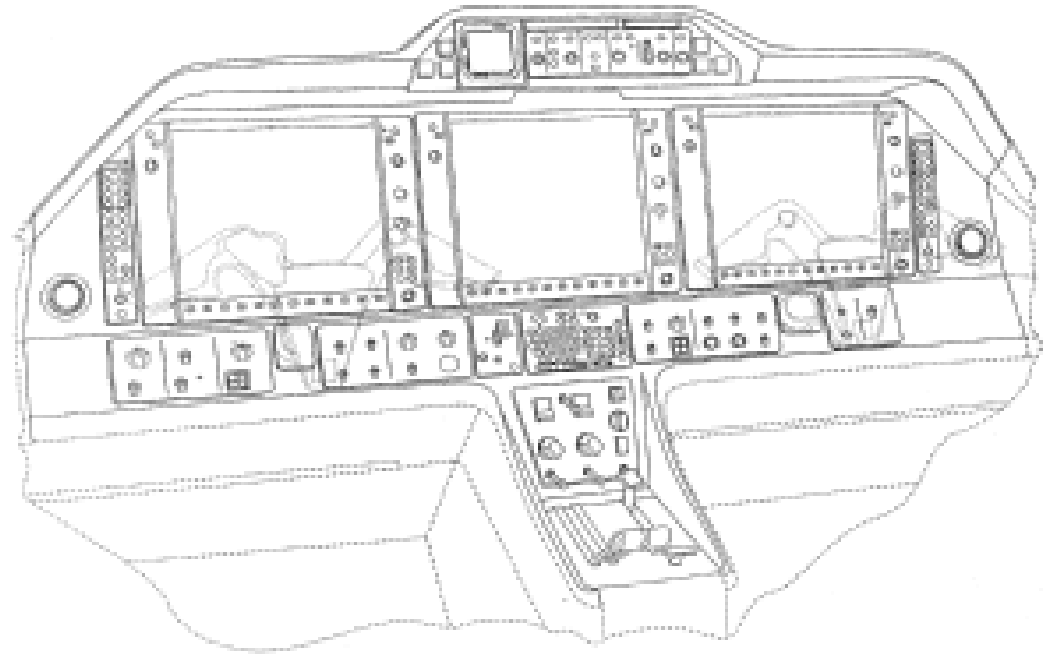
(21) Design Number: **15274/2008**
 (22) Date of Filing Application: **07 November 2008**
 (24) Date from which industrial property rights may have effect: **07 November 2008**
 (54) Product in respect of which the design is registered: **An electrical alternator**
 (51) International Design Classification: **13-01**
 (71) Name(s) and Address(s) of Applicant(s):
C.E. Niehoff & Co.
2021 Lee Street Evanston Illinois 60202 United States of America
 (72) Name(s) of Designer(s): **Mahmood Pourkermani**
 (45) Registration Date: **06 February 2009**
 (30) Convention priority data:
 (31) Number (32) Date (33) Country
29/307748 08 May 2008 UNITED STATES OF AMERICA
 (56) Related Art Documents: **Not Applicable**
 (57) Statement of Newness and Distinctiveness: **Newness and distinctiveness is claimed in the features of shape and/or configuration of an electrical alternator as illustrated in the accompanying representations.**



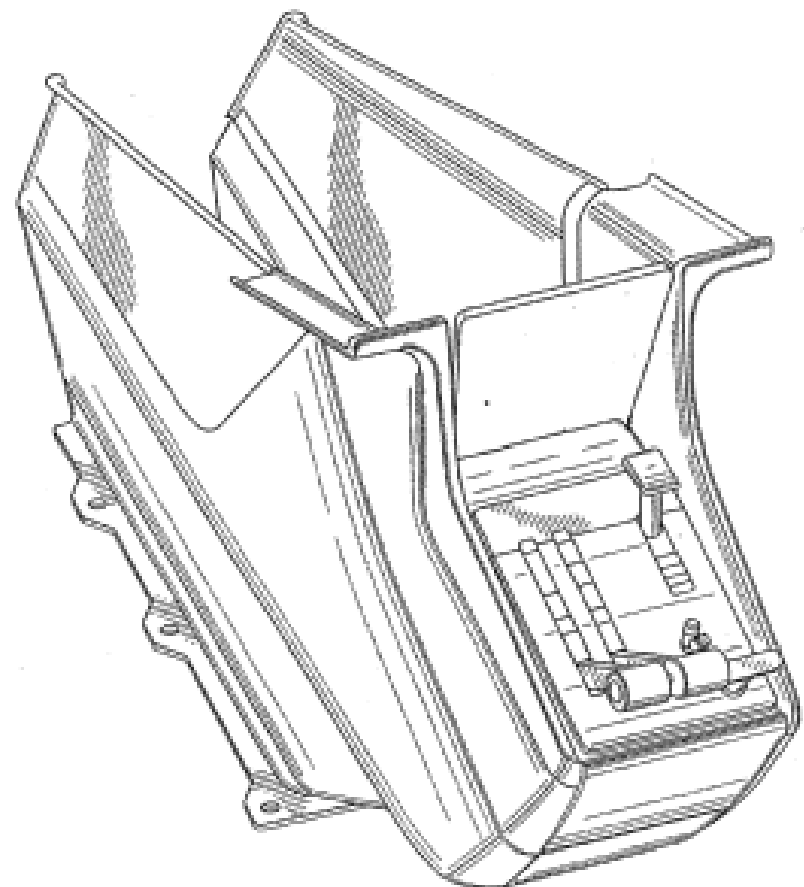
(21) Design Number: **15380/2008**
 (22) Date of Filing Application: **17 November 2008**
 (24) Date from which industrial property rights may have effect: **17 November 2008**
 (54) Product in respect of which the design is registered: **Game Board**
 (51) International Design Classification: **21-01L**
 (71) Name(s) and Address(s) of Applicant(s):
Adrian Rowland
8815 Beetaloo Road Lake Grace Western Australia 6353 Australia
Tina Paskov
8815 Beetaloo Road Lake Grace Western Australia 6353 Australia
 (72) Name(s) of Designer(s): **Adrian Rowland and Tina Paskov**
 (45) Registration Date: **06 February 2009**
 (56) Related Art Documents: **Not Applicable**
 (57) Statement of Newness and Distinctiveness: **Nil**



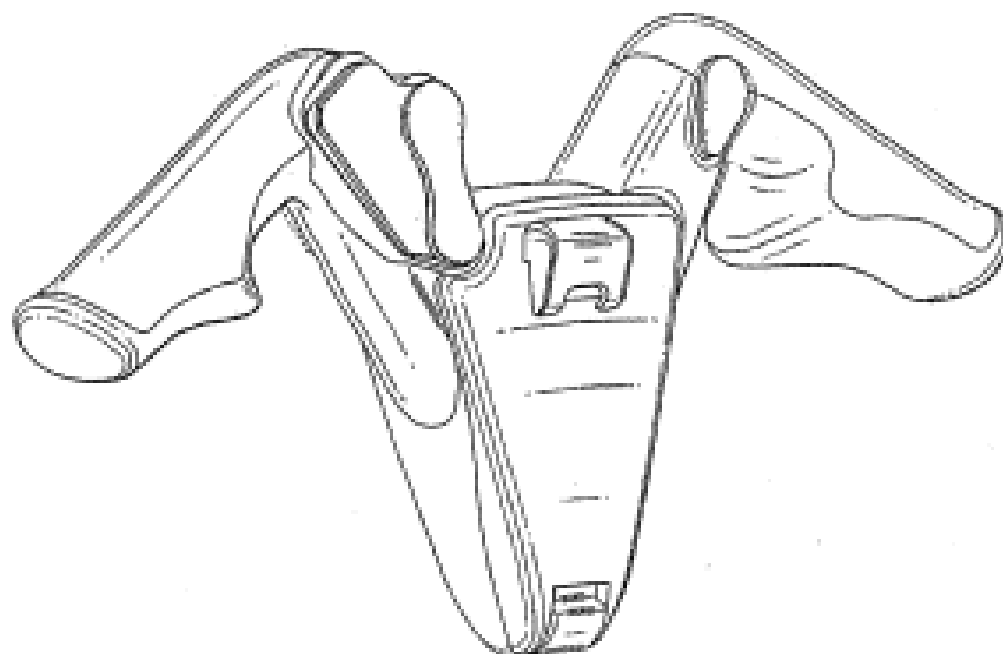
- (21) Design Number: **16015/2008**
(22) Date of Filing Application: **23 December 2008**
(24) Date from which industrial property rights may have effect: **23 December 2008**
(54) Product in respect of which the design is registered: **Aircraft control panel**
(51) International Design Classification: **12-07, 14-02, 13-03NES**
(71) Name(s) and Address(s) of Applicant(s):
EMBRAER-Empresa Brasileira de Aeronautica S.A.
Av. Brigadeiro Faria Lima 2170 012227-901 Sao Jose dos Campos SP
Brazil
(72) Name(s) of Designer(s): **Alexandre Figueiredo**
(45) Registration Date: **06 February 2009**
(56) Related Art Documents: **Not Applicable**
(57) Statement of Newness and Distinctiveness: **Newness and distinctiveness is claimed in the features of shape and configuration of an aircraft control panel as illustrated in continuous lines in the accompanying representations. The features illustrated in phantom do not form part of the design.**



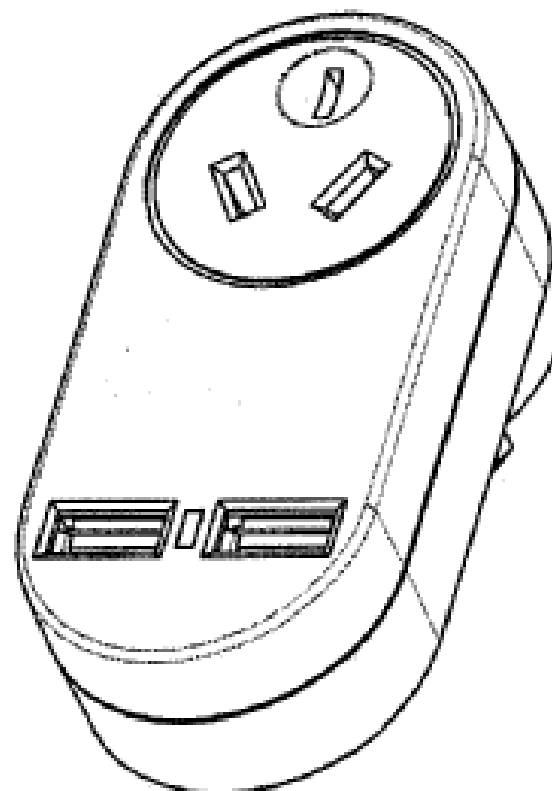
- (21) Design Number: **16016/2008**
(22) Date of Filing Application: **23 December 2008**
(24) Date from which industrial property rights may have effect: **23 December 2008**
(54) Product in respect of which the design is registered: **Aircraft cockpit throttle console**
(51) International Design Classification: **12-07, 12-16NES**
(71) Name(s) and Address(s) of Applicant(s):
EMBRAER-Empresa Brasileira de Aeronautica S.A.
Av. Brigadeiro Faria Lima 2170 012227-901 Sao Jose dos Campos SP
Brazil
(72) Name(s) of Designer(s): **Eduardo Leandro da Silveira and Mozart Marques Louzada Junior**
(45) Registration Date: **06 February 2009**
(56) Related Art Documents: **Not Applicable**
(57) Statement of Newness and Distinctiveness: **Newness and distinctiveness is claimed in the features of shape and/or configuration of an aircraft cockpit throttle console as illustrated in the accompanying representations.**



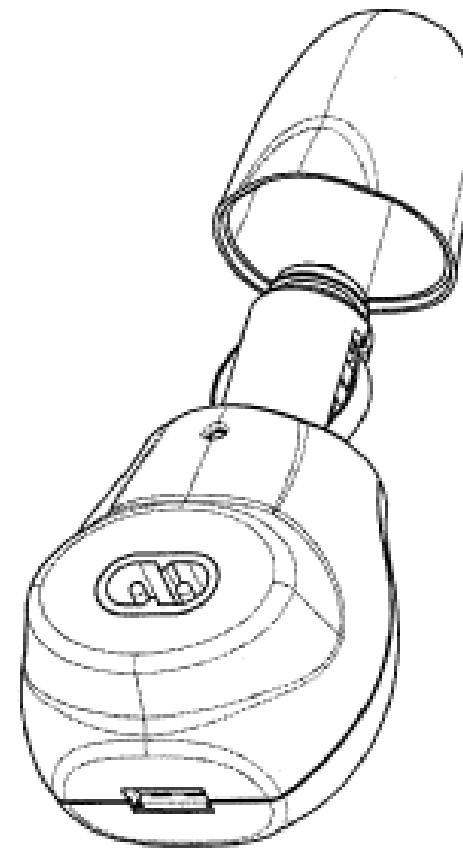
- (21) Design Number: **16017/2008**
(22) Date of Filing Application: **23 December 2008**
(24) Date from which industrial property rights may have effect: **23 December 2008**
(54) Product in respect of which the design is registered: **Aircraft control yoke**
(51) International Design Classification: **12-07, 12-16NES**
(71) Name(s) and Address(s) of Applicant(s):
EMBRAER-Empresa Brasileira de Aeronautica S.A.
Av. Brigadeiro Faria Lima 2170 012227-901 Sao Jose dos Campos SP
Brazil
(72) Name(s) of Designer(s): **Alexandre Figueiredo**
(45) Registration Date: **06 February 2009**
(56) Related Art Documents: **Not Applicable**
(57) Statement of Newness and Distinctiveness: **Newness and distinctiveness is claimed in the features of shape and/or configuration of an aircraft control yoke as illustrated in the accompanying representations.**



- (21) Design Number: **16018/2008**
(22) Date of Filing Application: **23 December 2008**
(24) Date from which industrial property rights may have effect: **23 December 2008**
(54) Product in respect of which the design is registered: **A power adaptor**
(51) International Design Classification: **13-03D, 13-03E**
(71) Name(s) and Address(s) of Applicant(s):
Jackson Industries Pty Limited
16 Brookhollow Avenue Norwest Business Park Baulkham Hills New
South Wales 2153 Australia
(72) Name(s) of Designer(s): **Ross Alec Jackson**
(45) Registration Date: **06 February 2009**
(56) Related Art Documents: **Not Applicable**
(57) Statement of Newness and Distinctiveness: **Newness and distinctiveness is claimed in the features of a radiussed casing and top USB sockets of a power adaptor as illustrated in the accompanying representations.**



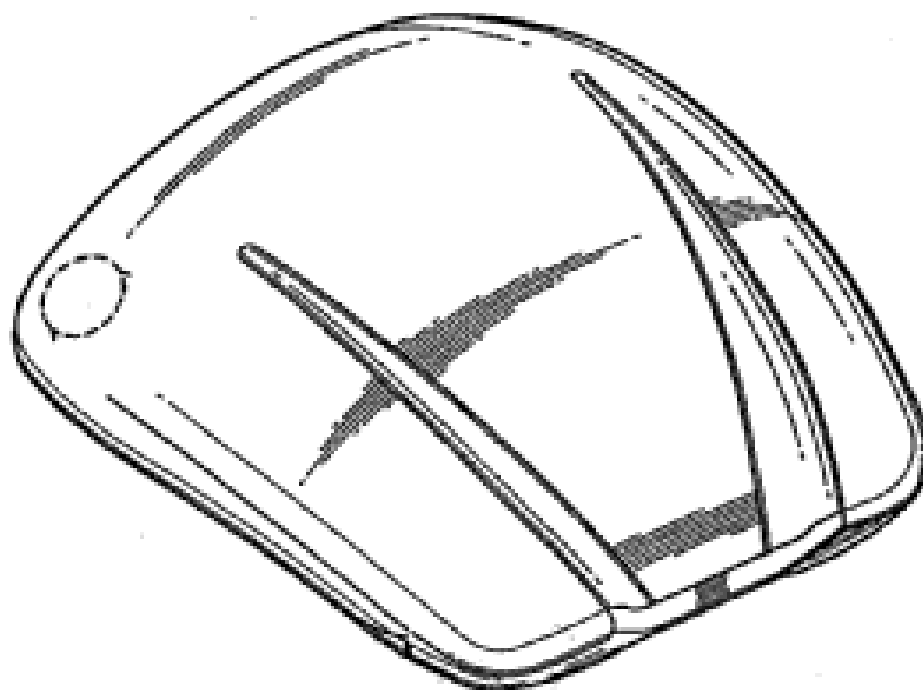
- (21) Design Number: **16019/2008**
- (22) Date of Filing Application: **23 December 2008**
- (24) Date from which industrial property rights may have effect: **23 December 2008**
- (54) Product in respect of which the design is registered: **A power adapter with removable cover**
- (51) International Design Classification: **13-03D, 13-03E, 14-02**
- (71) Name(s) and Address(s) of Applicant(s):
Jackson Industries Pty Limited
16 Brookhollow Avenue Norwest Business Park Baulkham Hills New South Wales 2153 Australia
- (72) Name(s) of Designer(s): **Ross Alec Jackson**
- (45) Registration Date: **06 February 2009**
- (56) Related Art Documents: **Not Applicable**
- (57) Statement of Newness and Distinctiveness: **Newness and distinctiveness is claimed in the features of a radiussed casing, an end USB socket and a removable cover of a power adaptor with removable cover as illustrated in the accompanying representations.**



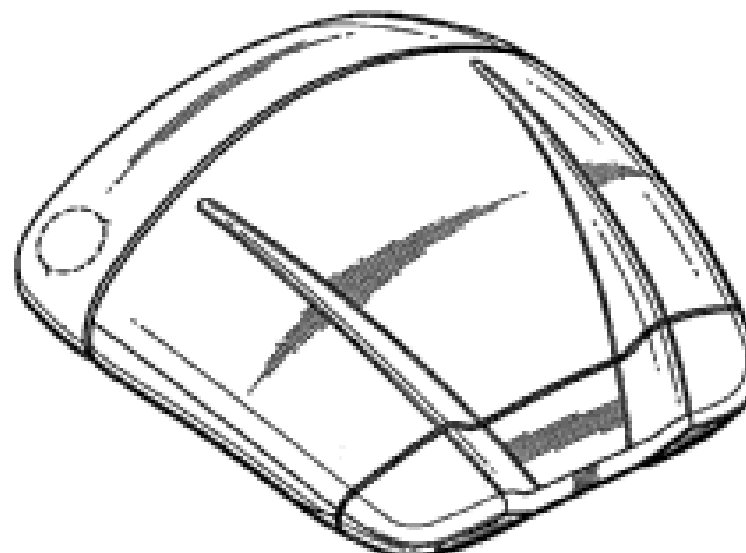
- (21) Design Number: **16020/2008**
- (22) Date of Filing Application: **23 December 2008**
- (24) Date from which industrial property rights may have effect: **23 December 2008**
- (54) Product in respect of which the design is registered: **A power adaptor**
- (51) International Design Classification: **13-03D, 13-03E, 14-02**
- (71) Name(s) and Address(s) of Applicant(s):
Jackson Industries Pty Limited
16 Brookhollow Avenue Norwest Business Park Baulkham Hills New South Wales 2153 Australia
- (72) Name(s) of Designer(s): **Ross Alec Jackson**
- (45) Registration Date: **06 February 2009**
- (56) Related Art Documents: **Not Applicable**
- (57) Statement of Newness and Distinctiveness: **Newness and distinctiveness is claimed in the features of a radiussed casing, top USB sockets and cable restraint of a power adaptor as illustrated in the accompanying representations.**



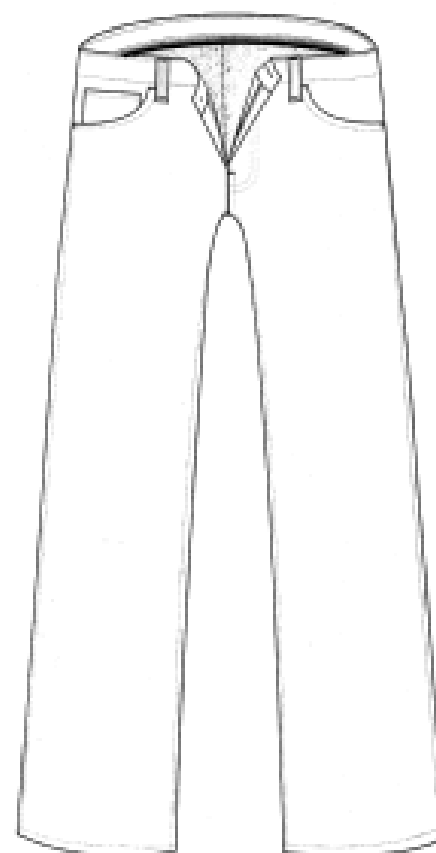
(21) Design Number: **16021/2008**
 (22) Date of Filing Application: **23 December 2008**
 (24) Date from which industrial property rights may have effect: **23 December 2008**
 (54) Product in respect of which the design is registered: **Golf club head**
 (51) International Design Classification: **21-02C**
 (71) Name(s) and Address(s) of Applicant(s):
Callaway Golf Company
2180 Rutherford Road Carlsbad California 92008-7328 United States of America
 (72) Name(s) of Designer(s): **Philip G. Foster and Luke R. Williams and Michael Hallack**
 (45) Registration Date: **06 February 2009**
 (30) Convention priority data:
 (31) Number (32) Date (33) Country
29/320753 02 Jul 2008 UNITED STATES OF AMERICA
 (56) Related Art Documents: **Not Applicable**
 (57) Statement of Newness and Distinctiveness: **Newness and distinctiveness is claimed in those features of shape and/or configuration of a golf club head illustrated in continuous lines in the accompanying representations.**



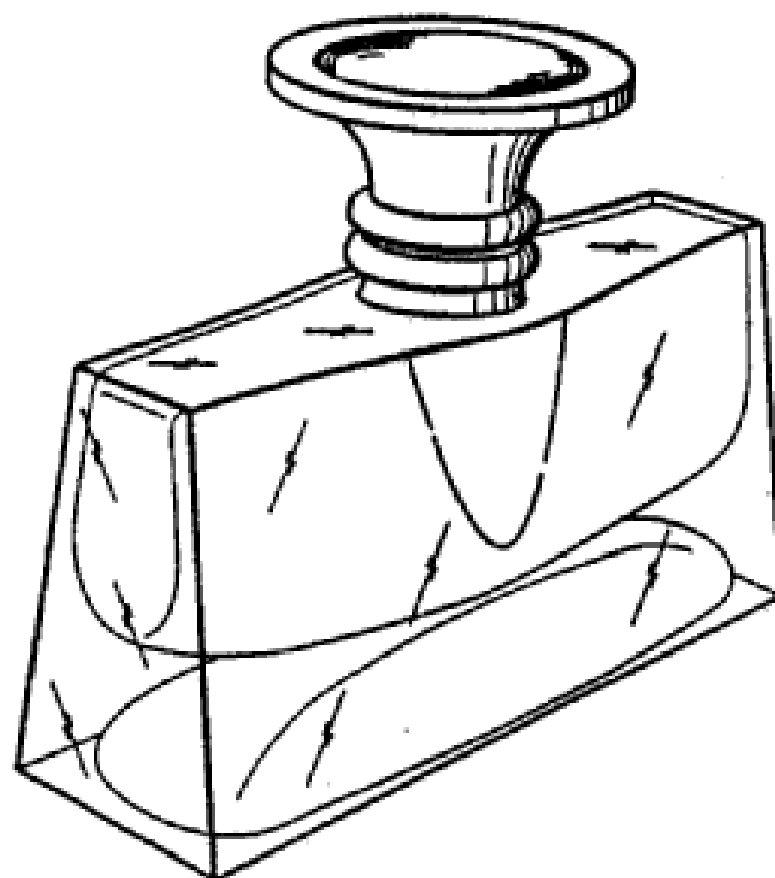
(21) Design Number: **16022/2008**
 (22) Date of Filing Application: **23 December 2008**
 (24) Date from which industrial property rights may have effect: **23 December 2008**
 (54) Product in respect of which the design is registered: **Golf club head**
 (51) International Design Classification: **21-02C**
 (71) Name(s) and Address(s) of Applicant(s):
Callaway Golf Company
2180 Rutherford Road Carlsbad California 92008-7328 United States of America
 (72) Name(s) of Designer(s): **Philip G. Foster and Luke R. Williams and Michael Hallack**
 (45) Registration Date: **06 February 2009**
 (30) Convention priority data:
 (31) Number (32) Date (33) Country
29/320754 02 Jul 2008 UNITED STATES OF AMERICA
 (56) Related Art Documents: **Not Applicable**
 (57) Statement of Newness and Distinctiveness: **Newness and distinctiveness is claimed in those features of shape and/or configuration of a golf club head illustrated in continuous lines in the accompanying representations.**



- (21) Design Number: **16026/2008**
(22) Date of Filing Application: **23 December 2008**
(24) Date from which industrial property rights may have effect: **23 December 2008**
(54) Product in respect of which the design is registered: **Protective garment**
(51) International Design Classification: **02-02B**
(71) Name(s) and Address(s) of Applicant(s):
Twelve Blue Pty Ltd
61-63 Temple Drive Thomastown Victoria 3074 Australia
(72) Name(s) of Designer(s): **Jonathan Cotsoglou and Alfred Fouad Dayoub**
(45) Registration Date: **06 February 2009**
(56) Related Art Documents: **Not Applicable**
(57) Statement of Newness and Distinctiveness: **Nil**



- (21) Design Number: **10004/2009**
(22) Date of Filing Application: **02 January 2009**
(24) Date from which industrial property rights may have effect: **02 January 2009**
(54) Product in respect of which the design is registered: **Bottle with cap**
(51) International Design Classification: **09-01G**
(71) Name(s) and Address(s) of Applicant(s):
Bulgari S.p.A.
Lungotevere Marzio 11 00186 Roma Italy
(72) Name(s) of Designer(s): **Aurel Aebi**
(45) Registration Date: **06 February 2009**
(30) Convention priority data:
(31) Number (32) Date (33) Country
000962790-0002 02 Jul 2008 EUROPEAN COMMUNITY
(56) Related Art Documents: **Not Applicable**
(57) Statement of Newness and Distinctiveness: **Newness and distinctiveness is claimed in the features of shape and/or configuration of a bottle with cap as illustrated in the accompanying representations.**



(21) Design Number: **15366/2008**

(22) Date of Filing Application: **14 November 2008**

(24) Date from which industrial property rights may have effect: **14 November 2008**

(54) Product in respect of which the design is registered: **A buggy**

(51) International Design Classification: **12-12**

(71) Name(s) and Address(s) of Applicant(s):

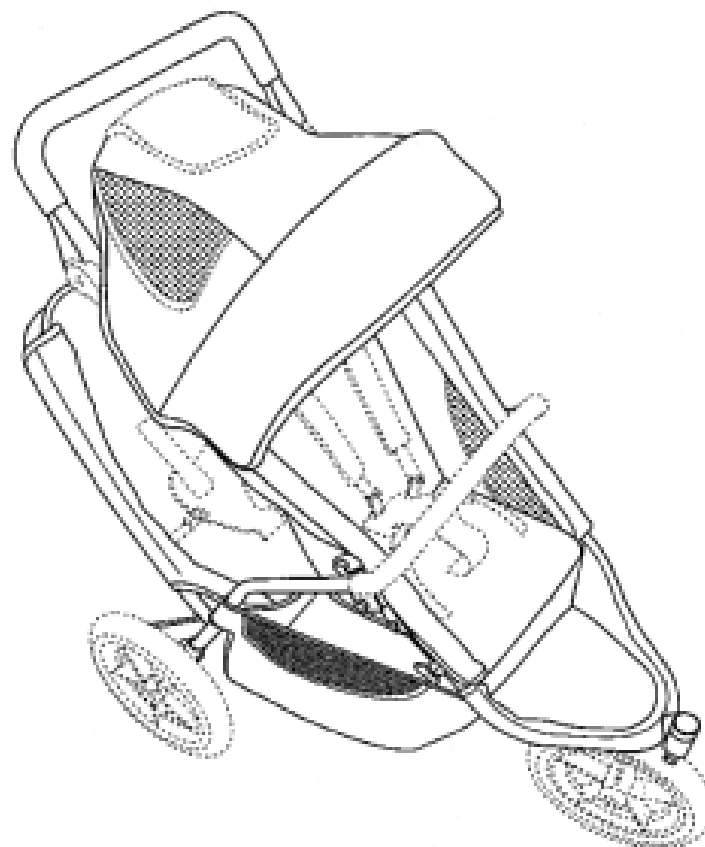
**Phil and Teds Most Excellent Buggy Company Limited
102-112 Daniell Street Newtown Wellington New Zealand**

(72) Name(s) of Designer(s): **Campbell Gower and Philip Brace**

(45) Registration Date: **05 February 2009**

(56) Related Art Documents: **Not Applicable**

(57) Statement of Newness and Distinctiveness: **Newness and distinctiveness reside in the features of shape and/or configuration of the buggy all as shown in the representations. No novelty is claimed in the shape or configuration of the features shown in broken lines, including the mesh portions having a broken line periphery.**



(21) Design Number: **15948/2008**

(22) Date of Filing Application: **19 December 2008**

(24) Date from which industrial property rights may have effect: **19 December 2008**

(54) Product in respect of which the design is registered: **Wheel rim protector**

(51) International Design Classification: **12-16A**

(71) Name(s) and Address(s) of Applicant(s):

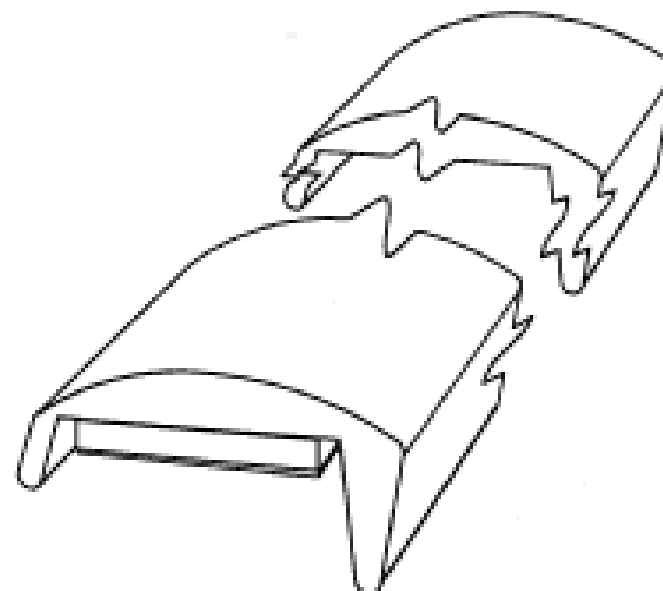
**Rimskins Pty Ltd
22/156 Beaconsfield Parade Albert Park Victoria 3206 Australia**

(72) Name(s) of Designer(s): **Nicholas Dower**

(45) Registration Date: **05 February 2009**

(56) Related Art Documents: **Not Applicable**

(57) Statement of Newness and Distinctiveness: **The newness and distinctiveness of the design resides in the shape and/or configuration of the Wheel Rim Protector shown in the representations.**



- (21) Design Number: **15972/2008**
(22) Date of Filing Application: **19 December 2008**
(24) Date from which industrial property rights may have effect: **19 December 2008**
(54) Product in respect of which the design is registered: **Child seat for motor car**
(51) International Design Classification: **06-01D**
(71) Name(s) and Address(s) of Applicant(s):

Sprog Limited
The Old Hall Clinic Old Hall Road Gately, Cheadle Ches SK8 4BE
United Kingdom

(72) Name(s) of Designer(s): **Philip Nicholas Owen**

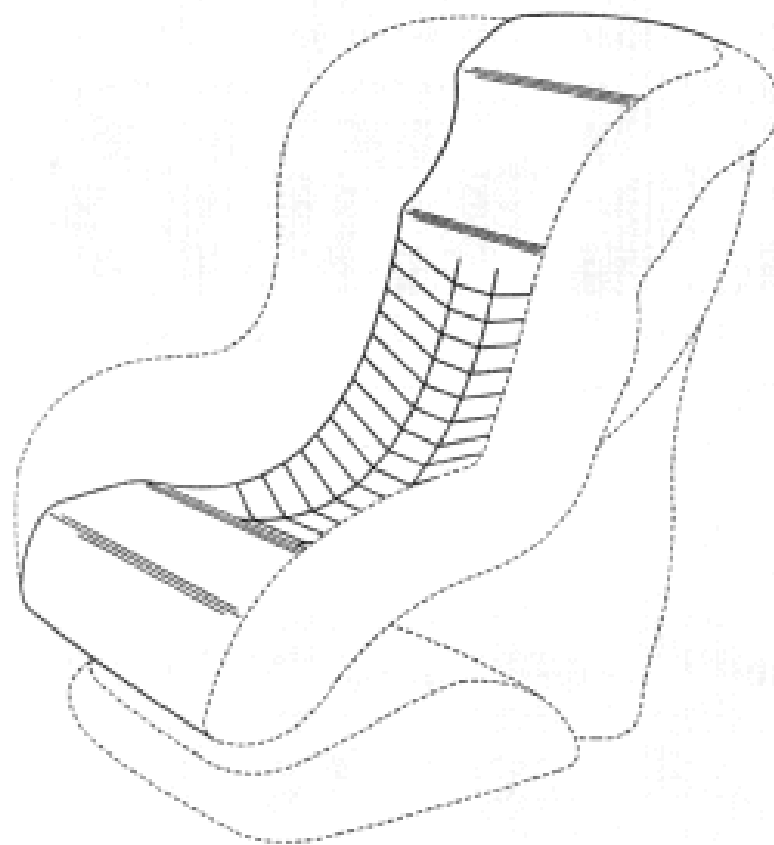
(45) Registration Date: **05 February 2009**

(30) Convention priority data:

(31) Number	(32) Date	(33) Country
000956099-0001	23 Jun 2008	EUROPEAN COMMUNITY

(56) Related Art Documents: **Not Applicable**

(57) Statement of Newness and Distinctiveness: **The shape and configuration of those parts of the design shown by means of solid lines in the representations are new and distinctive.**



- (21) Design Number: **15973/2008**
(22) Date of Filing Application: **19 December 2008**
(24) Date from which industrial property rights may have effect: **19 December 2008**
(54) Product in respect of which the design is registered: **Component parts of a plug**
(51) International Design Classification: **13-03D**
(71) Name(s) and Address(s) of Applicant(s):

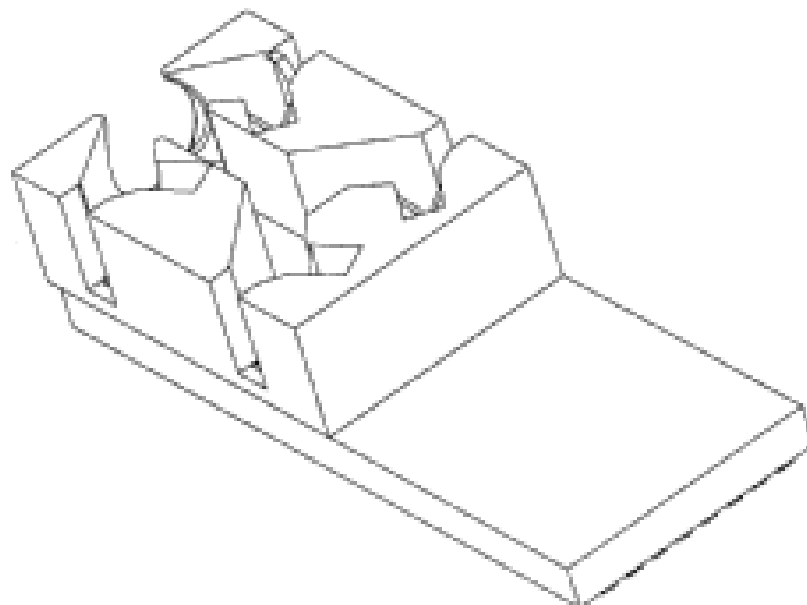
ADC Communications (Australia) Pty Limited
2 Hereford Street Berkeley Vale New South Wales 2261 Australia

(72) Name(s) of Designer(s): **Malcolm Bruce Brear**

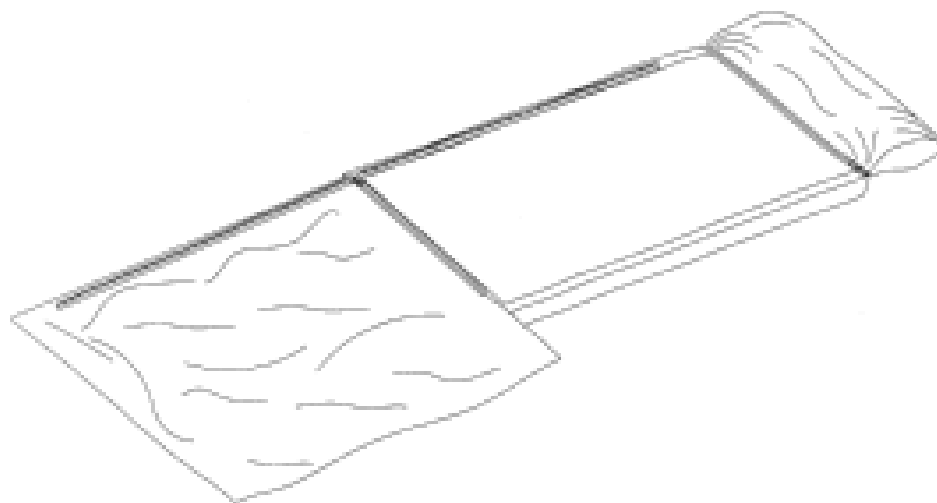
(45) Registration Date: **05 February 2009**

(56) Related Art Documents: **Not Applicable**

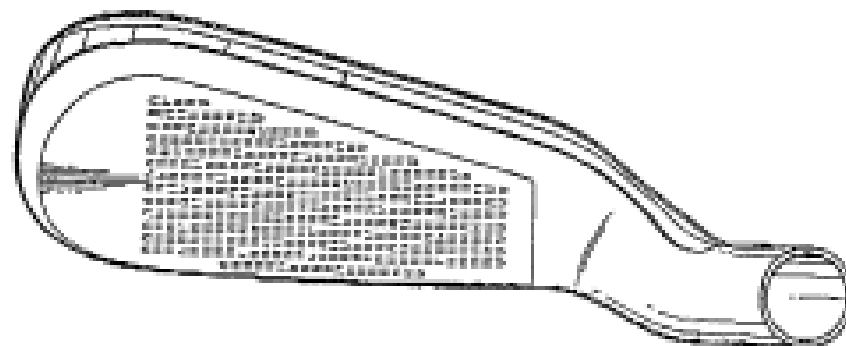
(57) Statement of Newness and Distinctiveness: **The features of shape and configuration of the component parts of the plug shown in the accompanying representations are considered to be new and distinctive.**



- (21) Design Number: **15974/2008**
(22) Date of Filing Application: **19 December 2008**
(24) Date from which industrial property rights may have effect: **19 December 2008**
(54) Product in respect of which the design is registered: **Portable bed**
(51) International Design Classification: **06-13B**
(71) Name(s) and Address(s) of Applicant(s):
Robert Francis Barry Dolan
51 Major Mitchell Drive Horsham Victoria 3400 Australia
(72) Name(s) of Designer(s): **Robert Francis Barry Dolan**
(45) Registration Date: **05 February 2009**
(56) Related Art Documents: **Not Applicable**
(57) Statement of Newness and Distinctiveness: **The features of shape and configuration of the portable bed shown in the accompanying representations are considered to be new and distinctive.**



- (21) Design Number: **15967/2008**
(22) Date of Filing Application: **19 December 2008**
(24) Date from which industrial property rights may have effect: **19 December 2008**
(54) Product in respect of which the design is registered: **Golf club head**
(51) International Design Classification: **21-02C**
(71) Name(s) and Address(s) of Applicant(s):
Callaway Golf Company
2180 Rutherford Road Carlsbad California 92008-7328 United States of America
(72) Name(s) of Designer(s): **Philip G. Foster and Luke R. Williams**
(45) Registration Date: **05 February 2009**
(30) Convention priority data:
(31) Number (32) Date (33) Country
29/320139 20 Jun 2008 UNITED STATES OF AMERICA
(56) Related Art Documents: **Not Applicable**
(57) Statement of Newness and Distinctiveness: **Newness and distinctiveness is claimed in the features of shape and/or configuration of a golf club head as illustrated in the accompanying representations.**



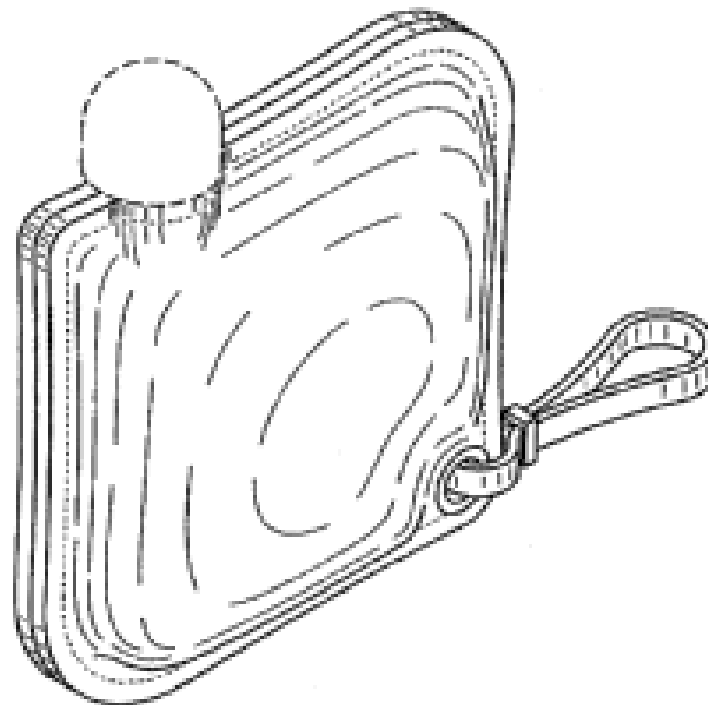
(21) Design Number: **15968/2008**
(22) Date of Filing Application: **19 December 2008**
(24) Date from which industrial property rights may have effect: **19 December 2008**
(54) Product in respect of which the design is registered: **Outboard motor machine**
(51) International Design Classification: **15-01**
(71) Name(s) and Address(s) of Applicant(s):
Honda Motor Co., Ltd.
1-1 Minamiaoyama 2-chome Minato-ku Tokyo Japan
(72) Name(s) of Designer(s): **Masahiko Yamagishi and Masahiro Anzai**
(45) Registration Date: **05 February 2009**
(30) Convention priority data:
(31) Number (32) Date (33) Country
2008-16359 25 Jun 2008 JAPAN
(56) Related Art Documents: **Not Applicable**
(57) Statement of Newness and Distinctiveness: **Newness and distinctiveness is claimed in the features of shape and/or configuration of an outboard motor machine as illustrated in the accompanying representations.**



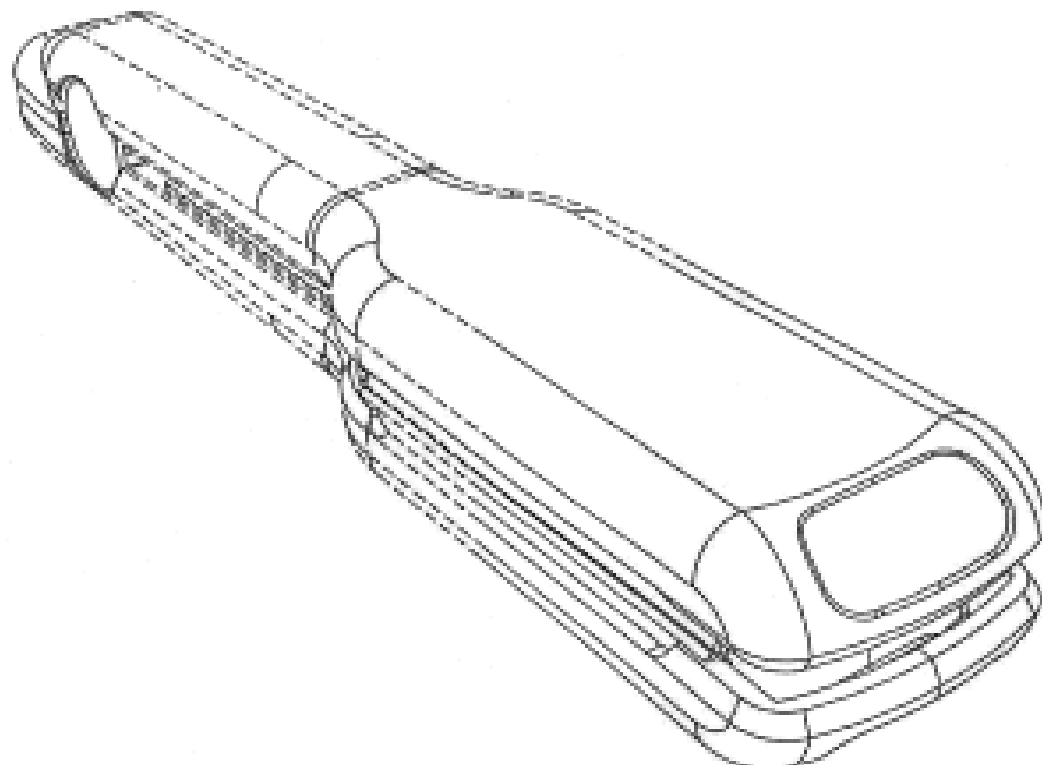
(21) Design Number: **15975/2008**
(22) Date of Filing Application: **19 December 2008**
(24) Date from which industrial property rights may have effect: **19 December 2008**
(54) Product in respect of which the design is registered: **Portable container**
(51) International Design Classification: **09-01K**
(71) Name(s) and Address(s) of Applicant(s):
Pur Water Purification Products, Inc.
One Procter & Gamble Plaza Cincinnati Ohio 45202 United States of America
(72) Name(s) of Designer(s): **Chunshik Kim and In Hee Baek and Paul Francis O'Connor**
(45) Registration Date: **05 February 2009**
(30) Convention priority data:
(31) Number (32) Date (33) Country
29/320,487 27 Jun 2008 UNITED STATES OF AMERICA
(56) Related Art Documents: **Not Applicable**
(57) Statement of Newness and Distinctiveness: **Newness and distinctiveness reside in the features of shape and/or configuration of the portable container, as shown in the representations. Newness and distinctiveness are not claimed in relation to the features shown in broken lines in the representations.**



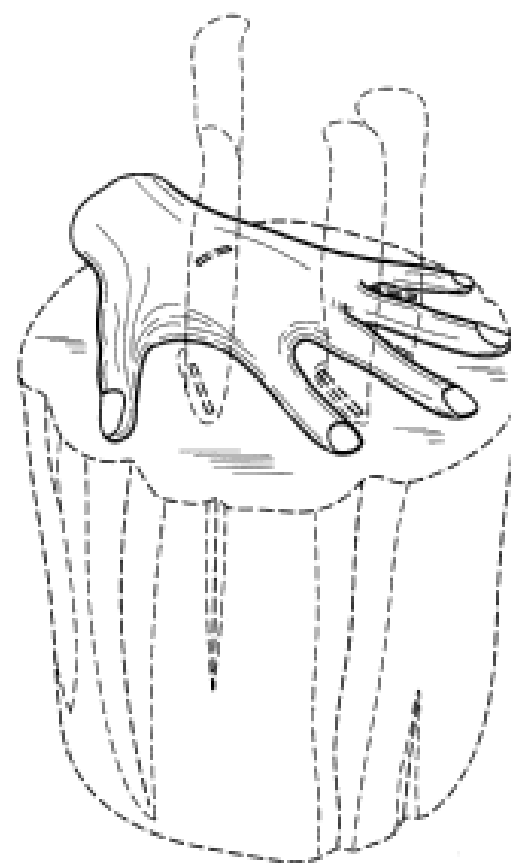
- (21) Design Number: **15976/2008**
(22) Date of Filing Application: **19 December 2008**
(24) Date from which industrial property rights may have effect: **19 December 2008**
(54) Product in respect of which the design is registered: **Portable container**
(51) International Design Classification: **09-01B**
(71) Name(s) and Address(s) of Applicant(s):
Pur Water Purification Products, Inc.
One Procter & Gamble Plaza Cincinnati Ohio 45202 United States of America
(72) Name(s) of Designer(s): **Chunshik Kim and In Hee Baek and Paul Francis O'Connor**
(45) Registration Date: **05 February 2009**
(30) Convention priority data:
(31) Number (32) Date (33) Country
29/320,488 27 Jun 2008 UNITED STATES OF AMERICA
(56) Related Art Documents: **Not Applicable**
(57) Statement of Newness and Distinctiveness: **Newness and distinctiveness reside in the features of shape and/or configuration of the portable container, as shown in the representations. Newness and distinctiveness are not claimed in relation to the features shown in broken lines in the representations.**



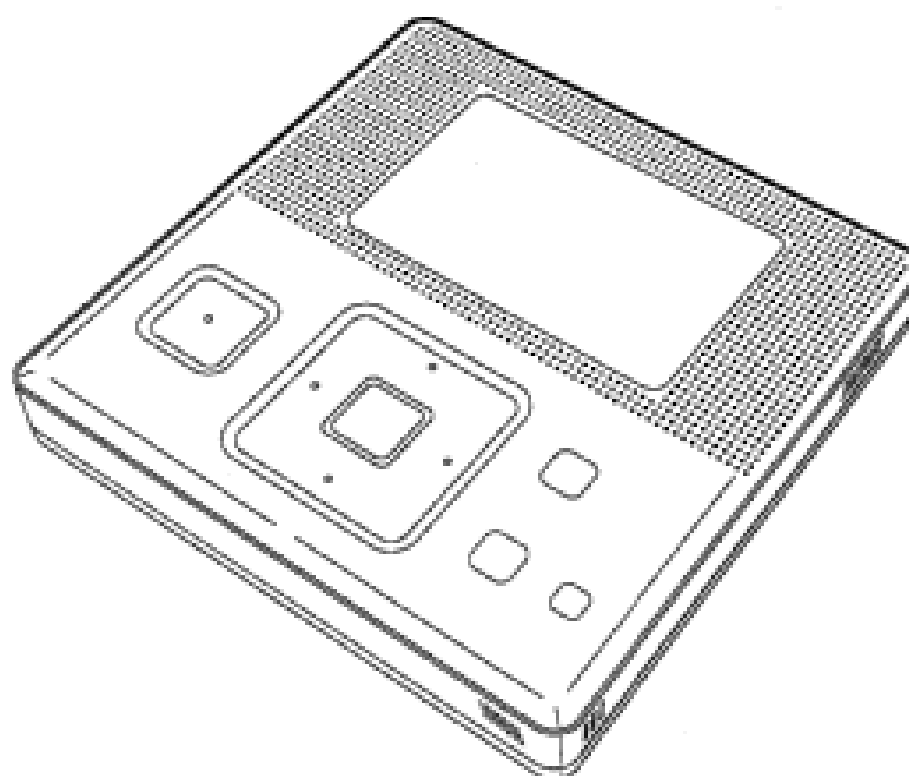
- (21) Design Number: **15124/2008**
(22) Date of Filing Application: **24 October 2008**
(24) Date from which industrial property rights may have effect: **24 October 2008**
(54) Product in respect of which the design is registered: **Hair styling apparatus**
(51) International Design Classification: **28-03B**
(71) Name(s) and Address(s) of Applicant(s):
Jemella Group Limited
C/- Eversheds House 70 Great Bridgewater Street Manchester M1 5ES United Kingdom
(72) Name(s) of Designer(s): **Employee(s) of Glenelg Design**
(45) Registration Date: **05 February 2009**
(30) Convention priority data:
(31) Number (32) Date (33) Country
000897277 03 Mar 2008 EUROPEAN COMMUNITY
(56) Related Art Documents: **Not Applicable**
(57) Statement of Newness and Distinctiveness: **Those features of the hair styling apparatus depicted in the representations that are new and distinctive are the shape and/or configuration of the nose of the hair styling apparatus in particular the features of the concave areas of the nose. The features shown in broken lines are to be disregarded when considering the overall impression of the design.**



- (21) Design Number: **14932/2008**
(22) Date of Filing Application: **14 October 2008**
(24) Date from which industrial property rights may have effect: **14 October 2008**
(54) Product in respect of which the design is registered: **Knife Block**
(51) International Design Classification: **07-99NES**
(71) Name(s) and Address(s) of Applicant(s):
Raffaele Iannello
via Pergolesi 6 20124 Milano Italy
(72) Name(s) of Designer(s): **Raffaele Iannello**
(45) Registration Date: **05 February 2009**
(30) Convention priority data:
(31) Number (32) Date (33) Country
29/307,396 16 Apr 2008 UNITED STATES OF AMERICA
(56) Related Art Documents: **Not Applicable**
(57) Statement of Newness and Distinctiveness: **Newness and distinctiveness is claimed in the visual features shown in solid lines in the representations.**



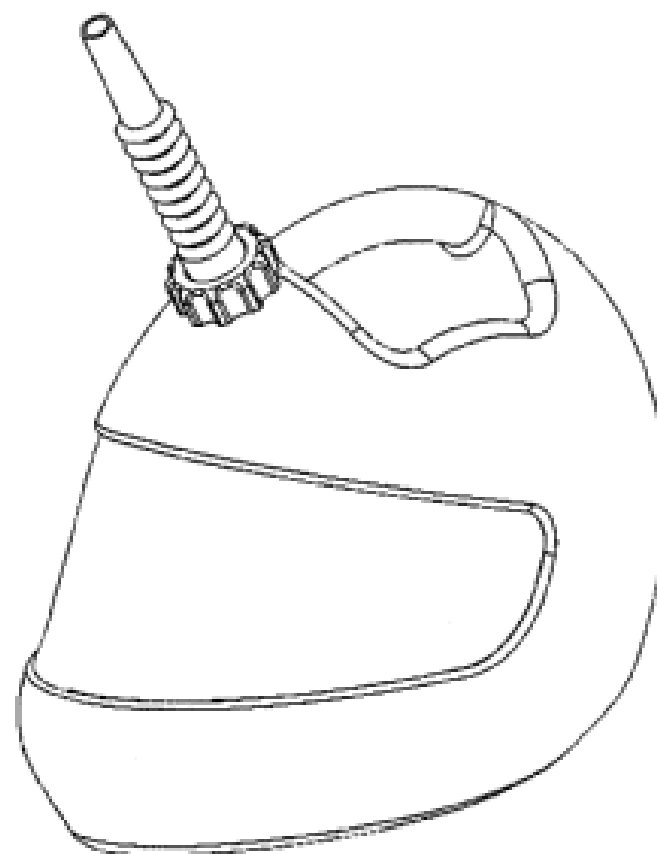
- (21) Design Number: **16067/2008**
(22) Date of Filing Application: **24 December 2008**
(24) Date from which industrial property rights may have effect: **24 December 2008**
(54) Product in respect of which the design is registered: **Remote controller**
(51) International Design Classification: **14-03NES**
(71) Name(s) and Address(s) of Applicant(s):
Hitachi Appliances, Inc.
16-1 Kaigan 1-chome Minato-ku Tokyo Japan
(72) Name(s) of Designer(s): **Kunihito Kawamura and Ayako Morita and Yoshiyuki Yamanashi and Takao Yoshida**
(45) Registration Date: **05 February 2009**
(30) Convention priority data:
(31) Number (32) Date (33) Country
2008-019445 29 Jul 2008 JAPAN
(56) Related Art Documents: **Not Applicable**
(57) Statement of Newness and Distinctiveness: **Nil**



(21) Design Number: **16068/2008**
 (22) Date of Filing Application: **11 September 2008**
 (24) Date from which industrial property rights may have effect: **11 September 2008**
 (54) Product in respect of which the design is registered: **Container**
 (51) International Design Classification: **09-02B**
 (71) Name(s) and Address(s) of Applicant(s):
Fuel Transfer Technologies Inc.
50 Harris Avenue Moncton New Brunswick E1C 4N6 Canada
 (72) Name(s) of Designer(s): **Mark Bonner**
 (45) Registration Date: **05 February 2009**
 (30) Convention priority data:

(31) Number	(32) Date	(33) Country
29305231	14 Mar 2008	UNITED STATES OF AMERICA

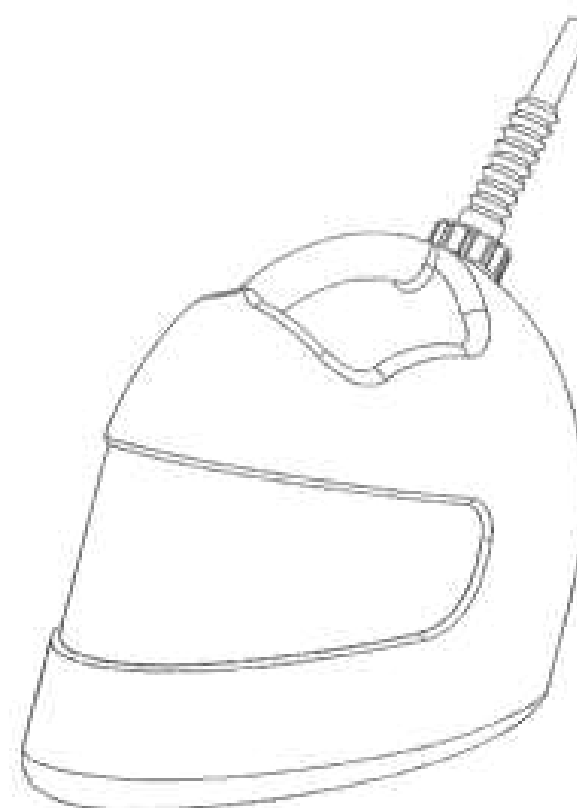
 (62) Divisional of: **324007**
 (56) Related Art Documents: **Not Applicable**
 (57) Statement of Newness and Distinctiveness: **Nil**



(21) Design Number: **16069/2008**
 (22) Date of Filing Application: **11 September 2008**
 (24) Date from which industrial property rights may have effect: **11 September 2008**
 (54) Product in respect of which the design is registered: **Container**
 (51) International Design Classification: **09-02B**
 (71) Name(s) and Address(s) of Applicant(s):
Fuel Transfer Technologies Inc.
50 Harris Avenue Moncton New Brunswick E1C 4N6 Canada
 (72) Name(s) of Designer(s): **Mark Bonner**
 (45) Registration Date: **05 February 2009**
 (30) Convention priority data:

(31) Number	(32) Date	(33) Country
29305231	14 Mar 2008	UNITED STATES OF AMERICA

 (62) Divisional of: **324007**
 (56) Related Art Documents: **Not Applicable**
 (57) Statement of Newness and Distinctiveness: **Nil**



- (21) Design Number: **16070/2008**
(22) Date of Filing Application: **24 December 2008**
(24) Date from which industrial property rights may have effect: **24 December 2008**
(54) Product in respect of which the design is registered: **Display structure**
(51) International Design Classification: **20-02C**
(71) Name(s) and Address(s) of Applicant(s):

Microsoft Corporation
One Microsoft Way Redmond Washington 98052 United States of America

- (72) Name(s) of Designer(s): **Ronald David Singler and Christian John Jochman**

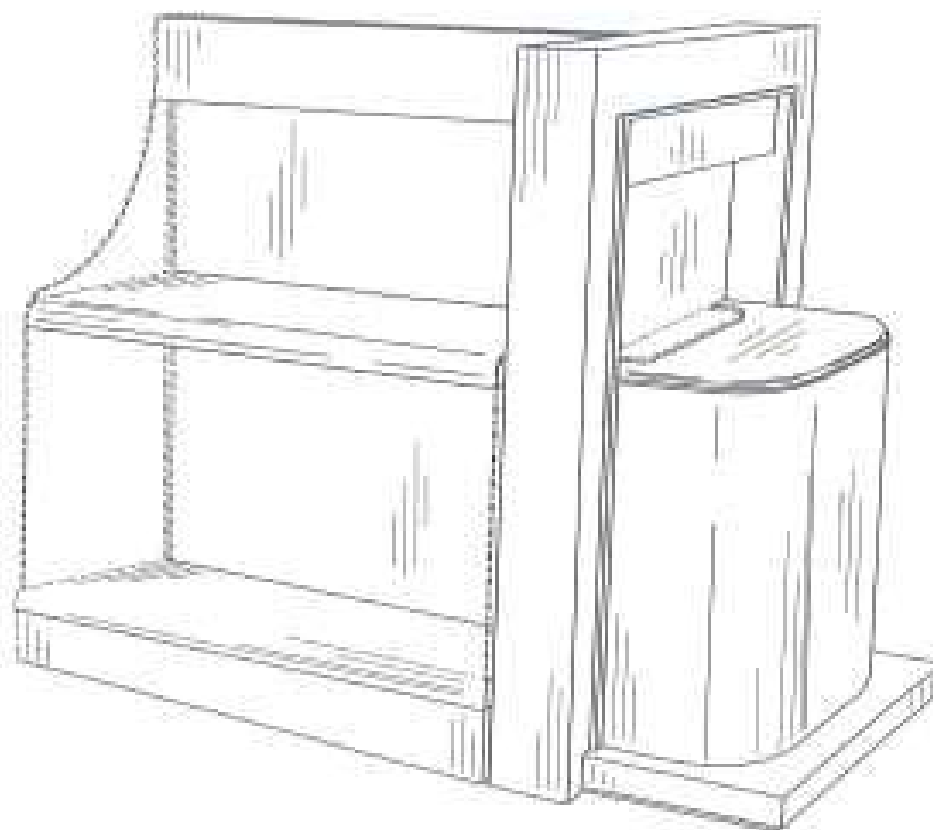
(45) Registration Date: **05 February 2009**

(30) Convention priority data:

(31) Number	(32) Date	(33) Country
29/320550	27 Jun 2008	UNITED STATES OF AMERICA

(56) Related Art Documents: **Not Applicable**

(57) Statement of Newness and Distinctiveness: **Newness and distinctiveness reside in the shape and/or configuration of a display structure illustrated by solid lines in the accompanying representations. The various regions and the unshaded areas there within, as shown in discontinuous lines or in broken outline, are for illustrative purposes only and form no part of the design.**



- (21) Design Number: **16071/2008**
(22) Date of Filing Application: **24 December 2008**
(24) Date from which industrial property rights may have effect: **24 December 2008**
(54) Product in respect of which the design is registered: **Display structure**
(51) International Design Classification: **20-02C, 14-99**
(71) Name(s) and Address(s) of Applicant(s):

Microsoft Corporation
One Microsoft Way Redmond Washington 98052 United States of America

- (72) Name(s) of Designer(s): **Ronald David Singler and Christian John Jochman**

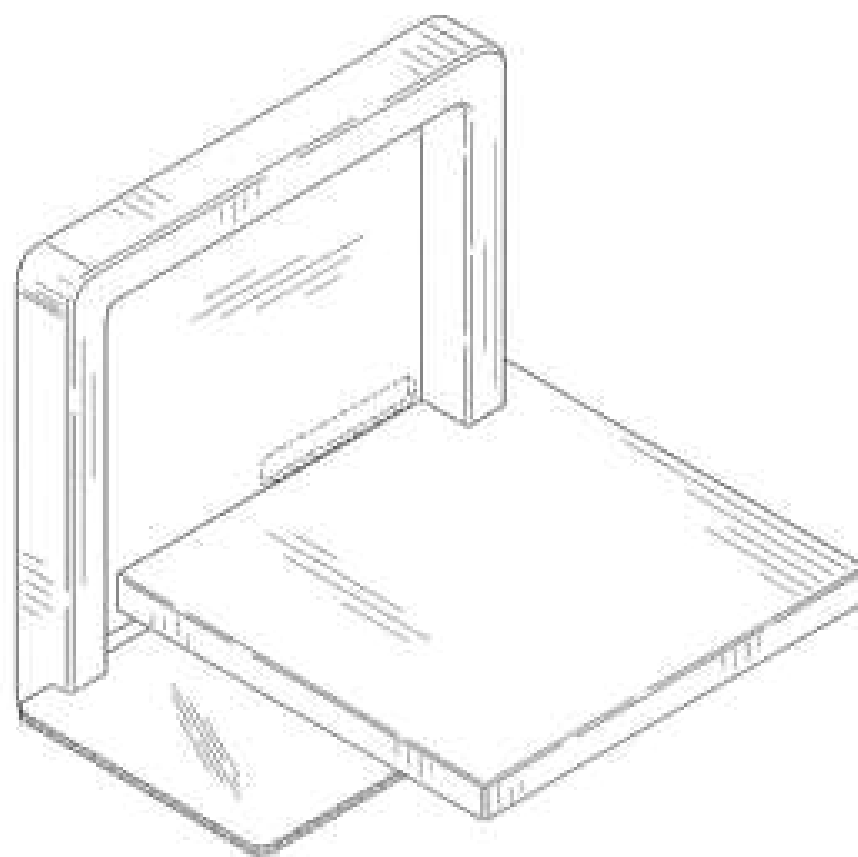
(45) Registration Date: **05 February 2009**

(30) Convention priority data:

(31) Number	(32) Date	(33) Country
29/320551	27 Jun 2008	UNITED STATES OF AMERICA

(56) Related Art Documents: **Not Applicable**

(57) Statement of Newness and Distinctiveness: **Newness and distinctiveness reside in the shape and/or configuration of a display structure illustrated by solid lines in the accompanying representations. The various regions and the unshaded areas there within, as shown in discontinuous lines or in broken outline, are for illustrative purposes only and form no part of the design.**



- (21) Design Number: **16072/2008**
- (22) Date of Filing Application: **24 December 2008**
- (24) Date from which industrial property rights may have effect: **24 December 2008**
- (54) Product in respect of which the design is registered: **Display structure**
- (51) International Design Classification: **20-02C, 14-99**
- (71) Name(s) and Address(s) of Applicant(s):

Microsoft Corporation
One Microsoft Way Redmond Washington 98052 United States of America

- (72) Name(s) of Designer(s): **Ronald David Singler and Christian John Jochman**

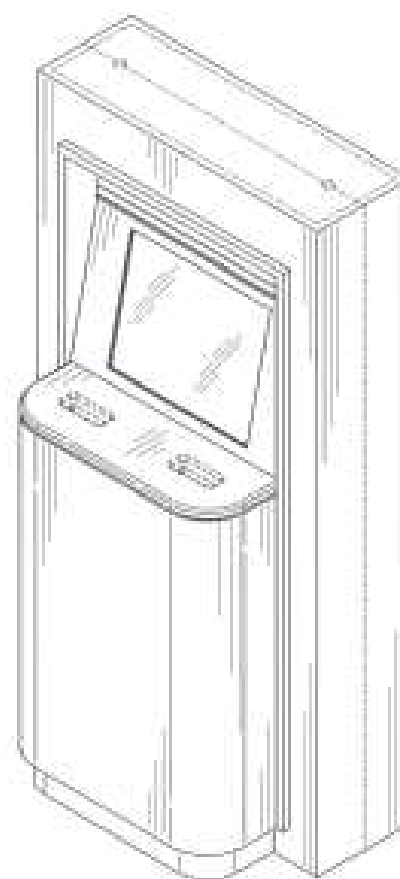
- (45) Registration Date: **05 February 2009**

- (30) Convention priority data:

(31) Number	(32) Date	(33) Country
29/320547	27 Jun 2008	UNITED STATES OF AMERICA

- (56) Related Art Documents: **Not Applicable**

- (57) Statement of Newness and Distinctiveness: **Newness and distinctiveness reside in the shape and/or configuration of a display structure illustrated by solid lines in the accompanying representations. The various regions and the unshaded areas there within, as shown in discontinuous lines or in broken outline, are for illustrative purposes only and form no part of the design.**



- (21) Design Number: **16073/2008**
- (22) Date of Filing Application: **24 December 2008**
- (24) Date from which industrial property rights may have effect: **24 December 2008**
- (54) Product in respect of which the design is registered: **Display structure**
- (51) International Design Classification: **20-02C, 14-99**
- (71) Name(s) and Address(s) of Applicant(s):

Microsoft Corporation
One Microsoft Way Redmond Washington 98052 United States of America

- (72) Name(s) of Designer(s): **Ronald David Singler and Christian John Jochman**

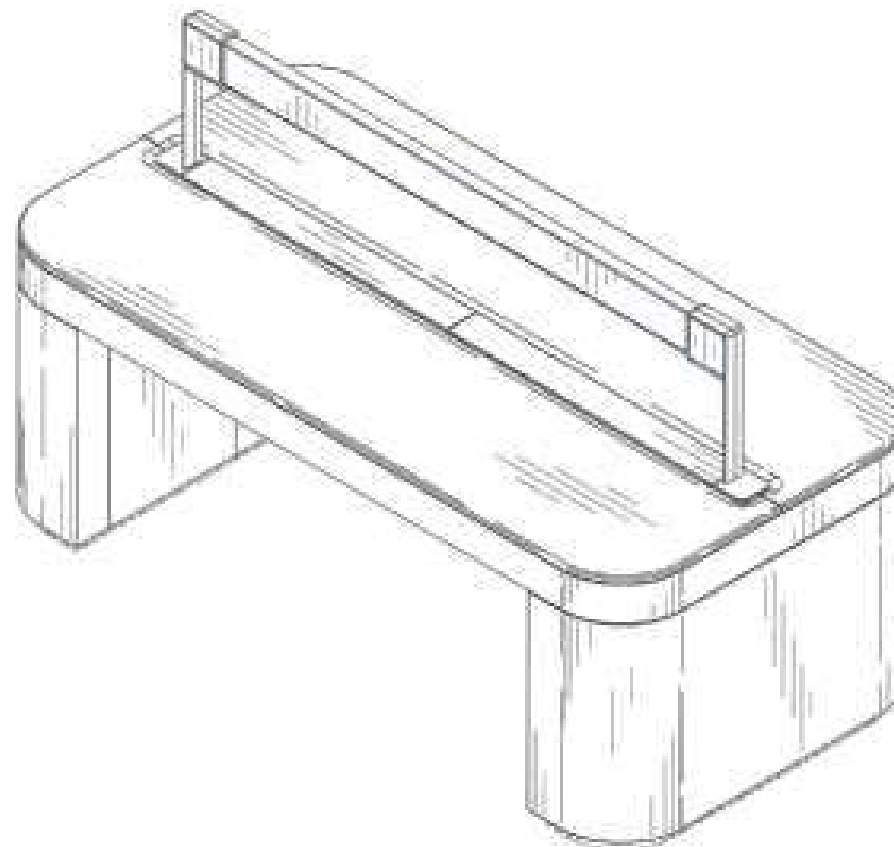
- (45) Registration Date: **05 February 2009**

- (30) Convention priority data:

(31) Number	(32) Date	(33) Country
29/320548	27 Jun 2008	UNITED STATES OF AMERICA

- (56) Related Art Documents: **Not Applicable**

- (57) Statement of Newness and Distinctiveness: **Newness and distinctiveness reside in the shape and/or configuration of a display structure illustrated by solid lines in the accompanying representations. The various regions and the unshaded areas there within, as shown in discontinuous lines or in broken outline, are for illustrative purposes only and form no part of the design.**



(21) Design Number: **16075/2008**
 (22) Date of Filing Application: **24 December 2008**
 (24) Date from which industrial property rights may have effect: **24 December 2008**
 (54) Product in respect of which the design is registered: **Display structure**
 (51) International Design Classification: **20-02C, 14-99**
 (71) Name(s) and Address(s) of Applicant(s):

Microsoft Corporation
One Microsoft Way Redmond Washington 98052 United States of America

(72) Name(s) of Designer(s): **Ronald David Singler and Christian John Jochman**

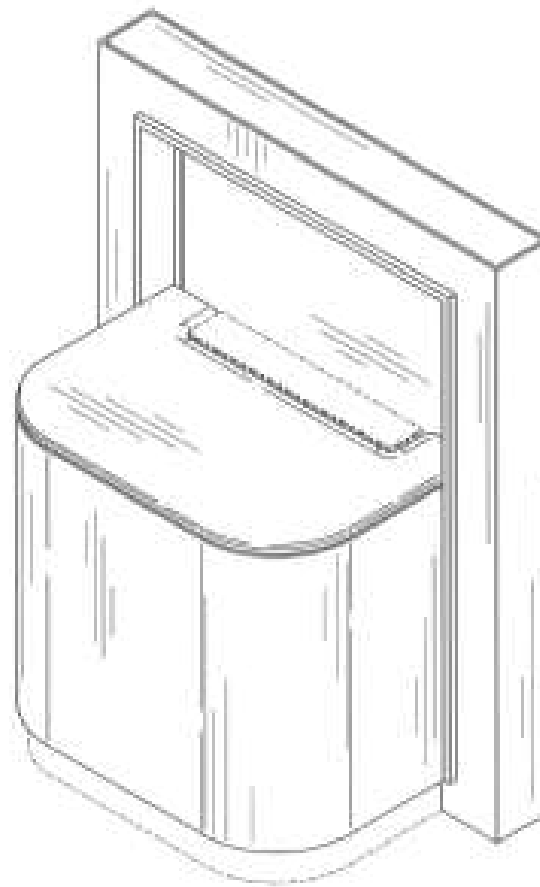
(45) Registration Date: **05 February 2009**

(30) Convention priority data:

(31) Number	(32) Date	(33) Country
29/320546	27 Jun 2008	UNITED STATES OF AMERICA

(56) Related Art Documents: **Not Applicable**

(57) Statement of Newness and Distinctiveness: **Newness and distinctiveness reside in the shape and/or configuration of a display structure illustrated by solid lines in the accompanying representations. The various regions and the unshaded areas there within, as shown in discontinuous lines or in broken outline, are for illustrative purposes only and form no part of the design.**



(21) Design Number: **16076/2008**
 (22) Date of Filing Application: **24 December 2008**
 (24) Date from which industrial property rights may have effect: **24 December 2008**
 (54) Product in respect of which the design is registered: **Display structure**
 (51) International Design Classification: **20-02C**
 (71) Name(s) and Address(s) of Applicant(s):

Microsoft Corporation
One Microsoft Way Redmond Washington 98052 United States of America

(72) Name(s) of Designer(s): **Ronald David Singler and Christian John Jochman**

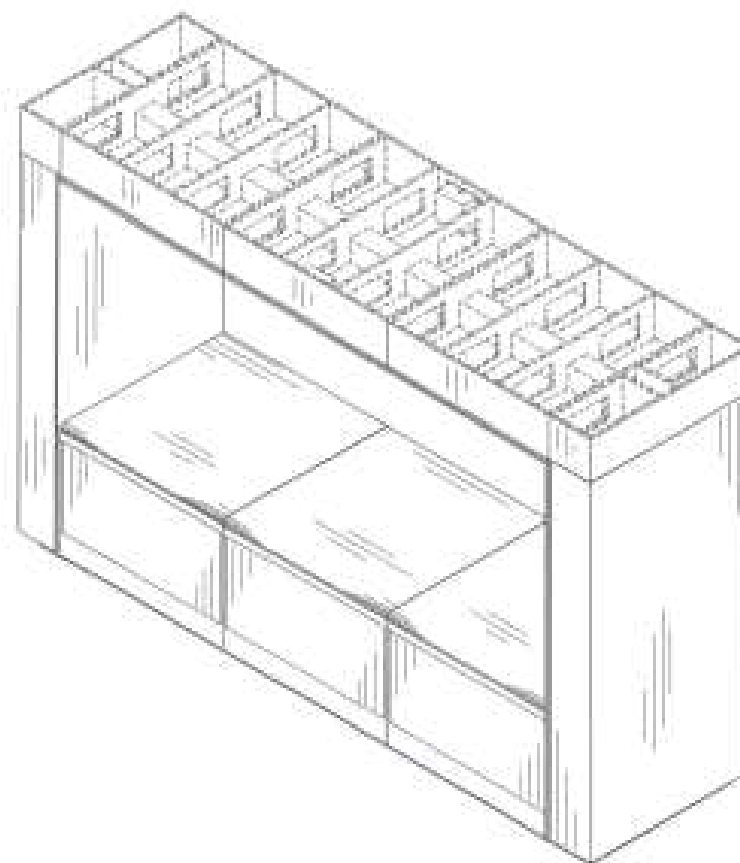
(45) Registration Date: **05 February 2009**

(30) Convention priority data:

(31) Number	(32) Date	(33) Country
29/320554	27 Jun 2008	UNITED STATES OF AMERICA

(56) Related Art Documents: **Not Applicable**

(57) Statement of Newness and Distinctiveness: **Newness and distinctiveness reside in the shape and/or configuration of a display structure illustrated by solid lines in the accompanying representations. The various regions and the unshaded areas there within, as shown in discontinuous lines or in broken outline, are for illustrative purposes only and form no part of the design.**



- (21) Design Number: **16077/2008**
- (22) Date of Filing Application: **24 December 2008**
- (24) Date from which industrial property rights may have effect: **24 December 2008**
- (54) Product in respect of which the design is registered: **Display structure**
- (51) International Design Classification: **20-02C, 14-99**
- (71) Name(s) and Address(s) of Applicant(s):

Microsoft Corporation
One Microsoft Way Redmond Washington 98052 United States of America

- (72) Name(s) of Designer(s): **Ronald David Singler and Christian John Jochman**

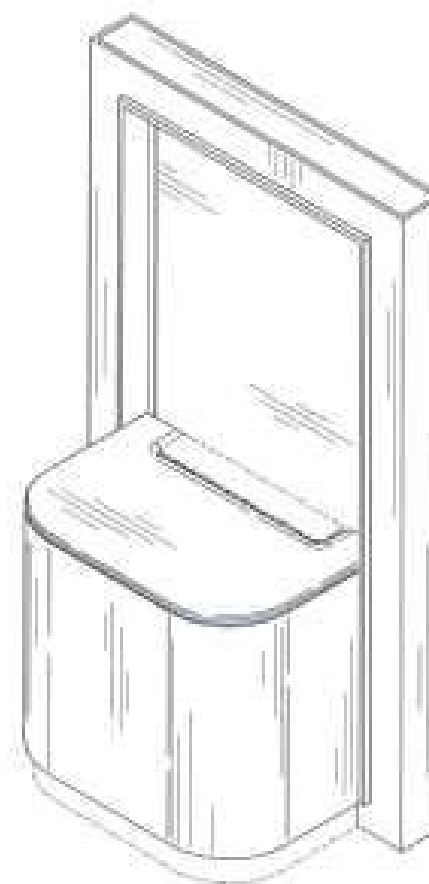
- (45) Registration Date: **05 February 2009**

- (30) Convention priority data:

(31) Number	(32) Date	(33) Country
29/320545	27 Jun 2008	UNITED STATES OF AMERICA

- (56) Related Art Documents: **Not Applicable**

- (57) Statement of Newness and Distinctiveness: **Newness and distinctiveness reside in the shape and/or configuration of a display structure illustrated by solid lines in the accompanying representations. The various regions and the unshaded areas there within, as shown in discontinuous lines or in broken outline, are for illustrative purposes only and form no part of the design.**



- (21) Design Number: **16078/2008**
- (22) Date of Filing Application: **24 December 2008**
- (24) Date from which industrial property rights may have effect: **24 December 2008**
- (54) Product in respect of which the design is registered: **Display structure**
- (51) International Design Classification: **20-02C**
- (71) Name(s) and Address(s) of Applicant(s):

Microsoft Corporation
One Microsoft Way Redmond Washington 98052 United States of America

- (72) Name(s) of Designer(s): **Ronald David Singler and Christian John Jochman**

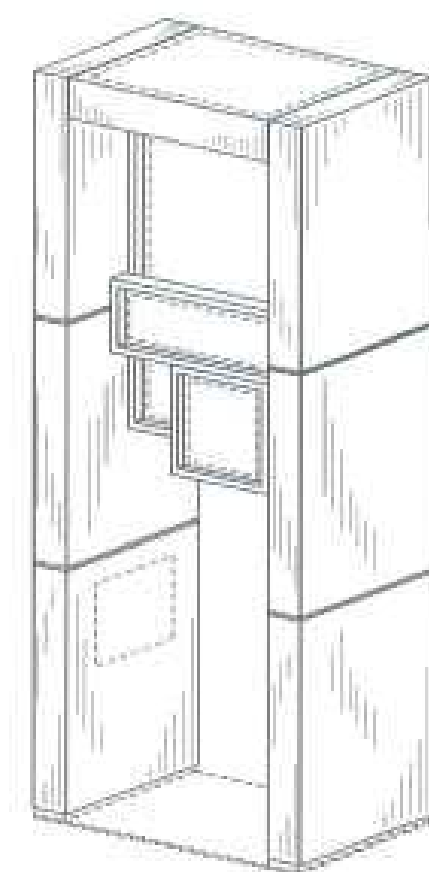
- (45) Registration Date: **05 February 2009**

- (30) Convention priority data:

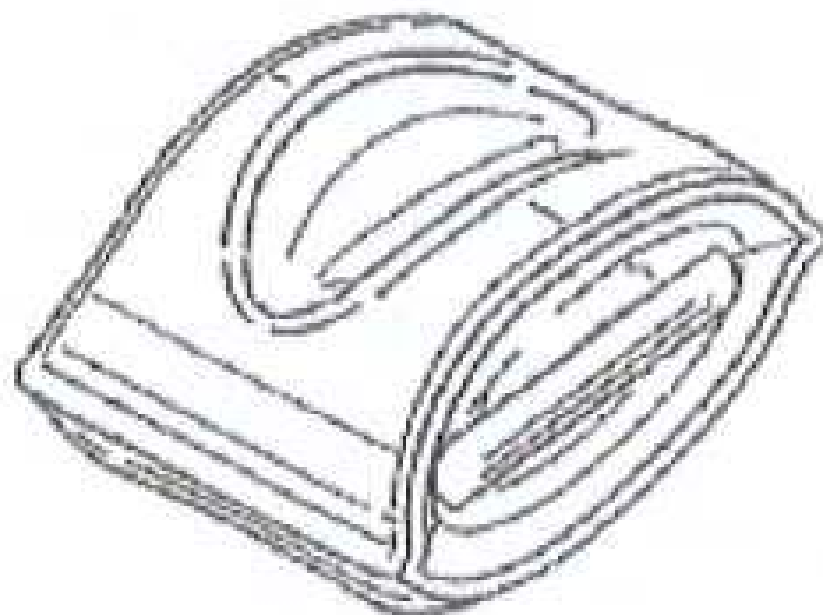
(31) Number	(32) Date	(33) Country
29/320552	27 Jun 2008	UNITED STATES OF AMERICA

- (56) Related Art Documents: **Not Applicable**

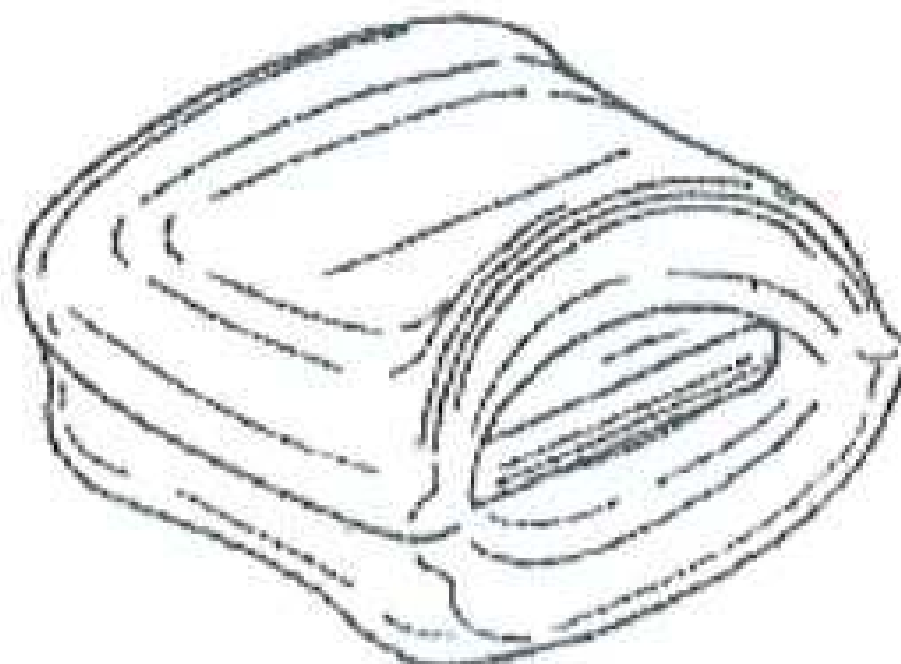
- (57) Statement of Newness and Distinctiveness: **Newness and distinctiveness reside in the shape and/or configuration of a display structure illustrated by solid lines in the accompanying representations. The various regions and the unshaded areas there within, as shown in discontinuous lines or in broken outline, are for illustrative purposes only and form no part of the design.**



- (21) Design Number: **16080/2008**
(22) Date of Filing Application: **24 December 2008**
(24) Date from which industrial property rights may have effect: **24 December 2008**
(54) Product in respect of which the design is registered: **Pet treat**
(51) International Design Classification: **01-06**
(71) Name(s) and Address(s) of Applicant(s):
Mars Incorporated
6885 Elm Street Mclean Virginia 22101-3883 United States of America
(72) Name(s) of Designer(s): **Peter Slusarczyk and Tracey Z. Ziener and Ruth Moecks and Angel Eduardo Hernandez**
(45) Registration Date: **05 February 2009**
(30) Convention priority data:
(31) Number (32) Date (33) Country
29/320,494 27 Jun 2008 UNITED STATES OF AMERICA
(56) Related Art Documents: **Not Applicable**
(57) Statement of Newness and Distinctiveness: **The newness and distinctiveness of the design resides in the features of shape and configuration as depicted in the representations attached.**



- (21) Design Number: **16081/2008**
(22) Date of Filing Application: **24 December 2008**
(24) Date from which industrial property rights may have effect: **24 December 2008**
(54) Product in respect of which the design is registered: **Pet treat**
(51) International Design Classification: **01-06**
(71) Name(s) and Address(s) of Applicant(s):
Mars Incorporated
6885 Elm Street Mclean Virginia 22101-3883 United States of America
(72) Name(s) of Designer(s): **Peter Slusarczyk and Tracey Z. Ziener and Ruth Moecks and Angel Eduardo Hernandez**
(45) Registration Date: **05 February 2009**
(30) Convention priority data:
(31) Number (32) Date (33) Country
29/320,495 27 Jun 2008 UNITED STATES OF AMERICA
(56) Related Art Documents: **Not Applicable**
(57) Statement of Newness and Distinctiveness: **The newness and distinctiveness of the design resides in the features of shape and configuration as depicted in the representations attached.**



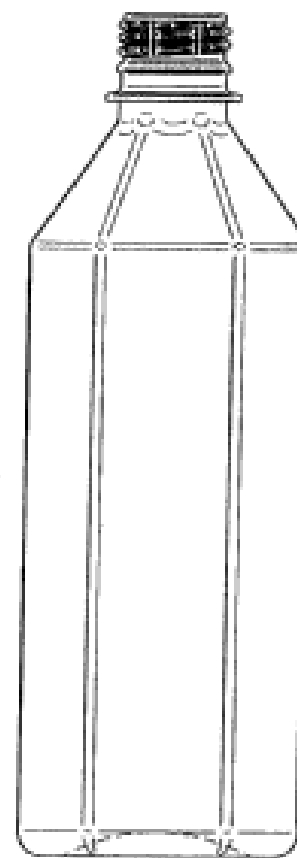
- (21) Design Number: **10019/2009**
- (22) Date of Filing Application: **05 January 2009**
- (24) Date from which industrial property rights may have effect: **05 January 2009**
- (54) Product in respect of which the design is registered: **Jewellery hanger
vertical layout**
- (51) International Design Classification: **11-99, 05-05NES, 20-02E**
- (71) Name(s) and Address(s) of Applicant(s):
**Nismawati Ikhwan
8 Poorinda Rise Narre Warren Victoria 3805 Australia**
- (72) Name(s) of Designer(s): **Nismawati Ikhwan**
- (45) Registration Date: **05 February 2009**
- (56) Related Art Documents: **Not Applicable**
- (57) Statement of Newness and Distinctiveness: **Nil**



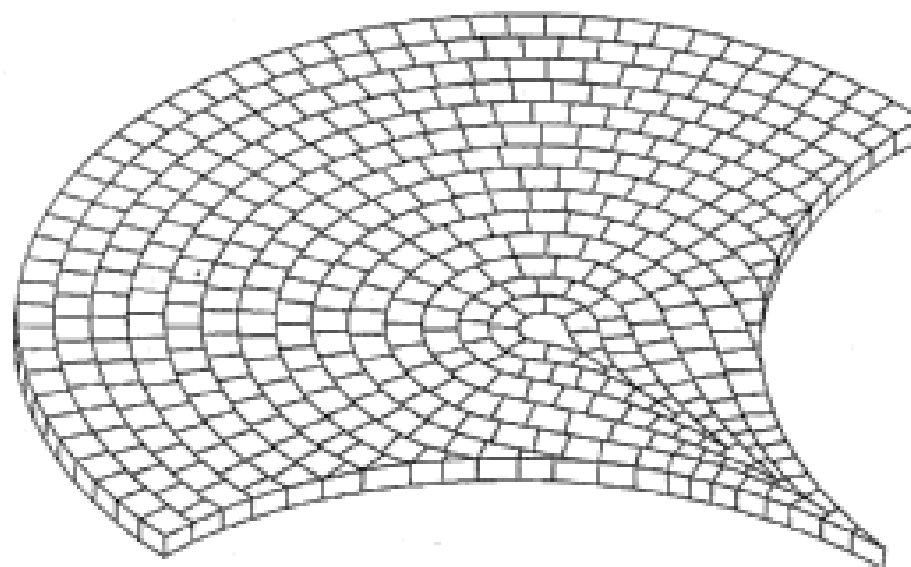
- (21) Design Number: **10020/2009**
- (22) Date of Filing Application: **05 January 2009**
- (24) Date from which industrial property rights may have effect: **05 January 2009**
- (54) Product in respect of which the design is registered: **Jewellery hanger
horizontal layout**
- (51) International Design Classification: **11-99, 05-05NES, 20-02E**
- (71) Name(s) and Address(s) of Applicant(s):
**Nismawati Ikhwan
8 Poorinda Rise Narre Warren Victoria 3805 Australia**
- (72) Name(s) of Designer(s): **Nismawati Ikhwan**
- (45) Registration Date: **05 February 2009**
- (56) Related Art Documents: **Not Applicable**
- (57) Statement of Newness and Distinctiveness: **Nil**



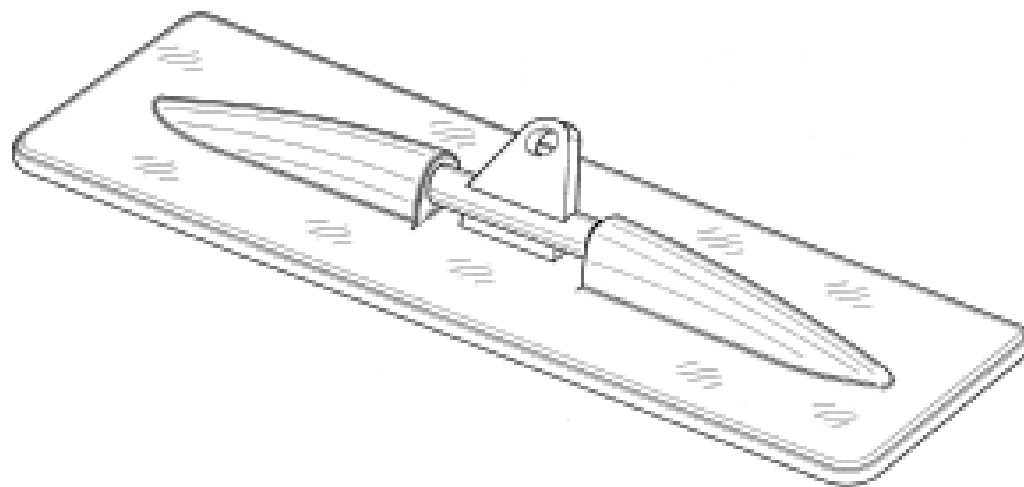
- (21) Design Number: **10235/2009**
- (22) Date of Filing Application: **29 January 2009**
- (24) Date from which industrial property rights may have effect: **29 January 2009**
- (54) Product in respect of which the design is registered: **Bottle**
- (51) International Design Classification: **09-01NES**
- (71) Name(s) and Address(s) of Applicant(s):
Silicea Pty Ltd
77 Station Street Malvern Victoria 3144 Australia
- (72) Name(s) of Designer(s): **Christopher M. Gendala**
- (45) Registration Date: **05 February 2009**
- (56) Related Art Documents: **Not Applicable**
- (57) Statement of Newness and Distinctiveness: **Nil**



- (21) Design Number: **10236/2009**
- (22) Date of Filing Application: **28 January 2009**
- (24) Date from which industrial property rights may have effect: **28 January 2009**
- (54) Product in respect of which the design is registered: **Tile formation**
- (51) International Design Classification: **25-01F**
- (71) Name(s) and Address(s) of Applicant(s):
Everstone International Pty Ltd
8 George Young Street Auburn New South Wales 2144 Australia
- (72) Name(s) of Designer(s): **John Zeng**
- (45) Registration Date: **05 February 2009**
- (56) Related Art Documents: **Not Applicable**
- (57) Statement of Newness and Distinctiveness: **Nil**



- (21) Design Number: **10269/2009**
- (22) Date of Filing Application: **02 February 2009**
- (24) Date from which industrial property rights may have effect: **02 February 2009**
- (54) Product in respect of which the design is registered: **Mop head**
- (51) International Design Classification: **04-01**
- (71) Name(s) and Address(s) of Applicant(s):
The Decor Corporation Pty Ltd
1314 Ferntree Gully Road Scoresby Victoria 3179 Australia
- (72) Name(s) of Designer(s): **Anthony Henry Wolfenden**
- (45) Registration Date: **05 February 2009**
- (56) Related Art Documents: **Not Applicable**
- (57) Statement of Newness and Distinctiveness: **The features of shape and configuration of the mop head shown in the accompanying representations are features of the design.**

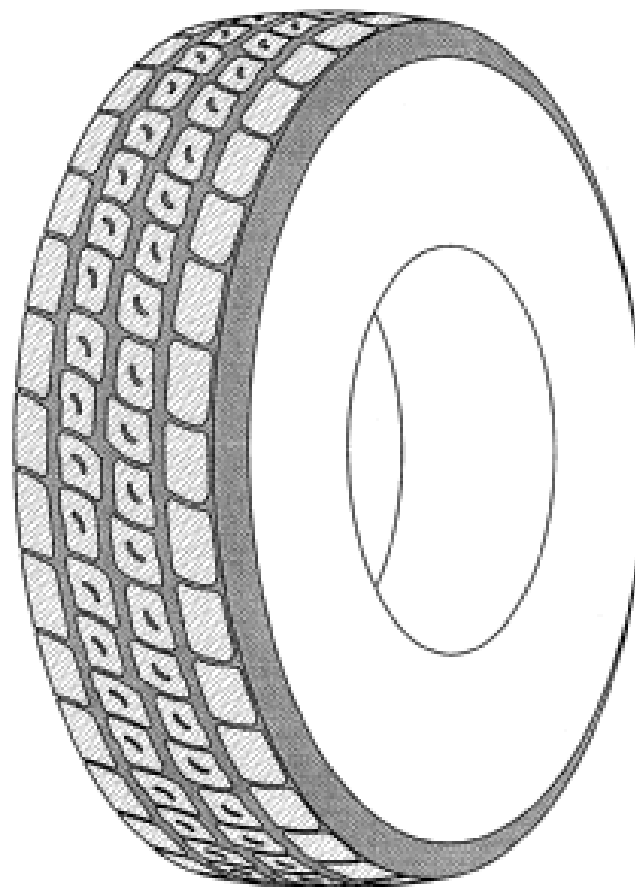


- (21) Design Number: **10203/2009**
- (22) Date of Filing Application: **27 January 2009**
- (24) Date from which industrial property rights may have effect: **27 January 2009**
- (54) Product in respect of which the design is registered: **Golf grip**
- (51) International Design Classification: **21-02C**
- (71) Name(s) and Address(s) of Applicant(s):
Eaton Corporation
Eaton Center 1111 Superior Avenue Cleveland Ohio 44114-2584
United States of America
- (72) Name(s) of Designer(s): **Daniel Francis Koehler**
- (45) Registration Date: **05 February 2009**
- (30) Convention priority data:

(31) Number	(32) Date	(33) Country
29/310091	25 Jul 2008	UNITED STATES OF AMERICA
- (56) Related Art Documents: **Not Applicable**
- (57) Statement of Newness and Distinctiveness: **Newness and distinctiveness reside in the features of the design as shown in the representations.**



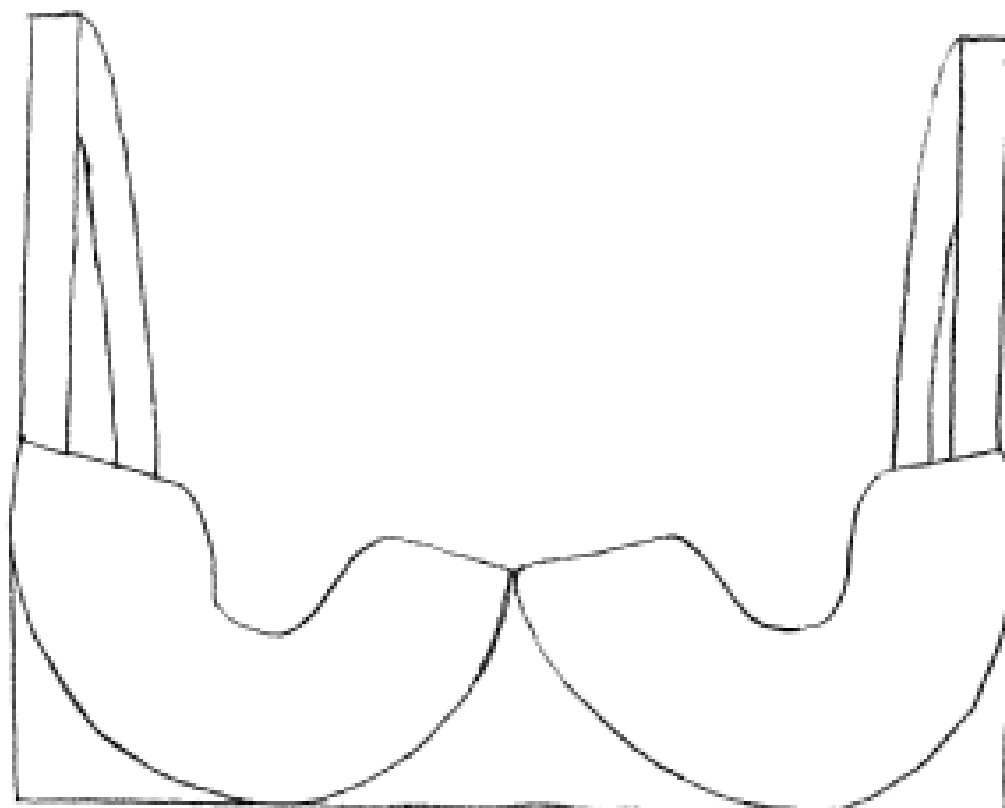
- (21) Design Number: **10228/2009**
(22) Date of Filing Application: **29 January 2009**
(24) Date from which industrial property rights may have effect: **29 January 2009**
(54) Product in respect of which the design is registered: **Tyre**
(51) International Design Classification: **12-15C**
(71) Name(s) and Address(s) of Applicant(s):
The Goodyear Tire & Rubber Company
1144 East Market Street Akron Ohio 44316-0001 United States of America
(72) Name(s) of Designer(s): **Peter Johann Cornelius Maus and Jacques Collette and Alexandre Andre Scharis**
(45) Registration Date: **05 February 2009**
(30) Convention priority data:
(31) Number (32) Date (33) Country
29/322503 06 Aug 2008 UNITED STATES OF AMERICA
(56) Related Art Documents: **Not Applicable**
(57) Statement of Newness and Distinctiveness: **Newness and distinctiveness is claimed in the features of shape and/or configuration of a tyre as illustrated in the accompanying representations.**



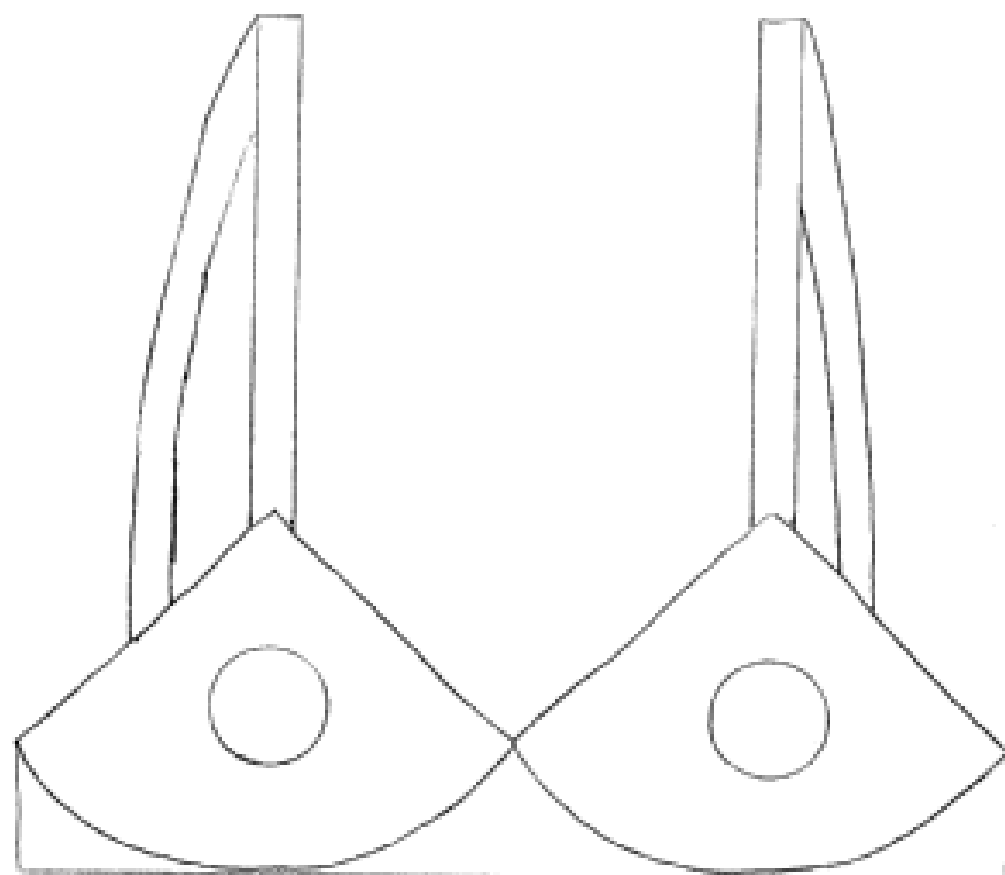
- (21) Design Number: **10231/2009**
(22) Date of Filing Application: **29 January 2009**
(24) Date from which industrial property rights may have effect: **29 January 2009**
(54) Product in respect of which the design is registered: **Chocolate**
(51) International Design Classification: **01-01**
(71) Name(s) and Address(s) of Applicant(s):
Societe des Produits Nestle S.A.
1800 Vevey Switzerland
(72) Name(s) of Designer(s): **Chrystel Loret and Francis Lovell**
(45) Registration Date: **05 February 2009**
(30) Convention priority data:
(31) Number (32) Date (33) Country
135322 02 Sep 2008 SWITZERLAND
(56) Related Art Documents: **Not Applicable**
(57) Statement of Newness and Distinctiveness: **Nil**



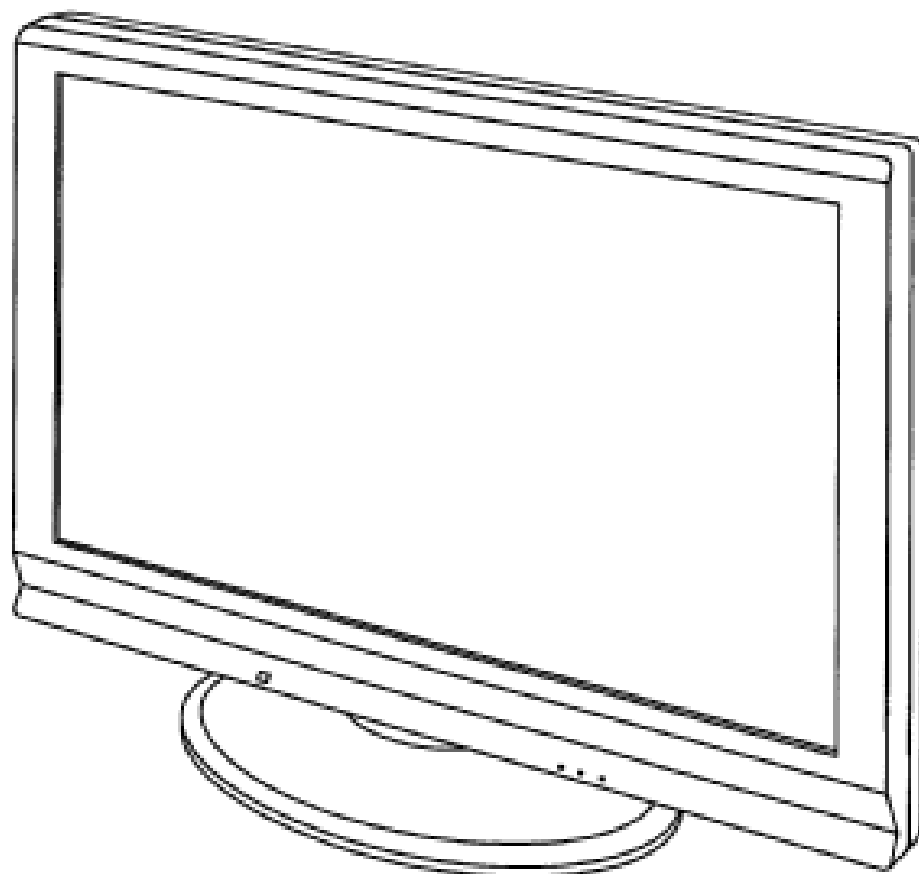
- (21) Design Number: **10233/2009**
- (22) Date of Filing Application: **29 January 2009**
- (24) Date from which industrial property rights may have effect: **29 January 2009**
- (54) Product in respect of which the design is registered: **A brassiere**
- (51) International Design Classification: **02-01A**
- (71) Name(s) and Address(s) of Applicant(s):
Andrew Sharard
Gribbles Pathology Ryot Street Warnambool Victoria 3280 Australia
- (72) Name(s) of Designer(s): **Andrew Sharard**
- (45) Registration Date: **05 February 2009**
- (56) Related Art Documents: **Not Applicable**
- (57) Statement of Newness and Distinctiveness: **The shape and configuration of the product are new and distinctive.**



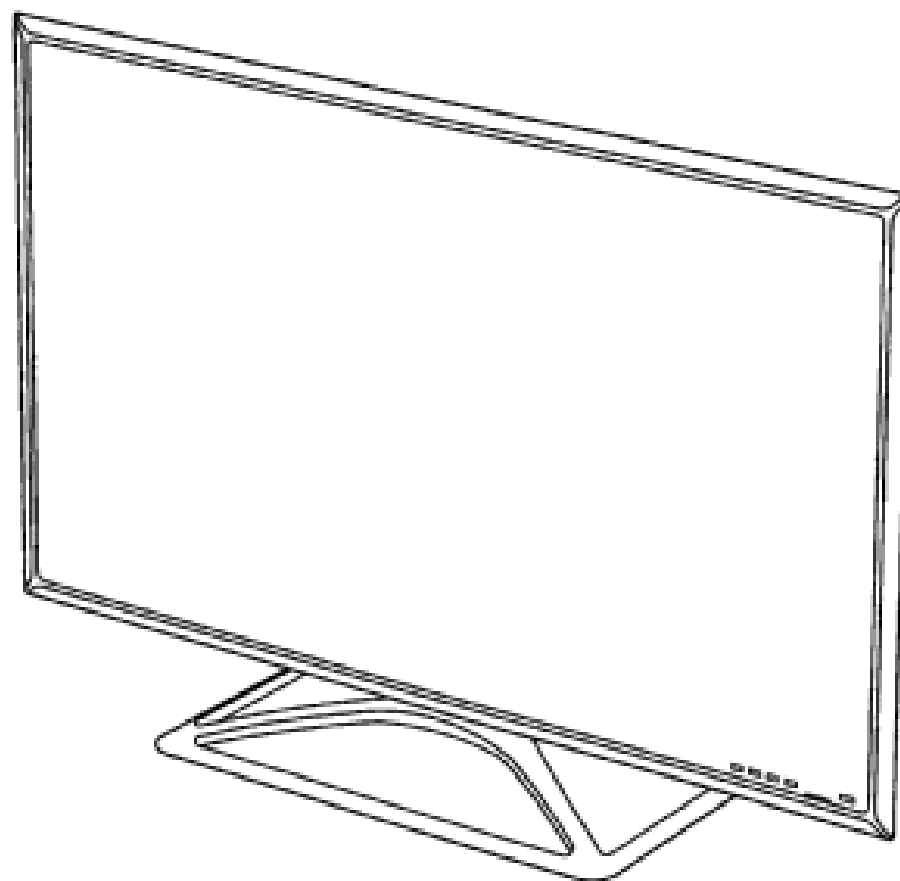
- (21) Design Number: **10234/2009**
- (22) Date of Filing Application: **29 January 2009**
- (24) Date from which industrial property rights may have effect: **29 January 2009**
- (54) Product in respect of which the design is registered: **A brassiere**
- (51) International Design Classification: **02-01A**
- (71) Name(s) and Address(s) of Applicant(s):
Andrew Sharard
Gribbles Pathology Ryot Street Warnambool Victoria 3280 Australia
- (72) Name(s) of Designer(s): **Andrew Sharard**
- (45) Registration Date: **05 February 2009**
- (56) Related Art Documents: **Not Applicable**
- (57) Statement of Newness and Distinctiveness: **The shape and configuration of the product are new and distinctive.**



(21) Design Number: **10265/2009**
(22) Date of Filing Application: **30 January 2009**
(24) Date from which industrial property rights may have effect: **30 January 2009**
(54) Product in respect of which the design is registered: **Television set**
(51) International Design Classification: **14-03B**
(71) Name(s) and Address(s) of Applicant(s):
Kabushiki Kaisha Toshiba
1-1 Shibaura 1-chome Minato-ku Tokyo Japan
(72) Name(s) of Designer(s): **Tatsuya Honda and Hideto Shimizu**
(45) Registration Date: **05 February 2009**
(30) Convention priority data:
(31) Number (32) Date (33) Country
2008030051 21 Nov 2008 JAPAN
(56) Related Art Documents: **Not Applicable**
(57) Statement of Newness and Distinctiveness: **Nil**



(21) Design Number: **10266/2009**
(22) Date of Filing Application: **30 January 2009**
(24) Date from which industrial property rights may have effect: **30 January 2009**
(54) Product in respect of which the design is registered: **Television set**
(51) International Design Classification: **14-03B**
(71) Name(s) and Address(s) of Applicant(s):
Kabushiki Kaisha Toshiba
1-1 Shibaura 1-chome Minato-ku Tokyo Japan
(72) Name(s) of Designer(s): **Tatsuya Honda**
(45) Registration Date: **05 February 2009**
(30) Convention priority data:
(31) Number (32) Date (33) Country
2008030047 21 Nov 2008 JAPAN
(56) Related Art Documents: **Not Applicable**
(57) Statement of Newness and Distinctiveness: **Nil**



(21) Design Number: **13416/2008**

(22) Date of Filing Application: **22 July 2008**

(24) Date from which industrial property rights may have effect: **22 July 2008**

(54) Product in respect of which the design is registered: **Pet food packaging**

(51) International Design Classification: **30-03, 09-05**

(71) Name(s) and Address(s) of Applicant(s):

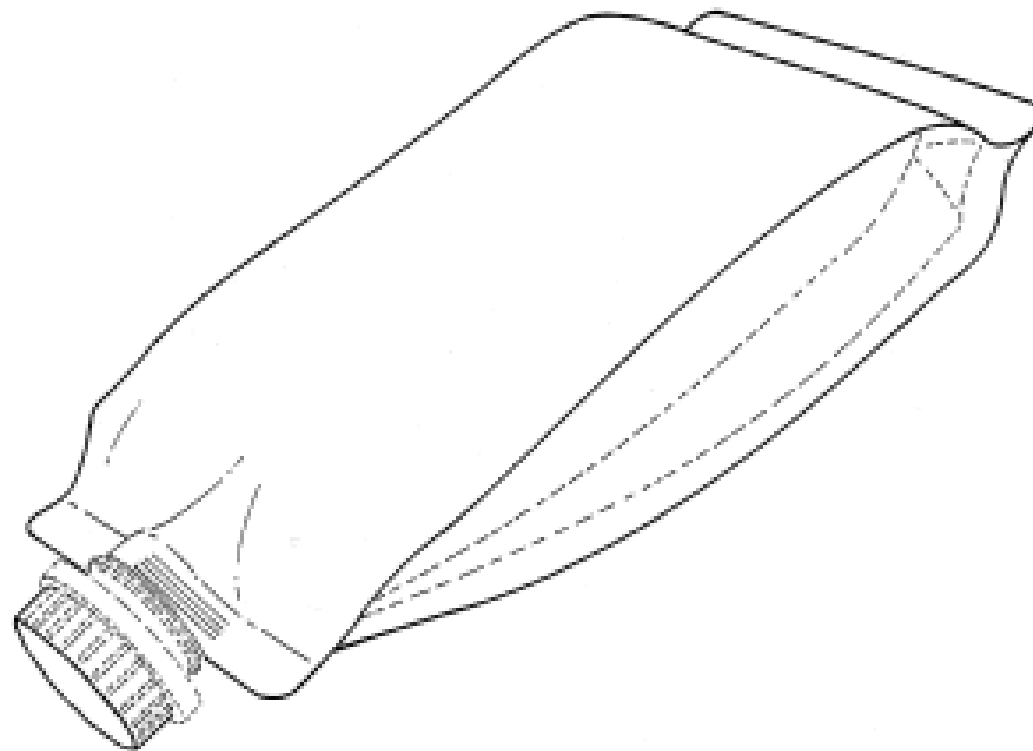
V.I.P. Pet Foods Pty Ltd
77-79 Lahr's Road Yatala Queensland 4207 Australia

(72) Name(s) of Designer(s): **Anthony Quinn and Alan Jane**

(45) Registration Date: **11 February 2009**

(56) Related Art Documents: **Not Applicable**

(57) Statement of Newness and Distinctiveness: **The newness and distinctiveness of the design resides in the shape and/or configuration of a pet food packaging as shown in solid lines in the accompanying representations.**



(21) Design Number: **13417/2008**

(22) Date of Filing Application: **22 July 2008**

(24) Date from which industrial property rights may have effect: **22 July 2008**

(54) Product in respect of which the design is registered: **Pet food packaging**

(51) International Design Classification: **30-03, 09-03NES**

(71) Name(s) and Address(s) of Applicant(s):

V.I.P. Pet Foods Pty Ltd
77-79 Lahr's Road Yatala Queensland 4207 Australia

(72) Name(s) of Designer(s): **Anthony Quinn and Alan Jane**

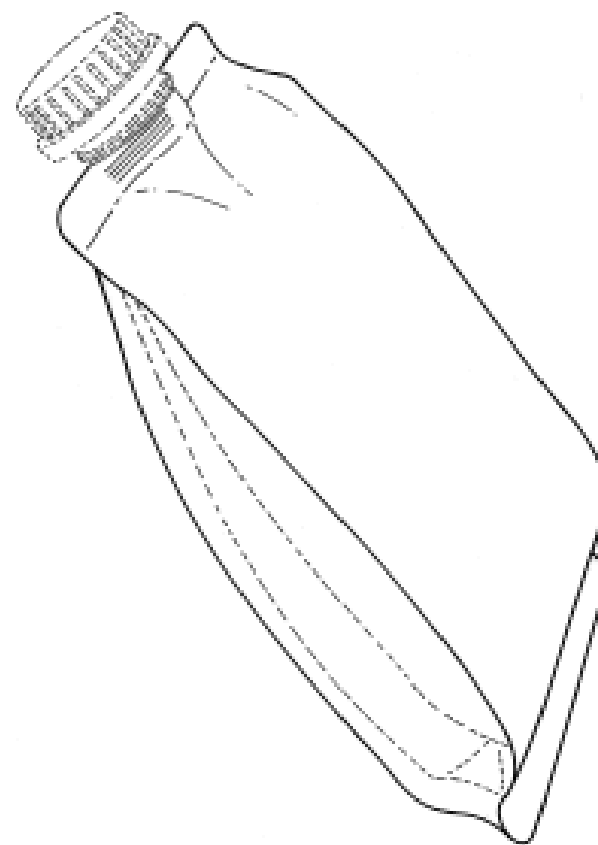
(45) Registration Date: **11 February 2009**

(56) Related Art Documents: **Not Applicable**

(57) Statement of Newness and Distinctiveness: **The newness and distinctiveness of the design resides in the features of shape and/or configuration and/or ornamentation of a pet food packaging as shown in solid lines in the accompanying representations.**

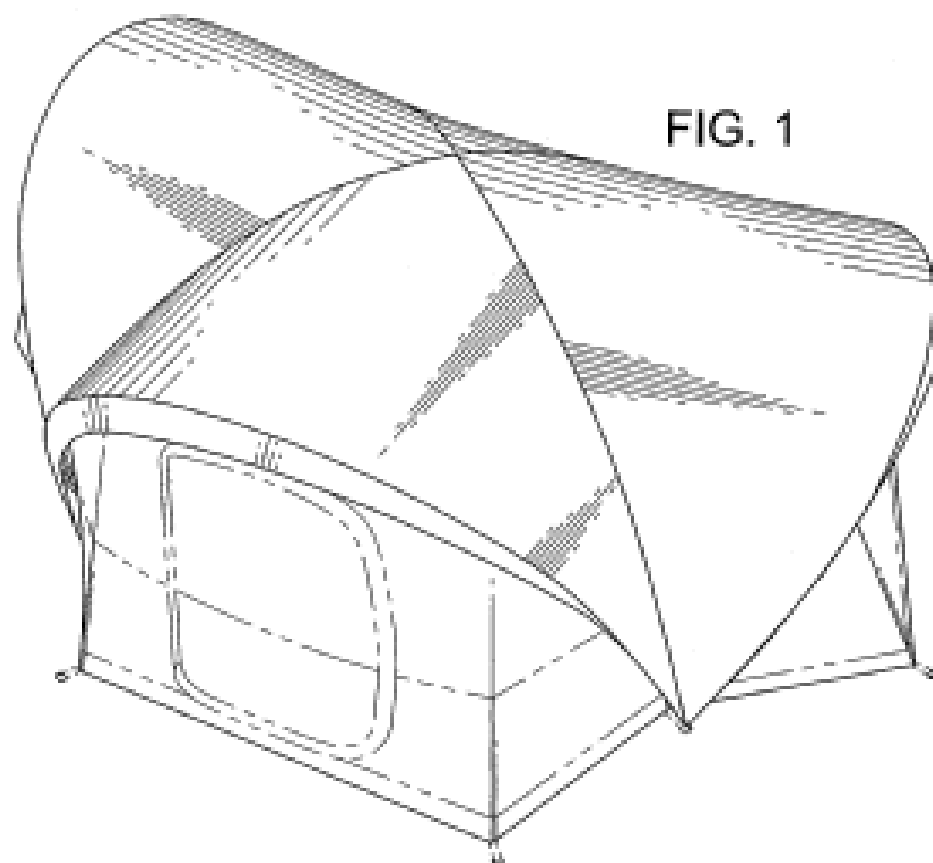


- (21) Design Number: **13418/2008**
- (22) Date of Filing Application: **22 July 2008**
- (24) Date from which industrial property rights may have effect: **22 July 2008**
- (54) Product in respect of which the design is registered: **Pet food packaging**
- (51) International Design Classification: **30-03, 09-03NES**
- (71) Name(s) and Address(s) of Applicant(s):
V.I.P. Pet Foods Pty Ltd
77-79 Lahr's Road Yatala Queensland 4207 Australia
- (72) Name(s) of Designer(s): **Anthony Quinn and Alan Jane**
- (45) Registration Date: **11 February 2009**
- (56) Related Art Documents: **Not Applicable**
- (57) Statement of Newness and Distinctiveness: **The newness and distinctiveness of the design resides in the features of shape and/or configuration of a pet food packaging as shown in solid lines in the accompanying representations.**



- (21) Design Number: **10079/2009**
- (22) Date of Filing Application: **13 January 2009**
- (24) Date from which industrial property rights may have effect: **13 January 2009**
- (54) Product in respect of which the design is registered: **Tent**
- (51) International Design Classification: **21-04**
- (71) Name(s) and Address(s) of Applicant(s):
The Coleman Company, Inc.
3600 North Hydraulic Wichita KS 67219 United States of America
- (72) Name(s) of Designer(s): **Mitchell L. Wilgus and Nicholas W. Vaughn and Katie T. Sparks and Yiyun Sherri Culp and Daniel E. DeBrunner**
- (45) Registration Date: **11 February 2009**
- (30) Convention priority data:

(31) Number	(32) Date	(33) Country
29/321394	16 Jul 2008	UNITED STATES OF AMERICA
- (56) Related Art Documents: **Not Applicable**
- (57) Statement of Newness and Distinctiveness: **When determining whether the design is substantially similar in overall impression to another design, no regard is to be had to the shape and configuration of ventilation windows shown in walls of the tent and no regard is to be had to those features shown in dotted outline in the accompanying drawings. Newness and distinctiveness otherwise consists in the shape and configuration of the tent.**



(21) Design Number: **10082/2009**

(22) Date of Filing Application: **13 January 2009**

(24) Date from which industrial property rights may have effect: **13 January 2009**

(54) Product in respect of which the design is registered: **Carbon monoxide smoke alarm**

(51) International Design Classification: **10-05**

(71) Name(s) and Address(s) of Applicant(s):

FireAngel Limited

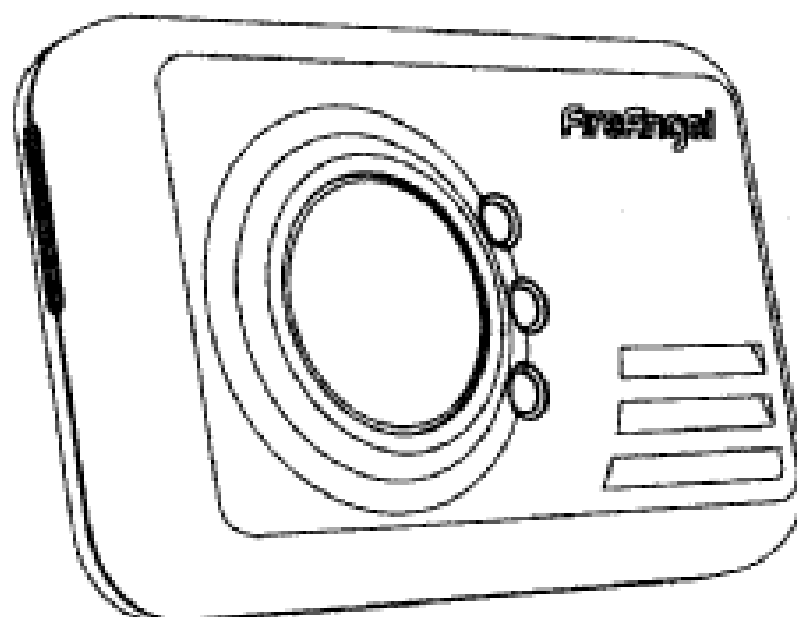
**The TechnoCentre, Coventry Univ. Techlogy. Park, Puma Way,
Coventry CV1 2TT, United Kingdom**

(72) Name(s) of Designer(s): **David Treharne**

(45) Registration Date: **11 February 2009**

(56) Related Art Documents: **Not Applicable**

(57) Statement of Newness and Distinctiveness: **Newness and distinctiveness reside in the shape and configuration of a carbon monoxide smoke alarm as shown in the accompanying representations.**



(21) Design Number: **10083/2009**

(22) Date of Filing Application: **13 January 2009**

(24) Date from which industrial property rights may have effect: **13 January 2009**

(54) Product in respect of which the design is registered: **Headlight for heavy equipment**

(51) International Design Classification: **26-06**

(71) Name(s) and Address(s) of Applicant(s):

Wookang Tech Co., Ltd.

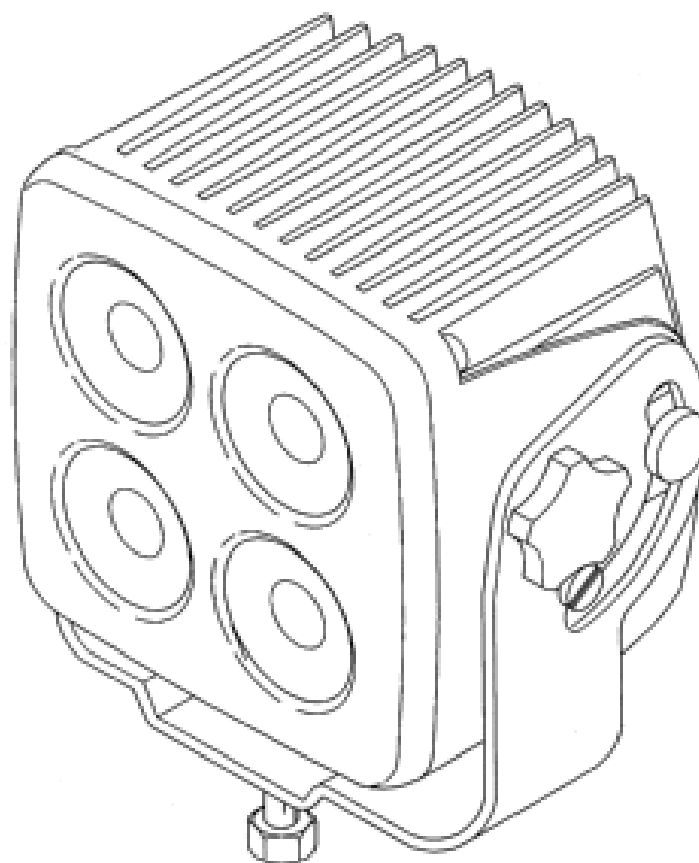
**175-16, Cheongcheon-dong, Bupyeong-gu, Incheon-si, 403-030,
Republic of Korea (South)**

(72) Name(s) of Designer(s): **In-Hong Ko**

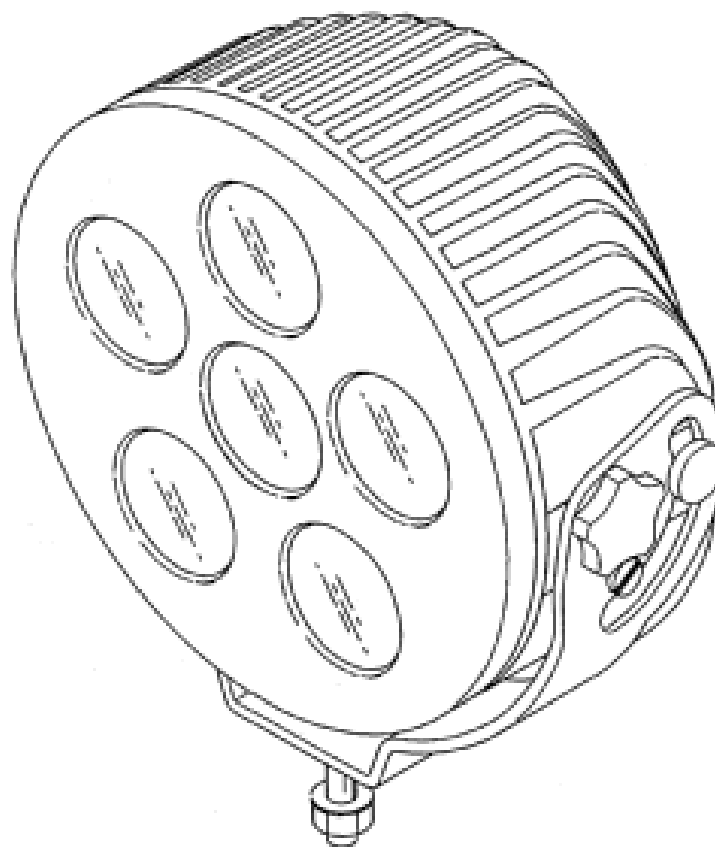
(45) Registration Date: **11 February 2009**

(56) Related Art Documents: **Not Applicable**

(57) Statement of Newness and Distinctiveness: **Newness and distinctiveness is claimed in the features of shape and/or configuration of a headlight for heavy equipment as illustrated in the accompanying representations.**

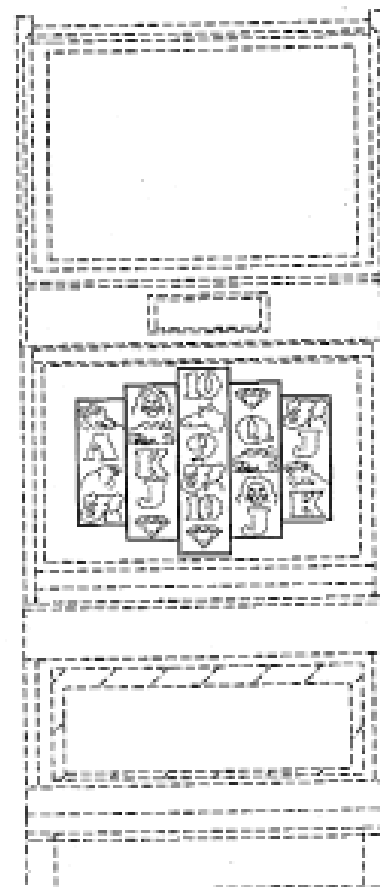


- (21) Design Number: **10084/2009**
- (22) Date of Filing Application: **13 January 2009**
- (24) Date from which industrial property rights may have effect: **13 January 2009**
- (54) Product in respect of which the design is registered: **Headlight for heavy equipment**
- (51) International Design Classification: **26-06**
- (71) Name(s) and Address(s) of Applicant(s):
Wookang Tech Co., Ltd.
175-16, Cheongcheon-dong, Bupyeong-gu, Incheon-si, 403-030, Republic of Korea (South)
- (72) Name(s) of Designer(s): **In-Hong Ko**
- (45) Registration Date: **11 February 2009**
- (56) Related Art Documents: **Not Applicable**
- (57) Statement of Newness and Distinctiveness: **Newness and distinctiveness is claimed in the features of shape and/or configuration of a headlight for heavy equipment as illustrated in the accompanying representations.**

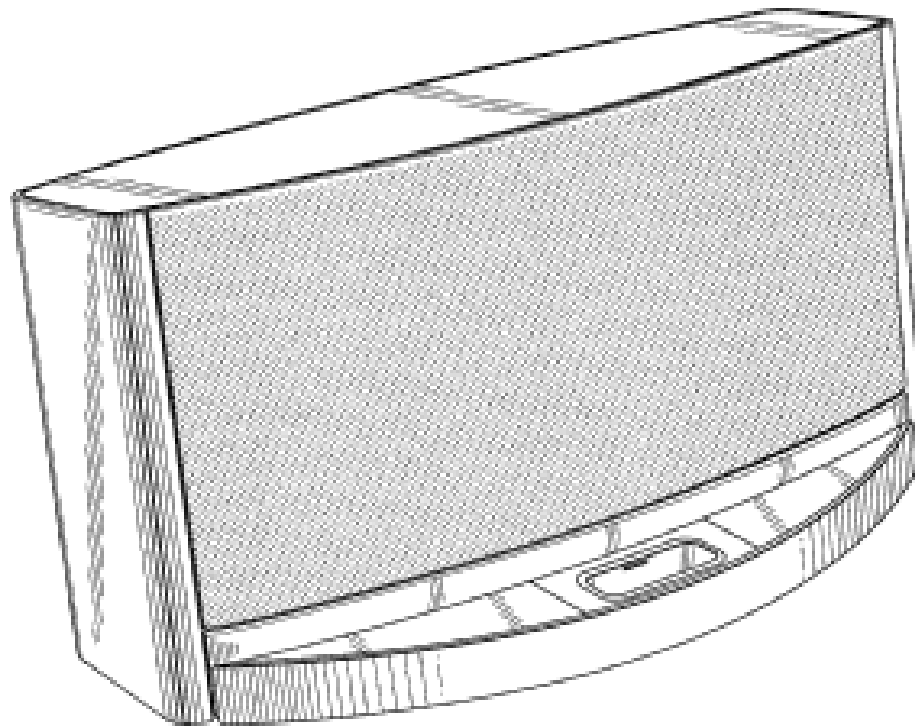


- (21) Design Number: **10087/2009**
- (22) Date of Filing Application: **13 January 2009**
- (24) Date from which industrial property rights may have effect: **13 January 2009**
- (54) Product in respect of which the design is registered: **Game machine**
- (51) International Design Classification: **21-03**
- (71) Name(s) and Address(s) of Applicant(s):
Konami Gaming, Inc.
585 Trade Center Drive Las Vegas NV 89119 United States of America
- (72) Name(s) of Designer(s): **Yuji Taniguchi**
- (45) Registration Date: **11 February 2009**
- (30) Convention priority data:

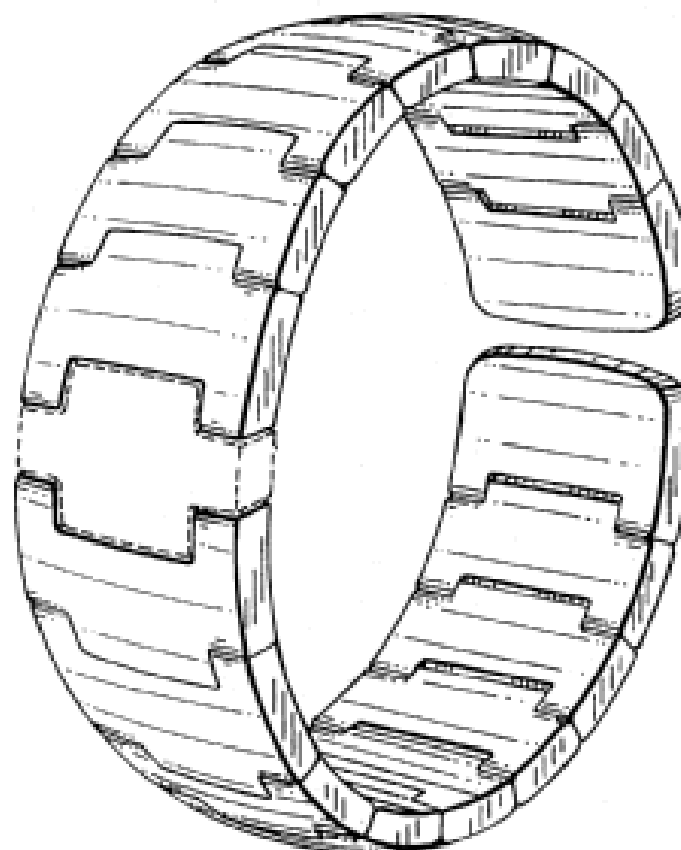
(31) Number	(32) Date	(33) Country
29/310,889	16 Sep 2008	UNITED STATES OF AMERICA
- (56) Related Art Documents: **Not Applicable**
- (57) Statement of Newness and Distinctiveness: **In considering the extent of the monopoly sought, those visual features shown in phantom are to be disregarded.**



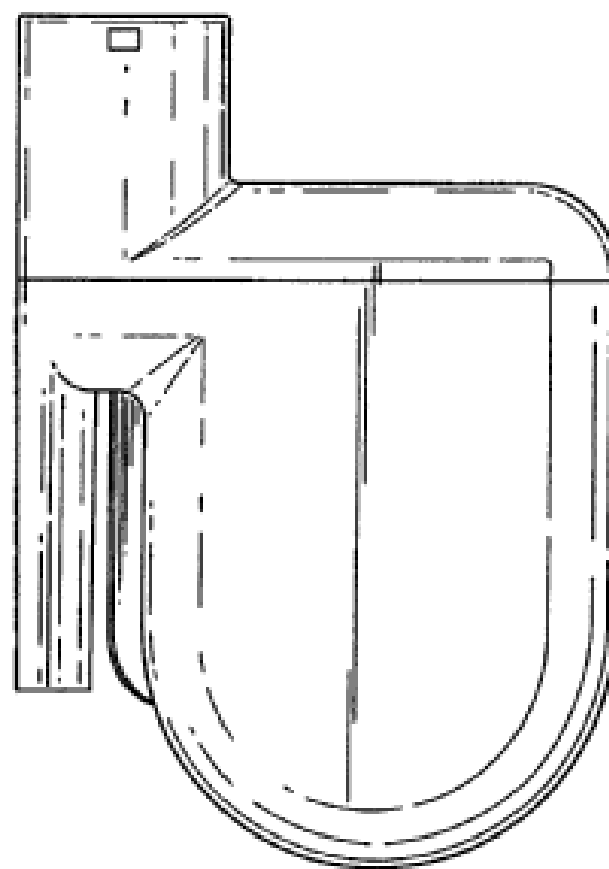
(21) Design Number: **10089/2009**
(22) Date of Filing Application: **14 January 2009**
(24) Date from which industrial property rights may have effect: **14 January 2009**
(54) Product in respect of which the design is registered: **Audio system**
(51) International Design Classification: **14-01**
(71) Name(s) and Address(s) of Applicant(s):
Bose Corporation
The Mountain Framingham Massachusetts 01701-9168 United States of America
(72) Name(s) of Designer(s): **Stuart R. Jang**
(45) Registration Date: **11 February 2009**
(30) Convention priority data:
(31) Number (32) Date (33) Country
29/323,559 27 Aug 2008 UNITED STATES OF AMERICA
(56) Related Art Documents: **Not Applicable**
(57) Statement of Newness and Distinctiveness: **Those features of the audio system depicted in the representations that are new and distinctive are the shape and/or configuration. The features shown in broken lines are not part of the design and are to be disregarded when considering the overall impression of the design.**



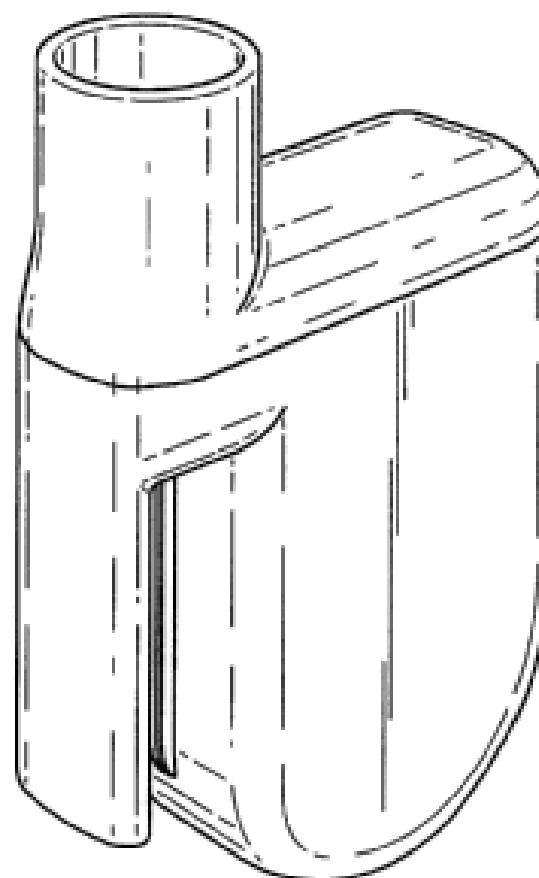
(21) Design Number: **10091/2009**
(22) Date of Filing Application: **15 January 2009**
(24) Date from which industrial property rights may have effect: **15 January 2009**
(54) Product in respect of which the design is registered: **Band support**
(51) International Design Classification: **10-02**
(71) Name(s) and Address(s) of Applicant(s):
LGP Ltd
10 West 46th Street Suite 4A New York NY 10036 United States of America
(72) Name(s) of Designer(s): **Isaac Pollak**
(45) Registration Date: **11 February 2009**
(30) Convention priority data:
(31) Number (32) Date (33) Country
29/322,499 06 Aug 2008 UNITED STATES OF AMERICA
(56) Related Art Documents: **Not Applicable**
(57) Statement of Newness and Distinctiveness: **Visual features of the design that are new and distinctive are the features of shape and configuration of the band support illustrated in the representations. The parts of the design shown as broken lines in the representations are for illustrative purposes only and do not form part of the design and are to be disregarded.**



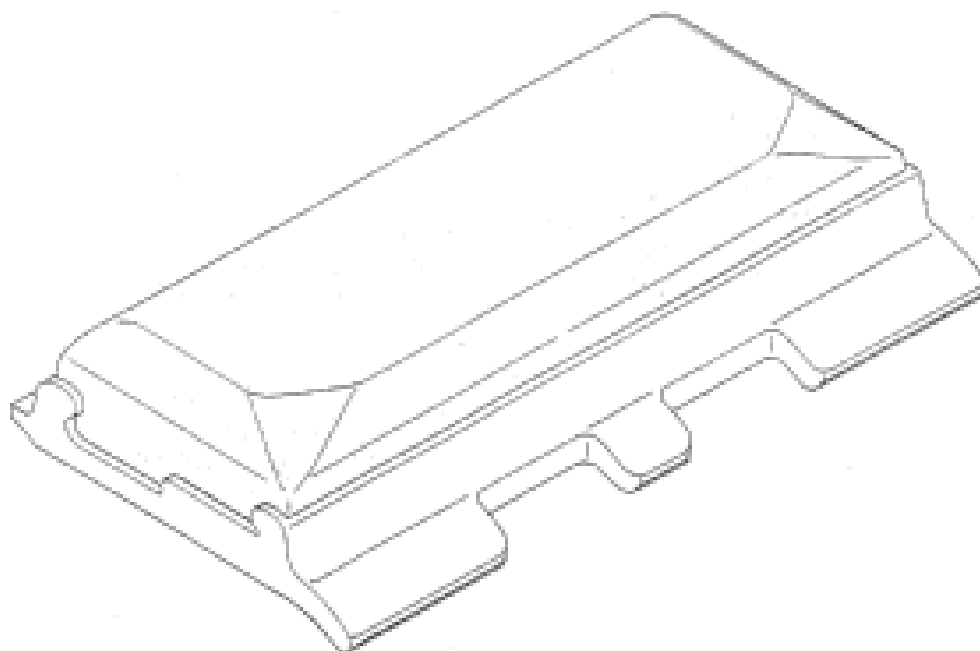
(21) Design Number: **15711/2008**
(22) Date of Filing Application: **04 December 2008**
(24) Date from which industrial property rights may have effect: **04 December 2008**
(54) Product in respect of which the design is registered: **Dispenser for a toilet**
(51) International Design Classification: **23-01B, 23-02NES**
(71) Name(s) and Address(s) of Applicant(s):
Reckitt Benckiser Inc.
Morris Corporate Center IV 399 Interpace Parkway Parsippany New Jersey 07054 United States of America
(72) Name(s) of Designer(s): **Daniel Genord**
(45) Registration Date: **11 February 2009**
(30) Convention priority data:
(31) Number (32) Date (33) Country
000957550-0001 23 Jun 2008 EUROPEAN COMMUNITY
(56) Related Art Documents: **Not Applicable**
(57) Statement of Newness and Distinctiveness: **Newness and distinctiveness reside in the features of the design as shown in the representations.**



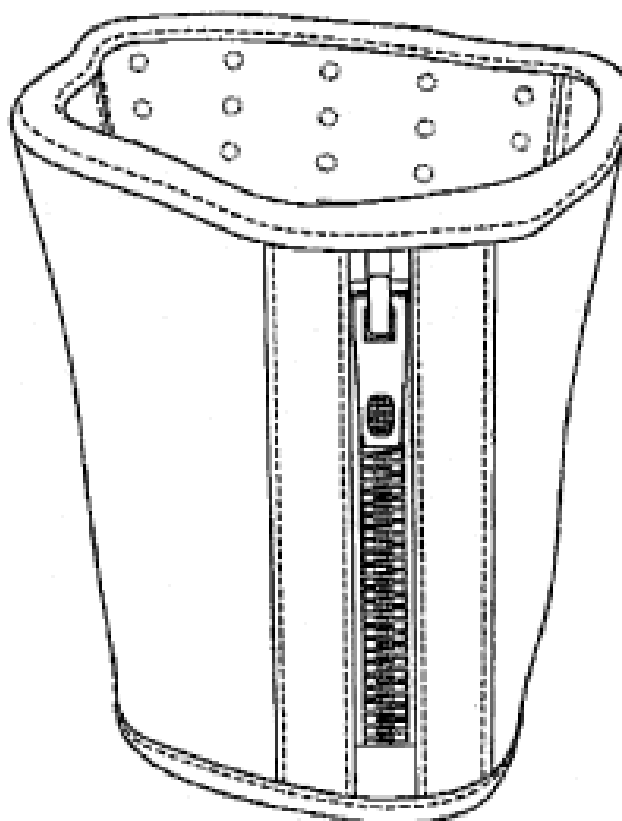
(21) Design Number: **15712/2008**
(22) Date of Filing Application: **04 December 2008**
(24) Date from which industrial property rights may have effect: **04 December 2008**
(54) Product in respect of which the design is registered: **Dispenser for a toilet**
(51) International Design Classification: **23-01B, 23-02NES**
(71) Name(s) and Address(s) of Applicant(s):
Reckitt Benckiser Inc.
Morris Corporate Center IV 399 Interpace Parkway Parsippany New Jersey 07054 United States of America
(72) Name(s) of Designer(s): **Daniel Genord**
(45) Registration Date: **11 February 2009**
(30) Convention priority data:
(31) Number (32) Date (33) Country
000965991-0001 08 Jul 2008 EUROPEAN COMMUNITY
(56) Related Art Documents: **Not Applicable**
(57) Statement of Newness and Distinctiveness: **Newness and distinctiveness reside in the features of the design as shown in the representations.**



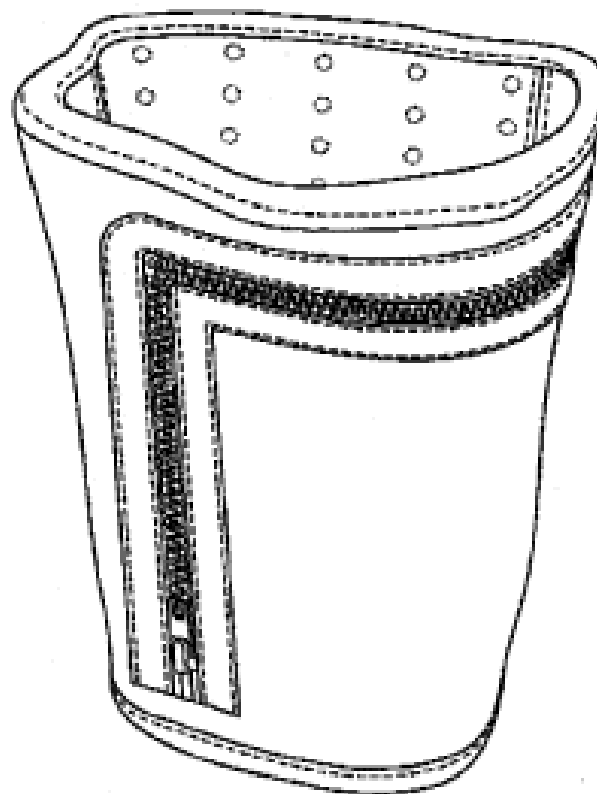
- (21) Design Number: **10099/2009**
(22) Date of Filing Application: **14 January 2009**
(24) Date from which industrial property rights may have effect: **14 January 2009**
(54) Product in respect of which the design is registered: **Track shoe for endless-track vehicle**
(51) International Design Classification: **12-15F, 15-04**
(71) Name(s) and Address(s) of Applicant(s):
Everpads Co., Ltd
No. 83 32nd Road Taichung Industrial Park Taichung 40768 Taiwan
R.O.C.
(72) Name(s) of Designer(s): **Chun-Li Chiang**
(45) Registration Date: **11 February 2009**
(30) Convention priority data:
(31) Number (32) Date (33) Country
000982582-0002 06 Aug 2008 EUROPEAN COMMUNITY
(56) Related Art Documents: **Not Applicable**
(57) Statement of Newness and Distinctiveness: **Visual features of the design which are new and distinctive are the features of shape and configuration of a TRACK SHOE FOR ENDLESS-TRACK VEHICLE as illustrated in the representations.**



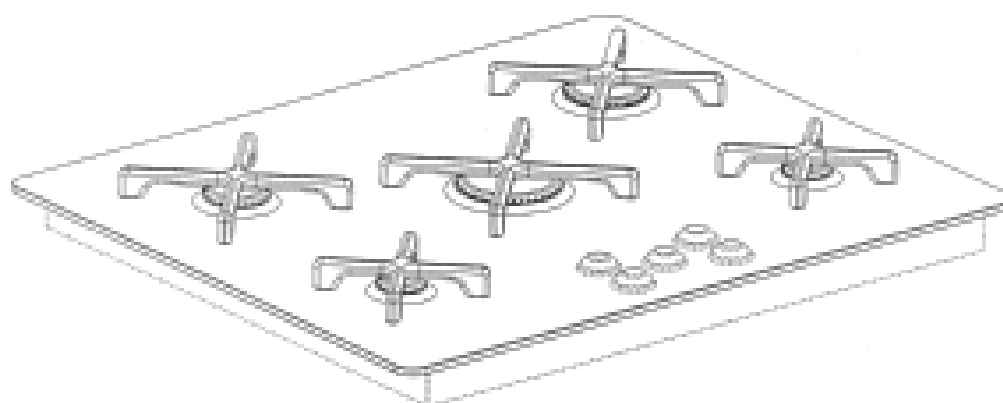
- (21) Design Number: **14974/2008**
(22) Date of Filing Application: **16 October 2008**
(24) Date from which industrial property rights may have effect: **16 October 2008**
(54) Product in respect of which the design is registered: **A bag in the form of a band that can be secured to a user's leg or arm, the band comprising a zipped pouch for storing**
(51) International Design Classification: **03-01B**
(71) Name(s) and Address(s) of Applicant(s):
Liquid Fire Trade And Invest 21 (Pty) Ltd
21 Villeriche Robert Bruce Road Beverley A.H. Sandton Gauteng
Republic of South Africa
(72) Name(s) of Designer(s): **Scott Collishaw Boyden**
(45) Registration Date: **10 February 2009**
(56) Related Art Documents: **Not Applicable**
(57) Statement of Newness and Distinctiveness: **Nil**



- (21) Design Number: **14975/2008**
(22) Date of Filing Application: **16 October 2008**
(24) Date from which industrial property rights may have effect: **16 October 2008**
(54) Product in respect of which the design is registered: **A bag in the form of a band that can be secured to a user's leg or arm, the band comprising a zipped pouch for storing**
(51) International Design Classification: **03-01B**
(71) Name(s) and Address(s) of Applicant(s):
Liquid Fire Trade And Invest 21 (Pty) Ltd
21 Villeriche Robert Bruce Road Beverley A.H. Sandton Gauteng
Republic of South Africa
(72) Name(s) of Designer(s): **Scott Collishaw Boyden**
(45) Registration Date: **10 February 2009**
(56) Related Art Documents: **Not Applicable**
(57) Statement of Newness and Distinctiveness: **Nil**



- (21) Design Number: **14976/2008**
(22) Date of Filing Application: **15 October 2008**
(24) Date from which industrial property rights may have effect: **15 October 2008**
(54) Product in respect of which the design is registered: **Hotplate**
(51) International Design Classification: **07-02C**
(71) Name(s) and Address(s) of Applicant(s):
SMEG S.p.A.
Via Leonardo da Vinci 4 Guastalla Italy
(72) Name(s) of Designer(s): **Marc Newson**
(45) Registration Date: **10 February 2009**
(30) Convention priority data:
(31) Number (32) Date (33) Country
917380 15 Apr 2008 EUROPEAN COMMUNITY
(56) Related Art Documents: **Not Applicable**
(57) Statement of Newness and Distinctiveness: **Newness and distinctiveness resides in the features of shape and configuration of the hotplate as shown in the representations. In deciding whether the design is substantially similar in overall impression to another design, no regard is to be given to those features shown in phantom.**



(21) Design Number: **14978/2008**

(22) Date of Filing Application: **15 October 2008**

(24) Date from which industrial property rights may have effect: **15 October 2008**

(54) Product in respect of which the design is registered: **Dished hotplate**

(51) International Design Classification: **07-02C**

(71) Name(s) and Address(s) of Applicant(s):

SMEG S.p.A.

Via Leonardo da Vinci 4 Guastalla Italy

(72) Name(s) of Designer(s): **Marc Newson**

(45) Registration Date: **10 February 2009**

(30) Convention priority data:

(31) Number

917380

(32) Date

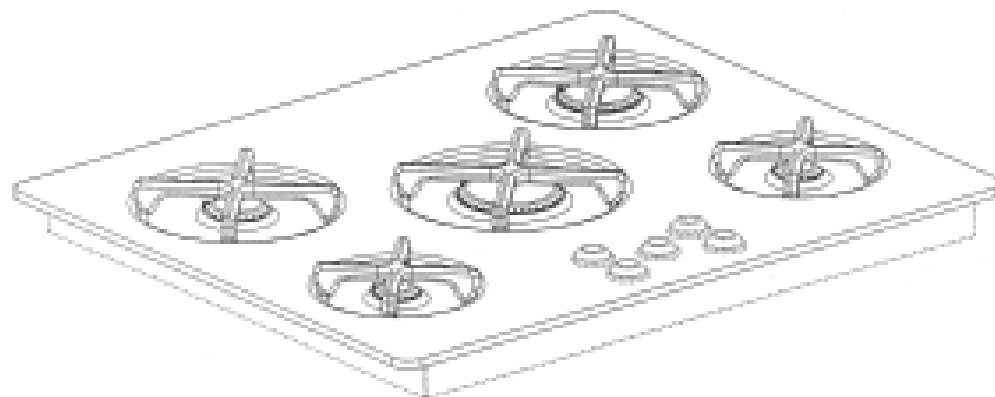
15 Apr 2008

(33) Country

EUROPEAN COMMUNITY

(56) Related Art Documents: **Not Applicable**

(57) Statement of Newness and Distinctiveness: **Newness and distinctiveness resides in the features of shape and configuration of the dished hotplate as shown in the representations. In deciding whether the design is substantially similar in overall impression to another design, no regard is to be given to those features shown in phantom.**



(21) Design Number: **15167/2008**

(22) Date of Filing Application: **30 October 2008**

(24) Date from which industrial property rights may have effect: **30 October 2008**

(54) Product in respect of which the design is registered: **Dentifrice packaging**

(51) International Design Classification: **09-03M**

(71) Name(s) and Address(s) of Applicant(s):

The Procter & Gamble Company

One Procter & Gamble Plaza Cincinnati Ohio 45202 United States of America

(72) Name(s) of Designer(s): **David Edward Frank**

(45) Registration Date: **10 February 2009**

(30) Convention priority data:

(31) Number

000927264

(32) Date

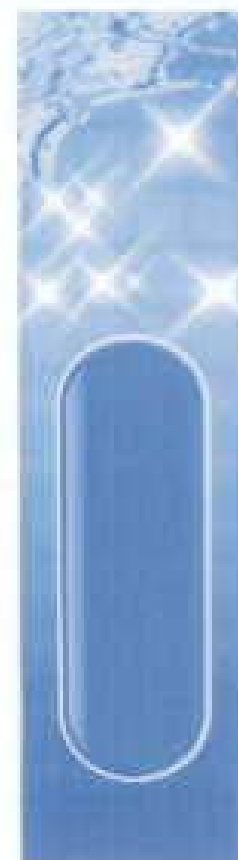
30 Apr 2008

(33) Country

EUROPEAN COMMUNITY

(56) Related Art Documents: **Not Applicable**

(57) Statement of Newness and Distinctiveness: **Newness and distinctiveness reside in the features of shape and/or configuration, and pattern and/or ornament of the dentifrice packaging, as shown in the representations. The pattern and/or ornament can be in colour, but newness and distinctiveness are not claimed for any particular colour.**



(21) Design Number: **15174/2008**

(22) Date of Filing Application: **30 October 2008**

(24) Date from which industrial property rights may have effect: **30 October 2008**

(54) Product in respect of which the design is registered: **Dentifrice packaging**

(51) International Design Classification: **09-03M**

(71) Name(s) and Address(s) of Applicant(s):

**The Procter & Gamble Company
One Procter & Gamble Plaza Cincinnati Ohio 45202 United States of
America**

(72) Name(s) of Designer(s): **David Edward Frank**

(45) Registration Date: **10 February 2009**

(30) Convention priority data:

(31) Number	(32) Date	(33) Country
000928411	30 Apr 2008	EUROPEAN COMMUNITY

(56) Related Art Documents: **Not Applicable**

(57) Statement of Newness and Distinctiveness: **Newness and distinctiveness reside in the features of shape and/or configuration of the dentifrice packaging, as shown in the representations.**



(21) Design Number: **15184/2008**

(22) Date of Filing Application: **31 October 2008**

(24) Date from which industrial property rights may have effect: **31 October 2008**

(54) Product in respect of which the design is registered: **Exhaust and pipe**

(51) International Design Classification: **12-16N**

(71) Name(s) and Address(s) of Applicant(s):

**Dr. Ing.h.c. F Porsche Aktiengesellschaft
Porscheplatz 1 D-70435 Stuttgart Germany**

(72) Name(s) of Designer(s): **Claus-Dieter Unfried and Robert Owen**

(45) Registration Date: **10 February 2009**

(56) Related Art Documents: **Not Applicable**

(57) Statement of Newness and Distinctiveness: **Nil**



(21) Design Number: **15185/2008**

(22) Date of Filing Application: **31 October 2008**

(24) Date from which industrial property rights may have effect: **31 October 2008**

(54) Product in respect of which the design is registered: **Exhaust and pipe**

(51) International Design Classification: **12-16N**

(71) Name(s) and Address(s) of Applicant(s):

**Dr. Ing.h.c. F Porsche Aktiengesellschaft
Porscheplatz 1 D-70435 Stuttgart Germany**

(72) Name(s) of Designer(s): **Claus-Dieter Unfried and Robert Owen**

(45) Registration Date: **10 February 2009**

(56) Related Art Documents: **Not Applicable**

(57) Statement of Newness and Distinctiveness: **Nil**



(21) Design Number: **15186/2008**

(22) Date of Filing Application: **31 October 2008**

(24) Date from which industrial property rights may have effect: **31 October 2008**

(54) Product in respect of which the design is registered: **Ornamental scuff plate**

(51) International Design Classification: **12-16D**

(71) Name(s) and Address(s) of Applicant(s):

**Dr. Ing.h.c. F Porsche Aktiengesellschaft
Porscheplatz 1 D-70435 Stuttgart Germany**

(72) Name(s) of Designer(s): **Ulrich Sauter**

(45) Registration Date: **10 February 2009**

(56) Related Art Documents: **Not Applicable**

(57) Statement of Newness and Distinctiveness: **Nil**



- (21) Design Number: **15187/2008**
(22) Date of Filing Application: **31 October 2008**
(24) Date from which industrial property rights may have effect: **31 October 2008**
(54) Product in respect of which the design is registered: **Ornamental scuff plate**
(51) International Design Classification: **12-16D**
(71) Name(s) and Address(s) of Applicant(s):
Dr. Ing.h.c. F Porsche Aktiengesellschaft
Porscheplatz 1 D-70435 Stuttgart Germany
(72) Name(s) of Designer(s): **Ulrich Sauter**
(45) Registration Date: **10 February 2009**
(56) Related Art Documents: **Not Applicable**
(57) Statement of Newness and Distinctiveness: **Nil**



- (21) Design Number: **15188/2008**
(22) Date of Filing Application: **31 October 2008**
(24) Date from which industrial property rights may have effect: **31 October 2008**
(54) Product in respect of which the design is registered: **Motor vehicle**
(51) International Design Classification: **12-08**
(71) Name(s) and Address(s) of Applicant(s):
Dr. Ing.h.c. F Porsche Aktiengesellschaft
Porscheplatz 1 D-70435 Stuttgart Germany
(72) Name(s) of Designer(s): **Grant Larson and Peter Varga**
(45) Registration Date: **10 February 2009**
(56) Related Art Documents: **Not Applicable**
(57) Statement of Newness and Distinctiveness: **Nil**



(21) Design Number: **15190/2008**

(22) Date of Filing Application: **31 October 2008**

(24) Date from which industrial property rights may have effect: **31 October 2008**

(54) Product in respect of which the design is registered: **Side rear-view mirror**

(51) International Design Classification: **12-16H**

(71) Name(s) and Address(s) of Applicant(s):

**Dr. Ing.h.c. F Porsche Aktiengesellschaft
Porscheplatz 1 D-70435 Stuttgart Germany**

(72) Name(s) of Designer(s): **Peter Varga**

(45) Registration Date: **10 February 2009**

(56) Related Art Documents: **Not Applicable**

(57) Statement of Newness and Distinctiveness: **Nil**



(21) Design Number: **15201/2008**

(22) Date of Filing Application: **31 October 2008**

(24) Date from which industrial property rights may have effect: **31 October 2008**

(54) Product in respect of which the design is registered: **Shoes**

(51) International Design Classification: **02-04NES**

(71) Name(s) and Address(s) of Applicant(s):

**Simsbiz Pty Ltd
534 Malvern Road Prahran Victoria 3181 Australia**

(72) Name(s) of Designer(s): **Simone Di Nucci**

(45) Registration Date: **10 February 2009**

(56) Related Art Documents: **Not Applicable**

(57) Statement of Newness and Distinctiveness: **Nil**



(21) Design Number: **10168/2009**

(22) Date of Filing Application: **29 October 2008**

(24) Date from which industrial property rights may have effect: **29 October 2008**

(54) Product in respect of which the design is registered: **Shoes**

(51) International Design Classification: **02-04NES**

(71) Name(s) and Address(s) of Applicant(s):

Simsbiz Pty Ltd

534 Malvern Road Prahran Victoria 3181 Australia

(72) Name(s) of Designer(s): **Simone Di Nucci**

(45) Registration Date: **10 February 2009**

(56) Related Art Documents: **Not Applicable**

(57) Statement of Newness and Distinctiveness: **Nil**



(21) Design Number: **10169/2009**

(22) Date of Filing Application: **29 October 2008**

(24) Date from which industrial property rights may have effect: **29 October 2008**

(54) Product in respect of which the design is registered: **Shoes**

(51) International Design Classification: **02-04NES**

(71) Name(s) and Address(s) of Applicant(s):

Simsbiz Pty Ltd

534 Malvern Road Prahran Victoria 3181 Australia

(72) Name(s) of Designer(s): **Simone Di Nucci**

(45) Registration Date: **10 February 2009**

(56) Related Art Documents: **Not Applicable**

(57) Statement of Newness and Distinctiveness: **Nil**



(21) Design Number: **10170/2009**

(22) Date of Filing Application: **29 October 2008**

(24) Date from which industrial property rights may have effect: **29 October 2008**

(54) Product in respect of which the design is registered: **Shoes**

(51) International Design Classification: **02-04NES**

(71) Name(s) and Address(s) of Applicant(s):

Simsbiz Pty Ltd

534 Malvern Road Prahran Victoria 3181 Australia

(72) Name(s) of Designer(s): **Simone Di Nucci**

(45) Registration Date: **10 February 2009**

(56) Related Art Documents: **Not Applicable**

(57) Statement of Newness and Distinctiveness: **Nil**



(21) Design Number: **10171/2009**

(22) Date of Filing Application: **29 October 2008**

(24) Date from which industrial property rights may have effect: **29 October 2008**

(54) Product in respect of which the design is registered: **Shoes**

(51) International Design Classification: **02-04NES**

(71) Name(s) and Address(s) of Applicant(s):

Simsbiz Pty Ltd

534 Malvern Road Prahran Victoria 3181 Australia

(72) Name(s) of Designer(s): **Simone Di Nucci**

(45) Registration Date: **10 February 2009**

(56) Related Art Documents: **Not Applicable**

(57) Statement of Newness and Distinctiveness: **Nil**



(21) Design Number: **10172/2009**

(22) Date of Filing Application: **29 October 2008**

(24) Date from which industrial property rights may have effect: **29 October 2008**

(54) Product in respect of which the design is registered: **Shoes**

(51) International Design Classification: **02-04NES**

(71) Name(s) and Address(s) of Applicant(s):

Simsbiz Pty Ltd

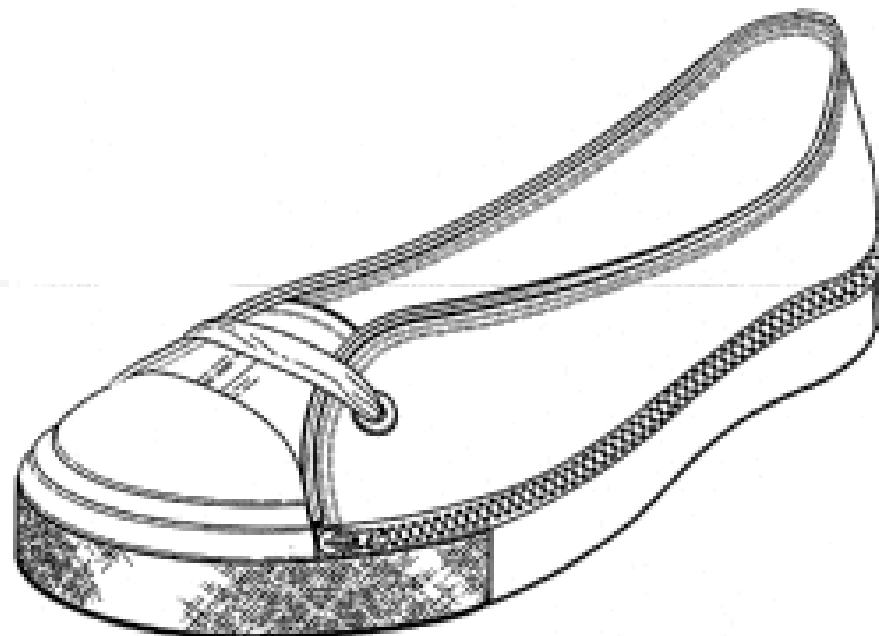
534 Malvern Road Prahran Victoria 3181 Australia

(72) Name(s) of Designer(s): **Simone Di Nucci**

(45) Registration Date: **10 February 2009**

(56) Related Art Documents: **Not Applicable**

(57) Statement of Newness and Distinctiveness: **Nil**



(21) Design Number: **10173/2009**

(22) Date of Filing Application: **29 October 2008**

(24) Date from which industrial property rights may have effect: **29 October 2008**

(54) Product in respect of which the design is registered: **Shoes**

(51) International Design Classification: **02-04NES**

(71) Name(s) and Address(s) of Applicant(s):

Simsbiz Pty Ltd

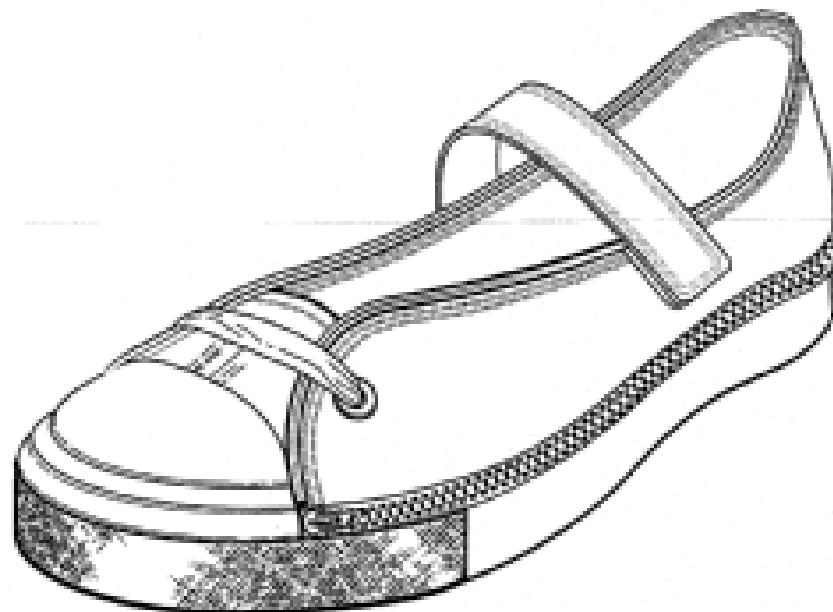
534 Malvern Road Prahran Victoria 3181 Australia

(72) Name(s) of Designer(s): **Simone Di Nucci**

(45) Registration Date: **10 February 2009**

(56) Related Art Documents: **Not Applicable**

(57) Statement of Newness and Distinctiveness: **Nil**



(19) AU

- (21) Design Number: **15252/2008**
- (22) Date of Filing Application: **06 November 2008**
- (24) Date from which industrial property rights may have effect: **06 November 2008**
- (54) Product in respect of which the design is registered: **Lancing device**
- (51) International Design Classification: **24-02**
- (71) Name(s) and Address(s) of Applicant(s):

Bayer HealthCare LLC
555 White Plains Road Tarrytown New York 10591 United States of America

- (72) Name(s) of Designer(s): **Daniel Brown and Martin Antoine Mathelier and Maria Lorza and William McCloud and Purcell Glenn and Tom Walker and Sehegeun Choi and Philip Walsh**

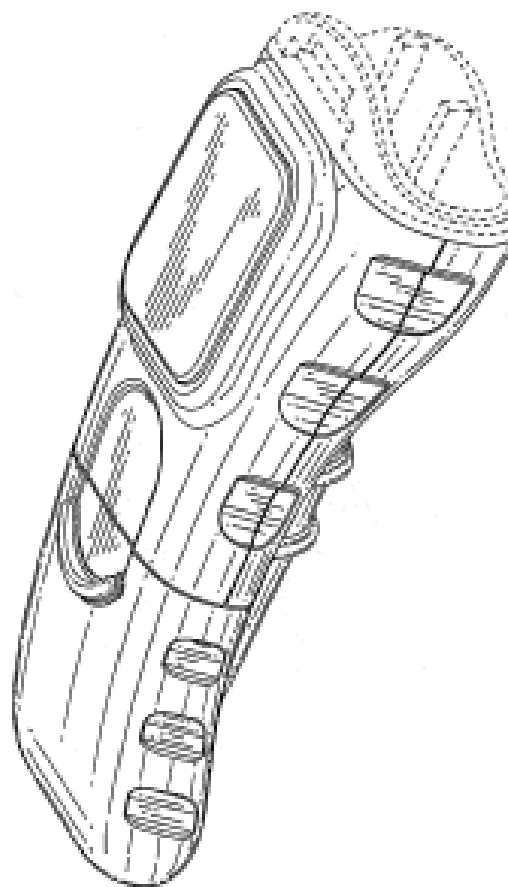
(45) Registration Date: **10 February 2009**

(30) Convention priority data:

(31) Number	(32) Date	(33) Country
29/308,253	05 Jun 2008	UNITED STATES OF AMERICA

(56) Related Art Documents: **Not Applicable**

(57) Statement of Newness and Distinctiveness: **Those features of the lancing device depicted in the representations that are new and distinctive are the shape and/or configuration. The features shown in broken lines are not part of the design and are to be disregarded when considering the overall impression of the design.**



(19) AU

- (21) Design Number: **15339/2008**
- (22) Date of Filing Application: **11 November 2008**
- (24) Date from which industrial property rights may have effect: **11 November 2008**
- (54) Product in respect of which the design is registered: **Mobile phone**
- (51) International Design Classification: **14-03E**
- (71) Name(s) and Address(s) of Applicant(s):

Giorgio Armani S.p.A
Via Borgonuovo 11 I-20121 Milano Italy

- (72) Name(s) of Designer(s): **Giorgio Armani**

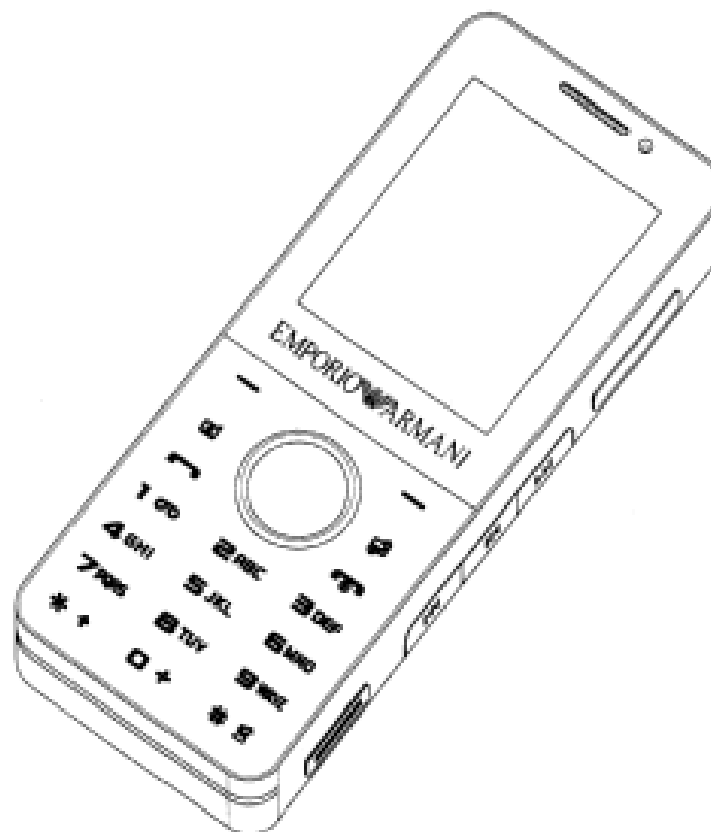
(45) Registration Date: **10 February 2009**

(30) Convention priority data:

(31) Number	(32) Date	(33) Country
000936786	20 May 2008	EUROPEAN COMMUNITY

(56) Related Art Documents: **Not Applicable**

(57) Statement of Newness and Distinctiveness: **Nil**



(21) Design Number: **15425/2008**

(22) Date of Filing Application: **17 November 2008**

(24) Date from which industrial property rights may have effect: **17 November 2008**

(54) Product in respect of which the design is registered: **Housing for a Camera**

(51) International Design Classification: **16-01**

(71) Name(s) and Address(s) of Applicant(s):

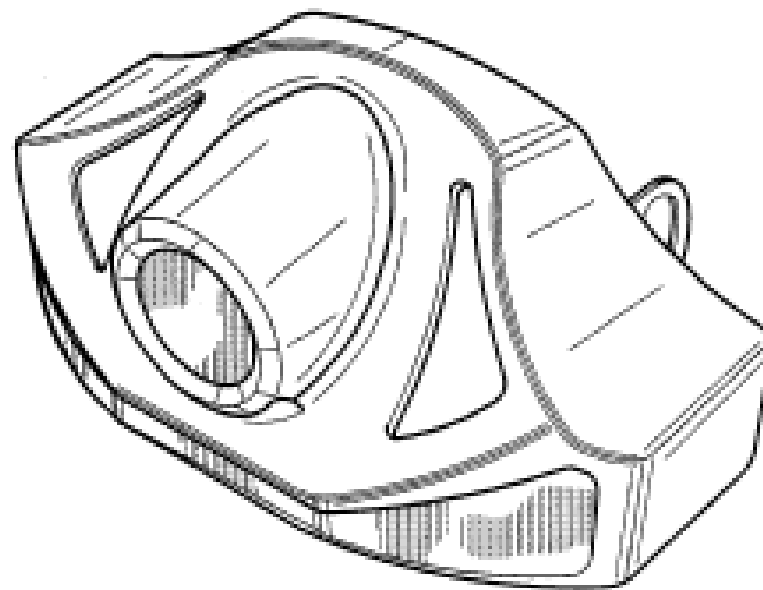
**Eighty Eight Investments Pty Ltd
78 Mills Road Braeside Victoria 3195 Australia**

(72) Name(s) of Designer(s): **Zhenyu Liu**

(45) Registration Date: **10 February 2009**

(56) Related Art Documents: **Not Applicable**

(57) Statement of Newness and Distinctiveness: **The shape, configuration, shape and configuration of the product are new and distinctive.**



(21) Design Number: **15781/2008**

(22) Date of Filing Application: **10 December 2008**

(24) Date from which industrial property rights may have effect: **10 December 2008**

(54) Product in respect of which the design is registered: **Bottle**

(51) International Design Classification: **09-01NES**

(71) Name(s) and Address(s) of Applicant(s):

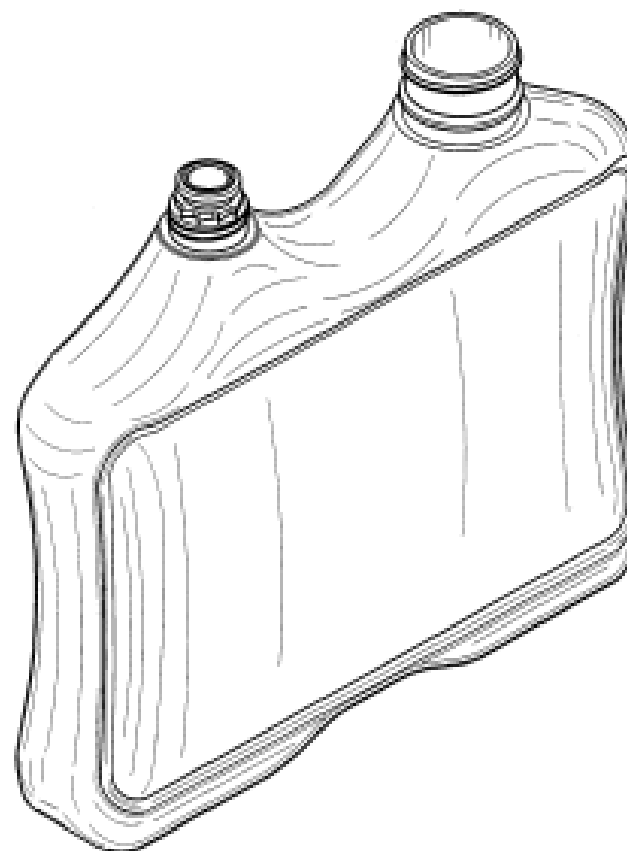
**Raymond John Baker
C/-Griffith Hack Level 3 509 St Kilda Road MELBOURNE VIC 3004**

(72) Name(s) of Designer(s): **Raymond John Baker**

(45) Registration Date: **10 February 2009**

(56) Related Art Documents: **Not Applicable**

(57) Statement of Newness and Distinctiveness: **The shape, configuration, shape and configuration, of the design of the product is new and distinctive.**



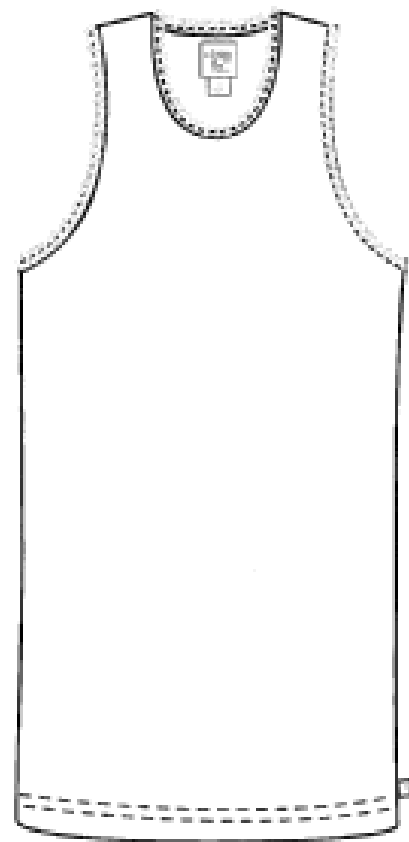
- (21) Design Number: **15189/2008**
(22) Date of Filing Application: **31 October 2008**
(24) Date from which industrial property rights may have effect: **31 October 2008**
(54) Product in respect of which the design is registered: **Motor vehicle**
(51) International Design Classification: **12-08**
(71) Name(s) and Address(s) of Applicant(s):
Dr. Ing.h.c. F Porsche Aktiengesellschaft
Porscheplatz 1 D-70435 Stuttgart Germany
(72) Name(s) of Designer(s): **Grant Larson and Peter Varga**
(45) Registration Date: **10 February 2009**
(56) Related Art Documents: **Not Applicable**
(57) Statement of Newness and Distinctiveness: **Nil**



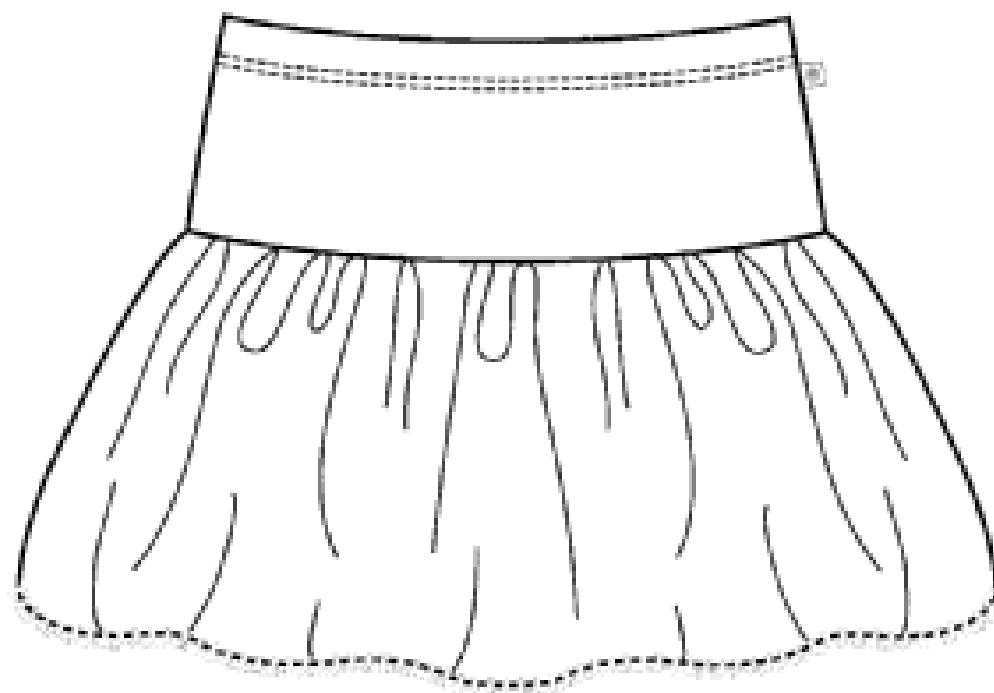
- (21) Design Number: **15183/2008**
(22) Date of Filing Application: **31 October 2008**
(24) Date from which industrial property rights may have effect: **31 October 2008**
(54) Product in respect of which the design is registered: **Exhaust and pipe**
(51) International Design Classification: **12-16N**
(71) Name(s) and Address(s) of Applicant(s):
Dr. Ing.h.c. F Porsche Aktiengesellschaft
Porscheplatz 1 D-70435 Stuttgart Germany
(72) Name(s) of Designer(s): **Claus-Dieter Unfried and Robert Owen**
(45) Registration Date: **10 February 2009**
(56) Related Art Documents: **Not Applicable**
(57) Statement of Newness and Distinctiveness: **Nil**



- (21) Design Number: **13932/2008**
- (22) Date of Filing Application: **14 February 2008**
- (24) Date from which industrial property rights may have effect: **14 February 2008**
- (54) Product in respect of which the design is registered: **Picot Tank**
- (51) International Design Classification: **02-02NES**
- (71) Name(s) and Address(s) of Applicant(s):
Fiona Holdings Pty Ltd
Office 6 83 Wellington Street St Kilda Victoria 3181 Australia
- (72) Name(s) of Designer(s): **Fiona Scanlan**
- (45) Registration Date: **06 February 2009**
- (56) Related Art Documents: **Not Applicable**
- (57) Statement of Newness and Distinctiveness: **Childrens clothing.**



- (21) Design Number: **13933/2008**
- (22) Date of Filing Application: **14 February 2008**
- (24) Date from which industrial property rights may have effect: **14 February 2008**
- (54) Product in respect of which the design is registered: **Picot Edge Skirt**
- (51) International Design Classification: **02-02C**
- (71) Name(s) and Address(s) of Applicant(s):
Fiona Holdings Pty Ltd
Office 6 83 Wellington Street St Kilda Victoria 3181 Australia
- (72) Name(s) of Designer(s): **Fiona Scanlan**
- (45) Registration Date: **06 February 2009**
- (56) Related Art Documents: **Not Applicable**
- (57) Statement of Newness and Distinctiveness: **Childrens clothing.**



(21) Design Number: **13934/2008**

(22) Date of Filing Application: **14 February 2008**

(24) Date from which industrial property rights may have effect: **14 February 2008**

(54) Product in respect of which the design is registered: **S/S Picot Cardi**

(51) International Design Classification: **02-02NES**

(71) Name(s) and Address(s) of Applicant(s):

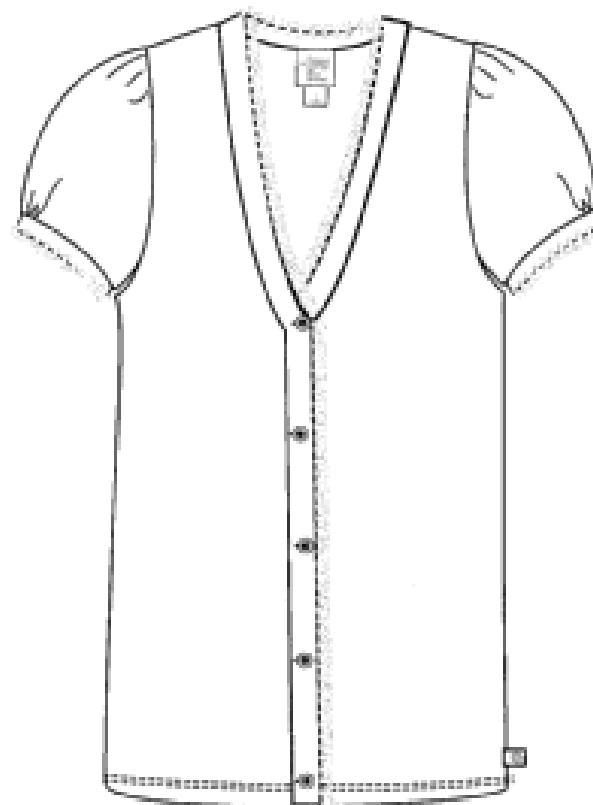
Fiona Holdings Pty Ltd
Office 6 83 Wellington Street St Kilda Victoria 3181 Australia

(72) Name(s) of Designer(s): **Fiona Scanlan**

(45) Registration Date: **06 February 2009**

(56) Related Art Documents: **Not Applicable**

(57) Statement of Newness and Distinctiveness: **Childrens clothing.**



(21) Design Number: **13935/2008**

(22) Date of Filing Application: **14 February 2008**

(24) Date from which industrial property rights may have effect: **14 February 2008**

(54) Product in respect of which the design is registered: **Pointelle Tank**

(51) International Design Classification: **02-02NES**

(71) Name(s) and Address(s) of Applicant(s):

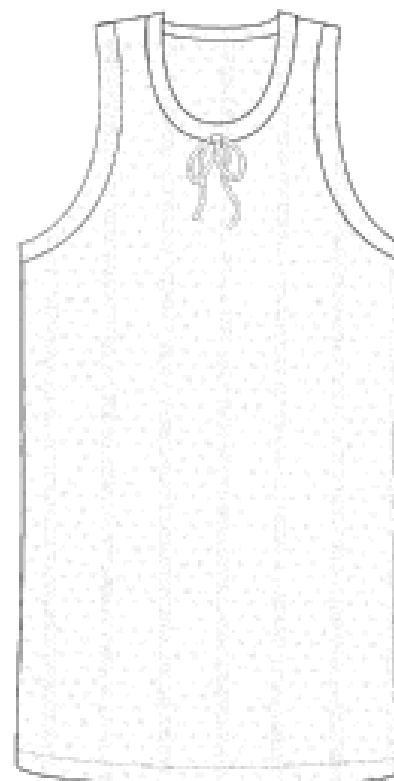
Fiona Holdings Pty Ltd
Office 6 83 Wellington Street St Kilda Victoria 3181 Australia

(72) Name(s) of Designer(s): **Fiona Scanlan**

(45) Registration Date: **06 February 2009**

(56) Related Art Documents: **Not Applicable**

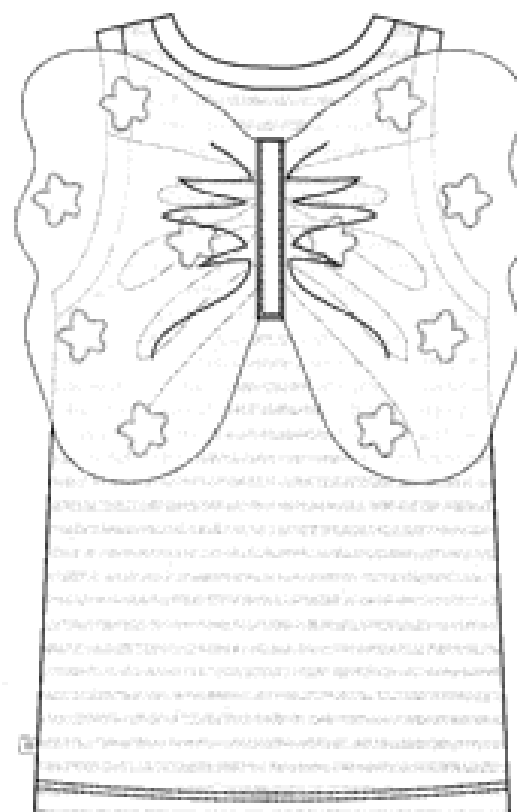
(57) Statement of Newness and Distinctiveness: **Childrens clothing.**



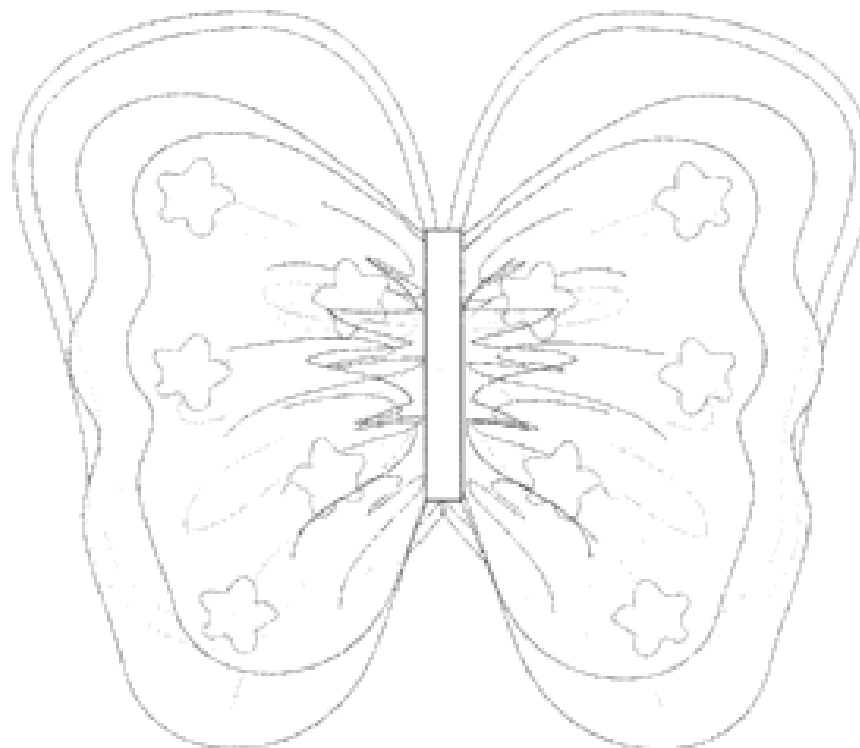
- (21) Design Number: **13936/2008**
- (22) Date of Filing Application: **14 February 2008**
- (24) Date from which industrial property rights may have effect: **14 February 2008**
- (54) Product in respect of which the design is registered: **Soft Bow Tee Tutu**
- (51) International Design Classification: **02-02C**
- (71) Name(s) and Address(s) of Applicant(s):
Fiona Holdings Pty Ltd
Office 6 83 Wellington Street St Kilda Victoria 3181 Australia
- (72) Name(s) of Designer(s): **Fiona Scanlan**
- (45) Registration Date: **06 February 2009**
- (56) Related Art Documents: **Not Applicable**
- (57) Statement of Newness and Distinctiveness: **Childrens clothing.**



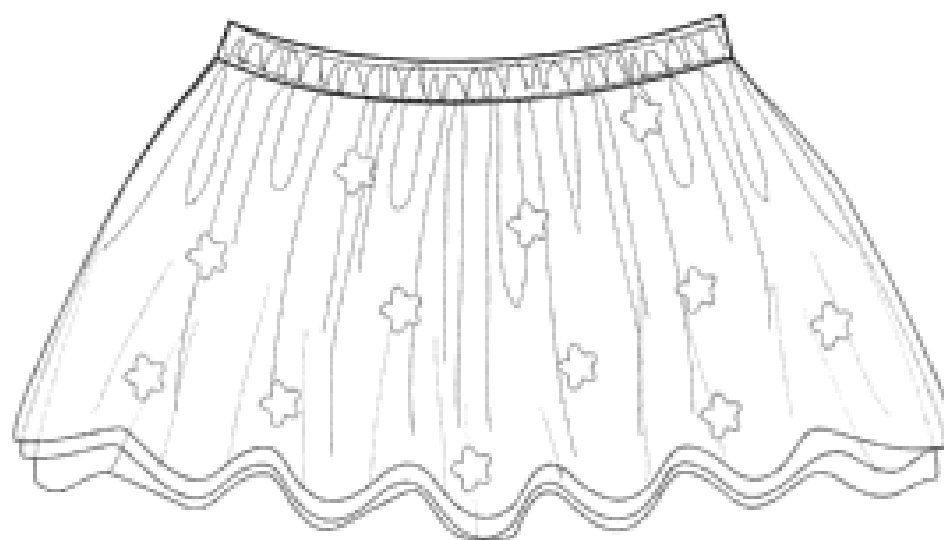
- (21) Design Number: **13937/2008**
- (22) Date of Filing Application: **14 February 2008**
- (24) Date from which industrial property rights may have effect: **14 February 2008**
- (54) Product in respect of which the design is registered: **Wings Singlet**
- (51) International Design Classification: **02-02NES**
- (71) Name(s) and Address(s) of Applicant(s):
Fiona Holdings Pty Ltd
Office 6 83 Wellington Street St Kilda Victoria 3181 Australia
- (72) Name(s) of Designer(s): **Fiona Scanlan**
- (45) Registration Date: **06 February 2009**
- (56) Related Art Documents: **Not Applicable**
- (57) Statement of Newness and Distinctiveness: **Childrens clothing.**



(21) Design Number: **13938/2008**
(22) Date of Filing Application: **14 February 2008**
(24) Date from which industrial property rights may have effect: **14 February 2008**
(54) Product in respect of which the design is registered: **Floral Tulle Wings**
(51) International Design Classification: **02-02B**
(71) Name(s) and Address(s) of Applicant(s):
Fiona Holdings Pty Ltd
Office 6 83 Wellington Street St Kilda Victoria 3181 Australia
(72) Name(s) of Designer(s): **Fiona Scanlan**
(45) Registration Date: **06 February 2009**
(56) Related Art Documents: **Not Applicable**
(57) Statement of Newness and Distinctiveness: **Childrens clothing.**



(21) Design Number: **13939/2008**
(22) Date of Filing Application: **14 February 2008**
(24) Date from which industrial property rights may have effect: **14 February 2008**
(54) Product in respect of which the design is registered: **Floral Tulle Skirt**
(51) International Design Classification: **02-02C**
(71) Name(s) and Address(s) of Applicant(s):
Fiona Holdings Pty Ltd
Office 6 83 Wellington Street St Kilda Victoria 3181 Australia
(72) Name(s) of Designer(s): **Fiona Scanlan**
(45) Registration Date: **06 February 2009**
(56) Related Art Documents: **Not Applicable**
(57) Statement of Newness and Distinctiveness: **Childrens clothing.**



(21) Design Number: **13940/2008**

(22) Date of Filing Application: **14 February 2008**

(24) Date from which industrial property rights may have effect: **14 February 2008**

(54) Product in respect of which the design is registered: **Flower Wonder Dress**

(51) International Design Classification: **02-02C**

(71) Name(s) and Address(s) of Applicant(s):

Fiona Holdings Pty Ltd
Office 6 83 Wellington Street St Kilda Victoria 3181 Australia

(72) Name(s) of Designer(s): **Fiona Scanlan**

(45) Registration Date: **06 February 2009**

(56) Related Art Documents: **Not Applicable**

(57) Statement of Newness and Distinctiveness: **Childrens clothing.**



(21) Design Number: **13941/2008**

(22) Date of Filing Application: **14 February 2008**

(24) Date from which industrial property rights may have effect: **14 February 2008**

(54) Product in respect of which the design is registered: **Sequin Flapper Dress**

(51) International Design Classification: **02-02C**

(71) Name(s) and Address(s) of Applicant(s):

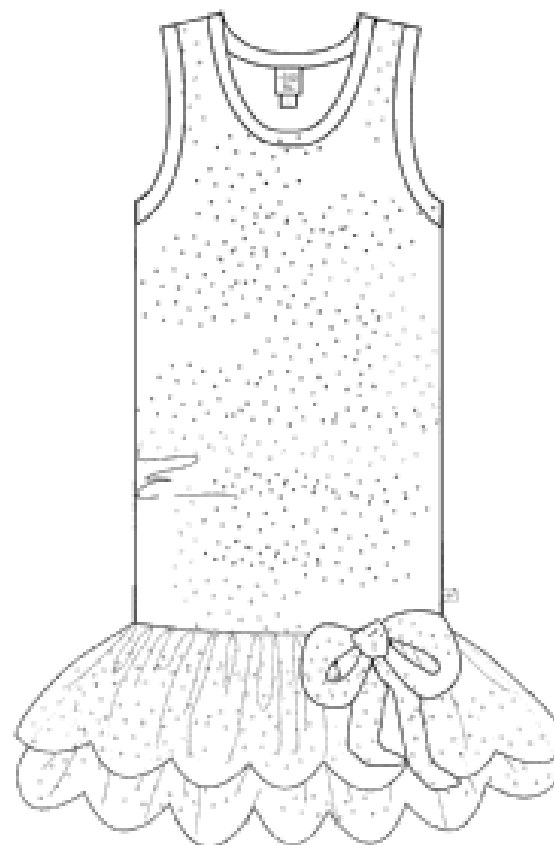
Fiona Holdings Pty Ltd
Office 6 83 Wellington Street St Kilda Victoria 3181 Australia

(72) Name(s) of Designer(s): **Fiona Scanlan**

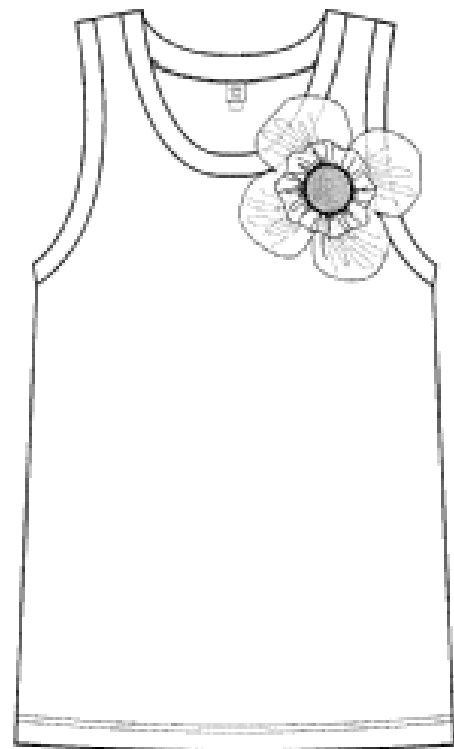
(45) Registration Date: **06 February 2009**

(56) Related Art Documents: **Not Applicable**

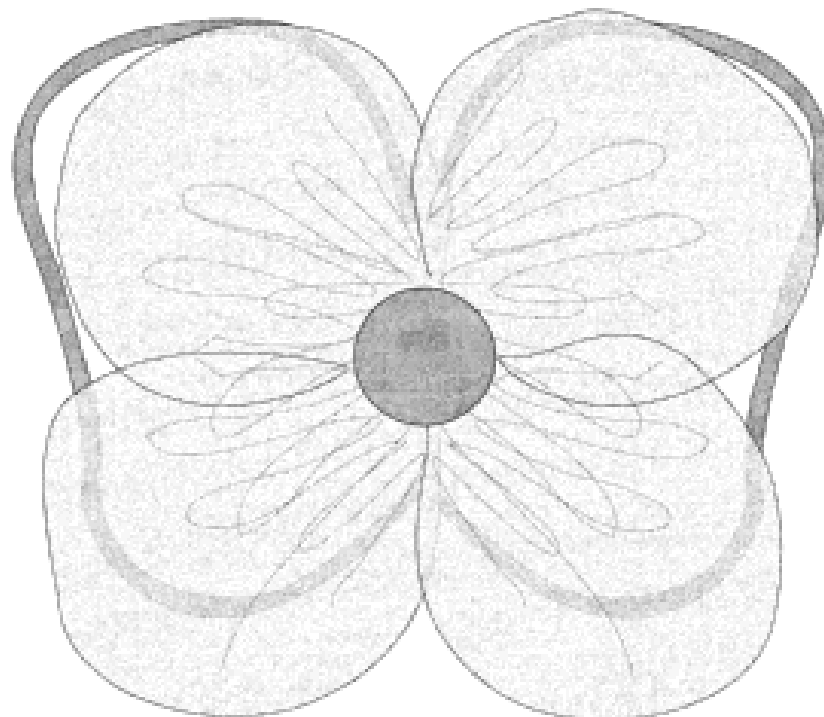
(57) Statement of Newness and Distinctiveness: **Childrens clothing.**



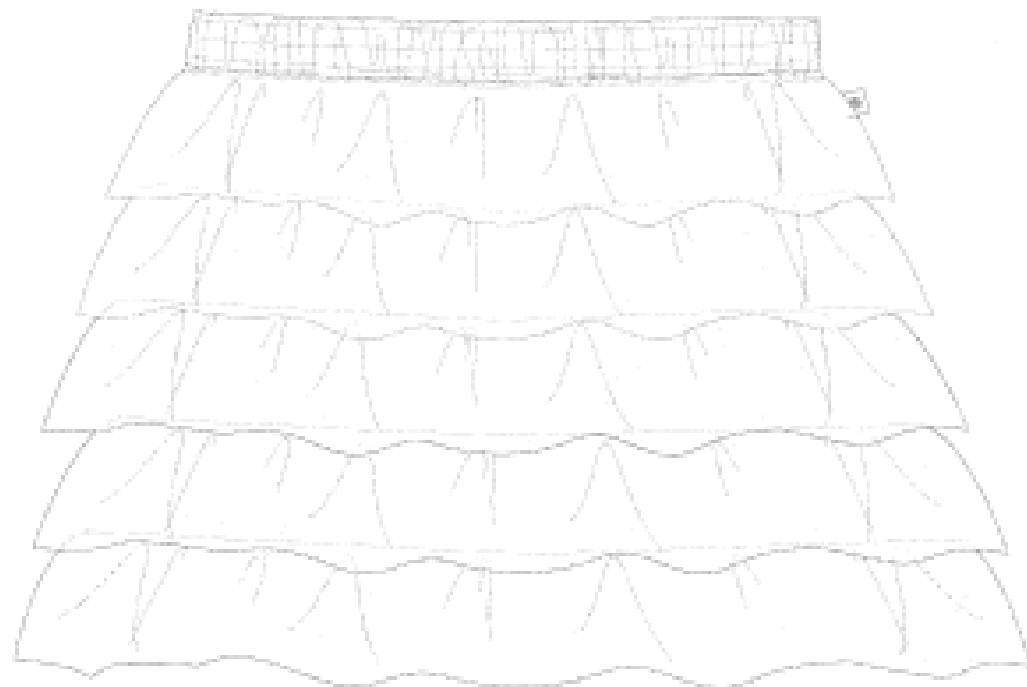
- (21) Design Number: **13942/2008**
- (22) Date of Filing Application: **14 February 2008**
- (24) Date from which industrial property rights may have effect: **14 February 2008**
- (54) Product in respect of which the design is registered: **Tulle Flower Singlet**
- (51) International Design Classification: **02-02NES**
- (71) Name(s) and Address(s) of Applicant(s):
Fiona Holdings Pty Ltd
Office 6 83 Wellington Street St Kilda Victoria 3181 Australia
- (72) Name(s) of Designer(s): **Fiona Scanlan**
- (45) Registration Date: **06 February 2009**
- (56) Related Art Documents: **Not Applicable**
- (57) Statement of Newness and Distinctiveness: **Childrens clothing.**



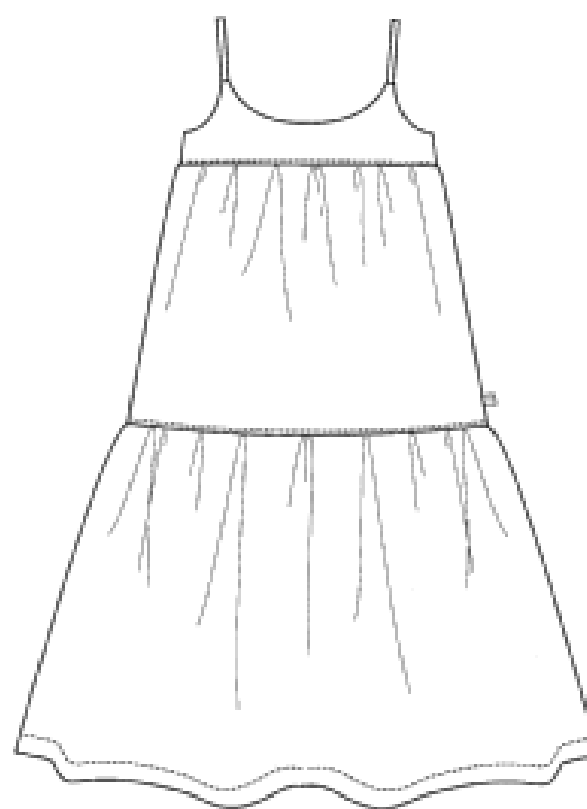
- (21) Design Number: **13943/2008**
- (22) Date of Filing Application: **14 February 2008**
- (24) Date from which industrial property rights may have effect: **14 February 2008**
- (54) Product in respect of which the design is registered: **Flower Wings**
- (51) International Design Classification: **02-02B**
- (71) Name(s) and Address(s) of Applicant(s):
Fiona Holdings Pty Ltd
Office 6 83 Wellington Street St Kilda Victoria 3181 Australia
- (72) Name(s) of Designer(s): **Fiona Scanlan**
- (45) Registration Date: **06 February 2009**
- (56) Related Art Documents: **Not Applicable**
- (57) Statement of Newness and Distinctiveness: **Childrens clothing.**



- (21) Design Number: **13944/2008**
- (22) Date of Filing Application: **14 February 2008**
- (24) Date from which industrial property rights may have effect: **14 February 2008**
- (54) Product in respect of which the design is registered: **Frilly Tulle Skirt**
- (51) International Design Classification: **02-02C**
- (71) Name(s) and Address(s) of Applicant(s):
Fiona Holdings Pty Ltd
Office 6 83 Wellington Street St Kilda Victoria 3181 Australia
- (72) Name(s) of Designer(s): **Fiona Scanlan**
- (45) Registration Date: **06 February 2009**
- (56) Related Art Documents: **Not Applicable**
- (57) Statement of Newness and Distinctiveness: **Childrens clothing.**



- (21) Design Number: **13946/2008**
- (22) Date of Filing Application: **14 February 2008**
- (24) Date from which industrial property rights may have effect: **14 February 2008**
- (54) Product in respect of which the design is registered: **Big Flower Print Dress**
- (51) International Design Classification: **02-02C**
- (71) Name(s) and Address(s) of Applicant(s):
Fiona Holdings Pty Ltd
Office 6 83 Wellington Street St Kilda Victoria 3181 Australia
- (72) Name(s) of Designer(s): **Fiona Scanlan**
- (45) Registration Date: **06 February 2009**
- (56) Related Art Documents: **Not Applicable**
- (57) Statement of Newness and Distinctiveness: **Childrens clothing.**



(21) Design Number: **13947/2008**
(22) Date of Filing Application: **14 February 2008**
(24) Date from which industrial property rights may have effect: **14 February 2008**
(54) Product in respect of which the design is registered: **Cotton Overdye Pintuck Dress**
(51) International Design Classification: **02-02C**
(71) Name(s) and Address(s) of Applicant(s):
Fiona Holdings Pty Ltd
Office 6 83 Wellington Street St Kilda Victoria 3181 Australia
(72) Name(s) of Designer(s): **Fiona Scanlan**
(45) Registration Date: **06 February 2009**
(56) Related Art Documents: **Not Applicable**
(57) Statement of Newness and Distinctiveness: **Childrens clothing.**



(21) Design Number: **13948/2008**
(22) Date of Filing Application: **14 February 2008**
(24) Date from which industrial property rights may have effect: **14 February 2008**
(54) Product in respect of which the design is registered: **50's Lace Print Dress**
(51) International Design Classification: **02-02C**
(71) Name(s) and Address(s) of Applicant(s):
Fiona Holdings Pty Ltd
Office 6 83 Wellington Street St Kilda Victoria 3181 Australia
(72) Name(s) of Designer(s): **Fiona Scanlan**
(45) Registration Date: **06 February 2009**
(56) Related Art Documents: **Not Applicable**
(57) Statement of Newness and Distinctiveness: **Childrens clothing.**



(21) Design Number: **13949/2008**

(22) Date of Filing Application: **14 February 2008**

(24) Date from which industrial property rights may have effect: **14 February 2008**

(54) Product in respect of which the design is registered: **Multi Stripe Sailor Neck Dress**

(51) International Design Classification: **02-02C**

(71) Name(s) and Address(s) of Applicant(s):

**Fiona Holdings Pty Ltd
Office 6 83 Wellington Street St Kilda Victoria 3181 Australia**

(72) Name(s) of Designer(s): **Fiona Scanlan**

(45) Registration Date: **06 February 2009**

(56) Related Art Documents: **Not Applicable**

(57) Statement of Newness and Distinctiveness: **Childrens clothing.**



(21) Design Number: **13950/2008**

(22) Date of Filing Application: **14 February 2008**

(24) Date from which industrial property rights may have effect: **14 February 2008**

(54) Product in respect of which the design is registered: **Gingham Applique Swim Dress**

(51) International Design Classification: **02-02C**

(71) Name(s) and Address(s) of Applicant(s):

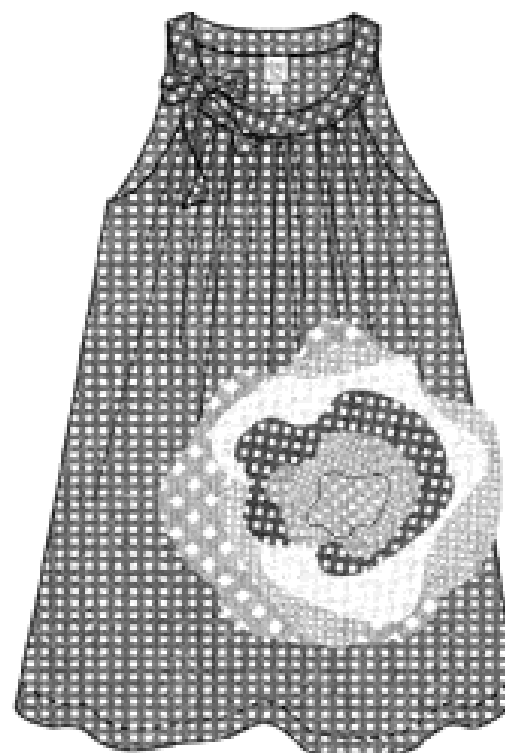
**Fiona Holdings Pty Ltd
Office 6 83 Wellington Street St Kilda Victoria 3181 Australia**

(72) Name(s) of Designer(s): **Fiona Scanlan**

(45) Registration Date: **06 February 2009**

(56) Related Art Documents: **Not Applicable**

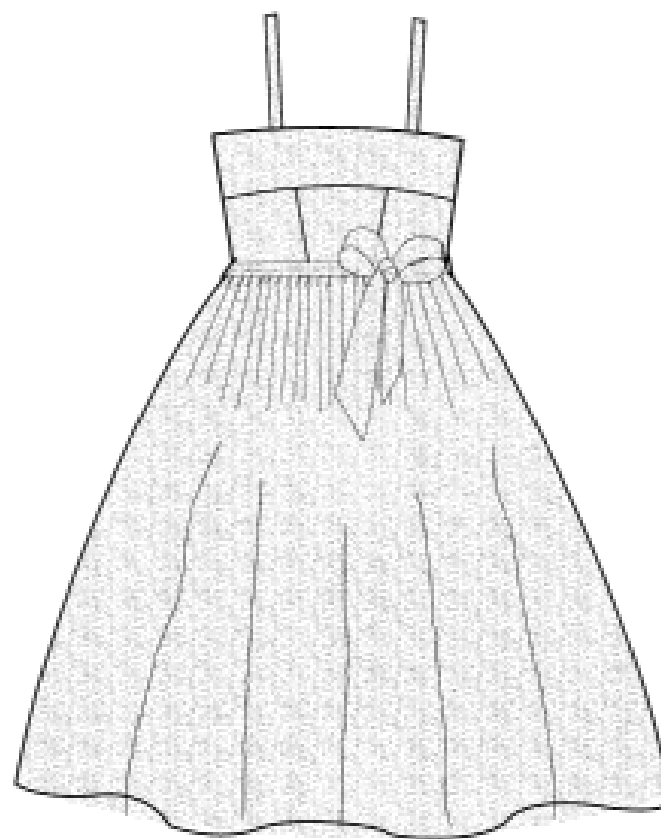
(57) Statement of Newness and Distinctiveness: **Childrens clothing.**



- (21) Design Number: **13951/2008**
(22) Date of Filing Application: **14 February 2008**
(24) Date from which industrial property rights may have effect: **14 February 2008**
(54) Product in respect of which the design is registered: **Bespoke Stitch Dress**
(51) International Design Classification: **02-02C**
(71) Name(s) and Address(s) of Applicant(s):

Fiona Holdings Pty Ltd
Office 6 83 Wellington Street St Kilda Victoria 3181 Australia

- (72) Name(s) of Designer(s): **Fiona Scanlan**
(45) Registration Date: **06 February 2009**
(56) Related Art Documents: **Not Applicable**
(57) Statement of Newness and Distinctiveness: **Childrens clothing.**



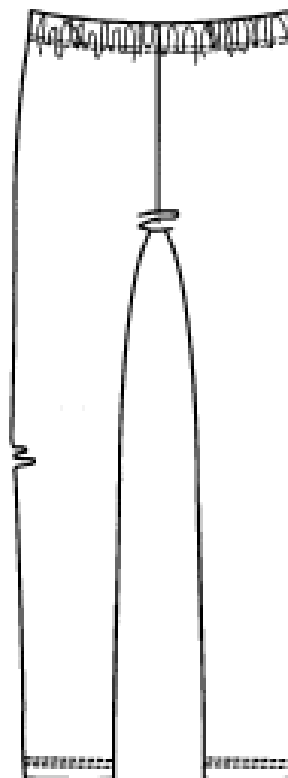
- (21) Design Number: **13952/2008**
(22) Date of Filing Application: **14 February 2008**
(24) Date from which industrial property rights may have effect: **14 February 2008**
(54) Product in respect of which the design is registered: **Frill Cotton Capette**
(51) International Design Classification: **02-02NES**
(71) Name(s) and Address(s) of Applicant(s):

Fiona Holdings Pty Ltd
Office 6 83 Wellington Street St Kilda Victoria 3181 Australia

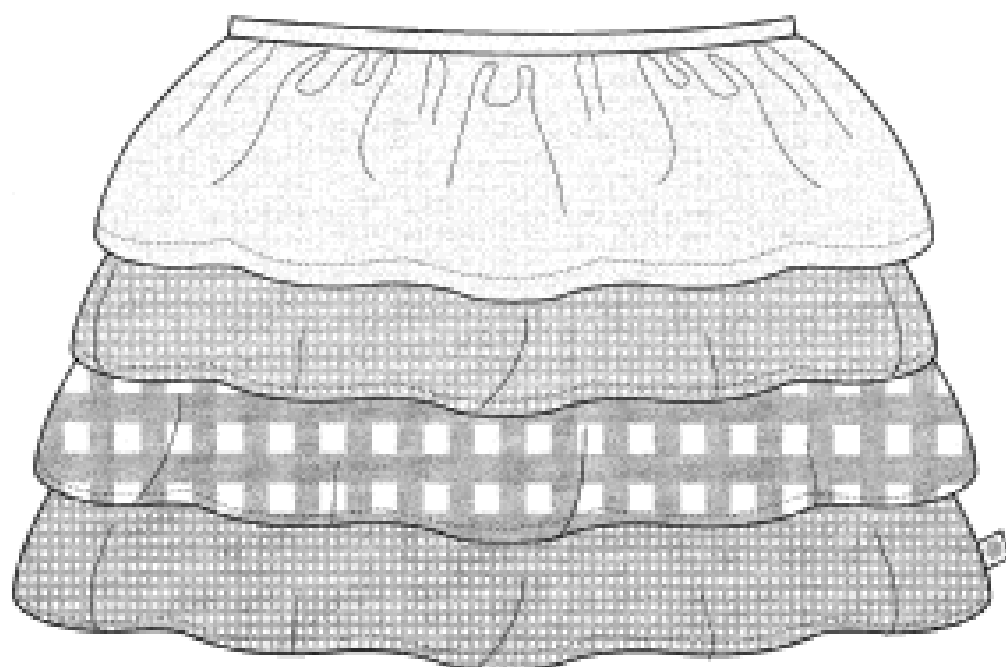
- (72) Name(s) of Designer(s): **Fiona Scanlan**
(45) Registration Date: **06 February 2009**
(56) Related Art Documents: **Not Applicable**
(57) Statement of Newness and Distinctiveness: **Childrens clothing.**



- (21) Design Number: **13953/2008**
- (22) Date of Filing Application: **14 February 2008**
- (24) Date from which industrial property rights may have effect: **14 February 2008**
- (54) Product in respect of which the design is registered: **Gold Leggings**
- (51) International Design Classification: **02-02C**
- (71) Name(s) and Address(s) of Applicant(s):
Fiona Holdings Pty Ltd
Office 6 83 Wellington Street St Kilda Victoria 3181 Australia
- (72) Name(s) of Designer(s): **Fiona Scanlan**
- (45) Registration Date: **06 February 2009**
- (56) Related Art Documents: **Not Applicable**
- (57) Statement of Newness and Distinctiveness: **Childrens clothing.**



- (21) Design Number: **13954/2008**
- (22) Date of Filing Application: **14 February 2008**
- (24) Date from which industrial property rights may have effect: **14 February 2008**
- (54) Product in respect of which the design is registered: **Gingham Ruffle Skirt**
- (51) International Design Classification: **02-02C**
- (71) Name(s) and Address(s) of Applicant(s):
Fiona Holdings Pty Ltd
Office 6 83 Wellington Street St Kilda Victoria 3181 Australia
- (72) Name(s) of Designer(s): **Fiona Scanlan**
- (45) Registration Date: **06 February 2009**
- (56) Related Art Documents: **Not Applicable**
- (57) Statement of Newness and Distinctiveness: **Childrens clothing.**



(21) Design Number: **13955/2008**

(22) Date of Filing Application: **14 February 2008**

(24) Date from which industrial property rights may have effect: **14 February 2008**

(54) Product in respect of which the design is registered: **Embroidery Dobby Top**

(51) International Design Classification: **02-02NES**

(71) Name(s) and Address(s) of Applicant(s):

Fiona Holdings Pty Ltd
Office 6 83 Wellington Street St Kilda Victoria 3181 Australia

(72) Name(s) of Designer(s): **Fiona Scanlan**

(45) Registration Date: **06 February 2009**

(56) Related Art Documents: **Not Applicable**

(57) Statement of Newness and Distinctiveness: **Childrens clothing.**



(21) Design Number: **13956/2008**

(22) Date of Filing Application: **14 February 2008**

(24) Date from which industrial property rights may have effect: **14 February 2008**

(54) Product in respect of which the design is registered: **Long Pocket Cardi**

(51) International Design Classification: **02-02NES**

(71) Name(s) and Address(s) of Applicant(s):

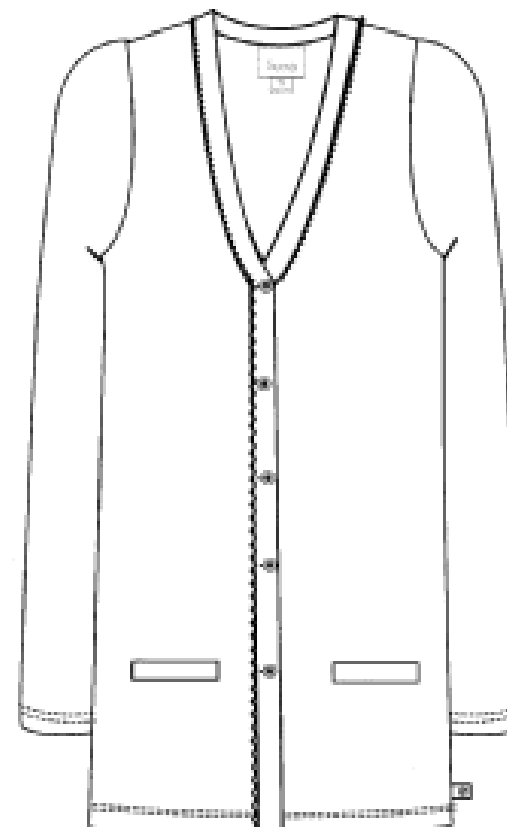
Fiona Holdings Pty Ltd
Office 6 83 Wellington Street St Kilda Victoria 3181 Australia

(72) Name(s) of Designer(s): **Fiona Scanlan**

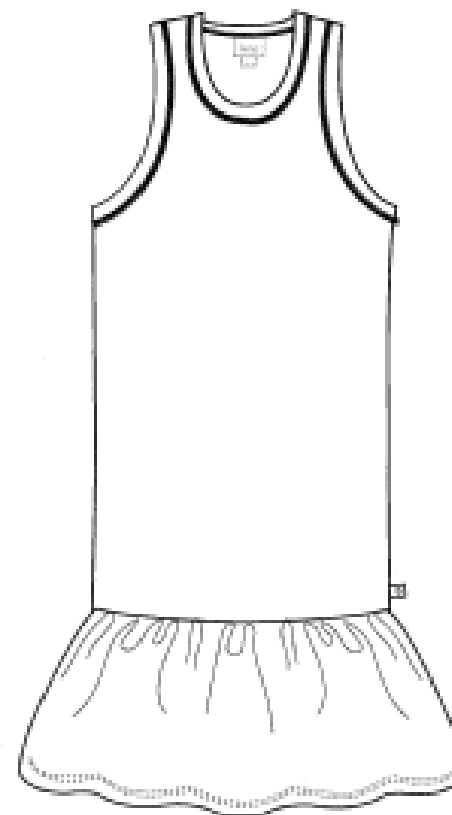
(45) Registration Date: **06 February 2009**

(56) Related Art Documents: **Not Applicable**

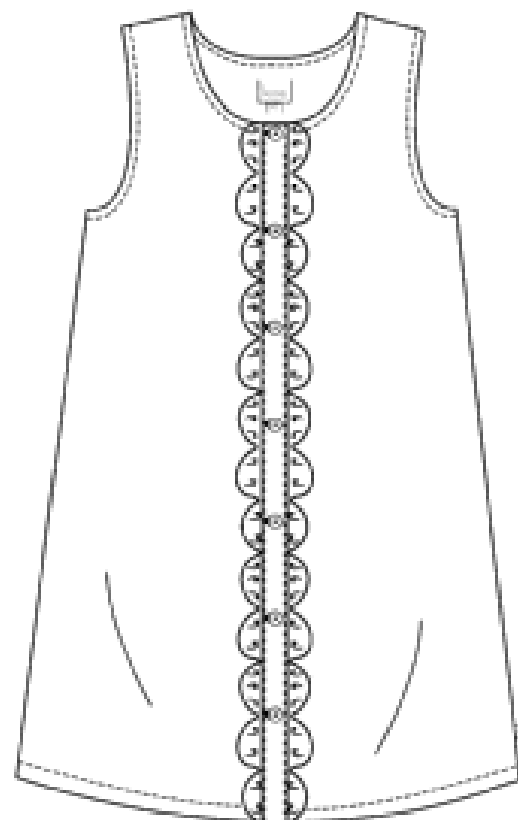
(57) Statement of Newness and Distinctiveness: **Childrens clothing.**



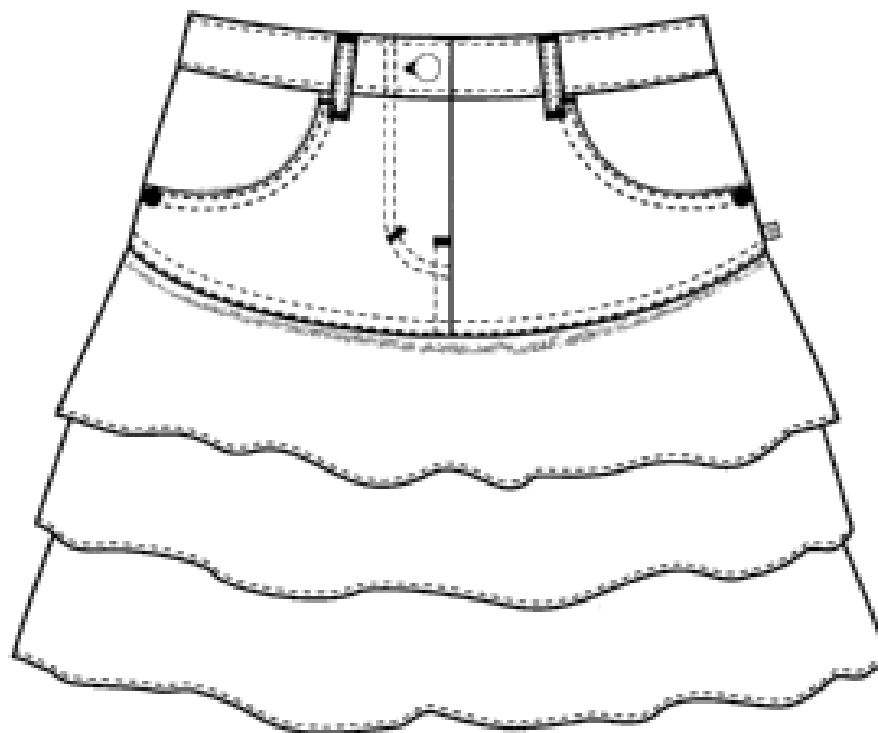
- (21) Design Number: **13957/2008**
- (22) Date of Filing Application: **14 February 2008**
- (24) Date from which industrial property rights may have effect: **14 February 2008**
- (54) Product in respect of which the design is registered: **Dropped Waist Singlet Dress**
- (51) International Design Classification: **02-02C**
- (71) Name(s) and Address(s) of Applicant(s):
Fiona Holdings Pty Ltd
Office 6 83 Wellington Street St Kilda Victoria 3181 Australia
- (72) Name(s) of Designer(s): **Fiona Scanlan**
- (45) Registration Date: **06 February 2009**
- (56) Related Art Documents: **Not Applicable**
- (57) Statement of Newness and Distinctiveness: **Childrens clothing.**



- (21) Design Number: **13958/2008**
- (22) Date of Filing Application: **14 February 2008**
- (24) Date from which industrial property rights may have effect: **14 February 2008**
- (54) Product in respect of which the design is registered: **60's Happy Shift Dress**
- (51) International Design Classification: **02-02C**
- (71) Name(s) and Address(s) of Applicant(s):
Fiona Holdings Pty Ltd
Office 6 83 Wellington Street St Kilda Victoria 3181 Australia
- (72) Name(s) of Designer(s): **Fiona Scanlan**
- (45) Registration Date: **06 February 2009**
- (56) Related Art Documents: **Not Applicable**
- (57) Statement of Newness and Distinctiveness: **Childrens clothing.**



(21) Design Number: **13959/2008**
(22) Date of Filing Application: **14 February 2008**
(24) Date from which industrial property rights may have effect: **14 February 2008**
(54) Product in respect of which the design is registered: **1978 Skirt**
(51) International Design Classification: **02-02C**
(71) Name(s) and Address(s) of Applicant(s):
Fiona Holdings Pty Ltd
Office 6 83 Wellington Street St Kilda Victoria 3181 Australia
(72) Name(s) of Designer(s): **Fiona Scanlan**
(45) Registration Date: **06 February 2009**
(56) Related Art Documents: **Not Applicable**
(57) Statement of Newness and Distinctiveness: **Childrens clothing.**



(21) Design Number: **13960/2008**
(22) Date of Filing Application: **14 February 2008**
(24) Date from which industrial property rights may have effect: **14 February 2008**
(54) Product in respect of which the design is registered: **Tee**
(51) International Design Classification: **02-02NES**
(71) Name(s) and Address(s) of Applicant(s):
Fiona Holdings Pty Ltd
Office 6 83 Wellington Street St Kilda Victoria 3181 Australia
(72) Name(s) of Designer(s): **Fiona Scanlan**
(45) Registration Date: **06 February 2009**
(56) Related Art Documents: **Not Applicable**
(57) Statement of Newness and Distinctiveness: **Childrens clothing.**



(21) Design Number: **13961/2008**

(22) Date of Filing Application: **14 February 2008**

(24) Date from which industrial property rights may have effect: **14 February 2008**

(54) Product in respect of which the design is registered: **Happy Flower Smock**

(51) International Design Classification: **02-02NES**

(71) Name(s) and Address(s) of Applicant(s):

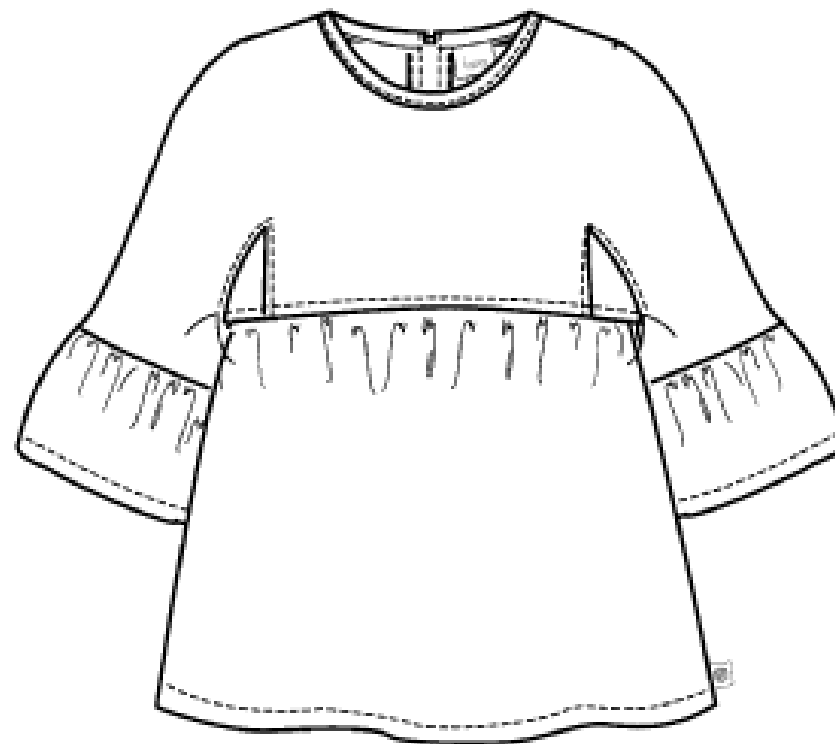
Fiona Holdings Pty Ltd
Office 6 83 Wellington Street St Kilda Victoria 3181 Australia

(72) Name(s) of Designer(s): **Fiona Scanlan**

(45) Registration Date: **06 February 2009**

(56) Related Art Documents: **Not Applicable**

(57) Statement of Newness and Distinctiveness: **Childrens clothing.**



(21) Design Number: **10259/2009**

(22) Date of Filing Application: **30 January 2009**

(24) Date from which industrial property rights may have effect: **30 January 2009**

(54) Product in respect of which the design is registered: **Engine operated generator**

(51) International Design Classification: **13-01**

(71) Name(s) and Address(s) of Applicant(s):

Honda Motor Co., Ltd.
1-1 Minami-Aoyama 2-Chome Minato-ku Tokyo Japan

(72) Name(s) of Designer(s): **Shuhei Imai**

(45) Registration Date: **10 February 2009**

(30) Convention priority data:

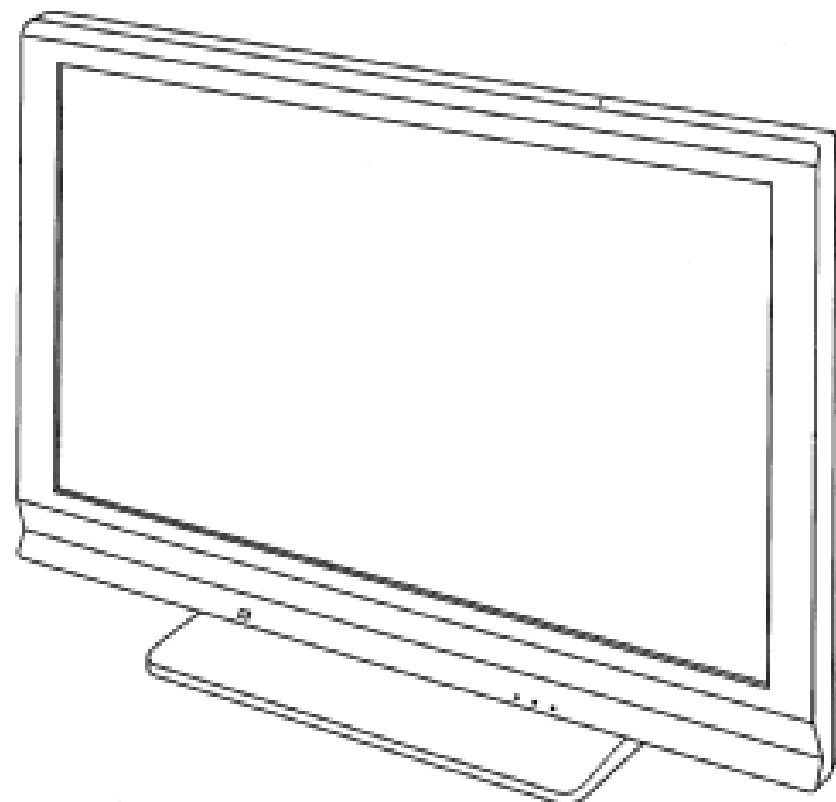
(31) Number	(32) Date	(33) Country
2008-019931	01 Aug 2008	JAPAN

(56) Related Art Documents: **Not Applicable**

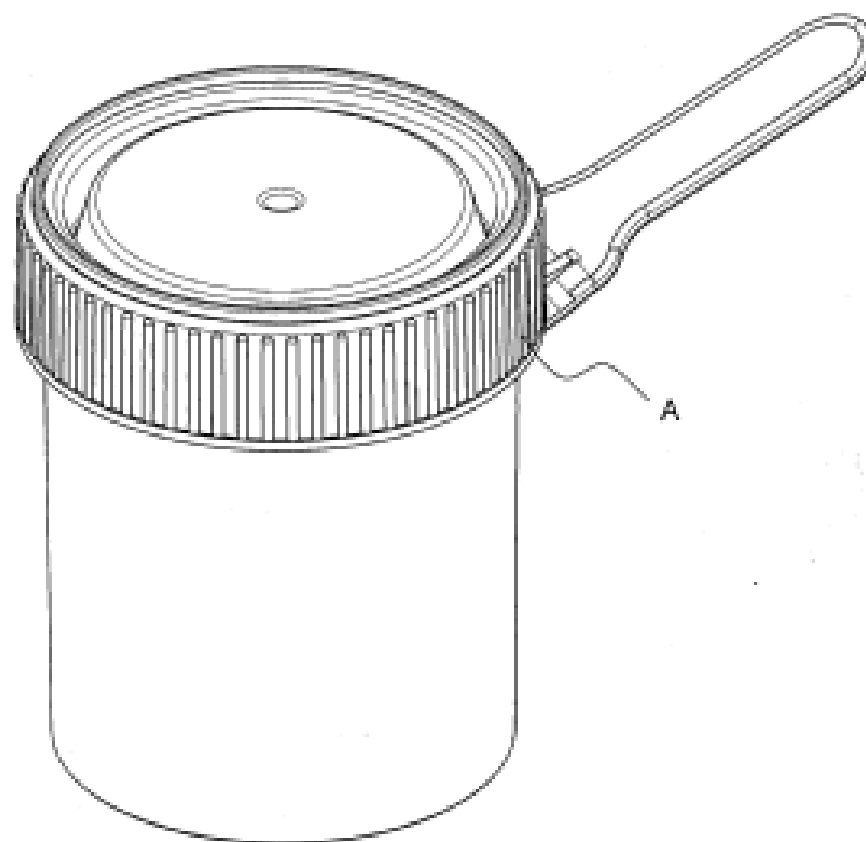
(57) Statement of Newness and Distinctiveness: **Newness and distinctiveness is claimed in the features of shape and/or configuration of an engine operated generator as illustrated in the accompanying representations.**



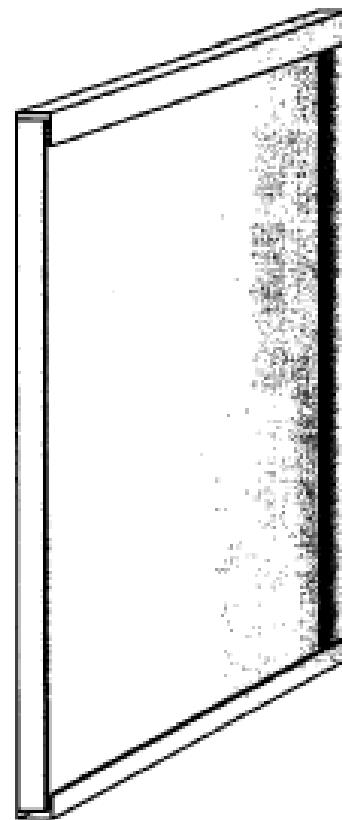
(21) Design Number: **10263/2009**
(22) Date of Filing Application: **30 January 2009**
(24) Date from which industrial property rights may have effect: **30 January 2009**
(54) Product in respect of which the design is registered: **Television set**
(51) International Design Classification: **14-03B**
(71) Name(s) and Address(s) of Applicant(s):
Kabushiki Kaisha Toshiba
1-1 Shibaura 1-chome Minato-ku Tokyo Japan
(72) Name(s) of Designer(s): **Tatsuya Honda**
(45) Registration Date: **10 February 2009**
(30) Convention priority data:
(31) Number (32) Date (33) Country
2008030052 21 Nov 2008 JAPAN
(56) Related Art Documents: **Not Applicable**
(57) Statement of Newness and Distinctiveness: **Nil**



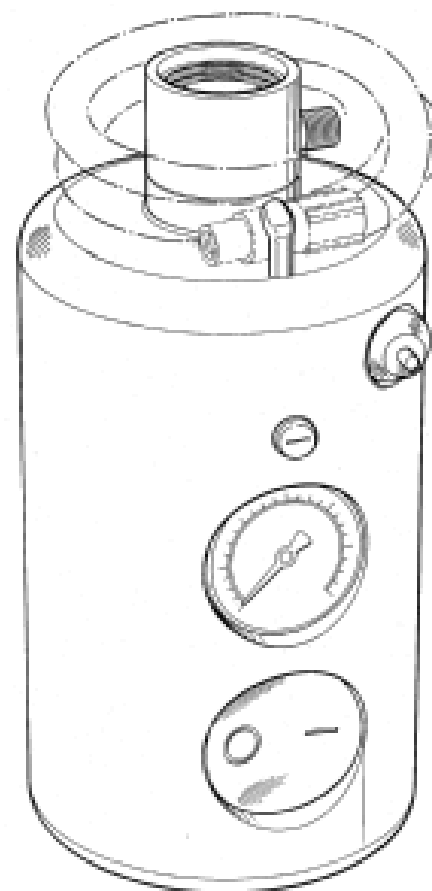
(21) Design Number: **15319/2008**
(22) Date of Filing Application: **12 November 2008**
(24) Date from which industrial property rights may have effect: **12 November 2008**
(54) Product in respect of which the design is registered: **Specimen container**
(51) International Design Classification: **24-01**
(71) Name(s) and Address(s) of Applicant(s):
Jawkaumi Pty Ltd
104 Fence Road Harrismith Western Australia 6361 Australia
(72) Name(s) of Designer(s): **Edward Joseph Houry**
(45) Registration Date: **11 February 2009**
(56) Related Art Documents: **Not Applicable**
(57) Statement of Newness and Distinctiveness: **Newness and distinctiveness is claimed in the shape and/or configuration of a Specimen Container as illustrated in the accompanying representations. In construing the scope of the monopoly of the design, the ribbed portion marked A on the outer edge of the lid is to be disregarded.**



- (21) Design Number: **10055/2009**
(22) Date of Filing Application: **09 January 2009**
(24) Date from which industrial property rights may have effect: **09 January 2009**
(54) Product in respect of which the design is registered: **Graphic display unit**
(51) International Design Classification: **20-02NES**
(71) Name(s) and Address(s) of Applicant(s):
Mellow Bay Pty Ltd
9 Lennox Street Moorabbin Victoria 3189 Australia
(72) Name(s) of Designer(s): **Alphons Wiesman**
(45) Registration Date: **11 February 2009**
(56) Related Art Documents: **Not Applicable**
(57) Statement of Newness and Distinctiveness: **Nil**



- (21) Design Number: **10056/2009**
(22) Date of Filing Application: **09 January 2009**
(24) Date from which industrial property rights may have effect: **09 January 2009**
(54) Product in respect of which the design is registered: **Apparatus for repairing and inflating of damaged inflatable articles**
(51) International Design Classification: **15-02**
(71) Name(s) and Address(s) of Applicant(s):
Trydel Research Pty Ltd
31 Cornhill Street Ferntree Gully Victoria 3156 Australia
(72) Name(s) of Designer(s): **Terence Dowel**
(45) Registration Date: **11 February 2009**
(56) Related Art Documents: **Not Applicable**
(57) Statement of Newness and Distinctiveness: **Features shown in phantom do not constitute part of the design.**



(21) Design Number: **10057/2009**

(22) Date of Filing Application: **10 October 2008**

(24) Date from which industrial property rights may have effect: **10 October 2008**

(54) Product in respect of which the design is registered: **Valve cap for a fuel cell**

(51) International Design Classification: **23-01K**

(71) Name(s) and Address(s) of Applicant(s):

**Illinois Tool Works Inc.
3600 West Lake Avenue Glenview Illinois 60026-1215 United States of America**

(72) Name(s) of Designer(s): **Maureen L. Shea and Eric S. Gibson and Robert S. Buetow**

(45) Registration Date: **11 February 2009**

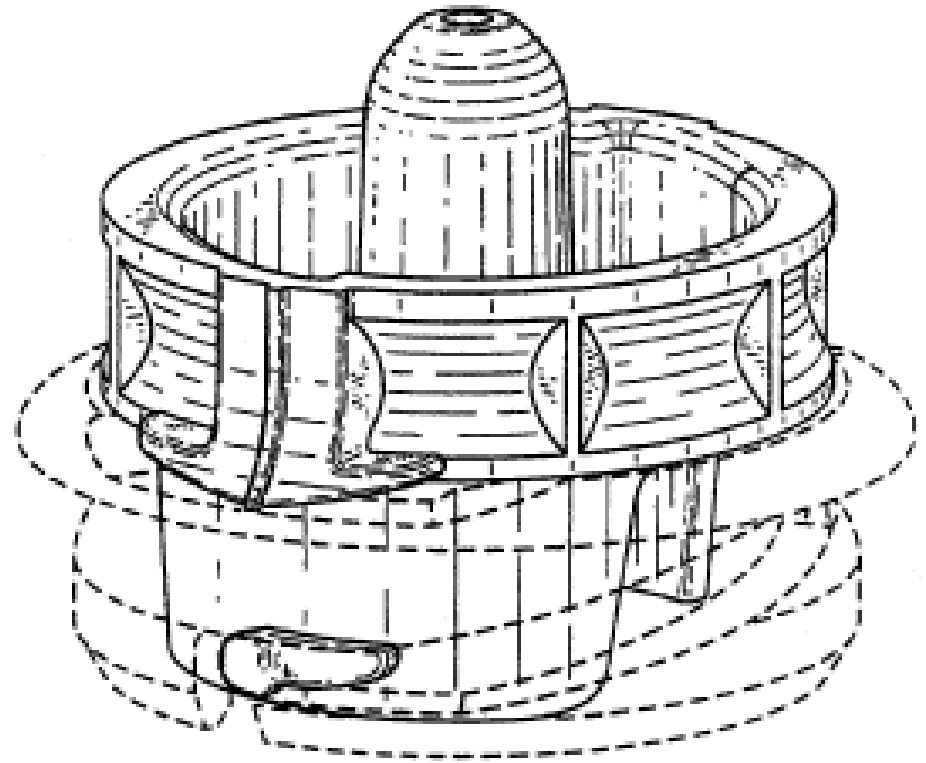
(30) Convention priority data:

(31) Number	(32) Date	(33) Country
29/306898	18 Apr 2008	UNITED STATES OF AMERICA

(62) Divisional of: **324141**

(56) Related Art Documents: **Not Applicable**

(57) Statement of Newness and Distinctiveness: **Newness and distinctiveness is claimed in the visual features shown in solid lines in the representations.**



(21) Design Number: **10063/2009**

(22) Date of Filing Application: **09 January 2009**

(24) Date from which industrial property rights may have effect: **09 January 2009**

(54) Product in respect of which the design is registered: **A balustrade rail extrusion**

(51) International Design Classification: **25-02C, 25-01K**

(71) Name(s) and Address(s) of Applicant(s):

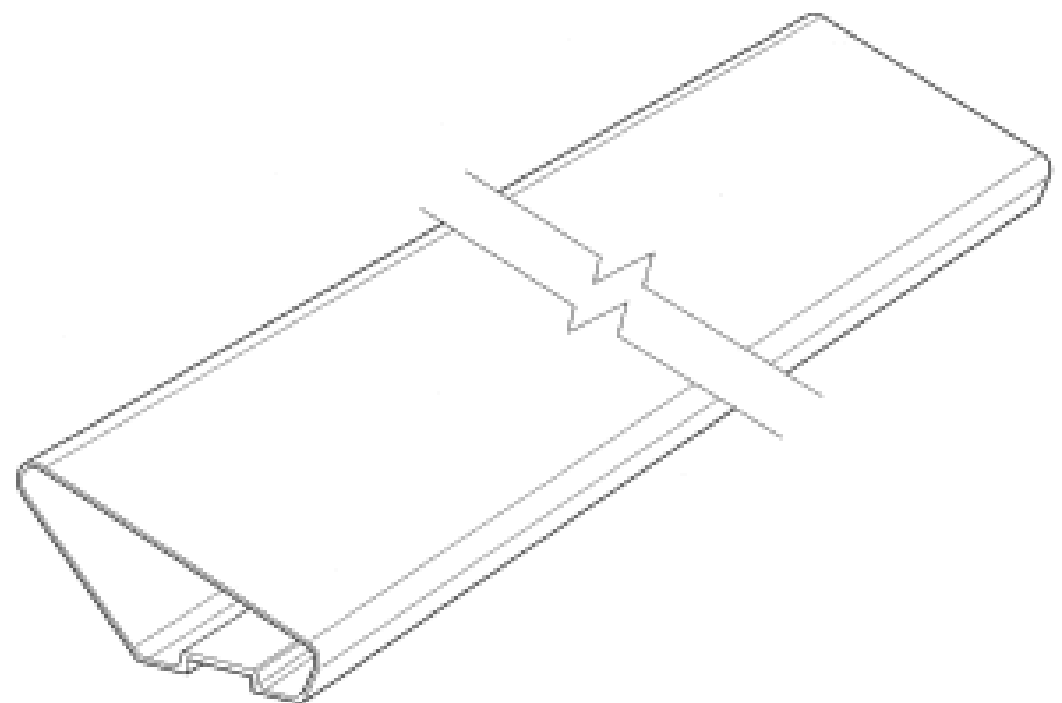
**Prodrome Designs Pty Ltd
468 Stuart Highway Winnellie Northern Territory 0820 Australia**

(72) Name(s) of Designer(s): **Kelvin Chan**

(45) Registration Date: **11 February 2009**

(56) Related Art Documents: **Not Applicable**

(57) Statement of Newness and Distinctiveness: **Newness and distinctiveness resides in the features of the shape and configuration of a balustrade rail extrusion as shown in the accompanying representations.**



(21) Design Number: **10064/2009**

(22) Date of Filing Application: **09 January 2009**

(24) Date from which industrial property rights may have effect: **09 January 2009**

(54) Product in respect of which the design is registered: **A hand rail mounting member**

(51) International Design Classification: **08-08L, 25-02C**

(71) Name(s) and Address(s) of Applicant(s):

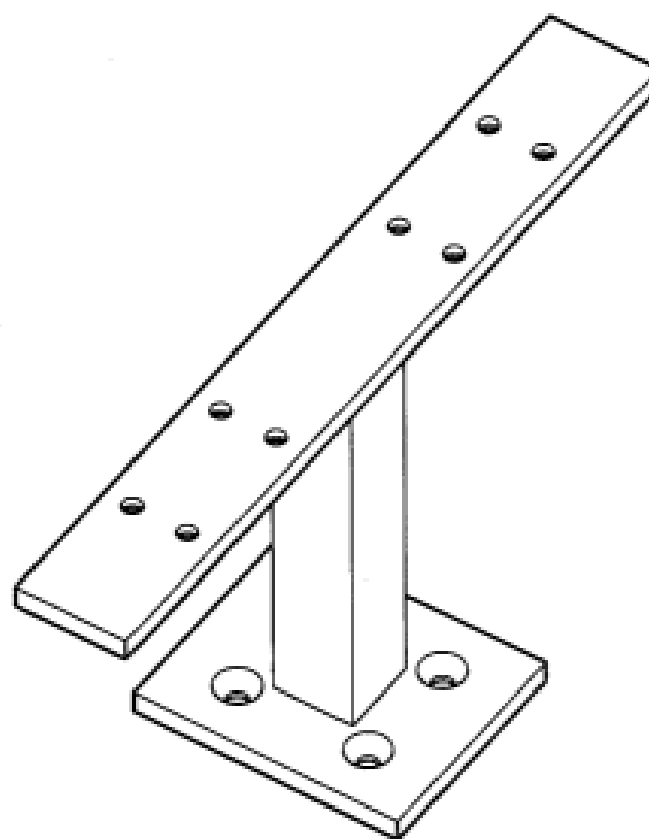
Prodrome Designs Pty Ltd
468 Stuart Highway Winnellie Northern Territory 0820 Australia

(72) Name(s) of Designer(s): **Kelvin Chan**

(45) Registration Date: **11 February 2009**

(56) Related Art Documents: **Not Applicable**

(57) Statement of Newness and Distinctiveness: **Newness and distinctiveness resides in the features of the shape and configuration of a hand rail mounting member as shown in the accompanying representations.**



(21) Design Number: **10065/2009**

(22) Date of Filing Application: **09 January 2009**

(24) Date from which industrial property rights may have effect: **09 January 2009**

(54) Product in respect of which the design is registered: **Liquid dispenser**

(51) International Design Classification: **31-00**

(71) Name(s) and Address(s) of Applicant(s):

Santos (a French societe par actions simplifiee)
140/150 avenue Roger Salengro Vaulx En Velin 69120 France

(72) Name(s) of Designer(s): **Nicolas Fouquet**

(45) Registration Date: **11 February 2009**

(30) Convention priority data:

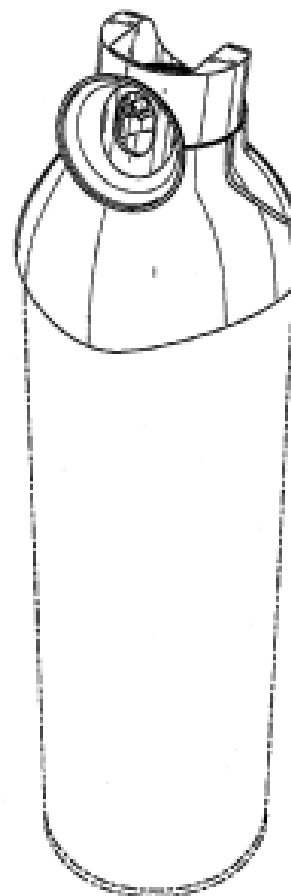
(31) Number	(32) Date	(33) Country
000971932-0001	17 Jan 2008	EUROPEAN COMMUNITY

(56) Related Art Documents: **Not Applicable**

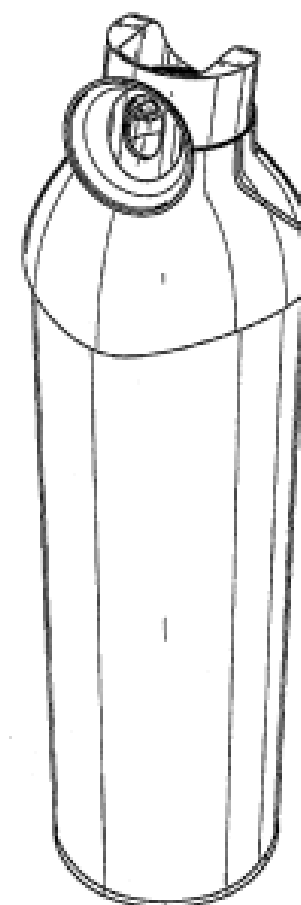
(57) Statement of Newness and Distinctiveness: **The shape, configuration, shape and configuration, pattern, ornamentation, pattern and ornamentation of the design of the product are new and distinctive.**



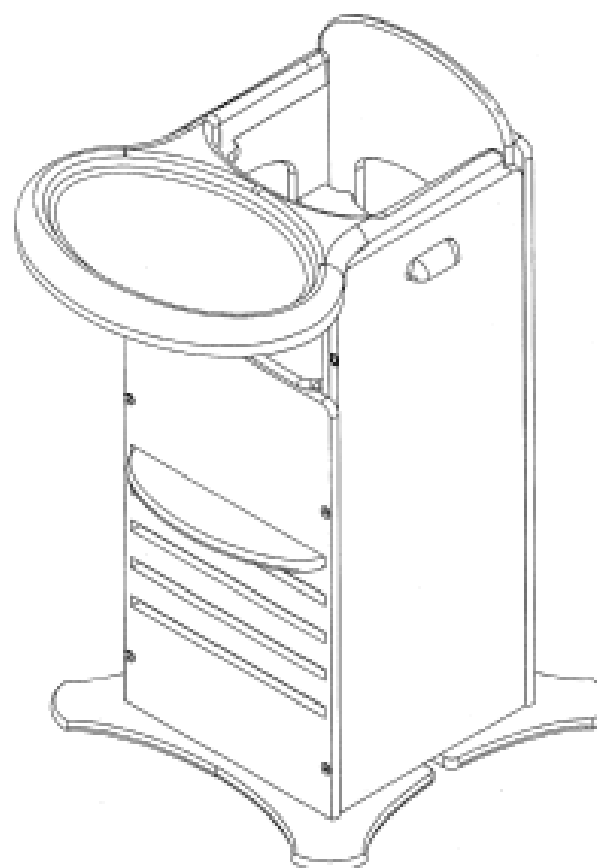
(21) Design Number: **10066/2009**
(22) Date of Filing Application: **09 January 2009**
(24) Date from which industrial property rights may have effect: **09 January 2009**
(54) Product in respect of which the design is registered: **Spray cap**
(51) International Design Classification: **09-07A**
(71) Name(s) and Address(s) of Applicant(s):
OMS Investments, Inc
10250 Constellation Boulevard, Suite 2800 Los Angeles CA
90067-6228 United States of America
(72) Name(s) of Designer(s): **Steve Cichy and Sara Ann Gordon**
(45) Registration Date: **11 February 2009**
(30) Convention priority data:
(31) Number (32) Date (33) Country
29/321,076 10 Jul 2008 UNITED STATES OF AMERICA
(56) Related Art Documents: **Not Applicable**
(57) Statement of Newness and Distinctiveness: **Nil**



(21) Design Number: **10067/2009**
(22) Date of Filing Application: **09 January 2009**
(24) Date from which industrial property rights may have effect: **09 January 2009**
(54) Product in respect of which the design is registered: **Spray cap and container**
(51) International Design Classification: **09-01A**
(71) Name(s) and Address(s) of Applicant(s):
OMS Investments, Inc
10250 Constellation Boulevard, Suite 2800 Los Angeles CA
90067-6228 United States of America
(72) Name(s) of Designer(s): **Steve Cichy and Sara Ann Gordon**
(45) Registration Date: **11 February 2009**
(30) Convention priority data:
(31) Number (32) Date (33) Country
29/321,076 10 Jul 2008 UNITED STATES OF AMERICA
(56) Related Art Documents: **Not Applicable**
(57) Statement of Newness and Distinctiveness: **Nil**

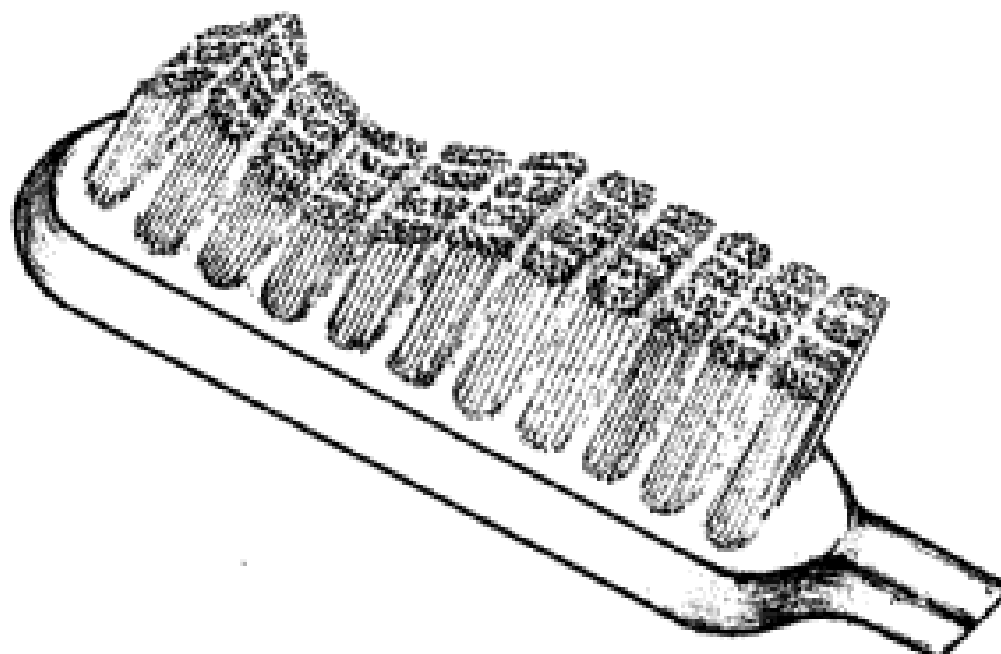


- (21) Design Number: **10068/2009**
(22) Date of Filing Application: **09 January 2009**
(24) Date from which industrial property rights may have effect: **09 January 2009**
(54) Product in respect of which the design is registered: **Baby chair**
(51) International Design Classification: **06-01E**
(71) Name(s) and Address(s) of Applicant(s):
Real Design & Marketing Limited
Westthorpe Bness. Innov. Ctr. Westthorpe Fields Road, Killamarsh,
Sheffield S21 1TZ United Kingdom
(72) Name(s) of Designer(s): **Sean Johnson and Darren Williams**
(45) Registration Date: **11 February 2009**
(30) Convention priority data:
(31) Number (32) Date (33) Country
000968821-0001 11 Jul 2008 EUROPEAN COMMUNITY
(56) Related Art Documents: **Not Applicable**
(57) Statement of Newness and Distinctiveness: **Nil**



- (21) Design Number: **10072/2009**
(22) Date of Filing Application: **09 January 2009**
(24) Date from which industrial property rights may have effect: **09 January 2009**
(54) Product in respect of which the design is registered: **Toothbrush**
(51) International Design Classification: **04-02**
(71) Name(s) and Address(s) of Applicant(s):
Robert P.K. Leet
85 Headingley Road Mt Waverley Victoria 3149 Australia
(72) Name(s) of Designer(s): **Robert P.K. Leet**
(45) Registration Date: **11 February 2009**
(56) Related Art Documents: **Not Applicable**

- (57) Statement of Newness and Distinctiveness: **The newness and distinctiveness of the toothbrush head (hereinafter referred to as the head) of the present design are found in the configurations of the bristles and the plurality of functional attributes they contribute; meeting the general as well as the special needs of users. The present design is derived by the modifications of the bristle configuration of the diverse range of state of art toothbrushes, which may carry three to four longitudinal rolls of bristles, two to four clusters of bristles in the front roll of the head, having uniform height or with bristles at the front taller than the rest behind them. The said modifications of the bristles in the present design are as follow: 1) the bristles in the front-half section of the head have been modified, commencing from the second front roll of bristles, to form a valley, with a steeper slope at the front than that at the back. Said valley of bristles being adequately wide and deep to embrace around each teeth with the turning of the brush, to enable the tips of the bristles thereon to be in direct contact with the surface of the later during brushing. The said valley offers a highly effective and comfortable brushing, and requires less pressure onto the teeth and bristles than the state of art toothbrushes. The other important role of the said valley is to provide an ample working space and a good reach for the wedge-shaped bristles formed by the two front rolls bristles of the head. (details follows) 2) the bristles in front roll of the head, incrementally trimmed on the front side, form a wedge-shaped configuration (hereinafter referred as the wedge) with the bristles of the second front roll of the head. Said wedge provides good access to, i) the full length of crevices or spaces between teeth, ii) the necks of the teeth (the section where the teeth meet with the gum), and iii) the cavities in the teeth. The said wedge also provides the vital role of assisting the**



said valley in the gentle cleaning of isolated teeth, and small groups of teeth; and by itself, in providing the gentle cleaning of acutely sensitive teeth, such as loose teeth, new and second-generation emerging teeth of young persons, and teeth with gum infection or injuries. The back, second half portion of the head remains unmodified to provide support to the said wedge and valley to form a complete, comprehensive...

(12) AUSTRALIAN REGISTERED DESIGN
(19) AU

(11) AU-S- 324575

(21) Design Number: **10073/2009**

(22) Date of Filing Application: **09 January 2009**

(24) Date from which industrial property rights may have effect: **09 January 2009**

(54) Product in respect of which the design is registered: **Toothbrush**

(51) International Design Classification: **04-02**

(71) Name(s) and Address(s) of Applicant(s):

Robert P.K. Leet

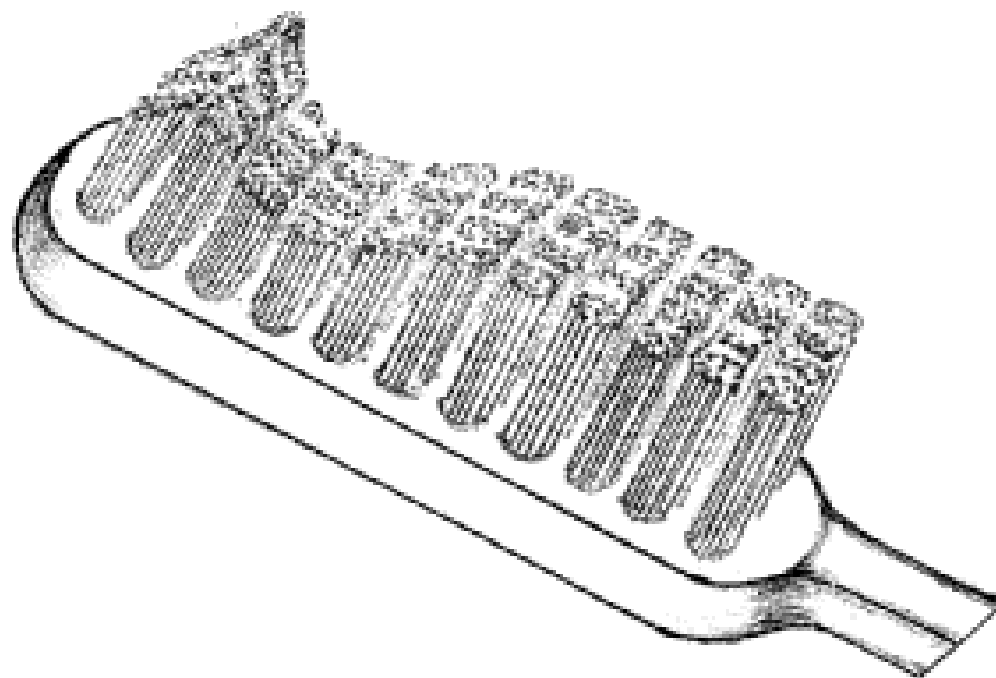
85 Headingley Road Mt Waverley Victoria 3149 Australia

(72) Name(s) of Designer(s): **Robert P.K. Leet**

(45) Registration Date: **11 February 2009**

(56) Related Art Documents: **Not Applicable**

(57) Statement of Newness and Distinctiveness: **The newness and distinctiveness of the toothbrush head (hereinafter referred to as the head) of the present design are found in the configurations of the bristles and the plurality of functional attributes they contribute; meeting the general as well as the special needs of users. The present design is derived by the modifications of the bristle configuration of the diverse range of state of art toothbrushes, which may carry three to four longitudinal rolls of bristles, two to four clusters of bristles in the front roll of the head, having uniform height or with bristles at the front taller than the rest behind them. The said modifications of the bristles in the present design are as follow: 1) the bristles in the front-half section of the head have been modified, commencing from the second front roll of bristles, to form a valley, with a steeper slope at the front than that at the back. Said valley of bristles being adequately wide and deep to embrace around each teeth with the turning of the brush, to enable the tips of the bristles thereon to be in direct contact with the surface of the later during brushing. The said valley offers a highly effective and comfortable brushing, and requires less pressure onto the teeth and bristles than the state of art toothbrushes. The other important role of the said valley is to provide an ample working space and a good reach for the wedge-shaped bristles formed by the two front rolls bristles of the head. (details follows) 2) the bristles in the front roll of the head, incrementally trimmed on the front side, form a wedge-shaped configuration (hereinafter referred as the wedge) with the bristles of the second front roll of the head. Said wedge provides good access to, i) the full length of crevices or spaces between teeth, ii) the necks of the teeth (the section where the teeth meet with the gum), and iii) the cavities in the teeth. The said wedge also provides the vital role of assisting the**



said valley in the gentle cleaning of isolated teeth, and small groups of teeth; and by itself, in providing the gentle cleaning of acutely sensitive teeth, such as loose teeth, new and second-generation emerging teeth of young persons, and teeth with gum infection or injuries. The back, second half portion of the head remains unmodified to provide support to the said wedge and valley to form a complete,...

(12) AUSTRALIAN REGISTERED DESIGN
(19) AU

(11) AU-S- 324576

(21) Design Number: **12903/2008**

(22) Date of Filing Application: **18 June 2008**

(24) Date from which industrial property rights may have effect: **18 June 2008**

(54) Product in respect of which the design is registered: **Advertising board**

(51) International Design Classification: **20-02NES**

(71) Name(s) and Address(s) of Applicant(s):

Interact Marketing Pty Ltd

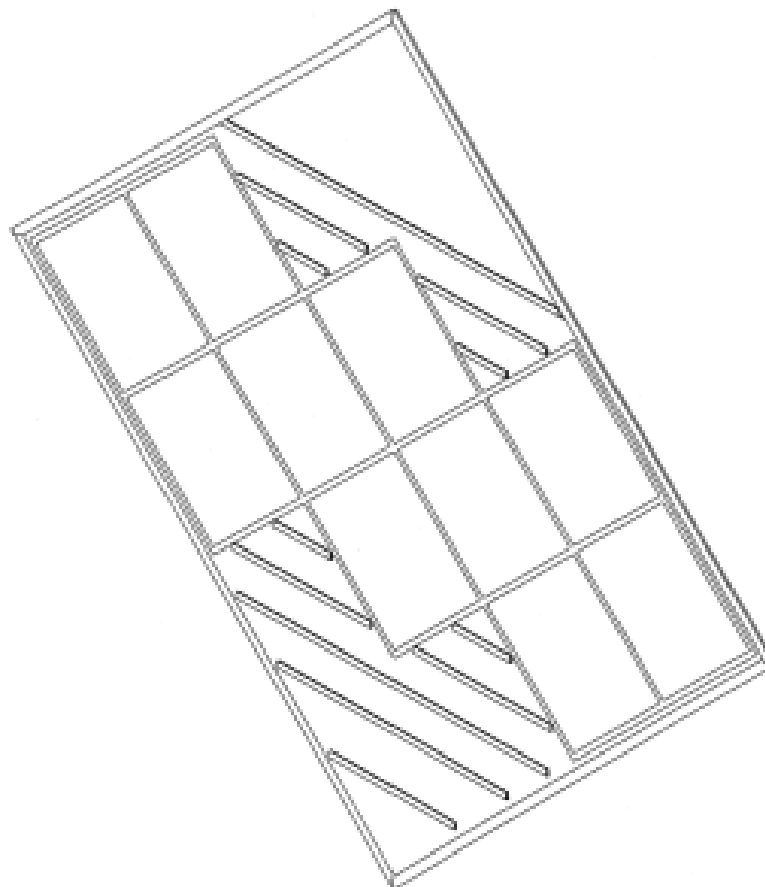
7 Westfield Drive Doncaster Victoria 3108 Australia

(72) Name(s) of Designer(s): **Charles Sakinofsky and Jocelyn Rose Sakinofsky and David Clark**

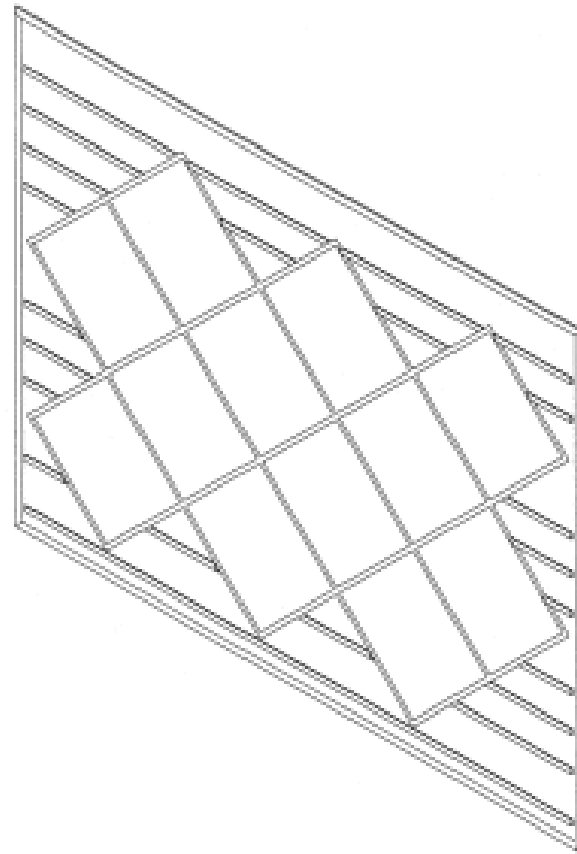
(45) Registration Date: **10 February 2009**

(56) Related Art Documents: **Not Applicable**

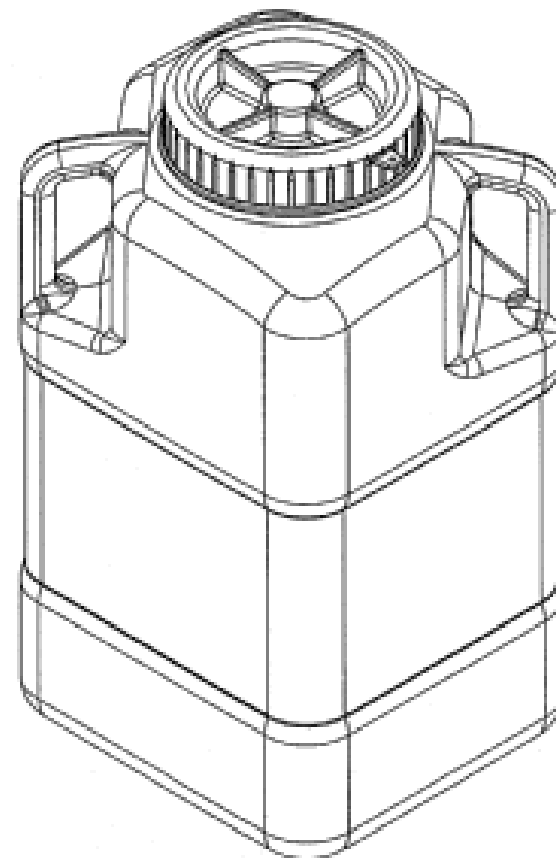
(57) Statement of Newness and Distinctiveness: **Nil**



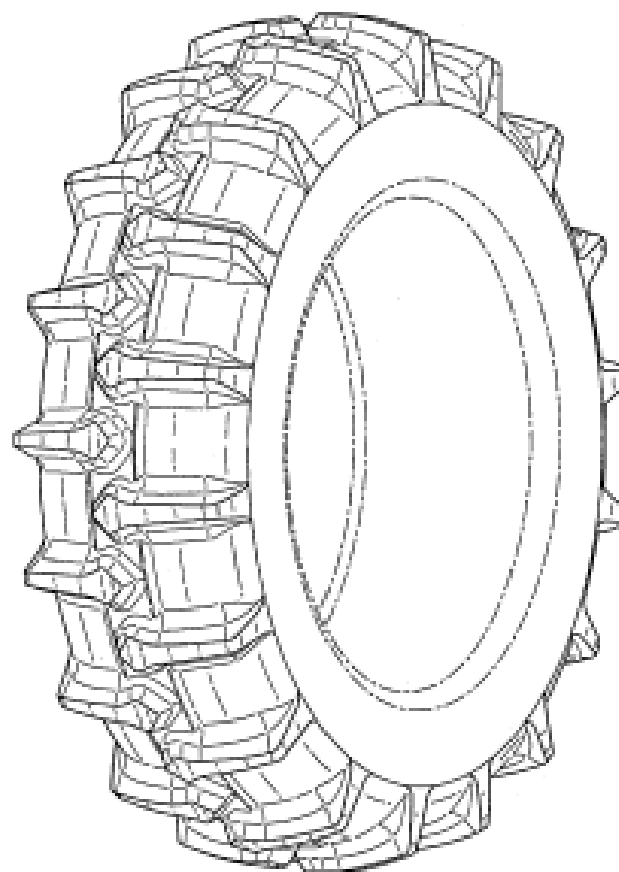
- (21) Design Number: **12904/2008**
(22) Date of Filing Application: **18 June 2008**
(24) Date from which industrial property rights may have effect: **18 June 2008**
(54) Product in respect of which the design is registered: **Advertising board**
(51) International Design Classification: **20-02NES**
(71) Name(s) and Address(s) of Applicant(s):
Interact Marketing Pty Ltd
7 Westfield Drive Doncaster Victoria 3108 Australia
(72) Name(s) of Designer(s): **Charles Sakinofsky and Jocelyn Rose Sakinofsky and David Clark**
(45) Registration Date: **10 February 2009**
(56) Related Art Documents: **Not Applicable**
(57) Statement of Newness and Distinctiveness: **Nil**



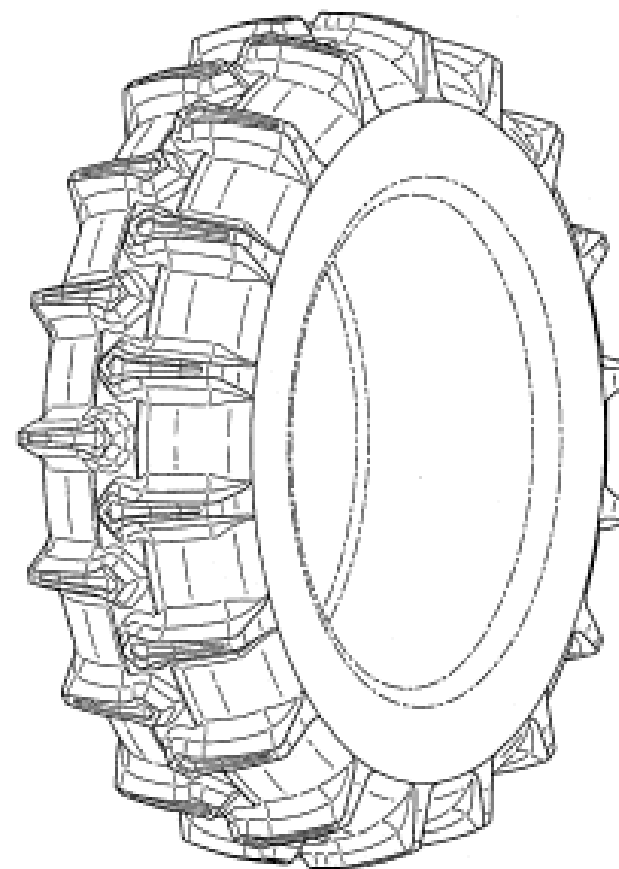
- (21) Design Number: **15460/2008**
(22) Date of Filing Application: **18 November 2008**
(24) Date from which industrial property rights may have effect: **18 November 2008**
(54) Product in respect of which the design is registered: **Container**
(51) International Design Classification: **09-02B**
(71) Name(s) and Address(s) of Applicant(s):
Catilina Nominees Pty Ltd
34 Cahill Street Dandenong South Victoria 3175 Australia
(72) Name(s) of Designer(s): **Bert Pennings**
(45) Registration Date: **10 February 2009**
(56) Related Art Documents: **Not Applicable**
(57) Statement of Newness and Distinctiveness: **Those features of the container depicted in the representations that are new and distinctive are the shape and/or configuration.**



- (21) Design Number: **15751/2008**
(22) Date of Filing Application: **05 December 2008**
(24) Date from which industrial property rights may have effect: **05 December 2008**
(54) Product in respect of which the design is registered: **Tire**
(51) International Design Classification: **12-15C**
(71) Name(s) and Address(s) of Applicant(s):
Bridgestone Firestone North American Tire, LLC
535 Marriott Drive Nashville Tennessee 37214 United States of America
(72) Name(s) of Designer(s): **Bill J. Wallet and John J. Regallis and Jeffrey D. Parker and Nubuo Shimizu and Andrew T. Miklic**
(45) Registration Date: **10 February 2009**
(56) Related Art Documents: **Not Applicable**
(57) Statement of Newness and Distinctiveness: **Those features of the tire depicted in the representations that are new and distinctive are the shape and/or configuration of the tread of the tire. The side walls and features shown in broken line are not part of the design and are to be disregarded when considering the overall impression of the design.**



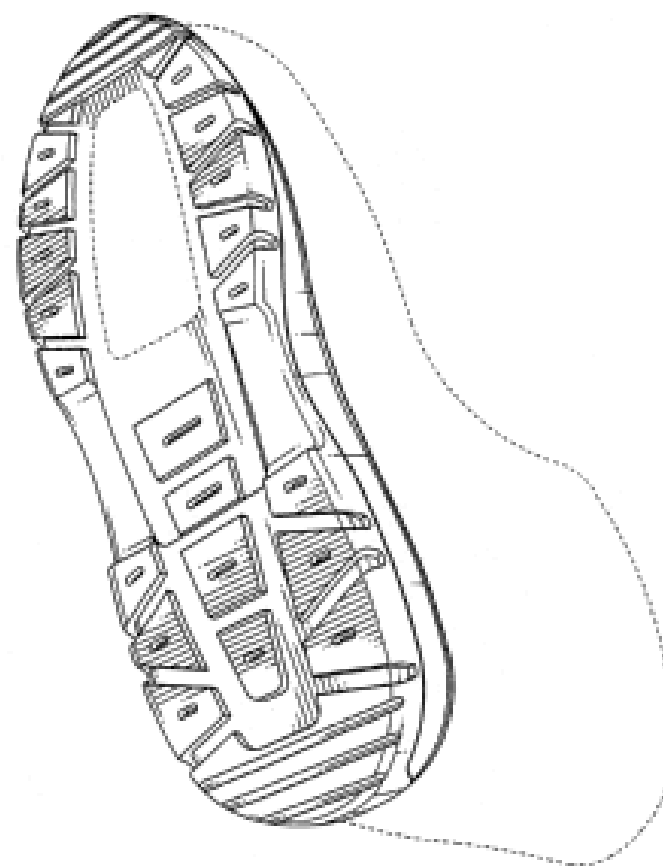
- (21) Design Number: **16087/2008**
(22) Date of Filing Application: **05 December 2008**
(24) Date from which industrial property rights may have effect: **05 December 2008**
(54) Product in respect of which the design is registered: **Tire**
(51) International Design Classification: **12-15C**
(71) Name(s) and Address(s) of Applicant(s):
Bridgestone Firestone North American Tire, LLC
535 Marriott Drive Nashville Tennessee 37214 United States of America
(72) Name(s) of Designer(s): **Bill J. Wallet and John J. Regallis and Jeffrey D. Parker and Nubuo Shimizu and Andrew T. Miklic**
(45) Registration Date: **10 February 2009**
(56) Related Art Documents: **Not Applicable**
(57) Statement of Newness and Distinctiveness: **Those features of the tire depicted in the representations that are new and distinctive are the shape and/or configuration of the tread of the tire. The side walls and features shown in broken line are not part of the design and are to be disregarded when considering the overall impression of the design.**



(21) Design Number: **15985/2008**
 (22) Date of Filing Application: **19 December 2008**
 (24) Date from which industrial property rights may have effect: **19 December 2008**
 (54) Product in respect of which the design is registered: **Footwear outsole**
 (51) International Design Classification: **02-04B**
 (71) Name(s) and Address(s) of Applicant(s):
Deckers Outdoor Corporation
495-A South Fairview Avenue Goleta California 93117 United States of America
 (72) Name(s) of Designer(s): **Damon R. Butler**
 (45) Registration Date: **10 February 2009**
 (30) Convention priority data:

(31) Number	(32) Date	(33) Country
29/327362	04 Nov 2008	UNITED STATES OF AMERICA

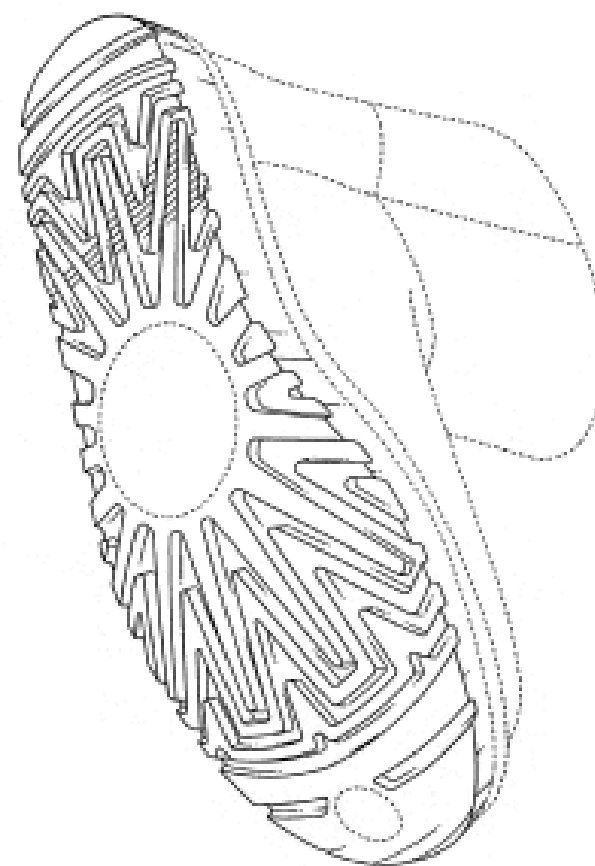
 (56) Related Art Documents: **Not Applicable**
 (57) Statement of Newness and Distinctiveness: **Newness and distinctiveness reside in the features of the design shown in solid lines in the representations excluding those features shown in broken lines.**



(21) Design Number: **15986/2008**
 (22) Date of Filing Application: **19 December 2008**
 (24) Date from which industrial property rights may have effect: **19 December 2008**
 (54) Product in respect of which the design is registered: **Footwear outsole**
 (51) International Design Classification: **02-04B**
 (71) Name(s) and Address(s) of Applicant(s):
Deckers Outdoor Corporation
495-A South Fairview Avenue Goleta California 93117 United States of America
 (72) Name(s) of Designer(s): **Damon R. Butler**
 (45) Registration Date: **10 February 2009**
 (30) Convention priority data:

(31) Number	(32) Date	(33) Country
29/325989	09 Oct 2008	UNITED STATES OF AMERICA

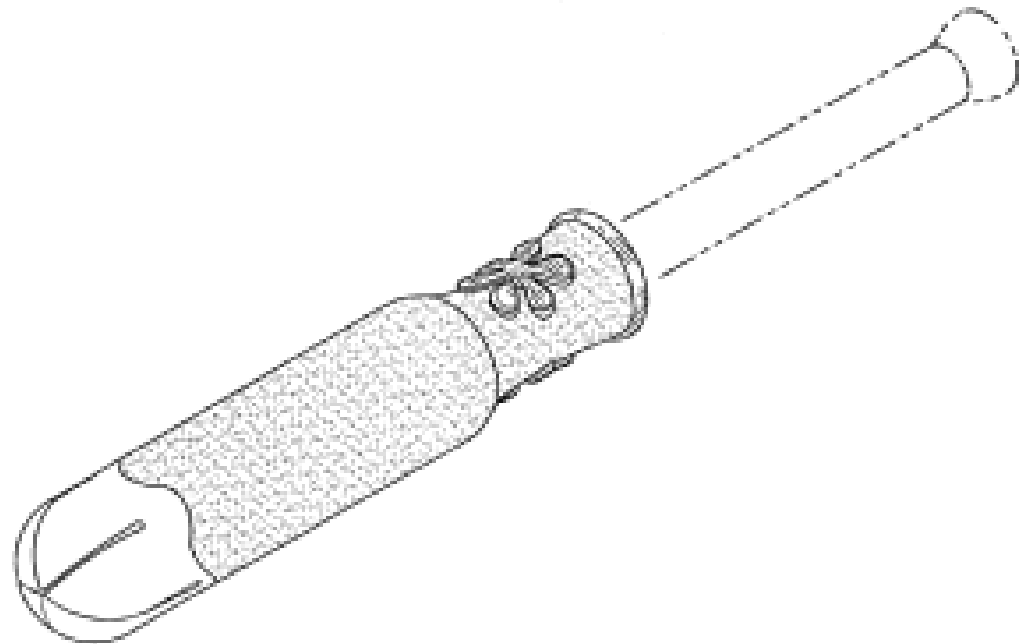
 (56) Related Art Documents: **Not Applicable**
 (57) Statement of Newness and Distinctiveness: **Newness and distinctiveness reside in the features of the design shown in solid lines in the representations excluding those features shown in broken lines.**



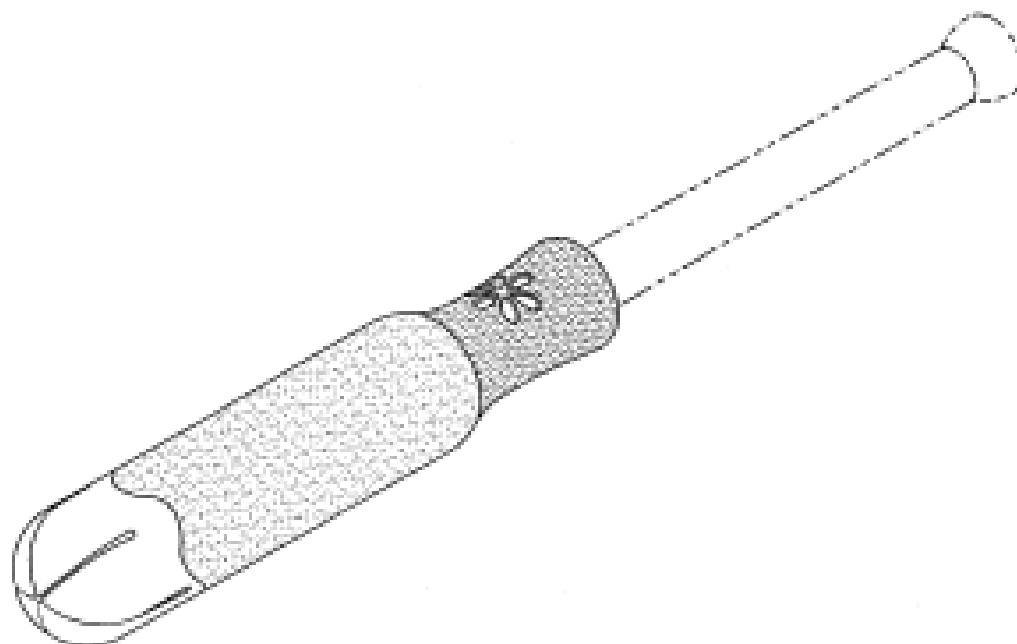
- (21) Design Number: **16002/2008**
(22) Date of Filing Application: **22 December 2008**
(24) Date from which industrial property rights may have effect: **22 December 2008**
(54) Product in respect of which the design is registered: **Motorcycle**
(51) International Design Classification: **12-11**
(71) Name(s) and Address(s) of Applicant(s):
Sanyang Industry Co., Ltd
No. 184 Keng Tzu Kou Shang Keng Village, Hsin Fong Shiang
Hsinchu County, 304 Taiwan
(72) Name(s) of Designer(s): **Kuang-Shih Huang**
(45) Registration Date: **10 February 2009**
(56) Related Art Documents: **Not Applicable**
(57) Statement of Newness and Distinctiveness: **Nil**



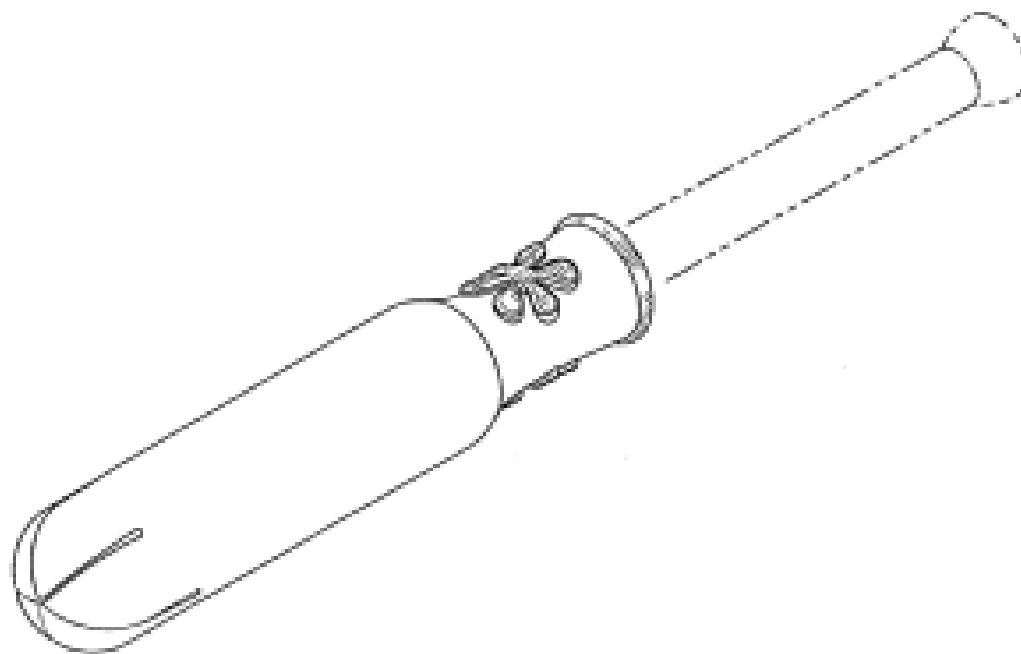
- (21) Design Number: **10075/2009**
(22) Date of Filing Application: **12 January 2009**
(24) Date from which industrial property rights may have effect: **12 January 2009**
(54) Product in respect of which the design is registered: **Tampon applicator**
(51) International Design Classification: **24-04**
(71) Name(s) and Address(s) of Applicant(s):
Kimberly-Clark Worldwide, Inc.
401 North Lake Street Neenah Wisconsin 54956 United States of
America
(72) Name(s) of Designer(s): **Thomas William Van Den Bogart and Cao Hue Chi**
Pham and Yein Sze Ong and Franz Aschenbrenner and Dusan Pavlik and
Gary Mastalish and Irina Tsareva and Lynn Ann Weggel and Anastasia
Barlas and Priscilla Eng Choo Goh and EunJung Kang
(45) Registration Date: **10 February 2009**
(30) Convention priority data:
(31) Number (32) Date (33) Country
29/321369 15 Jul 2008 UNITED STATES OF AMERICA
(56) Related Art Documents: **Not Applicable**
(57) Statement of Newness and Distinctiveness: **Newness and distinctiveness is**
claimed in those features of shape and/or configuration of a tampon
applicator as illustrated in continuous lines in the accompanying
representations.



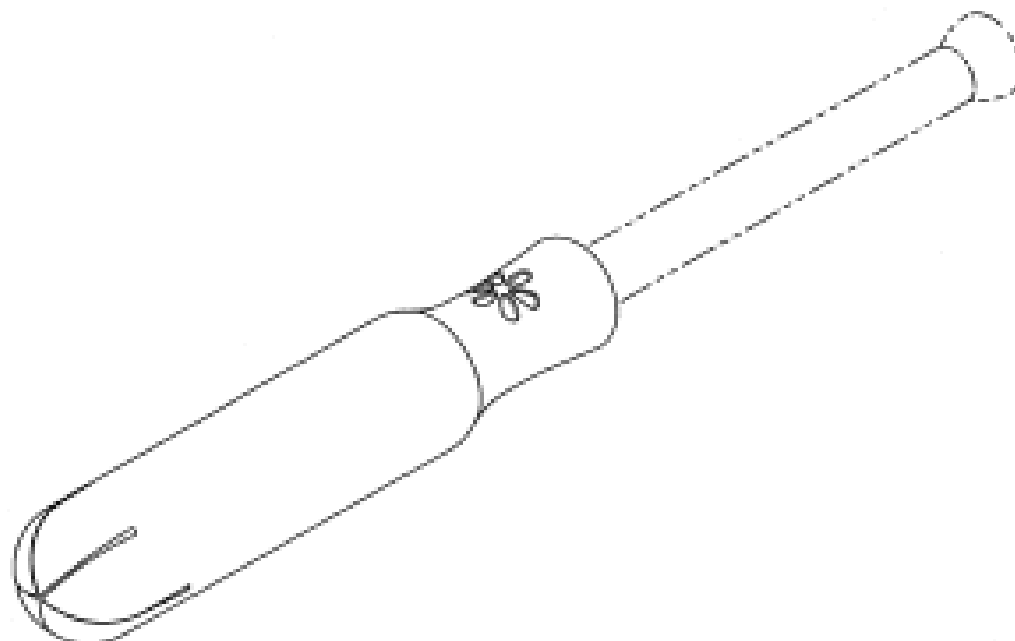
- (21) Design Number: **10076/2009**
(22) Date of Filing Application: **12 January 2009**
(24) Date from which industrial property rights may have effect: **12 January 2009**
(54) Product in respect of which the design is registered: **Tampon applicator**
(51) International Design Classification: **24-04**
(71) Name(s) and Address(s) of Applicant(s):
Kimberly-Clark Worldwide, Inc.
401 North Lake Street Neenah Wisconsin 54956 United States of America
(72) Name(s) of Designer(s): **Cao Hue Chi Pham and Yein Sze Ong and Franz Aschenbrenner and Dusan Pavlik and Gary Mastalish and Irina Tsareva and Lynn Ann Weggel and Anastasia Barlas and Priscilla Eng Choo Goh and EunJung Kang and Thomas William Van Den Bogart**
(45) Registration Date: **10 February 2009**
(30) Convention priority data:
(31) Number (32) Date (33) Country
29/321369 15 Jul 2008 UNITED STATES OF AMERICA
(56) Related Art Documents: **Not Applicable**
(57) Statement of Newness and Distinctiveness: **Newness and distinctiveness is claimed in those features of shape and/or configuration of a tampon applicator as illustrated in continuous lines in the accompanying representations.**



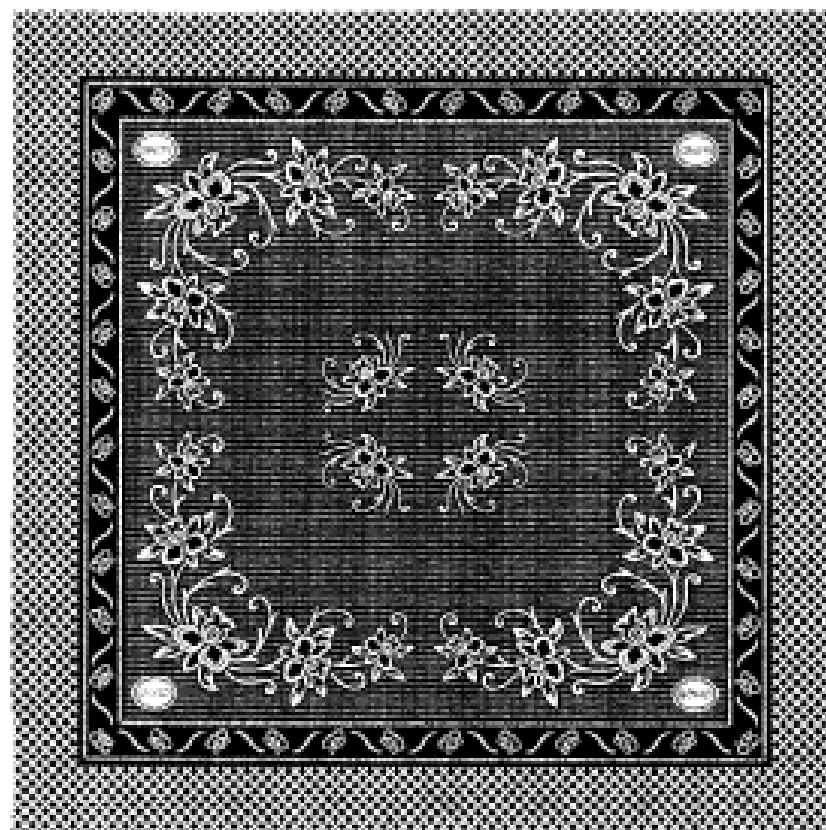
- (21) Design Number: **10077/2009**
(22) Date of Filing Application: **12 January 2009**
(24) Date from which industrial property rights may have effect: **12 January 2009**
(54) Product in respect of which the design is registered: **Tampon applicator**
(51) International Design Classification: **24-04**
(71) Name(s) and Address(s) of Applicant(s):
Kimberly-Clark Worldwide, Inc.
401 North Lake Street Neenah Wisconsin 54956 United States of America
(72) Name(s) of Designer(s): **Cao Hue Chi Pham and Yein Sze Ong and Franz Aschenbrenner and Dusan Pavlik and Gary Mastalish and Irina Tsareva and Lynn Ann Weggel and Anastasia Barlas and Priscilla Eng Choo Goh and EunJung Kang and Thomas William Van Den Bogart**
(45) Registration Date: **10 February 2009**
(30) Convention priority data:
(31) Number (32) Date (33) Country
29/321369 15 Jul 2008 UNITED STATES OF AMERICA
(56) Related Art Documents: **Not Applicable**
(57) Statement of Newness and Distinctiveness: **Newness and distinctiveness is claimed in those features of shape and/or configuration of a tampon applicator as illustrated in continuous lines in the accompanying representations.**



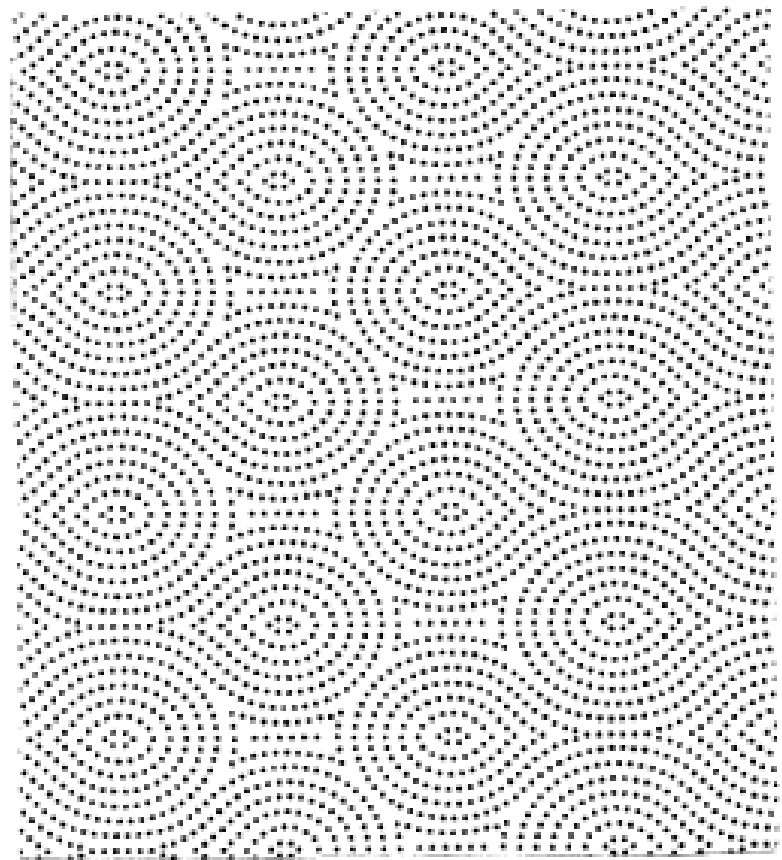
- (21) Design Number: **10078/2009**
(22) Date of Filing Application: **12 January 2009**
(24) Date from which industrial property rights may have effect: **12 January 2009**
(54) Product in respect of which the design is registered: **Tampon applicator**
(51) International Design Classification: **24-04**
(71) Name(s) and Address(s) of Applicant(s):
Kimberly-Clark Worldwide, Inc.
401 North Lake Street Neenah Wisconsin 54956 United States of America
(72) Name(s) of Designer(s): **Cao Hue Chi Pham and Yein Sze Ong and Franz Aschenbrenner and Dusan Pavlik and Gary Mastalish and Irina Tsareva and Lynn Ann Weggel and Anastasia Barlas and EunJung Kang and Priscilla Eng Choo Goh and Thomas William Van Den Bogart**
(45) Registration Date: **10 February 2009**
(30) Convention priority data:
(31) Number (32) Date (33) Country
29/321369 15 Jul 2008 UNITED STATES OF AMERICA
(56) Related Art Documents: **Not Applicable**
(57) Statement of Newness and Distinctiveness: **Newness and distinctiveness is claimed in those features of shape and/or configuration of a tampon applicator as illustrated in continuous lines in the accompanying representations.**



- (21) Design Number: **10125/2009**
(22) Date of Filing Application: **19 January 2009**
(24) Date from which industrial property rights may have effect: **19 January 2009**
(54) Product in respect of which the design is registered: **Napkin**
(51) International Design Classification: **05-06NES**
(71) Name(s) and Address(s) of Applicant(s):
Bond Tissue Products Pty Limited
19 Toohey Road Wetherill Park New South Wales 2164 Australia
(72) Name(s) of Designer(s): **Hout Ly**
(45) Registration Date: **10 February 2009**
(56) Related Art Documents: **Not Applicable**
(57) Statement of Newness and Distinctiveness: **In the representation a monopoly is claimed by the features of pattern and/or ornamentation applied to a paper sheet.**



- (21) Design Number: **10126/2009**
(22) Date of Filing Application: **19 January 2009**
(24) Date from which industrial property rights may have effect: **19 January 2009**
(54) Product in respect of which the design is registered: **Kitchen towel**
(51) International Design Classification: **05-06NES**
(71) Name(s) and Address(s) of Applicant(s):
Bond Tissue Products Pty Limited
19 Toohey Road Wetherill Park New South Wales 2164 Australia
(72) Name(s) of Designer(s): **Hout Ly**
(45) Registration Date: **10 February 2009**
(56) Related Art Documents: **Not Applicable**
(57) Statement of Newness and Distinctiveness: **In the representation a monopoly is claimed by the features of pattern and/or ornamentation applied to a paper sheet.**



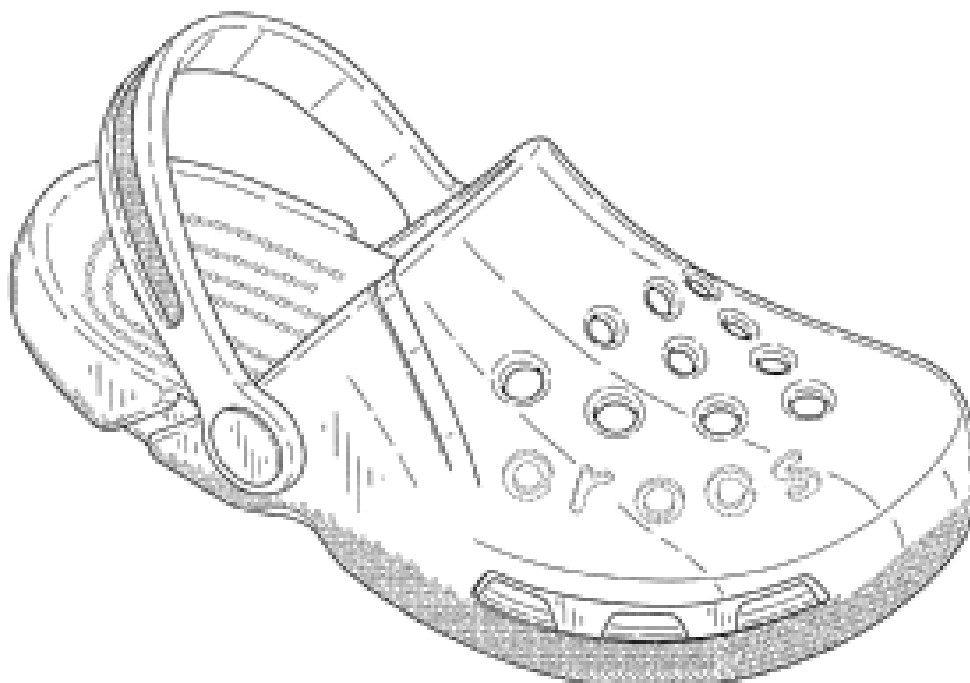
- (21) Design Number: **13577/2008**
(22) Date of Filing Application: **30 July 2008**
(24) Date from which industrial property rights may have effect: **30 July 2008**
(54) Product in respect of which the design is registered: **Jeans**
(51) International Design Classification: **02-02C**
(71) Name(s) and Address(s) of Applicant(s):
Becon Pty Ltd
Unit 11 9 Woolboard Road Port Melbourne Victoria 3207 Australia
(72) Name(s) of Designer(s): **Grant Mackintosh**
(45) Registration Date: **10 February 2009**
(56) Related Art Documents: **Not Applicable**
(57) Statement of Newness and Distinctiveness: **Nil**



- (21) Design Number: **15013/2008**
- (22) Date of Filing Application: **17 October 2008**
- (24) Date from which industrial property rights may have effect: **17 October 2008**
- (54) Product in respect of which the design is registered: **Footwear**
- (51) International Design Classification: **02-04NES**
- (71) Name(s) and Address(s) of Applicant(s):

Crocs, Inc.
6328 Monarch Park Place Niwot Colorado 80503 United States of America

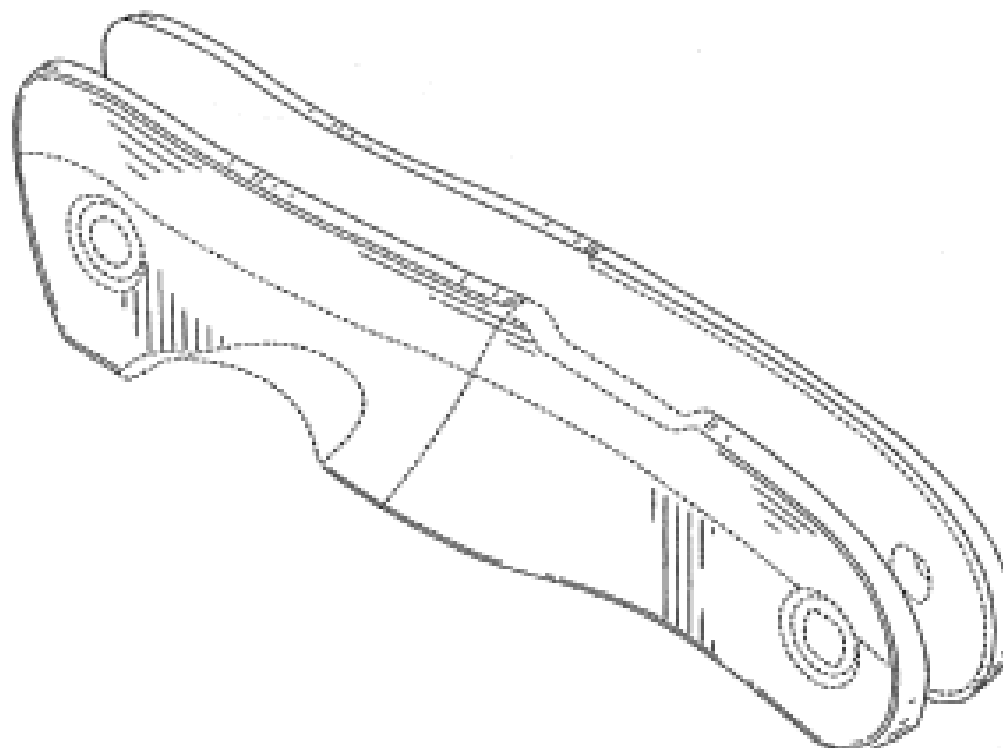
- (72) Name(s) of Designer(s): **Brain P. O'Boyle and James Grelle**
 - (45) Registration Date: **10 February 2009**
 - (30) Convention priority data:
- | | | |
|------------------|--------------------|---------------------------------|
| (31) Number | (32) Date | (33) Country |
| 29/306957 | 18 Apr 2008 | UNITED STATES OF AMERICA |
- (56) Related Art Documents: **Not Applicable**
 - (57) Statement of Newness and Distinctiveness: **Newness and distinctiveness resides in the features of shape and configuration of the assembled footwear as shown in the representations. In deciding whether the design is substantially similar in overall impression to another design, no regard is to be given to the crocs trade mark and logo, nor the textual material and the tread pattern on the sole, nor the raised bump pattern of the footbed.**



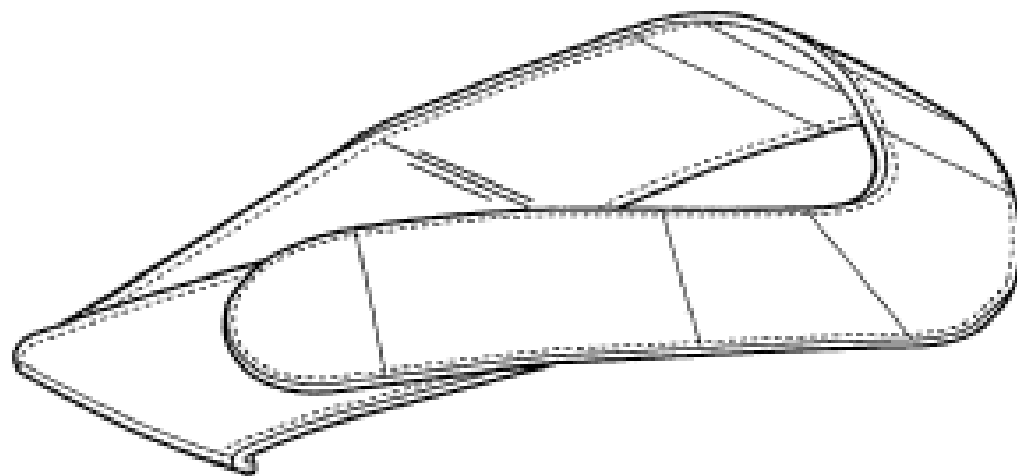
- (21) Design Number: **15330/2008**
- (22) Date of Filing Application: **12 November 2008**
- (24) Date from which industrial property rights may have effect: **12 November 2008**
- (54) Product in respect of which the design is registered: **Scales for knives, hand tools, and the like**
- (51) International Design Classification: **10-04**
- (71) Name(s) and Address(s) of Applicant(s):

Leatherman Tool Group, Inc.
12106 NE Ainsworth Circle Portland OR 97220 United States of America

- (72) Name(s) of Designer(s): **Charles F. Goodrich**
 - (45) Registration Date: **10 February 2009**
 - (30) Convention priority data:
- | | | |
|-------------------|--------------------|---------------------------------|
| (31) Number | (32) Date | (33) Country |
| 29/318,864 | 29 May 2008 | UNITED STATES OF AMERICA |
- (56) Related Art Documents: **Not Applicable**
 - (57) Statement of Newness and Distinctiveness: **The newness and distinctiveness of the design resides in the features of shape and/or configuration of the scales shown in unbroken lines in the accompanying representations.**



- (21) Design Number: **10038/2009**
(22) Date of Filing Application: **07 January 2009**
(24) Date from which industrial property rights may have effect: **07 January 2009**
(54) Product in respect of which the design is registered: **Strap for shoe**
(51) International Design Classification: **02-07B**
(71) Name(s) and Address(s) of Applicant(s):
Craig Feller
29433 Gray Hawk Drive Evergreen CO 80439 United States of America
David G. Berg
1371 Waverly White Lake MI 48386 United States of America
Thomas E. McGann III
2349 Ethel Walled Lake MI 48390 United States of America
(72) Name(s) of Designer(s): **Craig Feller and David G. Berg and Thomas E. McGann III**
(45) Registration Date: **10 February 2009**
(30) Convention priority data:
(31) Number (32) Date (33) Country
29/320,865 07 Jul 2008 UNITED STATES OF AMERICA
(56) Related Art Documents: **Not Applicable**
(57) Statement of Newness and Distinctiveness: **The newness and distinctiveness of the design resides in the features of shape and/or configuration shown in unbroken lines in the accompanying representations. The features shown in broken lines are for environmental purposes only and form no part of the design.**



- (21) Design Number: **10039/2009**
(22) Date of Filing Application: **07 January 2009**
(24) Date from which industrial property rights may have effect: **07 January 2009**
(54) Product in respect of which the design is registered: **Automobile**
(51) International Design Classification: **12-08**
(71) Name(s) and Address(s) of Applicant(s):
Toyota Jidosha Kabushiki Kaisha
1 Toyota-cho Toyota-shi Aichi-ken 471-8571 Japan
(72) Name(s) of Designer(s): **Shinichi Hiranaka and Kengo Matsumoto and Naoya Suzuki and Satoshi Yokoi**
(45) Registration Date: **10 February 2009**
(56) Related Art Documents: **Not Applicable**
(57) Statement of Newness and Distinctiveness: **Newness and distinctiveness is claimed in the visual features shown in the representations.**



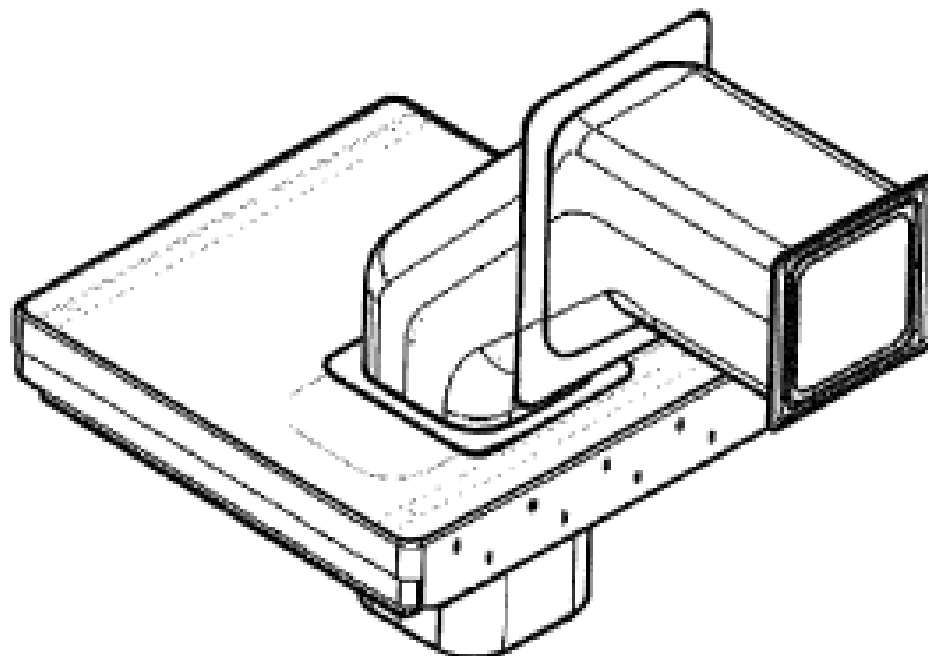
- (21) Design Number: **10040/2009**
(22) Date of Filing Application: **07 January 2009**
(24) Date from which industrial property rights may have effect: **07 January 2009**
(54) Product in respect of which the design is registered: **Automobile**
(51) International Design Classification: **12-16B**
(71) Name(s) and Address(s) of Applicant(s):
Toyota Jidosha Kabushiki Kaisha
1 Toyota-cho Toyota-shi Aichi-ken 471-8571 Japan
(72) Name(s) of Designer(s): **Shinichi Hiranaka and Kengo Matsumoto and Naoya Suzuki**
(45) Registration Date: **10 February 2009**
(56) Related Art Documents: **Not Applicable**
(57) Statement of Newness and Distinctiveness: **Newness and distinctiveness is claimed in the visual features shown in darker contrast in the representations. The visual features shown in lighter contrast are for illustrative purposes only and do not form part of the design.**



- (21) Design Number: **10041/2009**
(22) Date of Filing Application: **07 January 2009**
(24) Date from which industrial property rights may have effect: **07 January 2009**
(54) Product in respect of which the design is registered: **Automobile**
(51) International Design Classification: **12-16B**
(71) Name(s) and Address(s) of Applicant(s):
Toyota Jidosha Kabushiki Kaisha
1 Toyota-cho Toyota-shi Aichi-ken 471-8571 Japan
(72) Name(s) of Designer(s): **Shinichi Hiranaka and Kengo Matsumoto and Satoshi Yokoi**
(45) Registration Date: **10 February 2009**
(56) Related Art Documents: **Not Applicable**
(57) Statement of Newness and Distinctiveness: **Newness and distinctiveness is claimed in the visual features shown in darker contrast in the representations. The visual features shown in lighter contrast are for illustrative purposes only and do not form part of the design.**



- (21) Design Number: **10046/2009**
(22) Date of Filing Application: **07 January 2009**
(24) Date from which industrial property rights may have effect: **07 January 2009**
(54) Product in respect of which the design is registered: **Refuse discharge apparatus**
(51) International Design Classification: **09-09**
(71) Name(s) and Address(s) of Applicant(s):
Anthony Axisa
21 Burns Point Ferry Road Ballina New South Wales 2478 Australia
(72) Name(s) of Designer(s): **Anthony Axisa**
(45) Registration Date: **10 February 2009**
(56) Related Art Documents: **Not Applicable**
(57) Statement of Newness and Distinctiveness: **Newness and distinctiveness is claimed in the shape and/or configuration of refuse discharge apparatus as illustrated by the unbroken lines in the accompanying representation/s.**



- (21) Design Number: **10050/2009**
(22) Date of Filing Application: **08 January 2009**
(24) Date from which industrial property rights may have effect: **08 January 2009**
(54) Product in respect of which the design is registered: **Automobile**
(51) International Design Classification: **12-08**
(71) Name(s) and Address(s) of Applicant(s):
Toyota Jidosha Kabushiki Kaisha
1 Toyota-cho Toyota-shi Aichi-ken 471-8571 Japan
(72) Name(s) of Designer(s): **Katsuhiro Suzuki and Keisuke Sakamoto**
(45) Registration Date: **10 February 2009**
(30) Convention priority data:

(31) Number	(32) Date	(33) Country
2008-024920	29 Sep 2008	JAPAN

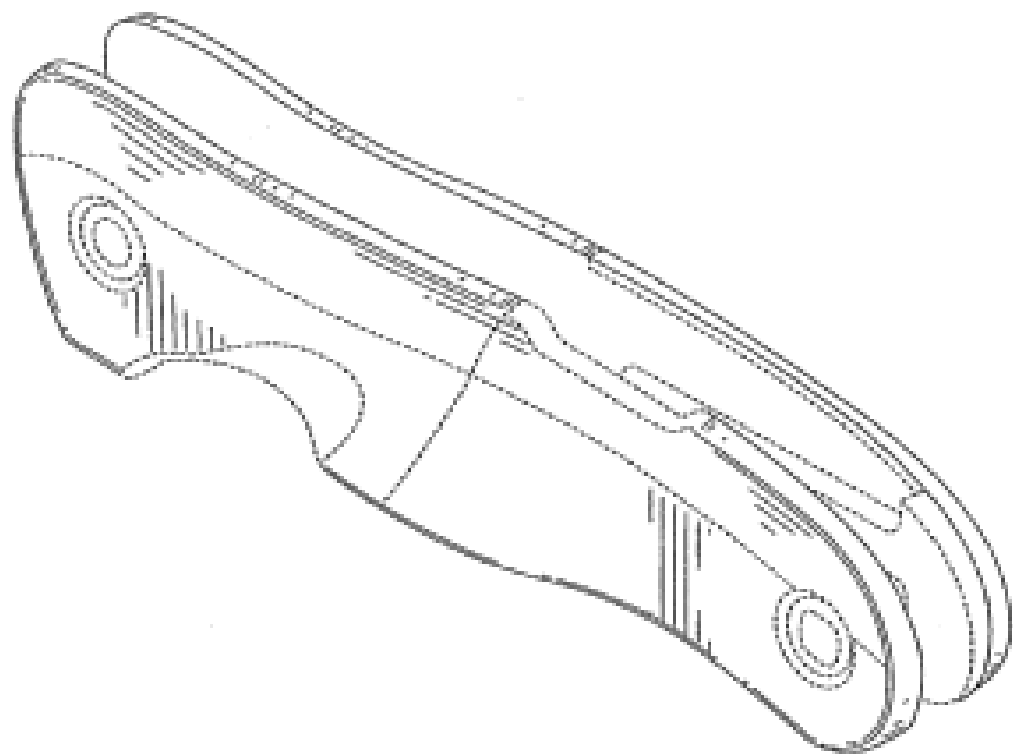
(56) Related Art Documents: **Not Applicable**
(57) Statement of Newness and Distinctiveness: **Newness and distinctiveness is claimed in the features of shape and/or configuration of an automobile as illustrated in the accompanying representations.**



- (21) Design Number: **10051/2009**
(22) Date of Filing Application: **08 January 2009**
(24) Date from which industrial property rights may have effect: **08 January 2009**
(54) Product in respect of which the design is registered: **Automobile**
(51) International Design Classification: **12-08**
(71) Name(s) and Address(s) of Applicant(s):
Toyota Jidosha Kabushiki Kaisha
1 Toyota-cho Toyota-shi Aichi-ken 471-8571 Japan
(72) Name(s) of Designer(s): **Katsuhiro Suzuki and Keisuke Sakamoto**
(45) Registration Date: **10 February 2009**
(30) Convention priority data:
(31) Number (32) Date (33) Country
2008-024919 29 Sep 2008 JAPAN
(56) Related Art Documents: **Not Applicable**
(57) Statement of Newness and Distinctiveness: **Newness and distinctiveness is claimed in the features of shape and/or configuration of an automobile as illustrated in the accompanying representations.**



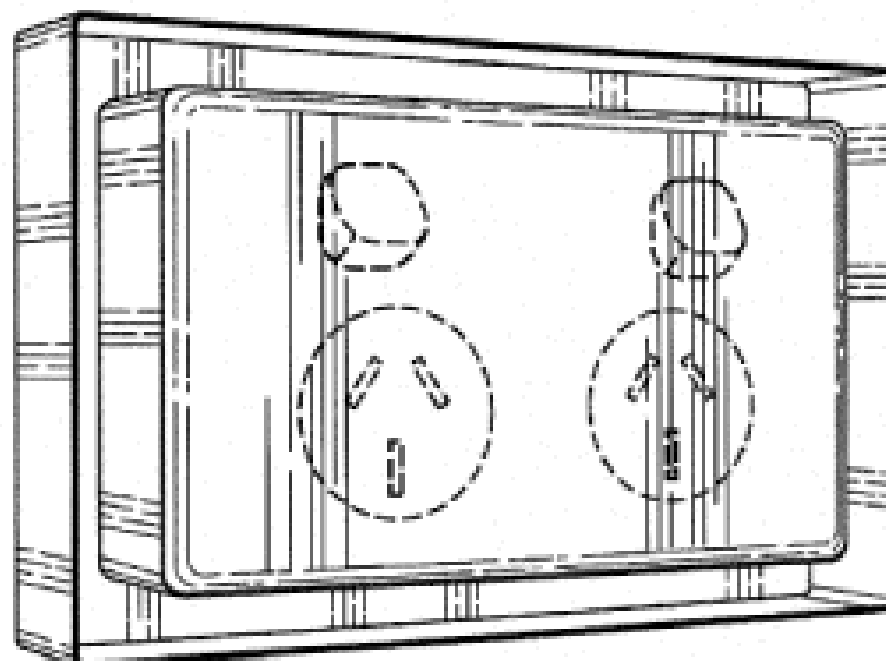
- (21) Design Number: **10225/2009**
(22) Date of Filing Application: **12 November 2008**
(24) Date from which industrial property rights may have effect: **12 November 2008**
(54) Product in respect of which the design is registered: **Scales for knives, hand tools, and the like**
(51) International Design Classification: **08-03, 10-04**
(71) Name(s) and Address(s) of Applicant(s):
Leatherman Tool Group, Inc.
12106 NE Ainsworth Circle Portland OR 97220 United States of America
(72) Name(s) of Designer(s): **Charles F. Goodrich**
(45) Registration Date: **10 February 2009**
(62) Divisional of: **324592**
(56) Related Art Documents: **Not Applicable**
(57) Statement of Newness and Distinctiveness: **The newness and distinctiveness of the design resides in the features of shape and/or configuration of the scales shown in unbroken lines in the accompanying representations.**



(21) Design Number: **10106/2009**
(22) Date of Filing Application: **16 January 2009**
(24) Date from which industrial property rights may have effect: **16 January 2009**
(54) Product in respect of which the design is registered: **Bath water barrier**
(51) International Design Classification: **23-02B**
(71) Name(s) and Address(s) of Applicant(s):
Perry Innovation Limited
39 Oak Tree Drive Cutnall Green Droitwich Worcestershire WR9 0QY
United Kingdom
(72) Name(s) of Designer(s): **Ajith G Kumar**
(45) Registration Date: **10 February 2009**
(30) Convention priority data:
(31) Number (32) Date (33) Country
000998323-0001 08 Sep 2008 EUROPEAN COMMUNITY
(56) Related Art Documents: **Not Applicable**
(57) Statement of Newness and Distinctiveness: **Nil**



(21) Design Number: **10270/2009**
(22) Date of Filing Application: **03 February 2009**
(24) Date from which industrial property rights may have effect: **03 February 2009**
(54) Product in respect of which the design is registered: **A face plate**
(51) International Design Classification: **13-03D, 08-08NES**
(71) Name(s) and Address(s) of Applicant(s):
Otsi Stojanovski
920A Forest Road Peakhurst New South Wales 2210 Australia
(72) Name(s) of Designer(s): **Otsi Stojanovski**
(45) Registration Date: **10 February 2009**
(56) Related Art Documents: **Not Applicable**
(57) Statement of Newness and Distinctiveness: **Nil**



(21) Design Number: **10274/2009**
(22) Date of Filing Application: **02 February 2009**
(24) Date from which industrial property rights may have effect: **02 February 2009**
(54) Product in respect of which the design is registered: **Refill bottle**
(51) International Design Classification: **09-01K**
(71) Name(s) and Address(s) of Applicant(s):
Reckitt Benckiser (UK) Limited
103-105 Bath Road Slough Berkshire SL1 3UH United Kingdom
(72) Name(s) of Designer(s): **John William MacDonald and Christopher Leonard Padain and Thomas Edward Walker and Craig Ian Wightman**
(45) Registration Date: **10 February 2009**
(30) Convention priority data:
(31) Number (32) Date (33) Country
000987384-0001 14 Aug 2008 EUROPEAN COMMUNITY
(56) Related Art Documents: **Not Applicable**
(57) Statement of Newness and Distinctiveness: **The newness resides in the shape and configuration of the REFILL BOTTLE.**



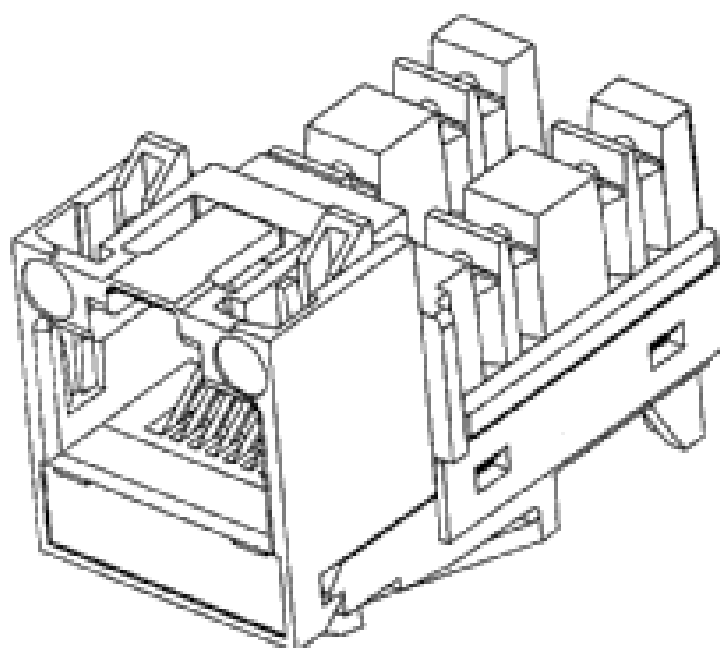
(21) Design Number: **10291/2009**
(22) Date of Filing Application: **03 February 2009**
(24) Date from which industrial property rights may have effect: **03 February 2009**
(54) Product in respect of which the design is registered: **Sunglasses**
(51) International Design Classification: **16-06**
(71) Name(s) and Address(s) of Applicant(s):
Silhouette International Schmied AG
Eilbognerstrasse 24 4021 Linz Austria
(72) Name(s) of Designer(s): **Gerhard Fuchs**
(45) Registration Date: **10 February 2009**
(30) Convention priority data:
(31) Number (32) Date (33) Country
0001065239 02 Jan 2009 EUROPEAN COMMUNITY
(56) Related Art Documents: **Not Applicable**
(57) Statement of Newness and Distinctiveness: **Nil**



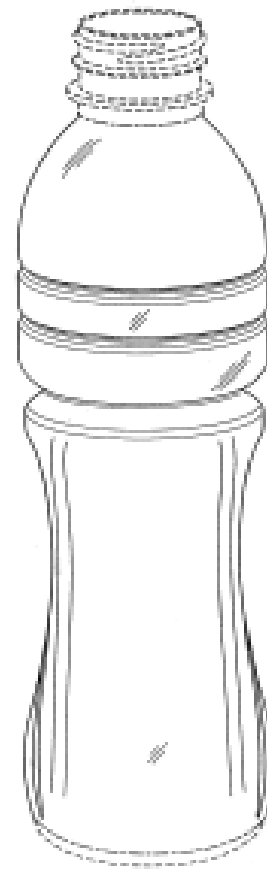
(21) Design Number: **10292/2009**
(22) Date of Filing Application: **03 February 2009**
(24) Date from which industrial property rights may have effect: **03 February 2009**
(54) Product in respect of which the design is registered: **Sunglasses**
(51) International Design Classification: **16-06**
(71) Name(s) and Address(s) of Applicant(s):
Silhouette International Schmied AG
Eilbognerstrasse 24 4021 Linz Austria
(72) Name(s) of Designer(s): **Sonia Serlenga**
(45) Registration Date: **10 February 2009**
(30) Convention priority data:
(31) Number (32) Date (33) Country
0001065239 02 Jan 2009 EUROPEAN COMMUNITY
(56) Related Art Documents: **Not Applicable**
(57) Statement of Newness and Distinctiveness: **Nil**



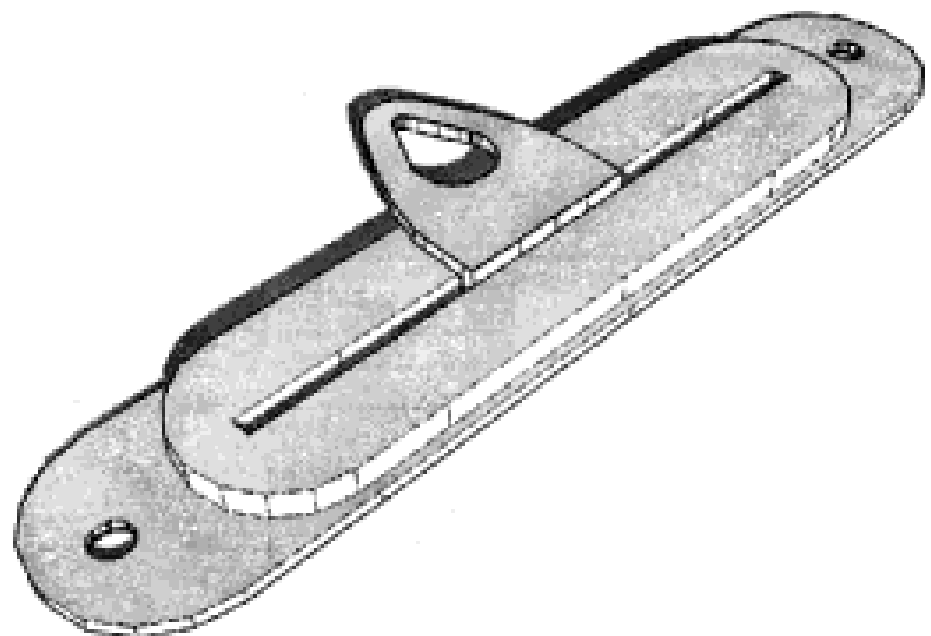
(21) Design Number: **10138/2009**
(22) Date of Filing Application: **19 January 2009**
(24) Date from which industrial property rights may have effect: **19 January 2009**
(54) Product in respect of which the design is registered: **Electrical connector**
(51) International Design Classification: **13-03B**
(71) Name(s) and Address(s) of Applicant(s):
ADC Communications (Australia) Pty Limited
2 Hereford Street Berkeley Vale New South Wales 2261 Australia
(72) Name(s) of Designer(s): **Kavita Purohit**
(45) Registration Date: **10 February 2009**
(56) Related Art Documents: **Not Applicable**
(57) Statement of Newness and Distinctiveness: **The features of shape and configuration of the electrical connector shown in the accompanying representations are considered to be new and distinctive.**



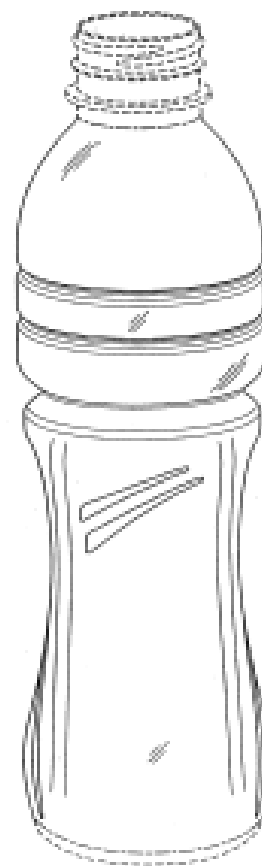
- (21) Design Number: **10141/2009**
(22) Date of Filing Application: **19 January 2009**
(24) Date from which industrial property rights may have effect: **19 January 2009**
(54) Product in respect of which the design is registered: **Bottle**
(51) International Design Classification: **09-01K**
(71) Name(s) and Address(s) of Applicant(s):
Stokely-Van Camp, Inc.
555 West Monroe Street Chicago Illinois 60661 United States of America
(72) Name(s) of Designer(s): **David Melrose**
(45) Registration Date: **10 February 2009**
(56) Related Art Documents: **Not Applicable**
(57) Statement of Newness and Distinctiveness: **Newness and distinctiveness is claimed in those features of shape and/or configuration of a bottle illustrated in continuous lines in the accompanying representations.**



- (21) Design Number: **10140/2009**
(22) Date of Filing Application: **20 January 2009**
(24) Date from which industrial property rights may have effect: **20 January 2009**
(54) Product in respect of which the design is registered: **Device for wall mounting objects**
(51) International Design Classification: **08-08G**
(71) Name(s) and Address(s) of Applicant(s):
William John Davy
8 Alkoomi Avenue Ferny Hills Queensland 4055 Australia
(72) Name(s) of Designer(s): **William John Davy**
(45) Registration Date: **10 February 2009**
(56) Related Art Documents: **Not Applicable**
(57) Statement of Newness and Distinctiveness: **Lateral slot, adjustable slider.**

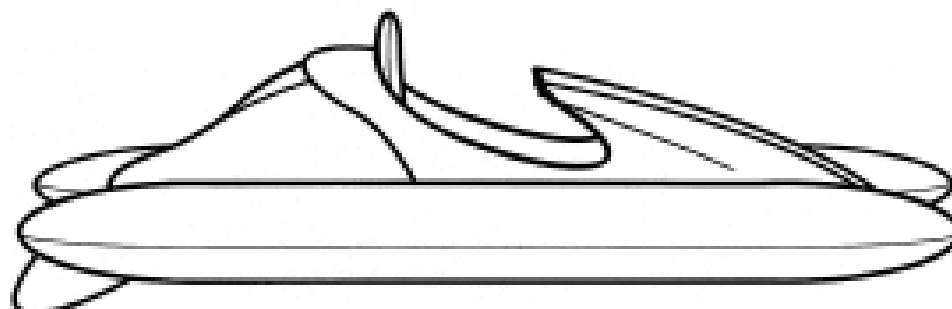


- (21) Design Number: **10142/2009**
- (22) Date of Filing Application: **19 January 2009**
- (24) Date from which industrial property rights may have effect: **19 January 2009**
- (54) Product in respect of which the design is registered: **Bottle**
- (51) International Design Classification: **09-01K**
- (71) Name(s) and Address(s) of Applicant(s):
Stokely-Van Camp, Inc.
555 West Monroe Street Chicago Illinois 60661 United States of America
- (72) Name(s) of Designer(s): **David Melrose**
- (45) Registration Date: **10 February 2009**
- (56) Related Art Documents: **Not Applicable**
- (57) Statement of Newness and Distinctiveness: **Newness and distinctiveness is claimed in those features of shape and/or configuration of a bottle illustrated in continuous lines in the accompanying representations.**



- (21) Design Number: **10143/2009**
- (22) Date of Filing Application: **19 January 2009**
- (24) Date from which industrial property rights may have effect: **19 January 2009**
- (54) Product in respect of which the design is registered: **Water craft**
- (51) International Design Classification: **12-06C**
- (71) Name(s) and Address(s) of Applicant(s):
Christen Theodor
Oberdierikonerstrasse 32 6030 Ebikon Switzerland
- (72) Name(s) of Designer(s): **Christen Theodor**
- (45) Registration Date: **10 February 2009**
- (30) Convention priority data:

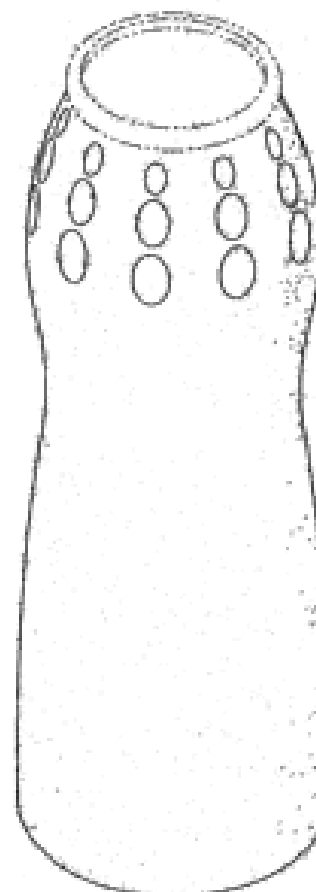
(31) Number	(32) Date	(33) Country
DM/070 772	21 Jul 2008	WORLD INTELLECTUAL PROPERTY ORGANIZATION (WIPO)
- (56) Related Art Documents: **Not Applicable**
- (57) Statement of Newness and Distinctiveness: **Nil**



- (21) Design Number: **10275/2009**
(22) Date of Filing Application: **24 November 2008**
(24) Date from which industrial property rights may have effect: **24 November 2008**
(54) Product in respect of which the design is registered: **Canister**
(51) International Design Classification: **09-02NES**
(71) Name(s) and Address(s) of Applicant(s):
Playtex Products, Inc.
300 Nyala Farms Road Westport Connecticut 06880 United States of America
(72) Name(s) of Designer(s): **Charles J. Renz and Diana Sierra**
(45) Registration Date: **10 February 2009**
(30) Convention priority data:
(31) Number (32) Date (33) Country
29/308,031 23 May 2008 UNITED STATES OF AMERICA
(62) Divisional of: **15572/2008**
(56) Related Art Documents: **Not Applicable**
(57) Statement of Newness and Distinctiveness: **Newness and distinctiveness is claimed in the shape and/or configuration of a canister as shown in the accompanying representations. The features shown in broken line are to be disregarded when considering the overall impression of the design.**



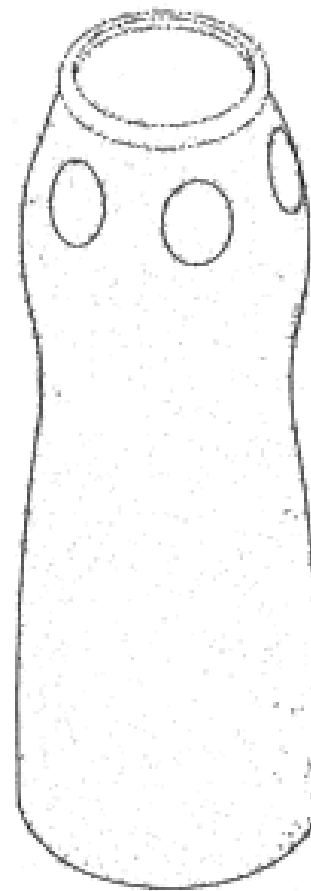
- (21) Design Number: **10276/2009**
(22) Date of Filing Application: **24 November 2008**
(24) Date from which industrial property rights may have effect: **24 November 2008**
(54) Product in respect of which the design is registered: **Canister**
(51) International Design Classification: **09-02NES**
(71) Name(s) and Address(s) of Applicant(s):
Playtex Products, Inc.
300 Nyala Farms Road Westport Connecticut 06880 United States of America
(72) Name(s) of Designer(s): **Charles J. Renz and Diana Sierra**
(45) Registration Date: **10 February 2009**
(30) Convention priority data:
(31) Number (32) Date (33) Country
29/308,047 23 May 2008 UNITED STATES OF AMERICA
(62) Divisional of: **15566/2008**
(56) Related Art Documents: **Not Applicable**
(57) Statement of Newness and Distinctiveness: **Newness and distinctiveness is claimed in the shape and/or configuration of a canister as shown in the accompanying representations. The features shown in broken line are to be disregarded when considering the overall impression of the design.**



(21) Design Number: **10277/2009**
 (22) Date of Filing Application: **24 November 2008**
 (24) Date from which industrial property rights may have effect: **24 November 2008**
 (54) Product in respect of which the design is registered: **Canister**
 (51) International Design Classification: **09-02NES**
 (71) Name(s) and Address(s) of Applicant(s):
Playtex Products, Inc.
300 Nyala Farms Road Westport Connecticut 06880 United States of America
 (72) Name(s) of Designer(s): **Charles J. Renz and Diana Sierra**
 (45) Registration Date: **10 February 2009**
 (30) Convention priority data:

(31) Number	(32) Date	(33) Country
29/308,047	23 May 2008	UNITED STATES OF AMERICA

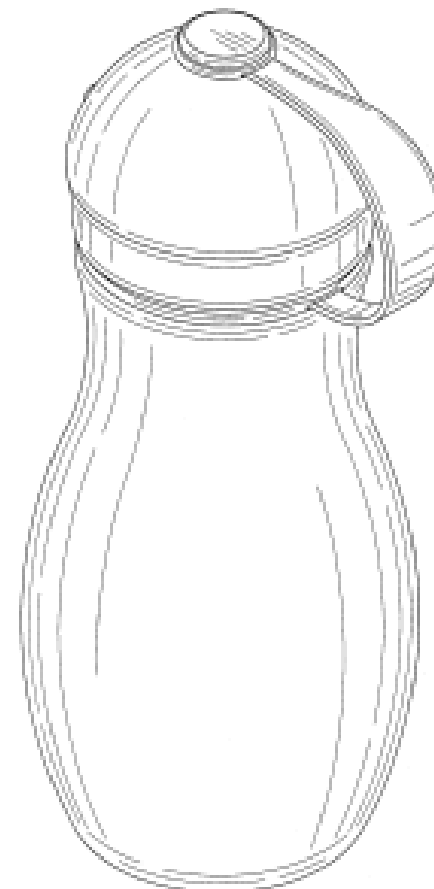
 (62) Divisional of: **15566/2008**
 (56) Related Art Documents: **Not Applicable**
 (57) Statement of Newness and Distinctiveness: **Newness and distinctiveness is claimed in the shape and/or configuration of a canister as shown in the accompanying representations. The features shown in broken line are to be disregarded when considering the overall impression of the design.**



(21) Design Number: **10278/2009**
 (22) Date of Filing Application: **02 February 2009**
 (24) Date from which industrial property rights may have effect: **02 February 2009**
 (54) Product in respect of which the design is registered: **Container**
 (51) International Design Classification: **09-01NES**
 (71) Name(s) and Address(s) of Applicant(s):
Dart Industries Inc.
14901 S. Orange Blossom Trail Orlando Florida 32837 United States of America
 (72) Name(s) of Designer(s): **Famia E. Ablo**
 (45) Registration Date: **10 February 2009**
 (30) Convention priority data:

(31) Number	(32) Date	(33) Country
29/310,290	07 Aug 2008	UNITED STATES OF AMERICA

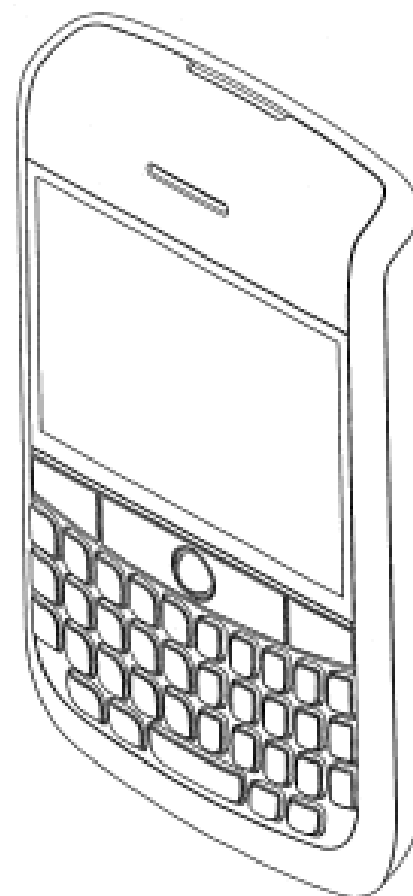
 (56) Related Art Documents: **Not Applicable**
 (57) Statement of Newness and Distinctiveness: **Those features of the container depicted in the representations that are new and distinctive are the shape and/or configuration.**



- (21) Design Number: **10280/2009**
(22) Date of Filing Application: **04 February 2009**
(24) Date from which industrial property rights may have effect: **04 February 2009**
(54) Product in respect of which the design is registered: **Christmas tree**
(51) International Design Classification: **11-05**
(71) Name(s) and Address(s) of Applicant(s):
Laurence Carretero Sudres
35 Salisbury Road Kensington New South Wales 2033 Australia
(72) Name(s) of Designer(s): **Laurence Carretero Sudres**
(45) Registration Date: **10 February 2009**
(56) Related Art Documents: **Not Applicable**
(57) Statement of Newness and Distinctiveness: **Nil**



- (21) Design Number: **10285/2009**
(22) Date of Filing Application: **03 February 2009**
(24) Date from which industrial property rights may have effect: **03 February 2009**
(54) Product in respect of which the design is registered: **Hand-held electronic device.**
(51) International Design Classification: **14-02**
(71) Name(s) and Address(s) of Applicant(s):
Research In Motion Limited
295 Phillip Street Waterloo Ontario N2L 3W8 Canada
(72) Name(s) of Designer(s): **Marco Sixtus Ferrari and Roman Rak and Todd Andrew Wood**
(45) Registration Date: **10 February 2009**
(30) Convention priority data:
(31) Number (32) Date (33) Country
29/323393 25 Aug 2008 UNITED STATES OF AMERICA
(56) Related Art Documents: **Not Applicable**
(57) Statement of Newness and Distinctiveness: **Newness and distinctiveness is claimed in the features of shape and/or configuration of a hand-held electronic device as illustrated in the accompanying representations.**



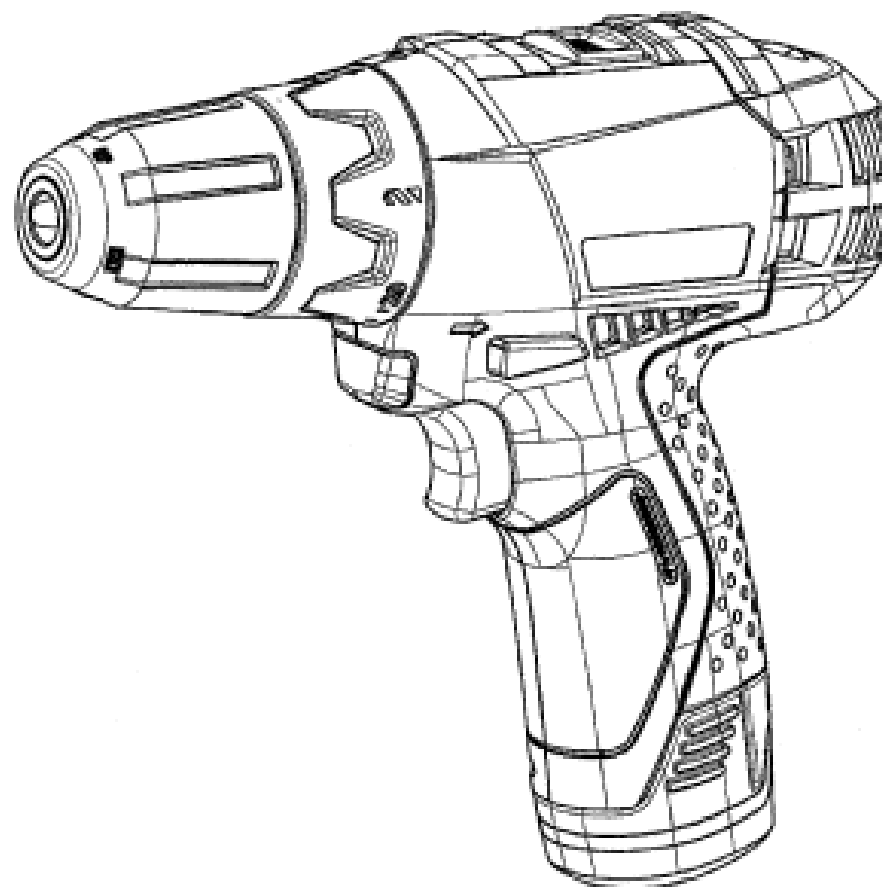
- (21) Design Number: **10286/2009**
- (22) Date of Filing Application: **03 February 2009**
- (24) Date from which industrial property rights may have effect: **03 February 2009**
- (54) Product in respect of which the design is registered: **Tyre**
- (51) International Design Classification: **12-15A**
- (71) Name(s) and Address(s) of Applicant(s):
The Goodyear Tire & Rubber Company
1144 East Market Street Akron Ohio 44316-0001 United States of America
- (72) Name(s) of Designer(s): **Robert Anthony Newbauer and Dale Eugene Wells and Maurice Jacob Frank**
- (45) Registration Date: **10 February 2009**
- (30) Convention priority data:

(31) Number	(32) Date	(33) Country
29/310356	11 Aug 2008	UNITED STATES OF AMERICA
- (56) Related Art Documents: **Not Applicable**
- (57) Statement of Newness and Distinctiveness: **Newness and distinctiveness is claimed in the features of shape and/or configuration of the tread of a tyre as illustrated in the accompanying representations, wherein the shape and/or configuration of the tread is repeated throughout the circumference of the tyre.**

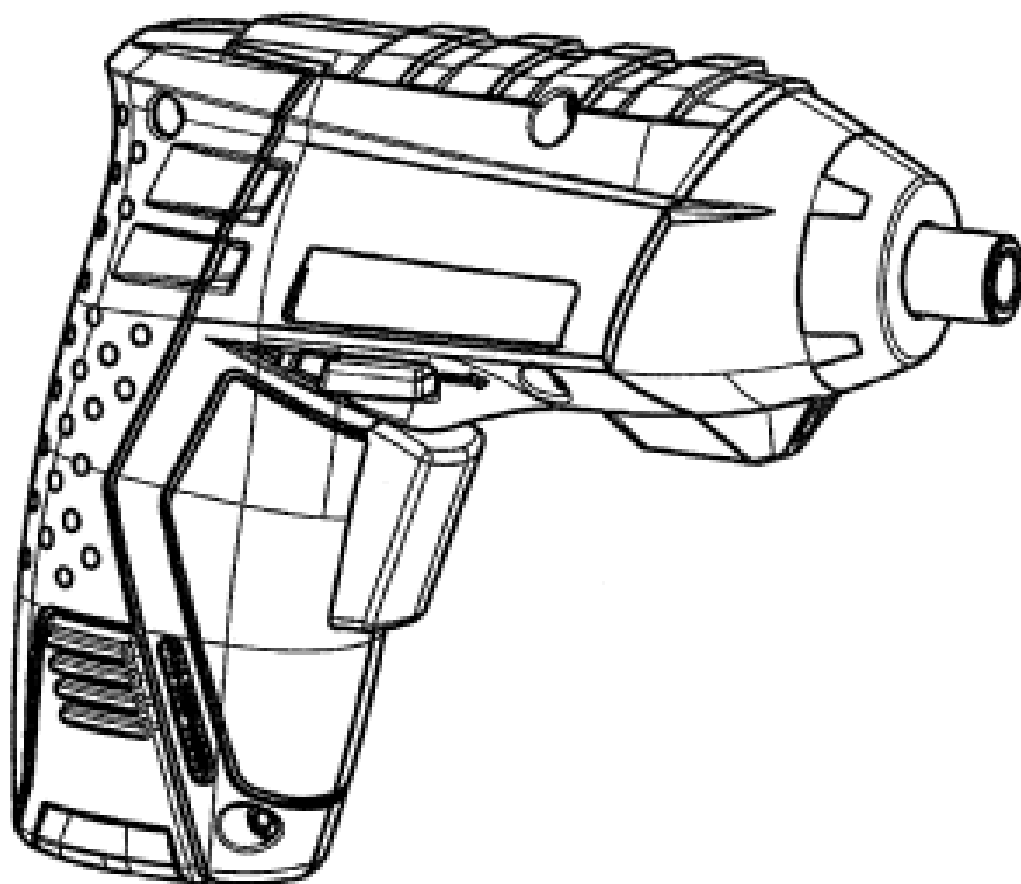


- (21) Design Number: **10297/2009**
- (22) Date of Filing Application: **04 February 2009**
- (24) Date from which industrial property rights may have effect: **04 February 2009**
- (54) Product in respect of which the design is registered: **Cordless screwdriver**
- (51) International Design Classification: **08-04**
- (71) Name(s) and Address(s) of Applicant(s):
Robert Bosch GmbH
Wernerstr 1 70649 Stuttgart Germany
- (72) Name(s) of Designer(s): **Hans-Peter Aglassinger**
- (45) Registration Date: **10 February 2009**
- (30) Convention priority data:

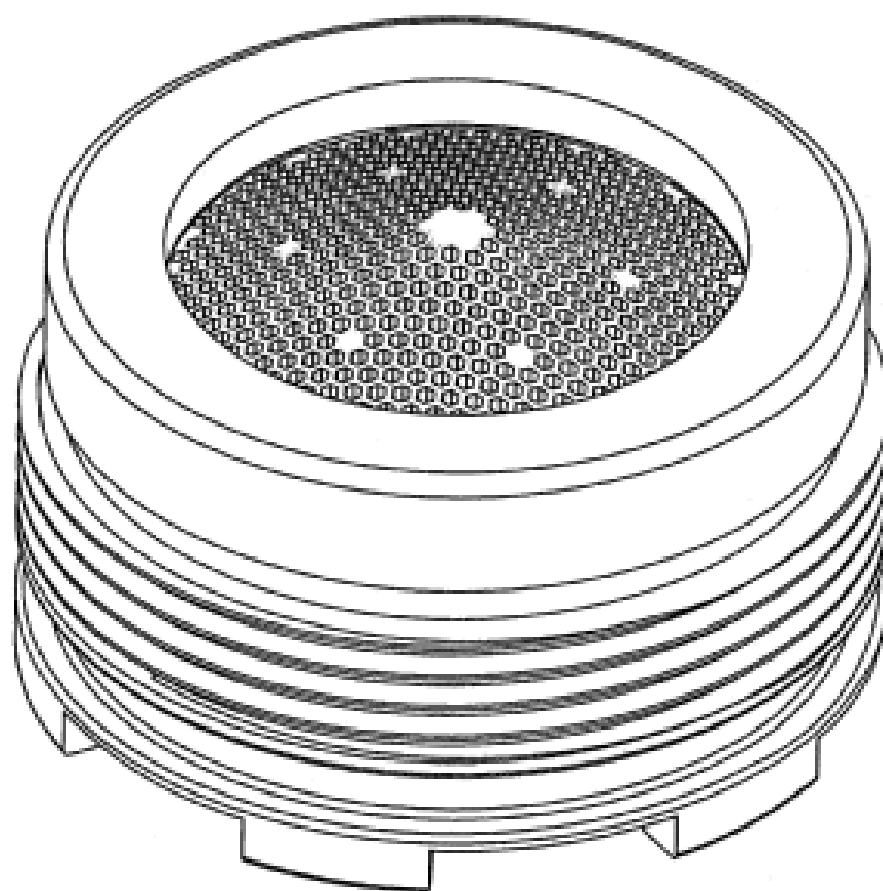
(31) Number	(32) Date	(33) Country
000986864	13 Aug 2008	EUROPEAN COMMUNITY
- (56) Related Art Documents: **Not Applicable**
- (57) Statement of Newness and Distinctiveness: **Newness and distinctiveness are provided by the shape and/or configuration of the design shown in the representations. In considering the scope of the newness protection any indicia on the cordless screwdriver is to be disregarded.**



(21) Design Number: **10298/2009**
(22) Date of Filing Application: **04 February 2009**
(24) Date from which industrial property rights may have effect: **04 February 2009**
(54) Product in respect of which the design is registered: **Cordless screwdriver**
(51) International Design Classification: **08-04**
(71) Name(s) and Address(s) of Applicant(s):
Robert Bosch GmbH
Wernerstr 1 70649 Stuttgart Germany
(72) Name(s) of Designer(s): **Hans-Peter Aglassinger**
(45) Registration Date: **10 February 2009**
(30) Convention priority data:
(31) Number (32) Date (33) Country
000985478 11 Aug 2008 EUROPEAN COMMUNITY
(56) Related Art Documents: **Not Applicable**
(57) Statement of Newness and Distinctiveness: **Newness and distinctiveness are provided by the shape and/or configuration of the design shown in the representations. In considering the scope of the newness protection any indicia on the cordless screwdriver is to be disregarded.**



(21) Design Number: **10300/2009**
(22) Date of Filing Application: **04 February 2009**
(24) Date from which industrial property rights may have effect: **04 February 2009**
(54) Product in respect of which the design is registered: **Liquid flow aerator/regulator**
(51) International Design Classification: **23-01B**
(71) Name(s) and Address(s) of Applicant(s):
Neoperl GmbH
Klosterrunsstr 11 79379 Mullheim Germany
(72) Name(s) of Designer(s): **Herman Grether**
(45) Registration Date: **10 February 2009**
(30) Convention priority data:
(31) Number (32) Date (33) Country
000992797-0038 27 Aug 2008 EUROPEAN COMMUNITY
(56) Related Art Documents: **Not Applicable**
(57) Statement of Newness and Distinctiveness: **Those features of the liquid flow aerator/regulator depicted in the representations that are new and distinctive are the shape and/or configuration.**



- (21) Design Number: **10303/2009**
(22) Date of Filing Application: **04 February 2009**
(24) Date from which industrial property rights may have effect: **04 February 2009**
(54) Product in respect of which the design is registered: **Cooking apparatus**
(51) International Design Classification: **07-02E**
(71) Name(s) and Address(s) of Applicant(s):
Garth Living Pty Ltd
C/- 45 Yale Drive Epping Victoria 3076 Australia
(72) Name(s) of Designer(s): **Gavin Hill**
(45) Registration Date: **10 February 2009**
(56) Related Art Documents: **Not Applicable**
(57) Statement of Newness and Distinctiveness: **Newness and distinctiveness reside in the features of the design as shown in the representations.**

