



Australian Government

IP Australia

AUSTRALIAN OFFICIAL JOURNAL

OF

DESIGNS

Did you know a searchable version of this journal is now available online?

It's FREE and EASY to SEARCH.

Find it at

<http://pericles.ipaustralia.gov.au/ols/epublish/content/olsEpublications.jsp>
or using the "Online Journals" link on the IP Australia home page.

This Page Left Intentionally Blank

Contents

General Information & Notices

**Proceedings Under the Designs Act 1906 preserved as a result of the provisions of Chapter 12
Part 2 of the Designs Act 2003**

Extension of Period of Registration of Designs	1212
Names Registered - Alterations and Amendments	1212
Registrations Ceased	1212
Subsequent Owners Registered	1212

Proceedings Under the Designs Act 2003

Applications Lapsed	1222
Applications Lodged	1217
Certificate of Examination	1225
Corrigenda	1224
Extension of Time Granted Under Section 137	1223
Names Registered - Alterations and Amendments	1223
Publication and Registration Proceedings	
Designs Registered 324622 to 324890.....	1226
Subsequent Owners Registered	1223

This Page Left Intentionally Blank

For information on the following please see our website www.ipaustralia.gov.au or contact our Customer Service Network on 1300651010

[Editorial enquiries](#)

[Contact information](#)

[Freedom of Information ACT](#)

[Professional Standards Board](#)

[Sales](#)

[Requests for Information under Section 194 \(c\)](#)

[Country Codes](#)

[Trade Mark and Designs Hearing Sessions](#)

[INID \(Internationally agreed Numbers for the Identification of Data\)](#)

“INID” NUMBERS in use on Australian Design Documents

“INID” is an acronym for “Internationally agreed Numbers for the Identification of Data”.

(10) Data concerning the registration/renewal

- (11) Serial number of the registration and/or number of the design document
- (12) Plain language designation of the kind of published document
- (19) Identification, using the two-letter code according to WIPO Standard ST.3, of the authority publishing or registering the industrial design

(20) Data concerning the application

- (21) Serial number of the application
- (22) Date of filing of the application
- (24) Date from which the industrial design right has effect

(30) Data relating to priority under the Paris Convention

- (31) Serial number assigned to the priority application
- (32) Date of filing of the priority application
- (33) Two-letter code, according to WIPO Standard ST.3, identifying the authority with which the priority application was made

(40) Date(s) of making information available to the public

- (45) Date of publication of the registered industrial design by printing or similar process, or making it available to the public by any other means

(50) Miscellaneous Information

- (51) International Classification for Industrial Designs (class and subclass of the Locarno Classification)
- (54) Designation of article(s) or product(s) covered by the industrial design or title of the industrial design
- (55) Reproduction of the industrial design (e.g., drawing, photograph) and explanations relating to the reproduction
- (56) List of prior art documents, if separate from descriptive text
- (57) Description of characteristic features of the industrial design including indication of colours

(60) References to other legally related application(s) and registration(s)

- (62) Serial number(s) and, if available, filing date(s) of application(s), registration(s) or document(s) related by division
- (66) Serial number(s) of the application, or the registration, of the design(s) which is (are) a variant(s) of the present one

(70) Identification of parties concerned with the application or registration

- (71) Name(s) and address(es) of the applicant(s)
- (72) Name(s) of the creator(s) if known to be such
- (74) Name(s) and address(es) of the representative(s)

This Page Left Intentionally Blank

Official Notice

**Designs Act 2003
Correction of Register**

A request under Designs Regulation 9.05 (2) (a) has been made by the registered owner of Design Registration No. 323395 to correct a clerical error or obvious mistake in their claim of convention priority.

The proposed correction removes the priority claim as previously published in the Australian Official Journal of Designs dated 8 January 2009 at page 513.

As the proposed correction would materially alter the meaning or scope of the entry, the Registrar is required to advertise the application for opposition purposes.

Advertisement of the application will appear in the Official Journal of Designs of 5 March 2009.

Any interested person will then have one (1) month from this date to oppose the requested correction.

If no oppositions are lodged, then the Registrar will consider the request as soon as possible.

Contact: IP Australia
Phone: 1300 651 010
Fax: +61 2 6283 7999
E-Mail: assist@ipaaustralia.gov.au
Web: www.ipaustralia.gov.au

Official Notice**Designs Act 2003
Amendments to Registered Designs at Examination**

The following amendments have been made to details previously published in the Australian Official Journal of Designs during the Examination process:

Registration Numbers	Amendment type	New details
320395	Classification	09-03H
320393	Classification	09-03H
320629	Classification	12-15Z

Contact: IP Australia
Phone: 1300 651 010
Fax: +61 2 6283 7999
E-mail: assist@ipaustralia.gov.au
Web: www.ipaustralia.gov.au

Official Notice**Designs Act 2003
Correction of Register**

The following correction under Regulation 9.05 (2) (a) has been made to details previously published in the Australian Official Journal of Designs:

Registration Number	Amendment type	New details
323521	Representation of Perspective View	Representation of Perspective View as below

**PERSPECTIVE VIEW**

Contact: IP Australia
Phone: 1300 651 010
Fax: +61 2 6283 7999
E-Mail: assist@ipaaustralia.gov.au
Web: www.ipaustralia.gov.au

Official Notice**Designs Act 2003
Correction of Register**

The following correction under Regulation 9.05 (2) (a) has been made to details previously published in the Australian Official Journal of Designs:

Registration Number	Amendment type	New details
323523	Representation of Perspective View	Representation of Perspective View as below

**PERSPECTIVE VIEW**

Contact: IP Australia
Phone: 1300 651 010
Fax: +61 2 6283 7999
E-Mail: assist@ipaaustralia.gov.au
Web: www.ipaustralia.gov.au

**Proceedings under the Designs Act 1906 preserved as a
result of the provisions of Chapter 12 Part 2 of the Designs
Act 2003.**

This Page Left Intentionally Blank

Applications Lapsed

There were no Applications Lapsed under this section

Extension of Period of Registration of Designs

2nd Period (Section 27A(12))

150020	150401	151642
151701	151723	151752
151866	151867	151868
151906	151907	151908
151909	151918	151919
151928	151955	152038
152039	152044	152108
152110	152111	152153
152154	152155	152201
152295	152330	152331
152332	152347	152353
152462	152494	152530
152788	152916	152999
153086	153180	153226
153269	153270	153271
153288	153476	153486
153573	153574	153594
154090	154385	154431
154432	154507	154614
154829	155060	155468
155668	155672	155816
156278	156409	157328

3rd Period (Section 27A(13))

132349	132364	133065
133465	134588	134590
134590	134731	134732
134773	134797	134819
134838	134880	134881
135078	135185	135647
135821	135978	136026
136027	136309	136343
137436	137437	137615
137616	140152	145772
145772		

Registrations Ceased

Note: Some of the following Registrations may have been previously advertised as ceased. In this instance, the previous advertisement still prevails.

116882	117489	117490
117491	117492	117707
117980	117981	118036
118037	118060	118074
118075	118076	118117
118150	118282	119112
119246	119420	120560
120561	120688	120699
120700	120701	121550
122402	123172	124578
131501	132689	132790

132791	132823	132824
132825	132826	132828
132832	132880	133223
133235	133236	133237
133238	133239	133241
133242	133652	133818
133948	134095	134222
134319	134946	135007
135636	136146	136205
136208	136209	149072
149187	149188	149189
149190	149191	149416
149606	149625	149626
149637	149639	149642
149643	149665	149666
149686	149738	149740
149761	149762	149786
149800	149960	150027
150092	150093	150227
150245	150306	150387
150595	150713	151315
151316	151630	153563
153653	153924	153945
154249	154372	154822

Subsequent Owners Registered

(The name in parentheses is that of the subsequent owner)

155601	(Grabba International Pty Ltd) Gripon Australia Pty Ltd
155602	(Grabba International Pty Ltd) Gripon Australia Pty Ltd
153728	(Angas Industrial Pty Ltd) Gisler Wire Products Pty Ltd
134590	(Lemoine France) Lemoine S.A.
145772	(Lemoine France) Lemoine S.A.
154254	(Rodney Darryl Hunwick;Dowd Group Pty Ltd as trustee for Dowd Trust) Kieron Dowd;Rodney Darryl Hunwick
158564	(Rodney Darryl Hunwick;Dowd Group Pty Ltd as trustee for Dowd Trust) Kieron Dowd;Rodney Darryl Hunwick
158573	(Rodney Darryl Hunwick;Dowd Group Pty Ltd as trustee for Dowd Trust) Kieron Dowd;Rodney Darryl Hunwick
158574	(Rodney Darryl Hunwick;Dowd Group Pty Ltd as trustee for Dowd Trust) Kieron Dowd;Rodney Darryl Hunwick
120565	(Paper Australia Pty Ltd) Paperlinx Australia Pty Ltd
120566	(Paper Australia Pty Ltd) Paperlinx Australia Pty Ltd
122004	(Paper Australia Pty Ltd) Paperlinx Australia Pty Ltd
130058	(Paper Australia Pty Ltd) Paperlinx Australia Pty Ltd
131387	(Paper Australia Pty Ltd) Paperlinx Australia Pty Ltd
137252	(Paper Australia Pty Ltd) Paperlinx Australia Pty Ltd
140095	(Paper Australia Pty Ltd) Paperlinx Australia Pty Ltd
136076	(Paper Australia Pty Ltd) Spicers Paper Pty Ltd

Names Registered - Alterations and Amendments

(The name in parentheses is the new name of the proprietor)

134586 (**Lawrence & Hanson Group Pty Ltd**) Hagemeyer Asia
Pacific Pty Ltd

135255 (**Lawrence & Hanson Group Pty Ltd**) Hagemeyer Asia
Pacific Pty Ltd

135256 (**Lawrence & Hanson Group Pty Ltd**) Hagemeyer Asia
Pacific Pty Ltd

135257 (**Lawrence & Hanson Group Pty Ltd**) Hagemeyer Asia
Pacific Pty Ltd

135258 (**Lawrence & Hanson Group Pty Ltd**) Hagemeyer Asia
Pacific Pty Ltd

135278 (**Lawrence & Hanson Group Pty Ltd**) Hagemeyer Asia
Pacific Pty Ltd

135279 (**Lawrence & Hanson Group Pty Ltd**) Hagemeyer Asia
Pacific Pty Ltd

135280 (**Lawrence & Hanson Group Pty Ltd**) Hagemeyer Asia
Pacific Pty Ltd

135281 (**Lawrence & Hanson Group Pty Ltd**) Hagemeyer Asia
Pacific Pty Ltd

135282 (**Lawrence & Hanson Group Pty Ltd**) Hagemeyer Asia
Pacific Pty Ltd

135283 (**Lawrence & Hanson Group Pty Ltd**) Hagemeyer Asia
Pacific Pty Ltd

135284 (**Lawrence & Hanson Group Pty Ltd**) Hagemeyer Asia
Pacific Pty Ltd

135556 (**Lawrence & Hanson Group Pty Ltd**) Hagemeyer Asia
Pacific Pty Ltd

135594 (**Lawrence & Hanson Group Pty Ltd**) Hagemeyer Asia
Pacific Pty Ltd

135595 (**Lawrence & Hanson Group Pty Ltd**) Hagemeyer Asia
Pacific Pty Ltd

135596 (**Lawrence & Hanson Group Pty Ltd**) Hagemeyer Asia
Pacific Pty Ltd

135619 (**Lawrence & Hanson Group Pty Ltd**) Hagemeyer Asia
Pacific Pty Ltd

135620 (**Lawrence & Hanson Group Pty Ltd**) Hagemeyer Asia
Pacific Pty Ltd

136943 (**Lawrence & Hanson Group Pty Ltd**) Hagemeyer Asia
Pacific Pty Ltd

This Page Left Intentionally Blank

Proceedings under the Designs Act 2003.

This Page Left Intentionally Blank

Applications Lodged

Lodgement information is in the following order: **Applicant's Name**; International Classification, Name of Product, Lodgement Date and **Design Number**. If the applicant claims an earlier priority date under an International Convention, the Convention Country and the associated filing date are shown in parentheses before the Lodgement Date. Divisional information will also appear in parentheses before the Lodgement Date.

de Vries, Peter; 08-05K, Design for a new ergonomic modelled aluminium profile for a plasterers darby, (EM, 14 Nov 2008) 17 Feb 2009	10516/2009	Bridgestone Corporation; 12-15A, Automobile tyre, (JP, 20 Aug 2008) 18 Feb 2009	10510/2009
Aktiengesellschaft, Sedus Stoll; 06-01F, Chair, 13 Feb 2009	10409/2009	British American Tobacco (Investments) Limited; 09-03A, Packaging, (WO, 02 Sep 2008) 20 Feb 2009	10529/2009
Apple Inc.; 14-01, Electronic device, (US, 05 Sep 2008) 11 Feb 2009	10398/2009	British American Tobacco (Investments) Limited; 09-03A, Packaging, (WO, 02 Sep 2008) 20 Feb 2009	10530/2009
Apple Inc.; 14-01, Electronic device, (US, 05 Sep 2008) 11 Feb 2009	10399/2009	Brother Industries, Ltd.; 14-02, Toner Cartridge, (JP, 30 Sep 2008) 20 Feb 2009	10535/2009
Apple Inc.; 14-01, Electronic device, (US, 05 Sep 2008) 11 Feb 2009	10400/2009	Brother Industries, Ltd.; 18-02, Photosensitive drum unit, (JP, 30 Sep 2008) 20 Feb 2009	10528/2009
Apple Inc.; 14-01, Electronic device, (US, 05 Sep 2008) 11 Feb 2009	10401/2009	Brown & Watson International Pty Ltd; 26-06, Light fitting, 16 Feb 2009	10458/2009
Apple Inc.; 14-01, Electronic device, (US, 05 Sep 2008) 11 Feb 2009	10402/2009	Capaldo, Richard; Thomas, Dean Robert; 23-01G, Hydro powered partical resuspension device, 12 Feb 2009	10396/2009
Apple Inc.; 14-01, Electronic device, (US, 05 Sep 2008) 11 Feb 2009	10403/2009	Carter Holt Harvey Packaging Pty Limited; 09-03M, A box, 12 Feb 2009	10414/2009
Apple Inc.; 14-01, Electronic device, (US, 05 Sep 2008) 11 Feb 2009	10404/2009	Carter Holt Harvey Packaging Pty Limited; 09-03M, A blank, 12 Feb 2009	10415/2009
Apple Inc.; 14-01, Electronic device, (US, 05 Sep 2008) 11 Feb 2009	10397/2009	Carter Holt Harvey Packaging Pty Limited; 09-03M, A box, 12 Feb 2009	10416/2009
Apple Inc.; 14-01, Electronic device, (US, 05 Sep 2008) 11 Feb 2009	10397/2009	Carter Holt Harvey Packaging Pty Limited; 09-03M, A blank, 12 Feb 2009	10417/2009
Austral Lock Pty Ltd; 08-06, Handle, 13 Feb 2009	10476/2009	Conair Corporation; 28-03B, Hair styling iron, (US, 03 Sep 2008) 23 Feb 2009	10542/2009
ACN 129 118 181 Pty Ltd; 08-08NES, 09-07NES, Single slot plastic wrap clip, 16 Feb 2009	10430/2009	Conair Corporation; 28-03B, Hair styling iron, (US, 03 Sep 2008) 23 Feb 2009	10543/2009
ACN 129 118 181 Pty Ltd; 08-08NES, 09-07NES, Plastic wrap clip, 16 Feb 2009	10431/2009	Conair Corporation; 28-03B, Hair styling iron, (US, 03 Sep 2008) 23 Feb 2009	10544/2009
APDC International Pty. Ltd.; 09-01K, Bottle, 17 Feb 2009	10469/2009	Conroy, M.J.; Conroy, S.J.; 22-05, Guarded funnel crab pot, 18 Feb 2009	10495/2009
Baby Bjorn AB; 06-02, Baby cot, (EM, 19 Nov 2008) 09 Feb 2009	10350/2009	Conroy, S.J.; Conroy, M.J.; 22-05, Guarded funnel crab pot, 18 Feb 2009	10495/2009
Bailey, Paul; 11-02NES, Souvenir, collectible, ornament, 09 Feb 2009	10342/2009	Conroy, M.J.; Conroy, S.J.; 22-05, 22-06, Trap door crab pot, 05 Feb 2009	10337/2009
Beaute, Eric; 21-01NES, Apparatus for performing jumps, (EM, 11 Dec 2008) 10 Feb 2009	10372/2009	Conroy, S.J.; Conroy, M.J.; 22-05, 22-06, Trap door crab pot, 05 Feb 2009	10337/2009
Bellew, James; 25-01D, 14-03NES, 17-99, Hybrid acoustic panel, 23 Feb 2009	10532/2009	Corporate Culture Australia; 06-06NES, Furniture design, 09 Feb 2009	10386/2009
		Corporate Culture Australia; 06-06NES, Furniture design, 09 Feb 2009	10387/2009

Creanova Universal Closures Ltd.; 09-07B, Closure, (CH, 17 Jun 2008) 17 Dec 2008	10538/2009	Gram Engineering Pty Ltd; 25-02C, Structural section for a fence post, 18 Feb 2009	10479/2009
Dart Industries Inc.; 09-01K, Bottle, (US, 05 Sep 2008) 18 Feb 2009	10501/2009	Gram Engineering Pty Ltd; 25-02C, Building and fence member, 18 Feb 2009	10480/2009
Dart Industries Inc.; 09-07C, Cap, (US, 05 Sep 2008) 18 Feb 2009	10502/2009	Gram Engineering Pty Ltd; 25-02C, Structural section for a fence rail, 18 Feb 2009	10481/2009
Derrick, Jamie; 19-02, Document holder, 12 Feb 2009	10418/2009	Grant Olver Investments Pty Ltd trading as Pilgrim Clothing; 02-02C, Dresses & tops, 28 Oct 2008	10443/2009
Design Enterprises Pty Ltd; 08-08G, Closed wardrobe hook, 13 Feb 2009	10440/2009	Grant Olver Investments Pty Ltd trading as Pilgrim Clothing; 02-02C, Dresses & tops, 28 Oct 2008	10444/2009
Design Enterprises Pty Ltd; 08-08G, Open wardrobe hook, 13 Feb 2009	10441/2009	Grant Olver Investments Pty Ltd trading as Pilgrim Clothing; 02-02NES, Dresses & tops, 28 Oct 2008	10445/2009
Didier, Ross; 06-01G, Sofa, 16 Feb 2009	10470/2009	Grant Olver Investments Pty Ltd trading as Pilgrim Clothing; 02-02NES, Dresses & tops, 28 Oct 2008	10446/2009
Didier, Ross; 06-01G, Sofa with arms, 16 Feb 2009	10471/2009	Grant Olver Investments Pty Ltd trading as Pilgrim Clothing; 02-02NES, Dresses & tops, 28 Oct 2008	10447/2009
Didier, Ross; 06-06G, Leg, 16 Feb 2009	10472/2009	Gray, Thomas Burnett; 25-04, Ladder safety device, 18 Feb 2009	10499/2009
Didier, Ross; 06-01G, Lounge, 16 Feb 2009	10473/2009	GM Global Technology Operations, Inc.; 12-08, A motor vehicle, (KR, 06 Oct 2008) 18 Feb 2009	10503/2009
Didier, Ross; 06-06G, Sled leg, 16 Feb 2009	10474/2009	GM Global Technology Operations, Inc.; 26-06, Left-side and right-side vehicle headlamps, (KR, 25 Nov 2008) 18 Feb 2009	10504/2009
Eveready Battery Company, Inc.; 28-03A, Razor holder, (US, 20 Aug 2008) 16 Feb 2009	10448/2009	GM Global Technology Operations, Inc.; 12-08, A motor vehicle, (KR, 06 Oct 2008) 18 Feb 2009	10505/2009
Eveready Battery Company, Inc.; 28-03D, Trimmer comb, (US, 21 Aug 2008) 16 Feb 2009	10449/2009	Hevnerth Pty Ltd; 07-99NES, Non-slip cutting board holder, 02 Feb 2009	10439/2009
Eveready Battery Company, Inc.; 28-03A, Safety razor with trimmer, (US, 21 Aug 2008) 16 Feb 2009	10450/2009	Hevnerth Pty Ltd; 07-04, Non-slip cutting board (large/small), 06 Feb 2009	10438/2009
Eveready Battery Company, Inc.; 28-03A, Safety razor with trimmer, (US, 21 Aug 2008) 16 Feb 2009	10451/2009	Honda Motor Co., Ltd.; 12-11, A motorcycle, (JP, 21 Aug 2008) 20 Feb 2009	10517/2009
First Audio Manufacturing (Hong Kong) Ltd.; 14-02, A computer mouse, 12 Feb 2009	10358/2009	Honda Motor Co., Ltd.; 26-06, A headlight case for a motorcycle, (JP, 21 Aug 2008) 20 Feb 2009	10518/2009
Forever New Clothing Pty Ltd.; 02-02C, Dress, 13 Feb 2009	10426/2009	Honda Motor Co., Ltd.; 26-06, A rear combination lamp case for a motorcycle, (JP, 21 Aug 2008) 20 Feb 2009	10519/2009
Forster, Mathilde Wilhelmina; 02-01NES, Women and mens adaptive night shirt, 10 Feb 2009	10346/2009	Honda Motor Co., Ltd.; 12-11, A front side fairing for a motorcycle, (JP, 21 Aug 2008) 20 Feb 2009	10520/2009
Fricker, Toni; 24-99, 11-01C, Medical- allergy alert wristbands in distinctive specially designed colour, 12 Feb 2009	10394/2009	Hunter Corporation (Aust) Pty Ltd.; 11-02B, Mobile planter unit, 20 Feb 2009	10534/2009
General Kinematics Corporation; 15-04, Rocker leg, (US, 19 Aug 2008) 11 Feb 2009	10406/2009	Husband, David; 08-08NES, Clip, 16 Feb 2009	10490/2009
Gough, Simon John; 30-03, Livestock liquid feed dispenser, 12 Feb 2009	10389/2009		
Gram Engineering Pty Ltd.; 25-02C, Metal fencing, roofing, walling and cladding, 18 Feb 2009	10478/2009		

HPX Australia Pty Ltd; 12-16N, Exhaust header and catalytic converter unit, 17 Feb 2009	10492/2009	Kraft Foods Global Brands LLC.; 01-01, Animal-shaped food product, (US, 25 Aug 2008) 10 Feb 2009	10383/2009
HPX Australia Pty Ltd; 12-16N, Exhaust header and catalytic converter unit, 17 Feb 2009	10493/2009	Kraft Foods Global Brands LLC.; 01-01, Animal-shaped food product, (US, 25 Aug 2008) 10 Feb 2009	10384/2009
Innovia Films Limited; 09-03A, Foils and film for packaging (cigarette packet), (EM, 03 Oct 2008) 19 Feb 2009	10512/2009	Kraft Foods Global Brands LLC.; 01-01, Animal-shaped food product, (US, 25 Aug 2008) 10 Feb 2009	10385/2009
Jackson Industries Pty Limited; 13-03D, A power adaptor, 17 Feb 2009	10489/2009	Kraft Foods Global Brands LLC.; 01-01, Animal-shaped food product, (US, 25 Aug 2008) 10 Feb 2009	10376/2009
Jendrass, Stefan; 07-02E, Barbeque grill, (EM, 13 Aug 2008) 12 Feb 2009	10408/2009	Leatherman Tool Group, Inc.; 26-02, Flashlight, (US, 07 Aug 2008) 09 Feb 2009	10354/2009
Jorgenson-Watts Pty Ltd; 25-01K, Aluminium extrusion, 11 Feb 2009	10388/2009	Leatherman Tool Group, Inc.; 26-02, Flashlight, (US, 07 Aug 2008) 09 Feb 2009	10353/2009
Julka, Hari; Julka, Chetan; 10-04, Waste bin contents weighing system, incorporated inside or outside of bin, with/without remote access, monitoring from, inside/outside premises, for truck route optimising, individual contents knowing for environmental/calorie outs, 19 Feb 2009	10496/2009	Ledoux, Colette; 07-07A, Cooler, (CA, 22 Aug 2008) 20 Feb 2009	10525/2009
Julka, Chetan; Julka, Hari; 10-04, Waste bin contents weighing system, incorporated inside or outside of bin, with/without remote access, monitoring from, inside/outside premises, for truck route optimising, individual contents knowing for environmental/calorie outs, 19 Feb 2009	10496/2009	Ledoux, Colette; 07-07A, Cooler, (CA, 22 Aug 2008) 20 Feb 2009	10526/2009
Jun, Zhou; 09-01NES, Beverage bottle, 23 Feb 2009	10533/2009	Ledoux, Colette; 07-07A, Cooler, (CA, 22 Aug 2008) 20 Feb 2009	10527/2009
Kohler France SAS; 23-02F, A wash basin, (EM, 20 Aug 2008) 17 Feb 2009	10477/2009	Licciardi Di Stefano, Carmelo Joseph; 13-03D, An adaptor, 09 Feb 2009	10352/2009
Koninklijke Philips Electronics N.V.; 26-04, Luminaire, (EM, 03 Sep 2008) 19 Feb 2009	10513/2009	Licciardi Di Stefano, Carmelo Joseph; 12-05, 08-08H, 15-99, A retracted idler, 09 Feb 2009	10341/2009
Koninklijke Philips Electronics N.V.; 26-05C, Luminaire, (EM, 03 Sep 2008) 19 Feb 2009	10514/2009	Licciardi Di Stefano, Carmelo Joseph; 12-05, 08-08H, 15-99, An extended idler, 09 Feb 2009	10347/2009
Kraft Foods Global Brands LLC.; 01-01, Animal-shaped food product, (US, 25 Aug 2008) 10 Feb 2009	10377/2009	Licciardi Di Stefano, Carmelo Joseph; 12-05, 08-08H, 15-99, A winder, 09 Feb 2009	10348/2009
Kraft Foods Global Brands LLC.; 01-01, Animal-shaped food product, (US, 25 Aug 2008) 10 Feb 2009	10378/2009	Luiten, Daisy; 21-01L, Game board, (NL, 13 Aug 2008) 09 Feb 2009	10356/2009
Kraft Foods Global Brands LLC.; 01-01, Animal-shaped food product, (US, 25 Aug 2008) 10 Feb 2009	10379/2009	Luiten, Daisy; 21-01L, Game dice, (NL, 13 Aug 2008) 09 Feb 2009	10357/2009
Kraft Foods Global Brands LLC.; 01-01, Animal-shaped food product, (US, 25 Aug 2008) 10 Feb 2009	10380/2009	Made By a Mom Like You, LLC; 21-01A, 07-01B, Beach toy - tray, (US, 18 Aug 2008) 11 Feb 2009	10370/2009
Kraft Foods Global Brands LLC.; 01-01, Animal-shaped food product, (US, 25 Aug 2008) 10 Feb 2009	10381/2009	Made By a Mom Like You, LLC; 21-01A, Beach toy - creamer, (US, 18 Aug 2008) 11 Feb 2009	10371/2009
Kraft Foods Global Brands LLC.; 01-01, Animal-shaped food product, (US, 25 Aug 2008) 10 Feb 2009	10382/2009	Made By a Mom Like You, LLC; 21-01A, 10-04, Beach toy - measuring cup, (US, 18 Aug 2008) 11 Feb 2009	10365/2009
Kraft Foods Global Brands LLC.; 01-01, Animal-shaped food product, (US, 25 Aug 2008) 10 Feb 2009	10382/2009	Made By a Mom Like You, LLC; 21-01A, 07-03, Beach toy - spoon, (US, 18 Aug 2008) 11 Feb 2009	10366/2009
Kraft Foods Global Brands LLC.; 01-01, Animal-shaped food product, (US, 25 Aug 2008) 10 Feb 2009	10382/2009	Made By a Mom Like You, LLC; 21-01A, 07-01B, Beach toy - sugar bowl, (US, 18 Aug 2008) 11 Feb 2009	10367/2009

Made By a Mom Like You, LLC; 21-01A, 07-01G, Beach toy - teapot, (US, 18 Aug 2008) 11 Feb 2009	10361/2009	Novetec Building Products Pty Ltd; 23-02B, A shower fitting, 13 Feb 2009	10412/2009
Made By a Mom Like You, LLC; 21-01A, 07-01D, Beach toy - cup, (US, 18 Aug 2008) 11 Feb 2009	10362/2009	Onesteel Wire Pty Limited; 08-02, Fence post driver, 10 Feb 2009	10375/2009
Mag Instrument, Inc.; 26-02, Flashlight, (US, 07 Aug 2008) 06 Feb 2009	10359/2009	Orientique Fashions Pty Ltd; 02-02C, Dress, 16 Feb 2009	10437/2009
Master Lock Company; 08-07, Lock, (US, 10 Sep 2008) 09 Feb 2009	10349/2009	Orientique Fashions Pty Ltd; 02-02C, Dress, 16 Feb 2009	10427/2009
McNeil-PPC, Inc.; 04-02, Toothbrush, (US, 15 Aug 2008) 13 Feb 2009	10428/2009	P.O.S.M. (Point of Sale Material) Pty Ltd; 20-02C, 20-02E, Merchandise dispensing apparatus, 18 Feb 2009	10500/2009
Media Mail Pty Ltd as trustee of Media Mail Trust; 03-01C, Blank for a CD/DVD mailer wallet, 17 Feb 2009	10485/2009	Papillio-Schuh GmbH; 02-04B, Outer sole, (DE, 22 Aug 2008) 11 Feb 2009	10391/2009
Media Mail Pty Ltd as trustee of Media Mail Trust; 03-01C, A blank for a CD/DVD mailer wallet, 17 Feb 2009	10486/2009	Papillio-Schuh GmbH; 02-04B, Outer sole, (DE, 22 Aug 2008) 11 Feb 2009	10392/2009
Meyer Intellectual Properties Limited; 07-02N, Covered sauce pan, (US, 15 Aug 2008) 16 Feb 2009	10460/2009	Parnham & Associates Pty Ltd; 24-04, 06-09, A body support, 23 Feb 2009	10536/2009
Meyer Intellectual Properties Limited; 07-02R, Sauce pan side handle, (US, 15 Aug 2008) 16 Feb 2009	10461/2009	Parnham & Associates Pty Ltd; 06-09, 24-04, A body support, 23 Feb 2009	10522/2009
Meyer Intellectual Properties Limited; 07-02R, Extended cookware handle, (US, 15 Aug 2008) 16 Feb 2009	10462/2009	Pentel Kabushiki Kaisha; 19-06, Ballpoint pen, (JP, 20 Jan 2009) 24 Feb 2009	10547/2009
Meyer Intellectual Properties Limited; 07-02R, Sauce pan lid handle, (US, 15 Aug 2008) 16 Feb 2009	10463/2009	Pentel Kabushiki Kaisha; 19-06, Ballpoint pen, (JP, 27 Aug 2008) 24 Feb 2009	10548/2009
Miller, William H.; 23-01E, Drain cleaning nozzles, 18 Feb 2009	10507/2009	Pi-Design AG; 07-01NES, Ice bucket, (WO, 20 Jan 2009) 11 Feb 2009	10393/2009
Minecorp Pty Ltd; 12-16NES, 08-05E, Tube coupling, 10 Feb 2009	10363/2009	Potter, Courtney James; 21-02D, Surfboard fin, 10 Feb 2009	10340/2009
Monarch Industries (Aust) Pty Ltd; 08-05L, 15-05, 23-03NES, Complete refinish system - water borne air head arrangement, 11 Feb 2009	10368/2009	Racing Victoria Limited; 25-02A, 25-01E, Post support for a running rail, (Divisional of 12347/2008) 16 May 2008	10465/2009
Monarch Industries (Aust) Pty Ltd; 08-05L, 25-03, Complete refinish system - productivity centre, 11 Feb 2009	10369/2009	Racing Victoria Limited; 25-02A, 25-01E, Post for a Running Rail, (Divisional of 12347/2008) 16 May 2008	10466/2009
Ningi Developments Pty Ltd; 23-01K, 23-01B, A valve assembly, 10 Feb 2009	10364/2009	Racing Victoria Limited; 25-02A, 25-01E, Running rail, (Divisional of 12347/2008) 16 May 2008	10467/2009
Nintendo Co., Ltd.; 14-02, Lens cleaner, (JP, 26 Aug 2008) 24 Feb 2009	10546/2009	Racing Victoria Limited; 25-02A, 25-01E, Ground anchor for a post for a running rail, (Divisional of 12347/2008) 16 May 2008	10468/2009
Novetec Building Products Pty Ltd; 23-02B, A shower fitting, 13 Feb 2009	10410/2009	Rainware Pty Ltd; 23-02B, Shower head, 23 Feb 2009	10521/2009
Novetec Building Products Pty Ltd; 23-02B, A shower fitting, 13 Feb 2009	10413/2009	Ridley, Simon; 23-03H, Storage water heater pad (plate), 17 Feb 2009	10482/2009
Novetec Building Products Pty Ltd; 23-02B, A shower fitting, 13 Feb 2009	10411/2009	Ridley, Simon; 23-01NES, L.P.G. automatic fill limit valve, 17 Feb 2009	10483/2009
		Ridley, Simon; 23-03H, Storage water heater, 17 Feb 2009	10484/2009
		Roadvision Pty Ltd; 08-08NES, 12-16E, Lighting assembly mounting base, 09 Feb 2009	10343/2009

Roadvision Pty Ltd; 08-08NES, 12-16E, Lighting assembly mounting base, 09 Feb 2009	10344/2009	The Decor Corporation Pty Ltd; 07-01F, Lid, 16 Feb 2009	10453/2009
Roadvision Pty Ltd; 08-08NES, 12-16E, Lighting assembly mounting base, 09 Feb 2009	10345/2009	The Decor Corporation Pty Ltd; 10-04, 07-01F, Measuring jug, 16 Feb 2009	10454/2009
Rose, Joeleen; Suckling, Kane; 02-04NES, Womens sandals., 19 Feb 2009	10540/2009	The Decor Corporation Pty Ltd; 07-01F, Lid, 16 Feb 2009	10455/2009
Rose, Joeleen; Suckling, Kane; 02-04NES, Womens sandals, 19 Feb 2009	10541/2009	The Decor Corporation Pty Ltd; 10-04, 07-01F, Measuring jug, 16 Feb 2009	10456/2009
Rubbermaid Commercial Products, LLC; 12-02, 07-05NES, Cleaning cart, (US, 21 Aug 2008) 20 Feb 2009	10523/2009	The Decor Corporation Pty Ltd; 07-01NES, Lid, 16 Feb 2009	10457/2009
Rubbermaid Commercial Products, LLC; 12-02, Cleaning cart, (US, 21 Aug 2008) 20 Feb 2009	10524/2009	The Goodyear Tire & Rubber Company; 12-15C, Tyre, (US, 26 Aug 2008) 16 Feb 2009	10459/2009
Rutgers, Peter John; Rutgers, Diane Lee; 25-01C, Channel section, 09 Feb 2009	10351/2009	The Procter & Gamble Company; 07-99NES, Secure dispenser, (US, 18 Aug 2008) 13 Feb 2009	10432/2009
Rutgers, Diane Lee; Rutgers, Peter John; 25-01C, Channel section, 09 Feb 2009	10351/2009	The Procter & Gamble Company; 07-99NES, Secure dispenser, (US, 18 Aug 2008) 13 Feb 2009	10433/2009
Schlage Lock Company; 08-07, Escutcheon, (US, 13 Aug 2008) 12 Feb 2009	10422/2009	The Procter & Gamble Company; 07-99NES, Secure dispenser, (US, 18 Aug 2008) 13 Feb 2009	10434/2009
Schlage Lock Company; 08-07, Escutcheon, (US, 13 Aug 2008) 12 Feb 2009	10423/2009	The Procter & Gamble Company; 07-99NES, Secure dispenser, (US, 18 Aug 2008) 13 Feb 2009	10435/2009
Seladis Leisure Limited; 06-01H, Sun lounger, (EM, 14 Aug 2008) 20 Feb 2009	10511/2009	The Procter & Gamble Company; 07-99NES, Secure dispenser, (US, 18 Aug 2008) 13 Feb 2009	10436/2009
Sierra Wireless, Inc.; 14-03NES, 14-02, Wireless device, (CA, 02 Sep 2008) 19 Feb 2009	10515/2009	Thermos L.L.C.; 09-07C, Lid for a bottle, (US, 20 Aug 2008) 17 Feb 2009	10487/2009
Soter, Andy; 06-04F, Wall mounted storage box, 16 Feb 2009	10442/2009	Thermos L.L.C.; 07-01F, Bottle, (US, 20 Aug 2008) 17 Feb 2009	10488/2009
Southern Wire Pty Ltd; 08-99, Barbed wire, 18 Feb 2009	10508/2009	Thomas, Dean Robert; Capaldo, Richard; 23-01G, Hydro powered partical resuspension device, 12 Feb 2009	10396/2009
Southern Wire Pty Ltd; 25-02C, Mesh fencing, 18 Feb 2009	10509/2009	Thorn Europhane; 26-05B, Standard lamp, (EM, 12 Nov 2008) 13 Feb 2009	10424/2009
Spotless Plastics Pty Ltd; 10-04, Sizer, (US, 29 Aug 2008) 17 Feb 2009	10494/2009	Thorn Europhane; 26-05B, Standard lamp, (EM, 12 Nov 2008) 13 Feb 2009	10425/2009
Stiletto Seeding Systems Pty Ltd; 15-03A, A plough digging point, 18 Feb 2009	10497/2009	Tolhurst, John Irvan; 12-11, Bicycle, 17 Feb 2009	10475/2009
Stiletto Seeding Systems Pty Ltd; 15-03A, A plough digging point, 18 Feb 2009	10498/2009	Tontarelli, Sergio; 09-03F, Tray bottle crate, 12 Feb 2009	10407/2009
Suckling, Kane; Rose, Joeleen; 02-04NES, Womens sandals, 19 Feb 2009	10541/2009	Unique Product & Design Co., Ltd.; 21-02C, Golf cart, 12 Feb 2009	10419/2009
Suckling, Kane; Rose, Joeleen; 02-04NES, Womens sandals., 19 Feb 2009	10540/2009	USG Interiors, Inc.; 25-01K, Grid tee face sleeve, (US, 12 Aug 2008) 11 Feb 2009	10405/2009
SEW-EURODRIVE GmbH & Co. KG; 13-03NES, Variable speed electric drive, (DE, 19 Aug 2008) 13 Feb 2009	10429/2009	Warner, John Maxwell; 09-03NES, Expanding mailer pack, 23 Feb 2009	10531/2009
Tembisa Pty Ltd; 24-04, Soft tissue mobilisation device, 12 Feb 2009	10420/2009	Waterwall International Pty Ltd; 09-02B, Container, 10 Feb 2009	10373/2009
The Decor Corporation Pty Ltd; 10-04, 07-01F, Measuring jug, 16 Feb 2009	10452/2009	Waterwall International Pty Ltd; 09-02B, Container, 10 Feb 2009	10374/2009

Watson, Roy McKay; 23-01A, A spouting connector, 10 Feb 2009	10355/2009	Workplace Access & Safety Pty. Ltd.; 25-02C, 08-08NES, Hand rail saddle, 11 Feb 2009	10360/2009
Webster, Barrie Colin; 12-06NES, Vessel, 13 Feb 2009	10421/2009	WARIMEX Waren-Import-Export-Handels GmbH; 07-99NES, Knife block, (EM, 09 Feb 2009) 17 Feb 2009	10491/2009
Wills, Judy; 02-04B, Sandals - footwear, 05 Feb 2009	10338/2009	X-Technology Swiss GmbH; 02-02NES, Jacket, (EM, 06 Sep 2008) 23 Feb 2009	10537/2009
Wills, Judy; 02-04B, Fashion ballet flat - footwear, 05 Feb 2009	10339/2009	Xia, Guo Qiang; 23-02E, Shower base, 18 Feb 2009	10506/2009
Wolfedale Engineering Limited; 07-02E, Barbeque, (CA, 17 Nov 2008) 11 Feb 2009	10390/2009		
Workplace Access & Safety Pty. Ltd.; 25-04, Ladder bracket, 12 Feb 2009	10395/2009		

Applications Lapsed

11508 / 2008 (02-04NES)	12209 / 2008 (21-02NES)
12675 / 2008 (14-04)	13980 / 2008 (02-02C)
14026 / 2008 (02-02C)	14089 / 2008 (23-01G)
15120 / 2008 (12-16NES)	15121 / 2008 (12-16NES)
15157 / 2008 (26-05A)	15158 / 2008 (26-05A)
15159 / 2008 (26-05A)	15177 / 2008 (21-02NES)
15320 / 2008 (19-08)	15321 / 2008 (19-08)
15356 / 2008 (25-01E)	15357 / 2008 (25-01E)
15364 / 2008 (08-07)	15404 / 2008 (14-03B)
15778 / 2008 (99-00)	15847 / 2008 (02-02C)

Extensions of time granted under Section 137

Applications lodged under section 137 for extension of time have been granted.

309348 **Onesteel Trading Pty Limited**

14675/2008 **Hydro Kits Pty Ltd**

16033/2008 **KHN Solutions LLC**

Subsequent Owners Registered

(The name in parentheses is that of the subsequent owner)

- 300610 (**Scott Andrew Cazin Errington;Mary-Ann Errington**)
Reginald John Bean
- 307219 (**Arlec Australia Limited**) Arlec Barbeques Pty Limited
- 304087 (**Burgess Group Pty Ltd**) Burgess Furniture Pty Ltd
- 304069 (**Burgess Group Pty Ltd**) Burgess Furniture Pty Ltd
- 305199 (**Burgess Group Pty Ltd**) Burgess Furniture Pty Ltd
- 303713 (**Burgess Group Pty Ltd**) Burgess Furniture Pty Ltd
- 304070 (**Burgess Group Pty Ltd**) Burgess Furniture Pty Ltd
- 314334 (**Wyeth**) The Procter & Gamble Company
- 316642 (**Wyeth**) The Procter & Gamble Company
- 322837 (**ADC GmbH**) ADC Communications (Australia) Pty Limited
- 323228 (**ADC GmbH**) ADC Communications (Australia) Pty Limited
- 323229 (**ADC GmbH**) ADC Communications (Australia) Pty Limited
- 322316 (**Paul Bailey**) Global Icons Pty Ltd
- 324290 (**Paul Bailey**) Global Icons Pty Ltd
- 320662 (**CDB Media Limited**) Specialised Sales & Marketing Limited
- 320906 (**Y-Gen-Enterprises Pty Ltd**) Mark Victor Keefe Fiori
- 315273 (**Dowd Group Pty Ltd as trustee for Dowd Trust**)
Kieron J. Dowd
- 305567 (**Rodney Darryl Hunwick;Dowd Group Pty Ltd as trustee for Dowd Trust**) Kieron Dowd;Rodney Darryl Hunwick
- 305566 (**Rodney Darryl Hunwick;Dowd Group Pty Ltd as trustee for Dowd Trust**) Kieron Dowd;Rodney Darryl Hunwick
- 312813 (**Rod Hunwick;Dowd Group Pty Ltd as trustee for Dowd Trust**) Kieron Dowd;Rod Hunwick
- 316679 (**Wyeth**) The Procter & Gamble Company
- 300938 (**Paper Australia Pty Ltd**) Paperlinx Australia Pty Ltd
- 300939 (**Paper Australia Pty Ltd**) Paperlinx Australia Pty Ltd

Names Registered - Alterations and Amendments

(The name in parentheses is that of the subsequent applicant)

- 308681 (**Lawrence & Hanson Group Pty Ltd**) Hagemeyer Asia Pacific Pty Ltd
- 307219 (**Arlec Australia Pty. Ltd.**) Arlec Australia Limited

Corrigenda

Number 300610

In Vol 22 , No 25 , page 3073 under the heading **Subsequent Owners Registered**; Entry to be deleted..

Certificate(s) of Examination

Examination of the following Design Registration(s) has been completed. Infringement proceedings may now be commenced.

310698	12-16B	23/02/2009
310763	12-16B	23/02/2009
310764	12-16B	23/02/2009
317484	24-01	23/02/2009
317487	24-01	23/02/2009
318217	09-01G	17/02/2009
319188	06-06C	16/02/2009
319189	06-06C	16/02/2009
319190	06-06C	16/02/2009
319960	09-07A	25/02/2009
320097	19-06	19/02/2009
320631	12-15B	24/02/2009
321454	08-08L	16/02/2009
321472	06-11	17/02/2009
321473	06-11	17/02/2009
321532	13-03B	25/02/2009
321533	13-03B	25/02/2009
321534	13-03B	25/02/2009
321737	23-04	19/02/2009
321738	23-04	19/02/2009
321857	14-03A	18/02/2009
321862	09-07A	25/02/2009
322862	12-15A	23/02/2009
322888	12-02	23/02/2009
322889	12-02	23/02/2009
322890	12-15A	23/02/2009
323892	25-02C	16/02/2009
323893	25-02C	16/02/2009

Publication and Registration Proceedings

Designs Registered

This section provides a concordance between design number and registration number of Designs covered in this journal. It also shows the main class and registration date.

This section covers Registration numbers 324622 to 324890 .

The registration number shown below should be used in all future correspondence.

Design Number	Registration Number	International Classification Code (IDC)	Registration Date	Design Number	Registration Number	International Classification Code (IDC)	Registration Date
10660/2008	324703	02-02C	16/02/2009	15566/2008	324662	09-01K	16/02/2009
11663/2008	324700	04-01	16/02/2009	15572/2008	324663	09-01K	16/02/2009
11878/2008	324806	02-05	23/02/2009	15581/2008	324756	08-08A	18/02/2009
11882/2008	324807	02-05	23/02/2009	15624/2008	324721	02-02NES	17/02/2009
11883/2008	324808	02-05	23/02/2009	15625/2008	324722	02-02NES	17/02/2009
11884/2008	324809	02-05	23/02/2009	15626/2008	324723	02-02NES	17/02/2009
12132/2008	324666	03-01B	16/02/2009	15627/2008	324724	02-02NES	17/02/2009
12394/2008	324799	12-06NES	17/02/2009	15641/2008	324830	02-02C	19/02/2009
12933/2008	324639	09-03NES	16/02/2009	15643/2008	324757	13-03D	18/02/2009
12935/2008	324640	09-03NES	16/02/2009	15655/2008	324625	02-02B	13/02/2009
12965/2008	324720	02-02C	17/02/2009	15656/2008	324626	02-02B	13/02/2009
12996/2008	324622	06-03NES	13/02/2009	15657/2008	324627	02-02B	13/02/2009
12997/2008	324623	06-03NES	13/02/2009	15658/2008	324628	02-02B	13/02/2009
13137/2008	324742	08-08B	18/02/2009	15667/2008	324668	26-05D	16/02/2009
13138/2008	324743	08-08B	18/02/2009	15766/2008	324851	25-01K	23/02/2009
13140/2008	324744	25-02C	18/02/2009	15767/2008	324852	08-08B	23/02/2009
13141/2008	324725	25-02C	17/02/2009	15768/2008	324853	08-08NES	23/02/2009
13143/2008	324745	25-02C	18/02/2009	15803/2008	324715	25-01K	16/02/2009
13144/2008	324746	25-02C	18/02/2009	15833/2008	324801	06-01L	17/02/2009
13207/2008	324747	08-08B	18/02/2009	15834/2008	324854	07-02L	23/02/2009
13393/2008	324624	08-06	13/02/2009	15835/2008	324855	07-02L	23/02/2009
13694/2008	324667	08-07	16/02/2009	15836/2008	324856	07-02L	23/02/2009
14137/2008	324748	23-02E	18/02/2009	15841/2008	324754	15-01	19/02/2009
14231/2008	324704	14-02	16/02/2009	15842/2008	324755	15-01	19/02/2009
14451/2008	324758	12-16E	18/02/2009	15894/2008	324780	26-06	17/02/2009
14607/2008	324810	25-02C	23/02/2009	15895/2008	324781	26-06	17/02/2009
14608/2008	324811	25-02C	23/02/2009	15911/2008	324664	25-02K	16/02/2009
14609/2008	324812	25-02C	23/02/2009	15912/2008	324665	25-02K	16/02/2009
14610/2008	324813	25-02C	23/02/2009	15929/2008	324727	23-04	17/02/2009
14675/2008	324800	15-99	17/02/2009	15940/2008	324779	05-05B	17/02/2009
14878/2008	324675	02-03	16/02/2009	15952/2008	324716	25-01B	16/02/2009
14914/2008	324847	15-02	23/02/2009	16013/2008	324771	03-03	18/02/2009
14915/2008	324843	15-02	23/02/2009	16014/2008	324772	03-03	18/02/2009
15137/2008	324778	07-01C	17/02/2009	16023/2008	324718	12-16E	16/02/2009
15155/2008	324705	25-02C	16/02/2009	16024/2008	324717	12-16E	16/02/2009
15156/2008	324660	06-08	16/02/2009	16025/2008	324719	12-16E	16/02/2009
15181/2008	324641	03-01NES	16/02/2009	16038/2008	324848	15-02	23/02/2009
15218/2008	324642	12-06A	16/02/2009	16039/2008	324849	15-02	23/02/2009
15230/2008	324726	06-01F	17/02/2009	16040/2008	324850	15-02	23/02/2009
15240/2008	324713	08-08B	16/02/2009	16041/2008	324844	15-02	23/02/2009
15250/2008	324661	25-01E	16/02/2009	16042/2008	324845	15-02	23/02/2009
15251/2008	324714	06-03C	16/02/2009	16043/2008	324846	15-02	23/02/2009
15263/2008	324749	25-01F	18/02/2009	16074/2008	324842	06-01F	23/02/2009
15264/2008	324750	25-01F	18/02/2009	10028/2009	324629	07-04	13/02/2009
15265/2008	324751	25-01F	18/02/2009	10029/2009	324630	07-04	13/02/2009
15266/2008	324752	25-01F	18/02/2009	10030/2009	324631	04-01	13/02/2009
15309/2008	324643	26-02	16/02/2009	10031/2009	324632	04-01	13/02/2009
15310/2008	324644	26-02	16/02/2009	10047/2009	324814	23-02A	23/02/2009
15318/2008	324841	08-06	23/02/2009	10048/2009	324669	02-04NES	16/02/2009
15322/2008	324759	19-08	18/02/2009	10052/2009	324650	22-06	16/02/2009
15331/2008	324676	10-04	16/02/2009	10053/2009	324651	09-01NES	16/02/2009
15332/2008	324677	08-06	16/02/2009	10054/2009	324802	02-02NES	17/02/2009
15479/2008	324753	10-05	18/02/2009	10059/2009	324803	08-06	17/02/2009

Publication and Registration Proceedings - Designs Registered cont'd

Design Number	Registration Number	International Classification Code (IDC)	Registration Date	Design Number	Registration Number	International Classification Code (IDC)	Registration Date
10060/2009	324866	08-09	23/02/2009	10230/2009	324817	02-04NES	23/02/2009
10061/2009	324867	08-08B	23/02/2009	10252/2009	324706	20-01	16/02/2009
10094/2009	324760	09-03H	18/02/2009	10253/2009	324707	20-01	16/02/2009
10095/2009	324815	08-08L	23/02/2009	10254/2009	324708	20-01	16/02/2009
10103/2009	324782	15-02	17/02/2009	10255/2009	324709	20-01	16/02/2009
10115/2009	324645	11-01NES	16/02/2009	10256/2009	324710	27-06	16/02/2009
10116/2009	324646	11-01NES	16/02/2009	10257/2009	324711	27-06	16/02/2009
10117/2009	324647	11-01NES	16/02/2009	10258/2009	324712	27-06	16/02/2009
10118/2009	324648	21-02C	16/02/2009	10302/2009	324699	04-01	16/02/2009
10119/2009	324649	23-01K	16/02/2009	10310/2009	324728	12-15B	17/02/2009
10120/2009	324670	11-02NES	16/02/2009	10311/2009	324729	12-15B	17/02/2009
10121/2009	324671	15-04	16/02/2009	10312/2009	324730	12-15A	17/02/2009
10123/2009	324672	05-06NES	16/02/2009	10313/2009	324731	12-15A	17/02/2009
10124/2009	324673	05-06NES	16/02/2009	10314/2009	324732	26-06	17/02/2009
10128/2009	324652	12-08	16/02/2009	10315/2009	324733	12-11	17/02/2009
10129/2009	324653	12-16NES	16/02/2009	10326/2009	324734	08-08L	18/02/2009
10130/2009	324633	08-08NES	13/02/2009	10328/2009	324735	16-02	18/02/2009
10134/2009	324634	15-03A	13/02/2009	10329/2009	324638	14-03NES	13/02/2009
10144/2009	324635	13-03C	13/02/2009	10330/2009	324736	22-06	18/02/2009
10145/2009	324636	07-01NES	13/02/2009	10331/2009	324737	12-16C	18/02/2009
10146/2009	324637	07-01NES	13/02/2009	10332/2009	324738	21-01E	18/02/2009
10153/2009	324702	06-01G	16/02/2009	10333/2009	324739	21-01E	18/02/2009
10154/2009	324654	06-01G	16/02/2009	10334/2009	324740	21-01E	18/02/2009
10155/2009	324655	06-01G	16/02/2009	10335/2009	324741	21-01E	18/02/2009
10156/2009	324701	06-01G	16/02/2009	10340/2009	324762	21-02D	18/02/2009
10157/2009	324656	24-04	16/02/2009	10341/2009	324763	12-05	18/02/2009
10158/2009	324657	24-04	16/02/2009	10346/2009	324764	02-01NES	18/02/2009
10160/2009	324804	30-05	17/02/2009	10347/2009	324765	12-05	18/02/2009
10161/2009	324678	23-01H	16/02/2009	10348/2009	324766	12-05	18/02/2009
10163/2009	324868	12-05	23/02/2009	10349/2009	324767	08-07	18/02/2009
10164/2009	324679	24-04	16/02/2009	10350/2009	324768	06-02	18/02/2009
10165/2009	324805	08-03	17/02/2009	10355/2009	324831	23-01A	19/02/2009
10166/2009	324658	25-02NES	16/02/2009	10356/2009	324769	21-01L	18/02/2009
10167/2009	324659	25-02NES	16/02/2009	10357/2009	324770	21-01L	18/02/2009
10182/2009	324680	02-04NES	16/02/2009	10361/2009	324773	21-01A	17/02/2009
10184/2009	324681	31-00	16/02/2009	10362/2009	324774	21-01A	17/02/2009
10185/2009	324682	31-00	16/02/2009	10365/2009	324775	21-01A	17/02/2009
10190/2009	324683	13-03C	16/02/2009	10366/2009	324776	21-01A	17/02/2009
10191/2009	324684	12-11	16/02/2009	10367/2009	324777	21-01A	17/02/2009
10194/2009	324685	09-07B	16/02/2009	10371/2009	324784	21-01A	17/02/2009
10195/2009	324783	02-02C	17/02/2009	10372/2009	324785	21-01NES	17/02/2009
10202/2009	324686	19-02	16/02/2009	10375/2009	324786	08-02	17/02/2009
10204/2009	324674	14-02	16/02/2009	10376/2009	324787	01-01	17/02/2009
10207/2009	324761	12-06A	18/02/2009	10377/2009	324788	01-01	17/02/2009
10209/2009	324688	28-03B	16/02/2009	10378/2009	324789	01-01	17/02/2009
10210/2009	324687	28-03B	16/02/2009	10379/2009	324790	01-01	17/02/2009
10211/2009	324689	28-03B	16/02/2009	10380/2009	324791	01-01	17/02/2009
10212/2009	324690	28-03B	16/02/2009	10381/2009	324792	01-01	17/02/2009
10213/2009	324691	06-01F	16/02/2009	10382/2009	324793	01-01	17/02/2009
10214/2009	324692	06-01G	16/02/2009	10383/2009	324794	01-01	17/02/2009
10215/2009	324693	06-01H	16/02/2009	10384/2009	324795	01-01	17/02/2009
10218/2009	324694	26-02	16/02/2009	10385/2009	324796	01-01	17/02/2009
10219/2009	324695	23-04	16/02/2009	10388/2009	324797	25-01K	17/02/2009
10220/2009	324696	23-04	16/02/2009	10389/2009	324798	30-03	17/02/2009
10221/2009	324697	23-04	16/02/2009	10391/2009	324826	02-04B	23/02/2009
10222/2009	324698	28-03NES	16/02/2009	10392/2009	324827	02-04B	23/02/2009
10227/2009	324879	26-05NES	24/02/2009	10393/2009	324828	07-01NES	23/02/2009
10229/2009	324816	02-04NES	23/02/2009	10396/2009	324832	23-01G	19/02/2009

Publication and Registration Proceedings - Designs Registered cont'd

Design Number	Registration Number	International Classification Code (IDC)	Registration Date	Design Number	Registration Number	International Classification Code (IDC)	Registration Date
10397/2009	324818	14-01	23/02/2009	10437/2009	324860	02-02C	23/02/2009
10398/2009	324819	14-01	23/02/2009	10452/2009	324861	10-04	23/02/2009
10399/2009	324820	14-01	23/02/2009	10453/2009	324862	07-01F	23/02/2009
10400/2009	324821	14-01	23/02/2009	10454/2009	324863	10-04	23/02/2009
10401/2009	324822	14-01	23/02/2009	10455/2009	324864	07-01F	23/02/2009
10402/2009	324823	14-01	23/02/2009	10456/2009	324865	10-04	23/02/2009
10403/2009	324824	14-01	23/02/2009	10475/2009	324829	12-11	18/02/2009
10404/2009	324825	14-01	23/02/2009	10521/2009	324880	23-02B	24/02/2009
10406/2009	324833	15-04	19/02/2009	10522/2009	324881	06-09	24/02/2009
10407/2009	324834	09-03F	19/02/2009	10524/2009	324888	12-02	24/02/2009
10408/2009	324835	07-02E	19/02/2009	10525/2009	324882	07-07A	24/02/2009
10414/2009	324836	09-03M	19/02/2009	10526/2009	324883	07-07A	24/02/2009
10415/2009	324837	09-03M	19/02/2009	10527/2009	324884	07-07A	24/02/2009
10416/2009	324838	09-03M	19/02/2009	10528/2009	324887	18-02	24/02/2009
10417/2009	324839	09-03M	19/02/2009	10533/2009	324885	09-01NES	24/02/2009
10418/2009	324840	19-02	19/02/2009	10534/2009	324886	11-02B	24/02/2009
10427/2009	324857	02-02C	23/02/2009	10535/2009	324889	14-02	24/02/2009
10430/2009	324858	08-08NES	23/02/2009	10536/2009	324890	24-04	24/02/2009
10431/2009	324859	08-08NES	23/02/2009				

Publication and Registration Proceedings
Class Listing of Designs Published or Registered

The following section shows an International Classification Code listing of the Registered or Published Designs covered in this supplement.

Classification	Registration Number	Design Number	Classification	Registration Number	Design Number
01-01	324787	10376/2009	06-01 H	324693	10215/2009
01-01	324788	10377/2009	06-01 L	324801	15833/2008
01-01	324789	10378/2009	06-02	324768	10350/2009
01-01	324790	10379/2009	06-03 C	324714	15251/2008
01-01	324791	10380/2009	06-03 NES	324622	12996/2008
01-01	324792	10381/2009	06-03 NES	324623	12997/2008
01-01	324793	10382/2009	06-08	324660	15156/2008
01-01	324794	10383/2009	06-09	324881	10522/2009
01-01	324795	10384/2009	06-09	324890	10536/2009
01-01	324796	10385/2009	07-01 B	324777	10367/2009
02-01 NES	324764	10346/2009	07-01 C	324778	15137/2008
02-02 B	324625	15655/2008	07-01 D	324774	10362/2009
02-02 B	324626	15656/2008	07-01 F	324861	10452/2009
02-02 B	324627	15657/2008	07-01 F	324862	10453/2009
02-02 B	324628	15658/2008	07-01 F	324863	10454/2009
02-02 C	324703	10660/2008	07-01 F	324864	10455/2009
02-02 C	324720	12965/2008	07-01 F	324865	10456/2009
02-02 C	324783	10195/2009	07-01 G	324773	10361/2009
02-02 C	324830	15641/2008	07-01 G	324854	15834/2008
02-02 C	324857	10427/2009	07-01 G	324856	15836/2008
02-02 C	324860	10437/2009	07-01 NES	324636	10145/2009
02-02 NES	324721	15624/2008	07-01 NES	324637	10146/2009
02-02 NES	324722	15625/2008	07-01 NES	324828	10393/2009
02-02 NES	324723	15626/2008	07-02 E	324835	10408/2009
02-02 NES	324724	15627/2008	07-02 L	324854	15834/2008
02-02 NES	324802	10054/2009	07-02 L	324855	15835/2008
02-03	324675	14878/2008	07-02 L	324856	15836/2008
02-04 B	324826	10391/2009	07-03	324776	10366/2009
02-04 B	324827	10392/2009	07-04	324629	10028/2009
02-04 NES	324669	10048/2009	07-04	324630	10029/2009
02-04 NES	324680	10182/2009	07-07 A	324882	10525/2009
02-04 NES	324816	10229/2009	07-07 A	324883	10526/2009
02-04 NES	324817	10230/2009	07-07 A	324884	10527/2009
02-05	324806	11878/2008	08-02	324786	10375/2009
02-05	324807	11882/2008	08-03	324805	10165/2009
02-05	324808	11883/2008	08-05 N	324815	10095/2009
02-05	324809	11884/2008	08-06	324624	13393/2008
03-01 B	324666	12132/2008	08-06	324677	15332/2008
03-01 NES	324641	15181/2008	08-06	324803	10059/2009
03-03	324771	16013/2008	08-06	324841	15318/2008
03-03	324772	16014/2008	08-07	324667	13694/2008
04-01	324631	10030/2009	08-07	324767	10349/2009
04-01	324632	10031/2009	08-08 A	324756	15581/2008
04-01	324699	10302/2009	08-08 B	324713	15240/2008
04-01	324700	11663/2008	08-08 B	324742	13137/2008
05-05 B	324779	15940/2008	08-08 B	324743	13138/2008
05-06 NES	324672	10123/2009	08-08 B	324747	13207/2008
05-06 NES	324673	10124/2009	08-08 B	324852	15767/2008
06-01 F	324691	10213/2009	08-08 B	324867	10061/2009
06-01 F	324726	15230/2008	08-08 D	324866	10060/2009
06-01 F	324842	16074/2008	08-08 H	324763	10341/2009
06-01 G	324654	10154/2009	08-08 H	324765	10347/2009
06-01 G	324655	10155/2009	08-08 H	324766	10348/2009
06-01 G	324692	10214/2009	08-08 L	324667	13694/2008
06-01 G	324701	10156/2009	08-08 L	324734	10326/2009
06-01 G	324702	10153/2009	08-08 L	324815	10095/2009

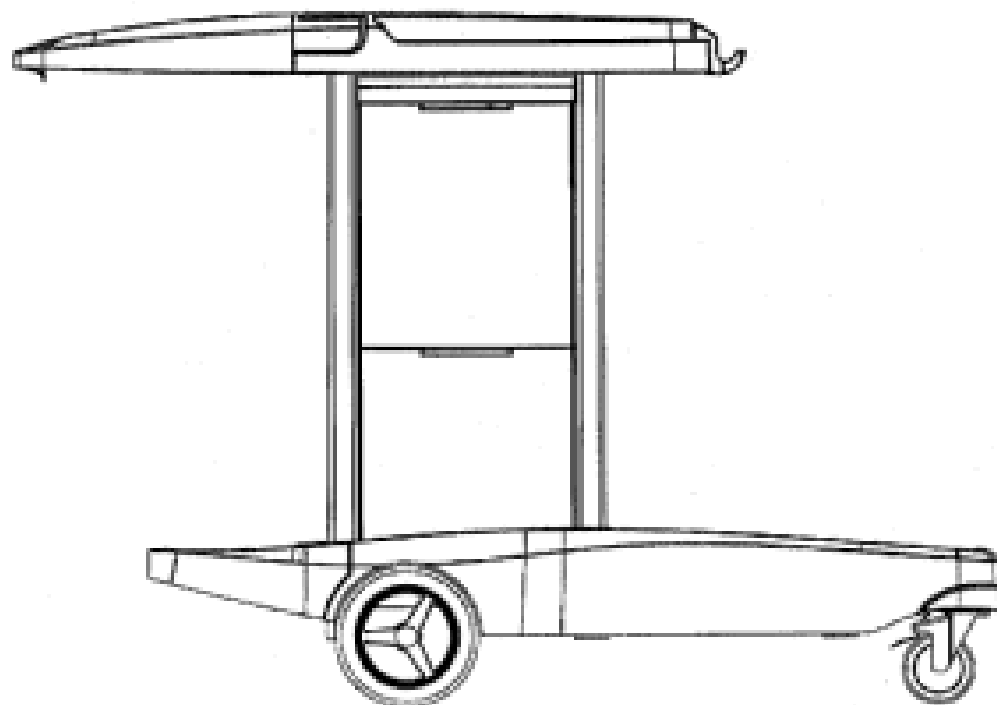
Registration Proceedings - Class Listing of Designs Published or Registered cont'd

Classification	Registration Number	Design Number	Classification	Registration Number	Design Number
08-08 NES	324633	10130/2009	14-01	324818	10397/2009
08-08 NES	324853	15768/2008	14-01	324819	10398/2009
08-08 NES	324858	10430/2009	14-01	324820	10399/2009
08-08 NES	324859	10431/2009	14-01	324821	10400/2009
08-09	324866	10060/2009	14-01	324822	10401/2009
09-01 K	324662	15566/2008	14-01	324823	10402/2009
09-01 K	324663	15572/2008	14-01	324824	10403/2009
09-01 NES	324651	10053/2009	14-01	324825	10404/2009
09-01 NES	324885	10533/2009	14-02	324674	10204/2009
09-03 F	324834	10407/2009	14-02	324704	14231/2008
09-03 H	324760	10094/2009	14-02	324889	10535/2009
09-03 M	324836	10414/2009	14-03 NES	324638	10329/2009
09-03 M	324837	10415/2009	15-01	324754	15841/2008
09-03 M	324838	10416/2009	15-01	324755	15842/2008
09-03 M	324839	10417/2009	15-02	324782	10103/2009
09-03 NES	324639	12933/2008	15-02	324843	14915/2008
09-03 NES	324640	12935/2008	15-02	324844	16041/2008
09-07 B	324685	10194/2009	15-02	324845	16042/2008
09-07 NES	324858	10430/2009	15-02	324846	16043/2008
09-07 NES	324859	10431/2009	15-02	324847	14914/2008
10-04	324676	15331/2008	15-02	324848	16038/2008
10-04	324775	10365/2009	15-02	324849	16039/2008
10-04	324861	10452/2009	15-02	324850	16040/2008
10-04	324863	10454/2009	15-03 A	324634	10134/2009
10-04	324865	10456/2009	15-04	324671	10121/2009
10-05	324753	15479/2008	15-04	324833	10406/2009
11-01 NES	324645	10115/2009	15-05	324699	10302/2009
11-01 NES	324646	10116/2009	15-05	324700	11663/2008
11-01 NES	324647	10117/2009	15-99	324763	10341/2009
11-02 B	324886	10534/2009	15-99	324765	10347/2009
11-02 NES	324670	10120/2009	15-99	324766	10348/2009
12-02	324622	12996/2008	15-99	324800	14675/2008
12-02	324623	12997/2008	16-02	324735	10328/2009
12-02	324888	10524/2009	18-02	324887	10528/2009
12-05	324763	10341/2009	19-02	324686	10202/2009
12-05	324765	10347/2009	19-02	324840	10418/2009
12-05	324766	10348/2009	19-08	324759	15322/2008
12-05	324868	10163/2009	20-01	324706	10252/2009
12-06 A	324642	15218/2008	20-01	324707	10253/2009
12-06 A	324761	10207/2009	20-01	324708	10254/2009
12-06 B	324761	10207/2009	20-01	324709	10255/2009
12-06 NES	324799	12394/2008	21-01 A	324670	10120/2009
12-08	324652	10128/2009	21-01 A	324773	10361/2009
12-11	324684	10191/2009	21-01 A	324774	10362/2009
12-11	324733	10315/2009	21-01 A	324775	10365/2009
12-11	324829	10475/2009	21-01 A	324776	10366/2009
12-15 A	324730	10312/2009	21-01 A	324777	10367/2009
12-15 A	324731	10313/2009	21-01 A	324784	10371/2009
12-15 B	324728	10310/2009	21-01 E	324738	10332/2009
12-15 B	324729	10311/2009	21-01 E	324739	10333/2009
12-16 C	324737	10331/2009	21-01 E	324740	10334/2009
12-16 E	324717	16024/2008	21-01 E	324741	10335/2009
12-16 E	324718	16023/2008	21-01 L	324769	10356/2009
12-16 E	324719	16025/2008	21-01 L	324770	10357/2009
12-16 E	324758	14451/2008	21-01 NES	324785	10372/2009
12-16 NES	324653	10129/2009	21-02 C	324648	10118/2009
13-03 C	324635	10144/2009	21-02 D	324762	10340/2009
13-03 C	324683	10190/2009	22-06	324650	10052/2009
13-03 D	324757	15643/2008	22-06	324736	10330/2009

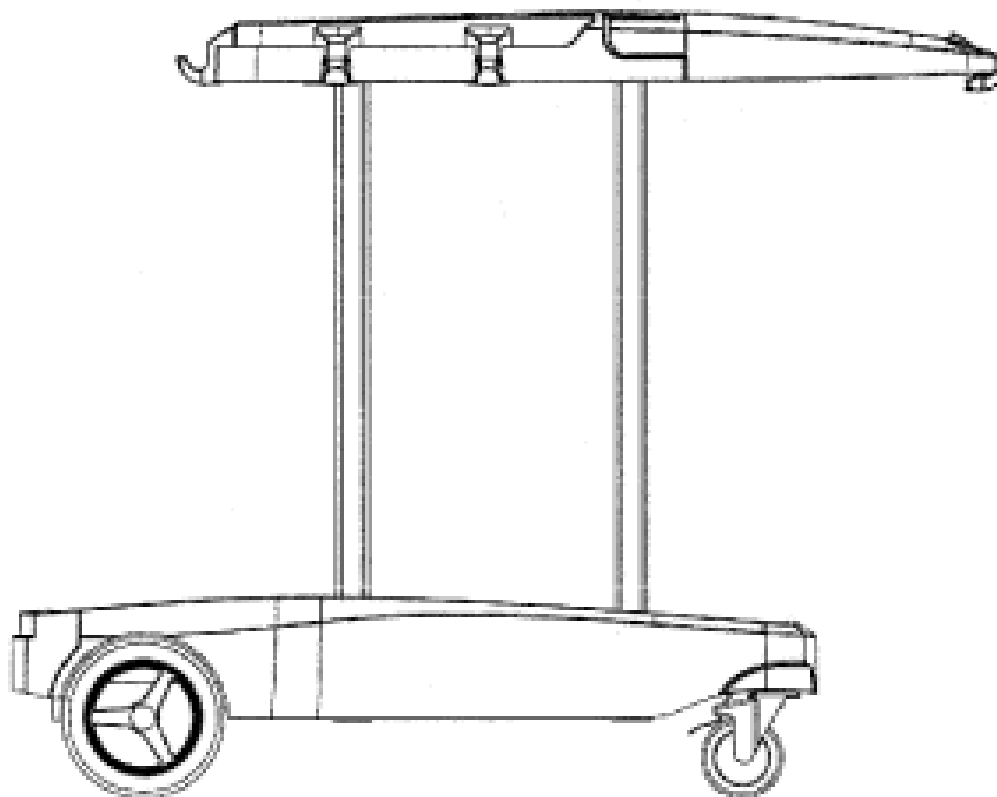
Registration Proceedings - Class Listing of Designs Published or Registered cont'd

Classification	Registration Number	Design Number	Classification	Registration Number	Design Number
23-01 A	324831	10355/2009	25-02 C	324744	13140/2008
23-01 G	324832	10396/2009	25-02 C	324745	13143/2008
23-01 H	324678	10161/2009	25-02 C	324746	13144/2008
23-01 K	324649	10119/2009	25-02 C	324810	14607/2008
23-02 A	324814	10047/2009	25-02 C	324811	14608/2008
23-02 B	324880	10521/2009	25-02 C	324812	14609/2008
23-02 E	324748	14137/2008	25-02 C	324813	14610/2008
23-04	324695	10219/2009	25-02 H	324715	15803/2008
23-04	324696	10220/2009	25-02 K	324664	15911/2008
23-04	324697	10221/2009	25-02 K	324665	15912/2008
23-04	324727	15929/2008	25-02 NES	324658	10166/2009
24-02	324641	15181/2008	25-02 NES	324659	10167/2009
24-04	324625	15655/2008	26-02	324643	15309/2008
24-04	324626	15656/2008	26-02	324644	15310/2008
24-04	324627	15657/2008	26-02	324694	10218/2009
24-04	324628	15658/2008	26-05 B	324879	10227/2009
24-04	324656	10157/2009	26-05 D	324668	15667/2008
24-04	324657	10158/2009	26-05 NES	324879	10227/2009
24-04	324679	10164/2009	26-06	324732	10314/2009
24-04	324881	10522/2009	26-06	324780	15894/2008
24-04	324890	10536/2009	26-06	324781	15895/2008
25-01 B	324716	15952/2008	27-06	324710	10256/2009
25-01 E	324661	15250/2008	27-06	324711	10257/2009
25-01 F	324749	15263/2008	27-06	324712	10258/2009
25-01 F	324750	15264/2008	28-03 B	324687	10210/2009
25-01 F	324751	15265/2008	28-03 B	324688	10209/2009
25-01 F	324752	15266/2008	28-03 B	324689	10211/2009
25-01 K	324715	15803/2008	28-03 B	324690	10212/2009
25-01 K	324727	15929/2008	28-03 NES	324698	10222/2009
25-01 K	324797	10388/2009	29-02	324633	10130/2009
25-01 K	324810	14607/2008	30-03	324798	10389/2009
25-01 K	324811	14608/2008	30-05	324804	10160/2009
25-01 K	324812	14609/2008	31-00	324681	10184/2009
25-01 K	324813	14610/2008	31-00	324682	10185/2009
25-01 K	324851	15766/2008			
25-02 C	324705	15155/2008			
25-02 C	324725	13141/2008			

- (21) Design Number: **12996/2008**
(22) Date of Filing Application: **27 June 2008**
(24) Date from which industrial property rights may have effect: **27 June 2008**
(54) Product in respect of which the design is registered: **Trolley**
(51) International Design Classification: **06-03NES, 12-02**
(71) Name(s) and Address(s) of Applicant(s):
E.D. Oates Pty Ltd
Maygar Boulevard Broadmeadows Victoria 3047 Australia
(72) Name(s) of Designer(s): **Allan James Hooworth and Shannon Tee**
(45) Registration Date: **13 February 2009**
(56) Related Art Documents: **Not Applicable**
(57) Statement of Newness and Distinctiveness: **Newness and distinctiveness resides in the visual features of shape and/or configuration of a trolley as illustrated in the accompanying representations.**



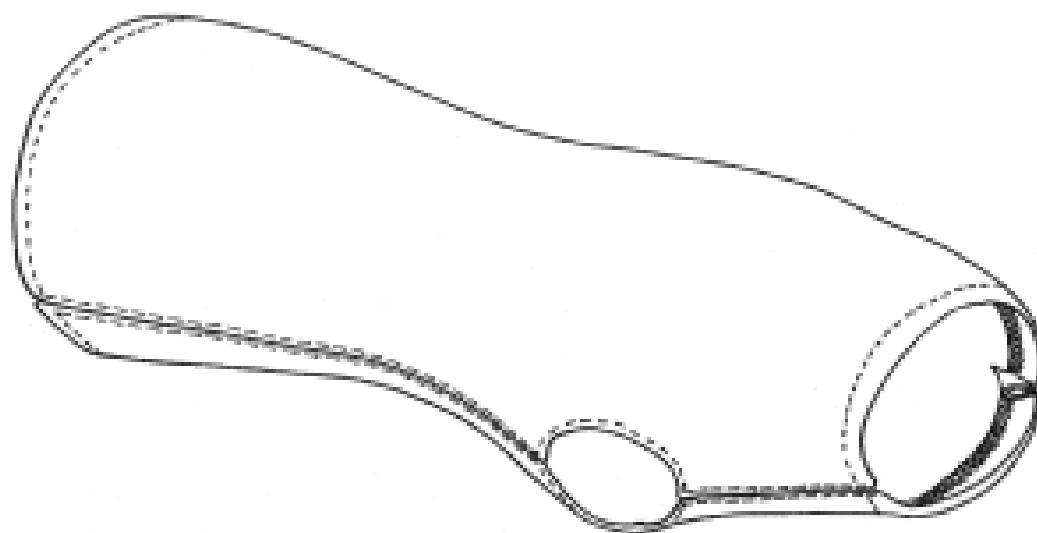
- (21) Design Number: **12997/2008**
(22) Date of Filing Application: **27 June 2008**
(24) Date from which industrial property rights may have effect: **27 June 2008**
(54) Product in respect of which the design is registered: **Trolley**
(51) International Design Classification: **06-03NES, 12-02**
(71) Name(s) and Address(s) of Applicant(s):
E.D. Oates Pty Ltd
Maygar Boulevard Broadmeadows Victoria 3047 Australia
(72) Name(s) of Designer(s): **Allan James Hooworth and Shannon Tee**
(45) Registration Date: **13 February 2009**
(56) Related Art Documents: **Not Applicable**
(57) Statement of Newness and Distinctiveness: **Newness and distinctiveness resides in the visual features of shape and/or configuration of a trolley as illustrated in the accompanying representations.**



- (21) Design Number: **13393/2008**
(22) Date of Filing Application: **21 July 2008**
(24) Date from which industrial property rights may have effect: **21 July 2008**
(54) Product in respect of which the design is registered: **Handle piece**
(51) International Design Classification: **08-06**
(71) Name(s) and Address(s) of Applicant(s):
Ross William Merkel
1 Parook Court Diamond Creek Victoria 3089 Australia
(72) Name(s) of Designer(s): **Ross William Merkel**
(45) Registration Date: **13 February 2009**
(56) Related Art Documents: **Not Applicable**
(57) Statement of Newness and Distinctiveness: **Nil**



- (21) Design Number: **15655/2008**
(22) Date of Filing Application: **02 December 2008**
(24) Date from which industrial property rights may have effect: **02 December 2008**
(54) Product in respect of which the design is registered: **Short cast cover for an arm**
(51) International Design Classification: **02-02B, 24-04**
(71) Name(s) and Address(s) of Applicant(s):
Peta Ware
19 Bellbird Street Condon Queensland 4815 Australia
(72) Name(s) of Designer(s): **Peta Denise Ware**
(45) Registration Date: **13 February 2009**
(56) Related Art Documents: **Not Applicable**
(57) Statement of Newness and Distinctiveness: **Busted bling creative cast covers have been designed to suit a full range of sizes, configurations and styles for everyone from babies through to the elderly. Monopoly is claimed on the visual appearance of the cast covers for both short and long arm casts and short and long leg casts. The visual shape of the arm and leg creative cast covers is unique because it is designed and shaped specifically to fit over the top of all sized arm and leg plaster and fibreglass casts, as shown in the attached design illustrations. There are 4 individual designs, one each for a short arm cast, a long arm cast, a short leg cast and a long leg cast. Visually, you can identify this product from the location of the seams and the placement of the tucks to ensure maximum comfort and aesthetics for the wearer. Also, the design for the arm covers has a specific hole for the thumb, suitable for left or right arms, with a specifically measured and tapered cut that visually matches each different size. This product is visually distinctive because of the shape, the type of fabrics used and the placement of the seams and tucks as illustrated in each design.**



(21) Design Number: **15656/2008**
(22) Date of Filing Application: **02 December 2008**
(24) Date from which industrial property rights may have effect: **02 December 2008**
(54) Product in respect of which the design is registered: **Long cast cover for an arm**

(51) International Design Classification: **02-02B, 24-04**

(71) Name(s) and Address(s) of Applicant(s):

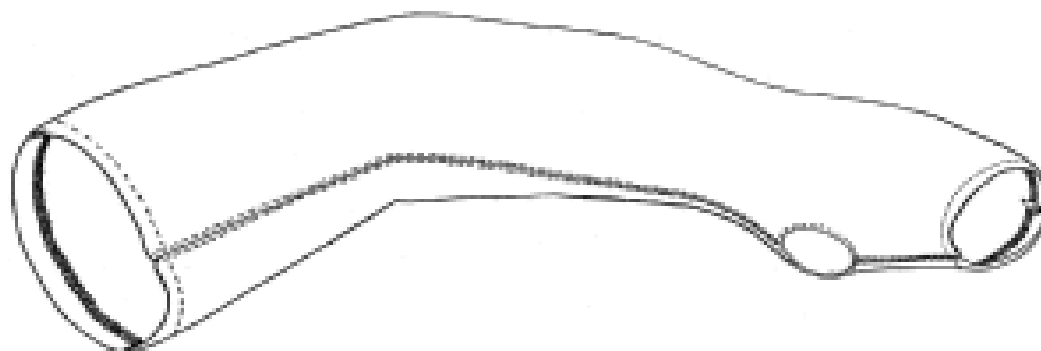
Peta Ware
19 Bellbird Street Condon Queensland 4815 Australia

(72) Name(s) of Designer(s): **Peta Denise Ware**

(45) Registration Date: **13 February 2009**

(56) Related Art Documents: **Not Applicable**

(57) Statement of Newness and Distinctiveness: **Busted bling creative cast covers have been designed to suit a full range of sizes, configurations and styles for everyone from babies through to the elderly. Monopoly is claimed on the visual appearance of the cast covers for both short and long arm casts and short and long leg casts. The visual shape of the arm and leg creative cast covers is unique because it is designed and shaped specifically to fit over the top of all sized arm and leg plaster and fibreglass casts, as shown in the attached design illustrations. There are 4 individual designs, one each for a short arm cast, a long arm cast, a short leg cast and a long leg cast. Visually, you can identify this product from the location of the seams and the placement of the tucks to ensure maximum comfort and aesthetics for the wearer. Also, the design for the arm covers has a specific hole for the thumb, suitable for left or right arms, with a specifically measured and tapered cut that visually matches each different size. This product is visually distinctive because of the shape, the type of fabrics used and the placement of the seams and tucks as illustrated in each design.**



(21) Design Number: **15657/2008**
(22) Date of Filing Application: **02 December 2008**
(24) Date from which industrial property rights may have effect: **02 December 2008**
(54) Product in respect of which the design is registered: **Short cast cover for a leg**

(51) International Design Classification: **02-02B, 24-04**

(71) Name(s) and Address(s) of Applicant(s):

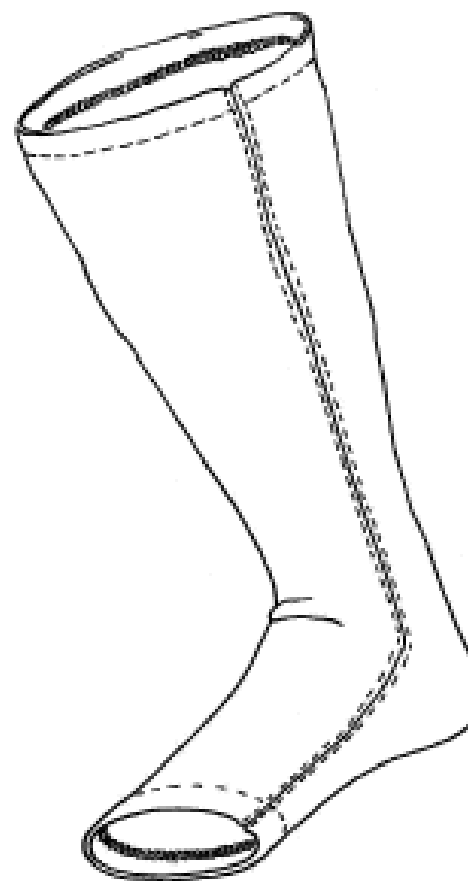
Peta Ware
19 Bellbird Street Condon Queensland 4815 Australia

(72) Name(s) of Designer(s): **Peta Denise Ware**

(45) Registration Date: **13 February 2009**

(56) Related Art Documents: **Not Applicable**

(57) Statement of Newness and Distinctiveness: **Busted bling creative cast covers have been designed to suit a full range of sizes, configurations and styles for everyone from babies through to the elderly. Monopoly is claimed on the visual appearance of the cast covers for both short and long arm casts and short and long leg casts. The visual shape of the arm and leg creative cast covers is unique because it is designed and shaped specifically to fit over the top of all sized arm and leg plaster and fibreglass casts, as shown in the attached design illustrations. There are 4 individual designs, one each for a short arm cast, a long arm cast, a short leg cast and a long leg cast. Visually, you can identify this product from the location of the seams and the placement of the tucks to ensure maximum comfort and aesthetics for the wearer. Also, the design for the arm covers has a specific hole for the thumb, suitable for left or right arms, with a specifically measured and tapered cut that visually matches each different size. This product is visually distinctive because of the shape, the type of fabrics used and the placement of the seams and tucks as illustrated in each design.**



(21) Design Number: **15658/2008**
 (22) Date of Filing Application: **02 December 2008**
 (24) Date from which industrial property rights may have effect: **02 December 2008**
 (54) Product in respect of which the design is registered: **Long cast cover for a leg**
 (51) International Design Classification: **02-02B, 24-04**
 (71) Name(s) and Address(s) of Applicant(s):

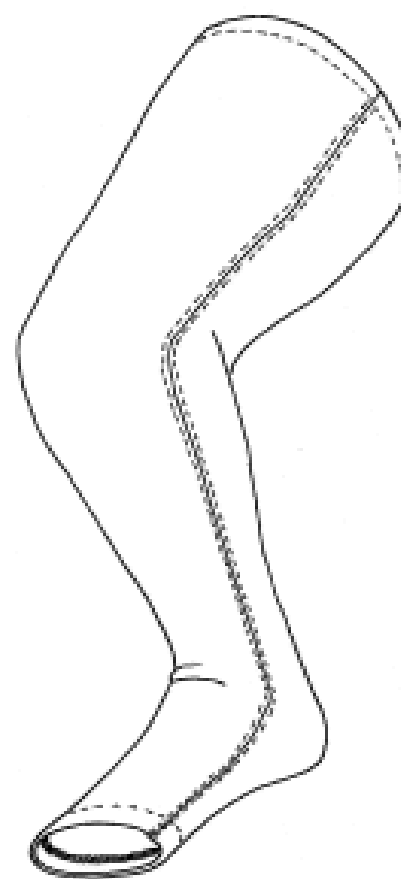
Peta Ware
19 Bellbird Street Condon Queensland 4815 Australia

(72) Name(s) of Designer(s): **Peta Denise Ware**

(45) Registration Date: **13 February 2009**

(56) Related Art Documents: **Not Applicable**

(57) Statement of Newness and Distinctiveness: **Busted bling creative cast covers have been designed to suit a full range of sizes, configurations and styles for everyone from babies through to the elderly. Monopoly is claimed on the visual appearance of the cast covers for both short and long arm casts and short and long leg casts. The visual shape of the arm and leg creative cast covers is unique because it is designed and shaped specifically to fit over the top of all sized arm and leg plaster and fibreglass casts, as shown in the attached design illustrations. There are 4 individual designs, one each for a short arm cast, a long arm cast, a short leg cast and a long leg cast. Visually, you can identify this product from the location of the seams and the placement of the tucks to ensure maximum comfort and aesthetics for the wearer. Also, the design for the arm covers has a specific hole for the thumb, suitable for left or right arms, with a specifically measured and tapered cut that visually matches each different size. This product is visually distinctive because of the shape, the type of fabrics used and the placement of the seams and tucks as illustrated in each design.**



(21) Design Number: **10028/2009**
 (22) Date of Filing Application: **07 January 2009**
 (24) Date from which industrial property rights may have effect: **07 January 2009**
 (54) Product in respect of which the design is registered: **Zester**
 (51) International Design Classification: **07-04**
 (71) Name(s) and Address(s) of Applicant(s):

Chef'n Corporation
1520 4th Avenue 3rd Floor Seattle Washington 98101 United States of America

(72) Name(s) of Designer(s): **David Hull**

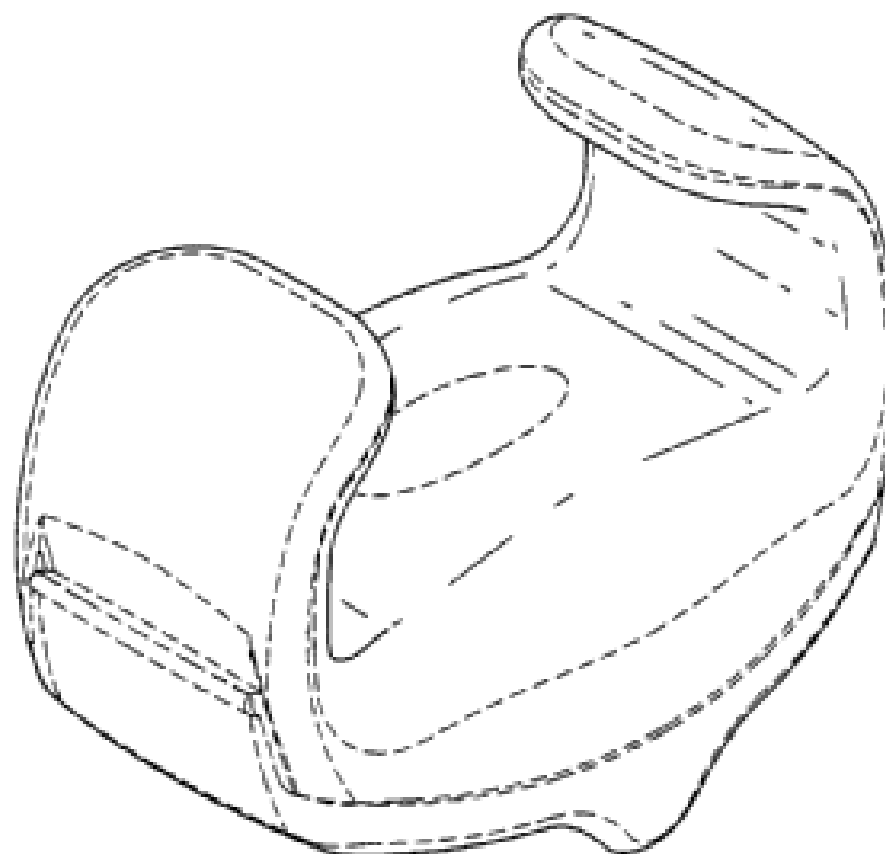
(45) Registration Date: **13 February 2009**

(30) Convention priority data:

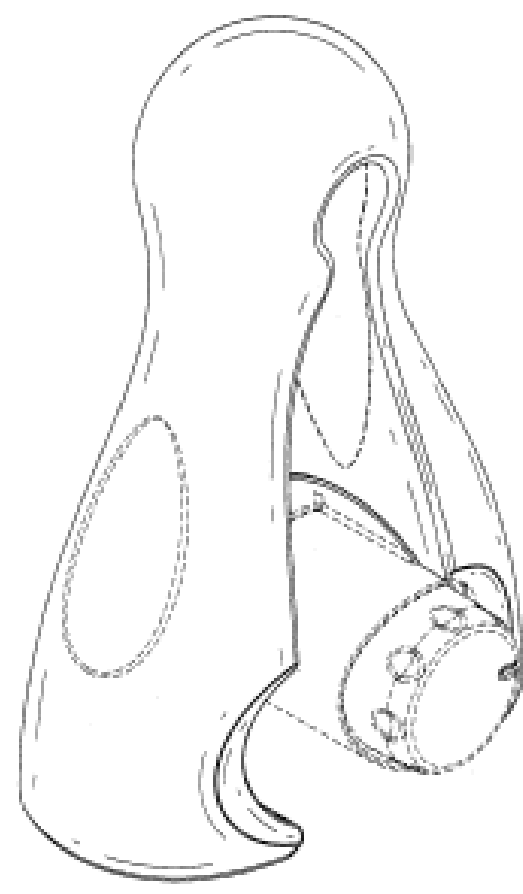
(31) Number	(32) Date	(33) Country
29322734	11 Aug 2008	UNITED STATES OF AMERICA

(56) Related Art Documents: **Not Applicable**

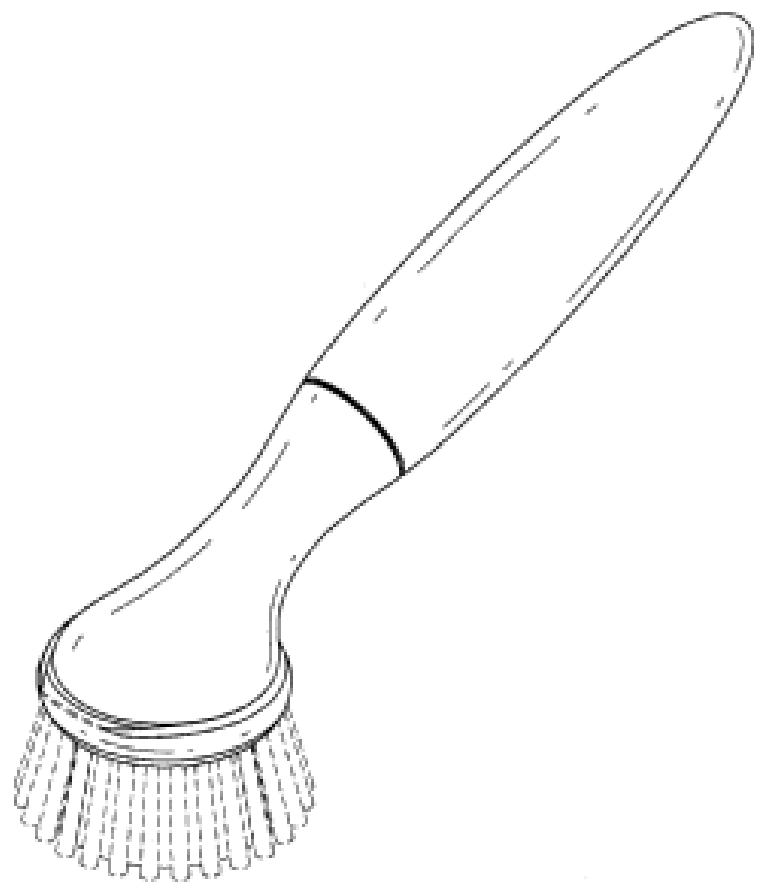
(57) Statement of Newness and Distinctiveness: **Newness and distinctiveness is claimed in the visual features shown in solid lines in the representations.**



(21) Design Number: **10029/2009**
 (22) Date of Filing Application: **07 January 2009**
 (24) Date from which industrial property rights may have effect: **07 January 2009**
 (54) Product in respect of which the design is registered: **Grater**
 (51) International Design Classification: **07-04**
 (71) Name(s) and Address(s) of Applicant(s):
Chef'n Corporation
1520 4th Avenue 3rd Floor Seattle Washington 98101 United States of America
 (72) Name(s) of Designer(s): **Matthew Krus**
 (45) Registration Date: **13 February 2009**
 (30) Convention priority data:
 (31) Number (32) Date (33) Country
29322735 11 Aug 2008 UNITED STATES OF AMERICA
 (56) Related Art Documents: **Not Applicable**
 (57) Statement of Newness and Distinctiveness: **Newness and distinctiveness is claimed in the visual features shown in solid lines in the representations.**



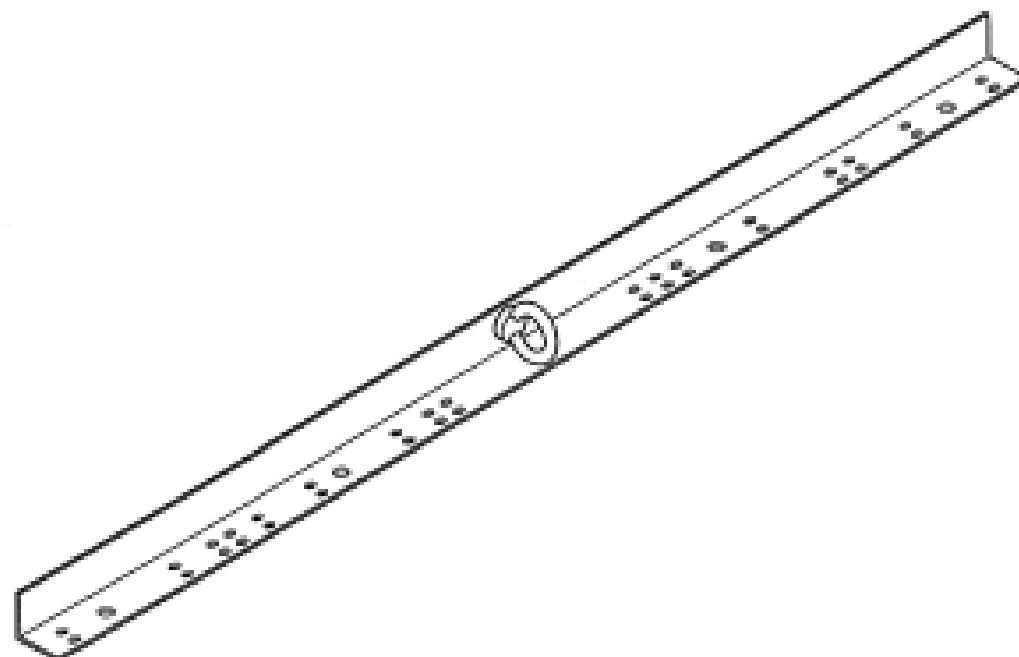
(21) Design Number: **10030/2009**
 (22) Date of Filing Application: **07 January 2009**
 (24) Date from which industrial property rights may have effect: **07 January 2009**
 (54) Product in respect of which the design is registered: **Washing brush**
 (51) International Design Classification: **04-01**
 (71) Name(s) and Address(s) of Applicant(s):
Chef'n Corporation
1520 4th Avenue 3rd Floor Seattle Washington 98101 United States of America
 (72) Name(s) of Designer(s): **Matthew Krus and David Hull and Jonah S. Griffith and Adam A. Jossem**
 (45) Registration Date: **13 February 2009**
 (30) Convention priority data:
 (31) Number (32) Date (33) Country
29322739 11 Aug 2008 UNITED STATES OF AMERICA
 (56) Related Art Documents: **Not Applicable**
 (57) Statement of Newness and Distinctiveness: **Newness and distinctiveness is claimed in the visual features shown in solid lines in the representations.**



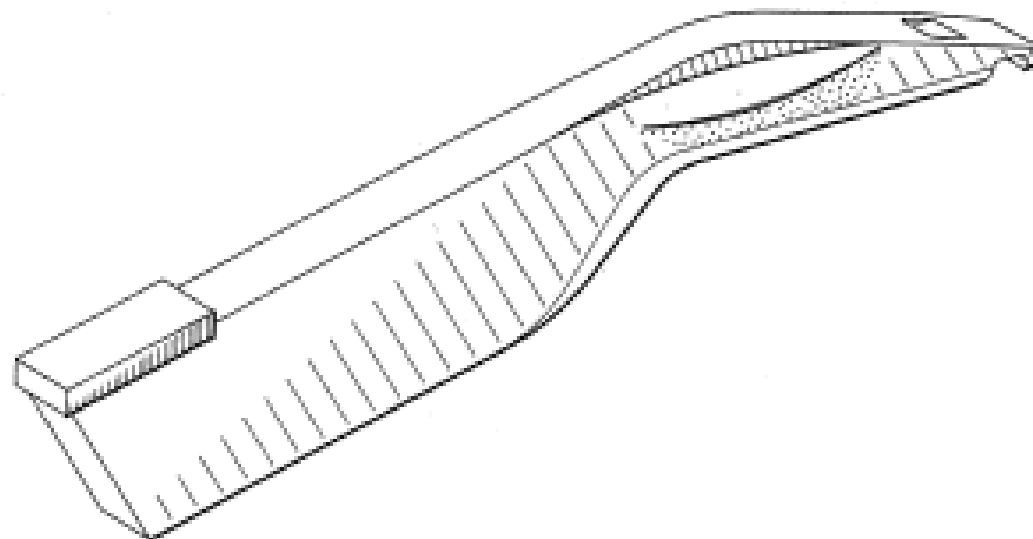
(21) Design Number: **10031/2009**
(22) Date of Filing Application: **07 January 2009**
(24) Date from which industrial property rights may have effect: **07 January 2009**
(54) Product in respect of which the design is registered: **Brush**
(51) International Design Classification: **04-01**
(71) Name(s) and Address(s) of Applicant(s):
Chef'n Corporation
1520 4th Avenue 3rd Floor Seattle Washington 98101 United States of America
(72) Name(s) of Designer(s): **Matthew Krus and David Hull and Jonah S. Griffith and Adam A. Jossem**
(45) Registration Date: **13 February 2009**
(30) Convention priority data:
(31) Number (32) Date (33) Country
29322742 11 Aug 2008 UNITED STATES OF AMERICA
(56) Related Art Documents: **Not Applicable**
(57) Statement of Newness and Distinctiveness: **Newness and distinctiveness is claimed in the visual features shown in solid lines in the representations.**



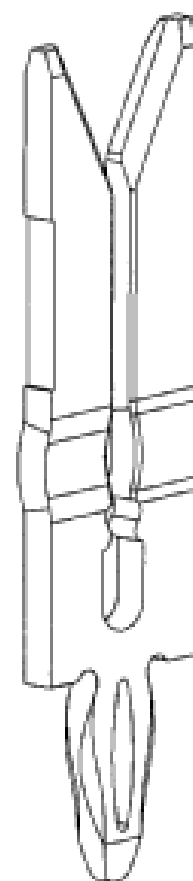
(21) Design Number: **10130/2009**
(22) Date of Filing Application: **16 January 2009**
(24) Date from which industrial property rights may have effect: **16 January 2009**
(54) Product in respect of which the design is registered: **A roof anchor**
(51) International Design Classification: **08-08NES, 29-02**
(71) Name(s) and Address(s) of Applicant(s):
Johnathon Newitt
10 Valleyfield Road Sorell Tasmania 7172 Australia
(72) Name(s) of Designer(s): **Johnathon Newitt**
(45) Registration Date: **13 February 2009**
(56) Related Art Documents: **Not Applicable**
(57) Statement of Newness and Distinctiveness: **Nil**



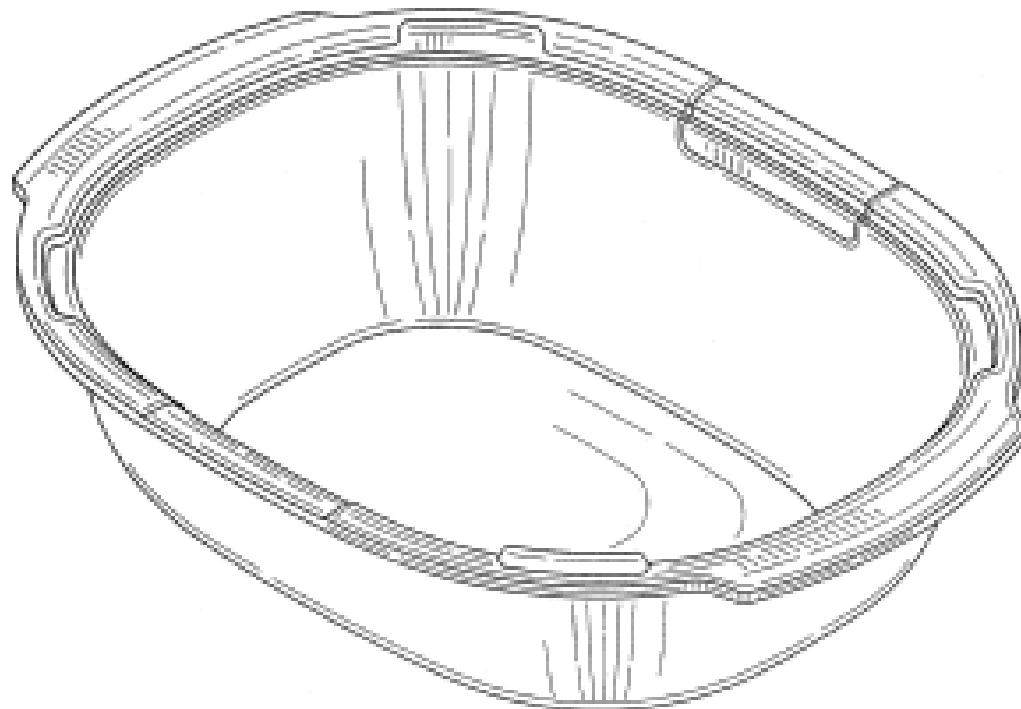
- (21) Design Number: **10134/2009**
(22) Date of Filing Application: **19 January 2009**
(24) Date from which industrial property rights may have effect: **19 January 2009**
(54) Product in respect of which the design is registered: **A digging point**
(51) International Design Classification: **15-03A**
(71) Name(s) and Address(s) of Applicant(s):
S&C Smart Pty Ltd
23245 Midlands Road Mingenew Western Australia 6522 Australia
(72) Name(s) of Designer(s): **Stuart Davis Smart**
(45) Registration Date: **13 February 2009**
(56) Related Art Documents: **Not Applicable**
(57) Statement of Newness and Distinctiveness: **Newness and distinctiveness is claimed in the features of shape and/or configuration of a digging point as illustrated in continuous lines in the accompanying representations.**



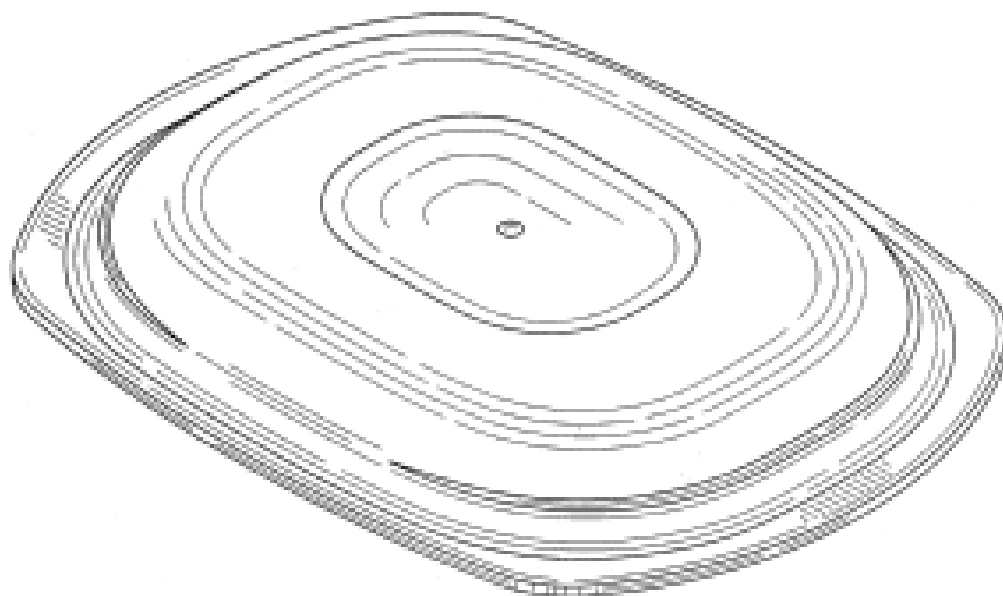
- (21) Design Number: **10144/2009**
(22) Date of Filing Application: **19 January 2009**
(24) Date from which industrial property rights may have effect: **19 January 2009**
(54) Product in respect of which the design is registered: **Electrically conductive contact**
(51) International Design Classification: **13-03C**
(71) Name(s) and Address(s) of Applicant(s):
ADC Communications (Australia) Pty Limited
2 Hereford Street Berkeley Vale New South Wales 2261 Australia
(72) Name(s) of Designer(s): **Kavita Purohit**
(45) Registration Date: **13 February 2009**
(56) Related Art Documents: **Not Applicable**
(57) Statement of Newness and Distinctiveness: **The features of shape and configuration of the electrically conductive contact shown in the accompanying representations are considered to be new and distinctive.**



- (21) Design Number: **10145/2009**
(22) Date of Filing Application: **19 January 2009**
(24) Date from which industrial property rights may have effect: **19 January 2009**
(54) Product in respect of which the design is registered: **Dishes**
(51) International Design Classification: **07-01NES**
(71) Name(s) and Address(s) of Applicant(s):
Dart Industries Inc.
14901 S. Orange Blossom Trail Orlando Florida 32837 United States of America
(72) Name(s) of Designer(s): **Jan-Hendrik De Groot**
(45) Registration Date: **13 February 2009**
(30) Convention priority data:
(31) Number (32) Date (33) Country
29/310,288 07 Aug 2008 UNITED STATES OF AMERICA
(56) Related Art Documents: **Not Applicable**
(57) Statement of Newness and Distinctiveness: **Those features of the dishes depicted in the representations that are new and distinctive are the shape and/or configuration.**



- (21) Design Number: **10146/2009**
(22) Date of Filing Application: **19 January 2009**
(24) Date from which industrial property rights may have effect: **19 January 2009**
(54) Product in respect of which the design is registered: **Cover**
(51) International Design Classification: **07-01NES**
(71) Name(s) and Address(s) of Applicant(s):
Dart Industries Inc.
14901 S. Orange Blossom Trail Orlando Florida 32837 United States of America
(72) Name(s) of Designer(s): **Jan-Hendrik De Groot**
(45) Registration Date: **13 February 2009**
(30) Convention priority data:
(31) Number (32) Date (33) Country
29/310,289 07 Aug 2008 UNITED STATES OF AMERICA
(56) Related Art Documents: **Not Applicable**
(57) Statement of Newness and Distinctiveness: **Those features of the cover depicted in the representations that are new and distinctive are the shape and/or configuration.**



(21) Design Number: **10329/2009**

(22) Date of Filing Application: **06 February 2009**

(24) Date from which industrial property rights may have effect: **06 February 2009**

(54) Product in respect of which the design is registered: **Communication device**

(51) International Design Classification: **14-03NES**

(71) Name(s) and Address(s) of Applicant(s):

Motorola, Inc.
1303 East Algonquin Road Schaumburg Illinois 60196 United States of America

(72) Name(s) of Designer(s): **Shlomo Kazma and Reuven-Yozef Filman and Carol Ronen and Timothy J. Sweeney**

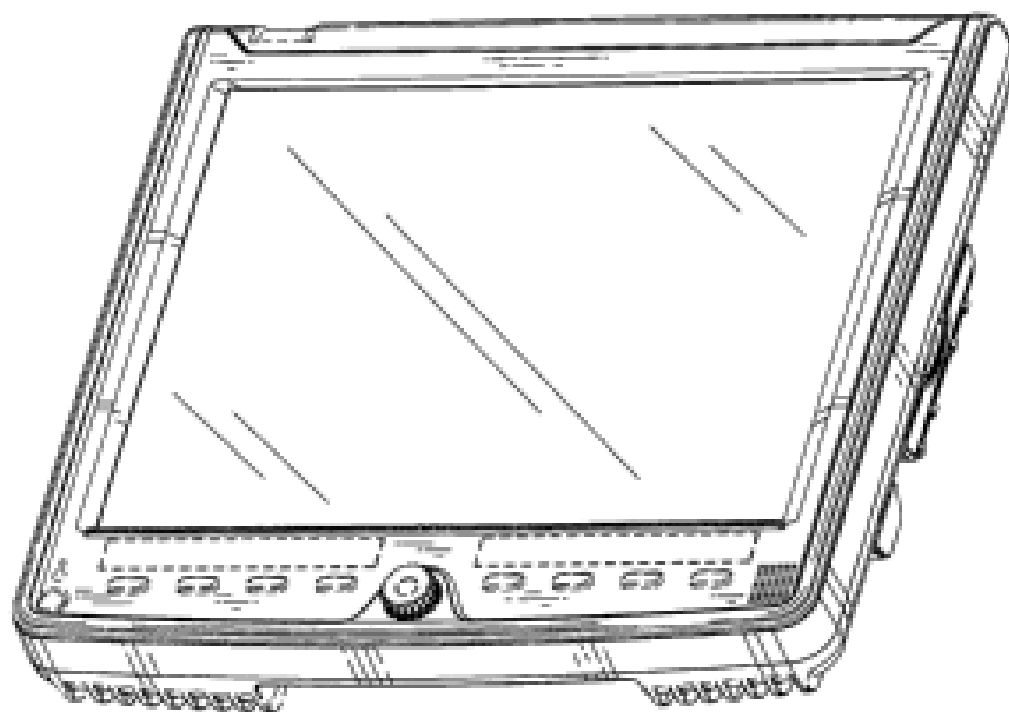
(45) Registration Date: **13 February 2009**

(30) Convention priority data:

(31) Number	(32) Date	(33) Country
29/323706	29 Aug 2008	UNITED STATES OF AMERICA

(56) Related Art Documents: **Not Applicable**

(57) Statement of Newness and Distinctiveness: **Newness and distinctiveness is claimed in those visual features depicted in unbroken lines.**



(21) Design Number: **12933/2008**

(22) Date of Filing Application: **23 June 2008**

(24) Date from which industrial property rights may have effect: **23 June 2008**

(54) Product in respect of which the design is registered: **Container with lid**

(51) International Design Classification: **09-03NES**

(71) Name(s) and Address(s) of Applicant(s):

Huhtamaki Australia Pty Limited
225 Wellington Road Mulgrave Victoria 3170 Australia

(72) Name(s) of Designer(s): **Paul Daffurn and Ian Janetzki**

(45) Registration Date: **16 February 2009**

(56) Related Art Documents: **Not Applicable**

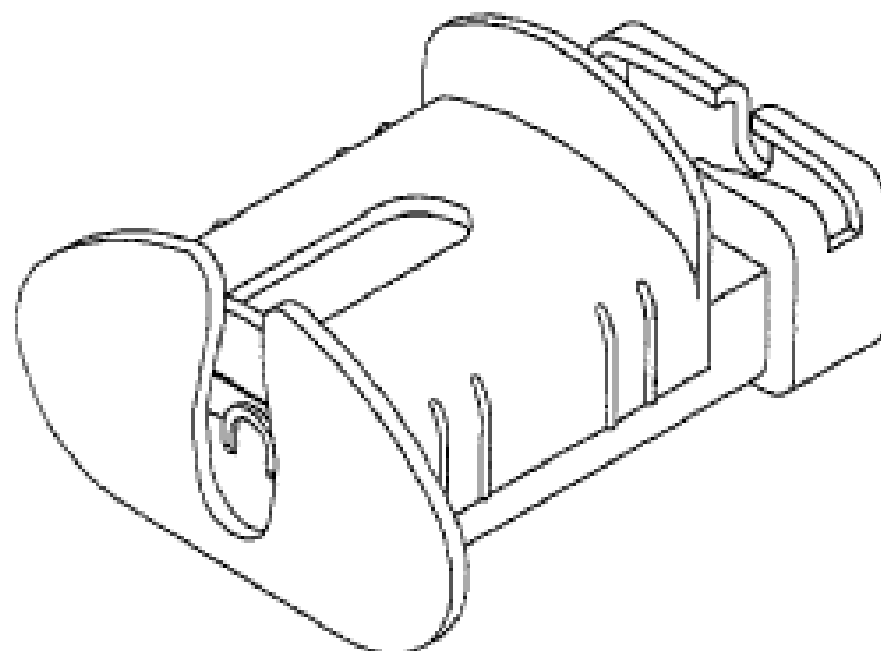
(57) Statement of Newness and Distinctiveness: **Newness and distinctiveness is claimed in features of shape and/or configuration of a container with hinged lid as illustrated in the accompanying representations. In considering which features are new and distinctive, particular/special regard is to be had to the manner in which the container and lid are coupled together. Furthermore, in considering the newness and distinctiveness the indicia shown on the representations can be disregarded.**



- (21) Design Number: **12935/2008**
(22) Date of Filing Application: **23 June 2008**
(24) Date from which industrial property rights may have effect: **23 June 2008**
(54) Product in respect of which the design is registered: **Container with lid**
(51) International Design Classification: **09-03NES**
(71) Name(s) and Address(s) of Applicant(s):
Huhtamaki Australia Pty Limited
225 Wellington Road Mulgrave Victoria 3170 Australia
(72) Name(s) of Designer(s): **Paul Daffurn and Ian Janetzki**
(45) Registration Date: **16 February 2009**
(56) Related Art Documents: **Not Applicable**
(57) Statement of Newness and Distinctiveness: **Newness and distinctiveness is claimed in features of shape and/or configuration of a container with hinged lid as illustrated in the accompanying representations. In considering which features are new and distinctive, particular/special regard is to be had to the manner in which the container and lid are coupled together. Furthermore, in considering the newness and distinctiveness the indicia shown on the representations can be disregarded.**



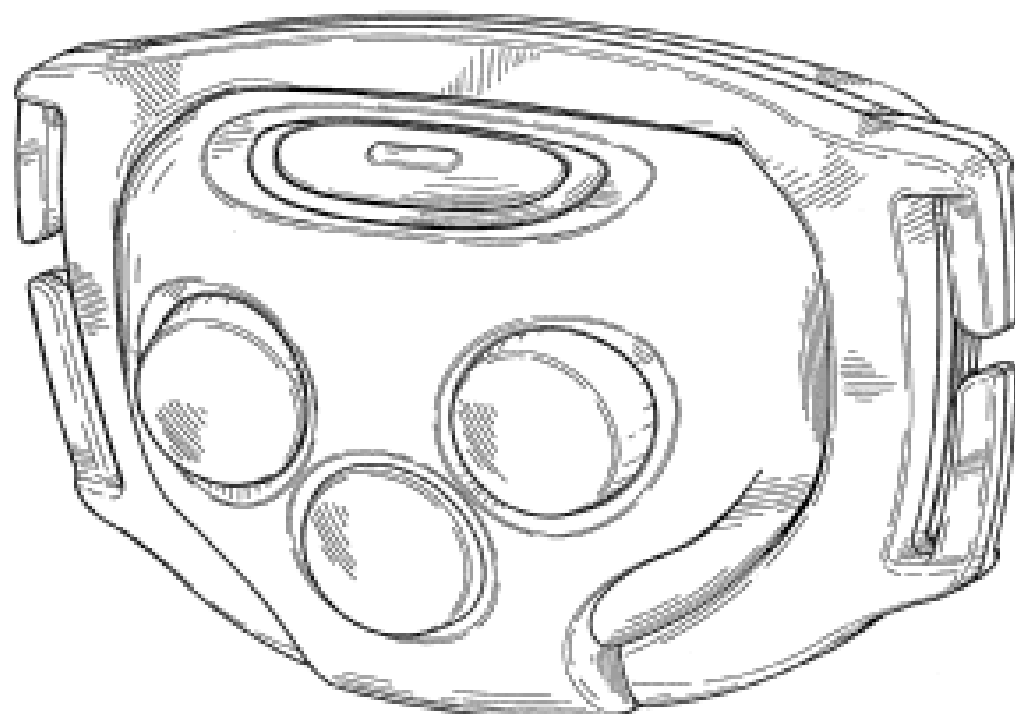
- (21) Design Number: **15181/2008**
(22) Date of Filing Application: **31 October 2008**
(24) Date from which industrial property rights may have effect: **31 October 2008**
(54) Product in respect of which the design is registered: **Tool for aiding self-injection**
(51) International Design Classification: **03-01NES, 24-02**
(71) Name(s) and Address(s) of Applicant(s):
Wyeth
Five Giralda Farms Madison New Jersey 07940 United States of America
(72) Name(s) of Designer(s): **Sungsook Choi and Toshihiro Funaki and Hiroshi Okada and Kiyohisa Endo**
(45) Registration Date: **16 February 2009**
(30) Convention priority data:
(31) Number (32) Date (33) Country
2008-011264 02 May 2008 JAPAN
(56) Related Art Documents: **Not Applicable**
(57) Statement of Newness and Distinctiveness: **Nil**



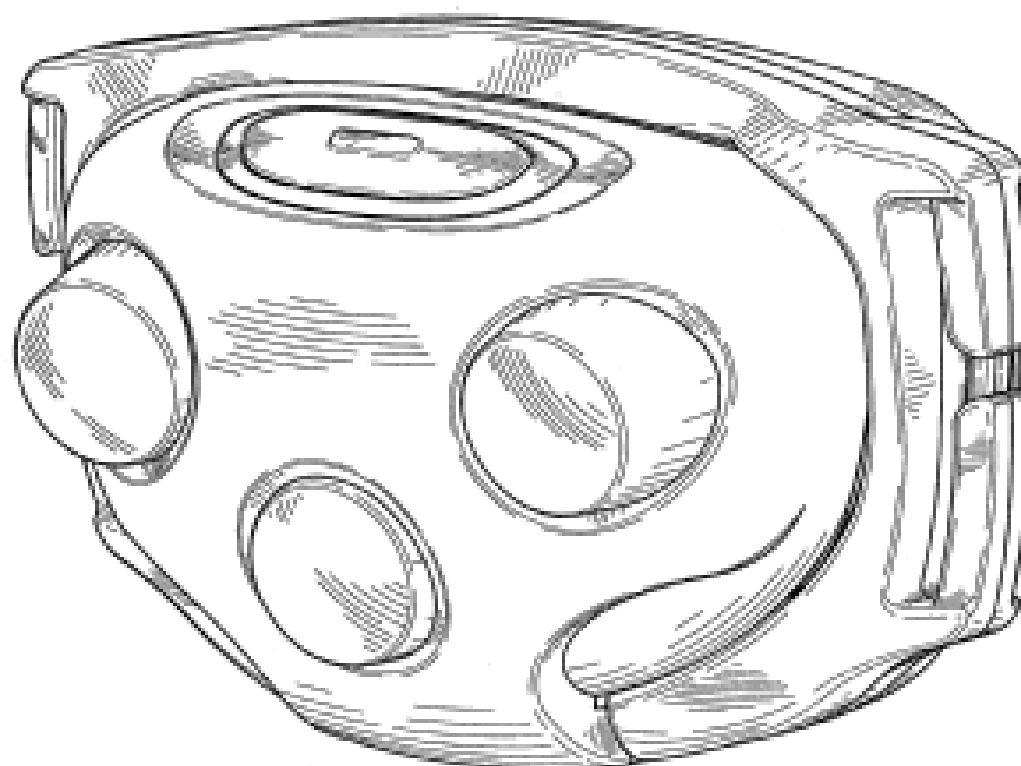
(21) Design Number: **15218/2008**
(22) Date of Filing Application: **05 November 2008**
(24) Date from which industrial property rights may have effect: **05 November 2008**
(54) Product in respect of which the design is registered: **4.8m polycraft trailerable boat**
(51) International Design Classification: **12-06A**
(71) Name(s) and Address(s) of Applicant(s):
National Poly Industries Pty Ltd
89 Childers Road Bundaberg Queensland 4670 Australia
(72) Name(s) of Designer(s): **Anthony Scott and Brad Cooper**
(45) Registration Date: **16 February 2009**
(56) Related Art Documents: **Not Applicable**
(57) Statement of Newness and Distinctiveness: **The boat is made from Polyethylene using rotomoulding technology. The design incorporates an interlocking outer and inner hulls resulting in a one piece construction. This gives a soft and quiet ride when compared to traditional boat building methods and materials.**



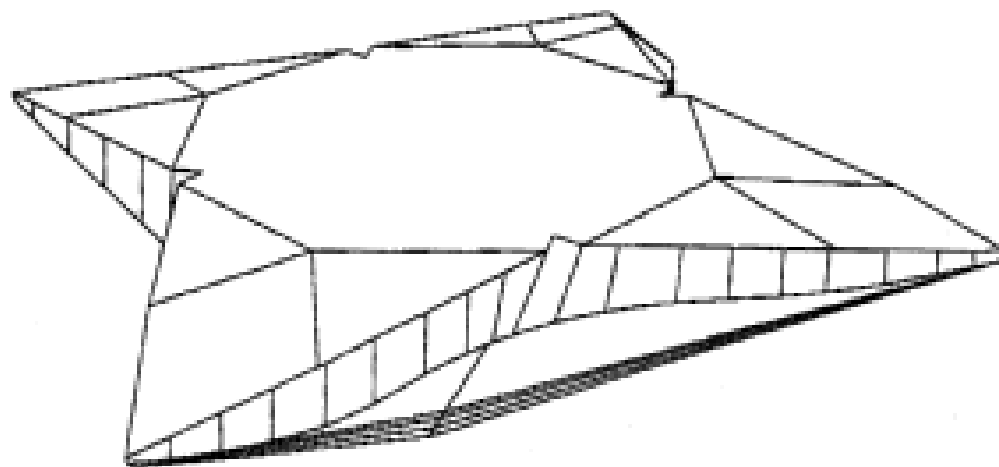
(21) Design Number: **15309/2008**
(22) Date of Filing Application: **10 November 2008**
(24) Date from which industrial property rights may have effect: **10 November 2008**
(54) Product in respect of which the design is registered: **Lighting device**
(51) International Design Classification: **26-02**
(71) Name(s) and Address(s) of Applicant(s):
Eveready Battery Company, Inc.
533 Maryville University Drive St Louis Missouri 63141 United States of America
(72) Name(s) of Designer(s): **David J. Hine and Scott W. Osiecki and Donwoong Kang**
(45) Registration Date: **16 February 2009**
(30) Convention priority data:
(31) Number (32) Date (33) Country
000933726 13 May 2008 EUROPEAN COMMUNITY
(56) Related Art Documents: **Not Applicable**
(57) Statement of Newness and Distinctiveness: **Newness and distinctiveness is claimed in those visual features depicted in unbroken lines.**



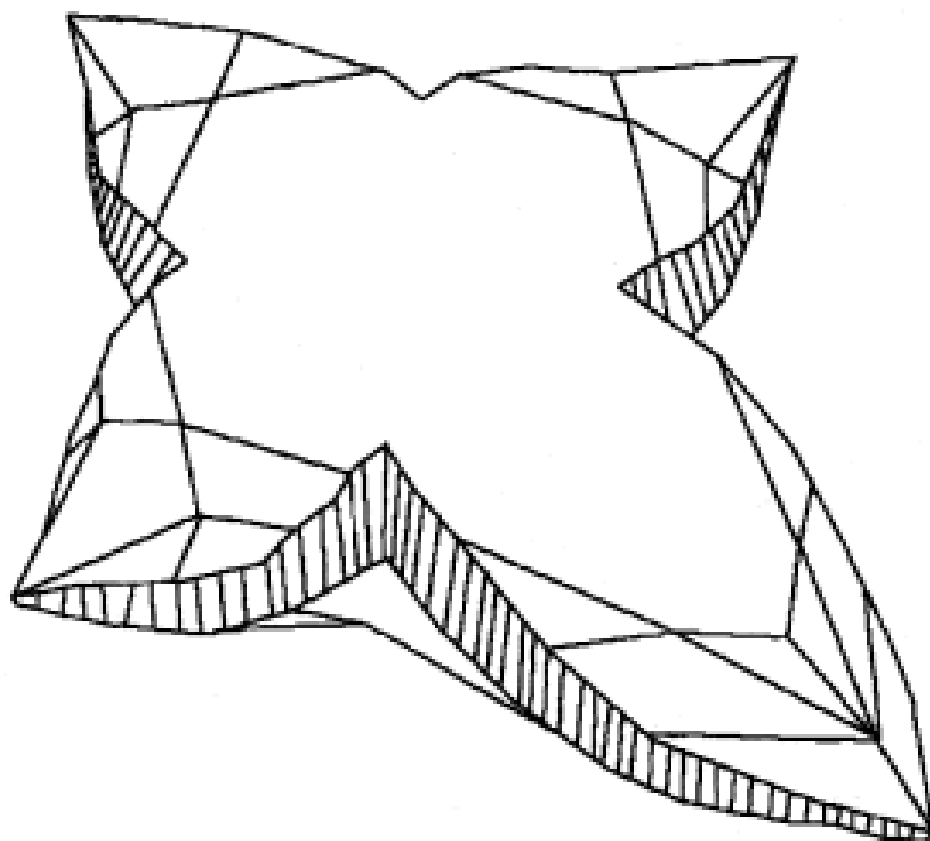
- (21) Design Number: **15310/2008**
(22) Date of Filing Application: **10 November 2008**
(24) Date from which industrial property rights may have effect: **10 November 2008**
(54) Product in respect of which the design is registered: **Lighting device**
(51) International Design Classification: **26-02**
(71) Name(s) and Address(s) of Applicant(s):
Eveready Battery Company, Inc.
533 Maryville University Drive St Louis Missouri 63141 United States of America
(72) Name(s) of Designer(s): **David J. Hine and Scott W. Osiecki and Donwoong Kang**
(45) Registration Date: **16 February 2009**
(30) Convention priority data:
(31) Number (32) Date (33) Country
000933726 13 May 2008 EUROPEAN COMMUNITY
(56) Related Art Documents: **Not Applicable**
(57) Statement of Newness and Distinctiveness: **Newness and distinctiveness is claimed in those visual features depicted in unbroken lines.**



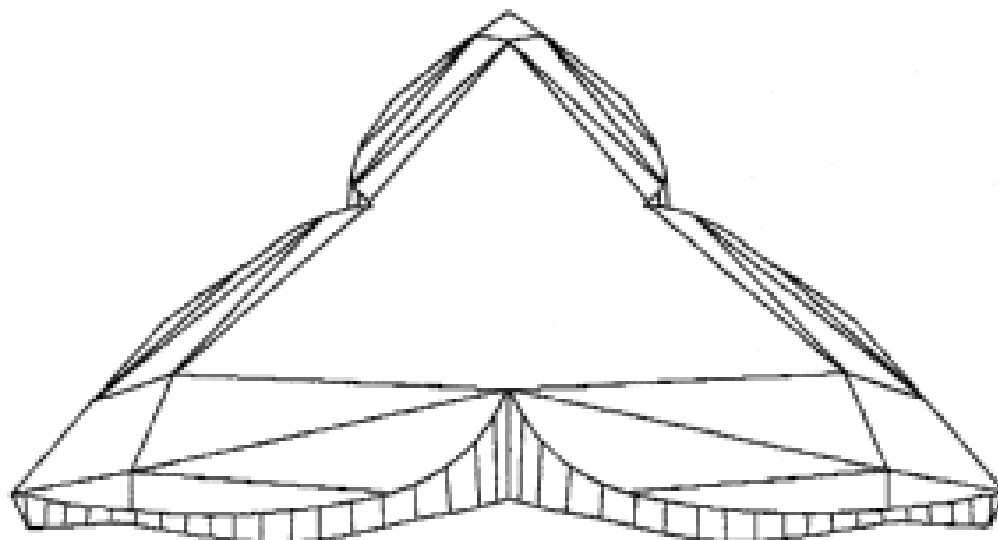
- (21) Design Number: **10115/2009**
(22) Date of Filing Application: **16 January 2009**
(24) Date from which industrial property rights may have effect: **16 January 2009**
(54) Product in respect of which the design is registered: **Diamonds and precious stones**
(51) International Design Classification: **11-01NES**
(71) Name(s) and Address(s) of Applicant(s):
Ruven Gersh
2 Kehilat Venetzia Apartment 54 Tel Aviv 69400 Israel
Yoram Tzvi Berenstein
88 Levi Eshkol Street Tel Aviv 69400 Israel
(72) Name(s) of Designer(s): **Ruven Gersh**
(45) Registration Date: **16 February 2009**
(56) Related Art Documents: **Not Applicable**
(57) Statement of Newness and Distinctiveness: **Newness and distinctiveness is claimed in the visual features shown in solid lines in the representations.**



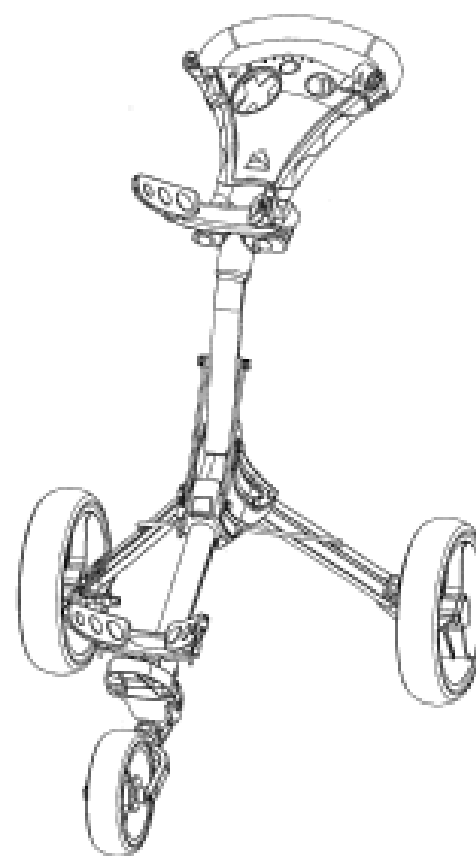
- (21) Design Number: **10116/2009**
(22) Date of Filing Application: **16 January 2009**
(24) Date from which industrial property rights may have effect: **16 January 2009**
(54) Product in respect of which the design is registered: **Diamonds and precious stones**
(51) International Design Classification: **11-01NES**
(71) Name(s) and Address(s) of Applicant(s):
Ruven Gersh
2 Kehilat Venetzia Apartment 54 Tel Aviv 69400 Israel
Yoram Tzvi Berenstein
88 Levi Eshkol Street Tel Aviv 69400 Israel
(72) Name(s) of Designer(s): **Ruven Gersh**
(45) Registration Date: **16 February 2009**
(56) Related Art Documents: **Not Applicable**
(57) Statement of Newness and Distinctiveness: **Newness and distinctiveness is claimed in the visual features shown in solid lines in the representations.**



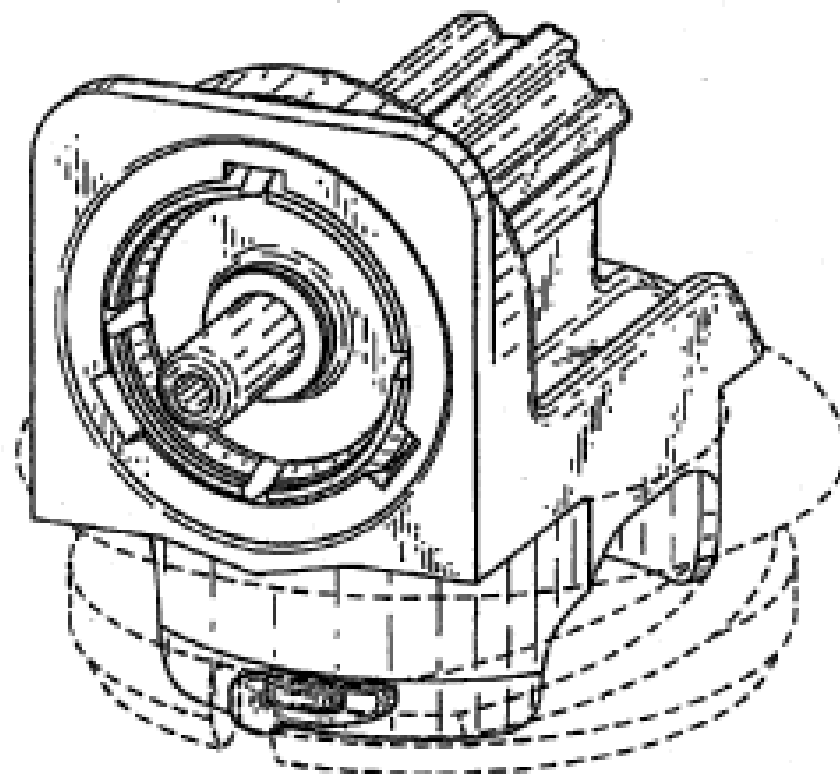
- (21) Design Number: **10117/2009**
(22) Date of Filing Application: **16 January 2009**
(24) Date from which industrial property rights may have effect: **16 January 2009**
(54) Product in respect of which the design is registered: **Diamonds and precious stones**
(51) International Design Classification: **11-01NES**
(71) Name(s) and Address(s) of Applicant(s):
Ruven Gersh
2 Kehilat Venetzia Apartment 54 Tel Aviv 69400 Israel
Yoram Tzvi Berenstein
88 Levi Eshkol Street Tel Aviv 69400 Israel
(72) Name(s) of Designer(s): **Ruven Gersh**
(45) Registration Date: **16 February 2009**
(56) Related Art Documents: **Not Applicable**
(57) Statement of Newness and Distinctiveness: **Newness and distinctiveness is claimed in the visual features shown in solid lines in the representations.**



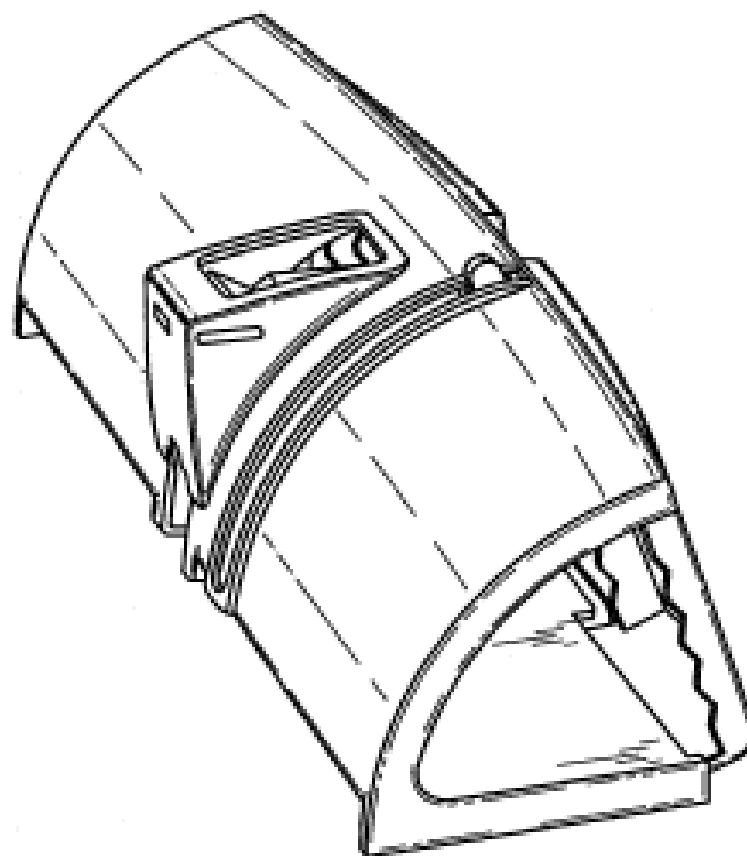
- (21) Design Number: **10118/2009**
(22) Date of Filing Application: **16 January 2009**
(24) Date from which industrial property rights may have effect: **16 January 2009**
(54) Product in respect of which the design is registered: **Golf cart**
(51) International Design Classification: **21-02C**
(71) Name(s) and Address(s) of Applicant(s):
Unique Product & Design Co., Ltd.
No.5, Ming Dong Road Yung Kang City Tainan Hsien Taiwan
(72) Name(s) of Designer(s): **Gordon Liao**
(45) Registration Date: **16 February 2009**
(56) Related Art Documents: **Not Applicable**
(57) Statement of Newness and Distinctiveness: **Nil.**



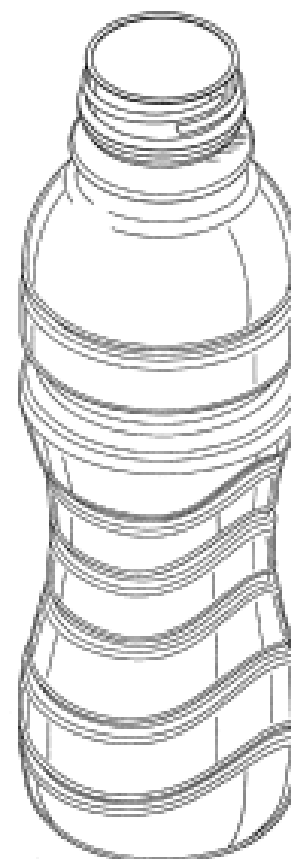
- (21) Design Number: **10119/2009**
(22) Date of Filing Application: **16 January 2009**
(24) Date from which industrial property rights may have effect: **16 January 2009**
(54) Product in respect of which the design is registered: **Metering valve for a fuel cell**
(51) International Design Classification: **23-01K**
(71) Name(s) and Address(s) of Applicant(s):
Illinois Tool Works Inc.
3600 West Lake Avenue Glenview Illinois 60026-1215 United States of America
(72) Name(s) of Designer(s): **Maureen L. Shea and Eric S. Gibson and Robert S. Buetow**
(45) Registration Date: **16 February 2009**
(30) Convention priority data:
(31) Number (32) Date (33) Country
29/317155 23 Apr 2008 UNITED STATES OF AMERICA
(56) Related Art Documents: **Not Applicable**
(57) Statement of Newness and Distinctiveness: **Newness and distinctiveness is claimed in the visual features shown in solid lines in the representations.**



(21) Design Number: **10052/2009**
 (22) Date of Filing Application: **08 January 2009**
 (24) Date from which industrial property rights may have effect: **08 January 2009**
 (54) Product in respect of which the design is registered: **Mousetrap**
 (51) International Design Classification: **22-06**
 (71) Name(s) and Address(s) of Applicant(s):
Reckitt Benckiser (Australia) Pty Limited
44 Wharf Road West Ryde New South Wales 2114 Australia
 (72) Name(s) of Designer(s): **Vladan Jovic and Duncan McLeod Watson and**
Brendyn Murray Rodgers
 (45) Registration Date: **16 February 2009**
 (30) Convention priority data:
 (31) Number (32) Date (33) Country
000977962-0001 28 Jul 2008 EUROPEAN COMMUNITY
 (56) Related Art Documents: **Not Applicable**
 (57) Statement of Newness and Distinctiveness: **Newness and distinctiveness**
resides in the features of the design as shown in the representations.



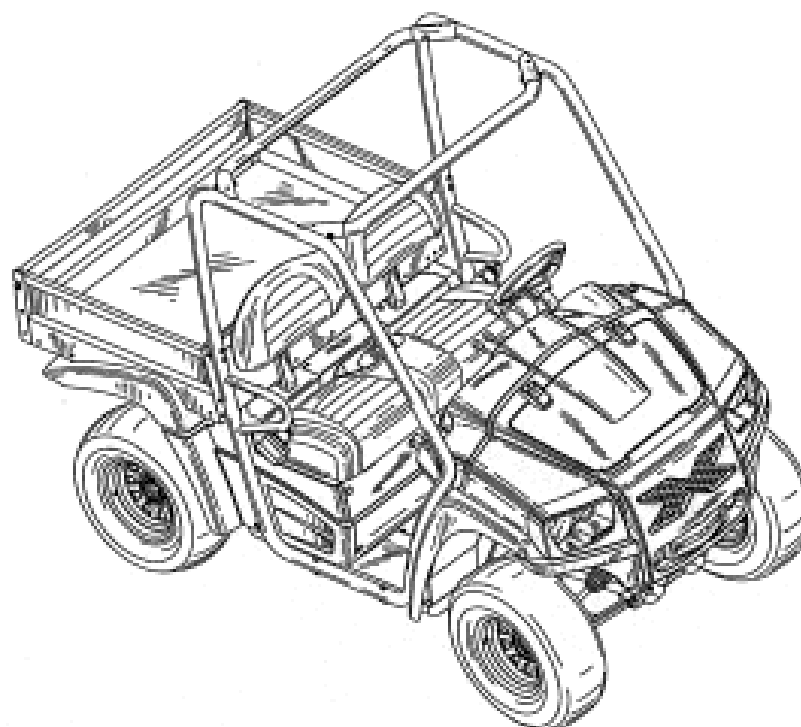
(21) Design Number: **10053/2009**
 (22) Date of Filing Application: **08 January 2009**
 (24) Date from which industrial property rights may have effect: **08 January 2009**
 (54) Product in respect of which the design is registered: **Bottle**
 (51) International Design Classification: **09-01NES**
 (71) Name(s) and Address(s) of Applicant(s):
Campbell Soup Company
Campbell Place Camden New Jersey 08103-1799 United States of
America
 (72) Name(s) of Designer(s): **Jason Tiefenback**
 (45) Registration Date: **16 February 2009**
 (30) Convention priority data:
 (31) Number (32) Date (33) Country
29/310150 28 Jul 2008 UNITED STATES OF AMERICA
 (56) Related Art Documents: **Not Applicable**
 (57) Statement of Newness and Distinctiveness: **Newness and distinctiveness**
resides in the features of the design as shown in the representations.



(19) AU

- (21) Design Number: **10128/2009**
- (22) Date of Filing Application: **16 January 2009**
- (24) Date from which industrial property rights may have effect: **16 January 2009**
- (54) Product in respect of which the design is registered: **Vehicle**
- (51) International Design Classification: **12-08**
- (71) Name(s) and Address(s) of Applicant(s):
Club Car, Inc.
4125 Washington Road Evans Georgia 30809 United States of America
- (72) Name(s) of Designer(s): **Roy Linwood Woodard Jr. and Bruce Rice Crapse and Dean Jayson Long**
- (45) Registration Date: **16 February 2009**
- (30) Convention priority data:

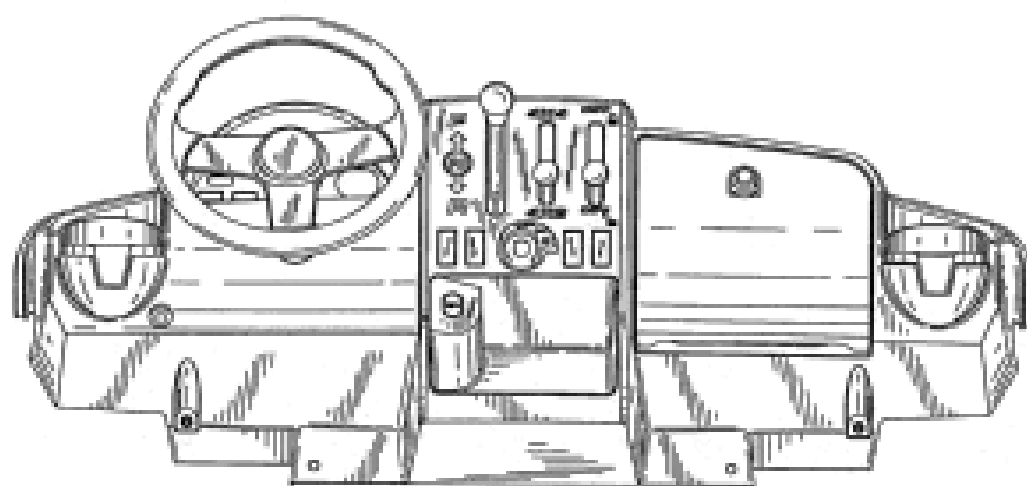
(31) Number	(32) Date	(33) Country
29/321,567	18 Jul 2008	UNITED STATES OF AMERICA
- (56) Related Art Documents: **Not Applicable**
- (57) Statement of Newness and Distinctiveness: **Those features of the vehicle depicted in the representations that are new and distinctive are the shape and/or configuration.**



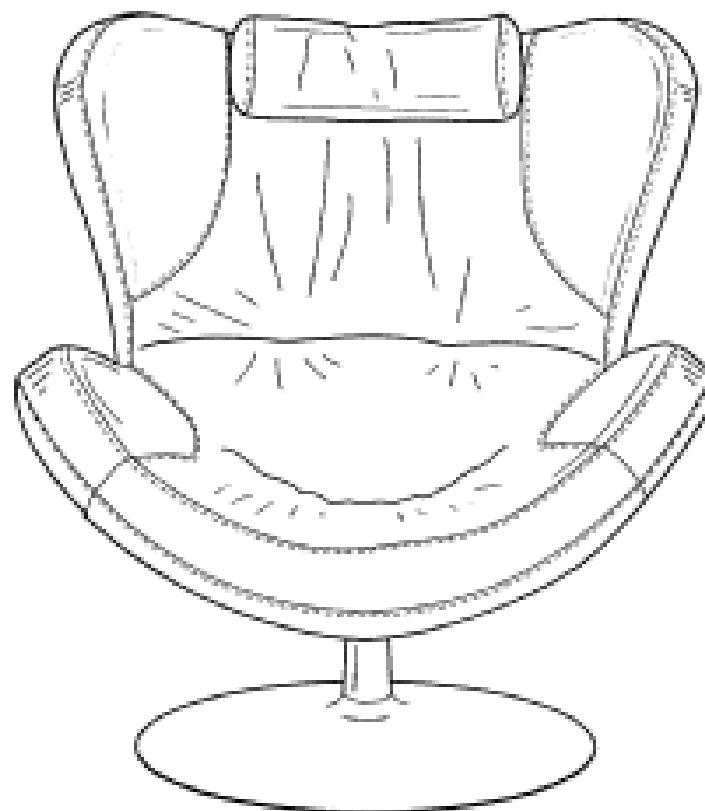
(19) AU

- (21) Design Number: **10129/2009**
- (22) Date of Filing Application: **16 January 2009**
- (24) Date from which industrial property rights may have effect: **16 January 2009**
- (54) Product in respect of which the design is registered: **Vehicle dashboard**
- (51) International Design Classification: **12-16NES**
- (71) Name(s) and Address(s) of Applicant(s):
Club Car, Inc.
4125 Washington Road Evans Georgia 30809 United States of America
- (72) Name(s) of Designer(s): **Roy Linwood Woodard Jr. and Bruce Rice Crapse and Dean Jayson Long**
- (45) Registration Date: **16 February 2009**
- (30) Convention priority data:

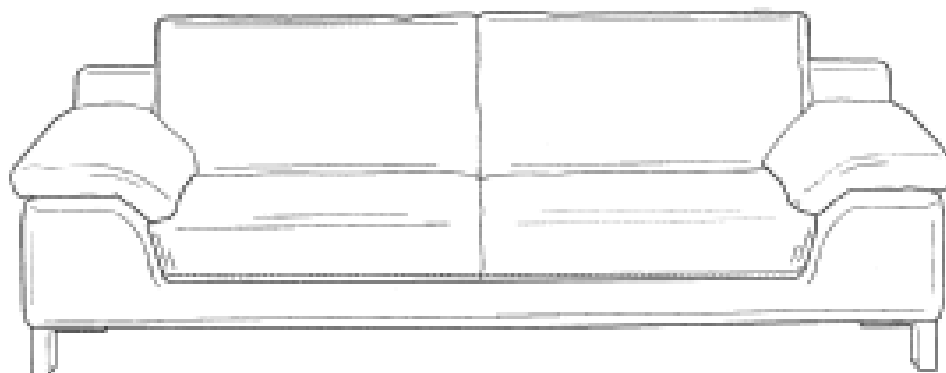
(31) Number	(32) Date	(33) Country
29/321,568	18 Jul 2008	UNITED STATES OF AMERICA
- (56) Related Art Documents: **Not Applicable**
- (57) Statement of Newness and Distinctiveness: **Those features of the vehicle dashboard depicted in the representations that are new and distinctive are the shape and/or configuration.**



(21) Design Number: **10154/2009**
(22) Date of Filing Application: **20 January 2009**
(24) Date from which industrial property rights may have effect: **20 January 2009**
(54) Product in respect of which the design is registered: **Armchair**
(51) International Design Classification: **06-01G**
(71) Name(s) and Address(s) of Applicant(s):
Natuzzi, S.p.A.
Corso Cavour 51 Bari 70121 Italy
(72) Name(s) of Designer(s): **Pasquale Natuzzi and Maurizio Manzoni and Robert Tapinassi**
(45) Registration Date: **16 February 2009**
(30) Convention priority data:
(31) Number (32) Date (33) Country
001017412-0017 08 Oct 2008 EUROPEAN COMMUNITY
(56) Related Art Documents: **Not Applicable**
(57) Statement of Newness and Distinctiveness: **Nil**



(21) Design Number: **10155/2009**
(22) Date of Filing Application: **20 January 2009**
(24) Date from which industrial property rights may have effect: **20 January 2009**
(54) Product in respect of which the design is registered: **Sofa**
(51) International Design Classification: **06-01G**
(71) Name(s) and Address(s) of Applicant(s):
Natuzzi, S.p.A.
Corso Cavour 51 Bari 70121 Italy
(72) Name(s) of Designer(s): **Pasquale Natuzzi and Antonia Digirolamo**
(45) Registration Date: **16 February 2009**
(30) Convention priority data:
(31) Number (32) Date (33) Country
001017412-0012 08 Oct 2008 EUROPEAN COMMUNITY
(56) Related Art Documents: **Not Applicable**
(57) Statement of Newness and Distinctiveness: **Nil**



(21) Design Number: **10157/2009**

(22) Date of Filing Application: **20 January 2009**

(24) Date from which industrial property rights may have effect: **20 January 2009**

(54) Product in respect of which the design is registered: **Pacifier**

(51) International Design Classification: **24-04**

(71) Name(s) and Address(s) of Applicant(s):

**MAM Babyartikel Gesellschaft m.b.H.
Lorenz-Mandl-Gasse 50 1160 Wien Austria**

(72) Name(s) of Designer(s): **Peter Rohrig and Ernst W. Beranek**

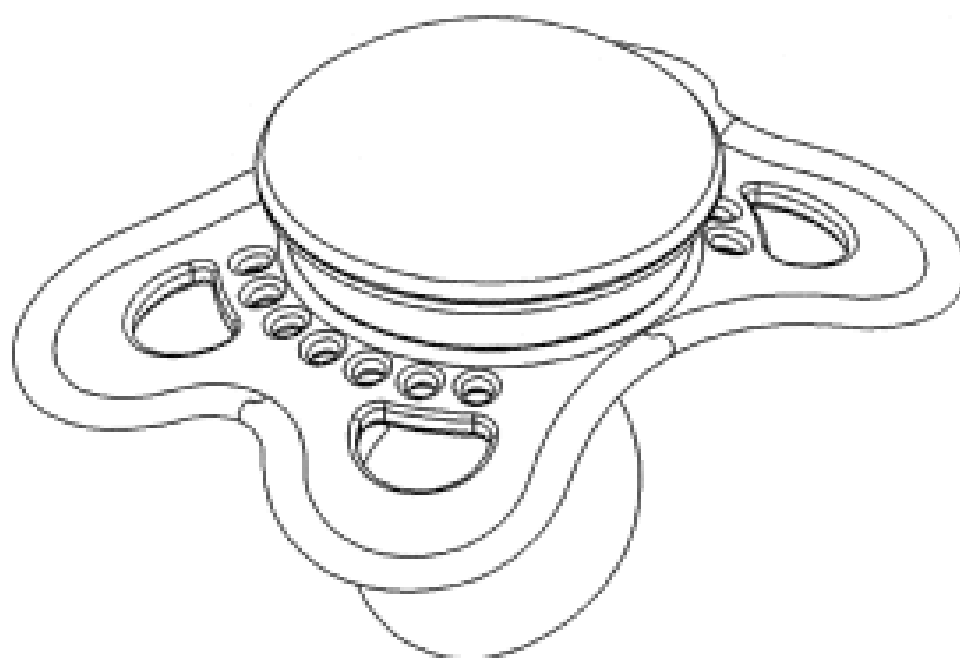
(45) Registration Date: **16 February 2009**

(30) Convention priority data:

(31) Number	(32) Date	(33) Country
979299-0002	30 Jul 2008	EUROPEAN COMMUNITY

(56) Related Art Documents: **Not Applicable**

(57) Statement of Newness and Distinctiveness: **Newness and distinctiveness is claimed in the features of shape and/or configuration of the shield of a pacifier as illustrated in the accompanying representations.**



(21) Design Number: **10158/2009**

(22) Date of Filing Application: **20 January 2009**

(24) Date from which industrial property rights may have effect: **20 January 2009**

(54) Product in respect of which the design is registered: **Pacifier**

(51) International Design Classification: **24-04**

(71) Name(s) and Address(s) of Applicant(s):

**MAM Babyartikel Gesellschaft m.b.H.
Lorenz-Mandl-Gasse 50 1160 Wien Austria**

(72) Name(s) of Designer(s): **Peter Rohrig and Ernst W. Beranek**

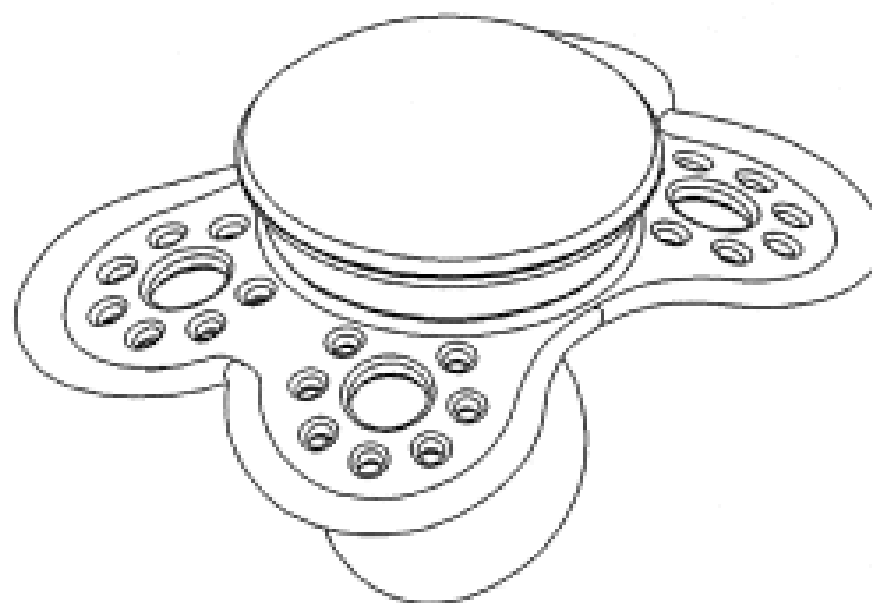
(45) Registration Date: **16 February 2009**

(30) Convention priority data:

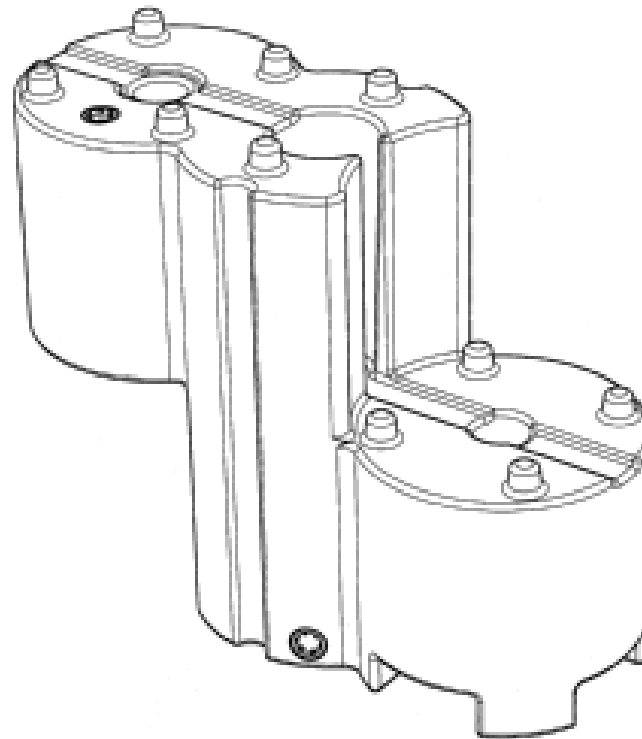
(31) Number	(32) Date	(33) Country
979299-0001	30 Jul 2008	EUROPEAN COMMUNITY

(56) Related Art Documents: **Not Applicable**

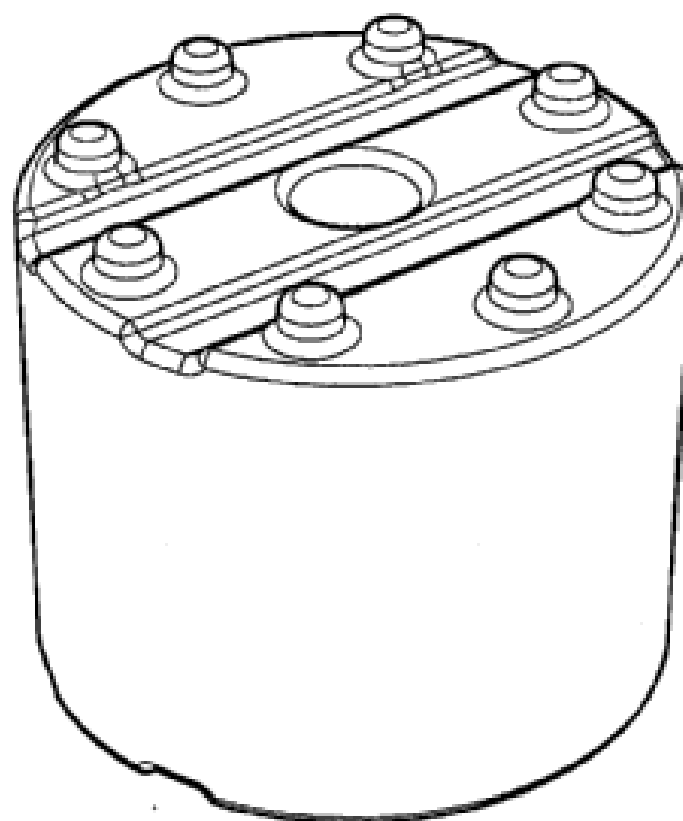
(57) Statement of Newness and Distinctiveness: **Newness and distinctiveness is claimed in the features of shape and/or configuration of the shield of a pacifier as illustrated in the accompanying representations.**



- (21) Design Number: **10166/2009**
- (22) Date of Filing Application: **23 January 2009**
- (24) Date from which industrial property rights may have effect: **23 January 2009**
- (54) Product in respect of which the design is registered: **Road crash barrier**
- (51) International Design Classification: **25-02NES**
- (71) Name(s) and Address(s) of Applicant(s):
Howard Ferry
774 Koorlong Avenue Irymple Victoria 3498 Australia
- (72) Name(s) of Designer(s): **Howard Ferry**
- (45) Registration Date: **16 February 2009**
- (56) Related Art Documents: **Not Applicable**
- (57) Statement of Newness and Distinctiveness: **Road barrier component is constructed in shape as shown to allow for unique interlocking mechanism that provides strength and modularity. Also locks into '1/2 block' road crash barrier.**



- (21) Design Number: **10167/2009**
- (22) Date of Filing Application: **23 January 2009**
- (24) Date from which industrial property rights may have effect: **23 January 2009**
- (54) Product in respect of which the design is registered: **Road crash barrier**
- (51) International Design Classification: **25-02NES**
- (71) Name(s) and Address(s) of Applicant(s):
Howard Ferry
774 Koorlong Avenue Irymple Victoria 3498 Australia
- (72) Name(s) of Designer(s): **Howard Ferry**
- (45) Registration Date: **16 February 2009**
- (56) Related Art Documents: **Not Applicable**
- (57) Statement of Newness and Distinctiveness: **Road barrier component is constructed in shape as shown to form part of unique interlocking mechanism with other barrier components that thus provides strength and modularity.**



(21) Design Number: **15156/2008**

(22) Date of Filing Application: **29 October 2008**

(24) Date from which industrial property rights may have effect: **29 October 2008**

(54) Product in respect of which the design is registered: **Motor cycle apparel hanger**

(51) International Design Classification: **06-08**

(71) Name(s) and Address(s) of Applicant(s):

Vaughn Dawes

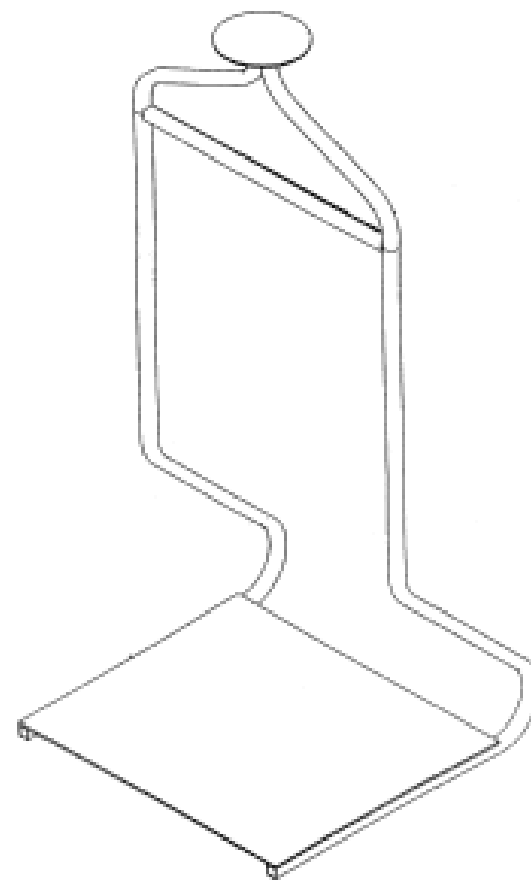
43 West High Street Coffs Harbour New South Wales 2450 Australia

(72) Name(s) of Designer(s): **Vaughn Dawes**

(45) Registration Date: **16 February 2009**

(56) Related Art Documents: **Not Applicable**

(57) Statement of Newness and Distinctiveness: **The newness and distinctiveness resides in the shape and configuration of the apparel storage system excluding features in dotted lines.**



(21) Design Number: **15250/2008**

(22) Date of Filing Application: **07 November 2008**

(24) Date from which industrial property rights may have effect: **07 November 2008**

(54) Product in respect of which the design is registered: **Star picket flag conector**

(51) International Design Classification: **25-01E**

(71) Name(s) and Address(s) of Applicant(s):

Simon Heywood

16 Hanretty Street Warnbro Western Australia 6169 Australia

(72) Name(s) of Designer(s): **Simon Heywood and Sonya Savage**

(45) Registration Date: **16 February 2009**

(56) Related Art Documents: **Not Applicable**

(57) Statement of Newness and Distinctiveness: **This design will allow pin flags to be connected to star pickets using the unique locking method.**



- (21) Design Number: **15566/2008**
- (22) Date of Filing Application: **24 November 2008**
- (24) Date from which industrial property rights may have effect: **24 November 2008**
- (54) Product in respect of which the design is registered: **Canister**
- (51) International Design Classification: **09-01K**
- (71) Name(s) and Address(s) of Applicant(s):

Playtex Products, Inc.
300 Nyala Farms Road Westport Connecticut 06880 United States of America

(72) Name(s) of Designer(s): **Charles J. Renz and Diana Sierra**

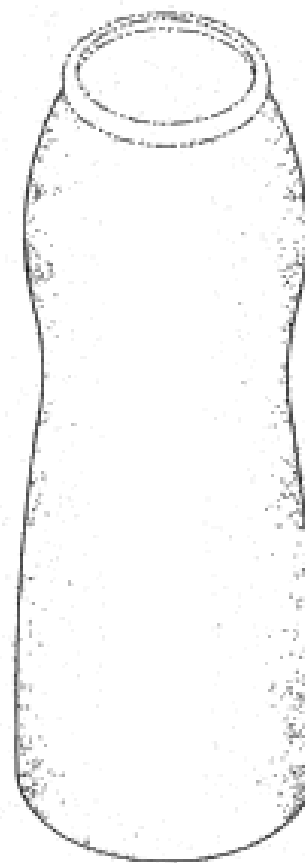
(45) Registration Date: **16 February 2009**

(30) Convention priority data:

(31) Number	(32) Date	(33) Country
29/308,047	23 May 2008	UNITED STATES OF AMERICA

(56) Related Art Documents: **Not Applicable**

(57) Statement of Newness and Distinctiveness: **Newness and distinctiveness is claimed in the shape and/or configuration of a canister as shown in the accompanying representations. The features shown in broken line are to be disregarded when considering the overall impression of the design.**



- (21) Design Number: **15572/2008**
- (22) Date of Filing Application: **24 November 2008**
- (24) Date from which industrial property rights may have effect: **24 November 2008**
- (54) Product in respect of which the design is registered: **Canister**
- (51) International Design Classification: **09-01K**
- (71) Name(s) and Address(s) of Applicant(s):

Playtex Products, Inc.
300 Nyala Farms Road Westport Connecticut 06880 United States of America

(72) Name(s) of Designer(s): **Charles J. Renz and Diana Sierra**

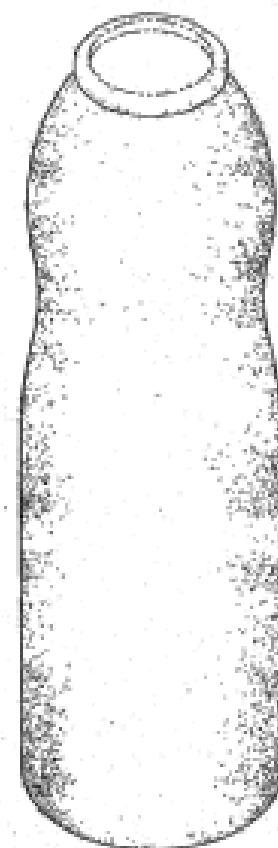
(45) Registration Date: **16 February 2009**

(30) Convention priority data:

(31) Number	(32) Date	(33) Country
29/308,031	23 May 2008	UNITED STATES OF AMERICA

(56) Related Art Documents: **Not Applicable**

(57) Statement of Newness and Distinctiveness: **Newness and distinctiveness is claimed in the shape and/or configuration of a canister as shown in the accompanying representations. The features shown in broken line are to be disregarded when considering the overall impression of the design.**



(21) Design Number: **15911/2008**
(22) Date of Filing Application: **17 December 2008**
(24) Date from which industrial property rights may have effect: **17 December 2008**
(54) Product in respect of which the design is registered: **Louvre blade**
(51) International Design Classification: **25-02K**
(71) Name(s) and Address(s) of Applicant(s):
Stephen Cordell
30 Bellini Way Mernda Victoria 3754 australia
(72) Name(s) of Designer(s): **Stephen Cordell**
(45) Registration Date: **16 February 2009**
(56) Related Art Documents: **Not Applicable**
(57) Statement of Newness and Distinctiveness: **Nil**



(21) Design Number: **15912/2008**
(22) Date of Filing Application: **17 December 2008**
(24) Date from which industrial property rights may have effect: **17 December 2008**
(54) Product in respect of which the design is registered: **Louvre clip**
(51) International Design Classification: **25-02K**
(71) Name(s) and Address(s) of Applicant(s):
Stephen Cordell
30 Bellini Way Mernda Victoria 3754 australia
(72) Name(s) of Designer(s): **Stephen Cordell**
(45) Registration Date: **16 February 2009**
(56) Related Art Documents: **Not Applicable**
(57) Statement of Newness and Distinctiveness: **Nil**



(21) Design Number: **12132/2008**

(22) Date of Filing Application: **30 April 2008**

(24) Date from which industrial property rights may have effect: **30 April 2008**

(54) Product in respect of which the design is registered: **Handbag liner**

(51) International Design Classification: **03-01B**

(71) Name(s) and Address(s) of Applicant(s):

Borne Cult Pty Ltd.

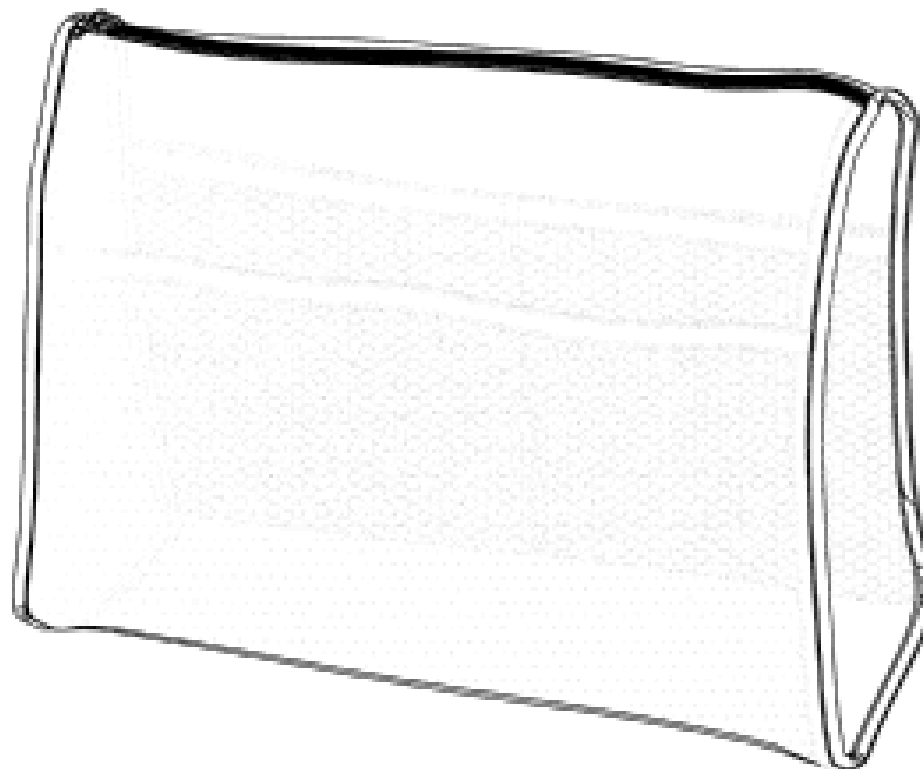
Appartment 201/68 Vista Street MOSMAN NSW 2088

(72) Name(s) of Designer(s): **Amanda George and Mychelle Vanderburg**

(45) Registration Date: **16 February 2009**

(56) Related Art Documents: **Not Applicable**

(57) Statement of Newness and Distinctiveness: **New and distinctive features comprise its transparent appearance and a single, main compartment. Dots of the dotted surface do not form part of the design and are included only to show an inner wall of the large internal pocket.**



(21) Design Number: **13694/2008**

(22) Date of Filing Application: **04 August 2008**

(24) Date from which industrial property rights may have effect: **04 August 2008**

(54) Product in respect of which the design is registered: **Mounting Bracket for a Dropbolt**

(51) International Design Classification: **08-07, 08-08L**

(71) Name(s) and Address(s) of Applicant(s):

D & D Group Pty Ltd

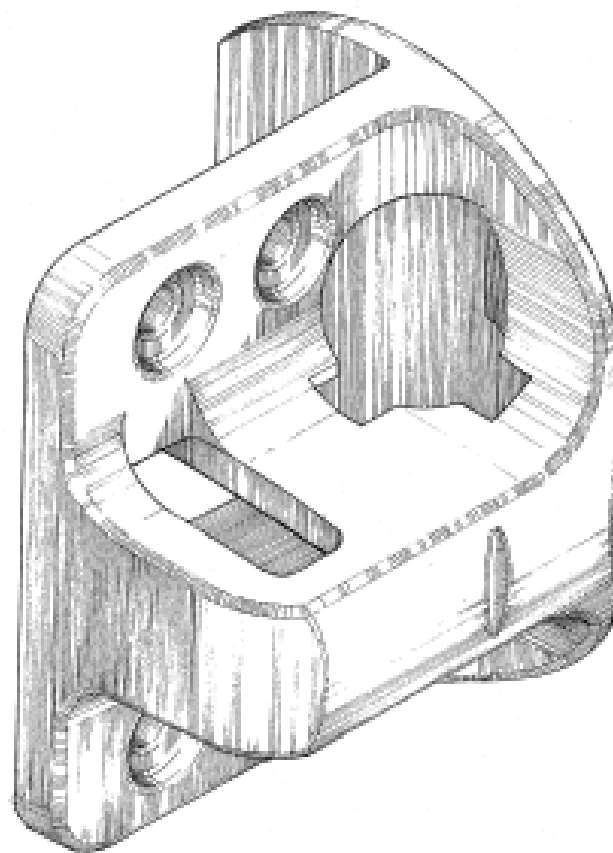
**Unit 6 4-6 Aquatic Drive Frenchs Forest New South Wales 2086
Australia**

(72) Name(s) of Designer(s): **Filip Tejszerski**

(45) Registration Date: **16 February 2009**

(56) Related Art Documents: **Not Applicable**

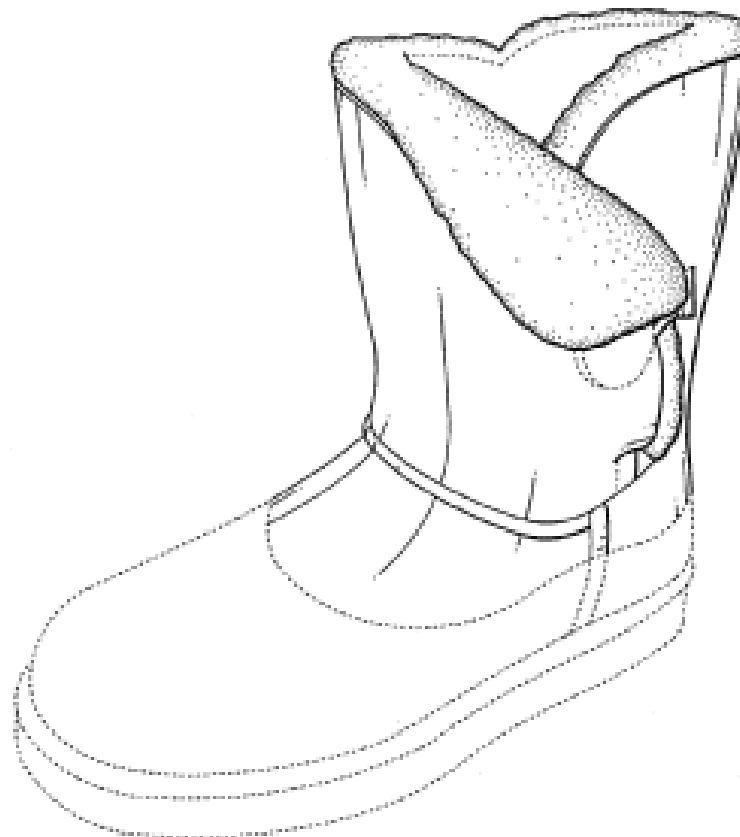
(57) Statement of Newness and Distinctiveness: **The shape and configuration of the mounting bracket, but excluding the configuration of the rear face is new and distinctive.**



- (21) Design Number: **15667/2008**
(22) Date of Filing Application: **03 December 2008**
(24) Date from which industrial property rights may have effect: **03 December 2008**
(54) Product in respect of which the design is registered: **Lighting, pendant lighting**
(51) International Design Classification: **26-05D**
(71) Name(s) and Address(s) of Applicant(s):
Andrew Boustani
95 Stratford Road Tahmoor New South Wales 2573 Australia
(72) Name(s) of Designer(s): **Andrew Boustani**
(45) Registration Date: **16 February 2009**
(56) Related Art Documents: **Not Applicable**
(57) Statement of Newness and Distinctiveness: **Nil**



- (21) Design Number: **10048/2009**
(22) Date of Filing Application: **07 January 2009**
(24) Date from which industrial property rights may have effect: **07 January 2009**
(54) Product in respect of which the design is registered: **Portion of a footwear upper**
(51) International Design Classification: **02-04NES**
(71) Name(s) and Address(s) of Applicant(s):
Deckers Outdoor Corporation
495-A South Fairview Avenue Goleta California 93117 United States of America
(72) Name(s) of Designer(s): **Jennifer MacIntyre**
(45) Registration Date: **16 February 2009**
(30) Convention priority data:
(31) Number (32) Date (33) Country
29/326868 27 Oct 2008 UNITED STATES OF AMERICA
(56) Related Art Documents: **Not Applicable**
(57) Statement of Newness and Distinctiveness: **Newness and distinctiveness reside in the features of the design shown in solid lines in the representations excluding those features shown in broken lines.**



(21) Design Number: **10120/2009**

(22) Date of Filing Application: **19 January 2009**

(24) Date from which industrial property rights may have effect: **19 January 2009**

(54) Product in respect of which the design is registered: **Souvenir/toy**

(51) International Design Classification: **11-02NES, 21-01A**

(71) Name(s) and Address(s) of Applicant(s):

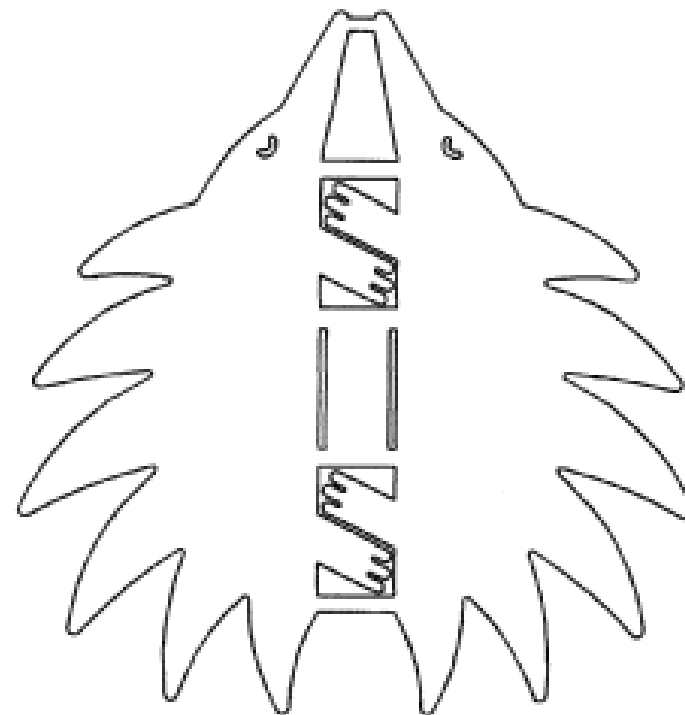
Benjamin Andrew Somerville
98 Manburgh Terrace Darra Queensland 4076 Australia

(72) Name(s) of Designer(s): **Benjamin Andrew Somerville**

(45) Registration Date: **16 February 2009**

(56) Related Art Documents: **Not Applicable**

(57) Statement of Newness and Distinctiveness: **Nil.**



(21) Design Number: **10121/2009**

(22) Date of Filing Application: **19 January 2009**

(24) Date from which industrial property rights may have effect: **19 January 2009**

(54) Product in respect of which the design is registered: **Magnetic device for securing steel mesh used in mine roofing to the mining machine installing the mesh**

(51) International Design Classification: **15-04**

(71) Name(s) and Address(s) of Applicant(s):

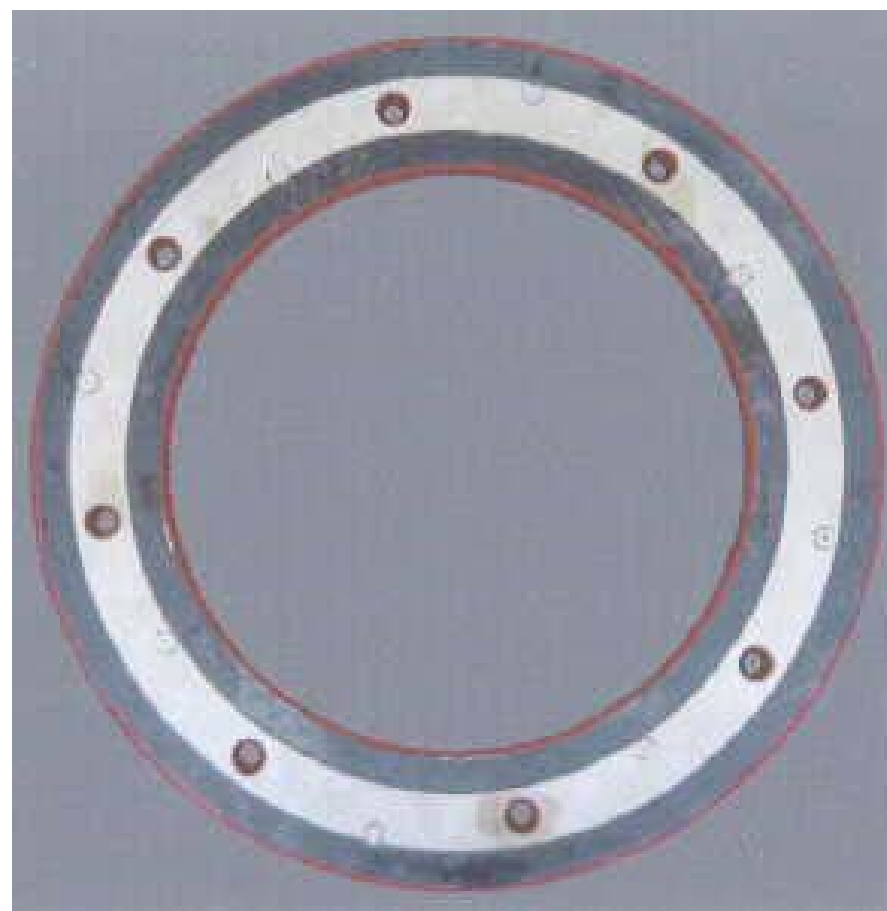
Victor Cassar
Unit 1 12 Jura Street Heatherbrae New South Wales 2324 Australia

(72) Name(s) of Designer(s): **Victor Cassar**

(45) Registration Date: **16 February 2009**

(56) Related Art Documents: **Not Applicable**

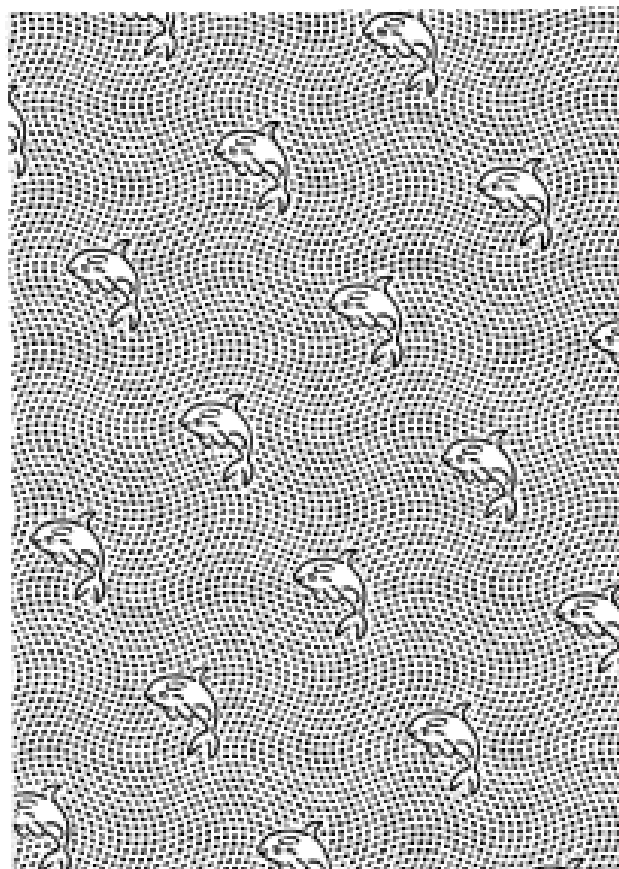
(57) Statement of Newness and Distinctiveness: **Concentric metal rings used in design and poly urethane casing**



- (21) Design Number: **10123/2009**
(22) Date of Filing Application: **19 January 2009**
(24) Date from which industrial property rights may have effect: **19 January 2009**
(54) Product in respect of which the design is registered: **Toilet tissue**
(51) International Design Classification: **05-06NES**
(71) Name(s) and Address(s) of Applicant(s):
Bond Tissue Products Pty Limited
19 Toohey Road Wetherill Park New South Wales 2164 Australia
(72) Name(s) of Designer(s): **Hout Ly**
(45) Registration Date: **16 February 2009**
(56) Related Art Documents: **Not Applicable**
(57) Statement of Newness and Distinctiveness: **In the representation a monopoly is claimed by the features of pattern and/or ornamentation applied to tissue.**



- (21) Design Number: **10124/2009**
(22) Date of Filing Application: **19 January 2009**
(24) Date from which industrial property rights may have effect: **19 January 2009**
(54) Product in respect of which the design is registered: **Toilet tissue**
(51) International Design Classification: **05-06NES**
(71) Name(s) and Address(s) of Applicant(s):
Bond Tissue Products Pty Limited
19 Toohey Road Wetherill Park New South Wales 2164 Australia
(72) Name(s) of Designer(s): **Hout Ly**
(45) Registration Date: **16 February 2009**
(56) Related Art Documents: **Not Applicable**
(57) Statement of Newness and Distinctiveness: **In the representation a monopoly is claimed by the features of pattern and/or ornamentation applied to tissue.**



- (21) Design Number: **10204/2009**
(22) Date of Filing Application: **27 January 2009**
(24) Date from which industrial property rights may have effect: **27 January 2009**
(54) Product in respect of which the design is registered: **Personal computer**
(51) International Design Classification: **14-02**
(71) Name(s) and Address(s) of Applicant(s):

NEC Personal Products, Ltd.
11-1 Osaki 1-chome Shinagawa-ku Tokyo Japan

- (72) Name(s) of Designer(s): **Naohisa Ogawa and Daisuke Kitagawa**

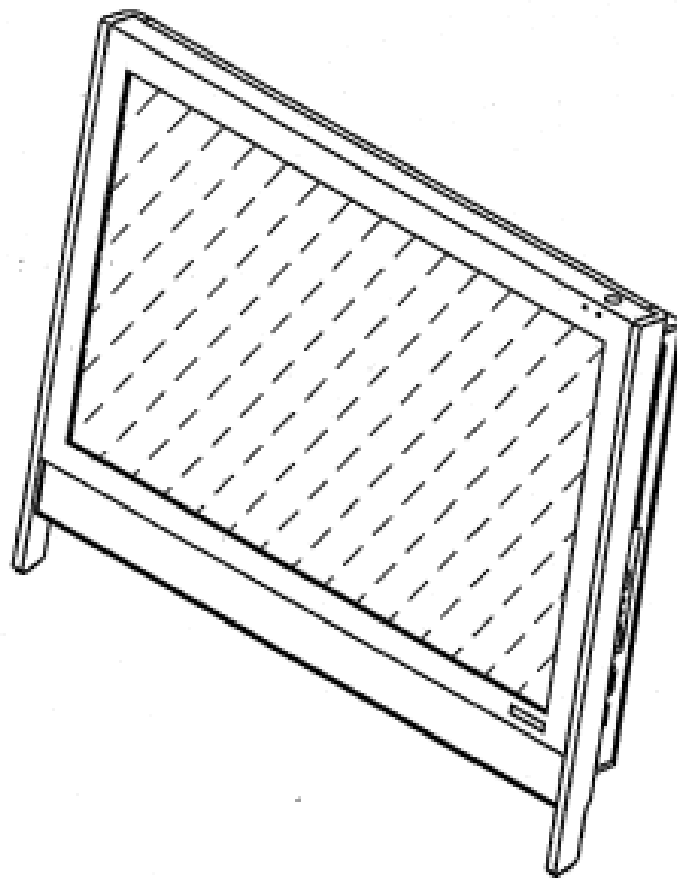
- (45) Registration Date: **16 February 2009**

- (30) Convention priority data:

(31) Number	(32) Date	(33) Country
2008-020049	04 Aug 2008	JAPAN

- (56) Related Art Documents: **Not Applicable**

- (57) Statement of Newness and Distinctiveness: **Newness and distinctiveness is claimed in the features of shape and/or configuration of a personal computer as illustrated in continuous lines in the accompanying representations, wherein regions shown in broken lines are to be disregarded in respect to newness and distinctiveness.**



- (21) Design Number: **14878/2008**
(22) Date of Filing Application: **10 October 2008**
(24) Date from which industrial property rights may have effect: **10 October 2008**
(54) Product in respect of which the design is registered: **Head protector**
(51) International Design Classification: **02-03**
(71) Name(s) and Address(s) of Applicant(s):

Isla George
14 Gregory Place Albany Creek Queensland 4035 Australia

- (72) Name(s) of Designer(s): **Isla George**

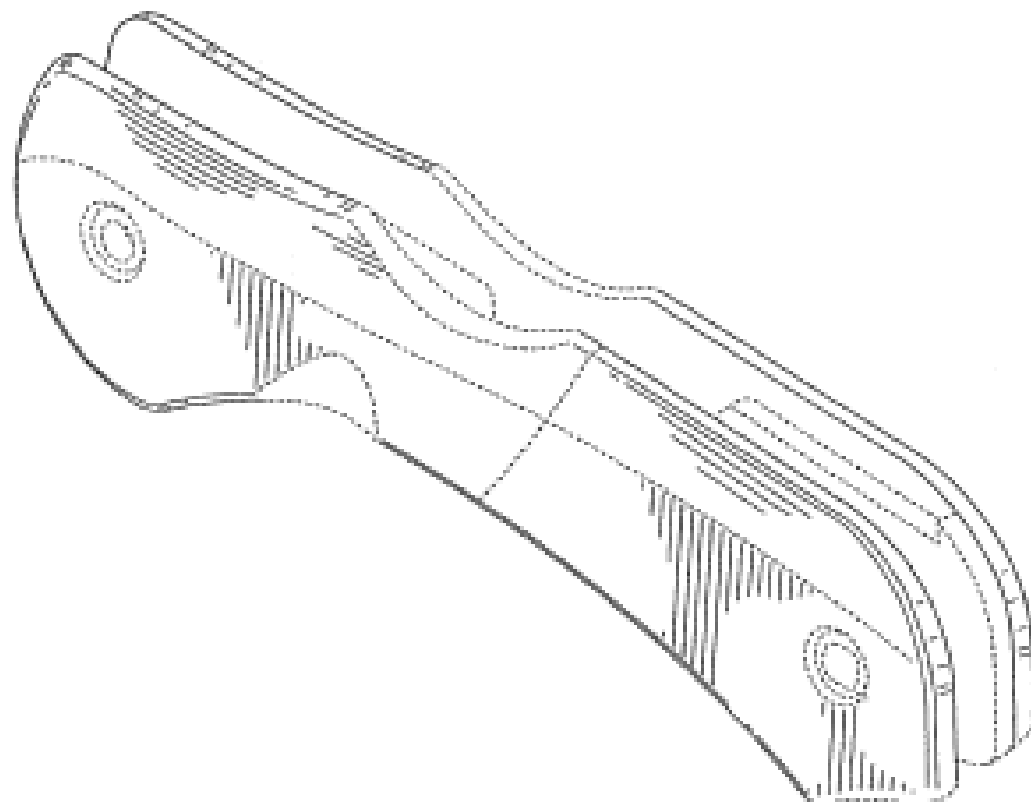
- (45) Registration Date: **16 February 2009**

- (56) Related Art Documents: **Not Applicable**

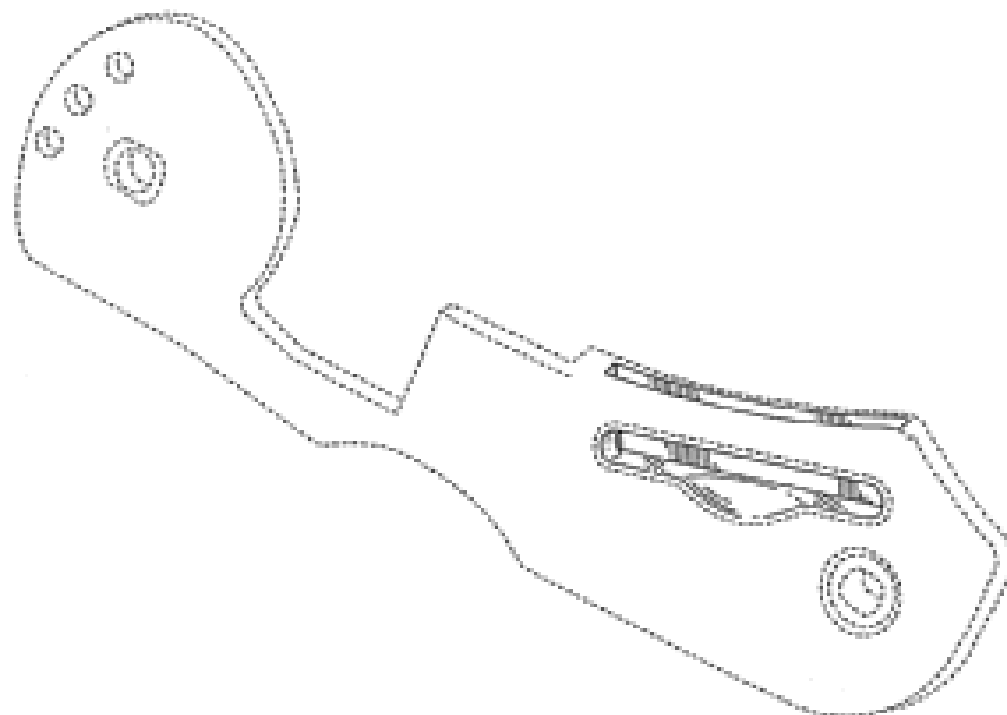
- (57) Statement of Newness and Distinctiveness: **Headheight and circumference adjustable for all sizes, hook and loop fasteners comfortable visual adjustability stylish design, with or without chinstrap.**



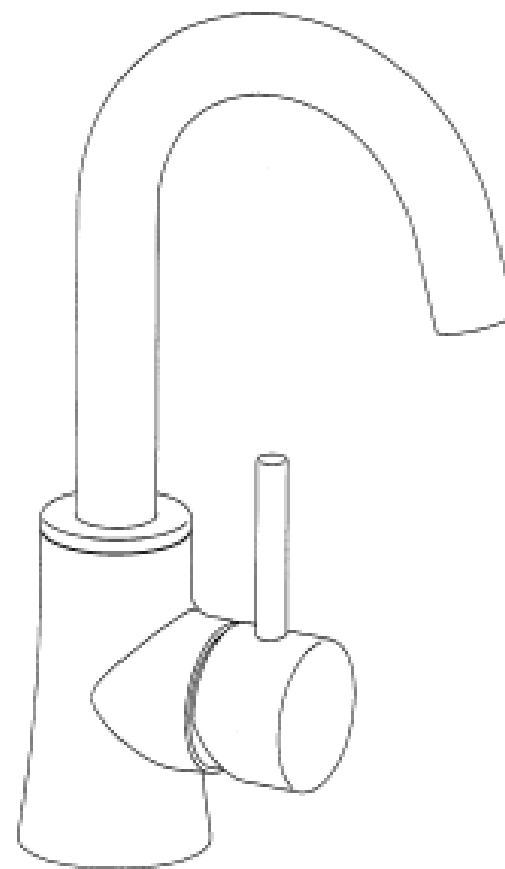
(21) Design Number: **15331/2008**
 (22) Date of Filing Application: **12 November 2008**
 (24) Date from which industrial property rights may have effect: **12 November 2008**
 (54) Product in respect of which the design is registered: **Scales for knives, hand tools, and the like**
 (51) International Design Classification: **10-04**
 (71) Name(s) and Address(s) of Applicant(s):
Leatherman Tool Group, Inc.
12106 NE Ainsworth Circle Portland OR 97220 United States of America
 (72) Name(s) of Designer(s): **Charles F. Goodrich**
 (45) Registration Date: **16 February 2009**
 (30) Convention priority data:
 (31) Number (32) Date (33) Country
29/318,867 29 May 2008 UNITED STATES OF AMERICA
 (56) Related Art Documents: **Not Applicable**
 (57) Statement of Newness and Distinctiveness: **The newness and distinctiveness of the design resides in the features of shape and/or configuration of the scales shown in unbroken lines in the accompanying representations.**



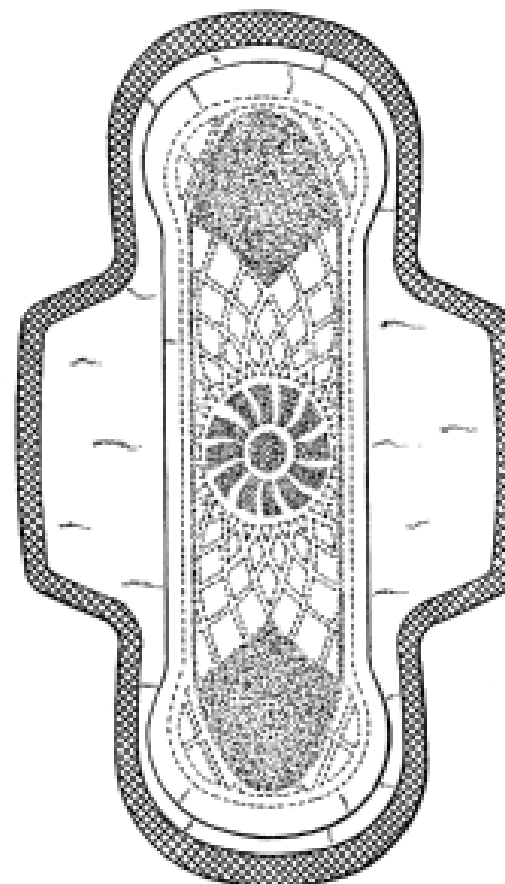
(21) Design Number: **15332/2008**
 (22) Date of Filing Application: **12 November 2008**
 (24) Date from which industrial property rights may have effect: **12 November 2008**
 (54) Product in respect of which the design is registered: **Accessory holder for knives, hand tools, and the like**
 (51) International Design Classification: **08-06**
 (71) Name(s) and Address(s) of Applicant(s):
Leatherman Tool Group, Inc.
12106 NE Ainsworth Circle Portland OR 97220 United States of America
 (72) Name(s) of Designer(s): **Charles F. Goodrich**
 (45) Registration Date: **16 February 2009**
 (30) Convention priority data:
 (31) Number (32) Date (33) Country
29/318,875 29 May 2008 UNITED STATES OF AMERICA
 (56) Related Art Documents: **Not Applicable**
 (57) Statement of Newness and Distinctiveness: **The newness and distinctiveness of the design resides in the features of shape and/or configuration of the accessory holder shown in unbroken lines in the accompanying representations.**



(21) Design Number: **10161/2009**
(22) Date of Filing Application: **21 January 2009**
(24) Date from which industrial property rights may have effect: **21 January 2009**
(54) Product in respect of which the design is registered: **Mixing tap**
(51) International Design Classification: **23-01H**
(71) Name(s) and Address(s) of Applicant(s):
Hansa Metallwerke AG
Sigmaringer Str. 107 D-70567 Stuttgart Germany
(72) Name(s) of Designer(s): **Reinhard Zetsche**
(45) Registration Date: **16 February 2009**
(30) Convention priority data:
(31) Number (32) Date (33) Country
000975701 23 Jul 2008 EUROPEAN COMMUNITY
(56) Related Art Documents: **Not Applicable**
(57) Statement of Newness and Distinctiveness: **Nil**



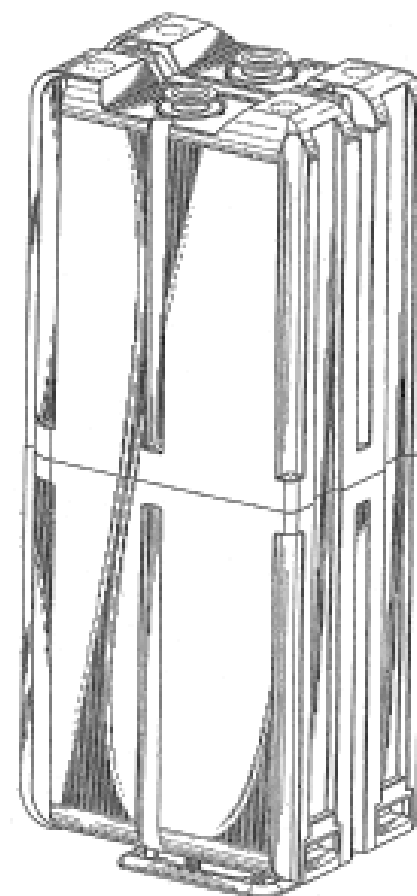
(21) Design Number: **10164/2009**
(22) Date of Filing Application: **22 January 2009**
(24) Date from which industrial property rights may have effect: **22 January 2009**
(54) Product in respect of which the design is registered: **Sanitary napkin**
(51) International Design Classification: **24-04**
(71) Name(s) and Address(s) of Applicant(s):
McNeil-PPC, Inc.
199 Grandview Road Skillman New Jersey 08558 United States of America
(72) Name(s) of Designer(s): **Wei Li and Weina Tang**
(45) Registration Date: **16 February 2009**
(30) Convention priority data:
(31) Number (32) Date (33) Country
29/322177 30 Jul 2008 UNITED STATES OF AMERICA
(56) Related Art Documents: **Not Applicable**
(57) Statement of Newness and Distinctiveness: **Nil**



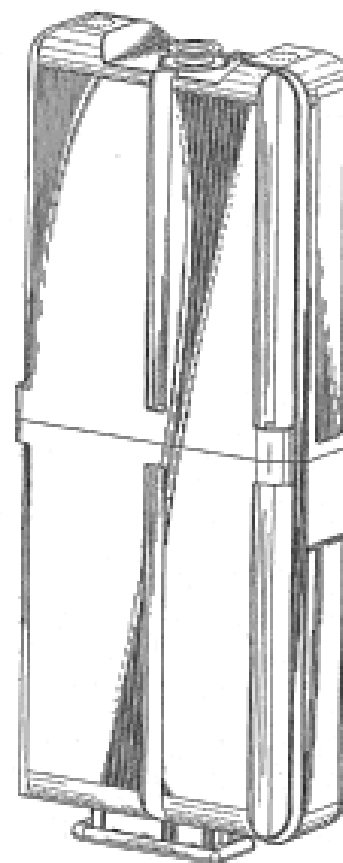
(21) Design Number: **10182/2009**
 (22) Date of Filing Application: **23 January 2009**
 (24) Date from which industrial property rights may have effect: **23 January 2009**
 (54) Product in respect of which the design is registered: **Boot**
 (51) International Design Classification: **02-04NES**
 (71) Name(s) and Address(s) of Applicant(s):
Joules Limited
16 The Point Rockingham Road Market Harborough Leicestershire
LE16 7QU United Kingdom
 (72) Name(s) of Designer(s): **Tom Joule**
 (45) Registration Date: **16 February 2009**
 (30) Convention priority data:
 (31) Number (32) Date (33) Country
000975792-0001 23 Jul 2008 EUROPEAN COMMUNITY
 (56) Related Art Documents: **Not Applicable**
 (57) Statement of Newness and Distinctiveness: **Newness and distinctiveness is claimed in the features of shape and/or configuration as applied to a boot as illustrated in the representations.**



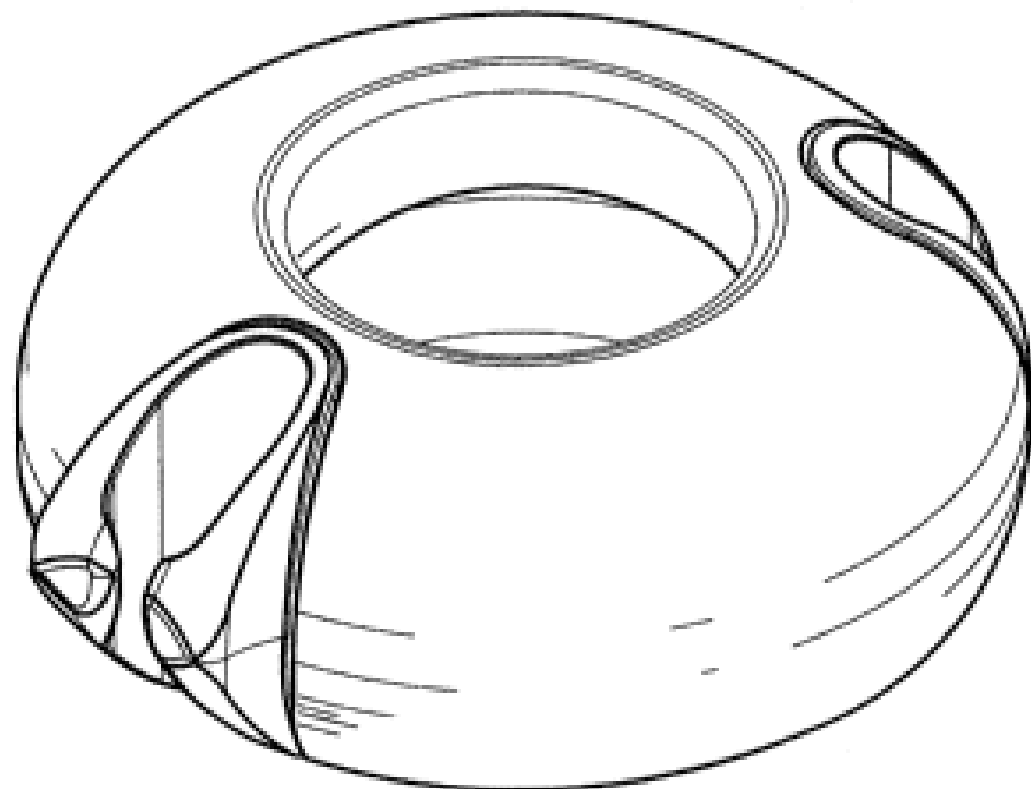
(21) Design Number: **10184/2009**
 (22) Date of Filing Application: **23 January 2009**
 (24) Date from which industrial property rights may have effect: **23 January 2009**
 (54) Product in respect of which the design is registered: **Cartridge for beverage dispenser**
 (51) International Design Classification: **31-00**
 (71) Name(s) and Address(s) of Applicant(s):
The Coca-Cola Company
One Coca-Cola Plaza N.W. Atlanta Georgia 30313 United States of
America
 (72) Name(s) of Designer(s): **T. Edwin Freeman and Eric L. Spann and David**
Harvey and Daniel S. Quartarone and Jae Ho Cha and Lesley Ribble
Magrath and Robert V. Sheehy Jr. and Robert B. Brownell Jr. and Darryl
J. Dawson Sr.
 (45) Registration Date: **16 February 2009**
 (30) Convention priority data:
 (31) Number (32) Date (33) Country
29/322,768 12 Aug 2008 UNITED STATES OF AMERICA
 (56) Related Art Documents: **Not Applicable**
 (57) Statement of Newness and Distinctiveness: **Those features of the cartridge for beverage dispenser depicted in the representations that are new and distinctive are the shape and/or configuration. The features shown in broken lines are to be disregarded when considering the overall impression of the design.**



- (21) Design Number: **10185/2009**
(22) Date of Filing Application: **23 January 2009**
(24) Date from which industrial property rights may have effect: **23 January 2009**
(54) Product in respect of which the design is registered: **Cartridge for beverage dispenser**
(51) International Design Classification: **31-00**
(71) Name(s) and Address(s) of Applicant(s):
The Coca-Cola Company
One Coca-Cola Plaza N.W. Atlanta Georgia 30313 United States of America
(72) Name(s) of Designer(s): **T. Edwin Freeman and Eric L. Spann and David Harvey and Daniel S. Quartarone and Jae Ho Cha and Lesley Ribble Magrath and Robert V. Sheehy Jr. and Robert B. Brownell Jr. and Darryl J. Dawson Sr.**
(45) Registration Date: **16 February 2009**
(30) Convention priority data:
(31) Number (32) Date (33) Country
29/322,764 12 Aug 2008 UNITED STATES OF AMERICA
(56) Related Art Documents: **Not Applicable**
(57) Statement of Newness and Distinctiveness: **Those features of the cartridge for beverage dispenser depicted in the representations that are new and distinctive are the shape and/or configuration. The features shown in broken lines are to be disregarded when considering the overall impression of the design.**



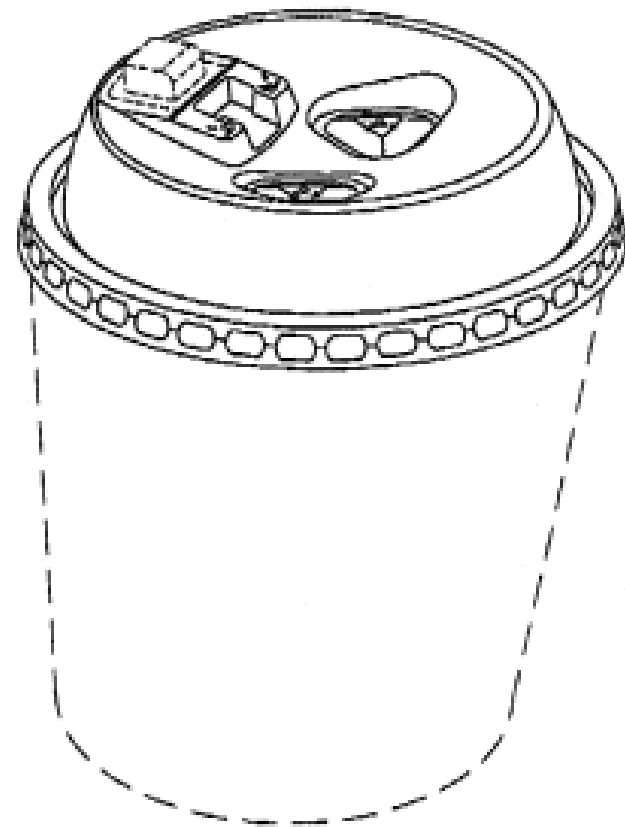
- (21) Design Number: **10190/2009**
(22) Date of Filing Application: **23 January 2009**
(24) Date from which industrial property rights may have effect: **23 January 2009**
(54) Product in respect of which the design is registered: **Cable organiser**
(51) International Design Classification: **13-03C**
(71) Name(s) and Address(s) of Applicant(s):
Aspira Pty Ltd
PO Box 279 North Sydney New South Wales 2059 Australia
(72) Name(s) of Designer(s): **David Cross**
(45) Registration Date: **16 February 2009**
(56) Related Art Documents: **Not Applicable**
(57) Statement of Newness and Distinctiveness: **Nil**



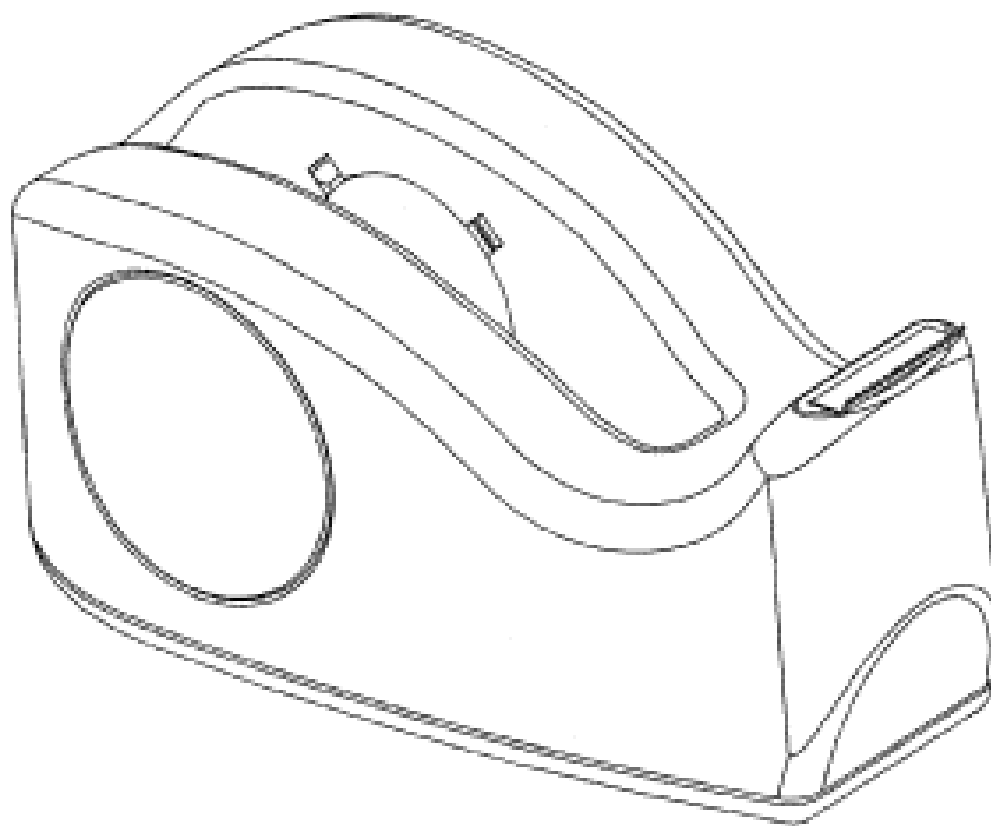
- (21) Design Number: **10191/2009**
(22) Date of Filing Application: **27 January 2009**
(24) Date from which industrial property rights may have effect: **27 January 2009**
(54) Product in respect of which the design is registered: **Motorcycle**
(51) International Design Classification: **12-11**
(71) Name(s) and Address(s) of Applicant(s):
Sanyang Industry Co., Ltd.
No. 184 Keng Tzu Kou Shang Keng Village Hsin Fong Shiang Hsinchu
County Taiwan
(72) Name(s) of Designer(s): **Der-Kuang Hong**
(45) Registration Date: **16 February 2009**
(56) Related Art Documents: **Not Applicable**
(57) Statement of Newness and Distinctiveness: **Nil**



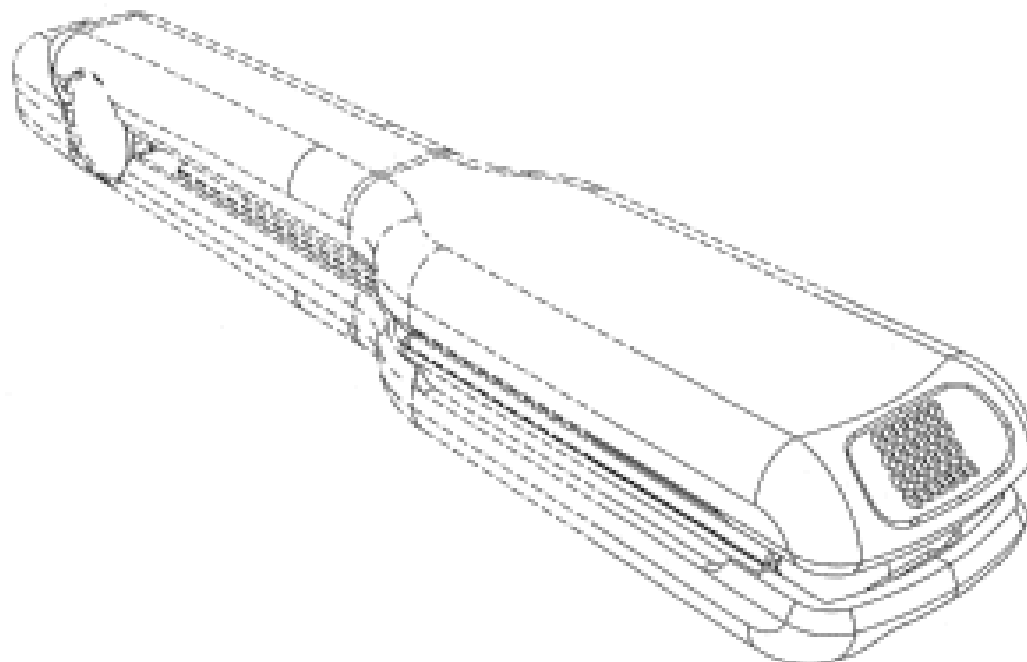
- (21) Design Number: **10194/2009**
(22) Date of Filing Application: **27 January 2009**
(24) Date from which industrial property rights may have effect: **27 January 2009**
(54) Product in respect of which the design is registered: **Cup lid**
(51) International Design Classification: **09-07B**
(71) Name(s) and Address(s) of Applicant(s):
New WinCup Holdings, Inc.
4640 Lewis Road Stone Mountain Georgia 30083 United States of
America
(72) Name(s) of Designer(s): **Bobby V. Hundley**
(45) Registration Date: **16 February 2009**
(30) Convention priority data:
(31) Number (32) Date (33) Country
29/322,075 29 Jul 2008 UNITED STATES OF AMERICA
(56) Related Art Documents: **Not Applicable**
(57) Statement of Newness and Distinctiveness: **Newness and distinctiveness is claimed in the visual features of the cup lid as shown in the representations. The features shown in broken line form no part of the claimed design.**



- (21) Design Number: **10202/2009**
(22) Date of Filing Application: **27 January 2009**
(24) Date from which industrial property rights may have effect: **27 January 2009**
(54) Product in respect of which the design is registered: **Tape cutting dispenser**
(51) International Design Classification: **19-02**
(71) Name(s) and Address(s) of Applicant(s):
Caimon Enterprise Co., Ltd.
No. 88 Fayuan Street Yuanlin Town Changhua County 510 Taiwan
(72) Name(s) of Designer(s): **Tzu-Chin Chiu**
(45) Registration Date: **16 February 2009**
(30) Convention priority data:
(31) Number (32) Date (33) Country
097306918 05 Dec 2008 TAIWAN
(56) Related Art Documents: **Not Applicable**
(57) Statement of Newness and Distinctiveness: **Newness and distinctiveness reside in the features of the design as shown in the representations.**



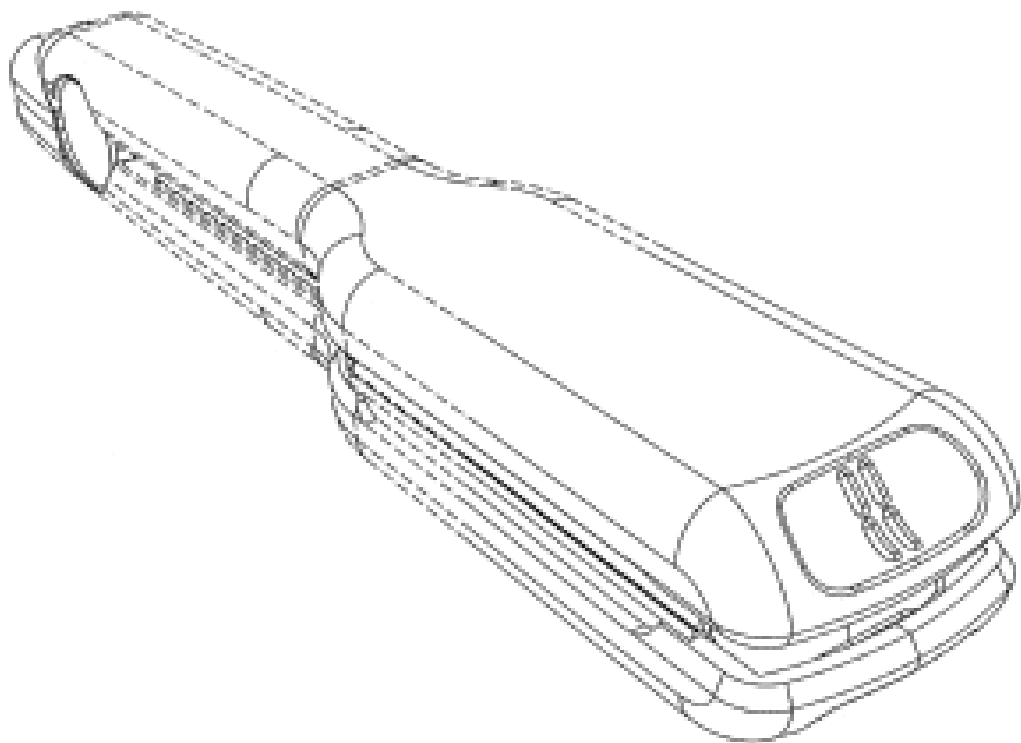
- (21) Design Number: **10210/2009**
(22) Date of Filing Application: **28 January 2009**
(24) Date from which industrial property rights may have effect: **24 October 2008**
(54) Product in respect of which the design is registered: **Hair styling apparatus**
(51) International Design Classification: **28-03B**
(71) Name(s) and Address(s) of Applicant(s):
Jemella Group Limited
C/- Eversheds House 70 Great Bridgewater Street Manchester M1 5ES
United Kingdom
(72) Name(s) of Designer(s): **Employee(s) of Glenelg Design**
(45) Registration Date: **16 February 2009**
(30) Convention priority data:
(31) Number (32) Date (33) Country
000897277 03 Mar 2008 EUROPEAN COMMUNITY
(62) Divisional of: **324468**
(56) Related Art Documents: **Not Applicable**
(57) Statement of Newness and Distinctiveness: **Those features of the hair styling apparatus depicted in the representations that are new and distinctive are the shape and/or configuration of the nose of the hair styling apparatus in particular the features of the concave areas of the nose. The features shown in broken lines are to be disregarded when considering the overall impression of the design.**



(21) Design Number: **10209/2009**
 (22) Date of Filing Application: **28 January 2009**
 (24) Date from which industrial property rights may have effect: **24 October 2008**
 (54) Product in respect of which the design is registered: **Hair styling apparatus**
 (51) International Design Classification: **28-03B**
 (71) Name(s) and Address(s) of Applicant(s):
Jemella Group Limited
C/- Eversheds House 70 Great Bridgewater Street Manchester M1 5ES
United Kingdom
 (72) Name(s) of Designer(s): **Employee(s) of Glenelg Design**
 (45) Registration Date: **16 February 2009**
 (30) Convention priority data:

(31) Number	(32) Date	(33) Country
000897277	03 Mar 2008	EUROPEAN COMMUNITY

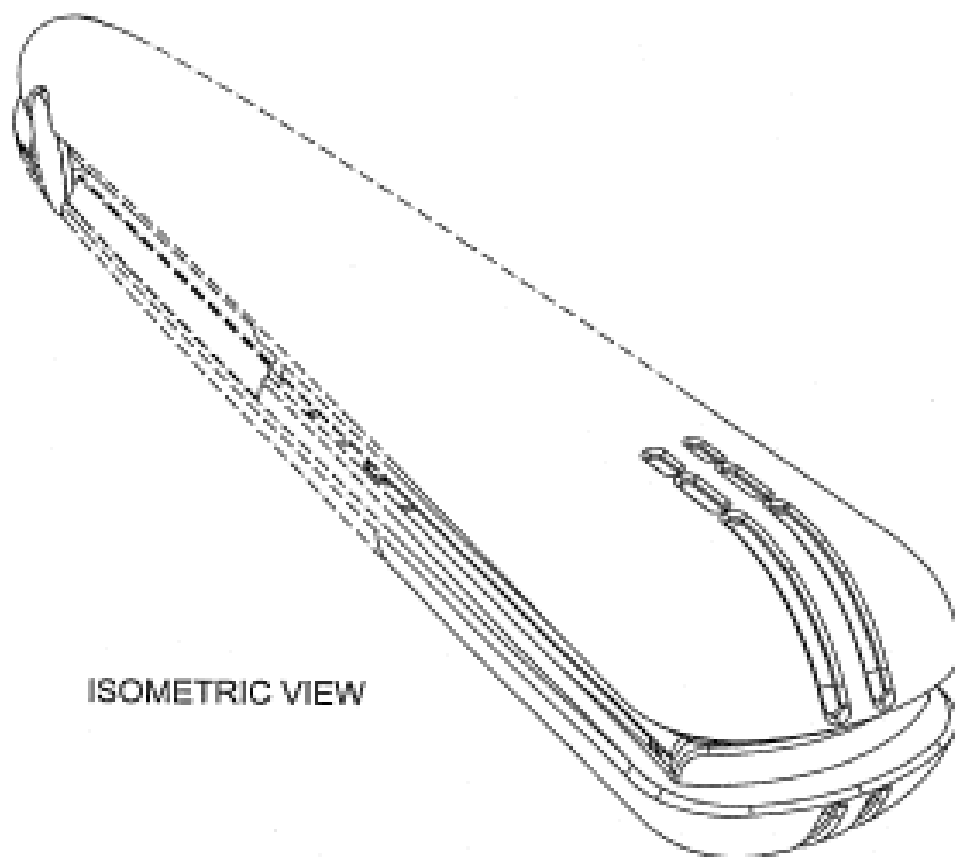
 (62) Divisional of: **324468**
 (56) Related Art Documents: **Not Applicable**
 (57) Statement of Newness and Distinctiveness: **Those features of the hair styling apparatus depicted in the representations that are new and distinctive are the shape and/or configuration of the nose of the hair styling apparatus in particular the features of the concave areas of the nose. The features shown in broken lines are to be disregarded when considering the overall impression of the design.**



(21) Design Number: **10211/2009**
 (22) Date of Filing Application: **28 January 2009**
 (24) Date from which industrial property rights may have effect: **24 October 2008**
 (54) Product in respect of which the design is registered: **Hair styling apparatus**
 (51) International Design Classification: **28-03B**
 (71) Name(s) and Address(s) of Applicant(s):
Jemella Group Limited
C/- Eversheds House 70 Great Bridgewater Street Manchester M1 5ES
United Kingdom
 (72) Name(s) of Designer(s): **Employee(s) of Glenelg Design**
 (45) Registration Date: **16 February 2009**
 (30) Convention priority data:

(31) Number	(32) Date	(33) Country
000897277	03 Mar 2008	EUROPEAN COMMUNITY

 (62) Divisional of: **324468**
 (56) Related Art Documents: **Not Applicable**
 (57) Statement of Newness and Distinctiveness: **Those features of the hair styling apparatus depicted in the representations that are new and distinctive are the shape and/or configuration of the nose of the hair styling apparatus in particular the features of the convex areas of the nose. The features shown in broken lines are to be disregarded when considering the overall impression of the design.**



ISOMETRIC VIEW

(21) Design Number: **10212/2009**

(22) Date of Filing Application: **28 January 2009**

(24) Date from which industrial property rights may have effect: **24 October 2008**

(54) Product in respect of which the design is registered: **Hair styling apparatus**

(51) International Design Classification: **28-03B**

(71) Name(s) and Address(s) of Applicant(s):

Jemella Group Limited
C/- Eversheds House 70 Great Bridgewater Street Manchester M1 5ES
United Kingdom

(72) Name(s) of Designer(s): **Employee(s) of Glenelg Design**

(45) Registration Date: **16 February 2009**

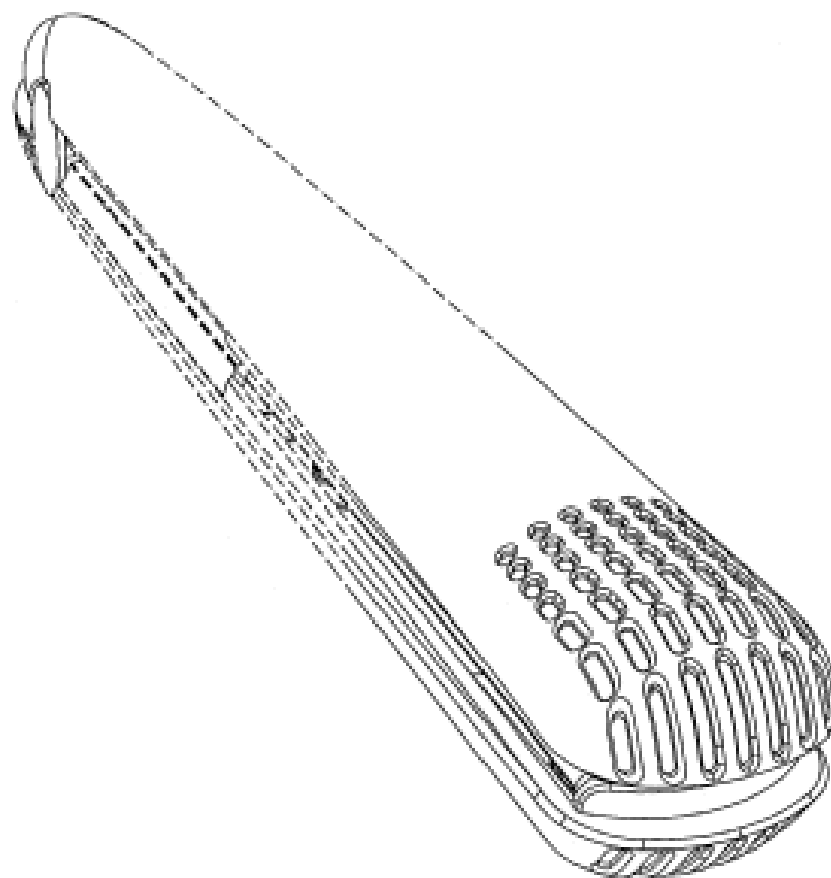
(30) Convention priority data:

(31) Number	(32) Date	(33) Country
000897277	03 Mar 2008	EUROPEAN COMMUNITY

(62) Divisional of: **324468**

(56) Related Art Documents: **Not Applicable**

(57) Statement of Newness and Distinctiveness: **Those features of the hair styling apparatus depicted in the representations that are new and distinctive are the shape and/or configuration of the nose of the hair styling apparatus in particular the features of the convex areas of the nose. The features shown in broken lines are to be disregarded when considering the overall impression of the design.**



(21) Design Number: **10213/2009**

(22) Date of Filing Application: **28 January 2009**

(24) Date from which industrial property rights may have effect: **28 January 2009**

(54) Product in respect of which the design is registered: **Chair**

(51) International Design Classification: **06-01F**

(71) Name(s) and Address(s) of Applicant(s):

RAUSCH Classics GmbH
An der Tagweide 14 76139 Karlsruhe Germany

(72) Name(s) of Designer(s): **Florian Viererbl and Erich Wimberger**

(45) Registration Date: **16 February 2009**

(30) Convention priority data:

(31) Number	(32) Date	(33) Country
402008003675.1	02 Aug 2008	GERMANY

(56) Related Art Documents: **Not Applicable**

(57) Statement of Newness and Distinctiveness: **Newness and distinctiveness reside in the features of the design as shown in the representations.**



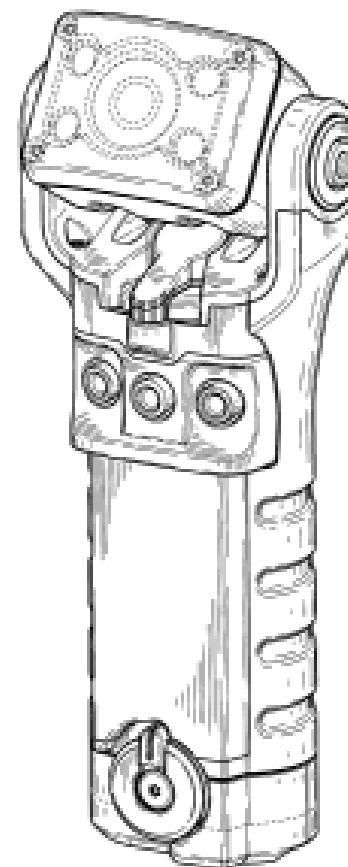
- (21) Design Number: **10214/2009**
(22) Date of Filing Application: **28 January 2009**
(24) Date from which industrial property rights may have effect: **28 January 2009**
(54) Product in respect of which the design is registered: **Armchair**
(51) International Design Classification: **06-01G**
(71) Name(s) and Address(s) of Applicant(s):
RAUSCH Classics GmbH
An der Tagweide 14 76139 Karlsruhe Germany
(72) Name(s) of Designer(s): **Florian Viererbl and Erich Wimberger**
(45) Registration Date: **16 February 2009**
(30) Convention priority data:
(31) Number (32) Date (33) Country
402008003675.1 02 Aug 2008 GERMANY
(56) Related Art Documents: **Not Applicable**
(57) Statement of Newness and Distinctiveness: **Newness and distinctiveness reside in the features of the design as shown in the representations.**



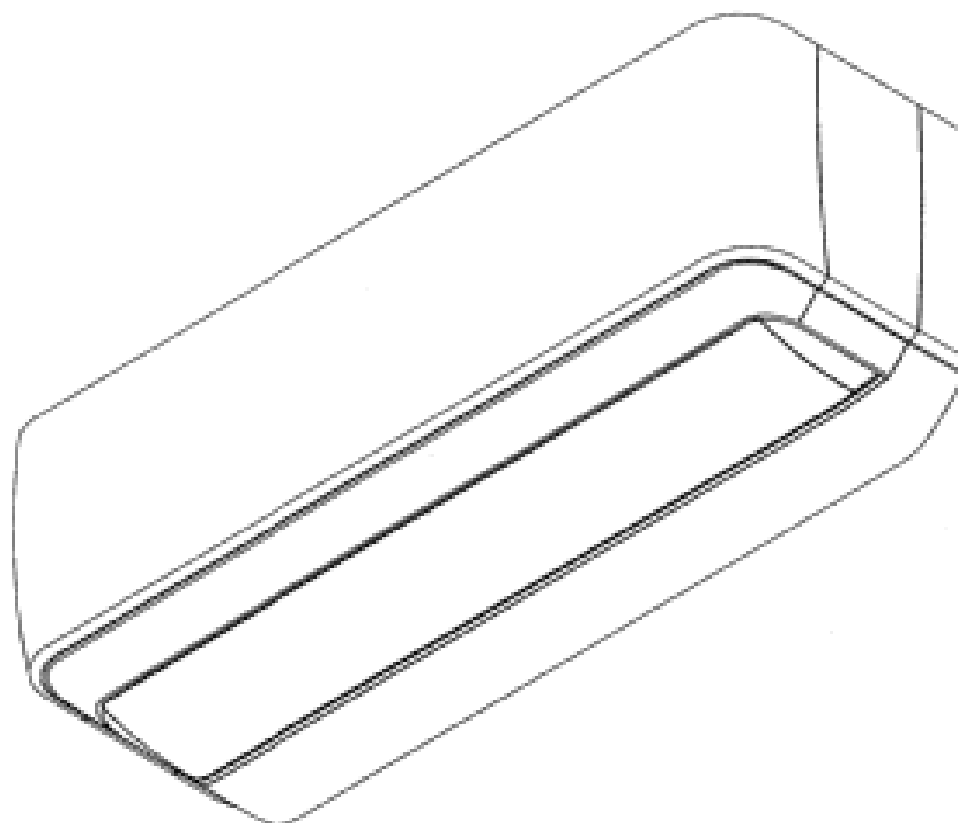
- (21) Design Number: **10215/2009**
(22) Date of Filing Application: **28 January 2009**
(24) Date from which industrial property rights may have effect: **28 January 2009**
(54) Product in respect of which the design is registered: **Chaise lounge**
(51) International Design Classification: **06-01H**
(71) Name(s) and Address(s) of Applicant(s):
RAUSCH Classics GmbH
An der Tagweide 14 76139 Karlsruhe Germany
(72) Name(s) of Designer(s): **Florian Viererbl and Erich Wimberger**
(45) Registration Date: **16 February 2009**
(30) Convention priority data:
(31) Number (32) Date (33) Country
402008003675.1 02 Aug 2008 GERMANY
(56) Related Art Documents: **Not Applicable**
(57) Statement of Newness and Distinctiveness: **Newness and distinctiveness reside in the features of the design as shown in the representations.**



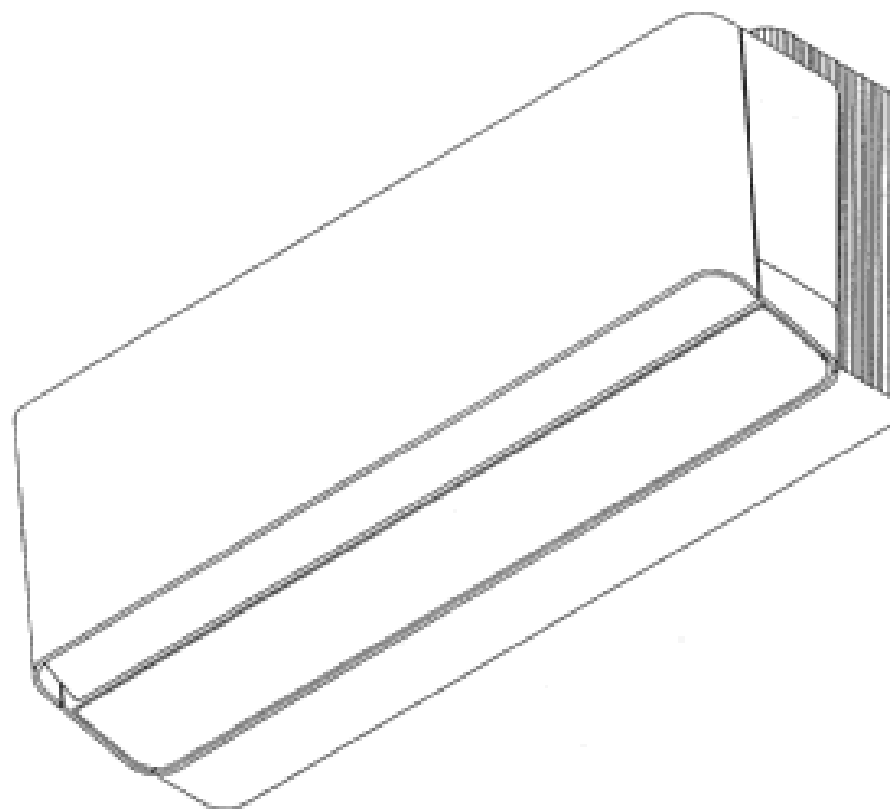
(21) Design Number: **10218/2009**
 (22) Date of Filing Application: **28 January 2009**
 (24) Date from which industrial property rights may have effect: **28 January 2009**
 (54) Product in respect of which the design is registered: **Lighting device**
 (51) International Design Classification: **26-02**
 (71) Name(s) and Address(s) of Applicant(s):
Eveready Battery Company, Inc.
533 Maryville University Drive St Louis Missouri 63141 United States of America
 (72) Name(s) of Designer(s): **Ronald J. Kingston and Scott W. Osiecki and David A. Spartano**
 (45) Registration Date: **16 February 2009**
 (30) Convention priority data:
 (31) Number (32) Date (33) Country
29/323423 26 Aug 2008 UNITED STATES OF AMERICA
 (56) Related Art Documents: **Not Applicable**
 (57) Statement of Newness and Distinctiveness: **Newness and distinctiveness is claimed in those visual features depicted in unbroken lines.**



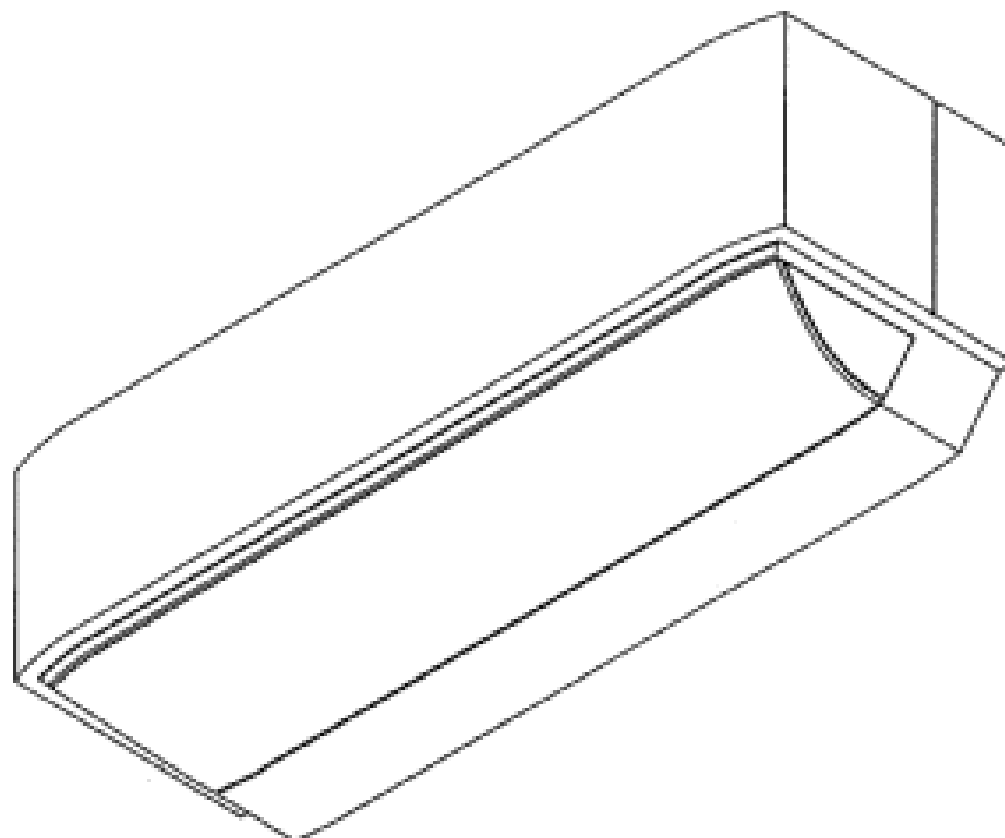
(21) Design Number: **10219/2009**
 (22) Date of Filing Application: **28 January 2009**
 (24) Date from which industrial property rights may have effect: **28 January 2009**
 (54) Product in respect of which the design is registered: **Air conditioner**
 (51) International Design Classification: **23-04**
 (71) Name(s) and Address(s) of Applicant(s):
Daikin Industries Ltd.
Umeda Center Building 4-12 Nakazaki-Nishi 2-chome Kita-Ku Osaka-shi Osaka-fu Japan
 (72) Name(s) of Designer(s): **Junji Nakamura**
 (45) Registration Date: **16 February 2009**
 (30) Convention priority data:
 (31) Number (32) Date (33) Country
2008-28905 11 Nov 2008 JAPAN
 (56) Related Art Documents: **Not Applicable**
 (57) Statement of Newness and Distinctiveness: **Nil**



(21) Design Number: **10220/2009**
(22) Date of Filing Application: **28 January 2009**
(24) Date from which industrial property rights may have effect: **28 January 2009**
(54) Product in respect of which the design is registered: **Air conditioner**
(51) International Design Classification: **23-04**
(71) Name(s) and Address(s) of Applicant(s):
Daikin Industries Ltd.
Umeda Center Building 4-12 Nakazaki-Nishi 2-chome Kita-Ku
Osaka-shi Osaka-fu Japan
(72) Name(s) of Designer(s): **Kouichirou Seki**
(45) Registration Date: **16 February 2009**
(30) Convention priority data:
(31) Number (32) Date (33) Country
2008-28906 11 Nov 2008 JAPAN
(56) Related Art Documents: **Not Applicable**
(57) Statement of Newness and Distinctiveness: **Nil**



(21) Design Number: **10221/2009**
(22) Date of Filing Application: **28 January 2009**
(24) Date from which industrial property rights may have effect: **28 January 2009**
(54) Product in respect of which the design is registered: **Air conditioner**
(51) International Design Classification: **23-04**
(71) Name(s) and Address(s) of Applicant(s):
Daikin Industries Ltd.
Umeda Center Building 4-12 Nakazaki-Nishi 2-chome Kita-Ku
Osaka-shi Osaka-fu Japan
(72) Name(s) of Designer(s): **Kouichirou Seki and Mana Yamashita**
(45) Registration Date: **16 February 2009**
(30) Convention priority data:
(31) Number (32) Date (33) Country
2008-28910 11 Nov 2008 JAPAN
(56) Related Art Documents: **Not Applicable**
(57) Statement of Newness and Distinctiveness: **Nil**



(19) AU

(21) Design Number: **10222/2009**

(22) Date of Filing Application: **29 January 2009**

(24) Date from which industrial property rights may have effect: **29 January 2009**

(54) Product in respect of which the design is registered: **Foot massager**

(51) International Design Classification: **28-03NES**

(71) Name(s) and Address(s) of Applicant(s):

**FKA Distributing Co. doing business as HoMedics, Inc.
3000 Pontiac Trail Commerce Township Michigan 48390 United States
of America**

(72) Name(s) of Designer(s): **Mordechai Lev and Roman S. Ferber**

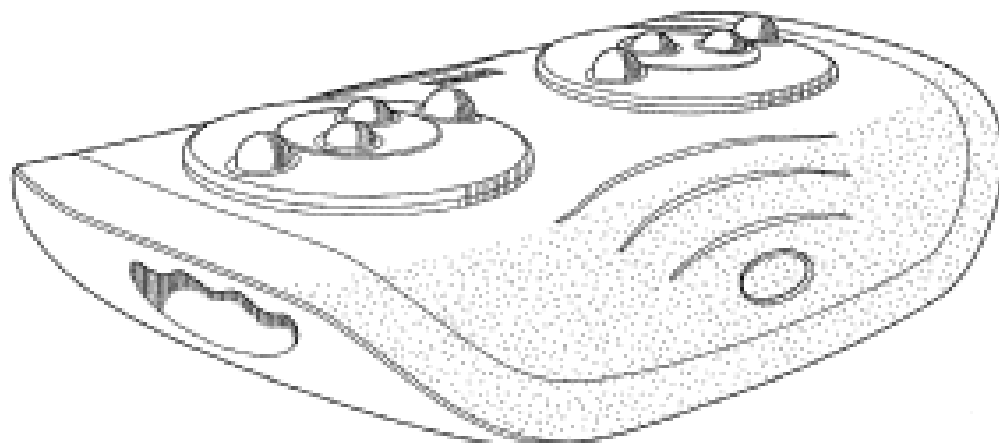
(45) Registration Date: **16 February 2009**

(30) Convention priority data:

(31) Number	(32) Date	(33) Country
29/322597	07 Aug 2008	UNITED STATES OF AMERICA

(56) Related Art Documents: **Not Applicable**

(57) Statement of Newness and Distinctiveness: **Newness and distinctiveness resides in the features of shape and configuration of a foot massager as illustrated in the accompanying representations.**



(19) AU

(21) Design Number: **10302/2009**

(22) Date of Filing Application: **09 April 2008**

(24) Date from which industrial property rights may have effect: **09 April 2008**

(54) Product in respect of which the design is registered: **A multi tool for a vacuum cleaner**

(51) International Design Classification: **04-01, 15-05**

(71) Name(s) and Address(s) of Applicant(s):

**Aktiebolaget Electrolux
S:t Goransgatan 143 SE 105-45 Stockholm Sweden**

(72) Name(s) of Designer(s): **Greg Luebbering**

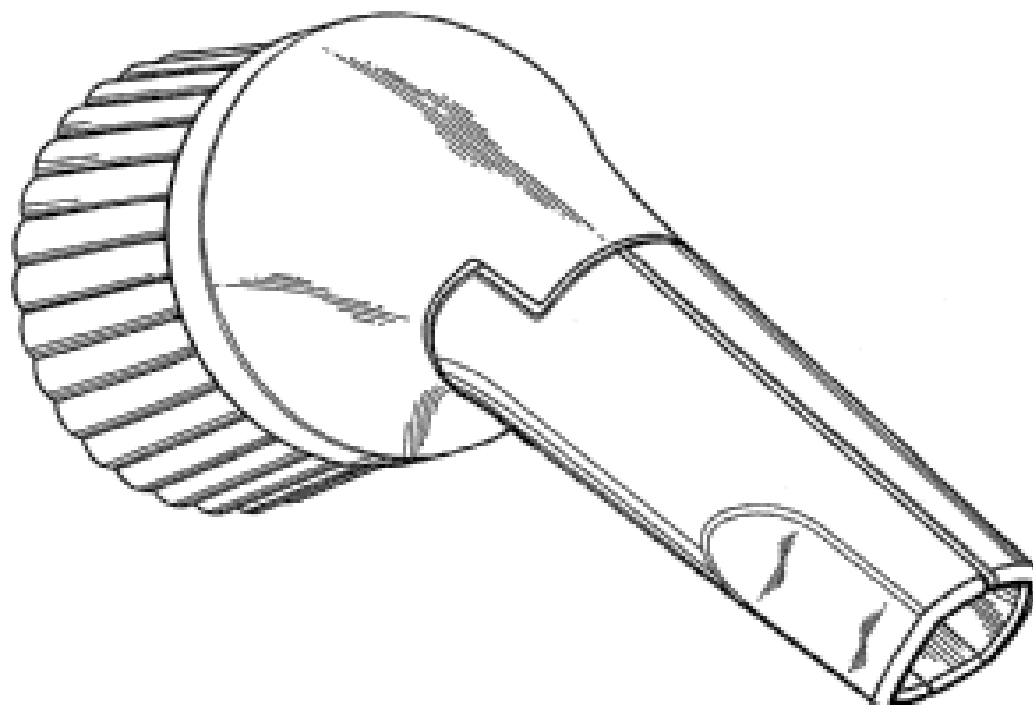
(45) Registration Date: **16 February 2009**

(30) Convention priority data:

(31) Number	(32) Date	(33) Country
000 859152	14 Jan 2008	EUROPEAN COMMUNITY

(56) Related Art Documents: **Not Applicable**

(57) Statement of Newness and Distinctiveness: **Nil**



(19) AU

(21) Design Number: **11663/2008**

(22) Date of Filing Application: **09 April 2008**

(24) Date from which industrial property rights may have effect: **09 April 2008**

(54) Product in respect of which the design is registered: **A multi tool for a vacuum cleaner**

(51) International Design Classification: **04-01, 15-05**

(71) Name(s) and Address(s) of Applicant(s):

**Aktiebolaget Electrolux
S:t Goransgatan 143 SE 105-45 Stockholm Sweden**

(72) Name(s) of Designer(s): **Esbjorn Svantesson**

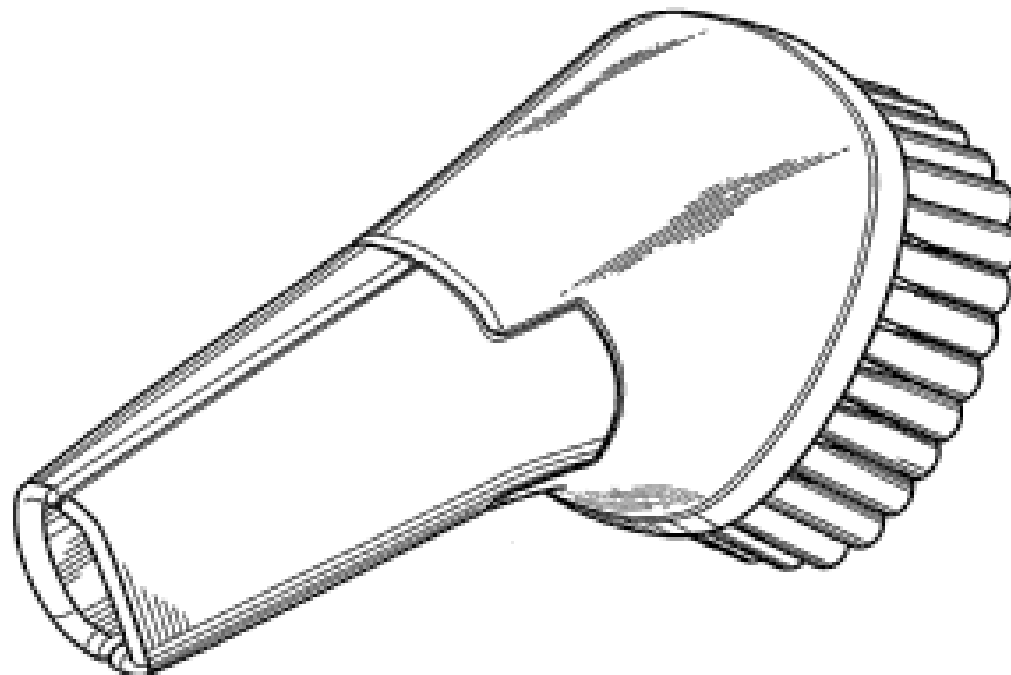
(45) Registration Date: **16 February 2009**

(30) Convention priority data:

(31) Number	(32) Date	(33) Country
000 859152	14 Jan 2008	EUROPEAN COMMUNITY

(56) Related Art Documents: **Not Applicable**

(57) Statement of Newness and Distinctiveness: **Nil**



(19) AU

(21) Design Number: **10156/2009**

(22) Date of Filing Application: **20 January 2009**

(24) Date from which industrial property rights may have effect: **20 January 2009**

(54) Product in respect of which the design is registered: **Sofa**

(51) International Design Classification: **06-01G**

(71) Name(s) and Address(s) of Applicant(s):

**Natuzzi, S.p.A.
Corso Cavour 51 Bari 70121 Italy**

(72) Name(s) of Designer(s): **Pasquale Natuzzi and Maurizio Manzoni and Robert Tapinassi**

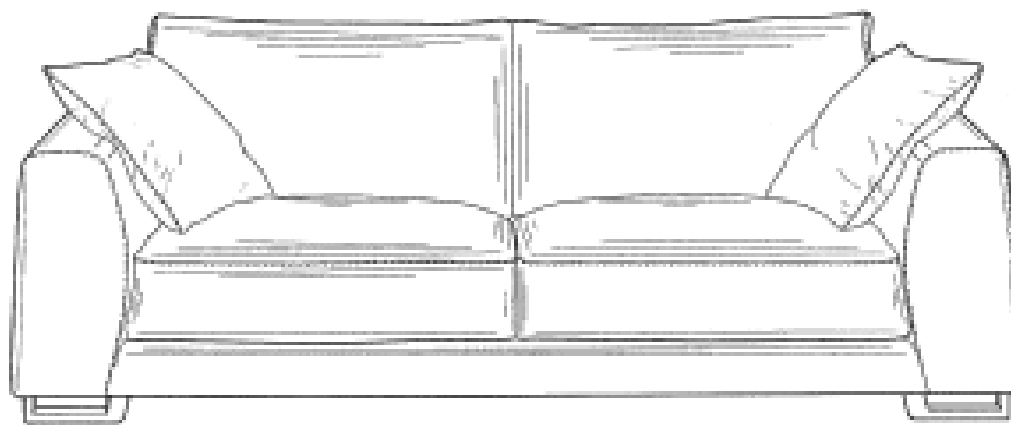
(45) Registration Date: **16 February 2009**

(30) Convention priority data:

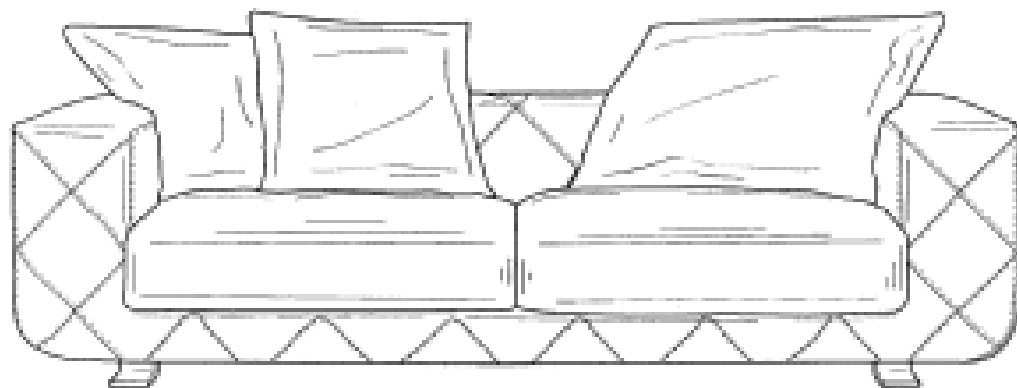
(31) Number	(32) Date	(33) Country
001017412-0015	08 Oct 2008	EUROPEAN COMMUNITY

(56) Related Art Documents: **Not Applicable**

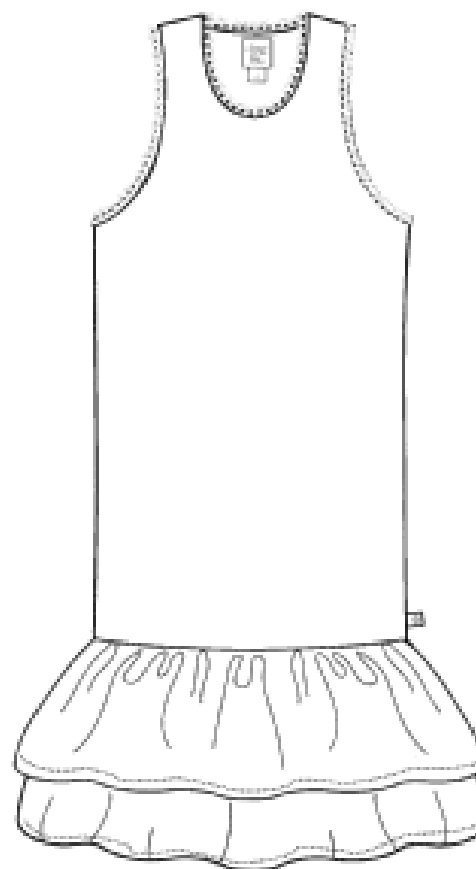
(57) Statement of Newness and Distinctiveness: **Nil**



(21) Design Number: **10153/2009**
(22) Date of Filing Application: **20 January 2009**
(24) Date from which industrial property rights may have effect: **20 January 2009**
(54) Product in respect of which the design is registered: **Sofa**
(51) International Design Classification: **06-01G**
(71) Name(s) and Address(s) of Applicant(s):
Natuzzi, S.p.A.
Corso Cavour 51 Bari 70121 Italy
(72) Name(s) of Designer(s): **Pasquale Natuzzi and Maurizio Manzoni and Robert Tapinassi**
(45) Registration Date: **16 February 2009**
(30) Convention priority data:
(31) Number (32) Date (33) Country
001017412-0018 08 Oct 2008 EUROPEAN COMMUNITY
(56) Related Art Documents: **Not Applicable**
(57) Statement of Newness and Distinctiveness: **Nil**



(21) Design Number: **10660/2008**
(22) Date of Filing Application: **14 February 2008**
(24) Date from which industrial property rights may have effect: **14 February 2008**
(54) Product in respect of which the design is registered: **Dropwaist Double Frill Singlet Dress**
(51) International Design Classification: **02-02C**
(71) Name(s) and Address(s) of Applicant(s):
Fiona Holdings Pty Ltd
Office 6 83 Wellington Street St Kilda Victoria 3181 Australia
(72) Name(s) of Designer(s): **Fiona Scanlan**
(45) Registration Date: **16 February 2009**
(56) Related Art Documents: **Not Applicable**
(57) Statement of Newness and Distinctiveness: **Childrens clothing**



- (21) Design Number: **14231/2008**
(22) Date of Filing Application: **01 September 2008**
(24) Date from which industrial property rights may have effect: **01 September 2008**
(54) Product in respect of which the design is registered: **USB flash memory drive**
(51) International Design Classification: **14-02**
(71) Name(s) and Address(s) of Applicant(s):

Brian Spier
Unit 2 15 Jennifer Avenue RUNAWAY BAY QLD 4216

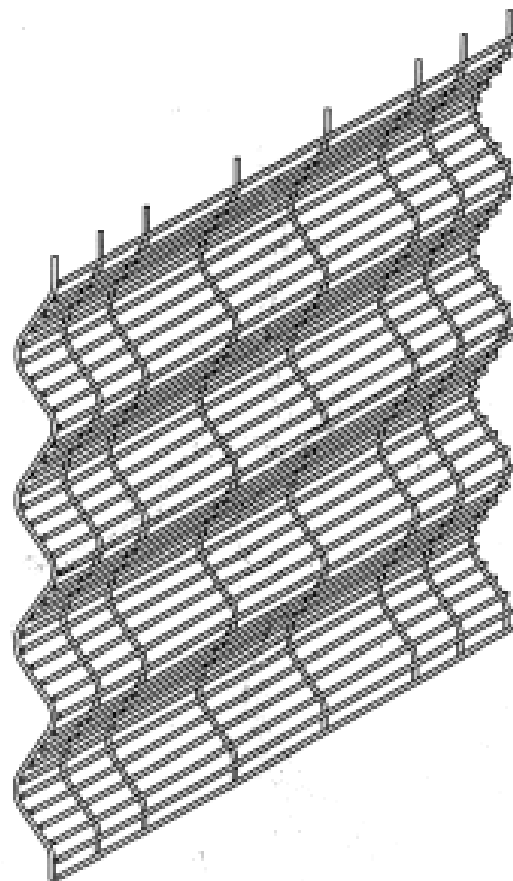
- (72) Name(s) of Designer(s): **Brian Spier**
(45) Registration Date: **16 February 2009**
(56) Related Art Documents: **Not Applicable**
(57) Statement of Newness and Distinctiveness: **USB flash memory drive in the shape of a country or territory. Device holds digital maps of the territory. Newness and distinctiveness is claimed in the shape and configuration of a USB flash memory drive as shown in the accompanying representations.**



- (21) Design Number: **15155/2008**
(22) Date of Filing Application: **29 October 2008**
(24) Date from which industrial property rights may have effect: **29 October 2008**
(54) Product in respect of which the design is registered: **Security mesh**
(51) International Design Classification: **25-02C**
(71) Name(s) and Address(s) of Applicant(s):

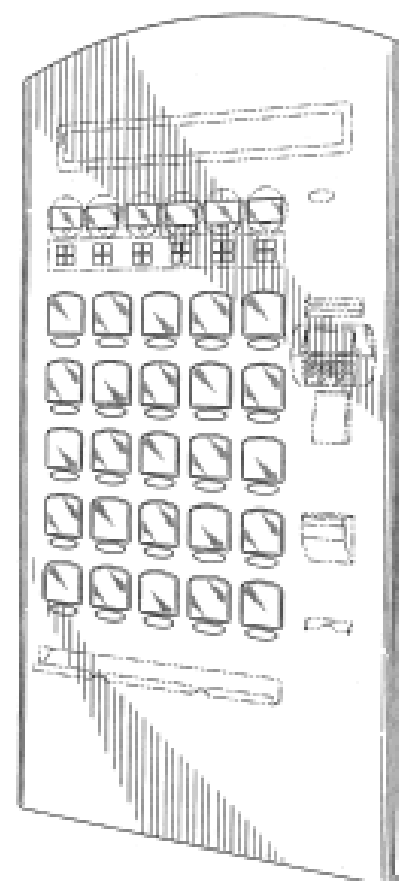
Australian Security Fencing Pty Ltd
138 Fairey Road South Windsor New South Wales 2756 Australia

- (72) Name(s) of Designer(s): **Stephen Rosier**
(45) Registration Date: **16 February 2009**
(56) Related Art Documents: **Not Applicable**
(57) Statement of Newness and Distinctiveness: **Novelty resides in the shape and configuration as shown in the representations.**



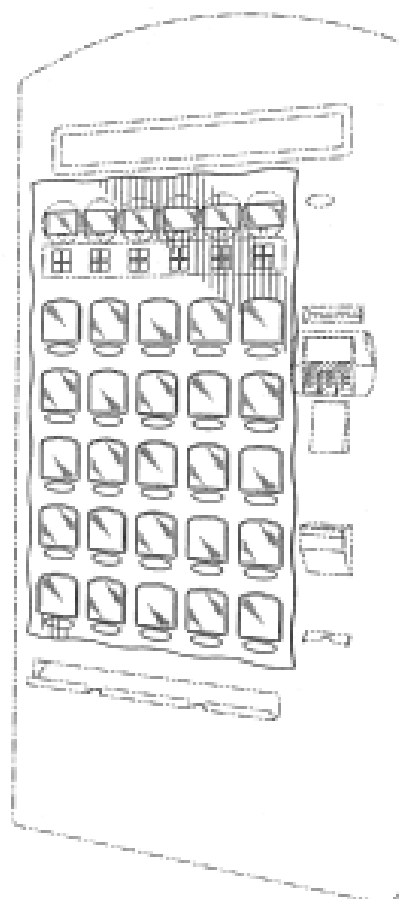
- (21) Design Number: **10252/2009**
- (22) Date of Filing Application: **30 January 2009**
- (24) Date from which industrial property rights may have effect: **30 January 2009**
- (54) Product in respect of which the design is registered: **Lottery ticket dispenser front panel**
- (51) International Design Classification: **20-01**
- (71) Name(s) and Address(s) of Applicant(s):
Intralot, Inc.
11360 Technology Circle Duluth Georgia 30097 United States of America
- (72) Name(s) of Designer(s): **Lynn A. Becker and Zoran Mirkovic and Joseph C. Perin Jr. and William Tatarski**
- (45) Registration Date: **16 February 2009**
- (30) Convention priority data:

(31) Number	(32) Date	(33) Country
29/322240	31 Jul 2008	UNITED STATES OF AMERICA
- (56) Related Art Documents: **Not Applicable**
- (57) Statement of Newness and Distinctiveness: **Newness and distinctiveness is claimed in those features of shape and/or configuration of a lottery ticket dispenser front panel illustrated in continuous lines in the accompanying representations.**



- (21) Design Number: **10253/2009**
- (22) Date of Filing Application: **30 January 2009**
- (24) Date from which industrial property rights may have effect: **30 January 2009**
- (54) Product in respect of which the design is registered: **Lottery ticket dispenser front panel**
- (51) International Design Classification: **20-01**
- (71) Name(s) and Address(s) of Applicant(s):
Intralot, Inc.
11360 Technology Circle Duluth Georgia 30097 United States of America
- (72) Name(s) of Designer(s): **Lynn A. Becker and Zoran Mirkovic and Joseph C. Perin Jr. and William Tatarski**
- (45) Registration Date: **16 February 2009**
- (30) Convention priority data:

(31) Number	(32) Date	(33) Country
29/322240	31 Jul 2008	UNITED STATES OF AMERICA
- (56) Related Art Documents: **Not Applicable**
- (57) Statement of Newness and Distinctiveness: **Newness and distinctiveness is claimed in those features of shape and/or configuration of a lottery ticket dispenser front panel illustrated in continuous lines in the accompanying representations.**



(19) AU

- (21) Design Number: **10254/2009**
- (22) Date of Filing Application: **30 January 2009**
- (24) Date from which industrial property rights may have effect: **30 January 2009**
- (54) Product in respect of which the design is registered: **Lottery ticket dispenser**
- (51) International Design Classification: **20-01**
- (71) Name(s) and Address(s) of Applicant(s):

Intralot, Inc.
11360 Technology Circle Duluth Georgia 30097 United States of America

- (72) Name(s) of Designer(s): **Lynn A. Becker and Zoran Mirkovic and Joseph C. Perin Jr. and William Tatarski**

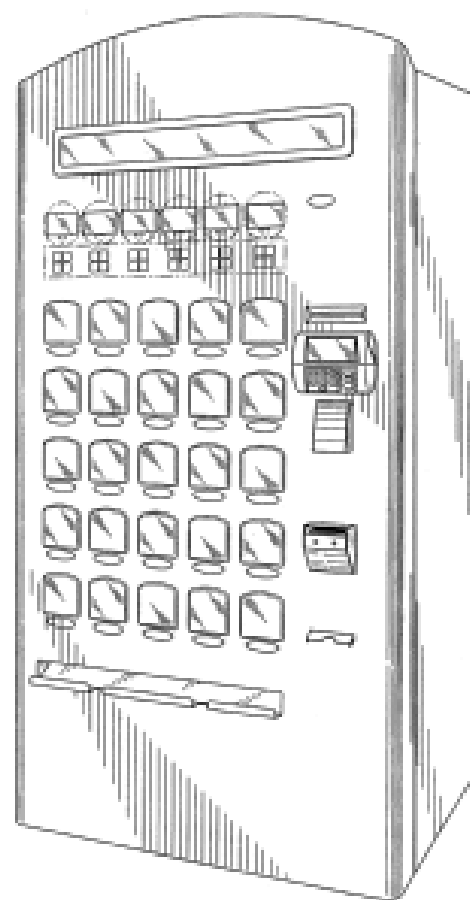
(45) Registration Date: **16 February 2009**

(30) Convention priority data:

(31) Number	(32) Date	(33) Country
29/322240	31 Jul 2008	UNITED STATES OF AMERICA

(56) Related Art Documents: **Not Applicable**

(57) Statement of Newness and Distinctiveness: **Newness and distinctiveness is claimed in those features of shape and/or configuration of a lottery ticket dispenser illustrated in continuous lines in the accompanying representations.**



(19) AU

- (21) Design Number: **10255/2009**
- (22) Date of Filing Application: **30 January 2009**
- (24) Date from which industrial property rights may have effect: **30 January 2009**
- (54) Product in respect of which the design is registered: **Lottery ticket dispenser front panel**
- (51) International Design Classification: **20-01**
- (71) Name(s) and Address(s) of Applicant(s):

Intralot, Inc.
11360 Technology Circle Duluth Georgia 30097 United States of America

- (72) Name(s) of Designer(s): **Lynn A. Becker and Zoran Mirkovic and Joseph C. Perin Jr. and William Tatarski**

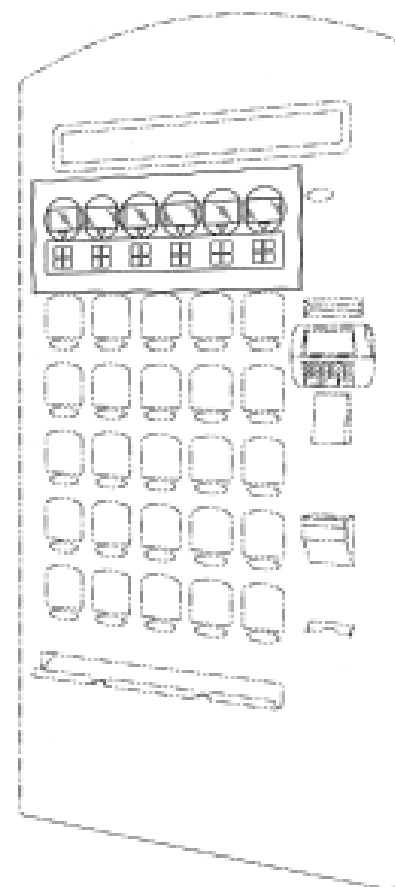
(45) Registration Date: **16 February 2009**

(30) Convention priority data:

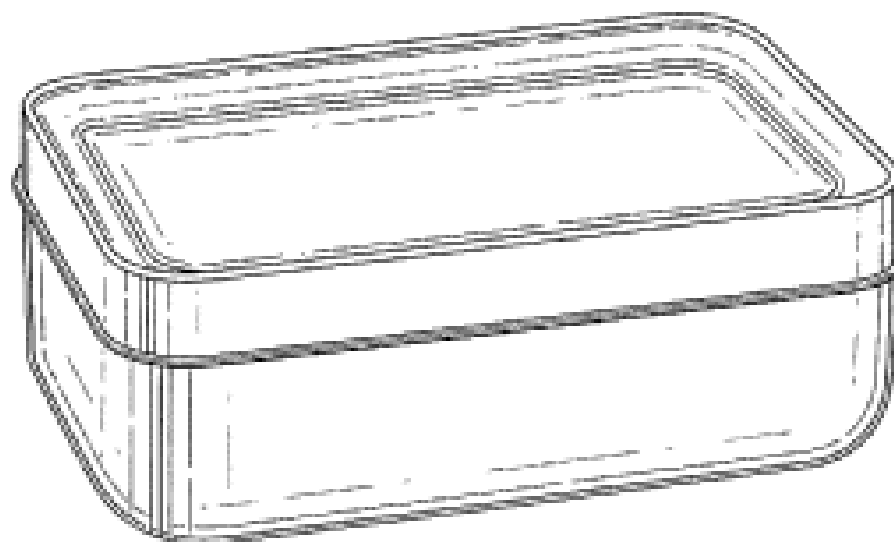
(31) Number	(32) Date	(33) Country
29/322240	31 Jul 2008	UNITED STATES OF AMERICA

(56) Related Art Documents: **Not Applicable**

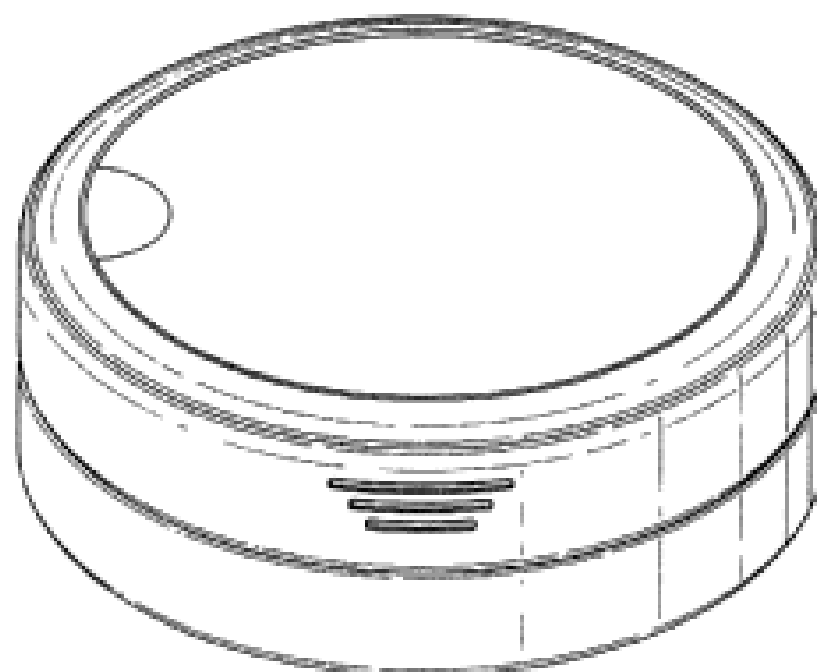
(57) Statement of Newness and Distinctiveness: **Newness and distinctiveness is claimed in those features of shape and/or configuration of a lottery ticket dispenser front panel illustrated in continuous lines in the accompanying representations.**



(21) Design Number: **10256/2009**
(22) Date of Filing Application: **30 January 2009**
(24) Date from which industrial property rights may have effect: **30 January 2009**
(54) Product in respect of which the design is registered: **Tobacco box**
(51) International Design Classification: **27-06**
(71) Name(s) and Address(s) of Applicant(s):
British American Tobacco (Investments) Limited
Globe House 1 Water Street London WC2R 3LA United Kingdom
(72) Name(s) of Designer(s): **Paul Gibson**
(45) Registration Date: **16 February 2009**
(30) Convention priority data:
(31) Number (32) Date (33) Country
000996269 29 Aug 2008 EUROPEAN COMMUNITY
(56) Related Art Documents: **Not Applicable**
(57) Statement of Newness and Distinctiveness: **Newness and distinctiveness resides in the features of shape and configuration of a tobacco box as illustrated in the accompanying representations.**



(21) Design Number: **10257/2009**
(22) Date of Filing Application: **30 January 2009**
(24) Date from which industrial property rights may have effect: **30 January 2009**
(54) Product in respect of which the design is registered: **Tobacco box**
(51) International Design Classification: **27-06**
(71) Name(s) and Address(s) of Applicant(s):
British American Tobacco (Investments) Limited
Globe House 1 Water Street London WC2R 3LA United Kingdom
(72) Name(s) of Designer(s): **Paul Gibson**
(45) Registration Date: **16 February 2009**
(30) Convention priority data:
(31) Number (32) Date (33) Country
000996269 29 Aug 2008 EUROPEAN COMMUNITY
(56) Related Art Documents: **Not Applicable**
(57) Statement of Newness and Distinctiveness: **Newness and distinctiveness resides in the features of shape and configuration of a tobacco box as illustrated in the accompanying representations.**



(21) Design Number: **10258/2009**

(22) Date of Filing Application: **30 January 2009**

(24) Date from which industrial property rights may have effect: **30 January 2009**

(54) Product in respect of which the design is registered: **Tobacco box**

(51) International Design Classification: **27-06**

(71) Name(s) and Address(s) of Applicant(s):

**British American Tobacco (Investments) Limited
Globe House 1 Water Street London WC2R 3LA United Kingdom**

(72) Name(s) of Designer(s): **Paul Gibson**

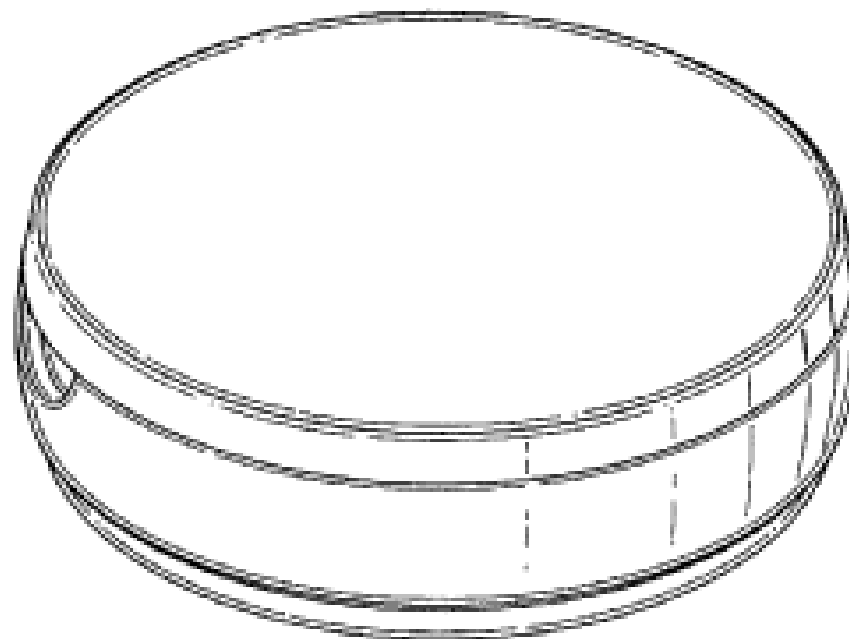
(45) Registration Date: **16 February 2009**

(30) Convention priority data:

(31) Number	(32) Date	(33) Country
000996269	29 Aug 2008	EUROPEAN COMMUNITY

(56) Related Art Documents: **Not Applicable**

(57) Statement of Newness and Distinctiveness: **Newness and distinctiveness resides in the features of shape and configuration of a tobacco box as illustrated in the accompanying representations.**



(21) Design Number: **15240/2008**

(22) Date of Filing Application: **06 November 2008**

(24) Date from which industrial property rights may have effect: **06 November 2008**

(54) Product in respect of which the design is registered: **Lawtools/GFB nutsetter range**

(51) International Design Classification: **08-08B**

(71) Name(s) and Address(s) of Applicant(s):

**Lawtools Pty Ltd
16 Lyons Terrace Windsor Brisbane Queensland 4030 Australia**

(72) Name(s) of Designer(s): **L. Howard**

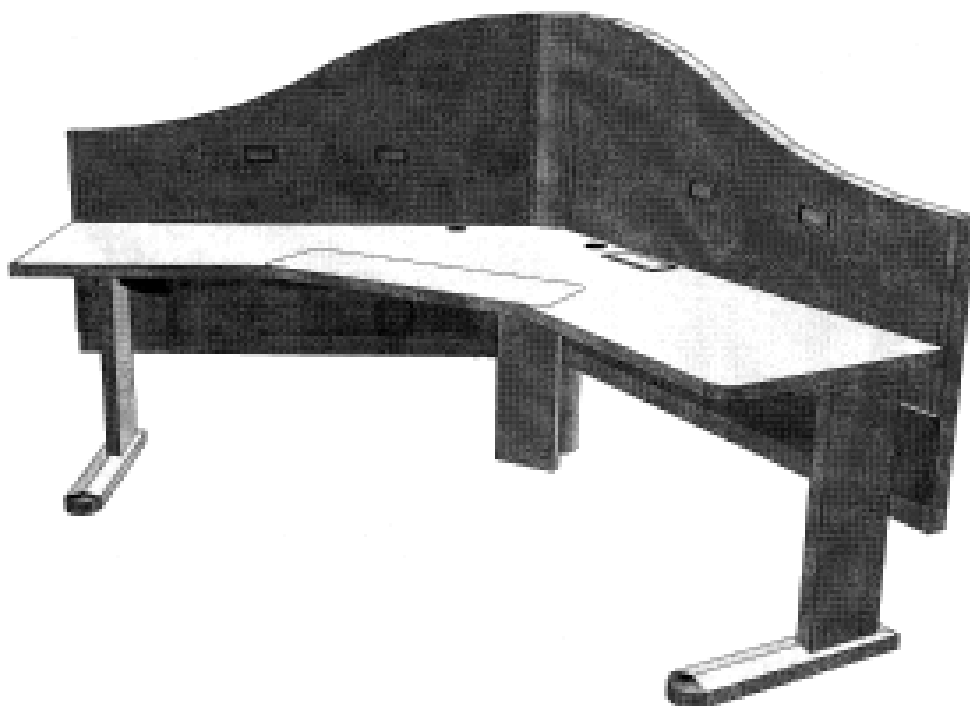
(45) Registration Date: **16 February 2009**

(56) Related Art Documents: **Not Applicable**

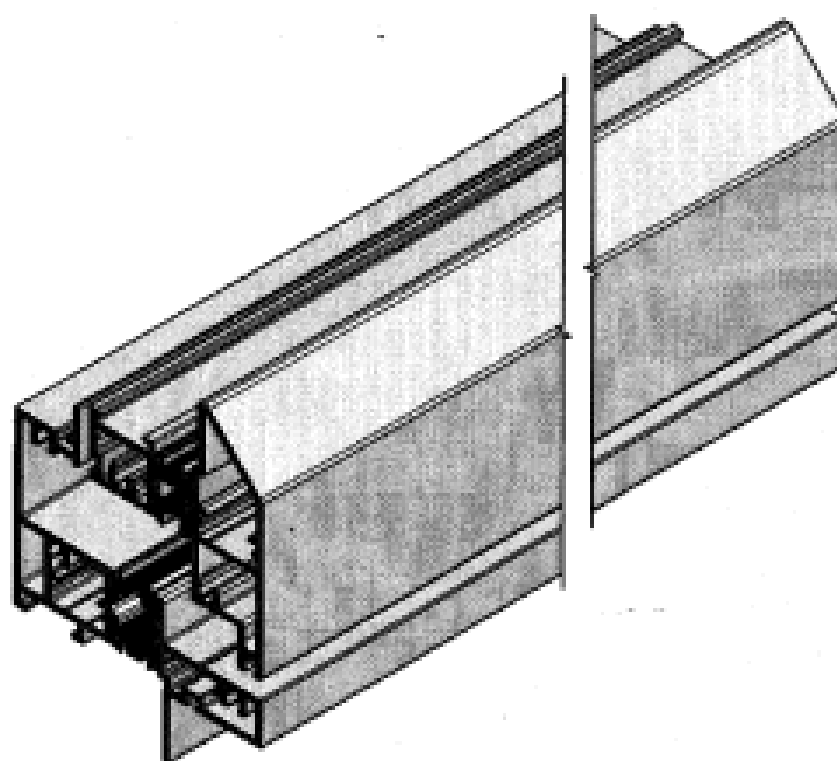
(57) Statement of Newness and Distinctiveness: **1st design improvement: By providing the specific angle to the chamfer to match the screw-head. 2nd design improvement: By allowing the flat of the screw-head to also absorb some of the force required by providing the appropriate flat bearing surface into the head design. 3rd design improvement: By providing a small radius to the face of the socket at the outside and along the contour of the hex this greatly reduces the damage at the base of the hex where it meets the flat surface of the screw head.**



- (21) Design Number: **15251/2008**
(22) Date of Filing Application: **07 November 2008**
(24) Date from which industrial property rights may have effect: **07 November 2008**
(54) Product in respect of which the design is registered: **Workstation**
(51) International Design Classification: **06-03C**
(71) Name(s) and Address(s) of Applicant(s):
State of Queensland acting through the Department of Public Works
80 George Street Brisbane Queensland 4000 Australia
(72) Name(s) of Designer(s): **Len Taplin and David Billington**
(45) Registration Date: **16 February 2009**
(56) Related Art Documents: **Not Applicable**
(57) Statement of Newness and Distinctiveness: **Newness and distinctiveness is claimed in the features of shape and/or configuration of the workstation as illustrated in the representations.**



- (21) Design Number: **15803/2008**
(22) Date of Filing Application: **11 December 2008**
(24) Date from which industrial property rights may have effect: **11 December 2008**
(54) Product in respect of which the design is registered: **Thermo break aluminium awning and casement windows**
(51) International Design Classification: **25-01K, 25-02H**
(71) Name(s) and Address(s) of Applicant(s):
Ibrahim Irfan
10 Dilop Drive Epping Victoria 3076 Australia
(72) Name(s) of Designer(s): **Jeff Rayan**
(45) Registration Date: **16 February 2009**
(56) Related Art Documents: **Not Applicable**
(57) Statement of Newness and Distinctiveness: **Aluminium profile as extruded and also as two parts inserted to make thermo break.**



(21) Design Number: **15952/2008**

(22) Date of Filing Application: **18 December 2008**

(24) Date from which industrial property rights may have effect: **18 December 2008**

(54) Product in respect of which the design is registered: **Bar chair**

(51) International Design Classification: **25-01B**

(71) Name(s) and Address(s) of Applicant(s):

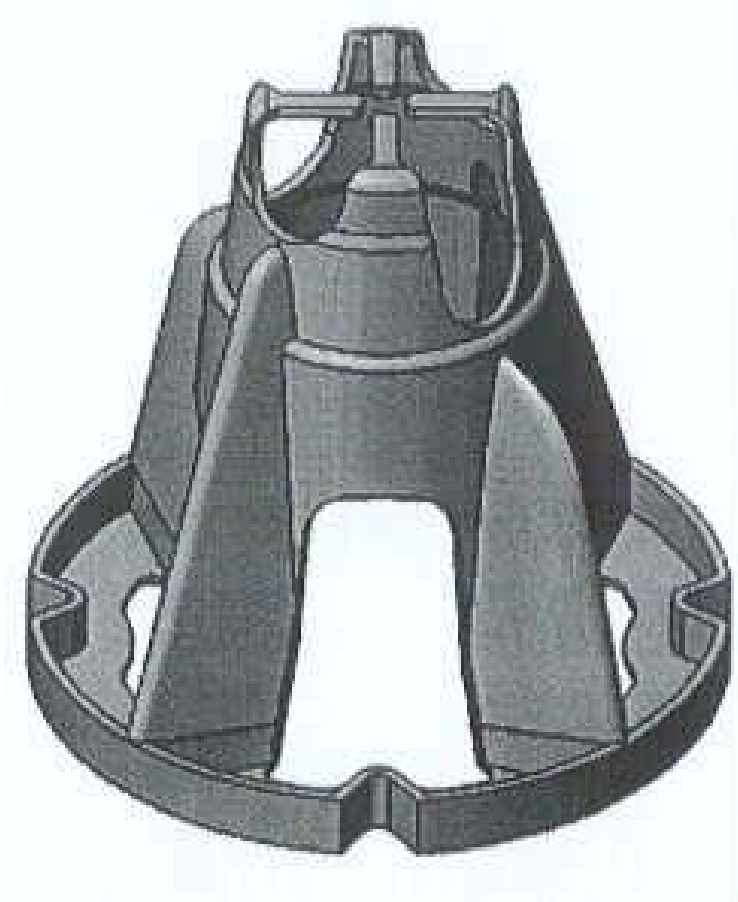
Veal Businesses Pty Ltd
94 Boiling Down Road Warrnambool Victoria 3280 Australia

(72) Name(s) of Designer(s): **Kenneth Veal**

(45) Registration Date: **16 February 2009**

(56) Related Art Documents: **Not Applicable**

(57) Statement of Newness and Distinctiveness: **The shape and configuration of the design of the product is new and distinctive. In particular, when assessing newness and distinctiveness, the shape and configuration of the base, lip extending upwardly from base, and the legs of the bar chair are significant.**



(21) Design Number: **16024/2008**

(22) Date of Filing Application: **23 December 2008**

(24) Date from which industrial property rights may have effect: **23 December 2008**

(54) Product in respect of which the design is registered: **Vehicle light mount**

(51) International Design Classification: **12-16E**

(71) Name(s) and Address(s) of Applicant(s):

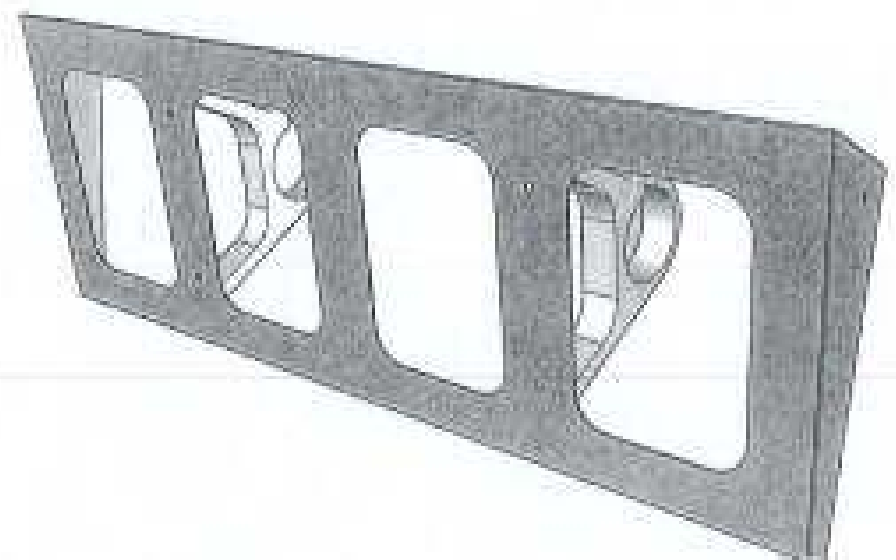
Lelox (Australia) Pty Ltd
46 Fairey Road South Windsor New South Wales 2756 Australia

(72) Name(s) of Designer(s): **Casey Nas and Miroslav Dosen**

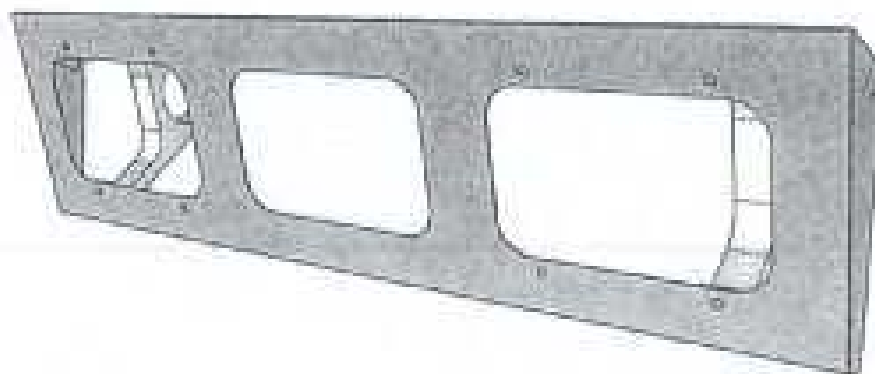
(45) Registration Date: **16 February 2009**

(56) Related Art Documents: **Not Applicable**

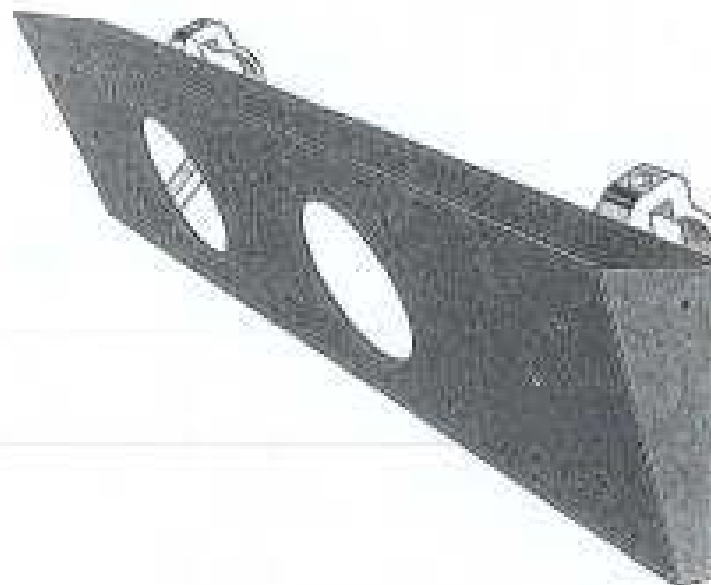
(57) Statement of Newness and Distinctiveness: **Nil**



- (21) Design Number: **16023/2008**
(22) Date of Filing Application: **23 December 2008**
(24) Date from which industrial property rights may have effect: **23 December 2008**
(54) Product in respect of which the design is registered: **Vehicle light mount**
(51) International Design Classification: **12-16E**
(71) Name(s) and Address(s) of Applicant(s):
Lelox (Australia) Pty Ltd
46 Fairey Road South Windsor New South Wales 2756 Australia
(72) Name(s) of Designer(s): **Casey Nas and Miroslav Dosen**
(45) Registration Date: **16 February 2009**
(56) Related Art Documents: **Not Applicable**
(57) Statement of Newness and Distinctiveness: **Nil**



- (21) Design Number: **16025/2008**
(22) Date of Filing Application: **23 December 2008**
(24) Date from which industrial property rights may have effect: **23 December 2008**
(54) Product in respect of which the design is registered: **Vehicle light mount**
(51) International Design Classification: **12-16E**
(71) Name(s) and Address(s) of Applicant(s):
Lelox (Australia) Pty Ltd
46 Fairey Road South Windsor New South Wales 2756 Australia
(72) Name(s) of Designer(s): **Casey Nas and Miroslav Dosen**
(45) Registration Date: **16 February 2009**
(56) Related Art Documents: **Not Applicable**
(57) Statement of Newness and Distinctiveness: **Nil**



(21) Design Number: **12965/2008**

(22) Date of Filing Application: **25 June 2008**

(24) Date from which industrial property rights may have effect: **25 June 2008**

(54) Product in respect of which the design is registered: **A dress**

(51) International Design Classification: **02-02C**

(71) Name(s) and Address(s) of Applicant(s):

Sportsgirl Pty Ltd

11 Palmer Parade Richmond Victoria 3121 Australia

(72) Name(s) of Designer(s): **Gavin Gage**

(45) Registration Date: **17 February 2009**

(56) Related Art Documents: **Not Applicable**

(57) Statement of Newness and Distinctiveness: **Nil**



(21) Design Number: **15624/2008**

(22) Date of Filing Application: **25 June 2008**

(24) Date from which industrial property rights may have effect: **25 June 2008**

(54) Product in respect of which the design is registered: **A camisole**

(51) International Design Classification: **02-02NES**

(71) Name(s) and Address(s) of Applicant(s):

Sportsgirl Pty Ltd

11 Palmer Parade Richmond Victoria 3121 Australia

(72) Name(s) of Designer(s): **Gavin Gage**

(45) Registration Date: **17 February 2009**

(56) Related Art Documents: **Not Applicable**

(57) Statement of Newness and Distinctiveness: **Nil**



(21) Design Number: **15625/2008**

(22) Date of Filing Application: **25 June 2008**

(24) Date from which industrial property rights may have effect: **25 June 2008**

(54) Product in respect of which the design is registered: **A vest**

(51) International Design Classification: **02-02NES**

(71) Name(s) and Address(s) of Applicant(s):

Sportsgirl Pty Ltd

11 Palmer Parade Richmond Victoria 3121 Australia

(72) Name(s) of Designer(s): **Gavin Gage**

(45) Registration Date: **17 February 2009**

(56) Related Art Documents: **Not Applicable**

(57) Statement of Newness and Distinctiveness: **Nil**



(21) Design Number: **15626/2008**

(22) Date of Filing Application: **25 June 2008**

(24) Date from which industrial property rights may have effect: **25 June 2008**

(54) Product in respect of which the design is registered: **A beaded vest**

(51) International Design Classification: **02-02NES**

(71) Name(s) and Address(s) of Applicant(s):

Sportsgirl Pty Ltd

11 Palmer Parade Richmond Victoria 3121 Australia

(72) Name(s) of Designer(s): **Gavin Gage**

(45) Registration Date: **17 February 2009**

(56) Related Art Documents: **Not Applicable**

(57) Statement of Newness and Distinctiveness: **Nil**



(21) Design Number: **15627/2008**

(22) Date of Filing Application: **25 June 2008**

(24) Date from which industrial property rights may have effect: **25 June 2008**

(54) Product in respect of which the design is registered: **A lace camisole**

(51) International Design Classification: **02-02NES**

(71) Name(s) and Address(s) of Applicant(s):

Sportsgirl Pty Ltd

11 Palmer Parade Richmond Victoria 3121 Australia

(72) Name(s) of Designer(s): **Gavin Gage**

(45) Registration Date: **17 February 2009**

(56) Related Art Documents: **Not Applicable**

(57) Statement of Newness and Distinctiveness: **Nil**



(21) Design Number: **13141/2008**

(22) Date of Filing Application: **04 July 2008**

(24) Date from which industrial property rights may have effect: **04 July 2008**

(54) Product in respect of which the design is registered: **A mesh shrink plastic covered hook over panel**

(51) International Design Classification: **25-02C**

(71) Name(s) and Address(s) of Applicant(s):

Lesny Pty Ltd

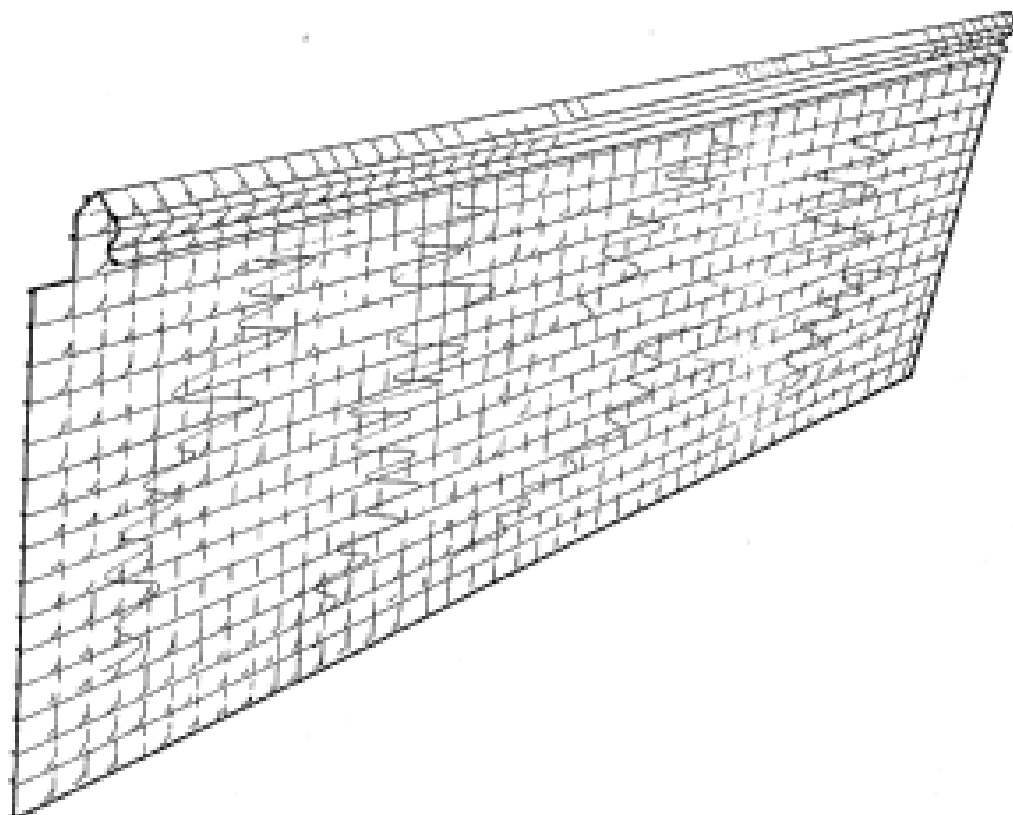
21 Steel Place Morningside Queensland 4170 Australia

(72) Name(s) of Designer(s): **Daniel Charles Underwood and Ryan Rogers**

(45) Registration Date: **17 February 2009**

(56) Related Art Documents: **Not Applicable**

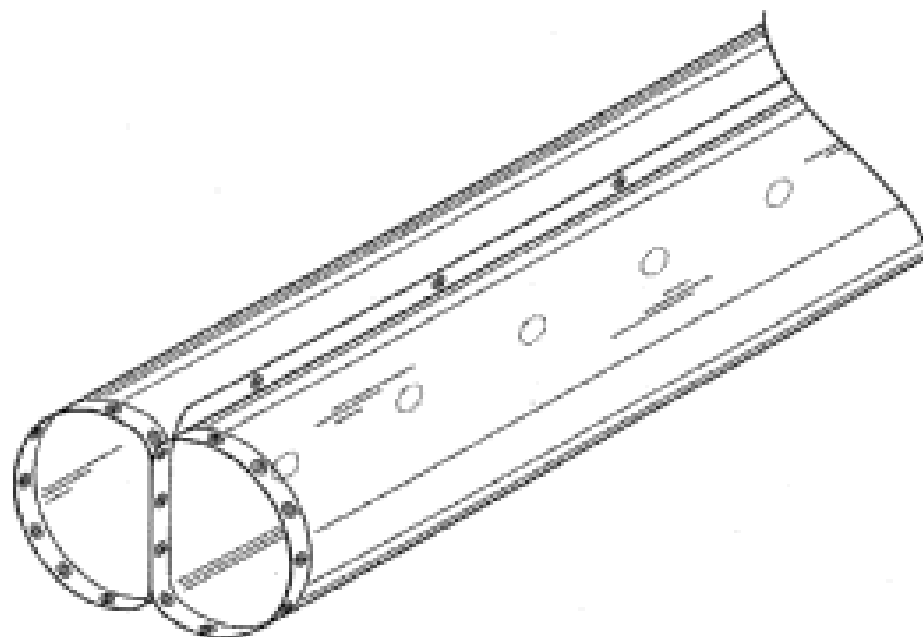
(57) Statement of Newness and Distinctiveness: **Distinctiveness resides in the shape and configuration of a panel of indefinite length as illustrated in the representations.**



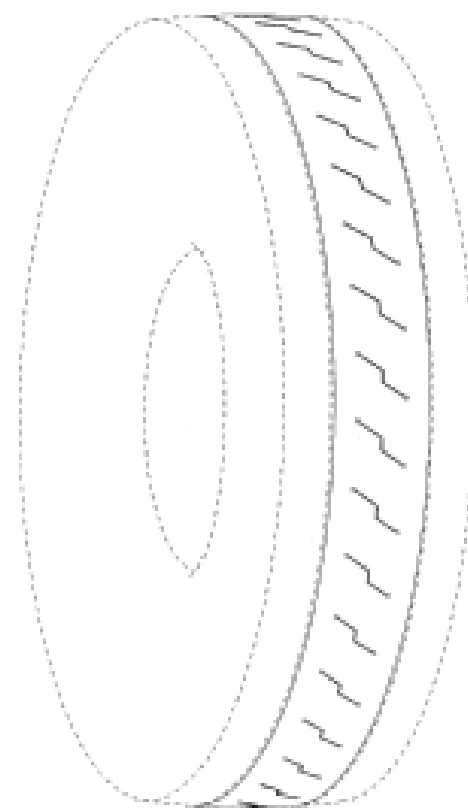
- (21) Design Number: **15230/2008**
(22) Date of Filing Application: **03 November 2008**
(24) Date from which industrial property rights may have effect: **03 November 2008**
(54) Product in respect of which the design is registered: **The over all profile of the chair, the shape and the incorporated back seat and mechanism design. This product is**
(51) International Design Classification: **06-01F**
(71) Name(s) and Address(s) of Applicant(s):
Michael Antunes
12-14 Amour Street Milperra New South Wales 2214 Australia
(72) Name(s) of Designer(s): **Michael Antunes and Spencer Yao**
(45) Registration Date: **17 February 2009**
(56) Related Art Documents: **Not Applicable**
(57) Statement of Newness and Distinctiveness: **The mesh back, cross design lumbar support, the profile over all look, the shape of the back in the front view, and shape/profile in the side view.**



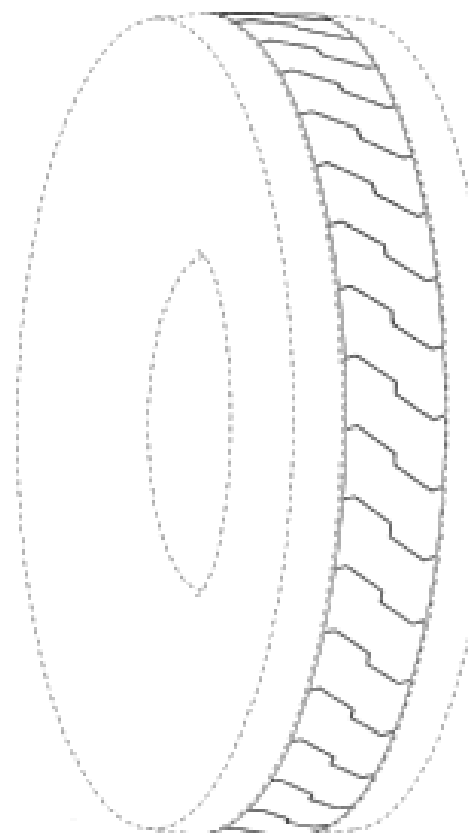
- (21) Design Number: **15929/2008**
(22) Date of Filing Application: **17 December 2008**
(24) Date from which industrial property rights may have effect: **17 December 2008**
(54) Product in respect of which the design is registered: **Mine ventilation duct**
(51) International Design Classification: **23-04, 25-01K**
(71) Name(s) and Address(s) of Applicant(s):
Christopher David Wilson
PO Box 5184 South Lake Western Australia 6164 Australia
(72) Name(s) of Designer(s): **Christopher David Wilson**
(45) Registration Date: **17 February 2009**
(56) Related Art Documents: **Not Applicable**
(57) Statement of Newness and Distinctiveness: **Nil**



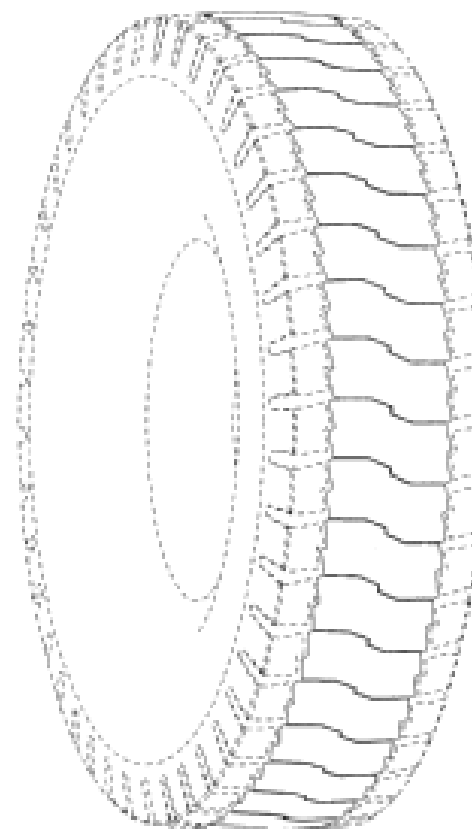
(21) Design Number: **10310/2009**
(22) Date of Filing Application: **05 February 2009**
(24) Date from which industrial property rights may have effect: **05 February 2009**
(54) Product in respect of which the design is registered: **Automobile tyre**
(51) International Design Classification: **12-15B**
(71) Name(s) and Address(s) of Applicant(s):
Bridgestone Corporation
10-1 Kyobashi 1-chome Chuo-ku Tokyo 104-8340 Japan
(72) Name(s) of Designer(s): **Hiroaki Ono**
(45) Registration Date: **17 February 2009**
(30) Convention priority data:
(31) Number (32) Date (33) Country
2008020137 05 Aug 2008 JAPAN
(56) Related Art Documents: **Not Applicable**
(57) Statement of Newness and Distinctiveness: **The parts of the Automobile Tyre illustrated by means of solid lines in the representations are new and distinctive.**



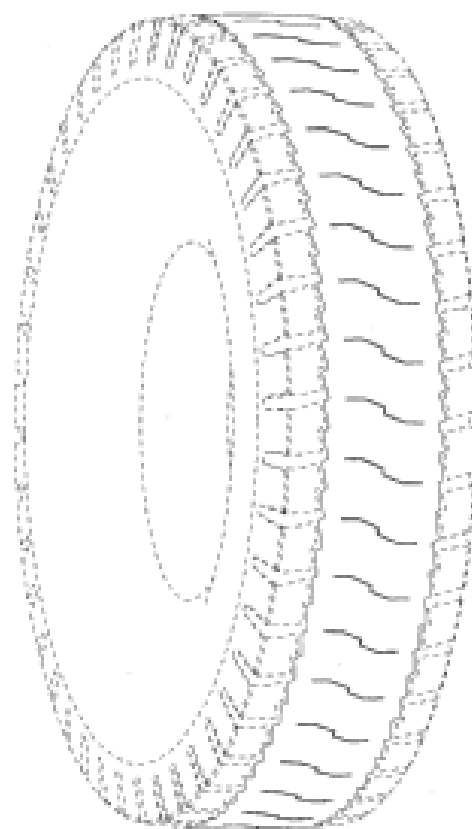
(21) Design Number: **10311/2009**
(22) Date of Filing Application: **05 February 2009**
(24) Date from which industrial property rights may have effect: **05 February 2009**
(54) Product in respect of which the design is registered: **Automobile tyre**
(51) International Design Classification: **12-15B**
(71) Name(s) and Address(s) of Applicant(s):
Bridgestone Corporation
10-1 Kyobashi 1-chome Chuo-ku Tokyo 104-8340 Japan
(72) Name(s) of Designer(s): **Hiroaki Ono**
(45) Registration Date: **17 February 2009**
(30) Convention priority data:
(31) Number (32) Date (33) Country
2008020139 05 Aug 2008 JAPAN
(56) Related Art Documents: **Not Applicable**
(57) Statement of Newness and Distinctiveness: **The parts of the Automobile Tyre illustrated by means of solid lines in the representations are new and distinctive.**



- (21) Design Number: **10312/2009**
(22) Date of Filing Application: **05 February 2009**
(24) Date from which industrial property rights may have effect: **05 February 2009**
(54) Product in respect of which the design is registered: **Automobile tyre**
(51) International Design Classification: **12-15A**
(71) Name(s) and Address(s) of Applicant(s):
Bridgestone Corporation
10-1 Kyobashi 1-chome Chuo-ku Tokyo 104-8340 Japan
(72) Name(s) of Designer(s): **Hidetoshi Yoda and Tomonori Aoki**
(45) Registration Date: **17 February 2009**
(30) Convention priority data:
(31) Number (32) Date (33) Country
2008020135 05 Aug 2008 JAPAN
(56) Related Art Documents: **Not Applicable**
(57) Statement of Newness and Distinctiveness: **The parts of the Automobile Tyre illustrated by means of solid lines in the representations are new and distinctive.**



- (21) Design Number: **10313/2009**
(22) Date of Filing Application: **05 February 2009**
(24) Date from which industrial property rights may have effect: **05 February 2009**
(54) Product in respect of which the design is registered: **Automobile tyre**
(51) International Design Classification: **12-15A**
(71) Name(s) and Address(s) of Applicant(s):
Bridgestone Corporation
10-1 Kyobashi 1-chome Chuo-ku Tokyo 104-8340 Japan
(72) Name(s) of Designer(s): **Hidetoshi Yoda and Tomonori Aoki**
(45) Registration Date: **17 February 2009**
(30) Convention priority data:
(31) Number (32) Date (33) Country
2008020136 05 Aug 2008 JAPAN
(56) Related Art Documents: **Not Applicable**
(57) Statement of Newness and Distinctiveness: **The parts of the Automobile Tyre illustrated by means of solid lines in the representations are new and distinctive.**



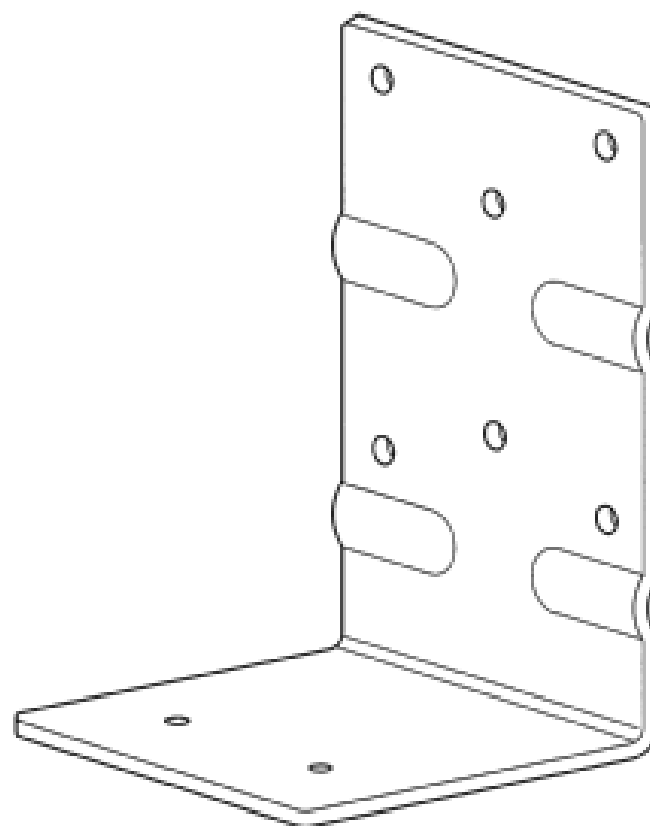
- (21) Design Number: **10314/2009**
(22) Date of Filing Application: **05 February 2009**
(24) Date from which industrial property rights may have effect: **05 February 2009**
(54) Product in respect of which the design is registered: **A rear combination lamp for a motor scooter**
(51) International Design Classification: **26-06**
(71) Name(s) and Address(s) of Applicant(s):
Honda Motor Co., Ltd.
1-1 Minami-Aoyama 2-Chome Minato-Ku Tokyo 107-8556 Japan
(72) Name(s) of Designer(s): **Kyosuke Kitayama and Tomotake Shimoji**
(45) Registration Date: **17 February 2009**
(30) Convention priority data:
(31) Number (32) Date (33) Country
2008020395 06 Aug 2008 JAPAN
(56) Related Art Documents: **Not Applicable**
(57) Statement of Newness and Distinctiveness: **The shape and configuration of a Rear Combination Lamp for a Motor Scooter as shown in Figures 1 to 10 is new and distinctive. Additional components of the Motor Scooter shown in Figure 11 do not form part of the design.**



- (21) Design Number: **10315/2009**
(22) Date of Filing Application: **05 February 2009**
(24) Date from which industrial property rights may have effect: **05 February 2009**
(54) Product in respect of which the design is registered: **Motor scooter**
(51) International Design Classification: **12-11**
(71) Name(s) and Address(s) of Applicant(s):
Honda Motor Co., Ltd.
1-1 Minami-Aoyama 2-Chome Minato-Ku Tokyo 107-8556 Japan
(72) Name(s) of Designer(s): **Kyosuke Kitayama and Tomotake Shimoji and Paolo Cuccagna**
(45) Registration Date: **17 February 2009**
(30) Convention priority data:
(31) Number (32) Date (33) Country
2008020393 06 Aug 2008 JAPAN
(56) Related Art Documents: **Not Applicable**
(57) Statement of Newness and Distinctiveness: **Nil**



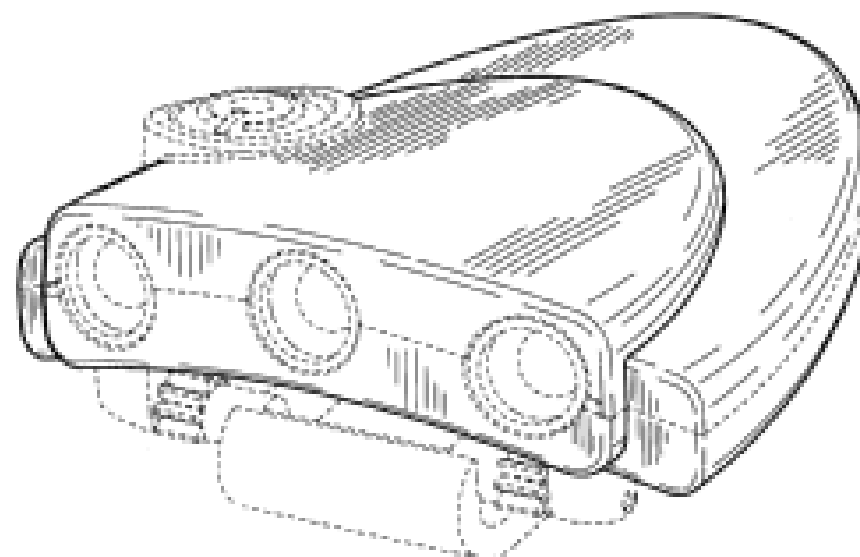
(21) Design Number: **10326/2009**
 (22) Date of Filing Application: **06 February 2009**
 (24) Date from which industrial property rights may have effect: **06 February 2009**
 (54) Product in respect of which the design is registered: **Bracket**
 (51) International Design Classification: **08-08L**
 (71) Name(s) and Address(s) of Applicant(s):
ITW Australia Pty Ltd
Suite 15/74 Doncaster Road Balwyn North Victoria 3104 Australia
 (72) Name(s) of Designer(s): **Bernard Joseph Kennelly and Tani Knight**
 (45) Registration Date: **18 February 2009**
 (56) Related Art Documents: **Not Applicable**
 (57) Statement of Newness and Distinctiveness: **Nil**



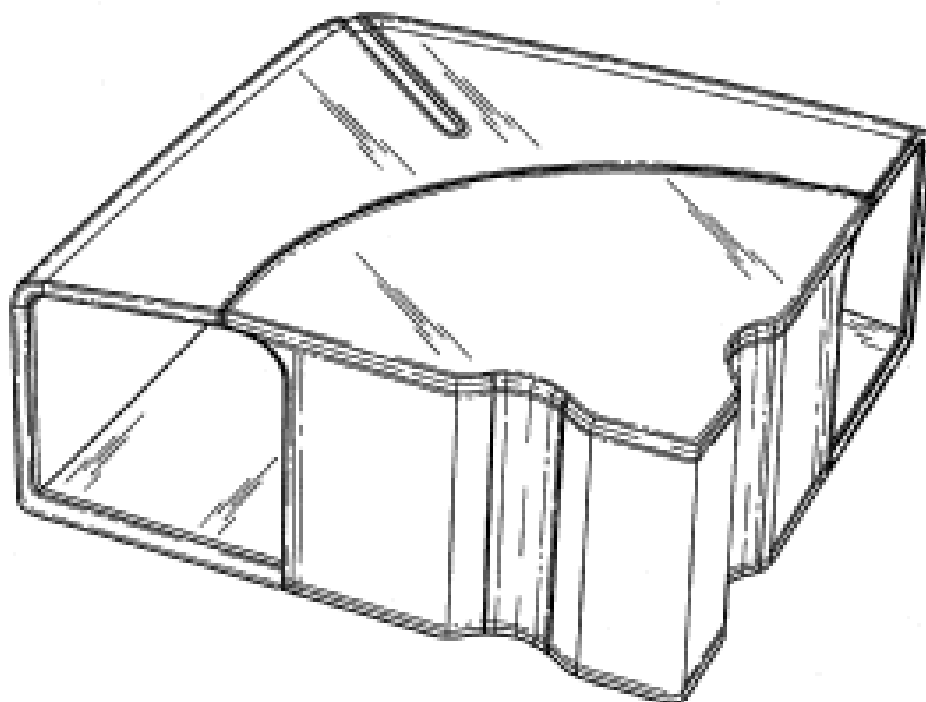
(21) Design Number: **10328/2009**
 (22) Date of Filing Application: **06 February 2009**
 (24) Date from which industrial property rights may have effect: **06 February 2009**
 (54) Product in respect of which the design is registered: **Lighting device**
 (51) International Design Classification: **16-02**
 (71) Name(s) and Address(s) of Applicant(s):
Eveready Battery Company, Inc.
533 Maryville University Drive St Louis Missouri 63141 United States of America
 (72) Name(s) of Designer(s): **Lai King Ma**
 (45) Registration Date: **18 February 2009**
 (30) Convention priority data:

(31) Number	(32) Date	(33) Country
29/324325	10 Sep 2008	UNITED STATES OF AMERICA

 (56) Related Art Documents: **Not Applicable**
 (57) Statement of Newness and Distinctiveness: **Newness and distinctiveness is claimed in those visual features depicted in unbroken lines.**



- (21) Design Number: **10330/2009**
(22) Date of Filing Application: **06 February 2009**
(24) Date from which industrial property rights may have effect: **06 February 2009**
(54) Product in respect of which the design is registered: **Rodent bait station**
(51) International Design Classification: **22-06**
(71) Name(s) and Address(s) of Applicant(s):
Reckitt Benckiser (Australia) Pty Limited
44 Wharf Road West Ryde New South Wales 2114 Australia
(72) Name(s) of Designer(s): **Guido Brandt and Jerry Chiang and Daniel Serra**
(45) Registration Date: **18 February 2009**
(30) Convention priority data:
(31) Number (32) Date (33) Country
0001004261-0001 17 Sep 2008 EUROPEAN COMMUNITY
(56) Related Art Documents: **Not Applicable**
(57) Statement of Newness and Distinctiveness: **Newness and distinctiveness reside in the features of the design as shown in the representations.**



- (21) Design Number: **10331/2009**
(22) Date of Filing Application: **06 February 2009**
(24) Date from which industrial property rights may have effect: **06 February 2009**
(54) Product in respect of which the design is registered: **Front bumper bar cover**
(51) International Design Classification: **12-16C**
(71) Name(s) and Address(s) of Applicant(s):
Talon Design Pty Limited
20-22 Yalgar Road Kirrawee New South Wales 2232 Australia
(72) Name(s) of Designer(s): **Alan Brian Kendall**
(45) Registration Date: **18 February 2009**
(56) Related Art Documents: **Not Applicable**
(57) Statement of Newness and Distinctiveness: **Newness and distinctiveness is claimed in the shape and/or configuration of a "front bumper bar cover" as shown in the representations.**



(21) Design Number: **10332/2009**
(22) Date of Filing Application: **06 February 2009**
(24) Date from which industrial property rights may have effect: **06 February 2009**
(54) Product in respect of which the design is registered: **Toy building element**
(51) International Design Classification: **21-01E**
(71) Name(s) and Address(s) of Applicant(s):

Lego A/S
Aastvej 1 Billund DK-7190 Denmark

(72) Name(s) of Designer(s): **Ditte Bruun Pedersen**

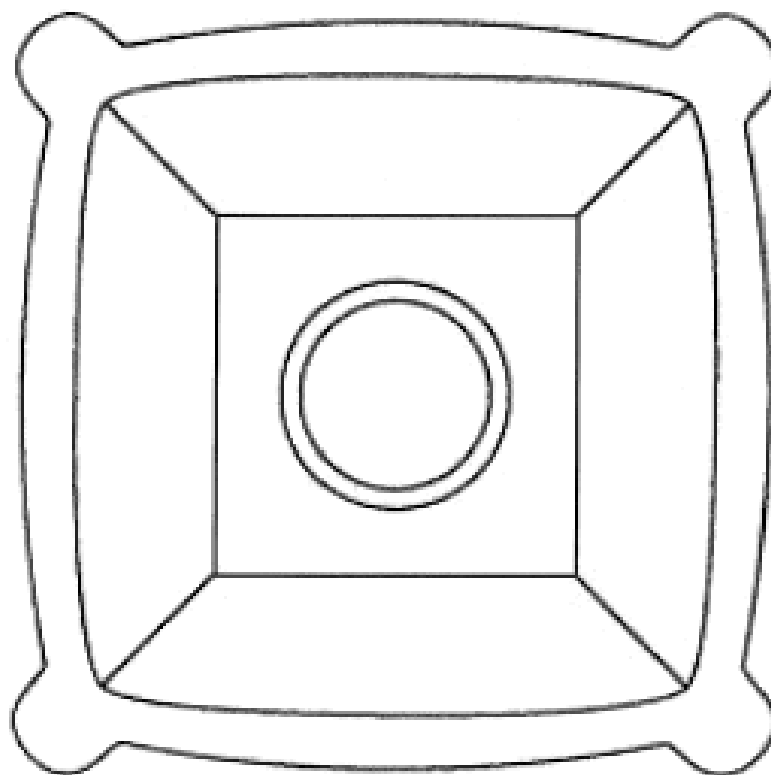
(45) Registration Date: **18 February 2009**

(30) Convention priority data:

(31) Number	(32) Date	(33) Country
001036362	10 Nov 2008	EUROPEAN COMMUNITY

(56) Related Art Documents: **Not Applicable**

(57) Statement of Newness and Distinctiveness: **Nil**



(21) Design Number: **10333/2009**
(22) Date of Filing Application: **06 February 2009**
(24) Date from which industrial property rights may have effect: **06 February 2009**
(54) Product in respect of which the design is registered: **Toy building element**
(51) International Design Classification: **21-01E**
(71) Name(s) and Address(s) of Applicant(s):

Lego A/S
Aastvej 1 Billund DK-7190 Denmark

(72) Name(s) of Designer(s): **Ditte Bruun Pedersen**

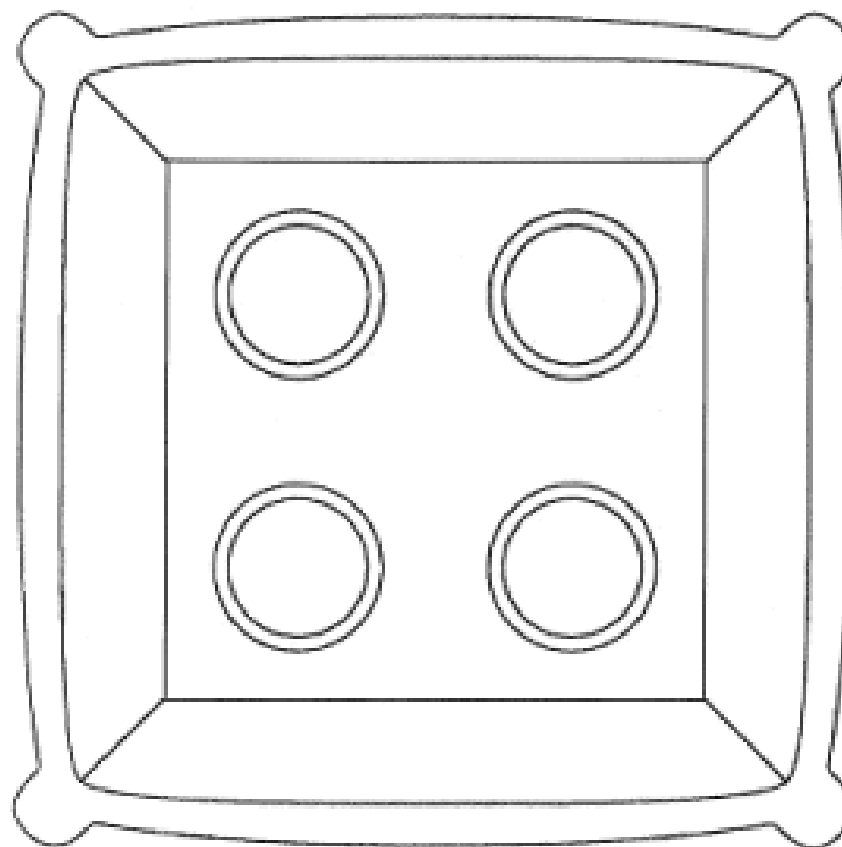
(45) Registration Date: **18 February 2009**

(30) Convention priority data:

(31) Number	(32) Date	(33) Country
001036362	10 Nov 2008	EUROPEAN COMMUNITY

(56) Related Art Documents: **Not Applicable**

(57) Statement of Newness and Distinctiveness: **Nil**



(21) Design Number: **10334/2009**
(22) Date of Filing Application: **06 February 2009**
(24) Date from which industrial property rights may have effect: **06 February 2009**
(54) Product in respect of which the design is registered: **Toy building element**
(51) International Design Classification: **21-01E**
(71) Name(s) and Address(s) of Applicant(s):

Lego A/S
Aastvej 1 Billund DK-7190 Denmark

(72) Name(s) of Designer(s): **Ditte Bruun Pedersen**

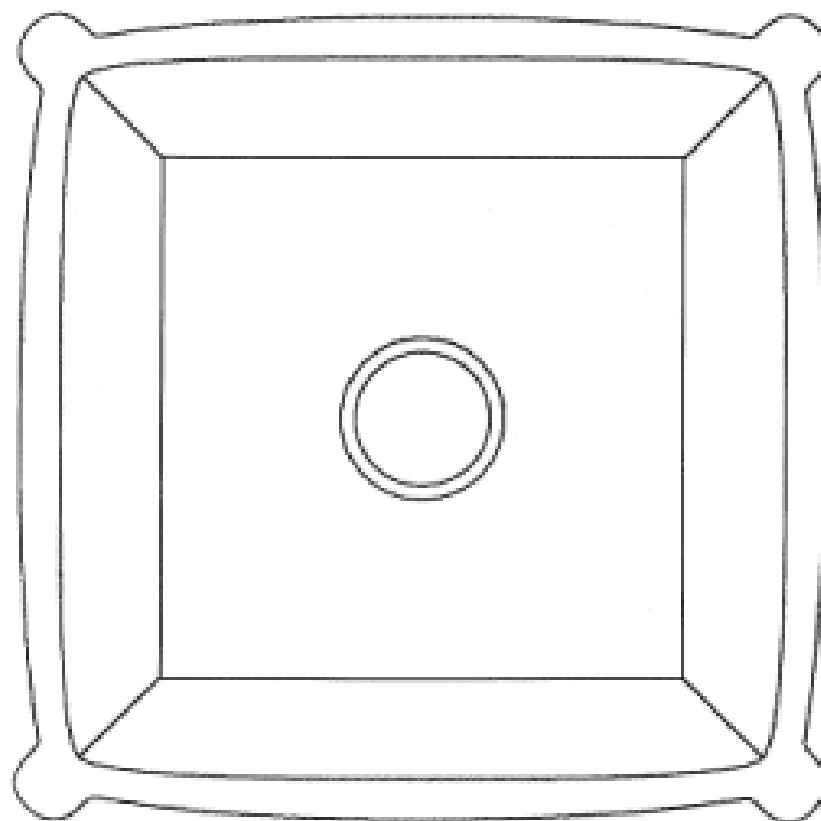
(45) Registration Date: **18 February 2009**

(30) Convention priority data:

(31) Number	(32) Date	(33) Country
001036362	10 Nov 2008	EUROPEAN COMMUNITY

(56) Related Art Documents: **Not Applicable**

(57) Statement of Newness and Distinctiveness: **Nil**



(21) Design Number: **10335/2009**
(22) Date of Filing Application: **06 February 2009**
(24) Date from which industrial property rights may have effect: **06 February 2009**
(54) Product in respect of which the design is registered: **Toy building element**
(51) International Design Classification: **21-01E**
(71) Name(s) and Address(s) of Applicant(s):

Lego A/S
Aastvej 1 Billund DK-7190 Denmark

(72) Name(s) of Designer(s): **Ditte Bruun Pedersen**

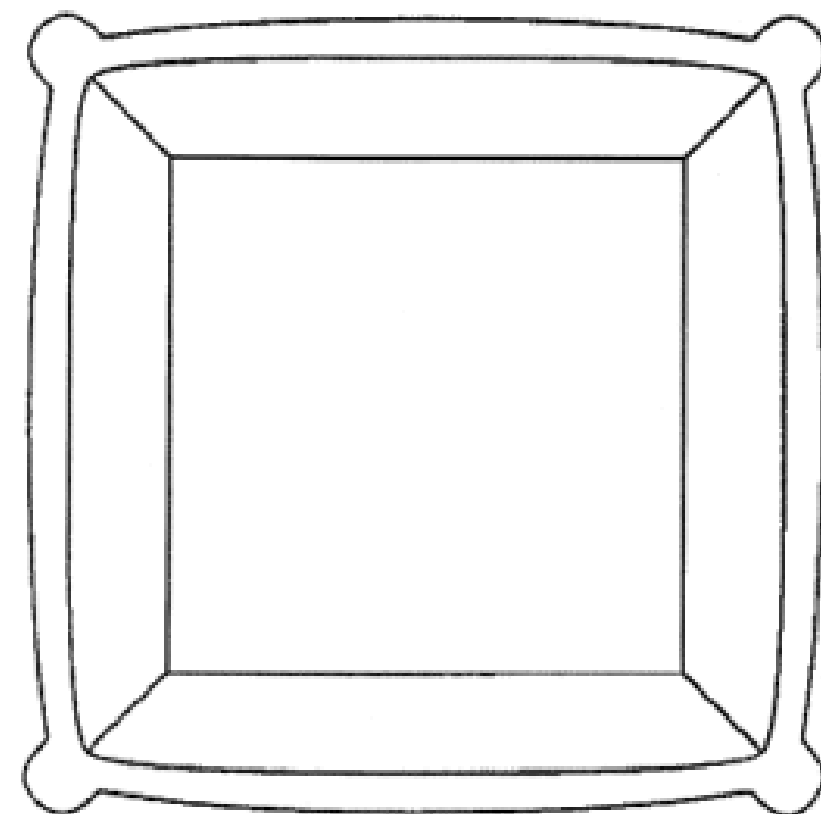
(45) Registration Date: **18 February 2009**

(30) Convention priority data:

(31) Number	(32) Date	(33) Country
001036362	10 Nov 2008	EUROPEAN COMMUNITY

(56) Related Art Documents: **Not Applicable**

(57) Statement of Newness and Distinctiveness: **Nil**



(21) Design Number: **13137/2008**

(22) Date of Filing Application: **04 July 2008**

(24) Date from which industrial property rights may have effect: **04 July 2008**

(54) Product in respect of which the design is registered: **Reinforcement bar end cap**

(51) International Design Classification: **08-08B**

(71) Name(s) and Address(s) of Applicant(s):

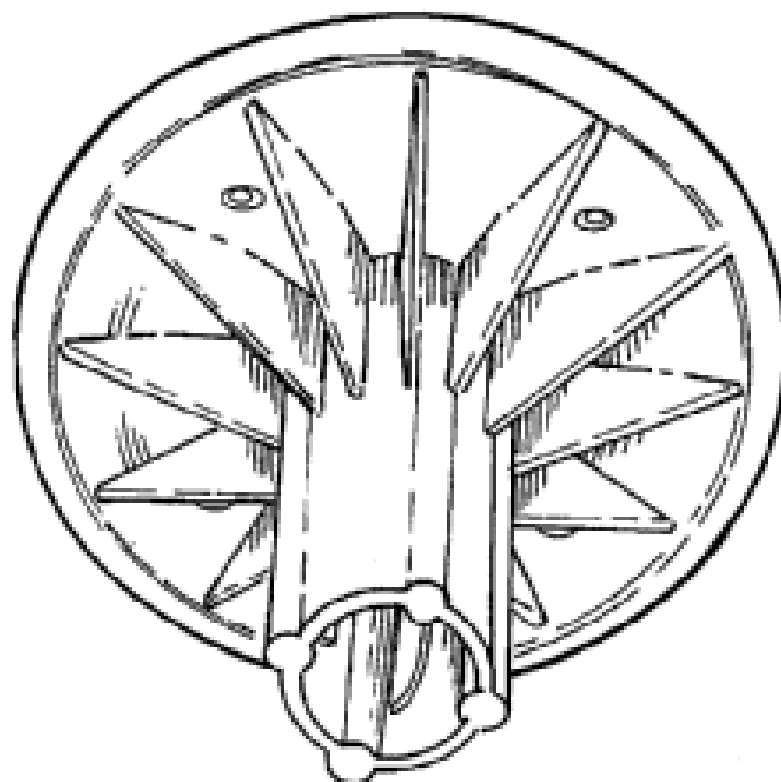
Lesny Pty Ltd
21 Steel Place Morningside Queensland 4170 Australia

(72) Name(s) of Designer(s): **Daniel Charles Underwood and Bruce Ireland and Alistair Ash and Ryan Rogers**

(45) Registration Date: **18 February 2009**

(56) Related Art Documents: **Not Applicable**

(57) Statement of Newness and Distinctiveness: **Nil**



(21) Design Number: **13138/2008**

(22) Date of Filing Application: **04 July 2008**

(24) Date from which industrial property rights may have effect: **04 July 2008**

(54) Product in respect of which the design is registered: **Reinforcement bar end cap**

(51) International Design Classification: **08-08B**

(71) Name(s) and Address(s) of Applicant(s):

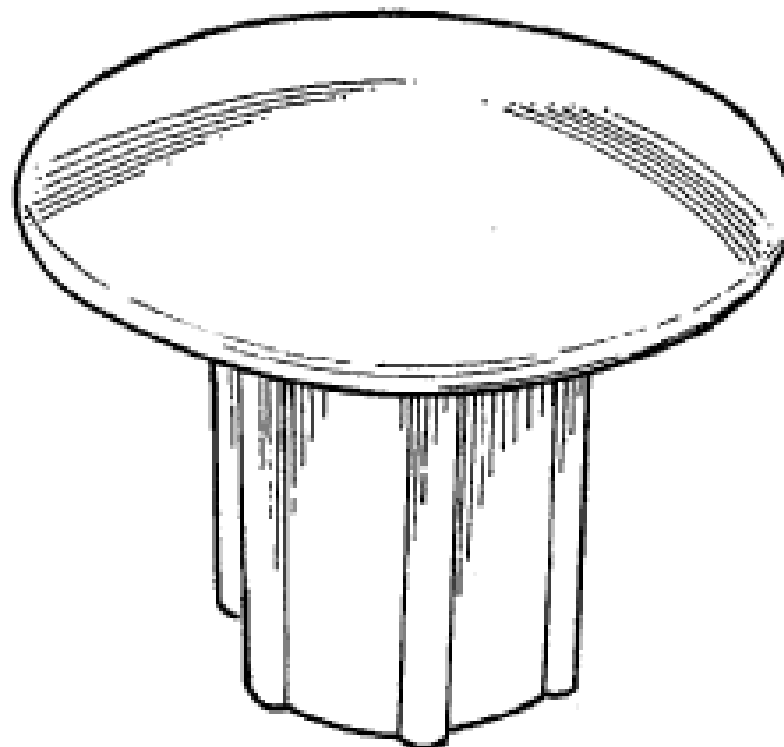
Lesny Pty Ltd
21 Steel Place Morningside Queensland 4170 Australia

(72) Name(s) of Designer(s): **Daniel Charles Underwood and Bruce Ireland and Alistair Ash and Ryan Rogers**

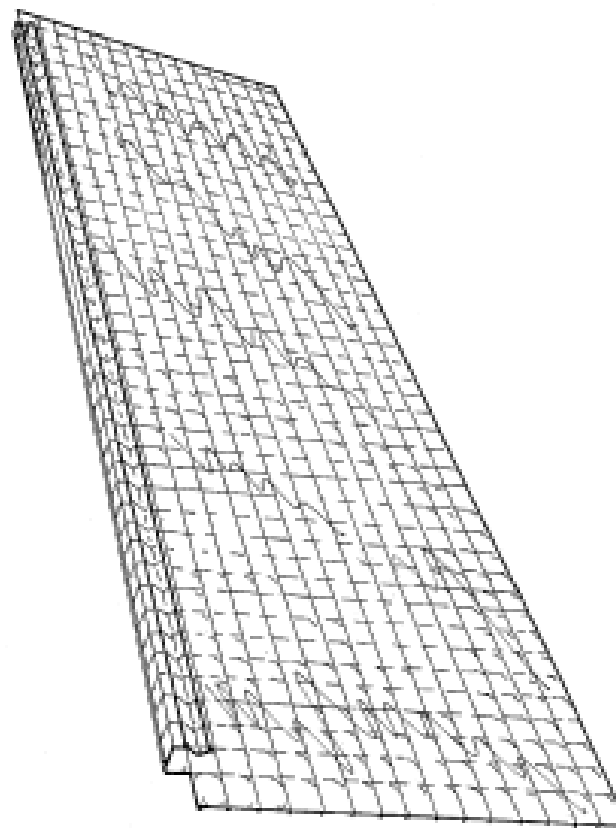
(45) Registration Date: **18 February 2009**

(56) Related Art Documents: **Not Applicable**

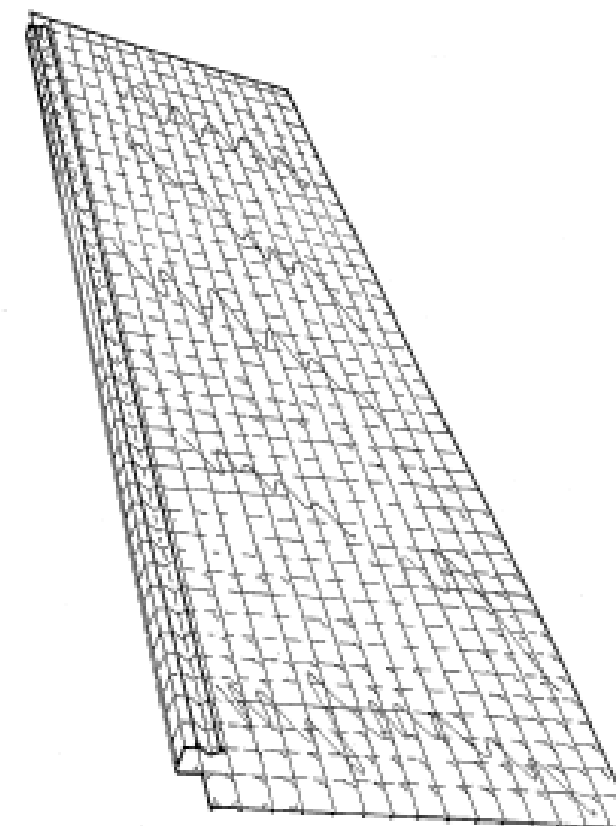
(57) Statement of Newness and Distinctiveness: **Nil**



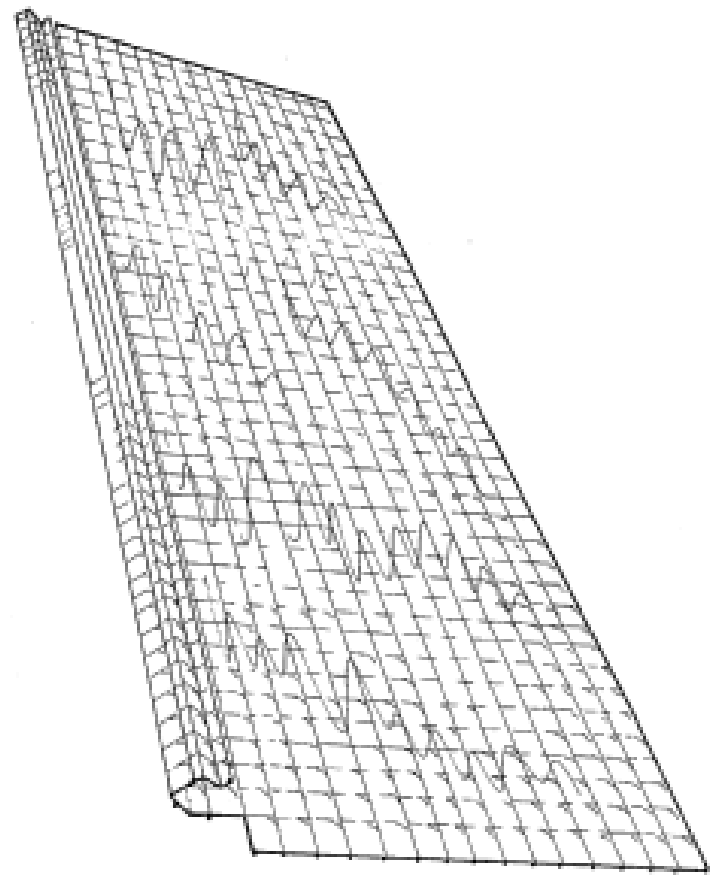
- (21) Design Number: **13140/2008**
(22) Date of Filing Application: **04 July 2008**
(24) Date from which industrial property rights may have effect: **04 July 2008**
(54) Product in respect of which the design is registered: **A mesh shrink plastic covered hook over panel**
(51) International Design Classification: **25-02C**
(71) Name(s) and Address(s) of Applicant(s):
Lesny Pty Ltd
21 Steel Place Morningside Queensland 4170 Australia
(72) Name(s) of Designer(s): **Daniel Charles Underwood and Ryan Rogers**
(45) Registration Date: **18 February 2009**
(56) Related Art Documents: **Not Applicable**
(57) Statement of Newness and Distinctiveness: **Distinctiveness resides in the shape and configuration of a panel of indefinite length as illustrated in the representations.**



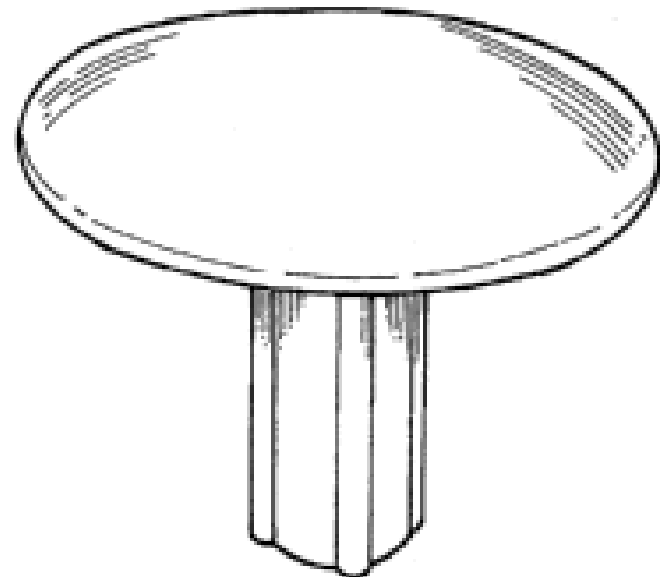
- (21) Design Number: **13143/2008**
(22) Date of Filing Application: **04 July 2008**
(24) Date from which industrial property rights may have effect: **04 July 2008**
(54) Product in respect of which the design is registered: **A mesh shrink plastic covered hook over panel**
(51) International Design Classification: **25-02C**
(71) Name(s) and Address(s) of Applicant(s):
Lesny Pty Ltd
21 Steel Place Morningside Queensland 4170 Australia
(72) Name(s) of Designer(s): **Daniel Charles Underwood and Ryan Rogers**
(45) Registration Date: **18 February 2009**
(56) Related Art Documents: **Not Applicable**
(57) Statement of Newness and Distinctiveness: **Distinctiveness resides in the shape and configuration of a panel of indefinite length as illustrated in the representations.**



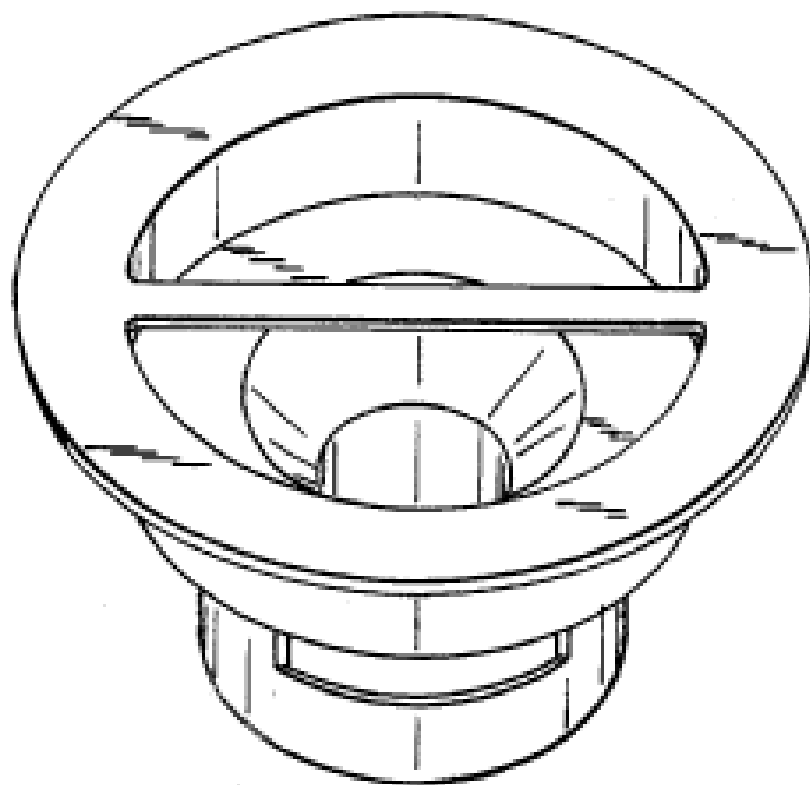
- (21) Design Number: **13144/2008**
(22) Date of Filing Application: **04 July 2008**
(24) Date from which industrial property rights may have effect: **04 July 2008**
(54) Product in respect of which the design is registered: **A mesh shrink plastic covered hook over panel**
(51) International Design Classification: **25-02C**
(71) Name(s) and Address(s) of Applicant(s):
Lesny Pty Ltd
21 Steel Place Morningside Queensland 4170 Australia
(72) Name(s) of Designer(s): **Daniel Charles Underwood and Ryan Rogers**
(45) Registration Date: **18 February 2009**
(56) Related Art Documents: **Not Applicable**
(57) Statement of Newness and Distinctiveness: **Distinctiveness resides in the shape and configuration of a panel of indefinite length as illustrated in the representations.**



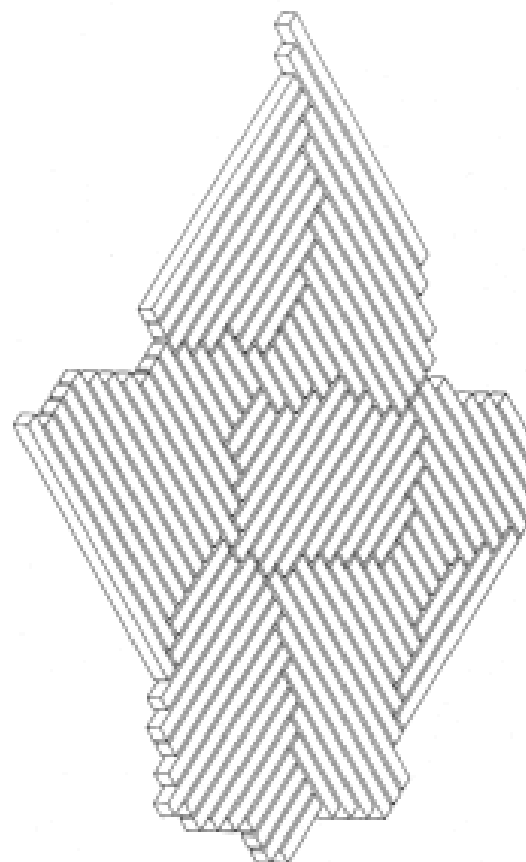
- (21) Design Number: **13207/2008**
(22) Date of Filing Application: **09 July 2008**
(24) Date from which industrial property rights may have effect: **09 July 2008**
(54) Product in respect of which the design is registered: **Reinforcement bar end cap**
(51) International Design Classification: **08-08B**
(71) Name(s) and Address(s) of Applicant(s):
Lesny Pty Ltd
21 Steel Place Morningside Queensland 4170 Australia
(72) Name(s) of Designer(s): **Daniel Charles Underwood and Bruce Ireland and Alistair Ash and Ryan Rogers**
(45) Registration Date: **18 February 2009**
(56) Related Art Documents: **Not Applicable**
(57) Statement of Newness and Distinctiveness: **Nil**



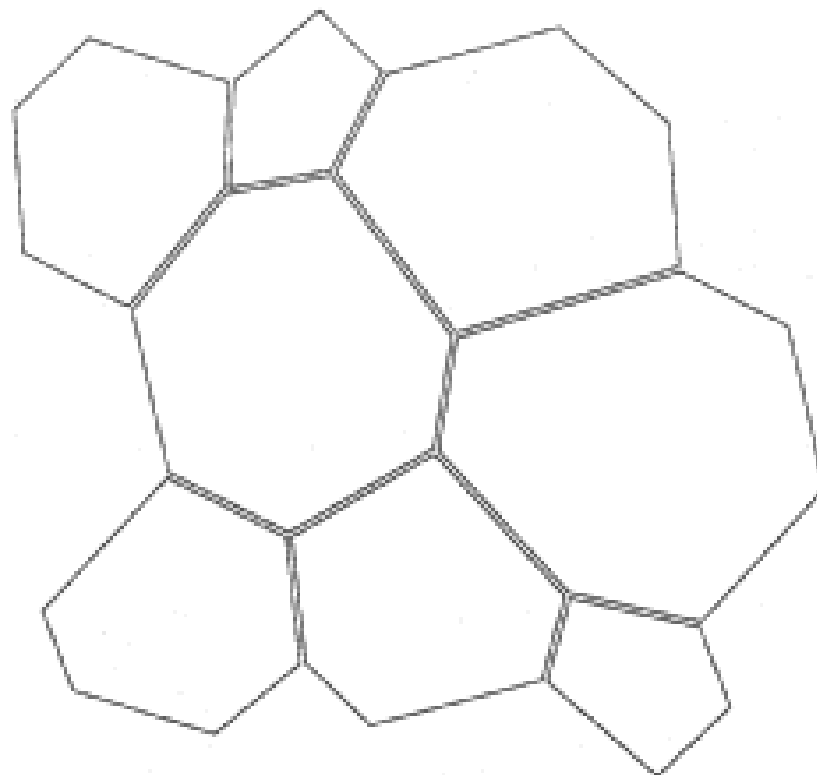
- (21) Design Number: **14137/2008**
(22) Date of Filing Application: **27 August 2008**
(24) Date from which industrial property rights may have effect: **27 August 2008**
(54) Product in respect of which the design is registered: **Drain fitting**
(51) International Design Classification: **23-02E**
(71) Name(s) and Address(s) of Applicant(s):
Ian Alexander Mackay
PO Box 3741 Robina Queensland 4230 Australia
(72) Name(s) of Designer(s): **Ian Alexander Mackay**
(45) Registration Date: **18 February 2009**
(56) Related Art Documents: **Not Applicable**
(57) Statement of Newness and Distinctiveness: **Newness and distinctiveness are claimed in the shape and configuration of a drain fitting as illustrated in the accompanying representations.**



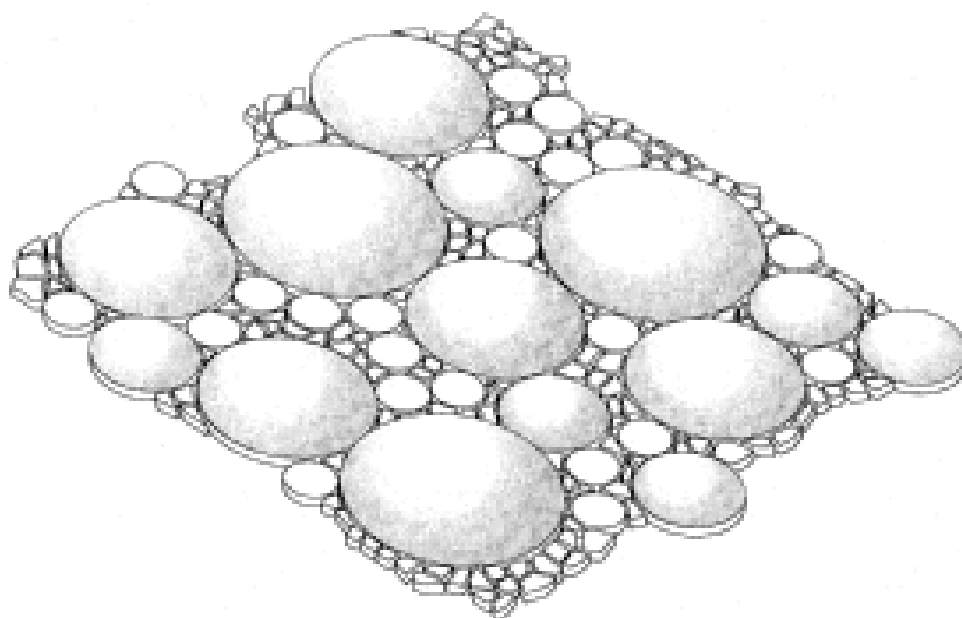
- (21) Design Number: **15263/2008**
(22) Date of Filing Application: **07 November 2008**
(24) Date from which industrial property rights may have effect: **07 November 2008**
(54) Product in respect of which the design is registered: **Tile formation**
(51) International Design Classification: **25-01F**
(71) Name(s) and Address(s) of Applicant(s):
Everstone International Pty Ltd
8 George Young Street Auburn New South Wales 2144 Australia
(72) Name(s) of Designer(s): **John Zeng**
(45) Registration Date: **18 February 2009**
(56) Related Art Documents: **Not Applicable**
(57) Statement of Newness and Distinctiveness: **Nil**



(21) Design Number: **15264/2008**
(22) Date of Filing Application: **07 November 2008**
(24) Date from which industrial property rights may have effect: **07 November 2008**
(54) Product in respect of which the design is registered: **Tile formation**
(51) International Design Classification: **25-01F**
(71) Name(s) and Address(s) of Applicant(s):
Everstone International Pty Ltd
8 George Young Street Auburn New South Wales 2144 Australia
(72) Name(s) of Designer(s): **John Zeng**
(45) Registration Date: **18 February 2009**
(56) Related Art Documents: **Not Applicable**
(57) Statement of Newness and Distinctiveness: **Nil**



(21) Design Number: **15265/2008**
(22) Date of Filing Application: **07 November 2008**
(24) Date from which industrial property rights may have effect: **07 November 2008**
(54) Product in respect of which the design is registered: **Tile formation**
(51) International Design Classification: **25-01F**
(71) Name(s) and Address(s) of Applicant(s):
Everstone International Pty Ltd
8 George Young Street Auburn New South Wales 2144 Australia
(72) Name(s) of Designer(s): **John Zeng**
(45) Registration Date: **18 February 2009**
(56) Related Art Documents: **Not Applicable**
(57) Statement of Newness and Distinctiveness: **Nil**



- (21) Design Number: **15266/2008**
(22) Date of Filing Application: **07 November 2008**
(24) Date from which industrial property rights may have effect: **07 November 2008**
(54) Product in respect of which the design is registered: **Tile formation**
(51) International Design Classification: **25-01F**
(71) Name(s) and Address(s) of Applicant(s):
Everstone International Pty Ltd
8 George Young Street Auburn New South Wales 2144 Australia
(72) Name(s) of Designer(s): **John Zeng**
(45) Registration Date: **18 February 2009**
(56) Related Art Documents: **Not Applicable**
(57) Statement of Newness and Distinctiveness: **Nil**



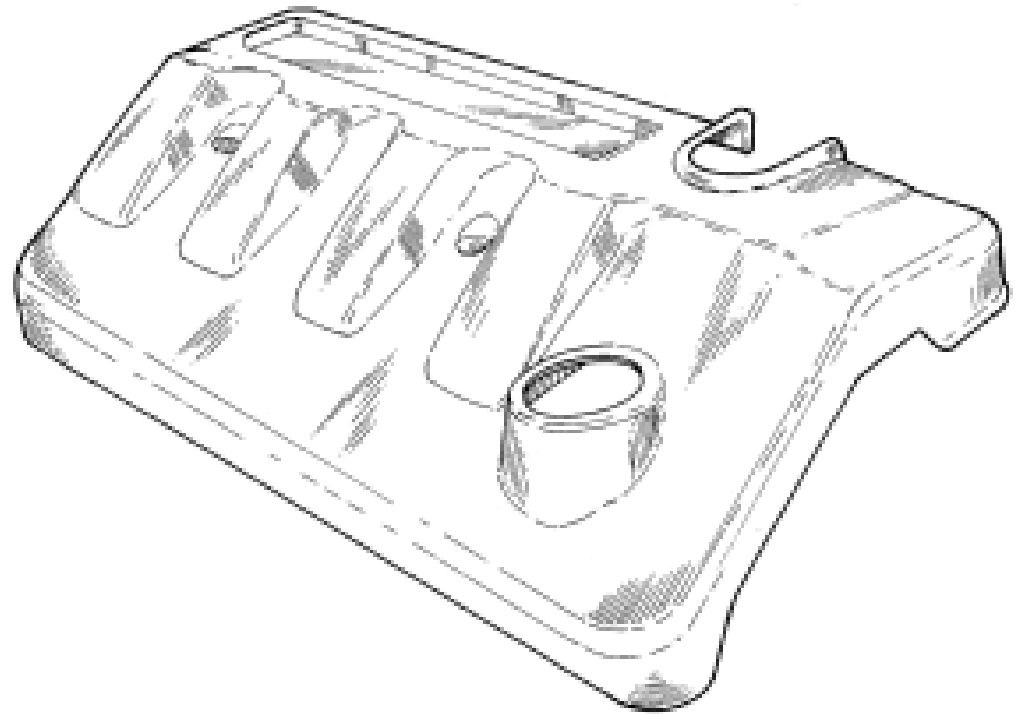
- (21) Design Number: **15479/2008**
(22) Date of Filing Application: **19 November 2008**
(24) Date from which industrial property rights may have effect: **19 November 2008**
(54) Product in respect of which the design is registered: **Shell for monitoring movement**
(51) International Design Classification: **10-05**
(71) Name(s) and Address(s) of Applicant(s):
Sigrist Technology ApS
Langagervej 69 6000 Kolding Denmark
(72) Name(s) of Designer(s): **Morten Thing**
(45) Registration Date: **18 February 2009**
(30) Convention priority data:

(31) Number	(32) Date	(33) Country
2008 00136	21 May 2008	DENMARK

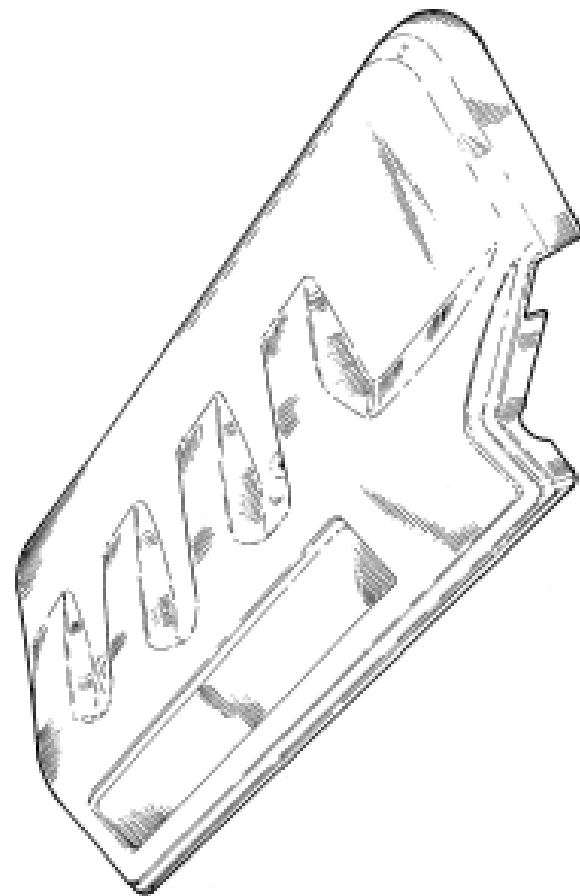
(56) Related Art Documents: **Not Applicable**
(57) Statement of Newness and Distinctiveness: **Newness and distinctiveness is claimed in the visual features shown in the representations.**



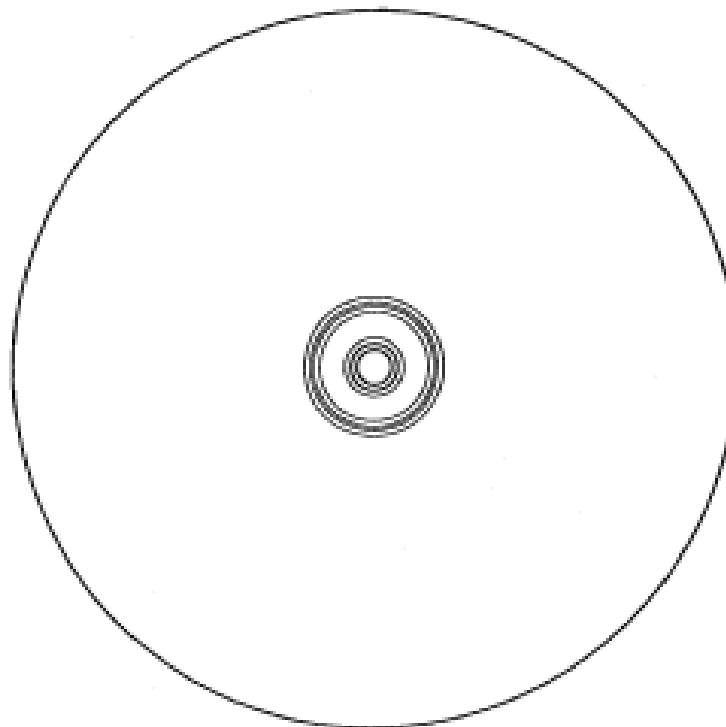
- (21) Design Number: **15841/2008**
(22) Date of Filing Application: **11 December 2008**
(24) Date from which industrial property rights may have effect: **11 December 2008**
(54) Product in respect of which the design is registered: **Engine cover**
(51) International Design Classification: **15-01**
(71) Name(s) and Address(s) of Applicant(s):
Bellnet Pty Ltd
1/76 Blanck Street Ormeau Queensland 4208 Australia
(72) Name(s) of Designer(s): **Kevin Desmond Hoverd**
(45) Registration Date: **19 February 2009**
(56) Related Art Documents: **Not Applicable**
(57) Statement of Newness and Distinctiveness: **Nil**



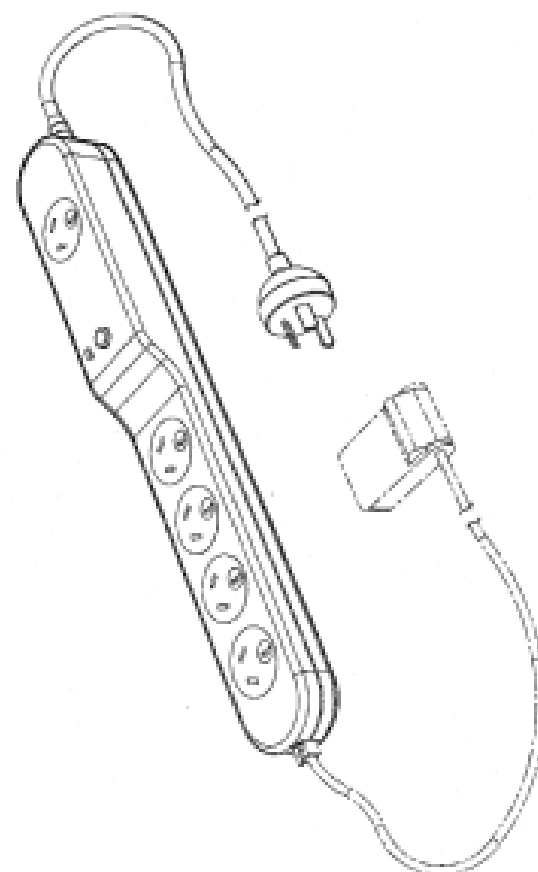
- (21) Design Number: **15842/2008**
(22) Date of Filing Application: **11 December 2008**
(24) Date from which industrial property rights may have effect: **11 December 2008**
(54) Product in respect of which the design is registered: **Engine cover**
(51) International Design Classification: **15-01**
(71) Name(s) and Address(s) of Applicant(s):
Bellnet Pty Ltd
1/76 Blanck Street Ormeau Queensland 4208 Australia
(72) Name(s) of Designer(s): **Kevin Desmond Hoverd**
(45) Registration Date: **19 February 2009**
(56) Related Art Documents: **Not Applicable**
(57) Statement of Newness and Distinctiveness: **Nil**



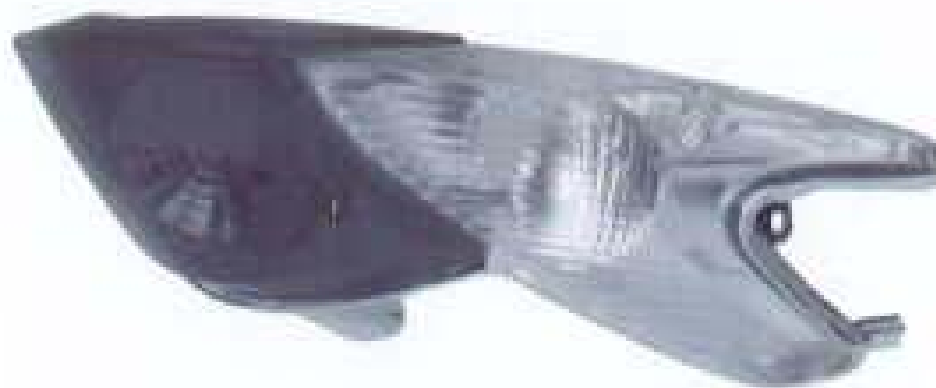
- (21) Design Number: **15581/2008**
(22) Date of Filing Application: **25 November 2008**
(24) Date from which industrial property rights may have effect: **25 November 2008**
(54) Product in respect of which the design is registered: **A fastener for insulation**
(51) International Design Classification: **08-08A**
(71) Name(s) and Address(s) of Applicant(s):
ITW Construction Systems Australia Pty Ltd
Suite 15 74 Doncaster Road Balwyn North Victoria 3104 Australia
(72) Name(s) of Designer(s): **Lachlan James Scott**
(45) Registration Date: **18 February 2009**
(56) Related Art Documents: **Not Applicable**
(57) Statement of Newness and Distinctiveness: **Newness and distinctiveness is claimed in the features of shape and configuration of the tubular stem portion of the fastener marked "A". The main body portion of the stem marked "B" is of indefinite length.**



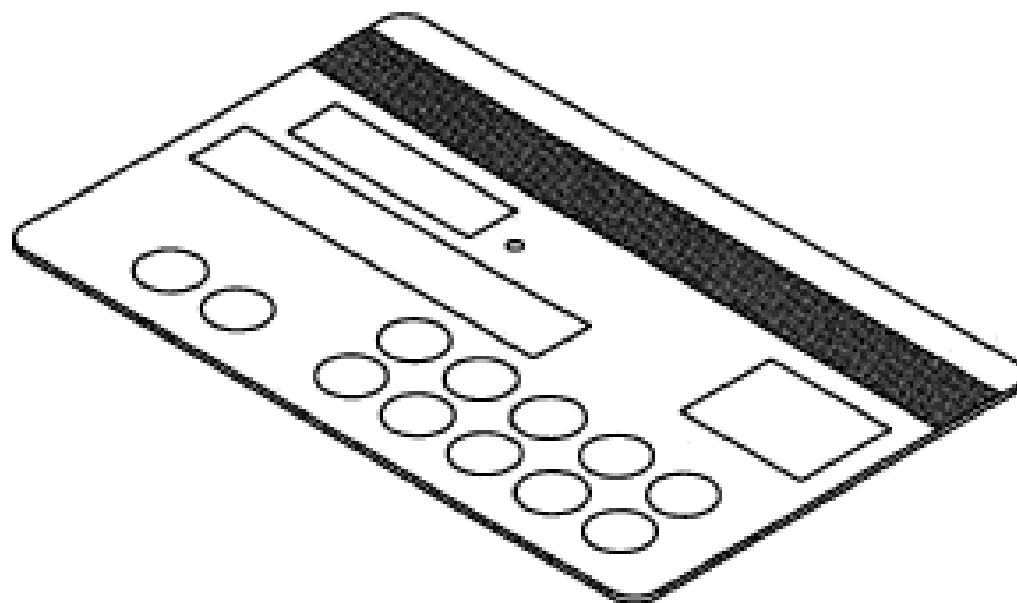
- (21) Design Number: **15643/2008**
(22) Date of Filing Application: **02 December 2008**
(24) Date from which industrial property rights may have effect: **02 December 2008**
(54) Product in respect of which the design is registered: **A standby power saver unit with a power board and sensor**
(51) International Design Classification: **13-03D**
(71) Name(s) and Address(s) of Applicant(s):
Mort Bay Traders Pty Ltd
191 Darling Street Balmain New South Wales 2041 Australia
(72) Name(s) of Designer(s): **Simon Grigg**
(45) Registration Date: **18 February 2009**
(56) Related Art Documents: **Not Applicable**
(57) Statement of Newness and Distinctiveness: **The representations show a standby power saver unit having a power board and a sensor. The sensor may be removed from the power board as shown in the exploded view. The length of the cable attaching the sensor to the power board may be varied. Newness and distinctiveness reside in particular in the shape and configuration of the power board.**



- (21) Design Number: **14451/2008**
(22) Date of Filing Application: **17 September 2008**
(24) Date from which industrial property rights may have effect: **17 September 2008**
(54) Product in respect of which the design is registered: **A rear combination lamp case for a motor scooter**
(51) International Design Classification: **12-16E**
(71) Name(s) and Address(s) of Applicant(s):
Honda Motor Co., Ltd.
1-1 Minami-Aoyama 2-Chome Minato-ku Tokyo Japan
(72) Name(s) of Designer(s): **Daisuke Takahashi and Valerio Aiello**
(45) Registration Date: **18 February 2009**
(30) Convention priority data:
(31) Number (32) Date (33) Country
2008-006505 17 Mar 2008 JAPAN
(56) Related Art Documents: **Not Applicable**
(57) Statement of Newness and Distinctiveness: **Newness and distinctiveness is claimed in the features of shape and/or configuration of a combination lamp case for a motor scooter as illustrated in the accompanying representations.**



- (21) Design Number: **15322/2008**
(22) Date of Filing Application: **12 November 2008**
(24) Date from which industrial property rights may have effect: **12 November 2008**
(54) Product in respect of which the design is registered: **An electronic card (case 3)**
(51) International Design Classification: **19-08**
(71) Name(s) and Address(s) of Applicant(s):
EMUE Holdings Pty Ltd
Level 15 180 Lonsdale Street Melbourne Victoria 3000 Australia
(72) Name(s) of Designer(s): **Jason Frederick Bender**
(45) Registration Date: **18 February 2009**
(56) Related Art Documents: **Not Applicable**
(57) Statement of Newness and Distinctiveness: **Nil**



(21) Design Number: **10094/2009**

(22) Date of Filing Application: **14 January 2009**

(24) Date from which industrial property rights may have effect: **14 January 2009**

(54) Product in respect of which the design is registered: **A Corner post for a Collapsible Container**

(51) International Design Classification: **09-03H**

(71) Name(s) and Address(s) of Applicant(s):

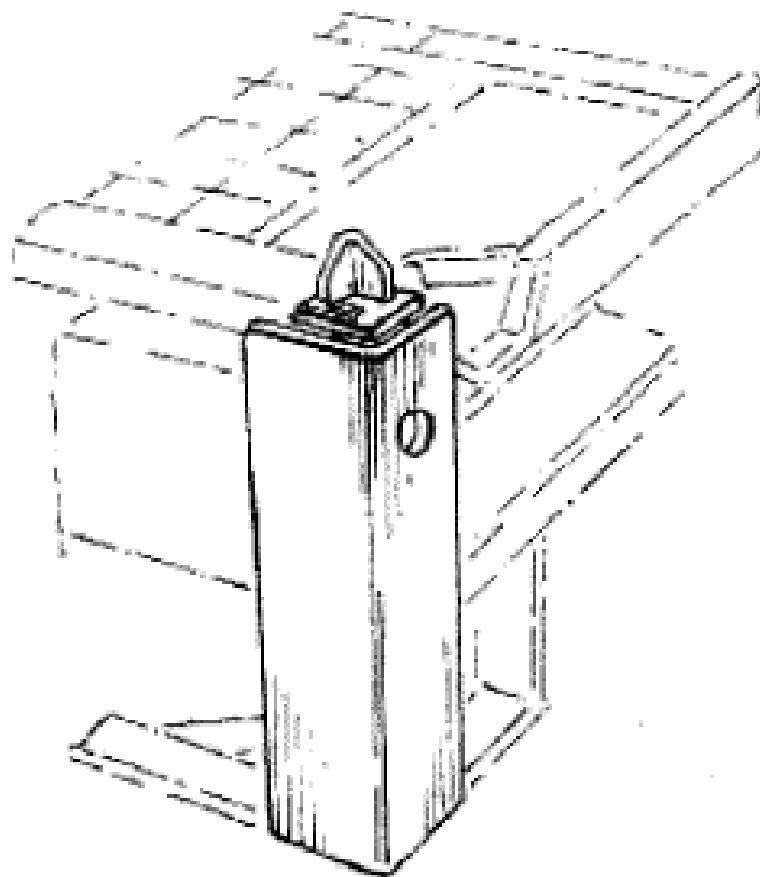
Agressor Corporation Pty Ltd
25A Vaucluse Road Vaucluse New South Wales 2030 Australia

(72) Name(s) of Designer(s): **Henry Spira**

(45) Registration Date: **18 February 2009**

(56) Related Art Documents: **Not Applicable**

(57) Statement of Newness and Distinctiveness: **A newness and distinctiveness is claimed in the shape and/or configuration of "a corner post for a collapsible container" as illustrated in the representations.**



(21) Design Number: **10207/2009**

(22) Date of Filing Application: **27 January 2009**

(24) Date from which industrial property rights may have effect: **27 January 2009**

(54) Product in respect of which the design is registered: **Boat hull**

(51) International Design Classification: **12-06A, 12-06B**

(71) Name(s) and Address(s) of Applicant(s):

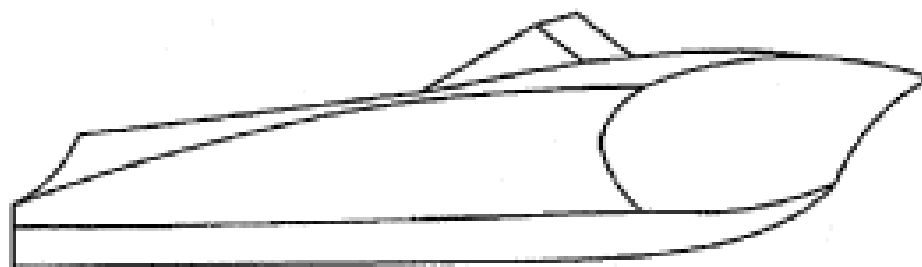
Andrew Charles Fearman
34 Bellevue Avenue South Launceston Tasmania 7250 Australia

(72) Name(s) of Designer(s): **Andrew Charles Fearman**

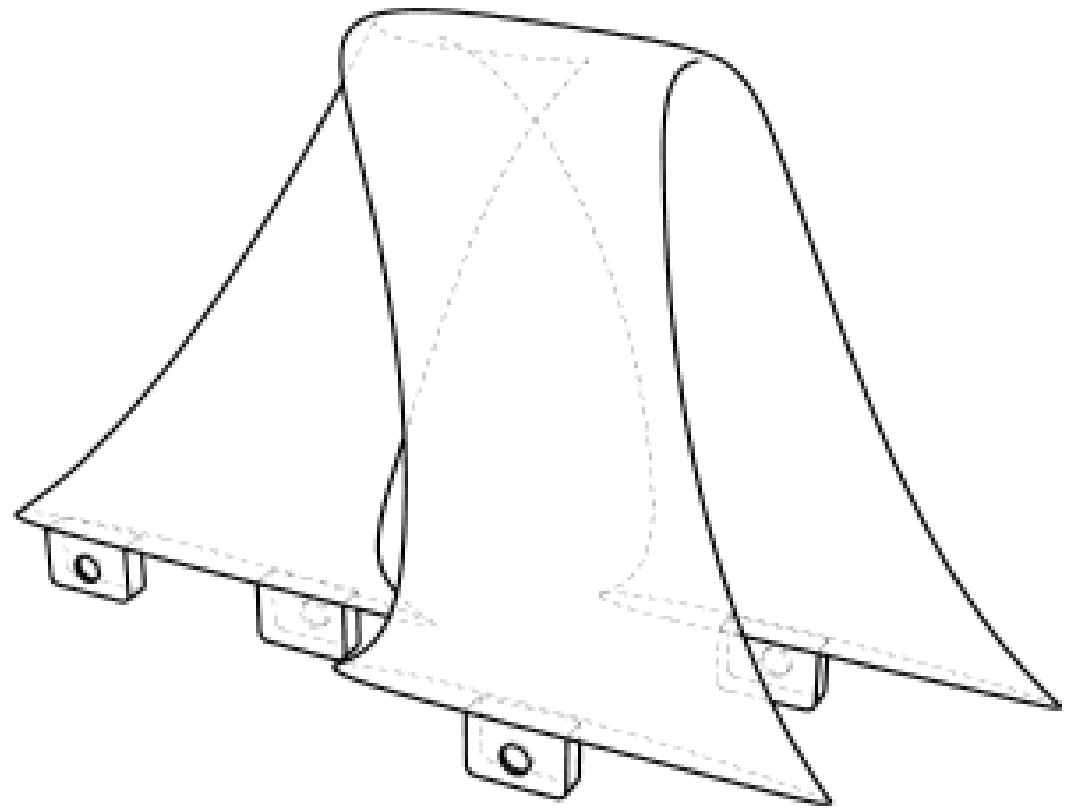
(45) Registration Date: **18 February 2009**

(56) Related Art Documents: **Not Applicable**

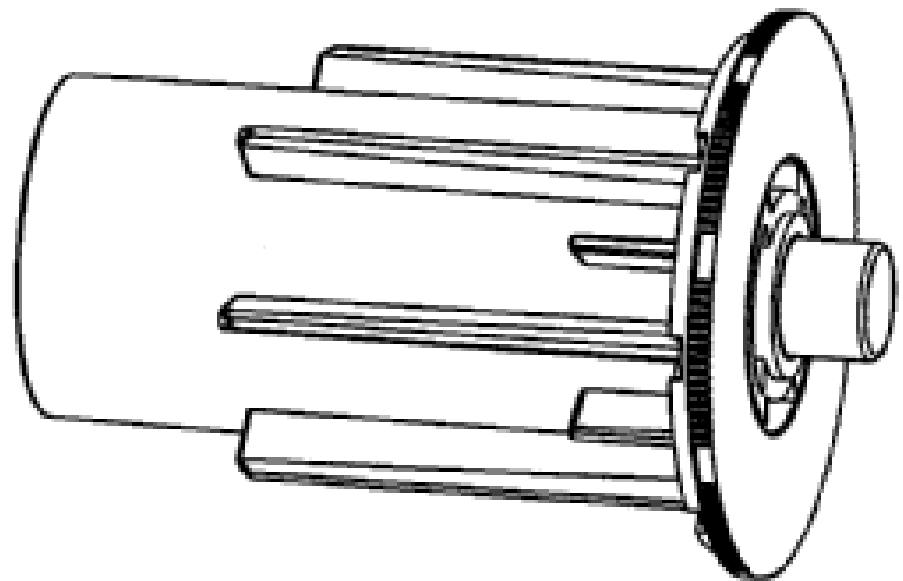
(57) Statement of Newness and Distinctiveness: **The bow section of the hull has a distinctive new shape an aggressive flare is formed by the intersection of two curved bow sections.**



- (21) Design Number: **10340/2009**
(22) Date of Filing Application: **10 February 2009**
(24) Date from which industrial property rights may have effect: **10 February 2009**
(54) Product in respect of which the design is registered: **Surfboard fin**
(51) International Design Classification: **21-02D**
(71) Name(s) and Address(s) of Applicant(s):
Courtney James Potter
123 Sebbes Road Forrest Grove Western Australia 6287 Australia
(72) Name(s) of Designer(s): **Courtney James Potter**
(45) Registration Date: **18 February 2009**
(56) Related Art Documents: **Not Applicable**
(57) Statement of Newness and Distinctiveness: **Nil**



- (21) Design Number: **10341/2009**
(22) Date of Filing Application: **09 February 2009**
(24) Date from which industrial property rights may have effect: **09 February 2009**
(54) Product in respect of which the design is registered: **A retracted idler**
(51) International Design Classification: **12-05, 08-08H, 15-99**
(71) Name(s) and Address(s) of Applicant(s):
Carmelo Joseph Licciardi Di Stefano
110 Northcorp Boulevard Broadmeadows Victoria 3047 Australia
(72) Name(s) of Designer(s): **Carmelo Joseph Licciardi Di Stefano**
(45) Registration Date: **18 February 2009**
(56) Related Art Documents: **Not Applicable**
(57) Statement of Newness and Distinctiveness: **The following visual features of the design are new and distinctive: the shape and configuration of a retracted idler as shown in solid lines in the accompanying representations. In considering the newness and distinctiveness of the design, no regard is to be had to the visual features depicted by the broken lines.**



(21) Design Number: **10346/2009**

(22) Date of Filing Application: **10 February 2009**

(24) Date from which industrial property rights may have effect: **10 February 2009**

(54) Product in respect of which the design is registered: **Women and mens adaptive night shirt**

(51) International Design Classification: **02-01NES**

(71) Name(s) and Address(s) of Applicant(s):

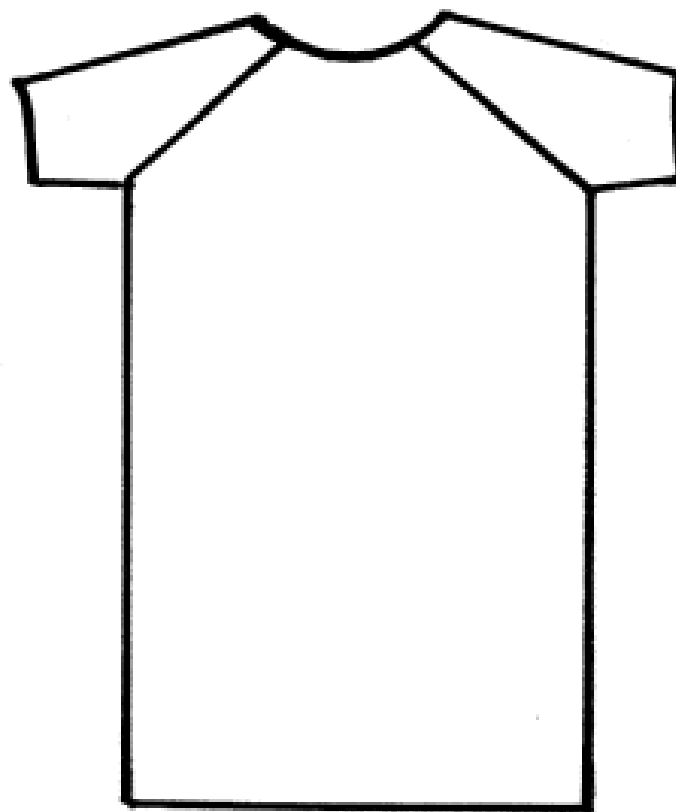
Mathilde Wilhelmina Forster
27 Braund Avenue Bell Post Hill Victoria 3215 Australia

(72) Name(s) of Designer(s): **Mathilde Wilhelmina Forster**

(45) Registration Date: **18 February 2009**

(56) Related Art Documents: **Not Applicable**

(57) Statement of Newness and Distinctiveness: **The visual feature of the design is the overlap sewn into the back yoke of the garment.**



(21) Design Number: **10347/2009**

(22) Date of Filing Application: **09 February 2009**

(24) Date from which industrial property rights may have effect: **09 February 2009**

(54) Product in respect of which the design is registered: **An extended idler**

(51) International Design Classification: **12-05, 08-08H, 15-99**

(71) Name(s) and Address(s) of Applicant(s):

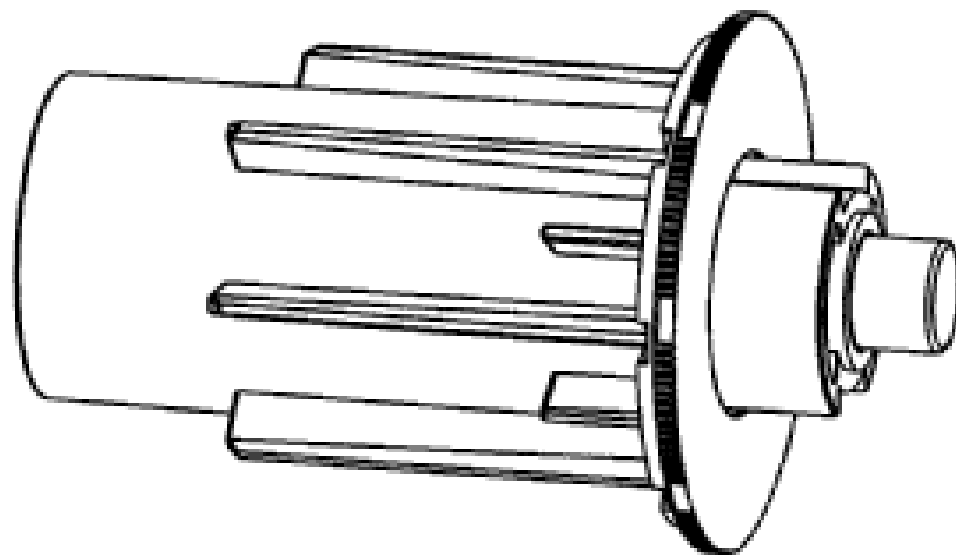
Carmelo Joseph Licciardi Di Stefano
110 Northcorp Boulevard Broadmeadows Victoria 3047 Australia

(72) Name(s) of Designer(s): **Carmelo Joseph Licciardi Di Stefano**

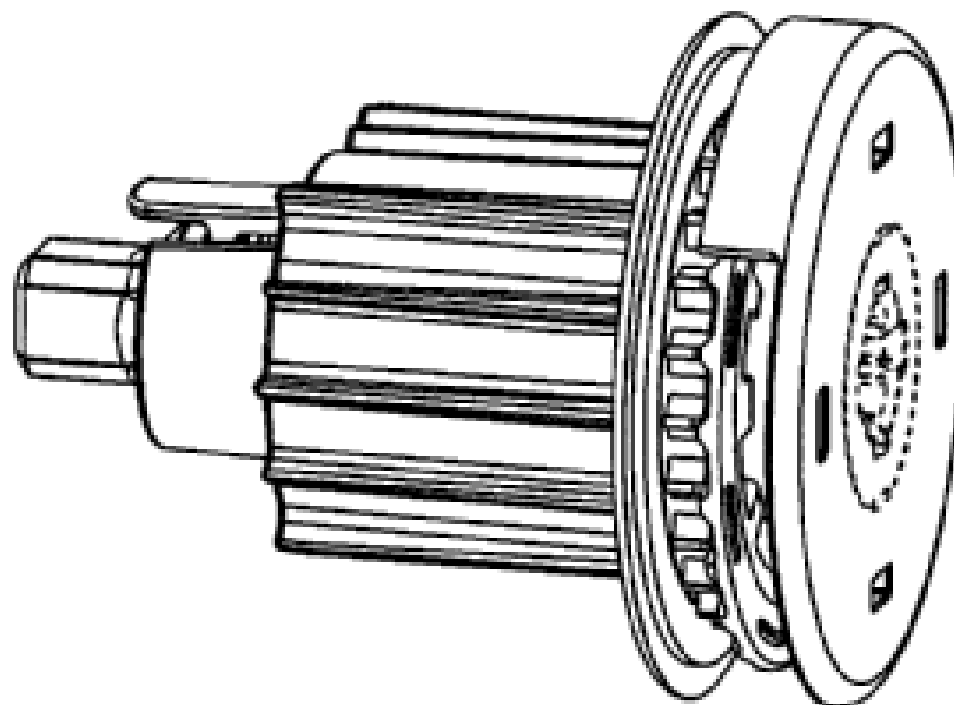
(45) Registration Date: **18 February 2009**

(56) Related Art Documents: **Not Applicable**

(57) Statement of Newness and Distinctiveness: **The following visual features of the design are new and distinctive: the shape and configuration of an extended idler as shown in solid lines in the accompanying drawings. In considering the newness and distinctiveness of the design, no regard is to be had to the visual features depicted by the broken lines.**



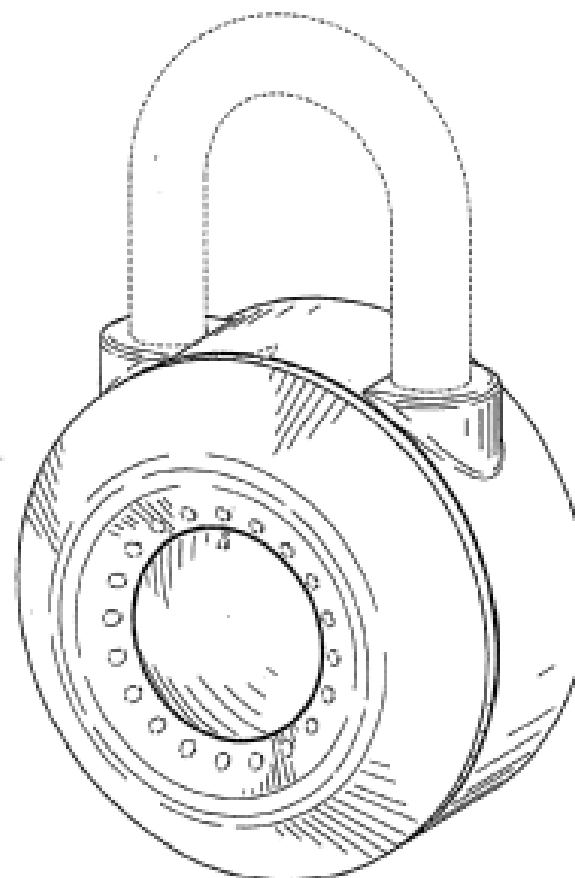
(21) Design Number: **10348/2009**
 (22) Date of Filing Application: **09 February 2009**
 (24) Date from which industrial property rights may have effect: **09 February 2009**
 (54) Product in respect of which the design is registered: **A winder**
 (51) International Design Classification: **12-05, 08-08H, 15-99**
 (71) Name(s) and Address(s) of Applicant(s):
Carmelo Joseph Licciardi Di Stefano
110 Northcorp Boulevard Broadmeadows Victoria 3047 Australia
 (72) Name(s) of Designer(s): **Carmelo Joseph Licciardi Di Stefano**
 (45) Registration Date: **18 February 2009**
 (56) Related Art Documents: **Not Applicable**
 (57) Statement of Newness and Distinctiveness: **The following visual features of the design are new and distinctive: the shape and configuration of a winder as shown in solid lines in the accompanying drawings. In considering the newness and distinctiveness of the design, no regard is to be had to the visual features depicted by the broken lines.**



(21) Design Number: **10349/2009**
 (22) Date of Filing Application: **09 February 2009**
 (24) Date from which industrial property rights may have effect: **09 February 2009**
 (54) Product in respect of which the design is registered: **Lock**
 (51) International Design Classification: **08-07**
 (71) Name(s) and Address(s) of Applicant(s):
Master Lock Company
137 W. Forest Avenue PO Box 927 Oak Creek Wisconsin 53154 United States of America
 (72) Name(s) of Designer(s): **Lea Marie Plato**
 (45) Registration Date: **18 February 2009**
 (30) Convention priority data:

(31) Number	(32) Date	(33) Country
29/324,320	10 Sep 2008	UNITED STATES OF AMERICA

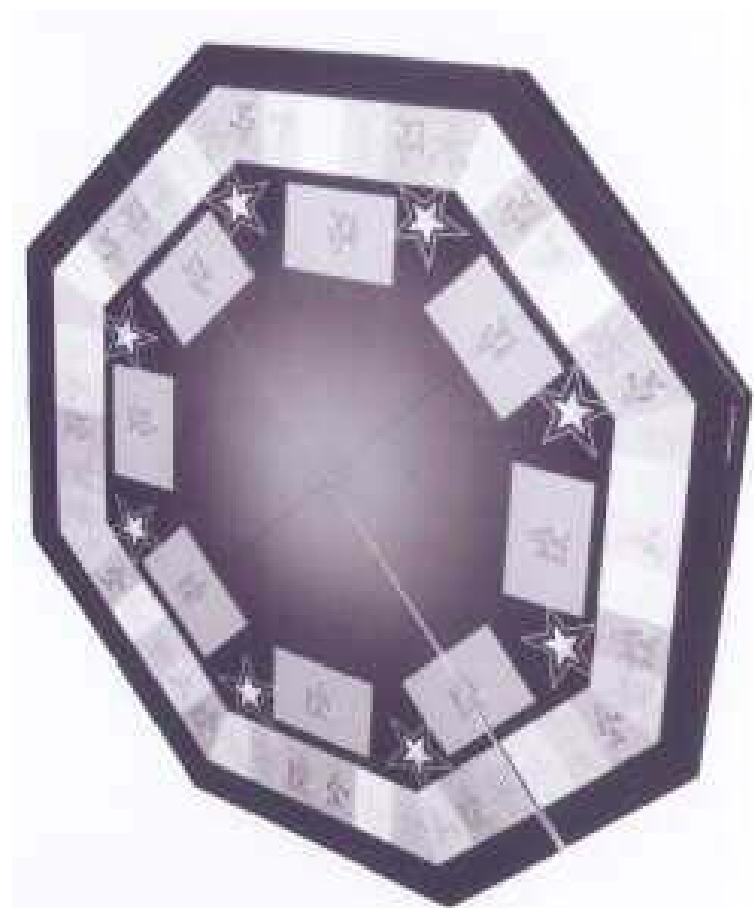
 (56) Related Art Documents: **Not Applicable**
 (57) Statement of Newness and Distinctiveness: **Newness and distinctiveness are provided by the shape and/or configuration of the design shown in the representations. The features shown in broken lines in the representations are for illustrative purposes only and should not be considered when construing visual features of the design.**



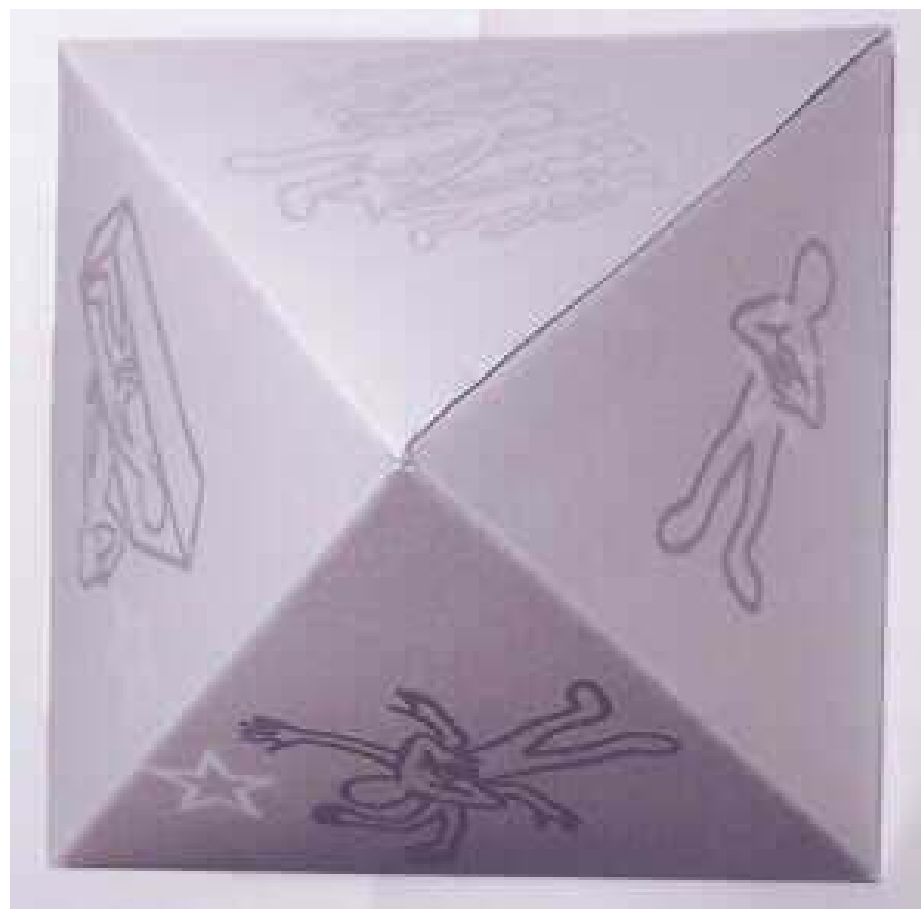
(21) Design Number: **10350/2009**
(22) Date of Filing Application: **09 February 2009**
(24) Date from which industrial property rights may have effect: **09 February 2009**
(54) Product in respect of which the design is registered: **Baby cot**
(51) International Design Classification: **06-02**
(71) Name(s) and Address(s) of Applicant(s):
Baby Bjorn AB
Satraangsvagen 8 S-182 15 Danderyd Sweden
(72) Name(s) of Designer(s): **Hakan Bergkvist and Lisen Elmberg**
(45) Registration Date: **18 February 2009**
(30) Convention priority data:
(31) Number (32) Date (33) Country
001042154 19 Nov 2008 EUROPEAN COMMUNITY
(56) Related Art Documents: **Not Applicable**
(57) Statement of Newness and Distinctiveness: **Newness and distinctiveness is claimed in the features of shape and/or configuration of a baby cot as illustrated in the accompanying representations.**



(21) Design Number: **10356/2009**
(22) Date of Filing Application: **09 February 2009**
(24) Date from which industrial property rights may have effect: **09 February 2009**
(54) Product in respect of which the design is registered: **Game board**
(51) International Design Classification: **21-01L**
(71) Name(s) and Address(s) of Applicant(s):
Daisy Luiten
Burg Velthuisenlaan 16 2262 VN Leidschendam The Netherlands
(72) Name(s) of Designer(s): **Daisy Luiten**
(45) Registration Date: **18 February 2009**
(30) Convention priority data:
(31) Number (32) Date (33) Country
82836-02 13 Aug 2008 THE NETHERLANDS
(56) Related Art Documents: **Not Applicable**
(57) Statement of Newness and Distinctiveness: **Nil**



(21) Design Number: **10357/2009**
(22) Date of Filing Application: **09 February 2009**
(24) Date from which industrial property rights may have effect: **09 February 2009**
(54) Product in respect of which the design is registered: **Game dice**
(51) International Design Classification: **21-01L**
(71) Name(s) and Address(s) of Applicant(s):
Daisy Luiten
Burg Velthuijsenlaan 16 2262 VN Leidschendam The Netherlands
(72) Name(s) of Designer(s): **Daisy Luiten**
(45) Registration Date: **18 February 2009**
(30) Convention priority data:
(31) Number (32) Date (33) Country
82836-01 13 Aug 2008 THE NETHERLANDS
(56) Related Art Documents: **Not Applicable**
(57) Statement of Newness and Distinctiveness: **Nil**



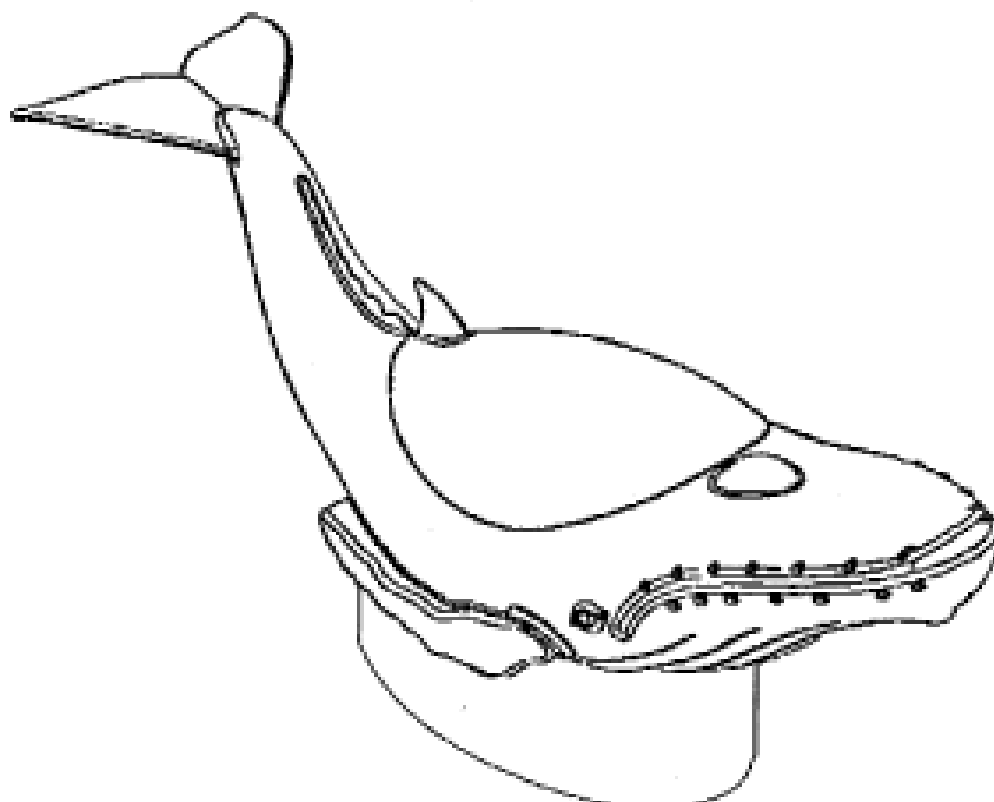
(21) Design Number: **16013/2008**
(22) Date of Filing Application: **23 December 2008**
(24) Date from which industrial property rights may have effect: **23 December 2008**
(54) Product in respect of which the design is registered: **Circular suspensory umbrella**
(51) International Design Classification: **03-03**
(71) Name(s) and Address(s) of Applicant(s):
Zhejiang Zhengte Group Co., Ltd
No. 811 Oriental Avenue Linhai Zhejiang P.R. China
(72) Name(s) of Designer(s): **JianFeng He**
(45) Registration Date: **18 February 2009**
(30) Convention priority data:
(31) Number (32) Date (33) Country
200830240615.7 23 Sep 2008 CHINA
(56) Related Art Documents: **Not Applicable**
(57) Statement of Newness and Distinctiveness: **Nil**



(21) Design Number: **16014/2008**
(22) Date of Filing Application: **23 December 2008**
(24) Date from which industrial property rights may have effect: **23 December 2008**
(54) Product in respect of which the design is registered: **Square suspensory umbrella**
(51) International Design Classification: **03-03**
(71) Name(s) and Address(s) of Applicant(s):
Zhejiang Zhengte Group Co., Ltd
No. 811 Oriental Avenue Linhai Zhejiang P.R. China
(72) Name(s) of Designer(s): **JianFeng He**
(45) Registration Date: **18 February 2009**
(30) Convention priority data:
(31) Number (32) Date (33) Country
200830240614.2 23 Sep 2008 CHINA
(56) Related Art Documents: **Not Applicable**
(57) Statement of Newness and Distinctiveness: **Nil**



(21) Design Number: **10361/2009**
(22) Date of Filing Application: **11 February 2009**
(24) Date from which industrial property rights may have effect: **11 February 2009**
(54) Product in respect of which the design is registered: **Beach toy - teapot**
(51) International Design Classification: **21-01A, 07-01G**
(71) Name(s) and Address(s) of Applicant(s):
Made By a Mom Like You, LLC
17076 Boca Club Boulevard No. 3 Boca Raton FL 33487 United States of America
(72) Name(s) of Designer(s): **Jade Cohen**
(45) Registration Date: **17 February 2009**
(30) Convention priority data:
(31) Number (32) Date (33) Country
29/323,094 18 Aug 2008 UNITED STATES OF AMERICA
(56) Related Art Documents: **Not Applicable**
(57) Statement of Newness and Distinctiveness: **Visual features of the design that are new and distinctive are the features of shape and configuration of the teapot illustrated in the representatives.**



(19) AU

(21) Design Number: 10362/2009

(22) Date of Filing Application: 11 February 2009

(24) Date from which industrial property rights may have effect: 11 February 2009

(54) Product in respect of which the design is registered: Beach toy - cup

(51) International Design Classification: 21-01A, 07-01D

(71) Name(s) and Address(s) of Applicant(s):

Made By a Mom Like You, LLC
17076 Boca Club Boulevard No. 3 Boca Raton FL 33487 United States of America

(72) Name(s) of Designer(s): Jade Cohen

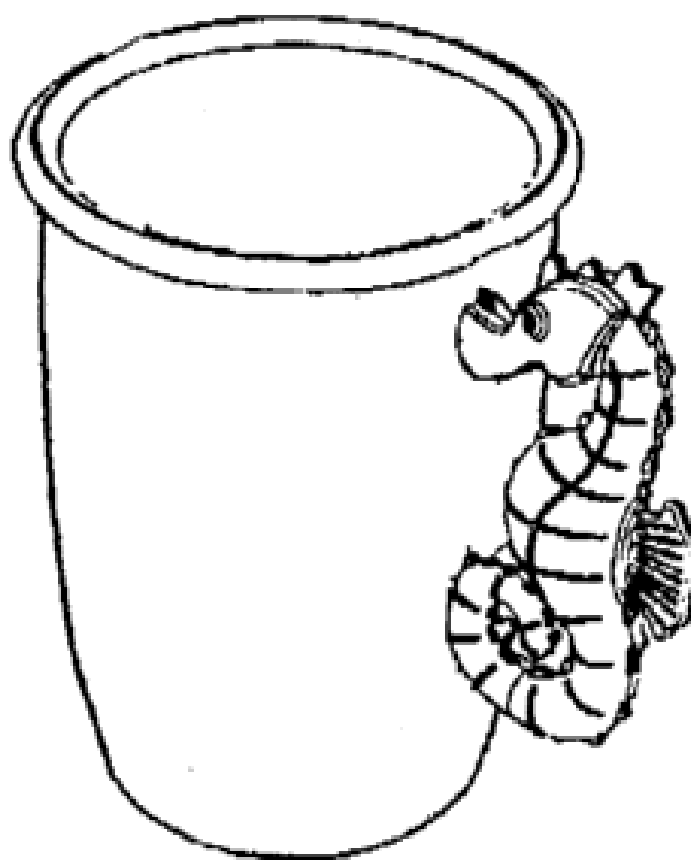
(45) Registration Date: 17 February 2009

(30) Convention priority data:

(31) Number	(32) Date	(33) Country
29/323,094	18 Aug 2008	UNITED STATES OF AMERICA

(56) Related Art Documents: Not Applicable

(57) Statement of Newness and Distinctiveness: Visual features of the design that are new and distinctive are the features of shape and configuration of the cup illustrated in the representatives.



(19) AU

(21) Design Number: 10365/2009

(22) Date of Filing Application: 11 February 2009

(24) Date from which industrial property rights may have effect: 11 February 2009

(54) Product in respect of which the design is registered: Beach toy - measuring cup

(51) International Design Classification: 21-01A, 10-04

(71) Name(s) and Address(s) of Applicant(s):

Made By a Mom Like You, LLC
17076 Boca Club Boulevard No. 3 Boca Raton FL 33487 United States of America

(72) Name(s) of Designer(s): Jade Cohen

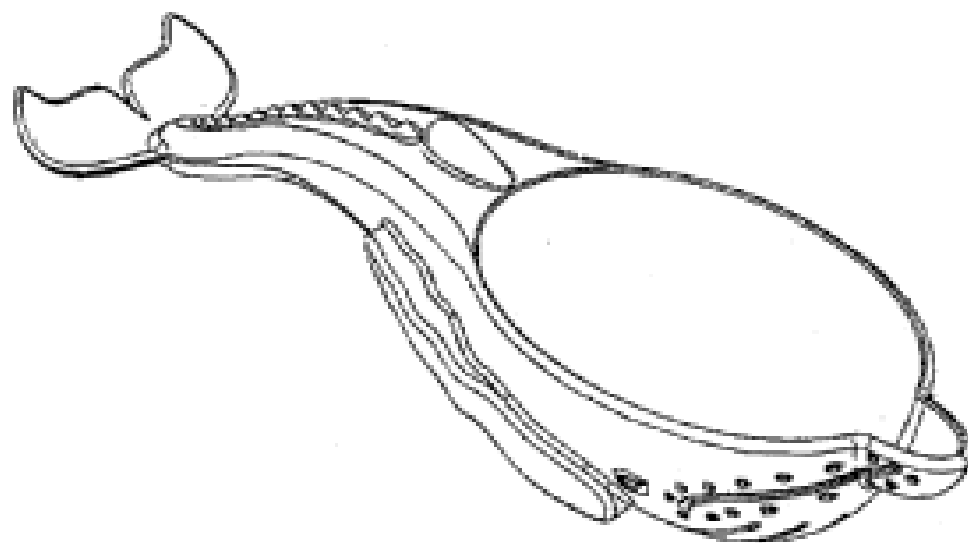
(45) Registration Date: 17 February 2009

(30) Convention priority data:

(31) Number	(32) Date	(33) Country
29/323094	18 Aug 2008	UNITED STATES OF AMERICA

(56) Related Art Documents: Not Applicable

(57) Statement of Newness and Distinctiveness: Visual features of the design that are new and distinctive are the features of shape and configuration of the measuring cup illustrated in the representatives.



(21) Design Number: 10366/2009

(22) Date of Filing Application: 11 February 2009

(24) Date from which industrial property rights may have effect: 11 February 2009

(54) Product in respect of which the design is registered: Beach toy - spoon

(51) International Design Classification: 21-01A, 07-03

(71) Name(s) and Address(s) of Applicant(s):

Made By a Mom Like You, LLC
17076 Boca Club Boulevard No. 3 Boca Raton FL 33487 United States of America

(72) Name(s) of Designer(s): Jade Cohen

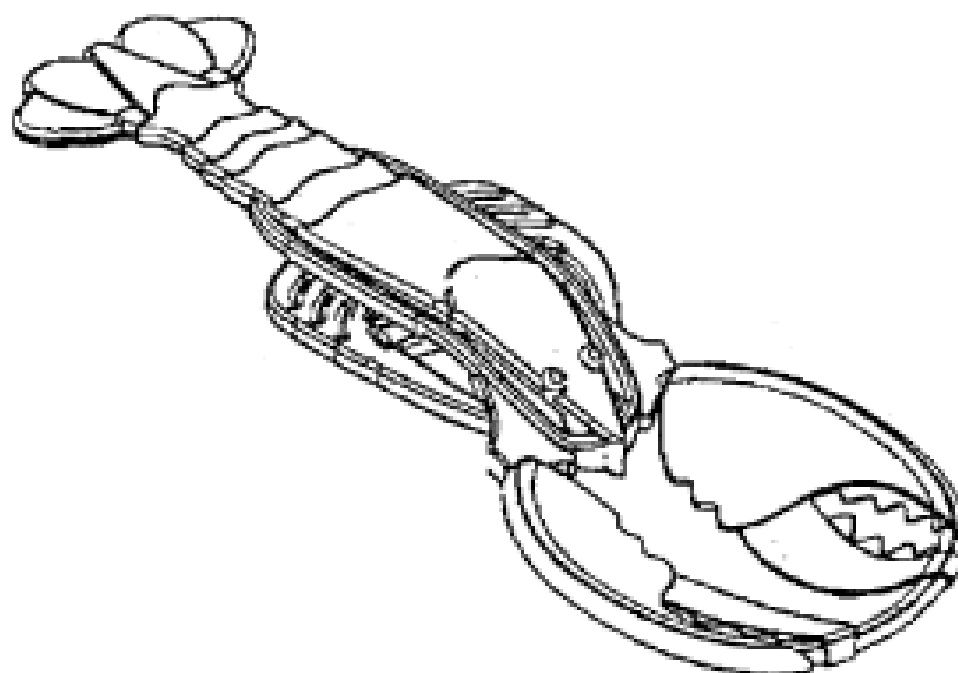
(45) Registration Date: 17 February 2009

(30) Convention priority data:

(31) Number	(32) Date	(33) Country
29/323,094	18 Aug 2008	UNITED STATES OF AMERICA

(56) Related Art Documents: Not Applicable

(57) Statement of Newness and Distinctiveness: Visual features of the design that are new and distinctive are the features of shape and configuration of the spoon illustrated in the representatives.



(21) Design Number: 10367/2009

(22) Date of Filing Application: 11 February 2009

(24) Date from which industrial property rights may have effect: 11 February 2009

(54) Product in respect of which the design is registered: Beach toy - sugar bowl

(51) International Design Classification: 21-01A, 07-01B

(71) Name(s) and Address(s) of Applicant(s):

Made By a Mom Like You, LLC
17076 Boca Club Boulevard No. 3 Boca Raton FL 33487 United States of America

(72) Name(s) of Designer(s): Jade Cohen

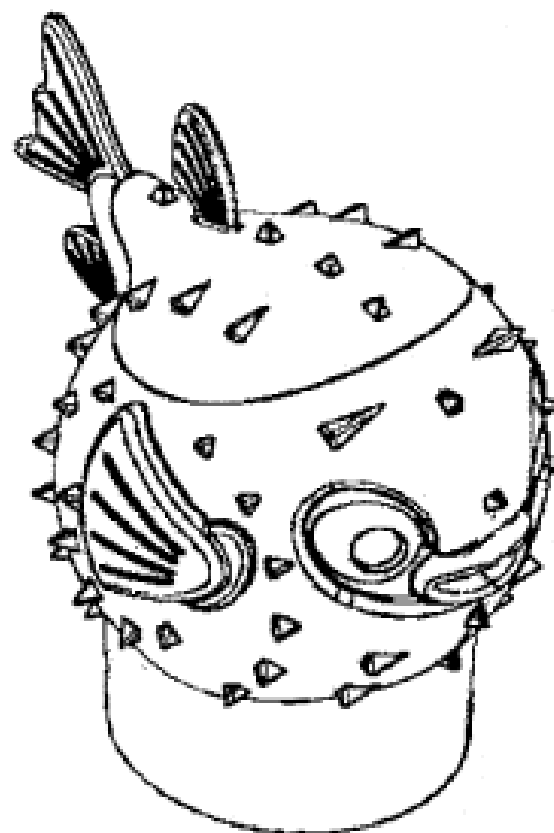
(45) Registration Date: 17 February 2009

(30) Convention priority data:

(31) Number	(32) Date	(33) Country
29/323,094	18 Aug 2008	UNITED STATES OF AMERICA

(56) Related Art Documents: Not Applicable

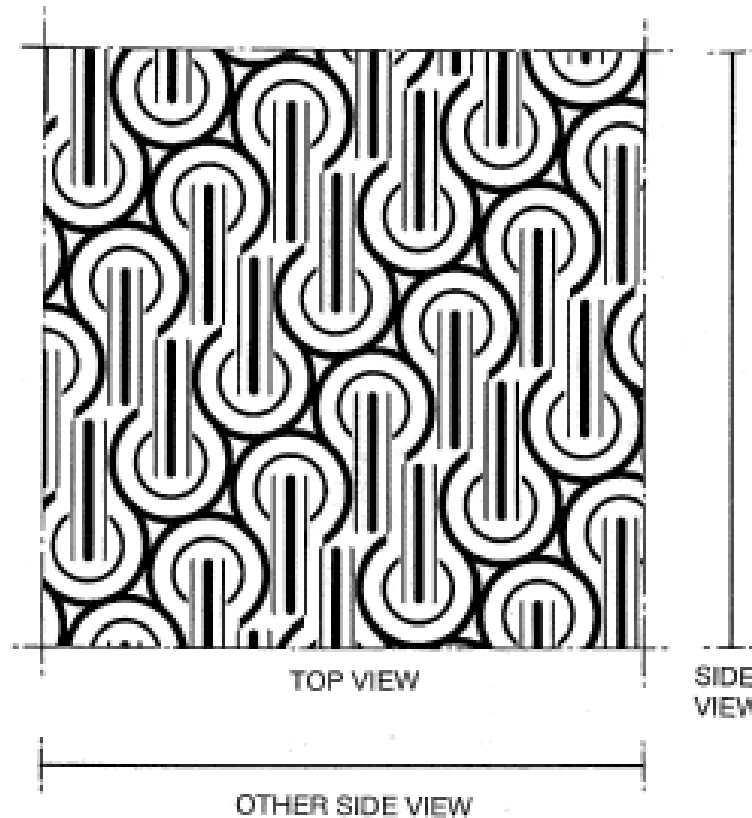
(57) Statement of Newness and Distinctiveness: Visual features of the design that are new and distinctive are the features of shape and configuration of the sugar bowl illustrated in the representatives.



(21) Design Number: **15137/2008**
 (22) Date of Filing Application: **27 October 2008**
 (24) Date from which industrial property rights may have effect: **27 October 2008**
 (54) Product in respect of which the design is registered: **Resort range tumblers**
 (51) International Design Classification: **07-01C**
 (71) Name(s) and Address(s) of Applicant(s):
Plastic Glasses Company
3 Bates Drive Williamstown Victoria 3016 Australia
 (72) Name(s) of Designer(s): **Sean Carew**
 (45) Registration Date: **17 February 2009**
 (56) Related Art Documents: **Not Applicable**
 (57) Statement of Newness and Distinctiveness: **All glasses 230ml to 570ml have distinctive stacking lugs on the out side. Sizes are : 230ml 285ml 355ml, 425ml 570ml. All use the same stacking lugs of our design.**



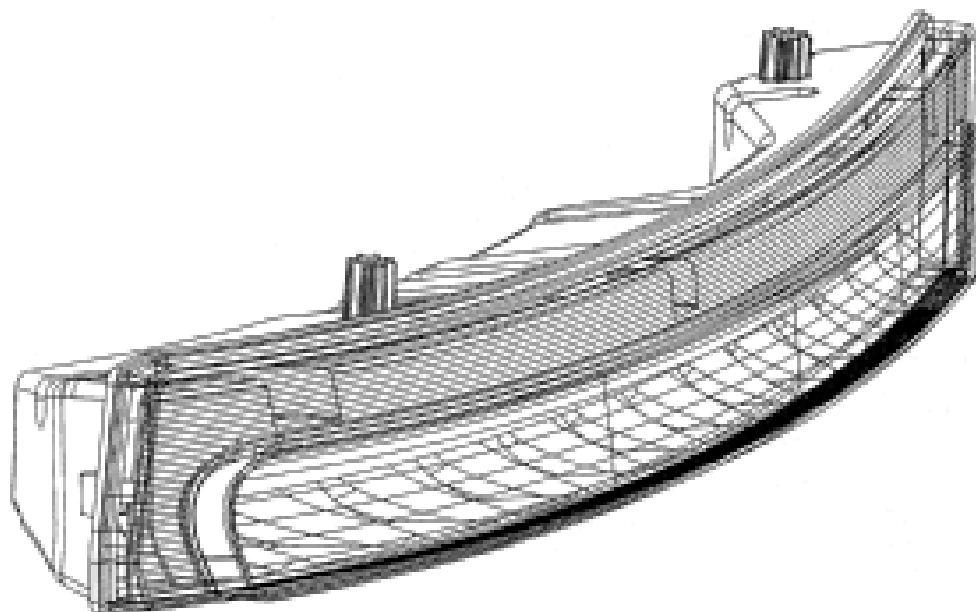
(21) Design Number: **15940/2008**
 (22) Date of Filing Application: **17 December 2008**
 (24) Date from which industrial property rights may have effect: **17 December 2008**
 (54) Product in respect of which the design is registered: **Sheet material**
 (51) International Design Classification: **05-05B**
 (71) Name(s) and Address(s) of Applicant(s):
The Scott Fetzer Company
28800 Clemens Road Westlake Ohio 44145 United States of America
 (72) Name(s) of Designer(s): **Kenneth F. Dicker and Ares Marasligiller and Jason R. Phillips and Billy A. Thomas, Jr. and Kazuma Omura**
 (45) Registration Date: **17 February 2009**
 (30) Convention priority data:
 (31) Number (32) Date (33) Country
29/323,170 20 Aug 2008 UNITED STATES OF AMERICA
 (56) Related Art Documents: **Not Applicable**
 (57) Statement of Newness and Distinctiveness: **Those features of the sheet material depicted in the representations that are new and distinctive are the pattern and/or ornamentation. The sheet material is of indefinite length and breadth and the pattern and/or ornamentation is represented throughout the entire surface.**



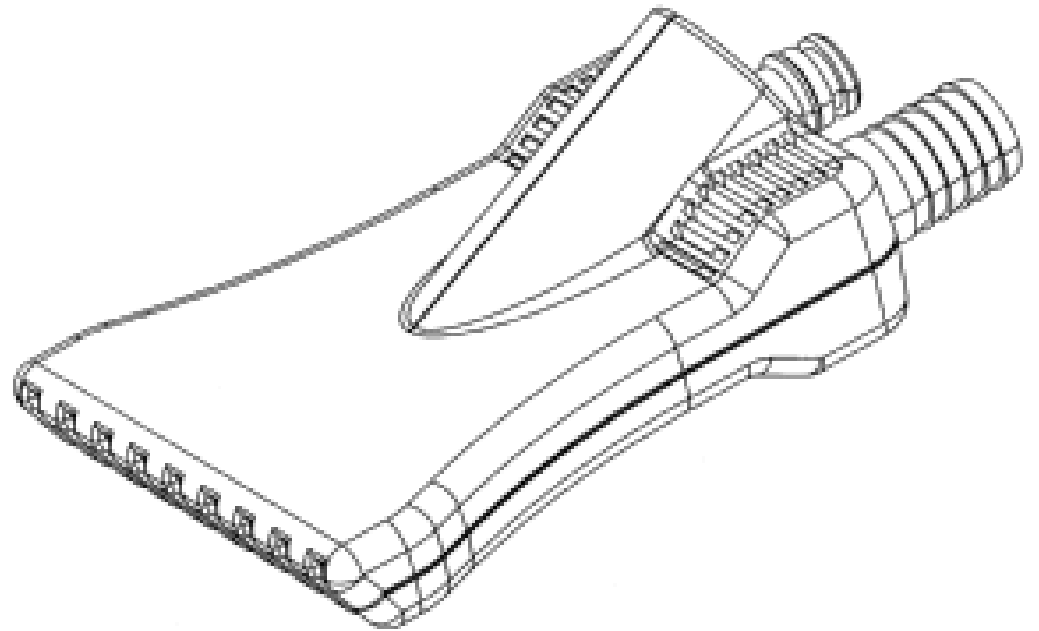
- (21) Design Number: **15894/2008**
(22) Date of Filing Application: **16 December 2008**
(24) Date from which industrial property rights may have effect: **16 December 2008**
(54) Product in respect of which the design is registered: **Left-side and right-side vehicle lamp lenses**
(51) International Design Classification: **26-06**
(71) Name(s) and Address(s) of Applicant(s):
GM Global Technology Operations, Inc
300 Renaissance Center Detroit Michigan 48265-3000 United States of America
(72) Name(s) of Designer(s): **Adam Smith**
(45) Registration Date: **17 February 2009**
(56) Related Art Documents: **Not Applicable**
(57) Statement of Newness and Distinctiveness: **Newness and distinctiveness is claimed in the shape and/or configuration of a left-side and right-side vehicle lamp lens as shown in the accompanying representations.**



- (21) Design Number: **15895/2008**
(22) Date of Filing Application: **16 December 2008**
(24) Date from which industrial property rights may have effect: **16 December 2008**
(54) Product in respect of which the design is registered: **Left-side and right-side vehicle lamp assemblies**
(51) International Design Classification: **26-06**
(71) Name(s) and Address(s) of Applicant(s):
GM Global Technology Operations, Inc
300 Renaissance Center Detroit Michigan 48265-3000 United States of America
(72) Name(s) of Designer(s): **Adam Smith**
(45) Registration Date: **17 February 2009**
(56) Related Art Documents: **Not Applicable**
(57) Statement of Newness and Distinctiveness: **Newness and distinctiveness is claimed in the shape and/or configuration of a left-side and right-side vehicle lamp assembly as shown in the accompanying representations.**



- (21) Design Number: **10103/2009**
(22) Date of Filing Application: **16 January 2009**
(24) Date from which industrial property rights may have effect: **16 January 2009**
(54) Product in respect of which the design is registered: **Water pump**
(51) International Design Classification: **15-02**
(71) Name(s) and Address(s) of Applicant(s):
Gwyn John Owen
16 Bathgate Street Johnsonville Wellington 6037 New Zealand
(72) Name(s) of Designer(s): **Gwyn John Owen**
(45) Registration Date: **17 February 2009**
(56) Related Art Documents: **Not Applicable**
(57) Statement of Newness and Distinctiveness: **Nil**



- (21) Design Number: **10195/2009**
(22) Date of Filing Application: **28 January 2009**
(24) Date from which industrial property rights may have effect: **28 January 2009**
(54) Product in respect of which the design is registered: **Dress**
(51) International Design Classification: **02-02C**
(71) Name(s) and Address(s) of Applicant(s):
Anna Smart trading as Anna Stockel Designs
1 Devlin Street Gungahlin ACT 2912 Australia
(72) Name(s) of Designer(s): **Anna Smart**
(45) Registration Date: **17 February 2009**
(56) Related Art Documents: **Not Applicable**
(57) Statement of Newness and Distinctiveness: **The cut of the bodice allows a variety of designs-minimum of 5, to be worn. The addition of internal buttons adds to the choice of styles. The waistband is gathered to add support and comfort.**



(19) AU

(21) Design Number: **10371/2009**

(22) Date of Filing Application: **11 February 2009**

(24) Date from which industrial property rights may have effect: **11 February 2009**

(54) Product in respect of which the design is registered: **Beach toy - creamer**

(51) International Design Classification: **21-01A**

(71) Name(s) and Address(s) of Applicant(s):

Made By a Mom Like You, LLC
17076 Boca Club Boulevard No. 3 Boca Raton FL 33487 United States of America

(72) Name(s) of Designer(s): **Jade Cohen**

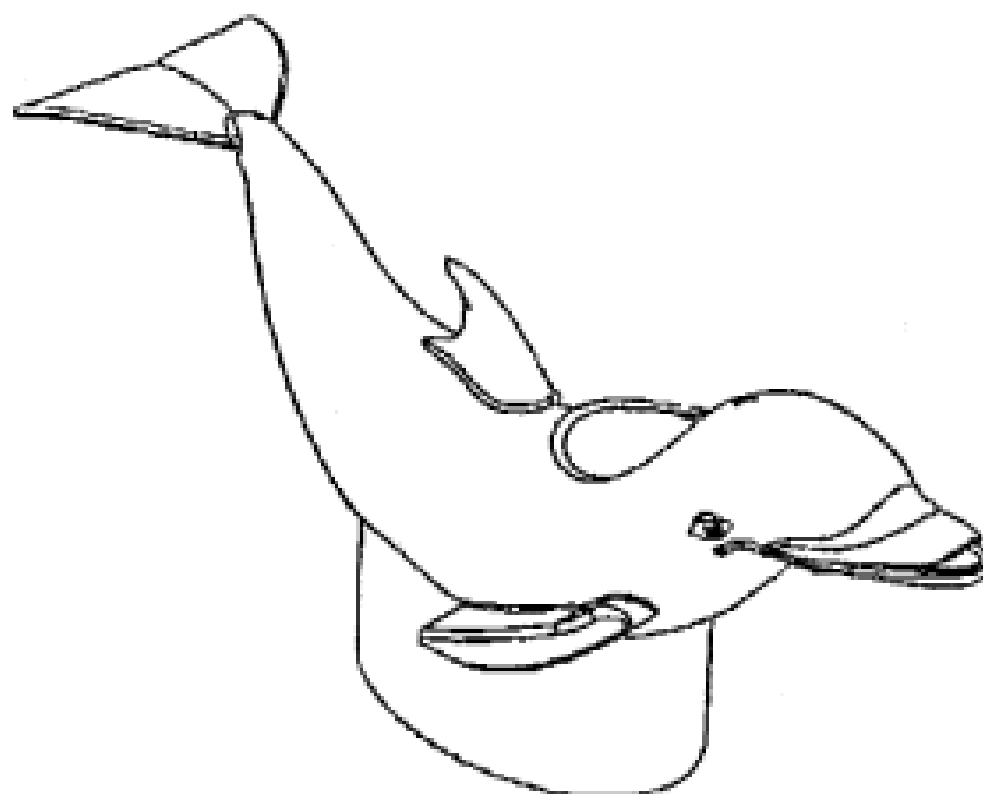
(45) Registration Date: **17 February 2009**

(30) Convention priority data:

(31) Number	(32) Date	(33) Country
29/323,094	18 Aug 2008	UNITED STATES OF AMERICA

(56) Related Art Documents: **Not Applicable**

(57) Statement of Newness and Distinctiveness: **Visual features of the design that are new and distinctive are the features of shape and configuration of the creamer illustrated in the representatives.**



(19) AU

(21) Design Number: **10372/2009**

(22) Date of Filing Application: **10 February 2009**

(24) Date from which industrial property rights may have effect: **10 February 2009**

(54) Product in respect of which the design is registered: **Apparatus for performing jumps**

(51) International Design Classification: **21-01NES**

(71) Name(s) and Address(s) of Applicant(s):

Eric Beaute
Casa 16 C La Pleta de Ordino Ordino AD 300 Andorra

(72) Name(s) of Designer(s): **Eric Beaute**

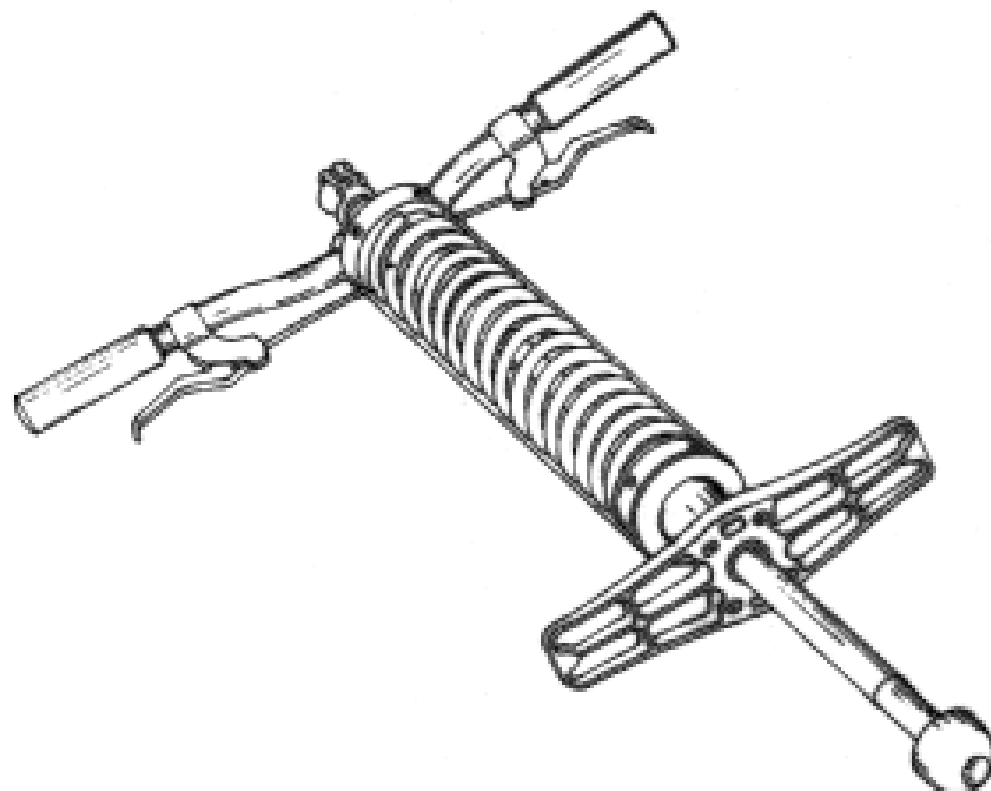
(45) Registration Date: **17 February 2009**

(30) Convention priority data:

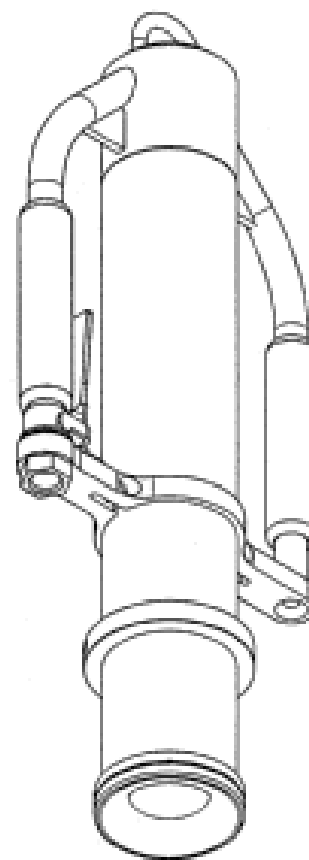
(31) Number	(32) Date	(33) Country
001055198-0001	11 Dec 2008	EUROPEAN COMMUNITY

(56) Related Art Documents: **Not Applicable**

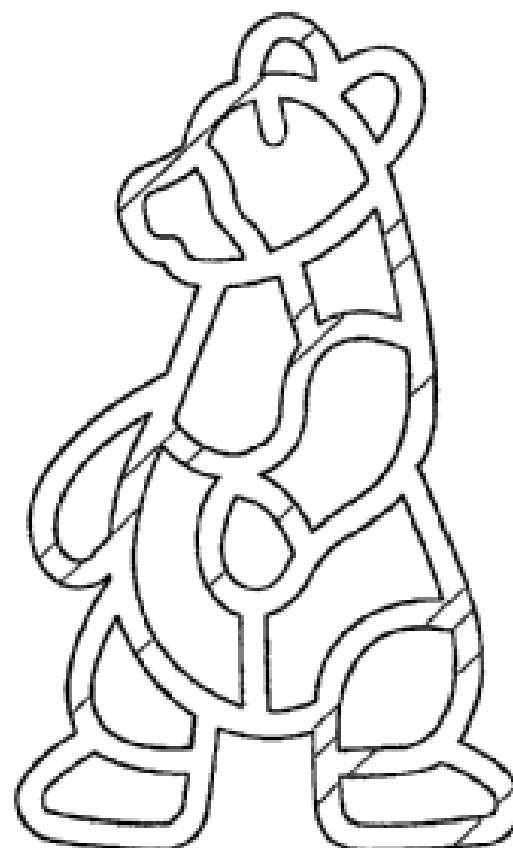
(57) Statement of Newness and Distinctiveness: **Newness and distinctiveness reside in the features of the design as shown in the representations.**



(21) Design Number: **10375/2009**
(22) Date of Filing Application: **10 February 2009**
(24) Date from which industrial property rights may have effect: **10 February 2009**
(54) Product in respect of which the design is registered: **Fence post driver**
(51) International Design Classification: **08-02**
(71) Name(s) and Address(s) of Applicant(s):
Onesteel Wire Pty Limited
Level 40 259 George Street Sydney New South Wales 2000 Australia
(72) Name(s) of Designer(s): **Lawrence O'Toole**
(45) Registration Date: **17 February 2009**
(56) Related Art Documents: **Not Applicable**
(57) Statement of Newness and Distinctiveness: **Nil**



(21) Design Number: **10376/2009**
(22) Date of Filing Application: **10 February 2009**
(24) Date from which industrial property rights may have effect: **10 February 2009**
(54) Product in respect of which the design is registered: **Animal-shaped food product**
(51) International Design Classification: **01-01**
(71) Name(s) and Address(s) of Applicant(s):
Kraft Foods Global Brands LLC.
Three Lakes Drive Northfield IL 60093 United States of America
(72) Name(s) of Designer(s): **Guillermo Haro and Ricardo Villota**
(45) Registration Date: **17 February 2009**
(30) Convention priority data:
(31) Number (32) Date (33) Country
29/323403 25 Aug 2008 UNITED STATES OF AMERICA
(56) Related Art Documents: **Not Applicable**
(57) Statement of Newness and Distinctiveness: **Nil**



(19) AU

(21) Design Number: **10377/2009**

(22) Date of Filing Application: **10 February 2009**

(24) Date from which industrial property rights may have effect: **10 February 2009**

(54) Product in respect of which the design is registered: **Animal-shaped food product**

(51) International Design Classification: **01-01**

(71) Name(s) and Address(s) of Applicant(s):

**Kraft Foods Global Brands LLC.
Three Lakes Drive Northfield IL 60093 United States of America**

(72) Name(s) of Designer(s): **Guillermo Haro and Ricardo Villota**

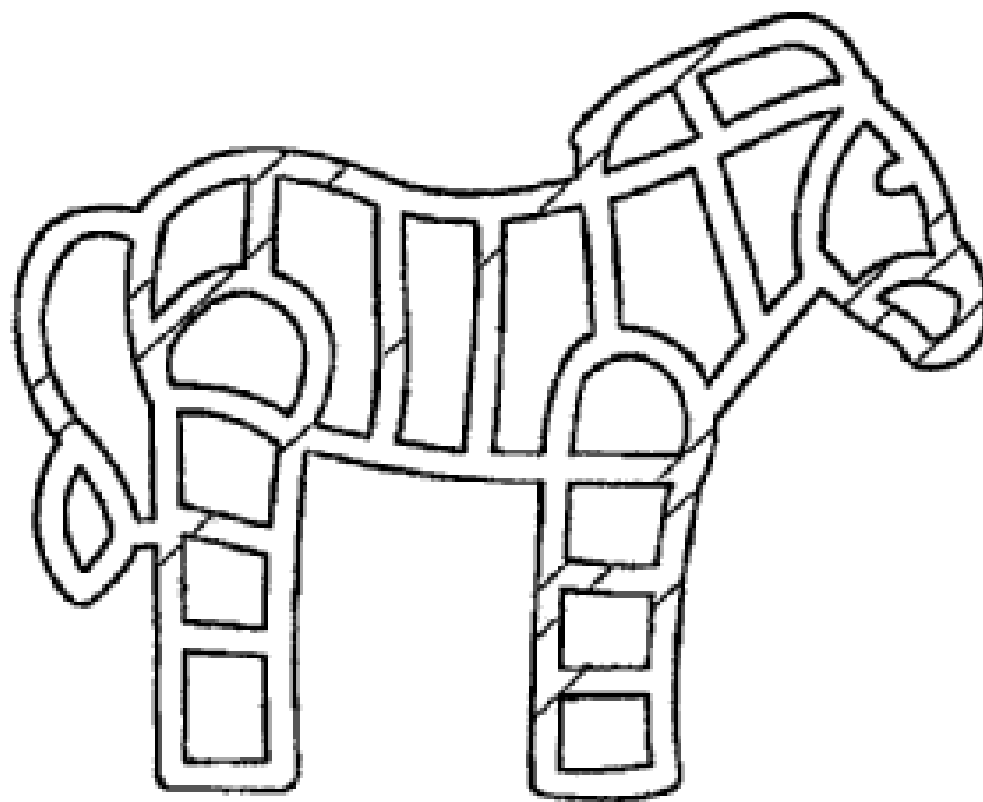
(45) Registration Date: **17 February 2009**

(30) Convention priority data:

(31) Number	(32) Date	(33) Country
29/323403	25 Aug 2008	UNITED STATES OF AMERICA

(56) Related Art Documents: **Not Applicable**

(57) Statement of Newness and Distinctiveness: **Nil**



(19) AU

(21) Design Number: **10378/2009**

(22) Date of Filing Application: **10 February 2009**

(24) Date from which industrial property rights may have effect: **10 February 2009**

(54) Product in respect of which the design is registered: **Animal-shaped food product**

(51) International Design Classification: **01-01**

(71) Name(s) and Address(s) of Applicant(s):

**Kraft Foods Global Brands LLC.
Three Lakes Drive Northfield IL 60093 United States of America**

(72) Name(s) of Designer(s): **Guillermo Haro and Ricardo Villota**

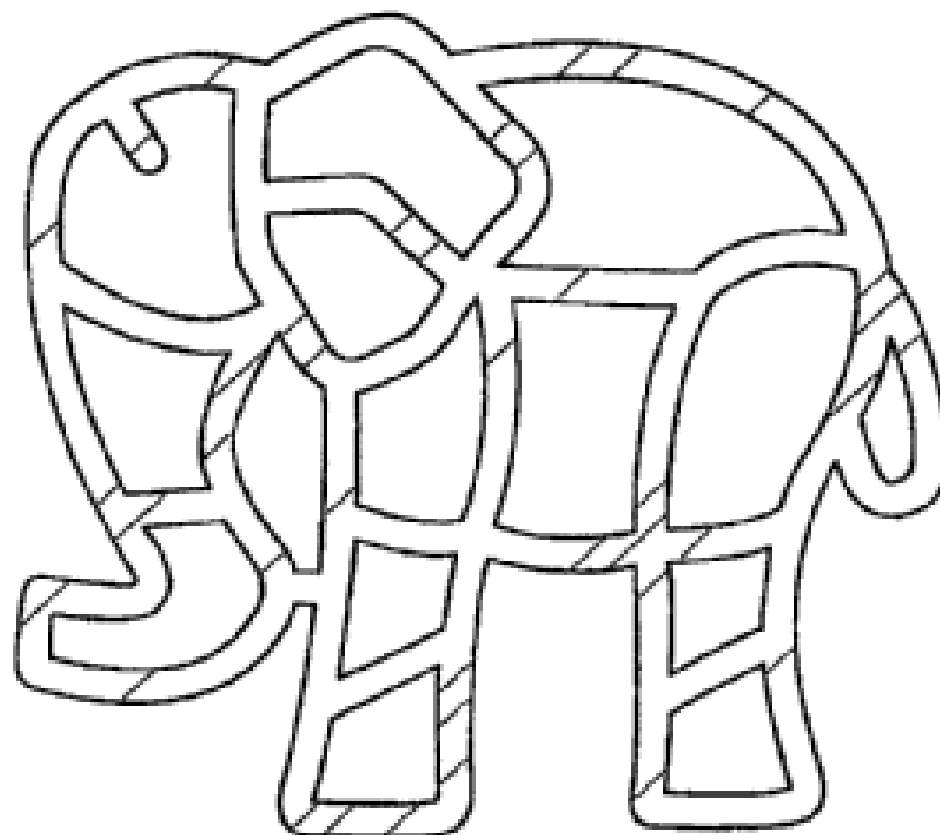
(45) Registration Date: **17 February 2009**

(30) Convention priority data:

(31) Number	(32) Date	(33) Country
29/323403	25 Aug 2008	UNITED STATES OF AMERICA

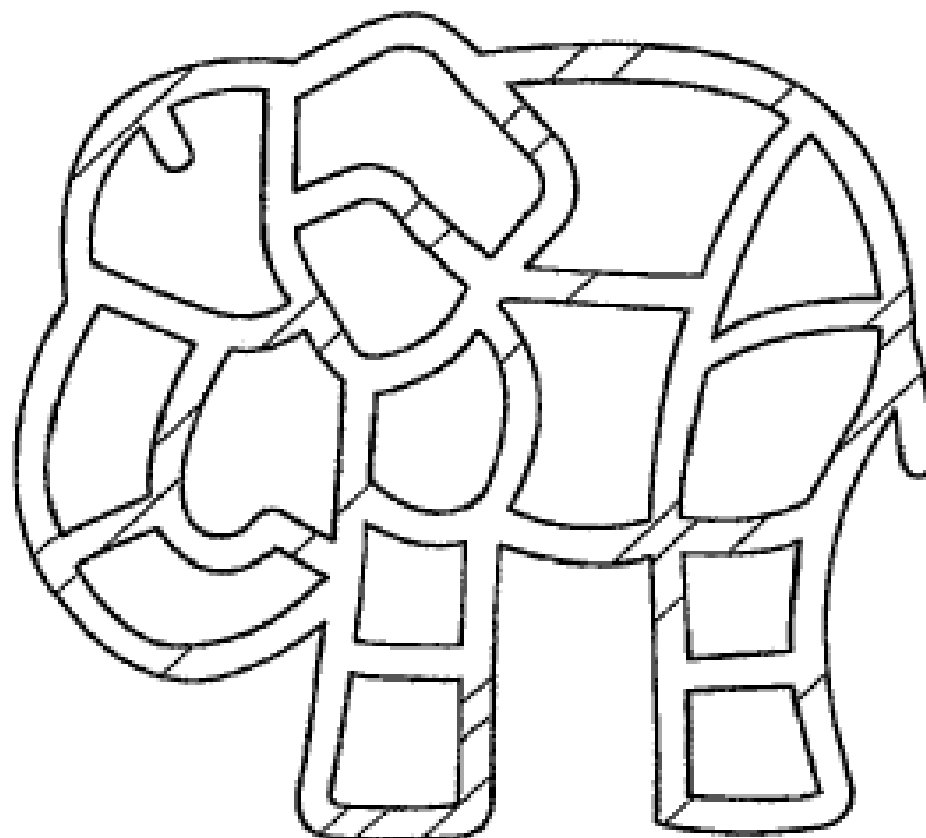
(56) Related Art Documents: **Not Applicable**

(57) Statement of Newness and Distinctiveness: **Nil**



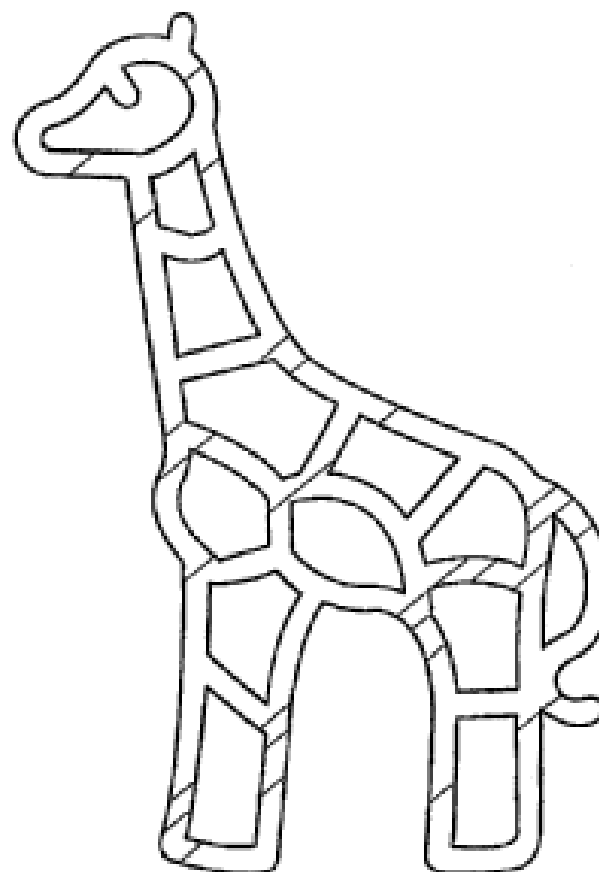
(19) AU

(21) Design Number: **10379/2009**
(22) Date of Filing Application: **10 February 2009**
(24) Date from which industrial property rights may have effect: **10 February 2009**
(54) Product in respect of which the design is registered: **Animal-shaped food product**
(51) International Design Classification: **01-01**
(71) Name(s) and Address(s) of Applicant(s):
Kraft Foods Global Brands LLC.
Three Lakes Drive Northfield IL 60093 United States of America
(72) Name(s) of Designer(s): **Guillermo Haro and Ricardo Villota**
(45) Registration Date: **17 February 2009**
(30) Convention priority data:
(31) Number (32) Date (33) Country
29/323403 25 Aug 2008 UNITED STATES OF AMERICA
(56) Related Art Documents: **Not Applicable**
(57) Statement of Newness and Distinctiveness: **Nil**

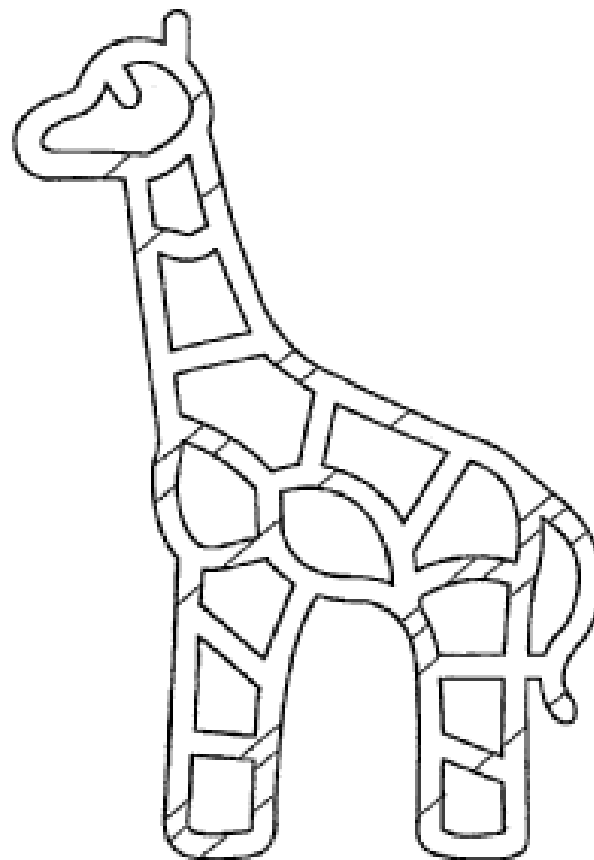


(19) AU

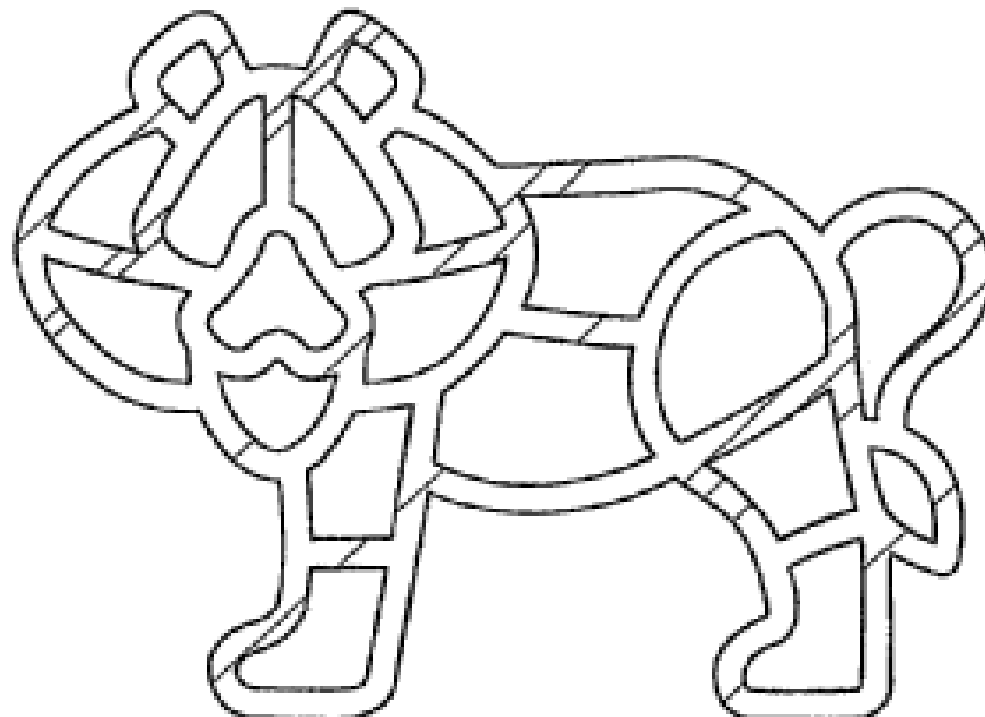
(21) Design Number: **10380/2009**
(22) Date of Filing Application: **10 February 2009**
(24) Date from which industrial property rights may have effect: **10 February 2009**
(54) Product in respect of which the design is registered: **Animal-shaped food product**
(51) International Design Classification: **01-01**
(71) Name(s) and Address(s) of Applicant(s):
Kraft Foods Global Brands LLC.
Three Lakes Drive Northfield IL 60093 United States of America
(72) Name(s) of Designer(s): **Guillermo Haro and Ricardo Villota**
(45) Registration Date: **17 February 2009**
(30) Convention priority data:
(31) Number (32) Date (33) Country
29/323403 25 Aug 2008 UNITED STATES OF AMERICA
(56) Related Art Documents: **Not Applicable**
(57) Statement of Newness and Distinctiveness: **Nil**



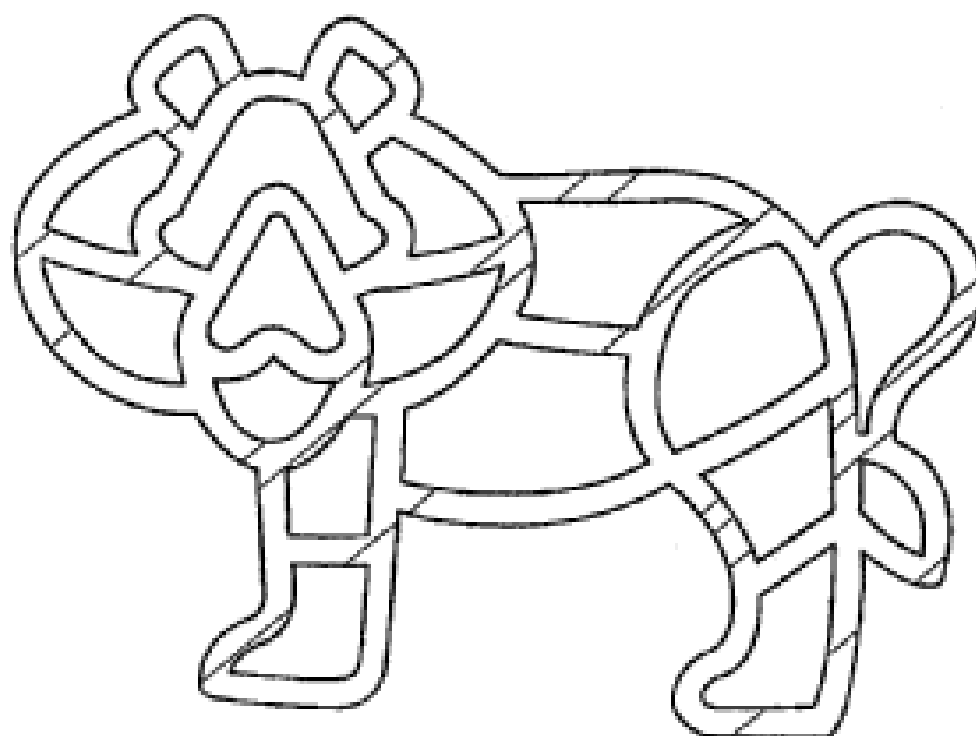
(21) Design Number: **10381/2009**
(22) Date of Filing Application: **10 February 2009**
(24) Date from which industrial property rights may have effect: **10 February 2009**
(54) Product in respect of which the design is registered: **Animal-shaped food product**
(51) International Design Classification: **01-01**
(71) Name(s) and Address(s) of Applicant(s):
Kraft Foods Global Brands LLC.
Three Lakes Drive Northfield IL 60093 United States of America
(72) Name(s) of Designer(s): **Guillermo Haro and Ricardo Villota**
(45) Registration Date: **17 February 2009**
(30) Convention priority data:
(31) Number (32) Date (33) Country
29/323403 25 Aug 2008 UNITED STATES OF AMERICA
(56) Related Art Documents: **Not Applicable**
(57) Statement of Newness and Distinctiveness: **Nil**



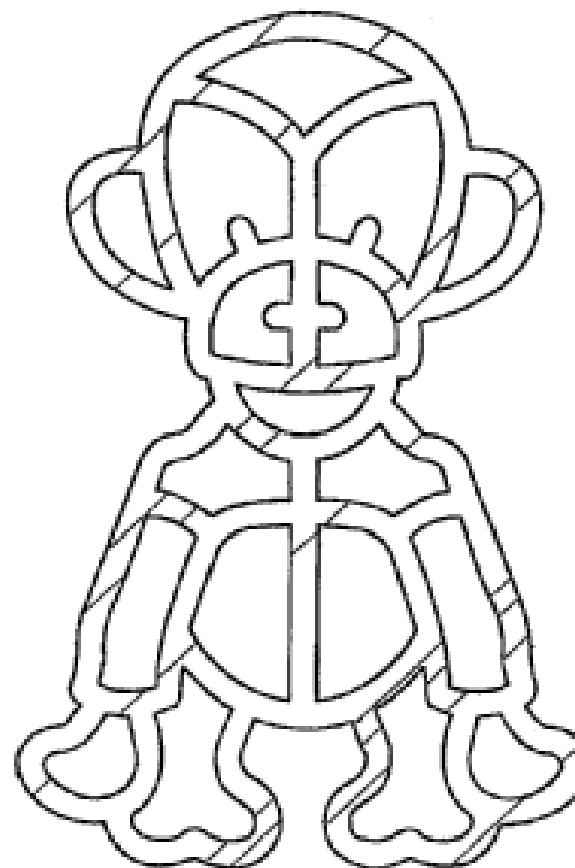
(21) Design Number: **10382/2009**
(22) Date of Filing Application: **10 February 2009**
(24) Date from which industrial property rights may have effect: **10 February 2009**
(54) Product in respect of which the design is registered: **Animal-shaped food product**
(51) International Design Classification: **01-01**
(71) Name(s) and Address(s) of Applicant(s):
Kraft Foods Global Brands LLC.
Three Lakes Drive Northfield IL 60093 United States of America
(72) Name(s) of Designer(s): **Guillermo Haro and Ricardo Villota**
(45) Registration Date: **17 February 2009**
(30) Convention priority data:
(31) Number (32) Date (33) Country
29/323403 25 Aug 2008 UNITED STATES OF AMERICA
(56) Related Art Documents: **Not Applicable**
(57) Statement of Newness and Distinctiveness: **Nil**



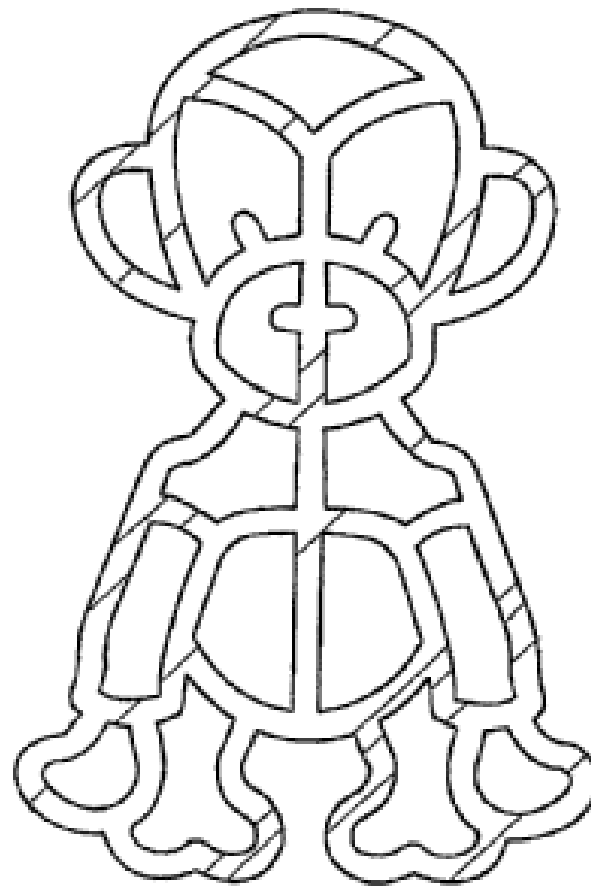
(21) Design Number: **10383/2009**
(22) Date of Filing Application: **10 February 2009**
(24) Date from which industrial property rights may have effect: **10 February 2009**
(54) Product in respect of which the design is registered: **Animal-shaped food product**
(51) International Design Classification: **01-01**
(71) Name(s) and Address(s) of Applicant(s):
Kraft Foods Global Brands LLC.
Three Lakes Drive Northfield IL 60093 United States of America
(72) Name(s) of Designer(s): **Guillermo Haro and Ricardo Villota**
(45) Registration Date: **17 February 2009**
(30) Convention priority data:
(31) Number (32) Date (33) Country
29/323403 25 Aug 2008 UNITED STATES OF AMERICA
(56) Related Art Documents: **Not Applicable**
(57) Statement of Newness and Distinctiveness: **Nil**



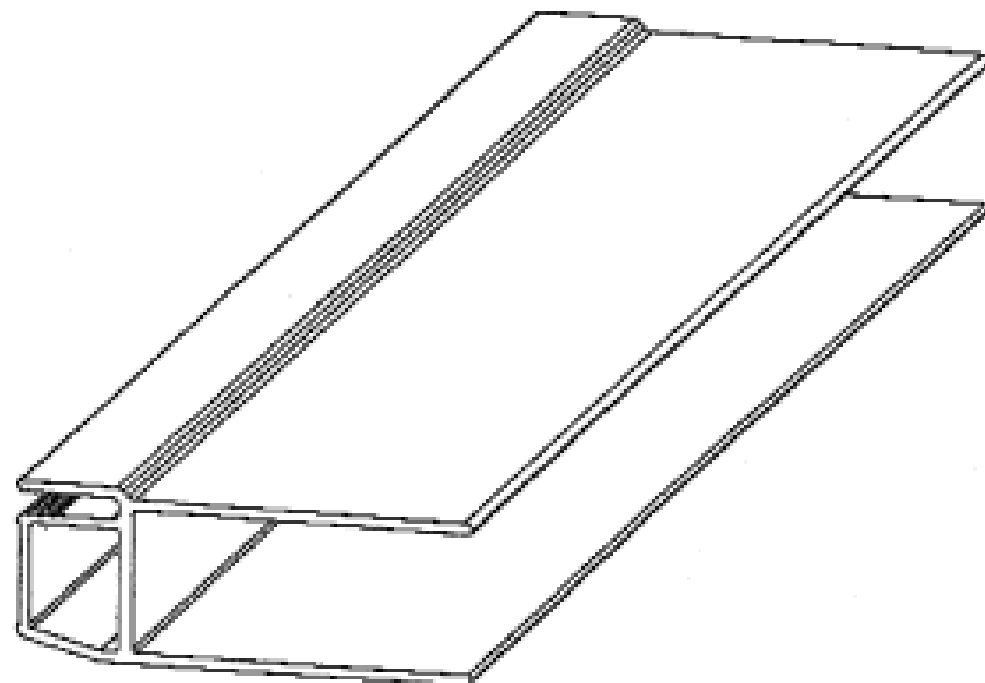
(21) Design Number: **10384/2009**
(22) Date of Filing Application: **10 February 2009**
(24) Date from which industrial property rights may have effect: **10 February 2009**
(54) Product in respect of which the design is registered: **Animal-shaped food product**
(51) International Design Classification: **01-01**
(71) Name(s) and Address(s) of Applicant(s):
Kraft Foods Global Brands LLC.
Three Lakes Drive Northfield IL 60093 United States of America
(72) Name(s) of Designer(s): **Guillermo Haro and Ricardo Villota**
(45) Registration Date: **17 February 2009**
(30) Convention priority data:
(31) Number (32) Date (33) Country
29/323403 25 Aug 2008 UNITED STATES OF AMERICA
(56) Related Art Documents: **Not Applicable**
(57) Statement of Newness and Distinctiveness: **Nil**



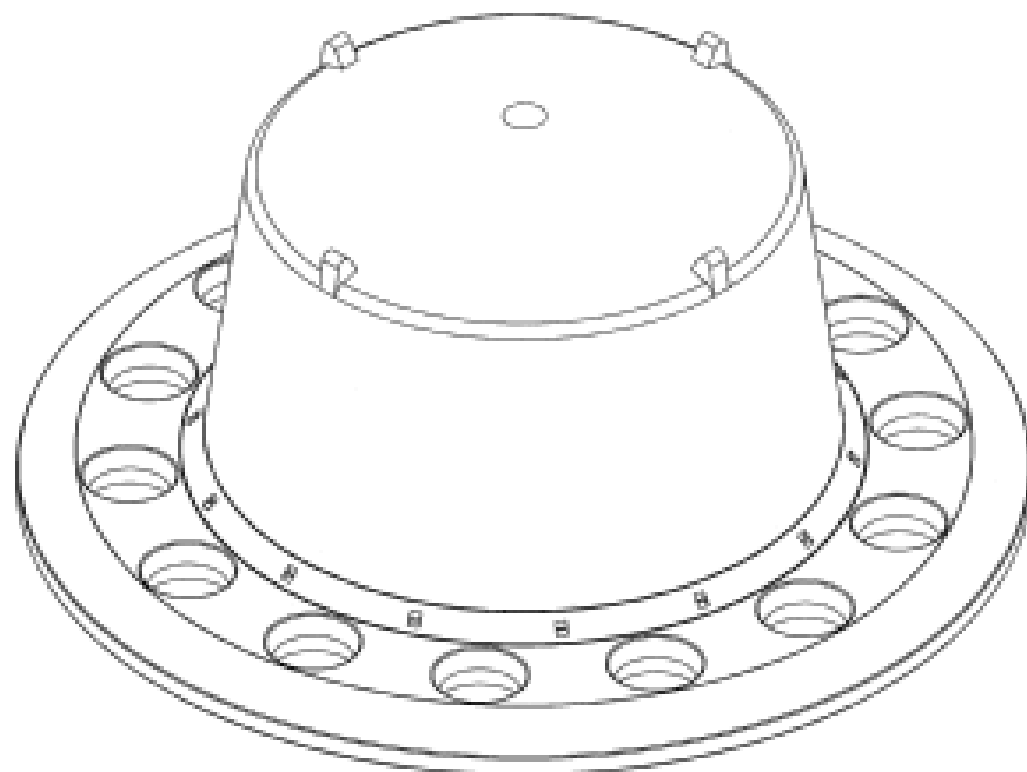
(21) Design Number: **10385/2009**
(22) Date of Filing Application: **10 February 2009**
(24) Date from which industrial property rights may have effect: **10 February 2009**
(54) Product in respect of which the design is registered: **Animal-shaped food product**
(51) International Design Classification: **01-01**
(71) Name(s) and Address(s) of Applicant(s):
Kraft Foods Global Brands LLC.
Three Lakes Drive Northfield IL 60093 United States of America
(72) Name(s) of Designer(s): **Guillermo Haro and Ricardo Villota**
(45) Registration Date: **17 February 2009**
(30) Convention priority data:
(31) Number (32) Date (33) Country
29/323403 25 Aug 2008 UNITED STATES OF AMERICA
(56) Related Art Documents: **Not Applicable**
(57) Statement of Newness and Distinctiveness: **Nil**



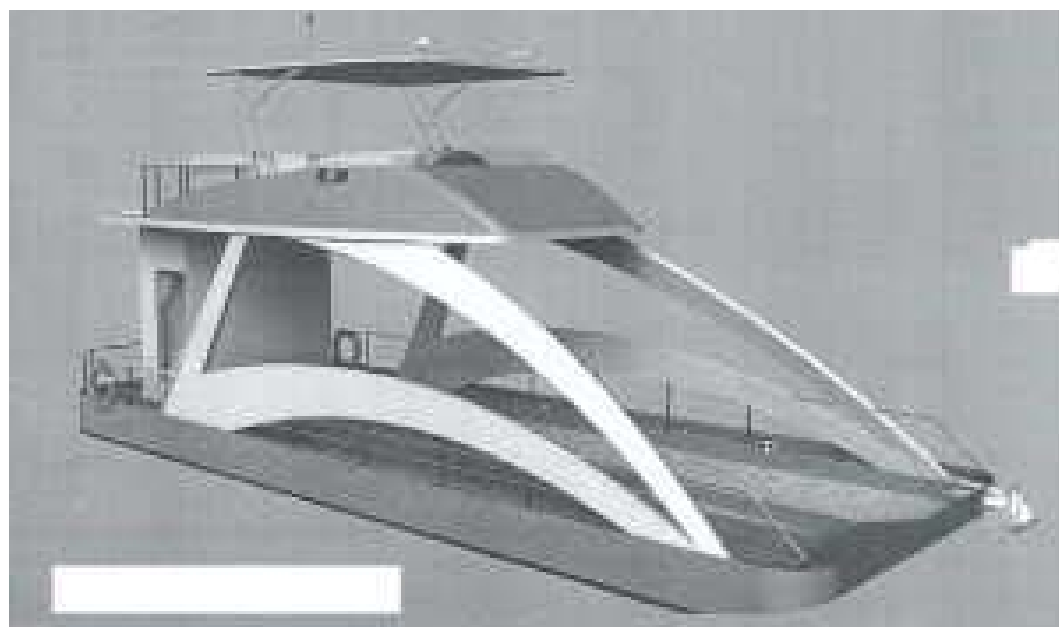
(21) Design Number: **10388/2009**
(22) Date of Filing Application: **11 February 2009**
(24) Date from which industrial property rights may have effect: **11 February 2009**
(54) Product in respect of which the design is registered: **Aluminium extrusion**
(51) International Design Classification: **25-01K**
(71) Name(s) and Address(s) of Applicant(s):
Jorgenson-Watts Pty Ltd
61 St Vincent Place Albert Park Victoria 3206 Australia
(72) Name(s) of Designer(s): **John Russell Watts and Brendan George**
(45) Registration Date: **17 February 2009**
(56) Related Art Documents: **Not Applicable**
(57) Statement of Newness and Distinctiveness: **Nil**



- (21) Design Number: **10389/2009**
(22) Date of Filing Application: **12 February 2009**
(24) Date from which industrial property rights may have effect: **12 February 2009**
(54) Product in respect of which the design is registered: **Livestock liquid feed dispenser**
(51) International Design Classification: **30-03**
(71) Name(s) and Address(s) of Applicant(s):
Simon John Gough
833 Ingham Road Townsville Queensland 4814 Australia
(72) Name(s) of Designer(s): **Simon John Gough and Andrew Gough and David Hollier**
(45) Registration Date: **17 February 2009**
(56) Related Art Documents: **Not Applicable**
(57) Statement of Newness and Distinctiveness: **Newness and distinctiveness resides in the features of shape and configuration as shown in the accompanying representatives.**



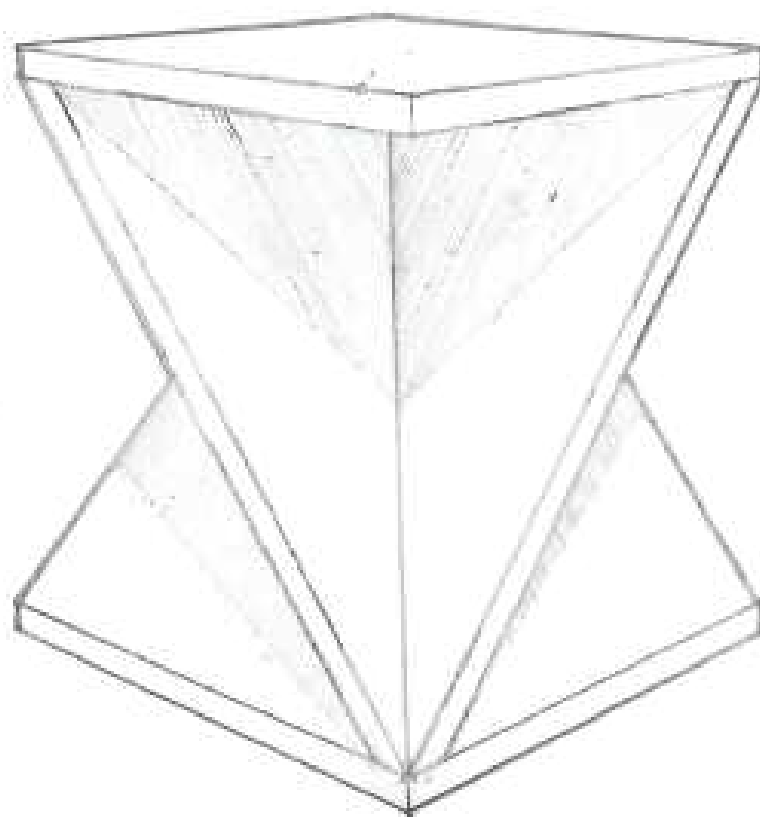
- (21) Design Number: **12394/2008**
(22) Date of Filing Application: **22 May 2008**
(24) Date from which industrial property rights may have effect: **22 May 2008**
(54) Product in respect of which the design is registered: **Vessel**
(51) International Design Classification: **12-06NES**
(71) Name(s) and Address(s) of Applicant(s):
Barrie Colin Webster
62/1 Celestial Court Carina Queensland 4152 Australia
(72) Name(s) of Designer(s): **Barrie Colin Webster**
(45) Registration Date: **17 February 2009**
(56) Related Art Documents: **Not Applicable**
(57) Statement of Newness and Distinctiveness: **Newness and distinctiveness is claimed in the features of shape and configuration of a deck and superstructure module of a modular vessel.**



- (21) Design Number: **14675/2008**
(22) Date of Filing Application: **01 October 2008**
(24) Date from which industrial property rights may have effect: **01 October 2008**
(54) Product in respect of which the design is registered: **Element for a hydrogen extraction electrolyzer**
(51) International Design Classification: **15-99**
(71) Name(s) and Address(s) of Applicant(s):
Hydro Kits Pty Ltd
10 Cassar Crescent Cranebrook New South Wales 2749 Australia
(72) Name(s) of Designer(s): **Gregory C. Kirkham**
(45) Registration Date: **17 February 2009**
(56) Related Art Documents: **Not Applicable**
(57) Statement of Newness and Distinctiveness: **Monopoly is claimed in the shape and/or configuration of an element of a hydrogen/oxygen extraction electrolyzer as illustrated in the accompanying representations and in considering the extent of monopoly protection the use of welded or woven stainless steel mesh as shown in the representations, is to be considered.**



- (21) Design Number: **15833/2008**
(22) Date of Filing Application: **11 December 2008**
(24) Date from which industrial property rights may have effect: **11 December 2008**
(54) Product in respect of which the design is registered: **Chair**
(51) International Design Classification: **06-01L**
(71) Name(s) and Address(s) of Applicant(s):
Michael Turner
10/12 Tusculum Street Potts Point New South Wales 2011 Australia
(72) Name(s) of Designer(s): **Michael Turner**
(45) Registration Date: **17 February 2009**
(56) Related Art Documents: **Not Applicable**
(57) Statement of Newness and Distinctiveness: **Two identical '7' shapes which interlock to form a small chair.**



(21) Design Number: **10054/2009**

(22) Date of Filing Application: **09 January 2009**

(24) Date from which industrial property rights may have effect: **09 January 2009**

(54) Product in respect of which the design is registered: **Fashion blouse**

(51) International Design Classification: **02-02NES**

(71) Name(s) and Address(s) of Applicant(s):

Bardot Pty Ltd

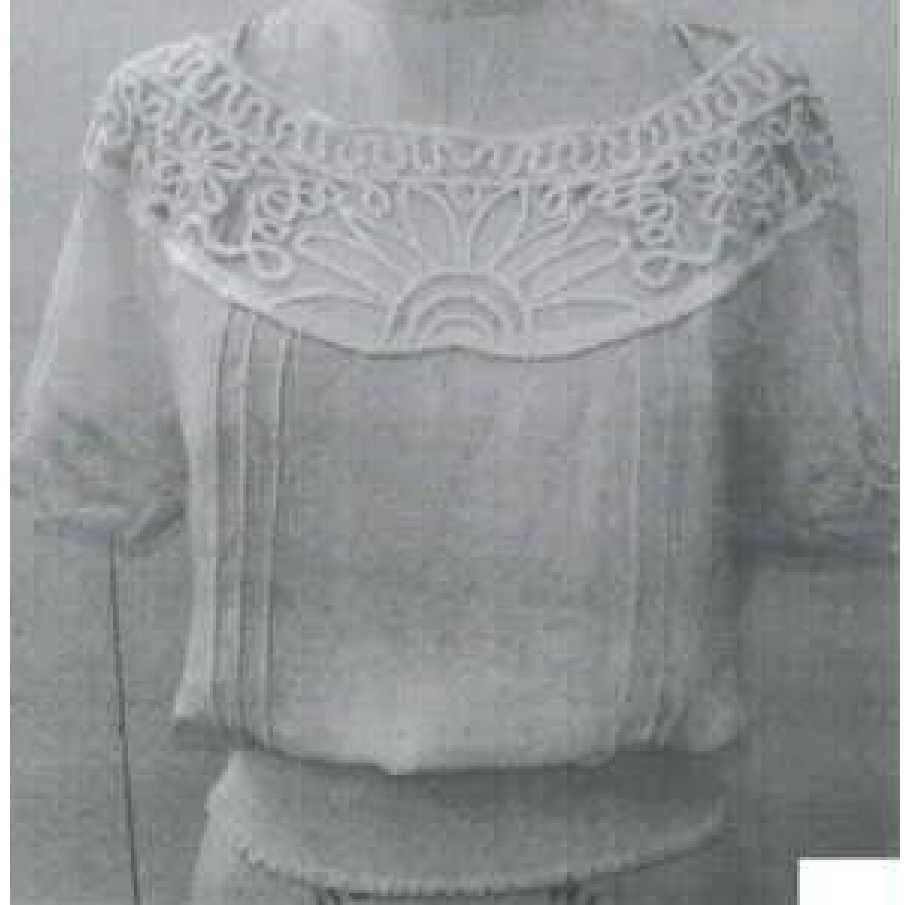
63 Victoria Crescent Abbotsford Victoria 3067 Australia

(72) Name(s) of Designer(s): **Hannah Gaunt**

(45) Registration Date: **17 February 2009**

(56) Related Art Documents: **Not Applicable**

(57) Statement of Newness and Distinctiveness: **Nil**



(21) Design Number: **10059/2009**

(22) Date of Filing Application: **12 January 2009**

(24) Date from which industrial property rights may have effect: **12 January 2009**

(54) Product in respect of which the design is registered: **Shower door captive pivot block**

(51) International Design Classification: **08-06**

(71) Name(s) and Address(s) of Applicant(s):

Dias Aluminium Products Pty. Ltd.

201-205 Browns Road Noble Park Victoria 3174 Australia

(72) Name(s) of Designer(s): **Ian David Paterson**

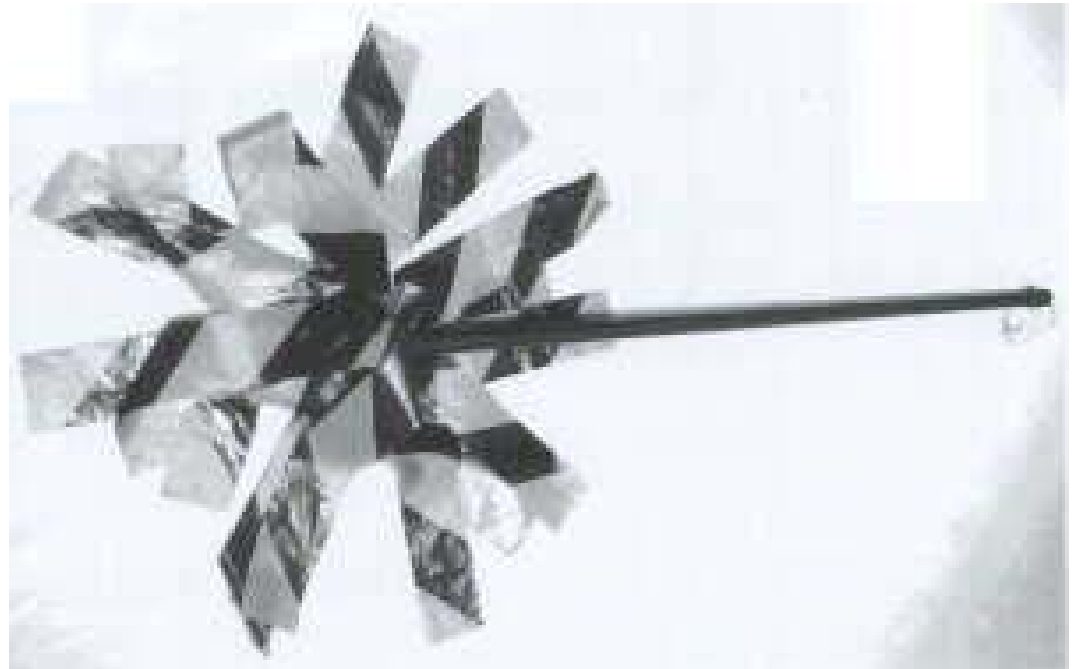
(45) Registration Date: **17 February 2009**

(56) Related Art Documents: **Not Applicable**

(57) Statement of Newness and Distinctiveness: **Nil**



- (21) Design Number: **10160/2009**
(22) Date of Filing Application: **21 January 2009**
(24) Date from which industrial property rights may have effect: **21 January 2009**
(54) Product in respect of which the design is registered: **A hand operated agricultural tool**
(51) International Design Classification: **30-05**
(71) Name(s) and Address(s) of Applicant(s):
William Trethewie Ellis
852 Aherns Road Conondale Queensland 4552 Australia
Barbara Sue Ellis
852 Aherns Road Conondale Queensland 4552 Australia
(72) Name(s) of Designer(s): **William Trethewie Ellis and Barbara Sue Ellis**
(45) Registration Date: **17 February 2009**
(56) Related Art Documents: **Not Applicable**
(57) Statement of Newness and Distinctiveness: **The product is a sorting or drafting pole commonly used in the livestock industry. The new and distinctive feature is that the pole has a coloured ribbon flag head to capture the attention of the animal.**



- (21) Design Number: **10165/2009**
(22) Date of Filing Application: **23 January 2009**
(24) Date from which industrial property rights may have effect: **23 January 2009**
(54) Product in respect of which the design is registered: **Carton/box opener**
(51) International Design Classification: **08-03**
(71) Name(s) and Address(s) of Applicant(s):
Edward Bergman
12-20 Flaxton Court Ningi Queensland 4511 Australia
(72) Name(s) of Designer(s): **Edward Bergman**
(45) Registration Date: **17 February 2009**
(56) Related Art Documents: **Not Applicable**
(57) Statement of Newness and Distinctiveness: **Circular cutting edge internal to body, reduced thickness tip which helps cutting action, flat side for sharpening, thick end near opening to circular cutting area helps to lift cardboard flaps away from goods inside box small rounded point to prevent help puncturing skin of operator and helps opening the box/carton, square top edge.**



(21) Design Number: **11878/2008**
(22) Date of Filing Application: **21 April 2008**
(24) Date from which industrial property rights may have effect: **21 April 2008**
(54) Product in respect of which the design is registered: **Necktie**
(51) International Design Classification: **02-05**
(71) Name(s) and Address(s) of Applicant(s):
Linda Petranovic
68 Malvern Road Glenwood New South Wales 2768 Australia
(72) Name(s) of Designer(s): **Linda Petranovic**
(45) Registration Date: **23 February 2009**
(56) Related Art Documents: **Not Applicable**
(57) Statement of Newness and Distinctiveness: **Nil**



(21) Design Number: **11882/2008**
(22) Date of Filing Application: **21 April 2008**
(24) Date from which industrial property rights may have effect: **21 April 2008**
(54) Product in respect of which the design is registered: **Necktie**
(51) International Design Classification: **02-05**
(71) Name(s) and Address(s) of Applicant(s):
Linda Petranovic
68 Malvern Road Glenwood New South Wales 2768 Australia
(72) Name(s) of Designer(s): **Linda Petranovic**
(45) Registration Date: **23 February 2009**
(56) Related Art Documents: **Not Applicable**
(57) Statement of Newness and Distinctiveness: **Nil**



(21) Design Number: **11883/2008**

(22) Date of Filing Application: **21 April 2008**

(24) Date from which industrial property rights may have effect: **21 April 2008**

(54) Product in respect of which the design is registered: **Necktie**

(51) International Design Classification: **02-05**

(71) Name(s) and Address(s) of Applicant(s):

Linda Petranovic

68 Malvern Road Glenwood New South Wales 2768 Australia

(72) Name(s) of Designer(s): **Linda Petranovic**

(45) Registration Date: **23 February 2009**

(56) Related Art Documents: **Not Applicable**

(57) Statement of Newness and Distinctiveness: **Nil**



(21) Design Number: **11884/2008**

(22) Date of Filing Application: **21 April 2008**

(24) Date from which industrial property rights may have effect: **21 April 2008**

(54) Product in respect of which the design is registered: **Necktie**

(51) International Design Classification: **02-05**

(71) Name(s) and Address(s) of Applicant(s):

Linda Petranovic

68 Malvern Road Glenwood New South Wales 2768 Australia

(72) Name(s) of Designer(s): **Linda Petranovic**

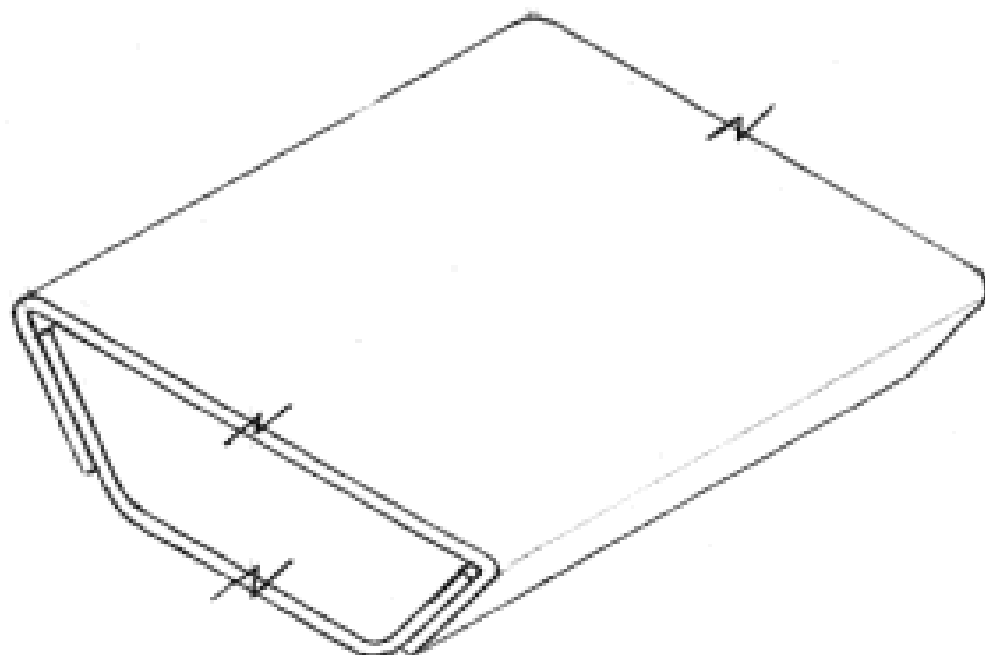
(45) Registration Date: **23 February 2009**

(56) Related Art Documents: **Not Applicable**

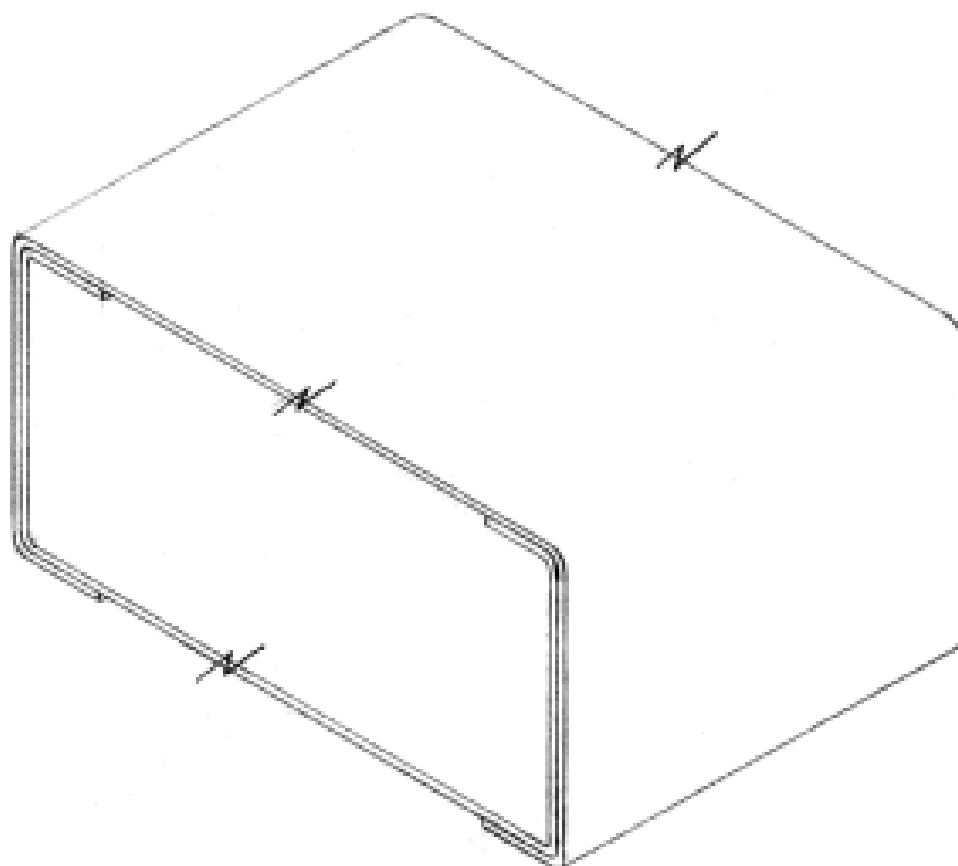
(57) Statement of Newness and Distinctiveness: **Nil**



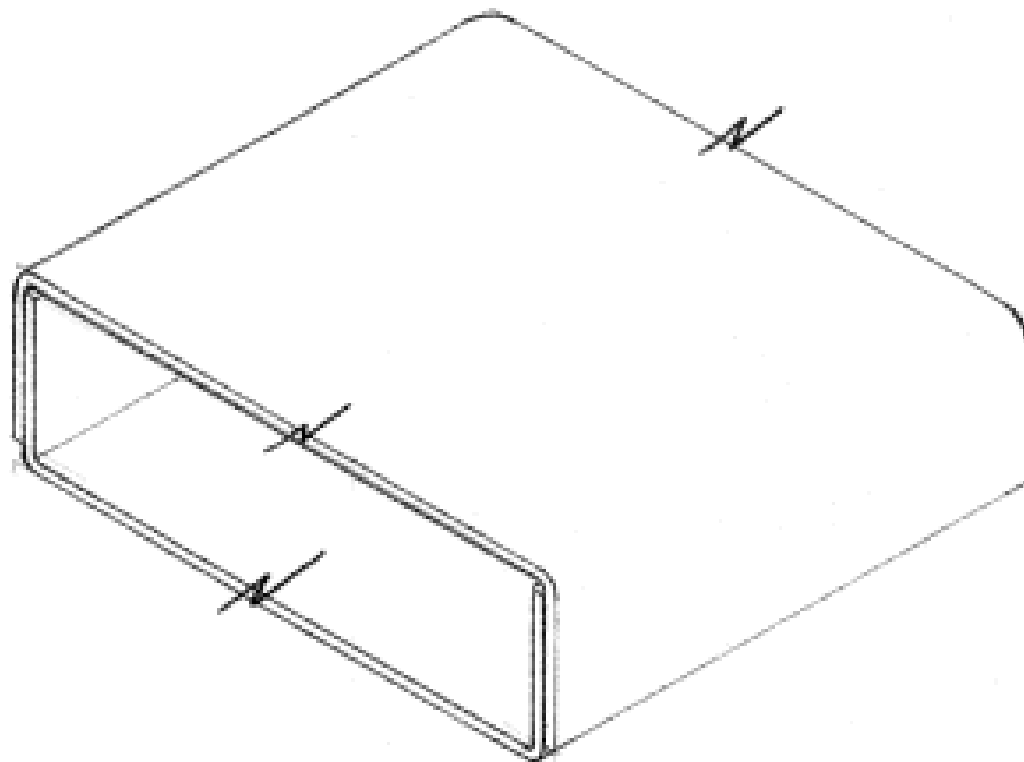
- (21) Design Number: **14607/2008**
- (22) Date of Filing Application: **24 September 2008**
- (24) Date from which industrial property rights may have effect: **24 September 2008**
- (54) Product in respect of which the design is registered: **Batten**
- (51) International Design Classification: **25-02C, 25-01K**
- (71) Name(s) and Address(s) of Applicant(s):
Weldtek Pty Ltd
18 Kookaburra Drive Gilston Queensland 4211 Australia
- (72) Name(s) of Designer(s): **Frank Weber**
- (45) Registration Date: **23 February 2009**
- (56) Related Art Documents: **Not Applicable**
- (57) Statement of Newness and Distinctiveness: **1A - Shows the unique interlock system which holds the stainless steel together.**



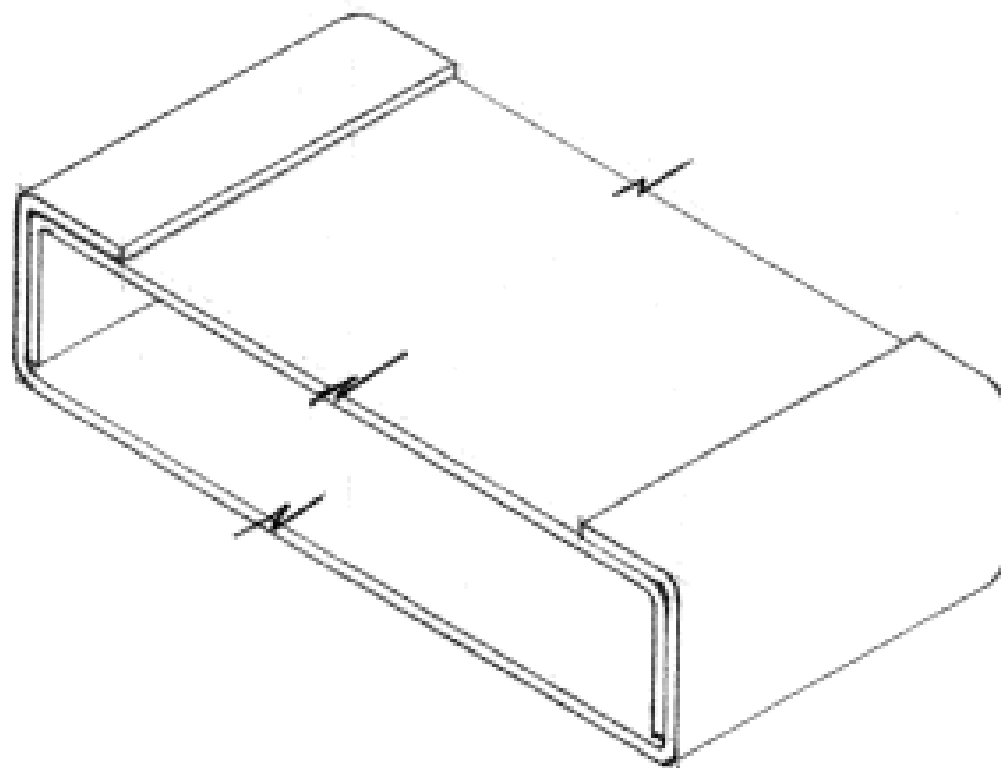
- (21) Design Number: **14608/2008**
- (22) Date of Filing Application: **24 September 2008**
- (24) Date from which industrial property rights may have effect: **24 September 2008**
- (54) Product in respect of which the design is registered: **Rail**
- (51) International Design Classification: **25-02C, 25-01K**
- (71) Name(s) and Address(s) of Applicant(s):
Weldtek Pty Ltd
18 Kookaburra Drive Gilston Queensland 4211 Australia
- (72) Name(s) of Designer(s): **Frank Weber**
- (45) Registration Date: **23 February 2009**
- (56) Related Art Documents: **Not Applicable**
- (57) Statement of Newness and Distinctiveness: **2A - Shows the unique interlock system which holds the stainless steel together.**



- (21) Design Number: **14609/2008**
- (22) Date of Filing Application: **24 September 2008**
- (24) Date from which industrial property rights may have effect: **24 September 2008**
- (54) Product in respect of which the design is registered: **Post**
- (51) International Design Classification: **25-02C, 25-01K**
- (71) Name(s) and Address(s) of Applicant(s):
Weldtek Pty Ltd
18 Kookaburra Drive Gilston Queensland 4211 Australia
- (72) Name(s) of Designer(s): **Frank Weber**
- (45) Registration Date: **23 February 2009**
- (56) Related Art Documents: **Not Applicable**
- (57) Statement of Newness and Distinctiveness: **3A - Shows the unique interlock system which holds the stainless steel together.**



- (21) Design Number: **14610/2008**
- (22) Date of Filing Application: **24 September 2008**
- (24) Date from which industrial property rights may have effect: **24 September 2008**
- (54) Product in respect of which the design is registered: **End Plate**
- (51) International Design Classification: **25-02C, 25-01K**
- (71) Name(s) and Address(s) of Applicant(s):
Weldtek Pty Ltd
18 Kookaburra Drive Gilston Queensland 4211 Australia
- (72) Name(s) of Designer(s): **Frank Weber**
- (45) Registration Date: **23 February 2009**
- (56) Related Art Documents: **Not Applicable**
- (57) Statement of Newness and Distinctiveness: **4A - Shows the unique interlock system which holds the stainless steel together.**



(21) Design Number: **10047/2009**

(22) Date of Filing Application: **06 January 2009**

(24) Date from which industrial property rights may have effect: **06 January 2009**

(54) Product in respect of which the design is registered: **Toilet roll storage/hanger**

(51) International Design Classification: **23-02A**

(71) Name(s) and Address(s) of Applicant(s):

Cherie Aston

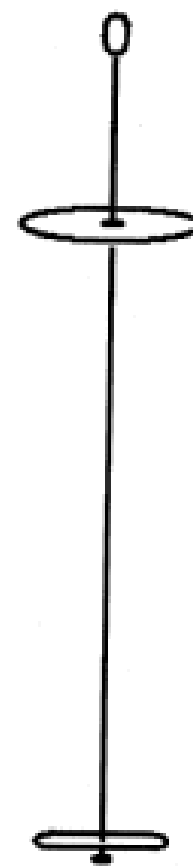
20 Carool Road Bilambil New South Wales 2486 Australia

(72) Name(s) of Designer(s): **Cherie Aston**

(45) Registration Date: **23 February 2009**

(56) Related Art Documents: **Not Applicable**

(57) Statement of Newness and Distinctiveness: **This unique toilet roll storage is designed to be hung from the ceiling or wall as opposed to others that sit on the floor, a shelf or the cistern.**



(21) Design Number: **10095/2009**

(22) Date of Filing Application: **15 January 2009**

(24) Date from which industrial property rights may have effect: **15 January 2009**

(54) Product in respect of which the design is registered: **For a new curved and raised floor grinder bracket design**

(51) International Design Classification: **08-08L, 08-05N**

(71) Name(s) and Address(s) of Applicant(s):

Mathew Norton

24 Dapper Street Sunnybank Hills Queensland 4109 Australia

(72) Name(s) of Designer(s): **Mathew Norton**

(45) Registration Date: **23 February 2009**

(56) Related Art Documents: **Not Applicable**

(57) Statement of Newness and Distinctiveness: **Monopoly is claimed in the new curved shape and raised floor grinder handle and angle grinder bracket design that includes and combines the design aspects registered under design No 13883/08 and 13884/08 as shown in representations.**



- (21) Design Number: **10229/2009**
(22) Date of Filing Application: **29 January 2009**
(24) Date from which industrial property rights may have effect: **29 January 2009**
(54) Product in respect of which the design is registered: **Footwear**
(51) International Design Classification: **02-04NES**
(71) Name(s) and Address(s) of Applicant(s):
Grendene S.A.
Av. Pimentel Gomes 214 Expectativa Sobral - CE CEP 62040-050
Brazil
(72) Name(s) of Designer(s): **Volnei Tadeu Dal Magro**
(45) Registration Date: **23 February 2009**
(30) Convention priority data:
(31) Number (32) Date (33) Country
DI6803497-0 07 Aug 2008 BRAZIL
(56) Related Art Documents: **Not Applicable**
(57) Statement of Newness and Distinctiveness: **Those features of the footwear depicted in the representations that are new and distinctive are the shape, configuration, pattern, ornamentation and the colours in combination.**

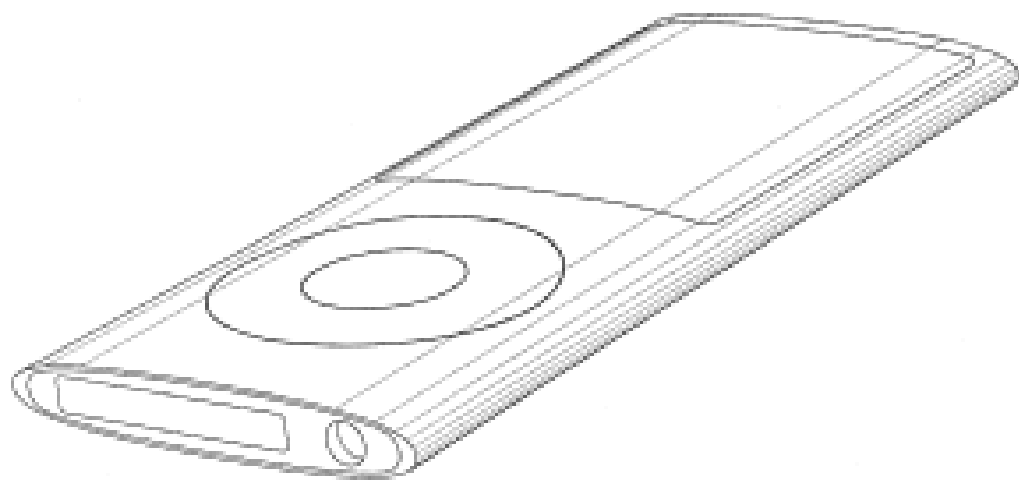


- (21) Design Number: **10230/2009**
(22) Date of Filing Application: **29 January 2009**
(24) Date from which industrial property rights may have effect: **29 January 2009**
(54) Product in respect of which the design is registered: **Footwear**
(51) International Design Classification: **02-04NES**
(71) Name(s) and Address(s) of Applicant(s):
Grendene S.A.
Av. Pimentel Gomes 214 Expectativa Sobral - CE CEP 62040-050
Brazil
(72) Name(s) of Designer(s): **Volnei Tadeu Dal Magro**
(45) Registration Date: **23 February 2009**
(30) Convention priority data:
(31) Number (32) Date (33) Country
DI6803488-1 07 Aug 2008 BRAZIL
(56) Related Art Documents: **Not Applicable**
(57) Statement of Newness and Distinctiveness: **Those features of the footwear depicted in the representations that are new and distinctive are the shape, configuration, pattern, ornamentation and the colours in combination.**



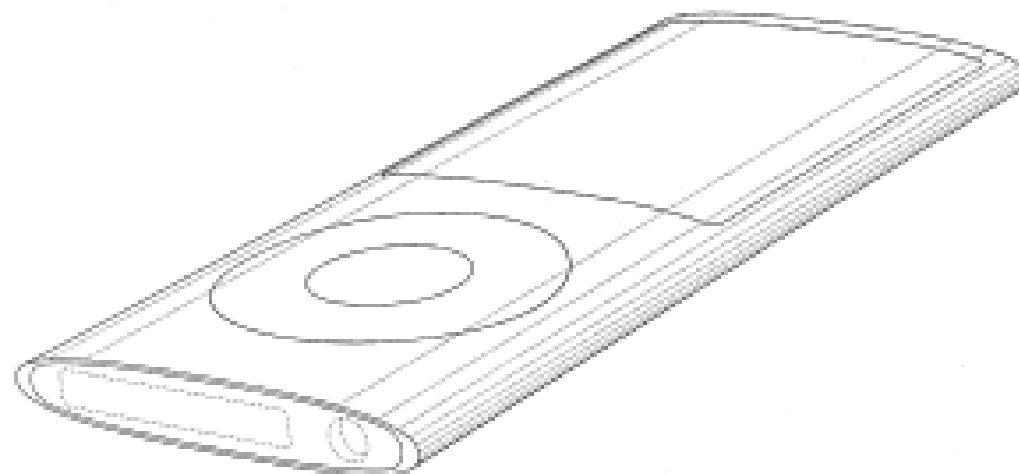
(19) AU

- (21) Design Number: **10397/2009**
(22) Date of Filing Application: **11 February 2009**
(24) Date from which industrial property rights may have effect: **11 February 2009**
(54) Product in respect of which the design is registered: **Electronic device**
(51) International Design Classification: **14-01**
(71) Name(s) and Address(s) of Applicant(s):
Apple Inc.
1 Infinite Loop Cupertino California 95014 United States of America
(72) Name(s) of Designer(s): **Bartley K. Andre and Daniel J. Coster and Daniele De Iuliis and Evans Hankey and Richard P. Howarth and Jonathan P. Ive and Duncan Robert Kerr and Shin Nishibori and Matthew Dean Rohrbach and Peter Russell-Clarke and Douglas B. Satzger and Christopher J. Stringer and Eugene Antony Whang and Rico Zorkendorfer**
(45) Registration Date: **23 February 2009**
(30) Convention priority data:
(31) Number (32) Date (33) Country
29/324128 05 Sep 2008 UNITED STATES OF AMERICA
(56) Related Art Documents: **Not Applicable**
(57) Statement of Newness and Distinctiveness: **Newness and distinctiveness is claimed in all features shown in the accompanying representations, wherein the shade lines show contour and not surface ornamentation.**



(19) AU

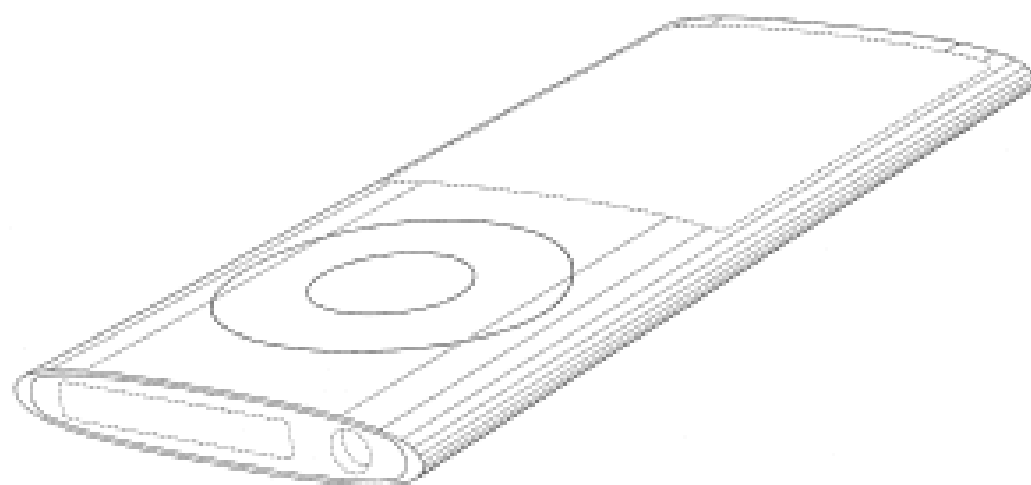
- (21) Design Number: **10398/2009**
(22) Date of Filing Application: **11 February 2009**
(24) Date from which industrial property rights may have effect: **11 February 2009**
(54) Product in respect of which the design is registered: **Electronic device**
(51) International Design Classification: **14-01**
(71) Name(s) and Address(s) of Applicant(s):
Apple Inc.
1 Infinite Loop Cupertino California 95014 United States of America
(72) Name(s) of Designer(s): **Bartley K. Andre and Daniel J. Coster and Daniele De Iuliis and Evans Hankey and Richard P. Howarth and Jonathan P. Ive and Duncan Robert Kerr and Shin Nishibori and Matthew Dean Rohrbach and Peter Russell-Clarke and Douglas B. Satzger and Christopher J. Stringer and Eugene Antony Whang and Rico Zorkendorfer**
(45) Registration Date: **23 February 2009**
(30) Convention priority data:
(31) Number (32) Date (33) Country
29/324128 05 Sep 2008 UNITED STATES OF AMERICA
(56) Related Art Documents: **Not Applicable**
(57) Statement of Newness and Distinctiveness: **Newness and distinctiveness is claimed in the features shown in unbroken solid and shade lines in the accompanying representations, wherein the shade lines show contour and not surface ornamentation.**



(21) Design Number: **10399/2009**
 (22) Date of Filing Application: **11 February 2009**
 (24) Date from which industrial property rights may have effect: **11 February 2009**
 (54) Product in respect of which the design is registered: **Electronic device**
 (51) International Design Classification: **14-01**
 (71) Name(s) and Address(s) of Applicant(s):
Apple Inc.
1 Infinite Loop Cupertino California 95014 United States of America
 (72) Name(s) of Designer(s): **Bartley K. Andre and Daniel J. Coster and Daniele De Iuliis and Evans Hankey and Richard P. Howarth and Jonathan P. Ive and Duncan Robert Kerr and Shin Nishibori and Matthew Dean Rohrbach and Peter Russell-Clarke and Douglas B. Satzger and Christopher J. Stringer and Eugene Antony Whang and Rico Zorkendorfer**
 (45) Registration Date: **23 February 2009**
 (30) Convention priority data:
 (31) Number (32) Date (33) Country
29/324128 05 Sep 2008 UNITED STATES OF AMERICA
 (56) Related Art Documents: **Not Applicable**
 (57) Statement of Newness and Distinctiveness: **Nil**

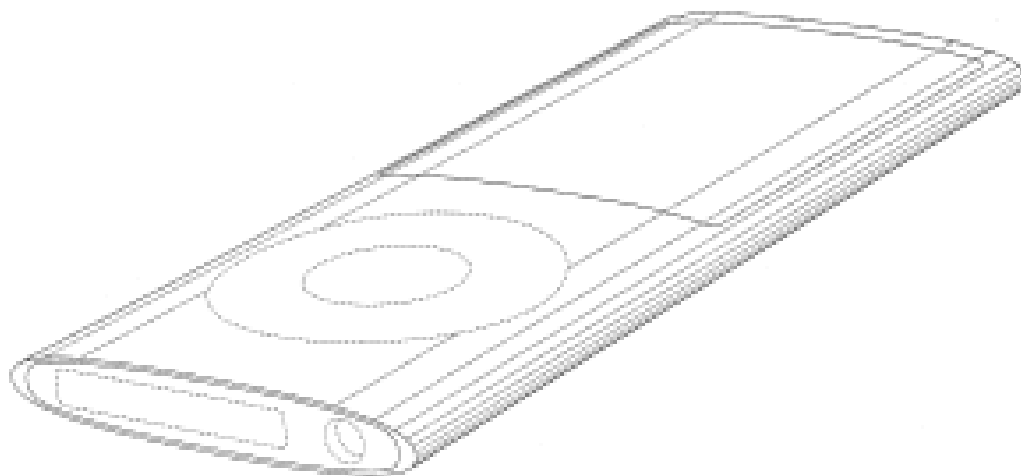


(21) Design Number: **10400/2009**
 (22) Date of Filing Application: **11 February 2009**
 (24) Date from which industrial property rights may have effect: **11 February 2009**
 (54) Product in respect of which the design is registered: **Electronic device**
 (51) International Design Classification: **14-01**
 (71) Name(s) and Address(s) of Applicant(s):
Apple Inc.
1 Infinite Loop Cupertino California 95014 United States of America
 (72) Name(s) of Designer(s): **Bartley K. Andre and Daniel J. Coster and Daniele De Iuliis and Evans Hankey and Richard P. Howarth and Jonathan P. Ive and Duncan Robert Kerr and Shin Nishibori and Matthew Dean Rohrbach and Peter Russell-Clarke and Douglas B. Satzger and Christopher J. Stringer and Eugene Antony Whang and Rico Zorkendorfer**
 (45) Registration Date: **23 February 2009**
 (30) Convention priority data:
 (31) Number (32) Date (33) Country
29/324128 05 Sep 2008 UNITED STATES OF AMERICA
 (56) Related Art Documents: **Not Applicable**
 (57) Statement of Newness and Distinctiveness: **Newness and distinctiveness is claimed in the features shown in unbroken solid and shade lines in the accompanying representations, wherein the shade lines show contour and not surface ornamentation.**



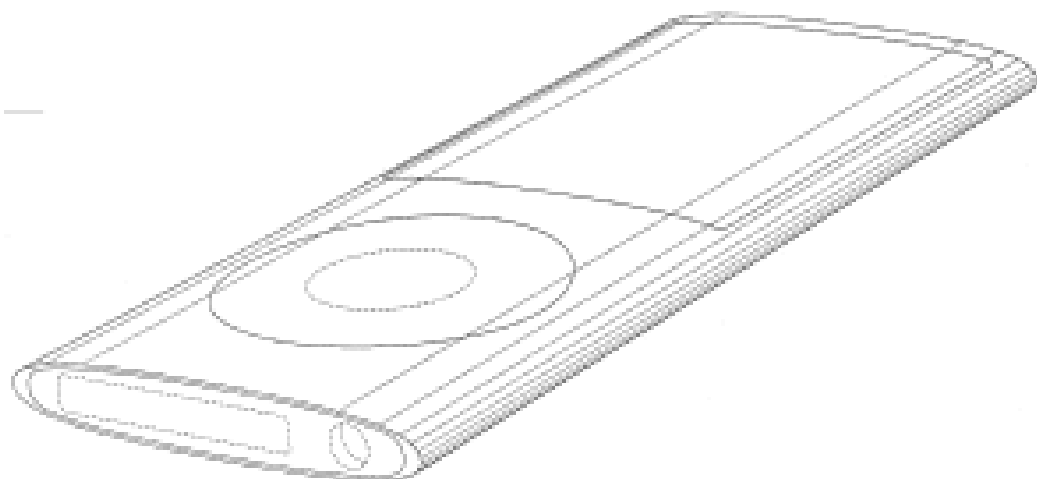
(19) AU

- (21) Design Number: **10401/2009**
(22) Date of Filing Application: **11 February 2009**
(24) Date from which industrial property rights may have effect: **11 February 2009**
(54) Product in respect of which the design is registered: **Electronic device**
(51) International Design Classification: **14-01**
(71) Name(s) and Address(s) of Applicant(s):
Apple Inc.
1 Infinite Loop Cupertino California 95014 United States of America
(72) Name(s) of Designer(s): **Bartley K. Andre and Daniel J. Coster and Daniele De Iuliis and Evans Hankey and Richard P. Howarth and Jonathan P. Ive and Duncan Robert Kerr and Shin Nishibori and Matthew Dean Rohrbach and Peter Russell-Clarke and Douglas B. Satzger and Christopher J. Stringer and Eugene Antony Whang and Rico Zorkendorfer**
(45) Registration Date: **23 February 2009**
(30) Convention priority data:
(31) Number (32) Date (33) Country
29/324128 05 Sep 2008 UNITED STATES OF AMERICA
(56) Related Art Documents: **Not Applicable**
(57) Statement of Newness and Distinctiveness: **Newness and distinctiveness is claimed in the features shown in unbroken solid and shade lines in the accompanying representations, wherein the shade lines show contour and not surface ornamentation.**



(19) AU

- (21) Design Number: **10402/2009**
(22) Date of Filing Application: **11 February 2009**
(24) Date from which industrial property rights may have effect: **11 February 2009**
(54) Product in respect of which the design is registered: **Electronic device**
(51) International Design Classification: **14-01**
(71) Name(s) and Address(s) of Applicant(s):
Apple Inc.
1 Infinite Loop Cupertino California 95014 United States of America
(72) Name(s) of Designer(s): **Bartley K. Andre and Daniel J. Coster and Daniele De Iuliis and Evans Hankey and Richard P. Howarth and Jonathan P. Ive and Duncan Robert Kerr and Shin Nishibori and Matthew Dean Rohrbach and Peter Russell-Clarke and Douglas B. Satzger and Christopher J. Stringer and Eugene Antony Whang and Rico Zorkendorfer**
(45) Registration Date: **23 February 2009**
(30) Convention priority data:
(31) Number (32) Date (33) Country
29/324128 05 Sep 2008 UNITED STATES OF AMERICA
(56) Related Art Documents: **Not Applicable**
(57) Statement of Newness and Distinctiveness: **Newness and distinctiveness is claimed in the features shown in unbroken solid and shade lines in the accompanying representations, wherein the shade lines show contour and not surface ornamentation.**



- (21) Design Number: **10403/2009**
(22) Date of Filing Application: **11 February 2009**
(24) Date from which industrial property rights may have effect: **11 February 2009**
(54) Product in respect of which the design is registered: **Electronic device**
(51) International Design Classification: **14-01**
(71) Name(s) and Address(s) of Applicant(s):

Apple Inc.
1 Infinite Loop Cupertino California 95014 United States of America

- (72) Name(s) of Designer(s): **Bartley K. Andre and Daniel J. Coster and Daniele De Iuliis and Evans Hankey and Richard P. Howarth and Jonathan P. Ive and Duncan Robert Kerr and Shin Nishibori and Matthew Dean Rohrbach and Peter Russell-Clarke and Douglas B. Satzger and Christopher J. Stringer and Eugene Antony Whang and Rico Zorkendorfer**

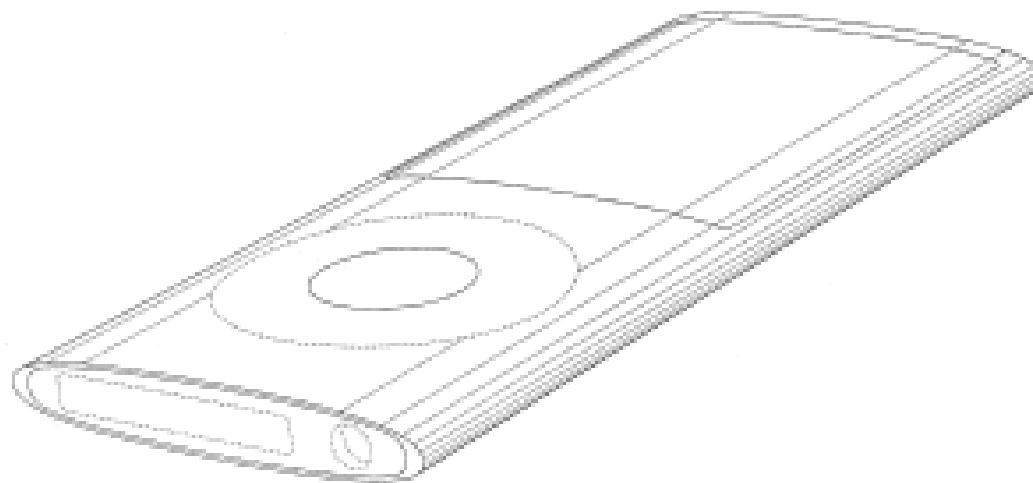
- (45) Registration Date: **23 February 2009**

- (30) Convention priority data:

(31) Number	(32) Date	(33) Country
29/324128	05 Sep 2008	UNITED STATES OF AMERICA

- (56) Related Art Documents: **Not Applicable**

- (57) Statement of Newness and Distinctiveness: **Newness and distinctiveness is claimed in the features shown in unbroken solid and shade lines in the accompanying representations, wherein the shade lines show contour and not surface ornamentation.**



- (21) Design Number: **10404/2009**
(22) Date of Filing Application: **11 February 2009**
(24) Date from which industrial property rights may have effect: **11 February 2009**
(54) Product in respect of which the design is registered: **Electronic device**
(51) International Design Classification: **14-01**
(71) Name(s) and Address(s) of Applicant(s):

Apple Inc.
1 Infinite Loop Cupertino California 95014 United States of America

- (72) Name(s) of Designer(s): **Bartley K. Andre and Daniel J. Coster and Daniele De Iuliis and Evans Hankey and Richard P. Howarth and Jonathan P. Ive and Duncan Robert Kerr and Shin Nishibori and Matthew Dean Rohrbach and Peter Russell-Clarke and Douglas B. Satzger and Christopher J. Stringer and Eugene Antony Whang and Rico Zorkendorfer**

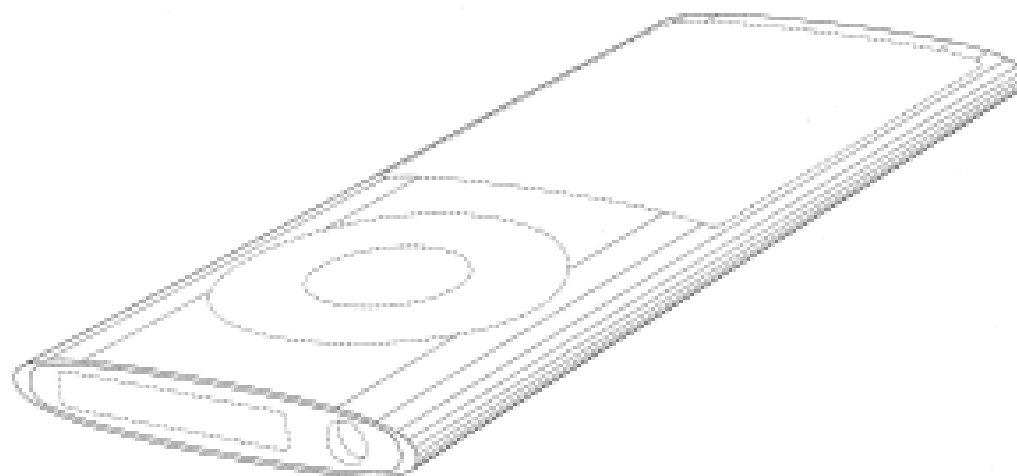
- (45) Registration Date: **23 February 2009**

- (30) Convention priority data:

(31) Number	(32) Date	(33) Country
29/324128	05 Sep 2008	UNITED STATES OF AMERICA

- (56) Related Art Documents: **Not Applicable**

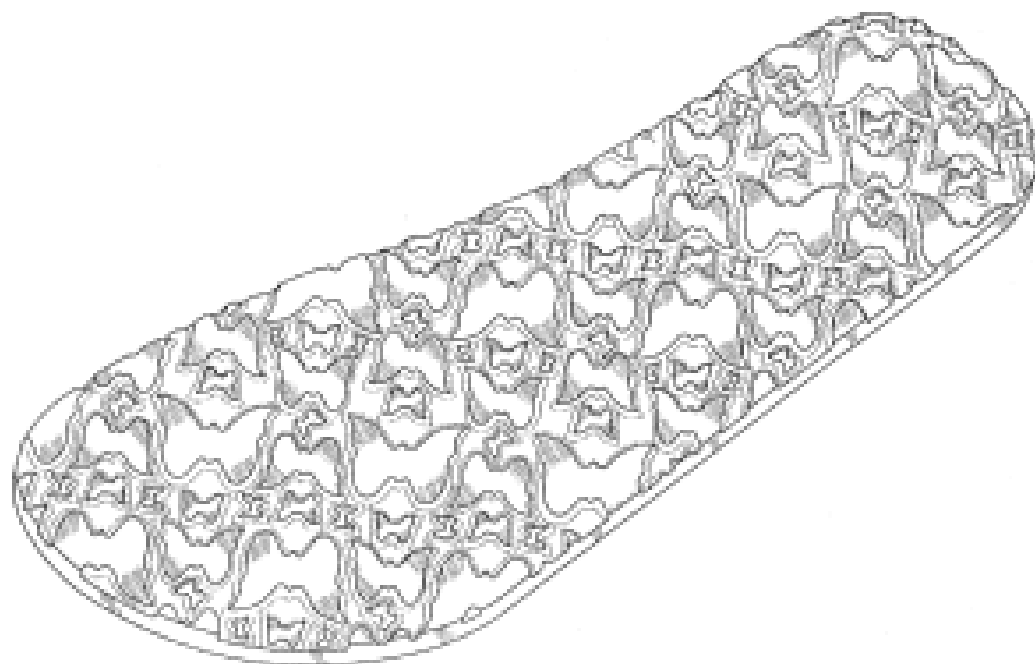
- (57) Statement of Newness and Distinctiveness: **Newness and distinctiveness is claimed in the features shown in unbroken solid and shade lines in the accompanying representations, wherein the shade lines show contour and not surface ornamentation.**



- (21) Design Number: **10391/2009**
(22) Date of Filing Application: **11 February 2009**
(24) Date from which industrial property rights may have effect: **11 February 2009**
(54) Product in respect of which the design is registered: **Outer sole**
(51) International Design Classification: **02-04B**
(71) Name(s) and Address(s) of Applicant(s):
Papillio-Schuh GmbH
Rheinstrasse 2-4 53560 Vettelschoss Germany
(72) Name(s) of Designer(s): **Christian Birkenstock**
(45) Registration Date: **23 February 2009**
(30) Convention priority data:
(31) Number (32) Date (33) Country
DE 402008003989 22 Aug 2008 GERMANY
(56) Related Art Documents: **Not Applicable**
(57) Statement of Newness and Distinctiveness: **Newness and distinctiveness reside in the features of the design as shown in the representations.**



- (21) Design Number: **10392/2009**
(22) Date of Filing Application: **11 February 2009**
(24) Date from which industrial property rights may have effect: **11 February 2009**
(54) Product in respect of which the design is registered: **Outer sole**
(51) International Design Classification: **02-04B**
(71) Name(s) and Address(s) of Applicant(s):
Papillio-Schuh GmbH
Rheinstrasse 2-4 53560 Vettelschoss Germany
(72) Name(s) of Designer(s): **Christian Birkenstock**
(45) Registration Date: **23 February 2009**
(30) Convention priority data:
(31) Number (32) Date (33) Country
DE 402008003989 22 Aug 2008 GERMANY
(56) Related Art Documents: **Not Applicable**
(57) Statement of Newness and Distinctiveness: **Newness and distinctiveness reside in the features of the design as shown in the representations.**



(21) Design Number: **10393/2009**
(22) Date of Filing Application: **11 February 2009**
(24) Date from which industrial property rights may have effect: **11 February 2009**
(54) Product in respect of which the design is registered: **Ice bucket**
(51) International Design Classification: **07-01NES**
(71) Name(s) and Address(s) of Applicant(s):

Pi-Design AG
Kantonsstrasse 100 6234 Triengen Switzerland

(72) Name(s) of Designer(s): **Jorgen Bodum**

(45) Registration Date: **23 February 2009**

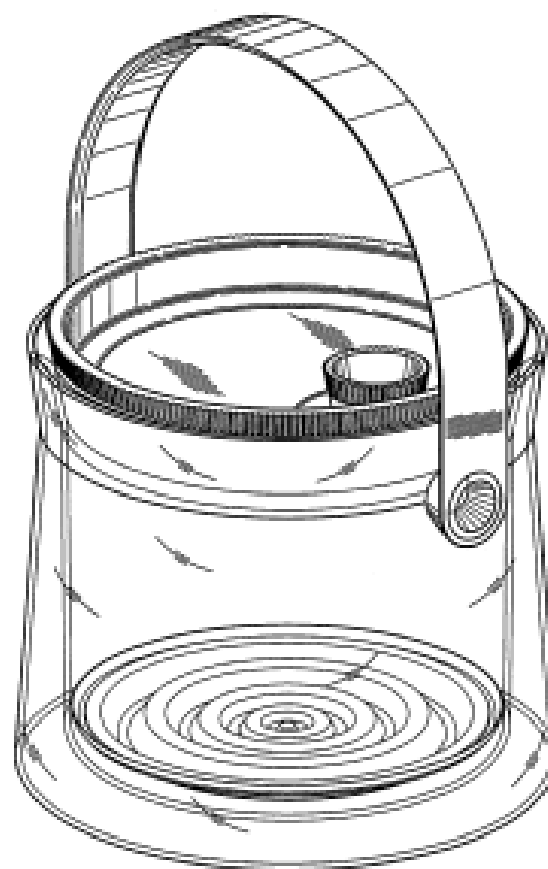
(30) Convention priority data:

(31) Number (32) Date
478 013 001 20 Jan 2009

(33) Country
**WORLD INTELLECTUAL
PROPERTY ORGANIZATION
(WIPO)**

(56) Related Art Documents: **Not Applicable**

(57) Statement of Newness and Distinctiveness: **Nil**



(21) Design Number: **10475/2009**
(22) Date of Filing Application: **17 February 2009**
(24) Date from which industrial property rights may have effect: **17 February 2009**
(54) Product in respect of which the design is registered: **Bicycle**
(51) International Design Classification: **12-11**
(71) Name(s) and Address(s) of Applicant(s):

John Irven Tolhurst
2A Brisbane Terrace Northbridge Western Australia 6003 Australia

(72) Name(s) of Designer(s): **John Irven Tolhurst and Ronald Ian Witt**

(45) Registration Date: **18 February 2009**

(56) Related Art Documents: **Not Applicable**

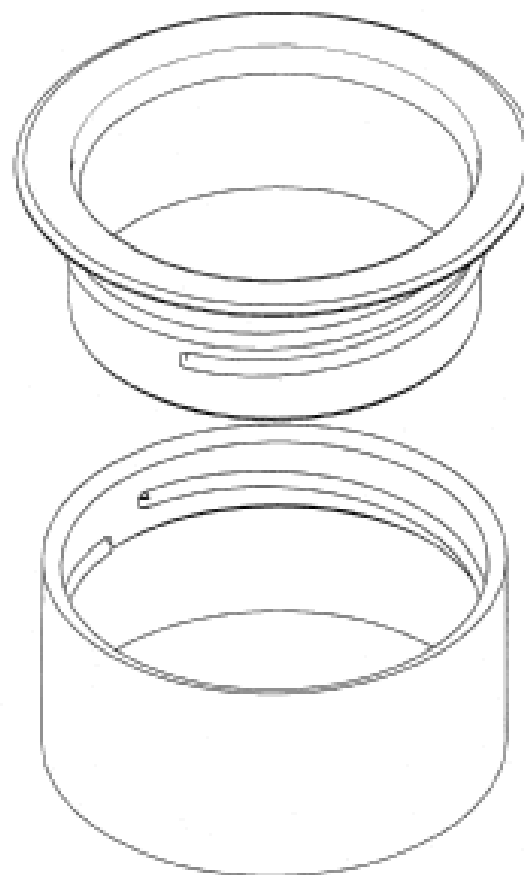
(57) Statement of Newness and Distinctiveness: **Newness and distinctiveness is claimed in the features of shape and/or configuration of a bicycle as illustrated in the accompanying representations.**



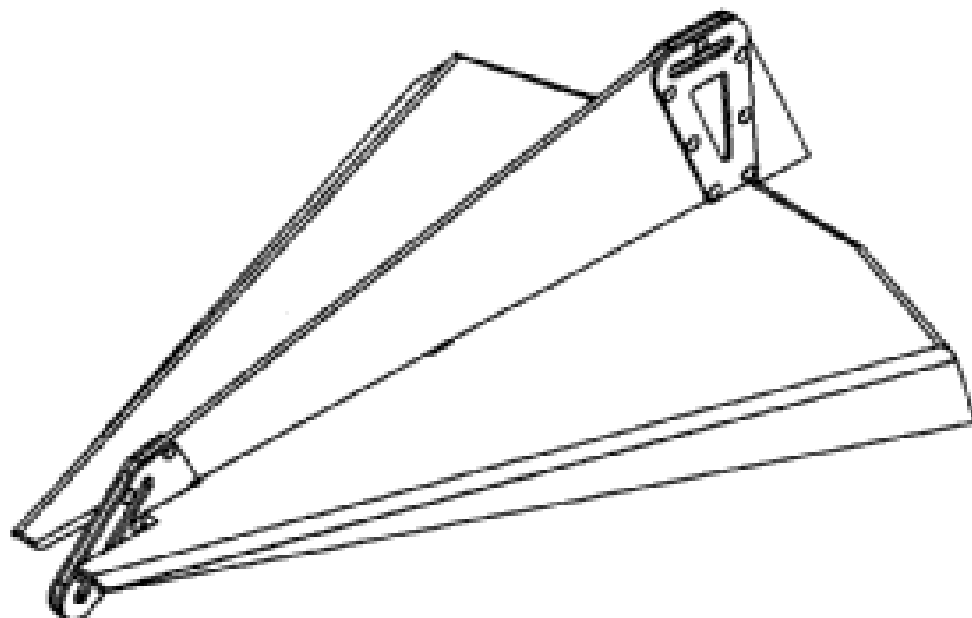
- (21) Design Number: **15641/2008**
- (22) Date of Filing Application: **28 November 2008**
- (24) Date from which industrial property rights may have effect: **28 November 2008**
- (54) Product in respect of which the design is registered: **Australian flag suit**
- (51) International Design Classification: **02-02C**
- (71) Name(s) and Address(s) of Applicant(s):
Anthony Faughey
63 Delavan Street Wishart Queensland 4122 Australia
- (72) Name(s) of Designer(s): **Anthony Faughey**
- (45) Registration Date: **19 February 2009**
- (56) Related Art Documents: **Not Applicable**
- (57) Statement of Newness and Distinctiveness: **Jacket and pants (suit) depicting Australian flag - including Union Jack and all stars from Australian flag.**



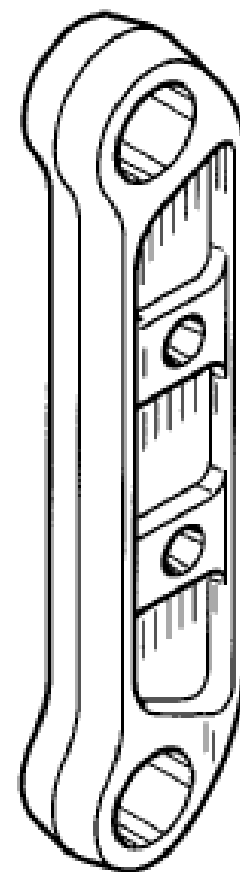
- (21) Design Number: **10355/2009**
- (22) Date of Filing Application: **10 February 2009**
- (24) Date from which industrial property rights may have effect: **10 February 2009**
- (54) Product in respect of which the design is registered: **A spouting connector**
- (51) International Design Classification: **23-01A**
- (71) Name(s) and Address(s) of Applicant(s):
Roy McKay Watson
149B Park Road Palmerston North New Zealand
- (72) Name(s) of Designer(s): **Roy McKay Watson**
- (45) Registration Date: **19 February 2009**
- (56) Related Art Documents: **Not Applicable**
- (57) Statement of Newness and Distinctiveness: **Nil**



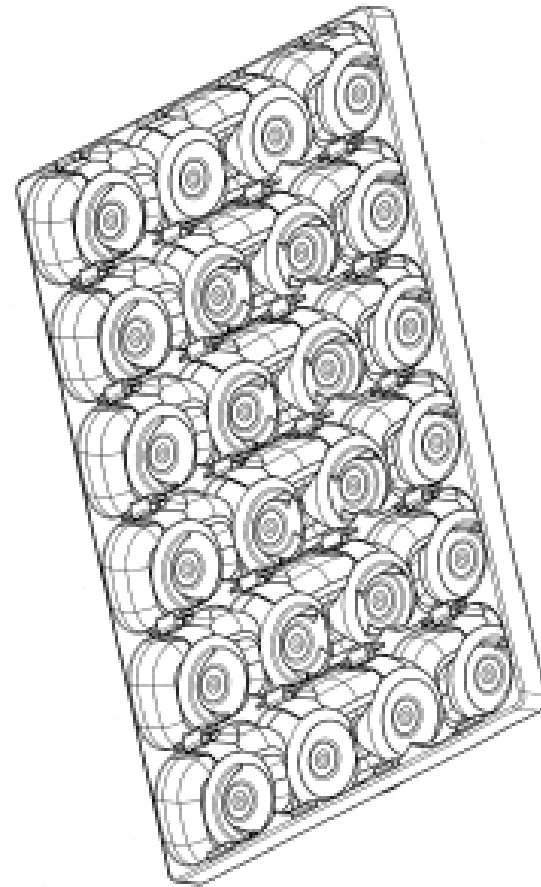
- (21) Design Number: **10396/2009**
(22) Date of Filing Application: **12 February 2009**
(24) Date from which industrial property rights may have effect: **12 February 2009**
(54) Product in respect of which the design is registered: **Hydro powered partical resuspension device**
(51) International Design Classification: **23-01G**
(71) Name(s) and Address(s) of Applicant(s):
Richard Capaldo
75 Mcleod Road Middleton South Australia 5213 Australia
Dean Robert Thomas
43 Tay Road Mount Compass South Australia 5210 Australia
(72) Name(s) of Designer(s): **Dean Robert Thomas and Richard Capaldo**
(45) Registration Date: **19 February 2009**
(56) Related Art Documents: **Not Applicable**
(57) Statement of Newness and Distinctiveness: **Nil**



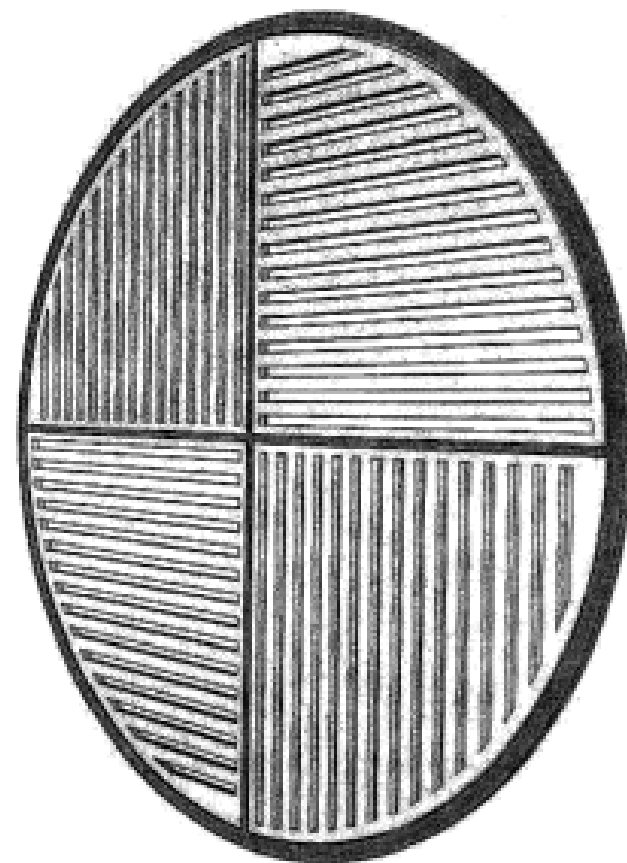
- (21) Design Number: **10406/2009**
(22) Date of Filing Application: **11 February 2009**
(24) Date from which industrial property rights may have effect: **11 February 2009**
(54) Product in respect of which the design is registered: **Rocker leg**
(51) International Design Classification: **15-04**
(71) Name(s) and Address(s) of Applicant(s):
General Kinematics Corporation
5050 Rickert Road Crystal Lake Illinois 60014 United States of America
(72) Name(s) of Designer(s): **Thomas P. Musschoot**
(45) Registration Date: **19 February 2009**
(30) Convention priority data:
(31) Number (32) Date (33) Country
29/323146 19 Aug 2008 UNITED STATES OF AMERICA
(56) Related Art Documents: **Not Applicable**
(57) Statement of Newness and Distinctiveness: **Newness and distinctiveness reside in the shape and/or configuration of a rocker leg illustrated by solid lines in the accompanying representations. The discontinuous lines are for illustrative purposes only and form no part of the design.**



- (21) Design Number: **10407/2009**
(22) Date of Filing Application: **12 February 2009**
(24) Date from which industrial property rights may have effect: **12 February 2009**
(54) Product in respect of which the design is registered: **Tray bottle crate**
(51) International Design Classification: **09-03F**
(71) Name(s) and Address(s) of Applicant(s):
Sergio Tontarelli
123 Via Verdi I-60022 Castelfidardo (AN) Italy
(72) Name(s) of Designer(s): **Sergio Tontarelli**
(45) Registration Date: **19 February 2009**
(56) Related Art Documents: **Not Applicable**
(57) Statement of Newness and Distinctiveness: **Newness and distinctiveness reside in the features of the design as shown in the representations.**



- (21) Design Number: **10408/2009**
(22) Date of Filing Application: **12 February 2009**
(24) Date from which industrial property rights may have effect: **12 February 2009**
(54) Product in respect of which the design is registered: **Barbeque grill**
(51) International Design Classification: **07-02E**
(71) Name(s) and Address(s) of Applicant(s):
Stefan Jendrass
Karlstrasse 6 73770 Denkendorf Germany
(72) Name(s) of Designer(s): **Stefan Jendrass**
(45) Registration Date: **19 February 2009**
(30) Convention priority data:
(31) Number (32) Date (33) Country
000986500 13 Aug 2008 EUROPEAN COMMUNITY
(56) Related Art Documents: **Not Applicable**
(57) Statement of Newness and Distinctiveness: **Newness and distinctiveness is claimed in the features of shape and/or configuration of a barbeque grill as illustrated in the accompanying representations.**



(21) Design Number: **10414/2009**

(22) Date of Filing Application: **12 February 2009**

(24) Date from which industrial property rights may have effect: **12 February 2009**

(54) Product in respect of which the design is registered: **A box**

(51) International Design Classification: **09-03M**

(71) Name(s) and Address(s) of Applicant(s):

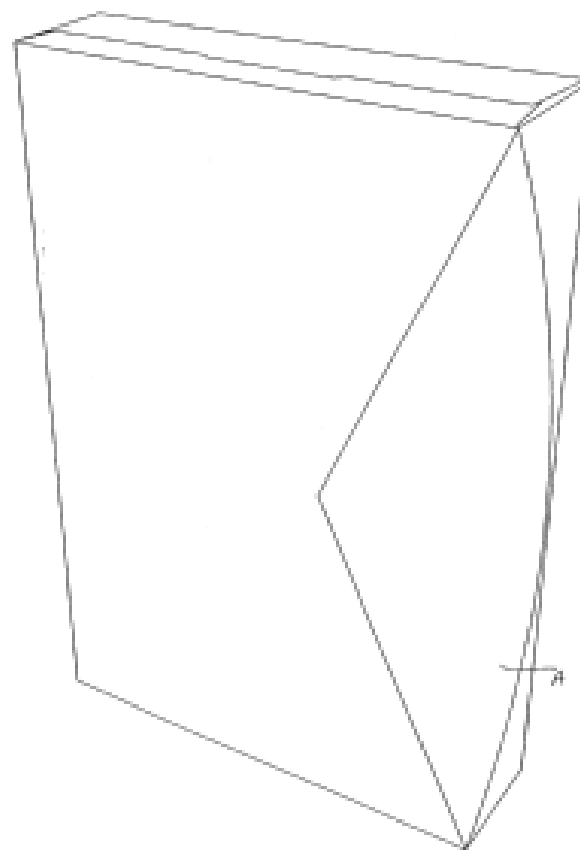
**Carter Holt Harvey Packaging Pty Limited
56 Pitt Street Sydney New South Wales 2000 Australia**

(72) Name(s) of Designer(s): **Phil Davies**

(45) Registration Date: **19 February 2009**

(56) Related Art Documents: **Not Applicable**

(57) Statement of Newness and Distinctiveness: **Newness and distinctiveness resides in the shape and configuration of the shaped panel marked "A" in the attached representations. In deciding whether the design is substantially similar in overall impression to another design, no regard is to be given to the closure flaps.**



(21) Design Number: **10415/2009**

(22) Date of Filing Application: **12 February 2009**

(24) Date from which industrial property rights may have effect: **12 February 2009**

(54) Product in respect of which the design is registered: **A blank**

(51) International Design Classification: **09-03M**

(71) Name(s) and Address(s) of Applicant(s):

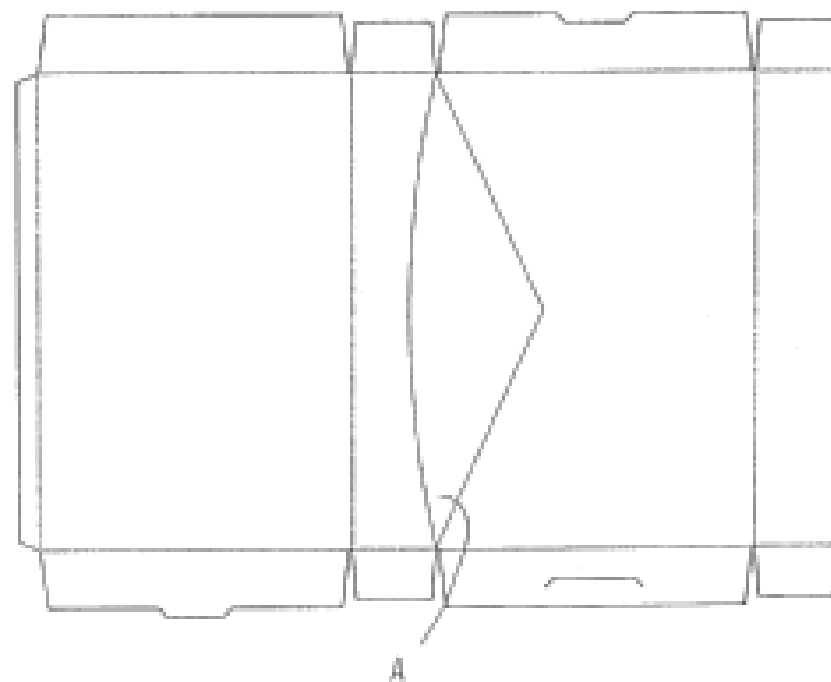
**Carter Holt Harvey Packaging Pty Limited
56 Pitt Street Sydney New South Wales 2000 Australia**

(72) Name(s) of Designer(s): **Phil Davies**

(45) Registration Date: **19 February 2009**

(56) Related Art Documents: **Not Applicable**

(57) Statement of Newness and Distinctiveness: **Newness and distinctiveness resides in the shape and configuration of the shaped panel marked "A" in the attached representations. In deciding whether the design is substantially similar in overall impression to another design, no regard is to be given to the closure flaps.**



(21) Design Number: **10416/2009**

(22) Date of Filing Application: **12 February 2009**

(24) Date from which industrial property rights may have effect: **12 February 2009**

(54) Product in respect of which the design is registered: **A box**

(51) International Design Classification: **09-03M**

(71) Name(s) and Address(s) of Applicant(s):

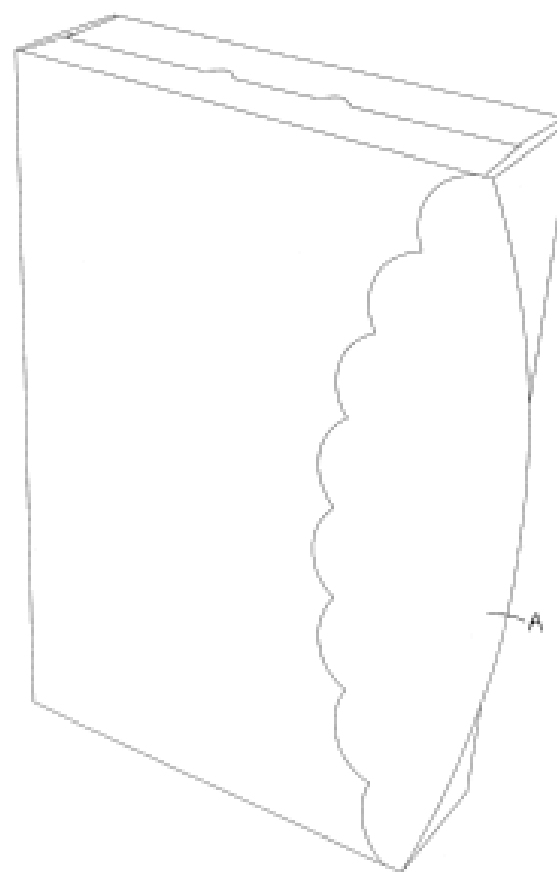
**Carter Holt Harvey Packaging Pty Limited
56 Pitt Street Sydney New South Wales 2000 Australia**

(72) Name(s) of Designer(s): **Phil Davies**

(45) Registration Date: **19 February 2009**

(56) Related Art Documents: **Not Applicable**

(57) Statement of Newness and Distinctiveness: **Newness and distinctiveness resides in the shape and configuration of the shaped panel marked "A" in the attached representations. In deciding whether the design is substantially similar in overall impression to another design, no regard is to be given to the closure flaps.**



(21) Design Number: **10417/2009**

(22) Date of Filing Application: **12 February 2009**

(24) Date from which industrial property rights may have effect: **12 February 2009**

(54) Product in respect of which the design is registered: **A blank**

(51) International Design Classification: **09-03M**

(71) Name(s) and Address(s) of Applicant(s):

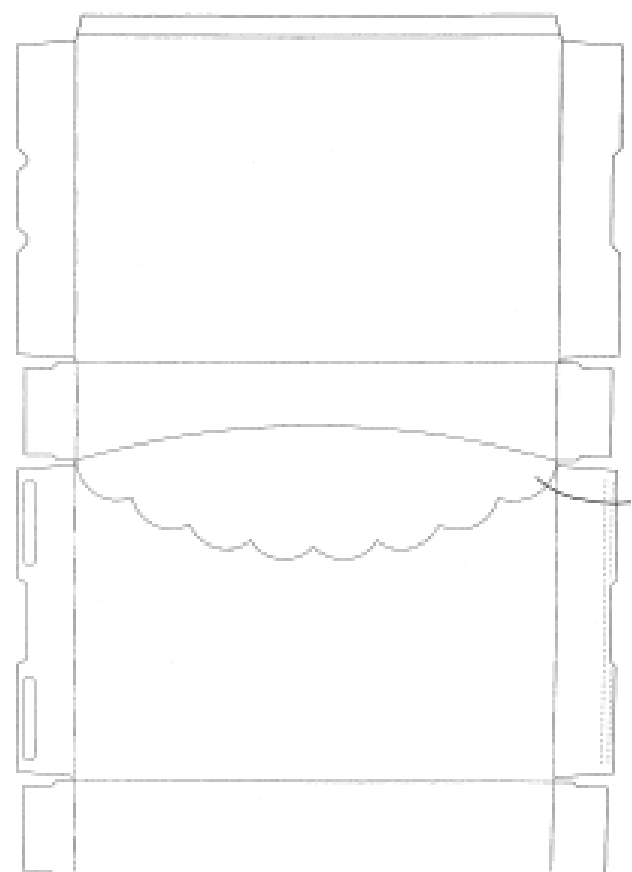
**Carter Holt Harvey Packaging Pty Limited
56 Pitt Street Sydney New South Wales 2000 Australia**

(72) Name(s) of Designer(s): **Phil Davies**

(45) Registration Date: **19 February 2009**

(56) Related Art Documents: **Not Applicable**

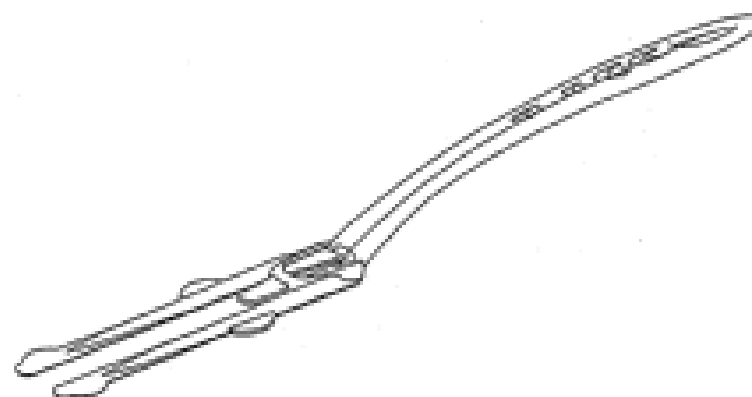
(57) Statement of Newness and Distinctiveness: **Newness and distinctiveness resides in the shape and configuration of the shaped panel marked "A" in the attached representations. In deciding whether the design is substantially similar in overall impression to another design, no regard is to be given to the closure flaps.**



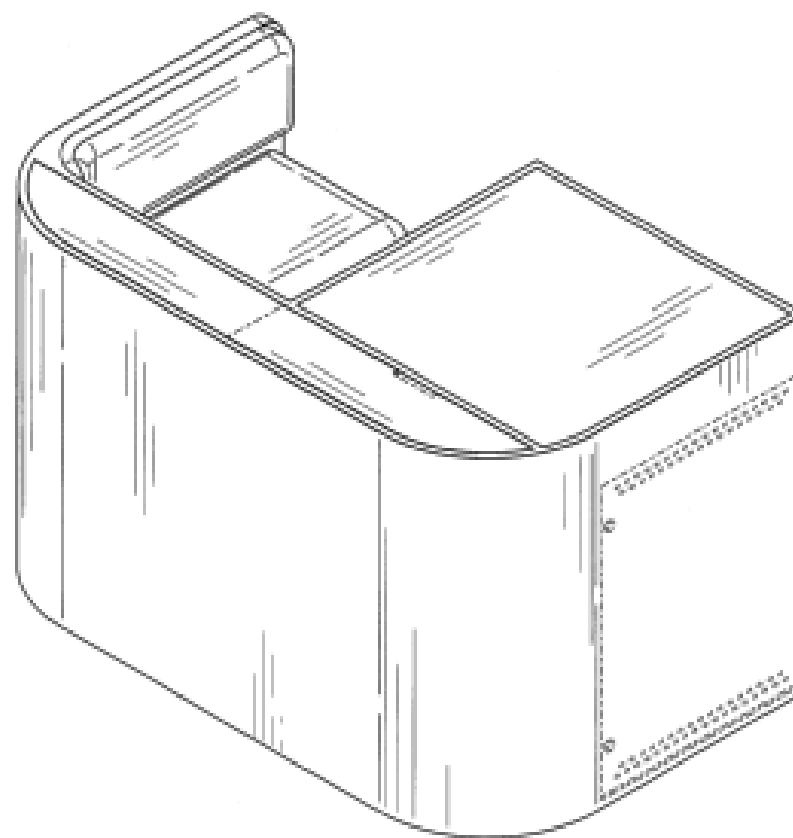
- (21) Design Number: **10418/2009**
(22) Date of Filing Application: **12 February 2009**
(24) Date from which industrial property rights may have effect: **12 February 2009**
(54) Product in respect of which the design is registered: **Document holder**
(51) International Design Classification: **19-02**
(71) Name(s) and Address(s) of Applicant(s):
Jamie Derrick
64A Channel Highway Kingston Tasmania 7051 Australia
(72) Name(s) of Designer(s): **Jamie Derrick**
(45) Registration Date: **19 February 2009**
(56) Related Art Documents: **Not Applicable**
(57) Statement of Newness and Distinctiveness: **Newness and distinctiveness are claimed in the features of shape and/or configuration of a Document Holder, as illustrated in the accompanying representations.**



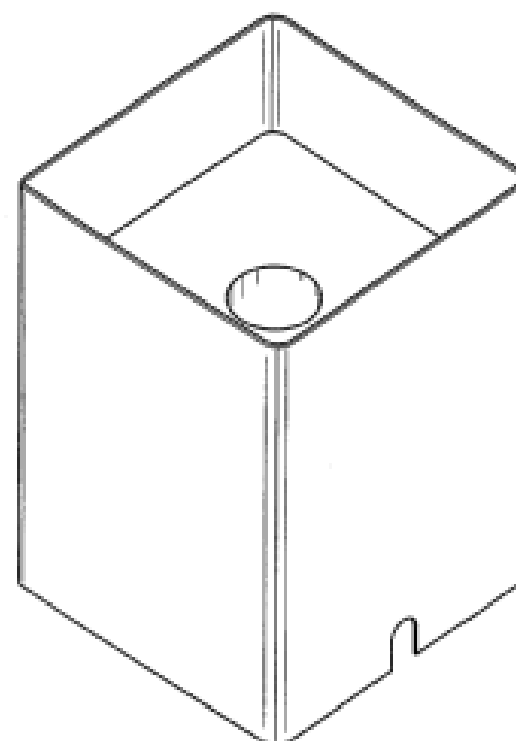
- (21) Design Number: **15318/2008**
(22) Date of Filing Application: **11 November 2008**
(24) Date from which industrial property rights may have effect: **11 November 2008**
(54) Product in respect of which the design is registered: **Handle**
(51) International Design Classification: **08-06**
(71) Name(s) and Address(s) of Applicant(s):
Uni-Charm Corporation
182 Shimobun Kinsei-cho Shikokuchuo-shi Ehime-ken Japan
(72) Name(s) of Designer(s): **Yoshinori TANAKA and Masumi FUKUZAWA and Masaho HAYASHI and Jun URAGAMI**
(45) Registration Date: **23 February 2009**
(30) Convention priority data:
(31) Number (32) Date (33) Country
2008-12166 15 May 2008 JAPAN
(56) Related Art Documents: **Not Applicable**
(57) Statement of Newness and Distinctiveness: **Those features of the handle depicted in the representations that are new and distinctive are the shape and/or configuration.**



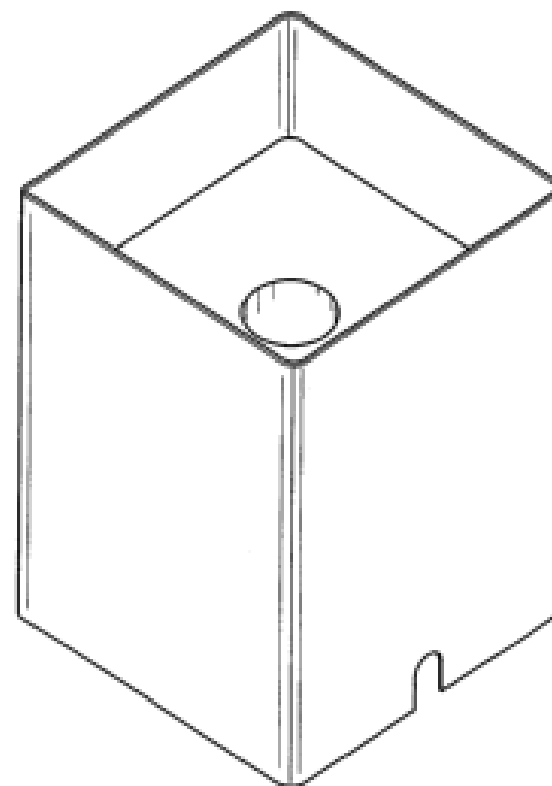
- (21) Design Number: **16074/2008**
(22) Date of Filing Application: **24 December 2008**
(24) Date from which industrial property rights may have effect: **24 December 2008**
(54) Product in respect of which the design is registered: **Item of furniture**
(51) International Design Classification: **06-01F**
(71) Name(s) and Address(s) of Applicant(s):
Microsoft Corporation
One Microsoft Way Redmond Washington 98052 United States of America
(72) Name(s) of Designer(s): **Ronald David Singler and Christian John Jochman**
(45) Registration Date: **23 February 2009**
(30) Convention priority data:
(31) Number (32) Date (33) Country
29/320549 27 Jun 2008 UNITED STATES OF AMERICA
(56) Related Art Documents: **Not Applicable**
(57) Statement of Newness and Distinctiveness: **Newness and distinctiveness reside in the shape and/or configuration of an item of furniture illustrated by solid lines in the accompanying representations. The various regions and the unshaded areas there within, as shown in discontinuous lines or in broken outline, are for illustrative purposes only and form no part of the design.**



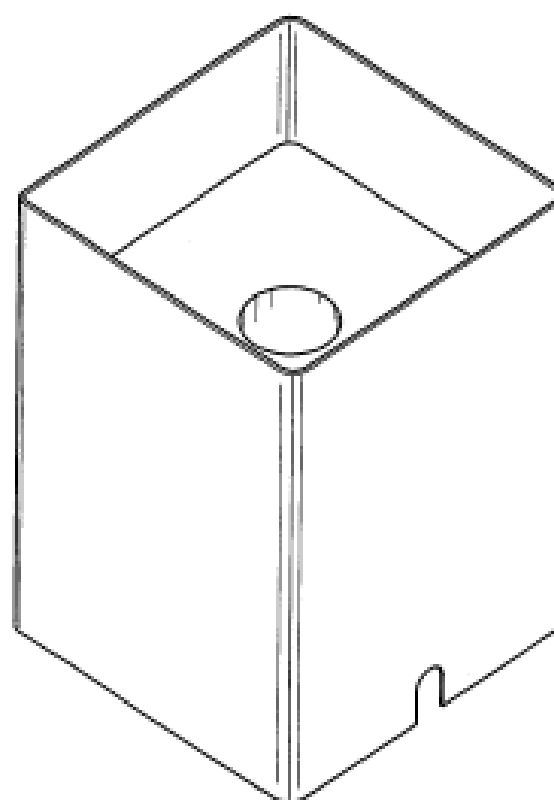
- (21) Design Number: **14915/2008**
(22) Date of Filing Application: **14 October 2008**
(24) Date from which industrial property rights may have effect: **14 October 2008**
(54) Product in respect of which the design is registered: **Airlift pump**
(51) International Design Classification: **15-02**
(71) Name(s) and Address(s) of Applicant(s):
Siemens Water Technologies Corp.
181 Thorn Hill Road Warrendale Pennsylvania 15086 United States of America
(72) Name(s) of Designer(s): **Peter Zauner and Tomasz Swiatek and Fufang Zha and Roger William Phelps**
(45) Registration Date: **23 February 2009**
(56) Related Art Documents: **Not Applicable**
(57) Statement of Newness and Distinctiveness: **Nil**



- (21) Design Number: **16041/2008**
- (22) Date of Filing Application: **14 October 2008**
- (24) Date from which industrial property rights may have effect: **14 October 2008**
- (54) Product in respect of which the design is registered: **Airlift pump**
- (51) International Design Classification: **15-02**
- (71) Name(s) and Address(s) of Applicant(s):
Siemens Water Technologies Corp.
181 Thorn Hill Road Warrendale Pennsylvania 15086 United States of America
- (72) Name(s) of Designer(s): **Peter Zauner and Fufang Zha and Roger William Phelps and Tomasz Swiatek**
- (45) Registration Date: **23 February 2009**
- (56) Related Art Documents: **Not Applicable**
- (57) Statement of Newness and Distinctiveness: **Nil**



- (21) Design Number: **16042/2008**
- (22) Date of Filing Application: **14 October 2008**
- (24) Date from which industrial property rights may have effect: **14 October 2008**
- (54) Product in respect of which the design is registered: **Airlift pump**
- (51) International Design Classification: **15-02**
- (71) Name(s) and Address(s) of Applicant(s):
Siemens Water Technologies Corp.
181 Thorn Hill Road Warrendale Pennsylvania 15086 United States of America
- (72) Name(s) of Designer(s): **Peter Zauner and Fufang Zha and Roger William Phelps and Tomasz Swiatek**
- (45) Registration Date: **23 February 2009**
- (56) Related Art Documents: **Not Applicable**
- (57) Statement of Newness and Distinctiveness: **Nil**



(21) Design Number: **16043/2008**

(22) Date of Filing Application: **14 October 2008**

(24) Date from which industrial property rights may have effect: **14 October 2008**

(54) Product in respect of which the design is registered: **Airlift pump**

(51) International Design Classification: **15-02**

(71) Name(s) and Address(s) of Applicant(s):

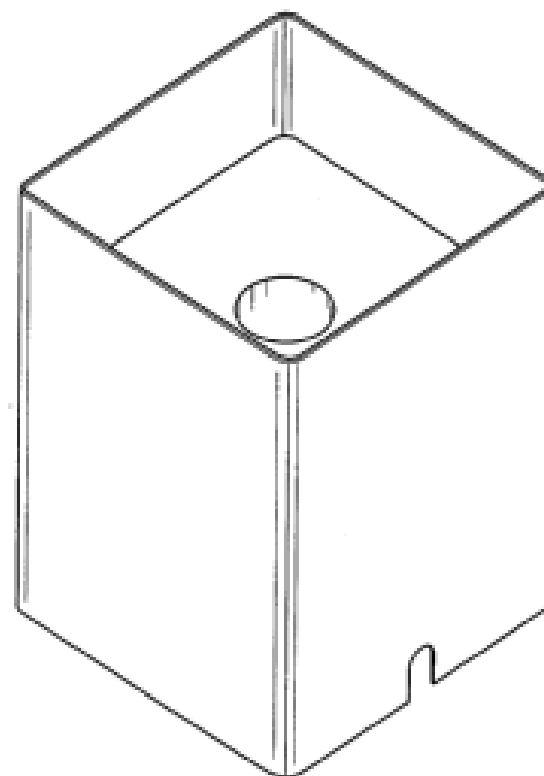
Siemens Water Technologies Corp.
181 Thorn Hill Road Warrendale Pennsylvania 15086 United States of America

(72) Name(s) of Designer(s): **Peter Zauner and Fufang Zha and Roger William Phelps and Tomasz Swiatek**

(45) Registration Date: **23 February 2009**

(56) Related Art Documents: **Not Applicable**

(57) Statement of Newness and Distinctiveness: **Nil**



(21) Design Number: **14914/2008**

(22) Date of Filing Application: **14 October 2008**

(24) Date from which industrial property rights may have effect: **14 October 2008**

(54) Product in respect of which the design is registered: **Bell for airlift pump**

(51) International Design Classification: **15-02**

(71) Name(s) and Address(s) of Applicant(s):

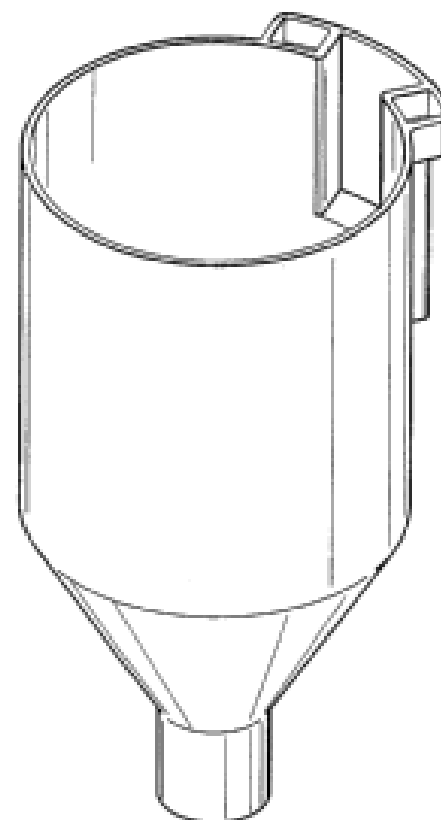
Siemens Water Technologies Corp.
181 Thorn Hill Road Warrendale Pennsylvania 15086 United States of America

(72) Name(s) of Designer(s): **Peter Zauner and Roger William Phelps and Tomasz Swiatek and Fufang Zha**

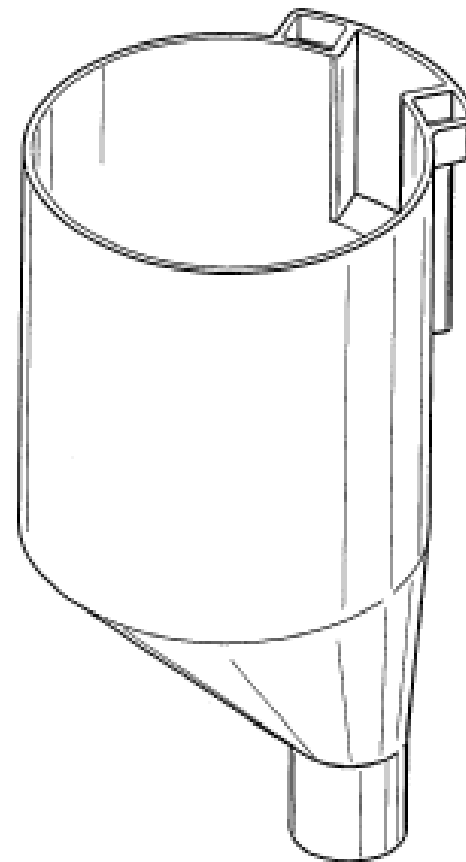
(45) Registration Date: **23 February 2009**

(56) Related Art Documents: **Not Applicable**

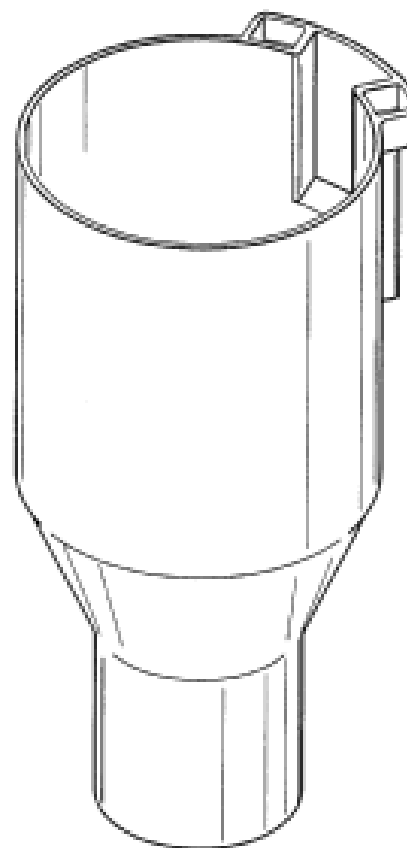
(57) Statement of Newness and Distinctiveness: **Nil**



- (21) Design Number: **16038/2008**
- (22) Date of Filing Application: **14 October 2008**
- (24) Date from which industrial property rights may have effect: **14 October 2008**
- (54) Product in respect of which the design is registered: **Bell for airlift pump**
- (51) International Design Classification: **15-02**
- (71) Name(s) and Address(s) of Applicant(s):
Siemens Water Technologies Corp.
181 Thorn Hill Road Warrendale Pennsylvania 15086 United States of America
- (72) Name(s) of Designer(s): **Peter Zauner and Fufang Zha and Tomasz Swiatek and Roger William Phelps**
- (45) Registration Date: **23 February 2009**
- (56) Related Art Documents: **Not Applicable**
- (57) Statement of Newness and Distinctiveness: **Nil**



- (21) Design Number: **16039/2008**
- (22) Date of Filing Application: **14 October 2008**
- (24) Date from which industrial property rights may have effect: **14 October 2008**
- (54) Product in respect of which the design is registered: **Bell for airlift pump**
- (51) International Design Classification: **15-02**
- (71) Name(s) and Address(s) of Applicant(s):
Siemens Water Technologies Corp.
181 Thorn Hill Road Warrendale Pennsylvania 15086 United States of America
- (72) Name(s) of Designer(s): **Peter Zauner and Fufang Zha and Roger William Phelps and Tomasz Swiatek**
- (45) Registration Date: **23 February 2009**
- (56) Related Art Documents: **Not Applicable**
- (57) Statement of Newness and Distinctiveness: **Nil**



(21) Design Number: **16040/2008**

(22) Date of Filing Application: **14 October 2008**

(24) Date from which industrial property rights may have effect: **14 October 2008**

(54) Product in respect of which the design is registered: **Bell for airlift pump**

(51) International Design Classification: **15-02**

(71) Name(s) and Address(s) of Applicant(s):

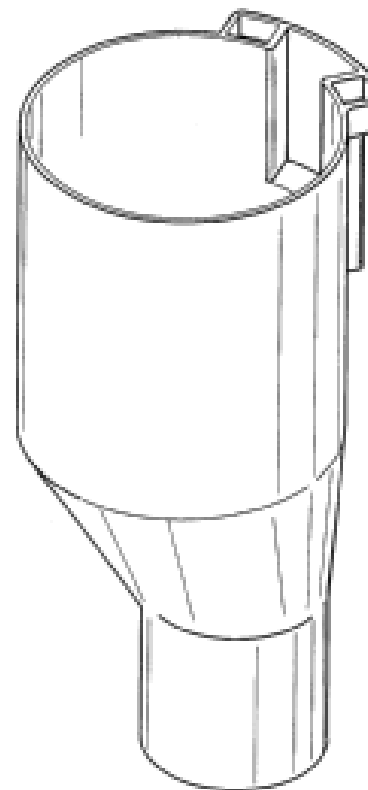
Siemens Water Technologies Corp.
181 Thorn Hill Road Warrendale Pennsylvania 15086 United States of America

(72) Name(s) of Designer(s): **Peter Zauner and Fufang Zha and Roger William Phelps and Tomasz Swiatek**

(45) Registration Date: **23 February 2009**

(56) Related Art Documents: **Not Applicable**

(57) Statement of Newness and Distinctiveness: **Nil**



(21) Design Number: **15766/2008**

(22) Date of Filing Application: **08 December 2008**

(24) Date from which industrial property rights may have effect: **08 December 2008**

(54) Product in respect of which the design is registered: **An extrusion**

(51) International Design Classification: **25-01K**

(71) Name(s) and Address(s) of Applicant(s):

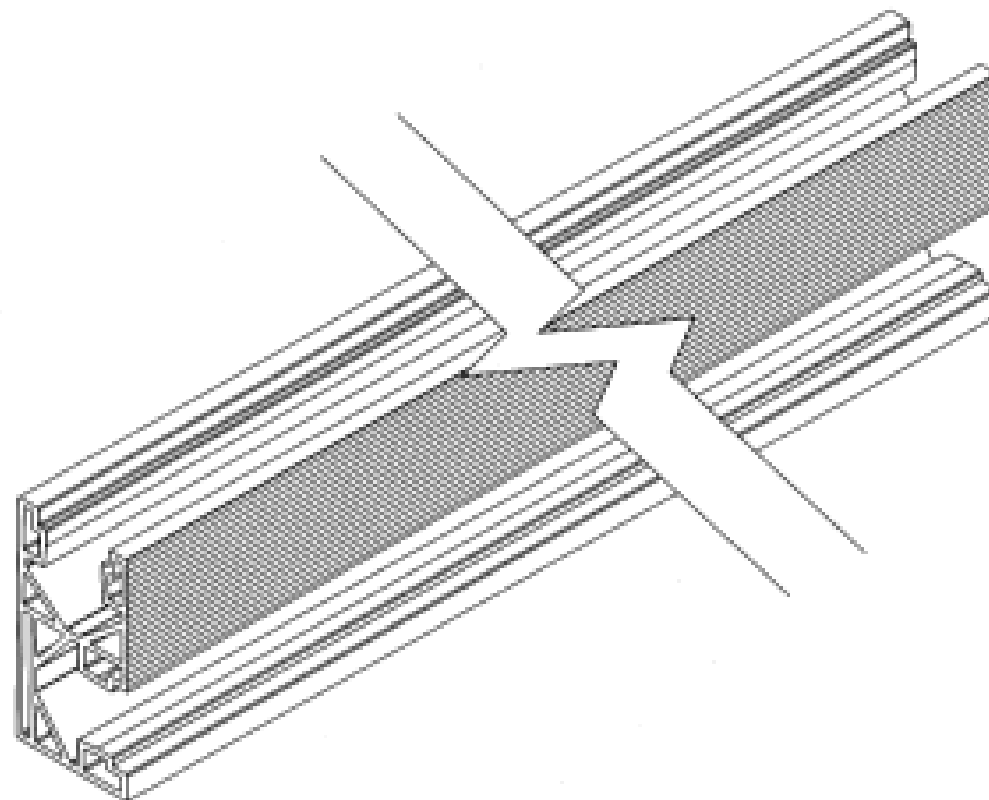
Stratco (Australia) Pty Limited
125 Cavan Road Gepps Cross South Australia 5094 Australia

(72) Name(s) of Designer(s): **Paul Anthony Bray**

(45) Registration Date: **23 February 2009**

(56) Related Art Documents: **Not Applicable**

(57) Statement of Newness and Distinctiveness: **The extrusion is of indefinite length and is of constant cross-section throughout its length. Newness and distinctiveness is claimed in the shape and/or configuration of the extrusion as shown in the accompanying representations.**



(21) Design Number: **15767/2008**

(22) Date of Filing Application: **08 December 2008**

(24) Date from which industrial property rights may have effect: **08 December 2008**

(54) Product in respect of which the design is registered: **A clamping nut**

(51) International Design Classification: **08-08B**

(71) Name(s) and Address(s) of Applicant(s):

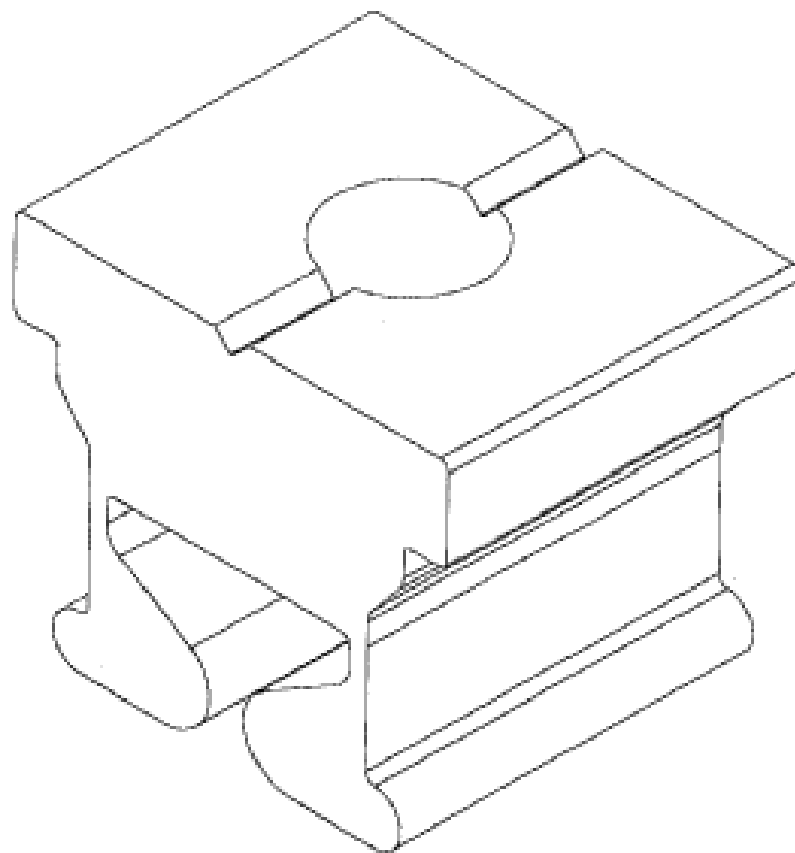
Stratco (Australia) Pty Limited
125 Cavan Road Gepps Cross South Australia 5094 Australia

(72) Name(s) of Designer(s): **Paul Anthony Bray**

(45) Registration Date: **23 February 2009**

(56) Related Art Documents: **Not Applicable**

(57) Statement of Newness and Distinctiveness: **Nil**



(21) Design Number: **15768/2008**

(22) Date of Filing Application: **08 December 2008**

(24) Date from which industrial property rights may have effect: **08 December 2008**

(54) Product in respect of which the design is registered: **A mount**

(51) International Design Classification: **08-08NES**

(71) Name(s) and Address(s) of Applicant(s):

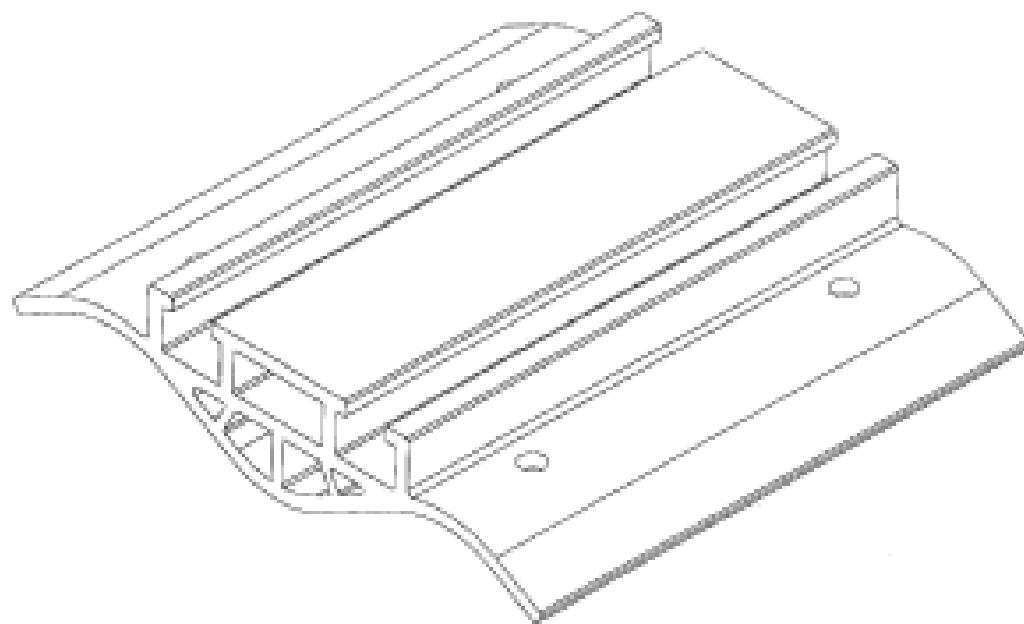
Stratco (Australia) Pty Limited
125 Cavan Road Gepps Cross South Australia 5094 Australia

(72) Name(s) of Designer(s): **Paul Anthony Bray**

(45) Registration Date: **23 February 2009**

(56) Related Art Documents: **Not Applicable**

(57) Statement of Newness and Distinctiveness: **Nil**



(21) Design Number: **15834/2008**

(22) Date of Filing Application: **11 December 2008**

(24) Date from which industrial property rights may have effect: **11 December 2008**

(54) Product in respect of which the design is registered: **Coffee pot**

(51) International Design Classification: **07-02L, 07-01G**

(71) Name(s) and Address(s) of Applicant(s):

**Arzum Elektrikli Ev Aletleri Sanayi Ve Ticaret Anonim Sirketi
Abdi Ipekci Cad. No 195 Bayrampasa Istambul Turkey**

(72) Name(s) of Designer(s): **T. Murat Kolbasi**

(45) Registration Date: **23 February 2009**

(56) Related Art Documents: **Not Applicable**

(57) Statement of Newness and Distinctiveness: **Nil**



(21) Design Number: **15835/2008**

(22) Date of Filing Application: **11 December 2008**

(24) Date from which industrial property rights may have effect: **11 December 2008**

(54) Product in respect of which the design is registered: **Energy communication apparatus**

(51) International Design Classification: **07-02L**

(71) Name(s) and Address(s) of Applicant(s):

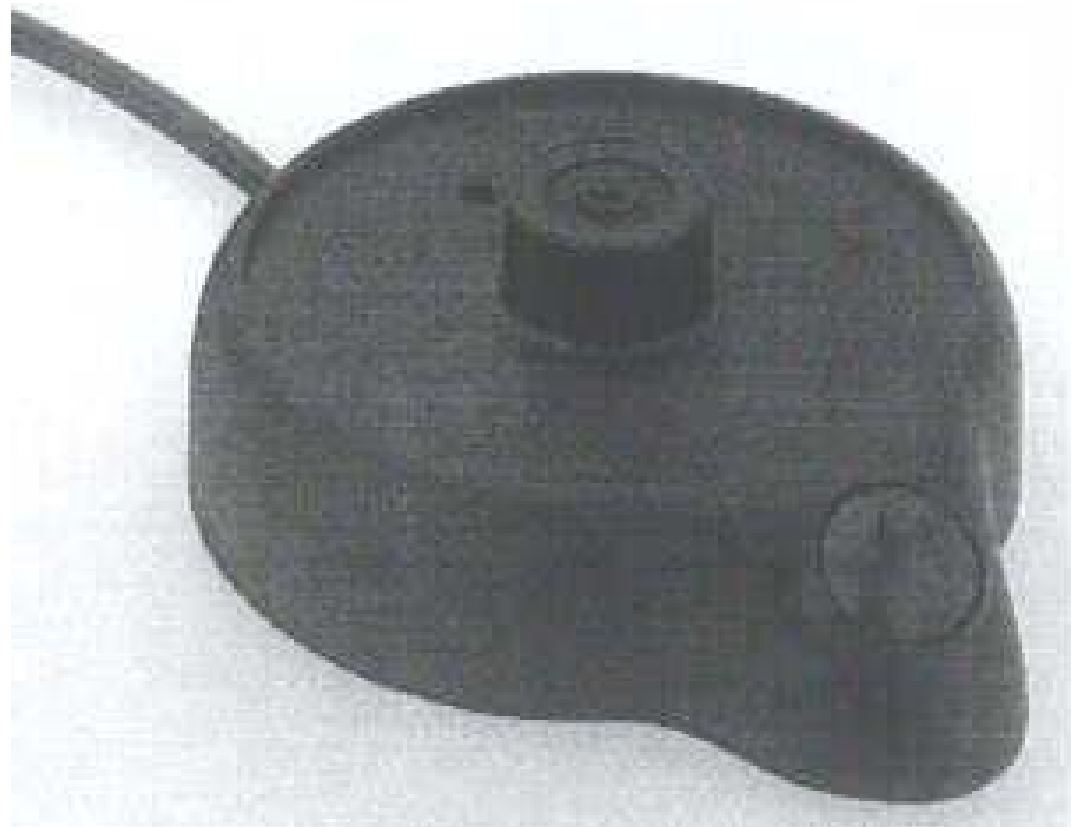
**Arzum Elektrikli Ev Aletleri Sanayi Ve Ticaret Anonim Sirketi
Abdi Ipekci Cad. No 195 Bayrampasa Istambul Turkey**

(72) Name(s) of Designer(s): **T. Murat Kolbasi**

(45) Registration Date: **23 February 2009**

(56) Related Art Documents: **Not Applicable**

(57) Statement of Newness and Distinctiveness: **Nil**



(21) Design Number: **15836/2008**

(22) Date of Filing Application: **11 December 2008**

(24) Date from which industrial property rights may have effect: **11 December 2008**

(54) Product in respect of which the design is registered: **Coffee pot and energy communication apparatus therefor**

(51) International Design Classification: **07-02L, 07-01G**

(71) Name(s) and Address(s) of Applicant(s):

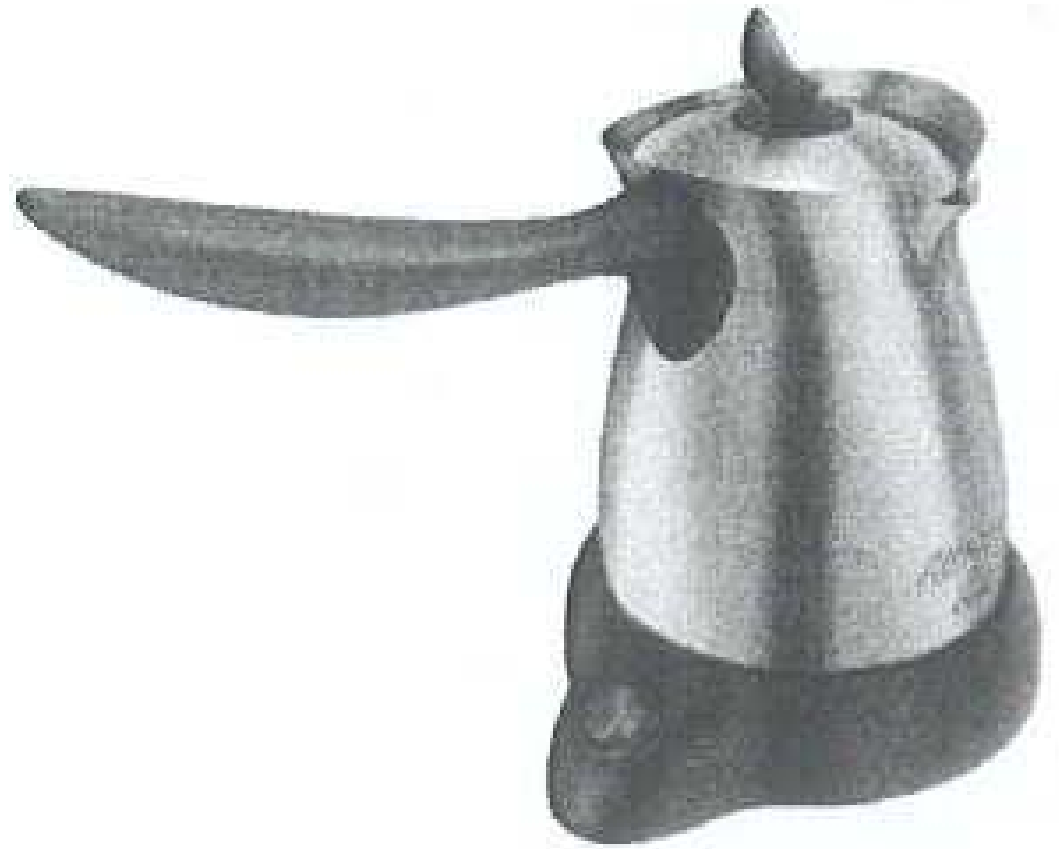
**Arzum Elektrikli Ev Aletleri Sanayi Ve Ticaret Anonim Sirketi
Abdi Ipekci Cad. No 195 Bayrampasa Istambul Turkey**

(72) Name(s) of Designer(s): **T. Murat Kolbasi**

(45) Registration Date: **23 February 2009**

(56) Related Art Documents: **Not Applicable**

(57) Statement of Newness and Distinctiveness: **Nil**



(21) Design Number: **10427/2009**

(22) Date of Filing Application: **16 February 2009**

(24) Date from which industrial property rights may have effect: **16 February 2009**

(54) Product in respect of which the design is registered: **Dress**

(51) International Design Classification: **02-02C**

(71) Name(s) and Address(s) of Applicant(s):

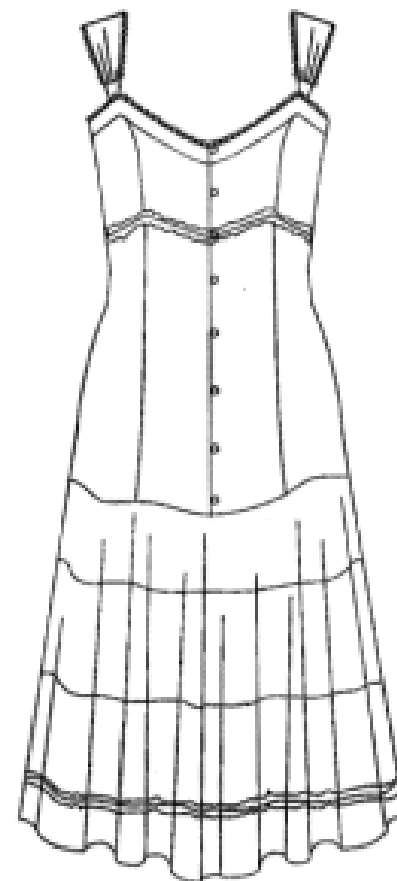
**Orientique Fashions Pty Ltd
3/16 Duncan Street West End Queensland 4001 Australia**

(72) Name(s) of Designer(s): **Renee Perry and Tom Tindall**

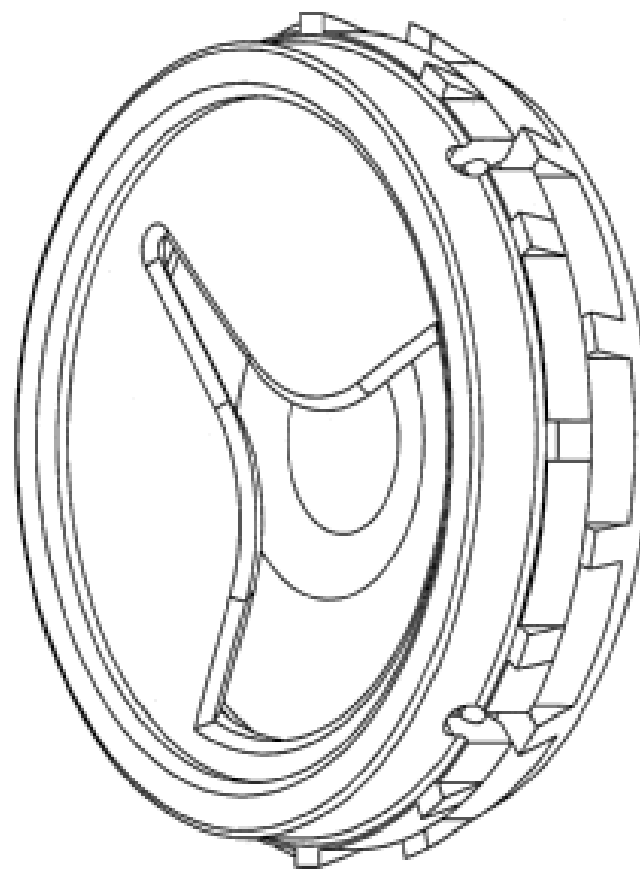
(45) Registration Date: **23 February 2009**

(56) Related Art Documents: **Not Applicable**

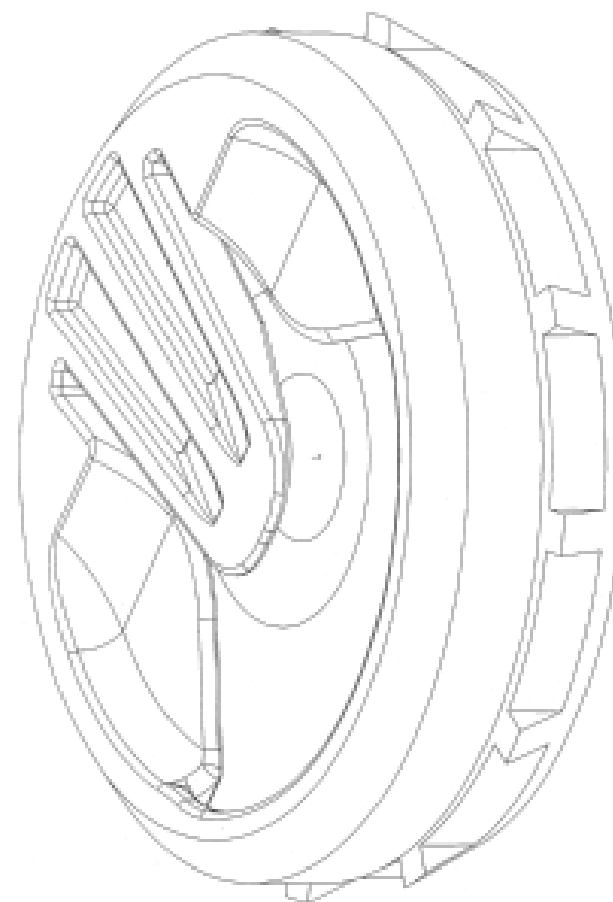
(57) Statement of Newness and Distinctiveness: **This design is to be applied to a dress and the novelty resides in the features of shape and configuration of the article.**



- (21) Design Number: **10430/2009**
(22) Date of Filing Application: **16 February 2009**
(24) Date from which industrial property rights may have effect: **16 February 2009**
(54) Product in respect of which the design is registered: **Single slot plastic wrap clip**
(51) International Design Classification: **08-08NES, 09-07NES**
(71) Name(s) and Address(s) of Applicant(s):
ACN 129 118 181 Pty Ltd
Suite 1/Unit 7 10 Conning Highway South Perth Western Australia
6151 Australia
(72) Name(s) of Designer(s): **Michael Wayne Murdoch and James Donald Hayman**
(45) Registration Date: **23 February 2009**
(56) Related Art Documents: **Not Applicable**
(57) Statement of Newness and Distinctiveness: **Nil**



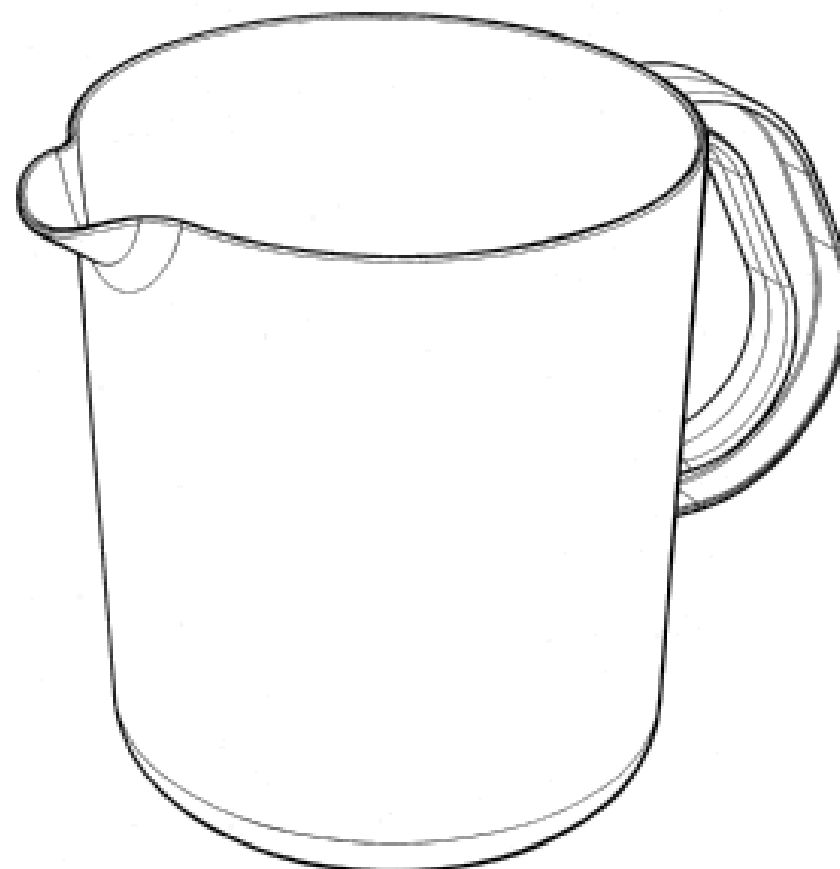
- (21) Design Number: **10431/2009**
(22) Date of Filing Application: **16 February 2009**
(24) Date from which industrial property rights may have effect: **16 February 2009**
(54) Product in respect of which the design is registered: **Plastic wrap clip**
(51) International Design Classification: **08-08NES, 09-07NES**
(71) Name(s) and Address(s) of Applicant(s):
ACN 129 118 181 Pty Ltd
Suite 1/Unit 7 10 Conning Highway South Perth Western Australia
6151 Australia
(72) Name(s) of Designer(s): **Michael Wayne Murdoch and James Donald Hayman**
(45) Registration Date: **23 February 2009**
(56) Related Art Documents: **Not Applicable**
(57) Statement of Newness and Distinctiveness: **Nil**



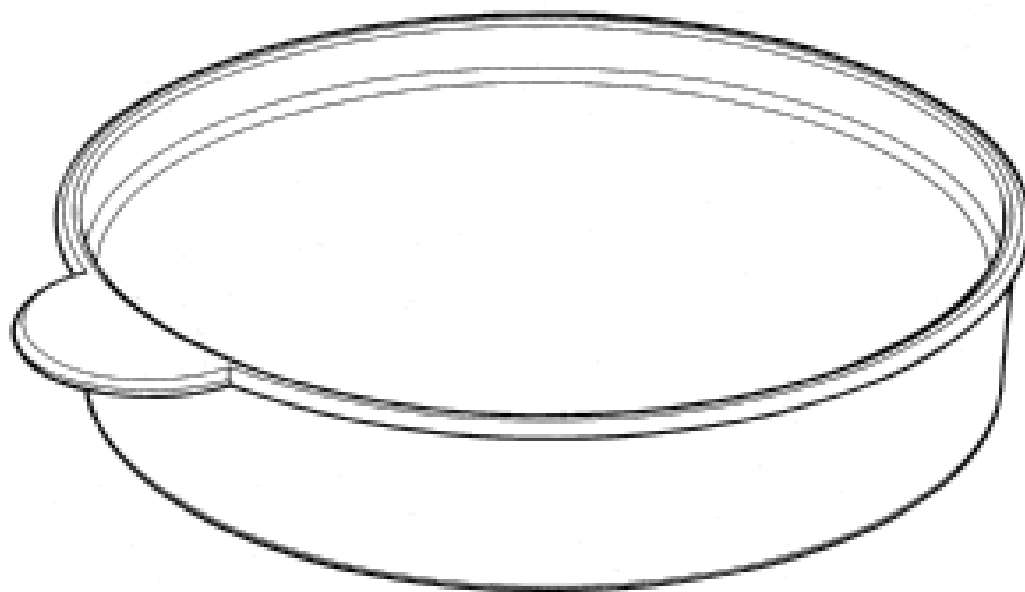
- (21) Design Number: **10437/2009**
(22) Date of Filing Application: **16 February 2009**
(24) Date from which industrial property rights may have effect: **16 February 2009**
(54) Product in respect of which the design is registered: **Dress**
(51) International Design Classification: **02-02C**
(71) Name(s) and Address(s) of Applicant(s):
Orientique Fashions Pty Ltd
3/16 Duncan Street West End Queensland 4001 Australia
(72) Name(s) of Designer(s): **Renee Perry and Tom Tindall**
(45) Registration Date: **23 February 2009**
(56) Related Art Documents: **Not Applicable**
(57) Statement of Newness and Distinctiveness: **This design is to be applied to a dress and the novelty resides in the features of shape and configuration of the article.**



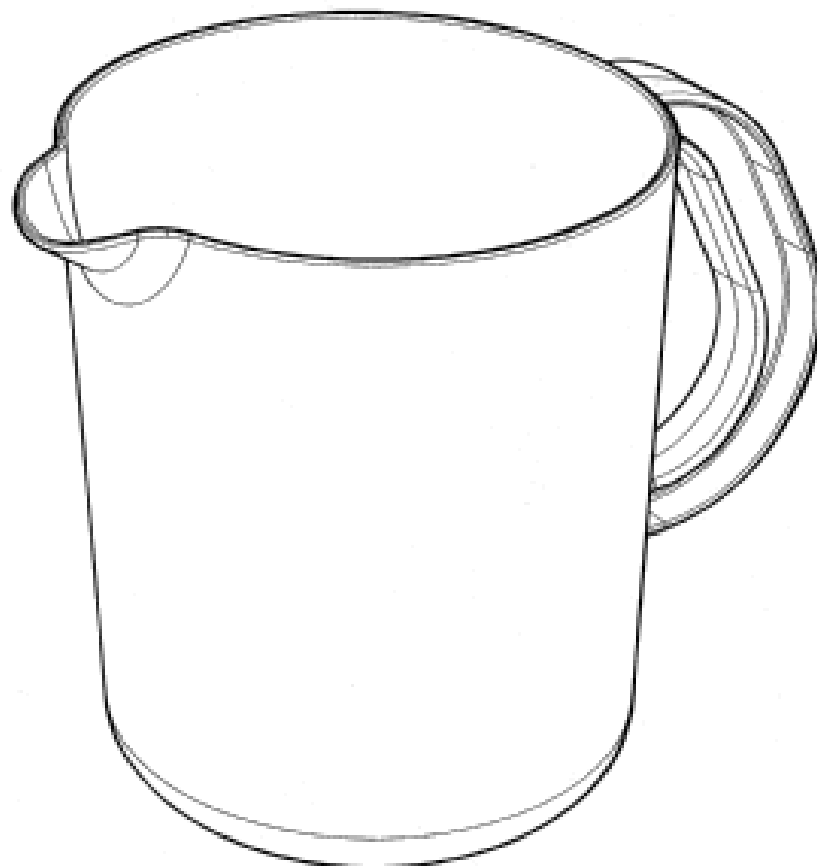
- (21) Design Number: **10452/2009**
(22) Date of Filing Application: **16 February 2009**
(24) Date from which industrial property rights may have effect: **16 February 2009**
(54) Product in respect of which the design is registered: **Measuring jug**
(51) International Design Classification: **10-04, 07-01F**
(71) Name(s) and Address(s) of Applicant(s):
The Decor Corporation Pty Ltd
1314 Ferntree Gully Road Scoresby Victoria 3179 Australia
(72) Name(s) of Designer(s): **Anthony Henry Wolfenden**
(45) Registration Date: **23 February 2009**
(56) Related Art Documents: **Not Applicable**
(57) Statement of Newness and Distinctiveness: **Nil**



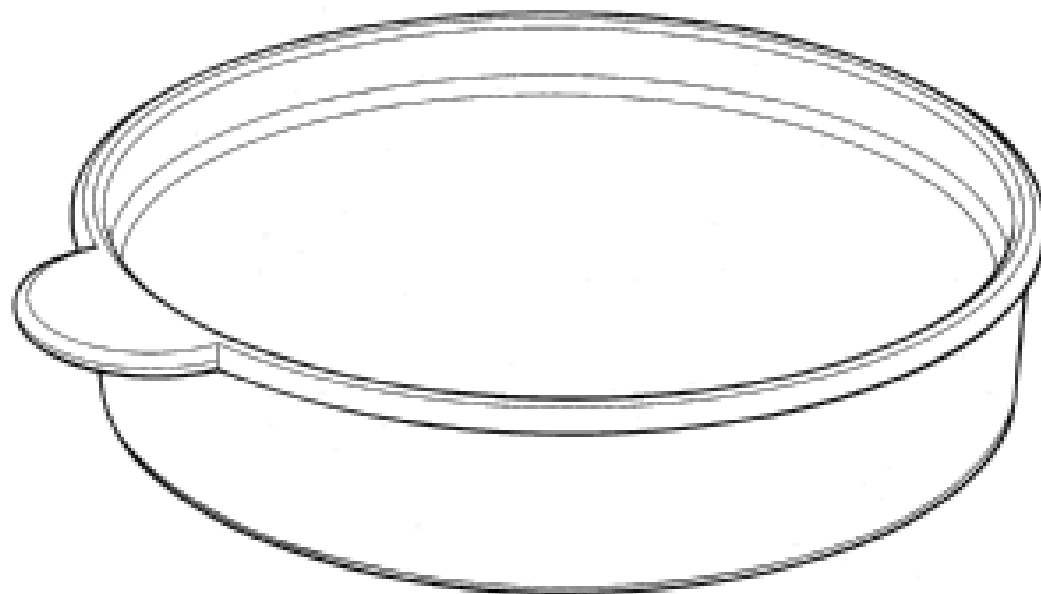
- (21) Design Number: **10453/2009**
(22) Date of Filing Application: **16 February 2009**
(24) Date from which industrial property rights may have effect: **16 February 2009**
(54) Product in respect of which the design is registered: **Lid**
(51) International Design Classification: **07-01F**
(71) Name(s) and Address(s) of Applicant(s):
The Decor Corporation Pty Ltd
1314 Ferntree Gully Road Scoresby Victoria 3179 Australia
(72) Name(s) of Designer(s): **Anthony Henry Wolfenden**
(45) Registration Date: **23 February 2009**
(56) Related Art Documents: **Not Applicable**
(57) Statement of Newness and Distinctiveness: **Nil**



- (21) Design Number: **10454/2009**
(22) Date of Filing Application: **16 February 2009**
(24) Date from which industrial property rights may have effect: **16 February 2009**
(54) Product in respect of which the design is registered: **Measuring jug**
(51) International Design Classification: **10-04, 07-01F**
(71) Name(s) and Address(s) of Applicant(s):
The Decor Corporation Pty Ltd
1314 Ferntree Gully Road Scoresby Victoria 3179 Australia
(72) Name(s) of Designer(s): **Anthony Henry Wolfenden**
(45) Registration Date: **23 February 2009**
(56) Related Art Documents: **Not Applicable**
(57) Statement of Newness and Distinctiveness: **Nil**



- (21) Design Number: **10455/2009**
(22) Date of Filing Application: **16 February 2009**
(24) Date from which industrial property rights may have effect: **16 February 2009**
(54) Product in respect of which the design is registered: **Lid**
(51) International Design Classification: **07-01F**
(71) Name(s) and Address(s) of Applicant(s):
The Decor Corporation Pty Ltd
1314 Ferntree Gully Road Scoresby Victoria 3179 Australia
(72) Name(s) of Designer(s): **Anthony Henry Wolfenden**
(45) Registration Date: **23 February 2009**
(56) Related Art Documents: **Not Applicable**
(57) Statement of Newness and Distinctiveness: **Nil**



- (21) Design Number: **10456/2009**
(22) Date of Filing Application: **16 February 2009**
(24) Date from which industrial property rights may have effect: **16 February 2009**
(54) Product in respect of which the design is registered: **Measuring jug**
(51) International Design Classification: **10-04, 07-01F**
(71) Name(s) and Address(s) of Applicant(s):
The Decor Corporation Pty Ltd
1314 Ferntree Gully Road Scoresby Victoria 3179 Australia
(72) Name(s) of Designer(s): **Anthony Henry Wolfenden**
(45) Registration Date: **23 February 2009**
(56) Related Art Documents: **Not Applicable**
(57) Statement of Newness and Distinctiveness: **Nil**



- (21) Design Number: **10060/2009**
(22) Date of Filing Application: **12 January 2009**
(24) Date from which industrial property rights may have effect: **12 January 2009**
(54) Product in respect of which the design is registered: **Shower door captive pivot block, pin and clamp assembly**
(51) International Design Classification: **08-09, 08-08D**
(71) Name(s) and Address(s) of Applicant(s):
Dias Aluminium Products Pty. Ltd.
201-205 Browns Road Noble Park Victoria 3174 Australia
(72) Name(s) of Designer(s): **Ian David Paterson**
(45) Registration Date: **23 February 2009**
(56) Related Art Documents: **Not Applicable**
(57) Statement of Newness and Distinctiveness: **Nil**



- (21) Design Number: **10061/2009**
(22) Date of Filing Application: **12 January 2009**
(24) Date from which industrial property rights may have effect: **12 January 2009**
(54) Product in respect of which the design is registered: **Shower door captive pivot pin**
(51) International Design Classification: **08-08B**
(71) Name(s) and Address(s) of Applicant(s):
Dias Aluminium Products Pty. Ltd.
201-205 Browns Road Noble Park Victoria 3174 Australia
(72) Name(s) of Designer(s): **Ian David Paterson**
(45) Registration Date: **23 February 2009**
(56) Related Art Documents: **Not Applicable**
(57) Statement of Newness and Distinctiveness: **Nil**



- (21) Design Number: **10163/2009**
(22) Date of Filing Application: **23 January 2009**
(24) Date from which industrial property rights may have effect: **23 January 2009**
(54) Product in respect of which the design is registered: **Lifting device for caravans/motorhomes**
(51) International Design Classification: **12-05**
(71) Name(s) and Address(s) of Applicant(s):
Michael Johnston
Unit 7/8 Ben Lomond Drive Highland Park Queensland 4211 Australia
Wayne Kelly
Unit 7/8 Ben Lomond Drive Highland Park Queensland 4211 Australia
(72) Name(s) of Designer(s): **Michael Johnston and Wayne Kelly**
(45) Registration Date: **23 February 2009**
(56) Related Art Documents: **Not Applicable**
(57) Statement of Newness and Distinctiveness: **Caravan/Motor home lifting jack. It has triangular support and stabilizer arms combined. Each one of these triangular support arms are fixed to the main face plate by two bolts and at the top (leg end) by one continuous bolt. The foot of the leg it self operates up and down in a vertical line. There is a 1 and 1/4 inch thick brass nut that operates the leg via an acme threaded rod. The finish on the jack is in galvanised, zinc plated or painted.**



- (21) Design Number: **10227/2009**
(22) Date of Filing Application: **29 January 2009**
(24) Date from which industrial property rights may have effect: **29 January 2009**
(54) Product in respect of which the design is registered: **Directional light**
(51) International Design Classification: **26-05NES, 26-05B**
(71) Name(s) and Address(s) of Applicant(s):
Frank George Meura
3/47 Burfitt Street Leichhardt New South Wales 2040 Australia
(72) Name(s) of Designer(s): **Frank George Meura**
(45) Registration Date: **24 February 2009**
(56) Related Art Documents: **Not Applicable**
(57) Statement of Newness and Distinctiveness: **The configuration of the light, which is two interlocking yet entirely independent parts. The shape of those parts are an 'A' frame, like base and a long rectangular profiled straight piece that are the sum of the overall appearance.**



(21) Design Number: **10521/2009**

(22) Date of Filing Application: **23 February 2009**

(24) Date from which industrial property rights may have effect: **23 February 2009**

(54) Product in respect of which the design is registered: **Shower head**

(51) International Design Classification: **23-02B**

(71) Name(s) and Address(s) of Applicant(s):

Rainware Pty Ltd

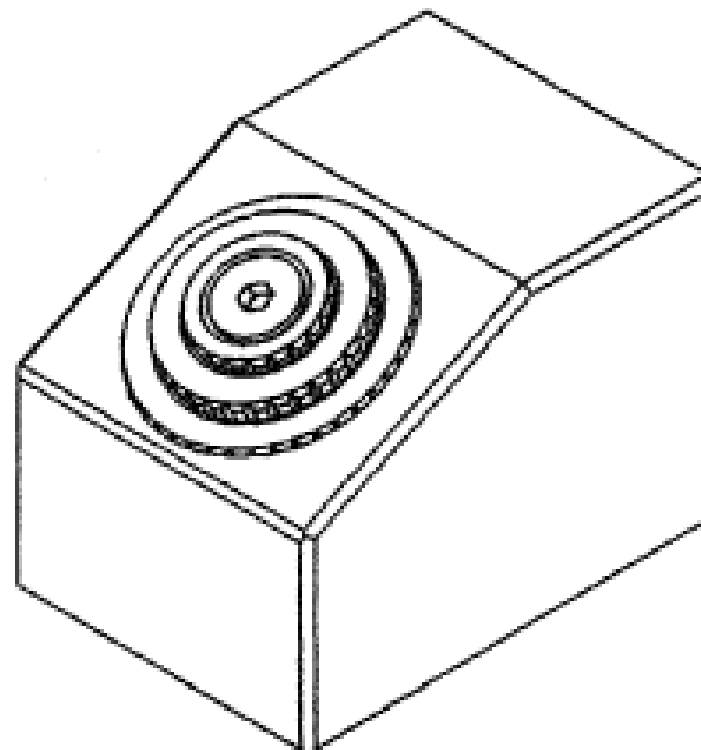
18 Riverview Court Mooloolah Valley Queensland 4553 Australia

(72) Name(s) of Designer(s): **Stephen Lester Gowlett**

(45) Registration Date: **24 February 2009**

(56) Related Art Documents: **Not Applicable**

(57) Statement of Newness and Distinctiveness: **Nil**



(21) Design Number: **10522/2009**

(22) Date of Filing Application: **23 February 2009**

(24) Date from which industrial property rights may have effect: **23 February 2009**

(54) Product in respect of which the design is registered: **A body support**

(51) International Design Classification: **06-09, 24-04**

(71) Name(s) and Address(s) of Applicant(s):

Parnham & Associates Pty Ltd

234 Centre Dandenong Road Cheltenham Victoria 3192 Australia

(72) Name(s) of Designer(s): **Charlie Parnham**

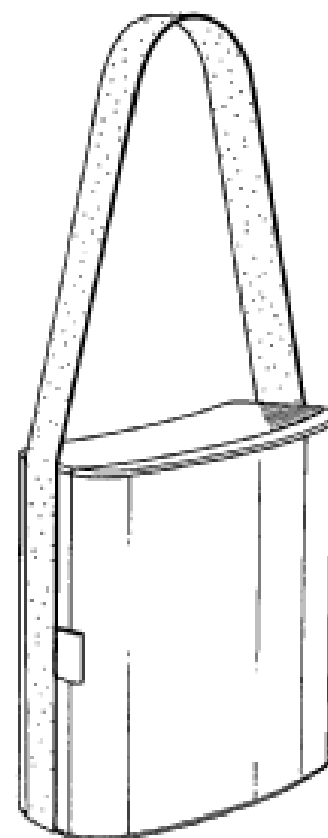
(45) Registration Date: **24 February 2009**

(56) Related Art Documents: **Not Applicable**

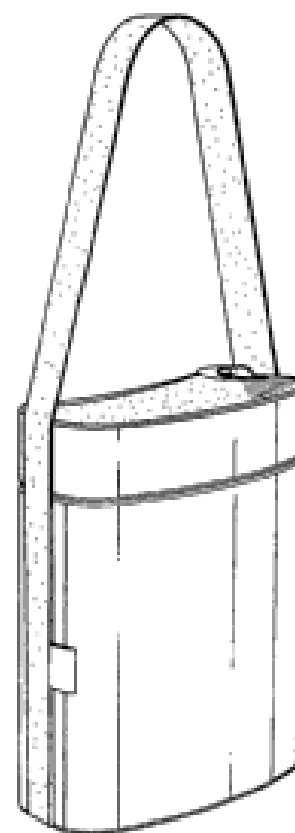
(57) Statement of Newness and Distinctiveness: **Newness and distinctiveness is claimed in the features of shape and/or configuration of the body support in the accompanying photographs.**



(21) Design Number: **10525/2009**
(22) Date of Filing Application: **20 February 2009**
(24) Date from which industrial property rights may have effect: **20 February 2009**
(54) Product in respect of which the design is registered: **Cooler**
(51) International Design Classification: **07-07A**
(71) Name(s) and Address(s) of Applicant(s):
Colette Ledoux
69 Ellendale Drive North Bay Ontario P1B 9E8 Canada
(72) Name(s) of Designer(s): **Colette Ledoux and Raymond Mitchell and Claude Ledoux**
(45) Registration Date: **24 February 2009**
(30) Convention priority data:
(31) Number (32) Date (33) Country
127454 22 Aug 2008 CANADA
(56) Related Art Documents: **Not Applicable**
(57) Statement of Newness and Distinctiveness: **Nil**



(21) Design Number: **10526/2009**
(22) Date of Filing Application: **20 February 2009**
(24) Date from which industrial property rights may have effect: **20 February 2009**
(54) Product in respect of which the design is registered: **Cooler**
(51) International Design Classification: **07-07A**
(71) Name(s) and Address(s) of Applicant(s):
Colette Ledoux
69 Ellendale Drive North Bay Ontario P1B 9E8 Canada
(72) Name(s) of Designer(s): **Claude Ledoux and Colette Ledoux and Raymond Mitchell**
(45) Registration Date: **24 February 2009**
(30) Convention priority data:
(31) Number (32) Date (33) Country
127454 22 Aug 2008 CANADA
(56) Related Art Documents: **Not Applicable**
(57) Statement of Newness and Distinctiveness: **Nil**



(21) Design Number: **10527/2009**

(22) Date of Filing Application: **20 February 2009**

(24) Date from which industrial property rights may have effect: **20 February 2009**

(54) Product in respect of which the design is registered: **Cooler**

(51) International Design Classification: **07-07A**

(71) Name(s) and Address(s) of Applicant(s):

Colette Ledoux

69 Ellendale Drive North Bay Ontario P1B 9E8 Canada

(72) Name(s) of Designer(s): **Colette Ledoux and Claude Ledoux and Raymond Mitchell**

(45) Registration Date: **24 February 2009**

(30) Convention priority data:

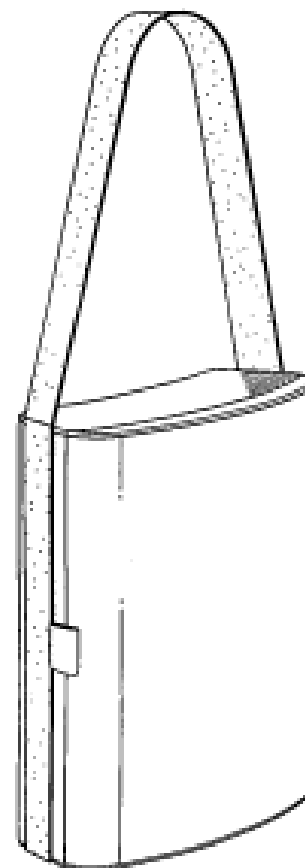
(31) Number
127454

(32) Date
22 Aug 2008

(33) Country
CANADA

(56) Related Art Documents: **Not Applicable**

(57) Statement of Newness and Distinctiveness: **Nil**



(21) Design Number: **10533/2009**

(22) Date of Filing Application: **23 February 2009**

(24) Date from which industrial property rights may have effect: **23 February 2009**

(54) Product in respect of which the design is registered: **Beverage bottle**

(51) International Design Classification: **09-01NES**

(71) Name(s) and Address(s) of Applicant(s):

Zhou Jun

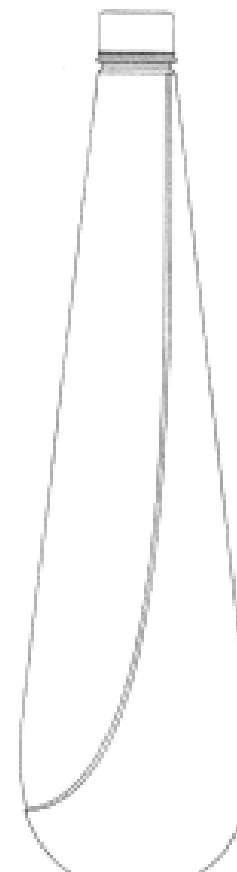
C/- Shenzhen Dainty Industry Co Ltd Longzhu Industrial Estate North Ring Road Nanshan District Shenzhen China

(72) Name(s) of Designer(s): **Zhou Jun**

(45) Registration Date: **24 February 2009**

(56) Related Art Documents: **Not Applicable**

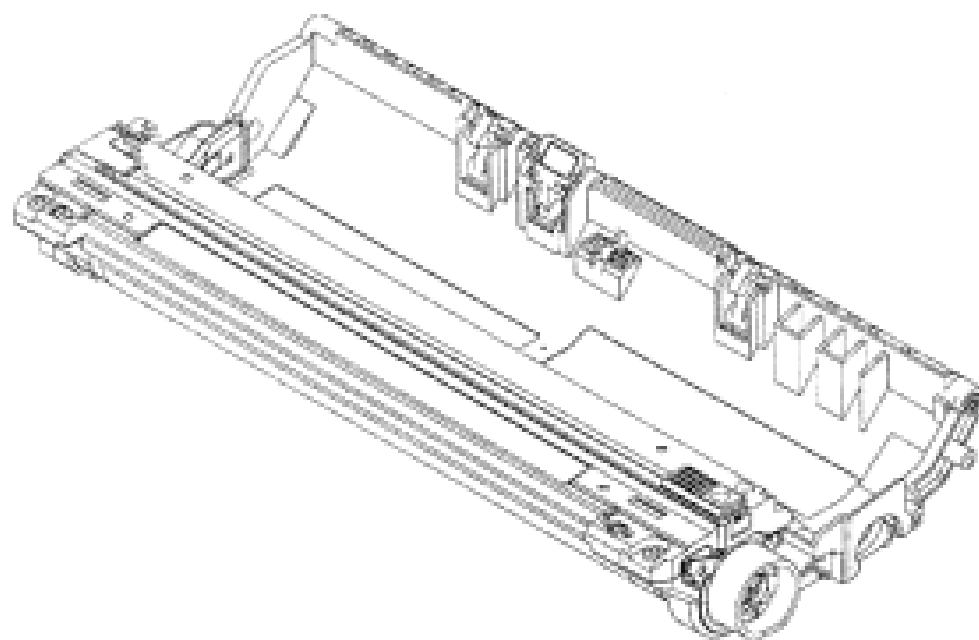
(57) Statement of Newness and Distinctiveness: **Nil**



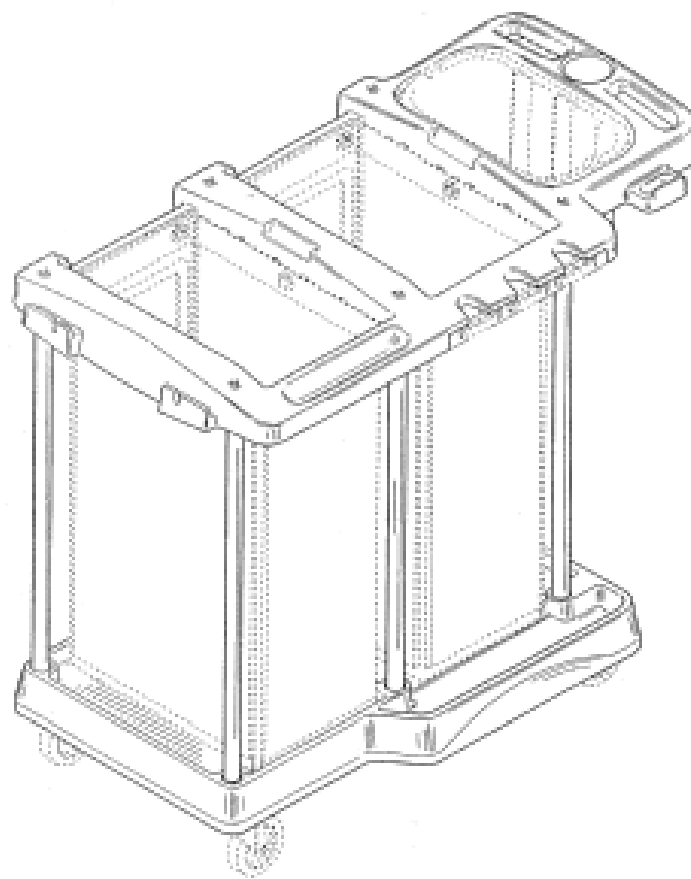
- (21) Design Number: **10534/2009**
(22) Date of Filing Application: **20 February 2009**
(24) Date from which industrial property rights may have effect: **20 February 2009**
(54) Product in respect of which the design is registered: **Mobile planter unit**
(51) International Design Classification: **11-02B**
(71) Name(s) and Address(s) of Applicant(s):
Hunter Corporation (Aust) Pty Ltd
C/- 6/8 Thomas Brew Lane Croydon Victoria 3136 Australia
(72) Name(s) of Designer(s): **Mike Rose and Tara Alderton**
(45) Registration Date: **24 February 2009**
(56) Related Art Documents: **Not Applicable**
(57) Statement of Newness and Distinctiveness: **Newness and distinctiveness are claimed in the features of shape and/or configuration of a mobile planter unit, as illustrated in the accompanying representations.**



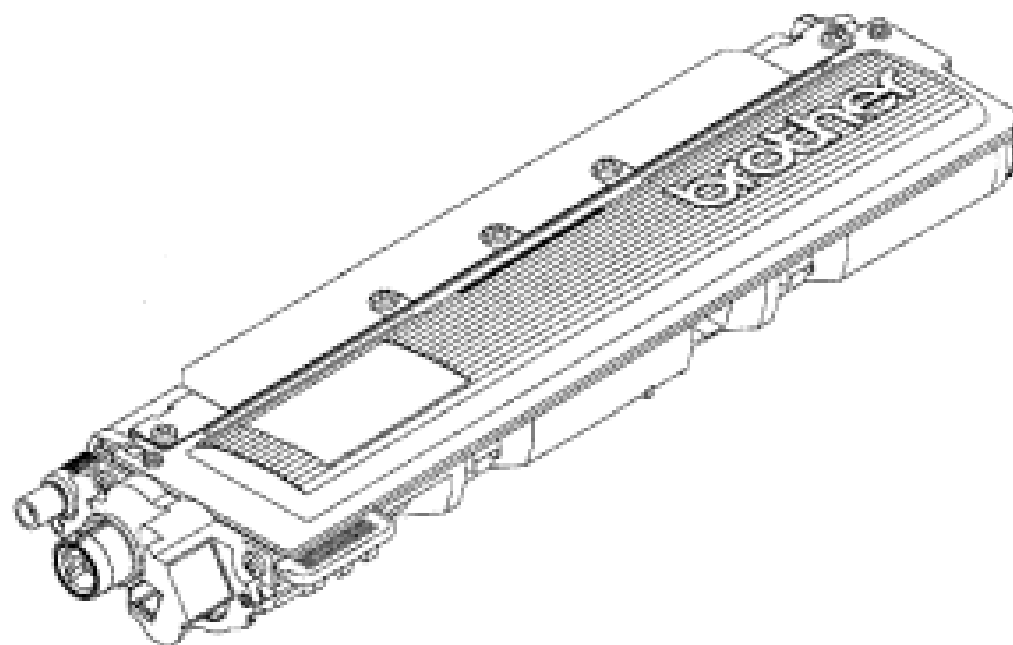
- (21) Design Number: **10528/2009**
(22) Date of Filing Application: **20 February 2009**
(24) Date from which industrial property rights may have effect: **20 February 2009**
(54) Product in respect of which the design is registered: **Photosensitive drum unit**
(51) International Design Classification: **18-02**
(71) Name(s) and Address(s) of Applicant(s):
Brother Industries, Ltd.
15-1 Naeshiro-cho Mizuho-ku Nagoya-shi Aichi-ken Japan
(72) Name(s) of Designer(s): **Naoya Kamimura and Nao Itabashi and Hideshi Nishiyama and Fumikazu Sato**
(45) Registration Date: **24 February 2009**
(30) Convention priority data:
(31) Number (32) Date (33) Country
JP2008-025145 30 Sep 2008 JAPAN
(56) Related Art Documents: **Not Applicable**
(57) Statement of Newness and Distinctiveness: **The newness and distinctiveness of the design resides in the features of shape and configuration as depicted in the attached representations.**



(21) Design Number: **10524/2009**
(22) Date of Filing Application: **20 February 2009**
(24) Date from which industrial property rights may have effect: **20 February 2009**
(54) Product in respect of which the design is registered: **Cleaning cart**
(51) International Design Classification: **12-02**
(71) Name(s) and Address(s) of Applicant(s):
Rubbermaid Commercial Products, LLC
3124 Valley Avenue Winchester 22601 Virginia United States of America
(72) Name(s) of Designer(s): **Mark Allen Catron**
(45) Registration Date: **24 February 2009**
(30) Convention priority data:
(31) Number (32) Date (33) Country
29/323239 21 Aug 2008 UNITED STATES OF AMERICA
(56) Related Art Documents: **Not Applicable**
(57) Statement of Newness and Distinctiveness: **Nil**



(21) Design Number: **10535/2009**
(22) Date of Filing Application: **20 February 2009**
(24) Date from which industrial property rights may have effect: **20 February 2009**
(54) Product in respect of which the design is registered: **Toner Cartridge**
(51) International Design Classification: **14-02**
(71) Name(s) and Address(s) of Applicant(s):
Brother Industries, Ltd.
15-1 Naeshiro-cho Mizuho-ku Nagoya-shi Aichi-ken Japan
(72) Name(s) of Designer(s): **Fumikazu Sato and Naoya Kamimura and Nao Itabashi and Hideshi Nishiyama**
(45) Registration Date: **24 February 2009**
(30) Convention priority data:
(31) Number (32) Date (33) Country
JP2008-025138 30 Sep 2008 JAPAN
(56) Related Art Documents: **Not Applicable**
(57) Statement of Newness and Distinctiveness: **Except for the word BROTHER shown in figures 2 and 7, all visual features of the design as depicted and explained in the accompanying representations are new and distinctive.**



- (21) Design Number: **10536/2009**
(22) Date of Filing Application: **23 February 2009**
(24) Date from which industrial property rights may have effect: **23 February 2009**
(54) Product in respect of which the design is registered: **A body support**
(51) International Design Classification: **24-04, 06-09**
(71) Name(s) and Address(s) of Applicant(s):
Parnham & Associates Pty Ltd
234 Centre Dandenong Road Cheltenham Victoria 3192 Australia
(72) Name(s) of Designer(s): **Charlie Parnham**
(45) Registration Date: **24 February 2009**
(56) Related Art Documents: **Not Applicable**
(57) Statement of Newness and Distinctiveness: **Newness and distinctiveness is claimed in the features of shape and/or configuration of the body support in the accompanying photographs.**

