



Australian Government

IP Australia

AUSTRALIAN OFFICIAL JOURNAL

OF

DESIGNS

Did you know a searchable version of this journal is now available online?

It's FREE and EASY to SEARCH.

Find it at

<http://pericles.ipaustralia.gov.au/ols/epublish/content/olsEpublications.jsp>
or using the "Online Journals" link on the IP Australia home page.

This Page Left Intentionally Blank

Contents

General Information & Notices

Proceedings Under the Designs Act 1906 preserved as a result of the provisions of Chapter 12 Part 2 of the Designs Act 2003

Extension of Period of Registration of Designs	1364
Extensions of Time Granted	1364
Registrations Ceased	1364
Subsequent Owners Registered	1364

Proceedings Under the Designs Act 2003

Applications for Extension of Time Under Section 137	1375
Applications Lapsed	1374
Applications Lodged	1369
Certificate of Examination	1376
Extension of Period of Registration of Design	1375
Extension of Time Granted Under Section 137	1375
Licences Registered	1375
Publication and Registration Proceedings	
Designs Registered 324869 to 325080.....	1377
Subsequent Owners Registered	1375

This Page Left Intentionally Blank

For information on the following please see our website www.ipaustralia.gov.au or contact our Customer Service Network on 1300651010

[Editorial enquiries](#)

[Contact information](#)

[Freedom of Information ACT](#)

[Professional Standards Board](#)

[Sales](#)

[Requests for Information under Section 194 \(c\)](#)

[Country Codes](#)

[Trade Mark and Designs Hearing Sessions](#)

[INID \(Internationally agreed Numbers for the Identification of Data\)](#)

“INID” NUMBERS in use on Australian Design Documents

“INID” is an acronym for “Internationally agreed Numbers for the Identification of Data”.

(10) Data concerning the registration/renewal

- (11) Serial number of the registration and/or number of the design document
- (12) Plain language designation of the kind of published document
- (19) Identification, using the two-letter code according to WIPO Standard ST.3, of the authority publishing or registering the industrial design

(20) Data concerning the application

- (21) Serial number of the application
- (22) Date of filing of the application
- (24) Date from which the industrial design right has effect

(30) Data relating to priority under the Paris Convention

- (31) Serial number assigned to the priority application
- (32) Date of filing of the priority application
- (33) Two-letter code, according to WIPO Standard ST.3, identifying the authority with which the priority application was made

(40) Date(s) of making information available to the public

- (45) Date of publication of the registered industrial design by printing or similar process, or making it available to the public by any other means

(50) Miscellaneous Information

- (51) International Classification for Industrial Designs (class and subclass of the Locarno Classification)
- (54) Designation of article(s) or product(s) covered by the industrial design or title of the industrial design
- (55) Reproduction of the industrial design (e.g., drawing, photograph) and explanations relating to the reproduction
- (56) List of prior art documents, if separate from descriptive text
- (57) Description of characteristic features of the industrial design including indication of colours

(60) References to other legally related application(s) and registration(s)

- (62) Serial number(s) and, if available, filing date(s) of application(s), registration(s) or document(s) related by division
- (66) Serial number(s) of the application, or the registration, of the design(s) which is (are) a variant(s) of the present one

(70) Identification of parties concerned with the application or registration

- (71) Name(s) and address(es) of the applicant(s)
- (72) Name(s) of the creator(s) if known to be such
- (74) Name(s) and address(es) of the representative(s)

This Page Left Intentionally Blank

Official Notice**Designs Act 2003
Amendments to Registered Designs at Examination**

The following amendments have been made to details previously published in the Australian Official Journal of Designs during the Examination process:

Registration Numbers	Amendment type	New details
321861	Classification	07-06A, 07-07A
317487	Classification	24-01, 24-02
317484	Classification	24-01, 24-02

Contact: IP Australia
Phone: 1300 651 010
Fax: +61 2 6283 7999
E-mail: assist@ipaustrialia.gov.au
Web: www.ipaustrialia.gov.au

**Proceedings under the Designs Act 1906 preserved as a
result of the provisions of Chapter 12 Part 2 of the Designs
Act 2003.**

This Page Left Intentionally Blank

Applications Lapsed

There were no Applications Lapsed under this section

Extension of Period of Registration of Designs

2nd Period (Section 27A(12))

140091	140106	140107
148042	150965	151386
151601	151862	151863
151864	151869	151870
152050	152187	152190
152348	152450	152451
152483	152682	152762
152763	152791	152831
152895	152897	153020
153112	153113	153114
153115	153117	153118
153119	153120	153121
153122	153241	153446
153447	153610	153728
153750	153898	153911
154254	154306	154351
155601	155602	155818
155896	155897	155898
155899	155983	156081
156508		

3rd Period (Section 27A(13))

132718	133642	133683
133684	133856	134285
134859	134920	134937
134938	134939	135011
135205	135585	135621
135773	135907	136017
136028	136029	136030
136031	136390	136692
136782	137840	137941
137942	137943	137944
137945	137946	138165
138229	138356	138357
138358	138862	139079
139155	139156	139157
140974	142495	142496
142497	142498	145540
145541		

Registrations Ceased

Note: Some of the following Registrations may have been previously advertised as ceased. In this instance, the previous advertisement still prevails.

116761	116762	117320
118092	118153	118164
118165	118167	118173
118186	118220	118221
118280	118321	118487
118551	118845	118903
119091	119098	119187

119396	119719	119822
120583	120584	120731
120876	122225	122476
133015	133017	133018
133019	133022	133035
133043	133052	133053
133054	133056	133076
133137	133138	133290
133453	133512	133538
133966	136187	136448
136502	136763	136967
137084	137168	137730
149152	149259	149274
149704	149705	149720
149721	149722	149787
149788	149789	149790
149807	149808	149830
149852	149883	149944
149946	149961	149986
149987	150029	150053
150054	150055	150073
150074	150116	150357
150358	150359	150495
150585	150761	150778
150779	150780	150781
150782	150783	150784
150998	151020	151120
151210	151331	151374
151375	151508	151509
151510	151511	151512
151709	151933	151963
152012	152458	152795
153568	153588	153826
153827	153944	154190
154702	154871	

Extensions of time granted

Applications lodged for extension of time have been granted.

132718 **Kimberley Plastics Pty Ltd** An Extension of time to extend a registration has been granted to 17/02/2009

140091 **Miyama Kogyo Co. Ltd** An Extension of time to extend a registration has been granted to 22/11/2008

Subsequent Owners Registered

(The name in parentheses is that of the subsequent owner)

140554	(3M Innovative Properties Company) Beiersdorf Aktiengesellschaft
141920	(3M Innovative Properties Company) Beiersdorf Aktiengesellschaft
141921	(3M Innovative Properties Company) Beiersdorf Aktiengesellschaft
141922	(3M Innovative Properties Company) Beiersdorf Aktiengesellschaft
148795	(Ideal Standard International BVBA) American

Subsequent Owners Registered

	Standard International Inc.
148796	(Ideal Standard International BVBA) American Standard International Inc.
148801	(Ideal Standard International BVBA) American Standard International Inc.

This Page Left Intentionally Blank

Proceedings under the Designs Act 2003.

This Page Left Intentionally Blank

Applications Lodged

Lodgement information is in the following order: **Applicant's Name**; International Classification, Name of Product, Lodgement Date and **Design Number**. If the applicant claims an earlier priority date under an International Convention, the Convention Country and the associated filing date are shown in parentheses before the Lodgement Date. Divisional information will also appear in parentheses before the Lodgement Date.

Aluminium Industries of Australia Pty Ltd; 25-01K, Thermal clip for commercial aluminium window systems to create a thermal break, 04 Mar 2009	10679/2009	Becton, Dickinson and Company; 24-02, Safety blood collection needle device, (US, 26 Aug 2008) 25 Feb 2009	10585/2009
Aluminium Industries of Australia Pty Ltd; 25-01K, Thermal cover clip for commercial aluminium window systems when a thermal break is required, 04 Mar 2009	10680/2009	Becton, Dickinson and Company; 24-02, Safety blood collection needle device, (US, 26 Aug 2008) 25 Feb 2009	10584/2009
Apple Inc.; 14-01, 14-02, 14-03A, 13-02, Dock insert, (US, 08 Sep 2008) 03 Mar 2009	10675/2009	Becton, Dickinson and Company; 24-02, Safety blood collection needle device, (US, 26 Aug 2008) 25 Feb 2009	10583/2009
Apple Inc.; 14-01, 14-02, 14-03A, 13-02, Dock insert, (US, 08 Sep 2008) 03 Mar 2009	10676/2009	Bedrobe Pty Ltd; 19-08, A label, 03 Mar 2009	10677/2009
Apple Inc.; 14-01, Earphone, (US, 05 Sep 2008) 05 Mar 2009	10724/2009	Bedrobe Pty Ltd; 19-08, A label, 03 Mar 2009	10678/2009
Apple Inc.; 14-01, Electronic device, (US, 05 Sep 2008) 27 Feb 2009	10626/2009	Bissett, Ian Norman; 13-03C, Cable cover, (EM, 06 Nov 2008) 03 Mar 2009	10674/2009
Apple Inc.; 14-01, Earphone, (US, 08 Sep 2008) 05 Mar 2009	10725/2009	Bitech Engineering; 23-03A, Heating equipment, (EM, 27 Aug 2008) 27 Feb 2009	10652/2009
Apple Inc.; 14-01, Component part of an earphone, (US, 05 Sep 2008) 05 Mar 2009	10726/2009	Boori International Pty Ltd; 06-02, 06-05, Configurable children's furniture, 26 Feb 2009	10594/2009
Apple Inc.; 14-01, Electronic device, (US, 05 Sep 2008) 27 Feb 2009	10627/2009	Boori International Pty Ltd; 06-02, Reconfigurable children's furniture, 26 Feb 2009	10593/2009
Apple Inc.; 14-01, Electronic device, (US, 05 Sep 2008) 27 Feb 2009	10629/2009	Boori International Pty Ltd; 06-02, Reconfigurable children's furniture, 26 Feb 2009	10595/2009
Apple Inc.; 14-01, Electronic device, (US, 05 Sep 2008) 27 Feb 2009	10628/2009	Boori International Pty Ltd; 06-01C, 06-02, 06-05, Reconfigurable children's furniture, 26 Feb 2009	10592/2009
ADC Communications (Australia) Pty Limited; 18-02, Labelling assembly, 27 Feb 2009	10638/2009	Brian Investments Pty Ltd; 08-08L, Wear plate, 09 Mar 2009	10738/2009
ADC Communications (Australia) Pty Limited; 14-02, Consolidation point enclosure, 03 Mar 2009	10706/2009	Brian Investments Pty Ltd; 08-08L, Wear plate, 09 Mar 2009	10739/2009
Barton, Greg; 12-06C, A hull for a kayak, 27 Feb 2009	10645/2009	Brian Investments Pty Ltd; 08-08L, Wear plate, 09 Mar 2009	10740/2009
Becton Dickinson and Company; 24-02, Safety blood collection needle device, (US, 24 Feb 2009) 25 Feb 2009	10587/2009	Brian Investments Pty Ltd; 08-08L, Wear plate, 09 Mar 2009	10741/2009
Becton Dickinson and Company; 24-02, Safety blood collection needle device, (US, 26 Aug 2008) 25 Feb 2009	10582/2009	Brian Investments Pty Ltd; 08-08L, Wear plate, 09 Mar 2009	10742/2009
Becton, Dickinson and Company; 24-02, Safety blood collection needle device, (US, 24 Feb 2009) 25 Feb 2009	10586/2009	Brian Investments Pty Ltd; 08-08L, Wear plate, 09 Mar 2009	10743/2009
		Brian Investments Pty Ltd; 08-08L, Wear plate, 09 Mar 2009	10744/2009
		Brian Investments Pty Ltd; 08-08L, Wear plate, 09 Mar 2009	10745/2009
		Brian Investments Pty Ltd; 08-08L, Wear plate, 09 Mar 2009	10746/2009
		Bridgestone Corporation; 12-15A, Automobile tyre, 06 Mar 2009	10763/2009

Callaway Golf Company; 21-02C, Putter head, (US, 10 Sep 2008) 09 Mar 2009	10764/2009	Foster's Australia Limited; 09-03NES, Container blank, 03 Mar 2009	10695/2009
Callaway Golf Company; 21-01C, Golf club head, (US, 08 Sep 2008) 03 Mar 2009	10672/2009	Foster's Australia Limited; 09-03NES, Container for holding bottles, 03 Mar 2009	10696/2009
Callaway Golf Company; 21-01C, Golf club head, (US, 05 Sep 2008) 03 Mar 2009	10671/2009	Fuzzee Bee Beverage, LLC; 09-01NES, Bottle, (US, 01 Oct 2008) 03 Mar 2009	10694/2009
Callaway Golf Company; 21-01C, Golf club head, (US, 08 Sep 2008) 03 Mar 2009	10673/2009	Garth Living Pty Ltd; 07-02E, 07-02A, Cooking apparatus, 03 Mar 2009	10687/2009
Chivas Holdings (IP) Limited; 09-01NES, Bottle, (EM, 14 Jan 2009) 05 Mar 2009	10711/2009	Global Opportunities Investment Group, LLC; 09-01A, Spray bottle, (US, 02 Sep 2008) 27 Feb 2009	10641/2009
Chivas Holdings (IP) Limited; 09-01NES, Bottle, (EM, 14 Jan 2009) 05 Mar 2009	10712/2009	Global Opportunities Investment Group, LLC; 09-01A, Spray bottle, (US, 02 Sep 2008) 27 Feb 2009	10640/2009
Clipsal Australia Pty Ltd; 13-03D, Gasket, 03 Mar 2009	10682/2009	Grace, Alan Ronald; 08-08L, , 06 Mar 2009	10692/2009
Clipsal Australia Pty Ltd; 23-01A, Gasket, 03 Mar 2009	10681/2009	Haws Drinking Faucet Company; 24-02, Nozzle head for an emergency eyewash unit, (Divisional of 15744/2008) 05 Dec 2008	10667/2009
Cook, David George; 23-01B, Tube Connector, 26 Feb 2009	10601/2009	Honda Motor Co., Ltd.; 26-06, A rear combination lamp for an automobile, (JP, 28 Aug 2008) 26 Feb 2009	10572/2009
Cook, David George; 23-01B, Tube connector, 26 Feb 2009	10602/2009	Honda Motor Co., Ltd.; 26-06, A front combination lamp for an automobile, (JP, 28 Aug 2008) 26 Feb 2009	10573/2009
Cook, David George; 23-01B, Tube connector, 26 Feb 2009	10603/2009	Honda Motor Co., Ltd.; 12-08, An automobile, (JP, 29 Aug 2008) 26 Feb 2009	10574/2009
Cook, David George; 23-01B, Tube connector, 26 Feb 2009	10604/2009	Husqvarna AB; 08-03, Abrasive disc, (EM, 05 Sep 2008) 05 Mar 2009	10713/2009
Cook, David George; 23-01B, Tube connector, 26 Feb 2009	10599/2009	Husqvarna AB; 08-03, Abrasive disc, (EM, 05 Sep 2008) 05 Mar 2009	10714/2009
Cook, David George; 23-01B, Tube connector, 26 Feb 2009	10600/2009	Husqvarna AB; 08-03, Abrasive disc, (EM, 05 Sep 2008) 05 Mar 2009	10715/2009
Cryovac Australia Pty Ltd; 09-03F, Tray, 23 Feb 2009	10545/2009	Ideen Aps; 23-03B, Heater, (EM, 29 Aug 2008) 27 Feb 2009	10632/2009
Dart Industries Inc.; 07-02P, Holder, (US, 03 Nov 2008) 25 Feb 2009	10588/2009	Illinois Tool Works Inc.; 08-07, Escutcheon plate, 27 Feb 2009	10625/2009
Donaghue, Paul Joseph; 21-02C, Putter head, (US, 25 Sep 2008) 04 Mar 2009	10705/2009	Insol Limited; 25-02K, A set of louvre system components, (NZ, 29 Aug 2008) 27 Feb 2009	10644/2009
Ductware - div. of RMD Industries Pty Ltd; 08-08NES, Cornermatic picking gun, 03 Mar 2009	10693/2009	Insol Limited; 25-02K, A set of louvre components, (NZ, 29 Aug 2008) 27 Feb 2009	10646/2009
Eveready Battery Company, Inc.; 28-03A, Razor cartridge, (US, 02 Sep 2008) 26 Feb 2009	10589/2009	Insol Limited; 06-10, Louvre system, (NZ, 29 Aug 2008) 27 Feb 2009	10650/2009
Everpads Co., Ltd; 06-04NES, Tool-holding device, 03 Mar 2009	10653/2009	Isringhausen GmbH & Co. KG; 06-01D, New global seat, (EM, 01 Sep 2008) 26 Feb 2009	10596/2009
Everstone International Pty Ltd; 25-01F, Tile, 27 Feb 2009	10622/2009		
ENANEF Limited; 21-02NES, 24-99, Back stretcher, (GB, 09 Sep 2008) 05 Mar 2009	10719/2009		
F F Seeley Nominees Pty Ltd; 23-04, Evaporative cooler cabinet, 26 Feb 2009	10570/2009		

Isringhausen GmbH & Co. KG; 06-01D, New global seat, (EM, 01 Sep 2008) 26 Feb 2009	10597/2009	Ladder Technologies Pty Ltd; 08-08D, Concealed fastened metal roofing, kliplok, speedeck ultra, kingclip, etc, 24 Feb 2009	10561/2009
Jackson Industries Pty Limited; 13-03D, Electrical plug travel adaptor, 27 Feb 2009	10633/2009	Lake, Aaron; 21-01L, Board game, 04 Mar 2009	10716/2009
JETS Swimwear Pty Limited; 02-02A, Swimwear, 06 Mar 2009	10737/2009	Lava Ltd; 16-06, Sunglasses, 27 Feb 2009	10567/2009
JETS Swimwear Pty Limited; 02-02A, Swimwear, 06 Mar 2009	10730/2009	Lava Ltd; 16-06, Sunglasses, 27 Feb 2009	10578/2009
JETS Swimwear Pty Limited; 02-02A, Swimwear, 06 Mar 2009	10731/2009	Lavery, Prue; 06-01G, Chair / seat, 03 Mar 2009	10665/2009
JETS Swimwear Pty Limited; 02-02A, Swimwear, 06 Mar 2009	10735/2009	Liebowitz, Bryan; 26-04, High specular lighting reflector for tubular lamps to provide three different lighting distributions, 09 Mar 2009	10721/2009
JETS Swimwear Pty Limited; 02-02A, Swimwear, 06 Mar 2009	10729/2009	Lolitta Clothing; 02-02C, 02-02NES, , 24 Feb 2009	10553/2009
JETS Swimwear Pty Limited; 02-02A, Swimwear, 06 Mar 2009	10736/2009	Lolitta Clothing; 02-02C, 02-02NES, , 24 Feb 2009	10554/2009
JETS Swimwear Pty Limited; 02-02A, 02-01A, Bra (including for swim wear), 06 Mar 2009	10734/2009	Mars, Incorporated; 09-01B, Packaging for foodstuffs, (EM, 04 Sep 2008) 26 Feb 2009	10576/2009
JETS Swimwear Pty Limited; 02-02A, Swimwear, 06 Mar 2009	10732/2009	Masport Limited; 15-03B, Mower with steel housing, (NZ, 29 Aug 2008) 27 Feb 2009	10610/2009
JETS Swimwear Pty Limited; 02-02A, 02-01A, Bra (including for swimwear), 06 Mar 2009	10733/2009	Masport Limited; 15-03B, Aero grass catcher, (NZ, 29 Aug 2008) 27 Feb 2009	10577/2009
JF Arbuckle Medical Pty Ltd; 07-01A, Crockery, 21 Nov 2008	16099/2008	Masport Limited; 15-03B, Mower with aluminium housing, (NZ, 29 Aug 2008) 27 Feb 2009	10571/2009
Kimyee Furniture Sdn Bhd; 06-02, Auckland 2 in 1 single bed, 27 Feb 2009	10660/2009	Mass Technology (H.K.) Limited; 26-04, Lamp (par20 e27-1), (HK, 15 Jan 2009) 06 Mar 2009	10748/2009
Kimyee Furniture Sdn Bhd; 06-02, Dinosaur 2 in 1 single bed, 27 Feb 2009	10661/2009	Mass Technology (H.K.) Limited; 26-04, Lamp (par160 e14), (HK, 19 Dec 2008) 06 Mar 2009	10747/2009
Kimyee Furniture Sdn Bhd; 06-02, 12-07, Jack the rescuer helicopter bed, 27 Feb 2009	10658/2009	Mass Technology (H.K.) Limited; 26-04, Lamp (par30 e27-1), (HK, 15 Jan 2009) 06 Mar 2009	10755/2009
Kimyee Furniture Sdn Bhd; 06-02, Safari 2 in 1 single bed, 27 Feb 2009	10662/2009	Mass Technology (H.K.) Limited; 26-04, Lamp (par20 e27 the lamp head with 2 pins), (HK, 19 Dec 2008) 06 Mar 2009	10759/2009
Kimyee Furniture Sdn Bhd; 06-02, 2 in 1 Jack the rescuer helicopter bed with desk, 27 Feb 2009	10659/2009	Mass Technology (H.K.) Limited; 26-04, Lamp (par16 GU10), (HK, 19 Dec 2008) 06 Mar 2009	10749/2009
Kimyee Furniture Sdn Bhd; 06-02, Cinderella princess bed, 27 Feb 2009	10668/2009	Mass Technology (H.K.) Limited; 26-04, Lamp (par16 e14-1), (HK, 15 Jan 2009) 06 Mar 2009	10750/2009
Kimyee Furniture Sdn Bhd; 06-02, Multi-function castle bed, 27 Feb 2009	10669/2009	Mass Technology (H.K.) Limited; 26-04, Lamp (AR111-1), (HK, 15 Jan 2009) 06 Mar 2009	10753/2009
Kirin Beverage Kabushiki Kaisha (also trading as Kirin Beverage Corporation); 07-01F, 09-01NES, Plastic bottle, 05 Mar 2009	10720/2009	Mass Technology (H.K.) Limited; 26-04, Lamp (par30 e27 small screw lamp head), (HK, 19 Dec 2008) 06 Mar 2009	10754/2009
La Montre Hermes S.A.; 10-02, A watch body, (WO, 05 Sep 2008) 04 Mar 2009	10688/2009		
Ladder Technologies Pty Ltd; 08-08D, Concealed fastened metal roofing, kliplok, speedeck ultra, kingclip, etc, 24 Feb 2009	10560/2009		

Mass Technology (H.K.) Limited; 26-04, Lamp (AR111 GU10), (HK, 19 Dec 2008) 06 Mar 2009	10751/2009	Rieke Corporation; 09-03L, Container with lid, (US, 03 Sep 2008) 02 Mar 2009	10663/2009
Mass Technology (H.K.) Limited; 26-04, Lamp (par16 GU10-1), (HK, 15 Jan 2009) 06 Mar 2009	10752/2009	Safe Promotion (2008) Limited; 12-16L, Towbar deflector, (NZ, 05 Sep 2008) 03 Mar 2009	10657/2009
Michelin Recherche et Technique S.A.; Societe De Technologie Michelin; 12-15A, A pneumatic tyre, (FR, 04 Sep 2008) 26 Feb 2009	10591/2009	Sedus Stoll Aktiengesellschaft; 06-01F, Chair, 24 Feb 2009	10557/2009
Michelin Recherche et Technique S.A.; Societe De Technologie Michelin; 12-15C, A pneumatic tyre, (FR, 04 Sep 2008) 26 Feb 2009	10590/2009	Sedus Stoll Aktiengesellschaft; 06-01F, Chair, 24 Feb 2009	10559/2009
Mummashaboo; 03-99, Baby sling, 03 Mar 2009	10697/2009	Sedus Stoll Aktiengesellschaft; 06-01F, Chair, 24 Feb 2009	10558/2009
MAM Babyartikel Gesellschaft m.b.H.; 07-01C, 07-01E, Drinking cup, (EM, 19 Sep 2008) 05 Mar 2009	10709/2009	Sedus Stoll Aktiengesellschaft; 06-01F, Chair, 24 Feb 2009	10555/2009
MAM Babyartikel Gesellschaft m.b.H.; 07-01C, 07-01E, Drinking cup, (EM, 19 Sep 2008) 05 Mar 2009	10710/2009	Sedus Stoll Aktiengesellschaft; 06-01F, Chair, 24 Feb 2009	10556/2009
Nokia Corporation; 14-03E, Handset, (US, 17 Nov 2008) 27 Feb 2009	10639/2009	Shearer, Philip David; 08-08NES, RFID Carrier RFID carrier for chain. Anchor chain, 06 Mar 2009	10722/2009
Odell, James; 12-06NES, Wakeboard tower, 04 Mar 2009	10727/2009	Shriro Australia Pty Limited; 07-02E, A barbeque, 04 Mar 2009	10684/2009
Odell, James; 12-06NES, Wakeboard tower, 04 Mar 2009	10728/2009	Shriro Australia Pty Limited; 07-02E, A barbeque, 04 Mar 2009	10683/2009
Pelco, Inc.; 03-01NES, 16-01, Camera enclosure, (US, 04 Sep 2008) 26 Feb 2009	10598/2009	Shuffle Master, Inc.; 21-01K, Card dealing dispenser, (US, 05 Sep 2008) 03 Mar 2009	10691/2009
Phil and Teds Most Excellent Buggy Company Limited; 06-01E, High chair, (US, 05 Sep 2008) 04 Mar 2009	10690/2009	Skytray Pty Ltd; 09-03F, A tray, 27 Feb 2009	10630/2009
Pi-Design AG; 07-04, Cheese grater, (DK, 09 Sep 2008) 26 Feb 2009	10569/2009	Societe De Technologie Michelin; Michelin Recherche et Technique S.A.; 12-15A, A pneumatic tyre, (FR, 04 Sep 2008) 26 Feb 2009	10591/2009
Pi-Design AG; 07-06NES, Thermal insulation sleeve for a tea pot, (DM, 27 Oct 2008) 06 Mar 2009	10723/2009	Societe De Technologie Michelin; Michelin Recherche et Technique S.A.; 12-15C, A pneumatic tyre, (FR, 04 Sep 2008) 26 Feb 2009	10590/2009
Pressurised Fire Bunker (PFB) Pty Ltd; 25-03, 29-99, The product is a pressurised fire bunker the layout and design of which I believe are unique, 04 Mar 2009	10689/2009	Solargen Pty Ltd; 08-08L, 23-03D, Grid connect solar panel system, 26 Feb 2009	10642/2009
POD Ware Pty Ltd; 21-02D, Swim fin, 02 Mar 2009	10664/2009	Speedo International Limited; 16-06, 21-02D, Goggles, (EM, 03 Sep 2008) 27 Feb 2009	10670/2009
Q-Med AB; 24-02, Injector, (EM, 02 Sep 2008) 26 Feb 2009	10575/2009	Swatch AG (Swatch SA) (Swatch Ltd); 10-02, Watch, (CH, 30 Oct 2008) 25 Feb 2009	10609/2009
Reckitt Benckiser Inc.; 07-99NES, Dynamic dispenser, (EM, 19 Sep 2008) 09 Mar 2009	10762/2009	Targus Australia Pty Ltd; 03-01NES, Laptop case, 06 Mar 2009	10717/2009
Reckitt Benckiser Inc.; 07-05E, Cleaning wipe, (EM, 29 Aug 2008) 25 Feb 2009	10581/2009	Tea-Cha Teaware Pty Limited; 07-02NES, Filter unit, 02 Mar 2009	10666/2009
Reckitt Benckiser Inc.; 07-05E, Cleaning wipe, (EM, 29 Aug 2008) 25 Feb 2009	10580/2009	The Goodyear Tire & Rubber Company; 12-15A, Tyre, (US, 11 Sep 2008) 25 Feb 2009	10579/2009
		The Goodyear Tire & Rubber Company; 12-15B, Tyre for automobile, (JP, 02 Sep 2008) 27 Feb 2009	10631/2009
		The Irish Chocolate Company Limited; 01-01, Chocolate, (EM, 05 Sep 2008) 05 Mar 2009	10708/2009

The Procter & Gamble Company; 09-01NES, Bottle, 27 Feb 2009	10623/2009	Visualfootprint; 10-04, Guide used to correctly install artblox wall art, 26 Feb 2009	10562/2009
The Procter & Gamble Company; 09-01K, Bottle, 27 Feb 2009	10651/2009	Visualfootprint; 08-08NES, Digital photography wall art that is inter-changeable, 26 Feb 2009	10563/2009
The Procter & Gamble Company; 09-07C, Bottle cap, 27 Feb 2009	10636/2009	Visualfootprint; 06-06NES, Digital photography art as a room divider - double sided, 26 Feb 2009	10566/2009
The Procter & Gamble Company; 09-07C, Bottle cap, 27 Feb 2009	10637/2009	Vogel's Holding B.V.; 14-01, Sound media, (EM, 26 Aug 2008) 26 Feb 2009	10611/2009
The Procter & Gamble Company; 09-01H, Bottle, 27 Feb 2009	10643/2009	Vogel's Holding B.V.; 14-01, Sound media, (EM, 26 Aug 2008) 26 Feb 2009	10612/2009
The Procter & Gamble Company; 09-01K, Bottle, 27 Feb 2009	10649/2009	White, Paul; White, Isabel; 06-01L, Chair, 25 Feb 2009	10613/2009
The Procter & Gamble Company; 09-01K, Bottle, 27 Feb 2009	10634/2009	White, Isabel; White, Paul; 06-01L, Chair, 25 Feb 2009	10613/2009
The Procter & Gamble Company; 09-07C, Bottle cap, 27 Feb 2009	10635/2009	White, Paul; White, Isabel; 06-01E, Ottoman, 25 Feb 2009	10614/2009
The Procter & Gamble Company; 09-01NES, Bottle, 27 Feb 2009	10624/2009	White, Isabel; White, Paul; 06-01E, Ottoman, 25 Feb 2009	10614/2009
Thomas, Rodney; 14-01, Bin spin, 27 Feb 2009	10647/2009	White, Paul; White, Isabel; 06-01E, Ottoman, 25 Feb 2009	10615/2009
TNBT Holdings Pty Limited; 08-07, Mini window bolt, 26 Feb 2009	10619/2009	White, Isabel; White, Paul; 06-01E, Ottoman, 25 Feb 2009	10615/2009
TNBT Holdings Pty Limited; 08-07, Mini window bolt, 26 Feb 2009	10618/2009	White, Paul; White, Isabel; 06-01E, Ottoman, 25 Feb 2009	10615/2009
TNBT Holdings Pty Limited; 08-07, Mini window bolt, 26 Feb 2009	10620/2009	White, Isabel; White, Paul; 06-03C, Computer work station, 25 Feb 2009	10616/2009
TNBT Holdings Pty Limited; 08-07, Mini window bolt, 26 Feb 2009	10621/2009	White, Paul; White, Isabel; 06-03C, Computer work station, 25 Feb 2009	10616/2009
TNBT Holdings Pty Limited; 08-07, Lock bolt receiver, 26 Feb 2009	10605/2009	White, Isabel; White, Paul; 06-03C, Computer work station, 25 Feb 2009	10617/2009
TNBT Holdings Pty Limited; 08-07, Lock bolt receiver, 26 Feb 2009	10606/2009	White, Paul; White, Isabel; 06-03C, Computer work station, 25 Feb 2009	10617/2009
TNBT Holdings Pty Limited; 08-07, Lock bolt receiver, 26 Feb 2009	10607/2009	Wojciak, Teresa; 03-01B, Expandable bag holder, 03 Mar 2009	10654/2009
TNBT Holdings Pty Limited; 08-07, Lock bolt receiver, 26 Feb 2009	10608/2009	Woods Furniture Pty Ltd; 06-06E, Table leg extension, 25 Feb 2009	10568/2009
TNBT Holdings Pty. Ltd.; 08-07, Lock, 26 Feb 2009	10564/2009	Woods Furniture Pty Ltd; 06-03B, Trimus table, 24 Feb 2009	10551/2009
TNBT Holdings Pty. Ltd.; 08-07, Lock, 26 Feb 2009	10565/2009	Woods Furniture Pty Ltd; 06-03B, Penta table, 24 Feb 2009	10552/2009
Unilever PLC; 09-05, Tube, (IN, 25 Aug 2008) 24 Feb 2009	10549/2009	Wynne, Noel; Wynne, Liana; 07-05NES, Design 1: Clothesline cover for a fold-down clothesline, 02 Mar 2009	10655/2009
Unilever PLC; 09-01NES, Bottle, (IN, 25 Aug 2008) 24 Feb 2009	10550/2009	Wynne, Liana; Wynne, Noel; 07-05NES, Design 1: Clothesline cover for a fold-down clothesline, 02 Mar 2009	10655/2009
Vatcky, Edgard; 08-06, Door handle mounting plate, 27 Feb 2009	10648/2009	Wynne, Noel; Wynne, Liana; 07-05NES, Design 2: Clothesline cover for a hoist clothesline, 02 Mar 2009	10656/2009
Visor Distributors Limited; 12-16B, A visor for a vehicle, (NZ, 18 Sep 2008) 19 Nov 2008	10685/2009	Wynne, Liana; Wynne, Noel; 07-05NES, Design 2: Clothesline cover for a hoist clothesline, 02 Mar 2009	10656/2009
Visor Distributors Limited; 12-16B, An air deflector for a vehicle, (NZ, 18 Sep 2008) 19 Nov 2008	10686/2009		

Yamaha Hatsudoki Kabushiki Kaisha;
15-01, Outboard motor, 09 Mar 2009

10765/2009

Applications Lapsed

14004 / 2008 (15-05)	14005 / 2008 (15-05)
14006 / 2008 (15-05)	14085 / 2008 (02-02C)
14130 / 2008 (02-02C)	14138 / 2008 (02-02C)
14260 / 2008 (09-03NES)	15421 / 2008 (26-05C)
15422 / 2008 (26-05C)	15957 / 2008 (09-01NES)
15958 / 2008 (09-01NES)	16035 / 2008 (23-01L)
16036 / 2008 (15-05)	16037 / 2008 (21-02C)

Extension of Period of Registration of Designs

301283 301435 301436

Applications for Extension of time under Section 137

Applications under section 137 for extension of time have been lodged. Objections must be lodged within 1 month from the date of this journal.

12650/2008 **S.C. Johnson & Son, Inc.** Address for Service:
SPRUSON & FERGUSON GPO Box 3898 SYDNEY NSW 2001

Extensions of time granted under Section 137

Applications lodged under section 137 for extension of time have been granted.

- 12704/2008 **Kevin John Baker**
- 12705/2008 **Kevin John Baker**
- 13746/2008 **Toyota Jidosha Kabushiki Kaisha**
- 14596/2008 **Perfetti Van Melle S.p.A.**
- 10152/2009 **Apple Inc.**
- 10511/2009 **Seladis Leisure Limited**

Licences Registered

- 315928 A licence has been granted to **Talria Limited**
- 315928 A licence has been granted to **Talria Limited**
- 315928 A licence has been granted to **Intersurgical UAB**

Subsequent Owners Registered

(The name in parentheses is that of the subsequent owner)

- 305573 **(Aluminium Extrusion and Distribution Pty Limited)**
Crane Enfield Metals Pty Ltd
- 306058 **(Aluminium Extrusion and Distribution Pty Limited)**
Crane Enfield Metals Pty Ltd
- 306128 **(Aluminium Extrusion and Distribution Pty Limited)**
Crane Enfield Metals Pty Ltd
- 306129 **(Aluminium Extrusion and Distribution Pty Limited)**
Crane Enfield Metals Pty Ltd
- 306130 **(Aluminium Extrusion and Distribution Pty Limited)**
Crane Enfield Metals Pty Ltd
- 307342 **(John Martin Verstappen)** Barlane Pty Ltd
- 322650 **(Kepat Nominees Pty Ltd)** Hill Equipment &
Refrigeration Co. Pty Ltd
- 323139 **(ADC GmbH)** ADC Communications (Australia) Pty
Limited
- 320040 **(Health Protect Int. East Ipswich)** Super Chiller Pty Ltd

Certificate(s) of Examination

Examination of the following Design Registration(s) has been completed. Infringement proceedings may now be commenced.

307046	03-01NES	06/03/2009
314723	25-02H	04/03/2009
319975	10-06	27/02/2009
319976	10-06	27/02/2009
319977	10-06	27/02/2009
320226	08-08L	05/03/2009
321475	12-05	05/03/2009
321496	02-07A	02/03/2009
321645	06-06G	05/03/2009
321686	13-01	02/03/2009
321739	23-04	10/03/2009
321757	12-12	06/03/2009
321759	15-04	10/03/2009
321830	09-01NES	10/03/2009
321844	14-03E	05/03/2009
321858	09-01K	05/03/2009
321861	07-06A	27/02/2009
321869	06-06G	06/03/2009
322006	09-09	27/02/2009

Publication and Registration Proceedings

Designs Registered

This section provides a concordance between design number and registration number of Designs covered in this journal. It also shows the main class and registration date.

This section covers Registration numbers 324869 to 325080 .

The registration number shown below should be used in all future correspondence.

Design Number	Registration Number	International Classification Code (IDC)	Registration Date	Design Number	Registration Number	International Classification Code (IDC)	Registration Date
12347/2008	324910	25-02A	26/02/2009	10419/2009	324939	21-02C	06/03/2009
12538/2008	324902	06-11	26/02/2009	10421/2009	324940	12-06NES	06/03/2009
13142/2008	324895	25-02C	26/02/2009	10422/2009	324941	08-07	06/03/2009
13746/2008	324957	12-08	27/02/2009	10423/2009	324942	08-07	06/03/2009
13823/2008	324896	13-03D	26/02/2009	10424/2009	324943	26-05B	06/03/2009
13824/2008	324897	13-03D	26/02/2009	10425/2009	324944	26-05B	06/03/2009
13825/2008	324898	13-03D	26/02/2009	10429/2009	324870	13-03NES	26/02/2009
13826/2008	324899	13-03D	26/02/2009	10432/2009	324871	07-99NES	26/02/2009
13827/2008	324900	13-03D	26/02/2009	10433/2009	324872	07-99NES	26/02/2009
14400/2008	324907	15-05	26/02/2009	10434/2009	324873	07-99NES	26/02/2009
14401/2008	324908	15-05	26/02/2009	10435/2009	324874	07-99NES	26/02/2009
14467/2008	324978	07-04	27/02/2009	10436/2009	324875	07-99NES	26/02/2009
15420/2008	324901	21-02NES	26/02/2009	10442/2009	324909	06-04F	26/02/2009
15457/2008	324876	26-05C	26/02/2009	10457/2009	324946	07-01NES	06/03/2009
15478/2008	324958	23-01L	27/02/2009	10458/2009	324947	26-06	06/03/2009
15583/2008	324903	10-06	26/02/2009	10459/2009	324945	12-15C	06/03/2009
15589/2008	324904	07-06A	26/02/2009	10461/2009	324948	07-02R	06/03/2009
15780/2008	325037	20-02E	06/03/2009	10462/2009	324949	07-02R	06/03/2009
15799/2008	324916	12-07	26/02/2009	10463/2009	324950	07-02R	06/03/2009
15818/2008	324905	06-04NES	26/02/2009	10464/2009	324911	25-02A	26/02/2009
15819/2008	324906	06-04NES	26/02/2009	10465/2009	324912	25-02A	26/02/2009
15882/2008	324917	25-02NES	26/02/2009	10466/2009	324913	25-02A	26/02/2009
15907/2008	324918	06-04NES	26/02/2009	10467/2009	324914	25-02A	26/02/2009
15908/2008	324919	15-01	26/02/2009	10468/2009	324915	25-02A	26/02/2009
15918/2008	324981	09-07B	27/02/2009	10476/2009	324951	08-06	06/03/2009
15960/2008	325038	23-01F	06/03/2009	10477/2009	324952	23-02F	06/03/2009
15961/2008	325039	23-01F	06/03/2009	10478/2009	324963	25-02C	27/02/2009
15991/2008	324920	08-09	26/02/2009	10479/2009	324964	25-02C	27/02/2009
15999/2008	325042	09-03NES	06/03/2009	10480/2009	324965	25-02C	27/02/2009
16000/2008	325040	24-02	06/03/2009	10481/2009	324966	25-02C	27/02/2009
16011/2008	324877	08-05M	06/03/2009	10482/2009	325047	23-03H	06/03/2009
16012/2008	324878	08-05M	06/03/2009	10485/2009	324967	03-01C	27/02/2009
16066/2008	325041	09-07A	06/03/2009	10486/2009	324968	03-01C	27/02/2009
16097/2008	324979	17-04	27/02/2009	10487/2009	324969	09-07C	27/02/2009
16098/2008	324980	07-04	27/02/2009	10488/2009	324970	07-01F	27/02/2009
10114/2009	325043	14-01	06/03/2009	10489/2009	324971	13-03D	27/02/2009
10177/2009	324891	23-01G	26/02/2009	10492/2009	324972	12-16N	27/02/2009
10178/2009	324892	23-01G	26/02/2009	10493/2009	324973	12-16N	27/02/2009
10192/2009	324934	20-03NES	06/03/2009	10494/2009	324974	10-04	27/02/2009
10226/2009	324869	23-04	26/02/2009	10497/2009	324975	15-03A	27/02/2009
10232/2009	325044	14-02	06/03/2009	10498/2009	324976	15-03A	27/02/2009
10301/2009	324893	02-03	26/02/2009	10499/2009	324977	25-04	27/02/2009
10316/2009	324935	12-16B	06/03/2009	10506/2009	324922	23-02E	26/02/2009
10319/2009	325045	15-02	06/03/2009	10510/2009	324923	12-15A	26/02/2009
10351/2009	324936	25-01C	06/03/2009	10511/2009	325048	06-01H	06/03/2009
10358/2009	324937	14-02	06/03/2009	10512/2009	325005	09-03A	04/03/2009
10359/2009	324938	26-02	06/03/2009	10513/2009	324924	26-04	26/02/2009
10363/2009	324894	12-16NES	26/02/2009	10514/2009	325049	26-05C	06/03/2009
10370/2009	325046	21-01A	06/03/2009	10515/2009	324921	14-03NES	26/02/2009
10410/2009	324959	23-02B	27/02/2009	10523/2009	324953	12-02	27/02/2009
10411/2009	324960	23-02B	27/02/2009	10532/2009	324954	25-01D	27/02/2009
10412/2009	324961	23-02B	27/02/2009	10538/2009	324982	09-07B	27/02/2009
10413/2009	324962	23-02B	27/02/2009	10540/2009	324932	02-04NES	26/02/2009

Publication and Registration Proceedings - Designs Registered cont'd

Design Number	Registration Number	International Classification Code (IDC)	Registration Date	Design Number	Registration Number	International Classification Code (IDC)	Registration Date
10541/2009	324933	02-04NES	26/02/2009	10638/2009	325019	18-02	04/03/2009
10542/2009	324927	28-03B	26/02/2009	10639/2009	325020	14-03E	04/03/2009
10543/2009	324928	28-03B	26/02/2009	10640/2009	324996	09-01A	04/03/2009
10544/2009	324929	28-03B	26/02/2009	10641/2009	325031	09-01A	04/03/2009
10545/2009	324925	09-03F	26/02/2009	10643/2009	325024	09-01H	04/03/2009
10546/2009	324926	14-02	26/02/2009	10648/2009	325030	08-06	04/03/2009
10547/2009	324930	19-06	26/02/2009	10649/2009	325000	09-01K	04/03/2009
10548/2009	324931	19-06	26/02/2009	10650/2009	325001	06-10	04/03/2009
10551/2009	324955	06-03B	27/02/2009	10651/2009	325002	09-01K	04/03/2009
10552/2009	324956	06-03B	27/02/2009	10663/2009	325052	09-03L	06/03/2009
10564/2009	324985	08-07	02/03/2009	10664/2009	325025	21-02D	04/03/2009
10565/2009	324986	08-07	02/03/2009	10666/2009	325032	07-02NES	05/03/2009
10567/2009	324987	16-06	02/03/2009	10667/2009	325050	24-02	05/03/2009
10569/2009	324983	07-04	02/03/2009	10670/2009	325034	16-06	05/03/2009
10571/2009	324984	15-03B	02/03/2009	10674/2009	325033	13-03C	05/03/2009
10572/2009	324993	26-06	03/03/2009	10675/2009	325035	14-01	05/03/2009
10573/2009	324994	26-06	03/03/2009	10676/2009	325036	14-01	05/03/2009
10574/2009	324995	12-08	03/03/2009	10679/2009	325053	25-01K	06/03/2009
10575/2009	324989	24-02	02/03/2009	10680/2009	325054	25-01K	06/03/2009
10578/2009	324992	16-06	02/03/2009	10681/2009	325064	23-01A	10/03/2009
10579/2009	324988	12-15A	02/03/2009	10682/2009	325055	13-03D	06/03/2009
10580/2009	324997	07-05E	04/03/2009	10683/2009	325065	07-02E	10/03/2009
10581/2009	325022	07-05E	04/03/2009	10684/2009	325066	07-02E	10/03/2009
10582/2009	325026	24-02	04/03/2009	10687/2009	325067	07-02E	10/03/2009
10583/2009	325021	24-02	04/03/2009	10688/2009	325060	10-02	06/03/2009
10586/2009	325051	24-02	06/03/2009	10690/2009	325059	06-01E	06/03/2009
10587/2009	325027	24-02	04/03/2009	10691/2009	325061	21-01K	06/03/2009
10588/2009	325012	07-02P	04/03/2009	10694/2009	325056	09-01NES	06/03/2009
10590/2009	325023	12-15C	04/03/2009	10695/2009	325057	09-03NES	06/03/2009
10591/2009	325028	12-15A	04/03/2009	10696/2009	325058	09-03NES	06/03/2009
10594/2009	324998	06-02	04/03/2009	10705/2009	325062	21-02C	06/03/2009
10595/2009	325029	06-02	04/03/2009	10706/2009	325063	14-02	06/03/2009
10596/2009	325003	06-01D	04/03/2009	10708/2009	325078	01-01	10/03/2009
10597/2009	325004	06-01D	04/03/2009	10709/2009	325068	07-01C	10/03/2009
10598/2009	324999	03-01NES	04/03/2009	10710/2009	325069	07-01C	10/03/2009
10609/2009	324990	10-02	02/03/2009	10711/2009	325079	09-01NES	10/03/2009
10610/2009	324991	15-03B	02/03/2009	10712/2009	325080	09-01NES	10/03/2009
10623/2009	325006	09-01NES	04/03/2009	10713/2009	325070	08-03	10/03/2009
10624/2009	325007	09-01NES	04/03/2009	10714/2009	325071	08-03	10/03/2009
10625/2009	325008	08-07	04/03/2009	10715/2009	325072	08-03	10/03/2009
10626/2009	325009	14-01	04/03/2009	10717/2009	325074	03-01NES	10/03/2009
10627/2009	325010	14-01	04/03/2009	10723/2009	325073	07-06NES	10/03/2009
10628/2009	325011	14-01	04/03/2009	10724/2009	325075	14-01	10/03/2009
10630/2009	325013	09-03F	04/03/2009	10725/2009	325076	14-01	10/03/2009
10631/2009	325014	12-15B	04/03/2009	10726/2009	325077	14-01	10/03/2009
10633/2009	325015	13-03D	04/03/2009				
10635/2009	325016	09-07C	04/03/2009				
10636/2009	325017	09-07C	04/03/2009				
10637/2009	325018	09-07C	04/03/2009				

Publication and Registration Proceedings
Class Listing of Designs Published or Registered

The following section shows an International Classification Code listing of the Registered or Published Designs covered in this supplement.

Classification	Registration Number	Design Number	Classification	Registration Number	Design Number
01-01	325078	10708/2009	08-05 E	324894	10363/2009
02-03	324893	10301/2009	08-05 M	324877	16011/2008
02-04 NES	324932	10540/2009	08-05 M	324878	16012/2008
02-04 NES	324933	10541/2009	08-06	324951	10476/2009
03-01 C	324967	10485/2009	08-06	325030	10648/2009
03-01 C	324968	10486/2009	08-07	324941	10422/2009
03-01 NES	324999	10598/2009	08-07	324942	10423/2009
03-01 NES	325074	10717/2009	08-07	324985	10564/2009
06-01 D	325003	10596/2009	08-07	324986	10565/2009
06-01 D	325004	10597/2009	08-07	325008	10625/2009
06-01 E	325059	10690/2009	08-08 NES	324934	10192/2009
06-01 H	325048	10511/2009	08-09	324920	15991/2008
06-02	324998	10594/2009	09-01 A	324996	10640/2009
06-02	325029	10595/2009	09-01 A	325031	10641/2009
06-03 B	324955	10551/2009	09-01 H	325024	10643/2009
06-03 B	324956	10552/2009	09-01 K	325000	10649/2009
06-04 F	324909	10442/2009	09-01 K	325002	10651/2009
06-04 NES	324905	15818/2008	09-01 NES	325006	10623/2009
06-04 NES	324906	15819/2008	09-01 NES	325007	10624/2009
06-04 NES	324918	15907/2008	09-01 NES	325056	10694/2009
06-05	324998	10594/2009	09-01 NES	325079	10711/2009
06-10	325001	10650/2009	09-01 NES	325080	10712/2009
06-11	324901	15420/2008	09-03 A	325005	10512/2009
06-11	324902	12538/2008	09-03 F	324925	10545/2009
07-01 B	325046	10370/2009	09-03 F	325013	10630/2009
07-01 C	325068	10709/2009	09-03 L	325052	10663/2009
07-01 C	325069	10710/2009	09-03 NES	325042	15999/2008
07-01 E	325068	10709/2009	09-03 NES	325057	10695/2009
07-01 E	325069	10710/2009	09-03 NES	325058	10696/2009
07-01 F	324970	10488/2009	09-07 A	325041	16066/2008
07-01 NES	324946	10457/2009	09-07 B	324981	15918/2008
07-02 A	325067	10687/2009	09-07 B	324982	10538/2009
07-02 E	325065	10683/2009	09-07 C	324969	10487/2009
07-02 E	325066	10684/2009	09-07 C	325016	10635/2009
07-02 E	325067	10687/2009	09-07 C	325017	10636/2009
07-02 NES	325032	10666/2009	09-07 C	325018	10637/2009
07-02 P	325012	10588/2009	10-02	324990	10609/2009
07-02 R	324948	10461/2009	10-02	325060	10688/2009
07-02 R	324949	10462/2009	10-04	324974	10494/2009
07-02 R	324950	10463/2009	10-06	324903	15583/2008
07-04	324978	14467/2008	11-99	324869	10226/2009
07-04	324980	16098/2008	12-02	324953	10523/2009
07-04	324983	10569/2009	12-06 NES	324940	10421/2009
07-05 E	324997	10580/2009	12-07	324916	15799/2008
07-05 E	325022	10581/2009	12-08	324957	13746/2008
07-05 NES	324953	10523/2009	12-08	324995	10574/2009
07-06 A	324904	15589/2008	12-15 A	324923	10510/2009
07-06 NES	325073	10723/2009	12-15 A	324988	10579/2009
07-99 NES	324871	10432/2009	12-15 A	325028	10591/2009
07-99 NES	324872	10433/2009	12-15 B	325014	10631/2009
07-99 NES	324873	10434/2009	12-15 C	324945	10459/2009
07-99 NES	324874	10435/2009	12-15 C	325023	10590/2009
07-99 NES	324875	10436/2009	12-16 B	324935	10316/2009
08-03	325070	10713/2009	12-16 N	324972	10492/2009
08-03	325071	10714/2009	12-16 N	324973	10493/2009
08-03	325072	10715/2009	12-16 NES	324894	10363/2009

Registration Proceedings - Class Listing of Designs Published or Registered cont'd

Classification	Registration Number	Design Number	Classification	Registration Number	Design Number
13-02	325035	10675/2009	23-01 A	325064	10681/2009
13-02	325036	10676/2009	23-01 F	325038	15960/2008
13-03 C	325033	10674/2009	23-01 F	325039	15961/2008
13-03 D	324896	13823/2008	23-01 G	324891	10177/2009
13-03 D	324897	13824/2008	23-01 G	324892	10178/2009
13-03 D	324898	13825/2008	23-01 L	324958	15478/2008
13-03 D	324899	13826/2008	23-02 B	324959	10410/2009
13-03 D	324900	13827/2008	23-02 B	324960	10411/2009
13-03 D	324971	10489/2009	23-02 B	324961	10412/2009
13-03 D	325015	10633/2009	23-02 B	324962	10413/2009
13-03 D	325055	10682/2009	23-02 E	324922	10506/2009
13-03 NES	324869	10226/2009	23-02 F	324952	10477/2009
13-03 NES	324870	10429/2009	23-03 H	325047	10482/2009
14-01	325009	10626/2009	23-04	324869	10226/2009
14-01	325010	10627/2009	24-02	324989	10575/2009
14-01	325011	10628/2009	24-02	325021	10583/2009
14-01	325035	10675/2009	24-02	325026	10582/2009
14-01	325036	10676/2009	24-02	325027	10587/2009
14-01	325043	10114/2009	24-02	325040	16000/2008
14-01	325075	10724/2009	24-02	325050	10667/2009
14-01	325076	10725/2009	24-02	325051	10586/2009
14-01	325077	10726/2009	25-01 C	324936	10351/2009
14-02	324921	10515/2009	25-01 D	324954	10532/2009
14-02	324926	10546/2009	25-01 E	324910	12347/2008
14-02	324937	10358/2009	25-01 E	324911	10464/2009
14-02	325035	10675/2009	25-01 E	324912	10465/2009
14-02	325036	10676/2009	25-01 E	324913	10466/2009
14-02	325044	10232/2009	25-01 E	324914	10467/2009
14-02	325063	10706/2009	25-01 E	324915	10468/2009
14-03 A	325035	10675/2009	25-01 K	325053	10679/2009
14-03 A	325036	10676/2009	25-01 K	325054	10680/2009
14-03 E	325020	10639/2009	25-02 A	324910	12347/2008
14-03 NES	324921	10515/2009	25-02 A	324911	10464/2009
14-03 NES	324954	10532/2009	25-02 A	324912	10465/2009
15-01	324919	15908/2008	25-02 A	324913	10466/2009
15-02	325045	10319/2009	25-02 A	324914	10467/2009
15-03 A	324975	10497/2009	25-02 A	324915	10468/2009
15-03 A	324976	10498/2009	25-02 C	324895	13142/2008
15-03 B	324984	10571/2009	25-02 C	324963	10478/2009
15-03 B	324991	10610/2009	25-02 C	324964	10479/2009
15-05	324907	14400/2008	25-02 C	324965	10480/2009
15-05	324908	14401/2008	25-02 C	324966	10481/2009
16-01	324999	10598/2009	25-02 NES	324917	15882/2008
16-06	324987	10567/2009	25-04	324977	10499/2009
16-06	324992	10578/2009	26-02	324938	10359/2009
16-06	325034	10670/2009	26-04	324924	10513/2009
17-04	324979	16097/2008	26-05 B	324943	10424/2009
17-99	324954	10532/2009	26-05 B	324944	10425/2009
18-02	325019	10638/2009	26-05 C	324876	15457/2008
19-06	324930	10547/2009	26-05 C	325049	10514/2009
19-06	324931	10548/2009	26-06	324947	10458/2009
20-02 E	325037	15780/2008	26-06	324993	10572/2009
20-03 NES	324934	10192/2009	26-06	324994	10573/2009
21-01 A	325046	10370/2009	26-99	324893	10301/2009
21-01 K	325061	10691/2009	28-03 B	324927	10542/2009
21-02 C	324939	10419/2009	28-03 B	324928	10543/2009
21-02 C	325062	10705/2009	28-03 B	324929	10544/2009
21-02 D	325025	10664/2009			
21-02 D	325034	10670/2009			
21-02 NES	324901	15420/2008			
21-02 NES	324902	12538/2008			

Registration Proceedings - Class Listing of Designs Published or Registered cont'd

(21) Design Number: **10226/2009**

(22) Date of Filing Application: **28 January 2009**

(24) Date from which industrial property rights may have effect: **28 January 2009**

(54) Product in respect of which the design is registered: **Elanra Air - A programmable pendant ioniser, battery operated that produces negative ions of oxygen.**

(51) International Design Classification: **23-04, 11-99, 13-03NES**

(71) Name(s) and Address(s) of Applicant(s):

**Joshua Shaw
PO Box 555 Robina Queensland 4226 Australia**

(72) Name(s) of Designer(s): **Joshua Shaw**

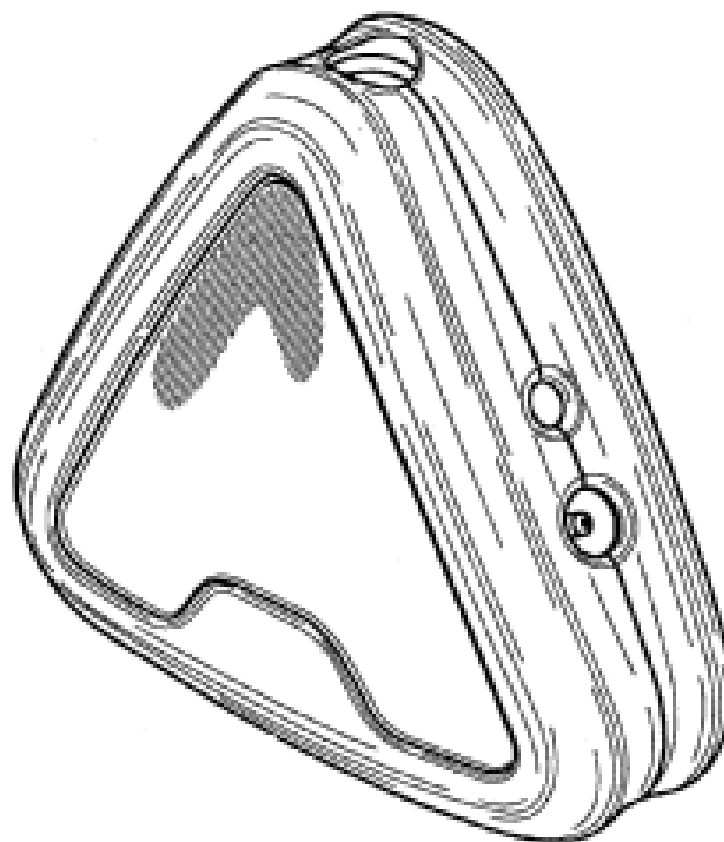
(45) Registration Date: **26 February 2009**

(30) Convention priority data:

(31) Number	(32) Date	(33) Country
00420.00.0011	18 Aug 2008	UNITED STATES OF AMERICA

(56) Related Art Documents: **Not Applicable**

(57) Statement of Newness and Distinctiveness: **A portable ornamental ioniser in the shape of a pyramid, that can be worn in the vicinity of the human face, including, for example, a necklace to diffuse concentrations of negative ions to the facial area of the wearer where the ions are beneficial. The pendant ioniser is given a pleasing external appearance and a useful purpose, such as advertising on its surface.**



(21) Design Number: **10429/2009**

(22) Date of Filing Application: **13 February 2009**

(24) Date from which industrial property rights may have effect: **13 February 2009**

(54) Product in respect of which the design is registered: **Variable speed electric drive**

(51) International Design Classification: **13-03NES**

(71) Name(s) and Address(s) of Applicant(s):

**SEW-EURODRIVE GmbH & Co. KG
Ernst-Blickle-Strasse 42 D-76646 Bruchsal Germany**

(72) Name(s) of Designer(s): **Markus Keppelen and Glyn Jones**

(45) Registration Date: **26 February 2009**

(30) Convention priority data:

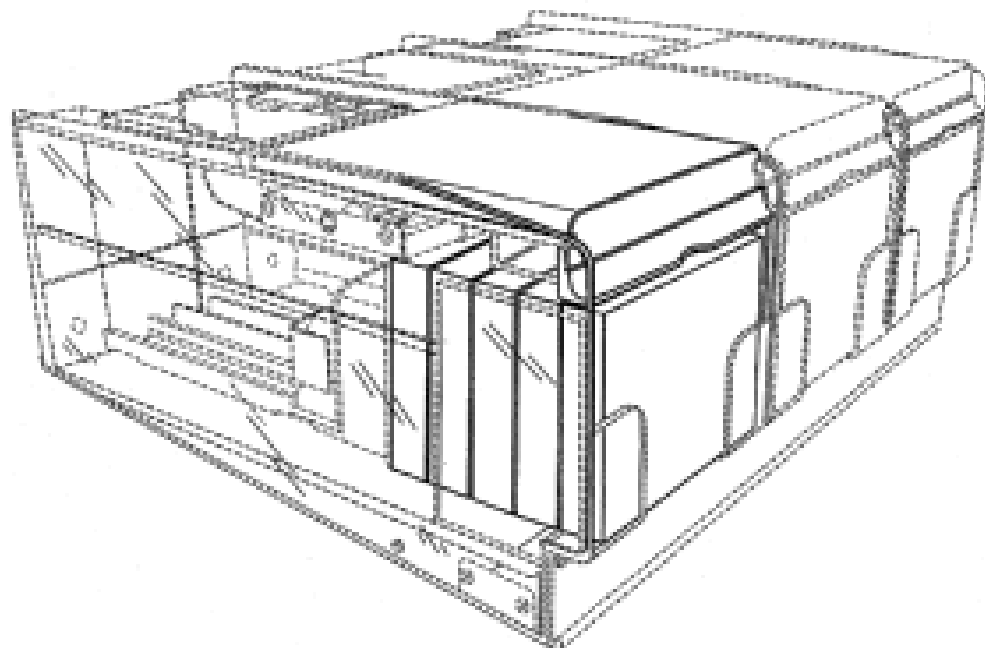
(31) Number	(32) Date	(33) Country
402008004010.4	19 Aug 2008	GERMANY

(56) Related Art Documents: **Not Applicable**

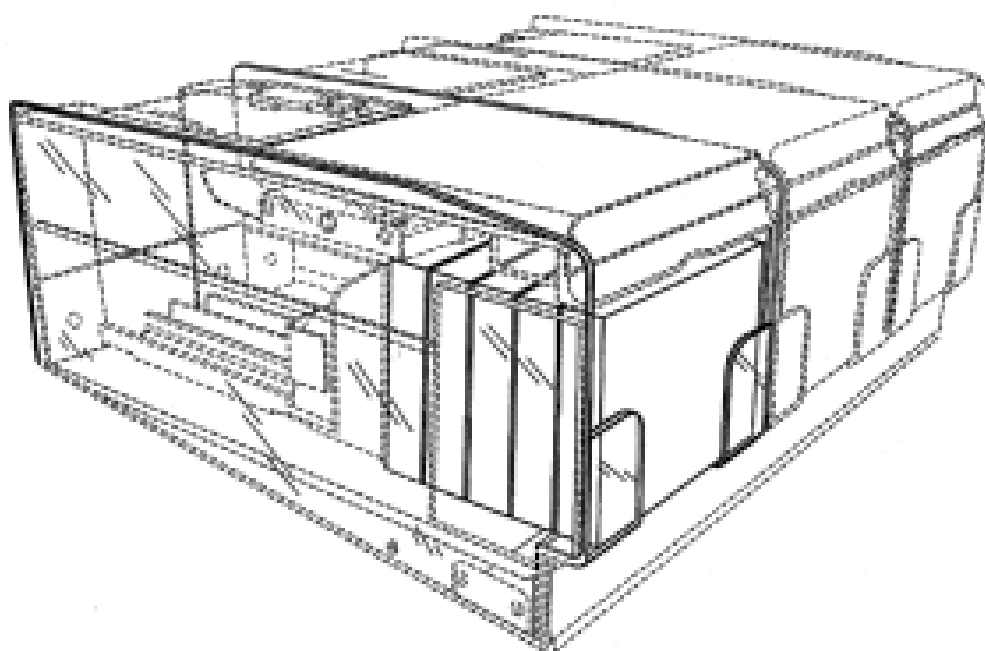
(57) Statement of Newness and Distinctiveness: **The visual features of shape and configuration of the variable speed electric drive shown in the representations are new and distinctive. Symbols and alpha numeric markings shown in the representations do not form part of the design and are to be disregarded.**



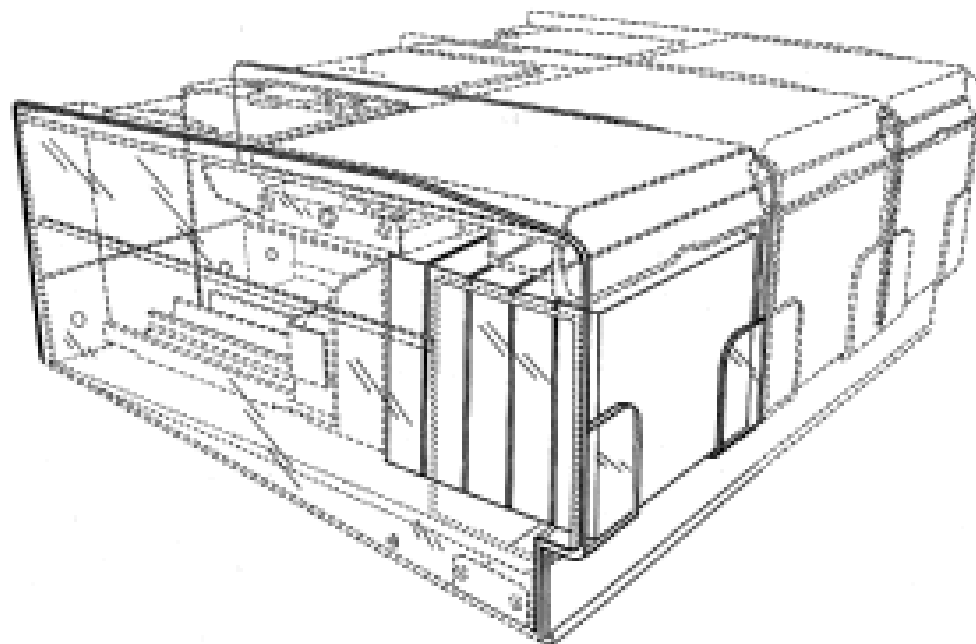
(21) Design Number: **10432/2009**
(22) Date of Filing Application: **13 February 2009**
(24) Date from which industrial property rights may have effect: **13 February 2009**
(54) Product in respect of which the design is registered: **Secure dispenser**
(51) International Design Classification: **07-99NES**
(71) Name(s) and Address(s) of Applicant(s):
The Procter & Gamble Company
One Procter & Gamble Plaza Cincinnati Ohio 45202 United States of America
(72) Name(s) of Designer(s): **Timothy Lee Mason and Jeffrey Victor Mason**
(45) Registration Date: **26 February 2009**
(30) Convention priority data:
(31) Number (32) Date (33) Country
29/323,089 18 Aug 2008 UNITED STATES OF AMERICA
(56) Related Art Documents: **Not Applicable**
(57) Statement of Newness and Distinctiveness: **Newness and distinctiveness reside in the features of shape and/or configuration of the secure dispenser, as shown in the representations. Newness and distinctiveness are not claimed in relation to the features shown in broken lines in the representations.**



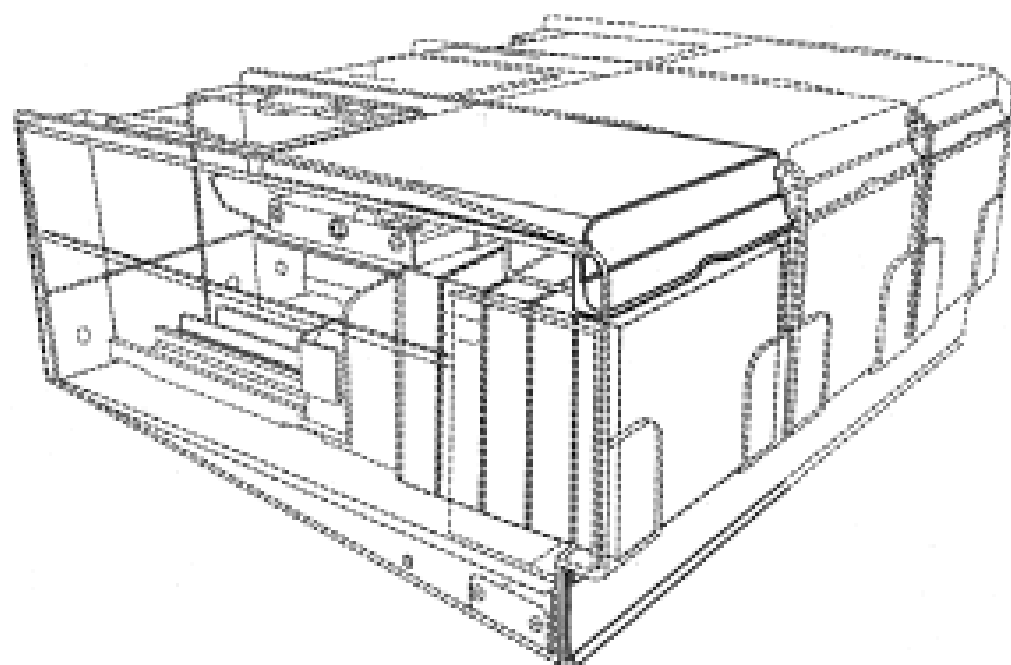
(21) Design Number: **10433/2009**
(22) Date of Filing Application: **13 February 2009**
(24) Date from which industrial property rights may have effect: **13 February 2009**
(54) Product in respect of which the design is registered: **Secure dispenser**
(51) International Design Classification: **07-99NES**
(71) Name(s) and Address(s) of Applicant(s):
The Procter & Gamble Company
One Procter & Gamble Plaza Cincinnati Ohio 45202 United States of America
(72) Name(s) of Designer(s): **Timothy Lee Mason and Jeffrey Victor Mason**
(45) Registration Date: **26 February 2009**
(30) Convention priority data:
(31) Number (32) Date (33) Country
29/323,089 18 Aug 2008 UNITED STATES OF AMERICA
(56) Related Art Documents: **Not Applicable**
(57) Statement of Newness and Distinctiveness: **Newness and distinctiveness reside in the features of shape and/or configuration of the secure dispenser, as shown in the representations. Newness and distinctiveness are not claimed in relation to the features shown in broken lines in the representations.**



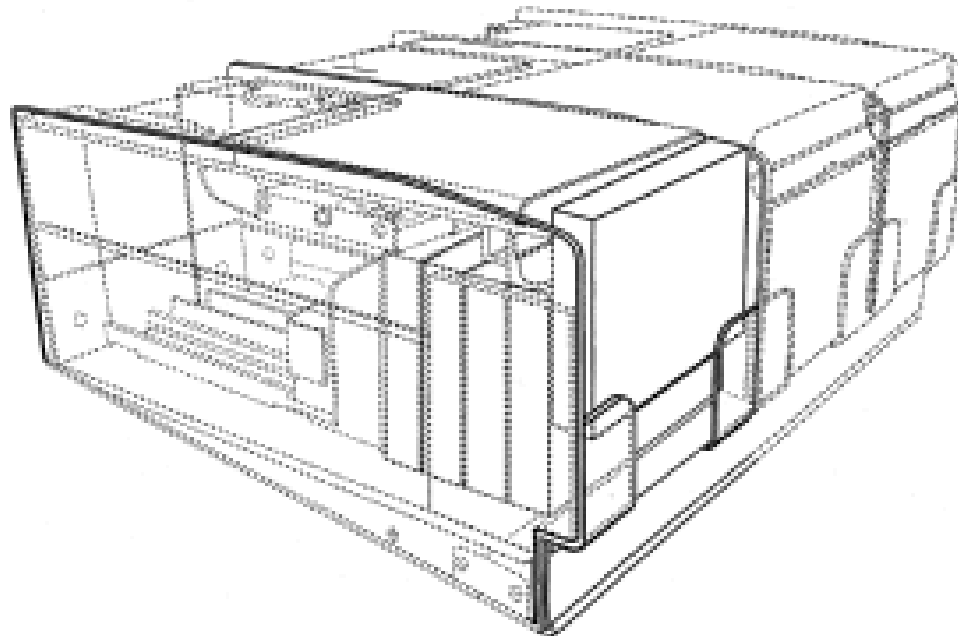
(21) Design Number: **10434/2009**
 (22) Date of Filing Application: **13 February 2009**
 (24) Date from which industrial property rights may have effect: **13 February 2009**
 (54) Product in respect of which the design is registered: **Secure dispenser**
 (51) International Design Classification: **07-99NES**
 (71) Name(s) and Address(s) of Applicant(s):
The Procter & Gamble Company
One Procter & Gamble Plaza Cincinnati Ohio 45202 United States of America
 (72) Name(s) of Designer(s): **Timothy Lee Mason and Jeffrey Victor Mason**
 (45) Registration Date: **26 February 2009**
 (30) Convention priority data:
 (31) Number (32) Date (33) Country
29/323,089 18 Aug 2008 UNITED STATES OF AMERICA
 (56) Related Art Documents: **Not Applicable**
 (57) Statement of Newness and Distinctiveness: **Newness and distinctiveness reside in the features of shape and/or configuration of the secure dispenser, as shown in the representations. Newness and distinctiveness are not claimed in relation to the features shown in broken lines in the representations.**



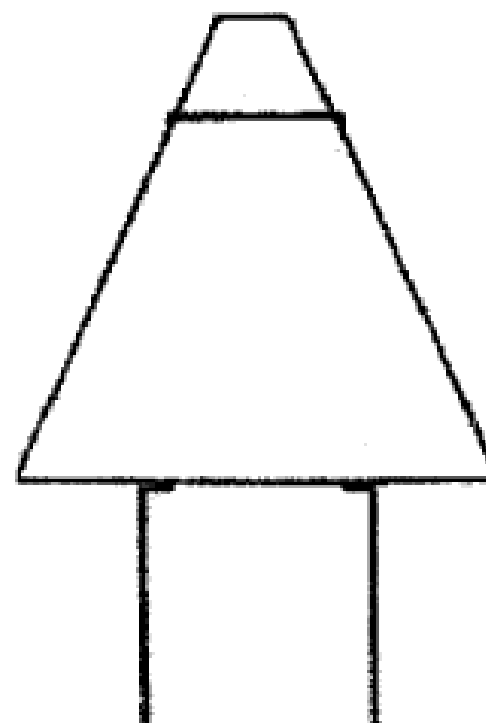
(21) Design Number: **10435/2009**
 (22) Date of Filing Application: **13 February 2009**
 (24) Date from which industrial property rights may have effect: **13 February 2009**
 (54) Product in respect of which the design is registered: **Secure dispenser**
 (51) International Design Classification: **07-99NES**
 (71) Name(s) and Address(s) of Applicant(s):
The Procter & Gamble Company
One Procter & Gamble Plaza Cincinnati Ohio 45202 United States of America
 (72) Name(s) of Designer(s): **Timothy Lee Mason and Jeffrey Victor Mason**
 (45) Registration Date: **26 February 2009**
 (30) Convention priority data:
 (31) Number (32) Date (33) Country
29/323,089 18 Aug 2008 UNITED STATES OF AMERICA
 (56) Related Art Documents: **Not Applicable**
 (57) Statement of Newness and Distinctiveness: **Newness and distinctiveness reside in the features of shape and/or configuration of the secure dispenser, as shown in the representations. Newness and distinctiveness are not claimed in relation to the features shown in broken lines in the representations.**



(21) Design Number: **10436/2009**
(22) Date of Filing Application: **13 February 2009**
(24) Date from which industrial property rights may have effect: **13 February 2009**
(54) Product in respect of which the design is registered: **Secure dispenser**
(51) International Design Classification: **07-99NES**
(71) Name(s) and Address(s) of Applicant(s):
The Procter & Gamble Company
One Procter & Gamble Plaza Cincinnati Ohio 45202 United States of America
(72) Name(s) of Designer(s): **Timothy Lee Mason and Jeffrey Victor Mason**
(45) Registration Date: **26 February 2009**
(30) Convention priority data:
(31) Number (32) Date (33) Country
29/323,089 18 Aug 2008 UNITED STATES OF AMERICA
(56) Related Art Documents: **Not Applicable**
(57) Statement of Newness and Distinctiveness: **Newness and distinctiveness reside in the features of shape and/or configuration of the secure dispenser, as shown in the representations. Newness and distinctiveness are not claimed in relation to the features shown in broken lines in the representations.**



(21) Design Number: **15457/2008**
(22) Date of Filing Application: **18 November 2008**
(24) Date from which industrial property rights may have effect: **18 November 2008**
(54) Product in respect of which the design is registered: **Down lighter cover**
(51) International Design Classification: **26-05C**
(71) Name(s) and Address(s) of Applicant(s):
Tenmat Limited
Ashburton Road West Trafford Park Manchester M17 1RU United Kingdom
(72) Name(s) of Designer(s): **Rupert Coggon**
(45) Registration Date: **26 February 2009**
(56) Related Art Documents: **Not Applicable**
(57) Statement of Newness and Distinctiveness: **Newness and distinctiveness is claimed in the visual features shown in solid lines in the representations.**



(21) Design Number: **16011/2008**

(22) Date of Filing Application: **23 December 2008**

(24) Date from which industrial property rights may have effect: **23 December 2008**

(54) Product in respect of which the design is registered: **Lower electrode structure for welding**

(51) International Design Classification: **08-05M**

(71) Name(s) and Address(s) of Applicant(s):

SMK Co., Ltd.

830-5 Ooi Tsukui-cho Sagamihara-shi Kanagawa Japan

(72) Name(s) of Designer(s): **Masato Hidaka**

(45) Registration Date: **06 March 2009**

(30) Convention priority data:

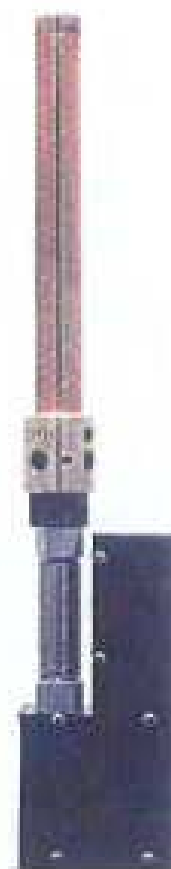
(31) Number
2008-016106

(32) Date
24 Jun 2008

(33) Country
JAPAN

(56) Related Art Documents: **Not Applicable**

(57) Statement of Newness and Distinctiveness: **Newness and distinctiveness reside in the features of the design as shown in the representations.**



(21) Design Number: **16012/2008**

(22) Date of Filing Application: **23 December 2008**

(24) Date from which industrial property rights may have effect: **23 December 2008**

(54) Product in respect of which the design is registered: **Lower electrode structure for welding**

(51) International Design Classification: **08-05M**

(71) Name(s) and Address(s) of Applicant(s):

SMK Co., Ltd.

830-5 Ooi Tsukui-cho Sagamihara-shi Kanagawa Japan

(72) Name(s) of Designer(s): **Masato Hidaka**

(45) Registration Date: **06 March 2009**

(30) Convention priority data:

(31) Number
2008-26875

(32) Date
20 Oct 2008

(33) Country
JAPAN

(56) Related Art Documents: **Not Applicable**

(57) Statement of Newness and Distinctiveness: **Newness and distinctiveness reside in the features of the design as shown in the representations.**



(21) Design Number: **10177/2009**

(22) Date of Filing Application: **27 January 2009**

(24) Date from which industrial property rights may have effect: **27 January 2009**

(54) Product in respect of which the design is registered: **Magnetic water conditioner**

(51) International Design Classification: **23-01G**

(71) Name(s) and Address(s) of Applicant(s):

Victor Cassar

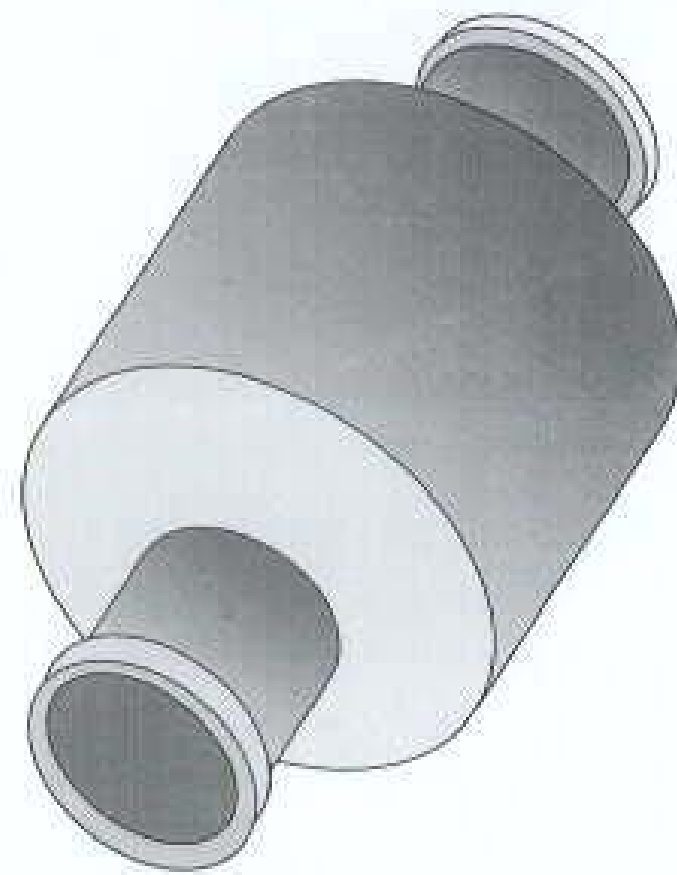
Unit 1/12 Jura Street Heatherbrae New South Wales 2324 Australia

(72) Name(s) of Designer(s): **Victor Cassar**

(45) Registration Date: **26 February 2009**

(56) Related Art Documents: **Not Applicable**

(57) Statement of Newness and Distinctiveness: **Magnetic system with victaulic fittings.**



(21) Design Number: **10178/2009**

(22) Date of Filing Application: **27 January 2009**

(24) Date from which industrial property rights may have effect: **27 January 2009**

(54) Product in respect of which the design is registered: **Magnetic water conditioner in mining**

(51) International Design Classification: **23-01G**

(71) Name(s) and Address(s) of Applicant(s):

Victor Cassar

Unit 1/12 Jura Street Heatherbrae New South Wales 2324 Australia

(72) Name(s) of Designer(s): **Victor Cassar**

(45) Registration Date: **26 February 2009**

(56) Related Art Documents: **Not Applicable**

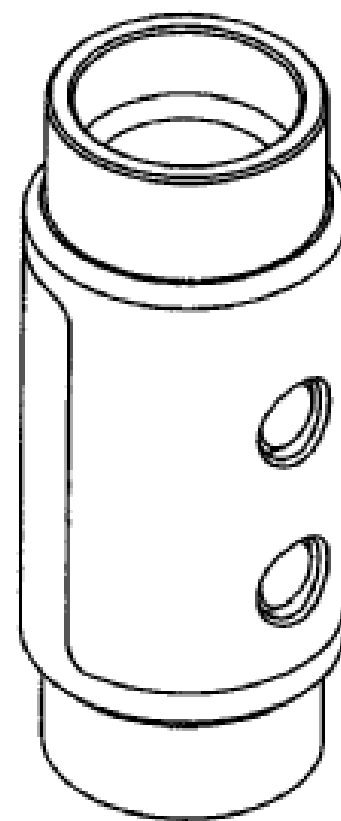
(57) Statement of Newness and Distinctiveness: **Magnetic system with victaulic fittings and reducers.**



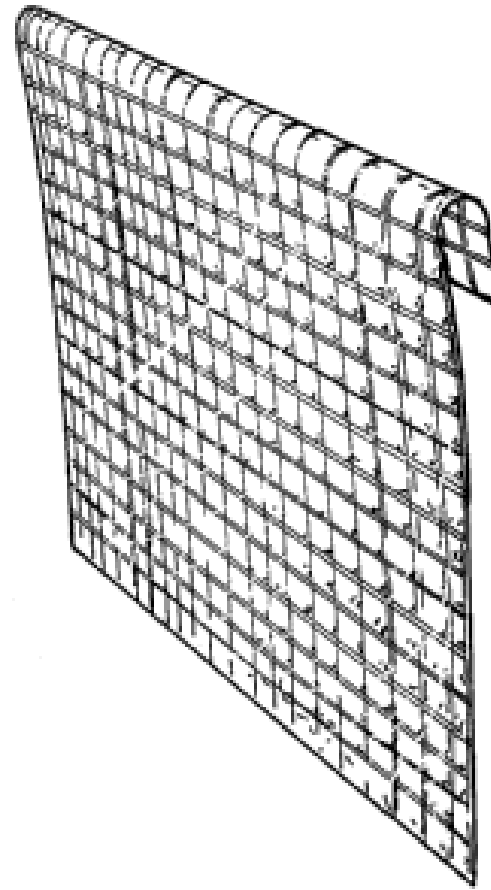
- (21) Design Number: **10301/2009**
(22) Date of Filing Application: **05 February 2009**
(24) Date from which industrial property rights may have effect: **05 February 2009**
(54) Product in respect of which the design is registered: **Cap with embedded LED lights and battery compartment**
(51) International Design Classification: **02-03, 26-99**
(71) Name(s) and Address(s) of Applicant(s):
Teamworx Australia Pty. Ltd.
110/12 Cato Street Hawthorn East Victoria 3123 Australia
(72) Name(s) of Designer(s): **Stephen Briggs**
(45) Registration Date: **26 February 2009**
(56) Related Art Documents: **Not Applicable**
(57) Statement of Newness and Distinctiveness: **Embedded LED lights in cap peak and battery compartment inside cap band.**



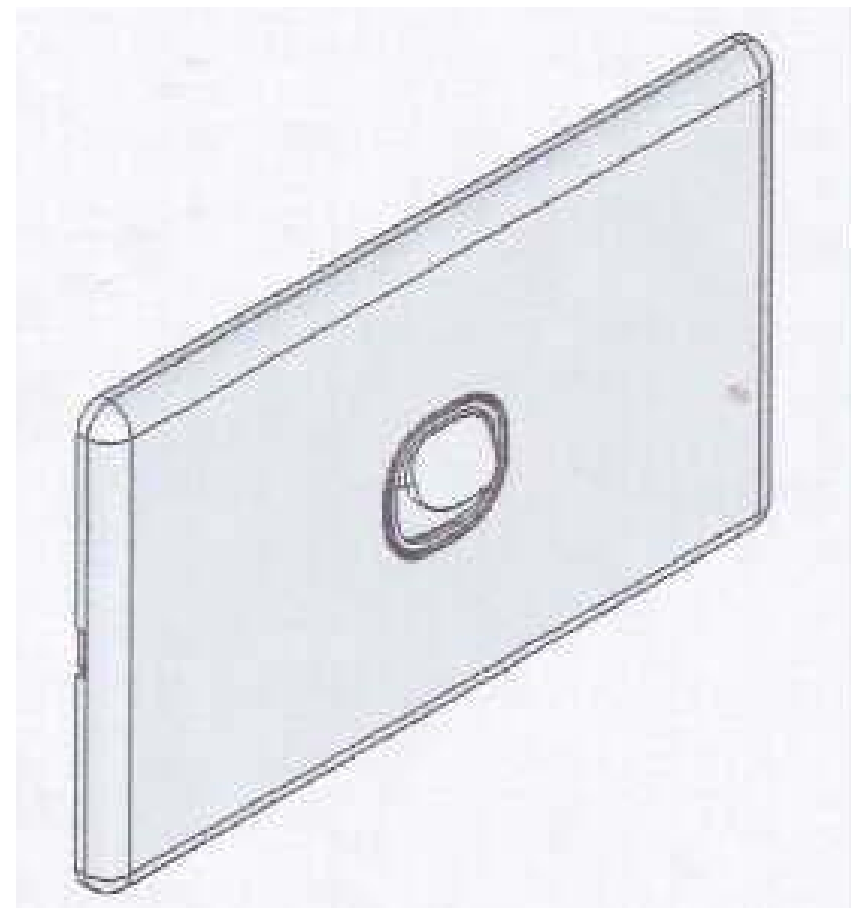
- (21) Design Number: **10363/2009**
(22) Date of Filing Application: **10 February 2009**
(24) Date from which industrial property rights may have effect: **10 February 2009**
(54) Product in respect of which the design is registered: **Tube coupling**
(51) International Design Classification: **12-16NES, 08-05E**
(71) Name(s) and Address(s) of Applicant(s):
Minecorp Pty Ltd
20 Postle Street Coopers Plains Queensland 4108 Australia
(72) Name(s) of Designer(s): **Ian Schultz and Mark Lacey and Huzaifah Khan**
(45) Registration Date: **26 February 2009**
(56) Related Art Documents: **Not Applicable**
(57) Statement of Newness and Distinctiveness: **The shape and configuration of the projection and corresponding recess on the mating inner surfaces of the tube coupling are new and distinctive.**



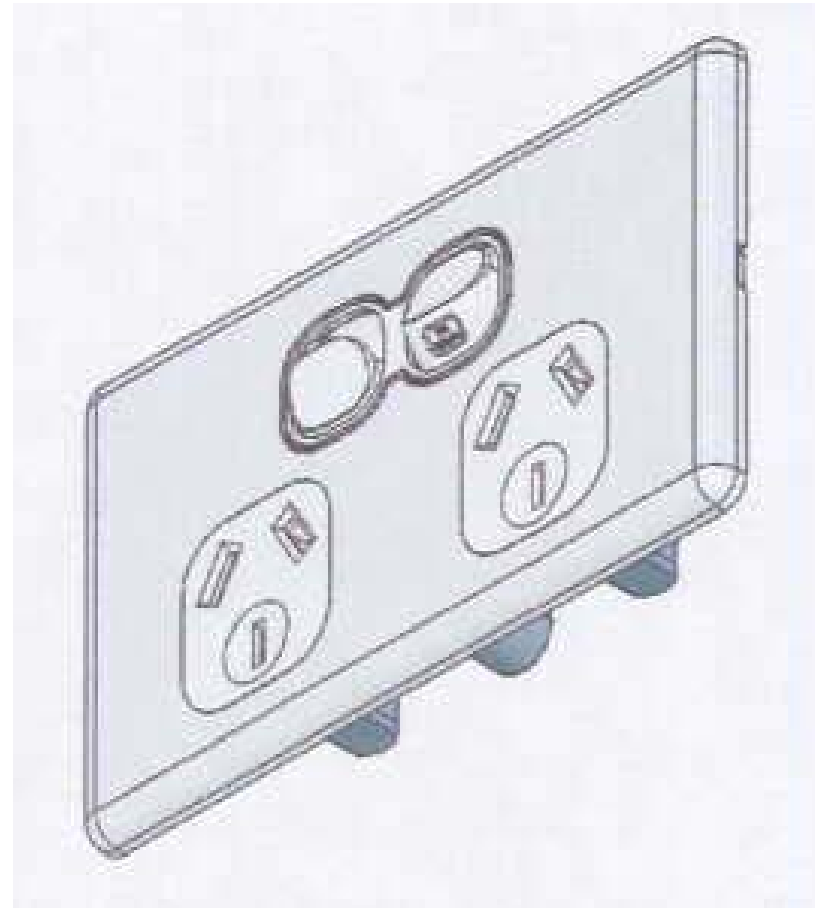
- (21) Design Number: **13142/2008**
(22) Date of Filing Application: **04 July 2008**
(24) Date from which industrial property rights may have effect: **04 July 2008**
(54) Product in respect of which the design is registered: **A mesh shrink plastic covered hook over panel**
(51) International Design Classification: **25-02C**
(71) Name(s) and Address(s) of Applicant(s):
Lesny Pty Ltd
21 Steel Place Morningside Queensland 4170 Australia
(72) Name(s) of Designer(s): **Daniel Charles Underwood and Ryan Rogers**
(45) Registration Date: **26 February 2009**
(56) Related Art Documents: **Not Applicable**
(57) Statement of Newness and Distinctiveness: **Distinctiveness resides in the shape and configuration of a panel of indefinite length having a cross-section and "material detail" as illustrated in the representation.**



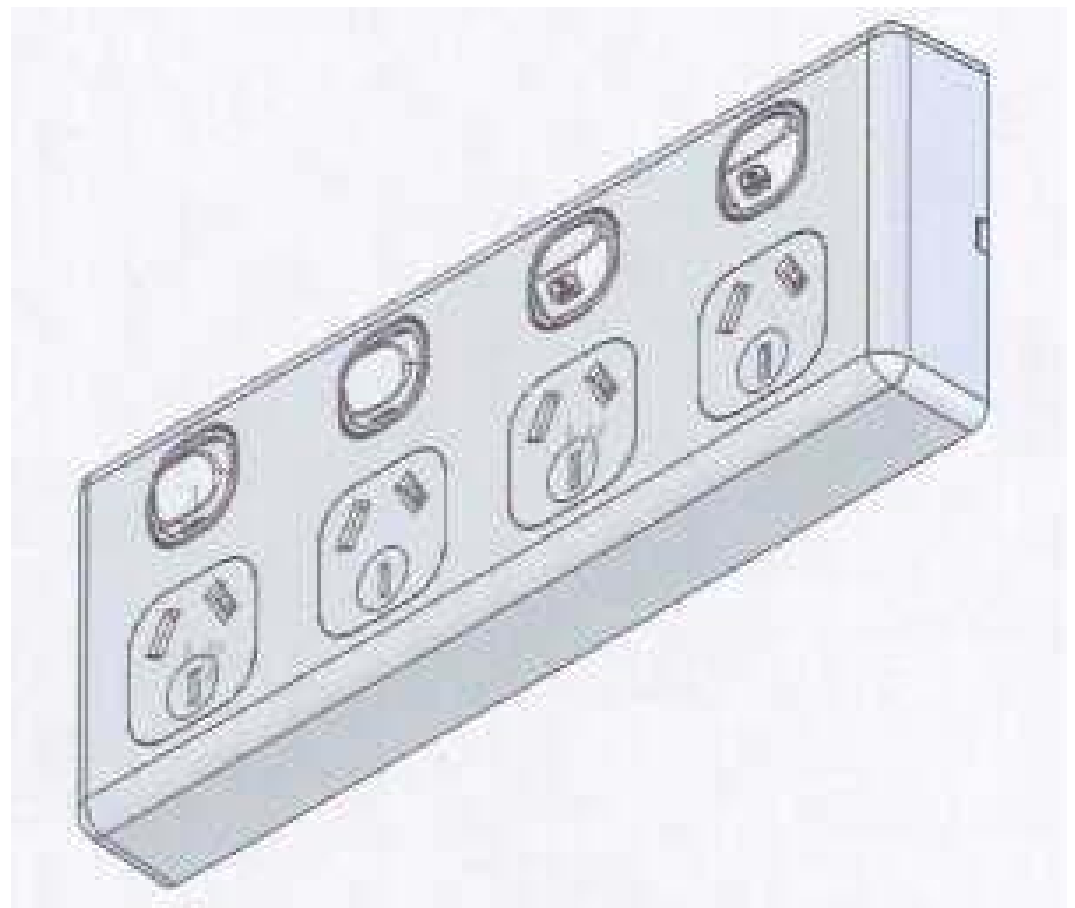
- (21) Design Number: **13823/2008**
(22) Date of Filing Application: **11 August 2008**
(24) Date from which industrial property rights may have effect: **11 August 2008**
(54) Product in respect of which the design is registered: **Slim series of wall switch**
(51) International Design Classification: **13-03D**
(71) Name(s) and Address(s) of Applicant(s):
Wenzhou Hall electrical Appliance Manufacture Co., Ltd
16-1 Baozhou Road Wenzhou Zhejiang 325000 P.R. China
(72) Name(s) of Designer(s): **Dinghua Zhang**
(45) Registration Date: **26 February 2009**
(56) Related Art Documents: **Not Applicable**
(57) Statement of Newness and Distinctiveness: **The shape (the curve and thickness) of the cover design and the structure of frame are completely new.**



- (21) Design Number: **13824/2008**
(22) Date of Filing Application: **11 August 2008**
(24) Date from which industrial property rights may have effect: **11 August 2008**
(54) Product in respect of which the design is registered: **Slim series of wall socket outlet**
(51) International Design Classification: **13-03D**
(71) Name(s) and Address(s) of Applicant(s):
Wenzhou Hall electrical Appliance Manufacture Co., Ltd
16-1 Baozhou Road Wenzhou Zhejiang 325000 P.R. China
(72) Name(s) of Designer(s): **Dinghua Zhang**
(45) Registration Date: **26 February 2009**
(56) Related Art Documents: **Not Applicable**
(57) Statement of Newness and Distinctiveness: **The shape (the curve and thickness) of the cover design and the structure of frame and inside metals are completely new.**



- (21) Design Number: **13825/2008**
(22) Date of Filing Application: **11 August 2008**
(24) Date from which industrial property rights may have effect: **11 August 2008**
(54) Product in respect of which the design is registered: **Switched four gang socket outlet**
(51) International Design Classification: **13-03D**
(71) Name(s) and Address(s) of Applicant(s):
Wenzhou Hall electrical Appliance Manufacture Co., Ltd
16-1 Baozhou Road Wenzhou Zhejiang 325000 P.R. China
(72) Name(s) of Designer(s): **Dinghua Zhang**
(45) Registration Date: **26 February 2009**
(56) Related Art Documents: **Not Applicable**
(57) Statement of Newness and Distinctiveness: **The shape (the curve and thickness) of the cover design and the structure of frame and inside metals are completely new.**



(21) Design Number: **13826/2008**

(22) Date of Filing Application: **11 August 2008**

(24) Date from which industrial property rights may have effect: **11 August 2008**

(54) Product in respect of which the design is registered: **The cover of one gang switch**

(51) International Design Classification: **13-03D**

(71) Name(s) and Address(s) of Applicant(s):

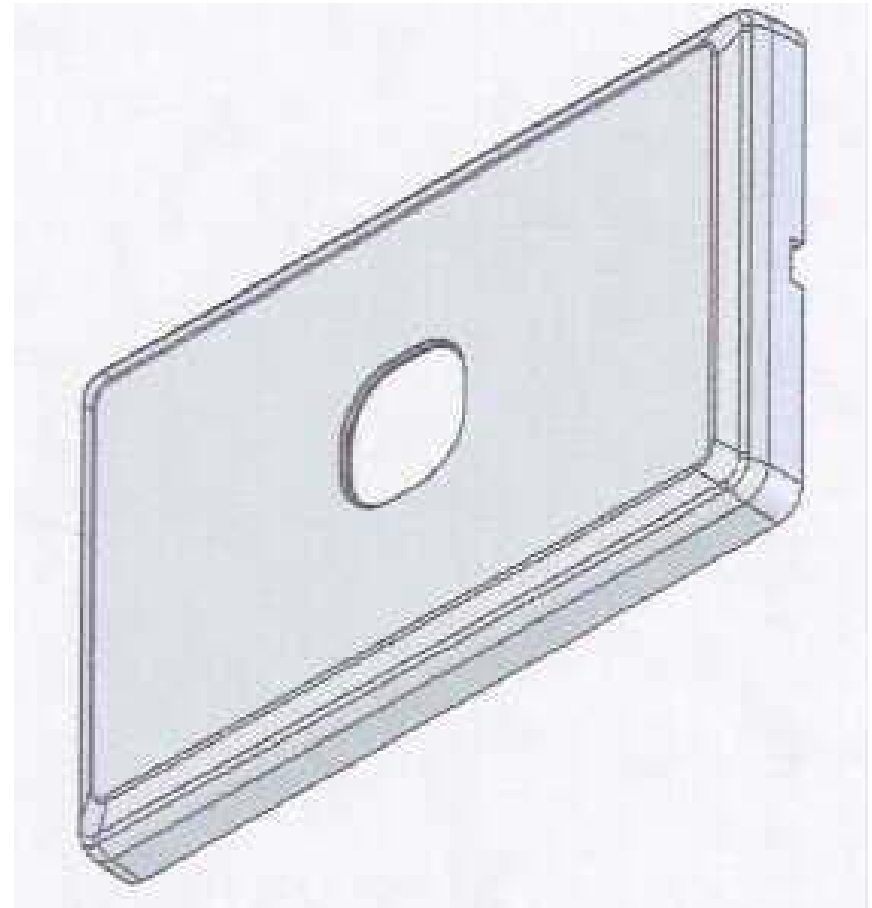
**Wenzhou Hall electrical Appliance Manufacture Co., Ltd
16-1 Baozhou Road Wenzhou Zhejiang 325000 P.R. China**

(72) Name(s) of Designer(s): **Dinghua Zhang**

(45) Registration Date: **26 February 2009**

(56) Related Art Documents: **Not Applicable**

(57) Statement of Newness and Distinctiveness: **The shape (the curve and thickness) of the cover design are completely new.**



(21) Design Number: **13827/2008**

(22) Date of Filing Application: **11 August 2008**

(24) Date from which industrial property rights may have effect: **11 August 2008**

(54) Product in respect of which the design is registered: **Double powerpoint**

(51) International Design Classification: **13-03D**

(71) Name(s) and Address(s) of Applicant(s):

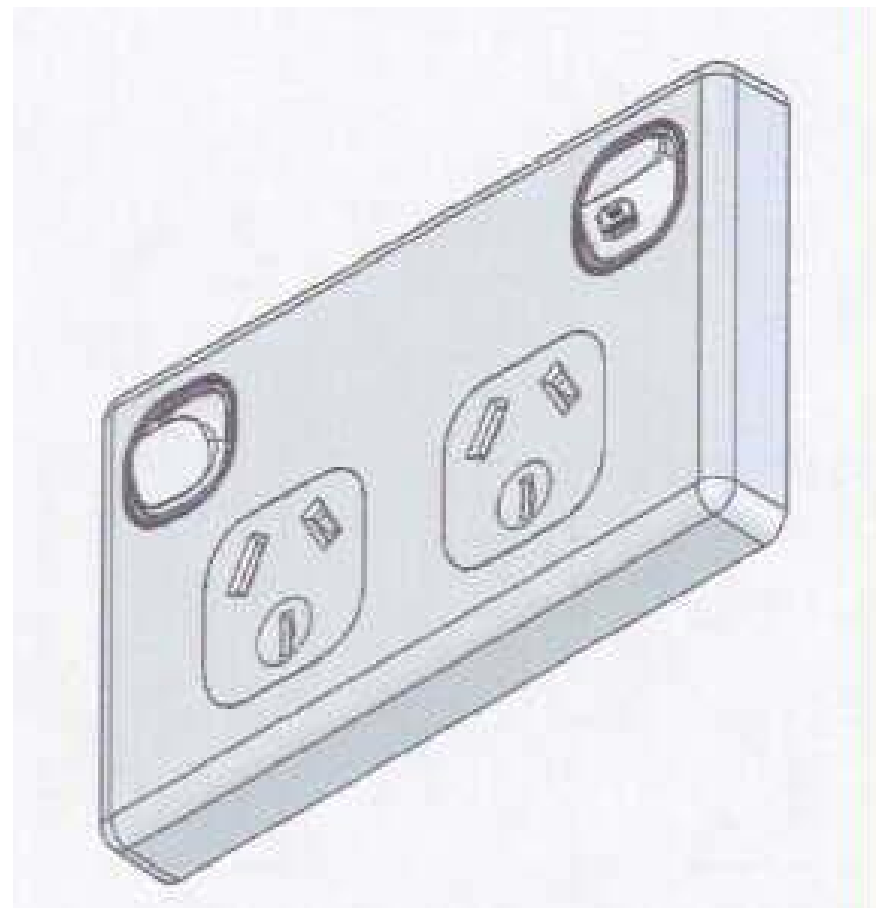
**Wenzhou Hall electrical Appliance Manufacture Co., Ltd
16-1 Baozhou Road Wenzhou Zhejiang 325000 P.R. China**

(72) Name(s) of Designer(s): **Dinghua Zhang**

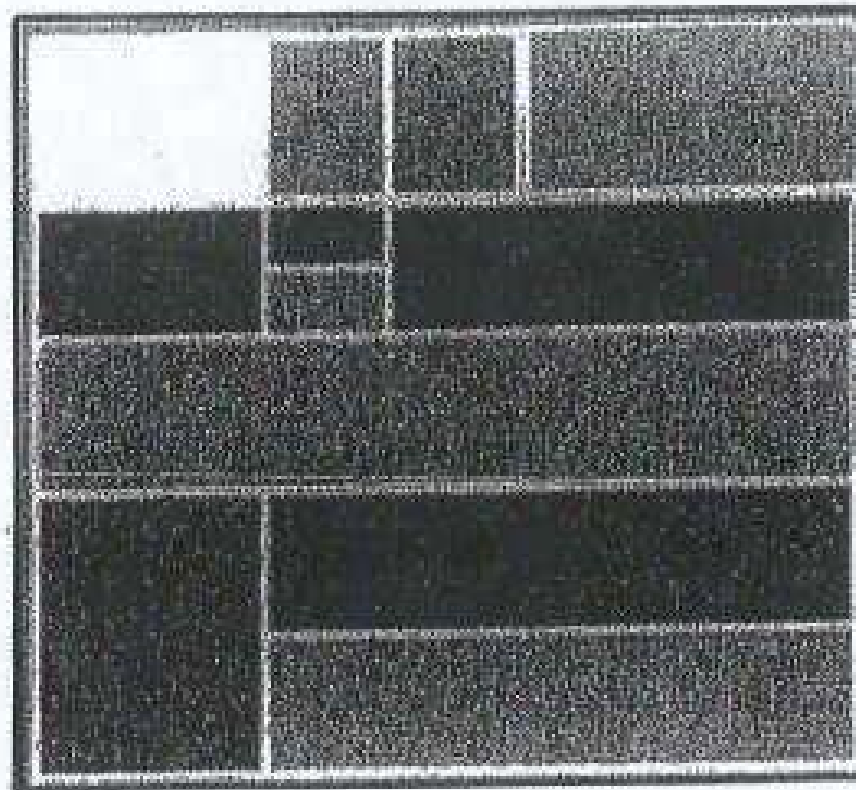
(45) Registration Date: **26 February 2009**

(56) Related Art Documents: **Not Applicable**

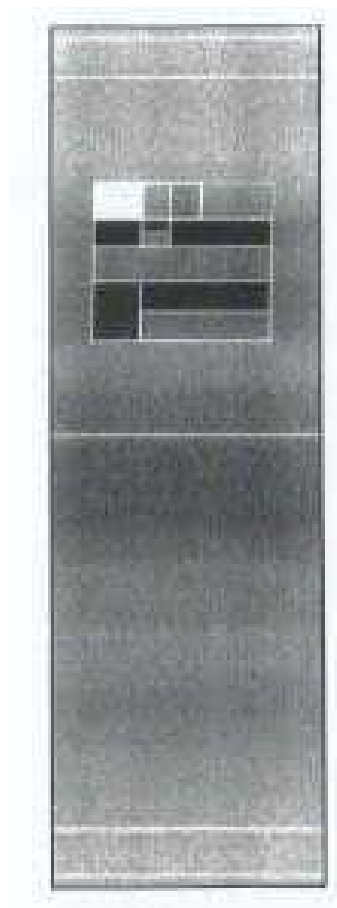
(57) Statement of Newness and Distinctiveness: **The design (the structure) and metals inside of this double powerpoint are completely new.**



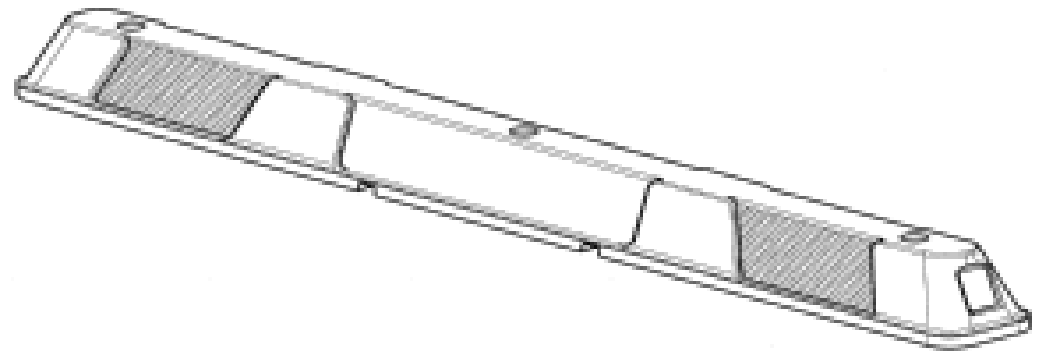
- (21) Design Number: **15420/2008**
(22) Date of Filing Application: **27 May 2008**
(24) Date from which industrial property rights may have effect: **27 May 2008**
(54) Product in respect of which the design is registered: **Cricket mat**
(51) International Design Classification: **21-02NES, 06-11**
(71) Name(s) and Address(s) of Applicant(s):
Richard Burton
79A Main Street Anston Sheffield S25 4BE United Kingdom
(72) Name(s) of Designer(s): **Richard Burton**
(45) Registration Date: **26 February 2009**
(30) Convention priority data:
(31) Number (32) Date (33) Country
832993-0002 27 Nov 2007 EUROPEAN COMMUNITY
(62) Divisional of: **324902**
(56) Related Art Documents: **Not Applicable**
(57) Statement of Newness and Distinctiveness: **The pattern and ornamentation of the cricket mat is new and distinctive.**



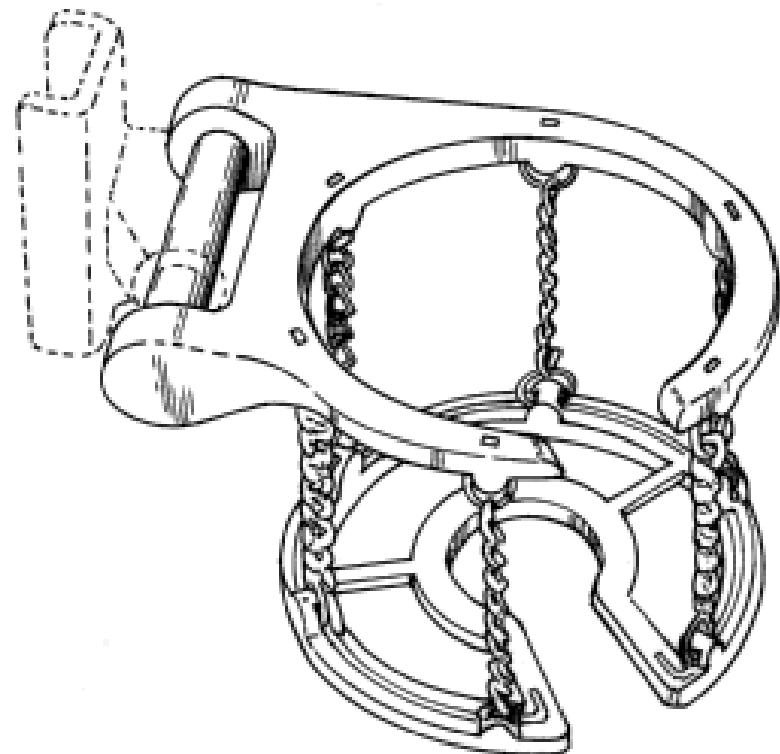
- (21) Design Number: **12538/2008**
(22) Date of Filing Application: **27 May 2008**
(24) Date from which industrial property rights may have effect: **27 May 2008**
(54) Product in respect of which the design is registered: **Cricket mat**
(51) International Design Classification: **06-11, 21-02NES**
(71) Name(s) and Address(s) of Applicant(s):
Richard Burton
79A Main Street Anston Sheffield S25 4BE United Kingdom
(72) Name(s) of Designer(s): **Richard Burton**
(45) Registration Date: **26 February 2009**
(30) Convention priority data:
(31) Number (32) Date (33) Country
832993-0002 27 Nov 2007 EUROPEAN COMMUNITY
(56) Related Art Documents: **Not Applicable**
(57) Statement of Newness and Distinctiveness: **The pattern and ornamentation of each cricket mat is new and distinctive.**



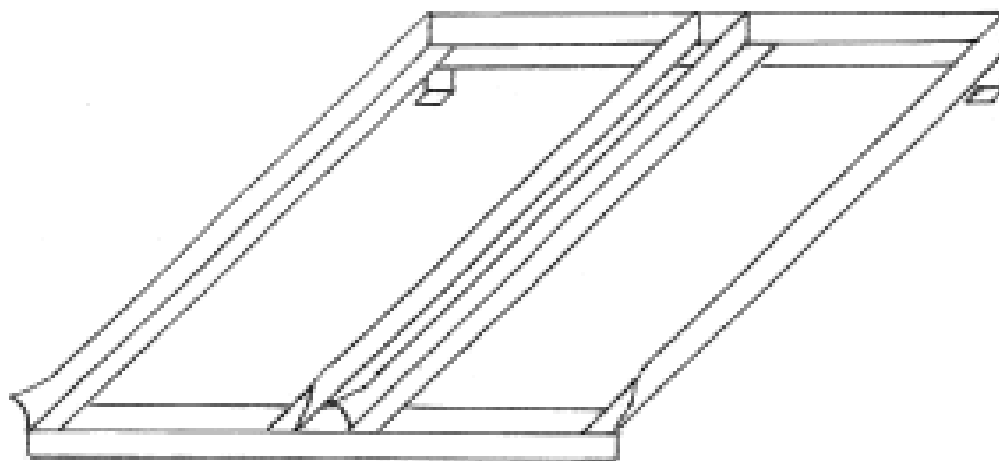
(21) Design Number: **15583/2008**
(22) Date of Filing Application: **25 November 2008**
(24) Date from which industrial property rights may have effect: **25 November 2008**
(54) Product in respect of which the design is registered: **Wheel stop**
(51) International Design Classification: **10-06**
(71) Name(s) and Address(s) of Applicant(s):
North Pacific Supplies Pty Ltd
Suite 21 Level 2 58 Riverwalk Avenue Robina Queensland 4226
Australia
(72) Name(s) of Designer(s): **Daniel Glynn Murray Waters**
(45) Registration Date: **26 February 2009**
(56) Related Art Documents: **Not Applicable**
(57) Statement of Newness and Distinctiveness: **Nil**



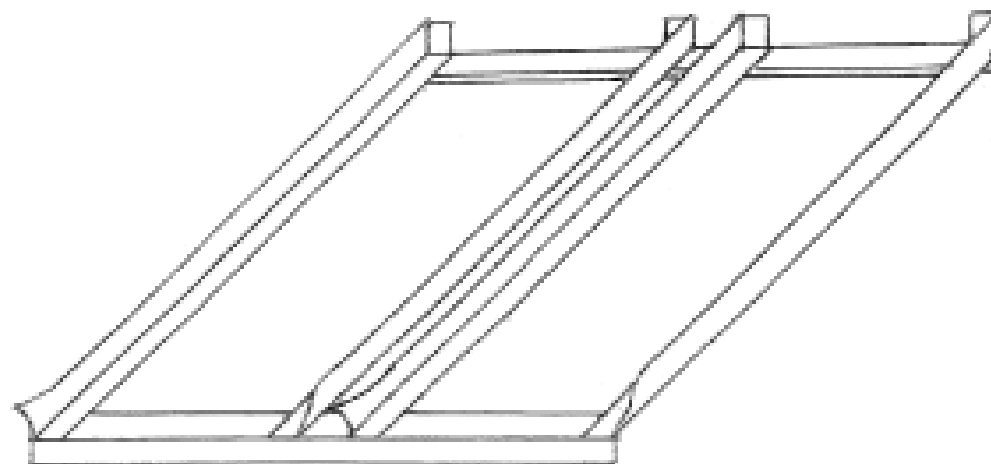
(21) Design Number: **15589/2008**
(22) Date of Filing Application: **26 November 2008**
(24) Date from which industrial property rights may have effect: **26 November 2008**
(54) Product in respect of which the design is registered: **Holder for cups and other objects**
(51) International Design Classification: **07-06A**
(71) Name(s) and Address(s) of Applicant(s):
The Coleman Company, Inc.
3600 North Hydraulic Wichita KS 67219 United States of America
(72) Name(s) of Designer(s): **Ronald Chappell**
(45) Registration Date: **26 February 2009**
(56) Related Art Documents: **Not Applicable**
(57) Statement of Newness and Distinctiveness: **The shape and configuration, of those parts of the product shown other than by means of phantom lines in the representations are new and distinctive. When assessing for validity or infringement, no regard is to be taken of the shape of the attachment mechanism shown in phantom.**



- (21) Design Number: **15818/2008**
- (22) Date of Filing Application: **12 December 2008**
- (24) Date from which industrial property rights may have effect: **12 December 2008**
- (54) Product in respect of which the design is registered: **Storage racking**
- (51) International Design Classification: **06-04NES**
- (71) Name(s) and Address(s) of Applicant(s):
Hunt and Reid Engineering Pty Ltd
16 Arbuthnot Street Kelmscott Western Australia 6111 Australia
- (72) Name(s) of Designer(s): **Martin Hunt and Gail Reid**
- (45) Registration Date: **26 February 2009**
- (56) Related Art Documents: **Not Applicable**
- (57) Statement of Newness and Distinctiveness: **Nil**



- (21) Design Number: **15819/2008**
- (22) Date of Filing Application: **12 December 2008**
- (24) Date from which industrial property rights may have effect: **12 December 2008**
- (54) Product in respect of which the design is registered: **Storage racking**
- (51) International Design Classification: **06-04NES**
- (71) Name(s) and Address(s) of Applicant(s):
Hunt and Reid Engineering Pty Ltd
16 Arbuthnot Street Kelmscott Western Australia 6111 Australia
- (72) Name(s) of Designer(s): **Martin Hunt and Gail Reid**
- (45) Registration Date: **26 February 2009**
- (56) Related Art Documents: **Not Applicable**
- (57) Statement of Newness and Distinctiveness: **Nil**



(21) Design Number: **14400/2008**

(22) Date of Filing Application: **15 September 2008**

(24) Date from which industrial property rights may have effect: **15 September 2008**

(54) Product in respect of which the design is registered: **Vacuum cleaner**

(51) International Design Classification: **15-05**

(71) Name(s) and Address(s) of Applicant(s):

**Aktiebolaget Electrolux
S:t Goransgatan 143 SE 105-45 Stockholm Sweden**

(72) Name(s) of Designer(s): **Christian Agren**

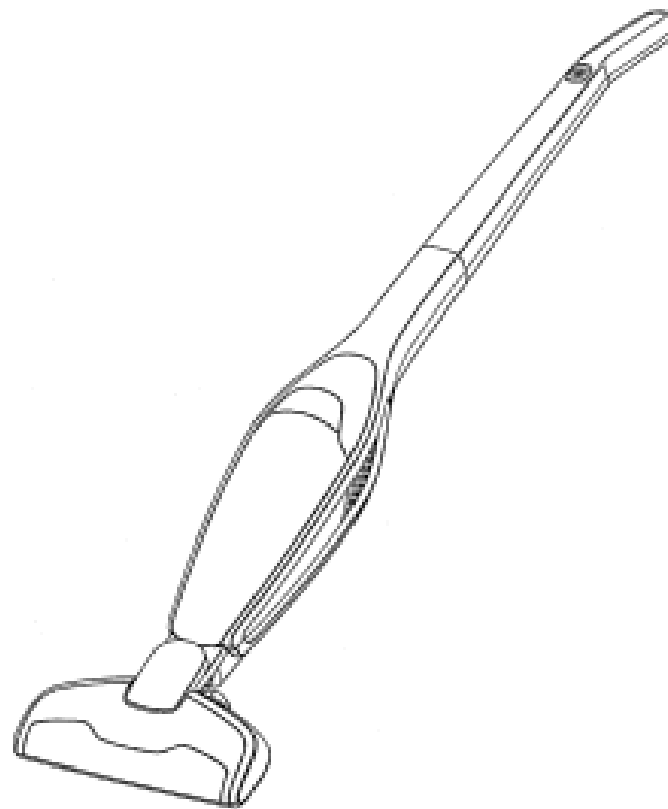
(45) Registration Date: **26 February 2009**

(30) Convention priority data:

(31) Number	(32) Date	(33) Country
000937495	20 May 2008	EUROPEAN COMMUNITY

(56) Related Art Documents: **Not Applicable**

(57) Statement of Newness and Distinctiveness: **Nil**



(21) Design Number: **14401/2008**

(22) Date of Filing Application: **15 September 2008**

(24) Date from which industrial property rights may have effect: **15 September 2008**

(54) Product in respect of which the design is registered: **Vacuum cleaner**

(51) International Design Classification: **15-05**

(71) Name(s) and Address(s) of Applicant(s):

**Aktiebolaget Electrolux
S:t Goransgatan 143 SE 105-45 Stockholm Sweden**

(72) Name(s) of Designer(s): **Christian Agren**

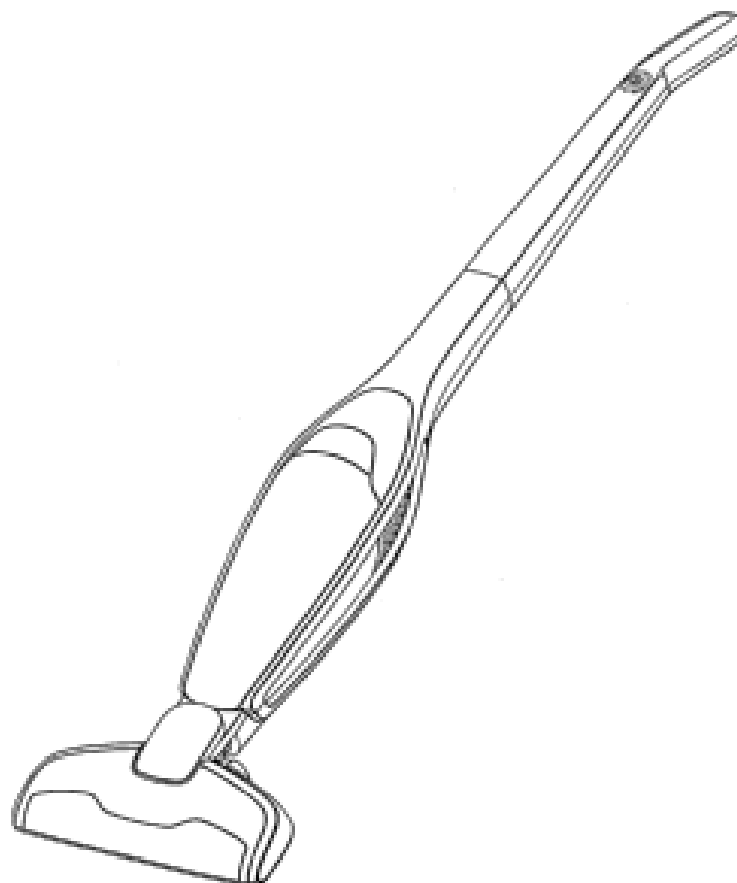
(45) Registration Date: **26 February 2009**

(30) Convention priority data:

(31) Number	(32) Date	(33) Country
000937495	20 May 2008	EUROPEAN COMMUNITY

(56) Related Art Documents: **Not Applicable**

(57) Statement of Newness and Distinctiveness: **Newness and distinctiveness is claimed in those visual features depicted in unbroken lines.**



(21) Design Number: **10442/2009**

(22) Date of Filing Application: **16 February 2009**

(24) Date from which industrial property rights may have effect: **16 February 2009**

(54) Product in respect of which the design is registered: **Wall mounted storage box**

(51) International Design Classification: **06-04F**

(71) Name(s) and Address(s) of Applicant(s):

Andy Soter

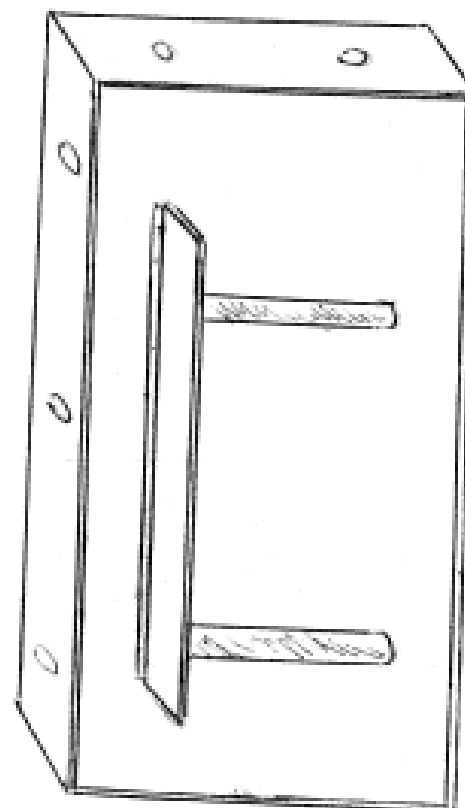
29 Service Avenue Ashfield New South Wales 2131 Australia

(72) Name(s) of Designer(s): **Andy Soter**

(45) Registration Date: **26 February 2009**

(56) Related Art Documents: **Not Applicable**

(57) Statement of Newness and Distinctiveness: **The new features of the drop down storage box is a spring and hydrolic system to hold the weight of the drop down door. There are also fold away legs.**



(21) Design Number: **12347/2008**

(22) Date of Filing Application: **16 May 2008**

(24) Date from which industrial property rights may have effect: **16 May 2008**

(54) Product in respect of which the design is registered: **Rail-connection Adaptor for a Post for a Running Rail**

(51) International Design Classification: **25-02A, 25-01E**

(71) Name(s) and Address(s) of Applicant(s):

Racing Victoria Limited

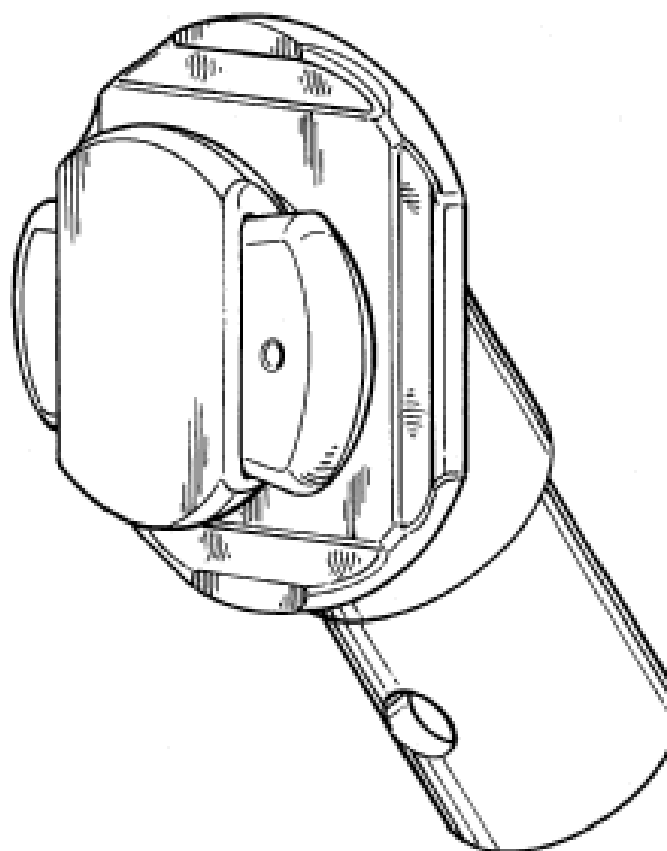
400 Epsom Road Flemington Victoria 3031 Australia

(72) Name(s) of Designer(s): **Daniel Mawby**

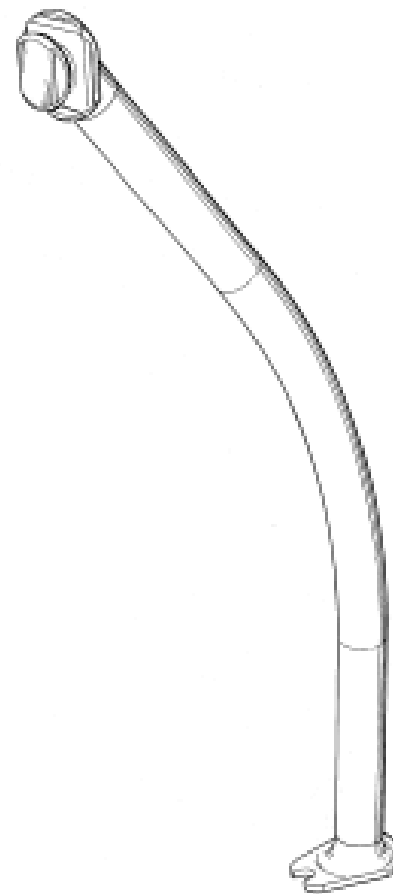
(45) Registration Date: **26 February 2009**

(56) Related Art Documents: **Not Applicable**

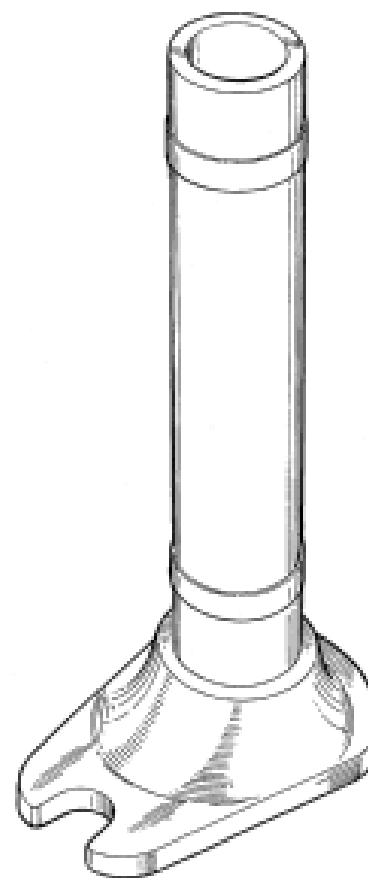
(57) Statement of Newness and Distinctiveness: **This design is to be applied to a Rail-connection Adaptor for a Post for a Running Rail and the novelty resides in the feature of shape and configuration of the article shown in the accompanying representations.**



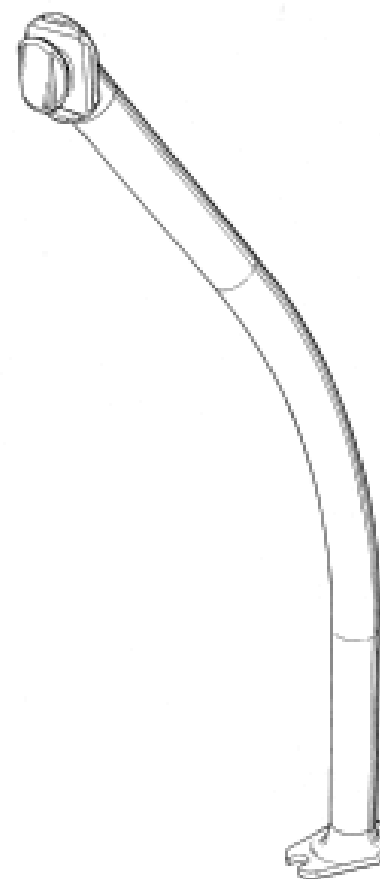
- (21) Design Number: **10464/2009**
(22) Date of Filing Application: **16 May 2008**
(24) Date from which industrial property rights may have effect: **16 May 2008**
(54) Product in respect of which the design is registered: **Post and fittings for a running rail**
(51) International Design Classification: **25-02A, 25-01E**
(71) Name(s) and Address(s) of Applicant(s):
Racing Victoria Limited
400 Epsom Road Flemington Victoria 3031 Australia
(72) Name(s) of Designer(s): **Daniel Mawby**
(45) Registration Date: **26 February 2009**
(62) Divisional of: **324910**
(56) Related Art Documents: **Not Applicable**
(57) Statement of Newness and Distinctiveness: **This design is to be applied to a Post and Fittings for a Running Rail and the novelty resides in the features of shape and configuration of the article shown in the accompanying representations.**



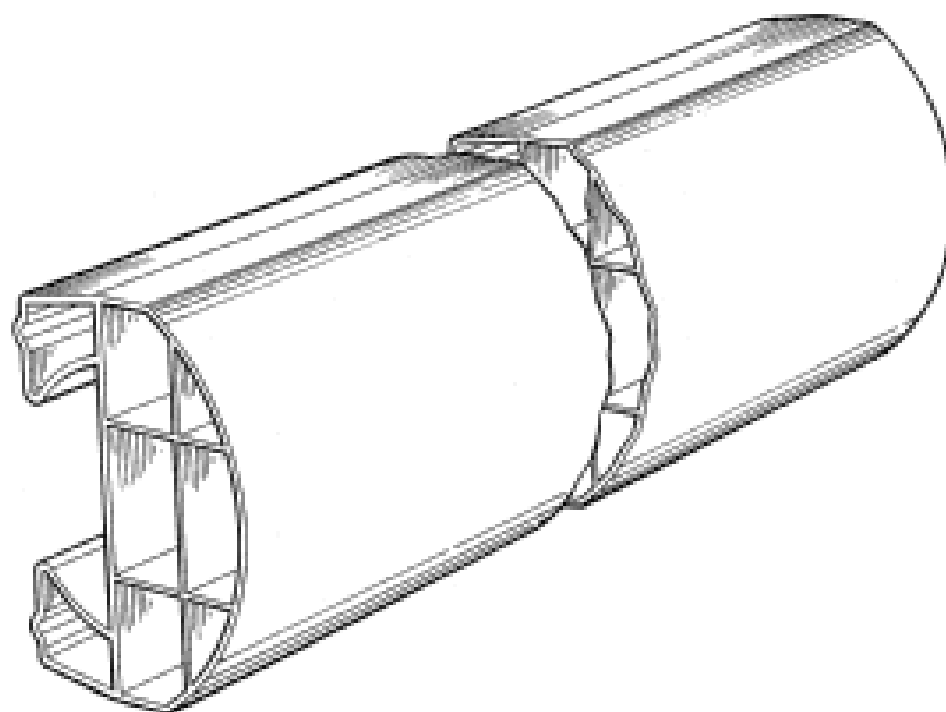
- (21) Design Number: **10465/2009**
(22) Date of Filing Application: **16 May 2008**
(24) Date from which industrial property rights may have effect: **16 May 2008**
(54) Product in respect of which the design is registered: **Post support for a running rail**
(51) International Design Classification: **25-02A, 25-01E**
(71) Name(s) and Address(s) of Applicant(s):
Racing Victoria Limited
400 Epsom Road Flemington Victoria 3031 Australia
(72) Name(s) of Designer(s): **Daniel Mawby**
(45) Registration Date: **26 February 2009**
(62) Divisional of: **324910**
(56) Related Art Documents: **Not Applicable**
(57) Statement of Newness and Distinctiveness: **This design is to be applied to a Post Support for a Running Rail and the novelty resides in the features of shape and configuration of the article shown in the accompanying representations.**



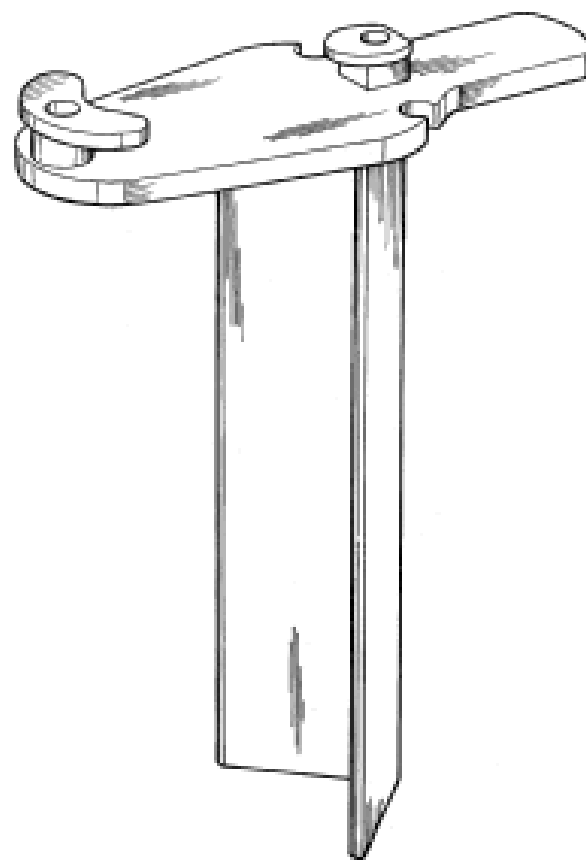
- (21) Design Number: **10466/2009**
(22) Date of Filing Application: **16 May 2008**
(24) Date from which industrial property rights may have effect: **16 May 2008**
(54) Product in respect of which the design is registered: **Post for a Running Rail**
(51) International Design Classification: **25-02A, 25-01E**
(71) Name(s) and Address(s) of Applicant(s):
Racing Victoria Limited
400 Epsom Road Flemington Victoria 3031 Australia
(72) Name(s) of Designer(s): **Daniel Mawby**
(45) Registration Date: **26 February 2009**
(62) Divisional of: **324910**
(56) Related Art Documents: **Not Applicable**
(57) Statement of Newness and Distinctiveness: **This design is to be applied to a Post for a Running Rail and the novelty resides in the features of shape and configuration of the article shown in the accompanying representations. No novelty is claimed for the features of the fittings at the head and foot, respectively, of the post - those are for illustrative purposes only and depict the environment of the design.**



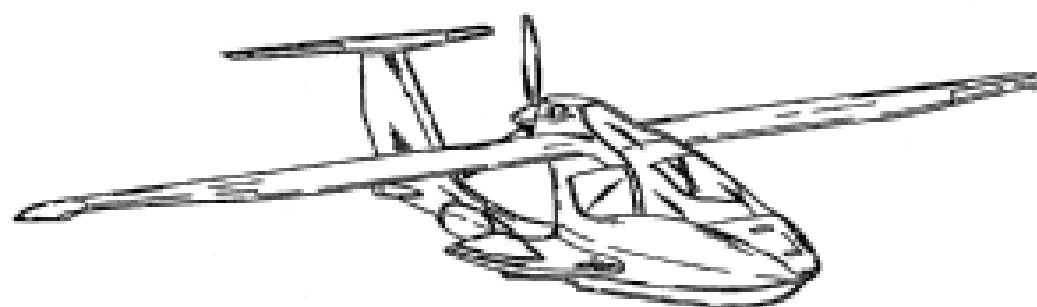
- (21) Design Number: **10467/2009**
(22) Date of Filing Application: **16 May 2008**
(24) Date from which industrial property rights may have effect: **16 May 2008**
(54) Product in respect of which the design is registered: **Running rail**
(51) International Design Classification: **25-02A, 25-01E**
(71) Name(s) and Address(s) of Applicant(s):
Racing Victoria Limited
400 Epsom Road Flemington Victoria 3031 Australia
(72) Name(s) of Designer(s): **Daniel Mawby**
(45) Registration Date: **26 February 2009**
(62) Divisional of: **324910**
(56) Related Art Documents: **Not Applicable**
(57) Statement of Newness and Distinctiveness: **This design is to be applied to a Running Rail and the novelty resides in the features of shape and configuration of the article shown in the accompanying representations. The article is of constant cross section and indefinite length.**



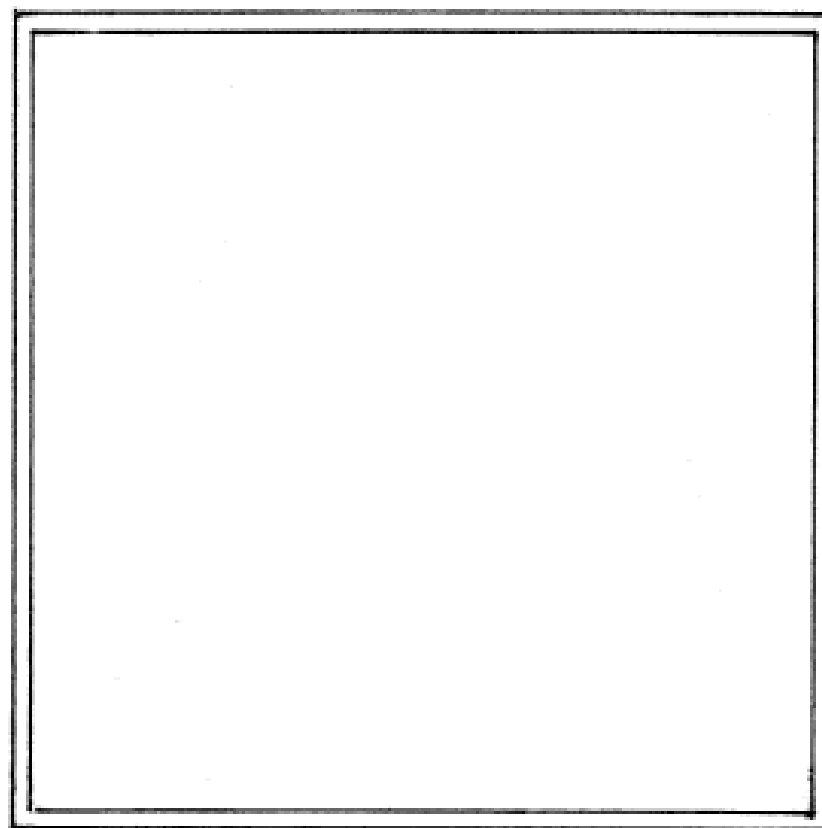
- (21) Design Number: **10468/2009**
(22) Date of Filing Application: **16 May 2008**
(24) Date from which industrial property rights may have effect: **16 May 2008**
(54) Product in respect of which the design is registered: **Ground anchor for a post for a running rail**
(51) International Design Classification: **25-02A, 25-01E**
(71) Name(s) and Address(s) of Applicant(s):
Racing Victoria Limited
400 Epsom Road Flemington Victoria 3031 Australia
(72) Name(s) of Designer(s): **Daniel Mawby**
(45) Registration Date: **26 February 2009**
(62) Divisional of: **324910**
(56) Related Art Documents: **Not Applicable**
(57) Statement of Newness and Distinctiveness: **This design is to be applied to a Ground Anchor for a Post for a Running Rail and the novelty resides in the features of shape and configuration of the article shown in the accompanying representations.**



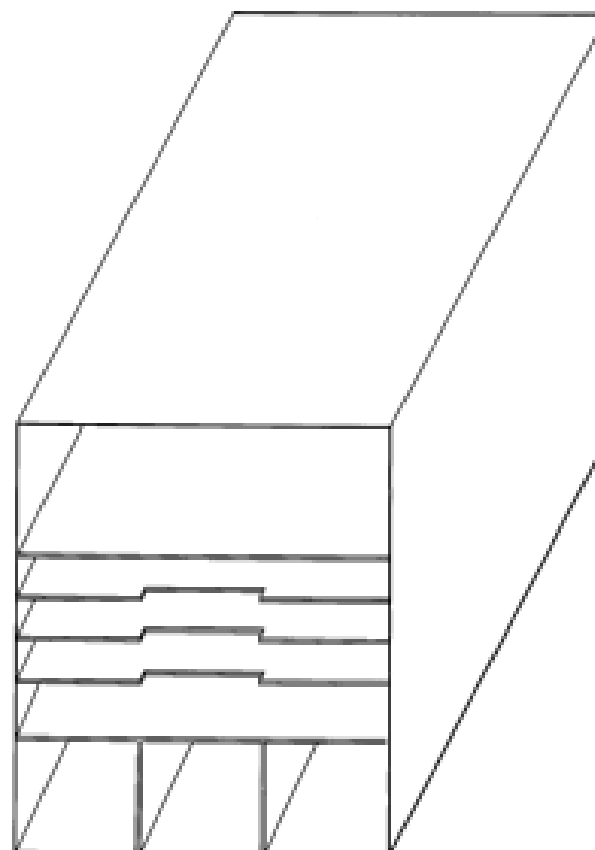
- (21) Design Number: **15799/2008**
(22) Date of Filing Application: **10 December 2008**
(24) Date from which industrial property rights may have effect: **10 December 2008**
(54) Product in respect of which the design is registered: **Amphibious sport aircraft with wing-fold**
(51) International Design Classification: **12-07**
(71) Name(s) and Address(s) of Applicant(s):
Icon Aircraft, Inc
1211 Beatrice Street Los Angeles CA 90066 United States of America
(72) Name(s) of Designer(s): **Randy Rodriguez and Diego Miralles and Steen Strand**
(45) Registration Date: **26 February 2009**
(30) Convention priority data:
(31) Number (32) Date (33) Country
29/319,641 11 Jun 2008 UNITED STATES OF AMERICA
(56) Related Art Documents: **Not Applicable**
(57) Statement of Newness and Distinctiveness: **Nil**



- (21) Design Number: **15882/2008**
(22) Date of Filing Application: **16 December 2008**
(24) Date from which industrial property rights may have effect: **16 December 2008**
(54) Product in respect of which the design is registered: **Building frame modules**
(51) International Design Classification: **25-02NES**
(71) Name(s) and Address(s) of Applicant(s):
Keith James Courte
1/66 Pringle Street MOSSMAN Queensland 4873
(72) Name(s) of Designer(s): **Keith James Courte**
(45) Registration Date: **26 February 2009**
(56) Related Art Documents: **Not Applicable**
(57) Statement of Newness and Distinctiveness: **Using 4 metre modules design can be used from 1 room to as many as required for multiple room buildings.**



- (21) Design Number: **15907/2008**
(22) Date of Filing Application: **15 December 2008**
(24) Date from which industrial property rights may have effect: **15 December 2008**
(54) Product in respect of which the design is registered: **Kitchen storage device**
(51) International Design Classification: **06-04NES**
(71) Name(s) and Address(s) of Applicant(s):
Debra Miller
11 Stewart Parade Ashmore Queensland 4214 Australia
(72) Name(s) of Designer(s): **Debra Miller**
(45) Registration Date: **26 February 2009**
(56) Related Art Documents: **Not Applicable**
(57) Statement of Newness and Distinctiveness: **Nil**



(21) Design Number: **15908/2008**

(22) Date of Filing Application: **15 December 2008**

(24) Date from which industrial property rights may have effect: **15 December 2008**

(54) Product in respect of which the design is registered: **Automotive intake manifold**

(51) International Design Classification: **15-01**

(71) Name(s) and Address(s) of Applicant(s):

OZMO Engineering

7 Wardlow Court Croydon Hills Victoria 3137 Australia

(72) Name(s) of Designer(s): **James Krogdahl**

(45) Registration Date: **26 February 2009**

(56) Related Art Documents: **Not Applicable**

(57) Statement of Newness and Distinctiveness: **Use of carbon fiber runners and plenum chamber. Connected to throttle bodies and cylinder heads by means of aluminium flanges. Carbon fibre runners transition from rectangular port shape to circular throttle body butterfly.**



(21) Design Number: **15991/2008**

(22) Date of Filing Application: **22 December 2008**

(24) Date from which industrial property rights may have effect: **22 December 2008**

(54) Product in respect of which the design is registered: **Frameless glass floor bracket/clamp**

(51) International Design Classification: **08-09**

(71) Name(s) and Address(s) of Applicant(s):

Vinco Hardware Products Pty Ltd

19 Barclay Street Marrickville New South Wales 2204 Australia

(72) Name(s) of Designer(s): **Warren Lam**

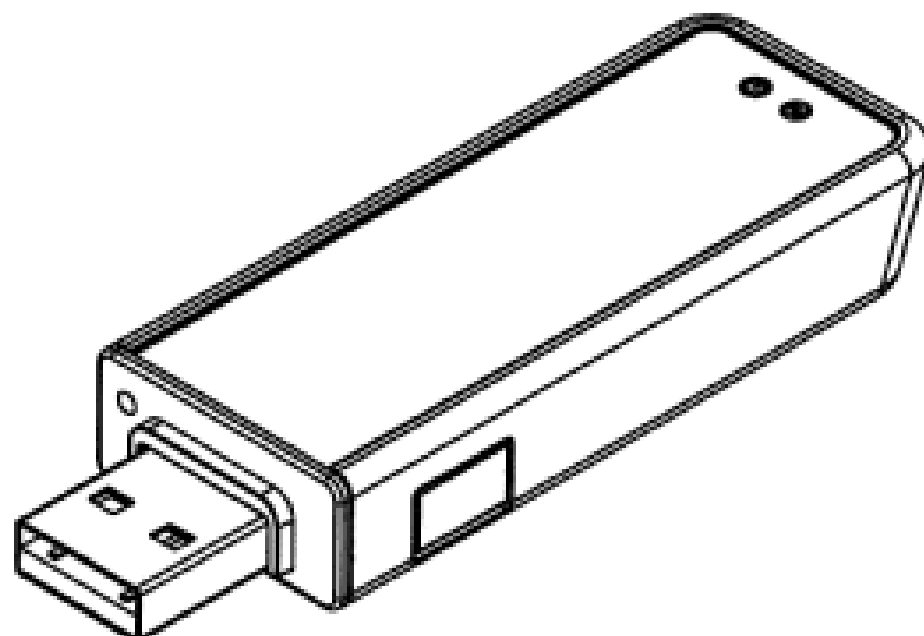
(45) Registration Date: **26 February 2009**

(56) Related Art Documents: **Not Applicable**

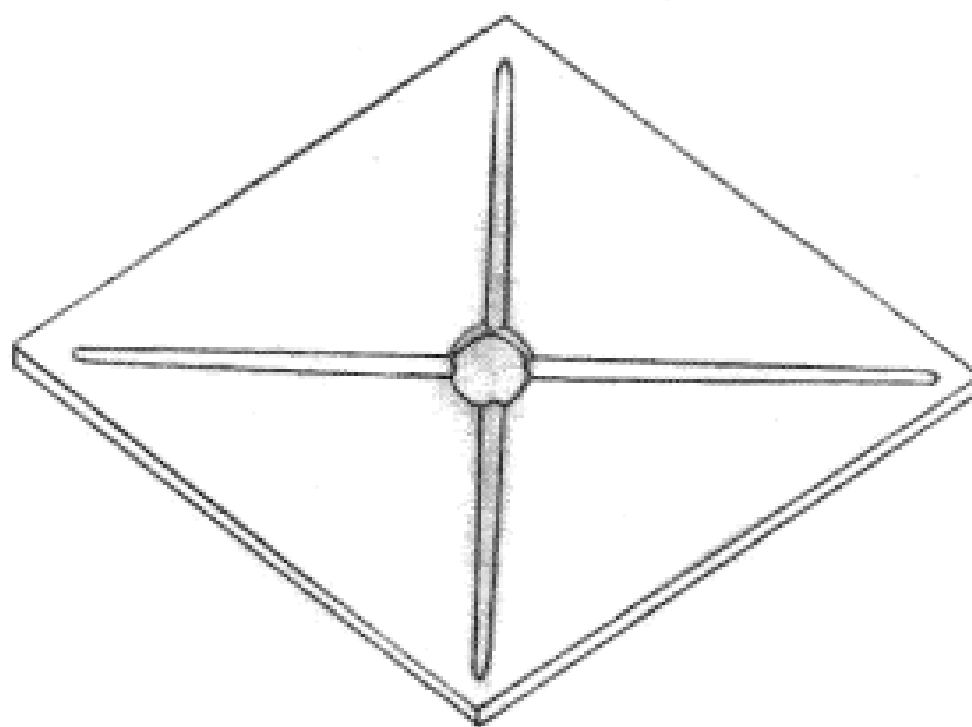
(57) Statement of Newness and Distinctiveness: **Made from 316 grade stainless steel. 3 Fixing points.**



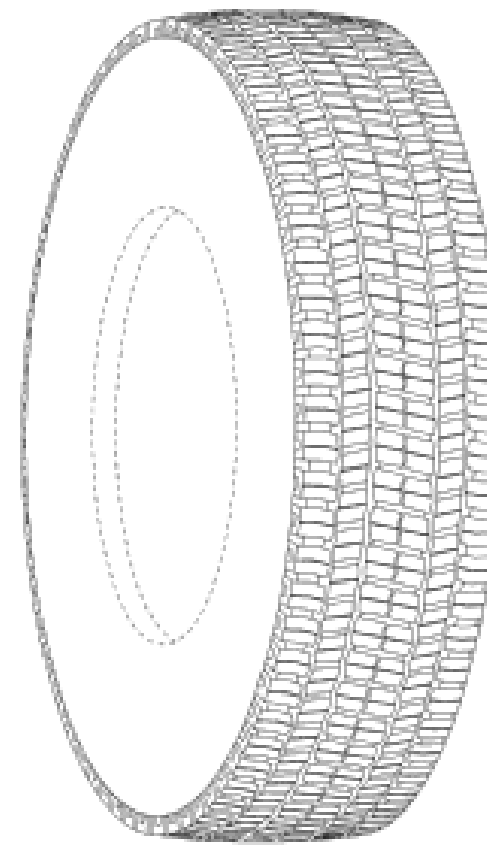
- (21) Design Number: **10515/2009**
(22) Date of Filing Application: **19 February 2009**
(24) Date from which industrial property rights may have effect: **19 February 2009**
(54) Product in respect of which the design is registered: **Wireless device**
(51) International Design Classification: **14-03NES, 14-02**
(71) Name(s) and Address(s) of Applicant(s):
Sierra Wireless, Inc.
13811 Wireless Way Richmond British Columbia V6V 3A4 Canada
(72) Name(s) of Designer(s): **William A. Gilbert and Pedro A. Gutierrez**
(45) Registration Date: **26 February 2009**
(30) Convention priority data:
(31) Number (32) Date (33) Country
128052 02 Sep 2008 CANADA
(56) Related Art Documents: **Not Applicable**
(57) Statement of Newness and Distinctiveness: **When determining whether the design 1 is substantially similar in overall impression to another design, it should be noted that the broken line representations in the figures are for the purpose of illustration only, and form no part of the design.**



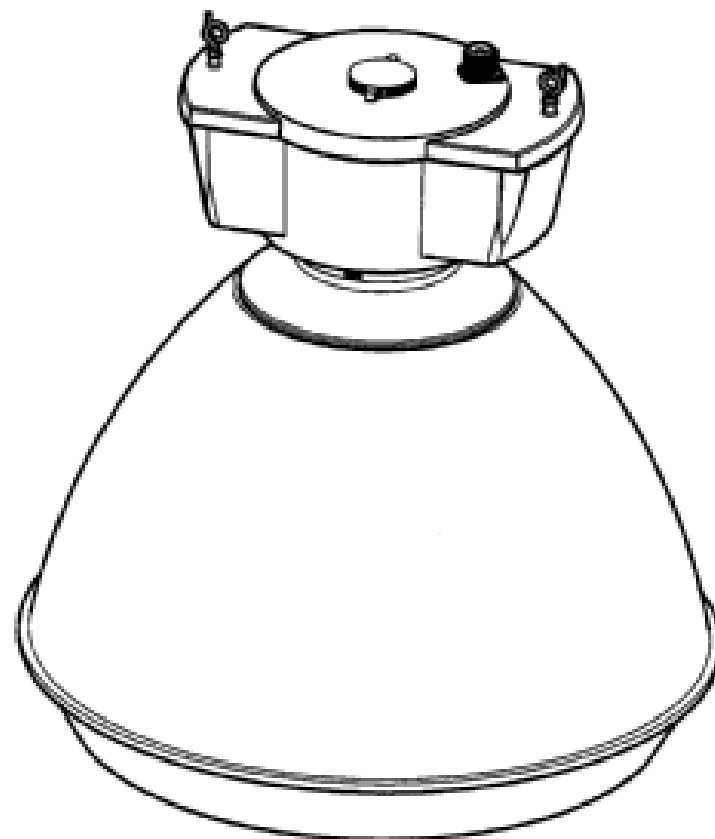
- (21) Design Number: **10506/2009**
(22) Date of Filing Application: **18 February 2009**
(24) Date from which industrial property rights may have effect: **18 February 2009**
(54) Product in respect of which the design is registered: **Shower base**
(51) International Design Classification: **23-02E**
(71) Name(s) and Address(s) of Applicant(s):
Guo Qiang Xia
14 Westminster Avenue Bulleen Victoria 3105 Australia
(72) Name(s) of Designer(s): **Guo Qiang Xia**
(45) Registration Date: **26 February 2009**
(56) Related Art Documents: **Not Applicable**
(57) Statement of Newness and Distinctiveness: **Newness and distinctiveness reside in the features of the design as shown in the representations.**



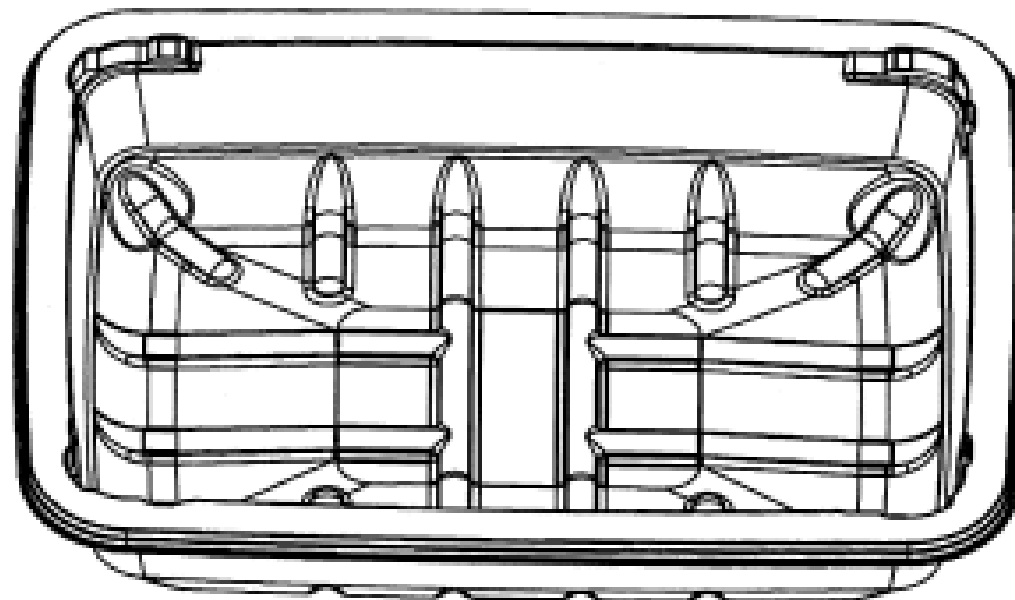
- (21) Design Number: **10510/2009**
(22) Date of Filing Application: **18 February 2009**
(24) Date from which industrial property rights may have effect: **18 February 2009**
(54) Product in respect of which the design is registered: **Automobile tyre**
(51) International Design Classification: **12-15A**
(71) Name(s) and Address(s) of Applicant(s):
Bridgestone Corporation
10-1 Kyobashi 1-chome Chuo-ku Tokyo 104-8340 Japan
(72) Name(s) of Designer(s): **Yukihiro Takada**
(45) Registration Date: **26 February 2009**
(30) Convention priority data:
(31) Number (32) Date (33) Country
2008-021331 20 Aug 2008 JAPAN
(56) Related Art Documents: **Not Applicable**
(57) Statement of Newness and Distinctiveness: **The shape, configuration and pattern of the parts of the automobile tyre shown by means of solid lines in the representations are new and distinctive.**



- (21) Design Number: **10513/2009**
(22) Date of Filing Application: **19 February 2009**
(24) Date from which industrial property rights may have effect: **19 February 2009**
(54) Product in respect of which the design is registered: **Luminaire**
(51) International Design Classification: **26-04**
(71) Name(s) and Address(s) of Applicant(s):
Koninklijke Philips Electronics N.V.
Groenewoudseweg 1 5621 BA Eindhoven The Netherlands
(72) Name(s) of Designer(s): **Allan Quanguo Wang**
(45) Registration Date: **26 February 2009**
(30) Convention priority data:
(31) Number (32) Date (33) Country
000995626-0001 03 Sep 2008 EUROPEAN COMMUNITY
(56) Related Art Documents: **Not Applicable**
(57) Statement of Newness and Distinctiveness: **Newness and distinctiveness reside in the features of the design as shown in the representations.**



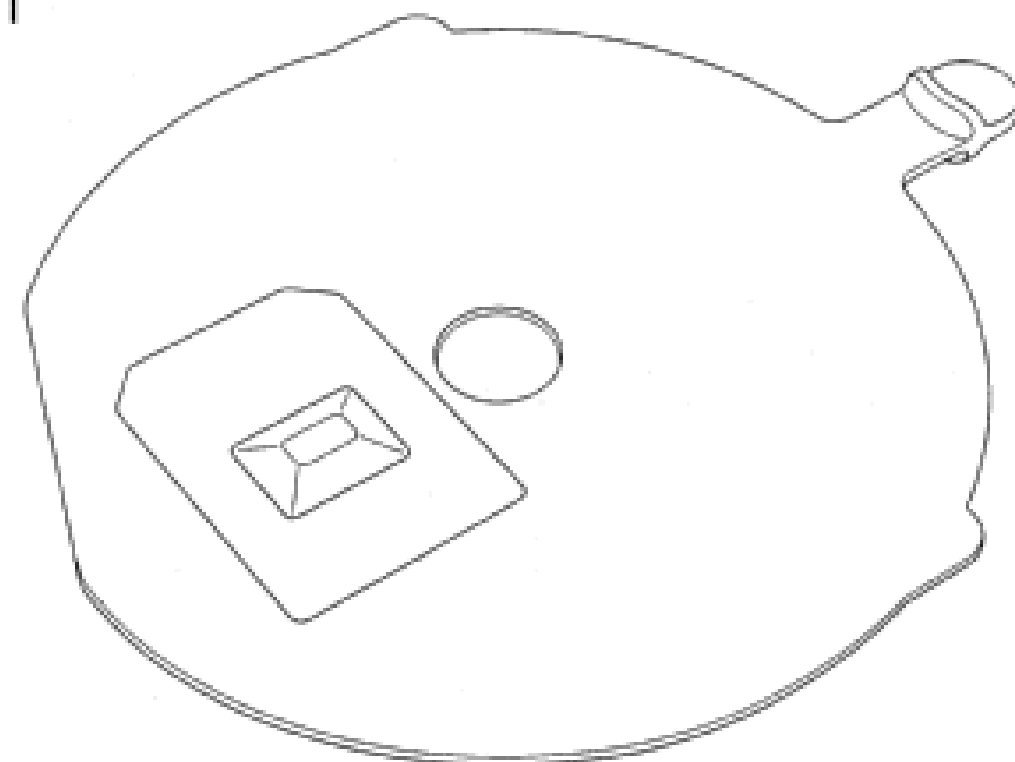
(21) Design Number: **10545/2009**
 (22) Date of Filing Application: **23 February 2009**
 (24) Date from which industrial property rights may have effect: **23 February 2009**
 (54) Product in respect of which the design is registered: **Tray**
 (51) International Design Classification: **09-03F**
 (71) Name(s) and Address(s) of Applicant(s):
Cryovac Australia Pty Ltd
90 Keilor Park Drive Tullamarine Victoria 3043 Australia
 (72) Name(s) of Designer(s): **Leslie Lopez and Garrett O'Brien**
 (45) Registration Date: **26 February 2009**
 (56) Related Art Documents: **Not Applicable**
 (57) Statement of Newness and Distinctiveness: **Nil**



(21) Design Number: **10546/2009**
 (22) Date of Filing Application: **24 February 2009**
 (24) Date from which industrial property rights may have effect: **24 February 2009**
 (54) Product in respect of which the design is registered: **Lens cleaner**
 (51) International Design Classification: **14-02**
 (71) Name(s) and Address(s) of Applicant(s):
Nintendo Co., Ltd.
11-1 Hokotate-cho Kamitoba Minami-ku Kyoto-shi Kyoto Japan
 (72) Name(s) of Designer(s): **Shinji Yamamoto and Kenko Kawaharai and Yuji Hori and Masato Ibuki and Junji Takamoto**
 (45) Registration Date: **26 February 2009**
 (30) Convention priority data:

(31) Number	(32) Date	(33) Country
2008-021874	26 Aug 2008	JAPAN

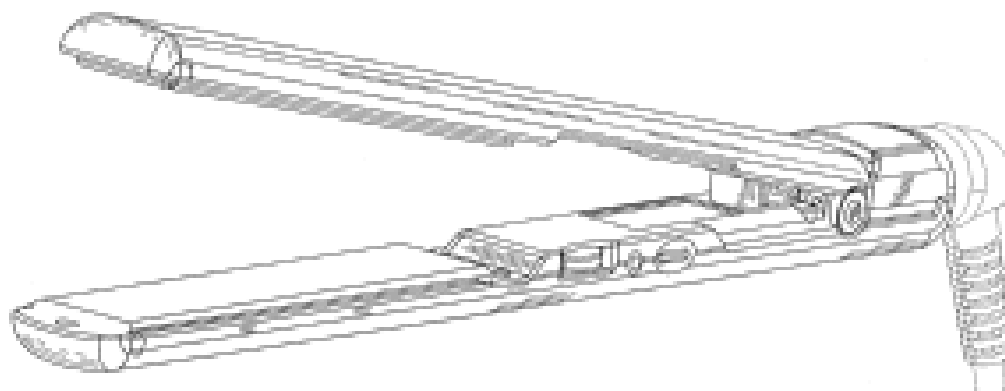
 (56) Related Art Documents: **Not Applicable**
 (57) Statement of Newness and Distinctiveness: **Nil**



(21) Design Number: **10542/2009**
 (22) Date of Filing Application: **23 February 2009**
 (24) Date from which industrial property rights may have effect: **23 February 2009**
 (54) Product in respect of which the design is registered: **Hair styling iron**
 (51) International Design Classification: **28-03B**
 (71) Name(s) and Address(s) of Applicant(s):
Conair Corporation
One Cummings Point Road Stamford Connecticut 06902 United States of America
 (72) Name(s) of Designer(s): **Kenneth Russo**
 (45) Registration Date: **26 February 2009**
 (30) Convention priority data:

(31) Number	(32) Date	(33) Country
29/323932	03 Sep 2008	UNITED STATES OF AMERICA

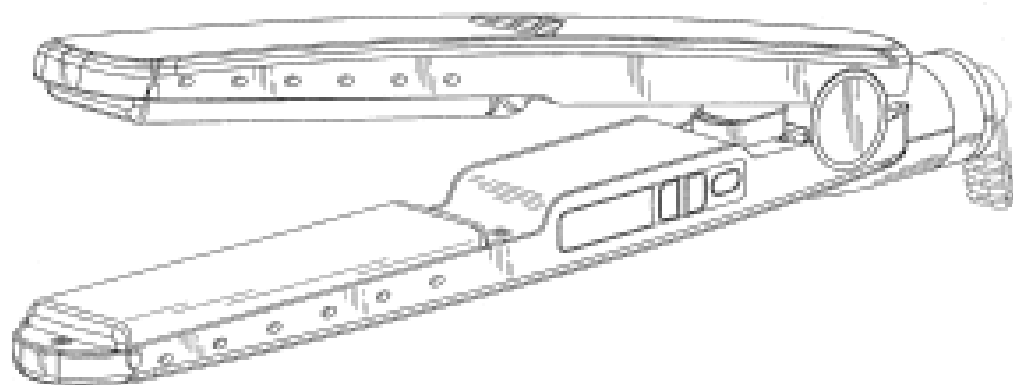
 (56) Related Art Documents: **Not Applicable**
 (57) Statement of Newness and Distinctiveness: **Newness and distinctiveness is claimed in the features of shape and/or configuration of a hair styling iron as illustrated in the accompanying representations.**



(21) Design Number: **10543/2009**
 (22) Date of Filing Application: **23 February 2009**
 (24) Date from which industrial property rights may have effect: **23 February 2009**
 (54) Product in respect of which the design is registered: **Hair styling iron**
 (51) International Design Classification: **28-03B**
 (71) Name(s) and Address(s) of Applicant(s):
Conair Corporation
One Cummings Point Road Stamford Connecticut 06902 United States of America
 (72) Name(s) of Designer(s): **Leandro P Rizzuto**
 (45) Registration Date: **26 February 2009**
 (30) Convention priority data:

(31) Number	(32) Date	(33) Country
29/323919	03 Sep 2008	UNITED STATES OF AMERICA

 (56) Related Art Documents: **Not Applicable**
 (57) Statement of Newness and Distinctiveness: **Newness and distinctiveness is claimed in the features of shape and/or configuration of a hair styling iron as illustrated in the accompanying representations.**



(21) Design Number: **10544/2009**

(22) Date of Filing Application: **23 February 2009**

(24) Date from which industrial property rights may have effect: **23 February 2009**

(54) Product in respect of which the design is registered: **Hair styling iron**

(51) International Design Classification: **28-03B**

(71) Name(s) and Address(s) of Applicant(s):

Conair Corporation

One Cummings Point Road Stamford Connecticut 06902 United States of America

(72) Name(s) of Designer(s): **Leandro P Rizzuto**

(45) Registration Date: **26 February 2009**

(30) Convention priority data:

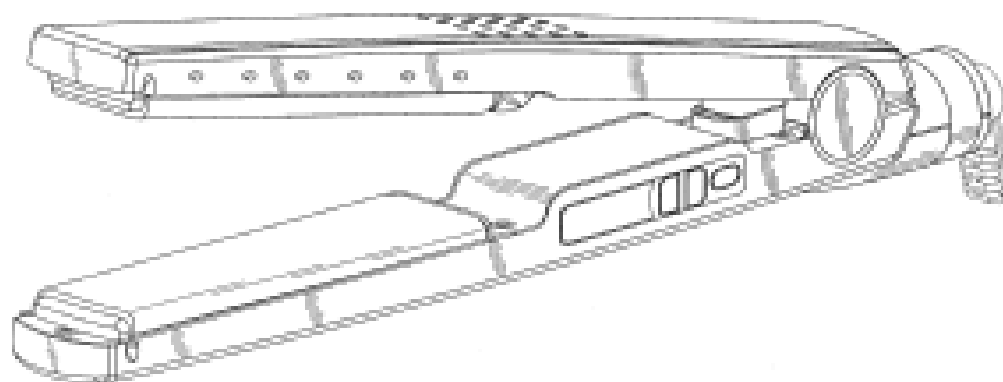
(31) Number
29/323922

(32) Date
03 Sep 2008

(33) Country
UNITED STATES OF AMERICA

(56) Related Art Documents: **Not Applicable**

(57) Statement of Newness and Distinctiveness: **Newness and distinctiveness is claimed in the features of shape and/or configuration of a hair styling iron as illustrated in the accompanying representations.**



(21) Design Number: **10547/2009**

(22) Date of Filing Application: **24 February 2009**

(24) Date from which industrial property rights may have effect: **24 February 2009**

(54) Product in respect of which the design is registered: **Ballpoint pen**

(51) International Design Classification: **19-06**

(71) Name(s) and Address(s) of Applicant(s):

Pentel Kabushiki Kaisha

7-2 Nihonbashi Koami-Cho Chuo-Ku Tokyo Japan

(72) Name(s) of Designer(s): **Tomoaki Shibata**

(45) Registration Date: **26 February 2009**

(30) Convention priority data:

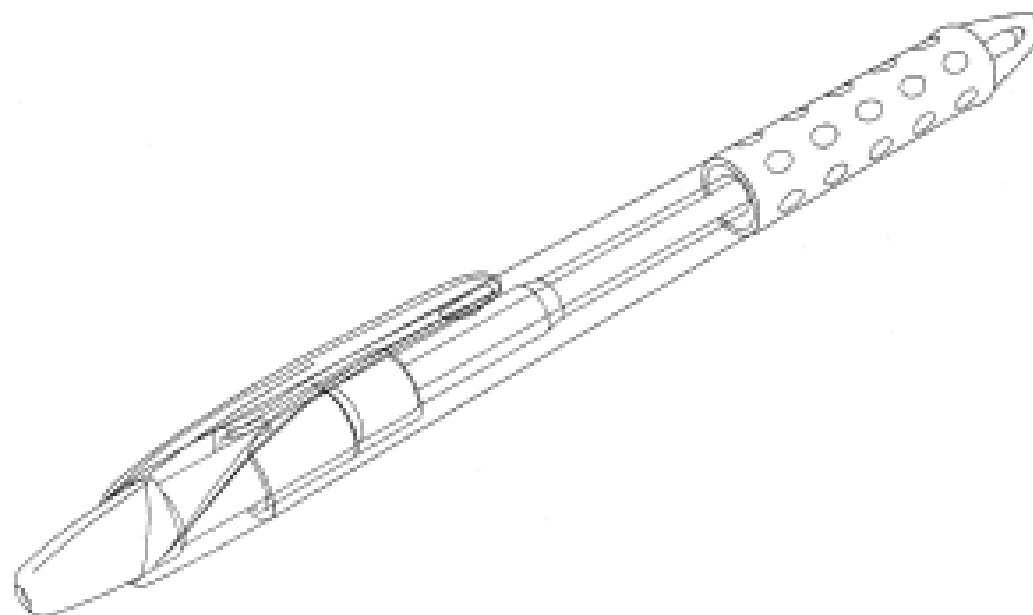
(31) Number
2009-000961

(32) Date
20 Jan 2009

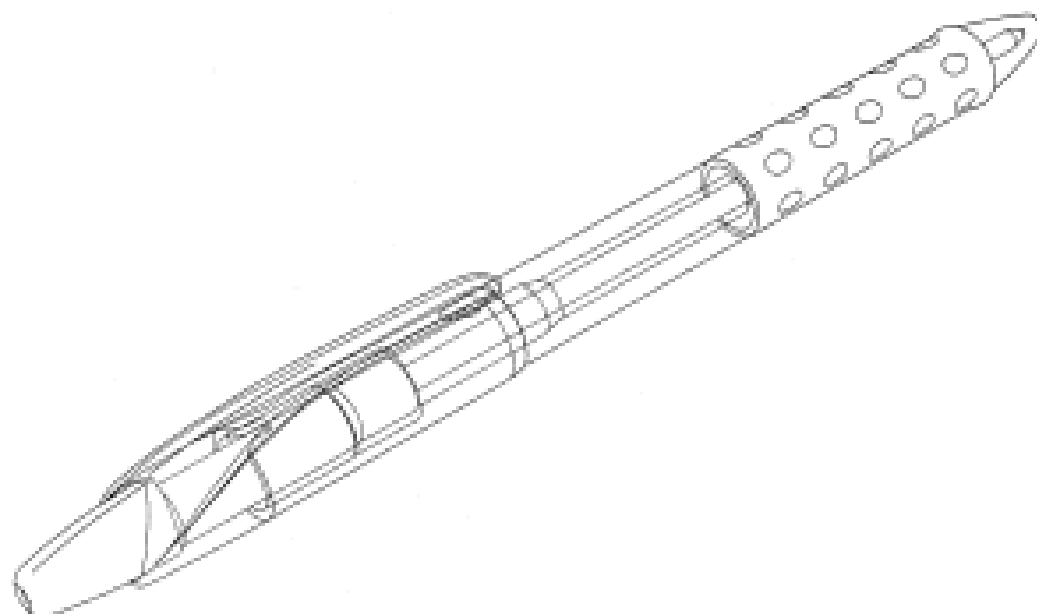
(33) Country
JAPAN

(56) Related Art Documents: **Not Applicable**

(57) Statement of Newness and Distinctiveness: **The cross-hatching (shading) provided in figures 10 and 11 indicates a transparent portion of the ballpoint pen design.**



- (21) Design Number: **10548/2009**
(22) Date of Filing Application: **24 February 2009**
(24) Date from which industrial property rights may have effect: **24 February 2009**
(54) Product in respect of which the design is registered: **Ballpoint pen**
(51) International Design Classification: **19-06**
(71) Name(s) and Address(s) of Applicant(s):
Pentel Kabushiki Kaisha
7-2 Nihonbashi Koami-Cho Chuo-Ku Tokyo Japan
(72) Name(s) of Designer(s): **Tomoaki Shibata**
(45) Registration Date: **26 February 2009**
(30) Convention priority data:
(31) Number (32) Date (33) Country
2008-021946 27 Aug 2008 JAPAN
(56) Related Art Documents: **Not Applicable**
(57) Statement of Newness and Distinctiveness: **The cross-hatching (shading) provided in figures 10 and 11 indicates a transparent portion of the ballpoint pen design.**



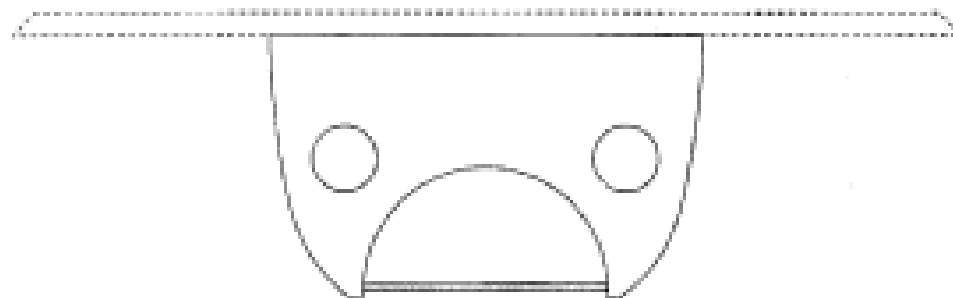
- (21) Design Number: **10540/2009**
(22) Date of Filing Application: **19 February 2009**
(24) Date from which industrial property rights may have effect: **19 February 2009**
(54) Product in respect of which the design is registered: **Womens sandals.**
(51) International Design Classification: **02-04NES**
(71) Name(s) and Address(s) of Applicant(s):
Joeleen Rose
PO Box 1608 St Kilda South VIC 3182 AUSTRALIA
Kane Suckling
PO Box 1608 St Kilda South VIC 3182 AUSTRALIA
(72) Name(s) of Designer(s): **Joeleen Rose and Kane Suckling**
(45) Registration Date: **26 February 2009**
(56) Related Art Documents: **Not Applicable**
(57) Statement of Newness and Distinctiveness: **The newness and distinctiveness of the design reside in: a) the features of shape and configuration depicted in the attached representations; b) the shape and configuration of the fastening loops in footwear upper; c) the detachable laces and style variations possible and d) the tread pattern on bottom sole.**



- (21) Design Number: **10541/2009**
(22) Date of Filing Application: **19 February 2009**
(24) Date from which industrial property rights may have effect: **19 February 2009**
(54) Product in respect of which the design is registered: **Womens sandals**
(51) International Design Classification: **02-04NES**
(71) Name(s) and Address(s) of Applicant(s):
Joeleen Rose
PO Box 1608 St Kilda South VIC 3182 AUSTRALIA
Kane Suckling
PO Box 1608 St Kilda South VIC 3182 AUSTRALIA
(72) Name(s) of Designer(s): **Joeleen Rose and Kane Suckling**
(45) Registration Date: **26 February 2009**
(56) Related Art Documents: **Not Applicable**
(57) Statement of Newness and Distinctiveness: **The newness and distinctiveness of the design reside in: a) the features of shape and configuration depicted in the attached representations; b) the shape and configuration of the fastening loops in footwear upper; c) the detachable laces and style variations possible and d) the tread pattern on bottom sole.**



- (21) Design Number: **10192/2009**
(22) Date of Filing Application: **27 January 2009**
(24) Date from which industrial property rights may have effect: **27 January 2009**
(54) Product in respect of which the design is registered: **Mounting adaptor for a sign**
(51) International Design Classification: **20-03NES, 08-08NES**
(71) Name(s) and Address(s) of Applicant(s):
Blue Star Products Pty Ltd
18 Industry Street Malaga Perth Western Australia 6090 Australia
(72) Name(s) of Designer(s): **Craig Whiteside**
(45) Registration Date: **06 March 2009**
(56) Related Art Documents: **Not Applicable**
(57) Statement of Newness and Distinctiveness: **The shape and configuration of a mounting adaptor for a sign as shown in solid lines in the accompanying representations. Those elements of the representations depicted in broken lines are not considered to be part of the design.**



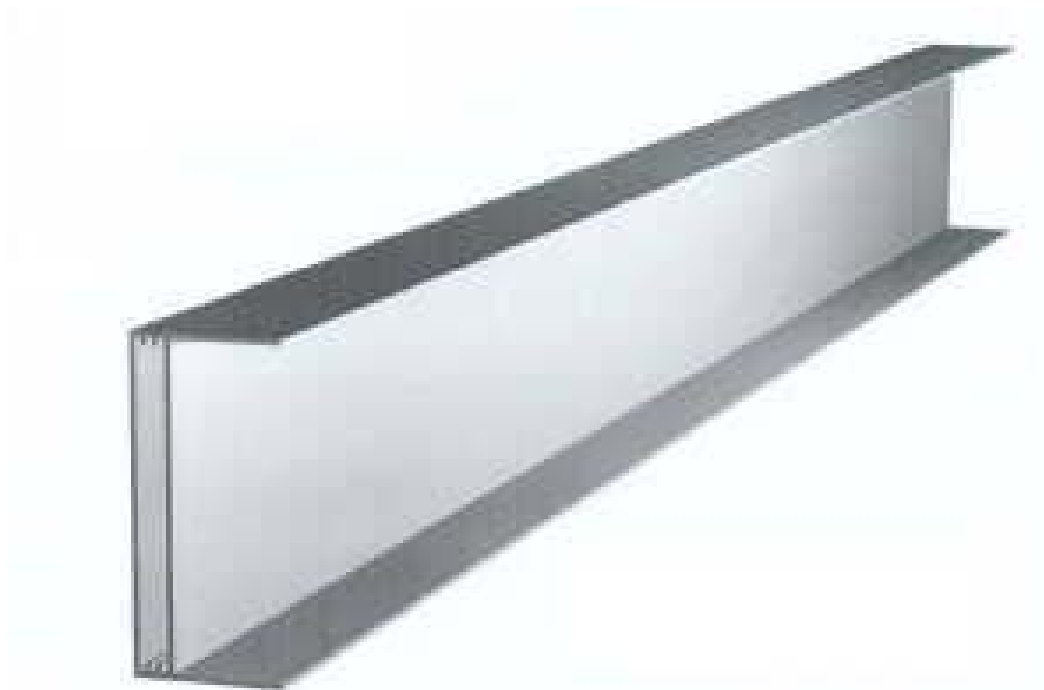
- (21) Design Number: **10316/2009**
(22) Date of Filing Application: **05 February 2009**
(24) Date from which industrial property rights may have effect: **05 February 2009**
(54) Product in respect of which the design is registered: **A front top cover for a motor scooter**
(51) International Design Classification: **12-16B**
(71) Name(s) and Address(s) of Applicant(s):
Honda Motor Co., Ltd.
1-1 Minami-Aoyama 2-Chome Minato-Ku Tokyo 107-8556 Japan
(72) Name(s) of Designer(s): **Kyosuke Kitayama and Tomotake Shimoji**
(45) Registration Date: **06 March 2009**
(30) Convention priority data:

(31) Number	(32) Date	(33) Country
2008020394	06 Aug 2008	JAPAN

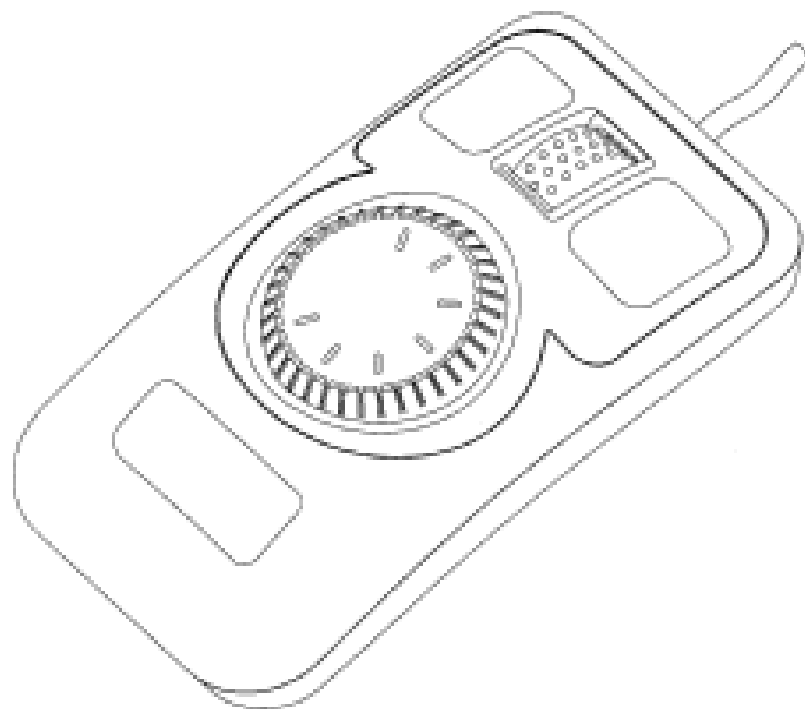
(56) Related Art Documents: **Not Applicable**
(57) Statement of Newness and Distinctiveness: **The shape and configuration of a Front Top cover for a Motor Scooter as shown in Figures 1 to 10 is new and distinctive. Additional component parts of the Motor Scooter shown in Figure 11 do not form part of the design.**



- (21) Design Number: **10351/2009**
(22) Date of Filing Application: **09 February 2009**
(24) Date from which industrial property rights may have effect: **09 February 2009**
(54) Product in respect of which the design is registered: **Channel section**
(51) International Design Classification: **25-01C**
(71) Name(s) and Address(s) of Applicant(s):
Peter John Rutgers
30 Kernan Street Strathmore Victoria 3041 Australia
Diane Lee Rutgers
30 Kernan Street Strathmore Victoria 3041 Australia
(72) Name(s) of Designer(s): **Peter John Rutgers and Diane Lee Rutgers**
(45) Registration Date: **06 March 2009**
(56) Related Art Documents: **Not Applicable**
(57) Statement of Newness and Distinctiveness: **Monopoly is claimed in the features of shape or configuration of the channel section as illustrated in the representations.**



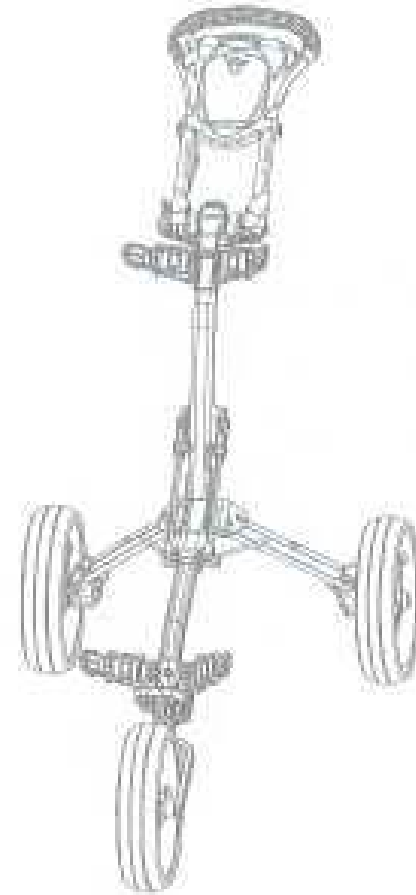
- (21) Design Number: **10358/2009**
(22) Date of Filing Application: **12 February 2009**
(24) Date from which industrial property rights may have effect: **12 February 2009**
(54) Product in respect of which the design is registered: **A computer mouse**
(51) International Design Classification: **14-02**
(71) Name(s) and Address(s) of Applicant(s):
First Audio Manufacturing (Hong Kong) Ltd
Flat 1-4 3/F Block A Wing Kut Ind Building 608 Castle Peak Road
Kowloon Hong Kong
(72) Name(s) of Designer(s): **Yat Fung Chris Ho**
(45) Registration Date: **06 March 2009**
(56) Related Art Documents: **Not Applicable**
(57) Statement of Newness and Distinctiveness: **Novelty is claimed in the shape and configuration of a computer mouse as shown in the accompanying representations.**



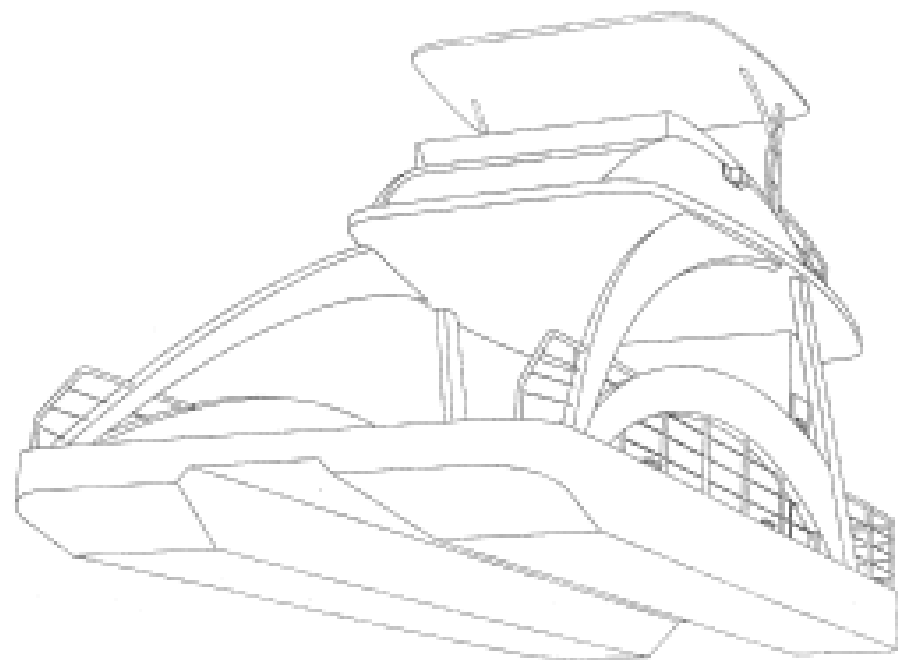
- (21) Design Number: **10359/2009**
(22) Date of Filing Application: **06 February 2009**
(24) Date from which industrial property rights may have effect: **06 February 2009**
(54) Product in respect of which the design is registered: **Flashlight**
(51) International Design Classification: **26-02**
(71) Name(s) and Address(s) of Applicant(s):
Mag Instrument, Inc.
2001 South Hellman Avenue Ontario California 91761 United States of America
(72) Name(s) of Designer(s): **Anthony Maglica**
(45) Registration Date: **06 March 2009**
(30) Convention priority data:
(31) Number (32) Date (33) Country
29/322634 07 Aug 2008 UNITED STATES OF AMERICA
(56) Related Art Documents: **Not Applicable**
(57) Statement of Newness and Distinctiveness: **Newness and distinctiveness is claimed in the features of shape and/or configuration of a flashlight as illustrated in the accompanying representations.**



- (21) Design Number: **10419/2009**
(22) Date of Filing Application: **12 February 2009**
(24) Date from which industrial property rights may have effect: **12 February 2009**
(54) Product in respect of which the design is registered: **Golf cart**
(51) International Design Classification: **21-02C**
(71) Name(s) and Address(s) of Applicant(s):
Unique Product & Design Co., Ltd.
No.5, Ming Dong Road Yung Kang City Tainan Hsien Taiwan
(72) Name(s) of Designer(s): **Gordon Liao**
(45) Registration Date: **06 March 2009**
(56) Related Art Documents: **Not Applicable**
(57) Statement of Newness and Distinctiveness: **Nil**



- (21) Design Number: **10421/2009**
(22) Date of Filing Application: **13 February 2009**
(24) Date from which industrial property rights may have effect: **13 February 2009**
(54) Product in respect of which the design is registered: **Vessel**
(51) International Design Classification: **12-06NES**
(71) Name(s) and Address(s) of Applicant(s):
Barrie Colin Webster
62/1 Celestial Court Carina Queensland 4152 Australia
(72) Name(s) of Designer(s): **Barrie Colin Webster**
(45) Registration Date: **06 March 2009**
(56) Related Art Documents: **Not Applicable**
(57) Statement of Newness and Distinctiveness: **Newness and distinctiveness resides in the features of shape and configuration of a vessel as illustrated in the accompanying representations.**



(21) Design Number: **10422/2009**

(22) Date of Filing Application: **12 February 2009**

(24) Date from which industrial property rights may have effect: **12 February 2009**

(54) Product in respect of which the design is registered: **Escutcheon**

(51) International Design Classification: **08-07**

(71) Name(s) and Address(s) of Applicant(s):

Schlage Lock Company
11819 N. Pennsylvania Street Carmel IN 46032 United States of America

(72) Name(s) of Designer(s): **Kelly Douglas and Russell Duchene Jr**

(45) Registration Date: **06 March 2009**

(30) Convention priority data:

(31) Number	(32) Date	(33) Country
29/322,825	13 Aug 2008	UNITED STATES OF AMERICA

(56) Related Art Documents: **Not Applicable**

(57) Statement of Newness and Distinctiveness: **The shape and configuration of the parts of the escutcheon shown by means of solid lines are new and distinctive. Features shown by means of broken lines are to be disregarded as these features are included for illustrative purposes only and do not form part of the design.**



(21) Design Number: **10423/2009**

(22) Date of Filing Application: **12 February 2009**

(24) Date from which industrial property rights may have effect: **12 February 2009**

(54) Product in respect of which the design is registered: **Escutcheon**

(51) International Design Classification: **08-07**

(71) Name(s) and Address(s) of Applicant(s):

Schlage Lock Company
11819 N. Pennsylvania Street Carmel IN 46032 United States of America

(72) Name(s) of Designer(s): **Kelly Douglas and Victor Bogdanov**

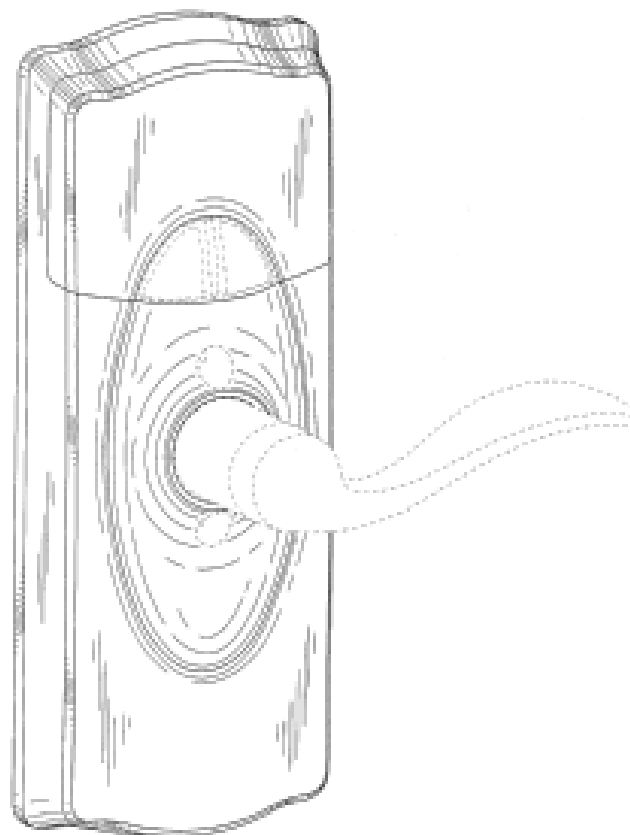
(45) Registration Date: **06 March 2009**

(30) Convention priority data:

(31) Number	(32) Date	(33) Country
29/322,826	13 Aug 2008	UNITED STATES OF AMERICA

(56) Related Art Documents: **Not Applicable**

(57) Statement of Newness and Distinctiveness: **The shape and configuration of the parts of the escutcheon shown by means of solid lines are new and distinctive. Features shown by means of broken lines are to be disregarded as these features are included for illustrative purposes only and do not form part of the design.**



(21) Design Number: **10424/2009**

(22) Date of Filing Application: **13 February 2009**

(24) Date from which industrial property rights may have effect: **13 February 2009**

(54) Product in respect of which the design is registered: **Standard lamp**

(51) International Design Classification: **26-05B**

(71) Name(s) and Address(s) of Applicant(s):

**Thorn Europhane
156 Boulevard Haussmann 75008 Paris France**

(72) Name(s) of Designer(s): **Sven Von Boetticher**

(45) Registration Date: **06 March 2009**

(30) Convention priority data:

(31) Number	(32) Date	(33) Country
001037444-0001	12 Nov 2008	EUROPEAN COMMUNITY

(56) Related Art Documents: **Not Applicable**

(57) Statement of Newness and Distinctiveness: **Newness and distinctiveness is claimed in the features of shape and/or configuration of a standard lamp as illustrated in the accompanying representations in which particular regard is to be had to the U-shaped hollowed centre of the lamp head, the slotted sides, and the support arm extending from the hollowed centre.**



(21) Design Number: **10425/2009**

(22) Date of Filing Application: **13 February 2009**

(24) Date from which industrial property rights may have effect: **13 February 2009**

(54) Product in respect of which the design is registered: **Standard lamp**

(51) International Design Classification: **26-05B**

(71) Name(s) and Address(s) of Applicant(s):

**Thorn Europhane
156 Boulevard Haussmann 75008 Paris France**

(72) Name(s) of Designer(s): **Sven Von Boetticher**

(45) Registration Date: **06 March 2009**

(30) Convention priority data:

(31) Number	(32) Date	(33) Country
001037444-0002	12 Nov 2008	EUROPEAN COMMUNITY

(56) Related Art Documents: **Not Applicable**

(57) Statement of Newness and Distinctiveness: **Newness and distinctiveness is claimed in the features of shape and/or configuration of a standard lamp as illustrated in the accompanying representations in which particular regard is to be had to the U-shaped hollowed centre of the lamp head, the slotted sides, and the support arm extending from the hollowed centre.**



(21) Design Number: **10459/2009**

(22) Date of Filing Application: **16 February 2009**

(24) Date from which industrial property rights may have effect: **16 February 2009**

(54) Product in respect of which the design is registered: **Tyre**

(51) International Design Classification: **12-15C**

(71) Name(s) and Address(s) of Applicant(s):

**The Goodyear Tire & Rubber Company
1144 East Market Street Akron Ohio 44316-0001 United States of
America**

(72) Name(s) of Designer(s): **Peter Johann Cornelius Maus and Fahri Ozel and
Thorsten Richard Feider**

(45) Registration Date: **06 March 2009**

(30) Convention priority data:

(31) Number	(32) Date	(33) Country
29/323443	26 Aug 2008	UNITED STATES OF AMERICA

(56) Related Art Documents: **Not Applicable**

(57) Statement of Newness and Distinctiveness: **Newness and distinctiveness is
claimed in the features of shape and/or configuration of a tyre as
illustrated in the accompanying representations.**



(21) Design Number: **10457/2009**

(22) Date of Filing Application: **16 February 2009**

(24) Date from which industrial property rights may have effect: **16 February 2009**

(54) Product in respect of which the design is registered: **Lid**

(51) International Design Classification: **07-01NES**

(71) Name(s) and Address(s) of Applicant(s):

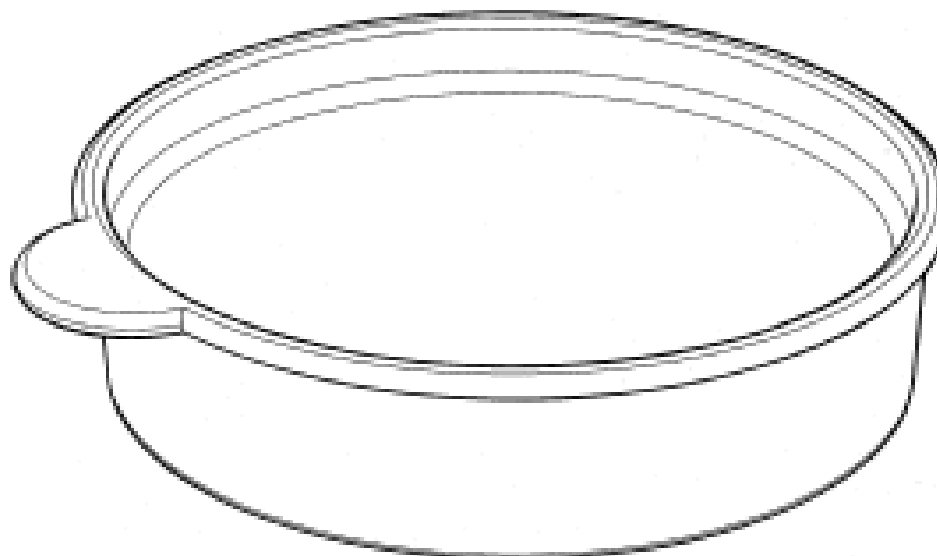
**The Decor Corporation Pty Ltd
1314 Ferntree Gully Road Scoresby Victoria 3179 Australia**

(72) Name(s) of Designer(s): **Anthony Henry Wolfenden**

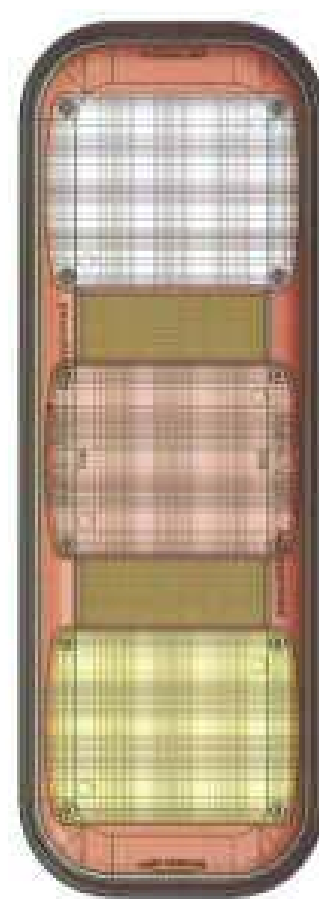
(45) Registration Date: **06 March 2009**

(56) Related Art Documents: **Not Applicable**

(57) Statement of Newness and Distinctiveness: **Nil**

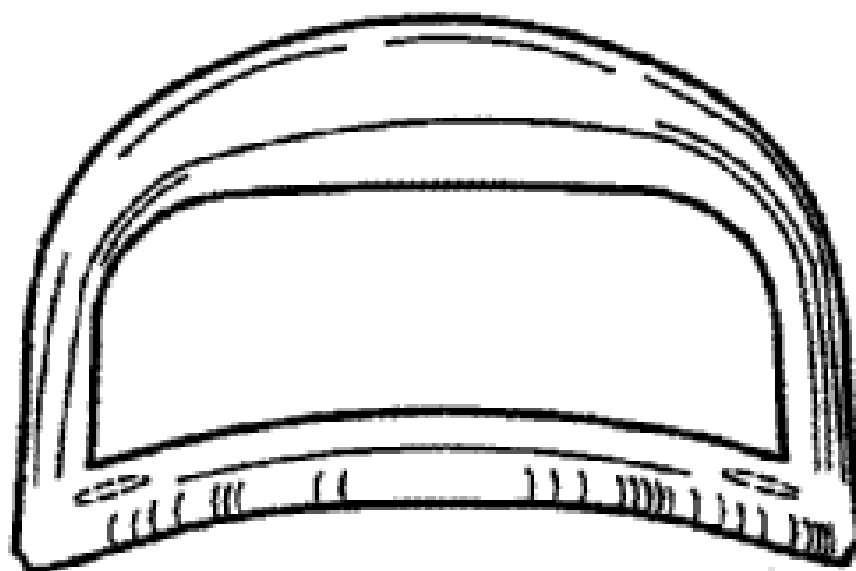


- (21) Design Number: **10458/2009**
- (22) Date of Filing Application: **16 February 2009**
- (24) Date from which industrial property rights may have effect: **16 February 2009**
- (54) Product in respect of which the design is registered: **Light fitting**
- (51) International Design Classification: **26-06**
- (71) Name(s) and Address(s) of Applicant(s):
Brown & Watson International Pty Ltd
3 Millennium Court Knoxfield Victoria 3179 Australia
- (72) Name(s) of Designer(s): **Jerry You and Timothy Miller**
- (45) Registration Date: **06 March 2009**
- (56) Related Art Documents: **Not Applicable**
- (57) Statement of Newness and Distinctiveness: **Those features of the light fitting depicted in the representations that are new and distinctive are the shape and/or configuration. The textual matter shown in the representations is to be disregarded when considering the overall impression of the design.**

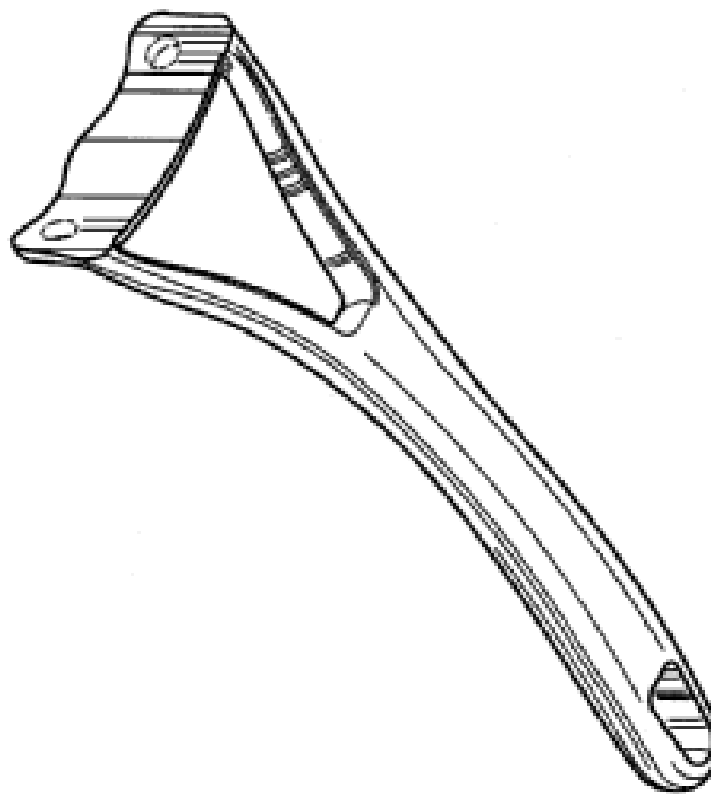


- (21) Design Number: **10461/2009**
- (22) Date of Filing Application: **16 February 2009**
- (24) Date from which industrial property rights may have effect: **16 February 2009**
- (54) Product in respect of which the design is registered: **Sauce pan side handle**
- (51) International Design Classification: **07-02R**
- (71) Name(s) and Address(s) of Applicant(s):
Meyer Intellectual Properties Limited
382 Kwun Tong Road Hong Kong Sar
- (72) Name(s) of Designer(s): **Robert A. Rae**
- (45) Registration Date: **06 March 2009**
- (30) Convention priority data:

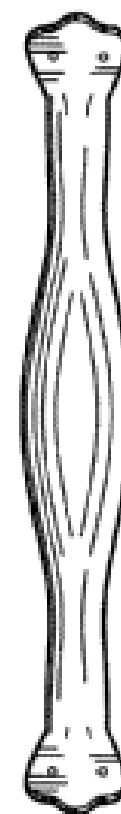
(31) Number	(32) Date	(33) Country
29/323,032	15 Aug 2008	UNITED STATES OF AMERICA
- (56) Related Art Documents: **Not Applicable**
- (57) Statement of Newness and Distinctiveness: **This design is to be applied to a Sauce Pan Side Handle and the novelty resides in the features of shape and configuration of the article shown in the accompanying representations. No novelty is claimed for the features shown in broken lines - those are for illustrative purposes only and depict the rivet holes in the handle.**



- (21) Design Number: **10462/2009**
(22) Date of Filing Application: **16 February 2009**
(24) Date from which industrial property rights may have effect: **16 February 2009**
(54) Product in respect of which the design is registered: **Extended cookware handle**
(51) International Design Classification: **07-02R**
(71) Name(s) and Address(s) of Applicant(s):
Meyer Intellectual Properties Limited
382 Kwun Tong Road Hong Kong Sar
(72) Name(s) of Designer(s): **Robert A. Rae**
(45) Registration Date: **06 March 2009**
(30) Convention priority data:
(31) Number (32) Date (33) Country
29/323,034 15 Aug 2008 UNITED STATES OF AMERICA
(56) Related Art Documents: **Not Applicable**
(57) Statement of Newness and Distinctiveness: **This design is to be applied to a Extended Cookware Handle and the novelty resides in the features of shape and configuration of the article shown in the accompanying representations. No novelty is claimed for the features shown in broken lines - those are for illustrative purposes only and depict the rivet holes in the handle.**



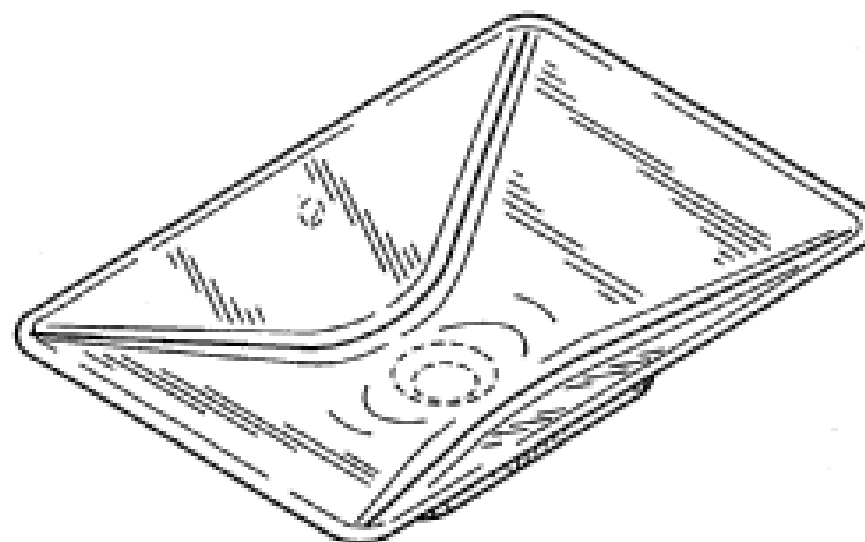
- (21) Design Number: **10463/2009**
(22) Date of Filing Application: **16 February 2009**
(24) Date from which industrial property rights may have effect: **16 February 2009**
(54) Product in respect of which the design is registered: **Sauce pan lid handle**
(51) International Design Classification: **07-02R**
(71) Name(s) and Address(s) of Applicant(s):
Meyer Intellectual Properties Limited
382 Kwun Tong Road Hong Kong Sar
(72) Name(s) of Designer(s): **Robert A. Rae**
(45) Registration Date: **06 March 2009**
(30) Convention priority data:
(31) Number (32) Date (33) Country
29/323,008 15 Aug 2008 UNITED STATES OF AMERICA
(56) Related Art Documents: **Not Applicable**
(57) Statement of Newness and Distinctiveness: **This design is to be applied to a Sauce Pan Lid Handle and the novelty resides in the features of shape and configuration of the article shown in the accompanying representations.**



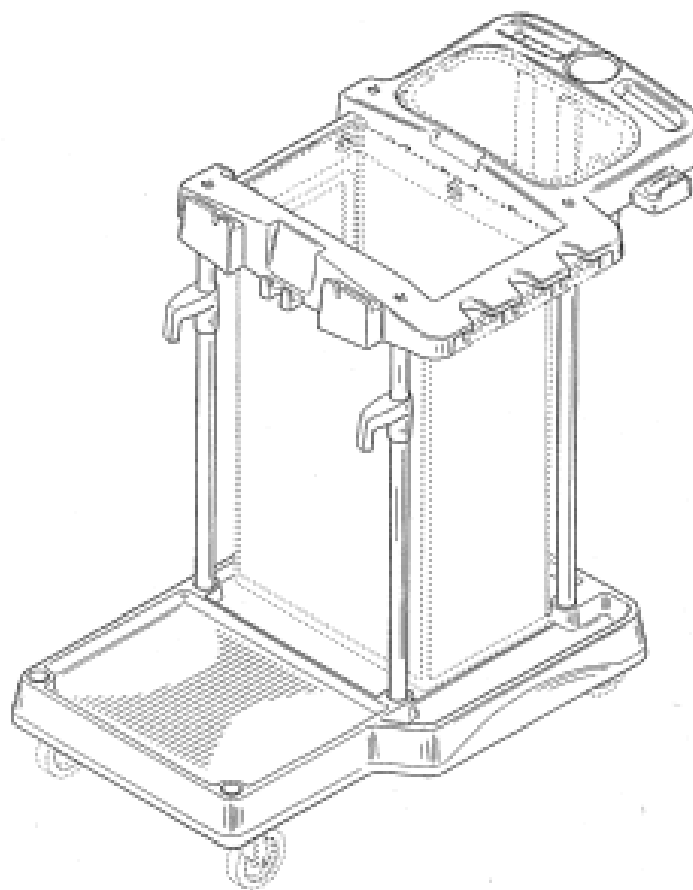
(21) Design Number: **10476/2009**
(22) Date of Filing Application: **13 February 2009**
(24) Date from which industrial property rights may have effect: **13 February 2009**
(54) Product in respect of which the design is registered: **Handle**
(51) International Design Classification: **08-06**
(71) Name(s) and Address(s) of Applicant(s):
Austral Lock Pty Ltd
8-14 Ross Street South Melbourne Victoria 3205 Australia
(72) Name(s) of Designer(s): **David Greenbury**
(45) Registration Date: **06 March 2009**
(56) Related Art Documents: **Not Applicable**
(57) Statement of Newness and Distinctiveness: **Nil**



(21) Design Number: **10477/2009**
(22) Date of Filing Application: **17 February 2009**
(24) Date from which industrial property rights may have effect: **17 February 2009**
(54) Product in respect of which the design is registered: **A wash basin**
(51) International Design Classification: **23-02F**
(71) Name(s) and Address(s) of Applicant(s):
Kohler France SAS
Immeuble Le Cap 3 rue de Brennus 93631 La Plaine St. Denis Cedex
France
(72) Name(s) of Designer(s): **Jean-Hugues Soulier**
(45) Registration Date: **06 March 2009**
(30) Convention priority data:
(31) Number (32) Date (33) Country
000989314 20 Aug 2008 EUROPEAN COMMUNITY
(56) Related Art Documents: **Not Applicable**
(57) Statement of Newness and Distinctiveness: **No regard is to be had to the elements depicted in broken lines in the representations.**



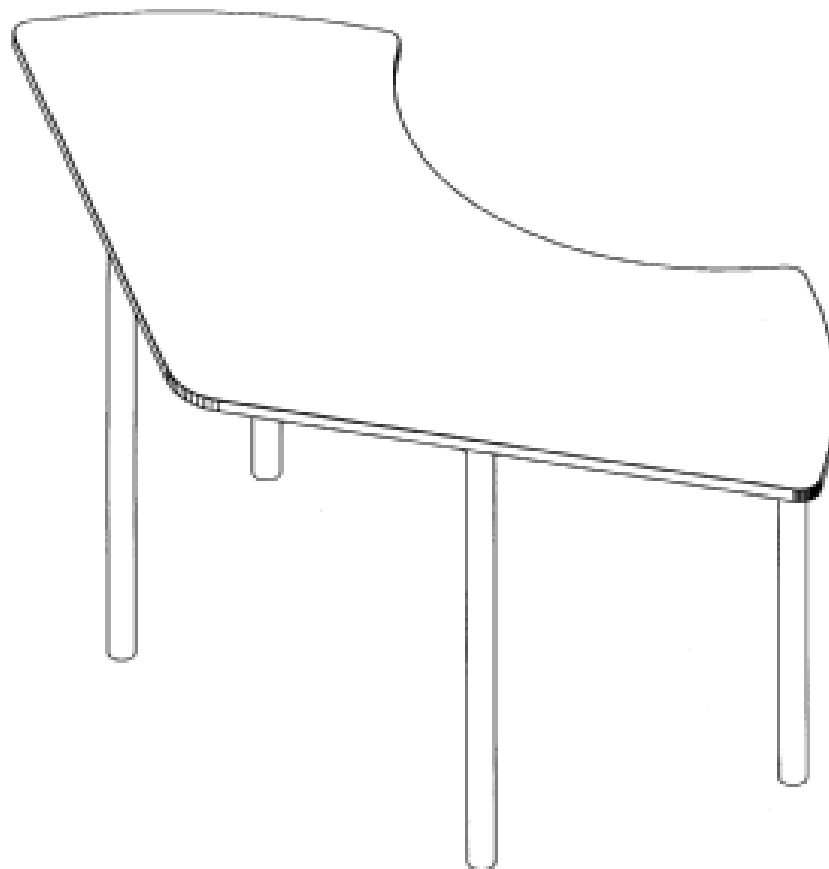
(21) Design Number: **10523/2009**
(22) Date of Filing Application: **20 February 2009**
(24) Date from which industrial property rights may have effect: **20 February 2009**
(54) Product in respect of which the design is registered: **Cleaning cart**
(51) International Design Classification: **12-02, 07-05NES**
(71) Name(s) and Address(s) of Applicant(s):
Rubbermaid Commercial Products, LLC
3124 Valley Avenue Winchester 22601 Virginia United States of America
(72) Name(s) of Designer(s): **Mark Allen Catron**
(45) Registration Date: **27 February 2009**
(30) Convention priority data:
(31) Number (32) Date (33) Country
29/323239 21 Aug 2008 UNITED STATES OF AMERICA
(56) Related Art Documents: **Not Applicable**
(57) Statement of Newness and Distinctiveness: **Nil**



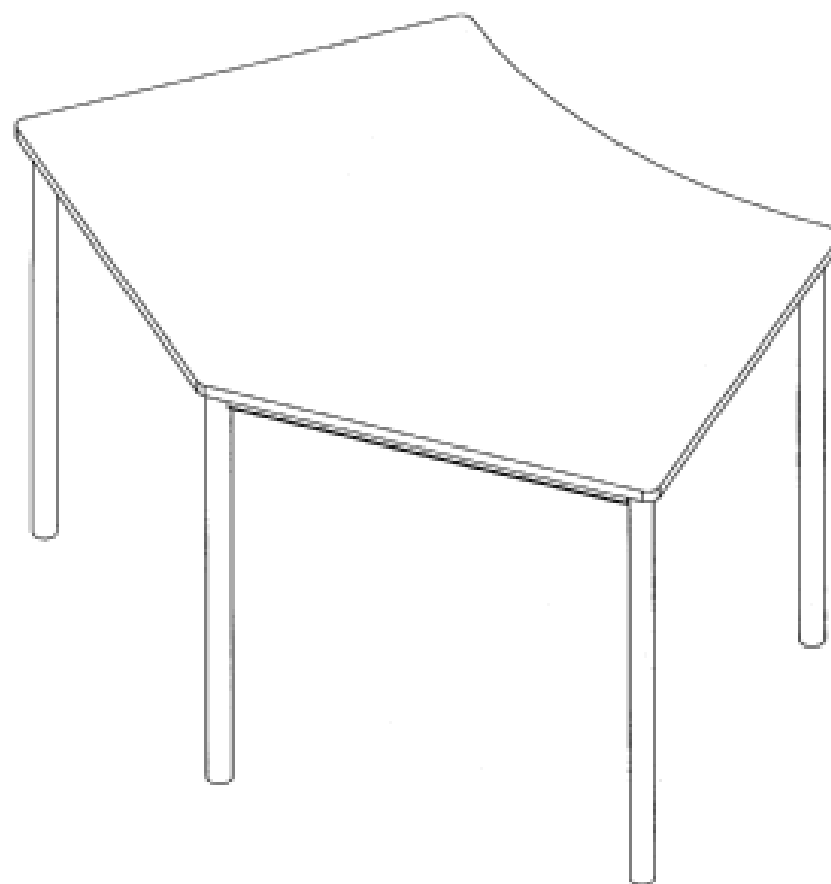
(21) Design Number: **10532/2009**
(22) Date of Filing Application: **23 February 2009**
(24) Date from which industrial property rights may have effect: **23 February 2009**
(54) Product in respect of which the design is registered: **Hybrid acoustic panel**
(51) International Design Classification: **25-01D, 14-03NES, 17-99**
(71) Name(s) and Address(s) of Applicant(s):
James Bellew
12 Main Street Northcote Victoria 3070 Australia
(72) Name(s) of Designer(s): **James Bellew**
(45) Registration Date: **27 February 2009**
(56) Related Art Documents: **Not Applicable**
(57) Statement of Newness and Distinctiveness: **An acoustic foam panel, designed to accept a semi-rigid insert, forming a smooth radius.**



- (21) Design Number: **10551/2009**
- (22) Date of Filing Application: **24 February 2009**
- (24) Date from which industrial property rights may have effect: **24 February 2009**
- (54) Product in respect of which the design is registered: **Trimus table**
- (51) International Design Classification: **06-03B**
- (71) Name(s) and Address(s) of Applicant(s):
Woods Furniture Pty Ltd
564 Geelong Road Brooklyn Victoria 3012 Australia
- (72) Name(s) of Designer(s): **James Setters**
- (45) Registration Date: **27 February 2009**
- (56) Related Art Documents: **Not Applicable**
- (57) Statement of Newness and Distinctiveness: **Nil**



- (21) Design Number: **10552/2009**
- (22) Date of Filing Application: **24 February 2009**
- (24) Date from which industrial property rights may have effect: **24 February 2009**
- (54) Product in respect of which the design is registered: **Penta table**
- (51) International Design Classification: **06-03B**
- (71) Name(s) and Address(s) of Applicant(s):
Woods Furniture Pty Ltd
564 Geelong Road Brooklyn Victoria 3012 Australia
- (72) Name(s) of Designer(s): **James Setters**
- (45) Registration Date: **27 February 2009**
- (56) Related Art Documents: **Not Applicable**
- (57) Statement of Newness and Distinctiveness: **Nil**



(21) Design Number: **13746/2008**

(22) Date of Filing Application: **06 August 2008**

(24) Date from which industrial property rights may have effect: **06 August 2008**

(54) Product in respect of which the design is registered: **Vehicle front assembly**

(51) International Design Classification: **12-08**

(71) Name(s) and Address(s) of Applicant(s):

**Toyota Jidosha Kabushiki Kaisha
No. 1 Toyota-Cho Toyota-Shi Aichi-ken 471-8571 Japan**

(72) Name(s) of Designer(s): **Jiro Matsueda**

(45) Registration Date: **27 February 2009**

(56) Related Art Documents: **Not Applicable**

(57) Statement of Newness and Distinctiveness: **Those features of the vehicle front assembly depicted in the representations that are new and distinctive are the shape and/or configuration. The features shown in faint rendering are not part of the design and are to be disregarded when considering the overall impression of the design.**



(21) Design Number: **15478/2008**

(22) Date of Filing Application: **19 November 2008**

(24) Date from which industrial property rights may have effect: **19 November 2008**

(54) Product in respect of which the design is registered: **A gutter element**

(51) International Design Classification: **23-01L**

(71) Name(s) and Address(s) of Applicant(s):

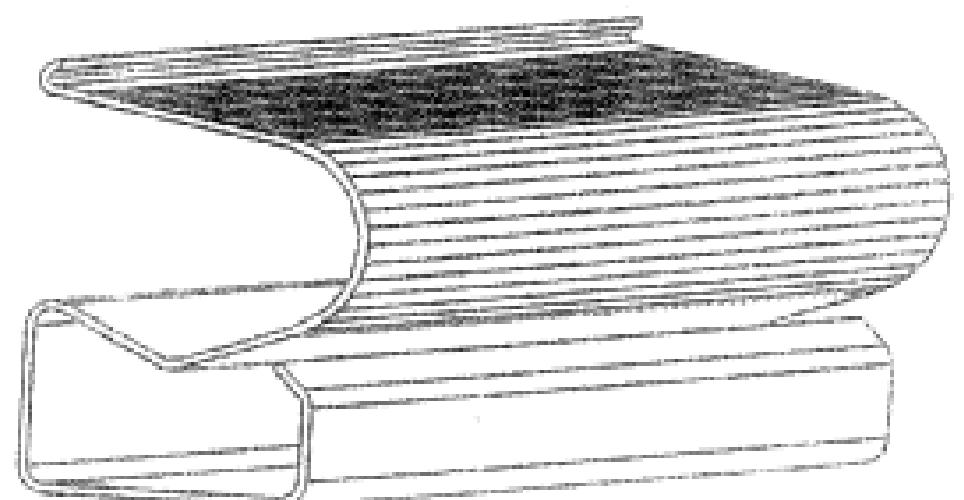
**Phil Collins
140 Martindale Road Denman New South Wales 2328 Australia**

(72) Name(s) of Designer(s): **Phil Collins**

(45) Registration Date: **27 February 2009**

(56) Related Art Documents: **Not Applicable**

(57) Statement of Newness and Distinctiveness: **Newness and distinctiveness is claimed in the visual features shown in solid lines in the representations excluding the corrugated roof section, water directional arrows and reinforcing brackets.**



(21) Design Number: **10410/2009**

(22) Date of Filing Application: **13 February 2009**

(24) Date from which industrial property rights may have effect: **13 February 2009**

(54) Product in respect of which the design is registered: **A shower fitting**

(51) International Design Classification: **23-02B**

(71) Name(s) and Address(s) of Applicant(s):

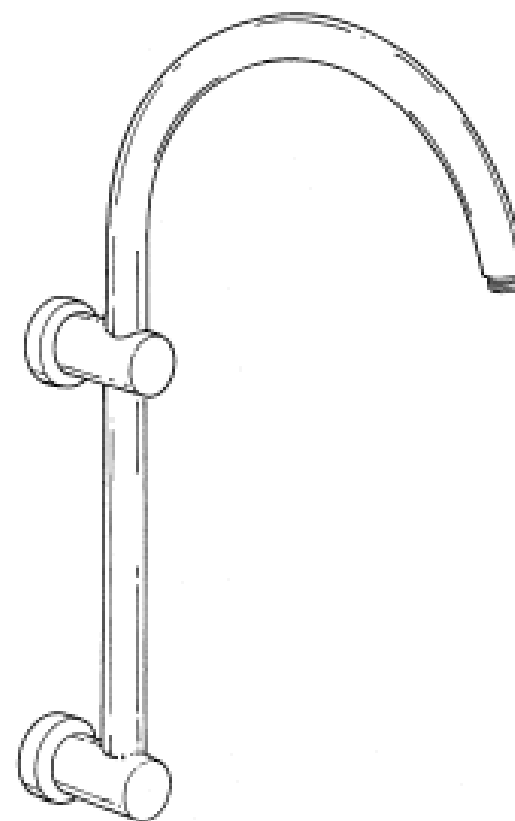
**Novetec Building Products Pty Ltd
PO Box 1596 Osborne Park Western Australia 6916 Australia**

(72) Name(s) of Designer(s): **Armando Rigo**

(45) Registration Date: **27 February 2009**

(56) Related Art Documents: **Not Applicable**

(57) Statement of Newness and Distinctiveness: **The particular visual features of the design which are new and distinctive are shape OR configuration.**



(21) Design Number: **10411/2009**

(22) Date of Filing Application: **13 February 2009**

(24) Date from which industrial property rights may have effect: **13 February 2009**

(54) Product in respect of which the design is registered: **A shower fitting**

(51) International Design Classification: **23-02B**

(71) Name(s) and Address(s) of Applicant(s):

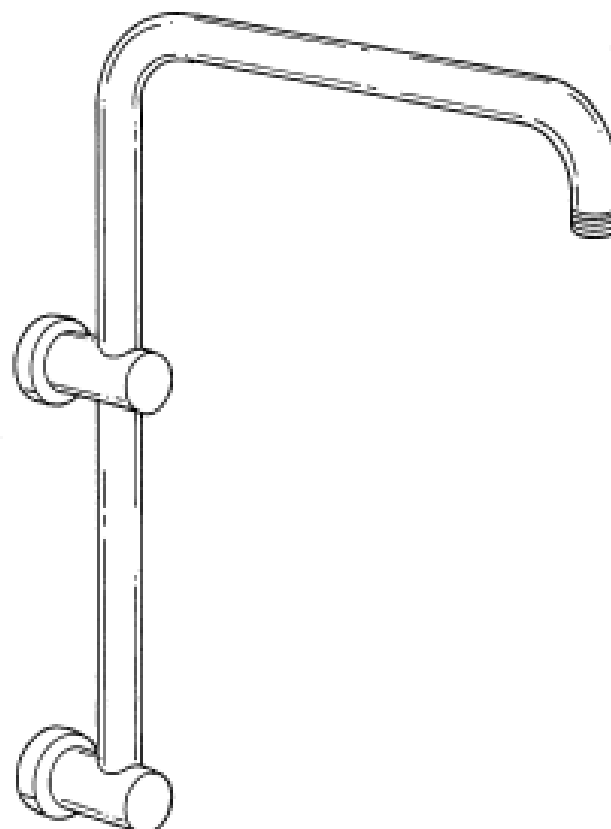
**Novetec Building Products Pty Ltd
PO Box 1596 Osborne Park Western Australia 6916 Australia**

(72) Name(s) of Designer(s): **Armando Rigo**

(45) Registration Date: **27 February 2009**

(56) Related Art Documents: **Not Applicable**

(57) Statement of Newness and Distinctiveness: **The particular visual features of the design which are new and distinctive are shape OR configuration.**



(21) Design Number: **10412/2009**

(22) Date of Filing Application: **13 February 2009**

(24) Date from which industrial property rights may have effect: **13 February 2009**

(54) Product in respect of which the design is registered: **A shower fitting**

(51) International Design Classification: **23-02B**

(71) Name(s) and Address(s) of Applicant(s):

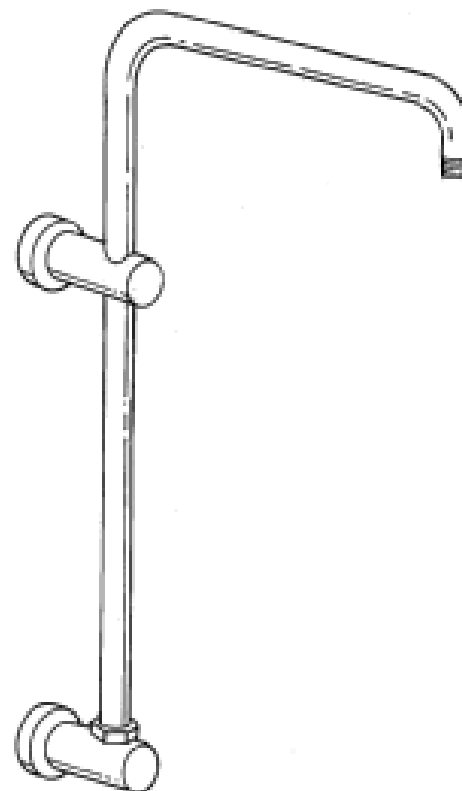
**Novetec Building Products Pty Ltd
PO Box 1596 Osborne Park Western Australia 6916 Australia**

(72) Name(s) of Designer(s): **Armando Rigo**

(45) Registration Date: **27 February 2009**

(56) Related Art Documents: **Not Applicable**

(57) Statement of Newness and Distinctiveness: **The particular visual features of the design which are new and distinctive are shape OR configuration.**



(21) Design Number: **10413/2009**

(22) Date of Filing Application: **13 February 2009**

(24) Date from which industrial property rights may have effect: **13 February 2009**

(54) Product in respect of which the design is registered: **A shower fitting**

(51) International Design Classification: **23-02B**

(71) Name(s) and Address(s) of Applicant(s):

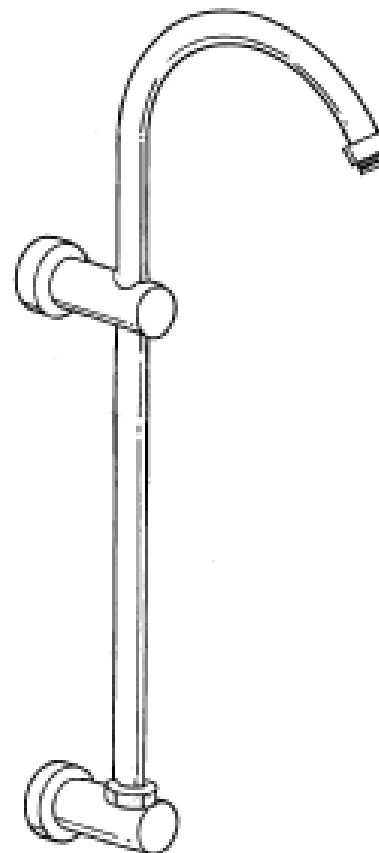
**Novetec Building Products Pty Ltd
PO Box 1596 Osborne Park Western Australia 6916 Australia**

(72) Name(s) of Designer(s): **Armando Rigo**

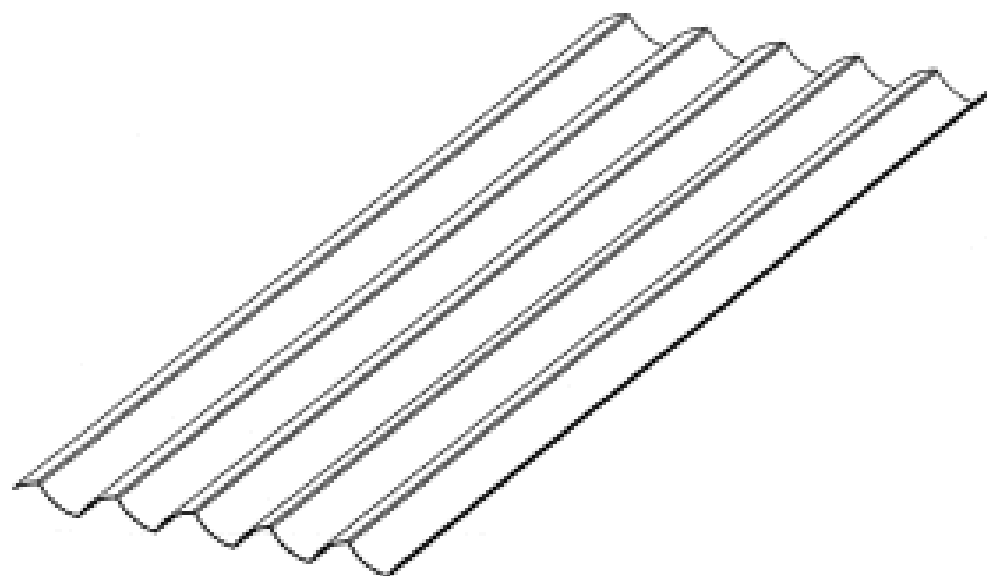
(45) Registration Date: **27 February 2009**

(56) Related Art Documents: **Not Applicable**

(57) Statement of Newness and Distinctiveness: **The particular visual features of the design which are new and distinctive are shape or configuration.**



- (21) Design Number: **10478/2009**
(22) Date of Filing Application: **18 February 2009**
(24) Date from which industrial property rights may have effect: **18 February 2009**
(54) Product in respect of which the design is registered: **Metal fencing, roofing, walling and cladding**
(51) International Design Classification: **25-02C**
(71) Name(s) and Address(s) of Applicant(s):
Gram Engineering Pty Ltd
16-22 Cullen Place Smithfield New South Wales 2164 Australia
(72) Name(s) of Designer(s): **Ronald L. Mann**
(45) Registration Date: **27 February 2009**
(56) Related Art Documents: **Not Applicable**
(57) Statement of Newness and Distinctiveness: **The shape of the individual sections or ribs of the profile are new and unique. Changing the number of repeating sections or ribs or profile elements on the panel is not distinctive. Protection is sought, regardless of the number of repeating profile elements.**



- (21) Design Number: **10479/2009**
(22) Date of Filing Application: **18 February 2009**
(24) Date from which industrial property rights may have effect: **18 February 2009**
(54) Product in respect of which the design is registered: **Structural section for a fence post**
(51) International Design Classification: **25-02C**
(71) Name(s) and Address(s) of Applicant(s):
Gram Engineering Pty Ltd
16-22 Cullen Place Smithfield New South Wales 2164 Australia
(72) Name(s) of Designer(s): **Ronald L. Mann**
(45) Registration Date: **27 February 2009**
(56) Related Art Documents: **Not Applicable**
(57) Statement of Newness and Distinctiveness: **Nil**



(21) Design Number: **10480/2009**

(22) Date of Filing Application: **18 February 2009**

(24) Date from which industrial property rights may have effect: **18 February 2009**

(54) Product in respect of which the design is registered: **Building and fence member**

(51) International Design Classification: **25-02C**

(71) Name(s) and Address(s) of Applicant(s):

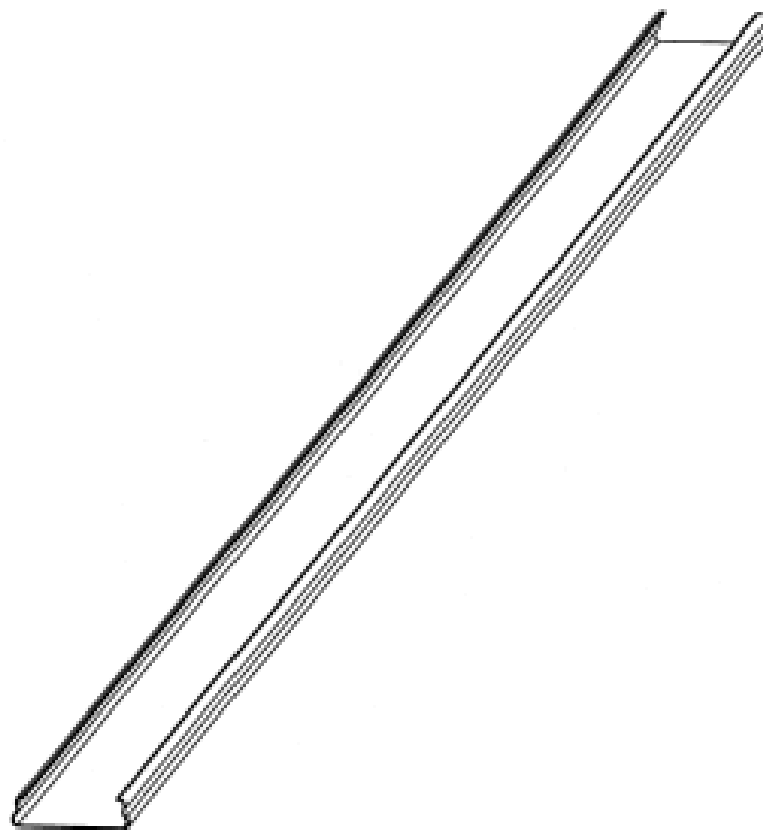
Gram Engineering Pty Ltd
16-22 Cullen Place Smithfield New South Wales 2164 Australia

(72) Name(s) of Designer(s): **Ronald L. Mann**

(45) Registration Date: **27 February 2009**

(56) Related Art Documents: **Not Applicable**

(57) Statement of Newness and Distinctiveness: **Nil**



(21) Design Number: **10481/2009**

(22) Date of Filing Application: **18 February 2009**

(24) Date from which industrial property rights may have effect: **18 February 2009**

(54) Product in respect of which the design is registered: **Structural section for a fence rail**

(51) International Design Classification: **25-02C**

(71) Name(s) and Address(s) of Applicant(s):

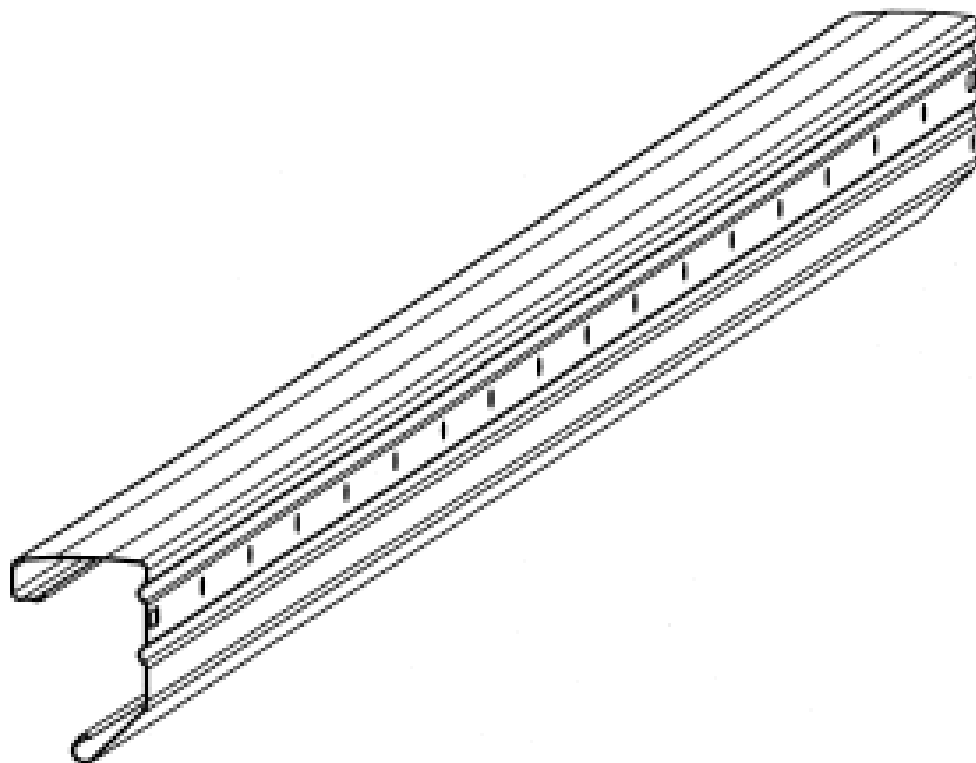
Gram Engineering Pty Ltd
16-22 Cullen Place Smithfield New South Wales 2164 Australia

(72) Name(s) of Designer(s): **Ronald L. Mann**

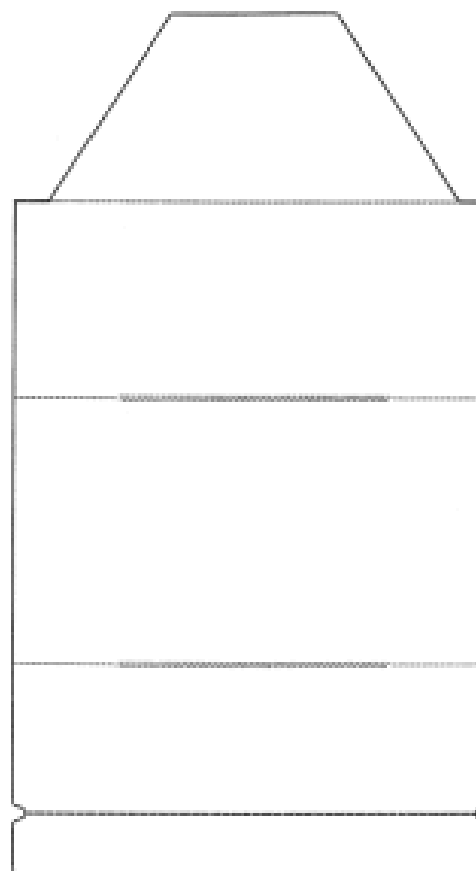
(45) Registration Date: **27 February 2009**

(56) Related Art Documents: **Not Applicable**

(57) Statement of Newness and Distinctiveness: **Nil**



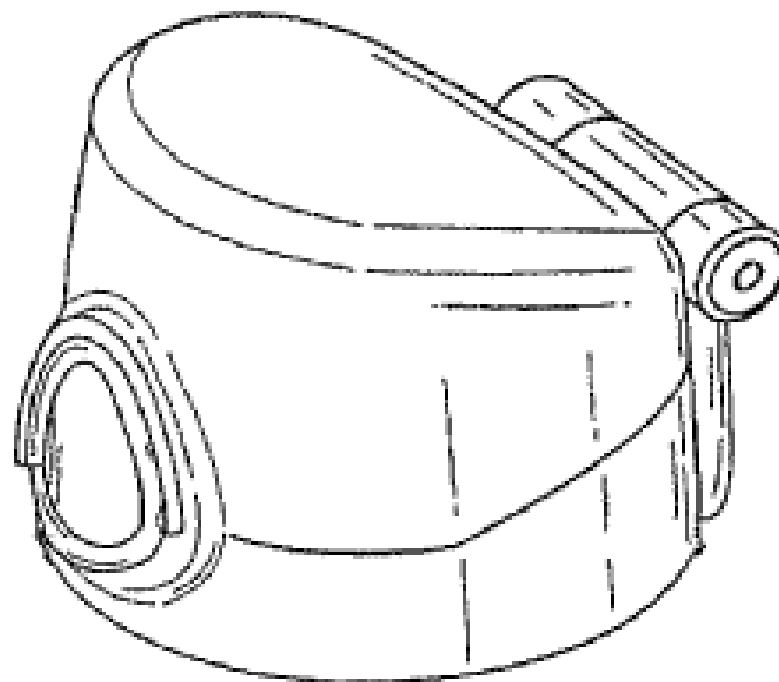
- (21) Design Number: **10485/2009**
- (22) Date of Filing Application: **17 February 2009**
- (24) Date from which industrial property rights may have effect: **17 February 2009**
- (54) Product in respect of which the design is registered: **Blank for a CD/DVD mailer wallet**
- (51) International Design Classification: **03-01C**
- (71) Name(s) and Address(s) of Applicant(s):
Media Mail Pty Ltd as trustee of Media Mail Trust
10E 107 Miles Platting Road Eight Miles Plains Brisbane Queensland
4113 Australia
- (72) Name(s) of Designer(s): **Allan Morton**
- (45) Registration Date: **27 February 2009**
- (56) Related Art Documents: **Not Applicable**
- (57) Statement of Newness and Distinctiveness: **The shape and configuration of the blank for a CD/DVD wallet as shown in the drawings.**



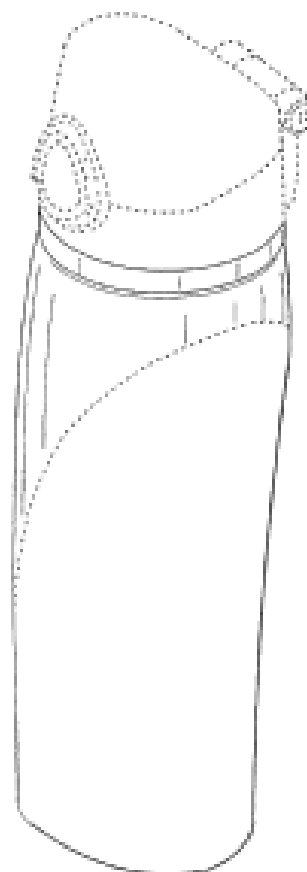
- (21) Design Number: **10486/2009**
- (22) Date of Filing Application: **17 February 2009**
- (24) Date from which industrial property rights may have effect: **17 February 2009**
- (54) Product in respect of which the design is registered: **A blank for a CD/DVD mailer wallet**
- (51) International Design Classification: **03-01C**
- (71) Name(s) and Address(s) of Applicant(s):
Media Mail Pty Ltd as trustee of Media Mail Trust
10E 107 Miles Platting Road Eight Miles Plains Brisbane Queensland
4113 Australia
- (72) Name(s) of Designer(s): **Allan Morton**
- (45) Registration Date: **27 February 2009**
- (56) Related Art Documents: **Not Applicable**
- (57) Statement of Newness and Distinctiveness: **Newness and distinctiveness of the design resides in the shape and configuration of the blank in figures 1 and 2 and in addition, the location of a tactile message on the blank as identified by boxes A and B in figure 2. However, the content of the tactile message does not itself form part of the registration and is shown in the figures for illustration purposes only.**



(21) Design Number: **10487/2009**
(22) Date of Filing Application: **17 February 2009**
(24) Date from which industrial property rights may have effect: **17 February 2009**
(54) Product in respect of which the design is registered: **Lid for a bottle**
(51) International Design Classification: **09-07C**
(71) Name(s) and Address(s) of Applicant(s):
Thermos L.L.C.
2550 West Golf Road Suite 800 Rolling Meadows Illinois 60008 United States of America
(72) Name(s) of Designer(s): **Alfredo Carreno**
(45) Registration Date: **27 February 2009**
(30) Convention priority data:
(31) Number (32) Date (33) Country
29/310474 20 Aug 2008 UNITED STATES OF AMERICA
(56) Related Art Documents: **Not Applicable**
(57) Statement of Newness and Distinctiveness: **Newness and distinctiveness is claimed in the features of shape and/or configuration of a lid for a bottle as illustrated in the accompanying representations.**



(21) Design Number: **10488/2009**
(22) Date of Filing Application: **17 February 2009**
(24) Date from which industrial property rights may have effect: **17 February 2009**
(54) Product in respect of which the design is registered: **Bottle**
(51) International Design Classification: **07-01F**
(71) Name(s) and Address(s) of Applicant(s):
Thermos L.L.C.
2550 West Golf Road Suite 800 Rolling Meadows Illinois 60008 United States of America
(72) Name(s) of Designer(s): **Alfredo Carreno**
(45) Registration Date: **27 February 2009**
(30) Convention priority data:
(31) Number (32) Date (33) Country
29/310473 20 Aug 2008 UNITED STATES OF AMERICA
(56) Related Art Documents: **Not Applicable**
(57) Statement of Newness and Distinctiveness: **Newness and distinctiveness is claimed in those features of shape and/or configuration of the body of a bottle illustrated in continuous lines in the accompanying representations.**



(21) Design Number: **10489/2009**

(22) Date of Filing Application: **17 February 2009**

(24) Date from which industrial property rights may have effect: **17 February 2009**

(54) Product in respect of which the design is registered: **A power adaptor**

(51) International Design Classification: **13-03D**

(71) Name(s) and Address(s) of Applicant(s):

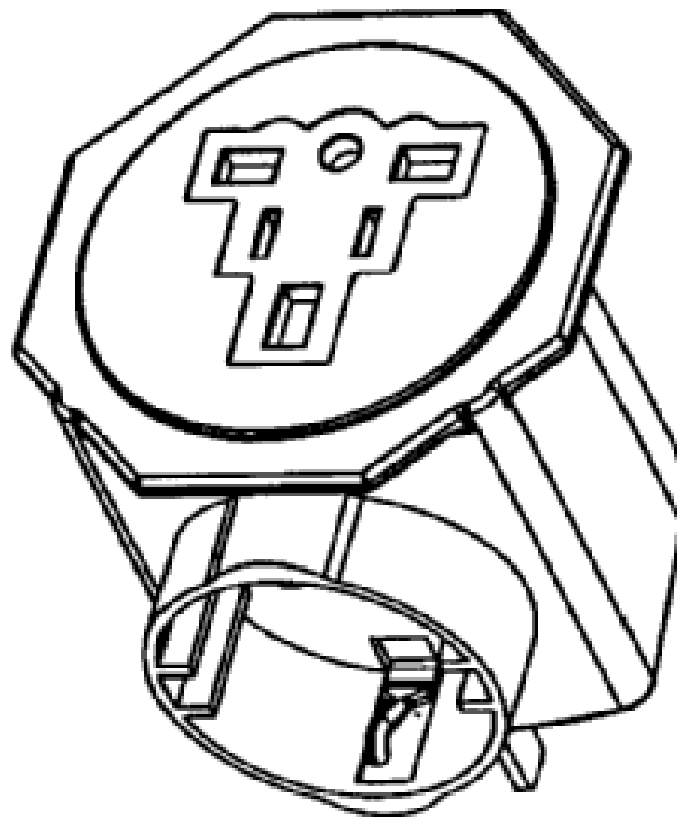
Jackson Industries Pty Limited
16 Brookhollow Avenue Norwest Business Park Baulkham Hills New
South Wales 2153 Australia

(72) Name(s) of Designer(s): **Ross Alec Jackson**

(45) Registration Date: **27 February 2009**

(56) Related Art Documents: **Not Applicable**

(57) Statement of Newness and Distinctiveness: **Newness and distinctiveness is claimed in the features of shape and/or configuration of a power adaptor as illustrated in the accompanying representations.**



(21) Design Number: **10492/2009**

(22) Date of Filing Application: **17 February 2009**

(24) Date from which industrial property rights may have effect: **17 February 2009**

(54) Product in respect of which the design is registered: **Exhaust header and catalytic converter unit**

(51) International Design Classification: **12-16N**

(71) Name(s) and Address(s) of Applicant(s):

HPX Australia Pty Ltd
67-75 Wedgewood Road Hallam Victoria 3803 Australia

(72) Name(s) of Designer(s): **Jeffery David Barwick**

(45) Registration Date: **27 February 2009**

(56) Related Art Documents: **Not Applicable**

(57) Statement of Newness and Distinctiveness: **A single unit comprising a manifold and catalytic converter with variable length pipe between the header and catalytic converter.**

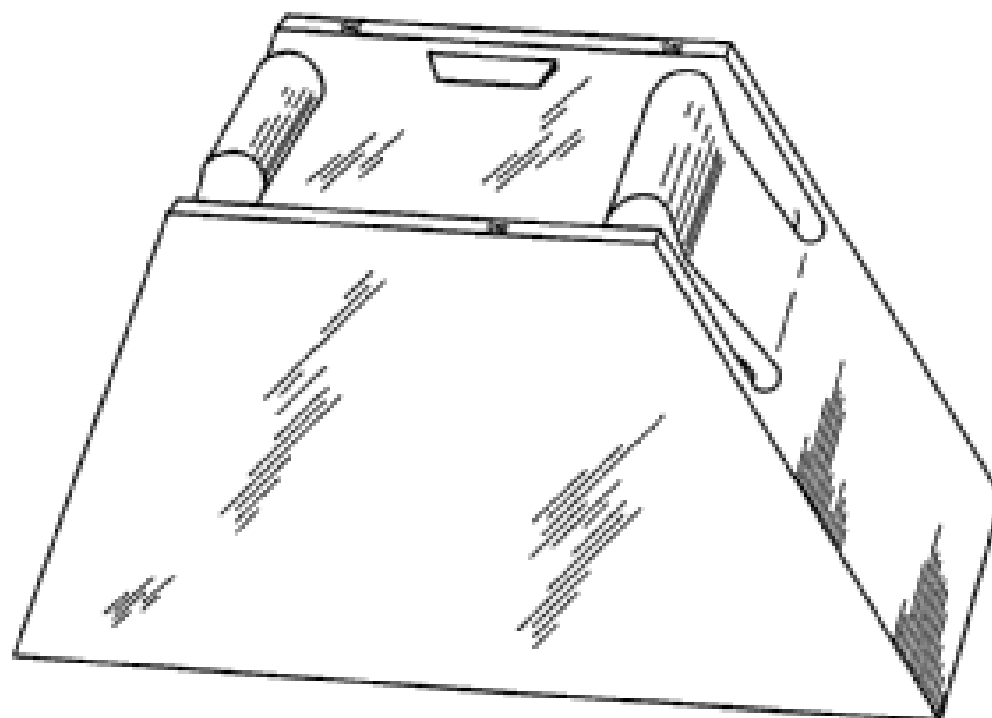


- (21) Design Number: **10493/2009**
- (22) Date of Filing Application: **17 February 2009**
- (24) Date from which industrial property rights may have effect: **17 February 2009**
- (54) Product in respect of which the design is registered: **Exhaust header and catalytic converter unit**
- (51) International Design Classification: **12-16N**
- (71) Name(s) and Address(s) of Applicant(s):
HPX Australia Pty Ltd
67-75 Wedgewood Road Hallam Victoria 3803 Australia
- (72) Name(s) of Designer(s): **Jeffery David Barwick**
- (45) Registration Date: **27 February 2009**
- (56) Related Art Documents: **Not Applicable**
- (57) Statement of Newness and Distinctiveness: **A single unit comprising a manifold and catalytic converter with variable length pipe between the header and catalytic converter.**



- (21) Design Number: **10494/2009**
- (22) Date of Filing Application: **17 February 2009**
- (24) Date from which industrial property rights may have effect: **17 February 2009**
- (54) Product in respect of which the design is registered: **Sizer**
- (51) International Design Classification: **10-04**
- (71) Name(s) and Address(s) of Applicant(s):
Spotless Plastics Pty Ltd
20-26 Sullivan Street Moorabbin Victoria 3189 Australia
- (72) Name(s) of Designer(s): **Stanley F. Gouldson**
- (45) Registration Date: **27 February 2009**
- (30) Convention priority data:

(31) Number	(32) Date	(33) Country
29/323704	29 Aug 2008	UNITED STATES OF AMERICA
- (56) Related Art Documents: **Not Applicable**
- (57) Statement of Newness and Distinctiveness: **Nil**



(21) Design Number: **10497/2009**

(22) Date of Filing Application: **18 February 2009**

(24) Date from which industrial property rights may have effect: **18 February 2009**

(54) Product in respect of which the design is registered: **A plough digging point**

(51) International Design Classification: **15-03A**

(71) Name(s) and Address(s) of Applicant(s):

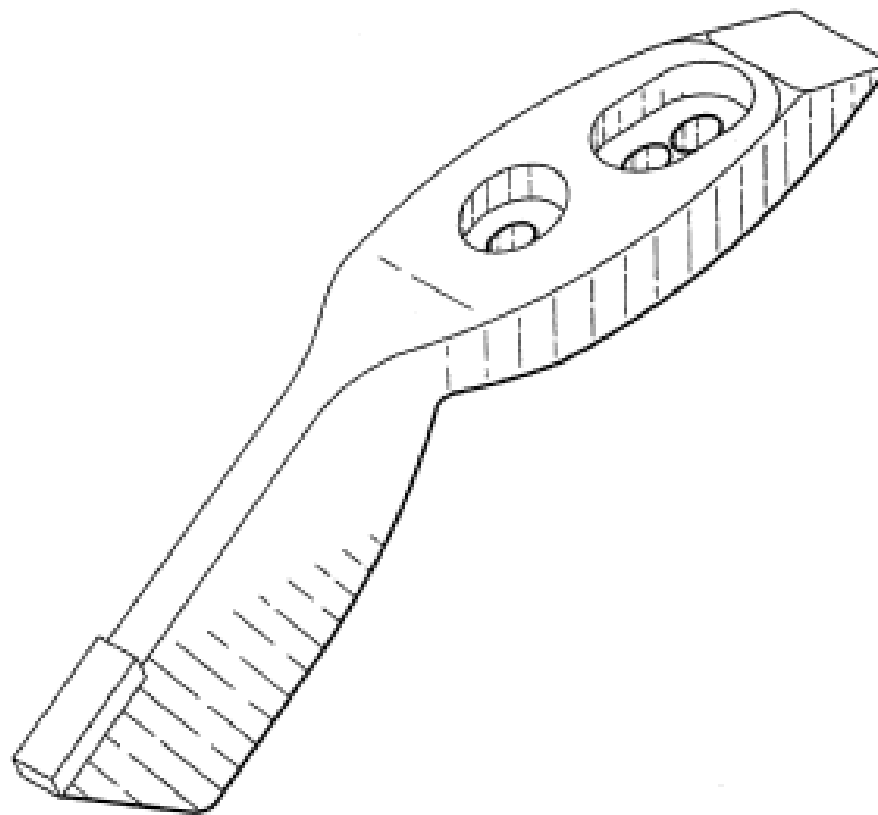
Stiletto Seeding Systems Pty Ltd
278 Place Road Geraldton Western Australia 6530 Australia

(72) Name(s) of Designer(s): **Stuart Davis Smart**

(45) Registration Date: **27 February 2009**

(56) Related Art Documents: **Not Applicable**

(57) Statement of Newness and Distinctiveness: **Newness and distinctiveness is claimed in those features of shape and/or configuration of a plough digging point as illustrated in continuous lines in the accompanying representations.**



(21) Design Number: **10498/2009**

(22) Date of Filing Application: **18 February 2009**

(24) Date from which industrial property rights may have effect: **18 February 2009**

(54) Product in respect of which the design is registered: **A plough digging point**

(51) International Design Classification: **15-03A**

(71) Name(s) and Address(s) of Applicant(s):

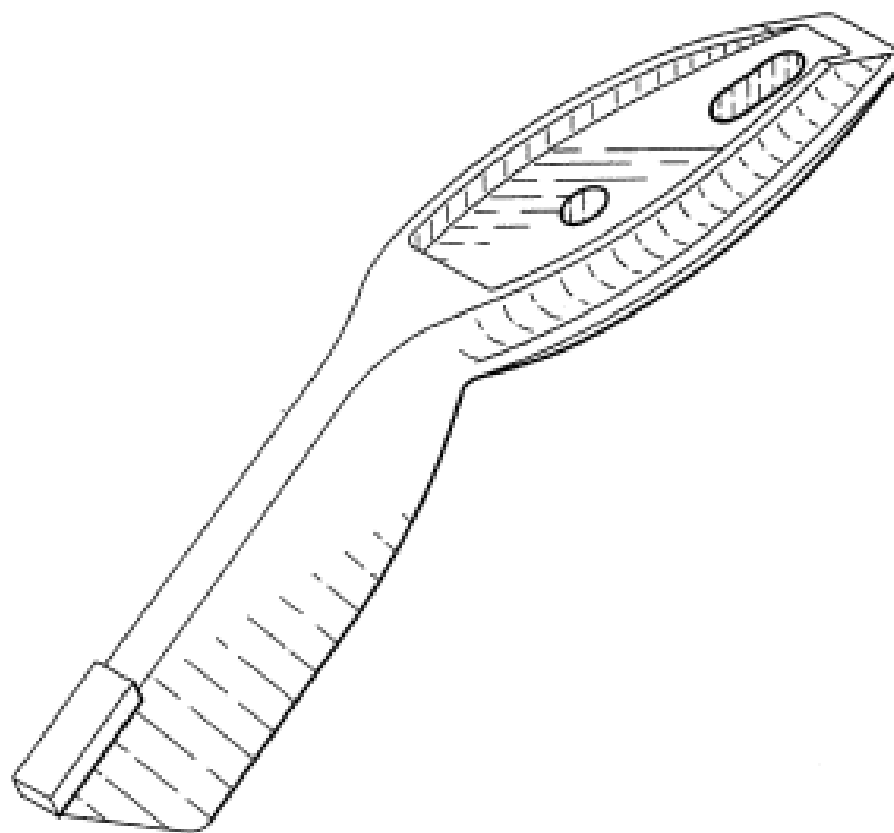
Stiletto Seeding Systems Pty Ltd
278 Place Road Geraldton Western Australia 6530 Australia

(72) Name(s) of Designer(s): **Mark Dawson**

(45) Registration Date: **27 February 2009**

(56) Related Art Documents: **Not Applicable**

(57) Statement of Newness and Distinctiveness: **Newness and distinctiveness is claimed in those features of shape and/or configuration of a plough digging point as illustrated in continuous lines in the accompanying representations.**



(21) Design Number: **10499/2009**

(22) Date of Filing Application: **18 February 2009**

(24) Date from which industrial property rights may have effect: **18 February 2009**

(54) Product in respect of which the design is registered: **Ladder safety device**

(51) International Design Classification: **25-04**

(71) Name(s) and Address(s) of Applicant(s):

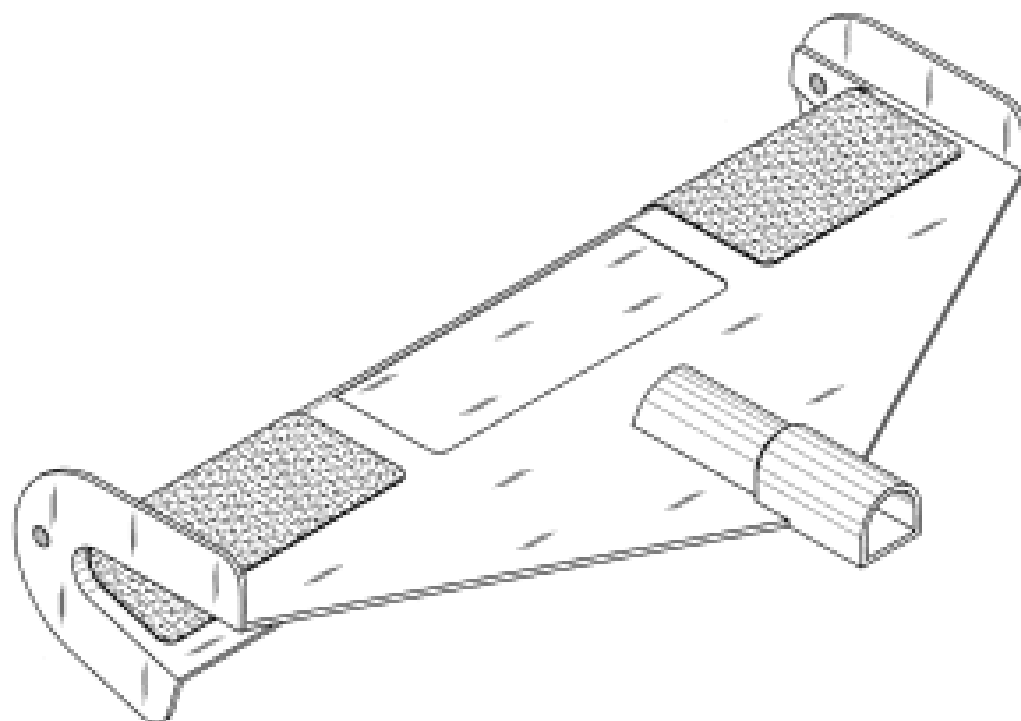
Thomas Burnett Gray
Unit 9/81 Riverstone Parade Riverstone New South Wales 2765
Australia

(72) Name(s) of Designer(s): **Drake Koch**

(45) Registration Date: **27 February 2009**

(56) Related Art Documents: **Not Applicable**

(57) Statement of Newness and Distinctiveness: **Newness and distinctiveness reside in the features of the design as shown in the representations. The appearance, configuration and surface finish of the pads disposed on both sides of the device may be varied from that shown in the representations.**



(21) Design Number: **14467/2008**

(22) Date of Filing Application: **17 September 2008**

(24) Date from which industrial property rights may have effect: **17 September 2008**

(54) Product in respect of which the design is registered: **Cake cutter**

(51) International Design Classification: **07-04**

(71) Name(s) and Address(s) of Applicant(s):

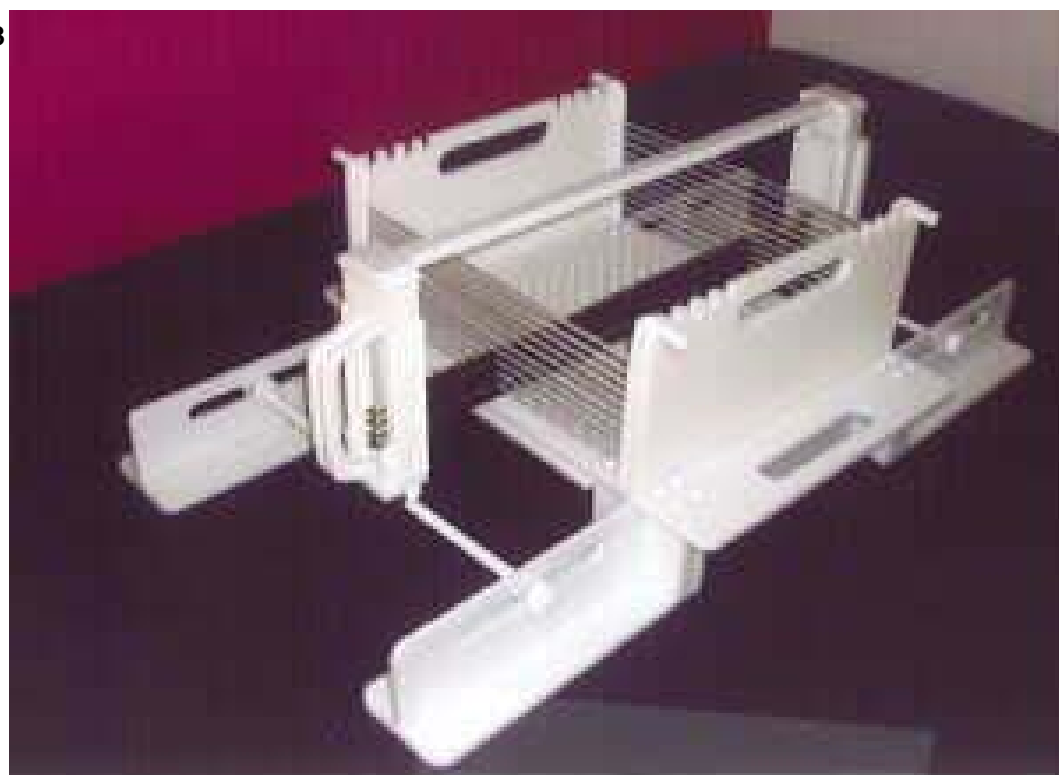
Georgeta Grigori
44 Ross Street Dandenong Victoria 3175 Australia

(72) Name(s) of Designer(s): **Georgeta Grigori**

(45) Registration Date: **27 February 2009**

(56) Related Art Documents: **Not Applicable**

(57) Statement of Newness and Distinctiveness: **Monopoly is claimed in the features of shape and/or configuration of a cake slicer unit assembly as illustrated in the accompanying representations.**



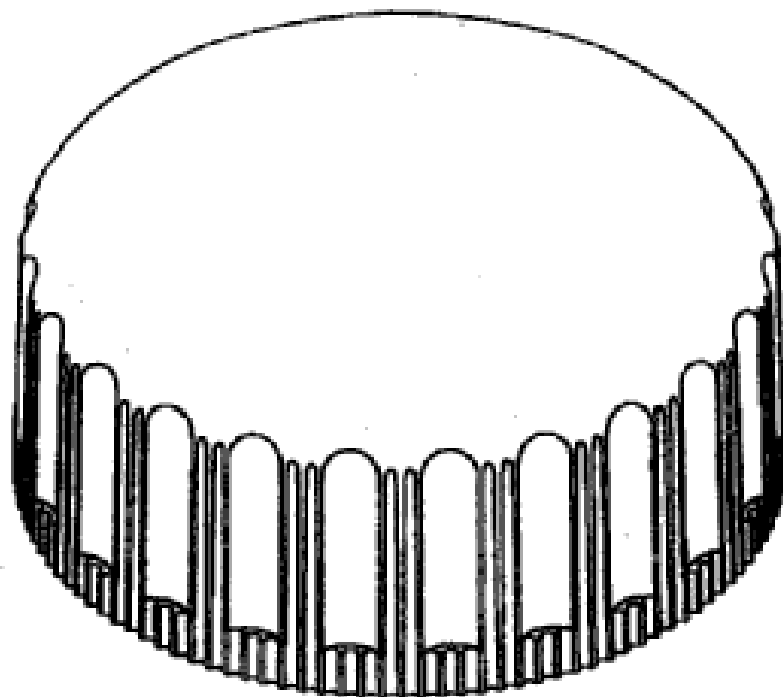
- (21) Design Number: **16097/2008**
(22) Date of Filing Application: **17 September 2008**
(24) Date from which industrial property rights may have effect: **17 September 2008**
(54) Product in respect of which the design is registered: **Cake cutter**
(51) International Design Classification: **17-04**
(71) Name(s) and Address(s) of Applicant(s):
Georgeta Grigori
44 Ross Street Dandenong Victoria 3175 Australia
(72) Name(s) of Designer(s): **Georgeta Grigori**
(45) Registration Date: **27 February 2009**
(56) Related Art Documents: **Not Applicable**
(57) Statement of Newness and Distinctiveness: **Monopoly is claimed in the features of shape and/or configuration of a cake slicer unit assembly as illustrated in the accompanying representations.**



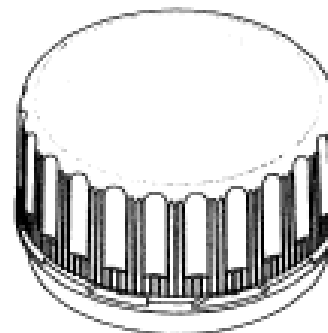
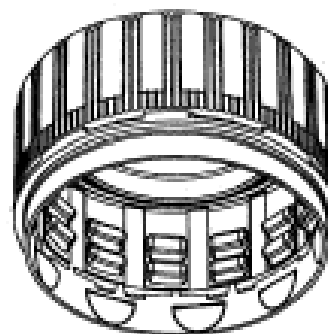
- (21) Design Number: **16098/2008**
(22) Date of Filing Application: **17 September 2008**
(24) Date from which industrial property rights may have effect: **17 September 2008**
(54) Product in respect of which the design is registered: **Cake cutter**
(51) International Design Classification: **07-04**
(71) Name(s) and Address(s) of Applicant(s):
Georgeta Grigori
44 Ross Street Dandenong Victoria 3175 Australia
(72) Name(s) of Designer(s): **Georgeta Grigori**
(45) Registration Date: **27 February 2009**
(56) Related Art Documents: **Not Applicable**
(57) Statement of Newness and Distinctiveness: **Monopoly is claimed in the features of shape and/or configuration of a cake slicer unit assembly as illustrated in the accompanying representations.**



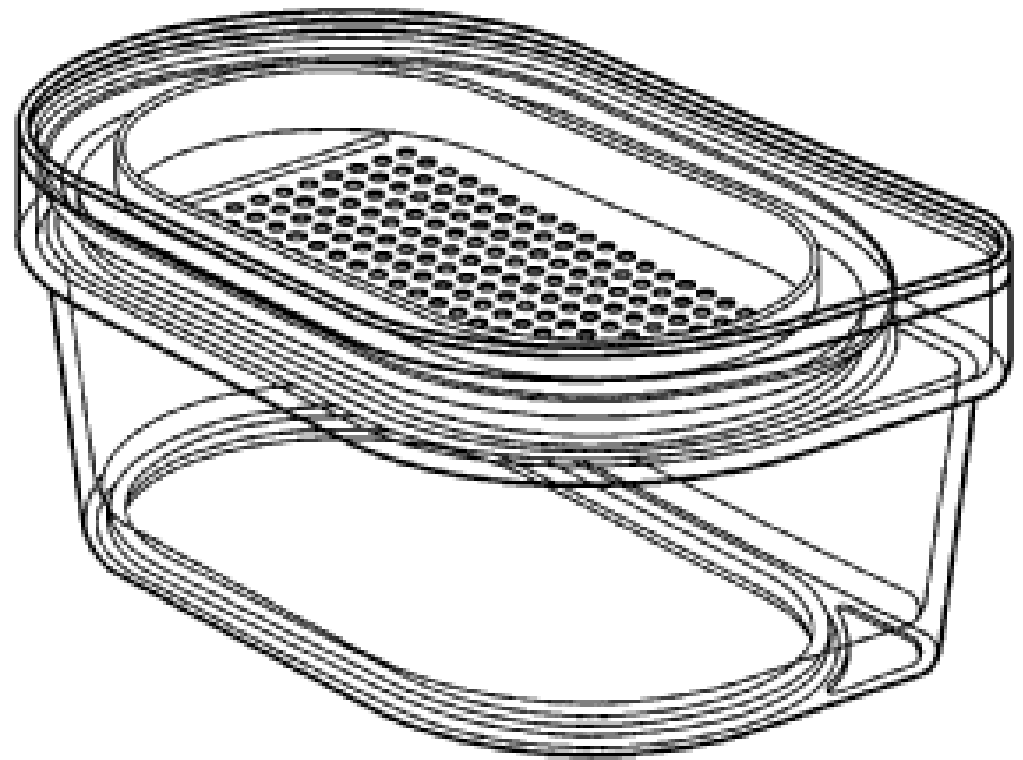
(21) Design Number: **15918/2008**
(22) Date of Filing Application: **17 December 2008**
(24) Date from which industrial property rights may have effect: **17 December 2008**
(54) Product in respect of which the design is registered: **Closure**
(51) International Design Classification: **09-07B**
(71) Name(s) and Address(s) of Applicant(s):
Creanova Universal Closures Ltd
5 Shannon Point Oakfield Close Tewkesbury Business Park
Tewkesbury GL20 8PF United Kingdom
(72) Name(s) of Designer(s): **Rodney M. Druitt**
(45) Registration Date: **27 February 2009**
(30) Convention priority data:
(31) Number (32) Date (33) Country
2008-00578 17 Jun 2008 SWITZERLAND
(56) Related Art Documents: **Not Applicable**
(57) Statement of Newness and Distinctiveness: **Nil**



(21) Design Number: **10538/2009**
(22) Date of Filing Application: **17 December 2008**
(24) Date from which industrial property rights may have effect: **17 December 2008**
(54) Product in respect of which the design is registered: **Closure**
(51) International Design Classification: **09-07B**
(71) Name(s) and Address(s) of Applicant(s):
Creanova Universal Closures Ltd.
5 Shannon Point Oakfield Close Tewkesbury Business Park
Tewkesbury GL20 8PF United Kingdom
(72) Name(s) of Designer(s): **Rodney M. Druitt**
(45) Registration Date: **27 February 2009**
(30) Convention priority data:
(31) Number (32) Date (33) Country
2008-00578 17 Jun 2008 SWITZERLAND
(56) Related Art Documents: **Not Applicable**
(57) Statement of Newness and Distinctiveness: **Nil**



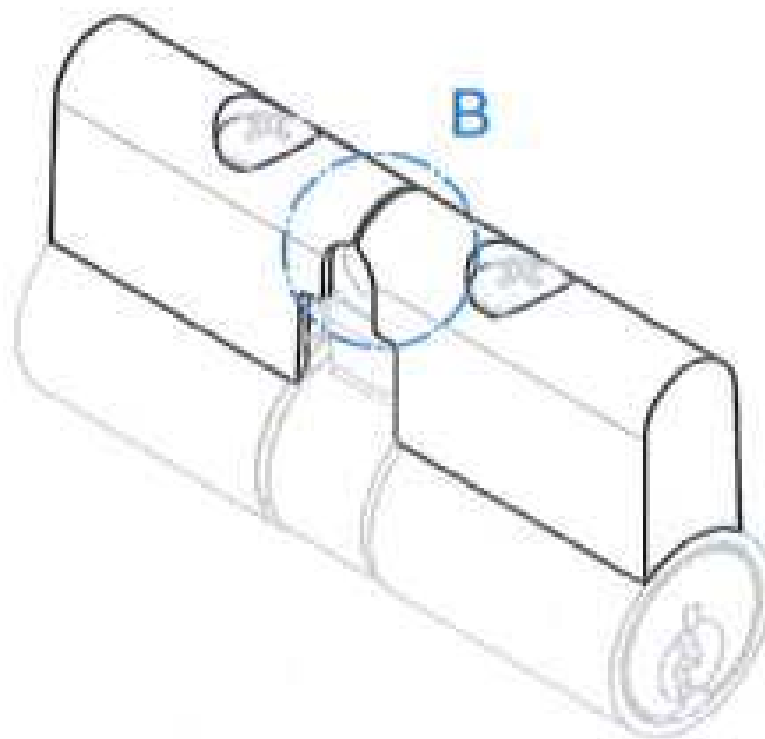
- (21) Design Number: **10569/2009**
(22) Date of Filing Application: **26 February 2009**
(24) Date from which industrial property rights may have effect: **26 February 2009**
(54) Product in respect of which the design is registered: **Cheese grater**
(51) International Design Classification: **07-04**
(71) Name(s) and Address(s) of Applicant(s):
Pi-Design AG
Kantonsstrasse 100 6234 Triengen Switzerland
(72) Name(s) of Designer(s): **Jorgen Bodum**
(45) Registration Date: **02 March 2009**
(30) Convention priority data:
(31) Number (32) Date (33) Country
DA 2008 09 Sep 2008 DENMARK
00199
(56) Related Art Documents: **Not Applicable**
(57) Statement of Newness and Distinctiveness: **Nil**



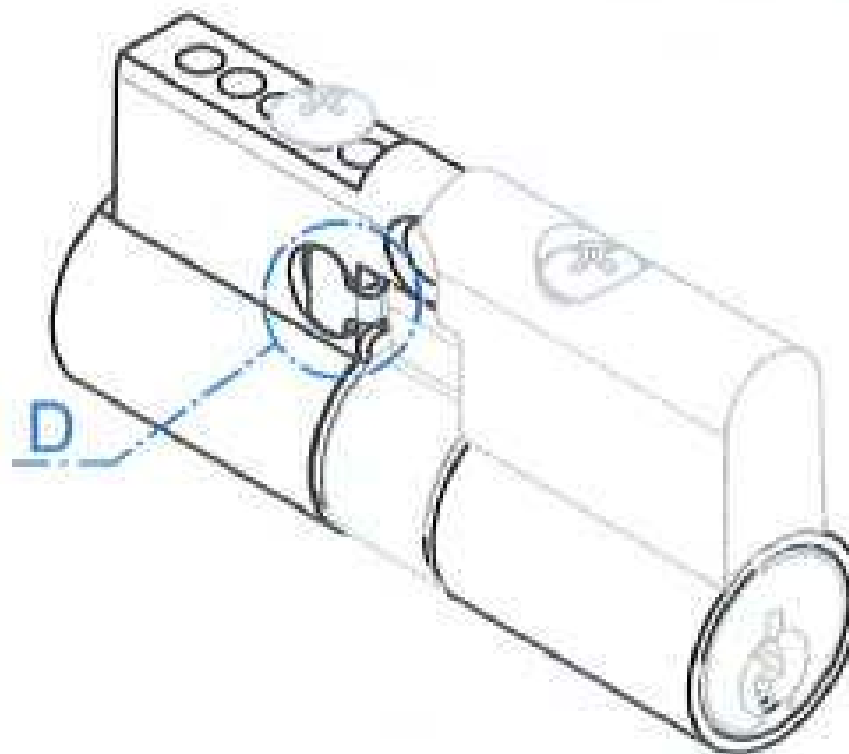
- (21) Design Number: **10571/2009**
(22) Date of Filing Application: **27 February 2009**
(24) Date from which industrial property rights may have effect: **27 February 2009**
(54) Product in respect of which the design is registered: **Mower with aluminium housing**
(51) International Design Classification: **15-03B**
(71) Name(s) and Address(s) of Applicant(s):
Masport Limited
1-37 Mt Wellington Highway Panmure Auckland New Zealand
(72) Name(s) of Designer(s): **Agron Haraqia and Gordon Boswell and David McKay**
(45) Registration Date: **02 March 2009**
(30) Convention priority data:
(31) Number (32) Date (33) Country
411354 29 Aug 2008 NEW ZEALAND
(56) Related Art Documents: **Not Applicable**
(57) Statement of Newness and Distinctiveness: **The novelty claimed for the design resides in the features of shape and/or configuration all as shown in the representation.**



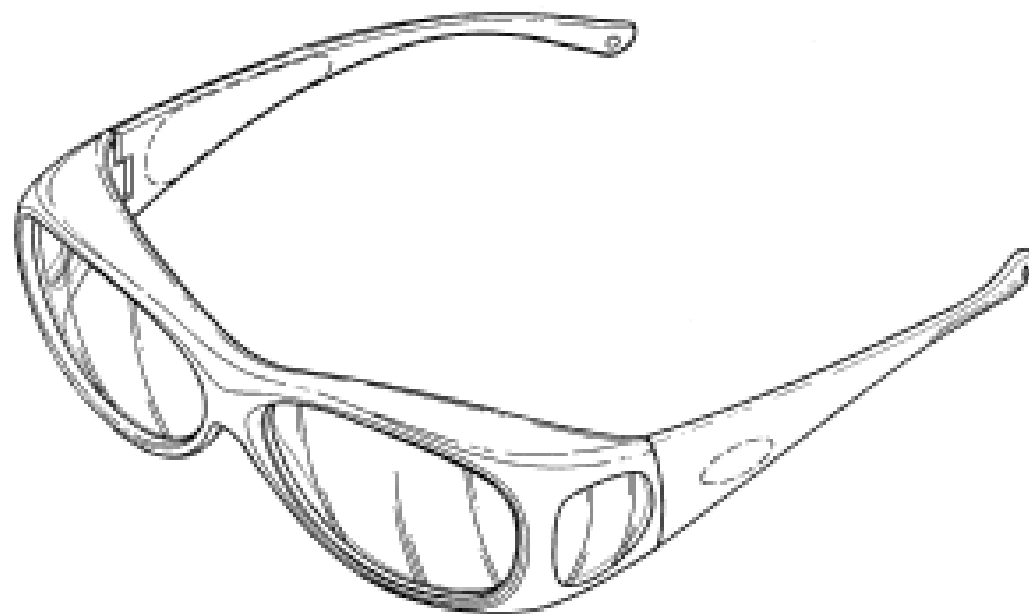
- (21) Design Number: **10564/2009**
- (22) Date of Filing Application: **26 February 2009**
- (24) Date from which industrial property rights may have effect: **26 February 2009**
- (54) Product in respect of which the design is registered: **Lock**
- (51) International Design Classification: **08-07**
- (71) Name(s) and Address(s) of Applicant(s):
TNBT Holdings Pty. Ltd.
PO Box 841 Moorebank New South Wales 1875 Australia
- (72) Name(s) of Designer(s): **Matt van Gasselt and Simon Butt**
- (45) Registration Date: **02 March 2009**
- (56) Related Art Documents: **Not Applicable**
- (57) Statement of Newness and Distinctiveness: **Monopoly is claimed in the shape and/or configuration of the lock features as indicated by the letters A & B in the accompanying representations. In determining the scope of the monopoly, no account should be taken of the features shown in light grey outline in all the views.**



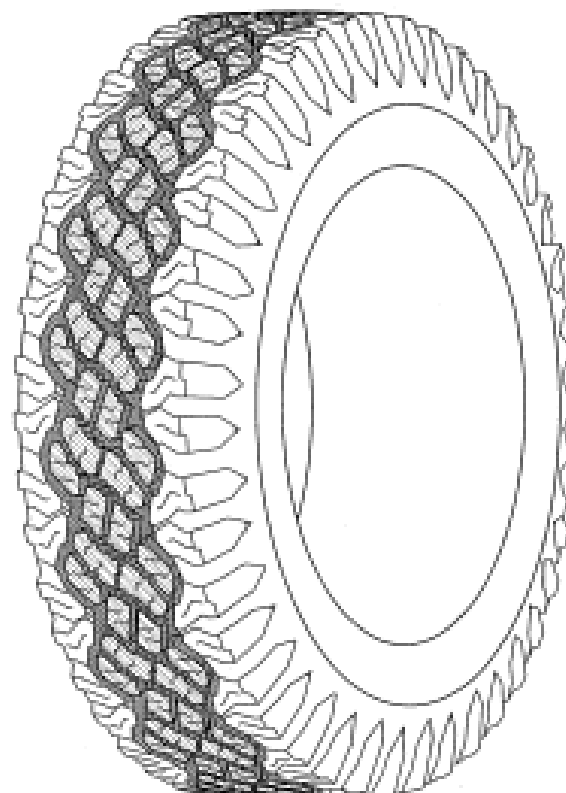
- (21) Design Number: **10565/2009**
- (22) Date of Filing Application: **26 February 2009**
- (24) Date from which industrial property rights may have effect: **26 February 2009**
- (54) Product in respect of which the design is registered: **Lock**
- (51) International Design Classification: **08-07**
- (71) Name(s) and Address(s) of Applicant(s):
TNBT Holdings Pty. Ltd.
PO Box 841 Moorebank New South Wales 1875 Australia
- (72) Name(s) of Designer(s): **Matt van Gasselt and Simon Butt**
- (45) Registration Date: **02 March 2009**
- (56) Related Art Documents: **Not Applicable**
- (57) Statement of Newness and Distinctiveness: **Monopoly is claimed in the shape and/or configuration of the lock features as indicated by the letters C & D in the accompanying representations. In determining the scope of the monopoly, no account should be taken of the features shown in light grey outline in all the views.**



- (21) Design Number: **10567/2009**
(22) Date of Filing Application: **27 February 2009**
(24) Date from which industrial property rights may have effect: **27 February 2009**
(54) Product in respect of which the design is registered: **Sunglasses**
(51) International Design Classification: **16-06**
(71) Name(s) and Address(s) of Applicant(s):
Lava Ltd
PO Box No. 80589 Cheung Sha Wan Post Office Hong Kong
(72) Name(s) of Designer(s): **Paul Stables**
(45) Registration Date: **02 March 2009**
(56) Related Art Documents: **Not Applicable**
(57) Statement of Newness and Distinctiveness: **Nil**



- (21) Design Number: **10579/2009**
(22) Date of Filing Application: **25 February 2009**
(24) Date from which industrial property rights may have effect: **25 February 2009**
(54) Product in respect of which the design is registered: **Tyre**
(51) International Design Classification: **12-15A**
(71) Name(s) and Address(s) of Applicant(s):
The Goodyear Tire & Rubber Company
1144 East Market Street Akron Ohio 44316-0001 United States of America
(72) Name(s) of Designer(s): **Mark Leonard Bonko and Joshua Randall Elsass and John David Renner and Max Harold Dixon**
(45) Registration Date: **02 March 2009**
(30) Convention priority data:
(31) Number (32) Date (33) Country
29/324357 11 Sep 2008 UNITED STATES OF AMERICA
(56) Related Art Documents: **Not Applicable**
(57) Statement of Newness and Distinctiveness: **Newness and distinctiveness is claimed in the features of shape and/or configuration of the centre tread portion of a tyre as illustrated in shaded form in the accompanying representations. The tread configuration is uniform around the circumference of the tyre.**



(21) Design Number: **10575/2009**

(22) Date of Filing Application: **26 February 2009**

(24) Date from which industrial property rights may have effect: **26 February 2009**

(54) Product in respect of which the design is registered: **Injector**

(51) International Design Classification: **24-02**

(71) Name(s) and Address(s) of Applicant(s):

Q-Med AB

Seminariegaten 21 SE-752 28 Uppsala Sweden

(72) Name(s) of Designer(s): **Jochen Ratjen**

(45) Registration Date: **02 March 2009**

(30) Convention priority data:

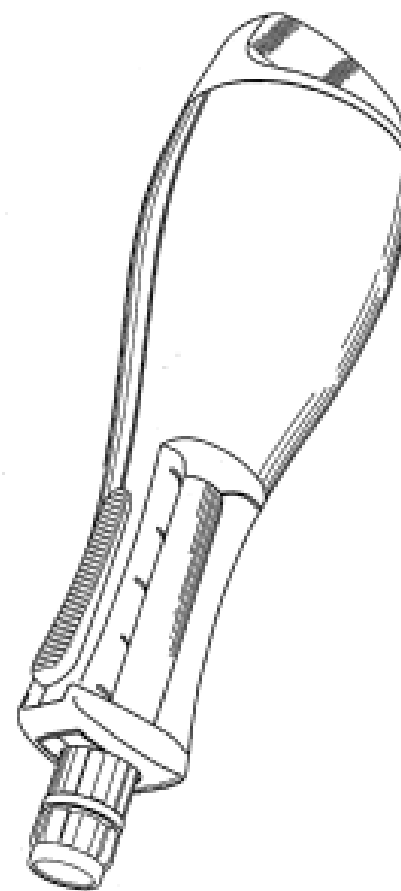
(31) Number
001000681

(32) Date
02 Sep 2008

(33) Country
EUROPEAN COMMUNITY

(56) Related Art Documents: **Not Applicable**

(57) Statement of Newness and Distinctiveness: **Newness and distinctiveness is claimed in the features of shape and/or configuration of an injector as illustrated in the accompanying representations.**



(21) Design Number: **10609/2009**

(22) Date of Filing Application: **25 February 2009**

(24) Date from which industrial property rights may have effect: **25 February 2009**

(54) Product in respect of which the design is registered: **Watch**

(51) International Design Classification: **10-02**

(71) Name(s) and Address(s) of Applicant(s):

Swatch AG (Swatch SA) (Swatch Ltd)

94 rue Jakob Stampfli Bienne Switzerland

(72) Name(s) of Designer(s): **Damien Goyet**

(45) Registration Date: **02 March 2009**

(30) Convention priority data:

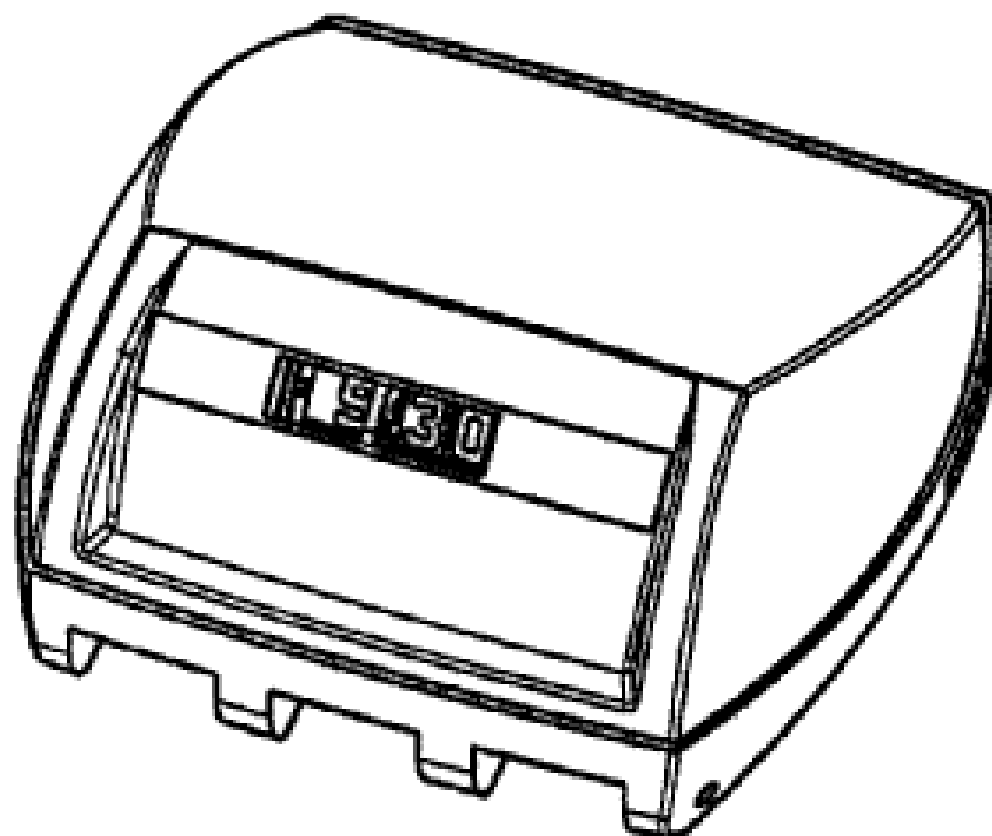
(31) Number
DM/070895

(32) Date
30 Oct 2008

(33) Country
SWITZERLAND

(56) Related Art Documents: **Not Applicable**

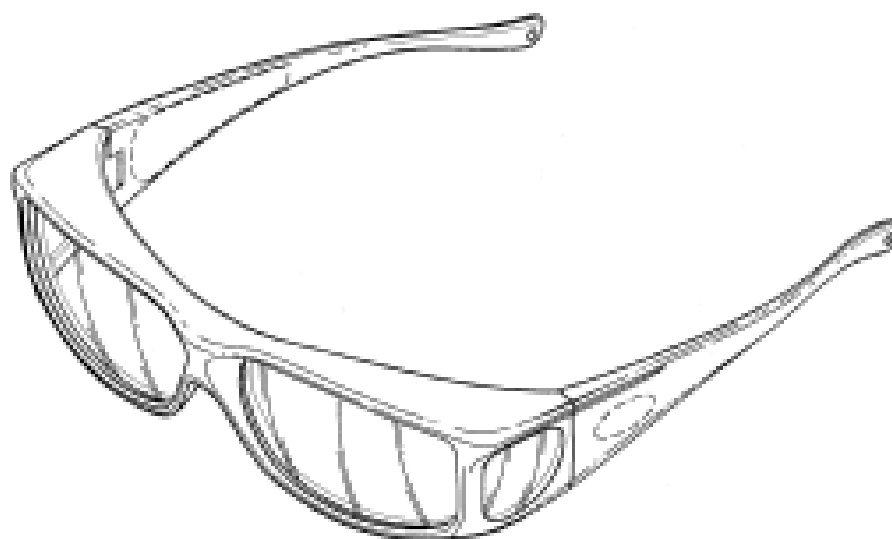
(57) Statement of Newness and Distinctiveness: **Newness and distinctiveness resides in the shape of the watch and no regard should be had to the numerals or their font.**



- (21) Design Number: **10610/2009**
(22) Date of Filing Application: **27 February 2009**
(24) Date from which industrial property rights may have effect: **27 February 2009**
(54) Product in respect of which the design is registered: **Mower with steel housing**
(51) International Design Classification: **15-03B**
(71) Name(s) and Address(s) of Applicant(s):
Masport Limited
1-37 Mt Wellington Highway Panmure Auckland New Zealand
(72) Name(s) of Designer(s): **Agron Haraqia and Gordon Boswell and David McKay**
(45) Registration Date: **02 March 2009**
(30) Convention priority data:
(31) Number (32) Date (33) Country
411355 29 Aug 2008 NEW ZEALAND
(56) Related Art Documents: **Not Applicable**
(57) Statement of Newness and Distinctiveness: **The novelty claimed for the design resides in the features of shape and/or configuration all as shown in the representations.**



- (21) Design Number: **10578/2009**
(22) Date of Filing Application: **27 February 2009**
(24) Date from which industrial property rights may have effect: **27 February 2009**
(54) Product in respect of which the design is registered: **Sunglasses**
(51) International Design Classification: **16-06**
(71) Name(s) and Address(s) of Applicant(s):
Lava Ltd
PO Box No. 80589 Cheung Sha Wan Post Office Hong Kong
(72) Name(s) of Designer(s): **Paul Stables**
(45) Registration Date: **02 March 2009**
(56) Related Art Documents: **Not Applicable**
(57) Statement of Newness and Distinctiveness: **Nil**



- (21) Design Number: **10572/2009**
(22) Date of Filing Application: **26 February 2009**
(24) Date from which industrial property rights may have effect: **26 February 2009**
(54) Product in respect of which the design is registered: **A rear combination lamp for an automobile**
(51) International Design Classification: **26-06**
(71) Name(s) and Address(s) of Applicant(s):
Honda Motor Co., Ltd.
1-1 Minami-Aoyama 2-Chome Minato-ku Tokyo Japan
(72) Name(s) of Designer(s): **Ryo Sugiura**
(45) Registration Date: **03 March 2009**
(30) Convention priority data:
(31) Number (32) Date (33) Country
2008-022169 28 Aug 2008 JAPAN
(56) Related Art Documents: **Not Applicable**
(57) Statement of Newness and Distinctiveness: **Newness and distinctiveness is claimed in the features of shape and/or configuration of a rear combination lamp for an automobile as illustrated in the accompanying representations.**



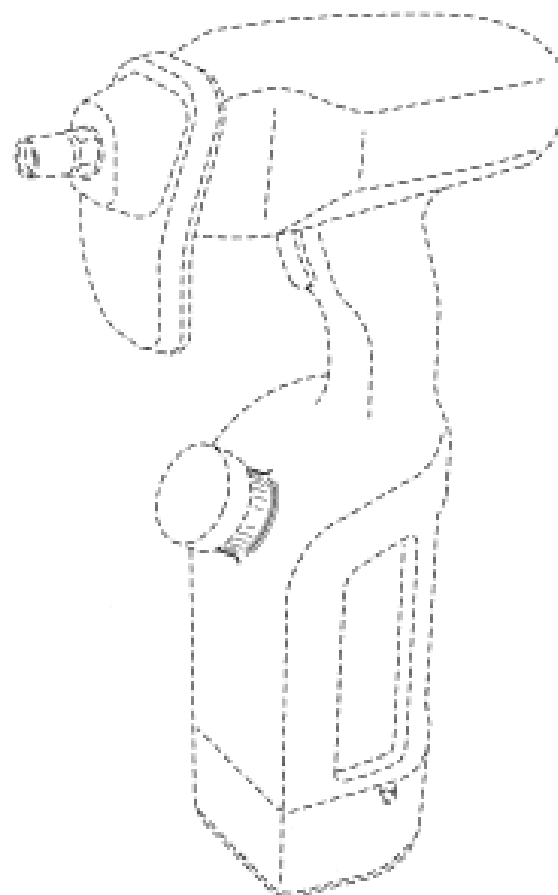
- (21) Design Number: **10573/2009**
(22) Date of Filing Application: **26 February 2009**
(24) Date from which industrial property rights may have effect: **26 February 2009**
(54) Product in respect of which the design is registered: **A front combination lamp for an automobile**
(51) International Design Classification: **26-06**
(71) Name(s) and Address(s) of Applicant(s):
Honda Motor Co., Ltd.
1-1 Minami-Aoyama 2-chome Minato-ku Tokyo Japan
(72) Name(s) of Designer(s): **Jun Nakahara**
(45) Registration Date: **03 March 2009**
(30) Convention priority data:
(31) Number (32) Date (33) Country
2008-022168 28 Aug 2008 JAPAN
(56) Related Art Documents: **Not Applicable**
(57) Statement of Newness and Distinctiveness: **Newness and distinctiveness is claimed in the features of shape and/or configuration of a front combination lamp for an automobile as illustrated in the accompanying representations.**



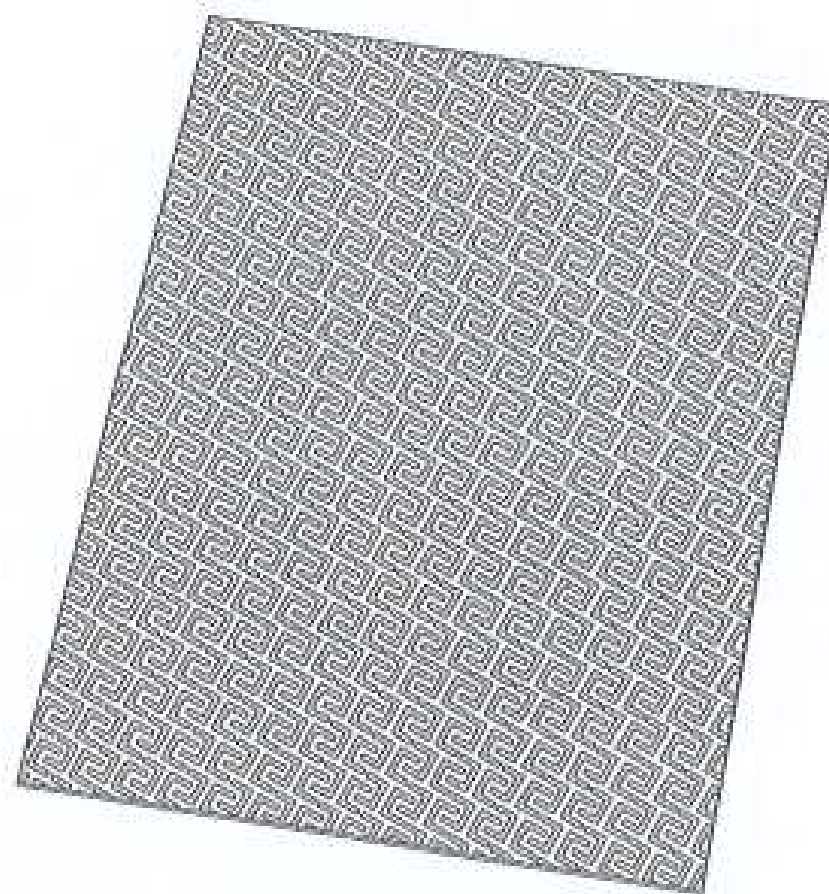
(21) Design Number: **10574/2009**
(22) Date of Filing Application: **26 February 2009**
(24) Date from which industrial property rights may have effect: **26 February 2009**
(54) Product in respect of which the design is registered: **An automobile**
(51) International Design Classification: **12-08**
(71) Name(s) and Address(s) of Applicant(s):
Honda Motor Co., Ltd.
1-1 Minami-Aoyama 2-chome Minato-ku Tokyo Japan
(72) Name(s) of Designer(s): **Takashi Nagura and Tetsuji Morikawa**
(45) Registration Date: **03 March 2009**
(30) Convention priority data:
(31) Number (32) Date (33) Country
2008-022230 29 Aug 2008 JAPAN
(56) Related Art Documents: **Not Applicable**
(57) Statement of Newness and Distinctiveness: **Newness and distinctiveness is claimed in the features of shape and/or configuration of an automobile as illustrated in the accompanying representations.**



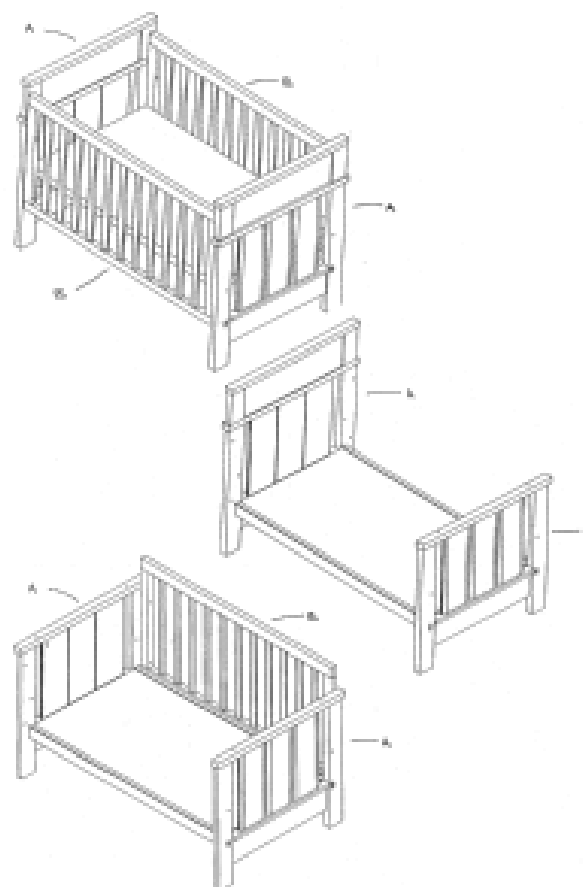
(21) Design Number: **10640/2009**
(22) Date of Filing Application: **27 February 2009**
(24) Date from which industrial property rights may have effect: **27 February 2009**
(54) Product in respect of which the design is registered: **Spray bottle**
(51) International Design Classification: **09-01A**
(71) Name(s) and Address(s) of Applicant(s):
Global Opportunities Investment Group, LLC
21308 John Milless Drive Rogers Minnesota 55374 United States of America
(72) Name(s) of Designer(s): **Todd R. Schaeffer**
(45) Registration Date: **04 March 2009**
(30) Convention priority data:
(31) Number (32) Date (33) Country
29/323874 02 Sep 2008 UNITED STATES OF AMERICA
(56) Related Art Documents: **Not Applicable**
(57) Statement of Newness and Distinctiveness: **Newness and distinctiveness resides in the shape and configuration of the fill port of the spray bottle, as indicated by full lines in the accompanying representations.**



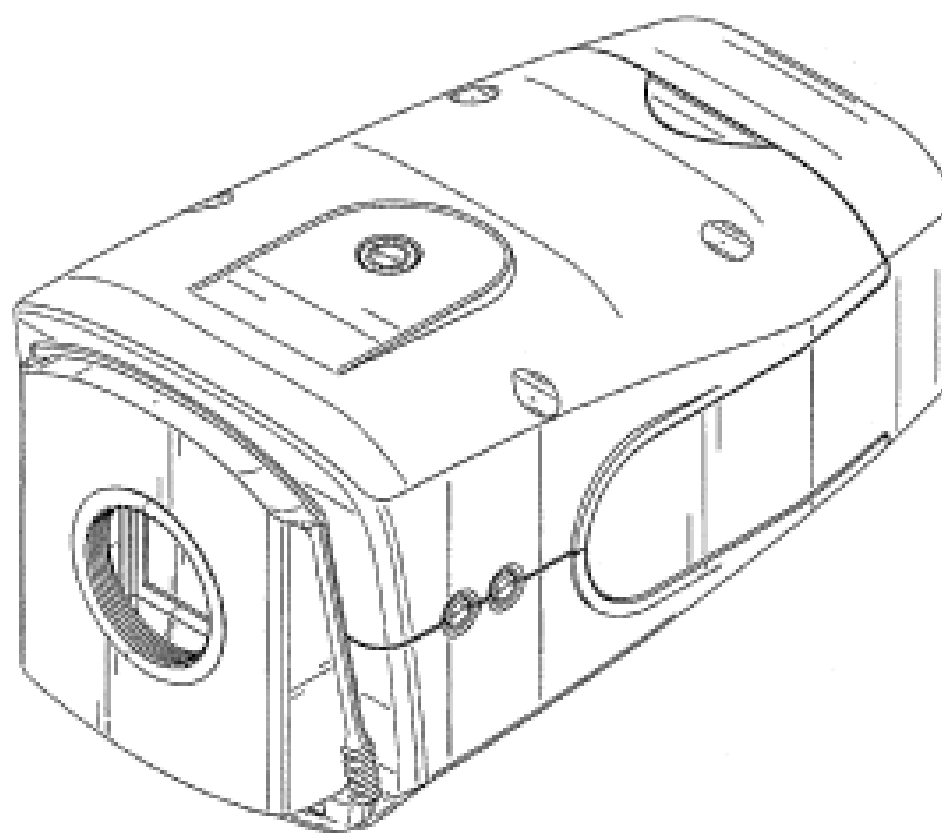
- (21) Design Number: **10580/2009**
(22) Date of Filing Application: **25 February 2009**
(24) Date from which industrial property rights may have effect: **25 February 2009**
(54) Product in respect of which the design is registered: **Cleaning wipe**
(51) International Design Classification: **07-05E**
(71) Name(s) and Address(s) of Applicant(s):
Reckitt Benckiser Inc.
Morris Corporate Center IV 399 Interpace Parkway Parsippany New Jersey 07054 United States of America
(72) Name(s) of Designer(s): **Paul Laforteza**
(45) Registration Date: **04 March 2009**
(30) Convention priority data:
(31) Number (32) Date (33) Country
000993480-0001 29 Aug 2008 EUROPEAN COMMUNITY
(56) Related Art Documents: **Not Applicable**
(57) Statement of Newness and Distinctiveness: **Newness and distinctiveness reside in the features of the design as shown in the representations.**



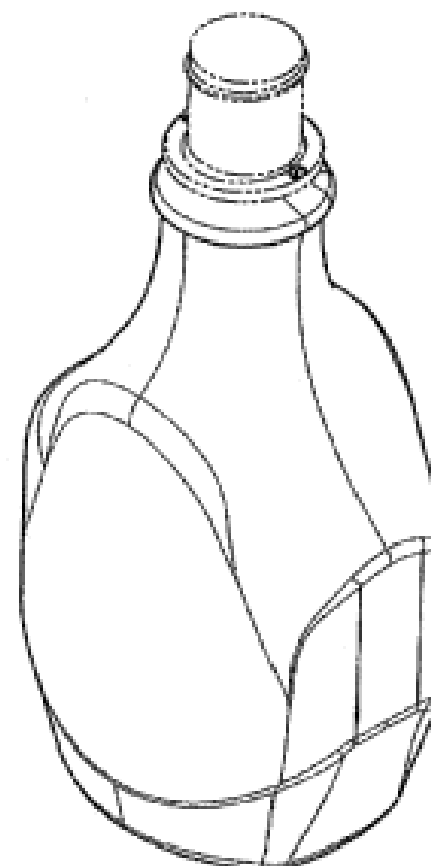
- (21) Design Number: **10594/2009**
(22) Date of Filing Application: **26 February 2009**
(24) Date from which industrial property rights may have effect: **26 February 2009**
(54) Product in respect of which the design is registered: **Configurable children's furniture**
(51) International Design Classification: **06-02, 06-05**
(71) Name(s) and Address(s) of Applicant(s):
Boori International Pty Ltd
27-37 Vallance Street St Marys New South Wales 2760 Australia
(72) Name(s) of Designer(s): **Justin Chui**
(45) Registration Date: **04 March 2009**
(56) Related Art Documents: **Not Applicable**
(57) Statement of Newness and Distinctiveness: **Monopoly is claimed in the features of shape and configuration applicable to an item of children's furniture. The design is adapted to be reconfigured into three different forms, as shown in the accompanying representations. In considering the scope of the design registration, particular regard should be had to the end portions marked as A in the representations, and no importance should be given to the particular features of the portions marked as B in the representations.**



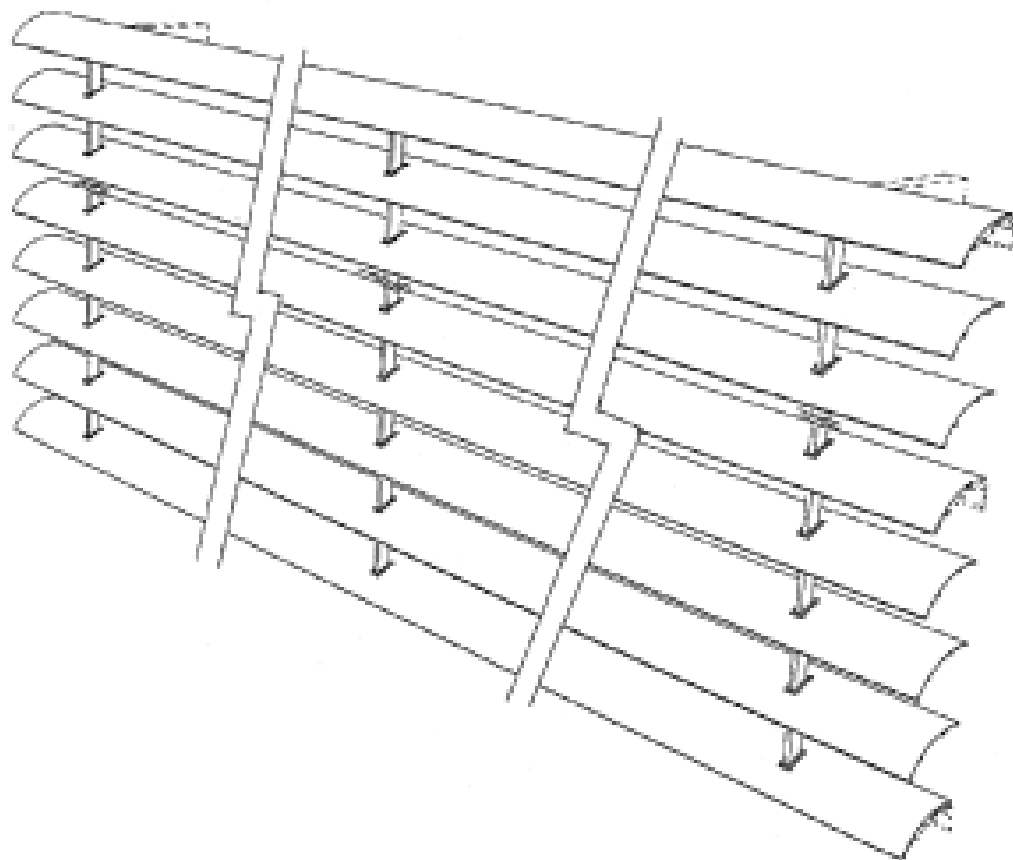
(21) Design Number: **10598/2009**
 (22) Date of Filing Application: **26 February 2009**
 (24) Date from which industrial property rights may have effect: **26 February 2009**
 (54) Product in respect of which the design is registered: **Camera enclosure**
 (51) International Design Classification: **03-01NES, 16-01**
 (71) Name(s) and Address(s) of Applicant(s):
Pelco, Inc.
3500 Pelco Way Building 6 Clovis California 93612-5699 United States of America
 (72) Name(s) of Designer(s): **Jeffrey T. Samson and Andrew S. Sawyer and Donald R. Nohavec and David A. Dorn**
 (45) Registration Date: **04 March 2009**
 (30) Convention priority data:
 (31) Number (32) Date (33) Country
29/324,031 04 Sep 2008 UNITED STATES OF AMERICA
 (56) Related Art Documents: **Not Applicable**
 (57) Statement of Newness and Distinctiveness: **Those features of the camera enclosure depicted in the representations that are new and distinctive are the shape and/or configuration.**



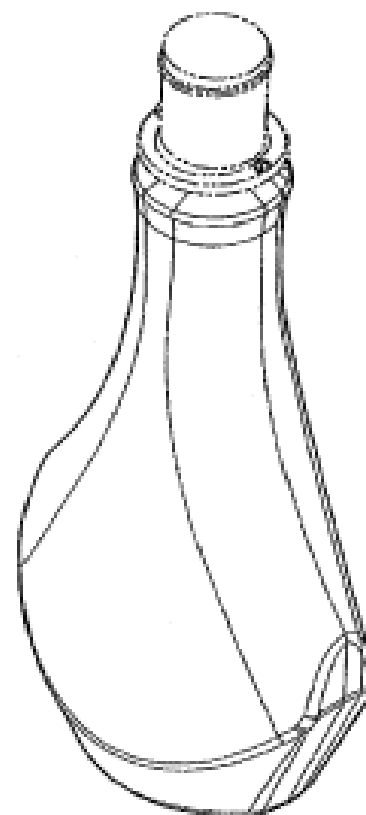
(21) Design Number: **10649/2009**
 (22) Date of Filing Application: **27 February 2009**
 (24) Date from which industrial property rights may have effect: **27 February 2009**
 (54) Product in respect of which the design is registered: **Bottle**
 (51) International Design Classification: **09-01K**
 (71) Name(s) and Address(s) of Applicant(s):
The Procter & Gamble Company
One Procter & Gamble Plaza Cincinnati Ohio 45202 United States of America
 (72) Name(s) of Designer(s): **Martin Jay Marotti and Philip Edwin Hague and Stacy Alycia Thomas**
 (45) Registration Date: **04 March 2009**
 (56) Related Art Documents: **Not Applicable**
 (57) Statement of Newness and Distinctiveness: **Newness and distinctiveness reside in the features of shape and/or configuration of the bottle, and the ornament of the bottle, as shown in the representations, the ornament comprising an opaque white colour of the bottle. Newness and distinctiveness are not claimed in relation to the features shown in broken lines in the representations.**



- (21) Design Number: **10650/2009**
(22) Date of Filing Application: **27 February 2009**
(24) Date from which industrial property rights may have effect: **27 February 2009**
(54) Product in respect of which the design is registered: **Louvre system**
(51) International Design Classification: **06-10**
(71) Name(s) and Address(s) of Applicant(s):
Insol Limited
C/- Flintoffs 85 Gala Street Invercargill New Zealand
(72) Name(s) of Designer(s): **Derek Alan Manson and Neville John Simmons and Mark Harold Simmons**
(45) Registration Date: **04 March 2009**
(30) Convention priority data:
(31) Number (32) Date (33) Country
411352 29 Aug 2008 NEW ZEALAND
(56) Related Art Documents: **Not Applicable**
(57) Statement of Newness and Distinctiveness: **The newness and distinctiveness claimed for the design resides in the features of shape and/or configuration of the louvre system, with special regard to the collar about each of the vertical support members as they pass through the louvre blades, as shown in the representations. In considering which features are new and distinctive, the number of louvres in the design, the length of the louvres, the spacing between the vertical support members, the cross sectional shape of the vertical support members, the length of the vertical support members, and those features indicated in phantom are to be disregarded.**



- (21) Design Number: **10651/2009**
(22) Date of Filing Application: **27 February 2009**
(24) Date from which industrial property rights may have effect: **27 February 2009**
(54) Product in respect of which the design is registered: **Bottle**
(51) International Design Classification: **09-01K**
(71) Name(s) and Address(s) of Applicant(s):
The Procter & Gamble Company
One Procter & Gamble Plaza Cincinnati Ohio 45202 United States of America
(72) Name(s) of Designer(s): **Martin Jay Marotti and Philip Edwin Hague and Stacy Alycia Thomas**
(45) Registration Date: **04 March 2009**
(56) Related Art Documents: **Not Applicable**
(57) Statement of Newness and Distinctiveness: **Newness and distinctiveness reside in the features of shape and/or configuration of the bottle, and the ornament of the bottle, as shown in the representations, the ornament comprising an opaque white colour of the bottle. Newness and distinctiveness are not claimed in relation to the features shown in broken lines in the representations.**



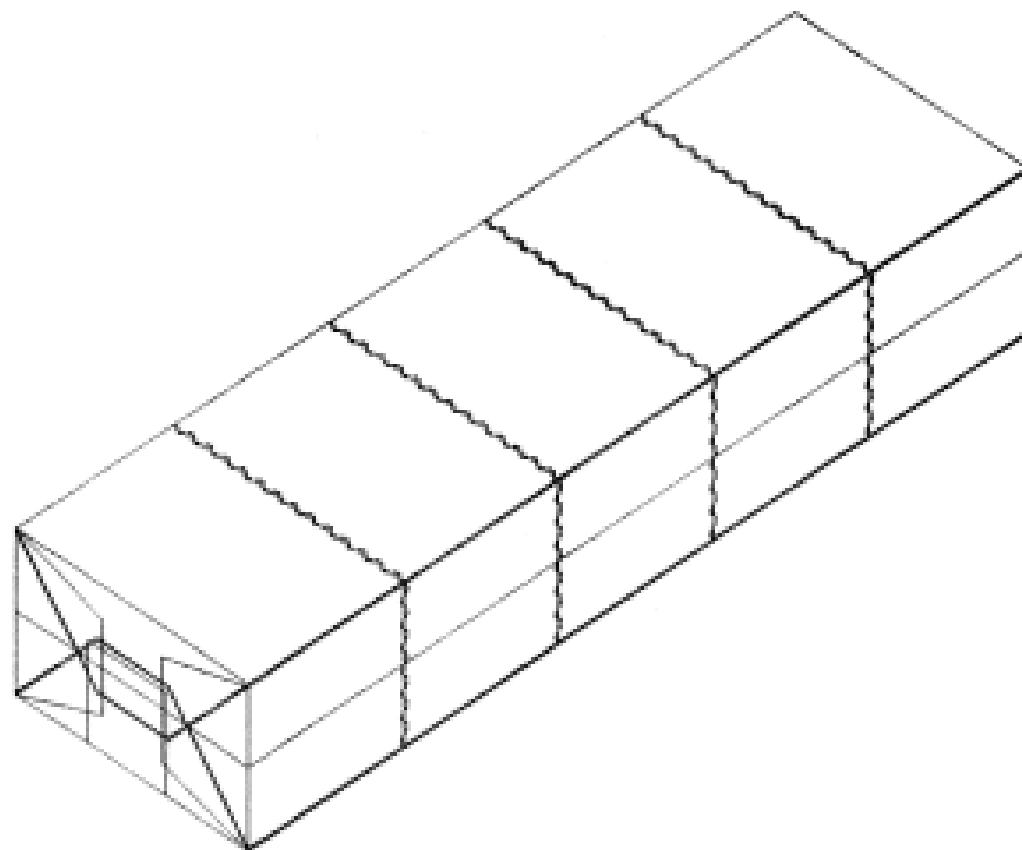
(21) Design Number: **10596/2009**
(22) Date of Filing Application: **26 February 2009**
(24) Date from which industrial property rights may have effect: **26 February 2009**
(54) Product in respect of which the design is registered: **New global seat**
(51) International Design Classification: **06-01D**
(71) Name(s) and Address(s) of Applicant(s):
Isringhausen GmbH & Co. KG
Isringhausen-Ring 58 Lemgo 32657 Germany
(72) Name(s) of Designer(s): **Karl-Heinz Wagener**
(45) Registration Date: **04 March 2009**
(30) Convention priority data:
(31) Number (32) Date (33) Country
000994744 01 Sep 2008 EUROPEAN COMMUNITY
(56) Related Art Documents: **Not Applicable**
(57) Statement of Newness and Distinctiveness: **Nil**



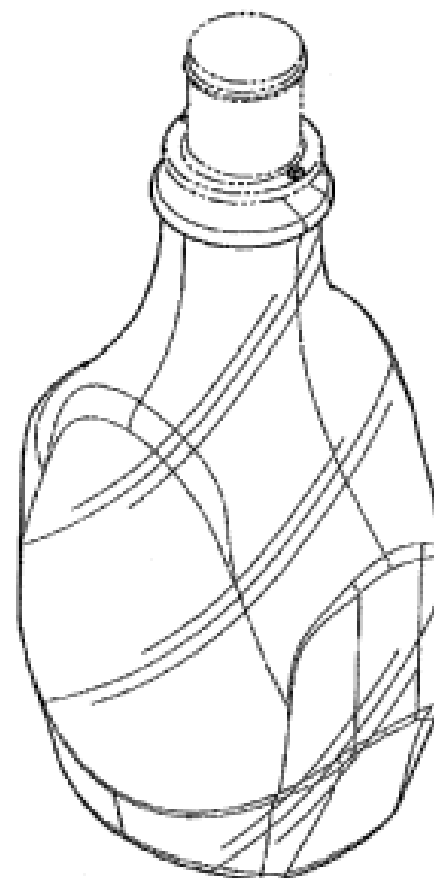
(21) Design Number: **10597/2009**
(22) Date of Filing Application: **26 February 2009**
(24) Date from which industrial property rights may have effect: **26 February 2009**
(54) Product in respect of which the design is registered: **New global seat**
(51) International Design Classification: **06-01D**
(71) Name(s) and Address(s) of Applicant(s):
Isringhausen GmbH & Co. KG
Isringhausen-Ring 58 Lemgo 32657 Germany
(72) Name(s) of Designer(s): **Karl-Heinz Wagener**
(45) Registration Date: **04 March 2009**
(30) Convention priority data:
(31) Number (32) Date (33) Country
000994744 01 Sep 2008 EUROPEAN COMMUNITY
(56) Related Art Documents: **Not Applicable**
(57) Statement of Newness and Distinctiveness: **Nil**



- (21) Design Number: **10512/2009**
(22) Date of Filing Application: **19 February 2009**
(24) Date from which industrial property rights may have effect: **19 February 2009**
(54) Product in respect of which the design is registered: **Foils and film for packaging (cigarette packet)**
(51) International Design Classification: **09-03A**
(71) Name(s) and Address(s) of Applicant(s):
Innovia Films Limited
Station Road Wigton Cumbria CA7 9BG United Kingdom
(72) Name(s) of Designer(s): **John Fell**
(45) Registration Date: **04 March 2009**
(30) Convention priority data:
(31) Number (32) Date (33) Country
001014310-0001 03 Oct 2008 EUROPEAN COMMUNITY
(56) Related Art Documents: **Not Applicable**
(57) Statement of Newness and Distinctiveness: **Nil**



- (21) Design Number: **10623/2009**
(22) Date of Filing Application: **27 February 2009**
(24) Date from which industrial property rights may have effect: **27 February 2009**
(54) Product in respect of which the design is registered: **Bottle**
(51) International Design Classification: **09-01NES**
(71) Name(s) and Address(s) of Applicant(s):
The Procter & Gamble Company
One Procter & Gamble Plaza Cincinnati Ohio 45202 United States of America
(72) Name(s) of Designer(s): **Martin Jay Marotti and Philip Edwin Hague and Stacy Alycia Thomas**
(45) Registration Date: **04 March 2009**
(56) Related Art Documents: **Not Applicable**
(57) Statement of Newness and Distinctiveness: **Newness and distinctiveness reside in the features of shape and/or configuration of the bottle, as shown in the representations. Newness and distinctiveness are not claimed in relation to the features shown in broken lines in the representations.**



(21) Design Number: **10624/2009**

(22) Date of Filing Application: **27 February 2009**

(24) Date from which industrial property rights may have effect: **27 February 2009**

(54) Product in respect of which the design is registered: **Bottle**

(51) International Design Classification: **09-01NES**

(71) Name(s) and Address(s) of Applicant(s):

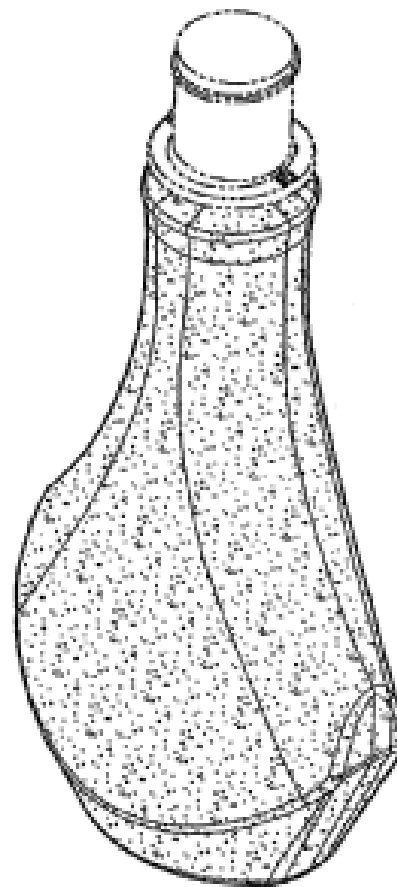
The Procter & Gamble Company
One Procter & Gamble Plaza Cincinnati Ohio 45202 United States of America

(72) Name(s) of Designer(s): **Martin Jay Marotti and Philip Edwin Hague and Stacy Alycia Thomas**

(45) Registration Date: **04 March 2009**

(56) Related Art Documents: **Not Applicable**

(57) Statement of Newness and Distinctiveness: **Newness and distinctiveness reside in the features of shape and/or configuration of the bottle, and the ornament of the bottle, as shown in the representations, the ornament comprising the colour of the bottle, the stippling representing any colour. Newness and distinctiveness are not claimed in relation to the features shown in broken lines in the representations.**



(21) Design Number: **10625/2009**

(22) Date of Filing Application: **27 February 2009**

(24) Date from which industrial property rights may have effect: **27 February 2009**

(54) Product in respect of which the design is registered: **Escutcheon plate**

(51) International Design Classification: **08-07**

(71) Name(s) and Address(s) of Applicant(s):

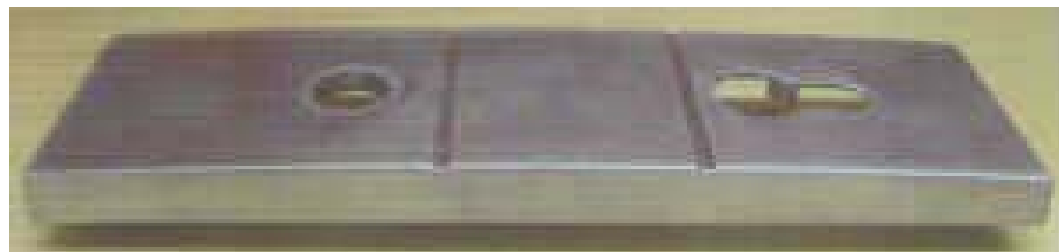
Illinois Tool Works Inc.
3600 West Lake Avenue Glenview Illinois 60026 United States of America

(72) Name(s) of Designer(s): **Daron Orth and Dean Beardmore**

(45) Registration Date: **04 March 2009**

(56) Related Art Documents: **Not Applicable**

(57) Statement of Newness and Distinctiveness: **Newness and distinctiveness is claimed in the shape and configuration of the plate shown in the representations but not including the keyhole-shaped recess.**



(21) Design Number: **10626/2009**
 (22) Date of Filing Application: **27 February 2009**
 (24) Date from which industrial property rights may have effect: **27 February 2009**
 (54) Product in respect of which the design is registered: **Electronic device**
 (51) International Design Classification: **14-01**
 (71) Name(s) and Address(s) of Applicant(s):

Apple Inc.
1 Infinite Loop Cupertino California 95014 United States of America

(72) Name(s) of Designer(s): **Bartley K. Andre and Daniel J. Coster and Daniele De Iuliis and Evans Hankey and Richard P. Howarth and Jonathan P. Ive and Duncan Robert Kerr and Shin Nishibori and Matthew Dean Rohrbach and Peter Russell-Clarke and Douglas B. Satzger and Christopher J. Stringer and Eugene Antony Whang and Rico Zorkendorfer**

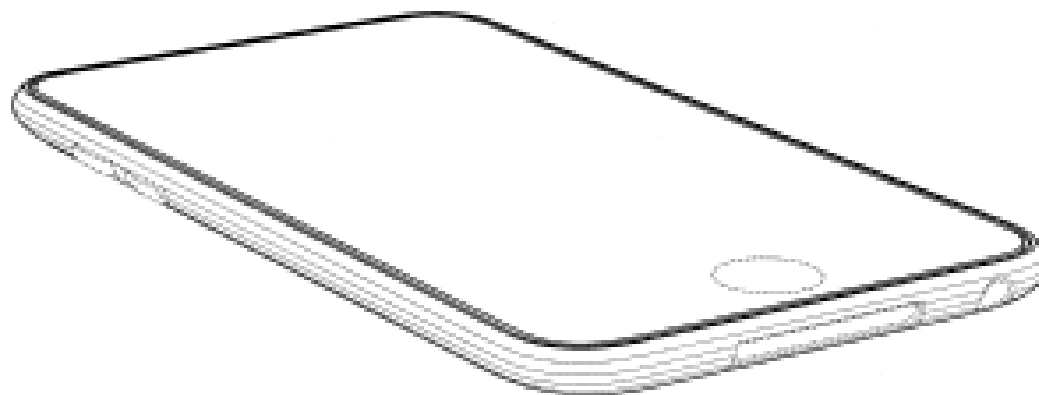
(45) Registration Date: **04 March 2009**

(30) Convention priority data:

(31) Number	(32) Date	(33) Country
29/324130	05 Sep 2008	UNITED STATES OF AMERICA

(56) Related Art Documents: **Not Applicable**

(57) Statement of Newness and Distinctiveness: **Newness and distinctiveness resides in the features of shape and configuration of the electronic device shown in solid lines, wherein the shade lines in the Figures show contour and not surface ornamentation.**



(21) Design Number: **10627/2009**
 (22) Date of Filing Application: **27 February 2009**
 (24) Date from which industrial property rights may have effect: **27 February 2009**
 (54) Product in respect of which the design is registered: **Electronic device**
 (51) International Design Classification: **14-01**
 (71) Name(s) and Address(s) of Applicant(s):

Apple Inc.
1 Infinite Loop Cupertino California 95014 United States of America

(72) Name(s) of Designer(s): **Bartley K. Andre and Daniel J. Coster and Daniele De Iuliis and Evans Hankey and Richard P. Howarth and Jonathan P. Ive and Duncan Robert Kerr and Shin Nishibori and Matthew Dean Rohrbach and Peter Russell-Clarke and Douglas B. Satzger and Christopher J. Stringer and Eugene Antony Whang and Rico Zorkendorfer**

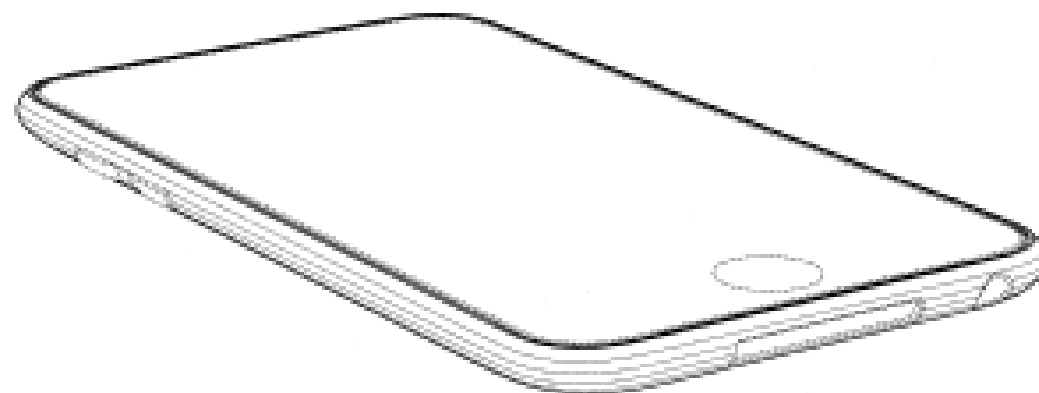
(45) Registration Date: **04 March 2009**

(30) Convention priority data:

(31) Number	(32) Date	(33) Country
29/324130	05 Sep 2008	UNITED STATES OF AMERICA

(56) Related Art Documents: **Not Applicable**

(57) Statement of Newness and Distinctiveness: **Newness and distinctiveness resides in the features of shape shown in solid lines in the accompanying Figures, wherein the shade lines show contour, not surface ornamentation. Newness and distinctiveness is not claimed in the features within the bounds of the lines drawn in outline.**



(19) AU

- (21) Design Number: **10628/2009**
- (22) Date of Filing Application: **27 February 2009**
- (24) Date from which industrial property rights may have effect: **27 February 2009**
- (54) Product in respect of which the design is registered: **Electronic device**
- (51) International Design Classification: **14-01**
- (71) Name(s) and Address(s) of Applicant(s):

Apple Inc.
1 Infinite Loop Cupertino California 95014 United States of America

- (72) Name(s) of Designer(s): **Bartley K. Andre and Daniel J. Coster and Daniele De Iuliis and Evans Hankey and Richard P. Howarth and Jonathan P. Ive and Duncan Robert Kerr and Shin Nishibori and Matthew Dean Rohrbach and Peter Russell-Clarke and Douglas B. Satzger and Eugene Anthony Whang and Rico Zorkendorfer and Christopher J. Stringer**

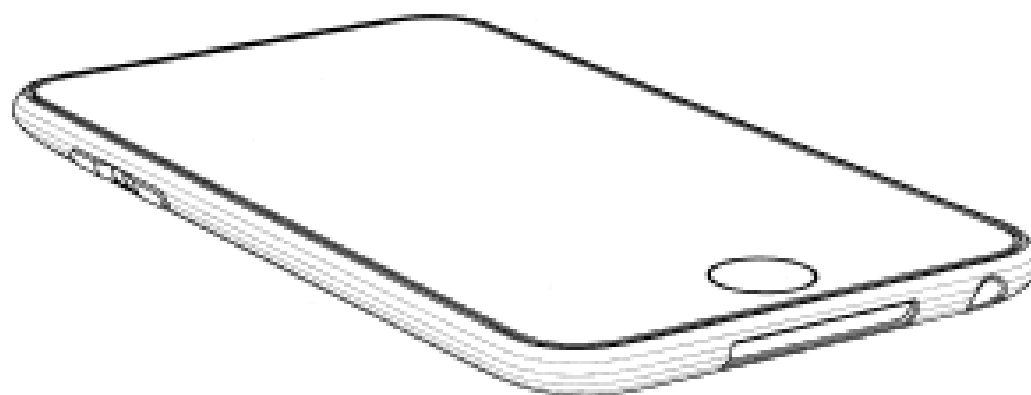
- (45) Registration Date: **04 March 2009**

- (30) Convention priority data:

(31) Number	(32) Date	(33) Country
29/324130	05 Sep 2008	UNITED STATES OF AMERICA

- (56) Related Art Documents: **Not Applicable**

- (57) Statement of Newness and Distinctiveness: **Newness and distinctiveness resides in the following visual features in combination: the profile of the curved rear surface of the electronic device, including the extent of curvature; and the appearance of the body of the electronic device as having a unitary construction when viewed from the edges, as shown in particular in Figures 7, 8, 9 and 10. The shade lines in the figures show contour and not surface ornamentation.**



(19) AU

- (21) Design Number: **10588/2009**
- (22) Date of Filing Application: **25 February 2009**
- (24) Date from which industrial property rights may have effect: **25 February 2009**
- (54) Product in respect of which the design is registered: **Holder**
- (51) International Design Classification: **07-02P**
- (71) Name(s) and Address(s) of Applicant(s):

Dart Industries Inc.
14901 S. Orange Blossom Trail Orlando Florida 32837 United States of America

- (72) Name(s) of Designer(s): **Anthony DeLeo**

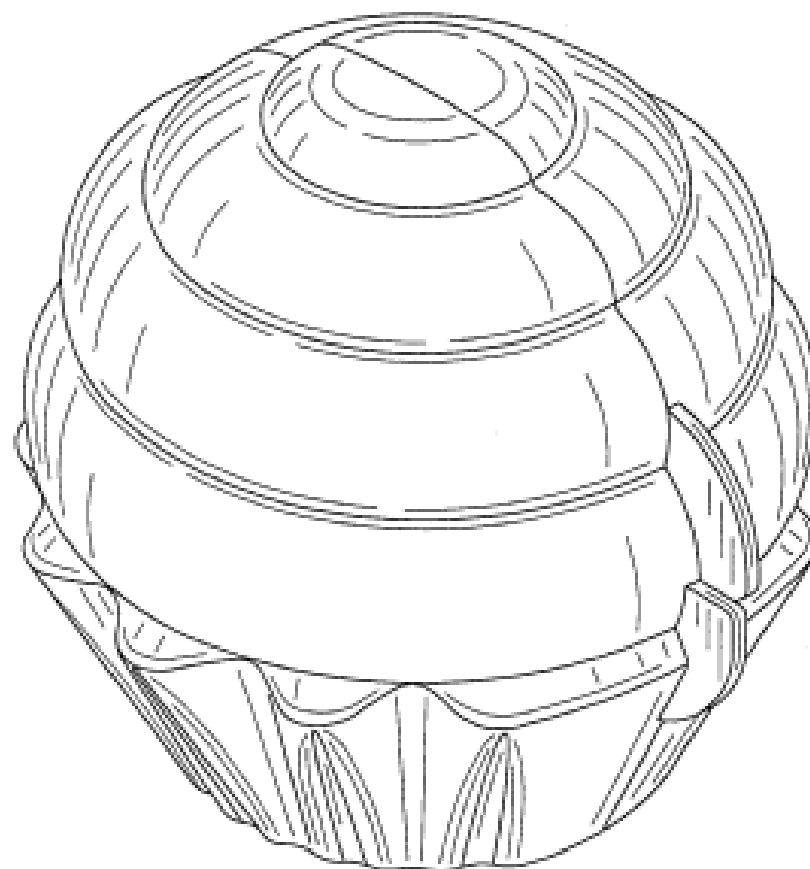
- (45) Registration Date: **04 March 2009**

- (30) Convention priority data:

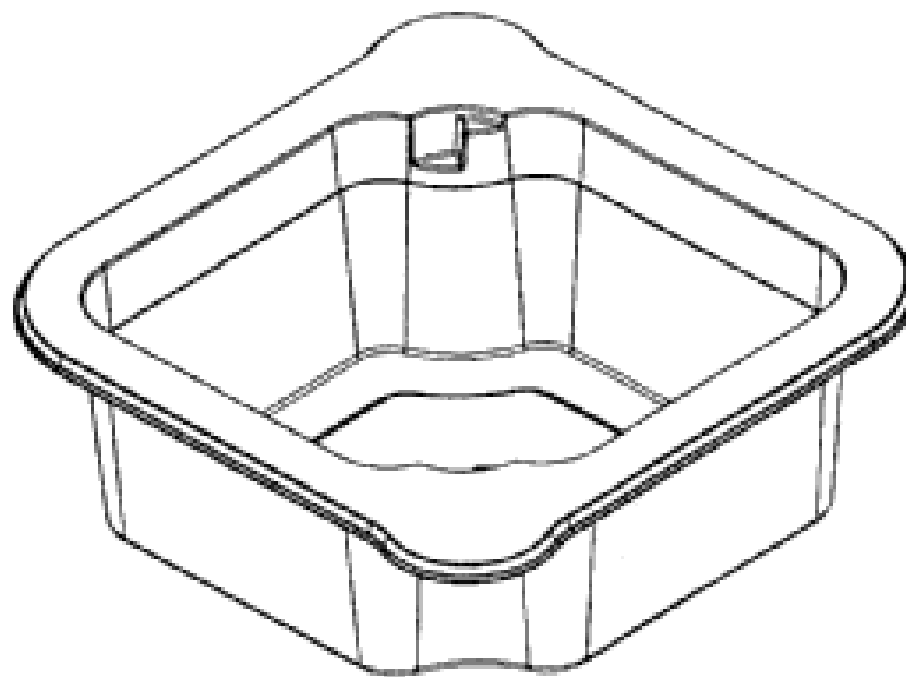
(31) Number	(32) Date	(33) Country
29/312,606	03 Nov 2008	UNITED STATES OF AMERICA

- (56) Related Art Documents: **Not Applicable**

- (57) Statement of Newness and Distinctiveness: **Those features of the holder depicted in the representations that are new and distinctive are the shape and/or configuration.**



- (21) Design Number: **10630/2009**
(22) Date of Filing Application: **27 February 2009**
(24) Date from which industrial property rights may have effect: **27 February 2009**
(54) Product in respect of which the design is registered: **A tray**
(51) International Design Classification: **09-03F**
(71) Name(s) and Address(s) of Applicant(s):
Skytray Pty Ltd
PO Box 126 Baulkham Hills New South Wales 1755 Australia
(72) Name(s) of Designer(s): **Dion Lane and Alan Lane**
(45) Registration Date: **04 March 2009**
(56) Related Art Documents: **Not Applicable**
(57) Statement of Newness and Distinctiveness: **Newness and distinctiveness is claimed in the features of shape and/or configuration of a tray as illustrated in the accompanying representations.**



- (21) Design Number: **10631/2009**
(22) Date of Filing Application: **27 February 2009**
(24) Date from which industrial property rights may have effect: **27 February 2009**
(54) Product in respect of which the design is registered: **Tyre for automobile**
(51) International Design Classification: **12-15B**
(71) Name(s) and Address(s) of Applicant(s):
The Goodyear Tire & Rubber Company
1144 East Market Street Akron Ohio 44316-0001 United States of America
(72) Name(s) of Designer(s): **Masao Tagashira and Hiroyuki Kurosawa**
(45) Registration Date: **04 March 2009**
(30) Convention priority data:
(31) Number (32) Date (33) Country
2008-022607 02 Sep 2008 JAPAN
(56) Related Art Documents: **Not Applicable**
(57) Statement of Newness and Distinctiveness: **Newness and distinctiveness is claimed in the features of shape and/or configuration of the tread of a tyre as illustrated in the accompanying representations, wherein the shape and/or configuration of the tread is repeated throughout the circumference of the tyre.**



(21) Design Number: **10633/2009**

(22) Date of Filing Application: **27 February 2009**

(24) Date from which industrial property rights may have effect: **27 February 2009**

(54) Product in respect of which the design is registered: **Electrical plug travel adaptor**

(51) International Design Classification: **13-03D**

(71) Name(s) and Address(s) of Applicant(s):

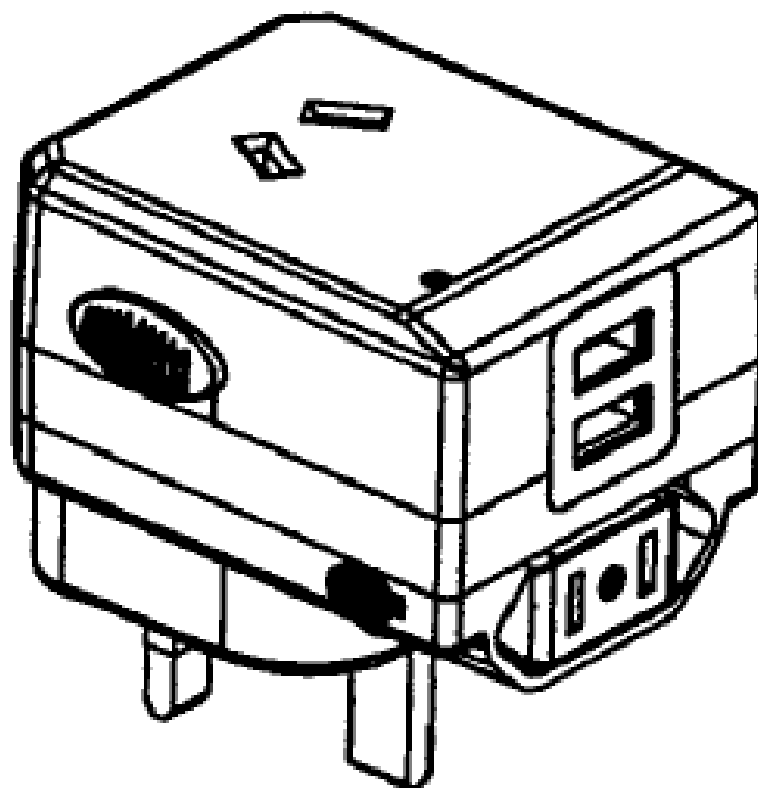
Jackson Industries Pty Limited
16 Brookhollow Avenue Norwest Business Park Baulkham Hills New
South Wales 2153 Australia

(72) Name(s) of Designer(s): **Ross Alec Jackson**

(45) Registration Date: **04 March 2009**

(56) Related Art Documents: **Not Applicable**

(57) Statement of Newness and Distinctiveness: **Newness and distinctiveness is claimed in the features of shape and/or configuration of the dual USB ports, the removable UK plug adaptor and the removable USA to European adaptor of the electrical plug travel adaptor illustrated in the accompanying representations.**



(21) Design Number: **10635/2009**

(22) Date of Filing Application: **27 February 2009**

(24) Date from which industrial property rights may have effect: **27 February 2009**

(54) Product in respect of which the design is registered: **Bottle cap**

(51) International Design Classification: **09-07C**

(71) Name(s) and Address(s) of Applicant(s):

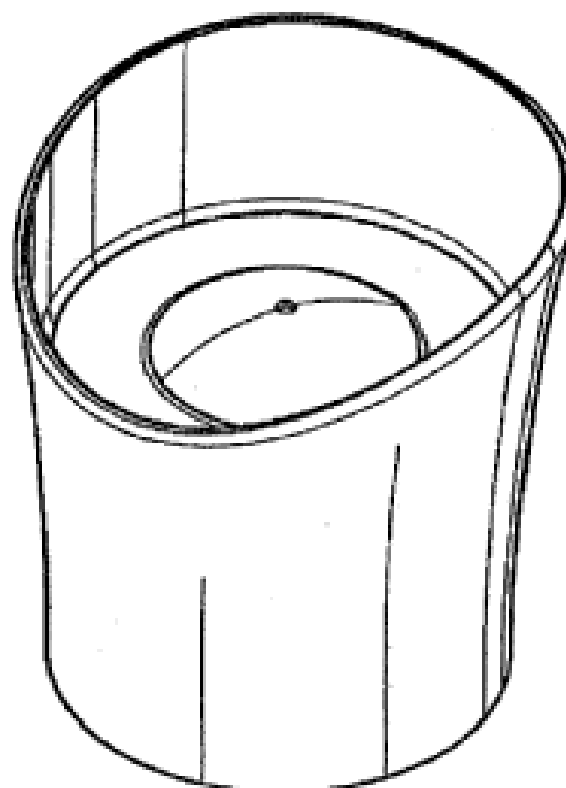
The Procter & Gamble Company
One Procter & Gamble Plaza Cincinnati Ohio 45202 United States of
America

(72) Name(s) of Designer(s): **Martin Jay Marotti and Philip Edwin Hague and**
Stacy Alycia Thomas

(45) Registration Date: **04 March 2009**

(56) Related Art Documents: **Not Applicable**

(57) Statement of Newness and Distinctiveness: **Newness and distinctiveness reside in the features of shape and/or configuration of the bottle cap, as shown in the representations. Newness and distinctiveness are not claimed in relation to the features shown in broken lines in the representations.**



(21) Design Number: **10636/2009**

(22) Date of Filing Application: **27 February 2009**

(24) Date from which industrial property rights may have effect: **27 February 2009**

(54) Product in respect of which the design is registered: **Bottle cap**

(51) International Design Classification: **09-07C**

(71) Name(s) and Address(s) of Applicant(s):

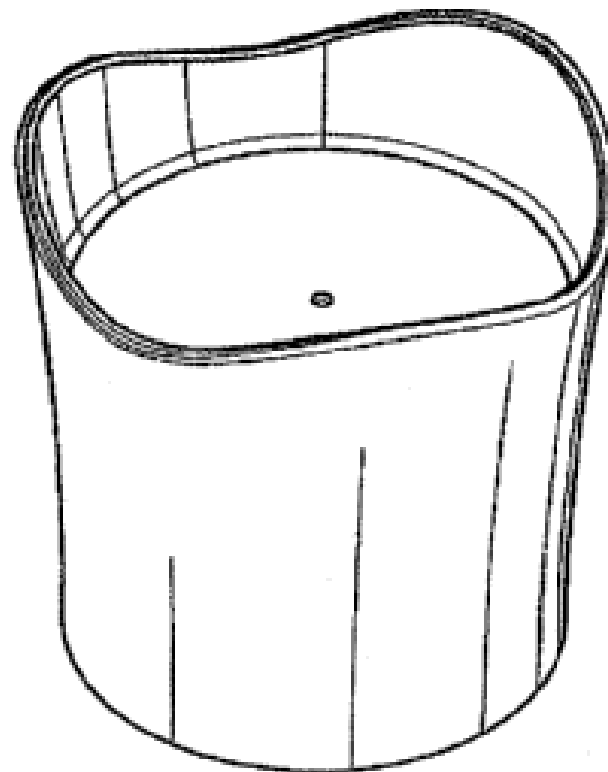
The Procter & Gamble Company
One Procter & Gamble Plaza Cincinnati Ohio 45202 United States of America

(72) Name(s) of Designer(s): **Martin Jay Marotti and Philip Edwin Hague and Stacy Alycia Thomas**

(45) Registration Date: **04 March 2009**

(56) Related Art Documents: **Not Applicable**

(57) Statement of Newness and Distinctiveness: **Newness and distinctiveness reside in the features of shape and/or configuration of the bottle cap, as shown in the representations. Newness and distinctiveness are not claimed in relation to the features shown in broken lines in the representations.**



(21) Design Number: **10637/2009**

(22) Date of Filing Application: **27 February 2009**

(24) Date from which industrial property rights may have effect: **27 February 2009**

(54) Product in respect of which the design is registered: **Bottle cap**

(51) International Design Classification: **09-07C**

(71) Name(s) and Address(s) of Applicant(s):

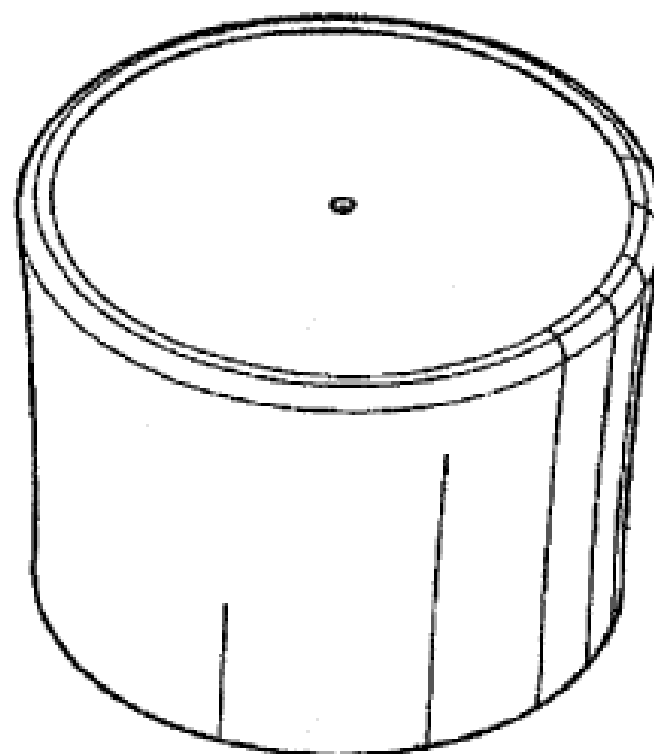
The Procter & Gamble Company
One Procter & Gamble Plaza Cincinnati Ohio 45202 United States of America

(72) Name(s) of Designer(s): **Martin Jay Marotti and Philip Edwin Hague and Stacy Alycia Thomas**

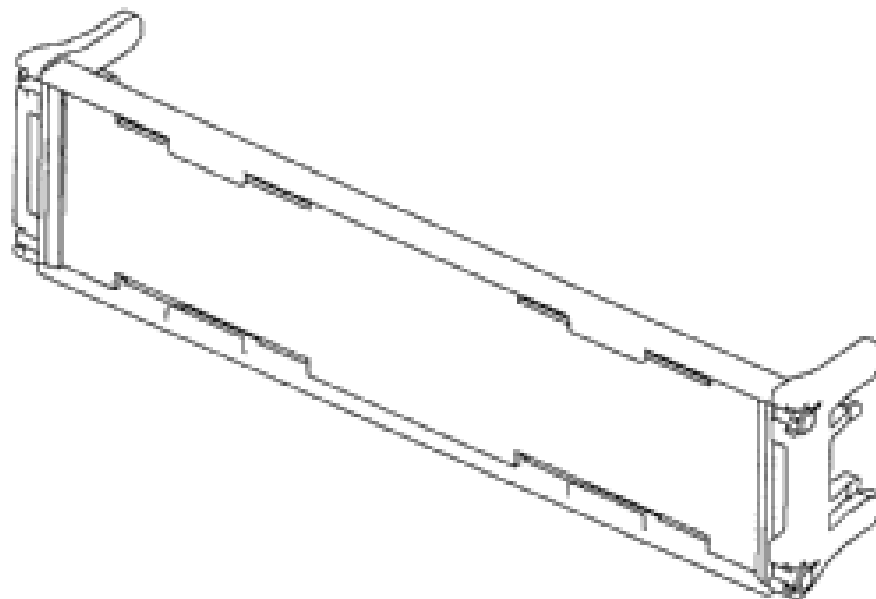
(45) Registration Date: **04 March 2009**

(56) Related Art Documents: **Not Applicable**

(57) Statement of Newness and Distinctiveness: **Newness and distinctiveness reside in the features of shape and/or configuration of the bottle cap, as shown in the representations. Newness and distinctiveness are not claimed in relation to the features shown in broken lines in the representations.**



- (21) Design Number: **10638/2009**
(22) Date of Filing Application: **27 February 2009**
(24) Date from which industrial property rights may have effect: **27 February 2009**
(54) Product in respect of which the design is registered: **Labelling assembly**
(51) International Design Classification: **18-02**
(71) Name(s) and Address(s) of Applicant(s):
ADC Communications (Australia) Pty Limited
2 Hereford Street Berkeley Vale New South Wales 2261 Australia
(72) Name(s) of Designer(s): **Kevin Truskett and Bryce Nicholls**
(45) Registration Date: **04 March 2009**
(56) Related Art Documents: **Not Applicable**
(57) Statement of Newness and Distinctiveness: **The features of shape and configuration of the labelling assembly shown in the accompanying representations are considered to be new and distinctive.**



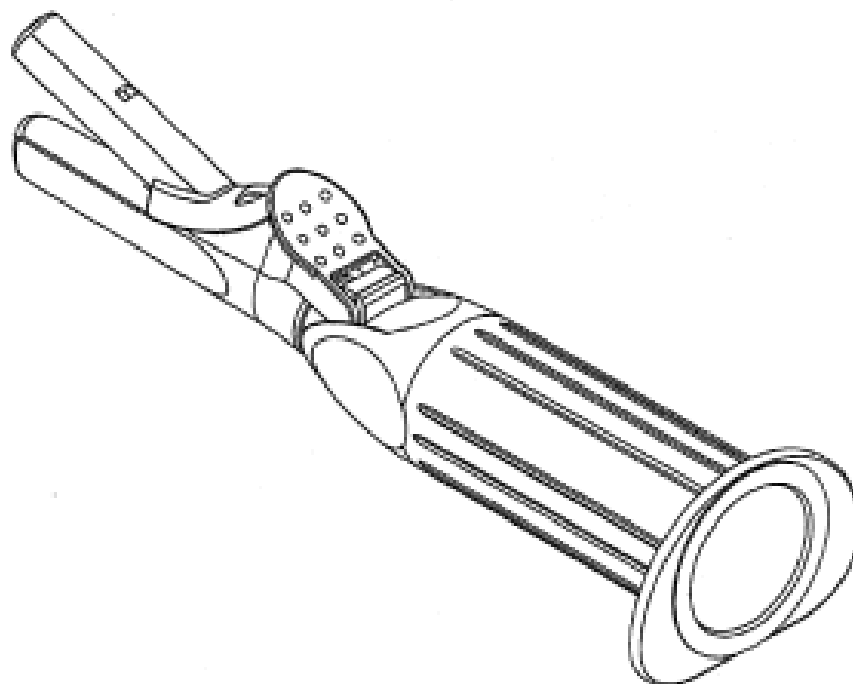
- (21) Design Number: **10639/2009**
(22) Date of Filing Application: **27 February 2009**
(24) Date from which industrial property rights may have effect: **27 February 2009**
(54) Product in respect of which the design is registered: **Handset**
(51) International Design Classification: **14-03E**
(71) Name(s) and Address(s) of Applicant(s):
Nokia Corporation
Keilalahdentie 4 FIN-02150 Espoo Finland
(72) Name(s) of Designer(s): **Adam Stone**
(45) Registration Date: **04 March 2009**
(30) Convention priority data:

(31) Number	(32) Date	(33) Country
29/327986	17 Nov 2008	UNITED STATES OF AMERICA

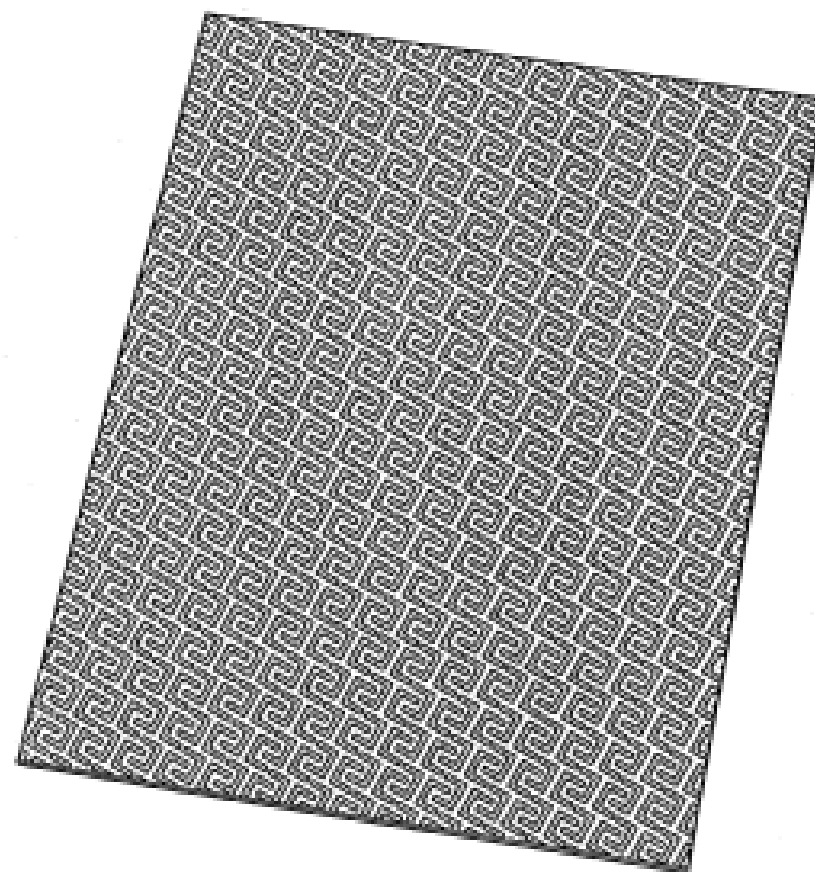
(56) Related Art Documents: **Not Applicable**
(57) Statement of Newness and Distinctiveness: **Nil**



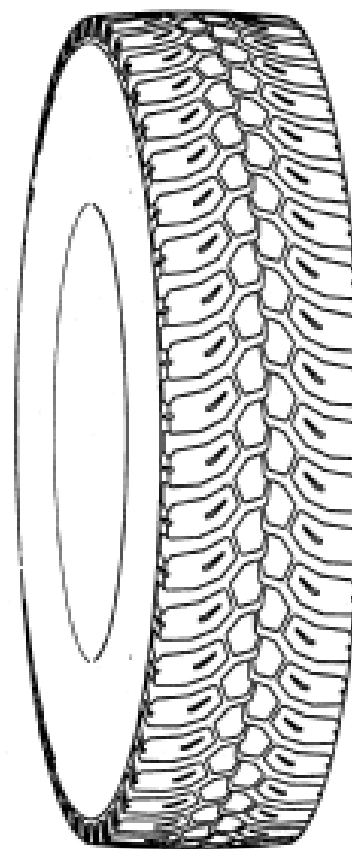
- (21) Design Number: **10583/2009**
(22) Date of Filing Application: **25 February 2009**
(24) Date from which industrial property rights may have effect: **25 February 2009**
(54) Product in respect of which the design is registered: **Safety blood collection needle device**
(51) International Design Classification: **24-02**
(71) Name(s) and Address(s) of Applicant(s):
Becton, Dickinson and Company
1 Becton Drive Franklin Lakes New Jersey 07417 United States of America
(72) Name(s) of Designer(s): **Jamieson W. Crawford and Robert Ellis and Benjamin Bartfeld and Bradley M. Wilkinson and Neville Yu Leng Chia**
(45) Registration Date: **04 March 2009**
(30) Convention priority data:
(31) Number (32) Date (33) Country
29/323441 26 Aug 2008 UNITED STATES OF AMERICA
(56) Related Art Documents: **Not Applicable**
(57) Statement of Newness and Distinctiveness: **Newness and distinctiveness reside in the features of the design as shown in the representations.**



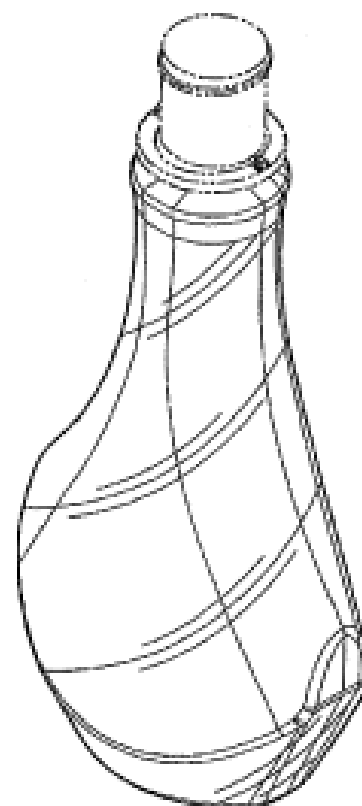
- (21) Design Number: **10581/2009**
(22) Date of Filing Application: **25 February 2009**
(24) Date from which industrial property rights may have effect: **25 February 2009**
(54) Product in respect of which the design is registered: **Cleaning wipe**
(51) International Design Classification: **07-05E**
(71) Name(s) and Address(s) of Applicant(s):
Reckitt Benckiser Inc.
Morris Corporate Center IV 399 Interpace Parkway Parsippany New Jersey 07054 United States of America
(72) Name(s) of Designer(s): **Paul Laforteza**
(45) Registration Date: **04 March 2009**
(30) Convention priority data:
(31) Number (32) Date (33) Country
000993480-0002 29 Aug 2008 EUROPEAN COMMUNITY
(56) Related Art Documents: **Not Applicable**
(57) Statement of Newness and Distinctiveness: **Newness and distinctiveness reside in the features of the design as shown in the representations**



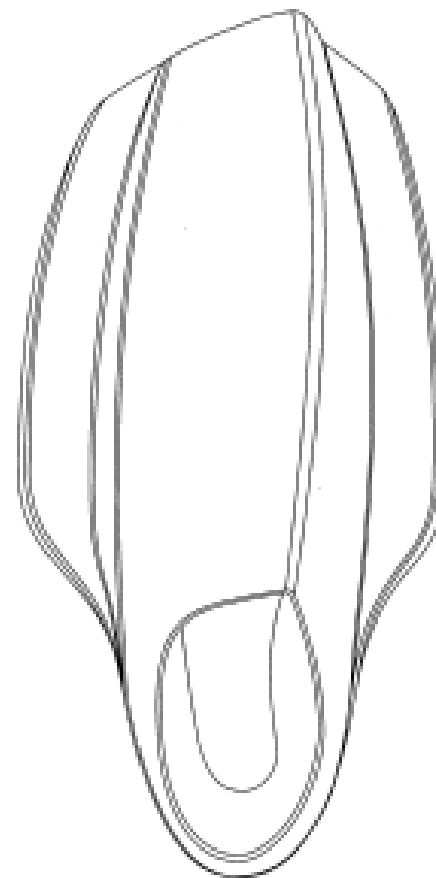
- (21) Design Number: **10590/2009**
(22) Date of Filing Application: **26 February 2009**
(24) Date from which industrial property rights may have effect: **26 February 2009**
(54) Product in respect of which the design is registered: **A pneumatic tyre**
(51) International Design Classification: **12-15C**
(71) Name(s) and Address(s) of Applicant(s):
Societe De Technologie Michelin
23 rue Breschet F-63000 Clermont-Ferrand Cedex France
Michelin Recherche et Technique S.A.
Route Louis Braille 10 et 12 CH-1763 Granges-Paccot Switzerland
(72) Name(s) of Designer(s): **Mathieu Vandaele and Eric Lebreton and Robert Ciprian Radulescu and Pierre Yem**
(45) Registration Date: **04 March 2009**
(30) Convention priority data:
(31) Number (32) Date (33) Country
08/3911 04 Sep 2008 FRANCE
(56) Related Art Documents: **Not Applicable**
(57) Statement of Newness and Distinctiveness: **Newness and distinctiveness resides in the configuration of the tread pattern region of the tyre with the remainder of the tyre not forming part of the design.**



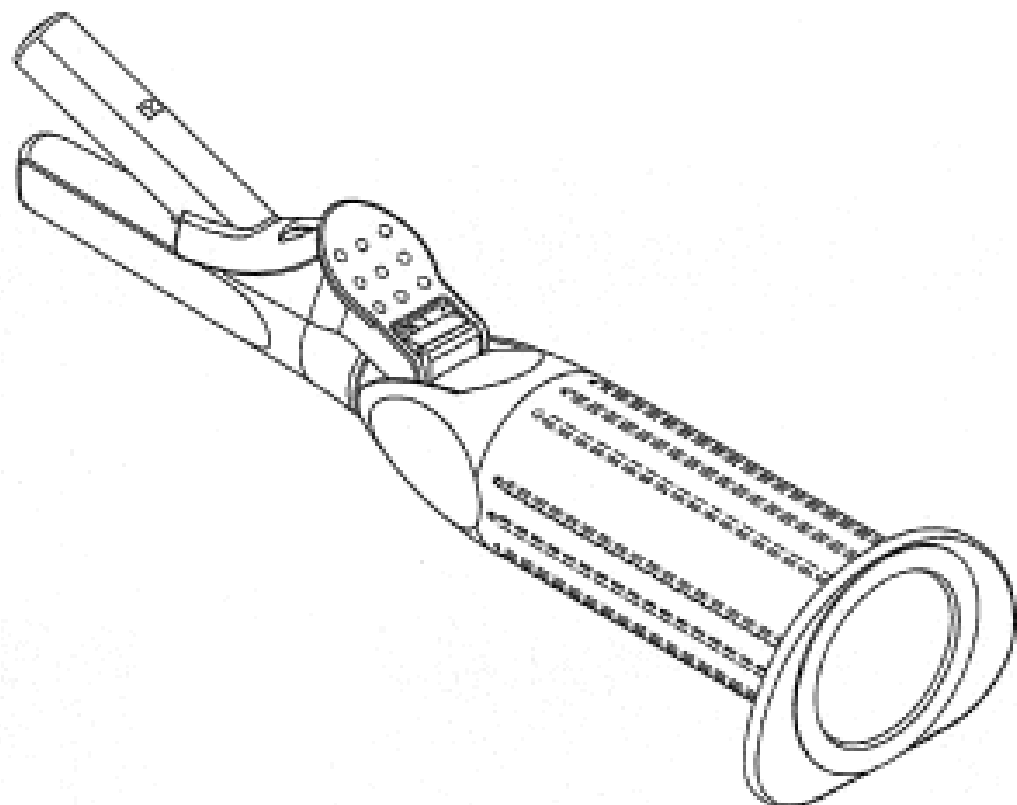
- (21) Design Number: **10643/2009**
(22) Date of Filing Application: **27 February 2009**
(24) Date from which industrial property rights may have effect: **27 February 2009**
(54) Product in respect of which the design is registered: **Bottle**
(51) International Design Classification: **09-01H**
(71) Name(s) and Address(s) of Applicant(s):
The Procter & Gamble Company
One Procter & Gamble Plaza Cincinnati Ohio 45202 United States of America
(72) Name(s) of Designer(s): **Martin Jay Marotti and Philip Edwin Hague and Stacy Alycia Thomas**
(45) Registration Date: **04 March 2009**
(56) Related Art Documents: **Not Applicable**
(57) Statement of Newness and Distinctiveness: **Newness and distinctiveness reside in the features of shape and/or configuration of the bottle, as shown in the representations. Newness and distinctiveness are not claimed in relation to the features shown in broken lines in the representations.**



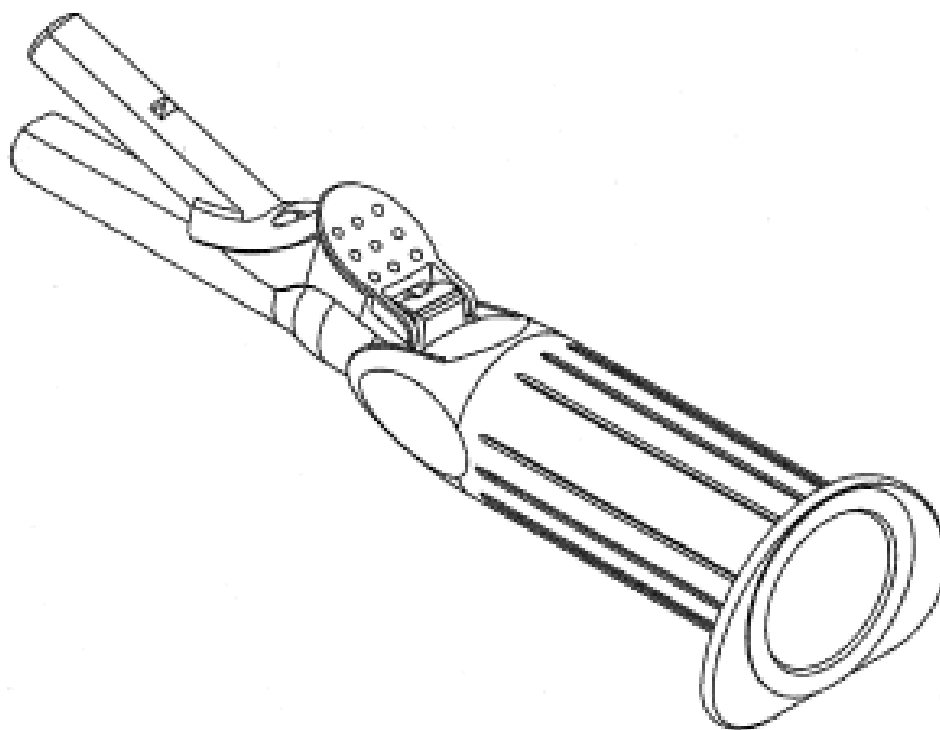
- (21) Design Number: **10664/2009**
(22) Date of Filing Application: **02 March 2009**
(24) Date from which industrial property rights may have effect: **02 March 2009**
(54) Product in respect of which the design is registered: **Swim fin**
(51) International Design Classification: **21-02D**
(71) Name(s) and Address(s) of Applicant(s):
POD Ware Pty Ltd
26 Curtin Crescent Maroubra New South Wales 2035 Australia
(72) Name(s) of Designer(s): **Shane Thomas Anthony Vassallo**
(45) Registration Date: **04 March 2009**
(56) Related Art Documents: **Not Applicable**
(57) Statement of Newness and Distinctiveness: **Nil**



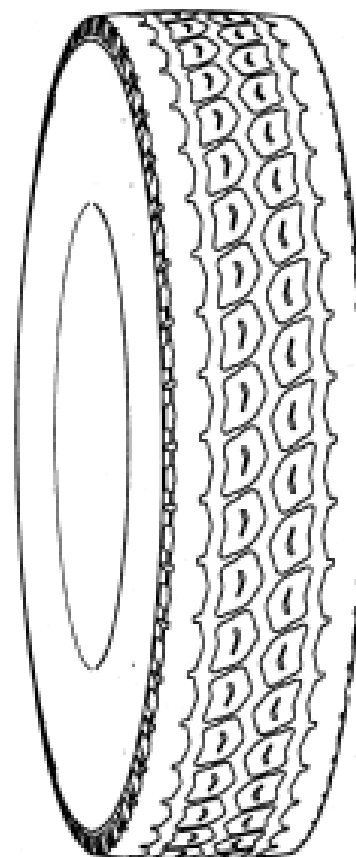
- (21) Design Number: **10582/2009**
(22) Date of Filing Application: **25 February 2009**
(24) Date from which industrial property rights may have effect: **25 February 2009**
(54) Product in respect of which the design is registered: **Safety blood collection needle device**
(51) International Design Classification: **24-02**
(71) Name(s) and Address(s) of Applicant(s):
Becton Dickinson and Company
1 Becton Drive Franklin Lakes New Jersey 07417 United States of America
(72) Name(s) of Designer(s): **Jamieson W. Crawford and Robert Ellis and Benjamin Bartfeld and Bradley M. Wilkinson and Neville Yu Leng Chia**
(45) Registration Date: **04 March 2009**
(30) Convention priority data:
(31) Number (32) Date (33) Country
29/323447 26 Aug 2008 UNITED STATES OF AMERICA
(56) Related Art Documents: **Not Applicable**
(57) Statement of Newness and Distinctiveness: **Newness and distinctiveness reside in the features of the design shown in solid lines in the representations excluding those features shown in broken lines.**



- (21) Design Number: **10587/2009**
(22) Date of Filing Application: **25 February 2009**
(24) Date from which industrial property rights may have effect: **25 February 2009**
(54) Product in respect of which the design is registered: **Safety blood collection needle device**
(51) International Design Classification: **24-02**
(71) Name(s) and Address(s) of Applicant(s):
Becton Dickinson and Company
1 Becton Drive Franklin Lakes New Jersey 07417 United States of America
(72) Name(s) of Designer(s): **Jamieson W. Crawford and Robert Ellis and Benjamin Bartfeld and Bradley M. Wilkinson and Neville Yu Leng Chia**
(45) Registration Date: **04 March 2009**
(30) Convention priority data:
(31) Number (32) Date (33) Country
29/332736 24 Feb 2009 UNITED STATES OF AMERICA
(56) Related Art Documents: **Not Applicable**
(57) Statement of Newness and Distinctiveness: **Newness and distinctiveness reside in the features of the design as shown in the representations.**



- (21) Design Number: **10591/2009**
(22) Date of Filing Application: **26 February 2009**
(24) Date from which industrial property rights may have effect: **26 February 2009**
(54) Product in respect of which the design is registered: **A pneumatic tyre**
(51) International Design Classification: **12-15A**
(71) Name(s) and Address(s) of Applicant(s):
Michelin Recherche et Technique S.A.
Route Louis-Braille 10 et 12 CH-1763 Granges-Paccot Switzerland
Societe De Technologie Michelin
23 rue Breschet F-63000 Clermont-Ferrand Cedex France
(72) Name(s) of Designer(s): **Mathieu Vandaele and Eric Lebreton**
(45) Registration Date: **04 March 2009**
(30) Convention priority data:
(31) Number (32) Date (33) Country
08/3910 04 Sep 2008 FRANCE
(56) Related Art Documents: **Not Applicable**
(57) Statement of Newness and Distinctiveness: **Newness and distinctiveness resides in the configuration of the tyre tread pattern region with the remainder of the tyre not forming part of the design.**



(21) Design Number: **10595/2009**

(22) Date of Filing Application: **26 February 2009**

(24) Date from which industrial property rights may have effect: **26 February 2009**

(54) Product in respect of which the design is registered: **Reconfigurable children's furniture**

(51) International Design Classification: **06-02**

(71) Name(s) and Address(s) of Applicant(s):

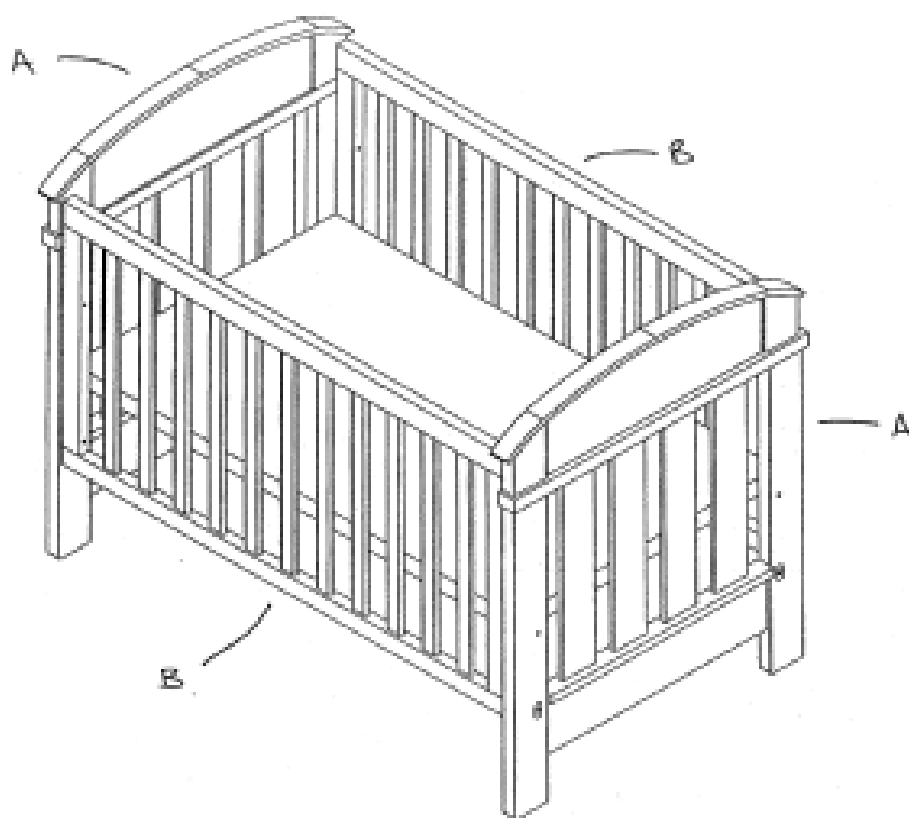
Boori International Pty Ltd
27-37 Vallance Street St Marys New South Wales 2760 Australia

(72) Name(s) of Designer(s): **Justin Chui**

(45) Registration Date: **04 March 2009**

(56) Related Art Documents: **Not Applicable**

(57) Statement of Newness and Distinctiveness: **Monopoly is claimed in the features of shape and configuration applicable to an item of children's furniture. The design is adapted to be reconfigured into three different forms, as shown in the accompanying representations. In considering the scope of the design registration, particular regard should be had to the end portions marked as A in the representations, and no importance should be given to the particular features of the portions marked as B in the representations.**



(21) Design Number: **10648/2009**

(22) Date of Filing Application: **27 February 2009**

(24) Date from which industrial property rights may have effect: **27 February 2009**

(54) Product in respect of which the design is registered: **Door handle mounting plate**

(51) International Design Classification: **08-06**

(71) Name(s) and Address(s) of Applicant(s):

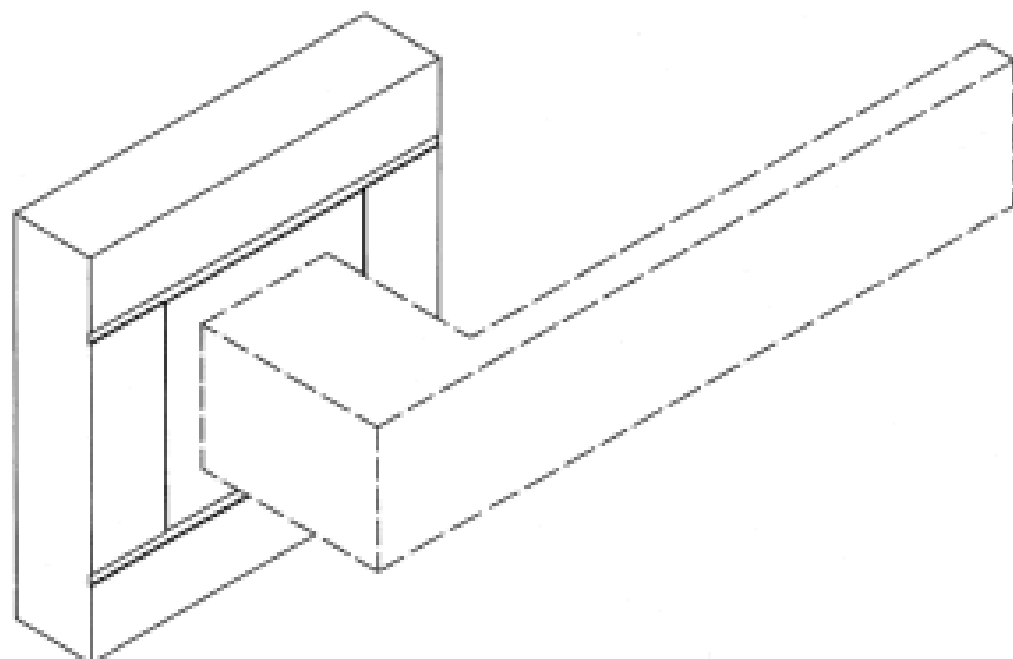
Edgard Vatcky
841 High Street Thornbury Victoria 3071 Australia

(72) Name(s) of Designer(s): **Edgard Vatcky**

(45) Registration Date: **04 March 2009**

(56) Related Art Documents: **Not Applicable**

(57) Statement of Newness and Distinctiveness: **Newness and distinctiveness of the design resides in the shape and configuration of the door handle mounting plate as shown in the accompanying representations. When considering the scope of monopoly, no regard shall be had to the door handle illustrated in broken outline or the rear face (not shown) of the door handle mounting plate.**



(21) Design Number: **10641/2009**

(22) Date of Filing Application: **27 February 2009**

(24) Date from which industrial property rights may have effect: **27 February 2009**

(54) Product in respect of which the design is registered: **Spray bottle**

(51) International Design Classification: **09-01A**

(71) Name(s) and Address(s) of Applicant(s):

**Global Opportunities Investment Group, LLC
21308 John Milless Drive Rogers Minnesota 55374 United States of
America**

(72) Name(s) of Designer(s): **Todd R. Schaeffer**

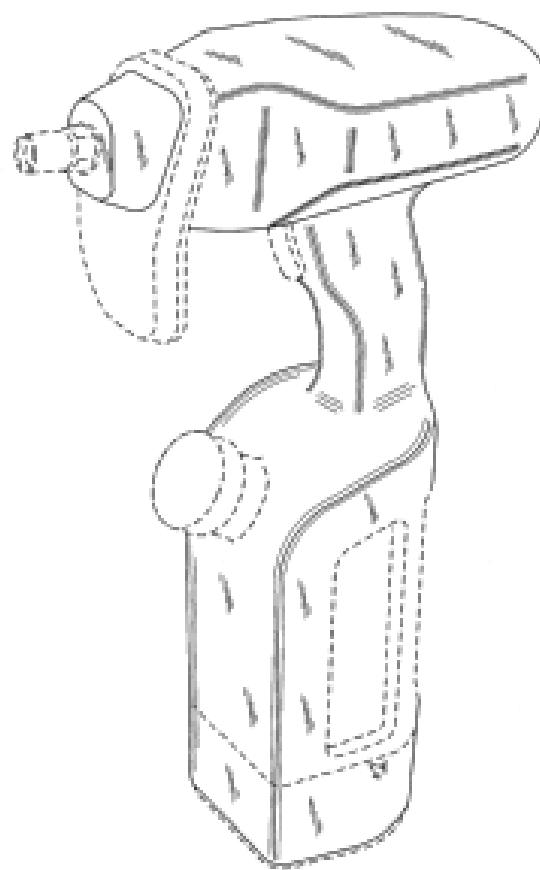
(45) Registration Date: **04 March 2009**

(30) Convention priority data:

(31) Number	(32) Date	(33) Country
29/323877	02 Sep 2008	UNITED STATES OF AMERICA

(56) Related Art Documents: **Not Applicable**

(57) Statement of Newness and Distinctiveness: **Newness and distinctiveness resides in the features of shape and configuration indicated by full lines in the accompanying representations.**



(21) Design Number: **10666/2009**

(22) Date of Filing Application: **02 March 2009**

(24) Date from which industrial property rights may have effect: **02 March 2009**

(54) Product in respect of which the design is registered: **Filter unit**

(51) International Design Classification: **07-02NES**

(71) Name(s) and Address(s) of Applicant(s):

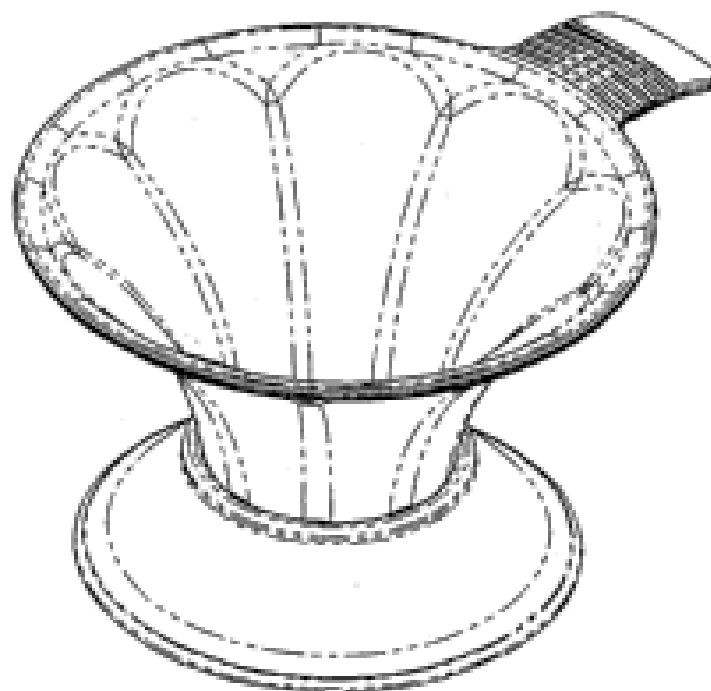
**Tea-Cha Teaware Pty Limited
c/- LBW & Partners G/F 19 Havilah Street Chatswood New South
Wales 2067 Australia**

(72) Name(s) of Designer(s): **Ian Bersten and Andrew Simpson and Roger
Thompson**

(45) Registration Date: **05 March 2009**

(56) Related Art Documents: **Not Applicable**

(57) Statement of Newness and Distinctiveness: **Nil**



(21) Design Number: **10674/2009**

(22) Date of Filing Application: **03 March 2009**

(24) Date from which industrial property rights may have effect: **03 March 2009**

(54) Product in respect of which the design is registered: **Cable cover**

(51) International Design Classification: **13-03C**

(71) Name(s) and Address(s) of Applicant(s):

Ian Norman Bissett

2 Aldenham Park Kingswood Parks Hull HU7 3JP United Kingdom

(72) Name(s) of Designer(s): **Ian Norman Bissett**

(45) Registration Date: **05 March 2009**

(30) Convention priority data:

(31) Number
001034532

(32) Date
06 Nov 2008

(33) Country
EUROPEAN COMMUNITY

(56) Related Art Documents: **Not Applicable**

(57) Statement of Newness and Distinctiveness: **Nil**



(21) Design Number: **10670/2009**

(22) Date of Filing Application: **27 February 2009**

(24) Date from which industrial property rights may have effect: **27 February 2009**

(54) Product in respect of which the design is registered: **Goggles**

(51) International Design Classification: **16-06, 21-02D**

(71) Name(s) and Address(s) of Applicant(s):

Speedo International Limited

8 Manchester Square London W1U 3PH United Kingdom

(72) Name(s) of Designer(s): **Christopher Booker**

(45) Registration Date: **05 March 2009**

(30) Convention priority data:

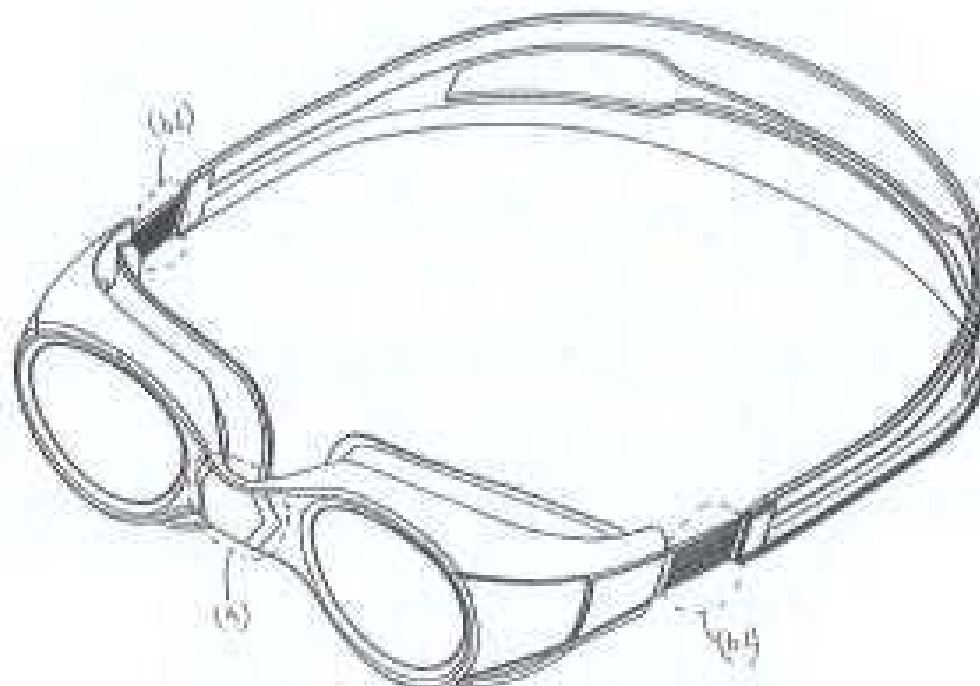
(31) Number
000998927-0001

(32) Date
03 Sep 2008

(33) Country
EUROPEAN COMMUNITY

(56) Related Art Documents: **Not Applicable**

(57) Statement of Newness and Distinctiveness: **Newness and distinctiveness reside in the v-shaped regions on the nose bridge of the goggles designated as (a) in the representations; and/or the reduced width regions on the headband of the goggles designated as (b1) and (b2) in the representations.**



(21) Design Number: **10675/2009**
 (22) Date of Filing Application: **03 March 2009**
 (24) Date from which industrial property rights may have effect: **03 March 2009**
 (54) Product in respect of which the design is registered: **Dock insert**
 (51) International Design Classification: **14-01, 14-02, 14-03A, 13-02**
 (71) Name(s) and Address(s) of Applicant(s):
Apple Inc.
1 Infinite Loop Cupertino California 95014 United States of America
 (72) Name(s) of Designer(s): **Bartley K. Andre and Daniel J. Coster and Daniele De Iuliis and Evans Hankey and Richard P. Howarth and Jonathon P. Ive and Duncan Robert Kerr and Shin Nishibori and Matthew Dean Rohrbach and Peter Russell-Clarke and Douglas B. Satzger and Christopher J. Stringer and Eugene Antony Whang and Rico Zorkendorfer**
 (45) Registration Date: **05 March 2009**
 (30) Convention priority data:
 (31) Number (32) Date (33) Country
29/324179 08 Sep 2008 UNITED STATES OF AMERICA
 (56) Related Art Documents: **Not Applicable**
 (57) Statement of Newness and Distinctiveness: **Newness and distinctiveness resides in the features of shape and configuration of the cavity of the dock insert including the width of the cavity relative to the landing surrounding the cavity and in the features of shape and configuration of the portion marked 'A' in the accompanying representations, including the size of portion A relative to the remainder of the dock insert.**



(21) Design Number: **10676/2009**
 (22) Date of Filing Application: **03 March 2009**
 (24) Date from which industrial property rights may have effect: **03 March 2009**
 (54) Product in respect of which the design is registered: **Dock insert**
 (51) International Design Classification: **14-01, 14-02, 14-03A, 13-02**
 (71) Name(s) and Address(s) of Applicant(s):
Apple Inc.
1 Infinite Loop Cupertino California 95014 United States of America
 (72) Name(s) of Designer(s): **Bartley K. Andre and Daniel J. Coster and Daniele De Iuliis and Evans Hankey and Richard P. Howarth and Jonathon P. Ive and Duncan Robert Kerr and Shin Nishibori and Matthew Dean Rohrbach and Peter Russell-Clarke and Douglas B. Satzger and Christopher J. Stringer and Eugene Antony Whang and Rico Zorkendorfer**
 (45) Registration Date: **05 March 2009**
 (30) Convention priority data:
 (31) Number (32) Date (33) Country
29/324179 08 Sep 2008 UNITED STATES OF AMERICA
 (56) Related Art Documents: **Not Applicable**
 (57) Statement of Newness and Distinctiveness: **Newness and distinctiveness resides in the features of shape and configuration of the cavity of the dock insert.**



(21) Design Number: **15780/2008**

(22) Date of Filing Application: **11 December 2008**

(24) Date from which industrial property rights may have effect: **11 December 2008**

(54) Product in respect of which the design is registered: **Display stand**

(51) International Design Classification: **20-02E**

(71) Name(s) and Address(s) of Applicant(s):

**Perfetti Van Melle S.p.A.
Via XXV Aprile 7 Lainate Italy**

(72) Name(s) of Designer(s): **Francois Stroobant and Taiji Endo**

(45) Registration Date: **06 March 2009**

(30) Convention priority data:

(31) Number	(32) Date	(33) Country
000951199	13 Jun 2008	EUROPEAN COMMUNITY

(56) Related Art Documents: **Not Applicable**

(57) Statement of Newness and Distinctiveness: **The particular visual features of the design which are new and distinctive are shape OR configuration.**



(21) Design Number: **15960/2008**

(22) Date of Filing Application: **18 December 2008**

(24) Date from which industrial property rights may have effect: **18 December 2008**

(54) Product in respect of which the design is registered: **Rain water tank**

(51) International Design Classification: **23-01F**

(71) Name(s) and Address(s) of Applicant(s):

**Metroll Queensland Pty Limited
170 James Street Toowoomba Queensland 4350 Australia**

(72) Name(s) of Designer(s): **Mark Nicholas Collymore and Victor Josephs and Kerrad James Harland and Russell Lawrence Morrison**

(45) Registration Date: **06 March 2009**

(56) Related Art Documents: **Not Applicable**

(57) Statement of Newness and Distinctiveness: **Nil**



- (21) Design Number: **15961/2008**
(22) Date of Filing Application: **18 December 2008**
(24) Date from which industrial property rights may have effect: **18 December 2008**
(54) Product in respect of which the design is registered: **Rain water tank**
(51) International Design Classification: **23-01F**
(71) Name(s) and Address(s) of Applicant(s):
Metroll Queensland Pty Limited
170 James Street Toowoomba Queensland 4350 Australia
(72) Name(s) of Designer(s): **Kerrad James Harland and Victor Josephs and Russell Lawrence Morrison and Mark Nicholas Collymore**
(45) Registration Date: **06 March 2009**
(56) Related Art Documents: **Not Applicable**
(57) Statement of Newness and Distinctiveness: **Nil**



- (21) Design Number: **16000/2008**
(22) Date of Filing Application: **22 December 2008**
(24) Date from which industrial property rights may have effect: **22 December 2008**
(54) Product in respect of which the design is registered: **Dental instrument**
(51) International Design Classification: **24-02**
(71) Name(s) and Address(s) of Applicant(s):
Ernst Muhlbauer GmbH & Co. KG
Koogstraat 4 25870 Norderfriedrichskoog Germany
(72) Name(s) of Designer(s): **Steffen Effenberger**
(45) Registration Date: **06 March 2009**
(30) Convention priority data:

(31) Number	(32) Date	(33) Country
968003	01 Jul 2008	EUROPEAN COMMUNITY

(56) Related Art Documents: **Not Applicable**
(57) Statement of Newness and Distinctiveness: **Nil**



(21) Design Number: **16066/2008**

(22) Date of Filing Application: **24 December 2008**

(24) Date from which industrial property rights may have effect: **24 December 2008**

(54) Product in respect of which the design is registered: **Device for closing nozzle of liquid application tool**

(51) International Design Classification: **09-07A**

(71) Name(s) and Address(s) of Applicant(s):

Kisling AG
Ringstrasse 30 8317 Tagelswangen Switzerland

(72) Name(s) of Designer(s): **Werner F. Dubach**

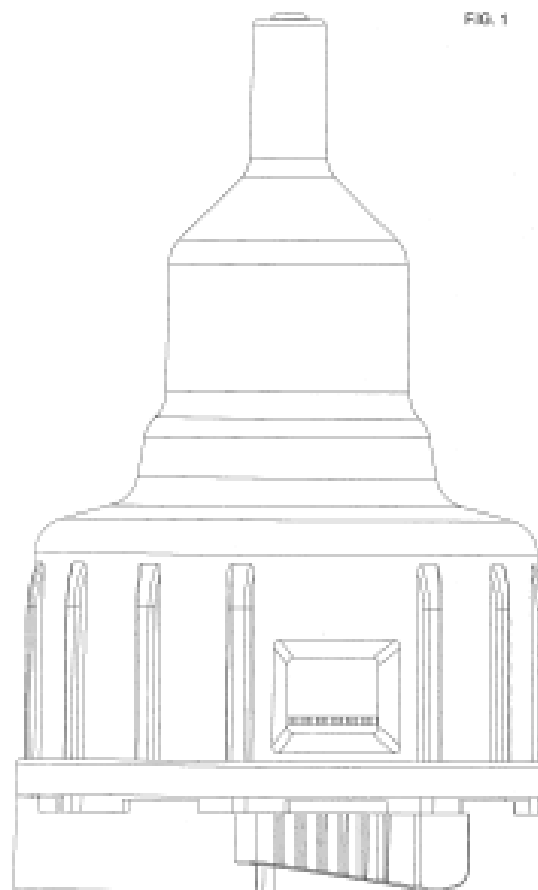
(45) Registration Date: **06 March 2009**

(30) Convention priority data:

(31) Number	(32) Date	(33) Country
000974381	21 Jul 2008	EUROPEAN COMMUNITY

(56) Related Art Documents: **Not Applicable**

(57) Statement of Newness and Distinctiveness: **Nil**



(21) Design Number: **15999/2008**

(22) Date of Filing Application: **22 December 2008**

(24) Date from which industrial property rights may have effect: **22 December 2008**

(54) Product in respect of which the design is registered: **Container**

(51) International Design Classification: **09-03NES**

(71) Name(s) and Address(s) of Applicant(s):

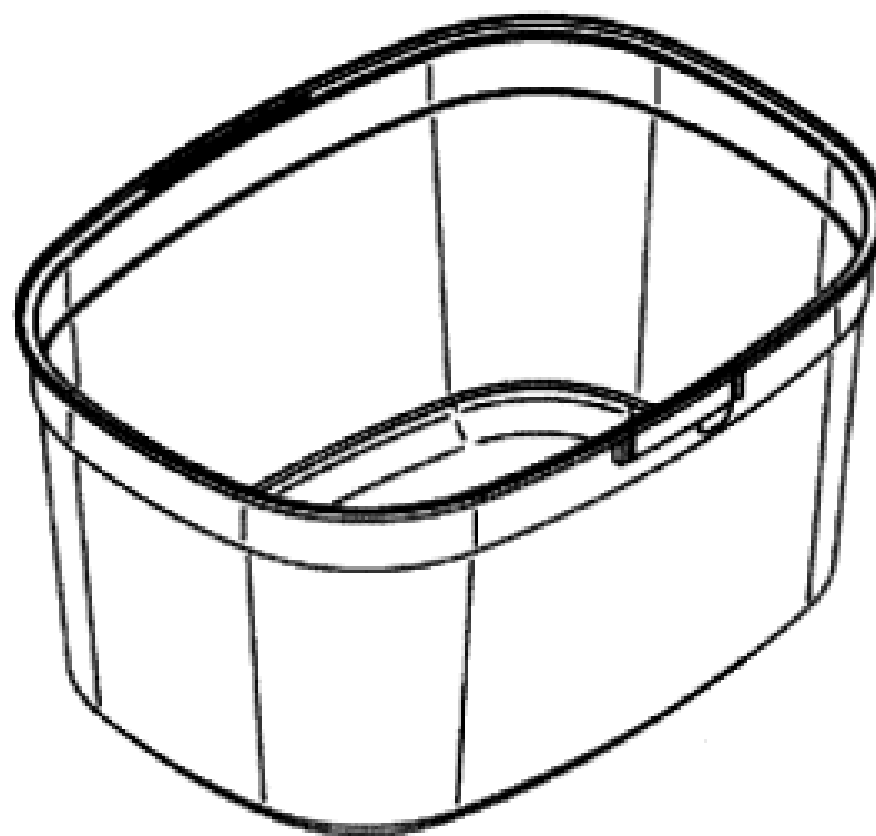
Huhtamaki Australia Pty Limited
225 Wellington Road Mulgrave Victoria 3170 Australia

(72) Name(s) of Designer(s): **Ian Janetzki and Paul Daffurn**

(45) Registration Date: **06 March 2009**

(56) Related Art Documents: **Not Applicable**

(57) Statement of Newness and Distinctiveness: **Newness and distinctiveness is claimed in features of shape and/or configuration of a container as illustrated in the accompanying representations.**



(21) Design Number: **10114/2009**

(22) Date of Filing Application: **15 January 2009**

(24) Date from which industrial property rights may have effect: **15 January 2009**

(54) Product in respect of which the design is registered: **Headphone**

(51) International Design Classification: **14-01**

(71) Name(s) and Address(s) of Applicant(s):

**Kabushiki Kaisha Audio-Technica
2206 Naruse Machida-shi Tokyo Japan**

(72) Name(s) of Designer(s): **Yoshiko Ohtani**

(45) Registration Date: **06 March 2009**

(30) Convention priority data:

(31) Number	(32) Date	(33) Country
2008-029273	14 Nov 2008	JAPAN

(56) Related Art Documents: **Not Applicable**

(57) Statement of Newness and Distinctiveness: **Newness and distinctiveness is claimed in the features of shape and/or configuration of a headphone as illustrated in the accompanying representations in which particular regard is to be had to rounded shape of the housings.**



(21) Design Number: **10232/2009**

(22) Date of Filing Application: **29 January 2009**

(24) Date from which industrial property rights may have effect: **29 January 2009**

(54) Product in respect of which the design is registered: **Computer housing**

(51) International Design Classification: **14-02**

(71) Name(s) and Address(s) of Applicant(s):

**IGEL Technology GmbH
Schlachte 39-40 28195 Bremen Germany**

(72) Name(s) of Designer(s): **Marc Nagel**

(45) Registration Date: **06 March 2009**

(30) Convention priority data:

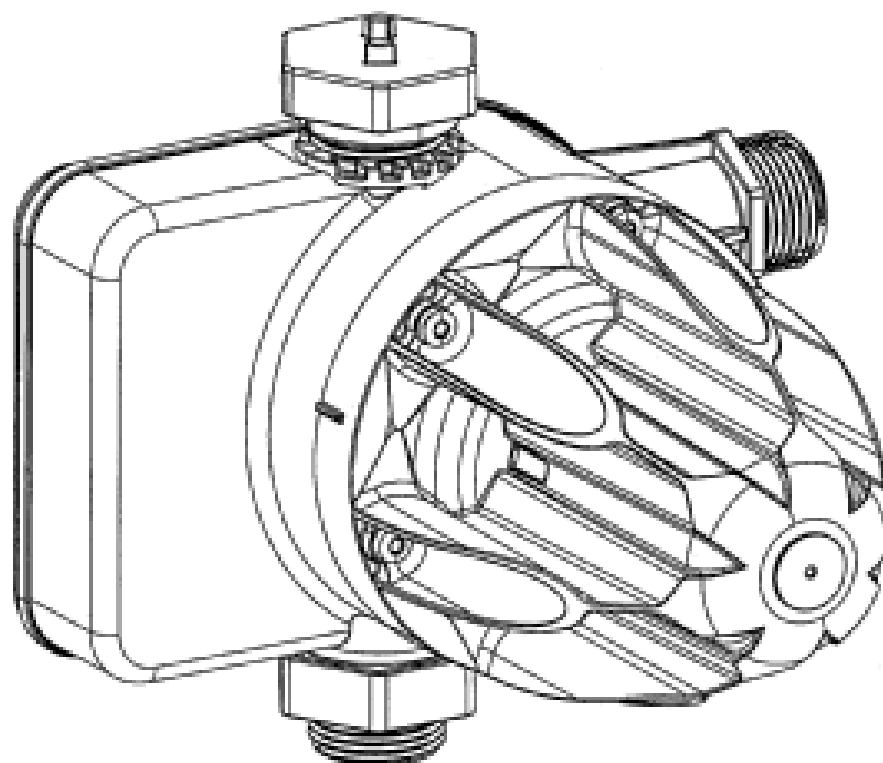
(31) Number	(32) Date	(33) Country
402008005800	04 Dec 2008	GERMANY

(56) Related Art Documents: **Not Applicable**

(57) Statement of Newness and Distinctiveness: **Newness and distinctiveness reside in the features of the shape and configuration of the design as shown in the representations: the particular colours used form no part of the design and may be varied.**



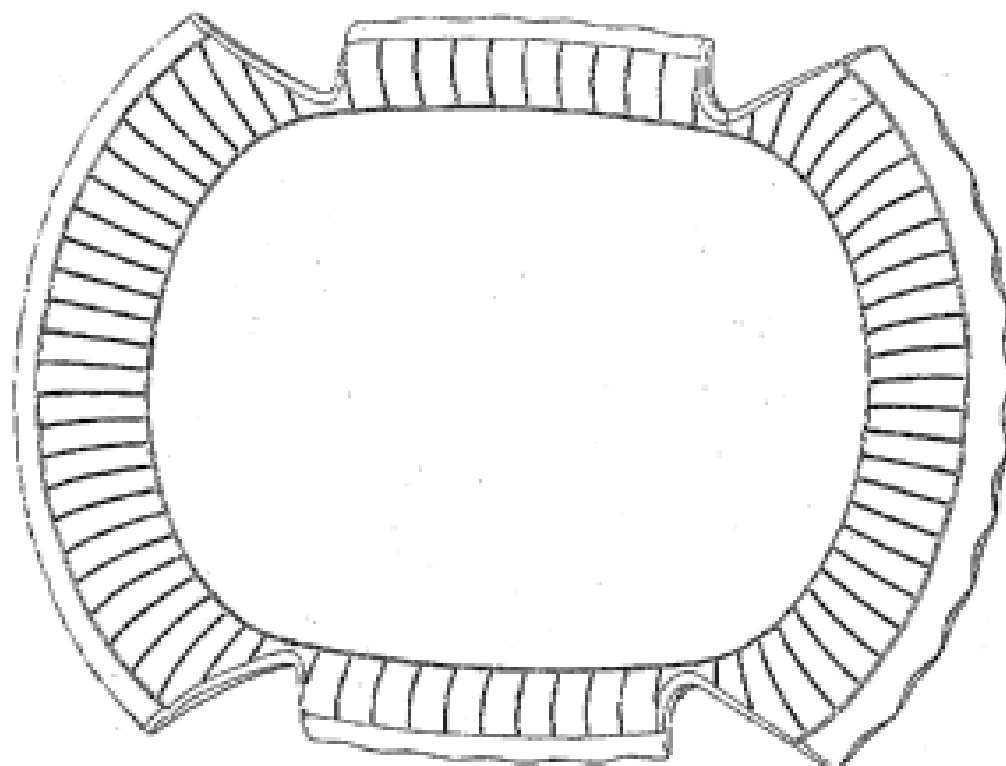
(21) Design Number: **10319/2009**
 (22) Date of Filing Application: **05 February 2009**
 (24) Date from which industrial property rights may have effect: **05 February 2009**
 (54) Product in respect of which the design is registered: **A pump controller**
 (51) International Design Classification: **15-02**
 (71) Name(s) and Address(s) of Applicant(s):
Davey Water Products Pty Ltd
6 Lakeview Drive Scoresby Victoria 3179 Australia
 (72) Name(s) of Designer(s): **Joel Dylan Gresham**
 (45) Registration Date: **06 March 2009**
 (56) Related Art Documents: **Not Applicable**
 (57) Statement of Newness and Distinctiveness: **Those features of the pump controller depicted in the representations that are new and distinctive are the shape and/or configuration.**



(21) Design Number: **10370/2009**
 (22) Date of Filing Application: **11 February 2009**
 (24) Date from which industrial property rights may have effect: **11 February 2009**
 (54) Product in respect of which the design is registered: **Beach toy - tray**
 (51) International Design Classification: **21-01A, 07-01B**
 (71) Name(s) and Address(s) of Applicant(s):
Made By a Mom Like You, LLC
17076 Boca Club Boulevard No. 3 Boca Raton FL 33487 United States of America
 (72) Name(s) of Designer(s): **Jade Cohen**
 (45) Registration Date: **06 March 2009**
 (30) Convention priority data:

(31) Number	(32) Date	(33) Country
29/323,094	18 Aug 2008	UNITED STATES OF AMERICA

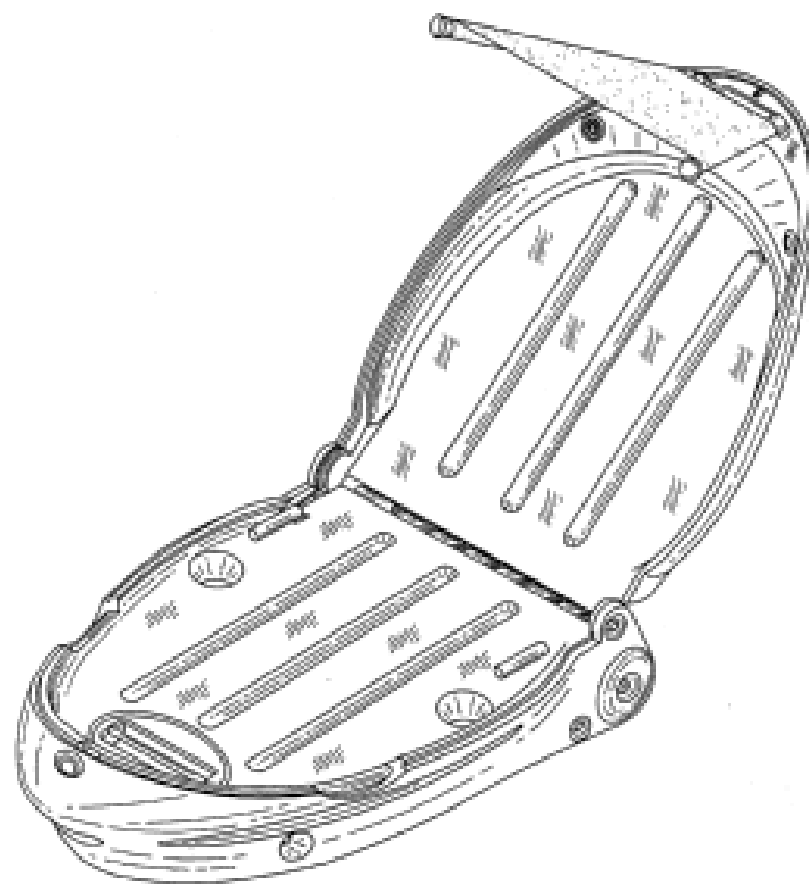
 (56) Related Art Documents: **Not Applicable**
 (57) Statement of Newness and Distinctiveness: **Visual features of the design that are new and distinctive are the features of shape and configuration of the tray illustrated in the representatives.**



(21) Design Number: **10482/2009**
(22) Date of Filing Application: **17 February 2009**
(24) Date from which industrial property rights may have effect: **17 February 2009**
(54) Product in respect of which the design is registered: **Storage water heater pad (plate)**
(51) International Design Classification: **23-03H**
(71) Name(s) and Address(s) of Applicant(s):
Simon Ridley
36 Nelson Street Stepney South Australia 5069 Australia
(72) Name(s) of Designer(s): **Simon Ridley**
(45) Registration Date: **06 March 2009**
(56) Related Art Documents: **Not Applicable**
(57) Statement of Newness and Distinctiveness: **Nil**



(21) Design Number: **10511/2009**
(22) Date of Filing Application: **20 February 2009**
(24) Date from which industrial property rights may have effect: **20 February 2009**
(54) Product in respect of which the design is registered: **Sun lounger**
(51) International Design Classification: **06-01H**
(71) Name(s) and Address(s) of Applicant(s):
Seladis Leisure Limited
62-64 New Road Basingstoke Hampshire RG21 7PW England
(72) Name(s) of Designer(s): **Richard Lees**
(45) Registration Date: **06 March 2009**
(30) Convention priority data:
(31) Number (32) Date (33) Country
000989108-001 14 Aug 2008 EUROPEAN COMMUNITY
(56) Related Art Documents: **Not Applicable**
(57) Statement of Newness and Distinctiveness: **Nil**



(21) Design Number: **10514/2009**

(22) Date of Filing Application: **19 February 2009**

(24) Date from which industrial property rights may have effect: **19 February 2009**

(54) Product in respect of which the design is registered: **Luminaire**

(51) International Design Classification: **26-05C**

(71) Name(s) and Address(s) of Applicant(s):

**Koninklijke Philips Electronics N.V.
Groenewoudseweg 1 5621 BA Eindhoven The Netherlands**

(72) Name(s) of Designer(s): **Kent Li**

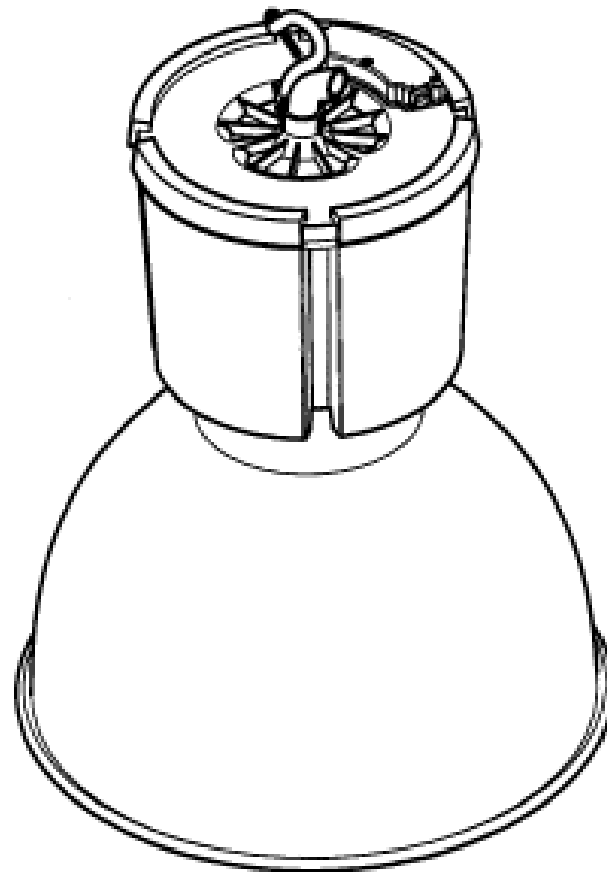
(45) Registration Date: **06 March 2009**

(30) Convention priority data:

(31) Number	(32) Date	(33) Country
000995626-0002	03 Sep 2008	EUROPEAN COMMUNITY

(56) Related Art Documents: **Not Applicable**

(57) Statement of Newness and Distinctiveness: **Newness and distinctiveness reside in the features of the design as shown in the representations.**



(21) Design Number: **10667/2009**

(22) Date of Filing Application: **05 December 2008**

(24) Date from which industrial property rights may have effect: **05 December 2008**

(54) Product in respect of which the design is registered: **Nozzle head for an emergency eyewash unit**

(51) International Design Classification: **24-02**

(71) Name(s) and Address(s) of Applicant(s):

**Haws Drinking Faucet Company
1455 Kleppe Lane Sparks NV 89434 United States of America**

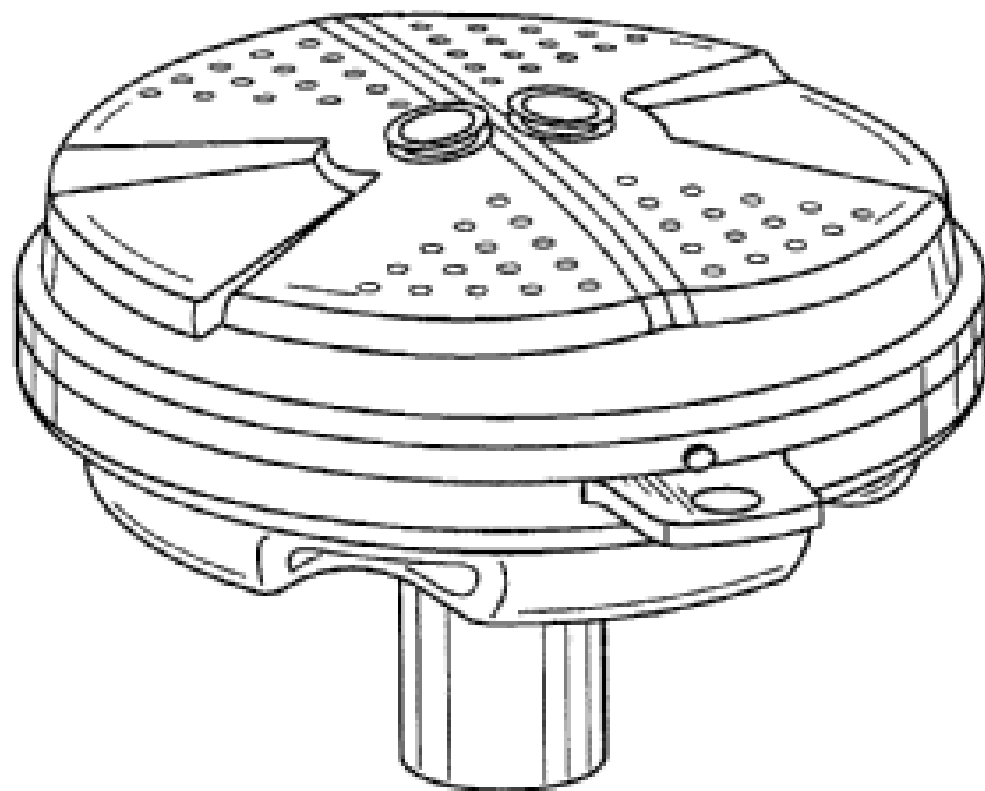
(72) Name(s) of Designer(s): **Victor C. Strandberg and Ian T. Roberts and Joshua D. Linn**

(45) Registration Date: **05 March 2009**

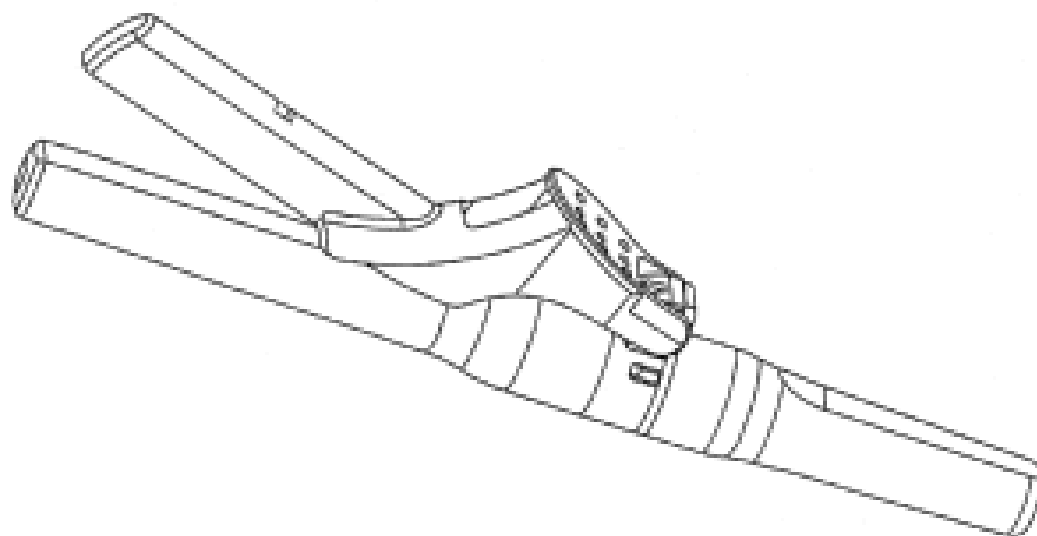
(62) Divisional of: **15744/2008**

(56) Related Art Documents: **Not Applicable**

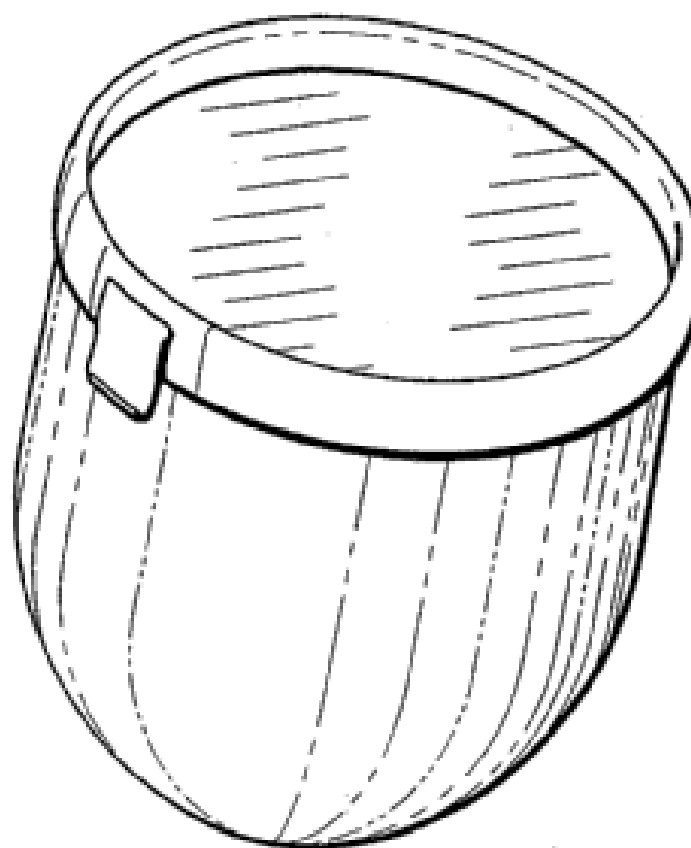
(57) Statement of Newness and Distinctiveness: **Nil**



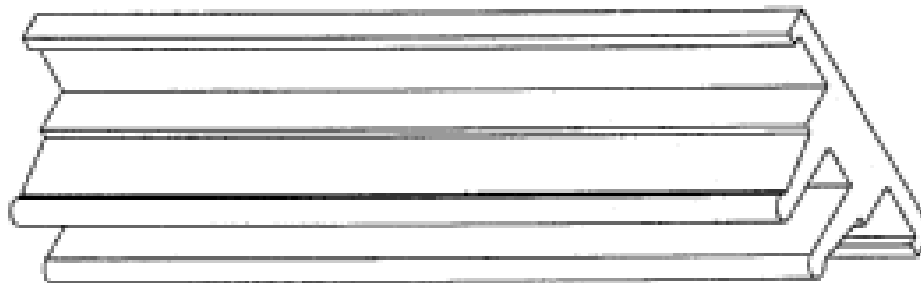
- (21) Design Number: **10586/2009**
(22) Date of Filing Application: **25 February 2009**
(24) Date from which industrial property rights may have effect: **25 February 2009**
(54) Product in respect of which the design is registered: **Safety blood collection needle device**
(51) International Design Classification: **24-02**
(71) Name(s) and Address(s) of Applicant(s):
Becton, Dickinson and Company
1 Becton Drive Franklin Lakes New Jersey 07417 United States of America
(72) Name(s) of Designer(s): **Jamieson W. Crawford and Robert Ellis and Benjamin Bartfeld and Bradley M. Wilkinson and Neville Yu Leng Chia**
(45) Registration Date: **06 March 2009**
(30) Convention priority data:
(31) Number (32) Date (33) Country
29/332737 24 Feb 2009 UNITED STATES OF AMERICA
(56) Related Art Documents: **Not Applicable**
(57) Statement of Newness and Distinctiveness: **Newness and distinctiveness reside in the features of the design as shown in the representations.**



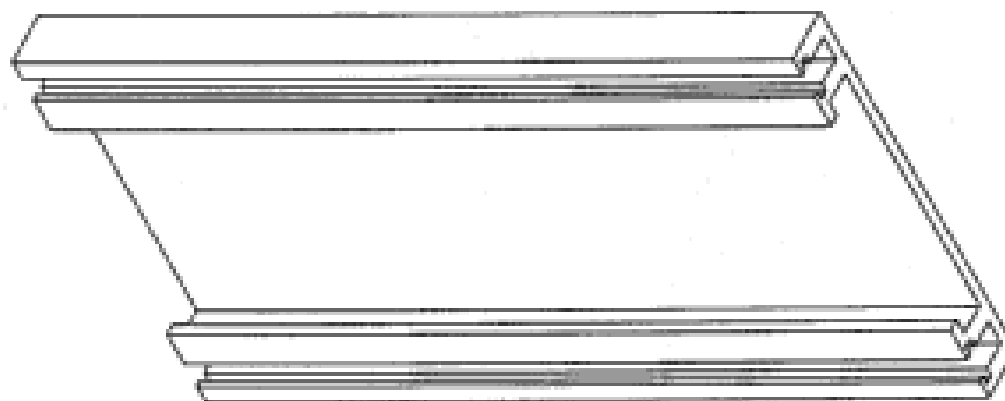
- (21) Design Number: **10663/2009**
(22) Date of Filing Application: **02 March 2009**
(24) Date from which industrial property rights may have effect: **02 March 2009**
(54) Product in respect of which the design is registered: **Container with lid**
(51) International Design Classification: **09-03L**
(71) Name(s) and Address(s) of Applicant(s):
Rieke Corporation
500 West Seventh Street Auburn Indiana 46706 United States of America
(72) Name(s) of Designer(s): **Stephen E. Stalions and Brian R. Law and Wayne L. Schmidt**
(45) Registration Date: **06 March 2009**
(30) Convention priority data:
(31) Number (32) Date (33) Country
29/323910 03 Sep 2008 UNITED STATES OF AMERICA
(56) Related Art Documents: **Not Applicable**
(57) Statement of Newness and Distinctiveness: **Newness and distinctiveness is claimed in the features of shape and/or configuration of a container with lid as illustrated in the accompanying representations.**



- (21) Design Number: **10679/2009**
(22) Date of Filing Application: **04 March 2009**
(24) Date from which industrial property rights may have effect: **04 March 2009**
(54) Product in respect of which the design is registered: **Thermal clip for commercial aluminium window systems to create a thermal break**
(51) International Design Classification: **25-01K**
(71) Name(s) and Address(s) of Applicant(s):
**Aluminium Industries of Australia Pty Ltd
Cnr Carson Ave & Cheltenham Rd Keysborough Victoria 3173
Australia**
(72) Name(s) of Designer(s): **Tim Wilks and Lee Brown**
(45) Registration Date: **06 March 2009**
(56) Related Art Documents: **Not Applicable**
(57) Statement of Newness and Distinctiveness: **Monopoly in claimed in the shape and/or configuration of an extruded thermal clip as illustrated in the representations and which is of indefinite length**



- (21) Design Number: **10680/2009**
(22) Date of Filing Application: **04 March 2009**
(24) Date from which industrial property rights may have effect: **04 March 2009**
(54) Product in respect of which the design is registered: **Thermal cover clip for commercial aluminium window systems when a thermal break is required**
(51) International Design Classification: **25-01K**
(71) Name(s) and Address(s) of Applicant(s):
**Aluminium Industries of Australia Pty Ltd
Cnr Carson Ave & Cheltenham Rd Keysborough Victoria 3173
Australia**
(72) Name(s) of Designer(s): **Tim Wilks and Lee Brown**
(45) Registration Date: **06 March 2009**
(56) Related Art Documents: **Not Applicable**
(57) Statement of Newness and Distinctiveness: **Monopoly is claimed in the shape and/or configuration of an extruded thermal cover clip as illustrated in the representations and which is of indefinite length**



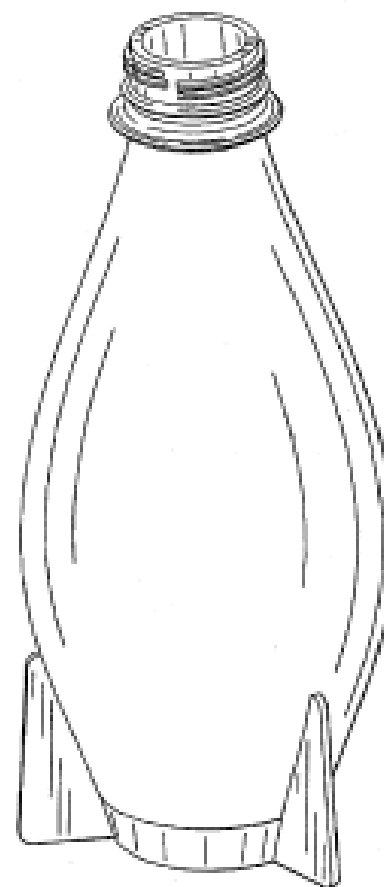
(21) Design Number: **10682/2009**
 (22) Date of Filing Application: **03 March 2009**
 (24) Date from which industrial property rights may have effect: **03 March 2009**
 (54) Product in respect of which the design is registered: **Gasket**
 (51) International Design Classification: **13-03D**
 (71) Name(s) and Address(s) of Applicant(s):
Clipsal Australia Pty Ltd
12 Park Terrace Bowden South Australia 5007 Australia
 (72) Name(s) of Designer(s): **Chris Hutchings and Philip Andrew Clark**
 (45) Registration Date: **06 March 2009**
 (56) Related Art Documents: **Not Applicable**
 (57) Statement of Newness and Distinctiveness: **Newness and distinctiveness resides in the features of shape and configuration of a gasket as shown in the accompanying representations.**



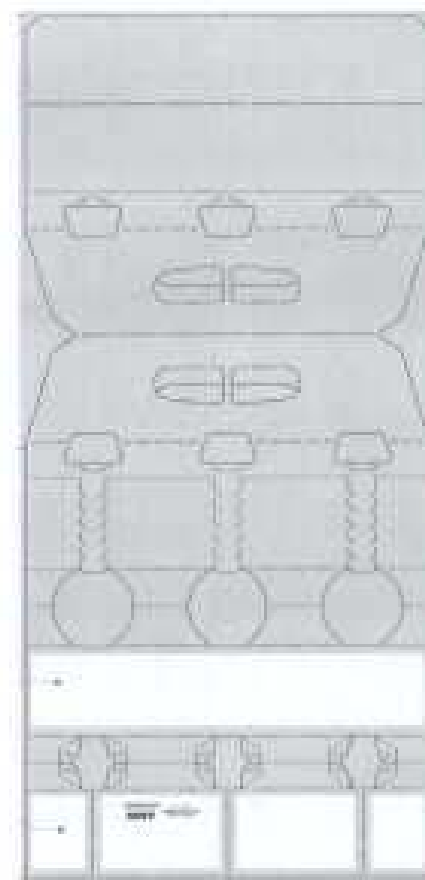
(21) Design Number: **10694/2009**
 (22) Date of Filing Application: **03 March 2009**
 (24) Date from which industrial property rights may have effect: **03 March 2009**
 (54) Product in respect of which the design is registered: **Bottle**
 (51) International Design Classification: **09-01NES**
 (71) Name(s) and Address(s) of Applicant(s):
Fuzzee Bee Beverage, LLC
12303 Airport Way #200 Broomfield CO 80021 United States of America
 (72) Name(s) of Designer(s): **Brian R. Stearns**
 (45) Registration Date: **06 March 2009**
 (30) Convention priority data:

(31) Number	(32) Date	(33) Country
29/325,441	01 Oct 2008	UNITED STATES OF AMERICA

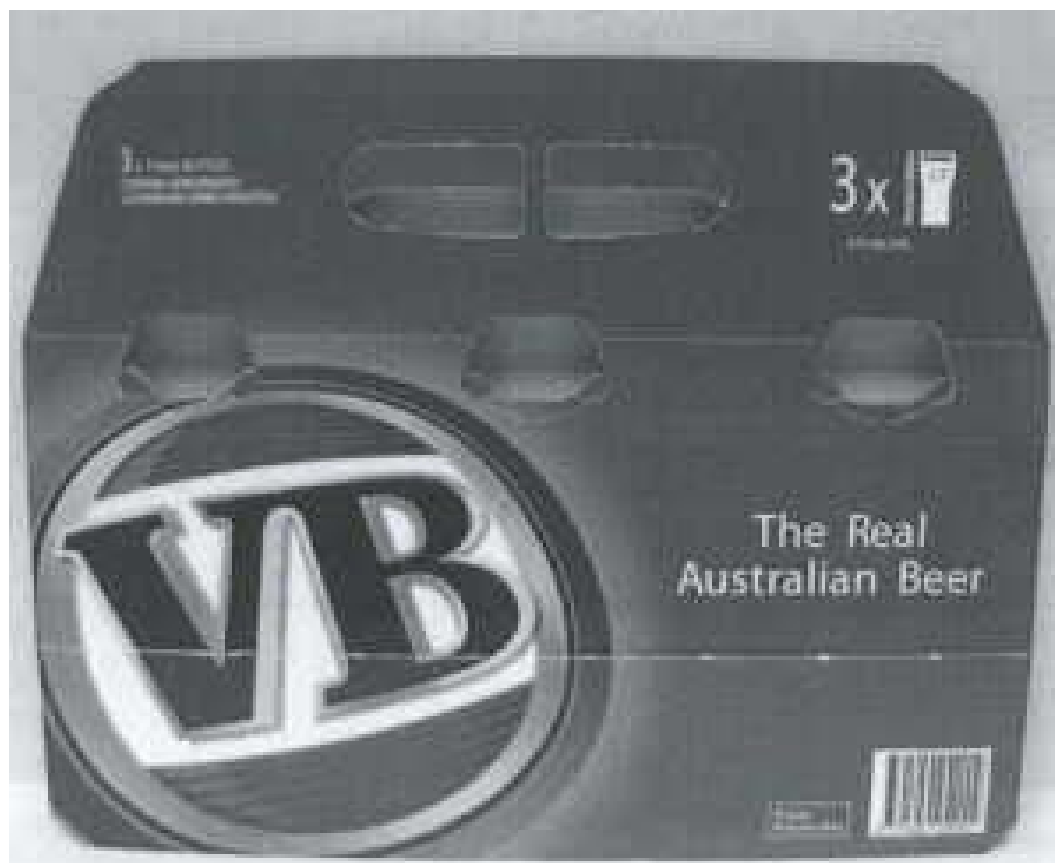
 (56) Related Art Documents: **Not Applicable**
 (57) Statement of Newness and Distinctiveness: **Nil**



- (21) Design Number: **10695/2009**
(22) Date of Filing Application: **03 March 2009**
(24) Date from which industrial property rights may have effect: **03 March 2009**
(54) Product in respect of which the design is registered: **Container blank**
(51) International Design Classification: **09-03NES**
(71) Name(s) and Address(s) of Applicant(s):
Foster's Australia Limited
77 Southbank Boulevard Southbank Victoria 3006 Australia
(72) Name(s) of Designer(s): **George Papas and Paris Kerr**
(45) Registration Date: **06 March 2009**
(56) Related Art Documents: **Not Applicable**
(57) Statement of Newness and Distinctiveness: **Newness and distinctiveness resides in the visual features of shape and/or configuration of a container blank as illustrated in the accompanying representations. The writing appearing on the blank does not form part of the design and is to be disregarded when considering whether the design is identical or substantially similar in overall impression to another design.**



- (21) Design Number: **10696/2009**
(22) Date of Filing Application: **03 March 2009**
(24) Date from which industrial property rights may have effect: **03 March 2009**
(54) Product in respect of which the design is registered: **Container for holding bottles**
(51) International Design Classification: **09-03NES**
(71) Name(s) and Address(s) of Applicant(s):
Foster's Australia Limited
77 Southbank Boulevard Southbank Victoria 3006 Australia
(72) Name(s) of Designer(s): **George Papas and Paris Kerr**
(45) Registration Date: **06 March 2009**
(56) Related Art Documents: **Not Applicable**
(57) Statement of Newness and Distinctiveness: **Newness and distinctiveness resides in the visual features of shape and/or configuration of a container for holding bottles as illustrated in the accompanying representations. The writing and logos appearing on the container do not form part of the design and are to be disregarded when considering whether the design is identical or substantially similar in overall impression to another design.**



(21) Design Number: **10690/2009**

(22) Date of Filing Application: **04 March 2009**

(24) Date from which industrial property rights may have effect: **04 March 2009**

(54) Product in respect of which the design is registered: **High chair**

(51) International Design Classification: **06-01E**

(71) Name(s) and Address(s) of Applicant(s):

**Phil and Teds Most Excellent Buggy Company Limited
102-112 Daniell Street Newtown Wellington New Zealand**

(72) Name(s) of Designer(s): **Campbell Gower and Sung Min Shin**

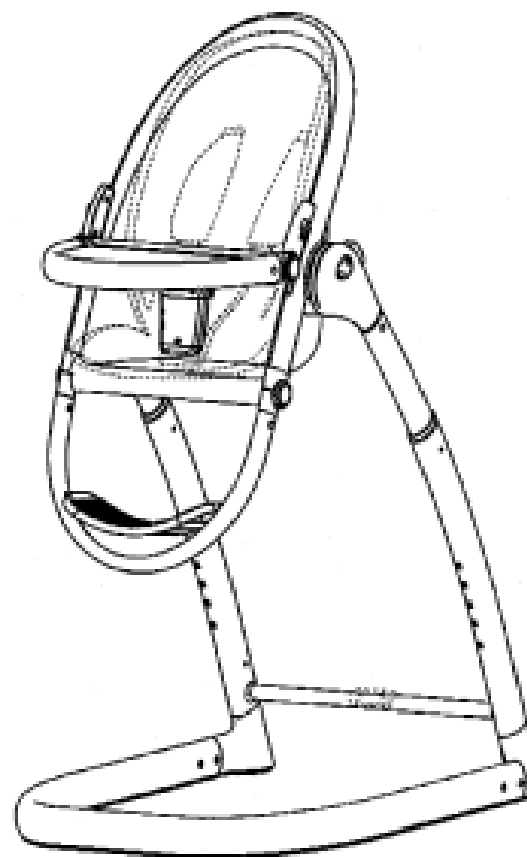
(45) Registration Date: **06 March 2009**

(30) Convention priority data:

(31) Number	(32) Date	(33) Country
29/324127	05 Sep 2008	UNITED STATES OF AMERICA

(56) Related Art Documents: **Not Applicable**

(57) Statement of Newness and Distinctiveness: **Newness and distinctiveness reside in the features of shape and/or configuration of the high chair all as shown in the representations. Newness and distinctiveness are not claimed in relation to the features shown in phantom lines in the representations.**



(21) Design Number: **10688/2009**

(22) Date of Filing Application: **04 March 2009**

(24) Date from which industrial property rights may have effect: **04 March 2009**

(54) Product in respect of which the design is registered: **A watch body**

(51) International Design Classification: **10-02**

(71) Name(s) and Address(s) of Applicant(s):

**La Montre Hermes S.A.
Erlenstrasse 31A CH-2555 Brugg Switzerland**

(72) Name(s) of Designer(s): **Henri d'Origny**

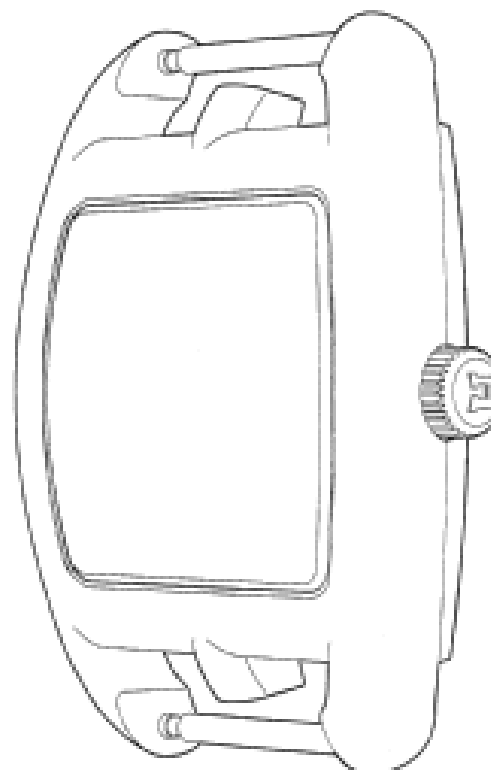
(45) Registration Date: **06 March 2009**

(30) Convention priority data:

(31) Number	(32) Date	(33) Country
DM/071063	05 Sep 2008	WORLD INTELLECTUAL PROPERTY ORGANIZATION (WIPO)

(56) Related Art Documents: **Not Applicable**

(57) Statement of Newness and Distinctiveness: **Nil**



(21) Design Number: **10691/2009**
 (22) Date of Filing Application: **03 March 2009**
 (24) Date from which industrial property rights may have effect: **03 March 2009**
 (54) Product in respect of which the design is registered: **Card dealing dispenser**
 (51) International Design Classification: **21-01K**
 (71) Name(s) and Address(s) of Applicant(s):

Shuffle Master, Inc
1106 Palms Airport Drive Las Vegas NV 89119 United States of America

(72) Name(s) of Designer(s): **Paul K. Scheper and Attila Grauzer**

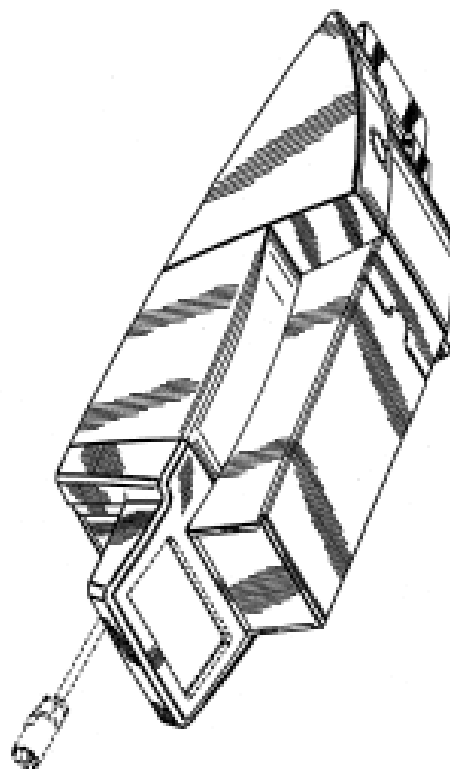
(45) Registration Date: **06 March 2009**

(30) Convention priority data:

(31) Number	(32) Date	(33) Country
29/310,722	05 Sep 2008	UNITED STATES OF AMERICA

(56) Related Art Documents: **Not Applicable**

(57) Statement of Newness and Distinctiveness: **Newness and distinctiveness resides in the appearance of a card dealing dispenser. Optional features (shown in hashed lines) are considered as not forming part of the design.**



(21) Design Number: **10705/2009**
 (22) Date of Filing Application: **04 March 2009**
 (24) Date from which industrial property rights may have effect: **04 March 2009**
 (54) Product in respect of which the design is registered: **Putter head**
 (51) International Design Classification: **21-02C**
 (71) Name(s) and Address(s) of Applicant(s):

Paul Joseph Donaghue
79a Dominion Circuit Deakin Australian Capital Territory 2600 Australia

(72) Name(s) of Designer(s): **Paul Joseph Donaghue**

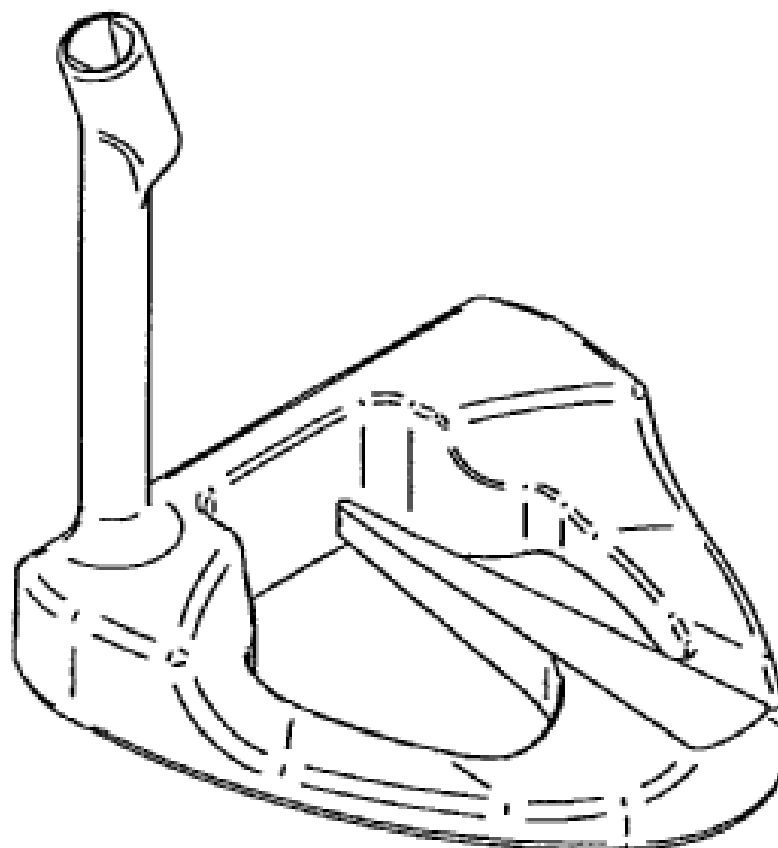
(45) Registration Date: **06 March 2009**

(30) Convention priority data:

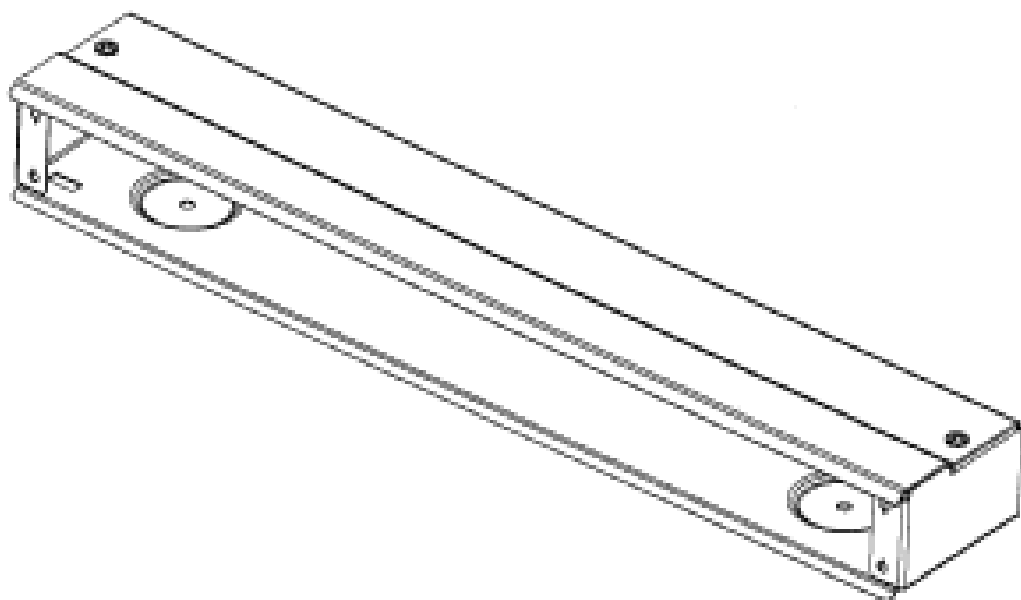
(31) Number	(32) Date	(33) Country
29/325,088	25 Sep 2008	UNITED STATES OF AMERICA

(56) Related Art Documents: **Not Applicable**

(57) Statement of Newness and Distinctiveness: **The newness and distinctiveness of the design resides in the features of shape and/or configuration shown in the accompanying representations.**



- (21) Design Number: **10706/2009**
(22) Date of Filing Application: **03 March 2009**
(24) Date from which industrial property rights may have effect: **03 March 2009**
(54) Product in respect of which the design is registered: **Consolidation point enclosure**
(51) International Design Classification: **14-02**
(71) Name(s) and Address(s) of Applicant(s):
ADC Communications (Australia) Pty Limited
2 Hereford Street Berkeley Vale New South Wales 2261 Australia
(72) Name(s) of Designer(s): **Brent David Allwood**
(45) Registration Date: **06 March 2009**
(56) Related Art Documents: **Not Applicable**
(57) Statement of Newness and Distinctiveness: **The features of shape and configuration of the consolidation point enclosure shown in the accompanying representations are considered to be new and distinctive.**



- (21) Design Number: **10681/2009**
(22) Date of Filing Application: **03 March 2009**
(24) Date from which industrial property rights may have effect: **03 March 2009**
(54) Product in respect of which the design is registered: **Gasket**
(51) International Design Classification: **23-01A**
(71) Name(s) and Address(s) of Applicant(s):
Clipsal Australia Pty Ltd
12 Park Terrace Bowden South Australia 5007 Australia
(72) Name(s) of Designer(s): **Chris Hutchings and Philip Andrew Clark**
(45) Registration Date: **10 March 2009**
(56) Related Art Documents: **Not Applicable**
(57) Statement of Newness and Distinctiveness: **Newness and distinctiveness resides in the features of shape and configuration of a gasket as shown in the accompanying representations.**



(21) Design Number: **10683/2009**

(22) Date of Filing Application: **04 March 2009**

(24) Date from which industrial property rights may have effect: **04 March 2009**

(54) Product in respect of which the design is registered: **A barbeque**

(51) International Design Classification: **07-02E**

(71) Name(s) and Address(s) of Applicant(s):

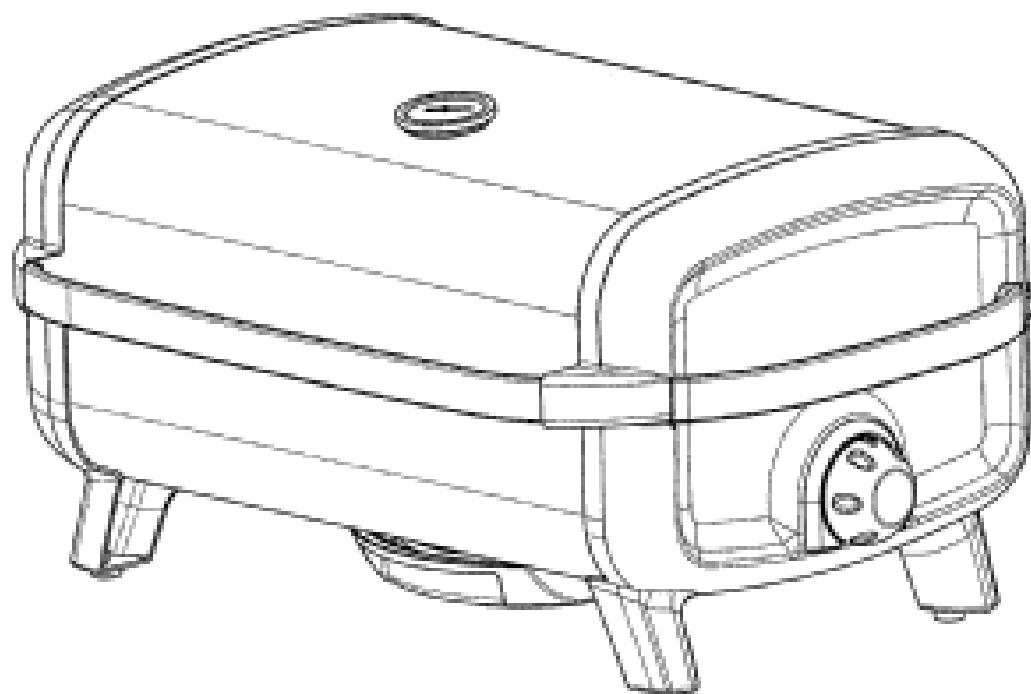
Shriro Australia Pty Limited
23-27 Chaplin Drive Lane Cove New South Wales 2066 Australia

(72) Name(s) of Designer(s): **Robert Bruce Tiller and Joshua Morabito and Joseph Ormrod**

(45) Registration Date: **10 March 2009**

(56) Related Art Documents: **Not Applicable**

(57) Statement of Newness and Distinctiveness: **Newness and distinctiveness is claimed in the features of: relatively larger firebox end portions with integral legs; relatively smaller central firebox central portion; and end mounted gas controller of a barbeque as illustrated in the accompanying representations.**



(21) Design Number: **10684/2009**

(22) Date of Filing Application: **04 March 2009**

(24) Date from which industrial property rights may have effect: **04 March 2009**

(54) Product in respect of which the design is registered: **A barbeque**

(51) International Design Classification: **07-02E**

(71) Name(s) and Address(s) of Applicant(s):

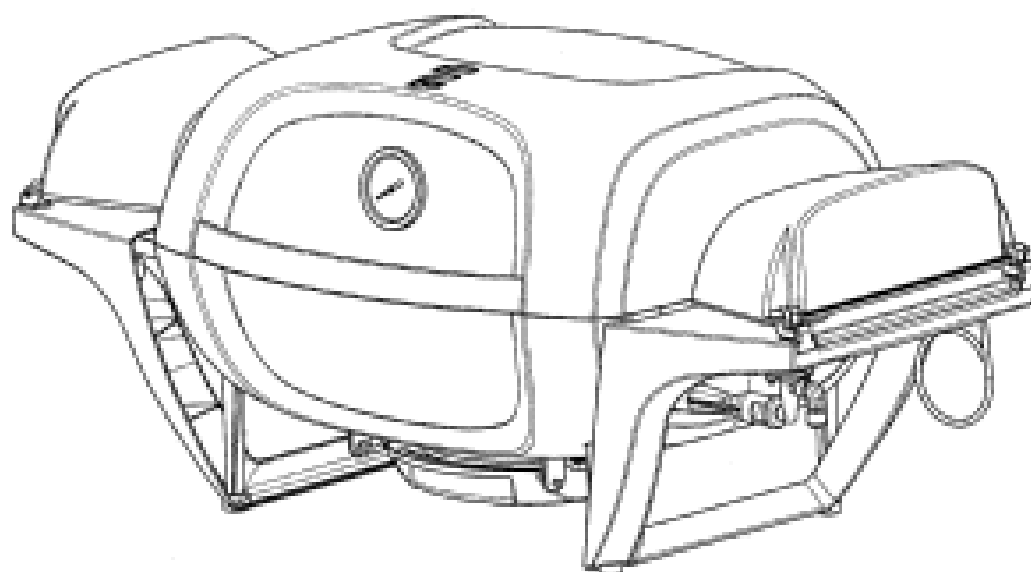
Shriro Australia Pty Limited
23-27 Chaplin Drive Lane Cove New South Wales 2066 Australia

(72) Name(s) of Designer(s): **Robert Bruce Tiller and Joshua Morabito and Joseph Ormrod**

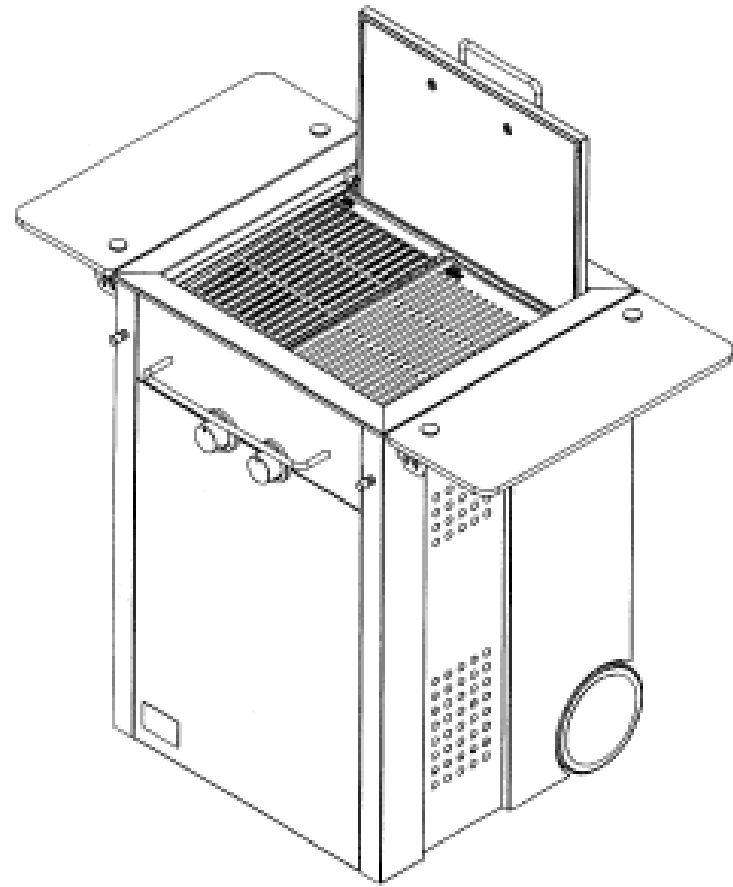
(45) Registration Date: **10 March 2009**

(56) Related Art Documents: **Not Applicable**

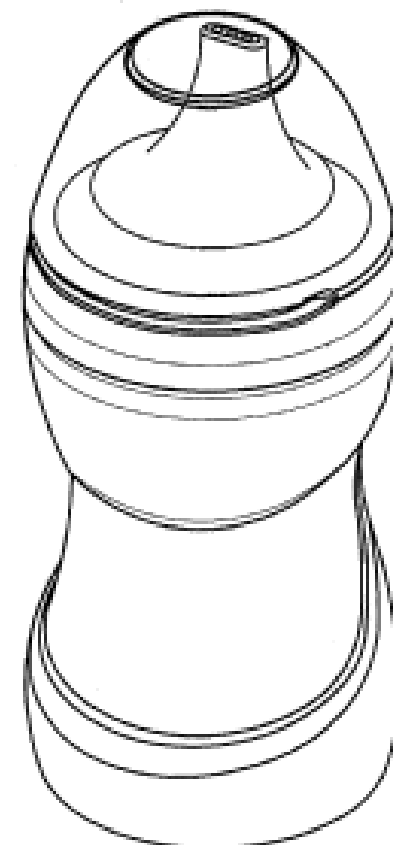
(57) Statement of Newness and Distinctiveness: **Newness and distinctiveness is claimed in the features of: curved and chamfered firebox with integrated handle; integral legs and serveries; and folding storage compartments of a barbeque as illustrated in the accompanying representations.**



- (21) Design Number: **10687/2009**
(22) Date of Filing Application: **03 March 2009**
(24) Date from which industrial property rights may have effect: **03 March 2009**
(54) Product in respect of which the design is registered: **Cooking apparatus**
(51) International Design Classification: **07-02E, 07-02A**
(71) Name(s) and Address(s) of Applicant(s):
Garth Living Pty Ltd
C/- 45 Yale Drive Epping Victoria 3076 Australia
(72) Name(s) of Designer(s): **Gavin Hill**
(45) Registration Date: **10 March 2009**
(56) Related Art Documents: **Not Applicable**
(57) Statement of Newness and Distinctiveness: **Newness and distinctiveness reside in the features of the design as shown in the representations.**



- (21) Design Number: **10709/2009**
(22) Date of Filing Application: **05 March 2009**
(24) Date from which industrial property rights may have effect: **05 March 2009**
(54) Product in respect of which the design is registered: **Drinking cup**
(51) International Design Classification: **07-01C, 07-01E**
(71) Name(s) and Address(s) of Applicant(s):
MAM Babyartikel Gesellschaft m.b.H.
Lorenz-Mandl-Gasse 50 1160 Wien Austria
(72) Name(s) of Designer(s): **Peter Rohrig and Matthias Peschke**
(45) Registration Date: **10 March 2009**
(30) Convention priority data:
(31) Number (32) Date (33) Country
1006266-0002 19 Sep 2008 EUROPEAN COMMUNITY
(56) Related Art Documents: **Not Applicable**
(57) Statement of Newness and Distinctiveness: **Newness and distinctiveness is claimed in the features of shape and/or configuration of a drinking cup as illustrated in the accompanying representations.**



(21) Design Number: **10710/2009**

(22) Date of Filing Application: **05 March 2009**

(24) Date from which industrial property rights may have effect: **05 March 2009**

(54) Product in respect of which the design is registered: **Drinking cup**

(51) International Design Classification: **07-01C, 07-01E**

(71) Name(s) and Address(s) of Applicant(s):

**MAM Babyartikel Gesellschaft m.b.H.
Lorenz-Mandl-Gasse 50 1160 Wien Austria**

(72) Name(s) of Designer(s): **Peter Rohrig and Matthias Peschke**

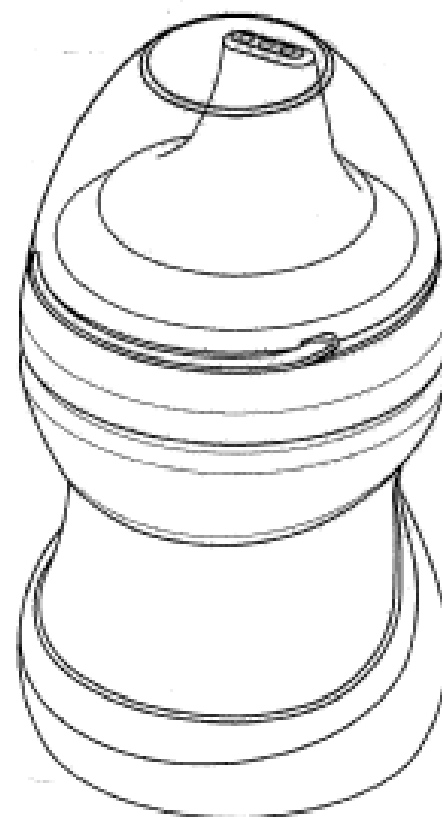
(45) Registration Date: **10 March 2009**

(30) Convention priority data:

(31) Number	(32) Date	(33) Country
1006266-0001	19 Sep 2008	EUROPEAN COMMUNITY

(56) Related Art Documents: **Not Applicable**

(57) Statement of Newness and Distinctiveness: **Newness and distinctiveness is claimed in the features of shape and/or configuration of a drinking cup as illustrated in the accompanying representations.**



(21) Design Number: **10713/2009**

(22) Date of Filing Application: **05 March 2009**

(24) Date from which industrial property rights may have effect: **05 March 2009**

(54) Product in respect of which the design is registered: **Abrasive disc**

(51) International Design Classification: **08-03**

(71) Name(s) and Address(s) of Applicant(s):

**Husqvarna AB
SE-561 82 Huskvarna Sweden**

(72) Name(s) of Designer(s): **Tobias Nilsson and Stora Bjornasen and Tim R. Van der Veen**

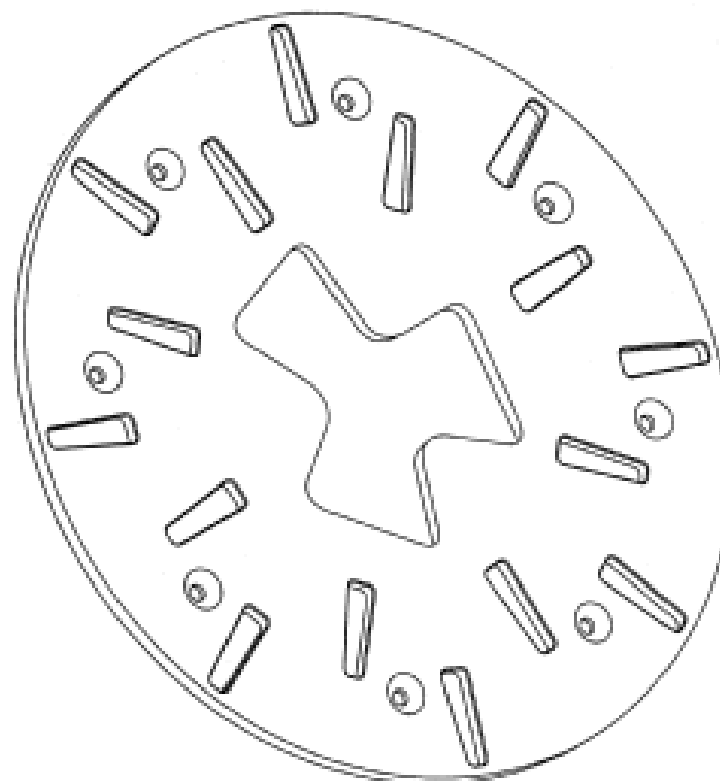
(45) Registration Date: **10 March 2009**

(30) Convention priority data:

(31) Number	(32) Date	(33) Country
000997432	05 Sep 2008	EUROPEAN COMMUNITY

(56) Related Art Documents: **Not Applicable**

(57) Statement of Newness and Distinctiveness: **Newness and distinctiveness is claimed in the features of configuration of the two rings of radially extending slots of an abrasive disc as illustrated in the accompanying representations.**



(21) Design Number: **10714/2009**

(22) Date of Filing Application: **05 March 2009**

(24) Date from which industrial property rights may have effect: **05 March 2009**

(54) Product in respect of which the design is registered: **Abrasive disc**

(51) International Design Classification: **08-03**

(71) Name(s) and Address(s) of Applicant(s):

**Husqvarna AB
SE-561 82 Huskvarna Sweden**

(72) Name(s) of Designer(s): **Tobias Nilsson and Stora Bjornasen and Tim R. Van der Veen**

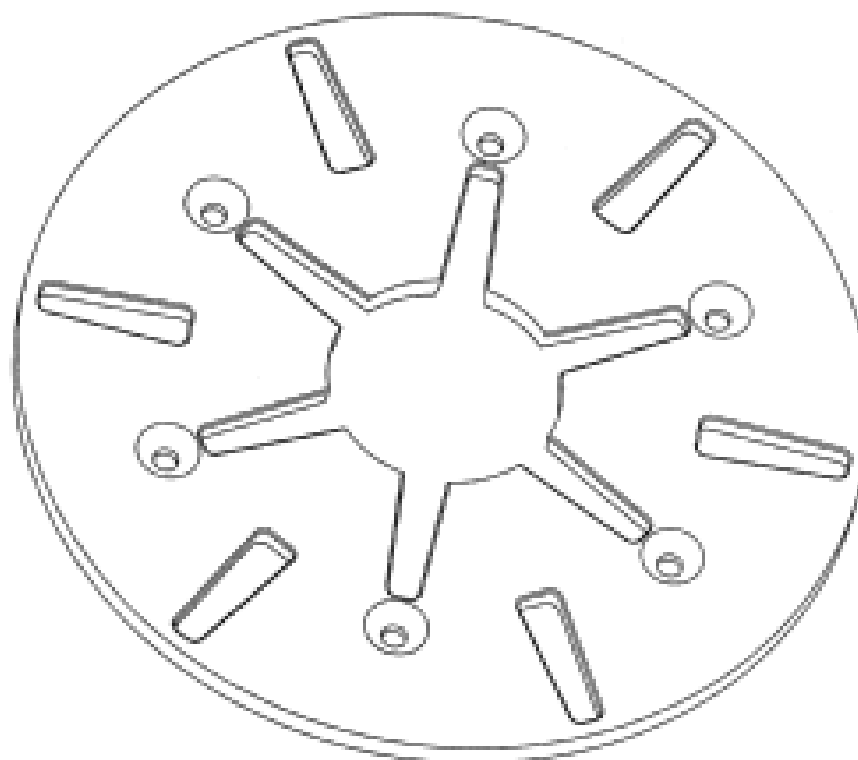
(45) Registration Date: **10 March 2009**

(30) Convention priority data:

(31) Number	(32) Date	(33) Country
000997432	05 Sep 2008	EUROPEAN COMMUNITY

(56) Related Art Documents: **Not Applicable**

(57) Statement of Newness and Distinctiveness: **Newness and distinctiveness is claimed in the features of the configuration of the two rings of radially extending slots of an abrasive disc as illustrated in the accompanying representations.**



(21) Design Number: **10715/2009**

(22) Date of Filing Application: **05 March 2009**

(24) Date from which industrial property rights may have effect: **05 March 2009**

(54) Product in respect of which the design is registered: **Abrasive disc**

(51) International Design Classification: **08-03**

(71) Name(s) and Address(s) of Applicant(s):

**Husqvarna AB
SE-561 82 Huskvarna Sweden**

(72) Name(s) of Designer(s): **Tobias Nilsson and Stora Bjornasen and Tim R. Van der Veen**

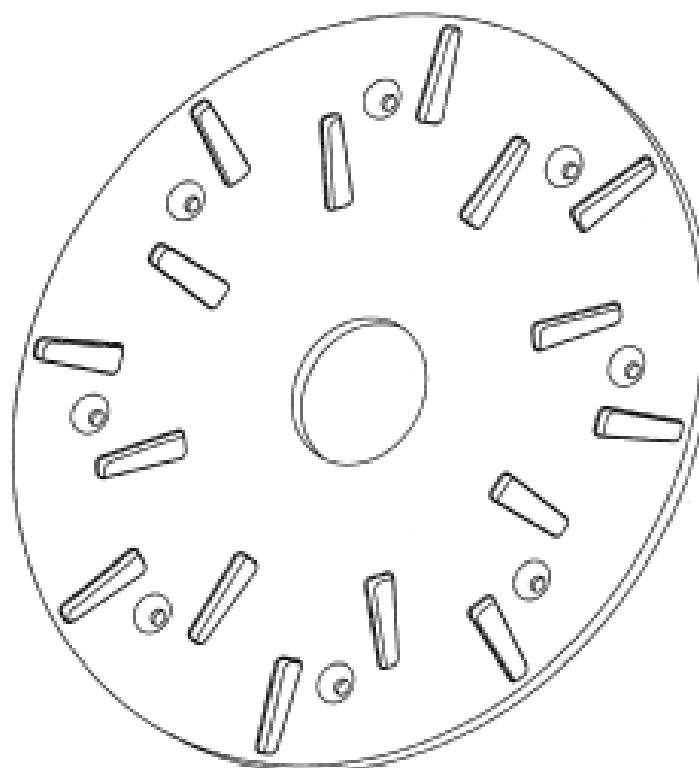
(45) Registration Date: **10 March 2009**

(30) Convention priority data:

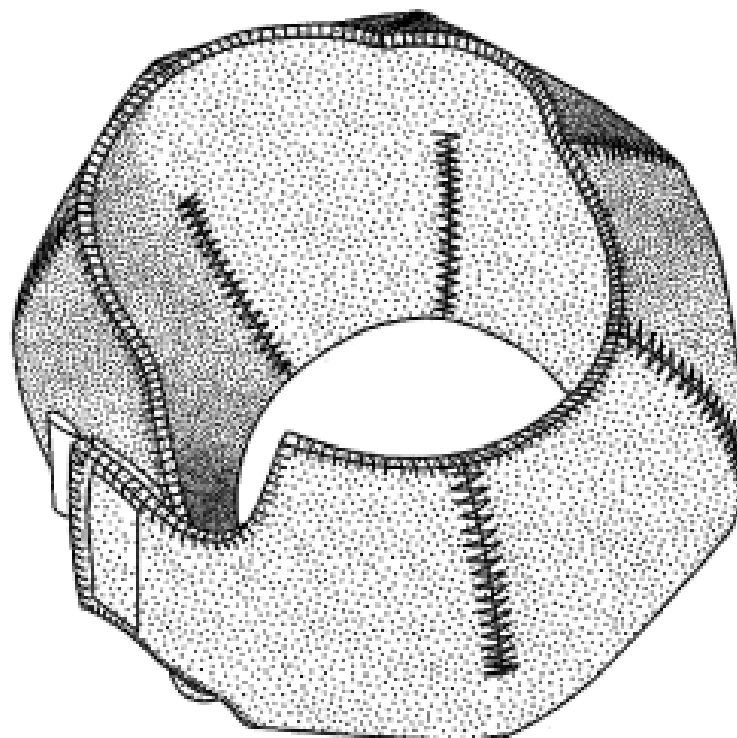
(31) Number	(32) Date	(33) Country
000997432	05 Sep 2008	EUROPEAN COMMUNITY

(56) Related Art Documents: **Not Applicable**

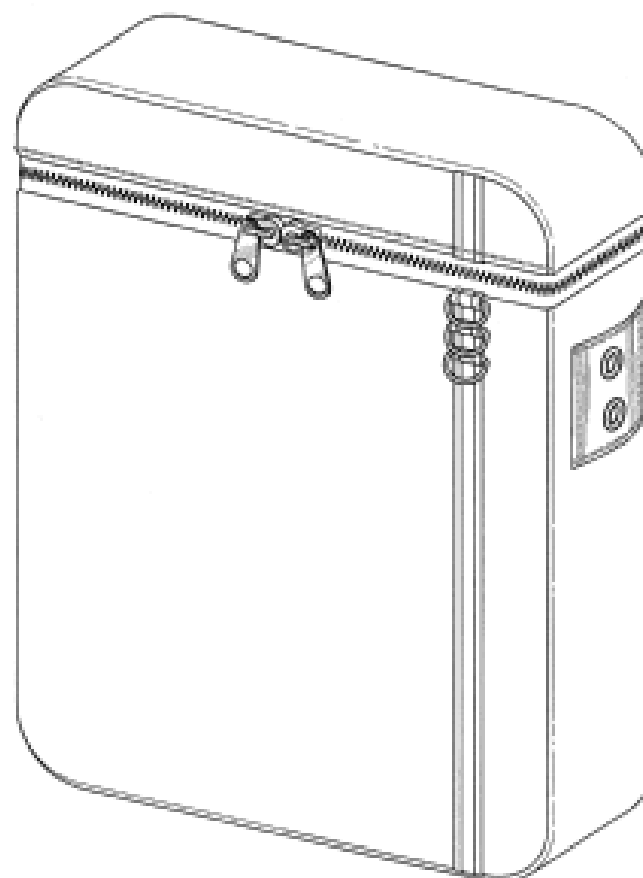
(57) Statement of Newness and Distinctiveness: **Newness and distinctiveness is claimed in the features of the configuration of the two rings of radially extending slots of an abrasive disc as illustrated in the accompanying representations.**



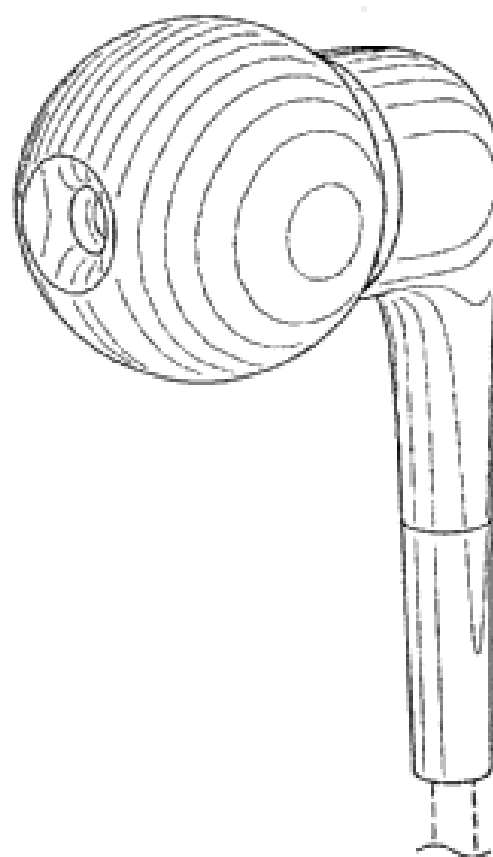
(21) Design Number: **10723/2009**
(22) Date of Filing Application: **06 March 2009**
(24) Date from which industrial property rights may have effect: **06 March 2009**
(54) Product in respect of which the design is registered: **Thermal insulation sleeve for a tea pot**
(51) International Design Classification: **07-06NES**
(71) Name(s) and Address(s) of Applicant(s):
Pi-Design AG
Kantonsstrasse 100 6234 Triengen Switzerland
(72) Name(s) of Designer(s): **Jorgen Bodum**
(45) Registration Date: **10 March 2009**
(30) Convention priority data:
(31) Number (32) Date (33) Country
DM/070 893 27 Oct 2008 DOMINICA
(56) Related Art Documents: **Not Applicable**
(57) Statement of Newness and Distinctiveness: **Nil**



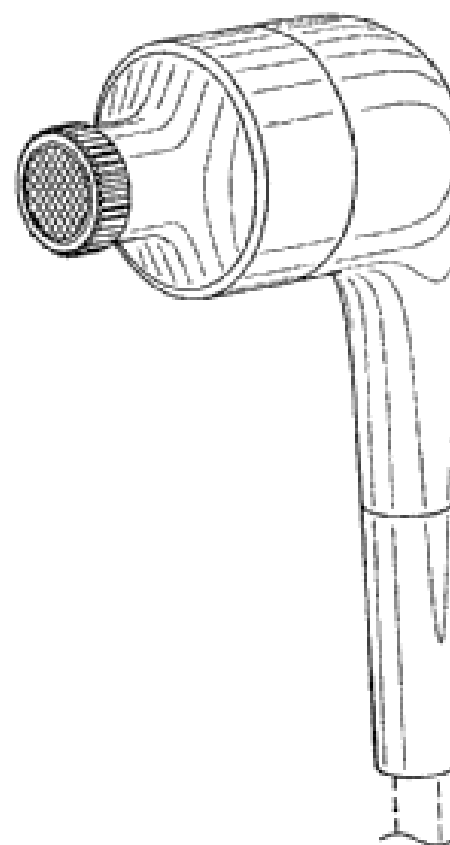
(21) Design Number: **10717/2009**
(22) Date of Filing Application: **06 March 2009**
(24) Date from which industrial property rights may have effect: **06 March 2009**
(54) Product in respect of which the design is registered: **Laptop case**
(51) International Design Classification: **03-01NES**
(71) Name(s) and Address(s) of Applicant(s):
Targus Australia Pty Ltd
117-119 Bowden Street Meadowbank New South Wales 2114 Australia
(72) Name(s) of Designer(s): **Serine Meguerditchian**
(45) Registration Date: **10 March 2009**
(56) Related Art Documents: **Not Applicable**
(57) Statement of Newness and Distinctiveness: **Newness and distinctiveness is claimed in the features of shape and/or configuration of a laptop case as depicted in the accompanying drawings.**



(21) Design Number: **10724/2009**
 (22) Date of Filing Application: **05 March 2009**
 (24) Date from which industrial property rights may have effect: **05 March 2009**
 (54) Product in respect of which the design is registered: **Earphone**
 (51) International Design Classification: **14-01**
 (71) Name(s) and Address(s) of Applicant(s):
Apple Inc.
1 Infinite Loop Cupertino California 95014 United States of America
 (72) Name(s) of Designer(s): **Bartley K. Andre and Daniel J. Coster and Daniele De Iuliis and Richard P. Howarth and Jonathan P. Ive and Duncan Robert Kerr and Shin Nishibori and Matthew Dean Rohrbach and Peter Russell-Clarke and Christopher J. Satzger and Eugene Antony Whang and Rico Zorkendorfer**
 (45) Registration Date: **10 March 2009**
 (30) Convention priority data:
 (31) Number (32) Date (33) Country
29/324132 05 Sep 2008 UNITED STATES OF AMERICA
 (56) Related Art Documents: **Not Applicable**
 (57) Statement of Newness and Distinctiveness: **Newness and distinctiveness resides in the features of shape and configuration of the earphone. The shade lines in the Figures show contour and not surface ornamentation.**

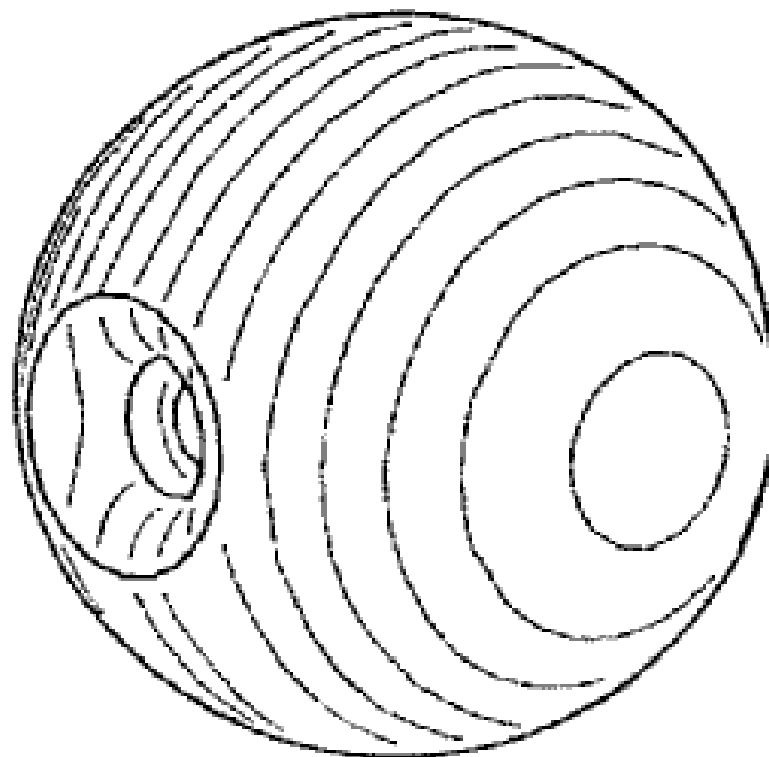


(21) Design Number: **10725/2009**
 (22) Date of Filing Application: **05 March 2009**
 (24) Date from which industrial property rights may have effect: **05 March 2009**
 (54) Product in respect of which the design is registered: **Earphone**
 (51) International Design Classification: **14-01**
 (71) Name(s) and Address(s) of Applicant(s):
Apple Inc.
1 Infinite Loop Cupertino California 95014 United States of America
 (72) Name(s) of Designer(s): **Bartley K. Andre and Daniel J. Coster and Daniele De Iuliis and Richard P. Howarth and Jonathan P. Ive and Duncan Robert Kerr and Shin Nishibori and Matthew Dean Rohrbach and Peter Russell-Clarke and Christopher J. Satzger and Eugene Antony Whang and Rico Zorkendorfer**
 (45) Registration Date: **10 March 2009**
 (30) Convention priority data:
 (31) Number (32) Date (33) Country
29/324132 08 Sep 2008 UNITED STATES OF AMERICA
 (56) Related Art Documents: **Not Applicable**
 (57) Statement of Newness and Distinctiveness: **Newness and distinctiveness resides in the features of shape and configuration of the earphone. The shaded lines in the Figures show contour and not surface ornamentation.**



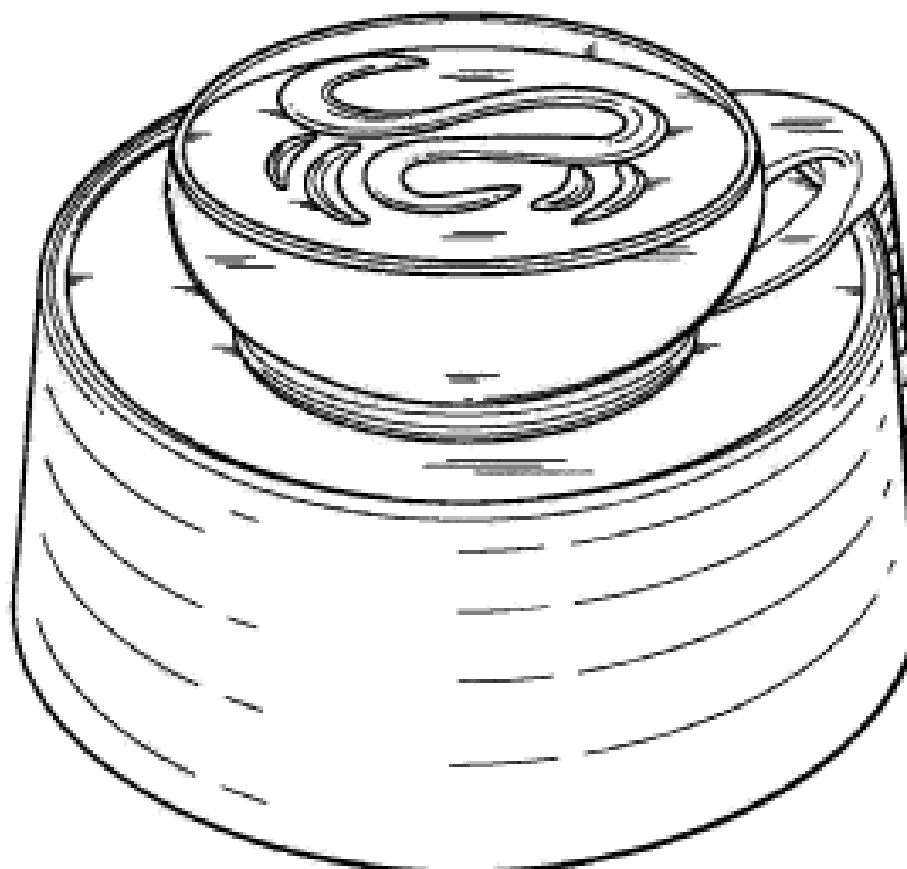
- (21) Design Number: **10726/2009**
- (22) Date of Filing Application: **05 March 2009**
- (24) Date from which industrial property rights may have effect: **05 March 2009**
- (54) Product in respect of which the design is registered: **Component part of an earphone**
- (51) International Design Classification: **14-01**
- (71) Name(s) and Address(s) of Applicant(s):
Apple Inc.
1 Infinite Loop Cupertino California 95014 United States of America
- (72) Name(s) of Designer(s): **Bartley K. Andre and Daniel J. Coster and Daniele De Iuliis and Richard P. Howarth and Jonathan P. Ive and Duncan Robert Kerr and Shin Nishibori and Matthew Dean Rohrbach and Peter Russell-Clarke and Christopher J. Satzger and Eugene Antony Whang and Rico Zorkendorfer**
- (45) Registration Date: **10 March 2009**
- (30) Convention priority data:

(31) Number	(32) Date	(33) Country
29/324132	05 Sep 2008	UNITED STATES OF AMERICA
- (56) Related Art Documents: **Not Applicable**
- (57) Statement of Newness and Distinctiveness: **Newness and distinctiveness resides in the features of shape and configuration of the product. The shade lines in the Figures show contour and not surface ornamentation.**



- (21) Design Number: **10708/2009**
- (22) Date of Filing Application: **05 March 2009**
- (24) Date from which industrial property rights may have effect: **05 March 2009**
- (54) Product in respect of which the design is registered: **Chocolate**
- (51) International Design Classification: **01-01**
- (71) Name(s) and Address(s) of Applicant(s):
The Irish Chocolate Company Limited
Clonshaugh Industrial Estate Clonshaugh Dublin 17 Ireland
- (72) Name(s) of Designer(s): **John O'Regan and Gillian Ryan**
- (45) Registration Date: **10 March 2009**
- (30) Convention priority data:

(31) Number	(32) Date	(33) Country
000997812-0001	05 Sep 2008	EUROPEAN COMMUNITY
- (56) Related Art Documents: **Not Applicable**
- (57) Statement of Newness and Distinctiveness: **Newness and distinctiveness resides in the features of shape and/or configuration of a chocolate as shown in the accompanying representations.**



(21) Design Number: **10711/2009**

(22) Date of Filing Application: **05 March 2009**

(24) Date from which industrial property rights may have effect: **05 March 2009**

(54) Product in respect of which the design is registered: **Bottle**

(51) International Design Classification: **09-01NES**

(71) Name(s) and Address(s) of Applicant(s):

Chivas Holdings (IP) Limited
111-113 Renfrew Road Paisley Renfrewshire PA3 4DY United Kingdom

(72) Name(s) of Designer(s): **Graham Shearsby and Antonia Hayward and Nicky Triggs and Matt Thompson and Ed Mitchell and Laurent Robin-Prevallee**

(45) Registration Date: **10 March 2009**

(30) Convention priority data:

(31) Number	(32) Date	(33) Country
001070098	14 Jan 2009	EUROPEAN COMMUNITY

(56) Related Art Documents: **Not Applicable**

(57) Statement of Newness and Distinctiveness: **Newness and distinctiveness is claimed in the features of shape and/or configuration of a bottle, including embossing on the bottle shoulder, as illustrated in the accompanying representations.**



(21) Design Number: **10712/2009**

(22) Date of Filing Application: **05 March 2009**

(24) Date from which industrial property rights may have effect: **05 March 2009**

(54) Product in respect of which the design is registered: **Bottle**

(51) International Design Classification: **09-01NES**

(71) Name(s) and Address(s) of Applicant(s):

Chivas Holdings (IP) Limited
111-113 Renfrew Road Paisley Renfrewshire PA3 4DY United Kingdom

(72) Name(s) of Designer(s): **Graham Shearsby and Antonia Hayward and Nicky Triggs and Matt Thompson and Ed Mitchell and Laurent Robin-Prevallee**

(45) Registration Date: **10 March 2009**

(30) Convention priority data:

(31) Number	(32) Date	(33) Country
001070130	14 Jan 2009	EUROPEAN COMMUNITY

(56) Related Art Documents: **Not Applicable**

(57) Statement of Newness and Distinctiveness: **Newness and distinctiveness is claimed in the following features of a bottle as illustrated in the accompanying representations: a) the shape and/or configuration of the bottle b) the embossing on the shoulder of the bottle c) the pattern and/or ornamentation of the labelling of the bottle.**

