



Australian Government

IP Australia

AUSTRALIAN OFFICIAL JOURNAL

OF

DESIGNS

Did you know a searchable version of this journal is now available online?

It's FREE and EASY to SEARCH.

Find it at

<http://pericles.ipaustralia.gov.au/ols/epublish/content/olsEpublications.jsp>
or using the "Online Journals" link on the IP Australia home page.

This Page Left Intentionally Blank

Contents

General Information & Notices

Proceedings Under the Designs Act 1906 preserved as a result of the provisions of Chapter 12 Part 2 of the Designs Act 2003

Extension of Period of Registration of Designs	1484
Extensions of Time Granted	1484
Names Registered - Alterations and Amendments	1485
Registrations Ceased	1484
Subsequent Owners Registered	1484

Proceedings Under the Designs Act 2003

Applications Lapsed	1494
Applications Lodged	1489
Certificate of Examination	1497
Extension of Period of Registration of Design	1495
Extension of Time Granted Under Section 137	1495
Publication and Registration Proceedings	
Designs Registered 325081 to 325332.....	1498
Registrations Ceased	1495
Subsequent Owners Registered	1495

This Page Left Intentionally Blank

For information on the following please see our website www.ipaustralia.gov.au or contact our Customer Service Network on 1300651010

[Editorial enquiries](#)

[Contact information](#)

[Freedom of Information ACT](#)

[Professional Standards Board](#)

[Sales](#)

[Requests for Information under Section 194 \(c\)](#)

[Country Codes](#)

[Trade Mark and Designs Hearing Sessions](#)

[INID \(Internationally agreed Numbers for the Identification of Data\)](#)

“INID” NUMBERS in use on Australian Design Documents

“INID” is an acronym for “Internationally agreed Numbers for the Identification of Data”.

(10) Data concerning the registration/renewal

- (11) Serial number of the registration and/or number of the design document
- (12) Plain language designation of the kind of published document
- (19) Identification, using the two-letter code according to WIPO Standard ST.3, of the authority publishing or registering the industrial design

(20) Data concerning the application

- (21) Serial number of the application
- (22) Date of filing of the application
- (24) Date from which the industrial design right has effect

(30) Data relating to priority under the Paris Convention

- (31) Serial number assigned to the priority application
- (32) Date of filing of the priority application
- (33) Two-letter code, according to WIPO Standard ST.3, identifying the authority with which the priority application was made

(40) Date(s) of making information available to the public

- (45) Date of publication of the registered industrial design by printing or similar process, or making it available to the public by any other means

(50) Miscellaneous Information

- (51) International Classification for Industrial Designs (class and subclass of the Locarno Classification)
- (54) Designation of article(s) or product(s) covered by the industrial design or title of the industrial design
- (55) Reproduction of the industrial design (e.g., drawing, photograph) and explanations relating to the reproduction
- (56) List of prior art documents, if separate from descriptive text
- (57) Description of characteristic features of the industrial design including indication of colours

(60) References to other legally related application(s) and registration(s)

- (62) Serial number(s) and, if available, filing date(s) of application(s), registration(s) or document(s) related by division
- (66) Serial number(s) of the application, or the registration, of the design(s) which is (are) a variant(s) of the present one

(70) Identification of parties concerned with the application or registration

- (71) Name(s) and address(es) of the applicant(s)
- (72) Name(s) of the creator(s) if known to be such
- (74) Name(s) and address(es) of the representative(s)

This Page Left Intentionally Blank

Official Notice

**Extensions of time provisions for customers affected by
circumstances beyond their control.**

IP Australia provides extensions of time for customers affected by circumstances beyond their control. Customers, who have been unable to act on correspondence or meet other requirements of the Patents, Trade Marks or Designs legislation within the required time period due to the effects of the Victorian Bushfires, on Saturday 7 February 2009, will be able to request an extension of time on this basis. A waiver of the fees for an extension of time may be available in appropriate circumstances.

The extension of time provisions within the Patents, Trade Marks and Designs Acts are outlined in the following sections:

- Section 223 (2)b of the Patents Act;
- Section 137 of the Designs Act; and
- Section 224 (1) of the Trade Marks Act.

It should be noted that the Patents and Designs legislation also contain provisions for the protection and compensation of third parties in certain circumstances. Consequently it is advisable that affected persons contact IP Australia or their legal advisor as soon as they are in a position to do so.

All requests on this matter should be directed to IP Australia.

Contact: IP Australia
Phone: 1300 651 010
Fax: +61 2 6283 7999
E-mail: assist@ipaustralia.gov.au
Web: www.ipaustralia.gov.au

Official Notice**Designs Act 2003
Amendments to Registered Designs at Examination**

The following amendments have been made to details previously published in the Australian Official Journal of Designs during the Examination process:

Registration Numbers	Amendment type	New details
320630	Classification	12-15Z
320843	Classification	09-01B, 09-01K
321412	Classification	07-06A, 07-07A
321472	Classification	06-11
321473	Classification	06-11
321686	Classification	13-01, 15-01

Contact: IP Australia
Phone: 1300 651 010
Fax: +61 2 6283 7999
E-mail: assist@ipaustrialia.gov.au
Web: www.ipaustrialia.gov.au

Proceedings under the Designs Act 1906 preserved as a result of the provisions of Chapter 12 Part 2 of the Designs Act 2003.

This Page Left Intentionally Blank

Applications Lapsed

There were no Applications Lapsed under this section

Extension of Period of Registration of Designs

2nd Period (Section 27A(12))

151044	151813	151958
152104	152151	152271
152312	152413	152414
152537	152610	152718
152765	152873	152938
153185	153290	153353
153512	153553	153654
154375	154412	154607
154630	154930	155273
155274	155275	155276
155277	155278	155279
155280	155290	155294
155566	155702	155836
155900	155964	156154
156461	156481	156482
156483	157034	158370
158371	158372	

3rd Period (Section 27A(13))

131024	134760	134798
134898	134935	134969
134970	134972	134973
134974	135014	135015
135016	135095	135096
135097	135113	135461
135586	135697	135698
135777	135822	135979
136007	136008	136148
136936	136937	137772
137907	138173	138174
138175	138176	138670
138671	139232	139463
139875		

Registrations Ceased

Note: Some of the following Registrations may have been previously advertised as ceased. In this instance, the previous advertisement still prevails.

116604	116624	116684
118247	118277	118295
118296	118308	118377
118378	118379	118392
118430	118747	118829
118864	118913	118914
119148	119291	119615
119633	119669	119753
120087	120088	120104
120181	120277	121276
121277	121350	122114
122295	122403	123124
128849	129306	133147

133148	133149	133190
133246	133247	133305
133369	133371	133374
133967	133987	134306
134342	134376	136669
136949	140381	149279
149467	149487	149545
149546	149566	149567
149831	149884	149885
149903	149904	149905
149924	149925	149947
149989	149990	150031
150033	150341	150342
150363	150463	150464
150636	151000	151001
151002	151003	151022
151023	151099	151100
151101	151121	151147
151186	151251	151437
151792	151800	152013
152412	152716	153606
153667	153668	154524
154525	154759	156066
156576	156577	156578

Extensions of time granted

Applications lodged for extension of time have been granted.

131024 **Kevin John Wood** An Extension of time to extend a registration has been granted to 24/11/2008

Subsequent Owners Registered

(The name in parentheses is that of the subsequent owner)

154105	(Austral Lock Pty Ltd) Watts Hardware Manufacturing Pty Ltd
142173	(Austral Lock Pty Ltd) Watts Hardware Manufacturing Pty Ltd
141765	(Austral Lock Pty Ltd) Watts Hardware Manufacturing Pty Ltd
125499	(Austral Lock Pty Ltd) Watts Hardware Manufacturing Pty Ltd
128862	(Austral Lock Pty Ltd) Watts Hardware Manufacturing Pty Ltd
141714	(Austral Lock Pty Ltd) Watts Hardware Manufacturing Pty Ltd
134219	(Austral Lock Pty Ltd) Watts Hardware Manufacturing Pty Ltd
126820	(Austral Lock Pty Ltd) Watts Hardware Manufacturing Pty Ltd
125458	(Austral Lock Pty Ltd) Watts Hardware Manufacturing Pty Ltd
129375	(Austral Lock Pty Ltd) Watts Hardware Manufacturing Pty Ltd
157555	(Austral Lock Pty Ltd) Watts Hardware Manufacturing Pty Ltd
152660	(Austral Lock Pty Ltd) Watts Hardware Manufacturing

Subsequent Owners Registered

		143526	(Trane International Inc) American Standard International Inc.
	Pty Ltd	143525	(Trane International Inc) American Standard International Inc.
152438	(Austral Lock Pty Ltd) Watts Hardware Manufacturing Pty Ltd	143524	(Trane International Inc) American Standard International Inc.
152437	(Austral Lock Pty Ltd) Watts Hardware Manufacturing Pty Ltd	143523	(Trane International Inc) American Standard International Inc.
146119	(Austral Lock Pty Ltd) Watts Hardware Manufacturing Pty Ltd	143513	(Trane International Inc) American Standard International Inc.
142667	(Austral Lock Pty Ltd) Watts Hardware Manufacturing Pty Ltd	144522	(Trane International Inc) American Standard International Inc.
155838	(Austral Lock Pty Ltd) Watts Hardware Manufacturing Pty Ltd		
155837	(Austral Lock Pty Ltd) Watts Hardware Manufacturing Pty Ltd		
142011	(Schweppes Australia Pty Ltd) Cadbury Schweppes Proprietary Limited		
150820	(Schweppes Australia Pty Ltd) Cadbury Schweppes Proprietary Limited		
145294	(Ideal Standard International BVBA) Trane International Inc		
145179	(Ideal Standard International BVBA) Trane International Inc		
145178	(Ideal Standard International BVBA) Trane International Inc		
144760	(Ideal Standard International BVBA) Trane International Inc		
144759	(Ideal Standard International BVBA) Trane International Inc		
143619	(Ideal Standard International BVBA) Trane International Inc		
143526	(Ideal Standard International BVBA) Trane International Inc		
143525	(Ideal Standard International BVBA) Trane International Inc		
143524	(Ideal Standard International BVBA) Trane International Inc		
143523	(Ideal Standard International BVBA) Trane International Inc		
143513	(Ideal Standard International BVBA) Trane International Inc		
144522	(Ideal Standard International BVBA) Trane International Inc		

Names Registered - Alterations and Amendments

(The name in parentheses is the new name of the proprietor)

145294	(Trane International Inc) American Standard International Inc.
145179	(Trane International Inc) American Standard International Inc.
145178	(Trane International Inc) American Standard International Inc.
144760	(Trane International Inc) American Standard International Inc.
144759	(Trane International Inc) American Standard International Inc.
143619	(Trane International Inc) American Standard International Inc.

This Page Left Intentionally Blank

Proceedings under the Designs Act 2003.

This Page Left Intentionally Blank

Applications Lodged

Lodgement information is in the following order: **Applicant's Name**; International Classification, Name of Product, Lodgement Date and **Design Number**. If the applicant claims an earlier priority date under an International Convention, the Convention Country and the associated filing date are shown in parentheses before the Lodgement Date. Divisional information will also appear in parentheses before the Lodgement Date.

von Kohorn, Anette Josephine; 02-05, Scarves, 11 Mar 2009	10767/2009	Beaute Prestige International; 09-01G, Flask, (EM, 12 Sep 2008) 11 Mar 2009	10776/2009
Adbri Masonry Pty Ltd; 25-01A, Semi-mortarless masonry block, 19 Mar 2009	10860/2009	Bellnet Pty Ltd; Automotive grill plate, 23 Oct 2008	15125/2008
Advanced Automotive Australia Pty Ltd; 26-06, Light, 19 Mar 2009	10871/2009	Bellnet Pty Ltd; 12-16B, Automotive grill plate, 22 Oct 2008	15114/2008
Advanced Automotive Australia Pty Ltd; 26-06, Light, 19 Mar 2009	10874/2009	Bennaim, Avi; 21-01L, Board for game of chance, 12 Mar 2009	10804/2009
Advanced Automotive Australia Pty Ltd; 26-06, Light, 19 Mar 2009	10872/2009	Blade, Fariba; 12-16NES, 08-08NES, Housing component, 24 Oct 2008	15111/2008
Advanced Automotive Australia Pty Ltd; 26-06, Light, 19 Mar 2009	10873/2009	Blade, Fariba; 12-16NES, Coupler, 24 Oct 2008	15120/2008
Advanced Suspension Systems Pty. Ltd.; 12-06A, 12-10, Jet ski trailers, 11 Mar 2009	10698/2009	Blade, Fariba; 12-16NES, 08-08L, Strut, 24 Oct 2008	15121/2008
Agressor Corporation Pty Ltd; 03-01B, Multi-compartment pouch, 11 Mar 2009	10782/2009	Bluejay Contructions; Robinson, Bruce; 25-03, Fire safe bunker; tubular corrugated; galvanised steel; underground., 17 Mar 2009	10856/2009
Aktiebolaget SKF; 15-99, Bearing housing, (EM, 18 Sep 2008) 16 Mar 2009	10840/2009	Bose Corporation; 14-03NES, Audio/video switchbox, (US, 10 Oct 2008) 11 Mar 2009	10788/2009
Alexander, Russell; Horsfall, Annalise; 06-02, Baby bassinette, 12 Jan 2009	10062/2009	Brand, Rolf; 12-07, Aircraft, 20 Mar 2009	10916/2009
Aluminium Specialties Group Pty Ltd; 25-01K, 25-02B, 25-02H, Extrusion for sliding doors and windows, 20 Mar 2009	10919/2009	Bylaser Australia Pty Ltd; 12-05, 15-99, Automated materials handling apparatus, 20 Mar 2009	10932/2009
Aluminium Specialties Group Pty Ltd; 25-01K, 25-02B, 25-02H, Extrusion for sliding doors and windows, 20 Mar 2009	10920/2009	Callaway Golf Company; 21-02C, Golf club head, (US, 28 Apr 2008) 27 Oct 2008	15128/2008
Aluminium Specialties Group Pty Ltd; 25-01K, 25-02B, 25-02H, Extrusion for sliding doors and windows, 20 Mar 2009	10923/2009	Camtech Engineering Pty Ltd; 09-07B, Container closure, 11 Mar 2009	10790/2009
Aluminium Specialties Group Pty Ltd; 25-01K, 25-02B, 25-02H, Extrusion for sliding doors and windows, 20 Mar 2009	10921/2009	Chiba City Investments Pty Ltd; 08-05A, Dual purpose gardening implement, 13 Mar 2009	10827/2009
Aluminium Specialties Group Pty Ltd; 25-01K, 25-02B, 25-02H, Extrusion for sliding doors and windows, 20 Mar 2009	10922/2009	Chromend Supply Co.; 12-16N, Chrome star shape with expandable inlet, 10 Mar 2009	10778/2009
American Sterilizer Company; 24-01, 09-01NES, Container with cap, (US, 30 Sep 2008) 20 Mar 2009	10927/2009	Clipsal Australia Pty Limited; 13-02, 14-03A, 14-02, 14-01, Docking station for electronic device, (HK, 25 Sep 2008) 19 Mar 2009	10909/2009
Australian Plastic Profiles Pty Ltd; 20-02NES, Display mounting strip, 10 Mar 2009	10700/2009	Clipsal Australia Pty Limited; 13-02, 14-01, 14-02, 14-03A, Docking station for electronic device, (HK, 25 Sep 2008) 19 Mar 2009	10910/2009
Australian Security Fencing Pty Ltd; 25-02C, Security mesh, 29 Oct 2008	15155/2008	Clipsal Australia Pty Ltd; 25-02NES, Skirting duct cover, 20 Mar 2009	10925/2009
ADC GmbH; 13-03B, Contacts for a connector module, 14 Oct 2008	14931/2008	Clipsal Australia Pty Ltd; 25-02NES, Skirting duct, 20 Mar 2009	10924/2009
Baker, Kevin John; 23-04, Ventilation, 16 Mar 2009	10829/2009	Cloud Studio Melbourne Pty Ltd; 06-01F, A seat, 17 Mar 2009	10831/2009

Code 3 Inc.; 26-05A, Modular light bar, (US, 24 Sep 2008) 19 Mar 2009	10884/2009	Emolior Industries; 07-02A, 06-04E, 12-16NES, Modular mobile stainless steel vehicle mount kitchen system. Designed to be mounted in the rear of vehicles, 13 Mar 2009	10886/2009
Curtrax Pty Ltd; 25-01K, Curtain track profile of indefinite length, 05 Mar 2009	10707/2009	Falk, Daniel; 25-01K, An extrusion, 10 Mar 2009	10702/2009
COOLON Pty Ltd; 26-05C, LED luminaire, 12 Mar 2009	10826/2009	Falk, Daniel; 25-01K, An extrusion, 10 Mar 2009	10703/2009
Dart Industries Inc.; 07-04, Rolling pin, (US, 23 Jul 2008) 17 Dec 2008	10786/2009	Falk, Daniel; 25-01K, An extrusion, 10 Mar 2009	10704/2009
Dart Industries Inc.; 07-01NES, Cover, (US, 23 Sep 2008) 12 Mar 2009	10805/2009	Ferland, Marc-Andre; Marquette, Dany; Lavoie, Stephane; 12-16A, Wheel, (CA, 11 Sep 2008) 10 Mar 2009	10777/2009
Dart Industries Inc.; 09-02A, Grain dispenser, (US, 26 Sep 2008) 11 Mar 2009	10789/2009	Fin Control Systems Pty. Limited; 08-08B, 21-02D, Surfboard fin plug, 18 Mar 2009	10877/2009
Dental Equipment, LLC, doing business as Pelton & Crane Company; 06-04E, A cabinet, (US, 11 Sep 2008) 12 Mar 2009	10807/2009	Fin Control Systems Pty. Limited; 21-02D, Surfboard fin plug, 18 Mar 2009	10864/2009
Dental Equipment, LLC, doing business as Pelton & Crane Company; 06-04F, A cabinet, (US, 11 Sep 2008) 12 Mar 2009	10802/2009	Gainsborough Hardware Industries Limited; 08-07, An escutcheon, 19 Mar 2009	10887/2009
Detnet South Africa (Pty) Limited; 22-03, 08-08NES, Detonator connector, 27 Oct 2008	15129/2008	Goldscott Pty Ltd; 21-02F, Exercising device, 20 Mar 2009	10907/2009
Dobozy, John G.; 07-06NES, Crab claw cracker - a utensil designed on a shape of a mud claw to be used to crack seafood shells. Produced from, plastic (recyclable), 10 Mar 2009	10781/2009	Greaves, Jennie; 06-08, Hanger, 24 Oct 2008	15093/2008
DORMA GmbH + Co. KG; 08-07, A ward of a key, (EM, 11 Sep 2008) 11 Mar 2009	10774/2009	Grigori, Georgeta; 17-04, Cake cutter, 17 Sep 2008	16097/2008
E.D. Oates Pty Ltd; 08-06, Handle, 11 Mar 2009	10772/2009	Grigori, Georgeta; 07-04, Cake cutter, 17 Sep 2008	16098/2008
E.S. Wigg & Son Proprietary Limited; 19-01, Envelope, 15 Oct 2008	14940/2008	Hatzis Holdings Pty Ltd; 02-02C, Dress, 18 Mar 2009	10865/2009
Easy-Do Products Limited; 04-01, 07-05E, Sponge, (EM, 01 Oct 2008) 18 Mar 2009	10861/2009	Hatzis Holdings Pty Ltd; 02-02C, Dress, 18 Mar 2009	10866/2009
Easy-Do Products Limited; 04-01, 07-05E, Hand-held cleaning utensil, (EM, 04 Oct 2008) 18 Mar 2009	10862/2009	Hatzis Holdings Pty Ltd; 02-02C, Dress, 18 Mar 2009	10867/2009
Easy-Do Products Limited; 04-01, 07-05E, Handle of a cleaning utensil, (EM, 04 Oct 2008) 18 Mar 2009	10863/2009	Hatzis Holdings Pty Ltd; 02-02C, Dress, 18 Mar 2009	10868/2009
Elumatec Australia Pty Ltd; 10-04, 25-01K, Sliding flip stop measuring apparatus, 28 Oct 2008	15126/2008	Haviland, Sean; 14-03NES, Remote joystick controller for storm track powered water cannon, 29 Jan 2009	10818/2009
Elumatec Australia Pty Ltd; 10-04, Sliding flip stop measuring apparatus, 24 Oct 2008	15133/2008	Hayward Industries, Inc.; 15-05, Pool cleaner, (US, 16 Sep 2008) 11 Mar 2009	10770/2009
		Hogg, Earle Raymond; 25-03, The portable fire bunker is an all steel structure lined with fire resistant board and can be transported by truck, to any area and installed, 13 Mar 2009	10795/2009
		Holz, Tony; 07-04, 08-99, A scraper, 17 Mar 2009	10881/2009
		Horrocks, Toby; 06-06NES, 06-04NES, Furniture, 16 Oct 2008	14941/2008
		Horsfall, Annalise; Alexander, Russell; 06-02, Baby bassinette, 12 Jan 2009	10062/2009

Hua, Liu Yan; 08-08B, A poly screw to use on plaster board, 10 Mar 2009	10766/2009	Kohler Co.; 23-01H, A faucet, (US, 10 Sep 2008) 10 Mar 2009	10779/2009
Iannello, Raffaele; 07-99NES, Knife Block, (US, 16 Apr 2008) 14 Oct 2008	14932/2008	Kohler Mira Limited; 23-02B, A handshower, (EM, 17 Sep 2008) 17 Mar 2009	10834/2009
Illinois Tool Works Inc.; 20-02E, A merchandising display panel, 11 Mar 2009	10775/2009	Kohler Mira Limited; 23-02B, A handshower, (EM, 17 Sep 2008) 17 Mar 2009	10855/2009
Illinois Tool Works Inc.; 25-99, A truss spacer, 18 Mar 2009	10869/2009	Kohler Mira Limited; 23-02B, A handshower, (EM, 17 Sep 2008) 17 Mar 2009	10828/2009
Illinois Tool Works, Inc.; 08-01, Drill bit, 13 Mar 2009	10825/2009	Koninklijke Philips Electronics N.V.; Sara Lee/DE N.V.; 07-02L, Coffee maker, 17 Mar 2009	10879/2009
Intide Pty Ltd; 06-13B, A bed valance, 27 Oct 2008	15136/2008	Kyocera Mita Corporation; 14-02, Toner cartridge, (JP, 18 Sep 2008) 11 Mar 2009	10771/2009
ITW Construction System Australia Pty Ltd; 08-08L, Bracket, 27 Oct 2008	15131/2008	Lavoie, Stephane; Marquette, Dany; Ferland, Marc-Andre; 12-16A, Wheel, (CA, 11 Sep 2008) 10 Mar 2009	10777/2009
ITW Construction Systems Australia Pty Ltd; 08-08L, Blank for forming a bracket, 27 Oct 2008	15130/2008	Liebowitz, Bryan; 26-04, EGY reflector system - medium, 09 Mar 2009	10882/2009
J Bloch Pty Ltd; 02-04B, A dance shoe sole and stitching, 20 Mar 2009	10912/2009	Liebowitz, Bryan; 26-04, EGY reflector system - narrow, 09 Mar 2009	10883/2009
J Bloch Pty Ltd; 02-04B, A dance shoe sole, 20 Mar 2009	10913/2009	Lighthouse Technologies Limited; 26-04, 14-02, LED information display device, 20 Mar 2009	10911/2009
Jochnic Packaging Co. Pty Ltd; 07-01C, Triple wall insulated cup, 19 Mar 2009	10908/2009	Lisus Technology Pte Ltd; 08-08NES, Glass fin fitting, 13 Mar 2009	10822/2009
Kabushiki Kaisha Pilot Corporation, also trading as Pilot Corporation; 19-06, Mechanical pencil, (JP, 15 Apr 2008) 15 Oct 2008	14938/2008	Little Gems Australia Pty Ltd; 02-02C, Baby and children's apparel and related items, 23 Feb 2009	10539/2009
Kabushikikaisha Kyoto Iryo Sekkei; 24-99, Stent, (JP, 08 Jan 2009) 20 Mar 2009	10929/2009	Lucidity Enterprise Co., Ltd.; 26-06, Sidemarker and identification lamp, 20 Mar 2009	10906/2009
Kabushikikaisha Kyoto Iryo Sekkei; 24-99, Stent, (JP, 08 Jan 2009) 20 Mar 2009	10930/2009	Lucidity Enterprise Co., Ltd.; 26-06, Vehicle rear lamp, 20 Mar 2009	10904/2009
Kandle Kup Pty Ltd; 26-01, Candle flame-protector/wax-collector device, 12 Mar 2009	10784/2009	Lucidity Enterprise Co., Ltd.; 26-06, Vehicle rear lamp, 20 Mar 2009	10905/2009
Kapman AB; 08-06, File handle, (EM, 03 Oct 2008) 27 Oct 2008	15127/2008	LED Roadway Lighting Ltd.; 26-05C, Light fixture, (CA, 12 Sep 2008) 11 Mar 2009	10768/2009
Kimberly-Clark Worldwide, Inc.; 24-04, Earplug, (US, 30 Sep 2008) 09 Mar 2009	10758/2009	LED Roadway Lighting Ltd.; 26-05C, Light fixture, (CA, 09 Mar 2009) 11 Mar 2009	10769/2009
Kimberly-Clark Worldwide, Inc.; 24-04, Earplug, (US, 30 Sep 2008) 09 Mar 2009	10760/2009	LG Electronics Inc.; 23-04, Air conditioner, (KR, 10 Oct 2008) 11 Mar 2009	10773/2009
Kimberly-Clark Worldwide, Inc.; 24-04, Earplug, (US, 30 Sep 2008) 09 Mar 2009	10757/2009	LSI Industries, Inc.; 26-05C, Lighting, (US, 29 Sep 2008) 17 Mar 2009	10849/2009
Klein, Avner; 22-01, 13-03NES, Wiring loom for a weapons control system, 12 Mar 2009	10801/2009	LSI Industries, Inc.; 26-05C, Lighting, (US, 29 Sep 2008) 17 Mar 2009	10850/2009
Klein, Avner; 22-01, Extension arm for a weapons cradle, 19 Mar 2009	10914/2009		

LSI Industries, Inc.; 26-05C, Lighting, (US, 03 Oct 2008) 17 Mar 2009	10848/2009	Nintendo Co., Ltd.; 13-02, A storage battery, (JP, 25 Sep 2008) 17 Mar 2009	10851/2009
MacKenzie, Duncan; 09-02C, 25-02H, Window for a barrel, 12 Mar 2009	10793/2009	Nissan Jidosha Kabushiki Kaisha; 12-05, Forklift truck, (JP, 22 May 2008) 29 Oct 2008	15154/2008
Malex Paper Products Sdn Bhd; 07-01C, Hot chip cup, takeaway chip cup, hot food takeasay cup, french fry scoop, 13 Mar 2009	10837/2009	Nokia Corporation; 14-03A, Key panel for a handset, (US, 07 Dec 2007) (Divisional of 12520/2008) 27 May 2008	15090/2008
Malex Paper Products Sdn Bhd; 07-01C, Hot chip cup, takeaway chip cup, hot food takeaway cup, french fry scoop, 13 Mar 2009	10838/2009	Notaras, Irene; 02-02NES, 07-02L, Coffee makers cl.21 - T.shirts, 11 Mar 2009	10783/2009
Malex Paper Products Sdn Bhd; 07-01C, Hot chip cup, takeaway chip cup, hot food takeaway cup, french fry scoop, 13 Mar 2009	10839/2009	Novetec Building Products Pty Ltd; 23-01A, Shower assembly connector, 16 Mar 2009	10823/2009
Maltzahn, John Louis; 12-02, 12-12, , 17 Mar 2009	10835/2009	Oticon A/S; 24-99, Bone anchored hearing aid, 18 Mar 2009	10880/2009
Marquette, Dany; Ferland, Marc-Andre; Lavoie, Stephane; 12-16A, Wheel, (CA, 11 Sep 2008) 10 Mar 2009	10777/2009	Ovenden, Ronald George; Ovenden, David Edward; 08-08NES, 3 piece cam arranged in the manner represented in the enclosed photos, 18 Mar 2009	10876/2009
Melro Distributors Pty Ltd; 02-02C, Ladies clothing, 17 Mar 2009	10847/2009	Ovenden, David Edward; Ovenden, Ronald George; 08-08NES, 3 piece cam arranged in the manner represented in the enclosed photos, 18 Mar 2009	10876/2009
Michelin Recherche et Technique S.A.; Societe De Technologie Michelin; 12-15B, A tyre, (US, 10 Oct 2008) 16 Mar 2009	10843/2009	Ovenden, Ronald George; Ovenden, David Edward; 08-08C, Hook latch retaining spring, 18 Mar 2009	10859/2009
Michelin Recherche et Technique S.A.; Societe De Technologie Michelin; 12-15A, A tyre, (US, 30 Sep 2008) 16 Mar 2009	10842/2009	Ovenden, David Edward; Ovenden, Ronald George; 08-08C, Hook latch retaining spring, 18 Mar 2009	10859/2009
Michelin Recherche et Technique S.A.; Societe De Technologie Michelin; 12-15A, A pneumatic tyre, (FR, 12 Sep 2008) 12 Mar 2009	10792/2009	Paltech Corporation Pty Ltd; 23-04, Ceiling diffuser, 19 Mar 2009	10891/2009
Michelin Recherche et Technique S.A.; Societe De Technologie Michelin; 12-15B, A tyre, (US, 10 Jun 2008) 28 Oct 2008	15139/2008	Paltech Corporation Pty Ltd; 23-04, Ceiling diffuser, 19 Mar 2009	10892/2009
Michelin Recherche et Technique S.A.; Societe De Technologie Michelin; 12-15B, A tyre, (US, 10 Jun 2008) 28 Oct 2008	15140/2008	Paltech Corporation Pty Ltd; 23-04, Ceiling diffuser, 19 Mar 2009	10893/2009
Michelin Recherche et Technique S.A.; Societe De Technologie Michelin; 12-15B, A tyre, (US, 10 Jun 2008) 28 Oct 2008	15141/2008	Paltech Corporation Pty Ltd; 23-04, Ceiling diffuser, 19 Mar 2009	10894/2009
Minecorp Pty Ltd; 12-16C, Roll over protection assembly, 12 Mar 2009	10803/2009	Paltech Corporation Pty Ltd; 23-04, Ceiling diffuser, 19 Mar 2009	10895/2009
Mitek Holdings, Inc.; 08-08L, Wall bracket, 24 Oct 2008	15122/2008	Paltech Corporation Pty Ltd; 23-04, Ceiling diffuser, 19 Mar 2009	10896/2009
Monarch Industries (Aust) Pty Ltd; 15-05, 23-99, 08-05NES, Spray painting booths, 18 Mar 2009	10875/2009	Paltech Corporation Pty Ltd; 23-04, Ceiling diffuser, 19 Mar 2009	10897/2009
Multisteps Pty Ltd; 09-03F, Punnet, 16 Mar 2009	10844/2009	Paltech Corporation Pty Ltd; 23-04, Ceiling diffuser, 19 Mar 2009	10898/2009
Nil; , 23 Oct 2008	15117/2008	Paltech Corporation Pty Ltd; 23-04, Ceiling diffuser, 19 Mar 2009	10889/2009
		Paltech Corporation Pty Ltd; 23-04, Ceiling diffuser, 19 Mar 2009	10890/2009

Paltech Corporation Pty Ltd; 23-04, Duct adaptor, 19 Mar 2009	10902/2009	RAUSCH Classics GmbH; 06-01G, Couch, (DE, 17 Sep 2008) 12 Mar 2009	10797/2009
Paltech Corporation Pty Ltd; 23-04, Duct adaptor, 19 Mar 2009	10903/2009	RAUSCH Classics GmbH; 06-03A, Table, (DE, 17 Sep 2008) 12 Mar 2009	10796/2009
Paltech Corporation Pty Ltd; 23-04, Duct adaptor, 19 Mar 2009	10901/2009	Santi, Synnove; 09-03E, 21-01C, 29-99, Container with belt and towing rod, (NO, 26 Sep 2008) 13 Mar 2009	10824/2009
Paltech Corporation Pty Ltd; 23-04, Ceiling diffuser, 19 Mar 2009	10899/2009	Sara Lee/DE N.V.; Koninklijke Philips Electronics N.V.; 07-02L, Coffee maker, 17 Mar 2009	10879/2009
Paltech Corporation Pty Ltd; 23-04, Duct adaptor, 19 Mar 2009	10900/2009	Schreder; 26-03, Outdoor lighting fixture, (EM, 16 Sep 2008) 13 Mar 2009	10814/2009
Panasonic Corporation; 15-05, Agitation blade for washing machine, (JP, 26 Aug 2008) 23 Oct 2008	15091/2008	Schreder; 26-03, Outdoor lighting fixture, (EM, 16 Sep 2008) 13 Mar 2009	10815/2009
Papoutsidis, Kyriacos (Jack); 26-05D, Light fitting, 28 Oct 2008	15134/2008	Schumacher Electric Corporation; 12-02, Wheeled Cart, (US, 11 Sep 2008) 10 Mar 2009	10701/2009
Pelco, Inc.; 16-01, 16-05, Camera enclosure, (US, 12 Sep 2008) 11 Mar 2009	10787/2009	Scott, John Roy; 08-08L, , 17 Mar 2009	10852/2009
Pigeon Corporation; 24-04, 07-01E, Nipple protector, (JP, 12 Jun 2008) 28 Oct 2008	15138/2008	Seapa Pty Ltd; 22-05, A multi-orientation oyster basket attachment assembly, 20 Mar 2009	10918/2009
Pride Mobility Products Corporation; 12-11, 12-12, Scooter, (US, 14 Oct 2008) 16 Mar 2009	10830/2009	Seapa Pty Ltd; 22-05, An oyster basket end cap assembly, 20 Mar 2009	10917/2009
Racing Victoria Limited; 25-02A, 25-01E, Post and fittings for a running rail, (Divisional of 12347/2008) 16 May 2008	10464/2009	Seiko Instruments Inc.; 10-06, 06-04NES, Indicator for store shelves, (JP, 16 Sep 2008) 16 Mar 2009	10832/2009
Reckitt Benckiser Inc.; 09-01B, 23-02A, 23-02C, Refill cartridge, (US, 19 Sep 2008) 11 Mar 2009	10791/2009	Seiko Instruments Inc.; 10-06, 06-04NES, Indicator for store shelves, (JP, 16 Sep 2008) 16 Mar 2009	10833/2009
Relaxbirth Oy; 06-01NES, 24-01, Birthing frame, (EM, 11 Sep 2008) 05 Mar 2009	10780/2009	Sierra Wireless, Inc.; 14-03A, Wireless USB Modem, (CA, 24 Apr 2008) 15 Oct 2008	14939/2008
ResMed Limited; 24-01, Positive airway pressure delivery device and/or humidifier and/or components thereof, (Divisional of 15970/2008) 19 Dec 2008	10853/2009	SmithKline Beecham Corporation; 09-03H, 09-99, Dissolving film packaging, (US, 17 Sep 2008) 13 Mar 2009	10821/2009
Reynolds, Chris; 12-06A, Boat, 19 Mar 2009	10885/2009	Snow, Betty Lee; 13-01, Wind turbine rotor, (NZ, 13 Feb 2009) 12 Mar 2009	10785/2009
Ribarich, Ugo; 99-00, Letter box, 13 Mar 2009	10794/2009	Societe des Produits Nestle S.A.; 01-01, Chocolate, (CH, 31 Oct 2008) 17 Mar 2009	10845/2009
Robinson, Bruce; Bluejay Contructions; 25-03, Fire safe bunker; tubular corrugated; galvanised steel; underground., 17 Mar 2009	10856/2009	Societe De Technologie Michelin; Michelin Recherche et Technique S.A.; 12-15B, A tyre, (US, 10 Oct 2008) 16 Mar 2009	10843/2009
Rose, Gail; Ryan, Kathryn; 03-01B, 30-08, A tag, 16 Mar 2009	10836/2009	Societe De Technologie Michelin; Michelin Recherche et Technique S.A.; 12-15A, A tyre, (US, 30 Sep 2008) 16 Mar 2009	10842/2009
Ryan, Kathryn; Rose, Gail; 03-01B, 30-08, A tag, 16 Mar 2009	10836/2009	Societe De Technologie Michelin; Michelin Recherche et Technique S.A.; 12-15A, A pneumatic tyre, (FR, 12 Sep 2008) 12 Mar 2009	10792/2009
RAUSCH Classics GmbH; 06-01G, Couch, (DE, 17 Sep 2008) 12 Mar 2009	10798/2009	Societe De Technologie Michelin; Michelin Recherche et Technique S.A.; 12-15B, A tyre, (US, 10 Jun 2008) 28 Oct 2008	15141/2008
RAUSCH Classics GmbH; 06-01G, Couch, (DE, 17 Sep 2008) 12 Mar 2009	10799/2009		
RAUSCH Classics GmbH; 06-01G, Couch, (DE, 17 Sep 2008) 12 Mar 2009	10800/2009		

Societe De Technologie Michelin; Michelin Recherche et Technique S.A.; 12-15B, A tyre, (US, 10 Jun 2008) 28 Oct 2008	15139/2008	The Gillette Company; 28-03A, Razor handle, (US, 26 Sep 2008) 18 Mar 2009	10857/2009
Societe De Technologie Michelin; Michelin Recherche et Technique S.A.; 12-15B, A tyre, (US, 10 Jun 2008) 28 Oct 2008	15140/2008	The Gillette Company; 28-03A, Razor cartridge, (US, 26 Sep 2008) 18 Mar 2009	10854/2009
Sony Ericsson Mobile Communications AB; 14-03E, Mobile phone, (EM, 10 Dec 2008) 19 Mar 2009	10915/2009	The Gillette Company; 28-03A, Razor handle, (US, 26 Sep 2008) 18 Mar 2009	10846/2009
Steelcase, Inc.; 06-01F, Seating unit, (US, 26 May 2008) 24 Nov 2008	10806/2009	Torus Technologies SDN BHD; 23-04, Fan, (SG, 30 Sep 2008) 20 Mar 2009	10926/2009
Sureguard Safety Australia Pty Ltd; 02-03, Safety helmet - this design is a further development of registered design 323754 under our company banner, 11 Mar 2009	10699/2009	Toshiba Tec Kabushiki Kaisha; 14-02, 16-03, Coupling for toner cartridge, (JP, 03 Mar 2009) 13 Mar 2009	10808/2009
SAVERGLASS; 09-01D, Bottle, (EM, 27 Oct 2008) 13 Mar 2009	10810/2009	Total SA; 09-02NES, Container, (FR, 19 May 2008) 14 Oct 2008	14933/2008
SAVERGLASS; 09-01H, Bottle, (EM, 27 Oct 2008) 13 Mar 2009	10811/2009	U- Marketing Intellectual Properties Pte Ltd; 10-05, Tester kit, 23 Oct 2008	15119/2008
SAVERGLASS; 09-01K, Bottle, (EM, 27 Oct 2008) 13 Mar 2009	10812/2009	Vanderloo, Theo; 25-01K, , 13 Mar 2009	10819/2009
SAVERGLASS; 09-01H, Bottle, (EM, 26 Jan 2009) 13 Mar 2009	10813/2009	Webster, Cyril George; 21-02NES, 08-08D, Lawn and indoor bowling aid, 24 Oct 2008	15118/2008
SAVERGLASS; 09-01K, Bottle, (EM, 15 Sep 2008) 13 Mar 2009	10809/2009	Whirlpool S.A.; 23-01G, Water purifier, (BR, 17 Jun 2008) 23 Oct 2008	15092/2008
Talley Group Limited; 24-01, Combined wound drainage apparatus and exudate collection vessel, (EM, 24 Oct 2008) 18 Mar 2009	10870/2009	Wilkhahn Wilkening + Hahne GmbH + Co. KG; 06-01F, Seating furniture, (EM, 23 Sep 2008) 18 Mar 2009	10878/2009
The Built-in group Pty Ltd; 06-04C, Wardrobes, built-in and free standing, 12 Mar 2009	10820/2009	Yang, Boon Van; 09-07C, Bottle cap with head of a character, 13 Mar 2009	10817/2009
The Coleman Company, Inc.; 13-02, Power cartridge insert, (US, 19 Sep 2008) 09 Mar 2009	10761/2009	Yang, Boon Van; 09-07C, Bottle cap with figure of a character, 13 Mar 2009	10816/2009

Applications Lapsed

14267 / 2008 (02-02C)	14292 / 2008 (02-02C)
14650 / 2008 (12-08)	15498 / 2008 (25-03)
15517 / 2008 (23-02C)	10044 / 2009 (02-02B)
10045 / 2009 (02-02B)	

Extension of Period of Registration of Designs

302277

Registrations Ceased

303901	307702	311159
311605	313083	313089
313186	313187	313304
313494	314212	314453
314454	314511	314512
315262	315402	315658
317315		

Extensions of time granted under Section 137

Applications lodged under section 137 for extension of time have been granted.

14596/2008 **Perfetti Van Melle S.p.A.**

15157/2008 **Aurora Limited**

15158/2008 **Aurora Limited**

15159/2008 **Aurora Limited**

15268/2008 **Troprose Pty Ltd**

Subsequent Owners Registered

(The name in parentheses is that of the subsequent owner)

300218	(Austral Lock Pty Ltd) Watts Hardware Manufacturing Pty Ltd
300219	(Austral Lock Pty Ltd) Watts Hardware Manufacturing Pty Ltd
300642	(Austral Lock Pty Ltd) Watts Hardware Manufacturing Pty Ltd
300778	(Austral Lock Pty Ltd) Watts Hardware Manufacturing Pty Ltd
302034	(Austral Lock Pty Ltd) Watts Hardware Manufacturing Pty Ltd
302035	(Austral Lock Pty Ltd) Watts Hardware Manufacturing Pty Ltd
303342	(Austral Lock Pty Ltd) Watts Hardware Manufacturing Pty Ltd
303482	(Austral Lock Pty Ltd) Watts Hardware Manufacturing Pty Ltd
316876	(Austral Lock Pty Ltd) Watts Hardware Manufacturing Pty Ltd
316877	(Austral Lock Pty Ltd) Watts Hardware Manufacturing Pty Ltd
316878	(Austral Lock Pty Ltd) Watts Hardware Manufacturing Pty Ltd
318456	(Austral Lock Pty Ltd) Watts Hardware Manufacturing Pty Ltd
319577	(Austral Lock Pty Ltd) Watts Hardware Manufacturing Pty Ltd
320641	(Austral Lock Pty Ltd) Watts Hardware Manufacturing Pty Ltd
320642	(Austral Lock Pty Ltd) Watts Hardware Manufacturing Pty Ltd
320643	(Austral Lock Pty Ltd) Watts Hardware Manufacturing Pty Ltd
321908	(Austral Lock Pty Ltd) Watts Hardware Manufacturing Pty Ltd

- 323151 **(Austral Lock Pty Ltd)** Watts Hardware Manufacturing
Pty Ltd
- 323153 **(Austral Lock Pty Ltd)** Watts Hardware Manufacturing
Pty Ltd
- 323984 **(Austral Lock Pty Ltd)** Watts Hardware Manufacturing
Pty Ltd
- 303886 **(Schweppes Australia Pty Ltd)** Cadbury Schweppes
Pty Ltd
- 312679 **(Pyroswift Holding Co., Limited)** Augux Co., Ltd
- 312680 **(Pyroswift Holding Co., Limited)** Augux Co., Ltd
- 312681 **(Pyroswift Holding Co., Limited)** Augux Co., Ltd

Certificate(s) of Examination

Examination of the following Design Registration(s) has been completed. Infringement proceedings may now be commenced.

305420	23-01H	12/03/2009
314168	25-01D	16/03/2009
314376	25-01D	16/03/2009
314383	25-01D	18/03/2009
314804	25-01D	20/03/2009
317888	25-01D	23/03/2009
319494	14-02	12/03/2009
319495	18-02	12/03/2009
319648	12-16A	13/03/2009
321382	28-03C	23/03/2009
321722	07-01A	12/03/2009
321723	07-01A	12/03/2009
321724	07-01A	12/03/2009
321725	07-01A	12/03/2009
321726	07-01A	12/03/2009
321727	07-01A	12/03/2009
321740	23-04	16/03/2009
321805	25-99	18/03/2009
321845	14-03E	20/03/2009
321921	08-03	17/03/2009
321979	12-15C	23/03/2009
321980	12-15C	23/03/2009
321981	12-15C	23/03/2009
322082	20-02B	11/03/2009
322109	24-02	19/03/2009
322112	06-04NES	19/03/2009
322153	25-01D	19/03/2009

Publication and Registration Proceedings

Designs Registered

This section provides a concordance between design number and registration number of Designs covered in this journal. It also shows the main class and registration date.

This section covers Registration numbers 325081 to 325332 .

The registration number shown below should be used in all future correspondence.

Design Number	Registration Number	International Classification Code (IDC)	Registration Date	Design Number	Registration Number	International Classification Code (IDC)	Registration Date
12055/2008	325229	25-02C	24/03/2009	10152/2009	325207	14-01	19/03/2009
12056/2008	325230	25-02C	24/03/2009	10193/2009	325216	09-07B	23/03/2009
12057/2008	325231	25-02C	24/03/2009	10196/2009	325217	02-02C	23/03/2009
12058/2008	325232	25-02C	24/03/2009	10197/2009	325218	02-02C	23/03/2009
12059/2008	325233	25-02C	24/03/2009	10198/2009	325219	02-02C	23/03/2009
12060/2008	325234	25-02C	24/03/2009	10199/2009	325220	02-02C	23/03/2009
12704/2008	325143	23-04	16/03/2009	10205/2009	325132	06-09	13/03/2009
12705/2008	325144	23-04	16/03/2009	10223/2009	325148	02-04NES	16/03/2009
12707/2008	325201	25-01K	19/03/2009	10237/2009	325193	12-16B	20/03/2009
12708/2008	325202	25-01K	19/03/2009	10238/2009	325194	12-16B	20/03/2009
12709/2008	325203	25-01K	19/03/2009	10239/2009	325149	12-16B	16/03/2009
12710/2008	325204	25-01K	19/03/2009	10240/2009	325150	12-16B	16/03/2009
12711/2008	325205	25-01K	19/03/2009	10241/2009	325151	12-16B	16/03/2009
14312/2008	325145	25-01D	16/03/2009	10242/2009	325152	12-16E	16/03/2009
14318/2008	325210	08-08NES	23/03/2009	10243/2009	325153	12-16E	16/03/2009
14370/2008	325211	25-01K	23/03/2009	10244/2009	325154	12-16A	16/03/2009
14605/2008	325212	25-01K	23/03/2009	10245/2009	325155	12-16A	16/03/2009
15132/2008	325106	02-02C	12/03/2009	10246/2009	325156	12-16A	16/03/2009
15268/2008	325213	09-03NES	23/03/2009	10247/2009	325157	12-16A	16/03/2009
15363/2008	325224	06-09	24/03/2009	10248/2009	325158	12-16B	16/03/2009
15476/2008	325126	02-02NES	13/03/2009	10249/2009	325159	12-16C	16/03/2009
15477/2008	325127	02-02NES	13/03/2009	10268/2009	325160	08-06	16/03/2009
15482/2008	325226	23-04	24/03/2009	10272/2009	325133	03-01NES	13/03/2009
15483/2008	325225	23-04	24/03/2009	10282/2009	325113	07-03	12/03/2009
15484/2008	325186	25-01D	18/03/2009	10283/2009	325114	07-03	12/03/2009
15495/2008	325187	08-03	18/03/2009	10284/2009	325115	07-03	12/03/2009
15496/2008	325188	08-03	20/03/2009	10317/2009	325125	24-02	13/03/2009
15497/2008	325206	08-03	19/03/2009	10320/2009	325195	07-01A	20/03/2009
15507/2008	325189	08-08B	20/03/2009	10321/2009	325196	07-01B	20/03/2009
15508/2008	325190	08-08B	20/03/2009	10322/2009	325197	07-01A	20/03/2009
15515/2008	325191	09-03M	20/03/2009	10352/2009	325161	08-08L	16/03/2009
15516/2008	325238	12-16B	24/03/2009	10373/2009	325327	09-02B	24/03/2009
15518/2008	325146	30-08	16/03/2009	10374/2009	325328	09-02B	24/03/2009
15520/2008	325147	12-16L	16/03/2009	10443/2009	325107	02-02C	12/03/2009
15531/2008	325101	07-01A	12/03/2009	10444/2009	325108	02-02C	12/03/2009
15532/2008	325235	07-01A	24/03/2009	10445/2009	325109	02-02NES	12/03/2009
15534/2008	325236	07-01C	24/03/2009	10446/2009	325110	02-02NES	12/03/2009
15535/2008	325237	07-01C	24/03/2009	10447/2009	325111	02-02NES	12/03/2009
15635/2008	325192	12-16F	20/03/2009	10469/2009	325221	09-01K	23/03/2009
15678/2008	325124	28-03D	13/03/2009	10502/2009	325118	09-07C	13/03/2009
15709/2008	325128	19-02	13/03/2009	10507/2009	325162	23-01E	16/03/2009
15710/2008	325129	19-02	13/03/2009	10531/2009	325140	09-03NES	13/03/2009
15977/2008	325200	08-08C	19/03/2009	10562/2009	325282	10-04	23/03/2009
15998/2008	325112	09-03NES	12/03/2009	10563/2009	325283	25-01F	23/03/2009
16055/2008	325130	13-03D	13/03/2009	10566/2009	325284	25-01F	23/03/2009
16099/2008	325102	07-01A	12/03/2009	10645/2009	325276	12-06C	23/03/2009
10005/2009	325131	19-06	13/03/2009	10659/2009	325325	06-02	24/03/2009
10062/2009	325214	06-02	23/03/2009	10660/2009	325285	06-02	23/03/2009
10092/2009	325166	28-03A	16/03/2009	10661/2009	325326	06-02	24/03/2009
10098/2009	325167	28-03A	16/03/2009	10685/2009	325239	12-16B	24/03/2009
10122/2009	325215	11-02F	23/03/2009	10686/2009	325240	12-16B	24/03/2009
10135/2009	325227	15-03A	24/03/2009	10701/2009	325119	12-02	13/03/2009
10136/2009	325228	15-03A	24/03/2009	10702/2009	325122	25-01K	12/03/2009

Publication and Registration Proceedings - Designs Registered cont'd

Design Number	Registration Number	International Classification Code (IDC)	Registration Date	Design Number	Registration Number	International Classification Code (IDC)	Registration Date
10703/2009	325123	25-01K	12/03/2009	10821/2009	325184	09-03H	17/03/2009
10704/2009	325120	25-01K	12/03/2009	10822/2009	325185	08-08NES	17/03/2009
10707/2009	325116	25-01K	12/03/2009	10830/2009	325208	12-11	18/03/2009
10738/2009	325086	08-08L	12/03/2009	10834/2009	325310	23-02B	24/03/2009
10739/2009	325087	08-08L	12/03/2009	10836/2009	325209	03-01B	18/03/2009
10740/2009	325088	08-08L	12/03/2009	10840/2009	325241	15-99	19/03/2009
10741/2009	325089	08-08L	12/03/2009	10842/2009	325242	12-15A	19/03/2009
10742/2009	325090	08-08L	12/03/2009	10843/2009	325222	12-15B	19/03/2009
10743/2009	325084	08-08L	12/03/2009	10844/2009	325245	09-03F	19/03/2009
10744/2009	325085	08-08L	12/03/2009	10845/2009	325243	01-01	19/03/2009
10745/2009	325103	08-08L	12/03/2009	10846/2009	325244	28-03A	20/03/2009
10746/2009	325104	08-08L	12/03/2009	10848/2009	325248	26-05C	19/03/2009
10747/2009	325091	26-04	12/03/2009	10849/2009	325249	26-05C	19/03/2009
10748/2009	325092	26-04	12/03/2009	10850/2009	325250	26-05C	19/03/2009
10749/2009	325093	26-04	12/03/2009	10851/2009	325251	13-02	19/03/2009
10750/2009	325094	26-04	12/03/2009	10854/2009	325223	28-03A	19/03/2009
10751/2009	325095	26-04	12/03/2009	10855/2009	325246	23-02B	19/03/2009
10752/2009	325096	26-04	12/03/2009	10857/2009	325247	28-03A	19/03/2009
10753/2009	325097	26-04	12/03/2009	10859/2009	325257	08-08C	20/03/2009
10754/2009	325081	26-04	12/03/2009	10860/2009	325258	25-01A	20/03/2009
10755/2009	325082	26-04	12/03/2009	10861/2009	325254	04-01	20/03/2009
10757/2009	325163	24-04	16/03/2009	10862/2009	325255	04-01	20/03/2009
10758/2009	325176	24-04	16/03/2009	10863/2009	325256	04-01	20/03/2009
10759/2009	325083	26-04	12/03/2009	10869/2009	325252	25-99	20/03/2009
10760/2009	325173	24-04	16/03/2009	10870/2009	325253	24-01	20/03/2009
10761/2009	325174	13-02	16/03/2009	10878/2009	325286	06-01F	23/03/2009
10762/2009	325105	07-99NES	12/03/2009	10879/2009	325275	07-02L	23/03/2009
10763/2009	325098	12-15A	12/03/2009	10883/2009	325324	26-04	24/03/2009
10764/2009	325099	21-02C	12/03/2009	10884/2009	325287	26-05A	23/03/2009
10765/2009	325100	15-01	12/03/2009	10885/2009	325288	12-06A	23/03/2009
10770/2009	325134	15-05	13/03/2009	10887/2009	325259	08-07	24/03/2009
10771/2009	325142	14-02	13/03/2009	10888/2009	325260	23-04	24/03/2009
10773/2009	325135	23-04	13/03/2009	10889/2009	325261	23-04	24/03/2009
10774/2009	325141	08-07	13/03/2009	10890/2009	325262	23-04	24/03/2009
10775/2009	325136	20-02E	13/03/2009	10891/2009	325263	23-04	24/03/2009
10778/2009	325121	12-16N	12/03/2009	10892/2009	325264	23-04	24/03/2009
10779/2009	325137	23-01H	13/03/2009	10893/2009	325265	23-04	24/03/2009
10780/2009	325117	06-01NES	12/03/2009	10894/2009	325266	23-04	24/03/2009
10782/2009	325139	03-01B	13/03/2009	10895/2009	325267	23-04	24/03/2009
10784/2009	325329	26-01	24/03/2009	10896/2009	325268	23-04	24/03/2009
10785/2009	325138	13-01	13/03/2009	10897/2009	325269	23-04	24/03/2009
10787/2009	325183	16-01	17/03/2009	10898/2009	325270	23-04	24/03/2009
10788/2009	325168	14-03NES	16/03/2009	10899/2009	325271	23-04	24/03/2009
10790/2009	325177	09-07B	16/03/2009	10900/2009	325272	23-04	24/03/2009
10792/2009	325169	12-15A	16/03/2009	10901/2009	325273	23-04	24/03/2009
10793/2009	325170	09-02C	16/03/2009	10903/2009	325274	23-04	24/03/2009
10794/2009	325171	99-00	16/03/2009	10904/2009	325277	26-06	23/03/2009
10796/2009	325165	06-03A	16/03/2009	10905/2009	325278	26-06	23/03/2009
10797/2009	325164	06-01G	16/03/2009	10906/2009	325279	26-06	23/03/2009
10798/2009	325178	06-01G	16/03/2009	10909/2009	325280	13-02	23/03/2009
10799/2009	325179	06-01G	16/03/2009	10910/2009	325281	13-02	23/03/2009
10800/2009	325175	06-01G	16/03/2009	10914/2009	325330	22-01	24/03/2009
10801/2009	325172	22-01	16/03/2009	10919/2009	325311	25-01K	24/03/2009
10803/2009	325198	12-16C	17/03/2009	10920/2009	325312	25-01K	24/03/2009
10805/2009	325180	07-01NES	17/03/2009	10921/2009	325313	25-01K	24/03/2009
10808/2009	325199	14-02	17/03/2009	10922/2009	325314	25-01K	24/03/2009
10816/2009	325181	09-07C	17/03/2009	10923/2009	325315	25-01K	24/03/2009
10817/2009	325182	09-07C	17/03/2009	10924/2009	325316	25-02NES	24/03/2009

Publication and Registration Proceedings - Designs Registered cont'd

Design Number	Registration Number	International Classification Code (IDC)	Registration Date	Design Number	Registration Number	International Classification Code (IDC)	Registration Date
10925/2009	325317	25-02NES	24/03/2009	10927/2009	325332	24-01	24/03/2009
10926/2009	325331	23-04	24/03/2009				

Publication and Registration Proceedings
Class Listing of Designs Published or Registered

The following section shows an International Classification Code listing of the Registered or Published Designs covered in this supplement.

Classification	Registration Number	Design Number	Classification	Registration Number	Design Number
01-01	325243	10845/2009	08-08 B	325189	15507/2008
02-02 C	325106	15132/2008	08-08 B	325190	15508/2008
02-02 C	325107	10443/2009	08-08 C	325200	15977/2008
02-02 C	325108	10444/2009	08-08 C	325257	10859/2009
02-02 C	325217	10196/2009	08-08 L	325084	10743/2009
02-02 C	325218	10197/2009	08-08 L	325085	10744/2009
02-02 C	325219	10198/2009	08-08 L	325086	10738/2009
02-02 C	325220	10199/2009	08-08 L	325087	10739/2009
02-02 NES	325109	10445/2009	08-08 L	325088	10740/2009
02-02 NES	325110	10446/2009	08-08 L	325089	10741/2009
02-02 NES	325111	10447/2009	08-08 L	325090	10742/2009
02-02 NES	325126	15476/2008	08-08 L	325103	10745/2009
02-02 NES	325127	15477/2008	08-08 L	325104	10746/2009
02-04 NES	325148	10223/2009	08-08 L	325161	10352/2009
03-01 B	325139	10782/2009	08-08 NES	325185	10822/2009
03-01 B	325209	10836/2009	08-08 NES	325210	14318/2008
03-01 NES	325133	10272/2009	09-01 K	325221	10469/2009
04-01	325254	10861/2009	09-01 NES	325332	10927/2009
04-01	325255	10862/2009	09-02 B	325327	10373/2009
04-01	325256	10863/2009	09-02 B	325328	10374/2009
06-01 F	325286	10878/2009	09-02 C	325170	10793/2009
06-01 G	325164	10797/2009	09-03 F	325245	10844/2009
06-01 G	325175	10800/2009	09-03 H	325184	10821/2009
06-01 G	325178	10798/2009	09-03 M	325191	15515/2008
06-01 G	325179	10799/2009	09-03 NES	325112	15998/2008
06-01 NES	325117	10780/2009	09-03 NES	325140	10531/2009
06-02	325214	10062/2009	09-03 NES	325213	15268/2008
06-02	325285	10660/2009	09-07 A	325128	15709/2008
06-02	325325	10659/2009	09-07 A	325129	15710/2008
06-02	325326	10661/2009	09-07 A	325160	10268/2009
06-03 A	325165	10796/2009	09-07 B	325177	10790/2009
06-09	325132	10205/2009	09-07 B	325216	10193/2009
06-09	325224	15363/2008	09-07 C	325118	10502/2009
07-01 A	325101	15531/2008	09-07 C	325181	10816/2009
07-01 A	325102	16099/2008	09-07 C	325182	10817/2009
07-01 A	325195	10320/2009	09-99	325184	10821/2009
07-01 A	325197	10322/2009	10-04	325282	10562/2009
07-01 A	325235	15532/2008	11-02 F	325215	10122/2009
07-01 B	325196	10321/2009	12-02	325119	10701/2009
07-01 C	325236	15534/2008	12-05	325147	15520/2008
07-01 C	325237	15535/2008	12-06 A	325288	10885/2009
07-01 NES	325180	10805/2009	12-06 C	325276	10645/2009
07-02 L	325275	10879/2009	12-11	325192	15635/2008
07-03	325113	10282/2009	12-11	325208	10830/2009
07-03	325114	10283/2009	12-12	325208	10830/2009
07-03	325115	10284/2009	12-15 A	325098	10763/2009
07-05 E	325254	10861/2009	12-15 A	325169	10792/2009
07-05 E	325255	10862/2009	12-15 A	325242	10842/2009
07-05 E	325256	10863/2009	12-15 B	325222	10843/2009
07-99 NES	325105	10762/2009	12-16 A	325154	10244/2009
08-03	325187	15495/2008	12-16 A	325155	10245/2009
08-03	325188	15496/2008	12-16 A	325156	10246/2009
08-03	325206	15497/2008	12-16 A	325157	10247/2009
08-06	325160	10268/2009	12-16 B	325149	10239/2009
08-07	325141	10774/2009	12-16 B	325150	10240/2009
08-07	325259	10887/2009	12-16 B	325151	10241/2009

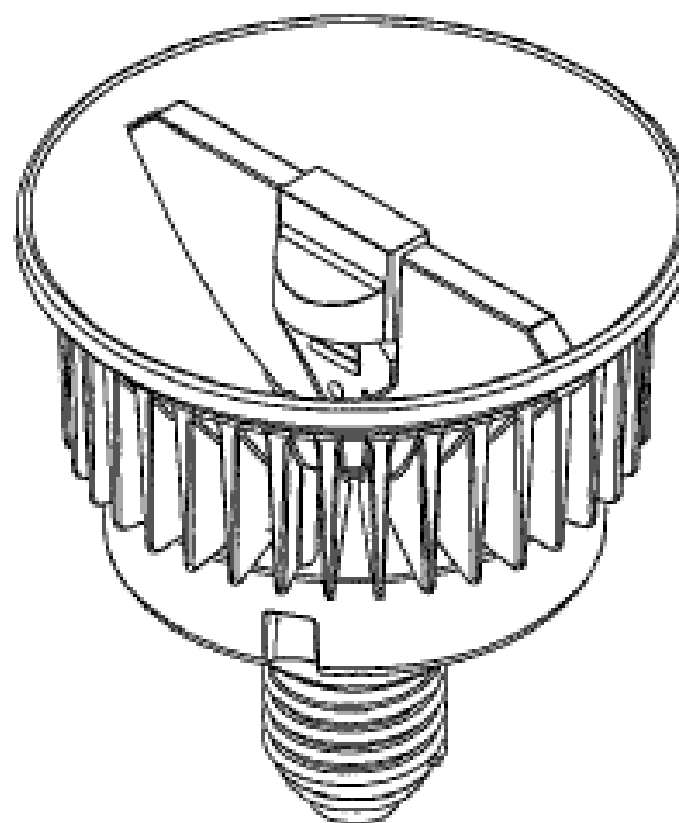
Registration Proceedings - Class Listing of Designs Published or Registered cont'd

Classification	Registration Number	Design Number	Classification	Registration Number	Design Number
12-16 B	325158	10248/2009	23-04	325261	10889/2009
12-16 B	325193	10237/2009	23-04	325262	10890/2009
12-16 B	325194	10238/2009	23-04	325263	10891/2009
12-16 B	325238	15516/2008	23-04	325264	10892/2009
12-16 B	325239	10685/2009	23-04	325265	10893/2009
12-16 B	325240	10686/2009	23-04	325266	10894/2009
12-16 C	325159	10249/2009	23-04	325267	10895/2009
12-16 C	325198	10803/2009	23-04	325268	10896/2009
12-16 E	325152	10242/2009	23-04	325269	10897/2009
12-16 E	325153	10243/2009	23-04	325270	10898/2009
12-16 F	325192	15635/2008	23-04	325271	10899/2009
12-16 L	325147	15520/2008	23-04	325272	10900/2009
12-16 N	325121	10778/2009	23-04	325273	10901/2009
13-01	325138	10785/2009	23-04	325274	10903/2009
13-02	325174	10761/2009	23-04	325331	10926/2009
13-02	325251	10851/2009	24-01	325117	10780/2009
13-02	325280	10909/2009	24-01	325253	10870/2009
13-02	325281	10910/2009	24-01	325332	10927/2009
13-03 D	325130	16055/2008	24-02	325125	10317/2009
13-03 D	325227	10135/2009	24-04	325163	10757/2009
13-03 D	325228	10136/2009	24-04	325173	10760/2009
13-03 NES	325172	10801/2009	24-04	325176	10758/2009
14-01	325207	10152/2009	25-01 A	325258	10860/2009
14-01	325280	10909/2009	25-01 D	325145	14312/2008
14-01	325281	10910/2009	25-01 D	325186	15484/2008
14-02	325142	10771/2009	25-01 F	325283	10563/2009
14-02	325199	10808/2009	25-01 F	325284	10566/2009
14-02	325280	10909/2009	25-01 K	325116	10707/2009
14-02	325281	10910/2009	25-01 K	325120	10704/2009
14-03 A	325280	10909/2009	25-01 K	325122	10702/2009
14-03 A	325281	10910/2009	25-01 K	325123	10703/2009
14-03 NES	325125	10317/2009	25-01 K	325186	15484/2008
14-03 NES	325168	10788/2009	25-01 K	325201	12707/2008
15-01	325100	10765/2009	25-01 K	325202	12708/2008
15-03 A	325227	10135/2009	25-01 K	325203	12709/2008
15-03 A	325228	10136/2009	25-01 K	325204	12710/2008
15-05	325134	10770/2009	25-01 K	325205	12711/2008
15-99	325241	10840/2009	25-01 K	325211	14370/2008
16-01	325183	10787/2009	25-01 K	325212	14605/2008
16-03	325199	10808/2009	25-01 K	325311	10919/2009
16-05	325183	10787/2009	25-01 K	325312	10920/2009
19-02	325128	15709/2008	25-01 K	325313	10921/2009
19-02	325129	15710/2008	25-01 K	325314	10922/2009
19-06	325131	10005/2009	25-01 K	325315	10923/2009
20-02 E	325136	10775/2009	25-02 B	325311	10919/2009
21-02 C	325099	10764/2009	25-02 B	325312	10920/2009
21-04	325210	14318/2008	25-02 B	325313	10921/2009
22-01	325172	10801/2009	25-02 B	325314	10922/2009
22-01	325330	10914/2009	25-02 B	325315	10923/2009
23-01 E	325162	10507/2009	25-02 C	325229	12055/2008
23-01 H	325137	10779/2009	25-02 C	325230	12056/2008
23-02 B	325246	10855/2009	25-02 C	325231	12057/2008
23-02 B	325310	10834/2009	25-02 C	325232	12058/2008
23-04	325135	10773/2009	25-02 C	325233	12059/2008
23-04	325143	12704/2008	25-02 C	325234	12060/2008
23-04	325144	12705/2008	25-02 H	325170	10793/2009
23-04	325225	15483/2008	25-02 H	325311	10919/2009
23-04	325226	15482/2008	25-02 H	325312	10920/2009
23-04	325260	10888/2009	25-02 H	325313	10921/2009

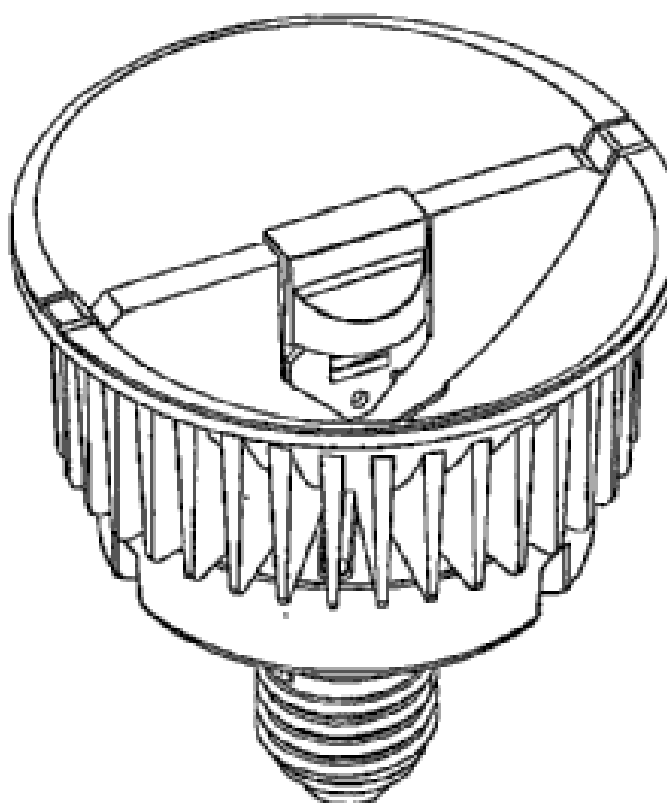
Registration Proceedings - Class Listing of Designs Published or Registered cont'd

Classification	Registration Number	Design Number	Classification	Registration Number	Design Number
25-02 H	325314	10922/2009	26-05 A	325287	10884/2009
25-02 H	325315	10923/2009	26-05 C	325248	10848/2009
25-02 NES	325316	10924/2009	26-05 C	325249	10849/2009
25-02 NES	325317	10925/2009	26-05 C	325250	10850/2009
25-99	325252	10869/2009	26-06	325277	10904/2009
26-01	325329	10784/2009	26-06	325278	10905/2009
26-04	325081	10754/2009	26-06	325279	10906/2009
26-04	325082	10755/2009	28-03 A	325166	10092/2009
26-04	325083	10759/2009	28-03 A	325167	10098/2009
26-04	325091	10747/2009	28-03 A	325223	10854/2009
26-04	325092	10748/2009	28-03 A	325244	10846/2009
26-04	325093	10749/2009	28-03 A	325247	10857/2009
26-04	325094	10750/2009	28-03 D	325124	15678/2008
26-04	325095	10751/2009	30-08	325146	15518/2008
26-04	325096	10752/2009	30-08	325209	10836/2009
26-04	325097	10753/2009	99-00	325171	10794/2009
26-04	325324	10883/2009			

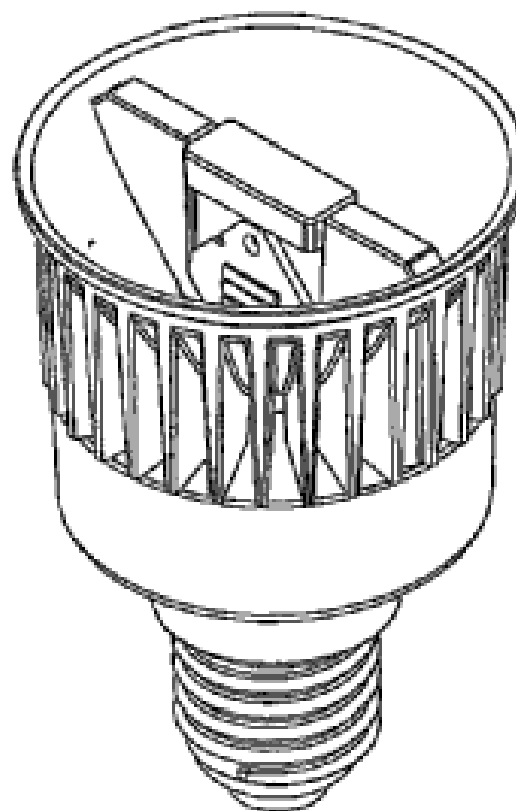
- (21) Design Number: **10754/2009**
(22) Date of Filing Application: **06 March 2009**
(24) Date from which industrial property rights may have effect: **06 March 2009**
(54) Product in respect of which the design is registered: **Lamp (par30 e27 small screw lamp head)**
(51) International Design Classification: **26-04**
(71) Name(s) and Address(s) of Applicant(s):
Mass Technology (H.K.) Limited
Room 2902-06 Tower 6 The Gateway 9 Canton Road Tsimshatsui
Kowloon Hong Kong
(72) Name(s) of Designer(s): **Onn Fah Foo**
(45) Registration Date: **12 March 2009**
(30) Convention priority data:
(31) Number (32) Date (33) Country
0803013.8 19 Dec 2008 HONG KONG
M004
(56) Related Art Documents: **Not Applicable**
(57) Statement of Newness and Distinctiveness: **Each feature of the design considered separately or in combination with any other feature or features.**



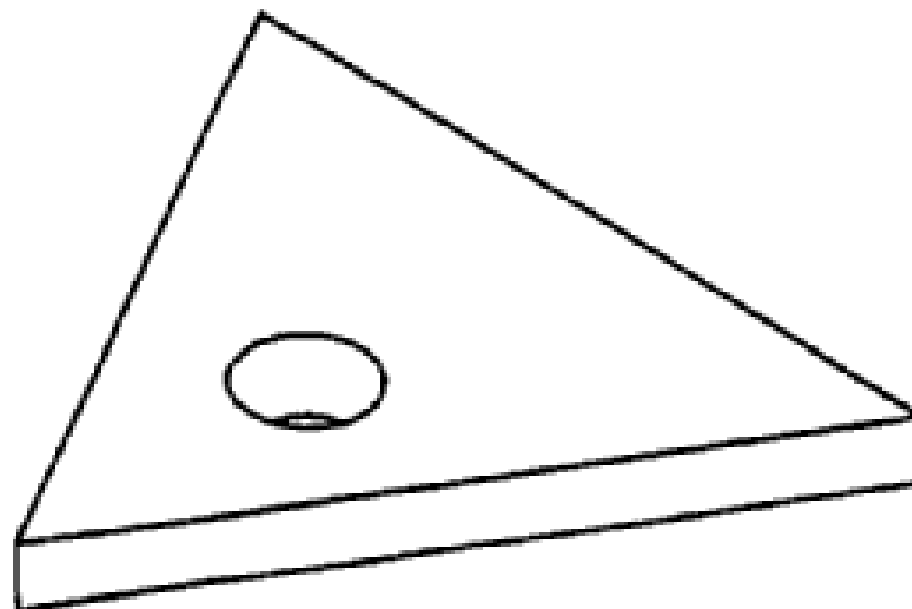
- (21) Design Number: **10755/2009**
(22) Date of Filing Application: **06 March 2009**
(24) Date from which industrial property rights may have effect: **06 March 2009**
(54) Product in respect of which the design is registered: **Lamp (par30 e27-1)**
(51) International Design Classification: **26-04**
(71) Name(s) and Address(s) of Applicant(s):
Mass Technology (H.K.) Limited
Room 2902-06 Tower 6 The Gateway 9 Canton Road Tsimshatsui
Kowloon Hong Kong
(72) Name(s) of Designer(s): **Onn Fah Foo**
(45) Registration Date: **12 March 2009**
(30) Convention priority data:
(31) Number (32) Date (33) Country
0900081.9 15 Jan 2009 HONG KONG
M004
(56) Related Art Documents: **Not Applicable**
(57) Statement of Newness and Distinctiveness: **Each feature of the design considered separately or in combination with any other feature or features.**



- (21) Design Number: **10759/2009**
(22) Date of Filing Application: **06 March 2009**
(24) Date from which industrial property rights may have effect: **06 March 2009**
(54) Product in respect of which the design is registered: **Lamp (par20 e27 the lamp head with 2 pins)**
(51) International Design Classification: **26-04**
(71) Name(s) and Address(s) of Applicant(s):
Mass Technology (H.K.) Limited
Room 2902-06 Tower 6 The Gateway 9 Canton Road Tsimshatsui
Kowloon Hong Kong
(72) Name(s) of Designer(s): **Onn Fah Foo**
(45) Registration Date: **12 March 2009**
(30) Convention priority data:
(31) Number (32) Date (33) Country
0803013.8 19 Dec 2008 HONG KONG
M003
(56) Related Art Documents: **Not Applicable**
(57) Statement of Newness and Distinctiveness: **Each feature of the design considered separately or in combination with any other feature or features.**



- (21) Design Number: **10743/2009**
(22) Date of Filing Application: **09 March 2009**
(24) Date from which industrial property rights may have effect: **09 March 2009**
(54) Product in respect of which the design is registered: **Wear plate**
(51) International Design Classification: **08-08L**
(71) Name(s) and Address(s) of Applicant(s):
Brian Investments Pty Ltd
105 Wood Street Esperance Western Australia 6450 Australia
(72) Name(s) of Designer(s): **Brian Davies**
(45) Registration Date: **12 March 2009**
(56) Related Art Documents: **Not Applicable**
(57) Statement of Newness and Distinctiveness: **We wish to submit a Statement of Newness and Distinctiveness (set out below) in respect of particular visual features of "the design" but in so doing do not imply that other visual features of the design lack newness and distinctiveness. The shape and configuration of those parts of the product shown other than by the thickness shown in the side elevations in the representations are new and distinctive. The thickness of the product is to be disregarded when considering the scope of the design.**



(21) Design Number: **10744/2009**

(22) Date of Filing Application: **09 March 2009**

(24) Date from which industrial property rights may have effect: **09 March 2009**

(54) Product in respect of which the design is registered: **Wear plate**

(51) International Design Classification: **08-08L**

(71) Name(s) and Address(s) of Applicant(s):

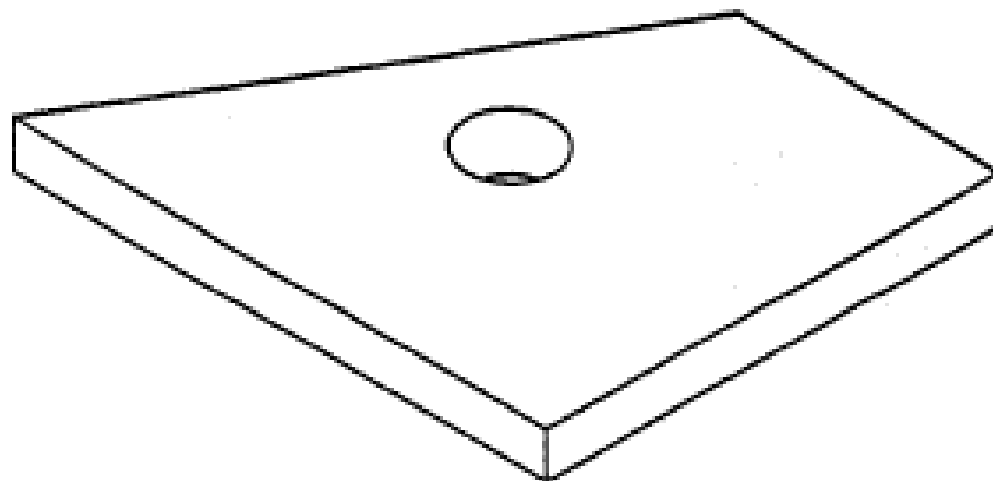
**Brian Investments Pty Ltd
105 Wood Street Esperance Western Australia 6450 Australia**

(72) Name(s) of Designer(s): **Brian Davies**

(45) Registration Date: **12 March 2009**

(56) Related Art Documents: **Not Applicable**

(57) Statement of Newness and Distinctiveness: **The shape and configuration of those parts of the product shown other than by the thickness shown in the side elevations in the representations are new and distinctive. The thickness of the product is to be disregarded when considering the scope of the design.**



(21) Design Number: **10738/2009**

(22) Date of Filing Application: **09 March 2009**

(24) Date from which industrial property rights may have effect: **09 March 2009**

(54) Product in respect of which the design is registered: **Wear plate**

(51) International Design Classification: **08-08L**

(71) Name(s) and Address(s) of Applicant(s):

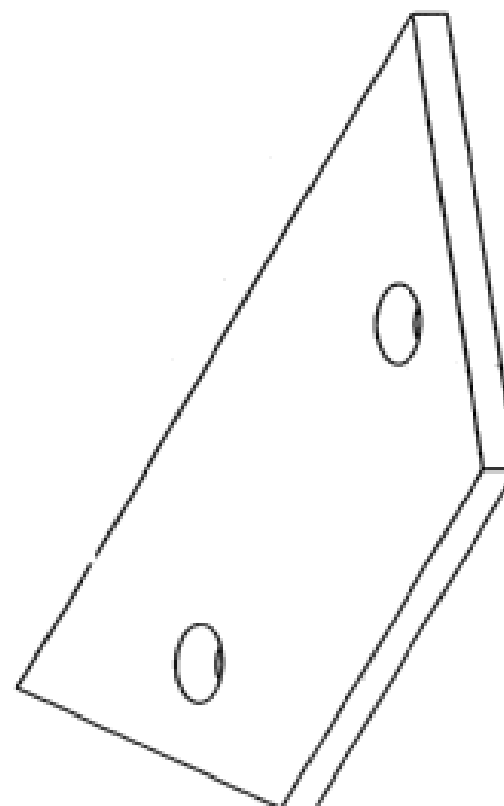
**Brian Investments Pty Ltd
105 Wood Street Esperance Western Australia 6450 Australia**

(72) Name(s) of Designer(s): **Brian Davies**

(45) Registration Date: **12 March 2009**

(56) Related Art Documents: **Not Applicable**

(57) Statement of Newness and Distinctiveness: **We wish to submit a Statement of Newness and Distinctiveness (set out below) in respect of particular visual features of "the design" but in so doing do not imply that other visual features of the design lack newness and distinctiveness. The shape and configuration of those parts of the product shown other than by the thickness shown in the side elevations in the representations are new and distinctive. The thickness of the product is to be disregarded when considering the scope of the design.**



(21) Design Number: **10739/2009**

(22) Date of Filing Application: **09 March 2009**

(24) Date from which industrial property rights may have effect: **09 March 2009**

(54) Product in respect of which the design is registered: **Wear plate**

(51) International Design Classification: **08-08L**

(71) Name(s) and Address(s) of Applicant(s):

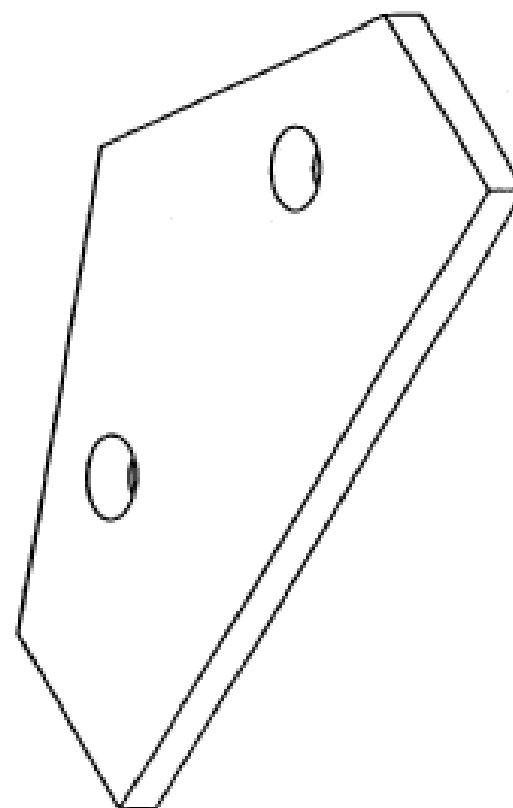
**Brian Investments Pty Ltd
105 Wood Street Esperance Western Australia 6450 Australia**

(72) Name(s) of Designer(s): **Brian Davies**

(45) Registration Date: **12 March 2009**

(56) Related Art Documents: **Not Applicable**

(57) Statement of Newness and Distinctiveness: **We wish to submit a Statement of Newness and Distinctiveness (set out below) in respect of particular visual features of "the design" but in so doing do not imply that other visual features of the design lack newness and distinctiveness. The shape and configuration of those parts of the product shown other than by the thickness shown in the side elevations in the representations are new and distinctive. The thickness of the product is to be disregarded when considering the scope of the design.**



(21) Design Number: **10740/2009**

(22) Date of Filing Application: **09 March 2009**

(24) Date from which industrial property rights may have effect: **09 March 2009**

(54) Product in respect of which the design is registered: **Wear plate**

(51) International Design Classification: **08-08L**

(71) Name(s) and Address(s) of Applicant(s):

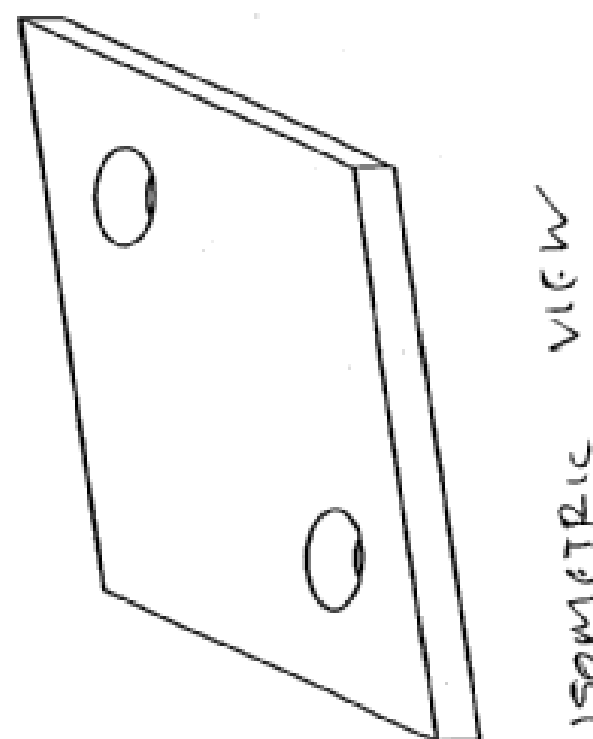
**Brian Investments Pty Ltd
105 Wood Street Esperance Western Australia 6450 Australia**

(72) Name(s) of Designer(s): **Brian Davies**

(45) Registration Date: **12 March 2009**

(56) Related Art Documents: **Not Applicable**

(57) Statement of Newness and Distinctiveness: **We wish to submit a Statement of Newness and Distinctiveness (set out below) in respect of particular visual features of "the design" but in so doing do not imply that other visual features of the design lack newness and distinctiveness. The shape and configuration of those parts of the product shown other than by the thickness shown in the side elevations in the representations are new and distinctive. The thickness of the product is to be disregarded when considering the scope of the design.**



(21) Design Number: **10741/2009**

(22) Date of Filing Application: **09 March 2009**

(24) Date from which industrial property rights may have effect: **09 March 2009**

(54) Product in respect of which the design is registered: **Wear plate**

(51) International Design Classification: **08-08L**

(71) Name(s) and Address(s) of Applicant(s):

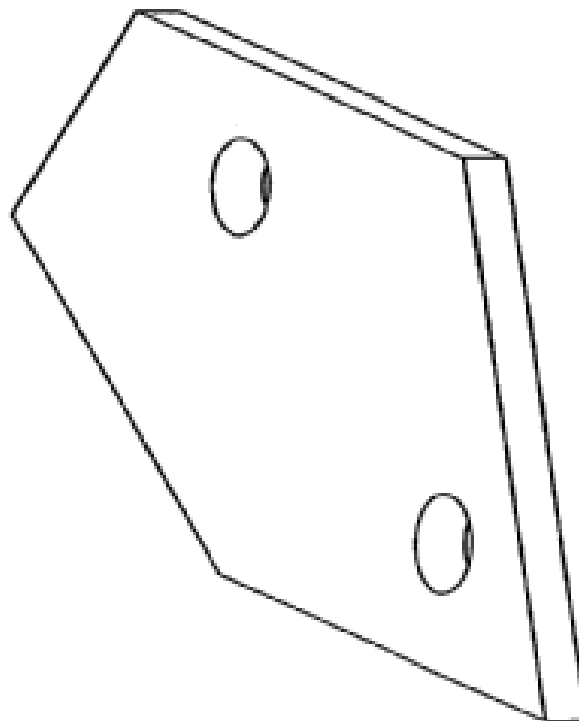
**Brian Investments Pty Ltd
105 Wood Street Esperance Western Australia 6450 Australia**

(72) Name(s) of Designer(s): **Brian Davies**

(45) Registration Date: **12 March 2009**

(56) Related Art Documents: **Not Applicable**

(57) Statement of Newness and Distinctiveness: **We wish to submit a Statement of Newness and Distinctiveness (set out below) in respect of particular visual features of "the design" but in so doing do not imply that other visual features of the design lack newness and distinctiveness. The shape and configuration of those parts of the product shown other than by the thickness shown in the side elevations in the representations are new and distinctive. The thickness of the product is to be disregarded when considering the scope of the design.**



(21) Design Number: **10742/2009**

(22) Date of Filing Application: **09 March 2009**

(24) Date from which industrial property rights may have effect: **09 March 2009**

(54) Product in respect of which the design is registered: **Wear plate**

(51) International Design Classification: **08-08L**

(71) Name(s) and Address(s) of Applicant(s):

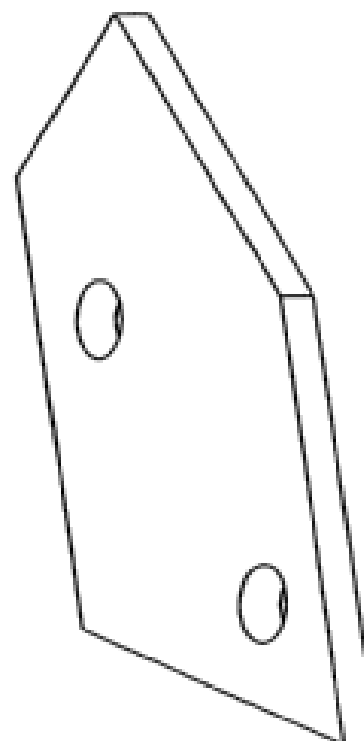
**Brian Investments Pty Ltd
105 Wood Street Esperance Western Australia 6450 Australia**

(72) Name(s) of Designer(s): **Brian Davies**

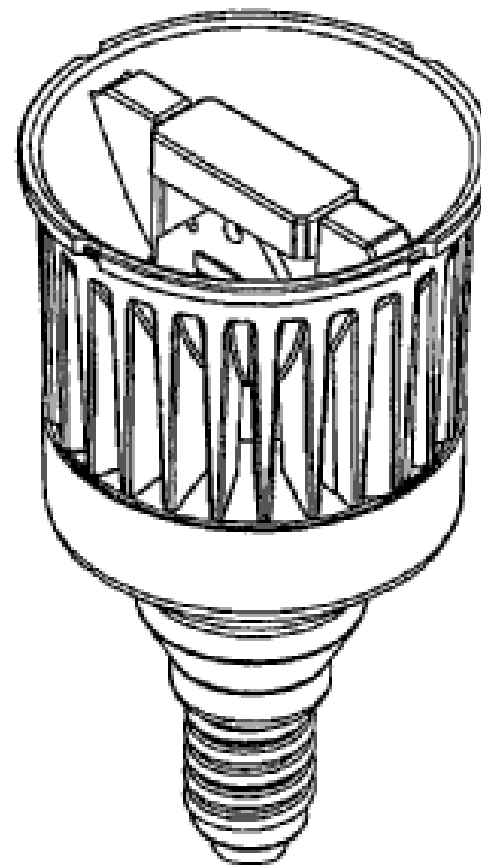
(45) Registration Date: **12 March 2009**

(56) Related Art Documents: **Not Applicable**

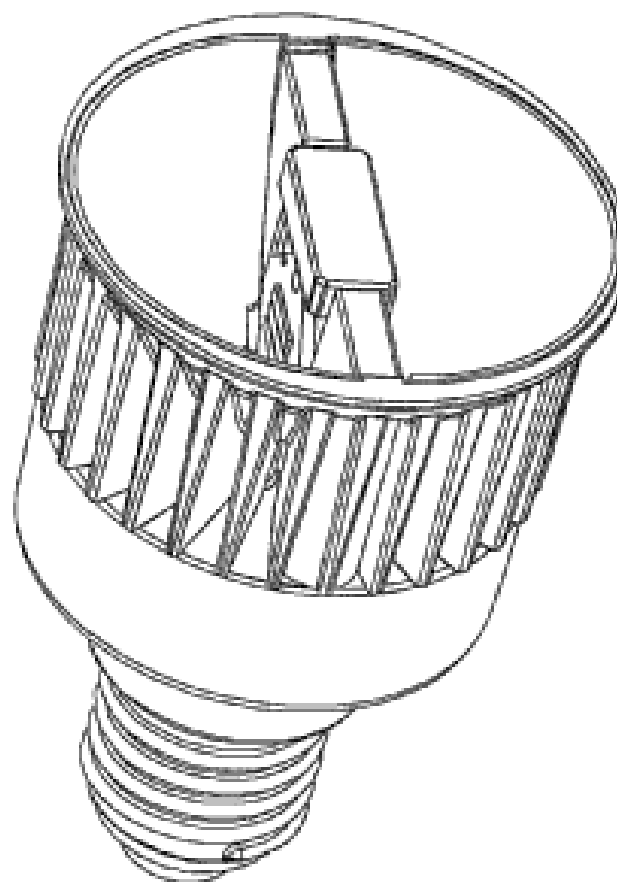
(57) Statement of Newness and Distinctiveness: **We wish to submit a Statement of Newness and Distinctiveness (set out below) in respect of particular visual features of "the design" but in so doing do not imply that other visual features of the design lack newness and distinctiveness. The shape and configuration of those parts of the product shown other than by the thickness shown in the side elevations in the representations are new and distinctive. The thickness of the product is to be disregarded when considering the scope of the design.**



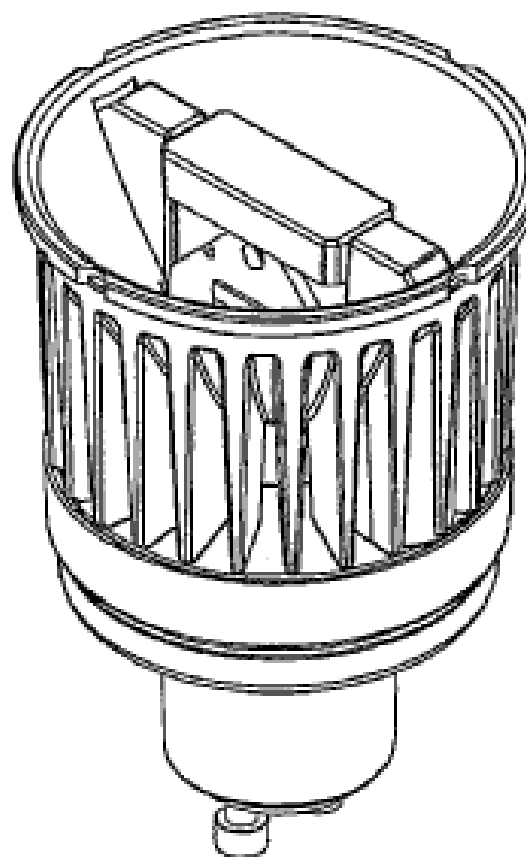
- (21) Design Number: **10747/2009**
(22) Date of Filing Application: **06 March 2009**
(24) Date from which industrial property rights may have effect: **06 March 2009**
(54) Product in respect of which the design is registered: **Lamp (par160 e14)**
(51) International Design Classification: **26-04**
(71) Name(s) and Address(s) of Applicant(s):
Mass Technology (H.K.) Limited
Room 2902-06 Tower 6 The Gateway 9 Canton Road Tsimshatsui
Kowloon Hong Kong
(72) Name(s) of Designer(s): **Onn Fah Foo**
(45) Registration Date: **12 March 2009**
(30) Convention priority data:
(31) Number (32) Date (33) Country
0803013.8 19 Dec 2008 HONG KONG
M005
(56) Related Art Documents: **Not Applicable**
(57) Statement of Newness and Distinctiveness: **Each feature of the design considered separately or in combination with any other feature or features.**



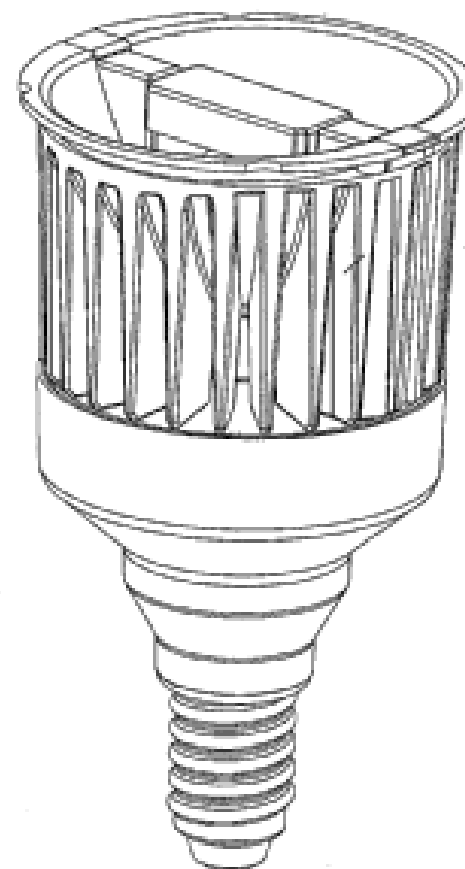
- (21) Design Number: **10748/2009**
(22) Date of Filing Application: **06 March 2009**
(24) Date from which industrial property rights may have effect: **06 March 2009**
(54) Product in respect of which the design is registered: **Lamp (par20 e27-1)**
(51) International Design Classification: **26-04**
(71) Name(s) and Address(s) of Applicant(s):
Mass Technology (H.K.) Limited
Room 2902-06 Tower 6 The Gateway 9 Canton Road Tsimshatsui
Kowloon Hong Kong
(72) Name(s) of Designer(s): **Onn Fah Foo**
(45) Registration Date: **12 March 2009**
(30) Convention priority data:
(31) Number (32) Date (33) Country
0900081.9 15 Jan 2009 HONG KONG
M003
(56) Related Art Documents: **Not Applicable**
(57) Statement of Newness and Distinctiveness: **Each feature of the design considered separately or in combination with any other feature or features.**



- (21) Design Number: **10749/2009**
(22) Date of Filing Application: **06 March 2009**
(24) Date from which industrial property rights may have effect: **06 March 2009**
(54) Product in respect of which the design is registered: **Lamp (par16 GU10)**
(51) International Design Classification: **26-04**
(71) Name(s) and Address(s) of Applicant(s):
Mass Technology (H.K.) Limited
Room 2902-06 Tower 6 The Gateway 9 Canton Road Tsimshatsui
Kowloon Hong Kong
(72) Name(s) of Designer(s): **Onn Fah Foo**
(45) Registration Date: **12 March 2009**
(30) Convention priority data:
(31) Number (32) Date (33) Country
0803013.8 19 Dec 2008 HONG KONG
M002
(56) Related Art Documents: **Not Applicable**
(57) Statement of Newness and Distinctiveness: **Each feature of the design considered separately or in combination with any other feature or features.**



- (21) Design Number: **10750/2009**
(22) Date of Filing Application: **06 March 2009**
(24) Date from which industrial property rights may have effect: **06 March 2009**
(54) Product in respect of which the design is registered: **Lamp (par16 e14-1)**
(51) International Design Classification: **26-04**
(71) Name(s) and Address(s) of Applicant(s):
Mass Technology (H.K.) Limited
Room 2902-06 Tower 6 The Gateway 9 Canton Road Tsimshatsui
Kowloon Hong Kong
(72) Name(s) of Designer(s): **Onn Fah Foo**
(45) Registration Date: **12 March 2009**
(30) Convention priority data:
(31) Number (32) Date (33) Country
0900081.9 15 Jan 2009 HONG KONG
M005
(56) Related Art Documents: **Not Applicable**
(57) Statement of Newness and Distinctiveness: **Each feature of the design considered separately or in combination with any other feature or features.**



(21) Design Number: **10751/2009**

(22) Date of Filing Application: **06 March 2009**

(24) Date from which industrial property rights may have effect: **06 March 2009**

(54) Product in respect of which the design is registered: **Lamp (AR111 GU10)**

(51) International Design Classification: **26-04**

(71) Name(s) and Address(s) of Applicant(s):

**Mass Technology (H.K.) Limited
Room 2902-06 Tower 6 The Gateway 9 Canton Road Tsimshatsui
Kowloon Hong Kong**

(72) Name(s) of Designer(s): **Onn Fah Foo**

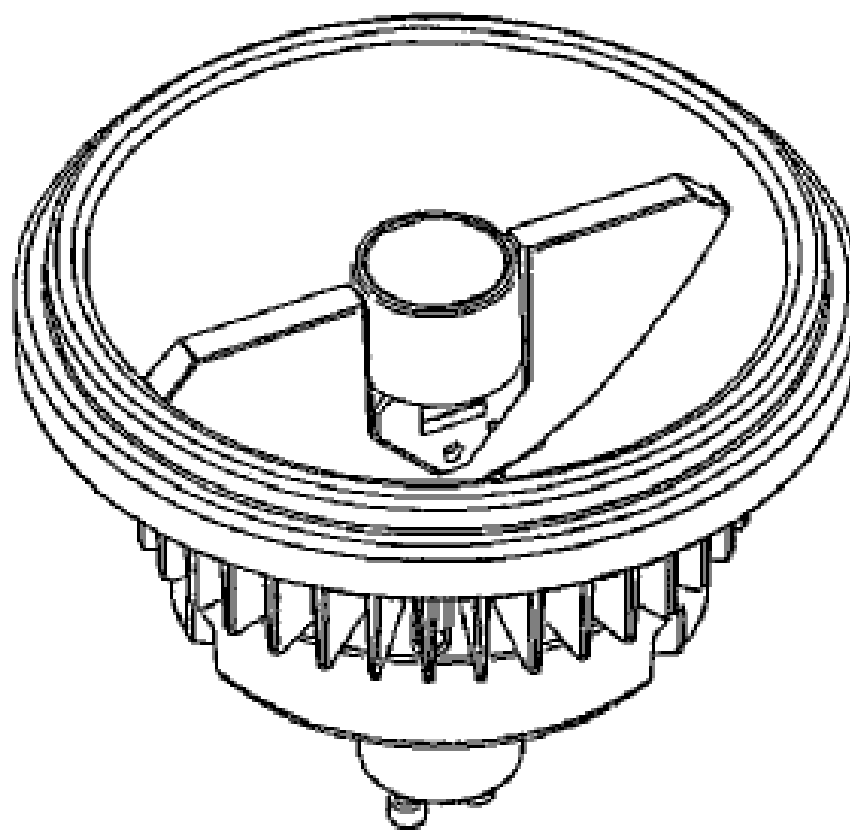
(45) Registration Date: **12 March 2009**

(30) Convention priority data:

(31) Number	(32) Date	(33) Country
0803013.8	19 Dec 2008	HONG KONG
M001		

(56) Related Art Documents: **Not Applicable**

(57) Statement of Newness and Distinctiveness: **Each feature of the design considered separately or in combination with any other feature or features.**



(21) Design Number: **10752/2009**

(22) Date of Filing Application: **06 March 2009**

(24) Date from which industrial property rights may have effect: **06 March 2009**

(54) Product in respect of which the design is registered: **Lamp (par16 GU10-1)**

(51) International Design Classification: **26-04**

(71) Name(s) and Address(s) of Applicant(s):

**Mass Technology (H.K.) Limited
Room 2902-06 Tower 6 The Gateway 9 Canton Road Tsimshatsui
Kowloon Hong Kong**

(72) Name(s) of Designer(s): **Onn Fah Foo**

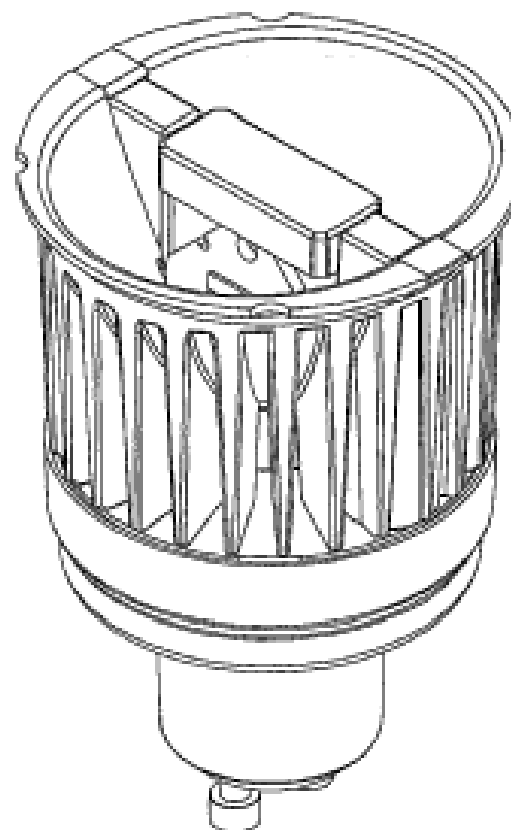
(45) Registration Date: **12 March 2009**

(30) Convention priority data:

(31) Number	(32) Date	(33) Country
0900081.9	15 Jan 2009	HONG KONG
M002		

(56) Related Art Documents: **Not Applicable**

(57) Statement of Newness and Distinctiveness: **Each feature of the design considered separately or in combination with any other feature or features.**



(21) Design Number: **10753/2009**

(22) Date of Filing Application: **06 March 2009**

(24) Date from which industrial property rights may have effect: **06 March 2009**

(54) Product in respect of which the design is registered: **Lamp (AR111-1)**

(51) International Design Classification: **26-04**

(71) Name(s) and Address(s) of Applicant(s):

Mass Technology (H.K.) Limited
Room 2902-06 Tower 6 The Gateway 9 Canton Road Tsimshatsui
Kowloon Hong Kong

(72) Name(s) of Designer(s): **Onn Fah Foo**

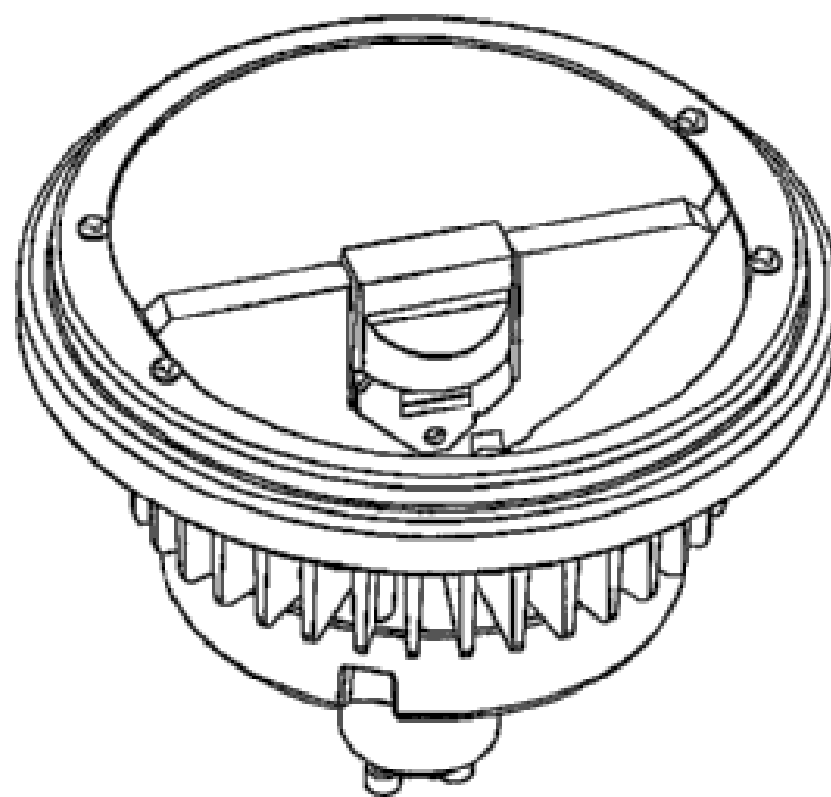
(45) Registration Date: **12 March 2009**

(30) Convention priority data:

(31) Number	(32) Date	(33) Country
0900081.9	15 Jan 2009	HONG KONG
M001		

(56) Related Art Documents: **Not Applicable**

(57) Statement of Newness and Distinctiveness: **Each feature of the design considered separately or in combination with any other feature or features.**



(21) Design Number: **10763/2009**

(22) Date of Filing Application: **06 March 2009**

(24) Date from which industrial property rights may have effect: **06 March 2009**

(54) Product in respect of which the design is registered: **Automobile tyre**

(51) International Design Classification: **12-15A**

(71) Name(s) and Address(s) of Applicant(s):

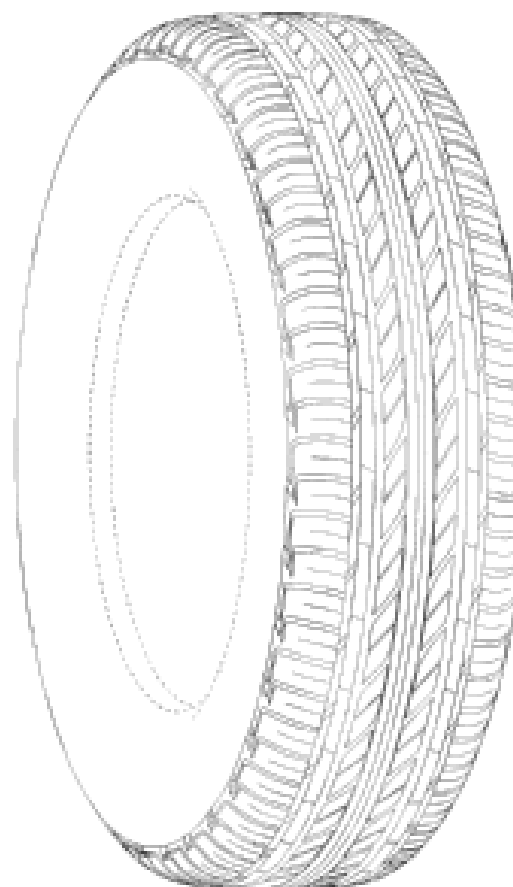
Bridgestone Corporation
10-1 Kyobashi 1-chome Chuo-ku Tokyo 104-8340 Japan

(72) Name(s) of Designer(s): **Yukihiro Kiwaki**

(45) Registration Date: **12 March 2009**

(56) Related Art Documents: **Not Applicable**

(57) Statement of Newness and Distinctiveness: **The shape, configuration and pattern of the parts of automobile tyre shown by means of solid lines in the representations are new and distinctive.**



(21) Design Number: **10764/2009**

(22) Date of Filing Application: **09 March 2009**

(24) Date from which industrial property rights may have effect: **09 March 2009**

(54) Product in respect of which the design is registered: **Putter head**

(51) International Design Classification: **21-02C**

(71) Name(s) and Address(s) of Applicant(s):

Callaway Golf Company
2180 Rutherford Road Carlsbad California 92008-7328 United States of America

(72) Name(s) of Designer(s): **Kevin Weejeong Kim and Augustin W. Rollinson**

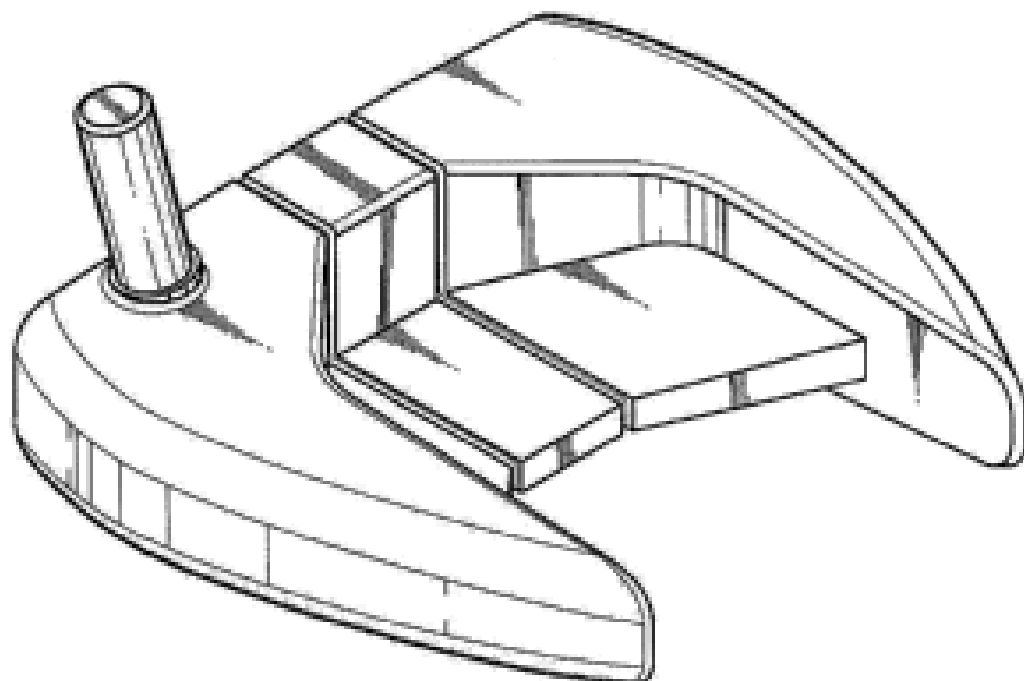
(45) Registration Date: **12 March 2009**

(30) Convention priority data:

(31) Number	(32) Date	(33) Country
29/324304	10 Sep 2008	UNITED STATES OF AMERICA

(56) Related Art Documents: **Not Applicable**

(57) Statement of Newness and Distinctiveness: **Newness and distinctiveness is claimed in the features of shape and/or configuration of a putter head as illustrated in the accompanying representations.**



(21) Design Number: **10765/2009**

(22) Date of Filing Application: **09 March 2009**

(24) Date from which industrial property rights may have effect: **09 March 2009**

(54) Product in respect of which the design is registered: **Outboard motor**

(51) International Design Classification: **15-01**

(71) Name(s) and Address(s) of Applicant(s):

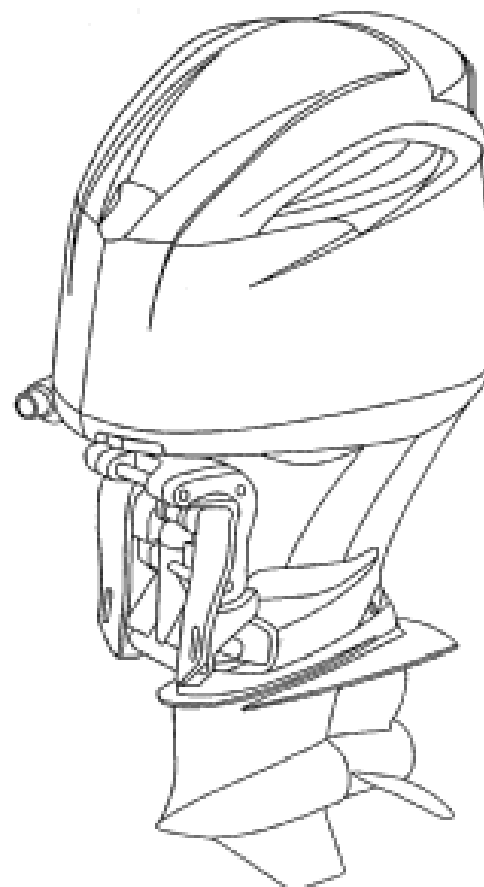
Yamaha Hatsudoki Kabushiki Kaisha
2500 Shingai Iwata-shi Shizuoka-ken Japan

(72) Name(s) of Designer(s): **Shuji Iekura and Shigetaka Kanai**

(45) Registration Date: **12 March 2009**

(56) Related Art Documents: **Not Applicable**

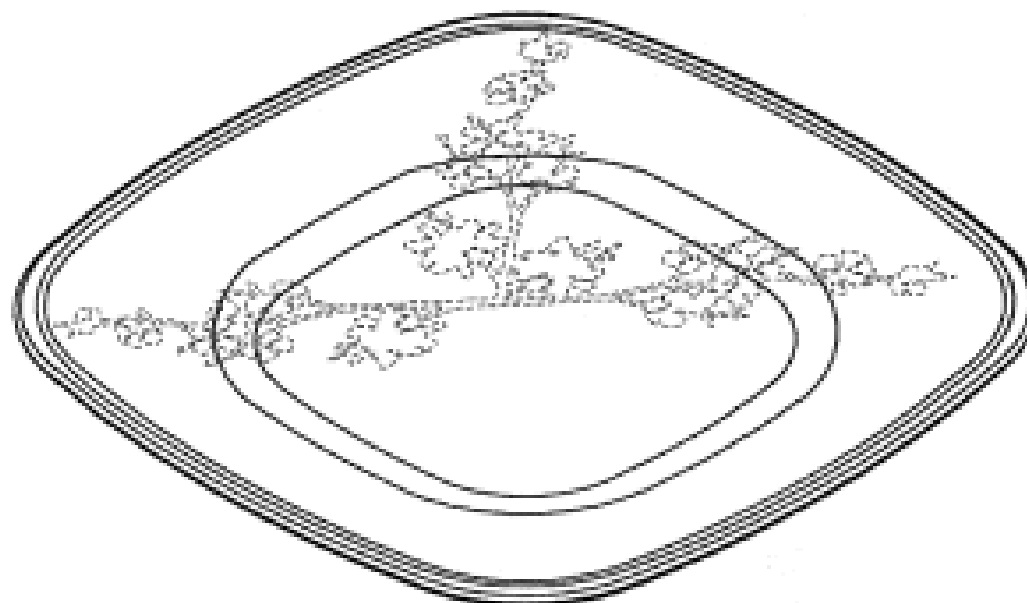
(57) Statement of Newness and Distinctiveness: **Newness and distinctiveness is claimed in the features of shape and/or configuration of an upper cover of an outboard motor as illustrated in the accompanying representations.**



- (21) Design Number: **15531/2008**
(22) Date of Filing Application: **21 November 2008**
(24) Date from which industrial property rights may have effect: **21 November 2008**
(54) Product in respect of which the design is registered: **Crockery**
(51) International Design Classification: **07-01A**
(71) Name(s) and Address(s) of Applicant(s):
JF Arbuckle Medical Pty Ltd
152 Olsen Avenue Arundel Queensland 4214 Australia
(72) Name(s) of Designer(s): **Reilly Edwards and Adam Doyle**
(45) Registration Date: **12 March 2009**
(56) Related Art Documents: **Not Applicable**
(57) Statement of Newness and Distinctiveness: **The newness and distinctiveness of the design resides in the features shown in unbroken lines in the accompanying representations. The visual features of pattern and/or ornamentation represented by the shaded area may comprise a colour which contrasts with the non-shaded regions.**



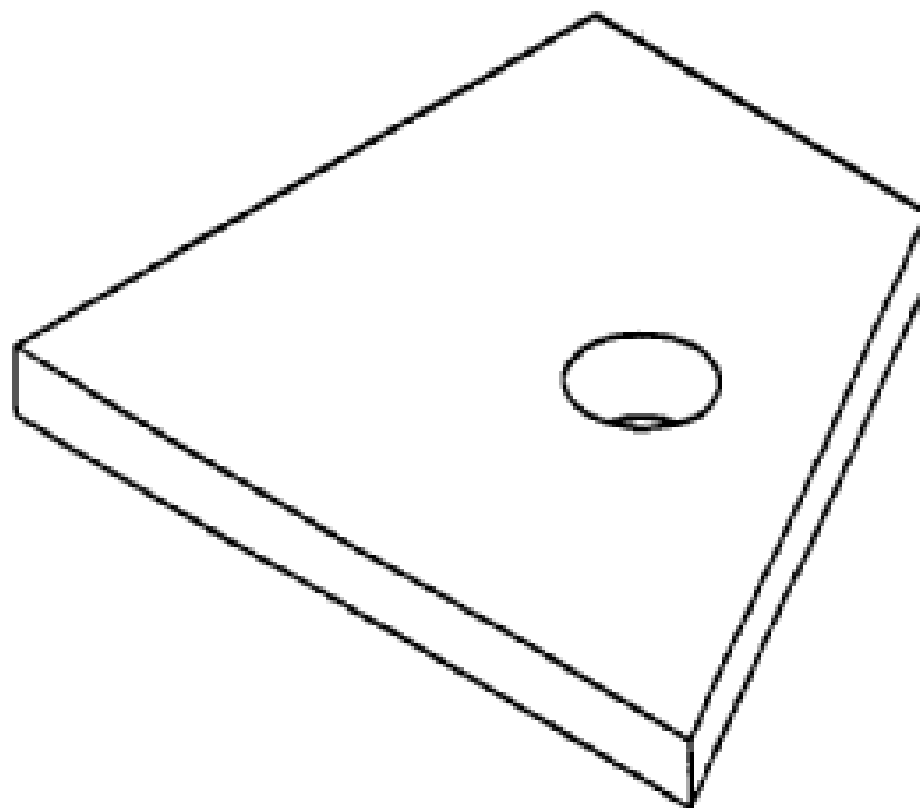
- (21) Design Number: **16099/2008**
(22) Date of Filing Application: **21 November 2008**
(24) Date from which industrial property rights may have effect: **21 November 2008**
(54) Product in respect of which the design is registered: **Crockery**
(51) International Design Classification: **07-01A**
(71) Name(s) and Address(s) of Applicant(s):
JF Arbuckle Medical Pty Ltd
152 Olsen Avenue Arundel Queensland 4214 Australia
(72) Name(s) of Designer(s): **Adam Doyle and Reilly Edwards**
(45) Registration Date: **12 March 2009**
(56) Related Art Documents: **Not Applicable**
(57) Statement of Newness and Distinctiveness: **The newness and distinctiveness of the design resides in the features of shape, configuration, pattern and/or ornamentation shown in unbroken lines in the accompanying representations.**



- (21) Design Number: **10745/2009**
- (22) Date of Filing Application: **09 March 2009**
- (24) Date from which industrial property rights may have effect: **09 March 2009**
- (54) Product in respect of which the design is registered: **Wear plate**
- (51) International Design Classification: **08-08L**
- (71) Name(s) and Address(s) of Applicant(s):

Brian Investments Pty Ltd
105 Wood Street Esperance Western Australia 6450 Australia

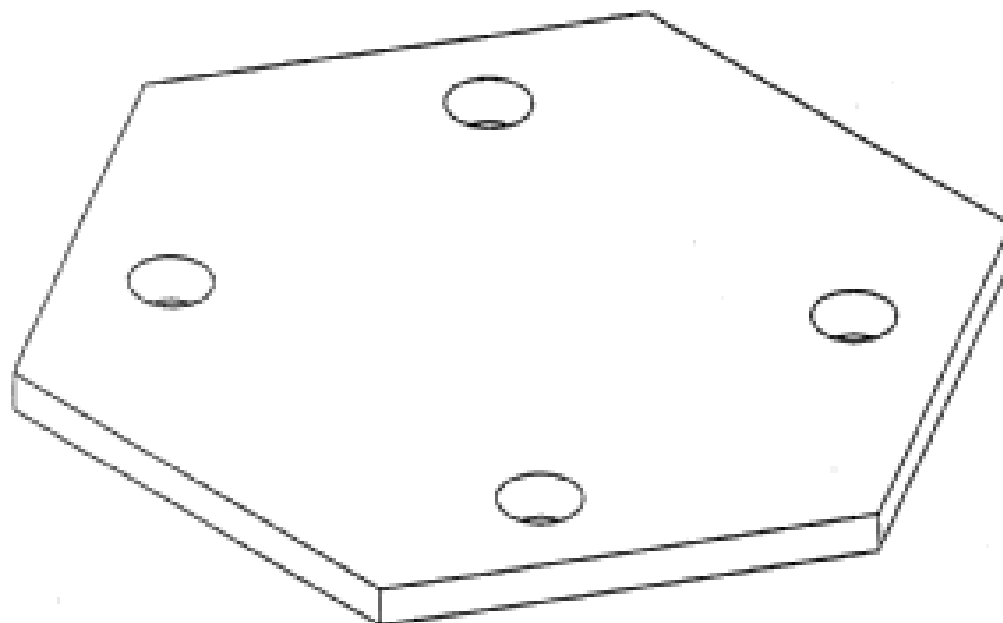
- (72) Name(s) of Designer(s): **Brian Davies**
- (45) Registration Date: **12 March 2009**
- (56) Related Art Documents: **Not Applicable**
- (57) Statement of Newness and Distinctiveness: **We wish to submit a Statement of Newness and Distinctiveness (set out below) in respect of particular visual features of "the design" but in so doing do not imply that other visual features of the design lack newness and distinctiveness. The shape and configuration of those parts of the product shown other than by the thickness shown in the side elevations in the representations are new and distinctive. The thickness of the product is to be disregarded when considering the scope of the design.**



- (21) Design Number: **10746/2009**
- (22) Date of Filing Application: **09 March 2009**
- (24) Date from which industrial property rights may have effect: **09 March 2009**
- (54) Product in respect of which the design is registered: **Wear plate**
- (51) International Design Classification: **08-08L**
- (71) Name(s) and Address(s) of Applicant(s):

Brian Investments Pty Ltd
105 Wood Street Esperance Western Australia 6450 Australia

- (72) Name(s) of Designer(s): **Brian Davies**
- (45) Registration Date: **12 March 2009**
- (56) Related Art Documents: **Not Applicable**
- (57) Statement of Newness and Distinctiveness: **We wish to submit a Statement of Newness and Distinctiveness (set out below) in respect of particular visual features of "the design" but in so doing do not imply that other visual features of the design lack newness and distinctiveness. The shape and configuration of those parts of the product shown other than by the thickness shown in the side elevations in the representations are new and distinctive. The thickness of the product is to be disregarded when considering the scope of the design.**



(21) Design Number: **10762/2009**

(22) Date of Filing Application: **09 March 2009**

(24) Date from which industrial property rights may have effect: **09 March 2009**

(54) Product in respect of which the design is registered: **Dynamic dispenser**

(51) International Design Classification: **07-99NES**

(71) Name(s) and Address(s) of Applicant(s):

Reckitt Benckiser Inc.

Morris Corporate Center IV 399 Interpace Parkway Parsippany New Jersey 07054 United States of America

(72) Name(s) of Designer(s): **Simon Enever and Christopher Leonard Padain and Thomas Edward Walker and Craig Ian Wightman**

(45) Registration Date: **12 March 2009**

(30) Convention priority data:

(31) Number

(32) Date

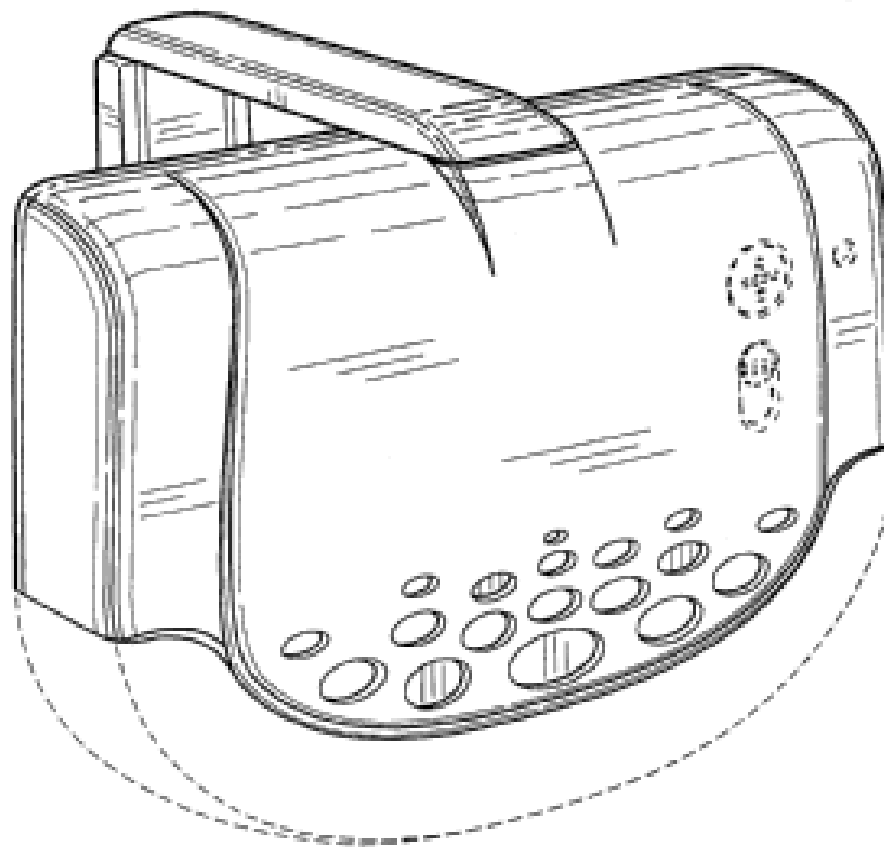
(33) Country

001006043-0001 19 Sep 2008

EUROPEAN COMMUNITY

(56) Related Art Documents: **Not Applicable**

(57) Statement of Newness and Distinctiveness: **Newness and distinctiveness reside in the features of the design shown in solid lines in the representations excluding those features shown in broken lines.**



(21) Design Number: **15132/2008**

(22) Date of Filing Application: **28 October 2008**

(24) Date from which industrial property rights may have effect: **28 October 2008**

(54) Product in respect of which the design is registered: **Dress**

(51) International Design Classification: **02-02C**

(71) Name(s) and Address(s) of Applicant(s):

**Grant Olver Investments Pty Ltd trading as Pilgrim Clothing
2 Vale Street St Kilda Victoria 3182 Australia**

(72) Name(s) of Designer(s): **Grant Olver**

(45) Registration Date: **12 March 2009**

(56) Related Art Documents: **Not Applicable**

(57) Statement of Newness and Distinctiveness: **Nil**



(21) Design Number: **10443/2009**

(22) Date of Filing Application: **28 October 2008**

(24) Date from which industrial property rights may have effect: **28 October 2008**

(54) Product in respect of which the design is registered: **Dress**

(51) International Design Classification: **02-02C**

(71) Name(s) and Address(s) of Applicant(s):

**Grant Olver Investments Pty Ltd trading as Pilgrim Clothing
2 Vale Street St Kilda Victoria 3182 Australia**

(72) Name(s) of Designer(s): **Grant Olver**

(45) Registration Date: **12 March 2009**

(56) Related Art Documents: **Not Applicable**

(57) Statement of Newness and Distinctiveness: **Nil**



(21) Design Number: **10444/2009**

(22) Date of Filing Application: **28 October 2008**

(24) Date from which industrial property rights may have effect: **28 October 2008**

(54) Product in respect of which the design is registered: **Dress**

(51) International Design Classification: **02-02C**

(71) Name(s) and Address(s) of Applicant(s):

**Grant Olver Investments Pty Ltd trading as Pilgrim Clothing
2 Vale Street St Kilda Victoria 3182 Australia**

(72) Name(s) of Designer(s): **Grant Olver**

(45) Registration Date: **12 March 2009**

(56) Related Art Documents: **Not Applicable**

(57) Statement of Newness and Distinctiveness: **Nil**



- (21) Design Number: **10445/2009**
(22) Date of Filing Application: **28 October 2008**
(24) Date from which industrial property rights may have effect: **28 October 2008**
(54) Product in respect of which the design is registered: **Top**
(51) International Design Classification: **02-02NES**
(71) Name(s) and Address(s) of Applicant(s):
Grant Olver Investments Pty Ltd trading as Pilgrim Clothing
2 Vale Street St Kilda Victoria 3182 Australia
(72) Name(s) of Designer(s): **Grant Olver**
(45) Registration Date: **12 March 2009**
(56) Related Art Documents: **Not Applicable**
(57) Statement of Newness and Distinctiveness: **Nil**



- (21) Design Number: **10446/2009**
(22) Date of Filing Application: **28 October 2008**
(24) Date from which industrial property rights may have effect: **28 October 2008**
(54) Product in respect of which the design is registered: **Top**
(51) International Design Classification: **02-02NES**
(71) Name(s) and Address(s) of Applicant(s):
Grant Olver Investments Pty Ltd trading as Pilgrim Clothing
2 Vale Street St Kilda Victoria 3182 Australia
(72) Name(s) of Designer(s): **Grant Olver**
(45) Registration Date: **12 March 2009**
(56) Related Art Documents: **Not Applicable**
(57) Statement of Newness and Distinctiveness: **Nil**



(21) Design Number: **10447/2009**

(22) Date of Filing Application: **28 October 2008**

(24) Date from which industrial property rights may have effect: **28 October 2008**

(54) Product in respect of which the design is registered: **Top**

(51) International Design Classification: **02-02NES**

(71) Name(s) and Address(s) of Applicant(s):

**Grant Olver Investments Pty Ltd trading as Pilgrim Clothing
2 Vale Street St Kilda Victoria 3182 Australia**

(72) Name(s) of Designer(s): **Grant Olver**

(45) Registration Date: **12 March 2009**

(56) Related Art Documents: **Not Applicable**

(57) Statement of Newness and Distinctiveness: **Nil**



(21) Design Number: **15998/2008**

(22) Date of Filing Application: **22 December 2008**

(24) Date from which industrial property rights may have effect: **22 December 2008**

(54) Product in respect of which the design is registered: **Container**

(51) International Design Classification: **09-03NES**

(71) Name(s) and Address(s) of Applicant(s):

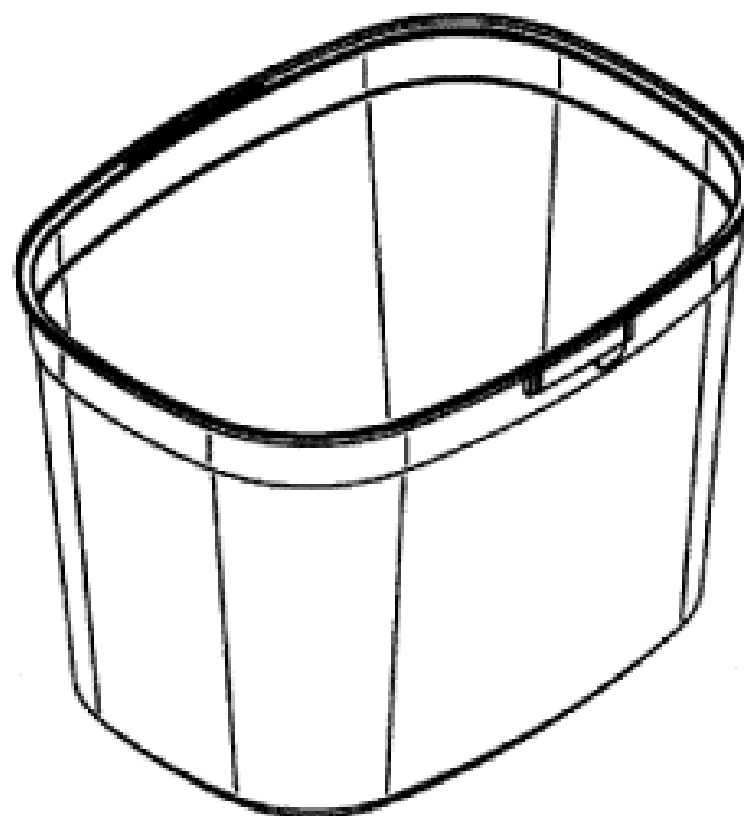
**Huhtamaki Australia Pty Limited
225 Wellington Road Mulgrave Victoria 3170 Australia**

(72) Name(s) of Designer(s): **Ian Janetzki and Paul Daffurn**

(45) Registration Date: **12 March 2009**

(56) Related Art Documents: **Not Applicable**

(57) Statement of Newness and Distinctiveness: **Newness and distinctiveness is claimed in features of shape and/or configuration of a container as illustrated in the accompanying representations.**



- (21) Design Number: **10282/2009**
(22) Date of Filing Application: **03 February 2009**
(24) Date from which industrial property rights may have effect: **03 February 2009**
(54) Product in respect of which the design is registered: **Table knife**
(51) International Design Classification: **07-03**
(71) Name(s) and Address(s) of Applicant(s):
Robert Welch Designs Limited
Lower High Street Chipping Campden GL55 6DY England
(72) Name(s) of Designer(s): **Ruth Williams**
(45) Registration Date: **12 March 2009**
(30) Convention priority data:
(31) Number (32) Date (33) Country
001004683-0001 04 Sep 2008 EUROPEAN COMMUNITY
(56) Related Art Documents: **Not Applicable**
(57) Statement of Newness and Distinctiveness: **A new design of table knife.**



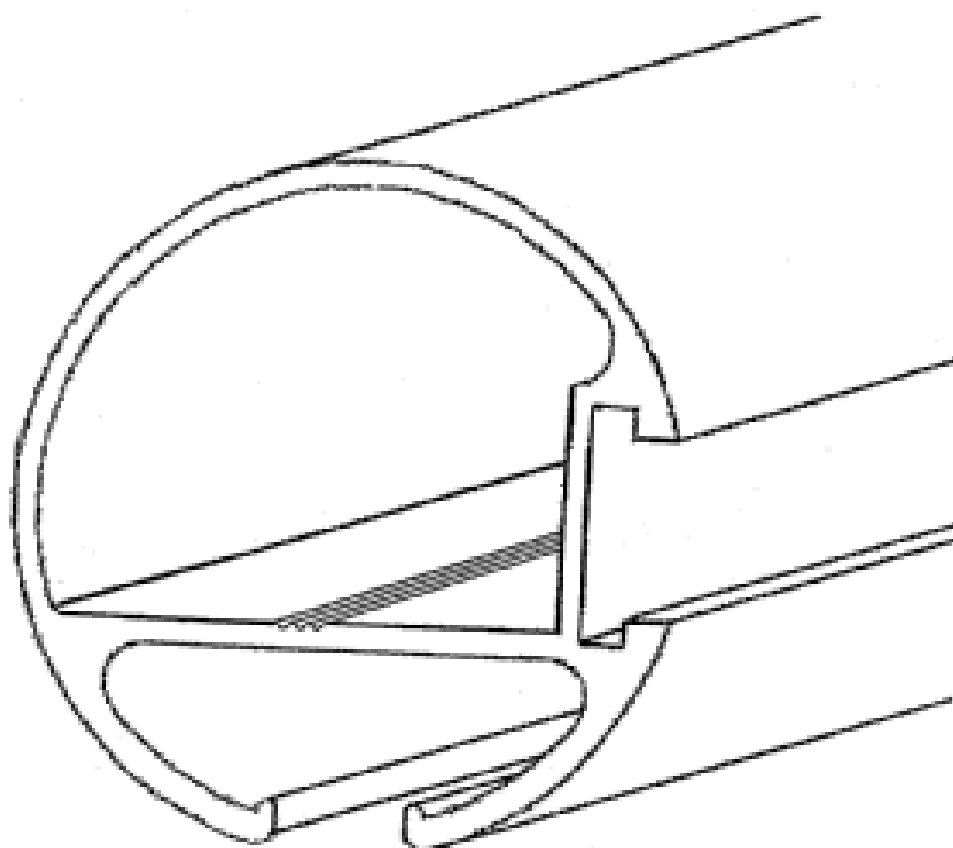
- (21) Design Number: **10283/2009**
(22) Date of Filing Application: **03 February 2009**
(24) Date from which industrial property rights may have effect: **03 February 2009**
(54) Product in respect of which the design is registered: **Table fork**
(51) International Design Classification: **07-03**
(71) Name(s) and Address(s) of Applicant(s):
Robert Welch Designs Limited
Lower High Street Chipping Campden GL55 6DY England
(72) Name(s) of Designer(s): **Ruth Williams**
(45) Registration Date: **12 March 2009**
(30) Convention priority data:
(31) Number (32) Date (33) Country
001004683-0002 04 Sep 2008 EUROPEAN COMMUNITY
(56) Related Art Documents: **Not Applicable**
(57) Statement of Newness and Distinctiveness: **A new design of table fork.**



- (21) Design Number: **10284/2009**
(22) Date of Filing Application: **03 February 2009**
(24) Date from which industrial property rights may have effect: **03 February 2009**
(54) Product in respect of which the design is registered: **Table spoon**
(51) International Design Classification: **07-03**
(71) Name(s) and Address(s) of Applicant(s):
Robert Welch Designs Limited
Lower High Street Chipping Campden GL55 6DY England
(72) Name(s) of Designer(s): **Ruth Williams**
(45) Registration Date: **12 March 2009**
(30) Convention priority data:
(31) Number (32) Date (33) Country
001004683-0003 04 Sep 2008 EUROPEAN COMMUNITY
(56) Related Art Documents: **Not Applicable**
(57) Statement of Newness and Distinctiveness: **A new design of table spoon.**



- (21) Design Number: **10707/2009**
(22) Date of Filing Application: **05 March 2009**
(24) Date from which industrial property rights may have effect: **05 March 2009**
(54) Product in respect of which the design is registered: **Curtain track profile of indefinite length**
(51) International Design Classification: **25-01K**
(71) Name(s) and Address(s) of Applicant(s):
Curtrax Pty Ltd
9 Margate Street Botany New South Wales 2019 Australia
(72) Name(s) of Designer(s): **Gregory Stokes**
(45) Registration Date: **12 March 2009**
(56) Related Art Documents: **Not Applicable**
(57) Statement of Newness and Distinctiveness: **The shape and configuration of the profile of indefinite length is new and distinctive. The component shown in dotted outline in Figure 1 is provided for illustrative purposes only and forms no part of the design.**



(21) Design Number: **10780/2009**
(22) Date of Filing Application: **05 March 2009**
(24) Date from which industrial property rights may have effect: **05 March 2009**
(54) Product in respect of which the design is registered: **Birthing frame**
(51) International Design Classification: **06-01NES, 24-01**
(71) Name(s) and Address(s) of Applicant(s):

Relaxbirth Oy
Kytosuontie 6 00300 Helsinki Finland

(72) Name(s) of Designer(s): **Eija Pessinen**

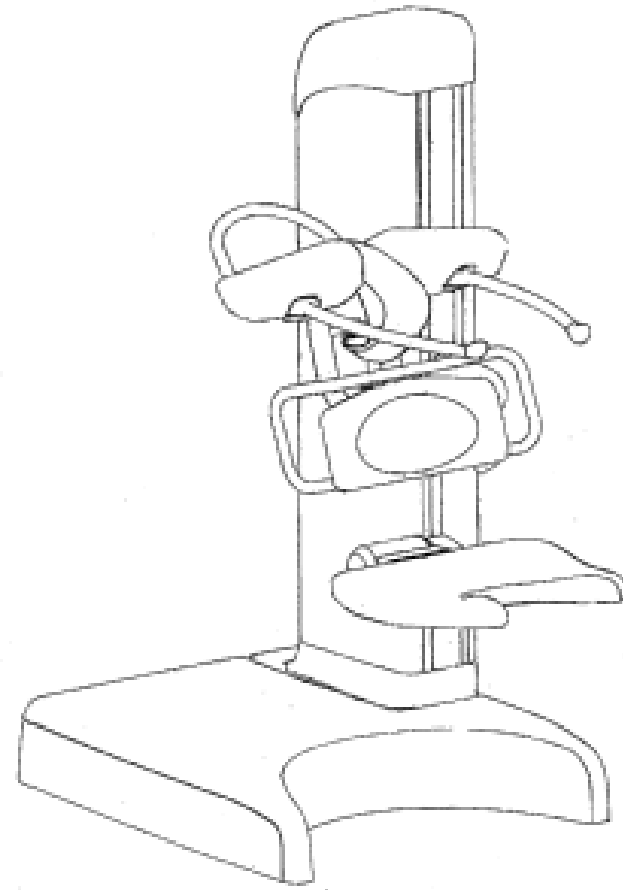
(45) Registration Date: **12 March 2009**

(30) Convention priority data:

(31) Number	(32) Date	(33) Country
001001176	11 Sep 2008	EUROPEAN COMMUNITY

(56) Related Art Documents: **Not Applicable**

(57) Statement of Newness and Distinctiveness: **Nil**



(21) Design Number: **10502/2009**
(22) Date of Filing Application: **18 February 2009**
(24) Date from which industrial property rights may have effect: **18 February 2009**
(54) Product in respect of which the design is registered: **Cap**
(51) International Design Classification: **09-07C**
(71) Name(s) and Address(s) of Applicant(s):

Dart Industries Inc.
14901 S. Orange Blossom Trail Orlando Florida 32837 United States of America

(72) Name(s) of Designer(s): **Famia E. Ablo**

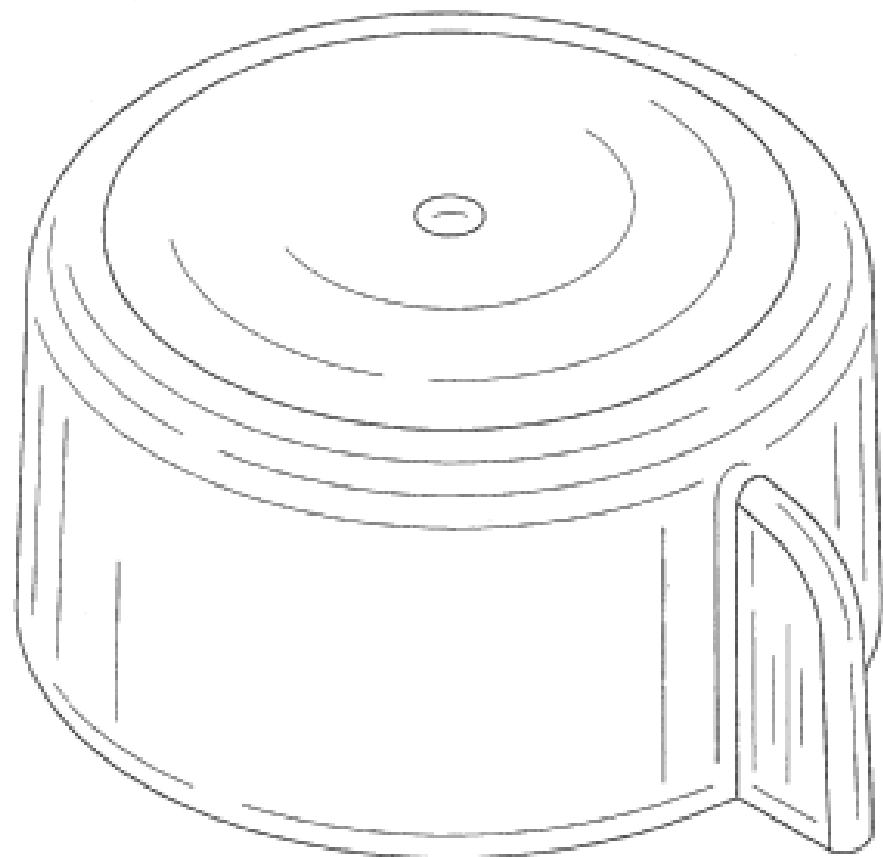
(45) Registration Date: **13 March 2009**

(30) Convention priority data:

(31) Number	(32) Date	(33) Country
29/310,711	05 Sep 2008	UNITED STATES OF AMERICA

(56) Related Art Documents: **Not Applicable**

(57) Statement of Newness and Distinctiveness: **Those features of the cap depicted in the representations that are new and distinctive are the shape and/or configuration.**



(21) Design Number: **10701/2009**

(22) Date of Filing Application: **10 March 2009**

(24) Date from which industrial property rights may have effect: **10 March 2009**

(54) Product in respect of which the design is registered: **Wheeled Cart**

(51) International Design Classification: **12-02**

(71) Name(s) and Address(s) of Applicant(s):

Schumacher Electric Corporation
801 East Business Center Drive Mt. Prospect Illinois 60056 United States of America

(72) Name(s) of Designer(s): **Joseph J. Zenkus and Mark Kurth**

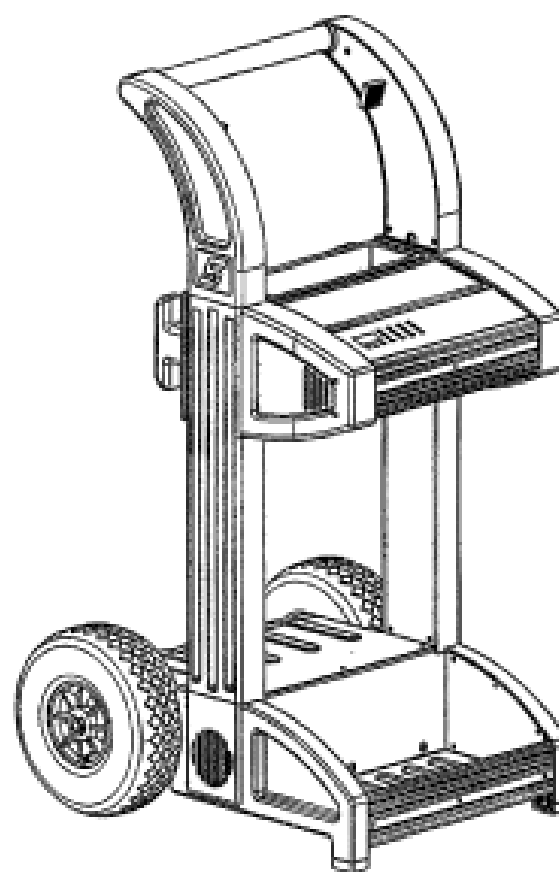
(45) Registration Date: **13 March 2009**

(30) Convention priority data:

(31) Number	(32) Date	(33) Country
29/324408	11 Sep 2008	UNITED STATES OF AMERICA

(56) Related Art Documents: **Not Applicable**

(57) Statement of Newness and Distinctiveness: **Newness and distinctiveness resides in the features of shape and/or configuration of a wheeled cart as illustrated in the accompanying representations.**



(21) Design Number: **10704/2009**

(22) Date of Filing Application: **10 March 2009**

(24) Date from which industrial property rights may have effect: **10 March 2009**

(54) Product in respect of which the design is registered: **An extrusion**

(51) International Design Classification: **25-01K**

(71) Name(s) and Address(s) of Applicant(s):

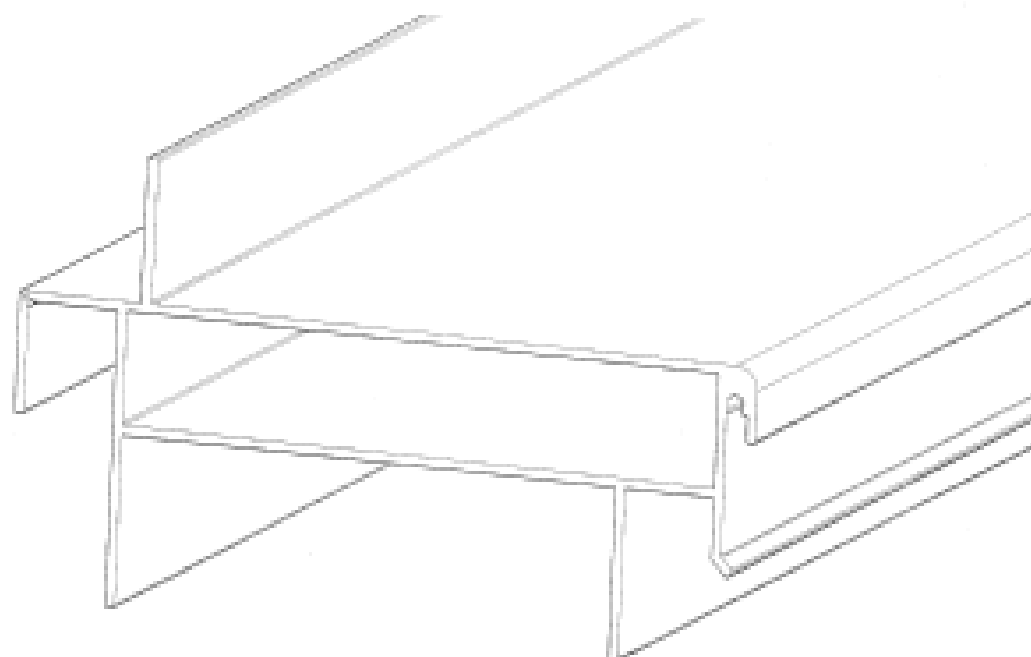
Daniel Falk
16 Grevillia Place Bridgeman Downs Queensland 4035 Australia

(72) Name(s) of Designer(s): **Daniel Falk**

(45) Registration Date: **12 March 2009**

(56) Related Art Documents: **Not Applicable**

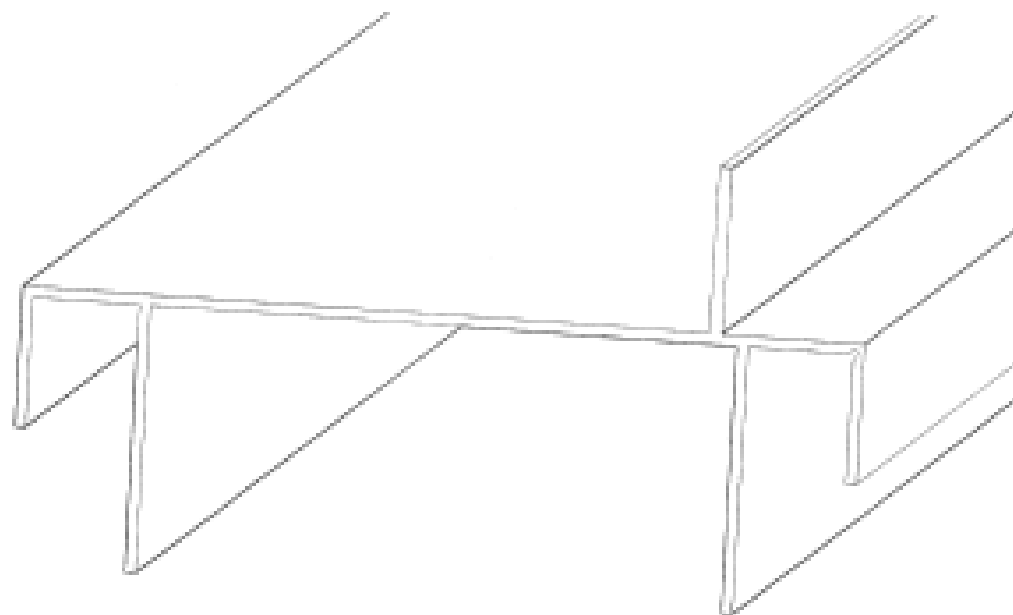
(57) Statement of Newness and Distinctiveness: **Newness and distinctiveness is claimed in the shape and/or configuration of the extrusion as shown in the accompanying representations. The extrusion is of indefinite length.**



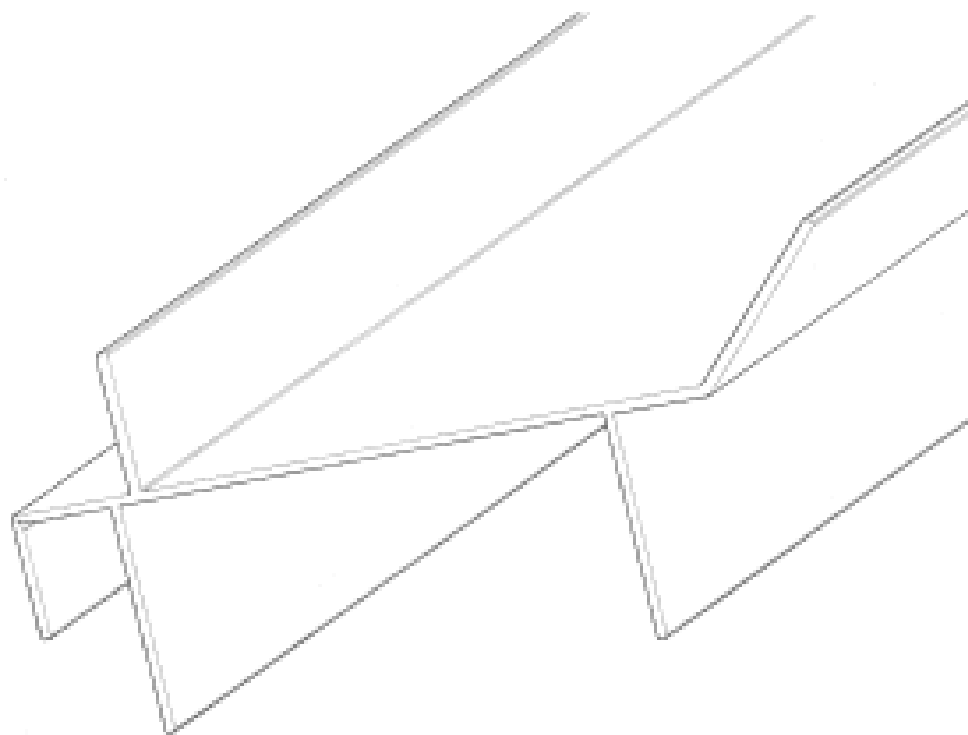
- (21) Design Number: **10778/2009**
(22) Date of Filing Application: **10 March 2009**
(24) Date from which industrial property rights may have effect: **10 March 2009**
(54) Product in respect of which the design is registered: **Chrome star shape with expandable inlet**
(51) International Design Classification: **12-16N**
(71) Name(s) and Address(s) of Applicant(s):
Chromend Supply Co.
13 Windsor Street Richmond New South Wales 2753 Australia
(72) Name(s) of Designer(s): **Daniel Woodbury**
(45) Registration Date: **12 March 2009**
(56) Related Art Documents: **Not Applicable**
(57) Statement of Newness and Distinctiveness: **This has a unique "5 Point Star" shape with a fine rolled edge incorporating a unique expandable inlet. Comes in a Single and Dual Outlet**



- (21) Design Number: **10702/2009**
(22) Date of Filing Application: **10 March 2009**
(24) Date from which industrial property rights may have effect: **10 March 2009**
(54) Product in respect of which the design is registered: **An extrusion**
(51) International Design Classification: **25-01K**
(71) Name(s) and Address(s) of Applicant(s):
Daniel Falk
16 Grevillia Place Bridgeman Downs Queensland 4035 Australia
(72) Name(s) of Designer(s): **Daniel Falk**
(45) Registration Date: **12 March 2009**
(56) Related Art Documents: **Not Applicable**
(57) Statement of Newness and Distinctiveness: **Newness and distinctiveness is claimed in the shape and/or configuration of the extrusion as shown in the accompanying representations. The extrusion is of indefinite length.**



- (21) Design Number: **10703/2009**
(22) Date of Filing Application: **10 March 2009**
(24) Date from which industrial property rights may have effect: **10 March 2009**
(54) Product in respect of which the design is registered: **An extrusion**
(51) International Design Classification: **25-01K**
(71) Name(s) and Address(s) of Applicant(s):
Daniel Falk
16 Grevillia Place Bridgeman Downs Queensland 4035 Australia
(72) Name(s) of Designer(s): **Daniel Falk**
(45) Registration Date: **12 March 2009**
(56) Related Art Documents: **Not Applicable**
(57) Statement of Newness and Distinctiveness: **Newness and distinctiveness is claimed in the shape and/or configuration of the extrusion as shown in the accompanying representations. The extrusion is of indefinite length.**



- (21) Design Number: **15678/2008**
(22) Date of Filing Application: **03 December 2008**
(24) Date from which industrial property rights may have effect: **03 December 2008**
(54) Product in respect of which the design is registered: **Hair removing appliance**
(51) International Design Classification: **28-03D**
(71) Name(s) and Address(s) of Applicant(s):
Braun GmbH
Frankfurter Str. 145 61476 Kronberg Germany
(72) Name(s) of Designer(s): **Bjorn Kling**
(45) Registration Date: **13 March 2009**
(30) Convention priority data:

(31) Number	(32) Date	(33) Country
402008003007.9	25 Jun 2008	GERMANY

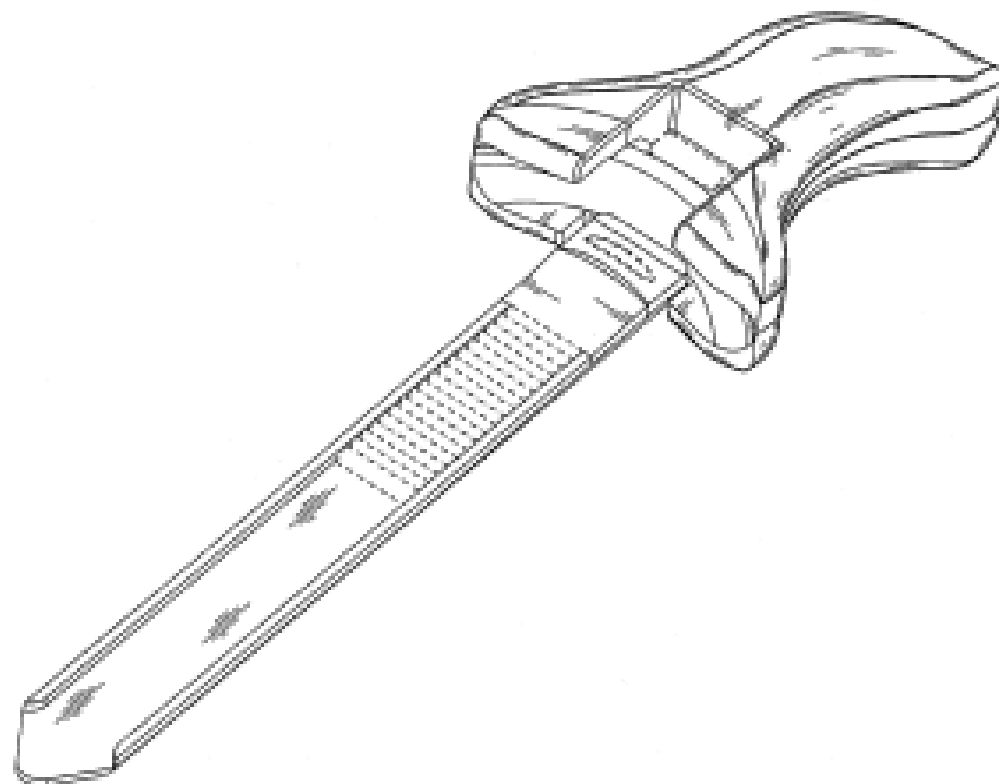
(56) Related Art Documents: **Not Applicable**
(57) Statement of Newness and Distinctiveness: **Nil**



(19) AU

- (21) Design Number: **10317/2009**
- (22) Date of Filing Application: **05 February 2009**
- (24) Date from which industrial property rights may have effect: **05 February 2009**
- (54) Product in respect of which the design is registered: **Transponder housing**
- (51) International Design Classification: **24-02, 14-03NES**
- (71) Name(s) and Address(s) of Applicant(s):
RF Surgical Systems, Inc.
2700 Richards Road Suite 204 Bellevue Washington 98005 United States of America
- (72) Name(s) of Designer(s): **William A. Blair**
- (45) Registration Date: **13 March 2009**
- (30) Convention priority data:

(31) Number	(32) Date	(33) Country
29/322539	06 Aug 2008	UNITED STATES OF AMERICA
- (56) Related Art Documents: **Not Applicable**
- (57) Statement of Newness and Distinctiveness: **Newness and distinctiveness is claimed in the visual features shown in solid lines in the representations.**



(19) AU

- (21) Design Number: **15476/2008**
- (22) Date of Filing Application: **19 November 2008**
- (24) Date from which industrial property rights may have effect: **19 November 2008**
- (54) Product in respect of which the design is registered: **Garment**
- (51) International Design Classification: **02-02NES**
- (71) Name(s) and Address(s) of Applicant(s):
Eskimo Red Pty Ltd
Suite 9 Level 3 46-58 Holt Street Surry Hills New South Wales 2010 Australia
- (72) Name(s) of Designer(s): **Shlomo Ajbschitz**
- (45) Registration Date: **13 March 2009**
- (56) Related Art Documents: **Not Applicable**
- (57) Statement of Newness and Distinctiveness: **Newness and distinctiveness resides in a women's polo shirt of short, 3/4 or long sleeve length, having shoulder pads, a side seam split at the bottom, a ribbed collar and embroidered front panel as shown in the representations.**



details



- (21) Design Number: **15477/2008**
(22) Date of Filing Application: **19 November 2008**
(24) Date from which industrial property rights may have effect: **19 November 2008**
(54) Product in respect of which the design is registered: **Garment**
(51) International Design Classification: **02-02NES**
(71) Name(s) and Address(s) of Applicant(s):

Eskimo Red Pty Ltd
Suite 9 Level 3 46-58 Holt Street Surry Hills New South Wales 2010
Australia

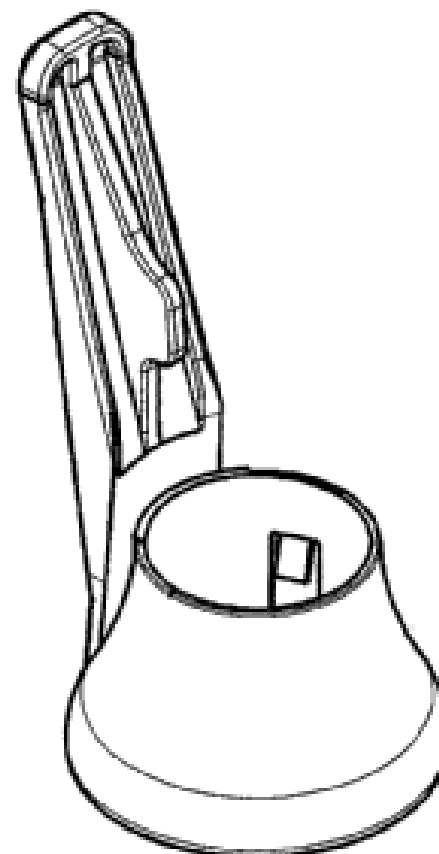
- (72) Name(s) of Designer(s): **Shlomo Ajbschitz**
(45) Registration Date: **13 March 2009**
(56) Related Art Documents: **Not Applicable**
(57) Statement of Newness and Distinctiveness: **Newness and distinctiveness resides in a women's polo shirt of short, 3/4 or long sleeve length, having shoulder pads, a side seam split at the bottom, front pocket and embroidered collar as shown in the representations.**



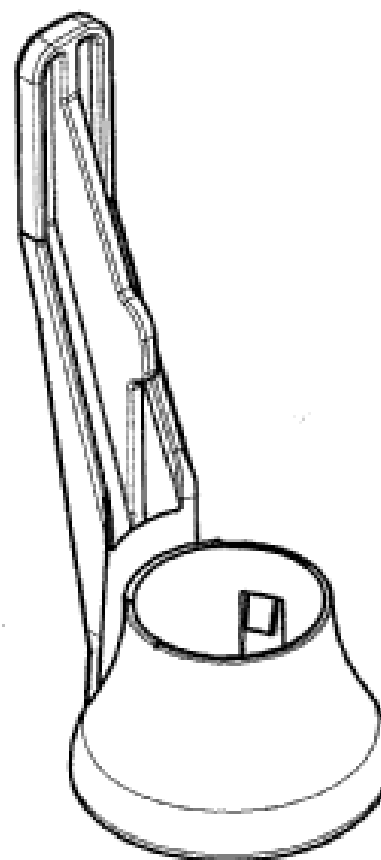
- (21) Design Number: **15709/2008**
(22) Date of Filing Application: **02 December 2008**
(24) Date from which industrial property rights may have effect: **02 December 2008**
(54) Product in respect of which the design is registered: **Dosing device for dispensing liquid adhesive**
(51) International Design Classification: **19-02, 09-07A**
(71) Name(s) and Address(s) of Applicant(s):

Kisling AG
Ringstrasse 30 8317 Tagelswangen Switzerland

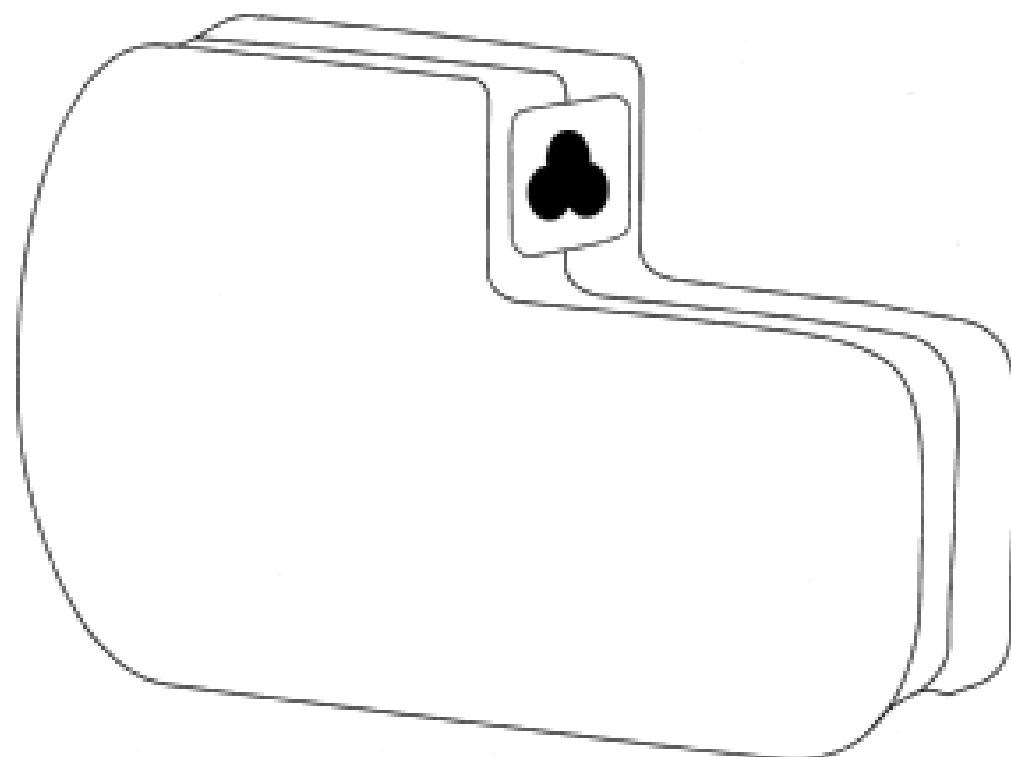
- (72) Name(s) of Designer(s): **Werner F. Dubach**
(45) Registration Date: **13 March 2009**
(30) Convention priority data:
(31) Number (32) Date (33) Country
000945266 03 Jun 2008 EUROPEAN COMMUNITY
(56) Related Art Documents: **Not Applicable**
(57) Statement of Newness and Distinctiveness: **Nil**



(21) Design Number: **15710/2008**
(22) Date of Filing Application: **02 December 2008**
(24) Date from which industrial property rights may have effect: **02 December 2008**
(54) Product in respect of which the design is registered: **Dosing device for dispensing liquid adhesive**
(51) International Design Classification: **19-02, 09-07A**
(71) Name(s) and Address(s) of Applicant(s):
Kisling AG
Ringstrasse 30 8317 Tagelswangen Switzerland
(72) Name(s) of Designer(s): **Werner F. Dubach**
(45) Registration Date: **13 March 2009**
(30) Convention priority data:
(31) Number (32) Date (33) Country
000945266 03 Jun 2008 EUROPEAN COMMUNITY
(56) Related Art Documents: **Not Applicable**
(57) Statement of Newness and Distinctiveness: **Nil**



(21) Design Number: **16055/2008**
(22) Date of Filing Application: **23 December 2008**
(24) Date from which industrial property rights may have effect: **23 December 2008**
(54) Product in respect of which the design is registered: **Power adapter**
(51) International Design Classification: **13-03D**
(71) Name(s) and Address(s) of Applicant(s):
Nano Touch International Pty Ltd
262 Pulteney Street Adelaide South Australia 5000 Australia
(72) Name(s) of Designer(s): **Massoud Esmaili**
(45) Registration Date: **13 March 2009**
(56) Related Art Documents: **Not Applicable**
(57) Statement of Newness and Distinctiveness: **Nil**



(21) Design Number: **10005/2009**

(22) Date of Filing Application: **02 January 2009**

(24) Date from which industrial property rights may have effect: **02 January 2009**

(54) Product in respect of which the design is registered: **Cap of pen**

(51) International Design Classification: **19-06**

(71) Name(s) and Address(s) of Applicant(s):

**Kabushiki Kaisha Pilot Corporation also trading as Pilot Corporation
6-21 Kyobashi 2-chome Chuo-ku Tokyo 1048304 Japan**

(72) Name(s) of Designer(s): **Akiko Daida**

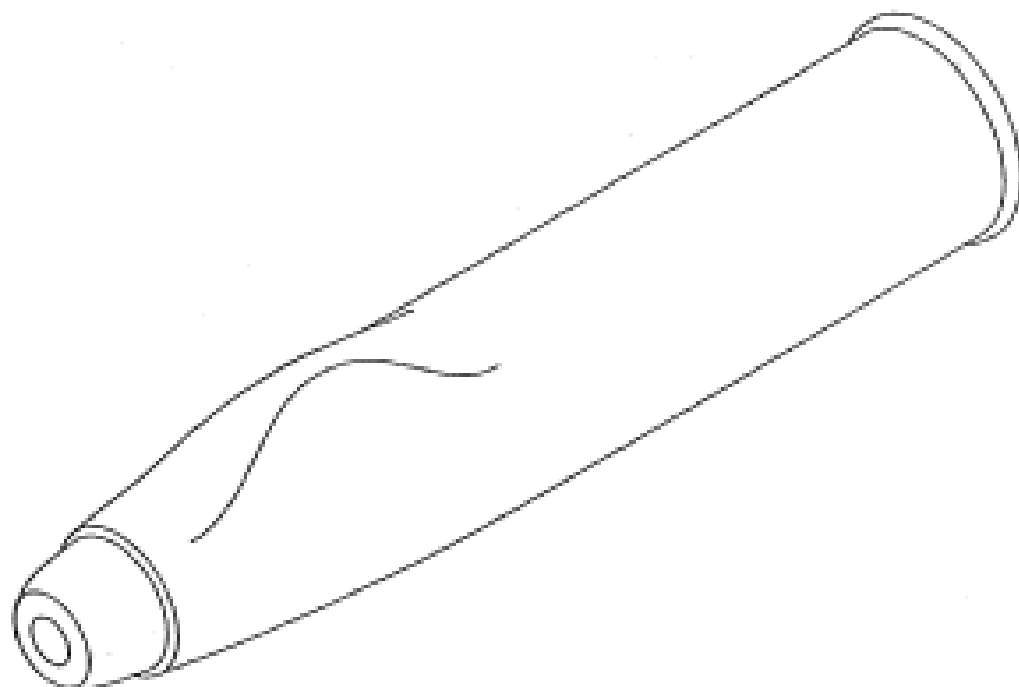
(45) Registration Date: **13 March 2009**

(30) Convention priority data:

(31) Number	(32) Date	(33) Country
2008-017100	02 Jul 2008	JAPAN

(56) Related Art Documents: **Not Applicable**

(57) Statement of Newness and Distinctiveness: **Newness and distinctiveness is claimed in the features of shape and/or configuration of a cap of pen as illustrated in the accompanying representations.**



(21) Design Number: **10205/2009**

(22) Date of Filing Application: **28 January 2009**

(24) Date from which industrial property rights may have effect: **28 January 2009**

(54) Product in respect of which the design is registered: **Curved sided pressure relieving mattress**

(51) International Design Classification: **06-09**

(71) Name(s) and Address(s) of Applicant(s):

**Paul Brackley
50 Satsuma Crescent Golden Grove South Australia 5125 Australia**

(72) Name(s) of Designer(s): **Paul Brackley**

(45) Registration Date: **13 March 2009**

(56) Related Art Documents: **Not Applicable**

(57) Statement of Newness and Distinctiveness: **Existing mattresses have just foam edges cut at 90 degrees glued on as borders to stop patients rolling out of bed, our design has the latex curved out to allow for freer movement and with pressure relieving foam across the entire surface over the borders in a design to give a naturally curved look.**



- (21) Design Number: **10272/2009**
- (22) Date of Filing Application: **03 February 2009**
- (24) Date from which industrial property rights may have effect: **03 February 2009**
- (54) Product in respect of which the design is registered: **A sand proof small neoprene bag**
- (51) International Design Classification: **03-01NES**
- (71) Name(s) and Address(s) of Applicant(s):

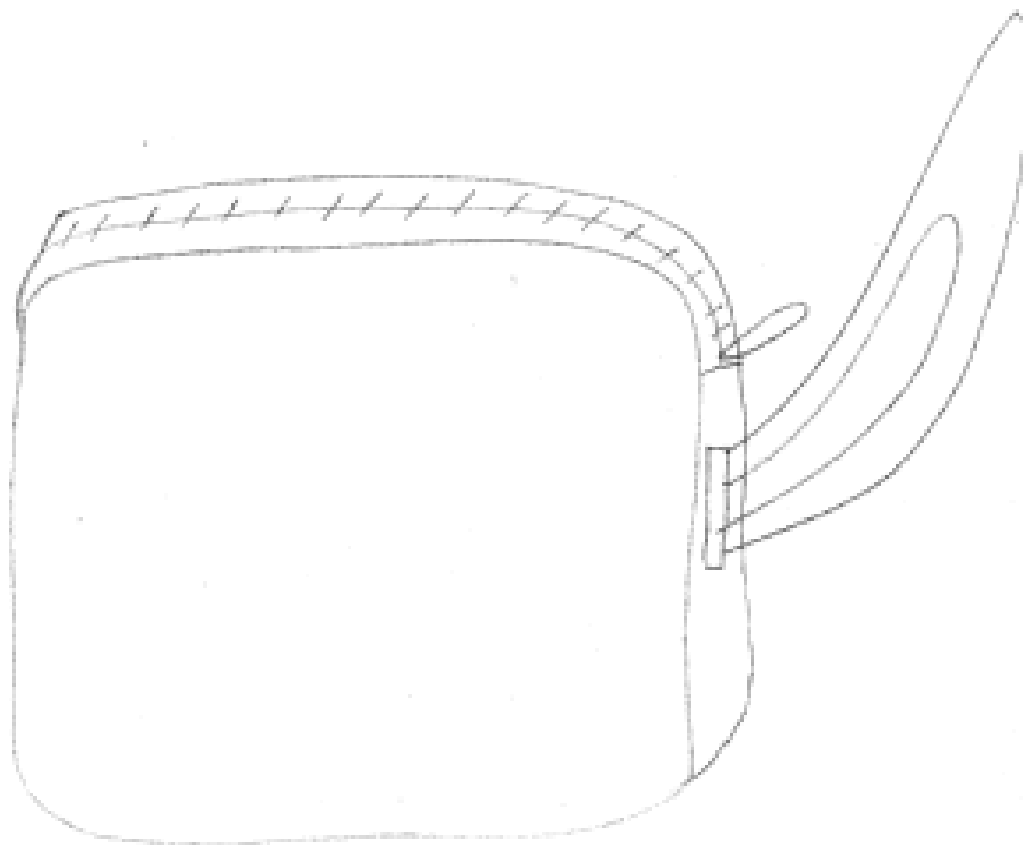
Peter Strain
11/53 Martin Place Sydney New South Wales 2000 Australia

(72) Name(s) of Designer(s): **Peter Strain**

(45) Registration Date: **13 March 2009**

(56) Related Art Documents: **Not Applicable**

(57) Statement of Newness and Distinctiveness: **The bag is new and distinctive in that is specially designed to take to the beach or sandy areas and protect belongings within the bag from the sand and also to be water resistant. The large toothed zipper on the outside of the bag allows the bag to be easily opened and closed and will not allow sand to either penetrate the zipper or interfere with the operation of the zipper. A smaller zipper will jam when it comes in contact with sand. The internal zipper pocket affords the user even further protection from the sand and water. The bag is designed to be made from neoprene thereby affording the user with both a sand proof material as well as a water resistant material. The bag is small enough to fit within larger beachbags and yet large enough to hold mobile phones, electronic keys and cameras etc. The neoprene material (from 2mm to 4mm) also provides the goods kept within the bag some protection against rough handling. Bags made from other material do not afford the same protection. The bag is equipped with a strap for easy handling.**



- (21) Design Number: **10770/2009**
- (22) Date of Filing Application: **11 March 2009**
- (24) Date from which industrial property rights may have effect: **11 March 2009**
- (54) Product in respect of which the design is registered: **Pool cleaner**
- (51) International Design Classification: **15-05**
- (71) Name(s) and Address(s) of Applicant(s):

Hayward Industries, Inc.
620 Division Street Elizabeth New Jersey 07201 United States of America

(72) Name(s) of Designer(s): **Jirawat Sumonthee**

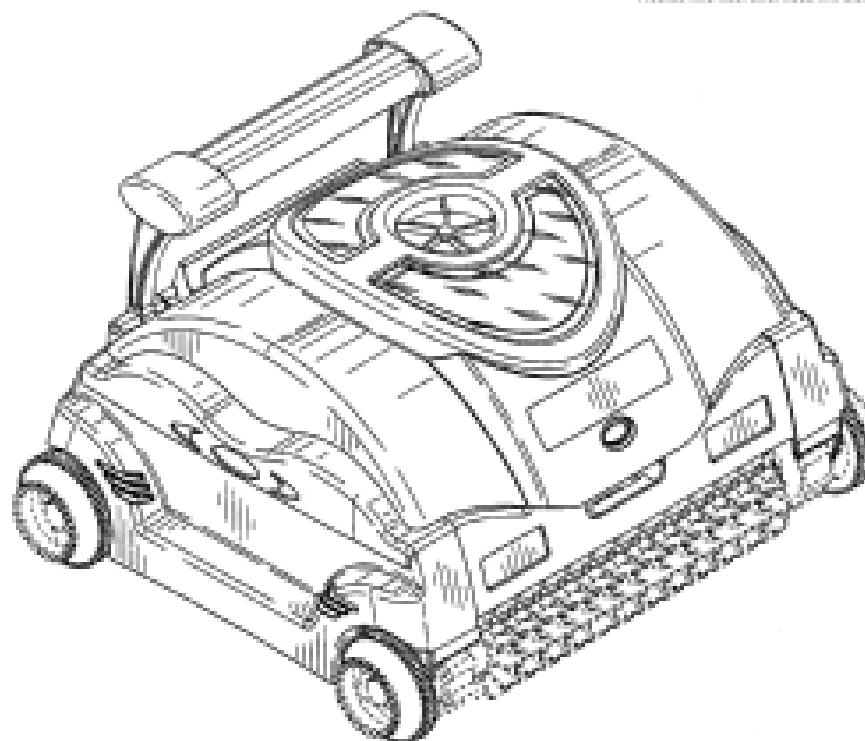
(45) Registration Date: **13 March 2009**

(30) Convention priority data:

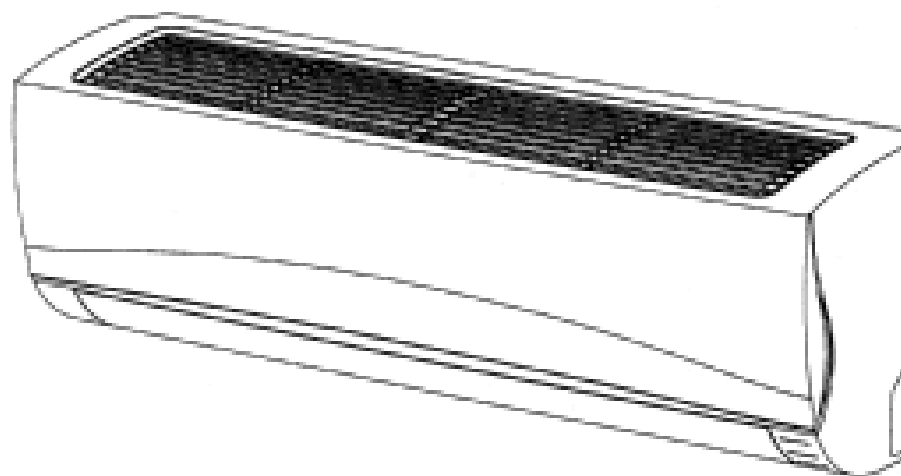
(31) Number	(32) Date	(33) Country
29/324,616	16 Sep 2008	UNITED STATES OF AMERICA

(56) Related Art Documents: **Not Applicable**

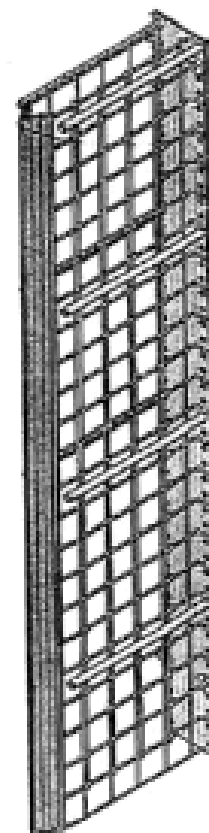
(57) Statement of Newness and Distinctiveness: **Newness and distinctiveness is claimed in the shape and/or configuration of a pool cleaner as illustrated in the representations and in considering the extent of the newness and distinctiveness of the shape and/or configuration of the pool cleaner, the roller, wheel and belt assemblies shown in phantom is to be disregarded.**



- (21) Design Number: **10773/2009**
(22) Date of Filing Application: **11 March 2009**
(24) Date from which industrial property rights may have effect: **11 March 2009**
(54) Product in respect of which the design is registered: **Air conditioner**
(51) International Design Classification: **23-04**
(71) Name(s) and Address(s) of Applicant(s):
LG Electronics Inc.
20 Yoido-dong Yongdungpo-gu Seoul Republic of Korea
(72) Name(s) of Designer(s): **Il Ha Park and Joo Gyeom Kim and Mun Woo Lee and Young Woo Kim and Min Ha Lee and Seon Kyu Kim**
(45) Registration Date: **13 March 2009**
(30) Convention priority data:
(31) Number (32) Date (33) Country
30-2008-0043762 10 Oct 2008 REPUBLIC OF KOREA
(56) Related Art Documents: **Not Applicable**
(57) Statement of Newness and Distinctiveness: **Newness and distinctiveness resides in the visual features of shape and/or configuration of an air conditioner as illustrated in the accompanying representations.**



- (21) Design Number: **10775/2009**
(22) Date of Filing Application: **11 March 2009**
(24) Date from which industrial property rights may have effect: **11 March 2009**
(54) Product in respect of which the design is registered: **A merchandising display panel**
(51) International Design Classification: **20-02E**
(71) Name(s) and Address(s) of Applicant(s):
Illinois Tool Works Inc.
3600 West Lake Avenue Glenview Illinois 60026 United States of America
(72) Name(s) of Designer(s): **Gary Irwig**
(45) Registration Date: **13 March 2009**
(56) Related Art Documents: **Not Applicable**
(57) Statement of Newness and Distinctiveness: **Nil**



(21) Design Number: **10779/2009**

(22) Date of Filing Application: **10 March 2009**

(24) Date from which industrial property rights may have effect: **10 March 2009**

(54) Product in respect of which the design is registered: **A faucet**

(51) International Design Classification: **23-01H**

(71) Name(s) and Address(s) of Applicant(s):

Kohler Co.

444 Highland Drive Kohler Wisconsin 53044 United States of America

(72) Name(s) of Designer(s): **Neils J. Eilmus**

(45) Registration Date: **13 March 2009**

(30) Convention priority data:

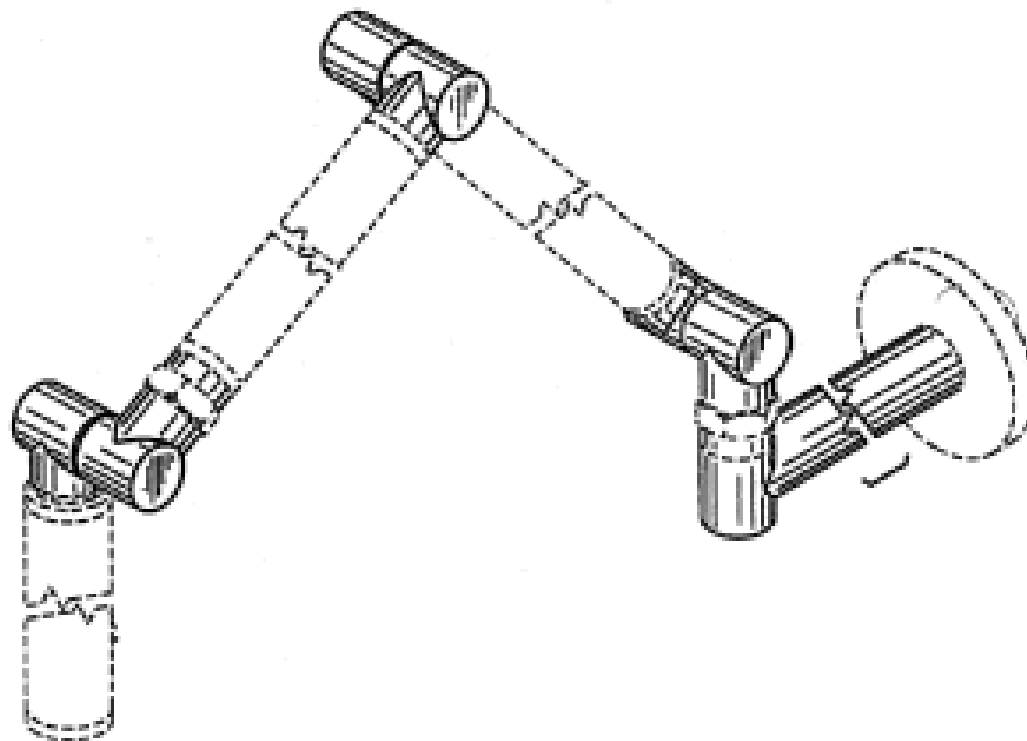
(31) Number
29/324,345

(32) Date
10 Sep 2008

(33) Country
UNITED STATES OF AMERICA

(56) Related Art Documents: **Not Applicable**

(57) Statement of Newness and Distinctiveness: **No regard is to be had to the elements depicted in broken lines in the representations.**



(21) Design Number: **10785/2009**

(22) Date of Filing Application: **12 March 2009**

(24) Date from which industrial property rights may have effect: **12 March 2009**

(54) Product in respect of which the design is registered: **Wind turbine rotor**

(51) International Design Classification: **13-01**

(71) Name(s) and Address(s) of Applicant(s):

Betty Lee Snow

23 Old Lake Road Devonport Auckland 0624 New Zealand

(72) Name(s) of Designer(s): **Betty Lee Snow**

(45) Registration Date: **13 March 2009**

(30) Convention priority data:

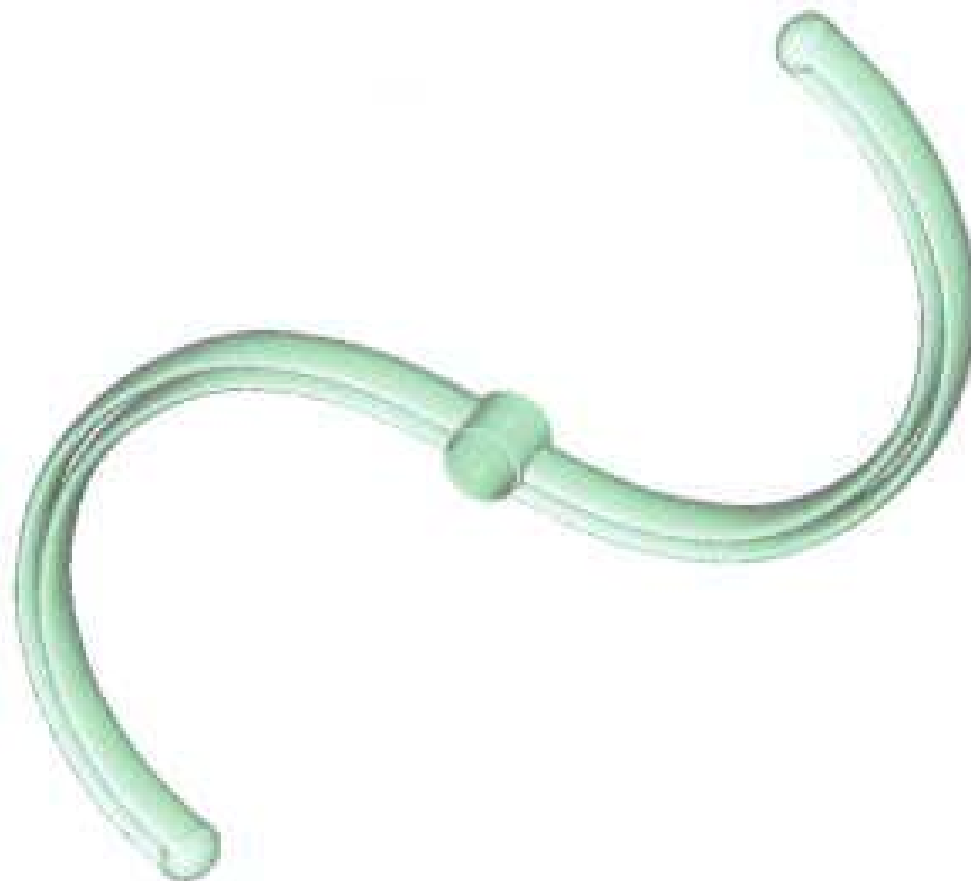
(31) Number
411910

(32) Date
13 Feb 2009

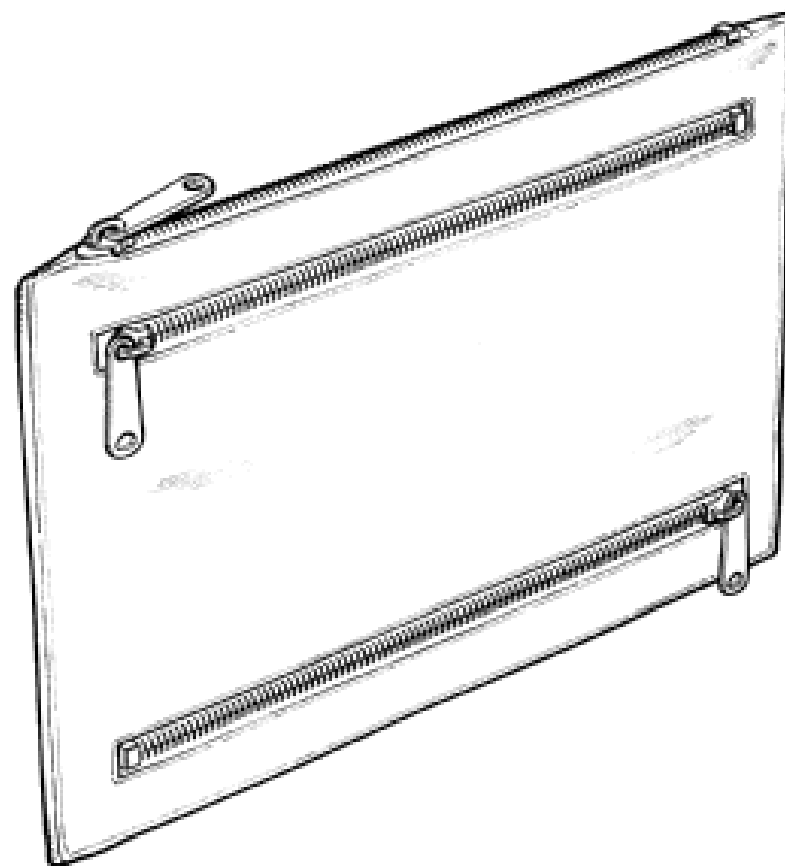
(33) Country
NEW ZEALAND

(56) Related Art Documents: **Not Applicable**

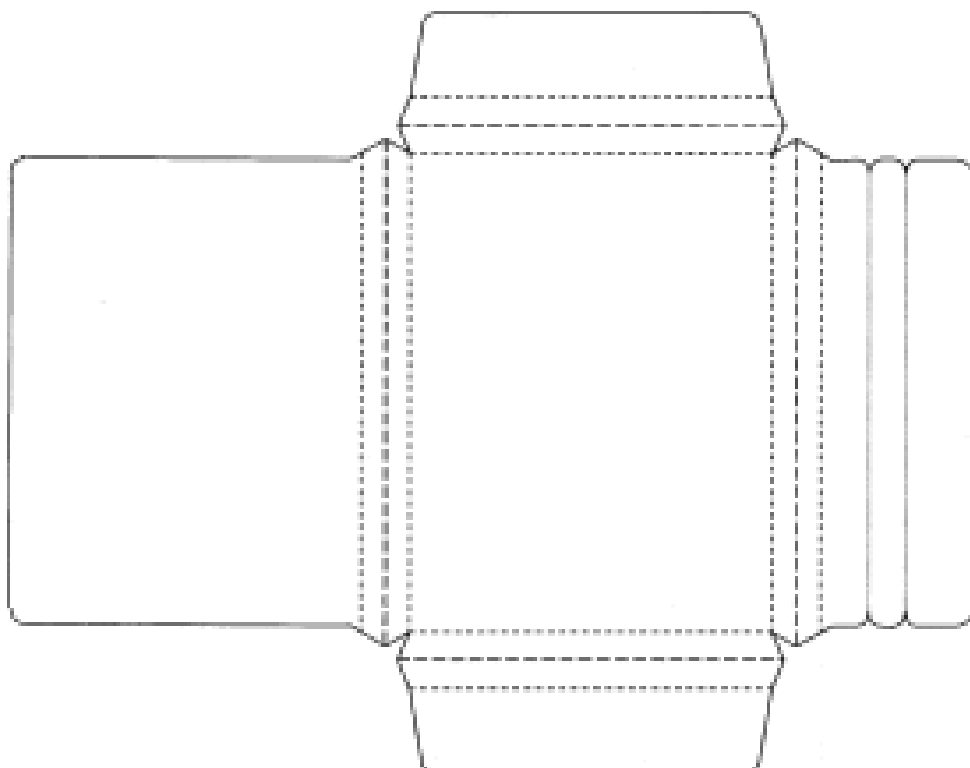
(57) Statement of Newness and Distinctiveness: **The novel features of the design are shown in the attached representations.**



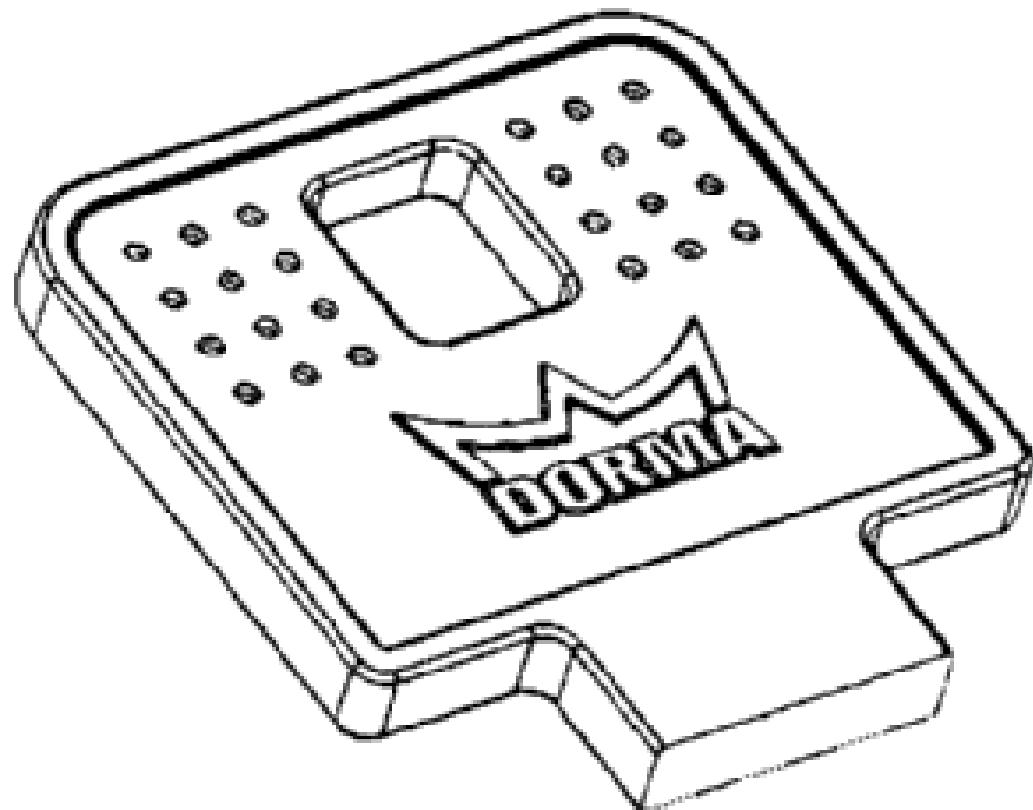
- (21) Design Number: **10782/2009**
(22) Date of Filing Application: **11 March 2009**
(24) Date from which industrial property rights may have effect: **11 March 2009**
(54) Product in respect of which the design is registered: **Multi-compartment pouch**
(51) International Design Classification: **03-01B**
(71) Name(s) and Address(s) of Applicant(s):
Agressor Corporation Pty Ltd
25A Vaucluse Road Vaucluse New South Wales 2030 Australia
(72) Name(s) of Designer(s): **Henry Erwin Spira**
(45) Registration Date: **13 March 2009**
(56) Related Art Documents: **Not Applicable**
(57) Statement of Newness and Distinctiveness: **Newness and distinctiveness is claimed in the features of shape and/or configuration of a multi-compartment pouch as illustrated in the accompanying representations.**



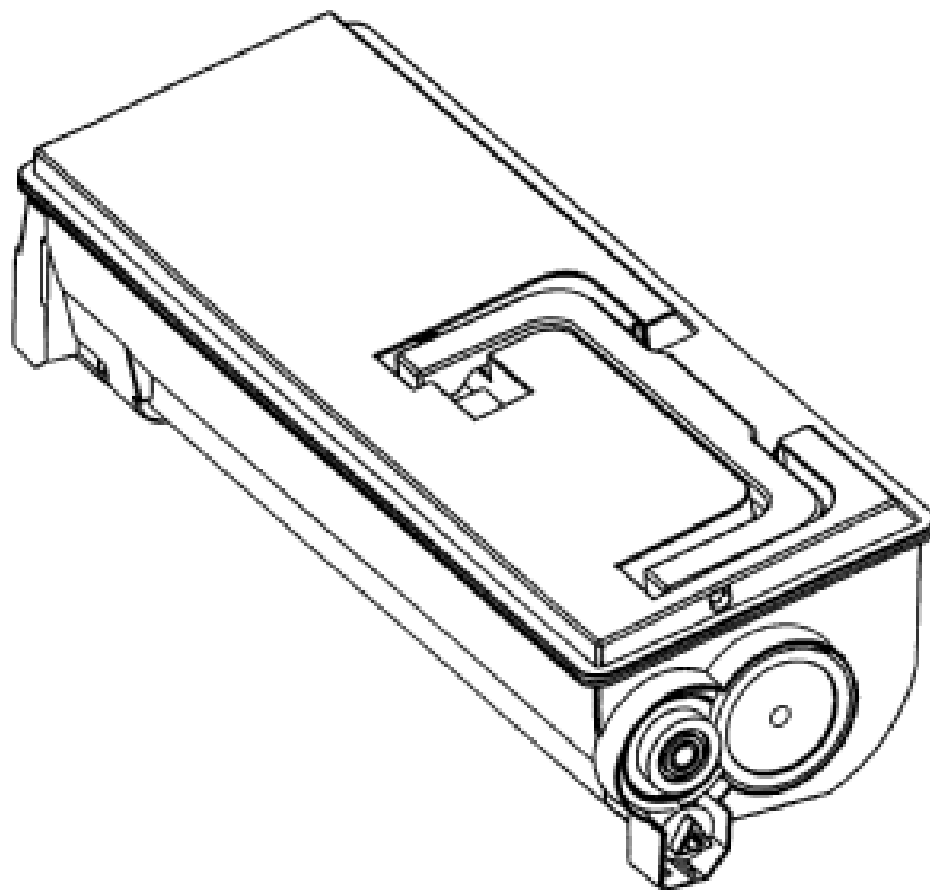
- (21) Design Number: **10531/2009**
(22) Date of Filing Application: **23 February 2009**
(24) Date from which industrial property rights may have effect: **23 February 2009**
(54) Product in respect of which the design is registered: **Expanding mailer pack**
(51) International Design Classification: **09-03NES**
(71) Name(s) and Address(s) of Applicant(s):
John Maxwell Warner
2/252 Pacific Highway Greenwich New South Wales 2065 Australia
(72) Name(s) of Designer(s): **John Maxwell Warner**
(45) Registration Date: **13 March 2009**
(56) Related Art Documents: **Not Applicable**
(57) Statement of Newness and Distinctiveness: **This mailer pack has the unique features of being produced in flattened form and expanding to accommodate the contents with the angled corner closure being unique also. The peel off 2/s tape adhesive strip provides conventional closure, security and zip opening systems.**



(21) Design Number: **10774/2009**
(22) Date of Filing Application: **11 March 2009**
(24) Date from which industrial property rights may have effect: **11 March 2009**
(54) Product in respect of which the design is registered: **A ward of a key**
(51) International Design Classification: **08-07**
(71) Name(s) and Address(s) of Applicant(s):
DORMA GmbH + Co. KG
Breckerfelder Strasse 42-48 Ennepetal D-58256 Germany
(72) Name(s) of Designer(s): **Georg Kaluza**
(45) Registration Date: **13 March 2009**
(30) Convention priority data:
(31) Number (32) Date (33) Country
001001093 11 Sep 2008 EUROPEAN COMMUNITY
(56) Related Art Documents: **Not Applicable**
(57) Statement of Newness and Distinctiveness: **Nil**



(21) Design Number: **10771/2009**
(22) Date of Filing Application: **11 March 2009**
(24) Date from which industrial property rights may have effect: **11 March 2009**
(54) Product in respect of which the design is registered: **Toner cartridge**
(51) International Design Classification: **14-02**
(71) Name(s) and Address(s) of Applicant(s):
Kyocera Mita Corporation
2-28 Tamatsukuri 1-Chome Chuo-ku Osaka 540 8585 Japan
(72) Name(s) of Designer(s): **Daisuke Eto**
(45) Registration Date: **13 March 2009**
(30) Convention priority data:
(31) Number (32) Date (33) Country
2008-023943 18 Sep 2008 JAPAN
(56) Related Art Documents: **Not Applicable**
(57) Statement of Newness and Distinctiveness: **Nil**



(21) Design Number: **12704/2008**

(22) Date of Filing Application: **06 June 2008**

(24) Date from which industrial property rights may have effect: **06 June 2008**

(54) Product in respect of which the design is registered: **Ventilation duct**

(51) International Design Classification: **23-04**

(71) Name(s) and Address(s) of Applicant(s):

Kevin John Baker

6 Sheehan Street Pearce ACT 2607 Australia

(72) Name(s) of Designer(s): **Kevin John Baker**

(45) Registration Date: **16 March 2009**

(56) Related Art Documents: **Not Applicable**

(57) Statement of Newness and Distinctiveness: **Newness and distinctiveness is claimed in the shape and/or configuration of the ventilation duct as shown in the representations.**



(21) Design Number: **12705/2008**

(22) Date of Filing Application: **06 June 2008**

(24) Date from which industrial property rights may have effect: **06 June 2008**

(54) Product in respect of which the design is registered: **Ventilation duct**

(51) International Design Classification: **23-04**

(71) Name(s) and Address(s) of Applicant(s):

Kevin John Baker

6 Sheehan Street Pearce ACT 2607 Australia

(72) Name(s) of Designer(s): **Kevin John Baker**

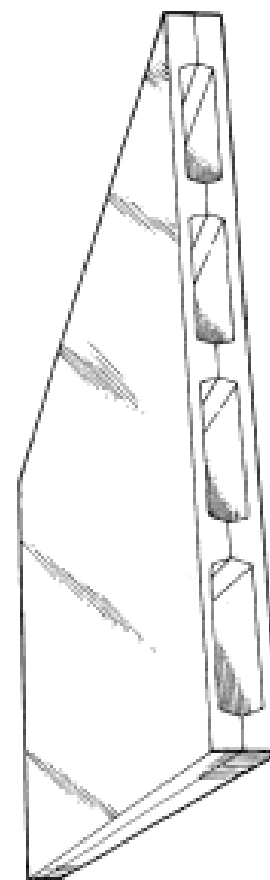
(45) Registration Date: **16 March 2009**

(56) Related Art Documents: **Not Applicable**

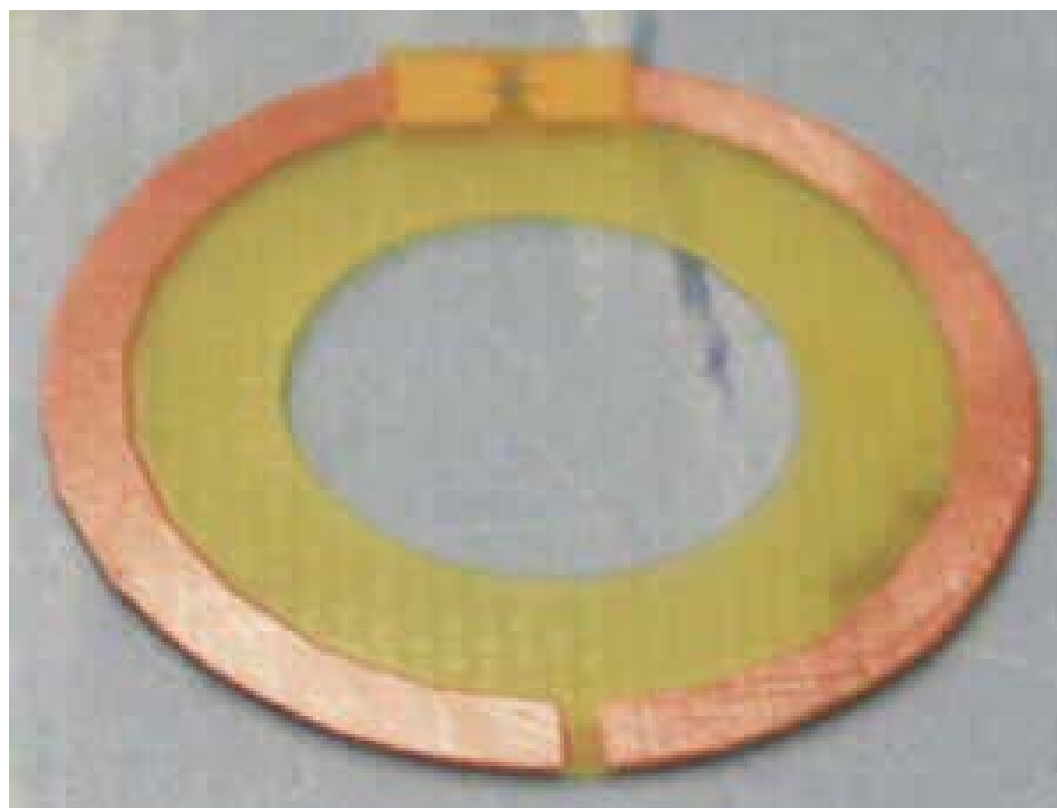
(57) Statement of Newness and Distinctiveness: **Newness and distinctiveness is claimed in the shape and/or configuration of the ventilation duct as shown in the representations.**



- (21) Design Number: **14312/2008**
(22) Date of Filing Application: **08 September 2008**
(24) Date from which industrial property rights may have effect: **08 September 2008**
(54) Product in respect of which the design is registered: **A building panel**
(51) International Design Classification: **25-01D**
(71) Name(s) and Address(s) of Applicant(s):
Maroon Group Constructions Pty Ltd
21/23 Traders Way Currumbin Queensland 4223 Australia
(72) Name(s) of Designer(s): **Adrian Lee Brunker**
(45) Registration Date: **16 March 2009**
(56) Related Art Documents: **Not Applicable**
(57) Statement of Newness and Distinctiveness: **Nil**



- (21) Design Number: **15518/2008**
(22) Date of Filing Application: **24 November 2008**
(24) Date from which industrial property rights may have effect: **24 November 2008**
(54) Product in respect of which the design is registered: **An RFID tag at UHF for identification of animals, in particular pigs**
(51) International Design Classification: **30-08**
(71) Name(s) and Address(s) of Applicant(s):
Pork CRC Ltd
University of Adelaide Roseworthy Campus Mudla Wirra Rd
Roseworthy South Australia 5371 Australia
(72) Name(s) of Designer(s): **Mun Leng Ng and Peter Cole and Kin Seong Leong**
(45) Registration Date: **16 March 2009**
(56) Related Art Documents: **Not Applicable**
(57) Statement of Newness and Distinctiveness: **See attached printouts of the RFID tag antenna blue = substrate (25 mm outside diameter) red = top layer green = bottom layer. Please be advised that this is an implementation of the tag. The material used is called FR4. It is printed circuit board (PCB) material, with a copper surface that has been etched to the required pattern, as detailed in the original submission. The PCB material is 0.02 mm in thickness. The outside dimension is 25 mm. What can be seen in this photograph is the bottom layer, with an RFID chip attached at the above slit in the copper track.**



(21) Design Number: **15520/2008**

(22) Date of Filing Application: **24 November 2008**

(24) Date from which industrial property rights may have effect: **24 November 2008**

(54) Product in respect of which the design is registered: **Rope hitch**

(51) International Design Classification: **12-16L, 12-05**

(71) Name(s) and Address(s) of Applicant(s):

Brian Green

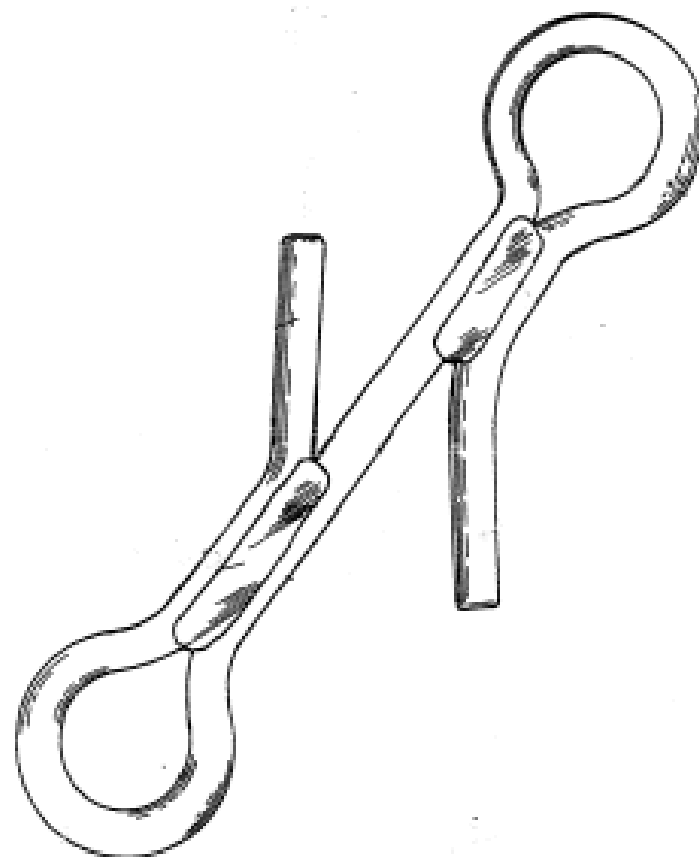
6 Tarina Street Cleveland Queensland 4163 Australia

(72) Name(s) of Designer(s): **Brian William Green**

(45) Registration Date: **16 March 2009**

(56) Related Art Documents: **Not Applicable**

(57) Statement of Newness and Distinctiveness: **The symmetrical design allows the user to clip onto a rope/cord from either end. The two parallel arm/tags are then used to lock the rope/cord without the use of a knot. The eyes can be used as a pulley allowing up to 8:1 mechanical advantage to tension the rope.**



(21) Design Number: **10223/2009**

(22) Date of Filing Application: **29 January 2009**

(24) Date from which industrial property rights may have effect: **29 January 2009**

(54) Product in respect of which the design is registered: **Animal shaped footwear**

(51) International Design Classification: **02-04NES**

(71) Name(s) and Address(s) of Applicant(s):

Toh Ung Ngu

2 Ellad Close Vermont Victoria 3133 Australia

(72) Name(s) of Designer(s): **Ming Tung Hwang**

(45) Registration Date: **16 March 2009**

(56) Related Art Documents: **Not Applicable**

(57) Statement of Newness and Distinctiveness: **Newness and distinctiveness resides in the features of shape and configuration of the footwear shown in the representations but not in the words "FROG BABY" and the frog symbol.**



(21) Design Number: **10239/2009**

(22) Date of Filing Application: **30 January 2009**

(24) Date from which industrial property rights may have effect: **30 January 2009**

(54) Product in respect of which the design is registered: **Vehicle grille**

(51) International Design Classification: **12-16B**

(71) Name(s) and Address(s) of Applicant(s):

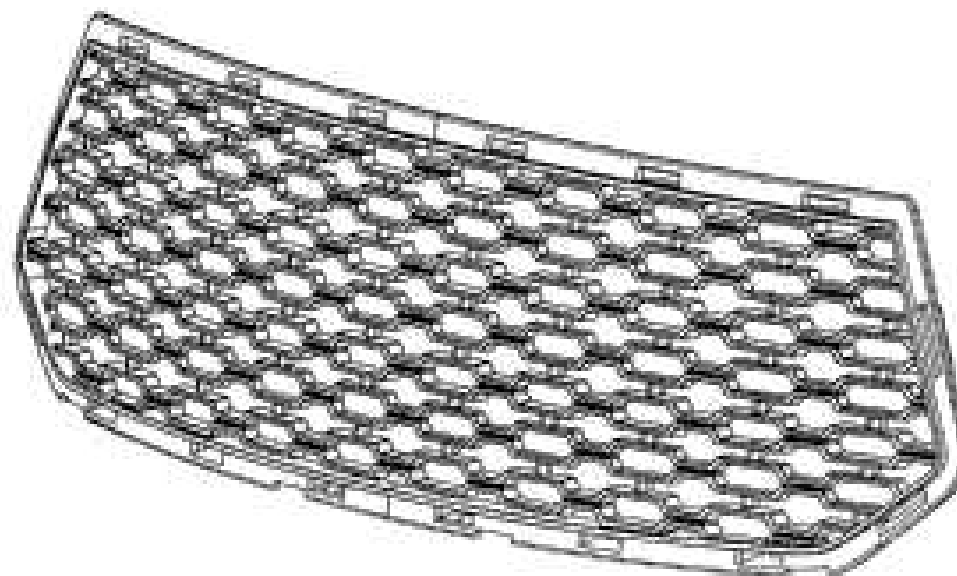
**GM Global Technology Operations, Inc
300 Renaissance Center Detroit Michigan 48265-3000 United States of
America**

(72) Name(s) of Designer(s): **Adam Smith**

(45) Registration Date: **16 March 2009**

(56) Related Art Documents: **Not Applicable**

(57) Statement of Newness and Distinctiveness: **Newness and distinctiveness is claimed in the shape and/or configuration of a vehicle grille as shown in the accompanying representations.**



(21) Design Number: **10240/2009**

(22) Date of Filing Application: **30 January 2009**

(24) Date from which industrial property rights may have effect: **30 January 2009**

(54) Product in respect of which the design is registered: **Vehicle grille**

(51) International Design Classification: **12-16B**

(71) Name(s) and Address(s) of Applicant(s):

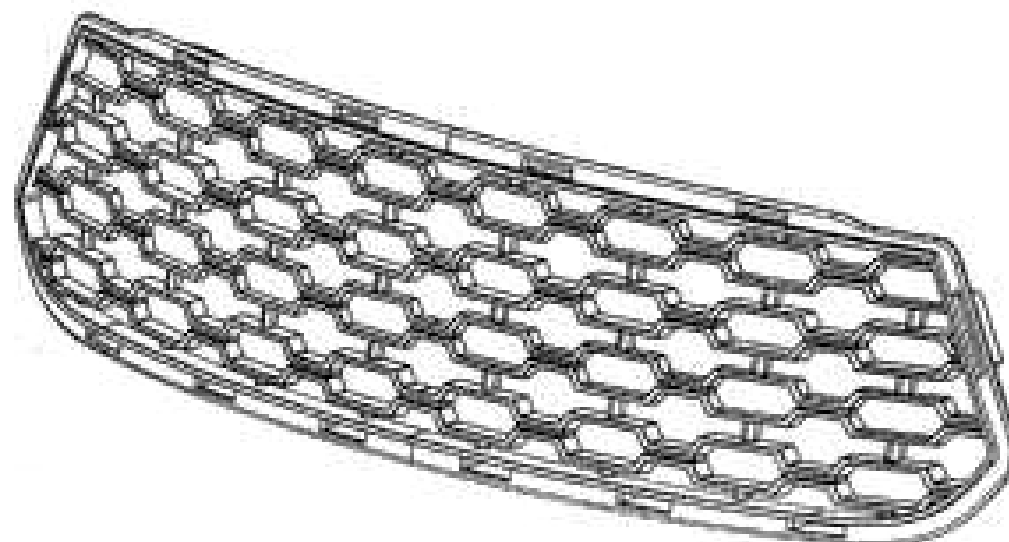
**GM Global Technology Operations, Inc
300 Renaissance Center Detroit Michigan 48265-3000 United States of
America**

(72) Name(s) of Designer(s): **Adam Smith**

(45) Registration Date: **16 March 2009**

(56) Related Art Documents: **Not Applicable**

(57) Statement of Newness and Distinctiveness: **Newness and distinctiveness is claimed in the shape and/or configuration of a vehicle grille as shown in the accompanying representations.**



(21) Design Number: **10241/2009**

(22) Date of Filing Application: **30 January 2009**

(24) Date from which industrial property rights may have effect: **30 January 2009**

(54) Product in respect of which the design is registered: **Left-side and right-side vehicle grilles**

(51) International Design Classification: **12-16B**

(71) Name(s) and Address(s) of Applicant(s):

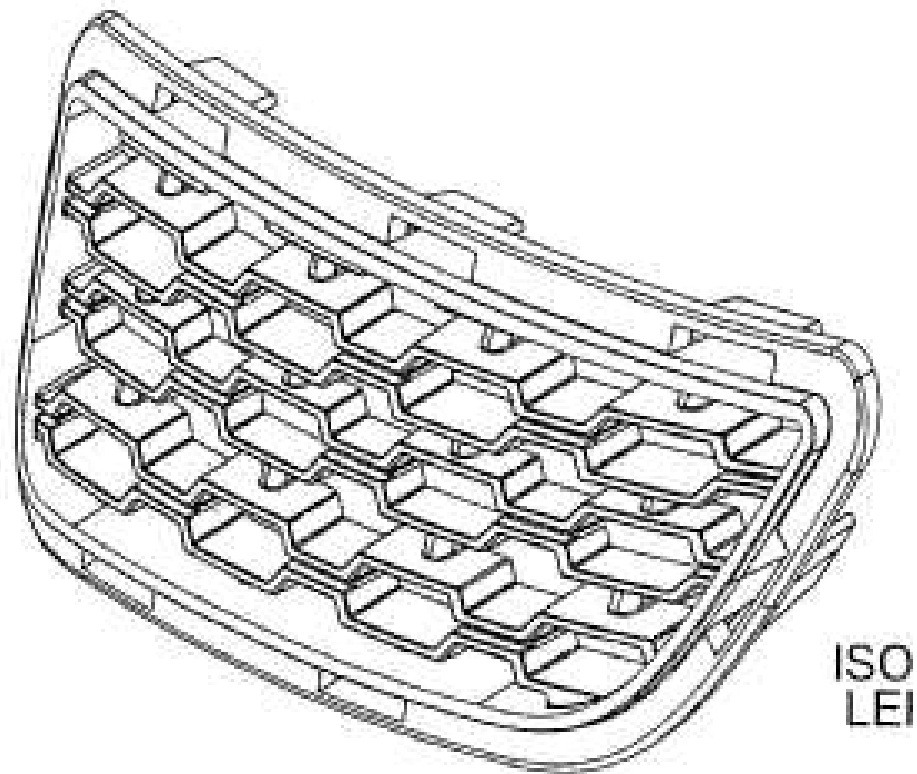
**GM Global Technology Operations, Inc
300 Renaissance Center Detroit Michigan 48265-3000 United States of America**

(72) Name(s) of Designer(s): **Adam Smith**

(45) Registration Date: **16 March 2009**

(56) Related Art Documents: **Not Applicable**

(57) Statement of Newness and Distinctiveness: **Newness and distinctiveness is claimed in the shape and/or configuration of a left-side and right-side vehicle grille as shown in the accompanying representations.**



(21) Design Number: **10242/2009**

(22) Date of Filing Application: **30 January 2009**

(24) Date from which industrial property rights may have effect: **30 January 2009**

(54) Product in respect of which the design is registered: **Left-side and right-side vehicle lamp surrounds**

(51) International Design Classification: **12-16E**

(71) Name(s) and Address(s) of Applicant(s):

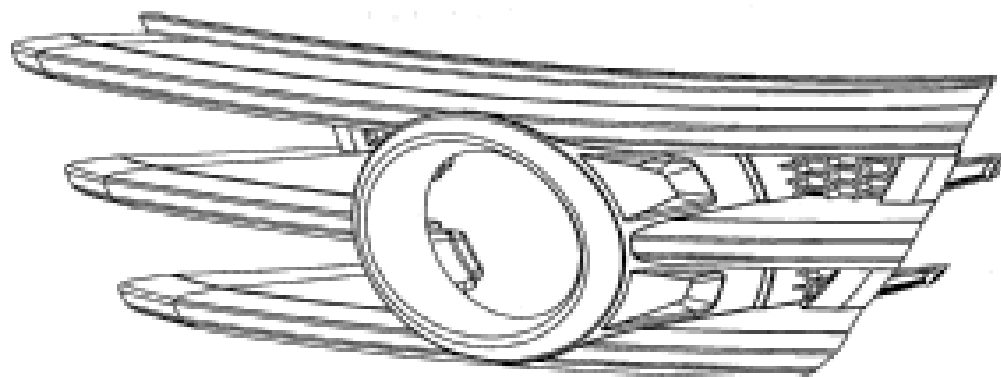
**GM Global Technology Operations, Inc
300 Renaissance Center Detroit Michigan 48265-3000 United States of America**

(72) Name(s) of Designer(s): **Adam Smith**

(45) Registration Date: **16 March 2009**

(56) Related Art Documents: **Not Applicable**

(57) Statement of Newness and Distinctiveness: **Newness and distinctiveness is claimed in the shape and/or configuration of a left-side and right-side vehicle lamp surround as shown in the accompanying representations.**



(21) Design Number: **10243/2009**

(22) Date of Filing Application: **30 January 2009**

(24) Date from which industrial property rights may have effect: **30 January 2009**

(54) Product in respect of which the design is registered: **Left-side and right-side vehicle lamp surrounds**

(51) International Design Classification: **12-16E**

(71) Name(s) and Address(s) of Applicant(s):

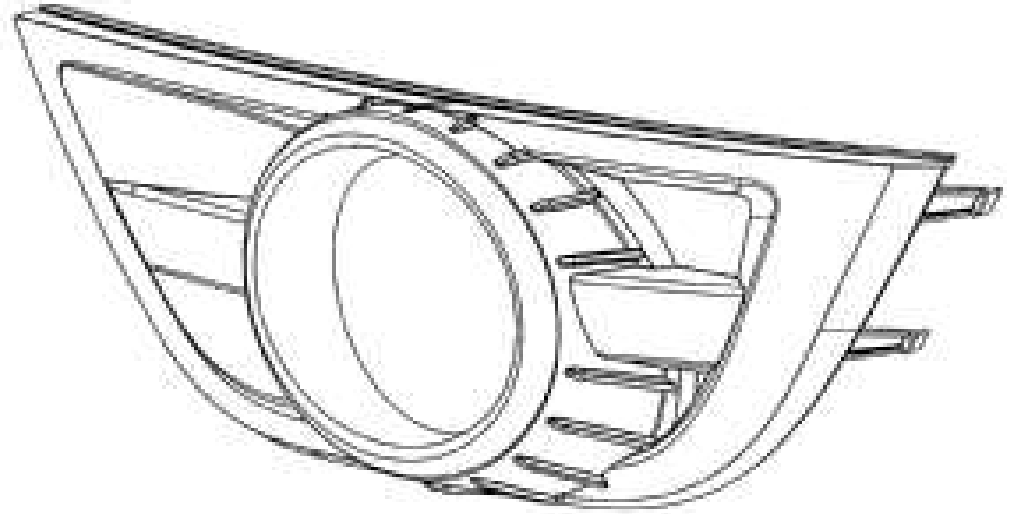
**GM Global Technology Operations, Inc
300 Renaissance Center Detroit Michigan 48265-3000 United States of America**

(72) Name(s) of Designer(s): **Adam Smith**

(45) Registration Date: **16 March 2009**

(56) Related Art Documents: **Not Applicable**

(57) Statement of Newness and Distinctiveness: **Newness and distinctiveness is claimed in the shape and/or configuration of a left-side and right-side vehicle lamp surround as shown in the accompanying representations.**



(21) Design Number: **10244/2009**

(22) Date of Filing Application: **30 January 2009**

(24) Date from which industrial property rights may have effect: **30 January 2009**

(54) Product in respect of which the design is registered: **Vehicle wheel**

(51) International Design Classification: **12-16A**

(71) Name(s) and Address(s) of Applicant(s):

**GM Global Technology Operations, Inc
300 Renaissance Center Detroit Michigan 48265-3000 United States of America**

(72) Name(s) of Designer(s): **Julian Quincey**

(45) Registration Date: **16 March 2009**

(56) Related Art Documents: **Not Applicable**

(57) Statement of Newness and Distinctiveness: **Newness and distinctiveness is claimed in the shape and/or configuration of a vehicle wheel as shown in the accompanying drawings, except that the rim is to be disregarded.**



(21) Design Number: **10245/2009**

(22) Date of Filing Application: **30 January 2009**

(24) Date from which industrial property rights may have effect: **30 January 2009**

(54) Product in respect of which the design is registered: **Vehicle wheel**

(51) International Design Classification: **12-16A**

(71) Name(s) and Address(s) of Applicant(s):

**GM Global Technology Operations, Inc
300 Renaissance Center Detroit Michigan 48265-3000 United States of
America**

(72) Name(s) of Designer(s): **Adam Smith**

(45) Registration Date: **16 March 2009**

(56) Related Art Documents: **Not Applicable**

(57) Statement of Newness and Distinctiveness: **Newness and distinctiveness is claimed in the shape and/or configuration of a vehicle wheel as shown in the representations, except that the rim is to be disregarded.**



(21) Design Number: **10246/2009**

(22) Date of Filing Application: **30 January 2009**

(24) Date from which industrial property rights may have effect: **30 January 2009**

(54) Product in respect of which the design is registered: **Vehicle wheel**

(51) International Design Classification: **12-16A**

(71) Name(s) and Address(s) of Applicant(s):

**GM Global Technology Operations, Inc
300 Renaissance Center Detroit Michigan 48265-3000 United States of
America**

(72) Name(s) of Designer(s): **Adam Smith**

(45) Registration Date: **16 March 2009**

(56) Related Art Documents: **Not Applicable**

(57) Statement of Newness and Distinctiveness: **Newness and distinctiveness is claimed in the shape and/or configuration of a vehicle wheel as shown in the accompanying representations, except that the rim is to be disregarded.**



(21) Design Number: **10247/2009**

(22) Date of Filing Application: **30 January 2009**

(24) Date from which industrial property rights may have effect: **30 January 2009**

(54) Product in respect of which the design is registered: **Vehicle wheel**

(51) International Design Classification: **12-16A**

(71) Name(s) and Address(s) of Applicant(s):

**GM Global Technology Operations, Inc
300 Renaissance Center Detroit Michigan 48265-3000 United States of
America**

(72) Name(s) of Designer(s): **Adam Smith**

(45) Registration Date: **16 March 2009**

(56) Related Art Documents: **Not Applicable**

(57) Statement of Newness and Distinctiveness: **Newness and distinctiveness is claimed in the shape and/or configuration of a vehicle wheel as shown in the accompanying representations, except that the rim is to be disregarded.**



(21) Design Number: **10248/2009**

(22) Date of Filing Application: **30 January 2009**

(24) Date from which industrial property rights may have effect: **30 January 2009**

(54) Product in respect of which the design is registered: **Vehicle grille**

(51) International Design Classification: **12-16B**

(71) Name(s) and Address(s) of Applicant(s):

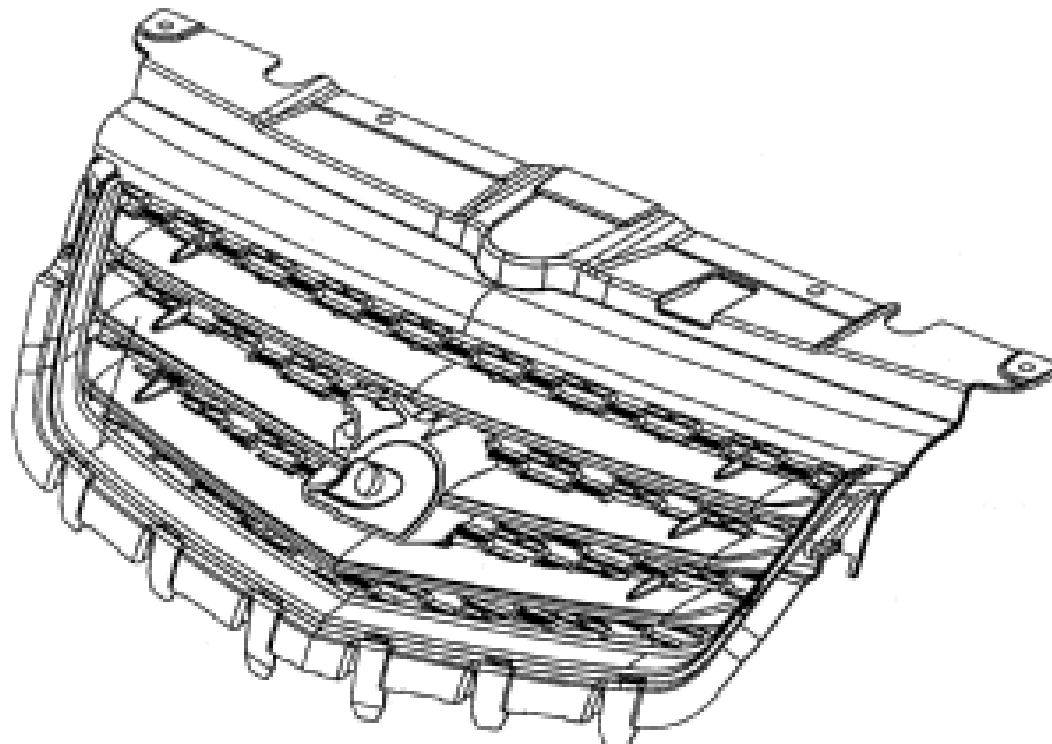
**GM Global Technology Operations, Inc
300 Renaissance Center Detroit Michigan 48265-3000 United States of
America**

(72) Name(s) of Designer(s): **Adam Smith**

(45) Registration Date: **16 March 2009**

(56) Related Art Documents: **Not Applicable**

(57) Statement of Newness and Distinctiveness: **Newness and distinctiveness is claimed in the shape and/or configuration of a vehicle grille as shown in the accompanying representations.**



(21) Design Number: **10249/2009**

(22) Date of Filing Application: **30 January 2009**

(24) Date from which industrial property rights may have effect: **30 January 2009**

(54) Product in respect of which the design is registered: **Vehicle hood header**

(51) International Design Classification: **12-16C**

(71) Name(s) and Address(s) of Applicant(s):

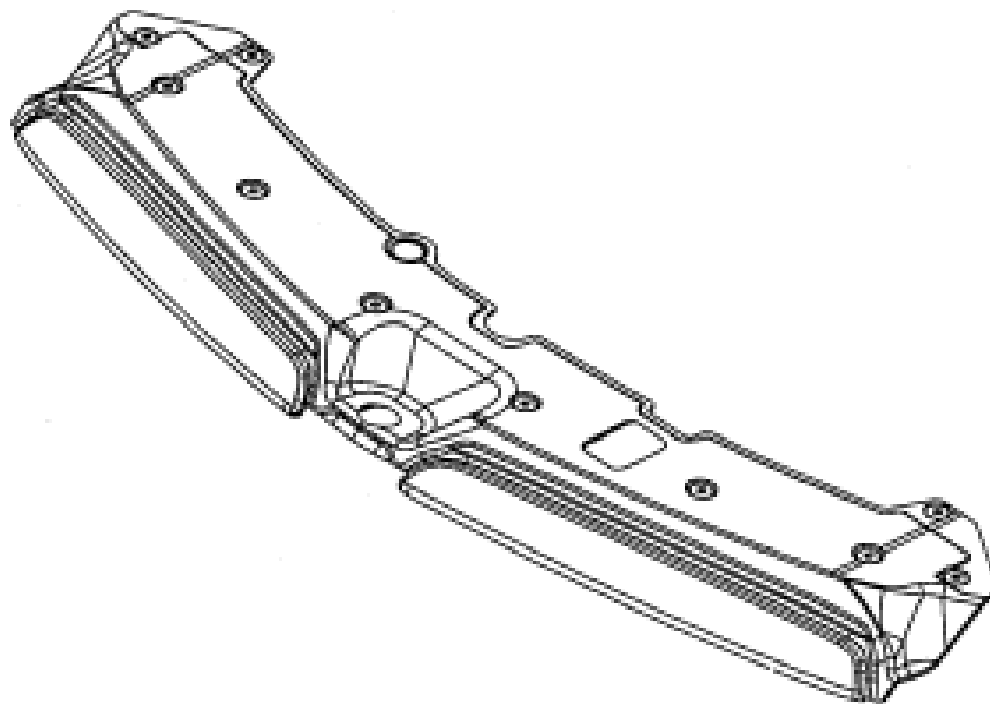
**GM Global Technology Operations, Inc
300 Renaissance Center Detroit Michigan 48265-3000 United States of
America**

(72) Name(s) of Designer(s): **Adam Smith**

(45) Registration Date: **16 March 2009**

(56) Related Art Documents: **Not Applicable**

(57) Statement of Newness and Distinctiveness: **Newness and distinctiveness is claimed in the shape and/or configuration of a vehicle hood header as shown in the accompanying representations.**



(21) Design Number: **10268/2009**

(22) Date of Filing Application: **02 February 2009**

(24) Date from which industrial property rights may have effect: **02 February 2009**

(54) Product in respect of which the design is registered: **Trigger handle for a mop or like tool**

(51) International Design Classification: **08-06, 09-07A**

(71) Name(s) and Address(s) of Applicant(s):

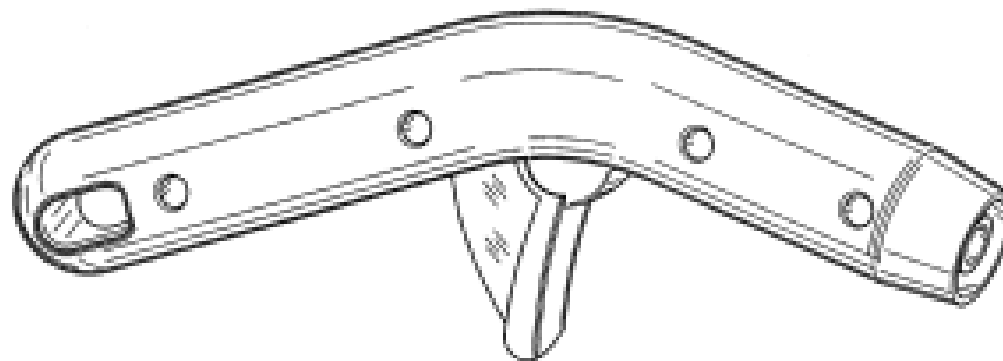
**The Decor Corporation Pty Ltd
1314 Ferntree Gully Road Scoresby Victoria 3179 Australia**

(72) Name(s) of Designer(s): **Anthony Henry Wolfenden**

(45) Registration Date: **16 March 2009**

(56) Related Art Documents: **Not Applicable**

(57) Statement of Newness and Distinctiveness: **The features of shape and configuration of the trigger handle shown in the accompanying representations are features of the design.**



(21) Design Number: **10352/2009**

(22) Date of Filing Application: **09 February 2009**

(24) Date from which industrial property rights may have effect: **09 February 2009**

(54) Product in respect of which the design is registered: **A bracket adapter**

(51) International Design Classification: **08-08L**

(71) Name(s) and Address(s) of Applicant(s):

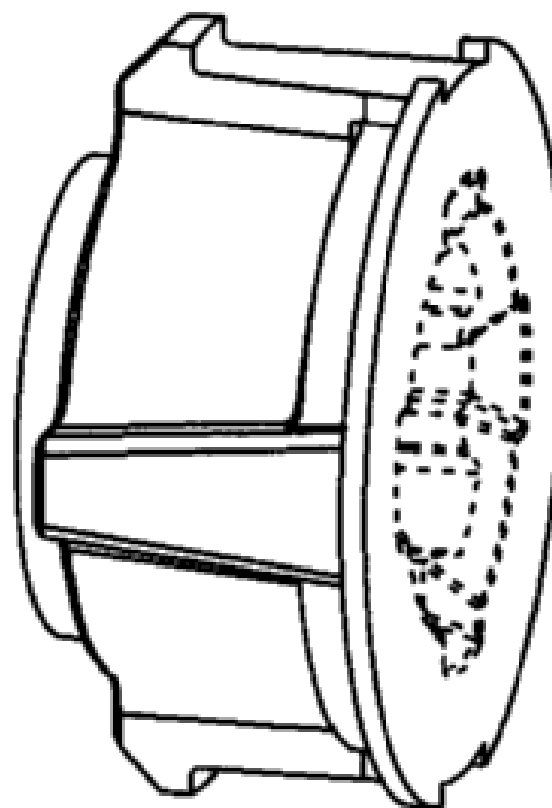
Carmelo Joseph Licciardi Di Stefano
110 Northcorp Boulevard Broadmeadows Victoria 3047 Australia

(72) Name(s) of Designer(s): **Carmelo Joseph Licciardi Di Stefano**

(45) Registration Date: **16 March 2009**

(56) Related Art Documents: **Not Applicable**

(57) Statement of Newness and Distinctiveness: **The following visual features of the design are new and distinctive: the shape and configuration of an adapter as shown in solid lines in the accompanying drawings. In considering the newness and distinctiveness of the design, no regard is to be had to the visual features depicted by the broken lines.**



(21) Design Number: **10507/2009**

(22) Date of Filing Application: **18 February 2009**

(24) Date from which industrial property rights may have effect: **18 February 2009**

(54) Product in respect of which the design is registered: **Drain cleaning nozzles**

(51) International Design Classification: **23-01E**

(71) Name(s) and Address(s) of Applicant(s):

William H. Miller
A5/15 Narabang Way Belrose New South Wales 2085 Australia

(72) Name(s) of Designer(s): **William H. Miller**

(45) Registration Date: **16 March 2009**

(56) Related Art Documents: **Not Applicable**

(57) Statement of Newness and Distinctiveness: **This is a double version of the popular root ranger nozzle we patented several years ago. Twin turbos, cast or machined stainless head, multiple hose connections available. Made in any size.**



(21) Design Number: **10757/2009**

(22) Date of Filing Application: **09 March 2009**

(24) Date from which industrial property rights may have effect: **09 March 2009**

(54) Product in respect of which the design is registered: **Earplug**

(51) International Design Classification: **24-04**

(71) Name(s) and Address(s) of Applicant(s):

Kimberly-Clark Worldwide, Inc.
401 North Lake Street Neenah Wisconsin 54956 United States of America

(72) Name(s) of Designer(s): **Steven Craig Gehling and Waihong Leong**

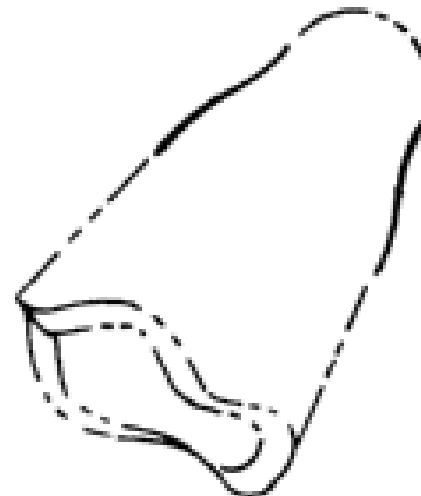
(45) Registration Date: **16 March 2009**

(30) Convention priority data:

(31) Number	(32) Date	(33) Country
29/312095	30 Sep 2008	UNITED STATES OF AMERICA

(56) Related Art Documents: **Not Applicable**

(57) Statement of Newness and Distinctiveness: **Newness and distinctiveness of the design as applied to an earplug resides in the shape and/or configuration of the curved shoulder of the earplug as shown in solid lines at the region marked 'A'.**



(21) Design Number: **10797/2009**

(22) Date of Filing Application: **12 March 2009**

(24) Date from which industrial property rights may have effect: **12 March 2009**

(54) Product in respect of which the design is registered: **Couch**

(51) International Design Classification: **06-01G**

(71) Name(s) and Address(s) of Applicant(s):

RAUSCH Classics GmbH
An der Tagweide 14 76139 Karlsruhe Germany

(72) Name(s) of Designer(s): **Florian Viererbl**

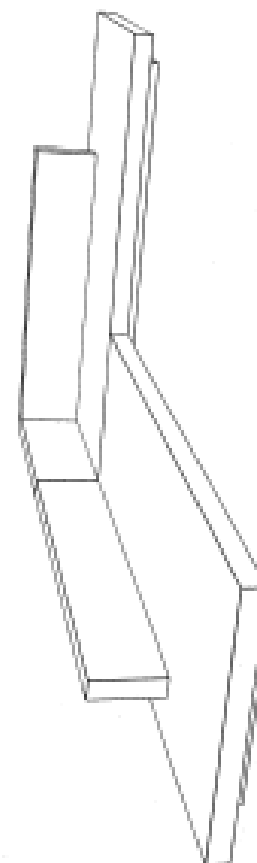
(45) Registration Date: **16 March 2009**

(30) Convention priority data:

(31) Number	(32) Date	(33) Country
402008004403.7	17 Sep 2008	GERMANY

(56) Related Art Documents: **Not Applicable**

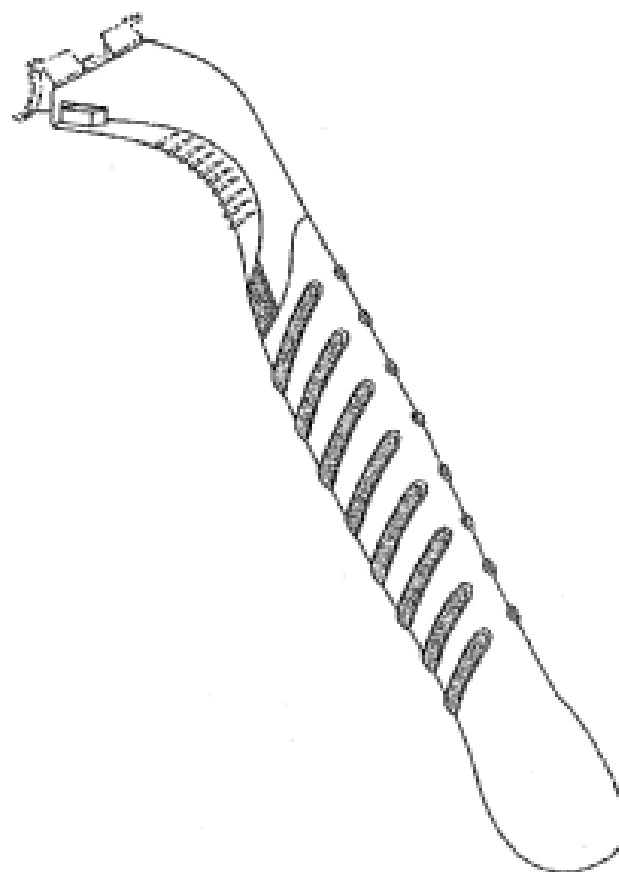
(57) Statement of Newness and Distinctiveness: **Newness and distinctiveness reside in the features of the design as shown in the representations.**



- (21) Design Number: **10796/2009**
(22) Date of Filing Application: **12 March 2009**
(24) Date from which industrial property rights may have effect: **12 March 2009**
(54) Product in respect of which the design is registered: **Table**
(51) International Design Classification: **06-03A**
(71) Name(s) and Address(s) of Applicant(s):
RAUSCH Classics GmbH
An der Tagweide 14 76139 Karlsruhe Germany
(72) Name(s) of Designer(s): **Florian Viererbl**
(45) Registration Date: **16 March 2009**
(30) Convention priority data:
(31) Number (32) Date (33) Country
402008004403.7 17 Sep 2008 GERMANY
(56) Related Art Documents: **Not Applicable**
(57) Statement of Newness and Distinctiveness: **Newness and distinctiveness reside in the features of the design as shown in the representations.**



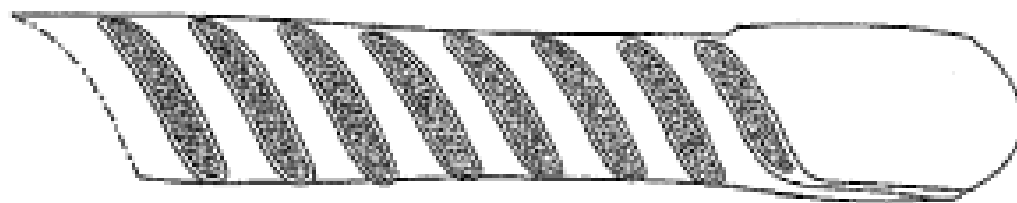
- (21) Design Number: **10092/2009**
(22) Date of Filing Application: **14 January 2009**
(24) Date from which industrial property rights may have effect: **14 January 2009**
(54) Product in respect of which the design is registered: **Razor handle**
(51) International Design Classification: **28-03A**
(71) Name(s) and Address(s) of Applicant(s):
The Gillette Company
Prudential Tower Building Boston Massachusetts 02199 United States of America
(72) Name(s) of Designer(s): **Vanessa Christie and Ian Lee and Ji Xue and Tan Xie Jun**
(45) Registration Date: **16 March 2009**
(30) Convention priority data:
(31) Number (32) Date (33) Country
29/328,560 26 Nov 2008 UNITED STATES OF AMERICA
(56) Related Art Documents: **Not Applicable**
(57) Statement of Newness and Distinctiveness: **Newness and distinctiveness reside in the features of shape and/or configuration of the razor handle, as shown in the representations. Newness and distinctiveness are not claimed in relation to the features shown in broken lines in the representations.**



(21) Design Number: **10098/2009**
 (22) Date of Filing Application: **14 January 2009**
 (24) Date from which industrial property rights may have effect: **14 January 2009**
 (54) Product in respect of which the design is registered: **Razor handle**
 (51) International Design Classification: **28-03A**
 (71) Name(s) and Address(s) of Applicant(s):
The Gillette Company
Prudential Tower Building Boston Massachusetts 02199 United States of America
 (72) Name(s) of Designer(s): **Vanessa Christie and Ian Lee and Ji Xue and Tan Xie Jun**
 (45) Registration Date: **16 March 2009**
 (30) Convention priority data:

(31) Number	(32) Date	(33) Country
29/328,562	26 Nov 2008	UNITED STATES OF AMERICA

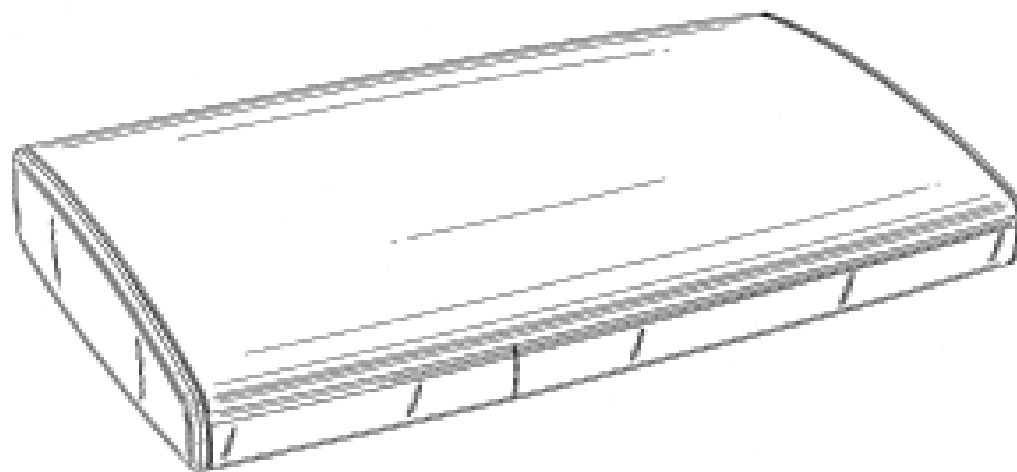
 (56) Related Art Documents: **Not Applicable**
 (57) Statement of Newness and Distinctiveness: **Newness and distinctiveness reside in the features of shape and/or configuration of the razor handle, as shown in the representations. Newness and distinctiveness are not claimed in relation to the features shown in broken lines in the representations.**



(21) Design Number: **10788/2009**
 (22) Date of Filing Application: **11 March 2009**
 (24) Date from which industrial property rights may have effect: **11 March 2009**
 (54) Product in respect of which the design is registered: **Audio/video switchbox**
 (51) International Design Classification: **14-03NES**
 (71) Name(s) and Address(s) of Applicant(s):
Bose Corporation
The Mountain Framingham Massachusetts 01701-9168 United States of America
 (72) Name(s) of Designer(s): **Seth N. Green**
 (45) Registration Date: **16 March 2009**
 (30) Convention priority data:

(31) Number	(32) Date	(33) Country
26/326,071	10 Oct 2008	UNITED STATES OF AMERICA

 (56) Related Art Documents: **Not Applicable**
 (57) Statement of Newness and Distinctiveness: **Those features of the audio/video switchbox depicted in the representations that are new and distinctive are the shape and/or configuration. The features shown in broken line are not part of the design and are to be disregarded when considering the overall impression of the design.**



(21) Design Number: **10792/2009**

(22) Date of Filing Application: **12 March 2009**

(24) Date from which industrial property rights may have effect: **12 March 2009**

(54) Product in respect of which the design is registered: **A pneumatic tyre**

(51) International Design Classification: **12-15A**

(71) Name(s) and Address(s) of Applicant(s):

Societe De Technologie Michelin
23 rue Breschet F-63000 Clermont-Ferrand Cedex France

Michelin Recherche et Technique S.A.
Route Louis-Braille 10 et 12 CH-1763 Granges-Paccot Switzerland

(72) Name(s) of Designer(s): **Vincent Martin and Fabien Chatignoux**

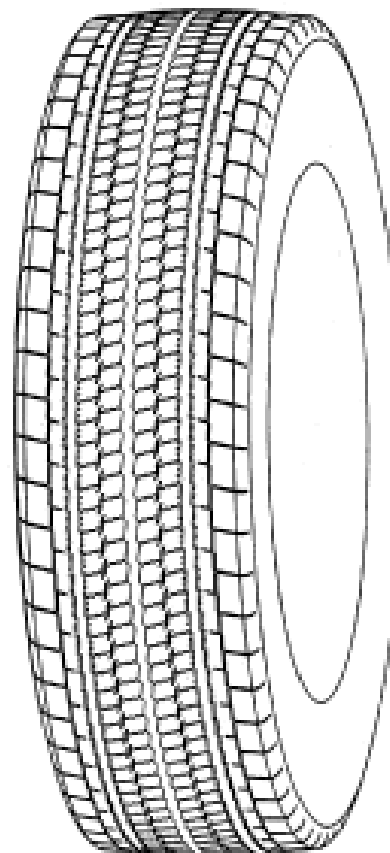
(45) Registration Date: **16 March 2009**

(30) Convention priority data:

(31) Number	(32) Date	(33) Country
08/4054	12 Sep 2008	FRANCE

(56) Related Art Documents: **Not Applicable**

(57) Statement of Newness and Distinctiveness: **Newness and distinctiveness resides in the appearance of the tread pattern region of the tyre with the remainder of the tyre not forming part of the design.**



(21) Design Number: **10793/2009**

(22) Date of Filing Application: **12 March 2009**

(24) Date from which industrial property rights may have effect: **12 March 2009**

(54) Product in respect of which the design is registered: **Window for a barrel**

(51) International Design Classification: **09-02C, 25-02H**

(71) Name(s) and Address(s) of Applicant(s):

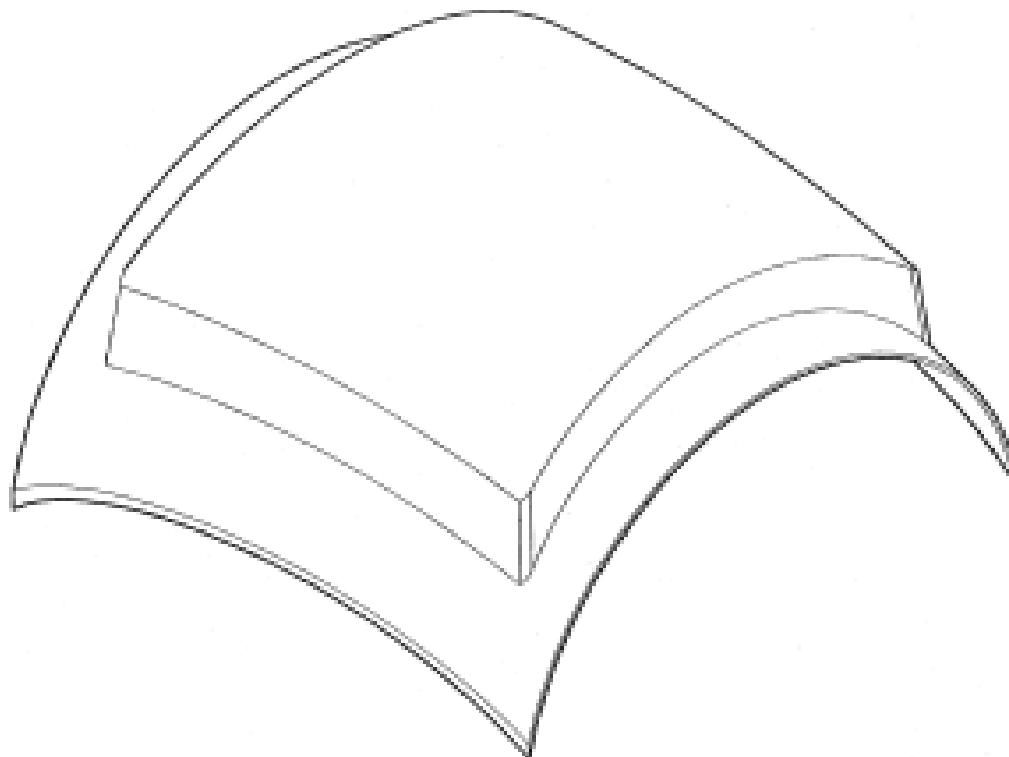
Duncan MacKenzie
34 Mark Street Rosebud Victoria 3939 Australia

(72) Name(s) of Designer(s): **Duncan MacKenzie**

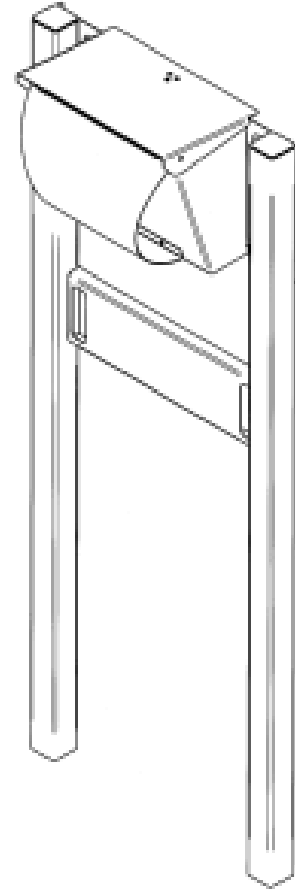
(45) Registration Date: **16 March 2009**

(56) Related Art Documents: **Not Applicable**

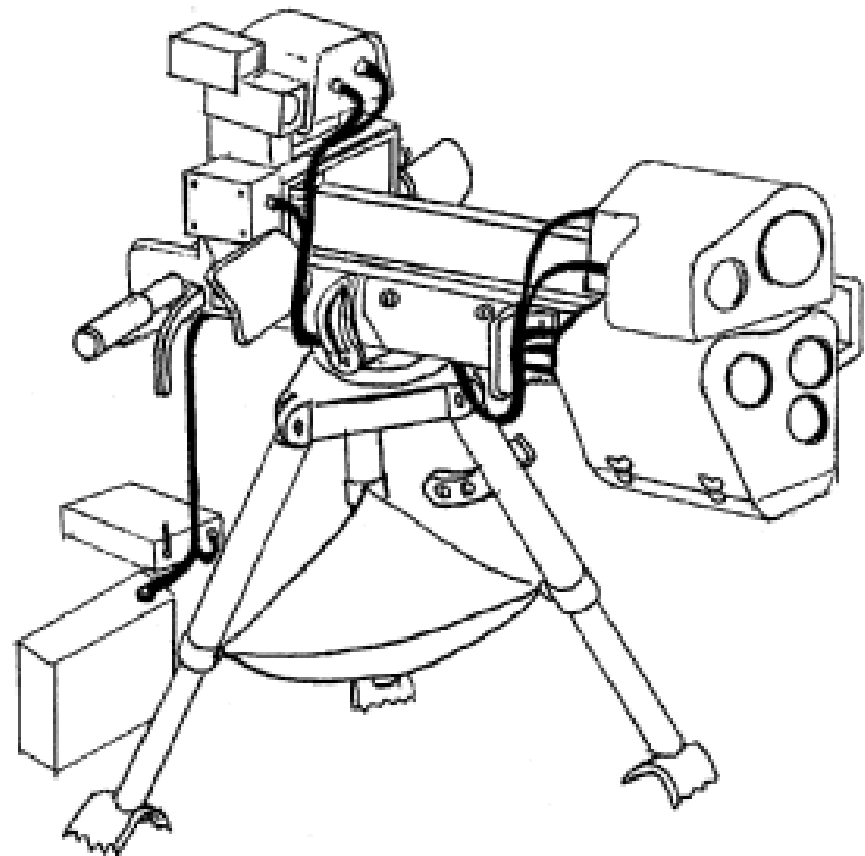
(57) Statement of Newness and Distinctiveness: **Nil**



- (21) Design Number: **10794/2009**
(22) Date of Filing Application: **13 March 2009**
(24) Date from which industrial property rights may have effect: **13 March 2009**
(54) Product in respect of which the design is registered: **Letter box**
(51) International Design Classification: **99-00**
(71) Name(s) and Address(s) of Applicant(s):
Ugo Ribarich
8 Scarlet Drive Bundoora Victoria 3083 Australia
(72) Name(s) of Designer(s): **Ugo Ribarich**
(45) Registration Date: **16 March 2009**
(56) Related Art Documents: **Not Applicable**
(57) Statement of Newness and Distinctiveness: **Nil**



- (21) Design Number: **10801/2009**
(22) Date of Filing Application: **12 March 2009**
(24) Date from which industrial property rights may have effect: **12 March 2009**
(54) Product in respect of which the design is registered: **Wiring loom for a weapons control system**
(51) International Design Classification: **22-01, 13-03NES**
(71) Name(s) and Address(s) of Applicant(s):
Avner Klein
145 Wells Street South Melbourne Victoria 3205 Australia
(72) Name(s) of Designer(s): **Avner Klein**
(45) Registration Date: **16 March 2009**
(56) Related Art Documents: **Not Applicable**
(57) Statement of Newness and Distinctiveness: **The newness and distinctiveness of the design resides in the shape and/or configuration of the wiring loom for a weapons control system as shown by the thick black lines in the representations. When considering the scope of monopoly, no regard shall be had to the weapons cradle or the components of the weapons control system as illustrated in the representaions.**



(21) Design Number: 10760/2009

(22) Date of Filing Application: 09 March 2009

(24) Date from which industrial property rights may have effect: 09 March 2009

(54) Product in respect of which the design is registered: Earplug

(51) International Design Classification: 24-04

(71) Name(s) and Address(s) of Applicant(s):

Kimberly-Clark Worldwide, Inc.
401 North Lake Street Neenah Wisconsin 54956 United States of America

(72) Name(s) of Designer(s): Steven Craig Gehling and Waihong Leong

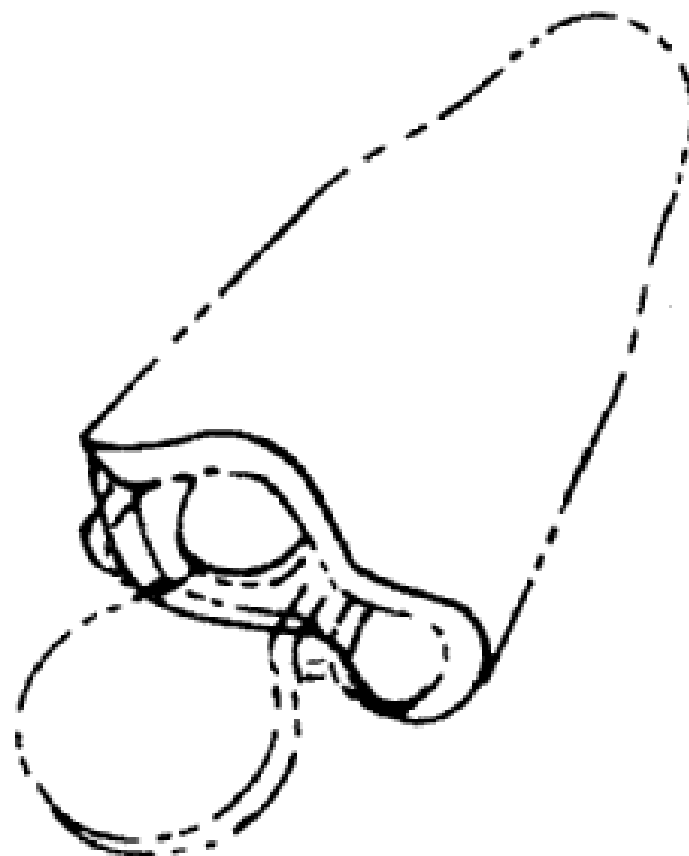
(45) Registration Date: 16 March 2009

(30) Convention priority data:

(31) Number	(32) Date	(33) Country
29/321094	30 Sep 2008	UNITED STATES OF AMERICA

(56) Related Art Documents: Not Applicable

(57) Statement of Newness and Distinctiveness: Newness and distinctiveness of the design as applied to an earplug resides in the shape and/or configuration of the features of the earplug as shown in solid lines at the region marked 'A'.



(21) Design Number: 10761/2009

(22) Date of Filing Application: 09 March 2009

(24) Date from which industrial property rights may have effect: 09 March 2009

(54) Product in respect of which the design is registered: Power cartridge insert

(51) International Design Classification: 13-02

(71) Name(s) and Address(s) of Applicant(s):

The Coleman Company, Inc.
3600 North Hydraulic Wichita Kansas 67219 United States of America

(72) Name(s) of Designer(s): Kevin J. Tarter

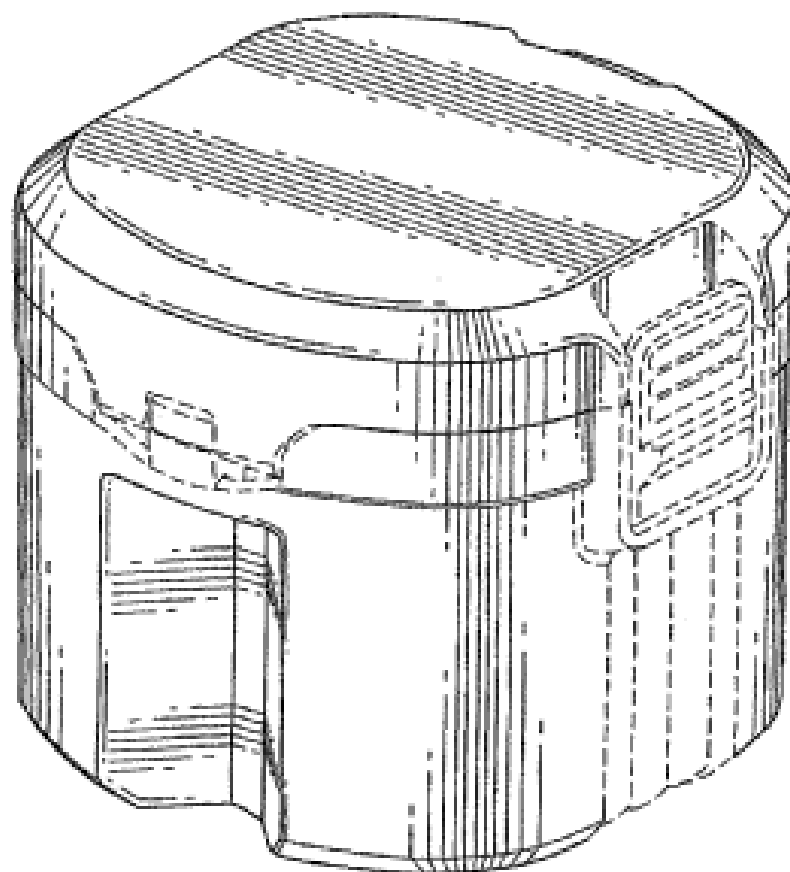
(45) Registration Date: 16 March 2009

(30) Convention priority data:

(31) Number	(32) Date	(33) Country
29/279949	19 Sep 2008	UNITED STATES OF AMERICA

(56) Related Art Documents: Not Applicable

(57) Statement of Newness and Distinctiveness: When determining whether the design 1 is substantially similar in overall impression to another design, it should be noted that the broken line representations in the figures are for the purpose of illustration only, and form no part of the design.



(21) Design Number: **10800/2009**
(22) Date of Filing Application: **12 March 2009**
(24) Date from which industrial property rights may have effect: **12 March 2009**
(54) Product in respect of which the design is registered: **Couch**
(51) International Design Classification: **06-01G**
(71) Name(s) and Address(s) of Applicant(s):

RAUSCH Classics GmbH
An der Tagweide 14 76139 Karlsruhe Germany

(72) Name(s) of Designer(s): **Florian Viererbl**

(45) Registration Date: **16 March 2009**

(30) Convention priority data:

(31) Number	(32) Date	(33) Country
402008004403.7	17 Sep 2008	GERMANY

(56) Related Art Documents: **Not Applicable**

(57) Statement of Newness and Distinctiveness: **Newness and distinctiveness reside in the features of the design as shown in the representations.**



(21) Design Number: **10758/2009**
(22) Date of Filing Application: **09 March 2009**
(24) Date from which industrial property rights may have effect: **09 March 2009**
(54) Product in respect of which the design is registered: **Earplug**
(51) International Design Classification: **24-04**
(71) Name(s) and Address(s) of Applicant(s):

Kimberly-Clark Worldwide, Inc.
401 North Lake Street Neenah Wisconsin 54956 United States of America

(72) Name(s) of Designer(s): **Steven Craig Gehling and Waihong Leong**

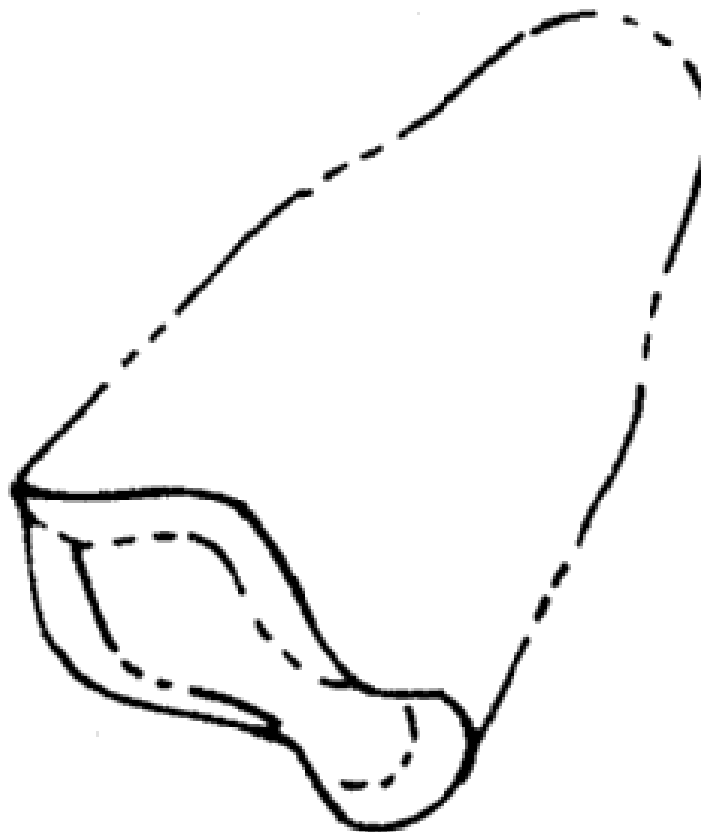
(45) Registration Date: **16 March 2009**

(30) Convention priority data:

(31) Number	(32) Date	(33) Country
29/321094	30 Sep 2008	UNITED STATES OF AMERICA

(56) Related Art Documents: **Not Applicable**

(57) Statement of Newness and Distinctiveness: **Newness and distinctiveness of the design as applied to an earplug resides in the shape and/or configuration of the scalloped end of the earplug as shown in solid lines at the region marked 'A'.**



(21) Design Number: **10790/2009**

(22) Date of Filing Application: **11 March 2009**

(24) Date from which industrial property rights may have effect: **11 March 2009**

(54) Product in respect of which the design is registered: **Container closure**

(51) International Design Classification: **09-07B**

(71) Name(s) and Address(s) of Applicant(s):

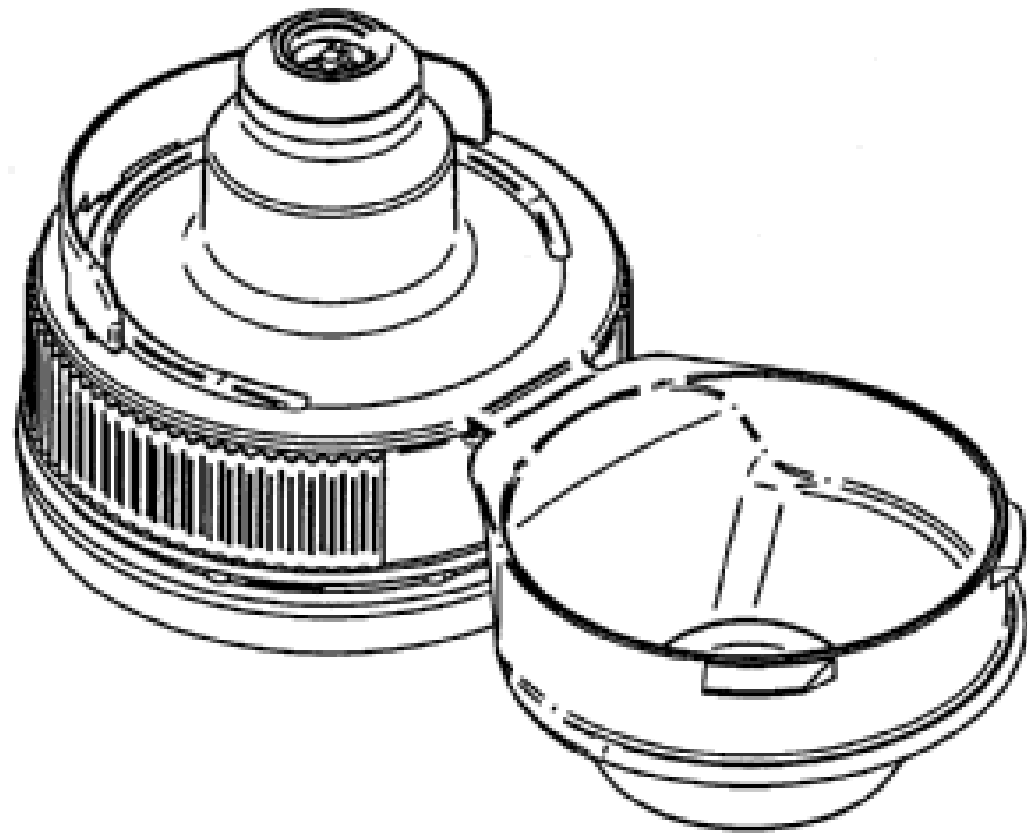
Camtech Engineering Pty Ltd
2 Demand Avenue Labrador Queensland 4215 Australia

(72) Name(s) of Designer(s): **Roger Clark**

(45) Registration Date: **16 March 2009**

(56) Related Art Documents: **Not Applicable**

(57) Statement of Newness and Distinctiveness: **Those features of the container closure depicted in the representations that are new and distinctive are the shape and/or configuration.**



(21) Design Number: **10798/2009**

(22) Date of Filing Application: **12 March 2009**

(24) Date from which industrial property rights may have effect: **12 March 2009**

(54) Product in respect of which the design is registered: **Couch**

(51) International Design Classification: **06-01G**

(71) Name(s) and Address(s) of Applicant(s):

RAUSCH Classics GmbH
An der Tagweide 14 76139 Karlsruhe Germany

(72) Name(s) of Designer(s): **Florian Viererbl**

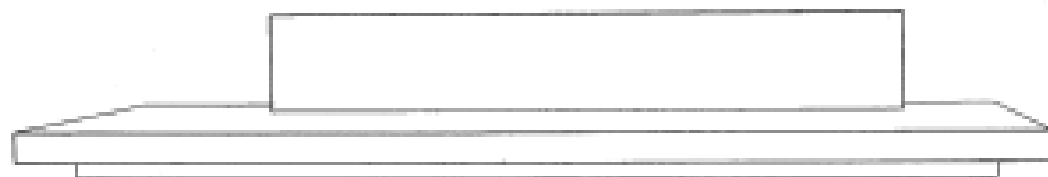
(45) Registration Date: **16 March 2009**

(30) Convention priority data:

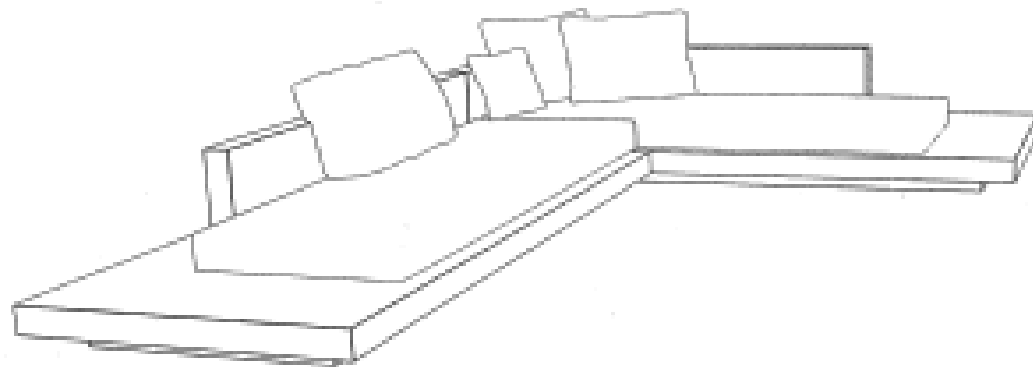
(31) Number	(32) Date	(33) Country
402008004403.7	17 Sep 2008	GERMANY

(56) Related Art Documents: **Not Applicable**

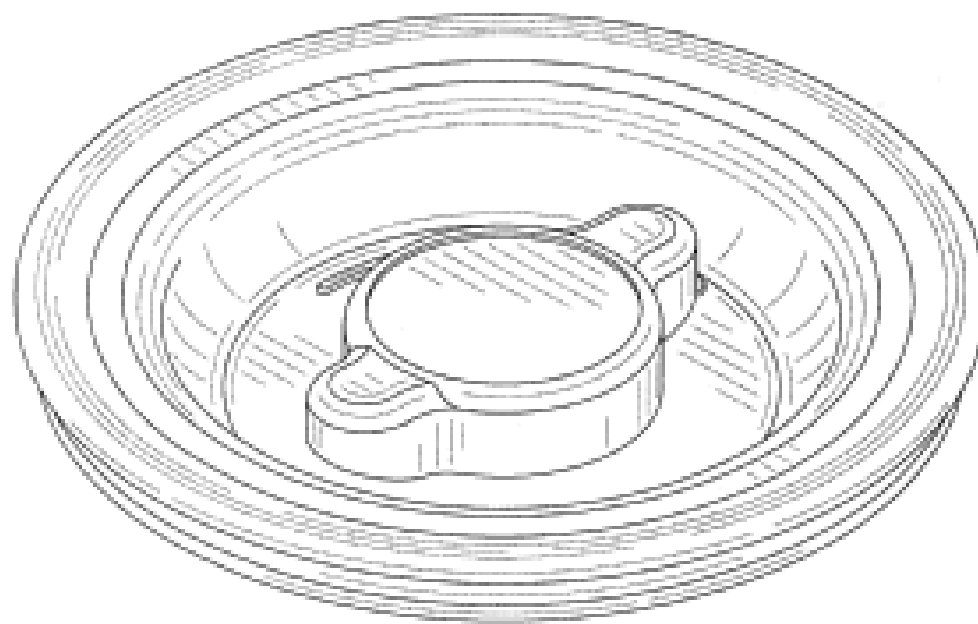
(57) Statement of Newness and Distinctiveness: **Newness and distinctiveness reside in the features of the design as shown in the representations.**



- (21) Design Number: **10799/2009**
(22) Date of Filing Application: **12 March 2009**
(24) Date from which industrial property rights may have effect: **12 March 2009**
(54) Product in respect of which the design is registered: **Couch**
(51) International Design Classification: **06-01G**
(71) Name(s) and Address(s) of Applicant(s):
RAUSCH Classics GmbH
An der Tagweide 14 76139 Karlsruhe Germany
(72) Name(s) of Designer(s): **Florian Viererbl**
(45) Registration Date: **16 March 2009**
(30) Convention priority data:
(31) Number (32) Date (33) Country
402008004403.7 17 Sep 2008 GERMANY
(56) Related Art Documents: **Not Applicable**
(57) Statement of Newness and Distinctiveness: **Newness and distinctiveness reside in the features of the design as shown in the representations.**



- (21) Design Number: **10805/2009**
(22) Date of Filing Application: **12 March 2009**
(24) Date from which industrial property rights may have effect: **12 March 2009**
(54) Product in respect of which the design is registered: **Cover**
(51) International Design Classification: **07-01NES**
(71) Name(s) and Address(s) of Applicant(s):
Dart Industries Inc.
14901 S. Orange Blossom Trail Orlando Florida 32837 United States of America
(72) Name(s) of Designer(s): **Douglas M. Laib**
(45) Registration Date: **17 March 2009**
(30) Convention priority data:
(31) Number (32) Date (33) Country
29/310,988 23 Sep 2008 UNITED STATES OF AMERICA
(56) Related Art Documents: **Not Applicable**
(57) Statement of Newness and Distinctiveness: **Those features of the cover depicted in the representations that are new and distinctive are the shape and/or configuration.**



(21) Design Number: **10816/2009**

(22) Date of Filing Application: **13 March 2009**

(24) Date from which industrial property rights may have effect: **13 March 2009**

(54) Product in respect of which the design is registered: **Bottle cap with figure of a character**

(51) International Design Classification: **09-07C**

(71) Name(s) and Address(s) of Applicant(s):

Boon Van Yang
80-86 Campbell Road Greenbank Queensland 4124 Australia

(72) Name(s) of Designer(s): **Boon Van Yang**

(45) Registration Date: **17 March 2009**

(56) Related Art Documents: **Not Applicable**

(57) Statement of Newness and Distinctiveness: **The design relates to the overall appearance and particular visual features of a product, being a bottle (or similar container) cap or top, having the pattern, shape, configuration and ornamentation as shown in the representation. The bottle cap includes a figure of a character. Broken lines are used to indicate elements of the product beyond that to which the visual features are applied. As such, the design may include variations in the figure of the character.**



(21) Design Number: **10817/2009**

(22) Date of Filing Application: **13 March 2009**

(24) Date from which industrial property rights may have effect: **13 March 2009**

(54) Product in respect of which the design is registered: **Bottle cap with head of a character**

(51) International Design Classification: **09-07C**

(71) Name(s) and Address(s) of Applicant(s):

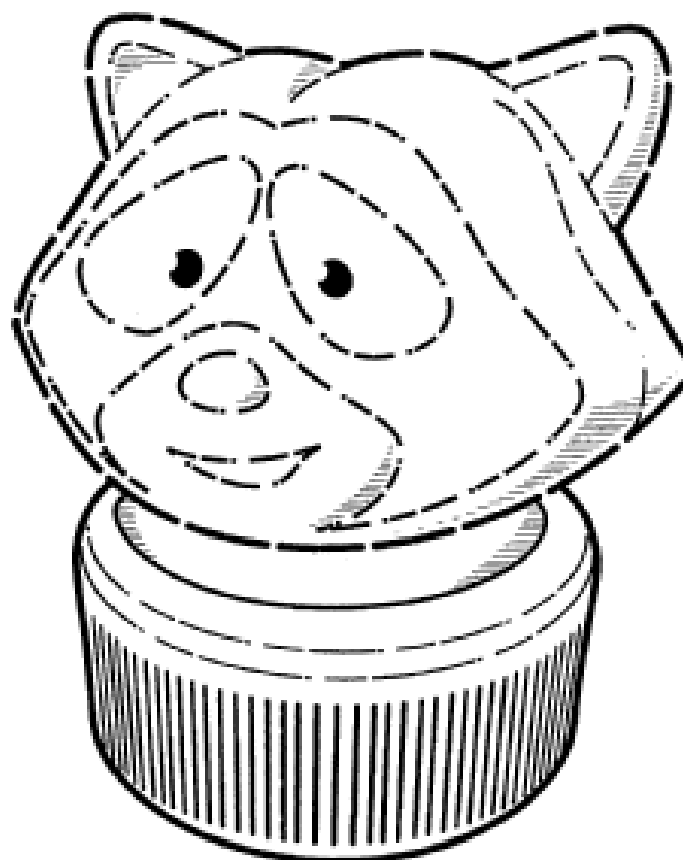
Boon Van Yang
80-86 Campbell Road Greenbank Queensland 4124 Australia

(72) Name(s) of Designer(s): **Boon Van Yang**

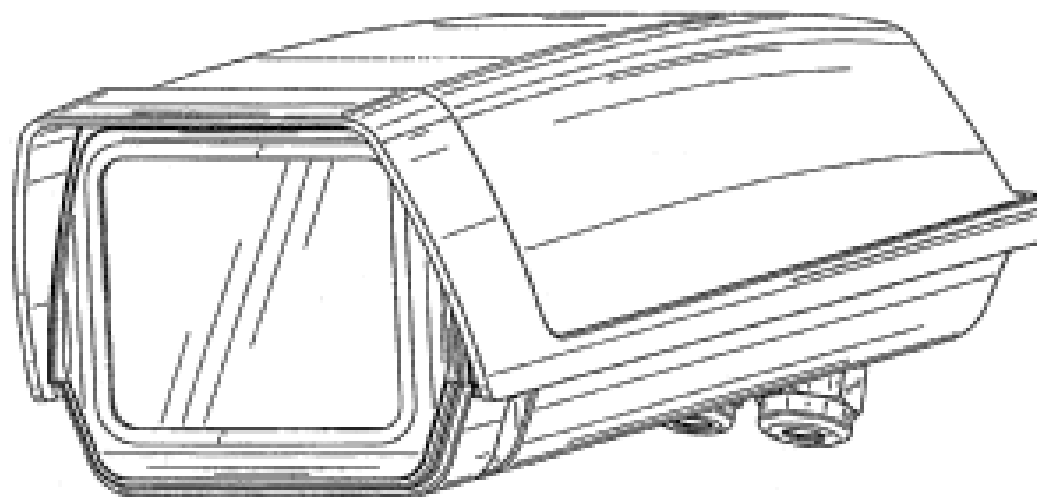
(45) Registration Date: **17 March 2009**

(56) Related Art Documents: **Not Applicable**

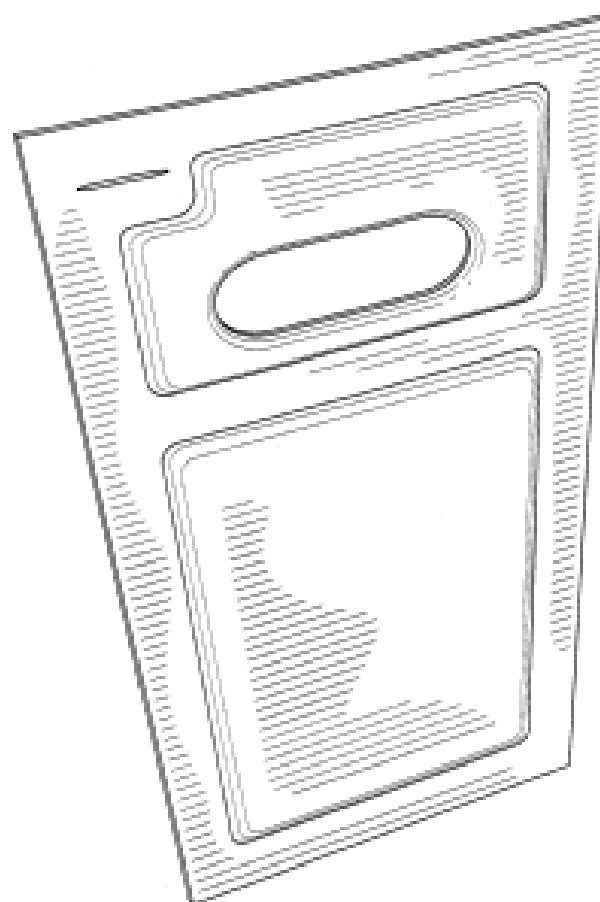
(57) Statement of Newness and Distinctiveness: **The design relates to the overall appearance and particular visual features of a product, being a bottle (or similar container) cap or top, having the pattern, shape, configuration and ornamentation as shown in the representation. The bottle cap includes a head of a character. Broken lines are used to indicate elements of the product beyond that to which the visual features are applied. As such, the design may include variations in the head of the character.**



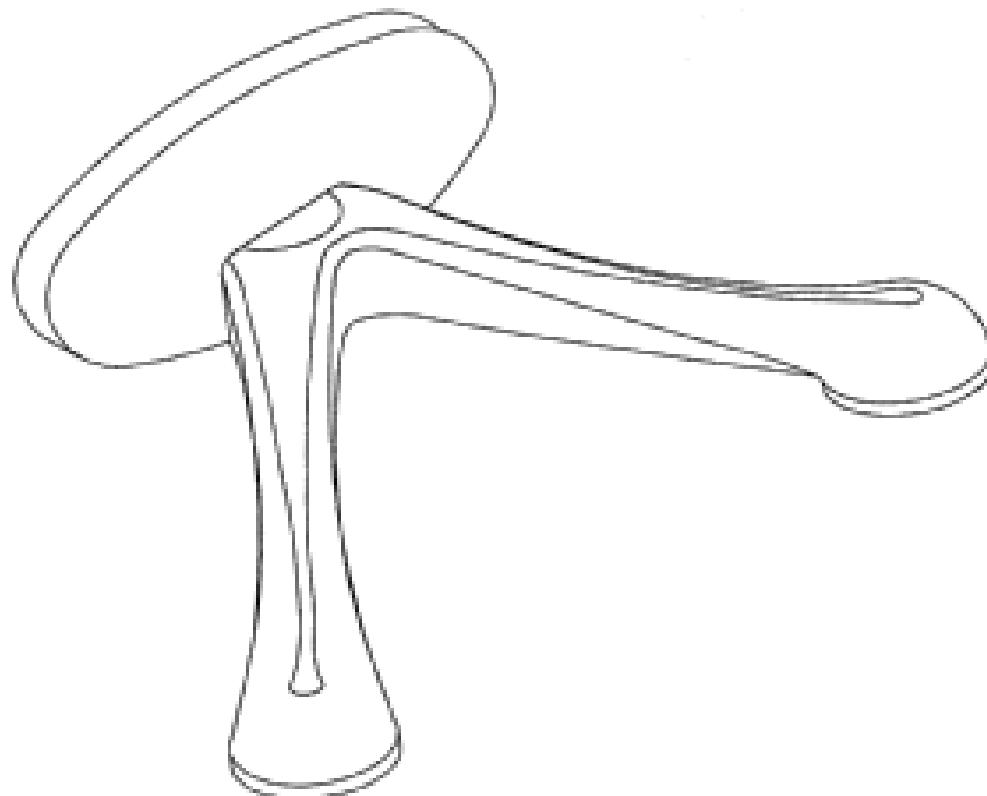
- (21) Design Number: **10787/2009**
(22) Date of Filing Application: **11 March 2009**
(24) Date from which industrial property rights may have effect: **11 March 2009**
(54) Product in respect of which the design is registered: **Camera enclosure**
(51) International Design Classification: **16-01, 16-05**
(71) Name(s) and Address(s) of Applicant(s):
Pelco, Inc.
3500 Pelco Way Clovis California 93612 United States of America
(72) Name(s) of Designer(s): **James F. Arbuckle and William L. Foreman and Brook H. Cavalla**
(45) Registration Date: **17 March 2009**
(30) Convention priority data:
(31) Number (32) Date (33) Country
29/324,513 12 Sep 2008 UNITED STATES OF AMERICA
(56) Related Art Documents: **Not Applicable**
(57) Statement of Newness and Distinctiveness: **Those features of the camera enclosure depicted in the representations that are new and distinctive are the shape and/or configuration.**



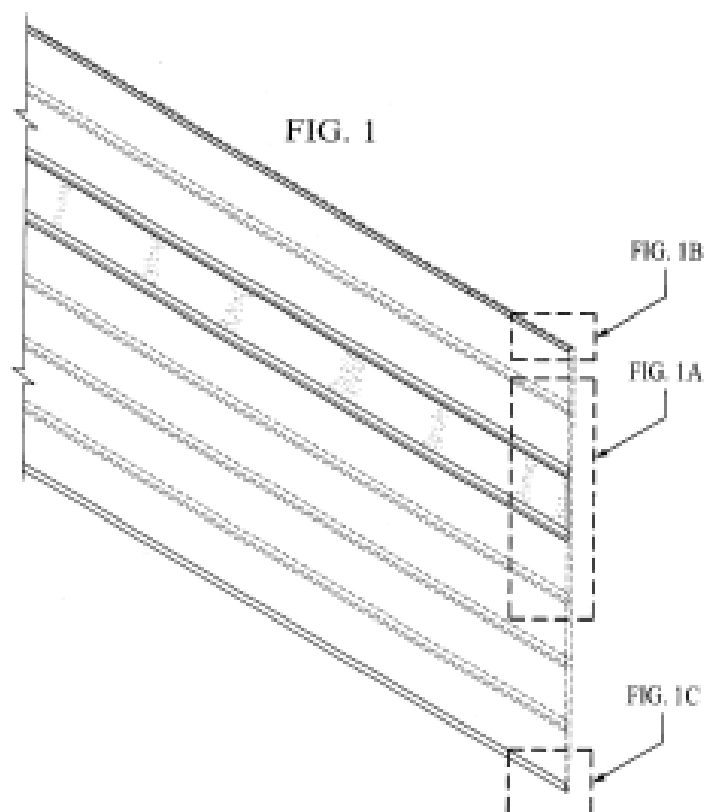
- (21) Design Number: **10821/2009**
(22) Date of Filing Application: **13 March 2009**
(24) Date from which industrial property rights may have effect: **13 March 2009**
(54) Product in respect of which the design is registered: **Dissolving film packaging**
(51) International Design Classification: **09-03H, 09-99**
(71) Name(s) and Address(s) of Applicant(s):
SmithKline Beecham Corporation
One Franklin Plaza PO Box 7929 Philadelphia Pennsylvania 19101
United States of America
(72) Name(s) of Designer(s): **Steven J. Dodd**
(45) Registration Date: **17 March 2009**
(30) Convention priority data:
(31) Number (32) Date (33) Country
29/324645 17 Sep 2008 UNITED STATES OF AMERICA
(56) Related Art Documents: **Not Applicable**
(57) Statement of Newness and Distinctiveness: **Nil**



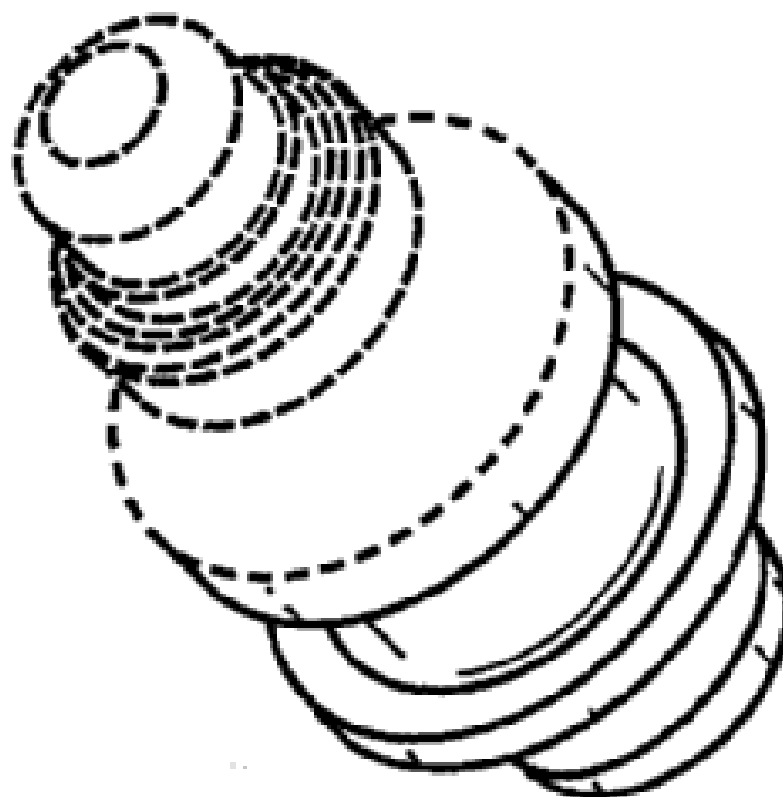
(21) Design Number: **10822/2009**
(22) Date of Filing Application: **13 March 2009**
(24) Date from which industrial property rights may have effect: **13 March 2009**
(54) Product in respect of which the design is registered: **Glass fin fitting**
(51) International Design Classification: **08-08NES**
(71) Name(s) and Address(s) of Applicant(s):
Lisus Technology Pte Ltd
Block 1090 Lower Delta Road #04-01/02 Singapore 169201 Singapore
(72) Name(s) of Designer(s): **Lawrence Paul**
(45) Registration Date: **17 March 2009**
(56) Related Art Documents: **Not Applicable**
(57) Statement of Newness and Distinctiveness: **Nil**



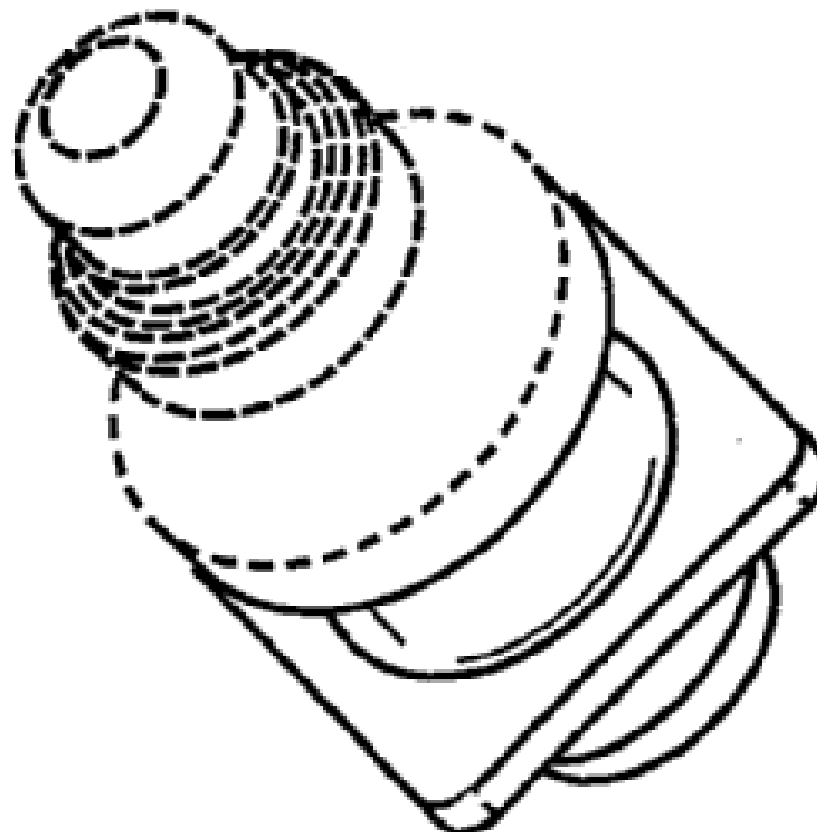
(21) Design Number: **15484/2008**
(22) Date of Filing Application: **19 November 2008**
(24) Date from which industrial property rights may have effect: **19 November 2008**
(54) Product in respect of which the design is registered: **Beaded building panel**
(51) International Design Classification: **25-01D, 25-01K**
(71) Name(s) and Address(s) of Applicant(s):
James Hardie International Finance B.V.
Atrium 8th Floor Strawinskylaan 3077 1077 ZX Amsterdam The Netherlands
(72) Name(s) of Designer(s): **Tony Michael Craig Jr.**
(45) Registration Date: **18 March 2009**
(30) Convention priority data:
(31) Number (32) Date (33) Country
29/318464 20 May 2008 UNITED STATES OF AMERICA
(56) Related Art Documents: **Not Applicable**
(57) Statement of Newness and Distinctiveness: **Newness and distinctiveness resides in the features of shape and/or configuration of a beaded building panel of indefinite length(s) as illustrated in the accompanying representations. The features shown in broken outline do not form part of the design.**



(21) Design Number: **15495/2008**
(22) Date of Filing Application: **19 November 2008**
(24) Date from which industrial property rights may have effect: **19 November 2008**
(54) Product in respect of which the design is registered: **Tool for cutting surface, such as in road grading**
(51) International Design Classification: **08-03**
(71) Name(s) and Address(s) of Applicant(s):
Sandvik Intellectual Property AB
Sandviken S-811 81 Sweden
(72) Name(s) of Designer(s): **Kenneth Monyak and Joseph Fader**
(45) Registration Date: **18 March 2009**
(30) Convention priority data:
(31) Number (32) Date (33) Country
29/318,344 19 May 2008 UNITED STATES OF AMERICA
(56) Related Art Documents: **Not Applicable**
(57) Statement of Newness and Distinctiveness: **The shape of configuration of those parts of design shown by means of solid lines in the Figures are new and distinctive.**



(21) Design Number: **15496/2008**
(22) Date of Filing Application: **19 November 2008**
(24) Date from which industrial property rights may have effect: **19 November 2008**
(54) Product in respect of which the design is registered: **Tool for cutting surface, such as in road grading**
(51) International Design Classification: **08-03**
(71) Name(s) and Address(s) of Applicant(s):
Sandvik Intellectual Property AB
Sandviken S-811 81 Sweden
(72) Name(s) of Designer(s): **Kenneth Monyak and Joseph Fader**
(45) Registration Date: **20 March 2009**
(30) Convention priority data:
(31) Number (32) Date (33) Country
29/318,344 19 May 2008 UNITED STATES OF AMERICA
(56) Related Art Documents: **Not Applicable**
(57) Statement of Newness and Distinctiveness: **The shape and configuration of those parts of the design shown by means of solid lines in the Figures are new and distinctive.**



(21) Design Number: **15507/2008**
 (22) Date of Filing Application: **20 November 2008**
 (24) Date from which industrial property rights may have effect: **20 November 2008**
 (54) Product in respect of which the design is registered: **Corner system**
 (51) International Design Classification: **08-08B**
 (71) Name(s) and Address(s) of Applicant(s):

Lincoln Global, Inc.
17721 Railroad Street City of Industry CA 91748 United States of America

(72) Name(s) of Designer(s): **Michael A. Kindig**

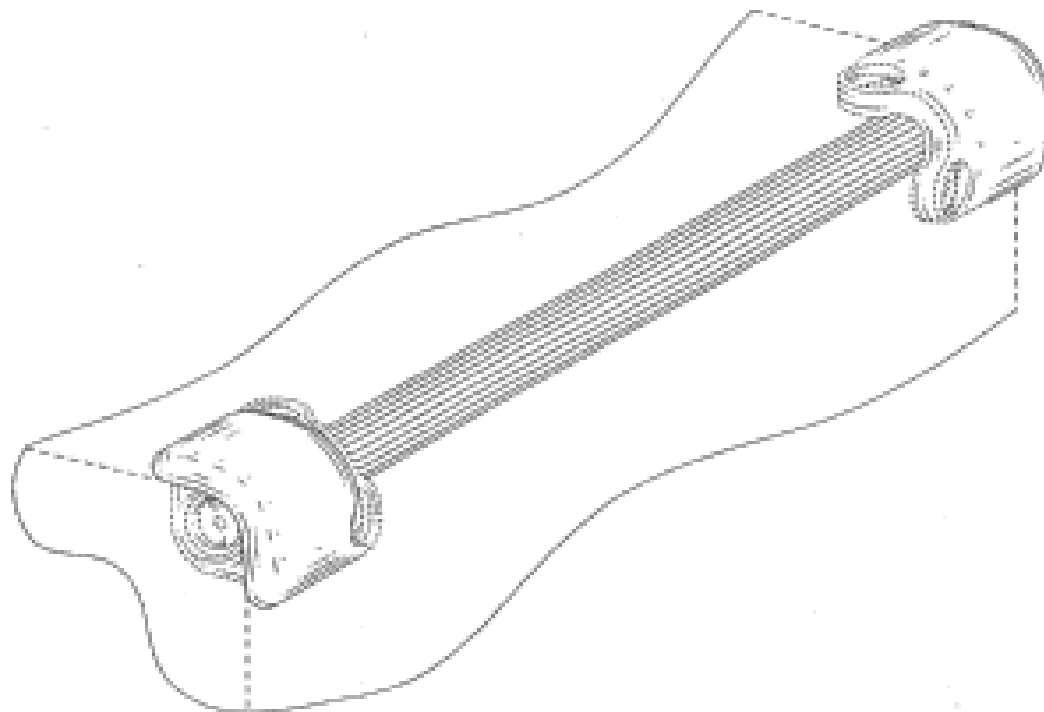
(45) Registration Date: **20 March 2009**

(30) Convention priority data:

(31) Number	(32) Date	(33) Country
29318548	22 May 2008	UNITED STATES OF AMERICA

(56) Related Art Documents: **Not Applicable**

(57) Statement of Newness and Distinctiveness: **The shape and configuration of those portions of the article depicted with solid lines are new and distinctive.**



(21) Design Number: **15508/2008**
 (22) Date of Filing Application: **20 November 2008**
 (24) Date from which industrial property rights may have effect: **20 November 2008**
 (54) Product in respect of which the design is registered: **Corner cap**
 (51) International Design Classification: **08-08B**
 (71) Name(s) and Address(s) of Applicant(s):

Lincoln Global, Inc.
17721 Railroad Street City of Industry CA 91748 United States of America

(72) Name(s) of Designer(s): **Michael A. Kindig**

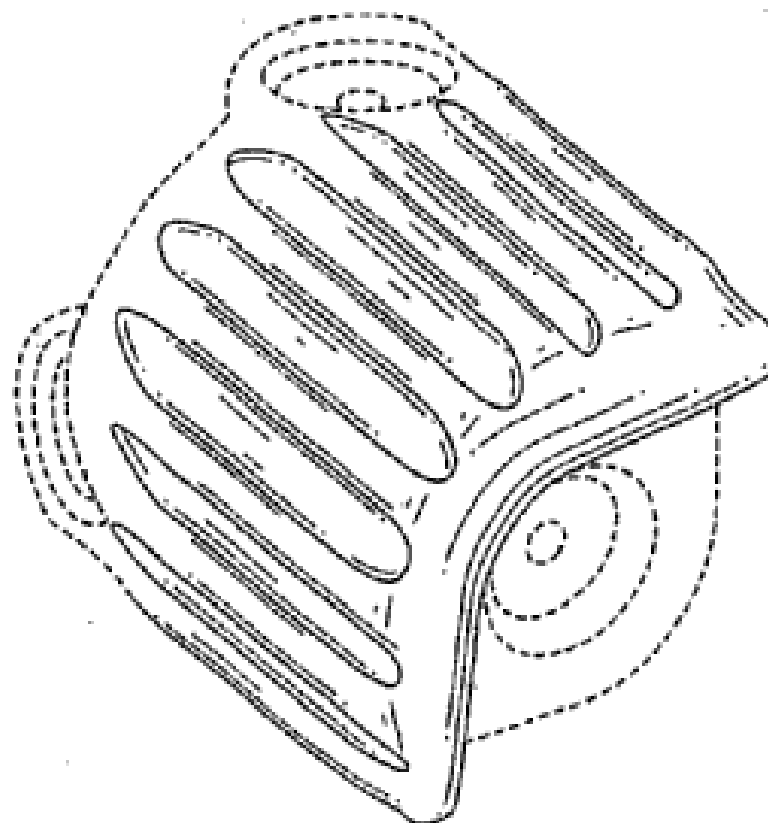
(45) Registration Date: **20 March 2009**

(30) Convention priority data:

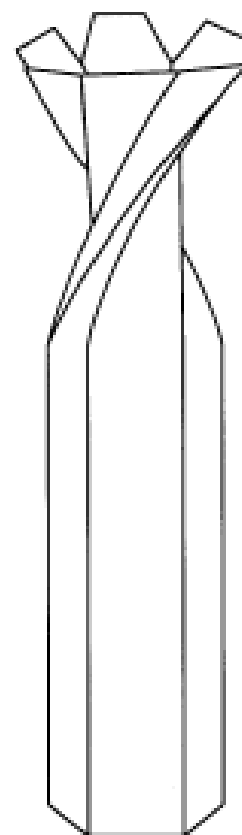
(31) Number	(32) Date	(33) Country
29318547	22 May 2008	UNITED STATES OF AMERICA

(56) Related Art Documents: **Not Applicable**

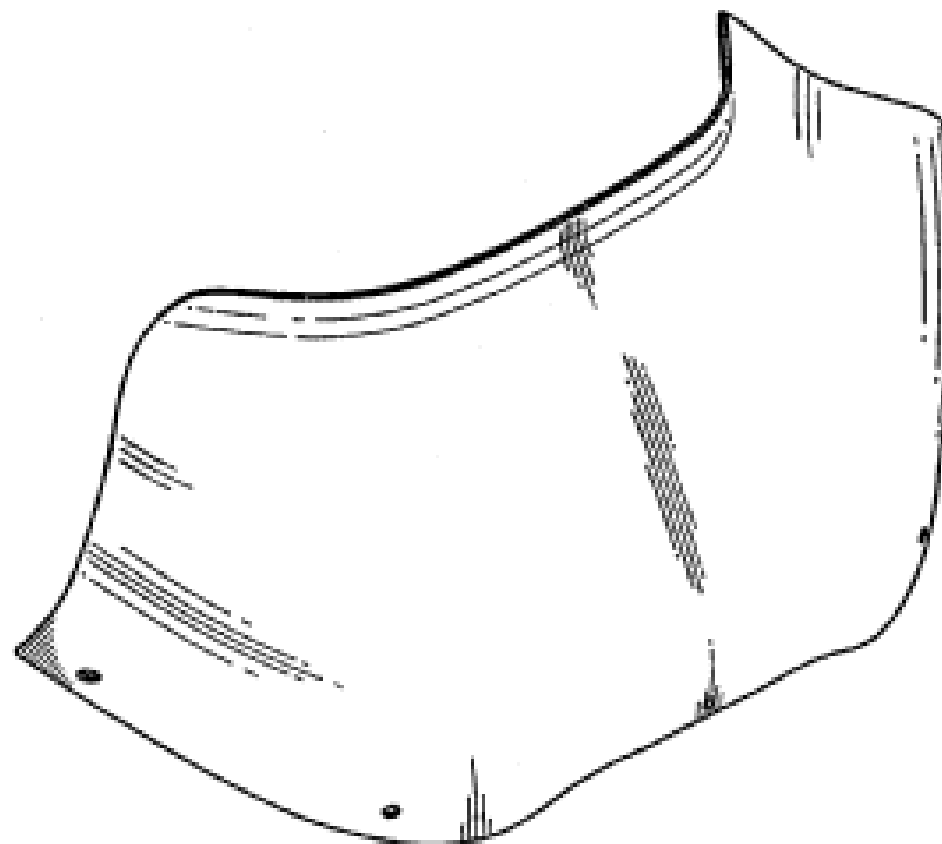
(57) Statement of Newness and Distinctiveness: **The shape and configuration of those portions of the article depicted with solid lines are new and distinctive.**



- (21) Design Number: **15515/2008**
(22) Date of Filing Application: **21 November 2008**
(24) Date from which industrial property rights may have effect: **21 November 2008**
(54) Product in respect of which the design is registered: **Packaging**
(51) International Design Classification: **09-03M**
(71) Name(s) and Address(s) of Applicant(s):
Megara (Australia) Pty Ltd
908-920 Mountain Highway Bayswater Victoria 3153 Australia
(72) Name(s) of Designer(s): **Zita Watkin**
(45) Registration Date: **20 March 2009**
(56) Related Art Documents: **Not Applicable**
(57) Statement of Newness and Distinctiveness: **The newness and distinctiveness in the package is in the 6 vertical panels, which when twisted anti-clockwise 1/2 way along the diagonal creases, join in the centre, creating a uniquely shaped lid.**



- (21) Design Number: **15635/2008**
(22) Date of Filing Application: **28 November 2008**
(24) Date from which industrial property rights may have effect: **28 November 2008**
(54) Product in respect of which the design is registered: **A flared windshield for a motorcycle**
(51) International Design Classification: **12-16F, 12-11**
(71) Name(s) and Address(s) of Applicant(s):
Brian Klock
915 S. Kimball Mitchell South Dakota 57301 United States of America
(72) Name(s) of Designer(s): **Brian Klock**
(45) Registration Date: **20 March 2009**
(56) Related Art Documents: **Not Applicable**
(57) Statement of Newness and Distinctiveness: **Newness and distinctiveness is claimed in the features of shape and/or configuration of a flared windshield for a motorcycle as illustrated in the accompanying representations.**



(21) Design Number: **10237/2009**

(22) Date of Filing Application: **30 January 2009**

(24) Date from which industrial property rights may have effect: **30 January 2009**

(54) Product in respect of which the design is registered: **Vehicle grille surround**

(51) International Design Classification: **12-16B**

(71) Name(s) and Address(s) of Applicant(s):

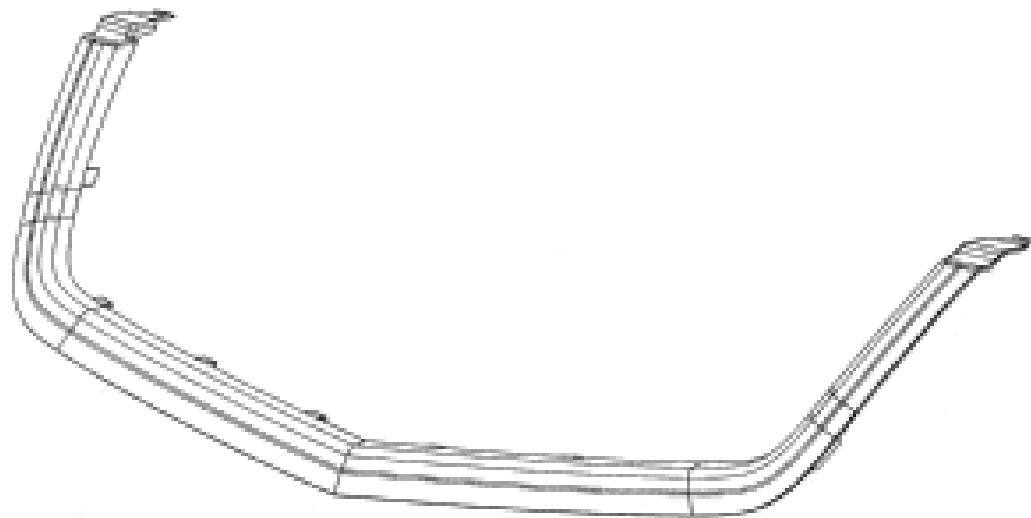
**GM Global Technology Operations, Inc
300 Renaissance Center Detroit Michigan 48265-3000 United States of
America**

(72) Name(s) of Designer(s): **Adam Smith**

(45) Registration Date: **20 March 2009**

(56) Related Art Documents: **Not Applicable**

(57) Statement of Newness and Distinctiveness: **Newness and distinctiveness is claimed in the shape and/or configuration of a vehicle grille surround as shown in the accompanying representations.**



(21) Design Number: **10238/2009**

(22) Date of Filing Application: **30 January 2009**

(24) Date from which industrial property rights may have effect: **30 January 2009**

(54) Product in respect of which the design is registered: **Vehicle grille surround**

(51) International Design Classification: **12-16B**

(71) Name(s) and Address(s) of Applicant(s):

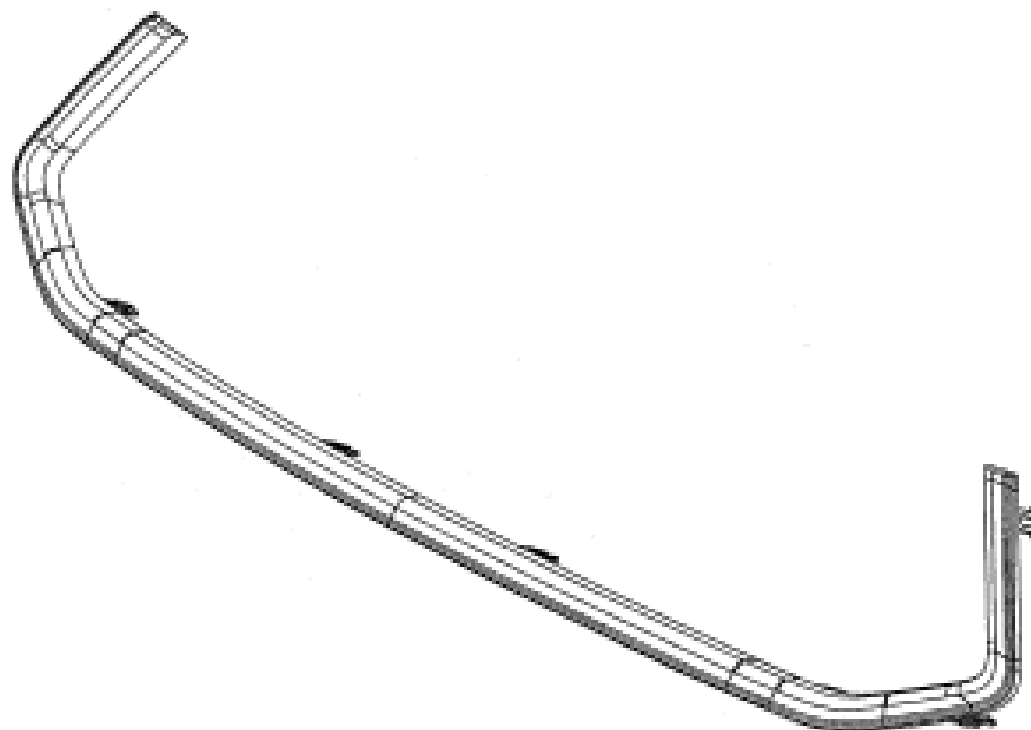
**GM Global Technology Operations, Inc
300 Renaissance Center Detroit Michigan 48265-3000 United States of
America**

(72) Name(s) of Designer(s): **Adam Smith**

(45) Registration Date: **20 March 2009**

(56) Related Art Documents: **Not Applicable**

(57) Statement of Newness and Distinctiveness: **Newness and distinctiveness is claimed in the shape and/or configuration of a vehicle grille surround as shown in the accompanying representations.**



(21) Design Number: **10320/2009**

(22) Date of Filing Application: **06 February 2009**

(24) Date from which industrial property rights may have effect: **06 February 2009**

(54) Product in respect of which the design is registered: **Disposable plastic round plate**

(51) International Design Classification: **07-01A**

(71) Name(s) and Address(s) of Applicant(s):

Partyware Pty Ltd
10 University Place Clayton North Victoria 3168 Australia

(72) Name(s) of Designer(s): **Aron Segev**

(45) Registration Date: **20 March 2009**

(56) Related Art Documents: **Not Applicable**

(57) Statement of Newness and Distinctiveness: **Plastic disposable round plate with square embossed pattern on its edge.**



(21) Design Number: **10321/2009**

(22) Date of Filing Application: **06 February 2009**

(24) Date from which industrial property rights may have effect: **06 February 2009**

(54) Product in respect of which the design is registered: **Disposable plastic round bowl**

(51) International Design Classification: **07-01B**

(71) Name(s) and Address(s) of Applicant(s):

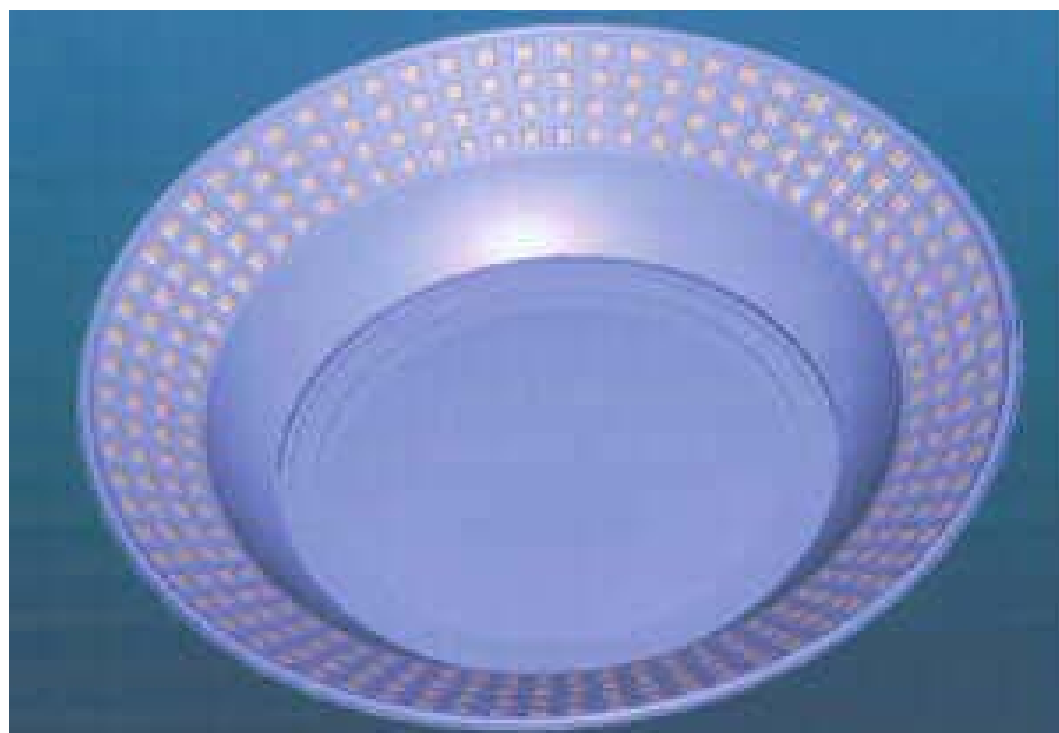
Partyware Pty Ltd
10 University Place Clayton North Victoria 3168 Australia

(72) Name(s) of Designer(s): **Aron Segev**

(45) Registration Date: **20 March 2009**

(56) Related Art Documents: **Not Applicable**

(57) Statement of Newness and Distinctiveness: **Plastic disposable round bowl with square embossed pattern on its edge.**



(21) Design Number: **10322/2009**

(22) Date of Filing Application: **06 February 2009**

(24) Date from which industrial property rights may have effect: **06 February 2009**

(54) Product in respect of which the design is registered: **Disposable plastic oval plate**

(51) International Design Classification: **07-01A**

(71) Name(s) and Address(s) of Applicant(s):

Partyware Pty Ltd

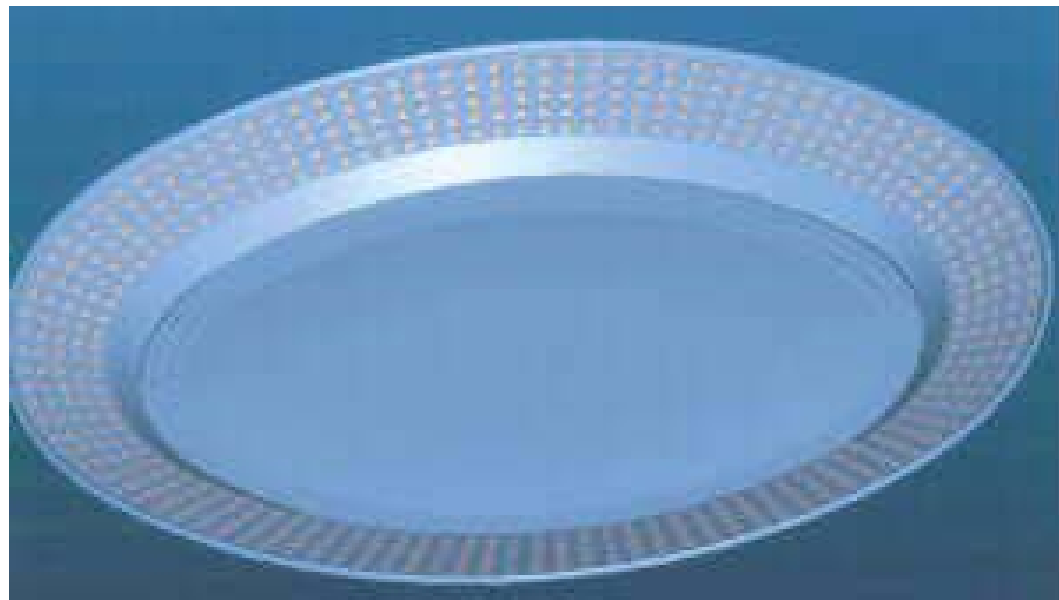
10 University Place Clayton North Victoria 3168 Australia

(72) Name(s) of Designer(s): **Aron Segev**

(45) Registration Date: **20 March 2009**

(56) Related Art Documents: **Not Applicable**

(57) Statement of Newness and Distinctiveness: **Plastic disposable oval plate with square embossed pattern on its edge.**



(21) Design Number: **10803/2009**

(22) Date of Filing Application: **12 March 2009**

(24) Date from which industrial property rights may have effect: **12 March 2009**

(54) Product in respect of which the design is registered: **Roll over protection assembly**

(51) International Design Classification: **12-16C**

(71) Name(s) and Address(s) of Applicant(s):

Minecorp Pty Ltd

20 Postle Street Coopers Plains Queensland 4108 Australia

(72) Name(s) of Designer(s): **Mark Lacey and Ian Schultz and Brad Burns**

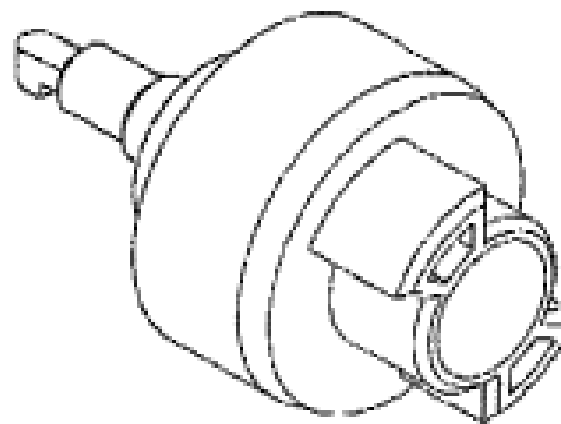
(45) Registration Date: **17 March 2009**

(56) Related Art Documents: **Not Applicable**

(57) Statement of Newness and Distinctiveness: **Nil**



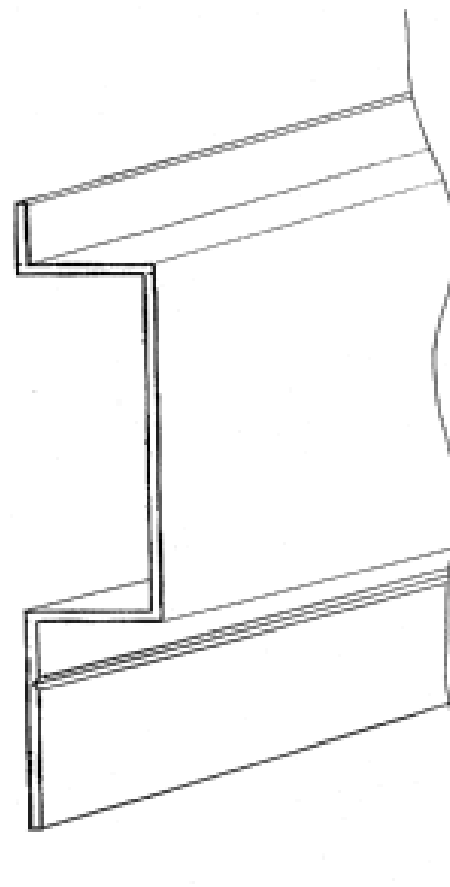
(21) Design Number: **10808/2009**
(22) Date of Filing Application: **13 March 2009**
(24) Date from which industrial property rights may have effect: **13 March 2009**
(54) Product in respect of which the design is registered: **Coupling for toner cartridge**
(51) International Design Classification: **14-02, 16-03**
(71) Name(s) and Address(s) of Applicant(s):
Toshiba Tec Kabushiki Kaisha
2-17-2 Higashigotanda Shinagawa-ku Tokyo 141-8664 Japan
(72) Name(s) of Designer(s): **Takafumi Amano**
(45) Registration Date: **17 March 2009**
(30) Convention priority data:
(31) Number (32) Date (33) Country
2009-004692 03 Mar 2009 JAPAN
(56) Related Art Documents: **Not Applicable**
(57) Statement of Newness and Distinctiveness: **Nil**



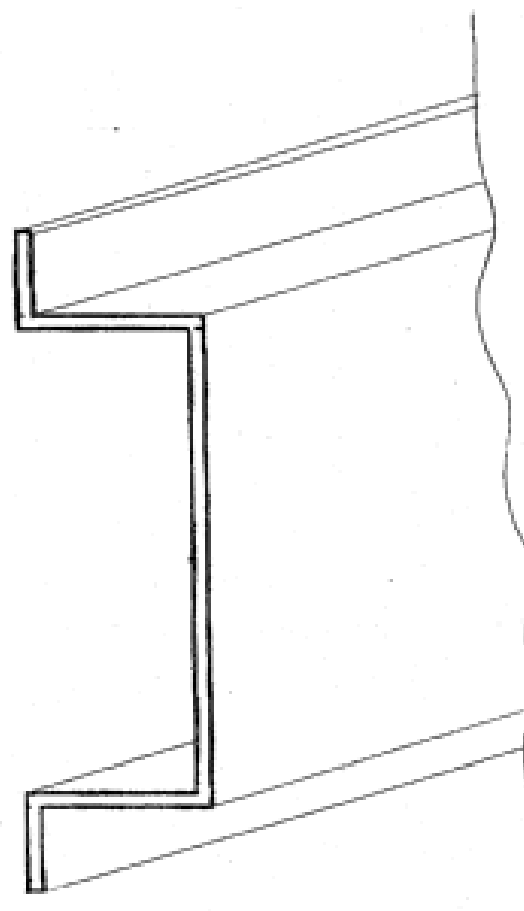
(21) Design Number: **15977/2008**
(22) Date of Filing Application: **19 December 2008**
(24) Date from which industrial property rights may have effect: **19 December 2008**
(54) Product in respect of which the design is registered: **An attachment clip**
(51) International Design Classification: **08-08C**
(71) Name(s) and Address(s) of Applicant(s):
Aquatech Systems Australia Pty Ltd
59 Bergmann Drive Ceduna South Australia 5690 Australia
(72) Name(s) of Designer(s): **Garry Bruno Seidl and Ian Howard Pendergrast**
(45) Registration Date: **19 March 2009**
(56) Related Art Documents: **Not Applicable**
(57) Statement of Newness and Distinctiveness: **Nil**



- (21) Design Number: **12707/2008**
(22) Date of Filing Application: **04 June 2008**
(24) Date from which industrial property rights may have effect: **04 June 2008**
(54) Product in respect of which the design is registered: **Extrusion**
(51) International Design Classification: **25-01K**
(71) Name(s) and Address(s) of Applicant(s):
 Mahl Holdings Pty Ltd
 49 Tennant Street Fyshwick ACT 2609 Australia
 Mahl Investments Pty Limited
 49 Tennant Street Fyshwick ACT 2609 Australia
(72) Name(s) of Designer(s): **Alex Mahl**
(45) Registration Date: **19 March 2009**
(56) Related Art Documents: **Not Applicable**
(57) Statement of Newness and Distinctiveness: **Newness and distinctiveness is claimed in the features of shape and/or configuration of the cross section of an extrusion as illustrated in the accompanying representations, wherein the cross section of the extrusion is constant along its length.**



- (21) Design Number: **12708/2008**
(22) Date of Filing Application: **04 June 2008**
(24) Date from which industrial property rights may have effect: **04 June 2008**
(54) Product in respect of which the design is registered: **Extrusion**
(51) International Design Classification: **25-01K**
(71) Name(s) and Address(s) of Applicant(s):
 Mahl Holdings Pty Ltd
 49 Tennant Street Fyshwick ACT 2609 Australia
 Mahl Investments Pty Limited
 49 Tennant Street Fyshwick ACT 2609 Australia
(72) Name(s) of Designer(s): **Alex Mahl**
(45) Registration Date: **19 March 2009**
(56) Related Art Documents: **Not Applicable**
(57) Statement of Newness and Distinctiveness: **Newness and distinctiveness is claimed in the features of shape and/or configuration of the cross section of an extrusion as illustrated in the accompanying representations, wherein the cross section of the extrusion is constant along its length.**



(21) Design Number: **12709/2008**

(22) Date of Filing Application: **04 June 2008**

(24) Date from which industrial property rights may have effect: **04 June 2008**

(54) Product in respect of which the design is registered: **Extrusion**

(51) International Design Classification: **25-01K**

(71) Name(s) and Address(s) of Applicant(s):

Mahl Holdings Pty Ltd
49 Tennant Street Fyshwick ACT 2609 Australia

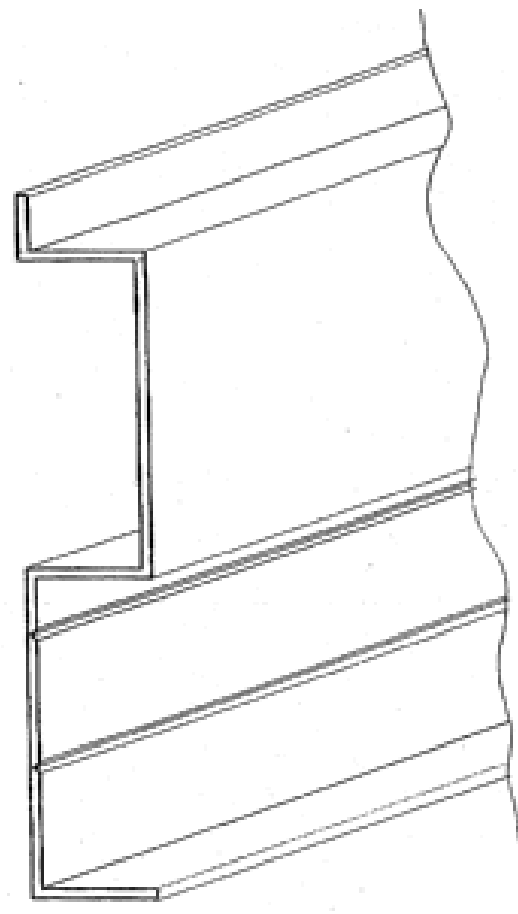
Mahl Investments Pty Limited
49 Tennant Street Fyshwick ACT 2609 Australia

(72) Name(s) of Designer(s): **Alex Mahl**

(45) Registration Date: **19 March 2009**

(56) Related Art Documents: **Not Applicable**

(57) Statement of Newness and Distinctiveness: **Newness and distinctiveness is claimed in the features of shape and/or configuration of the cross section of an extrusion as illustrated in the accompanying representations, wherein the cross section of the extrusion is constant along its length.**



(21) Design Number: **12710/2008**

(22) Date of Filing Application: **04 June 2008**

(24) Date from which industrial property rights may have effect: **04 June 2008**

(54) Product in respect of which the design is registered: **Extrusion**

(51) International Design Classification: **25-01K**

(71) Name(s) and Address(s) of Applicant(s):

Mahl Holdings Pty Ltd
49 Tennant Street Fyshwick ACT 2609 Australia

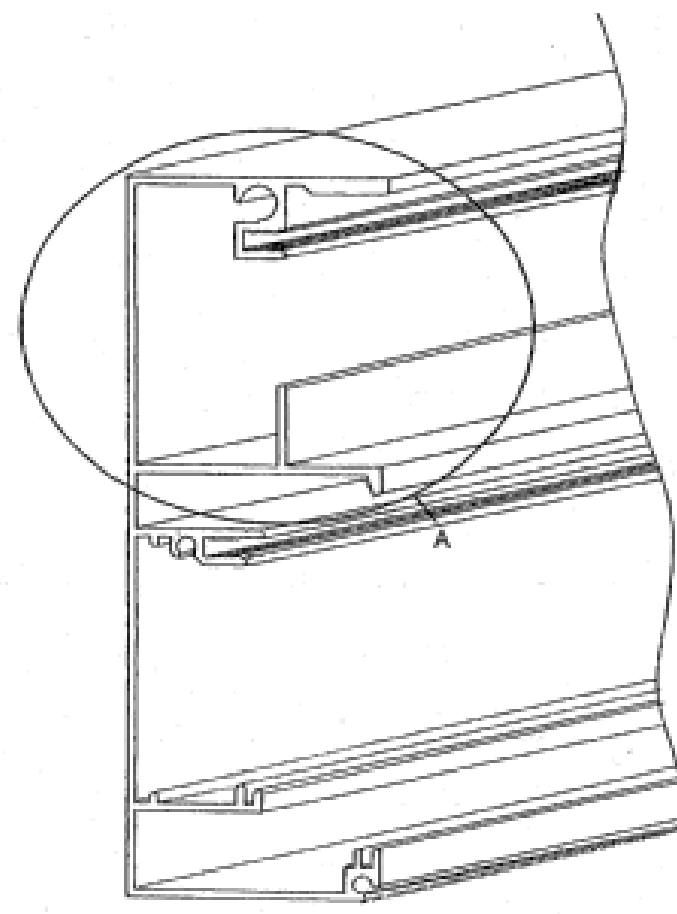
Mahl Investments Pty Limited
49 Tennant Street Fyshwick ACT 2609 Australia

(72) Name(s) of Designer(s): **Alex Mahl**

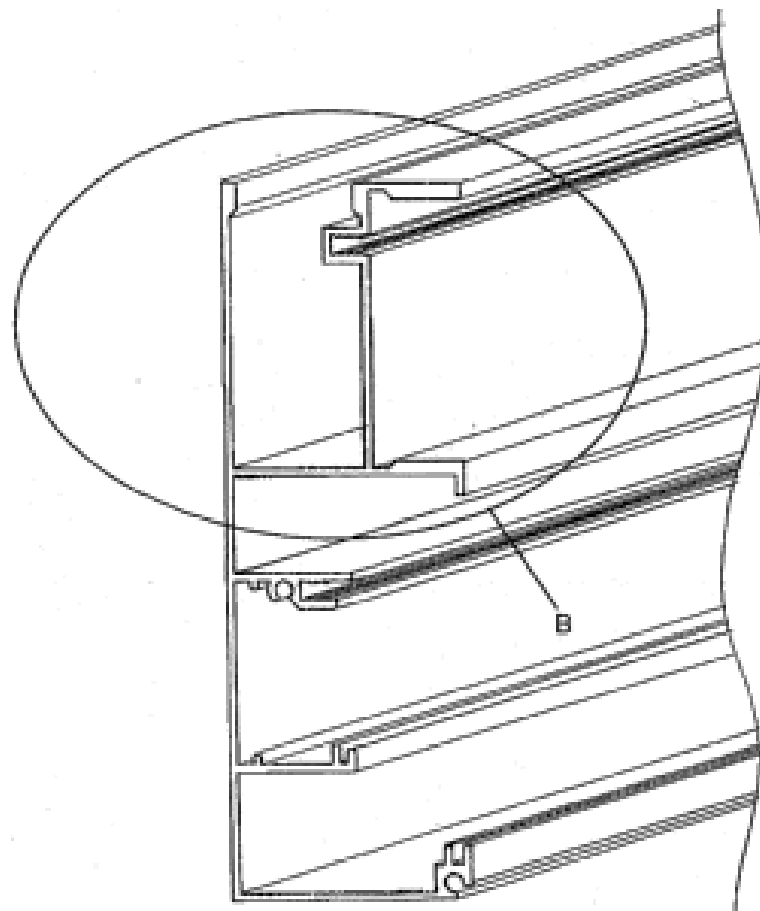
(45) Registration Date: **19 March 2009**

(56) Related Art Documents: **Not Applicable**

(57) Statement of Newness and Distinctiveness: **Newness and distinctiveness is claimed in the features of shape and/or configuration of the cross section of an extrusion enclosed in the ellipse labelled A as illustrated in the accompanying representations, wherein the cross section of the extrusion is constant along its length.**

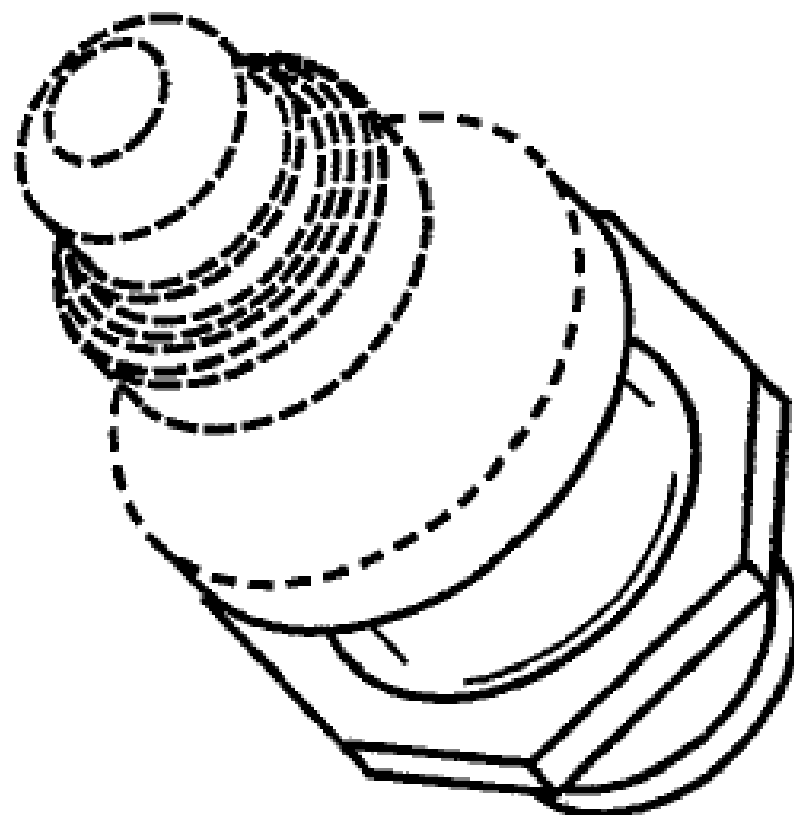


- (21) Design Number: **12711/2008**
- (22) Date of Filing Application: **04 June 2008**
- (24) Date from which industrial property rights may have effect: **04 June 2008**
- (54) Product in respect of which the design is registered: **Extrusion**
- (51) International Design Classification: **25-01K**
- (71) Name(s) and Address(s) of Applicant(s):
Mahl Holdings Pty Ltd
49 Tennant Street Fyshwick ACT 2609 Australia
Mahl Investments Pty Limited
49 Tennant Street Fyshwick ACT 2609 Australia
- (72) Name(s) of Designer(s): **Alex Mahl**
- (45) Registration Date: **19 March 2009**
- (56) Related Art Documents: **Not Applicable**
- (57) Statement of Newness and Distinctiveness: **Newness and distinctiveness is claimed in the features of shape and/or configuration of the cross section of an extrusion enclosed in the ellipse labelled B as illustrated in the accompanying representations, wherein the cross section of the extrusion is constant along its length.**

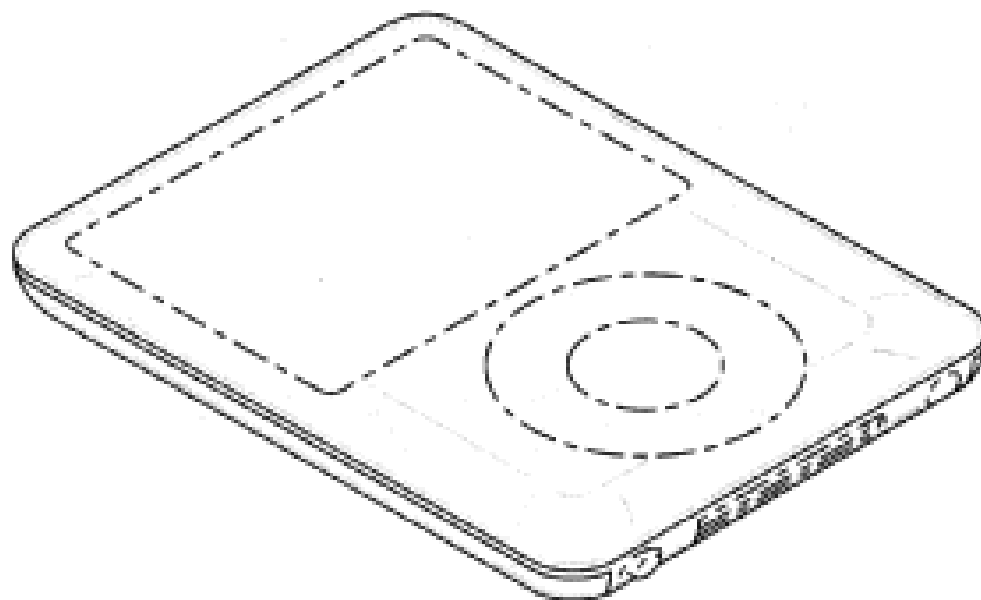


- (21) Design Number: **15497/2008**
- (22) Date of Filing Application: **19 November 2008**
- (24) Date from which industrial property rights may have effect: **19 November 2008**
- (54) Product in respect of which the design is registered: **Tool for cutting surface, such as in road grading**
- (51) International Design Classification: **08-03**
- (71) Name(s) and Address(s) of Applicant(s):
Sandvik Intellectual Property AB
Sandviken S-811 81 Sweden
- (72) Name(s) of Designer(s): **Kenneth Monyak and Joseph Fader**
- (45) Registration Date: **19 March 2009**
- (30) Convention priority data:

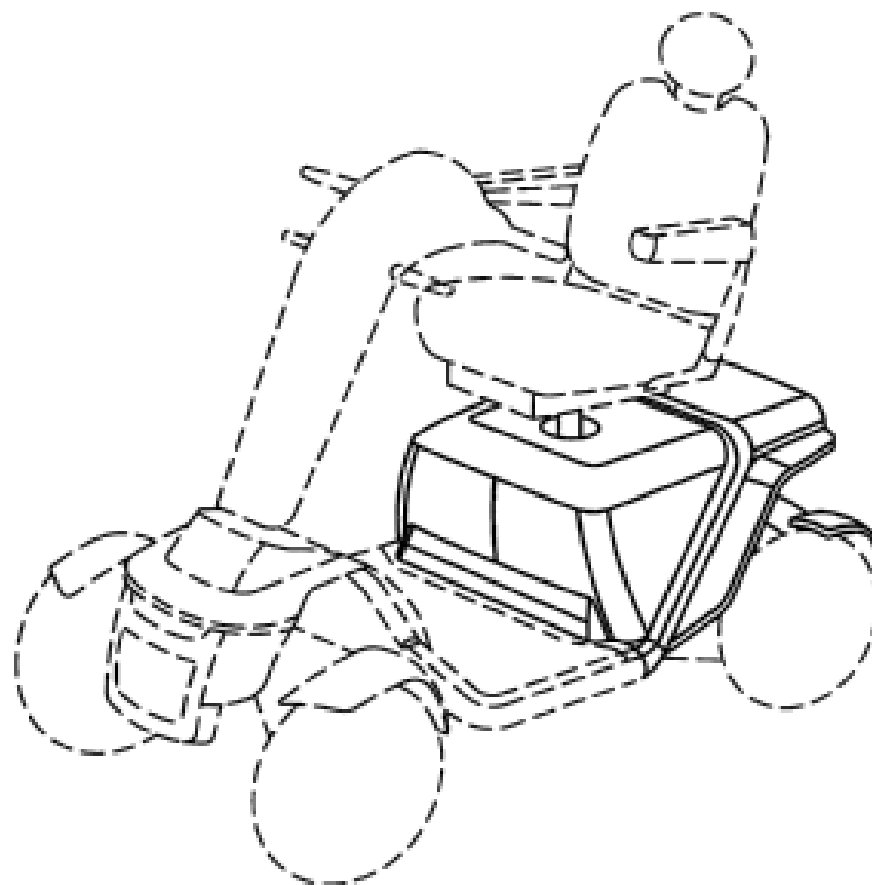
(31) Number	(32) Date	(33) Country
29/318,344	19 May 2008	UNITED STATES OF AMERICA
- (56) Related Art Documents: **Not Applicable**
- (57) Statement of Newness and Distinctiveness: **The shape and configuration of those parts of design shown by means of solid lines in the Figures are new and distinctive.**



(21) Design Number: **10152/2009**
 (22) Date of Filing Application: **20 January 2009**
 (24) Date from which industrial property rights may have effect: **20 January 2009**
 (54) Product in respect of which the design is registered: **Electronic device**
 (51) International Design Classification: **14-01**
 (71) Name(s) and Address(s) of Applicant(s):
Apple Inc.
1 Infinite Loop Cupertino California 95014 United States of America
 (72) Name(s) of Designer(s): **Bartley K. Andre and Daniel J. Coster and Daniele De Iuliis and Richard P. Howarth and Jonathan P. Ive and Steve Jobs and Duncan Robert Kerr and Shin Nishibori and Matthew Dean Rohrbach and Peter Russell-Clarke and Douglas B. Satzger and Calvin Q. Seid and Christopher J. Stringer and Eugene Antony Whang and Rico Zorkendorfer**
 (45) Registration Date: **19 March 2009**
 (30) Convention priority data:
 (31) Number (32) Date (33) Country
29/284190 31 Aug 2007 UNITED STATES OF AMERICA
 (56) Related Art Documents: **Not Applicable**
 (57) Statement of Newness and Distinctiveness: **Newness and distinctiveness is claimed in the shape and/or configuration of an electronic device as shown in solid lines in the accompanying representations.**



(21) Design Number: **10830/2009**
 (22) Date of Filing Application: **16 March 2009**
 (24) Date from which industrial property rights may have effect: **16 March 2009**
 (54) Product in respect of which the design is registered: **Scooter**
 (51) International Design Classification: **12-11, 12-12**
 (71) Name(s) and Address(s) of Applicant(s):
Pride Mobility Products Corporation
330 Philadelphia Avenue West Pittston Pennsylvania 18643 United States of America
 (72) Name(s) of Designer(s): **Robert A. Carlton and Charles J. Martis**
 (45) Registration Date: **18 March 2009**
 (30) Convention priority data:
 (31) Number (32) Date (33) Country
29/326,219 14 Oct 2008 UNITED STATES OF AMERICA
 (56) Related Art Documents: **Not Applicable**
 (57) Statement of Newness and Distinctiveness: **Newness and distinctiveness is claimed in the shape and/or configuration of a SCOOTER as illustrated by the unbroken lines in the accompanying representation/s.**



(21) Design Number: **10836/2009**

(22) Date of Filing Application: **16 March 2009**

(24) Date from which industrial property rights may have effect: **16 March 2009**

(54) Product in respect of which the design is registered: **A tag**

(51) International Design Classification: **03-01B, 30-08**

(71) Name(s) and Address(s) of Applicant(s):

Gail Rose

29 Norkus Way Willagee Western Australia 6156 Australia

Kathryn Ryan

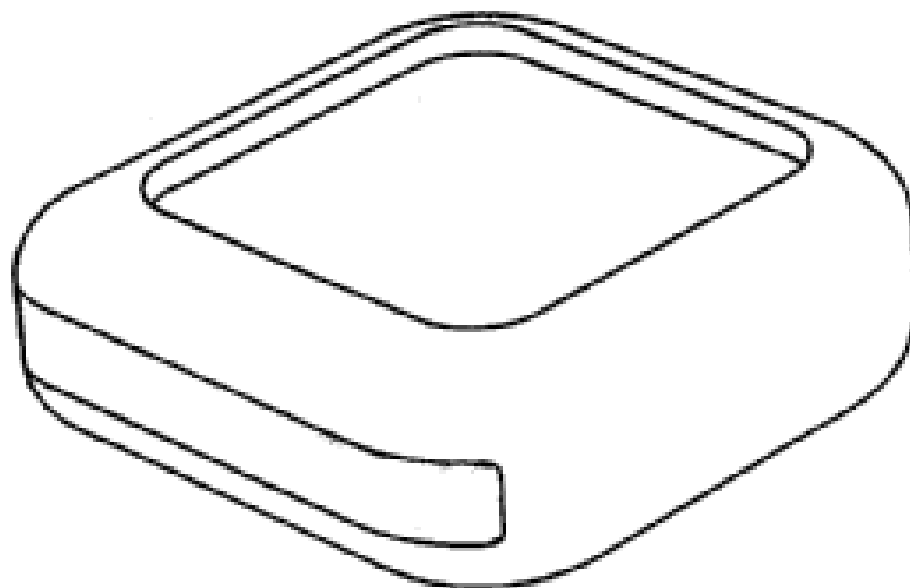
4 Lamperd Mews Murdoch Western Australia 6150 Australia

(72) Name(s) of Designer(s): **Daniel Supanz and Gail Rose and Kathryn Ryan**

(45) Registration Date: **18 March 2009**

(56) Related Art Documents: **Not Applicable**

(57) Statement of Newness and Distinctiveness: **Nil**



(21) Design Number: **14318/2008**

(22) Date of Filing Application: **05 September 2008**

(24) Date from which industrial property rights may have effect: **05 September 2008**

(54) Product in respect of which the design is registered: **Stake**

(51) International Design Classification: **08-08NES, 21-04**

(71) Name(s) and Address(s) of Applicant(s):

David George Cook

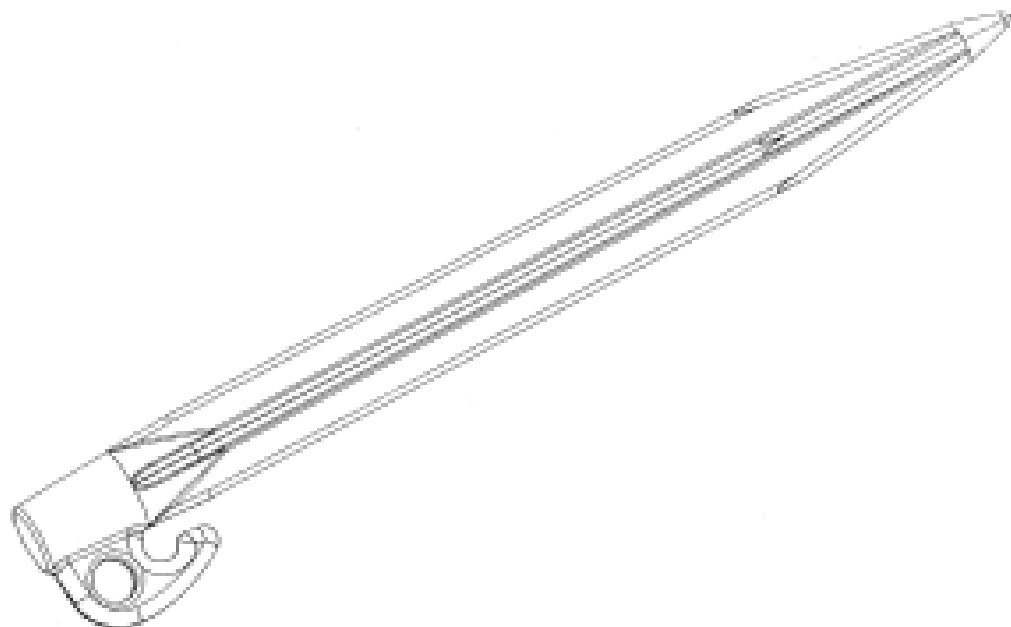
14 Binary Street Yatala Queensland 4207 Australia

(72) Name(s) of Designer(s): **David George Cook**

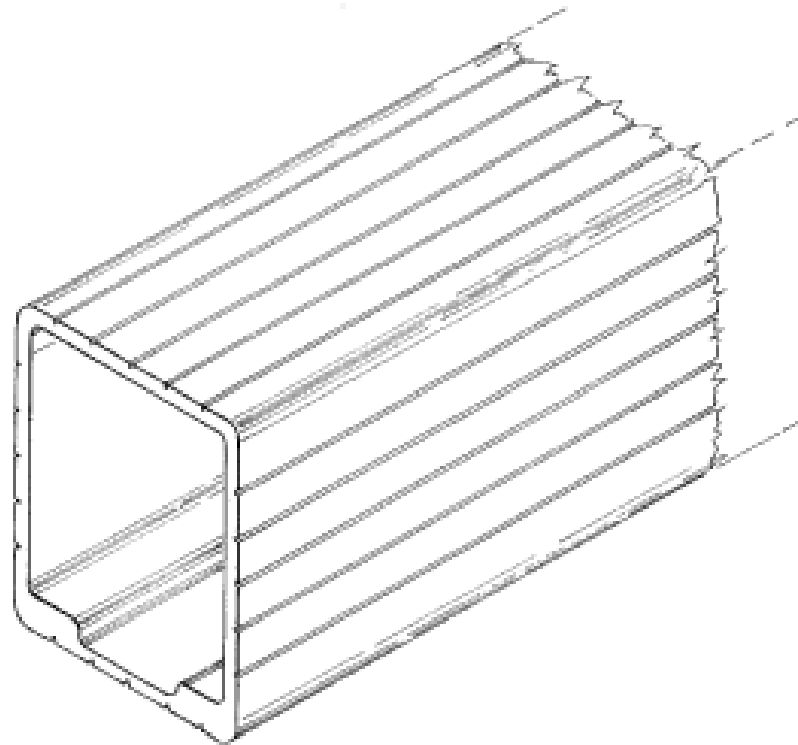
(45) Registration Date: **23 March 2009**

(56) Related Art Documents: **Not Applicable**

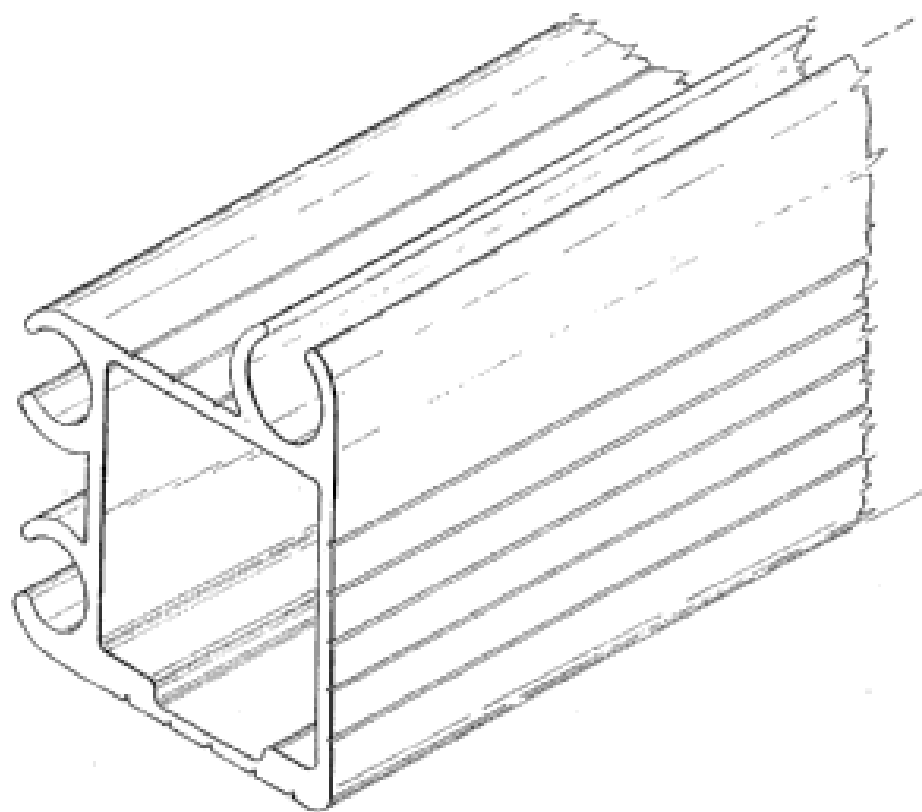
(57) Statement of Newness and Distinctiveness: **Newness and distinctiveness resides in the features of shape and configuration of the head of the stake.**



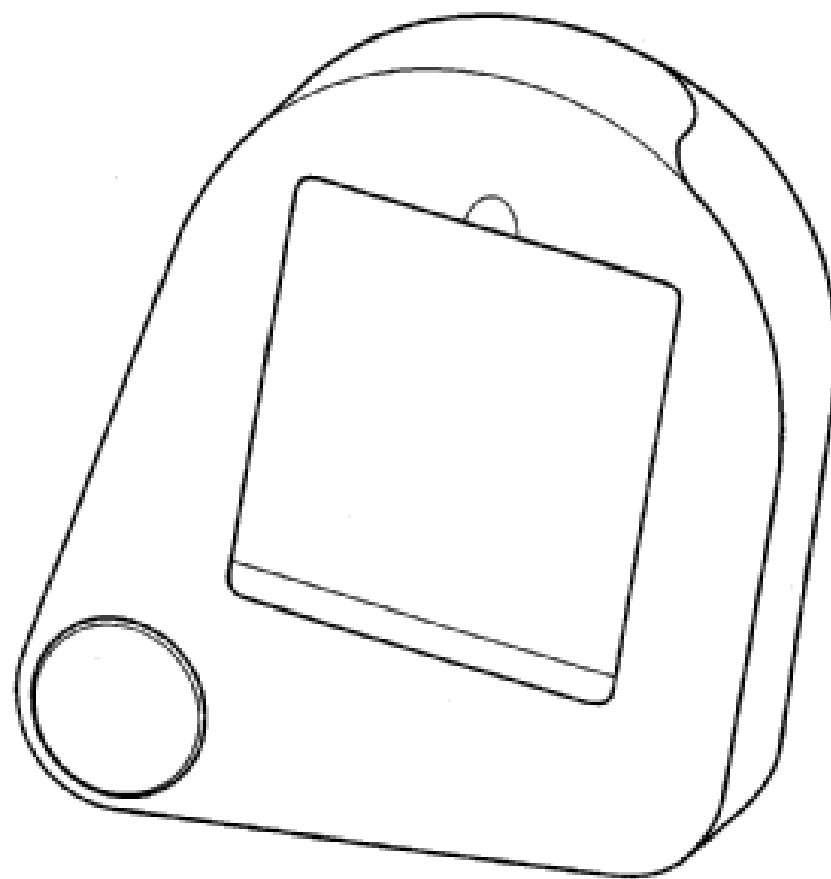
- (21) Design Number: **14370/2008**
(22) Date of Filing Application: **10 September 2008**
(24) Date from which industrial property rights may have effect: **10 September 2008**
(54) Product in respect of which the design is registered: **Extrusion**
(51) International Design Classification: **25-01K**
(71) Name(s) and Address(s) of Applicant(s):
David George Cook
14 Binary Street Yatala Queensland 4207 Australia
(72) Name(s) of Designer(s): **David George Cook**
(45) Registration Date: **23 March 2009**
(56) Related Art Documents: **Not Applicable**
(57) Statement of Newness and Distinctiveness: **Newness and distinctiveness reside in the features of shape and configuration of an extrusion as shown in the accompanying representations. The extrusion is of indefinite length and constant cross section throughout its length.**



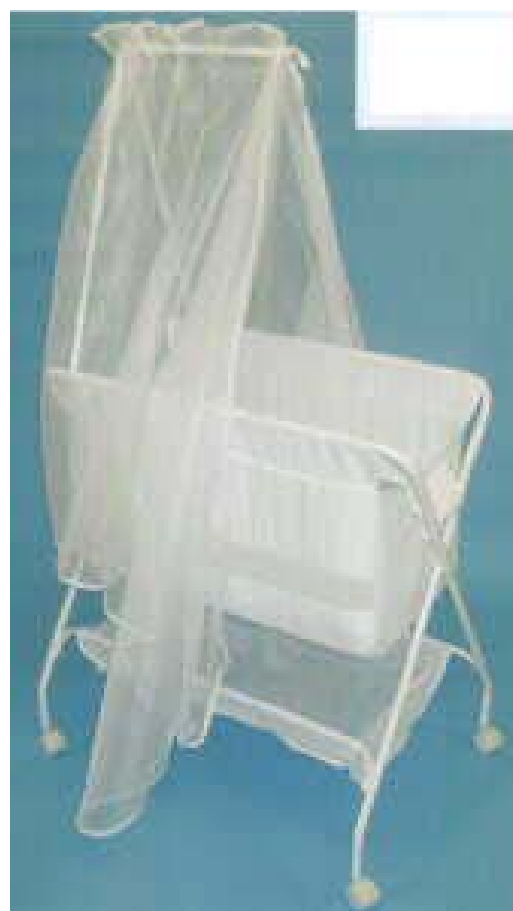
- (21) Design Number: **14605/2008**
(22) Date of Filing Application: **23 September 2008**
(24) Date from which industrial property rights may have effect: **23 September 2008**
(54) Product in respect of which the design is registered: **Extrusion**
(51) International Design Classification: **25-01K**
(71) Name(s) and Address(s) of Applicant(s):
David George Cook
14 Binary Street Yatala Queensland 4207 Australia
(72) Name(s) of Designer(s): **David George Cook**
(45) Registration Date: **23 March 2009**
(56) Related Art Documents: **Not Applicable**
(57) Statement of Newness and Distinctiveness: **Newness and distinctiveness reside in the features of shape and configuration of an extrusion as shown in the accompanying representations. The extrusion is of indefinite length and constant cross section throughout its length.**



- (21) Design Number: **15268/2008**
(22) Date of Filing Application: **07 November 2008**
(24) Date from which industrial property rights may have effect: **07 November 2008**
(54) Product in respect of which the design is registered: **Container**
(51) International Design Classification: **09-03NES**
(71) Name(s) and Address(s) of Applicant(s):
Troprose Pty Ltd
1701 Mullewa-Wubin Road Pindar Western Australia 6631 Australia
(72) Name(s) of Designer(s): **Anita Tropiano and Malcolm Cook**
(45) Registration Date: **23 March 2009**
(56) Related Art Documents: **Not Applicable**
(57) Statement of Newness and Distinctiveness: **Nil**



- (21) Design Number: **10062/2009**
(22) Date of Filing Application: **12 January 2009**
(24) Date from which industrial property rights may have effect: **12 January 2009**
(54) Product in respect of which the design is registered: **Baby bassinette**
(51) International Design Classification: **06-02**
(71) Name(s) and Address(s) of Applicant(s):
Russell Alexander
312 George Street Windsor New South Wales 2756 Australia
Annalise Horsfall
312 George Street Windsor New South Wales 2756 Australia
(72) Name(s) of Designer(s): **Russell Alexander Horsfall**
(45) Registration Date: **23 March 2009**
(56) Related Art Documents: **Not Applicable**
(57) Statement of Newness and Distinctiveness: **This bassinette has mesh fabric side panels to aid circulation. The two top rails are removeable to allow textile bassinette to be filled.**

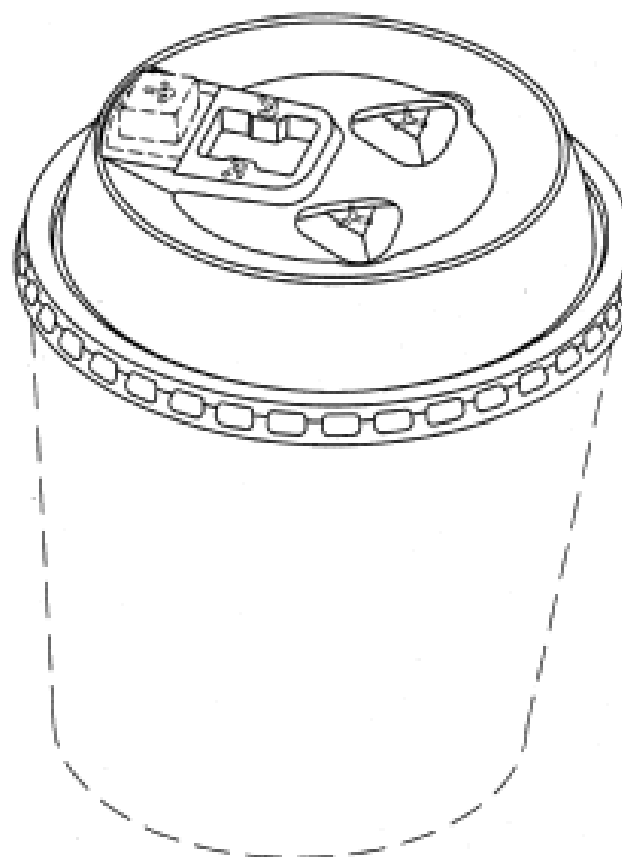


- (21) Design Number: **10122/2009**
- (22) Date of Filing Application: **19 January 2009**
- (24) Date from which industrial property rights may have effect: **19 January 2009**
- (54) Product in respect of which the design is registered: **Butterfly wall piece used for decoration**
- (51) International Design Classification: **11-02F**
- (71) Name(s) and Address(s) of Applicant(s):
Cindy-Lee Davies
115 Abbotsford Street West Melbourne Victoria 3003 Australia
- (72) Name(s) of Designer(s): **Cindy-Lee Davies**
- (45) Registration Date: **23 March 2009**
- (56) Related Art Documents: **Not Applicable**
- (57) Statement of Newness and Distinctiveness: **Cut out butterfly motif from recycled porcelain saucers is the products uniqueness. Distinctive in newness of application as a wall decorative piece. Uniqueness is the use of the recycled saucers. Newness is the process of cutting patterns from recycled various saucers.**



- (21) Design Number: **10193/2009**
- (22) Date of Filing Application: **27 January 2009**
- (24) Date from which industrial property rights may have effect: **27 January 2009**
- (54) Product in respect of which the design is registered: **Cup lid**
- (51) International Design Classification: **09-07B**
- (71) Name(s) and Address(s) of Applicant(s):
New WinCup Holdings, Inc.
4640 Lewis Road Stone Mountain Georgia 30083 United States of America
- (72) Name(s) of Designer(s): **Bobby V. Hundley**
- (45) Registration Date: **23 March 2009**
- (30) Convention priority data:

(31) Number	(32) Date	(33) Country
29/322,073	29 Jul 2008	UNITED STATES OF AMERICA
- (56) Related Art Documents: **Not Applicable**
- (57) Statement of Newness and Distinctiveness: **Newness and distinctiveness is claimed in the visual features of the cup lid as shown in the representations. The features shown in broken line form no part of the claimed design.**



(21) Design Number: **10196/2009**

(22) Date of Filing Application: **28 January 2009**

(24) Date from which industrial property rights may have effect: **28 January 2009**

(54) Product in respect of which the design is registered: **Dress**

(51) International Design Classification: **02-02C**

(71) Name(s) and Address(s) of Applicant(s):

Hatzis Holdings Pty Ltd
Level 3 2-12 Foveaux Street Surry Hills New South Wales 2010
Australia

(72) Name(s) of Designer(s): **Marie Hatzis**

(45) Registration Date: **23 March 2009**

(56) Related Art Documents: **Not Applicable**

(57) Statement of Newness and Distinctiveness: **Unique beading on unique neckline.**



(21) Design Number: **10197/2009**

(22) Date of Filing Application: **28 January 2009**

(24) Date from which industrial property rights may have effect: **28 January 2009**

(54) Product in respect of which the design is registered: **Dress**

(51) International Design Classification: **02-02C**

(71) Name(s) and Address(s) of Applicant(s):

Hatzis Holdings Pty Ltd
Level 3 2-12 Foveaux Street Surry Hills New South Wales 2010
Australia

(72) Name(s) of Designer(s): **Marie Hatzis**

(45) Registration Date: **23 March 2009**

(56) Related Art Documents: **Not Applicable**

(57) Statement of Newness and Distinctiveness: **Unique beading and panel work.**



(21) Design Number: **10198/2009**

(22) Date of Filing Application: **28 January 2009**

(24) Date from which industrial property rights may have effect: **28 January 2009**

(54) Product in respect of which the design is registered: **Dress**

(51) International Design Classification: **02-02C**

(71) Name(s) and Address(s) of Applicant(s):

Hatzis Holdings Pty Ltd
Level 3 2-12 Foveaux Street Surry Hills New South Wales 2010
Australia

(72) Name(s) of Designer(s): **Marie Hatzis**

(45) Registration Date: **23 March 2009**

(56) Related Art Documents: **Not Applicable**

(57) Statement of Newness and Distinctiveness: **Unique beading and panel work.**



(21) Design Number: **10199/2009**

(22) Date of Filing Application: **28 January 2009**

(24) Date from which industrial property rights may have effect: **28 January 2009**

(54) Product in respect of which the design is registered: **Dress**

(51) International Design Classification: **02-02C**

(71) Name(s) and Address(s) of Applicant(s):

Hatzis Holdings Pty Ltd
Level 3 2-12 Foveaux Street Surry Hills New South Wales 2010
Australia

(72) Name(s) of Designer(s): **Marie Hatzis**

(45) Registration Date: **23 March 2009**

(56) Related Art Documents: **Not Applicable**

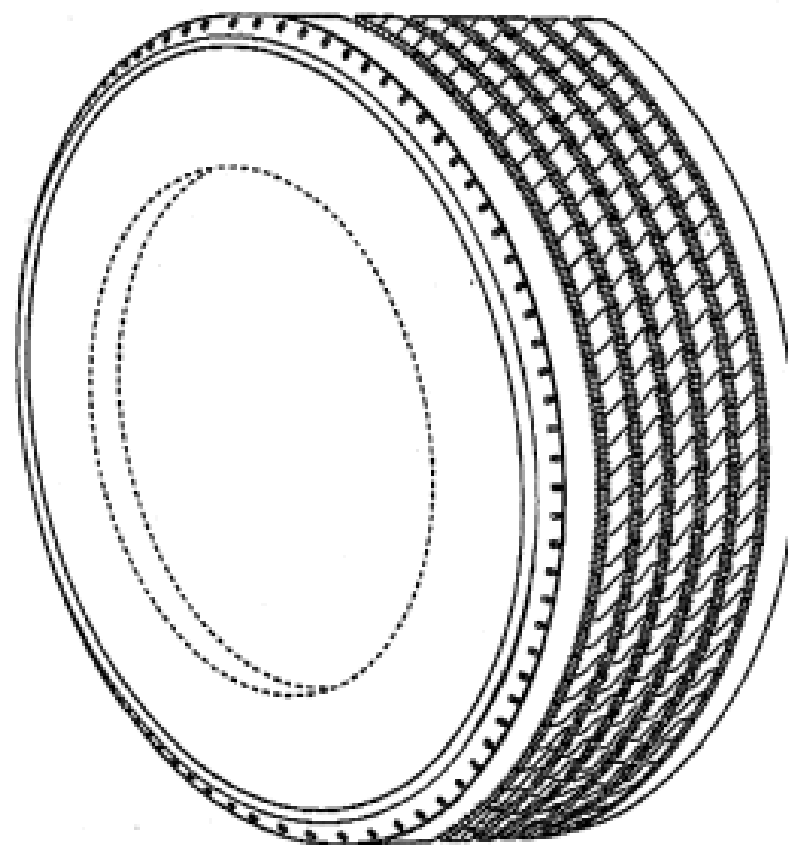
(57) Statement of Newness and Distinctiveness: **Beading panel above shoulder.**



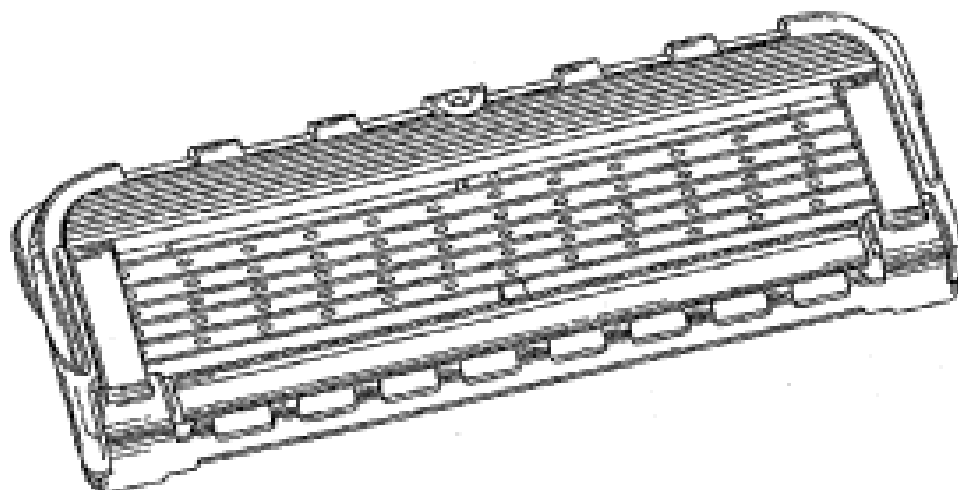
- (21) Design Number: **10469/2009**
(22) Date of Filing Application: **17 February 2009**
(24) Date from which industrial property rights may have effect: **17 February 2009**
(54) Product in respect of which the design is registered: **Bottle**
(51) International Design Classification: **09-01K**
(71) Name(s) and Address(s) of Applicant(s):
APDC International Pty. Ltd
4/30 Waterloo Crescent East Perth Western Australia 6004 Australia
(72) Name(s) of Designer(s): **Will Gadd**
(45) Registration Date: **23 March 2009**
(56) Related Art Documents: **Not Applicable**
(57) Statement of Newness and Distinctiveness: **Rectangular shape - rounded shoulders and horizontal ridges (top & bottom), reduced waist line (to enhance grip).**



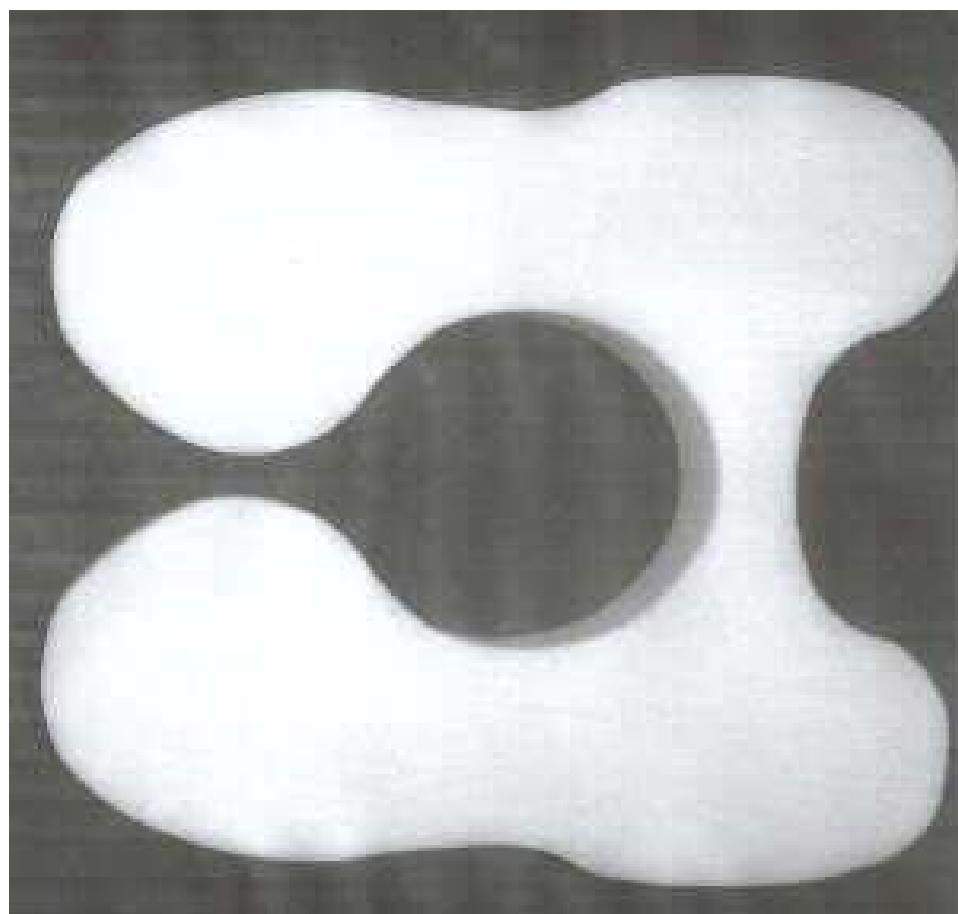
- (21) Design Number: **10843/2009**
(22) Date of Filing Application: **16 March 2009**
(24) Date from which industrial property rights may have effect: **16 March 2009**
(54) Product in respect of which the design is registered: **A tyre**
(51) International Design Classification: **12-15B**
(71) Name(s) and Address(s) of Applicant(s):
Societe De Technologie Michelin
23 rue Breschet F-63000 Clermont-Ferrand Cedex France
Michelin Recherche et Technique S.A.
Route Louis Braille 10 et 12 CH-1763 Granges-Paccot Switzerland
(72) Name(s) of Designer(s): **Paul Andrew Mayni and William Bennett Clayton and Joseph Anderson Stain and Daniel McEachern Hicks**
(45) Registration Date: **19 March 2009**
(30) Convention priority data:
(31) Number (32) Date (33) Country
29/326,043 10 Oct 2008 UNITED STATES OF AMERICA
(56) Related Art Documents: **Not Applicable**
(57) Statement of Newness and Distinctiveness: **Newness and distinctiveness resides in the appearance of the tread pattern region of the tyre with the remainder of the tyre not forming part of the design.**



(21) Design Number: **10854/2009**
 (22) Date of Filing Application: **18 March 2009**
 (24) Date from which industrial property rights may have effect: **18 March 2009**
 (54) Product in respect of which the design is registered: **Razor cartridge**
 (51) International Design Classification: **28-03A**
 (71) Name(s) and Address(s) of Applicant(s):
The Gillette Company
Prudential Tower Building Boston Massachusetts 02199 United States of America
 (72) Name(s) of Designer(s): **Brian Patrick Watson**
 (45) Registration Date: **19 March 2009**
 (30) Convention priority data:
 (31) Number (32) Date (33) Country
29/325,197 26 Sep 2008 UNITED STATES OF AMERICA
 (56) Related Art Documents: **Not Applicable**
 (57) Statement of Newness and Distinctiveness: **Newness and distinctiveness reside in the features of shape and/or configuration of the razor cartridge, as shown in the representations.**



(21) Design Number: **15363/2008**
 (22) Date of Filing Application: **13 November 2008**
 (24) Date from which industrial property rights may have effect: **13 November 2008**
 (54) Product in respect of which the design is registered: **Foam support cushion**
 (51) International Design Classification: **06-09**
 (71) Name(s) and Address(s) of Applicant(s):
Carol May
6 Kingfisher Grove Bradeley Stoke on Trent Staffordshire ST6 7QQ United Kingdom
 (72) Name(s) of Designer(s): **Carol May**
 (45) Registration Date: **24 March 2009**
 (30) Convention priority data:
 (31) Number (32) Date (33) Country
000809991-0001 08 Jan 2008 EUROPEAN COMMUNITY
 (56) Related Art Documents: **Not Applicable**
 (57) Statement of Newness and Distinctiveness: **Breast and Abdominal support and protect body cushion - pic 2 flexible hip and lower back legs - pic 3 Facial support - 5 Head rest and main body cushion filler - pic 6. Pic 1: 3 Piece Body Support Cushion System. Enables face down and face up body treatments to be carried out in complete comfort. Also offers comfort when lying face up and face down while sunbathing (inflatable version of same shape). Enables comfortable breathing when lying face down. Can be used on a couch, bed, floor and beach. Picture 2: Breast and Abdominal Support and Protect Body Cushion. Provides support and protection to breast tissue and abdominal area, when lying face down on a couch, floor or on the beach. The cushion also offers protection from squashing male genital area when lying face down; abdomen is slightly raised to prevent full contact between genitals and the couch/beach. Picture shows cushion (foam) without a cover on. Picture 3: Flexible Legs to protect the hips, pelvic area and lower back when lying face up or down. Legs can be opened to support a large or wide person when lying face down. Legs are closed to support lower back when lying face up. When a large person is lying face down the legs of the cushion can also be opened to act as arm rests. Picture 4: Flexible Legs are closed with the half moon cushion positioned in the lower part of hole in main body cushion. This enables the legs to close comfortably while leaving a small gap to take the pressure off the coccyx/lower back, enabling people to lie face up in comfort for long**



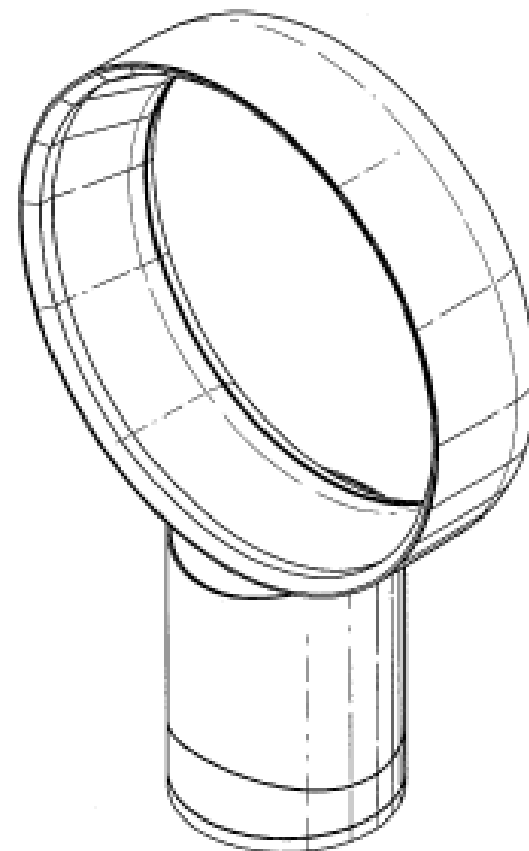
periods of time. The gap left above the half moon cushion i.e.: the upper part of hole in main body cushion, enables a therapists hands to slide down comfortably to between shoulders of a client when lying face up. The round cushion becomes the head rest thus completing face up/supine comfort. Picture 5: Facial Support Cushion; takes any pressure off the face and sinus area when lying face down. Picture 6: Circular Head Rest and Main Body Filler. Acts as a head rest and head support when lying face up. It can also be used to fill the hole in the main body cushion to offer full back support when lying face up. When used to fill hole of main body cushion the legs of the main cushion close comfortably while leaving a small gap to take the pressure off the coccyx/lower back, enabling people to lie face up in comfort for long periods of time.....

(12) AUSTRALIAN REGISTERED DESIGN
(19) AU

(11) AU-S- 325225

-
- (21) Design Number: **15483/2008**
 - (22) Date of Filing Application: **19 November 2008**
 - (24) Date from which industrial property rights may have effect: **19 November 2008**
 - (54) Product in respect of which the design is registered: **A fan**
 - (51) International Design Classification: **23-04**
 - (71) Name(s) and Address(s) of Applicant(s):
Dyson Limited
Tetbury Hill Malmesbury Wiltshire SN16 0RP United Kingdom
 - (72) Name(s) of Designer(s): **Peter David Gammack and James Dyson**
 - (45) Registration Date: **24 March 2009**
 - (30) Convention priority data:

(31) Number	(32) Date	(33) Country
4007841	06 Jun 2008	UNITED KINGDOM
 - (56) Related Art Documents: **Not Applicable**
 - (57) Statement of Newness and Distinctiveness: **Newness and distinctiveness resides in the features of shape and/or configuration of a fan as illustrated in the accompanying representations.**



- (21) Design Number: **15482/2008**
(22) Date of Filing Application: **19 November 2008**
(24) Date from which industrial property rights may have effect: **19 November 2008**
(54) Product in respect of which the design is registered: **Fan head**
(51) International Design Classification: **23-04**
(71) Name(s) and Address(s) of Applicant(s):

Dyson Limited
Tetbury Hill Malmesbury Wiltshire SN16 0RP United Kingdom

- (72) Name(s) of Designer(s): **Peter David Gammack and James Dyson**

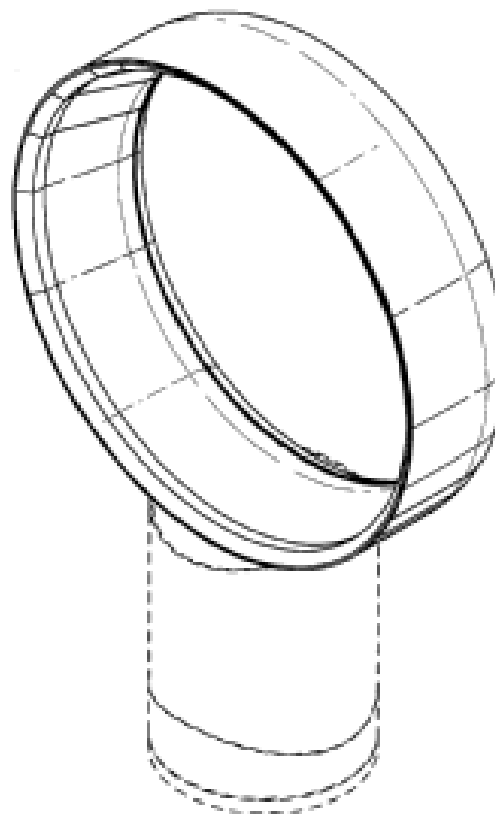
- (45) Registration Date: **24 March 2009**

- (30) Convention priority data:

(31) Number	(32) Date	(33) Country
4007842	06 Jun 2008	UNITED KINGDOM

- (56) Related Art Documents: **Not Applicable**

- (57) Statement of Newness and Distinctiveness: **Newness and distinctiveness resides in the features of shape and/or configuration of a fan head as illustrated in the accompanying representations. The features shown in broken outline do not form part of the design.**



- (21) Design Number: **10135/2009**
(22) Date of Filing Application: **19 January 2009**
(24) Date from which industrial property rights may have effect: **19 January 2009**
(54) Product in respect of which the design is registered: **An adaptor for a plough digging point**
(51) International Design Classification: **15-03A, 13-03D**
(71) Name(s) and Address(s) of Applicant(s):

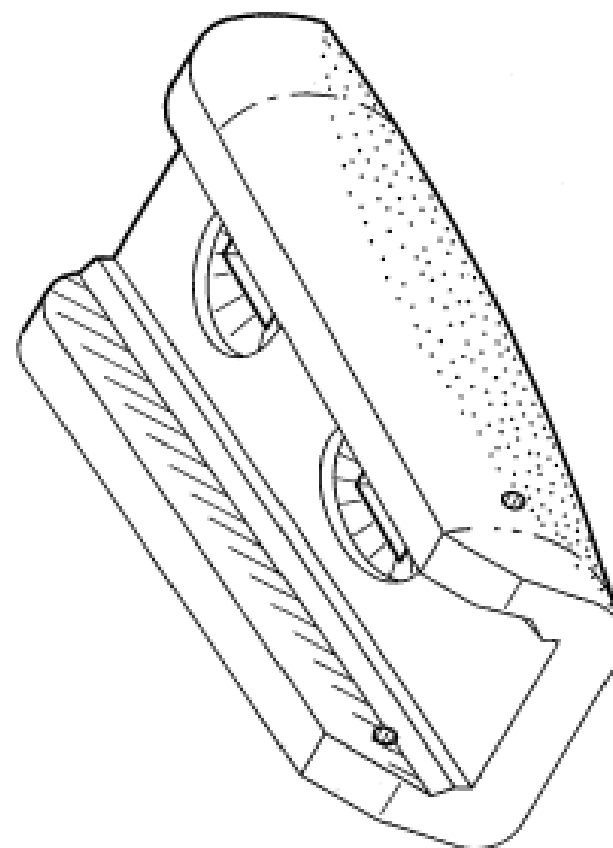
Stiletto Seeding Systems Pty Ltd
278 Place Road Geraldton Western Australia 6530 Australia

- (72) Name(s) of Designer(s): **Mark Dawson**

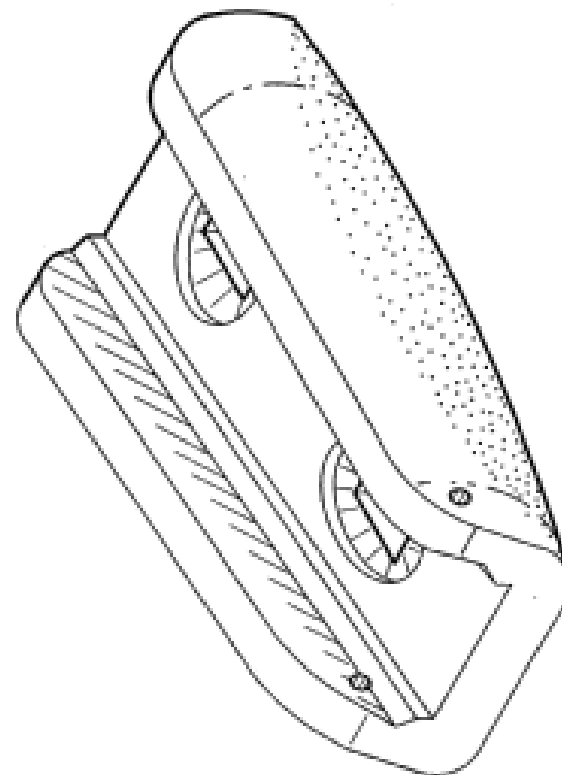
- (45) Registration Date: **24 March 2009**

- (56) Related Art Documents: **Not Applicable**

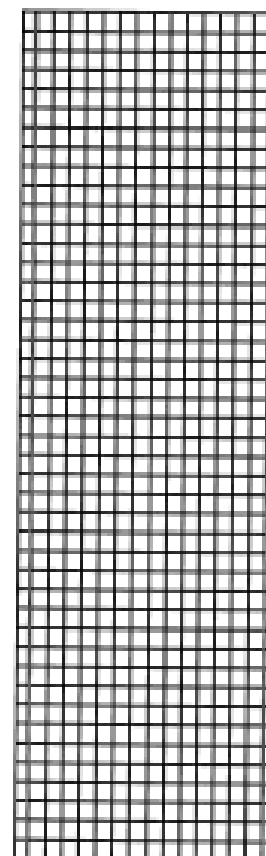
- (57) Statement of Newness and Distinctiveness: **Newness and distinctiveness is claimed in the features of shape and/or configuration of an adaptor for a plough digging point as illustrated in continuous lines in the accompanying representations.**



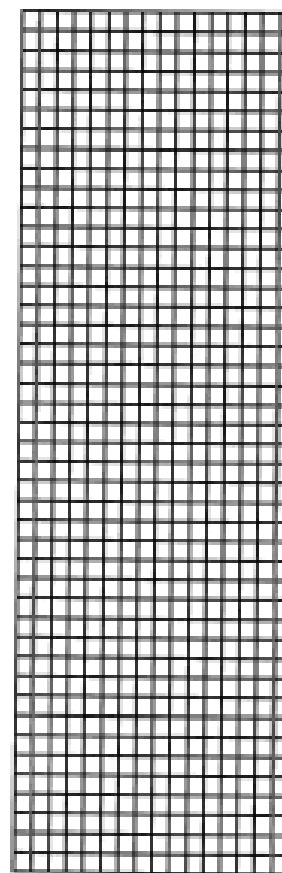
- (21) Design Number: **10136/2009**
- (22) Date of Filing Application: **19 January 2009**
- (24) Date from which industrial property rights may have effect: **19 January 2009**
- (54) Product in respect of which the design is registered: **An adaptor for a plough digging point**
- (51) International Design Classification: **15-03A, 13-03D**
- (71) Name(s) and Address(s) of Applicant(s):
Stiletto Seeding Systems Pty Ltd
278 Place Road Geraldton Western Australia 6530 Australia
- (72) Name(s) of Designer(s): **Mark Dawson**
- (45) Registration Date: **24 March 2009**
- (56) Related Art Documents: **Not Applicable**
- (57) Statement of Newness and Distinctiveness: **Newness and distinctiveness is claimed in those features of shape and/or configuration of an adaptor for a plough digging point as illustrated in continuous lines in the accompanying representations.**



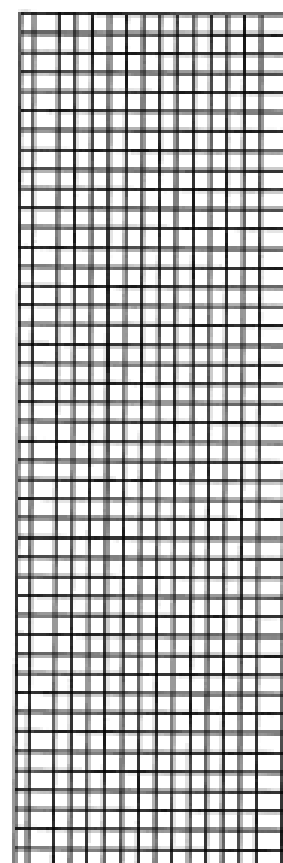
- (21) Design Number: **12055/2008**
- (22) Date of Filing Application: **02 May 2008**
- (24) Date from which industrial property rights may have effect: **02 May 2008**
- (54) Product in respect of which the design is registered: **Reinforcing mesh**
- (51) International Design Classification: **25-02C**
- (71) Name(s) and Address(s) of Applicant(s):
Onesteel Reinforcing Pty Ltd
Level 23/1 York Street Sydney New South Wales 2000 Australia
- (72) Name(s) of Designer(s): **Nathan James Skepper**
- (45) Registration Date: **24 March 2009**
- (56) Related Art Documents: **Not Applicable**
- (57) Statement of Newness and Distinctiveness: **Nil**



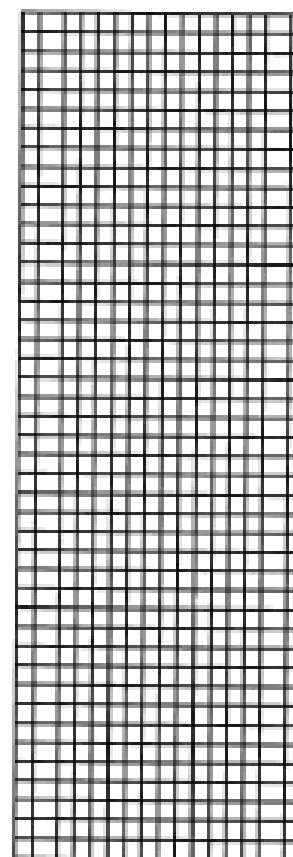
(21) Design Number: **12056/2008**
(22) Date of Filing Application: **02 May 2008**
(24) Date from which industrial property rights may have effect: **02 May 2008**
(54) Product in respect of which the design is registered: **Reinforcing mesh**
(51) International Design Classification: **25-02C**
(71) Name(s) and Address(s) of Applicant(s):
Onesteel Reinforcing Pty Ltd
Level 23/1 York Street Sydney New South Wales 2000 Australia
(72) Name(s) of Designer(s): **Nathan James Skepper**
(45) Registration Date: **24 March 2009**
(56) Related Art Documents: **Not Applicable**
(57) Statement of Newness and Distinctiveness: **Nil**



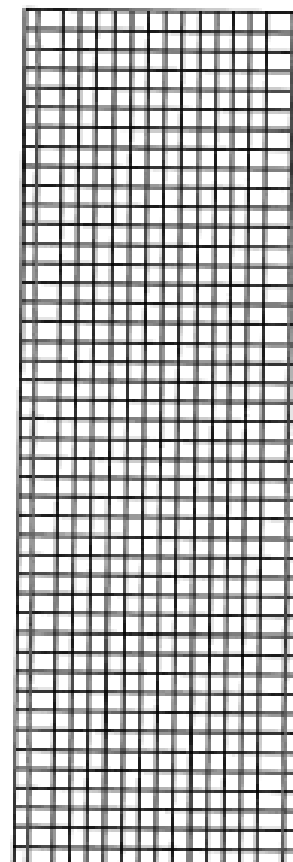
(21) Design Number: **12057/2008**
(22) Date of Filing Application: **02 May 2008**
(24) Date from which industrial property rights may have effect: **02 May 2008**
(54) Product in respect of which the design is registered: **Reinforcing mesh**
(51) International Design Classification: **25-02C**
(71) Name(s) and Address(s) of Applicant(s):
Onesteel Reinforcing Pty Ltd
Level 23/1 York Street Sydney New South Wales 2000 Australia
(72) Name(s) of Designer(s): **Nathan James Skepper**
(45) Registration Date: **24 March 2009**
(56) Related Art Documents: **Not Applicable**
(57) Statement of Newness and Distinctiveness: **Nil**



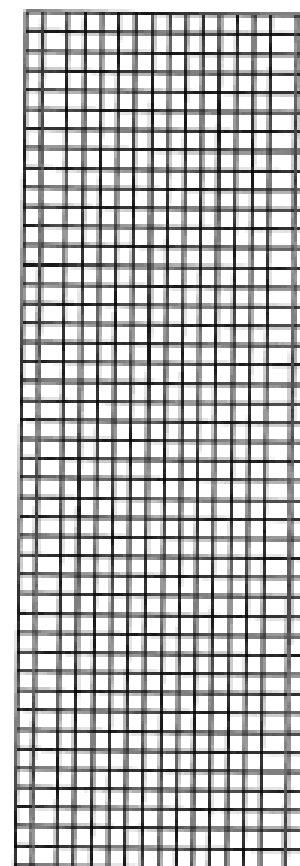
- (21) Design Number: **12058/2008**
- (22) Date of Filing Application: **02 May 2008**
- (24) Date from which industrial property rights may have effect: **02 May 2008**
- (54) Product in respect of which the design is registered: **Reinforcing mesh**
- (51) International Design Classification: **25-02C**
- (71) Name(s) and Address(s) of Applicant(s):
Onesteel Reinforcing Pty Ltd
Level 23/1 York Street Sydney New South Wales 2000 Australia
- (72) Name(s) of Designer(s): **Nathan James Skepper**
- (45) Registration Date: **24 March 2009**
- (56) Related Art Documents: **Not Applicable**
- (57) Statement of Newness and Distinctiveness: **Nil**



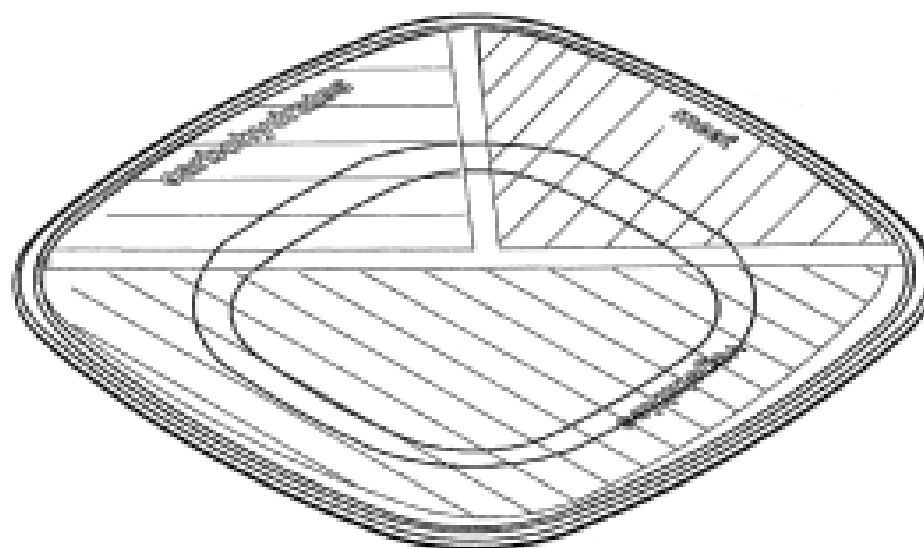
- (21) Design Number: **12059/2008**
- (22) Date of Filing Application: **02 May 2008**
- (24) Date from which industrial property rights may have effect: **02 May 2008**
- (54) Product in respect of which the design is registered: **Reinforcing mesh**
- (51) International Design Classification: **25-02C**
- (71) Name(s) and Address(s) of Applicant(s):
Onesteel Reinforcing Pty Ltd
Level 23/1 York Street Sydney New South Wales 2000 Australia
- (72) Name(s) of Designer(s): **Nathan James Skepper**
- (45) Registration Date: **24 March 2009**
- (56) Related Art Documents: **Not Applicable**
- (57) Statement of Newness and Distinctiveness: **Nil**



- (21) Design Number: **12060/2008**
(22) Date of Filing Application: **02 May 2008**
(24) Date from which industrial property rights may have effect: **02 May 2008**
(54) Product in respect of which the design is registered: **Reinforcing mesh**
(51) International Design Classification: **25-02C**
(71) Name(s) and Address(s) of Applicant(s):
Onesteel Reinforcing Pty Ltd
Level 23/1 York Street Sydney New South Wales 2000 Australia
(72) Name(s) of Designer(s): **Nathan James Skepper**
(45) Registration Date: **24 March 2009**
(56) Related Art Documents: **Not Applicable**
(57) Statement of Newness and Distinctiveness: **Nil**



- (21) Design Number: **15532/2008**
(22) Date of Filing Application: **21 November 2008**
(24) Date from which industrial property rights may have effect: **21 November 2008**
(54) Product in respect of which the design is registered: **Crockery**
(51) International Design Classification: **07-01A**
(71) Name(s) and Address(s) of Applicant(s):
JF Arbuckle Medical Pty Ltd
152 Olsen Avenue Arundel Queensland 4214 Australia
(72) Name(s) of Designer(s): **Adam Doyle and Reilly Edwards**
(45) Registration Date: **24 March 2009**
(56) Related Art Documents: **Not Applicable**
(57) Statement of Newness and Distinctiveness: **The newness and distinctiveness of the design resides in the features of shape, configuration, pattern and/or ornamentation shown in unbroken lines in the accompanying representations. The visual features of pattern and/or ornamentation represented by the cross hatched areas represent regions of contrasting colour.**



(21) Design Number: **15534/2008**

(22) Date of Filing Application: **21 November 2008**

(24) Date from which industrial property rights may have effect: **21 November 2008**

(54) Product in respect of which the design is registered: **Drinking Vessel**

(51) International Design Classification: **07-01C**

(71) Name(s) and Address(s) of Applicant(s):

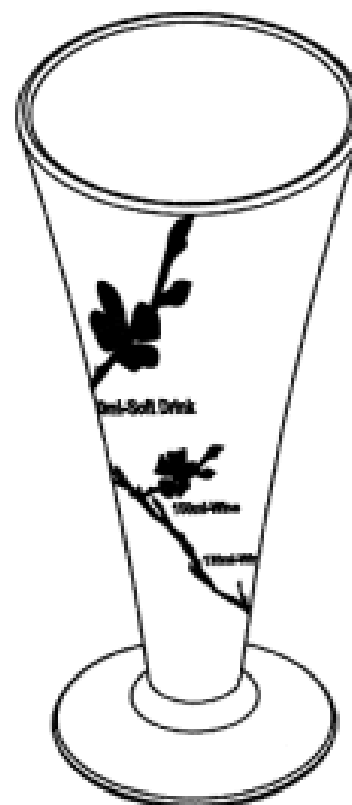
**JF Arbuckle Medical Pty Ltd
152 Olsen Avenue Arundel Queensland 4214 Australia**

(72) Name(s) of Designer(s): **Adam Doyle and Reilly Edwards**

(45) Registration Date: **24 March 2009**

(56) Related Art Documents: **Not Applicable**

(57) Statement of Newness and Distinctiveness: **The newness and distinctiveness of the design resides in the features of shape, configuration, pattern and/or ornamentation shown in unbroken lines in the accompanying representations. The visual features of pattern and/or ornamentation represented by the shaded area may be translucent or of a solid colour.**



(21) Design Number: **15535/2008**

(22) Date of Filing Application: **21 November 2008**

(24) Date from which industrial property rights may have effect: **21 November 2008**

(54) Product in respect of which the design is registered: **Drinking vessel**

(51) International Design Classification: **07-01C**

(71) Name(s) and Address(s) of Applicant(s):

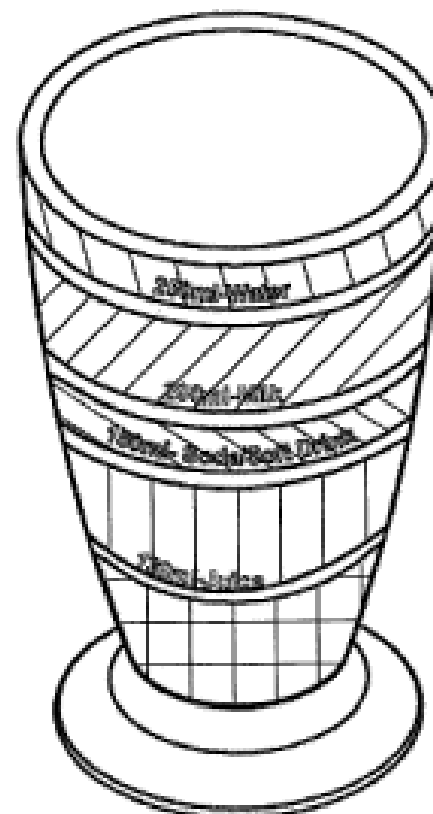
**JF Arbuckle Medical Pty Ltd
152 Olsen Avenue Arundel Queensland 4214 Australia**

(72) Name(s) of Designer(s): **Adam Doyle and Reilly Edwards**

(45) Registration Date: **24 March 2009**

(56) Related Art Documents: **Not Applicable**

(57) Statement of Newness and Distinctiveness: **The newness and distinctiveness of the design resides in the features of shape, configuration, pattern and/or ornamentation shown in unbroken lines in the accompanying representations. The visual features of pattern and/or ornamentation represented by the banding between the cross hatched areas may be translucent or of a solid colour.**



- (21) Design Number: **15516/2008**
(22) Date of Filing Application: **19 November 2008**
(24) Date from which industrial property rights may have effect: **19 November 2008**
(54) Product in respect of which the design is registered: **A visor for a vehicle**
(51) International Design Classification: **12-16B**
(71) Name(s) and Address(s) of Applicant(s):
Visor Distributors Limited
Bdo Spicers 29 Northcroft Street Takapuna Auckland New Zealand
(72) Name(s) of Designer(s): **John Francis Young**
(45) Registration Date: **24 March 2009**
(30) Convention priority data:
(31) Number (32) Date (33) Country
411446 18 Sep 2008 NEW ZEALAND
(56) Related Art Documents: **Not Applicable**
(57) Statement of Newness and Distinctiveness: **The novelty claimed for the design resides in the features of shape and/or configuration all as shown in the representations.**



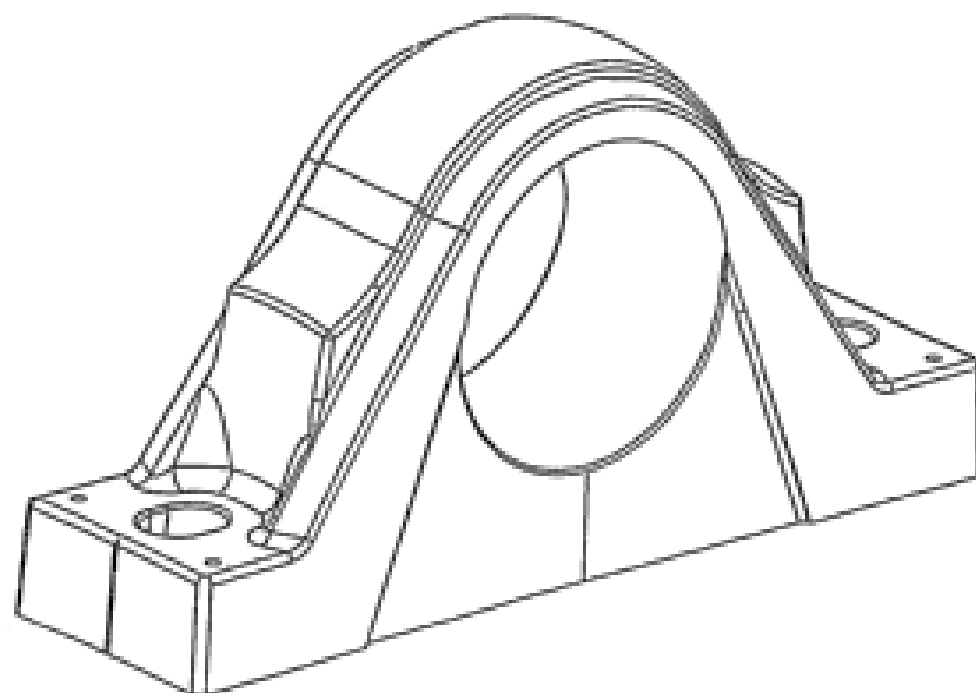
- (21) Design Number: **10685/2009**
(22) Date of Filing Application: **19 November 2008**
(24) Date from which industrial property rights may have effect: **19 November 2008**
(54) Product in respect of which the design is registered: **A visor for a vehicle**
(51) International Design Classification: **12-16B**
(71) Name(s) and Address(s) of Applicant(s):
Visor Distributors Limited
Bdo Spicers 29 Northcroft Street Takapuna Auckland New Zealand
(72) Name(s) of Designer(s): **John Francis Young**
(45) Registration Date: **24 March 2009**
(30) Convention priority data:
(31) Number (32) Date (33) Country
411446 18 Sep 2008 NEW ZEALAND
(56) Related Art Documents: **Not Applicable**
(57) Statement of Newness and Distinctiveness: **The novelty claimed for the design resides in the features of shape and/or configuration all as shown in the representations.**



- (21) Design Number: **10686/2009**
(22) Date of Filing Application: **19 November 2008**
(24) Date from which industrial property rights may have effect: **19 November 2008**
(54) Product in respect of which the design is registered: **An air deflector for a vehicle**
(51) International Design Classification: **12-16B**
(71) Name(s) and Address(s) of Applicant(s):
Visor Distributors Limited
Bdo Spicers 29 Northcroft Street Takapuna Auckland New Zealand
(72) Name(s) of Designer(s): **John Francis Young**
(45) Registration Date: **24 March 2009**
(30) Convention priority data:
(31) Number (32) Date (33) Country
411446 18 Sep 2008 NEW ZEALAND
(56) Related Art Documents: **Not Applicable**
(57) Statement of Newness and Distinctiveness: **The novelty claimed for the design resides in the features of shape and/or configuration all as shown in the representations.**



- (21) Design Number: **10840/2009**
(22) Date of Filing Application: **16 March 2009**
(24) Date from which industrial property rights may have effect: **16 March 2009**
(54) Product in respect of which the design is registered: **Bearing housing**
(51) International Design Classification: **15-99**
(71) Name(s) and Address(s) of Applicant(s):
Aktiebolaget SKF
SE-415 50 Goteborg Sweden
(72) Name(s) of Designer(s): **Henrik E. Andersson and Eric Persson**
(45) Registration Date: **19 March 2009**
(30) Convention priority data:
(31) Number (32) Date (33) Country
001005110 18 Sep 2008 EUROPEAN COMMUNITY
(56) Related Art Documents: **Not Applicable**
(57) Statement of Newness and Distinctiveness: **Those features of the bearing housing depicted in the representations that are new and distinctive are the shape and/or configuration.**



(21) Design Number: **10842/2009**

(22) Date of Filing Application: **16 March 2009**

(24) Date from which industrial property rights may have effect: **16 March 2009**

(54) Product in respect of which the design is registered: **A tyre**

(51) International Design Classification: **12-15A**

(71) Name(s) and Address(s) of Applicant(s):

Societe De Technologie Michelin
23 rue Breschet F-63000 Clermont-Ferrand Cedex France

Michelin Recherche et Technique S.A.
Route Louis-Braille 10 et 12 CH-1763 Granges-Paccot Switzerland

(72) Name(s) of Designer(s): **Lawrence O. Williamson and Lee A. Montgomery**

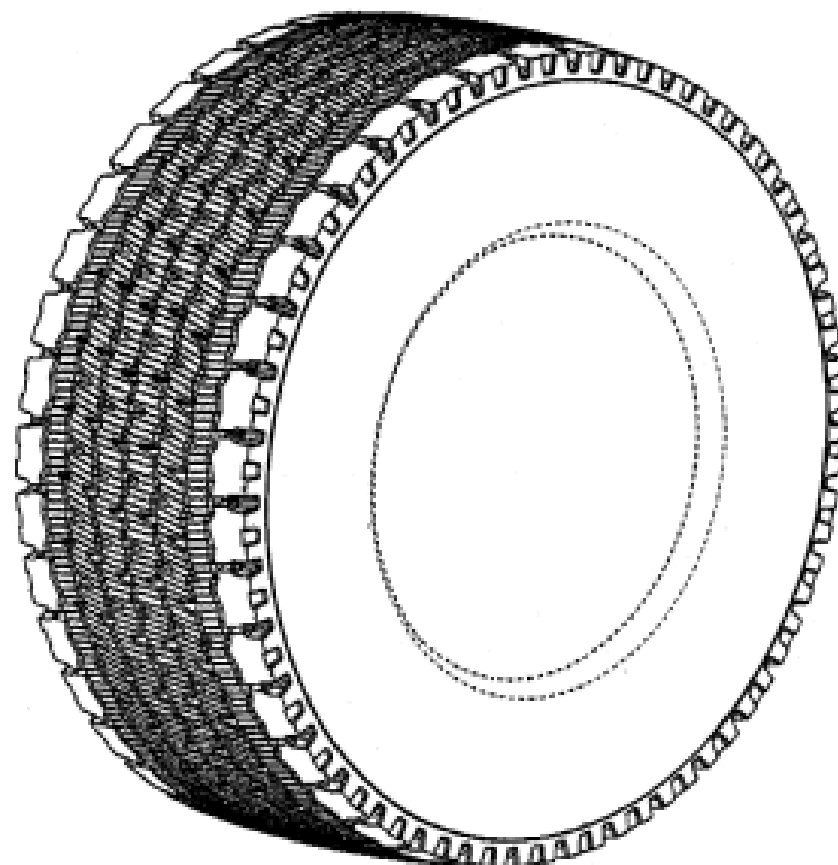
(45) Registration Date: **19 March 2009**

(30) Convention priority data:

(31) Number	(32) Date	(33) Country
29/325,358	30 Sep 2008	UNITED STATES OF AMERICA

(56) Related Art Documents: **Not Applicable**

(57) Statement of Newness and Distinctiveness: **Newness and distinctiveness resides in the appearance of the tread pattern region of the tyre with the remainder of the tyre not forming part of the design.**



(21) Design Number: **10845/2009**

(22) Date of Filing Application: **17 March 2009**

(24) Date from which industrial property rights may have effect: **17 March 2009**

(54) Product in respect of which the design is registered: **Chocolate**

(51) International Design Classification: **01-01**

(71) Name(s) and Address(s) of Applicant(s):

Societe des Produits Nestle S.A.
1800 Vevey Switzerland

(72) Name(s) of Designer(s): **Christoph Hartmann and Francis Lovell**

(45) Registration Date: **19 March 2009**

(30) Convention priority data:

(31) Number	(32) Date	(33) Country
135522	31 Oct 2008	SWITZERLAND

(56) Related Art Documents: **Not Applicable**

(57) Statement of Newness and Distinctiveness: **Nil**



(21) Design Number: **10846/2009**

(22) Date of Filing Application: **18 March 2009**

(24) Date from which industrial property rights may have effect: **18 March 2009**

(54) Product in respect of which the design is registered: **Razor handle**

(51) International Design Classification: **28-03A**

(71) Name(s) and Address(s) of Applicant(s):

**The Gillette Company
Prudential Tower Building Boston Massachusetts 02199 United States
of America**

(72) Name(s) of Designer(s): **Kristopher William Schultz and Christopher Ramm**

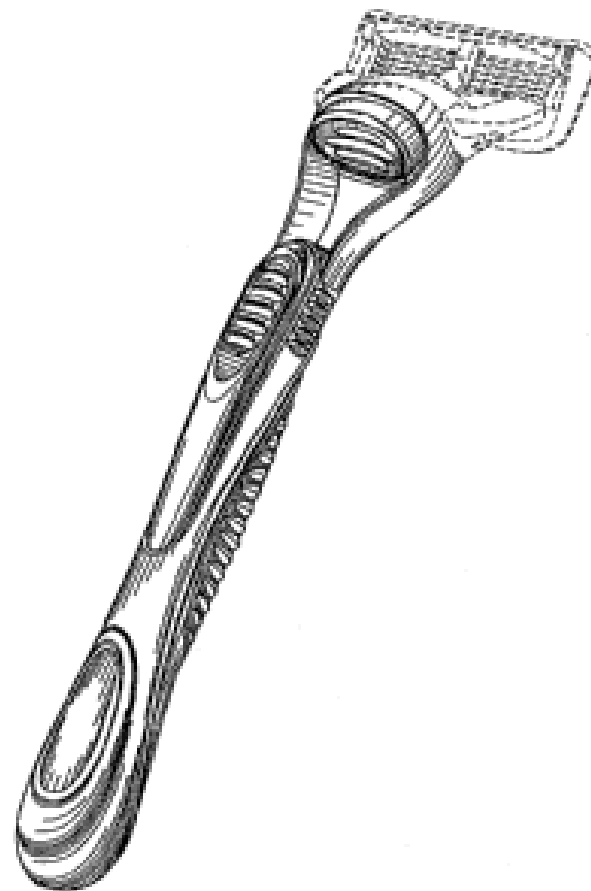
(45) Registration Date: **20 March 2009**

(30) Convention priority data:

(31) Number	(32) Date	(33) Country
29,325,201	26 Sep 2008	UNITED STATES OF AMERICA

(56) Related Art Documents: **Not Applicable**

(57) Statement of Newness and Distinctiveness: **Newness and distinctiveness reside in the features of shape and/or configuration of the razor handle, as shown in the representations. Newness and distinctiveness are not claimed in relation to the features shown in broken lines in the representations.**



(21) Design Number: **10844/2009**

(22) Date of Filing Application: **16 March 2009**

(24) Date from which industrial property rights may have effect: **16 March 2009**

(54) Product in respect of which the design is registered: **Punnet**

(51) International Design Classification: **09-03F**

(71) Name(s) and Address(s) of Applicant(s):

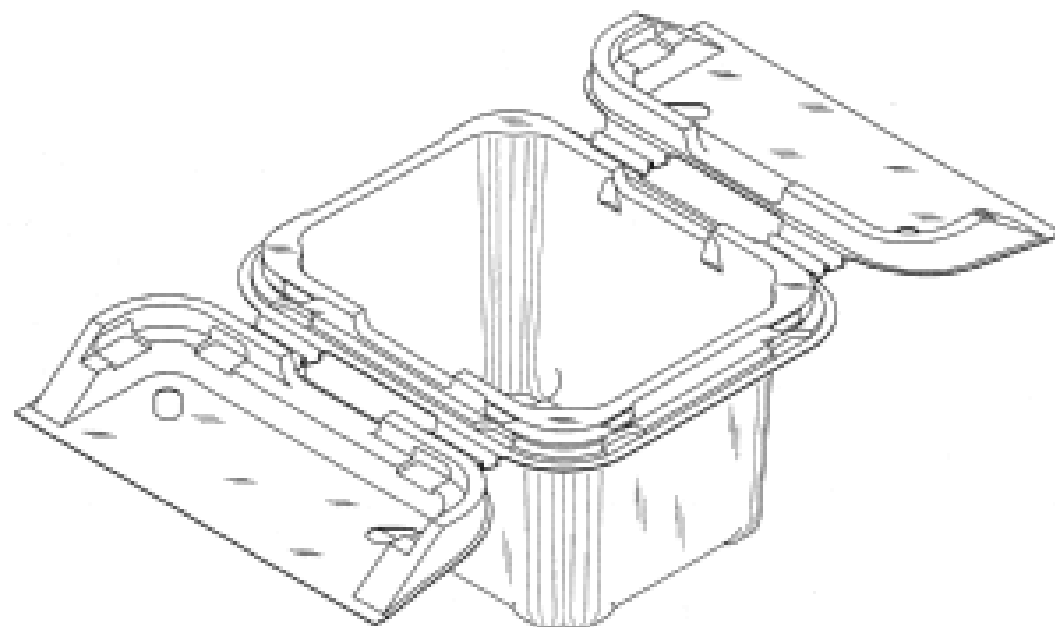
**Multisteps Pty Ltd
Unit 1 & 2/4 Richmond Road Homebush West New South Wales 2140
Australia**

(72) Name(s) of Designer(s): **John Lam**

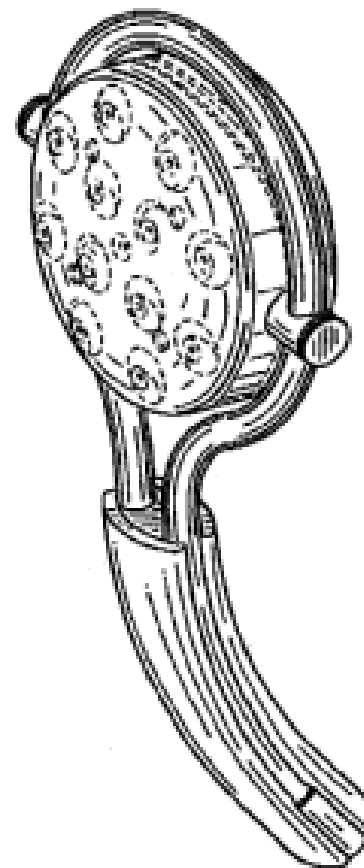
(45) Registration Date: **19 March 2009**

(56) Related Art Documents: **Not Applicable**

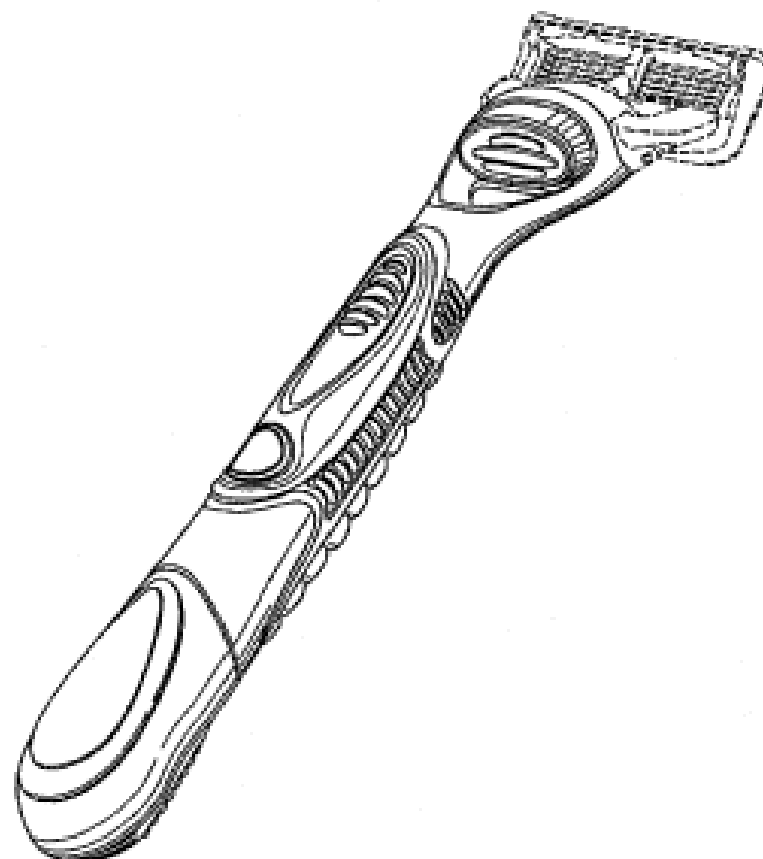
(57) Statement of Newness and Distinctiveness: **Newness and distinctiveness reside in the features of the design as shown in the representations and in particular in the arrangement of tabs on the rim of a receptacle of the punnet and complementary recesses formed in lid portions of the punnet.**



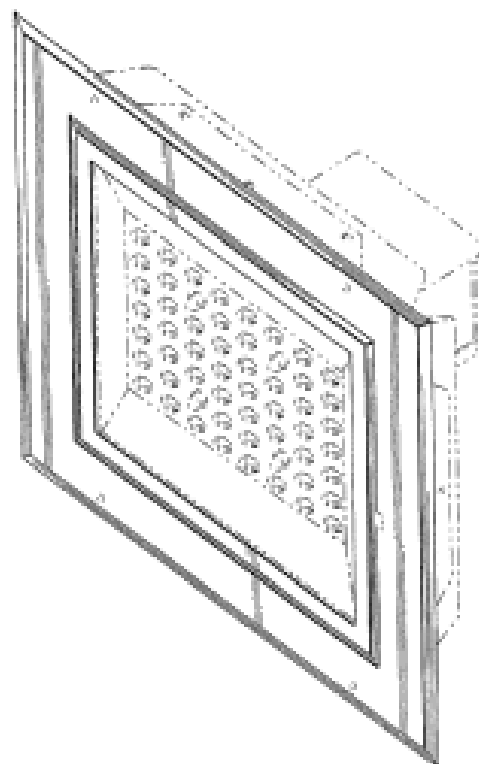
- (21) Design Number: **10855/2009**
(22) Date of Filing Application: **17 March 2009**
(24) Date from which industrial property rights may have effect: **17 March 2009**
(54) Product in respect of which the design is registered: **A handshower**
(51) International Design Classification: **23-02B**
(71) Name(s) and Address(s) of Applicant(s):
Kohler Mira Limited
Cromwell Road Cheltenham Gloucestershire GL52 5EP United Kingdom
(72) Name(s) of Designer(s): **Jennifer E. Barnard and Hsin-I Cinny Tsai**
(45) Registration Date: **19 March 2009**
(30) Convention priority data:
(31) Number (32) Date (33) Country
001004022 17 Sep 2008 EUROPEAN COMMUNITY
(56) Related Art Documents: **Not Applicable**
(57) Statement of Newness and Distinctiveness: **No regard is to be had to the elements depicted in broken lines in the representations.**



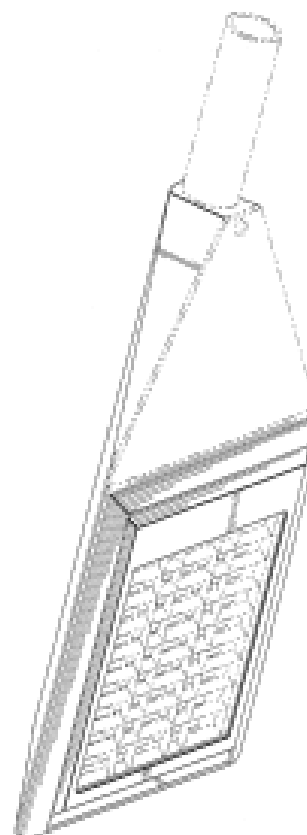
- (21) Design Number: **10857/2009**
(22) Date of Filing Application: **18 March 2009**
(24) Date from which industrial property rights may have effect: **18 March 2009**
(54) Product in respect of which the design is registered: **Razor handle**
(51) International Design Classification: **28-03A**
(71) Name(s) and Address(s) of Applicant(s):
The Gillette Company
Prudential Tower Building Boston Massachusetts 02199 United States of America
(72) Name(s) of Designer(s): **Kristopher William Schultz and Christopher Ramm**
(45) Registration Date: **19 March 2009**
(30) Convention priority data:
(31) Number (32) Date (33) Country
29/325,205 26 Sep 2008 UNITED STATES OF AMERICA
(56) Related Art Documents: **Not Applicable**
(57) Statement of Newness and Distinctiveness: **Newness and distinctiveness reside in the features of shape and/or configuration of the razor handle, as shown in the representations. Newness and distinctiveness are not claimed in relation to the features shown in broken lines in the representations.**



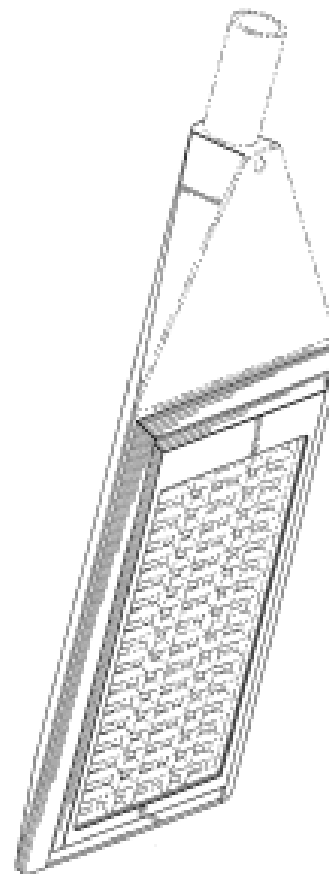
- (21) Design Number: **10848/2009**
(22) Date of Filing Application: **17 March 2009**
(24) Date from which industrial property rights may have effect: **17 March 2009**
(54) Product in respect of which the design is registered: **Lighting**
(51) International Design Classification: **26-05C**
(71) Name(s) and Address(s) of Applicant(s):
LSI Industries, Inc.
10000 Alliance Road Cincinnati Ohio 45242 United States of America
(72) Name(s) of Designer(s): **John D. Boyer and Brian D. Cranston and James G. Vanden Eynden**
(45) Registration Date: **19 March 2009**
(30) Convention priority data:
(31) Number (32) Date (33) Country
29/325602 03 Oct 2008 UNITED STATES OF AMERICA
(56) Related Art Documents: **Not Applicable**
(57) Statement of Newness and Distinctiveness: **Newness and distinctiveness is claimed in the visual features shown in solid lines in the representations.**



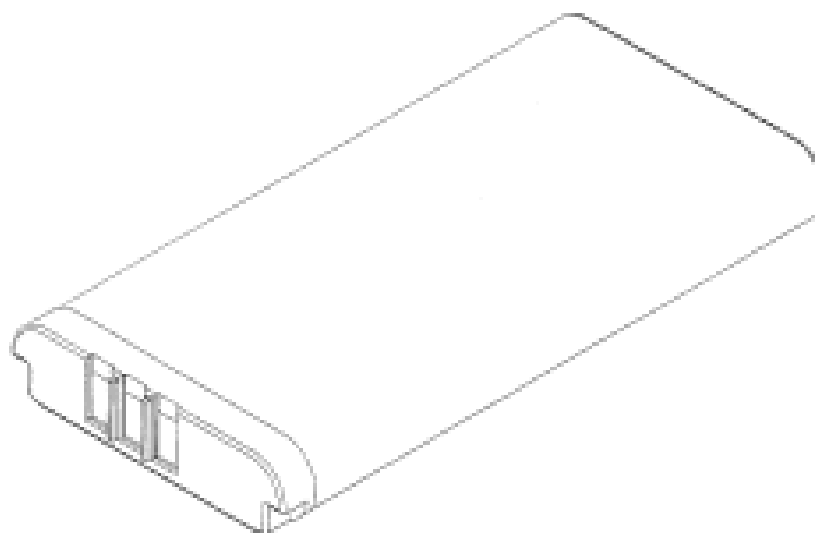
- (21) Design Number: **10849/2009**
(22) Date of Filing Application: **17 March 2009**
(24) Date from which industrial property rights may have effect: **17 March 2009**
(54) Product in respect of which the design is registered: **Lighting**
(51) International Design Classification: **26-05C**
(71) Name(s) and Address(s) of Applicant(s):
LSI Industries, Inc.
10000 Alliance Road Cincinnati Ohio 45242 United States of America
(72) Name(s) of Designer(s): **John D. Boyer and James P. Sferra and James G. Vanden Eynden and Larry A. Akers**
(45) Registration Date: **19 March 2009**
(30) Convention priority data:
(31) Number (32) Date (33) Country
29/325279 29 Sep 2008 UNITED STATES OF AMERICA
(56) Related Art Documents: **Not Applicable**
(57) Statement of Newness and Distinctiveness: **Newness and distinctiveness is claimed in the visual features shown in solid lines in the representations.**



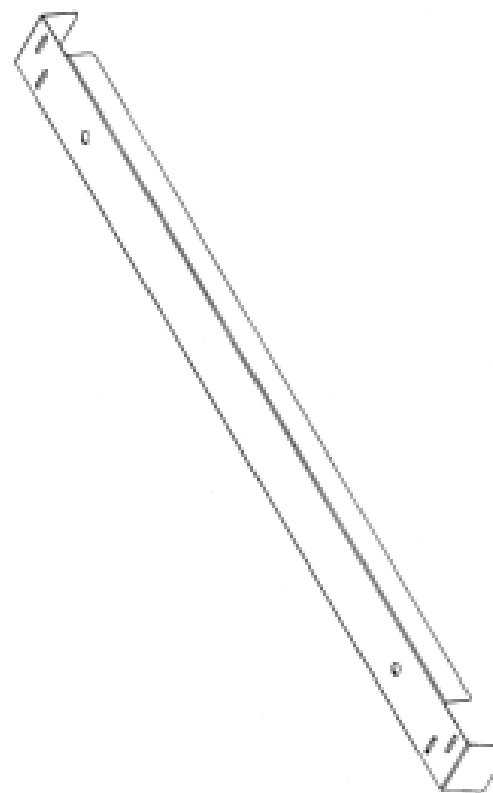
(21) Design Number: **10850/2009**
(22) Date of Filing Application: **17 March 2009**
(24) Date from which industrial property rights may have effect: **17 March 2009**
(54) Product in respect of which the design is registered: **Lighting**
(51) International Design Classification: **26-05C**
(71) Name(s) and Address(s) of Applicant(s):
LSI Industries, Inc.
10000 Alliance Road Cincinnati Ohio 45242 United States of America
(72) Name(s) of Designer(s): **John D. Boyer and James P. Sferra and James G. Vanden Eynden and Larry A. Akers**
(45) Registration Date: **19 March 2009**
(30) Convention priority data:
(31) Number (32) Date (33) Country
29/325276 29 Sep 2008 UNITED STATES OF AMERICA
(56) Related Art Documents: **Not Applicable**
(57) Statement of Newness and Distinctiveness: **Newness and distinctiveness is claimed in the visual features shown in solid lines in the representations.**



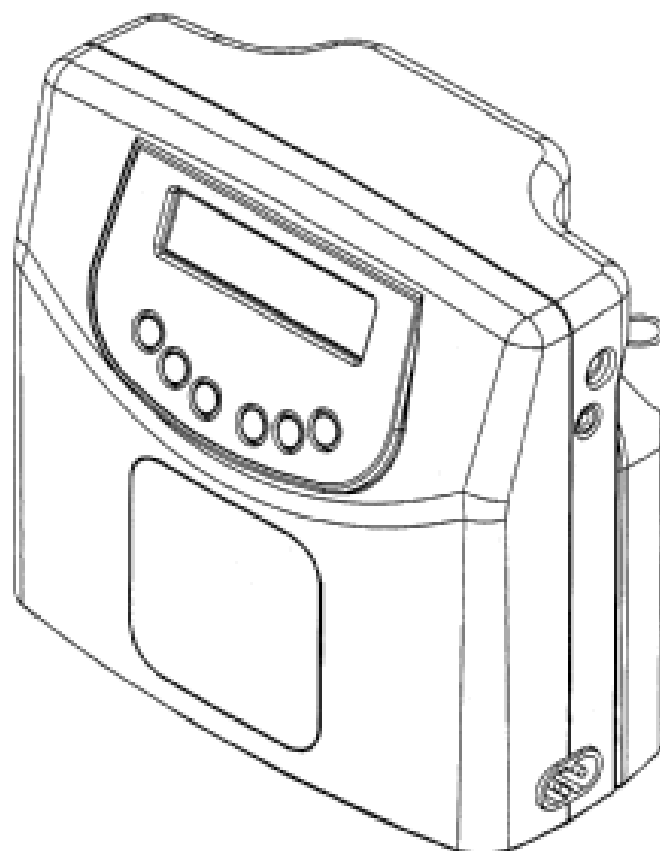
(21) Design Number: **10851/2009**
(22) Date of Filing Application: **17 March 2009**
(24) Date from which industrial property rights may have effect: **17 March 2009**
(54) Product in respect of which the design is registered: **A storage battery**
(51) International Design Classification: **13-02**
(71) Name(s) and Address(s) of Applicant(s):
Nintendo Co., Ltd.
11-1 Hokotate-cho Kamitoba Minami-ku Kyoto-shi Kyoto Japan
(72) Name(s) of Designer(s): **Kazuumi Otani and Takeshi Nabesaka**
(45) Registration Date: **19 March 2009**
(30) Convention priority data:
(31) Number (32) Date (33) Country
2008-024501 25 Sep 2008 JAPAN
(56) Related Art Documents: **Not Applicable**
(57) Statement of Newness and Distinctiveness: **Nil**



- (21) Design Number: **10869/2009**
- (22) Date of Filing Application: **18 March 2009**
- (24) Date from which industrial property rights may have effect: **18 March 2009**
- (54) Product in respect of which the design is registered: **A truss spacer**
- (51) International Design Classification: **25-99**
- (71) Name(s) and Address(s) of Applicant(s):
Illinois Tool Works Inc.
3600 West Lake Avenue Glenview Illinois 60026 United States of America
- (72) Name(s) of Designer(s): **Graham Cooper and Bernard Kennelly and Afzal Laphir**
- (45) Registration Date: **20 March 2009**
- (56) Related Art Documents: **Not Applicable**
- (57) Statement of Newness and Distinctiveness: **Nil**



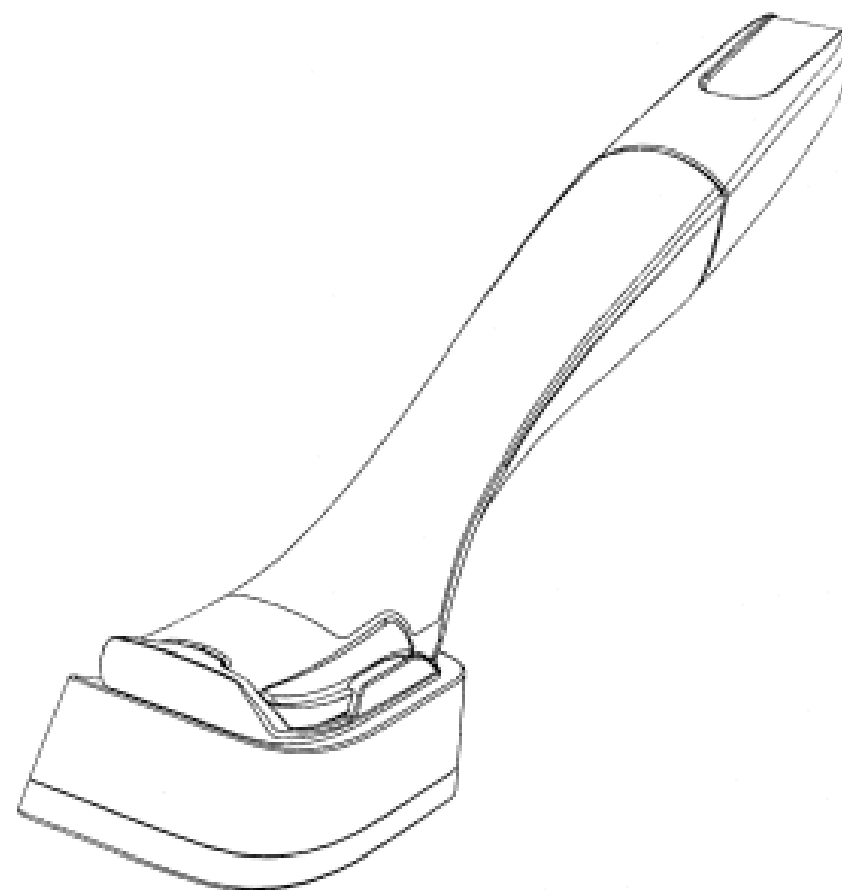
- (21) Design Number: **10870/2009**
- (22) Date of Filing Application: **18 March 2009**
- (24) Date from which industrial property rights may have effect: **18 March 2009**
- (54) Product in respect of which the design is registered: **Combined wound drainage apparatus and exudate collection vessel**
- (51) International Design Classification: **24-01**
- (71) Name(s) and Address(s) of Applicant(s):
Talley Group Limited
Abbey Park Industrial Estate Premier Way Romsey Hampshire SO51 9DQ United Kingdom
- (72) Name(s) of Designer(s): **Richard Taggerty and Nick Cole**
- (45) Registration Date: **20 March 2009**
- (30) Convention priority data:
(31) Number (32) Date (33) Country
001029375-0001 24 Oct 2008 EUROPEAN COMMUNITY
- (56) Related Art Documents: **Not Applicable**
- (57) Statement of Newness and Distinctiveness: **Nil**



(21) Design Number: **10861/2009**
(22) Date of Filing Application: **18 March 2009**
(24) Date from which industrial property rights may have effect: **18 March 2009**
(54) Product in respect of which the design is registered: **Sponge**
(51) International Design Classification: **04-01, 07-05E**
(71) Name(s) and Address(s) of Applicant(s):
Easy-Do Products Limited
Unitec House 2 Albert Place Finchley London N3 1QB United Kingdom
(72) Name(s) of Designer(s): **Daniel Neumann**
(45) Registration Date: **20 March 2009**
(30) Convention priority data:
(31) Number (32) Date (33) Country
001012769 01 Oct 2008 EUROPEAN COMMUNITY
(56) Related Art Documents: **Not Applicable**
(57) Statement of Newness and Distinctiveness: **The design relates to the features of shape, configuration, pattern and texture of a sponge as shown in the representations.**



(21) Design Number: **10862/2009**
(22) Date of Filing Application: **18 March 2009**
(24) Date from which industrial property rights may have effect: **18 March 2009**
(54) Product in respect of which the design is registered: **Hand-held cleaning utensil**
(51) International Design Classification: **04-01, 07-05E**
(71) Name(s) and Address(s) of Applicant(s):
Easy-Do Products Limited
Unitec House 2 Albert Place Finchley London N3 1QB United Kingdom
(72) Name(s) of Designer(s): **Daniel Neumann and Cameron Tweeby**
(45) Registration Date: **20 March 2009**
(30) Convention priority data:
(31) Number (32) Date (33) Country
001016711 04 Oct 2008 EUROPEAN COMMUNITY
(56) Related Art Documents: **Not Applicable**
(57) Statement of Newness and Distinctiveness: **The design relates to the features of shape and configuration of a hand-held cleaning utensil as shown in the representations.**



(21) Design Number: **10863/2009**

(22) Date of Filing Application: **18 March 2009**

(24) Date from which industrial property rights may have effect: **18 March 2009**

(54) Product in respect of which the design is registered: **Handle of a cleaning utensil**

(51) International Design Classification: **04-01, 07-05E**

(71) Name(s) and Address(s) of Applicant(s):

Easy-Do Products Limited
Unitec House 2 Albert Place Finchley London N3 1QB United Kingdom

(72) Name(s) of Designer(s): **Daniel Neumann and Cameron Tweeby**

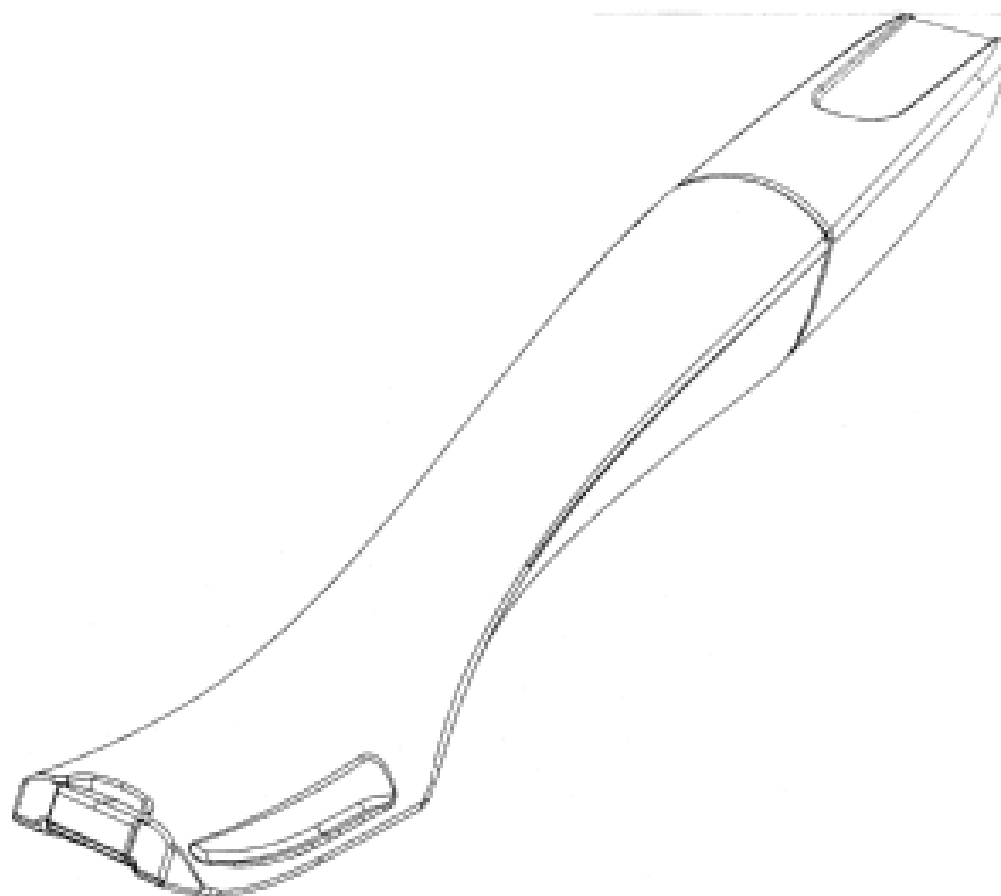
(45) Registration Date: **20 March 2009**

(30) Convention priority data:

(31) Number	(32) Date	(33) Country
001016711	04 Oct 2008	EUROPEAN COMMUNITY

(56) Related Art Documents: **Not Applicable**

(57) Statement of Newness and Distinctiveness: **The design relates to the features of shape and configuration of a handle of a cleaning utensil as shown in the representations.**



(21) Design Number: **10859/2009**

(22) Date of Filing Application: **18 March 2009**

(24) Date from which industrial property rights may have effect: **18 March 2009**

(54) Product in respect of which the design is registered: **Hook latch retaining spring**

(51) International Design Classification: **08-08C**

(71) Name(s) and Address(s) of Applicant(s):

Ronald George Ovenden
3 Roper Avenue Armidale New South Wales 2350 Australia

David Edward Ovenden
6 O'Conner Road Armidale New South Wales 2350 Australia

(72) Name(s) of Designer(s): **David Edward Ovenden and Ronald George Ovenden**

(45) Registration Date: **20 March 2009**

(56) Related Art Documents: **Not Applicable**

(57) Statement of Newness and Distinctiveness: **This springs distinctive appearance makes it particularly inconspicuous when fitted to a hook latch and warrants its registration as it is unlike anything currently available.**



(21) Design Number: **10860/2009**

(22) Date of Filing Application: **19 March 2009**

(24) Date from which industrial property rights may have effect: **19 March 2009**

(54) Product in respect of which the design is registered: **Semi-mortarless masonry block**

(51) International Design Classification: **25-01A**

(71) Name(s) and Address(s) of Applicant(s):

Adbri Masonry Pty Ltd

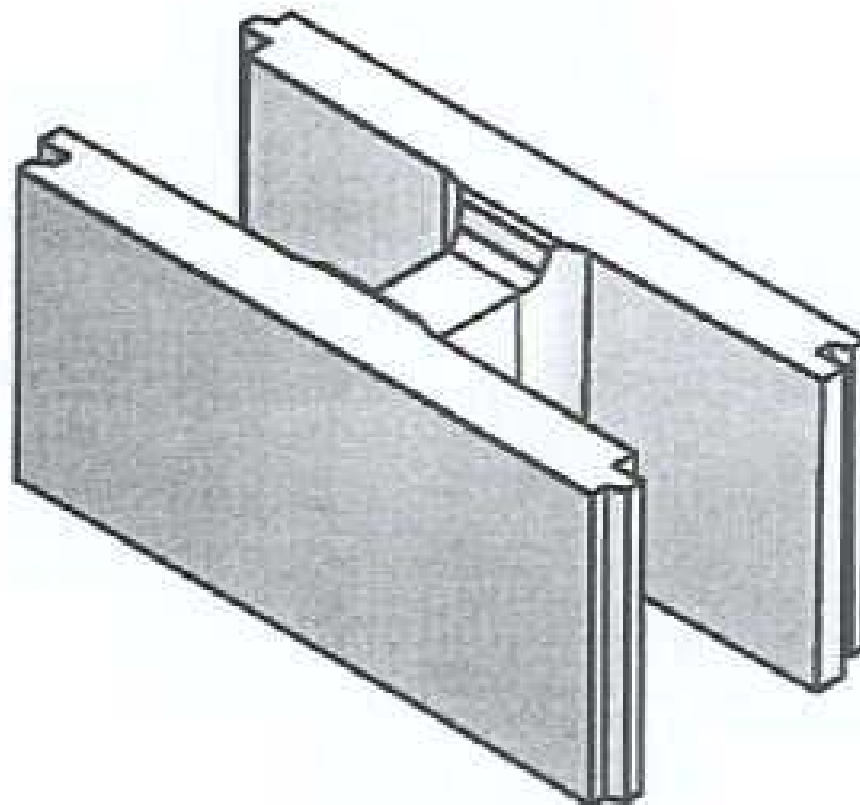
Level 1 157 Grenfell Street Adelaide South Australia 5000 Australia

(72) Name(s) of Designer(s): **Danial Craig Proud**

(45) Registration Date: **20 March 2009**

(56) Related Art Documents: **Not Applicable**

(57) Statement of Newness and Distinctiveness: **The newness and distinctiveness of the design resides in the shape and/or configuration of the masonry block shown in the representations having particular regard to the shape/contours of the ends of the block.**



(21) Design Number: **10887/2009**

(22) Date of Filing Application: **19 March 2009**

(24) Date from which industrial property rights may have effect: **19 March 2009**

(54) Product in respect of which the design is registered: **An escutcheon**

(51) International Design Classification: **08-07**

(71) Name(s) and Address(s) of Applicant(s):

Gainsborough Hardware Industries Limited

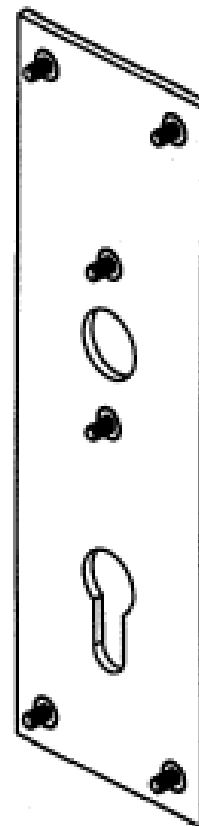
31-33 Alfred Street Blackburn Victoria 3130 Australia

(72) Name(s) of Designer(s): **Harris Lambrou and Sajan K. Velandi**

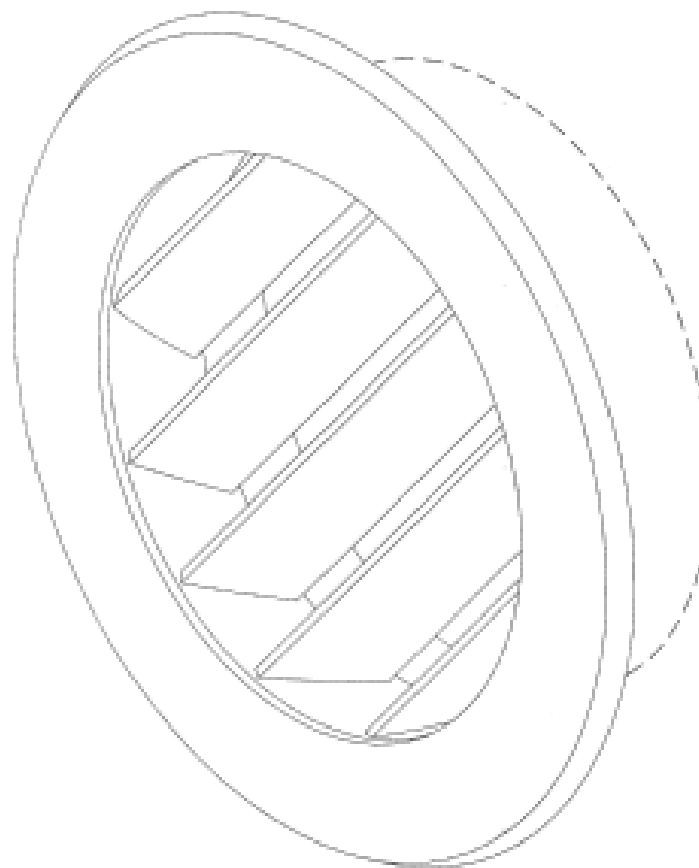
(45) Registration Date: **24 March 2009**

(56) Related Art Documents: **Not Applicable**

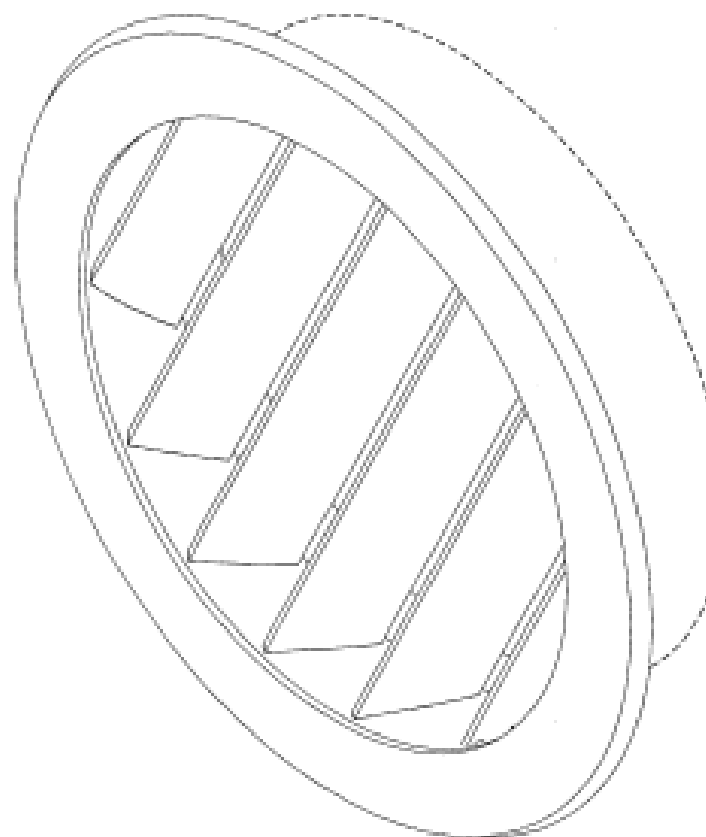
(57) Statement of Newness and Distinctiveness: **Newness and distinctiveness is claimed in the features of the planar body and raised bosses of an escutcheon as illustrated in the accompanying representations.**



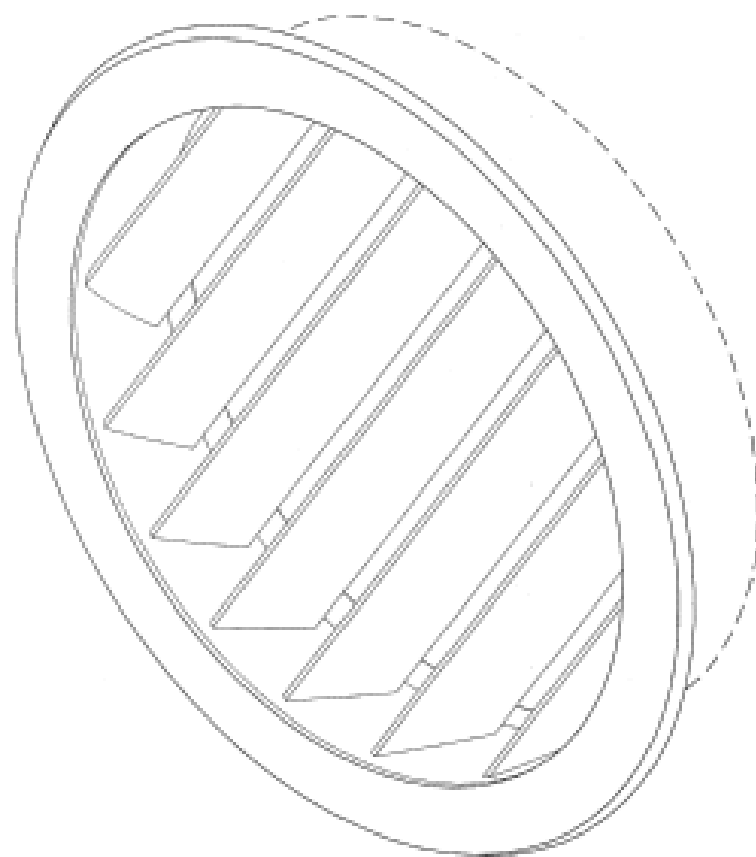
- (21) Design Number: **10888/2009**
(22) Date of Filing Application: **19 March 2009**
(24) Date from which industrial property rights may have effect: **19 March 2009**
(54) Product in respect of which the design is registered: **Ceiling diffuser**
(51) International Design Classification: **23-04**
(71) Name(s) and Address(s) of Applicant(s):
Paltech Corporation Pty Ltd
8 Kingston Park Court Knoxfield Victoria 3180 Australia
(72) Name(s) of Designer(s): **Gregory William Palmer and Graham David Palmer**
(45) Registration Date: **24 March 2009**
(56) Related Art Documents: **Not Applicable**
(57) Statement of Newness and Distinctiveness: **Newness and distinctiveness of the design resides in the features shown in solid lines.**



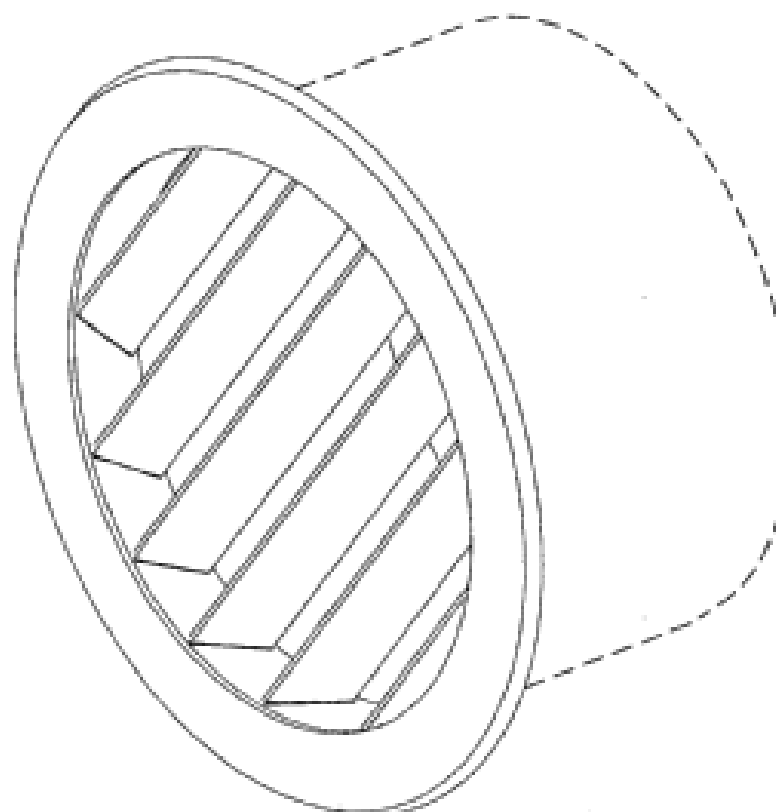
- (21) Design Number: **10889/2009**
(22) Date of Filing Application: **19 March 2009**
(24) Date from which industrial property rights may have effect: **19 March 2009**
(54) Product in respect of which the design is registered: **Ceiling diffuser**
(51) International Design Classification: **23-04**
(71) Name(s) and Address(s) of Applicant(s):
Paltech Corporation Pty Ltd
8 Kingston Park Court Knoxfield Victoria 3180 Australia
(72) Name(s) of Designer(s): **Gregory William Palmer and Graham David Palmer**
(45) Registration Date: **24 March 2009**
(56) Related Art Documents: **Not Applicable**
(57) Statement of Newness and Distinctiveness: **Newness and distinctiveness of the design resides in the features shown in solid lines.**



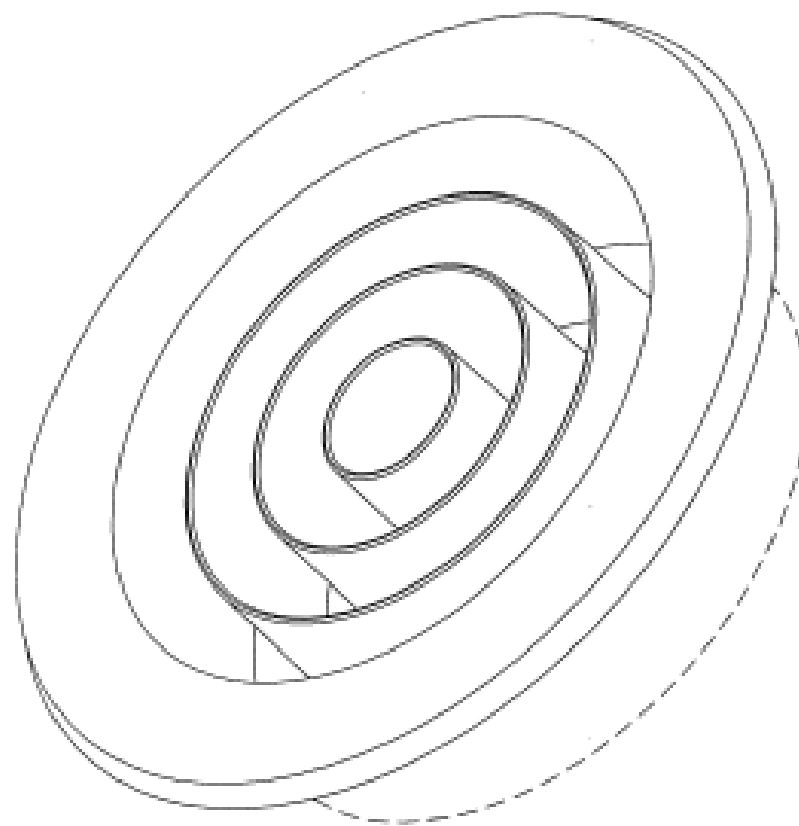
- (21) Design Number: **10890/2009**
- (22) Date of Filing Application: **19 March 2009**
- (24) Date from which industrial property rights may have effect: **19 March 2009**
- (54) Product in respect of which the design is registered: **Ceiling diffuser**
- (51) International Design Classification: **23-04**
- (71) Name(s) and Address(s) of Applicant(s):
Paltech Corporation Pty Ltd
8 Kingston Park Court Knoxfield Victoria 3180 Australia
- (72) Name(s) of Designer(s): **Gregory William Palmer and Graham David Palmer**
- (45) Registration Date: **24 March 2009**
- (56) Related Art Documents: **Not Applicable**
- (57) Statement of Newness and Distinctiveness: **Newness and distinctiveness of the design resides in the features shown in solid lines.**



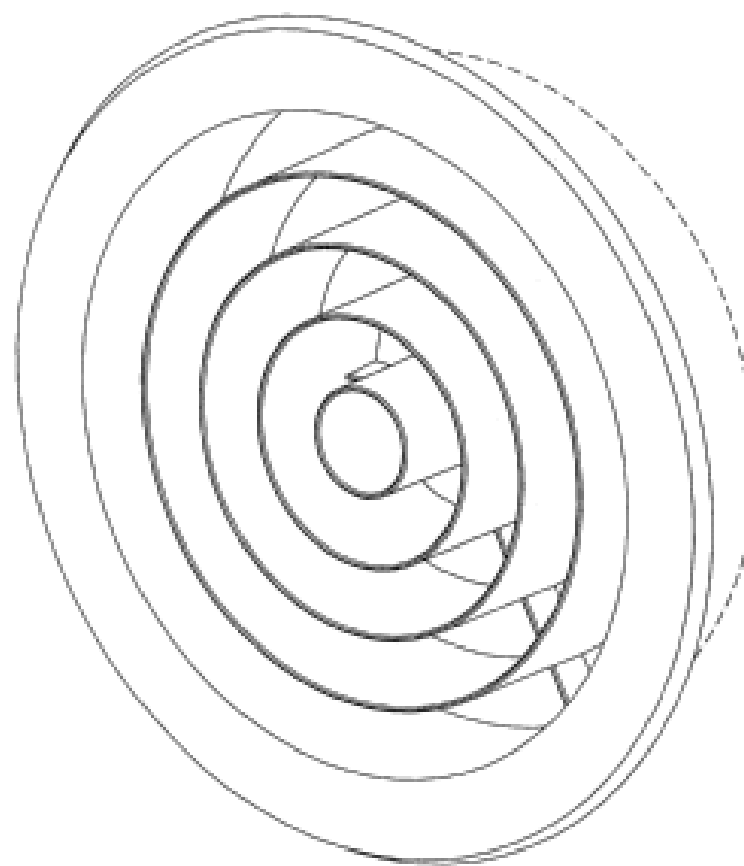
- (21) Design Number: **10891/2009**
- (22) Date of Filing Application: **19 March 2009**
- (24) Date from which industrial property rights may have effect: **19 March 2009**
- (54) Product in respect of which the design is registered: **Ceiling diffuser**
- (51) International Design Classification: **23-04**
- (71) Name(s) and Address(s) of Applicant(s):
Paltech Corporation Pty Ltd
8 Kingston Park Court Knoxfield Victoria 3180 Australia
- (72) Name(s) of Designer(s): **Gregory William Palmer and Graham David Palmer**
- (45) Registration Date: **24 March 2009**
- (56) Related Art Documents: **Not Applicable**
- (57) Statement of Newness and Distinctiveness: **Newness and distinctiveness of the design resides in the features shown in solid lines.**



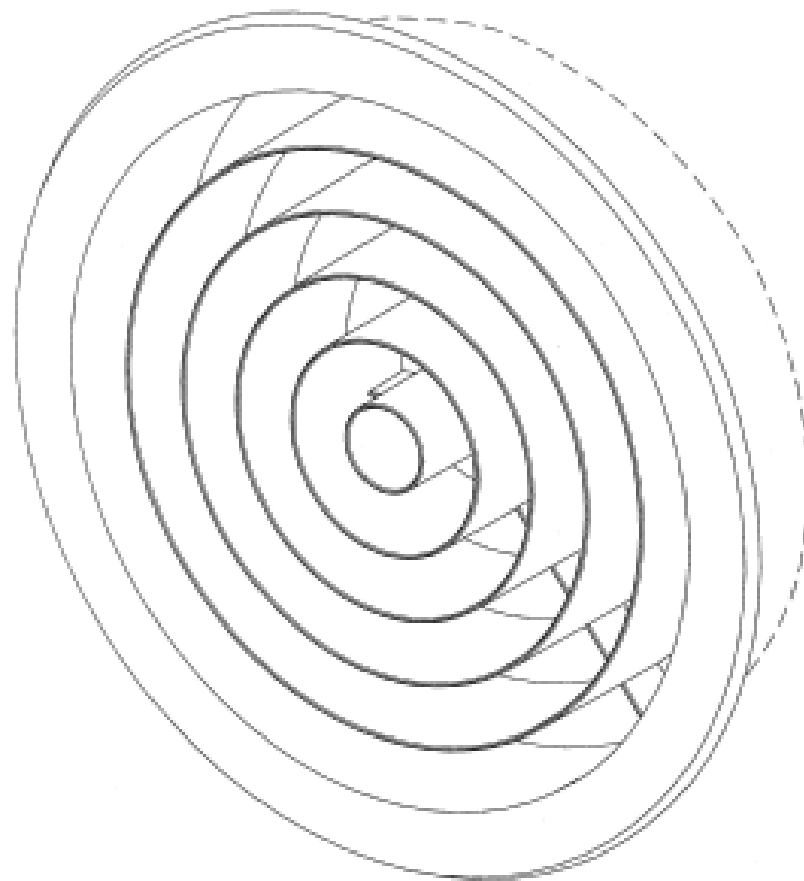
- (21) Design Number: **10892/2009**
(22) Date of Filing Application: **19 March 2009**
(24) Date from which industrial property rights may have effect: **19 March 2009**
(54) Product in respect of which the design is registered: **Ceiling diffuser**
(51) International Design Classification: **23-04**
(71) Name(s) and Address(s) of Applicant(s):
Paltech Corporation Pty Ltd
8 Kingston Park Court Knoxfield Victoria 3180 Australia
(72) Name(s) of Designer(s): **Gregory William Palmer and Graham David Palmer**
(45) Registration Date: **24 March 2009**
(56) Related Art Documents: **Not Applicable**
(57) Statement of Newness and Distinctiveness: **Newness and distinctiveness of the design resides in the features shown in solid lines.**



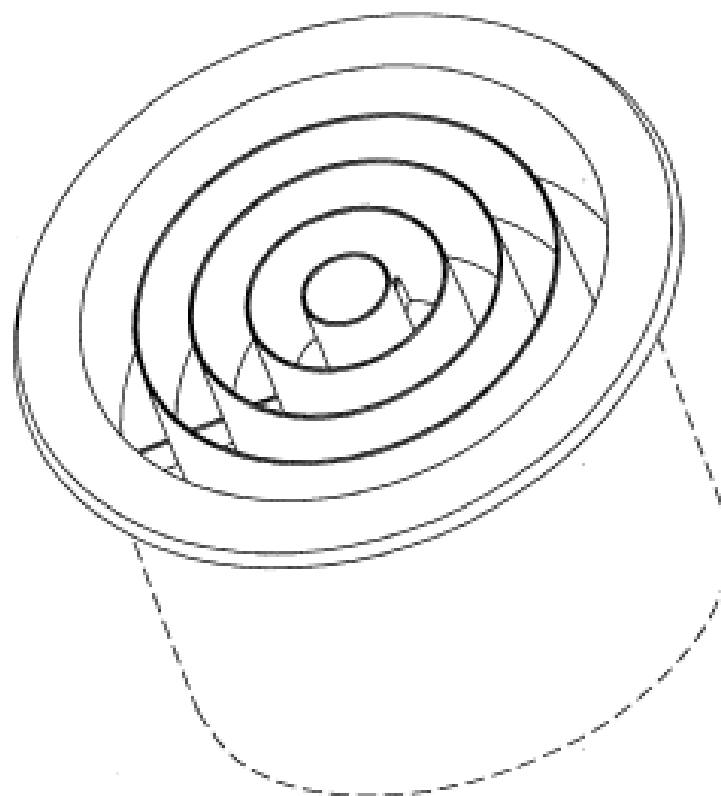
- (21) Design Number: **10893/2009**
(22) Date of Filing Application: **19 March 2009**
(24) Date from which industrial property rights may have effect: **19 March 2009**
(54) Product in respect of which the design is registered: **Ceiling diffuser**
(51) International Design Classification: **23-04**
(71) Name(s) and Address(s) of Applicant(s):
Paltech Corporation Pty Ltd
8 Kingston Park Court Knoxfield Victoria 3180 Australia
(72) Name(s) of Designer(s): **Gregory William Palmer and Graham David Palmer**
(45) Registration Date: **24 March 2009**
(56) Related Art Documents: **Not Applicable**
(57) Statement of Newness and Distinctiveness: **Newness and distinctiveness of the design resides in the features shown in solid lines.**



- (21) Design Number: **10894/2009**
(22) Date of Filing Application: **19 March 2009**
(24) Date from which industrial property rights may have effect: **19 March 2009**
(54) Product in respect of which the design is registered: **Ceiling diffuser**
(51) International Design Classification: **23-04**
(71) Name(s) and Address(s) of Applicant(s):
Paltech Corporation Pty Ltd
8 Kingston Park Court Knoxfield Victoria 3180 Australia
(72) Name(s) of Designer(s): **Gregory William Palmer and Graham David Palmer**
(45) Registration Date: **24 March 2009**
(56) Related Art Documents: **Not Applicable**
(57) Statement of Newness and Distinctiveness: **Newness and distinctiveness of the design resides in the features shown in solid lines.**



- (21) Design Number: **10895/2009**
(22) Date of Filing Application: **19 March 2009**
(24) Date from which industrial property rights may have effect: **19 March 2009**
(54) Product in respect of which the design is registered: **Ceiling diffuser**
(51) International Design Classification: **23-04**
(71) Name(s) and Address(s) of Applicant(s):
Paltech Corporation Pty Ltd
8 Kingston Park Court Knoxfield Victoria 3180 Australia
(72) Name(s) of Designer(s): **Gregory William Palmer and Graham David Palmer**
(45) Registration Date: **24 March 2009**
(56) Related Art Documents: **Not Applicable**
(57) Statement of Newness and Distinctiveness: **Newness and distinctiveness of the design resides in the features shown in solid lines.**



(21) Design Number: **10896/2009**

(22) Date of Filing Application: **19 March 2009**

(24) Date from which industrial property rights may have effect: **19 March 2009**

(54) Product in respect of which the design is registered: **Ceiling diffuser**

(51) International Design Classification: **23-04**

(71) Name(s) and Address(s) of Applicant(s):

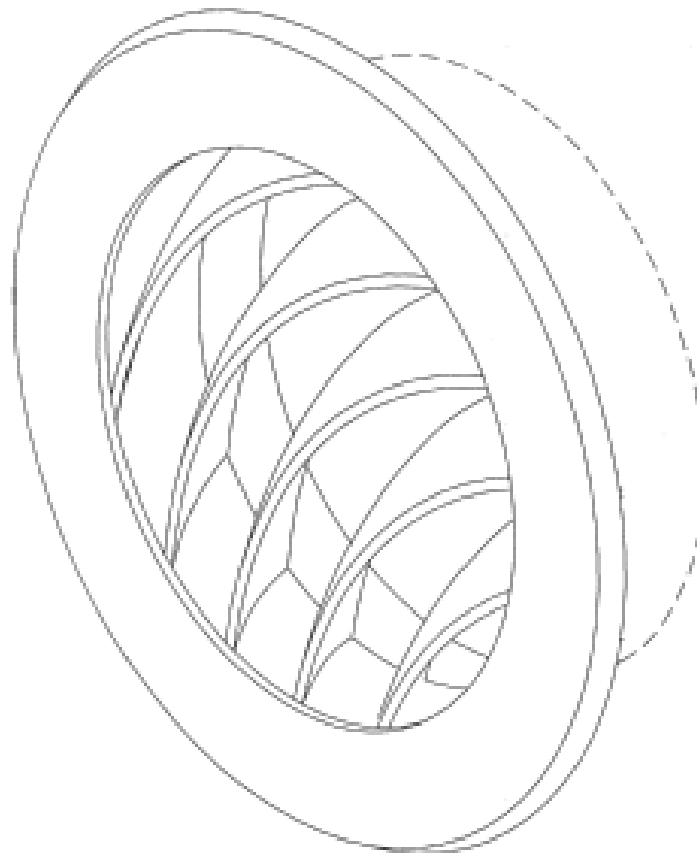
**Paltech Corporation Pty Ltd
8 Kingston Park Court Knoxfield Victoria 3180 Australia**

(72) Name(s) of Designer(s): **Gregory William Palmer and Graham David Palmer**

(45) Registration Date: **24 March 2009**

(56) Related Art Documents: **Not Applicable**

(57) Statement of Newness and Distinctiveness: **Newness and distinctiveness of the design resides in the features shown in solid lines.**



(21) Design Number: **10897/2009**

(22) Date of Filing Application: **19 March 2009**

(24) Date from which industrial property rights may have effect: **19 March 2009**

(54) Product in respect of which the design is registered: **Ceiling diffuser**

(51) International Design Classification: **23-04**

(71) Name(s) and Address(s) of Applicant(s):

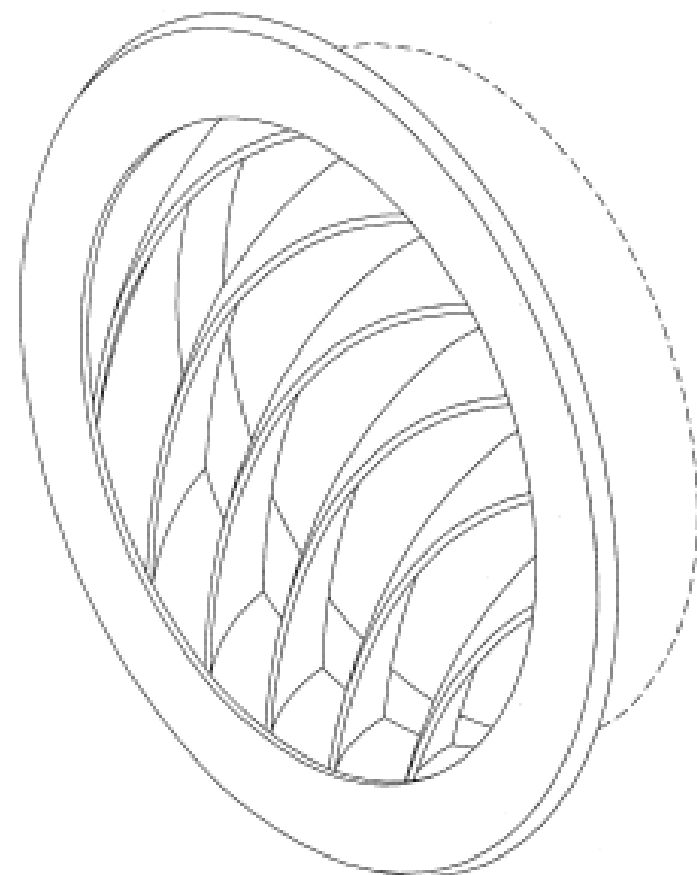
**Paltech Corporation Pty Ltd
8 Kingston Park Court Knoxfield Victoria 3180 Australia**

(72) Name(s) of Designer(s): **Gregory William Palmer and Graham David Palmer**

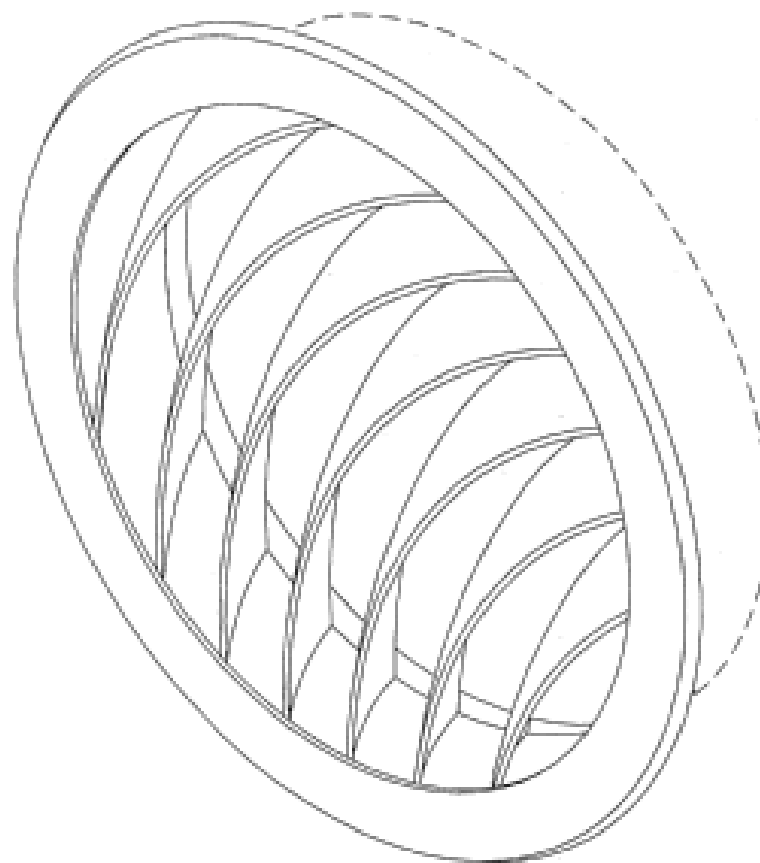
(45) Registration Date: **24 March 2009**

(56) Related Art Documents: **Not Applicable**

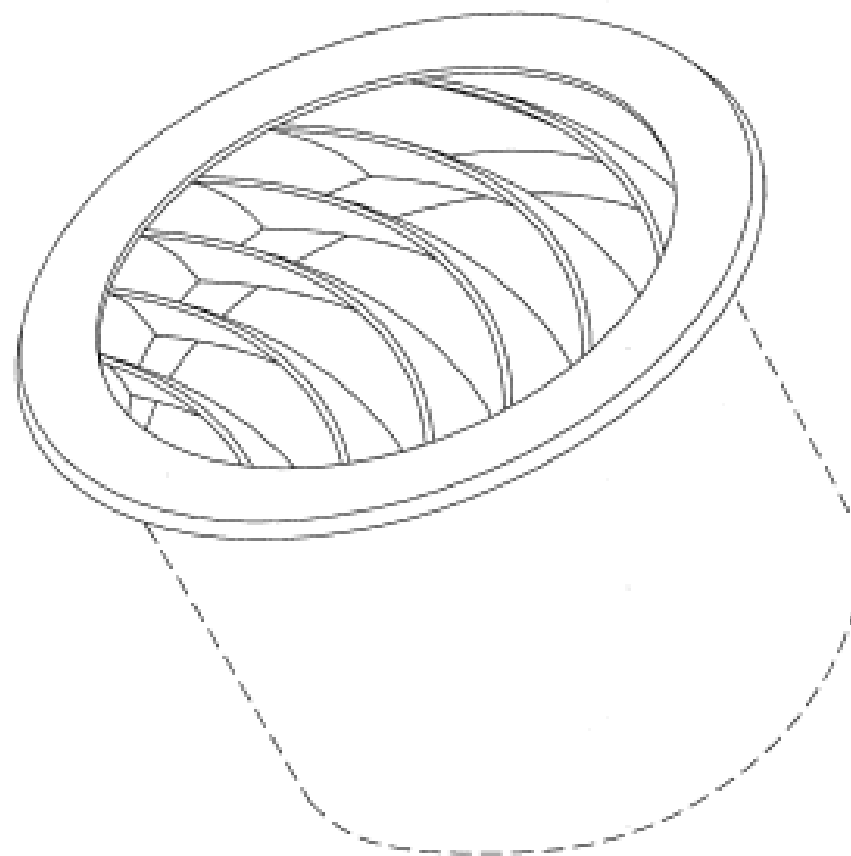
(57) Statement of Newness and Distinctiveness: **Newness and distinctiveness of the design resides in the features shown in solid lines.**



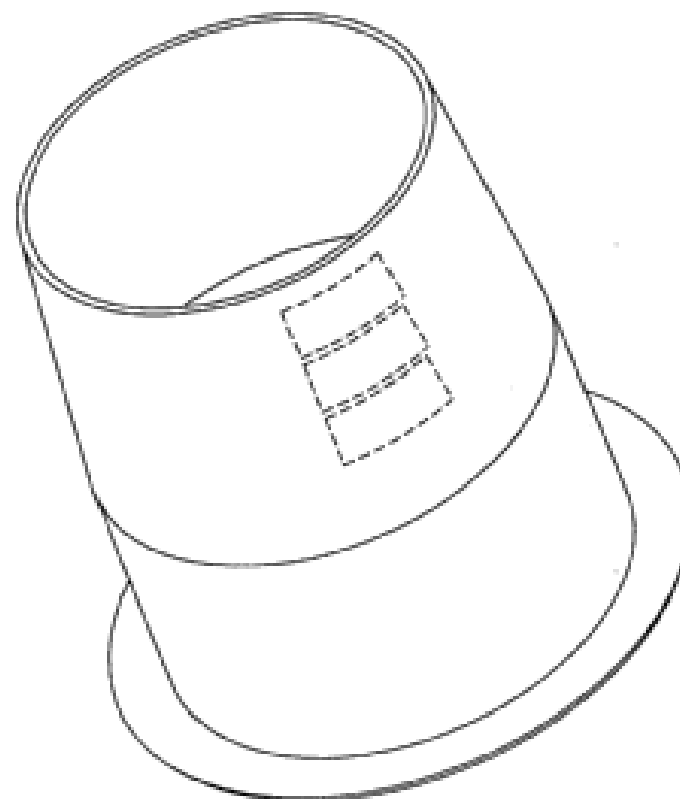
- (21) Design Number: **10898/2009**
(22) Date of Filing Application: **19 March 2009**
(24) Date from which industrial property rights may have effect: **19 March 2009**
(54) Product in respect of which the design is registered: **Ceiling diffuser**
(51) International Design Classification: **23-04**
(71) Name(s) and Address(s) of Applicant(s):
Paltech Corporation Pty Ltd
8 Kingston Park Court Knoxfield Victoria 3180 Australia
(72) Name(s) of Designer(s): **Gregory William Palmer and Graham David Palmer**
(45) Registration Date: **24 March 2009**
(56) Related Art Documents: **Not Applicable**
(57) Statement of Newness and Distinctiveness: **Newness and distinctiveness of the design resides in the features shown in solid lines.**



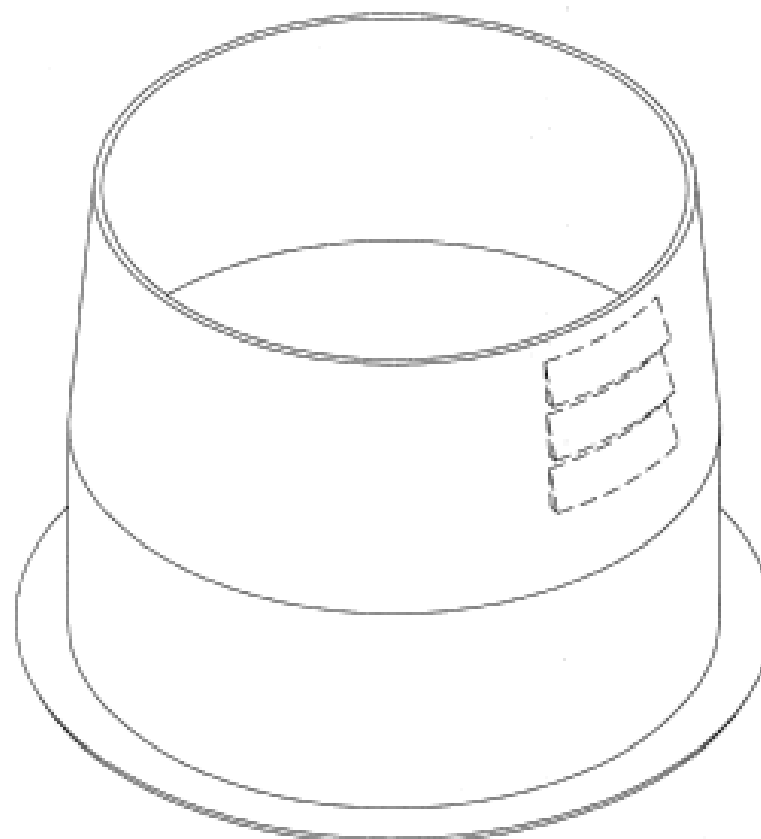
- (21) Design Number: **10899/2009**
(22) Date of Filing Application: **19 March 2009**
(24) Date from which industrial property rights may have effect: **19 March 2009**
(54) Product in respect of which the design is registered: **Ceiling diffuser**
(51) International Design Classification: **23-04**
(71) Name(s) and Address(s) of Applicant(s):
Paltech Corporation Pty Ltd
8 Kingston Park Court Knoxfield Victoria 3180 Australia
(72) Name(s) of Designer(s): **Gregory William Palmer and Graham David Palmer**
(45) Registration Date: **24 March 2009**
(56) Related Art Documents: **Not Applicable**
(57) Statement of Newness and Distinctiveness: **Newness and distinctiveness of the design resides in the features shown in solid lines.**



- (21) Design Number: **10900/2009**
- (22) Date of Filing Application: **19 March 2009**
- (24) Date from which industrial property rights may have effect: **19 March 2009**
- (54) Product in respect of which the design is registered: **Duct adaptor**
- (51) International Design Classification: **23-04**
- (71) Name(s) and Address(s) of Applicant(s):
Paltech Corporation Pty Ltd
8 Kingston Park Court Knoxfield Victoria 3180 Australia
- (72) Name(s) of Designer(s): **Gregory William Palmer and Graham David Palmer**
- (45) Registration Date: **24 March 2009**
- (56) Related Art Documents: **Not Applicable**
- (57) Statement of Newness and Distinctiveness: **Newness and distinctiveness of the design resides in the features shown in solid lines.**



- (21) Design Number: **10901/2009**
- (22) Date of Filing Application: **19 March 2009**
- (24) Date from which industrial property rights may have effect: **19 March 2009**
- (54) Product in respect of which the design is registered: **Duct adaptor**
- (51) International Design Classification: **23-04**
- (71) Name(s) and Address(s) of Applicant(s):
Paltech Corporation Pty Ltd
8 Kingston Park Court Knoxfield Victoria 3180 Australia
- (72) Name(s) of Designer(s): **Gregory William Palmer and Graham David Palmer**
- (45) Registration Date: **24 March 2009**
- (56) Related Art Documents: **Not Applicable**
- (57) Statement of Newness and Distinctiveness: **Newness and distinctiveness of the design resides in the features shown in solid lines.**



(21) Design Number: **10903/2009**

(22) Date of Filing Application: **19 March 2009**

(24) Date from which industrial property rights may have effect: **19 March 2009**

(54) Product in respect of which the design is registered: **Duct adaptor**

(51) International Design Classification: **23-04**

(71) Name(s) and Address(s) of Applicant(s):

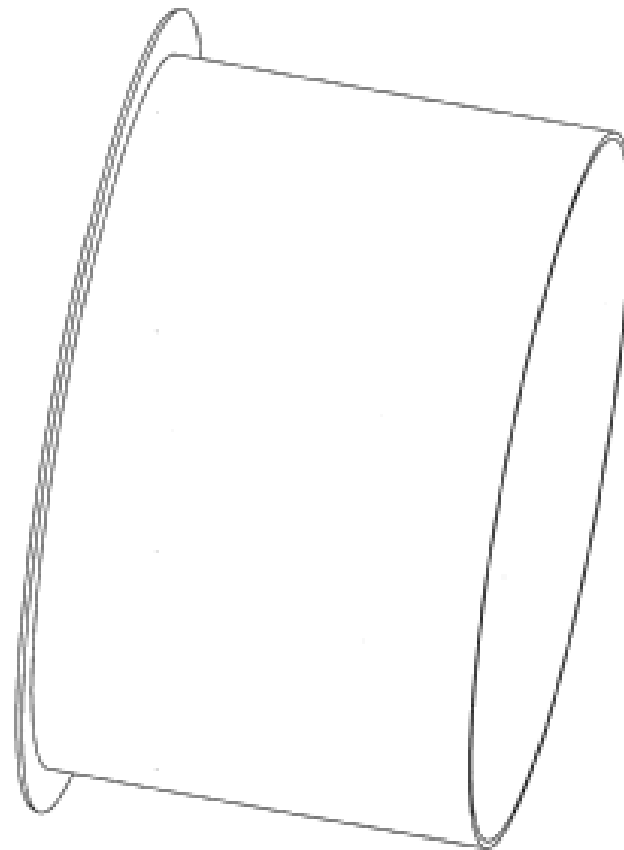
**Paltech Corporation Pty Ltd
8 Kingston Park Court Knoxfield Victoria 3180 Australia**

(72) Name(s) of Designer(s): **Gregory William Palmer and Graham David Palmer**

(45) Registration Date: **24 March 2009**

(56) Related Art Documents: **Not Applicable**

(57) Statement of Newness and Distinctiveness: **Nil**



(21) Design Number: **10879/2009**

(22) Date of Filing Application: **17 March 2009**

(24) Date from which industrial property rights may have effect: **17 March 2009**

(54) Product in respect of which the design is registered: **Coffee maker**

(51) International Design Classification: **07-02L**

(71) Name(s) and Address(s) of Applicant(s):

**Koninklijke Philips Electronics N.V.
Groenewoudseweg 1 NL-5621 BA Eindhoven The Netherlands**

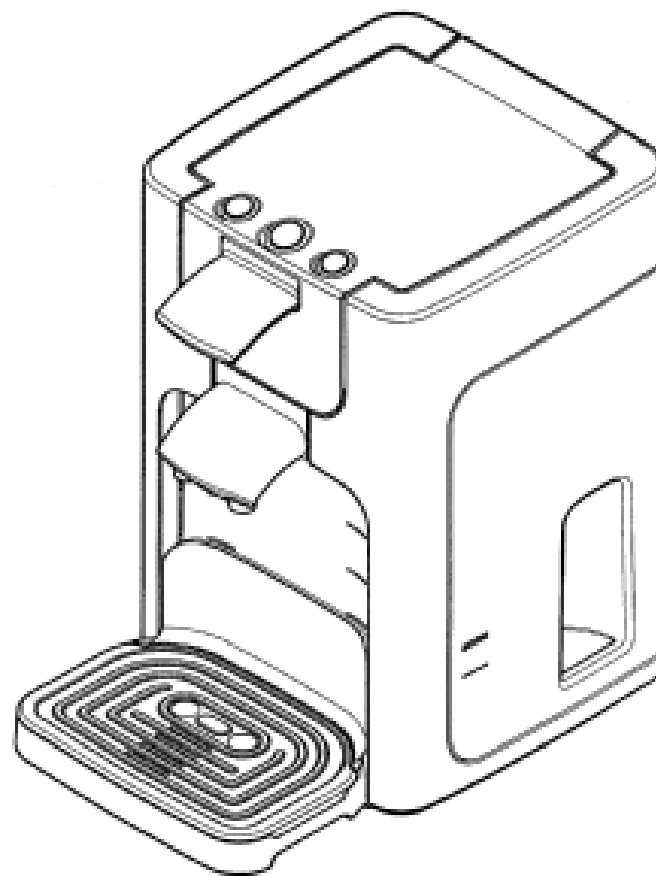
**Sara Lee/DE N.V.
Vleutensevaart 100 3532 AD Utrecht The Netherlands**

(72) Name(s) of Designer(s): **Alexander Paul Johannus**

(45) Registration Date: **23 March 2009**

(56) Related Art Documents: **Not Applicable**

(57) Statement of Newness and Distinctiveness: **Newness and distinctiveness reside in the features of the design as shown in the representations.**



(21) Design Number: **10645/2009**
(22) Date of Filing Application: **27 February 2009**
(24) Date from which industrial property rights may have effect: **27 February 2009**
(54) Product in respect of which the design is registered: **A hull for a kayak**
(51) International Design Classification: **12-06C**
(71) Name(s) and Address(s) of Applicant(s):

Greg Barton
1124 Deleisseline Boulevard Mount Pleasant SC 29464 United States of America

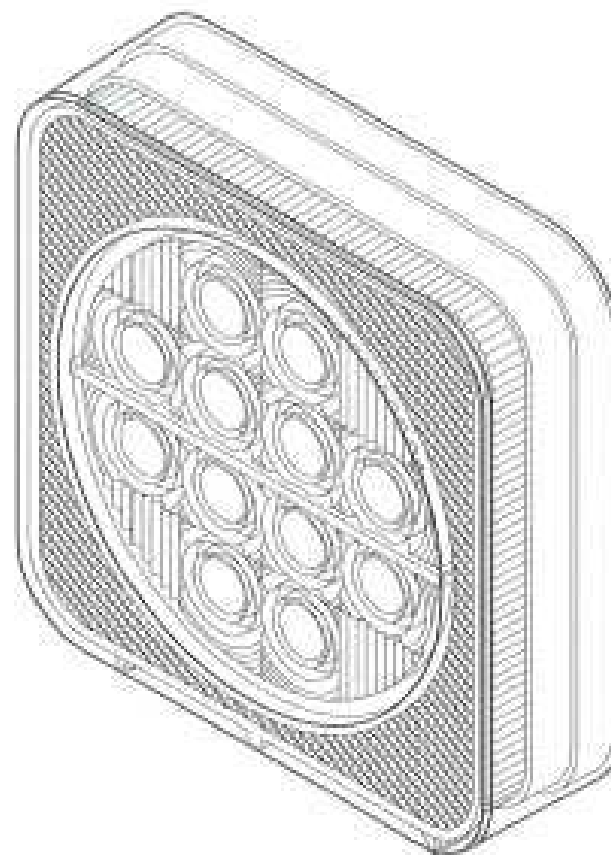
(72) Name(s) of Designer(s): **Greg Barton**
(45) Registration Date: **23 March 2009**
(56) Related Art Documents: **Not Applicable**
(57) Statement of Newness and Distinctiveness: **Nil**



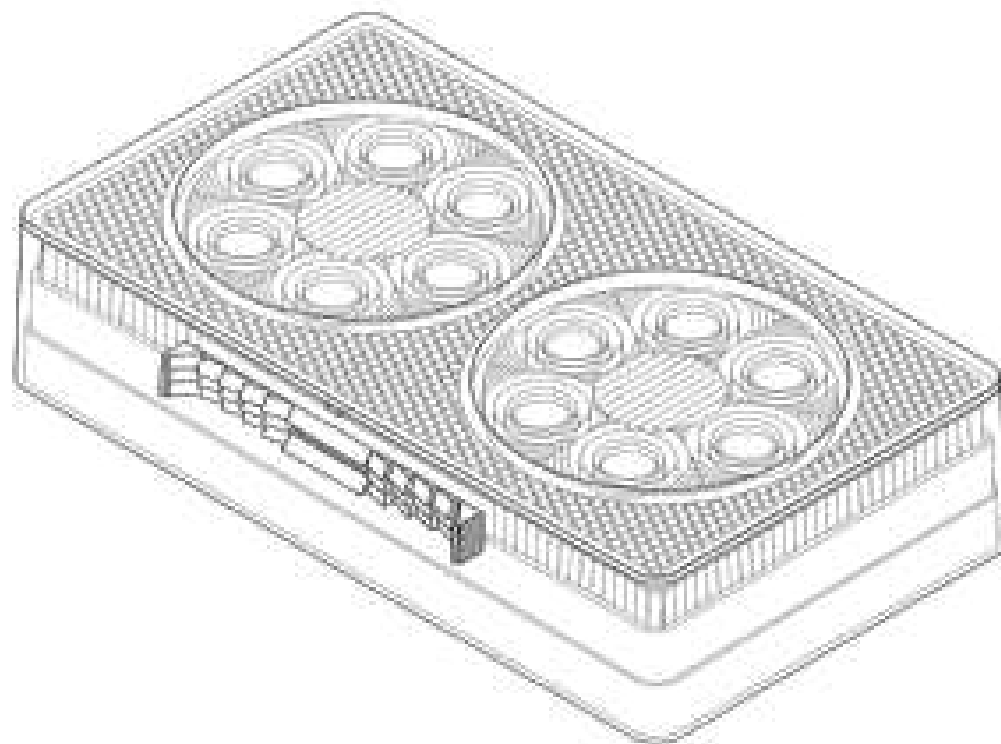
(21) Design Number: **10904/2009**
(22) Date of Filing Application: **20 March 2009**
(24) Date from which industrial property rights may have effect: **20 March 2009**
(54) Product in respect of which the design is registered: **Vehicle rear lamp**
(51) International Design Classification: **26-06**
(71) Name(s) and Address(s) of Applicant(s):

Lucidity Enterprise Co., Ltd.
Number 18 Gongye 1st Road Annan District Tainan City Taiwan

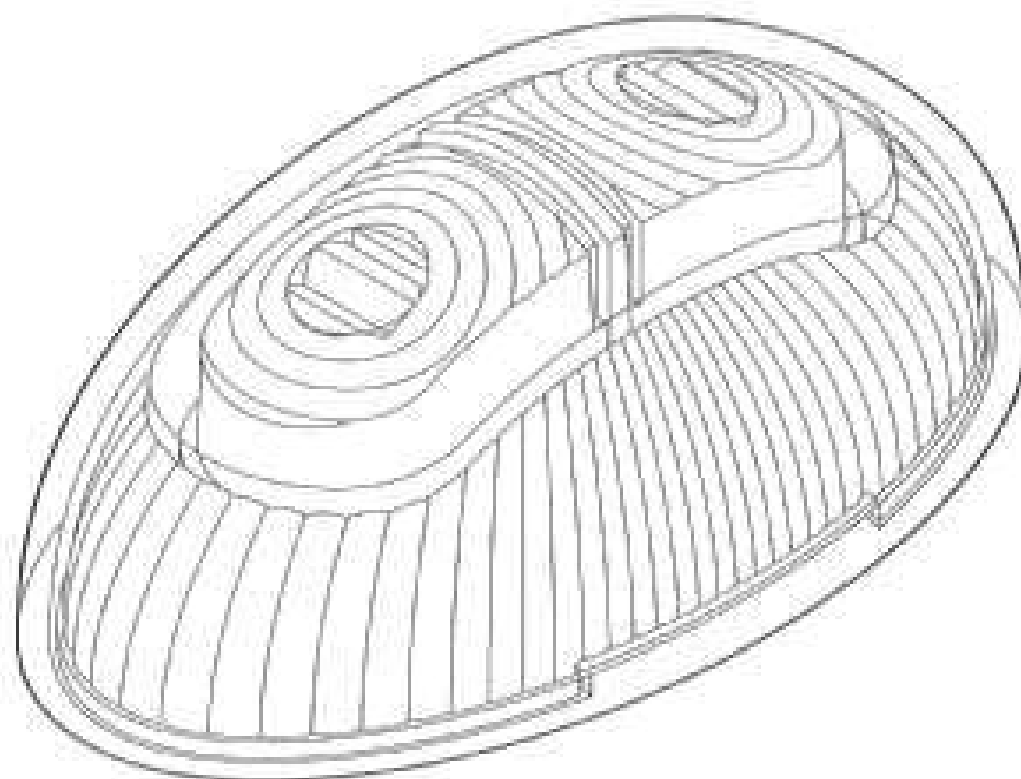
(72) Name(s) of Designer(s): **Chih-Pin Shen**
(45) Registration Date: **23 March 2009**
(56) Related Art Documents: **Not Applicable**
(57) Statement of Newness and Distinctiveness: **Nil**



(21) Design Number: **10905/2009**
(22) Date of Filing Application: **20 March 2009**
(24) Date from which industrial property rights may have effect: **20 March 2009**
(54) Product in respect of which the design is registered: **Vehicle rear lamp**
(51) International Design Classification: **26-06**
(71) Name(s) and Address(s) of Applicant(s):
Lucidity Enterprise Co., Ltd.
Number 18 Gongye 1st Road Annan District Tainan City Taiwan
(72) Name(s) of Designer(s): **Chi-Kang Lei**
(45) Registration Date: **23 March 2009**
(56) Related Art Documents: **Not Applicable**
(57) Statement of Newness and Distinctiveness: **Nil**



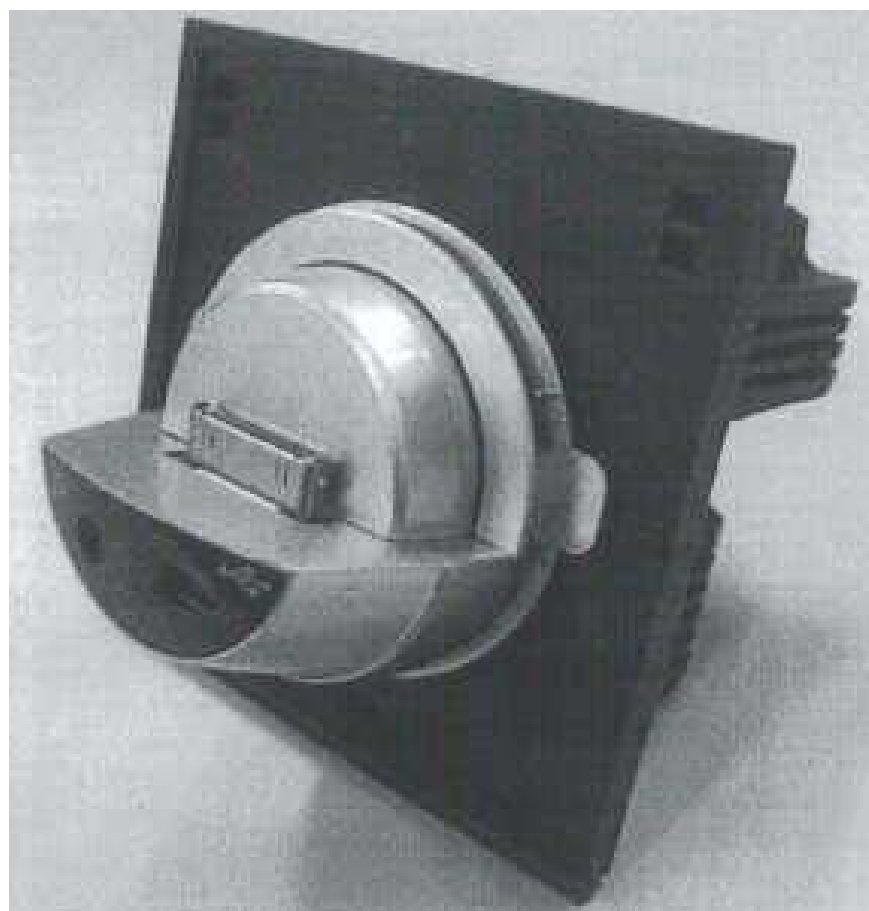
(21) Design Number: **10906/2009**
(22) Date of Filing Application: **20 March 2009**
(24) Date from which industrial property rights may have effect: **20 March 2009**
(54) Product in respect of which the design is registered: **Sidemarkers and identification lamp**
(51) International Design Classification: **26-06**
(71) Name(s) and Address(s) of Applicant(s):
Lucidity Enterprise Co., Ltd.
Number 18 Gongye 1st Road Annan District Tainan City Taiwan
(72) Name(s) of Designer(s): **Chao-Ming Chang**
(45) Registration Date: **23 March 2009**
(56) Related Art Documents: **Not Applicable**
(57) Statement of Newness and Distinctiveness: **Nil**



(21) Design Number: **10909/2009**
(22) Date of Filing Application: **19 March 2009**
(24) Date from which industrial property rights may have effect: **19 March 2009**
(54) Product in respect of which the design is registered: **Docking station for electronic device**
(51) International Design Classification: **13-02, 14-03A, 14-02, 14-01**
(71) Name(s) and Address(s) of Applicant(s):
Clipsal Australia Pty Limited
2 Solent Circuit Norwest Business Park Baulkham Hills New South Wales 2153 Australia
(72) Name(s) of Designer(s): **Chuen-Wah Lee**
(45) Registration Date: **23 March 2009**
(30) Convention priority data:
(31) Number (32) Date (33) Country
0802352.5M001 25 Sep 2008 HONG KONG
(56) Related Art Documents: **Not Applicable**
(57) Statement of Newness and Distinctiveness: **Newness and distinctiveness resides in the shape and/or configuration of the docking station for electronic device shown in the accompanying illustrations.**



(21) Design Number: **10910/2009**
(22) Date of Filing Application: **19 March 2009**
(24) Date from which industrial property rights may have effect: **19 March 2009**
(54) Product in respect of which the design is registered: **Docking station for electronic device**
(51) International Design Classification: **13-02, 14-01, 14-02, 14-03A**
(71) Name(s) and Address(s) of Applicant(s):
Clipsal Australia Pty Limited
2 Solent Circuit Norwest Business Park Baulkham Hills New South Wales 2153 Australia
(72) Name(s) of Designer(s): **Chuen-Wah Lee**
(45) Registration Date: **23 March 2009**
(30) Convention priority data:
(31) Number (32) Date (33) Country
0802352.5M002 25 Sep 2008 HONG KONG
(56) Related Art Documents: **Not Applicable**
(57) Statement of Newness and Distinctiveness: **Newness and distinctiveness resides in the shape and/or configuration of the docking station for electronic device shown in the accompanying illustrations.**



- (21) Design Number: **10562/2009**
(22) Date of Filing Application: **26 February 2009**
(24) Date from which industrial property rights may have effect: **26 February 2009**
(54) Product in respect of which the design is registered: **Guide used to correctly install artblox wall art**
(51) International Design Classification: **10-04**
(71) Name(s) and Address(s) of Applicant(s):
Jane Simmonds
4 Stedeford Lane North Melbourne Victoria 3051 Australia
(72) Name(s) of Designer(s): **Jane Simmonds**
(45) Registration Date: **23 March 2009**
(56) Related Art Documents: **Not Applicable**
(57) Statement of Newness and Distinctiveness: **When held against the wall, the template guides the ARTBLOX tiles into the correct position - with 2cm gap between each tile (above, below & beside) and has a spirit level to make sure Artblox tiles are mounted straight.**



- (21) Design Number: **10563/2009**
(22) Date of Filing Application: **26 February 2009**
(24) Date from which industrial property rights may have effect: **26 February 2009**
(54) Product in respect of which the design is registered: **Printed clear acrylic tiles**
(51) International Design Classification: **25-01F**
(71) Name(s) and Address(s) of Applicant(s):
Jane Simmonds
4 Stedeford Lane North Melbourne Victoria 3051 Australia
(72) Name(s) of Designer(s): **Jane Simmonds**
(45) Registration Date: **23 March 2009**
(56) Related Art Documents: **Not Applicable**
(57) Statement of Newness and Distinctiveness: **Digital photograph is printed directly onto 5mm clear acrylic 20cm x 20cm tiles which are mounted on the wall using re-usable wall mounts thus enabling the tiles to be removed and replaced by a completely new "piece" of art, with the new tiles using the existing wall mounts.**



(21) Design Number: **10566/2009**

(22) Date of Filing Application: **26 February 2009**

(24) Date from which industrial property rights may have effect: **26 February 2009**

(54) Product in respect of which the design is registered: **Printed clear acrylic tiles used as a room divider.**

(51) International Design Classification: **25-01F**

(71) Name(s) and Address(s) of Applicant(s):

Jane Simmonds

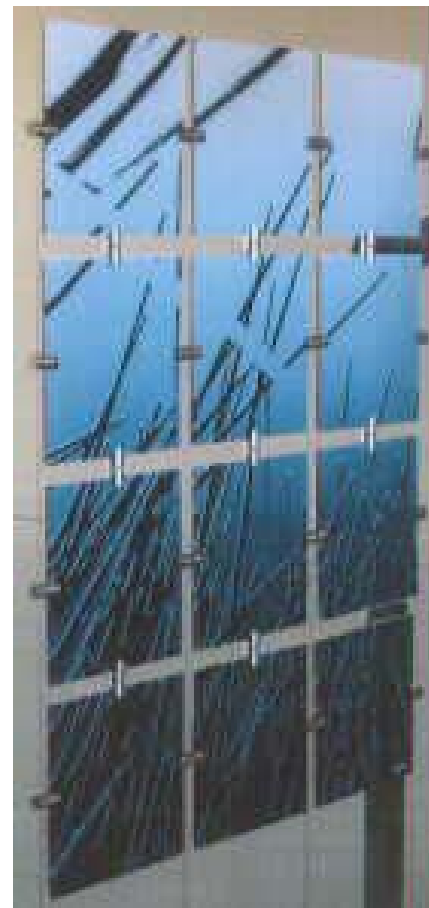
4 Stedeford Lane North Melbourne Victoria 3051 Australia

(72) Name(s) of Designer(s): **Jane Simmonds**

(45) Registration Date: **23 March 2009**

(56) Related Art Documents: **Not Applicable**

(57) Statement of Newness and Distinctiveness: **Digital photography is printed directly onto 3mm clear acrylic 20cm x 20cm tiles which are mounted onto stainless steel cable which is strung between the ceiling and floor and held in place with s.s. fittings. Two images are used and placed back to back - both being held by the s.s. clamp fitting.**



(21) Design Number: **10660/2009**

(22) Date of Filing Application: **27 February 2009**

(24) Date from which industrial property rights may have effect: **27 February 2009**

(54) Product in respect of which the design is registered: **Auckland 2 in 1 single bed**

(51) International Design Classification: **06-02**

(71) Name(s) and Address(s) of Applicant(s):

Kimyee Furniture Sdn Bhd

**58A Jalan Parit Kangkong Bukit Pasir Batu Pahat Johor 83050
Malaysia**

(72) Name(s) of Designer(s): **Aw Gan Kian**

(45) Registration Date: **23 March 2009**

(56) Related Art Documents: **Not Applicable**

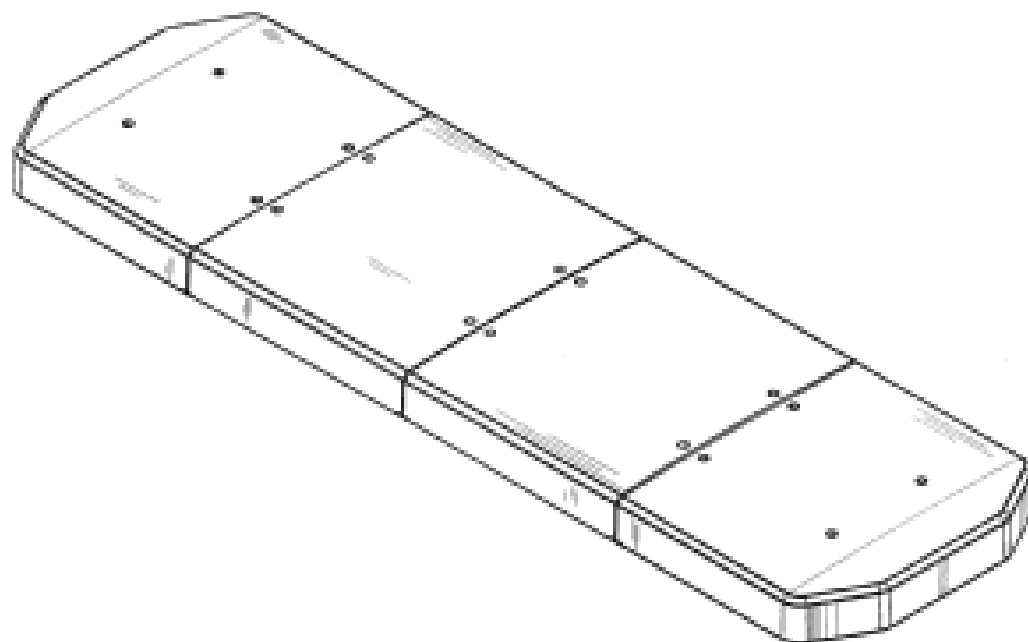
(57) Statement of Newness and Distinctiveness: **Nil**



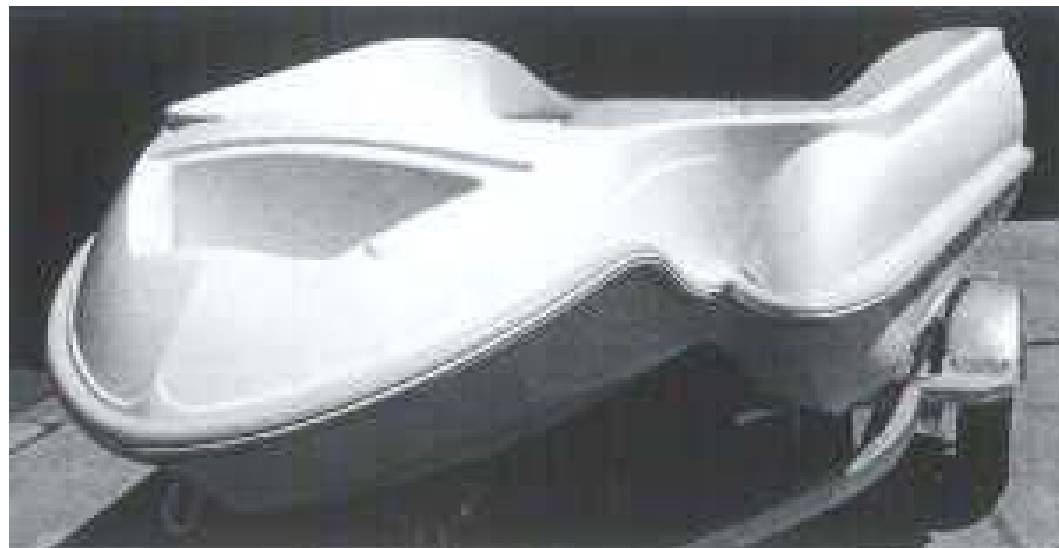
(21) Design Number: **10878/2009**
(22) Date of Filing Application: **18 March 2009**
(24) Date from which industrial property rights may have effect: **18 March 2009**
(54) Product in respect of which the design is registered: **Seating furniture**
(51) International Design Classification: **06-01F**
(71) Name(s) and Address(s) of Applicant(s):
Wilkhahn Wilkening + Hahne GmbH + Co. KG
Eimbeckhausen Fritz-Hahne-Strasse 8 31848 Bad Munder Germany
(72) Name(s) of Designer(s): **Marcus Keichel and Julia Laeuffer**
(45) Registration Date: **23 March 2009**
(30) Convention priority data:
(31) Number (32) Date (33) Country
001007538-0002 23 Sep 2008 EUROPEAN COMMUNITY
(56) Related Art Documents: **Not Applicable**
(57) Statement of Newness and Distinctiveness: **Nil**



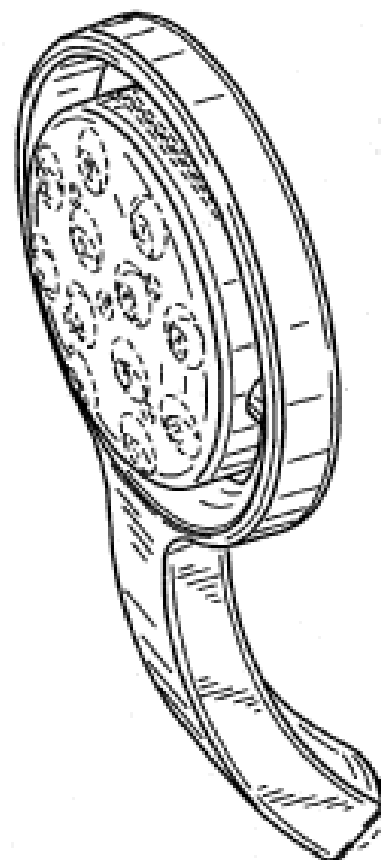
(21) Design Number: **10884/2009**
(22) Date of Filing Application: **19 March 2009**
(24) Date from which industrial property rights may have effect: **19 March 2009**
(54) Product in respect of which the design is registered: **Modular light bar**
(51) International Design Classification: **26-05A**
(71) Name(s) and Address(s) of Applicant(s):
Code 3 Inc.
10986 N. Warson Road St Louis Missouri 63144-2029 United States of America
(72) Name(s) of Designer(s): **Paul L. Stein**
(45) Registration Date: **23 March 2009**
(30) Convention priority data:
(31) Number (32) Date (33) Country
61/099,833 24 Sep 2008 UNITED STATES OF AMERICA
(56) Related Art Documents: **Not Applicable**
(57) Statement of Newness and Distinctiveness: **Nil**



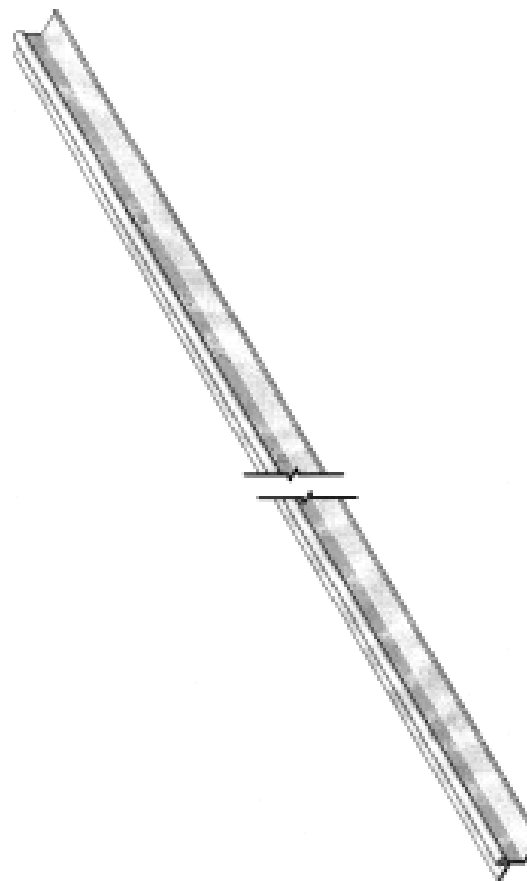
- (21) Design Number: **10885/2009**
(22) Date of Filing Application: **19 March 2009**
(24) Date from which industrial property rights may have effect: **19 March 2009**
(54) Product in respect of which the design is registered: **Boat**
(51) International Design Classification: **12-06A**
(71) Name(s) and Address(s) of Applicant(s):
Chris Reynolds
16 Industrial Avenue Caloundra Queensland 4551 Australia
(72) Name(s) of Designer(s): **Chris Reynolds**
(45) Registration Date: **23 March 2009**
(56) Related Art Documents: **Not Applicable**
(57) Statement of Newness and Distinctiveness: **Newness and distinctiveness resides in the shape and configuration of the boat shown in the accompanying representations. The trailer and fasteners are to be disregarded.**



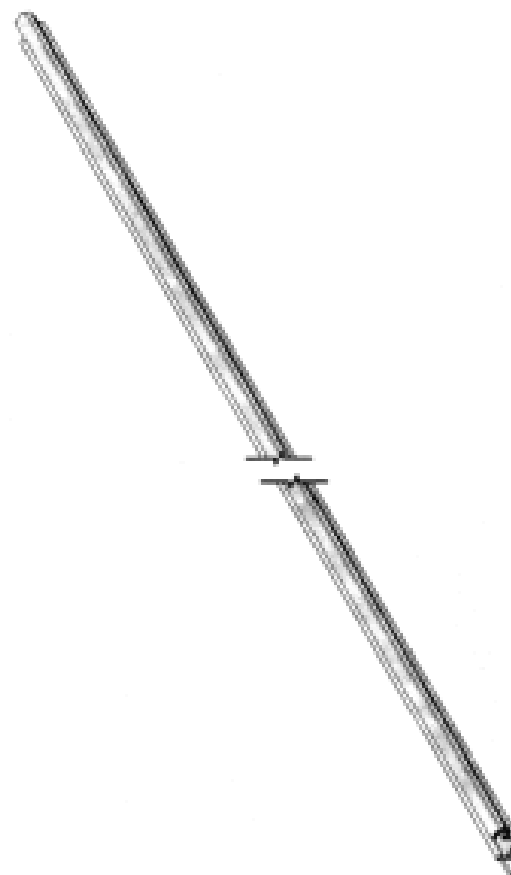
- (21) Design Number: **10834/2009**
(22) Date of Filing Application: **17 March 2009**
(24) Date from which industrial property rights may have effect: **17 March 2009**
(54) Product in respect of which the design is registered: **A handshower**
(51) International Design Classification: **23-02B**
(71) Name(s) and Address(s) of Applicant(s):
Kohler Mira Limited
Cromwell Road Cheltenham Gloucestershire GL52 5EP United Kingdom
(72) Name(s) of Designer(s): **Jennifer E. Barnard and Hsin-I Ciny Tsai**
(45) Registration Date: **24 March 2009**
(30) Convention priority data:
(31) Number (32) Date (33) Country
001004022 17 Sep 2008 EUROPEAN COMMUNITY
(56) Related Art Documents: **Not Applicable**
(57) Statement of Newness and Distinctiveness: **No regard is to be had to the elements depicted in broken lines in the representations.**



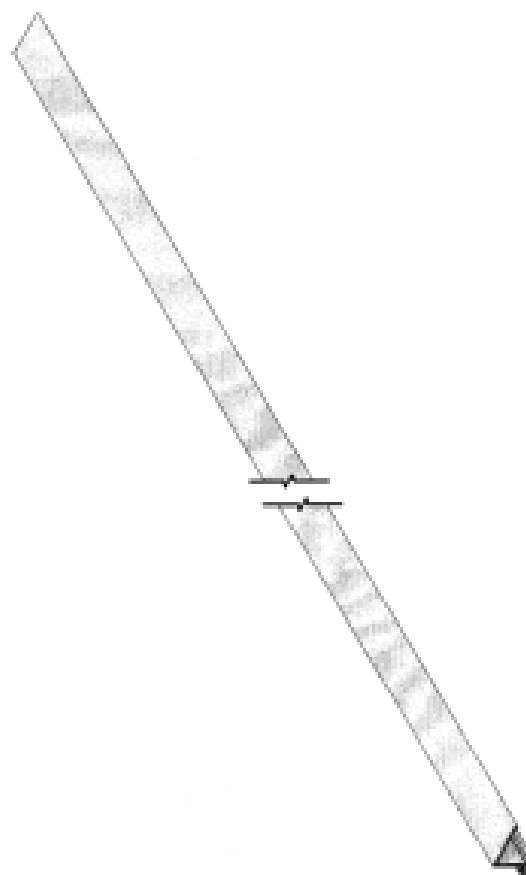
- (21) Design Number: **10919/2009**
(22) Date of Filing Application: **20 March 2009**
(24) Date from which industrial property rights may have effect: **20 March 2009**
(54) Product in respect of which the design is registered: **Extrusion for sliding doors and windows**
(51) International Design Classification: **25-01K, 25-02B, 25-02H**
(71) Name(s) and Address(s) of Applicant(s):
Aluminium Specialties Group Pty Ltd
3 Alspec Place Eastern Creek New South Wales 2766 Australia
(72) Name(s) of Designer(s): **Martin Bowman and Mike Goodridge**
(45) Registration Date: **24 March 2009**
(56) Related Art Documents: **Not Applicable**
(57) Statement of Newness and Distinctiveness: **Newness and distinctiveness resides in the shape and/or configuration of the extrusion as shown in the accompanying representations. The extrusion is of constant cross-section and indefinite length.**



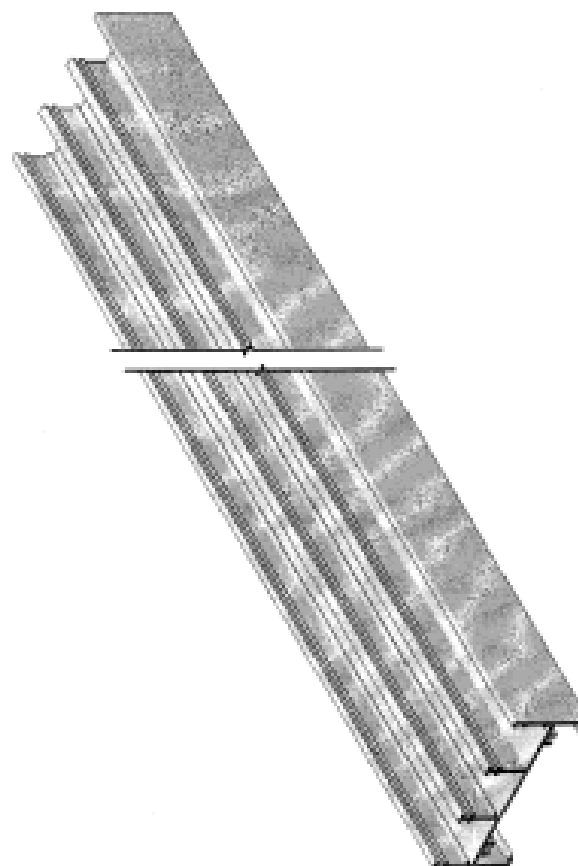
- (21) Design Number: **10920/2009**
(22) Date of Filing Application: **20 March 2009**
(24) Date from which industrial property rights may have effect: **20 March 2009**
(54) Product in respect of which the design is registered: **Extrusion for sliding doors and windows**
(51) International Design Classification: **25-01K, 25-02B, 25-02H**
(71) Name(s) and Address(s) of Applicant(s):
Aluminium Specialties Group Pty Ltd
3 Alspec Place Eastern Creek New South Wales 2766 Australia
(72) Name(s) of Designer(s): **Martin Bowman and Mike Goodridge**
(45) Registration Date: **24 March 2009**
(56) Related Art Documents: **Not Applicable**
(57) Statement of Newness and Distinctiveness: **Newness and distinctiveness resides in the shape and/or configuration of the extrusion as shown in the accompanying representations. The extrusion is of constant cross-section and indefinite length.**



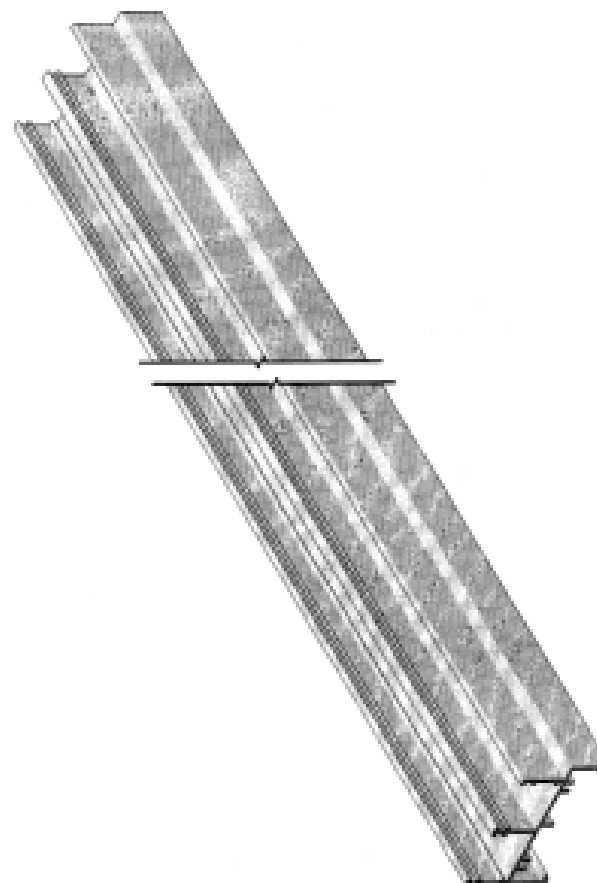
- (21) Design Number: **10921/2009**
(22) Date of Filing Application: **20 March 2009**
(24) Date from which industrial property rights may have effect: **20 March 2009**
(54) Product in respect of which the design is registered: **Extrusion for sliding doors and windows**
(51) International Design Classification: **25-01K, 25-02B, 25-02H**
(71) Name(s) and Address(s) of Applicant(s):
Aluminium Specialties Group Pty Ltd
3 Alspec Place Eastern Creek New South Wales 2766 Australia
(72) Name(s) of Designer(s): **Martin Bowman and Mike Goodridge**
(45) Registration Date: **24 March 2009**
(56) Related Art Documents: **Not Applicable**
(57) Statement of Newness and Distinctiveness: **Newness and distinctiveness resides in the shape and/or configuration of the extrusion as shown in the accompanying representations. The extrusion is of constant cross-section and indefinite length.**



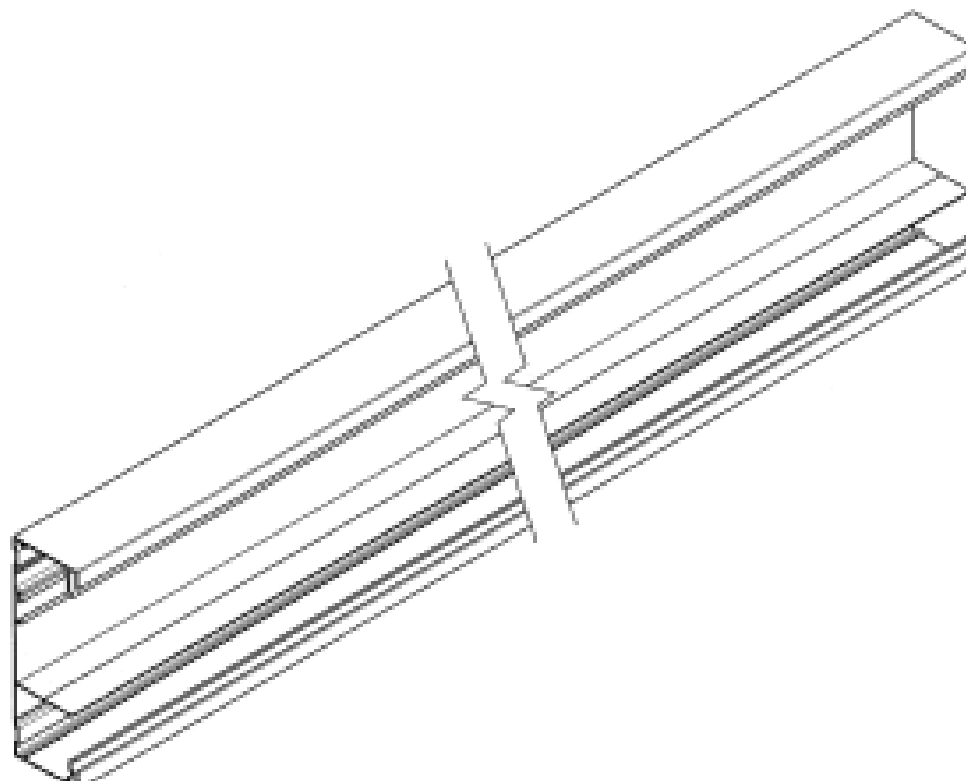
- (21) Design Number: **10922/2009**
(22) Date of Filing Application: **20 March 2009**
(24) Date from which industrial property rights may have effect: **20 March 2009**
(54) Product in respect of which the design is registered: **Extrusion for sliding doors and windows**
(51) International Design Classification: **25-01K, 25-02B, 25-02H**
(71) Name(s) and Address(s) of Applicant(s):
Aluminium Specialties Group Pty Ltd
3 Alspec Place Eastern Creek New South Wales 2766 Australia
(72) Name(s) of Designer(s): **Martin Bowman and Mike Goodridge**
(45) Registration Date: **24 March 2009**
(56) Related Art Documents: **Not Applicable**
(57) Statement of Newness and Distinctiveness: **Newness and distinctiveness resides in the shape and/or configuration of the extrusion as shown in the accompanying representations. The extrusion is of constant cross-section and indefinite length.**



- (21) Design Number: **10923/2009**
(22) Date of Filing Application: **20 March 2009**
(24) Date from which industrial property rights may have effect: **20 March 2009**
(54) Product in respect of which the design is registered: **Extrusion for sliding doors and windows**
(51) International Design Classification: **25-01K, 25-02B, 25-02H**
(71) Name(s) and Address(s) of Applicant(s):
Aluminium Specialties Group Pty Ltd
3 Alspec Place Eastern Creek New South Wales 2766 Australia
(72) Name(s) of Designer(s): **Martin Bowman and Mike Goodridge**
(45) Registration Date: **24 March 2009**
(56) Related Art Documents: **Not Applicable**
(57) Statement of Newness and Distinctiveness: **Newness and distinctiveness resides in the shape and/or configuration of the extrusion as shown in the accompanying representations. The extrusion is of constant cross-section and indefinite length.**



- (21) Design Number: **10924/2009**
(22) Date of Filing Application: **20 March 2009**
(24) Date from which industrial property rights may have effect: **20 March 2009**
(54) Product in respect of which the design is registered: **Skirting duct**
(51) International Design Classification: **25-02NES**
(71) Name(s) and Address(s) of Applicant(s):
Clipsal Australia Pty Ltd
12 Park Terrace Bowden South Australia 5007 Australia
(72) Name(s) of Designer(s): **William Joseph Pearce**
(45) Registration Date: **24 March 2009**
(56) Related Art Documents: **Not Applicable**
(57) Statement of Newness and Distinctiveness: **Newness and distinctiveness resides in the features of shape and configuration of a skirting duct of indefinite length as shown in the accompanying representations.**



(21) Design Number: **10925/2009**

(22) Date of Filing Application: **20 March 2009**

(24) Date from which industrial property rights may have effect: **20 March 2009**

(54) Product in respect of which the design is registered: **Skirting duct cover**

(51) International Design Classification: **25-02NES**

(71) Name(s) and Address(s) of Applicant(s):

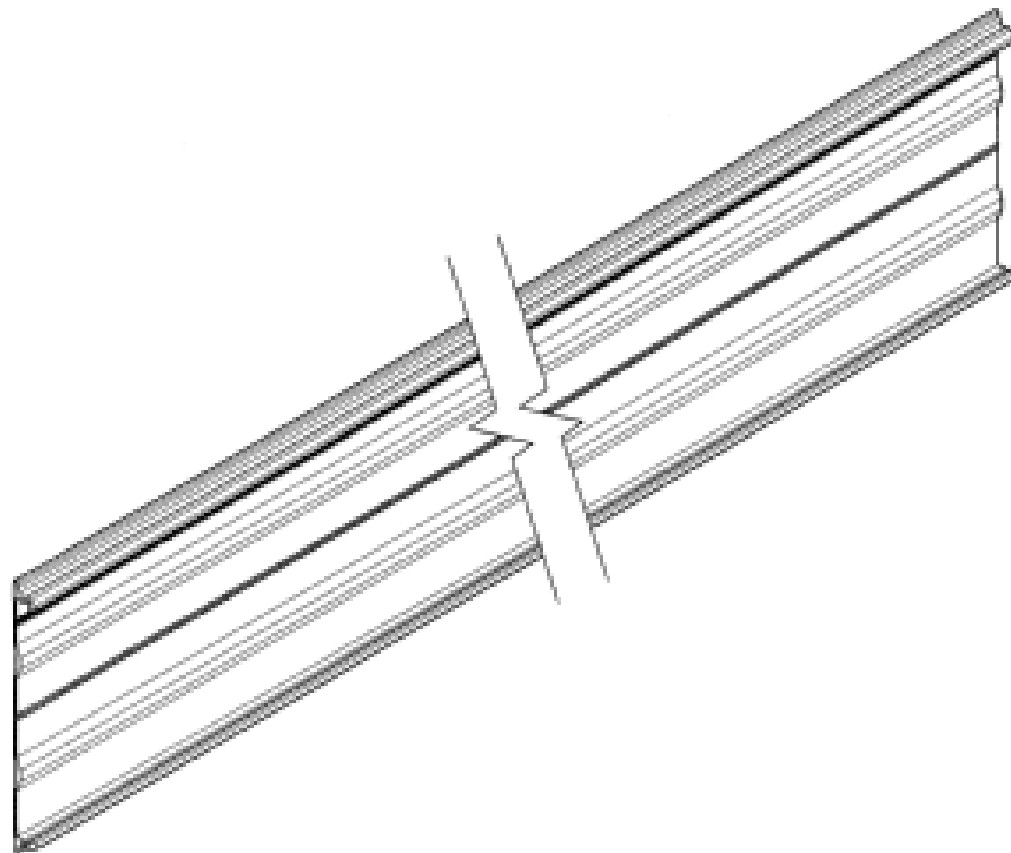
Clipsal Australia Pty Ltd
12 Park Terrace Bowden South Australia 5007 Australia

(72) Name(s) of Designer(s): **William Joseph Pearce**

(45) Registration Date: **24 March 2009**

(56) Related Art Documents: **Not Applicable**

(57) Statement of Newness and Distinctiveness: **Newness and distinctiveness resides in the features of shape and configuration of a skirting duct cover of indefinite length as shown in the accompanying representations.**



(21) Design Number: **10883/2009**

(22) Date of Filing Application: **09 March 2009**

(24) Date from which industrial property rights may have effect: **09 March 2009**

(54) Product in respect of which the design is registered: **EGY reflector system - narrow**

(51) International Design Classification: **26-04**

(71) Name(s) and Address(s) of Applicant(s):

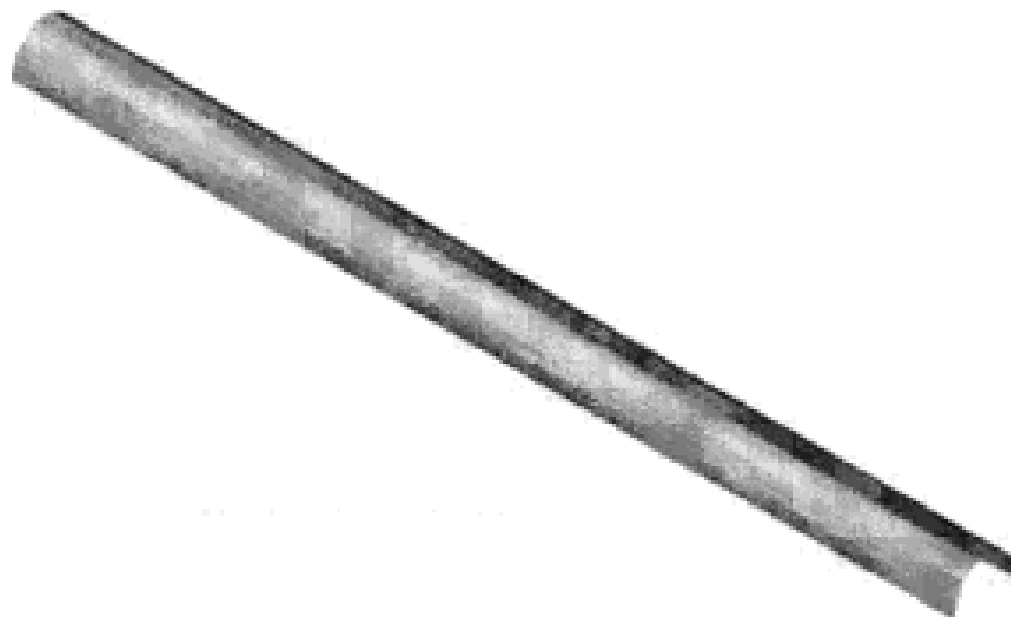
Bryan Liebowitz
9 Tobruk Avenue St Ives New South Wales 2075 Australia

(72) Name(s) of Designer(s): **Bryan Liebowitz**

(45) Registration Date: **24 March 2009**

(56) Related Art Documents: **Not Applicable**

(57) Statement of Newness and Distinctiveness: **Newness and distinctiveness is claimed in the features of shape and/or configuration of a lighting reflector as illustrated in the accompanying representations.**



- (21) Design Number: **10659/2009**
(22) Date of Filing Application: **27 February 2009**
(24) Date from which industrial property rights may have effect: **27 February 2009**
(54) Product in respect of which the design is registered: **2 in 1 Jack the rescuer helicopter bed with desk**
(51) International Design Classification: **06-02**
(71) Name(s) and Address(s) of Applicant(s):
Kimyee Furniture Sdn Bhd
58A Jalan Parit Kangkong Bukit Pasir Batu Pahat Johor 83050
Malaysia
(72) Name(s) of Designer(s): **Aw Gan Kian**
(45) Registration Date: **24 March 2009**
(56) Related Art Documents: **Not Applicable**
(57) Statement of Newness and Distinctiveness: **Nil**



- (21) Design Number: **10661/2009**
(22) Date of Filing Application: **27 February 2009**
(24) Date from which industrial property rights may have effect: **27 February 2009**
(54) Product in respect of which the design is registered: **Dinosaur 2 in 1 single bed**
(51) International Design Classification: **06-02**
(71) Name(s) and Address(s) of Applicant(s):
Kimyee Furniture Sdn Bhd
58A Jalan Parit Kangkong Bukit Pasir Batu Pahat Johor 83050
Malaysia
(72) Name(s) of Designer(s): **Aw Gan Kian**
(45) Registration Date: **24 March 2009**
(56) Related Art Documents: **Not Applicable**
(57) Statement of Newness and Distinctiveness: **Nil**



(21) Design Number: **10373/2009**

(22) Date of Filing Application: **10 February 2009**

(24) Date from which industrial property rights may have effect: **10 February 2009**

(54) Product in respect of which the design is registered: **Container**

(51) International Design Classification: **09-02B**

(71) Name(s) and Address(s) of Applicant(s):

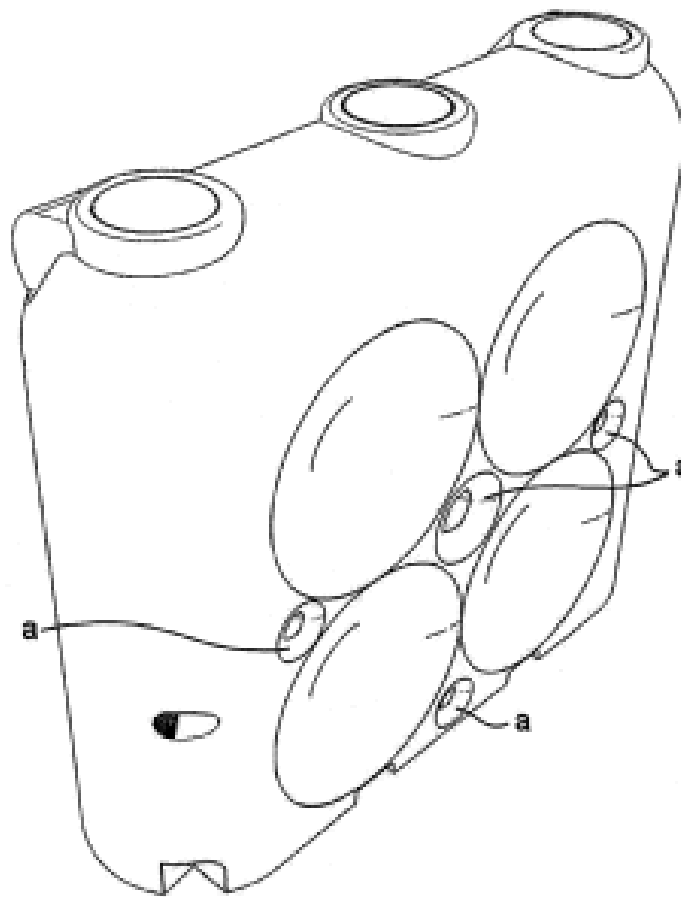
**Waterwall International Pty Ltd
163 Hyde Street Yarraville Victoria 3013 Australia**

(72) Name(s) of Designer(s): **Mitchell More O'Sullivan and Gail Davidson**

(45) Registration Date: **24 March 2009**

(56) Related Art Documents: **Not Applicable**

(57) Statement of Newness and Distinctiveness: **Those features of the container depicted in the representations that are new and distinctive are the shape and/or configuration. The features identified by "a" are not part of the design and are to be disregarded when considering the overall impression of the design.**



(21) Design Number: **10374/2009**

(22) Date of Filing Application: **10 February 2009**

(24) Date from which industrial property rights may have effect: **10 February 2009**

(54) Product in respect of which the design is registered: **Container**

(51) International Design Classification: **09-02B**

(71) Name(s) and Address(s) of Applicant(s):

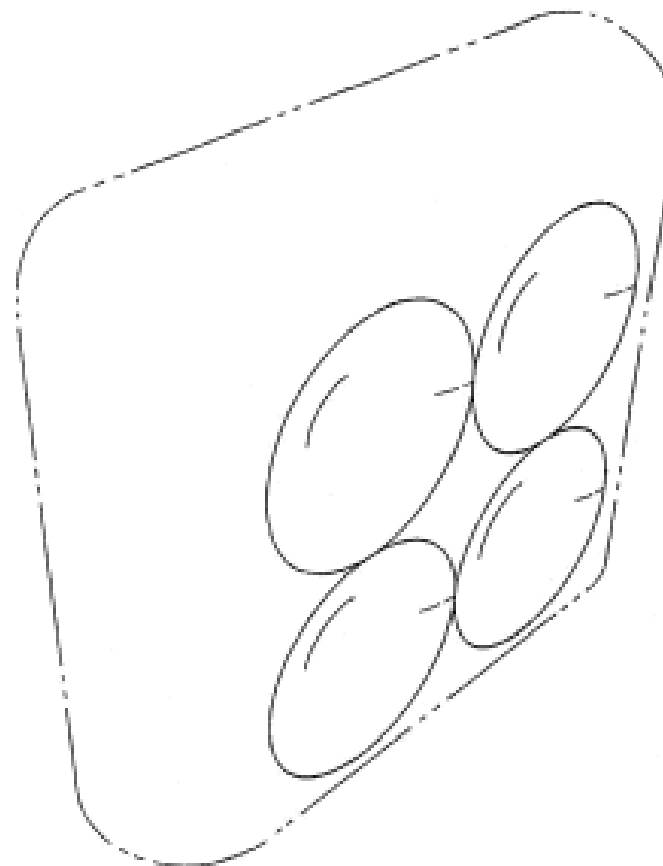
**Waterwall International Pty Ltd
163 Hyde Street Yarraville Victoria 3013 Australia**

(72) Name(s) of Designer(s): **Mitchell More O'Sullivan and Gail Davidson**

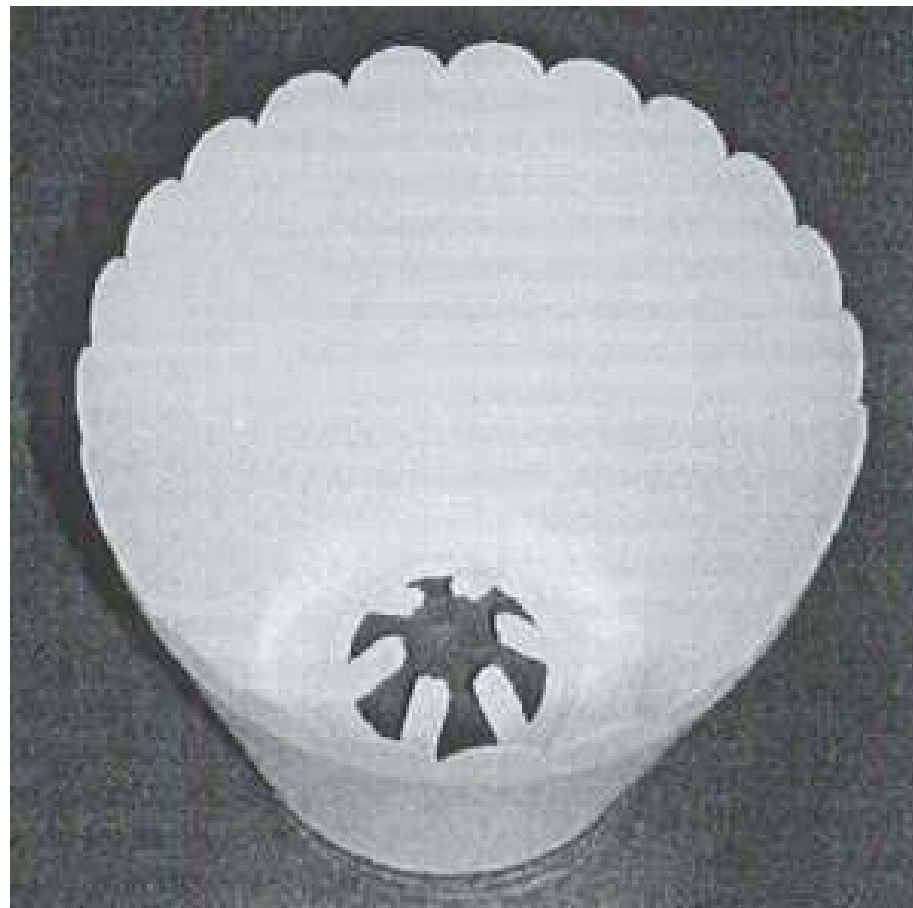
(45) Registration Date: **24 March 2009**

(56) Related Art Documents: **Not Applicable**

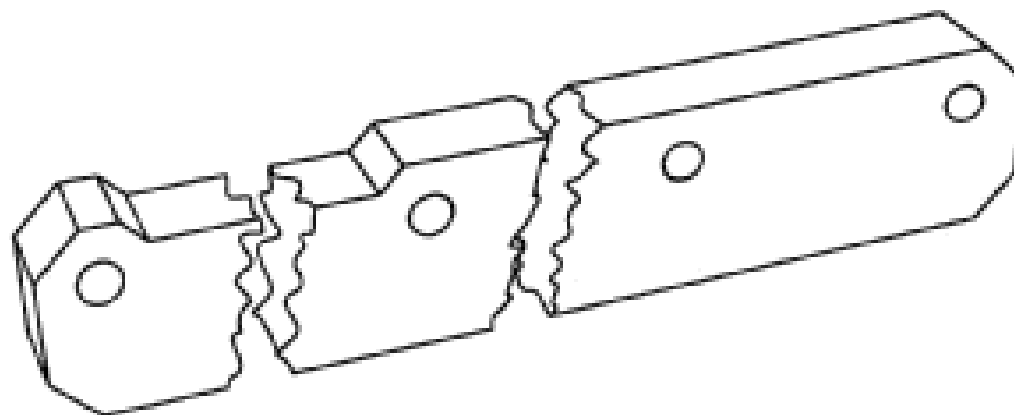
(57) Statement of Newness and Distinctiveness: **Those features of the container depicted in the representations that are new and distinctive are the shape and/or configuration. The features shown in broken lines are not part of the design and are to be disregarded when considering the overall impression of the design.**



- (21) Design Number: **10784/2009**
(22) Date of Filing Application: **12 March 2009**
(24) Date from which industrial property rights may have effect: **12 March 2009**
(54) Product in respect of which the design is registered: **Candle flame-protector/wax-collector device**
(51) International Design Classification: **26-01**
(71) Name(s) and Address(s) of Applicant(s):
Kandle Kup Pty Ltd
54 Park Lane Mount Waverley Victoria 3149 Australia
(72) Name(s) of Designer(s): **Stella Manoliadis**
(45) Registration Date: **24 March 2009**
(56) Related Art Documents: **Not Applicable**
(57) Statement of Newness and Distinctiveness: **Nil**



- (21) Design Number: **10914/2009**
(22) Date of Filing Application: **19 March 2009**
(24) Date from which industrial property rights may have effect: **19 March 2009**
(54) Product in respect of which the design is registered: **Extension arm for a weapons cradle**
(51) International Design Classification: **22-01**
(71) Name(s) and Address(s) of Applicant(s):
Avner Klein
145 Wells Street South Melbourne Victoria 3205 Australia
(72) Name(s) of Designer(s): **Avner Klein**
(45) Registration Date: **24 March 2009**
(56) Related Art Documents: **Not Applicable**
(57) Statement of Newness and Distinctiveness: **The newness and distinctiveness of the design resides in the shape and/or configuration of the EXTENSION ARM FOR A WEAPONS CRADLE of indefinite length as shown in the representations.**



(21) Design Number: **10926/2009**
(22) Date of Filing Application: **20 March 2009**
(24) Date from which industrial property rights may have effect: **20 March 2009**
(54) Product in respect of which the design is registered: **Fan**
(51) International Design Classification: **23-04**
(71) Name(s) and Address(s) of Applicant(s):
Torus Technologies SDN BHD
17 TR2/3 Tropicana GCR Petaling Jaya 47410 Selangor Malaysia
(72) Name(s) of Designer(s): **Ernest John Noble**
(45) Registration Date: **24 March 2009**
(30) Convention priority data:
(31) Number (32) Date (33) Country
D2008/951/E 30 Sep 2008 SINGAPORE
(56) Related Art Documents: **Not Applicable**
(57) Statement of Newness and Distinctiveness: **The novelty claimed for the design resides in the features of shape and/or configuration all as shown in the representations.**



(21) Design Number: **10927/2009**
(22) Date of Filing Application: **20 March 2009**
(24) Date from which industrial property rights may have effect: **20 March 2009**
(54) Product in respect of which the design is registered: **Container with cap**
(51) International Design Classification: **24-01, 09-01NES**
(71) Name(s) and Address(s) of Applicant(s):
American Sterilizer Company
5960 Heisley Road Mentor Ohio 44060 United States of America
(72) Name(s) of Designer(s): **Mark Edward Pasmore and Alan M. Solomon**
(45) Registration Date: **24 March 2009**
(30) Convention priority data:
(31) Number (32) Date (33) Country
29/325,371 30 Sep 2008 UNITED STATES OF AMERICA
(56) Related Art Documents: **Not Applicable**
(57) Statement of Newness and Distinctiveness: **Nil**

