



**Australian Government**

---

**IP Australia**

**AUSTRALIAN OFFICIAL JOURNAL**

**OF**

**DESIGNS**

Did you know a searchable version of this journal is now available online?

It's FREE and EASY to SEARCH.

Find it at

<http://pericles.ipaustralia.gov.au/ols/epublish/content/olsEpublications.jsp>  
or using the "Online Journals" link on the IP Australia home page.

This Page Left Intentionally Blank

## Contents

### General Information & Notices

#### Proceedings Under the Designs Act 1906 preserved as a result of the provisions of Chapter 12 Part 2 of the Designs Act 2003

Extension of Period of Registration of Designs .....	1838
Registrations Ceased .....	1838
Subsequent Owners Registered .....	1838

#### Proceedings Under the Designs Act 2003

Applications Assigned .....	1849
Applications Lapsed .....	1848
Applications Lodged .....	1843
Applications Withdrawn .....	1848
Certificate of Examination .....	1851
Corrigenda .....	1850
Extension of Period of Registration of Design .....	1849
Extension of Time Granted Under Section 137 .....	1849
Publication and Registration Proceedings	
Designs Registered 325691 to 325884.....	1852
Registrations Ceased .....	1849
Subsequent Owners Registered .....	1849

This Page Left Intentionally Blank

For information on the following please see our website [www.ipaustralia.gov.au](http://www.ipaustralia.gov.au) or contact our Customer Service Network on 1300651010

[Editorial enquiries](#)

[Contact information](#)

[Freedom of Information ACT](#)

[Professional Standards Board](#)

[Sales](#)

[Requests for Information under Section 194 \(c\)](#)

[Country Codes](#)

[Trade Mark and Designs Hearing Sessions](#)

[INID \(Internationally agreed Numbers for the Identification of Data\)](#)

## “INID” NUMBERS in use on Australian Design Documents

“INID” is an acronym for “Internationally agreed Numbers for the Identification of Data”.

### (10) Data concerning the registration/renewal

- (11) Serial number of the registration and/or number of the design document
- (12) Plain language designation of the kind of published document
- (19) Identification, using the two-letter code according to WIPO Standard ST.3, of the authority publishing or registering the industrial design

### (20) Data concerning the application

- (21) Serial number of the application
- (22) Date of filing of the application
- (24) Date from which the industrial design right has effect

### (30) Data relating to priority under the Paris Convention

- (31) Serial number assigned to the priority application
- (32) Date of filing of the priority application
- (33) Two-letter code, according to WIPO Standard ST.3, identifying the authority with which the priority application was made

### (40) Date(s) of making information available to the public

- (45) Date of publication of the registered industrial design by printing or similar process, or making it available to the public by any other means

### (50) Miscellaneous Information

- (51) International Classification for Industrial Designs (class and subclass of the Locarno Classification)
- (54) Designation of article(s) or product(s) covered by the industrial design or title of the industrial design
- (55) Reproduction of the industrial design (e.g., drawing, photograph) and explanations relating to the reproduction
- (56) List of prior art documents, if separate from descriptive text
- (57) Description of characteristic features of the industrial design including indication of colours

### (60) References to other legally related application(s) and registration(s)

- (62) Serial number(s) and, if available, filing date(s) of application(s), registration(s) or document(s) related by division
- (66) Serial number(s) of the application, or the registration, of the design(s) which is (are) a variant(s) of the present one

### (70) Identification of parties concerned with the application or registration

- (71) Name(s) and address(es) of the applicant(s)
- (72) Name(s) of the creator(s) if known to be such
- (74) Name(s) and address(es) of the representative(s)

This Page Left Intentionally Blank

**Nil notices for this journal issue.**

**Proceedings under the Designs Act 1906 preserved as a  
result of the provisions of Chapter 12 Part 2 of the Designs  
Act 2003.**



This Page Left Intentionally Blank

**Applications Lapsed**

There were no Applications Lapsed under this section

**Extension of Period of Registration of Designs**

**2nd Period (Section 27A(12))**

150879	150880	150881
151753	152078	152115
152116	152117	152192
152454	152488	152489
152506	152507	152545
152613	152655	152699
152704	152709	152739
152833	152850	152851
152852	152875	152878
152899	152950	152951
152965	153190	153247
153304	153331	153369
153559	153584	153682
153741	153742	153743
153744	153880	153881
153973	154116	154360
154466	154517	154531
154560	154710	154826
154827	154884	154885
155040	155353	155361
155698	155950	156044
156298	156322	156623
156624	156625	156669
156670	156724	156781
156819	156881	156882
157575	157576	157577
157578	157579	157580
157581	157582	157583
157584	157585	157586

**3rd Period (Section 27A(13))**

134298	135324	135329
135374	135398	135436
135440	135479	135663
135717	135720	135868
135869	136059	136060
136251	136394	136456
136519	136644	136699
137287	137354	137718
138121	138506	138728
138832	138833	139007
139008	139009	139010
139442	139836	140441

**Registrations Ceased**

Note: Some of the following Registrations may have been previously advertised as ceased. In this instance, the previous advertisement still prevails.

118637	118638	118686
118711	118764	118923
119095	119151	119831

120515	121051	121710
121921	121948	121953
122374	132231	133566
133599	133675	133743
133744	133792	133918
134020	134066	134067
134068	134529	134530
134629	135617	135857
135858	135860	135861
137200	137542	137835
137836	137984	139439
149767	149927	150204
150205	150206	150207
150208	150210	150267
150268	150269	150290
150325	150330	150331
150332	150346	150347
150369	150370	150408
150443	150465	150521
150524	150525	150526
150566	150674	150821
150846	150858	150897
150898	151058	151122
151252	151422	151573
151745	151835	152845
152865	153268	153536
153792	153828	153892
154331	154382	

**Subsequent Owners Registered**

(The name in parentheses is that of the subsequent owner)

150632	( Integrated Pool Products (Pty) Ltd )	Vacumac C.C.
153088	( Bateman Luxembourg S.A. )	Delkor Pty Limited
154068	( Bateman Luxembourg S.A. )	Delkor Pty Limited
128225	( Asahi Breweries, Limited )	Cadbury Enterprises Pte. Ltd.
128226	( Asahi Breweries, Limited )	Cadbury Enterprises Pte. Ltd.
150584	( Live Eyewear, Inc. )	Dioptrics Medical Products Inc.

This Page Left Intentionally Blank



**Proceedings under the Designs Act 2003.**

This Page Left Intentionally Blank

**Applications Lodged**

Lodgement information is in the following order: **Applicant's Name**; International Classification, Name of Product, Lodgement Date and **Design Number**. If the applicant claims an earlier priority date under an International Convention, the Convention Country and the associated filing date are shown in parentheses before the Lodgement Date. Divisional information will also appear in parentheses before the Lodgement Date.

<b>milon industries GmbH;</b> 21-02F, Exercise apparatus, (EM, 10 Oct 2008) 08 Apr 2009	<b>11215/2009</b>	<b>Black &amp; Decker, Inc.;</b> 06-04NES, 15-05, Vacuum cleaner accessory tool holder, (EM, 30 Oct 2008) 20 Apr 2009	<b>11358/2009</b>
<b>Alexander, Ian R. Trading as Curagul Stud;</b> <b>Alexander, Jennifer M. N. trading as Curagul Stud;</b> 15-03B, 08-03, Junior brushcutter replacement head, 16 Apr 2009	<b>11303/2009</b>	<b>Black &amp; Decker, Inc.;</b> 04-01, 15-05, Powered vacuum cleaner brush head, (EM, 30 Oct 2008) 20 Apr 2009	<b>11359/2009</b>
<b>Alexander, Jennifer M. N. trading as Curagul Stud;</b> <b>Alexander, Ian R. Trading as Curagul Stud;</b> 15-03B, 08-03, Junior brushcutter replacement head, 16 Apr 2009	<b>11303/2009</b>	<b>Boori International Pty Ltd;</b> 06-05, Reconfigurable furniture, 22 Apr 2009	<b>11370/2009</b>
<b>Ali Industries, Inc.;</b> 20-02NES, Bulk reclosable display package, (US, 08 Dec 2008) 24 Apr 2009	<b>11383/2009</b>	<b>Bose Corporation;</b> 14-01, Speaker, (US, 17 Nov 2008) 17 Apr 2009	<b>11324/2009</b>
<b>Amcor Limited;</b> 09-01H, Bottle, 23 Apr 2009	<b>11388/2009</b>	<b>Bose Corporation;</b> 14-01, Speaker, (US, 17 Nov 2008) 17 Apr 2009	<b>11325/2009</b>
<b>Amcor Limited;</b> 09-01H, Bottle, 23 Apr 2009	<b>11389/2009</b>	<b>Bree, Marcus;</b> 21-01D, Model of The Solomon R Guggenheim Museum at various scales, 16 Apr 2009	<b>11304/2009</b>
<b>Ames True Temper, Inc.;</b> 08-02, Sledge head, (US, 05 Nov 2008) 17 Apr 2009	<b>11311/2009</b>	<b>Bridgestone Corporation;</b> 12-15A, Automobile tyre, 09 Apr 2009	<b>11238/2009</b>
<b>Ames True Temper, Inc.;</b> 08-01, Blade, medium spade big step shovel, (US, 11 Dec 2008) 23 Apr 2009	<b>11398/2009</b>	<b>Bridgestone Corporation;</b> 12-15A, Automobile tyre, 09 Apr 2009	<b>11237/2009</b>
<b>Architectural Window Systems Pty Limited;</b> 25-01K, 25-02H, An extrusion, 20 Apr 2009	<b>11336/2009</b>	<b>British American Tobacco (Investments) Limited;</b> 27-99, Smoking article filter, (WO, 20 Oct 2008) 17 Apr 2009	<b>11331/2009</b>
<b>Architectural Window Systems Pty Limited;</b> 25-01K, An extrusion, 20 Apr 2009	<b>11337/2009</b>	<b>British American Tobacco (Investments) Limited;</b> 27-99, Smoking article filter, (WO, 20 Oct 2008) 17 Apr 2009	<b>11332/2009</b>
<b>Architectural Window Systems Pty Limited;</b> 25-01K, An extrusion, 20 Apr 2009	<b>11338/2009</b>	<b>British American Tobacco (Investments) Limited;</b> 27-99, Smoking article filter, (WO, 20 Oct 2008) 17 Apr 2009	<b>11333/2009</b>
<b>Asigns Pty Ltd;</b> 25-02NES, Cafe screen, 07 Apr 2009	<b>11377/2009</b>	<b>British American Tobacco (Investments) Limited;</b> 27-99, Smoking article filter, (WO, 20 Oct 2008) 17 Apr 2009	<b>11329/2009</b>
<b>Asigns Pty Ltd;</b> 25-02NES, Cafe screen, 07 Apr 2009	<b>11378/2009</b>	<b>British American Tobacco (Investments) Limited;</b> 27-99, Smoking article filter, (WO, 20 Oct 2008) 17 Apr 2009	<b>11334/2009</b>
<b>Baker, Corey;</b> 06-01H, Chair/lounger, 14 Apr 2009	<b>11256/2009</b>	<b>Brown &amp; Watson International Pty Ltd;</b> 26-05C, Light fitting, 08 Apr 2009	<b>11214/2009</b>
<b>Bang Design Pty Limited;</b> 06-01F, Armchair, 16 Apr 2009	<b>11305/2009</b>	<b>Camilleri, Paul;</b> 25-01D, Floor panel, 23 Apr 2009	<b>11387/2009</b>
<b>Bardot Pty Ltd;</b> 02-02C, Ladies jumpsuit, 21 Apr 2009	<b>11363/2009</b>	<b>Chesson, Corey;</b> 25-03, Pre fabricated inground fibreglass swimming pool shell, 20 Apr 2009	<b>11353/2009</b>
<b>Bardot Pty Ltd;</b> 02-02NES, Ladies fashion top, 21 Apr 2009	<b>11364/2009</b>	<b>Chesson, Corey;</b> 25-03, Pre fabricated inground fibreglass swimming pool shell, 08 Apr 2009	<b>11240/2009</b>
<b>Bardot Pty Ltd;</b> 02-02NES, Ladies fashion top, 21 Apr 2009	<b>11365/2009</b>	<b>Coffey, Tim;</b> 06-01F, Dining/utility chair, 24 Apr 2009	<b>11399/2009</b>
<b>Bardot Pty Ltd;</b> 02-02C, Ladies dress, 21 Apr 2009	<b>11366/2009</b>		
<b>Becton, Dickinson and Company;</b> 23-02A, Two chamber tissue container, (US, 23 Oct 2008) 17 Apr 2009	<b>11328/2009</b>		



<b>Cormack Packaging Pty Limited;</b> 09-07C, Cap/closure, 23 Apr 2009	<b>11410/2009</b>	<b>Frankham, Robert; Grevis, Gray;</b> 08-07, Vehicle compartment lock, 17 Apr 2009	<b>11312/2009</b>
<b>Dauda, Julia E.A.; Dauda, Elila O.;</b> 06-09, Soft furnishing - pillow (cushion), 20 Apr 2009	<b>11349/2009</b>	<b>FKA Distributing Co., doing business as HoMedics, Inc.;</b> 14-01, Wireless speakers, (US, 17 Oct 2008) 15 Apr 2009	<b>11290/2009</b>
<b>Dauda, Elila O.; Dauda, Julia E.A.;</b> 06-09, Soft furnishing - pillow (cushion), 20 Apr 2009	<b>11349/2009</b>	<b>FKA Distributing Co., doing business as HoMedics, Inc.;</b> 14-01, Portable speaker, (US, 17 Oct 2008) 15 Apr 2009	<b>11292/2009</b>
<b>Dauphin Entwicklungs-u. Beteiligungs-GmbH;</b> 06-01F, Chair, (WO, 20 Oct 2008) 15 Apr 2009	<b>11271/2009</b>	<b>FKA Distributing Co., doing business as HoMedics, Inc.;</b> 14-01, Speaker with a docking station, (US, 17 Oct 2008) 15 Apr 2009	<b>11291/2009</b>
<b>Dauphin Entwicklungs-u. Beteiligungs-GmbH;</b> 06-01F, Chair, (WO, 20 Oct 2008) 15 Apr 2009	<b>11273/2009</b>	<b>Gram Engineering Pty Ltd;</b> 25-02C, 25-02NES, 25-01G, Fencing, walling, roofing, 24 Apr 2009	<b>11400/2009</b>
<b>Dauphin Entwicklungs-u. Beteiligungs-GmbH;</b> 06-01F, Chair, (WO, 20 Oct 2008) 15 Apr 2009	<b>11274/2009</b>	<b>Grevis, Gray; Frankham, Robert;</b> 08-07, Vehicle compartment lock, 17 Apr 2009	<b>11312/2009</b>
<b>Dauphin Entwicklungs-u. Beteiligungs-GmbH;</b> 06-03B, Table, (WO, 20 Oct 2008) 15 Apr 2009	<b>11275/2009</b>	<b>Gullan, Heidi Damgaard;</b> 02-05, Bib, 20 Apr 2009	<b>11309/2009</b>
<b>Dauphin Entwicklungs-u. Beteiligungs-GmbH;</b> 06-01F, Chair, (WO, 20 Oct 2008) 15 Apr 2009	<b>11276/2009</b>	<b>GAMMA EASTERN s.r.o.;</b> 06-01F, A chair, 17 Apr 2009	<b>11317/2009</b>
<b>Dauphin Entwicklungs-u. Beteiligungs-GmbH;</b> 06-01F, Chair, (WO, 20 Oct 2008) 15 Apr 2009	<b>11272/2009</b>	<b>GAMMA EASTERN s.r.o.;</b> 06-01F, A chair, 17 Apr 2009	<b>11318/2009</b>
<b>Davidson, Andrew David;</b> 12-10, 23-03NES, A wood oven trailer, 09 Apr 2009	<b>11234/2009</b>	<b>GRB Jamb Tie (NZ) Limited;</b> 08-08NES, 20-02NES, Sign base stabilizer, 24 Apr 2009	<b>11401/2009</b>
<b>Dean, Daryl;</b> 15-01, Engine cover, to suit Holden commodore ecotech type motors, 16 Apr 2009	<b>10841/2009</b>	<b>Harrhy, Trevor Andy;</b> 13-02, 06-04B, Secure and portable laptop storage and charging system, 14 Apr 2009	<b>11248/2009</b>
<b>Directional Systems Australia Pty Ltd;</b> 20-03C, Illuminated street name sign, 28 Apr 2009	<b>11407/2009</b>	<b>Harrhy, Trevor Andy;</b> 13-02, 06-04B, Secure and portable laptop storage and charging system, 14 Apr 2009	<b>11249/2009</b>
<b>Directional Systems Australia Pty Ltd;</b> 20-03C, Illuminated street sign, 28 Apr 2009	<b>11406/2009</b>	<b>Harrhy, Trevor Andy;</b> 13-02, 06-04B, Secure and portable laptop storage and charging system, 14 Apr 2009	<b>11250/2009</b>
<b>Dowd Group Pty Ltd;</b> 20-02NES, Tow hitch covers and other products of similar design, shape and/or construction., 22 Apr 2009	<b>11371/2009</b>	<b>Harrhy, Trevor Andy;</b> 13-02, 06-04B, Secure an portable laptop storage and charging system, 14 Apr 2009	<b>11251/2009</b>
<b>DM Multiboard (Aust) Pty Ltd;</b> 25-01D, Elongated member, 21 Apr 2009	<b>11362/2009</b>	<b>Harrhy, Trevor Andy;</b> 13-02, 06-04B, Secure and portable laptop storage and charging system, 14 Apr 2009	<b>11247/2009</b>
<b>Emotum Pty Ltd;</b> 99-00, The design relates to an internet speed test which allows the user to test their speed to the internet service, provider (ISP) as well as a server on the wider internet, 23 Apr 2009	<b>11397/2009</b>	<b>Heuron Screenline Pty Ltd;</b> 25-02H, 25-02NES, Steel slat product used for screening, 16 Apr 2009	<b>11246/2009</b>
<b>Ewing, Iain;</b> 08-06, 23-01K, Tap handle, 16 Apr 2009	<b>11296/2009</b>	<b>Hochiki Corporation;</b> 10-05, 29-01, Fire detector, (JP, 15 Oct 2008) 15 Apr 2009	<b>11287/2009</b>
<b>Ewing, Iain;</b> 23-01H, Tap, 16 Apr 2009	<b>11301/2009</b>	<b>Hochiki Corporation;</b> 10-05, 29-01, Fire detector, (JP, 15 Oct 2008) 15 Apr 2009	<b>11286/2009</b>
<b>ECO SAC Pty Ltd;</b> 25-01E, A post, 21 Apr 2009	<b>11368/2009</b>	<b>Honda Motor Co., Ltd.;</b> 15-03A, Tiller, (JP, 23 Oct 2008) 20 Apr 2009	<b>11350/2009</b>
<b>EZ-Snap Products Inc.;</b> 08-08NES, Marking and fastening device, (CA, 22 Oct 2008) 22 Apr 2009	<b>11374/2009</b>	<b>Honda Motor Co., Ltd.;</b> 15-01, Internal combustion engine, (JP, 23 Oct 2008) 20 Apr 2009	<b>11352/2009</b>

<b>Honda Motor Co., Ltd.;</b> 12-11, Motorcycle, (JP, 17 Oct 2008) 17 Apr 2009	<b>11314/2009</b>	<b>Keystone Retaining Wall Systems, Inc.;</b> 25-01A, Wall block, (US, 07 Nov 2008) 24 Apr 2009	<b>11390/2009</b>
<b>Honda Motor Co., Ltd.;</b> 12-11, Motorcycle, (JP, 17 Oct 2008) 17 Apr 2009	<b>11316/2009</b>	<b>Keystone Retaining Wall Systems, Inc.;</b> 25-01A, Wall block, (US, 07 Nov 2008) 24 Apr 2009	<b>11394/2009</b>
<b>Honda Motor Co., Ltd.;</b> 12-11, Motorcycle, (JP, 17 Oct 2008) 17 Apr 2009	<b>11315/2009</b>	<b>Kirin Beverage Kabushiki Kaisha (also trading as Kirin Beverage Corporation);</b> 09-01K, Plastic bottle, (JP, 01 Dec 2008) 16 Apr 2009	<b>11300/2009</b>
<b>Horner, Caroline Amanda;</b> 03-01C, Ski boot case, 16 Apr 2009	<b>11306/2009</b>	<b>Konami Gaming, Incorporated;</b> 21-03, Gaming machine cabinet, (US, 20 Oct 2008) 15 Apr 2009	<b>11280/2009</b>
<b>Hotsun Holdings Pty Ltd, as trustee for Hogan Investment Trust;</b> 12-06NES, Marina fingers, marina arms, marina walkways, pontoons, jetties, 14 Apr 2009	<b>11252/2009</b>	<b>Konami Gaming, Incorporated;</b> 21-03, Rotatable display unit for a gaming machine, (US, 20 Oct 2008) 15 Apr 2009	<b>11279/2009</b>
<b>International Magnetic Solutions;</b> 15-04, Magnetic device for securing steel mesh used in mine roofing to the mining machine installing the mesh, 22 Apr 2009	<b>11376/2009</b>	<b>Koninklijke Philips Electronics N.V.;</b> 26-03, Luminaire for road lighting, (EM, 04 Nov 2008) 20 Apr 2009	<b>11345/2009</b>
<b>Itoki Corporation;</b> 06-01F, Chair, (JP, 16 Oct 2008) 15 Apr 2009	<b>11285/2009</b>	<b>Koninklijke Philips Electronics N.V.;</b> 26-03, Luminaire for road lighting, (EM, 04 Nov 2008) 20 Apr 2009	<b>11347/2009</b>
<b>Jaram Products Pty;</b> 12-16C, Internal rollover protection, 15 Apr 2009	<b>11310/2009</b>	<b>Koninklijke Philips Electronics N.V.;</b> 26-03, Luminaire for road lighting, (EM, 04 Nov 2008) 20 Apr 2009	<b>11346/2009</b>
<b>JDS Metal Doorframe Manufacture Pty Ltd;</b> 25-01K, 25-02B, Door frame extrusion, 20 Apr 2009	<b>11313/2009</b>	<b>Koninklijke Philips Electronics N.V.;</b> 26-03, Luminaire for road lighting, (EM, 04 Nov 2008) 20 Apr 2009	<b>11348/2009</b>
<b>K. Hartwall Oy Ab;</b> 09-03F, Tray for bottles, (EM, 17 Oct 2008) 16 Apr 2009	<b>11294/2009</b>	<b>Koninklijke Philips Electronics N.V.;</b> 26-03, Luminaire for road lighting, (EM, 04 Nov 2008) 20 Apr 2009	<b>11343/2009</b>
<b>Kabushiki Kaisha Toshiba;</b> 14-01, Image and sound editing machine, (JP, 18 Nov 2008) 17 Apr 2009	<b>11323/2009</b>	<b>Koninklijke Philips Electronics N.V.;</b> 26-03, Luminaire for road lighting, (EM, 04 Nov 2008) 20 Apr 2009	<b>11344/2009</b>
<b>Karsten Manufacturing Corporation;</b> 21-02C, Golf club head, (US, 30 Jan 2009) 14 Apr 2009	<b>11261/2009</b>	<b>Leatherman Tool Group, Inc.;</b> 26-02, Flashlight, (Divisional of 10354/2009) 09 Feb 2009	<b>11295/2009</b>
<b>Karsten Manufacturing Corporation;</b> 21-02C, Golf club head, (US, 30 Jan 2009) 14 Apr 2009	<b>11262/2009</b>	<b>Lolitta Clothing;</b> 02-02C, , 14 Apr 2009	<b>11254/2009</b>
<b>Karsten Manufacturing Corporation;</b> 21-02C, Golf club head, (US, 30 Jan 2009) 08 Apr 2009	<b>11209/2009</b>	<b>Lolitta Clothing;</b> 02-02C, 02-02NES, , 14 Apr 2009	<b>11255/2009</b>
<b>Karsten Manufacturing Corporation;</b> 21-02C, Golf club head, (US, 30 Jan 2009) 08 Apr 2009	<b>11210/2009</b>	<b>LG Electronics Inc.;</b> 14-03E, Mobile phone, (KR, 13 Oct 2008) 09 Apr 2009	<b>11243/2009</b>
<b>Karsten Manufacturing Corporation;</b> 21-02C, Golf club head, (US, 30 Jan 2009) 08 Apr 2009	<b>11211/2009</b>	<b>LG Electronics Inc.;</b> 14-03E, Mobile phone, (KR, 28 Nov 2008) 24 Apr 2009	<b>11384/2009</b>
<b>Keystone Retaining Wall Systems, Inc.;</b> 25-01A, Wall block, (US, 07 Nov 2008) 24 Apr 2009	<b>11391/2009</b>	<b>Malone, Daniel; Malone, Michael;</b> 12-02, A crate carrying trolley, 16 Apr 2009	<b>11335/2009</b>
<b>Keystone Retaining Wall Systems, Inc.;</b> 25-01A, Wall block, (US, 07 Nov 2008) 24 Apr 2009	<b>11392/2009</b>	<b>Malone, Michael; Malone, Daniel;</b> 12-02, A crate carrying trolley, 16 Apr 2009	<b>11335/2009</b>
<b>Keystone Retaining Wall Systems, Inc.;</b> 25-01A, Wall block, (US, 07 Nov 2008) 24 Apr 2009	<b>11393/2009</b>	<b>Master Lock Company LLC;</b> 08-07, Lock, (US, 10 Oct 2008) 09 Apr 2009	<b>11236/2009</b>
<b>Keystone Retaining Wall Systems, Inc.;</b> 25-01A, Wall block, (US, 07 Nov 2008) 24 Apr 2009	<b>11393/2009</b>	<b>Maxi-Care Promotions Pty. Ltd.;</b> 06-06F, Patients bed pedestal, 17 Apr 2009	<b>11322/2009</b>
		<b>McNeil-PPC, Inc.;</b> 04-02, Toothbrush, (Divisional of 10428/2009) 17 Apr 2009	<b>11330/2009</b>

<b>Metlam Australia Pty. Limited;</b> 08-09, Toilet door staple (option 2), 14 Apr 2009	<b>11258/2009</b>	<b>Pellow, Leslie Valentine;</b> 25-02A, 25-01E, A running rail post, 23 Apr 2009	<b>11381/2009</b>
<b>Metlam Australia Pty. Limited;</b> 08-09, Toilet door staple (option 1), 14 Apr 2009	<b>11257/2009</b>	<b>Peng, I-Sin;</b> 20-02A, 20-02NES, Header card of fuel line assembly, 17 Apr 2009	<b>11320/2009</b>
<b>Mostafa, Ivana;</b> 06-13B, 02-01B, Baby wrap, 27 Apr 2009	<b>11405/2009</b>	<b>Peng, I-Sin;</b> 20-02A, 20-02NES, Header card of primer bulb, 17 Apr 2009	<b>11321/2009</b>
<b>Motorola, Inc.;</b> 14-02, Control device, (US, 15 Nov 2008) 22 Apr 2009	<b>11375/2009</b>	<b>Perri, Ottavio;</b> 19-06, Carpenters pencil, 15 Apr 2009	<b>11253/2009</b>
<b>Mrs Mac's Pty Ltd;</b> 20-02NES, Merchandiser, 14 Apr 2009	<b>11259/2009</b>	<b>Premark FEG L.L.C.;</b> 15-05, Spray arms, (EM, 06 Aug 2008) (Divisional of 10183/2009) 23 Jan 2009	<b>11340/2009</b>
<b>Mylon Automotive Design Pty Ltd;</b> 12-16NES, Vehicle suspension hub carrier, 28 Apr 2009	<b>11431/2009</b>	<b>Premark FEG L.L.C.;</b> 15-05, Spray arms, (EM, 06 Aug 2008) (Divisional of 10183/2009) 23 Jan 2009	<b>11341/2009</b>
<b>Neuwei Biomedical Co., Ltd.;</b> 28-03NES, Foot massage instrument, (KR, 12 Nov 2008) 17 Apr 2009	<b>11327/2009</b>	<b>Premark FEG L.L.C.;</b> 15-05, Control panel, (EM, 06 Aug 2008) (Divisional of 10183/2009) 23 Jan 2009	<b>11342/2009</b>
<b>Nexus Lighting, Inc.;</b> 26-04, Light, (US, 24 Sep 2008) 23 Mar 2009	<b>11233/2009</b>	<b>ProxTalker.com, LLC;</b> 14-01, Voice synthesizer, (US, 20 Nov 2008) 21 Apr 2009	<b>11354/2009</b>
<b>Nexus Lighting, Inc.;</b> 26-04, Light, (US, 24 Sep 2008) 23 Mar 2009	<b>11396/2009</b>	<b>Pur Water Purification Products, Inc.;</b> 09-03NES, 23-01NES, Filter package, (US, 16 Oct 2008) 15 Apr 2009	<b>11297/2009</b>
<b>Nexus Lightning, Inc.;</b> 26-04, Light, (US, 25 Sep 2008) 23 Mar 2009	<b>11356/2009</b>	<b>Pur Water Purification Products, Inc.;</b> 09-03NES, 23-01NES, Filter package, (US, 16 Oct 2008) 15 Apr 2009	<b>11298/2009</b>
<b>Nique Enterprises Pty Ltd;</b> 06-01F, Stacking armchair, 15 Apr 2009	<b>11266/2009</b>	<b>Pur Water Purification Products, Inc.;</b> 09-03NES, 23-01NES, Filter package, (US, 16 Oct 2008) 15 Apr 2009	<b>11299/2009</b>
<b>Nique Enterprises Pty Ltd;</b> 06-01F, Stacking armchair, 15 Apr 2009	<b>11267/2009</b>	<b>Pur Water Purification Products, Inc.;</b> 09-03NES, 23-01NES, Filter package, (US, 16 Oct 2008) 15 Apr 2009	<b>11282/2009</b>
<b>Nique Enterprises Pty Ltd;</b> 06-01H, Sunlounger, 15 Apr 2009	<b>11268/2009</b>	<b>Pur Water Purification Products, Inc.;</b> 09-03NES, 23-01NES, Filter package, (US, 16 Oct 2008) 15 Apr 2009	<b>11283/2009</b>
<b>Nique Enterprises Pty Ltd;</b> 06-01F, Chair, 15 Apr 2009	<b>11269/2009</b>	<b>Pur Water Purification Products, Inc.;</b> 09-03NES, 23-01NES, Filter package, (US, 16 Oct 2008) 15 Apr 2009	<b>11281/2009</b>
<b>Nique Enterprises Pty Ltd;</b> 06-01H, Sunlounger, 15 Apr 2009	<b>11270/2009</b>	<b>Robert Bosch GmbH;</b> 03-01D, Tool box, (EM, 20 Oct 2008) 15 Apr 2009	<b>11289/2009</b>
<b>Northwest Packaging;</b> 09-03NES, This corrugated box set has been specifically designed for Telstra Big Pond modem products and associated hardware. The design consists of an outer carton, an inner base tray and a common top insert, 24 Mar 2009	<b>10975/2009</b>	<b>Robert Bosch GmbH;</b> 03-01D, Tool box, (EM, 20 Oct 2008) 15 Apr 2009	<b>11288/2009</b>
<b>NEC Corporation;</b> 14-03NES, Antenna, (JP, 26 Dec 2008) 20 Apr 2009	<b>11351/2009</b>	<b>Russo, John Paul;</b> 21-02D, Floation device. Swimming aid., 20 Apr 2009	<b>11326/2009</b>
<b>Paltech Corporation Pty Ltd;</b> 23-04, Duct adaptor, 09 Apr 2009	<b>11241/2009</b>	<b>S.C. Johnson &amp; Son, Inc.;</b> 09-01K, Bottle, (US, 27 Oct 2008) 24 Apr 2009	<b>11395/2009</b>
<b>Paltech Corporation Pty Ltd;</b> 23-04, Duct adaptor, 09 Apr 2009	<b>11242/2009</b>	<b>Sanchez, Jaime;</b> 06-01L, Dinosaur chair, 27 Apr 2009	<b>11386/2009</b>
<b>Panasonic Corporation;</b> 13-02, Charger, 14 Apr 2009	<b>11260/2009</b>	<b>Scania CV AB (publ);</b> 12-16B, Lower front grill panel, (SE, 29 Oct 2008) 20 Apr 2009	<b>11357/2009</b>
<b>Peer Intellectual Properties Pty Ltd;</b> 08-08G, A ceiling hook, 08 Apr 2009	<b>11208/2009</b>		
<b>Pellow, Leslie Valentine;</b> 08-08K, A running rail clip, 23 Apr 2009	<b>11382/2009</b>		

<b>Seymour, Paul;</b> 08-08B, Rock bolt safety cap, 23 Apr 2009	<b>11380/2009</b>	<b>Wolverine World Wide, Inc.;</b> 02-04NES, Footwear upper, (US, 03 Nov 2008) 28 Apr 2009	<b>11433/2009</b>
<b>Shriro Australia Pty Limited;</b> 07-02E, A stand for a barbeque, 21 Apr 2009	<b>11367/2009</b>	<b>Wolverine World Wide, Inc.;</b> 02-04NES, Footwear upper, (US, 03 Nov 2008) 28 Apr 2009	<b>11432/2009</b>
<b>Sportsgirl Pty Ltd;</b> 02-02NES, various designs, 20 Apr 2009	<b>11355/2009</b>	<b>Wolverine World Wide, Inc.;</b> 02-04NES, Footwear upper, (US, 03 Nov 2008) 28 Apr 2009	<b>11434/2009</b>
<b>Spotless Plastics Pty Ltd.;</b> 06-08, Garment hanger, (US, 12 Dec 2008) 23 Apr 2009	<b>11385/2009</b>	<b>Wolverine World Wide, Inc.;</b> 02-04NES, Footwear upper, (US, 03 Nov 2008) 28 Apr 2009	<b>11435/2009</b>
<b>Stellcut Investments Pty Ltd;</b> 12-16NES, Bow end, 28 Apr 2009	<b>11402/2009</b>	<b>Wolverine World Wide, Inc.;</b> 02-04NES, Footwear upper, (US, 03 Nov 2008) 28 Apr 2009	<b>11436/2009</b>
<b>Stramit Corporation Pty Limited;</b> 08-08NES, Fascia clip for gutter support, 15 Apr 2009	<b>11277/2009</b>	<b>Wolverine World Wide, Inc.;</b> 02-04NES, Footwear upper, (US, 03 Nov 2008) 28 Apr 2009	<b>11422/2009</b>
<b>Stramit Corporation Pty Limited;</b> 08-08NES, 23-01L, Gutter support clip, 15 Apr 2009	<b>11278/2009</b>	<b>Wolverine World Wide, Inc.;</b> 02-04NES, Footwear upper, (US, 03 Nov 2008) 28 Apr 2009	<b>11437/2009</b>
<b>Swann-Morton Limited;</b> 24-02, Scalpel Blades, (EM, 22 Oct 2008) 16 Apr 2009	<b>11302/2009</b>	<b>Wolverine World Wide, Inc.;</b> 02-04NES, Footwear upper, (US, 03 Nov 2008) 28 Apr 2009	<b>11438/2009</b>
<b>The Decor Corporation Pty Ltd;</b> 07-02N, Silicone liner, 20 Apr 2009	<b>11339/2009</b>	<b>Wolverine World Wide, Inc.;</b> 02-04NES, Footwear upper, (US, 03 Nov 2008) 28 Apr 2009	<b>11423/2009</b>
<b>The Goodyear Tire &amp; Rubber Company;</b> 12-15A, Tyre for motorcycle, 09 Apr 2009	<b>11245/2009</b>	<b>Wolverine World Wide, Inc.;</b> 02-04NES, Footwear upper, (US, 03 Nov 2008) 28 Apr 2009	<b>11439/2009</b>
<b>The Goodyear Tire &amp; Rubber Company;</b> 12-15B, Tyre for motorcycle, 09 Apr 2009	<b>11244/2009</b>	<b>Wolverine World Wide, Inc.;</b> 02-04NES, Footwear upper, (US, 03 Nov 2008) 28 Apr 2009	<b>11424/2009</b>
<b>The Goodyear Tire &amp; Rubber Company;</b> 12-15A, Tyre, (US, 13 Oct 2008) 08 Apr 2009	<b>11212/2009</b>	<b>Wolverine World Wide, Inc.;</b> 02-04NES, Footwear upper, (US, 03 Nov 2008) 28 Apr 2009	<b>11440/2009</b>
<b>The Goodyear Tire &amp; Rubber Company;</b> 12-15A, Tyre, (US, 13 Oct 2008) 08 Apr 2009	<b>11213/2009</b>	<b>Wolverine World Wide, Inc.;</b> 02-04NES, Footwear upper, (US, 03 Nov 2008) 28 Apr 2009	<b>11425/2009</b>
<b>The Libman Company;</b> 04-01, Broom head and a bristle portion thereof, (US, 10 Oct 2008) 09 Apr 2009	<b>11239/2009</b>	<b>Wolverine World Wide, Inc.;</b> 02-04B, Footwear sole, (US, 03 Nov 2008) 28 Apr 2009	<b>11441/2009</b>
<b>The Procter &amp; Gamble Company;</b> 09-05, Sachet, (EM, 27 Oct 2008) 22 Apr 2009	<b>11372/2009</b>	<b>Wolverine World Wide, Inc.;</b> 02-04NES, Footwear upper, (US, 03 Nov 2008) 28 Apr 2009	<b>11426/2009</b>
<b>The Procter &amp; Gamble Company;</b> 09-05, Sachet, (EM, 27 Oct 2008) 22 Apr 2009	<b>11373/2009</b>	<b>Wolverine World Wide, Inc.;</b> 02-04B, Footwear sole, (US, 03 Nov 2008) 28 Apr 2009	<b>11442/2009</b>
<b>Theodoropoulos, Dimitrios;</b> 03-01NES, A money box, 20 Apr 2009	<b>11360/2009</b>	<b>Wolverine World Wide, Inc.;</b> 02-04NES, Footwear upper, (US, 03 Nov 2008) 28 Apr 2009	<b>11427/2009</b>
<b>Thermo Fisher Scientific Oy;</b> 24-02, Cuvette, (EM, 18 Nov 2008) 16 Apr 2009	<b>11307/2009</b>	<b>Wolverine World Wide, Inc.;</b> 02-04B, Footwear sole, (US, 03 Nov 2008) 28 Apr 2009	<b>11428/2009</b>
<b>Thermo Fisher Scientific Oy;</b> 24-02, Cuvette, (EM, 18 Nov 2008) 16 Apr 2009	<b>11308/2009</b>	<b>Wolverine World Wide, Inc.;</b> 02-04B, Footwear sole, (US, 03 Nov 2008) 28 Apr 2009	<b>11429/2009</b>
<b>Towcap International Pty Limited;</b> 12-16L, Trailer hitch guard, 28 Apr 2009	<b>11403/2009</b>		
<b>Unique Product &amp; Design Co., Ltd.;</b> 08-06, Handle for a golf cart, 15 Apr 2009	<b>11293/2009</b>		
<b>Van Beurden, Karin Monique Maria;</b> 29-01, Fire blanket holder, (EM, 27 Oct 2008) 27 Apr 2009	<b>11404/2009</b>		
<b>Weir Minerals Australia Ltd;</b> 15-01, 15-02, Impeller, 24 Apr 2009	<b>11379/2009</b>		
<b>Wi-Neera, Michelle;</b> 02-02NES, Hooded jacket, 20 Apr 2009	<b>11319/2009</b>		
<b>Wilken, Mark Andrew;</b> 20-03NES, Design and illustration, 24 Apr 2009	<b>11409/2009</b>		

<b>Wolverine World Wide, Inc.;</b> 02-04B, Footwear sole, (US, 03 Nov 2008) 28 Apr 2009	<b>11443/2009</b>	<b>X-Technology Swiss GmbH;</b> 02-02NES, Jacket, (EM, 06 Sep 2008) 23 Feb 2009	<b>11265/2009</b>
<b>Wolverine World Wide, Inc.;</b> 02-04B, Footwear sole, (US, 03 Nov 2008) 28 Apr 2009	<b>11430/2009</b>	<b>Yetimo International Pty Ltd;</b> 07-07A, Ice box, 09 Apr 2009	<b>11235/2009</b>
<b>X-Technology Swiss GmbH;</b> 02-02NES, Jacket, (EM, 06 Sep 2008) 23 Feb 2009	<b>11263/2009</b>	<b>Zlatar, Petar;</b> 25-01NES, 08-08L, Head for an access floor pedestal, 14 Apr 2009	<b>11284/2009</b>
<b>X-Technology Swiss GmbH;</b> 02-02NES, Jacket, (EM, 06 Sep 2008) 23 Feb 2009	<b>11264/2009</b>	<b>Zlatar, Petar;</b> 25-02NES, An access floor panel, 24 Apr 2009	<b>11408/2009</b>

---

**Applications Withdrawn**

10308 / 2009 (08-08H)	10309 / 2009 (08-08H)
11210 / 2009 (21-02C)	11211 / 2009 (21-02C)

---

**Applications Lapsed**

14750 / 2008 (25-01E)	14829 / 2008 (02-02C)
15032 / 2008 (06-04NES)	15216 / 2008 (12-10)
10139 / 2009 (23-01E)	10180 / 2009 (25-03)
10187 / 2009 (20-02E)	10188 / 2009 (20-02E)
10200 / 2009 (26-06)	10201 / 2009 (26-06)
10251 / 2009 (08-08K)	10271 / 2009 (26-05A)
10287 / 2009 (07-02N)	10323 / 2009 (07-01C)
10496 / 2009 (10-04)	

**Extension of Period of Registration of Designs**

300175	300176	300177
300178	300179	300180
300181	300182	300183
300184	300185	300610
301008	301286	301575
301576	303351	

**Registrations Ceased**

320027                      320028

**Extensions of time granted under Section 137**

Applications lodged under section 137 for extension of time have been granted.

- 308553 **Art Plastics Pty Ltd**
- 15177/2008 **Oz Ring Pty Ltd**
- 15238/2008 **Robert Long**
- 10179/2009 **Nagarajah Rajkumar**

**Applications Assigned**

(The name in parentheses is that of the subsequent applicant)

- 11010/2009 ( **Trans-World Foods Pty Limited** ) Stanley Parker
- 11011/2009 ( **Trans-World Foods Pty Limited** ) Stanley Parker

**Subsequent Owners Registered**

(The name in parentheses is that of the subsequent owner)

- 302830 ( **Bateman Luxembourg S.A.** ) Delkor Pty Limited
- 314786 ( **Stephania Holdings Inc.** ) Natasa Enterprises Ltd.
- 325050 ( **Haws Corporation** ) Haws Drinking Faucet Company
- 325291 ( **Haws Corporation** ) Haws Drinking Faucet Company
- 325292 ( **Haws Corporation** ) Haws Drinking Faucet Company
- 308454 ( **Jessamy Field** ) Giddy Ox Pty Ltd
- 316064 ( **Asahi Breweries, Limited** ) Cadbury Enterprises Pte Limited
- 307465 ( **Live Eyewear, Inc.** ) Dioptics Medical Products, Inc.
- 307466 ( **Live Eyewear, Inc.** ) Dioptics Medical Products, Inc.
- 307467 ( **Live Eyewear, Inc.** ) Dioptics Medical Products, Inc.
- 307468 ( **Live Eyewear, Inc.** ) Dioptics Medical Products, Inc.
- 309874 ( **Live Eyewear, Inc.** ) Dioptics Medical Products, Inc.
- 309888 ( **Live Eyewear, Inc.** ) Dioptics Medical Products, Inc.
- 309889 ( **Live Eyewear, Inc.** ) Dioptics Medical Products, Inc.
- 309890 ( **Live Eyewear, Inc.** ) Dioptics Medical Products, Inc.
- 309892 ( **Live Eyewear, Inc.** ) Dioptics Medical Products, Inc.
- 309893 ( **Live Eyewear, Inc.** ) Dioptics Medical Products, Inc.
- 309935 ( **Live Eyewear, Inc.** ) Dioptics Medical Products, Inc.
- 309936 ( **Live Eyewear, Inc.** ) Dioptics Medical Products, Inc.
- 309937 ( **Live Eyewear, Inc.** ) Dioptics Medical Products, Inc.

**Corrigenda**

Number 323395

In Vol 23 , No 1 , page 513 under the heading **Australian Registered Design**; (11) AU-S-323395 (30) Convention priority data should be deleted.

**Certificate(s) of Examination**

Examination of the following Design Registration(s) has been completed. Infringement proceedings may now be commenced.

305656	09-03F	30/04/2009
305657	09-03F	30/04/2009
305658	09-03F	30/04/2009
308553	23-02E	30/04/2009
317288	21-02C	30/04/2009
320227	06-11	29/04/2009
320228	06-11	29/04/2009
320229	06-11	29/04/2009
320310	25-02NES	30/04/2009
320699	12-16F	30/04/2009
321061	12-10	30/04/2009
321538	10-05	30/04/2009
321572	02-07C	30/04/2009
321715	07-01G	30/04/2009
321746	06-04NES	30/04/2009
322014	28-03A	30/04/2009
322015	28-03A	30/04/2009
322169	07-05A	30/04/2009
322177	12-15B	21/04/2009
322178	12-15B	21/04/2009
322179	12-15A	28/04/2009
322271	08-08NES	30/04/2009
322273	02-04NES	30/04/2009
322304	14-01	30/04/2009
322336	09-09	30/04/2009
322496	09-01G	30/04/2009
322497	09-01G	30/04/2009
322528	09-01G	30/04/2009
322529	09-01G	30/04/2009
322530	09-01G	30/04/2009
322757	07-04	23/04/2009
322769	09-03NES	23/04/2009
322770	09-03NES	23/04/2009
322772	09-03NES	23/04/2009
322773	09-03NES	28/04/2009
322774	09-03NES	28/04/2009
322775	09-03NES	28/04/2009
324860	02-02C	15/04/2009



**Publication and Registration Proceedings**

**Designs Registered**

This section provides a concordance between design number and registration number of Designs covered in this journal. It also shows the main class and registration date.

This section covers Registration numbers 325691 to 325884 .

The registration number shown below should be used in all future correspondence.

Design Number	Registration Number	International Classification Code (IDC)	Registration Date	Design Number	Registration Number	International Classification Code (IDC)	Registration Date
15099/2008	325861	06-13C	28/04/2009	10654/2009	325873	03-01B	29/04/2009
15100/2008	325862	06-13C	28/04/2009	10655/2009	325739	07-05NES	20/04/2009
15123/2008	325818	12-15A	23/04/2009	10656/2009	325740	07-05NES	20/04/2009
15173/2008	325714	25-01E	16/04/2009	10697/2009	325874	03-99	29/04/2009
15630/2008	325716	07-01NES	16/04/2009	10716/2009	325727	21-01L	20/04/2009
15848/2008	325794	12-16NES	21/04/2009	10727/2009	325849	12-06NES	29/04/2009
15939/2008	325691	07-02R	15/04/2009	10728/2009	325850	12-06NES	29/04/2009
10105/2009	325706	09-09	16/04/2009	10795/2009	325747	25-03	17/04/2009
10150/2009	325721	07-02P	16/04/2009	10814/2009	325728	26-03	20/04/2009
10151/2009	325722	07-02P	16/04/2009	10815/2009	325729	26-03	20/04/2009
10179/2009	325840	25-01NES	24/04/2009	10824/2009	325790	09-03E	22/04/2009
10183/2009	325815	15-05	22/04/2009	10825/2009	325828	08-01	23/04/2009
10250/2009	325737	20-03NES	17/04/2009	10841/2009	325769	15-01	21/04/2009
10273/2009	325725	08-10	20/04/2009	10876/2009	325692	08-08NES	15/04/2009
10279/2009	325738	23-02D	17/04/2009	10877/2009	325693	08-08B	15/04/2009
10288/2009	325726	07-01NES	20/04/2009	10912/2009	325694	02-04B	15/04/2009
10304/2009	325776	14-03NES	22/04/2009	10913/2009	325695	02-04B	15/04/2009
10305/2009	325777	14-99	22/04/2009	10943/2009	325757	26-01	20/04/2009
10306/2009	325778	14-03NES	22/04/2009	10968/2009	325730	26-04	20/04/2009
10307/2009	325779	14-03NES	22/04/2009	10988/2009	325749	02-04A	21/04/2009
10343/2009	325807	08-08NES	23/04/2009	10989/2009	325750	02-04A	21/04/2009
10344/2009	325808	08-08NES	23/04/2009	10990/2009	325851	25-01K	29/04/2009
10345/2009	325809	08-08NES	23/04/2009	10993/2009	325839	12-16B	24/04/2009
10353/2009	325715	26-02	16/04/2009	11014/2009	325731	26-04	20/04/2009
10354/2009	325823	26-02	23/04/2009	11022/2009	325819	21-01N	23/04/2009
10364/2009	325780	23-01K	22/04/2009	11023/2009	325820	21-01N	23/04/2009
10394/2009	325746	24-99	17/04/2009	11070/2009	325760	13-03D	20/04/2009
10405/2009	325758	25-01K	20/04/2009	11072/2009	325723	12-15B	16/04/2009
10428/2009	325835	04-02	24/04/2009	11086/2009	325852	14-03A	29/04/2009
10448/2009	325837	28-03A	24/04/2009	11087/2009	325853	14-03A	29/04/2009
10449/2009	325838	28-03D	24/04/2009	11088/2009	325854	14-03A	29/04/2009
10450/2009	325755	28-03A	20/04/2009	11089/2009	325855	14-03A	29/04/2009
10451/2009	325756	28-03A	20/04/2009	11093/2009	325761	25-04	20/04/2009
10470/2009	325763	06-01G	21/04/2009	11123/2009	325856	06-03D	29/04/2009
10471/2009	325764	06-01G	21/04/2009	11124/2009	325857	06-03D	29/04/2009
10472/2009	325765	06-06G	21/04/2009	11137/2009	325781	22-05	22/04/2009
10473/2009	325766	06-01G	21/04/2009	11141/2009	325829	07-07A	23/04/2009
10474/2009	325767	06-06G	21/04/2009	11142/2009	325827	09-03H	23/04/2009
10483/2009	325795	23-01NES	21/04/2009	11158/2009	325825	23-04	23/04/2009
10484/2009	325759	23-03H	20/04/2009	11160/2009	325821	23-04	23/04/2009
10490/2009	325768	08-08NES	21/04/2009	11163/2009	325858	25-02A	29/04/2009
10503/2009	325799	12-08	22/04/2009	11164/2009	325865	25-02NES	29/04/2009
10504/2009	325800	26-06	22/04/2009	11177/2009	325696	06-09	15/04/2009
10505/2009	325801	12-08	22/04/2009	11192/2009	325697	08-08N	15/04/2009
10517/2009	325869	12-11	29/04/2009	11193/2009	325698	12-05	15/04/2009
10518/2009	325870	26-06	29/04/2009	11195/2009	325699	08-01	15/04/2009
10519/2009	325871	26-06	29/04/2009	11196/2009	325700	06-06G	15/04/2009
10520/2009	325872	12-11	29/04/2009	11198/2009	325701	24-01	15/04/2009
10537/2009	325717	02-02NES	16/04/2009	11199/2009	325702	25-01A	15/04/2009
10549/2009	325789	09-05	22/04/2009	11208/2009	325710	08-08G	15/04/2009
10550/2009	325859	09-01NES	28/04/2009	11212/2009	325711	12-15A	15/04/2009
10568/2009	325868	06-06E	29/04/2009	11213/2009	325712	12-15A	15/04/2009
10632/2009	325863	23-03B	28/04/2009	11214/2009	325713	26-05C	15/04/2009

Publication and Registration Proceedings - Designs Registered cont'd

Design Number	Registration Number	International Classification Code (IDC)	Registration Date	Design Number	Registration Number	International Classification Code (IDC)	Registration Date
11216/2009	325875	21-02F	29/04/2009	11306/2009	325770	03-01C	21/04/2009
11217/2009	325876	21-02F	29/04/2009	11307/2009	325771	24-02	21/04/2009
11218/2009	325877	21-02F	29/04/2009	11308/2009	325772	24-02	21/04/2009
11230/2009	325703	14-02	15/04/2009	11309/2009	325816	02-05	22/04/2009
11231/2009	325704	14-02	15/04/2009	11311/2009	325796	08-02	21/04/2009
11232/2009	325705	14-02	15/04/2009	11312/2009	325797	08-07	21/04/2009
11233/2009	325732	26-04	20/04/2009	11313/2009	325798	25-01K	21/04/2009
11234/2009	325733	12-10	20/04/2009	11314/2009	325830	12-11	24/04/2009
11236/2009	325753	08-07	19/04/2009	11315/2009	325831	12-11	24/04/2009
11240/2009	325724	25-03	16/04/2009	11316/2009	325832	12-11	24/04/2009
11241/2009	325709	23-04	15/04/2009	11319/2009	325784	02-02NES	22/04/2009
11242/2009	325707	23-04	15/04/2009	11320/2009	325785	20-02A	22/04/2009
11243/2009	325708	14-03E	15/04/2009	11321/2009	325786	20-02A	22/04/2009
11246/2009	325754	25-02H	19/04/2009	11322/2009	325787	06-06F	22/04/2009
11253/2009	325822	19-06	23/04/2009	11323/2009	325788	14-01	22/04/2009
11256/2009	325734	06-01H	20/04/2009	11324/2009	325773	14-01	21/04/2009
11259/2009	325735	20-02NES	16/04/2009	11325/2009	325774	14-01	21/04/2009
11260/2009	325736	13-02	16/04/2009	11326/2009	325775	21-02D	21/04/2009
11263/2009	325718	02-02NES	16/04/2009	11330/2009	325793	04-02	22/04/2009
11264/2009	325719	02-02NES	16/04/2009	11336/2009	325817	25-01K	22/04/2009
11265/2009	325720	02-02NES	16/04/2009	11337/2009	325802	25-01K	22/04/2009
11271/2009	325882	06-01F	30/04/2009	11338/2009	325803	25-01K	22/04/2009
11272/2009	325883	06-01F	30/04/2009	11343/2009	325804	26-03	22/04/2009
11278/2009	325864	08-08NES	28/04/2009	11344/2009	325805	26-03	22/04/2009
11279/2009	325748	21-03	17/04/2009	11345/2009	325806	26-03	22/04/2009
11281/2009	325841	09-03NES	24/04/2009	11346/2009	325810	26-03	23/04/2009
11282/2009	325842	09-03NES	24/04/2009	11347/2009	325811	26-03	23/04/2009
11283/2009	325843	09-03NES	24/04/2009	11348/2009	325812	26-03	23/04/2009
11284/2009	325741	25-01NES	20/04/2009	11350/2009	325813	15-03A	23/04/2009
11285/2009	325742	06-01F	20/04/2009	11351/2009	325814	14-03NES	23/04/2009
11286/2009	325743	10-05	20/04/2009	11352/2009	325833	15-01	24/04/2009
11287/2009	325744	10-05	20/04/2009	11354/2009	325834	14-01	24/04/2009
11288/2009	325745	03-01D	20/04/2009	11360/2009	325826	03-01NES	23/04/2009
11289/2009	325751	03-01D	21/04/2009	11372/2009	325847	09-05	24/04/2009
11293/2009	325752	08-06	21/04/2009	11373/2009	325848	09-05	24/04/2009
11294/2009	325782	09-03F	22/04/2009	11375/2009	325860	14-02	28/04/2009
11295/2009	325824	26-02	23/04/2009	11376/2009	325836	15-04	24/04/2009
11296/2009	325783	08-06	22/04/2009	11377/2009	325866	25-02NES	29/04/2009
11297/2009	325844	09-03NES	24/04/2009	11378/2009	325867	25-02NES	29/04/2009
11298/2009	325845	09-03NES	24/04/2009	11401/2009	325884	08-08NES	30/04/2009
11299/2009	325846	09-03NES	24/04/2009	11402/2009	325878	12-16NES	29/04/2009
11300/2009	325762	09-01K	20/04/2009				
11301/2009	325791	23-01H	22/04/2009				
11304/2009	325792	21-01D	22/04/2009				

**Publication and Registration Proceedings**  
**Class Listing of Designs Published or Registered**

The following section shows an International Classification Code listing of the Registered or Published Designs covered in this supplement.

<b>Classification</b>	<b>Registration Number</b>	<b>Design Number</b>	<b>Classification</b>	<b>Registration Number</b>	<b>Design Number</b>
02-02 NES	325717	10537/2009	08-08 NES	325692	10876/2009
02-02 NES	325718	11263/2009	08-08 NES	325768	10490/2009
02-02 NES	325719	11264/2009	08-08 NES	325807	10343/2009
02-02 NES	325720	11265/2009	08-08 NES	325808	10344/2009
02-02 NES	325784	11319/2009	08-08 NES	325809	10345/2009
02-04 A	325749	10988/2009	08-08 NES	325864	11278/2009
02-04 A	325750	10989/2009	08-08 NES	325884	11401/2009
02-04 B	325694	10912/2009	08-10	325725	10273/2009
02-04 B	325695	10913/2009	08-99	325714	15173/2008
02-05	325816	11309/2009	09-01 K	325762	11300/2009
03-01 B	325873	10654/2009	09-01 NES	325859	10550/2009
03-01 C	325770	11306/2009	09-03 E	325790	10824/2009
03-01 D	325745	11288/2009	09-03 F	325782	11294/2009
03-01 D	325751	11289/2009	09-03 H	325827	11142/2009
03-01 NES	325826	11360/2009	09-03 NES	325841	11281/2009
03-99	325874	10697/2009	09-03 NES	325842	11282/2009
04-02	325793	11330/2009	09-03 NES	325843	11283/2009
04-02	325835	10428/2009	09-03 NES	325844	11297/2009
06-01 F	325742	11285/2009	09-03 NES	325845	11298/2009
06-01 F	325882	11271/2009	09-03 NES	325846	11299/2009
06-01 F	325883	11272/2009	09-05	325789	10549/2009
06-01 G	325763	10470/2009	09-05	325847	11372/2009
06-01 G	325764	10471/2009	09-05	325848	11373/2009
06-01 G	325766	10473/2009	09-07 B	325726	10288/2009
06-01 H	325734	11256/2009	09-09	325706	10105/2009
06-03 D	325856	11123/2009	09-99	325827	11142/2009
06-03 D	325857	11124/2009	10-05	325743	11286/2009
06-06 E	325868	10568/2009	10-05	325744	11287/2009
06-06 F	325787	11322/2009	11-01 C	325746	10394/2009
06-06 G	325700	11196/2009	12-05	325698	11193/2009
06-06 G	325765	10472/2009	12-06 NES	325849	10727/2009
06-06 G	325767	10474/2009	12-06 NES	325850	10728/2009
06-09	325696	11177/2009	12-08	325799	10503/2009
06-13 C	325861	15099/2008	12-08	325801	10505/2009
06-13 C	325862	15100/2008	12-10	325733	11234/2009
07-01 NES	325716	15630/2008	12-11	325830	11314/2009
07-01 NES	325726	10288/2009	12-11	325831	11315/2009
07-02 P	325721	10150/2009	12-11	325832	11316/2009
07-02 P	325722	10151/2009	12-11	325869	10517/2009
07-02 R	325691	15939/2008	12-11	325872	10520/2009
07-04	325691	15939/2008	12-15 A	325711	11212/2009
07-05 NES	325739	10655/2009	12-15 A	325712	11213/2009
07-05 NES	325740	10656/2009	12-15 A	325818	15123/2008
07-07 A	325829	11141/2009	12-15 B	325723	11072/2009
08-01	325699	11195/2009	12-16 B	325839	10993/2009
08-01	325828	10825/2009	12-16 E	325807	10343/2009
08-02	325796	11311/2009	12-16 E	325808	10344/2009
08-06	325752	11293/2009	12-16 E	325809	10345/2009
08-06	325783	11296/2009	12-16 NES	325794	15848/2008
08-07	325692	10876/2009	12-16 NES	325878	11402/2009
08-07	325753	11236/2009	13-02	325736	11260/2009
08-07	325797	11312/2009	13-03 D	325760	11070/2009
08-08 B	325693	10877/2009	14-01	325773	11324/2009
08-08 G	325710	11208/2009	14-01	325774	11325/2009
08-08 L	325741	11284/2009	14-01	325788	11323/2009
08-08 N	325697	11192/2009	14-01	325834	11354/2009

Registration Proceedings - Class Listing of Designs Published or Registered cont'd

Classification	Registration Number	Design Number	Classification	Registration Number	Design Number
14-02	325703	11230/2009	23-04	325821	11160/2009
14-02	325704	11231/2009	23-04	325825	11158/2009
14-02	325705	11232/2009	24-01	325701	11198/2009
14-02	325860	11375/2009	24-02	325771	11307/2009
14-03 A	325852	11086/2009	24-02	325772	11308/2009
14-03 A	325853	11087/2009	24-04	325749	10988/2009
14-03 A	325854	11088/2009	24-04	325750	10989/2009
14-03 A	325855	11089/2009	24-99	325746	10394/2009
14-03 E	325708	11243/2009	25-01 A	325702	11199/2009
14-03 NES	325776	10304/2009	25-01 C	325758	10405/2009
14-03 NES	325778	10306/2009	25-01 E	325714	15173/2008
14-03 NES	325779	10307/2009	25-01 K	325758	10405/2009
14-03 NES	325814	11351/2009	25-01 K	325798	11313/2009
14-99	325777	10305/2009	25-01 K	325802	11337/2009
15-01	325769	10841/2009	25-01 K	325803	11338/2009
15-01	325833	11352/2009	25-01 K	325817	11336/2009
15-03 A	325813	11350/2009	25-01 K	325851	10990/2009
15-03 NES	325698	11193/2009	25-01 NES	325741	11284/2009
15-04	325836	11376/2009	25-01 NES	325840	10179/2009
15-05	325815	10183/2009	25-02 A	325858	11163/2009
19-06	325822	11253/2009	25-02 B	325798	11313/2009
20-02 A	325785	11320/2009	25-02 H	325754	11246/2009
20-02 A	325786	11321/2009	25-02 H	325817	11336/2009
20-02 NES	325735	11259/2009	25-02 NES	325754	11246/2009
20-02 NES	325785	11320/2009	25-02 NES	325865	11164/2009
20-02 NES	325786	11321/2009	25-02 NES	325866	11377/2009
20-02 NES	325884	11401/2009	25-02 NES	325867	11378/2009
20-03 NES	325737	10250/2009	25-03	325724	11240/2009
21-01 C	325790	10824/2009	25-03	325747	10795/2009
21-01 C	325799	10503/2009	25-04	325761	11093/2009
21-01 D	325792	11304/2009	26-01	325757	10943/2009
21-01 L	325727	10716/2009	26-02	325715	10353/2009
21-01 N	325819	11022/2009	26-02	325823	10354/2009
21-01 N	325820	11023/2009	26-02	325824	11295/2009
21-02 C	325801	10505/2009	26-03	325728	10814/2009
21-02 D	325693	10877/2009	26-03	325729	10815/2009
21-02 D	325775	11326/2009	26-03	325804	11343/2009
21-02 F	325875	11216/2009	26-03	325805	11344/2009
21-02 F	325876	11217/2009	26-03	325806	11345/2009
21-02 F	325877	11218/2009	26-03	325810	11346/2009
21-03	325748	11279/2009	26-03	325811	11347/2009
22-05	325781	11137/2009	26-03	325812	11348/2009
23-01 B	325780	10364/2009	26-04	325730	10968/2009
23-01 H	325791	11301/2009	26-04	325731	11014/2009
23-01 K	325780	10364/2009	26-04	325732	11233/2009
23-01 K	325783	11296/2009	26-05 C	325713	11214/2009
23-01 K	325795	10483/2009	26-06	325800	10504/2009
23-01 L	325864	11278/2009	26-06	325870	10518/2009
23-01 NES	325795	10483/2009	26-06	325871	10519/2009
23-01 NES	325841	11281/2009	28-03 A	325755	10450/2009
23-01 NES	325842	11282/2009	28-03 A	325756	10451/2009
23-01 NES	325843	11283/2009	28-03 A	325837	10448/2009
23-01 NES	325844	11297/2009	28-03 D	325838	10449/2009
23-01 NES	325845	11298/2009	29-01	325743	11286/2009
23-01 NES	325846	11299/2009	29-01	325744	11287/2009
23-02 D	325738	10279/2009	29-02	325794	15848/2008
23-03 B	325863	10632/2009	29-99	325790	10824/2009
23-03 H	325759	10484/2009			
23-03 NES	325733	11234/2009			
23-04	325707	11242/2009			
23-04	325709	11241/2009			

**Registration Proceedings - Class Listing of Designs Published or Registered cont'd**

(21) Design Number: **15939/2008**

(22) Date of Filing Application: **17 December 2008**

(24) Date from which industrial property rights may have effect: **17 December 2008**

(54) Product in respect of which the design is registered: **Handle for implement**

(51) International Design Classification: **07-02R, 07-04**

(71) Name(s) and Address(s) of Applicant(s):

**Dart Industries Inc**

**14901 S. Orange Blossom Trail Orlando Florida 32837 United States of America**

(72) Name(s) of Designer(s): **Vincent Jalet and Jan-Hendrik de Groot**

(45) Registration Date: **15 April 2009**

(30) Convention priority data:

(31) Number

(32) Date

(33) Country

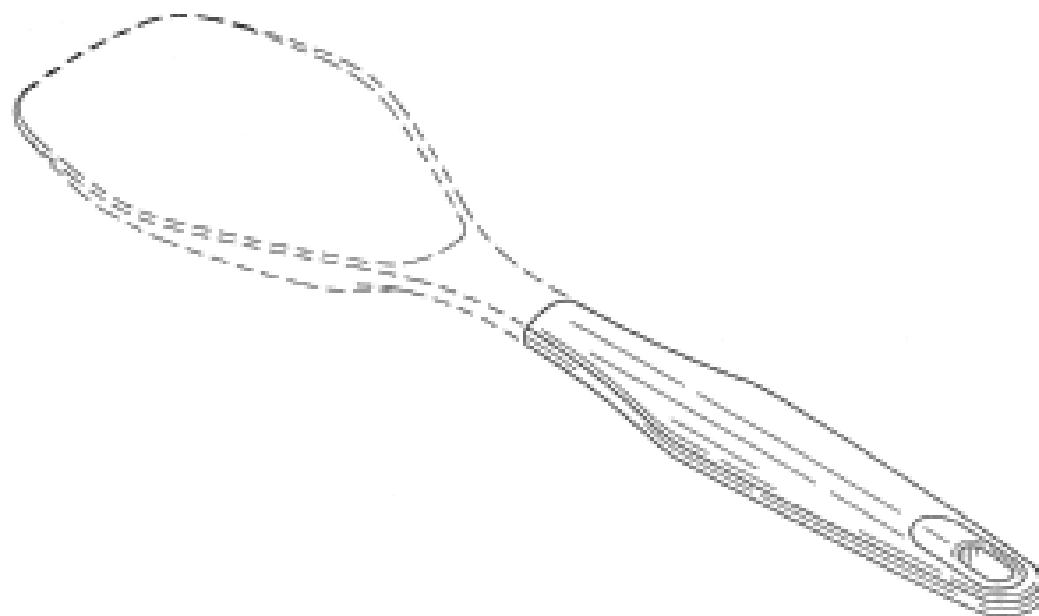
**29/310,070**

**24 Jul 2008**

**UNITED STATES OF AMERICA**

(56) Related Art Documents: **Not Applicable**

(57) Statement of Newness and Distinctiveness: **Those features of the handle for implement depicted in the representations that are new and distinctive are the shape and/or configuration. The features shown in broken lines are not part of the design and are to be disregarded when considering the overall impression of the design.**



(21) Design Number: **10876/2009**

(22) Date of Filing Application: **18 March 2009**

(24) Date from which industrial property rights may have effect: **18 March 2009**

(54) Product in respect of which the design is registered: **Multi-position 3 part slam latch cam**

(51) International Design Classification: **08-08NES, 08-07**

(71) Name(s) and Address(s) of Applicant(s):

**Ronald George Ovenden**

**3 Roper Avenue Armidale New South Wales 2350 Australia**

**David Edward Ovenden**

**6 O'Conner Road Armidale New South Wales 2350 Australia**

(72) Name(s) of Designer(s): **David Edward Ovenden and Ronald George Ovenden**

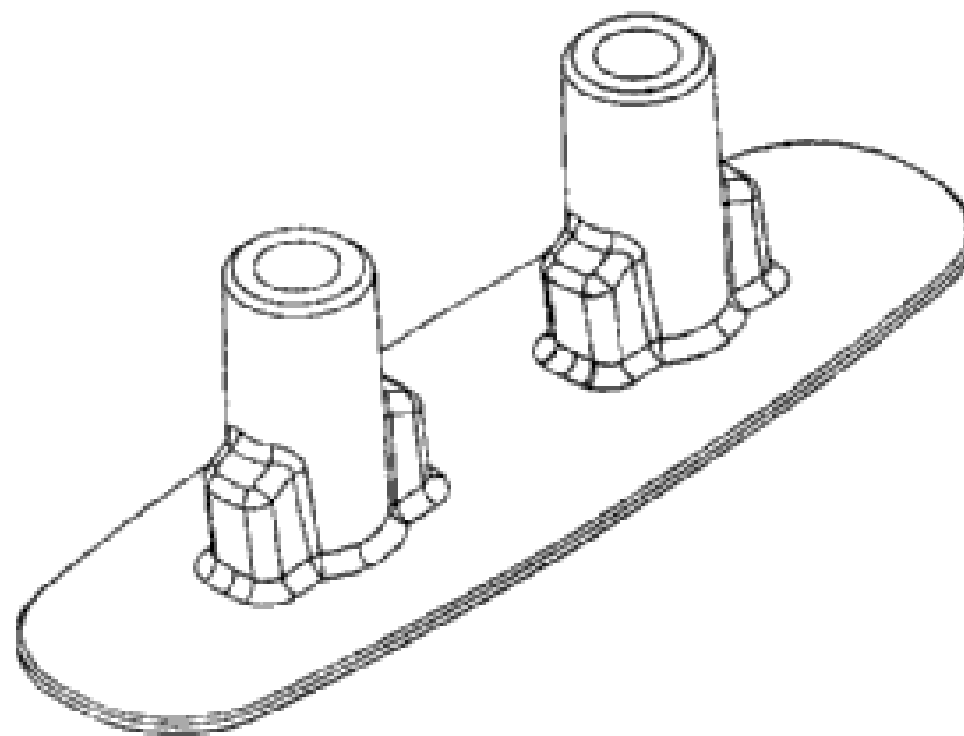
(45) Registration Date: **15 April 2009**

(56) Related Art Documents: **Not Applicable**

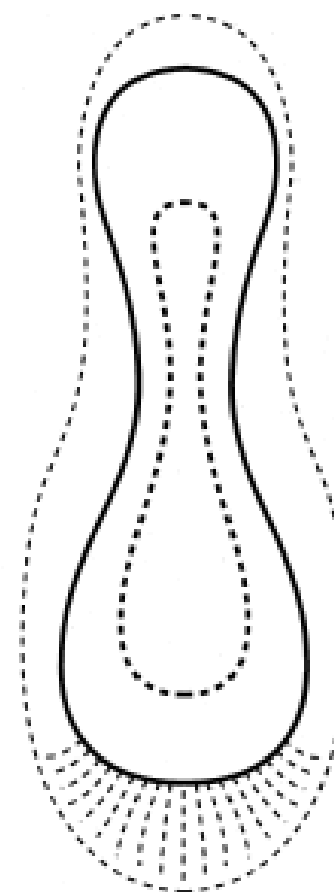
(57) Statement of Newness and Distinctiveness: **We wish to register the unique combination of 3 shaped collars that fit together in the particular order shown in the representations to create a distinctive appearance.**



- (21) Design Number: **10877/2009**
- (22) Date of Filing Application: **18 March 2009**
- (24) Date from which industrial property rights may have effect: **18 March 2009**
- (54) Product in respect of which the design is registered: **Surfboard fin plug**
- (51) International Design Classification: **08-08B, 21-02D**
- (71) Name(s) and Address(s) of Applicant(s):  
**Fin Control Systems Pty. Limited**  
**5-7 By The Sea Road Mona Vale New South Wales 2103 Australia**
- (72) Name(s) of Designer(s): **Michael Durante and Gregory Scott**
- (45) Registration Date: **15 April 2009**
- (56) Related Art Documents: **Not Applicable**
- (57) Statement of Newness and Distinctiveness: **Novelty and distinctiveness are claimed in respect of the features of shape and configuration of the surfboard fin plug shown in the representations. The pair of screws marked 'A' (shown in Figs 1 & 2) forms no part of the design.**



- (21) Design Number: **10912/2009**
- (22) Date of Filing Application: **20 March 2009**
- (24) Date from which industrial property rights may have effect: **20 March 2009**
- (54) Product in respect of which the design is registered: **A dance shoe sole with stitching**
- (51) International Design Classification: **02-04B**
- (71) Name(s) and Address(s) of Applicant(s):  
**J Bloch Pty Ltd**  
**8-18 William Street Beaconsfield New South Wales 2015 Australia**
- (72) Name(s) of Designer(s): **David Wilkenfeld**
- (45) Registration Date: **15 April 2009**
- (56) Related Art Documents: **Not Applicable**
- (57) Statement of Newness and Distinctiveness: **The shape of the sole pad and the pattern of stitching within the sole pad are new and distinctive. The dotted outer shape of the dance shoe is not a part of the design.**



(21) Design Number: **10913/2009**

(22) Date of Filing Application: **20 March 2009**

(24) Date from which industrial property rights may have effect: **20 March 2009**

(54) Product in respect of which the design is registered: **A dance shoe sole**

(51) International Design Classification: **02-04B**

(71) Name(s) and Address(s) of Applicant(s):

**J Bloch Pty Ltd**

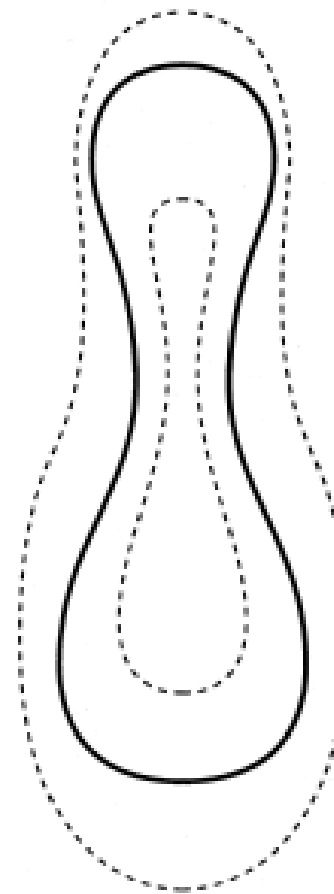
**8-18 William Street Beaconsfield New South Wales 2015 Australia**

(72) Name(s) of Designer(s): **David Wilkenfeld**

(45) Registration Date: **15 April 2009**

(56) Related Art Documents: **Not Applicable**

(57) Statement of Newness and Distinctiveness: **The shape of the sole pad is new and distinctive. The dotted outer shape of the dance shoe and the dotted inner line within the sole pad are not a part of the design.**



(21) Design Number: **11177/2009**

(22) Date of Filing Application: **06 April 2009**

(24) Date from which industrial property rights may have effect: **06 April 2009**

(54) Product in respect of which the design is registered: **Pillow**

(51) International Design Classification: **06-09**

(71) Name(s) and Address(s) of Applicant(s):

**Diane Martin**

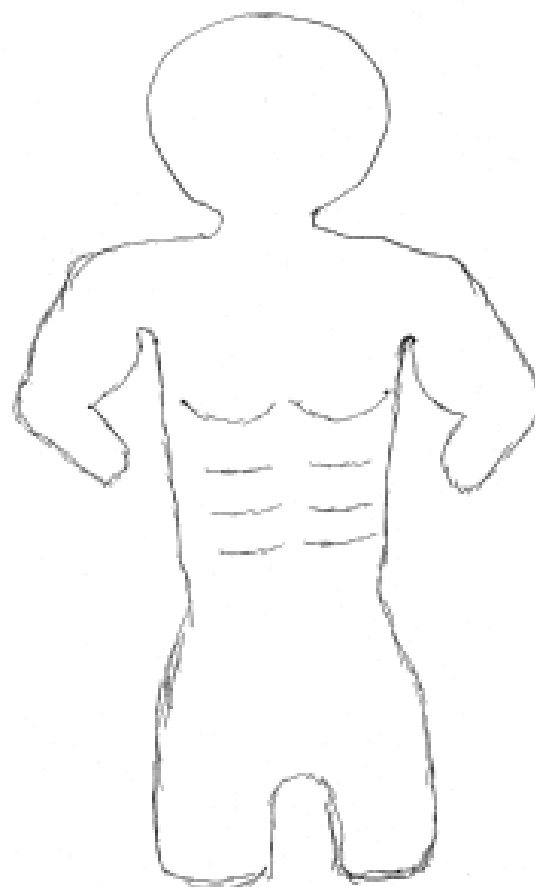
**35 Anzac Crescent Williamstown Victoria 3016 Australia**

(72) Name(s) of Designer(s): **Diane Martin**

(45) Registration Date: **15 April 2009**

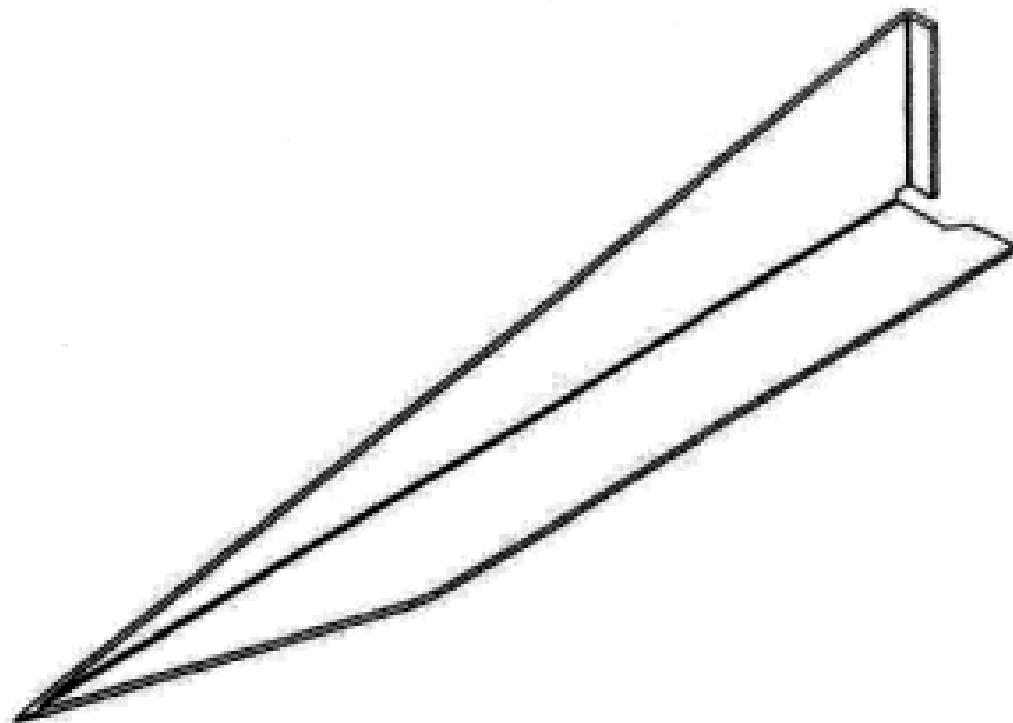
(56) Related Art Documents: **Not Applicable**

(57) Statement of Newness and Distinctiveness: **Newness and distinctiveness are claimed in the features of shape and/or configuration of a pillow, as illustrated in the accompanying representations.**

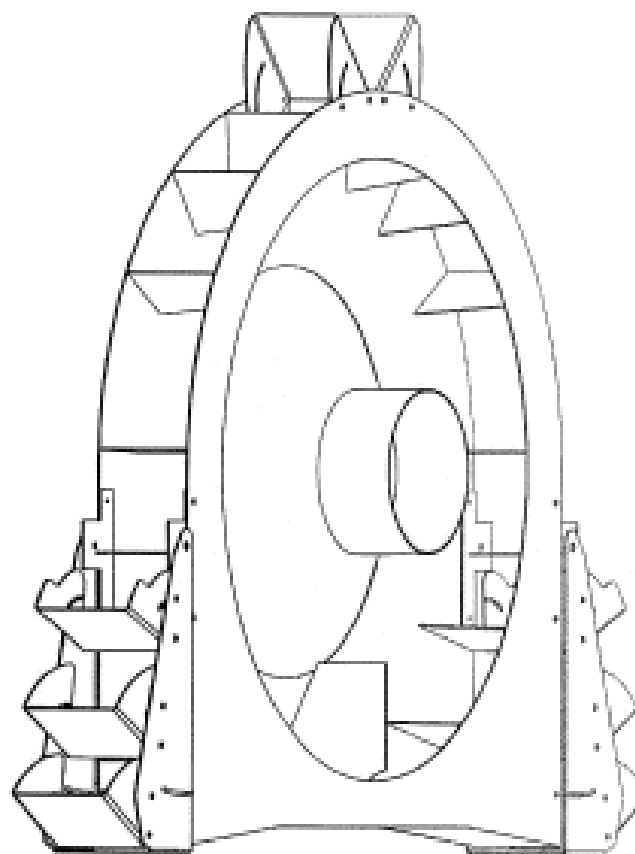




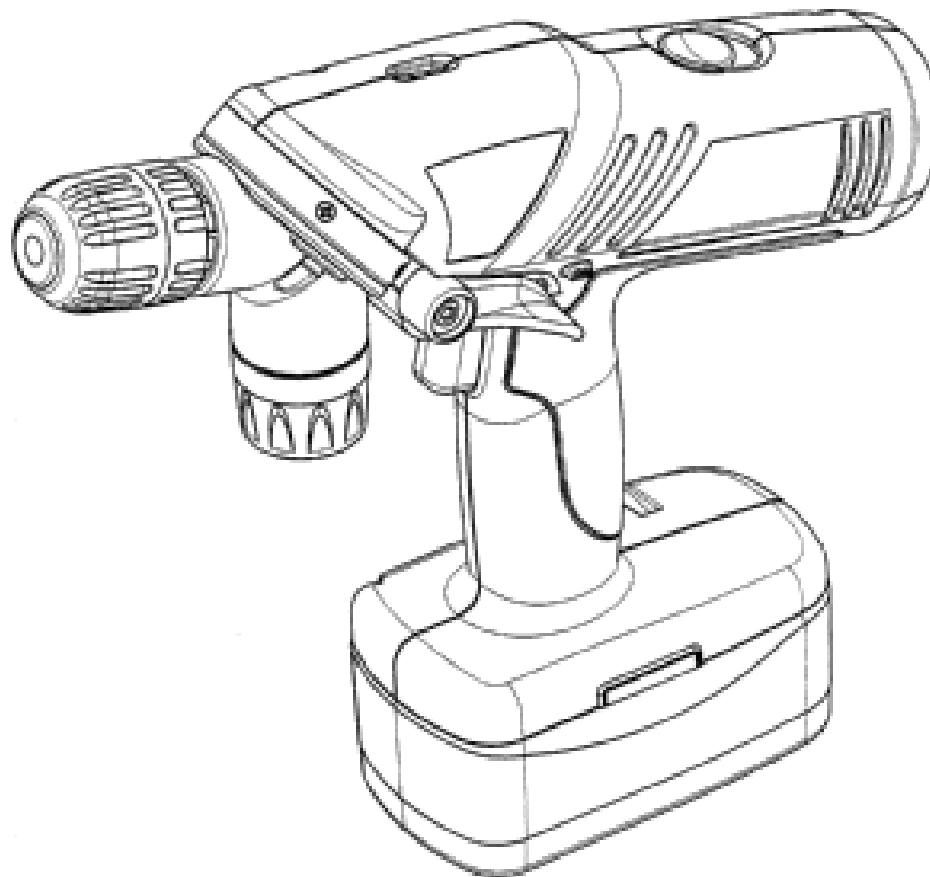
- (21) Design Number: **11192/2009**  
(22) Date of Filing Application: **06 April 2009**  
(24) Date from which industrial property rights may have effect: **06 April 2009**  
(54) Product in respect of which the design is registered: **Shelf bracket**  
(51) International Design Classification: **08-08N**  
(71) Name(s) and Address(s) of Applicant(s):  
**Brett Blennerhassett**  
**20 Fairy Street Ivanhoe Victoria 3079 Australia**  
**Robert Davidson**  
**20 Fairy Street Ivanhoe Victoria 3079 Australia**  
(72) Name(s) of Designer(s): **Brett Blennerhassett and Robert Davidson**  
(45) Registration Date: **15 April 2009**  
(56) Related Art Documents: **Not Applicable**  
(57) Statement of Newness and Distinctiveness: **Stylized shelf bracket with especially designed wall clip interface.**



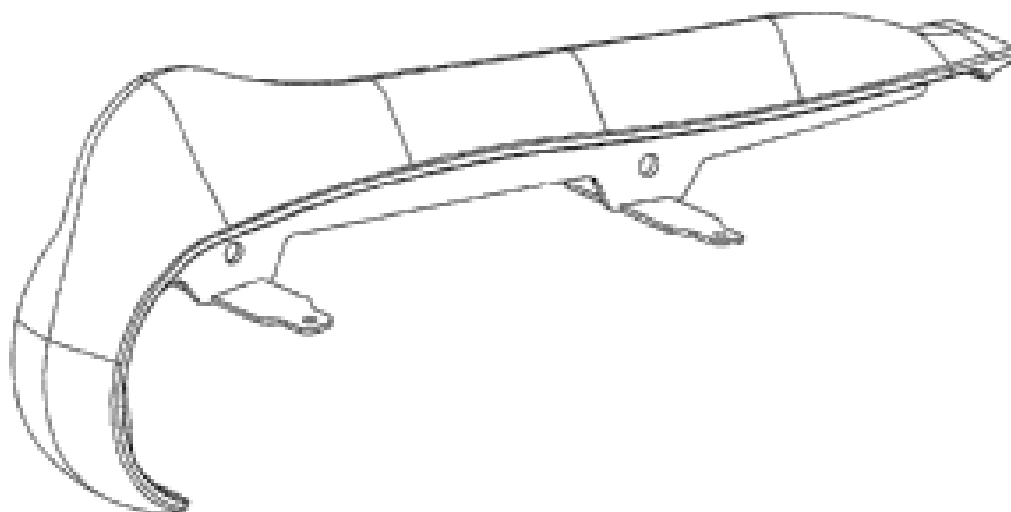
- (21) Design Number: **11193/2009**  
(22) Date of Filing Application: **07 April 2009**  
(24) Date from which industrial property rights may have effect: **07 April 2009**  
(54) Product in respect of which the design is registered: **Spraying apparatus conveyor**  
(51) International Design Classification: **12-05, 15-03NES**  
(71) Name(s) and Address(s) of Applicant(s):  
**Silvan Australia Pty Ltd**  
**244-264 Greens Road Dandenong South Victoria 3175 Australia**  
(72) Name(s) of Designer(s): **Glenn Kenny**  
(45) Registration Date: **15 April 2009**  
(56) Related Art Documents: **Not Applicable**  
(57) Statement of Newness and Distinctiveness: **Newness and distinctiveness reside in the features of the design as shown in the representations.**



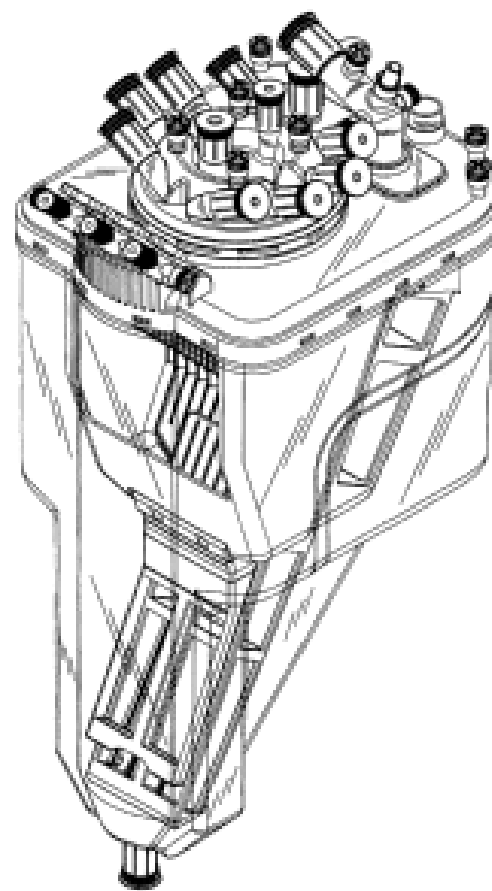
(21) Design Number: **11195/2009**  
(22) Date of Filing Application: **07 April 2009**  
(24) Date from which industrial property rights may have effect: **07 April 2009**  
(54) Product in respect of which the design is registered: **Power tool**  
(51) International Design Classification: **08-01**  
(71) Name(s) and Address(s) of Applicant(s):  
**Whitehot Solutions Pty Ltd**  
**'Colombo Creek' Jerilderie New South Wales 2716 Australia**  
(72) Name(s) of Designer(s): **John Francis Whitehead and Jon Seddon**  
(45) Registration Date: **15 April 2009**  
(56) Related Art Documents: **Not Applicable**  
(57) Statement of Newness and Distinctiveness: **Newness and distinctiveness resides in the features of shape and/or configuration of a power tool having multiple chucks as shown in the accompanying representations.**



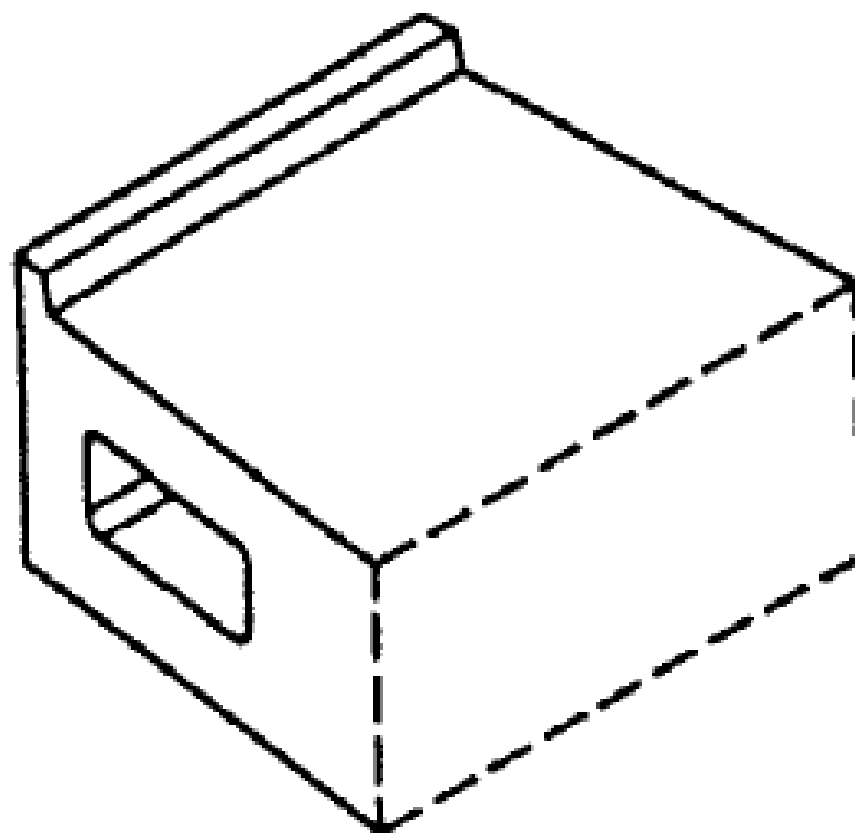
(21) Design Number: **11196/2009**  
(22) Date of Filing Application: **07 April 2009**  
(24) Date from which industrial property rights may have effect: **07 April 2009**  
(54) Product in respect of which the design is registered: **Seat divider**  
(51) International Design Classification: **06-06G**  
(71) Name(s) and Address(s) of Applicant(s):  
**Innova Patent GmbH**  
**A-6960 Wolfurt Rickenbacherstrasse 8-10 Austria**  
(72) Name(s) of Designer(s): **Dieter Fischnaller**  
(45) Registration Date: **15 April 2009**  
(30) Convention priority data:  
(31) Number (32) Date (33) Country  
**MU 772/2008 09 Oct 2008 AUSTRIA**  
(56) Related Art Documents: **Not Applicable**  
(57) Statement of Newness and Distinctiveness: **Nil**



(21) Design Number: **11198/2009**  
 (22) Date of Filing Application: **07 April 2009**  
 (24) Date from which industrial property rights may have effect: **07 April 2009**  
 (54) Product in respect of which the design is registered: **Blood reservoir**  
 (51) International Design Classification: **24-01**  
 (71) Name(s) and Address(s) of Applicant(s):  
**Nipro Corporation**  
**9-3 Honjo-Nishi 3-Chome Kita-ku Osaka-shi Osaka 531-8510 Japan**  
 (72) Name(s) of Designer(s): **Susumu Kobayashi and Yuji Kuwahara**  
 (45) Registration Date: **15 April 2009**  
 (30) Convention priority data:  
 (31) Number      (32) Date      (33) Country  
**2008-026039      09 Oct 2008      JAPAN**  
 (56) Related Art Documents: **Not Applicable**  
 (57) Statement of Newness and Distinctiveness: **Nil**



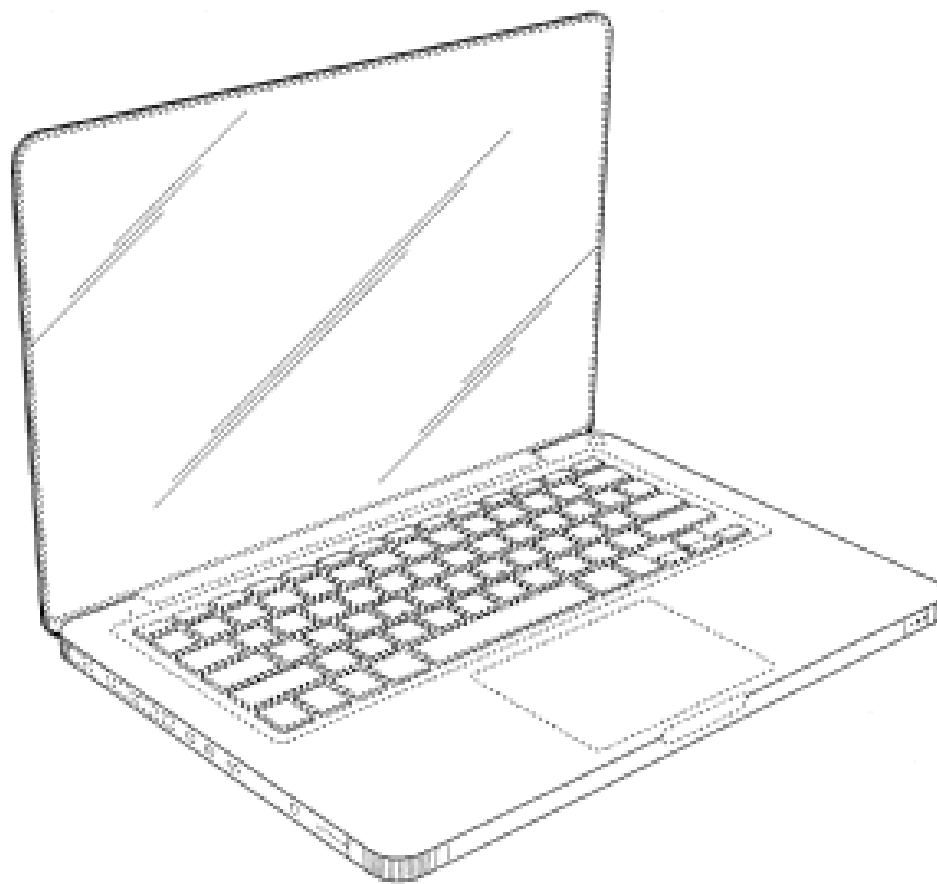
(21) Design Number: **11199/2009**  
 (22) Date of Filing Application: **07 April 2009**  
 (24) Date from which industrial property rights may have effect: **07 April 2009**  
 (54) Product in respect of which the design is registered: **Wall block**  
 (51) International Design Classification: **25-01A**  
 (71) Name(s) and Address(s) of Applicant(s):  
**Keystone Retaining Wall Systems, Inc.**  
**4444 West 78th Street Bloomington Minnesota 55435 United States of America**  
 (72) Name(s) of Designer(s): **Robert A. MacDonald and David M. LaCroix**  
 (45) Registration Date: **15 April 2009**  
 (30) Convention priority data:  
 (31) Number      (32) Date      (33) Country  
**29/326373      16 Oct 2008      UNITED STATES OF AMERICA**  
 (56) Related Art Documents: **Not Applicable**  
 (57) Statement of Newness and Distinctiveness: **Newness and distinctiveness is claimed in those features of shape and/or configuration of a wall block illustrated in continuous lines in the accompanying representations.**



(19) AU

- (21) Design Number: **11230/2009**
- (22) Date of Filing Application: **08 April 2009**
- (24) Date from which industrial property rights may have effect: **08 April 2009**
- (54) Product in respect of which the design is registered: **Portable computer**
- (51) International Design Classification: **14-02**
- (71) Name(s) and Address(s) of Applicant(s):  
**Apple Inc.**  
**1 Infinite Loop Cupertino California 95014 United States of America**
- (72) Name(s) of Designer(s): **Bartley K. Andre and Daniel J. Coster and Daniele De Iuliis and Evans Hankey and Richard P. Howarth and Jonathan P. Ive and Steve Jobs and Duncan Robert Kerr and Shin Nishibori and Matthew Dean Rohrbach and Peter Russell-Clarke and Douglas B. Satzger and Christopher J. Stringer and Eugene Antony Whang and Rico Zorkendorfer**
- (45) Registration Date: **15 April 2009**
- (30) Convention priority data:  

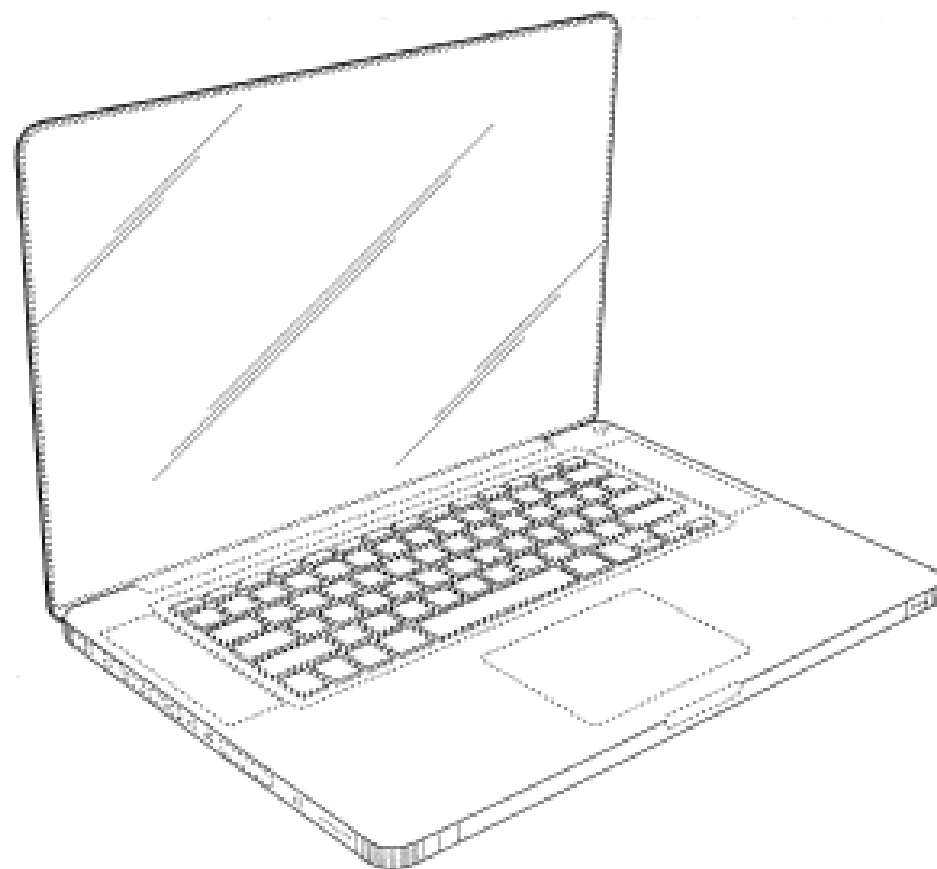
(31) Number	(32) Date	(33) Country
<b>29/326082</b>	<b>10 Oct 2008</b>	<b>UNITED STATES OF AMERICA</b>
- (56) Related Art Documents: **Not Applicable**
- (57) Statement of Newness and Distinctiveness: **Newness and distinctiveness of the design resides in the features of shape and configuration of the design that are shown in solid lines in the accompanying representations.**



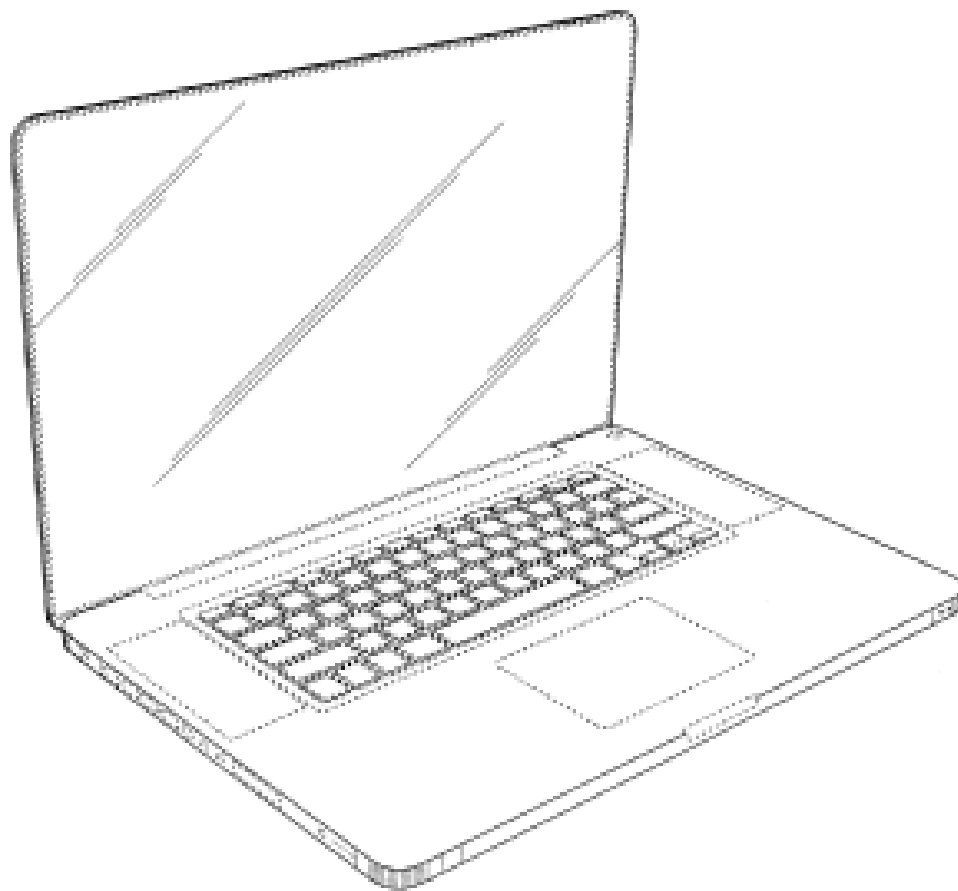
(19) AU

- (21) Design Number: **11231/2009**
- (22) Date of Filing Application: **08 April 2009**
- (24) Date from which industrial property rights may have effect: **08 April 2009**
- (54) Product in respect of which the design is registered: **Portable computer**
- (51) International Design Classification: **14-02**
- (71) Name(s) and Address(s) of Applicant(s):  
**Apple Inc.**  
**1 Infinite Loop Cupertino California 95014 United States of America**
- (72) Name(s) of Designer(s): **Bartley K. Andre and Daniel J. Coster and Daniele De Iuliis and Evans Hankey and Richard P. Howarth and Jonathan P. Ive and Steve Jobs and Duncan Robert Kerr and Shin Nishibori and Matthew Dean Rohrbach and Peter Russell-Clarke and Douglas B. Satzger and Christopher J. Stringer and Eugene Antony Whang and Rico Zorkendorfer**
- (45) Registration Date: **15 April 2009**
- (30) Convention priority data:  

(31) Number	(32) Date	(33) Country
<b>29/326082</b>	<b>10 Oct 2008</b>	<b>UNITED STATES OF AMERICA</b>
- (56) Related Art Documents: **Not Applicable**
- (57) Statement of Newness and Distinctiveness: **Newness and distinctiveness of the design resides in the features of shape and configuration of the design that are shown in solid lines in the accompanying representations.**



- (21) Design Number: **11232/2009**  
(22) Date of Filing Application: **08 April 2009**  
(24) Date from which industrial property rights may have effect: **08 April 2009**  
(54) Product in respect of which the design is registered: **Portable computer**  
(51) International Design Classification: **14-02**  
(71) Name(s) and Address(s) of Applicant(s):  
**Apple Inc.**  
**1 Infinite Loop Cupertino California 95014 United States of America**  
(72) Name(s) of Designer(s): **Bartley K. Andre and Daniel J. Coster and Daniele De Iuliis and Evans Hankey and Richard P. Howarth and Jonathan P. Ive and Steve Jobs and Duncan Robert Kerr and Shin Nishibori and Matthew Dean Rohrbach and Peter Russell-Clarke and Douglas B. Satzger and Christopher J. Stringer and Eugene Antony Whang and Rico Zorkendorfer**  
(45) Registration Date: **15 April 2009**  
(30) Convention priority data:  
(31) Number (32) Date (33) Country  
**29/326082 10 Oct 2008 UNITED STATES OF AMERICA**  
(56) Related Art Documents: **Not Applicable**  
(57) Statement of Newness and Distinctiveness: **Newness and distinctiveness of the design resides in the features of shape and configuration of the design that are shown in solid lines in the accompanying representations.**



- (21) Design Number: **10105/2009**  
(22) Date of Filing Application: **16 January 2009**  
(24) Date from which industrial property rights may have effect: **16 January 2009**  
(54) Product in respect of which the design is registered: **Recycling bin cover**  
(51) International Design Classification: **09-09**  
(71) Name(s) and Address(s) of Applicant(s):  
**Tru-Tech Fibreglass Industries Ltd**  
**37 Wakefield Street Onekawa Napier 4112 New Zealand**  
(72) Name(s) of Designer(s): **Brendon Trower**  
(45) Registration Date: **16 April 2009**  
(30) Convention priority data:  
(31) Number (32) Date (33) Country  
**411590 04 Dec 2008 NEW ZEALAND**  
(56) Related Art Documents: **Not Applicable**  
(57) Statement of Newness and Distinctiveness: **The novelty of the design resides in the features of shape and configuration of a recycling bin cover as shown in the accompanying representation. No novelty is claimed for the wheelie bins shown in the perspective view and side elevation.**



(21) Design Number: **11242/2009**

(22) Date of Filing Application: **09 April 2009**

(24) Date from which industrial property rights may have effect: **09 April 2009**

(54) Product in respect of which the design is registered: **Duct adaptor**

(51) International Design Classification: **23-04**

(71) Name(s) and Address(s) of Applicant(s):

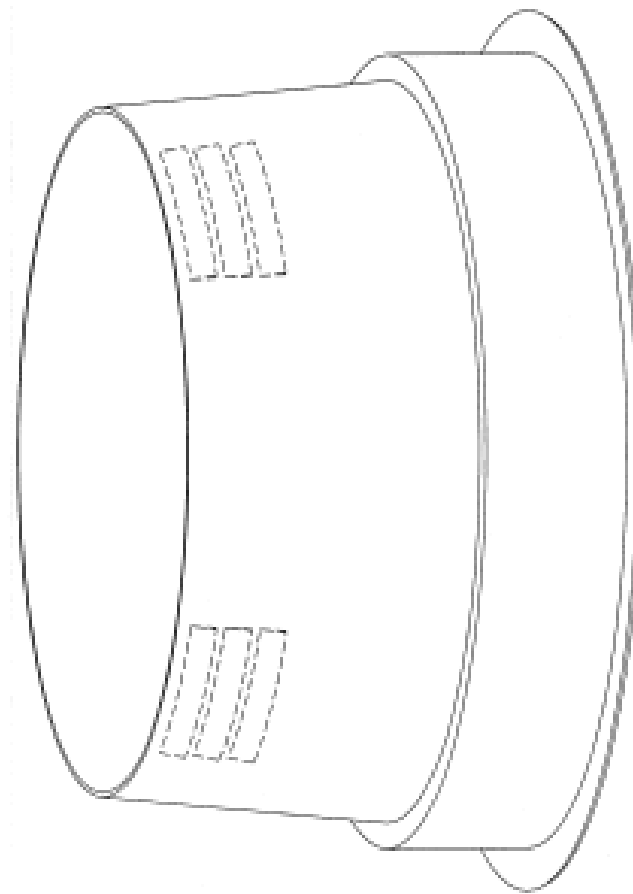
**Paltech Corporation Pty Ltd**  
**8 Kingston Park Court Knoxfield Victoria 3180 Australia**

(72) Name(s) of Designer(s): **Gregory William Palmer and Graham David Palmer**

(45) Registration Date: **15 April 2009**

(56) Related Art Documents: **Not Applicable**

(57) Statement of Newness and Distinctiveness: **Newness and distinctiveness of the design resides in the features shown in solid lines.**



(21) Design Number: **11243/2009**

(22) Date of Filing Application: **09 April 2009**

(24) Date from which industrial property rights may have effect: **09 April 2009**

(54) Product in respect of which the design is registered: **Mobile phone**

(51) International Design Classification: **14-03E**

(71) Name(s) and Address(s) of Applicant(s):

**LG Electronics Inc.**  
**20 Yeouido-dong Yeongdeungpo-gu Seoul 150-721 Republic of Korea**

(72) Name(s) of Designer(s): **Dong Eun Kim**

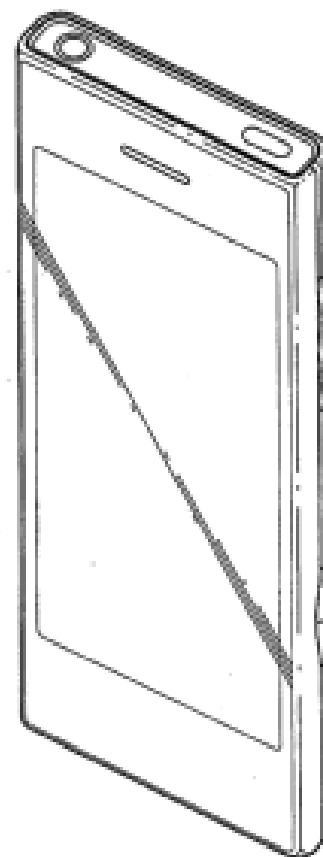
(45) Registration Date: **15 April 2009**

(30) Convention priority data:

(31) Number	(32) Date	(33) Country
<b>30-2008-0043913</b>	<b>13 Oct 2008</b>	<b>REPUBLIC OF KOREA</b>

(56) Related Art Documents: **Not Applicable**

(57) Statement of Newness and Distinctiveness: **Nil**



(21) Design Number: **11241/2009**

(22) Date of Filing Application: **09 April 2009**

(24) Date from which industrial property rights may have effect: **09 April 2009**

(54) Product in respect of which the design is registered: **Duct adaptor**

(51) International Design Classification: **23-04**

(71) Name(s) and Address(s) of Applicant(s):

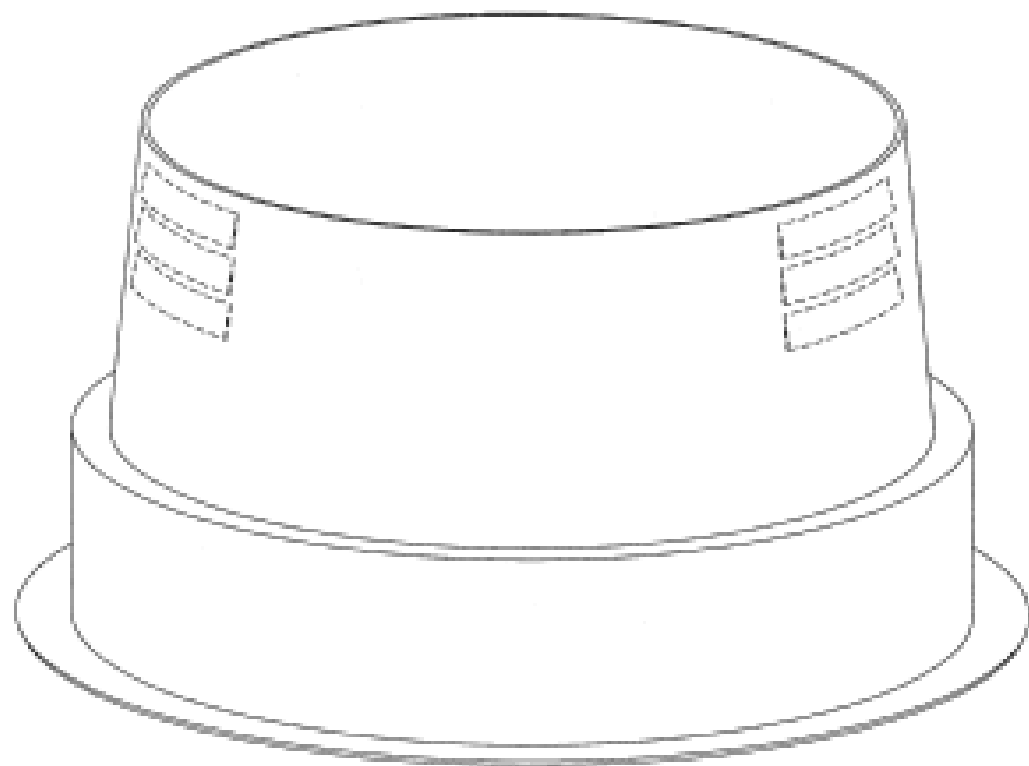
**Paltech Corporation Pty Ltd  
8 Kingston Park Court Knoxfield Victoria 3180 Australia**

(72) Name(s) of Designer(s): **Gregory William Palmer and Graham David Palmer**

(45) Registration Date: **15 April 2009**

(56) Related Art Documents: **Not Applicable**

(57) Statement of Newness and Distinctiveness: **Newness and distinctiveness of the design resides in the features shown in solid lines.**



(21) Design Number: **11208/2009**

(22) Date of Filing Application: **08 April 2009**

(24) Date from which industrial property rights may have effect: **08 April 2009**

(54) Product in respect of which the design is registered: **A ceiling hook**

(51) International Design Classification: **08-08G**

(71) Name(s) and Address(s) of Applicant(s):

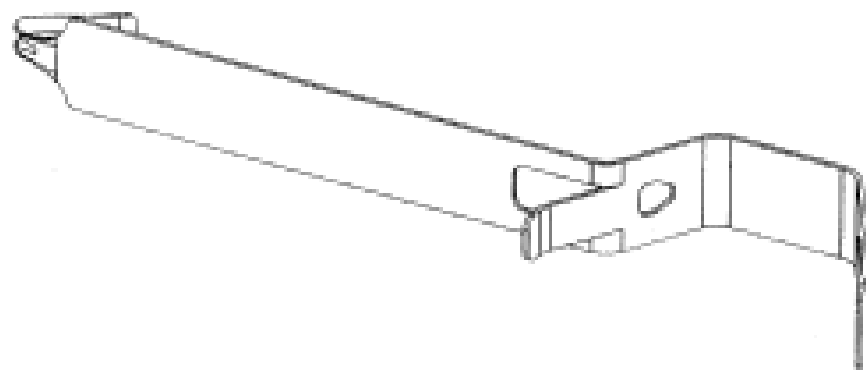
**Peer Intellectual Properties Pty Ltd  
Cnr Quindus St & Spanns Road Beenleigh Queensland 4207 Australia**

(72) Name(s) of Designer(s): **Steve Bean**

(45) Registration Date: **15 April 2009**

(56) Related Art Documents: **Not Applicable**

(57) Statement of Newness and Distinctiveness: **Nil**



(19) AU

(21) Design Number: 11212/2009

(22) Date of Filing Application: 08 April 2009

(24) Date from which industrial property rights may have effect: 08 April 2009

(54) Product in respect of which the design is registered: Tyre

(51) International Design Classification: 12-15A

(71) Name(s) and Address(s) of Applicant(s):

**The Goodyear Tire & Rubber Company  
1144 East Market Street Akron Ohio 44316-0001 United States of America**

(72) Name(s) of Designer(s): Bernard Robert Nicolas and Nizar Toumni

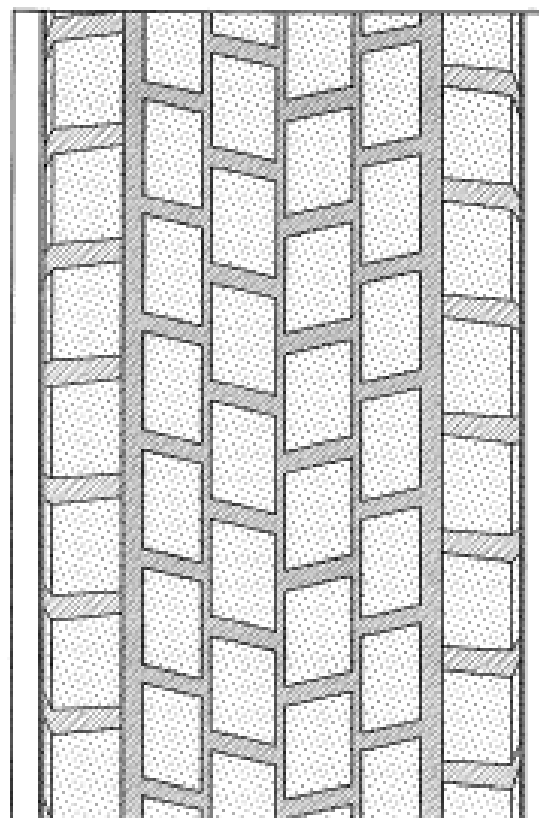
(45) Registration Date: 15 April 2009

(30) Convention priority data:

(31) Number	(32) Date	(33) Country
29/326124	13 Oct 2008	UNITED STATES OF AMERICA

(56) Related Art Documents: Not Applicable

(57) Statement of Newness and Distinctiveness: **Newness and distinctiveness is claimed in the features of shape and/or configuration of the tread of a tyre as illustrated in the accompanying representations, wherein the shape and/or configuration of the tread is repeated throughout the circumference of the tyre.**



(19) AU

(21) Design Number: 11213/2009

(22) Date of Filing Application: 08 April 2009

(24) Date from which industrial property rights may have effect: 08 April 2009

(54) Product in respect of which the design is registered: Tyre

(51) International Design Classification: 12-15A

(71) Name(s) and Address(s) of Applicant(s):

**The Goodyear Tire & Rubber Company  
1144 East Market Street Akron Ohio 44316-0001 United States of America**

(72) Name(s) of Designer(s): Bernard Robert Nicolas

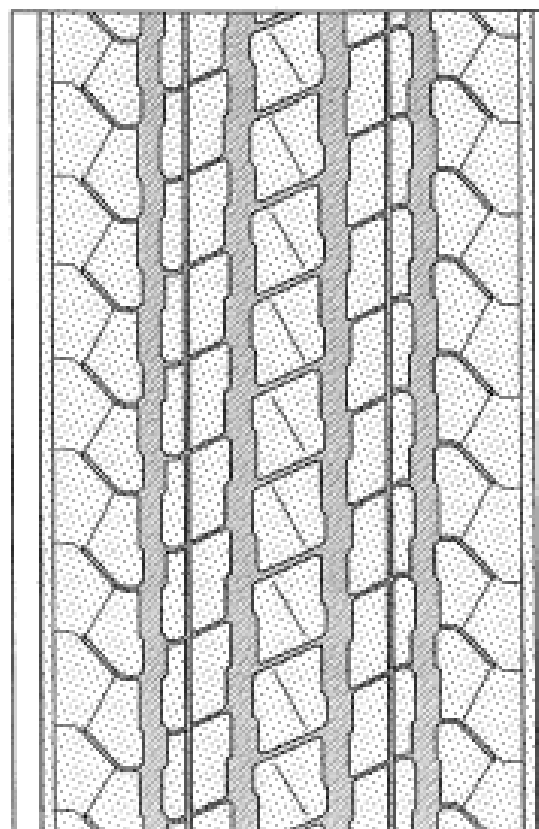
(45) Registration Date: 15 April 2009

(30) Convention priority data:

(31) Number	(32) Date	(33) Country
29/326110	13 Oct 2008	UNITED STATES OF AMERICA

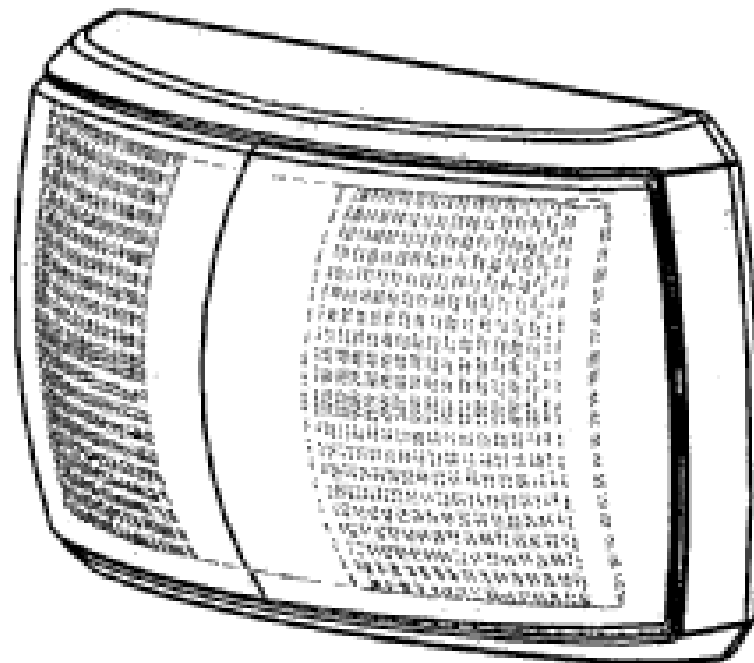
(56) Related Art Documents: Not Applicable

(57) Statement of Newness and Distinctiveness: **Newness and distinctiveness is claimed in the features of shape and/or configuration of the tread of a tyre as illustrated in the accompanying representations, wherein the shape and/or configuration of the tread is repeated throughout the circumference of the tyre.**

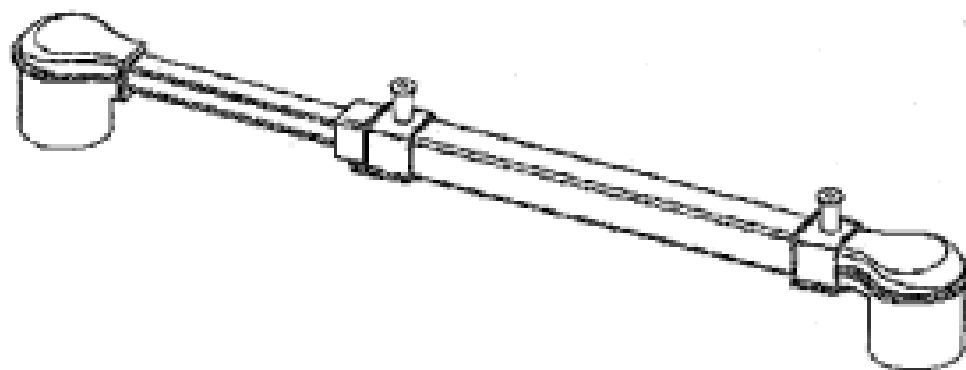




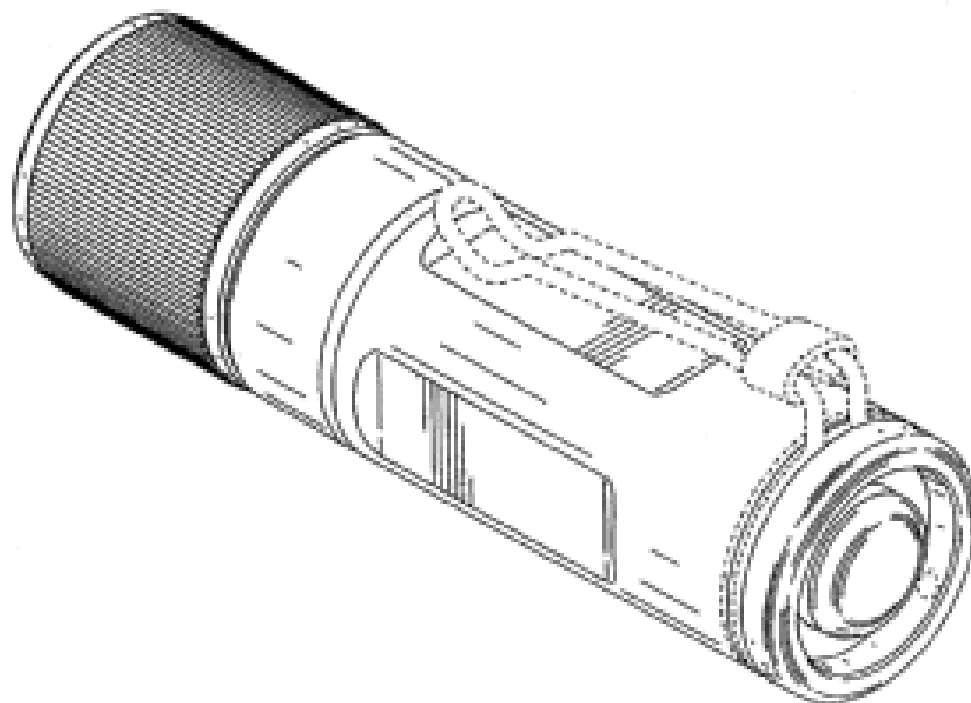
- (21) Design Number: **11214/2009**
- (22) Date of Filing Application: **08 April 2009**
- (24) Date from which industrial property rights may have effect: **08 April 2009**
- (54) Product in respect of which the design is registered: **Light fitting**
- (51) International Design Classification: **26-05C**
- (71) Name(s) and Address(s) of Applicant(s):  
**Brown & Watson International Pty Ltd**  
**3 Millennium Court Knoxfield Victoria 3179 Australia**
- (72) Name(s) of Designer(s): **Paul Davies**
- (45) Registration Date: **15 April 2009**
- (56) Related Art Documents: **Not Applicable**
- (57) Statement of Newness and Distinctiveness: **Those features of the light fitting depicted in the representations that are new and distinctive are the shape and/or configuration.**



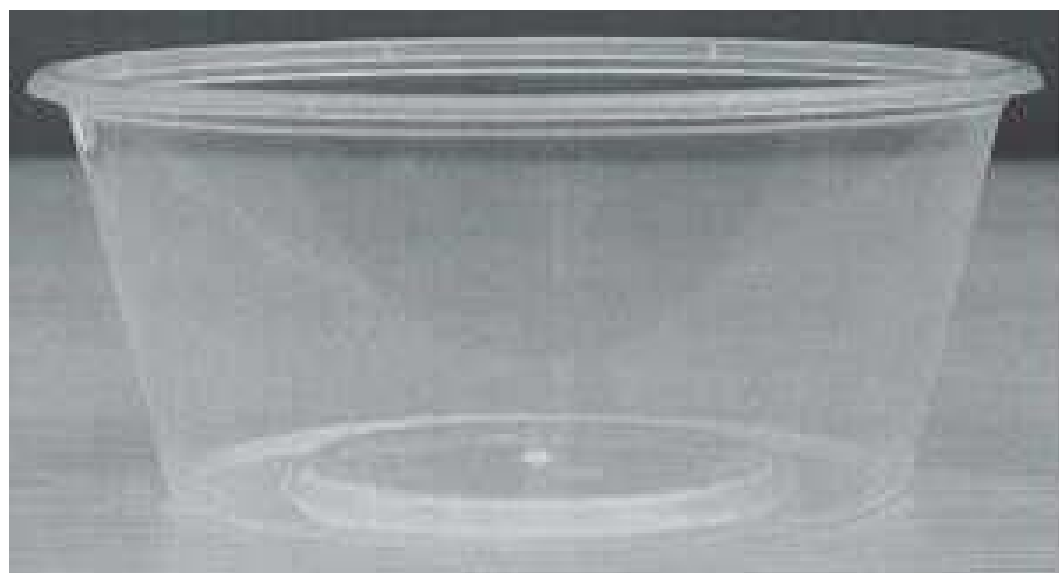
- (21) Design Number: **15173/2008**
- (22) Date of Filing Application: **30 October 2008**
- (24) Date from which industrial property rights may have effect: **30 October 2008**
- (54) Product in respect of which the design is registered: **Builder's hurdle**
- (51) International Design Classification: **25-01E, 08-99**
- (71) Name(s) and Address(s) of Applicant(s):  
**Christopher Hardwick**  
**339 Murray Road West Preston Victoria 3072 Australia**
- (72) Name(s) of Designer(s): **Christopher Hardwick**
- (45) Registration Date: **16 April 2009**
- (56) Related Art Documents: **Not Applicable**
- (57) Statement of Newness and Distinctiveness: **Nil**



- (21) Design Number: **10353/2009**  
(22) Date of Filing Application: **09 February 2009**  
(24) Date from which industrial property rights may have effect: **09 February 2009**  
(54) Product in respect of which the design is registered: **Flashlight**  
(51) International Design Classification: **26-02**  
(71) Name(s) and Address(s) of Applicant(s):  
**Leatherman Tool Group, Inc.**  
**12106 NE Ainsworth Circle Portland OR 97220 United States of America**  
(72) Name(s) of Designer(s): **Jeffrey L. Caniparoli**  
(45) Registration Date: **16 April 2009**  
(30) Convention priority data:  
(31) Number (32) Date (33) Country  
**29/322,620 07 Aug 2008 UNITED STATES OF AMERICA**  
(56) Related Art Documents: **Not Applicable**  
(57) Statement of Newness and Distinctiveness: **The newness and distinctiveness of the design resides in the features of shape and/or configuration of the flashlight shown in unbroken lines in the accompanying representations.**



- (21) Design Number: **15630/2008**  
(22) Date of Filing Application: **01 December 2008**  
(24) Date from which industrial property rights may have effect: **01 December 2008**  
(54) Product in respect of which the design is registered: **A container**  
(51) International Design Classification: **07-01NES**  
(71) Name(s) and Address(s) of Applicant(s):  
**Genfac Plastics Pty Ltd**  
**6 Advantage Drive Dandenong Victoria 3175 Australia**  
(72) Name(s) of Designer(s): **Willis Tu**  
(45) Registration Date: **16 April 2009**  
(56) Related Art Documents: **Not Applicable**  
(57) Statement of Newness and Distinctiveness: **Monopoly is claimed in the shape and configuration of a container as shown in the attached representations, in particular, the distinctive side wall of the container.**



(21) Design Number: **10537/2009**

(22) Date of Filing Application: **23 February 2009**

(24) Date from which industrial property rights may have effect: **23 February 2009**

(54) Product in respect of which the design is registered: **Jacket**

(51) International Design Classification: **02-02NES**

(71) Name(s) and Address(s) of Applicant(s):

**X-Technology Swiss GmbH  
Samstagerstrasse 45 CH-8832 Wollerau Switzerland**

(72) Name(s) of Designer(s): **Bodo W. Lambertz**

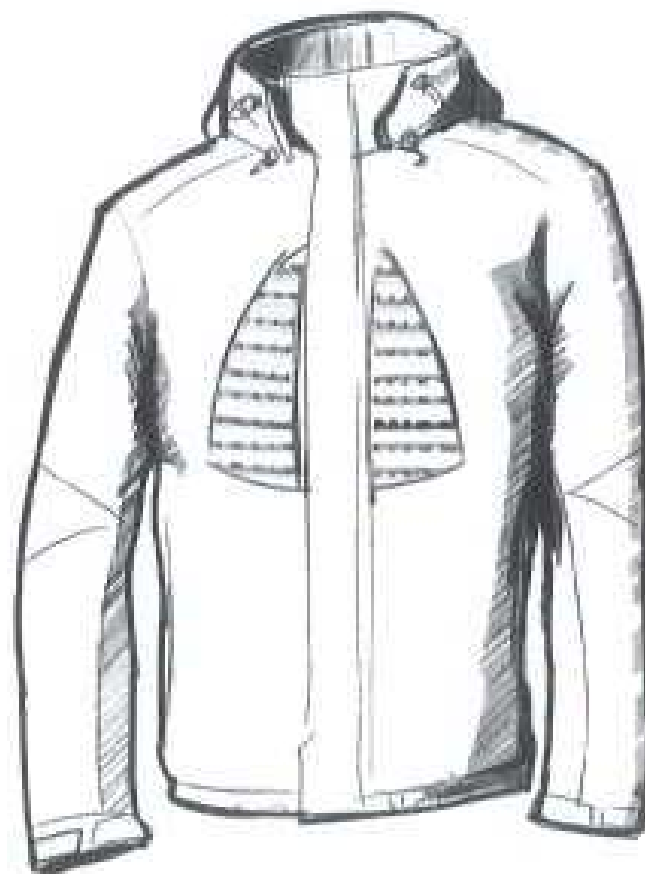
(45) Registration Date: **16 April 2009**

(30) Convention priority data:

(31) Number	(32) Date	(33) Country
<b>001004543</b>	<b>06 Sep 2008</b>	<b>EUROPEAN COMMUNITY</b>

(56) Related Art Documents: **Not Applicable**

(57) Statement of Newness and Distinctiveness: **Newness and distinctiveness is claimed in the visual features of shape, configuration, pattern and ornamentation of the jacket, and in particular, to the air intake section on the central chest portion of the jacket.**



(21) Design Number: **11263/2009**

(22) Date of Filing Application: **23 February 2009**

(24) Date from which industrial property rights may have effect: **23 February 2009**

(54) Product in respect of which the design is registered: **Jacket**

(51) International Design Classification: **02-02NES**

(71) Name(s) and Address(s) of Applicant(s):

**X-Technology Swiss GmbH  
Samstagerstrasse 45 CH-8832 Wollerau Switzerland**

(72) Name(s) of Designer(s): **Bodo W. Lambertz**

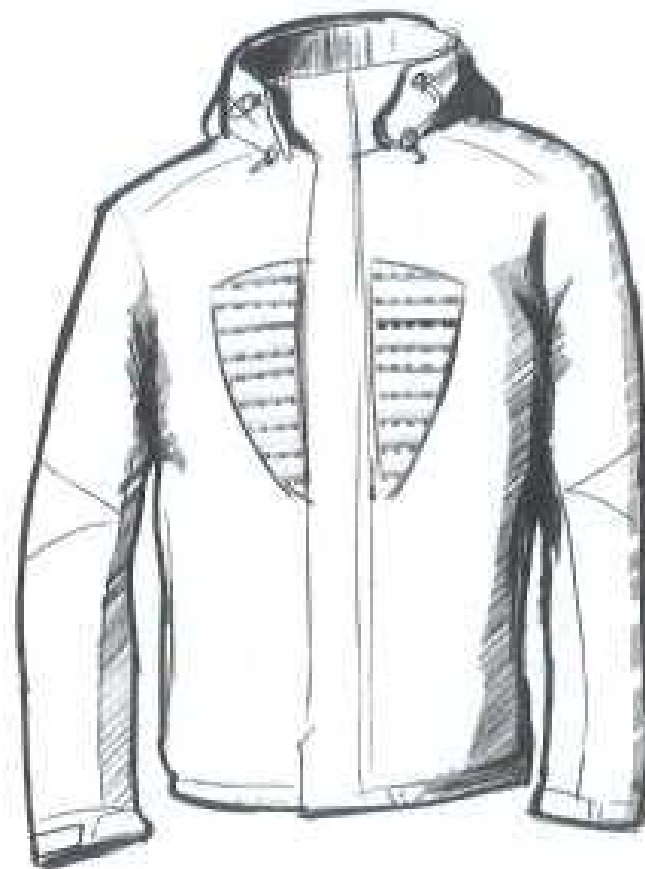
(45) Registration Date: **16 April 2009**

(30) Convention priority data:

(31) Number	(32) Date	(33) Country
<b>001004543</b>	<b>06 Sep 2008</b>	<b>EUROPEAN COMMUNITY</b>

(56) Related Art Documents: **Not Applicable**

(57) Statement of Newness and Distinctiveness: **Newness and distinctiveness is claimed in the visual features of shape, configuration, pattern and ornamentation of the jacket, and in particular, to the air intake section on the central chest portion of the jacket.**



- (21) Design Number: **11264/2009**  
(22) Date of Filing Application: **23 February 2009**  
(24) Date from which industrial property rights may have effect: **23 February 2009**  
(54) Product in respect of which the design is registered: **Jacket**  
(51) International Design Classification: **02-02NES**  
(71) Name(s) and Address(s) of Applicant(s):  
**X-Technology Swiss GmbH**  
**Samstagerstrasse 45 CH-8832 Wollerau Switzerland**  
(72) Name(s) of Designer(s): **Bodo W. Lambertz**  
(45) Registration Date: **16 April 2009**  
(30) Convention priority data:  
(31) Number (32) Date (33) Country  
**001004543 06 Sep 2008 EUROPEAN COMMUNITY**  
(56) Related Art Documents: **Not Applicable**  
(57) Statement of Newness and Distinctiveness: **Newness and distinctiveness is claimed in the visual features of shape, configuration, pattern and ornamentation of the jacket, and in particular, to the air intake section on the central chest portion of the jacket.**



- (21) Design Number: **11265/2009**  
(22) Date of Filing Application: **23 February 2009**  
(24) Date from which industrial property rights may have effect: **23 February 2009**  
(54) Product in respect of which the design is registered: **Jacket**  
(51) International Design Classification: **02-02NES**  
(71) Name(s) and Address(s) of Applicant(s):  
**X-Technology Swiss GmbH**  
**Samstagerstrasse 45 CH-8832 Wollerau Switzerland**  
(72) Name(s) of Designer(s): **Bodo W. Lambertz**  
(45) Registration Date: **16 April 2009**  
(30) Convention priority data:  
(31) Number (32) Date (33) Country  
**001004543 06 Sep 2008 EUROPEAN COMMUNITY**  
(56) Related Art Documents: **Not Applicable**  
(57) Statement of Newness and Distinctiveness: **Newness and distinctiveness is claimed in the visual features of shape, configuration, pattern and ornamentation of the jacket, and in particular, to the air intake section on the central chest portion of the jacket.**



(21) Design Number: **10150/2009**

(22) Date of Filing Application: **21 January 2009**

(24) Date from which industrial property rights may have effect: **21 January 2009**

(54) Product in respect of which the design is registered:  
**Sandwich/cookie/biscuit/bread/crust cutter**

(51) International Design Classification: **07-02P**

(71) Name(s) and Address(s) of Applicant(s):

**Kiersten Jowett**

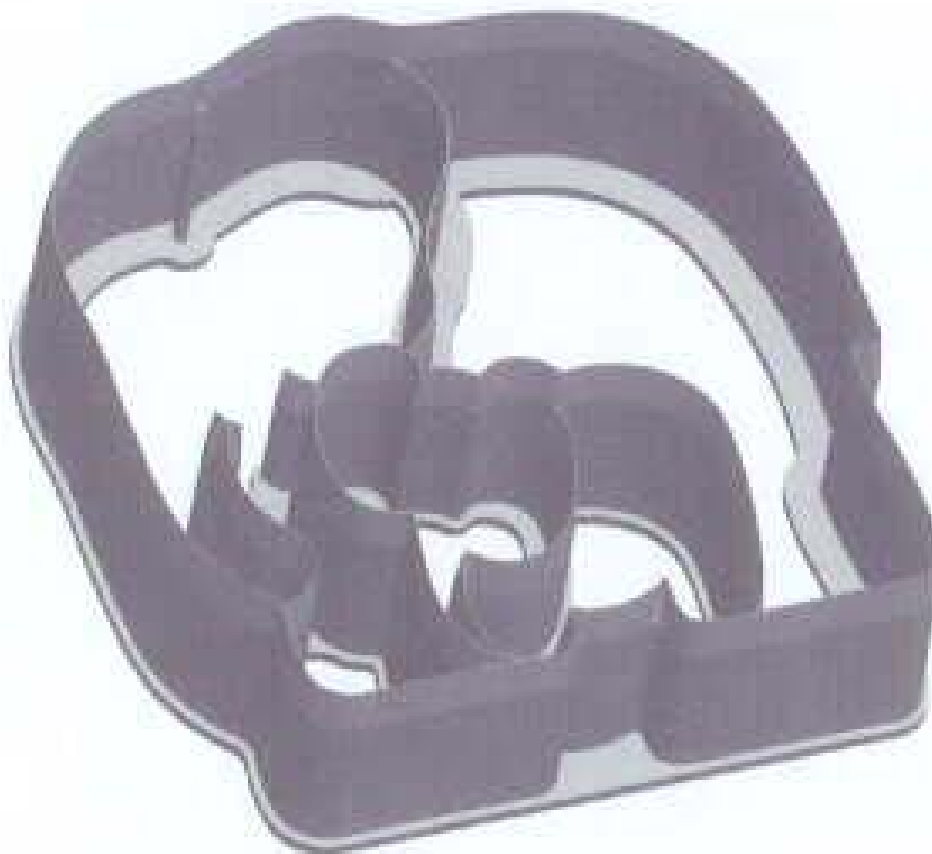
**PO Box 503 Ashburton Victoria 3147 Australia**

(72) Name(s) of Designer(s): **Kiersten Jowett**

(45) Registration Date: **16 April 2009**

(56) Related Art Documents: **Not Applicable**

(57) Statement of Newness and Distinctiveness: **Monopoly is claimed in the features of shape and configuration of the sandwich/cookie/biscuit/crust cutter as illustrated in the accompanying representations which detail an adult elephant and a baby elephant together.**



(21) Design Number: **10151/2009**

(22) Date of Filing Application: **21 January 2009**

(24) Date from which industrial property rights may have effect: **21 January 2009**

(54) Product in respect of which the design is registered:  
**Sandwich/cookie/biscuit/bread/crust cutter**

(51) International Design Classification: **07-02P**

(71) Name(s) and Address(s) of Applicant(s):

**Kiersten Jowett**

**PO Box 503 Ashburton Victoria 3147 Australia**

(72) Name(s) of Designer(s): **Kiersten Jowett**

(45) Registration Date: **16 April 2009**

(56) Related Art Documents: **Not Applicable**

(57) Statement of Newness and Distinctiveness: **Monopoly is claimed in the features of shape and configuration of the sandwich/cookie/biscuit/crust cutter as illustrated in the accompanying representations which detail a dog inside a house/dog house.**



(21) Design Number: 11072/2009

(22) Date of Filing Application: 30 March 2009

(24) Date from which industrial property rights may have effect: 30 March 2009

(54) Product in respect of which the design is registered: Tyre

(51) International Design Classification: 12-15B

(71) Name(s) and Address(s) of Applicant(s):

**The Goodyear Tire & Rubber Company  
1144 East Market Street Akron Ohio 44316-0001 United States of America**

(72) Name(s) of Designer(s): **Sebastien Seibert**

(45) Registration Date: 16 April 2009

(30) Convention priority data:

(31) Number	(32) Date	(33) Country
29/325363	30 Sep 2008	UNITED STATES OF AMERICA

(56) Related Art Documents: **Not Applicable**

(57) Statement of Newness and Distinctiveness: **Newness and distinctiveness is claimed in the features of shape and/or configuration of the tread of a tyre as illustrated in the accompanying representations, wherein the shape and/or configuration of the tread is repeated throughout the circumference of the tyre.**



(21) Design Number: 11240/2009

(22) Date of Filing Application: 08 April 2009

(24) Date from which industrial property rights may have effect: 08 April 2009

(54) Product in respect of which the design is registered: **Pre fabricated inground fibreglass swimming pool shell**

(51) International Design Classification: 25-03

(71) Name(s) and Address(s) of Applicant(s):

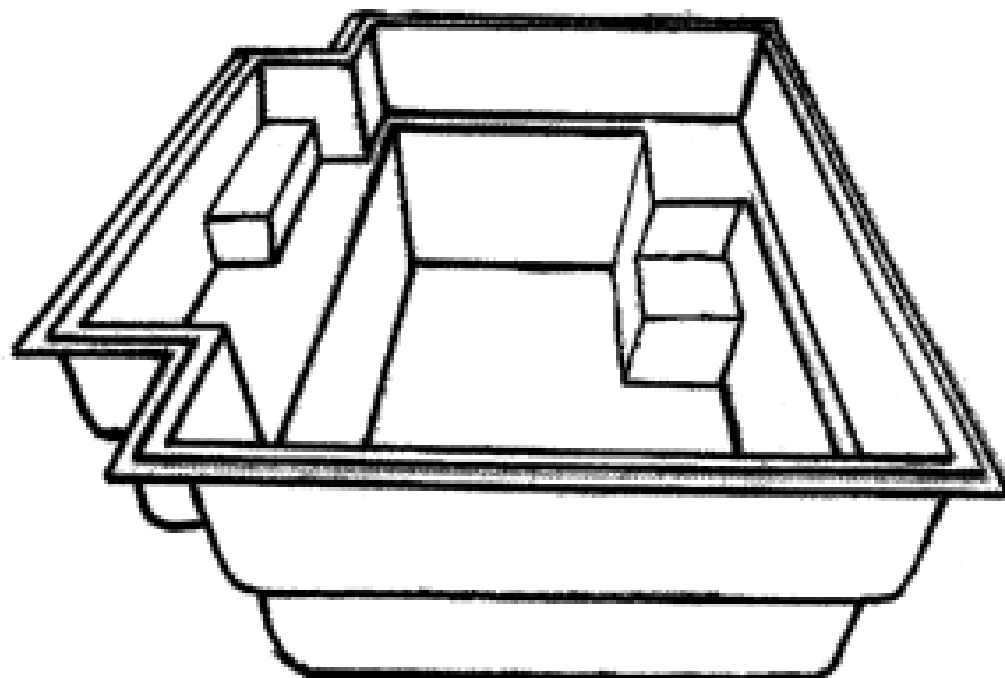
**Corey Chesson  
3 Barlow Court Salisbury North South Australia 5108 Australia**

(72) Name(s) of Designer(s): **Corey Chesson**

(45) Registration Date: 16 April 2009

(56) Related Art Documents: **Not Applicable**

(57) Statement of Newness and Distinctiveness: **Rectangular swimming pool shell with small swim out on long edge and safety lip all the way around the pool at the same height as the base of the swim out.**



(21) Design Number: **10273/2009**

(22) Date of Filing Application: **03 February 2009**

(24) Date from which industrial property rights may have effect: **03 February 2009**

(54) Product in respect of which the design is registered: **Verticle bicycle rack**

(51) International Design Classification: **08-10**

(71) Name(s) and Address(s) of Applicant(s):

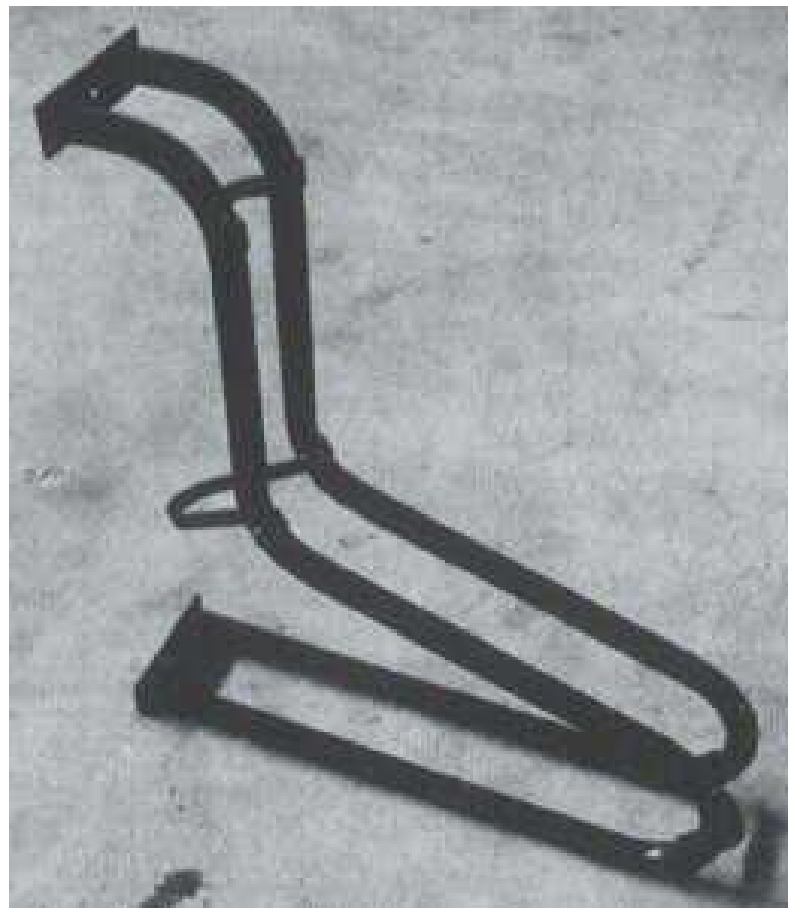
**Penny Farthings Pushbike Parking Pty Ltd  
54 Berwick Street Fortitude Valley Queensland 4006 Australia**

(72) Name(s) of Designer(s): **Tim Ceolin and Mark Rossiter**

(45) Registration Date: **20 April 2009**

(56) Related Art Documents: **Not Applicable**

(57) Statement of Newness and Distinctiveness: **Nil**



(21) Design Number: **10288/2009**

(22) Date of Filing Application: **03 February 2009**

(24) Date from which industrial property rights may have effect: **03 February 2009**

(54) Product in respect of which the design is registered: **A seal for containers**

(51) International Design Classification: **07-01NES, 09-07B**

(71) Name(s) and Address(s) of Applicant(s):

**SPILLIP PTY LTD  
Unit 10 110 Ramsgate Avenue Bondi Beach New South Wales 2026  
Australia**

(72) Name(s) of Designer(s): **Alex Weld**

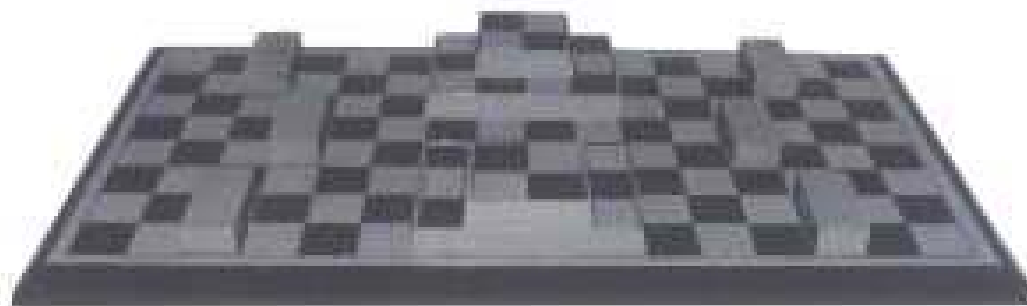
(45) Registration Date: **20 April 2009**

(56) Related Art Documents: **Not Applicable**

(57) Statement of Newness and Distinctiveness: **Newness and distinctiveness is claimed in the shape and configuration of the seal shown in the representations, and in particular to the consecutive rims shown. Colour does not form a part of the design shown.**



- (21) Design Number: **10716/2009**  
(22) Date of Filing Application: **04 March 2009**  
(24) Date from which industrial property rights may have effect: **04 March 2009**  
(54) Product in respect of which the design is registered: **Game board**  
(51) International Design Classification: **21-01L**  
(71) Name(s) and Address(s) of Applicant(s):  
**Aaron Lake**  
**67 Green Street Telarah New South Wales 2320 Australia**  
(72) Name(s) of Designer(s): **Aaron Lake**  
(45) Registration Date: **20 April 2009**  
(56) Related Art Documents: **Not Applicable**  
(57) Statement of Newness and Distinctiveness: **Game board with unique mouldings**



- (21) Design Number: **10814/2009**  
(22) Date of Filing Application: **13 March 2009**  
(24) Date from which industrial property rights may have effect: **13 March 2009**  
(54) Product in respect of which the design is registered: **Outdoor lighting fixture**  
(51) International Design Classification: **26-03**  
(71) Name(s) and Address(s) of Applicant(s):  
**Schreder**  
**Rue de Lusambo 67 Brussels B-1190 Belgium**  
(72) Name(s) of Designer(s): **Michel Tortel**  
(45) Registration Date: **20 April 2009**  
(30) Convention priority data:  

(31) Number	(32) Date	(33) Country
<b>001003586-0001</b>	<b>16 Sep 2008</b>	<b>EUROPEAN COMMUNITY</b>

  
(56) Related Art Documents: **Not Applicable**  
(57) Statement of Newness and Distinctiveness: **Nil**

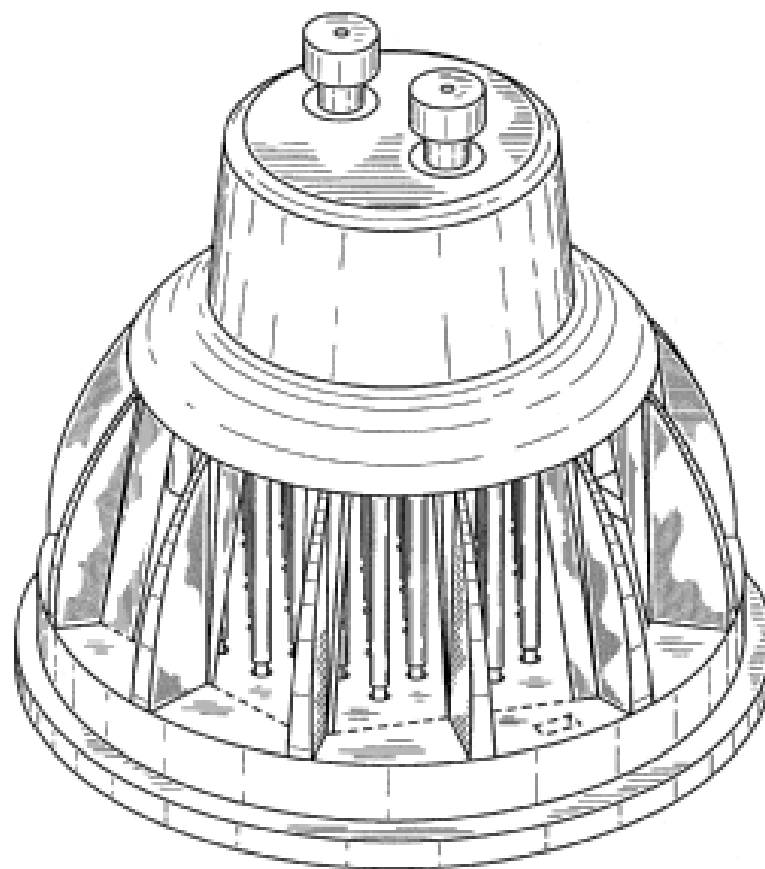




(21) Design Number: **10815/2009**  
(22) Date of Filing Application: **13 March 2009**  
(24) Date from which industrial property rights may have effect: **13 March 2009**  
(54) Product in respect of which the design is registered: **Outdoor lighting fixture**  
(51) International Design Classification: **26-03**  
(71) Name(s) and Address(s) of Applicant(s):  
**Schreder**  
**Rue de Lusambo 67 Brussels B-1190 Belgium**  
(72) Name(s) of Designer(s): **Michel Tortel**  
(45) Registration Date: **20 April 2009**  
(30) Convention priority data:  
(31) Number (32) Date (33) Country  
**001003586-0002 16 Sep 2008 EUROPEAN COMMUNITY**  
(56) Related Art Documents: **Not Applicable**  
(57) Statement of Newness and Distinctiveness: **Nil**



(21) Design Number: **10968/2009**  
(22) Date of Filing Application: **23 March 2009**  
(24) Date from which industrial property rights may have effect: **23 March 2009**  
(54) Product in respect of which the design is registered: **Light**  
(51) International Design Classification: **26-04**  
(71) Name(s) and Address(s) of Applicant(s):  
**Nexus Lighting, Inc.**  
**124 Floyd Smith Drive Suite 300 Charlotte North Carolina 28262**  
**United States of America**  
(72) Name(s) of Designer(s): **Zdenko Grajcar**  
(45) Registration Date: **20 April 2009**  
(30) Convention priority data:  
(31) Number (32) Date (33) Country  
**29/324959 24 Sep 2008 UNITED STATES OF AMERICA**  
(56) Related Art Documents: **Not Applicable**  
(57) Statement of Newness and Distinctiveness: **Newness and distinctiveness reside in the features of the design shown in solid lines in the representations excluding those features shown in broken lines.**



(21) Design Number: **11014/2009**

(22) Date of Filing Application: **24 March 2009**

(24) Date from which industrial property rights may have effect: **24 March 2009**

(54) Product in respect of which the design is registered: **Lights**

(51) International Design Classification: **26-04**

(71) Name(s) and Address(s) of Applicant(s):

**NORKA Norddeutsche Kunststoff - und Elektro-Gesellschaft Stacker mbH  
& Co. KG  
Sportallee 8 22335 Hamburg Germany**

(72) Name(s) of Designer(s): **Jurgen Schoene**

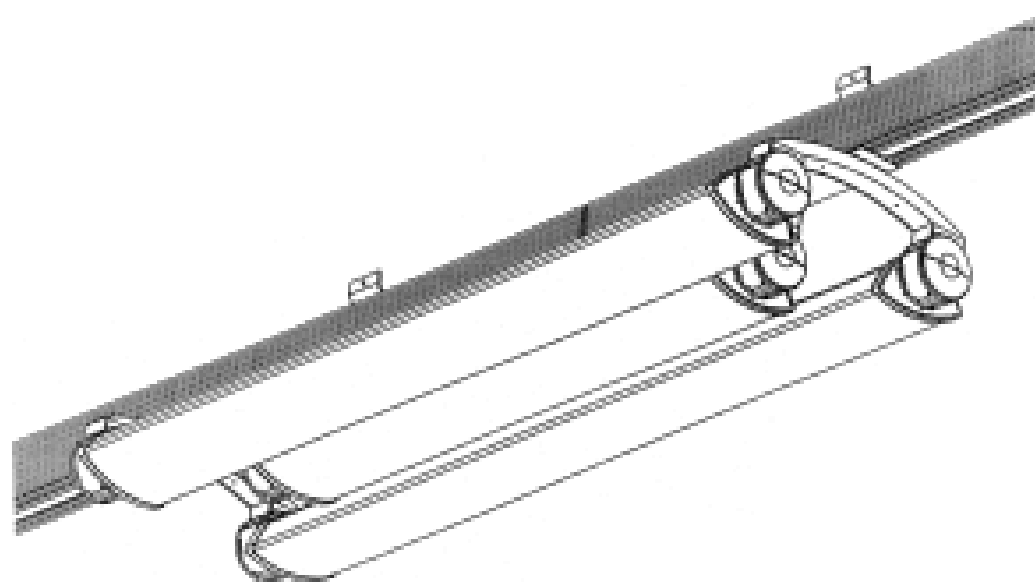
(45) Registration Date: **20 April 2009**

(30) Convention priority data:

(31) Number	(32) Date	(33) Country
<b>001047302</b>	<b>28 Nov 2008</b>	<b>GERMANY</b>

(56) Related Art Documents: **Not Applicable**

(57) Statement of Newness and Distinctiveness: **The newness and distinctiveness of the design resides in the shape and/or configuration of the lights shown in the representations.**



(21) Design Number: **11233/2009**

(22) Date of Filing Application: **23 March 2009**

(24) Date from which industrial property rights may have effect: **23 March 2009**

(54) Product in respect of which the design is registered: **Light**

(51) International Design Classification: **26-04**

(71) Name(s) and Address(s) of Applicant(s):

**Nexus Lighting, Inc.  
124 Floyd Smith Drive Suite 300 Charlotte North Carolina 28262  
United States of America**

(72) Name(s) of Designer(s): **Zdenko Grajcar**

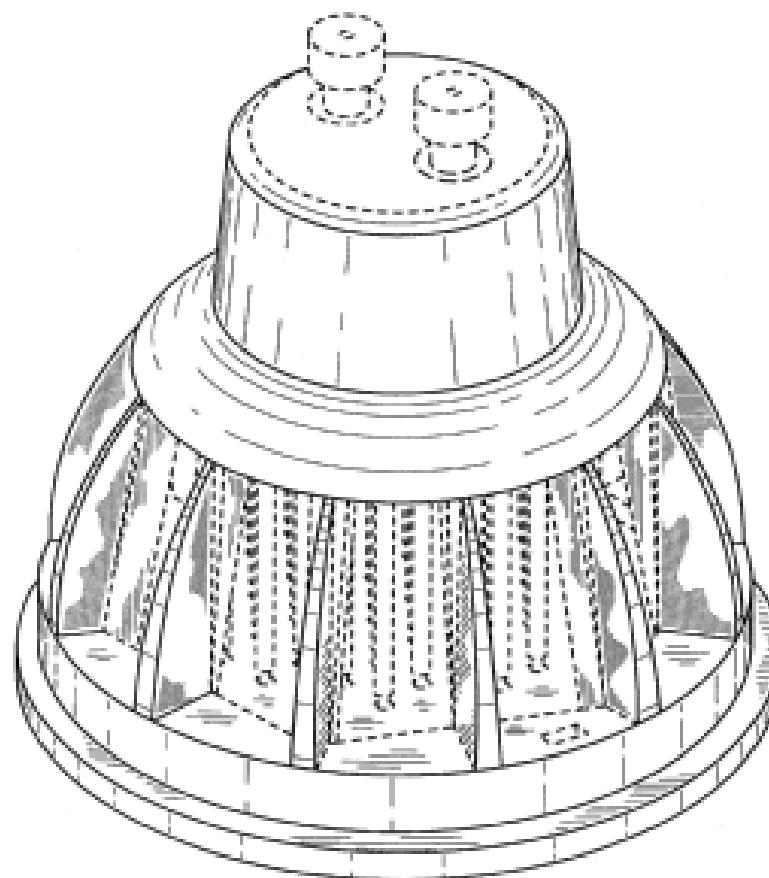
(45) Registration Date: **20 April 2009**

(30) Convention priority data:

(31) Number	(32) Date	(33) Country
<b>29/324959</b>	<b>24 Sep 2008</b>	<b>UNITED STATES OF AMERICA</b>

(56) Related Art Documents: **Not Applicable**

(57) Statement of Newness and Distinctiveness: **Newness and distinctiveness reside in the features of the design shown in solid lines in the representations excluding those features shown in broken lines.**



(21) Design Number: **11234/2009**

(22) Date of Filing Application: **09 April 2009**

(24) Date from which industrial property rights may have effect: **09 April 2009**

(54) Product in respect of which the design is registered: **A wood oven trailer**

(51) International Design Classification: **12-10, 23-03NES**

(71) Name(s) and Address(s) of Applicant(s):

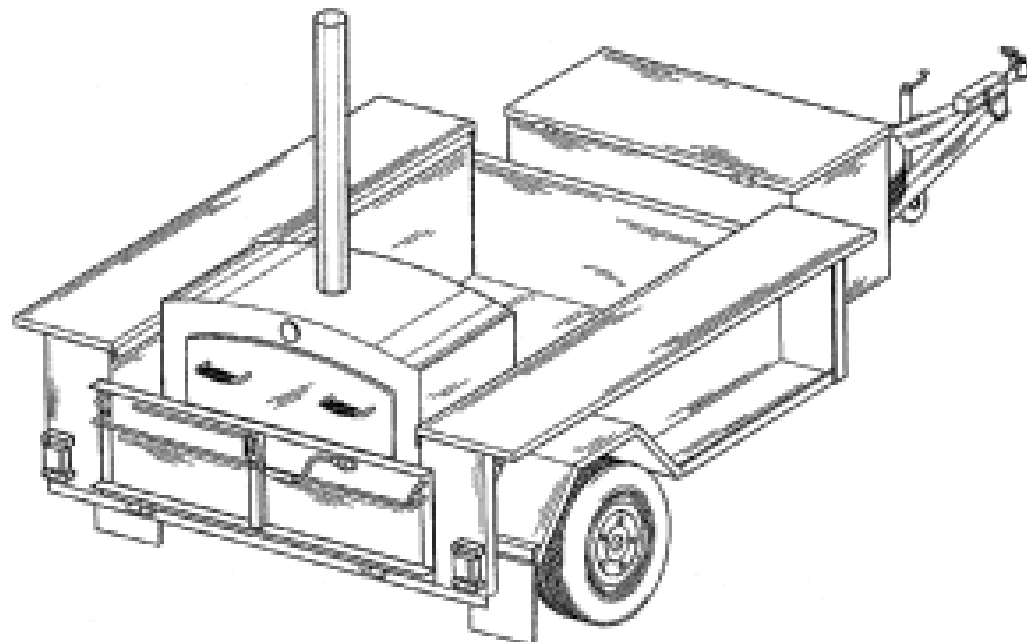
**Andrew David Davidson**  
**69 Unley Road Parkside South Australia 5063 Australia**

(72) Name(s) of Designer(s): **James W. Cooper**

(45) Registration Date: **20 April 2009**

(56) Related Art Documents: **Not Applicable**

(57) Statement of Newness and Distinctiveness: **Nil**



(21) Design Number: **11256/2009**

(22) Date of Filing Application: **14 April 2009**

(24) Date from which industrial property rights may have effect: **14 April 2009**

(54) Product in respect of which the design is registered: **Chair/lounger**

(51) International Design Classification: **06-01H**

(71) Name(s) and Address(s) of Applicant(s):

**Corey Baker**  
**53 Caravelle Crescent Strathmore Heights Victoria 3041 Australia**

(72) Name(s) of Designer(s): **Corey Baker**

(45) Registration Date: **20 April 2009**

(56) Related Art Documents: **Not Applicable**

(57) Statement of Newness and Distinctiveness: **A functional piece with visual presence, the versatile Lofoten Lounger's counter-tensioned sprung supports enable a strong yet visually lightweight piece. The thoughtful fanned positioning of these curvaceous supports ensures luxury and optimal comfort while maintaining vital lumbar support. Bamboo is complemented by the intertwining of stainless steel features, highlighting the relaxed elegant form and harmonious lines of this sculptural Lounger.**



(21) Design Number: **11259/2009**

(22) Date of Filing Application: **14 April 2009**

(24) Date from which industrial property rights may have effect: **14 April 2009**

(54) Product in respect of which the design is registered: **Merchandiser**

(51) International Design Classification: **20-02NES**

(71) Name(s) and Address(s) of Applicant(s):

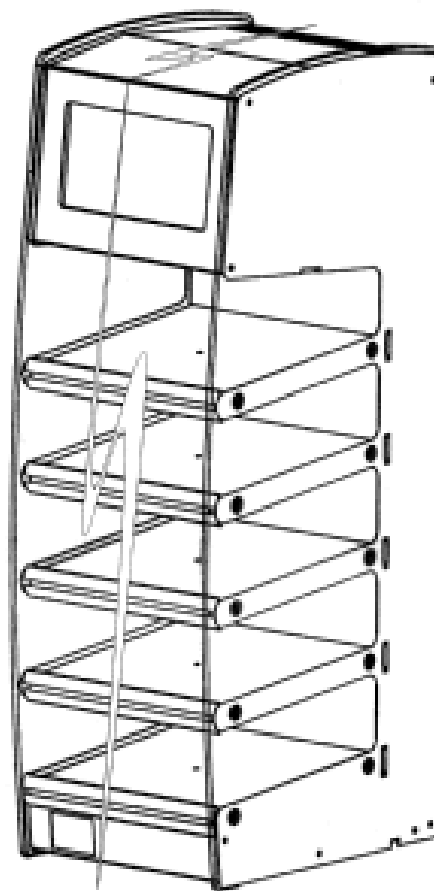
**Mrs Mac's Pty Ltd**  
**5-9 Marchant Way Morley Western Australia 6062 Australia**

(72) Name(s) of Designer(s): **Kevin Wilson**

(45) Registration Date: **16 April 2009**

(56) Related Art Documents: **Not Applicable**

(57) Statement of Newness and Distinctiveness: **Newness and distinctiveness is claimed in the shape and/or configuration of the merchandiser as shown in the accompanying representation. The merchandiser may be of any width as indicated by the broken line in the representation, and of any height varied according to the number of shelves (which form a regular pattern).**



(21) Design Number: **11260/2009**

(22) Date of Filing Application: **14 April 2009**

(24) Date from which industrial property rights may have effect: **14 April 2009**

(54) Product in respect of which the design is registered: **Charger**

(51) International Design Classification: **13-02**

(71) Name(s) and Address(s) of Applicant(s):

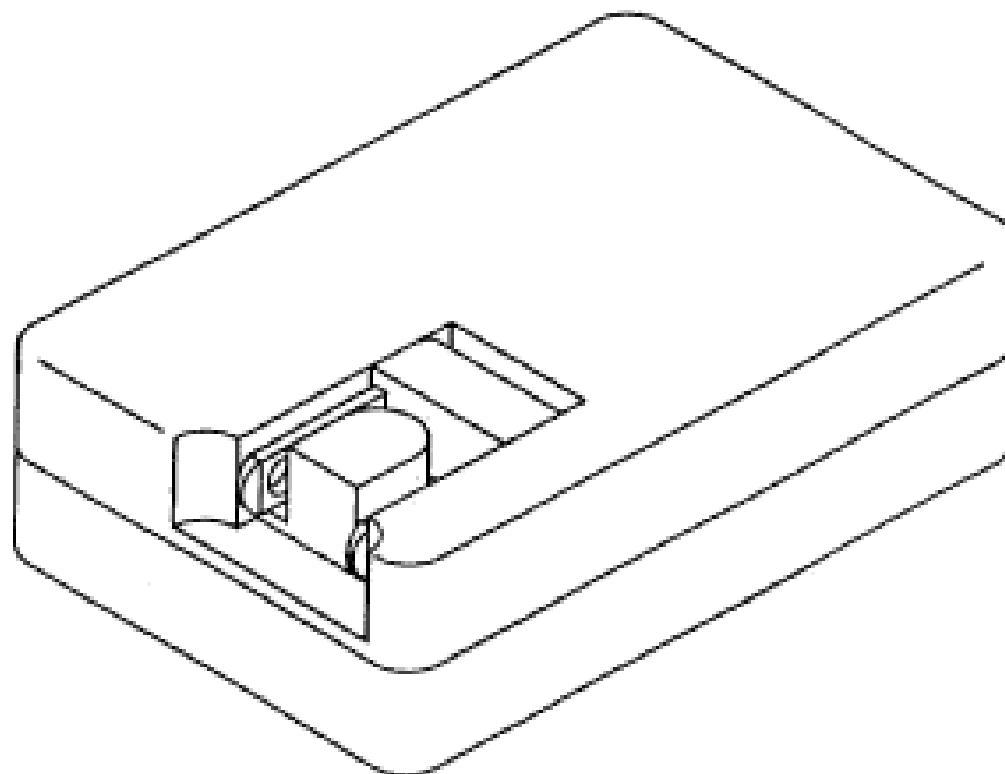
**Panasonic Corporation**  
**1006 Oaza Kadoma Kadoma-shi Osaka 5718501 Japan**

(72) Name(s) of Designer(s): **Tomomi Hara and Seiichi Katou**

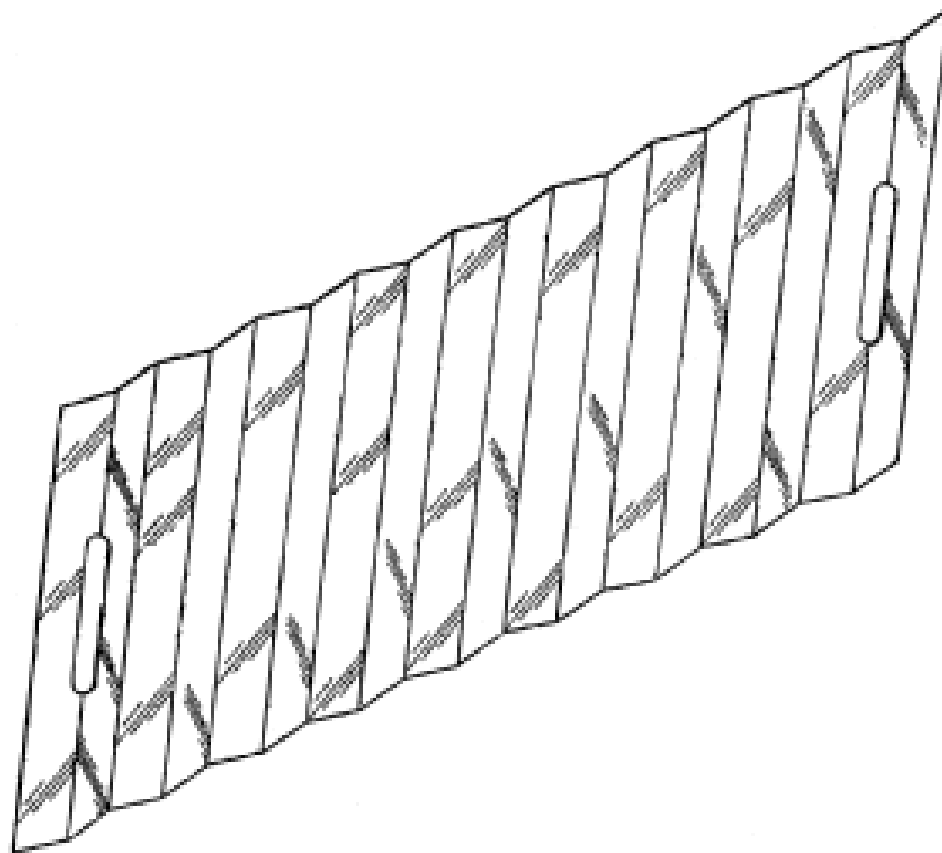
(45) Registration Date: **16 April 2009**

(56) Related Art Documents: **Not Applicable**

(57) Statement of Newness and Distinctiveness: **Newness and distinctiveness is claimed in the features of shape and/or configuration of a charger, and in particular, the feature labelled 'A', as illustrated in the accompanying representations.**



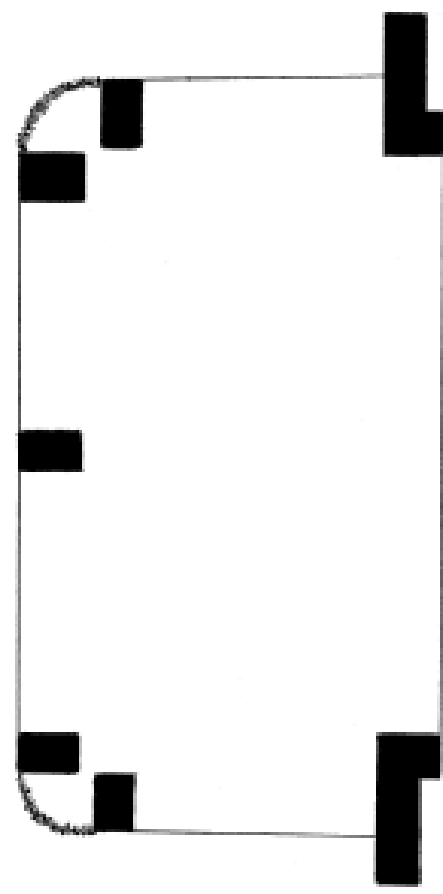
- (21) Design Number: **10250/2009**  
(22) Date of Filing Application: **30 January 2009**  
(24) Date from which industrial property rights may have effect: **30 January 2009**  
(54) Product in respect of which the design is registered: **Advertising device**  
(51) International Design Classification: **20-03NES**  
(71) Name(s) and Address(s) of Applicant(s):  
**Argo Development and Manufacturing Ltd**  
**17 Zvi Shapira Street Herzliya 46406 Israel**  
(72) Name(s) of Designer(s): **Moshe Harel**  
(45) Registration Date: **17 April 2009**  
(56) Related Art Documents: **Not Applicable**  
(57) Statement of Newness and Distinctiveness: **Nil**



- (21) Design Number: **10279/2009**  
(22) Date of Filing Application: **30 January 2009**  
(24) Date from which industrial property rights may have effect: **30 January 2009**  
(54) Product in respect of which the design is registered: **A plug for drains that can be fitted and removed as required**  
(51) International Design Classification: **23-02D**  
(71) Name(s) and Address(s) of Applicant(s):  
**Phillip Palmer**  
**6 Benambra Street West Preston Victoria 3072 Australia**  
(72) Name(s) of Designer(s): **Phillip Palmer**  
(45) Registration Date: **17 April 2009**  
(56) Related Art Documents: **Not Applicable**  
(57) Statement of Newness and Distinctiveness: **Nil**

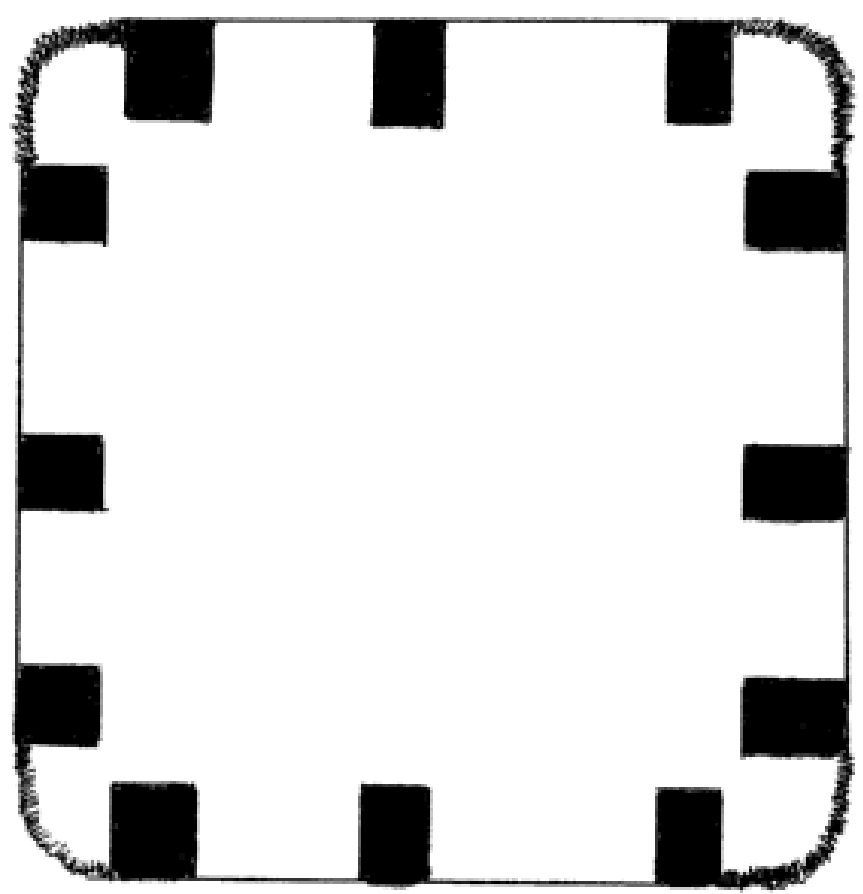


- (21) Design Number: **10655/2009**
- (22) Date of Filing Application: **02 March 2009**
- (24) Date from which industrial property rights may have effect: **02 March 2009**
- (54) Product in respect of which the design is registered: **Design 1: Clothesline cover for a fold-down clothesline**
- (51) International Design Classification: **07-05NES**
- (71) Name(s) and Address(s) of Applicant(s):  
**Noel Wynne**  
**589 Piggabeen Road Piggabeen New South Wales 2486 Australia**  
**Liana Wynne**  
**589 Piggabeen Road Piggabeen New South Wales 2486 Australia**
- (72) Name(s) of Designer(s): **Liana Wynne**
- (45) Registration Date: **20 April 2009**
- (56) Related Art Documents: **Not Applicable**



(57) Statement of Newness and Distinctiveness: **Our product is a clothesline cover for both hoist and fold-down lines made of a PVC clear material enabling direct sunlight to penetrate and accelerate drying by up to 5 degrees higher than the outdoor temperature. The cover fits directly over the clothesline frame being secured in the corners with elastic and secured at the sides, front and back sections with Velcro to hold the material taut around the framework. This method is the same for both the fold-down and hoist designs. With the cover flush on the clothesline, the close proximity of the 'PVC Clear' to the clothes enables drying time to be reduced significantly and is also aided by the natural breeze and airflow beneath the cover. Having a faster turn-over of drying for the consumer helps eliminate the necessity for electric dryers in the colder, winter months when clothes haven't dried or smell musty from being continuously damp. Our product is very lightweight, easy to affix and remove. It is fully washable, durable and totally waterproof. As the material is waterproof, it can also withstand excessive weather conditions with the assistance of the Velcro attachments holding it in position. As it is durable, there is no necessity to remove the product from the clothesline in adverse weather conditions. Being made from a 'PVC Clear' thin product, it will also be cost effective to the consumer and an energy efficient saver. This product has a minimal environmental impact as the area underneath the cover is not shaded, allowing the sun to penetrate, inhibiting mould and mildew growth, nor is a haven for shade loving insects i.e. mosquitoes. It also provides sterilization properties due to the direct sunlight penetrating through to the clothes. The fold-down line is rectangular shape with the hoist design a square shape. Both designs are submitted at indefinite lengths. Both designs are made of a PVC clear plastic which is .2mm in thickness.**

- (21) Design Number: **10656/2009**
- (22) Date of Filing Application: **02 March 2009**
- (24) Date from which industrial property rights may have effect: **02 March 2009**
- (54) Product in respect of which the design is registered: **Design 2: Clothesline cover for a hoist clothesline**
- (51) International Design Classification: **07-05NES**
- (71) Name(s) and Address(s) of Applicant(s):  
**Noel Wynne**  
**589 Piggabeen Road Piggabeen New South Wales 2486 Australia**  
**Liana Wynne**  
**589 Piggabeen Road Piggabeen New South Wales 2486 Australia**
- (72) Name(s) of Designer(s): **Liana Wynne**
- (45) Registration Date: **20 April 2009**
- (56) Related Art Documents: **Not Applicable**



(57) Statement of Newness and Distinctiveness: **Our product is a clothesline cover for both hoist and fold-down lines made of a PVC clear material enabling direct sunlight to penetrate and accelerate drying by up to 5 degrees higher than the outdoor temperature. The cover fits directly over the clothesline frame being secured in the corners with elastic and secured at the sides, front and back sections with Velcro to hold the material taut around the framework. This method is the same for both the fold-down and hoist designs. With the cover flush on the clothesline, the close proximity of the 'PVC Clear' to the clothes enables drying time to be reduced significantly and is also aided by the natural breeze and airflow beneath the cover. Having a faster turn-over of drying for the consumer helps eliminate the necessity for electric dryers in the colder, winter months when clothes haven't dried or smell musty from being continuously damp. Our product is very lightweight, easy to affix and remove. It is fully washable, durable and totally waterproof. As the material is waterproof, it can also withstand excessive weather conditions with the assistance of the Velcro attachments holding it in position. As it is durable, there is no necessity to remove the product from the clothesline in adverse weather conditions. Being made from a**

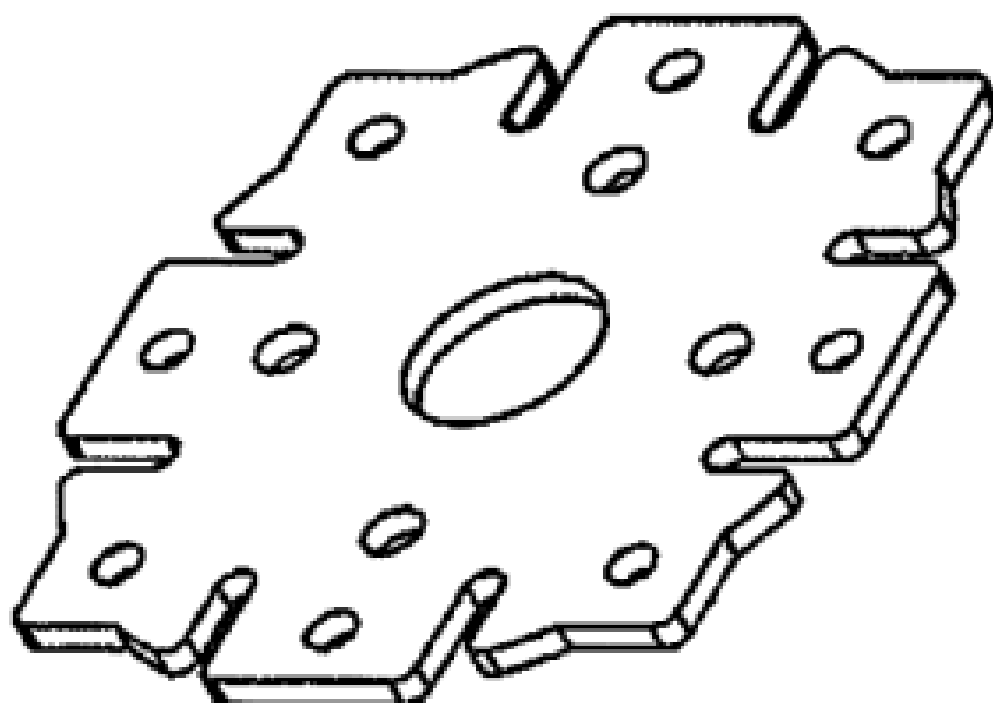
'PVC Clear' thin product, it will also be cost effective to the consumer and an energy efficient saver. This product has a minimal environmental impact as the area underneath the cover is not shaded, allowing the sun to penetrate, inhibiting mould and mildew growth, nor is a haven for shade loving insects i.e. mosquitoes. It also provides sterilization properties due to the direct sunlight penetrating through to the clothes. The fold-down line is rectangular shape with the hoist design a square shape. Both designs are submitted at indefinite lengths. Both designs are made of a PVC clear plastic which is .2mm in thickness.

---

**(12) AUSTRALIAN REGISTERED DESIGN**  
**(19) AU**

**(11) AU-S- 325741**

- 
- (21) Design Number: **11284/2009**  
(22) Date of Filing Application: **14 April 2009**  
(24) Date from which industrial property rights may have effect: **14 April 2009**  
(54) Product in respect of which the design is registered: **Head for an access floor pedestal**  
(51) International Design Classification: **25-01NES, 08-08L**  
(71) Name(s) and Address(s) of Applicant(s):  
**Petar Zlatar**  
**32 Prime Drive Seven Hills New South Wales 2147 Australia**  
(72) Name(s) of Designer(s): **Petar Zlatar**  
(45) Registration Date: **20 April 2009**  
(56) Related Art Documents: **Not Applicable**  
(57) Statement of Newness and Distinctiveness: **Newness and distinctiveness is claimed in the shape and/or configuration of HEAD FOR AN ACCESS FLOOR PEDESTAL as illustrated by the unbroken lines in the accompanying representation/s.**



(21) Design Number: **11285/2009**

(22) Date of Filing Application: **15 April 2009**

(24) Date from which industrial property rights may have effect: **15 April 2009**

(54) Product in respect of which the design is registered: **Chair**

(51) International Design Classification: **06-01F**

(71) Name(s) and Address(s) of Applicant(s):

**Itoki Corporation**

**4-12 Imafuku-higashi 1-Chome Joto-ku Osaka-Shi Osaka 536-0002  
Japan**

(72) Name(s) of Designer(s): **Armin Sander and Martin Potrykus and Hiroto Usumoto**

(45) Registration Date: **20 April 2009**

(30) Convention priority data:

(31) Number	(32) Date	(33) Country
<b>2008-026669</b>	<b>16 Oct 2008</b>	<b>JAPAN</b>

(56) Related Art Documents: **Not Applicable**

(57) Statement of Newness and Distinctiveness: **The shape and configuration of the chair as shown in the representations is new and distinctive.**



(21) Design Number: **11286/2009**

(22) Date of Filing Application: **15 April 2009**

(24) Date from which industrial property rights may have effect: **15 April 2009**

(54) Product in respect of which the design is registered: **Fire detector**

(51) International Design Classification: **10-05, 29-01**

(71) Name(s) and Address(s) of Applicant(s):

**Hochiki Corporation**

**10-43 Kamiosaki 2-chome Shinagawa-ku Tokyo 141-8660 Japan**

(72) Name(s) of Designer(s): **Atsushi Mammoto and Hiromichi Ebata**

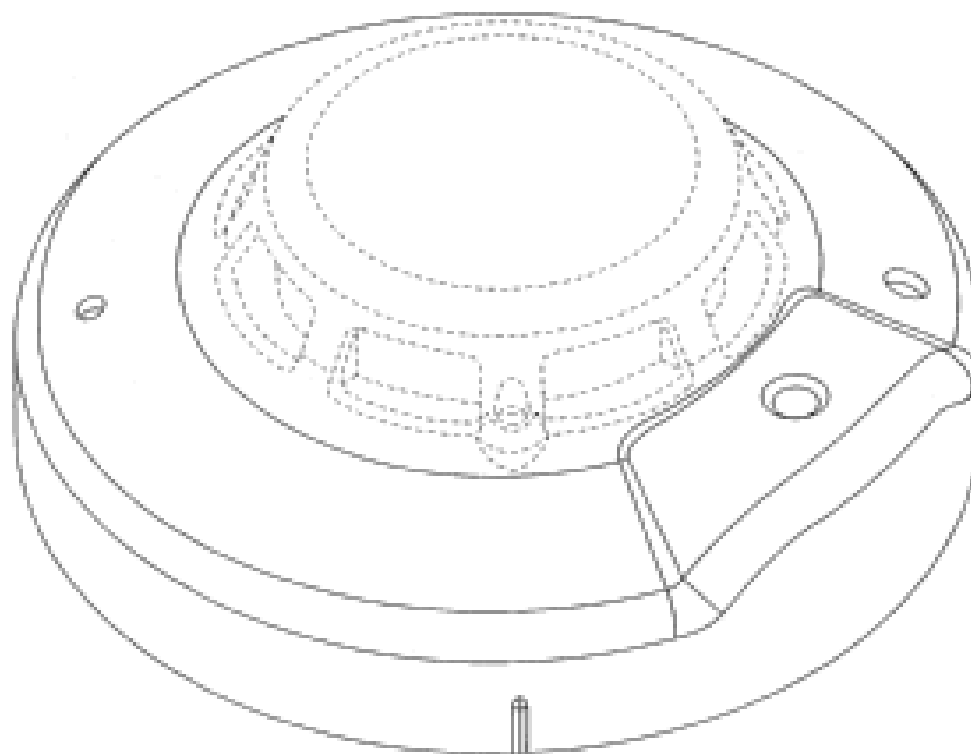
(45) Registration Date: **20 April 2009**

(30) Convention priority data:

(31) Number	(32) Date	(33) Country
<b>2008-026500</b>	<b>15 Oct 2008</b>	<b>JAPAN</b>

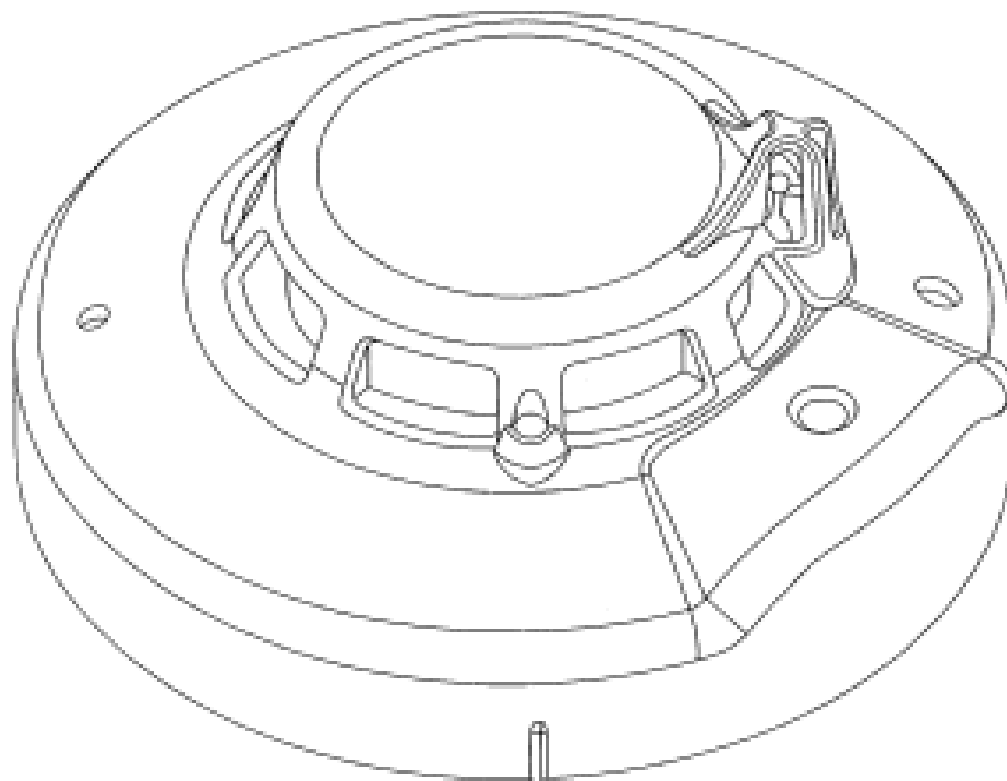
(56) Related Art Documents: **Not Applicable**

(57) Statement of Newness and Distinctiveness: **The shape and configuration of the parts of the fire detector shown by means of solid lines in the representations are new and distinctive.**

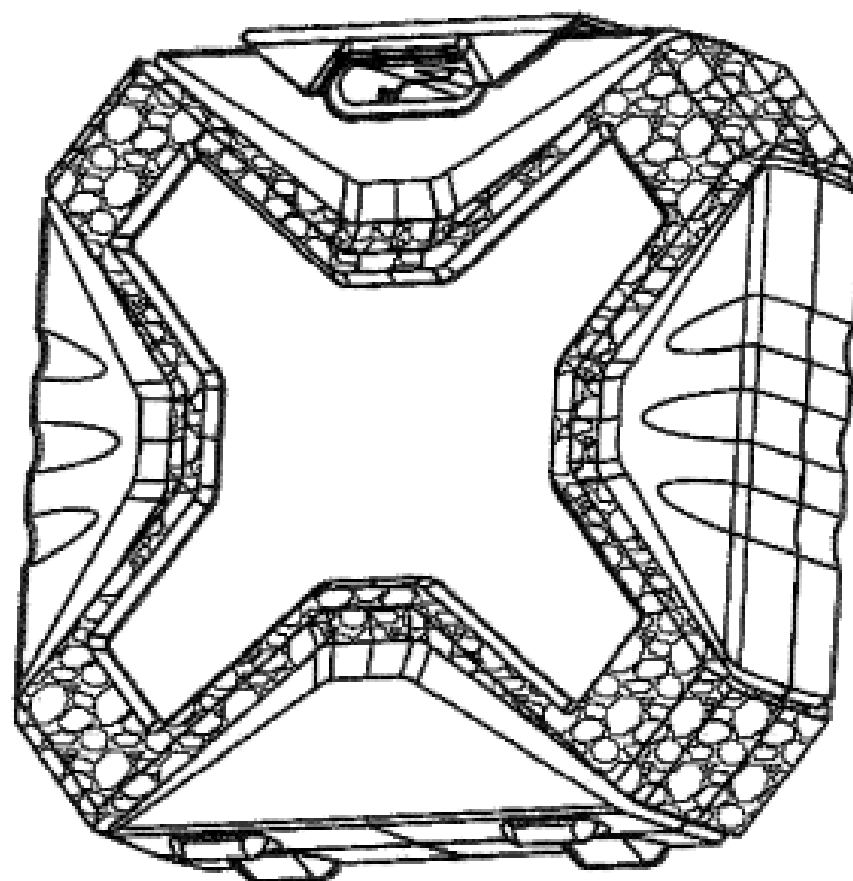




- (21) Design Number: **11287/2009**  
(22) Date of Filing Application: **15 April 2009**  
(24) Date from which industrial property rights may have effect: **15 April 2009**  
(54) Product in respect of which the design is registered: **Fire detector**  
(51) International Design Classification: **10-05, 29-01**  
(71) Name(s) and Address(s) of Applicant(s):  
**Hochiki Corporation**  
**10-43 Kamiosaki 2-chome Shinagawa-ku Tokyo 141-8660 Japan**  
(72) Name(s) of Designer(s): **Atsushi Mammoto and Hiromichi Ebata**  
(45) Registration Date: **20 April 2009**  
(30) Convention priority data:  
(31) Number      (32) Date      (33) Country  
**2008-026499      15 Oct 2008      JAPAN**  
(56) Related Art Documents: **Not Applicable**  
(57) Statement of Newness and Distinctiveness: **The shape and configuration of the fire detector as shown in the representations is new and distinctive.**



- (21) Design Number: **11288/2009**  
(22) Date of Filing Application: **15 April 2009**  
(24) Date from which industrial property rights may have effect: **15 April 2009**  
(54) Product in respect of which the design is registered: **Tool box**  
(51) International Design Classification: **03-01D**  
(71) Name(s) and Address(s) of Applicant(s):  
**Robert Bosch GmbH**  
**Wernerstr. 1 70469 Stuttgart Germany**  
(72) Name(s) of Designer(s): **Hans-Peter Aglassinger**  
(45) Registration Date: **20 April 2009**  
(30) Convention priority data:  
(31) Number      (32) Date      (33) Country  
**001024277      20 Oct 2008      EUROPEAN COMMUNITY**  
(56) Related Art Documents: **Not Applicable**  
(57) Statement of Newness and Distinctiveness: **Nil**



(21) Design Number: **10394/2009**

(22) Date of Filing Application: **12 February 2009**

(24) Date from which industrial property rights may have effect: **12 February 2009**

(54) Product in respect of which the design is registered: **Medical - allergy alert wristbands in distinctive specially designed colour**

(51) International Design Classification: **24-99, 11-01C**

(71) Name(s) and Address(s) of Applicant(s):

**Toni Fricker**

**26 Ravenshaw Street Merewether New South Wales 2291 Australia**

(72) Name(s) of Designer(s): **Toni Fricker**

(45) Registration Date: **17 April 2009**

(56) Related Art Documents: **Not Applicable**

(57) Statement of Newness and Distinctiveness: **The colour for the bands was specially formulated (and specially mixed) to be highly visible for maximum impact and visibility against all backgrounds eg, clothing, skin tone, water, and was tested for same. Other medical bands use PMS or Pantone colours. Mine is a unique specially mixed colour.**



(21) Design Number: **10795/2009**

(22) Date of Filing Application: **13 March 2009**

(24) Date from which industrial property rights may have effect: **13 March 2009**

(54) Product in respect of which the design is registered: **The portable fire bunker is an all steel structure lined with fire resistant board and can be transported by truck**

(51) International Design Classification: **25-03**

(71) Name(s) and Address(s) of Applicant(s):

**Earle Raymond Hogg**

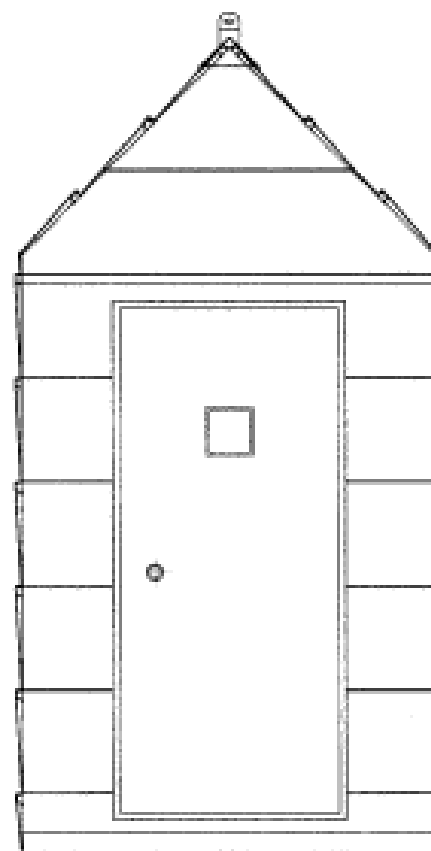
**51 Lyrebird Ridge Road Springbrook Queensland 4213 Australia**

(72) Name(s) of Designer(s): **Earle Raymond Hogg**

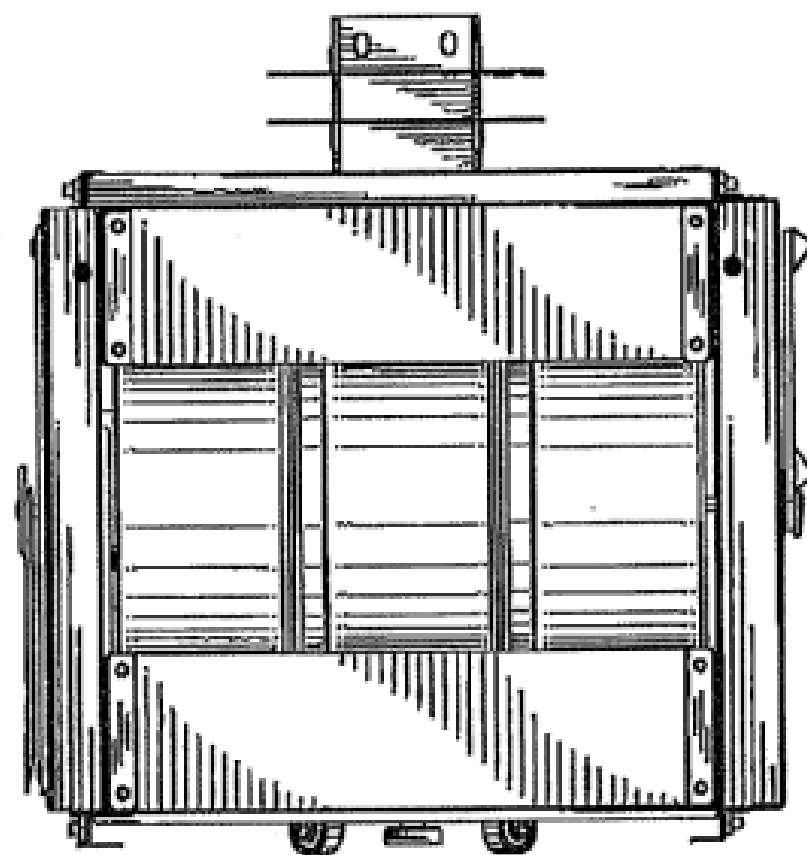
(45) Registration Date: **17 April 2009**

(56) Related Art Documents: **Not Applicable**

(57) Statement of Newness and Distinctiveness: **Its ability to be transported in its finished and ready to use condition.**



(21) Design Number: **11279/2009**  
(22) Date of Filing Application: **15 April 2009**  
(24) Date from which industrial property rights may have effect: **15 April 2009**  
(54) Product in respect of which the design is registered: **Rotatable display unit for a gaming machine**  
(51) International Design Classification: **21-03**  
(71) Name(s) and Address(s) of Applicant(s):  
**Konami Gaming, Incorporated**  
**585 Trade Center Drive Las Vegas NV 89119 United States of America**  
(72) Name(s) of Designer(s): **Mitsushige Takeuchi**  
(45) Registration Date: **17 April 2009**  
(30) Convention priority data:  
(31) Number (32) Date (33) Country  
**29/312,429 20 Oct 2008 UNITED STATES OF AMERICA**  
(56) Related Art Documents: **Not Applicable**  
(57) Statement of Newness and Distinctiveness: **The newness and distinctiveness of the design resides in the features of shape and/or configuration of the rotatable display unit shown in the accompanying representations.**



(21) Design Number: **10988/2009**  
(22) Date of Filing Application: **23 March 2009**  
(24) Date from which industrial property rights may have effect: **23 March 2009**  
(54) Product in respect of which the design is registered: **An orthotic device**  
(51) International Design Classification: **02-04A, 24-04**  
(71) Name(s) and Address(s) of Applicant(s):  
**Foot Bionics Limited**  
**275 Papanui Road Christchurch New Zealand**  
(72) Name(s) of Designer(s): **Gregory Read Woolman**  
(45) Registration Date: **21 April 2009**  
(56) Related Art Documents: **Not Applicable**  
(57) Statement of Newness and Distinctiveness: **Newness and distinctiveness resides in the shape, configuration, pattern and ornamentation of an orthotic device as shown in the representations.**

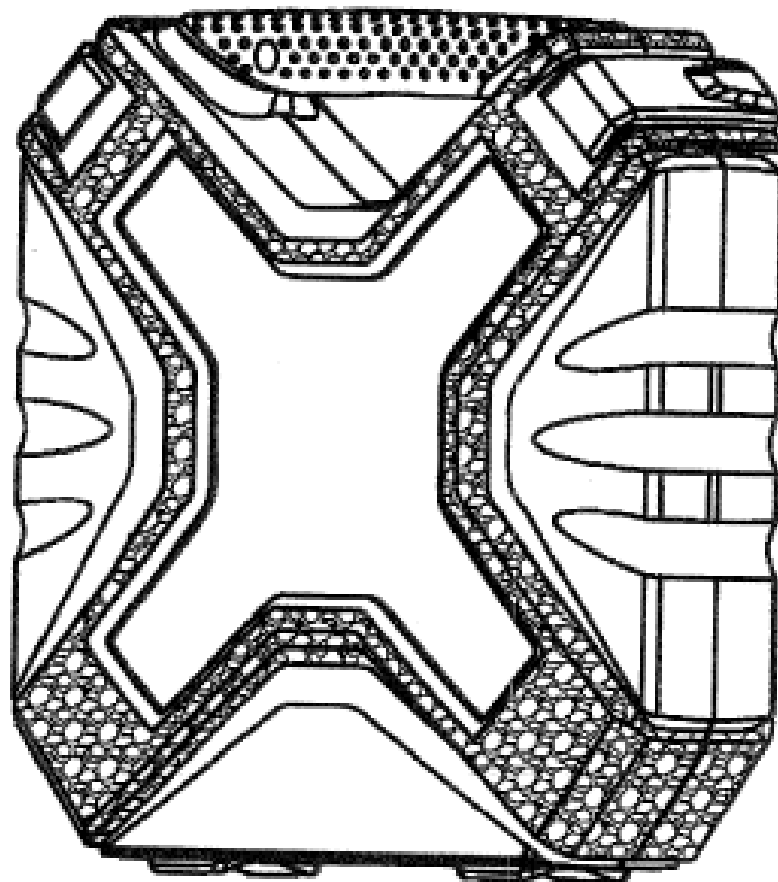


- (21) Design Number: **10989/2009**
- (22) Date of Filing Application: **23 March 2009**
- (24) Date from which industrial property rights may have effect: **23 March 2009**
- (54) Product in respect of which the design is registered: **An orthotic device**
- (51) International Design Classification: **02-04A, 24-04**
- (71) Name(s) and Address(s) of Applicant(s):  
**Foot Bionics Limited**  
**275 Papanui Road Christchurch New Zealand**
- (72) Name(s) of Designer(s): **Gregory Read Woolman**
- (45) Registration Date: **21 April 2009**
- (56) Related Art Documents: **Not Applicable**
- (57) Statement of Newness and Distinctiveness: **Newness and distinctiveness resides in the shape, configuration, pattern and ornamentation of an orthotic device as shown in the representations.**

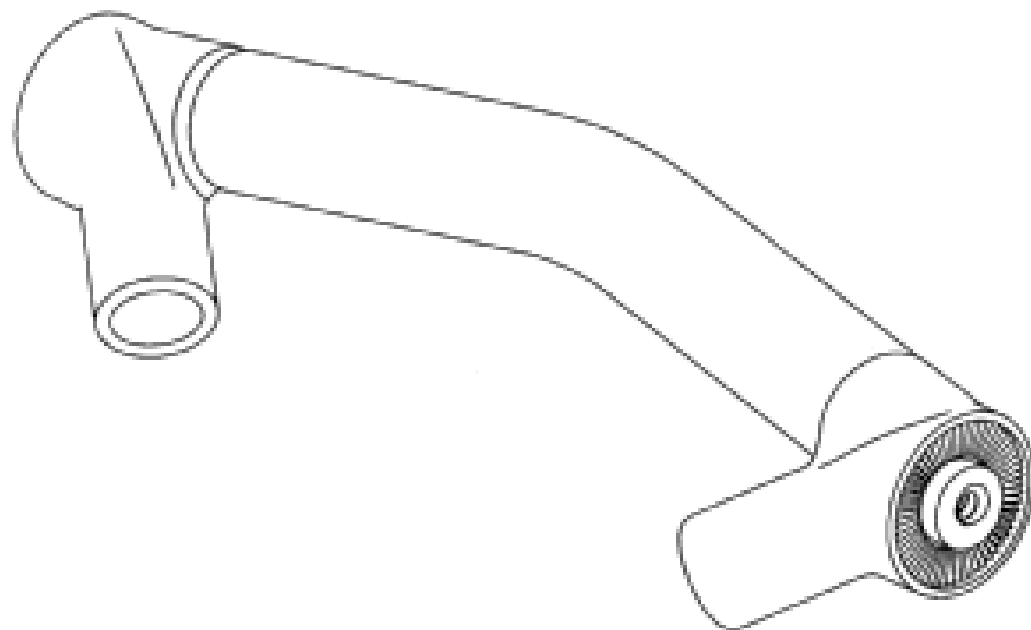


- (21) Design Number: **11289/2009**
- (22) Date of Filing Application: **15 April 2009**
- (24) Date from which industrial property rights may have effect: **15 April 2009**
- (54) Product in respect of which the design is registered: **Tool box**
- (51) International Design Classification: **03-01D**
- (71) Name(s) and Address(s) of Applicant(s):  
**Robert Bosch GmbH**  
**Wernerstr. 1 70469 Stuttgart Germany**
- (72) Name(s) of Designer(s): **Hans-Peter Aglassinger**
- (45) Registration Date: **21 April 2009**
- (30) Convention priority data:

(31) Number	(32) Date	(33) Country
<b>001024277</b>	<b>20 Oct 2008</b>	<b>EUROPEAN COMMUNITY</b>
- (56) Related Art Documents: **Not Applicable**
- (57) Statement of Newness and Distinctiveness: **Nil**



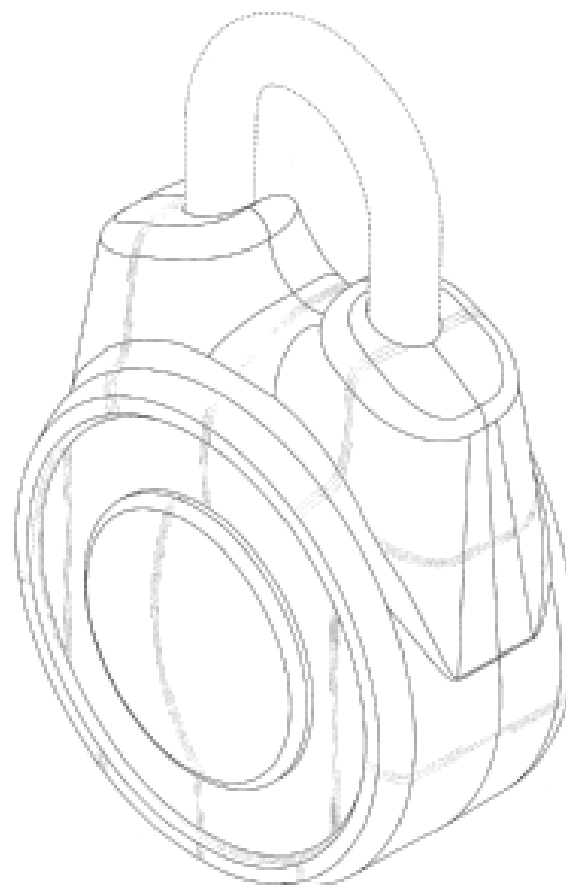
(21) Design Number: **11293/2009**  
 (22) Date of Filing Application: **15 April 2009**  
 (24) Date from which industrial property rights may have effect: **15 April 2009**  
 (54) Product in respect of which the design is registered: **Handle for a golf cart**  
 (51) International Design Classification: **08-06**  
 (71) Name(s) and Address(s) of Applicant(s):  
**Unique Product & Design Co., Ltd.**  
**No. 5 Ming Dong Road Yung Kang City Tainan Hsien Taiwan**  
 (72) Name(s) of Designer(s): **Gordon Liao**  
 (45) Registration Date: **21 April 2009**  
 (56) Related Art Documents: **Not Applicable**  
 (57) Statement of Newness and Distinctiveness: **Nil**



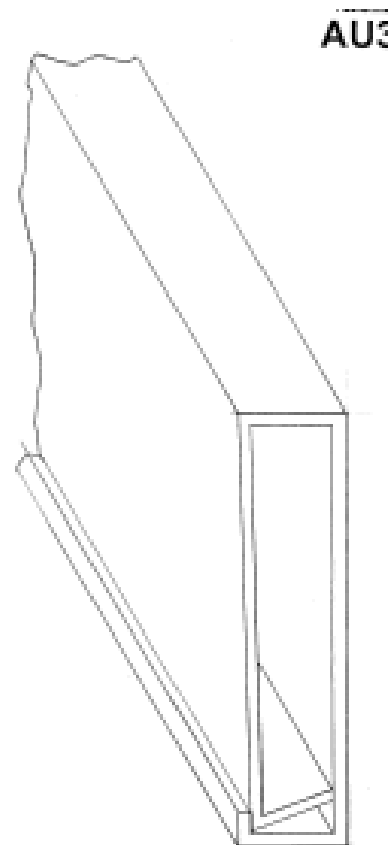
(21) Design Number: **11236/2009**  
 (22) Date of Filing Application: **09 April 2009**  
 (24) Date from which industrial property rights may have effect: **09 April 2009**  
 (54) Product in respect of which the design is registered: **Lock**  
 (51) International Design Classification: **08-07**  
 (71) Name(s) and Address(s) of Applicant(s):  
**Master Lock Company LLC**  
**137 W. Forest Avenue PO Box 927 Oak Creek Wisconsin 53154 United States of America**  
 (72) Name(s) of Designer(s): **Lee Marie Plato**  
 (45) Registration Date: **19 April 2009**  
 (30) Convention priority data:  

(31) Number	(32) Date	(33) Country
<b>29/326041</b>	<b>10 Oct 2008</b>	<b>UNITED STATES OF AMERICA</b>

 (56) Related Art Documents: **Not Applicable**  
 (57) Statement of Newness and Distinctiveness: **Newness and distinctiveness are provided by the shape and/or configuration of the design shown in the representations. The features shown in broken lines in the representations are for illustrative purposes only and should not be considered when construing visual features of the design.**



- (21) Design Number: **11246/2009**  
(22) Date of Filing Application: **16 April 2009**  
(24) Date from which industrial property rights may have effect: **16 April 2009**  
(54) Product in respect of which the design is registered: **Steel slat product used for screening**  
(51) International Design Classification: **25-02H, 25-02NES**  
(71) Name(s) and Address(s) of Applicant(s):  
**Heuron Screenline Pty Ltd**  
**80 Catherine Crescent Lavington New South Wales 2641 Australia**  
(72) Name(s) of Designer(s): **Bradley James Hewines**  
(45) Registration Date: **19 April 2009**  
(56) Related Art Documents: **Not Applicable**  
(57) Statement of Newness and Distinctiveness: **The slat is folded from 1 piece of steel, when complete it has square corners rather than rounded. Also the inner angled leg prevents it being disassembled. The new features of the design, are the square corners, and the appearance of the overlap, which locks the slat together.**



- (21) Design Number: **10450/2009**  
(22) Date of Filing Application: **16 February 2009**  
(24) Date from which industrial property rights may have effect: **16 February 2009**  
(54) Product in respect of which the design is registered: **Safety razor with trimmer**  
(51) International Design Classification: **28-03A**  
(71) Name(s) and Address(s) of Applicant(s):  
**Eveready Battery Company, Inc.**  
**533 Maryville University Drive St Louis Missouri 63141 United States of America**  
(72) Name(s) of Designer(s): **Gregg A. Micinilio and Jia Jun Shen**  
(45) Registration Date: **20 April 2009**  
(30) Convention priority data:  
(31) Number      (32) Date      (33) Country  
**29/323262      21 Aug 2008      UNITED STATES OF AMERICA**  
(56) Related Art Documents: **Not Applicable**  
(57) Statement of Newness and Distinctiveness: **Nil**

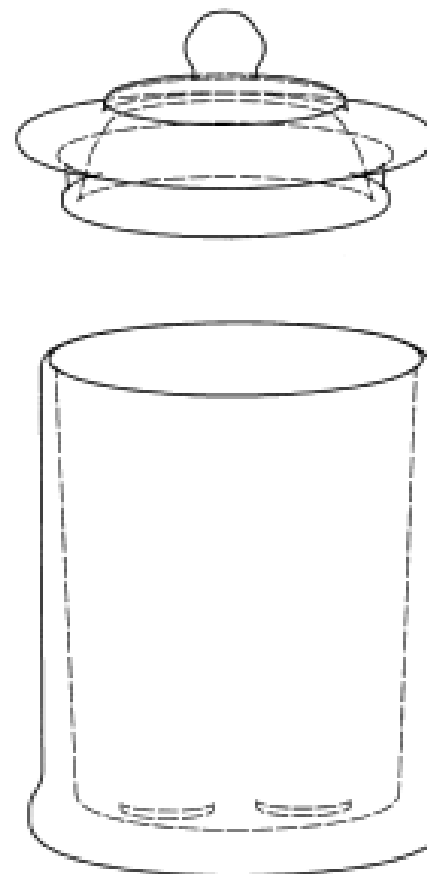


- (21) Design Number: **10451/2009**
- (22) Date of Filing Application: **16 February 2009**
- (24) Date from which industrial property rights may have effect: **16 February 2009**
- (54) Product in respect of which the design is registered: **Safety razor with trimmer**
- (51) International Design Classification: **28-03A**
- (71) Name(s) and Address(s) of Applicant(s):  
**Eveready Battery Company, Inc.**  
**533 Maryville University Drive St Louis Missouri 63141 United States of America**
- (72) Name(s) of Designer(s): **Gregg A. Micinilio and Jia Jun Shen**
- (45) Registration Date: **20 April 2009**
- (30) Convention priority data:  

(31) Number	(32) Date	(33) Country
<b>29/323265</b>	<b>21 Aug 2008</b>	<b>UNITED STATES OF AMERICA</b>
- (56) Related Art Documents: **Not Applicable**
- (57) Statement of Newness and Distinctiveness: **Nil**



- (21) Design Number: **10943/2009**
- (22) Date of Filing Application: **23 March 2009**
- (24) Date from which industrial property rights may have effect: **23 March 2009**
- (54) Product in respect of which the design is registered: **Candle holder**
- (51) International Design Classification: **26-01**
- (71) Name(s) and Address(s) of Applicant(s):  
**Sapphire Group Pty Ltd**  
**Unit 11 33-37 College Street Gladesville New South Wales 2111 Australia**
- (72) Name(s) of Designer(s): **Nicole Eccles and John Staples**
- (45) Registration Date: **20 April 2009**
- (56) Related Art Documents: **Not Applicable**
- (57) Statement of Newness and Distinctiveness: **Glass candle holder specifically designed for wax candles. The design maximises the sensory profile of each candle as it burns. The appearance of the holder has synergistic elements which enhance the candles attractiveness before and while in use.**



(21) Design Number: **10405/2009**

(22) Date of Filing Application: **11 February 2009**

(24) Date from which industrial property rights may have effect: **11 February 2009**

(54) Product in respect of which the design is registered: **Grid tee face sleeve**

(51) International Design Classification: **25-01K, 25-01C**

(71) Name(s) and Address(s) of Applicant(s):

**USG Interiors, Inc.**

**550 West Adams Street Chicago Illinois 60661-3676 United States of America**

(72) Name(s) of Designer(s): **Lee M. Tedesco and Paul D. LaLonde and Ilya Lerner**

(45) Registration Date: **20 April 2009**

(30) Convention priority data:

(31) Number

(32) Date

(33) Country

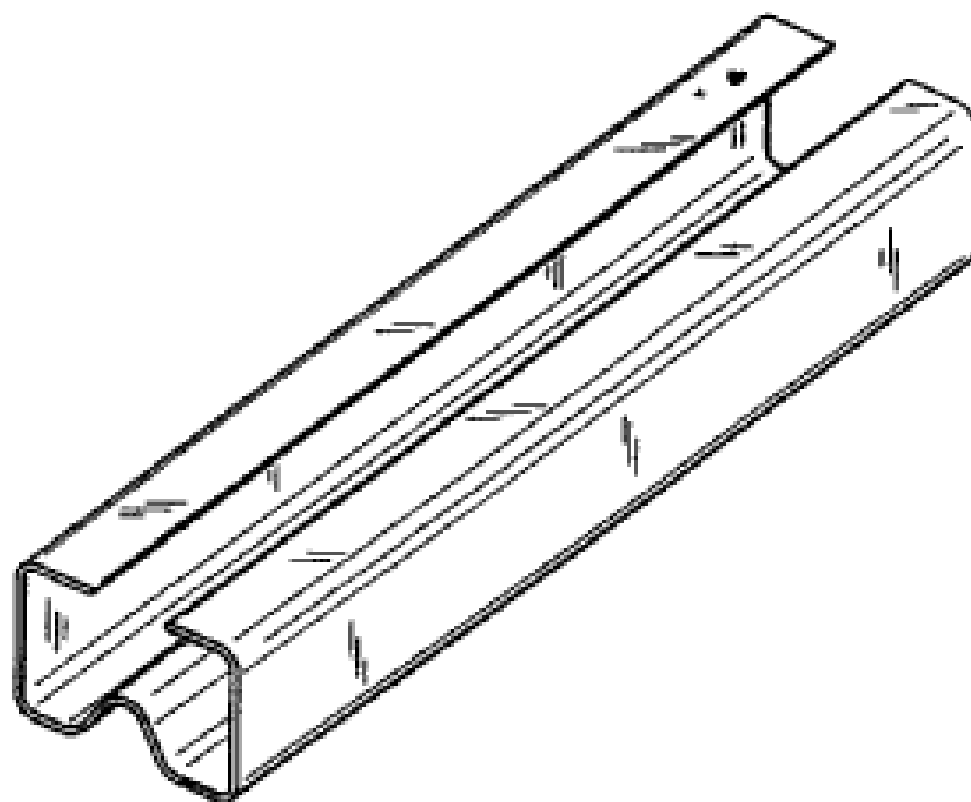
**29/322767**

**12 Aug 2008**

**UNITED STATES OF AMERICA**

(56) Related Art Documents: **Not Applicable**

(57) Statement of Newness and Distinctiveness: **Newness and distinctiveness resides in the shape and configuration and/or pattern and ornamentation of the grid tee face sleeve shown in the accompanying illustrations.**



(21) Design Number: **10484/2009**

(22) Date of Filing Application: **17 February 2009**

(24) Date from which industrial property rights may have effect: **17 February 2009**

(54) Product in respect of which the design is registered: **Storage water heater**

(51) International Design Classification: **23-03H**

(71) Name(s) and Address(s) of Applicant(s):

**Simon Ridley**

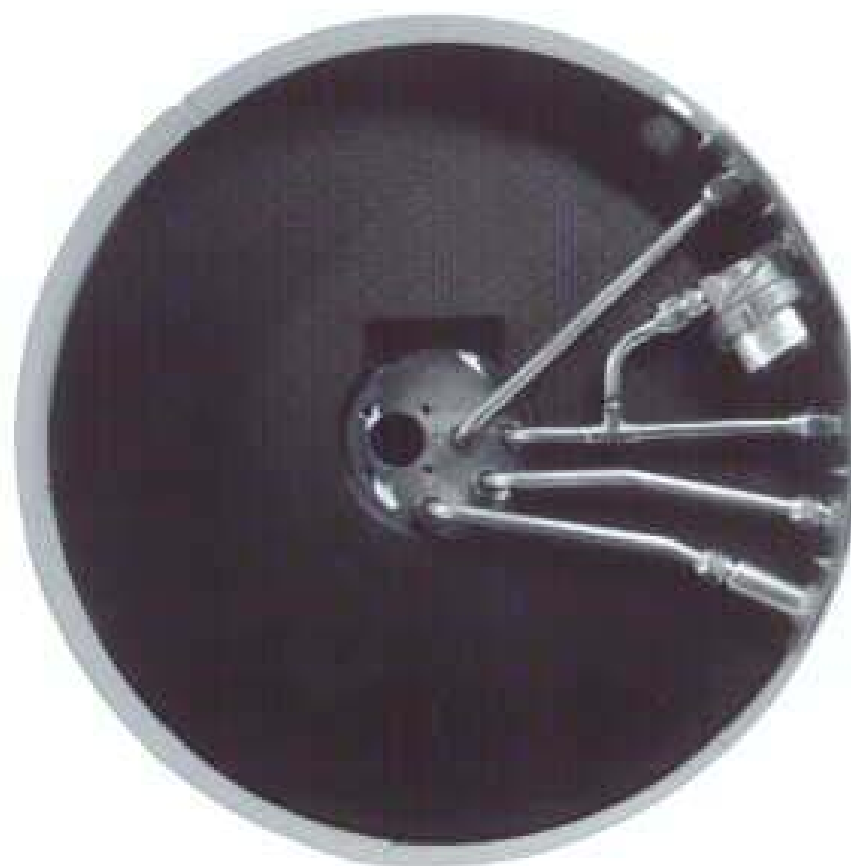
**36 Nelson Street Stepney South Australia 5069 Australia**

(72) Name(s) of Designer(s): **Simon Ridley**

(45) Registration Date: **20 April 2009**

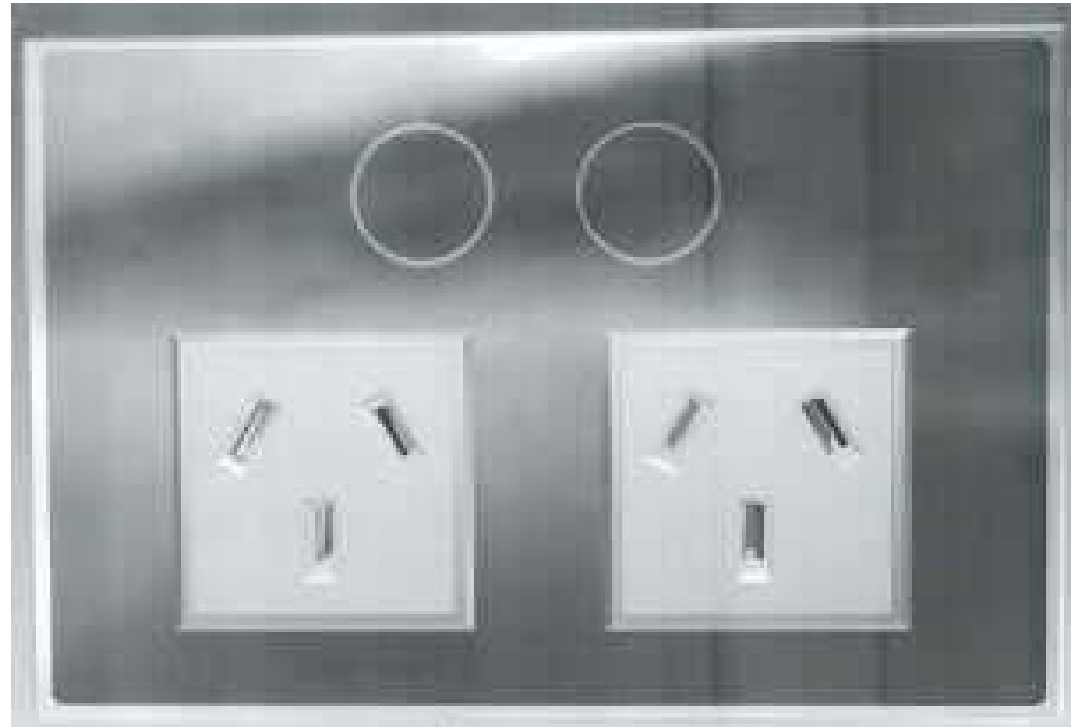
(56) Related Art Documents: **Not Applicable**

(57) Statement of Newness and Distinctiveness: **The newness and distinctiveness of the water heater storage vessel is the following: The circulating pump, connecting pipe work, and outlets are enclosed within the top of the storage vessel case of the solar hot water heater.**

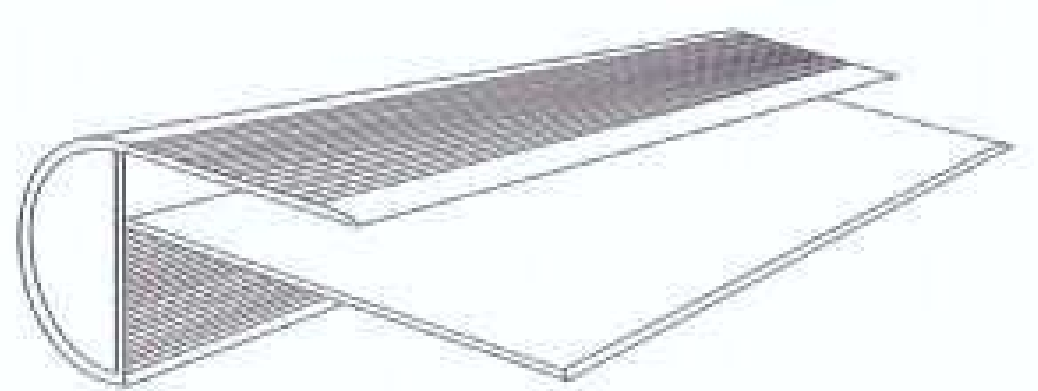




- (21) Design Number: **11070/2009**  
(22) Date of Filing Application: **30 March 2009**  
(24) Date from which industrial property rights may have effect: **30 March 2009**  
(54) Product in respect of which the design is registered: **Electrical socket**  
(51) International Design Classification: **13-03D**  
(71) Name(s) and Address(s) of Applicant(s):  
**Connected Group Australia Pty Ltd**  
**13 Archer Street Concord New South Wales 2137 Australia**  
(72) Name(s) of Designer(s): **Dean Lucantonio and Daniel Hsia**  
(45) Registration Date: **20 April 2009**  
(56) Related Art Documents: **Not Applicable**  
(57) Statement of Newness and Distinctiveness: **Nil**



- (21) Design Number: **11093/2009**  
(22) Date of Filing Application: **01 April 2009**  
(24) Date from which industrial property rights may have effect: **01 April 2009**  
(54) Product in respect of which the design is registered: **Stair nosing**  
(51) International Design Classification: **25-04**  
(71) Name(s) and Address(s) of Applicant(s):  
**Richard Anthony Pang**  
**2 Ovadell Place Canning Vale Western Australia 6155 Australia**  
(72) Name(s) of Designer(s): **Richard Anthony Pang**  
(45) Registration Date: **20 April 2009**  
(56) Related Art Documents: **Not Applicable**  
(57) Statement of Newness and Distinctiveness: **The feature of the design is the half of moon shape rounded at the front.**



(21) Design Number: **11300/2009**

(22) Date of Filing Application: **16 April 2009**

(24) Date from which industrial property rights may have effect: **16 April 2009**

(54) Product in respect of which the design is registered: **Plastic bottle**

(51) International Design Classification: **09-01K**

(71) Name(s) and Address(s) of Applicant(s):

**Kirin Beverage Kabushiki Kaisha (also trading as Kirin Beverage Corporation)**

**1 Kanda Izumi-cho Chiyoda-ku Tokyo Japan**

(72) Name(s) of Designer(s): **Norikazu Sato**

(45) Registration Date: **20 April 2009**

(30) Convention priority data:

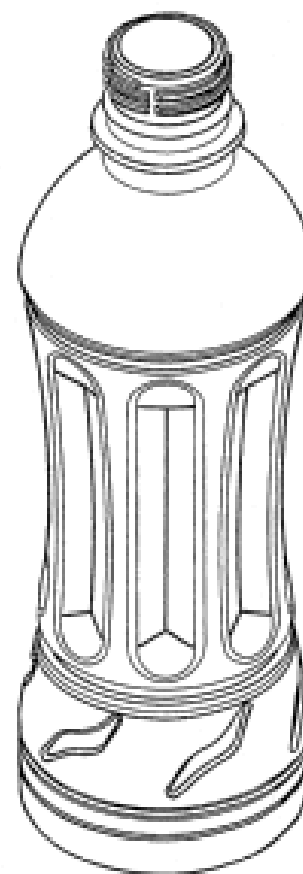
(31) Number  
**2008-30690**

(32) Date  
**01 Dec 2008**

(33) Country  
**JAPAN**

(56) Related Art Documents: **Not Applicable**

(57) Statement of Newness and Distinctiveness: **Nil**



(21) Design Number: **10470/2009**

(22) Date of Filing Application: **16 February 2009**

(24) Date from which industrial property rights may have effect: **16 February 2009**

(54) Product in respect of which the design is registered: **Sofa**

(51) International Design Classification: **06-01G**

(71) Name(s) and Address(s) of Applicant(s):

**Ross Didier**

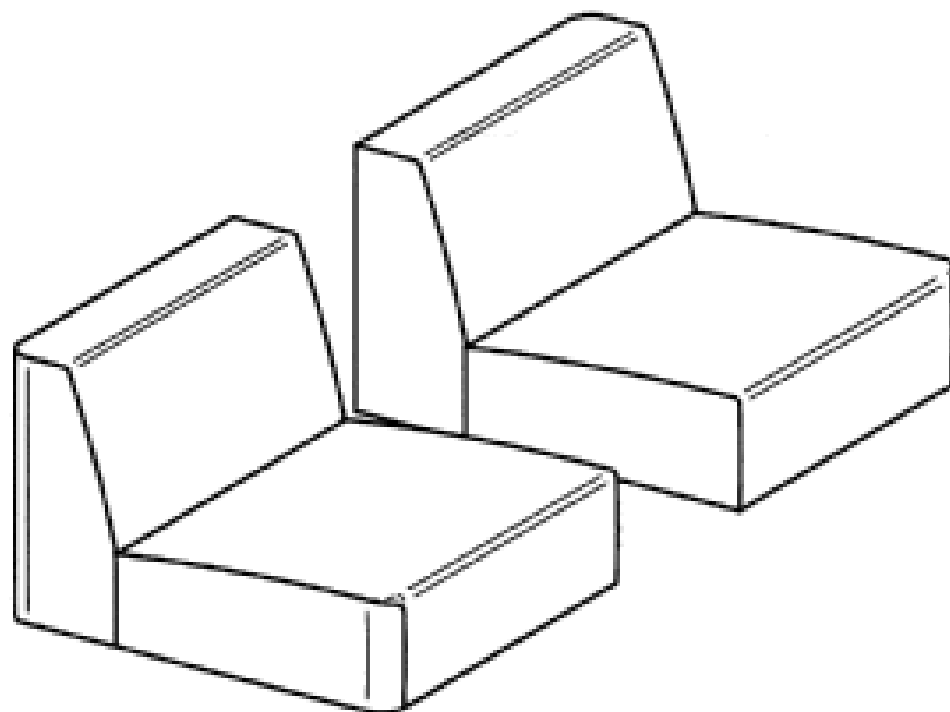
**81 Glenair Court Lower Templestowe Victoria 3107 Australia**

(72) Name(s) of Designer(s): **Ross Didier**

(45) Registration Date: **21 April 2009**

(56) Related Art Documents: **Not Applicable**

(57) Statement of Newness and Distinctiveness: **The new feature and detailing is radius blending of the corners with configuration of the seat to back.**



(21) Design Number: **10471/2009**

(22) Date of Filing Application: **16 February 2009**

(24) Date from which industrial property rights may have effect: **16 February 2009**

(54) Product in respect of which the design is registered: **Sofa with arms**

(51) International Design Classification: **06-01G**

(71) Name(s) and Address(s) of Applicant(s):

**Ross Didier**

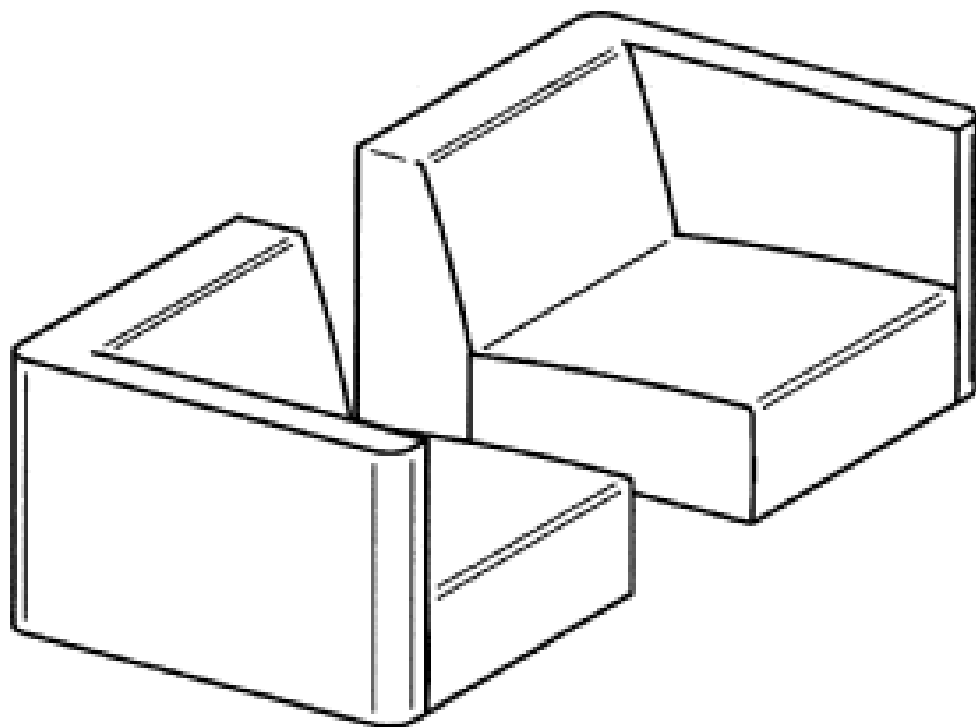
**81 Glenair Court Lower Templestowe Victoria 3107 Australia**

(72) Name(s) of Designer(s): **Ross Didier**

(45) Registration Date: **21 April 2009**

(56) Related Art Documents: **Not Applicable**

(57) Statement of Newness and Distinctiveness: **The new feature and detailing is radius blending of the corner arms with configuration of the seat to back.**



(21) Design Number: **10472/2009**

(22) Date of Filing Application: **16 February 2009**

(24) Date from which industrial property rights may have effect: **16 February 2009**

(54) Product in respect of which the design is registered: **Leg**

(51) International Design Classification: **06-06G**

(71) Name(s) and Address(s) of Applicant(s):

**Ross Didier**

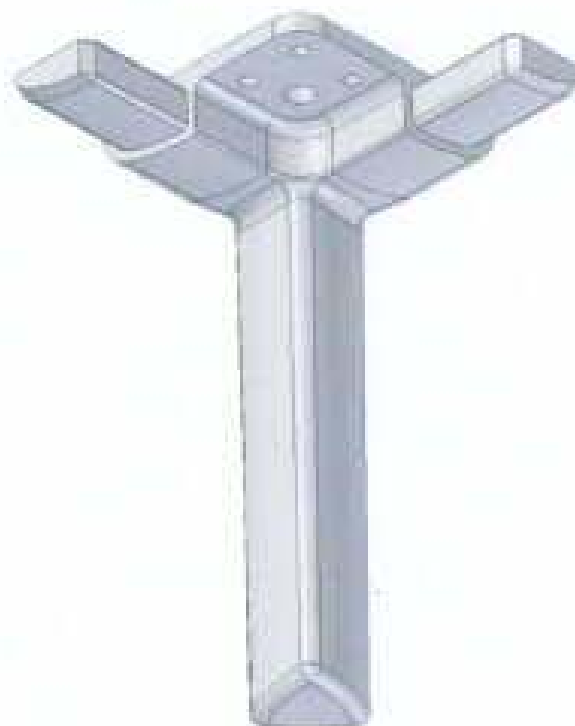
**81 Glenair Court Lower Templestowe Victoria 3107 Australia**

(72) Name(s) of Designer(s): **Ross Didier**

(45) Registration Date: **21 April 2009**

(56) Related Art Documents: **Not Applicable**

(57) Statement of Newness and Distinctiveness: **The new feature and detailing is the triangular vertical blending into the horizontal arms.**



(21) Design Number: **10473/2009**

(22) Date of Filing Application: **16 February 2009**

(24) Date from which industrial property rights may have effect: **16 February 2009**

(54) Product in respect of which the design is registered: **Lounge**

(51) International Design Classification: **06-01G**

(71) Name(s) and Address(s) of Applicant(s):

**Ross Didier**

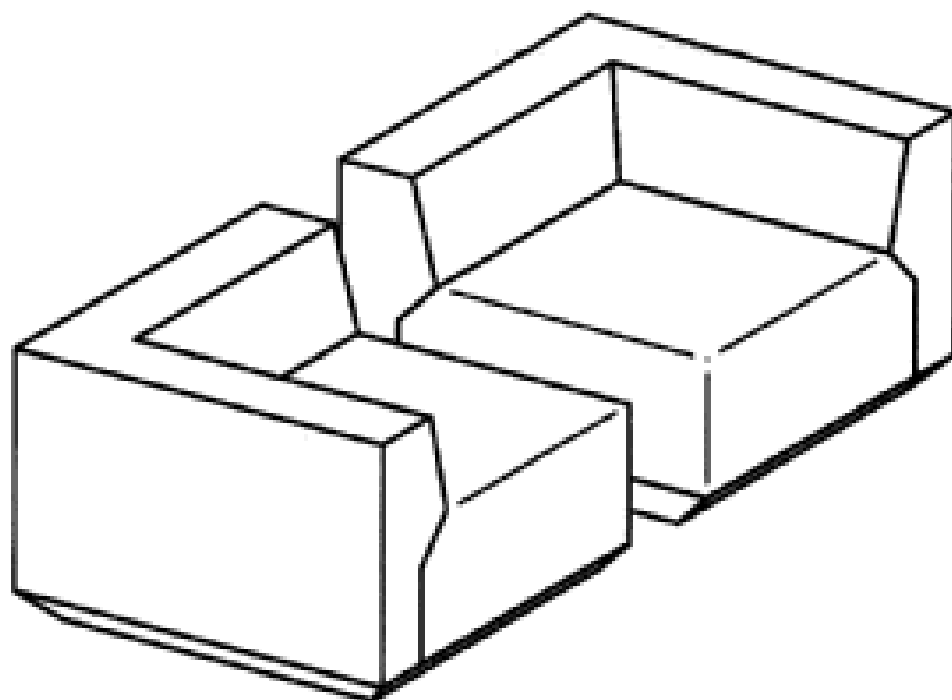
**81 Glenair Court Lower Templestowe Victoria 3107 Australia**

(72) Name(s) of Designer(s): **Ross Didier**

(45) Registration Date: **21 April 2009**

(56) Related Art Documents: **Not Applicable**

(57) Statement of Newness and Distinctiveness: **The new visual feature is the fitted profile between the seat base and backrest/armrest.**



(21) Design Number: **10474/2009**

(22) Date of Filing Application: **16 February 2009**

(24) Date from which industrial property rights may have effect: **16 February 2009**

(54) Product in respect of which the design is registered: **Sled leg**

(51) International Design Classification: **06-06G**

(71) Name(s) and Address(s) of Applicant(s):

**Ross Didier**

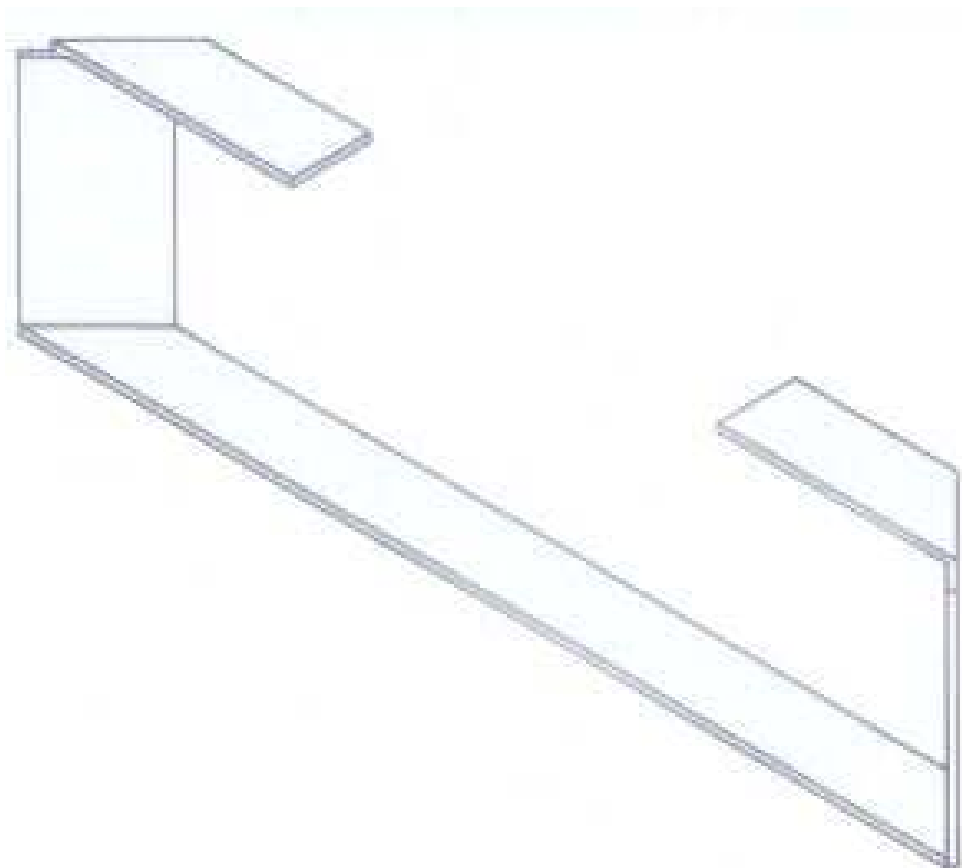
**81 Glenair Court Lower Templestowe Victoria 3107 Australia**

(72) Name(s) of Designer(s): **Ross Didier**

(45) Registration Date: **21 April 2009**

(56) Related Art Documents: **Not Applicable**

(57) Statement of Newness and Distinctiveness: **The new feature and detailing is the configuration of angled verticals with sled base.**



(21) Design Number: **10490/2009**

(22) Date of Filing Application: **16 February 2009**

(24) Date from which industrial property rights may have effect: **16 February 2009**

(54) Product in respect of which the design is registered: **Clip**

(51) International Design Classification: **08-08NES**

(71) Name(s) and Address(s) of Applicant(s):

**David Husband**

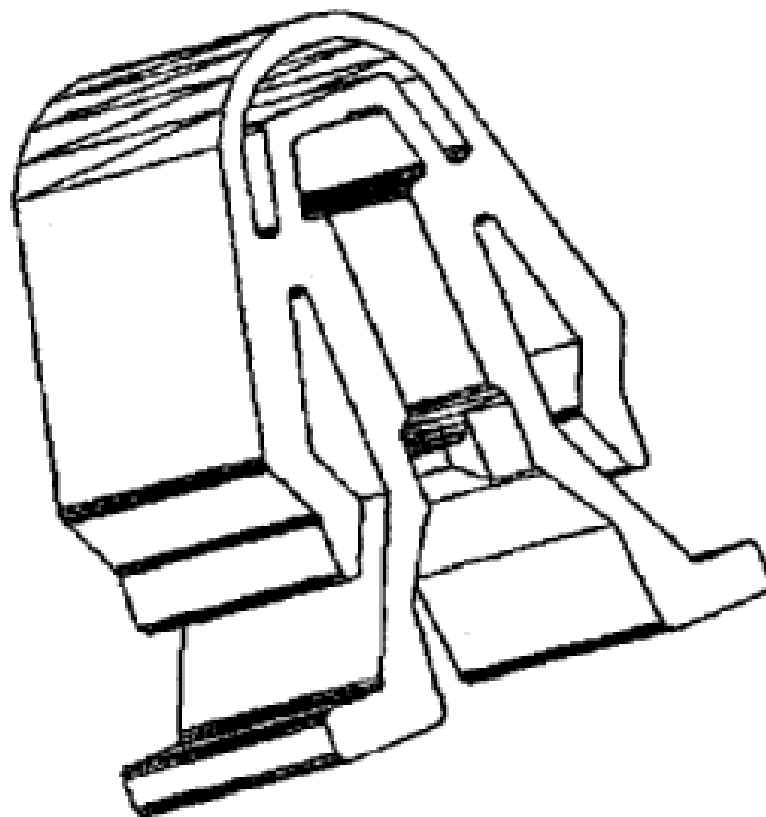
**6 Bendigo Avenue Bentleigh Victoria 3204 Australia**

(72) Name(s) of Designer(s): **David Husband**

(45) Registration Date: **21 April 2009**

(56) Related Art Documents: **Not Applicable**

(57) Statement of Newness and Distinctiveness: **Nil**



(21) Design Number: **10841/2009**

(22) Date of Filing Application: **16 April 2009**

(24) Date from which industrial property rights may have effect: **16 April 2009**

(54) Product in respect of which the design is registered: **Engine cover, to suit Holden commodore ecotech type motors**

(51) International Design Classification: **15-01**

(71) Name(s) and Address(s) of Applicant(s):

**Daryl Dean**

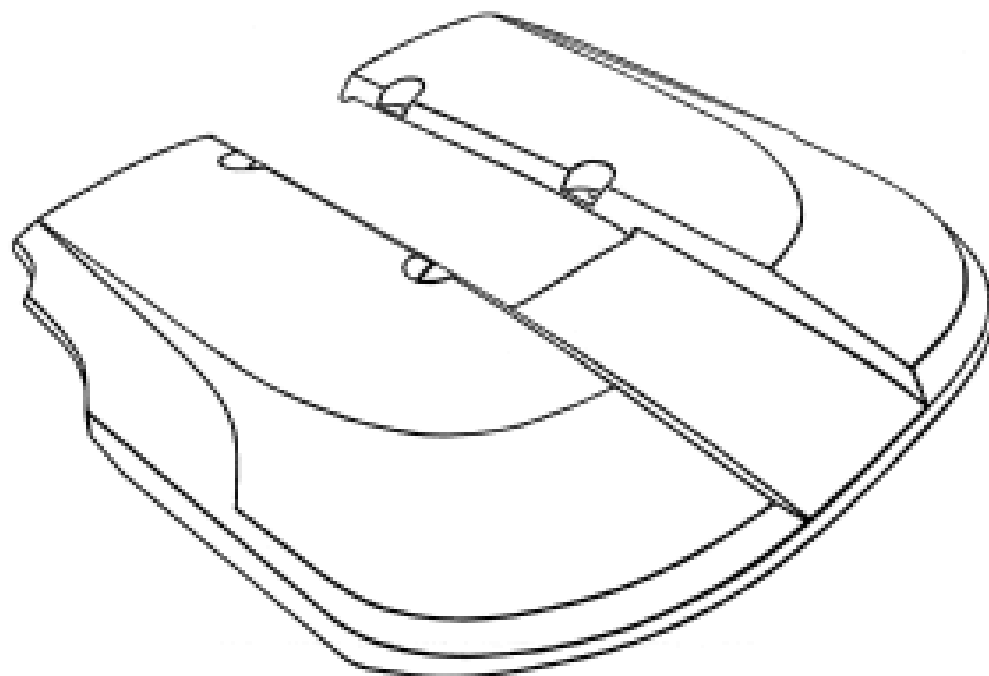
**5 Apo Court Eagle Heights Queensland 4271 Australia**

(72) Name(s) of Designer(s): **Daryl Dean**

(45) Registration Date: **21 April 2009**

(56) Related Art Documents: **Not Applicable**

(57) Statement of Newness and Distinctiveness: **Replaces the factory cover, gives the engine a more appealing look, with flat pannels at the top, shaped into various curves and edges.**



(21) Design Number: **11306/2009**

(22) Date of Filing Application: **16 April 2009**

(24) Date from which industrial property rights may have effect: **16 April 2009**

(54) Product in respect of which the design is registered: **Ski boot case**

(51) International Design Classification: **03-01C**

(71) Name(s) and Address(s) of Applicant(s):

**Caroline Amanda Horner**

**433 Logan Road Stones Corner Queensland 4120 Australia**

(72) Name(s) of Designer(s): **Caroline Amanda Horner**

(45) Registration Date: **21 April 2009**

(56) Related Art Documents: **Not Applicable**

(57) Statement of Newness and Distinctiveness: **Newness and distinctiveness resides in the features of shape and configuration of a ski boot case as illustrated in the accompanying representations.**



(21) Design Number: **11307/2009**

(22) Date of Filing Application: **16 April 2009**

(24) Date from which industrial property rights may have effect: **16 April 2009**

(54) Product in respect of which the design is registered: **Cuvette**

(51) International Design Classification: **24-02**

(71) Name(s) and Address(s) of Applicant(s):

**Thermo Fisher Scientific Oy**

**Ratastie 2 01620 Vantaa Finland**

(72) Name(s) of Designer(s): **Vesa Nuotio**

(45) Registration Date: **21 April 2009**

(30) Convention priority data:

(31) Number

(32) Date

(33) Country

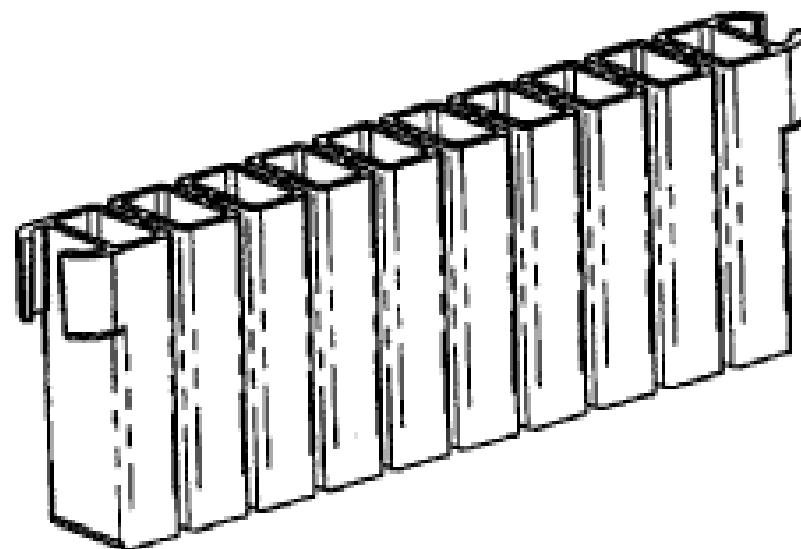
**001040687**

**18 Nov 2008**

**EUROPEAN COMMUNITY**

(56) Related Art Documents: **Not Applicable**

(57) Statement of Newness and Distinctiveness: **Nil**



(21) Design Number: **11308/2009**  
 (22) Date of Filing Application: **16 April 2009**  
 (24) Date from which industrial property rights may have effect: **16 April 2009**  
 (54) Product in respect of which the design is registered: **Cuvette**  
 (51) International Design Classification: **24-02**  
 (71) Name(s) and Address(s) of Applicant(s):

**Thermo Fisher Scientific Oy**  
**Ratastie 2 01620 Vantaa Finland**

(72) Name(s) of Designer(s): **Vesa Nuotio**

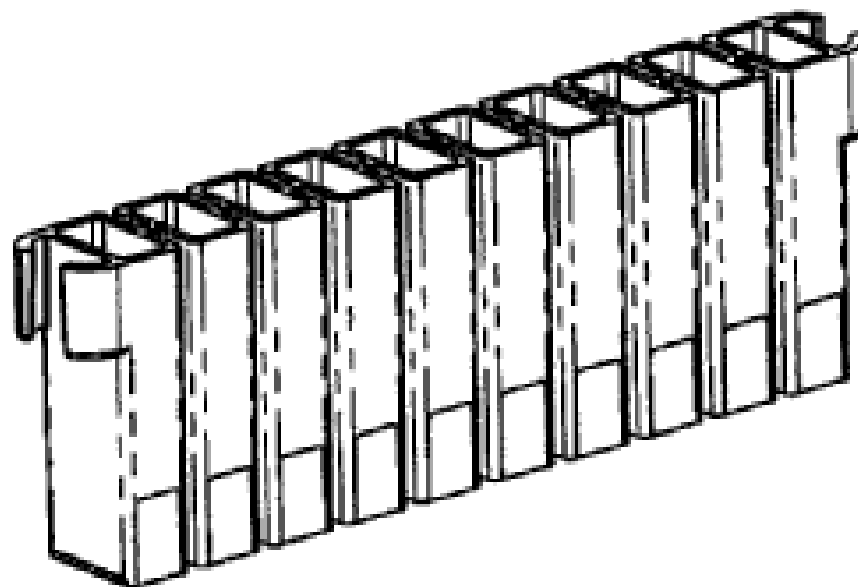
(45) Registration Date: **21 April 2009**

(30) Convention priority data:

(31) Number	(32) Date	(33) Country
<b>001040687</b>	<b>18 Nov 2008</b>	<b>EUROPEAN COMMUNITY</b>

(56) Related Art Documents: **Not Applicable**

(57) Statement of Newness and Distinctiveness: **Nil**



(21) Design Number: **11324/2009**  
 (22) Date of Filing Application: **17 April 2009**  
 (24) Date from which industrial property rights may have effect: **17 April 2009**  
 (54) Product in respect of which the design is registered: **Speaker**  
 (51) International Design Classification: **14-01**  
 (71) Name(s) and Address(s) of Applicant(s):

**Bose Corporation**  
**The Mountain Framingham Massachusetts 01701-9168 United States of America**

(72) Name(s) of Designer(s): **Stuart Raymond Jang and Robert A. Warden**

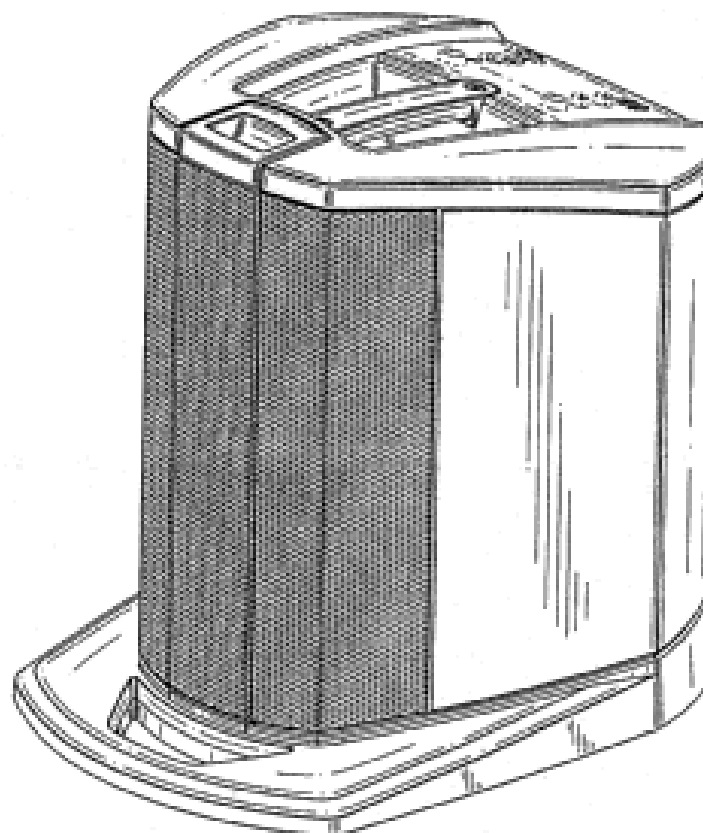
(45) Registration Date: **21 April 2009**

(30) Convention priority data:

(31) Number	(32) Date	(33) Country
<b>29/327,980</b>	<b>17 Nov 2008</b>	<b>UNITED STATES OF AMERICA</b>

(56) Related Art Documents: **Not Applicable**

(57) Statement of Newness and Distinctiveness: **Those features of the speaker depicted in the representations that are new and distinctive are the shape and/or configuration. The features shown in broken lines are to be disregarded when considering the overall impression of the design.**



(21) Design Number: **11325/2009**

(22) Date of Filing Application: **17 April 2009**

(24) Date from which industrial property rights may have effect: **17 April 2009**

(54) Product in respect of which the design is registered: **Speaker**

(51) International Design Classification: **14-01**

(71) Name(s) and Address(s) of Applicant(s):

**Bose Corporation**

**The Mountain Framingham Massachusetts 01701-9168 United States of America**

(72) Name(s) of Designer(s): **Stuart Raymond Jang and Robert A. Warden**

(45) Registration Date: **21 April 2009**

(30) Convention priority data:

(31) Number

(32) Date

(33) Country

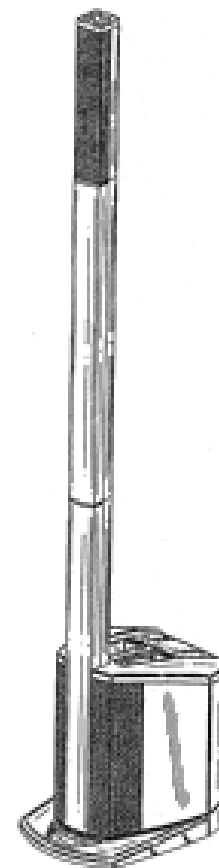
**29/327,980**

**17 Nov 2008**

**UNITED STATES OF AMERICA**

(56) Related Art Documents: **Not Applicable**

(57) Statement of Newness and Distinctiveness: **Those features of the speaker depicted in the representations that are new and distinctive are the shape and/or configuration. The features shown in broken lines are to be disregarded when considering the overall impression of the design.**



(21) Design Number: **11326/2009**

(22) Date of Filing Application: **20 April 2009**

(24) Date from which industrial property rights may have effect: **20 April 2009**

(54) Product in respect of which the design is registered: **Floatation device. Swimming aid.**

(51) International Design Classification: **21-02D**

(71) Name(s) and Address(s) of Applicant(s):

**John Paul Russo**

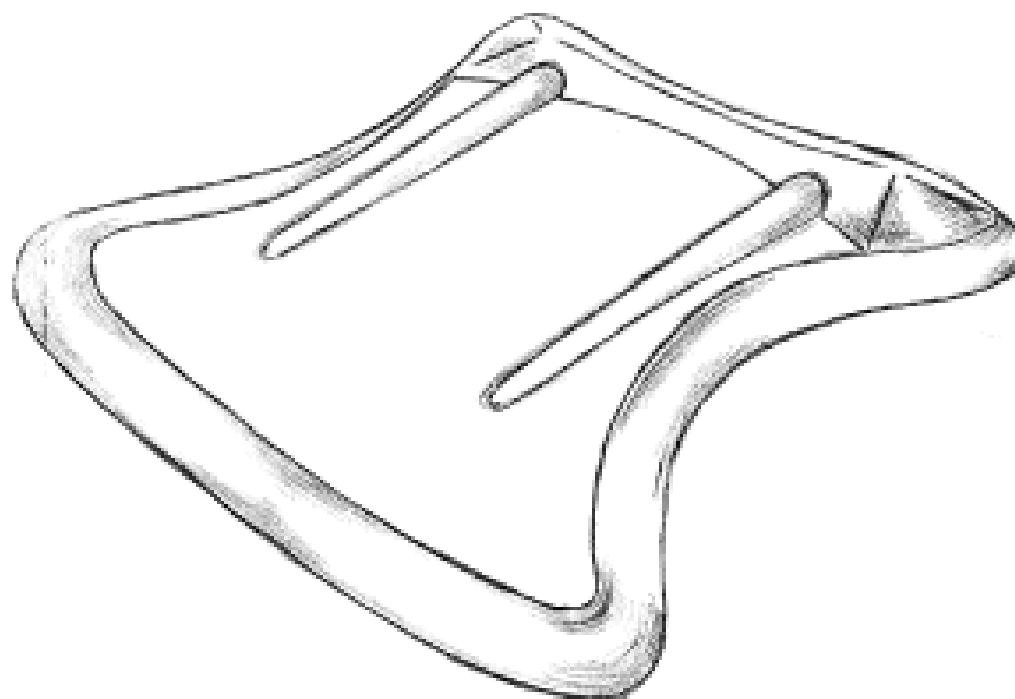
**179 Lawley Street Yokine Western Australia 6060 Australia**

(72) Name(s) of Designer(s): **John Paul Russo**

(45) Registration Date: **21 April 2009**

(56) Related Art Documents: **Not Applicable**

(57) Statement of Newness and Distinctiveness: **The new features of the design are the shape, configuration and stabilising fins of the floatation device.**





(21) Design Number: **10304/2009**

(22) Date of Filing Application: **05 February 2009**

(24) Date from which industrial property rights may have effect: **05 February 2009**

(54) Product in respect of which the design is registered: **Remote control**

(51) International Design Classification: **14-03NES**

(71) Name(s) and Address(s) of Applicant(s):

**Dazhi Huang**

**30 Holway Street Eastwood New South Wales 2112 Australia**

(72) Name(s) of Designer(s): **Dazhi Huang**

(45) Registration Date: **22 April 2009**

(56) Related Art Documents: **Not Applicable**

(57) Statement of Newness and Distinctiveness: **Octagonal shaped and keyboard and key buttons are triangle and rhombic.**



(21) Design Number: **10305/2009**

(22) Date of Filing Application: **05 February 2009**

(24) Date from which industrial property rights may have effect: **05 February 2009**

(54) Product in respect of which the design is registered: **Remote control base**

(51) International Design Classification: **14-99**

(71) Name(s) and Address(s) of Applicant(s):

**Dazhi Huang**

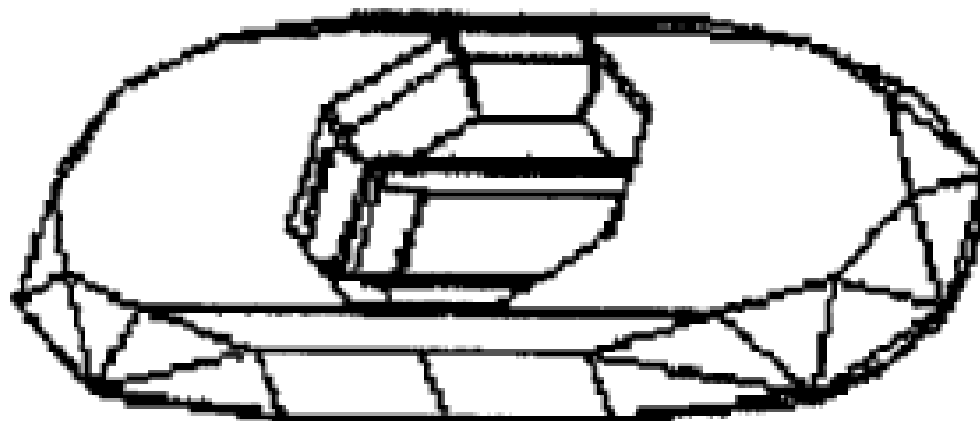
**30 Holway Street Eastwood New South Wales 2112 Australia**

(72) Name(s) of Designer(s): **Dazhi Huang**

(45) Registration Date: **22 April 2009**

(56) Related Art Documents: **Not Applicable**

(57) Statement of Newness and Distinctiveness: **Diamond shaped.**



(21) Design Number: **10306/2009**

(22) Date of Filing Application: **05 February 2009**

(24) Date from which industrial property rights may have effect: **05 February 2009**

(54) Product in respect of which the design is registered: **Remote control**

(51) International Design Classification: **14-03NES**

(71) Name(s) and Address(s) of Applicant(s):

**Dazhi Huang**

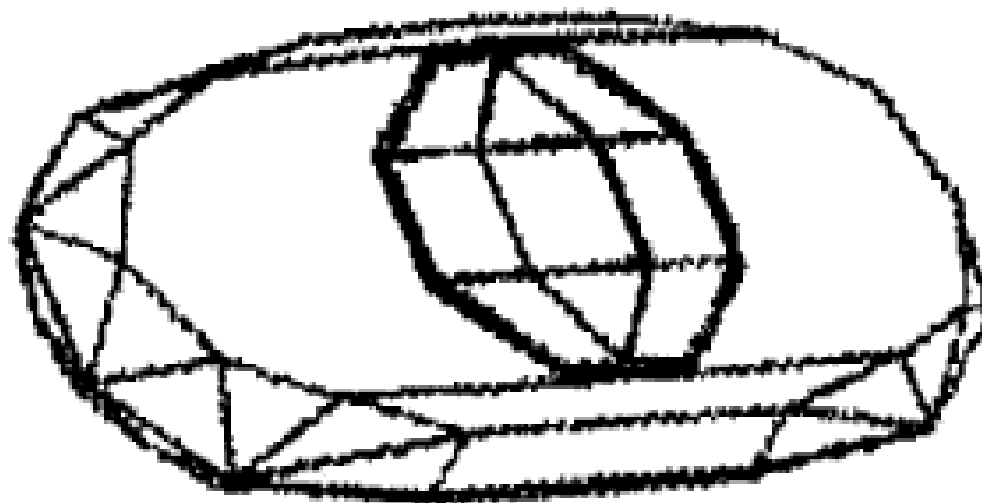
**30 Holway Street Eastwood New South Wales 2112 Australia**

(72) Name(s) of Designer(s): **Dazhi Huang**

(45) Registration Date: **22 April 2009**

(56) Related Art Documents: **Not Applicable**

(57) Statement of Newness and Distinctiveness: **Diamond shaped and long curved front surface.**



(21) Design Number: **10307/2009**

(22) Date of Filing Application: **05 February 2009**

(24) Date from which industrial property rights may have effect: **05 February 2009**

(54) Product in respect of which the design is registered: **Remote control**

(51) International Design Classification: **14-03NES**

(71) Name(s) and Address(s) of Applicant(s):

**Dazhi Huang**

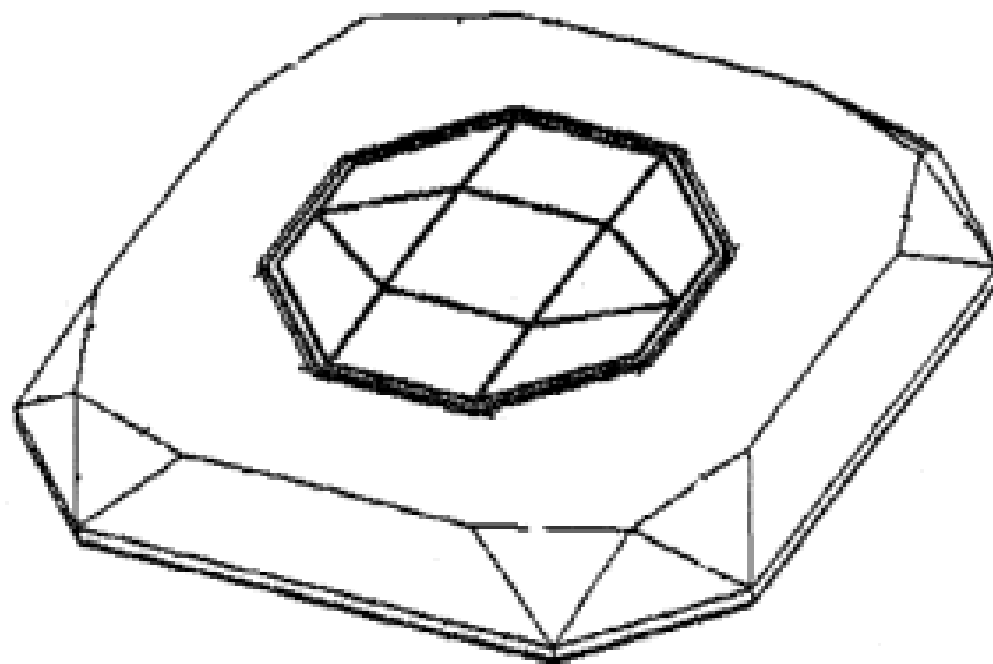
**30 Holway Street Eastwood New South Wales 2112 Australia**

(72) Name(s) of Designer(s): **Dazhi Huang**

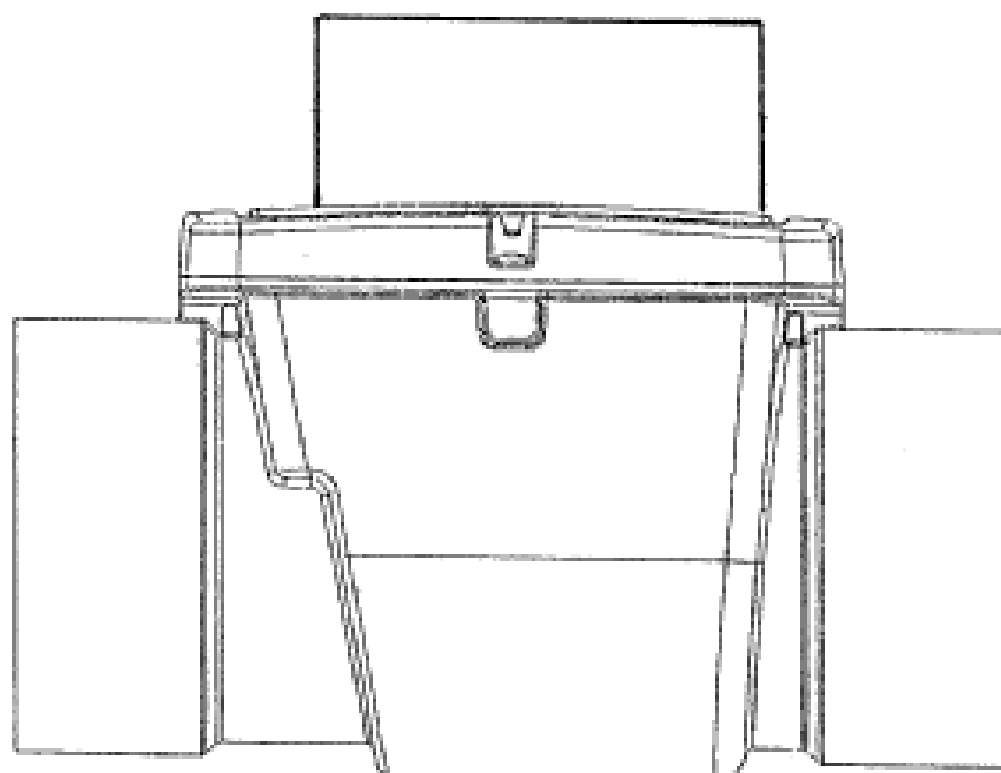
(45) Registration Date: **22 April 2009**

(56) Related Art Documents: **Not Applicable**

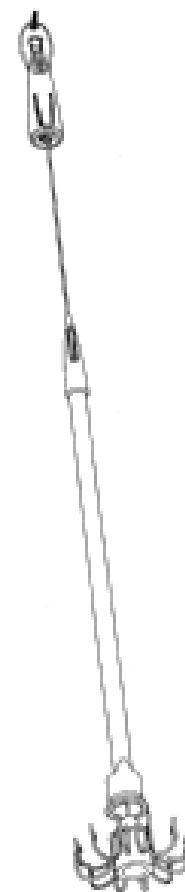
(57) Statement of Newness and Distinctiveness: **Diamond shaped and squared front surface.**



- (21) Design Number: **10364/2009**
- (22) Date of Filing Application: **10 February 2009**
- (24) Date from which industrial property rights may have effect: **10 February 2009**
- (54) Product in respect of which the design is registered: **A valve assembly**
- (51) International Design Classification: **23-01K, 23-01B**
- (71) Name(s) and Address(s) of Applicant(s):  
**Ningi Developments Pty Ltd**  
**5-7 Keeley Street Morayfield Queensland 4506 Australia**
- (72) Name(s) of Designer(s): **Barry Jones**
- (45) Registration Date: **22 April 2009**
- (56) Related Art Documents: **Not Applicable**
- (57) Statement of Newness and Distinctiveness: **Newness and distinctiveness is claimed in the features of shape and configuration of the pipe fitting labelled A of a valve assembly as shown in the accompanying representations.**



- (21) Design Number: **11137/2009**
- (22) Date of Filing Application: **02 April 2009**
- (24) Date from which industrial property rights may have effect: **02 April 2009**
- (54) Product in respect of which the design is registered: **Squid jag**
- (51) International Design Classification: **22-05**
- (71) Name(s) and Address(s) of Applicant(s):  
**Stefano Tripodi**  
**2 Angelo Street Newton South Australia 5074 Australia**
- (72) Name(s) of Designer(s): **Stefano Tripodi**
- (45) Registration Date: **22 April 2009**
- (56) Related Art Documents: **Not Applicable**
- (57) Statement of Newness and Distinctiveness: **Nil**



(21) Design Number: **11294/2009**

(22) Date of Filing Application: **16 April 2009**

(24) Date from which industrial property rights may have effect: **16 April 2009**

(54) Product in respect of which the design is registered: **Tray for bottles**

(51) International Design Classification: **09-03F**

(71) Name(s) and Address(s) of Applicant(s):

**K. Hartwall Oy Ab**

**Kay Hartwallin tie 2 01150 Soderkulla Finland**

(72) Name(s) of Designer(s): **Johan Lindstrom**

(45) Registration Date: **22 April 2009**

(30) Convention priority data:

(31) Number

(32) Date

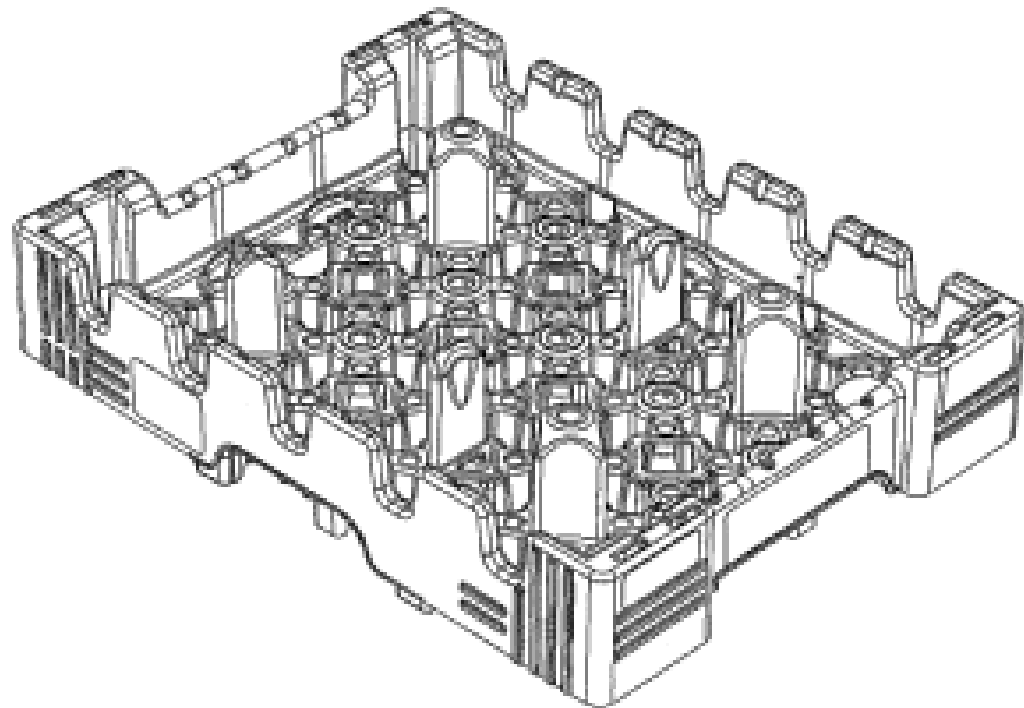
(33) Country

**001026447-0001 17 Oct 2008**

**EUROPEAN COMMUNITY**

(56) Related Art Documents: **Not Applicable**

(57) Statement of Newness and Distinctiveness: **Nil**



(21) Design Number: **11296/2009**

(22) Date of Filing Application: **16 April 2009**

(24) Date from which industrial property rights may have effect: **16 April 2009**

(54) Product in respect of which the design is registered: **Tap handle**

(51) International Design Classification: **08-06, 23-01K**

(71) Name(s) and Address(s) of Applicant(s):

**Iain Ewing**

**4/24 Deakin Street Brendale Queensland 4500 Australia**

(72) Name(s) of Designer(s): **Iain Ewing**

(45) Registration Date: **22 April 2009**

(56) Related Art Documents: **Not Applicable**

(57) Statement of Newness and Distinctiveness: **Newness and distinctiveness are claimed in the shape and configuration of the tap handle in the accompanying representations.**



(21) Design Number: **11319/2009**

(22) Date of Filing Application: **20 April 2009**

(24) Date from which industrial property rights may have effect: **20 April 2009**

(54) Product in respect of which the design is registered: **Hooded jacket**

(51) International Design Classification: **02-02NES**

(71) Name(s) and Address(s) of Applicant(s):

**Michelle Wi-Neera**

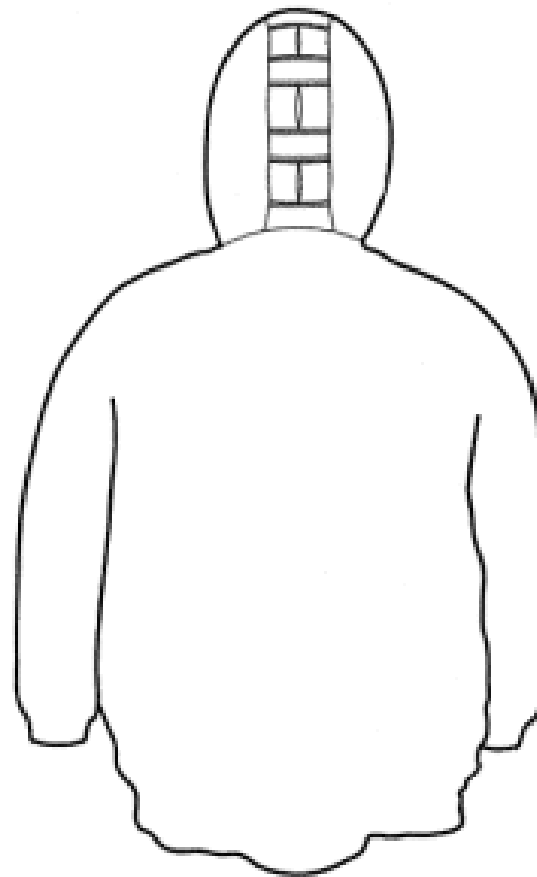
**137 Malfroy Road Rotorua 3015 New Zealand**

(72) Name(s) of Designer(s): **Michelle Wi-Neera**

(45) Registration Date: **22 April 2009**

(56) Related Art Documents: **Not Applicable**

(57) Statement of Newness and Distinctiveness: **Hooded jacket with especially designed hood with slits.**



(21) Design Number: **11320/2009**

(22) Date of Filing Application: **17 April 2009**

(24) Date from which industrial property rights may have effect: **17 April 2009**

(54) Product in respect of which the design is registered: **Header card of fuel line assembly**

(51) International Design Classification: **20-02A, 20-02NES**

(71) Name(s) and Address(s) of Applicant(s):

**I-Sin Peng**

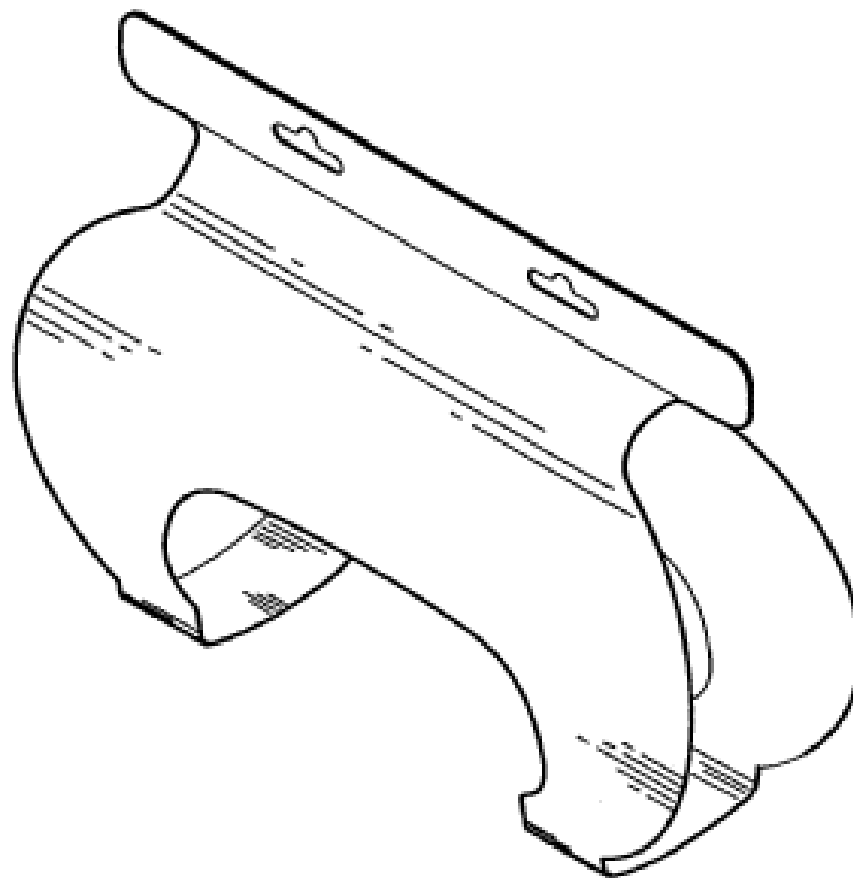
**No 410 Sec 2 Henan Road Situn District Taichung City 407 Taiwan**

(72) Name(s) of Designer(s): **I-Sin Peng**

(45) Registration Date: **22 April 2009**

(56) Related Art Documents: **Not Applicable**

(57) Statement of Newness and Distinctiveness: **The newness and distinctiveness of the design resides in the shape and/or configuration of the header card shown in the accompanying representations. The fuel line assembly indicated by broken lines forms no part of the present design.**



(21) Design Number: **11321/2009**

(22) Date of Filing Application: **17 April 2009**

(24) Date from which industrial property rights may have effect: **17 April 2009**

(54) Product in respect of which the design is registered: **Header card of primer bulb**

(51) International Design Classification: **20-02A, 20-02NES**

(71) Name(s) and Address(s) of Applicant(s):

**I-Sin Peng**

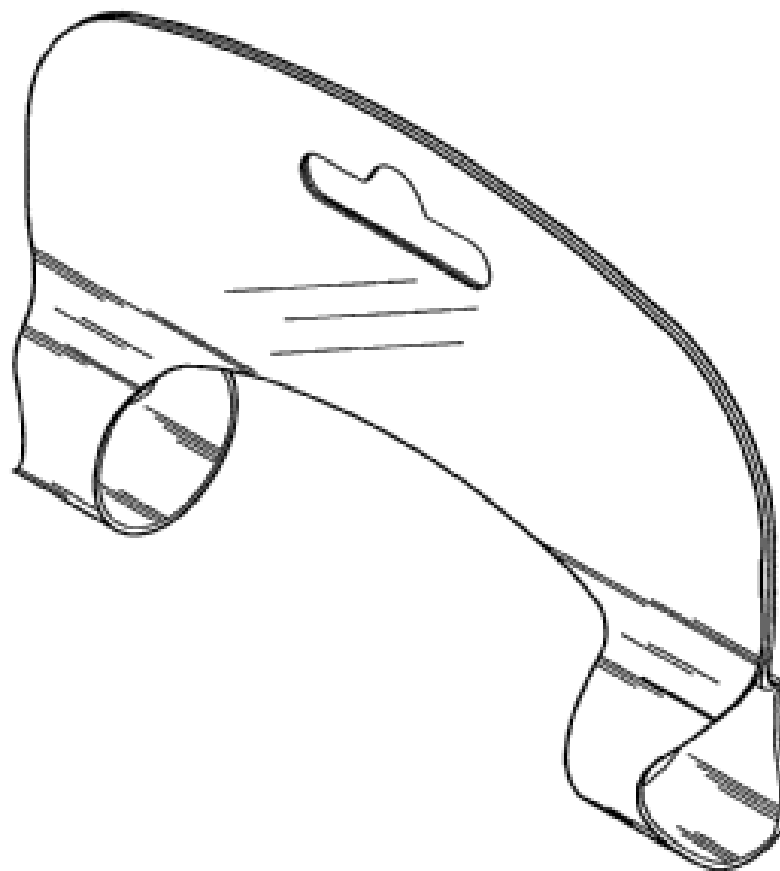
**No 410 Sec 2 Henan Road Situn District Taichung City 407 Taiwan**

(72) Name(s) of Designer(s): **I-Sin Peng**

(45) Registration Date: **22 April 2009**

(56) Related Art Documents: **Not Applicable**

(57) Statement of Newness and Distinctiveness: **The newness and distinctiveness of the design resides in the shape and/or configuration of the header card shown in the accompanying representations. The primer bulb assembly indicated by broken lines forms no part of the present design.**



(21) Design Number: **11322/2009**

(22) Date of Filing Application: **17 April 2009**

(24) Date from which industrial property rights may have effect: **17 April 2009**

(54) Product in respect of which the design is registered: **Patients bed pedestal**

(51) International Design Classification: **06-06F**

(71) Name(s) and Address(s) of Applicant(s):

**Maxi-Care Promotions Pty. Ltd.**

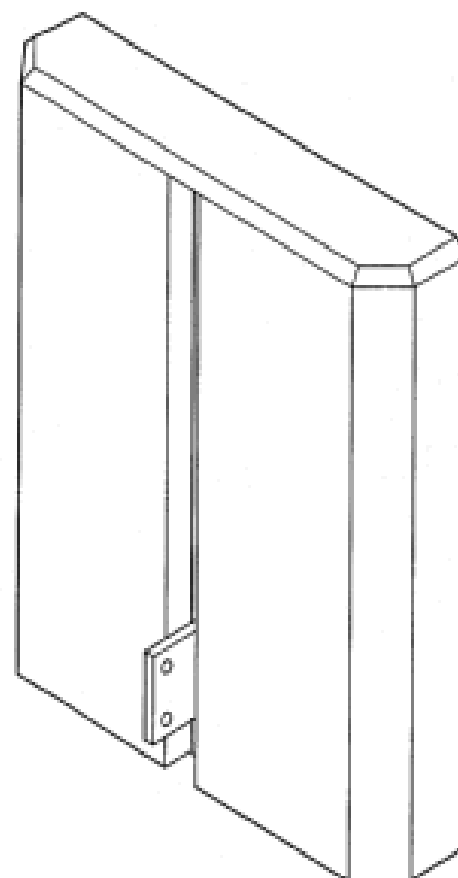
**55 Lester Drive Nyora Victoria 3987 Australia**

(72) Name(s) of Designer(s): **William Beattie Kelly**

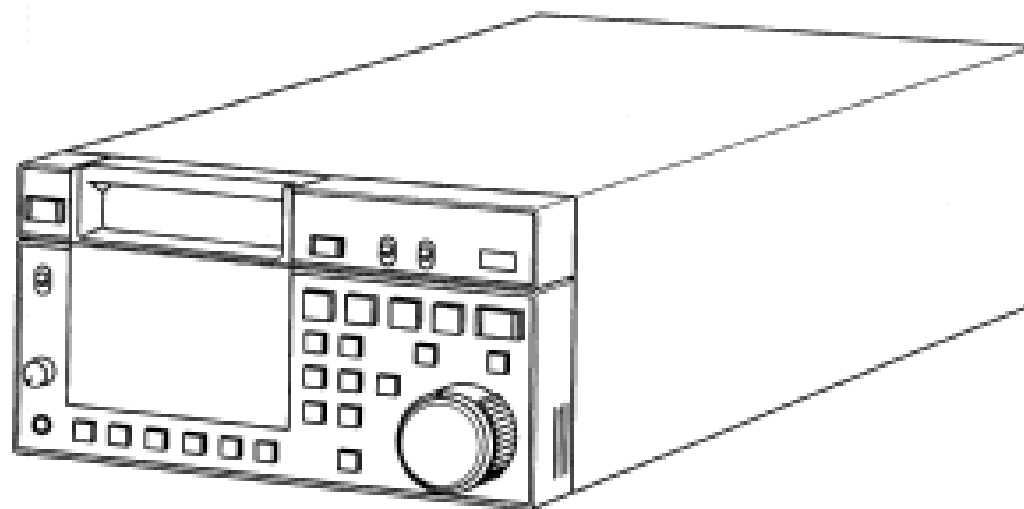
(45) Registration Date: **22 April 2009**

(56) Related Art Documents: **Not Applicable**

(57) Statement of Newness and Distinctiveness: **Monopoly is claimed in the shape and/or position of the slot in the front face of the pedestal as shown in the front and perspective views of the accompanying representations.**



(21) Design Number: **11323/2009**  
(22) Date of Filing Application: **17 April 2009**  
(24) Date from which industrial property rights may have effect: **17 April 2009**  
(54) Product in respect of which the design is registered: **Image and sound editing machine**  
(51) International Design Classification: **14-01**  
(71) Name(s) and Address(s) of Applicant(s):  
**Kabushiki Kaisha Toshiba**  
**1-1 Shibaura 1-Chome Minato-Ku Tokyo 105-8001 Japan**  
(72) Name(s) of Designer(s): **Hideki Tsuboi**  
(45) Registration Date: **22 April 2009**  
(30) Convention priority data:  
(31) Number      (32) Date      (33) Country  
**2008-029505      18 Nov 2008      JAPAN**  
(56) Related Art Documents: **Not Applicable**  
(57) Statement of Newness and Distinctiveness: **Nil**



(21) Design Number: **10549/2009**  
(22) Date of Filing Application: **24 February 2009**  
(24) Date from which industrial property rights may have effect: **24 February 2009**  
(54) Product in respect of which the design is registered: **Tube**  
(51) International Design Classification: **09-05**  
(71) Name(s) and Address(s) of Applicant(s):  
**Unilever PLC**  
**Unilever House 100 Victoria Embarkment London EC4Y ODY United Kingdom**  
(72) Name(s) of Designer(s): **Janardhana Sridhar**  
(45) Registration Date: **22 April 2009**  
(30) Convention priority data:  
(31) Number      (32) Date      (33) Country  
**218109      25 Aug 2008      INDIA**  
(56) Related Art Documents: **Not Applicable**  
(57) Statement of Newness and Distinctiveness: **Newness and distinctiveness is claimed in the visual features shown in the shape and configuration.**



(21) Design Number: **10824/2009**

(22) Date of Filing Application: **13 March 2009**

(24) Date from which industrial property rights may have effect: **13 March 2009**

(54) Product in respect of which the design is registered: **Container with belt and towing rod**

(51) International Design Classification: **09-03E, 21-01C, 29-99**

(71) Name(s) and Address(s) of Applicant(s):

**Synnove Santi**

**Gamle Kongevei 339 N-1712 Gralum Norway**

(72) Name(s) of Designer(s): **Arnfinn Santi**

(45) Registration Date: **22 April 2009**

(30) Convention priority data:

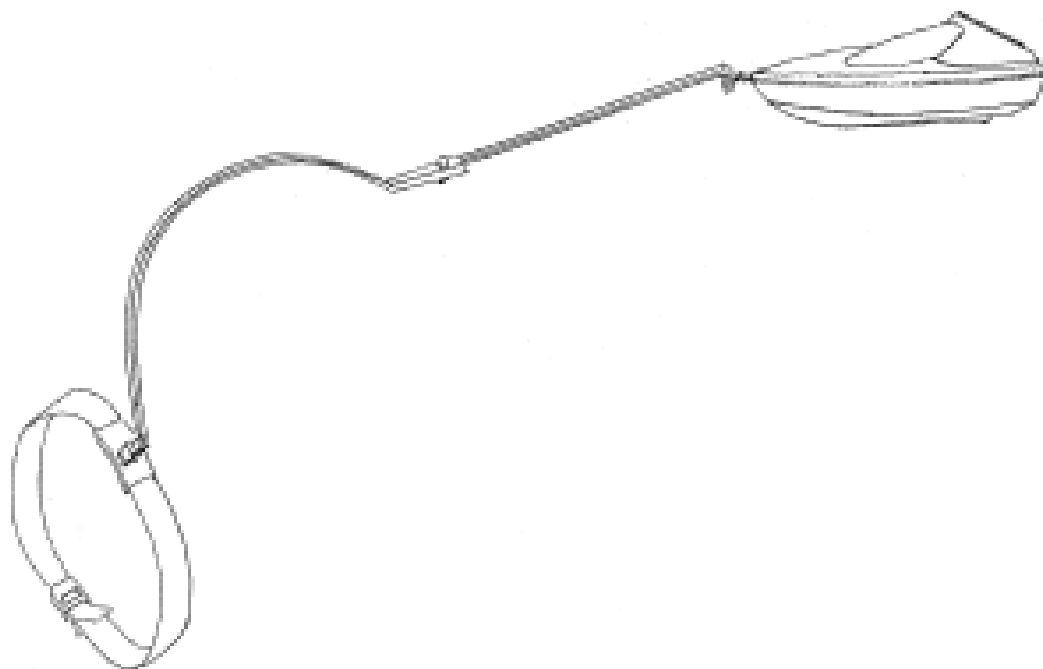
(31) Number  
**20080537**

(32) Date  
**26 Sep 2008**

(33) Country  
**NORWAY**

(56) Related Art Documents: **Not Applicable**

(57) Statement of Newness and Distinctiveness: **Those features of the container with belt and towing rod depicted in the representations that are new and distinctive are the shape and/or configuration.**



(21) Design Number: **11301/2009**

(22) Date of Filing Application: **16 April 2009**

(24) Date from which industrial property rights may have effect: **16 April 2009**

(54) Product in respect of which the design is registered: **Tap**

(51) International Design Classification: **23-01H**

(71) Name(s) and Address(s) of Applicant(s):

**Iain Ewing**

**4/24 Deakin Street Brendale Queensland 4500 Australia**

(72) Name(s) of Designer(s): **Iain Ewing**

(45) Registration Date: **22 April 2009**

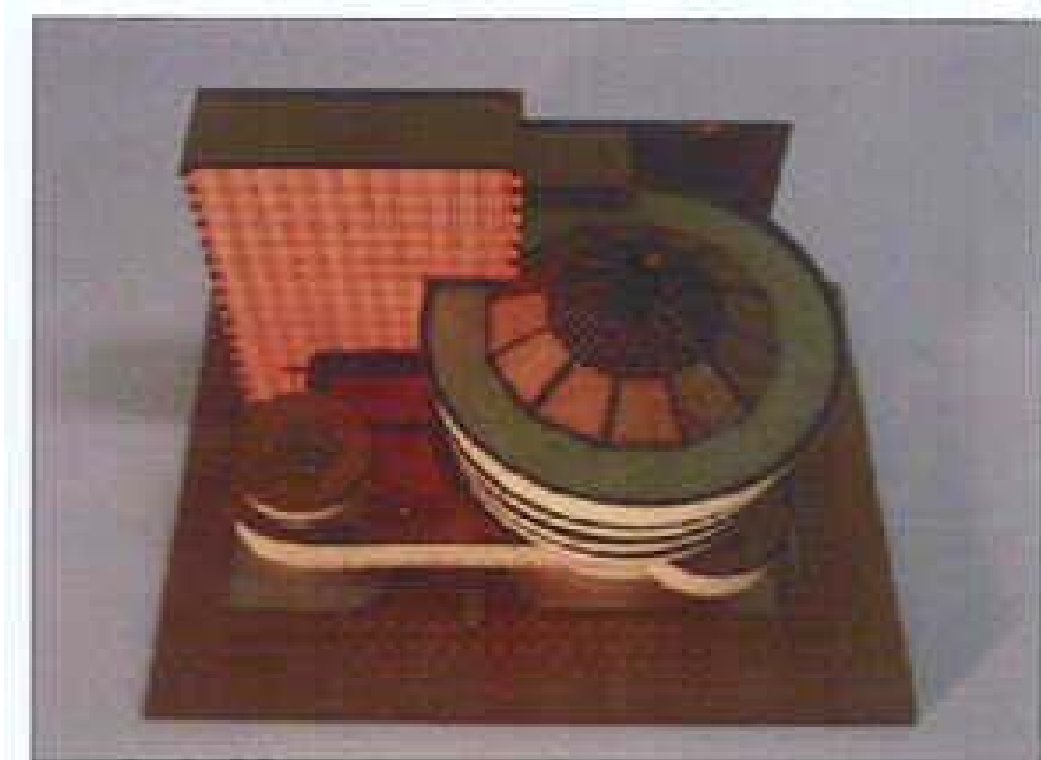
(56) Related Art Documents: **Not Applicable**

(57) Statement of Newness and Distinctiveness: **Newness and distinctiveness are claimed in the shape and configuration of the tap in the accompanying representations.**

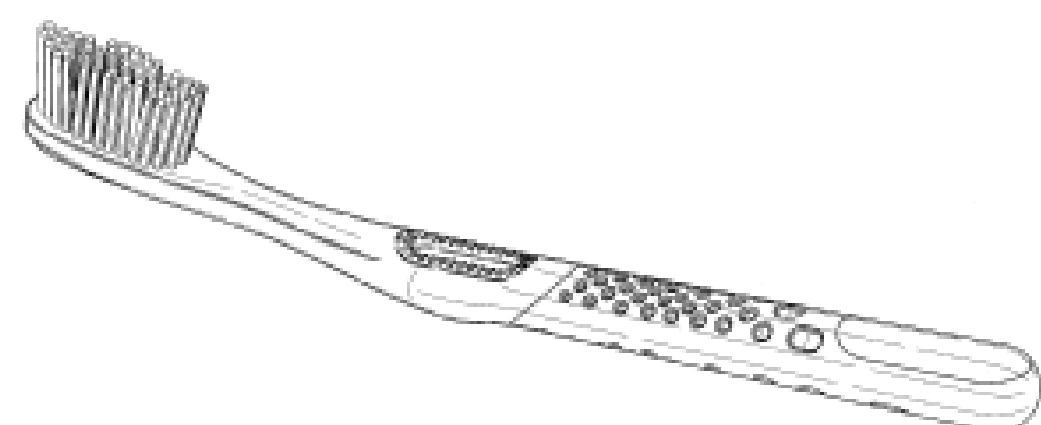




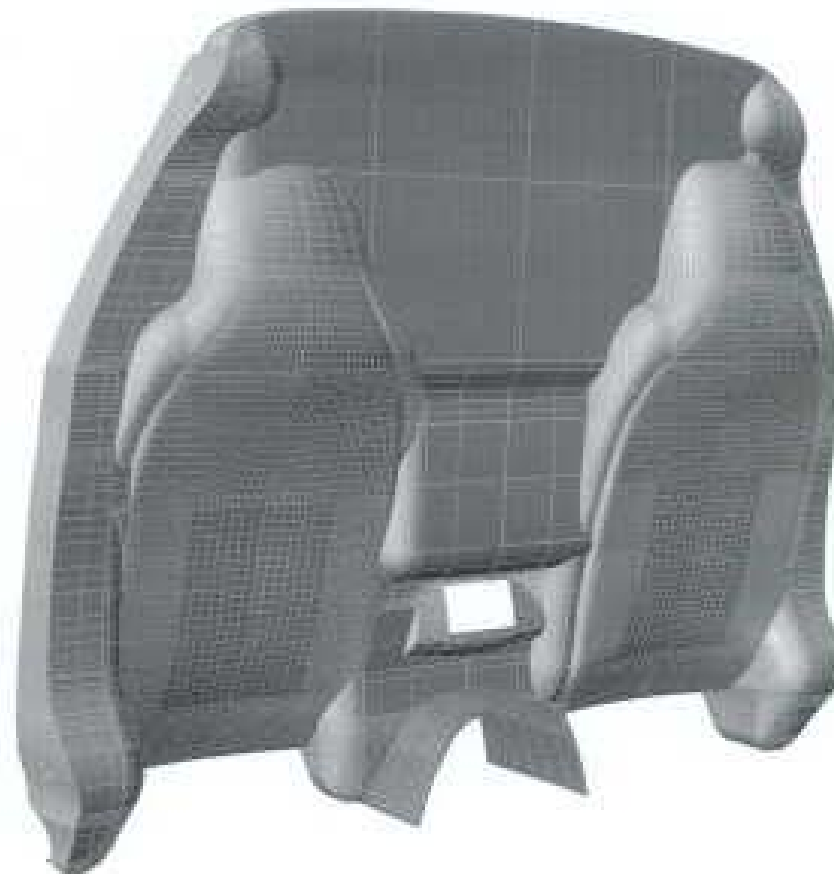
- (21) Design Number: **11304/2009**  
(22) Date of Filing Application: **16 April 2009**  
(24) Date from which industrial property rights may have effect: **16 April 2009**  
(54) Product in respect of which the design is registered: **Model of The Solomon R Guggenheim Museum at various scales**  
(51) International Design Classification: **21-01D**  
(71) Name(s) and Address(s) of Applicant(s):  
**Marcus Bree**  
**116 Bilyana Street Balmoral Queensland 4171 Australia**  
(72) Name(s) of Designer(s): **Marcus Bree**  
(45) Registration Date: **22 April 2009**  
(56) Related Art Documents: **Not Applicable**  
(57) Statement of Newness and Distinctiveness: **Nil**



- (21) Design Number: **11330/2009**  
(22) Date of Filing Application: **17 April 2009**  
(24) Date from which industrial property rights may have effect: **13 February 2009**  
(54) Product in respect of which the design is registered: **Toothbrush**  
(51) International Design Classification: **04-02**  
(71) Name(s) and Address(s) of Applicant(s):  
**McNeil-PPC, Inc.**  
**199 Grandview Road Skillman New Jersey 08558 United States of America**  
(72) Name(s) of Designer(s): **Stephen Blanchard and Janette Suh Edelstein and Barbara Lemli and Justin McDonough and Robert W. Fusi II and Yves Behar and Joshua Morenstein and Christopher Hibmacronan and Logan Ray**  
(45) Registration Date: **22 April 2009**  
(62) Divisional of: **325835**  
(56) Related Art Documents: **Not Applicable**  
(57) Statement of Newness and Distinctiveness: **Newness and distinctiveness resides in the features of shape and/or configuration of a TOOTHBRUSH as illustrated in the accompanying representations.**



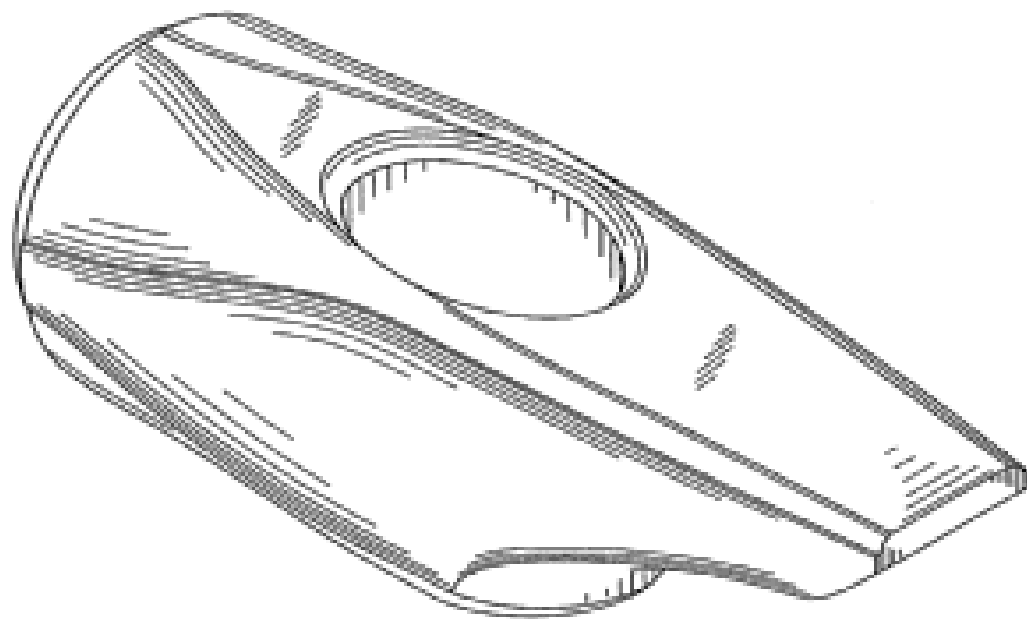
- (21) Design Number: **15848/2008**  
(22) Date of Filing Application: **12 December 2008**  
(24) Date from which industrial property rights may have effect: **12 December 2008**  
(54) Product in respect of which the design is registered: **Taxi guard**  
(51) International Design Classification: **12-16NES, 29-02**  
(71) Name(s) and Address(s) of Applicant(s):  
**Grandwell Pty Ltd**  
**37 Bealiba Road Caulfield South Victoria 3162 Australia**  
(72) Name(s) of Designer(s): **Peter Halastanis**  
(45) Registration Date: **21 April 2009**  
(56) Related Art Documents: **Not Applicable**  
(57) Statement of Newness and Distinctiveness: **Newness and distinctiveness are claimed in the features of shape and/or configuration of a taxi guard, as illustrated in the accompanying representations.**



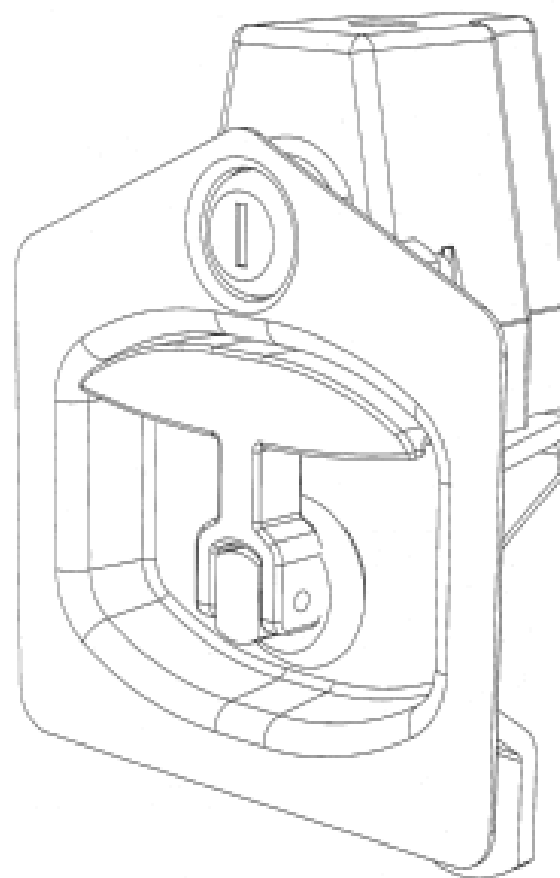
- (21) Design Number: **10483/2009**  
(22) Date of Filing Application: **17 February 2009**  
(24) Date from which industrial property rights may have effect: **17 February 2009**  
(54) Product in respect of which the design is registered: **L.P.G. automatic fill limit valve**  
(51) International Design Classification: **23-01NES, 23-01K**  
(71) Name(s) and Address(s) of Applicant(s):  
**Simon Ridley**  
**36 Nelson Street Stepney South Australia 5069 Australia**  
(72) Name(s) of Designer(s): **Simon Ridley**  
(45) Registration Date: **21 April 2009**  
(56) Related Art Documents: **Not Applicable**  
(57) Statement of Newness and Distinctiveness: **Length adjustable centre tube with remote fill limit activation.**



(21) Design Number: **11311/2009**  
(22) Date of Filing Application: **17 April 2009**  
(24) Date from which industrial property rights may have effect: **17 April 2009**  
(54) Product in respect of which the design is registered: **Sledge head**  
(51) International Design Classification: **08-02**  
(71) Name(s) and Address(s) of Applicant(s):  
**Ames True Temper, Inc.**  
**465 Railroad Avenue Camp Hill PA 17011 United States of America**  
(72) Name(s) of Designer(s): **Joshua O. Mullen and Adam R. Schaaf**  
(45) Registration Date: **21 April 2009**  
(30) Convention priority data:  
(31) Number (32) Date (33) Country  
**29/327,387 05 Nov 2008 UNITED STATES OF AMERICA**  
(56) Related Art Documents: **Not Applicable**  
(57) Statement of Newness and Distinctiveness: **Nil**



(21) Design Number: **11312/2009**  
(22) Date of Filing Application: **17 April 2009**  
(24) Date from which industrial property rights may have effect: **17 April 2009**  
(54) Product in respect of which the design is registered: **Vehicle compartment lock**  
(51) International Design Classification: **08-07**  
(71) Name(s) and Address(s) of Applicant(s):  
**Robert Frankham**  
**PO Box 954 Burleigh Heads Queensland 4220 Australia**  
**Gray Grevis**  
**PO Box 954 Burleigh Heads Queensland 4220 Australia**  
(72) Name(s) of Designer(s): **Robert Frankham and Gray Grevis**  
(45) Registration Date: **21 April 2009**  
(56) Related Art Documents: **Not Applicable**  
(57) Statement of Newness and Distinctiveness: **Nil**



(21) Design Number: **11313/2009**

(22) Date of Filing Application: **20 April 2009**

(24) Date from which industrial property rights may have effect: **20 April 2009**

(54) Product in respect of which the design is registered: **Door frame extrusion**

(51) International Design Classification: **25-01K, 25-02B**

(71) Name(s) and Address(s) of Applicant(s):

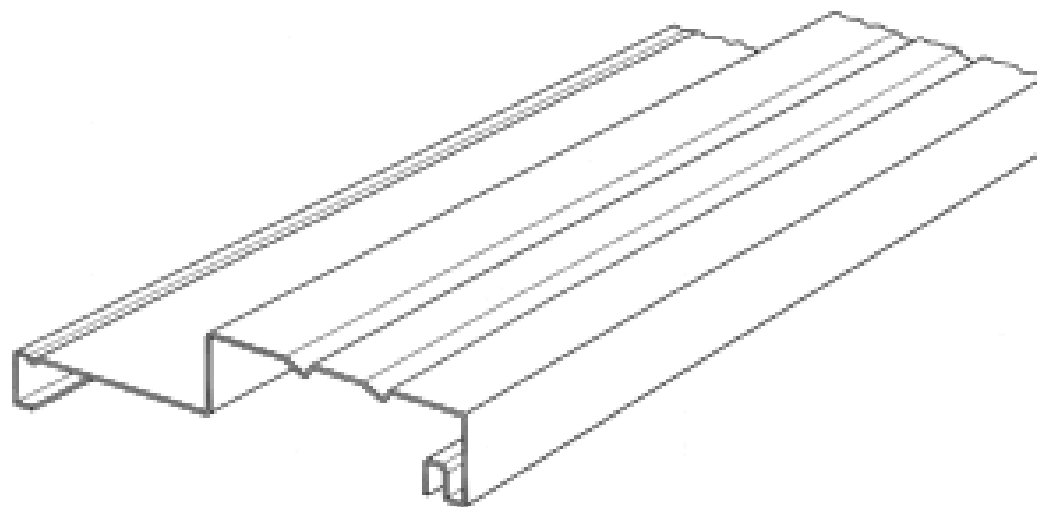
**JDS Metal Doorframe Manufacture Pty Ltd  
21 Alloo Road Maddington Western Australia 6109 Australia**

(72) Name(s) of Designer(s): **Chun-Ming Chen**

(45) Registration Date: **21 April 2009**

(56) Related Art Documents: **Not Applicable**

(57) Statement of Newness and Distinctiveness: **Newness and distinctiveness is claimed in the shape and/or configuration of a door frame extrusion of indefinite length as illustrated in the accompanying representations.**



(21) Design Number: **10503/2009**

(22) Date of Filing Application: **18 February 2009**

(24) Date from which industrial property rights may have effect: **18 February 2009**

(54) Product in respect of which the design is registered: **A motor vehicle**

(51) International Design Classification: **12-08, 21-01C**

(71) Name(s) and Address(s) of Applicant(s):

**GM Global Technology Operations, Inc  
300 Renaissance Center Detroit Michigan 48265-3000 United States of America**

(72) Name(s) of Designer(s): **Won-suk Park**

(45) Registration Date: **22 April 2009**

(30) Convention priority data:

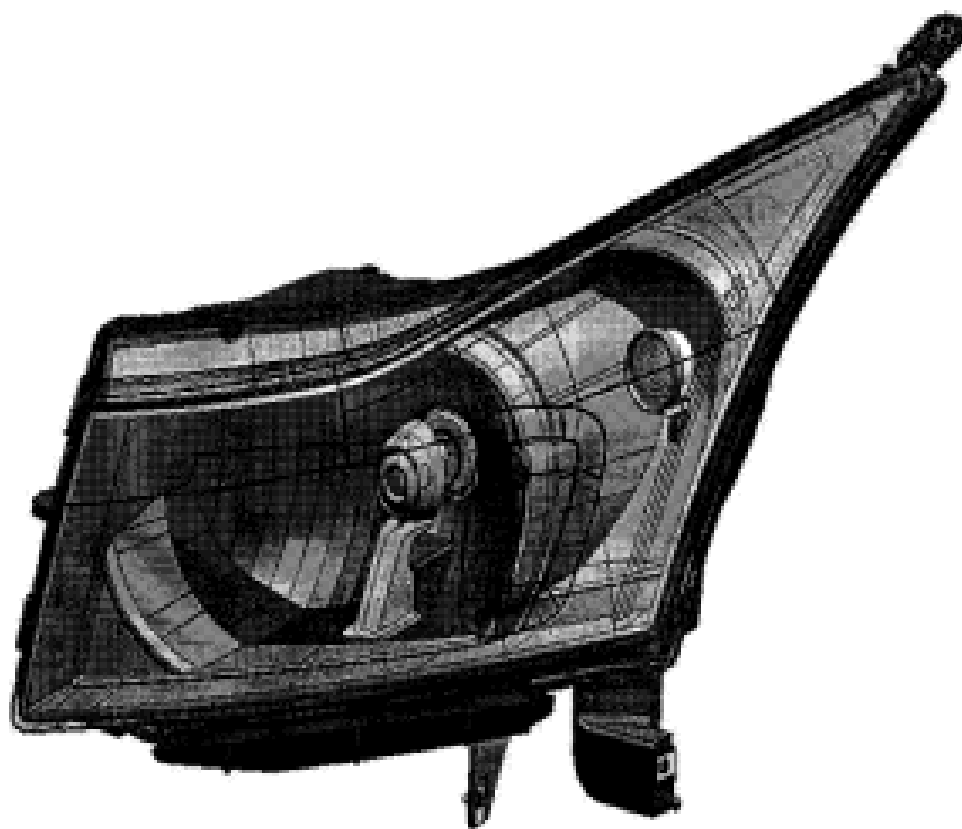
(31) Number	(32) Date	(33) Country
<b>30-2008-0042973</b>	<b>06 Oct 2008</b>	<b>REPUBLIC OF KOREA</b>

(56) Related Art Documents: **Not Applicable**

(57) Statement of Newness and Distinctiveness: **Newness and distinctiveness is claimed in the shape and/or configuration of a motor vehicle as shown in the representations.**



(21) Design Number: **10504/2009**  
(22) Date of Filing Application: **18 February 2009**  
(24) Date from which industrial property rights may have effect: **18 February 2009**  
(54) Product in respect of which the design is registered: **Left-side and right-side vehicle headlamps**  
(51) International Design Classification: **26-06**  
(71) Name(s) and Address(s) of Applicant(s):  
**GM Global Technology Operations, Inc**  
**300 Renaissance Center Detroit Michigan 48265-3000 United States of America**  
(72) Name(s) of Designer(s): **Oh-soo Kim**  
(45) Registration Date: **22 April 2009**  
(30) Convention priority data:  
(31) Number (32) Date (33) Country  
**30-2008-0050581 25 Nov 2008 REPUBLIC OF KOREA**  
(56) Related Art Documents: **Not Applicable**  
(57) Statement of Newness and Distinctiveness: **Newness and distinctiveness is claimed in the shape and/or configuration of a left-side and right-side vehicle headlamp as shown in the representations.**



(21) Design Number: **10505/2009**  
(22) Date of Filing Application: **18 February 2009**  
(24) Date from which industrial property rights may have effect: **18 February 2009**  
(54) Product in respect of which the design is registered: **A motor vehicle**  
(51) International Design Classification: **12-08, 21-02C**  
(71) Name(s) and Address(s) of Applicant(s):  
**GM Global Technology Operations, Inc**  
**300 Renaissance Center Detroit Michigan 48265-3000 United States of America**  
(72) Name(s) of Designer(s): **Seung-woo Kim**  
(45) Registration Date: **22 April 2009**  
(30) Convention priority data:  
(31) Number (32) Date (33) Country  
**30-2008-0042972 06 Oct 2008 REPUBLIC OF KOREA**  
(56) Related Art Documents: **Not Applicable**  
(57) Statement of Newness and Distinctiveness: **Newness and distinctiveness is claimed in the shape and/or configuration of a motor vehicle as shown in the representations.**



(21) Design Number: **11337/2009**

(22) Date of Filing Application: **20 April 2009**

(24) Date from which industrial property rights may have effect: **20 April 2009**

(54) Product in respect of which the design is registered: **An extrusion**

(51) International Design Classification: **25-01K**

(71) Name(s) and Address(s) of Applicant(s):

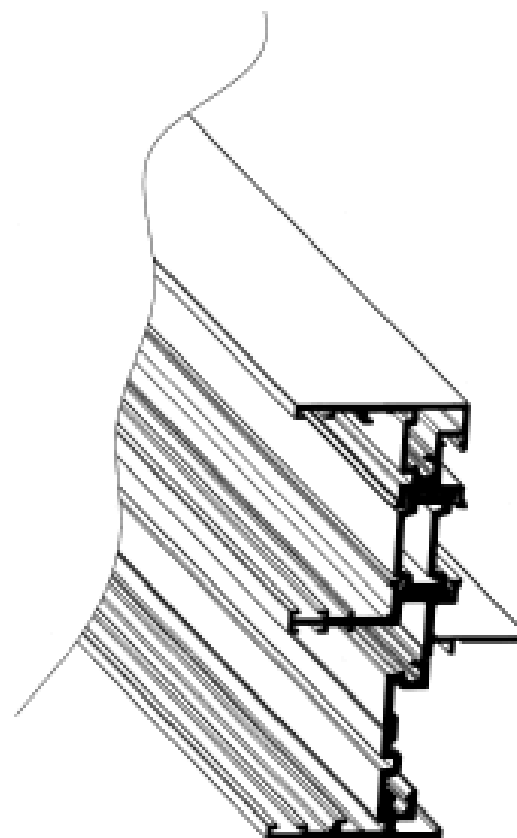
**Architectural Window Systems Pty Limited  
76-78 Jemma Road Prestons New South Wales 2170 Australia**

(72) Name(s) of Designer(s): **David John McCleary**

(45) Registration Date: **22 April 2009**

(56) Related Art Documents: **Not Applicable**

(57) Statement of Newness and Distinctiveness: **Newness and distinctiveness is claimed in the shape and/or configuration of AN EXTRUSION as illustrated by the unbroken lines in the accompanying representation.**



(21) Design Number: **11338/2009**

(22) Date of Filing Application: **20 April 2009**

(24) Date from which industrial property rights may have effect: **20 April 2009**

(54) Product in respect of which the design is registered: **An extrusion**

(51) International Design Classification: **25-01K**

(71) Name(s) and Address(s) of Applicant(s):

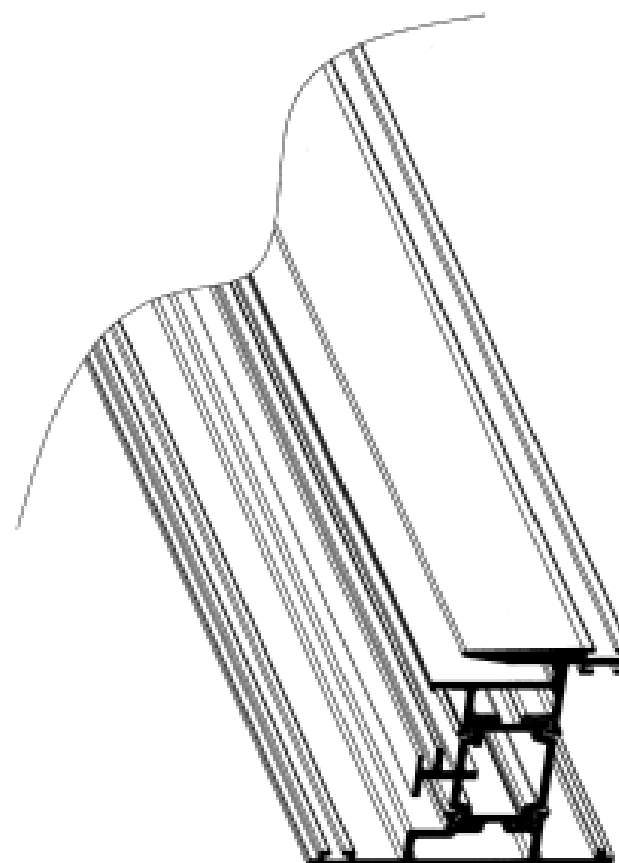
**Architectural Window Systems Pty Limited  
76-78 Jemma Road Prestons New South Wales 2170 Australia**

(72) Name(s) of Designer(s): **David John McCleary**

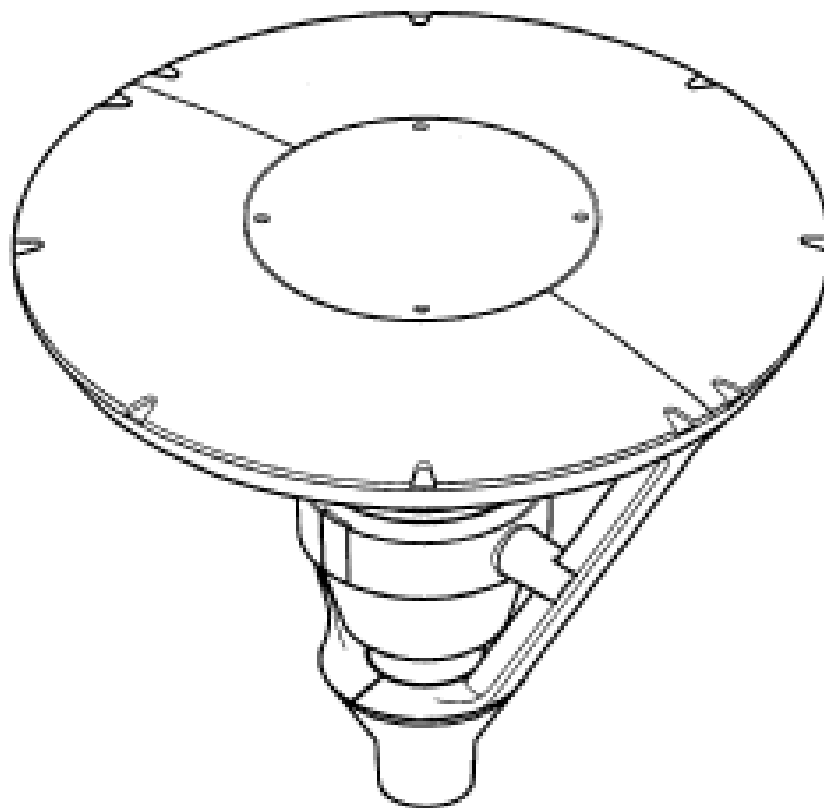
(45) Registration Date: **22 April 2009**

(56) Related Art Documents: **Not Applicable**

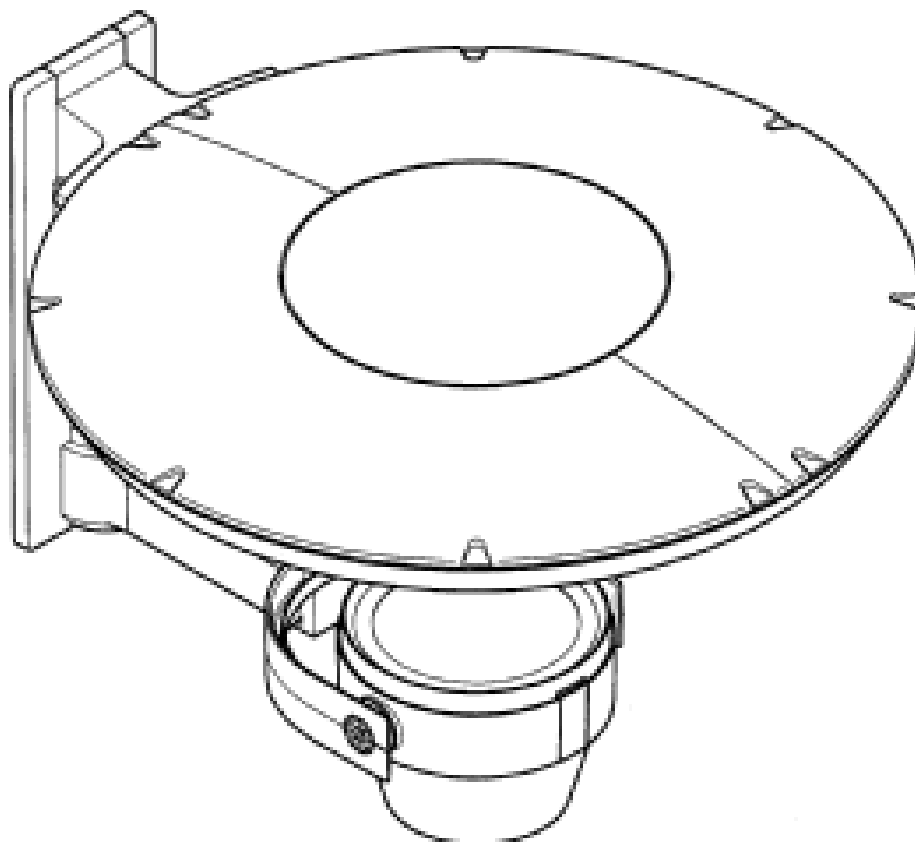
(57) Statement of Newness and Distinctiveness: **Newness and distinctiveness is claimed in the shape and/or configuration of AN EXTRUSION as illustrated by the unbroken lines in the accompanying representation.**



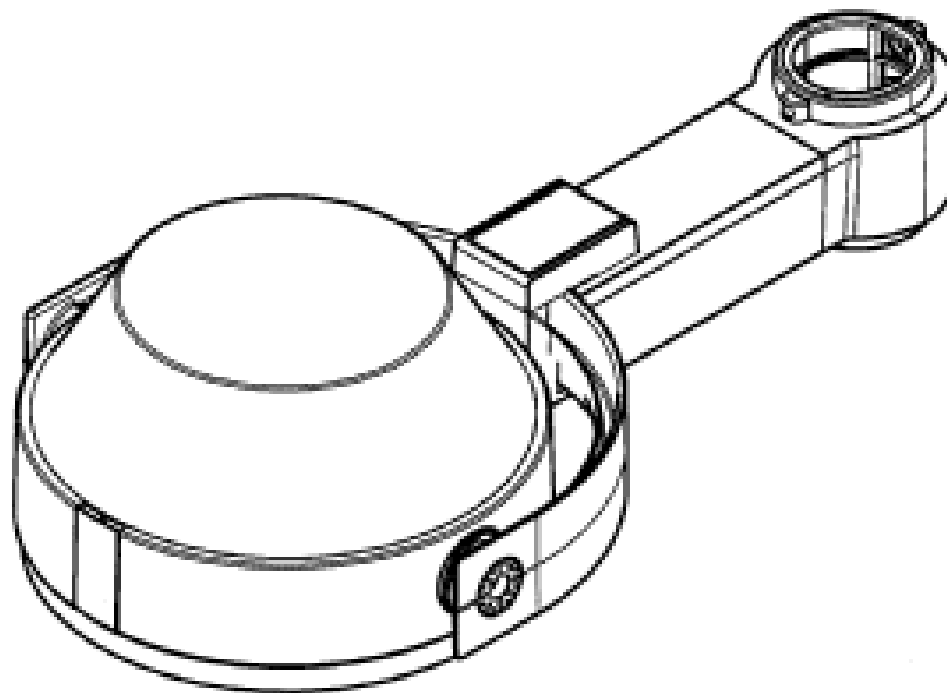
- (21) Design Number: **11343/2009**  
(22) Date of Filing Application: **20 April 2009**  
(24) Date from which industrial property rights may have effect: **20 April 2009**  
(54) Product in respect of which the design is registered: **Luminaire for road lighting**  
(51) International Design Classification: **26-03**  
(71) Name(s) and Address(s) of Applicant(s):  
**Koninklijke Philips Electronics N.V.**  
**Groenewoudseweg 1 5621 BA Eindhoven The Netherlands**  
(72) Name(s) of Designer(s): **Dido van Klinken**  
(45) Registration Date: **22 April 2009**  
(30) Convention priority data:  
(31) Number (32) Date (33) Country  
**001033567-0001 04 Nov 2008 EUROPEAN COMMUNITY**  
(56) Related Art Documents: **Not Applicable**  
(57) Statement of Newness and Distinctiveness: **Newness and distinctiveness reside in the features of the design as shown in the representations.**



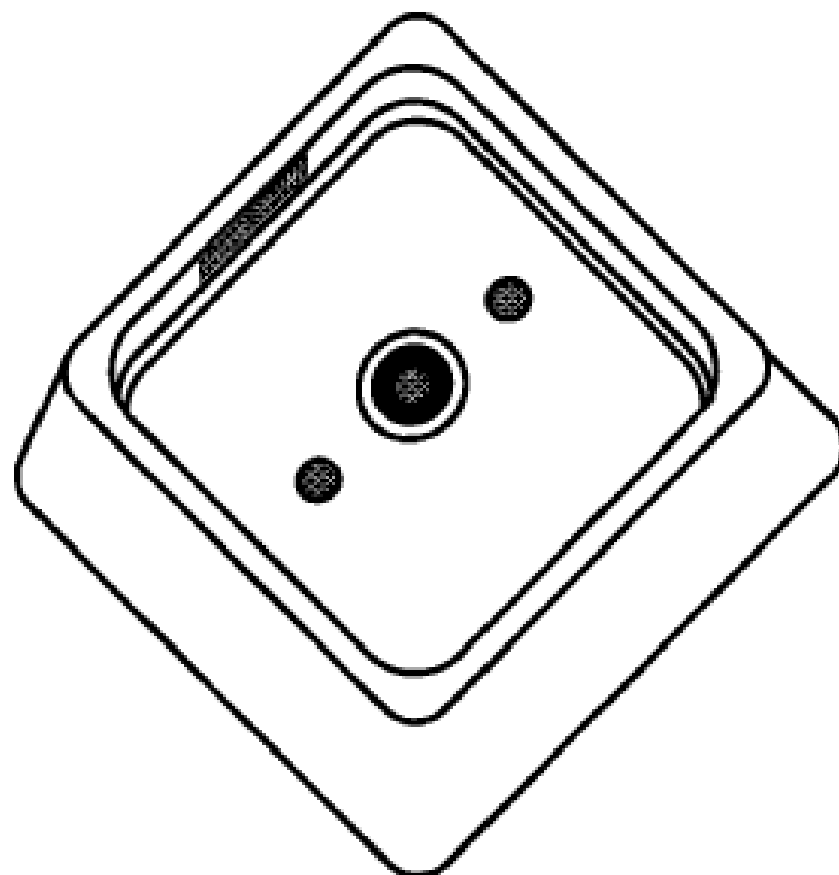
- (21) Design Number: **11344/2009**  
(22) Date of Filing Application: **20 April 2009**  
(24) Date from which industrial property rights may have effect: **20 April 2009**  
(54) Product in respect of which the design is registered: **Luminaire for road lighting**  
(51) International Design Classification: **26-03**  
(71) Name(s) and Address(s) of Applicant(s):  
**Koninklijke Philips Electronics N.V.**  
**Groenewoudseweg 1 5621 BA Eindhoven The Netherlands**  
(72) Name(s) of Designer(s): **Dido van Klinken**  
(45) Registration Date: **22 April 2009**  
(30) Convention priority data:  
(31) Number (32) Date (33) Country  
**001033567-0002 04 Nov 2008 EUROPEAN COMMUNITY**  
(56) Related Art Documents: **Not Applicable**  
(57) Statement of Newness and Distinctiveness: **Newness and distinctiveness reside in the features of the design as shown in the representations.**



- (21) Design Number: **11345/2009**  
(22) Date of Filing Application: **20 April 2009**  
(24) Date from which industrial property rights may have effect: **20 April 2009**  
(54) Product in respect of which the design is registered: **Luminaire for road lighting**  
(51) International Design Classification: **26-03**  
(71) Name(s) and Address(s) of Applicant(s):  
**Koninklijke Philips Electronics N.V.**  
**Groenewoudseweg 1 5621 BA Eindhoven The Netherlands**  
(72) Name(s) of Designer(s): **Dido van Klinken**  
(45) Registration Date: **22 April 2009**  
(30) Convention priority data:  
(31) Number (32) Date (33) Country  
**001033567-0003 04 Nov 2008 EUROPEAN COMMUNITY**  
(56) Related Art Documents: **Not Applicable**  
(57) Statement of Newness and Distinctiveness: **Newness and distinctiveness reside in the features of the design as shown in the representations.**



- (21) Design Number: **10343/2009**  
(22) Date of Filing Application: **09 February 2009**  
(24) Date from which industrial property rights may have effect: **09 February 2009**  
(54) Product in respect of which the design is registered: **Lighting assembly mounting base**  
(51) International Design Classification: **08-08NES, 12-16E**  
(71) Name(s) and Address(s) of Applicant(s):  
**Roadvision Pty Ltd**  
**PO Box 2761 Rowville Victoria 3178 Australia**  
(72) Name(s) of Designer(s): **Gary Parker**  
(45) Registration Date: **23 April 2009**  
(56) Related Art Documents: **Not Applicable**  
(57) Statement of Newness and Distinctiveness: **The features of shape and configuration of the lighting assembly mounting bracket as shown in the representations accompanying this application are new and distinctive. The newness and distinctiveness of the lighting assembly mounting bracket resides in the shape and configuration of a vehicle single or combination lamp mounting assembly with straight angled sides consisting of a single mounting base with enclosed back designed for the fitment of a single lamp or combination of 2 or 3 lamps as illustrated in the accompanying representations.**





(21) Design Number: **10344/2009**

(22) Date of Filing Application: **09 February 2009**

(24) Date from which industrial property rights may have effect: **09 February 2009**

(54) Product in respect of which the design is registered: **Lighting assembly mounting base**

(51) International Design Classification: **08-08NES, 12-16E**

(71) Name(s) and Address(s) of Applicant(s):

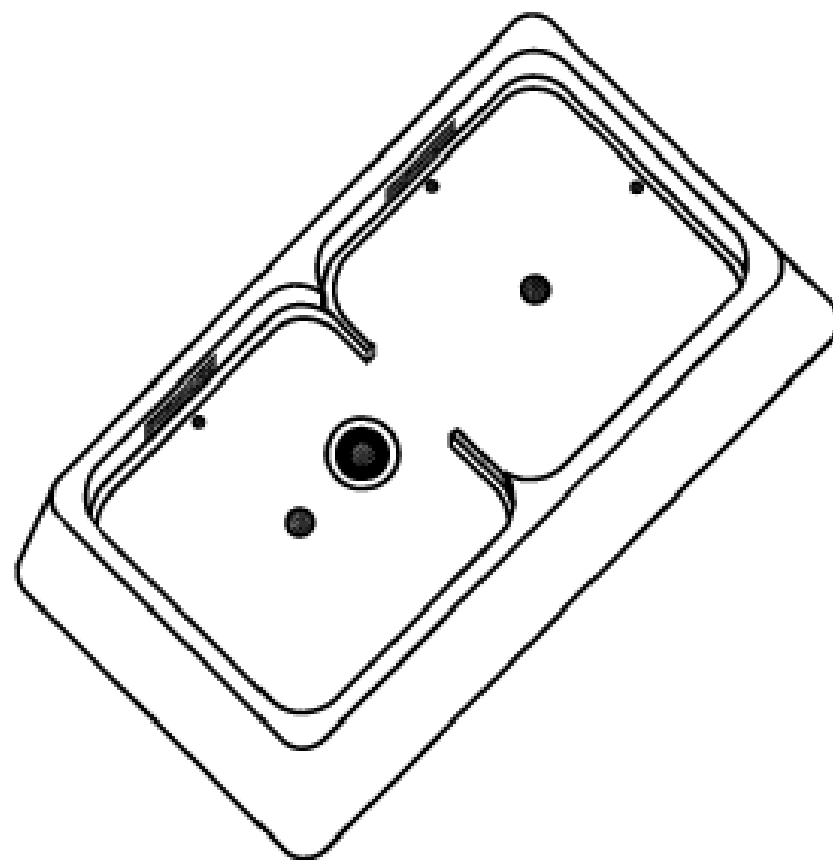
**Roadvision Pty Ltd  
PO Box 2761 Rowville Victoria 3178 Australia**

(72) Name(s) of Designer(s): **Gary Parker**

(45) Registration Date: **23 April 2009**

(56) Related Art Documents: **Not Applicable**

(57) Statement of Newness and Distinctiveness: **The features of shape and configuration of the lighting assembly mounting bracket as shown in the representations accompanying this application are new and distinctive. The newness and distinctiveness of the lighting assembly mounting bracket resides in the shape and configuration of a vehicle single or combination lamp mounting assembly with straight angled sides consisting of a single mounting base with enclosed back designed for the fitment of a single lamp or combination of 2 or 3 lamps as illustrated in the accompanying representations.**



(21) Design Number: **10345/2009**

(22) Date of Filing Application: **09 February 2009**

(24) Date from which industrial property rights may have effect: **09 February 2009**

(54) Product in respect of which the design is registered: **Lighting assembly mounting base**

(51) International Design Classification: **08-08NES, 12-16E**

(71) Name(s) and Address(s) of Applicant(s):

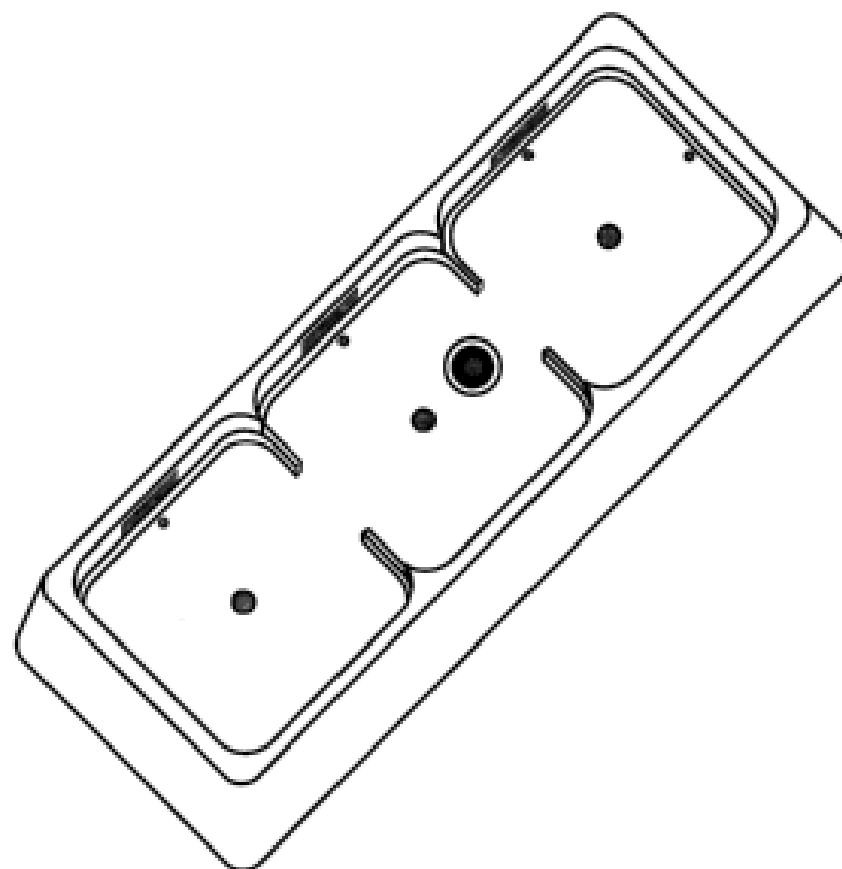
**Roadvision Pty Ltd  
PO Box 2761 Rowville Victoria 3178 Australia**

(72) Name(s) of Designer(s): **Gary Parker**

(45) Registration Date: **23 April 2009**

(56) Related Art Documents: **Not Applicable**

(57) Statement of Newness and Distinctiveness: **The features of shape and configuration of the lighting assembly mounting bracket as shown in the representations accompanying this application are new and distinctive. The newness and distinctiveness of the lighting assembly mounting bracket resides in the shape and configuration of a vehicle single or combination lamp mounting assembly with straight angled sides consisting of a single mounting base with enclosed back designed for the fitment of a single lamp or combination of 2 or 3 lamps as illustrated in the accompanying representations.**



(21) Design Number: **11346/2009**

(22) Date of Filing Application: **20 April 2009**

(24) Date from which industrial property rights may have effect: **20 April 2009**

(54) Product in respect of which the design is registered: **Luminaire for road lighting**

(51) International Design Classification: **26-03**

(71) Name(s) and Address(s) of Applicant(s):

**Koninklijke Philips Electronics N.V.  
Groenewoudseweg 1 5621 BA Eindhoven The Netherlands**

(72) Name(s) of Designer(s): **Dido van Klinken**

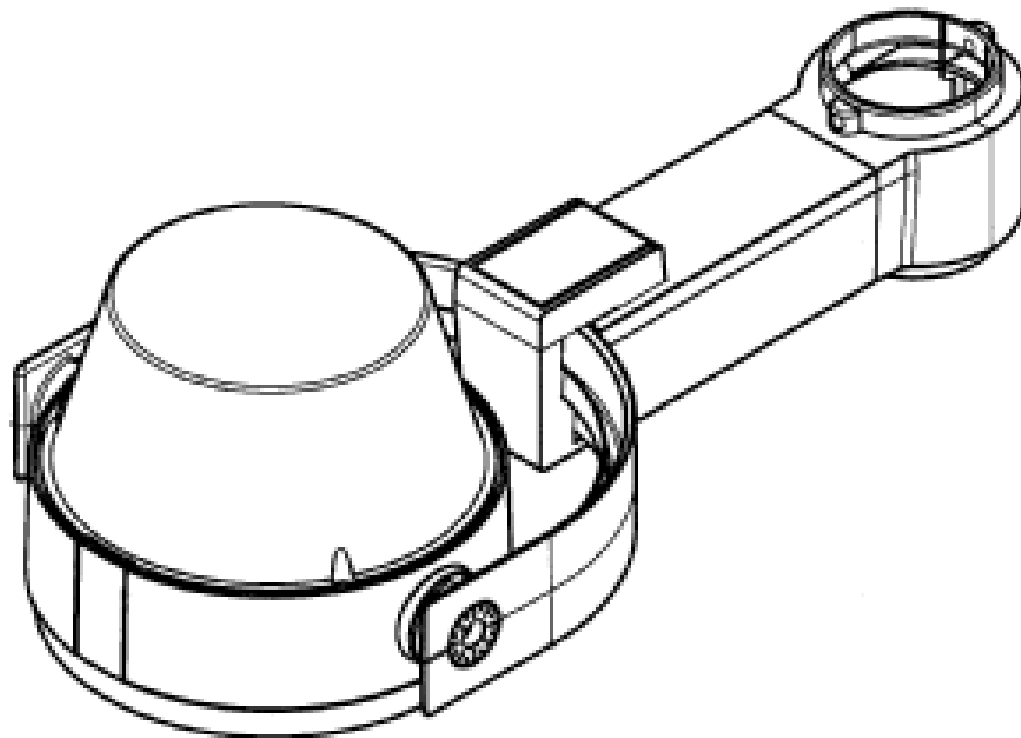
(45) Registration Date: **23 April 2009**

(30) Convention priority data:

(31) Number	(32) Date	(33) Country
<b>001033567-0004</b>	<b>04 Nov 2008</b>	<b>EUROPEAN COMMUNITY</b>

(56) Related Art Documents: **Not Applicable**

(57) Statement of Newness and Distinctiveness: **Newness and distinctiveness reside in the features of the design as shown in the representations.**



(21) Design Number: **11347/2009**

(22) Date of Filing Application: **20 April 2009**

(24) Date from which industrial property rights may have effect: **20 April 2009**

(54) Product in respect of which the design is registered: **Luminaire for road lighting**

(51) International Design Classification: **26-03**

(71) Name(s) and Address(s) of Applicant(s):

**Koninklijke Philips Electronics N.V.  
Groenewoudseweg 1 5621 BA Eindhoven The Netherlands**

(72) Name(s) of Designer(s): **Dido van Klinken**

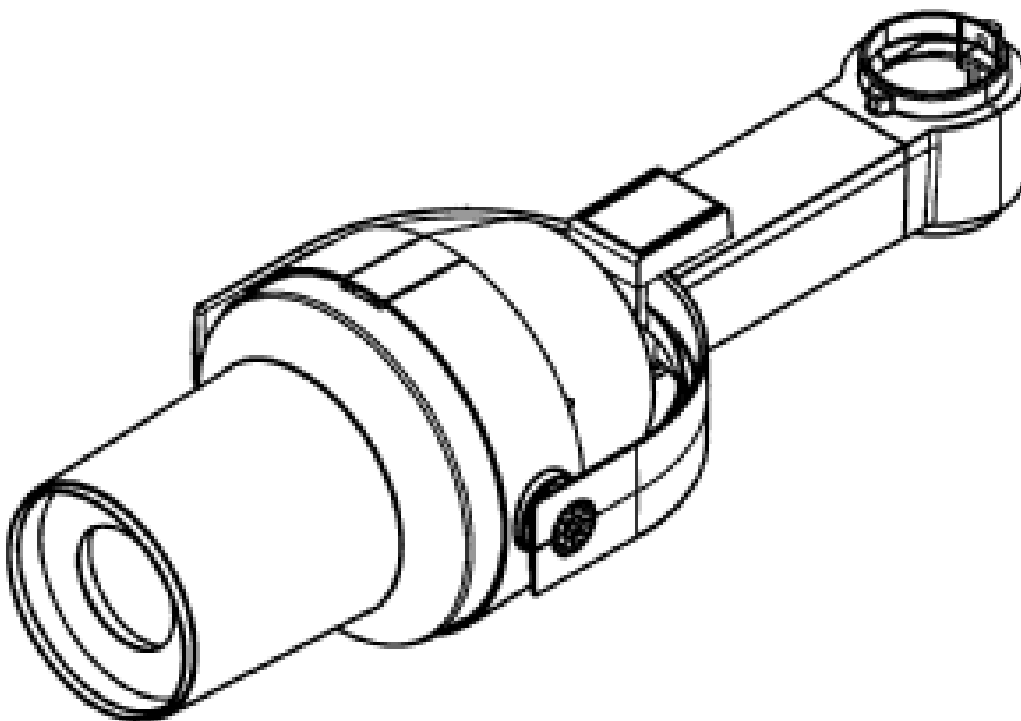
(45) Registration Date: **23 April 2009**

(30) Convention priority data:

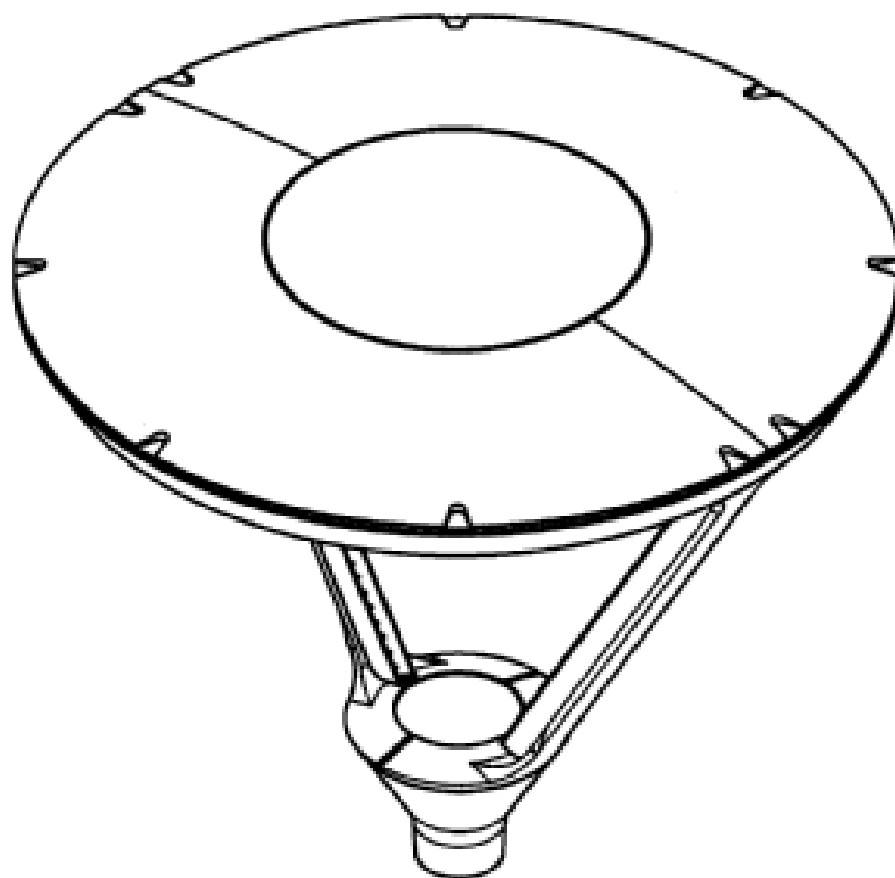
(31) Number	(32) Date	(33) Country
<b>001033567-0005</b>	<b>04 Nov 2008</b>	<b>EUROPEAN COMMUNITY</b>

(56) Related Art Documents: **Not Applicable**

(57) Statement of Newness and Distinctiveness: **Newness and distinctiveness reside in the features of the design as shown in the representations.**



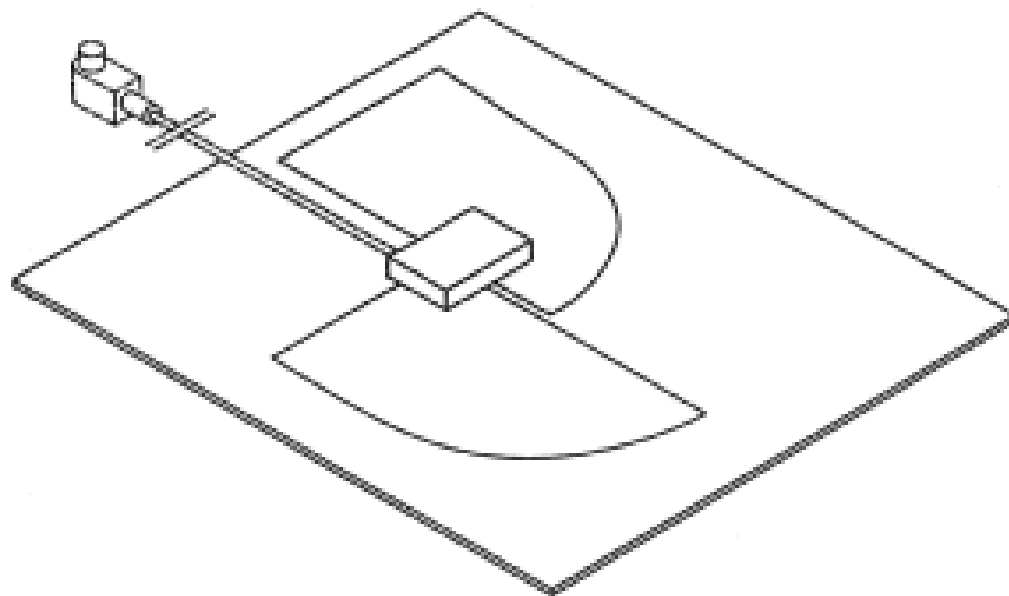
(21) Design Number: **11348/2009**  
(22) Date of Filing Application: **20 April 2009**  
(24) Date from which industrial property rights may have effect: **20 April 2009**  
(54) Product in respect of which the design is registered: **Luminaire for road lighting**  
(51) International Design Classification: **26-03**  
(71) Name(s) and Address(s) of Applicant(s):  
**Koninklijke Philips Electronics N.V.**  
**Groenewoudseweg 1 5621 BA Eindhoven The Netherlands**  
(72) Name(s) of Designer(s): **Dido van Klinken**  
(45) Registration Date: **23 April 2009**  
(30) Convention priority data:  
(31) Number (32) Date (33) Country  
**001033567-0006 04 Nov 2008 EUROPEAN COMMUNITY**  
(56) Related Art Documents: **Not Applicable**  
(57) Statement of Newness and Distinctiveness: **Newness and distinctiveness reside in the features of the design as shown in the representations.**



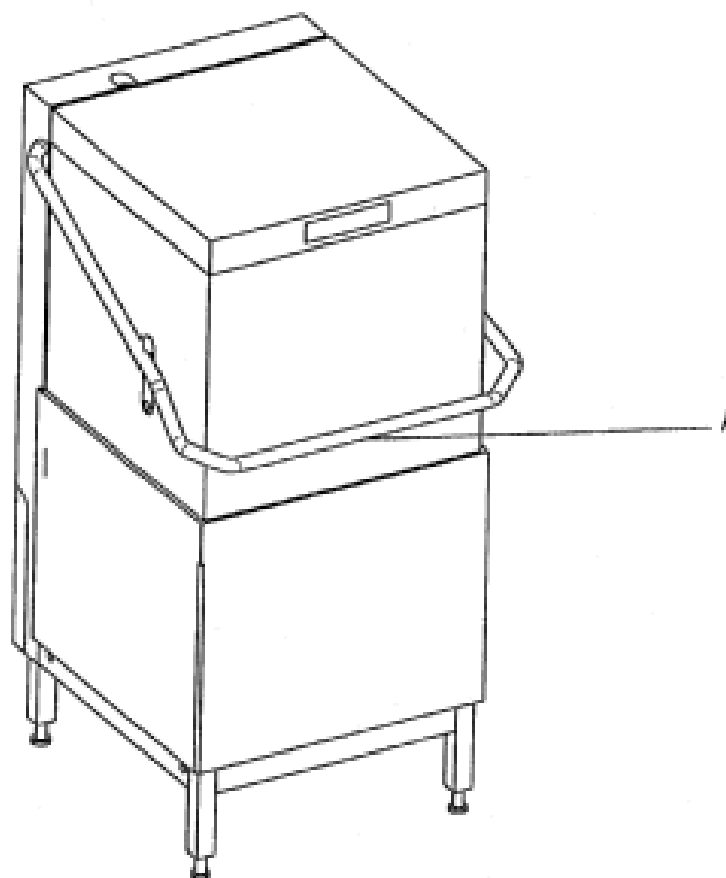
(21) Design Number: **11350/2009**  
(22) Date of Filing Application: **20 April 2009**  
(24) Date from which industrial property rights may have effect: **20 April 2009**  
(54) Product in respect of which the design is registered: **Tiller**  
(51) International Design Classification: **15-03A**  
(71) Name(s) and Address(s) of Applicant(s):  
**Honda Motor Co., Ltd.**  
**1-1 Minamiaoyama 2-chome Minato-ku Tokyo Japan**  
(72) Name(s) of Designer(s): **Koichi Azuma**  
(45) Registration Date: **23 April 2009**  
(30) Convention priority data:  
(31) Number (32) Date (33) Country  
**2008-27190 23 Oct 2008 JAPAN**  
(56) Related Art Documents: **Not Applicable**  
(57) Statement of Newness and Distinctiveness: **Newness and distinctiveness is claimed in the features of shape and/or configuration of a tiller as illustrated in the accompanying representations.**



- (21) Design Number: **11351/2009**  
(22) Date of Filing Application: **20 April 2009**  
(24) Date from which industrial property rights may have effect: **20 April 2009**  
(54) Product in respect of which the design is registered: **Antenna**  
(51) International Design Classification: **14-03NES**  
(71) Name(s) and Address(s) of Applicant(s):  
**NEC Corporation**  
**7-1 Shiba 5-chome Minato-ku Tokyo Japan**  
(72) Name(s) of Designer(s): **Yoshihide Takahashi**  
(45) Registration Date: **23 April 2009**  
(30) Convention priority data:  
(31) Number (32) Date (33) Country  
**2008-033302 26 Dec 2008 JAPAN**  
(56) Related Art Documents: **Not Applicable**  
(57) Statement of Newness and Distinctiveness: **Newness and distinctiveness is claimed in the features of shape and configuration of an antenna as illustrated in solid lines in the accompanying representations.**



- (21) Design Number: **10183/2009**  
(22) Date of Filing Application: **23 January 2009**  
(24) Date from which industrial property rights may have effect: **23 January 2009**  
(54) Product in respect of which the design is registered: **Handle for a dishwasher**  
(51) International Design Classification: **15-05**  
(71) Name(s) and Address(s) of Applicant(s):  
**Premark FEG L.L.C.**  
**1300 Market Street Suite 504 Wilmington Delaware 19801 United States of America**  
(72) Name(s) of Designer(s): **Udo Buerkle**  
(45) Registration Date: **22 April 2009**  
(30) Convention priority data:  
(31) Number (32) Date (33) Country  
**000982889 06 Aug 2008 EUROPEAN COMMUNITY**  
(56) Related Art Documents: **Not Applicable**  
(57) Statement of Newness and Distinctiveness: **Those features of the handle of the dishwasher depicted in the representations that are new and distinctive are the shape and/or configuration of the handle marked "A".**



(21) Design Number: **11309/2009**

(22) Date of Filing Application: **20 April 2009**

(24) Date from which industrial property rights may have effect: **20 April 2009**

(54) Product in respect of which the design is registered: **Bib**

(51) International Design Classification: **02-05**

(71) Name(s) and Address(s) of Applicant(s):

**Heidi Damgaard Gullan**

**56 Nottely Crescent Secret Harbour Western Australia 6173 Australia**

(72) Name(s) of Designer(s): **Heidi Damgaard Gullan**

(45) Registration Date: **22 April 2009**

(56) Related Art Documents: **Not Applicable**

(57) Statement of Newness and Distinctiveness: **I believe the design of this bib is new and distinctive as it is more versatile than any bib I have ever seen on the market. The unique shape of the bib not just look neat and stylish from front and back. The neckpiece folded the way it is allows the stitching to become nice features. Creates 4 different colour combinations and ways to be worn. The 4 layers of material gives added absorbance. Best of all the different ways of folding the bib gives opportunities of hiding dirty spots to create a "clean look" bib 3 times.**



(21) Design Number: **11336/2009**

(22) Date of Filing Application: **20 April 2009**

(24) Date from which industrial property rights may have effect: **20 April 2009**

(54) Product in respect of which the design is registered: **An extrusion**

(51) International Design Classification: **25-01K, 25-02H**

(71) Name(s) and Address(s) of Applicant(s):

**Architectural Window Systems Pty Limited**

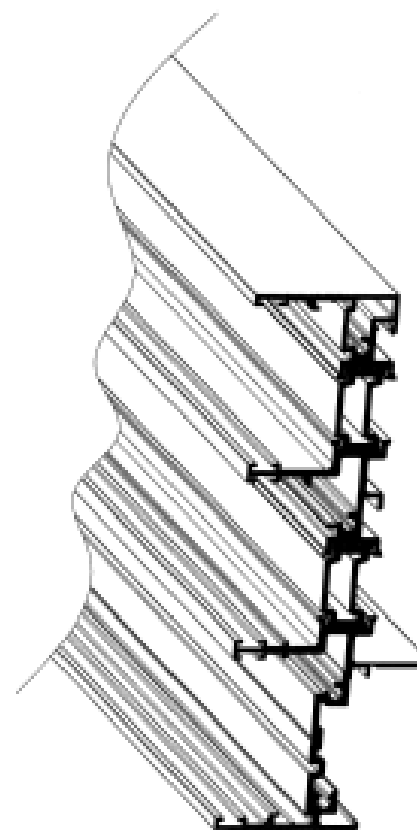
**76-78 Jemma Road Prestons New South Wales 2170 Australia**

(72) Name(s) of Designer(s): **David John McCleary**

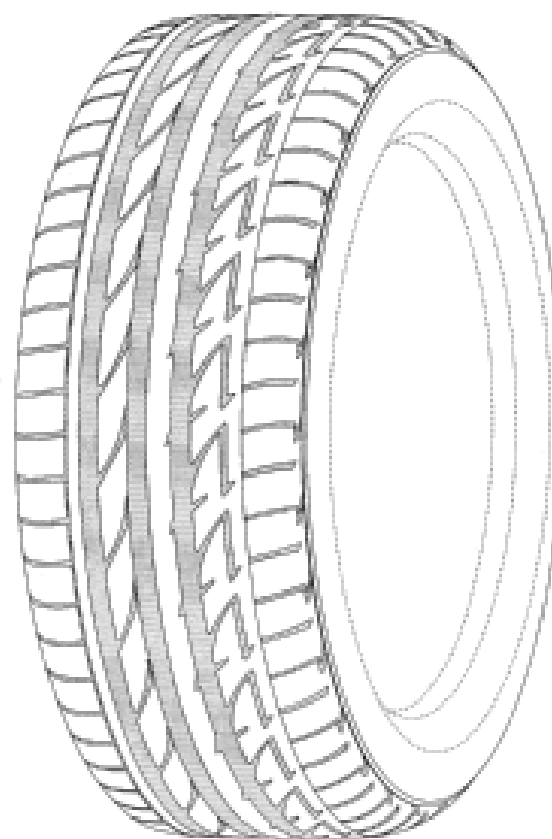
(45) Registration Date: **22 April 2009**

(56) Related Art Documents: **Not Applicable**

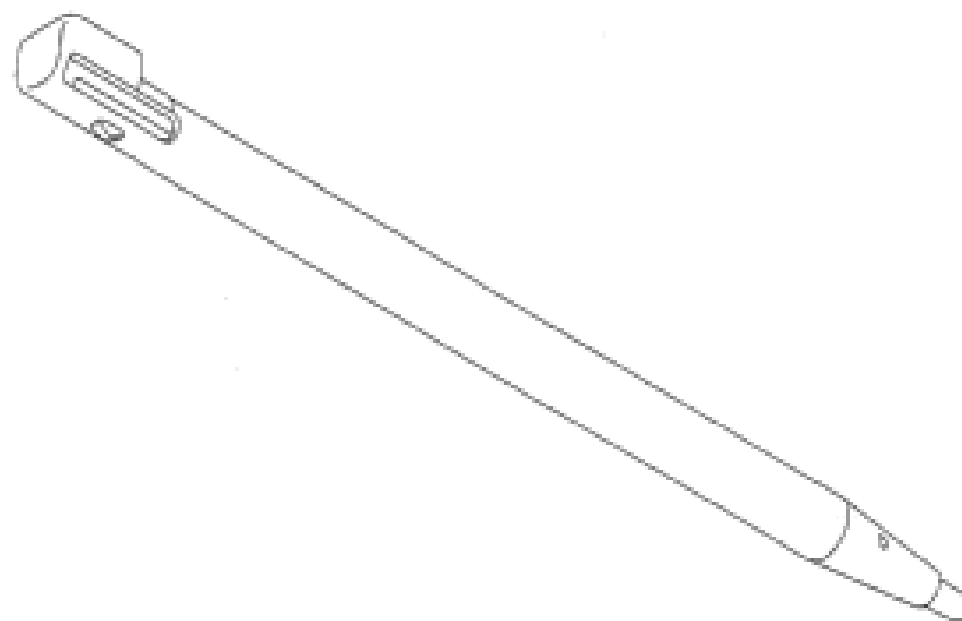
(57) Statement of Newness and Distinctiveness: **Newness and distinctiveness is claimed in the shape and/or configuration of an extrusion as illustrated by the unbroken lines in the accompanying representations.**



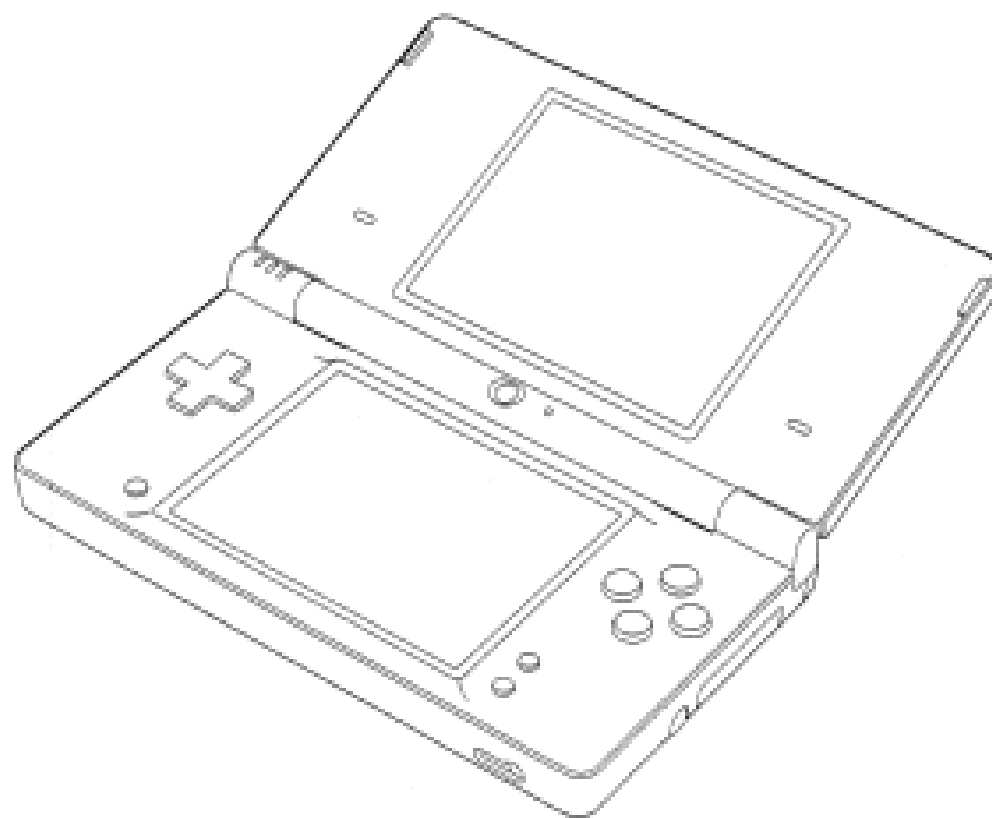
- (21) Design Number: **15123/2008**  
(22) Date of Filing Application: **24 October 2008**  
(24) Date from which industrial property rights may have effect: **24 October 2008**  
(54) Product in respect of which the design is registered: **Automobile tire**  
(51) International Design Classification: **12-15A**  
(71) Name(s) and Address(s) of Applicant(s):  
**Bridgestone Corporation**  
**10-1 Kyobashi 1-chome Chuo-ku Tokyo 104-8340 Japan**  
(72) Name(s) of Designer(s): **Yukihiro Kiwaki**  
(45) Registration Date: **23 April 2009**  
(56) Related Art Documents: **Not Applicable**  
(57) Statement of Newness and Distinctiveness: **The shape and configuration of the parts of the design shown by means of solid lines are new and distinctive.**



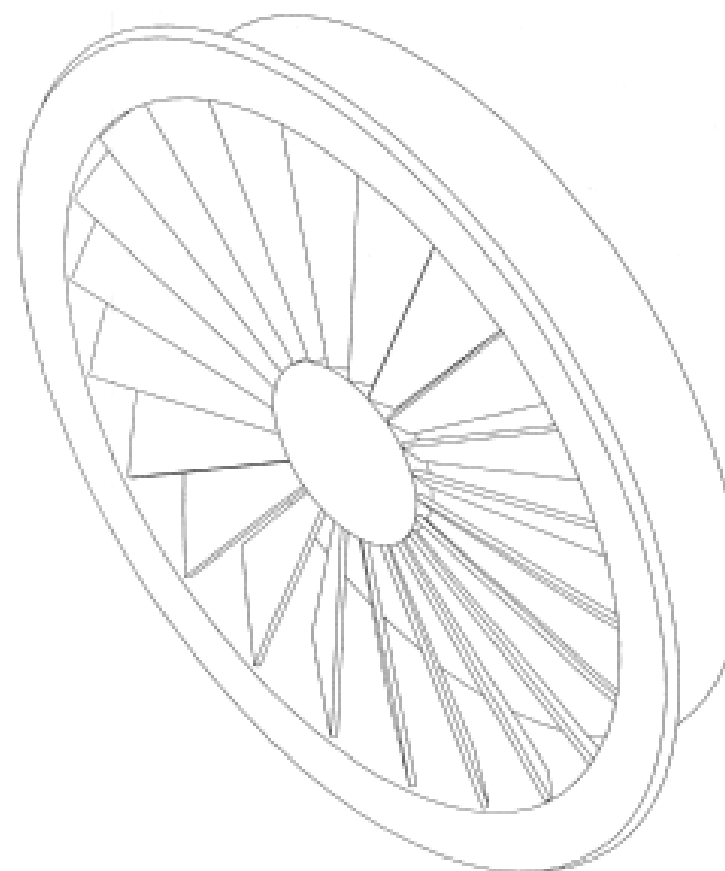
- (21) Design Number: **11022/2009**  
(22) Date of Filing Application: **25 March 2009**  
(24) Date from which industrial property rights may have effect: **25 March 2009**  
(54) Product in respect of which the design is registered: **Stylus pen for inputting operation on a touch panel**  
(51) International Design Classification: **21-01N**  
(71) Name(s) and Address(s) of Applicant(s):  
**Nintendo Co., Ltd.**  
**11-1 Hokotate-cho Kamitoba Minami-ku Kyoto-shi Kyoto Japan**  
(72) Name(s) of Designer(s): **Satoshi Ishibashi and Yuko Zenri and Junichiro Miyatake**  
(45) Registration Date: **23 April 2009**  
(30) Convention priority data:  
(31) Number      (32) Date      (33) Country  
**2008-025321      01 Oct 2008      JAPAN**  
(56) Related Art Documents: **Not Applicable**  
(57) Statement of Newness and Distinctiveness: **Nil**



- (21) Design Number: **11023/2009**  
(22) Date of Filing Application: **25 March 2009**  
(24) Date from which industrial property rights may have effect: **25 March 2009**  
(54) Product in respect of which the design is registered: **Portable electronic computer**  
(51) International Design Classification: **21-01N**  
(71) Name(s) and Address(s) of Applicant(s):  
**Nintendo Co., Ltd.**  
**11-1 Hokotate-cho Kamitoba Minami-ku Kyoto-shi Kyoto Japan**  
(72) Name(s) of Designer(s): **Yui Ehara and Kazunori Koshiishi and Masaki Amano and Kouchi Kawai**  
(45) Registration Date: **23 April 2009**  
(30) Convention priority data:  
(31) Number      (32) Date      (33) Country  
**2008-025320      01 Oct 2008      JAPAN**  
(56) Related Art Documents: **Not Applicable**  
(57) Statement of Newness and Distinctiveness: **Nil**



- (21) Design Number: **11160/2009**  
(22) Date of Filing Application: **03 April 2009**  
(24) Date from which industrial property rights may have effect: **03 April 2009**  
(54) Product in respect of which the design is registered: **Ceiling diffuser**  
(51) International Design Classification: **23-04**  
(71) Name(s) and Address(s) of Applicant(s):  
**Paltech Corporation Pty Ltd**  
**8 Kingston Park Court Knoxfield Victoria 3180 Australia**  
(72) Name(s) of Designer(s): **Gregory William Palmer and Graham David Palmer**  
(45) Registration Date: **23 April 2009**  
(56) Related Art Documents: **Not Applicable**  
(57) Statement of Newness and Distinctiveness: **Nil**

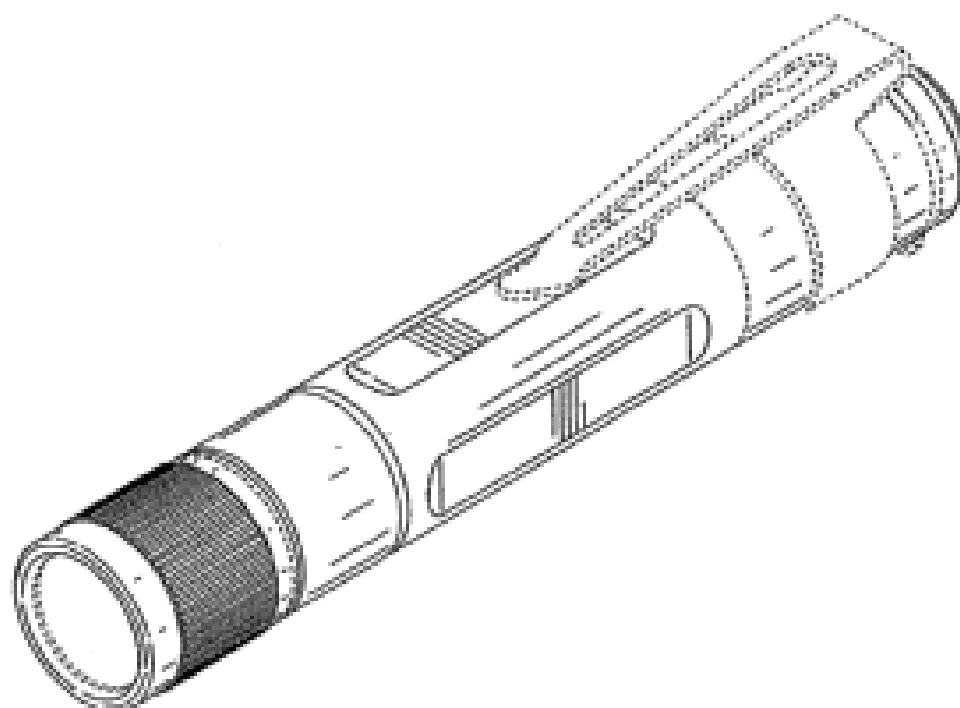


- (21) Design Number: **11253/2009**
- (22) Date of Filing Application: **15 April 2009**
- (24) Date from which industrial property rights may have effect: **15 April 2009**
- (54) Product in respect of which the design is registered: **Carpenters pencil**
- (51) International Design Classification: **19-06**
- (71) Name(s) and Address(s) of Applicant(s):  
**Ottavio Perri**  
**164 Camden Street Newtown New South Wales 2042 Australia**
- (72) Name(s) of Designer(s): **Ottavio Perri**
- (45) Registration Date: **23 April 2009**
- (56) Related Art Documents: **Not Applicable**
- (57) Statement of Newness and Distinctiveness: **A carpenters pencil with a spirit level vial embodied within the pencil. A carpenters pencil with metric measurements.**



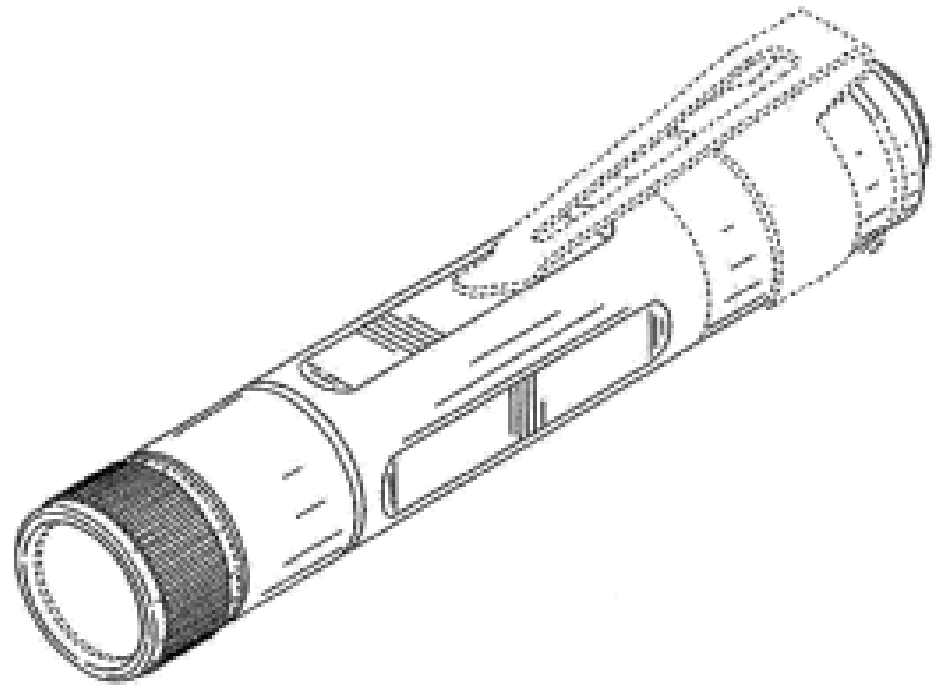
- (21) Design Number: **10354/2009**
- (22) Date of Filing Application: **09 February 2009**
- (24) Date from which industrial property rights may have effect: **09 February 2009**
- (54) Product in respect of which the design is registered: **Flashlight**
- (51) International Design Classification: **26-02**
- (71) Name(s) and Address(s) of Applicant(s):  
**Leatherman Tool Group, Inc.**  
**12106 NE Ainsworth Circle Portland OR 97220 United States of America**
- (72) Name(s) of Designer(s): **Jeffrey L. Caniparoli**
- (45) Registration Date: **23 April 2009**
- (30) Convention priority data:

(31) Number	(32) Date	(33) Country
<b>29/322,621</b>	<b>07 Aug 2008</b>	<b>UNITED STATES OF AMERICA</b>
- (56) Related Art Documents: **Not Applicable**
- (57) Statement of Newness and Distinctiveness: **The newness and distinctiveness of the design resides in the features of shape and/or configuration of the flashlight shown in unbroken lines in the accompanying representations.**

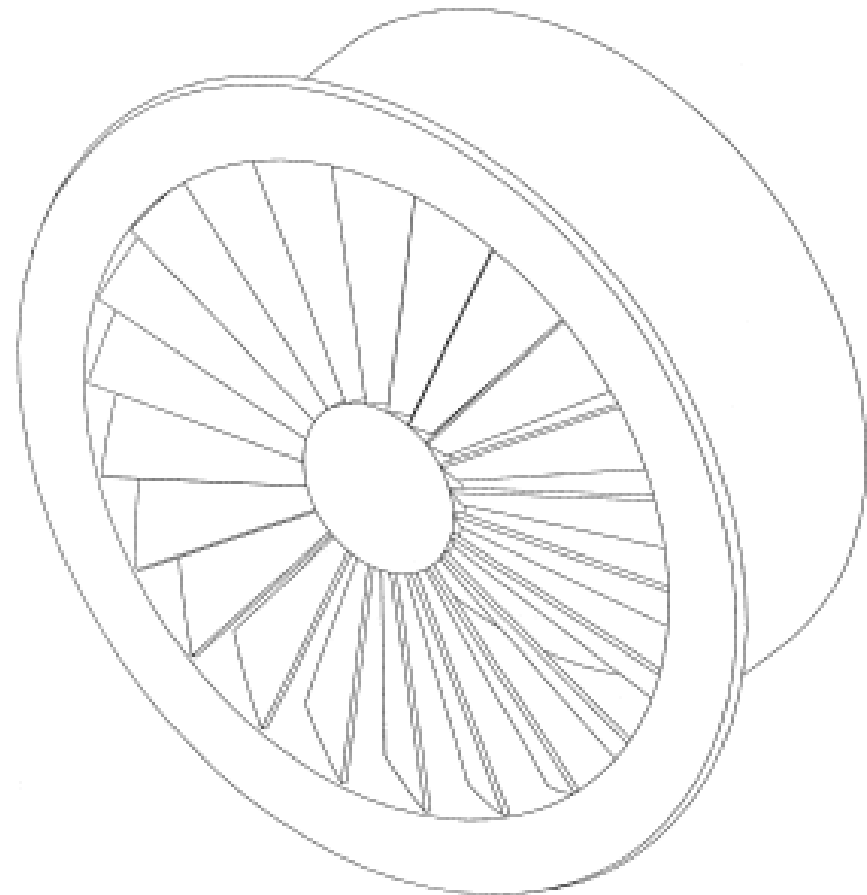




- (21) Design Number: **11295/2009**
- (22) Date of Filing Application: **09 February 2009**
- (24) Date from which industrial property rights may have effect: **09 February 2009**
- (54) Product in respect of which the design is registered: **Flashlight**
- (51) International Design Classification: **26-02**
- (71) Name(s) and Address(s) of Applicant(s):  
**Leatherman Tool Group, Inc.**  
**12106 NE Ainsworth Circle Portland OR 97220 United States of America**
- (72) Name(s) of Designer(s): **Jeffrey L. Caniparoli**
- (45) Registration Date: **23 April 2009**
- (62) Divisional of: **325823**
- (56) Related Art Documents: **Not Applicable**
- (57) Statement of Newness and Distinctiveness: **The newness and distinctiveness of the design resides in the features of shape and/or configuration of the flashlight shown in unbroken lines in the accompanying representations.**



- (21) Design Number: **11158/2009**
- (22) Date of Filing Application: **03 April 2009**
- (24) Date from which industrial property rights may have effect: **03 April 2009**
- (54) Product in respect of which the design is registered: **Ceiling diffuser**
- (51) International Design Classification: **23-04**
- (71) Name(s) and Address(s) of Applicant(s):  
**Paltech Corporation Pty Ltd**  
**8 Kingston Park Court Knoxfield Victoria 3180 Australia**
- (72) Name(s) of Designer(s): **Gregory William Palmer and Graham David Palmer**
- (45) Registration Date: **23 April 2009**
- (56) Related Art Documents: **Not Applicable**
- (57) Statement of Newness and Distinctiveness: **Nil**



(21) Design Number: **11360/2009**

(22) Date of Filing Application: **20 April 2009**

(24) Date from which industrial property rights may have effect: **20 April 2009**

(54) Product in respect of which the design is registered: **A money box**

(51) International Design Classification: **03-01NES**

(71) Name(s) and Address(s) of Applicant(s):

**Dimitrios Theodoropoulos**

**3 Hawes Street Dudley Park South Australia 5008 Australia**

(72) Name(s) of Designer(s): **Dimitrios Theodoropoulos**

(45) Registration Date: **23 April 2009**

(56) Related Art Documents: **Not Applicable**

(57) Statement of Newness and Distinctiveness: **Nil**



(21) Design Number: **11142/2009**

(22) Date of Filing Application: **06 April 2009**

(24) Date from which industrial property rights may have effect: **06 April 2009**

(54) Product in respect of which the design is registered: **Container holder device**

(51) International Design Classification: **09-03H, 09-99**

(71) Name(s) and Address(s) of Applicant(s):

**TCT Hall Pty Ltd**

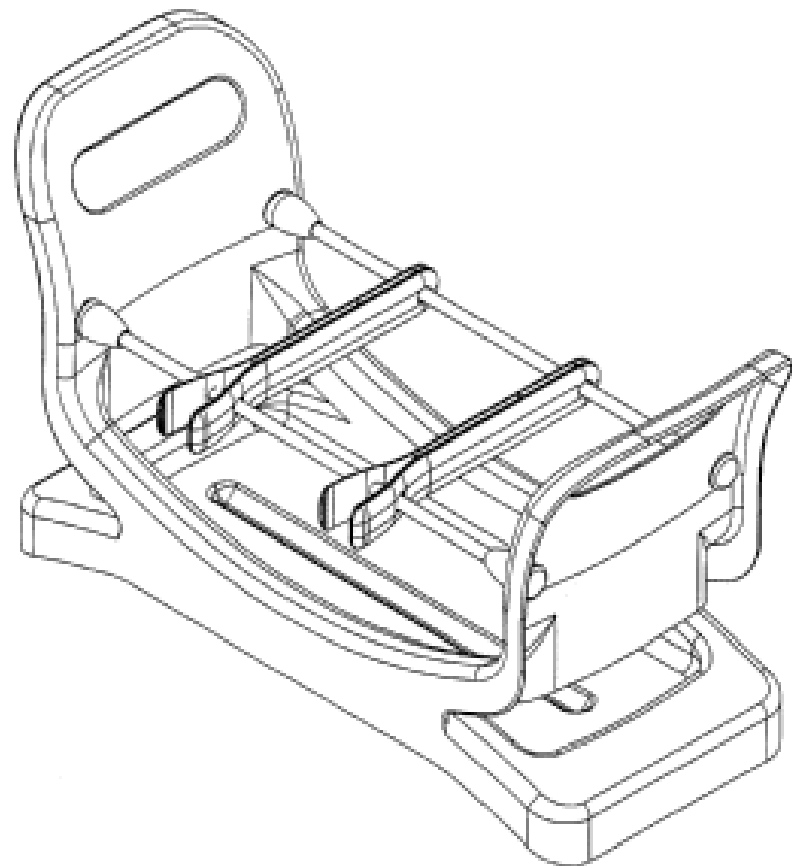
**45 Adelaide Street Oxley Park New South Wales 2760 Australia**

(72) Name(s) of Designer(s): **William Aloisi**

(45) Registration Date: **23 April 2009**

(56) Related Art Documents: **Not Applicable**

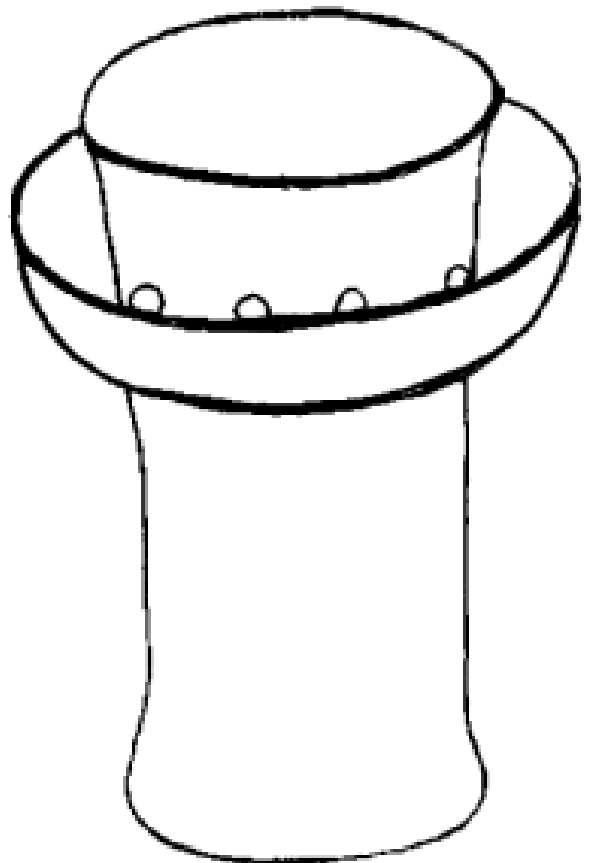
(57) Statement of Newness and Distinctiveness: **Nil**



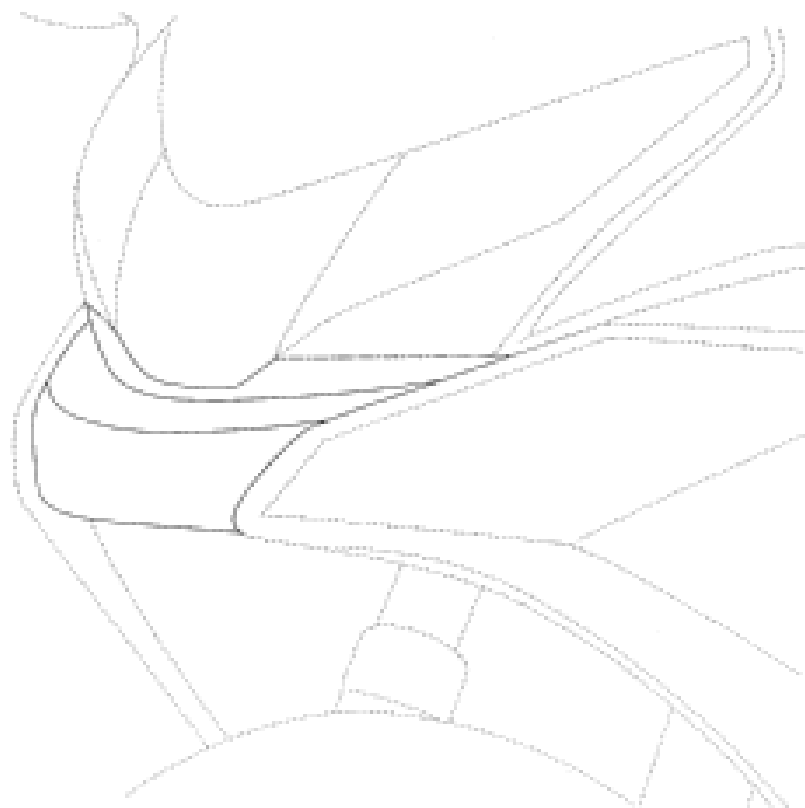
(21) Design Number: **10825/2009**  
(22) Date of Filing Application: **13 March 2009**  
(24) Date from which industrial property rights may have effect: **13 March 2009**  
(54) Product in respect of which the design is registered: **Drill bit**  
(51) International Design Classification: **08-01**  
(71) Name(s) and Address(s) of Applicant(s):  
**Illinois Tool Works, Inc.**  
**3600 West Lake Avenue Glenview Illinois 60026-1215 United States of America**  
(72) Name(s) of Designer(s): **Heinrich Kersten and Jorg Frommeyer and Sven Elmers and Hermann Albers**  
(45) Registration Date: **23 April 2009**  
(30) Convention priority data:  
(31) Number (32) Date (33) Country  
**001007983 23 Sep 2008 EUROPEAN COMMUNITY**  
(56) Related Art Documents: **Not Applicable**  
(57) Statement of Newness and Distinctiveness: **Those features of the drill bit depicted in the representations that are new and distinctive are the shape and/or configuration of the tip of the drill bit. The shank and helical spirals are not part of the design and are to be disregarded when considering the overall impression of the design.**



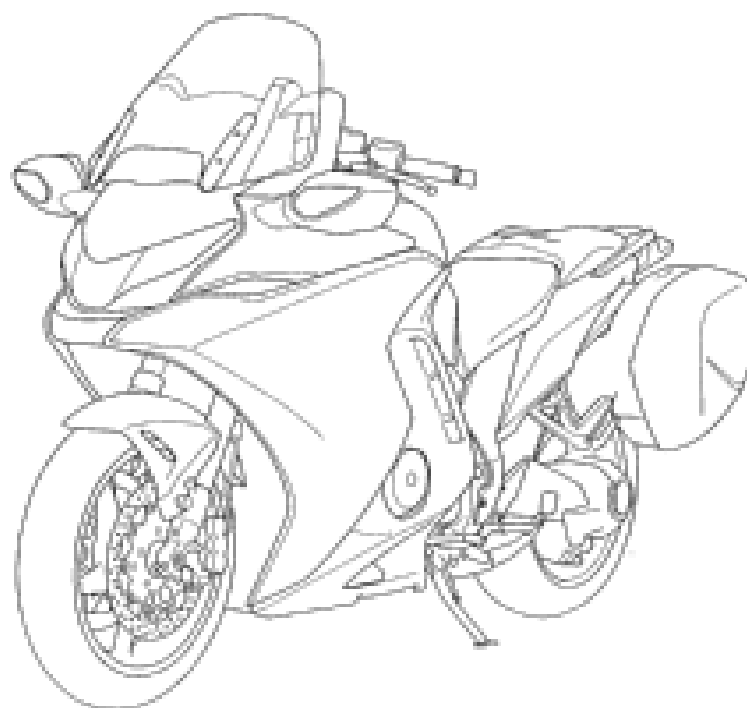
(21) Design Number: **11141/2009**  
(22) Date of Filing Application: **06 April 2009**  
(24) Date from which industrial property rights may have effect: **06 April 2009**  
(54) Product in respect of which the design is registered: **Cooler**  
(51) International Design Classification: **07-07A**  
(71) Name(s) and Address(s) of Applicant(s):  
**Timothy Alan Smith**  
**10 Dandenong Street Burnside Queensland 4560 Australia**  
(72) Name(s) of Designer(s): **Timothy Alan Smith**  
(45) Registration Date: **23 April 2009**  
(56) Related Art Documents: **Not Applicable**  
(57) Statement of Newness and Distinctiveness: **Nil**



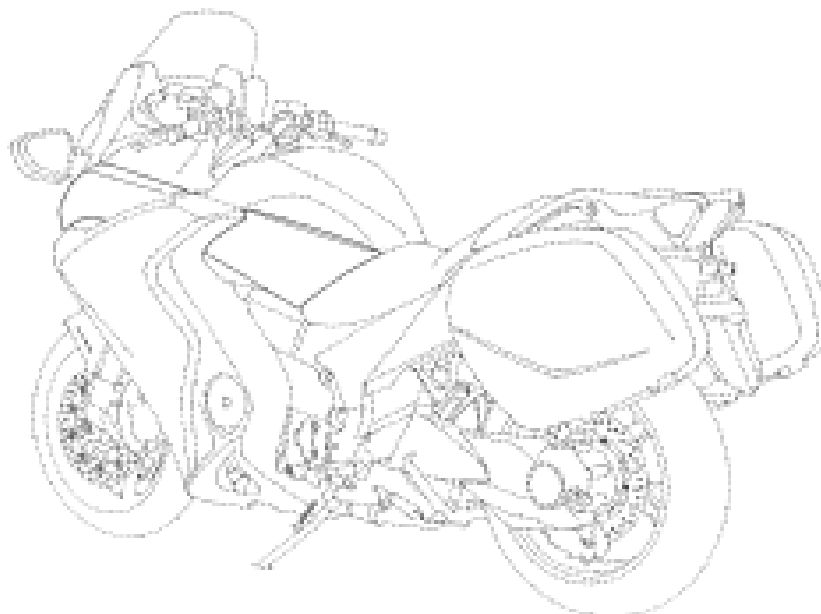
- (21) Design Number: **11314/2009**  
(22) Date of Filing Application: **17 April 2009**  
(24) Date from which industrial property rights may have effect: **17 April 2009**  
(54) Product in respect of which the design is registered: **Motorcycle**  
(51) International Design Classification: **12-11**  
(71) Name(s) and Address(s) of Applicant(s):  
**Honda Motor Co., Ltd.**  
**1-1 Minamiaoyama 2-chome Minato-ku Tokyo Japan**  
(72) Name(s) of Designer(s): **Hayato Ohashi and Akira Omae**  
(45) Registration Date: **24 April 2009**  
(30) Convention priority data:  
(31) Number      (32) Date      (33) Country  
**2008-026852      17 Oct 2008      JAPAN**  
(56) Related Art Documents: **Not Applicable**  
(57) Statement of Newness and Distinctiveness: **Newness and distinctiveness is claimed in the features of shape and/or configuration of a motorcycle illustrated in solid lines and delineated by dash-dot-dash lines in the accompanying representations.**



- (21) Design Number: **11315/2009**  
(22) Date of Filing Application: **17 April 2009**  
(24) Date from which industrial property rights may have effect: **17 April 2009**  
(54) Product in respect of which the design is registered: **Motorcycle**  
(51) International Design Classification: **12-11**  
(71) Name(s) and Address(s) of Applicant(s):  
**Honda Motor Co., Ltd.**  
**1-1 Minamiaoyama 2-chome Minato-ku Tokyo Japan**  
(72) Name(s) of Designer(s): **Kenji Tako and Akira Omae and Teofilo Plaza**  
(45) Registration Date: **24 April 2009**  
(30) Convention priority data:  
(31) Number      (32) Date      (33) Country  
**2008-026850      17 Oct 2008      JAPAN**  
(56) Related Art Documents: **Not Applicable**  
(57) Statement of Newness and Distinctiveness: **Newness and distinctiveness is claimed in the features of shape and/or configuration of a motorcycle as illustrated in in the accompanying representations.**



- (21) Design Number: **11316/2009**  
(22) Date of Filing Application: **17 April 2009**  
(24) Date from which industrial property rights may have effect: **17 April 2009**  
(54) Product in respect of which the design is registered: **Motorcycle**  
(51) International Design Classification: **12-11**  
(71) Name(s) and Address(s) of Applicant(s):  
**Honda Motor Co., Ltd.**  
**1-1 Minamiaoyama 2-chome Minato-ku Tokyo Japan**  
(72) Name(s) of Designer(s): **Kenji Tako and Akira Omae and Teofilo Plaza**  
(45) Registration Date: **24 April 2009**  
(30) Convention priority data:  
(31) Number      (32) Date      (33) Country  
**2008-026853      17 Oct 2008      JAPAN**  
(56) Related Art Documents: **Not Applicable**  
(57) Statement of Newness and Distinctiveness: **Newness and distinctiveness is claimed in the features of shape and/or configuration of a motorcycle illustrated in solid lines and delineated by dash-dot-dash lines in the accompanying representations.**



- (21) Design Number: **11352/2009**  
(22) Date of Filing Application: **20 April 2009**  
(24) Date from which industrial property rights may have effect: **20 April 2009**  
(54) Product in respect of which the design is registered: **Internal combustion engine**  
(51) International Design Classification: **15-01**  
(71) Name(s) and Address(s) of Applicant(s):  
**Honda Motor Co., Ltd.**  
**1-1 Minamiaoyama 2-chome Minato-ku Tokyo Japan**  
(72) Name(s) of Designer(s): **Koichi Azuma**  
(45) Registration Date: **24 April 2009**  
(30) Convention priority data:  
(31) Number      (32) Date      (33) Country  
**2008-27193      23 Oct 2008      JAPAN**  
(56) Related Art Documents: **Not Applicable**  
(57) Statement of Newness and Distinctiveness: **Newness and distinctiveness is claimed in the features of shape and/or configuration of an internal combustion engine as illustrated in the accompanying representations.**



(19) AU

(21) Design Number: 11354/2009

(22) Date of Filing Application: 21 April 2009

(24) Date from which industrial property rights may have effect: 21 April 2009

(54) Product in respect of which the design is registered: Voice synthesizer

(51) International Design Classification: 14-01

(71) Name(s) and Address(s) of Applicant(s):

ProxTalker.com, LLC  
13 South Main Street Thomaston Connecticut 06797 United States of America

(72) Name(s) of Designer(s): Glen Dobbs and Kevin Miller

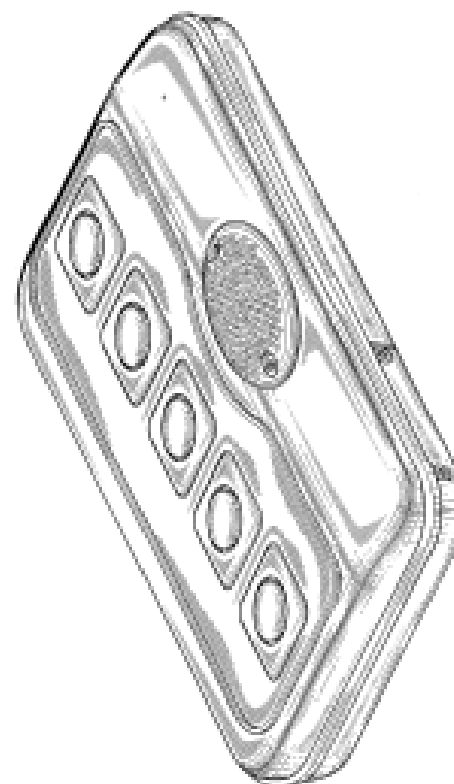
(45) Registration Date: 24 April 2009

(30) Convention priority data:

(31) Number	(32) Date	(33) Country
29/312,916	20 Nov 2008	UNITED STATES OF AMERICA

(56) Related Art Documents: Not Applicable

(57) Statement of Newness and Distinctiveness: Newness and distinctiveness is claimed in the shape and/or configuration of VOICE SYNTHESIZER as illustrated by the unbroken lines in the accompanying representation/s.



(19) AU

(21) Design Number: 10428/2009

(22) Date of Filing Application: 13 February 2009

(24) Date from which industrial property rights may have effect: 13 February 2009

(54) Product in respect of which the design is registered: Toothbrush

(51) International Design Classification: 04-02

(71) Name(s) and Address(s) of Applicant(s):

McNeil-PPC, Inc.  
199 Grandview Road Skillman New Jersey 08558 United States of America

(72) Name(s) of Designer(s): Stephen Blanchard and Janette Suh Edelstein and Barbara Lemli and Justin McDonough and Robert W. Fusi II and Yves Behar and Joshua Morenstein and Christopher Hibmacronan and Logan Ray

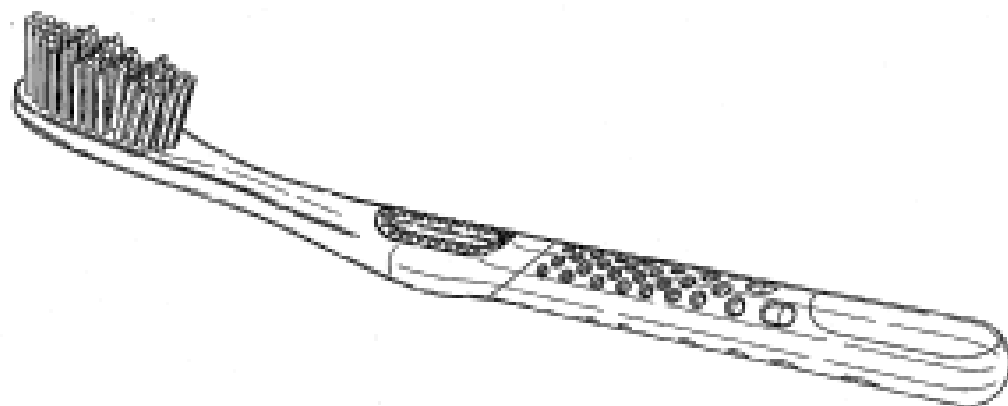
(45) Registration Date: 24 April 2009

(30) Convention priority data:

(31) Number	(32) Date	(33) Country
29/323058	15 Aug 2008	UNITED STATES OF AMERICA

(56) Related Art Documents: Not Applicable

(57) Statement of Newness and Distinctiveness: Newness and distinctiveness resides in the features of shape and/or configuration of a TOOTHBRUSH as illustrated in the accompanying representations.



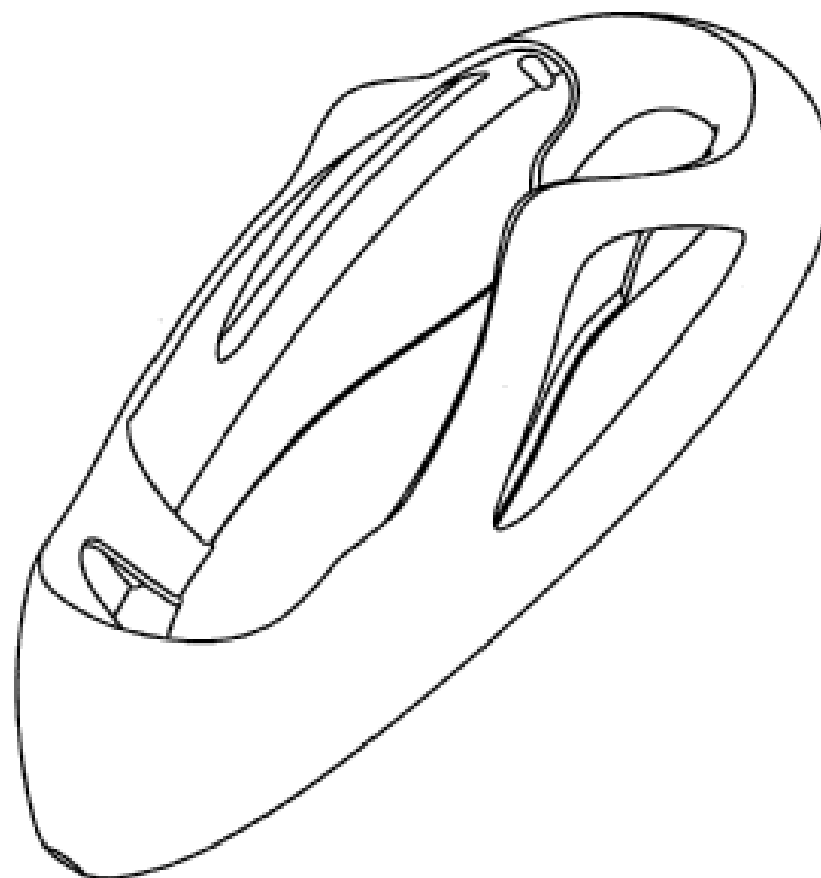
(21) Design Number: **11376/2009**  
 (22) Date of Filing Application: **22 April 2009**  
 (24) Date from which industrial property rights may have effect: **22 April 2009**  
 (54) Product in respect of which the design is registered: **Magnetic device for securing steel mesh used in mine roofing to the mining machine installing the mesh**  
 (51) International Design Classification: **15-04**  
 (71) Name(s) and Address(s) of Applicant(s):  
**International Magnetic Solutions**  
**1-12 Jura Street Heatherbrae New South Wales 2324 Australia**  
 (72) Name(s) of Designer(s): **Victor E. Cassar**  
 (45) Registration Date: **24 April 2009**  
 (56) Related Art Documents: **Not Applicable**  
 (57) Statement of Newness and Distinctiveness: **Solid round mesh magnet with a recessed base and round smooth corners to resist catching.**



(21) Design Number: **10448/2009**  
 (22) Date of Filing Application: **16 February 2009**  
 (24) Date from which industrial property rights may have effect: **16 February 2009**  
 (54) Product in respect of which the design is registered: **Razor holder**  
 (51) International Design Classification: **28-03A**  
 (71) Name(s) and Address(s) of Applicant(s):  
**Eveready Battery Company, Inc.**  
**533 Maryville University Drive St Louis Missouri 63141 United States of America**  
 (72) Name(s) of Designer(s): **Gregg A. Micinilio and Jia Jun Shen**  
 (45) Registration Date: **24 April 2009**  
 (30) Convention priority data:  

(31) Number	(32) Date	(33) Country
<b>29/323201</b>	<b>20 Aug 2008</b>	<b>UNITED STATES OF AMERICA</b>

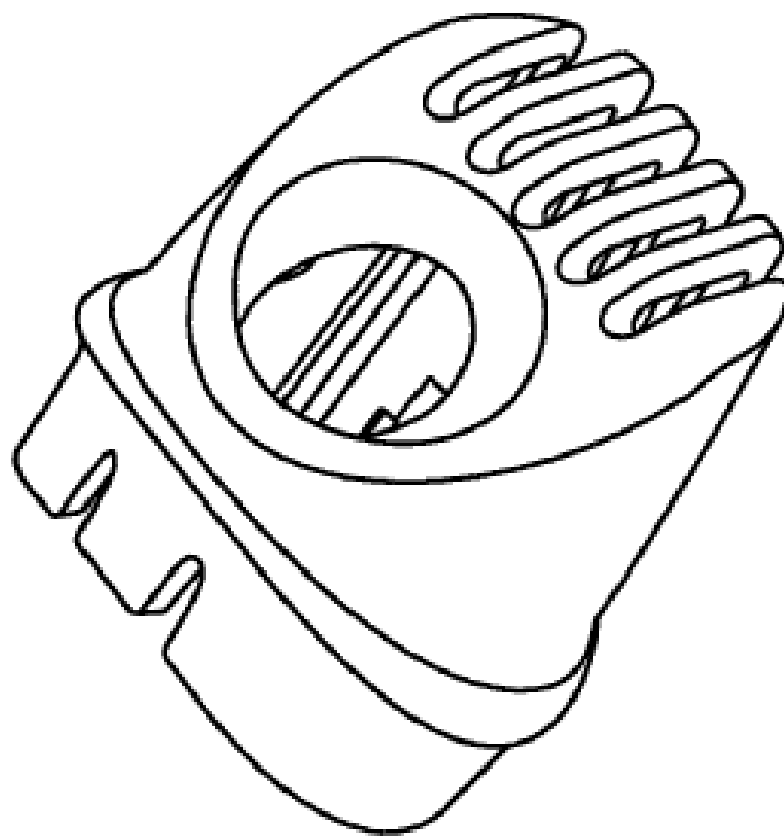
 (56) Related Art Documents: **Not Applicable**  
 (57) Statement of Newness and Distinctiveness: **Nil**



(19) AU

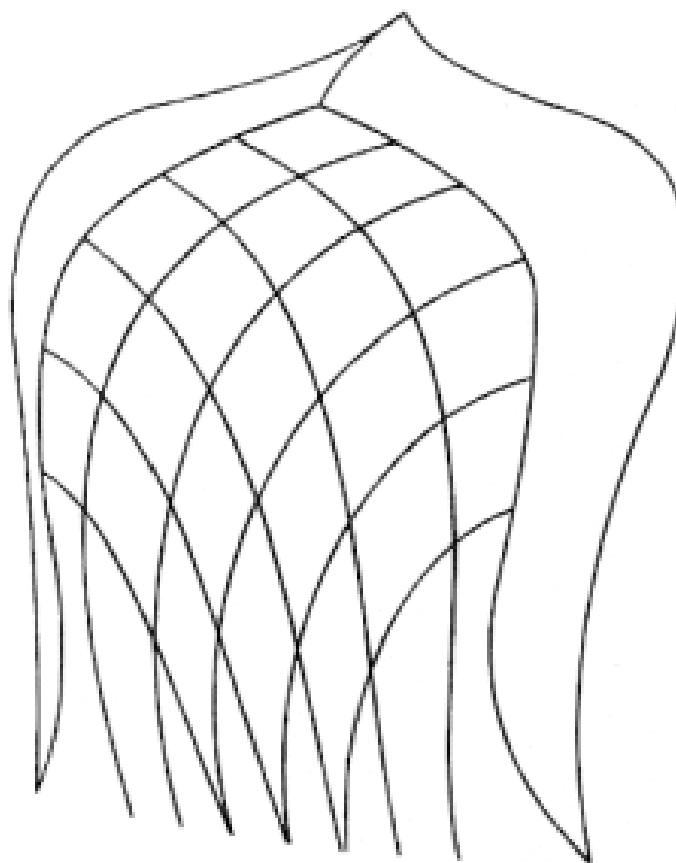
- (21) Design Number: **10449/2009**
- (22) Date of Filing Application: **16 February 2009**
- (24) Date from which industrial property rights may have effect: **16 February 2009**
- (54) Product in respect of which the design is registered: **Trimmer comb**
- (51) International Design Classification: **28-03D**
- (71) Name(s) and Address(s) of Applicant(s):  
**Eveready Battery Company, Inc.**  
**533 Maryville University Drive St Louis Missouri 63141 United States of America**
- (72) Name(s) of Designer(s): **Gregg A. Micinilio and Jia Jun Shen**
- (45) Registration Date: **24 April 2009**
- (30) Convention priority data:

(31) Number	(32) Date	(33) Country
<b>29/323249</b>	<b>21 Aug 2008</b>	<b>UNITED STATES OF AMERICA</b>
- (56) Related Art Documents: **Not Applicable**
- (57) Statement of Newness and Distinctiveness: **Nil**



(19) AU

- (21) Design Number: **10993/2009**
- (22) Date of Filing Application: **25 March 2009**
- (24) Date from which industrial property rights may have effect: **25 March 2009**
- (54) Product in respect of which the design is registered: **Car grille**
- (51) International Design Classification: **12-16B**
- (71) Name(s) and Address(s) of Applicant(s):  
**Mehdi Shah Virdi Alamdari**  
**4 Cahill Court Tamworth New South Wales 2340 Australia**
- (72) Name(s) of Designer(s): **Mehdi Shah Virdi Alamdari**
- (45) Registration Date: **24 April 2009**
- (56) Related Art Documents: **Not Applicable**
- (57) Statement of Newness and Distinctiveness: **Nil**

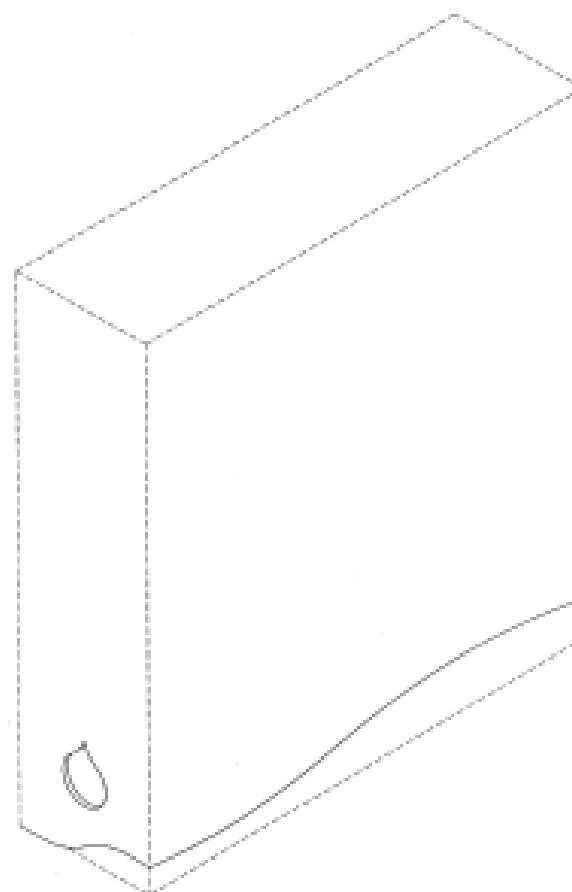




- (21) Design Number: **10179/2009**  
(22) Date of Filing Application: **22 January 2009**  
(24) Date from which industrial property rights may have effect: **22 January 2009**  
(54) Product in respect of which the design is registered: **Nail free timber decking panel**  
(51) International Design Classification: **25-01NES**  
(71) Name(s) and Address(s) of Applicant(s):  
**Nagarajah Rajkumar**  
**Shop 6 8-10 Northumberland Road Auburn New South Wales 2144**  
**Australia**  
(72) Name(s) of Designer(s): **Nagarajah Rajkumar**  
(45) Registration Date: **24 April 2009**  
(56) Related Art Documents: **Not Applicable**  
(57) Statement of Newness and Distinctiveness: **Solid timber and engineered timber with two deep vertical cuts on the rear side of the timber.**



- (21) Design Number: **11281/2009**  
(22) Date of Filing Application: **15 April 2009**  
(24) Date from which industrial property rights may have effect: **15 April 2009**  
(54) Product in respect of which the design is registered: **Filter package**  
(51) International Design Classification: **09-03NES, 23-01NES**  
(71) Name(s) and Address(s) of Applicant(s):  
**Pur Water Purification Products, Inc.**  
**One Procter & Gamble Plaza Cincinnati Ohio 45202 United States of**  
**America**  
(72) Name(s) of Designer(s): **Apollo Paul Paredes and Ivan Anderson Huber**  
(45) Registration Date: **24 April 2009**  
(30) Convention priority data:  
(31) Number (32) Date (33) Country  
**29/326,370 16 Oct 2008 UNITED STATES OF AMERICA**  
(56) Related Art Documents: **Not Applicable**  
(57) Statement of Newness and Distinctiveness: **Newness and distinctiveness reside in the features of shape and/or configuration of the filter package, as shown in the representations. Newness and distinctiveness are not claimed in relation to the features shown in broken lines in the representations.**



(21) Design Number: **11282/2009**

(22) Date of Filing Application: **15 April 2009**

(24) Date from which industrial property rights may have effect: **15 April 2009**

(54) Product in respect of which the design is registered: **Filter package**

(51) International Design Classification: **09-03NES, 23-01NES**

(71) Name(s) and Address(s) of Applicant(s):

**Pur Water Purification Products, Inc.  
One Procter & Gamble Plaza Cincinnati Ohio 45202 United States of America**

(72) Name(s) of Designer(s): **Apollo Paul Paredes and Ivan Anderson Huber**

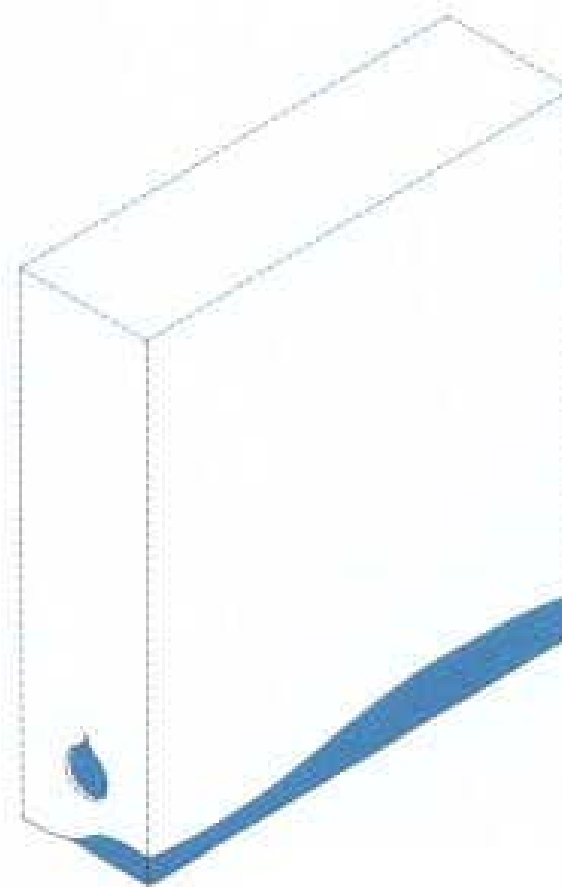
(45) Registration Date: **24 April 2009**

(30) Convention priority data:

(31) Number	(32) Date	(33) Country
<b>29/326,370</b>	<b>16 Oct 2008</b>	<b>UNITED STATES OF AMERICA</b>

(56) Related Art Documents: **Not Applicable**

(57) Statement of Newness and Distinctiveness: **Newness and distinctiveness reside in the features of shape and/or configuration of the filter package, and the ornament of the filter package, as shown in the representations, the ornament comprising the blue colour shown on the bottom portion of the filter package. Newness and distinctiveness are not claimed in relation to the features shown in broken lines in the representations.**



(21) Design Number: **11283/2009**

(22) Date of Filing Application: **15 April 2009**

(24) Date from which industrial property rights may have effect: **15 April 2009**

(54) Product in respect of which the design is registered: **Filter package**

(51) International Design Classification: **09-03NES, 23-01NES**

(71) Name(s) and Address(s) of Applicant(s):

**Pur Water Purification Products, Inc.  
One Procter & Gamble Plaza Cincinnati Ohio 45202 United States of America**

(72) Name(s) of Designer(s): **Apollo Paul Paredes and Ivan Anderson Huber**

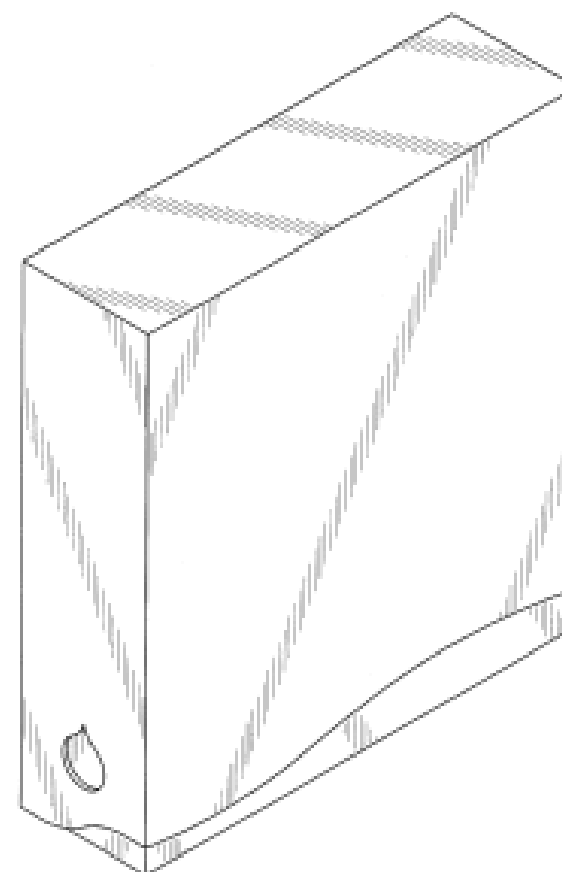
(45) Registration Date: **24 April 2009**

(30) Convention priority data:

(31) Number	(32) Date	(33) Country
<b>29/326,370</b>	<b>16 Oct 2008</b>	<b>UNITED STATES OF AMERICA</b>

(56) Related Art Documents: **Not Applicable**

(57) Statement of Newness and Distinctiveness: **Newness and distinctiveness reside in the features of shape and/or configuration of the filter package, as shown in the representations.**



(21) Design Number: 11297/2009

(22) Date of Filing Application: 15 April 2009

(24) Date from which industrial property rights may have effect: 15 April 2009

(54) Product in respect of which the design is registered: Filter package

(51) International Design Classification: 09-03NES, 23-01NES

(71) Name(s) and Address(s) of Applicant(s):

**Pur Water Purification Products, Inc.  
One Procter & Gamble Plaza Cincinnati Ohio 45202 United States of America**

(72) Name(s) of Designer(s): Apollo Paul Paredes and Ivan Anderson Huber

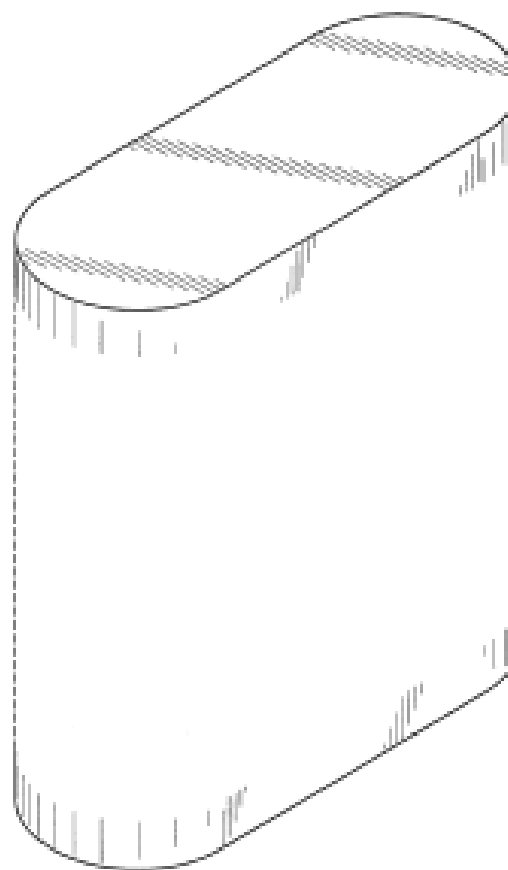
(45) Registration Date: 24 April 2009

(30) Convention priority data:

(31) Number	(32) Date	(33) Country
29/326,371	16 Oct 2008	UNITED STATES OF AMERICA

(56) Related Art Documents: Not Applicable

(57) Statement of Newness and Distinctiveness: **Newness and distinctiveness reside in the features of shape and/or configuration of the filter package, as shown in the representations. Newness and distinctiveness are not claimed in relation to the features shown in broken lines in the representations.**



(21) Design Number: 11298/2009

(22) Date of Filing Application: 15 April 2009

(24) Date from which industrial property rights may have effect: 15 April 2009

(54) Product in respect of which the design is registered: Filter package

(51) International Design Classification: 09-03NES, 23-01NES

(71) Name(s) and Address(s) of Applicant(s):

**Pur Water Purification Products, Inc.  
One Procter & Gamble Plaza Cincinnati Ohio 45202 United States of America**

(72) Name(s) of Designer(s): Apollo Paul Paredes and Ivan Anderson Huber

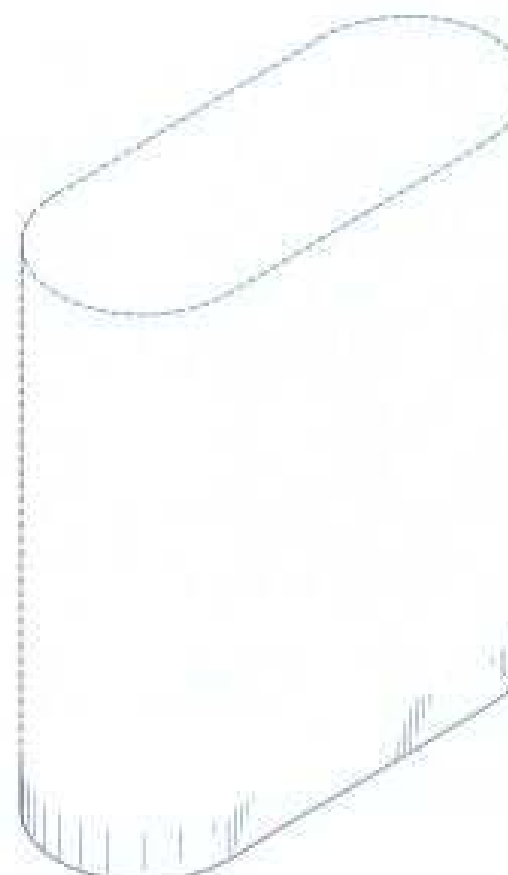
(45) Registration Date: 24 April 2009

(30) Convention priority data:

(31) Number	(32) Date	(33) Country
29/326,371	16 Oct 2008	UNITED STATES OF AMERICA

(56) Related Art Documents: Not Applicable

(57) Statement of Newness and Distinctiveness: **Newness and distinctiveness reside in the features of shape and/or configuration of the filter package, and the ornament of the filter package, as shown in the representations, the ornament comprising the blue colour shown on the bottom portion of the filter package. Newness and distinctiveness are not claimed in relation to the features shown in broken lines in the representations.**



(21) Design Number: **11299/2009**

(22) Date of Filing Application: **15 April 2009**

(24) Date from which industrial property rights may have effect: **15 April 2009**

(54) Product in respect of which the design is registered: **Filter package**

(51) International Design Classification: **09-03NES, 23-01NES**

(71) Name(s) and Address(s) of Applicant(s):

**Pur Water Purification Products, Inc.  
One Procter & Gamble Plaza Cincinnati Ohio 45202 United States of  
America**

(72) Name(s) of Designer(s): **Apollo Paul Paredes and Ivan Anderson Huber**

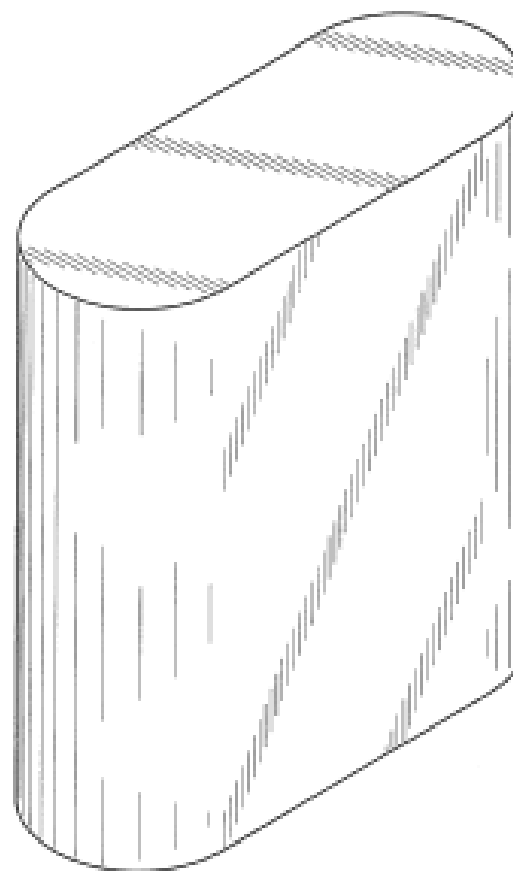
(45) Registration Date: **24 April 2009**

(30) Convention priority data:

(31) Number	(32) Date	(33) Country
<b>29/326,371</b>	<b>16 Oct 2008</b>	<b>UNITED STATES OF AMERICA</b>

(56) Related Art Documents: **Not Applicable**

(57) Statement of Newness and Distinctiveness: **Newness and distinctiveness reside in the features of shape and/or configuration of the filter package, as shown in the representations.**



(21) Design Number: **11372/2009**

(22) Date of Filing Application: **22 April 2009**

(24) Date from which industrial property rights may have effect: **22 April 2009**

(54) Product in respect of which the design is registered: **Sachet**

(51) International Design Classification: **09-05**

(71) Name(s) and Address(s) of Applicant(s):

**The Procter & Gamble Company  
One Procter & Gamble Plaza Cincinnati Ohio 45202 United States of  
America**

(72) Name(s) of Designer(s): **Colin Dennis Ager and James Richard Burfiend and Peter David Cauwood and Alan John Edward Cucknell**

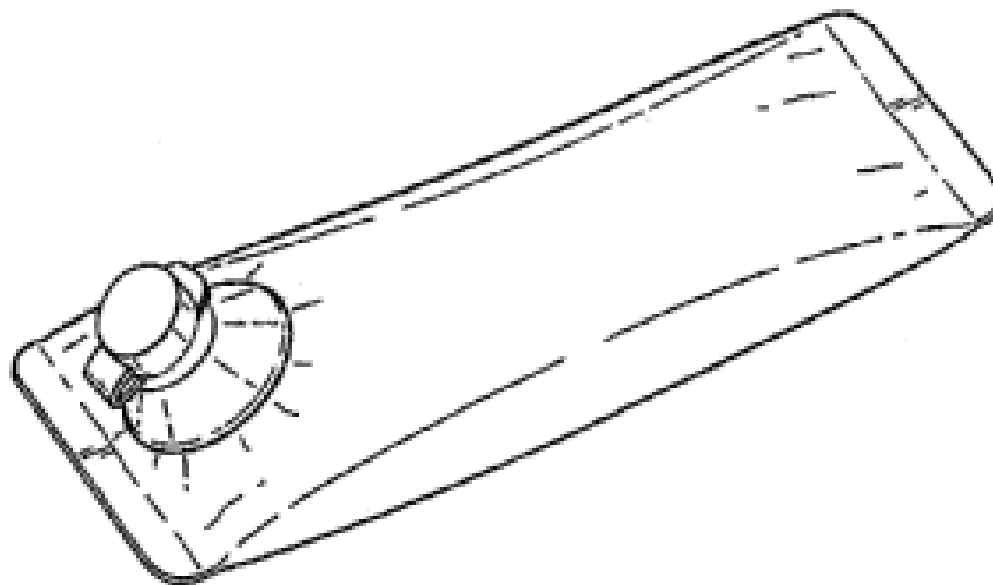
(45) Registration Date: **24 April 2009**

(30) Convention priority data:

(31) Number	(32) Date	(33) Country
<b>1027932</b>	<b>27 Oct 2008</b>	<b>EUROPEAN COMMUNITY</b>

(56) Related Art Documents: **Not Applicable**

(57) Statement of Newness and Distinctiveness: **Newness and distinctiveness reside in the features of shape and/or configuration of the sachet, as shown in the representations.**



(21) Design Number: **11373/2009**

(22) Date of Filing Application: **22 April 2009**

(24) Date from which industrial property rights may have effect: **22 April 2009**

(54) Product in respect of which the design is registered: **Sachet**

(51) International Design Classification: **09-05**

(71) Name(s) and Address(s) of Applicant(s):

**The Procter & Gamble Company**  
**One Procter & Gamble Plaza Cincinnati Ohio 45202 United States of America**

(72) Name(s) of Designer(s): **Colin Dennis Ager and James Richard Burfiend and Peter David Cauwood and Alan John Edward Cucknell**

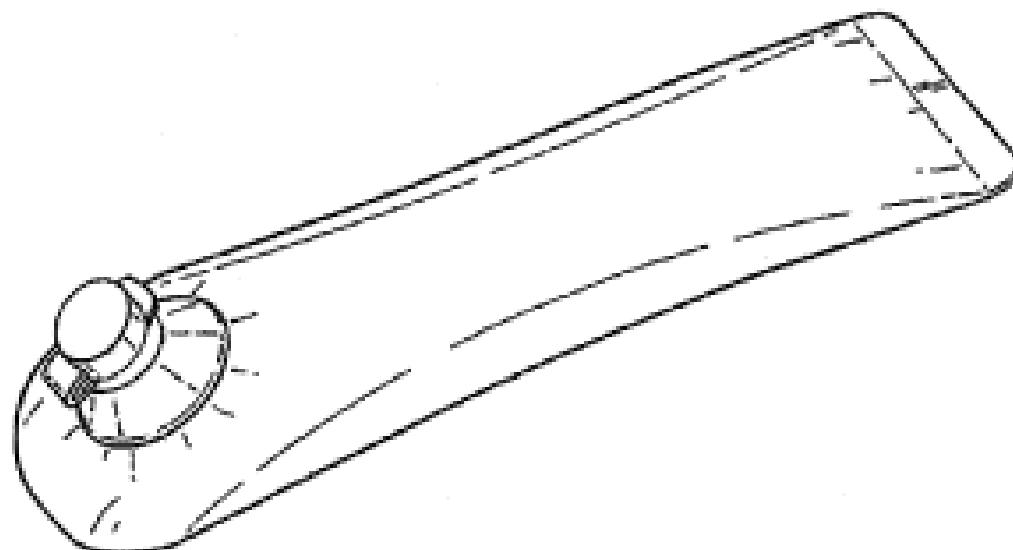
(45) Registration Date: **24 April 2009**

(30) Convention priority data:

(31) Number	(32) Date	(33) Country
<b>1027932</b>	<b>27 Oct 2008</b>	<b>EUROPEAN COMMUNITY</b>

(56) Related Art Documents: **Not Applicable**

(57) Statement of Newness and Distinctiveness: **Newness and distinctiveness reside in the features of shape and/or configuration of the sachet, as shown in the representations.**



(21) Design Number: **10727/2009**

(22) Date of Filing Application: **04 March 2009**

(24) Date from which industrial property rights may have effect: **04 March 2009**

(54) Product in respect of which the design is registered: **Wakeboard tower**

(51) International Design Classification: **12-06NES**

(71) Name(s) and Address(s) of Applicant(s):

**James Odell**  
**6/4 Nolan Place Seven Hills New South Wales 2147 Australia**

(72) Name(s) of Designer(s): **James Odell**

(45) Registration Date: **29 April 2009**

(56) Related Art Documents: **Not Applicable**

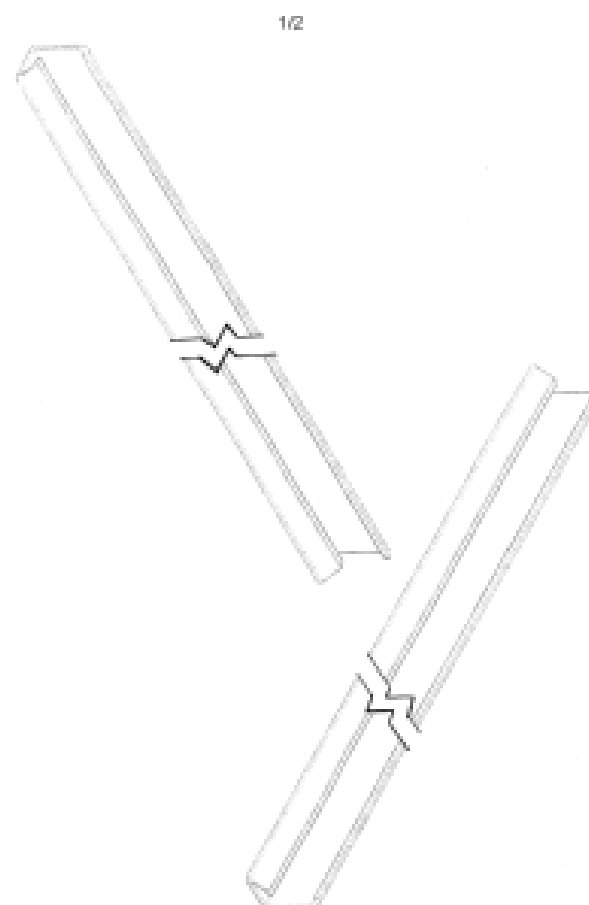
(57) Statement of Newness and Distinctiveness: **Wakeboard tower for boats with curved and stylized frames.**



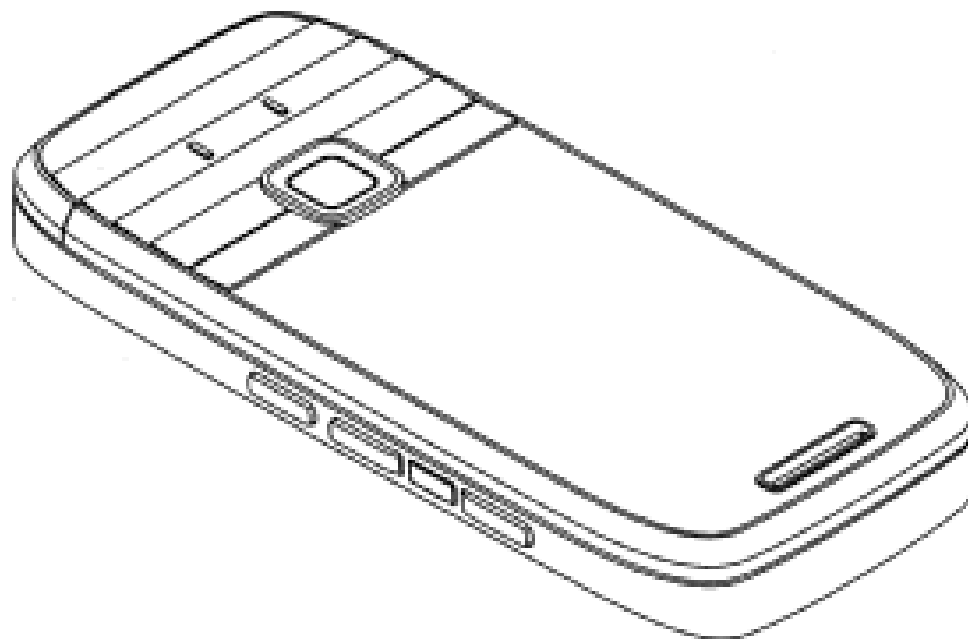
- (21) Design Number: **10728/2009**
- (22) Date of Filing Application: **04 March 2009**
- (24) Date from which industrial property rights may have effect: **04 March 2009**
- (54) Product in respect of which the design is registered: **Wakeboard tower**
- (51) International Design Classification: **12-06NES**
- (71) Name(s) and Address(s) of Applicant(s):  
**James Odell**  
**6/4 Nolan Place Seven Hills New South Wales 2147 Australia**
- (72) Name(s) of Designer(s): **James Odell**
- (45) Registration Date: **29 April 2009**
- (56) Related Art Documents: **Not Applicable**
- (57) Statement of Newness and Distinctiveness: **Wakeboard tower for boats with curved and stylized frames.**



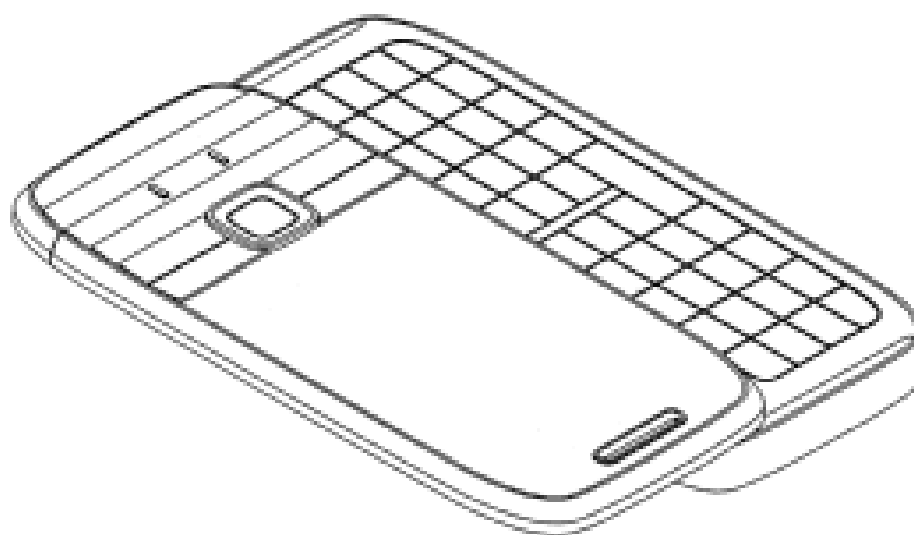
- (21) Design Number: **10990/2009**
- (22) Date of Filing Application: **24 March 2009**
- (24) Date from which industrial property rights may have effect: **24 March 2009**
- (54) Product in respect of which the design is registered: **Extrusion**
- (51) International Design Classification: **25-01K**
- (71) Name(s) and Address(s) of Applicant(s):  
**George Petridis**  
**Unit 5 60 Morts Road Mortdale New South Wales 2223 Australia**
- (72) Name(s) of Designer(s): **George Petridis**
- (45) Registration Date: **29 April 2009**
- (56) Related Art Documents: **Not Applicable**
- (57) Statement of Newness and Distinctiveness: **Nil**



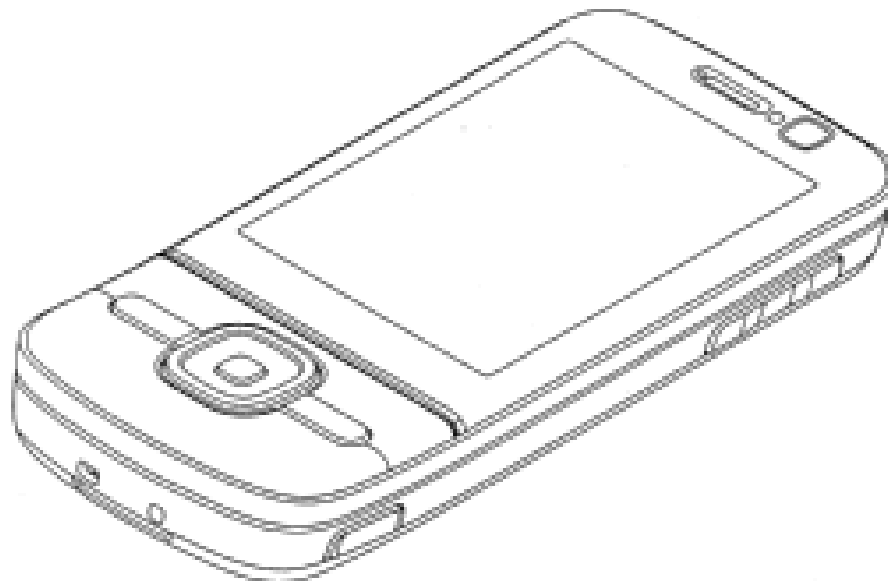
(21) Design Number: **11086/2009**  
(22) Date of Filing Application: **31 March 2009**  
(24) Date from which industrial property rights may have effect: **31 March 2009**  
(54) Product in respect of which the design is registered: **Handset**  
(51) International Design Classification: **14-03A**  
(71) Name(s) and Address(s) of Applicant(s):  
**Nokia Corporation**  
**Keilalahdentie 4 FIN-02150 Espoo Finland**  
(72) Name(s) of Designer(s): **Heikki Kangasmaa and Veikko Rihu**  
(45) Registration Date: **29 April 2009**  
(30) Convention priority data:  
(31) Number (32) Date (33) Country  
**29/326941 28 Oct 2008 UNITED STATES OF AMERICA**  
(56) Related Art Documents: **Not Applicable**  
(57) Statement of Newness and Distinctiveness: **Nil**



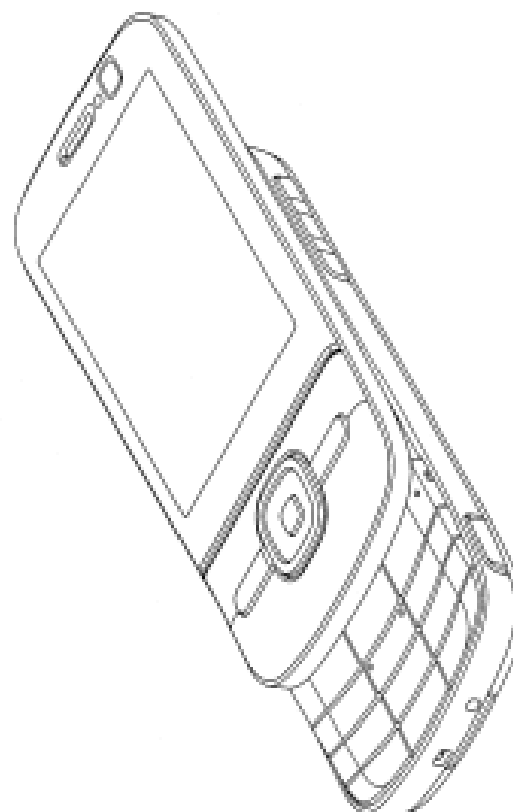
(21) Design Number: **11087/2009**  
(22) Date of Filing Application: **31 March 2009**  
(24) Date from which industrial property rights may have effect: **31 March 2009**  
(54) Product in respect of which the design is registered: **Handset**  
(51) International Design Classification: **14-03A**  
(71) Name(s) and Address(s) of Applicant(s):  
**Nokia Corporation**  
**Keilalahdentie 4 FIN-02150 Espoo Finland**  
(72) Name(s) of Designer(s): **Heikki Kangasmaa and Veikko Rihu**  
(45) Registration Date: **29 April 2009**  
(30) Convention priority data:  
(31) Number (32) Date (33) Country  
**29/326942 28 Oct 2008 UNITED STATES OF AMERICA**  
(56) Related Art Documents: **Not Applicable**  
(57) Statement of Newness and Distinctiveness: **Nil**



(21) Design Number: **11088/2009**  
(22) Date of Filing Application: **31 March 2009**  
(24) Date from which industrial property rights may have effect: **31 March 2009**  
(54) Product in respect of which the design is registered: **Handset**  
(51) International Design Classification: **14-03A**  
(71) Name(s) and Address(s) of Applicant(s):  
**Nokia Corporation**  
**Keilalahdentie 4 FIN-02150 Espoo Finland**  
(72) Name(s) of Designer(s): **Pertti Salmi and Hanna Vuolteenaho**  
(45) Registration Date: **29 April 2009**  
(30) Convention priority data:  
(31) Number      (32) Date      (33) Country  
**29/327158      31 Oct 2008      UNITED STATES OF AMERICA**  
(56) Related Art Documents: **Not Applicable**  
(57) Statement of Newness and Distinctiveness: **Nil**



(21) Design Number: **11089/2009**  
(22) Date of Filing Application: **31 March 2009**  
(24) Date from which industrial property rights may have effect: **31 March 2009**  
(54) Product in respect of which the design is registered: **Handset**  
(51) International Design Classification: **14-03A**  
(71) Name(s) and Address(s) of Applicant(s):  
**Nokia Corporation**  
**Keilalahdentie 4 FIN-02150 Espoo Finland**  
(72) Name(s) of Designer(s): **Pertti Salmi and Hanna Vuolteenaho**  
(45) Registration Date: **29 April 2009**  
(30) Convention priority data:  
(31) Number      (32) Date      (33) Country  
**29/327173      31 Oct 2008      UNITED STATES OF AMERICA**  
(56) Related Art Documents: **Not Applicable**  
(57) Statement of Newness and Distinctiveness: **Nil**





(21) Design Number: **11123/2009**

(22) Date of Filing Application: **03 April 2009**

(24) Date from which industrial property rights may have effect: **03 April 2009**

(54) Product in respect of which the design is registered: **Pool table**

(51) International Design Classification: **06-03D**

(71) Name(s) and Address(s) of Applicant(s):

**Guan Qun Hao**

**610 South Road Moorabbin Victoria 3189 Australia**

(72) Name(s) of Designer(s): **Guan Qun Hao**

(45) Registration Date: **29 April 2009**

(56) Related Art Documents: **Not Applicable**

(57) Statement of Newness and Distinctiveness: **We designed and complete project in early Feb.2009 (as design A), then the new model (as design B, same style but improved function), just complete in end of Mar,2009.**



(21) Design Number: **11124/2009**

(22) Date of Filing Application: **03 April 2009**

(24) Date from which industrial property rights may have effect: **03 April 2009**

(54) Product in respect of which the design is registered: **Pool table**

(51) International Design Classification: **06-03D**

(71) Name(s) and Address(s) of Applicant(s):

**Guan Qun Hao**

**610 South Road Moorabbin Victoria 3189 Australia**

(72) Name(s) of Designer(s): **Guan Qun Hao**

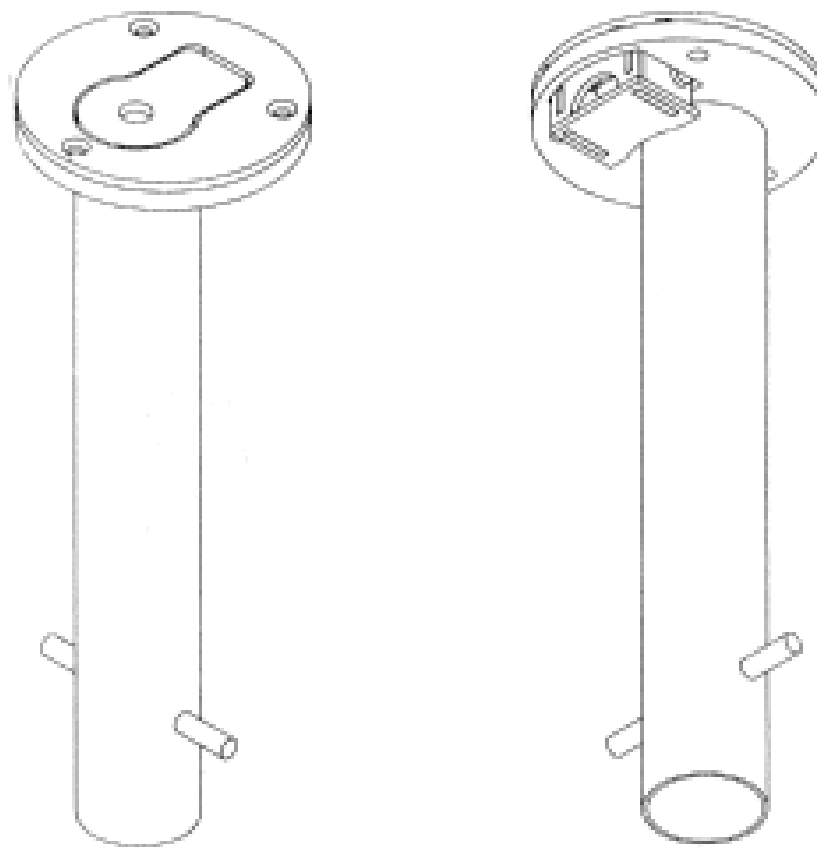
(45) Registration Date: **29 April 2009**

(56) Related Art Documents: **Not Applicable**

(57) Statement of Newness and Distinctiveness: **We designed and complete project in early Feb.2009 (as design A), then the new model (as design B, same style but improved function), just complete in end of Mar.2009.**



- (21) Design Number: **11163/2009**  
(22) Date of Filing Application: **07 April 2009**  
(24) Date from which industrial property rights may have effect: **07 April 2009**  
(54) Product in respect of which the design is registered: **Inground socket**  
(51) International Design Classification: **25-02A**  
(71) Name(s) and Address(s) of Applicant(s):  
**Asigns Pty Ltd**  
**158-160 Williams Road Dandenong Victoria 3175 Australia**  
(72) Name(s) of Designer(s): **John Sherry and Polin Sok**  
(45) Registration Date: **29 April 2009**  
(56) Related Art Documents: **Not Applicable**  
(57) Statement of Newness and Distinctiveness: **Monopoly is claimed in the features of the shape and configuration of the inground socket with its removable top section including lid.**



- (21) Design Number: **10550/2009**  
(22) Date of Filing Application: **24 February 2009**  
(24) Date from which industrial property rights may have effect: **24 February 2009**  
(54) Product in respect of which the design is registered: **Bottle**  
(51) International Design Classification: **09-01NES**  
(71) Name(s) and Address(s) of Applicant(s):  
**Unilever PLC**  
**Unilever House 100 Victoria Embarkment London EC4Y ODY United Kingdom**  
(72) Name(s) of Designer(s): **Chandrashekar Rangaswamy and B. M. Jayaprakash**  
(45) Registration Date: **28 April 2009**  
(30) Convention priority data:  
(31) Number (32) Date (33) Country  
**218110 25 Aug 2008 INDIA**  
(56) Related Art Documents: **Not Applicable**  
(57) Statement of Newness and Distinctiveness: **Newness and distinctiveness is claimed in the visual features shown in solid lines in the representations.**



(21) Design Number: **11375/2009**

(22) Date of Filing Application: **22 April 2009**

(24) Date from which industrial property rights may have effect: **22 April 2009**

(54) Product in respect of which the design is registered: **Control device**

(51) International Design Classification: **14-02**

(71) Name(s) and Address(s) of Applicant(s):

**Motorola, Inc.**  
**1303 East Algonquin Road Schaumburg Illinois 60196 United States of America**

(72) Name(s) of Designer(s): **Shirish M. Kaner and Jari P. Jarvinen and Sih Hau Tan and Beng Hooi Toh**

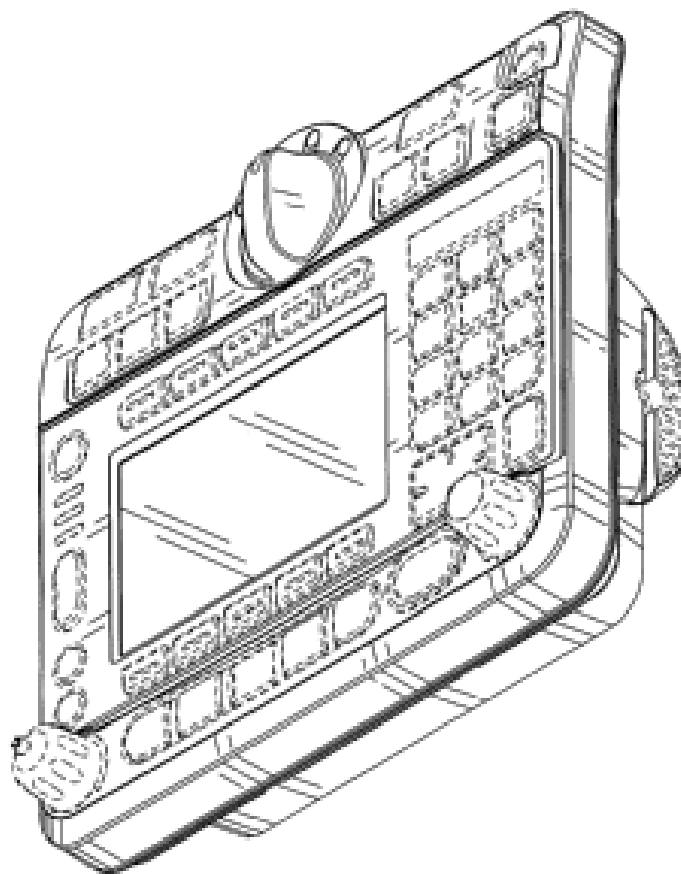
(45) Registration Date: **28 April 2009**

(30) Convention priority data:

(31) Number	(32) Date	(33) Country
<b>29/327961</b>	<b>15 Nov 2008</b>	<b>UNITED STATES OF AMERICA</b>

(56) Related Art Documents: **Not Applicable**

(57) Statement of Newness and Distinctiveness: **Newness and distinctiveness is claimed in those visual features depicted in unbroken lines.**



(21) Design Number: **15099/2008**

(22) Date of Filing Application: **23 October 2008**

(24) Date from which industrial property rights may have effect: **23 October 2008**

(54) Product in respect of which the design is registered: **Towel**

(51) International Design Classification: **06-13C**

(71) Name(s) and Address(s) of Applicant(s):

**Country Road Clothing Pty Ltd**  
**658 Church Street Richmond Victoria 3121 Australia**

(72) Name(s) of Designer(s): **Bianca Latorre and Sophie Holt**

(45) Registration Date: **28 April 2009**

(56) Related Art Documents: **Not Applicable**

(57) Statement of Newness and Distinctiveness: **Nil**



- (21) Design Number: **15100/2008**  
(22) Date of Filing Application: **23 October 2008**  
(24) Date from which industrial property rights may have effect: **23 October 2008**  
(54) Product in respect of which the design is registered: **Towel**  
(51) International Design Classification: **06-13C**  
(71) Name(s) and Address(s) of Applicant(s):  
**Country Road Clothing Pty Ltd**  
**658 Church Street Richmond Victoria 3121 Australia**  
(72) Name(s) of Designer(s): **Bianca Latorre and Sophie Holt**  
(45) Registration Date: **28 April 2009**  
(56) Related Art Documents: **Not Applicable**  
(57) Statement of Newness and Distinctiveness: **Nil**



- (21) Design Number: **10632/2009**  
(22) Date of Filing Application: **27 February 2009**  
(24) Date from which industrial property rights may have effect: **27 February 2009**  
(54) Product in respect of which the design is registered: **Heater**  
(51) International Design Classification: **23-03B**  
(71) Name(s) and Address(s) of Applicant(s):  
**Ideen Aps**  
**Hojlundsparken 49 8355 Solbjerg Denmark**  
(72) Name(s) of Designer(s): **Peter Christian Boldsen**  
(45) Registration Date: **28 April 2009**  
(30) Convention priority data:  

(31) Number	(32) Date	(33) Country
<b>001038087-0001</b>	<b>29 Aug 2008</b>	<b>EUROPEAN COMMUNITY</b>

  
(56) Related Art Documents: **Not Applicable**  
(57) Statement of Newness and Distinctiveness: **Newness and distinctiveness is claimed in the features of shape and/or configuration of a heater as illustrated in the accompanying representations.**



(21) Design Number: **11278/2009**

(22) Date of Filing Application: **15 April 2009**

(24) Date from which industrial property rights may have effect: **15 April 2009**

(54) Product in respect of which the design is registered: **Gutter support clip**

(51) International Design Classification: **08-08NES, 23-01L**

(71) Name(s) and Address(s) of Applicant(s):

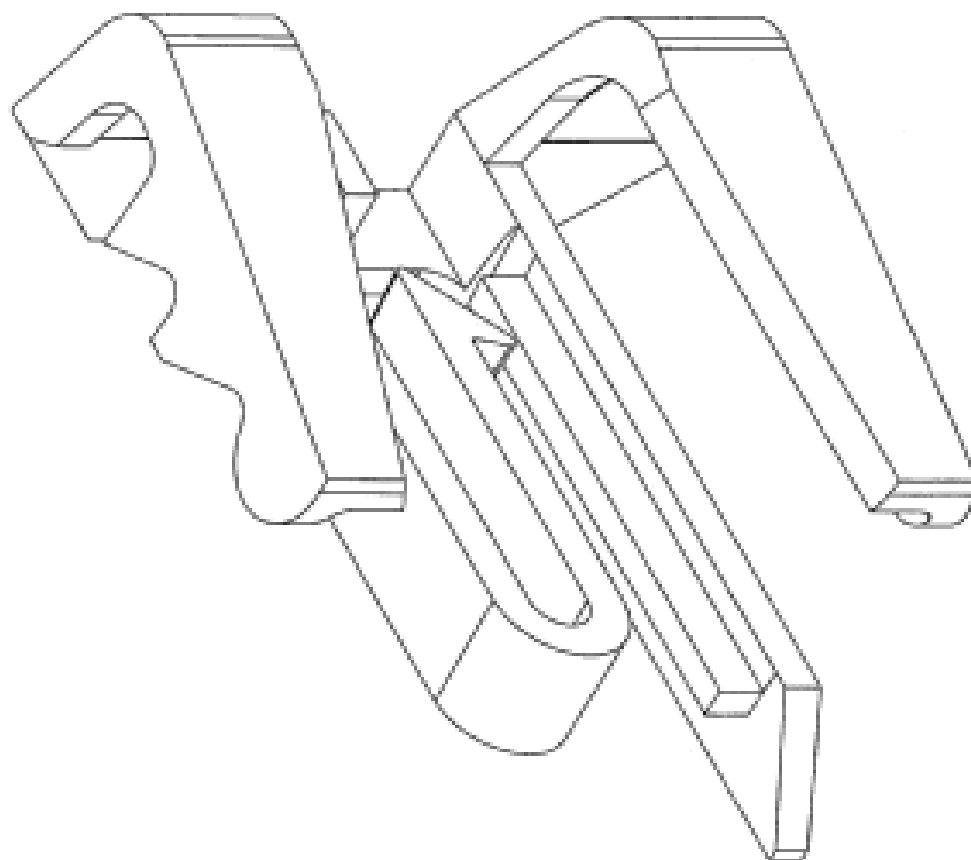
**Stramit Corporation Pty Limited**  
**Level 11 Tower B Zenith Centre 821 Pacific Highway Chatswood New**  
**South Wales 2067 Australia**

(72) Name(s) of Designer(s): **John Richard Bugh and Christopher Lee Healy**

(45) Registration Date: **28 April 2009**

(56) Related Art Documents: **Not Applicable**

(57) Statement of Newness and Distinctiveness: **Newness and distinctiveness is claimed in the shape and/or configuration of a gutter support clip as shown in the representations.**



(21) Design Number: **11164/2009**

(22) Date of Filing Application: **07 April 2009**

(24) Date from which industrial property rights may have effect: **07 April 2009**

(54) Product in respect of which the design is registered: **Cafe screen**

(51) International Design Classification: **25-02NES**

(71) Name(s) and Address(s) of Applicant(s):

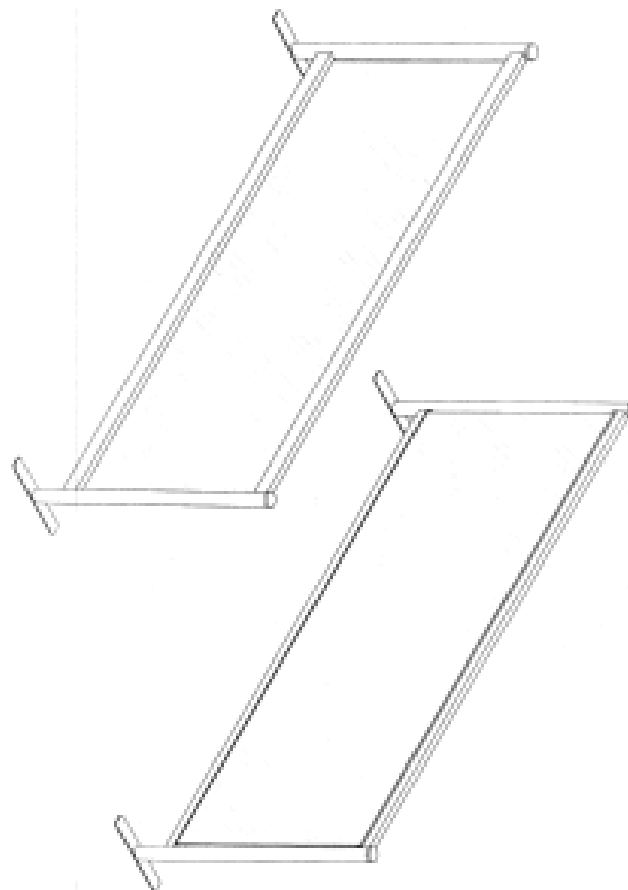
**Asigns Pty Ltd**  
**158-160 Williams Road Dandenong Victoria 3175 Australia**

(72) Name(s) of Designer(s): **John Sherry and Polin Sok**

(45) Registration Date: **29 April 2009**

(56) Related Art Documents: **Not Applicable**

(57) Statement of Newness and Distinctiveness: **Monopoly is claimed in the features of the shape and configuration of the cafe screen with both round and square frame.**



(21) Design Number: **11377/2009**

(22) Date of Filing Application: **07 April 2009**

(24) Date from which industrial property rights may have effect: **07 April 2009**

(54) Product in respect of which the design is registered: **Cafe screen**

(51) International Design Classification: **25-02NES**

(71) Name(s) and Address(s) of Applicant(s):

**Asigns Pty Ltd**

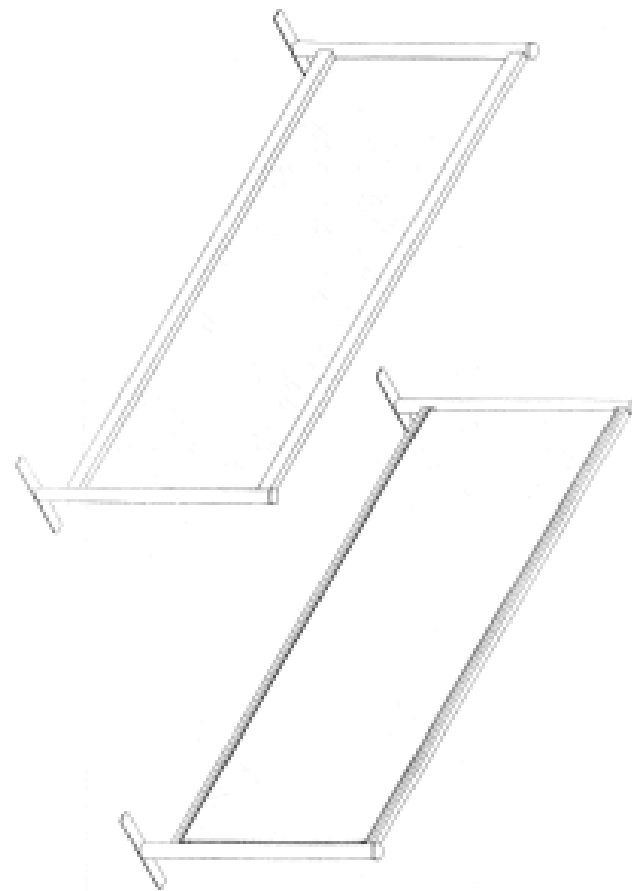
**158-160 Williams Road Dandenong Victoria 3175 Australia**

(72) Name(s) of Designer(s): **John Sherry and Polin Sok**

(45) Registration Date: **29 April 2009**

(56) Related Art Documents: **Not Applicable**

(57) Statement of Newness and Distinctiveness: **Monopoly is claimed in the features of the shape and configuration of the cafe screen with both round and square frame.**



(21) Design Number: **11378/2009**

(22) Date of Filing Application: **07 April 2009**

(24) Date from which industrial property rights may have effect: **07 April 2009**

(54) Product in respect of which the design is registered: **Cafe screen**

(51) International Design Classification: **25-02NES**

(71) Name(s) and Address(s) of Applicant(s):

**Asigns Pty Ltd**

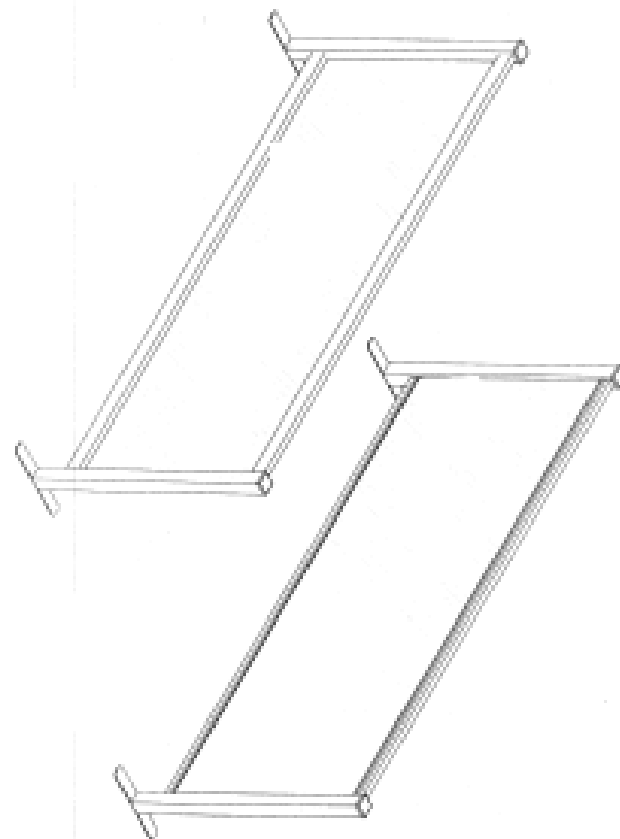
**158-160 Williams Road Dandenong Victoria 3175 Australia**

(72) Name(s) of Designer(s): **John Sherry and Polin Sok**

(45) Registration Date: **29 April 2009**

(56) Related Art Documents: **Not Applicable**

(57) Statement of Newness and Distinctiveness: **Monopoly is claimed in the features of the shape and configuration of the cafe screen with both round and square frame.**



(21) Design Number: **10568/2009**

(22) Date of Filing Application: **25 February 2009**

(24) Date from which industrial property rights may have effect: **25 February 2009**

(54) Product in respect of which the design is registered: **Table leg extension**

(51) International Design Classification: **06-06E**

(71) Name(s) and Address(s) of Applicant(s):

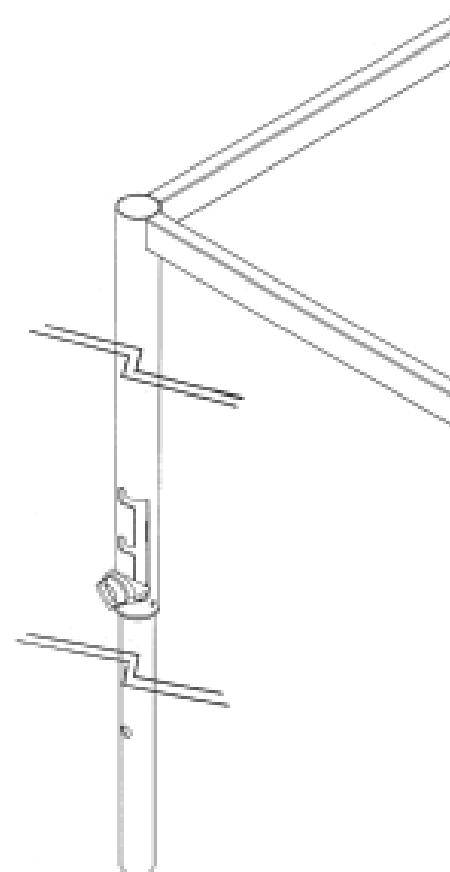
**Woods Furniture Pty Ltd  
564 Geelong Road Brooklyn Victoria 3012 Australia**

(72) Name(s) of Designer(s): **James Setters**

(45) Registration Date: **29 April 2009**

(56) Related Art Documents: **Not Applicable**

(57) Statement of Newness and Distinctiveness: **The new and distinctive features of the design is limited to the table leg and the height adjustment mechanism as depicted in the representations and excludes the adjoining table. The design also excludes the shape and configuration of the knob on the height adjustment mechanism on the table leg.**



(21) Design Number: **10517/2009**

(22) Date of Filing Application: **20 February 2009**

(24) Date from which industrial property rights may have effect: **20 February 2009**

(54) Product in respect of which the design is registered: **A motorcycle**

(51) International Design Classification: **12-11**

(71) Name(s) and Address(s) of Applicant(s):

**Honda Motor Co., Ltd.  
1-1 Minami-Aoyama 2-chome Minato-ku Tokyo Japan**

(72) Name(s) of Designer(s): **Eiji Toriyama and Maurizio Carbonara and Toefilo Plaza**

(45) Registration Date: **29 April 2009**

(30) Convention priority data:

(31) Number	(32) Date	(33) Country
<b>2008-021388</b>	<b>21 Aug 2008</b>	<b>JAPAN</b>

(56) Related Art Documents: **Not Applicable**

(57) Statement of Newness and Distinctiveness: **Newness and distinctiveness is claimed in the features of shape and/or configuration of a motorcycle as illustrated in the accompanying representations.**



- (21) Design Number: **10518/2009**  
(22) Date of Filing Application: **20 February 2009**  
(24) Date from which industrial property rights may have effect: **20 February 2009**  
(54) Product in respect of which the design is registered: **A headlight case for a motorcycle**  
(51) International Design Classification: **26-06**  
(71) Name(s) and Address(s) of Applicant(s):  
**Honda Motor Co., Ltd.**  
**1-1 Minami-Aoyama 2-Chome Minato-ku Tokyo Japan**  
(72) Name(s) of Designer(s): **Satoshi Kogo and Hayato Ohashi**  
(45) Registration Date: **29 April 2009**  
(30) Convention priority data:  
(31) Number      (32) Date      (33) Country  
**2008-021390      21 Aug 2008      JAPAN**  
(56) Related Art Documents: **Not Applicable**  
(57) Statement of Newness and Distinctiveness: **Newness and distinctiveness is claimed in the features of shape and/or configuration of a headlight case for a motorcycle as illustrated in the accompanying representations.**



- (21) Design Number: **10519/2009**  
(22) Date of Filing Application: **20 February 2009**  
(24) Date from which industrial property rights may have effect: **20 February 2009**  
(54) Product in respect of which the design is registered: **A rear combination lamp case for a motorcycle**  
(51) International Design Classification: **26-06**  
(71) Name(s) and Address(s) of Applicant(s):  
**Honda Motor Co., Ltd.**  
**1-1 Minami-Aoyama 2-Chome Minato-ku Tokyo Japan**  
(72) Name(s) of Designer(s): **Satoshi Kogo and Hayato Ohashi**  
(45) Registration Date: **29 April 2009**  
(30) Convention priority data:  
(31) Number      (32) Date      (33) Country  
**2008-021391      21 Aug 2008      JAPAN**  
(56) Related Art Documents: **Not Applicable**  
(57) Statement of Newness and Distinctiveness: **Newness and distinctiveness is claimed in the features of shape and/or configuration of a rear combination lamp case for a motorcycle as illustrated in the accompanying representations.**

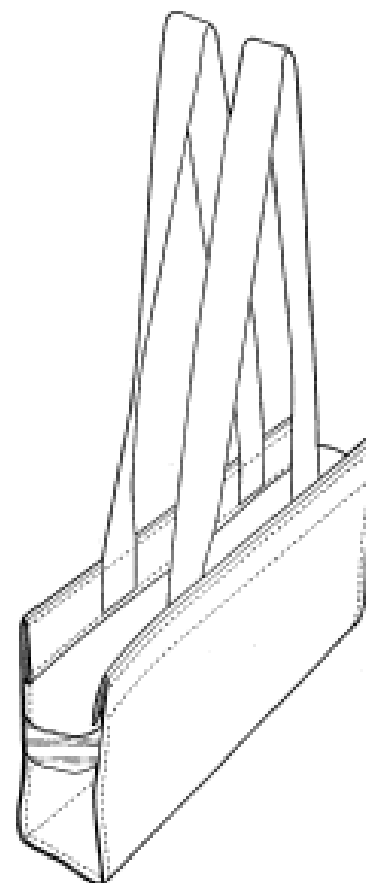




- (21) Design Number: **10520/2009**  
(22) Date of Filing Application: **20 February 2009**  
(24) Date from which industrial property rights may have effect: **20 February 2009**  
(54) Product in respect of which the design is registered: **A front side fairing for a motorcycle**  
(51) International Design Classification: **12-11**  
(71) Name(s) and Address(s) of Applicant(s):  
**Honda Motor Co., Ltd.**  
**1-1 Minami-Aoyama 2-chome Minato-ku Tokyo Japan**  
(72) Name(s) of Designer(s): **Eiji Toriyama and Maurizio Carbonara and Toefilo Plaza**  
(45) Registration Date: **29 April 2009**  
(30) Convention priority data:  
(31) Number      (32) Date      (33) Country  
**2008-021389      21 Aug 2008      JAPAN**  
(56) Related Art Documents: **Not Applicable**  
(57) Statement of Newness and Distinctiveness: **Newness and distinctiveness is claimed in the features of shape and/or configuration of a front side fairing for a motorcycle as illustrated in the accompanying representations.**



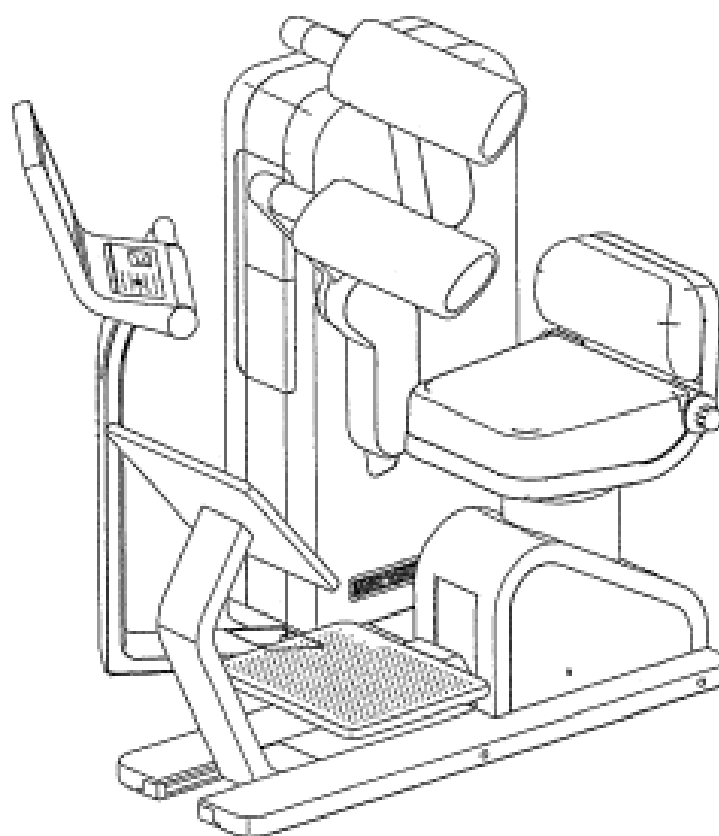
- (21) Design Number: **10654/2009**  
(22) Date of Filing Application: **03 March 2009**  
(24) Date from which industrial property rights may have effect: **03 March 2009**  
(54) Product in respect of which the design is registered: **Expandable bag holder**  
(51) International Design Classification: **03-01B**  
(71) Name(s) and Address(s) of Applicant(s):  
**Teresa Wojciak**  
**37 Frederick Road Royal Park South Australia 5014 Australia**  
(72) Name(s) of Designer(s): **Teresa Wojciak**  
(45) Registration Date: **29 April 2009**  
(56) Related Art Documents: **Not Applicable**  
(57) Statement of Newness and Distinctiveness: **Nil**



- (21) Design Number: **10697/2009**  
(22) Date of Filing Application: **03 March 2009**  
(24) Date from which industrial property rights may have effect: **03 March 2009**  
(54) Product in respect of which the design is registered: **Baby sling**  
(51) International Design Classification: **03-99**  
(71) Name(s) and Address(s) of Applicant(s):  
**Jennifer Anne Faddy**  
**4 Mallee Close Caloundra West Queensland 4551 Australia**  
**Jennifer Margaret Joshua**  
**4 Mallee Close Caloundra West Queensland 4551 Australia**  
(72) Name(s) of Designer(s): **Jennifer Faddy and Jennifer Joshua**  
(45) Registration Date: **29 April 2009**  
(56) Related Art Documents: **Not Applicable**  
(57) Statement of Newness and Distinctiveness: **Adjustable baby sling, with velcro.**



- (21) Design Number: **11216/2009**  
(22) Date of Filing Application: **08 April 2009**  
(24) Date from which industrial property rights may have effect: **08 April 2009**  
(54) Product in respect of which the design is registered: **Exercise apparatus**  
(51) International Design Classification: **21-02F**  
(71) Name(s) and Address(s) of Applicant(s):  
**milon industries GmbH**  
**An der Laugna 2 86494 Emersacker Germany**  
(72) Name(s) of Designer(s): **Tobias Huttl and Steffen Ganz**  
(45) Registration Date: **29 April 2009**  
(30) Convention priority data:  
(31) Number      (32) Date      (33) Country  
**001017966-0001    10 Oct 2008      EUROPEAN COMMUNITY**  
(56) Related Art Documents: **Not Applicable**  
(57) Statement of Newness and Distinctiveness: **Those features of the exercise apparatus depicted in the representations that are new and distinctive are the shape and/or configuration.**



(21) Design Number: **11217/2009**

(22) Date of Filing Application: **08 April 2009**

(24) Date from which industrial property rights may have effect: **08 April 2009**

(54) Product in respect of which the design is registered: **Exercise apparatus**

(51) International Design Classification: **21-02F**

(71) Name(s) and Address(s) of Applicant(s):

**milon industries GmbH  
An der Laugna 2 86494 Emersacker Germany**

(72) Name(s) of Designer(s): **Tobias Huttl and Steffen Ganz**

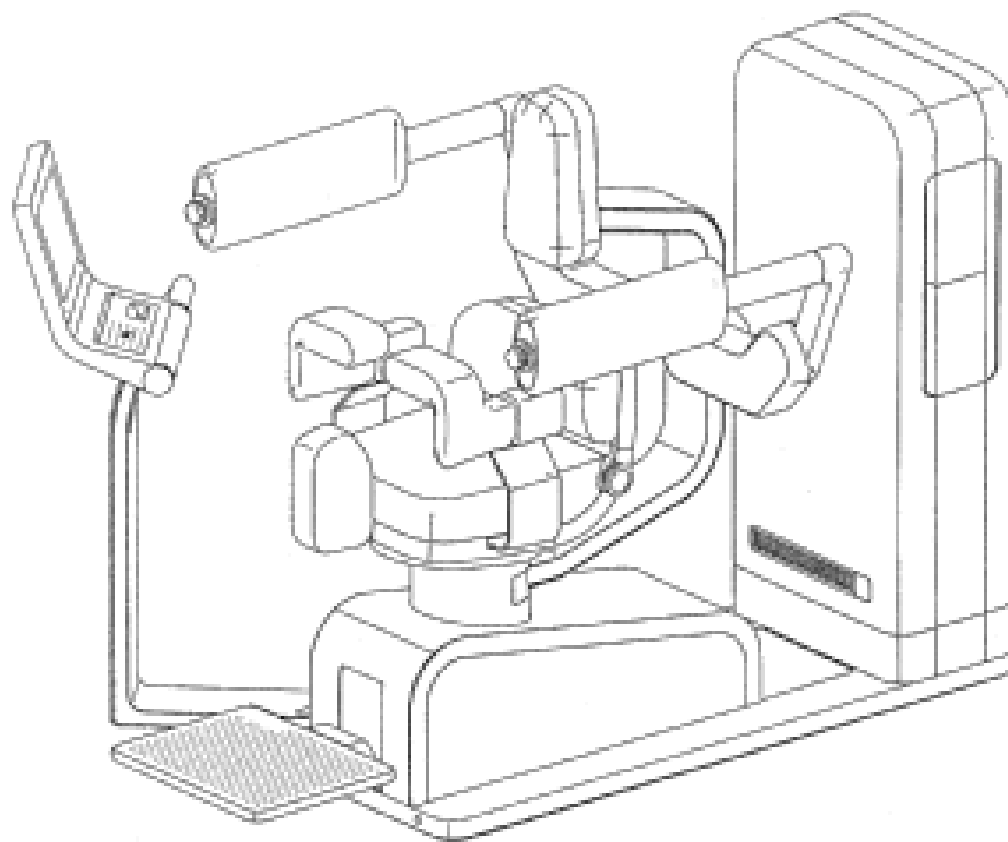
(45) Registration Date: **29 April 2009**

(30) Convention priority data:

(31) Number	(32) Date	(33) Country
<b>001017958-0001</b>	<b>10 Oct 2008</b>	<b>EUROPEAN COMMUNITY</b>

(56) Related Art Documents: **Not Applicable**

(57) Statement of Newness and Distinctiveness: **Those features of the exercise apparatus depicted in the representations that are new and distinctive are the shape and/or configuration.**



(21) Design Number: **11218/2009**

(22) Date of Filing Application: **08 April 2009**

(24) Date from which industrial property rights may have effect: **08 April 2009**

(54) Product in respect of which the design is registered: **Exercise apparatus**

(51) International Design Classification: **21-02F**

(71) Name(s) and Address(s) of Applicant(s):

**milon industries GmbH  
An der Laugna 2 86494 Emersacker Germany**

(72) Name(s) of Designer(s): **Tobias Huttl and Steffen Ganz**

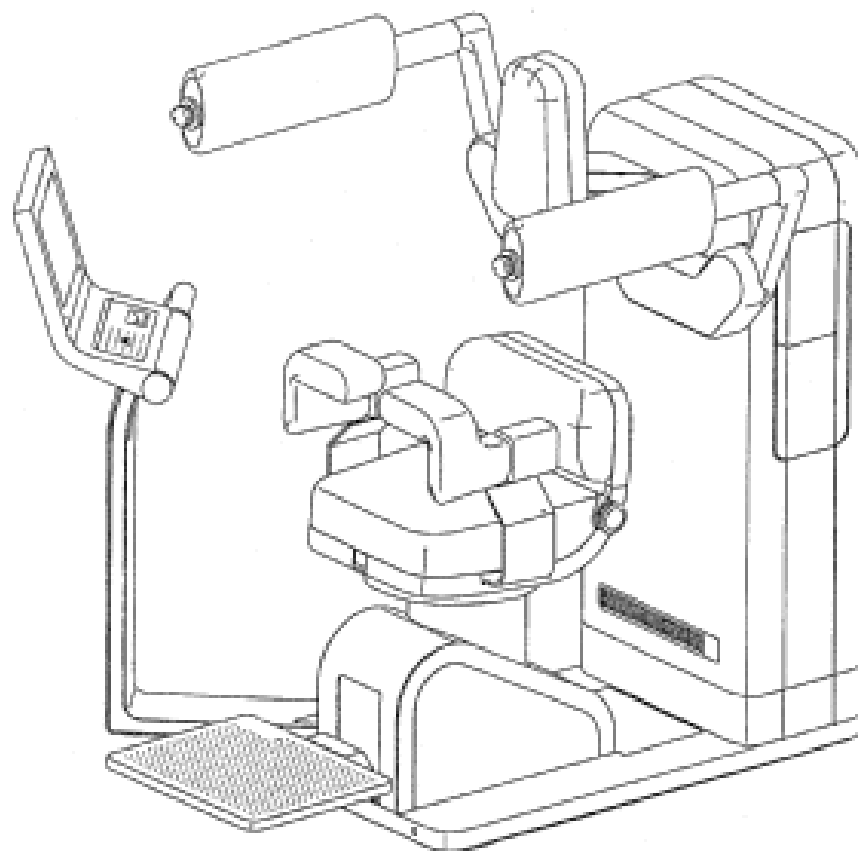
(45) Registration Date: **29 April 2009**

(30) Convention priority data:

(31) Number	(32) Date	(33) Country
<b>001018485-0001</b>	<b>10 Oct 2008</b>	<b>EUROPEAN COMMUNITY</b>

(56) Related Art Documents: **Not Applicable**

(57) Statement of Newness and Distinctiveness: **Those features of the exercise apparatus depicted in the representations that are new and distinctive are the shape and/or configuration.**



(21) Design Number: **11402/2009**

(22) Date of Filing Application: **28 April 2009**

(24) Date from which industrial property rights may have effect: **28 April 2009**

(54) Product in respect of which the design is registered: **Bow end**

(51) International Design Classification: **12-16NES**

(71) Name(s) and Address(s) of Applicant(s):

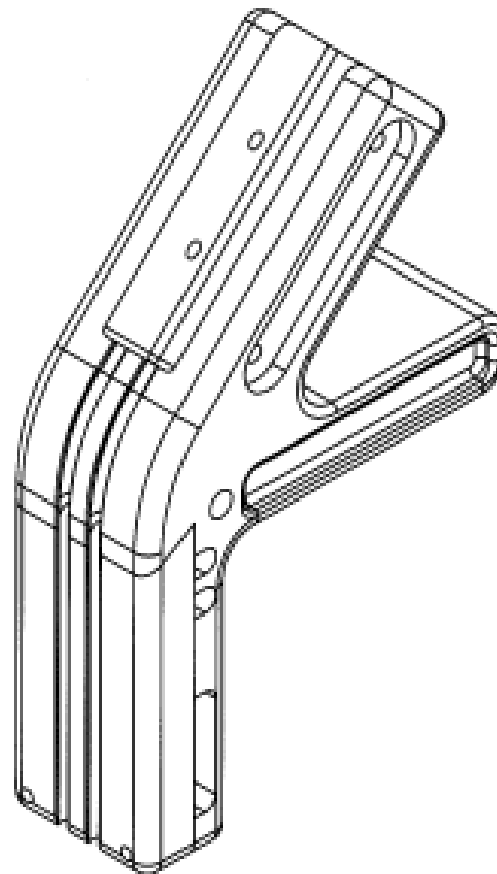
**Stellcut Investments Pty Ltd**  
**Unit 1 87 Jemma Road Prestons New South Wales 2170 Australia**

(72) Name(s) of Designer(s): **Mark Stellino**

(45) Registration Date: **29 April 2009**

(56) Related Art Documents: **Not Applicable**

(57) Statement of Newness and Distinctiveness: **Newness and distinctiveness is claimed in the shape and/or configuration of a bow end as illustrated in the representations.**



(21) Design Number: **11271/2009**

(22) Date of Filing Application: **15 April 2009**

(24) Date from which industrial property rights may have effect: **15 April 2009**

(54) Product in respect of which the design is registered: **Chair**

(51) International Design Classification: **06-01F**

(71) Name(s) and Address(s) of Applicant(s):

**Dauphin Entwicklungs-u. Beteiligungs-GmbH**  
**Industriestrasse 11 91217 Hersbruck Germany**

(72) Name(s) of Designer(s): **Martin Ballendat**

(45) Registration Date: **30 April 2009**

(30) Convention priority data:

(31) Number  
**465 259 001**

(32) Date  
**20 Oct 2008**

(33) Country  
**WORLD INTELLECTUAL  
PROPERTY ORGANIZATION  
(WIPO)**

(56) Related Art Documents: **Not Applicable**

(57) Statement of Newness and Distinctiveness: **Those features of the chair depicted in the representations that are new and distinctive are the shape and/or configuration. The bottom view (Fig 2) is not part of the design and is to be disregarded when considering the overall impression of the design.**



(21) Design Number: **11272/2009**

(22) Date of Filing Application: **15 April 2009**

(24) Date from which industrial property rights may have effect: **15 April 2009**

(54) Product in respect of which the design is registered: **Chair**

(51) International Design Classification: **06-01F**

(71) Name(s) and Address(s) of Applicant(s):

**Dauphin Entwicklungs-u. Beteiligungs-GmbH  
Industriestrasse 11 91217 Hersbruck Germany**

(72) Name(s) of Designer(s): **Matthias Dohm and Rudiger Schaack**

(45) Registration Date: **30 April 2009**

(30) Convention priority data:

(31) Number  
**465 259 001**

(32) Date  
**20 Oct 2008**

(33) Country  
**WORLD INTELLECTUAL  
PROPERTY ORGANIZATION  
(WIPO)**

(56) Related Art Documents: **Not Applicable**

(57) Statement of Newness and Distinctiveness: **Those features of the chair depicted in the representations that are new and distinctive are the shape and/or configuration. The bottom view (Fig 2) is not part of the design and is to be disregarded when considering the overall impression of the design.**



(21) Design Number: **11401/2009**

(22) Date of Filing Application: **24 April 2009**

(24) Date from which industrial property rights may have effect: **24 April 2009**

(54) Product in respect of which the design is registered: **Sign base stabilizer**

(51) International Design Classification: **08-08NES, 20-02NES**

(71) Name(s) and Address(s) of Applicant(s):

**GRB Jamb Tie (NZ) Limited  
PO Box 300-511 Albany North Shore City 0752 New Zealand**

(72) Name(s) of Designer(s): **Gordon Francis Howlett**

(45) Registration Date: **30 April 2009**

(56) Related Art Documents: **Not Applicable**

(57) Statement of Newness and Distinctiveness: **Newness and distinctiveness is claimed in the shape and configuration of the sign base stabilizer.**

