



Australian Government

IP Australia

AUSTRALIAN OFFICIAL JOURNAL

OF

DESIGNS

Did you know a searchable version of this journal is now available online?
It's FREE and EASY to SEARCH.

Find it at

<http://pericles.ipaustralia.gov.au/ols/epublish/content/olsEpublications.jsp>
or using the "Online Journals" link on the IP Australia home page.

This Page Left Intentionally Blank

Contents

General Information & Notices

Proceedings Under the Designs Act 1906 preserved as a result of the provisions of Chapter 12 Part 2 of the Designs Act 2003

Extension of Period of Registration of Designs	1954
Names Registered - Alterations and Amendments	1954
Registrations Ceased	1954
Subsequent Owners Registered	1954

Proceedings Under the Designs Act 2003

Applications Lapsed	1966
Applications Lodged	1959
Applications Withdrawn	1966
Certificate of Examination	1970
Corrigenda	1969
Extension of Period of Registration of Design	1967
Extension of Time Granted Under Section 137	1967
Names Registered - Alterations and Amendments	1967
Publication and Registration Proceedings	
Designs Registered 325879 to 325954.....	1971
Subsequent Owners Registered	1967

This Page Left Intentionally Blank

For information on the following please see our website www.ipaustralia.gov.au or contact our Customer Service Network on 1300651010

[Editorial enquiries](#)

[Contact information](#)

[Freedom of Information ACT](#)

[Professional Standards Board](#)

[Sales](#)

[Requests for Information under Section 194 \(c\)](#)

[Country Codes](#)

[Trade Mark and Designs Hearing Sessions](#)

[INID \(Internationally agreed Numbers for the Identification of Data\)](#)

“INID” NUMBERS in use on Australian Design Documents

“INID” is an acronym for “Internationally agreed Numbers for the Identification of Data”.

(10) Data concerning the registration/renewal

- (11) Serial number of the registration and/or number of the design document
- (12) Plain language designation of the kind of published document
- (19) Identification, using the two-letter code according to WIPO Standard ST.3, of the authority publishing or registering the industrial design

(20) Data concerning the application

- (21) Serial number of the application
- (22) Date of filing of the application
- (24) Date from which the industrial design right has effect

(30) Data relating to priority under the Paris Convention

- (31) Serial number assigned to the priority application
- (32) Date of filing of the priority application
- (33) Two-letter code, according to WIPO Standard ST.3, identifying the authority with which the priority application was made

(40) Date(s) of making information available to the public

- (45) Date of publication of the registered industrial design by printing or similar process, or making it available to the public by any other means

(50) Miscellaneous Information

- (51) International Classification for Industrial Designs (class and subclass of the Locarno Classification)
- (54) Designation of article(s) or product(s) covered by the industrial design or title of the industrial design
- (55) Reproduction of the industrial design (e.g., drawing, photograph) and explanations relating to the reproduction
- (56) List of prior art documents, if separate from descriptive text
- (57) Description of characteristic features of the industrial design including indication of colours

(60) References to other legally related application(s) and registration(s)

- (62) Serial number(s) and, if available, filing date(s) of application(s), registration(s) or document(s) related by division
- (66) Serial number(s) of the application, or the registration, of the design(s) which is (are) a variant(s) of the present one

(70) Identification of parties concerned with the application or registration

- (71) Name(s) and address(es) of the applicant(s)
- (72) Name(s) of the creator(s) if known to be such
- (74) Name(s) and address(es) of the representative(s)

This Page Left Intentionally Blank

Official Notice**Designs Act 2003
Amendments to Registered Designs at Examination**

The following amendments have been made to details previously published in the Australian Official Journal of Designs during the Examination process:

Registration Numbers	Amendment type	New details
308553	Classification	23-02E, 23-01Z
318763	Classification	23-02F, 07-05B
320310	Classification	25-02Z, 25-01D
321572	Classification	02-07C, 02-03
322333	Classification	08-08B, 10-06, 25-02Z
322769	Classification	09-03Z, 09-03M
322770	Classification	09-03Z, 09-03M
323188	Classification	06-04Z, 08-08Z
323191	Classification	15-03Z

Contact: IP Australia
Phone: 1300 651 010
Fax: +61 2 6283 7999
E-mail: assist@ipaustralia.gov.au
Web: www.ipaustralia.gov.au

Proceedings under the Designs Act 1906 preserved as a result of the provisions of Chapter 12 Part 2 of the Designs Act 2003.

This Page Left Intentionally Blank

Applications Lapsed

There were no Applications Lapsed under this section

Extension of Period of Registration of Designs

2nd Period (Section 27A(12))

150882	151336	152210
152211	152364	152388
152434	152452	152453
152595	152600	152614
152615	152616	152617
152644	152645	152740
153127	153191	153292
153338	153370	153371
153394	153488	153537
153633	153675	153715
153729	154015	154210
154286	155291	155968
156043	156062	156182
156364	156561	157221
157222	157223	157721

3rd Period (Section 27A(13))

134132	134133	134134
134418	134720	135156
135382	135405	135423
135448	135464	135660
135661	135746	135801
135834	135910	135962
135963	136032	136076
136239	136252	136254
136255	136257	136520
138593	138729	139056
139409	140685	141123

Registrations Ceased

Note: Some of the following Registrations may have been previously advertised as ceased. In this instance, the previous advertisement still prevails.

117516	118455	118897
118910	118950	118986
119436	120273	120274
120806	120823	121017
121077	121871	122378
122383	122384	122385
122386	122504	122505
122669	122731	132350
133708	133853	133885
133887	133939	134396
134446	134531	135091
135537	136308	136933
137412	137433	138126
149907	150038	150060
150132	150372	150373
150486	150504	150505
150567	150603	150628
150639	150642	150656

150676	150800	150822
150861	150923	150924
150985	150986	151059
151060	151105	151238
151239	151262	151269
151471	151486	151534
151543	151575	151694
151714	151801	151978
152222	152402	152623
152783	152801	152867
152884	154167	154168
154405	154406	154407
154442	154566	154567
154751	154752	154753
154858	155186	155335
155355	155359	155459
156274	156275	156277
156651	157430	157431

Subsequent Owners Registered

(The name in parentheses is that of the subsequent owner)

153337	(Kraft Foods Global Brands LLC.) Kraft Foods Holdings Inc.
156741	(Kraft Foods Global Brands LLC.) Kraft Foods Holdings Inc.
124286	(Ideal Standard International BVBA) Trane U.S. Inc.
124812	(Ideal Standard International BVBA) Trane U.S. Inc.
127517	(Ideal Standard International BVBA) Trane U.S. Inc.
127518	(Ideal Standard International BVBA) Trane U.S. Inc.
129557	(Ideal Standard International BVBA) Trane U.S. Inc.
148070	(Ideal Standard International BVBA) Trane U.S. Inc.
148115	(Ideal Standard International BVBA) Trane U.S. Inc.

Names Registered - Alterations and Amendments

(The name in parentheses is the new name of the proprietor)

148115	(Trane U.S. Inc.) American Standard Inc.
148070	(Trane U.S. Inc.) American Standard Inc.
129557	(Trane U.S. Inc.) American Standard Inc.
127518	(Trane U.S. Inc.) American Standard Inc.
127517	(Trane U.S. Inc.) American Standard Inc.
124812	(Trane U.S. Inc.) American Standard Inc.
124286	(Trane U.S. Inc.) American Standard Inc.

This Page Left Intentionally Blank

Proceedings under the Designs Act 2003.

This Page Left Intentionally Blank

Applications Lodged

Lodgement information is in the following order: **Applicant's Name**; International Classification, Name of Product, Lodgement Date and **Design Number**. If the applicant claims an earlier priority date under an International Convention, the Convention Country and the associated filing date are shown in parentheses before the Lodgement Date. Divisional information will also appear in parentheses before the Lodgement Date.

Abdalla, Hanan; 10-04, The L-Tape is a passive measuring (no liquid decanting is required) and is used to confirm the mathematical and, physical volume of accountable liquid medications such as Schedule 8 to as per the S8 register recorded., 28 Apr 2009	11485/2009	Anchor Form Pty Ltd; 09-99, Insert, 06 May 2009	11610/2009
Agwill Pty Ltd; 08-10, Bicycle rack, 08 May 2009	11667/2009	Anchor Form Pty Ltd; 09-99, Insert, 06 May 2009	11611/2009
Agwill Pty Ltd; 08-10, Bicycle rack, 08 May 2009	11661/2009	Architectural Window Systems Pty Limited; 25-01K, An extrusion, 29 Apr 2009	11450/2009
Agwill Pty Ltd; 08-10, Bicycle rack, 08 May 2009	11668/2009	Architectural Window Systems Pty Limited; 25-01K, 25-02H, An extrusion, 01 May 2009	11513/2009
Agwill Pty Ltd; 08-10, Bicycle rack, 08 May 2009	11662/2009	Asics Corporation; 02-04B, Sport shoe, 30 Apr 2009	11504/2009
Agwill Pty Ltd; 08-10, Bicycle rack, 08 May 2009	11669/2009	Asigns Pty Ltd; 25-02NES, Cafe screen, 13 May 2009	11700/2009
Agwill Pty Ltd; 08-10, Bicycle rack, 08 May 2009	11663/2009	Asigns Pty Ltd; 25-02NES, Cafe screen, 13 May 2009	11701/2009
Agwill Pty Ltd; 08-10, Bicycle rack, 08 May 2009	11670/2009	Asigns Pty Ltd; 25-02NES, Cafe screen, 13 May 2009	11702/2009
Agwill Pty Ltd; 08-10, Bicycle rack, 08 May 2009	11664/2009	Aussie Rider Holdings Pty Ltd; 02-03, Helmets for horse riders, 25 Mar 2009	11498/2009
Agwill Pty Ltd; 08-10, Bicycle rack, 08 May 2009	11671/2009	AL-KO International Pty Ltd; 12-16L, Swivel bracket for jockey wheel, 12 May 2009	11717/2009
Agwill Pty Ltd; 08-10, Bicycle rack, 08 May 2009	11665/2009	AL-KO International Pty Ltd; 12-10, 12-16L, Swivel bracket for jockey wheel, 12 May 2009	11715/2009
Agwill Pty Ltd; 08-10, Bicycle rack, 08 May 2009	11660/2009	AL-KO International Pty Ltd; 12-10, 12-16L, Swivel bracket for jockey wheel, 12 May 2009	11716/2009
Agwill Pty Ltd; 08-10, Bicycle rack, 08 May 2009	11666/2009	AL-KO International Pty Ltd; 12-16L, Swivel bracket for jockey wheel, 12 May 2009	11718/2009
Alltuff Products Pty Ltd; 08-08NES, Fitting for a support rail, 11 May 2009	11680/2009	AL-KO International Pty Ltd; 12-16L, Swivel bracket for jockey wheel, 12 May 2009	11719/2009
Alltuff Products Pty Ltd; 25-02NES, Fitting for a support rail, 11 May 2009	11690/2009	AL-KO International Pty Ltd; 12-16L, Swivel bracket for jockey wheel, 12 May 2009	11720/2009
Alltuff Products Pty Ltd; 25-02NES, Fitting for a support rail, 11 May 2009	11672/2009	AL-KO International Pty Ltd; 12-16L, Swivel bracket for jockey wheel, 12 May 2009	11721/2009
Alltuff Products Pty Ltd; 08-08NES, Fitting for a support rail, 11 May 2009	11679/2009	AL-KO International Pty Ltd; 12-16L, Swivel bracket for jockey wheel, 12 May 2009	11722/2009
Ames True Temper, Inc.; 08-01, Blade for round point shovel, (US, 29 Dec 2008) 06 May 2009	11617/2009	Bang Design Pty Limited; 07-02D, Portable gas cooker, 05 May 2009	11598/2009
Ames True Temper, Inc.; 08-01, Blade for a round point shovel, (US, 11 Dec 2008) 06 May 2009	11618/2009	Bellette, Noel; 11-02B, Planter pot, vertical/wall mounted planter, 13 May 2009	11698/2009
Amos, Lee; Braun, Corie; 08-06, Ladder clamps, 30 Apr 2009	11647/2009	Bellette, Noel; 11-02B, Planter pot, vertical/wall mounted planter, 13 May 2009	11699/2009

Bellnet Pty Ltd; 12-16B, 12-16NES, Air intake unit, 07 May 2009	11652/2009	Burak, Peter; 09-03H, Pizza box support and divider, 05 May 2009	11603/2009
Bennetts, Michael; 06-06H, 06-01H, Support for swing seat, 06 May 2009	11459/2009	Butterworth, Valissa; 11-02F, 25-01D, 25-01F, 25-02NES, Wall panels, tiles (ceramic, fibreglass, resin, concrete) feature walls, 01 May 2009	11514/2009
Berrich Pty Ltd; 25-01D, A panel, 07 May 2009	11620/2009	C.E. Niehoff & Co.; 13-01, Electrical alternator sub assembly, (US, 29 Oct 2008) 29 Apr 2009	11481/2009
Berry-Smith & Associates; 07-06A, Cardboard (or other material) foldable stubby holder, 30 Apr 2009	11494/2009	C.E. Niehoff & Co.; 13-01, Electrical alternator, (US, 29 Oct 2008) 29 Apr 2009	11482/2009
Biokit, S.A.; 24-99, 09-03NES, Reagent container pack, (US, 14 Nov 2008) 30 Apr 2009	11512/2009	Carl Freudenberg KG; 04-02, Toilet brushware, (EM, 23 Dec 2008) 07 May 2009	11643/2009
Biokit, S.A.; 24-99, 09-01K, Cuvette, (US, 14 Nov 2008) 30 Apr 2009	11511/2009	Carl Freudenberg KG; 05-05B, Fabric, (EM, 19 Nov 2008) 30 Apr 2009	11523/2009
Bissell Homecare, Inc.; 07-05E, 04-01, Floor duster, (US, 13 Nov 2008) 12 May 2009	11723/2009	Carmanah Technologies Corporation; 26-04, Marker light, (CA, 05 Mar 2009) 30 Apr 2009	11520/2009
Bissell Homecare, Inc.; 04-01, Flat mop, (US, 13 Nov 2008) 12 May 2009	11724/2009	Chen, Diana Valia; 06-03A, Slot table, 08 May 2009	11653/2009
Bissell Homecare, Inc.; 04-01, High reach duster, (US, 13 Nov 2008) 12 May 2009	11725/2009	Chilewich Sultan LLC; 05-05B, 06-11, Covering, 05 May 2009	11600/2009
Bissell Homecare, Inc.; 04-01, 30-99, Pet hair broom, (US, 14 Nov 2008) 12 May 2009	11726/2009	Chilewich Sultan LLC; 05-05NES, 06-11, Covering, 05 May 2009	11601/2009
Bitech Engineering; 23-03A, Heating equipment, 27 Feb 2009	11556/2009	Chilewich Sultan LLC; 05-05NES, 06-11, Covering, 05 May 2009	11602/2009
Black & Decker, Inc.; 04-01, 15-05, Vacuum cleaner suction nozzle with foldable brush, (EM, 07 Nov 2008) 05 May 2009	11597/2009	Chivas Holdings (IP) Limited; 09-03M, Box, (EM, 17 Feb 2009) 11 May 2009	11683/2009
Bond, Norma Beatrice Carmen; 25-01K, A door or window face fit installation, 05 May 2009	11579/2009	Cibela Pty Ltd; 08-08M, 06-06NES, Universal joint for CBLOCKS furniture range. Furniture range applying TETRIS based concepts to interior furniture, 01 May 2009	11500/2009
Botton & Gardiner Urban Furniture Pty Limited; 06-01G, Tetra lounge seat with backrest, 05 May 2009	11580/2009	Cibela Pty Ltd; 08-08A, 06-06NES, Two-sided knock in dowel pin for CBLOCKS ODG1.4. Outdoor furniture designs utilizing special panels requiring, specific pins for fastening and assembly, 01 May 2009	11499/2009
Botton & Gardiner Urban Furniture Pty Limited; 06-01G, Tetra ottoman seat, 05 May 2009	11581/2009	Coca-Cola Amatil Ltd; 09-01K, A bottle, 29 Apr 2009	11529/2009
Braun, Corie; Amos, Lee; 08-06, Ladder clamps, 30 Apr 2009	11647/2009	Coca-Cola Amatil Ltd; 09-01K, A bottle, 29 Apr 2009	11528/2009
Bridgestone Corporation; 12-15A, Automobile tyre, 29 Apr 2009	11492/2009	Colgate-Palmolive Company; 09-01NES, Container, (US, 31 Oct 2008) 28 Apr 2009	11462/2009
Bridgestone Corporation; 12-15C, Automobile tyre, 29 Apr 2009	11491/2009	Colgate-Palmolive Company; 09-01NES, Container, (US, 31 Oct 2008) 28 Apr 2009	11461/2009
Bromic Pty Ltd; 23-03A, Heater, 30 Apr 2009	11483/2009	Dart Industries Inc.; 09-01NES, Container, (US, 29 Jan 2009) 28 Apr 2009	11466/2009
Bromic Pty Ltd; 23-03A, Heater, 30 Apr 2009	11484/2009	De Jour Sanitary Products Pty Ltd; 07-01NES, Lid for a container, 04 May 2009	11575/2009
Brown, Lyndon Mayfield; 12-05, Pulley Support Housing, 06 May 2009	11616/2009		

De Jour Sanitary Products Pty Ltd; 11-02NES, Base plate element for decorations or ornaments, 04 May 2009	11595/2009	Dezinal Pty Ltd; 25-02B, 25-01K, Sliding door lock stile, 30 Apr 2009	11543/2009
Decor Corporation Pty Ltd, The; 07-01NES, Silicone lid, 11 May 2009	11676/2009	Dezinal Pty Ltd; 25-02B, 25-01K, Sliding door plant on sill track, 30 Apr 2009	11544/2009
Denison, Sharon Kay; 02-05, 02-02B, The design is for a protective bib/capelet for mums for winding/settling young babies, 01 May 2009	11515/2009	Diamond, Jonathon; 24-01, X-ray folder, 08 May 2009	11651/2009
Dental Equipment, LLC. Trading as Pelton & Crane; 24-02, Assistant's instrumentation, (US, 18 Nov 2008) 08 May 2009	11654/2009	Digislide Holdings Limited; 16-02, Portable projection device, 12 May 2009	11710/2009
Dental Equipment, LLC. Trading as Pelton & Crane; 24-01, 24-02, Doctor's delivery, (US, 18 Nov 2008) 08 May 2009	11655/2009	Digislide Holdings Limited; 16-02, Portable projection device, 12 May 2009	11712/2009
Dental Equipment, LLC. Trading as Pelton & Crane; 24-02, Whip arm cover, (US, 24 Nov 2008) 08 May 2009	11656/2009	Digislide Holdings Limited; 16-02, Portable projection device, 12 May 2009	11713/2009
Dezinal Pty Ltd; 25-02B, 25-01K, Lockstile corner for sliding door, 30 Apr 2009	11530/2009	Digislide Holdings Limited; 16-02, Portable projection device, 12 May 2009	11711/2009
Dezinal Pty Ltd; 25-02B, 25-01K, Interlock top corner for sliding door, 30 Apr 2009	11531/2009	Dubrich, Adam; Warren, Leigh; 07-07A, 21-02NES, Cricket stump cooler, 01 May 2009	11545/2009
Dezinal Pty Ltd; 25-02B, 25-01K, Interlock bottom corner for sliding door, 30 Apr 2009	11532/2009	Dyson Limited; 23-04, A fan, (GB, 07 Nov 2008) 05 May 2009	11599/2009
Dezinal Pty Ltd; 25-02B, 25-01K, Interlock head fixed panel cap (right), 30 Apr 2009	11533/2009	DMC Industries Pty Ltd; 21-02D, Surfcraft fin box, 20 Apr 2009	11369/2009
Dezinal Pty Ltd; 25-02B, 25-01K, Interlock head fixed panel cap (left), 30 Apr 2009	11534/2009	Eaton Corporation; 21-02C, Fruit and vine golf grip, (US, 11 Nov 2008) 08 May 2009	11658/2009
Dezinal Pty Ltd; 25-02B, 25-01K, 101.6mm sliding door disabled sill, 30 Apr 2009	11535/2009	EcoloBlue Inc; 23-01G, Water purifier, (US, 03 Nov 2008) 01 May 2009	11566/2009
Dezinal Pty Ltd; 25-02B, 25-01K, 101.6mm slide door head, 30 Apr 2009	11536/2009	Electrolux do Brasil SA; 07-02B, Microwave oven, (BR, 10 Nov 2008) 11 May 2009	11691/2009
Dezinal Pty Ltd; 25-02B, 25-01K, 101.6mm sliding door sill, 30 Apr 2009	11537/2009	Electrolux do Brasil SA; 07-02B, Microwave oven, (BR, 10 Nov 2008) 11 May 2009	11692/2009
Dezinal Pty Ltd; 25-02B, 25-01K, 150mm sliding door head, 30 Apr 2009	11538/2009	Fertile Mind Pty Ltd; 02-07NES, Clothing extension device, 29 Apr 2009	11471/2009
Dezinal Pty Ltd; 25-02B, 25-01K, 150mm sliding door sill, 30 Apr 2009	11539/2009	Gardam, Ross; 06-01E, "Perch" stool, 01 May 2009	11527/2009
Dezinal Pty Ltd; 25-02B, 25-01K, 200mm sliding door head, 30 Apr 2009	11540/2009	Goodyear Tire & Rubber Company, The; 12-15A, Tyre, (US, 18 Nov 2008) 12 May 2009	11706/2009
Dezinal Pty Ltd; 25-02B, 25-01K, 200mm sliding door sill, 30 Apr 2009	11541/2009	Grainger, Phillip Edwin; 25-01A, Paver mould, 08 May 2009	11631/2009
Dezinal Pty Ltd; 25-02B, 25-01K, Sliding door rail, 30 Apr 2009	11542/2009	Grainger, Phillip Edwin; 25-01A, Paver, 08 May 2009	11632/2009
		Grainger, Phillip Edwin; 25-01A, Paver, 08 May 2009	11633/2009
		Grainger, Phillip Edwin; 25-01A, Paver mould, 08 May 2009	11629/2009
		Grainger, Phillip Edwin; 25-01A, Paver, 08 May 2009	11634/2009
		Grainger, Phillip Edwin; 25-01A, Paver mould, 08 May 2009	11630/2009
		Grogan, Ciaran; 06-01L, Chair, 06 May 2009	11614/2009

Groupe Cadum; 28-99, Odour absorbers for refrigerators, (EM, 10 Nov 2008) 08 May 2009	11657/2009	Jochnic Packaging Co. Pty Ltd; 09-07B, Hot beverage lid, 29 Apr 2009	11473/2009
GM Global Technology Operations, Inc; 12-16B, Vehicle fascia, 07 May 2009	11635/2009	Johnson Controls Technology Company; 13-02, Battery, (US, 31 Oct 2008) 29 Apr 2009	11480/2009
GM Global Technology Operations, Inc; 12-16B, Vehicle fascia, 07 May 2009	11636/2009	Jokuda Holdings Limited; 07-06A, Bottle caddy, (NZ, 14 Nov 2008) 12 May 2009	11689/2009
Hanrahan, Felicity; 07-05E, , 01 May 2009	11547/2009	Jumbuck Entertainment Ltd; 19-06, Stylus pen, 04 May 2009	11555/2009
Hardy, Chris; 06-01E, Stool, 29 Apr 2009	11451/2009	Jumbuck Entertainment Ltd; 21-01N, 14-02, Stylus pen, 04 May 2009	11552/2009
Harlequin International Group Pty Ltd; 03-01A, Bag, 12 May 2009	11727/2009	Jumbuck Entertainment Ltd; 21-01N, 14-02, Stylus pen, 04 May 2009	11553/2009
Hartmann, Bill; 11-01C, Identification tag, 04 May 2009	11560/2009	Jumbuck Entertainment Ltd; 21-01N, 14-02, Stylus pen, 04 May 2009	11554/2009
Heatmaster Pty Ltd; 23-03E, Heater fascia, 29 Apr 2009	11460/2009	Junkers, John Kurt; 08-01, Power operated torque tool, (US, 18 Dec 2008) 29 Apr 2009	11489/2009
Hi-Class Composites Pty Limited; 12-16B, Vehicle canopy, 05 May 2009	11591/2009	Kabushiki Kaisha Toshiba; Ikegami Tsushinki Co., Ltd.; 14-01, An operating dial for an image adjusting apparatus, (JP, 18 Nov 2008) 29 Apr 2009	11493/2009
Honda Motor Co., Ltd.; 12-11, Motorcycle, (JP, 14 Nov 2008) 08 May 2009	11650/2009	Karsten Manufacturing Corporation; 21-02C, Badge for a golf club head, (US, 20 Feb 2009) 11 May 2009	11675/2009
Huber Packaging Group GmbH & Co. KG; 09-07NES, Handle for container, (EM, 10 Nov 2008) 08 May 2009	11648/2009	Karsten Manufacturing Corporation; 21-02C, Badge for a golf club head, (US, 20 Feb 2009) 12 May 2009	11694/2009
Huhtamaki Australia Pty Ltd; 09-03NES, Container base, 07 May 2009	11619/2009	Karsten Manufacturing Corporation; 21-02C, Golf club head, (US, 20 Feb 2009) 12 May 2009	11695/2009
Huhtamaki Australia Pty Ltd; 09-03NES, Container base, 07 May 2009	11625/2009	Karsten Manufacturing Corporation; 21-02C, Golf club head, (US, 20 Feb 2009) 12 May 2009	11696/2009
Huhtamaki Australia Pty Ltd; 09-03H, Container base, 07 May 2009	11646/2009	Keating, Geoffrey Francis; 99-00, Ornament, plaque, placemat, coaster, cutting board, cushion, stepping block, mirror, mat/rug, light shade,, towel, tea towel, facewasher, paperweight, swimming pool, spa, fridge magnet, memo board, tag, 24 Apr 2009	11477/2009
Huhtamaki Australia Pty Ltd; 09-03NES, , 07 May 2009	11626/2009	Keating, Geoffrey Francis; 99-00, Cutting board, barbeque plate, stepping block, cushion, mat/rug, light shade, bedspread, blanket, towel, tea towel,, facewasher, swimming pool, spa, memo board, 24 Apr 2009	11474/2009
Hurst, Mario; 25-01K, Roof frame component, 07 May 2009	11644/2009	Keating, Geoffrey Francis; 99-00, Swimming pool, spa, towel, tea towel, facewasher, bedspread, stepping block, cutting board, mat/rug,, memo board, 24 Apr 2009	11475/2009
Hurst, Mario; 25-01C, Purlin, 07 May 2009	11645/2009	Keating, Geoffrey Francis; 99-00, Ornament, plaque, placemat, coaster, cutting board, cushion, stepping block, mirror, mat/rug, light shade,, towel, tea towel, facewasher, paperweight, swimming pool, spa, fridge magnet, memo board, tag, 24 Apr 2009	11476/2009
HS Industrial Supplies Pty Ltd; 06-13B, Baby wrap baby blanket, 01 May 2009	11546/2009	Knowles, Richard Ian; 06-09, Power nap pillow, 07 May 2009	11608/2009
Ikegami Tsushinki Co., Ltd.; Kabushiki Kaisha Toshiba; 14-01, An operating dial for an image adjusting apparatus, (JP, 18 Nov 2008) 29 Apr 2009	11493/2009		
Impact Magnets & Cards Pty Ltd; 08-08NES, An elongate magnetic member, 11 May 2009	11686/2009		
Impact Magnets & Cards Pty Ltd; 08-08NES, 20-02NES, An elongate magnetic member, 11 May 2009	11684/2009		
Jan Van Boxtel Artitec B.V.; 08-05NES, Hooking element, (EM, 13 Nov 2008) 11 May 2009	11682/2009		
Jaram Products Pty; 12-16C, Internal rollover protection, 20 Apr 2009	11361/2009		

Lacoste; 02-04NES, Shoe, (EM, 02 Apr 2009) 30 Apr 2009	11516/2009	Multisteps Pty Ltd; 09-03K, A produce container, 11 May 2009	11693/2009
Lacoste; 02-04NES, Shoe, (EM, 02 Apr 2009) 30 Apr 2009	11519/2009	Mums and Kids Enterprises Pty Ltd; 06-13B, A sleeping bag, 07 May 2009	11627/2009
Lacoste; 02-04NES, Shoe, (EM, 02 Apr 2009) 30 Apr 2009	11517/2009	Muscat, Jason; 06-01G, Furniture, 08 May 2009	11649/2009
Lacoste; 02-04NES, Shoe, (EM, 02 Apr 2009) 30 Apr 2009	11518/2009	Nathan, Rafael Rod; 06-04F, 06-06A, Furniture, 07 May 2009	11607/2009
Ladder Lock Pro (Aust) Pty Ltd; 25-04, 08-07, Ladder lock, 27 Apr 2009	11411/2009	Notaras, John Arthur; Notaras, Angelo Lambrinos; 15-03B, An edger, 30 Apr 2009	11488/2009
Leatherman Tool Group, Inc.; 08-05NES, Folding multipurpose hand tool, (US, 14 Nov 2008) 08 May 2009	11659/2009	Notaras, Angelo Lambrinos; Notaras, John Arthur; 15-03B, An edger, 30 Apr 2009	11488/2009
Leppington Speedy Seedlings & Supplies Pty Ltd; 09-03F, Seedling Tray, 04 May 2009	11558/2009	NYKO Technologies, Inc.; 13-02, 14-02, Video game controller charging apparatus, (US, 29 Oct 2008) 29 Apr 2009	11490/2009
Leppington Speedy Seedlings & Supplies Pty Ltd; 09-03F, Seedling tray, 04 May 2009	11557/2009	Orica International IP Holdings Inc.; 07-01NES, Lid, 30 Apr 2009	11521/2009
Lolitta Clothing Pty Ltd; 02-02C, , 03 Dec 2008	11613/2009	Paltronics, Inc.; 21-01N, An electronic device for a table game, (US, 13 Nov 2008) 12 May 2009	11714/2009
Lolitta Clothing Pty Ltd; 02-02NES, , 03 Dec 2008	11612/2009	Parfums Givenchy, S.A.; 09-01G, Flask for perfumery products, (FR, 13 Nov 2008) 07 May 2009	11622/2009
Ludvigh, Clint; 28-03NES, Grooming tool, 29 Apr 2009	11479/2009	Pi-Design AG; 07-01D, Mug, 05 May 2009	11593/2009
Macken, Peter Leo; 24-02, Surgical tool, 04 May 2009	11548/2009	Polite Enterprises Corporation Pty. Ltd.; 25-01E, Delineation kerb, 07 May 2009	11642/2009
Madakbas, Betul; 06-01E, Cardboard foldable baby feeding chair, 12 May 2009	11688/2009	Proctor & Gamble Company, The; 04-02, Toothbrush head, (US, 06 Nov 2008) 05 May 2009	11604/2009
Major, Craig; 06-03B, Barrel bar table, 12 May 2009	11681/2009	Proctor & Gamble Company, The; 04-02, Toothbrush head, (US, 06 Nov 2008) 05 May 2009	11605/2009
Mantini; 11-01E, Costume jewellery, 06 May 2009	11596/2009	Prote Pty Ltd; 21-01M, Puzzle all wooden, 3 dimensional golf ball green 3 dimensional, 28 Apr 2009	11417/2009
McDougall, Andrew; 21-01NES, A toy, 30 Apr 2009	11501/2009	Prote Pty Ltd; 21-01M, Puzzle all wooden, 3 dimensional tennis racquet and tennis ball 3 dimensional, 28 Apr 2009	11418/2009
McDougall, Andrew; 21-01NES, A toy, 30 Apr 2009	11502/2009	Prote Pty Ltd; 21-01M, Puzzle all wooden, 3 dimensional cricket bat and cricket ball 3 dimensional, 28 Apr 2009	11419/2009
McSpadden, Neta Isabelle; 99-00, , 30 Apr 2009	11470/2009	Raymond Corporation, The; 06-01D, Vehicle seat, (US, 13 Nov 2008) 28 Apr 2009	11412/2009
Melro Distributors Pty Ltd; 02-02C, 02-02NES, Ladies clothing, 05 May 2009	11592/2009	Raymond Corporation, The; 06-01D, Vehicle bump seat, (US, 13 Nov 2008) 28 Apr 2009	11413/2009
Moorevann Pty Ltd; 06-05, Happy daze lounge and booth seating modules incorporating corner table, 01 May 2009	11524/2009	Raymond Corporation, The; 15-03NES, 12-16NES, Tiller arm, (US, 12 Dec 2008) 28 Apr 2009	11415/2009
Moorevann Pty Ltd; 06-01NES, BaseCamp upholstered tiered seating, 01 May 2009	11525/2009	Reckitt Benckiser Inc.; 09-01K, 09-01NES, Bottle, (US, 02 Mar 2009) 30 Apr 2009	11522/2009
Moorevann Pty Ltd; 06-03NES, 06-06F, Smartable mechanism - adjustable height leg with spring-loaded push button for steel frame tables, 01 May 2009	11526/2009		

Rhodes, Julian; 06-07, Photo block/frame, 07 May 2009	11609/2009	Simsbiz Pty Ltd; 02-04NES, Footwear, 30 Apr 2009	11469/2009
Ripple (Vic) Pty Ltd; 10-03, Timer, 30 Apr 2009	11508/2009	Smith, Mark; 09-03F, Aquaponics/hydroponics growbed, 04 May 2009	11578/2009
Ripple (Vic) Pty Ltd; 10-03, Timer, 30 Apr 2009	11506/2009	Smith & Nephew PLC; 24-04, , 06 May 2009	11606/2009
Ripple (Vic) Pty Ltd; 10-03, Timer, 30 Apr 2009	11507/2009	Solideal Holding S.A.; 12-15A, A tyre, (EM, 13 Jan 2009) 12 May 2009	11697/2009
Roadvision Pty Ltd; 26-06, Lighting assembly, 05 May 2009	11562/2009	Sportsgirl Pty Ltd; 02-02NES, Various garments, 28 Apr 2009	11420/2009
Roadvision Pty Ltd; 26-06, Lighting assembly, 05 May 2009	11561/2009	Staples the Office Superstore, LLC; 19-02, Stapler, (US, 04 Nov 2008) 28 Apr 2009	11452/2009
Roadvision Pty Ltd; 26-06, Lighting assembly, 05 May 2009	11563/2009	Staples the Office Superstore, LLC; 19-02, Stapler, (US, 04 Nov 2008) 28 Apr 2009	11453/2009
Roadvision Pty Ltd; 26-06, Lighting assembly, 05 May 2009	11564/2009	Steris, Inc.; 08-06, 07-99NES, Cool touch handle, (US, 28 Oct 2008) 28 Apr 2009	11414/2009
Roadvision Pty Ltd; 26-06, Lighting assembly, 05 May 2009	11565/2009	Sunbeam Corporation Limited; 07-05A, Iron, 05 May 2009	11567/2009
Roadwest Transport Equipment & Sales Pty Ltd; 12-16NES, Pivoting draw bar, 04 May 2009	11594/2009	Sunbeam Corporation Limited; 07-05A, Iron, 05 May 2009	11568/2009
Rowlinson, Stephen; 06-05, Table with seats, (EM, 04 Nov 2008) 05 May 2009	11571/2009	Sunbeam Corporation Limited; 07-05A, Iron, 05 May 2009	11569/2009
Rowlinson, Stephen; 06-05, Table with seats, (EM, 04 Nov 2008) 05 May 2009	11574/2009	Sunbeam Corporation Limited; 07-05A, Iron, 05 May 2009	11570/2009
Rowlinson, Stephen; 06-05, Table with seats, (EM, 04 Nov 2008) 05 May 2009	11572/2009	Surrey Police Authority; 25-01D, Sheet material, (EM, 02 Feb 2009) 04 May 2009	11559/2009
Rowlinson, Stephen; 06-05, Table with seats, (EM, 04 Nov 2008) 05 May 2009	11573/2009	Swarovski Aktiengesellschaft; 10-02, Wrist watch, (EM, 22 Dec 2008) 07 May 2009	11640/2009
RF Surgical Systems, Inc.; 24-02, Device to attach a transponder to a surgical sponge, (US, 28 Oct 2008) 28 Apr 2009	11463/2009	Swarovski Aktiengesellschaft; 10-02, Wrist watch, (EM, 22 Dec 2008) 07 May 2009	11637/2009
RF Surgical Systems, Inc.; 24-02, Attachment device to attach a transponder to a surgical sponge, (US, 28 Oct 2008) 28 Apr 2009	11464/2009	Swarovski Aktiengesellschaft; 10-02, Wrist watch, (EM, 22 Dec 2008) 07 May 2009	11638/2009
RF Surgical Systems, Inc.; 24-02, Attachment device to attach a transponder to a surgical sponge, (US, 28 Oct 2008) 28 Apr 2009	11465/2009	Swarovski Aktiengesellschaft; 10-02, Wrist watch, (EM, 22 Dec 2008) 07 May 2009	11639/2009
Saabem Pty Ltd; 21-01A, Plush toys, stationery, polyresin ornaments, 28 Apr 2009	11416/2009	SKN CORP PTY LTD; 28-03NES, Exfoliation tool, 12 May 2009	11708/2009
Sands, Madelyn; 06-13B, Baby change mat cover, 30 Apr 2009	11486/2009	SKN CORP PTY LTD; 28-03NES, Exfoliation tool, 12 May 2009	11709/2009
Sands, Madelyn; 06-13B, Baby change mat cover, 30 Apr 2009	11487/2009	The Decor Corporation Pty Ltd; 02-06, Heat glove mitt, 27 Apr 2009	11454/2009
Shriro Australia Pty Limited; 07-02E, A barbeque grill plate, 07 May 2009	11628/2009	The Gillette Company; 28-03A, Combination shaving and trimming device, (US, 10 Nov 2008) 04 May 2009	11549/2009
Simsbiz Pty Ltd; 02-04NES, Footwear, 30 Apr 2009	11468/2009	The Gillette Company; 28-03A, Razor attachment, (US, 10 Nov 2008) 04 May 2009	11550/2009
		The Gillette Company; 28-03A, Razor attachment, (US, 10 Nov 2008) 04 May 2009	11551/2009

The Procter & Gamble Company; 09-03M, Box, (US, 30 Oct 2008) 28 Apr 2009	11455/2009	Turco, Joshua; 07-03, Less mess - improved cutlery design, 28 Apr 2009	11497/2009
The Procter & Gamble Company; 04-02, Toothbrush head, (US, 06 Nov 2008) 05 May 2009	11589/2009	Urquhart, David; 08-06, A rocker arm for a cabinet door closing mechanism, 01 Apr 2009	11673/2009
The Procter & Gamble Company; 04-02, Toothbrush head, (US, 06 Nov 2008) 05 May 2009	11590/2009	Urquhart, David; 08-09, A door stop lug for a cabinet door closing mechanism, 01 Apr 2009	11674/2009
The Procter & Gamble Company; 09-01K, Bottle, (US, 30 Oct 2008) 28 Apr 2009	11457/2009	VideoB Holdings Limited; 21-03, Wrist support and grip, (EM, 11 Nov 2008) 30 Apr 2009	11509/2009
The Procter & Gamble Company; 04-02, Toothbrush head, (US, 06 Nov 2008) 05 May 2009	11577/2009	VideoB Holdings Limited; 21-03, Games machine, (EM, 11 Nov 2008) 30 Apr 2009	11510/2009
The Procter & Gamble Company; 04-02, Toothbrush head, (US, 06 Nov 2008) 05 May 2009	11576/2009	Visy R & D Pty Ltd; 07-01C, A cup, 11 May 2009	11677/2009
The Procter & Gamble Company; 04-02, Toothbrush head, (US, 06 Nov 2008) 05 May 2009	11582/2009	Visy R & D Pty Ltd; 07-01C, A cup, 11 May 2009	11678/2009
The Procter & Gamble Company; 04-02, Toothbrush head, (US, 06 Nov 2008) 05 May 2009	11583/2009	Visy R & D Pty Ltd; 09-03M, Carton with re-closable lid, 07 May 2009	11641/2009
The Procter & Gamble Company; 04-02, Toothbrush head, (US, 06 Nov 2008) 05 May 2009	11584/2009	Visy R & D Pty Ltd; 09-03NES, Carton for protecting plastic beer keg, 06 May 2009	11615/2009
The Procter & Gamble Company; 04-02, Toothbrush head, (US, 06 Nov 2008) 05 May 2009	11585/2009	Voss, Roland Stephen; 08-08NES, Roof mounting saddle, 12 May 2009	11703/2009
The Procter & Gamble Company; 04-02, Toothbrush head, (US, 06 Nov 2008) 05 May 2009	11586/2009	Voss, Roland Stephen; 08-08NES, Roof anchor point, 12 May 2009	11704/2009
The Procter & Gamble Company; 04-02, Toothbrush head, (US, 06 Nov 2008) 05 May 2009	11587/2009	Voss, Roland Stephen; 08-08NES, Temporary roof anchor point, 12 May 2009	11705/2009
The Procter & Gamble Company; 04-02, Toothbrush head, (US, 06 Nov 2008) 05 May 2009	11588/2009	Wang, Hsing-Tzu; 08-05L, Paint gun, 30 Apr 2009	11505/2009
The Procter & Gamble Company; 04-02, Toothbrush head, (US, 06 Nov 2008) 05 May 2009	11458/2009	Wang, Hsing-Tzu; 08-05L, Paint gun, 30 Apr 2009	11503/2009
The Procter & Gamble Company; 09-01K, Bottle, (US, 30 Oct 2008) 28 Apr 2009	11456/2009	Warren, Leigh; Dubrich, Adam; 07-07A, 21-02NES, Cricket stump cooler, 01 May 2009	11545/2009
The Procter & Gamble Company; 09-03M, Box, (US, 30 Oct 2008) 28 Apr 2009	11685/2009	Williames Pty Ltd; 08-08L, Support for a rail, 07 May 2009	11623/2009
Toshiba Tec Kabushiki Kaisha; 18-01, A cash register for a point of sales terminal, (JP, 21 Nov 2008) 11 May 2009	11707/2009	Wing Yee Gems & Jewellery Limited; 11-01NES, Diamond jewellery, 07 May 2009	11624/2009
Toshiba Tec Kabushiki Kaisha; 18-01, A cash register for a point of sales terminal, (JP, 21 Nov 2008) 12 May 2009	11687/2009	Wolverine World Wide, Inc.; 02-04NES, Footwear upper, (US, 03 Nov 2008) 28 Apr 2009	11444/2009
Toshiba Tec Kabushiki Kaisha; 18-01, Cash register for a point of sales terminal, (JP, 21 Nov 2008) 11 May 2009	11472/2009	Wolverine World Wide, Inc.; 02-04NES, Footwear upper, (US, 03 Nov 2008) 28 Apr 2009	11445/2009
Turborich Trading Ltd; 09-09, 09-99, Bin wheel, 29 Apr 2009	11495/2009	Wolverine World Wide, Inc.; 02-04NES, Footwear upper, (US, 03 Nov 2008) 28 Apr 2009	11446/2009
Turco, Joshua; 07-03, Less mess - improved cutlery design, 28 Apr 2009	11496/2009	Wolverine World Wide, Inc.; 02-04NES, Footwear upper, (US, 03 Nov 2008) 28 Apr 2009	11447/2009
Turco, Joshua; 07-03, Less mess - improved cutlery design, 28 Apr 2009		Wolverine World Wide, Inc.; 02-04NES, Footwear upper, (US, 03 Nov 2008) 28 Apr 2009	11448/2009

Wolverine World Wide, Inc.; **11449/2009**
 02-04NES, Footwear upper, (US, 03 Nov 2008)
 28 Apr 2009

ZillionTV Corporation; **11478/2009**
 14-03NES, Remote control, (US, 31 Oct 2008)
 29 Apr 2009

Wolverine World Wide, Inc.; **11421/2009**
 02-04NES, Footwear upper, (US, 03 Nov 2008)
 28 Apr 2009

Applications Withdrawn

10045 / 2009 (02-02B)

Applications Lapsed

15112 / 2008 (08-08NES)	15135 / 2008 (02-02C)
15160 / 2008 (08-09)	15161 / 2008 (08-09)
15162 / 2008 (08-09)	10337 / 2009 (22-05)
10460 / 2009 (07-02N)	

Extension of Period of Registration of Designs

300003	300128	300487
300645	300748	300749
300750	300791	300792
300793	302242	302365

Extensions of time granted under Section 137

Applications lodged under section 137 for extension of time have been granted.

- 13438/2008 **Clevertronics Pty Ltd**
- 13439/2008 **Clevertronics Pty Ltd**
- 10044/2009 **Hayley Fitzmaurice**
- 10045/2009 **Hayley Fitzmaurice**
- 10139/2009 **Jeffrey Thomas Brasch**
- 10187/2009 **Everstone International Pty Ltd**
- 10188/2009 **Everstone International Pty Ltd**
- 10200/2009 **Roadvision Pty Ltd**
- 10201/2009 **Roadvision Pty Ltd**
- 10323/2009 **Partyware Pty Ltd**
- 10719/2009 **ENANEF Limited**
- 11150/2009 **Nexus Lighting, Inc.**

Subsequent Owners Registered

(The name in parentheses is that of the subsequent owner)

- 317478 (**Nutro Products, Inc.**) Mars, Incorporated
- 321075 (**Nutro Products, Inc.**) Mars, Incorporated
- 321076 (**Nutro Products, Inc.**) Mars, Incorporated
- 321077 (**Nutro Products, Inc.**) Mars, Incorporated
- 321078 (**Nutro Products, Inc.**) Mars, Incorporated
- 321079 (**Nutro Products, Inc.**) Mars, Incorporated
- 321080 (**Nutro Products, Inc.**) Mars, Incorporated
- 323700 (**Generic Medical Devices, Inc**) Richard P. Kuntz
- 323701 (**Generic Medical Devices, Inc**) Richard P. Kuntz
- 323702 (**Generic Medical Devices, Inc**) Richard P. Kuntz
- 323703 (**Generic Medical Devices, Inc**) Richard P. Kuntz
- 323704 (**Generic Medical Devices, Inc**) Richard P. Kuntz
- 318043 (**ResMed Motor Technologies Inc**) ResMed Ltd
- 318044 (**ResMed Motor Technologies Inc**) ResMed Ltd
- 318045 (**ResMed Motor Technologies Inc**) ResMed Ltd
- 318046 (**ResMed Motor Technologies Inc**) ResMed Ltd
- 318047 (**ResMed Motor Technologies Inc**) ResMed Ltd
- 318048 (**ResMed Motor Technologies Inc**) ResMed Ltd
- 318049 (**ResMed Motor Technologies Inc**) ResMed Ltd
- 318050 (**ResMed Motor Technologies Inc**) ResMed Ltd

- 318051 (**ResMed Motor Technologies Inc**) ResMed Ltd
- 318052 (**ResMed Motor Technologies Inc**) ResMed Ltd
- 318053 (**ResMed Motor Technologies Inc**) ResMed Ltd
- 318054 (**ResMed Motor Technologies Inc**) ResMed Ltd
- 304204 (**Kraft Foods Global Brands LLC.**) Kraft Foods Holdings, Inc.
- 306344 (**Kraft Foods Global Brands LLC.**) Kraft Foods Holdings, Inc.
- 306345 (**Kraft Foods Global Brands LLC.**) Kraft Foods Holdings, Inc.
- 306346 (**Kraft Foods Global Brands LLC.**) Kraft Foods Holdings, Inc.
- 306347 (**Kraft Foods Global Brands LLC.**) Kraft Foods Holdings, Inc.
- 306348 (**Kraft Foods Global Brands LLC.**) Kraft Foods Holdings, Inc.
- 306349 (**Kraft Foods Global Brands LLC.**) Kraft Foods Holdings, Inc.
- 306350 (**Kraft Foods Global Brands LLC.**) Kraft Foods Holdings, Inc.
- 306351 (**Kraft Foods Global Brands LLC.**) Kraft Foods Holdings, Inc.
- 306352 (**Kraft Foods Global Brands LLC.**) Kraft Foods Holdings, Inc.
- 306353 (**Kraft Foods Global Brands LLC.**) Kraft Foods Holdings, Inc.
- 306354 (**Kraft Foods Global Brands LLC.**) Kraft Foods Holdings, Inc.
- 306355 (**Kraft Foods Global Brands LLC.**) Kraft Foods Holdings, Inc.
- 306356 (**Kraft Foods Global Brands LLC.**) Kraft Foods Holdings, Inc.
- 306357 (**Kraft Foods Global Brands LLC.**) Kraft Foods Holdings, Inc.
- 306358 (**Kraft Foods Global Brands LLC.**) Kraft Foods Holdings, Inc.
- 306359 (**Kraft Foods Global Brands LLC.**) Kraft Foods Holdings, Inc.
- 306360 (**Kraft Foods Global Brands LLC.**) Kraft Foods Holdings, Inc.
- 306361 (**Kraft Foods Global Brands LLC.**) Kraft Foods Holdings, Inc.
- 306943 (**Kraft Foods Global Brands LLC.**) Kraft Foods Holdings, Inc.
- 308388 (**Kraft Foods Global Brands LLC.**) Kraft Foods Holdings, Inc.
- 309793 (**Kraft Foods Global Brands LLC.**) Kraft Foods Holdings, Inc.
- 312690 (**Kraft Foods Global Brands LLC.**) Kraft Foods Holdings, Inc.
- 312691 (**Kraft Foods Global Brands LLC.**) Kraft Foods Holdings, Inc.
- 312692 (**Kraft Foods Global Brands LLC.**) Kraft Foods Holdings, Inc.

Names Registered - Alterations and Amendments

(The name in parentheses is that of the subsequent

applicant)

300161 (**societe par actions simplifiee des Eaux Minerales
d'Evian**) Societe Anonyme des Eaux Minerales d'Evian

317661 (**societe par actions simplifiee des Eaux Minerales
d'Evian**) Societe Anonyme des Eaux Minerales d'Evian

Corrigenda

Number 10102/2009

In Vol 23 , No 8 , page 1630 under the heading **Applications Lapsed**; Design No. 10102/2009 (07-02E) should be deleted..

Number 15679/2008

In Vol 23 , No 4 , page 1004 under the heading **Applications lapsed**; Design No. 15679/2008 (02-02C) should be deleted.

Number 323318

In Vol 23 , No 1 , page 475 under the heading **Australian Registered Design**; (11) AU-S-323318 (30) Convention priority data was omitted in error and should have read: (31) 000929971-0050 (32) 24 Apr 2008 (33) EUROPEAN COMMUNITY.

Number 325380

In Vol 23 , No 8 , page 1680 under the heading **Australian Registered Design**; (11) AU-S-325380 (54) office error - the product in respect of which the design is registered should have read: Lighting assembly

Certificate(s) of Examination

Examination of the following Design Registration(s) has been completed. Infringement proceedings may now be commenced.

314273	07-02NES	12/05/2009
318180	26-05NES	12/05/2009
320166	07-05A	30/04/2009
321156	14-01	04/05/2009
321797	12-15B	31/03/2009
322327	09-01NES	07/05/2009
322470	25-01K	01/05/2009
322471	25-01C	06/05/2009
322531	24-02	08/05/2009
322532	24-02	08/05/2009
322542	24-02	08/05/2009
322543	24-02	12/05/2009
322544	24-02	12/05/2009
322545	24-02	08/05/2009
322546	24-02	12/05/2009
322547	24-02	11/05/2009
322548	24-02	11/05/2009
322549	24-02	12/05/2009
322550	24-02	08/05/2009
322551	24-02	11/05/2009
322552	24-02	12/05/2009
322553	24-02	11/05/2009
322554	24-02	11/05/2009
323005	13-03D	01/05/2009
323061	09-01G	30/04/2009
323188	06-04NES	08/05/2009
323191	15-03NES	11/05/2009
323192	23-04	12/05/2009
323248	07-05E	08/05/2009
323340	03-01A	08/05/2009
323341	21-02C	11/05/2009
323417	08-03	12/05/2009
323589	08-99	13/05/2009
323591	26-04	12/05/2009
323727	09-01NES	14/05/2009
323728	09-05	12/05/2009
323730	09-05	12/05/2009
323731	09-05	12/05/2009
323733	04-02	12/05/2009
323735	02-02C	12/05/2009
323736	04-02	12/05/2009
323737	09-01NES	13/05/2009
323738	09-01NES	13/05/2009
323739	03-03	13/05/2009
323800	09-01G	08/05/2009
323801	09-01G	08/05/2009
323802	09-01G	08/05/2009
323803	09-01G	08/05/2009
323804	09-01G	08/05/2009
323805	09-01G	08/05/2009

Publication and Registration Proceedings

Designs Registered

This section provides a concordance between design number and registration number of Designs covered in this journal. It also shows the main class and registration date.

This section covers Registration numbers 325879 to 325954 .

The registration number shown below should be used in all future correspondence.

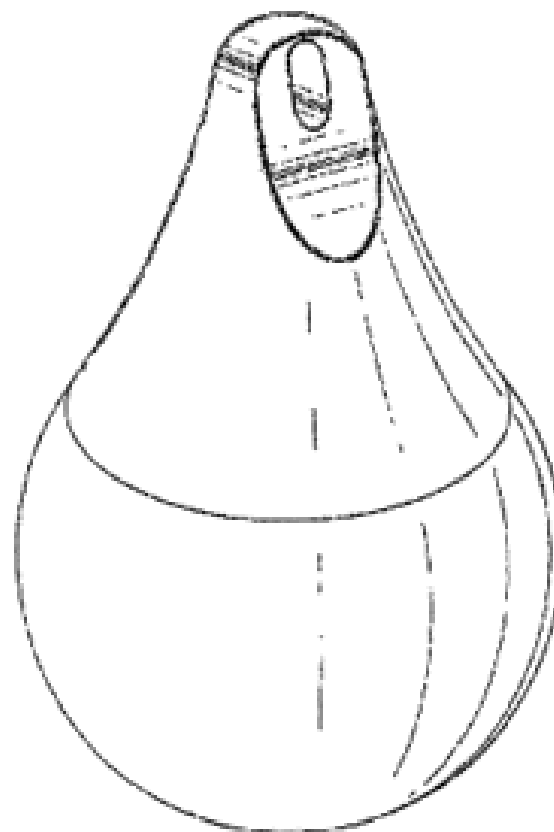
Design Number	Registration Number	International Classification Code (IDC)	Registration Date	Design Number	Registration Number	International Classification Code (IDC)	Registration Date
12650/2008	325907	26-01	05/05/2009	11078/2009	325917	14-03B	11/05/2009
14997/2008	325925	25-02NES	08/05/2009	11079/2009	325918	14-03B	11/05/2009
14998/2008	325926	25-02NES	08/05/2009	11179/2009	325888	25-01F	01/05/2009
15101/2008	325946	03-01D	12/05/2009	11180/2009	325919	25-01K	11/05/2009
15177/2008	325881	21-02NES	30/04/2009	11183/2009	325936	09-05	11/05/2009
15222/2008	325927	25-01K	08/05/2009	11184/2009	325948	09-05	12/05/2009
15223/2008	325928	25-01K	08/05/2009	11197/2009	325889	06-06G	01/05/2009
15613/2008	325929	14-03A	08/05/2009	11202/2009	325914	14-03B	06/05/2009
15614/2008	325930	14-03A	08/05/2009	11215/2009	325904	21-02F	02/05/2009
15615/2008	325931	14-03E	08/05/2009	11224/2009	325924	29-02	08/05/2009
15616/2008	325932	14-03E	08/05/2009	11252/2009	325954	12-06NES	13/05/2009
15922/2008	325885	15-05	01/05/2009	11257/2009	325933	08-09	08/05/2009
16031/2008	325943	03-01A	11/05/2009	11258/2009	325934	08-09	08/05/2009
10139/2009	325944	23-01E	11/05/2009	11266/2009	325937	06-01F	11/05/2009
10200/2009	325952	26-06	13/05/2009	11267/2009	325938	06-01F	11/05/2009
10201/2009	325953	26-06	13/05/2009	11268/2009	325939	06-01H	11/05/2009
10438/2009	325892	07-04	02/05/2009	11269/2009	325940	06-01F	11/05/2009
10439/2009	325893	07-99NES	02/05/2009	11270/2009	325941	06-01H	11/05/2009
10576/2009	325879	09-01B	30/04/2009	11273/2009	325899	06-01F	02/05/2009
10584/2009	325910	24-02	06/05/2009	11274/2009	325900	06-01F	02/05/2009
10585/2009	325911	24-02	06/05/2009	11275/2009	325901	06-03B	02/05/2009
10589/2009	325921	28-03A	08/05/2009	11276/2009	325902	06-01F	02/05/2009
10622/2009	325935	25-01F	11/05/2009	11277/2009	325903	08-08NES	02/05/2009
10629/2009	325947	14-01	12/05/2009	11303/2009	325880	15-03B	30/04/2009
10642/2009	325886	08-08L	01/05/2009	11356/2009	325896	26-04	02/05/2009
10652/2009	325915	23-03A	11/05/2009	11367/2009	325890	07-02E	01/05/2009
10665/2009	325922	06-01G	08/05/2009	11368/2009	325891	25-01E	01/05/2009
10677/2009	325920	19-08	06/05/2009	11396/2009	325895	26-04	02/05/2009
10678/2009	325945	19-08	11/05/2009	11409/2009	325949	19-08	12/05/2009
10858/2009	325898	06-04F	02/05/2009	11468/2009	325905	02-04NES	02/05/2009
10880/2009	325912	24-99	06/05/2009	11469/2009	325906	02-04NES	02/05/2009
10911/2009	325887	26-04	01/05/2009	11498/2009	325909	02-03	05/05/2009
10937/2009	325923	08-08NES	08/05/2009	11576/2009	325950	04-02	12/05/2009
10960/2009	325916	23-01L	11/05/2009	11577/2009	325951	04-02	12/05/2009
10969/2009	325894	26-04	02/05/2009	11607/2009	325942	06-04F	11/05/2009
10970/2009	325897	26-04	02/05/2009				
10991/2009	325908	02-03	05/05/2009				
11021/2009	325913	25-01B	06/05/2009				

Publication and Registration Proceedings
Class Listing of Designs Published or Registered

The following section shows an International Classification Code listing of the Registered or Published Designs covered in this supplement.

Classification	Registration Number	Design Number	Classification	Registration Number	Design Number
02-03	325908	10991/2009	14-03 B	325918	11079/2009
02-03	325909	11498/2009	14-03 E	325931	15615/2008
02-04 NES	325905	11468/2009	14-03 E	325932	15616/2008
02-04 NES	325906	11469/2009	14-04	325917	11078/2009
03-01 A	325943	16031/2008	14-04	325918	11079/2009
03-01 D	325946	15101/2008	15-03 B	325880	11303/2009
04-02	325950	11576/2009	15-05	325885	15922/2008
04-02	325951	11577/2009	19-08	325920	10677/2009
06-01 F	325899	11273/2009	19-08	325945	10678/2009
06-01 F	325900	11274/2009	19-08	325949	11409/2009
06-01 F	325902	11276/2009	21-02 F	325904	11215/2009
06-01 F	325937	11266/2009	21-02 NES	325881	15177/2008
06-01 F	325938	11267/2009	23-01 E	325944	10139/2009
06-01 F	325940	11269/2009	23-01 L	325916	10960/2009
06-01 G	325922	10665/2009	23-03 A	325915	10652/2009
06-01 H	325939	11268/2009	23-03 D	325886	10642/2009
06-01 H	325941	11270/2009	24-02	325910	10584/2009
06-03 B	325901	11275/2009	24-02	325911	10585/2009
06-04 F	325898	10858/2009	24-99	325912	10880/2009
06-04 F	325942	11607/2009	25-01 B	325913	11021/2009
06-06 A	325942	11607/2009	25-01 E	325891	11368/2009
06-06 G	325889	11197/2009	25-01 F	325888	11179/2009
07-02 E	325890	11367/2009	25-01 F	325935	10622/2009
07-04	325892	10438/2009	25-01 K	325919	11180/2009
07-99 NES	325893	10439/2009	25-01 K	325927	15222/2008
08-03	325880	11303/2009	25-01 K	325928	15223/2008
08-08 G	325946	15101/2008	25-02 NES	325925	14997/2008
08-08 L	325886	10642/2009	25-02 NES	325926	14998/2008
08-08 NES	325903	11277/2009	25-04	325923	10937/2009
08-08 NES	325923	10937/2009	26-01	325907	12650/2008
08-09	325919	11180/2009	26-04	325887	10911/2009
08-09	325933	11257/2009	26-04	325894	10969/2009
08-09	325934	11258/2009	26-04	325895	11396/2009
09-01 B	325879	10576/2009	26-04	325896	11356/2009
09-05	325936	11183/2009	26-04	325897	10970/2009
09-05	325948	11184/2009	26-06	325952	10200/2009
12-04	325889	11197/2009	26-06	325953	10201/2009
12-06 NES	325954	11252/2009	28-03 A	325921	10589/2009
14-01	325947	10629/2009	29-02	325924	11224/2009
14-02	325887	10911/2009	30-99	325885	15922/2008
14-03 A	325929	15613/2008			
14-03 A	325930	15614/2008			
14-03 B	325914	11202/2009			
14-03 B	325917	11078/2009			

- (21) Design Number: **10576/2009**
(22) Date of Filing Application: **26 February 2009**
(24) Date from which industrial property rights may have effect: **26 February 2009**
(54) Product in respect of which the design is registered: **Packaging for foodstuffs**
(51) International Design Classification: **09-01B**
(71) Name(s) and Address(s) of Applicant(s):
Mars, Incorporated
6885 Elm Street McLean Virginia 22101-3883 United States of America
(72) Name(s) of Designer(s): **Dominic Peter Hale**
(45) Registration Date: **30 April 2009**
(30) Convention priority data:
(31) Number (32) Date (33) Country
000996939 04 Sep 2008 EUROPEAN COMMUNITY
(56) Related Art Documents: **Not Applicable**
(57) Statement of Newness and Distinctiveness: **The newness and distinctiveness of the design resides in the features of shape and configuration as depicted in the attached representations.**



- (21) Design Number: **11303/2009**
(22) Date of Filing Application: **16 April 2009**
(24) Date from which industrial property rights may have effect: **16 April 2009**
(54) Product in respect of which the design is registered: **Junior brushcutter replacement head**
(51) International Design Classification: **15-03B, 08-03**
(71) Name(s) and Address(s) of Applicant(s):
Ian R. Alexander Trading as Curagul Stud
1 Kayley Place Glenhaven New South Wales 2156 Australia
Jennifer M. N. Alexander trading as Curagul Stud
1 Kayley Place Glenhaven New South Wales 2156 Australia
(72) Name(s) of Designer(s): **Ian R. Alexander and Jennifer M. N. Alexander**
(45) Registration Date: **30 April 2009**
(56) Related Art Documents: **Not Applicable**
(57) Statement of Newness and Distinctiveness: **The CHAMP Junior Brushcutter Replacement Head is a compact 2 piece design comprised of the base & the cutting cylinder. This design eliminates all moving parts. The cutting cylinder is highly engineered, it has a coarse left hand (reverse) thread cut on its outside wall and the wall is pierced with four (4) line slots 3.6mm wide at right angles to each other. The four (4) leading edges of the line slots are rounded to relieve any cutting pressure on the line and to prolong cutting cycles. The two pieces of 3.0mm cutting line are inserted through the line slots and extended equally to give 4 cutting lines. To assemble The Champ Junior the cutting cylinder is screwed into the base and the cutting line is securely retained as it overlaps inside the cutting cylinder because the line is compressed by the tightening action of the brushcutter because of its left hand rotation. Externally 8 release holes are provided - 4 on the base and 4 on the cutting cylinder. Two pins may be inserted in the release holes and used to facilitate unlocking for line reloading. A 25mm diameter mounting spigot is recessed into the base.**



(21) Design Number: **15177/2008**

(22) Date of Filing Application: **31 October 2008**

(24) Date from which industrial property rights may have effect: **31 October 2008**

(54) Product in respect of which the design is registered: **Side swinging basketball tower**

(51) International Design Classification: **21-02NES**

(71) Name(s) and Address(s) of Applicant(s):

Oz Ring Pty Ltd

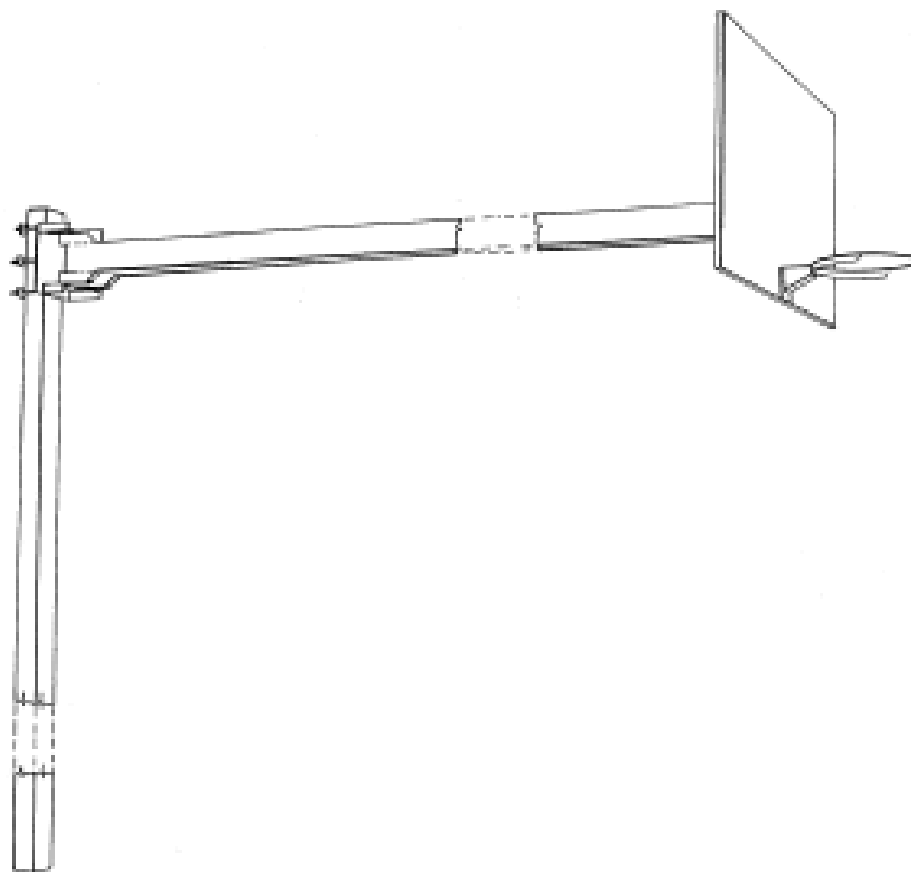
24 Ern Harley Drive Burleigh Heads Queensland 4220 Australia

(72) Name(s) of Designer(s): **Trevor Bowman**

(45) Registration Date: **30 April 2009**

(56) Related Art Documents: **Not Applicable**

(57) Statement of Newness and Distinctiveness: **The newness and distinctiveness of this side swing basketball tower design is the use of a single support pole and two only backboard extension arms.**



(21) Design Number: **15922/2008**

(22) Date of Filing Application: **17 December 2008**

(24) Date from which industrial property rights may have effect: **17 December 2008**

(54) Product in respect of which the design is registered: **Washing equipment**

(51) International Design Classification: **15-05, 30-99**

(71) Name(s) and Address(s) of Applicant(s):

Australasian Dog Wash Systems Pty Ltd

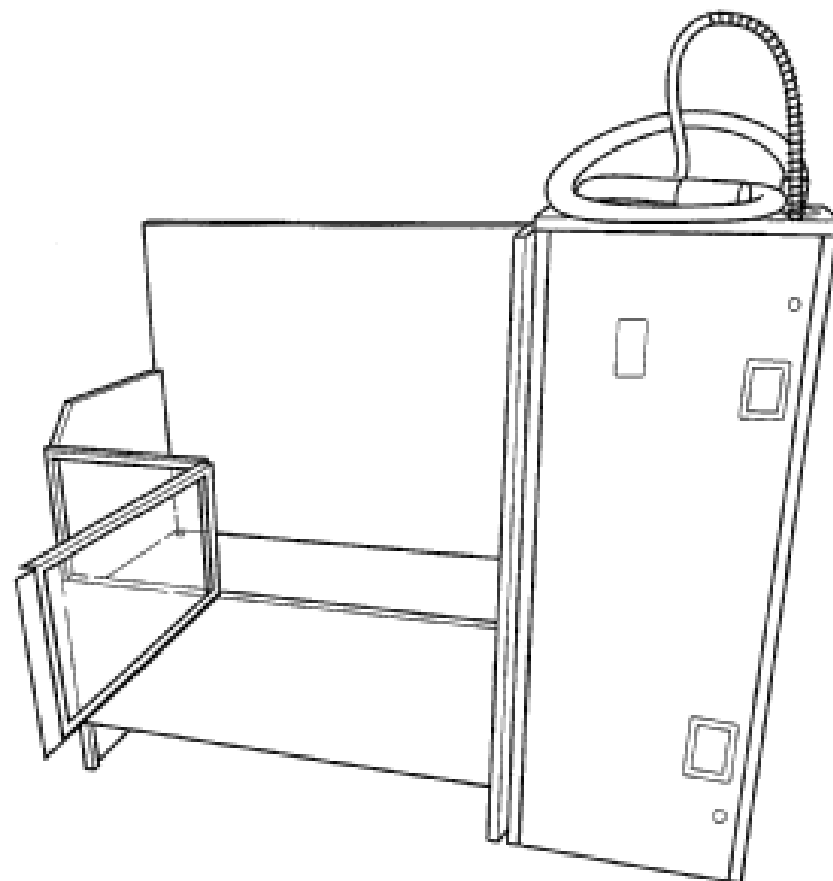
554 Newcastle Street West Perth Western Australia 6005 Australia

(72) Name(s) of Designer(s): **Rick Aitken**

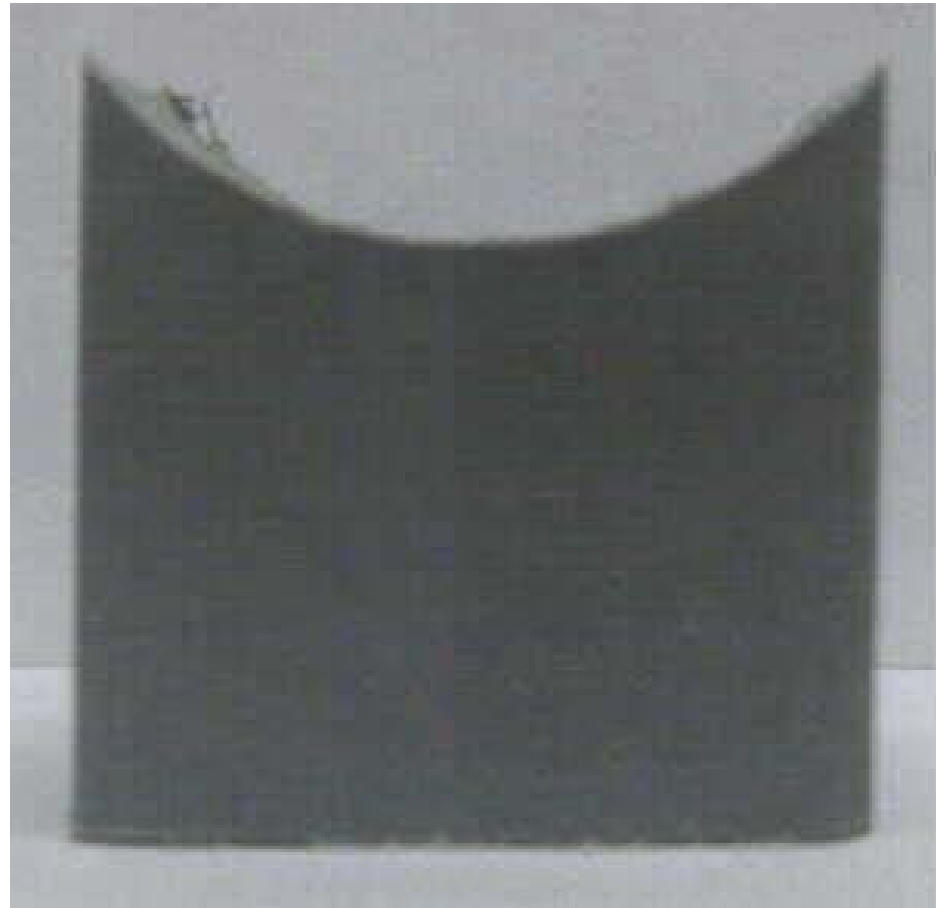
(45) Registration Date: **01 May 2009**

(56) Related Art Documents: **Not Applicable**

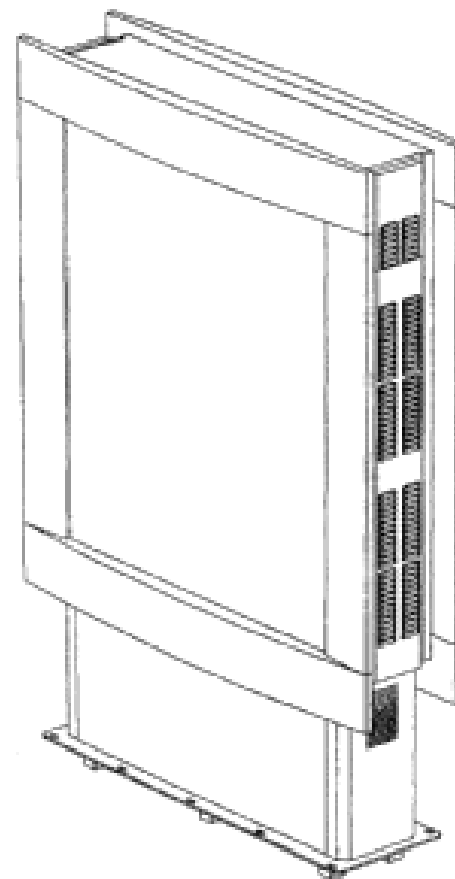
(57) Statement of Newness and Distinctiveness: **The printed matter and trade marks appearing in the representations form no part of the design.**



- (21) Design Number: **10642/2009**
(22) Date of Filing Application: **26 February 2009**
(24) Date from which industrial property rights may have effect: **26 February 2009**
(54) Product in respect of which the design is registered: **Solar panel mounting block**
(51) International Design Classification: **08-08L, 23-03D**
(71) Name(s) and Address(s) of Applicant(s):
Solargen Pty Ltd
28 Mologa Road Heidelberg West Victoria 3081 Australia
(72) Name(s) of Designer(s): **Marcus Denning**
(45) Registration Date: **01 May 2009**
(56) Related Art Documents: **Not Applicable**
(57) Statement of Newness and Distinctiveness: **Plastic Mount is curved to allow it to fit the profile of a corrugate roof. Metal channel is then connected to mounting block which then suits solar panel mounting.**

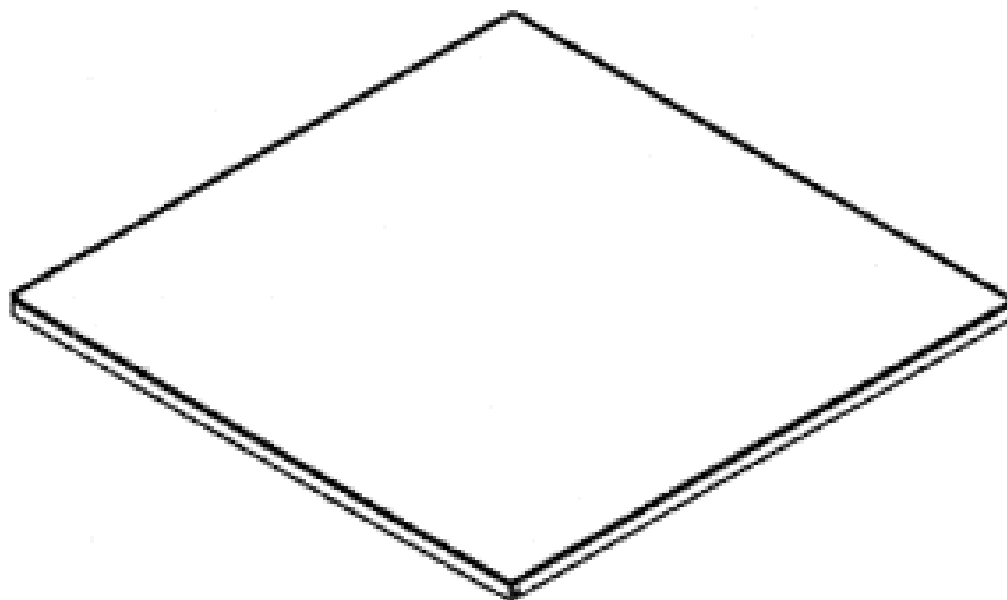


- (21) Design Number: **10911/2009**
(22) Date of Filing Application: **20 March 2009**
(24) Date from which industrial property rights may have effect: **20 March 2009**
(54) Product in respect of which the design is registered: **LED information display device**
(51) International Design Classification: **26-04, 14-02**
(71) Name(s) and Address(s) of Applicant(s):
Lighthouse Technologies Limited
6th Floor No.16 Science Park East Avenue Hong Kong Science Park
Shatin New Territories Hong Kong S.A.R.
(72) Name(s) of Designer(s): **Howard Leung**
(45) Registration Date: **01 May 2009**
(56) Related Art Documents: **Not Applicable**
(57) Statement of Newness and Distinctiveness: **The shape and configuration of a LED information display device as shown in the accompanying representations.**



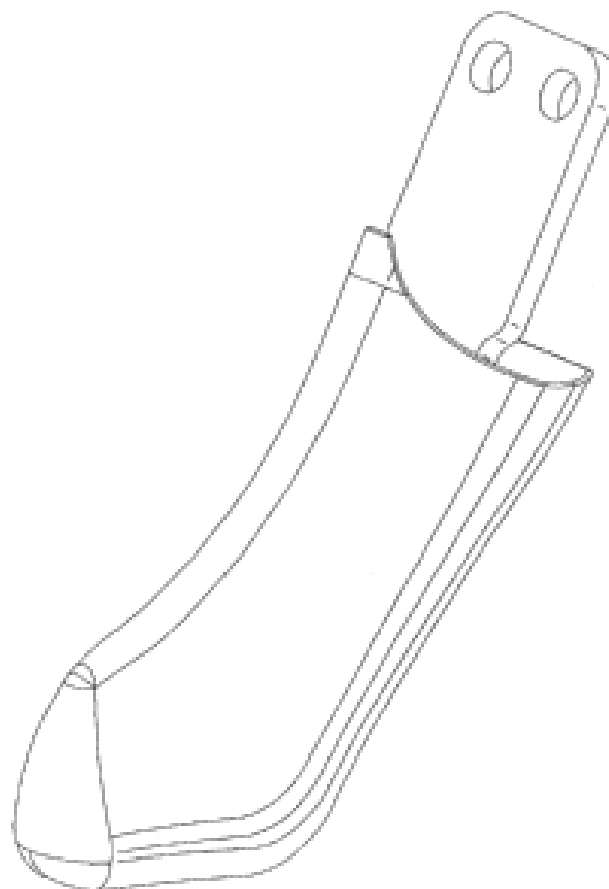
(19) AU

- (21) Design Number: **11179/2009**
(22) Date of Filing Application: **06 April 2009**
(24) Date from which industrial property rights may have effect: **06 April 2009**
(54) Product in respect of which the design is registered: **Laminate floor module with plastic base**
(51) International Design Classification: **25-01F**
(71) Name(s) and Address(s) of Applicant(s):
Ying-Kuang Lai
3-8A Yutingju Yuyuan Garden Yingbin Road Doncheng District
Dongguan City Guangdong China
(72) Name(s) of Designer(s): **Ying-Kuang Lai**
(45) Registration Date: **01 May 2009**
(30) Convention priority data:
(31) Number (32) Date (33) Country
200830249061.7 05 Nov 2008 CHINA
(56) Related Art Documents: **Not Applicable**
(57) Statement of Newness and Distinctiveness: **Nil shape and/or configuration of a pillow, as illustrated in the accompanying representations.**



(19) AU

- (21) Design Number: **11197/2009**
(22) Date of Filing Application: **07 April 2009**
(24) Date from which industrial property rights may have effect: **07 April 2009**
(54) Product in respect of which the design is registered: **Protection panel**
(51) International Design Classification: **06-06G, 12-04**
(71) Name(s) and Address(s) of Applicant(s):
Innova Patent GmbH
A-6960 Wolfurt Rickenbacherstrasse 8-10 Austria
(72) Name(s) of Designer(s): **Manfred Osterle**
(45) Registration Date: **01 May 2009**
(30) Convention priority data:
(31) Number (32) Date (33) Country
MU 773/2008 09 Oct 2008 AUSTRIA
(56) Related Art Documents: **Not Applicable**
(57) Statement of Newness and Distinctiveness: **Nil**



(21) Design Number: **11367/2009**

(22) Date of Filing Application: **21 April 2009**

(24) Date from which industrial property rights may have effect: **21 April 2009**

(54) Product in respect of which the design is registered: **A stand for a barbeque**

(51) International Design Classification: **07-02E**

(71) Name(s) and Address(s) of Applicant(s):

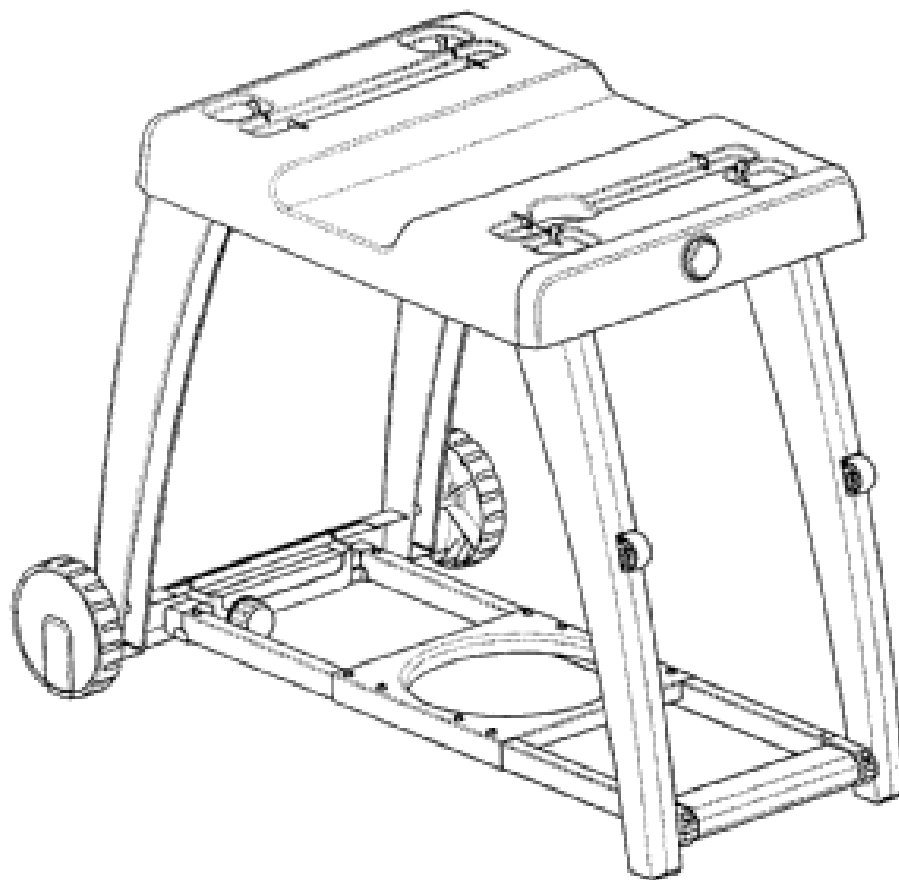
Shriro Australia Pty Limited
23-27 Chaplin Drive Lane Cove New South Wales 2066 Australia

(72) Name(s) of Designer(s): **Robert Tiller and Joshua Morabito and Joseph Ormrod**

(45) Registration Date: **01 May 2009**

(56) Related Art Documents: **Not Applicable**

(57) Statement of Newness and Distinctiveness: **Newness and distinctiveness is claimed in the features of shape and/or configuration of a stand for a barbeque as illustrated in the accompanying representations.**



(21) Design Number: **11368/2009**

(22) Date of Filing Application: **21 April 2009**

(24) Date from which industrial property rights may have effect: **21 April 2009**

(54) Product in respect of which the design is registered: **A post**

(51) International Design Classification: **25-01E**

(71) Name(s) and Address(s) of Applicant(s):

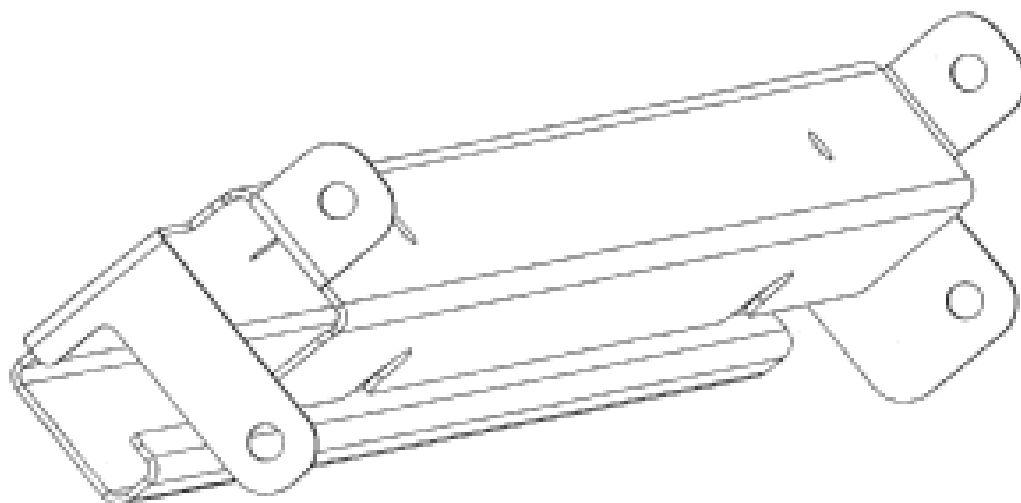
ECO SAC Pty Ltd
Unit 1 22 Waltham Street Artarmon New South Wales 2064 Australia

(72) Name(s) of Designer(s): **Andrew Waudby**

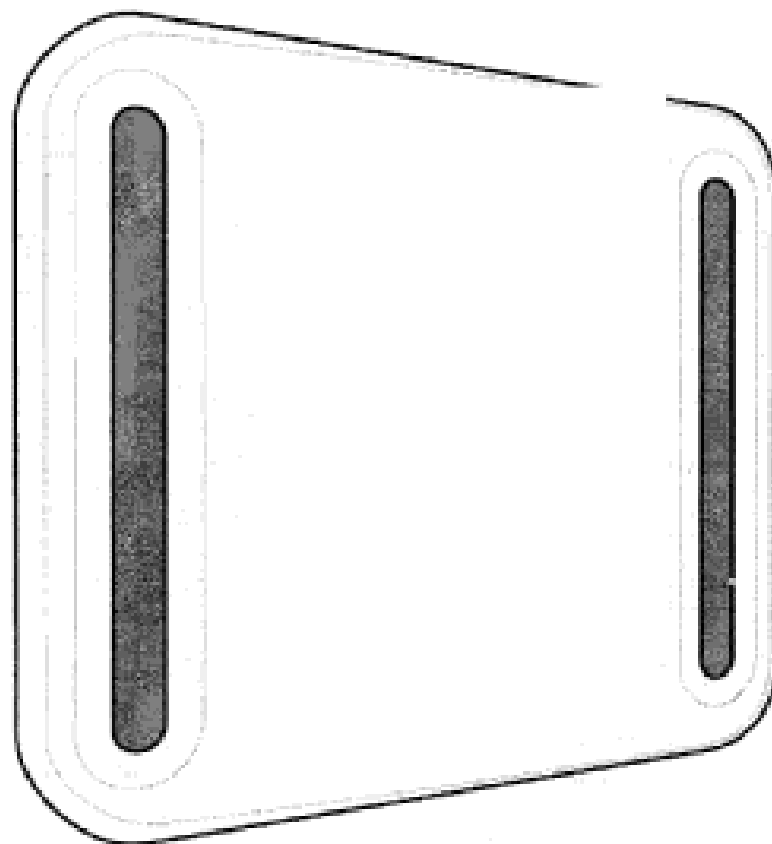
(45) Registration Date: **01 May 2009**

(56) Related Art Documents: **Not Applicable**

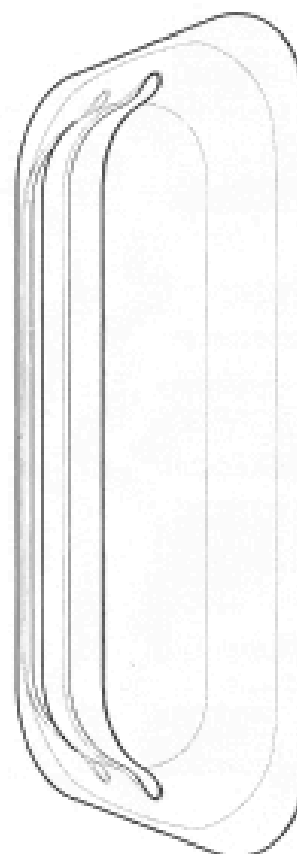
(57) Statement of Newness and Distinctiveness: **Newness and distinctiveness is claimed in the features of shape and/or configuration of a post as illustrated in the accompanying representations.**



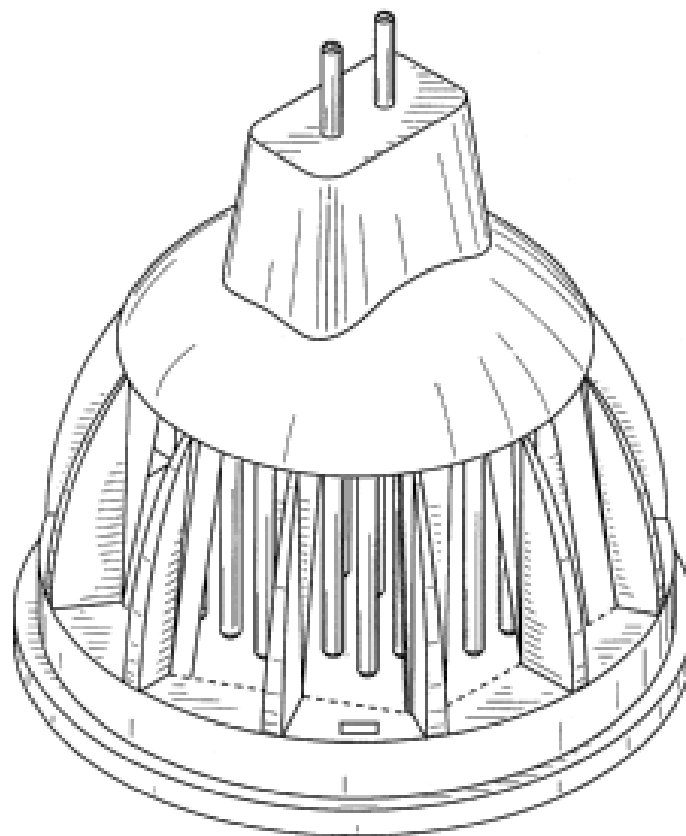
- (21) Design Number: **10438/2009**
(22) Date of Filing Application: **06 February 2009**
(24) Date from which industrial property rights may have effect: **06 February 2009**
(54) Product in respect of which the design is registered: **Non-slip colour-coded cutting board**
(51) International Design Classification: **07-04**
(71) Name(s) and Address(s) of Applicant(s):
Hevnerth Pty Ltd
63 Lee Street Carlton North Victoria 3054 Australia
Andrew Louey
63 Lee Street Carlton North Victoria 3054 Australia
(72) Name(s) of Designer(s): **Andrew Louey**
(45) Registration Date: **02 May 2009**
(56) Related Art Documents: **Not Applicable**
(57) Statement of Newness and Distinctiveness: **Contrasting colour-coded, overmould feature on both sides of the cutting board facilitate safe and hygienic food handling for: grip on table or bench surface, surface identification (prevent cross-contamination of food stuffs), different colour coding on both sides of board effectively create a double-sided board.**



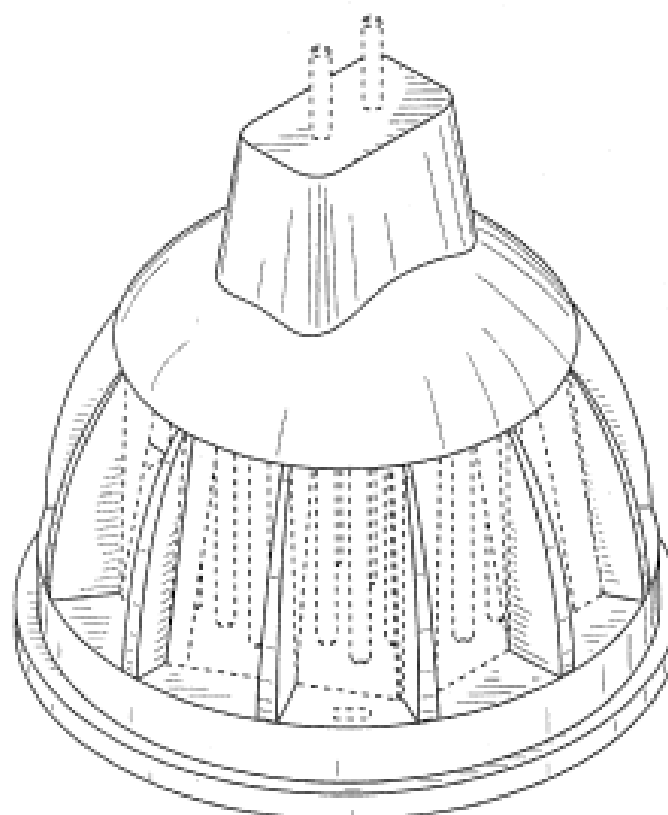
- (21) Design Number: **10439/2009**
(22) Date of Filing Application: **02 February 2009**
(24) Date from which industrial property rights may have effect: **02 February 2009**
(54) Product in respect of which the design is registered: **Non-slip cutting board holder**
(51) International Design Classification: **07-99NES**
(71) Name(s) and Address(s) of Applicant(s):
Hevnerth Pty Ltd
63 Lee Street Carlton North Victoria 3054 Australia
(72) Name(s) of Designer(s): **Andrew Louey**
(45) Registration Date: **02 May 2009**
(56) Related Art Documents: **Not Applicable**
(57) Statement of Newness and Distinctiveness: **Blended, geometric form highlighted by contrasting coloured, overmoulded non-slip outer rim and base.**



(21) Design Number: **10969/2009**
 (22) Date of Filing Application: **23 March 2009**
 (24) Date from which industrial property rights may have effect: **23 March 2009**
 (54) Product in respect of which the design is registered: **Light**
 (51) International Design Classification: **26-04**
 (71) Name(s) and Address(s) of Applicant(s):
Nexus Lighting, Inc.
124 Floyd Smith Drive Suite 300 Charlotte North Carolina 28262
United States of America
 (72) Name(s) of Designer(s): **Zdenko Grajcar**
 (45) Registration Date: **02 May 2009**
 (30) Convention priority data:
 (31) Number (32) Date (33) Country
29/324960 24 Sep 2008 UNITED STATES OF AMERICA
 (56) Related Art Documents: **Not Applicable**
 (57) Statement of Newness and Distinctiveness: **Newness and distinctiveness reside in the features of the design shown in solid lines in the representations excluding those features shown in broken lines.**

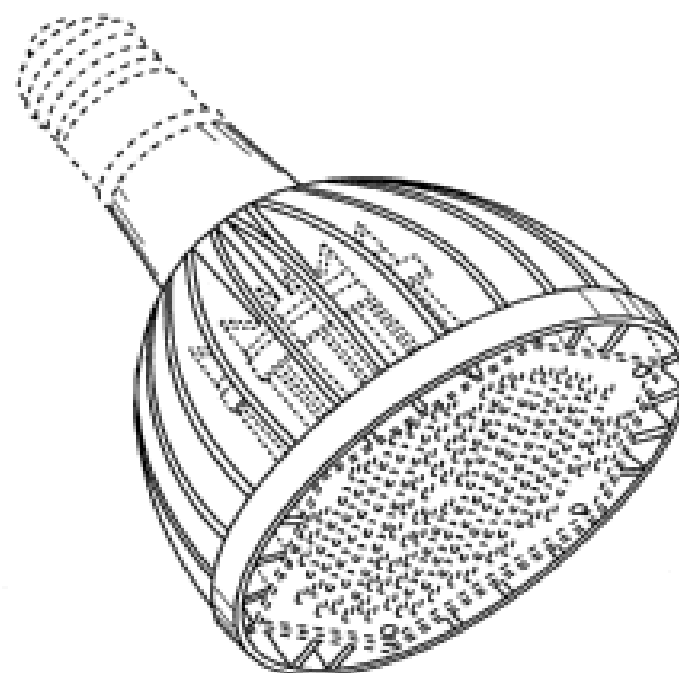


(21) Design Number: **11396/2009**
 (22) Date of Filing Application: **23 March 2009**
 (24) Date from which industrial property rights may have effect: **23 March 2009**
 (54) Product in respect of which the design is registered: **Light**
 (51) International Design Classification: **26-04**
 (71) Name(s) and Address(s) of Applicant(s):
Nexus Lighting, Inc.
124 Floyd Smith Drive Suite 300 Charlotte North Carolina 28262
United States of America
 (72) Name(s) of Designer(s): **Zdenko Grajcar**
 (45) Registration Date: **02 May 2009**
 (30) Convention priority data:
 (31) Number (32) Date (33) Country
29/324960 24 Sep 2008 UNITED STATES OF AMERICA
 (56) Related Art Documents: **Not Applicable**
 (57) Statement of Newness and Distinctiveness: **Newness and distinctiveness reside in the features of the design shown in solid lines in the representations excluding those features shown in broken lines.**



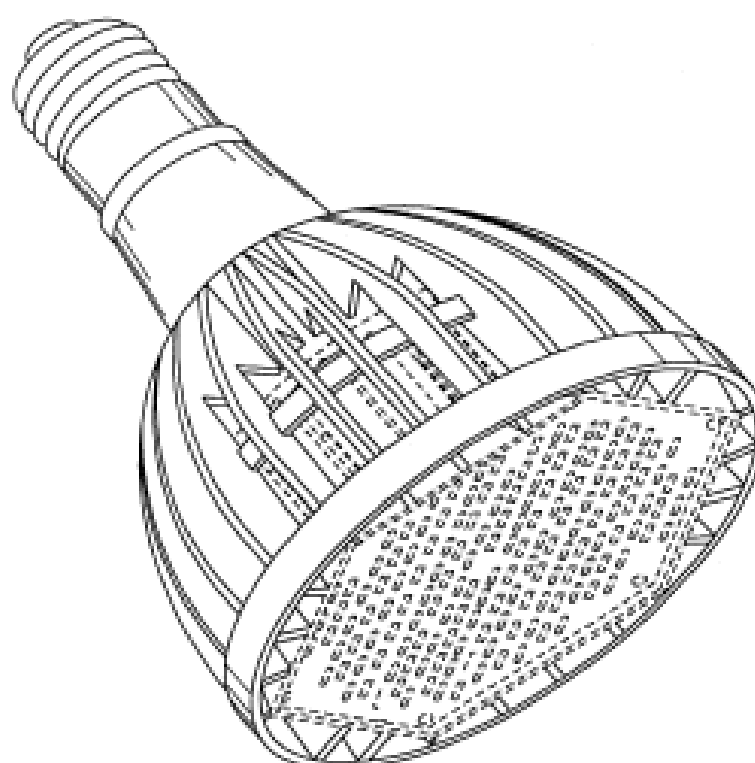
- (21) Design Number: **11356/2009**
- (22) Date of Filing Application: **23 March 2009**
- (24) Date from which industrial property rights may have effect: **23 March 2009**
- (54) Product in respect of which the design is registered: **Light**
- (51) International Design Classification: **26-04**
- (71) Name(s) and Address(s) of Applicant(s):
Nexus Lightning, Inc.
124 Floyd Smith Drive Suite 300 Charlotte North Carolina 28262
United States of America
- (72) Name(s) of Designer(s): **Zdenko Grajcar**
- (45) Registration Date: **02 May 2009**
- (30) Convention priority data:

(31) Number	(32) Date	(33) Country
29/325093	25 Sep 2008	UNITED STATES OF AMERICA
- (56) Related Art Documents: **Not Applicable**
- (57) Statement of Newness and Distinctiveness: **Newness and distinctiveness reside in the features of the design shown in solid lines in the representations excluding those features shown in broken lines.**



- (21) Design Number: **10970/2009**
- (22) Date of Filing Application: **23 March 2009**
- (24) Date from which industrial property rights may have effect: **23 March 2009**
- (54) Product in respect of which the design is registered: **Light**
- (51) International Design Classification: **26-04**
- (71) Name(s) and Address(s) of Applicant(s):
Nexus Lightning, Inc.
124 Floyd Smith Drive Suite 300 Charlotte North Carolina 28262
United States of America
- (72) Name(s) of Designer(s): **Zdenko Grajcar**
- (45) Registration Date: **02 May 2009**
- (30) Convention priority data:

(31) Number	(32) Date	(33) Country
29/325093	25 Sep 2008	UNITED STATES OF AMERICA
- (56) Related Art Documents: **Not Applicable**
- (57) Statement of Newness and Distinctiveness: **Newness and distinctiveness reside in the features of the design shown in solid lines in the representations excluding those features shown in broken lines.**



(21) Design Number: **10858/2009**

(22) Date of Filing Application: **16 March 2009**

(24) Date from which industrial property rights may have effect: **16 March 2009**

(54) Product in respect of which the design is registered: **Cabinet designed specifically for an entrance space in a residential environment**

(51) International Design Classification: **06-04F**

(71) Name(s) and Address(s) of Applicant(s):

Anne Astorino

43 Karnak Road Ashburton Victoria 3147 Australia

(72) Name(s) of Designer(s): **Anne Astorino**

(45) Registration Date: **02 May 2009**

(56) Related Art Documents: **Not Applicable**

(57) Statement of Newness and Distinctiveness: **The doors have distinctive laser cut embellishment - which are custom designed to the clients' specification. The doors are like cabinets in themselves. There are carefully designed spaces for a power board to charge 'phones etc; a lockable key-case, drawers for valuables, area for laptop, briefcase, handbags, umbrella, and fitted mirror.**



(21) Design Number: **11273/2009**

(22) Date of Filing Application: **15 April 2009**

(24) Date from which industrial property rights may have effect: **15 April 2009**

(54) Product in respect of which the design is registered: **Chair**

(51) International Design Classification: **06-01F**

(71) Name(s) and Address(s) of Applicant(s):

Dauphin Entwicklungs-u. Beteiligungs-GmbH

Industriestrasse 11 91217 Hersbruck Germany

(72) Name(s) of Designer(s): **Daniel Figueroa**

(45) Registration Date: **02 May 2009**

(30) Convention priority data:

(31) Number
465 259 001

(32) Date
20 Oct 2008

(33) Country
**WORLD INTELLECTUAL
PROPERTY ORGANIZATION
(WIPO)**

(56) Related Art Documents: **Not Applicable**

(57) Statement of Newness and Distinctiveness: **Those features of the chair depicted in the representations that are new and distinctive are the shape and/or configuration. The bottom view (Fig 2) is not part of the design and is to be disregarded when considering the overall impression of the design.**



(21) Design Number: **11274/2009**

(22) Date of Filing Application: **15 April 2009**

(24) Date from which industrial property rights may have effect: **15 April 2009**

(54) Product in respect of which the design is registered: **Chair**

(51) International Design Classification: **06-01F**

(71) Name(s) and Address(s) of Applicant(s):

**Dauphin Entwicklungs-u. Beteiligungs-GmbH
Industriestrasse 11 91217 Hersbruck Germany**

(72) Name(s) of Designer(s): **Martin Ballendat**

(45) Registration Date: **02 May 2009**

(30) Convention priority data:

(31) Number (32) Date
465 259 001 20 Oct 2008

(33) Country
**WORLD INTELLECTUAL
PROPERTY ORGANIZATION
(WIPO)**

(56) Related Art Documents: **Not Applicable**

(57) Statement of Newness and Distinctiveness: **Those features of the chair depicted in the representations that are new and distinctive are the shape and/or configuration. The bottom view (Fig 2) is not part of the design and is to be disregarded when considering the overall impression of the design.**



(21) Design Number: **11275/2009**

(22) Date of Filing Application: **15 April 2009**

(24) Date from which industrial property rights may have effect: **15 April 2009**

(54) Product in respect of which the design is registered: **Table**

(51) International Design Classification: **06-03B**

(71) Name(s) and Address(s) of Applicant(s):

**Dauphin Entwicklungs-u. Beteiligungs-GmbH
Industriestrasse 11 91217 Hersbruck Germany**

(72) Name(s) of Designer(s): **Martin Ballendat**

(45) Registration Date: **02 May 2009**

(30) Convention priority data:

(31) Number (32) Date
465 259 001 20 Oct 2008

(33) Country
**WORLD INTELLECTUAL
PROPERTY ORGANIZATION
(WIPO)**

(56) Related Art Documents: **Not Applicable**

(57) Statement of Newness and Distinctiveness: **Those features of the table depicted in the representations that are new and distinctive are the shape and/or configuration. The bottom view (Fig 2) is not part of the design and is to be disregarded when considering the overall impression of the design.**



(21) Design Number: **11276/2009**

(22) Date of Filing Application: **15 April 2009**

(24) Date from which industrial property rights may have effect: **15 April 2009**

(54) Product in respect of which the design is registered: **Chair**

(51) International Design Classification: **06-01F**

(71) Name(s) and Address(s) of Applicant(s):

**Dauphin Entwicklungs-u. Beteiligungs-GmbH
Industriestrasse 11 91217 Hersbruck Germany**

(72) Name(s) of Designer(s): **Martin Ballendat**

(45) Registration Date: **02 May 2009**

(30) Convention priority data:

(31) Number
465 259 001

(32) Date
20 Oct 2008

(33) Country
**WORLD INTELLECTUAL
PROPERTY ORGANIZATION
(WIPO)**

(56) Related Art Documents: **Not Applicable**

(57) Statement of Newness and Distinctiveness: **Those features of the chair depicted in the representations that are new and distinctive are the shape and/or configuration. The bottom view (Fig 2) is not part of the design and is to be disregarded when considering the overall impression of the design.**



(21) Design Number: **11277/2009**

(22) Date of Filing Application: **15 April 2009**

(24) Date from which industrial property rights may have effect: **15 April 2009**

(54) Product in respect of which the design is registered: **Fascia clip for gutter support**

(51) International Design Classification: **08-08NES**

(71) Name(s) and Address(s) of Applicant(s):

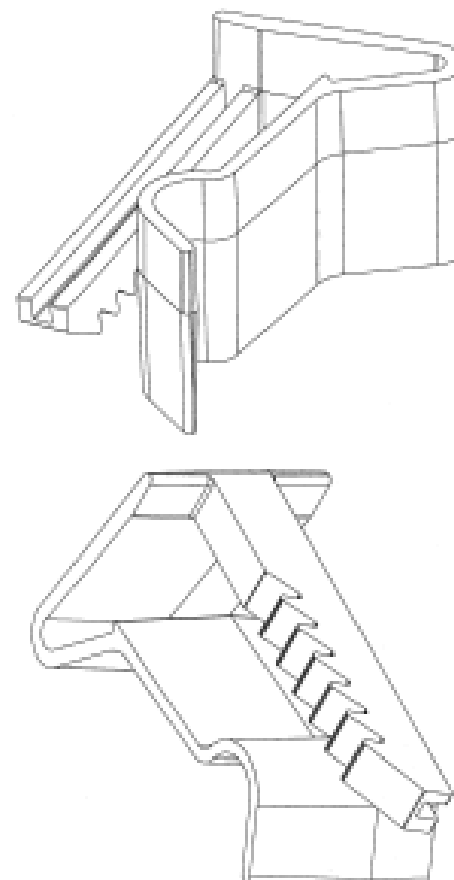
**Stramit Corporation Pty Limited
Level 11 Tower B Zenith Centre 821 Pacific Highway Chatswood New
South Wales 2067 Australia**

(72) Name(s) of Designer(s): **John Richard Bugh and Christopher Lee Healy**

(45) Registration Date: **02 May 2009**

(56) Related Art Documents: **Not Applicable**

(57) Statement of Newness and Distinctiveness: **Newness and distinctiveness is claimed in the shape and/or configuration of a fascia clip for gutter support as shown in the representations.**



(21) Design Number: **11215/2009**

(22) Date of Filing Application: **08 April 2009**

(24) Date from which industrial property rights may have effect: **08 April 2009**

(54) Product in respect of which the design is registered: **Exercise apparatus**

(51) International Design Classification: **21-02F**

(71) Name(s) and Address(s) of Applicant(s):

milon industries GmbH
An der Laugna 2 86494 Emersacker Germany

(72) Name(s) of Designer(s): **Tobias Huttl and Steffen Ganz**

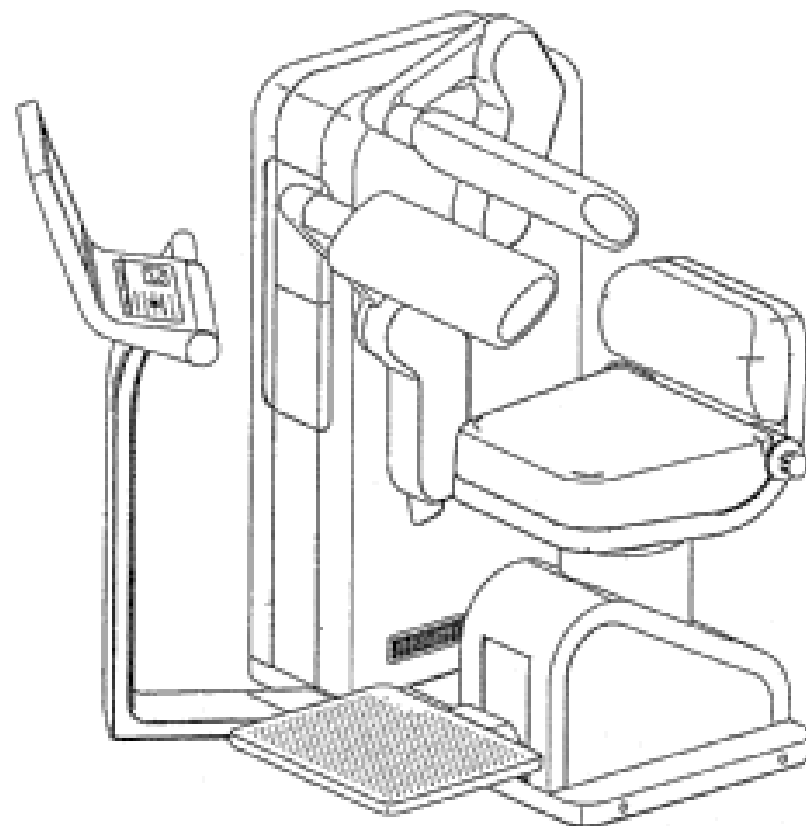
(45) Registration Date: **02 May 2009**

(30) Convention priority data:

(31) Number	(32) Date	(33) Country
001017933-0001	10 Oct 2008	EUROPEAN COMMUNITY

(56) Related Art Documents: **Not Applicable**

(57) Statement of Newness and Distinctiveness: **Those features of the exercise apparatus depicted in the representations that are new and distinctive are the shape and/or configuration.**



(21) Design Number: **11468/2009**

(22) Date of Filing Application: **30 April 2009**

(24) Date from which industrial property rights may have effect: **30 April 2009**

(54) Product in respect of which the design is registered: **Footwear**

(51) International Design Classification: **02-04NES**

(71) Name(s) and Address(s) of Applicant(s):

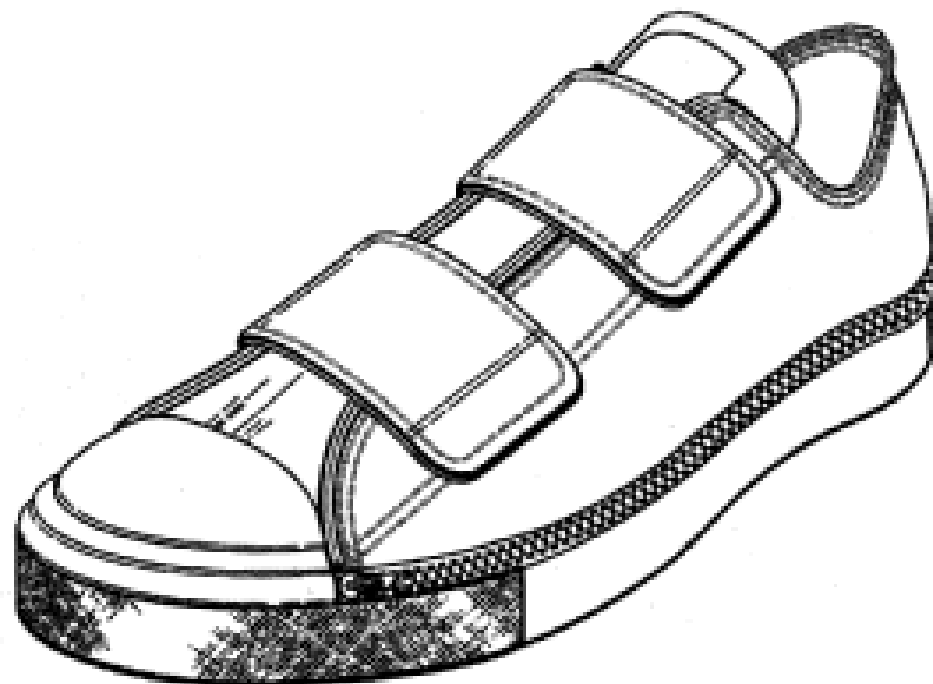
Simsbiz Pty Ltd
534 Malvern Road Prahran Victoria 3181 Australia

(72) Name(s) of Designer(s): **Simone Di Nucci**

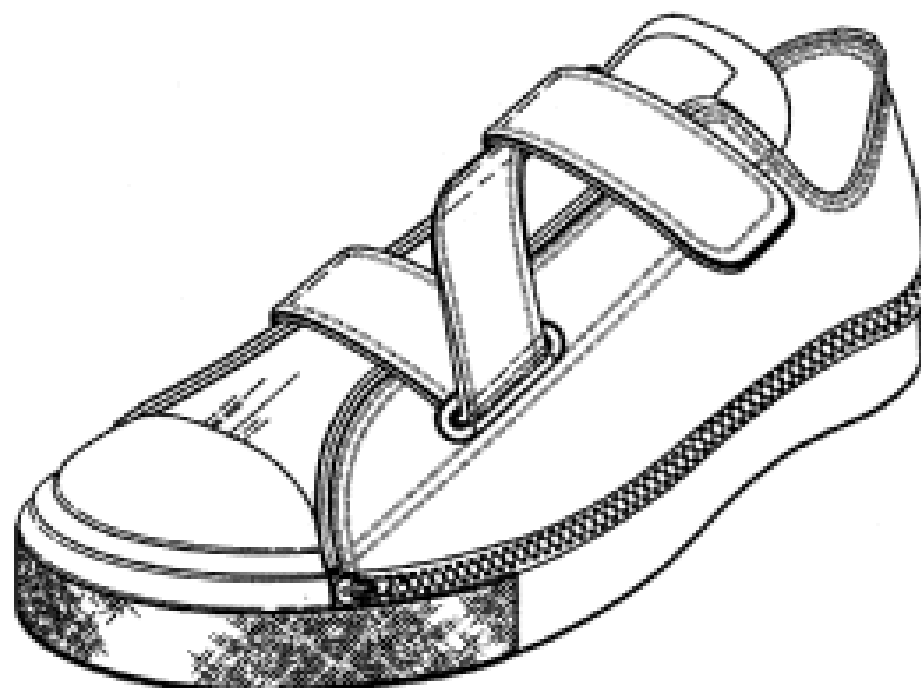
(45) Registration Date: **02 May 2009**

(56) Related Art Documents: **Not Applicable**

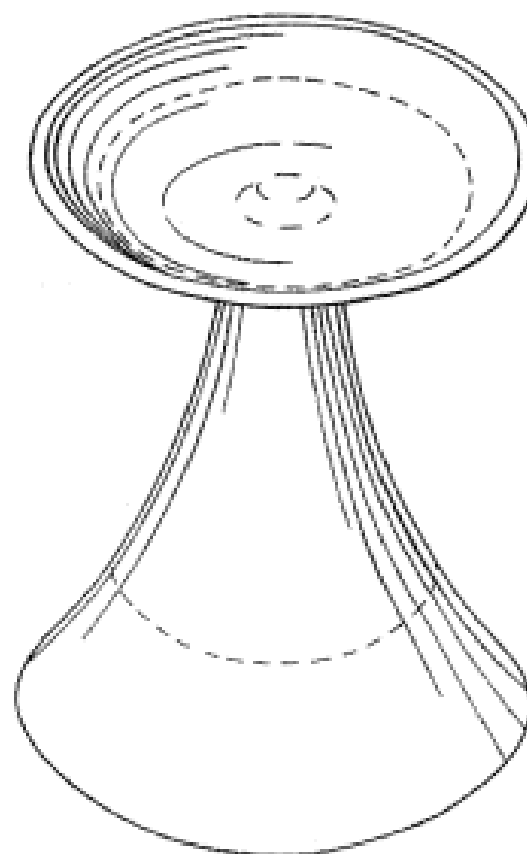
(57) Statement of Newness and Distinctiveness: **Nil**



- (21) Design Number: **11469/2009**
(22) Date of Filing Application: **30 April 2009**
(24) Date from which industrial property rights may have effect: **30 April 2009**
(54) Product in respect of which the design is registered: **Footwear**
(51) International Design Classification: **02-04NES**
(71) Name(s) and Address(s) of Applicant(s):
Simsbiz Pty Ltd
534 Malvern Road Prahran Victoria 3181 Australia
(72) Name(s) of Designer(s): **Simone Di Nucci**
(45) Registration Date: **02 May 2009**
(56) Related Art Documents: **Not Applicable**
(57) Statement of Newness and Distinctiveness: **Nil**



- (21) Design Number: **12650/2008**
(22) Date of Filing Application: **03 June 2008**
(24) Date from which industrial property rights may have effect: **03 June 2008**
(54) Product in respect of which the design is registered: **Candlestick**
(51) International Design Classification: **26-01**
(71) Name(s) and Address(s) of Applicant(s):
S.C. Johnson & Son, Inc.
1525 Howe Street Racine Wisconsin 53403-2236 United States of America
(72) Name(s) of Designer(s): **Simon M. Conway**
(45) Registration Date: **05 May 2009**
(30) Convention priority data:
(31) Number (32) Date (33) Country
29/298323 03 Dec 2007 UNITED STATES OF AMERICA
(56) Related Art Documents: **Not Applicable**
(57) Statement of Newness and Distinctiveness: **Newness and distinctiveness is claimed in those features of shape and/or configuration of a candlestick as illustrated in continuous lines in the accompanying representations.**



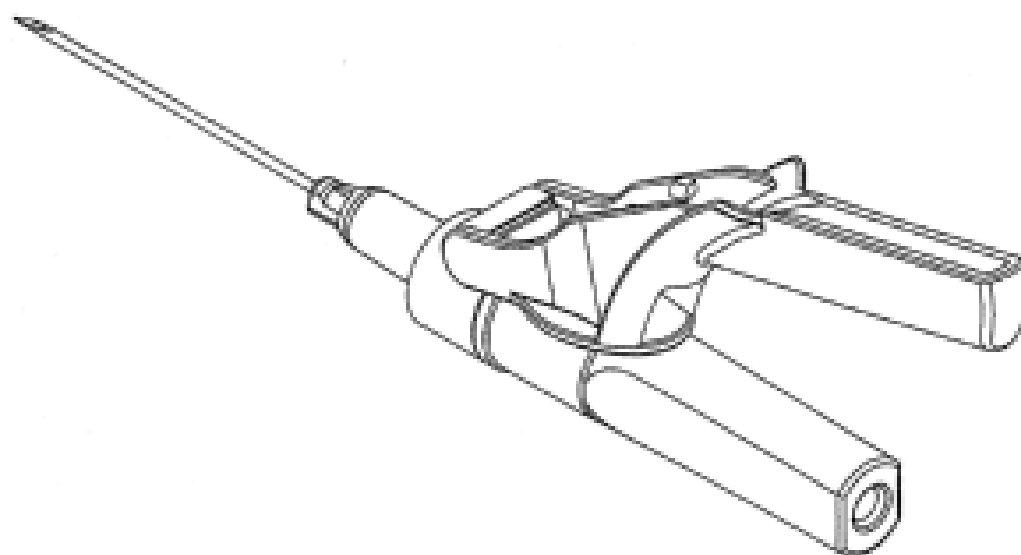
- (21) Design Number: **10991/2009**
(22) Date of Filing Application: **25 March 2009**
(24) Date from which industrial property rights may have effect: **25 March 2009**
(54) Product in respect of which the design is registered: **Helmets for horse riders**
(51) International Design Classification: **02-03**
(71) Name(s) and Address(s) of Applicant(s):
Aussie Rider Holdings Pty Ltd
6 Dixon Street Northcote Victoria 3070 Australia
(72) Name(s) of Designer(s): **Allen McMillan**
(45) Registration Date: **05 May 2009**
(56) Related Art Documents: **Not Applicable**
(57) Statement of Newness and Distinctiveness: **Design markings on outer shell as illustrated in the accompanying representations including swale at side and rear and horseshoe with horseshoe nails.**



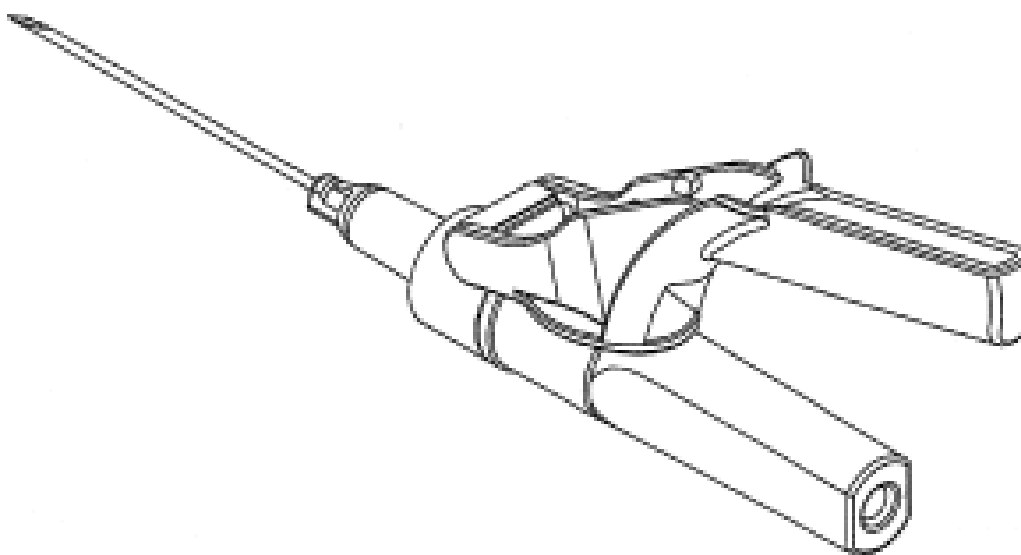
- (21) Design Number: **11498/2009**
(22) Date of Filing Application: **25 March 2009**
(24) Date from which industrial property rights may have effect: **25 March 2009**
(54) Product in respect of which the design is registered: **Helmets for horse riders**
(51) International Design Classification: **02-03**
(71) Name(s) and Address(s) of Applicant(s):
Aussie Rider Holdings Pty Ltd
6 Dixon Street Northcote Victoria 3070 Australia
(72) Name(s) of Designer(s): **Allen McMillan**
(45) Registration Date: **05 May 2009**
(56) Related Art Documents: **Not Applicable**
(57) Statement of Newness and Distinctiveness: **Design markings on outer shell as illustrated in the accompanying representations including swale at side and rear and horseshoe with horseshoe nails.**



- (21) Design Number: **10584/2009**
(22) Date of Filing Application: **25 February 2009**
(24) Date from which industrial property rights may have effect: **25 February 2009**
(54) Product in respect of which the design is registered: **Safety blood collection needle device**
(51) International Design Classification: **24-02**
(71) Name(s) and Address(s) of Applicant(s):
Becton, Dickinson and Company
1 Becton Drive Franklin Lakes New Jersey 07417 United States of America
(72) Name(s) of Designer(s): **Jamieson W. Crawford and Robert Ellis and Benjamin Bartfeld and Bradley M. Wilkinson and Neville Yu Leng Chia**
(45) Registration Date: **06 May 2009**
(30) Convention priority data:
(31) Number (32) Date (33) Country
29/323445 26 Aug 2008 UNITED STATES OF AMERICA
(56) Related Art Documents: **Not Applicable**
(57) Statement of Newness and Distinctiveness: **Newness and distinctiveness reside in the features of the design as shown in the representations.**



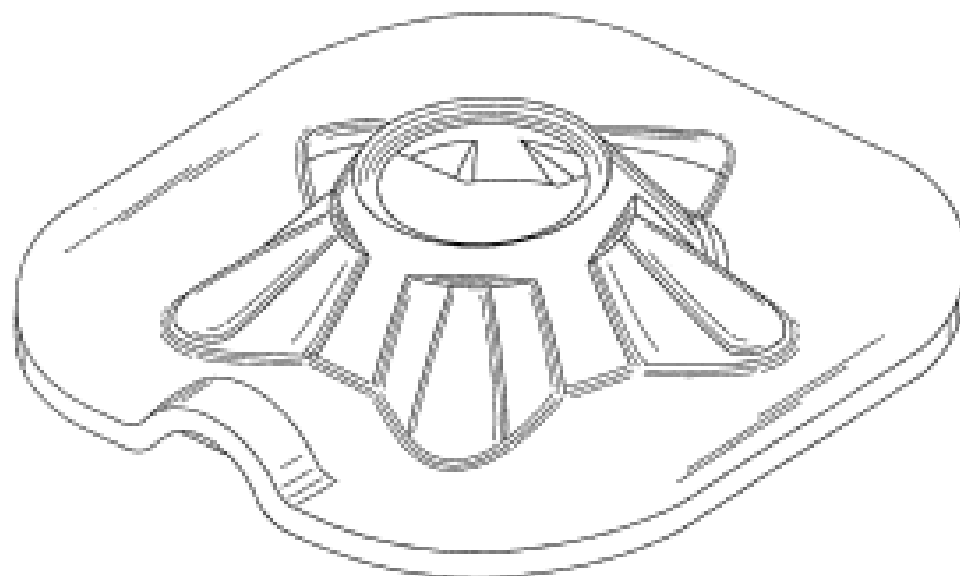
- (21) Design Number: **10585/2009**
(22) Date of Filing Application: **25 February 2009**
(24) Date from which industrial property rights may have effect: **25 February 2009**
(54) Product in respect of which the design is registered: **Safety blood collection needle device**
(51) International Design Classification: **24-02**
(71) Name(s) and Address(s) of Applicant(s):
Becton, Dickinson and Company
1 Becton Drive Franklin Lakes New Jersey 07417 United States of America
(72) Name(s) of Designer(s): **Jamieson W. Crawford and Robert Ellis and Benjamin Bartfeld and Bradley M. Wilkinson and Neville Yu Leng Chia**
(45) Registration Date: **06 May 2009**
(30) Convention priority data:
(31) Number (32) Date (33) Country
29/323452 26 Aug 2008 UNITED STATES OF AMERICA
(56) Related Art Documents: **Not Applicable**
(57) Statement of Newness and Distinctiveness: **Newness and distinctiveness reside in the features of the design shown in solid lines in the representations excluding those features shown in broken lines.**



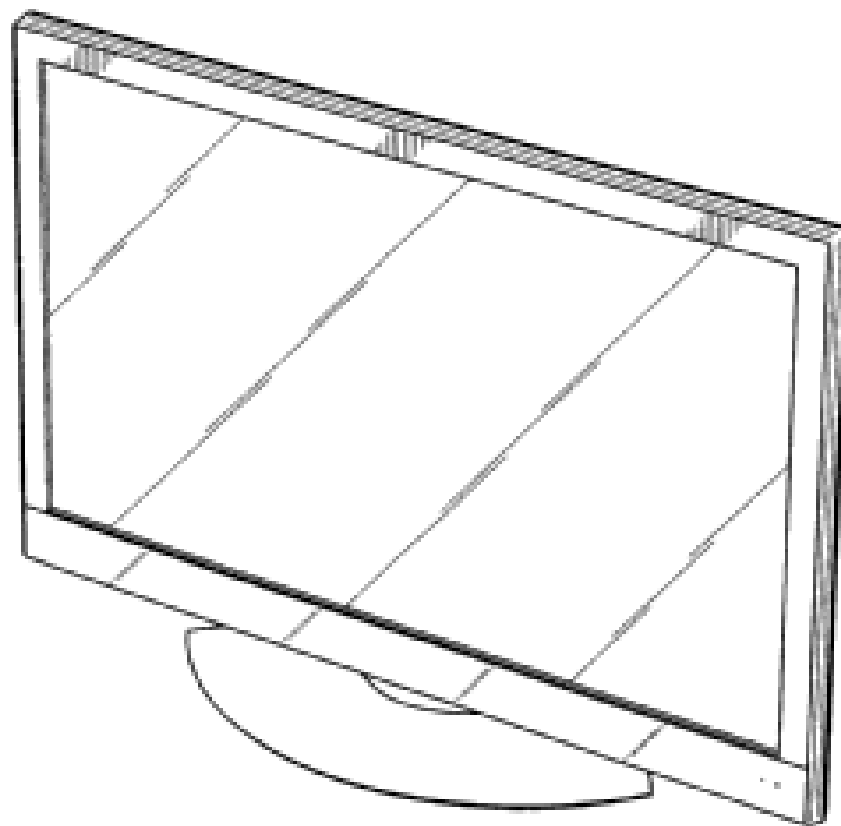
- (21) Design Number: **10880/2009**
(22) Date of Filing Application: **18 March 2009**
(24) Date from which industrial property rights may have effect: **18 March 2009**
(54) Product in respect of which the design is registered: **Bone anchored hearing aid**
(51) International Design Classification: **24-99**
(71) Name(s) and Address(s) of Applicant(s):
Oticon A/S
Kongebakken 9 DK-2765 Smorum Denmark
(72) Name(s) of Designer(s): **Anton Hedstrom and Patric Svensson**
(45) Registration Date: **06 May 2009**
(56) Related Art Documents: **Not Applicable**
(57) Statement of Newness and Distinctiveness: **Newness and distinctiveness is claimed in the visual features shown in the representations.**



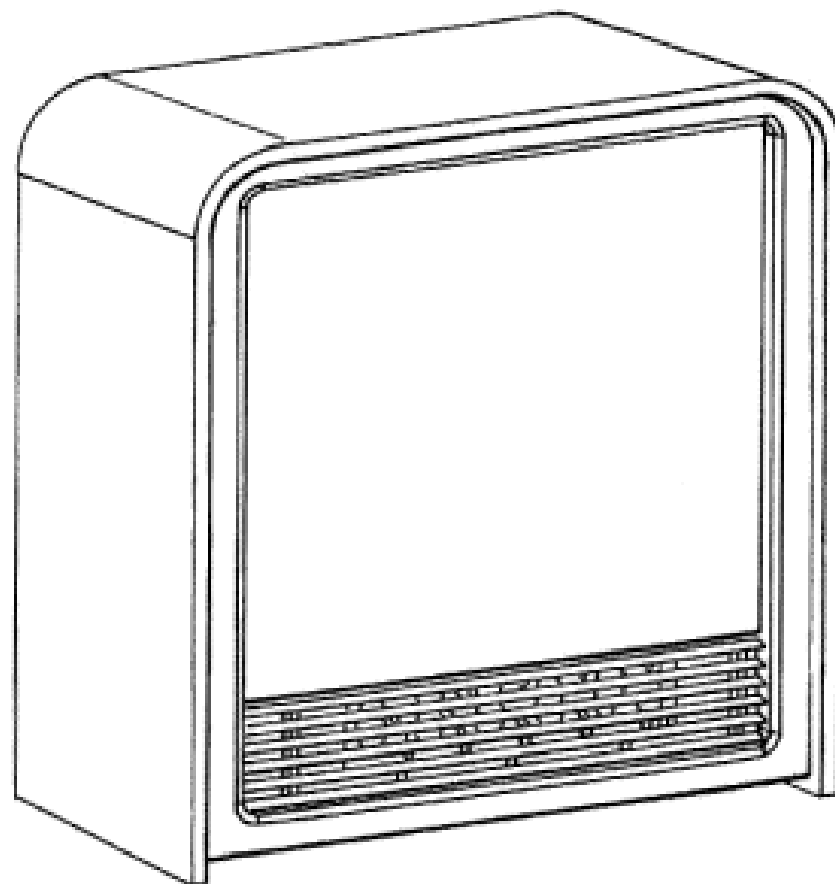
- (21) Design Number: **11021/2009**
(22) Date of Filing Application: **25 March 2009**
(24) Date from which industrial property rights may have effect: **25 March 2009**
(54) Product in respect of which the design is registered: **Crown plate**
(51) International Design Classification: **25-01B**
(71) Name(s) and Address(s) of Applicant(s):
Minova International Limited
Unit 8 Freshwater Rd Park Rd Holmewood Industrial Estate
Chesterfield Derbyshire S42 5UY United Kingdom
(72) Name(s) of Designer(s): **Peter McGowan**
(45) Registration Date: **06 May 2009**
(56) Related Art Documents: **Not Applicable**
(57) Statement of Newness and Distinctiveness: **Those features of the crown plate depicted in the representations that are new and distinctive are the shape and/or configuration.**



- (21) Design Number: **11202/2009**
(22) Date of Filing Application: **07 April 2009**
(24) Date from which industrial property rights may have effect: **07 April 2009**
(54) Product in respect of which the design is registered: **A television receiver**
(51) International Design Classification: **14-03B**
(71) Name(s) and Address(s) of Applicant(s):
Kabushiki Kaisha Toshiba also Trading as Toshiba Corporation
1-1 Shibaura 1-chome Minato-ku Tokyo Japan
(72) Name(s) of Designer(s): **Tatsuya Honda**
(45) Registration Date: **06 May 2009**
(30) Convention priority data:
(31) Number (32) Date (33) Country
2008-032764 24 Dec 2008 JAPAN
(56) Related Art Documents: **Not Applicable**
(57) Statement of Newness and Distinctiveness: **Newness and Distinctiveness is claimed in the features of shape and/or configuration of a Television Receiver as illustrated in the accompanying representations.**



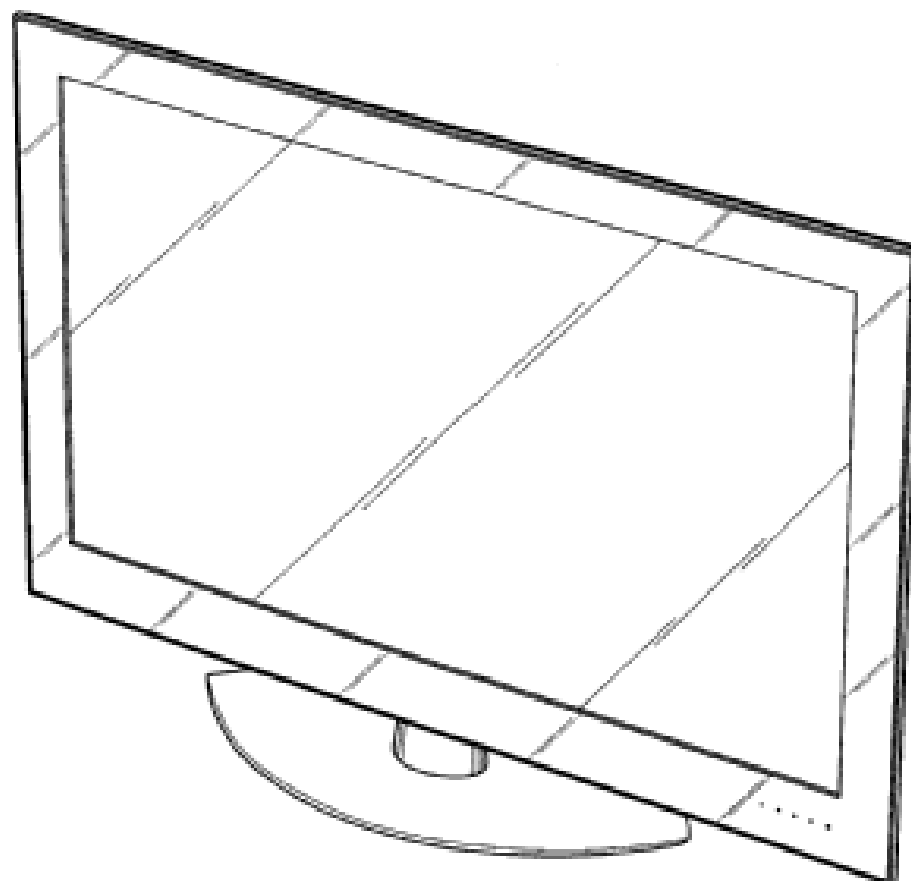
- (21) Design Number: **10652/2009**
(22) Date of Filing Application: **27 February 2009**
(24) Date from which industrial property rights may have effect: **27 February 2009**
(54) Product in respect of which the design is registered: **Heating equipment**
(51) International Design Classification: **23-03A**
(71) Name(s) and Address(s) of Applicant(s):
Bitech Engineering
Barn Road Dunleer County Louth Ireland
(72) Name(s) of Designer(s): **Paul Michael Warren**
(45) Registration Date: **11 May 2009**
(56) Related Art Documents: **Not Applicable**
(57) Statement of Newness and Distinctiveness: **Nil**



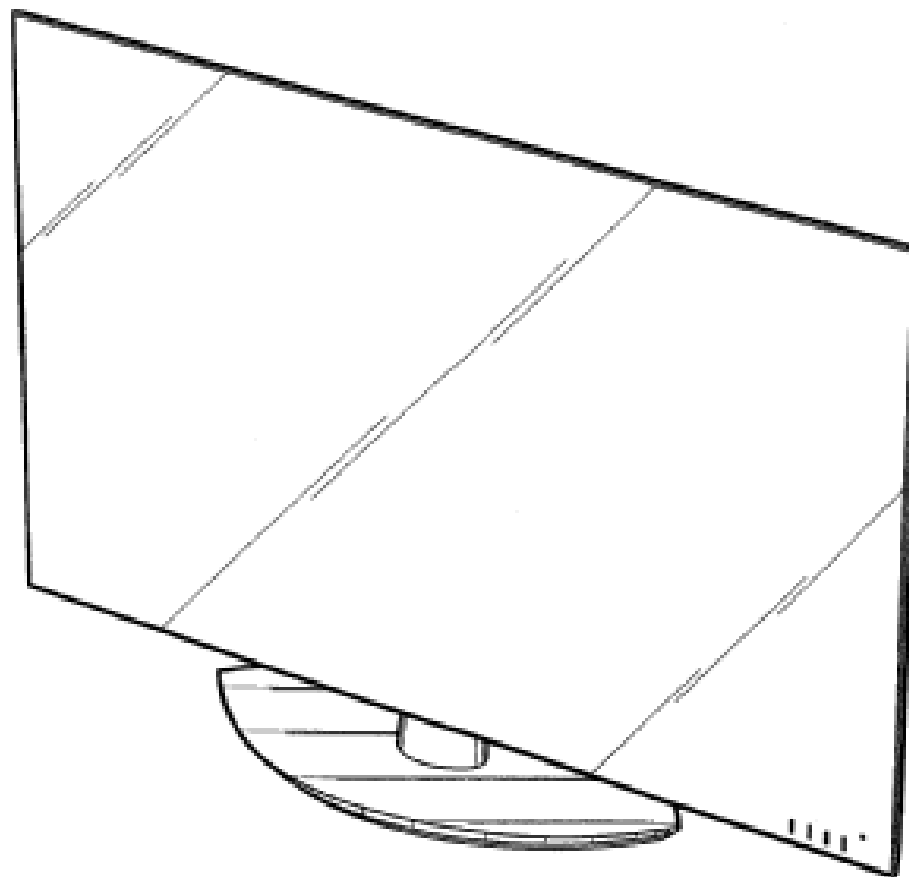
- (21) Design Number: **10960/2009**
(22) Date of Filing Application: **23 March 2009**
(24) Date from which industrial property rights may have effect: **23 March 2009**
(54) Product in respect of which the design is registered: **Leafguard, gutter and spouting**
(51) International Design Classification: **23-01L**
(71) Name(s) and Address(s) of Applicant(s):
Dan Allen
18 Calandra Avenue Quakers Hill New South Wales 2763 Australia
(72) Name(s) of Designer(s): **Dan Allen**
(45) Registration Date: **11 May 2009**
(56) Related Art Documents: **Not Applicable**
(57) Statement of Newness and Distinctiveness: **Diamond shape mesh.**



- (21) Design Number: **11078/2009**
(22) Date of Filing Application: **30 March 2009**
(24) Date from which industrial property rights may have effect: **30 March 2009**
(54) Product in respect of which the design is registered: **A television receiver**
(51) International Design Classification: **14-03B, 14-04**
(71) Name(s) and Address(s) of Applicant(s):
Kabushiki Kaisha Toshiba also Trading as Toshiba Corporation
1-1 Shibaura 1-chome Minato-ku Tokyo Japan
(72) Name(s) of Designer(s): **Tatsuya Honda**
(45) Registration Date: **11 May 2009**
(30) Convention priority data:
(31) Number (32) Date (33) Country
2008-030048 21 Nov 2008 JAPAN
(56) Related Art Documents: **Not Applicable**
(57) Statement of Newness and Distinctiveness: **Newness and distinctiveness is claimed in the features of shape and/or configuration of a television receiver as illustrated in the accompanying representations.**



- (21) Design Number: **11079/2009**
(22) Date of Filing Application: **30 March 2009**
(24) Date from which industrial property rights may have effect: **30 March 2009**
(54) Product in respect of which the design is registered: **A television receiver**
(51) International Design Classification: **14-03B, 14-04**
(71) Name(s) and Address(s) of Applicant(s):
Kabushiki Kaisha Toshiba also Trading as Toshiba Corporation
1-1 Shibaura 1-chome Minato-ku Tokyo Japan
(72) Name(s) of Designer(s): **Tatsuya Honda**
(45) Registration Date: **11 May 2009**
(30) Convention priority data:
(31) Number (32) Date (33) Country
2008-030053 21 Nov 2008 JAPAN
(56) Related Art Documents: **Not Applicable**
(57) Statement of Newness and Distinctiveness: **Newness and distinctiveness is claimed in the features of shape and/or configuration of a television receiver as illustrated in the accompanying representations.**



- (21) Design Number: **11180/2009**
(22) Date of Filing Application: **06 April 2009**
(24) Date from which industrial property rights may have effect: **06 April 2009**
(54) Product in respect of which the design is registered: **A seal for a sliding door**
(51) International Design Classification: **25-01K, 08-09**
(71) Name(s) and Address(s) of Applicant(s):
Aluminium Specialties Group Pty Ltd
3 Alspec Place Eastern Creek New South Wales 2766 Australia
(72) Name(s) of Designer(s): **Martin Bowman and Mike Goodridge**
(45) Registration Date: **11 May 2009**
(56) Related Art Documents: **Not Applicable**
(57) Statement of Newness and Distinctiveness: **Newness and distinctiveness resides in the shape and/or configuration of the seal as shown in the accompanying representations. The seal is of constant cross-section and indefinite length.**



(21) Design Number: **10677/2009**

(22) Date of Filing Application: **03 March 2009**

(24) Date from which industrial property rights may have effect: **03 March 2009**

(54) Product in respect of which the design is registered: **A label**

(51) International Design Classification: **19-08**

(71) Name(s) and Address(s) of Applicant(s):

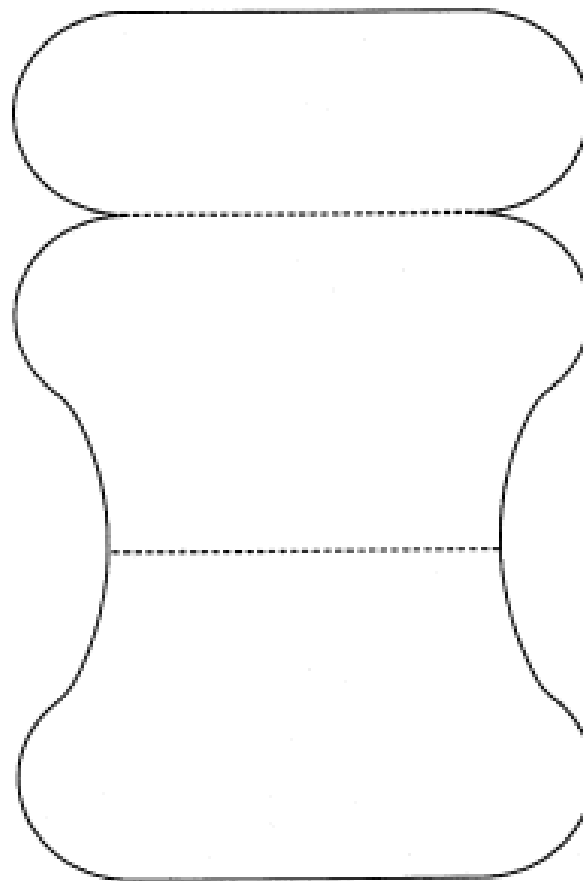
Bedrobe Pty Ltd
361/6 Cowper Wharf Road Woolloomooloo New South Wales 2011
Australia

(72) Name(s) of Designer(s): **David Gordon**

(45) Registration Date: **06 May 2009**

(56) Related Art Documents: **Not Applicable**

(57) Statement of Newness and Distinctiveness: **Newness and distinctiveness is claimed in the visual features of shape and configuration of the label.**



(21) Design Number: **10589/2009**

(22) Date of Filing Application: **26 February 2009**

(24) Date from which industrial property rights may have effect: **26 February 2009**

(54) Product in respect of which the design is registered: **Razor cartridge**

(51) International Design Classification: **28-03A**

(71) Name(s) and Address(s) of Applicant(s):

Eveready Battery Company, Inc.
533 Maryville University Drive St Louis Missouri 63141 United States
of America

(72) Name(s) of Designer(s): **Stephan Fischer and Oliver Gehrmann**

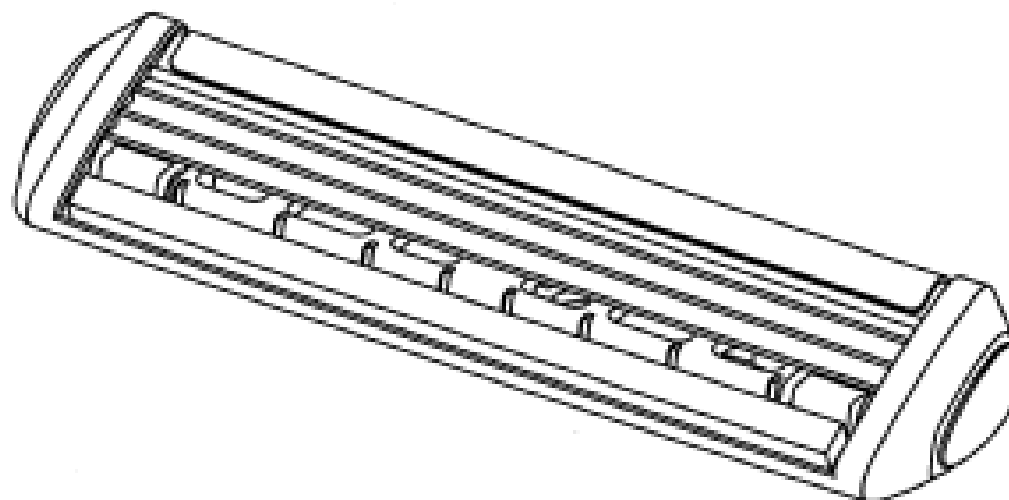
(45) Registration Date: **08 May 2009**

(30) Convention priority data:

(31) Number	(32) Date	(33) Country
29/323855	02 Sep 2008	UNITED STATES OF AMERICA

(56) Related Art Documents: **Not Applicable**

(57) Statement of Newness and Distinctiveness: **Nil**



(21) Design Number: **10665/2009**

(22) Date of Filing Application: **03 March 2009**

(24) Date from which industrial property rights may have effect: **03 March 2009**

(54) Product in respect of which the design is registered: **Chair / seat**

(51) International Design Classification: **06-01G**

(71) Name(s) and Address(s) of Applicant(s):

Prue Lavery

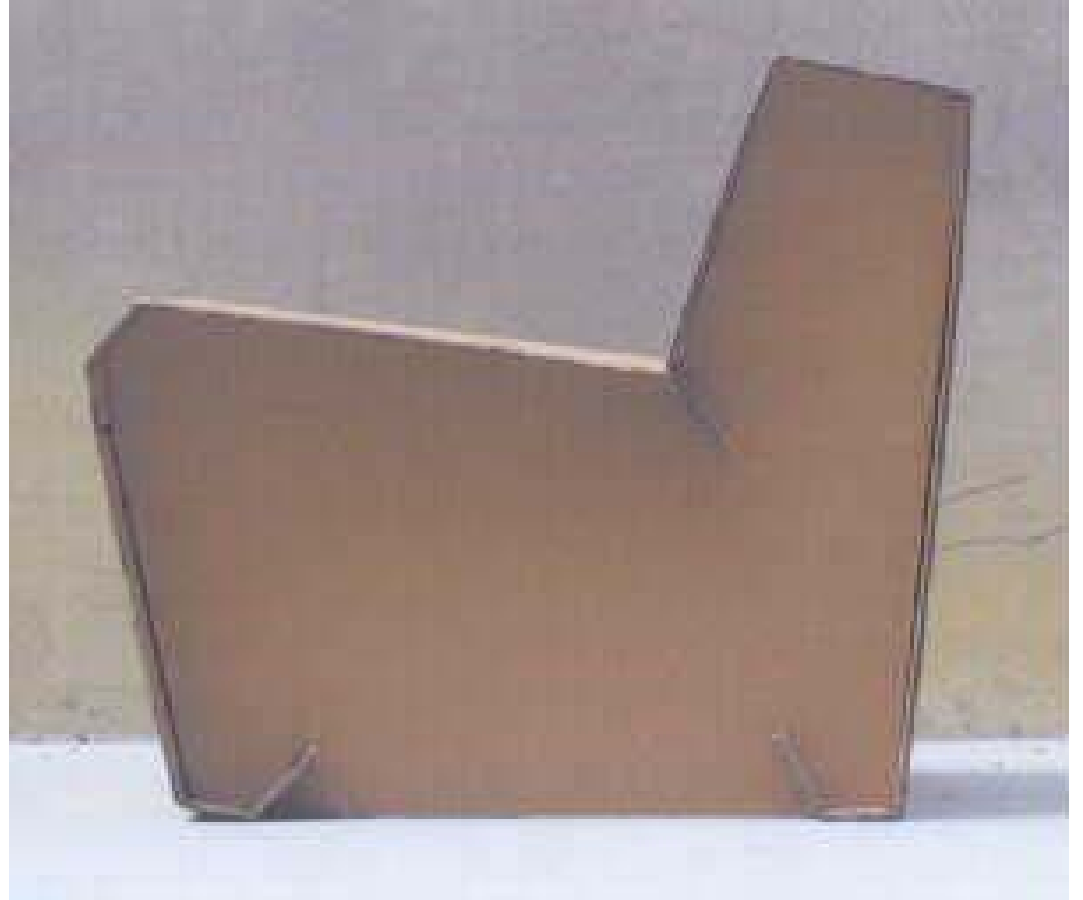
12 Scottsdale Street Surrey Hills Victoria 3127 Australia

(72) Name(s) of Designer(s): **Prue Lavery**

(45) Registration Date: **08 May 2009**

(56) Related Art Documents: **Not Applicable**

(57) Statement of Newness and Distinctiveness: **Made out of recycled corrugated cardboard, usually fridge boxes. Folds and unfolds into flat pack.**



(21) Design Number: **10937/2009**

(22) Date of Filing Application: **19 March 2009**

(24) Date from which industrial property rights may have effect: **19 March 2009**

(54) Product in respect of which the design is registered: **Ladder clamps**

(51) International Design Classification: **08-08NES, 25-04**

(71) Name(s) and Address(s) of Applicant(s):

Lee Amos

10-12 Sandstone Road Greenbank Queensland 4124 Australia

Corie Braun

10-12 Sandstone Road Greenbank Queensland 4124 Australia

(72) Name(s) of Designer(s): **Lee Amos and Corie Braun**

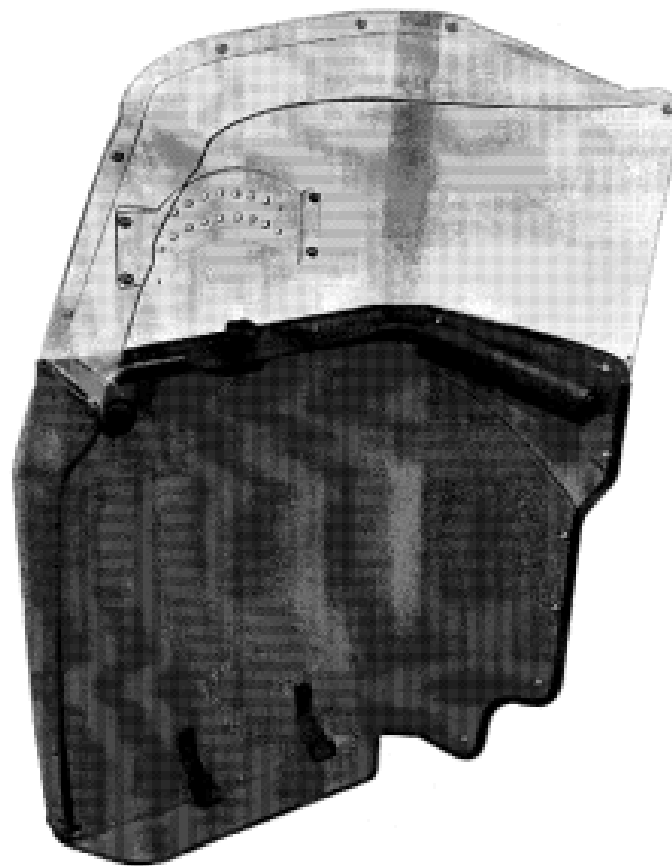
(45) Registration Date: **08 May 2009**

(56) Related Art Documents: **Not Applicable**

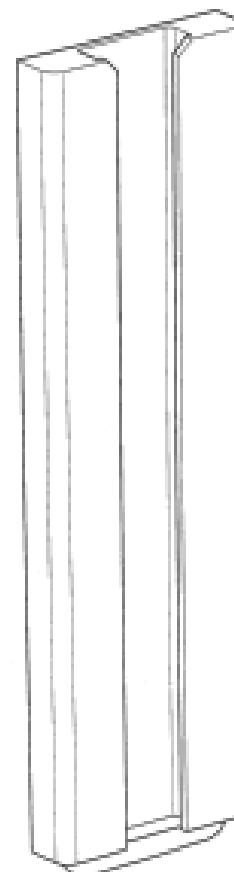
(57) Statement of Newness and Distinctiveness: **The new features of the ladder clamp is the ears of the clamping bar and the non scratch protective coatings (eg. better grip).**



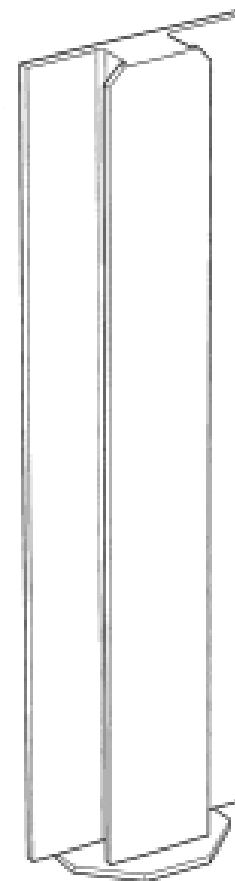
- (21) Design Number: **11224/2009**
(22) Date of Filing Application: **08 April 2009**
(24) Date from which industrial property rights may have effect: **08 April 2009**
(54) Product in respect of which the design is registered: **Taxi Driver Protecting Screen**
(51) International Design Classification: **29-02**
(71) Name(s) and Address(s) of Applicant(s):
KHOTO Co., Ltd
1245-3 Jungwang-Dong Siheung City Kyunggi-Do South Korea
(72) Name(s) of Designer(s): **Kil-Hong Min**
(45) Registration Date: **08 May 2009**
(30) Convention priority data:
(31) Number (32) Date (33) Country
30-2009-0003635 30 Jan 2009 REPUBLIC OF KOREA
(56) Related Art Documents: **Not Applicable**
(57) Statement of Newness and Distinctiveness: **Nil**



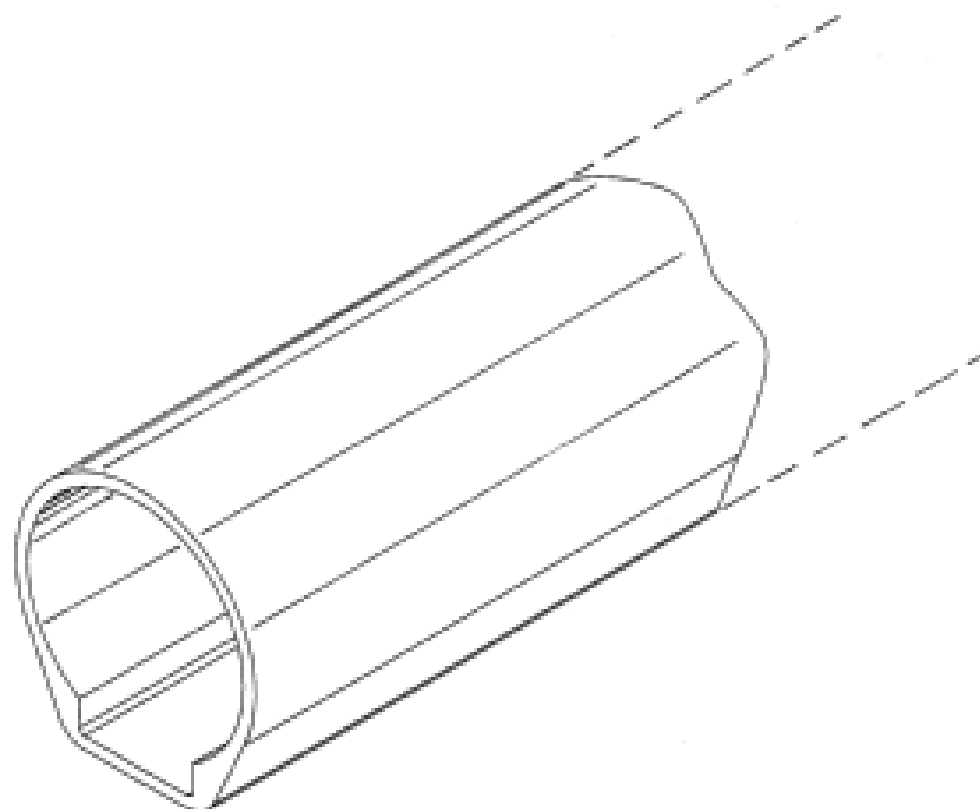
- (21) Design Number: **14997/2008**
(22) Date of Filing Application: **17 October 2008**
(24) Date from which industrial property rights may have effect: **17 October 2008**
(54) Product in respect of which the design is registered: **A dock bumper slide mounting**
(51) International Design Classification: **25-02NES**
(71) Name(s) and Address(s) of Applicant(s):
Steven John Cowey
24 Ninth Street Wingfield South Australia 5013 Australia
(72) Name(s) of Designer(s): **Steven John Cowey**
(45) Registration Date: **08 May 2009**
(56) Related Art Documents: **Not Applicable**
(57) Statement of Newness and Distinctiveness: **Nil**



- (21) Design Number: **14998/2008**
(22) Date of Filing Application: **17 October 2008**
(24) Date from which industrial property rights may have effect: **17 October 2008**
(54) Product in respect of which the design is registered: **A dock bumper slide mounting**
(51) International Design Classification: **25-02NES**
(71) Name(s) and Address(s) of Applicant(s):
Steven John Cowey
24 Ninth Street Wingfield South Australia 5013 Australia
(72) Name(s) of Designer(s): **Steven John Cowey**
(45) Registration Date: **08 May 2009**
(56) Related Art Documents: **Not Applicable**
(57) Statement of Newness and Distinctiveness: **Nil**



- (21) Design Number: **15222/2008**
(22) Date of Filing Application: **31 October 2008**
(24) Date from which industrial property rights may have effect: **31 October 2008**
(54) Product in respect of which the design is registered: **Metal section**
(51) International Design Classification: **25-01K**
(71) Name(s) and Address(s) of Applicant(s):
David George Cook
14 Binary Street Yatala Queensland 4207 Australia
(72) Name(s) of Designer(s): **David George Cook**
(45) Registration Date: **08 May 2009**
(56) Related Art Documents: **Not Applicable**
(57) Statement of Newness and Distinctiveness: **Newness and distinctiveness reside in the features of shape and configuration of a metal section as shown in the accompanying representations. The metal section is of indefinite length and constant cross-section throughout its length.**



(21) Design Number: **15223/2008**

(22) Date of Filing Application: **31 October 2008**

(24) Date from which industrial property rights may have effect: **31 October 2008**

(54) Product in respect of which the design is registered: **Metal section**

(51) International Design Classification: **25-01K**

(71) Name(s) and Address(s) of Applicant(s):

David George Cook

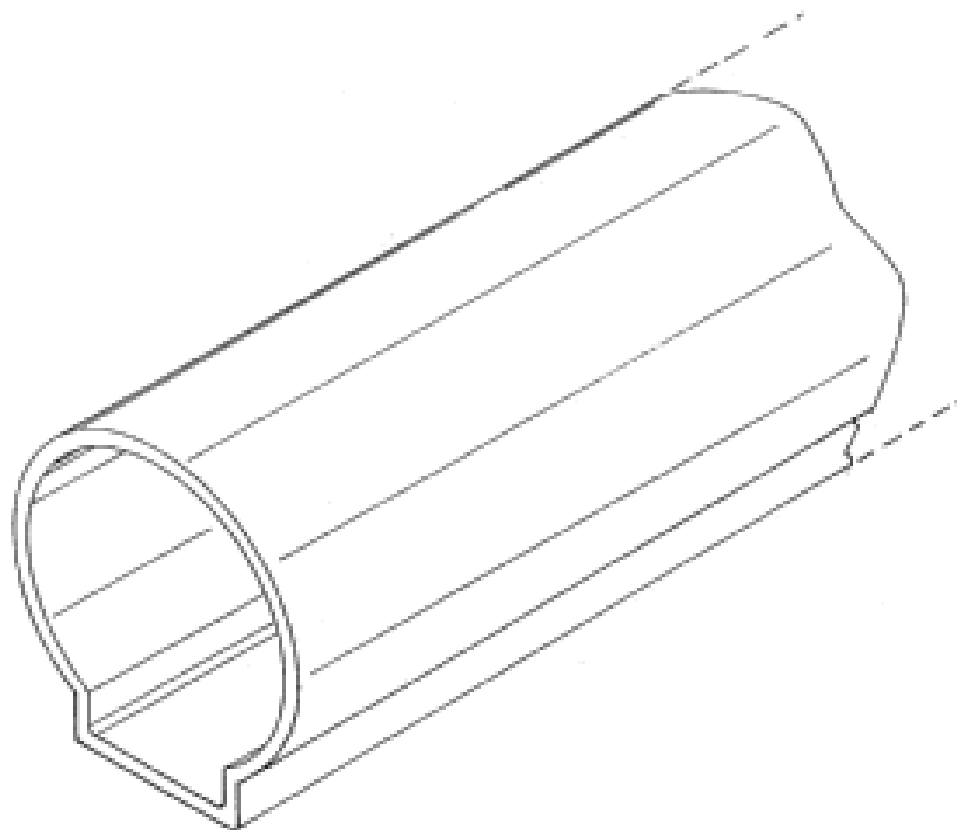
14 Binary Street Yatala Queensland 4207 Australia

(72) Name(s) of Designer(s): **David George Cook**

(45) Registration Date: **08 May 2009**

(56) Related Art Documents: **Not Applicable**

(57) Statement of Newness and Distinctiveness: **Newness and distinctiveness reside in the features of shape and configuration of a metal section as shown in the accompanying representations. The metal section is of indefinite length and constant cross-section throughout its length.**



(21) Design Number: **15613/2008**

(22) Date of Filing Application: **27 November 2008**

(24) Date from which industrial property rights may have effect: **27 November 2008**

(54) Product in respect of which the design is registered: **Handset**

(51) International Design Classification: **14-03A**

(71) Name(s) and Address(s) of Applicant(s):

Nokia Corporation

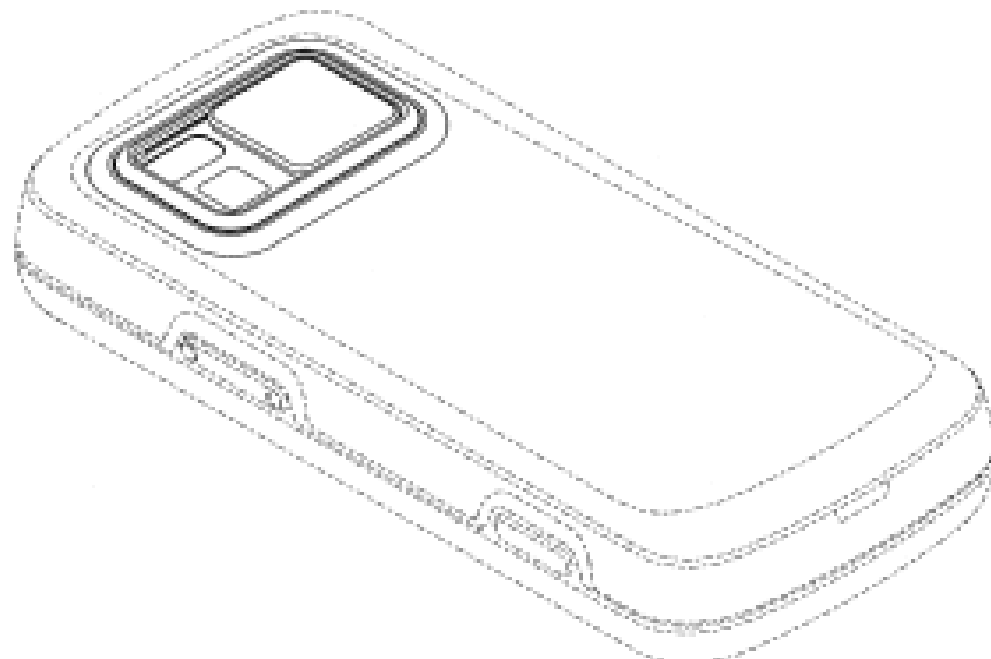
Keilalahdentie 4 FIN-02150 Espoo Finland

(72) Name(s) of Designer(s): **Shunjiro Eguchi**

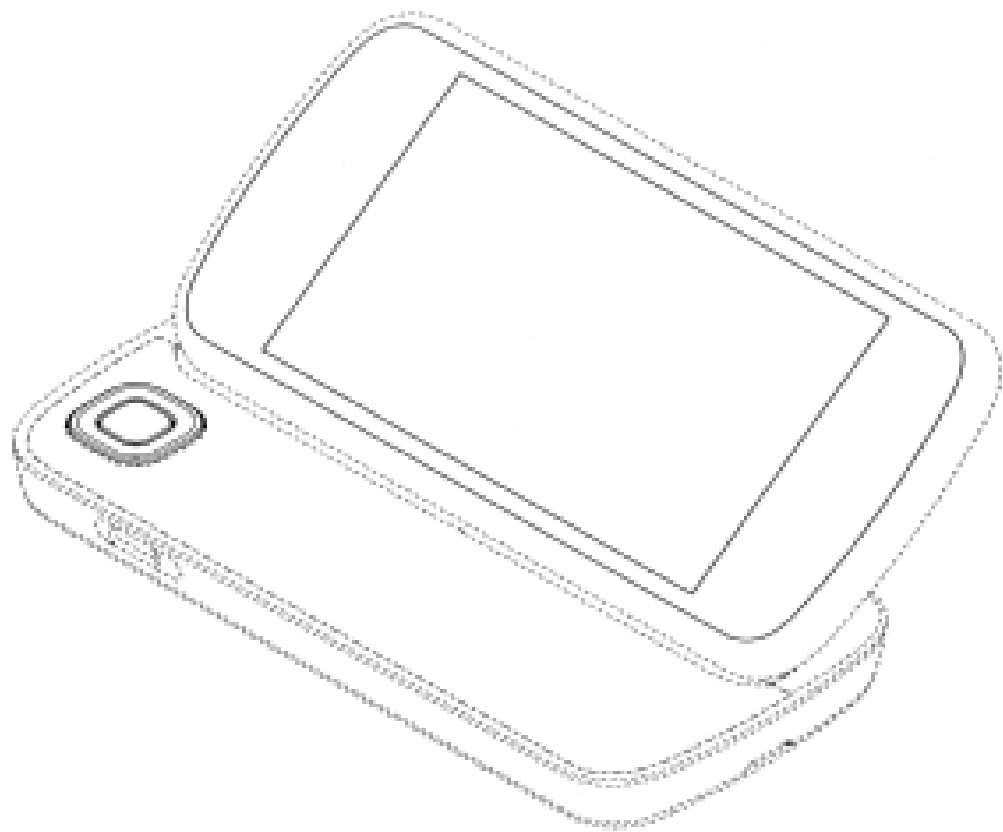
(45) Registration Date: **08 May 2009**

(56) Related Art Documents: **Not Applicable**

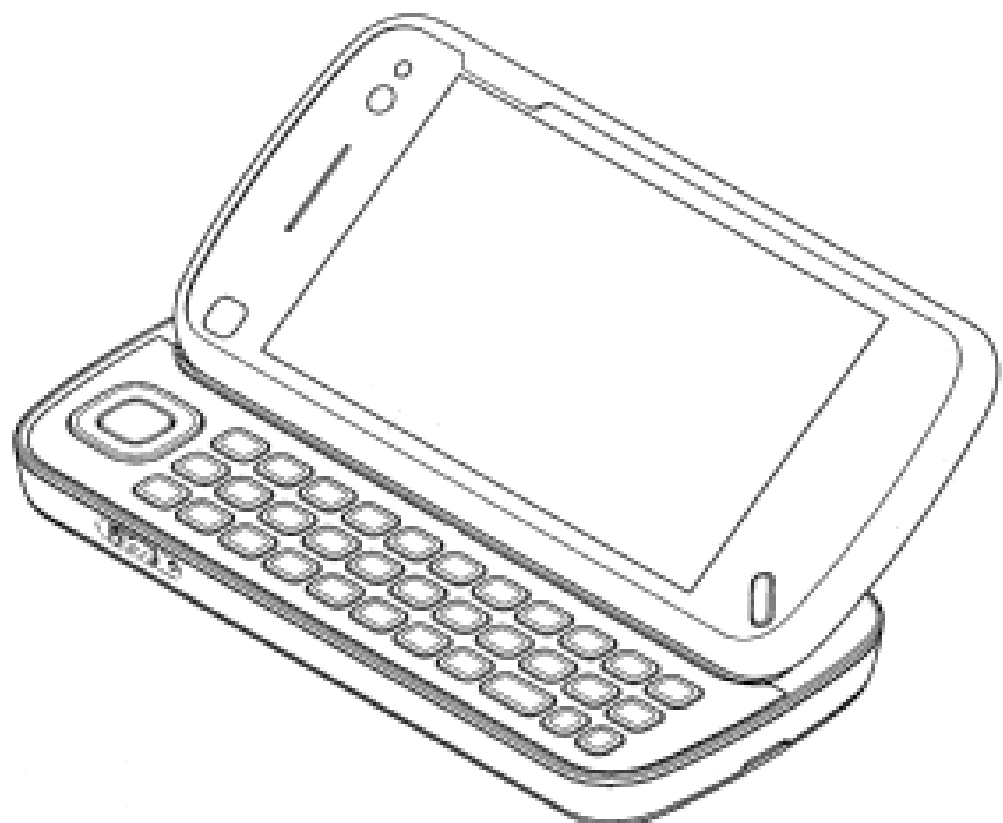
(57) Statement of Newness and Distinctiveness: **Newness and distinctiveness is claimed in the visual features shown in solid lines in the representations.**



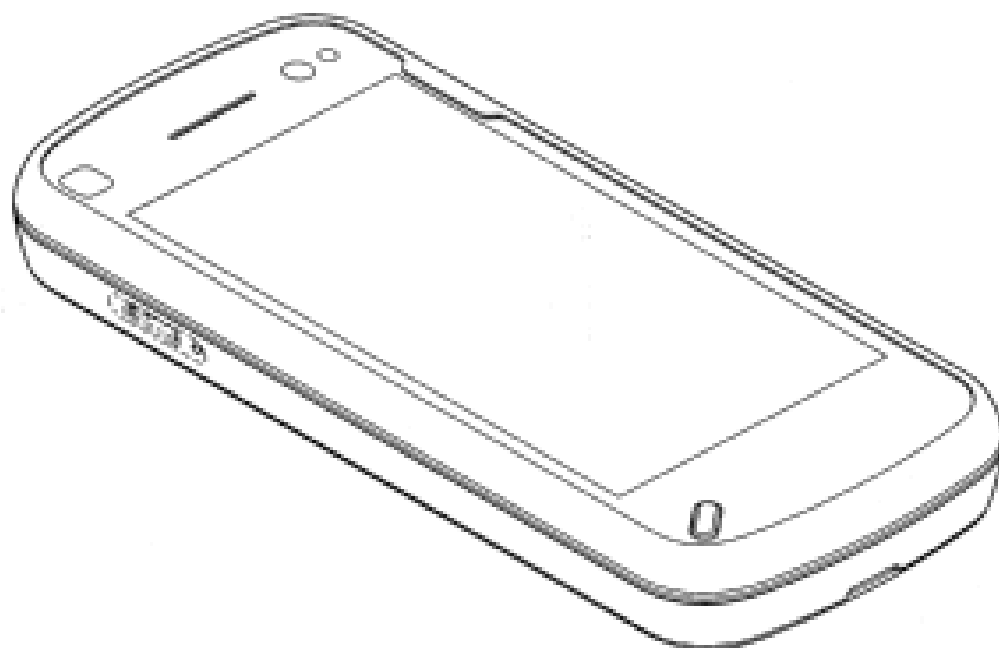
- (21) Design Number: **15614/2008**
(22) Date of Filing Application: **27 November 2008**
(24) Date from which industrial property rights may have effect: **27 November 2008**
(54) Product in respect of which the design is registered: **Handset**
(51) International Design Classification: **14-03A**
(71) Name(s) and Address(s) of Applicant(s):
Nokia Corporation
Keilalahdentie 4 FIN-02150 Espoo Finland
(72) Name(s) of Designer(s): **Shunjiro Eguchi and Juha Pirttilahti**
(45) Registration Date: **08 May 2009**
(56) Related Art Documents: **Not Applicable**
(57) Statement of Newness and Distinctiveness: **Newness and distinctiveness is claimed in the visual features shown in solid lines in the representations.**



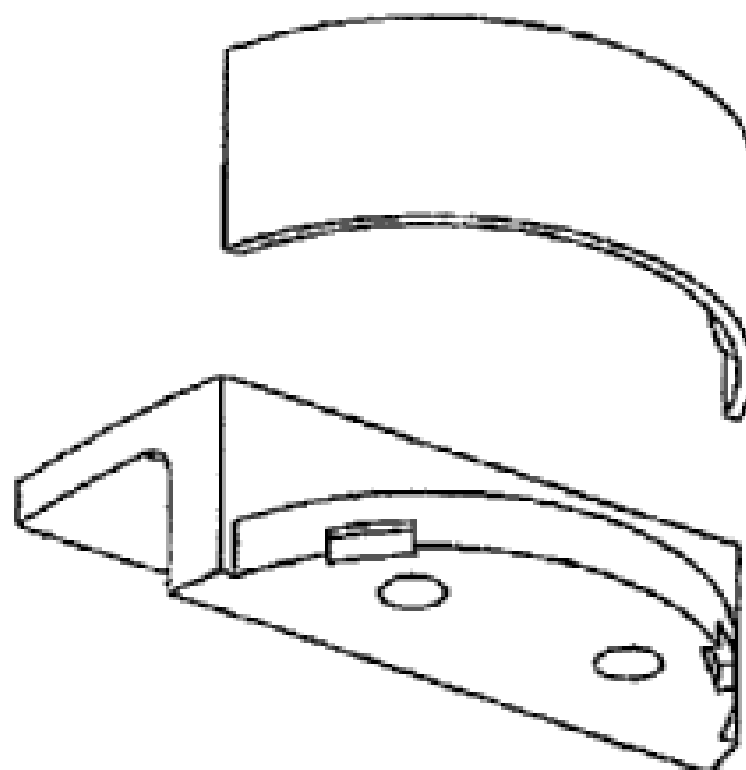
- (21) Design Number: **15615/2008**
(22) Date of Filing Application: **27 November 2008**
(24) Date from which industrial property rights may have effect: **27 November 2008**
(54) Product in respect of which the design is registered: **Handset**
(51) International Design Classification: **14-03E**
(71) Name(s) and Address(s) of Applicant(s):
Nokia Corporation
Keilalahdentie 4 FIN-02150 Espoo Finland
(72) Name(s) of Designer(s): **Shunjiro Eguchi and Juha Pirttilahti**
(45) Registration Date: **08 May 2009**
(56) Related Art Documents: **Not Applicable**
(57) Statement of Newness and Distinctiveness: **Newness and distinctiveness is claimed in the visual features shown in solid lines in the representations.**



- (21) Design Number: **15616/2008**
- (22) Date of Filing Application: **27 November 2008**
- (24) Date from which industrial property rights may have effect: **27 November 2008**
- (54) Product in respect of which the design is registered: **Handset**
- (51) International Design Classification: **14-03E**
- (71) Name(s) and Address(s) of Applicant(s):
Nokia Corporation
Keilalahdentie 4 FIN-02150 Espoo Finland
- (72) Name(s) of Designer(s): **Shunjiro Eguchi**
- (45) Registration Date: **08 May 2009**
- (56) Related Art Documents: **Not Applicable**
- (57) Statement of Newness and Distinctiveness: **Newness and distinctiveness is claimed in the visual features shown in solid lines in the representations.**



- (21) Design Number: **11257/2009**
- (22) Date of Filing Application: **14 April 2009**
- (24) Date from which industrial property rights may have effect: **14 April 2009**
- (54) Product in respect of which the design is registered: **Toilet door staple (option 1)**
- (51) International Design Classification: **08-09**
- (71) Name(s) and Address(s) of Applicant(s):
Metlam Australia Pty. Limited
17 Parkers Road New Gisborne Victoria 3437 Australia
- (72) Name(s) of Designer(s): **Brian Bishop**
- (45) Registration Date: **08 May 2009**
- (56) Related Art Documents: **Not Applicable**
- (57) Statement of Newness and Distinctiveness: **Nil**



(21) Design Number: **11258/2009**

(22) Date of Filing Application: **14 April 2009**

(24) Date from which industrial property rights may have effect: **14 April 2009**

(54) Product in respect of which the design is registered: **Toilet door staple
(option 2)**

(51) International Design Classification: **08-09**

(71) Name(s) and Address(s) of Applicant(s):

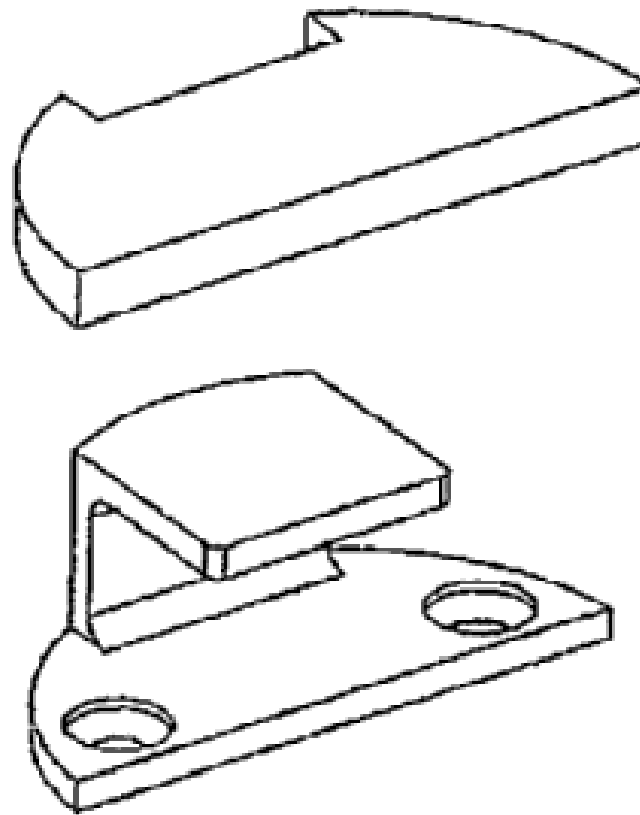
**Metlam Australia Pty. Limited
17 Parkers Road New Gisborne Victoria 3437 Australia**

(72) Name(s) of Designer(s): **Brian Bishop**

(45) Registration Date: **08 May 2009**

(56) Related Art Documents: **Not Applicable**

(57) Statement of Newness and Distinctiveness: **Nil**



(21) Design Number: **10622/2009**

(22) Date of Filing Application: **27 February 2009**

(24) Date from which industrial property rights may have effect: **27 February 2009**

(54) Product in respect of which the design is registered: **Tile**

(51) International Design Classification: **25-01F**

(71) Name(s) and Address(s) of Applicant(s):

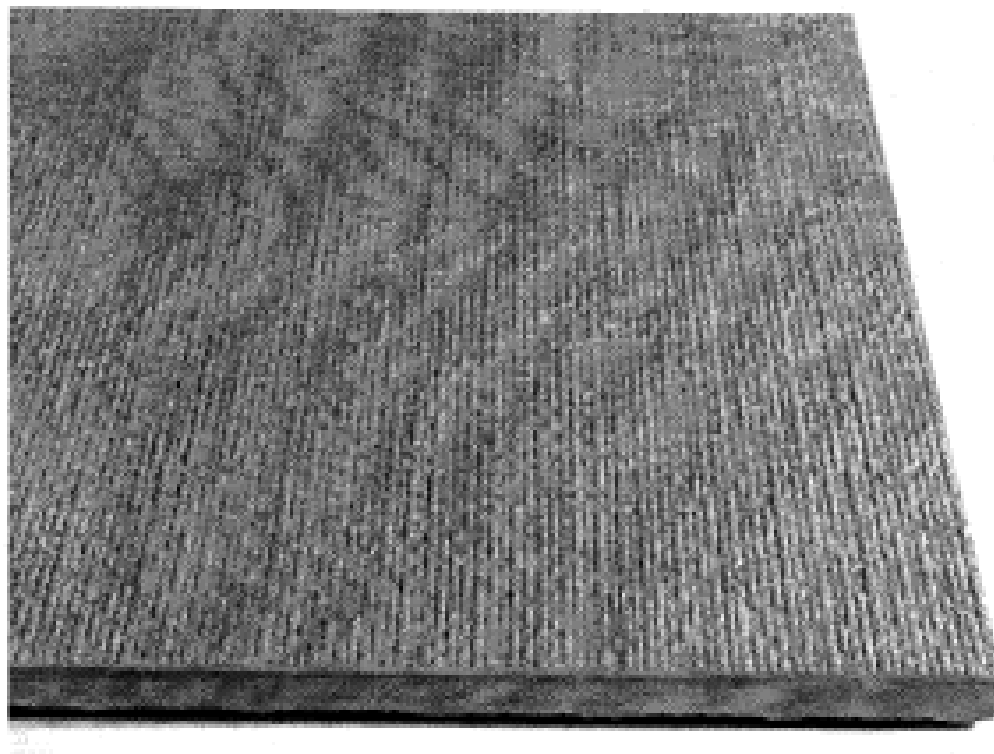
**Everstone International Pty Ltd
8 George Young Street Auburn New South Wales 2144 Australia**

(72) Name(s) of Designer(s): **John Zeng**

(45) Registration Date: **11 May 2009**

(56) Related Art Documents: **Not Applicable**

(57) Statement of Newness and Distinctiveness: **Nil**



(21) Design Number: **11183/2009**

(22) Date of Filing Application: **06 April 2009**

(24) Date from which industrial property rights may have effect: **06 April 2009**

(54) Product in respect of which the design is registered: **A package**

(51) International Design Classification: **09-05**

(71) Name(s) and Address(s) of Applicant(s):

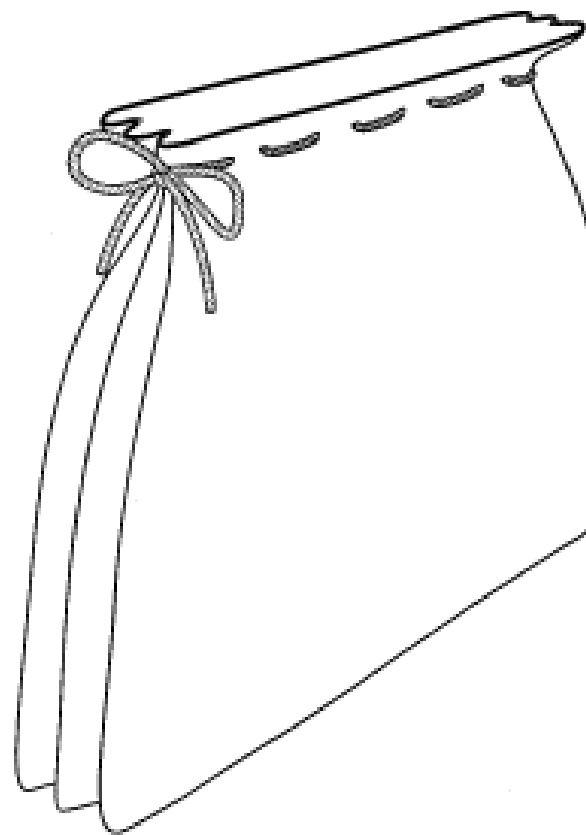
Lesley Radbron
9 Zerafa Place Quakers Hill New South Wales 2763 Australia

(72) Name(s) of Designer(s): **Lesley Radbron**

(45) Registration Date: **11 May 2009**

(56) Related Art Documents: **Not Applicable**

(57) Statement of Newness and Distinctiveness: **Newness and distinctiveness is claimed in the features of shape and/or configuration of a package as illustrated in the accompanying representations.**



(21) Design Number: **11266/2009**

(22) Date of Filing Application: **15 April 2009**

(24) Date from which industrial property rights may have effect: **15 April 2009**

(54) Product in respect of which the design is registered: **Stacking armchair**

(51) International Design Classification: **06-01F**

(71) Name(s) and Address(s) of Applicant(s):

Nique Enterprises Pty Ltd
2-4 Ainslie Close Somersby New South Wales 2250 Australia

(72) Name(s) of Designer(s): **Tom Bihari**

(45) Registration Date: **11 May 2009**

(56) Related Art Documents: **Not Applicable**

(57) Statement of Newness and Distinctiveness: **Newness and distinctiveness is claimed in the features of shape and/or configuration of an armchair as illustrated in the accompanying representations.**



(21) Design Number: **11267/2009**

(22) Date of Filing Application: **15 April 2009**

(24) Date from which industrial property rights may have effect: **15 April 2009**

(54) Product in respect of which the design is registered: **Stacking armchair**

(51) International Design Classification: **06-01F**

(71) Name(s) and Address(s) of Applicant(s):

Nique Enterprises Pty Ltd
2-4 Ainslie Close Somersby New South Wales 2250 Australia

(72) Name(s) of Designer(s): **Tom Bihari**

(45) Registration Date: **11 May 2009**

(56) Related Art Documents: **Not Applicable**

(57) Statement of Newness and Distinctiveness: **Newness and distinctiveness is claimed in the features of shape and/or configuration of an armchair as illustrated in the accompanying representations.**



(21) Design Number: **11268/2009**

(22) Date of Filing Application: **15 April 2009**

(24) Date from which industrial property rights may have effect: **15 April 2009**

(54) Product in respect of which the design is registered: **Sunlounger**

(51) International Design Classification: **06-01H**

(71) Name(s) and Address(s) of Applicant(s):

Nique Enterprises Pty Ltd
2-4 Ainslie Close Somersby New South Wales 2250 Australia

(72) Name(s) of Designer(s): **Tom Bihari**

(45) Registration Date: **11 May 2009**

(56) Related Art Documents: **Not Applicable**

(57) Statement of Newness and Distinctiveness: **Newness and distinctiveness is claimed in the features of shape and/or configuration of an armchair as illustrated in the accompanying representations.**



(21) Design Number: **11269/2009**

(22) Date of Filing Application: **15 April 2009**

(24) Date from which industrial property rights may have effect: **15 April 2009**

(54) Product in respect of which the design is registered: **Chair**

(51) International Design Classification: **06-01F**

(71) Name(s) and Address(s) of Applicant(s):

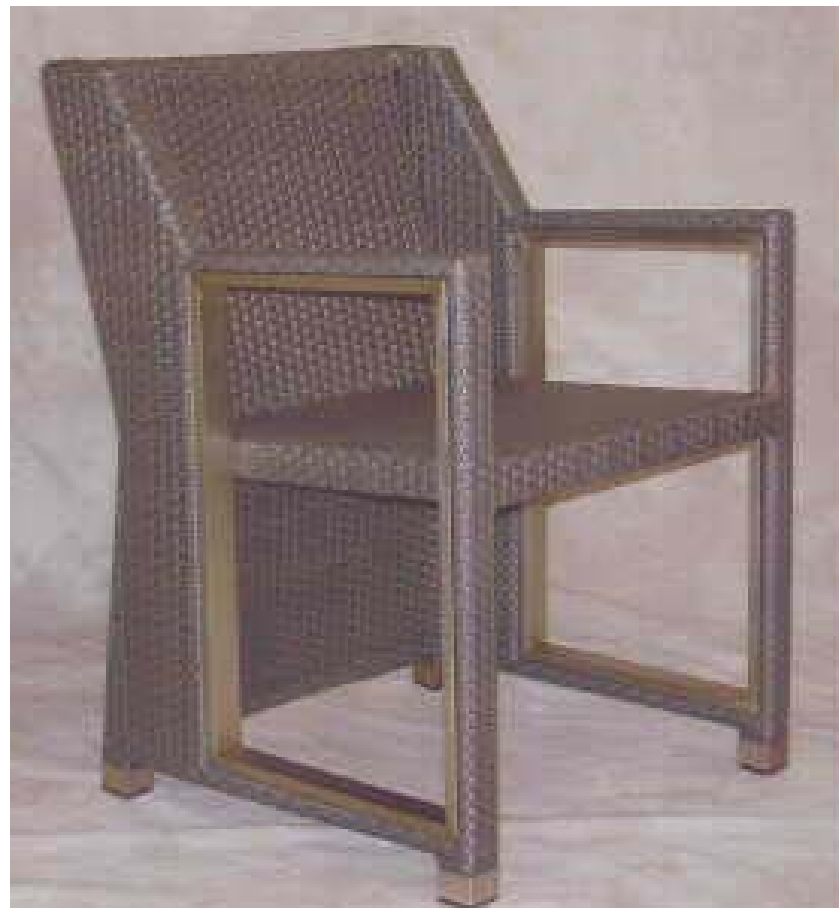
Nique Enterprises Pty Ltd
2-4 Ainslie Close Somersby New South Wales 2250 Australia

(72) Name(s) of Designer(s): **Tom Bihari**

(45) Registration Date: **11 May 2009**

(56) Related Art Documents: **Not Applicable**

(57) Statement of Newness and Distinctiveness: **Newness and distinctiveness is claimed in the features of shape and/or configuration of an armchair as illustrated in the accompanying representations.**



(21) Design Number: **11270/2009**

(22) Date of Filing Application: **15 April 2009**

(24) Date from which industrial property rights may have effect: **15 April 2009**

(54) Product in respect of which the design is registered: **Sunlounger**

(51) International Design Classification: **06-01H**

(71) Name(s) and Address(s) of Applicant(s):

Nique Enterprises Pty Ltd
2-4 Ainslie Close Somersby New South Wales 2250 Australia

(72) Name(s) of Designer(s): **Tom Bihari**

(45) Registration Date: **11 May 2009**

(56) Related Art Documents: **Not Applicable**

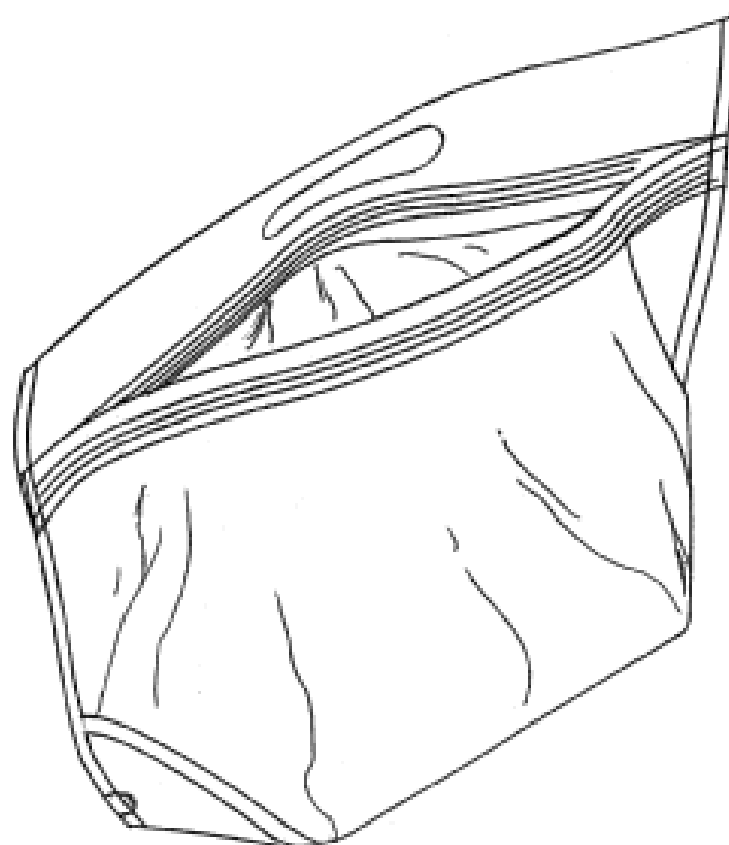
(57) Statement of Newness and Distinctiveness: **Newness and distinctiveness is claimed in the features of shape and/or configuration of an armchair as illustrated in the accompanying representations.**



- (21) Design Number: **11607/2009**
(22) Date of Filing Application: **07 May 2009**
(24) Date from which industrial property rights may have effect: **07 May 2009**
(54) Product in respect of which the design is registered: **Furniture**
(51) International Design Classification: **06-04F, 06-06A**
(71) Name(s) and Address(s) of Applicant(s):
Rafael Rod Nathan
435 West Mt Cotton Road Mt Cotton Queensland 4165 Australia
(72) Name(s) of Designer(s): **Rafael Rod Nathan**
(45) Registration Date: **11 May 2009**
(56) Related Art Documents: **Not Applicable**
(57) Statement of Newness and Distinctiveness: **Based on human shape, small and friendly.**



- (21) Design Number: **16031/2008**
(22) Date of Filing Application: **23 December 2008**
(24) Date from which industrial property rights may have effect: **23 December 2008**
(54) Product in respect of which the design is registered: **Bag**
(51) International Design Classification: **03-01A**
(71) Name(s) and Address(s) of Applicant(s):
Andrew Kohn Pty Ltd
9-15 Redwood Drive Dingley Victoria 3172 Australia
(72) Name(s) of Designer(s): **Daryl Farrow**
(45) Registration Date: **11 May 2009**
(56) Related Art Documents: **Not Applicable**
(57) Statement of Newness and Distinctiveness: **Those features of the bag depicted in the representations that are new and distinctive are the shape and/or configuration.**



(21) Design Number: **10139/2009**

(22) Date of Filing Application: **19 January 2009**

(24) Date from which industrial property rights may have effect: **19 January 2009**

(54) Product in respect of which the design is registered: **Watering and fertilising equipment for trees and plants**

(51) International Design Classification: **23-01E**

(71) Name(s) and Address(s) of Applicant(s):

Jeffrey Thomas Brasch
680 Goolma Road Gulgong New South Wales 2852 Australia

(72) Name(s) of Designer(s): **Jeffrey Thomas Brasch**

(45) Registration Date: **11 May 2009**

(56) Related Art Documents: **Not Applicable**

(57) Statement of Newness and Distinctiveness: **A funnel shaped top for easy administration of water, fertilizer and rainfall. An indentation for tying wire etc. Slow release holes at base of stake.**



(21) Design Number: **10678/2009**

(22) Date of Filing Application: **03 March 2009**

(24) Date from which industrial property rights may have effect: **03 March 2009**

(54) Product in respect of which the design is registered: **A label**

(51) International Design Classification: **19-08**

(71) Name(s) and Address(s) of Applicant(s):

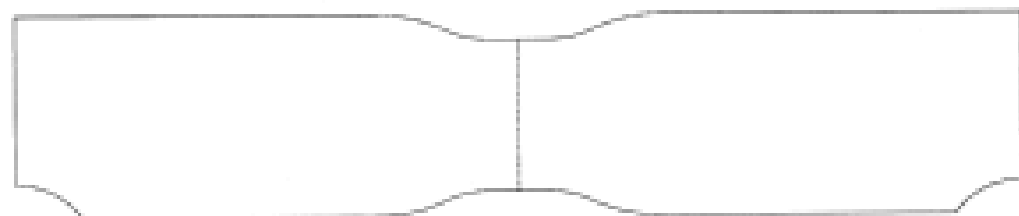
Bedrobe Pty Ltd
361/6 Cowper Wharf Road Woolloomooloo New South Wales 2011 Australia

(72) Name(s) of Designer(s): **David Gordon**

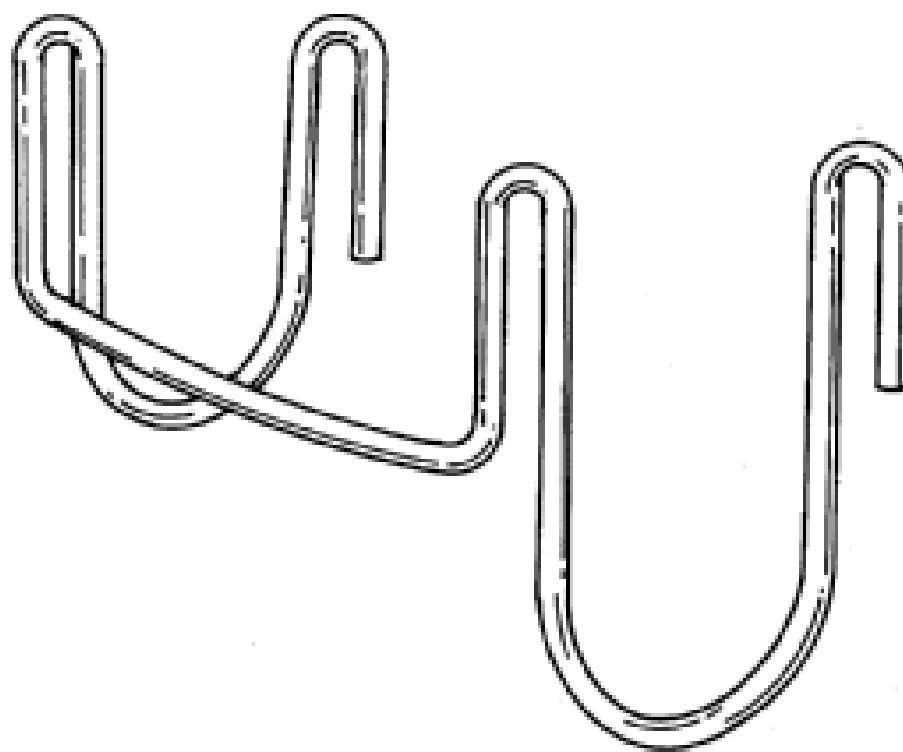
(45) Registration Date: **11 May 2009**

(56) Related Art Documents: **Not Applicable**

(57) Statement of Newness and Distinctiveness: **Newness and distinctiveness is claimed in the visual features of the shape and configuration of the label. Particular attention is drawn to the thinning in the mid-section of the label when in an open position, and the curving at the edges. The length of the label is disclaimed.**



- (21) Design Number: **15101/2008**
- (22) Date of Filing Application: **24 October 2008**
- (24) Date from which industrial property rights may have effect: **24 October 2008**
- (54) Product in respect of which the design is registered: **Drill holder**
- (51) International Design Classification: **03-01D, 08-08G**
- (71) Name(s) and Address(s) of Applicant(s):
 - Simon Jeremy Duncan**
32 Meriwa Street Nedlands Western Australia 6009 Australia
 - Benjamin Philip Erik Alpers**
26 Nicholas Crescent Hilton Western Australia 6163 Australia
- (72) Name(s) of Designer(s): **Simon Jeremy Duncan and Benjamin Philip Erik Alpers**
- (45) Registration Date: **12 May 2009**
- (56) Related Art Documents: **Not Applicable**
- (57) Statement of Newness and Distinctiveness: **The particular visual features of the design which are new and distinctive are the shape or configuration of a drill holder. The design also applies to a drill holder of reverse orientation to suit a left handed user.**



- (21) Design Number: **10629/2009**
- (22) Date of Filing Application: **27 February 2009**
- (24) Date from which industrial property rights may have effect: **27 February 2009**
- (54) Product in respect of which the design is registered: **Electronic device**
- (51) International Design Classification: **14-01**
- (71) Name(s) and Address(s) of Applicant(s):
 - Apple Inc.**
1 Infinite Loop Cupertino California 95014 United States of America
- (72) Name(s) of Designer(s): **Bartley K. Andre and Daniel J. Coster and Daniele De Iuliis and Evans Hankey and Richard P. Howarth and Jonathan P. Ives and Duncan Robert Kerr and Shin Nishibori and Matthew Dean Rohrbach and Peter Russell-Clarke and Douglas B. Satzger and Christopher J. Stringer and Eugene Antony Whang and Rico Zorkendorfer**
- (45) Registration Date: **12 May 2009**
- (30) Convention priority data:

(31) Number	(32) Date	(33) Country
29/324130	05 Sep 2008	UNITED STATES OF AMERICA
- (56) Related Art Documents: **Not Applicable**
- (57) Statement of Newness and Distinctiveness: **Nil**



(21) Design Number: **11184/2009**

(22) Date of Filing Application: **06 April 2009**

(24) Date from which industrial property rights may have effect: **06 April 2009**

(54) Product in respect of which the design is registered: **A package**

(51) International Design Classification: **09-05**

(71) Name(s) and Address(s) of Applicant(s):

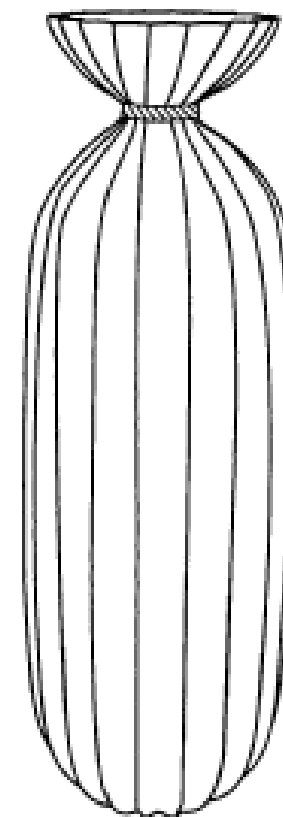
Lesley Radbron
9 Zerafa Place Quakers Hill New South Wales 2763 Australia

(72) Name(s) of Designer(s): **Lesley Radbron**

(45) Registration Date: **12 May 2009**

(56) Related Art Documents: **Not Applicable**

(57) Statement of Newness and Distinctiveness: **Newness and distinctiveness is claimed in the features of shape and/or configuration of a package as illustrated in the accompanying representations.**



(21) Design Number: **11409/2009**

(22) Date of Filing Application: **24 April 2009**

(24) Date from which industrial property rights may have effect: **24 April 2009**

(54) Product in respect of which the design is registered: **Artists texture board**

(51) International Design Classification: **19-08**

(71) Name(s) and Address(s) of Applicant(s):

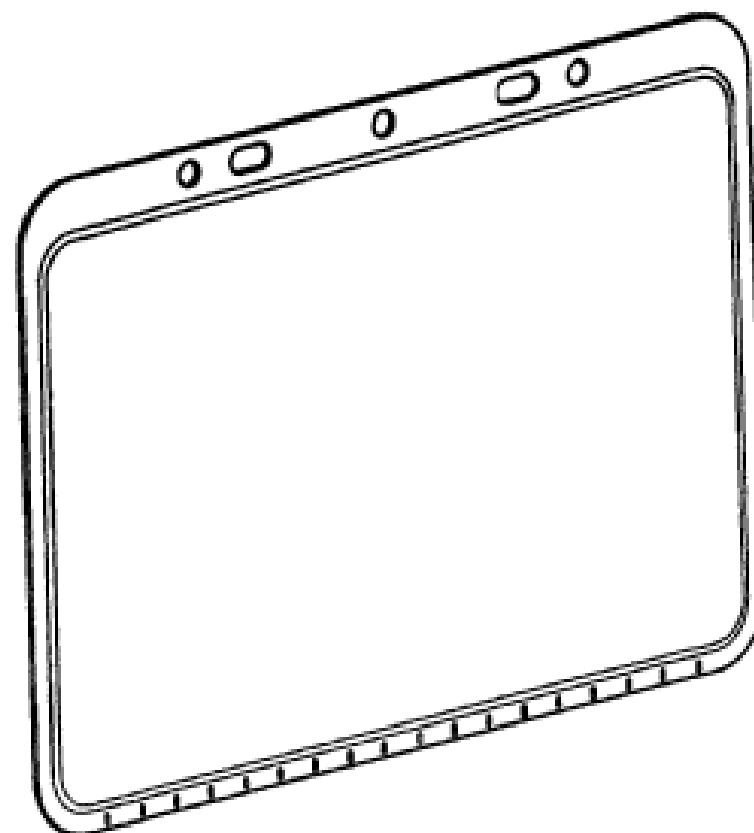
Mark Andrew Wilken
33 Acheron Avenue Mount Eliza Victoria 3930 Australia

(72) Name(s) of Designer(s): **Mark Andrew Wilken**

(45) Registration Date: **12 May 2009**

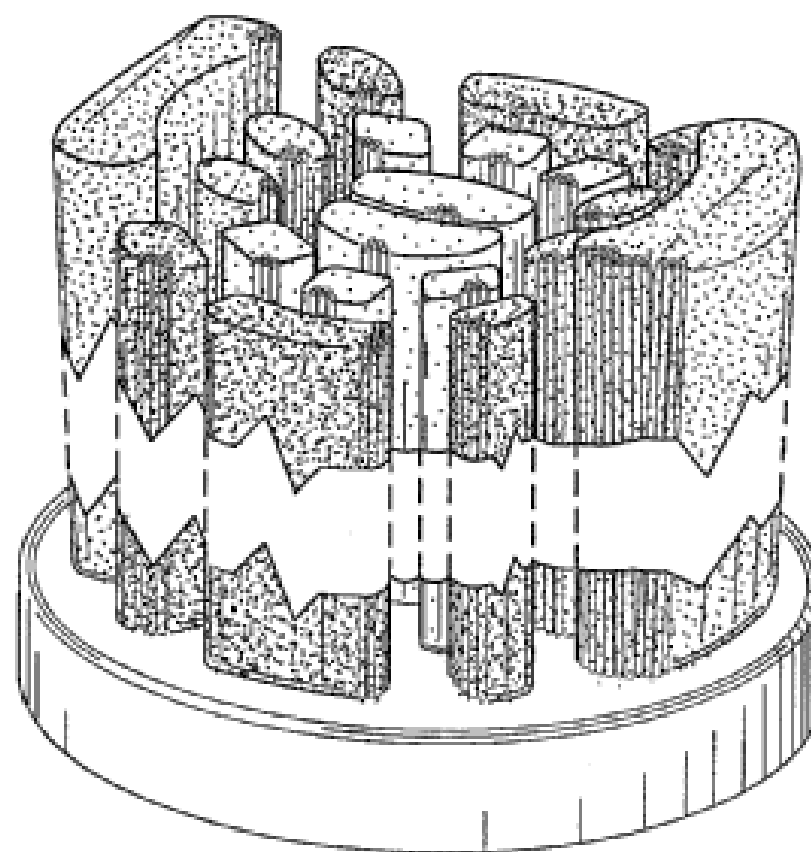
(56) Related Art Documents: **Not Applicable**

(57) Statement of Newness and Distinctiveness: **An Injection Moulded plastic product. Incorporates a texture relief on either side of the moulding.**



- (21) Design Number: 11576/2009
- (22) Date of Filing Application: 05 May 2009
- (24) Date from which industrial property rights may have effect: 05 May 2009
- (54) Product in respect of which the design is registered: Toothbrush head
- (51) International Design Classification: 04-02
- (71) Name(s) and Address(s) of Applicant(s):
The Procter & Gamble Company
One Procter & Gamble Plaza Cincinnati Ohio 45202 United States of America
- (72) Name(s) of Designer(s): **George Driesen and Michael Schmid and Rory McGarry and Eva Susanne Dominique Thurnay**
- (45) Registration Date: 12 May 2009
- (30) Convention priority data:

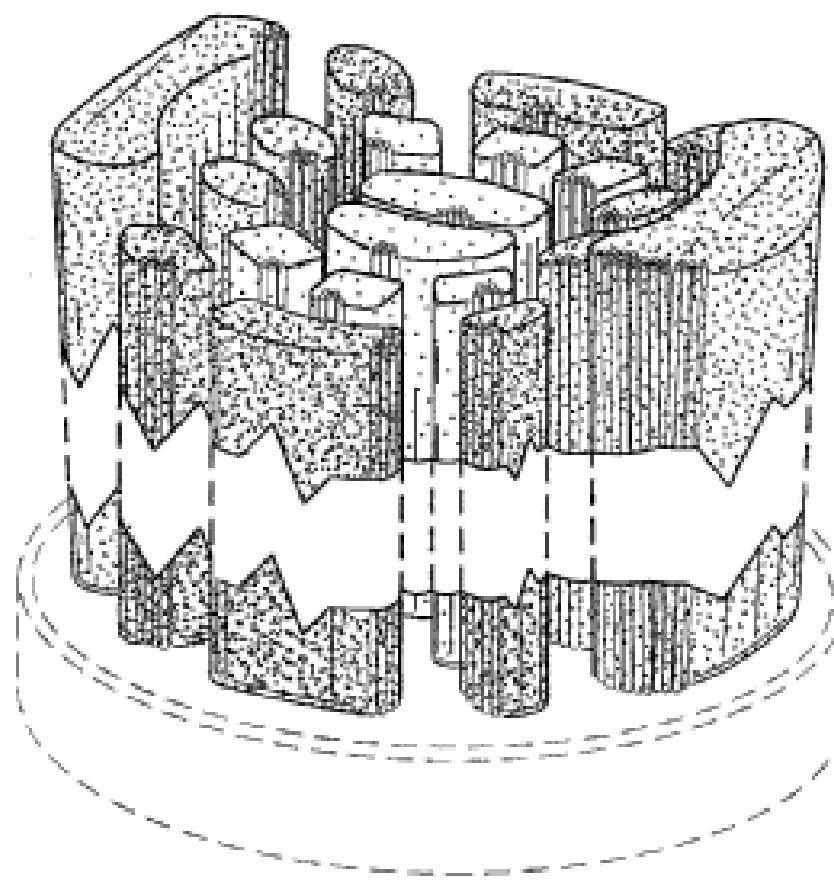
(31) Number	(32) Date	(33) Country
29/312,682	06 Nov 2008	UNITED STATES OF AMERICA
- (56) Related Art Documents: **Not Applicable**



(57) Statement of Newness and Distinctiveness: **The design is to be applied to a toothbrush head, and newness and distinctiveness reside in the features of shape and/or configuration of the portion of the toothbrush head shown in the representations. The toothbrush head has the portion shown in the representations and a remainder portion, but the remainder portion is not shown in the representations because the remainder portion does not form part of the design for which newness and distinctiveness are being claimed. The tufts are formed by a plurality of bristles. The pairs of adjacent and spaced-apart jagged lines in the tufts of bristles form no part of the claimed design, and the portions between said pairs of jagged lines are broken away to indicate indeterminate length of tufts of bristles. The endless straight/curved lines outlining the contours of individual tufts of bristles in the top and perspective views represent boundaries of said tufts of bristles and form no part of the claimed design. Pluralities of individual bristles shown, for convenience, only partially in each of the tufts continue throughout and fill respective tufts in accordance with the contours outlined by said endless straight/curved lines. The shading of differential-density stippled patterns indicates differential colours of the tufts of the bristles, and newness and distinctiveness additionally reside in the features of pattern and/or ornament provided by the differential colours of the tufts of bristles.**

- (21) Design Number: 11577/2009
- (22) Date of Filing Application: 05 May 2009
- (24) Date from which industrial property rights may have effect: 05 May 2009
- (54) Product in respect of which the design is registered: Toothbrush head
- (51) International Design Classification: 04-02
- (71) Name(s) and Address(s) of Applicant(s):
The Procter & Gamble Company
One Procter & Gamble Plaza Cincinnati Ohio 45202 United States of America
- (72) Name(s) of Designer(s): **George Driesen and Michael Schmid and Rory McGarry and Eva Susanne Dominique Thurnay**
- (45) Registration Date: 12 May 2009
- (30) Convention priority data:

(31) Number	(32) Date	(33) Country
29/312,681	06 Nov 2008	UNITED STATES OF AMERICA
- (56) Related Art Documents: **Not Applicable**



(57) Statement of Newness and Distinctiveness: **The design is to be applied to a toothbrush head, and newness and distinctiveness reside in the features of shape and/or configuration of the portion of the toothbrush head shown in solid lines in the representations. Newness and distinctiveness are not claimed for the portion of the toothbrush head shown in broken lines in the representations which forms no part of the claimed design. The toothbrush head has the portion shown in the representations and a remainder portion, but the remainder portion is not shown in the representations because the remainder portion does not form part of the design for which newness and distinctiveness are being claimed. The tufts are formed by a plurality of bristles. The pairs of adjacent and spaced-apart jagged lines in the tufts of bristles form no part of the claimed design, and the portions between said pairs of jagged lines are broken away to indicate indeterminate length of tufts of bristles. The endless straight/curved lines outlining the contours of individual tufts of bristles in the top and perspective views represent boundaries of said tufts of bristles and form no part of the claimed design. Pluralities of individual bristles shown, for convenience, only partially in each of the tufts continue throughout and fill respective tufts in accordance with the contours outlined by said endless straight/curved lines. The shading of differential-density stippled patterns indicates differential colours of the**

tufts of the bristles, and newness and distinctiveness additionally reside in the features of pattern and/or ornament provided by the differential colours of the tufts of bristles.

(12) AUSTRALIAN REGISTERED DESIGN
(19) AU

(11) AU-S- 325952

(21) Design Number: **10200/2009**

(22) Date of Filing Application: **28 January 2009**

(24) Date from which industrial property rights may have effect: **28 January 2009**

(54) Product in respect of which the design is registered: **Lighting assembly**

(51) International Design Classification: **26-06**

(71) Name(s) and Address(s) of Applicant(s):

Roadvision Pty Ltd

PO Box 2761 Rowville Victoria 3178 Australia

(72) Name(s) of Designer(s): **Gary Parker**

(45) Registration Date: **13 May 2009**

(56) Related Art Documents: **Not Applicable**

(57) Statement of Newness and Distinctiveness: **The features of shape and configuration of the lighting assembly as shown in the representations accompanying this application are new and distinctive. The newness and distinctiveness of the lighting assembly resides in the shape and configuration of a vehicle combination lamp assembly consisting of a single mounting base with enclosed back incorporating a combination of 2 or 3 lenses and 1 reflector situated to the side of the lenses as illustrated in the accompanying representations. The form of the pattern and ornamentation of the shading applied to the surface of the reflectors and lenses are to be disregarded in determining the newness and distinctiveness of the visual features of shape and configuration and the monopoly of the design as the shading is merely used to convey the distinction between the lenses, reflector and base of the lighting assembly in the accompanying representations.**



(21) Design Number: **10201/2009**

(22) Date of Filing Application: **28 January 2009**

(24) Date from which industrial property rights may have effect: **28 January 2009**

(54) Product in respect of which the design is registered: **Lighting assembly**

(51) International Design Classification: **26-06**

(71) Name(s) and Address(s) of Applicant(s):

**Roadvision Pty Ltd
PO Box 2761 Rowville Victoria 3178 Australia**

(72) Name(s) of Designer(s): **Gary Parker**

(45) Registration Date: **13 May 2009**

(56) Related Art Documents: **Not Applicable**

(57) Statement of Newness and Distinctiveness: **The features of shape and configuration of the lighting assembly as shown in the representations accompanying this application are new and distinctive. The newness and distinctiveness of the lighting assembly resides in the shape and configuration of a vehicle combination lamp assembly consisting of a single mounting base with enclosed back incorporating a combination of 2 or 3 lenses and 1 reflector situated to the side of the lenses as illustrated in the accompanying representations. The form of the pattern and ornamentation of the shading applied to the surface of the reflectors and lenses are to be disregarded in determining the newness and distinctiveness of the visual features of the shape and configuration and the monopoly of the design as the shading is merely used to convey the distinction between the lenses, reflector and base of the lighting assembly in the accompanying representations.**



(21) Design Number: **11252/2009**

(22) Date of Filing Application: **14 April 2009**

(24) Date from which industrial property rights may have effect: **14 April 2009**

(54) Product in respect of which the design is registered: **Marina fingers**

(51) International Design Classification: **12-06NES**

(71) Name(s) and Address(s) of Applicant(s):

**Hotsun Holdings Pty Ltd as trustee for Hogan Investment Trust
20 Demand Avenue Arundel Queensland 4214 Australia**

(72) Name(s) of Designer(s): **Luke James Kirkwood**

(45) Registration Date: **13 May 2009**

(56) Related Art Documents: **Not Applicable**

(57) Statement of Newness and Distinctiveness: **Typical Marina fingers are square or semi-circle unlike the bow design which represents the front of a boat and also assists with smooth berthing of vessels.**

