



Australian Government

IP Australia

AUSTRALIAN OFFICIAL JOURNAL

OF

DESIGNS

Did you know a searchable version of this journal is now available online?
It's FREE and EASY to SEARCH.

Find it at

<http://pericles.ipaustralia.gov.au/ols/epublish/content/olsEpublications.jsp>
or using the "Online Journals" link on the IP Australia home page.

This Page Left Intentionally Blank

Contents

General Information & Notices

Proceedings Under the Designs Act 1906 preserved as a result of the provisions of Chapter 12 Part 2 of the Designs Act 2003

Extension of Period of Registration of Designs	2012
Names Registered - Alterations and Amendments	2013
Registrations Ceased	2012
Subsequent Owners Registered	2012

Proceedings Under the Designs Act 2003

Applications Lapsed	2021
Applications Lodged	2017
Certificate of Examination	2024
Extension of Period of Registration of Design	2023
Extension of Time Granted Under Section 137	2023
Names Registered - Alterations and Amendments	2023
Publication and Registration Proceedings	
Designs Registered 325955 to 326125.....	2025
Registrations Ceased	2023
Subsequent Owners Registered	2023

This Page Left Intentionally Blank

For information on the following please see our website www.ipaustralia.gov.au or contact our Customer Service Network on 1300651010

[Editorial enquiries](#)

[Contact information](#)

[Freedom of Information ACT](#)

[Professional Standards Board](#)

[Sales](#)

[Requests for Information under Section 194 \(c\)](#)

[Country Codes](#)

[Trade Mark and Designs Hearing Sessions](#)

[INID \(Internationally agreed Numbers for the Identification of Data\)](#)

“INID” NUMBERS in use on Australian Design Documents

“INID” is an acronym for “Internationally agreed Numbers for the Identification of Data”.

(10) Data concerning the registration/renewal

- (11) Serial number of the registration and/or number of the design document
- (12) Plain language designation of the kind of published document
- (19) Identification, using the two-letter code according to WIPO Standard ST.3, of the authority publishing or registering the industrial design

(20) Data concerning the application

- (21) Serial number of the application
- (22) Date of filing of the application
- (24) Date from which the industrial design right has effect

(30) Data relating to priority under the Paris Convention

- (31) Serial number assigned to the priority application
- (32) Date of filing of the priority application
- (33) Two-letter code, according to WIPO Standard ST.3, identifying the authority with which the priority application was made

(40) Date(s) of making information available to the public

- (45) Date of publication of the registered industrial design by printing or similar process, or making it available to the public by any other means

(50) Miscellaneous Information

- (51) International Classification for Industrial Designs (class and subclass of the Locarno Classification)
- (54) Designation of article(s) or product(s) covered by the industrial design or title of the industrial design
- (55) Reproduction of the industrial design (e.g., drawing, photograph) and explanations relating to the reproduction
- (56) List of prior art documents, if separate from descriptive text
- (57) Description of characteristic features of the industrial design including indication of colours

(60) References to other legally related application(s) and registration(s)

- (62) Serial number(s) and, if available, filing date(s) of application(s), registration(s) or document(s) related by division
- (66) Serial number(s) of the application, or the registration, of the design(s) which is (are) a variant(s) of the present one

(70) Identification of parties concerned with the application or registration

- (71) Name(s) and address(es) of the applicant(s)
- (72) Name(s) of the creator(s) if known to be such
- (74) Name(s) and address(es) of the representative(s)

This Page Left Intentionally Blank

Official Notice**Designs Act 2003
Amendments to Registered Designs at Examination**

The following amendments have been made to details previously published in the Australian Official Journal of Designs during the Examination process:

Registration Numbers	Amendment type	New details
322327	Classification	09-01Z, 09-01G
322772	Classification	09-03Z, 09-03M
323731	Classification	09-05Z
323737	Classification	09-01Z
323738	Classification	09-01Z

Contact: IP Australia
Phone: 1300 651 010
Fax: +61 2 6283 7999
E-mail: assist@ipaustralia.gov.au
Web: www.ipaustralia.gov.au

Proceedings under the Designs Act 1906 preserved as a result of the provisions of Chapter 12 Part 2 of the Designs Act 2003.

This Page Left Intentionally Blank

Applications Lapsed

There were no Applications Lapsed under this section

Extension of Period of Registration of Designs

2nd Period (Section 27A(12))

152510	152511	152581
152582	152583	152584
152602	152618	152657
152658	152710	152715
152719	152742	152812
152816	153002	153035
153200	153220	153238
153273	153274	153305
153410	153411	153449
153487	153516	153517
153583	153613	153655
153677	153722	153774
153992	153996	154149
154290	155100	155354
155389	156325	156403
157095	157804	157805
157806	157807	157808
157809	157810	157811
157812	157813	157814
157978		

3rd Period (Section 27A(13))

134934	135081	135102
135325	135368	135369
135370	135465	135466
135485	135562	135563
135721	135875	135886
135940	135987	135988
136033	136073	136079
136270	136521	136560
136588	136594	136634
136640	137011	137135
137136	137210	137305
137582	138169	138234
138235	138368	138732
139102	139103	139222
139772	139953	140226
141949		

119479	119830	119971
119976	120393	120468
120596	120597	120716
120717	120718	120719
120727	121877	121996
122039	122087	122093
122139	122197	122637
122804	122927	123146
124380	132500	133854
133875	133876	133886
133889	133890	133915
133973	134114	134255
134386	135645	135863
136088	136329	136677
136825	137110	137286
137334	137335	138127
138128	139208	139257
143181	143182	150039
150040	150487	150610
150611	150613	150614
150615	150616	150617
150618	150619	150620
150621	150622	150623
150663	150664	150665
150666	150667	150680
150720	150721	150722
150925	151124	151125
151439	151472	151513
151591	151727	151746
151747	151855	151856
151857	151879	151880
151881	152014	152017
152481	152567	152935
153464	153748	153765
153894	154032	155565
155567	155568	155569
155570	155571	155572
155573	155574	155581
155852	155853	155854
155855	156161	158347
158354	158355	158356
158357		

Subsequent Owners Registered

(The name in parentheses is that of the subsequent owner)

Registrations Ceased

Note: Some of the following Registrations may have been previously advertised as ceased. In this instance, the previous advertisement still prevails.

117386	117470	117596	145980	(Mars Australia Pty Ltd) Mars Incorporated
118040	118530	118731	154968	(Mars Australia Pty Ltd) Mars Incorporated
118798	118799	118800	155101	(Mars Australia Pty Ltd) Mars Incorporated
118801	118832	118861	155208	(Mars Australia Pty Ltd) Mars Incorporated
118862	118919	118927	155821	(Mars Australia Pty Ltd) Mars Incorporated
118928	119004	119028	156372	(Mars Australia Pty Ltd) Mars Incorporated
119033	119125	119240	158194	(Mars Australia Pty Ltd) Mars Incorporated
119458	119464	119465	158404	(Mars Australia Pty Ltd) Mars Incorporated
			140785	(Mars Australia Pty Ltd) Mars Incorporated
			157961	(Mars Australia Pty Ltd) Mars Incorporated

Names Registered - Alterations and Amendments

(The name in parentheses is the new name of the proprietor)

151902 **(Panasonic Corporation)** Matsushita Electric Industrial
Co. Ltd

151903 **(Panasonic Corporation)** Matsushita Electric Industrial
Co. Ltd

This Page Left Intentionally Blank

Proceedings under the Designs Act 2003.

This Page Left Intentionally Blank

Applications Lodged

Lodgement information is in the following order: **Applicant's Name**; International Classification, Name of Product, Lodgement Date and **Design Number**. If the applicant claims an earlier priority date under an International Convention, the Convention Country and the associated filing date are shown in parentheses before the Lodgement Date. Divisional information will also appear in parentheses before the Lodgement Date.

Anest Iwata Corporation; 08-05L, Hand held air spray gun, (JP, 28 Nov 2008) 19 May 2009	11814/2009	Bridgestone Corporation; 12-15A, Automobile tyre, 21 May 2009	11865/2009
Anest Iwata Corporation; 08-05L, Hand held air spray gun, (JP, 28 Nov 2008) 19 May 2009	11815/2009	Bridgestone Corporation; 12-15A, Automobile tyre, 21 May 2009	11863/2009
Arbortech Industries; 08-03, Switch-box blade, 22 May 2009	11875/2009	Bridgestone Corporation; 12-15A, Automobile tyre, 21 May 2009	11864/2009
Arbortech Industries; 08-03, Tuck-pointing blade, 22 May 2009	11876/2009	Brown & Watson International Pty Ltd; 13-02, Battery charger, 18 May 2009	11800/2009
Arbortech Industries Ltd; 08-03, General-purpose blade, 22 May 2009	11877/2009	Brown & Watson International Pty Ltd; 13-02, Battery charger, 18 May 2009	11801/2009
Arbortech Industries Ltd; 08-03, Plunge blade, 22 May 2009	11878/2009	BRITA GMBH; 10-04, Meter, (DE, 10 Dec 2008) 21 May 2009	11855/2009
Arlec Australia Pty Ltd; 09-05, Blister pack, 22 May 2009	11872/2009	Callaway Golf Company; 21-02C, Iron club head, (US, 25 Nov 2008) 22 May 2009	11869/2009
ADC Communications (Australia) Pty Limited; 99-00, Chassis, 21 May 2009	11857/2009	Carl Freudenberg KG; 05-05B, Fabric, (EM, 19 Nov 2008) 30 Apr 2009	11827/2009
Baker, Kevin John; 25-01F, Roof tile, 13 May 2009	11730/2009	Challenge Implements Holdings Pty Limited; 10-04, Counterweight, 25 May 2009	11894/2009
Berry-Smith, Matthew Philip; 19-06, A cooler/holder template for bottles or cans containing liquids, 26 May 2009	11896/2009	Chef'n Corporation; 07-05D, 23-02A, Towel holder, (US, 02 Dec 2008) 19 May 2009	11813/2009
Berry-Smith, Matthew Philip; 19-06, A cooler/holder template for bottles or cans containing liquids, 26 May 2009	11897/2009	Chem Plastics Pty Ltd; 09-07A, Closure, 18 May 2009	11808/2009
Berry-Smith, Matthew Philip; 19-06, A cooler/holder template for bottles or cans containing liquids, 26 May 2009	11898/2009	Cleatskins; 02-04A, Cover for cleated shoe, (US, 24 Nov 2008) 15 May 2009	11793/2009
Berry-Smith, Matthew Philip; 19-06, A cooler/holder template for bottles or cans containing liquids, 26 May 2009	11895/2009	Cleatskins; 02-04B, Cover for cleated shoe, (US, 24 Nov 2008) 14 May 2009	11738/2009
Black & Decker, Inc.; 13-02, Battery pack, (EM, 14 Nov 2008) 14 May 2009	11748/2009	Colgate-Palmolive Company; 04-02, Toothbrush, (US, 26 Nov 2008) 25 May 2009	11901/2009
Black & Decker, Inc.; 13-02, Battery pack, (EM, 14 Nov 2008) 14 May 2009	11749/2009	Colgate-Palmolive Company; 04-02, Toothbrush, (US, 26 Nov 2008) 25 May 2009	11903/2009
Black & Decker, Inc.; 13-02, Battery charger, (EM, 14 Nov 2008) 14 May 2009	11750/2009	Colgate-Palmolive Company; 04-02, Toothbrush, (US, 26 Nov 2008) 25 May 2009	11904/2009
Blooms; 02-02NES, Womens fashion clothing, 22 May 2009	11884/2009	Colgate-Palmolive Company; 04-02, Toothbrush, (US, 26 Nov 2008) 25 May 2009	11905/2009
Blooms; 02-02NES, Womens fashion clothing, 22 May 2009	11883/2009	Colgate-Palmolive Company; 04-02, Toothbrush, (US, 26 Nov 2008) 25 May 2009	11906/2009
Breville Pty Limited; 31-00, Blender, 13 May 2009	11729/2009	Coopers Brewery Limited; 31-00, Beer fermenter body, 15 May 2009	11902/2009

Coopers Brewery Limited; 31-00, Beer fermenter height extension collar, 15 May 2009	11774/2009	Elite Dogstands Ltd; 30-03, Bowl and stand, 22 May 2009	11880/2009
Coopers Brewery Limited; 23-01H, Tap, 15 May 2009	11775/2009	Fred Bergman Healthcare Pty Ltd; 10-05, Sensor/sensor tip, 21 May 2009	11868/2009
Coopers Brewery Limited; 31-00, 09-07B, Beer fermenter lid, 15 May 2009	11773/2009	Fujitsu General Limited; 23-04, Air conditioner, (JP, 17 Nov 2008) 15 May 2009	11763/2009
Daikin Industries Ltd; 23-04, Converter, 25 May 2009	11893/2009	Fujitsu General Limited; 23-04, Air conditioner, (JP, 17 Nov 2008) 15 May 2009	11764/2009
Daikin Industries Ltd; 23-04, Air conditioner, (JP, 17 Apr 2009) 26 May 2009	11913/2009	Fujitsu General Limited; 23-04, Outdoor unit of an air conditioner, (JP, 17 Nov 2008) 15 May 2009	11765/2009
Daikin Industries Ltd; 23-04, Air conditioner, (JP, 17 Apr 2009) 26 May 2009	11911/2009	Glidestore Freetrack Pty Ltd; 25-01K, Side extrusion, 12 May 2009	11731/2009
Daikin Industries Ltd; 23-04, Air conditioner, (JP, 17 Apr 2009) 26 May 2009	11912/2009	Glidestore Freetrack Pty Ltd; 25-01K, Centre extrusion, 12 May 2009	11732/2009
Daikin Industries Ltd.; 23-04, Air conditioner, (JP, 12 Feb 2009) 20 May 2009	11847/2009	Glidestore Freetrack Pty Ltd; 25-01K, Roll post cover extrusion, 12 May 2009	11733/2009
Daikin Industries Ltd.; 23-04, Air conditioner, (JP, 12 Feb 2009) 20 May 2009	11846/2009	Grant Olver Investments, trading as Pilgrim Clothing Pty Ltd.; 02-02C, Ladies garments, 15 May 2009	11785/2009
Daikin Industries Ltd.; 23-04, Air conditioner, (JP, 12 Feb 2009) 20 May 2009	11848/2009	Green Glass Trading; 08-08B, The ground screw, the sand screw, the marquee peg, and the sand holder, 21 May 2009	11851/2009
Daley, Maria Isabel; 06-01E, 21-01M, Jigsaw chair: simultaneously an educational toy and a piece of furniture. The jigsaw chair disassembles to make, a flat jigsaw puzzle., 18 May 2009	11787/2009	Grey, Winston; 15-99, Mixer, 21 May 2009	11858/2009
Dart Industries Inc.; 07-01NES, Container, (US, 22 Dec 2008) 20 May 2009	11844/2009	Guerlain Societe Anonyme; 09-01G, Flask for perfumery products, (EM, 26 Nov 2008) 25 May 2009	11899/2009
Dart Industries Inc.; 07-02N, Steamer, (US, 22 Dec 2008) 20 May 2009	11842/2009	Half A Teaspoon Pty Ltd; 09-01NES, 23-01G, 321 Water - A re-usable water bottle with a built-in filter to purify tap water, 14 May 2009	11741/2009
Dart Industries Inc.; 07-02H, 07-02N, Steamer with cover, (US, 22 Dec 2008) 20 May 2009	11843/2009	Hamlon Pty Ltd; 20-02E, Display shelf, 14 May 2009	11740/2009
Didier, Ross; 06-01H, Slat lounge chair, 26 May 2009	11930/2009	Hamlon Pty Ltd; 20-02E, Display shelf, 14 May 2009	11739/2009
Didier, Ross; 06-06E, Table frame, 26 May 2009	11915/2009	Hatzis Holdings Pty Ltd; 02-02NES, Dress, 18 May 2009	11821/2009
Downee; 08-06, Screw in gudgeon, 18 May 2009	11826/2009	Hatzis Holdings Pty Ltd; 02-02C, Dress, 18 May 2009	11822/2009
Downee; 08-06, Adjustable bolt through gudgeon, 18 May 2009	11873/2009	Hatzis Holdings Pty Ltd; 02-02NES, Dress, 18 May 2009	11823/2009
Downee; 25-01E, Single fence cap for rolled profile fence posts, 20 May 2009	11861/2009	Hatzis Holdings Pty Ltd; 02-02NES, Dress, 18 May 2009	11820/2009
Downee; 25-01E, Double fence cap for rolled profile fence posts, 20 May 2009	11862/2009	Huhtamaki Australia Pty Limited; 07-01NES, Container base, 15 May 2009	11770/2009
Elite Dogstands Ltd; 30-03, Bowl, (EM, 24 Nov 2008) 22 May 2009	11879/2009	Huhtamaki Australia Pty Limited; 09-03NES, Container base, 15 May 2009	11769/2009
		Huhtamaki Australia Pty Limited; 09-03NES, Container base, 15 May 2009	11788/2009
		Huhtamaki Australia Pty Limited; 07-01NES, Container base, 15 May 2009	11771/2009

Huhtamaki Australia Pty Limited; 09-03NES, Container base, 15 May 2009	11786/2009	Leatherman Tool Group, Inc.; 08-03, Wire cutter, (US, 14 Apr 2009) 22 May 2009	11890/2009
HS Industrial Supplies Pty Ltd; 06-13B, Baby wrap, baby blanket, 18 May 2009	11810/2009	Leatherman Tool Group, Inc.; 08-03, Thumb groove and hand tool, (US, 14 Apr 2009) 25 May 2009	11907/2009
Impedimed Limited; 13-03NES, Electrode Pad, 18 May 2009	11809/2009	Leatherman Tool Group, Inc.; 08-03, Lever, (US, 14 Apr 2009) 22 May 2009	11891/2009
Kabushiki Kaisha Toshiba, also Trading as Toshiba Corporation; 14-01, A portion of a television receiver, (JP, 21 Nov 2008) 20 May 2009	11852/2009	Lego A/S; 21-01E, A toy building element, (EM, 28 Nov 2008) 20 May 2009	11836/2009
Karahangil, Mustafa; 23-02B, RF welded shower tray, 25 May 2009	11924/2009	Lego A/S; 21-01E, A toy building element, (EM, 28 Nov 2008) 20 May 2009	11838/2009
Kennard, Daniel J.; 08-05K, Beam to the fixed handle screed, 25 May 2009	11892/2009	Lego A/S; 21-01E, A toy building element, (EM, 28 Nov 2008) 20 May 2009	11839/2009
Kennard, Daniel J.; 08-05K, Handle to the fixed handle screed, 25 May 2009	11870/2009	Lego A/S; 21-01E, A toy building element, (EM, 28 Nov 2008) 20 May 2009	11834/2009
Kennard, Daniel J.; 08-05K, Assembled fixed handle screed, 25 May 2009	11871/2009	Lego A/S; 21-01E, A toy building element, (EM, 28 Nov 2008) 20 May 2009	11835/2009
Kennard, Daniel J.; 08-08L, 08-05K, Bracket to the fixed handle screed, 25 May 2009	11874/2009	Lego A/S; 21-01E, A toy building element, (EM, 28 Nov 2008) 20 May 2009	11837/2009
Kimberly-Clark Worldwide, Inc.; 08-07, Locked valve body, (US, 10 Dec 2008) 15 May 2009	11790/2009	Lego A/S; 21-01E, A toy building element, (EM, 28 Nov 2008) 20 May 2009	11840/2009
Kimberly-Clark Worldwide, Inc.; 08-07, Unlocked valve body, (US, 10 Dec 2008) 15 May 2009	11791/2009	Lidl Stiftung & Co. KG; 09-01H, Bottle, (WO, 16 Mar 2009) 18 May 2009	11804/2009
Kingsley Enterprises; 12-16NES, X-Trax II, 15 May 2009	11811/2009	Louet-Feisser, Darren; 08-05M, Soldering iron, (EM, 19 Nov 2008) 15 May 2009	11777/2009
Kirkham, Stephanie Catherine; 02-01A, For inclusion in activewear, for example: swimwear; sports bra; spoertswear., 19 May 2009	11805/2009	Louet-Feisser, Darren; 08-05M, Soldering iron, (EM, 19 Nov 2008) 15 May 2009	11776/2009
Klopper, Sally Caroline; 06-01F, Chair and foldable blank for forming same, 15 May 2009	11762/2009	Louet-Feisser, Darren; 08-05M, Soldering iron, (EF, 19 Nov 2008) 15 May 2009	11778/2009
Koninklijke Philips Electronics N.V.; 14-01, Digital audio player, (EM, 18 Nov 2008) 15 May 2009	11781/2009	Ludowici Australia Pty Ltd; 15-99, Particle classifier, 14 May 2009	11737/2009
Koninklijke Philips Electronics N.V.; 14-01, Digital audio player, (EM, 18 Nov 2008) 15 May 2009	11782/2009	Ludowici Australia Pty Ltd; 15-99, Particle classifier, 14 May 2009	11736/2009
Koninklijke Philips Electronics N.V.; 14-01, Digital audio player, (EM, 18 Nov 2008) 15 May 2009	11783/2009	Mars, Incorporated; 01-06, Pet chew, (US, 14 Jan 2009) 21 May 2009	11860/2009
Koninklijke Philips Electronics N.V.; 14-01, Digital audio player, (EM, 18 Nov 2008) 15 May 2009	11780/2009	Mars, Incorporated; 01-06, Pet chew, (US, 14 Jan 2009) 21 May 2009	11859/2009
Koninklijke Philips Electronics N.V.; 14-01, Digital audio player, (EM, 18 Nov 2008) 15 May 2009	11779/2009	Max Enterprises Trust; 22-06, Termite monitoring and eradication, 21 May 2009	11833/2009
KMC Foods (Singapore) Pte Ltd; 09-05, Pouch, 21 May 2009	11867/2009	Mayo Group International; 06-13NES, Outdoor furniture cover, octagonal shape, 5 piece table setting, 22 May 2009	11920/2009

Meher Trailer Products Pty Ltd; 12-16L, Jockey wheel, 21 May 2009	11830/2009	PSI Systems, Inc.; 19-08, Postage stamp label sheet, (US, 21 Nov 2008) 20 May 2009	11845/2009
Mohilla Pty Ltd; 06-04NES, 16-06, A stand in the design of a nose for the purpose of holding spectacles, 19 May 2009	11825/2009	Quins Group Pty Ltd; 21-01B, A wooden figure toy, 19 May 2009	11807/2009
Multiform Industries Pty. Ltd.; 08-08D, 08-05F, Clamping tool, 19 May 2009	11819/2009	Quins Group Pty Ltd; 21-01C, A wooden vehicle toy, 19 May 2009	11806/2009
Multiform Industries Pty. Ltd.; 08-05NES, 08-08NES, Adhesive collector tray, 19 May 2009	11818/2009	Reckitt & Colman (Overseas) Limited; 09-01NES, Dispenser, (EM, 20 Nov 2008) 14 May 2009	11746/2009
Nalco Crossbow Water LLC; 23-01F, Bottom entry water treatment tank, (US, 24 Nov 2008) 22 May 2009	11881/2009	Reckitt & Colman (Overseas) Limited; 09-01NES, Dispenser, (EM, 20 Nov 2008) 14 May 2009	11747/2009
Nissan Jidosha Kabushiki Kaisha, also trading as Nissan Motor Co., Ltd.; 12-16C, Front bumper for automobile, (JP, 26 Nov 2008) 25 May 2009	11900/2009	Rhino Manufacturing Limited; 99-00, A mounting device, (NZ, 23 Apr 2009) 15 May 2009	11767/2009
NCI Holdings Pty Ltd; 09-03L, Container with lid, 25 May 2009	11909/2009	Rhino Manufacturing Limited; 99-00, A mounting device, (NZ, 23 Apr 2009) 15 May 2009	11768/2009
NCI Holdings Pty Ltd; 09-03L, Container with lid, 25 May 2009	11908/2009	Roadside Products Pty Ltd; 25-02A, Anchor post, 20 May 2009	11841/2009
Omron Healthcare Co., Ltd.; 10-04, Thermometer, (JP, 05 Dec 2008) 26 May 2009	11914/2009	Sanyang Industry Co., Ltd.; 12-11, Motorcycle, 19 May 2009	11812/2009
Palmeira, Andre Luiz Esteves; 99-00, Set up applied to sale, propaganda marketing or disclosure equipment, (BR, 24 Nov 2008) 20 May 2009	11828/2009	Schopf, John Michael; 08-08NES, Panel support bracket for fences, balustrades and the like, 20 May 2009	11831/2009
Park, Rin-Soon; 13-02, Silicon wafer for solar battery, (KR, 22 Nov 2008) 21 May 2009	11866/2009	Schot, Neville; 23-04, Air vent face plate, 13 May 2009	11753/2009
Parkinson, Sam; 21-02C, A golf putter head, 18 May 2009	11824/2009	Senator GmbH & Co. KGaA; 19-06, Writing instrument, (DE, 04 Dec 2008) 22 May 2009	11882/2009
Parkinson, Sam; 21-02C, A golf putter head, 15 May 2009	11789/2009	Shoes for Crews, LLC; 02-04B, Boot tread, (US, 26 Nov 2008) 26 May 2009	11916/2009
Perusahaan Otomobil Nasional SDN. BHD.; 12-16NES, Floor console, (MY, 27 Nov 2008) 19 May 2009	11794/2009	Skancard ApS; 19-08, A treatment card, (EM, 19 Nov 2008) 18 May 2009	11802/2009
Perusahaan Otomobil Nasional SDN. BHD.; 12-16NES, Gear knob, (MY, 27 Nov 2008) 19 May 2009	11795/2009	Skins International Trading AG; 02-02NES, Upper body garment, 21 May 2009	11887/2009
Perusahaan Otomobil Nasional SDN. BHD.; 12-16H, Side mirror, (MY, 27 Nov 2008) 19 May 2009	11796/2009	Skins International Trading AG; 02-02C, Lower body garment, 21 May 2009	11886/2009
Perusahaan Otomobil Nasional SDN. BHD.; 12-16NES, Instrument panel, (MY, 27 Nov 2008) 19 May 2009	11797/2009	Skins International Trading AG; 02-02C, Lower body garment, 21 May 2009	11885/2009
Perusahaan Otomobil Nasional SDN. BHD.; 12-16NES, Meter cluster, (MY, 27 Nov 2008) 19 May 2009	11798/2009	Sony Ericsson Mobile Communications AB; 14-03A, Earpiece, (EM, 19 Nov 2008) 15 May 2009	11792/2009
Plum Products Ltd; 07-02E, Barbeque, (EM, 27 Nov 2008) 15 May 2009	11784/2009	Sportsgirl Pty Ltd; 02-02C, various garments, 13 May 2009	11728/2009
Prestige Pillows & Linen Pty Ltd; 06-13B, Prestige twin layer mattress topper, 21 May 2009	11832/2009	Staples the Office Superstore, LLC; 19-04, Adjustable tab divider, (US, 01 Dec 2008) 26 May 2009	11921/2009
		Staples the Office Superstore, LLC; 19-04, Tab divider, (US, 02 Dec 2008) 26 May 2009	11922/2009

StickySignz; 19-08, Safe tap stickers - (self adhesive waterproof stickers designed to indicate the direction of use for mixer taps, in the bathroom, as an aid to scald prevention), 25 May 2009	11889/2009	Williams, Shari; 06-09, Coffin mattress, 19 May 2009	11799/2009
StickySignz; 19-08, Safe tap stickers - (self adhesive waterproof stickers designed to indicate the direction of use for hot and cold, taps in the bathroom, as an aid to scald prevention), 25 May 2009	11888/2009	Wookang Tech Co., Ltd.; 26-04, LED lamp, (KR, 24 Feb 2009) 19 May 2009	11817/2009
Storer, Graham; 19-01, Card design, 20 May 2009	11829/2009	Wookang Tech Co., Ltd.; 26-04, LED lamp, (KR, 24 Feb 2009) 19 May 2009	11816/2009
Stubbings, Henry; 08-08O, A plant-support arm for star dropper stake as (combination), 18 May 2009	11766/2009	Workplace Access & Safety Pty. Ltd.; 25-02NES, 08-06, Hatch grab bar, 27 May 2009	11925/2009
Suzhou Eagle Electric Vehicle Manufacturing Co., Ltd.; 12-08, Electric vehicle, (CN, 17 Jan 2009) 13 May 2009	11735/2009	Workplace Access & Safety Pty. Ltd.; 25-04, 25-01K, Ladder stile, 27 May 2009	11926/2009
Suzhou Eagle Electric Vehicle Manufacturing Co., Ltd.; 12-16B, Front end of a vehicle, 13 May 2009	11734/2009	Workplace Access & Safety Pty. Ltd.; 25-04, Ladder rung, 27 May 2009	11927/2009
Tabuhl Pty Limited; 23-02D, A water plug, 21 May 2009	11856/2009	Workplace Access & Safety Pty. Ltd.; 25-04, 25-01K, Stair stringer, 27 May 2009	11928/2009
The Gillette Company; 28-03A, Shaving razor cartridge, (US, 24 Nov 2008) 20 May 2009	11850/2009	Workplace Access & Safety Pty. Ltd.; 25-02NES, Hatch, 27 May 2009	11929/2009
The Gillette Company; 28-03A, Shaving razor, (US, 24 Nov 2008) 20 May 2009	11849/2009	Workright Safety Solutions Pty. Ltd.; 08-08NES, Keg locator, 26 May 2009	11923/2009
The Goodyear Tire & Rubber Company; 12-15D, Tyre for motorcycle, (JP, 03 Dec 2008) 26 May 2009	11919/2009	Zodiac Pool Care Europe; 23-01NES, Component of a liquid treatment device, (US, 14 Nov 2008) 14 May 2009	11744/2009
The Goodyear Tire & Rubber Company; 12-15D, Tyre for motorcycle, (JP, 03 Dec 2008) 26 May 2009	11917/2009	Zodiac Pool Care Europe; 23-01G, Filter, (US, 14 Nov 2008) 14 May 2009	11754/2009
The Goodyear Tire & Rubber Company; 12-15B, Tyre for automobile, (JP, 03 Dec 2008) 26 May 2009	11918/2009	Zodiac Pool Care Europe; 23-01G, Filter, (US, 14 Nov 2008) 14 May 2009	11755/2009
Top Idea Australia Pty Ltd; 30-04, , 18 May 2009	11803/2009	Zodiac Pool Care Europe; 23-01G, Filter, (US, 14 Nov 2008) 14 May 2009	11756/2009
Unilever PLC; 09-01G, Container with pump, (GB, 12 Dec 2008) 25 May 2009	11910/2009	Zodiac Pool Care Europe; 23-01G, Filter, (US, 14 Nov 2008) 14 May 2009	11757/2009
Vita-Mix Corporation; 31-00, Base of a blender, (US, 19 Nov 2008) 14 May 2009	11751/2009	Zodiac Pool Care Europe; 23-01G, Filter assembly, (US, 14 Nov 2008) 14 May 2009	11758/2009
Vita-Mix Corporation; 31-00, Enclosure for a blender, (US, 19 Nov 2008) 14 May 2009	11752/2009	Zodiac Pool Care Europe; 23-01G, Filter assembly, (US, 14 Nov 2008) 14 May 2009	11759/2009
Wei Guan Products Co., Ltd.; 12-12, Stroller frame, 20 May 2009	11854/2009	Zodiac Pool Care Europe; 23-01G, Filter assembly, (US, 14 Nov 2008) 14 May 2009	11760/2009
Wei Guan Products Co., Ltd.; 12-12, Stroller frame, 20 May 2009	11853/2009	Zodiac Pool Care Europe; 23-01G, Filter assembly, (US, 14 Nov 2008) 14 May 2009	11761/2009
		Zodiac Pool Care Europe; 23-01NES, Component of a liquid treatment device, (US, 14 Nov 2008) 14 May 2009	11745/2009
		Zodiac Pool Care Europe; 23-01NES, Component of a liquid treatment device, (US, 14 Nov 2008) 14 May 2009	11742/2009
		Zodiac Pool Care Europe; 23-01NES, Component of a liquid treatment device, (US, 14 Nov 2008) 14 May 2009	11743/2009

11431 / 2008 (06-08)	15233 / 2008 (02-02C)
15254 / 2008 (02-02C)	16091 / 2008 (02-02NES)
10386 / 2009 (06-06NES)	10387 / 2009 (06-06NES)
10634 / 2009 (09-01K)	10644 / 2009 (25-02K)
10689 / 2009 (25-03)	10692 / 2009 (08-08L)
10722 / 2009 (08-08NES)	10820 / 2009 (06-04C)

Extension of Period of Registration of Designs

300075	300104	300105
300108	300116	300335
300412	300481	301144
301171	301172	301189
301257	301258	301340

Registrations Ceased

315614	315615	315616
315617	315618	320286
320288	321536	

Extensions of time granted under Section 137

Applications lodged under section 137 for extension of time have been granted.

315598 **Lutron Electronics Co., Inc.**

315602 **Lutron Electronics Co., Inc.**

10251/2009 **Tru-Test Limited**

Subsequent Owners Registered

(The name in parentheses is that of the subsequent owner)

310091	(TS 1 Pty Ltd) pluscreate Pty Ltd
312322	(Battelle Memorial Institute) Ventaira Pharmaceuticals, Inc.
324634	(Stiletto Seeding Systems Pty Ltd) S&C Smart Pty Ltd
324635	(ADC GmbH) ADC Communications (Australia) Pty Limited
325019	(ADC GmbH) ADC Communications (Australia) Pty Limited
325063	(ADC GmbH) ADC Communications (Australia) Pty Limited
305554	(Mars Australia Pty Ltd) Mars Incorporated
305555	(Mars Australia Pty Ltd) Mars Incorporated
305556	(Mars Australia Pty Ltd) Mars Incorporated
312487	(Mars Australia Pty Ltd) Mars Incorporated
314432	(Mars Australia Pty Ltd) Mars, Incorporated
314433	(Mars Australia Pty Ltd) Mars, Incorporated
315943	(Mars Australia Pty Ltd) Mars, Incorporated
317704	(Mars Australia Pty Ltd) Mars, Incorporated
319347	(Mars Australia Pty Ltd) Mars Incorporated
319663	(Mars Australia Pty Ltd) Mars, Incorporated
319664	(Mars Australia Pty Ltd) Mars, Incorporated
319665	(Mars Australia Pty Ltd) Mars, Incorporated
320057	(Mars Australia Pty Ltd) Mars, Incorporated
321741	(Mars Australia Pty Ltd) Mars, Incorporated
319662	(Mars Australia Pty Ltd) Mars, Incorporated

Names Registered - Alterations and Amendments

(The name in parentheses is that of the subsequent applicant)

325331	(Haiku Design SDN BHD) Torus Technologies SDN BHD
--------	--

Certificate(s) of Examination

Examination of the following Design Registration(s) has been completed. Infringement proceedings may now be commenced.

321911	06-01F	25/05/2009
322099	08-05P	18/05/2009
322100	08-05P	18/05/2009
322101	08-05P	18/05/2009
322369	27-99	26/05/2009
322426	26-03	26/05/2009
322494	25-01E	19/05/2009
322495	25-01E	19/05/2009
322607	17-99	19/05/2009
322716	08-08NES	27/05/2009
322722	14-02	19/05/2009
322817	14-01	26/05/2009
322822	14-01	26/05/2009
322823	14-01	26/05/2009
322849	10-06	20/05/2009
323177	14-01	20/05/2009
323178	07-02L	25/05/2009
323179	07-02L	25/05/2009
323181	07-02L	18/05/2009
323240	15-05	27/05/2009
323320	12-15C	18/05/2009
323321	12-15C	19/05/2009
323322	12-15C	19/05/2009
323363	07-02L	19/05/2009
323415	12-15C	20/05/2009
323500	12-16A	28/05/2009
323501	12-16A	28/05/2009
323502	12-16A	28/05/2009
323503	12-16A	28/05/2009
323539	10-04	22/05/2009
323586	08-05P	25/05/2009
323590	09-07A	18/05/2009
323665	09-01K	25/05/2009
323732	09-01NES	19/05/2009
323734	09-01NES	19/05/2009
323776	14-03NES	15/05/2009
323806	25-04	22/05/2009
323807	25-04	19/05/2009
323816	26-06	21/05/2009
323858	06-06E	22/05/2009
323981	25-02NES	21/05/2009
323981	25-02NES	21/05/2009
323999	12-16M	27/05/2009
324112	25-02NES	21/05/2009
324113	25-02NES	21/05/2009
324139	15-05	27/05/2009
324195	25-02NES	21/05/2009
324210	06-01G	26/05/2009
324211	06-01G	26/05/2009
324304	20-02B	15/05/2009
324574	04-02	22/05/2009

Publication and Registration Proceedings

Designs Registered

This section provides a concordance between design number and registration number of Designs covered in this journal. It also shows the main class and registration date.

This section covers Registration numbers 325955 to 326125 .

The registration number shown below should be used in all future correspondence.

Design Number	Registration Number	International Classification Code (IDC)	Registration Date	Design Number	Registration Number	International Classification Code (IDC)	Registration Date
13438/2008	325955	26-05D	18/05/2009	11383/2009	325982	20-02NES	19/05/2009
13439/2008	325956	26-05D	18/05/2009	11384/2009	325983	14-03E	19/05/2009
15070/2008	326077	07-06NES	26/05/2009	11386/2009	325979	06-01L	18/05/2009
15238/2008	325974	20-03NES	18/05/2009	11388/2009	325997	09-01H	19/05/2009
15397/2008	326048	12-08	25/05/2009	11389/2009	325998	09-01H	19/05/2009
15398/2008	326049	12-16B	25/05/2009	11390/2009	325999	25-01A	19/05/2009
15402/2008	326013	06-04F	21/05/2009	11391/2009	325991	25-01A	19/05/2009
15403/2008	326014	06-04F	21/05/2009	11392/2009	325992	25-01A	19/05/2009
10208/2009	325975	23-04	18/05/2009	11393/2009	325993	25-01A	19/05/2009
10251/2009	325987	08-08K	19/05/2009	11394/2009	325994	25-01A	19/05/2009
10323/2009	325988	07-01C	19/05/2009	11395/2009	325995	09-01K	19/05/2009
10613/2009	326005	06-01L	20/05/2009	11398/2009	326004	08-01	20/05/2009
10614/2009	326006	06-01E	20/05/2009	11400/2009	325980	25-02C	18/05/2009
10615/2009	326007	06-01E	20/05/2009	11403/2009	326026	12-16L	21/05/2009
10616/2009	326008	06-03C	20/05/2009	11404/2009	326027	29-01	21/05/2009
10617/2009	326009	06-03C	20/05/2009	11406/2009	326001	20-03C	20/05/2009
10657/2009	326010	12-16L	20/05/2009	11407/2009	326002	20-03C	20/05/2009
10698/2009	325989	12-06A	19/05/2009	11408/2009	326003	25-02NES	20/05/2009
10719/2009	325957	21-02NES	18/05/2009	11410/2009	325978	09-07C	18/05/2009
10729/2009	325958	02-02A	18/05/2009	11411/2009	326029	25-04	21/05/2009
10730/2009	325959	02-02A	18/05/2009	11412/2009	326030	06-01D	21/05/2009
10731/2009	325960	02-02A	18/05/2009	11413/2009	326031	06-01D	21/05/2009
10732/2009	325961	02-02A	18/05/2009	11414/2009	326032	08-06	21/05/2009
10733/2009	325962	02-02A	18/05/2009	11415/2009	326033	15-03NES	21/05/2009
10734/2009	325963	02-02A	18/05/2009	11431/2009	326011	12-16NES	21/05/2009
10735/2009	325964	02-02A	18/05/2009	11450/2009	326016	25-01K	21/05/2009
10736/2009	325965	02-02A	18/05/2009	11451/2009	325972	06-01E	18/05/2009
10737/2009	325966	02-02A	18/05/2009	11452/2009	326017	19-02	21/05/2009
10807/2009	326091	06-04E	26/05/2009	11454/2009	326018	02-06	21/05/2009
10832/2009	326024	10-06	21/05/2009	11455/2009	326019	09-03M	21/05/2009
10833/2009	326025	10-06	21/05/2009	11456/2009	326020	09-03M	21/05/2009
10875/2009	325990	15-05	19/05/2009	11457/2009	326021	09-01K	21/05/2009
10931/2009	326078	07-02H	26/05/2009	11458/2009	326022	09-01K	21/05/2009
10939/2009	326105	26-04	27/05/2009	11459/2009	325984	06-06H	19/05/2009
10946/2009	326079	25-01E	26/05/2009	11461/2009	326034	09-01NES	21/05/2009
10950/2009	326076	25-01E	25/05/2009	11462/2009	326012	09-01NES	21/05/2009
10973/2009	325967	12-10	18/05/2009	11463/2009	326050	24-02	25/05/2009
10995/2009	326085	23-03A	26/05/2009	11466/2009	326023	09-01NES	21/05/2009
10996/2009	326086	23-03A	26/05/2009	11467/2009	325976	23-04	18/05/2009
10997/2009	326087	23-03A	26/05/2009	11486/2009	326043	06-13B	22/05/2009
11005/2009	326015	14-01	21/05/2009	11487/2009	326044	06-13B	22/05/2009
11010/2009	326080	25-01K	26/05/2009	11488/2009	326045	15-03B	22/05/2009
11011/2009	326081	09-03F	26/05/2009	11489/2009	326046	08-01	22/05/2009
11032/2009	326092	21-01L	26/05/2009	11493/2009	326047	14-01	22/05/2009
11052/2009	325968	09-02B	18/05/2009	11499/2009	326051	08-08A	25/05/2009
11053/2009	325969	09-01K	18/05/2009	11500/2009	326052	08-08M	25/05/2009
11054/2009	325970	09-02B	18/05/2009	11501/2009	326063	21-01NES	25/05/2009
11082/2009	326110	13-03D	28/05/2009	11502/2009	326064	21-01NES	25/05/2009
11194/2009	326088	12-16E	26/05/2009	11503/2009	326053	08-05L	25/05/2009
11327/2009	325977	28-03NES	18/05/2009	11504/2009	326054	02-04B	25/05/2009
11349/2009	326089	06-09	26/05/2009	11505/2009	326055	08-05L	25/05/2009
11353/2009	326037	25-03	21/05/2009	11506/2009	326056	10-03	25/05/2009
11370/2009	325971	06-05	18/05/2009	11507/2009	326057	10-03	25/05/2009

Publication and Registration Proceedings - Designs Registered cont'd

Design Number	Registration Number	International Classification Code (IDC)	Registration Date	Design Number	Registration Number	International Classification Code (IDC)	Registration Date
11508/2009	326058	10-03	25/05/2009	11561/2009	326098	26-06	27/05/2009
11509/2009	326059	21-03	25/05/2009	11562/2009	326099	26-06	27/05/2009
11510/2009	326060	21-03	25/05/2009	11563/2009	326100	26-06	27/05/2009
11511/2009	326061	24-99	25/05/2009	11564/2009	326101	26-06	27/05/2009
11512/2009	326062	24-99	25/05/2009	11565/2009	326102	26-06	27/05/2009
11513/2009	326065	25-01K	25/05/2009	11580/2009	325985	06-01G	19/05/2009
11514/2009	326066	11-02F	25/05/2009	11581/2009	325986	06-01G	19/05/2009
11515/2009	326067	02-05	25/05/2009	11582/2009	326113	04-02	28/05/2009
11516/2009	326068	02-04NES	25/05/2009	11583/2009	326114	04-02	28/05/2009
11517/2009	326069	02-04NES	25/05/2009	11584/2009	326115	04-02	28/05/2009
11518/2009	326070	02-04NES	25/05/2009	11585/2009	326116	04-02	28/05/2009
11519/2009	326071	02-04NES	25/05/2009	11586/2009	326117	04-02	28/05/2009
11520/2009	326072	26-04	25/05/2009	11587/2009	326118	04-02	28/05/2009
11522/2009	326073	09-01K	25/05/2009	11588/2009	326119	04-02	28/05/2009
11523/2009	326038	05-05B	21/05/2009	11589/2009	326120	04-02	28/05/2009
11524/2009	326040	06-01G	21/05/2009	11590/2009	326121	04-02	28/05/2009
11525/2009	326041	06-01NES	21/05/2009	11594/2009	325996	12-16NES	19/05/2009
11526/2009	326042	06-03NES	21/05/2009	11604/2009	326035	04-02	21/05/2009
11527/2009	325981	06-01E	18/05/2009	11605/2009	326036	04-02	21/05/2009
11528/2009	326074	09-01K	25/05/2009	11614/2009	326028	06-01L	21/05/2009
11529/2009	326075	09-01K	25/05/2009	11629/2009	326093	25-01A	26/05/2009
11545/2009	325973	07-07A	18/05/2009	11631/2009	326094	25-01A	26/05/2009
11548/2009	326000	24-02	20/05/2009	11642/2009	326111	25-01E	28/05/2009
11549/2009	326082	28-03A	26/05/2009	11681/2009	326090	06-03B	26/05/2009
11550/2009	326083	28-03A	26/05/2009	11789/2009	326112	21-02C	28/05/2009
11551/2009	326084	28-03A	26/05/2009	11799/2009	326109	06-09	27/05/2009
11552/2009	326095	21-01N	27/05/2009	11820/2009	326122	02-02NES	28/05/2009
11553/2009	326096	21-01N	27/05/2009	11821/2009	326123	02-02NES	28/05/2009
11554/2009	326097	21-01N	27/05/2009	11822/2009	326124	02-02C	28/05/2009
11555/2009	326106	19-06	27/05/2009	11823/2009	326125	02-02NES	28/05/2009
11556/2009	326107	23-03A	27/05/2009	11827/2009	326039	05-05B	21/05/2009
11557/2009	326108	09-03F	27/05/2009				
11558/2009	326103	09-03F	27/05/2009				
11560/2009	326104	11-01C	27/05/2009				

Publication and Registration Proceedings
Class Listing of Designs Published or Registered

The following section shows an International Classification Code listing of the Registered or Published Designs covered in this supplement.

Classification	Registration Number	Design Number	Classification	Registration Number	Design Number
02-01 A	325962	10733/2009	06-04 F	326014	15403/2008
02-01 A	325963	10734/2009	06-04 NES	326024	10832/2009
02-02 A	325958	10729/2009	06-04 NES	326025	10833/2009
02-02 A	325959	10730/2009	06-05	325971	11370/2009
02-02 A	325960	10731/2009	06-06 F	326042	11526/2009
02-02 A	325961	10732/2009	06-06 H	325984	11459/2009
02-02 A	325962	10733/2009	06-06 NES	326051	11499/2009
02-02 A	325963	10734/2009	06-06 NES	326052	11500/2009
02-02 A	325964	10735/2009	06-09	326089	11349/2009
02-02 A	325965	10736/2009	06-09	326109	11799/2009
02-02 A	325966	10737/2009	06-13 B	326043	11486/2009
02-02 B	326067	11515/2009	06-13 B	326044	11487/2009
02-02 C	326124	11822/2009	07-01 C	325988	10323/2009
02-02 NES	326122	11820/2009	07-02 H	326078	10931/2009
02-02 NES	326123	11821/2009	07-06 NES	326077	15070/2008
02-02 NES	326125	11823/2009	07-07 A	325973	11545/2009
02-04 B	326054	11504/2009	07-99 NES	326032	11414/2009
02-04 NES	326068	11516/2009	08-01	326004	11398/2009
02-04 NES	326069	11517/2009	08-01	326046	11489/2009
02-04 NES	326070	11518/2009	08-05 L	325990	10875/2009
02-04 NES	326071	11519/2009	08-05 L	326053	11503/2009
02-05	326067	11515/2009	08-05 L	326055	11505/2009
02-06	326018	11454/2009	08-06	326032	11414/2009
04-02	326035	11604/2009	08-07	326029	11411/2009
04-02	326036	11605/2009	08-07	326085	10995/2009
04-02	326113	11582/2009	08-07	326086	10996/2009
04-02	326114	11583/2009	08-07	326087	10997/2009
04-02	326115	11584/2009	08-08 A	326051	11499/2009
04-02	326116	11585/2009	08-08 K	325987	10251/2009
04-02	326117	11586/2009	08-08 M	326052	11500/2009
04-02	326118	11587/2009	09-01 H	325997	11388/2009
04-02	326119	11588/2009	09-01 H	325998	11389/2009
04-02	326120	11589/2009	09-01 K	325969	11053/2009
04-02	326121	11590/2009	09-01 K	325995	11395/2009
05-05 B	326038	11523/2009	09-01 K	326021	11457/2009
05-05 B	326039	11827/2009	09-01 K	326022	11458/2009
06-01 D	326030	11412/2009	09-01 K	326061	11511/2009
06-01 D	326031	11413/2009	09-01 K	326073	11522/2009
06-01 E	325972	11451/2009	09-01 K	326074	11528/2009
06-01 E	325981	11527/2009	09-01 K	326075	11529/2009
06-01 E	326006	10614/2009	09-01 NES	326012	11462/2009
06-01 E	326007	10615/2009	09-01 NES	326023	11466/2009
06-01 G	325985	11580/2009	09-01 NES	326034	11461/2009
06-01 G	325986	11581/2009	09-01 NES	326073	11522/2009
06-01 G	326040	11524/2009	09-02 B	325968	11052/2009
06-01 H	325984	11459/2009	09-02 B	325970	11054/2009
06-01 L	325979	11386/2009	09-03 F	326081	11011/2009
06-01 L	326005	10613/2009	09-03 F	326103	11558/2009
06-01 L	326028	11614/2009	09-03 F	326108	11557/2009
06-01 NES	326041	11525/2009	09-03 M	326019	11455/2009
06-03 B	326090	11681/2009	09-03 M	326020	11456/2009
06-03 C	326008	10616/2009	09-03 NES	326062	11512/2009
06-03 C	326009	10617/2009	09-07 C	325978	11410/2009
06-03 NES	326042	11526/2009	10-03	326056	11506/2009
06-04 E	326091	10807/2009	10-03	326057	11507/2009
06-04 F	326013	15402/2008	10-03	326058	11508/2009

Registration Proceedings - Class Listing of Designs Published or Registered cont'd

Classification	Registration Number	Design Number	Classification	Registration Number	Design Number
10-06	326024	10832/2009	23-03 B	326087	10997/2009
10-06	326025	10833/2009	23-04	325975	10208/2009
11-01 C	326104	11560/2009	23-04	325976	11467/2009
11-02 F	326066	11514/2009	23-99	325990	10875/2009
12-06 A	325989	10698/2009	24-02	326000	11548/2009
12-08	326048	15397/2008	24-02	326050	11463/2009
12-10	325967	10973/2009	24-99	325957	10719/2009
12-10	325989	10698/2009	24-99	326061	11511/2009
12-16 B	326049	15398/2008	24-99	326062	11512/2009
12-16 E	326088	11194/2009	25-01 A	325991	11391/2009
12-16 L	326010	10657/2009	25-01 A	325992	11392/2009
12-16 L	326026	11403/2009	25-01 A	325993	11393/2009
12-16 NES	325996	11594/2009	25-01 A	325994	11394/2009
12-16 NES	326011	11431/2009	25-01 A	325999	11390/2009
12-16 NES	326033	11415/2009	25-01 A	326093	11629/2009
13-03 D	326110	11082/2009	25-01 A	326094	11631/2009
13-99	325987	10251/2009	25-01 D	326066	11514/2009
14-01	326015	11005/2009	25-01 E	326076	10950/2009
14-01	326047	11493/2009	25-01 E	326079	10946/2009
14-02	326095	11552/2009	25-01 E	326111	11642/2009
14-02	326096	11553/2009	25-01 F	326066	11514/2009
14-02	326097	11554/2009	25-01 G	325980	11400/2009
14-03 E	325983	11384/2009	25-01 K	326016	11450/2009
15-03 B	326045	11488/2009	25-01 K	326065	11513/2009
15-03 NES	326033	11415/2009	25-01 K	326080	11010/2009
15-05	325990	10875/2009	25-02 C	325980	11400/2009
19-02	326017	11452/2009	25-02 H	326065	11513/2009
19-06	326106	11555/2009	25-02 NES	326003	11408/2009
20-02 NES	325982	11383/2009	25-02 NES	326066	11514/2009
20-03 C	326001	11406/2009	25-03	325990	10875/2009
20-03 C	326002	11407/2009	25-03	326037	11353/2009
20-03 NES	325974	15238/2008	25-04	326029	11411/2009
21-01 L	326092	11032/2009	26-04	326072	11520/2009
21-01 N	326095	11552/2009	26-04	326105	10939/2009
21-01 N	326096	11553/2009	26-05 D	325955	13438/2008
21-01 N	326097	11554/2009	26-05 D	325956	13439/2008
21-01 NES	326063	11501/2009	26-06	326098	11561/2009
21-01 NES	326064	11502/2009	26-06	326099	11562/2009
21-02 C	326112	11789/2009	26-06	326100	11563/2009
21-02 NES	325957	10719/2009	26-06	326101	11564/2009
21-02 NES	325973	11545/2009	26-06	326102	11565/2009
21-03	326059	11509/2009	28-03 A	326082	11549/2009
21-03	326060	11510/2009	28-03 A	326083	11550/2009
23-03 A	326085	10995/2009	28-03 A	326084	11551/2009
23-03 A	326086	10996/2009	28-03 NES	325977	11327/2009
23-03 A	326087	10997/2009	29-01	326027	11404/2009
23-03 A	326107	11556/2009			
23-03 B	326085	10995/2009			
23-03 B	326086	10996/2009			

(21) Design Number: 13438/2008

(22) Date of Filing Application: 24 July 2008

(24) Date from which industrial property rights may have effect: 24 July 2008

(54) Product in respect of which the design is registered: Light fitting

(51) International Design Classification: 26-05D

(71) Name(s) and Address(s) of Applicant(s):

Clevertronics Pty Ltd

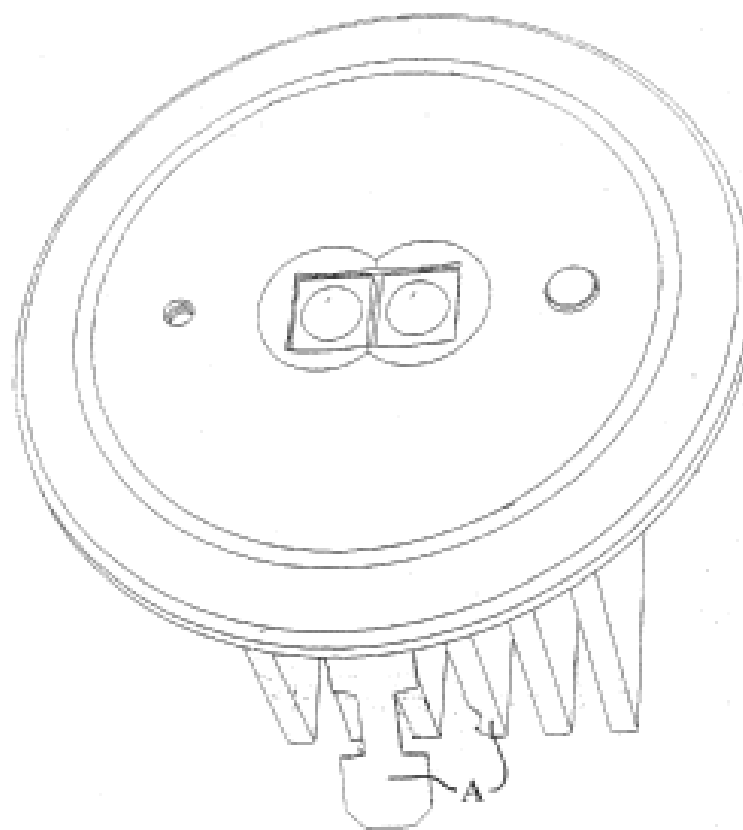
14-16 Kylie Place Cheltenham Victoria 3192 Australia

(72) Name(s) of Designer(s): Michael Duce and John McKellar and Gary Cook

(45) Registration Date: 18 May 2009

(56) Related Art Documents: Not Applicable

(57) Statement of Newness and Distinctiveness: Visual features of the design which are new and distinctive are the features of shape and configuration of the front face of a light fitting as illustrated in the representations, except that the features of shape and configuration of (i) the rear face of the light fitting, and (ii) components and mountings at the rear of the light fitting and marked "A" in the representations, do not constitute part of the design and are to be disregarded.



(21) Design Number: 13439/2008

(22) Date of Filing Application: 24 July 2008

(24) Date from which industrial property rights may have effect: 24 July 2008

(54) Product in respect of which the design is registered: Light fitting

(51) International Design Classification: 26-05D

(71) Name(s) and Address(s) of Applicant(s):

Clevertronics Pty Ltd

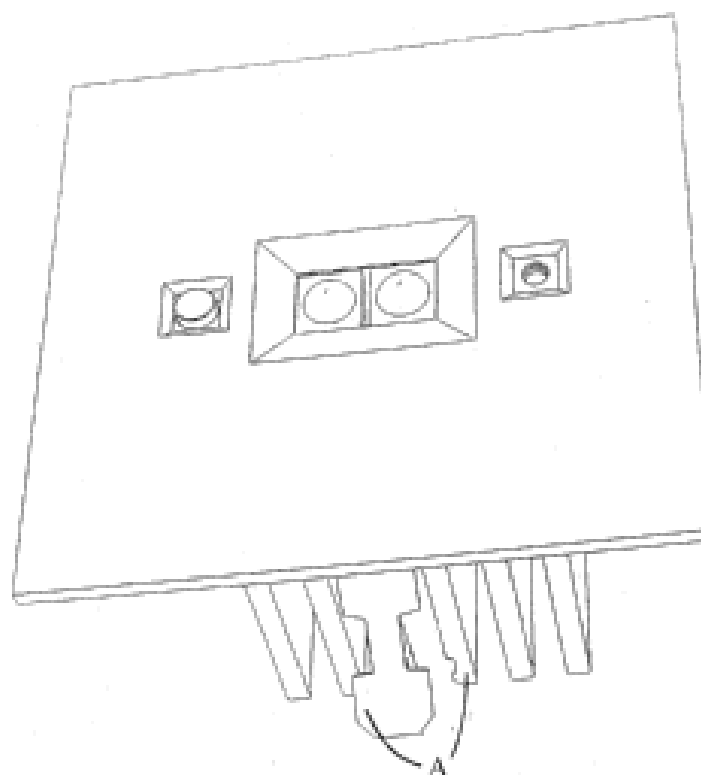
14-16 Kylie Place Cheltenham Victoria 3192 Australia

(72) Name(s) of Designer(s): Michael Duce and John McKellar and Gary Cook

(45) Registration Date: 18 May 2009

(56) Related Art Documents: Not Applicable

(57) Statement of Newness and Distinctiveness: Visual features of the design which are new and distinctive are the features of shape and configuration of the front face of a light fitting as illustrated in the representations, except that the features of shape and configuration of (i) the rear face of the light fitting, and (ii) components and mountings at the rear of the light fitting and marked "A" in the representations, do not constitute part of the design and are to be disregarded.



(21) Design Number: **10719/2009**
 (22) Date of Filing Application: **05 March 2009**
 (24) Date from which industrial property rights may have effect: **05 March 2009**
 (54) Product in respect of which the design is registered: **Back stretcher**
 (51) International Design Classification: **21-02NES, 24-99**
 (71) Name(s) and Address(s) of Applicant(s):

ENANEF Limited
Beechwood House King George's Hill Abngr Bttm Dorking Surrey
RH5 6JW United Kingdom

(72) Name(s) of Designer(s): **Neil Summers**

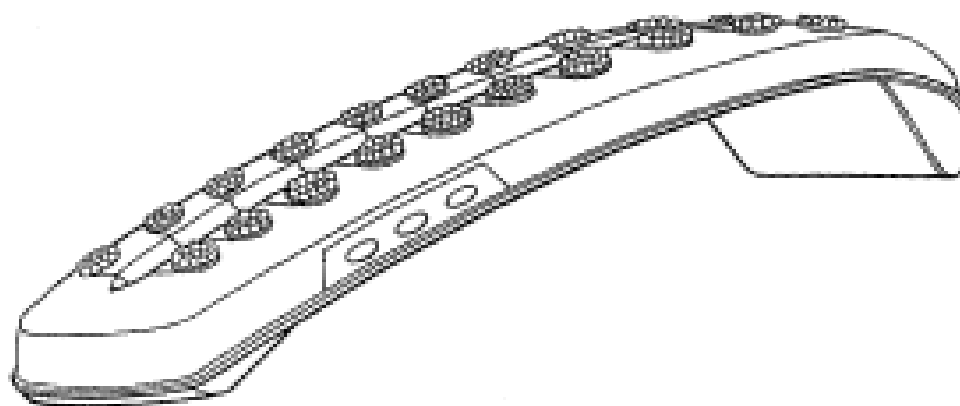
(45) Registration Date: **18 May 2009**

(30) Convention priority data:

(31) Number	(32) Date	(33) Country
4008855	09 Sep 2008	UNITED KINGDOM

(56) Related Art Documents: **Not Applicable**

(57) Statement of Newness and Distinctiveness: **Nil**



(21) Design Number: **10729/2009**
 (22) Date of Filing Application: **06 March 2009**
 (24) Date from which industrial property rights may have effect: **06 March 2009**
 (54) Product in respect of which the design is registered: **Swimwear**
 (51) International Design Classification: **02-02A**
 (71) Name(s) and Address(s) of Applicant(s):

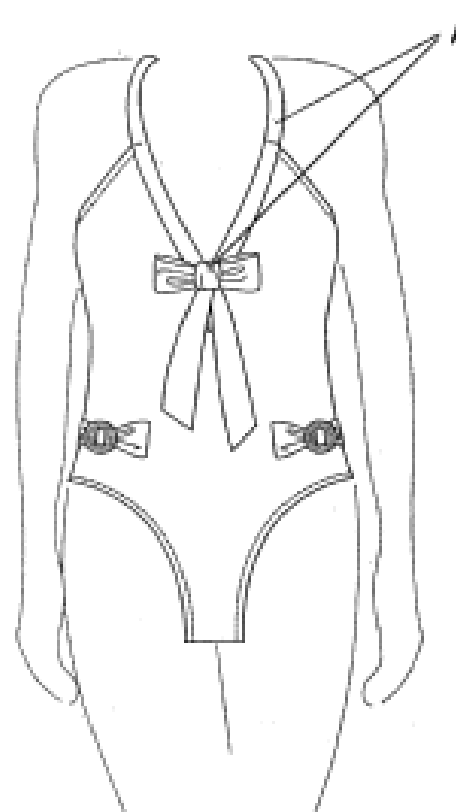
JETS Swimwear Pty Limited
8-18 Bowden Street Alexandria New South Wales 2015 Australia

(72) Name(s) of Designer(s): **Jessika Allen**

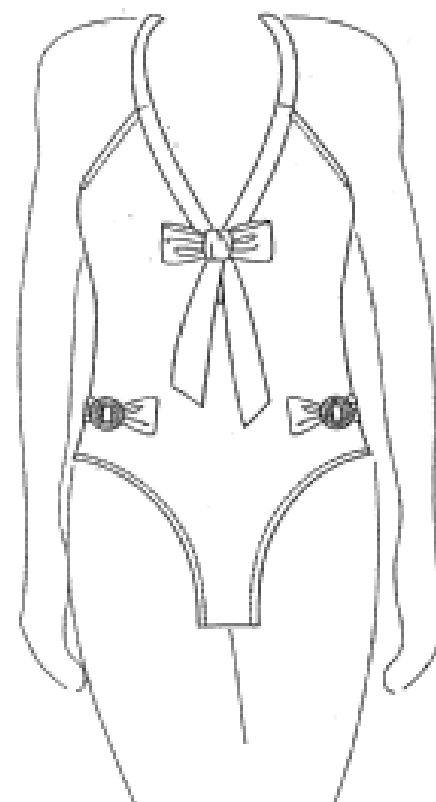
(45) Registration Date: **18 May 2009**

(56) Related Art Documents: **Not Applicable**

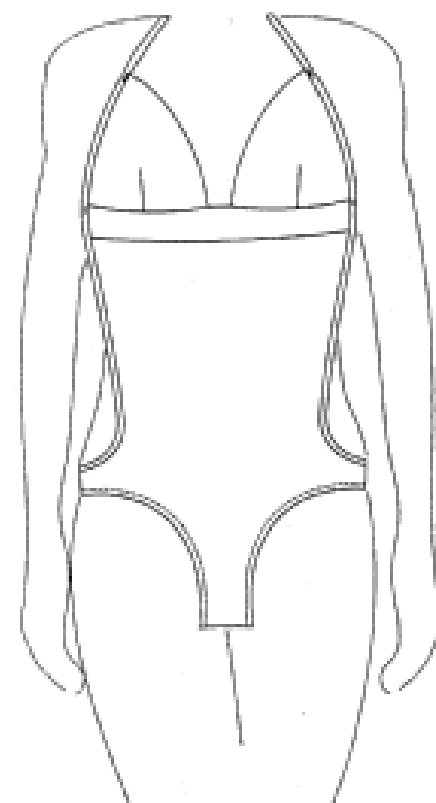
(57) Statement of Newness and Distinctiveness: **Newness and distinctiveness is claimed in the features of shape and/or configuration of the neck strap, neck line and bow portions (marked 'A') of the swimwear illustrated in the representations and in the feature of pattern and/or ornamentation wherein said neck strap, neck line and bow portions comprise a first colour and the remainder of the swimwear comprises at least one other colour.**



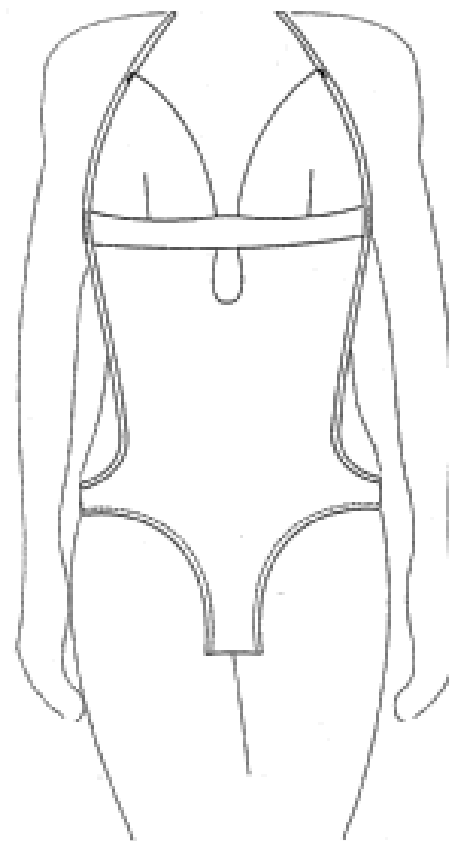
- (21) Design Number: **10730/2009**
(22) Date of Filing Application: **06 March 2009**
(24) Date from which industrial property rights may have effect: **06 March 2009**
(54) Product in respect of which the design is registered: **Swimwear**
(51) International Design Classification: **02-02A**
(71) Name(s) and Address(s) of Applicant(s):
JETS Swimwear Pty Limited
8-18 Bowden Street Alexandria New South Wales 2015 Australia
(72) Name(s) of Designer(s): **Jessika Allen**
(45) Registration Date: **18 May 2009**
(56) Related Art Documents: **Not Applicable**
(57) Statement of Newness and Distinctiveness: **Newness and distinctiveness is claimed in the features of shape and/or configuration of the swimwear illustrated in the representations.**



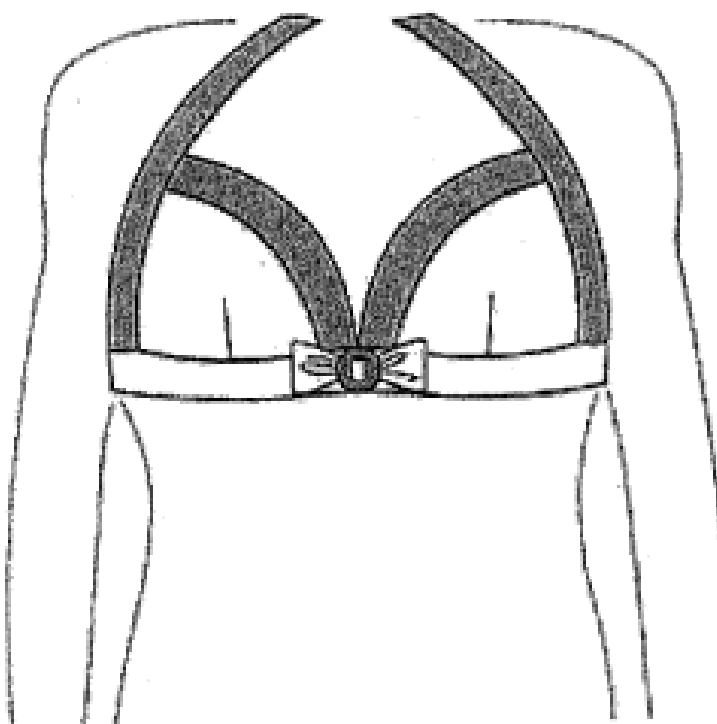
- (21) Design Number: **10731/2009**
(22) Date of Filing Application: **06 March 2009**
(24) Date from which industrial property rights may have effect: **06 March 2009**
(54) Product in respect of which the design is registered: **Swimwear**
(51) International Design Classification: **02-02A**
(71) Name(s) and Address(s) of Applicant(s):
JETS Swimwear Pty Limited
8-18 Bowden Street Alexandria New South Wales 2015 Australia
(72) Name(s) of Designer(s): **Jessika Allen**
(45) Registration Date: **18 May 2009**
(56) Related Art Documents: **Not Applicable**
(57) Statement of Newness and Distinctiveness: **Newness and distinctiveness is claimed in the features of shape and/or configuration of the swimwear illustrated in the representations. In considering the newness and distinctiveness of the swimwear, the back strap is to be disregarded.**



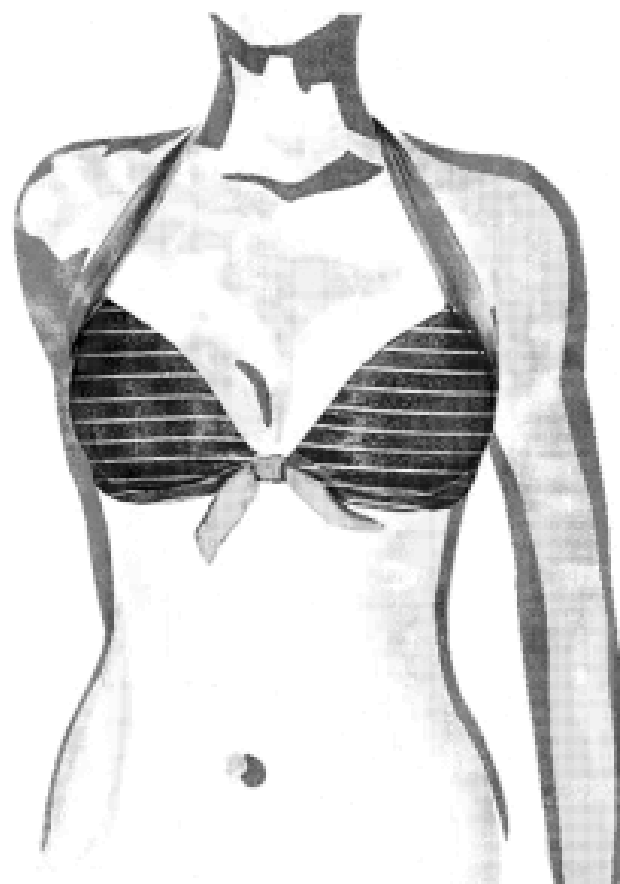
- (21) Design Number: **10732/2009**
(22) Date of Filing Application: **06 March 2009**
(24) Date from which industrial property rights may have effect: **06 March 2009**
(54) Product in respect of which the design is registered: **Swimwear**
(51) International Design Classification: **02-02A**
(71) Name(s) and Address(s) of Applicant(s):
JETS Swimwear Pty Limited
8-18 Bowden Street Alexandria New South Wales 2015 Australia
(72) Name(s) of Designer(s): **Jessika Allen**
(45) Registration Date: **18 May 2009**
(56) Related Art Documents: **Not Applicable**
(57) Statement of Newness and Distinctiveness: **Newness and distinctiveness is claimed in the features of shape and/or configuration of the swimwear illustrated in the representations. In considering the newness and distinctiveness of the swimwear, the back strap is to be disregarded.**



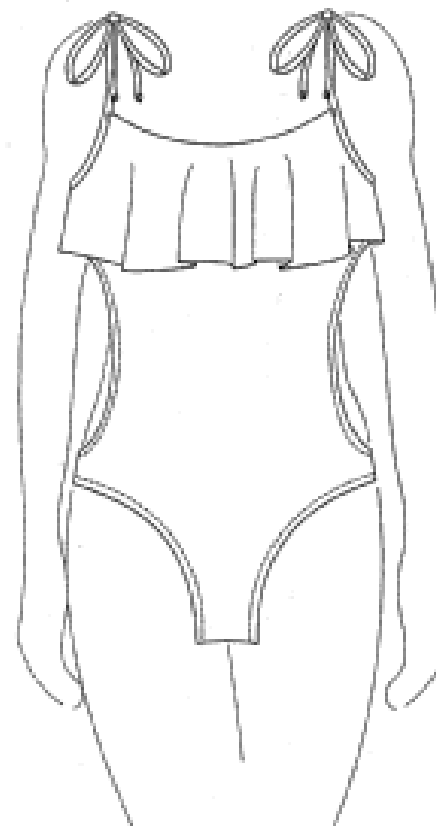
- (21) Design Number: **10733/2009**
(22) Date of Filing Application: **06 March 2009**
(24) Date from which industrial property rights may have effect: **06 March 2009**
(54) Product in respect of which the design is registered: **Bra (including for swimwear)**
(51) International Design Classification: **02-02A, 02-01A**
(71) Name(s) and Address(s) of Applicant(s):
JETS Swimwear Pty Limited
8-18 Bowden Street Alexandria New South Wales 2015 Australia
(72) Name(s) of Designer(s): **Jessika Allen**
(45) Registration Date: **18 May 2009**
(56) Related Art Documents: **Not Applicable**
(57) Statement of Newness and Distinctiveness: **Newness and distinctiveness is claimed in the features of shape and/or configuration of the bra (including for swimwear) illustrated in the representations. In considering the newness and distinctiveness of the bra (including for swimwear), the bikini briefs illustrated in the representations are to be disregarded.**



- (21) Design Number: **10734/2009**
(22) Date of Filing Application: **06 March 2009**
(24) Date from which industrial property rights may have effect: **06 March 2009**
(54) Product in respect of which the design is registered: **Bra (including for swimwear)**
(51) International Design Classification: **02-02A, 02-01A**
(71) Name(s) and Address(s) of Applicant(s):
JETS Swimwear Pty Limited
8-18 Bowden Street Alexandria New South Wales 2015 Australia
(72) Name(s) of Designer(s): **Jessika Allen**
(45) Registration Date: **18 May 2009**
(56) Related Art Documents: **Not Applicable**
(57) Statement of Newness and Distinctiveness: **Newness and distinctiveness is claimed in the features of shape and/or configuration of the bra (including for swimwear) and in the features of pattern and/or ornamentation of the two bra cups of the bra (including for swimwear) as illustrated in the representations. The sets of alternating thin white and thick black horizontal strips of the bra cups shown in the representations are not restricted to black and white and can be any combination of two different colours.**



- (21) Design Number: **10735/2009**
(22) Date of Filing Application: **06 March 2009**
(24) Date from which industrial property rights may have effect: **06 March 2009**
(54) Product in respect of which the design is registered: **Swimwear**
(51) International Design Classification: **02-02A**
(71) Name(s) and Address(s) of Applicant(s):
JETS Swimwear Pty Limited
8-18 Bowden Street Alexandria New South Wales 2015 Australia
(72) Name(s) of Designer(s): **Jessika Allen**
(45) Registration Date: **18 May 2009**
(56) Related Art Documents: **Not Applicable**
(57) Statement of Newness and Distinctiveness: **Newness and distinctiveness is claimed in the features of shape and/or configuration of the swimwear illustrated in the representations. In considering the newness and distinctiveness of the swimwear, the shoulder straps are to be disregarded.**



(21) Design Number: **10736/2009**

(22) Date of Filing Application: **06 March 2009**

(24) Date from which industrial property rights may have effect: **06 March 2009**

(54) Product in respect of which the design is registered: **Swimwear**

(51) International Design Classification: **02-02A**

(71) Name(s) and Address(s) of Applicant(s):

JETS Swimwear Pty Limited

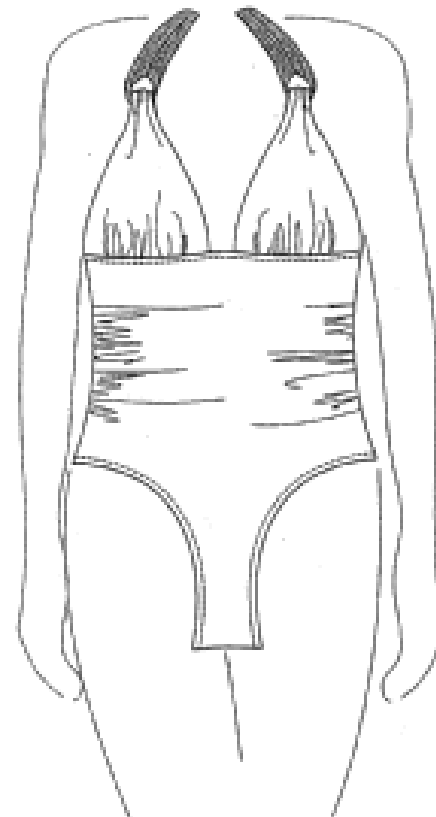
8-18 Bowden Street Alexandria New South Wales 2015 Australia

(72) Name(s) of Designer(s): **Jessika Allen**

(45) Registration Date: **18 May 2009**

(56) Related Art Documents: **Not Applicable**

(57) Statement of Newness and Distinctiveness: **Newness and distinctiveness is claimed in the features of shape and/or configuration of the swimwear illustrated in the representations.**



(21) Design Number: **10737/2009**

(22) Date of Filing Application: **06 March 2009**

(24) Date from which industrial property rights may have effect: **06 March 2009**

(54) Product in respect of which the design is registered: **Swimwear**

(51) International Design Classification: **02-02A**

(71) Name(s) and Address(s) of Applicant(s):

JETS Swimwear Pty Limited

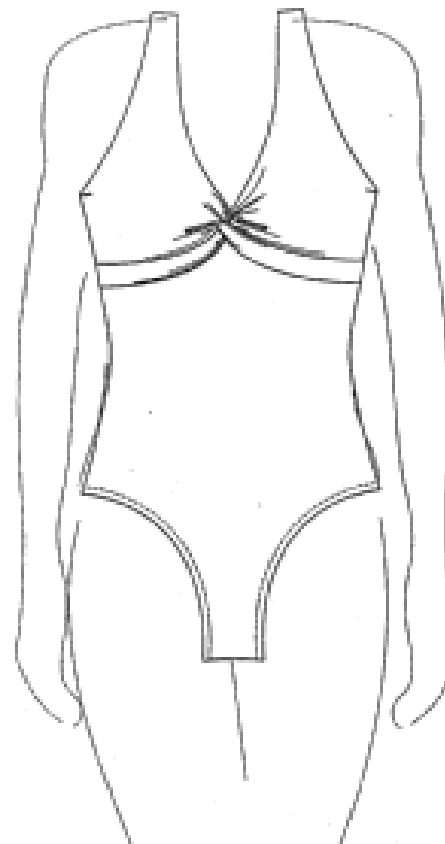
8-18 Bowden Street Alexandria New South Wales 2015 Australia

(72) Name(s) of Designer(s): **Jessika Allen**

(45) Registration Date: **18 May 2009**

(56) Related Art Documents: **Not Applicable**

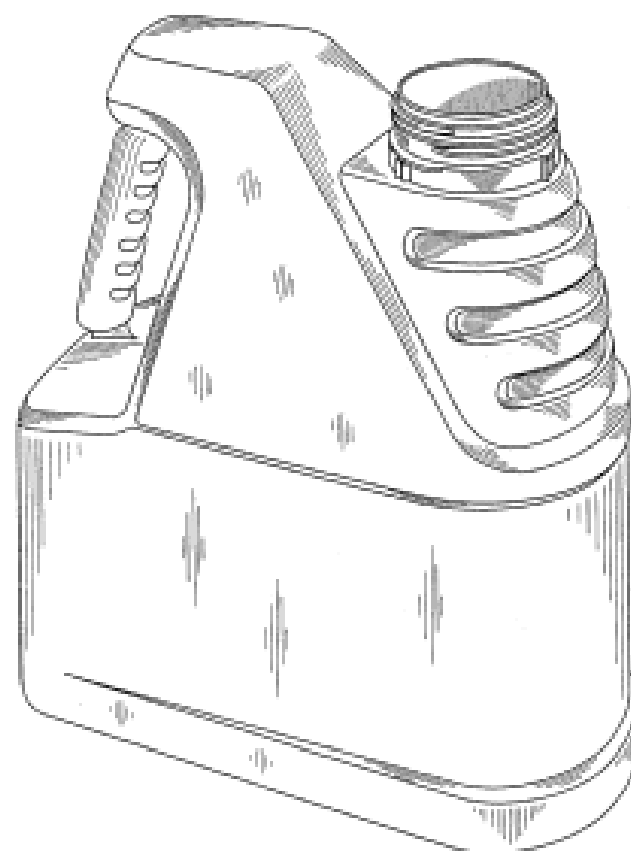
(57) Statement of Newness and Distinctiveness: **Newness and distinctiveness is claimed in the features of shape and/or configuration of the swimwear illustrated in the representations.**



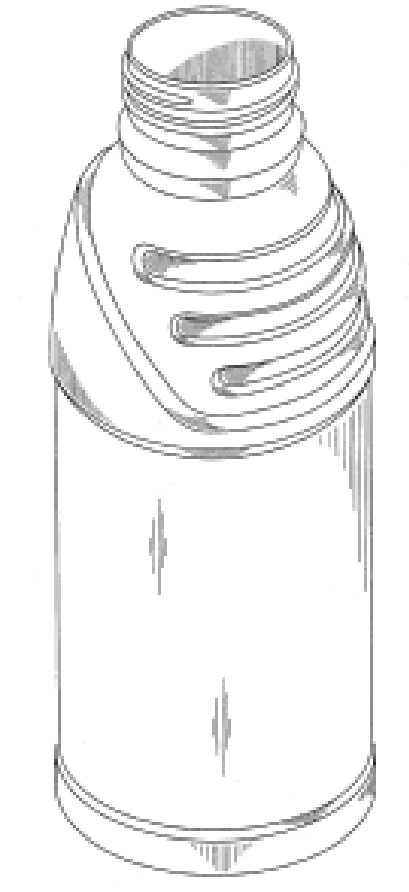
- (21) Design Number: **10973/2009**
- (22) Date of Filing Application: **20 March 2009**
- (24) Date from which industrial property rights may have effect: **20 March 2009**
- (54) Product in respect of which the design is registered: **Campervans, camper trailer, caravan camper, off road camper**
- (51) International Design Classification: **12-10**
- (71) Name(s) and Address(s) of Applicant(s):
Matthew Roberts Trading as Evolution Campers
28 Samantha Road Cedar Vale Queensland 4285 Australia
- (72) Name(s) of Designer(s): **Matthew Charles Roberts**
- (45) Registration Date: **18 May 2009**
- (56) Related Art Documents: **Not Applicable**
- (57) Statement of Newness and Distinctiveness: **This camper has a full kitchen on the outside instead of the inside and its distinct shape, a squarish look with a 45 degree sloping front also the size compared to other vans.**



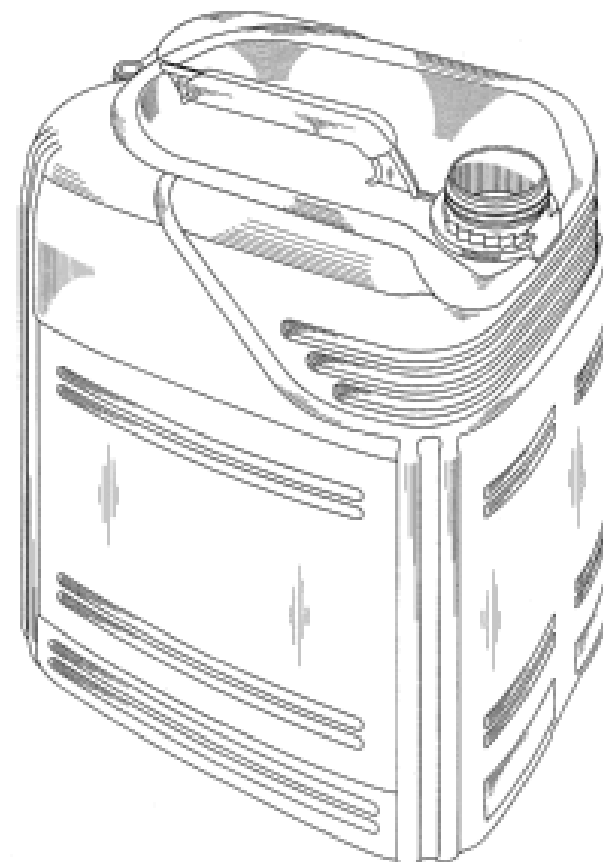
- (21) Design Number: **11052/2009**
- (22) Date of Filing Application: **26 March 2009**
- (24) Date from which industrial property rights may have effect: **26 March 2009**
- (54) Product in respect of which the design is registered: **A container**
- (51) International Design Classification: **09-02B**
- (71) Name(s) and Address(s) of Applicant(s):
Syngenta Participations AG
Schwarzwaldallee 215 CH-4058 Basel Switzerland
- (72) Name(s) of Designer(s): **Barrett Gordon**
- (45) Registration Date: **18 May 2009**
- (56) Related Art Documents: **Not Applicable**
- (57) Statement of Newness and Distinctiveness: **Nil**



- (21) Design Number: **11053/2009**
(22) Date of Filing Application: **26 March 2009**
(24) Date from which industrial property rights may have effect: **26 March 2009**
(54) Product in respect of which the design is registered: **A container**
(51) International Design Classification: **09-01K**
(71) Name(s) and Address(s) of Applicant(s):
Syngenta Participations AG
Schwarzwaldallee 215 CH-4058 Basel Switzerland
(72) Name(s) of Designer(s): **Barrett Gordon**
(45) Registration Date: **18 May 2009**
(56) Related Art Documents: **Not Applicable**
(57) Statement of Newness and Distinctiveness: **Nil**



- (21) Design Number: **11054/2009**
(22) Date of Filing Application: **26 March 2009**
(24) Date from which industrial property rights may have effect: **26 March 2009**
(54) Product in respect of which the design is registered: **A container**
(51) International Design Classification: **09-02B**
(71) Name(s) and Address(s) of Applicant(s):
Syngenta Participations AG
Schwarzwaldallee 215 CH-4058 Basel Switzerland
(72) Name(s) of Designer(s): **Barrett Gordon**
(45) Registration Date: **18 May 2009**
(56) Related Art Documents: **Not Applicable**
(57) Statement of Newness and Distinctiveness: **Nil**



(21) Design Number: **11370/2009**

(22) Date of Filing Application: **22 April 2009**

(24) Date from which industrial property rights may have effect: **22 April 2009**

(54) Product in respect of which the design is registered: **Reconfigurable furniture**

(51) International Design Classification: **06-05**

(71) Name(s) and Address(s) of Applicant(s):

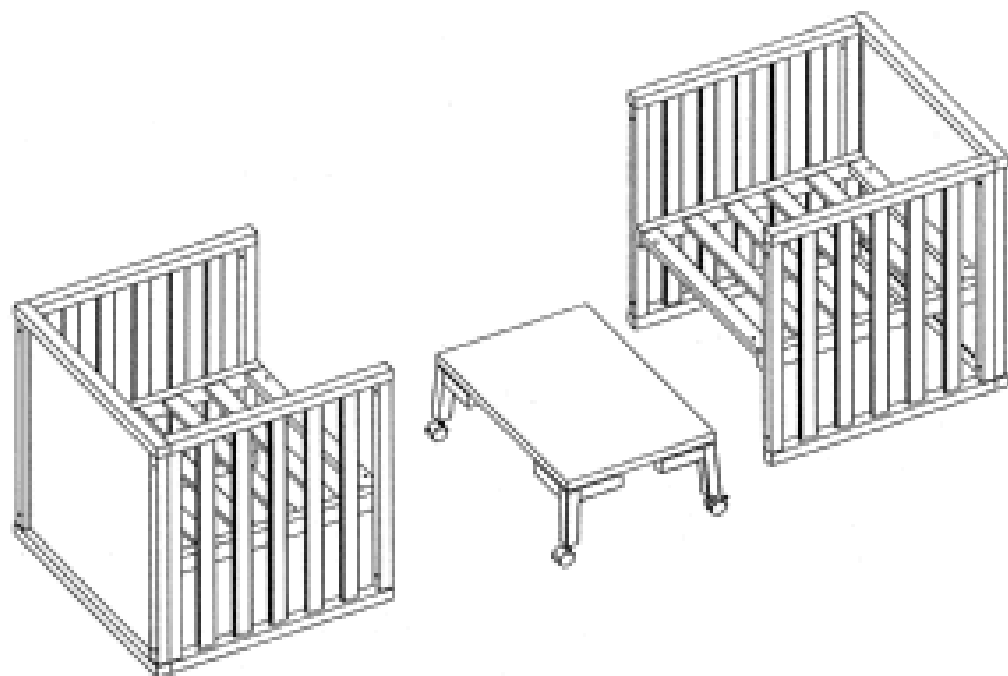
Boori International Pty Ltd
27-37 Vallance Street St Marys New South Wales 2760 Australia

(72) Name(s) of Designer(s): **Justin Chui**

(45) Registration Date: **18 May 2009**

(56) Related Art Documents: **Not Applicable**

(57) Statement of Newness and Distinctiveness: **Newness and distinctiveness is claimed in the features of shape and configuration applicable to an item of furniture. The design is adapted to be reconfigured into three different forms, as shown in the accompanying representations.**



(21) Design Number: **11451/2009**

(22) Date of Filing Application: **29 April 2009**

(24) Date from which industrial property rights may have effect: **29 April 2009**

(54) Product in respect of which the design is registered: **Stool**

(51) International Design Classification: **06-01E**

(71) Name(s) and Address(s) of Applicant(s):

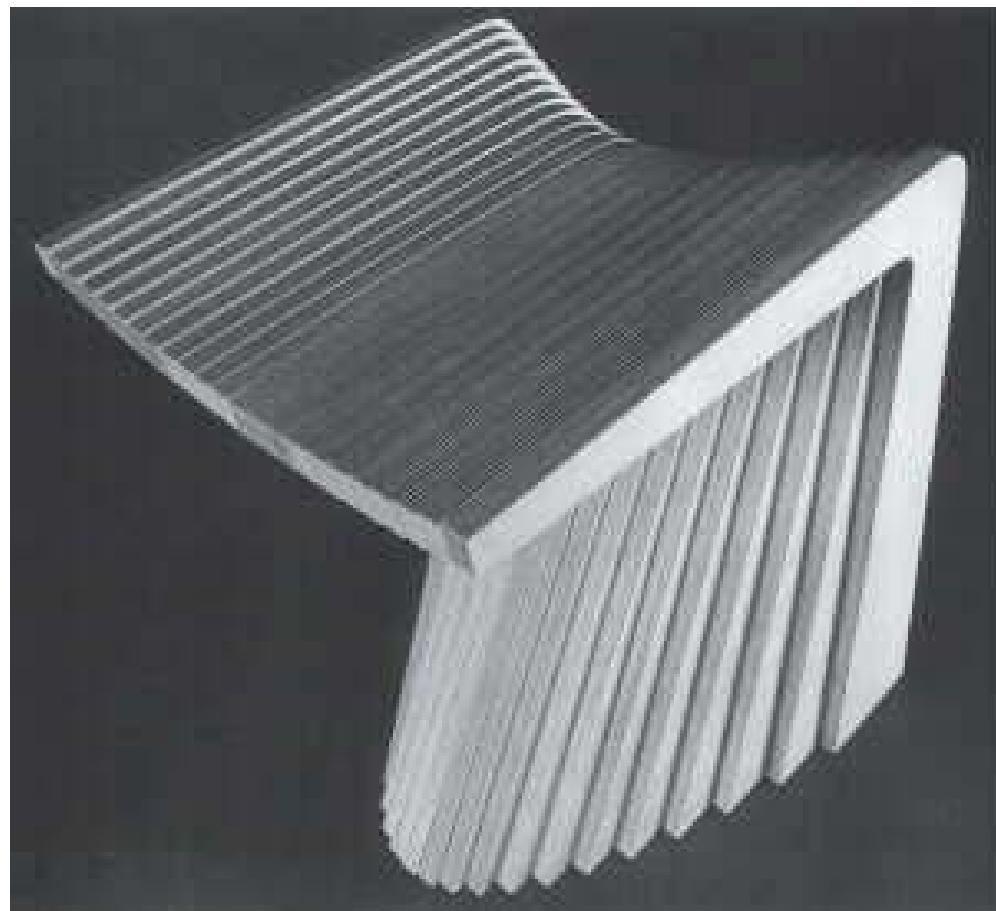
Chris Hardy
PO Box 450 Mitchell ACT 2617 Australia

(72) Name(s) of Designer(s): **Chris Hardy**

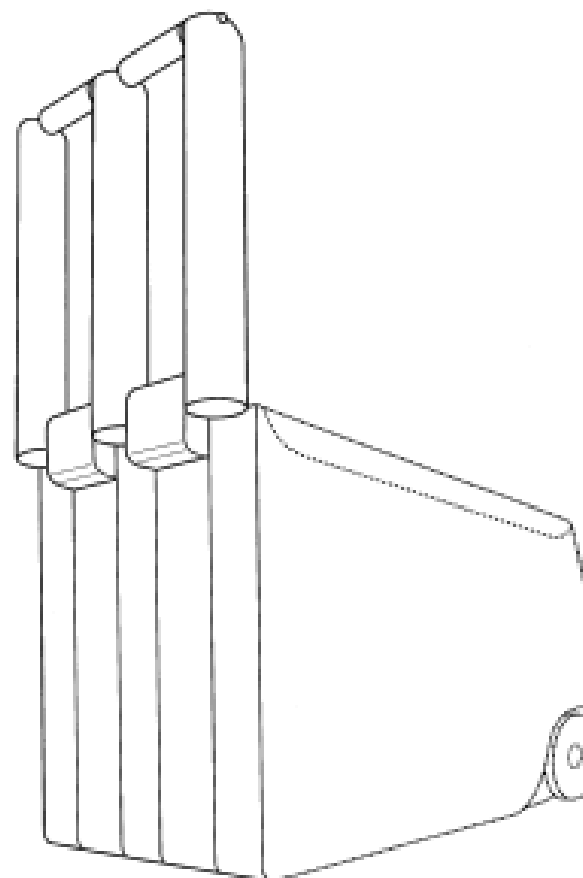
(45) Registration Date: **18 May 2009**

(56) Related Art Documents: **Not Applicable**

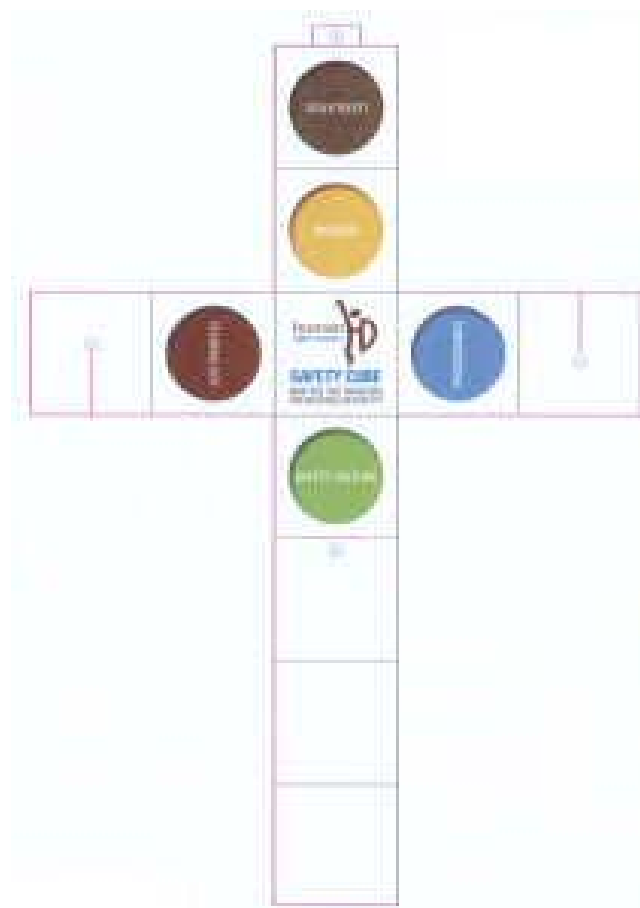
(57) Statement of Newness and Distinctiveness: **Nil**



(21) Design Number: **11545/2009**
 (22) Date of Filing Application: **01 May 2009**
 (24) Date from which industrial property rights may have effect: **01 May 2009**
 (54) Product in respect of which the design is registered: **Cricket stump cooler**
 (51) International Design Classification: **07-07A, 21-02NES**
 (71) Name(s) and Address(s) of Applicant(s):
Leigh Warren
4 Sunnybank Drive Happy Valley South Australia 5159 Australia
Adam Dubrich
45 Victor Road Paradise South Australia 5075 Australia
 (72) Name(s) of Designer(s): **Leigh Warren and Adam Dubrich**
 (45) Registration Date: **18 May 2009**



(21) Design Number: **15238/2008**
 (22) Date of Filing Application: **03 November 2008**
 (24) Date from which industrial property rights may have effect: **03 November 2008**
 (54) Product in respect of which the design is registered: **Safety cube**
 (51) International Design Classification: **20-03NES**
 (71) Name(s) and Address(s) of Applicant(s):
Robert Long
10 Jens Place Kambah ACT 2902 Australia
 (72) Name(s) of Designer(s): **Robert Long**
 (45) Registration Date: **18 May 2009**
 (56) Related Art Documents: **Not Applicable**
 (57) Statement of Newness and Distinctiveness: **The safety cube is new in both design and use. It folds into a cube from the crucifix thereby utilising two metaphors to promote safety. The cube can be hung as a mobile.**



(21) Design Number: 10208/2009

(22) Date of Filing Application: 28 January 2009

(24) Date from which industrial property rights may have effect: 28 January 2009

(54) Product in respect of which the design is registered: Adjustable expansion coupling 90mm

(51) International Design Classification: 23-04

(71) Name(s) and Address(s) of Applicant(s):

Art Plastics Pty Ltd
14 White Street Bayswater Western Australia 6053 Australia

(72) Name(s) of Designer(s): Tim Lucas

(45) Registration Date: 18 May 2009

(56) Related Art Documents: Not Applicable

(57) Statement of Newness and Distinctiveness: The newness and distinctiveness of the Adjustable Expansion Coupling 90mm is shown in the following drawings: Fig 1. Is a plan view of the Adjustable Expansion Coupling with 90mm fittings shown in fully compressed straight position. The top plan, bottom plan, and side elevation views are the same. Fig 2. Is a plan view of the Adjustable Expansion Coupling with 90mm fittings shown in fully extended straight position. The top plan, bottom plan, and side elevation views are the same. Fig 3. Is a plan view of the Adjustable Expansion Coupling with 90mm fittings shown in partially extended straight position. The top plan, bottom plan, and side elevation views are the same. Fig 4. Is a plan view of the Adjustable Expansion Coupling with 90mm fittings shown partially extended and arranged in an 'S' shape demonstrating one of many possible positions. The top plan, bottom plan, and side elevation views are not the same. Fig 5. Is a plan view of the Adjustable Expansion Coupling with 90mm fittings shown partially extended and arranged in a 'U' shape demonstrating one of many possible positions. The top plan, bottom plan, and side elevation views are not the same. Fig 6. Is a plan view of the Adjustable Expansion Coupling with 90mm fittings shown partially extended and arranged in an 'L' shape demonstrating one of many possible positions. The top plan, bottom plan, and side elevation views are not the same. Fig 7. Is an end elevation the Adjustable Expansion Coupling with 90mm fittings. Both end elevation views are the same. Fig 8. Is a perspective view of the Gutter Adjustable Expansion Coupling with 90mm fittings from the top.



(21) Design Number: 11467/2009

(22) Date of Filing Application: 28 January 2009

(24) Date from which industrial property rights may have effect: 28 January 2009

(54) Product in respect of which the design is registered: Adjustable expansion coupling 100mm

(51) International Design Classification: 23-04

(71) Name(s) and Address(s) of Applicant(s):

Art Plastics Pty Ltd
14 White Street Bayswater Western Australia 6053 Australia

(72) Name(s) of Designer(s): Tim Lucas

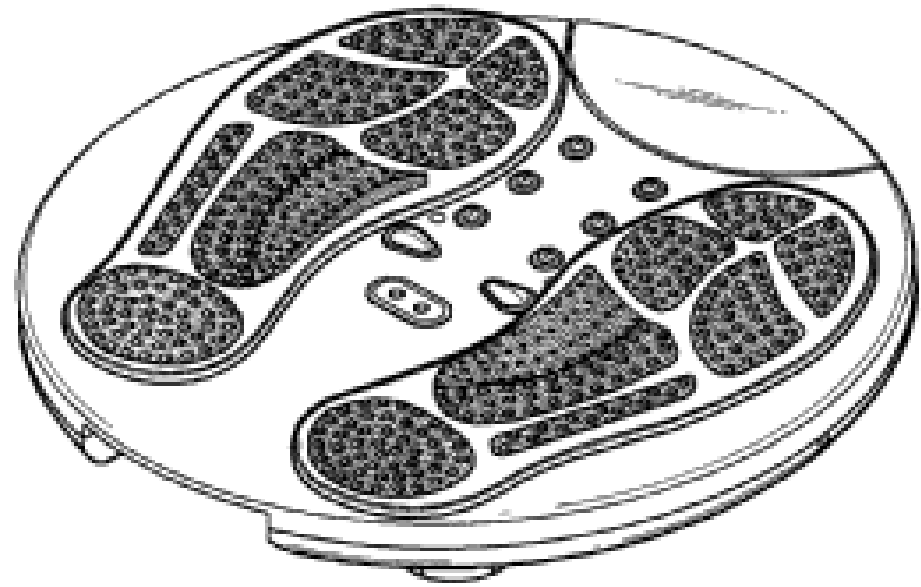
(45) Registration Date: 18 May 2009

(56) Related Art Documents: Not Applicable

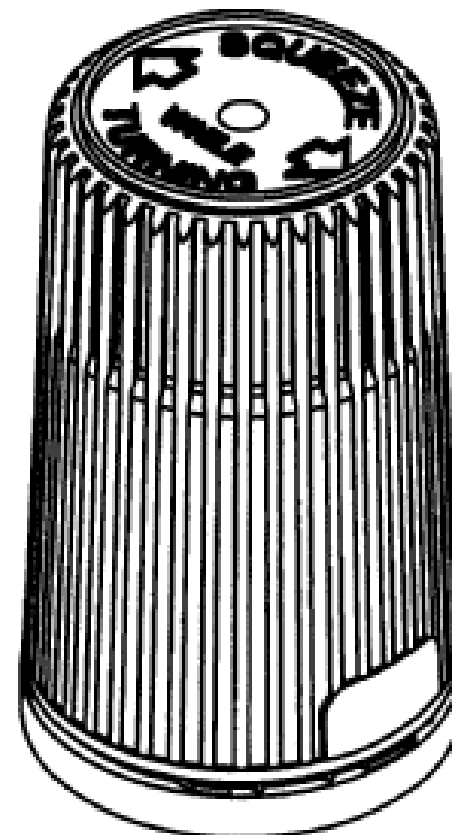
(57) Statement of Newness and Distinctiveness: The newness and distinctiveness of the Adjustable Expansion Coupling 100mm is shown in the following drawings: Fig 1. Is a plan view of the Adjustable Expansion Coupling with 100mm fittings shown in fully compressed straight position. The top plan, bottom plan, and side elevation views are the same. Fig 2. Is a plan view of the Adjustable Expansion Coupling with 100mm fittings shown in fully extended straight position. The top plan, bottom plan, and side elevation views are the same. Fig 3. Is a plan view of the Adjustable Expansion Coupling with 100mm fittings shown in partially extended straight position. The top plan, bottom plan, and side elevation views are the same. Fig 4. Is a plan view of the Adjustable Expansion Coupling with 100mm fittings shown partially extended and arranged in an 'S' shape demonstrating one of the many possible positions. The top plan, bottom plan, and side elevation views are not the same. Fig 5. Is a plan view of the Adjustable Expansion Coupling with 100mm fittings shown partially extended and arranged in a 'U' Shape demonstrating one of many possible positions. The top plan, bottom plan, and side elevation views are not the same. Fig 6. Is a plan view of the Adjustable Expansion Coupling with 100mm fittings shown partially extended and arranged in an 'L' shape demonstrating one of many possible positions. The top plan, bottom plan, and side elevation views are not the same. Fig 7. Is an end elevation the Adjustable Expansion Coupling with 100mm fittings. Both end elevation views are the same. Fig 8. Is a perspective view of the Gutter Adjustable Expansion Coupling with 100mm fittings from the top.



- (21) Design Number: **11327/2009**
(22) Date of Filing Application: **17 April 2009**
(24) Date from which industrial property rights may have effect: **17 April 2009**
(54) Product in respect of which the design is registered: **Foot massage instrument**
(51) International Design Classification: **28-03NES**
(71) Name(s) and Address(s) of Applicant(s):
Neuwei Biomedical Co., Ltd.
555-30 Baekseok-dong Cheonan-city Choongchungnam-do Republic of Korea
(72) Name(s) of Designer(s): **Jeong Hoon Park**
(45) Registration Date: **18 May 2009**
(30) Convention priority data:
(31) Number (32) Date (33) Country
30-2008-0048837 12 Nov 2008 REPUBLIC OF KOREA
(56) Related Art Documents: **Not Applicable**
(57) Statement of Newness and Distinctiveness: **Newness and distinctiveness reside in the features of the design as shown in the representations.**



- (21) Design Number: **11410/2009**
(22) Date of Filing Application: **23 April 2009**
(24) Date from which industrial property rights may have effect: **23 April 2009**
(54) Product in respect of which the design is registered: **Cap/closure**
(51) International Design Classification: **09-07C**
(71) Name(s) and Address(s) of Applicant(s):
Cormack Packaging Pty Limited
26 Harley Crescent Condell Park New South Wales 2200 Australia
(72) Name(s) of Designer(s): **Tim Bird and Ian Cox**
(45) Registration Date: **18 May 2009**
(56) Related Art Documents: **Not Applicable**
(57) Statement of Newness and Distinctiveness: **Nil**



(21) Design Number: **11386/2009**

(22) Date of Filing Application: **27 April 2009**

(24) Date from which industrial property rights may have effect: **27 April 2009**

(54) Product in respect of which the design is registered: **Dinosaur chair**

(51) International Design Classification: **06-01L**

(71) Name(s) and Address(s) of Applicant(s):

Jaime Sanchez

112 North Parade Torrensville South Australia 5031 Australia

(72) Name(s) of Designer(s): **Jaime Sanchez**

(45) Registration Date: **18 May 2009**

(56) Related Art Documents: **Not Applicable**

(57) Statement of Newness and Distinctiveness: **Chair is from one sheet of cut material, individual pieces are removed from sheet and are assembled into chair with no fixtures or adhesive. Individual pieces are stylized dinosaur bones and assembled chair is stylized dinosaur skeleton.**



(21) Design Number: **11400/2009**

(22) Date of Filing Application: **24 April 2009**

(24) Date from which industrial property rights may have effect: **24 April 2009**

(54) Product in respect of which the design is registered: **Profiled panel**

(51) International Design Classification: **25-02C, 25-01G**

(71) Name(s) and Address(s) of Applicant(s):

Gram Engineering Pty Ltd

16-22 Cullen Place Smithfield New South Wales 2164 Australia

(72) Name(s) of Designer(s): **Ronald Leslie Mann**

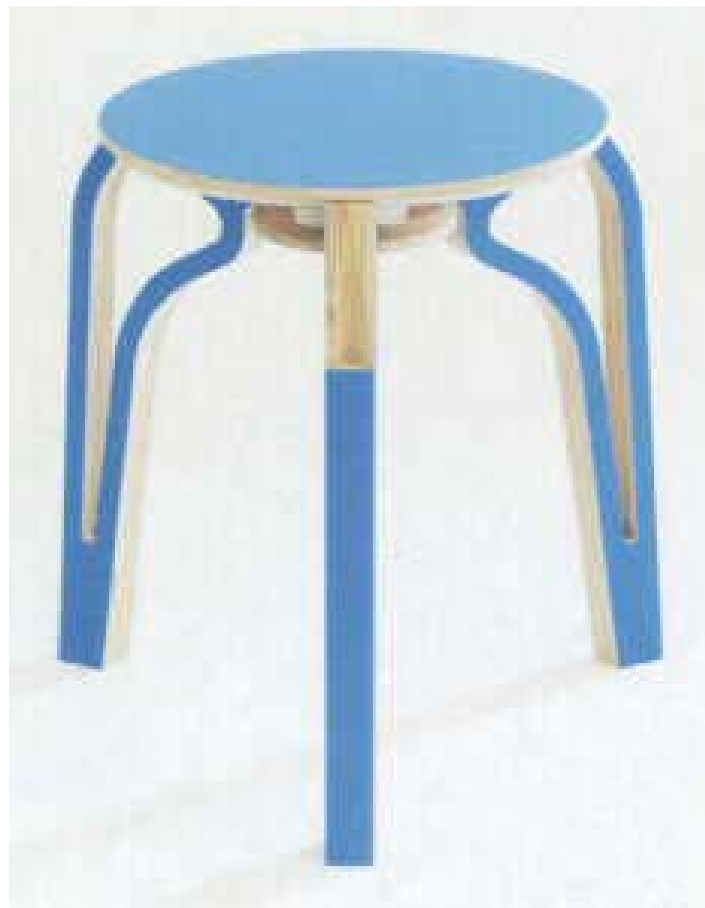
(45) Registration Date: **18 May 2009**

(56) Related Art Documents: **Not Applicable**

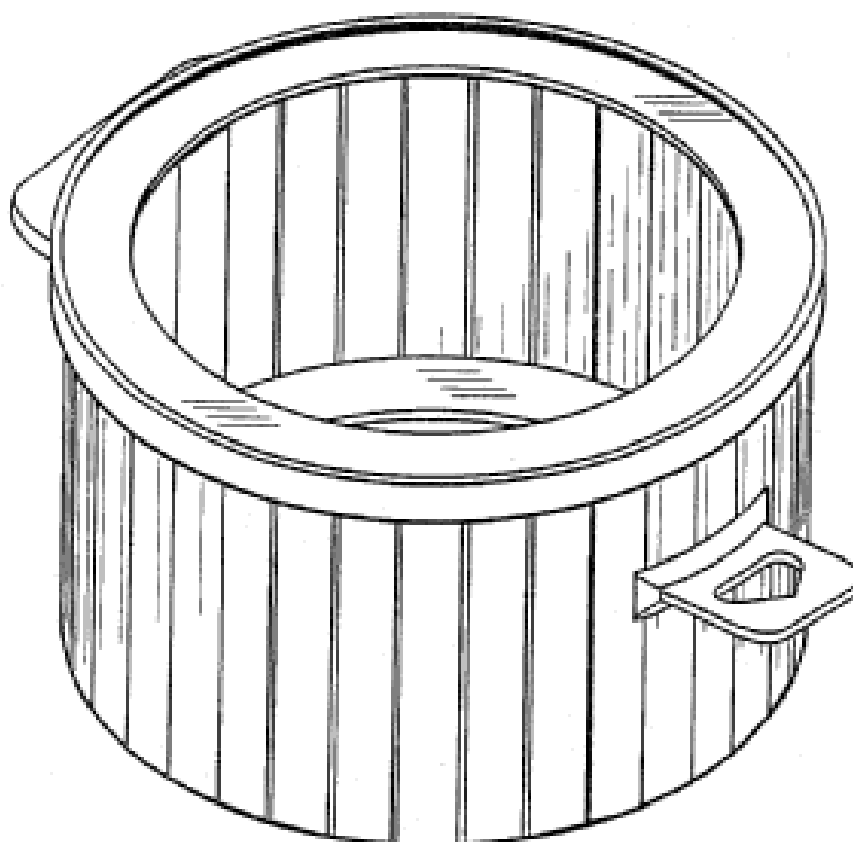
(57) Statement of Newness and Distinctiveness: **Protection is sort for the general shape of the repeating units of the profile. The monopoly sort is not limited by the number of repeating units nor the exact dimension of width and height of each unit.**



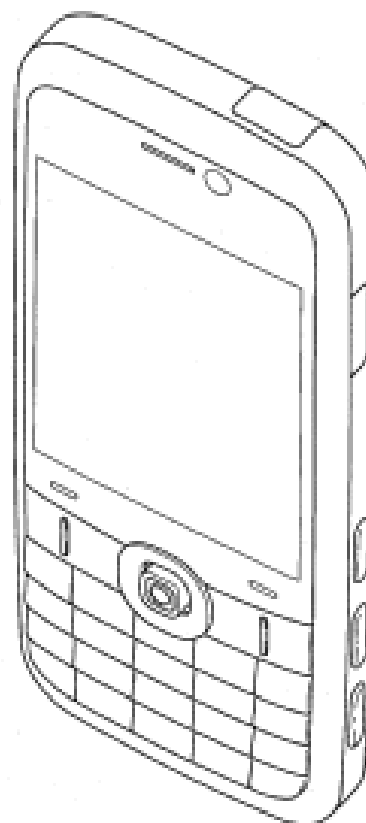
- (21) Design Number: **11527/2009**
(22) Date of Filing Application: **01 May 2009**
(24) Date from which industrial property rights may have effect: **01 May 2009**
(54) Product in respect of which the design is registered: **"Perch" stool**
(51) International Design Classification: **06-01E**
(71) Name(s) and Address(s) of Applicant(s):
Ross Gardam
17 Austin Way Fitzroy North Victoria 3068 Australia
(72) Name(s) of Designer(s): **Ross Gardam**
(45) Registration Date: **18 May 2009**
(56) Related Art Documents: **Not Applicable**
(57) Statement of Newness and Distinctiveness: **The original curved form of the leg with its cutout section is a feature of the design. The visual language of the leg connecting to the seat is also a distinctive feature. The two colours are also distinctive, used together.**



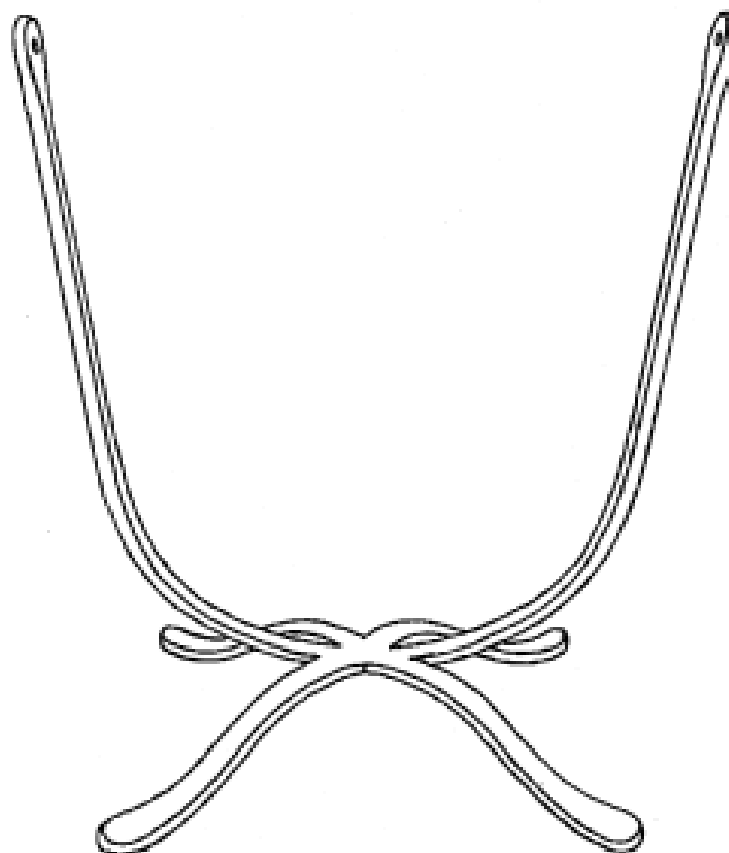
- (21) Design Number: **11383/2009**
(22) Date of Filing Application: **24 April 2009**
(24) Date from which industrial property rights may have effect: **24 April 2009**
(54) Product in respect of which the design is registered: **Bulk reclosable display package**
(51) International Design Classification: **20-02NES**
(71) Name(s) and Address(s) of Applicant(s):
Ali Industries, Inc.
747 East Xenia Drive Fairborn 45324 Ohio United States of America
(72) Name(s) of Designer(s): **Terry Ali and Christopher Ali and Frank Ali**
(45) Registration Date: **19 May 2009**
(30) Convention priority data:
(31) Number (32) Date (33) Country
29/329046 08 Dec 2008 UNITED STATES OF AMERICA
(56) Related Art Documents: **Not Applicable**
(57) Statement of Newness and Distinctiveness: **Nil**



(21) Design Number: **11384/2009**
(22) Date of Filing Application: **24 April 2009**
(24) Date from which industrial property rights may have effect: **24 April 2009**
(54) Product in respect of which the design is registered: **Mobile phone**
(51) International Design Classification: **14-03E**
(71) Name(s) and Address(s) of Applicant(s):
LG Electronics Inc.
20 Yeouido-dong Yeongdeungpo-gu Seoul 150-721 Republic of Korea
(72) Name(s) of Designer(s): **Ho Cheol Lee and Seon Woo Yoo**
(45) Registration Date: **19 May 2009**
(30) Convention priority data:
(31) Number (32) Date (33) Country
30-2008-0051425 28 Nov 2008 REPUBLIC OF KOREA
(56) Related Art Documents: **Not Applicable**
(57) Statement of Newness and Distinctiveness: **Nil**



(21) Design Number: **11459/2009**
(22) Date of Filing Application: **06 May 2009**
(24) Date from which industrial property rights may have effect: **06 May 2009**
(54) Product in respect of which the design is registered: **Support for swing seat**
(51) International Design Classification: **06-06H, 06-01H**
(71) Name(s) and Address(s) of Applicant(s):
Michael Bennetts
PO Box 32-393 Devonport Auckland 0744 New Zealand
(72) Name(s) of Designer(s): **Michael Bennetts**
(45) Registration Date: **19 May 2009**
(56) Related Art Documents: **Not Applicable**
(57) Statement of Newness and Distinctiveness: **The design is unique because of its' shape.**



(21) Design Number: **11580/2009**

(22) Date of Filing Application: **05 May 2009**

(24) Date from which industrial property rights may have effect: **05 May 2009**

(54) Product in respect of which the design is registered: **Tetra lounge seat with backrest**

(51) International Design Classification: **06-01G**

(71) Name(s) and Address(s) of Applicant(s):

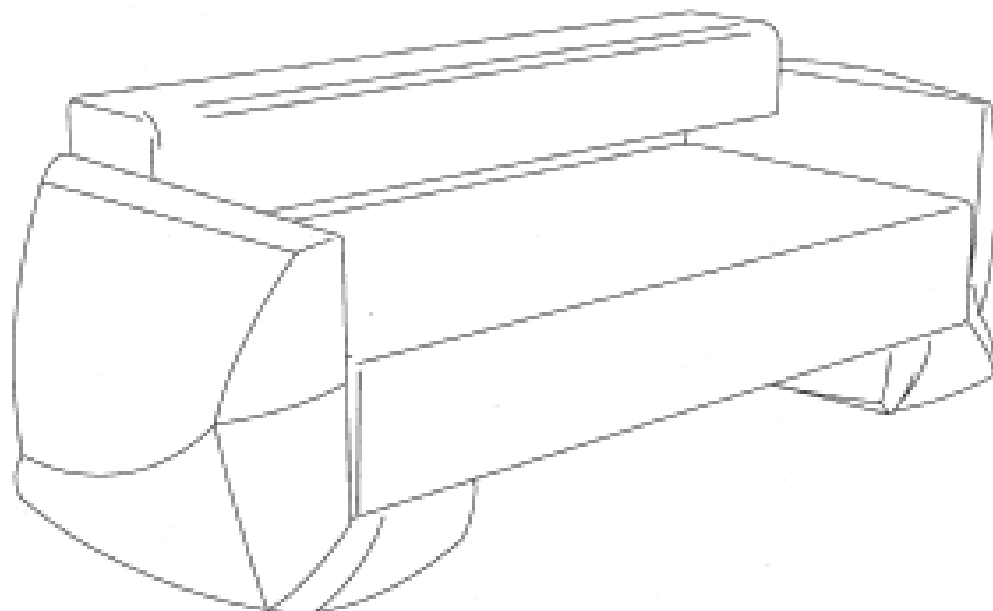
**Botton & Gardiner Urban Furniture Pty Limited
37/34-36 Ralph Street Alexandria New South Wales 2015 Australia**

(72) Name(s) of Designer(s): **Mike Botton and Thomas Marlay**

(45) Registration Date: **19 May 2009**

(56) Related Art Documents: **Not Applicable**

(57) Statement of Newness and Distinctiveness: **The design is new and distinctive by virtue of the shape, configuration and spatial relationship to each other of all of the components.**



(21) Design Number: **11581/2009**

(22) Date of Filing Application: **05 May 2009**

(24) Date from which industrial property rights may have effect: **05 May 2009**

(54) Product in respect of which the design is registered: **Tetra ottoman seat**

(51) International Design Classification: **06-01G**

(71) Name(s) and Address(s) of Applicant(s):

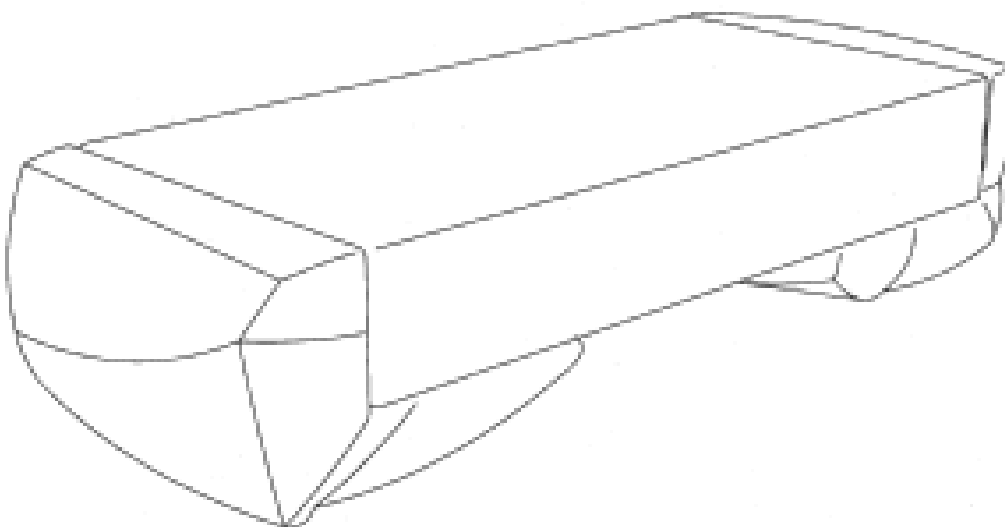
**Botton & Gardiner Urban Furniture Pty Limited
37/34-36 Ralph Street Alexandria New South Wales 2015 Australia**

(72) Name(s) of Designer(s): **Mike Botton and Thomas Marlay**

(45) Registration Date: **19 May 2009**

(56) Related Art Documents: **Not Applicable**

(57) Statement of Newness and Distinctiveness: **The design is new and distinctive by virtue of the shape, configuration and spatial relationship to each other of all of the components.**



(21) Design Number: **10251/2009**

(22) Date of Filing Application: **30 January 2009**

(24) Date from which industrial property rights may have effect: **30 January 2009**

(54) Product in respect of which the design is registered: **Electric fence outrigger**

(51) International Design Classification: **08-08K, 13-99**

(71) Name(s) and Address(s) of Applicant(s):

Tru-Test Limited

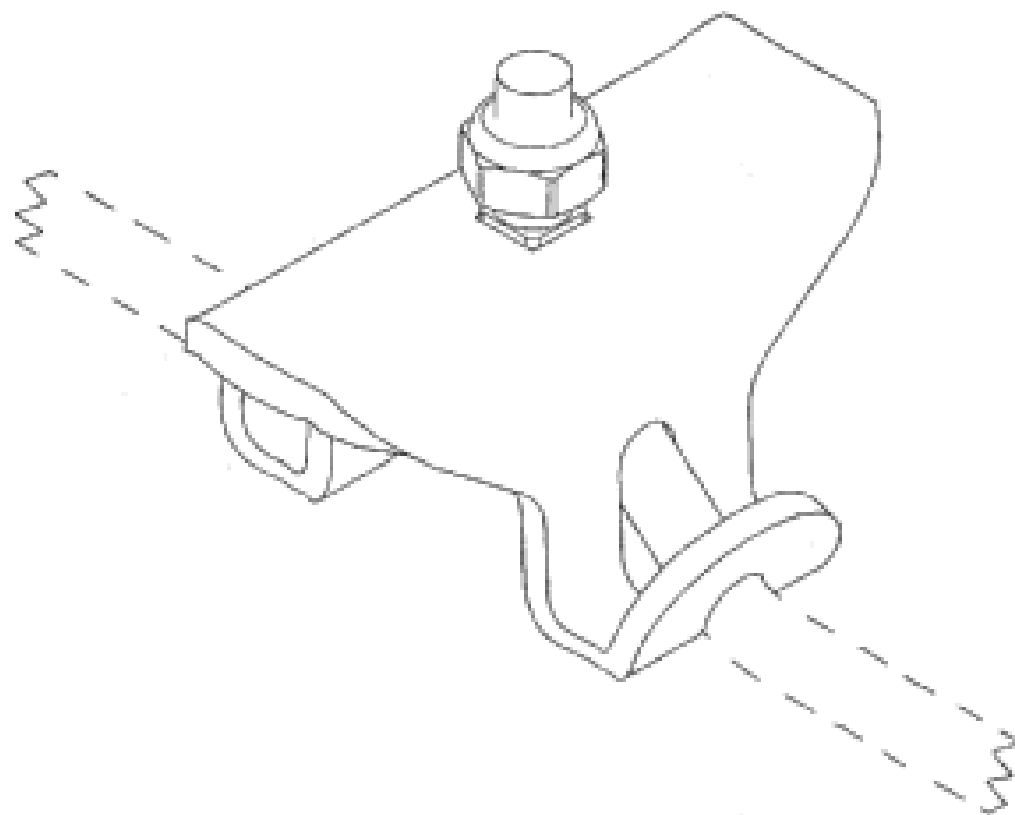
25 Carbine Road Mount Wellington Auckland 1060 New Zealand

(72) Name(s) of Designer(s): **Chambers Chris**

(45) Registration Date: **19 May 2009**

(56) Related Art Documents: **Not Applicable**

(57) Statement of Newness and Distinctiveness: **Monopoly is claimed in respect of the shape and configuration of the electric fence outrigger as illustrated in the representations. The features to be disregarded in considering the extent of the monopoly protection are the arms shown in dashed outline.**



(21) Design Number: **10323/2009**

(22) Date of Filing Application: **06 February 2009**

(24) Date from which industrial property rights may have effect: **06 February 2009**

(54) Product in respect of which the design is registered: **Double wall paper coffee cups**

(51) International Design Classification: **07-01C**

(71) Name(s) and Address(s) of Applicant(s):

Partyware Pty Ltd

10 University Place Clayton North Victoria 3168 Australia

(72) Name(s) of Designer(s): **Aron Segev**

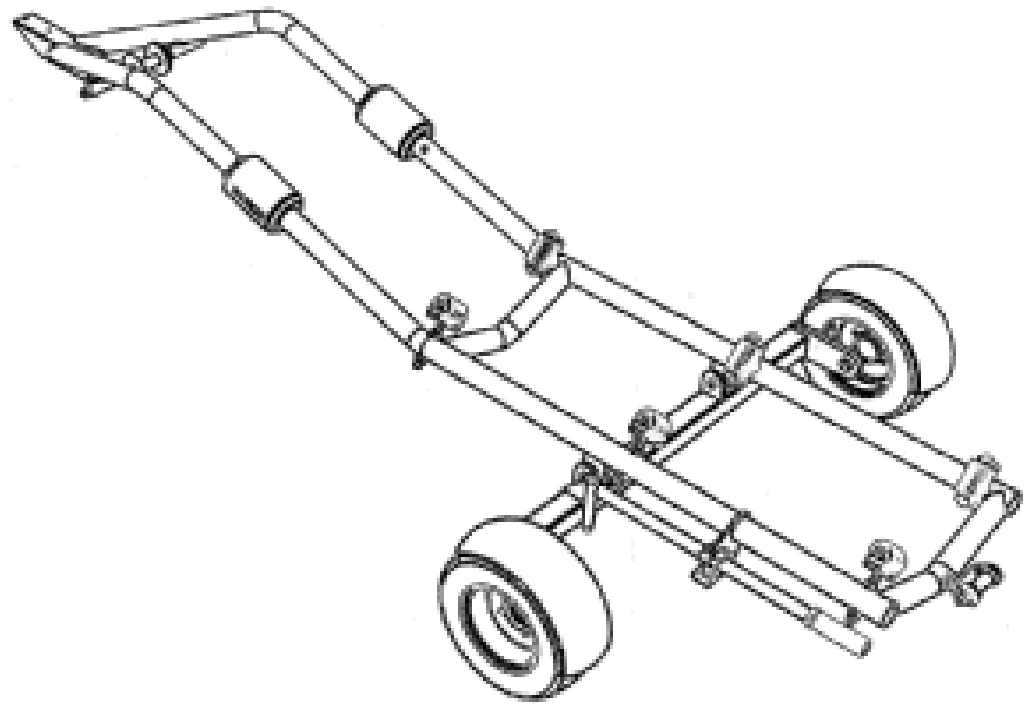
(45) Registration Date: **19 May 2009**

(56) Related Art Documents: **Not Applicable**

(57) Statement of Newness and Distinctiveness: **Double wall insulated paper coffee cups with wave design**



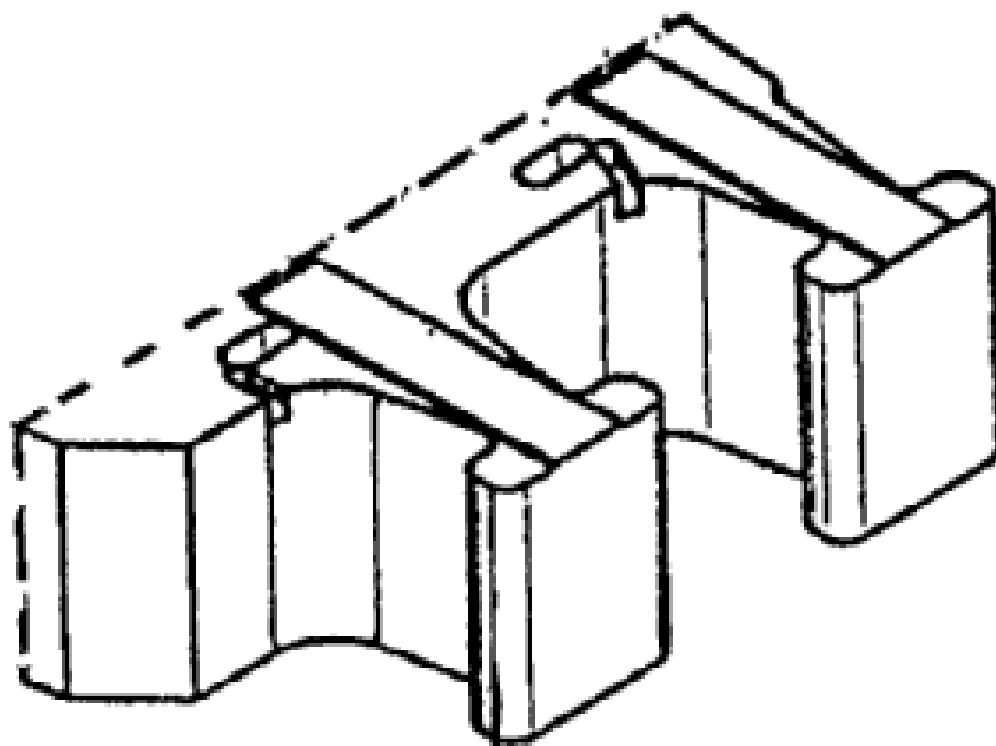
- (21) Design Number: **10698/2009**
(22) Date of Filing Application: **11 March 2009**
(24) Date from which industrial property rights may have effect: **11 March 2009**
(54) Product in respect of which the design is registered: **Jet ski trailers**
(51) International Design Classification: **12-06A, 12-10**
(71) Name(s) and Address(s) of Applicant(s):
Advanced Suspension Systems Pty. Ltd.
55 Glenmore Drive Ashmore Queensland 4214 Australia
(72) Name(s) of Designer(s): **Radu Iliuta**
(45) Registration Date: **19 May 2009**
(56) Related Art Documents: **Not Applicable**
(57) Statement of Newness and Distinctiveness: **Nil**



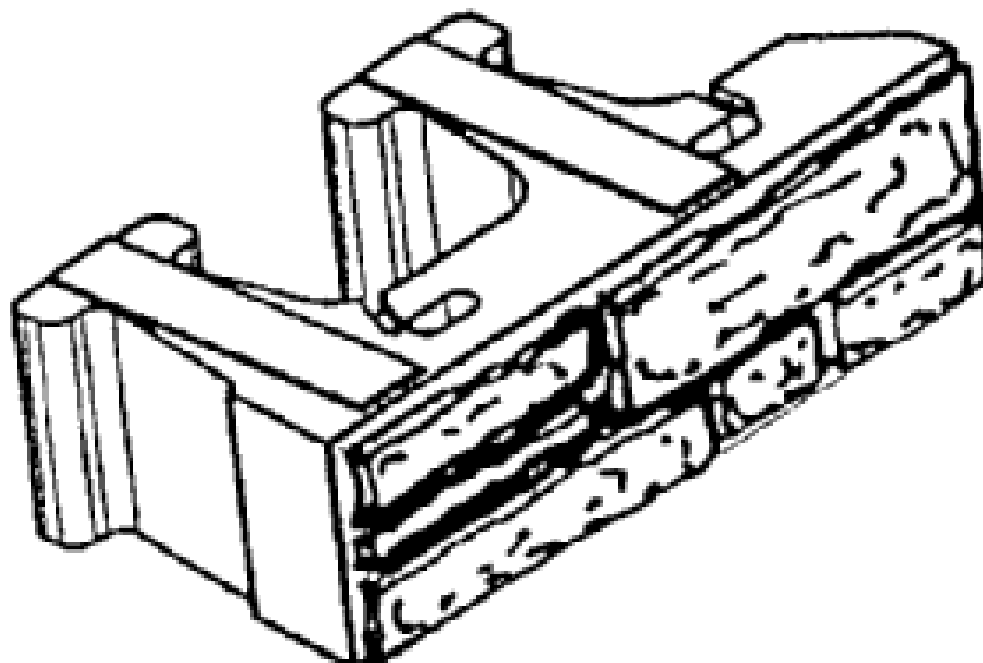
- (21) Design Number: **10875/2009**
(22) Date of Filing Application: **18 March 2009**
(24) Date from which industrial property rights may have effect: **18 March 2009**
(54) Product in respect of which the design is registered: **Spray painting booths**
(51) International Design Classification: **15-05, 23-99, 08-05L, 25-03**
(71) Name(s) and Address(s) of Applicant(s):
Monarch Industries (Aust) Pty Ltd
132 Mooringe Avenue North Plympton South Australia 5037 Australia
(72) Name(s) of Designer(s): **John Milton**
(45) Registration Date: **19 May 2009**
(56) Related Art Documents: **Not Applicable**
(57) Statement of Newness and Distinctiveness: **Nozzles in the booth provide turbulent air within the booth to aid drying of water-borne paint.**



(21) Design Number: **11391/2009**
 (22) Date of Filing Application: **24 April 2009**
 (24) Date from which industrial property rights may have effect: **24 April 2009**
 (54) Product in respect of which the design is registered: **Wall block**
 (51) International Design Classification: **25-01A**
 (71) Name(s) and Address(s) of Applicant(s):
Keystone Retaining Wall Systems, Inc.
4444 West 78th Street Bloomington Minnesota 55435 United States of America
 (72) Name(s) of Designer(s): **David M. LaCroix and Robert A. MacDonald**
 (45) Registration Date: **19 May 2009**
 (30) Convention priority data:
 (31) Number (32) Date (33) Country
29/327532 07 Nov 2008 UNITED STATES OF AMERICA
 (56) Related Art Documents: **Not Applicable**
 (57) Statement of Newness and Distinctiveness: **Newness and distinctiveness is claimed in those features of shape and/or configuration of a wall block illustrated in continuous lines in the accompanying representations.**



(21) Design Number: **11392/2009**
 (22) Date of Filing Application: **24 April 2009**
 (24) Date from which industrial property rights may have effect: **24 April 2009**
 (54) Product in respect of which the design is registered: **Wall block**
 (51) International Design Classification: **25-01A**
 (71) Name(s) and Address(s) of Applicant(s):
Keystone Retaining Wall Systems, Inc.
4444 West 78th Street Bloomington Minnesota 55435 United States of America
 (72) Name(s) of Designer(s): **David M. LaCroix and Robert A. MacDonald**
 (45) Registration Date: **19 May 2009**
 (30) Convention priority data:
 (31) Number (32) Date (33) Country
29/327515 07 Nov 2008 UNITED STATES OF AMERICA
 (56) Related Art Documents: **Not Applicable**
 (57) Statement of Newness and Distinctiveness: **Newness and distinctiveness is claimed in the features of shape and/or configuration of a wall block as illustrated in the accompanying representations.**



(21) Design Number: **11393/2009**

(22) Date of Filing Application: **24 April 2009**

(24) Date from which industrial property rights may have effect: **24 April 2009**

(54) Product in respect of which the design is registered: **Wall block**

(51) International Design Classification: **25-01A**

(71) Name(s) and Address(s) of Applicant(s):

**Keystone Retaining Wall Systems, Inc.
4444 West 78th Street Bloomington Minnesota 55435 United States of
America**

(72) Name(s) of Designer(s): **David M. LaCroix and Robert A. MacDonald**

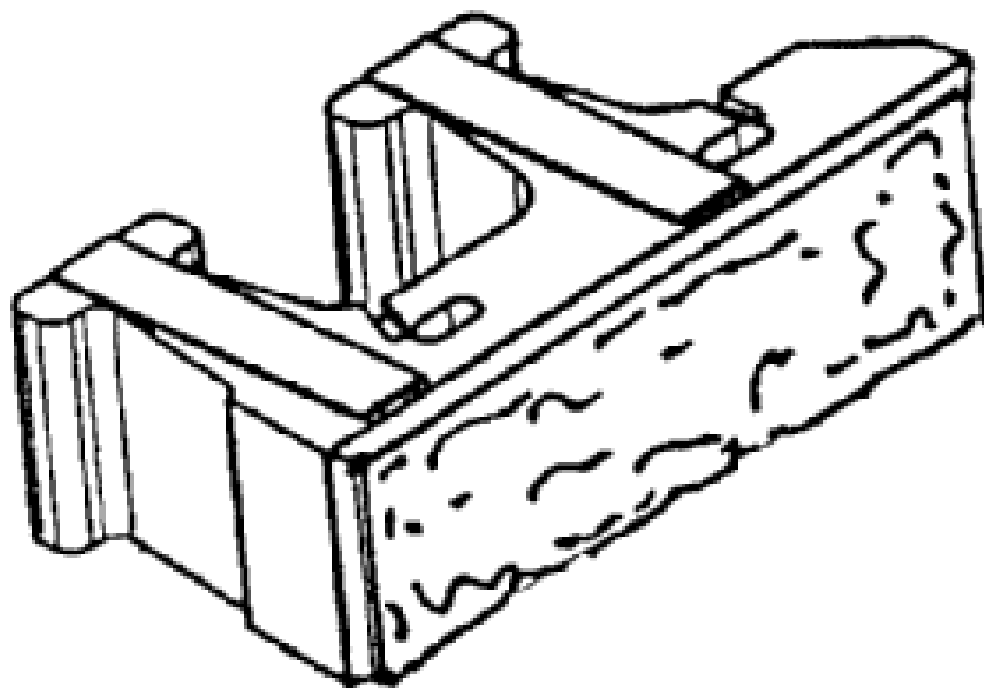
(45) Registration Date: **19 May 2009**

(30) Convention priority data:

(31) Number	(32) Date	(33) Country
29/327515	07 Nov 2008	UNITED STATES OF AMERICA

(56) Related Art Documents: **Not Applicable**

(57) Statement of Newness and Distinctiveness: **Newness and distinctiveness is claimed in the features of shape and/or configuration of a wall block as illustrated in the accompanying representations.**



(21) Design Number: **11394/2009**

(22) Date of Filing Application: **24 April 2009**

(24) Date from which industrial property rights may have effect: **24 April 2009**

(54) Product in respect of which the design is registered: **Wall block**

(51) International Design Classification: **25-01A**

(71) Name(s) and Address(s) of Applicant(s):

**Keystone Retaining Wall Systems, Inc.
4444 West 78th Street Bloomington Minnesota 55435 United States of
America**

(72) Name(s) of Designer(s): **David M. LaCroix and Robert A. MacDonald**

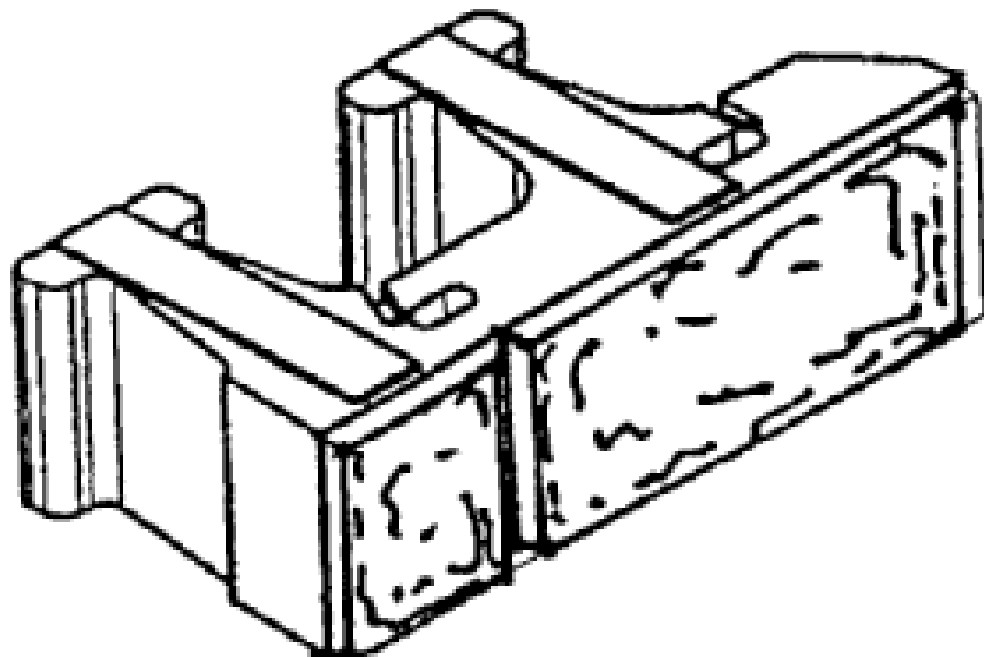
(45) Registration Date: **19 May 2009**

(30) Convention priority data:

(31) Number	(32) Date	(33) Country
29/327515	07 Nov 2008	UNITED STATES OF AMERICA

(56) Related Art Documents: **Not Applicable**

(57) Statement of Newness and Distinctiveness: **Newness and distinctiveness is claimed in the features of shape and/or configuration of a wall block as illustrated in the accompanying representations.**



(21) Design Number: **11395/2009**

(22) Date of Filing Application: **24 April 2009**

(24) Date from which industrial property rights may have effect: **24 April 2009**

(54) Product in respect of which the design is registered: **Bottle**

(51) International Design Classification: **09-01K**

(71) Name(s) and Address(s) of Applicant(s):

**S.C. Johnson & Son, Inc.
1525 Howe Street Racine Wisconsin 53403-2236 United States of
America**

(72) Name(s) of Designer(s): **Jonathan Lee and Troy Starkey**

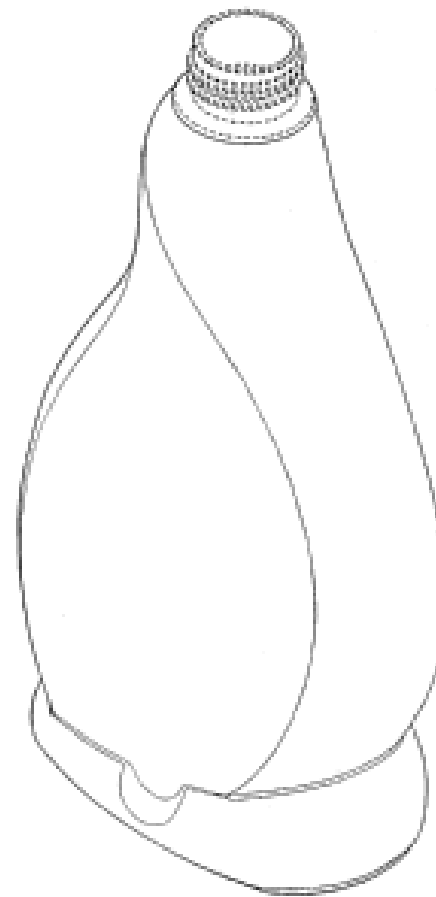
(45) Registration Date: **19 May 2009**

(30) Convention priority data:

(31) Number	(32) Date	(33) Country
29/326896	27 Oct 2008	UNITED STATES OF AMERICA

(56) Related Art Documents: **Not Applicable**

(57) Statement of Newness and Distinctiveness: **Newness and distinctiveness is claimed in those features of shape and/or configuration of a bottle as illustrated in continuous lines in the accompanying representations.**



(21) Design Number: **11594/2009**

(22) Date of Filing Application: **04 May 2009**

(24) Date from which industrial property rights may have effect: **04 May 2009**

(54) Product in respect of which the design is registered: **Pivoting draw bar**

(51) International Design Classification: **12-16NES**

(71) Name(s) and Address(s) of Applicant(s):

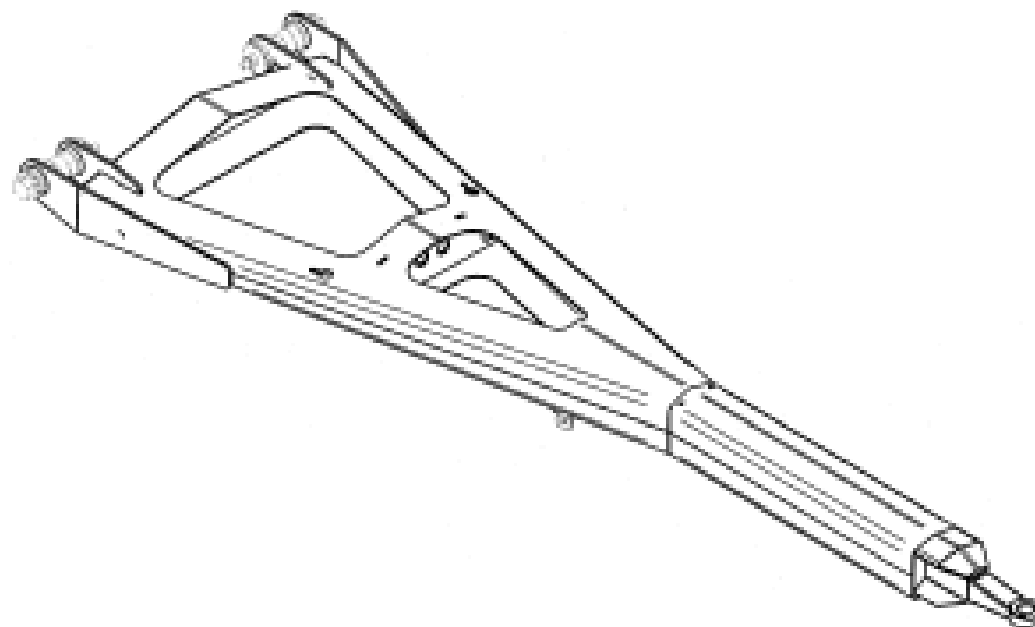
**Roadwest Transport Equipment & Sales Pty Ltd
100 Beechboro Road Bayswater Western Australia 6053 Australia**

(72) Name(s) of Designer(s): **Paul Lavall**

(45) Registration Date: **19 May 2009**

(56) Related Art Documents: **Not Applicable**

(57) Statement of Newness and Distinctiveness: **Newness and distinctiveness resides in the shape and configuration of the pivoting draw bar as shown in the accompanying representations. The bushing kits shown in dotted outline do not form part of the design.**



(21) Design Number: **11388/2009**

(22) Date of Filing Application: **23 April 2009**

(24) Date from which industrial property rights may have effect: **23 April 2009**

(54) Product in respect of which the design is registered: **Bottle**

(51) International Design Classification: **09-01H**

(71) Name(s) and Address(s) of Applicant(s):

Amcor Limited

Ground Floor 109 Burwood Road Hawthorn Victoria 3122 Australia

(72) Name(s) of Designer(s): **Tim Johnson and Andrew Beresford**

(45) Registration Date: **19 May 2009**

(56) Related Art Documents: **Not Applicable**

(57) Statement of Newness and Distinctiveness: **The shape, configuration and pattern of the stippling around the outer perimeter of the base of the bottle is new and distinctive.**



(21) Design Number: **11389/2009**

(22) Date of Filing Application: **23 April 2009**

(24) Date from which industrial property rights may have effect: **23 April 2009**

(54) Product in respect of which the design is registered: **Bottle**

(51) International Design Classification: **09-01H**

(71) Name(s) and Address(s) of Applicant(s):

Amcor Limited

Ground Floor 109 Burwood Road Hawthorn Victoria 3122 Australia

(72) Name(s) of Designer(s): **Tim Johnson and Andrew Beresford**

(45) Registration Date: **19 May 2009**

(56) Related Art Documents: **Not Applicable**

(57) Statement of Newness and Distinctiveness: **The shape, configuration and pattern of the stippling around the outer perimeter of the base of the bottle is new and distinctive.**



(21) Design Number: **11390/2009**

(22) Date of Filing Application: **24 April 2009**

(24) Date from which industrial property rights may have effect: **24 April 2009**

(54) Product in respect of which the design is registered: **Wall block**

(51) International Design Classification: **25-01A**

(71) Name(s) and Address(s) of Applicant(s):

Keystone Retaining Wall Systems, Inc.
4444 West 78th Street Bloomington Minnesota 55435 United States of America

(72) Name(s) of Designer(s): **David M. LaCroix and Robert A. MacDonald**

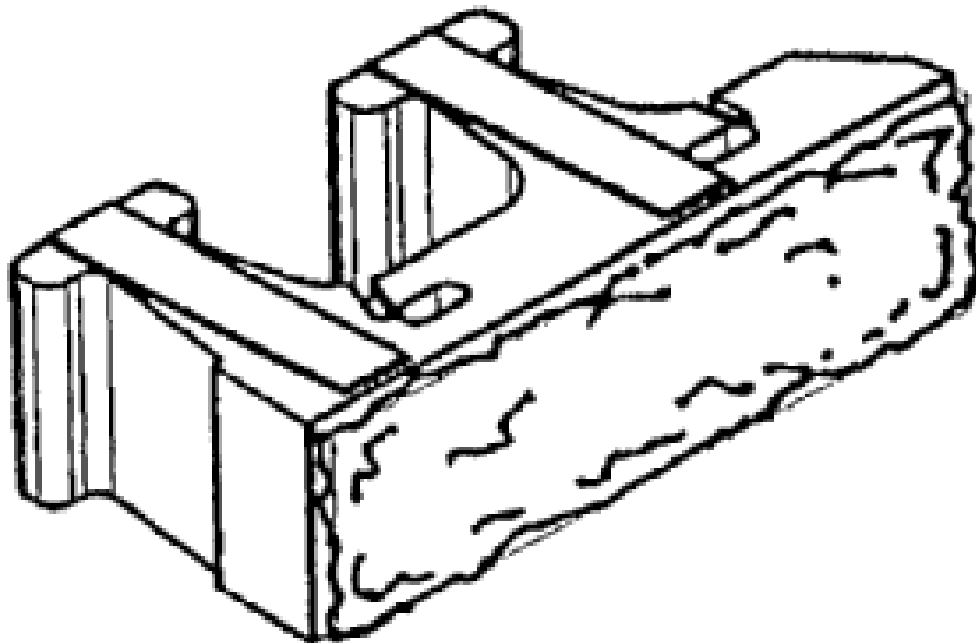
(45) Registration Date: **19 May 2009**

(30) Convention priority data:

(31) Number	(32) Date	(33) Country
29/327515	07 Nov 2008	UNITED STATES OF AMERICA

(56) Related Art Documents: **Not Applicable**

(57) Statement of Newness and Distinctiveness: **Newness and distinctiveness is claimed in the features of shape and/or configuration of a wall block as illustrated in the accompanying representations.**



(21) Design Number: **11548/2009**

(22) Date of Filing Application: **04 May 2009**

(24) Date from which industrial property rights may have effect: **04 May 2009**

(54) Product in respect of which the design is registered: **Surgical tool**

(51) International Design Classification: **24-02**

(71) Name(s) and Address(s) of Applicant(s):

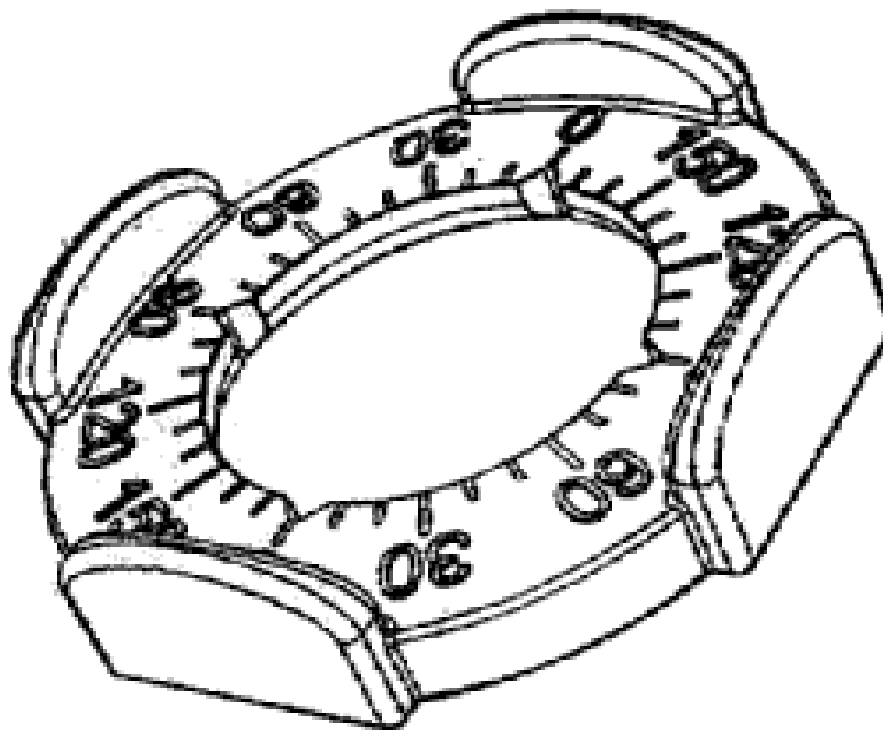
Peter Leo Macken
Suite 8, 70 Bowral Street Bowral New South Wales 2576 Australia

(72) Name(s) of Designer(s): **Peter Leo Macken**

(45) Registration Date: **20 May 2009**

(56) Related Art Documents: **Not Applicable**

(57) Statement of Newness and Distinctiveness: **Newness and distinctiveness are claimed in the features of shape and/or configuration of the surgical tool shown in the representations.**



(21) Design Number: **11406/2009**

(22) Date of Filing Application: **28 April 2009**

(24) Date from which industrial property rights may have effect: **28 April 2009**

(54) Product in respect of which the design is registered: **Illuminated street sign**

(51) International Design Classification: **20-03C**

(71) Name(s) and Address(s) of Applicant(s):

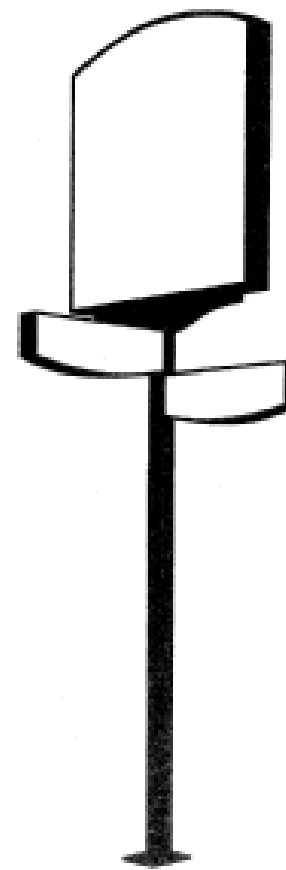
**Directional Systems Australia Pty Ltd
3 The Lodge Mount Claremont Western Australia 6010 Australia**

(72) Name(s) of Designer(s): **John Clive Churchill**

(45) Registration Date: **20 May 2009**

(56) Related Art Documents: **Not Applicable**

(57) Statement of Newness and Distinctiveness: **Nil**



(21) Design Number: **11407/2009**

(22) Date of Filing Application: **28 April 2009**

(24) Date from which industrial property rights may have effect: **28 April 2009**

(54) Product in respect of which the design is registered: **Illuminated street name sign**

(51) International Design Classification: **20-03C**

(71) Name(s) and Address(s) of Applicant(s):

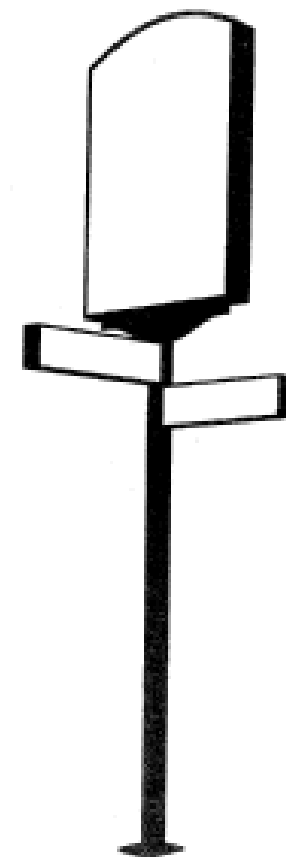
**Directional Systems Australia Pty Ltd
3 The Lodge Mount Claremont Western Australia 6010 Australia**

(72) Name(s) of Designer(s): **John Clive Churchill**

(45) Registration Date: **20 May 2009**

(56) Related Art Documents: **Not Applicable**

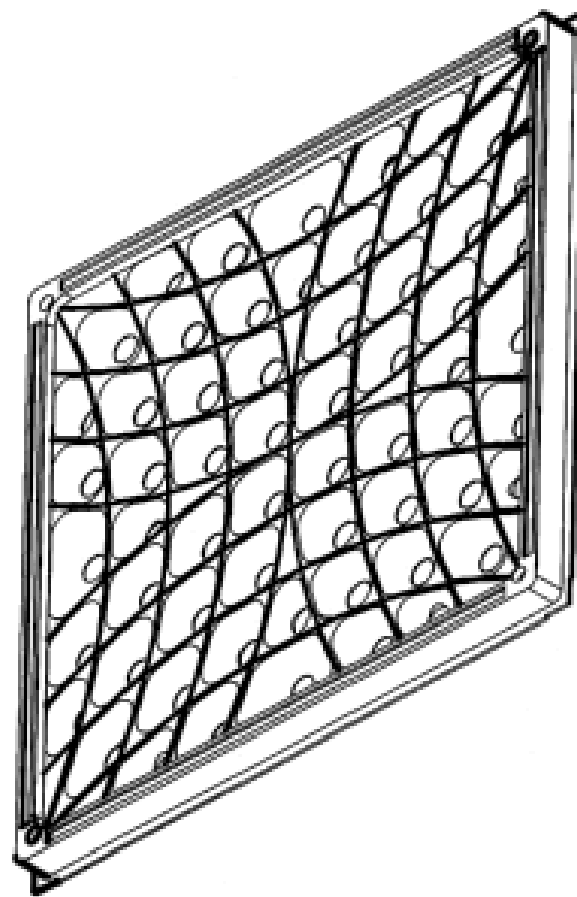
(57) Statement of Newness and Distinctiveness: **Nil**



(21) Design Number: **11408/2009**
 (22) Date of Filing Application: **24 April 2009**
 (24) Date from which industrial property rights may have effect: **24 April 2009**
 (54) Product in respect of which the design is registered: **An access floor panel**
 (51) International Design Classification: **25-02NES**
 (71) Name(s) and Address(s) of Applicant(s):

Petar Zlatar
32 Prime Drive Seven Hills New South Wales 2147 Australia

(72) Name(s) of Designer(s): **Petar Zlatar**
 (45) Registration Date: **20 May 2009**
 (56) Related Art Documents: **Not Applicable**
 (57) Statement of Newness and Distinctiveness: **Newness and distinctiveness is claimed in the shape and/or configuration of AN ACCESS FLOOR PANEL as illustrated by the unbroken lines in the accompanying representation/s.**



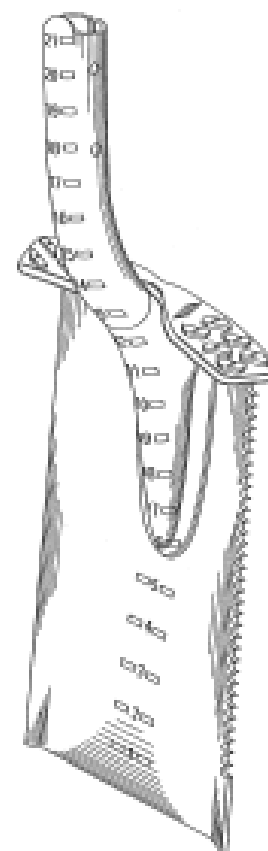
(21) Design Number: **11398/2009**
 (22) Date of Filing Application: **23 April 2009**
 (24) Date from which industrial property rights may have effect: **23 April 2009**
 (54) Product in respect of which the design is registered: **Blade, medium spade big step shovel**
 (51) International Design Classification: **08-01**
 (71) Name(s) and Address(s) of Applicant(s):

Ames True Temper, Inc.
465 Railroad Avenue Camp Hill PA 17011 United States of America

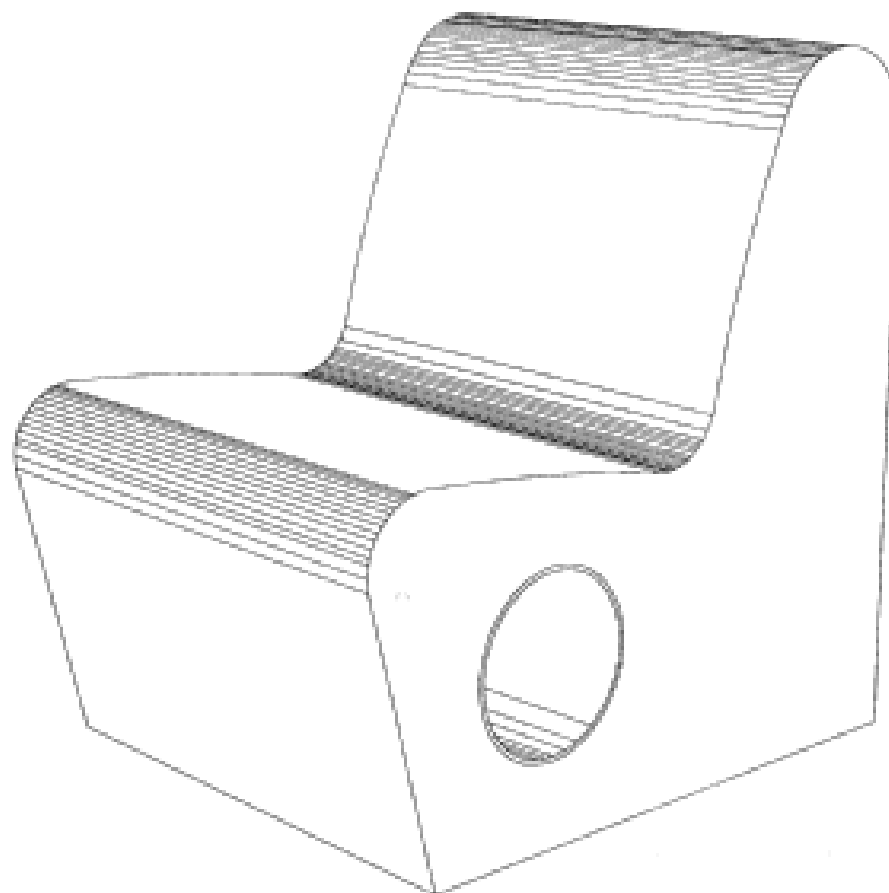
(72) Name(s) of Designer(s): **Maureen Elizabeth Carroll**
 (45) Registration Date: **20 May 2009**
 (30) Convention priority data:

(31) Number	(32) Date	(33) Country
29/329,262	11 Dec 2008	UNITED STATES OF AMERICA

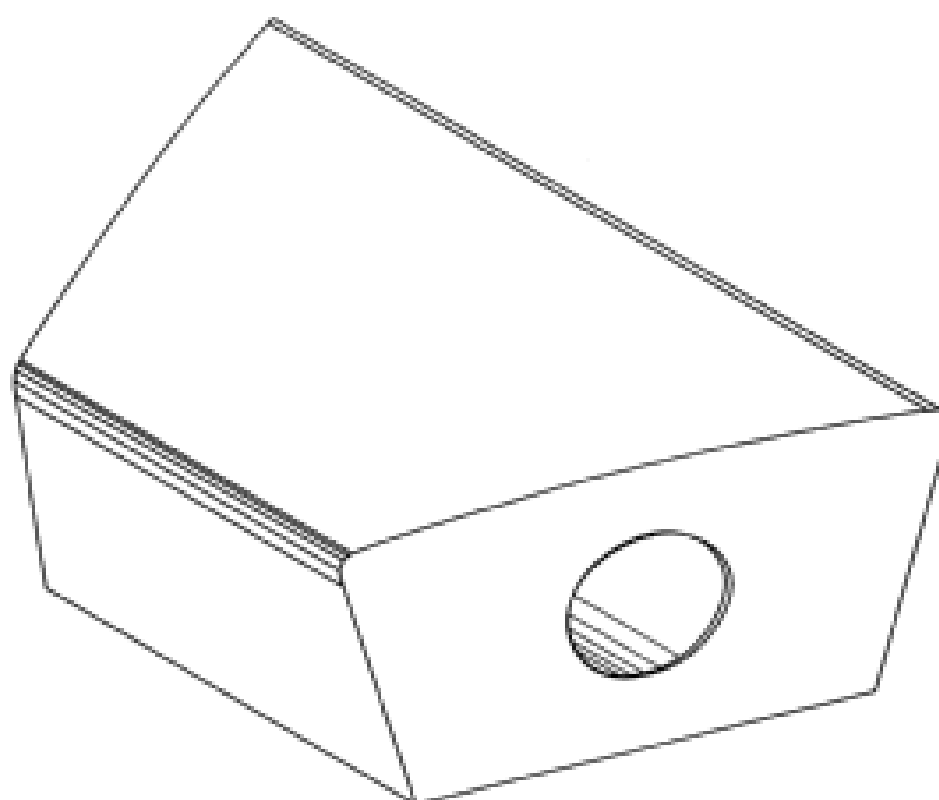
 (56) Related Art Documents: **Not Applicable**
 (57) Statement of Newness and Distinctiveness: **Nil**



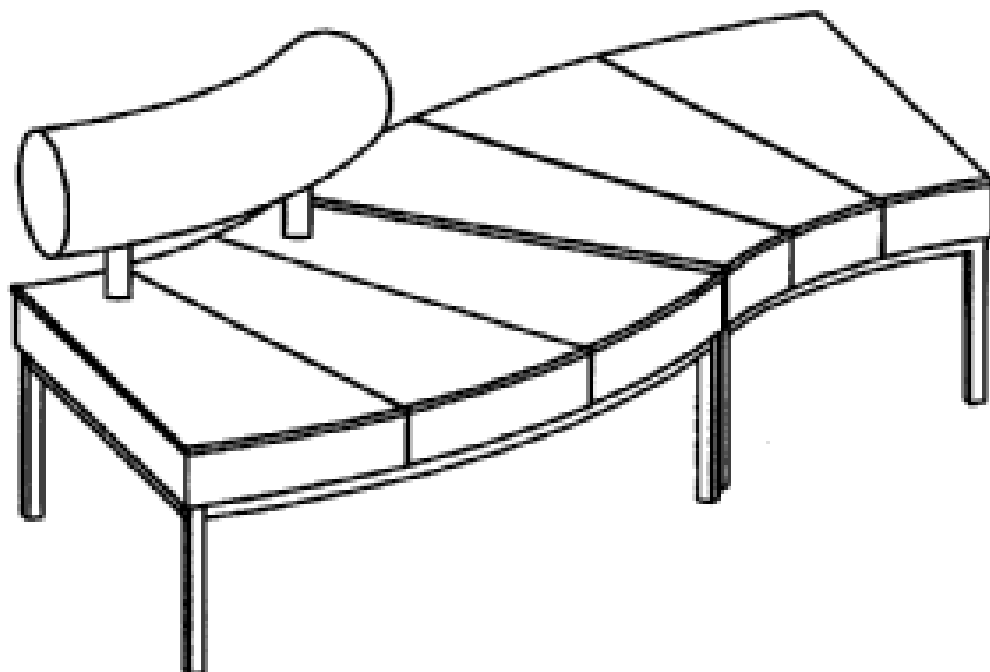
- (21) Design Number: **10613/2009**
(22) Date of Filing Application: **25 February 2009**
(24) Date from which industrial property rights may have effect: **25 February 2009**
(54) Product in respect of which the design is registered: **Chair**
(51) International Design Classification: **06-01L**
(71) Name(s) and Address(s) of Applicant(s):
 Paul White
 77 Thirteenth Avenue Tauranga 3112 New Zealand
 Isabel White
 77 Thirteenth Avenue Tauranga 3112 New Zealand
(72) Name(s) of Designer(s): **Paul White**
(45) Registration Date: **20 May 2009**
(56) Related Art Documents: **Not Applicable**
(57) Statement of Newness and Distinctiveness: **The design is to be applied to a chair and the distinctiveness and newness resides in the features of shape and configuration as shown in accompanying drawings.**



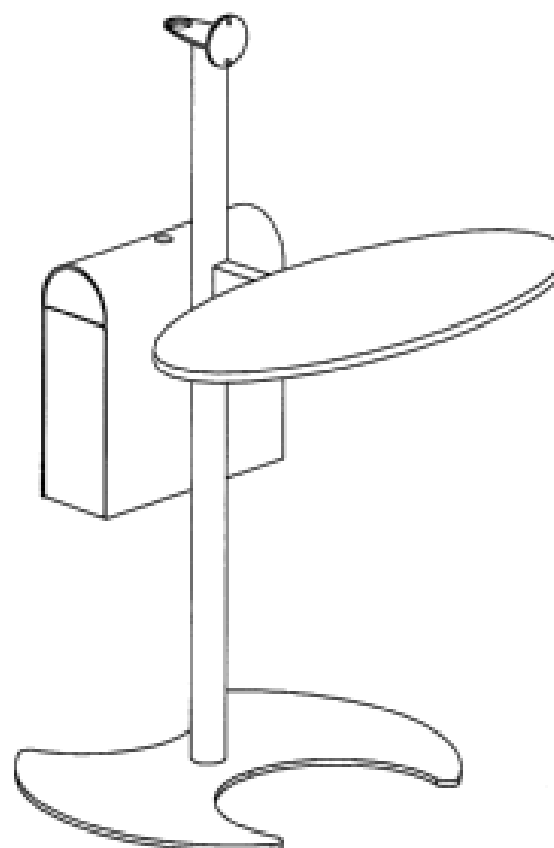
- (21) Design Number: **10614/2009**
(22) Date of Filing Application: **25 February 2009**
(24) Date from which industrial property rights may have effect: **25 February 2009**
(54) Product in respect of which the design is registered: **Ottoman**
(51) International Design Classification: **06-01E**
(71) Name(s) and Address(s) of Applicant(s):
 Paul White
 77 Thirteenth Avenue Tauranga 3112 New Zealand
 Isabel White
 77 Thirteenth Avenue Tauranga 3112 New Zealand
(72) Name(s) of Designer(s): **Paul White**
(45) Registration Date: **20 May 2009**
(56) Related Art Documents: **Not Applicable**
(57) Statement of Newness and Distinctiveness: **The design is to be applied to an ottoman and the distinctiveness and newness resides in the features of shape and configuration as shown in the accompanying drawings.**



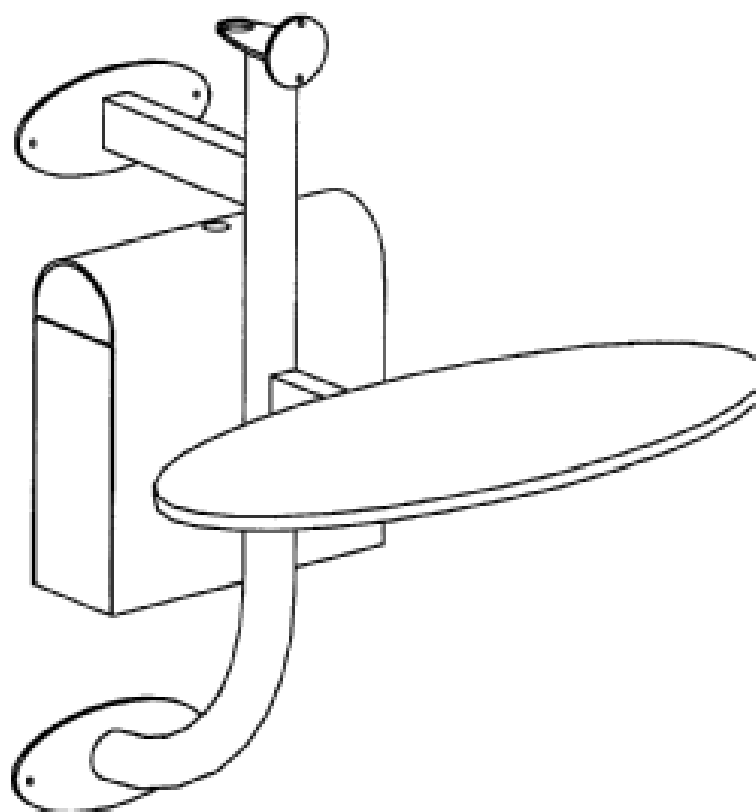
- (21) Design Number: **10615/2009**
(22) Date of Filing Application: **25 February 2009**
(24) Date from which industrial property rights may have effect: **25 February 2009**
(54) Product in respect of which the design is registered: **Ottoman**
(51) International Design Classification: **06-01E**
(71) Name(s) and Address(s) of Applicant(s):
 Paul White
 77 Thirteenth Avenue Tauranga 3112 New Zealand
 Isabel White
 77 Thirteenth Avenue Tauranga 3112 New Zealand
(72) Name(s) of Designer(s): **Paul White**
(45) Registration Date: **20 May 2009**
(56) Related Art Documents: **Not Applicable**
(57) Statement of Newness and Distinctiveness: **The design is to be applied to an ottoman and the distinctiveness and newness resides in the features of shape and configuration as shown in accompanying drawings.**



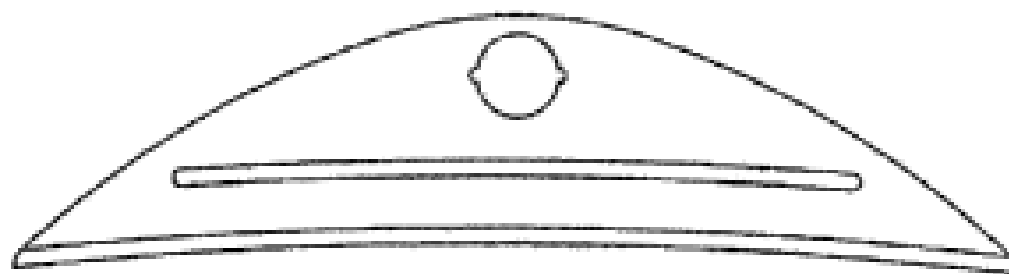
- (21) Design Number: **10616/2009**
(22) Date of Filing Application: **25 February 2009**
(24) Date from which industrial property rights may have effect: **25 February 2009**
(54) Product in respect of which the design is registered: **Computer work station**
(51) International Design Classification: **06-03C**
(71) Name(s) and Address(s) of Applicant(s):
 Paul White
 77 Thirteenth Avenue Tauranga 3112 New Zealand
 Isabel White
 77 Thirteenth Avenue Tauranga 3112 New Zealand
(72) Name(s) of Designer(s): **Paul White**
(45) Registration Date: **20 May 2009**
(56) Related Art Documents: **Not Applicable**
(57) Statement of Newness and Distinctiveness: **The design is to be applied to a computer workstation and the distinctiveness and newness resides in the features of shape and configuration as shown in attached drawings.**



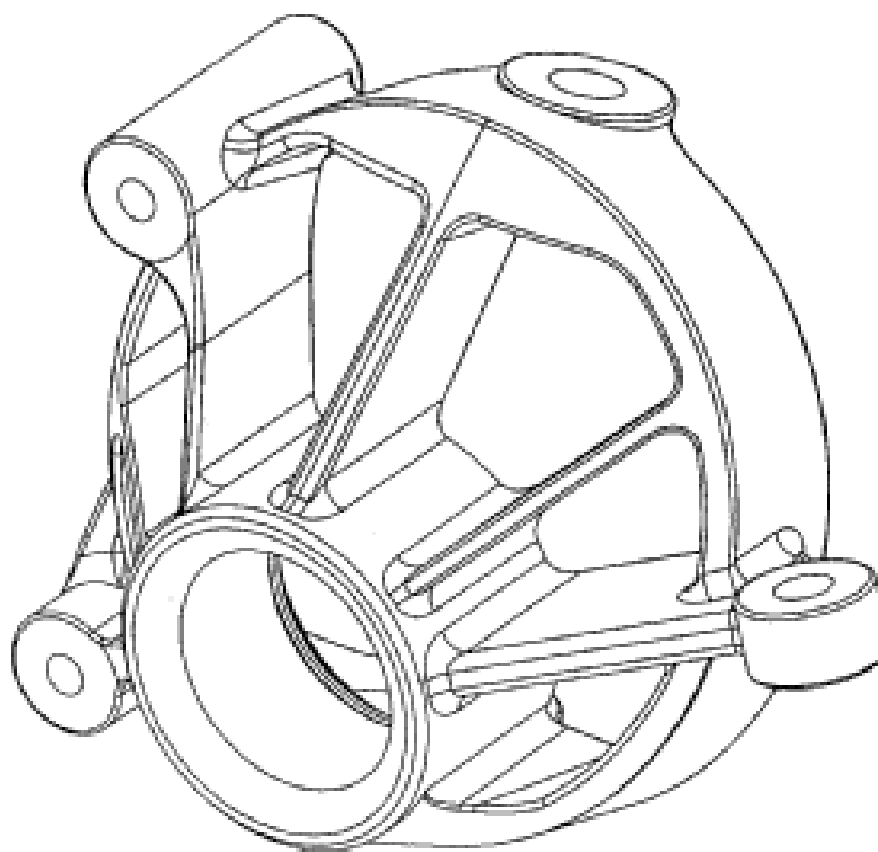
- (21) Design Number: **10617/2009**
(22) Date of Filing Application: **25 February 2009**
(24) Date from which industrial property rights may have effect: **25 February 2009**
(54) Product in respect of which the design is registered: **Computer work station**
(51) International Design Classification: **06-03C**
(71) Name(s) and Address(s) of Applicant(s):
 Paul White
 77 Thirteenth Avenue Tauranga 3112 New Zealand
 Isabel White
 77 Thirteenth Avenue Tauranga 3112 New Zealand
(72) Name(s) of Designer(s): **Paul White**
(45) Registration Date: **20 May 2009**
(56) Related Art Documents: **Not Applicable**
(57) Statement of Newness and Distinctiveness: **The design is to be applied to a computer workstation and the distinctiveness and newness resides in the shape and configurations as shown in attached drawings.**



- (21) Design Number: **10657/2009**
(22) Date of Filing Application: **03 March 2009**
(24) Date from which industrial property rights may have effect: **03 March 2009**
(54) Product in respect of which the design is registered: **Towbar deflector**
(51) International Design Classification: **12-16L**
(71) Name(s) and Address(s) of Applicant(s):
 Safe Promotion (2008) Limited
 27 Orion Drive Welcome Bay Tauranga 3112 New Zealand
(72) Name(s) of Designer(s): **Martin Ernst Wiersma**
(45) Registration Date: **20 May 2009**
(30) Convention priority data:
 (31) Number (32) Date (33) Country
 NZ 411401 05 Sep 2008 NEW ZEALAND
(56) Related Art Documents: **Not Applicable**
(57) Statement of Newness and Distinctiveness: **This design is to be applied to a tow bar deflector and the novelty resides in the features of shape and of the article other than the underside, as shown in the accompanying representations.**



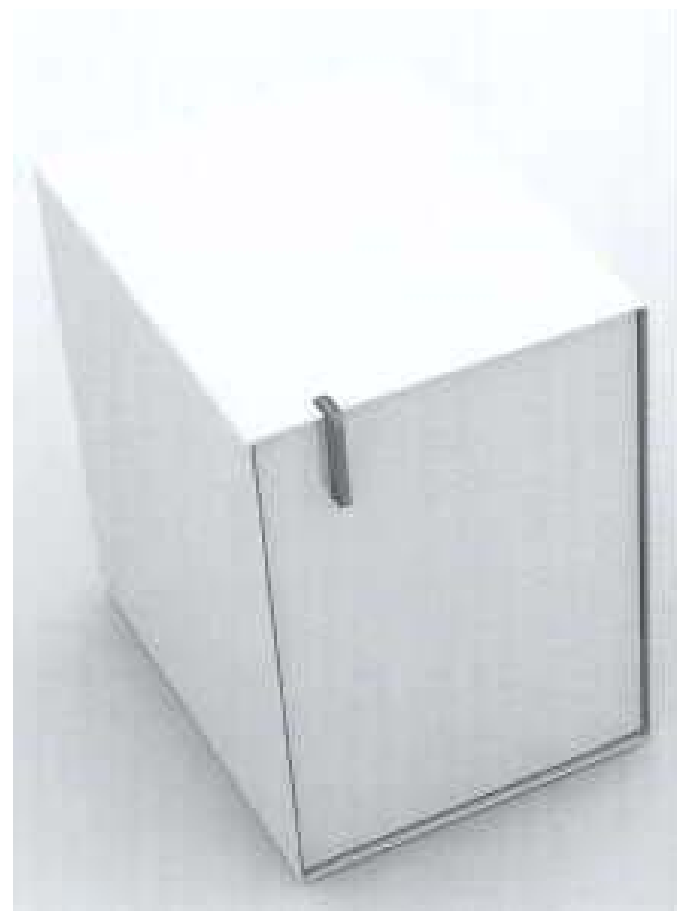
- (21) Design Number: **11431/2009**
(22) Date of Filing Application: **28 April 2009**
(24) Date from which industrial property rights may have effect: **28 April 2009**
(54) Product in respect of which the design is registered: **Vehicle suspension hub carrier**
(51) International Design Classification: **12-16NES**
(71) Name(s) and Address(s) of Applicant(s):
Mylon Automotive Design Pty Ltd
5 Mores Court Wodonga Victoria 3690 Australia
(72) Name(s) of Designer(s): **Craig Arnel**
(45) Registration Date: **21 May 2009**
(56) Related Art Documents: **Not Applicable**
(57) Statement of Newness and Distinctiveness: **Newness and distinctiveness reside in the features of the design as shown in the representations.**



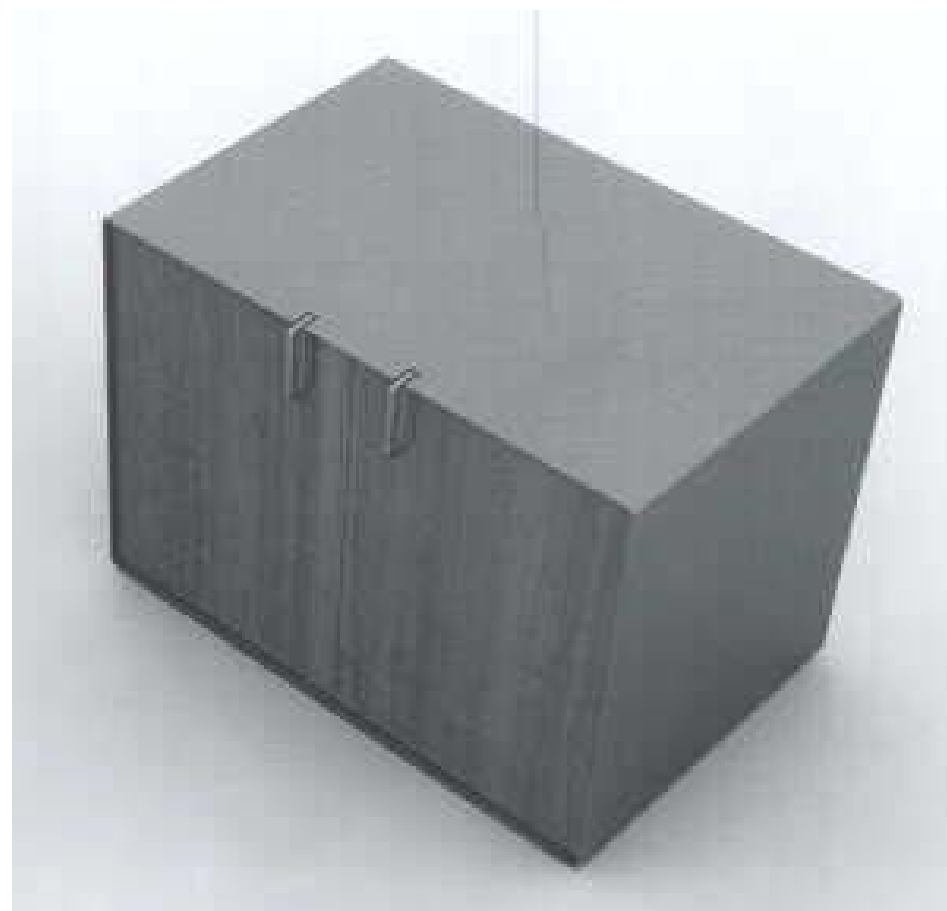
- (21) Design Number: **11462/2009**
(22) Date of Filing Application: **28 April 2009**
(24) Date from which industrial property rights may have effect: **28 April 2009**
(54) Product in respect of which the design is registered: **Container**
(51) International Design Classification: **09-01NES**
(71) Name(s) and Address(s) of Applicant(s):
Colgate-Palmolive Company
300 Park Avenue New York New York 10022 United States of America
(72) Name(s) of Designer(s): **Bruce Cummings and Jeffrey Mayers and Elaine Casey and Laurent Hainaut and Jiang Chen**
(45) Registration Date: **21 May 2009**
(30) Convention priority data:
(31) Number (32) Date (33) Country
29/327162 31 Oct 2008 UNITED STATES OF AMERICA
(56) Related Art Documents: **Not Applicable**
(57) Statement of Newness and Distinctiveness: **Newness and distinctiveness reside in the features of the design shown in solid lines in the representations excluding those features shown in broken lines.**



(21) Design Number: **15402/2008**
(22) Date of Filing Application: **18 November 2008**
(24) Date from which industrial property rights may have effect: **18 November 2008**
(54) Product in respect of which the design is registered: **Mobile pedestal 660**
(51) International Design Classification: **06-04F**
(71) Name(s) and Address(s) of Applicant(s):
Chris Hardy
PO Box 450 Mitchell ACT 2617 Australia
(72) Name(s) of Designer(s): **Chris Hardy**
(45) Registration Date: **21 May 2009**
(56) Related Art Documents: **Not Applicable**
(57) Statement of Newness and Distinctiveness: **Nil**



(21) Design Number: **15403/2008**
(22) Date of Filing Application: **18 November 2008**
(24) Date from which industrial property rights may have effect: **18 November 2008**
(54) Product in respect of which the design is registered: **Credenza 660**
(51) International Design Classification: **06-04F**
(71) Name(s) and Address(s) of Applicant(s):
Chris Hardy
PO Box 450 Mitchell ACT 2617 Australia
(72) Name(s) of Designer(s): **Chris Hardy**
(45) Registration Date: **21 May 2009**
(56) Related Art Documents: **Not Applicable**
(57) Statement of Newness and Distinctiveness: **Nil**



(21) Design Number: **11005/2009**

(22) Date of Filing Application: **24 March 2009**

(24) Date from which industrial property rights may have effect: **24 March 2009**

(54) Product in respect of which the design is registered: **Electronic device**

(51) International Design Classification: **14-01**

(71) Name(s) and Address(s) of Applicant(s):

Apple Inc.

1 Infinite Loop Cupertino California 95014 United States of America

(72) Name(s) of Designer(s): **Bartley K. Andre and Daniel J. Coster and Daniele De Iuliis and Evans Hankey and Richard P. Howarth and Jonathan P. Ive and Steve Jobs and Duncan Robert Kerr and Shin Nishibori and Matthew Dean Rohrbach and Peter Russell-Clarke and Douglas B. Satzger and Christopher J. Stringer and Eugene Antony Whang and Rico Zorkendorfer**

(45) Registration Date: **21 May 2009**

(30) Convention priority data:

(31) Number
29/330161

(32) Date
30 Dec 2008

(33) Country
UNITED STATES OF AMERICA

(56) Related Art Documents: **Not Applicable**

(57) Statement of Newness and Distinctiveness: **Nil**



(21) Design Number: **11450/2009**

(22) Date of Filing Application: **29 April 2009**

(24) Date from which industrial property rights may have effect: **29 April 2009**

(54) Product in respect of which the design is registered: **An extrusion**

(51) International Design Classification: **25-01K**

(71) Name(s) and Address(s) of Applicant(s):

Architectural Window Systems Pty Limited

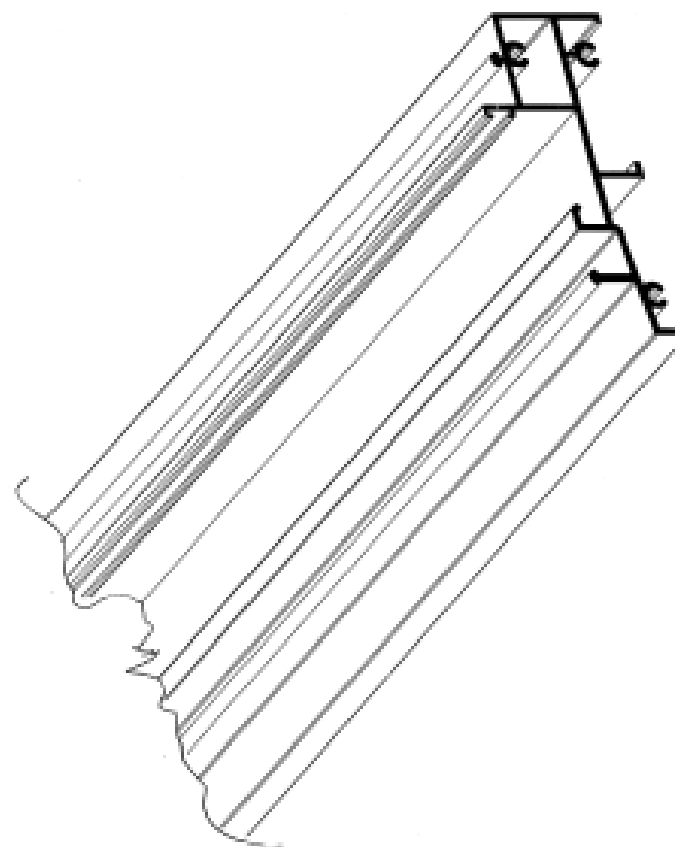
76-78 Jemma Road Prestons New South Wales 2170 Australia

(72) Name(s) of Designer(s): **David John McCleary**

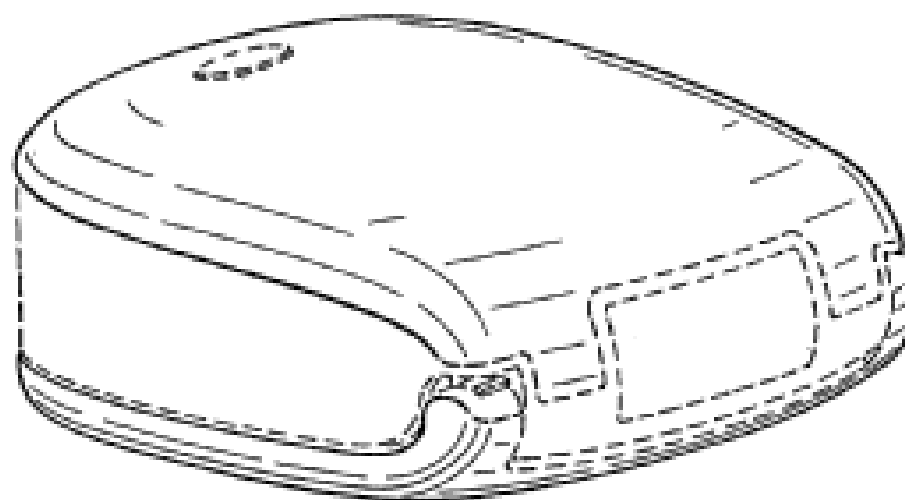
(45) Registration Date: **21 May 2009**

(56) Related Art Documents: **Not Applicable**

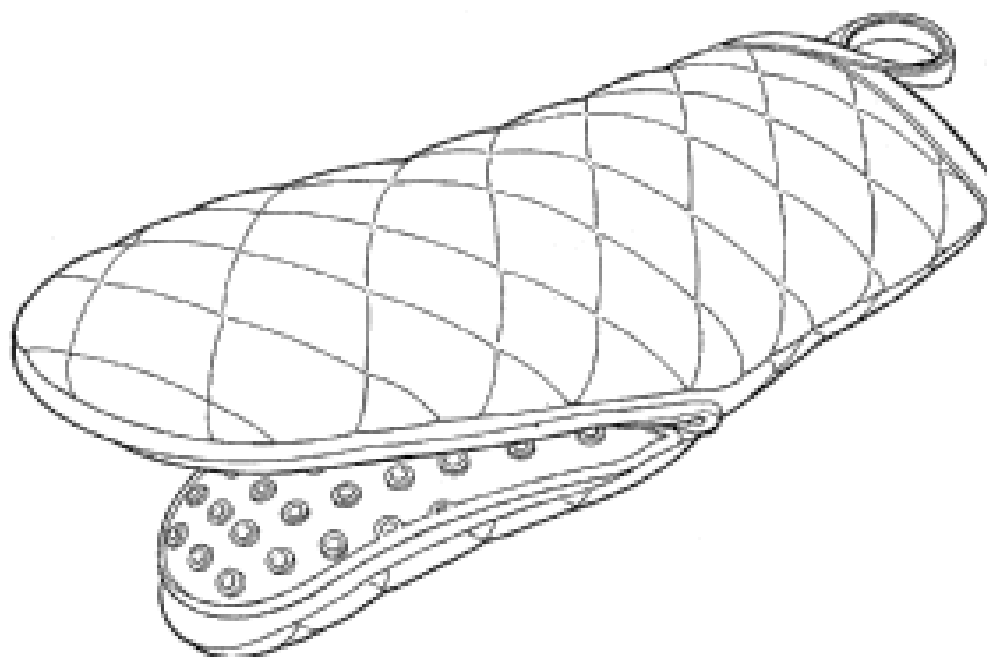
(57) Statement of Newness and Distinctiveness: **Newness and distinctiveness is claimed in the shape and/or configuration of AN EXTRUSION as illustrated by the unbroken lines in the accompanying representation.**



(21) Design Number: **11452/2009**
(22) Date of Filing Application: **28 April 2009**
(24) Date from which industrial property rights may have effect: **28 April 2009**
(54) Product in respect of which the design is registered: **Stapler**
(51) International Design Classification: **19-02**
(71) Name(s) and Address(s) of Applicant(s):
Staples the Office Superstore, LLC
500 Staples Drive Framingham MA 01702 United States of America
(72) Name(s) of Designer(s): **Przemyslaw Godycki and Vincent Faivre D'Arcier and Anthony Di Bitonto**
(45) Registration Date: **21 May 2009**
(30) Convention priority data:
(31) Number (32) Date (33) Country
29/327,315 04 Nov 2008 UNITED STATES OF AMERICA
(56) Related Art Documents: **Not Applicable**
(57) Statement of Newness and Distinctiveness: **Nil**



(21) Design Number: **11454/2009**
(22) Date of Filing Application: **27 April 2009**
(24) Date from which industrial property rights may have effect: **27 April 2009**
(54) Product in respect of which the design is registered: **Heat glove mitt**
(51) International Design Classification: **02-06**
(71) Name(s) and Address(s) of Applicant(s):
The Decor Corporation Pty Ltd
1314 Ferntree Gully Road Scoresby Victoria 3179 Australia
(72) Name(s) of Designer(s): **Arthur Richard Carlson**
(45) Registration Date: **21 May 2009**
(56) Related Art Documents: **Not Applicable**
(57) Statement of Newness and Distinctiveness: **Nil**



(21) Design Number: **11455/2009**

(22) Date of Filing Application: **28 April 2009**

(24) Date from which industrial property rights may have effect: **28 April 2009**

(54) Product in respect of which the design is registered: **Box**

(51) International Design Classification: **09-03M**

(71) Name(s) and Address(s) of Applicant(s):

The Procter & Gamble Company
One Procter & Gamble Plaza Cincinnati Ohio 45202 United States of America

(72) Name(s) of Designer(s): **Martin Jay Marotti and Andrea Marie Subler**

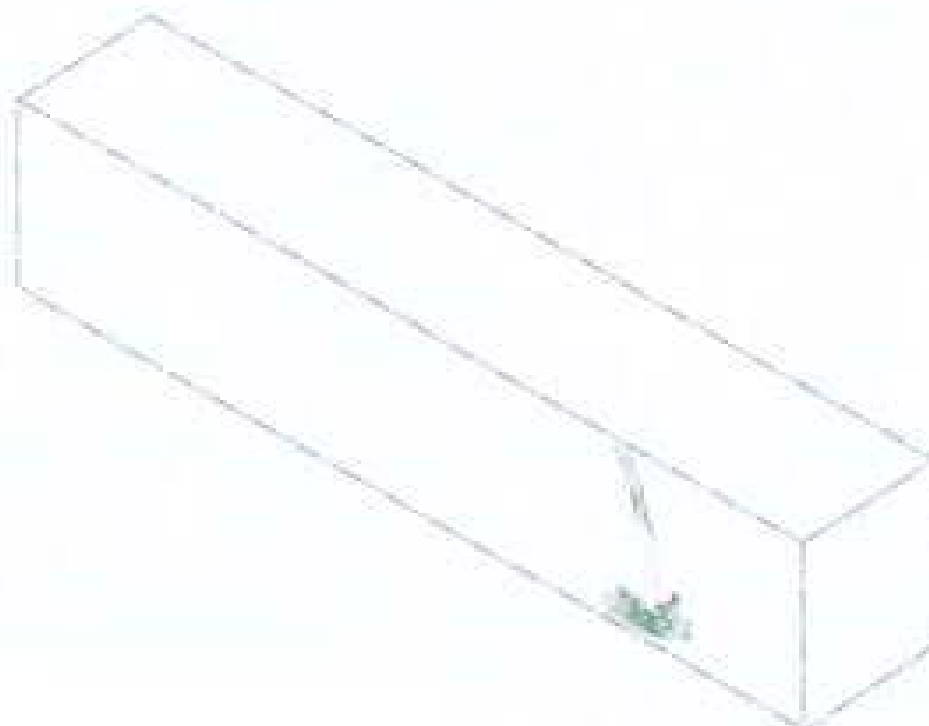
(45) Registration Date: **21 May 2009**

(30) Convention priority data:

(31) Number	(32) Date	(33) Country
29/327,087	30 Oct 2008	UNITED STATES OF AMERICA

(56) Related Art Documents: **Not Applicable**

(57) Statement of Newness and Distinctiveness: **Newness and distinctiveness reside in the features of pattern and/or ornament applied to the box, including green colour, as shown in the representations. Newness and distinctiveness are not claimed in relation to the features shown in broken lines in the representations.**



(21) Design Number: **11456/2009**

(22) Date of Filing Application: **28 April 2009**

(24) Date from which industrial property rights may have effect: **28 April 2009**

(54) Product in respect of which the design is registered: **Box**

(51) International Design Classification: **09-03M**

(71) Name(s) and Address(s) of Applicant(s):

The Procter & Gamble Company
One Procter & Gamble Plaza Cincinnati Ohio 45202 United States of America

(72) Name(s) of Designer(s): **Martin Jay Marotti and Andrea Marie Subler**

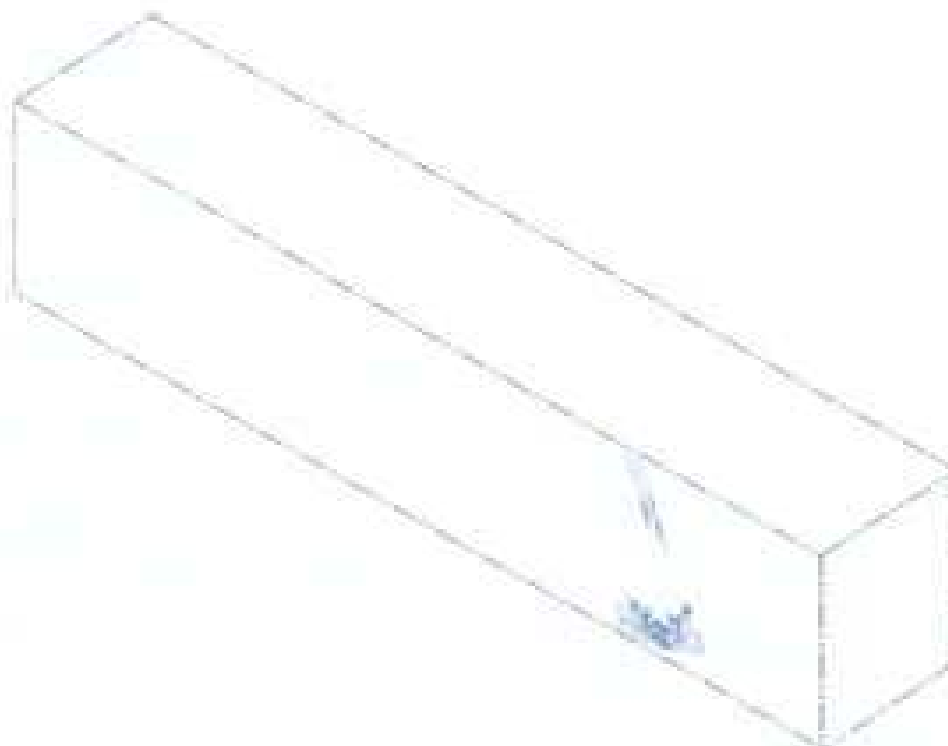
(45) Registration Date: **21 May 2009**

(30) Convention priority data:

(31) Number	(32) Date	(33) Country
29/327,087	30 Oct 2008	UNITED STATES OF AMERICA

(56) Related Art Documents: **Not Applicable**

(57) Statement of Newness and Distinctiveness: **Newness and distinctiveness reside in the features of pattern and/or ornament applied to the box, including blue colour, as shown in the representations. Newness and distinctiveness are not claimed in relation to the features shown in broken lines in the representations.**



(21) Design Number: **11457/2009**

(22) Date of Filing Application: **28 April 2009**

(24) Date from which industrial property rights may have effect: **28 April 2009**

(54) Product in respect of which the design is registered: **Bottle**

(51) International Design Classification: **09-01K**

(71) Name(s) and Address(s) of Applicant(s):

**The Procter & Gamble Company
One Procter & Gamble Plaza Cincinnati Ohio 45202 United States of
America**

(72) Name(s) of Designer(s): **Martin Jay Marotti and Andrea Marie Subler**

(45) Registration Date: **21 May 2009**

(30) Convention priority data:

(31) Number	(32) Date	(33) Country
29/327,087	30 Oct 2008	UNITED STATES OF AMERICA

(56) Related Art Documents: **Not Applicable**

(57) Statement of Newness and Distinctiveness: **Newness and distinctiveness reside in the features of pattern and/or ornament applied to the bottle, including green colour, as shown in the representations. Newness and distinctiveness are not claimed in relation to the features shown in broken lines in the representations.**



(21) Design Number: **11458/2009**

(22) Date of Filing Application: **28 April 2009**

(24) Date from which industrial property rights may have effect: **28 April 2009**

(54) Product in respect of which the design is registered: **Bottle**

(51) International Design Classification: **09-01K**

(71) Name(s) and Address(s) of Applicant(s):

**The Procter & Gamble Company
One Procter & Gamble Plaza Cincinnati Ohio 45202 United States of
America**

(72) Name(s) of Designer(s): **Martin Jay Marotti and Andrea Marie Subler**

(45) Registration Date: **21 May 2009**

(30) Convention priority data:

(31) Number	(32) Date	(33) Country
29/327,087	30 Oct 2008	UNITED STATES OF AMERICA

(56) Related Art Documents: **Not Applicable**

(57) Statement of Newness and Distinctiveness: **Newness and distinctiveness reside in the features of pattern and/or ornament applied to the bottle, including blue colour, as shown in the representations. Newness and distinctiveness are not claimed in relation to the features shown in broken lines in the representations.**



(21) Design Number: **11466/2009**

(22) Date of Filing Application: **28 April 2009**

(24) Date from which industrial property rights may have effect: **28 April 2009**

(54) Product in respect of which the design is registered: **Container**

(51) International Design Classification: **09-01NES**

(71) Name(s) and Address(s) of Applicant(s):

Dart Industries Inc.

14901 S. Orange Blossom Trail Orlando Florida 32837 United States of America

(72) Name(s) of Designer(s): **Christian Olivari**

(45) Registration Date: **21 May 2009**

(30) Convention priority data:

(31) Number

(32) Date

(33) Country

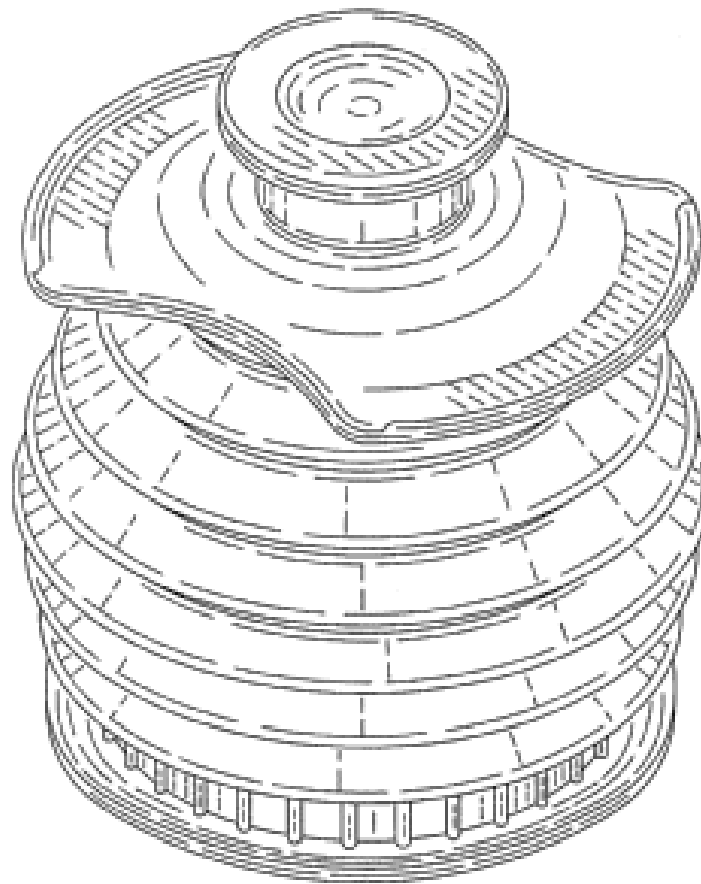
29/313,650

29 Jan 2009

UNITED STATES OF AMERICA

(56) Related Art Documents: **Not Applicable**

(57) Statement of Newness and Distinctiveness: **Those features of the container depicted in the representations that are new and distinctive are the shape and/or configuration.**



(21) Design Number: **10832/2009**

(22) Date of Filing Application: **16 March 2009**

(24) Date from which industrial property rights may have effect: **16 March 2009**

(54) Product in respect of which the design is registered: **Indicator for store shelves**

(51) International Design Classification: **10-06, 06-04NES**

(71) Name(s) and Address(s) of Applicant(s):

Seiko Instruments Inc.

8 Nakase 1-Chome Mihama-Ku Chiba-Shi Chiba Japan

(72) Name(s) of Designer(s): **Hiromi Chida**

(45) Registration Date: **21 May 2009**

(30) Convention priority data:

(31) Number

(32) Date

(33) Country

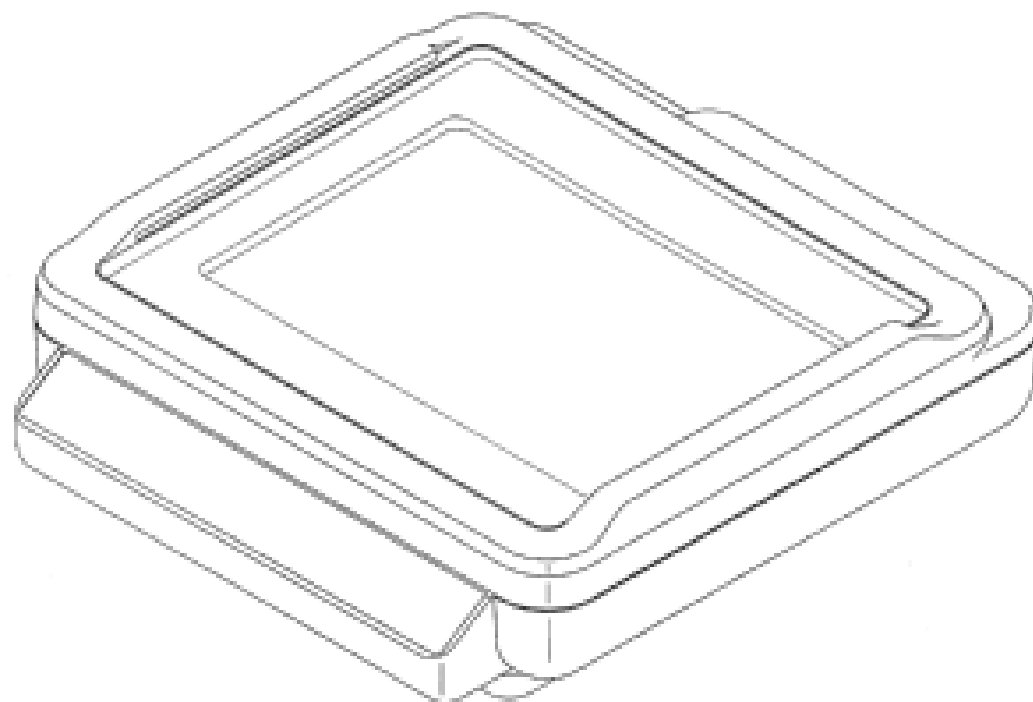
2008-023635

16 Sep 2008

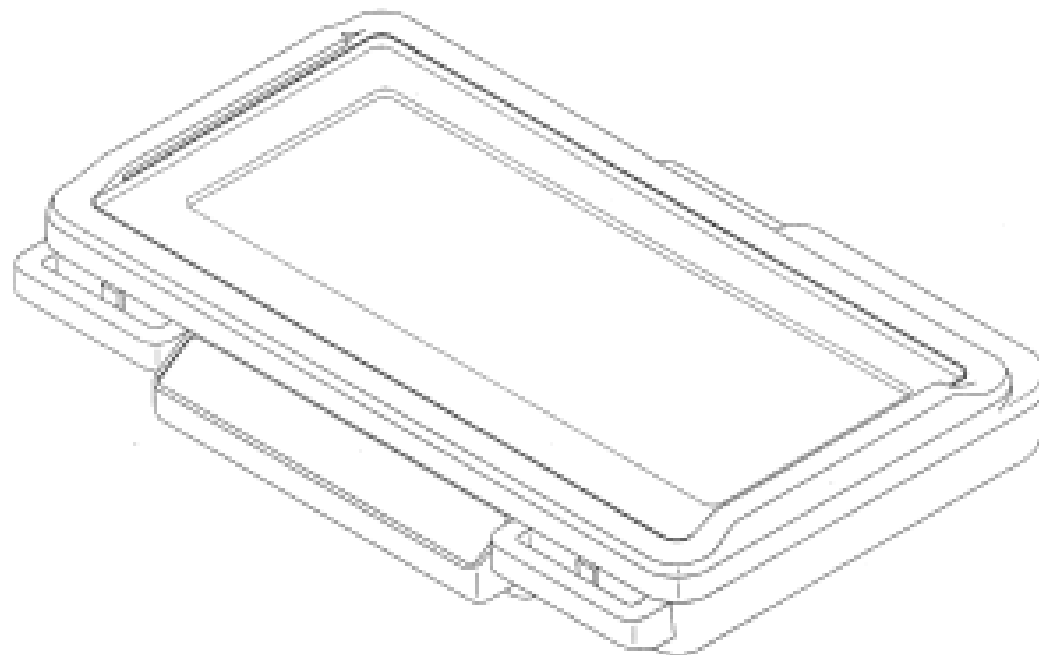
JAPAN

(56) Related Art Documents: **Not Applicable**

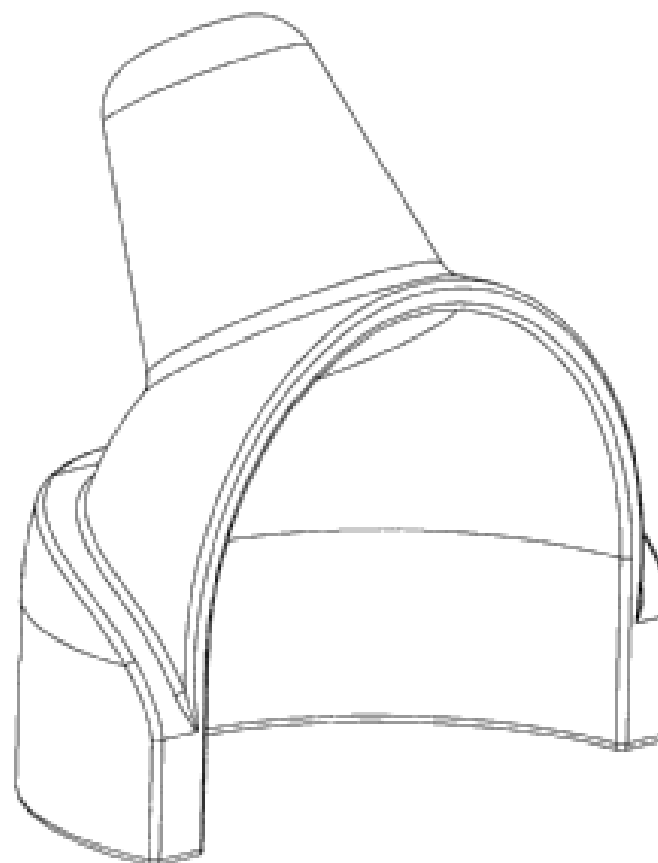
(57) Statement of Newness and Distinctiveness: **Newness and distinctiveness resides in the shape and configuration of the product as shown in the representations.**



- (21) Design Number: **10833/2009**
(22) Date of Filing Application: **16 March 2009**
(24) Date from which industrial property rights may have effect: **16 March 2009**
(54) Product in respect of which the design is registered: **Indicator for store shelves**
(51) International Design Classification: **10-06, 06-04NES**
(71) Name(s) and Address(s) of Applicant(s):
Seiko Instruments Inc.
8 Nakase 1-Chome Mihama-Ku Chiba-Shi Chiba Japan
(72) Name(s) of Designer(s): **Hiromi Chida**
(45) Registration Date: **21 May 2009**
(30) Convention priority data:
(31) Number (32) Date (33) Country
2008-203637 16 Sep 2008 JAPAN
(56) Related Art Documents: **Not Applicable**
(57) Statement of Newness and Distinctiveness: **Newness and distinctiveness resides in the shape and configuration of the product as shown in the representations.**



- (21) Design Number: **11403/2009**
(22) Date of Filing Application: **28 April 2009**
(24) Date from which industrial property rights may have effect: **28 April 2009**
(54) Product in respect of which the design is registered: **Trailer hitch guard**
(51) International Design Classification: **12-16L**
(71) Name(s) and Address(s) of Applicant(s):
Towcap International Pty Limited
7 Sheppard Road Narrabeena New South Wales 2099 Australia
(72) Name(s) of Designer(s): **Cameron Russell**
(45) Registration Date: **21 May 2009**
(56) Related Art Documents: **Not Applicable**
(57) Statement of Newness and Distinctiveness: **Nil**



(21) Design Number: **11404/2009**

(22) Date of Filing Application: **27 April 2009**

(24) Date from which industrial property rights may have effect: **27 April 2009**

(54) Product in respect of which the design is registered: **Fire blanket holder**

(51) International Design Classification: **29-01**

(71) Name(s) and Address(s) of Applicant(s):

Karin Monique Maria Van Beurden
Van't Hofflaan 23 7535 CL Enschede The Netherlands

(72) Name(s) of Designer(s): **Karin Monique Maria Van Beurden**

(45) Registration Date: **21 May 2009**

(30) Convention priority data:

(31) Number	(32) Date	(33) Country
001028278-0001	27 Oct 2008	EUROPEAN COMMUNITY

(56) Related Art Documents: **Not Applicable**

(57) Statement of Newness and Distinctiveness: **Newness and distinctiveness reside in the features of the design as shown in the representations.**



(21) Design Number: **11614/2009**

(22) Date of Filing Application: **06 May 2009**

(24) Date from which industrial property rights may have effect: **06 May 2009**

(54) Product in respect of which the design is registered: **Chair**

(51) International Design Classification: **06-01L**

(71) Name(s) and Address(s) of Applicant(s):

Ciaran Grogan
5/639 Toorak Road Toorak Victoria 3142 Australia

(72) Name(s) of Designer(s): **Ciaran Michael Grogan**

(45) Registration Date: **21 May 2009**

(56) Related Art Documents: **Not Applicable**

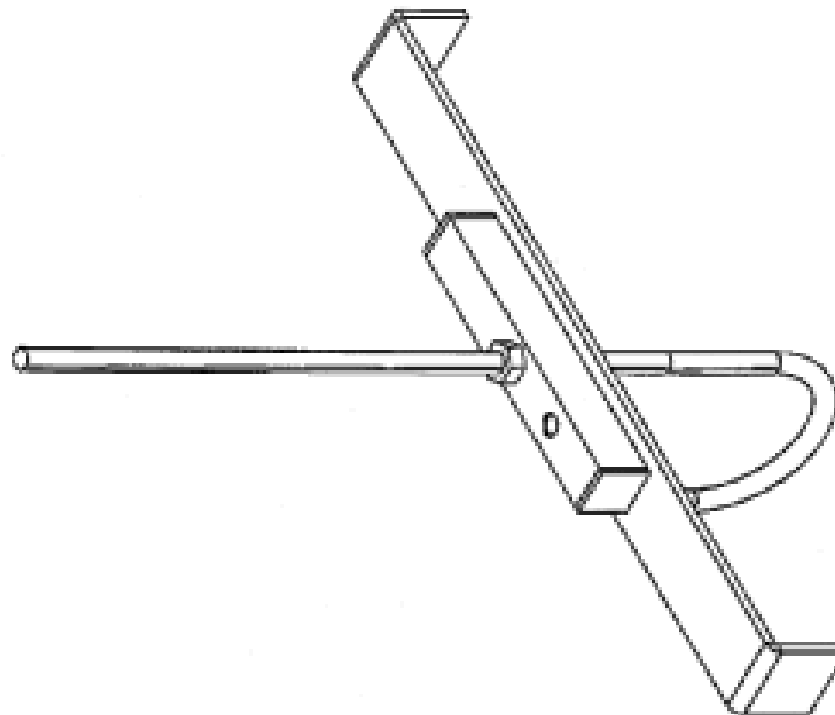
(57) Statement of Newness and Distinctiveness: **Nil**



(21) Design Number: **11411/2009**
(22) Date of Filing Application: **27 April 2009**
(24) Date from which industrial property rights may have effect: **27 April 2009**
(54) Product in respect of which the design is registered: **Ladder lock**
(51) International Design Classification: **25-04, 08-07**
(71) Name(s) and Address(s) of Applicant(s):

Ladder Lock Pro (Aust) Pty Ltd
1111 Tallebudgera Creek Road Tallebudgera Queensland 4228
Australia

(72) Name(s) of Designer(s): **Sean Evans and Derek Kain**
(45) Registration Date: **21 May 2009**
(56) Related Art Documents: **Not Applicable**
(57) Statement of Newness and Distinctiveness: **Nil**

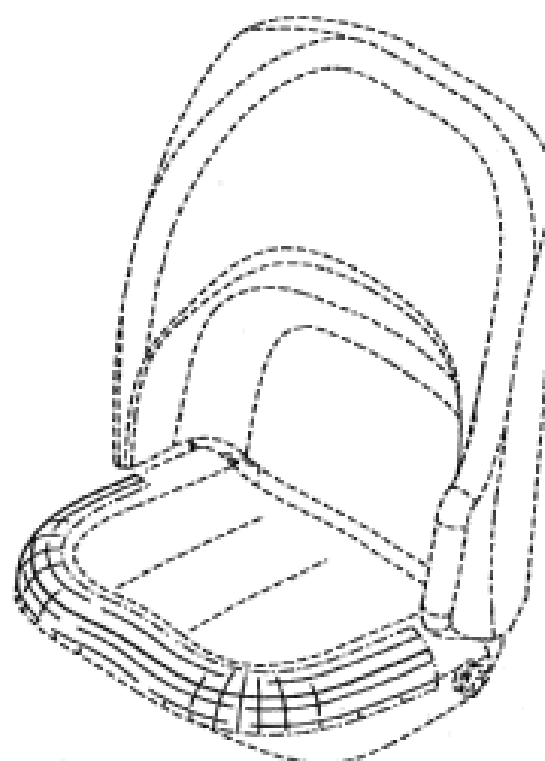


(21) Design Number: **11412/2009**
(22) Date of Filing Application: **28 April 2009**
(24) Date from which industrial property rights may have effect: **28 April 2009**
(54) Product in respect of which the design is registered: **Vehicle seat**
(51) International Design Classification: **06-01D**
(71) Name(s) and Address(s) of Applicant(s):

The Raymond Corporation
20 South Canal Street Greene NY 13778 United States of America

(72) Name(s) of Designer(s): **Gregory Smiley and Thomas Confer and Douglas Russell**
(45) Registration Date: **21 May 2009**
(30) Convention priority data:
(31) Number (32) Date (33) Country
29/327,813 13 Nov 2008 UNITED STATES OF AMERICA

(56) Related Art Documents: **Not Applicable**
(57) Statement of Newness and Distinctiveness: **The newness and distinctiveness of the design resides in the features of pattern and/or ornamentation and/or shape and/or configuration shown in unbroken lines in the accompanying representations.**



(19) AU

(21) Design Number: 11413/2009

(22) Date of Filing Application: 28 April 2009

(24) Date from which industrial property rights may have effect: 28 April 2009

(54) Product in respect of which the design is registered: Vehicle bump seat

(51) International Design Classification: 06-01D

(71) Name(s) and Address(s) of Applicant(s):

The Raymond Corporation
20 South Canal Street Greene NY 13778 United States of America

(72) Name(s) of Designer(s): Howard S. Ryan and Thomas W. Confer and Gregory W. Smiley and Douglas M. Russell and David L. Fergot

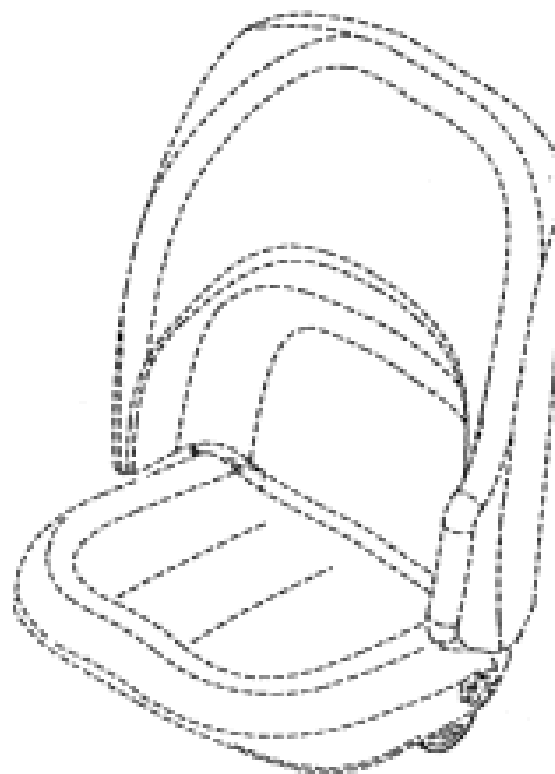
(45) Registration Date: 21 May 2009

(30) Convention priority data:

(31) Number	(32) Date	(33) Country
29/327,815	13 Nov 2008	UNITED STATES OF AMERICA

(56) Related Art Documents: Not Applicable

(57) Statement of Newness and Distinctiveness: The newness and distinctiveness of the design resides in the features of pattern and/or ornamentation and/or shape and/or configuration shown in unbroken lines in the accompanying representations.



(19) AU

(21) Design Number: 11414/2009

(22) Date of Filing Application: 28 April 2009

(24) Date from which industrial property rights may have effect: 28 April 2009

(54) Product in respect of which the design is registered: Cool touch handle

(51) International Design Classification: 08-06, 07-99NES

(71) Name(s) and Address(s) of Applicant(s):

Steris, Inc.
43425 Business Park Drive Temecula CA 92590 United States of America

(72) Name(s) of Designer(s): Louis Martineau

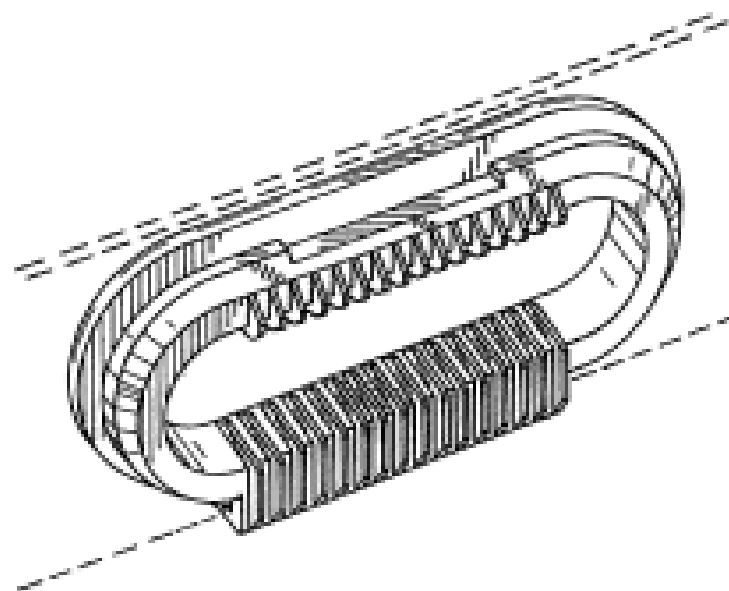
(45) Registration Date: 21 May 2009

(30) Convention priority data:

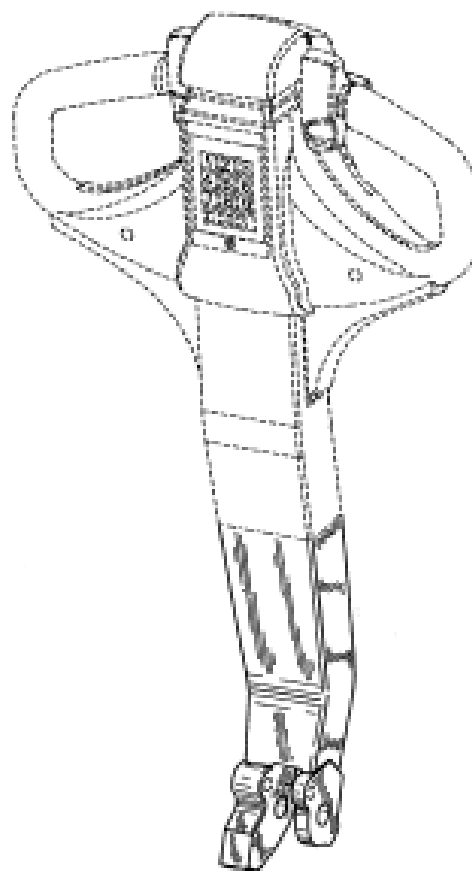
(31) Number	(32) Date	(33) Country
29/326,936	28 Oct 2008	UNITED STATES OF AMERICA

(56) Related Art Documents: Not Applicable

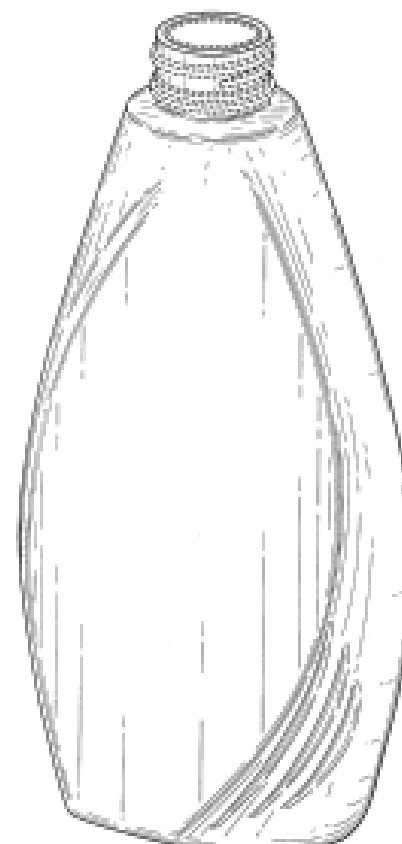
(57) Statement of Newness and Distinctiveness: The newness and distinctiveness of the design resides in the features of shape and/or configuration shown in unbroken lines in the accompanying representations.



(21) Design Number: **11415/2009**
 (22) Date of Filing Application: **28 April 2009**
 (24) Date from which industrial property rights may have effect: **28 April 2009**
 (54) Product in respect of which the design is registered: **Tiller arm**
 (51) International Design Classification: **15-03NES, 12-16NES**
 (71) Name(s) and Address(s) of Applicant(s):
The Raymond Corporation
20 South Canal Street Greene NY 13778 United States of America
 (72) Name(s) of Designer(s): **Gregory W. Smiley and Gary B. Swetish**
 (45) Registration Date: **21 May 2009**
 (30) Convention priority data:
 (31) Number (32) Date (33) Country
29/329,334 12 Dec 2008 UNITED STATES OF AMERICA
 (56) Related Art Documents: **Not Applicable**
 (57) Statement of Newness and Distinctiveness: **The newness and distinctiveness of the design resides in the features of pattern and/or ornamentation and/or shape and/or configuration shown in unbroken lines in the accompanying representations.**



(21) Design Number: **11461/2009**
 (22) Date of Filing Application: **28 April 2009**
 (24) Date from which industrial property rights may have effect: **28 April 2009**
 (54) Product in respect of which the design is registered: **Container**
 (51) International Design Classification: **09-01NES**
 (71) Name(s) and Address(s) of Applicant(s):
Colgate-Palmolive Company
300 Park Avenue New York New York 10022 United States of America
 (72) Name(s) of Designer(s): **Elaine Casey and Bruce Cummings and Jeffrey Mayers and John Lamb and Corinne Elstow and Sam Lucking**
 (45) Registration Date: **21 May 2009**
 (30) Convention priority data:
 (31) Number (32) Date (33) Country
29/327160 31 Oct 2008 UNITED STATES OF AMERICA
 (56) Related Art Documents: **Not Applicable**
 (57) Statement of Newness and Distinctiveness: **Newness and distinctiveness reside in the features of the design shown in solid lines in the representations excluding those features shown in broken lines.**



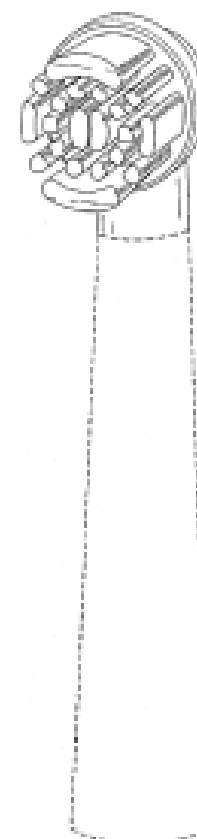
(21) Design Number: **11604/2009**
 (22) Date of Filing Application: **05 May 2009**
 (24) Date from which industrial property rights may have effect: **05 May 2009**
 (54) Product in respect of which the design is registered: **Toothbrush head**
 (51) International Design Classification: **04-02**
 (71) Name(s) and Address(s) of Applicant(s):
The Proctor & Gamble Company
One Proctor & Gamble Plaza Cincinnati Ohio 45202 United States Of America
 (72) Name(s) of Designer(s): **George Driesen and Michael Schmid and Rory McGarry and Martin Haas**
 (45) Registration Date: **21 May 2009**
 (30) Convention priority data:



(31) Number	(32) Date	(33) Country
29/312,678	06 Nov 2008	UNITED STATES OF AMERICA

(56) Related Art Documents: **Not Applicable**
 (57) Statement of Newness and Distinctiveness: **The design is to be applied to a toothbrush head, and newness and distinctiveness reside in the features of shape and/or configuration of the portion of the toothbrush head shown in solid lines in the representations. Newness and distinctiveness are not claimed for the remainder of the toothbrush head shown in broken lines in the representations which forms no part of the claimed design. The tufts are formed by a plurality of bristles. The endless straight/curved lines outlining the contours of individual tufts of bristles in the front and perspective views represent boundaries of said tufts of bristles and form no part of the claimed design. Pluralities of individual bristles shown, for convenience, only partially in each of the tufts continue throughout and fill respective tufts in accordance with the contours outlined by said endless straight/curved lines.**

(21) Design Number: **11605/2009**
 (22) Date of Filing Application: **05 May 2009**
 (24) Date from which industrial property rights may have effect: **05 May 2009**
 (54) Product in respect of which the design is registered: **Toothbrush head**
 (51) International Design Classification: **04-02**
 (71) Name(s) and Address(s) of Applicant(s):
The Proctor & Gamble Company
One Proctor & Gamble Plaza Cincinnati Ohio 45202 United States Of America
 (72) Name(s) of Designer(s): **George Driesen and Michael Schmid and Rory McGarry and Martin Haas**
 (45) Registration Date: **21 May 2009**
 (30) Convention priority data:



(31) Number	(32) Date	(33) Country
29/312,678	06 Nov 2008	UNITED STATES OF AMERICA

(56) Related Art Documents: **Not Applicable**
 (57) Statement of Newness and Distinctiveness: **The design is to be applied to a toothbrush head, and newness and distinctiveness reside in the features of shape and/or configuration of the portion of the toothbrush head shown in solid lines in the representations. Newness and distinctiveness are not claimed for the remainder of the toothbrush head shown in broken lines in the representations which forms no part of the claimed design. The tufts are formed by a plurality of bristles. The endless straight/curved lines outlining the contours of individual tufts of bristles in the front and perspective views represent boundaries of said tufts of bristles and form no part of the claimed design. Pluralities of individual bristles shown, for convenience, only partially in each of the tufts continue throughout and fill respective tufts in accordance with the contours outlined by said endless straight/curved lines.**

- (21) Design Number: **11353/2009**
(22) Date of Filing Application: **20 April 2009**
(24) Date from which industrial property rights may have effect: **20 April 2009**
(54) Product in respect of which the design is registered: **Pre fabricated inground fibreglass swimming pool shell**
(51) International Design Classification: **25-03**
(71) Name(s) and Address(s) of Applicant(s):
Corey Chesson
59 Saints Road Salisbury Plain South Australia 5109 Australia
(72) Name(s) of Designer(s): **Corey Chesson**
(45) Registration Date: **21 May 2009**
(56) Related Art Documents: **Not Applicable**
(57) Statement of Newness and Distinctiveness: **Curved rectangular outside shape with small half circle cut out on one of the long sides of the pool and safety lip all the way around the interior of the shell. Two sets of entry and safety steps on one side of the pool containing at least two steps per set.**



- (21) Design Number: **11523/2009**
(22) Date of Filing Application: **30 April 2009**
(24) Date from which industrial property rights may have effect: **30 April 2009**
(54) Product in respect of which the design is registered: **Fabric**
(51) International Design Classification: **05-05B**
(71) Name(s) and Address(s) of Applicant(s):
Carl Freudenberg KG
Hoehnerweg 2-4 D-69469 Weinheim Germany
(72) Name(s) of Designer(s): **Susana Maria Vitorino dos Santos**
(45) Registration Date: **21 May 2009**
(30) Convention priority data:
(31) Number (32) Date (33) Country
001041818-0001 19 Nov 2008 EUROPEAN COMMUNITY
(56) Related Art Documents: **Not Applicable**
(57) Statement of Newness and Distinctiveness: **Newness and distinctiveness is claimed in the features of colour, pattern and/or ornamentation applied to fabric, as shown in the attached representations, wherein the fabric is illustrated as being of indefinite length and width.**



(21) Design Number: **11827/2009**

(22) Date of Filing Application: **30 April 2009**

(24) Date from which industrial property rights may have effect: **30 April 2009**

(54) Product in respect of which the design is registered: **Fabric**

(51) International Design Classification: **05-05B**

(71) Name(s) and Address(s) of Applicant(s):

Carl Freudenberg KG
Hoehnerweg 2-4 D-69469 Weinheim Germany

(72) Name(s) of Designer(s): **Susana Maria Vitorino dos Santos**

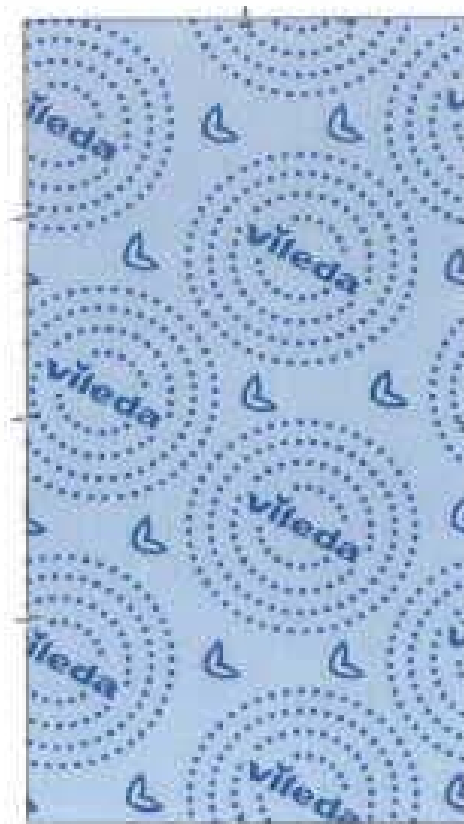
(45) Registration Date: **21 May 2009**

(30) Convention priority data:

(31) Number	(32) Date	(33) Country
001041818-0002	19 Nov 2008	EUROPEAN COMMUNITY

(56) Related Art Documents: **Not Applicable**

(57) Statement of Newness and Distinctiveness: **Newness and distinctiveness is claimed in the features of colour, pattern and/or ornamentation applied to fabric, as shown in the attached representations, wherein the fabric is illustrated as being of indefinite length and width.**



(21) Design Number: **11524/2009**

(22) Date of Filing Application: **01 May 2009**

(24) Date from which industrial property rights may have effect: **01 May 2009**

(54) Product in respect of which the design is registered: **Happy daze lounge seating**

(51) International Design Classification: **06-01G**

(71) Name(s) and Address(s) of Applicant(s):

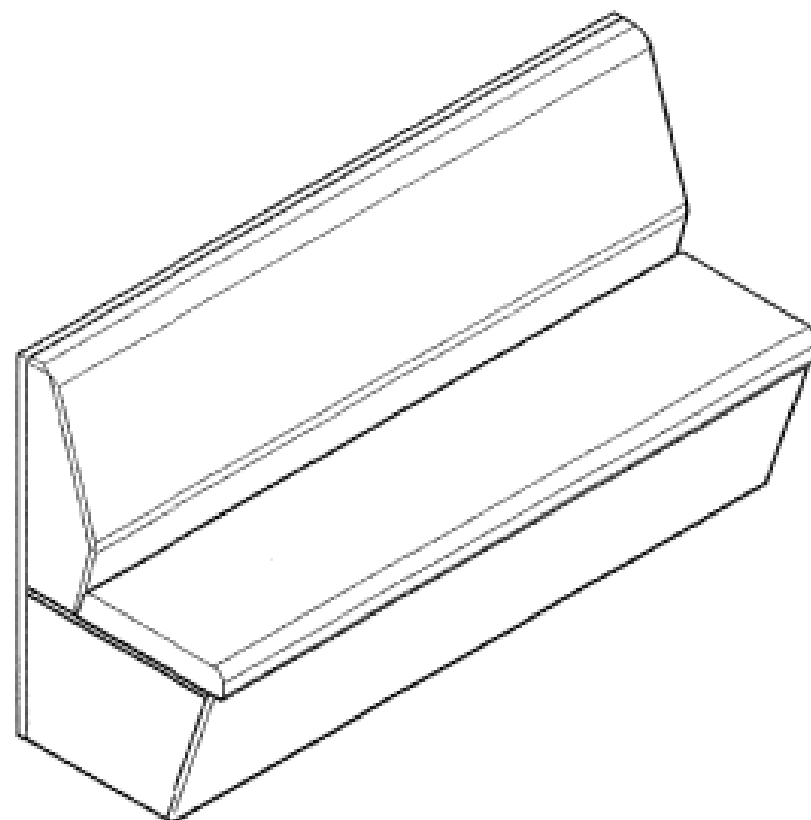
Moorevann Pty Ltd
75 Wises Road Maroochydore Queensland 4558 Australia

(72) Name(s) of Designer(s): **Penny Moore**

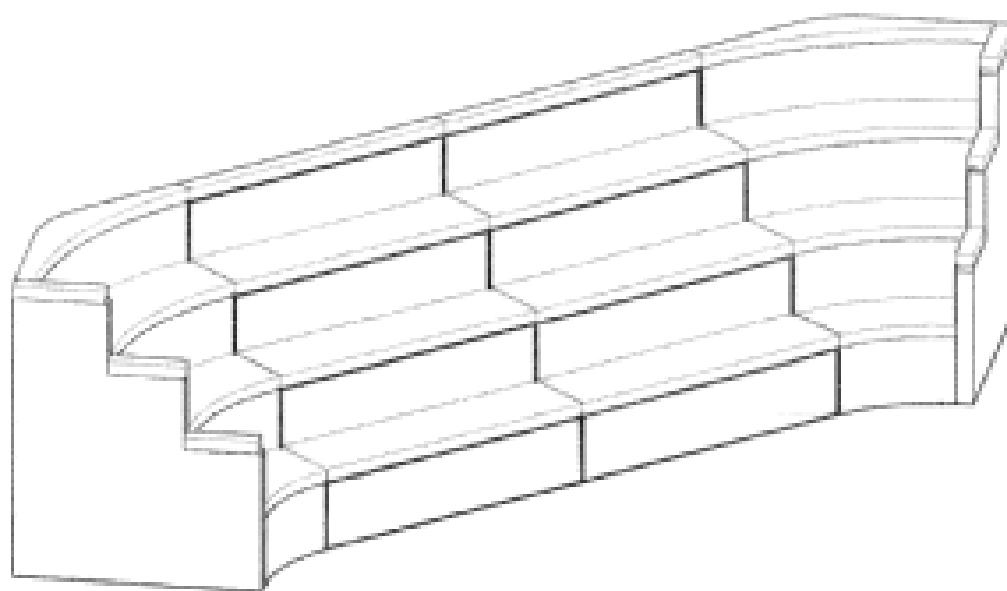
(45) Registration Date: **21 May 2009**

(56) Related Art Documents: **Not Applicable**

(57) Statement of Newness and Distinctiveness: **Free-standing, modular, mobile and transportable incorporating cushioned seat & back and corner table.**



- (21) Design Number: **11525/2009**
(22) Date of Filing Application: **01 May 2009**
(24) Date from which industrial property rights may have effect: **01 May 2009**
(54) Product in respect of which the design is registered: **BaseCamp upholstered tiered seating**
(51) International Design Classification: **06-01NES**
(71) Name(s) and Address(s) of Applicant(s):
Moorevann Pty Ltd
75 Wisers Road Maroochydore Queensland 4558 Australia
(72) Name(s) of Designer(s): **Penny Moore**
(45) Registration Date: **21 May 2009**
(56) Related Art Documents: **Not Applicable**
(57) Statement of Newness and Distinctiveness: **Free-standing, modular, mobile and transportable; incorporating end panels, straight and quarter-circle upholstered modules lock into a variety of configurations. Storage section at rear.**



- (21) Design Number: **11526/2009**
(22) Date of Filing Application: **01 May 2009**
(24) Date from which industrial property rights may have effect: **01 May 2009**
(54) Product in respect of which the design is registered: **Smartable mechanism - adjustable height leg with spring-loaded push button for steel frame tables**
(51) International Design Classification: **06-03NES, 06-06F**
(71) Name(s) and Address(s) of Applicant(s):
Moorevann Pty Ltd
75 Wisers Road Maroochydore Queensland 4558 Australia
(72) Name(s) of Designer(s): **Penny Moore**
(45) Registration Date: **21 May 2009**
(56) Related Art Documents: **Not Applicable**
(57) Statement of Newness and Distinctiveness: **Adjustable height leg combined with spring-loaded, heavy duty stainless steel pin, enabling various height adjustments in steel frame tables.**



(21) Design Number: **11486/2009**

(22) Date of Filing Application: **30 April 2009**

(24) Date from which industrial property rights may have effect: **30 April 2009**

(54) Product in respect of which the design is registered: **Baby change mat cover**

(51) International Design Classification: **06-13B**

(71) Name(s) and Address(s) of Applicant(s):

Madelyn Sands

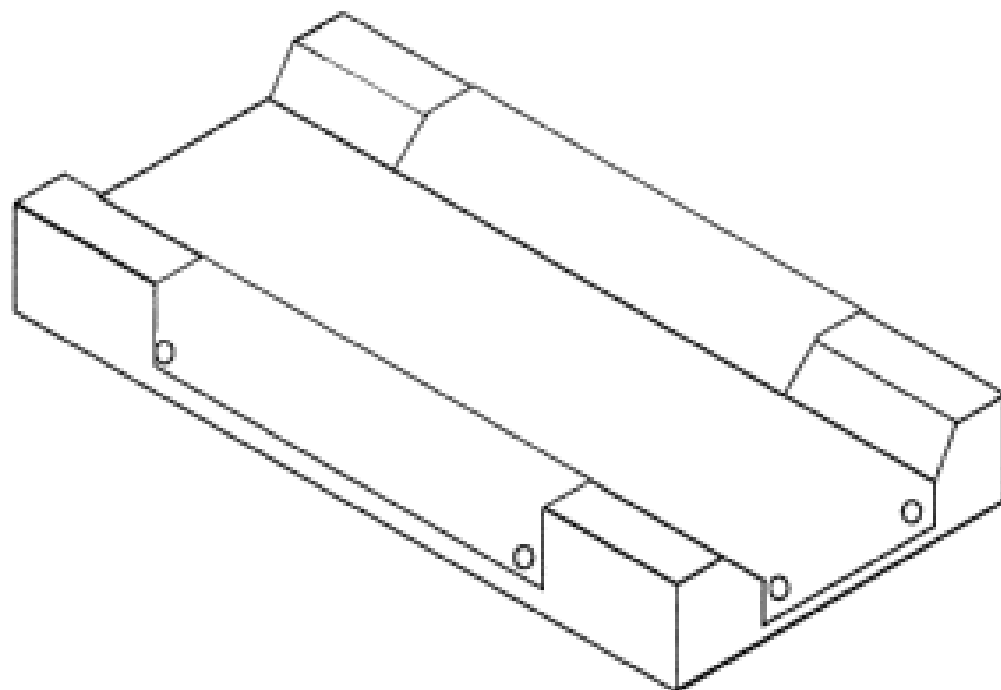
5 Alberta Avenue Box Hill North Victoria 3129 Australia

(72) Name(s) of Designer(s): **Madelyn Sands**

(45) Registration Date: **22 May 2009**

(56) Related Art Documents: **Not Applicable**

(57) Statement of Newness and Distinctiveness: **New and distinctive due to interchangeable insert which fastens to the base cover. Base cover is tailored to form an exact fit for 'contoured' mats and does not cover the whole mat top as do current 'fitted sheet' type covers. Removable insert fastens across gap on top of mat cover and can be removed independently for washing.**



(21) Design Number: **11487/2009**

(22) Date of Filing Application: **30 April 2009**

(24) Date from which industrial property rights may have effect: **30 April 2009**

(54) Product in respect of which the design is registered: **Baby change mat cover**

(51) International Design Classification: **06-13B**

(71) Name(s) and Address(s) of Applicant(s):

Madelyn Sands

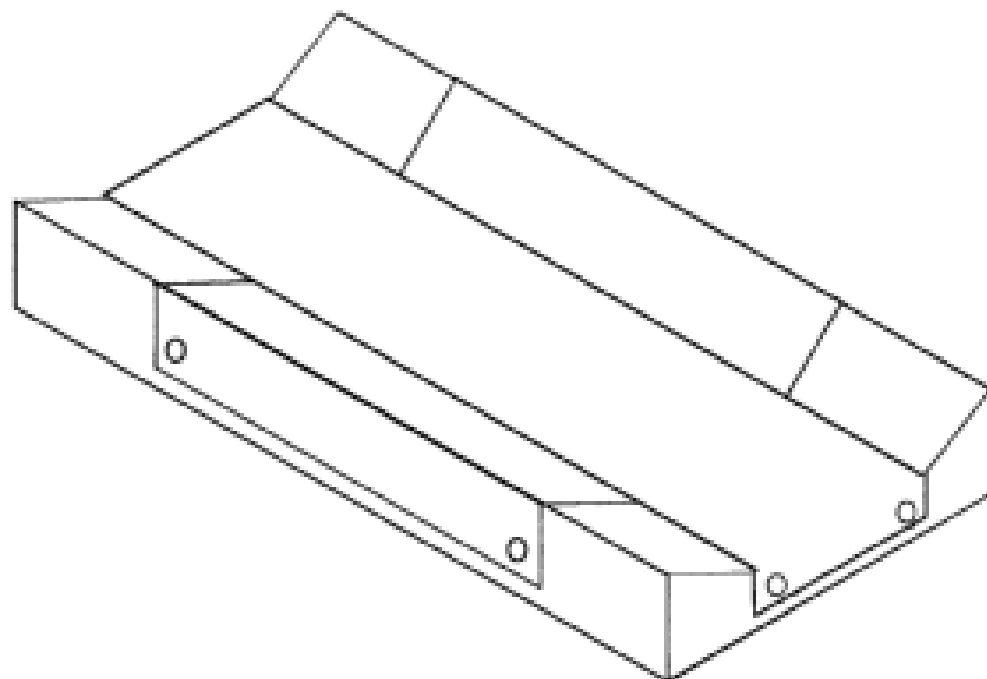
5 Alberta Avenue Box Hill North Victoria 3129 Australia

(72) Name(s) of Designer(s): **Madelyn Sands**

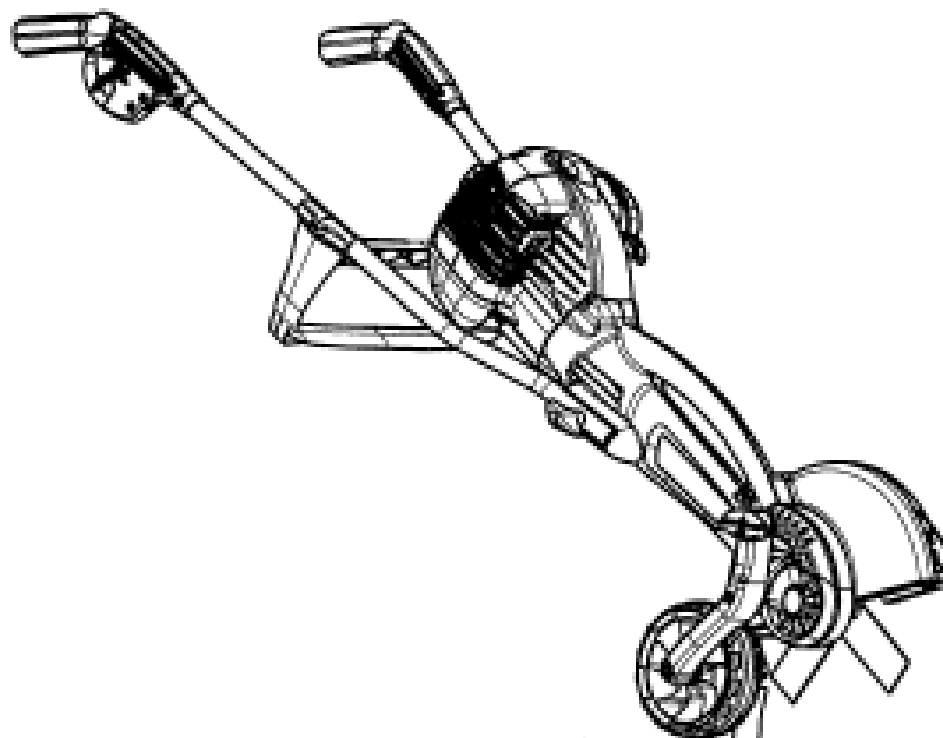
(45) Registration Date: **22 May 2009**

(56) Related Art Documents: **Not Applicable**

(57) Statement of Newness and Distinctiveness: **New and distinctive due to interchangeable insert which fastens to the base cover. Base cover is tailored to form an exact fit for 'peaked' mats and does not cover the whole mat top as do current 'fitted sheet' type covers. Removable insert fastens across gap on top of mat cover and can be removed independently for washing.**

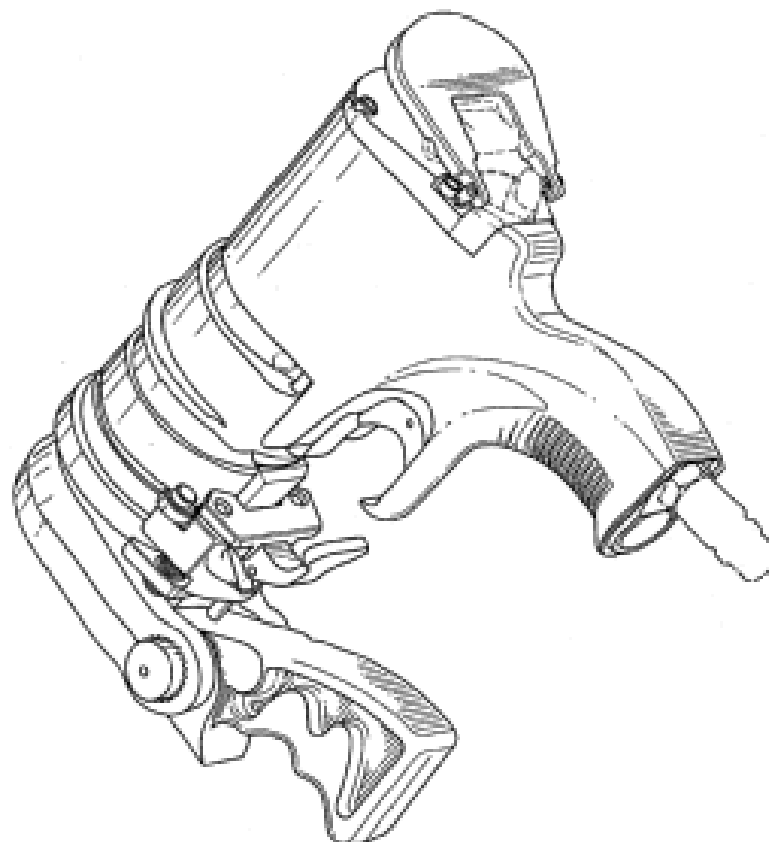


- (21) Design Number: **11488/2009**
- (22) Date of Filing Application: **30 April 2009**
- (24) Date from which industrial property rights may have effect: **30 April 2009**
- (54) Product in respect of which the design is registered: **An edger**
- (51) International Design Classification: **15-03B**
- (71) Name(s) and Address(s) of Applicant(s):
 - John Arthur Notaras**
 - 5 Fred Street Lilyfield New South Wales 2040 Australia**
 - Angelo Lambrinos Notaras**
 - 5 Fred Street Lilyfield New South Wales 2040 Australia**
- (72) Name(s) of Designer(s): **John Arthur Notaras and Angelo Lambrinos Notaras**
- (45) Registration Date: **22 May 2009**
- (56) Related Art Documents: **Not Applicable**
- (57) Statement of Newness and Distinctiveness: **Newness and distinctiveness is claimed in respect of the shape and configuration of the edger illustrated in the accompanying representations. In carrying out a consideration in accordance with Section 19 the shape and/or configuration of the engine illustrated in the representations is not to be considered either new or distinctive and does not form part of the design.**

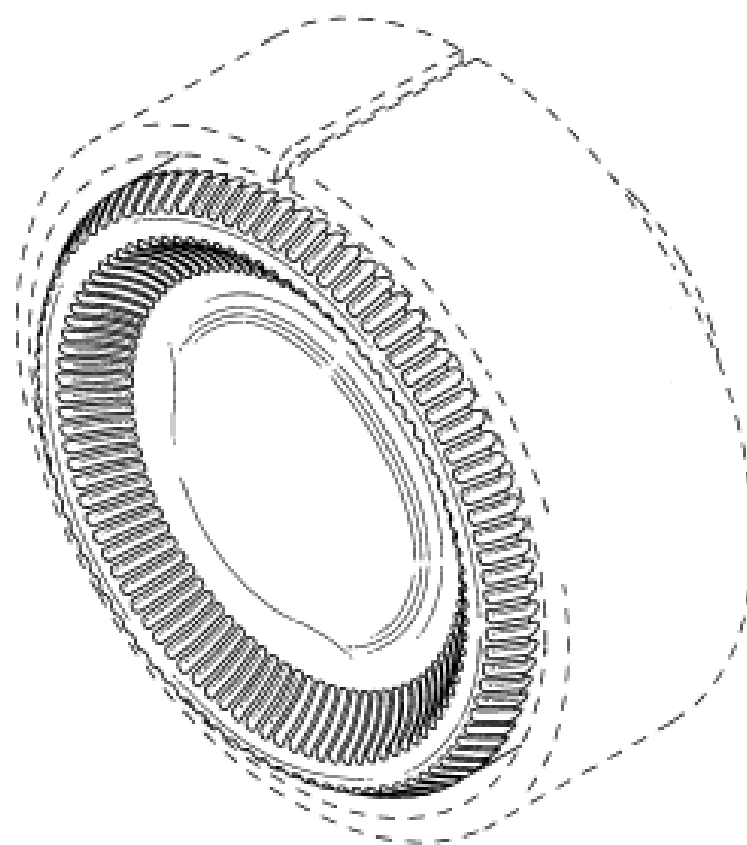


- (21) Design Number: **11489/2009**
- (22) Date of Filing Application: **29 April 2009**
- (24) Date from which industrial property rights may have effect: **29 April 2009**
- (54) Product in respect of which the design is registered: **Power operated torque tool**
- (51) International Design Classification: **08-01**
- (71) Name(s) and Address(s) of Applicant(s):
 - John Kurt Junkers**
 - 14 Algonquin Trail Saddle River New Jersey 07458 United States of America**
- (72) Name(s) of Designer(s): **John K. Junkers**
- (45) Registration Date: **22 May 2009**
- (30) Convention priority data:

(31) Number	(32) Date	(33) Country
29/329586	18 Dec 2008	UNITED STATES OF AMERICA
- (56) Related Art Documents: **Not Applicable**
- (57) Statement of Newness and Distinctiveness: **Newness and distinctiveness reside in the features of the design shown in solid lines in the representations excluding those features shown in broken lines.**



- (21) Design Number: **11493/2009**
(22) Date of Filing Application: **29 April 2009**
(24) Date from which industrial property rights may have effect: **29 April 2009**
(54) Product in respect of which the design is registered: **An operating dial for an image adjusting apparatus**
(51) International Design Classification: **14-01**
(71) Name(s) and Address(s) of Applicant(s):
Ikegami Tsushinki Co., Ltd.
5-6-16 Ikegami Ohta-ku Tokyo Japan
Kabushiki Kaisha Toshiba
1-1 Shibaura 1-chome Minato-ku Tokyo Japan
(72) Name(s) of Designer(s): **Hidetoshi Endo and Hideki Tsuboi**
(45) Registration Date: **22 May 2009**
(30) Convention priority data:
(31) Number (32) Date (33) Country
2008-029506 18 Nov 2008 JAPAN
(56) Related Art Documents: **Not Applicable**
(57) Statement of Newness and Distinctiveness: **The shape and configuration of those parts of the design shown by means of solid lines in the representations are new and distinctive.**



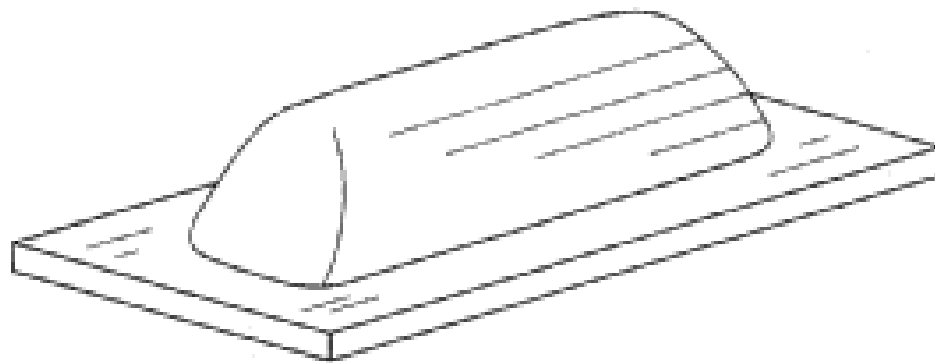
- (21) Design Number: **15397/2008**
(22) Date of Filing Application: **14 November 2008**
(24) Date from which industrial property rights may have effect: **14 November 2008**
(54) Product in respect of which the design is registered: **Automobile**
(51) International Design Classification: **12-08**
(71) Name(s) and Address(s) of Applicant(s):
Toyota Jidosha Kabushiki Kaisha
1 Toyota-cho Toyota-shi Aichi-ken 471-8571 Japan
(72) Name(s) of Designer(s): **Kenichi Onoue and Kuniaki Toyooka and Shinichi Nakamura and Kazunori Ueda**
(45) Registration Date: **25 May 2009**
(56) Related Art Documents: **Not Applicable**
(57) Statement of Newness and Distinctiveness: **Those features of the automobile depicted in the representations that are new and distinctive are the shape and/or configuration. The features of the inside of the automobile are not part of the design and are to be disregarded when considering the overall impression of the design.**



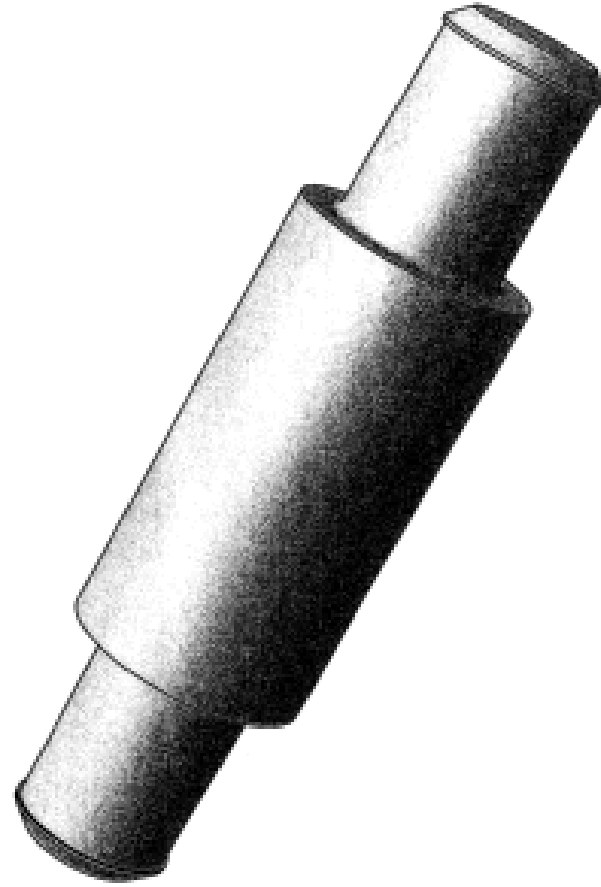
- (21) Design Number: **15398/2008**
(22) Date of Filing Application: **14 November 2008**
(24) Date from which industrial property rights may have effect: **14 November 2008**
(54) Product in respect of which the design is registered: **Vehicle front assembly**
(51) International Design Classification: **12-16B**
(71) Name(s) and Address(s) of Applicant(s):
Toyota Jidosha Kabushiki Kaisha
1 Toyota-cho Toyota-shi Aichi-ken 471-8571 Japan
(72) Name(s) of Designer(s): **Shinichi Nakamura and Hisashi Watanabe and Ryouzuke Tairadate and Shogo Tokutake**
(45) Registration Date: **25 May 2009**
(56) Related Art Documents: **Not Applicable**
(57) Statement of Newness and Distinctiveness: **Those features of the vehicle front assembly depicted in dark shade in the representations that are new and distinctive are the shape and/or configuration. The features shown in light shade are not part of the design and are to be disregarded when considering the overall impression of the design.**



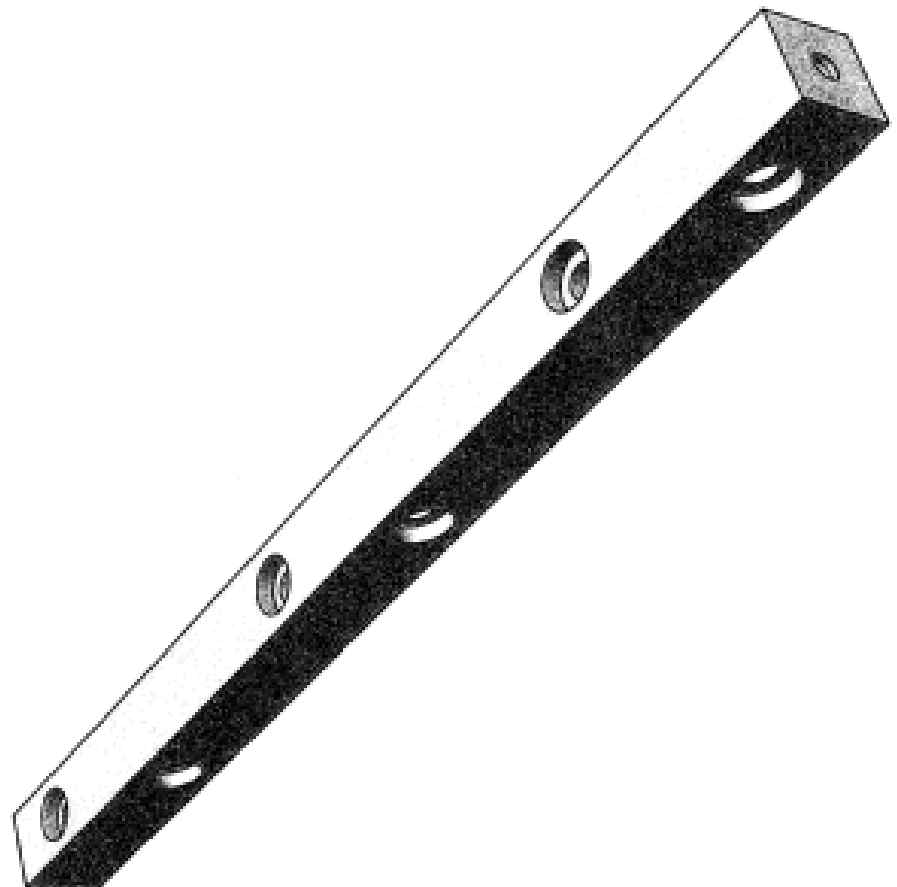
- (21) Design Number: **11463/2009**
(22) Date of Filing Application: **28 April 2009**
(24) Date from which industrial property rights may have effect: **28 April 2009**
(54) Product in respect of which the design is registered: **Device to attach a transponder to a surgical sponge**
(51) International Design Classification: **24-02**
(71) Name(s) and Address(s) of Applicant(s):
RF Surgical Systems, Inc.
2700 Richards Road Suite 204 Bellevue Washington 98005 United States of America
(72) Name(s) of Designer(s): **William A. Blair**
(45) Registration Date: **25 May 2009**
(30) Convention priority data:
(31) Number (32) Date (33) Country
29/327004 28 Oct 2008 UNITED STATES OF AMERICA
(56) Related Art Documents: **Not Applicable**
(57) Statement of Newness and Distinctiveness: **Nil**



- (21) Design Number: **11499/2009**
(22) Date of Filing Application: **01 May 2009**
(24) Date from which industrial property rights may have effect: **01 May 2009**
(54) Product in respect of which the design is registered: **Two-sided knock in dowel pin for CBLOCKS ODG1.4. Outdoor furniture designs utilizing special panels requiring**
(51) International Design Classification: **08-08A, 06-06NES**
(71) Name(s) and Address(s) of Applicant(s):
Cibela Pty Ltd
95 Bolan Street Bulimba Queensland 4171 Australia
(72) Name(s) of Designer(s): **Andrew Bhaskar**
(45) Registration Date: **25 May 2009**
(56) Related Art Documents: **Not Applicable**
(57) Statement of Newness and Distinctiveness: **The shaped ends, tapered surface joining the large diameter in the middle. The tapered surfaces can be ridged or etched depending on the requirement but the taper angle stays the same.**



- (21) Design Number: **11500/2009**
(22) Date of Filing Application: **01 May 2009**
(24) Date from which industrial property rights may have effect: **01 May 2009**
(54) Product in respect of which the design is registered: **Universal joint for CBLOCKS furniture range. Furniture range applying TETRIS based concepts to interior furniture**
(51) International Design Classification: **08-08M, 06-06NES**
(71) Name(s) and Address(s) of Applicant(s):
Cibela Pty Ltd
95 Bolan Street Bulimba Queensland 4171 Australia
(72) Name(s) of Designer(s): **Andrew Bhaskar and Alexander Yashin**
(45) Registration Date: **25 May 2009**
(56) Related Art Documents: **Not Applicable**
(57) Statement of Newness and Distinctiveness: **Bar with unique drilling and counter-boring for fastening and reinforcing corners.**



(21) Design Number: **11503/2009**

(22) Date of Filing Application: **30 April 2009**

(24) Date from which industrial property rights may have effect: **30 April 2009**

(54) Product in respect of which the design is registered: **Paint gun**

(51) International Design Classification: **08-05L**

(71) Name(s) and Address(s) of Applicant(s):

Hsing-Tzu Wang

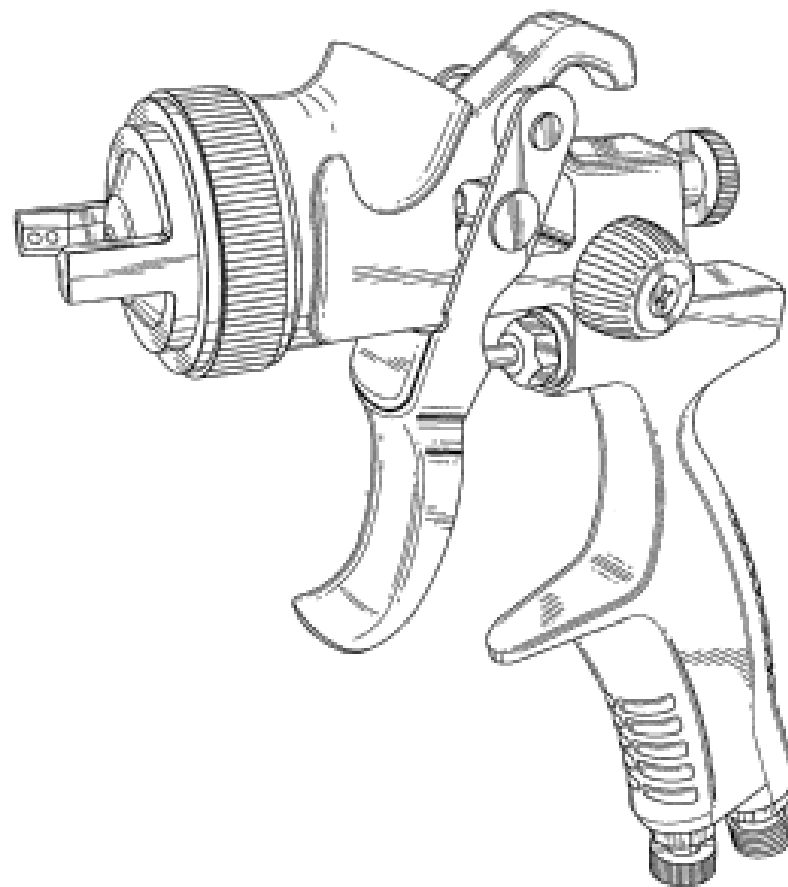
80 Ta-Hsin Street Hsi District Taichung City Taiwan

(72) Name(s) of Designer(s): **Hsing-Tzu Wang**

(45) Registration Date: **25 May 2009**

(56) Related Art Documents: **Not Applicable**

(57) Statement of Newness and Distinctiveness: **Nil**



(21) Design Number: **11504/2009**

(22) Date of Filing Application: **30 April 2009**

(24) Date from which industrial property rights may have effect: **30 April 2009**

(54) Product in respect of which the design is registered: **Sport shoe**

(51) International Design Classification: **02-04B**

(71) Name(s) and Address(s) of Applicant(s):

Asics Corporation

**1-1 Minatojima-Nakamachi 7 Chome Chuo-Ku Kobe-Shi Hyogo
6508555 Japan**

(72) Name(s) of Designer(s): **Hisanori Fujita and Kiyomitsu Kurosaki and
Tomohiro Nagasue**

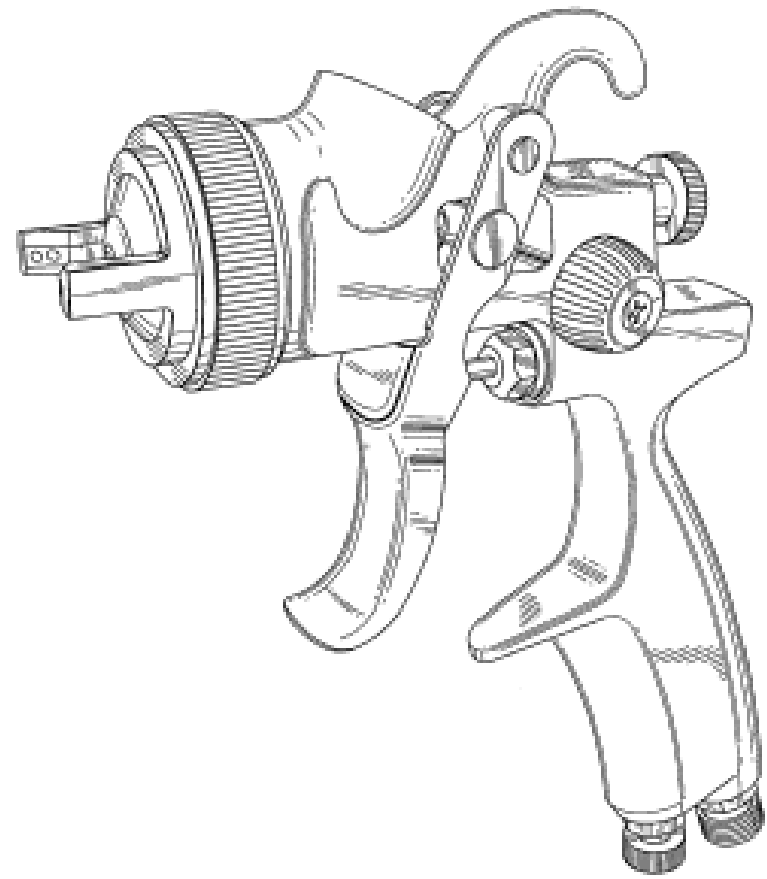
(45) Registration Date: **25 May 2009**

(56) Related Art Documents: **Not Applicable**

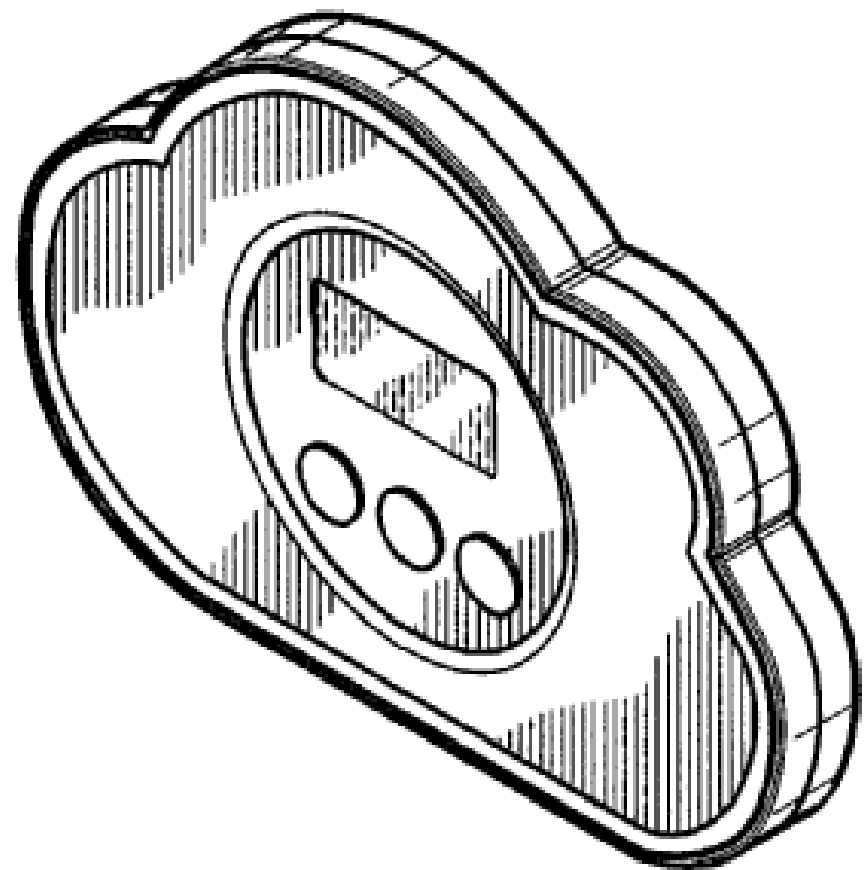
(57) Statement of Newness and Distinctiveness: **Nil**



- (21) Design Number: **11505/2009**
- (22) Date of Filing Application: **30 April 2009**
- (24) Date from which industrial property rights may have effect: **30 April 2009**
- (54) Product in respect of which the design is registered: **Paint gun**
- (51) International Design Classification: **08-05L**
- (71) Name(s) and Address(s) of Applicant(s):
Hsing-Tzu Wang
80 Ta-Hsin Street Hsi District Taichung City Taiwan
- (72) Name(s) of Designer(s): **Hsing-Tzu Wang**
- (45) Registration Date: **25 May 2009**
- (56) Related Art Documents: **Not Applicable**
- (57) Statement of Newness and Distinctiveness: **Nil**



- (21) Design Number: **11506/2009**
- (22) Date of Filing Application: **30 April 2009**
- (24) Date from which industrial property rights may have effect: **30 April 2009**
- (54) Product in respect of which the design is registered: **Timer**
- (51) International Design Classification: **10-03**
- (71) Name(s) and Address(s) of Applicant(s):
Ripple (Vic) Pty Ltd
Suite 301 Level 3 60 Leicester Street Carlton Victoria 3053 Australia
- (72) Name(s) of Designer(s): **Tracy Bialek-Wester**
- (45) Registration Date: **25 May 2009**
- (56) Related Art Documents: **Not Applicable**
- (57) Statement of Newness and Distinctiveness: **The shape or configuration or shape and configuration of the design is new and distinctive.**



(21) Design Number: **11507/2009**

(22) Date of Filing Application: **30 April 2009**

(24) Date from which industrial property rights may have effect: **30 April 2009**

(54) Product in respect of which the design is registered: **Timer**

(51) International Design Classification: **10-03**

(71) Name(s) and Address(s) of Applicant(s):

Ripple (Vic) Pty Ltd

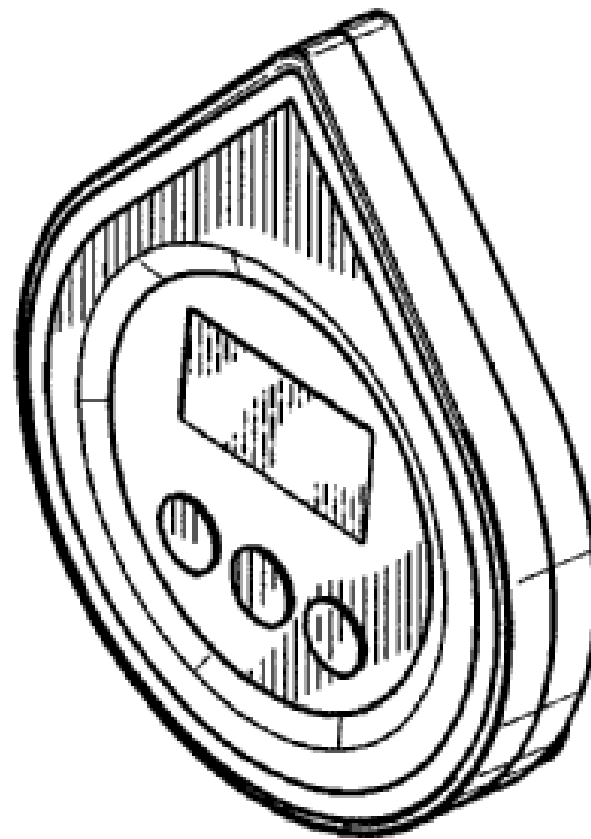
Suite 301 Level 3 60 Leicester Street Carlton Victoria 3053 Australia

(72) Name(s) of Designer(s): **Tracy Bialek-Wester**

(45) Registration Date: **25 May 2009**

(56) Related Art Documents: **Not Applicable**

(57) Statement of Newness and Distinctiveness: **The shape or configuration or shape and configuration of the design is new and distinctive.**



(21) Design Number: **11508/2009**

(22) Date of Filing Application: **30 April 2009**

(24) Date from which industrial property rights may have effect: **30 April 2009**

(54) Product in respect of which the design is registered: **Timer**

(51) International Design Classification: **10-03**

(71) Name(s) and Address(s) of Applicant(s):

Ripple (Vic) Pty Ltd

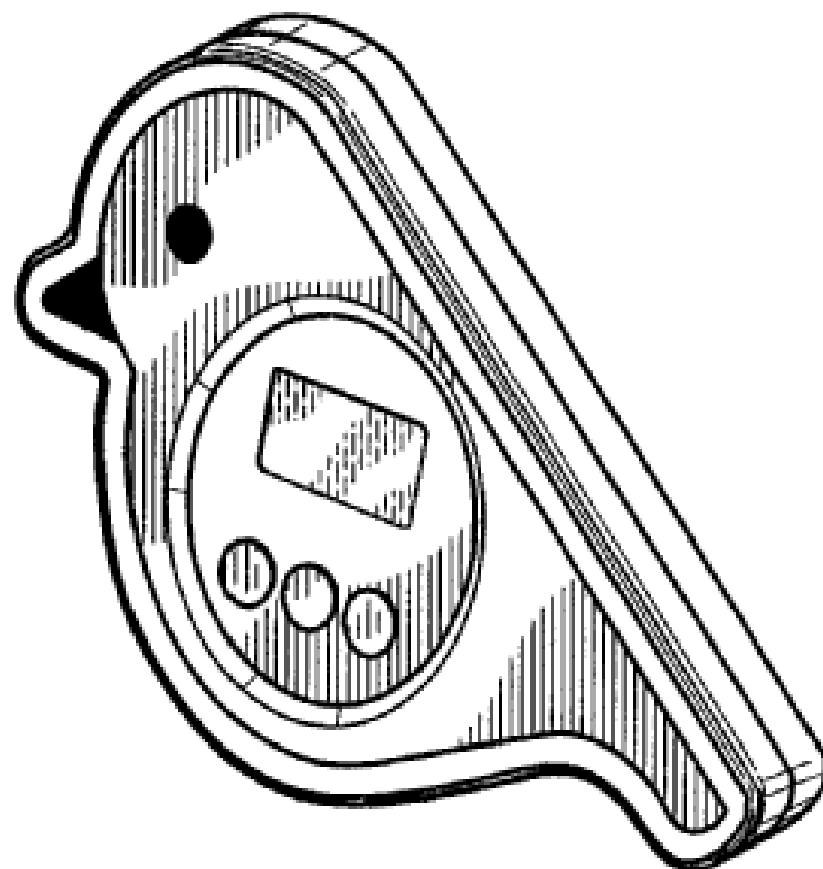
Suite 301 Level 3 60 Leicester Street Carlton Victoria 3053 Australia

(72) Name(s) of Designer(s): **Tracy Bialek-Wester**

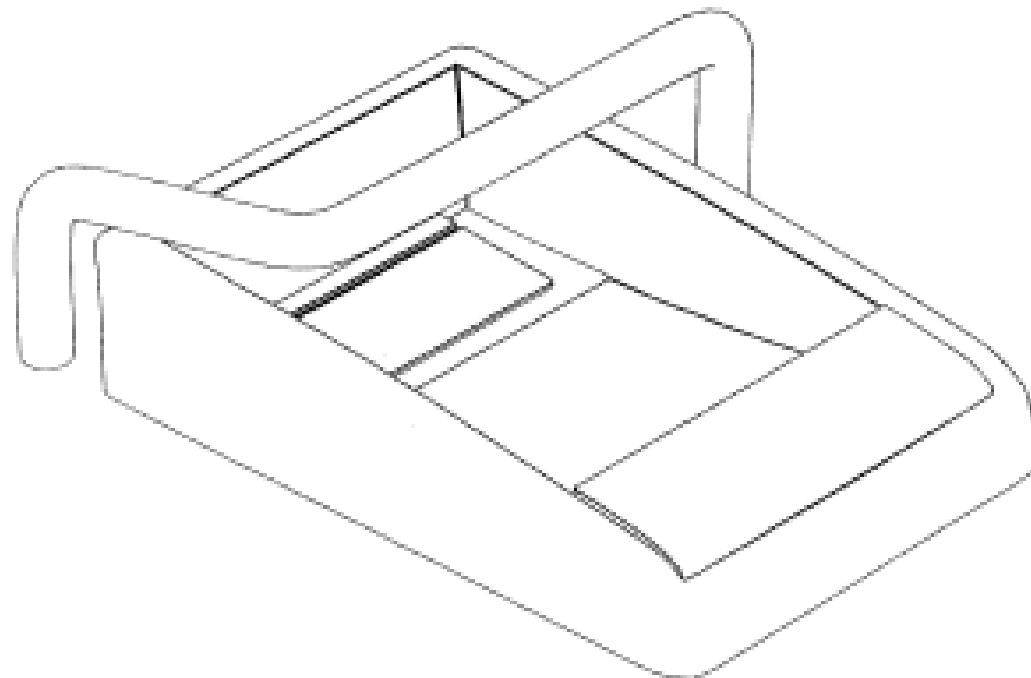
(45) Registration Date: **25 May 2009**

(56) Related Art Documents: **Not Applicable**

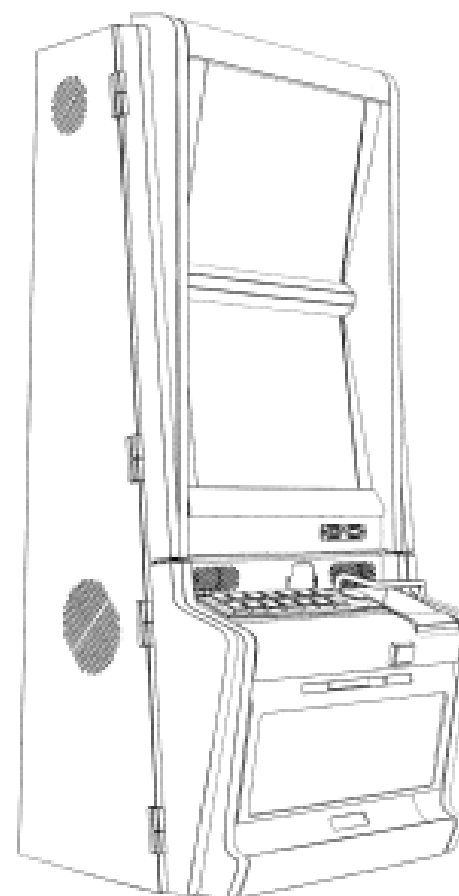
(57) Statement of Newness and Distinctiveness: **The shape, configuration, shape and configuration, pattern, ornamentation, pattern and ornamentation, of the design are new and distinctive.**



(21) Design Number: **11509/2009**
(22) Date of Filing Application: **30 April 2009**
(24) Date from which industrial property rights may have effect: **30 April 2009**
(54) Product in respect of which the design is registered: **Wrist support and grip**
(51) International Design Classification: **21-03**
(71) Name(s) and Address(s) of Applicant(s):
VideoB Holdings Limited
Trident Chambers PO Box 146 Road Town Tortola Virgin Islands
(British)
(72) Name(s) of Designer(s): **Peter Cercone**
(45) Registration Date: **25 May 2009**
(30) Convention priority data:
(31) Number (32) Date (33) Country
001036644-0002 11 Nov 2008 EUROPEAN COMMUNITY
(56) Related Art Documents: **Not Applicable**
(57) Statement of Newness and Distinctiveness: **Nil**



(21) Design Number: **11510/2009**
(22) Date of Filing Application: **30 April 2009**
(24) Date from which industrial property rights may have effect: **30 April 2009**
(54) Product in respect of which the design is registered: **Games machine**
(51) International Design Classification: **21-03**
(71) Name(s) and Address(s) of Applicant(s):
VideoB Holdings Limited
Trident Chambers PO Box 146 Road Town Tortola Virgin Islands
(British)
(72) Name(s) of Designer(s): **Peter Cercone**
(45) Registration Date: **25 May 2009**
(30) Convention priority data:
(31) Number (32) Date (33) Country
001036644-0001 11 Nov 2008 EUROPEAN COMMUNITY
(56) Related Art Documents: **Not Applicable**
(57) Statement of Newness and Distinctiveness: **Nil**



(21) Design Number: **11511/2009**

(22) Date of Filing Application: **30 April 2009**

(24) Date from which industrial property rights may have effect: **30 April 2009**

(54) Product in respect of which the design is registered: **Cuvette**

(51) International Design Classification: **24-99, 09-01K**

(71) Name(s) and Address(s) of Applicant(s):

Biokit, S.A.

Can Male S/N Llica d'Amunt Barcelona 08186 Spain

(72) Name(s) of Designer(s): **Mark Talmer and Paul C. Dahlstrom**

(45) Registration Date: **25 May 2009**

(30) Convention priority data:

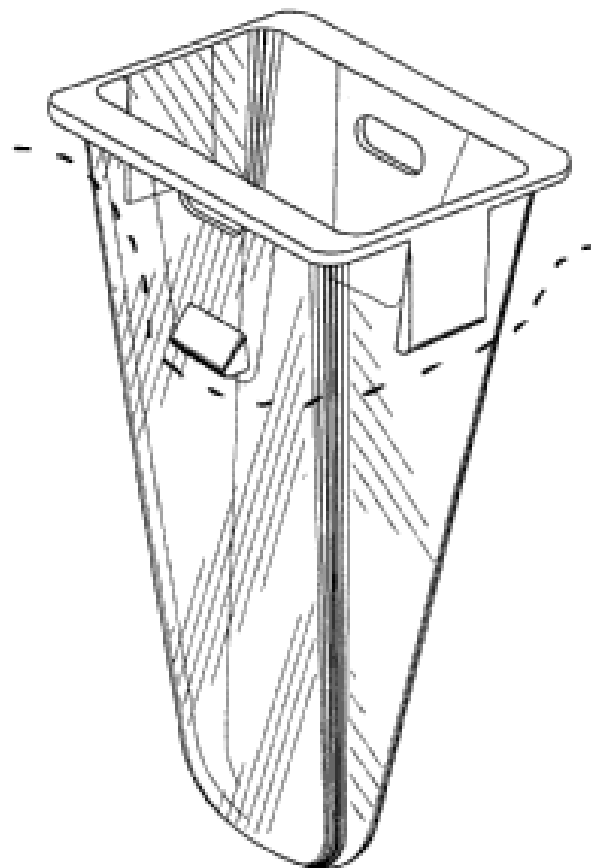
(31) Number
29/327,915

(32) Date
14 Nov 2008

(33) Country
UNITED STATES OF AMERICA

(56) Related Art Documents: **Not Applicable**

(57) Statement of Newness and Distinctiveness: **The shape and configuration of those parts of the design shown above the broken lines in the representations are new and distinctive.**



(21) Design Number: **11512/2009**

(22) Date of Filing Application: **30 April 2009**

(24) Date from which industrial property rights may have effect: **30 April 2009**

(54) Product in respect of which the design is registered: **Reagent container pack**

(51) International Design Classification: **24-99, 09-03NES**

(71) Name(s) and Address(s) of Applicant(s):

Biokit, S.A.

Can Male S/N Llica d'Amunt Barcelona 08186 Spain

(72) Name(s) of Designer(s): **Mark Talmer and Robert C. Aviles and Luis Miguel Garcia Gros and Paul C. Dahlstrom and Derek Verhoorn and Dan O'Sullivan**

(45) Registration Date: **25 May 2009**

(30) Convention priority data:

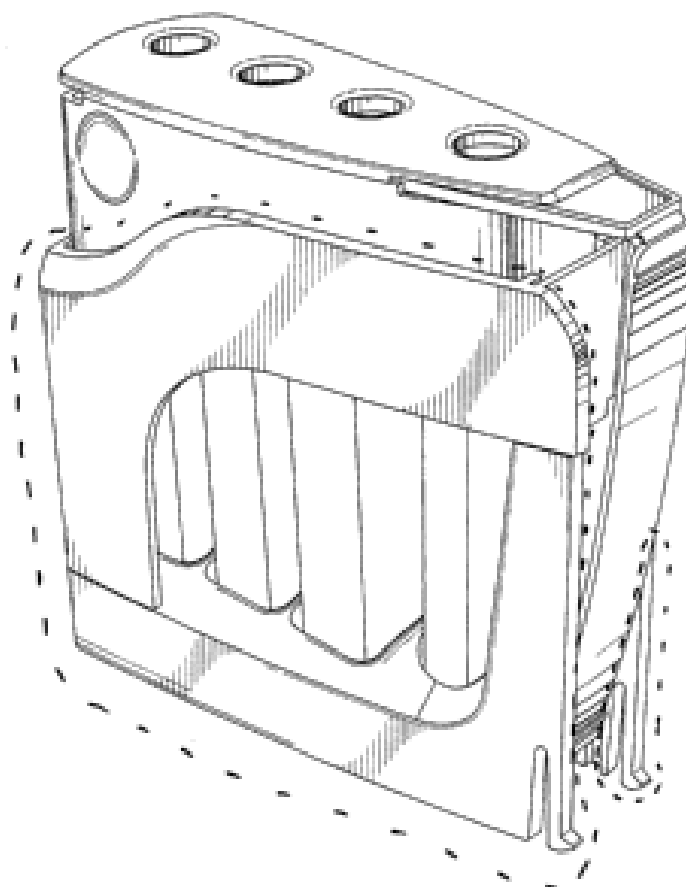
(31) Number
29/327,924

(32) Date
14 Nov 2008

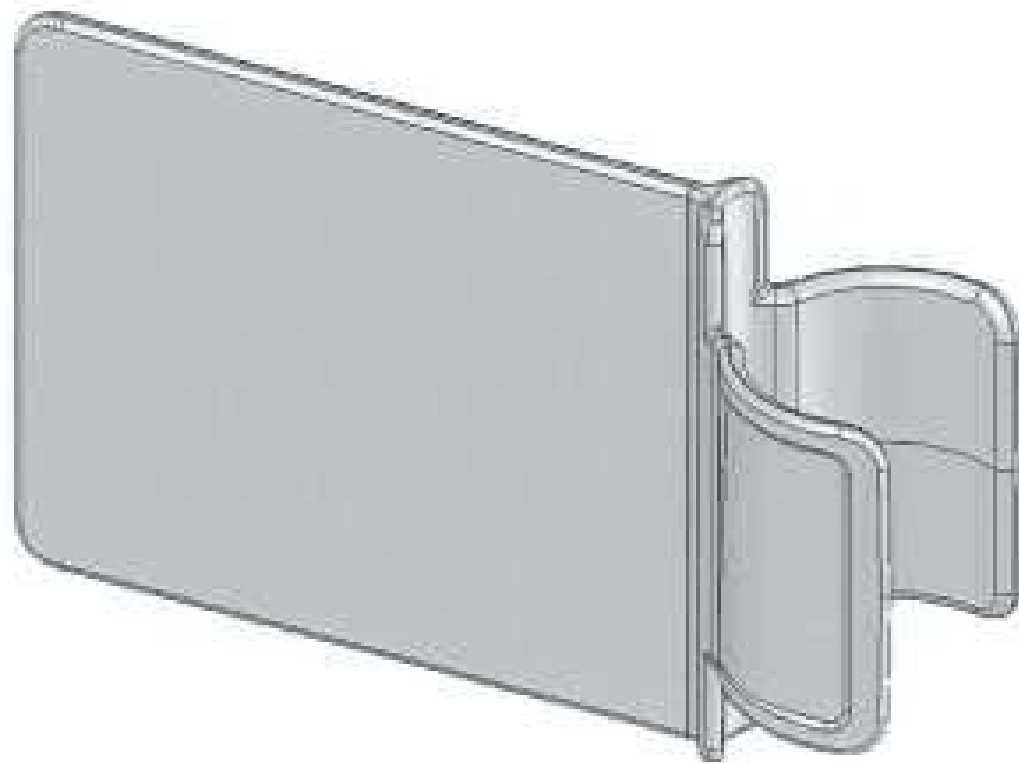
(33) Country
UNITED STATES OF AMERICA

(56) Related Art Documents: **Not Applicable**

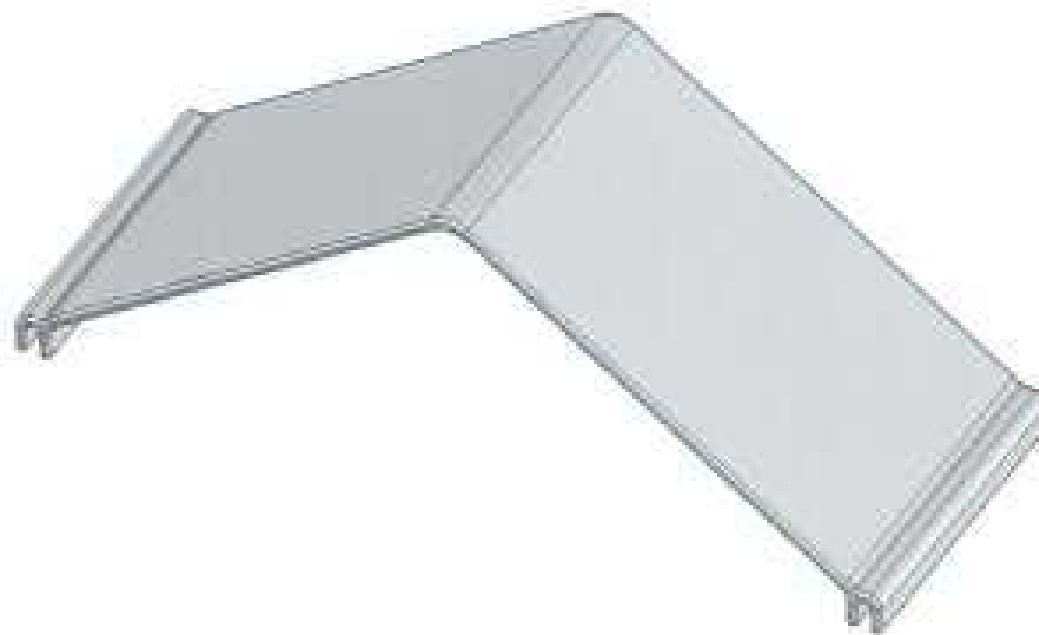
(57) Statement of Newness and Distinctiveness: **The shape and configuration of those parts of the product shown other than inside the borders defined by broken lines in the perspective view, and first and second side views of the representations are new and distinctive.**



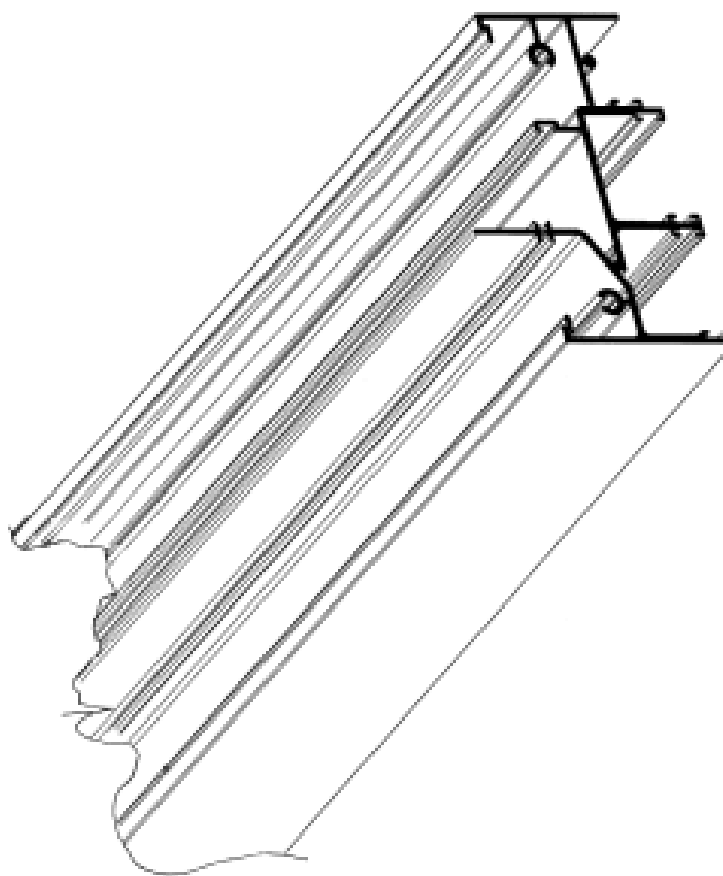
(21) Design Number: **11501/2009**
(22) Date of Filing Application: **30 April 2009**
(24) Date from which industrial property rights may have effect: **30 April 2009**
(54) Product in respect of which the design is registered: **A toy**
(51) International Design Classification: **21-01NES**
(71) Name(s) and Address(s) of Applicant(s):
Andrew McDougall
7 De Feu Street North Melbourne Victoria 3051 Australia
(72) Name(s) of Designer(s): **Andrew McDougall**
(45) Registration Date: **25 May 2009**
(56) Related Art Documents: **Not Applicable**
(57) Statement of Newness and Distinctiveness: **Nil**



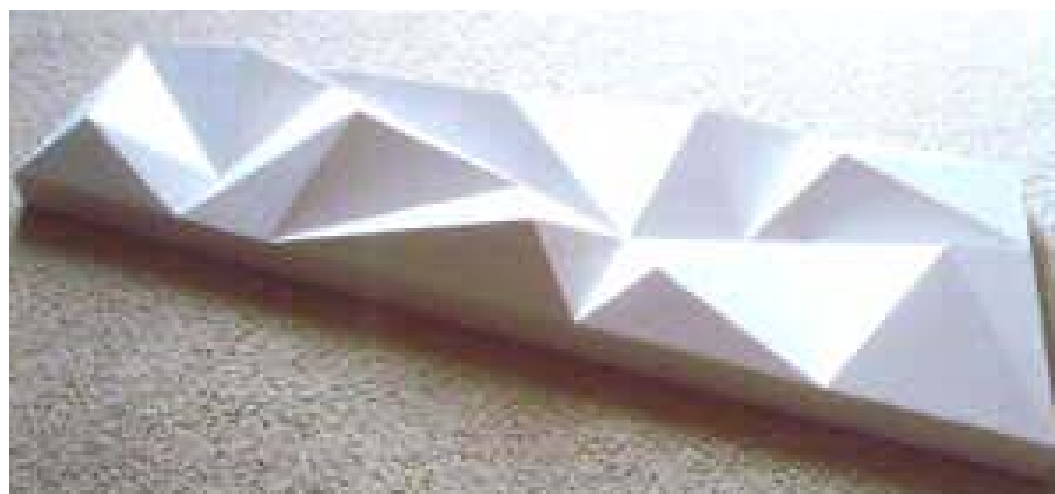
(21) Design Number: **11502/2009**
(22) Date of Filing Application: **30 April 2009**
(24) Date from which industrial property rights may have effect: **30 April 2009**
(54) Product in respect of which the design is registered: **A toy**
(51) International Design Classification: **21-01NES**
(71) Name(s) and Address(s) of Applicant(s):
Andrew McDougall
7 De Feu Street North Melbourne Victoria 3051 Australia
(72) Name(s) of Designer(s): **Andrew McDougall**
(45) Registration Date: **25 May 2009**
(56) Related Art Documents: **Not Applicable**
(57) Statement of Newness and Distinctiveness: **Nil**



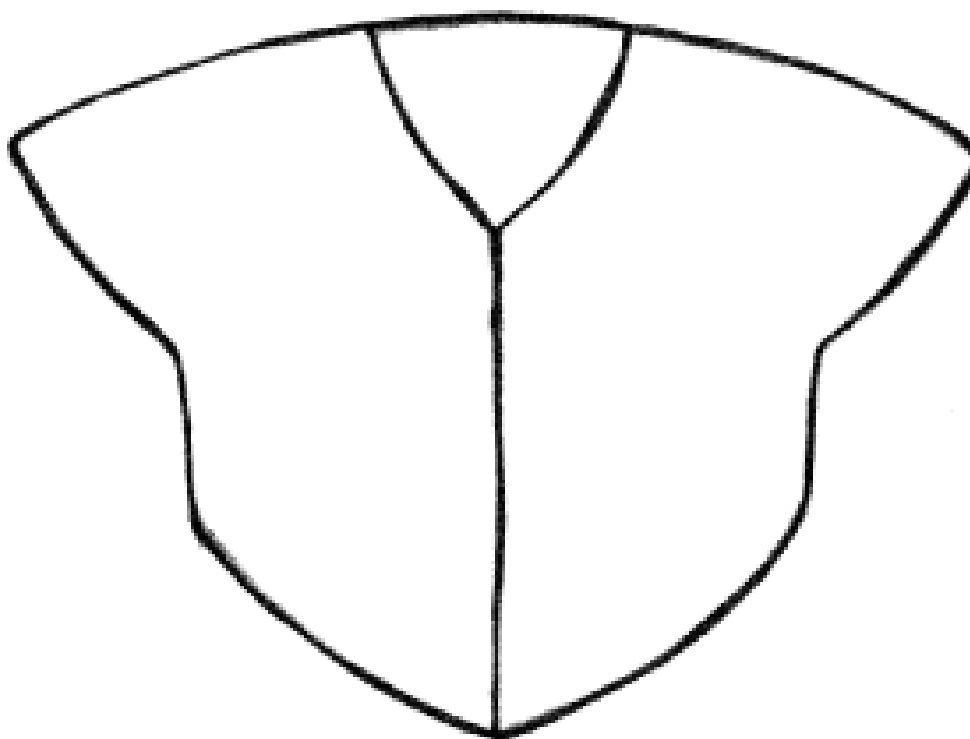
- (21) Design Number: **11513/2009**
(22) Date of Filing Application: **01 May 2009**
(24) Date from which industrial property rights may have effect: **01 May 2009**
(54) Product in respect of which the design is registered: **An extrusion**
(51) International Design Classification: **25-01K, 25-02H**
(71) Name(s) and Address(s) of Applicant(s):
Architectural Window Systems Pty Limited
76-78 Jemma Road Prestons New South Wales 2170 Australia
(72) Name(s) of Designer(s): **David John McCleary**
(45) Registration Date: **25 May 2009**
(56) Related Art Documents: **Not Applicable**
(57) Statement of Newness and Distinctiveness: **Newness and distinctiveness is claimed in the shape and/or configuration of an extrusion as illustrated by the unbroken lines in the accompanying representation.**



- (21) Design Number: **11514/2009**
(22) Date of Filing Application: **01 May 2009**
(24) Date from which industrial property rights may have effect: **01 May 2009**
(54) Product in respect of which the design is registered: **Wall panels, tiles (ceramic, fibreglass, resin, concrete) feature walls**
(51) International Design Classification: **11-02F, 25-01D, 25-01F, 25-02NES**
(71) Name(s) and Address(s) of Applicant(s):
Valissa Butterworth
2/20 Howard Avenue Mount Waverley Victoria 3149 Australia
(72) Name(s) of Designer(s): **Valissa Butterworth**
(45) Registration Date: **25 May 2009**
(56) Related Art Documents: **Not Applicable**
(57) Statement of Newness and Distinctiveness: **The modular characteristics of the panel design and distinct configuration of angles and panels.**



- (21) Design Number: **11515/2009**
(22) Date of Filing Application: **01 May 2009**
(24) Date from which industrial property rights may have effect: **01 May 2009**
(54) Product in respect of which the design is registered: **The design is for a protective bib/capelet for mums for winding/settling young babies**
(51) International Design Classification: **02-05, 02-02B**
(71) Name(s) and Address(s) of Applicant(s):
Sharon Kay Denison
22 Calabar Court Merriwa Western Australia 6030 Australia
(72) Name(s) of Designer(s): **Sharon Kay Denison**
(45) Registration Date: **25 May 2009**
(56) Related Art Documents: **Not Applicable**
(57) Statement of Newness and Distinctiveness: **Nil**



- (21) Design Number: **11516/2009**
(22) Date of Filing Application: **30 April 2009**
(24) Date from which industrial property rights may have effect: **30 April 2009**
(54) Product in respect of which the design is registered: **Shoe**
(51) International Design Classification: **02-04NES**
(71) Name(s) and Address(s) of Applicant(s):
Lacoste
Rue de Castiglione 8 Paris 75001 France
(72) Name(s) of Designer(s): **Ryan Lamont**
(45) Registration Date: **25 May 2009**
(30) Convention priority data:
(31) Number (32) Date (33) Country
001117352 02 Apr 2009 EUROPEAN COMMUNITY
(56) Related Art Documents: **Not Applicable**
(57) Statement of Newness and Distinctiveness: **When determining whether the design is substantially similar in overall impression to another design, regard is only to be had to the upper parts of the shoe, and no regard is to be had to the sole, as shown in the accompanying drawings.**



(21) Design Number: **11517/2009**

(22) Date of Filing Application: **30 April 2009**

(24) Date from which industrial property rights may have effect: **30 April 2009**

(54) Product in respect of which the design is registered: **Shoe**

(51) International Design Classification: **02-04NES**

(71) Name(s) and Address(s) of Applicant(s):

Lacoste

Rue de Castiglione 8 Paris 75001 France

(72) Name(s) of Designer(s): **Ryan Lamont**

(45) Registration Date: **25 May 2009**

(30) Convention priority data:

(31) Number
001117352

(32) Date
02 Apr 2009

(33) Country
EUROPEAN COMMUNITY

(56) Related Art Documents: **Not Applicable**

(57) Statement of Newness and Distinctiveness: **When determining whether the design is substantially similar in overall impression to another design, regard is only to be had to the upper parts of the shoe, and no regard is to be had to the sole, as shown in the accompanying drawings.**



(21) Design Number: **11518/2009**

(22) Date of Filing Application: **30 April 2009**

(24) Date from which industrial property rights may have effect: **30 April 2009**

(54) Product in respect of which the design is registered: **Shoe**

(51) International Design Classification: **02-04NES**

(71) Name(s) and Address(s) of Applicant(s):

Lacoste

Rue de Castiglione 8 Paris 75001 France

(72) Name(s) of Designer(s): **Steven Morris**

(45) Registration Date: **25 May 2009**

(30) Convention priority data:

(31) Number
001117352

(32) Date
02 Apr 2009

(33) Country
EUROPEAN COMMUNITY

(56) Related Art Documents: **Not Applicable**

(57) Statement of Newness and Distinctiveness: **When determining whether the design is substantially similar in overall impression to another design, regard is only to be had to the upper parts of the shoe, and no regard is to be had to the sole, as shown in the accompanying drawings.**



(21) Design Number: **11519/2009**

(22) Date of Filing Application: **30 April 2009**

(24) Date from which industrial property rights may have effect: **30 April 2009**

(54) Product in respect of which the design is registered: **Shoe**

(51) International Design Classification: **02-04NES**

(71) Name(s) and Address(s) of Applicant(s):

Lacoste

Rue de Castiglione 8 Paris 75001 France

(72) Name(s) of Designer(s): **Florence Weber**

(45) Registration Date: **25 May 2009**

(30) Convention priority data:

(31) Number
001117352

(32) Date
02 Apr 2009

(33) Country
EUROPEAN COMMUNITY

(56) Related Art Documents: **Not Applicable**

(57) Statement of Newness and Distinctiveness: **When determining whether the design is substantially similar in overall impression to another design, regard is only to be had to the sole, and no regard is to be had to the upper parts of the shoe, as shown in the accompanying drawings.**



(21) Design Number: **11520/2009**

(22) Date of Filing Application: **30 April 2009**

(24) Date from which industrial property rights may have effect: **30 April 2009**

(54) Product in respect of which the design is registered: **Marker light**

(51) International Design Classification: **26-04**

(71) Name(s) and Address(s) of Applicant(s):

Carmanah Technologies Corporation

**Building 4-203 Harbour Road British Columbia Victoria V9A3 3S2
Canada**

(72) Name(s) of Designer(s): **Eric Pesty and Aaron Lockwood and Damien Gabriel Hortsing and Jon Bulman-Fleming**

(45) Registration Date: **25 May 2009**

(30) Convention priority data:

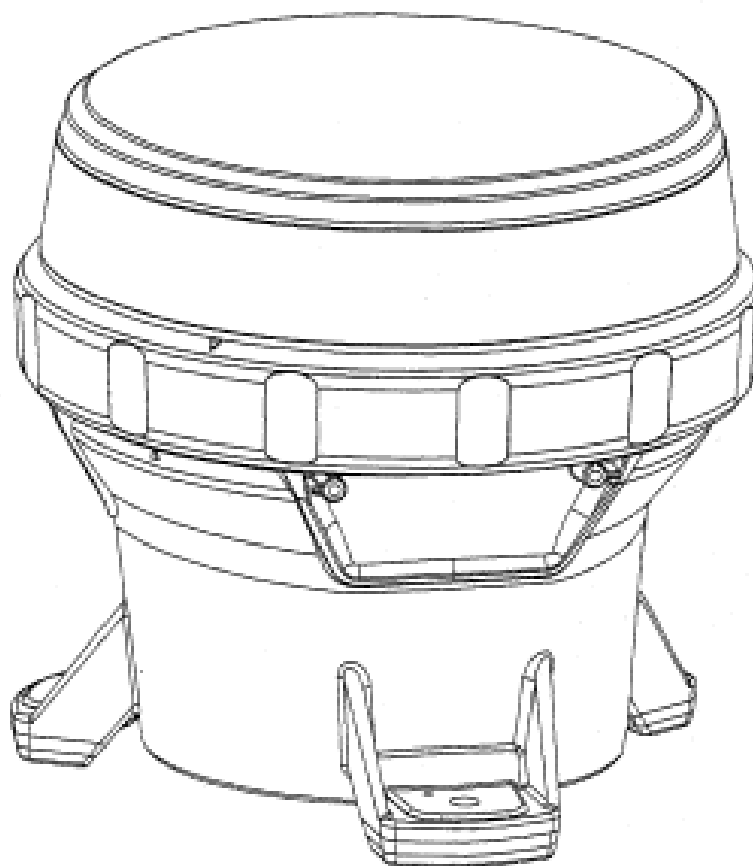
(31) Number
129806

(32) Date
05 Mar 2009

(33) Country
CANADA

(56) Related Art Documents: **Not Applicable**

(57) Statement of Newness and Distinctiveness: **This design is to be applied to a marker light and the novelty resides in the features of shape and configuration of the article shown in the accompanying representations.**



- (21) Design Number: **11522/2009**
(22) Date of Filing Application: **30 April 2009**
(24) Date from which industrial property rights may have effect: **30 April 2009**
(54) Product in respect of which the design is registered: **Bottle**
(51) International Design Classification: **09-01K, 09-01NES**
(71) Name(s) and Address(s) of Applicant(s):
Reckitt Benckiser Inc.
Morris Corporate Center IV 399 Interpace Parkway Parsippany New Jersey 07054 United States of America
(72) Name(s) of Designer(s): **James E. McCay and Anne E. Nixon**
(45) Registration Date: **25 May 2009**
(30) Convention priority data:
(31) Number (32) Date (33) Country
29/333053 02 Mar 2009 UNITED STATES OF AMERICA
(56) Related Art Documents: **Not Applicable**
(57) Statement of Newness and Distinctiveness: **Newness and distinctiveness reside in the features of the design shown in solid lines in the representations excluding those features shown in broken lines.**



- (21) Design Number: **11528/2009**
(22) Date of Filing Application: **29 April 2009**
(24) Date from which industrial property rights may have effect: **29 April 2009**
(54) Product in respect of which the design is registered: **A bottle**
(51) International Design Classification: **09-01K**
(71) Name(s) and Address(s) of Applicant(s):
Coca-Cola Amatil Ltd
71 Circular Quay East Sydney New South Wales 2000 Australia
(72) Name(s) of Designer(s): **David Zuk and Victoria Fraser**
(45) Registration Date: **25 May 2009**
(56) Related Art Documents: **Not Applicable**
(57) Statement of Newness and Distinctiveness: **The shape and configuration of the bottle is new and distinctive.**



(21) Design Number: **11529/2009**

(22) Date of Filing Application: **29 April 2009**

(24) Date from which industrial property rights may have effect: **29 April 2009**

(54) Product in respect of which the design is registered: **A bottle**

(51) International Design Classification: **09-01K**

(71) Name(s) and Address(s) of Applicant(s):

Coca-Cola Amatil Ltd

71 Circular Quay East Sydney New South Wales 2000 Australia

(72) Name(s) of Designer(s): **David Zuk and Victoria Fraser**

(45) Registration Date: **25 May 2009**

(56) Related Art Documents: **Not Applicable**

(57) Statement of Newness and Distinctiveness: **The shape and configuration of the bottle is new and distinctive.**



(21) Design Number: **10950/2009**

(22) Date of Filing Application: **23 March 2009**

(24) Date from which industrial property rights may have effect: **23 March 2009**

(54) Product in respect of which the design is registered: **Fence post section**

(51) International Design Classification: **25-01E**

(71) Name(s) and Address(s) of Applicant(s):

Gryffin EPSS Pty Ltd

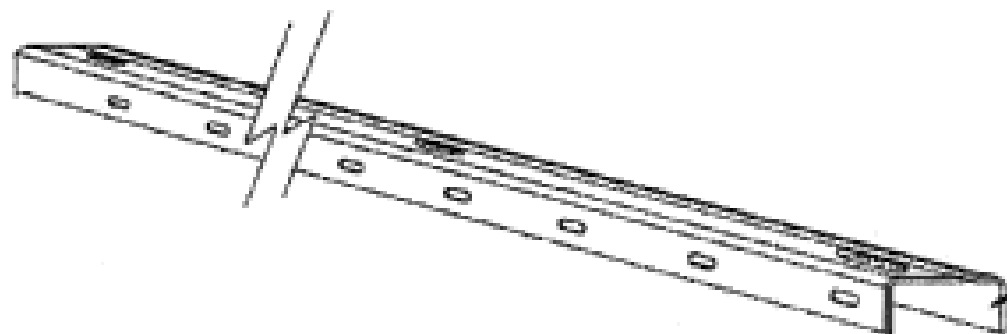
8 Bessemer Road Bayswater Victoria 3153 Australia

(72) Name(s) of Designer(s): **Stephen John King and John Mythen**

(45) Registration Date: **25 May 2009**

(56) Related Art Documents: **Not Applicable**

(57) Statement of Newness and Distinctiveness: **In considering the newness or distinctiveness of the design, regard is to be given to the overall shape and/or configuration of a fence post section as shown in the representations.**



(21) Design Number: **15070/2008**

(22) Date of Filing Application: **21 October 2008**

(24) Date from which industrial property rights may have effect: **21 October 2008**

(54) Product in respect of which the design is registered: **A trivet**

(51) International Design Classification: **07-06NES**

(71) Name(s) and Address(s) of Applicant(s):

**Electrolux Home Products Pty Limited
163 O'Riordan Street Mascot New South Wales 2020 Australia**

(72) Name(s) of Designer(s): **Alex Gray**

(45) Registration Date: **26 May 2009**

(56) Related Art Documents: **Not Applicable**

(57) Statement of Newness and Distinctiveness: **Newness and distinctiveness is claimed in those features of shape and or configuration of a trivet as depicted in the accompanying representations. Rendering and shading in the accompanying representations is used to illustrate shape and or configuration of the design and do not form part of the design.**



(21) Design Number: **10931/2009**

(22) Date of Filing Application: **19 March 2009**

(24) Date from which industrial property rights may have effect: **19 March 2009**

(54) Product in respect of which the design is registered: **Football shape popcorn maker**

(51) International Design Classification: **07-02H**

(71) Name(s) and Address(s) of Applicant(s):

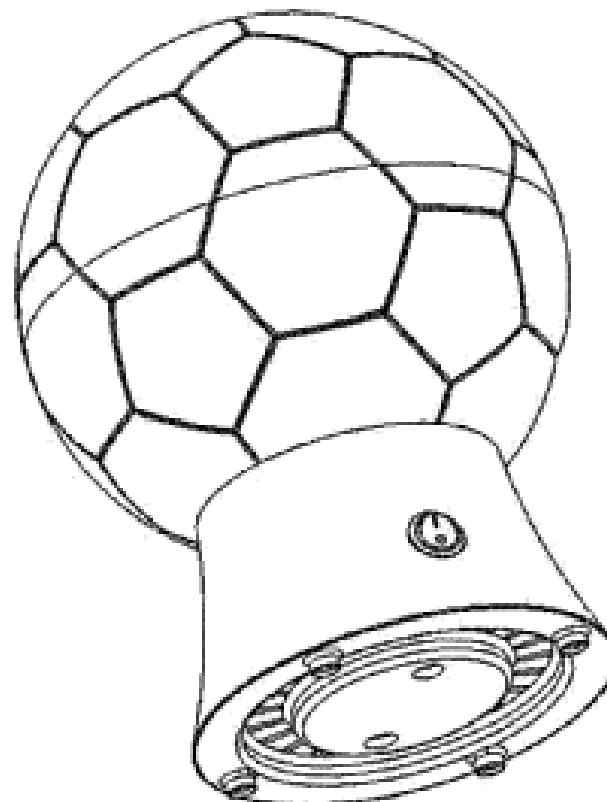
**Wood Yik Paul Lam
Unit 1220 Grandtech Center 8 On Ping Street Siu Lek Yuen Shatin N.T.
Hong Kong**

(72) Name(s) of Designer(s): **Wood Yik Paul Lam**

(45) Registration Date: **26 May 2009**

(56) Related Art Documents: **Not Applicable**

(57) Statement of Newness and Distinctiveness: **Nil**



(21) Design Number: **10946/2009**

(22) Date of Filing Application: **23 March 2009**

(24) Date from which industrial property rights may have effect: **23 March 2009**

(54) Product in respect of which the design is registered: **Fence post section**

(51) International Design Classification: **25-01E**

(71) Name(s) and Address(s) of Applicant(s):

Gryffin EPSS Pty Ltd

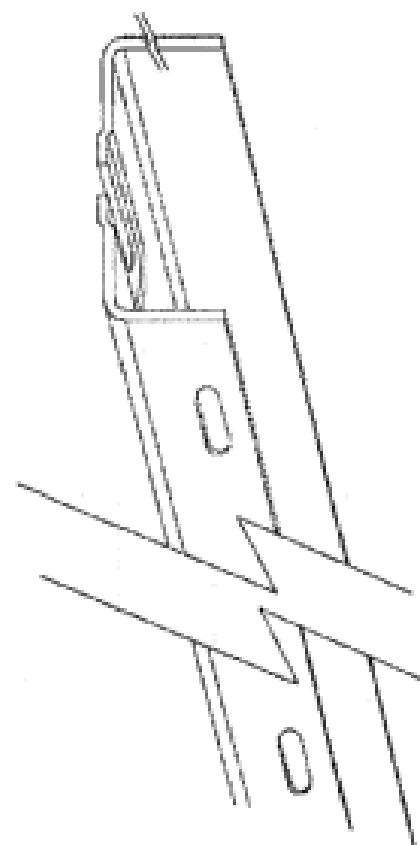
8 Bessemer Road Bayswater Victoria 3153 Australia

(72) Name(s) of Designer(s): **Stephen John King and John Mythen**

(45) Registration Date: **26 May 2009**

(56) Related Art Documents: **Not Applicable**

(57) Statement of Newness and Distinctiveness: **In considering the newness or distinctiveness of the design, regard is to be given to the overall shape and/or configuration of a fence post section as shown in the representations.**



(21) Design Number: **11010/2009**

(22) Date of Filing Application: **24 March 2009**

(24) Date from which industrial property rights may have effect: **24 March 2009**

(54) Product in respect of which the design is registered: **Extrusion**

(51) International Design Classification: **25-01K**

(71) Name(s) and Address(s) of Applicant(s):

Trans-World Foods Pty Limited

Level 12 37 York Street SYDNEY New South Wales 2000 AUSTRALIA

(72) Name(s) of Designer(s): **Stanley Parker**

(45) Registration Date: **26 May 2009**

(56) Related Art Documents: **Not Applicable**

(57) Statement of Newness and Distinctiveness: **Newness and distinctiveness is claimed in the features of shape and/or configuration of the cross-section of an Extrusion as illustrated in the accompanying representations, wherein the cross-section of the extrusion is constant along its length.**



(21) Design Number: **11011/2009**

(22) Date of Filing Application: **24 March 2009**

(24) Date from which industrial property rights may have effect: **24 March 2009**

(54) Product in respect of which the design is registered: **Tray**

(51) International Design Classification: **09-03F**

(71) Name(s) and Address(s) of Applicant(s):

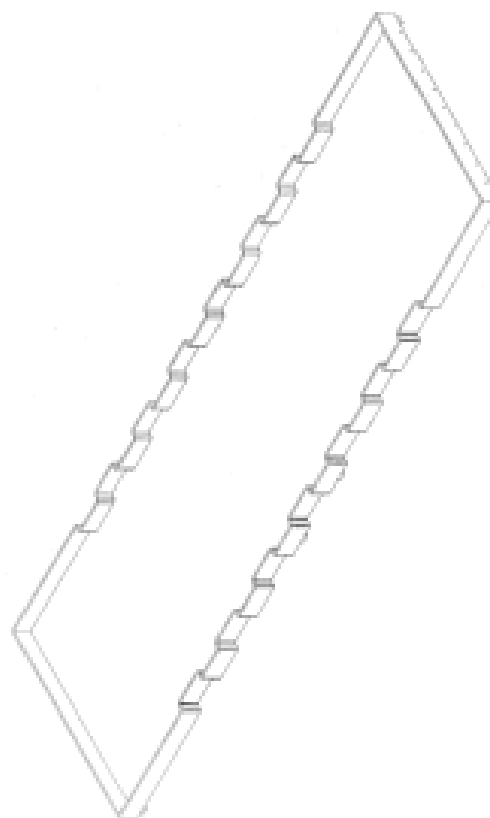
**Trans-World Foods Pty Limited
Level 12 37 York Street SYDNEY New South Wales 2000 AUSTRALIA**

(72) Name(s) of Designer(s): **Stanley Parker**

(45) Registration Date: **26 May 2009**

(56) Related Art Documents: **Not Applicable**

(57) Statement of Newness and Distinctiveness: **Newness and distinctiveness is claimed in the features of shape and/or configuration of a tray as illustrated in continuous lines in the accompanying representations.**



(21) Design Number: **11549/2009**

(22) Date of Filing Application: **04 May 2009**

(24) Date from which industrial property rights may have effect: **04 May 2009**

(54) Product in respect of which the design is registered: **Combination shaving and trimming device**

(51) International Design Classification: **28-03A**

(71) Name(s) and Address(s) of Applicant(s):

**The Gillette Company
Prudential Tower Building Boston Massachusetts 02199 United States of America**

(72) Name(s) of Designer(s): **Bjoern Kling and Markus Orthey and Kristopher William Schulz**

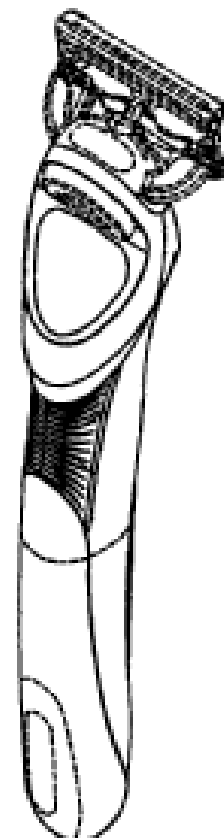
(45) Registration Date: **26 May 2009**

(30) Convention priority data:

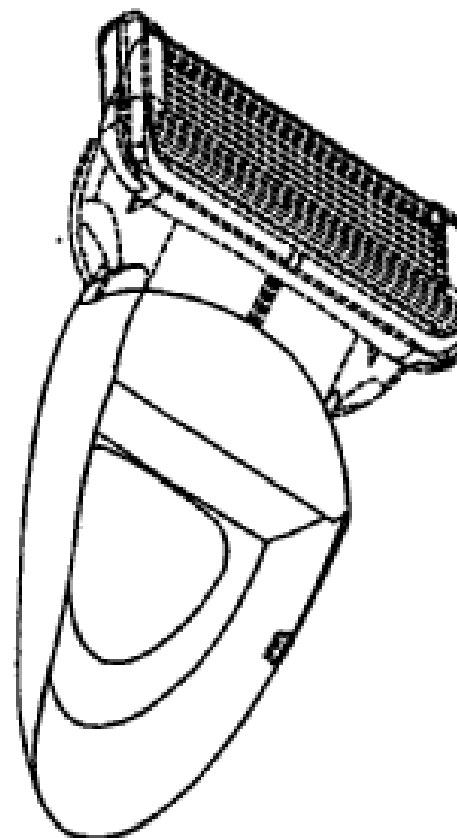
(31) Number	(32) Date	(33) Country
29/327,609	10 Nov 2008	UNITED STATES OF AMERICA

(56) Related Art Documents: **Not Applicable**

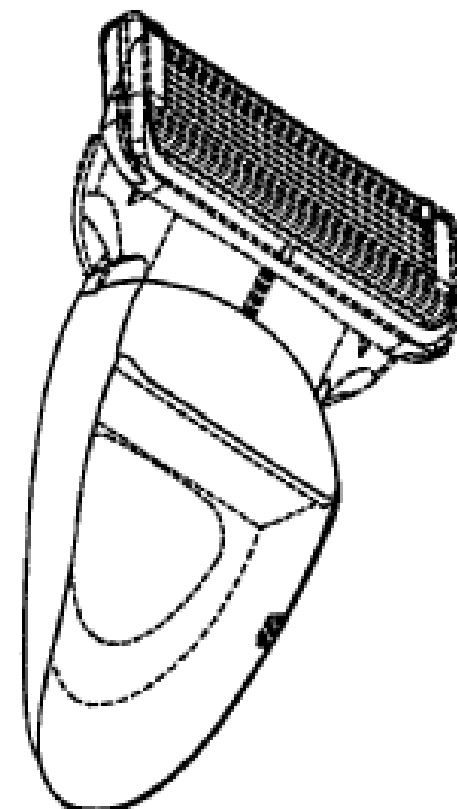
(57) Statement of Newness and Distinctiveness: **Newness and distinctiveness reside in the features of shape and/or configuration of the combination shaving and trimming device, as shown in the representations. Newness and distinctiveness are not claimed in relation to the features shown in broken lines in the representations.**



(21) Design Number: **11550/2009**
 (22) Date of Filing Application: **04 May 2009**
 (24) Date from which industrial property rights may have effect: **04 May 2009**
 (54) Product in respect of which the design is registered: **Razor attachment**
 (51) International Design Classification: **28-03A**
 (71) Name(s) and Address(s) of Applicant(s):
The Gillette Company
Prudential Tower Building Boston Massachusetts 02199 United States of America
 (72) Name(s) of Designer(s): **Bjoern Kling and Markus Orthey and Kristopher William Schulz**
 (45) Registration Date: **26 May 2009**
 (30) Convention priority data:
 (31) Number (32) Date (33) Country
29/327,615 10 Nov 2008 UNITED STATES OF AMERICA
 (56) Related Art Documents: **Not Applicable**
 (57) Statement of Newness and Distinctiveness: **Newness and distinctiveness reside in the features of shape and/or configuration of the razor attachment, as shown in the representations. Newness and distinctiveness are not claimed in relation to the features shown in broken lines in the representations.**



(21) Design Number: **11551/2009**
 (22) Date of Filing Application: **04 May 2009**
 (24) Date from which industrial property rights may have effect: **04 May 2009**
 (54) Product in respect of which the design is registered: **Razor attachment**
 (51) International Design Classification: **28-03A**
 (71) Name(s) and Address(s) of Applicant(s):
The Gillette Company
Prudential Tower Building Boston Massachusetts 02199 United States of America
 (72) Name(s) of Designer(s): **Bjoern Kling and Markus Orthey and Kristopher William Schulz**
 (45) Registration Date: **26 May 2009**
 (30) Convention priority data:
 (31) Number (32) Date (33) Country
29/327,611 10 Nov 2008 UNITED STATES OF AMERICA
 (56) Related Art Documents: **Not Applicable**
 (57) Statement of Newness and Distinctiveness: **Newness and distinctiveness reside in the features of shape and/or configuration of the razor attachment, as shown in the representations. Newness and distinctiveness are not claimed in relation to the features shown in broken lines in the representations.**



(21) Design Number: **10995/2009**

(22) Date of Filing Application: **24 March 2009**

(24) Date from which industrial property rights may have effect: **24 March 2009**

(54) Product in respect of which the design is registered: **A hinged door for a wood heater or pallet heater**

(51) International Design Classification: **23-03A, 23-03B, 08-07**

(71) Name(s) and Address(s) of Applicant(s):

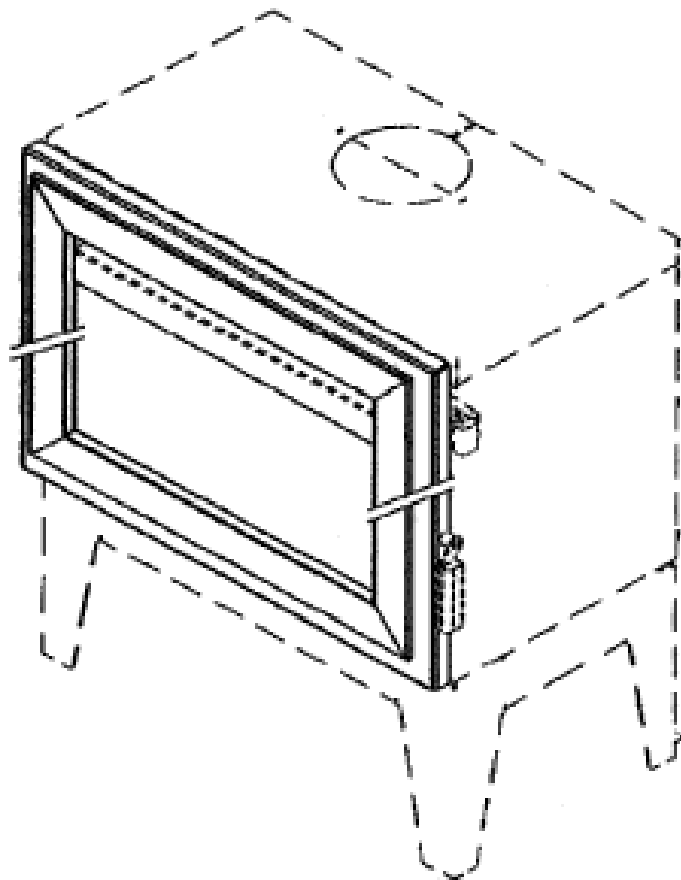
**Glen Dimplex Australasia Ltd
38 Harris Road East Tamaki Manukau Auckland New Zealand**

(72) Name(s) of Designer(s): **Leon John Kipa and Ernest Auora and Prakash Sonar**

(45) Registration Date: **26 May 2009**

(56) Related Art Documents: **Not Applicable**

(57) Statement of Newness and Distinctiveness: **Newness and distinctiveness reside in features of shape and configuration of the hinged door for a wood heater or pallet heater as shown in the representations. Newness and distinctiveness is not claimed in the features shown in phantom lines. The features in phantom lines provide context for the product. The door and frame may be of any height to match any wood heater or pallet heater.**



(21) Design Number: **10996/2009**

(22) Date of Filing Application: **24 March 2009**

(24) Date from which industrial property rights may have effect: **24 March 2009**

(54) Product in respect of which the design is registered: **A hinged door for a wood heater or pallet heater**

(51) International Design Classification: **23-03A, 23-03B, 08-07**

(71) Name(s) and Address(s) of Applicant(s):

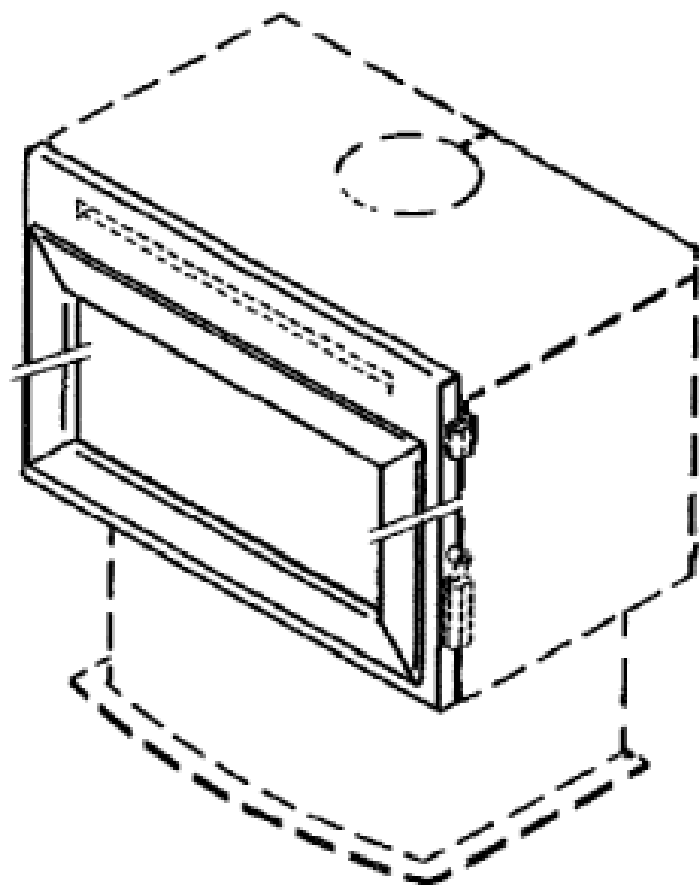
**Glen Dimplex Australasia Ltd
38 Harris Road East Tamaki Manukau Auckland New Zealand**

(72) Name(s) of Designer(s): **Leon John Kipa and Ernest Auora and Prakash Sonar**

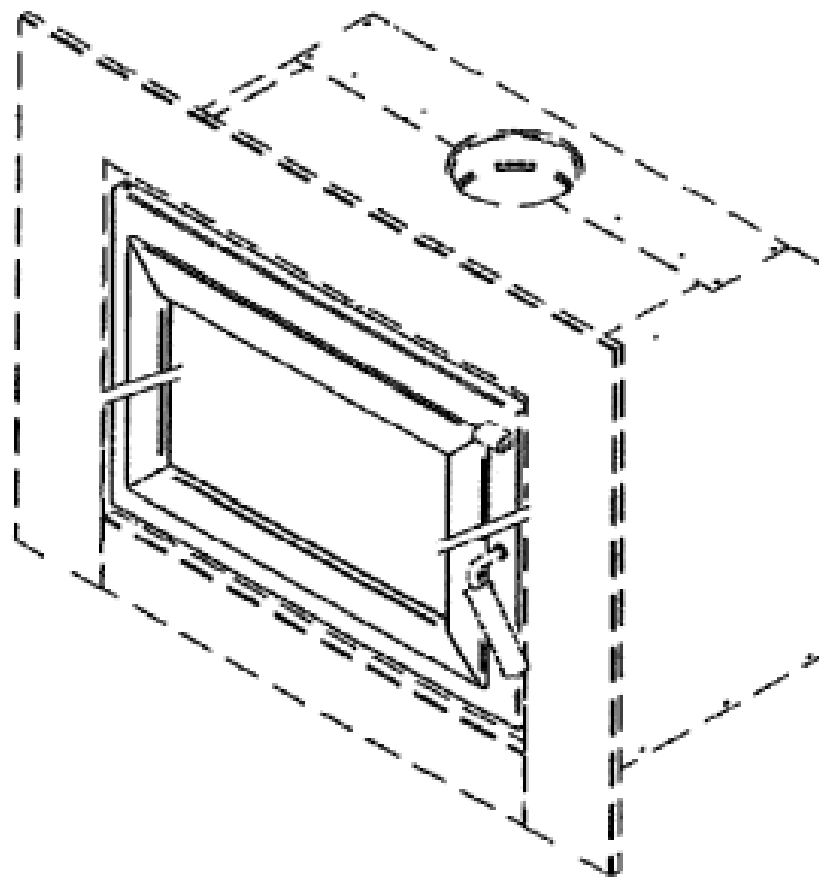
(45) Registration Date: **26 May 2009**

(56) Related Art Documents: **Not Applicable**

(57) Statement of Newness and Distinctiveness: **Newness and distinctiveness reside in features of shape and configuration of the hinged door for a wood heater or pallet heater as shown in the representations. Newness and distinctiveness is not claimed in the features shown in phantom lines. The features in phantom lines provide context for the product. The door and frame may be of any height to match any wood heater or pallet heater.**



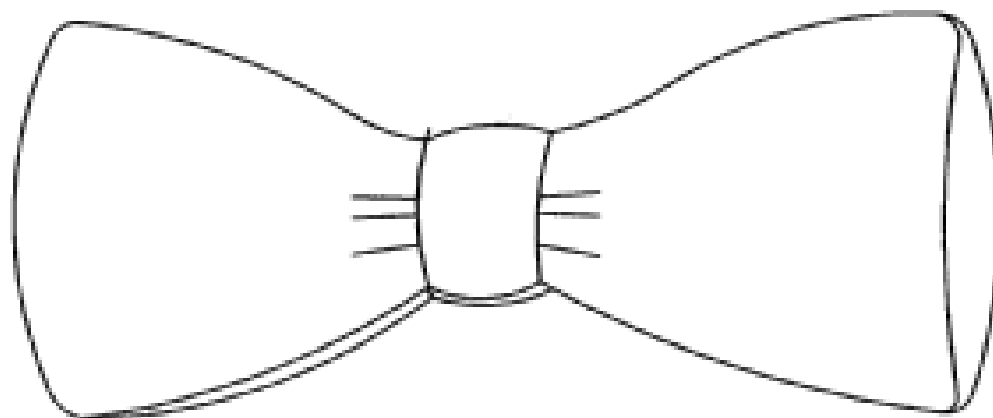
- (21) Design Number: **10997/2009**
(22) Date of Filing Application: **24 March 2009**
(24) Date from which industrial property rights may have effect: **24 March 2009**
(54) Product in respect of which the design is registered: **A hinged door for a wood heater or pallet heater**
(51) International Design Classification: **23-03A, 23-03B, 08-07**
(71) Name(s) and Address(s) of Applicant(s):
Glen Dimplex Australasia Ltd
38 Harris Road East Tamaki Manukau Auckland New Zealand
(72) Name(s) of Designer(s): **Leon John Kipa and Ernest Auora and Prakash Sonar**
(45) Registration Date: **26 May 2009**
(56) Related Art Documents: **Not Applicable**
(57) Statement of Newness and Distinctiveness: **Newness and distinctiveness reside in features of shape and configuration of the hinged door for a wood heater or pallet heater as shown in the representations. Newness and distinctiveness is not claimed in the features shown in phantom lines. The features in phantom lines provide context for the product. The door and frame may be of any height to match any wood heater or pallet heater.**



- (21) Design Number: **11194/2009**
(22) Date of Filing Application: **07 April 2009**
(24) Date from which industrial property rights may have effect: **07 April 2009**
(54) Product in respect of which the design is registered: **Lamp housing sealing part**
(51) International Design Classification: **12-16E**
(71) Name(s) and Address(s) of Applicant(s):
Scania CV AB (publ)
Sodertalje SE-151 87 Sweden
(72) Name(s) of Designer(s): **Pehr Soderberg and Kristofer Hansen and Christian Henriksen and Xavier Carreras-Castro**
(45) Registration Date: **26 May 2009**
(30) Convention priority data:
(31) Number (32) Date (33) Country
2008/0605 29 Oct 2008 SWEDEN
(56) Related Art Documents: **Not Applicable**
(57) Statement of Newness and Distinctiveness: **Nil**



- (21) Design Number: **11349/2009**
(22) Date of Filing Application: **20 April 2009**
(24) Date from which industrial property rights may have effect: **20 April 2009**
(54) Product in respect of which the design is registered: **Soft furnishing - pillow (cushion)**
(51) International Design Classification: **06-09**
(71) Name(s) and Address(s) of Applicant(s):
Julia E.A. Dauda
4/43 Flint Street Hillsdale Sydney New South Wales 2036 Australia
Elila O. Dauda
4/43 Flint Street Hillside Sydney New South Wales 2036 Australia
(72) Name(s) of Designer(s): **Julia E.A. Dauda and Elila O. Dauda**
(45) Registration Date: **26 May 2009**
(56) Related Art Documents: **Not Applicable**
(57) Statement of Newness and Distinctiveness: **The shape of the design is unique - the pillow is a bow shape**



- (21) Design Number: **11681/2009**
(22) Date of Filing Application: **12 May 2009**
(24) Date from which industrial property rights may have effect: **12 May 2009**
(54) Product in respect of which the design is registered: **Barrel bar table**
(51) International Design Classification: **06-03B**
(71) Name(s) and Address(s) of Applicant(s):
Craig Major
7 Samuel Stephens Court Lyndoch South Australia 5351 Australia
(72) Name(s) of Designer(s): **Craig Major**
(45) Registration Date: **26 May 2009**
(56) Related Art Documents: **Not Applicable**
(57) Statement of Newness and Distinctiveness: **1200mm round (30-35mm thick) table top with a 650mm centre cut out to fit with a wine barrel.**



(21) Design Number: **10807/2009**

(22) Date of Filing Application: **12 March 2009**

(24) Date from which industrial property rights may have effect: **12 March 2009**

(54) Product in respect of which the design is registered: **A cabinet**

(51) International Design Classification: **06-04E**

(71) Name(s) and Address(s) of Applicant(s):

**Dental Equipment, LLC doing business as Pelton & Crane Company
11727 Fruehauf Drive Charlotte NC United States of America**

(72) Name(s) of Designer(s): **David Baird**

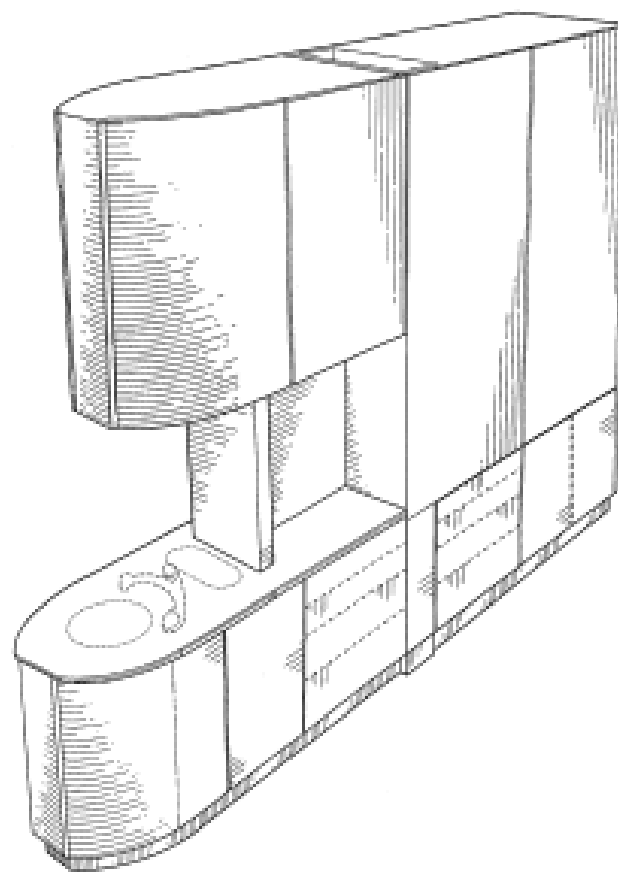
(45) Registration Date: **26 May 2009**

(30) Convention priority data:

(31) Number	(32) Date	(33) Country
29/324,380	11 Sep 2008	UNITED STATES OF AMERICA

(56) Related Art Documents: **Not Applicable**

(57) Statement of Newness and Distinctiveness: **The shape and configuration of those parts of the product shown other than by means of dashed lines in the representations is/are new and distinctive.**



(21) Design Number: **11032/2009**

(22) Date of Filing Application: **25 March 2009**

(24) Date from which industrial property rights may have effect: **25 March 2009**

(54) Product in respect of which the design is registered: **A game board**

(51) International Design Classification: **21-01L**

(71) Name(s) and Address(s) of Applicant(s):

**Signature Games Pty Ltd
312 Main North Road Prospect South Australia 5082 Australia**

(72) Name(s) of Designer(s): **Bruno Batistella and Andrew Clarke**

(45) Registration Date: **26 May 2009**

(56) Related Art Documents: **Not Applicable**

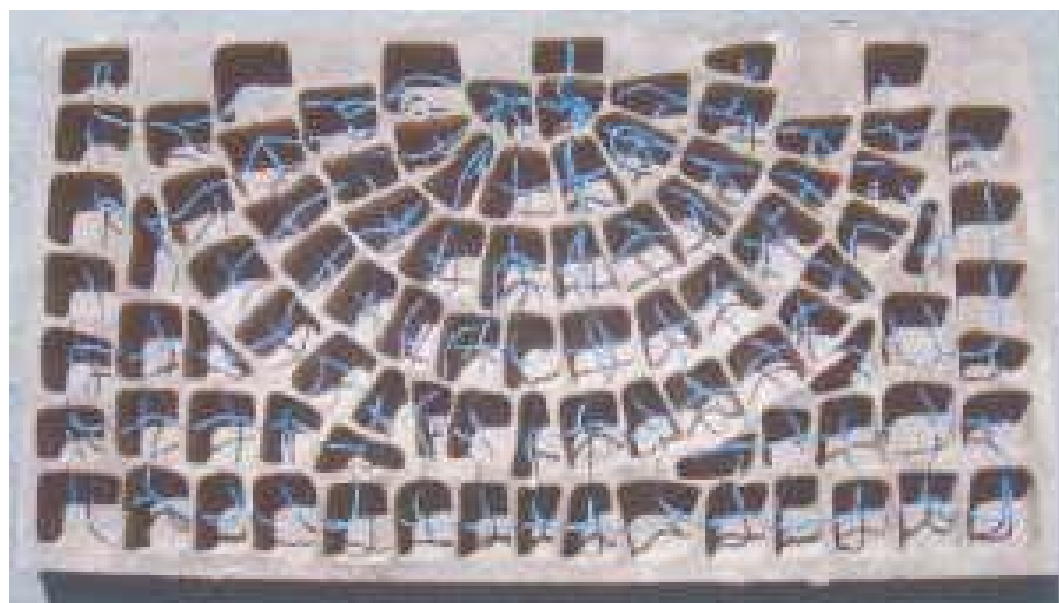
(57) Statement of Newness and Distinctiveness: **Nil**



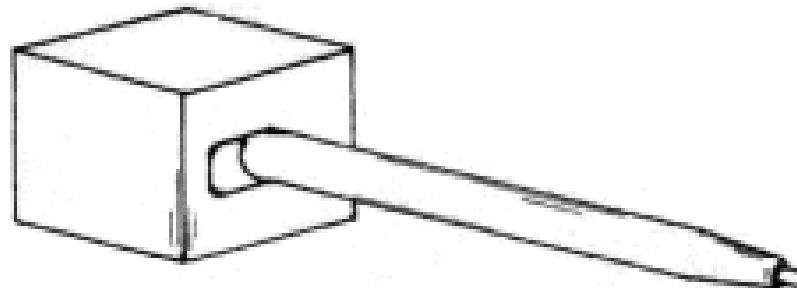
- (21) Design Number: **11629/2009**
(22) Date of Filing Application: **08 May 2009**
(24) Date from which industrial property rights may have effect: **08 May 2009**
(54) Product in respect of which the design is registered: **Paver mould**
(51) International Design Classification: **25-01A**
(71) Name(s) and Address(s) of Applicant(s):
Phillip Edwin Grainger
5 Augusta Court Connolly Western Australia 6025 Australia
(72) Name(s) of Designer(s): **Phillip Edwin Grainger**
(45) Registration Date: **26 May 2009**
(56) Related Art Documents: **Not Applicable**
(57) Statement of Newness and Distinctiveness: **The particular visual features of the design which are new and distinctive are shape or configuration. Colour is an aspect of this design.**



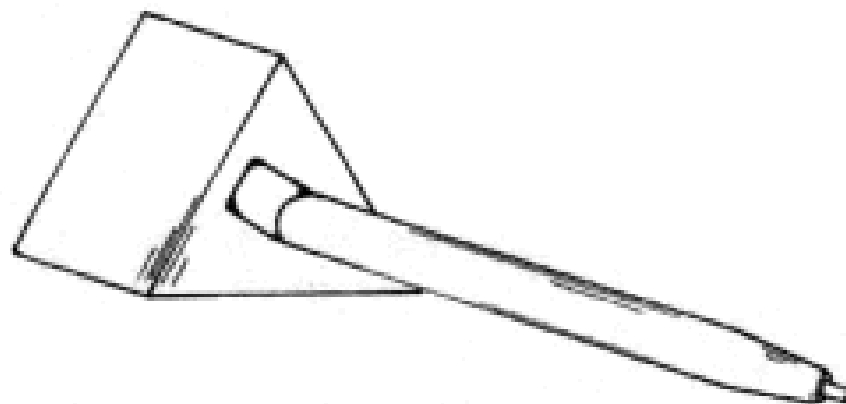
- (21) Design Number: **11631/2009**
(22) Date of Filing Application: **08 May 2009**
(24) Date from which industrial property rights may have effect: **08 May 2009**
(54) Product in respect of which the design is registered: **Paver mould**
(51) International Design Classification: **25-01A**
(71) Name(s) and Address(s) of Applicant(s):
Phillip Edwin Grainger
5 Augusta Court Connolly Western Australia 6025 Australia
(72) Name(s) of Designer(s): **Phillip Edwin Grainger**
(45) Registration Date: **26 May 2009**
(56) Related Art Documents: **Not Applicable**
(57) Statement of Newness and Distinctiveness: **The particular visual features of the design which are new and distinctive are shape or configuration. Colour is an aspect of this design.**



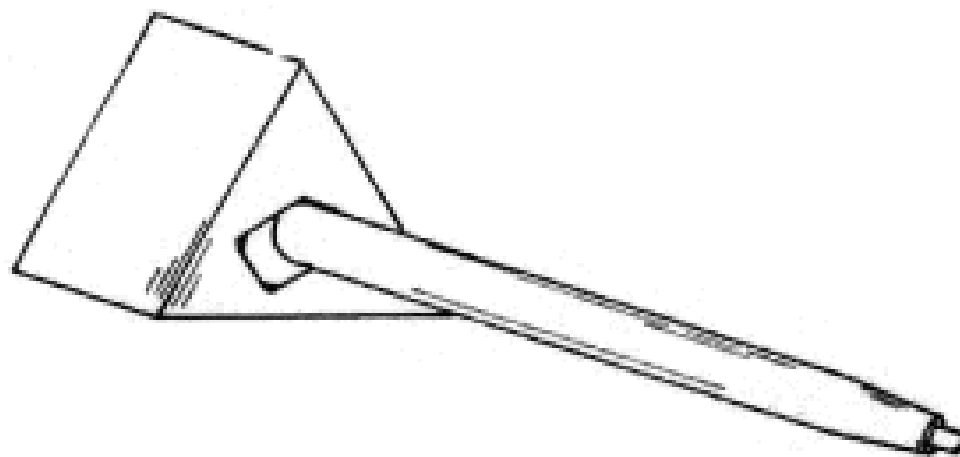
- (21) Design Number: **11552/2009**
- (22) Date of Filing Application: **04 May 2009**
- (24) Date from which industrial property rights may have effect: **04 May 2009**
- (54) Product in respect of which the design is registered: **Stylus pen**
- (51) International Design Classification: **21-01N, 14-02**
- (71) Name(s) and Address(s) of Applicant(s):
Jumbuck Entertainment Ltd
Level 5 347 Flinders Lane Melbourne Victoria 3000 Australia
- (72) Name(s) of Designer(s): **Adrian Risch**
- (45) Registration Date: **27 May 2009**
- (56) Related Art Documents: **Not Applicable**
- (57) Statement of Newness and Distinctiveness: **Newness and distinctiveness is claimed in the features of shape and/or configuration of a stylus pen as shown in the accompanying representations in solid line.**



- (21) Design Number: **11553/2009**
- (22) Date of Filing Application: **04 May 2009**
- (24) Date from which industrial property rights may have effect: **04 May 2009**
- (54) Product in respect of which the design is registered: **Stylus pen**
- (51) International Design Classification: **21-01N, 14-02**
- (71) Name(s) and Address(s) of Applicant(s):
Jumbuck Entertainment Ltd
Level 5 347 Flinders Lane Melbourne Victoria 3000 Australia
- (72) Name(s) of Designer(s): **Adrian Risch**
- (45) Registration Date: **27 May 2009**
- (56) Related Art Documents: **Not Applicable**
- (57) Statement of Newness and Distinctiveness: **Newness and distinctiveness is claimed in the features of shape and/or configuration of a stylus pen as shown in the accompanying representations in solid line.**



- (21) Design Number: **11554/2009**
(22) Date of Filing Application: **04 May 2009**
(24) Date from which industrial property rights may have effect: **04 May 2009**
(54) Product in respect of which the design is registered: **Stylus pen**
(51) International Design Classification: **21-01N, 14-02**
(71) Name(s) and Address(s) of Applicant(s):
Jumbuck Entertainment Ltd
Level 5 347 Flinders Lane Melbourne Victoria 3000 Australia
(72) Name(s) of Designer(s): **Adrian Risch**
(45) Registration Date: **27 May 2009**
(56) Related Art Documents: **Not Applicable**
(57) Statement of Newness and Distinctiveness: **Newness and distinctiveness is claimed in the features of shape and/or configuration of a stylus pen as shown in the accompanying representations in solid line.**



- (21) Design Number: **11561/2009**
(22) Date of Filing Application: **05 May 2009**
(24) Date from which industrial property rights may have effect: **05 May 2009**
(54) Product in respect of which the design is registered: **Lighting assembly**
(51) International Design Classification: **26-06**
(71) Name(s) and Address(s) of Applicant(s):
Roadvision Pty Ltd
PO Box 2761 Rowville Victoria 3178 Australia
(72) Name(s) of Designer(s): **Gary Parker**
(45) Registration Date: **27 May 2009**
(56) Related Art Documents: **Not Applicable**
(57) Statement of Newness and Distinctiveness: **The features of shape and configuration of the lighting assembly as shown in the representations accompanying this application are new and distinctive. The newness and distinctiveness of the lighting assembly resides in the shape and configuration of a vehicle lamp or combination lamp assembly consisting of a single mounting base incorporating a combination of 5 lenses as illustrated in the accompanying representations. The ornamentation of the color applied to the surface of the mounting base and lenses are to be disregarded in determining the newness and distinctiveness of the visual features of shape and configuration and the monopoly of the design as the coloring is merely used to convey the distinction between the lenses and base of the lighting assembly in the accompanying representations.**



(21) Design Number: **11562/2009**

(22) Date of Filing Application: **05 May 2009**

(24) Date from which industrial property rights may have effect: **05 May 2009**

(54) Product in respect of which the design is registered: **Lighting assembly**

(51) International Design Classification: **26-06**

(71) Name(s) and Address(s) of Applicant(s):

**Roadvision Pty Ltd
PO Box 2761 Rowville Victoria 3178 Australia**

(72) Name(s) of Designer(s): **Gary Parker**

(45) Registration Date: **27 May 2009**

(56) Related Art Documents: **Not Applicable**

(57) Statement of Newness and Distinctiveness: **The features of shape and configuration of the lighting assembly as shown in the representations accompanying this application are new and distinctive. The newness and distinctiveness of the lighting assembly resides in the shape and configuration of a vehicle lamp or combination lamp assembly consisting of a single mounting base incorporating a combination of 5 lenses as illustrated in the accompanying representations. The ornamentation of the color applied to the surface of the mounting base and lenses are to be disregarded in determining the newness and distinctiveness of the visual features of shape and configuration and the monopoly of the design as the coloring is merely used to convey the distinction between the lenses and base of the lighting assembly in the accompanying representations.**



(21) Design Number: **11563/2009**

(22) Date of Filing Application: **05 May 2009**

(24) Date from which industrial property rights may have effect: **05 May 2009**

(54) Product in respect of which the design is registered: **Lighting assembly**

(51) International Design Classification: **26-06**

(71) Name(s) and Address(s) of Applicant(s):

**Roadvision Pty Ltd
PO Box 2761 Rowville Victoria 3178 Australia**

(72) Name(s) of Designer(s): **Gary Parker**

(45) Registration Date: **27 May 2009**

(56) Related Art Documents: **Not Applicable**

(57) Statement of Newness and Distinctiveness: **The features of shape and configuration of the lighting assembly as shown in the representations accompanying this application are new and distinctive. The newness and distinctiveness of the lighting assembly resides in the shape and configuration of a vehicle lamp or combination lamp assembly consisting of a single mounting base incorporating a combination of 5 lenses as illustrated in the accompanying representations. The ornamentation of the color applied to the surface of the mounting base and lenses are to be disregarded in determining the newness and distinctiveness of the visual features of shape and configuration and the monopoly of the design as the coloring is merely used to convey the distinction between the lenses and base of the lighting assembly in the accompanying representations.**



(21) Design Number: **11564/2009**

(22) Date of Filing Application: **05 May 2009**

(24) Date from which industrial property rights may have effect: **05 May 2009**

(54) Product in respect of which the design is registered: **Lighting assembly**

(51) International Design Classification: **26-06**

(71) Name(s) and Address(s) of Applicant(s):

**Roadvision Pty Ltd
PO Box 2761 Rowville Victoria 3178 Australia**

(72) Name(s) of Designer(s): **Gary Parker**

(45) Registration Date: **27 May 2009**

(56) Related Art Documents: **Not Applicable**

(57) Statement of Newness and Distinctiveness: **The features of shape and configuration of the lighting assembly as shown in the representations accompanying this application are new and distinctive. The newness and distinctiveness of the lighting assembly resides in the shape and configuration of a vehicle lamp or combination lamp assembly consisting of a single mounting base incorporating a combination of 5 lenses and incorporated reflectors as illustrated in the accompanying representations. The ornamentation of the color applied to the surface of the mounting base, reflectors and lenses are to be disregarded in determining the newness and distinctiveness of the visual features of shape and configuration and the monopoly of the design as the coloring is merely used to convey the distinction between the lenses, reflectors and base of the lighting assembly in the accompanying representations.**



(21) Design Number: **11565/2009**

(22) Date of Filing Application: **05 May 2009**

(24) Date from which industrial property rights may have effect: **05 May 2009**

(54) Product in respect of which the design is registered: **Lighting assembly**

(51) International Design Classification: **26-06**

(71) Name(s) and Address(s) of Applicant(s):

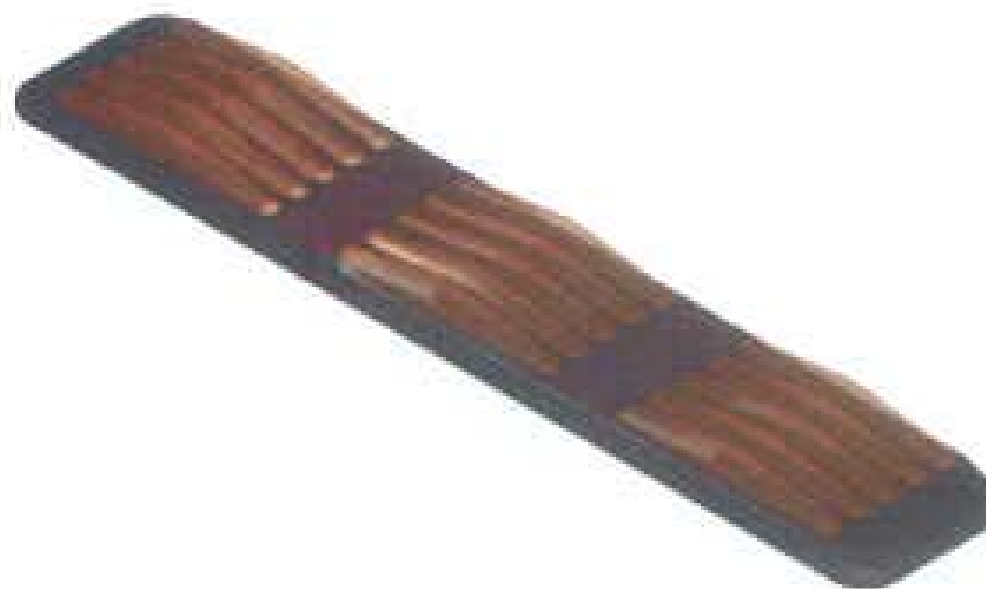
**Roadvision Pty Ltd
PO Box 2761 Rowville Victoria 3178 Australia**

(72) Name(s) of Designer(s): **Gary Parker**

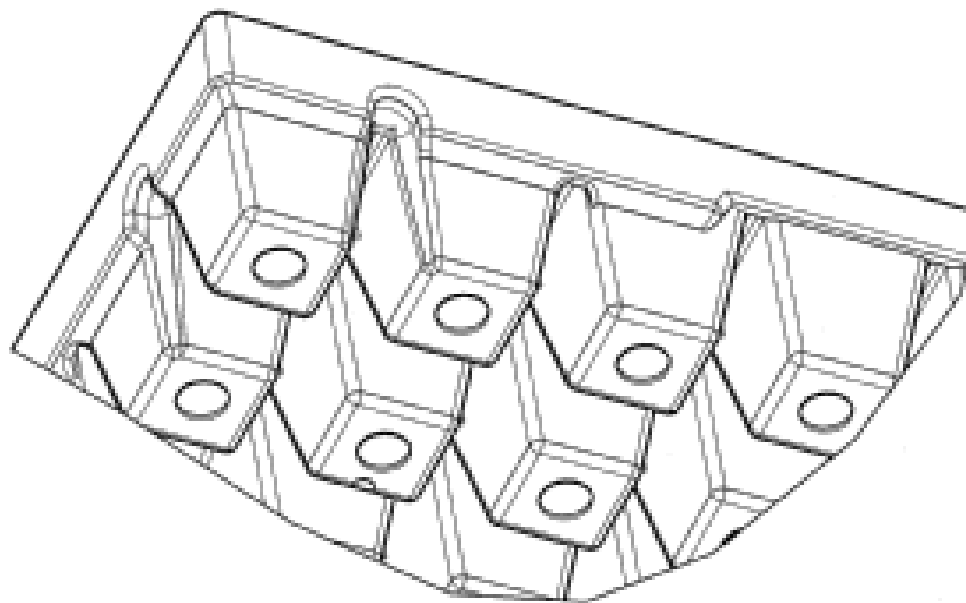
(45) Registration Date: **27 May 2009**

(56) Related Art Documents: **Not Applicable**

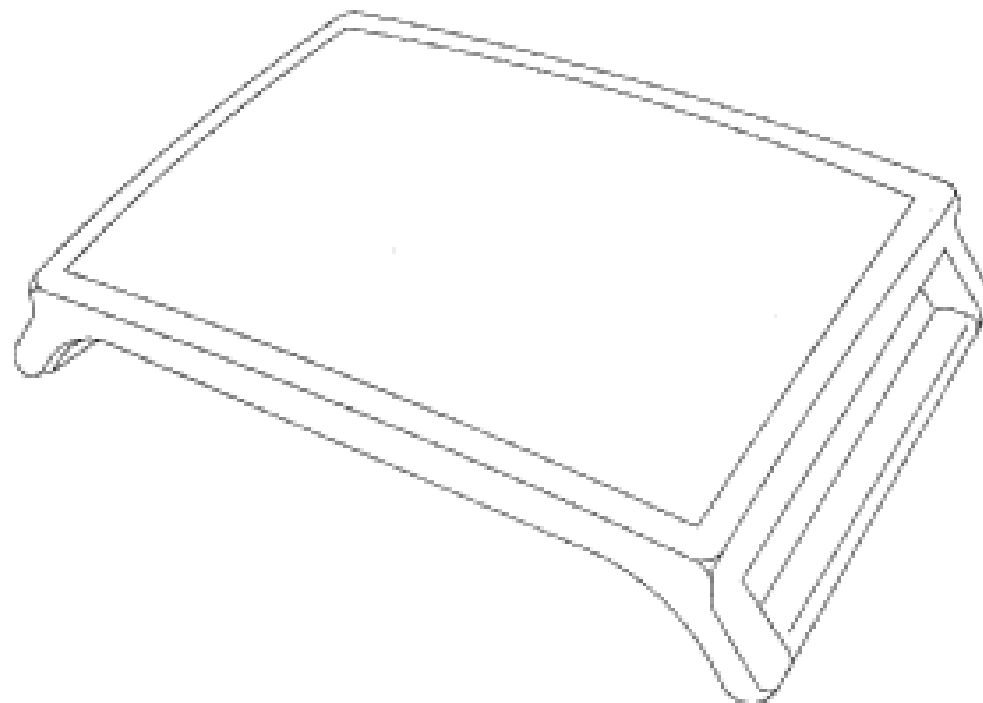
(57) Statement of Newness and Distinctiveness: **The features of shape and configuration of the lighting assembly as shown in the representations accompanying this application are new and distinctive. The newness and distinctiveness of the lighting assembly resides in the shape and configuration of a vehicle lamp or combination lamp assembly consisting of a single mounting base incorporating a combination of 5 lenses and incorporated reflectors as illustrated in the accompanying representations. The ornamentation of the color applied to the surface of the mounting base, reflectors and lenses are to be disregarded in determining the newness and distinctiveness of the visual features of shape and configuration and the monopoly of the design as the coloring is merely used to convey the distinction between the lenses, reflectors and base of the lighting assembly in the accompanying representations.**



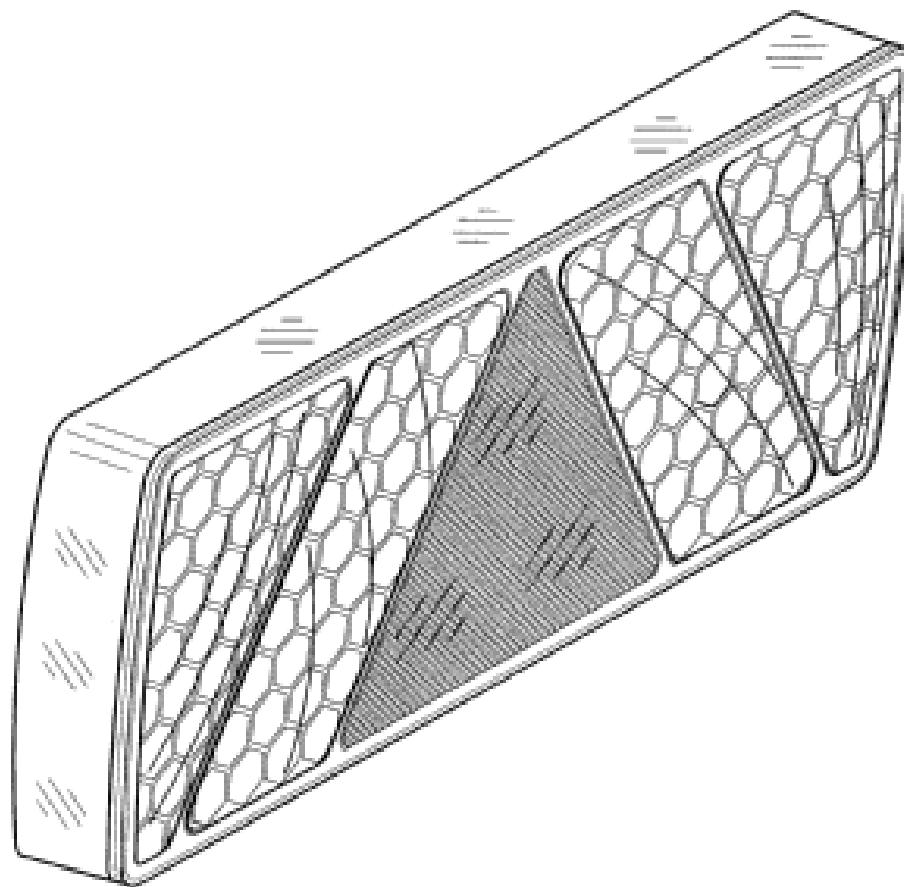
- (21) Design Number: **11558/2009**
(22) Date of Filing Application: **04 May 2009**
(24) Date from which industrial property rights may have effect: **04 May 2009**
(54) Product in respect of which the design is registered: **Seedling Tray**
(51) International Design Classification: **09-03F**
(71) Name(s) and Address(s) of Applicant(s):
Leppington Speedy Seedlings & Supplies Pty Ltd
35 Riley Road Leppington New South Wales 2171 Australia
(72) Name(s) of Designer(s): **John Vella**
(45) Registration Date: **27 May 2009**
(56) Related Art Documents: **Not Applicable**
(57) Statement of Newness and Distinctiveness: **Newness and distinctiveness resides in the shape and/or configuration of the bottom and adjacent lower wall portions of the cells in the seedling tray.**



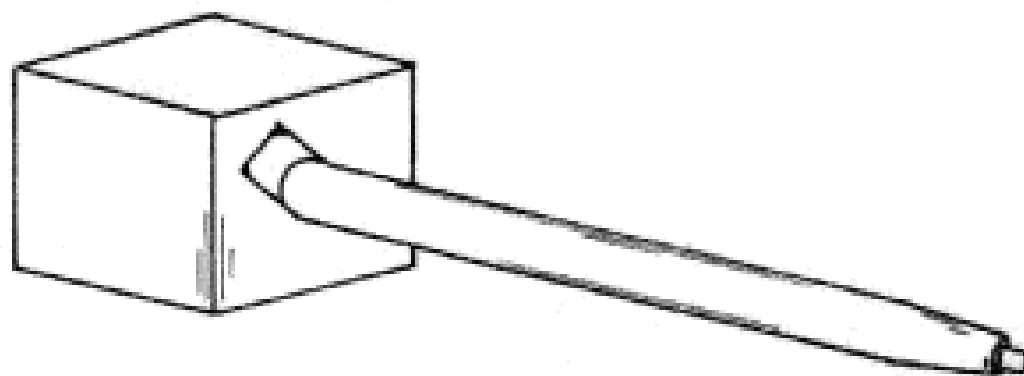
- (21) Design Number: **11560/2009**
(22) Date of Filing Application: **04 May 2009**
(24) Date from which industrial property rights may have effect: **04 May 2009**
(54) Product in respect of which the design is registered: **Identification tag**
(51) International Design Classification: **11-01C**
(71) Name(s) and Address(s) of Applicant(s):
Bill Hartmann
5 Sara Grove Tottenham Victoria 3012 Australia
(72) Name(s) of Designer(s): **Bill Hartmann**
(45) Registration Date: **27 May 2009**
(56) Related Art Documents: **Not Applicable**
(57) Statement of Newness and Distinctiveness: **The features of shape and configuration of the identification tag shown in the accompanying representations are considered to be new and distinctive.**



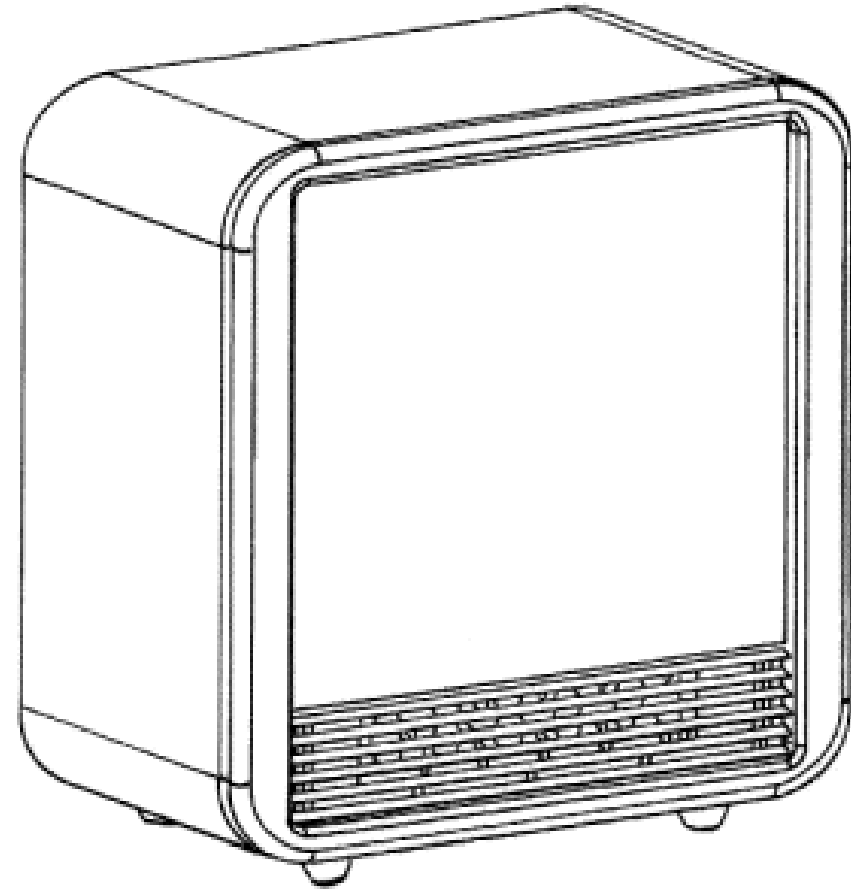
- (21) Design Number: **10939/2009**
- (22) Date of Filing Application: **20 March 2009**
- (24) Date from which industrial property rights may have effect: **20 March 2009**
- (54) Product in respect of which the design is registered: **Lighting assembly**
- (51) International Design Classification: **26-04**
- (71) Name(s) and Address(s) of Applicant(s):
LED Technologies Pty Ltd
Factory 1 10 Brand Drive Thomastown Victoria 3074 Australia
- (72) Name(s) of Designer(s): **Tony Ottobre**
- (45) Registration Date: **27 May 2009**
- (56) Related Art Documents: **Not Applicable**
- (57) Statement of Newness and Distinctiveness: **The shape, configuration, shape and configuration, pattern, ornamentation, pattern and ornamentation, of the design of the product is new and distinctive.**



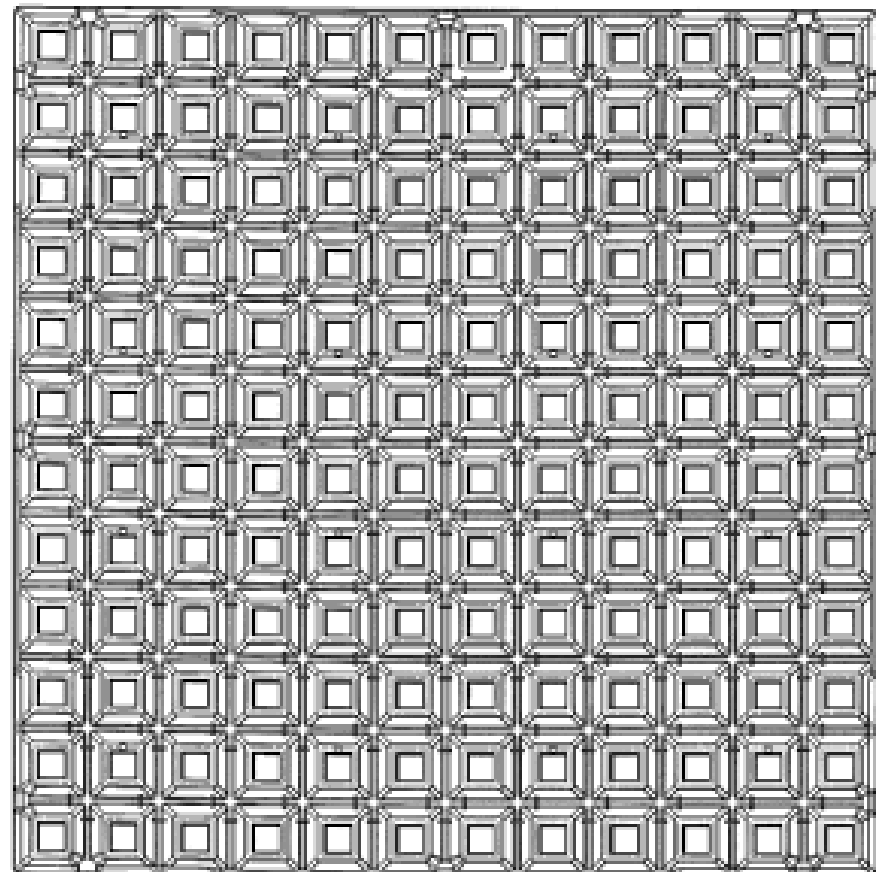
- (21) Design Number: **11555/2009**
- (22) Date of Filing Application: **04 May 2009**
- (24) Date from which industrial property rights may have effect: **04 May 2009**
- (54) Product in respect of which the design is registered: **Stylus pen**
- (51) International Design Classification: **19-06**
- (71) Name(s) and Address(s) of Applicant(s):
Jumbuck Entertainment Ltd
Level 5 347 Flinders Lane Melbourne Victoria 3000 Australia
- (72) Name(s) of Designer(s): **Adrian Risch**
- (45) Registration Date: **27 May 2009**
- (56) Related Art Documents: **Not Applicable**
- (57) Statement of Newness and Distinctiveness: **Newness and distinctiveness is claimed in the features of shape and/or configuration of a stylus pen as shown in the accompanying representations in solid line.**



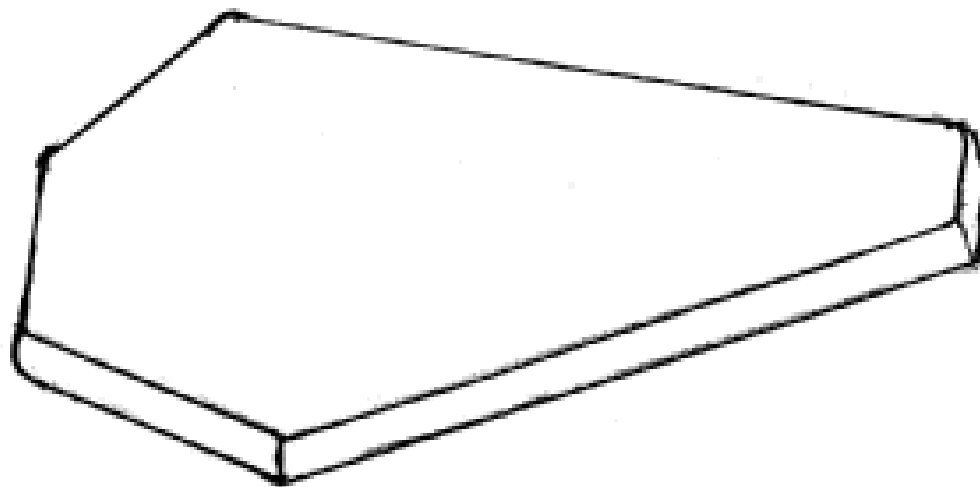
(21) Design Number: **11556/2009**
(22) Date of Filing Application: **27 February 2009**
(24) Date from which industrial property rights may have effect: **27 February 2009**
(54) Product in respect of which the design is registered: **Heating equipment**
(51) International Design Classification: **23-03A**
(71) Name(s) and Address(s) of Applicant(s):
Bitech Engineering
Barn Road Dunleer County Louth Ireland
(72) Name(s) of Designer(s): **Paul Michael Warren**
(45) Registration Date: **27 May 2009**
(30) Convention priority data:
(31) Number (32) Date (33) Country
000992391-001 27 Aug 2008 EUROPEAN COMMUNITY
(56) Related Art Documents: **Not Applicable**
(57) Statement of Newness and Distinctiveness: **Nil**



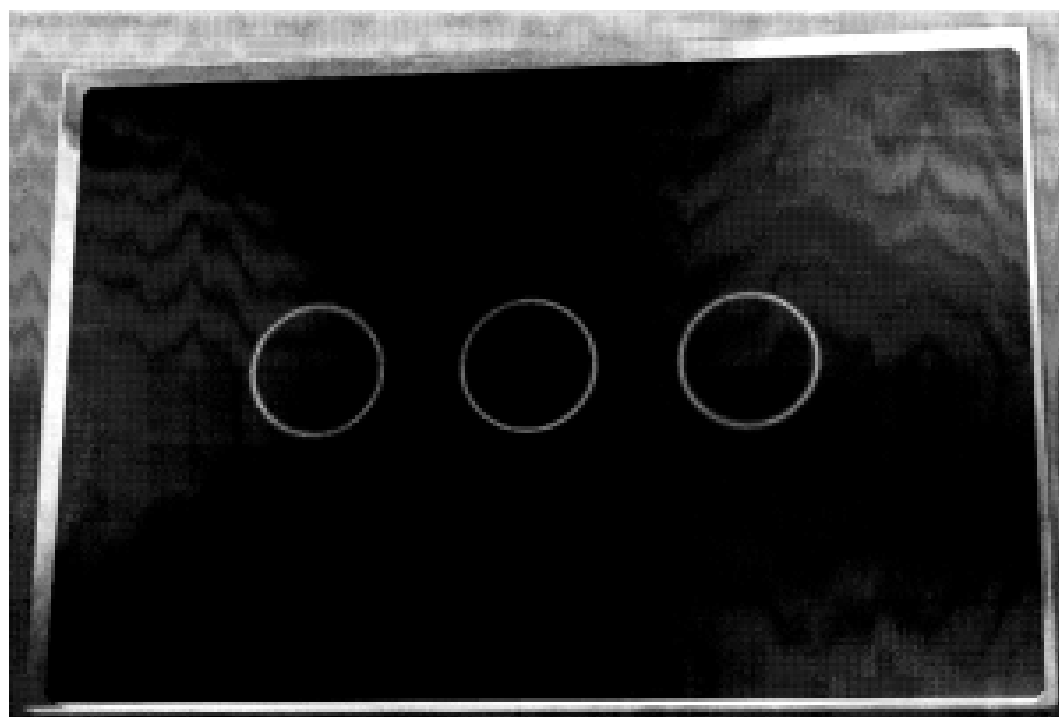
(21) Design Number: **11557/2009**
(22) Date of Filing Application: **04 May 2009**
(24) Date from which industrial property rights may have effect: **04 May 2009**
(54) Product in respect of which the design is registered: **Seedling tray**
(51) International Design Classification: **09-03F**
(71) Name(s) and Address(s) of Applicant(s):
Leppington Speedy Seedlings & Supplies Pty Ltd
35 Riley Road Leppington New South Wales 2171 Australia
(72) Name(s) of Designer(s): **John Vella**
(45) Registration Date: **27 May 2009**
(56) Related Art Documents: **Not Applicable**
(57) Statement of Newness and Distinctiveness: **Newness and distinctiveness resides in the shape and/or configuration of the bottom and adjacent lower wall portions of the cells in the seedling tray.**



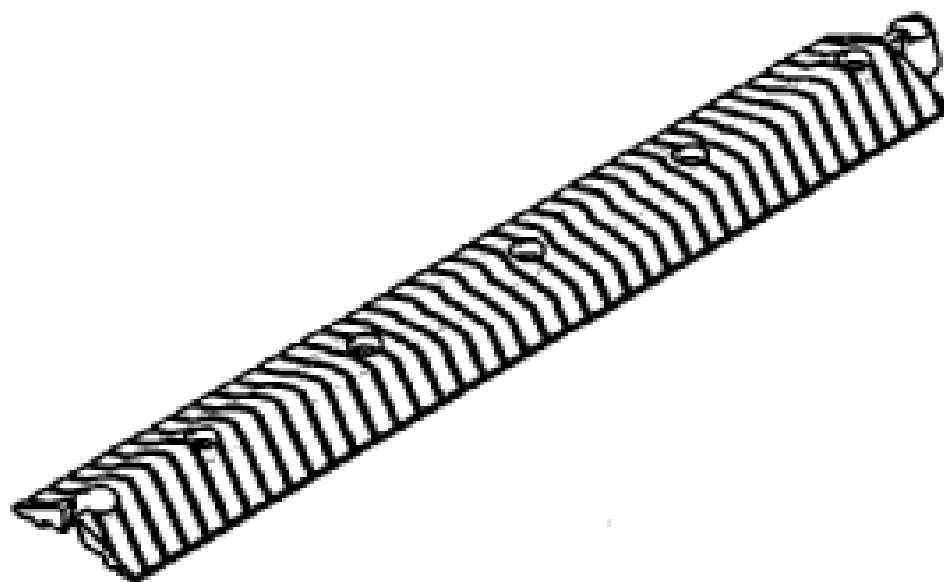
- (21) Design Number: **11799/2009**
(22) Date of Filing Application: **19 May 2009**
(24) Date from which industrial property rights may have effect: **19 May 2009**
(54) Product in respect of which the design is registered: **Coffin mattress**
(51) International Design Classification: **06-09**
(71) Name(s) and Address(s) of Applicant(s):
Shari Williams
53 Muru Avenue Winmalee New South Wales 2777 Australia
(72) Name(s) of Designer(s): **Shari Williams**
(45) Registration Date: **27 May 2009**
(56) Related Art Documents: **Not Applicable**
(57) Statement of Newness and Distinctiveness: **Tapered body/coffin shaped lightweight mattress made to fit perfectly inside a coffin of either the standard range of sizes or custom made size (constructed with a variety of plain or decorative or patterned covers).**



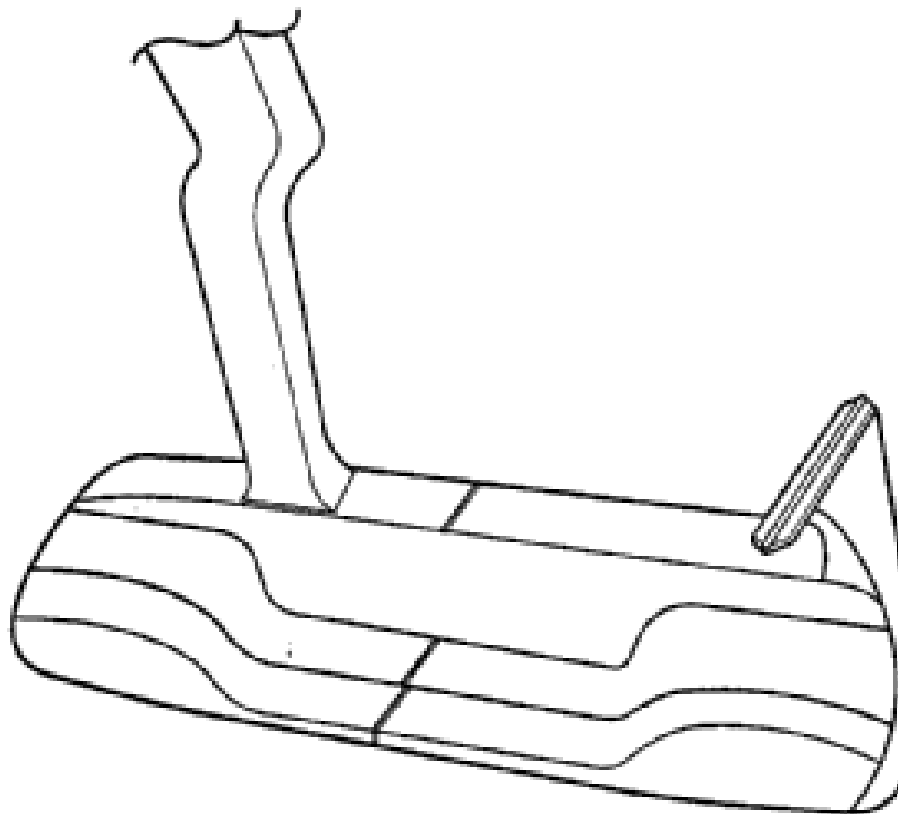
- (21) Design Number: **11082/2009**
(22) Date of Filing Application: **30 March 2009**
(24) Date from which industrial property rights may have effect: **30 March 2009**
(54) Product in respect of which the design is registered: **Electrical switch**
(51) International Design Classification: **13-03D**
(71) Name(s) and Address(s) of Applicant(s):
Connected Group Australia Pty Ltd
13 Archer Street Concord New South Wales 2137 Australia
(72) Name(s) of Designer(s): **Dean Lucantonio and Daniel Hsla**
(45) Registration Date: **28 May 2009**
(56) Related Art Documents: **Not Applicable**
(57) Statement of Newness and Distinctiveness: **Nil**



- (21) Design Number: **11642/2009**
(22) Date of Filing Application: **07 May 2009**
(24) Date from which industrial property rights may have effect: **07 May 2009**
(54) Product in respect of which the design is registered: **Delineation kerb**
(51) International Design Classification: **25-01E**
(71) Name(s) and Address(s) of Applicant(s):
Polite Enterprises Corporation Pty. Ltd.
274 Wolseley Place Thomastown Victoria 3074 Australia
(72) Name(s) of Designer(s): **Peter John Maries**
(45) Registration Date: **28 May 2009**
(56) Related Art Documents: **Not Applicable**
(57) Statement of Newness and Distinctiveness: **Nil**



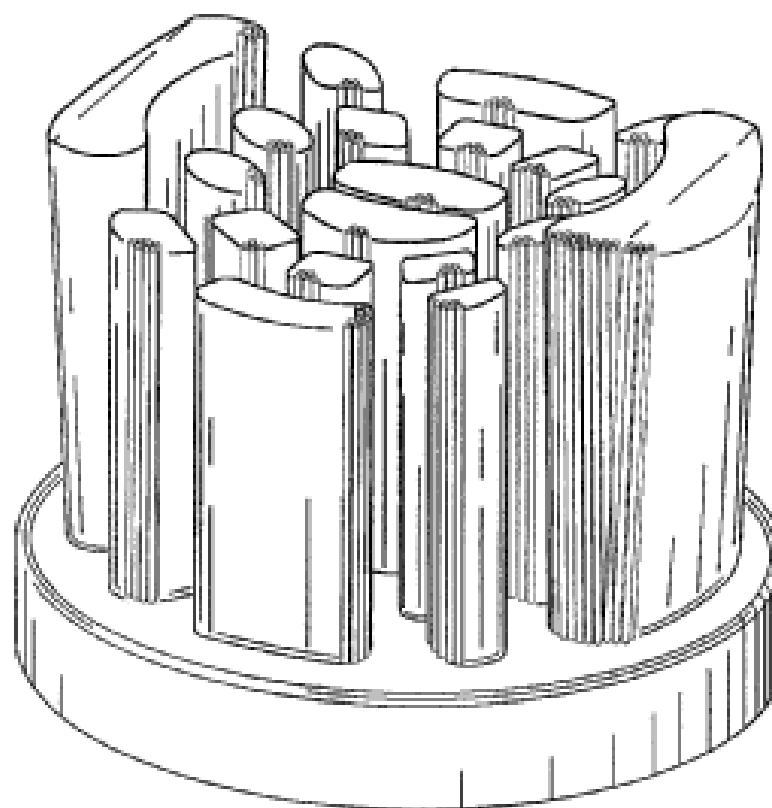
- (21) Design Number: **11789/2009**
(22) Date of Filing Application: **15 May 2009**
(24) Date from which industrial property rights may have effect: **15 May 2009**
(54) Product in respect of which the design is registered: **A golf putter head**
(51) International Design Classification: **21-02C**
(71) Name(s) and Address(s) of Applicant(s):
Sam Parkinson
115 Rundle Street Kent Town South Australia 5067 Australia
(72) Name(s) of Designer(s): **Sam Parkinson**
(45) Registration Date: **28 May 2009**
(56) Related Art Documents: **Not Applicable**
(57) Statement of Newness and Distinctiveness: **Newness and distinctiveness is claimed in the shape and configuration of a putter head as illustrated in the accompanying drawings, having particular regard to the sight bar relative to the striking face of the putter head.**



(21) Design Number: **11582/2009**
 (22) Date of Filing Application: **05 May 2009**
 (24) Date from which industrial property rights may have effect: **05 May 2009**
 (54) Product in respect of which the design is registered: **Toothbrush head**
 (51) International Design Classification: **04-02**
 (71) Name(s) and Address(s) of Applicant(s):
The Procter & Gamble Company
One Procter & Gamble Plaza Cincinnati Ohio 45202 United States of America
 (72) Name(s) of Designer(s): **George Driesen and Michael Schmid**
 (45) Registration Date: **28 May 2009**
 (30) Convention priority data:

(31) Number	(32) Date	(33) Country
29/312,674	06 Nov 2008	UNITED STATES OF AMERICA

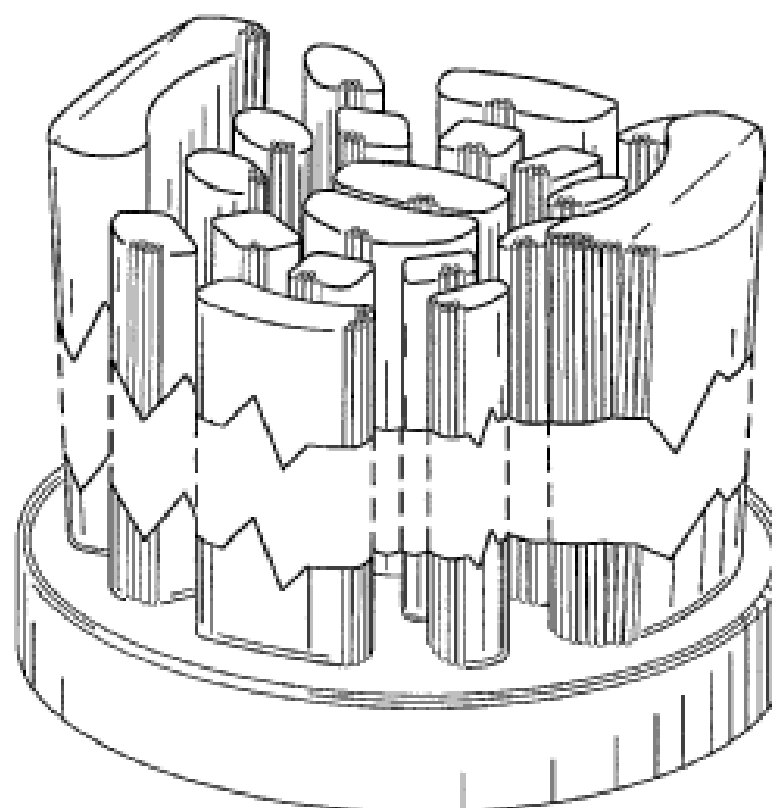
(56) Related Art Documents: **Not Applicable**
 (57) Statement of Newness and Distinctiveness: **The design is to be applied to a toothbrush head, and newness and distinctiveness reside in the features of shape and/or configuration of the portion of the toothbrush head shown in the representations. The toothbrush head has the portion shown in the representations and a remainder portion, but the remainder portion is not shown in the representations because the remainder portion does not form part of the design for which newness and distinctiveness are being claimed. The tufts are formed by a plurality of bristles. The endless straight/curved lines outlining the contours of individual tufts of bristles in the top and perspective views represent boundaries of said tufts of bristles and form no part of the claimed design. Pluralities of individual bristles shown, for convenience, only partially in each of the tufts continue throughout and fill respective tufts in accordance with the contours outlined by said endless straight/curved lines.**



(21) Design Number: **11583/2009**
 (22) Date of Filing Application: **05 May 2009**
 (24) Date from which industrial property rights may have effect: **05 May 2009**
 (54) Product in respect of which the design is registered: **Toothbrush head**
 (51) International Design Classification: **04-02**
 (71) Name(s) and Address(s) of Applicant(s):
The Procter & Gamble Company
One Procter & Gamble Plaza Cincinnati Ohio 45202 United States of America
 (72) Name(s) of Designer(s): **George Driesen and Michael Schmid**
 (45) Registration Date: **28 May 2009**
 (30) Convention priority data:

(31) Number	(32) Date	(33) Country
29/312,674	06 Nov 2008	UNITED STATES OF AMERICA

(56) Related Art Documents: **Not Applicable**
 (57) Statement of Newness and Distinctiveness: **The design is to be applied to a toothbrush head, and newness and distinctiveness reside in the features of shape and/or configuration of the portion of the toothbrush head shown in the representations. The toothbrush head has the portion shown in the representations and a remainder portion, but the remainder portion does not form part of the design for which newness and distinctiveness are being claimed. The tufts are formed by a plurality of bristles. The pairs of adjacent and spaced-apart jagged lines in the tufts of bristles form no part of the claimed design, and the portions between said pairs of jagged lines are broken away to indicate indeterminate length of tufts of bristles. The endless straight/curved lines outlining the contours of individual tufts of bristles in the top and perspective views represent boundaries of said tufts of bristles and form no part of the claimed design. Pluralities of individual bristles shown, for convenience, only partially in each of the tufts continue throughout and fill respective tufts in accordance with the contours outlined by said endless straight/curved lines.**

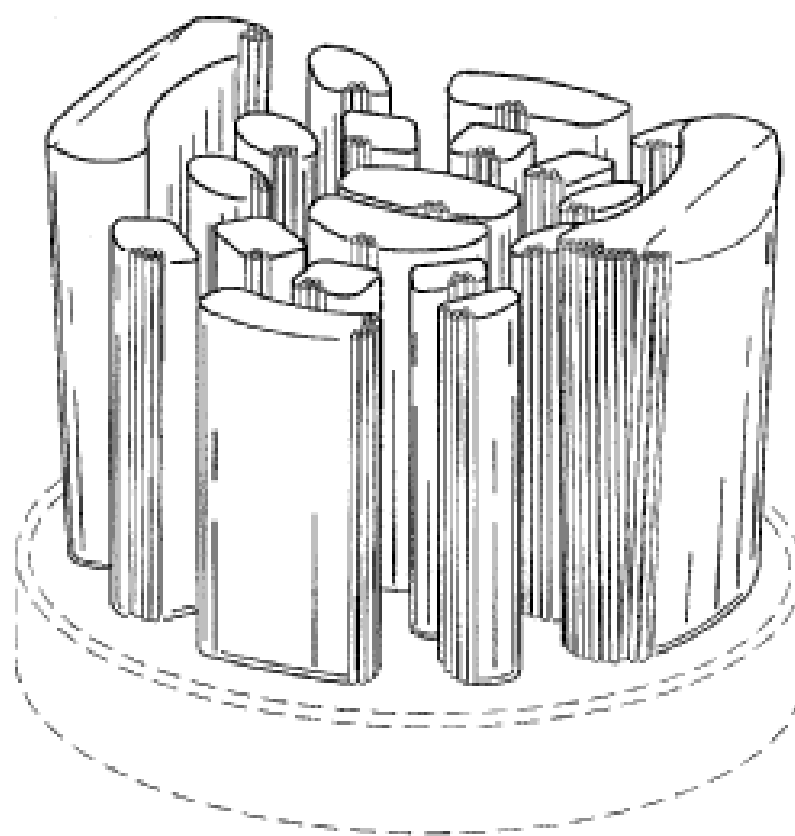


(21) Design Number: 11584/2009
 (22) Date of Filing Application: 05 May 2009
 (24) Date from which industrial property rights may have effect: 05 May 2009
 (54) Product in respect of which the design is registered: **Toothbrush head**
 (51) International Design Classification: 04-02
 (71) Name(s) and Address(s) of Applicant(s):
The Procter & Gamble Company
One Procter & Gamble Plaza Cincinnati Ohio 45202 United States of America
 (72) Name(s) of Designer(s): **George Driesen and Michael Schmid**
 (45) Registration Date: **28 May 2009**
 (30) Convention priority data:

(31) Number	(32) Date	(33) Country
29/312,677	06 Nov 2008	UNITED STATES OF AMERICA

(56) Related Art Documents: **Not Applicable**

(57) Statement of Newness and Distinctiveness: **The design is to be applied to a toothbrush head, and newness and distinctiveness reside in the features of shape and/or configuration of the portion of the toothbrush head shown in solid lines in the representations. Newness and distinctiveness are not claimed for the portion of the toothbrush head shown in broken lines in the representations which forms no part of the claimed design. The toothbrush head has the portions shown in the representations and a remainder portion, but the remainder portion is not shown in the representations because the remainder portion does not form part of the design for which newness and distinctiveness are being claimed. The tufts are formed by a plurality of bristles. The endless straight/curved lines outlining the contours of individual tufts of bristles in the top and perspective views represent boundaries of said tufts of bristles and form no part of the claimed design. Pluralities of individual bristles shown, for convenience, only partially in each of the tufts continue throughout and fill respective tufts in accordance with the contours outlined by said endless straight/curved lines.**

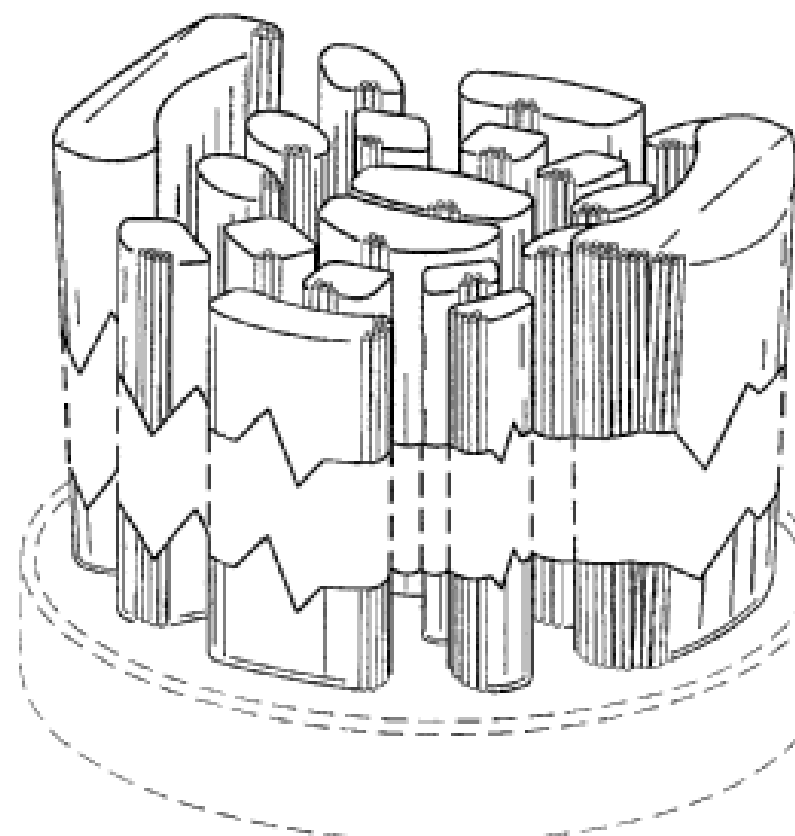


(21) Design Number: 11585/2009
 (22) Date of Filing Application: 05 May 2009
 (24) Date from which industrial property rights may have effect: 05 May 2009
 (54) Product in respect of which the design is registered: **Toothbrush head**
 (51) International Design Classification: 04-02
 (71) Name(s) and Address(s) of Applicant(s):
The Procter & Gamble Company
One Procter & Gamble Plaza Cincinnati Ohio 45202 United States of America
 (72) Name(s) of Designer(s): **George Driesen and Michael Schmid**
 (45) Registration Date: **28 May 2009**
 (30) Convention priority data:

(31) Number	(32) Date	(33) Country
29/312,677	06 Nov 2008	UNITED STATES OF AMERICA

(56) Related Art Documents: **Not Applicable**

(57) Statement of Newness and Distinctiveness: **The design is to be applied to a toothbrush head, and newness and distinctiveness reside in the features of shape and/or configuration of the portion of the toothbrush head shown in solid lines in the representations. Newness and distinctiveness are not claimed for the portion of the toothbrush head shown in broken lines in the representations which forms no part of the claimed design. The toothbrush head has the portions shown in the representations and a remainder portion, but the remainder portion is not shown in the representations because the remainder portion does not form part of the design for which newness and distinctiveness are being claimed. The tufts are formed by a plurality of bristles. The pairs of adjacent and spaced-apart jagged lines in the tufts of bristles form no part of the claimed design, and the portions between said pairs of jagged lines are broken away to indicate indeterminate length of tufts of bristles. The endless straight/curved lines outlining the contours of individual tufts of bristles in the top and perspective views represent boundaries of said tufts of bristles and form no part of the claimed design. Pluralities of individual bristles shown, for convenience, only partially in each of the tufts continue throughout and fill respective tufts in accordance with the contours outlined by said endless straight/curved lines.**



(21) Design Number: **11586/2009**
 (22) Date of Filing Application: **05 May 2009**
 (24) Date from which industrial property rights may have effect: **05 May 2009**
 (54) Product in respect of which the design is registered: **Toothbrush head**
 (51) International Design Classification: **04-02**
 (71) Name(s) and Address(s) of Applicant(s):

The Procter & Gamble Company
One Procter & Gamble Plaza Cincinnati Ohio 45202 United States of America

(72) Name(s) of Designer(s): **George Driesen and Michael Schmid**

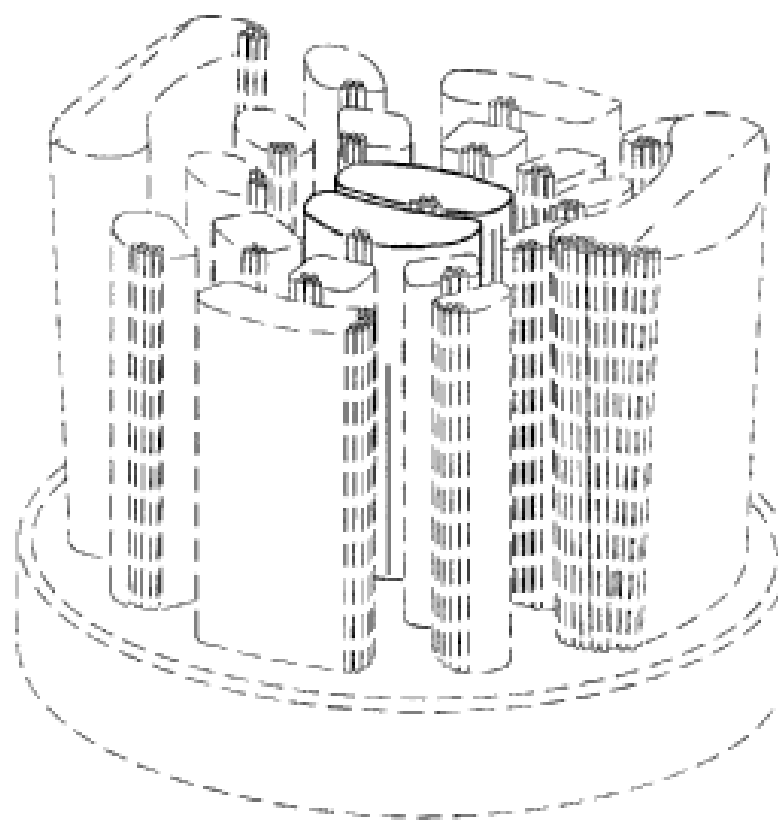
(45) Registration Date: **28 May 2009**

(30) Convention priority data:

(31) Number	(32) Date	(33) Country
29/312,684	06 Nov 2008	UNITED STATES OF AMERICA

(56) Related Art Documents: **Not Applicable**

(57) Statement of Newness and Distinctiveness: **The design is to be applied to a toothbrush head, and newness and distinctiveness reside in the features of shape and/or configuration of the portion of the toothbrush head shown in solid lines in the representations. Newness and distinctiveness are not claimed for the portions of the toothbrush head shown in broken lines in the representations which form no part of the claimed design. The toothbrush head has the portions shown in the representations and a remainder portion, but the remainder portion is not shown in the representations because the remainder portion does not form part of the design for which newness and distinctiveness are being claimed. The tufts are formed by a plurality of bristles. The endless straight/curved lines outlining the contours of individual tufts of bristles in the top and perspective views represent boundaries of said tufts of bristles and form no part of the claimed design. Pluralities of individual bristles shown, for convenience, only partially in each of the tufts continue throughout and fill respective tufts in accordance with the contours outlined by said endless straight/curved lines.**



(21) Design Number: **11587/2009**
 (22) Date of Filing Application: **05 May 2009**
 (24) Date from which industrial property rights may have effect: **05 May 2009**
 (54) Product in respect of which the design is registered: **Toothbrush head**
 (51) International Design Classification: **04-02**
 (71) Name(s) and Address(s) of Applicant(s):

The Procter & Gamble Company
One Procter & Gamble Plaza Cincinnati Ohio 45202 United States of America

(72) Name(s) of Designer(s): **George Driesen and Michael Schmid**

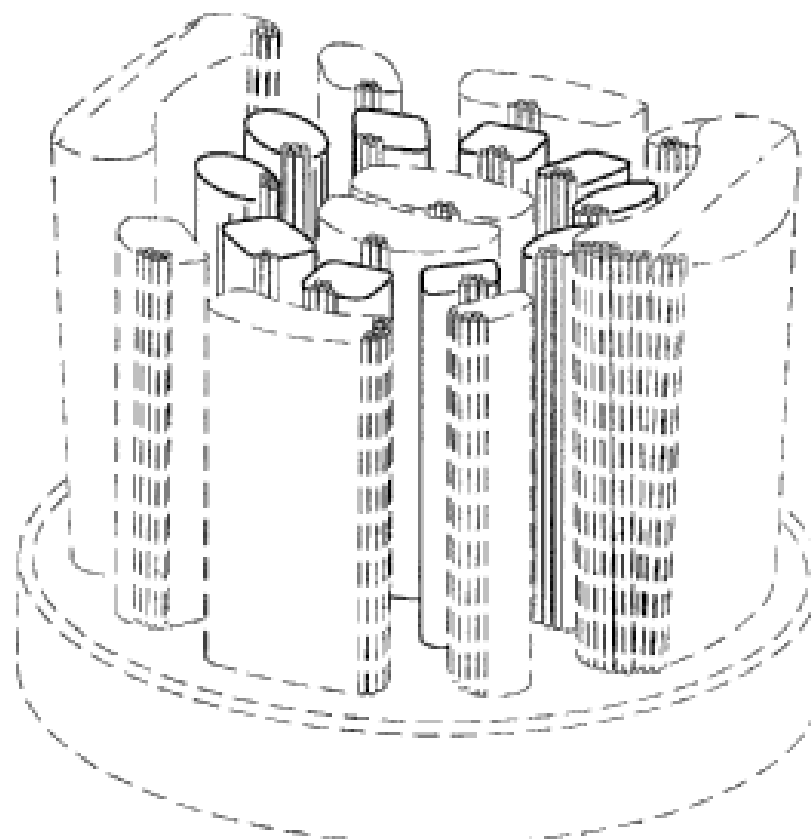
(45) Registration Date: **28 May 2009**

(30) Convention priority data:

(31) Number	(32) Date	(33) Country
29/312,683	06 Nov 2008	UNITED STATES OF AMERICA

(56) Related Art Documents: **Not Applicable**

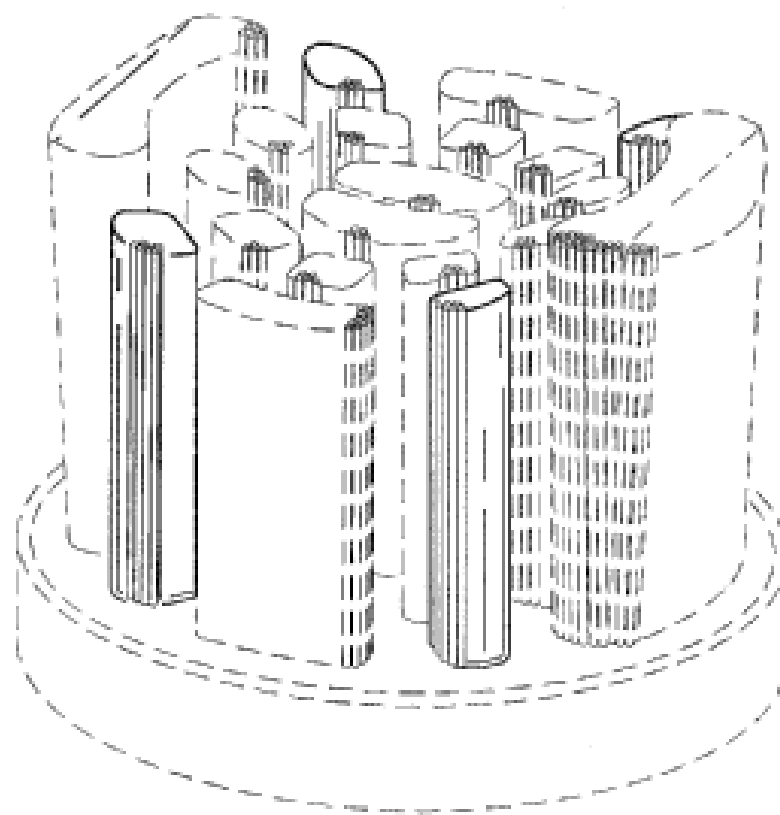
(57) Statement of Newness and Distinctiveness: **The design is to be applied to a toothbrush head, and newness and distinctiveness reside in the features of shape and/or configuration of the portion of the toothbrush head shown in solid lines in the representations. Newness and distinctiveness are not claimed for the portions of the toothbrush head shown in broken lines in the representations which form no part of the claimed design. The toothbrush head has the portions shown in the representations and a remainder portion, but the remainder portion is not shown in the representations because the remainder portion does not form part of the design for which newness and distinctiveness are being claimed. The tufts are formed by a plurality of bristles. The endless straight/curved lines outlining the contours of individual tufts of bristles in the top and perspective views represent boundaries of said tufts of bristles and form no part of the claimed design. Pluralities of individual bristles shown, for convenience, only partially in each of the tufts continue throughout and fill respective tufts in accordance with the contours outlined by said endless straight/curved lines.**



(21) Design Number: 11588/2009
 (22) Date of Filing Application: 05 May 2009
 (24) Date from which industrial property rights may have effect: 05 May 2009
 (54) Product in respect of which the design is registered: **Toothbrush head**
 (51) International Design Classification: 04-02
 (71) Name(s) and Address(s) of Applicant(s):
The Procter & Gamble Company
One Procter & Gamble Plaza Cincinnati Ohio 45202 United States of America
 (72) Name(s) of Designer(s): **George Driesen and Michael Schmid**
 (45) Registration Date: **28 May 2009**
 (30) Convention priority data:

(31) Number	(32) Date	(33) Country
29/312,679	06 Nov 2008	UNITED STATES OF AMERICA

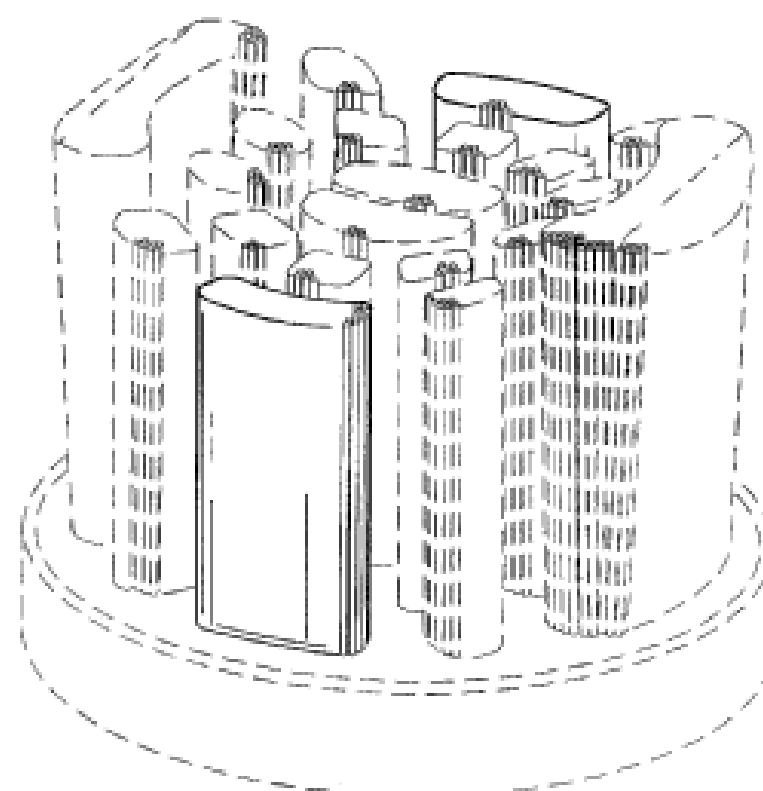
(56) Related Art Documents: **Not Applicable**
 (57) Statement of Newness and Distinctiveness: **The design is to be applied to a toothbrush head, and newness and distinctiveness reside in the features of shape and/or configuration of the portion of the toothbrush head shown in solid lines in the representations. Newness and distinctiveness are not claimed for the portions of the toothbrush head shown in broken lines in the representations which form no part of the claimed design. The toothbrush head has the portions shown in the representations and a remainder portion, but the remainder portion is not shown in the representations because the remainder portion does not form part of the design for which newness and distinctiveness are being claimed. The tufts are formed by a plurality of bristles. The endless straight/curved lines outlining the contours of individual tufts of bristles in the top and perspective views represent boundaries of said tufts of bristles and form no part of the claimed design. Pluralities of individual bristles shown, for convenience, only partially in each of the tufts continue throughout and fill respective tufts in accordance with the contours outlined by said endless straight/curved lines.**



(21) Design Number: 11589/2009
 (22) Date of Filing Application: 05 May 2009
 (24) Date from which industrial property rights may have effect: 05 May 2009
 (54) Product in respect of which the design is registered: **Toothbrush head**
 (51) International Design Classification: 04-02
 (71) Name(s) and Address(s) of Applicant(s):
The Procter & Gamble Company
One Procter & Gamble Plaza Cincinnati Ohio 45202 United States of America
 (72) Name(s) of Designer(s): **George Driesen and Michael Schmid**
 (45) Registration Date: **28 May 2009**
 (30) Convention priority data:

(31) Number	(32) Date	(33) Country
29/312,676	06 Nov 2008	UNITED STATES OF AMERICA

(56) Related Art Documents: **Not Applicable**
 (57) Statement of Newness and Distinctiveness: **The design is to be applied to a toothbrush head, and newness and distinctiveness reside in the features of shape and/or configuration of the portion of the toothbrush head shown in solid lines in the representations. Newness and distinctiveness are not claimed for the portions of the toothbrush head shown in broken lines in the representations which form no part of the claimed design. The toothbrush head has the portions shown in the representations and a remainder portion, but the remainder portion is not shown in the representations because the remainder portion does not form part of the design for which newness and distinctiveness are being claimed. The tufts are formed by a plurality of bristles. The endless straight/curved lines outlining the contours of individual tufts of bristles in the top and perspective views represent boundaries of said tufts of bristles and form no part of the claimed design. Pluralities of individual bristles shown, for convenience, only partially in each of the tufts continue throughout and fill respective tufts in accordance with the contours outlined by said endless straight/curved lines.**



(21) Design Number: **11590/2009**

(22) Date of Filing Application: **05 May 2009**

(24) Date from which industrial property rights may have effect: **05 May 2009**

(54) Product in respect of which the design is registered: **Toothbrush head**

(51) International Design Classification: **04-02**

(71) Name(s) and Address(s) of Applicant(s):

**The Procter & Gamble Company
One Procter & Gamble Plaza Cincinnati Ohio 45202 United States of
America**

(72) Name(s) of Designer(s): **George Driesen and Michael Schmid**

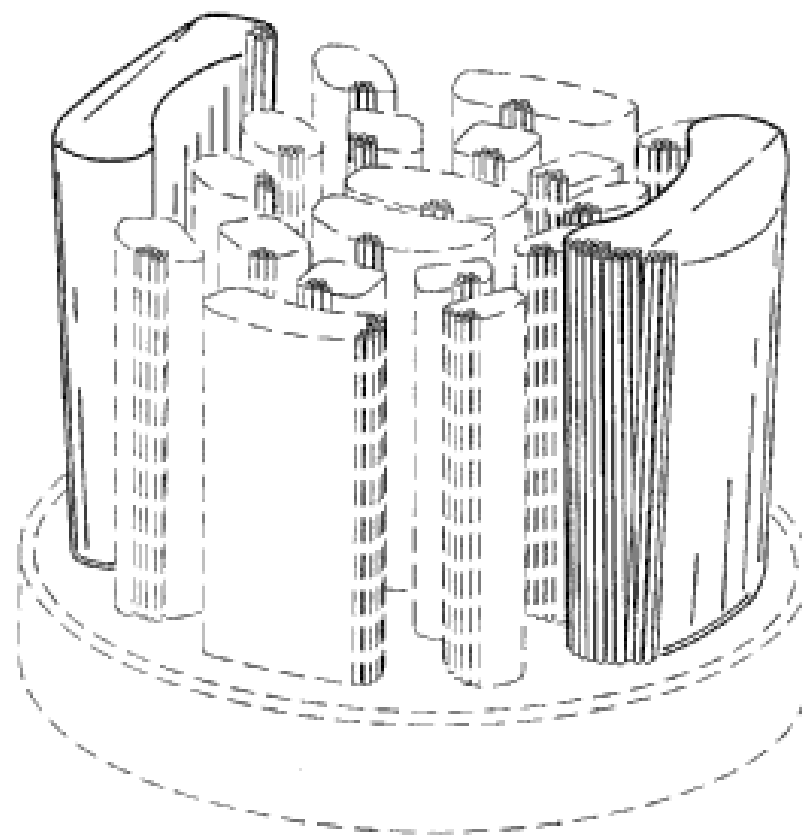
(45) Registration Date: **28 May 2009**

(30) Convention priority data:

(31) Number	(32) Date	(33) Country
29/312,685	06 Nov 2008	UNITED STATES OF AMERICA

(56) Related Art Documents: **Not Applicable**

(57) Statement of Newness and Distinctiveness: **The design is to be applied to a toothbrush head, and newness and distinctiveness reside in the features of shape and/or configuration of the portion of the toothbrush head shown in solid lines in the representations. Newness and distinctiveness are not claimed for the portions of the toothbrush head shown in broken lines in the representations which form no part of the claimed design. The toothbrush head has the portions shown in the representations and a remainder portion, but the remainder portion is not shown in the representations because the remainder portion does not form part of the design for which newness and distinctiveness are being claimed. The tufts are formed by a plurality of bristles. The endless straight/curved lines outlining the contours of individual tufts of bristles in the top and perspective views represent boundaries of said tufts of bristles and form no part of the claimed design. Pluralities of individual bristles shown, for convenience, only partially in each of the tufts continue throughout and fill respective tufts in accordance with the contours outlined by said endless straight/curved lines.**



(21) Design Number: **11820/2009**

(22) Date of Filing Application: **18 May 2009**

(24) Date from which industrial property rights may have effect: **18 May 2009**

(54) Product in respect of which the design is registered: **Dress**

(51) International Design Classification: **02-02NES**

(71) Name(s) and Address(s) of Applicant(s):

**Hatzis Holdings Pty Ltd
Level 3 2-12 Foveaux Street Surry Hills New South Wales 2010
Australia**

(72) Name(s) of Designer(s): **Marie Hatzis**

(45) Registration Date: **28 May 2009**

(56) Related Art Documents: **Not Applicable**

(57) Statement of Newness and Distinctiveness: **Unique eyelets and ties on neckline and raised side seams via gathering.**



(21) Design Number: **11821/2009**

(22) Date of Filing Application: **18 May 2009**

(24) Date from which industrial property rights may have effect: **18 May 2009**

(54) Product in respect of which the design is registered: **Dress**

(51) International Design Classification: **02-02NES**

(71) Name(s) and Address(s) of Applicant(s):

Hatzis Holdings Pty Ltd
Level 3 2-12 Foveaux Street Surry Hills New South Wales 2010
Australia

(72) Name(s) of Designer(s): **Marie Hatzis**

(45) Registration Date: **28 May 2009**

(56) Related Art Documents: **Not Applicable**

(57) Statement of Newness and Distinctiveness: **Unique neckline and beadwork.**



(21) Design Number: **11822/2009**

(22) Date of Filing Application: **18 May 2009**

(24) Date from which industrial property rights may have effect: **18 May 2009**

(54) Product in respect of which the design is registered: **Dress**

(51) International Design Classification: **02-02C**

(71) Name(s) and Address(s) of Applicant(s):

Hatzis Holdings Pty Ltd
Level 3 2-12 Foveaux Street Surry Hills New South Wales 2010
Australia

(72) Name(s) of Designer(s): **Marie Hatzis**

(45) Registration Date: **28 May 2009**

(56) Related Art Documents: **Not Applicable**

(57) Statement of Newness and Distinctiveness: **Unique panel work on dress, unique straps and beading work.**



- (21) Design Number: **11823/2009**
(22) Date of Filing Application: **18 May 2009**
(24) Date from which industrial property rights may have effect: **18 May 2009**
(54) Product in respect of which the design is registered: **Dress**
(51) International Design Classification: **02-02NES**
(71) Name(s) and Address(s) of Applicant(s):
Hatzis Holdings Pty Ltd
Level 3 2-12 Foveaux Street Surry Hills New South Wales 2010
Australia
(72) Name(s) of Designer(s): **Marie Hatzis**
(45) Registration Date: **28 May 2009**
(56) Related Art Documents: **Not Applicable**
(57) Statement of Newness and Distinctiveness: **Unique neckline and beading with hiked seam on one side.**

