



Australian Government

IP Australia

AUSTRALIAN OFFICIAL JOURNAL

OF

DESIGNS

Did you know a searchable version of this journal is now available online?

It's FREE and EASY to SEARCH.

Find it at

<http://pericles.ipaustralia.gov.au/ols/epublish/content/olsEpublications.jsp>
or using the "Online Journals" link on the IP Australia home page.

This Page Left Intentionally Blank

Contents

General Information & Notices

**Proceedings Under the Designs Act 1906 preserved as a result of the provisions of Chapter 12
Part 2 of the Designs Act 2003**

Corrigenda	2117
Extension of Period of Registration of Designs	2116
Names Registered - Alterations and Amendments	2116
Registrations Ceased	2116
Subsequent Owners Registered	2116

Proceedings Under the Designs Act 2003

Applications Lapsed	2125
Applications Lodged	2121
Applications Withdrawn	2125
Certificate of Examination	2127
Extension of Period of Registration of Design	2126
Publication and Registration Proceedings	
Designs Registered 326126 to 326346.....	2128
Subsequent Owners Registered	2126

This Page Left Intentionally Blank

For information on the following please see our website www.ipaustralia.gov.au or contact our Customer Service Network on 1300651010

[Editorial enquiries](#)

[Contact information](#)

[Freedom of Information ACT](#)

[Professional Standards Board](#)

[Sales](#)

[Requests for Information under Section 194 \(c\)](#)

[Country Codes](#)

[Trade Mark and Designs Hearing Sessions](#)

[INID \(Internationally agreed Numbers for the Identification of Data\)](#)

“INID” NUMBERS in use on Australian Design Documents

“INID” is an acronym for “Internationally agreed Numbers for the Identification of Data”.

(10) Data concerning the registration/renewal

- (11) Serial number of the registration and/or number of the design document
- (12) Plain language designation of the kind of published document
- (19) Identification, using the two-letter code according to WIPO Standard ST.3, of the authority publishing or registering the industrial design

(20) Data concerning the application

- (21) Serial number of the application
- (22) Date of filing of the application
- (24) Date from which the industrial design right has effect

(30) Data relating to priority under the Paris Convention

- (31) Serial number assigned to the priority application
- (32) Date of filing of the priority application
- (33) Two-letter code, according to WIPO Standard ST.3, identifying the authority with which the priority application was made

(40) Date(s) of making information available to the public

- (45) Date of publication of the registered industrial design by printing or similar process, or making it available to the public by any other means

(50) Miscellaneous Information

- (51) International Classification for Industrial Designs (class and subclass of the Locarno Classification)
- (54) Designation of article(s) or product(s) covered by the industrial design or title of the industrial design
- (55) Reproduction of the industrial design (e.g., drawing, photograph) and explanations relating to the reproduction
- (56) List of prior art documents, if separate from descriptive text
- (57) Description of characteristic features of the industrial design including indication of colours

(60) References to other legally related application(s) and registration(s)

- (62) Serial number(s) and, if available, filing date(s) of application(s), registration(s) or document(s) related by division
- (66) Serial number(s) of the application, or the registration, of the design(s) which is (are) a variant(s) of the present one

(70) Identification of parties concerned with the application or registration

- (71) Name(s) and address(es) of the applicant(s)
- (72) Name(s) of the creator(s) if known to be such
- (74) Name(s) and address(es) of the representative(s)

This Page Left Intentionally Blank

Official Notice**Designs Act 2003
Amendments to Registered Designs at Examination**

The following amendments have been made to details previously published in the Australian Official Journal of Designs during the Examination process:

Registration Numbers	Amendment type	New details
323500	Classification	12-16A, 15-05
323501	Classification	12-16A, 15-05
323502	Classification	12-16A, 15-05
323503	Classification	12-16A, 15-05
323816	Classification	26-06

Contact: IP Australia
Phone: 1300 651 010
Fax: +61 2 6283 7999
E-mail: assist@ipaustrialia.gov.au
Web: www.ipaustrialia.gov.au

Proceedings under the Designs Act 1906 preserved as a result of the provisions of Chapter 12 Part 2 of the Designs Act 2003.

This Page Left Intentionally Blank

Applications Lapsed

There were no Applications Lapsed under this section

Extension of Period of Registration of Designs

2nd Period (Section 27A(12))

152705	152817	152929
152947	153060	153087
153198	153208	153251
153253	153395	153408
153437	153522	153577
153611	153952	153974
154259	154262	154319
154880	154886	155084
155686	156225	157590
157678	157679	157680
157681	157682	

3rd Period (Section 27A(13))

134933	135529	135561
135602	135749	135985
136095	136396	136465
136574	136579	136580
136956	137775	138466
139083	139668	142180
142181		

Registrations Ceased

Note: Some of the following Registrations may have been previously advertised as ceased. In this instance, the previous advertisement still prevails.

117843	118292	118868
118932	118936	118978
119055	119160	119170
119192	119229	119251
119405	119488	119489
119490	119684	119741
120066	120984	121251
121323	121324	121553
122546	122550	122551
123017	124456	124661
125480	132624	133920
133921	133922	134036
134148	134153	134261
134434	134435	134436
134437	134438	134556
134611	134892	134992
134993	135254	135538
136422	136423	137435
137732	150271	150273
150291	150444	150808
150809	150824	150827
150828	150866	150886
150903	150904	150906
150926	151075	151108
151126	151127	151128
151377	151487	151609

151696	151717	151900
152196	152223	152568
152689	152690	152885
153025	154033	154439
154928	154929	155219
155252	155404	156309
156398	157185	

Subsequent Owners Registered

(The name in parentheses is that of the subsequent owner)

156594	(Suntory Holdings Limited)	Suntory Limited
154071	(Mars Australia Pty Ltd)	Mars Incorporated

Names Registered - Alterations and Amendments

(The name in parentheses is the new name of the proprietor)

141236	(Onesteel Reinforcing Pty Limited)	Onesteel Manufacturing Pty Limited
141237	(Onesteel Reinforcing Pty Limited)	Onesteel Manufacturing Pty Limited
141238	(Onesteel Reinforcing Pty Limited)	Onesteel Manufacturing Pty Limited

Corrigenda

Number

In Vol 23 , No 10 , page 1954 under the heading **Registrations Ceased**; 155355 was Ceased in error.

This Page Left Intentionally Blank

Proceedings under the Designs Act 2003.

This Page Left Intentionally Blank

Applications Lodged

Lodgement information is in the following order: **Applicant's Name**; International Classification, Name of Product, Lodgement Date and **Design Number**. If the applicant claims an earlier priority date under an International Convention, the Convention Country and the associated filing date are shown in parentheses before the Lodgement Date. Divisional information will also appear in parentheses before the Lodgement Date.

A. Richard Tools Co./Outils A. Richard Co.; 08-05L, Roller frame, (CA, 28 Nov 2008) 27 May 2009	11948/2009	Breville Pty Limited; 07-02K, Kettle, 27 May 2009	11961/2009
A. Richard Tools Co./Outils A. Richard Co.; 08-05L, Roller frame, (CA, 28 Nov 2008) 27 May 2009	11949/2009	Bridgestone Corporation; 12-15B, Automobile tyre, (JP, 10 Dec 2008) 05 Jun 2009	12094/2009
Advanced Automotive Australia Pty Ltd; 26-06, Light, 03 Jun 2009	12024/2009	Bridgestone Corporation; 12-15A, Automobile tyre, (JP, 12 Dec 2008) 04 Jun 2009	12063/2009
Aktiebolaget Electrolux; 15-05, Vacuum cleaner, (EM, 22 Dec 2008) 05 Jun 2009	12078/2009	Bridgestone Corporation; 12-15A, Automobile tyre, (JP, 10 Dec 2008) 04 Jun 2009	12064/2009
Aquatec Environmental Group Pty Ltd; Cleartec Pty Ltd; 06-04F, Cabinet frame structure, 09 Jun 2009	12115/2009	Bridgestone Corporation; 12-15NES, Automobile tyre, (JP, 03 Mar 2009) 04 Jun 2009	12074/2009
Aquatec Environmental Group Pty Ltd; Cleartec Pty Ltd; 06-04F, Cabinet frame structure with door, 09 Jun 2009	12116/2009	Bridgestone Corporation; 12-15NES, Automobile tyre, (JP, 06 Apr 2009) 04 Jun 2009	12075/2009
Arataki Honey Limited; 09-07C, A set of caps for bee tubes, (NZ, 08 Dec 2008) 05 Jun 2009	12087/2009	Bridgestone Corporation; 12-15B, Automobile tyre, 04 Jun 2009	12061/2009
Arataki Honey Limited; 09-07C, A set of caps for bee tubes, (NZ, 08 Dec 2008) 05 Jun 2009	12086/2009	Bridgestone Corporation; 12-15A, Automobile tyre, 05 Jun 2009	12091/2009
Bisbell Magnetics Products Limited; 08-03, Knife blade protector, (EM, 24 Feb 2009) 27 May 2009	11945/2009	Bridgestone Corporation; 12-15A, Automobile tyre, 05 Jun 2009	12092/2009
Black & Decker, Inc.; 15-05, Vacuum cleaner accessory brush, (EM, 28 Nov 2008) 27 May 2009	11959/2009	Bridgestone Corporation; 12-15A, Automobile tyre, 05 Jun 2009	12093/2009
Black & Decker, Inc.; 04-01, Vacuum cleaner accessory brush, (EM, 28 Nov 2008) 28 May 2009	11983/2009	Bridgestone Corporation; 12-15B, Automobile tyre, 04 Jun 2009	12068/2009
Blundell, Diane; 30-01, Protective hood for dogs ears, 29 May 2009	11967/2009	Bridgestone Corporation; 12-15B, Automobile tyre, 04 Jun 2009	12069/2009
Blundell, Diane; 30-01, Protective hood for dogs ears, 29 May 2009	11968/2009	Bridgestone Corporation; 12-15B, Automobile tyre, 04 Jun 2009	12070/2009
Bokas, Nicholas; 09-01K, Bottle, 02 Jun 2009	12025/2009	Bridgestone Corporation; 12-15B, Automobile tyre, 04 Jun 2009	12065/2009
Bregifer Pty Ltd; 12-16NES, 29-02, Vehicle driver protection screen, 04 Jun 2009	12057/2009	Bridgestone Corporation; 12-15B, Automobile tyre, (JP, 25 Dec 2008) 04 Jun 2009	12066/2009
Breville Pty Limited; 31-00, Bench mixer, 05 Jun 2009	12098/2009	Bridgestone Corporation; 12-15B, Automobile tyre, (JP, 09 Dec 2008) 04 Jun 2009	12067/2009
Breville Pty Limited; 07-02G, Grill, 05 Jun 2009	12104/2009	Bridgestone Corporation; 12-15C, Automobile tyre, (JP, 19 Dec 2008) 04 Jun 2009	12071/2009
Breville Pty Limited; 07-02K, Tea maker, 29 May 2009	11990/2009	Bridgestone Corporation; 12-15NES, Automobile tyre, 04 Jun 2009	12072/2009
		Bridgestone Corporation; 12-15NES, Automobile tyre, (JP, 06 Apr 2009) 04 Jun 2009	12073/2009
		Bridgestone Corporation; 12-15A, Automobile Tyre, (JP, 18 Dec 2008) 04 Jun 2009	12062/2009

Britex Carpet Care Pty Ltd; 15-05, Carpet cleaning machine, 28 May 2009	11982/2009	Cunningham, Amy; 06-03A, Steppe table, 28 May 2009	11933/2009
Bryant, Andrew Graham; 13-03D, Adaptor for silicone and sealant cartridge and alike, 28 May 2009	11935/2009	Cunningham, Amy; 06-06A, Silhouette hat stand, 28 May 2009	11932/2009
Bryant, Andrew Graham; 13-03D, Adaptor for silicone and sealant cartridge and alike, 28 May 2009	11934/2009	CMI Limited; 22-06, A trap, (NZ, 12 Dec 2008) 04 Jun 2009	12055/2009
Bryant, Andrew Graham; 13-03D, 08-05NES, Adaptor for silicone and sealant cartridge and alike, 28 May 2009	11943/2009	D'Anna, Sebastian; 07-02A, Wood fired oven/pizza oven, 03 Jun 2009	12077/2009
Bryant, Andrew Graham; 13-03D, Adaptor for silicone and sealant cartridge and alike, 28 May 2009	11941/2009	Dart Industries Inc.; 09-07B, Cover, (US, 07 Jan 2009) 03 Jun 2009	12035/2009
Bryant, Andrew Graham; 13-03D, Adaptor for silicone and sealant cartridge and alike, 28 May 2009	11937/2009	Dart Industries Inc.; 09-03M, Container, (US, 07 Jan 2009) 03 Jun 2009	12036/2009
Bryant, Andrew Graham; 13-03D, Adaptor for bulk sausage gun and alike, 28 May 2009	11938/2009	Downee; 15-99, Reducing bush for 25NB tubes and 016 gudgeon., 29 May 2009	12028/2009
Bryant, Andrew Graham; 13-03D, Adaptor for bulk sausage gun and alike, 28 May 2009	11939/2009	Electrolux do Brasil SA; 07-02B, Microwave oven, (BR, 10 Nov 2008) 11 May 2009	11986/2009
Bryant, Andrew Graham; 13-03D, Adaptor for silicone and sealant cartridge and alike, 28 May 2009	11940/2009	F F Seeley Nominees Pty Ltd; 23-03A, Space heater cabinet - console style, 28 May 2009	12017/2009
Bryant, Andrew Graham; 13-03D, 08-05NES, Adaptor for silicone and sealant cartridge and alike, 28 May 2009	11942/2009	Formway Furniture Limited; 06-01F, A chair, (NZ, 12 Dec 2008) 09 Jun 2009	12112/2009
Bryant, Andrew Graham; 13-03D, Adaptor for silicone and sealant cartridge and alike, 28 May 2009	11936/2009	Formway Furniture Limited; 06-01F, A chair, (NZ, 12 Dec 2008) 09 Jun 2009	12113/2009
BRADO S.P.A.; 06-06G, Seat for a chair, (EM, 11 May 2009) 28 May 2009	11966/2009	FF Seeley Nominees Pty Ltd; 23-03NES, Space heater cabinet - inbuilt style, 28 May 2009	12014/2009
Canturi Corporation; 11-01A, Jewellery, 25 May 2009	11954/2009	Giannone, Graziano; 03-01NES, Peg bag; used to hold and dispense pegs to hang out laundry, 28 May 2009	11947/2009
Canturi Corporation; 11-01A, Jewellery, 25 May 2009	11953/2009	Gravolin, Dennis Ronald; Gravolin, Sandra Lorraine; 08-08L, A Bracket, 29 May 2009	11984/2009
Canturi Corporation; 11-01NES, Jewellery, 25 May 2009	11955/2009	Gravolin, Sandra Lorraine; Gravolin, Dennis Ronald; 08-08L, A Bracket, 29 May 2009	11984/2009
Capriosca Swimwear; 02-04NES, Click-it sandle, 05 Jun 2009	12088/2009	GE Healthcare Bio-Sciences AB; 24-01, Stand for chromatography column, (EM, 01 Dec 2008) 27 May 2009	11960/2009
Cleartec Pty Ltd; Aquatec Environmental Group Pty Ltd; 06-04F, Cabinet frame structure, 09 Jun 2009	12115/2009	Hall, Jason Hamilton; 02-03, A ventilated hat, 03 Jun 2009	12056/2009
Cleartec Pty Ltd; Aquatec Environmental Group Pty Ltd; 06-04F, Cabinet frame structure with door, 09 Jun 2009	12116/2009	Hierros Y Aplanaciones, S.A.; 08-08L, Connector, 05 Jun 2009	12102/2009
Colgate-Palmolive Company; 09-01NES, Container, (US, 04 Dec 2008) 04 Jun 2009	12060/2009	Hierros Y Aplanaciones, S.A.; 08-08L, Connector, 05 Jun 2009	12101/2009
Creative Products Enterprises Pty Limited; 03-01NES, Collapsible six bottle carry bag, 29 May 2009	12004/2009	Hogg, Malcolm; 08-05NES, A tensioner, (NZ, 19 Dec 2008) 01 Jun 2009	12013/2009
Crocker, Geoffrey Robert; 12-10, A self steering trailer, 09 Jun 2009	12103/2009	Honda Motor Co., Ltd.; 12-11, Motorcycle, (JP, 30 Jan 2009) 04 Jun 2009	12058/2009

Horvath, Tibor Joseph; Horvath, Tracy Anne; 30-01, Armour, 05 Jun 2009	12089/2009	Legrand France; Legrand SNC; 13-03NES, Modular electric apparatus, (EM, 10 Dec 2008) 05 Jun 2009	12081/2009
Horvath, Tracy Anne; Horvath, Tibor Joseph; 30-01, Armour, 05 Jun 2009	12089/2009	Legrand France; Legrand SNC; 13-03NES, Modular electric apparatus, (EM, 10 Dec 2008) 05 Jun 2009	12083/2009
Hubble, Christopher Raynor; Stonehouse, Mark John; Simpson, Mark John; 15-02, Newness and distinctiveness is claimed in those features of shape and/or configuration of a pump as illustrated in, the accompanying representations, 01 Jun 2009	11988/2009	Legrand France; Legrand SNC; 13-03NES, Modular electric apparatus, (EM, 10 Dec 2008) 05 Jun 2009	12084/2009
Hunter, Tammy-Jo; 06-09, Pillow, 29 May 2009	12018/2009	Legrand SNC; Legrand France; 13-03NES, Modular electric apparatus, (EM, 10 Dec 2008) 05 Jun 2009	12084/2009
Jaemond Design; 03-01D, 06-13A, The work bench - activity table cover, 09 Jun 2009	12108/2009	Legrand SNC; Legrand France; 13-03NES, Modular electric apparatus, (EM, 10 Dec 2008) 05 Jun 2009	12083/2009
Jaemond Design; 03-01A, Green fabric carry bag with 2 fabric handles, 09 Jun 2009	12107/2009	Legrand SNC; Legrand France; 13-03NES, Modular electric apparatus, (EM, 10 Dec 2008) 05 Jun 2009	12081/2009
James Hardie International Finance B.V.; 25-01D, Building element, 31 May 2009	12005/2009	Legrand SNC; Legrand France; 13-03NES, Modular electric apparatus, (EM, 10 Dec 2008) 05 Jun 2009	12082/2009
James Hardie International Finance B.V.; 25-01D, Building element, 31 May 2009	12006/2009	Locke, Ian; 09-03F, Packaging for produce, 02 Jun 2009	12016/2009
Kanweld Products Pty. Limited; 06-04B, A computer secure storage unit, 01 Jun 2009	12019/2009	LEAK CONTROL DEVELOPMENT PTY LTD; 23-01A, Shower hoses, heads, and fittings., 03 Jun 2009	12034/2009
Kemenes, Susan; 20-02C, Display cabinet serving dishes vis deli case display/serving dishes, 04 Jun 2009	12052/2009	LGL France SAS; 23-04, Condensing unit, 05 Jun 2009	12079/2009
Kimberley Products Pty Ltd; 25-02NES, Access cover, 02 Jun 2009	12027/2009	LSI Industries, Inc.; 26-05C, Lighting, (US, 23 Sep 2008) (Divisional of 10934/2009) 20 Mar 2009	12002/2009
Kioskgo Pty Ltd; 25-03, Kiosk, 01 Jun 2009	11989/2009	LSI Industries, Inc.; 26-05C, Lighting, (US, 23 Sep 2008) (Divisional of 10934/2009) 20 Mar 2009	12003/2009
Koninklijke Philips Electronics N.V.; 26-04, Solid state lighting spot, (EM, 08 Dec 2008) 05 Jun 2009	12095/2009	LSI Industries, Inc.; 26-05C, Lighting, (US, 23 Sep 2008) (Divisional of 10934/2009) 20 Mar 2009	12001/2009
Koninklijke Philips Electronics N.V.; 26-04, Solid state lighting spot, (EM, 08 Dec 2008) 05 Jun 2009	12096/2009	Madd Gear Pty Ltd; 21-01F, Scooter, 27 May 2009	11964/2009
KNOG Pty Ltd; 08-05P, Pliers, 29 May 2009	12009/2009	Mainsflush Pty Ltd; 23-02C, Touch actuator, 27 May 2009	11958/2009
KNOG Pty Ltd; 08-05P, Shifter (adjustable spanner), 29 May 2009	12010/2009	Mainsflush Pty Ltd; 23-02C, Actuator body, 27 May 2009	11956/2009
KNOG Pty Ltd; 03-01D, 06-04NES, Tool unit, 29 May 2009	12011/2009	Mainsflush Pty Ltd; 23-02C, Touch actuator, 27 May 2009	11957/2009
KNOG Pty Ltd; 10-04, Odometer, 29 May 2009	12012/2009	Manrex Pty. Ltd.; 09-05, 24-04, A folder for a medication blister package, 28 May 2009	11979/2009
KPR Reports; 07-04, Stainless steel BBQ lifters, 01 Jun 2009	12020/2009	Mayo Group International; 06-13NES, Outdoor furniture cover, octagonal shape, 7 piece table setting, 22 May 2009	11963/2009
KPR Reports; 07-04, Stainless steel BBQ lifter, 01 Jun 2009	12007/2009	Mayo Group International; 06-13NES, Outdoor furniture cover, octagonal shape, 9 piece table setting., 22 May 2009	11985/2009
Legrand France; Legrand SNC; 13-03NES, Modular electric apparatus, (EM, 10 Dec 2008) 05 Jun 2009	12082/2009	Meco Australia Pty Limited; 23-02C, Toilet pan, 28 May 2009	11944/2009
		Megadeck Australia Pty Ltd; 08-08NES, , 18 May 2009	11987/2009

Metlam Australia Pty. Limited; 08-06, Door hinge, 03 Jun 2009	12053/2009	Schiavello (Vic) Pty Ltd; 06-06NES, Room divider, 28 May 2009	11977/2009
Meyer Intellectual Properties Limited; 07-02N, Covered sauce pan, (US, 15 Aug 2008) 16 Feb 2009	12033/2009	Schiavello (Vic) Pty Ltd; 06-06NES, Room divider, 28 May 2009	11978/2009
Meyer Intellectual Properties Limited; 07-02N, Covered sauce pan, (US, 15 Aug 2008) 16 Feb 2009	12032/2009	Sharples, Kelly Anne; 12-02, 06-05, Activity trolley, 28 May 2009	11969/2009
Meyer Intellectual Properties Limited; 07-02N, Covered sauce pan, (US, 15 Aug 2008) 16 Feb 2009	12030/2009	Simpson, Mark John; Stonehouse, Mark John; Hubble, Christopher Raynor; 15-02, Newness and distinctiveness is claimed in those features of shape and/or configuration of a pump as illustrated in, the accompanying representations, 01 Jun 2009	11988/2009
Meyer Intellectual Properties Limited; 07-02N, Covered sauce pan, (US, 15 Aug 2008) 16 Feb 2009	12031/2009	Sleepeeze Bedding (Aust.) Pty Ltd; 06-09, Mattress core, 09 Jun 2009	12109/2009
Meyer Intellectual Properties Limited; 07-02N, Covered sauce pan, (US, 15 Aug 2008) 16 Feb 2009	12029/2009	Spin Master Ltd; 21-01B, Transformable toy, (CA, 01 Dec 2008) 29 May 2009	11992/2009
Meyerhoffer, Thomas; 21-02D, Surfboard, (US, 15 Dec 2008) 09 Jun 2009	12114/2009	Spin Master Ltd; 21-01B, Transformable toy, (CA, 01 Dec 2008) 29 May 2009	11993/2009
Mortlach Holdings Pty Ltd; 23-01K, Fluid flow control device, 08 Jun 2009	12100/2009	Spin Master Ltd; 21-01B, Transformable toy, (CA, 01 Dec 2008) 29 May 2009	11994/2009
NYKO Technologies, Inc.; 13-02, 14-02, Video game controller charging apparatus, (US, 29 Oct 2008) 29 Apr 2009	11974/2009	Spin Master Ltd; 21-01B, Transformable toy, (CA, 19 Feb 2009) 29 May 2009	11995/2009
NYKO Technologies, Inc.; 13-02, 14-02, Video game controller charging apparatus, (US, 29 Oct 2008) 29 Apr 2009	11973/2009	Spin Master Ltd; 21-01B, Transformable toy, (CA, 30 Jan 2009) 29 May 2009	11996/2009
Oasis Technologies Ltd; 15-02, Spa heat pumps, 09 Jun 2009	12106/2009	Spin Master Ltd; 21-01B, Transformable toy, (CA, 23 Feb 2009) 29 May 2009	11997/2009
Oddball Pty Ltd; 19-01, Postcard, 02 Jun 2009	12022/2009	Spin Master Ltd; 21-01A, Transformable toy, (CA, 23 Feb 2009) 29 May 2009	11998/2009
Olimpia Kerekpargarto Kft.; 13-02, Electric accumulator, 03 Jun 2009	12037/2009	Spin Master Ltd; 21-01A, Transformable toy, (CA, 17 Dec 2008) 29 May 2009	11991/2009
Pellizzari, Robert; 14-03NES, Corrugated modem box revised A, 04 Jun 2009	12111/2009	Spin Master Ltd; 21-01B, Transformable toy, (CA, 24 Mar 2009) 29 May 2009	11999/2009
Pi-Design AG; 07-02NES, 07-07NES, Used coffee grounds container, (WO, 05 Jan 2009) 04 Jun 2009	12059/2009	Spin Master Ltd; 21-01B, Transformable toy, (CA, 01 Apr 2009) 29 May 2009	12000/2009
Pinter, Istvan; 22-05, Class: 28 fishing/teaser, 28 May 2009	11962/2009	Staples the Office Superstore, LLC; 19-02, Stapler, (US, 04 Nov 2008) 28 Apr 2009	11970/2009
Roberts, Kenneth David; 25-04, Step for use in constructing a set of stairs, 29 May 2009	12026/2009	Stewart, Michael A; 21-02D, Swim fin, 01 Jun 2009	12008/2009
S-Rain Control A/S; 14-03NES, 23-01E, Encoders/decoders of remote control for water irrigation, (EM, 08 Dec 2008) 05 Jun 2009	12080/2009	Stewart, Michael A; 21-02D, Swim fin, 01 Jun 2009	12021/2009
Saban Ventures Pty Limited; 09-01NES, Bottle, 01 Jun 2009	12015/2009	Stone, Colin Roy; 08-05P, Auto and plumbing, 29 May 2009	11965/2009
Sangster, Daniel; 12-16NES, 23-04, Vehicle vent, 05 Jun 2009	12085/2009	Stonehouse, Mark John; Simpson, Mark John; Hubble, Christopher Raynor; 15-02, Newness and distinctiveness is claimed in those features of shape and/or configuration of a pump as illustrated in, the accompanying representations, 01 Jun 2009	11988/2009
Schiavello (Vic) Pty Ltd; 06-06NES, Room divider, 28 May 2009	11975/2009		
Schiavello (Vic) Pty Ltd; 06-06NES, Room divider, 28 May 2009	11976/2009		

Sunbeam Corporation Limited; 07-02F, Toaster, 28 May 2009	11980/2009	Victaulic Company; 23-01A, V-interface coupling segment, (US, 04 Dec 2008) 03 Jun 2009	12044/2009
Supreme Solar Pty Ltd; 21-02D, 23-03D, Solar pool blanket, 29 May 2009	11971/2009	Victaulic Company; 23-01A, V-interface coupling segment, (US, 04 Dec 2008) 03 Jun 2009	12047/2009
SCA Hygiene Products AB; 23-02A, Plug for paper roll, (EM, 04 Dec 2008) 03 Jun 2009	12054/2009	Victaulic Company; 23-01A, Ribbed pipe coupling, (US, 13 Dec 2008) 03 Jun 2009	12048/2009
The Gillette Company; 28-03A, Shaving razor handle, (US, 09 Dec 2008) 05 Jun 2009	12099/2009	Victaulic Company; 23-01A, Ribbed pipe coupling, (US, 13 Dec 2008) 03 Jun 2009	12049/2009
The Gillette Company; 28-03A, Razor cartridge with cap, (US, 05 Dec 2008) 04 Jun 2009	12076/2009	Victaulic Company; 23-01A, Flexible pipe coupling segment, (US, 04 Dec 2008) 03 Jun 2009	12050/2009
The Yokohama Rubber Co., Ltd.; 12-15B, Automobile tire, (JP, 05 Dec 2008) 05 Jun 2009	12097/2009	Victaulic Company; 23-01A, V-interface coupling segment, (US, 04 Dec 2008) 03 Jun 2009	12043/2009
Towcap International Pty Limited; 12-10, Trailer hitch guard, 03 Jun 2009	12051/2009	Victaulic Company; 23-01A, Flexible pipe coupling, (US, 04 Dec 2008) 03 Jun 2009	12038/2009
Vestas Wind Systems A/S; 13-01, 13-99, Wind turbine nacelle, (EM, 30 Jan 2009) 02 Jun 2009	12023/2009	Victaulic Company; 23-01A, Rigid pipe coupling segment, (US, 03 Dec 2008) 27 May 2009	11950/2009
Victaulic Company; 23-01A, V-interface coupling, (US, 04 Dec 2008) 03 Jun 2009	12042/2009	Victaulic Company; 23-01A, Rigid pipe coupling, (US, 03 Dec 2008) 27 May 2009	11952/2009
Victaulic Company; 23-01A, Ribbed pipe coupling segment, (US, 13 Dec 2008) 03 Jun 2009	12046/2009	Visy R & D Pty Ltd; 09-03F, Container and blank for forming same., 28 May 2009	11981/2009
Victaulic Company; 23-01A, V-interface coupling, (US, 04 Dec 2008) 03 Jun 2009	12041/2009	Yves, Richard; 10-07, Watch body, (FR, 22 Apr 2009) 27 May 2009	11951/2009
Victaulic Company; 23-01A, Ribbed pipe coupling segment, (US, 13 Dec 2008) 03 Jun 2009	12045/2009	Zander, Robert; 11-01NES, Cloverme faith hope love luck pendant, 05 Jun 2009	12090/2009
Victaulic Company; 23-01A, Flexible pipe coupling segment, (US, 04 Dec 2008) 03 Jun 2009	12039/2009	Zhang, Da Wei; 12-06A, Water scooter, 28 May 2009	11972/2009
Victaulic Company; 23-01A, Flexible pipe coupling, (US, 04 Dec 2008) 03 Jun 2009	12040/2009	Zhejiang Zhengte Group Co., Ltd; 03-03, Umbrella frame set, (CN, 05 Mar 2009) 27 May 2009	11946/2009

Applications Withdrawn

10607 / 2009 (08-07) 10608 / 2009 (08-07)
11621 / 2009

Applications Lapsed

15612 / 2008 (12-15A) 10693 / 2009 (08-08NES)
11006 / 2009 (25-03)

Extension of Period of Registration of Designs

300215	300351	300415
300741	300781	

Subsequent Owners Registered

(The name in parentheses is that of the subsequent owner)

302700	(Suntory Holdings Limited) Suntory Limited
321215	(Mars Australia Pty Ltd) Mars Incorporated
324481	(Mars Australia Pty Ltd) Mars Incorporated
324482	(Mars Australia Pty Ltd) Mars Incorporated
302886	(Elaine Salaba) Jaro Salaba;Elaine Salaba
304562	(Mars Australia Pty Ltd) Mars Incorporated
306691	(Mars Australia Pty Ltd) Mars Incorporated
313044	(Mars Australia Pty Ltd) Mars, Incorporated
314661	(Mars Australia Pty Ltd) Mars, Incorporated
314662	(Mars Australia Pty Ltd) Mars, Incorporated
321163	(Mars Australia Pty Ltd) Mars, Incorporated
321401	(Mars Australia Pty Ltd) Mars, Incorporated
321402	(Mars Australia Pty Ltd) Mars, Incorporated
322883	(Mars Australia Pty Ltd) Mars Incorporated
322884	(Mars Australia Pty Ltd) Mars Incorporated

Certificate(s) of Examination

Examination of the following Design Registration(s) has been completed. Infringement proceedings may now be commenced.

301123	25-01E	29/05/2009
320309	25-02NES	29/05/2009
321687	30-04	03/06/2009
321688	30-04	03/06/2009
321689	30-04	03/06/2009
321690	30-04	03/06/2009
321691	30-04	03/06/2009
321856	14-03A	28/05/2009
322335	09-01NES	29/05/2009
322338	09-01NES	29/05/2009
322396	19-02	29/05/2009
322397	10-04	29/05/2009
322398	10-04	29/05/2009
322399	10-04	29/05/2009
322401	10-04	29/05/2009
322448	20-02C	04/06/2009
322891	20-02B	04/06/2009
322892	20-02B	04/06/2009
323397	12-15B	10/06/2009
323426	15-05	05/06/2009
323452	09-01H	10/06/2009
323488	23-01F	01/06/2009
323549	06-01H	02/06/2009
323550	06-01H	02/06/2009
323574	12-15C	04/06/2009
323692	14-02	04/06/2009
323693	14-02	29/05/2009
323787	26-06	29/05/2009
323841	12-15C	05/06/2009
323894	15-05	10/06/2009
324074	14-01	29/05/2009
324076	14-01	04/06/2009
324135	15-05	11/06/2009
324136	15-05	11/06/2009
324137	15-05	11/06/2009
324138	15-05	11/06/2009
324140	15-05	10/06/2009

Publication and Registration Proceedings

Designs Registered

This section provides a concordance between design number and registration number of Designs covered in this journal. It also shows the main class and registration date.

This section covers Registration numbers 326126 to 326346 .

The registration number shown below should be used in all future correspondence.

Design Number	Registration Number	International Classification Code (IDC)	Registration Date	Design Number	Registration Number	International Classification Code (IDC)	Registration Date
14553/2008	326208	09-03M	03/06/2009	11628/2009	326158	07-02E	01/06/2009
14554/2008	326209	09-03M	03/06/2009	11630/2009	326159	25-01A	01/06/2009
15679/2008	326202	02-02NES	03/06/2009	11632/2009	326160	25-01A	01/06/2009
15698/2008	326214	02-02C	04/06/2009	11633/2009	326151	25-01A	01/06/2009
15706/2008	326210	12-15A	03/06/2009	11634/2009	326152	25-01A	01/06/2009
15708/2008	326211	12-15A	03/06/2009	11635/2009	326153	12-16B	01/06/2009
15831/2008	326251	25-01D	05/06/2009	11636/2009	326154	12-16B	01/06/2009
15832/2008	326252	25-01D	05/06/2009	11637/2009	326155	10-02	01/06/2009
15959/2008	326126	23-01L	29/05/2009	11638/2009	326156	10-02	01/06/2009
10044/2009	326320	02-02B	10/06/2009	11639/2009	326157	10-02	01/06/2009
10338/2009	326215	02-04B	04/06/2009	11640/2009	326138	10-02	01/06/2009
10339/2009	326216	02-04B	04/06/2009	11641/2009	326139	09-03M	01/06/2009
10605/2009	326265	08-07	05/06/2009	11645/2009	326140	25-01C	01/06/2009
10606/2009	326266	08-07	05/06/2009	11647/2009	326141	08-06	01/06/2009
10819/2009	326253	25-01K	05/06/2009	11648/2009	326175	09-07NES	02/06/2009
10823/2009	326136	23-01A	01/06/2009	11649/2009	326176	06-01G	02/06/2009
10826/2009	326185	26-05C	02/06/2009	11650/2009	326177	12-11	02/06/2009
11178/2009	326221	08-08L	04/06/2009	11651/2009	326178	24-01	02/06/2009
11328/2009	326217	23-02A	04/06/2009	11653/2009	326167	06-03A	02/06/2009
11339/2009	326137	09-03H	01/06/2009	11656/2009	326168	24-02	02/06/2009
11357/2009	326161	12-16B	01/06/2009	11657/2009	326169	28-99	02/06/2009
11358/2009	326249	06-04NES	05/06/2009	11658/2009	326170	21-02C	02/06/2009
11359/2009	326250	04-01	05/06/2009	11659/2009	326171	08-05NES	02/06/2009
11362/2009	326186	25-01D	02/06/2009	11660/2009	326179	08-10	02/06/2009
11385/2009	326162	06-08	01/06/2009	11661/2009	326180	08-10	02/06/2009
11422/2009	326321	02-04NES	10/06/2009	11662/2009	326181	08-10	02/06/2009
11423/2009	326322	02-04NES	10/06/2009	11663/2009	326182	08-10	02/06/2009
11425/2009	326323	02-04NES	10/06/2009	11664/2009	326183	08-10	02/06/2009
11426/2009	326324	02-04NES	10/06/2009	11665/2009	326184	08-10	02/06/2009
11427/2009	326325	02-04B	10/06/2009	11666/2009	326142	08-10	01/06/2009
11428/2009	326326	02-04B	10/06/2009	11667/2009	326143	08-10	01/06/2009
11430/2009	326327	02-04B	10/06/2009	11668/2009	326144	08-10	01/06/2009
11433/2009	326332	02-04NES	11/06/2009	11669/2009	326145	08-10	01/06/2009
11453/2009	326165	19-02	01/06/2009	11670/2009	326146	08-10	01/06/2009
11478/2009	326256	14-03NES	05/06/2009	11671/2009	326147	08-10	01/06/2009
11490/2009	326172	13-02	02/06/2009	11673/2009	326205	08-06	03/06/2009
11591/2009	326222	12-16B	04/06/2009	11674/2009	326206	08-09	03/06/2009
11597/2009	326259	04-01	05/06/2009	11676/2009	326207	07-01NES	03/06/2009
11600/2009	326131	05-05B	29/05/2009	11683/2009	326223	09-03M	04/06/2009
11601/2009	326132	05-05NES	29/05/2009	11684/2009	326224	08-08NES	04/06/2009
11602/2009	326133	05-05NES	29/05/2009	11685/2009	326225	18-01	04/06/2009
11603/2009	326134	09-03H	29/05/2009	11686/2009	326194	08-08NES	03/06/2009
11609/2009	326148	06-07	01/06/2009	11687/2009	326195	18-01	03/06/2009
11610/2009	326149	09-99	01/06/2009	11688/2009	326196	06-01E	03/06/2009
11611/2009	326150	09-99	01/06/2009	11689/2009	326197	07-06A	03/06/2009
11612/2009	326203	02-02NES	03/06/2009	11691/2009	326198	07-02B	03/06/2009
11613/2009	326204	02-02C	03/06/2009	11692/2009	326200	07-02B	03/06/2009
11615/2009	326127	09-03NES	29/05/2009	11693/2009	326201	09-03K	03/06/2009
11616/2009	326128	12-05	29/05/2009	11697/2009	326218	12-15A	04/06/2009
11617/2009	326129	08-01	29/05/2009	11704/2009	326187	08-08NES	02/06/2009
11618/2009	326130	08-01	29/05/2009	11705/2009	326188	08-08NES	02/06/2009
11620/2009	326163	25-01D	01/06/2009	11706/2009	326237	12-15A	04/06/2009
11622/2009	326164	09-01G	01/06/2009	11707/2009	326238	18-01	04/06/2009

Publication and Registration Proceedings - Designs Registered cont'd

Design Number	Registration Number	International Classification Code (IDC)	Registration Date	Design Number	Registration Number	International Classification Code (IDC)	Registration Date
11710/2009	326239	16-02	04/06/2009	11780/2009	326309	14-01	10/06/2009
11711/2009	326240	16-02	04/06/2009	11781/2009	326310	14-01	10/06/2009
11712/2009	326241	16-02	04/06/2009	11782/2009	326311	14-01	10/06/2009
11713/2009	326242	16-02	04/06/2009	11783/2009	326312	14-01	10/06/2009
11714/2009	326243	21-01N	04/06/2009	11784/2009	326313	07-02E	10/06/2009
11715/2009	326244	12-10	04/06/2009	11787/2009	326189	06-01E	02/06/2009
11716/2009	326245	12-10	04/06/2009	11790/2009	326314	08-07	10/06/2009
11717/2009	326226	12-16L	04/06/2009	11794/2009	326338	12-16NES	11/06/2009
11718/2009	326227	12-16L	04/06/2009	11795/2009	326339	12-16NES	11/06/2009
11719/2009	326228	12-16L	04/06/2009	11796/2009	326340	12-16H	11/06/2009
11720/2009	326229	12-16L	04/06/2009	11797/2009	326341	12-16NES	11/06/2009
11721/2009	326230	12-16L	04/06/2009	11798/2009	326342	12-16NES	11/06/2009
11722/2009	326231	12-16L	04/06/2009	11800/2009	326343	13-02	11/06/2009
11723/2009	326232	07-05E	04/06/2009	11801/2009	326344	13-02	11/06/2009
11724/2009	326233	04-01	04/06/2009	11802/2009	326345	19-08	11/06/2009
11725/2009	326234	04-01	04/06/2009	11803/2009	326248	08-08NES	04/06/2009
11726/2009	326235	04-01	04/06/2009	11804/2009	326329	09-01H	11/06/2009
11727/2009	326236	03-01A	04/06/2009	11805/2009	326220	02-01A	04/06/2009
11729/2009	326257	31-00	05/06/2009	11806/2009	326330	21-01C	11/06/2009
11730/2009	326258	25-01F	05/06/2009	11807/2009	326331	21-01B	11/06/2009
11731/2009	326260	25-01K	05/06/2009	11811/2009	326263	12-16NES	05/06/2009
11732/2009	326261	25-01K	05/06/2009	11818/2009	326328	08-05NES	10/06/2009
11733/2009	326262	25-01K	05/06/2009	11819/2009	326346	08-08D	11/06/2009
11734/2009	326254	12-16B	05/06/2009	11832/2009	326135	06-13B	29/05/2009
11735/2009	326255	12-08	05/06/2009	11877/2009	326212	08-03	03/06/2009
11736/2009	326304	15-99	09/06/2009	11878/2009	326213	08-03	03/06/2009
11737/2009	326305	15-99	09/06/2009	11883/2009	326334	02-02NES	11/06/2009
11741/2009	326306	09-01NES	09/06/2009	11884/2009	326335	02-02NES	11/06/2009
11753/2009	326307	23-04	10/06/2009	11944/2009	326333	23-02C	11/06/2009
11766/2009	326319	08-08O	10/06/2009	11970/2009	326166	19-02	01/06/2009
11767/2009	326219	08-08L	04/06/2009	11973/2009	326173	13-02	02/06/2009
11772/2009	326315	31-00	10/06/2009	11974/2009	326174	13-02	02/06/2009
11773/2009	326316	31-00	10/06/2009	11986/2009	326199	07-02B	03/06/2009
11774/2009	326317	31-00	10/06/2009	12086/2009	326336	09-07C	11/06/2009
11775/2009	326318	23-01H	10/06/2009	12087/2009	326337	09-07C	11/06/2009
11776/2009	326246	08-05M	04/06/2009				
11777/2009	326247	08-05M	04/06/2009				
11778/2009	326264	08-05M	05/06/2009				
11779/2009	326308	14-01	10/06/2009				

Publication and Registration Proceedings
Class Listing of Designs Published or Registered

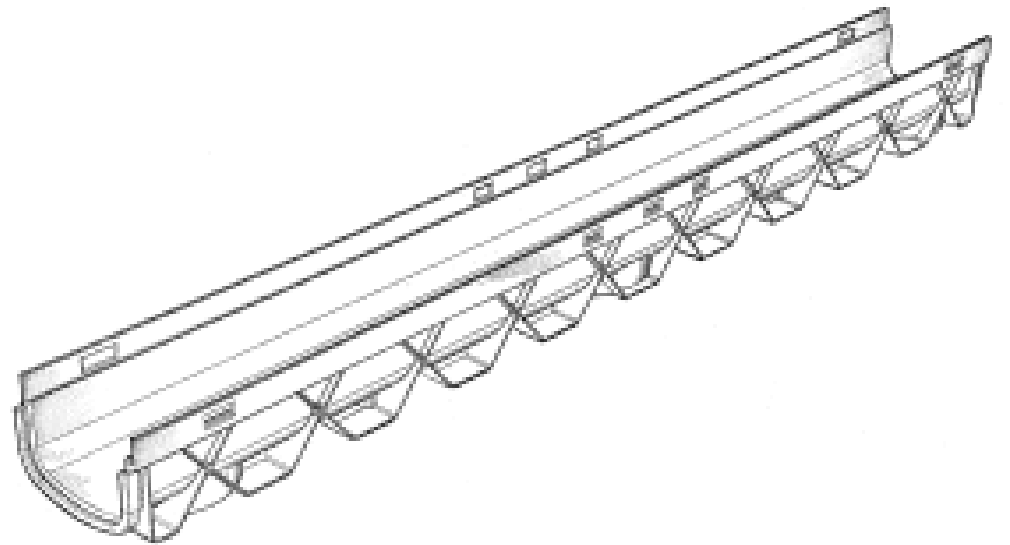
The following section shows an International Classification Code listing of the Registered or Published Designs covered in this supplement.

Classification	Registration Number	Design Number	Classification	Registration Number	Design Number
02-01 A	326220	11805/2009	08-05 NES	326328	11818/2009
02-02 B	326320	10044/2009	08-06	326141	11647/2009
02-02 C	326204	11613/2009	08-06	326205	11673/2009
02-02 C	326214	15698/2008	08-07	326265	10605/2009
02-02 NES	326202	15679/2008	08-07	326266	10606/2009
02-02 NES	326203	11612/2009	08-07	326314	11790/2009
02-02 NES	326334	11883/2009	08-08 D	326346	11819/2009
02-02 NES	326335	11884/2009	08-08 L	326219	11767/2009
02-04 B	326215	10338/2009	08-08 L	326221	11178/2009
02-04 B	326216	10339/2009	08-08 NES	326187	11704/2009
02-04 B	326325	11427/2009	08-08 NES	326188	11705/2009
02-04 B	326326	11428/2009	08-08 NES	326194	11686/2009
02-04 B	326327	11430/2009	08-08 NES	326224	11684/2009
02-04 NES	326321	11422/2009	08-08 NES	326248	11803/2009
02-04 NES	326322	11423/2009	08-08 NES	326328	11818/2009
02-04 NES	326323	11425/2009	08-08 O	326319	11766/2009
02-04 NES	326324	11426/2009	08-09	326206	11674/2009
02-04 NES	326332	11433/2009	08-10	326142	11666/2009
03-01 A	326236	11727/2009	08-10	326143	11667/2009
04-01	326232	11723/2009	08-10	326144	11668/2009
04-01	326233	11724/2009	08-10	326145	11669/2009
04-01	326234	11725/2009	08-10	326146	11670/2009
04-01	326235	11726/2009	08-10	326147	11671/2009
04-01	326250	11359/2009	08-10	326179	11660/2009
04-01	326259	11597/2009	08-10	326180	11661/2009
05-05 B	326131	11600/2009	08-10	326181	11662/2009
05-05 NES	326132	11601/2009	08-10	326182	11663/2009
05-05 NES	326133	11602/2009	08-10	326183	11664/2009
06-01 E	326189	11787/2009	08-10	326184	11665/2009
06-01 E	326196	11688/2009	09-01 G	326164	11622/2009
06-01 G	326176	11649/2009	09-01 H	326329	11804/2009
06-03 A	326167	11653/2009	09-01 NES	326306	11741/2009
06-04 NES	326249	11358/2009	09-03 H	326134	11603/2009
06-07	326148	11609/2009	09-03 H	326137	11339/2009
06-08	326162	11385/2009	09-03 K	326201	11693/2009
06-11	326131	11600/2009	09-03 M	326139	11641/2009
06-11	326132	11601/2009	09-03 M	326208	14553/2008
06-11	326133	11602/2009	09-03 M	326209	14554/2008
06-13 B	326135	11832/2009	09-03 M	326223	11683/2009
07-01 NES	326207	11676/2009	09-03 NES	326127	11615/2009
07-02 B	326198	11691/2009	09-07 B	326316	11773/2009
07-02 B	326199	11986/2009	09-07 C	326336	12086/2009
07-02 B	326200	11692/2009	09-07 C	326337	12087/2009
07-02 E	326158	11628/2009	09-07 NES	326175	11648/2009
07-02 E	326313	11784/2009	09-99	326149	11610/2009
07-05 E	326232	11723/2009	09-99	326150	11611/2009
07-06 A	326197	11689/2009	10-02	326138	11640/2009
08-01	326129	11617/2009	10-02	326155	11637/2009
08-01	326130	11618/2009	10-02	326156	11638/2009
08-03	326212	11877/2009	10-02	326157	11639/2009
08-03	326213	11878/2009	12-05	326128	11616/2009
08-05 F	326346	11819/2009	12-08	326255	11735/2009
08-05 M	326246	11776/2009	12-10	326244	11715/2009
08-05 M	326247	11777/2009	12-10	326245	11716/2009
08-05 M	326264	11778/2009	12-11	326177	11650/2009
08-05 NES	326171	11659/2009	12-15 A	326210	15706/2008

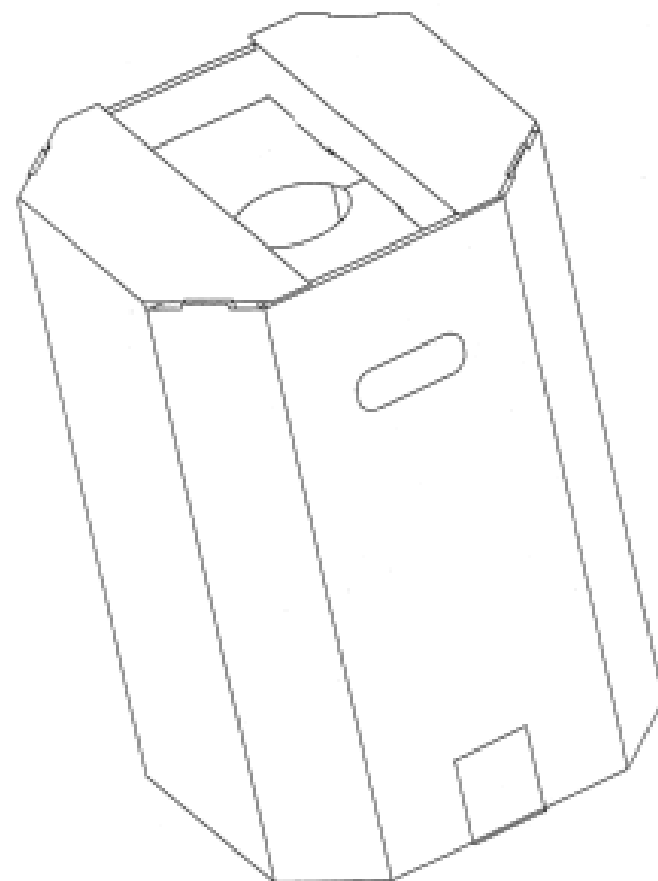
Registration Proceedings - Class Listing of Designs Published or Registered cont'd

Classification	Registration Number	Design Number	Classification	Registration Number	Design Number
12-15 A	326211	15708/2008	18-01	326195	11687/2009
12-15 A	326218	11697/2009	18-01	326225	11685/2009
12-15 A	326237	11706/2009	18-01	326238	11707/2009
12-16 B	326153	11635/2009	19-02	326165	11453/2009
12-16 B	326154	11636/2009	19-02	326166	11970/2009
12-16 B	326161	11357/2009	19-08	326345	11802/2009
12-16 B	326222	11591/2009	20-02 NES	326224	11684/2009
12-16 B	326254	11734/2009	21-01 B	326331	11807/2009
12-16 H	326340	11796/2009	21-01 C	326330	11806/2009
12-16 L	326226	11717/2009	21-01 M	326189	11787/2009
12-16 L	326227	11718/2009	21-01 N	326243	11714/2009
12-16 L	326228	11719/2009	21-02 C	326170	11658/2009
12-16 L	326229	11720/2009	23-01 A	326136	10823/2009
12-16 L	326230	11721/2009	23-01 G	326306	11741/2009
12-16 L	326231	11722/2009	23-01 H	326318	11775/2009
12-16 L	326244	11715/2009	23-01 L	326126	15959/2008
12-16 L	326245	11716/2009	23-02 A	326217	11328/2009
12-16 NES	326263	11811/2009	23-02 C	326333	11944/2009
12-16 NES	326338	11794/2009	23-04	326307	11753/2009
12-16 NES	326339	11795/2009	24-01	326178	11651/2009
12-16 NES	326341	11797/2009	24-02	326168	11656/2009
12-16 NES	326342	11798/2009	25-01 A	326151	11633/2009
13-02	326172	11490/2009	25-01 A	326152	11634/2009
13-02	326173	11973/2009	25-01 A	326159	11630/2009
13-02	326174	11974/2009	25-01 A	326160	11632/2009
13-02	326343	11800/2009	25-01 C	326140	11645/2009
13-02	326344	11801/2009	25-01 D	326163	11620/2009
14-01	326308	11779/2009	25-01 D	326186	11362/2009
14-01	326309	11780/2009	25-01 D	326251	15831/2008
14-01	326310	11781/2009	25-01 D	326252	15832/2008
14-01	326311	11782/2009	25-01 F	326258	11730/2009
14-01	326312	11783/2009	25-01 K	326253	10819/2009
14-02	326172	11490/2009	25-01 K	326260	11731/2009
14-02	326173	11973/2009	25-01 K	326261	11732/2009
14-02	326174	11974/2009	25-01 K	326262	11733/2009
14-03 NES	326256	11478/2009	26-05 C	326185	10826/2009
15-05	326249	11358/2009	28-99	326169	11657/2009
15-05	326250	11359/2009	30-99	326235	11726/2009
15-05	326259	11597/2009	31-00	326257	11729/2009
15-99	326304	11736/2009	31-00	326315	11772/2009
15-99	326305	11737/2009	31-00	326316	11773/2009
16-02	326239	11710/2009	31-00	326317	11774/2009
16-02	326240	11711/2009			
16-02	326241	11712/2009			
16-02	326242	11713/2009			

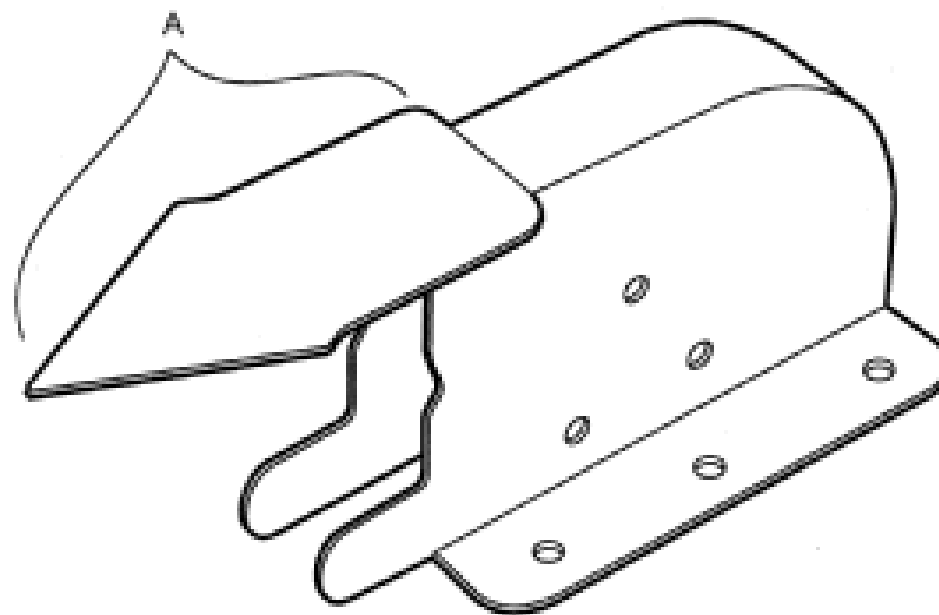
- (21) Design Number: **15959/2008**
(22) Date of Filing Application: **18 December 2008**
(24) Date from which industrial property rights may have effect: **18 December 2008**
(54) Product in respect of which the design is registered: **Shallow drainage channel**
(51) International Design Classification: **23-01L**
(71) Name(s) and Address(s) of Applicant(s):
ReIn Pty Limited
14B Williamson Road Ingleburn New South Wales 2565 Australia
(72) Name(s) of Designer(s): **Luke Nigel Natrass and Owen Edward Luke**
(45) Registration Date: **29 May 2009**
(56) Related Art Documents: **Not Applicable**
(57) Statement of Newness and Distinctiveness: **Nil**



- (21) Design Number: **11615/2009**
(22) Date of Filing Application: **06 May 2009**
(24) Date from which industrial property rights may have effect: **06 May 2009**
(54) Product in respect of which the design is registered: **Carton for protecting plastic beer keg**
(51) International Design Classification: **09-03NES**
(71) Name(s) and Address(s) of Applicant(s):
Visy R & D Pty Ltd
Level 11 2 Southbank Boulevard Southbank Victoria 3006 Australia
(72) Name(s) of Designer(s): **Justin Stanwix**
(45) Registration Date: **29 May 2009**
(56) Related Art Documents: **Not Applicable**
(57) Statement of Newness and Distinctiveness: **Newness and distinctiveness is claimed in the shape or configuration of a carton for protecting a plastic container for beer while in transit, and a blank for forming same, as illustrated in the accompanying representations.**



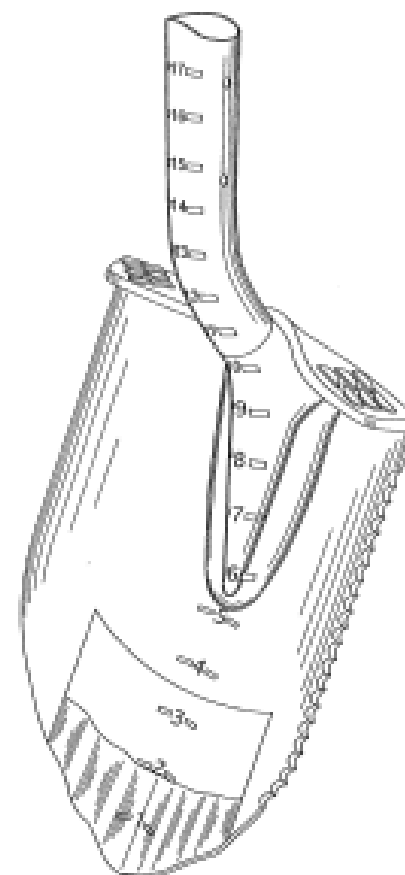
(21) Design Number: **11616/2009**
 (22) Date of Filing Application: **06 May 2009**
 (24) Date from which industrial property rights may have effect: **06 May 2009**
 (54) Product in respect of which the design is registered: **Pulley support housing**
 (51) International Design Classification: **12-05**
 (71) Name(s) and Address(s) of Applicant(s):
Lyndon Mayfield Brown
52 The Esplanade Peppermint Grove Western Australia 6011 Australia
 (72) Name(s) of Designer(s): **Lyndon Mayfield Brown**
 (45) Registration Date: **29 May 2009**
 (56) Related Art Documents: **Not Applicable**
 (57) Statement of Newness and Distinctiveness: **Each feature of the design considered separately or in combination with any other feature or features. In particular the element designated A in the accompanying representations constitutes a novel feature of the design.**



(21) Design Number: **11617/2009**
 (22) Date of Filing Application: **06 May 2009**
 (24) Date from which industrial property rights may have effect: **06 May 2009**
 (54) Product in respect of which the design is registered: **Blade for round point shovel**
 (51) International Design Classification: **08-01**
 (71) Name(s) and Address(s) of Applicant(s):
Ames True Temper, Inc.
465 Railroad Avenue Camp Hill PA 17011 United States of America
 (72) Name(s) of Designer(s): **Maureen Elizabeth Carroll**
 (45) Registration Date: **29 May 2009**
 (30) Convention priority data:

(31) Number	(32) Date	(33) Country
29/330,069	29 Dec 2008	UNITED STATES OF AMERICA

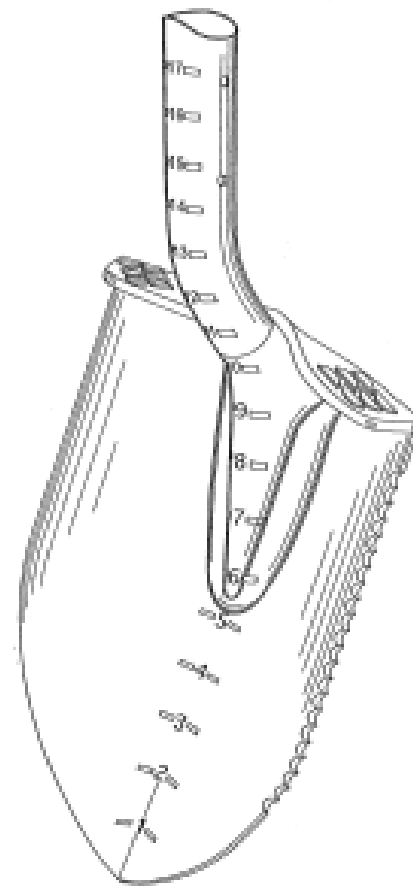
 (56) Related Art Documents: **Not Applicable**
 (57) Statement of Newness and Distinctiveness: **Nil**



(21) Design Number: **11618/2009**
 (22) Date of Filing Application: **06 May 2009**
 (24) Date from which industrial property rights may have effect: **06 May 2009**
 (54) Product in respect of which the design is registered: **Blade for a round point shovel**
 (51) International Design Classification: **08-01**
 (71) Name(s) and Address(s) of Applicant(s):
Ames True Temper, Inc.
465 Railroad Avenue Camp Hill PA 17011 United States of America
 (72) Name(s) of Designer(s): **Maureen Elizabeth Carroll**
 (45) Registration Date: **29 May 2009**
 (30) Convention priority data:

(31) Number	(32) Date	(33) Country
29/329,258	11 Dec 2008	UNITED STATES OF AMERICA

 (56) Related Art Documents: **Not Applicable**
 (57) Statement of Newness and Distinctiveness: **Nil**



(21) Design Number: **11600/2009**
 (22) Date of Filing Application: **05 May 2009**
 (24) Date from which industrial property rights may have effect: **05 May 2009**
 (54) Product in respect of which the design is registered: **Covering**
 (51) International Design Classification: **05-05B, 06-11**
 (71) Name(s) and Address(s) of Applicant(s):
Chilewich Sultan LLC
44 East 32nd Street New York New York 10016 United States of America
 (72) Name(s) of Designer(s): **Sandra Chilewich**
 (45) Registration Date: **29 May 2009**
 (56) Related Art Documents: **Not Applicable**
 (57) Statement of Newness and Distinctiveness: **Newness and distinctiveness reside in the repetitive pattern of the design for a covering of one or more indefinite dimensions as shown in the accompanying representations.**



- (21) Design Number: **11601/2009**
(22) Date of Filing Application: **05 May 2009**
(24) Date from which industrial property rights may have effect: **05 May 2009**
(54) Product in respect of which the design is registered: **Covering**
(51) International Design Classification: **05-05NES, 06-11**
(71) Name(s) and Address(s) of Applicant(s):
Chilewich Sultan LLC
44 East 32nd Street New York New York 10016 United States of America
(72) Name(s) of Designer(s): **Sandra Chilewich**
(45) Registration Date: **29 May 2009**
(56) Related Art Documents: **Not Applicable**
(57) Statement of Newness and Distinctiveness: **Newness and distinctiveness reside in the repetitive pattern of the design for a covering of one or more indefinite dimensions as shown in the accompanying representations.**



- (21) Design Number: **11602/2009**
(22) Date of Filing Application: **05 May 2009**
(24) Date from which industrial property rights may have effect: **05 May 2009**
(54) Product in respect of which the design is registered: **Covering**
(51) International Design Classification: **05-05NES, 06-11**
(71) Name(s) and Address(s) of Applicant(s):
Chilewich Sultan LLC
44 East 32nd Street New York New York 10016 United States of America
(72) Name(s) of Designer(s): **Sandra Chilewich**
(45) Registration Date: **29 May 2009**
(56) Related Art Documents: **Not Applicable**
(57) Statement of Newness and Distinctiveness: **Newness and distinctiveness reside in the repetitive pattern of the design for a covering of one or more indefinite dimensions as shown in the accompanying representations.**



(21) Design Number: **11603/2009**

(22) Date of Filing Application: **05 May 2009**

(24) Date from which industrial property rights may have effect: **05 May 2009**

(54) Product in respect of which the design is registered: **Pizza box support and divider**

(51) International Design Classification: **09-03H**

(71) Name(s) and Address(s) of Applicant(s):

Peter Burak

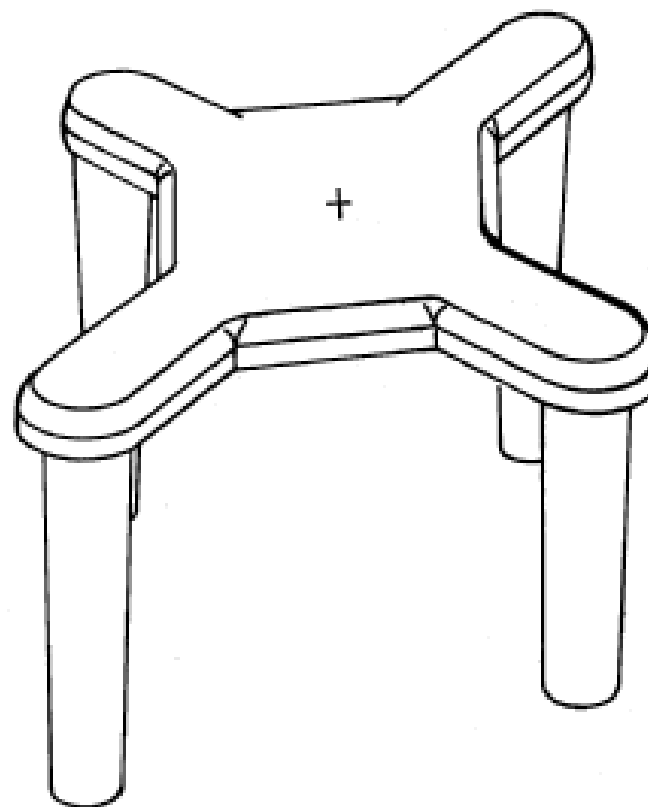
Unit 2/101 Spring Street Queenstown South Australia 5014 Australia

(72) Name(s) of Designer(s): **Peter Burak**

(45) Registration Date: **29 May 2009**

(56) Related Art Documents: **Not Applicable**

(57) Statement of Newness and Distinctiveness: **The new features of the design are the shape, size and configuration of the cross shaped pizza holder allowing the product to support, divide, and pose no safety hazard in being used as a pizza box support and divider. The cross shape also helps to visually divide the pizza into four sections.**



(21) Design Number: **11832/2009**

(22) Date of Filing Application: **21 May 2009**

(24) Date from which industrial property rights may have effect: **21 May 2009**

(54) Product in respect of which the design is registered: **Prestige twin layer mattress topper**

(51) International Design Classification: **06-13B**

(71) Name(s) and Address(s) of Applicant(s):

Prestige Pillows & Linen Pty Ltd

Unit 7/65 Torrens Street Braddon ACT 2612 Australia

(72) Name(s) of Designer(s): **Robert Turch**

(45) Registration Date: **29 May 2009**

(56) Related Art Documents: **Not Applicable**

(57) Statement of Newness and Distinctiveness: **2 PART 2 LAYER**



(21) Design Number: **10823/2009**

(22) Date of Filing Application: **16 March 2009**

(24) Date from which industrial property rights may have effect: **16 March 2009**

(54) Product in respect of which the design is registered: **Shower assembly connector**

(51) International Design Classification: **23-01A**

(71) Name(s) and Address(s) of Applicant(s):

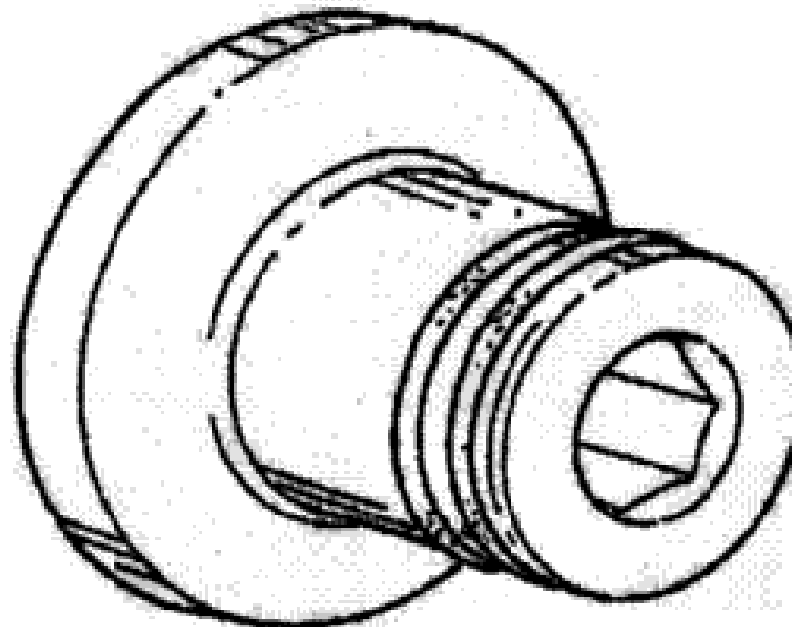
**Novetec Building Products Pty Ltd
4 Collingwood Street Osborne Park Western Australia 6017 Australia**

(72) Name(s) of Designer(s): **Armando Rigo**

(45) Registration Date: **01 June 2009**

(56) Related Art Documents: **Not Applicable**

(57) Statement of Newness and Distinctiveness: **The particular visual features of the design which are new and distinctive are shape OR configuration.**



(21) Design Number: **11339/2009**

(22) Date of Filing Application: **20 April 2009**

(24) Date from which industrial property rights may have effect: **20 April 2009**

(54) Product in respect of which the design is registered: **Silicone liner**

(51) International Design Classification: **09-03H**

(71) Name(s) and Address(s) of Applicant(s):

**The Decor Corporation Pty Ltd
1314 Ferntree Gully Road Scoresby Victoria 3179 Australia**

(72) Name(s) of Designer(s): **Arthur Richard Carlson**

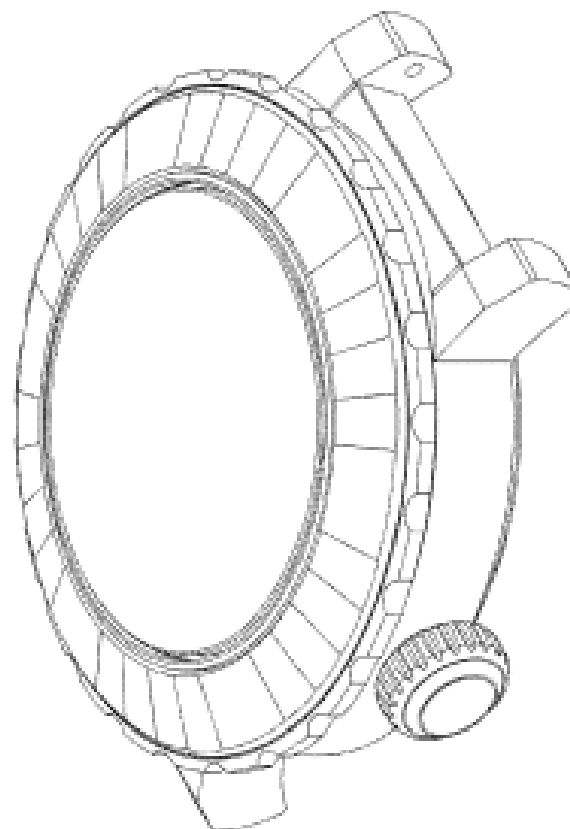
(45) Registration Date: **01 June 2009**

(56) Related Art Documents: **Not Applicable**

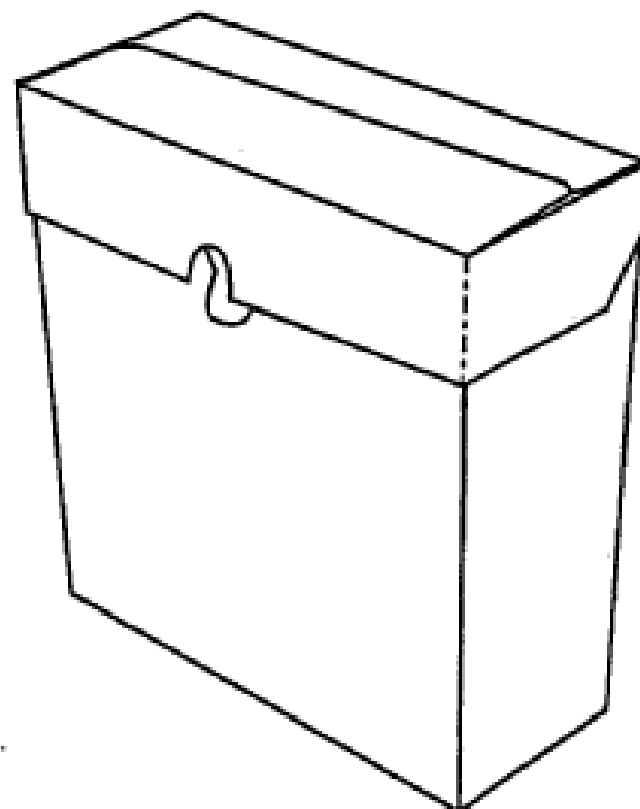
(57) Statement of Newness and Distinctiveness: **Nil**



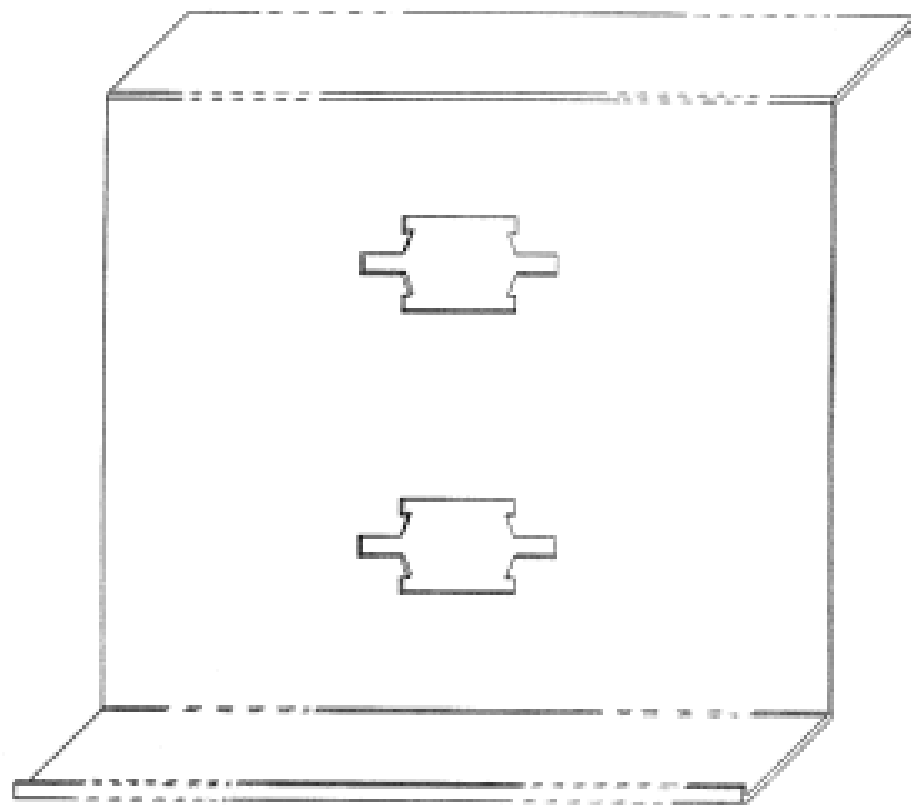
(21) Design Number: **11640/2009**
(22) Date of Filing Application: **07 May 2009**
(24) Date from which industrial property rights may have effect: **07 May 2009**
(54) Product in respect of which the design is registered: **Wrist watch**
(51) International Design Classification: **10-02**
(71) Name(s) and Address(s) of Applicant(s):
Swarovski Aktiengesellschaft
Droschistrasse 15 FL-9495 Triesen Liechtenstein
(72) Name(s) of Designer(s): **Xavier Perrenoud**
(45) Registration Date: **01 June 2009**
(30) Convention priority data:
(31) Number (32) Date (33) Country
1060966-0002 22 Dec 2008 EUROPEAN COMMUNITY
(56) Related Art Documents: **Not Applicable**
(57) Statement of Newness and Distinctiveness: **Nil**



(21) Design Number: **11641/2009**
(22) Date of Filing Application: **07 May 2009**
(24) Date from which industrial property rights may have effect: **07 May 2009**
(54) Product in respect of which the design is registered: **Carton with re-closable lid**
(51) International Design Classification: **09-03M**
(71) Name(s) and Address(s) of Applicant(s):
Visy R & D Pty Ltd
Level 11 2 Southbank Boulevard Southbank Victoria 3006 Australia
(72) Name(s) of Designer(s): **Tony Guy and Philip Missen**
(45) Registration Date: **01 June 2009**
(56) Related Art Documents: **Not Applicable**
(57) Statement of Newness and Distinctiveness: **Newness and distinctiveness is claimed in the shape or configuration of a carton with a re-closable lid, and a blank for forming same, as illustrated in the accompanying representations.**



- (21) Design Number: **11645/2009**
(22) Date of Filing Application: **07 May 2009**
(24) Date from which industrial property rights may have effect: **07 May 2009**
(54) Product in respect of which the design is registered: **Purlin**
(51) International Design Classification: **25-01C**
(71) Name(s) and Address(s) of Applicant(s):
Mario Hurst
2844 Wylara Way Hope Island Queensland 4212 Australia
(72) Name(s) of Designer(s): **Mario Hurst**
(45) Registration Date: **01 June 2009**
(56) Related Art Documents: **Not Applicable**
(57) Statement of Newness and Distinctiveness: **Newness and distinctiveness are claimed in the shape and configuration of the purlin of indefinite length depicted in the accompanying illustration.**



- (21) Design Number: **11647/2009**
(22) Date of Filing Application: **30 April 2009**
(24) Date from which industrial property rights may have effect: **30 April 2009**
(54) Product in respect of which the design is registered: **Ladder clamps**
(51) International Design Classification: **08-06**
(71) Name(s) and Address(s) of Applicant(s):
Lee Amos
10-12 Sandstone Road Greenbank Queensland 4124 Australia
Corie Braun
10-12 Sandstone Road Greenbank Queensland 4124 Australia
(72) Name(s) of Designer(s): **Lee Amos and Corie Braun**
(45) Registration Date: **01 June 2009**
(56) Related Art Documents: **Not Applicable**
(57) Statement of Newness and Distinctiveness: **The new features of this handle is the bend at each end of of the bar for quicker revolutions in tightening and loosening process.**



(21) Design Number: **11666/2009**

(22) Date of Filing Application: **08 May 2009**

(24) Date from which industrial property rights may have effect: **08 May 2009**

(54) Product in respect of which the design is registered: **Bicycle rack**

(51) International Design Classification: **08-10**

(71) Name(s) and Address(s) of Applicant(s):

Agwill Pty Ltd

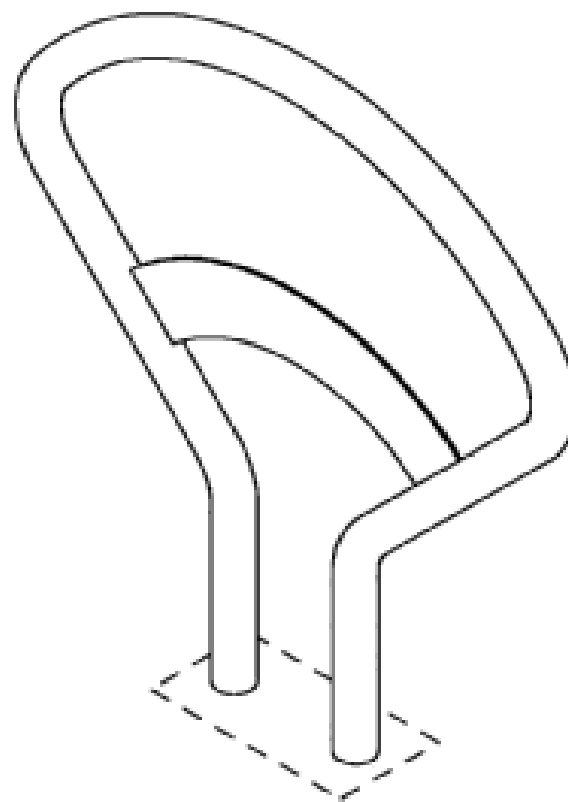
8-10 Giffard Street Silverwater New South Wales 2128 Australia

(72) Name(s) of Designer(s): **Martyn Stanley Wilson**

(45) Registration Date: **01 June 2009**

(56) Related Art Documents: **Not Applicable**

(57) Statement of Newness and Distinctiveness: **The shape and configuration of the bicycle rack as shown in the representations is claimed as new and distinctive. No claim is made in the shape of the fixing (foot) portion of the bicycle rack shown in the dotted outline.**



(21) Design Number: **11667/2009**

(22) Date of Filing Application: **08 May 2009**

(24) Date from which industrial property rights may have effect: **08 May 2009**

(54) Product in respect of which the design is registered: **Bicycle rack**

(51) International Design Classification: **08-10**

(71) Name(s) and Address(s) of Applicant(s):

Agwill Pty Ltd

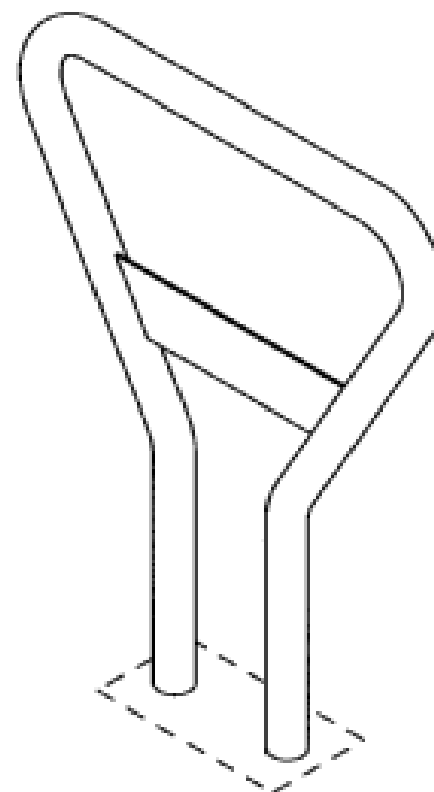
8-10 Giffard Street Silverwater New South Wales 2128 Australia

(72) Name(s) of Designer(s): **Martyn Stanley Wilson**

(45) Registration Date: **01 June 2009**

(56) Related Art Documents: **Not Applicable**

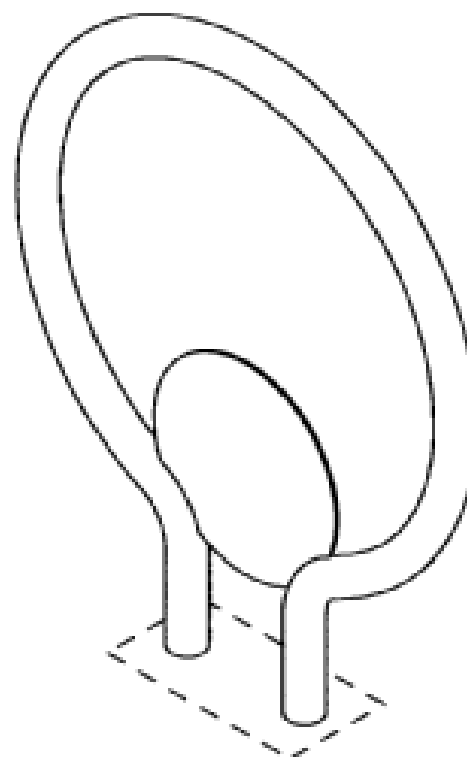
(57) Statement of Newness and Distinctiveness: **The shape and configuration of the bicycle rack as shown in the representations is claimed as new and distinctive. No claim is made in the shape of the fixing (foot) portion of the bicycle rack shown in the dotted outline.**



- (21) Design Number: **11668/2009**
- (22) Date of Filing Application: **08 May 2009**
- (24) Date from which industrial property rights may have effect: **08 May 2009**
- (54) Product in respect of which the design is registered: **Bicycle rack**
- (51) International Design Classification: **08-10**
- (71) Name(s) and Address(s) of Applicant(s):

Agwill Pty Ltd
8-10 Giffard Street Silverwater New South Wales 2128 Australia

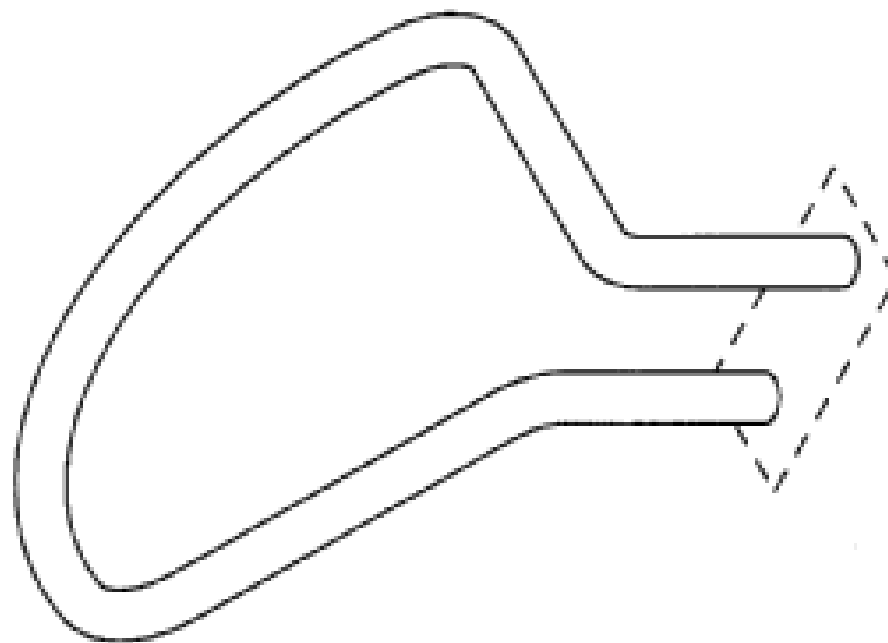
- (72) Name(s) of Designer(s): **Martyn Stanley Wilson**
- (45) Registration Date: **01 June 2009**
- (56) Related Art Documents: **Not Applicable**
- (57) Statement of Newness and Distinctiveness: **The shape and configuration of the bicycle rack as shown in the representations is claimed as new and distinctive. No claim is made in the shape of the fixing (foot) portion of the bicycle rack shown in the dotted outline.**



- (21) Design Number: **11669/2009**
- (22) Date of Filing Application: **08 May 2009**
- (24) Date from which industrial property rights may have effect: **08 May 2009**
- (54) Product in respect of which the design is registered: **Bicycle rack**
- (51) International Design Classification: **08-10**
- (71) Name(s) and Address(s) of Applicant(s):

Agwill Pty Ltd
8-10 Giffard Street Silverwater New South Wales 2128 Australia

- (72) Name(s) of Designer(s): **Martyn Stanley Wilson**
- (45) Registration Date: **01 June 2009**
- (56) Related Art Documents: **Not Applicable**
- (57) Statement of Newness and Distinctiveness: **The shape and configuration of the bicycle rack as shown in the representations is claimed as new and distinctive. No claim is made in the shape of the fixing (foot) portion of the bicycle rack shown in the dotted outline.**



(21) Design Number: **11670/2009**

(22) Date of Filing Application: **08 May 2009**

(24) Date from which industrial property rights may have effect: **08 May 2009**

(54) Product in respect of which the design is registered: **Bicycle rack**

(51) International Design Classification: **08-10**

(71) Name(s) and Address(s) of Applicant(s):

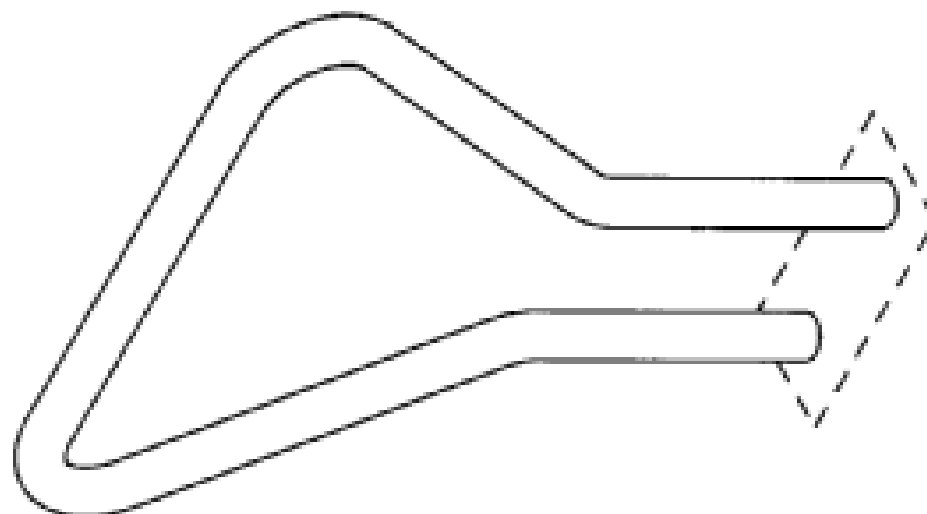
Agwill Pty Ltd
8-10 Giffard Street Silverwater New South Wales 2128 Australia

(72) Name(s) of Designer(s): **Martyn Stanley Wilson**

(45) Registration Date: **01 June 2009**

(56) Related Art Documents: **Not Applicable**

(57) Statement of Newness and Distinctiveness: **The shape and configuration of the bicycle rack as shown in the representations is claimed as new and distinctive. No claim is made in the shape of the fixing (foot) portion of the bicycle rack shown in the dotted outline.**



(21) Design Number: **11671/2009**

(22) Date of Filing Application: **08 May 2009**

(24) Date from which industrial property rights may have effect: **08 May 2009**

(54) Product in respect of which the design is registered: **Bicycle rack**

(51) International Design Classification: **08-10**

(71) Name(s) and Address(s) of Applicant(s):

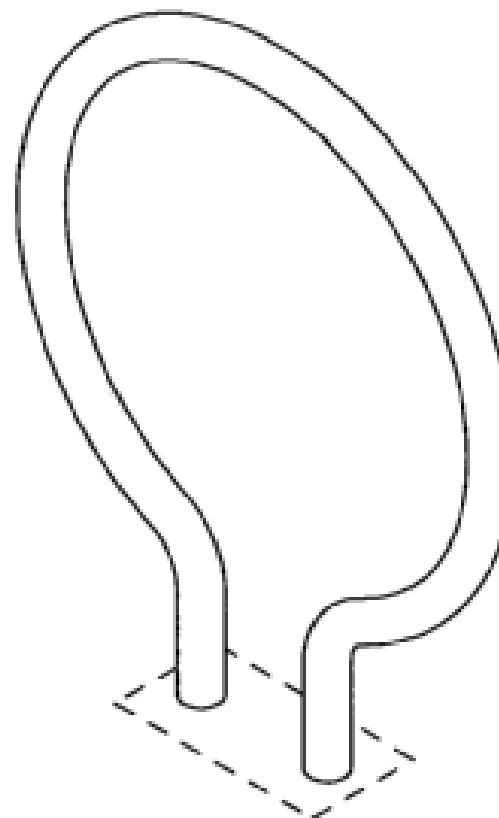
Agwill Pty Ltd
8-10 Giffard Street Silverwater New South Wales 2128 Australia

(72) Name(s) of Designer(s): **Martyn Stanley Wilson**

(45) Registration Date: **01 June 2009**

(56) Related Art Documents: **Not Applicable**

(57) Statement of Newness and Distinctiveness: **The shape and configuration of the bicycle rack as shown in the representations is claimed as new and distinctive. No claim is made in the shape of the fixing (foot) portion of the bicycle rack shown in the dotted outline.**



(21) Design Number: **11609/2009**

(22) Date of Filing Application: **07 May 2009**

(24) Date from which industrial property rights may have effect: **07 May 2009**

(54) Product in respect of which the design is registered: **Photo block/frame**

(51) International Design Classification: **06-07**

(71) Name(s) and Address(s) of Applicant(s):

Julian Rhodes

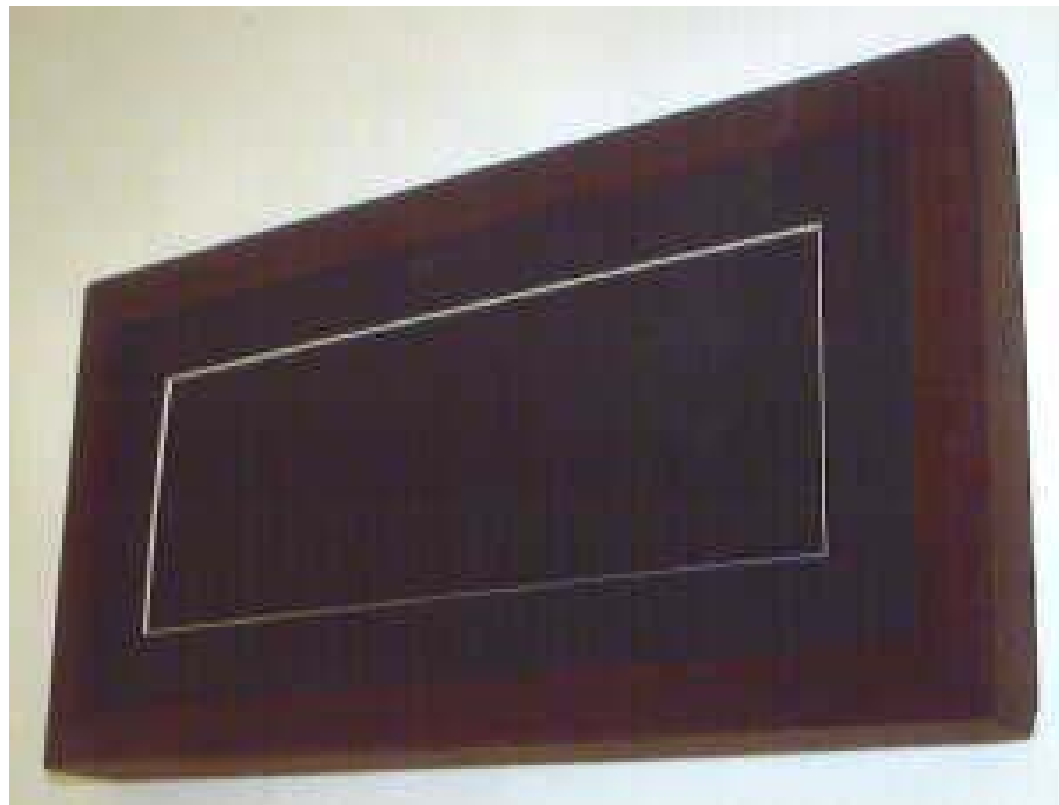
77B Quarry Street Fremantle Western Australia 6160 Australia

(72) Name(s) of Designer(s): **Julian Rhodes**

(45) Registration Date: **01 June 2009**

(56) Related Art Documents: **Not Applicable**

(57) Statement of Newness and Distinctiveness: **Dual mounting system with wall or desk mounting available. Back stand - removable dowel rod. Unique framed block shape. Mounts flush to wall.**



(21) Design Number: **11610/2009**

(22) Date of Filing Application: **06 May 2009**

(24) Date from which industrial property rights may have effect: **06 May 2009**

(54) Product in respect of which the design is registered: **Insert**

(51) International Design Classification: **09-99**

(71) Name(s) and Address(s) of Applicant(s):

Anchor Form Pty Ltd

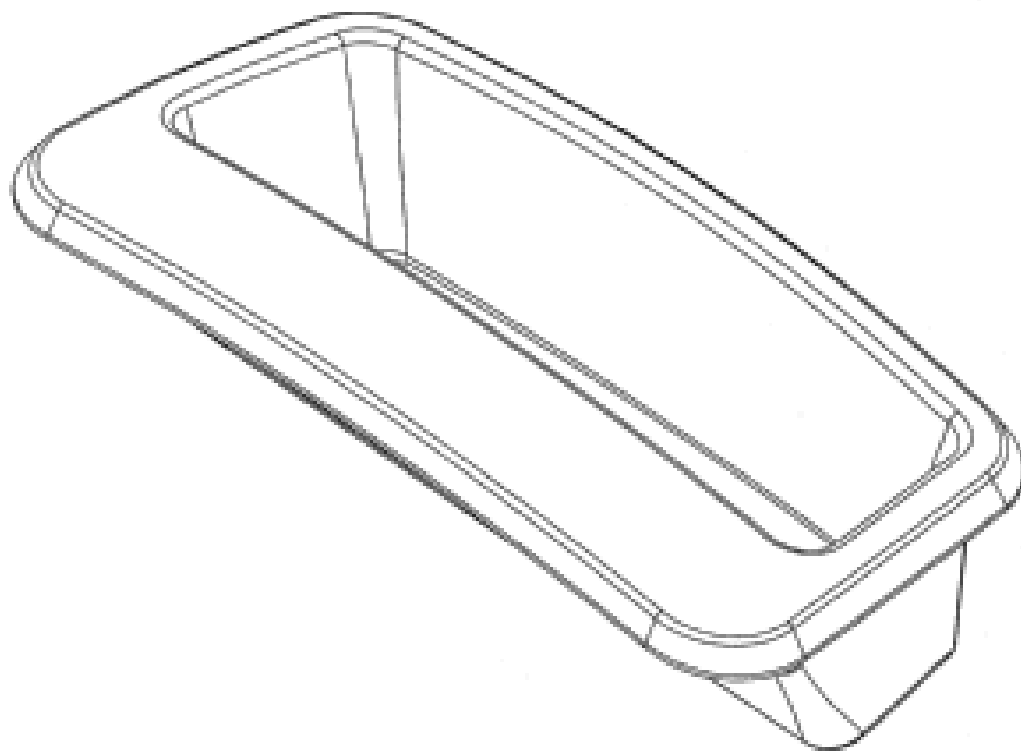
79 Williams Road Swan Hill Victoria 3585 Australia

(72) Name(s) of Designer(s): **David Steele and Angus McDonald**

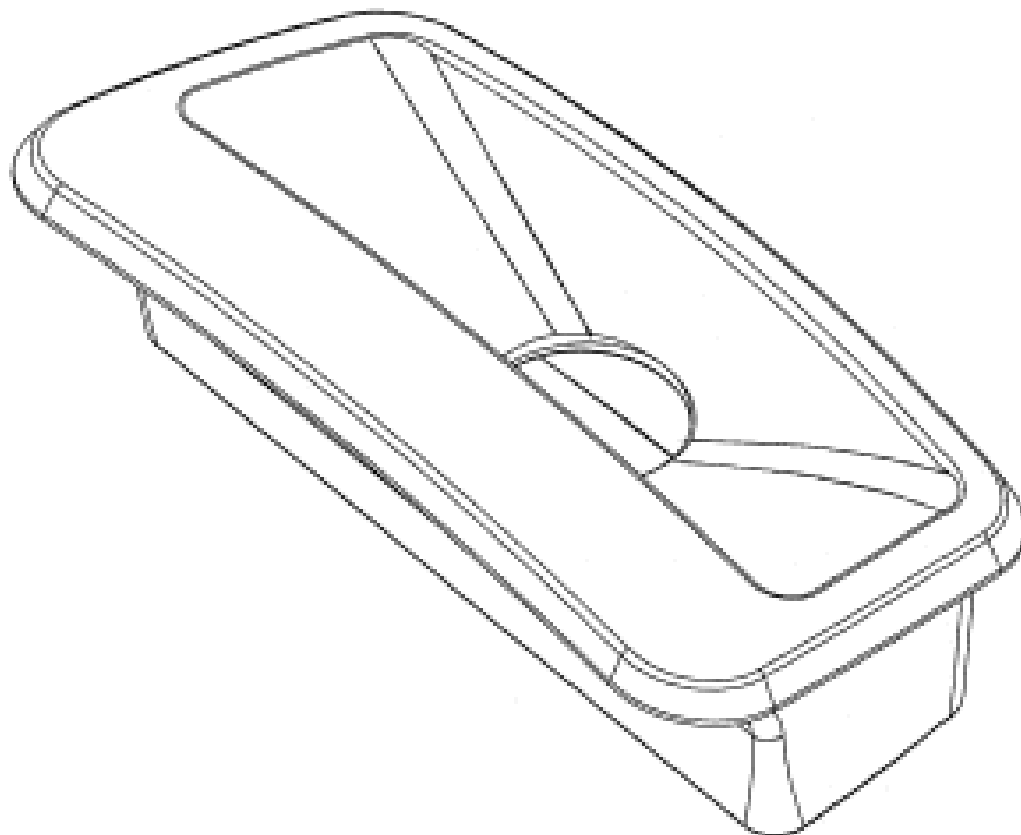
(45) Registration Date: **01 June 2009**

(56) Related Art Documents: **Not Applicable**

(57) Statement of Newness and Distinctiveness: **Those features of the insert depicted in the representations that are new and distinctive are the shape and/or configuration.**



- (21) Design Number: **11611/2009**
- (22) Date of Filing Application: **06 May 2009**
- (24) Date from which industrial property rights may have effect: **06 May 2009**
- (54) Product in respect of which the design is registered: **Insert**
- (51) International Design Classification: **09-99**
- (71) Name(s) and Address(s) of Applicant(s):
Anchor Form Pty Ltd
79 Williams Road Swan Hill Victoria 3585 Australia
- (72) Name(s) of Designer(s): **David Steele and Angus McDonald**
- (45) Registration Date: **01 June 2009**
- (56) Related Art Documents: **Not Applicable**
- (57) Statement of Newness and Distinctiveness: **Those features of the insert depicted in the representations that are new and distinctive are the shape and/or configuration.**



- (21) Design Number: **11633/2009**
- (22) Date of Filing Application: **08 May 2009**
- (24) Date from which industrial property rights may have effect: **08 May 2009**
- (54) Product in respect of which the design is registered: **Paver**
- (51) International Design Classification: **25-01A**
- (71) Name(s) and Address(s) of Applicant(s):
Phillip Edwin Grainger
5 Augusta Court Connolly Western Australia 6025 Australia
- (72) Name(s) of Designer(s): **Phillip Edwin Grainger**
- (45) Registration Date: **01 June 2009**
- (56) Related Art Documents: **Not Applicable**
- (57) Statement of Newness and Distinctiveness: **The particular visual features of the design which are new and distinctive are shape or configuration. Colour is not an aspect of the design.**



- (21) Design Number: **11634/2009**
(22) Date of Filing Application: **08 May 2009**
(24) Date from which industrial property rights may have effect: **08 May 2009**
(54) Product in respect of which the design is registered: **Paver**
(51) International Design Classification: **25-01A**
(71) Name(s) and Address(s) of Applicant(s):
Phillip Edwin Grainger
5 Augusta Court Connolly Western Australia 6025 Australia
(72) Name(s) of Designer(s): **Phillip Edwin Grainger**
(45) Registration Date: **01 June 2009**
(56) Related Art Documents: **Not Applicable**
(57) Statement of Newness and Distinctiveness: **The particular visual features of the design which are new and distinctive are shape or configuration. Colour is not an aspect of the design.**



- (21) Design Number: **11635/2009**
(22) Date of Filing Application: **07 May 2009**
(24) Date from which industrial property rights may have effect: **07 May 2009**
(54) Product in respect of which the design is registered: **Vehicle fascia**
(51) International Design Classification: **12-16B**
(71) Name(s) and Address(s) of Applicant(s):
GM Global Technology Operations, Inc
300 Renaissance Center Detroit Michigan 48265-3000 United States of America
(72) Name(s) of Designer(s): **Adam Dean Smith**
(45) Registration Date: **01 June 2009**
(56) Related Art Documents: **Not Applicable**
(57) Statement of Newness and Distinctiveness: **Newness and distinctiveness is claimed in the shape and/or configuration of a vehicle fascia as shown in the accompanying representations.**



(21) Design Number: **11636/2009**

(22) Date of Filing Application: **07 May 2009**

(24) Date from which industrial property rights may have effect: **07 May 2009**

(54) Product in respect of which the design is registered: **Vehicle fascia**

(51) International Design Classification: **12-16B**

(71) Name(s) and Address(s) of Applicant(s):

**GM Global Technology Operations, Inc
300 Renaissance Center Detroit Michigan 48265-3000 United States of
America**

(72) Name(s) of Designer(s): **Julian Mark Quincey**

(45) Registration Date: **01 June 2009**

(56) Related Art Documents: **Not Applicable**

(57) Statement of Newness and Distinctiveness: **Newness and distinctiveness is claimed in the shape and/or configuration of a vehicle fascia as shown in the accompanying representations.**



(21) Design Number: **11637/2009**

(22) Date of Filing Application: **07 May 2009**

(24) Date from which industrial property rights may have effect: **07 May 2009**

(54) Product in respect of which the design is registered: **Wrist watch**

(51) International Design Classification: **10-02**

(71) Name(s) and Address(s) of Applicant(s):

**Swarovski Aktiengesellschaft
Droschistrasse 15 FL-9495 Triesen Liechtenstein**

(72) Name(s) of Designer(s): **Mahito Nashimoto**

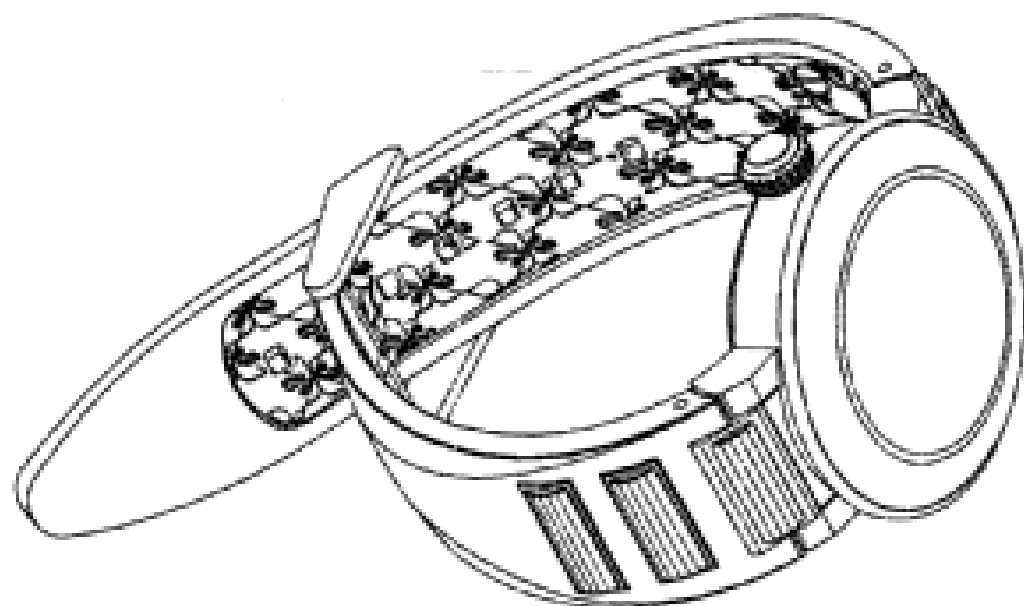
(45) Registration Date: **01 June 2009**

(30) Convention priority data:

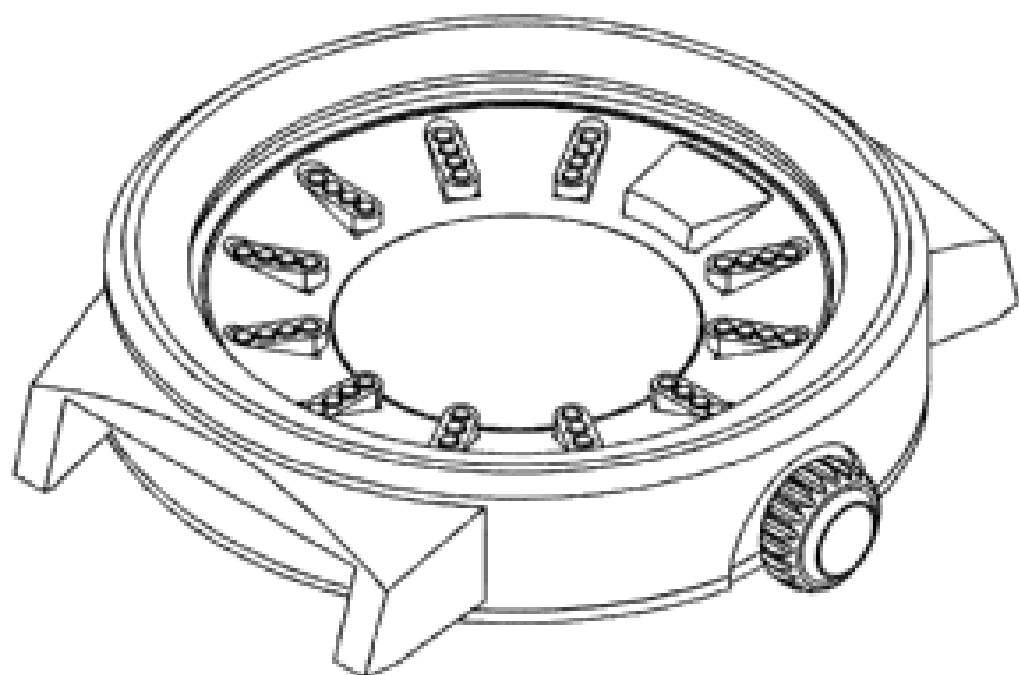
(31) Number	(32) Date	(33) Country
1060966-0006	22 Dec 2008	EUROPEAN COMMUNITY

(56) Related Art Documents: **Not Applicable**

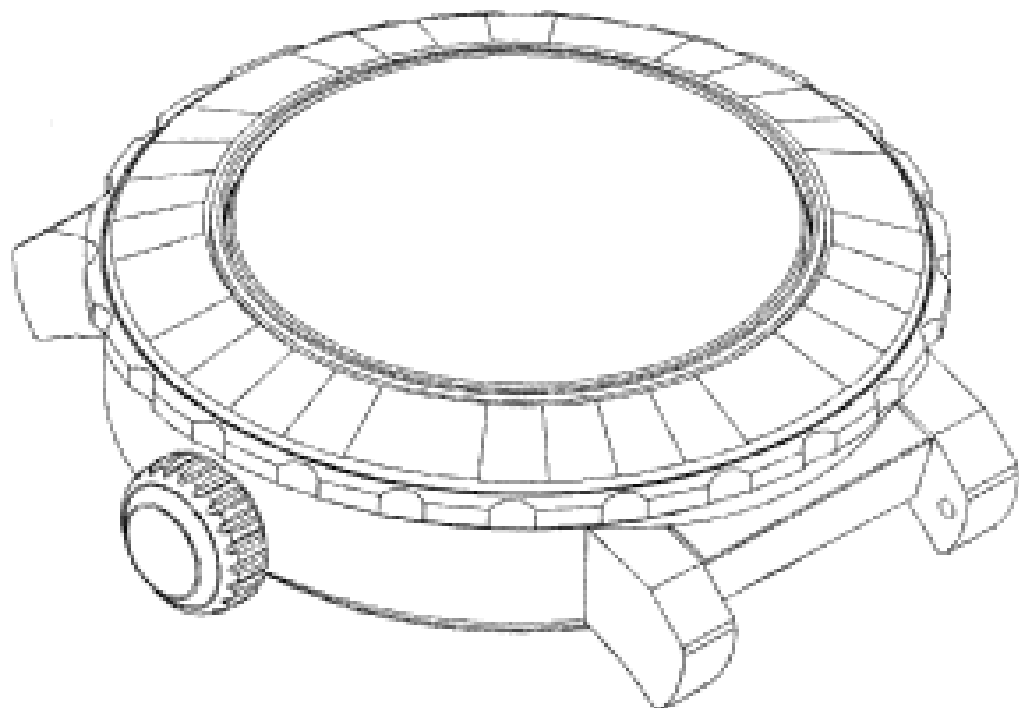
(57) Statement of Newness and Distinctiveness: **Nil**



(21) Design Number: **11638/2009**
(22) Date of Filing Application: **07 May 2009**
(24) Date from which industrial property rights may have effect: **07 May 2009**
(54) Product in respect of which the design is registered: **Wrist watch**
(51) International Design Classification: **10-02**
(71) Name(s) and Address(s) of Applicant(s):
Swarovski Aktiengesellschaft
Droschistrasse 15 FL-9495 Triesen Liechtenstein
(72) Name(s) of Designer(s): **Eric Giroud**
(45) Registration Date: **01 June 2009**
(30) Convention priority data:
(31) Number (32) Date (33) Country
1060966-0003 22 Dec 2008 EUROPEAN COMMUNITY
(56) Related Art Documents: **Not Applicable**
(57) Statement of Newness and Distinctiveness: **Nil**



(21) Design Number: **11639/2009**
(22) Date of Filing Application: **07 May 2009**
(24) Date from which industrial property rights may have effect: **07 May 2009**
(54) Product in respect of which the design is registered: **Wrist watch**
(51) International Design Classification: **10-02**
(71) Name(s) and Address(s) of Applicant(s):
Swarovski Aktiengesellschaft
Droschistrasse 15 FL-9495 Triesen Liechtenstein
(72) Name(s) of Designer(s): **Xavier Perrenoud**
(45) Registration Date: **01 June 2009**
(30) Convention priority data:
(31) Number (32) Date (33) Country
1060966-0001 22 Dec 2008 EUROPEAN COMMUNITY
(56) Related Art Documents: **Not Applicable**
(57) Statement of Newness and Distinctiveness: **Nil**



(21) Design Number: **11628/2009**

(22) Date of Filing Application: **07 May 2009**

(24) Date from which industrial property rights may have effect: **07 May 2009**

(54) Product in respect of which the design is registered: **A barbeque grill plate**

(51) International Design Classification: **07-02E**

(71) Name(s) and Address(s) of Applicant(s):

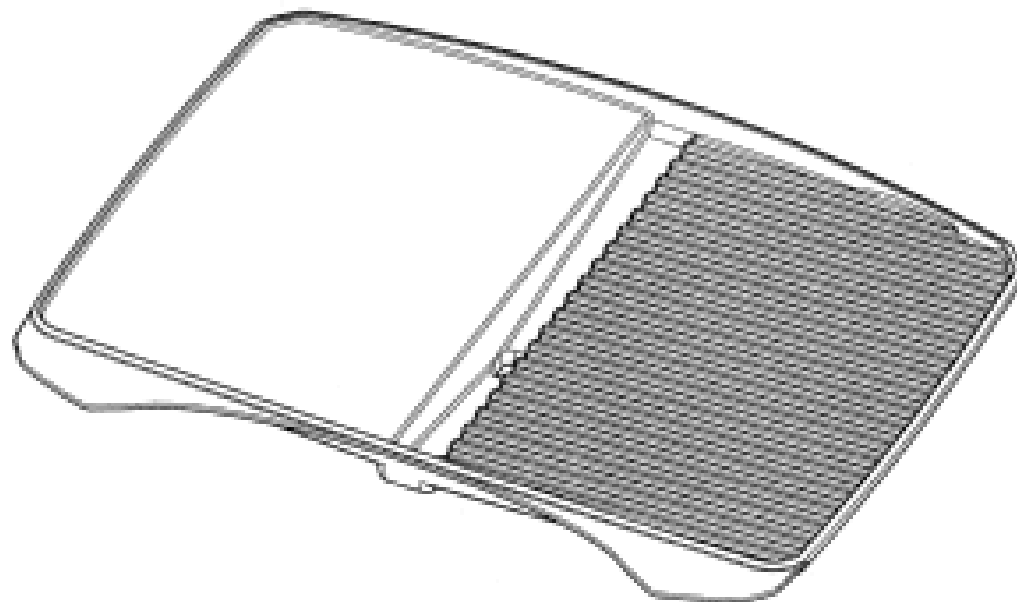
Shriro Australia Pty Limited
23-27 Chaplin Drive Lane Cove New South Wales 2066 Australia

(72) Name(s) of Designer(s): **Joshua Morabito and Joseph Ormrod**

(45) Registration Date: **01 June 2009**

(56) Related Art Documents: **Not Applicable**

(57) Statement of Newness and Distinctiveness: **Newness and distinctiveness is claimed in the features of shape and/or configuration of a barbeque grill plate as illustrated in the accompanying representations.**



(21) Design Number: **11630/2009**

(22) Date of Filing Application: **08 May 2009**

(24) Date from which industrial property rights may have effect: **08 May 2009**

(54) Product in respect of which the design is registered: **Paver mould**

(51) International Design Classification: **25-01A**

(71) Name(s) and Address(s) of Applicant(s):

Phillip Edwin Grainger
5 Augusta Court Connolly Western Australia 6025 Australia

(72) Name(s) of Designer(s): **Phillip Edwin Grainger**

(45) Registration Date: **01 June 2009**

(56) Related Art Documents: **Not Applicable**

(57) Statement of Newness and Distinctiveness: **The particular visual features of the design which are new and distinctive are shape or configuration. Colour is not an aspect of the design.**



(21) Design Number: **11632/2009**

(22) Date of Filing Application: **08 May 2009**

(24) Date from which industrial property rights may have effect: **08 May 2009**

(54) Product in respect of which the design is registered: **Paver**

(51) International Design Classification: **25-01A**

(71) Name(s) and Address(s) of Applicant(s):

Phillip Edwin Grainger
5 Augusta Court Connolly Western Australia 6025 Australia

(72) Name(s) of Designer(s): **Phillip Edwin Grainger**

(45) Registration Date: **01 June 2009**

(56) Related Art Documents: **Not Applicable**

(57) Statement of Newness and Distinctiveness: **The particular visual features of the design which are new and distinctive are shape or configuration. Colour is not an aspect of the design.**



(21) Design Number: **11357/2009**

(22) Date of Filing Application: **20 April 2009**

(24) Date from which industrial property rights may have effect: **20 April 2009**

(54) Product in respect of which the design is registered: **Lower front grill panel**

(51) International Design Classification: **12-16B**

(71) Name(s) and Address(s) of Applicant(s):

Scania CV AB (publ)
Sodertalje SE-151 87 Sweden

(72) Name(s) of Designer(s): **Pehr Soderberg and Xavier Carreras-Castro and Kristofer Hansen and Christian Henriksen and Christian Larsson**

(45) Registration Date: **01 June 2009**

(30) Convention priority data:

(31) Number	(32) Date	(33) Country
2008/0607	29 Oct 2008	SWEDEN

(56) Related Art Documents: **Not Applicable**

(57) Statement of Newness and Distinctiveness: **Nil**



(21) Design Number: **11385/2009**

(22) Date of Filing Application: **23 April 2009**

(24) Date from which industrial property rights may have effect: **23 April 2009**

(54) Product in respect of which the design is registered: **Garment hanger**

(51) International Design Classification: **06-08**

(71) Name(s) and Address(s) of Applicant(s):

**Spotless Plastics Pty Ltd.
20-26 Sullivan Street Moorabbin Victoria 3189 Australia**

(72) Name(s) of Designer(s): **Stanley F. Gouldson**

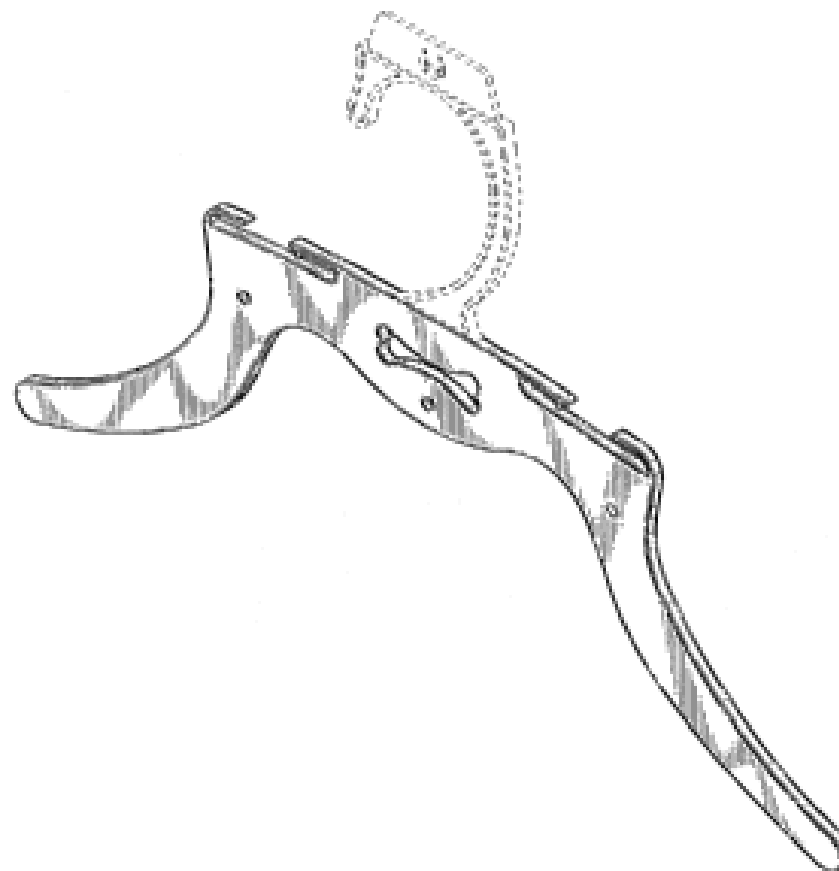
(45) Registration Date: **01 June 2009**

(30) Convention priority data:

(31) Number	(32) Date	(33) Country
29/329333	12 Dec 2008	UNITED STATES OF AMERICA

(56) Related Art Documents: **Not Applicable**

(57) Statement of Newness and Distinctiveness: **Newness and distinctiveness is claimed in the visual features shown in solid lines in the representations.**



(21) Design Number: **11620/2009**

(22) Date of Filing Application: **07 May 2009**

(24) Date from which industrial property rights may have effect: **07 May 2009**

(54) Product in respect of which the design is registered: **A panel**

(51) International Design Classification: **25-01D**

(71) Name(s) and Address(s) of Applicant(s):

**Berrich Pty Ltd
Unit 4 50 Hoopers Road Kunda Park Queensland 4556 Australia**

(72) Name(s) of Designer(s): **Ian Ritchie**

(45) Registration Date: **01 June 2009**

(56) Related Art Documents: **Not Applicable**

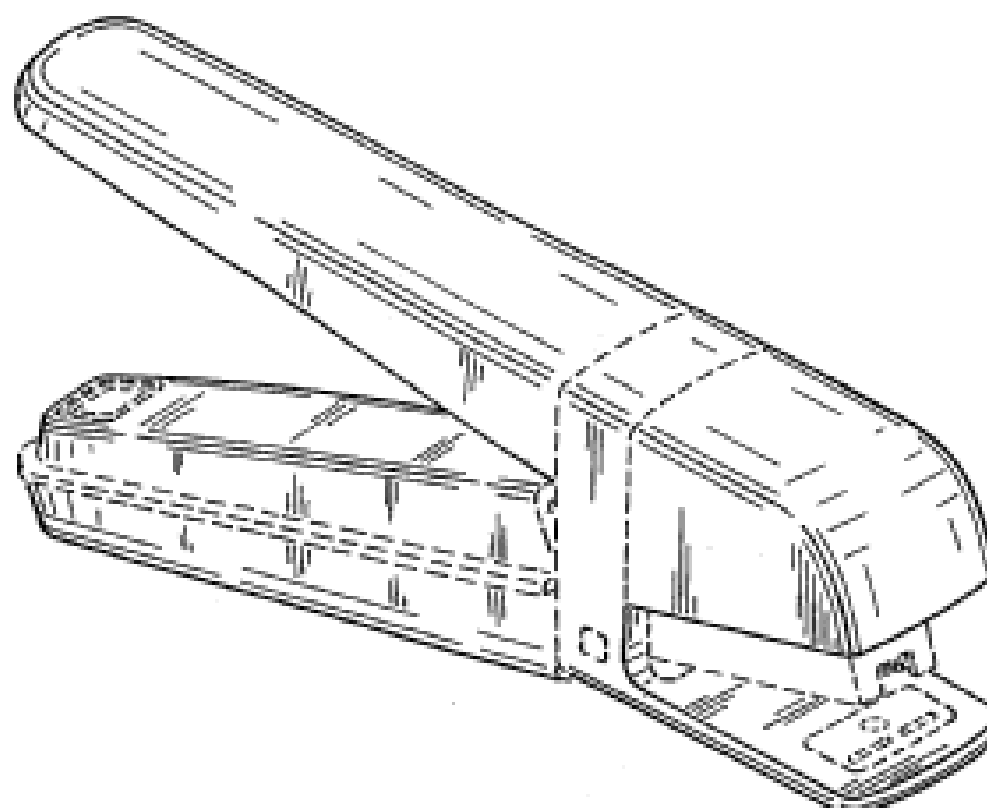
(57) Statement of Newness and Distinctiveness: **The features of shape or configuration of the panel are the new and distinctive features. The panel may be of indefinite length, indefinite width or indefinite thickness. Colour does not form part of the design.**



(21) Design Number: **11622/2009**
(22) Date of Filing Application: **07 May 2009**
(24) Date from which industrial property rights may have effect: **07 May 2009**
(54) Product in respect of which the design is registered: **Flask for perfumery products**
(51) International Design Classification: **09-01G**
(71) Name(s) and Address(s) of Applicant(s):
Parfums Givenchy S.A.
77 Rue Anatole France Levallois-Perret 92 300 France
(72) Name(s) of Designer(s): **Francois Vesin**
(45) Registration Date: **01 June 2009**
(30) Convention priority data:
(31) Number (32) Date (33) Country
08/5048 13 Nov 2008 FRANCE
(56) Related Art Documents: **Not Applicable**
(57) Statement of Newness and Distinctiveness: **The shape, configuration, shape and configuration, pattern, ornamentation, pattern and ornamentation of the design of the product is new and distinctive.**



(21) Design Number: **11453/2009**
(22) Date of Filing Application: **28 April 2009**
(24) Date from which industrial property rights may have effect: **28 April 2009**
(54) Product in respect of which the design is registered: **Stapler**
(51) International Design Classification: **19-02**
(71) Name(s) and Address(s) of Applicant(s):
Staples the Office Superstore, LLC
500 Staples Drive Framingham MA 01702 United States of America
(72) Name(s) of Designer(s): **Jonathan Newman Cedar**
(45) Registration Date: **01 June 2009**
(30) Convention priority data:
(31) Number (32) Date (33) Country
29/327,301 04 Nov 2008 UNITED STATES OF AMERICA
(56) Related Art Documents: **Not Applicable**
(57) Statement of Newness and Distinctiveness: **Nil**



(21) Design Number: **11970/2009**

(22) Date of Filing Application: **28 April 2009**

(24) Date from which industrial property rights may have effect: **28 April 2009**

(54) Product in respect of which the design is registered: **Stapler**

(51) International Design Classification: **19-02**

(71) Name(s) and Address(s) of Applicant(s):

**Staples the Office Superstore, LLC
500 Staples Drive Framingham MA 01702 United States of America**

(72) Name(s) of Designer(s): **Jonathan Newman Cedar**

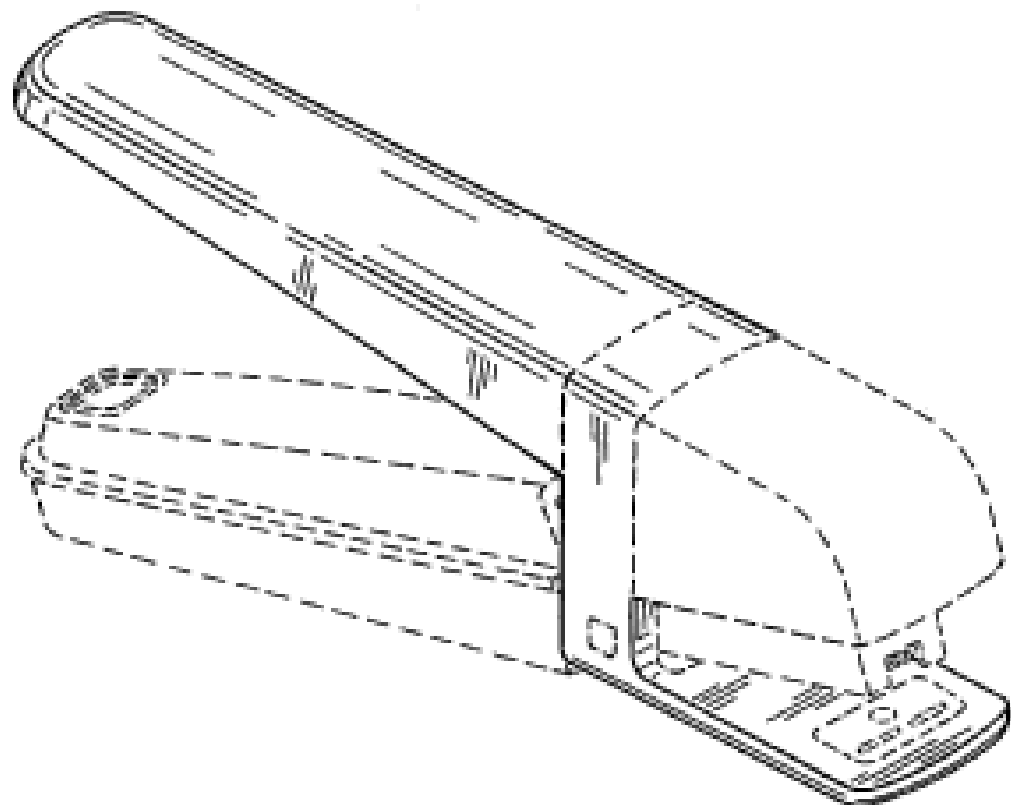
(45) Registration Date: **01 June 2009**

(30) Convention priority data:

(31) Number	(32) Date	(33) Country
29/327,301	04 Nov 2008	UNITED STATES OF AMERICA

(56) Related Art Documents: **Not Applicable**

(57) Statement of Newness and Distinctiveness: **Nil**



(21) Design Number: **11653/2009**

(22) Date of Filing Application: **08 May 2009**

(24) Date from which industrial property rights may have effect: **08 May 2009**

(54) Product in respect of which the design is registered: **Slot table**

(51) International Design Classification: **06-03A**

(71) Name(s) and Address(s) of Applicant(s):

**Diana Valia Chen
511/1 Missenden Road Camperdown New South Wales 2050 Australia**

(72) Name(s) of Designer(s): **Diana Valia Chen**

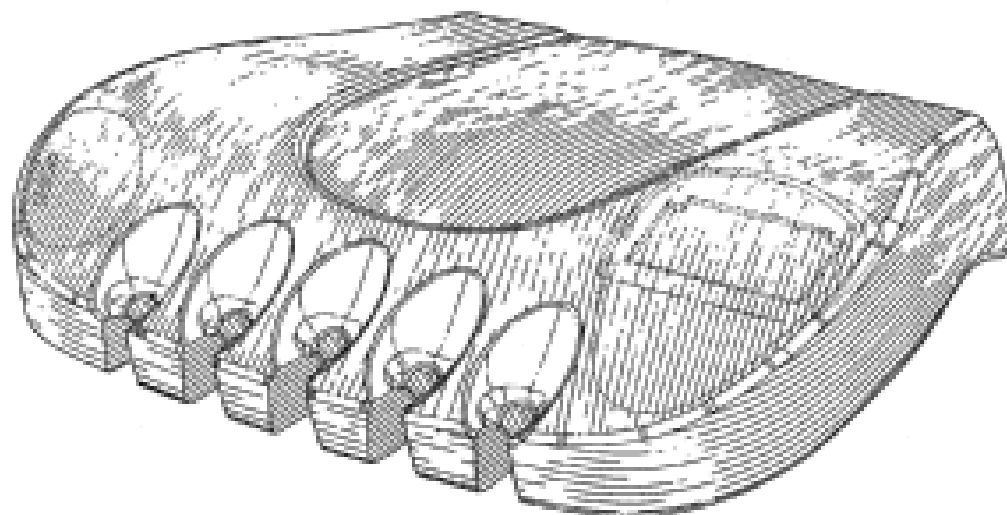
(45) Registration Date: **02 June 2009**

(56) Related Art Documents: **Not Applicable**

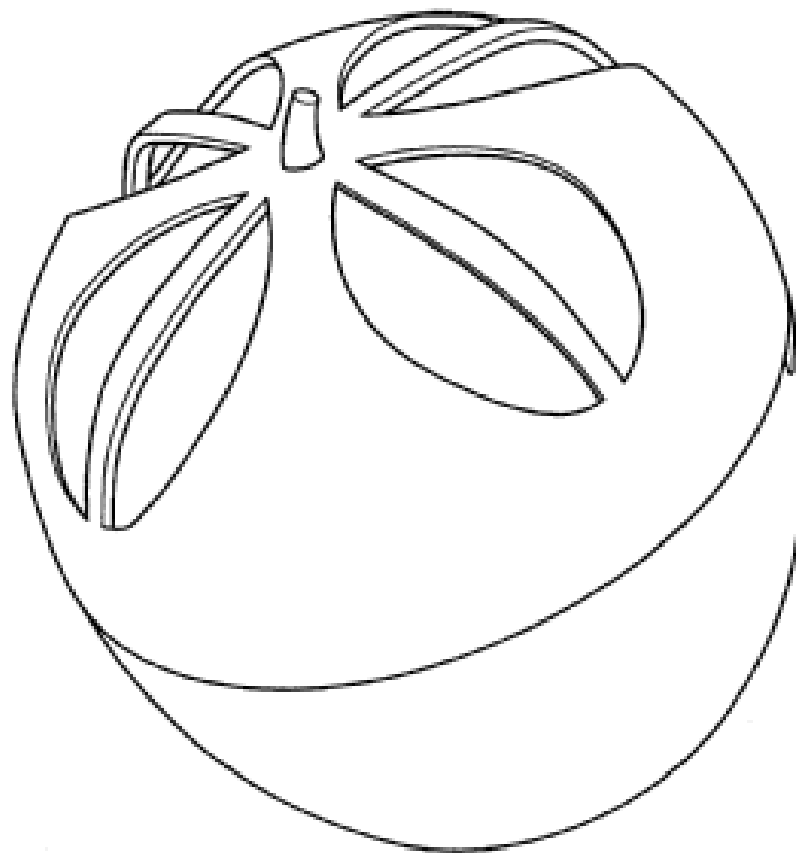
(57) Statement of Newness and Distinctiveness: **The Slot Table is assembled from 5 individual pieces that slot together, without using glue or nails. The individual pieces are laser-cut from a single sheet of material e.g. plywood or solid core laminate board.**



(21) Design Number: **11656/2009**
(22) Date of Filing Application: **08 May 2009**
(24) Date from which industrial property rights may have effect: **08 May 2009**
(54) Product in respect of which the design is registered: **Whip arm cover**
(51) International Design Classification: **24-02**
(71) Name(s) and Address(s) of Applicant(s):
Dental Equipment, LLC. Trading as Pelton & Crane
11727 Fruehauf Drive Charlotte North Carolina 28273 United States of America
(72) Name(s) of Designer(s): **Jose Fernandez da Silva Netto and Joelma Aparecida Mendes Marques and Austin Unsworth and Andrew McIlven and Nathan Hemmer**
(45) Registration Date: **02 June 2009**
(30) Convention priority data:
(31) Number (32) Date (33) Country
29/328,362 24 Nov 2008 UNITED STATES OF AMERICA
(56) Related Art Documents: **Not Applicable**
(57) Statement of Newness and Distinctiveness: **Nil**



(21) Design Number: **11657/2009**
(22) Date of Filing Application: **08 May 2009**
(24) Date from which industrial property rights may have effect: **08 May 2009**
(54) Product in respect of which the design is registered: **Odour absorbers for refrigerators**
(51) International Design Classification: **28-99**
(71) Name(s) and Address(s) of Applicant(s):
Groupe Cadum
Tour Gamma B 193 rue de Bercy 75012 Paris France
(72) Name(s) of Designer(s): **Pascale Cerutti**
(45) Registration Date: **02 June 2009**
(30) Convention priority data:
(31) Number (32) Date (33) Country
1036024 10 Nov 2008 EUROPEAN COMMUNITY
(56) Related Art Documents: **Not Applicable**
(57) Statement of Newness and Distinctiveness: **Nil**



- (21) Design Number: **11658/2009**
(22) Date of Filing Application: **08 May 2009**
(24) Date from which industrial property rights may have effect: **08 May 2009**
(54) Product in respect of which the design is registered: **Fruit and vine golf grip**
(51) International Design Classification: **21-02C**
(71) Name(s) and Address(s) of Applicant(s):
Eaton Corporation
Eaton Center 1111 Superior Avenue Cleveland Ohio 44114-2584
United States of America
(72) Name(s) of Designer(s): **Richard Andrew Black and Billy Dee Wood and David Keith Gill**
(45) Registration Date: **02 June 2009**
(30) Convention priority data:
(31) Number (32) Date (33) Country
29/312730 11 Nov 2008 UNITED STATES OF AMERICA
(56) Related Art Documents: **Not Applicable**
(57) Statement of Newness and Distinctiveness: **Newness and distinctiveness reside in the features of the design as shown in the representations.**

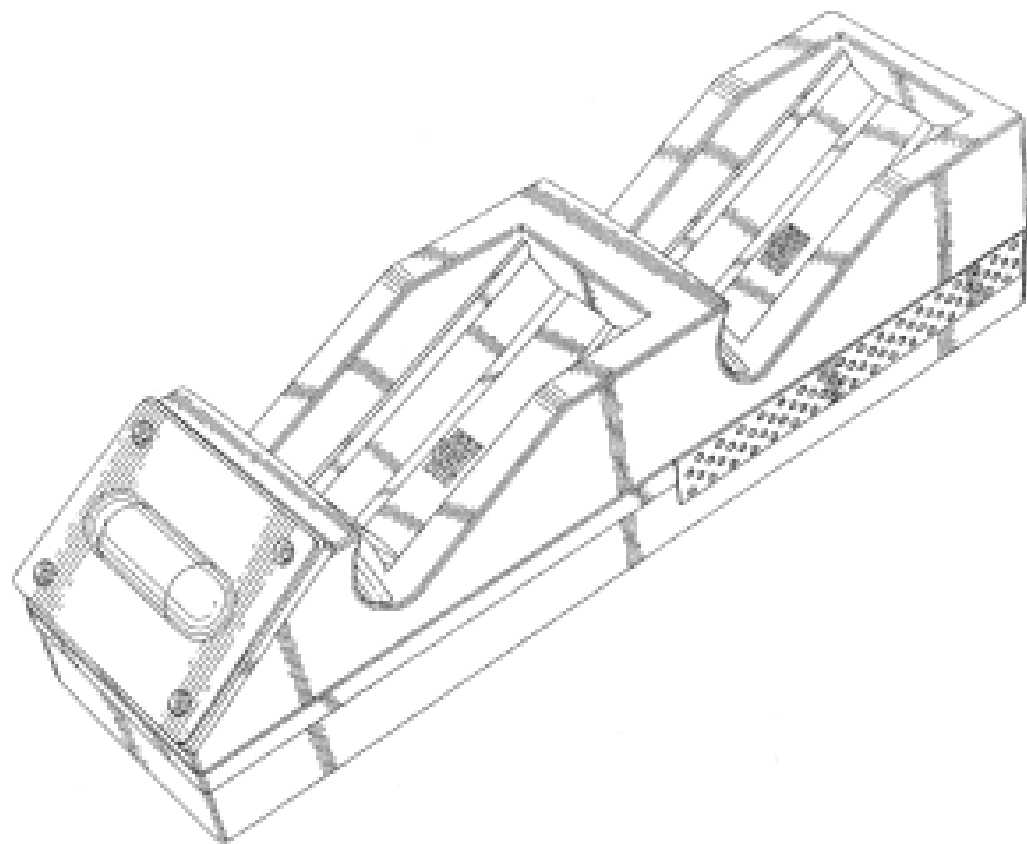


- (21) Design Number: **11659/2009**
(22) Date of Filing Application: **08 May 2009**
(24) Date from which industrial property rights may have effect: **08 May 2009**
(54) Product in respect of which the design is registered: **Folding multipurpose hand tool**
(51) International Design Classification: **08-05NES**
(71) Name(s) and Address(s) of Applicant(s):
Leatherman Tool Group, Inc.
12106 NE Ainsworth Circle Portland OR 97220 United States of America
(72) Name(s) of Designer(s): **Jason C. Carpenter and Jeffery B. Castro**
(45) Registration Date: **02 June 2009**
(30) Convention priority data:
(31) Number (32) Date (33) Country
29/327,869 14 Nov 2008 UNITED STATES OF AMERICA
(56) Related Art Documents: **Not Applicable**
(57) Statement of Newness and Distinctiveness: **Nil**



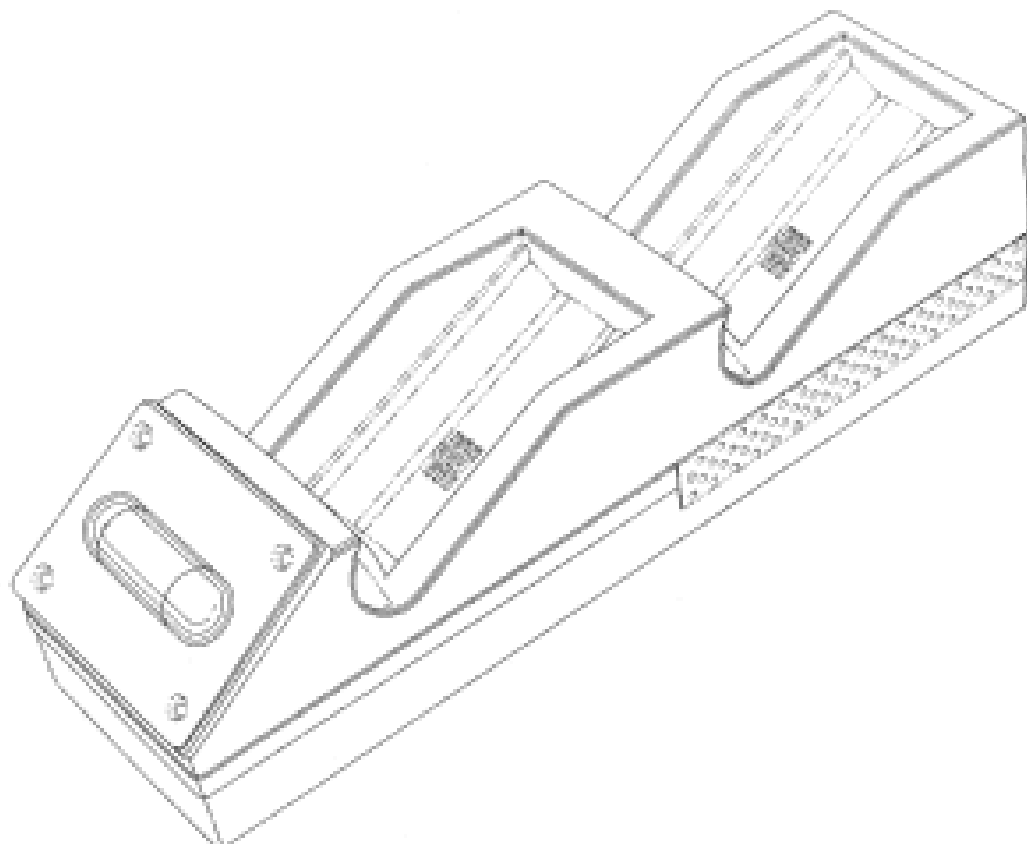
- (21) Design Number: **11490/2009**
- (22) Date of Filing Application: **29 April 2009**
- (24) Date from which industrial property rights may have effect: **29 April 2009**
- (54) Product in respect of which the design is registered: **Video game controller charging apparatus**
- (51) International Design Classification: **13-02, 14-02**
- (71) Name(s) and Address(s) of Applicant(s):
NYKO Technologies, Inc.
1990 Westwood Boulevard Penthouse Suite Los Angeles California
90025 United States of America
- (72) Name(s) of Designer(s): **Amir Navid**
- (45) Registration Date: **02 June 2009**
- (30) Convention priority data:

(31) Number	(32) Date	(33) Country
29/327049	29 Oct 2008	UNITED STATES OF AMERICA
- (56) Related Art Documents: **Not Applicable**
- (57) Statement of Newness and Distinctiveness: **Newness and distinctiveness reside in the features of the design shown in solid lines in the representations excluding those features shown in broken lines.**

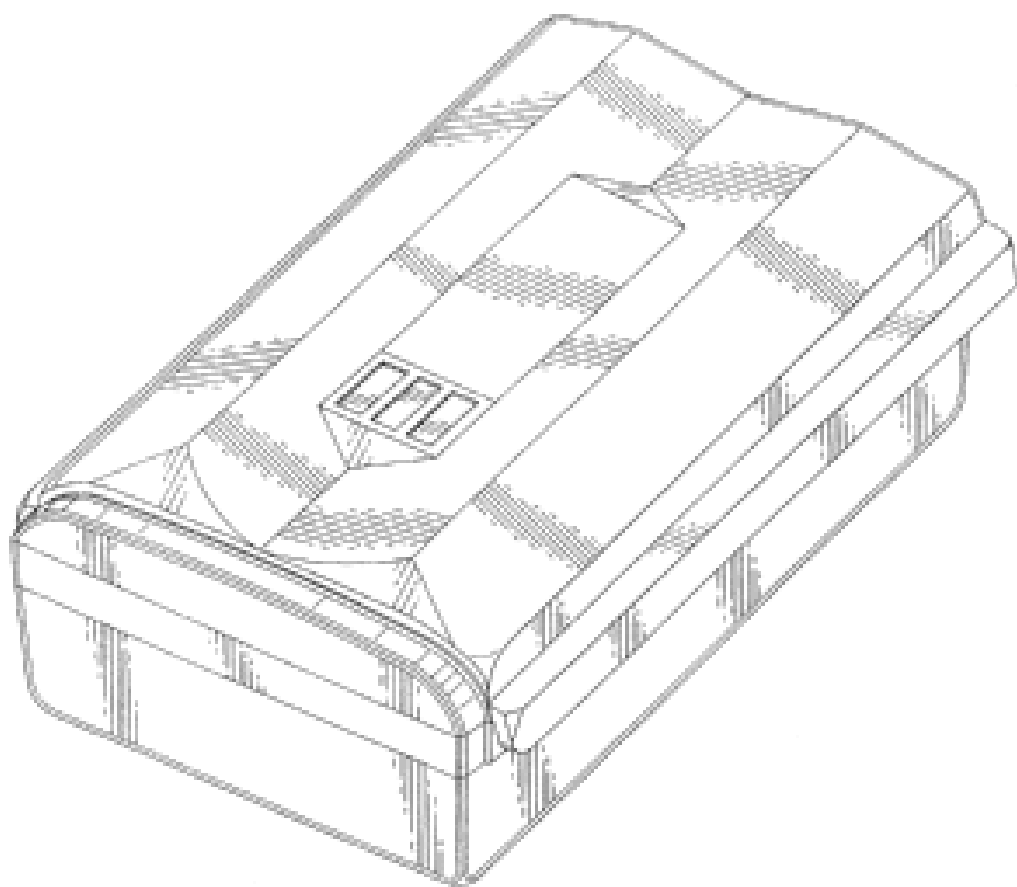


- (21) Design Number: **11973/2009**
- (22) Date of Filing Application: **29 April 2009**
- (24) Date from which industrial property rights may have effect: **29 April 2009**
- (54) Product in respect of which the design is registered: **Video game controller charging apparatus**
- (51) International Design Classification: **13-02, 14-02**
- (71) Name(s) and Address(s) of Applicant(s):
NYKO Technologies, Inc.
1990 Westwood Boulevard Penthouse Suite Los Angeles California
90025 United States of America
- (72) Name(s) of Designer(s): **Amir Navid**
- (45) Registration Date: **02 June 2009**
- (30) Convention priority data:

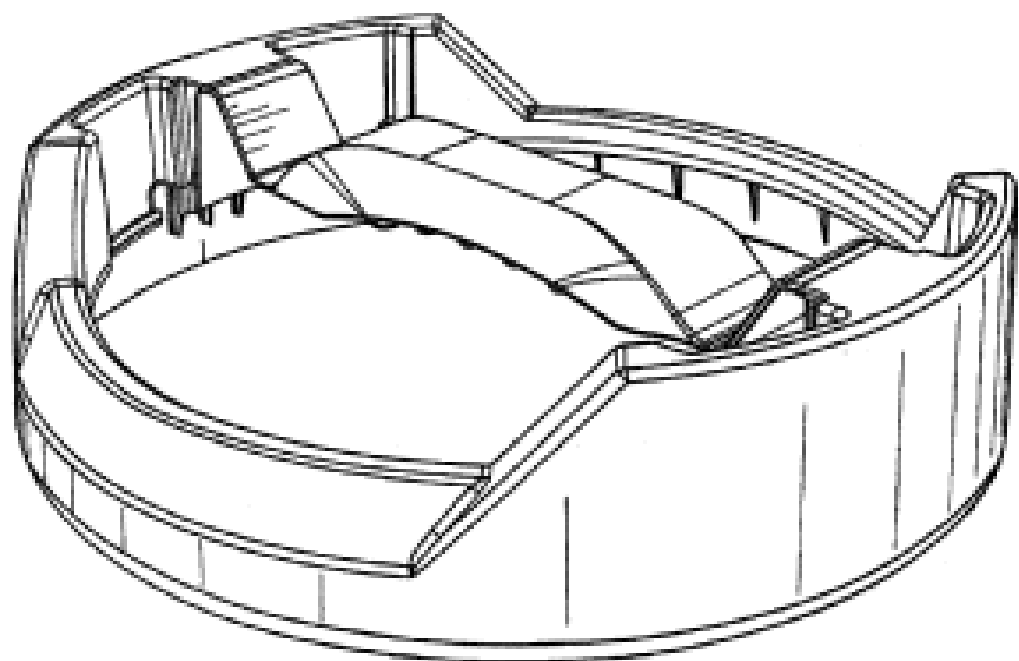
(31) Number	(32) Date	(33) Country
29/327049	29 Oct 2008	UNITED STATES OF AMERICA
- (56) Related Art Documents: **Not Applicable**
- (57) Statement of Newness and Distinctiveness: **Newness and distinctiveness reside in the features of the design shown in solid lines in the representations excluding those features shown in broken lines.**



- (21) Design Number: **11974/2009**
(22) Date of Filing Application: **29 April 2009**
(24) Date from which industrial property rights may have effect: **29 April 2009**
(54) Product in respect of which the design is registered: **Video game controller charging apparatus**
(51) International Design Classification: **13-02, 14-02**
(71) Name(s) and Address(s) of Applicant(s):
NYKO Technologies, Inc.
1990 Westwood Boulevard Penthouse Suite Los Angeles California
90025 United States of America
(72) Name(s) of Designer(s): **Amir Navid**
(45) Registration Date: **02 June 2009**
(30) Convention priority data:
(31) Number (32) Date (33) Country
29/327049 29 Oct 2008 UNITED STATES OF AMERICA
(56) Related Art Documents: **Not Applicable**
(57) Statement of Newness and Distinctiveness: **Newness and distinctiveness reside in the features of the design shown in solid lines in the representations excluding those features shown in broken lines.**



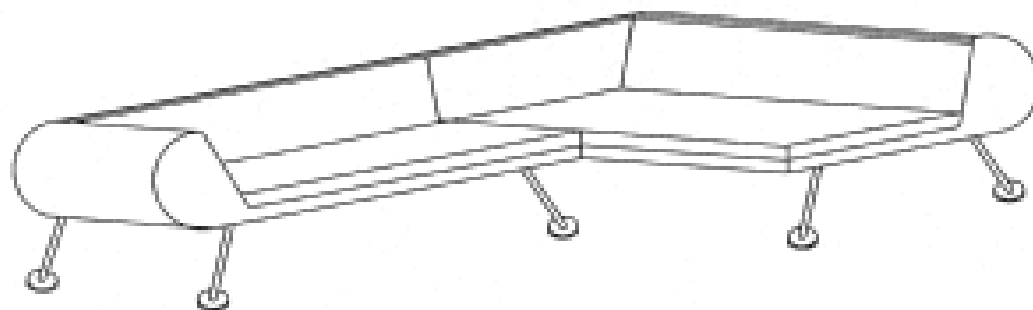
- (21) Design Number: **11648/2009**
(22) Date of Filing Application: **08 May 2009**
(24) Date from which industrial property rights may have effect: **08 May 2009**
(54) Product in respect of which the design is registered: **Handle for container**
(51) International Design Classification: **09-07NES**
(71) Name(s) and Address(s) of Applicant(s):
Huber Packaging Group GmbH & Co. KG
Otto-Meister-Strasse 2 74613 Oehringen Germany
(72) Name(s) of Designer(s): **Philipp Kolon**
(45) Registration Date: **02 June 2009**
(30) Convention priority data:
(31) Number (32) Date (33) Country
001035893 10 Nov 2008 EUROPEAN COMMUNITY
(56) Related Art Documents: **Not Applicable**
(57) Statement of Newness and Distinctiveness: **Nil**



- (21) Design Number: **11649/2009**
(22) Date of Filing Application: **08 May 2009**
(24) Date from which industrial property rights may have effect: **08 May 2009**
(54) Product in respect of which the design is registered: **Furniture**
(51) International Design Classification: **06-01G**
(71) Name(s) and Address(s) of Applicant(s):

Jason Muscat
87 Minchin Drive Minchinbury New South Wales 2770 Australia

- (72) Name(s) of Designer(s): **Jason Muscat**
(45) Registration Date: **02 June 2009**
(56) Related Art Documents: **Not Applicable**
(57) Statement of Newness and Distinctiveness: **The new and distinctive of this piece of furniture, lounge is the two cylinders joined on a 45 degree angle and the front of the lounge face.**



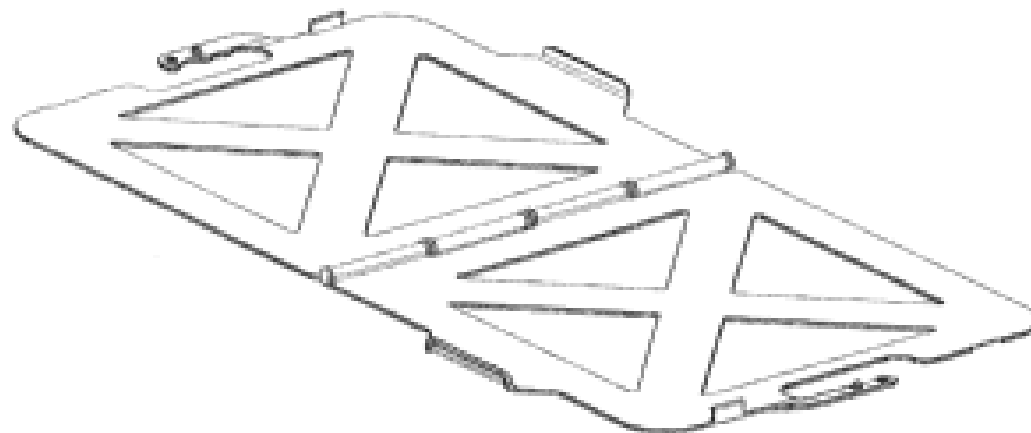
- (21) Design Number: **11650/2009**
(22) Date of Filing Application: **08 May 2009**
(24) Date from which industrial property rights may have effect: **08 May 2009**
(54) Product in respect of which the design is registered: **Motorcycle**
(51) International Design Classification: **12-11**
(71) Name(s) and Address(s) of Applicant(s):

Honda Motor Co., Ltd.
1-1 Minami-Aoyama 2-Chome Minato-ku Tokyo Japan

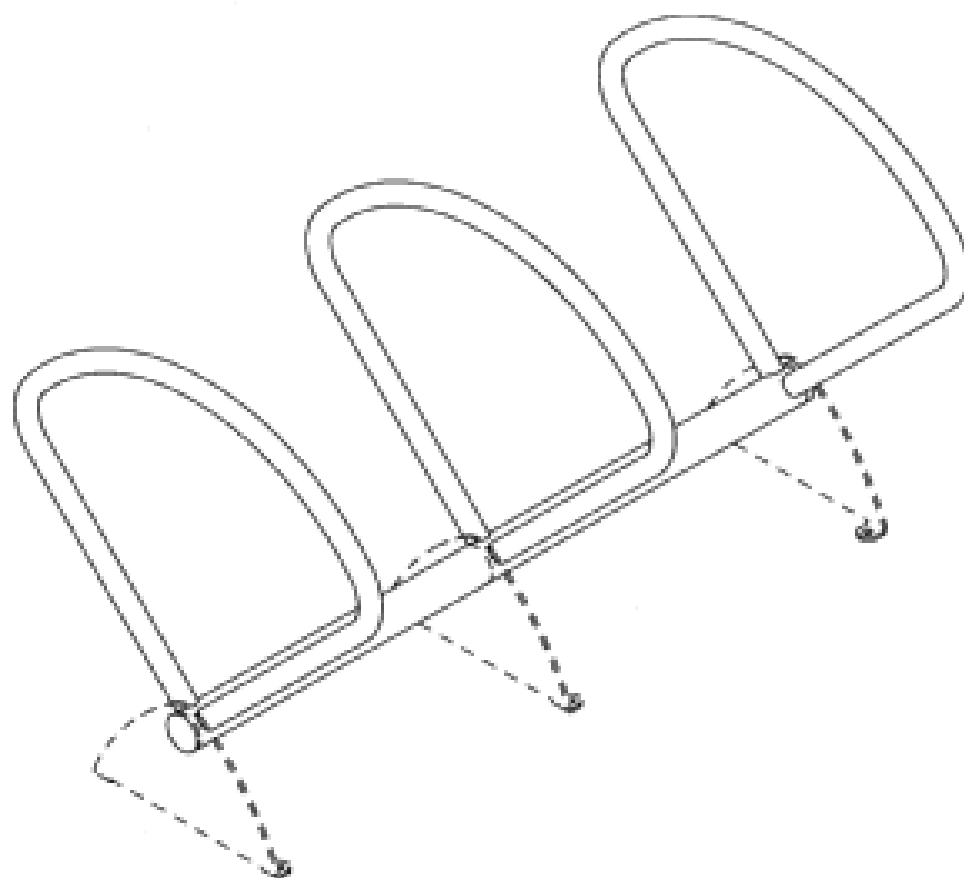
- (72) Name(s) of Designer(s): **Siwathat Mongkolsupya and Manit Phrammano**
(45) Registration Date: **02 June 2009**
(30) Convention priority data:
- | | | |
|--------------------|--------------------|--------------|
| (31) Number | (32) Date | (33) Country |
| 2008-029287 | 14 Nov 2008 | JAPAN |
- (56) Related Art Documents: **Not Applicable**
(57) Statement of Newness and Distinctiveness: **Newness and distinctiveness is claimed in the features of shape and/or configuration of a motorcycle as illustrated in the accompanying representations.**



- (21) Design Number: **11651/2009**
(22) Date of Filing Application: **08 May 2009**
(24) Date from which industrial property rights may have effect: **08 May 2009**
(54) Product in respect of which the design is registered: **X-ray folder**
(51) International Design Classification: **24-01**
(71) Name(s) and Address(s) of Applicant(s):
Jonathon Diamond
11 Warrandyte Drive Craigie Western Australia 6025 Australia
(72) Name(s) of Designer(s): **Edward Joseph Houry**
(45) Registration Date: **02 June 2009**
(56) Related Art Documents: **Not Applicable**
(57) Statement of Newness and Distinctiveness: **Nil**



- (21) Design Number: **11660/2009**
(22) Date of Filing Application: **08 May 2009**
(24) Date from which industrial property rights may have effect: **08 May 2009**
(54) Product in respect of which the design is registered: **Bicycle rack**
(51) International Design Classification: **08-10**
(71) Name(s) and Address(s) of Applicant(s):
Agwill Pty Ltd
8-10 Giffard Street Silverwater New South Wales 2128 Australia
(72) Name(s) of Designer(s): **Martyn Stanley Wilson**
(45) Registration Date: **02 June 2009**
(56) Related Art Documents: **Not Applicable**
(57) Statement of Newness and Distinctiveness: **The shape and configuration of the bicycle rack as shown in the representations is claimed as new and distinctive. No claim is made in the shape of the fixing (foot) portion of the bicycle rack shown in the dotted outline. The rack/stand design is of indefinite length.**



(21) Design Number: **11661/2009**

(22) Date of Filing Application: **08 May 2009**

(24) Date from which industrial property rights may have effect: **08 May 2009**

(54) Product in respect of which the design is registered: **Bicycle rack**

(51) International Design Classification: **08-10**

(71) Name(s) and Address(s) of Applicant(s):

Agwill Pty Ltd

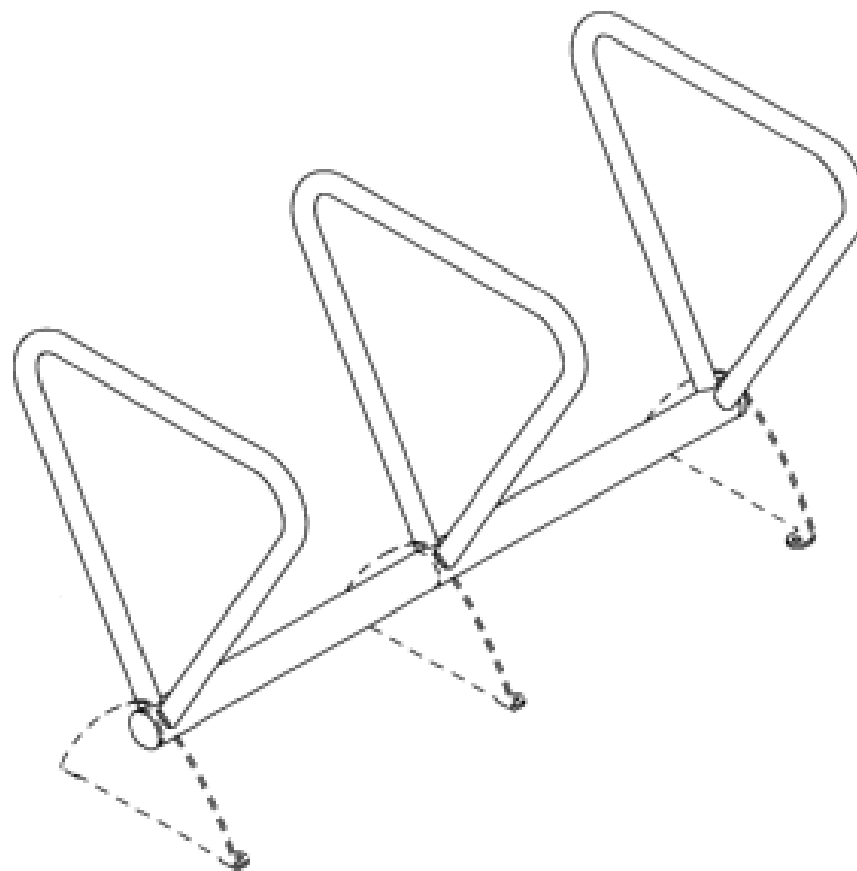
8-10 Giffard Street Silverwater New South Wales 2128 Australia

(72) Name(s) of Designer(s): **Martyn Stanley Wilson**

(45) Registration Date: **02 June 2009**

(56) Related Art Documents: **Not Applicable**

(57) Statement of Newness and Distinctiveness: **The shape and configuration of the bicycle rack as shown in the representations is claimed as new and distinctive. No claim is made in the shape of the fixing (foot) portion of the bicycle rack shown in the dotted outline. The rack/stand design is of indefinite length.**



(21) Design Number: **11662/2009**

(22) Date of Filing Application: **08 May 2009**

(24) Date from which industrial property rights may have effect: **08 May 2009**

(54) Product in respect of which the design is registered: **Bicycle rack**

(51) International Design Classification: **08-10**

(71) Name(s) and Address(s) of Applicant(s):

Agwill Pty Ltd

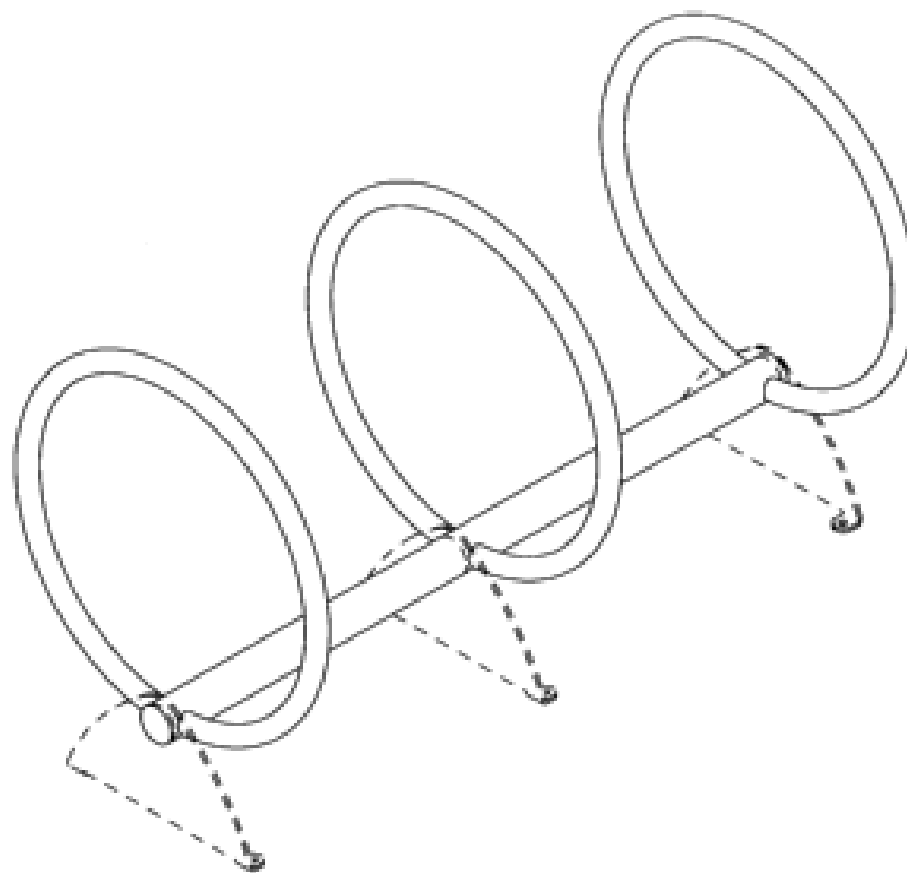
8-10 Giffard Street Silverwater New South Wales 2128 Australia

(72) Name(s) of Designer(s): **Martyn Stanley Wilson**

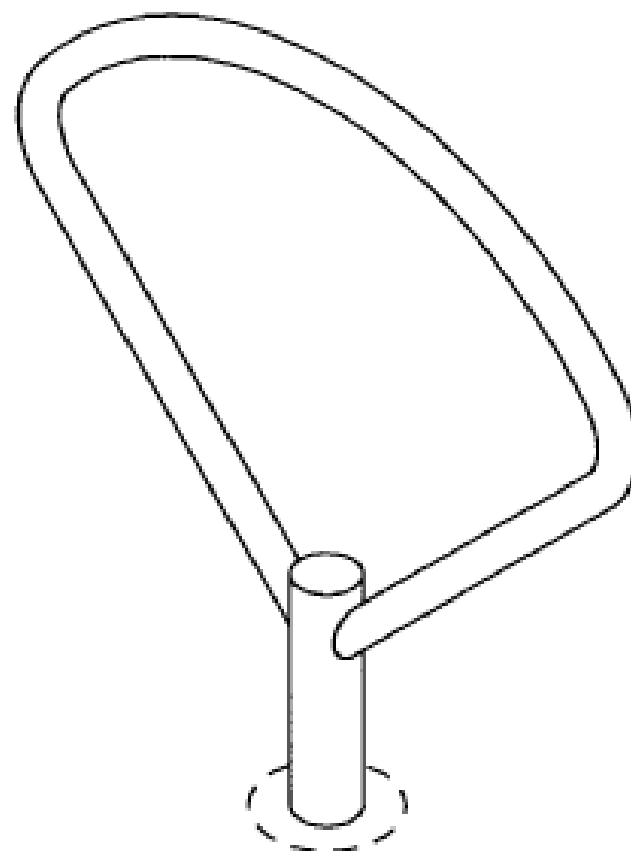
(45) Registration Date: **02 June 2009**

(56) Related Art Documents: **Not Applicable**

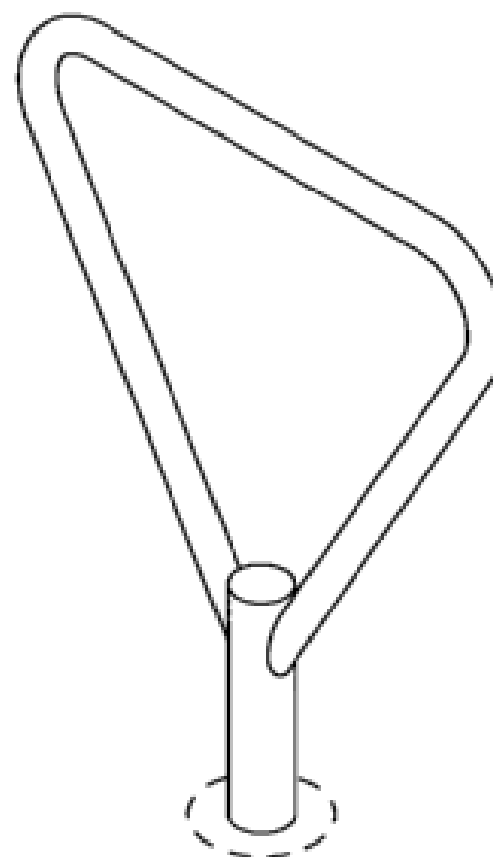
(57) Statement of Newness and Distinctiveness: **The shape and configuration of the bicycle rack as shown in the representations is claimed as new and distinctive. No claim is made in the shape of the fixing (foot) portion of the bicycle rack shown in the dotted outline. The rack/stand design is of indefinite length.**



- (21) Design Number: **11663/2009**
(22) Date of Filing Application: **08 May 2009**
(24) Date from which industrial property rights may have effect: **08 May 2009**
(54) Product in respect of which the design is registered: **Bicycle rack**
(51) International Design Classification: **08-10**
(71) Name(s) and Address(s) of Applicant(s):
Agwill Pty Ltd
8-10 Giffard Street Silverwater New South Wales 2128 Australia
(72) Name(s) of Designer(s): **Martyn Stanley Wilson**
(45) Registration Date: **02 June 2009**
(56) Related Art Documents: **Not Applicable**
(57) Statement of Newness and Distinctiveness: **The shape and configuration of the bicycle rack as shown in the representations is claimed as new and distinctive. No claim is made in the shape of the fixing (foot) portion of the bicycle rack shown in the dotted outline.**



- (21) Design Number: **11664/2009**
(22) Date of Filing Application: **08 May 2009**
(24) Date from which industrial property rights may have effect: **08 May 2009**
(54) Product in respect of which the design is registered: **Bicycle rack**
(51) International Design Classification: **08-10**
(71) Name(s) and Address(s) of Applicant(s):
Agwill Pty Ltd
8-10 Giffard Street Silverwater New South Wales 2128 Australia
(72) Name(s) of Designer(s): **Martyn Stanley Wilson**
(45) Registration Date: **02 June 2009**
(56) Related Art Documents: **Not Applicable**
(57) Statement of Newness and Distinctiveness: **The shape and configuration of the bicycle rack as shown in the representations is claimed as new and distinctive. No claim is made in the shape of the fixing (foot) portion of the bicycle rack shown in the dotted outline.**



(21) Design Number: **11665/2009**

(22) Date of Filing Application: **08 May 2009**

(24) Date from which industrial property rights may have effect: **08 May 2009**

(54) Product in respect of which the design is registered: **Bicycle rack**

(51) International Design Classification: **08-10**

(71) Name(s) and Address(s) of Applicant(s):

Agwill Pty Ltd

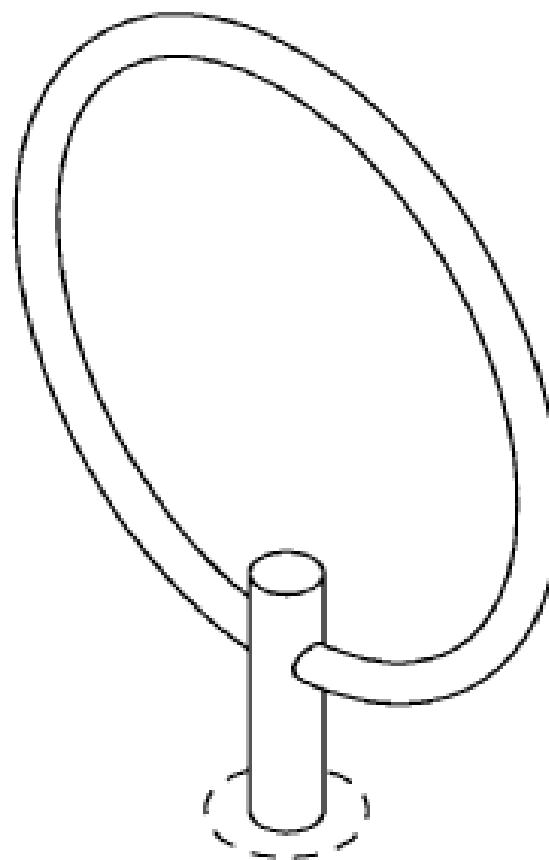
8-10 Giffard Street Silverwater New South Wales 2128 Australia

(72) Name(s) of Designer(s): **Martyn Stanley Wilson**

(45) Registration Date: **02 June 2009**

(56) Related Art Documents: **Not Applicable**

(57) Statement of Newness and Distinctiveness: **The shape and configuration of the bicycle rack as shown in the representations is claimed as new and distinctive. No claim is made in the shape of the fixing (foot) portion of the bicycle rack shown in the dotted outline.**



(21) Design Number: **10826/2009**

(22) Date of Filing Application: **12 March 2009**

(24) Date from which industrial property rights may have effect: **12 March 2009**

(54) Product in respect of which the design is registered: **LED luminaire**

(51) International Design Classification: **26-05C**

(71) Name(s) and Address(s) of Applicant(s):

COOLON Pty Ltd

40 Downing Street Oakleigh Victoria 3166 Australia

(72) Name(s) of Designer(s): **Alexandre Zatsepin**

(45) Registration Date: **02 June 2009**

(56) Related Art Documents: **Not Applicable**

(57) Statement of Newness and Distinctiveness: **HIGH POWER LED Luminaire comprising of Aluminium Alloy heat sink having plurality of needles and fins at the back, a clear window at the front and a plurality of printed circuit boards with LEDs connected to a loom for power connection**



(21) Design Number: **11362/2009**

(22) Date of Filing Application: **21 April 2009**

(24) Date from which industrial property rights may have effect: **21 April 2009**

(54) Product in respect of which the design is registered: **Elongated member**

(51) International Design Classification: **25-01D**

(71) Name(s) and Address(s) of Applicant(s):

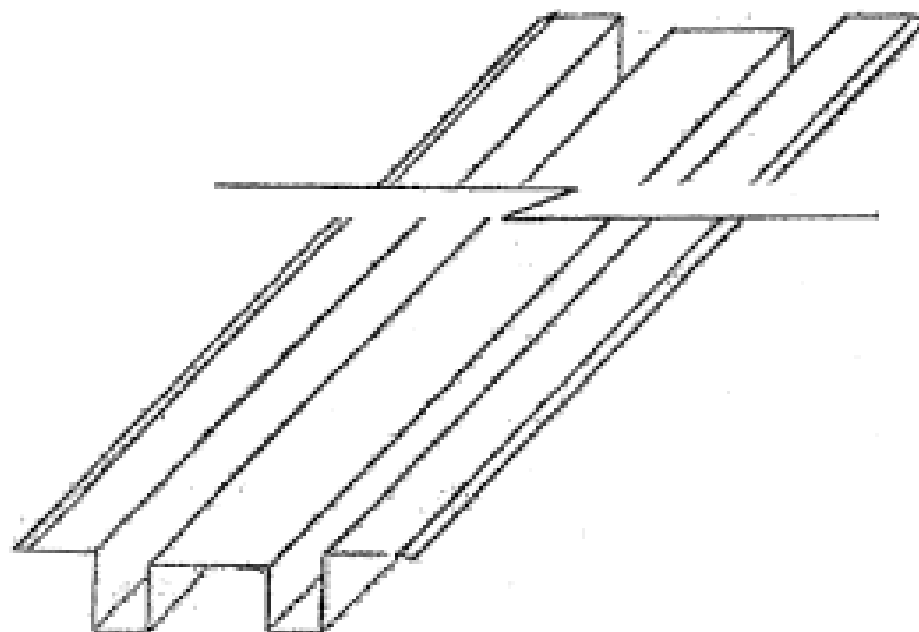
DM Multiboard (Aust) Pty Ltd
Unit 14, 22 Disney Avenue East Keilor Victoria 3033 Australia

(72) Name(s) of Designer(s): **Karl Vrecko**

(45) Registration Date: **02 June 2009**

(56) Related Art Documents: **Not Applicable**

(57) Statement of Newness and Distinctiveness: **Newness and Distinctiveness are claimed in the features of shape and/or configuration of an elongated member of indeterminate length having a consistent cross section, as illustrated in the accompanying representations.**



(21) Design Number: **11704/2009**

(22) Date of Filing Application: **12 May 2009**

(24) Date from which industrial property rights may have effect: **12 May 2009**

(54) Product in respect of which the design is registered: **Roof anchor point**

(51) International Design Classification: **08-08NES**

(71) Name(s) and Address(s) of Applicant(s):

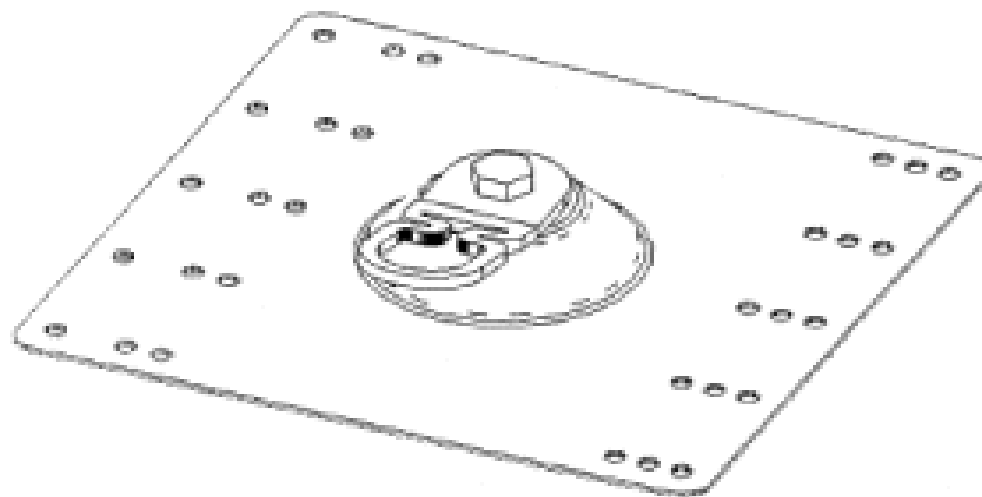
Roland Stephen Voss
C/- 44 Kalman Drive Boronia Victoria 3155 Australia

(72) Name(s) of Designer(s): **Roland Stephen Voss**

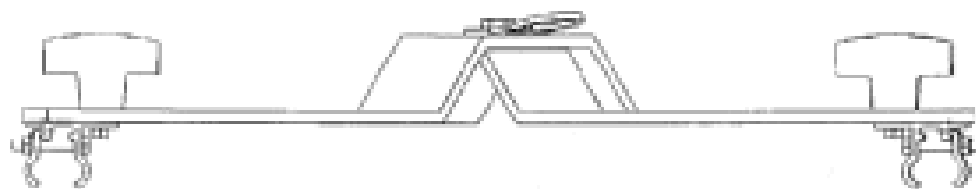
(45) Registration Date: **02 June 2009**

(56) Related Art Documents: **Not Applicable**

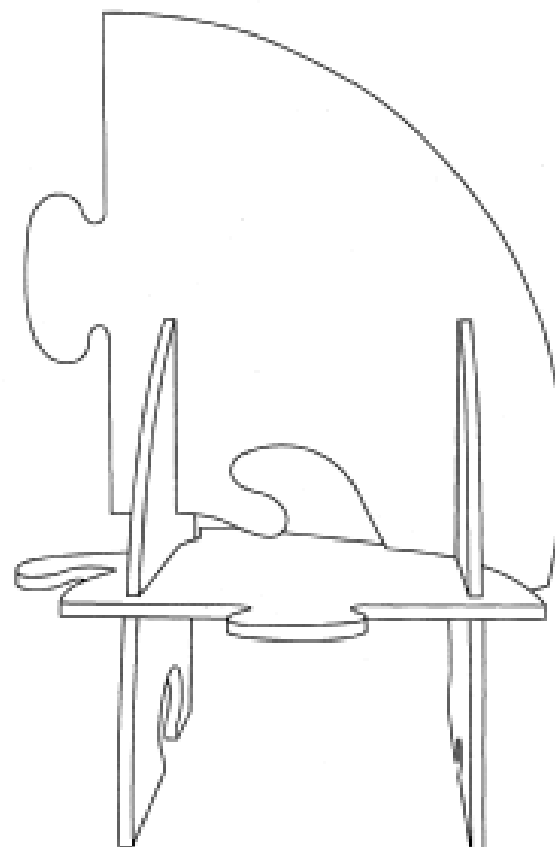
(57) Statement of Newness and Distinctiveness: **Newness and distinctiveness are claimed in the features of shape and/or configuration of a roof anchor point, as illustrated in the accompanying representations.**



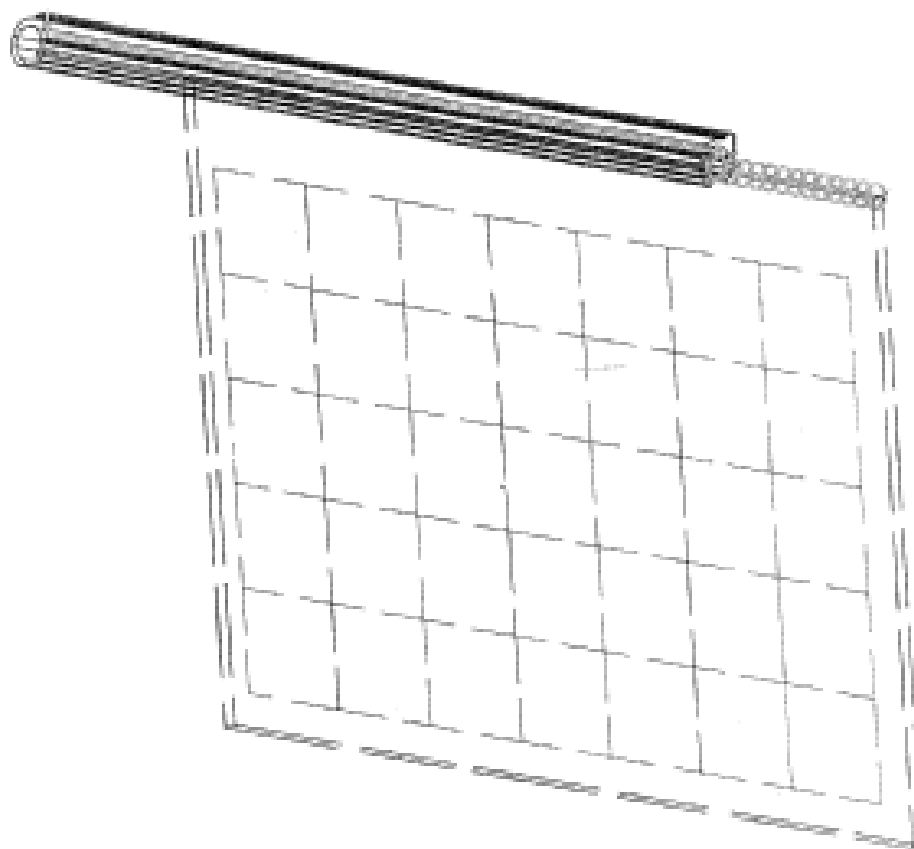
- (21) Design Number: **11705/2009**
(22) Date of Filing Application: **12 May 2009**
(24) Date from which industrial property rights may have effect: **12 May 2009**
(54) Product in respect of which the design is registered: **Temporary roof anchor point**
(51) International Design Classification: **08-08NES**
(71) Name(s) and Address(s) of Applicant(s):
Roland Stephen Voss
C/- 44 Kalman Drive Boronia Victoria 3155 Australia
(72) Name(s) of Designer(s): **Roland Stephen Voss**
(45) Registration Date: **02 June 2009**
(56) Related Art Documents: **Not Applicable**
(57) Statement of Newness and Distinctiveness: **Newness and Distinctiveness are claimed in the features of shape and/or configuration of a Temporary Roof Anchor Point, as illustrated in the accompanying representations.**



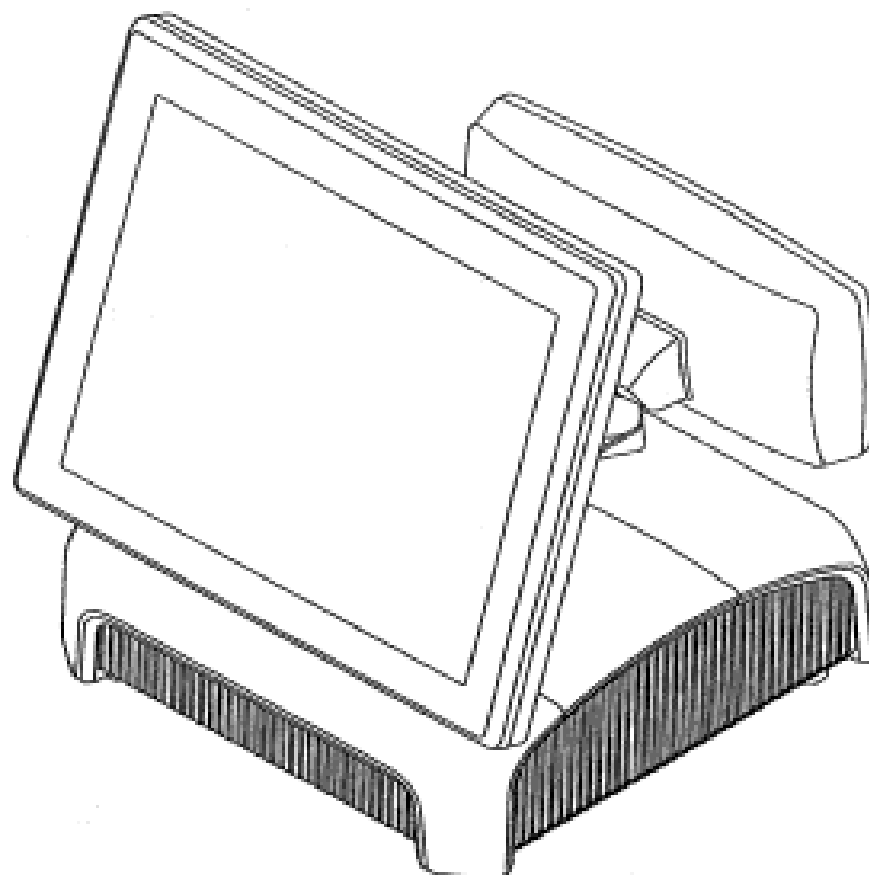
- (21) Design Number: **11787/2009**
(22) Date of Filing Application: **18 May 2009**
(24) Date from which industrial property rights may have effect: **18 May 2009**
(54) Product in respect of which the design is registered: **Jigsaw chair**
(51) International Design Classification: **06-01E, 21-01M**
(71) Name(s) and Address(s) of Applicant(s):
Maria Isabel Daley
122/1 Coelia Court Carrara Queensland 4211 Australia
(72) Name(s) of Designer(s): **Maria Isabel Daley**
(45) Registration Date: **02 June 2009**
(56) Related Art Documents: **Not Applicable**
(57) Statement of Newness and Distinctiveness: **There are other puzzle furniture designs, but no other design actually forms a jigsaw puzzle when disassembled. This is the only design that forms 1. a chair and 2. a flat jigsaw puzzle.**



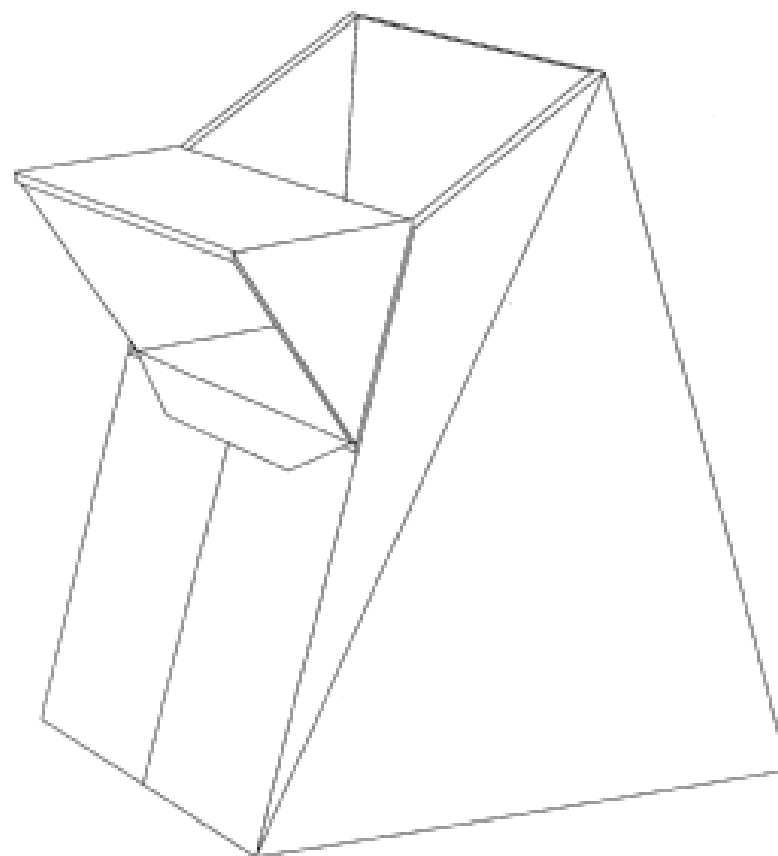
- (21) Design Number: **11686/2009**
(22) Date of Filing Application: **11 May 2009**
(24) Date from which industrial property rights may have effect: **11 May 2009**
(54) Product in respect of which the design is registered: **An elongate magnetic member**
(51) International Design Classification: **08-08NES**
(71) Name(s) and Address(s) of Applicant(s):
Impact Magnets & Cards Pty Ltd
494 The Entrance Road Erina Heights New South Wales 2260
Australia
(72) Name(s) of Designer(s): **Alan Gray**
(45) Registration Date: **03 June 2009**
(56) Related Art Documents: **Not Applicable**
(57) Statement of Newness and Distinctiveness: **Newness and distinctiveness is claimed in those features of shape and/or configuration of an elongate magnetic member as illustrated in continuous lines in the accompanying representations.**



- (21) Design Number: **11687/2009**
(22) Date of Filing Application: **11 May 2009**
(24) Date from which industrial property rights may have effect: **11 May 2009**
(54) Product in respect of which the design is registered: **Cash register for a point of sales terminal**
(51) International Design Classification: **18-01**
(71) Name(s) and Address(s) of Applicant(s):
Toshiba Tec Kabushiki Kaisha
2-17-2 Higashigotanda Shinagawa-ku Tokyo 141-8664 Japan
(72) Name(s) of Designer(s): **Yasuhiro Ono**
(45) Registration Date: **03 June 2009**
(30) Convention priority data:
(31) Number (32) Date (33) Country
2008-030018 21 Nov 2008 JAPAN
(56) Related Art Documents: **Not Applicable**
(57) Statement of Newness and Distinctiveness: **Newness and distinctiveness is claimed in the features of shape and/or configuration of a cash register for a point of sales terminal as illustrated in the accompanying representations.**



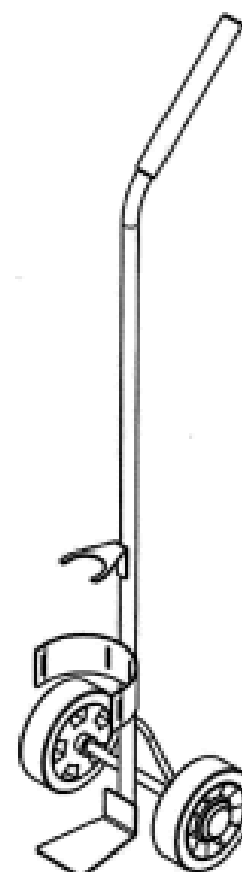
- (21) Design Number: **11688/2009**
(22) Date of Filing Application: **12 May 2009**
(24) Date from which industrial property rights may have effect: **12 May 2009**
(54) Product in respect of which the design is registered: **Cardboard foldable baby feeding chair**
(51) International Design Classification: **06-01E**
(71) Name(s) and Address(s) of Applicant(s):
Betul Madakbas
14/50 Johnston Street Port Melbourne Victoria 3207 Australia
(72) Name(s) of Designer(s): **Betul Madakbas**
(45) Registration Date: **03 June 2009**
(56) Related Art Documents: **Not Applicable**
(57) Statement of Newness and Distinctiveness: **Folding method, general look & feel, concept, engineering & locking mechanism, resource efficiency.**



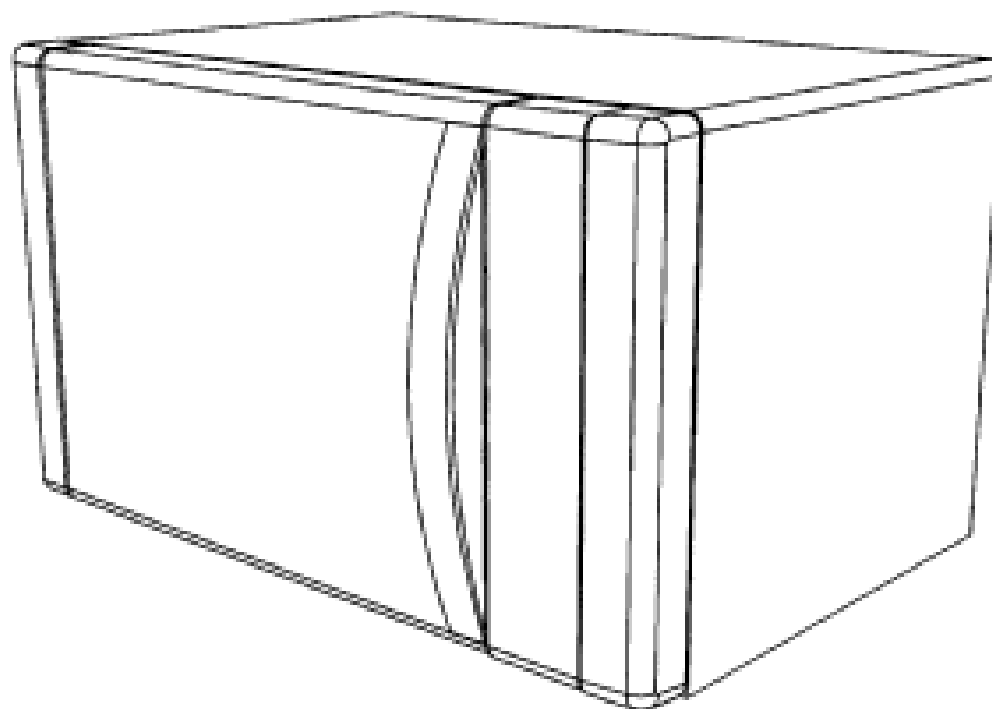
- (21) Design Number: **11689/2009**
(22) Date of Filing Application: **12 May 2009**
(24) Date from which industrial property rights may have effect: **12 May 2009**
(54) Product in respect of which the design is registered: **Bottle caddy**
(51) International Design Classification: **07-06A**
(71) Name(s) and Address(s) of Applicant(s):
Jokuda Holdings Limited
47 Taupiri Street Te Kuiti 3910 New Zealand
(72) Name(s) of Designer(s): **Paul David Grayson**
(45) Registration Date: **03 June 2009**
(30) Convention priority data:

(31) Number	(32) Date	(33) Country
411610	14 Nov 2008	NEW ZEALAND

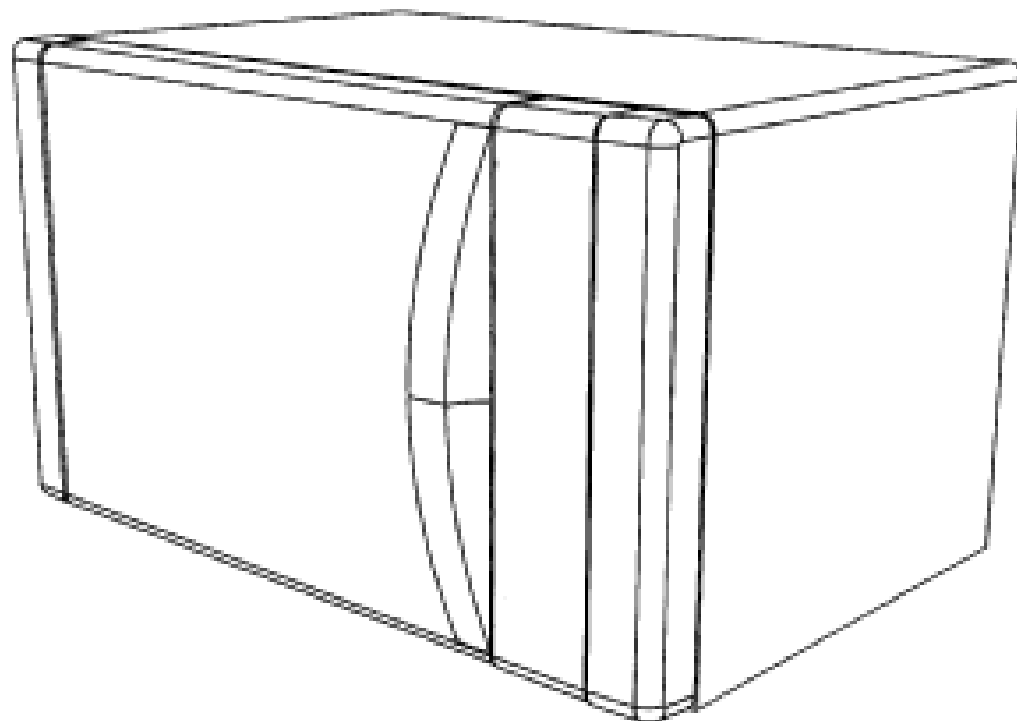
(56) Related Art Documents: **Not Applicable**
(57) Statement of Newness and Distinctiveness: **Nil**



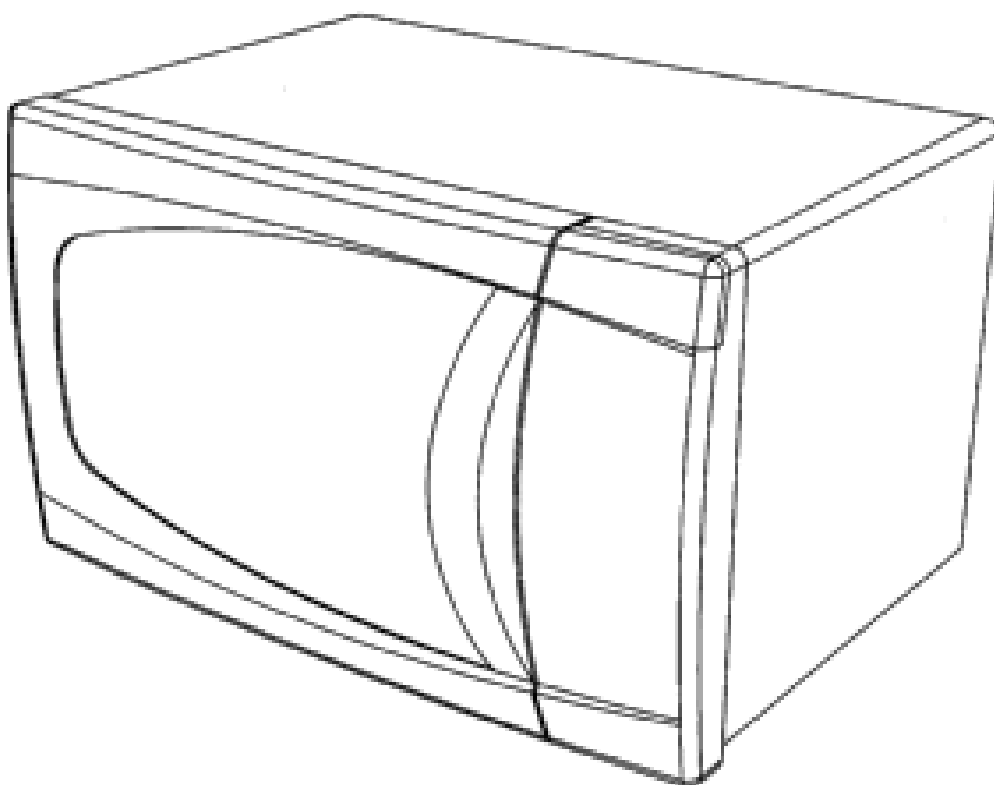
- (21) Design Number: **11691/2009**
(22) Date of Filing Application: **11 May 2009**
(24) Date from which industrial property rights may have effect: **11 May 2009**
(54) Product in respect of which the design is registered: **Microwave oven**
(51) International Design Classification: **07-02B**
(71) Name(s) and Address(s) of Applicant(s):
Electrolux do Brasil SA
R Ministro Gabriel Passos 360 Guabirota Curitiba PR 8152 Brazil
(72) Name(s) of Designer(s): **Gustavo Eugenio Monteiro Sindeaux and Alexandre Cahuffaille Drummond**
(45) Registration Date: **03 June 2009**
(30) Convention priority data:
(31) Number (32) Date (33) Country
DI 6804934-0 10 Nov 2008 BRAZIL
(56) Related Art Documents: **Not Applicable**
(57) Statement of Newness and Distinctiveness: **Newness and distinctiveness resides in the features of shape and/or configuration of a microwave oven as shown in the accompanying representations.**



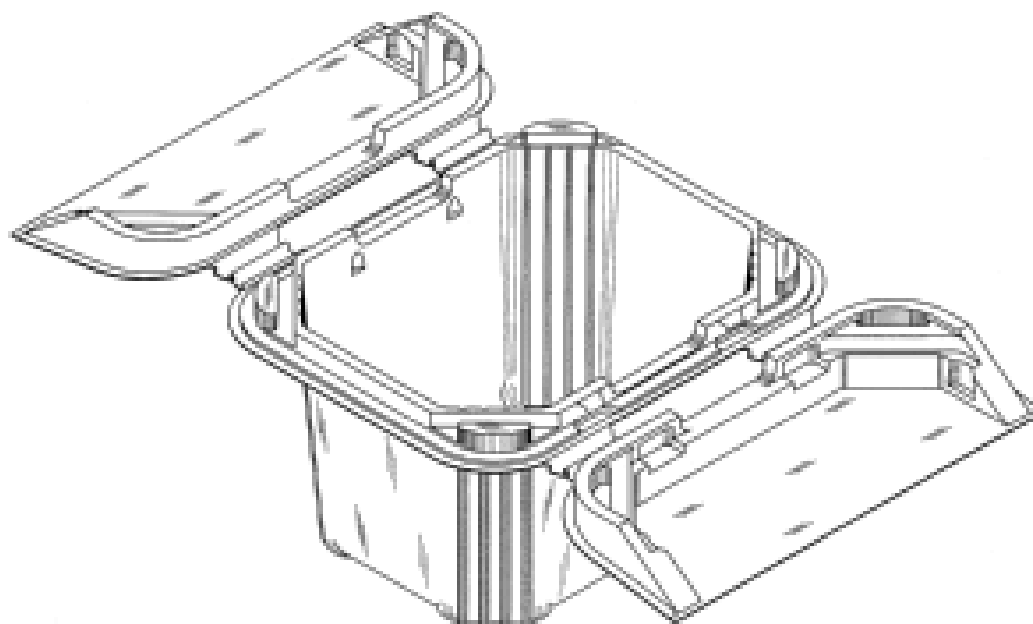
- (21) Design Number: **11986/2009**
(22) Date of Filing Application: **11 May 2009**
(24) Date from which industrial property rights may have effect: **11 May 2009**
(54) Product in respect of which the design is registered: **Microwave oven**
(51) International Design Classification: **07-02B**
(71) Name(s) and Address(s) of Applicant(s):
Electrolux do Brasil SA
R Ministro Gabriel Passos 360 Guabirota Curitiba PR 8152 Brazil
(72) Name(s) of Designer(s): **Gustavo Eugenio Monteiro Sindeaux and Alexandre Cahuffaille Drummond**
(45) Registration Date: **03 June 2009**
(30) Convention priority data:
(31) Number (32) Date (33) Country
DI 6804934-0 10 Nov 2008 BRAZIL
(56) Related Art Documents: **Not Applicable**
(57) Statement of Newness and Distinctiveness: **Newness and distinctiveness resides in the features of shape and/or configuration of a microwave oven as shown in the accompanying representations.**



- (21) Design Number: **11692/2009**
(22) Date of Filing Application: **11 May 2009**
(24) Date from which industrial property rights may have effect: **11 May 2009**
(54) Product in respect of which the design is registered: **Microwave oven**
(51) International Design Classification: **07-02B**
(71) Name(s) and Address(s) of Applicant(s):
Electrolux do Brasil SA
R Ministro Gabriel Passos 360 Guabirota Curitiba PR 8152 Brazil
(72) Name(s) of Designer(s): **Gustavo Eugenio Monteiro Sindeaux and Alexandre Cahuffaille Drummond and Rafael Amaral Alonso Lopes and Gabriel Gemael Polycarpo Lied**
(45) Registration Date: **03 June 2009**
(30) Convention priority data:
(31) Number (32) Date (33) Country
DI 6804933-1 10 Nov 2008 BRAZIL
(56) Related Art Documents: **Not Applicable**
(57) Statement of Newness and Distinctiveness: **Newness and distinctiveness resides in the features of shape and/or configuration of a microwave oven as shown in the accompanying representations.**



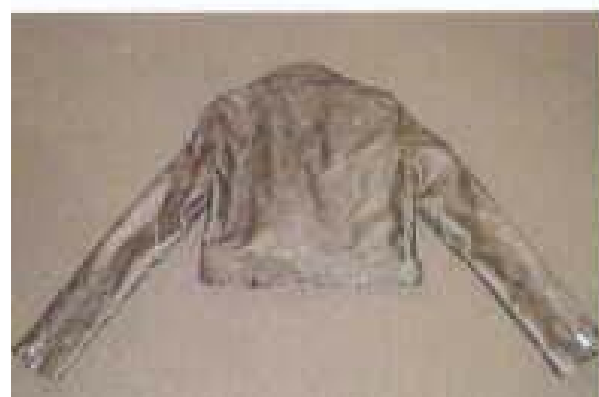
- (21) Design Number: **11693/2009**
(22) Date of Filing Application: **11 May 2009**
(24) Date from which industrial property rights may have effect: **11 May 2009**
(54) Product in respect of which the design is registered: **A produce container**
(51) International Design Classification: **09-03K**
(71) Name(s) and Address(s) of Applicant(s):
Multisteps Pty Ltd
Unit 1 & 2/4 Richmond Road Homebush West New South Wales 2140 Australia
(72) Name(s) of Designer(s): **John Lam**
(45) Registration Date: **03 June 2009**
(56) Related Art Documents: **Not Applicable**
(57) Statement of Newness and Distinctiveness: **Newness and distinctiveness reside in the features of the shape and configuration of the design as shown in the representations.**



- (21) Design Number: **15679/2008**
- (22) Date of Filing Application: **03 December 2008**
- (24) Date from which industrial property rights may have effect: **03 December 2008**
- (54) Product in respect of which the design is registered: **Jacket**
- (51) International Design Classification: **02-02NES**
- (71) Name(s) and Address(s) of Applicant(s):
Lolitta Clothing Pty Ltd
11 Albert Street Richmond Victoria 3121 Australia
- (72) Name(s) of Designer(s): **Tamara Mond**
- (45) Registration Date: **03 June 2009**
- (56) Related Art Documents: **Not Applicable**
- (57) Statement of Newness and Distinctiveness: **Nil**



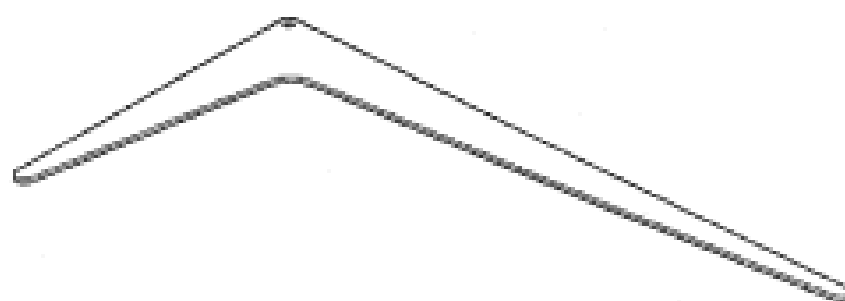
- (21) Design Number: **11612/2009**
- (22) Date of Filing Application: **03 December 2008**
- (24) Date from which industrial property rights may have effect: **03 December 2008**
- (54) Product in respect of which the design is registered: **Jacket**
- (51) International Design Classification: **02-02NES**
- (71) Name(s) and Address(s) of Applicant(s):
Lolitta Clothing Pty Ltd
11 Albert Street Richmond Victoria 3121 Australia
- (72) Name(s) of Designer(s): **Tamara Mond**
- (45) Registration Date: **03 June 2009**
- (56) Related Art Documents: **Not Applicable**
- (57) Statement of Newness and Distinctiveness: **Nil**



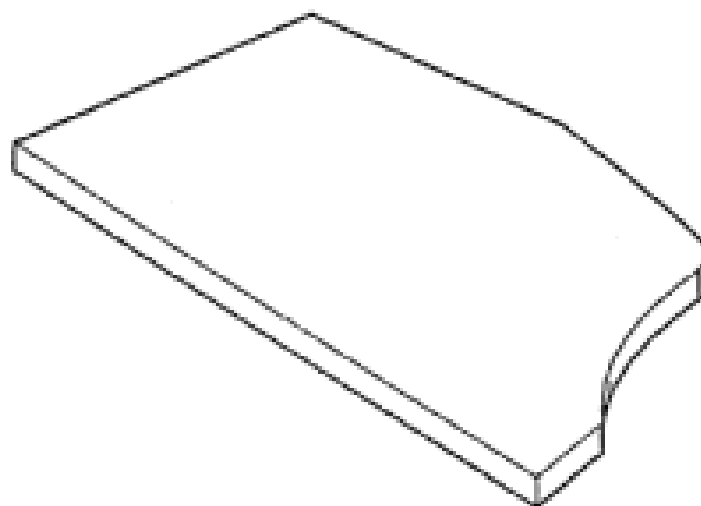
(21) Design Number: **11613/2009**
(22) Date of Filing Application: **03 December 2008**
(24) Date from which industrial property rights may have effect: **03 December 2008**
(54) Product in respect of which the design is registered: **Dress**
(51) International Design Classification: **02-02C**
(71) Name(s) and Address(s) of Applicant(s):
Lolitta Clothing Pty Ltd
11 Albert Street Richmond Victoria 3121 Australia
(72) Name(s) of Designer(s): **Tamara Mond**
(45) Registration Date: **03 June 2009**
(56) Related Art Documents: **Not Applicable**
(57) Statement of Newness and Distinctiveness: **Nil**



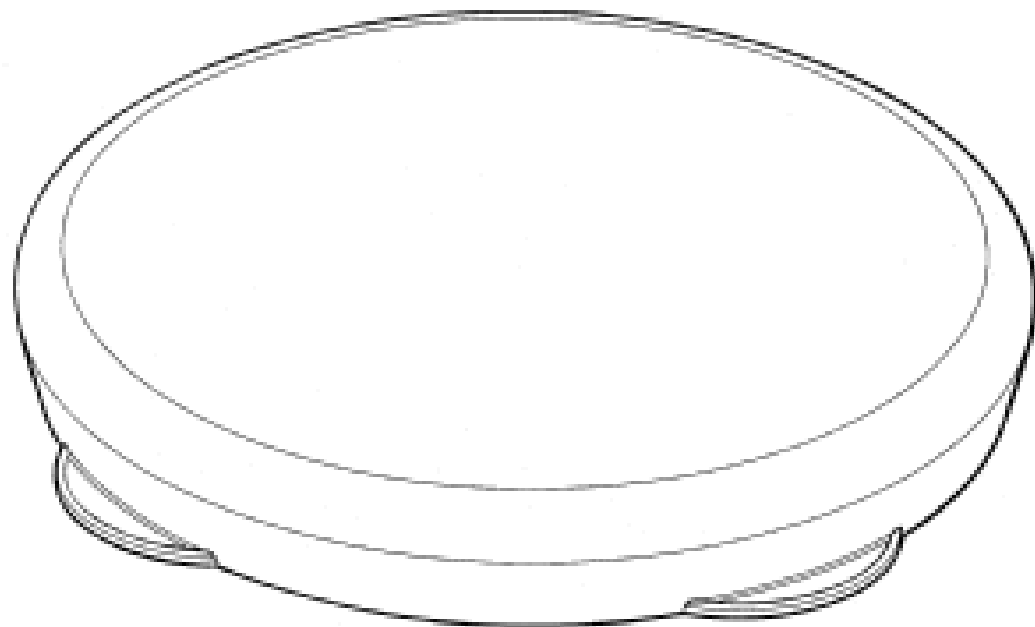
(21) Design Number: **11673/2009**
(22) Date of Filing Application: **01 April 2009**
(24) Date from which industrial property rights may have effect: **01 April 2009**
(54) Product in respect of which the design is registered: **A rocker arm for a cabinet door closing mechanism**
(51) International Design Classification: **08-06**
(71) Name(s) and Address(s) of Applicant(s):
David Urquhart
22 Acacia Drive Burnie Tasmania 7320 Australia
(72) Name(s) of Designer(s): **David Urquhart**
(45) Registration Date: **03 June 2009**
(56) Related Art Documents: **Not Applicable**
(57) Statement of Newness and Distinctiveness: **Nil**



- (21) Design Number: **11674/2009**
(22) Date of Filing Application: **01 April 2009**
(24) Date from which industrial property rights may have effect: **01 April 2009**
(54) Product in respect of which the design is registered: **A door stop lug for a cabinet door closing mechanism**
(51) International Design Classification: **08-09**
(71) Name(s) and Address(s) of Applicant(s):
David Urquhart
22 Acacia Drive Burnie Tasmania 7320 Australia
(72) Name(s) of Designer(s): **David Urquhart**
(45) Registration Date: **03 June 2009**
(56) Related Art Documents: **Not Applicable**
(57) Statement of Newness and Distinctiveness: **Nil**



- (21) Design Number: **11676/2009**
(22) Date of Filing Application: **11 May 2009**
(24) Date from which industrial property rights may have effect: **11 May 2009**
(54) Product in respect of which the design is registered: **Silicone lid**
(51) International Design Classification: **07-01NES**
(71) Name(s) and Address(s) of Applicant(s):
The Decor Corporation Pty Ltd
1314 Ferntree Gully Road Scoresby Victoria 3179 Australia
(72) Name(s) of Designer(s): **Arthur Richard Carlson**
(45) Registration Date: **03 June 2009**
(56) Related Art Documents: **Not Applicable**
(57) Statement of Newness and Distinctiveness: **Nil**



(21) Design Number: **14553/2008**

(22) Date of Filing Application: **23 September 2008**

(24) Date from which industrial property rights may have effect: **23 September 2008**

(54) Product in respect of which the design is registered: **Container with lid**

(51) International Design Classification: **09-03M**

(71) Name(s) and Address(s) of Applicant(s):

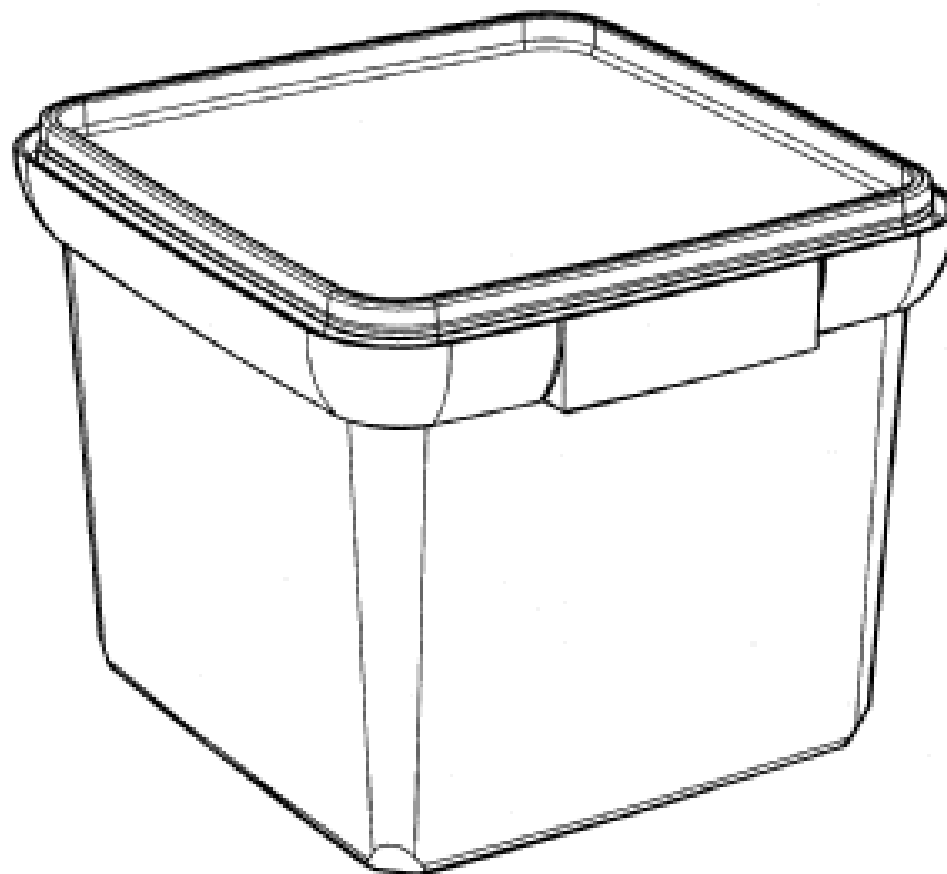
**NCI Holdings Pty Ltd
24 Groom Street Clifton Hill Victoria 3068 Australia**

(72) Name(s) of Designer(s): **Salvador Mendoza**

(45) Registration Date: **03 June 2009**

(56) Related Art Documents: **Not Applicable**

(57) Statement of Newness and Distinctiveness: **Newness and distinctiveness resides in the visual features of shape and/or configuration of a container with lid as illustrated in the accompanying representations.**



(21) Design Number: **14554/2008**

(22) Date of Filing Application: **23 September 2008**

(24) Date from which industrial property rights may have effect: **23 September 2008**

(54) Product in respect of which the design is registered: **Container with lid**

(51) International Design Classification: **09-03M**

(71) Name(s) and Address(s) of Applicant(s):

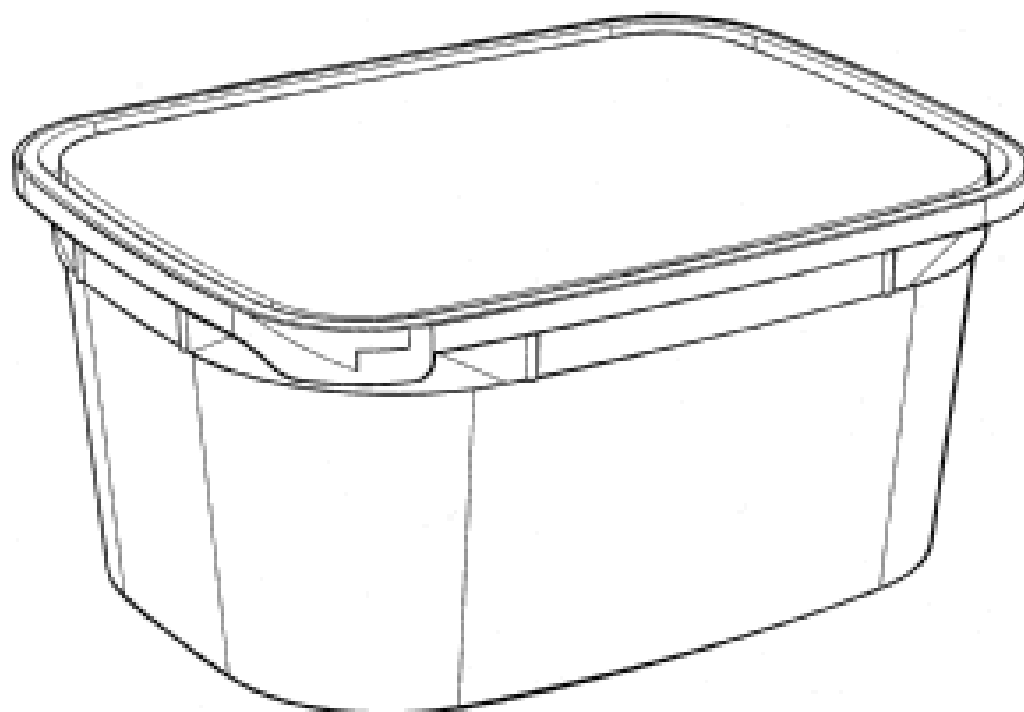
**NCI Holdings Pty Ltd
24 Groom Street Clifton Hill Victoria 3068 Australia**

(72) Name(s) of Designer(s): **Jun Pediongco and Salvador Mendoza**

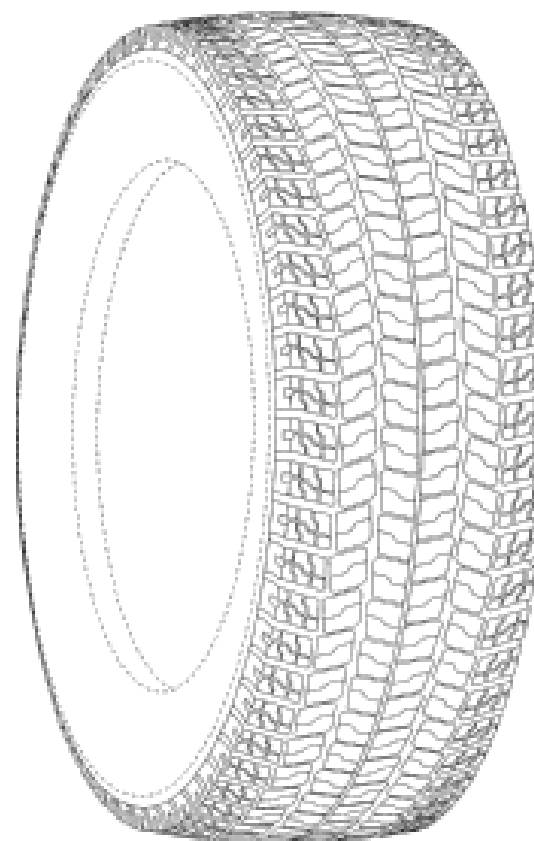
(45) Registration Date: **03 June 2009**

(56) Related Art Documents: **Not Applicable**

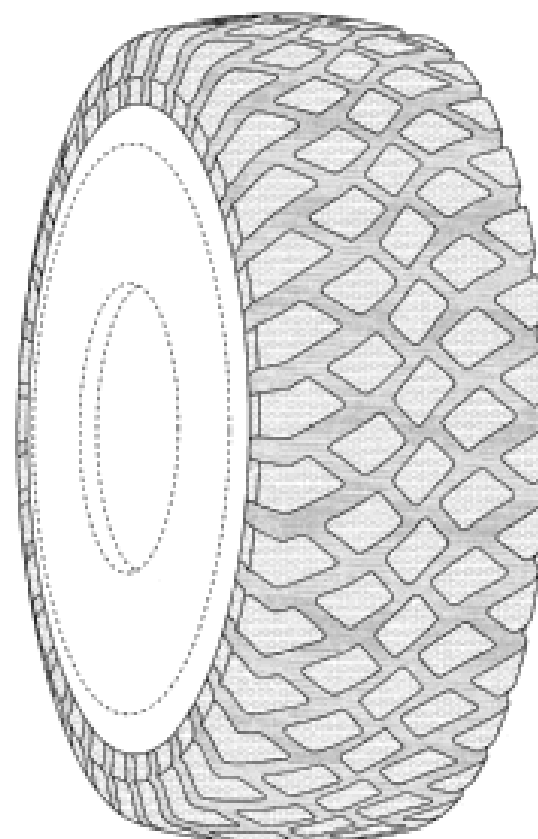
(57) Statement of Newness and Distinctiveness: **Newness and distinctiveness resides in the visual features of shape and/or configuration of a container with lid as illustrated in the accompanying representations.**



- (21) Design Number: **15706/2008**
(22) Date of Filing Application: **03 December 2008**
(24) Date from which industrial property rights may have effect: **03 December 2008**
(54) Product in respect of which the design is registered: **Automobile tyre**
(51) International Design Classification: **12-15A**
(71) Name(s) and Address(s) of Applicant(s):
Bridgestone Corporation
10-1 Kyobashi 1-Chome Chuo-ku Tokyo 104-8340 Japan
(72) Name(s) of Designer(s): **Takafumi Haga**
(45) Registration Date: **03 June 2009**
(56) Related Art Documents: **Not Applicable**
(57) Statement of Newness and Distinctiveness: **The shape and configuration of the parts of the design shown by means of solid lines in the representations are new and distinctive.**



- (21) Design Number: **15708/2008**
(22) Date of Filing Application: **03 December 2008**
(24) Date from which industrial property rights may have effect: **03 December 2008**
(54) Product in respect of which the design is registered: **Automobile tyre**
(51) International Design Classification: **12-15A**
(71) Name(s) and Address(s) of Applicant(s):
Bridgestone Corporation
10-1 Kyobashi 1-Chome Chuo-ku Tokyo 104-8340 Japan
(72) Name(s) of Designer(s): **Shigeaki Sugimoto and Masaharu Fukushima and Motohiro Iwasaki**
(45) Registration Date: **03 June 2009**
(56) Related Art Documents: **Not Applicable**
(57) Statement of Newness and Distinctiveness: **The shape and configuration of the parts of the design shown by means of solid lines in the representations are new and distinctive.**



(21) Design Number: **11877/2009**

(22) Date of Filing Application: **22 May 2009**

(24) Date from which industrial property rights may have effect: **22 May 2009**

(54) Product in respect of which the design is registered: **General-purpose blade**

(51) International Design Classification: **08-03**

(71) Name(s) and Address(s) of Applicant(s):

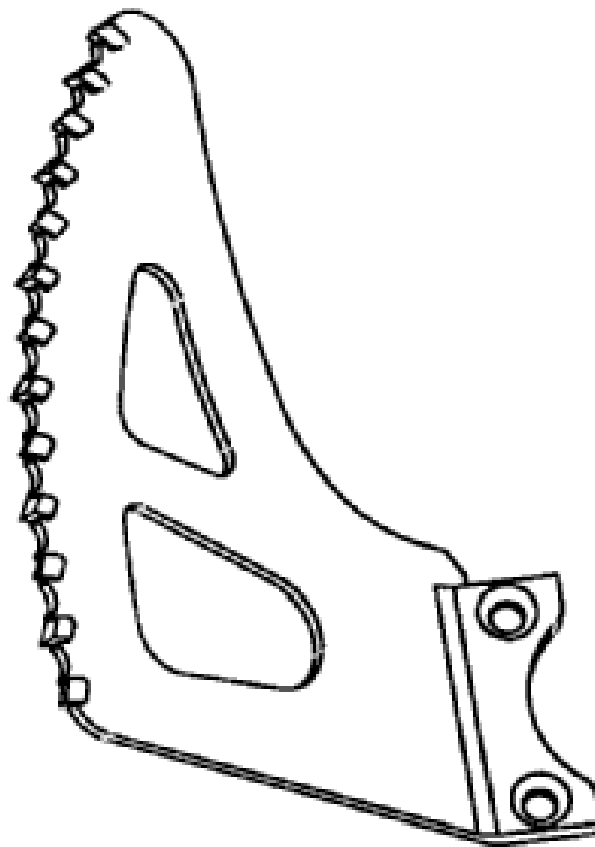
Arbortech Industries Ltd
67 Westchester Road Malaga Western Australia 6090 Australia

(72) Name(s) of Designer(s): **Matthew David Cormack**

(45) Registration Date: **03 June 2009**

(56) Related Art Documents: **Not Applicable**

(57) Statement of Newness and Distinctiveness: **Nil**



(21) Design Number: **11878/2009**

(22) Date of Filing Application: **22 May 2009**

(24) Date from which industrial property rights may have effect: **22 May 2009**

(54) Product in respect of which the design is registered: **Plunge blade**

(51) International Design Classification: **08-03**

(71) Name(s) and Address(s) of Applicant(s):

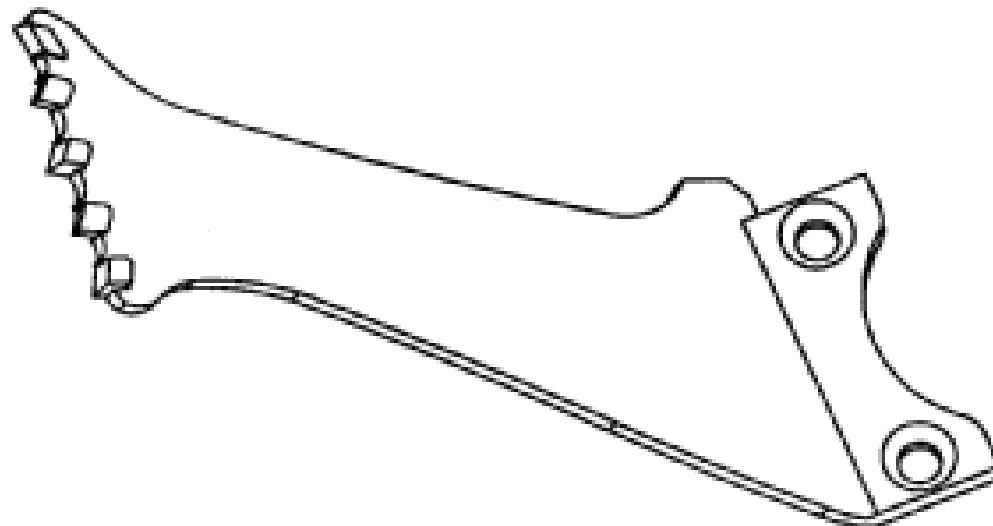
Arbortech Industries Ltd
67 Westchester Road Malaga Western Australia 6090 Australia

(72) Name(s) of Designer(s): **Matthew David Cormack**

(45) Registration Date: **03 June 2009**

(56) Related Art Documents: **Not Applicable**

(57) Statement of Newness and Distinctiveness: **Nil**



(21) Design Number: **15698/2008**

(22) Date of Filing Application: **04 December 2008**

(24) Date from which industrial property rights may have effect: **04 December 2008**

(54) Product in respect of which the design is registered: **A convertible dress**

(51) International Design Classification: **02-02C**

(71) Name(s) and Address(s) of Applicant(s):

Barbarella Vintage Pty Limited
Unit 144 10 Lachlan Street Waterloo New South Wales 2017 Australia

(72) Name(s) of Designer(s): **Hang Osment-Le**

(45) Registration Date: **04 June 2009**

(56) Related Art Documents: **Not Applicable**

(57) Statement of Newness and Distinctiveness: **Newness and distinctiveness reside in the shape and configuration of a convertible dress as illustrated in the accompanying representations. The colour of the fabric and the pattern applied to the fabric do not form part of the design.**



(21) Design Number: **10338/2009**

(22) Date of Filing Application: **05 February 2009**

(24) Date from which industrial property rights may have effect: **05 February 2009**

(54) Product in respect of which the design is registered: **Sandals - footwear**

(51) International Design Classification: **02-04B**

(71) Name(s) and Address(s) of Applicant(s):

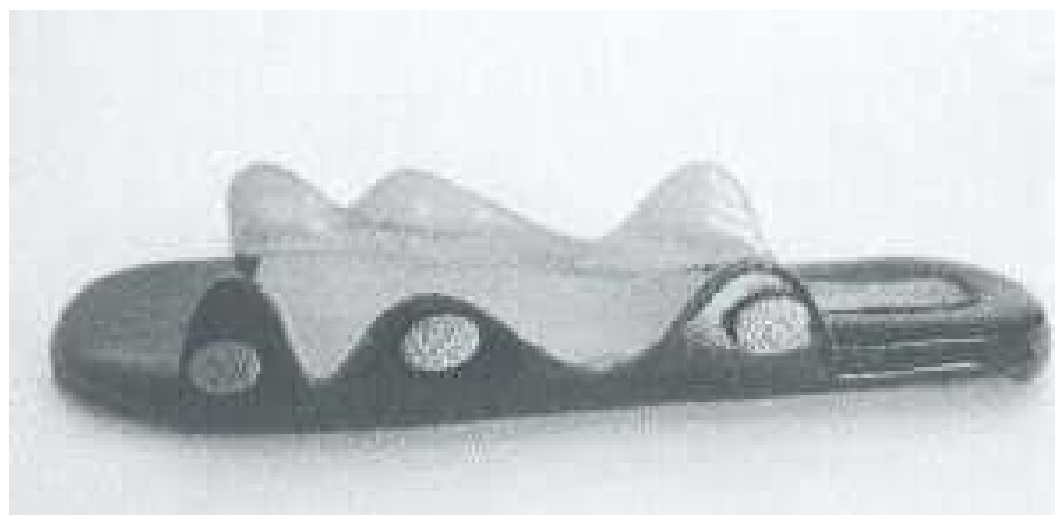
Judy Wills
100 Cameron Street Edgecliff New South Wales 2027 Australia

(72) Name(s) of Designer(s): **Judy Wills**

(45) Registration Date: **04 June 2009**

(56) Related Art Documents: **Not Applicable**

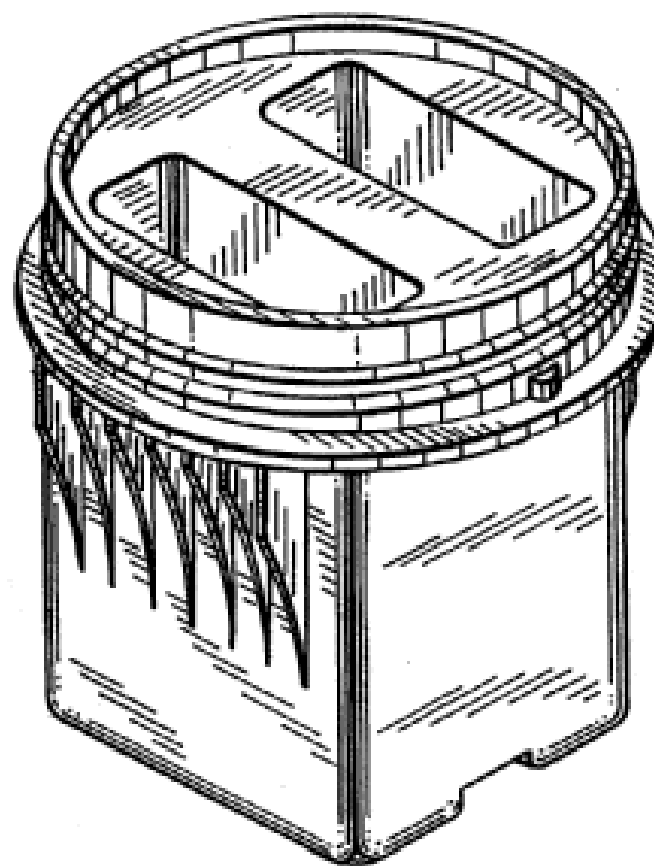
(57) Statement of Newness and Distinctiveness: **Shape, scale and configuration of outsole pads. Shape and positioning of 3 arcs on medial side of base and of 3 arcs on lateral side. Shape and positioning of button on arcs.**



- (21) Design Number: **10339/2009**
(22) Date of Filing Application: **05 February 2009**
(24) Date from which industrial property rights may have effect: **05 February 2009**
(54) Product in respect of which the design is registered: **Fashion ballet flat - footwear**
(51) International Design Classification: **02-04B**
(71) Name(s) and Address(s) of Applicant(s):
Judy Wills
100 Cameron Street Edgecliff New South Wales 2027 Australia
(72) Name(s) of Designer(s): **Judy Wills**
(45) Registration Date: **04 June 2009**
(56) Related Art Documents: **Not Applicable**
(57) Statement of Newness and Distinctiveness: **Cloud shape, configuration and positioning on outsole.**



- (21) Design Number: **11328/2009**
(22) Date of Filing Application: **17 April 2009**
(24) Date from which industrial property rights may have effect: **17 April 2009**
(54) Product in respect of which the design is registered: **Two chamber tissue container**
(51) International Design Classification: **23-02A**
(71) Name(s) and Address(s) of Applicant(s):
Becton, Dickinson and Company
1 Becton Drive Franklin Lakes New Jersey 07417-1880 United States of America
(72) Name(s) of Designer(s): **Bradley M. Wilkinson and C. Mark Newby**
(45) Registration Date: **04 June 2009**
(30) Convention priority data:
(31) Number (32) Date (33) Country
29/326738 23 Oct 2008 UNITED STATES OF AMERICA
(56) Related Art Documents: **Not Applicable**
(57) Statement of Newness and Distinctiveness: **Newness and distinctiveness reside in the features of the design shown in solid lines in the representations excluding those features shown in broken lines.**



(21) Design Number: **11697/2009**

(22) Date of Filing Application: **12 May 2009**

(24) Date from which industrial property rights may have effect: **12 May 2009**

(54) Product in respect of which the design is registered: **A tyre**

(51) International Design Classification: **12-15A**

(71) Name(s) and Address(s) of Applicant(s):

Solideal Holding S.A.

23, Avenue Monterey, Luxembourg 2086, Luxembourg

(72) Name(s) of Designer(s): **Koenraad Pringiers**

(45) Registration Date: **04 June 2009**

(30) Convention priority data:

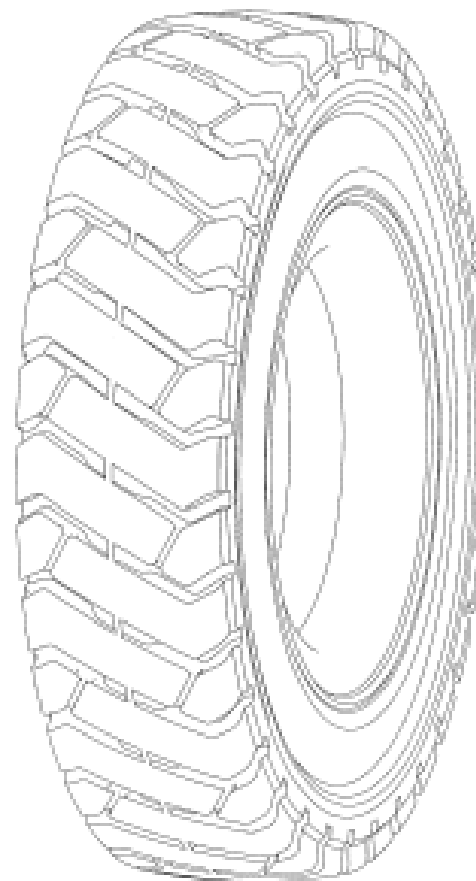
(31) Number
1069546-0001

(32) Date
13 Jan 2009

(33) Country
EUROPEAN COMMUNITY

(56) Related Art Documents: **Not Applicable**

(57) Statement of Newness and Distinctiveness: **Newness and distinctiveness of the design resides in the features of the tyre tread as shown in the accompanying representations.**



(21) Design Number: **11767/2009**

(22) Date of Filing Application: **15 May 2009**

(24) Date from which industrial property rights may have effect: **15 May 2009**

(54) Product in respect of which the design is registered: **A mounting device**

(51) International Design Classification: **08-08L**

(71) Name(s) and Address(s) of Applicant(s):

Rhino Manufacturing Limited

19 Willmott Place Rotorua 3015 New Zealand

(72) Name(s) of Designer(s): **Eddie Genefass**

(45) Registration Date: **04 June 2009**

(30) Convention priority data:

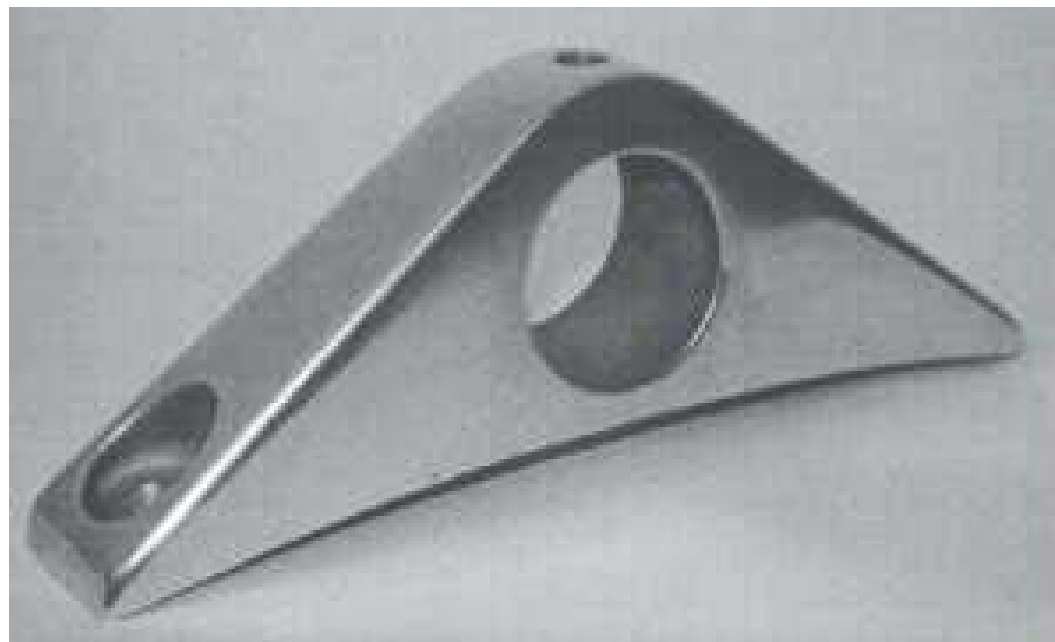
(31) Number
412216

(32) Date
23 Apr 2009

(33) Country
NEW ZEALAND

(56) Related Art Documents: **Not Applicable**

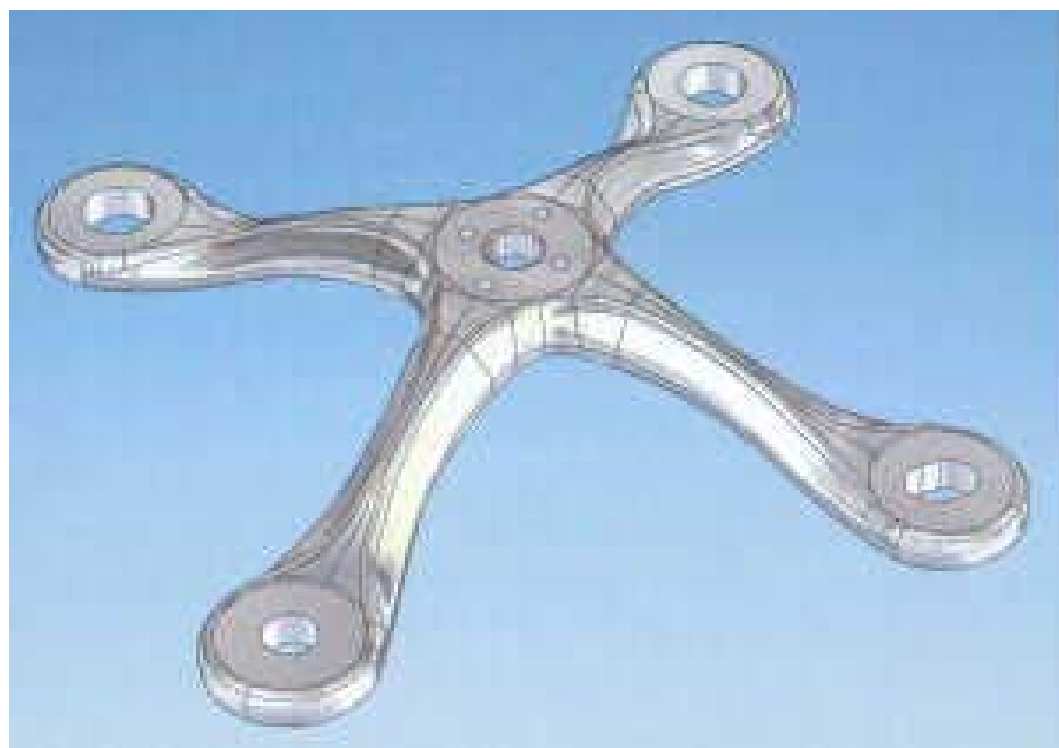
(57) Statement of Newness and Distinctiveness: **Nil**



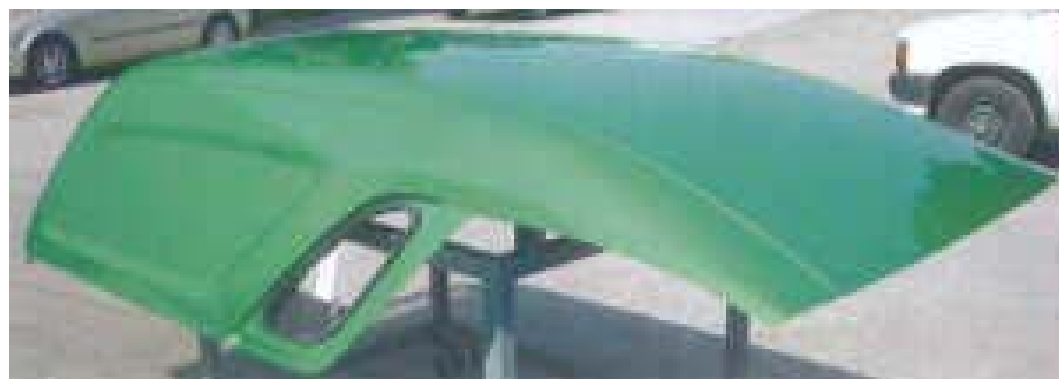
- (21) Design Number: **11805/2009**
(22) Date of Filing Application: **19 May 2009**
(24) Date from which industrial property rights may have effect: **19 May 2009**
(54) Product in respect of which the design is registered: **Bust-a-Gain - a bust section for activewear**
(51) International Design Classification: **02-01A**
(71) Name(s) and Address(s) of Applicant(s):
Stephanie Catherine Kirkham
1 Bushlands Avenue Gordon New South Wales 2072 Australia
(72) Name(s) of Designer(s): **Stephanie Kirkham**
(45) Registration Date: **04 June 2009**
(56) Related Art Documents: **Not Applicable**
(57) Statement of Newness and Distinctiveness: **The bust section of active wear (for example: swimwear, sportswear, sports bra) contains a zipper compartment which houses the prosthesis (i.e. the silicone implant). The prosthesis is completely secured within the zipper and bust compartment to restrict movement of the prosthesis. This device is targeted at women who have undergone a single or double mastectomy, or for those who simply wish to enhance the size of their bust. The zipper compartment is sewn into the bust section and contains a moulded cup which is also sewn into the zipper compartment. The surrounding fabric of the bust section is made from stretch and elastic material which allows for comfortable movement without loss of bust support.**



- (21) Design Number: **11178/2009**
(22) Date of Filing Application: **06 April 2009**
(24) Date from which industrial property rights may have effect: **06 April 2009**
(54) Product in respect of which the design is registered: **Swivel fitting fixture**
(51) International Design Classification: **08-08L**
(71) Name(s) and Address(s) of Applicant(s):
SB Ingenierie
2 Allee des Faisans 74600 Seynod France
(72) Name(s) of Designer(s): **Cesare Monti**
(45) Registration Date: **04 June 2009**
(30) Convention priority data:
(31) Number (32) Date (33) Country
001021604-0010 10 Oct 2008 EUROPEAN COMMUNITY
(56) Related Art Documents: **Not Applicable**
(57) Statement of Newness and Distinctiveness: **Nil**



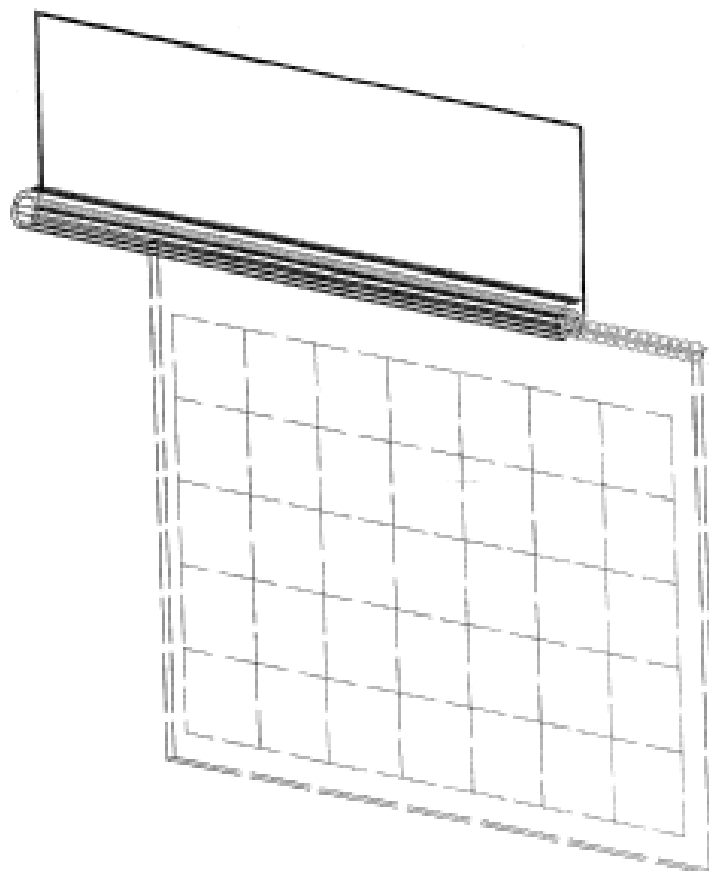
- (21) Design Number: **11591/2009**
(22) Date of Filing Application: **05 May 2009**
(24) Date from which industrial property rights may have effect: **05 May 2009**
(54) Product in respect of which the design is registered: **Vehicle canopy**
(51) International Design Classification: **12-16B**
(71) Name(s) and Address(s) of Applicant(s):
Hi-Class Composites Pty Limited
3/29 Barry Street Bayswater Victoria 3153 Australia
(72) Name(s) of Designer(s): **Christopher Wood**
(45) Registration Date: **04 June 2009**
(56) Related Art Documents: **Not Applicable**
(57) Statement of Newness and Distinctiveness: **Nil**



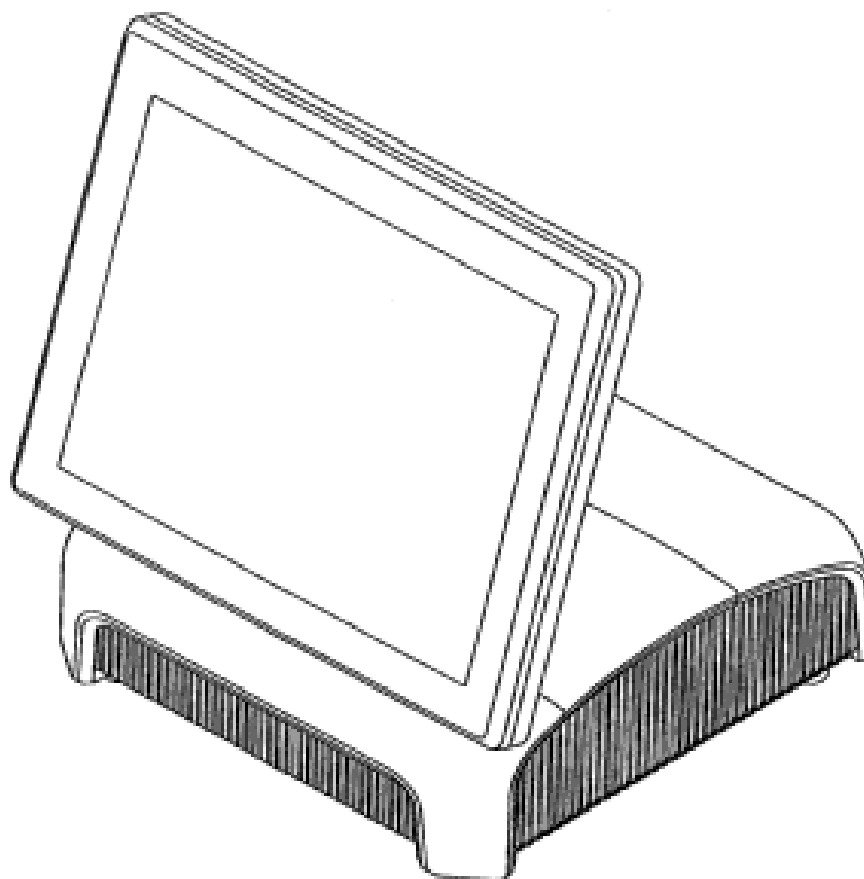
- (21) Design Number: **11683/2009**
(22) Date of Filing Application: **11 May 2009**
(24) Date from which industrial property rights may have effect: **11 May 2009**
(54) Product in respect of which the design is registered: **Box**
(51) International Design Classification: **09-03M**
(71) Name(s) and Address(s) of Applicant(s):
Chivas Holdings (IP) Limited
111-113 Renfrew Road Paisley Renfrewshire PA3 4DY United Kingdom
(72) Name(s) of Designer(s): **Graham Shearsby and Antonia Hayward and Nicky Triggs and Matt Thompson and Ed Mitchell and Laurent Robin-Prevallee**
(45) Registration Date: **04 June 2009**
(30) Convention priority data:
(31) Number (32) Date (33) Country
001089593 17 Feb 2009 EUROPEAN COMMUNITY
(56) Related Art Documents: **Not Applicable**
(57) Statement of Newness and Distinctiveness: **Newness and distinctiveness is claimed in the features of pattern and/or ornamentation of a box as illustrated in the accompanying representations.**



- (21) Design Number: **11684/2009**
(22) Date of Filing Application: **11 May 2009**
(24) Date from which industrial property rights may have effect: **11 May 2009**
(54) Product in respect of which the design is registered: **An elongate magnetic member**
(51) International Design Classification: **08-08NES, 20-02NES**
(71) Name(s) and Address(s) of Applicant(s):
Impact Magnets & Cards Pty Ltd
494 The Entrance Road Erina Heights New South Wales 2260
Australia
(72) Name(s) of Designer(s): **Alan Gray**
(45) Registration Date: **04 June 2009**
(56) Related Art Documents: **Not Applicable**
(57) Statement of Newness and Distinctiveness: **Newness and distinctiveness is claimed in those features of shape and/or configuration of an elongate magnetic member as illustrated in continuous lines in the accompanying representations.**



- (21) Design Number: **11685/2009**
(22) Date of Filing Application: **11 May 2009**
(24) Date from which industrial property rights may have effect: **11 May 2009**
(54) Product in respect of which the design is registered: **A cash register for a point of sales terminal**
(51) International Design Classification: **18-01**
(71) Name(s) and Address(s) of Applicant(s):
Toshiba Tec Kabushiki Kaisha
2-17-2 Higashigotanda Shinagawa-ku Tokyo 141-8664 Japan
(72) Name(s) of Designer(s): **Yasuhiro Ono**
(45) Registration Date: **04 June 2009**
(30) Convention priority data:
(31) Number (32) Date (33) Country
2008-030017 21 Nov 2008 JAPAN
(56) Related Art Documents: **Not Applicable**
(57) Statement of Newness and Distinctiveness: **Newness and distinctiveness is claimed in the features of shape and/or configuration of a cash register for a point of sales terminal as illustrated in the accompanying representations.**



(21) Design Number: **11717/2009**

(22) Date of Filing Application: **12 May 2009**

(24) Date from which industrial property rights may have effect: **12 May 2009**

(54) Product in respect of which the design is registered: **Swivel bracket for jockey wheel**

(51) International Design Classification: **12-16L**

(71) Name(s) and Address(s) of Applicant(s):

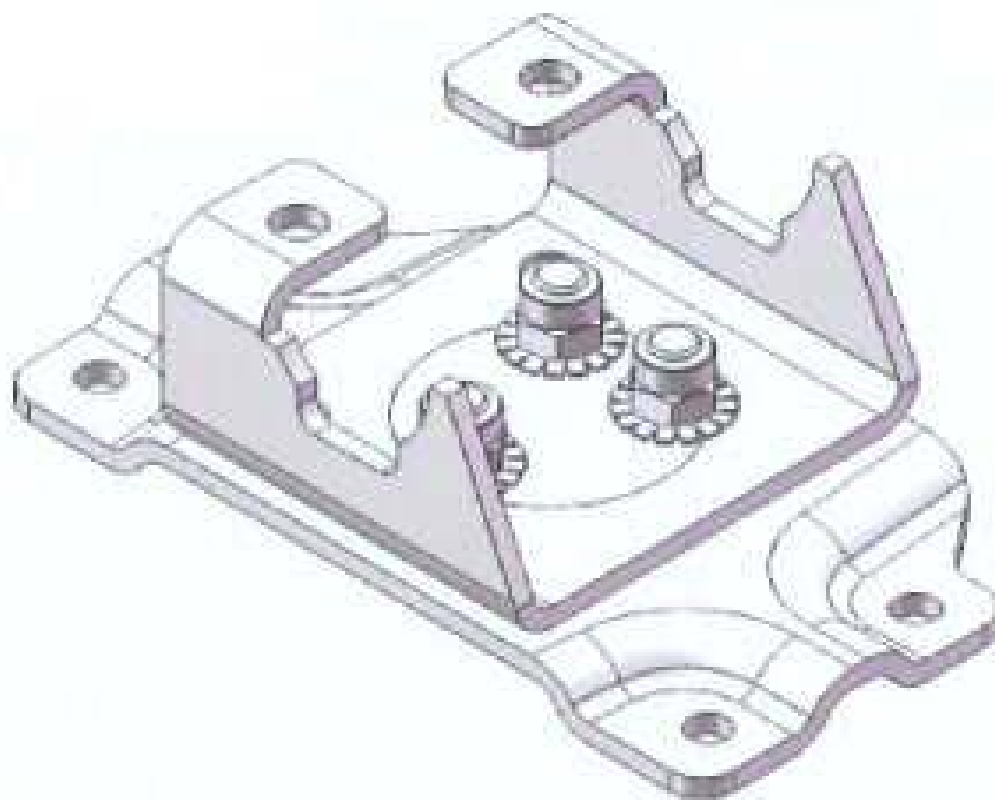
AL-KO International Pty Ltd
67-91 Nathan Road Dandenong South Victoria 3175 Australia

(72) Name(s) of Designer(s): **Slobodan Cabarkapa**

(45) Registration Date: **04 June 2009**

(56) Related Art Documents: **Not Applicable**

(57) Statement of Newness and Distinctiveness: **The shape of the bolts, as shown in the representations, are excluded from the design.**



(21) Design Number: **11718/2009**

(22) Date of Filing Application: **12 May 2009**

(24) Date from which industrial property rights may have effect: **12 May 2009**

(54) Product in respect of which the design is registered: **Swivel bracket for jockey wheel**

(51) International Design Classification: **12-16L**

(71) Name(s) and Address(s) of Applicant(s):

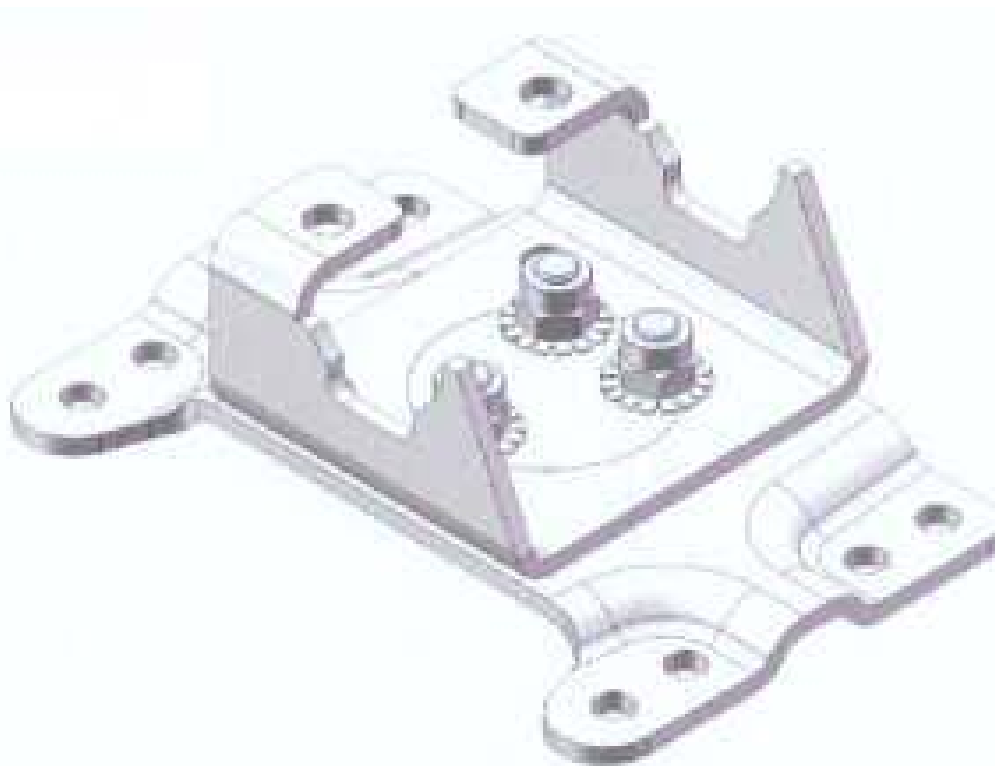
AL-KO International Pty Ltd
67-91 Nathan Road Dandenong South Victoria 3175 Australia

(72) Name(s) of Designer(s): **Slobodan Cabarkapa**

(45) Registration Date: **04 June 2009**

(56) Related Art Documents: **Not Applicable**

(57) Statement of Newness and Distinctiveness: **The shape of the bolts, as shown in the representations, are excluded from the design.**



(21) Design Number: **11719/2009**

(22) Date of Filing Application: **12 May 2009**

(24) Date from which industrial property rights may have effect: **12 May 2009**

(54) Product in respect of which the design is registered: **Swivel bracket for jockey wheel**

(51) International Design Classification: **12-16L**

(71) Name(s) and Address(s) of Applicant(s):

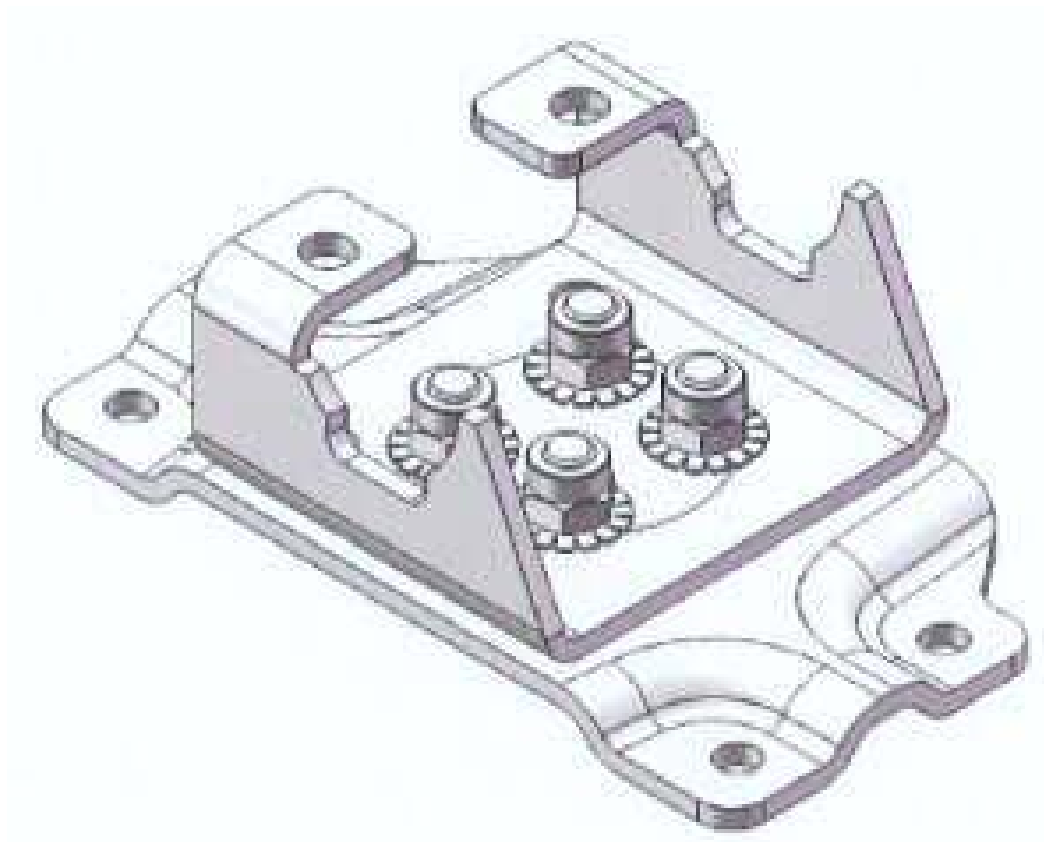
**AL-KO International Pty Ltd
67-91 Nathan Road Dandenong South Victoria 3175 Australia**

(72) Name(s) of Designer(s): **Slobodan Cabarkapa**

(45) Registration Date: **04 June 2009**

(56) Related Art Documents: **Not Applicable**

(57) Statement of Newness and Distinctiveness: **The shape of the bolts, as shown in the representations, are excluded from the design.**



(21) Design Number: **11720/2009**

(22) Date of Filing Application: **12 May 2009**

(24) Date from which industrial property rights may have effect: **12 May 2009**

(54) Product in respect of which the design is registered: **Swivel bracket for jockey wheel**

(51) International Design Classification: **12-16L**

(71) Name(s) and Address(s) of Applicant(s):

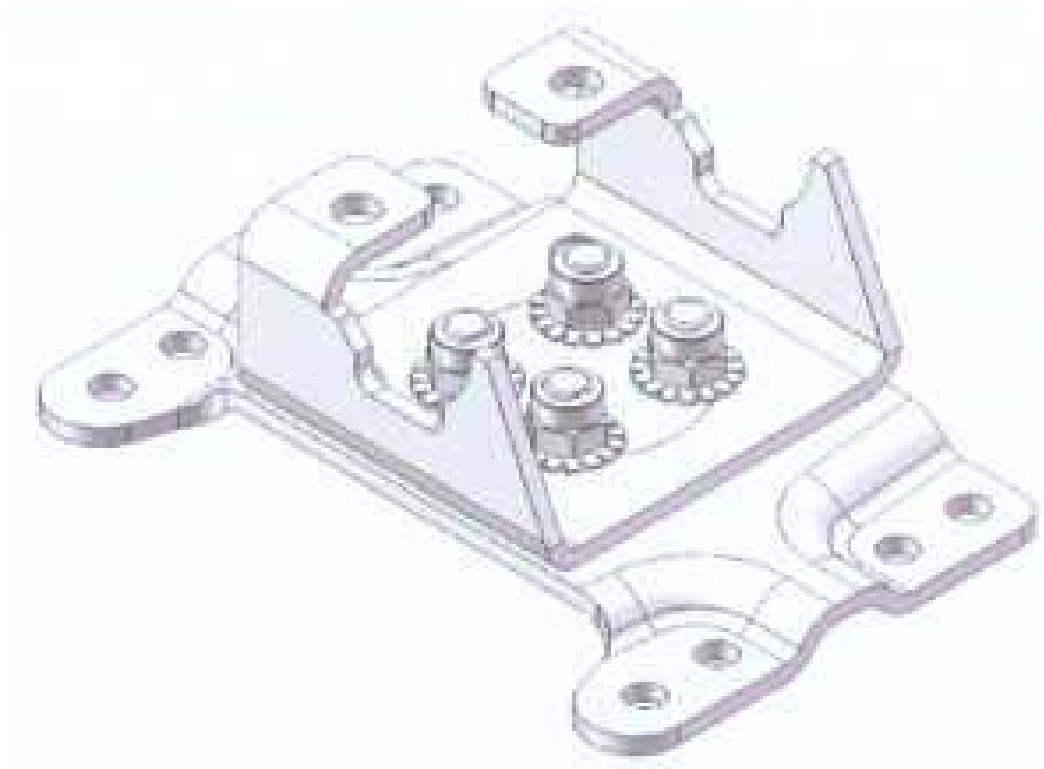
**AL-KO International Pty Ltd
67-91 Nathan Road Dandenong South Victoria 3175 Australia**

(72) Name(s) of Designer(s): **Slobodan Cabarkapa**

(45) Registration Date: **04 June 2009**

(56) Related Art Documents: **Not Applicable**

(57) Statement of Newness and Distinctiveness: **The shape of the bolts, as shown in the representations, are excluded from the design.**



(21) Design Number: **11721/2009**

(22) Date of Filing Application: **12 May 2009**

(24) Date from which industrial property rights may have effect: **12 May 2009**

(54) Product in respect of which the design is registered: **Swivel bracket for jockey wheel**

(51) International Design Classification: **12-16L**

(71) Name(s) and Address(s) of Applicant(s):

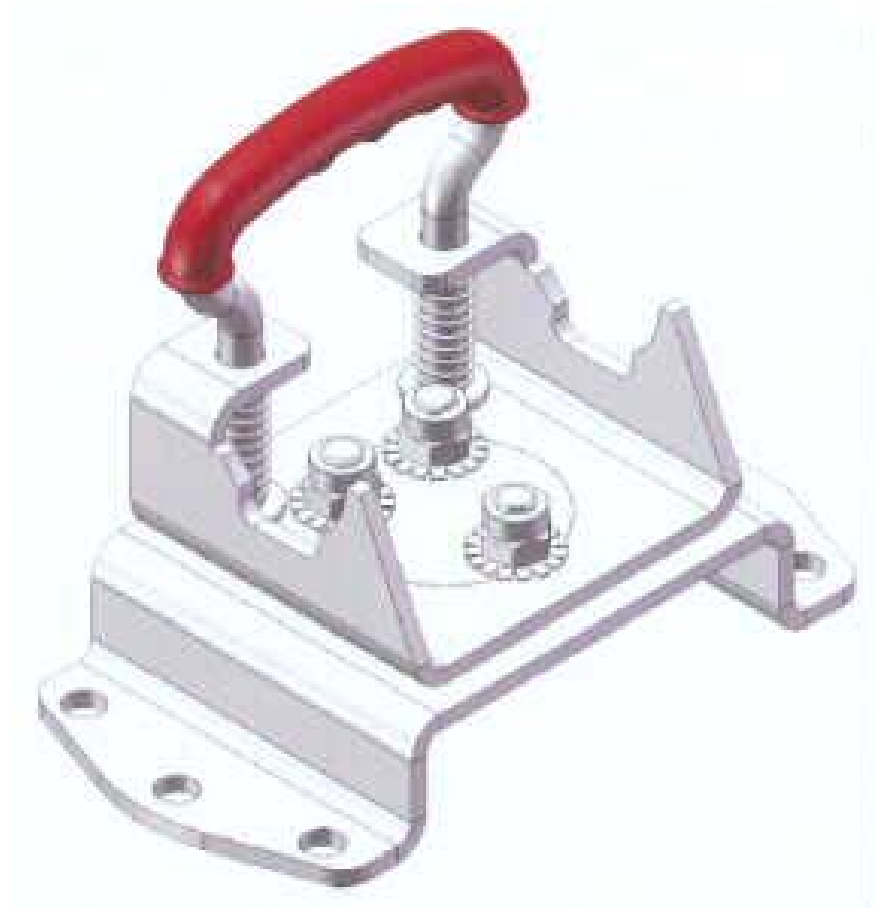
AL-KO International Pty Ltd
67-91 Nathan Road Dandenong South Victoria 3175 Australia

(72) Name(s) of Designer(s): **Slobodan Cabarkapa**

(45) Registration Date: **04 June 2009**

(56) Related Art Documents: **Not Applicable**

(57) Statement of Newness and Distinctiveness: **The shape of the bolts, as shown in the representations, are excluded from the design.**



(21) Design Number: **11722/2009**

(22) Date of Filing Application: **12 May 2009**

(24) Date from which industrial property rights may have effect: **12 May 2009**

(54) Product in respect of which the design is registered: **Swivel bracket for jockey wheel**

(51) International Design Classification: **12-16L**

(71) Name(s) and Address(s) of Applicant(s):

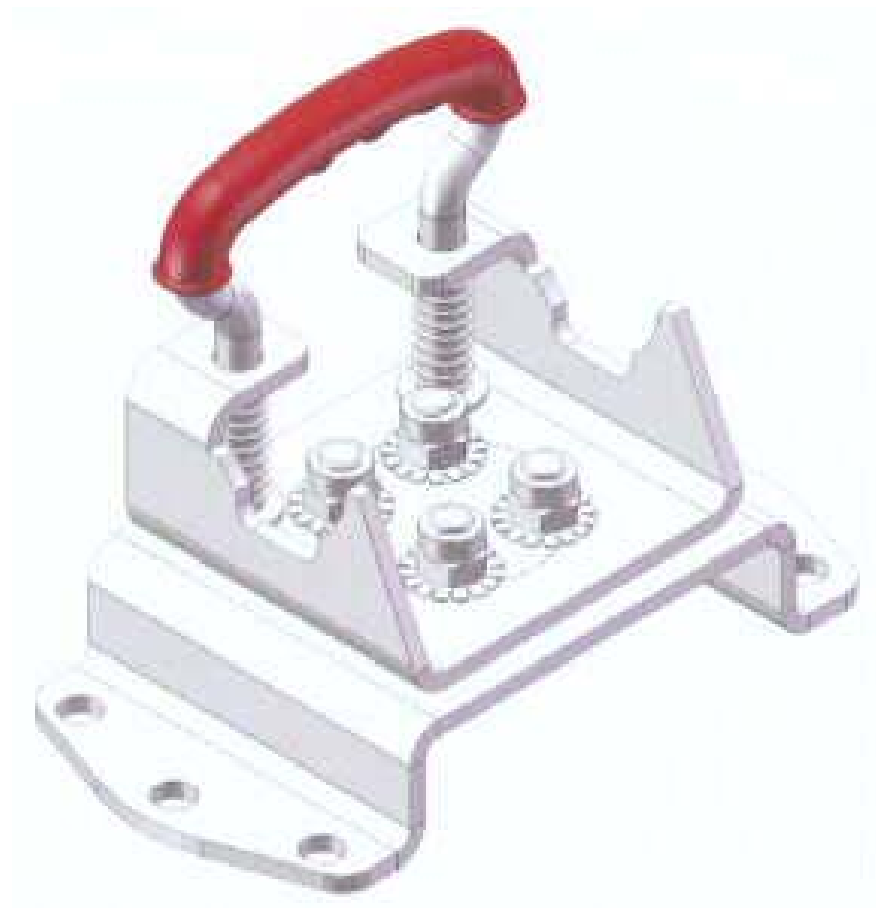
AL-KO International Pty Ltd
67-91 Nathan Road Dandenong South Victoria 3175 Australia

(72) Name(s) of Designer(s): **Slobodan Cabarkapa**

(45) Registration Date: **04 June 2009**

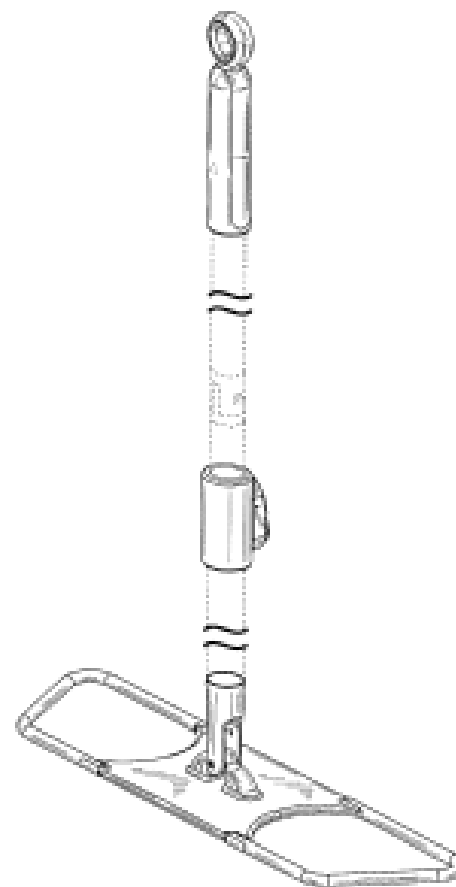
(56) Related Art Documents: **Not Applicable**

(57) Statement of Newness and Distinctiveness: **The shape of the bolts, as shown in the representations, are excluded from the design.**



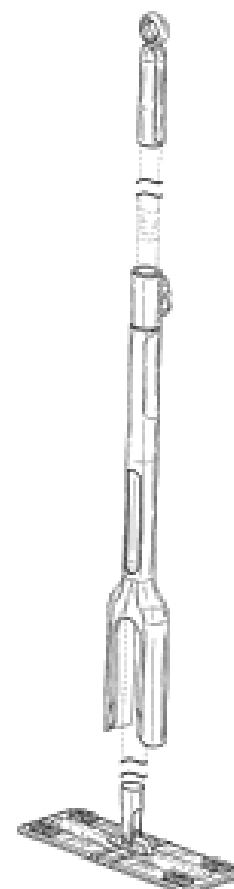
- (21) Design Number: **11723/2009**
- (22) Date of Filing Application: **12 May 2009**
- (24) Date from which industrial property rights may have effect: **12 May 2009**
- (54) Product in respect of which the design is registered: **Floor duster**
- (51) International Design Classification: **07-05E, 04-01**
- (71) Name(s) and Address(s) of Applicant(s):
Bissell Homecare, Inc
2345 Walker Avenue N.W. Grand Rapids MI 49544 United States of America
- (72) Name(s) of Designer(s): **Meghan L. McNeil and Douglas J. Medema**
- (45) Registration Date: **04 June 2009**
- (30) Convention priority data:

(31) Number	(32) Date	(33) Country
29/327,803	13 Nov 2008	UNITED STATES OF AMERICA
- (56) Related Art Documents: **Not Applicable**
- (57) Statement of Newness and Distinctiveness: **The shape and configuration of the parts of the design that are shown by means of solid lines in the representations are new and distinctive.**



- (21) Design Number: **11724/2009**
- (22) Date of Filing Application: **12 May 2009**
- (24) Date from which industrial property rights may have effect: **12 May 2009**
- (54) Product in respect of which the design is registered: **Flat mop**
- (51) International Design Classification: **04-01**
- (71) Name(s) and Address(s) of Applicant(s):
Bissell Homecare, Inc
2345 Walker Avenue N.W. Grand Rapids MI 49544 United States of America
- (72) Name(s) of Designer(s): **Meghan L. McNeil and Douglas J. Medema**
- (45) Registration Date: **04 June 2009**
- (30) Convention priority data:

(31) Number	(32) Date	(33) Country
29/327,801	13 Nov 2008	UNITED STATES OF AMERICA
- (56) Related Art Documents: **Not Applicable**
- (57) Statement of Newness and Distinctiveness: **The shape and configuration of the parts of the design that are shown by means of solid lines in the representations are new and distinctive.**



(21) Design Number: **11725/2009**

(22) Date of Filing Application: **12 May 2009**

(24) Date from which industrial property rights may have effect: **12 May 2009**

(54) Product in respect of which the design is registered: **High reach duster**

(51) International Design Classification: **04-01**

(71) Name(s) and Address(s) of Applicant(s):

Bissell Homecare, Inc
2345 Walker Avenue N.W. Grand Rapids MI 49544 United States of America

(72) Name(s) of Designer(s): **Meghan L. McNeil and Douglas J. Medema**

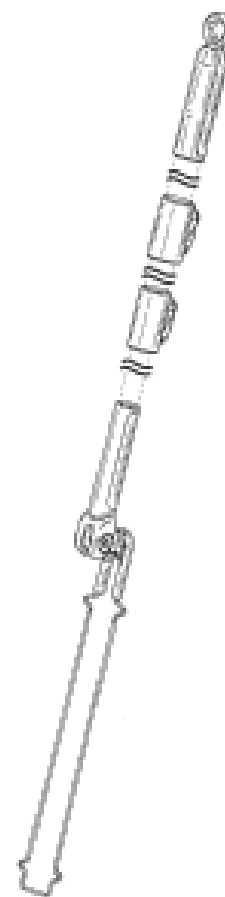
(45) Registration Date: **04 June 2009**

(30) Convention priority data:

(31) Number	(32) Date	(33) Country
29/327,809	13 Nov 2008	UNITED STATES OF AMERICA

(56) Related Art Documents: **Not Applicable**

(57) Statement of Newness and Distinctiveness: **The shape and configuration of the parts of the design that are shown by means of solid lines in the representations are new and distinctive.**



(21) Design Number: **11726/2009**

(22) Date of Filing Application: **12 May 2009**

(24) Date from which industrial property rights may have effect: **12 May 2009**

(54) Product in respect of which the design is registered: **Pet hair broom**

(51) International Design Classification: **04-01, 30-99**

(71) Name(s) and Address(s) of Applicant(s):

Bissell Homecare, Inc
2345 Walker Avenue N.W. Grand Rapids MI 49544 United States of America

(72) Name(s) of Designer(s): **Meghan L. McNeil and Douglas J. Medema**

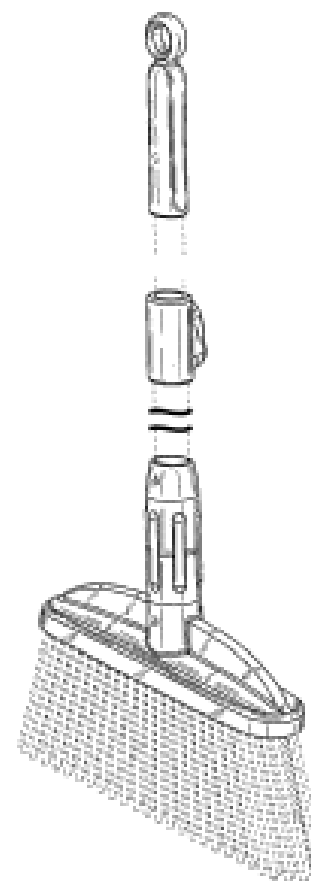
(45) Registration Date: **04 June 2009**

(30) Convention priority data:

(31) Number	(32) Date	(33) Country
29/327,878	14 Nov 2008	UNITED STATES OF AMERICA

(56) Related Art Documents: **Not Applicable**

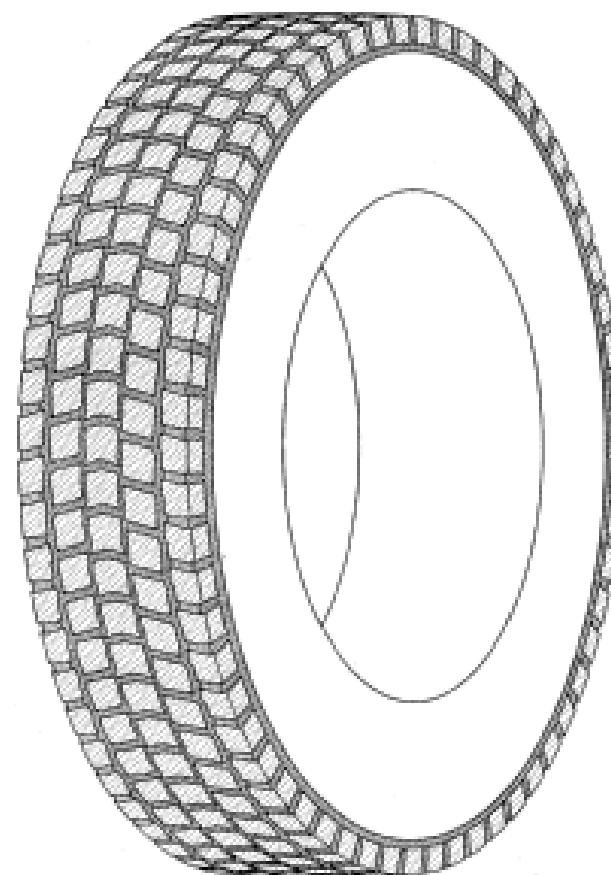
(57) Statement of Newness and Distinctiveness: **The shape and configuration of the parts of the design that are shown by means of solid lines in the representations are new and distinctive.**



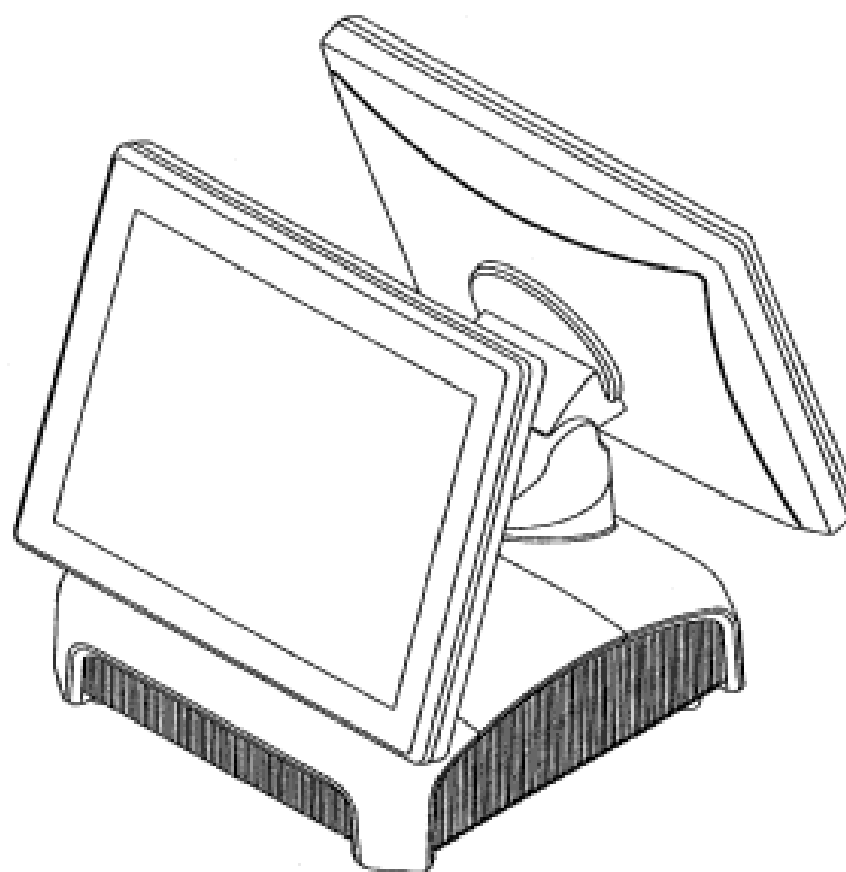
- (21) Design Number: **11727/2009**
(22) Date of Filing Application: **12 May 2009**
(24) Date from which industrial property rights may have effect: **12 May 2009**
(54) Product in respect of which the design is registered: **Bag**
(51) International Design Classification: **03-01A**
(71) Name(s) and Address(s) of Applicant(s):
Harlequin International Group Pty Ltd
109 The Cooperage 56 Bowman Street Pyrmont New South Wales
2009 Australia
(72) Name(s) of Designer(s): **Penelope Montague**
(45) Registration Date: **04 June 2009**
(56) Related Art Documents: **Not Applicable**
(57) Statement of Newness and Distinctiveness: **Nil**



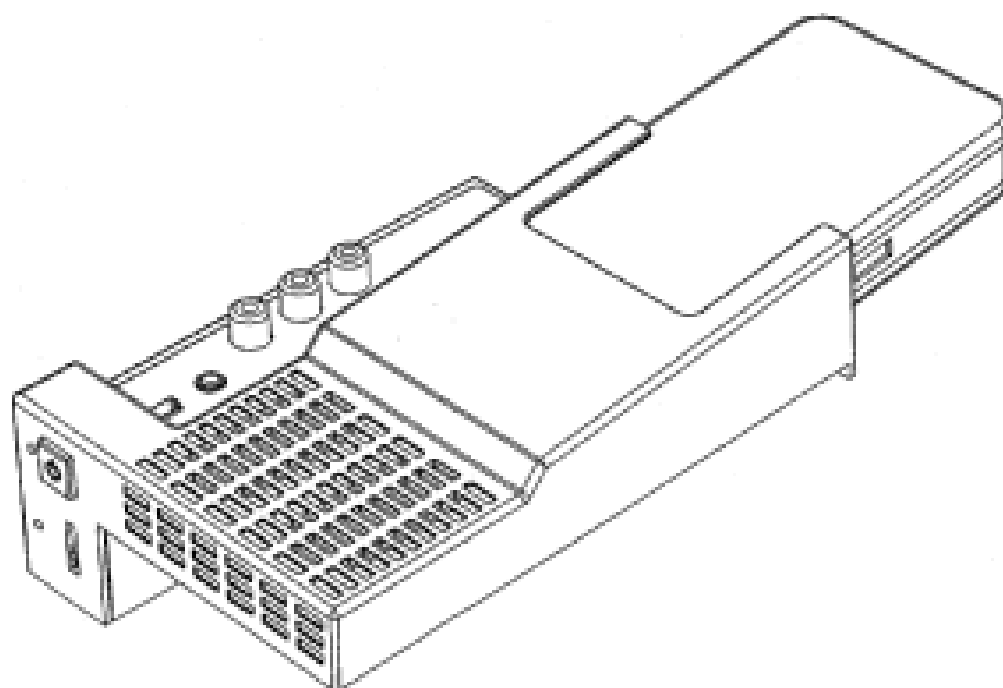
- (21) Design Number: **11706/2009**
(22) Date of Filing Application: **12 May 2009**
(24) Date from which industrial property rights may have effect: **12 May 2009**
(54) Product in respect of which the design is registered: **Tyre**
(51) International Design Classification: **12-15A**
(71) Name(s) and Address(s) of Applicant(s):
The Goodyear Tire & Rubber Company
1144 East Market Street Akron Ohio 44316-0001 United States of
America
(72) Name(s) of Designer(s): **Nizar Toumni and Bernard Robert Nicolas**
(45) Registration Date: **04 June 2009**
(30) Convention priority data:
(31) Number (32) Date (33) Country
29/328029 18 Nov 2008 UNITED STATES OF AMERICA
(56) Related Art Documents: **Not Applicable**
(57) Statement of Newness and Distinctiveness: **Newness and distinctiveness is claimed in the features of shape and/or configuration of the tread of a tyre as illustrated in the accompanying representations, wherein the shape and/or configuration of the tread is repeated throughout the circumference of the tyre.**



- (21) Design Number: **11707/2009**
(22) Date of Filing Application: **12 May 2009**
(24) Date from which industrial property rights may have effect: **12 May 2009**
(54) Product in respect of which the design is registered: **A cash register for a point of sales terminal**
(51) International Design Classification: **18-01**
(71) Name(s) and Address(s) of Applicant(s):
Toshiba Tec Kabushiki Kaisha
2-17-2 Higashigotanda Shinagawa-ku Tokyo 141-8664 Japan
(72) Name(s) of Designer(s): **Yasuhiro Ono**
(45) Registration Date: **04 June 2009**
(30) Convention priority data:
(31) Number (32) Date (33) Country
2008-030019 21 Nov 2008 JAPAN
(56) Related Art Documents: **Not Applicable**
(57) Statement of Newness and Distinctiveness: **Newness and distinctiveness is claimed in the features of shape and/or configuration of a cash register for a point of sales terminal as illustrated in the accompanying representations.**



- (21) Design Number: **11710/2009**
(22) Date of Filing Application: **12 May 2009**
(24) Date from which industrial property rights may have effect: **12 May 2009**
(54) Product in respect of which the design is registered: **Portable projection device**
(51) International Design Classification: **16-02**
(71) Name(s) and Address(s) of Applicant(s):
Digislide Holdings Limited
100-102 Cavan Road Dry Creek South Australia 5094 Australia
(72) Name(s) of Designer(s): **Luceille Outhred and Kevin Soper and Adam Weaver**
(45) Registration Date: **04 June 2009**
(56) Related Art Documents: **Not Applicable**
(57) Statement of Newness and Distinctiveness: **Nil**



(21) Design Number: **11711/2009**

(22) Date of Filing Application: **12 May 2009**

(24) Date from which industrial property rights may have effect: **12 May 2009**

(54) Product in respect of which the design is registered: **Portable projection device**

(51) International Design Classification: **16-02**

(71) Name(s) and Address(s) of Applicant(s):

Digislide Holdings Limited

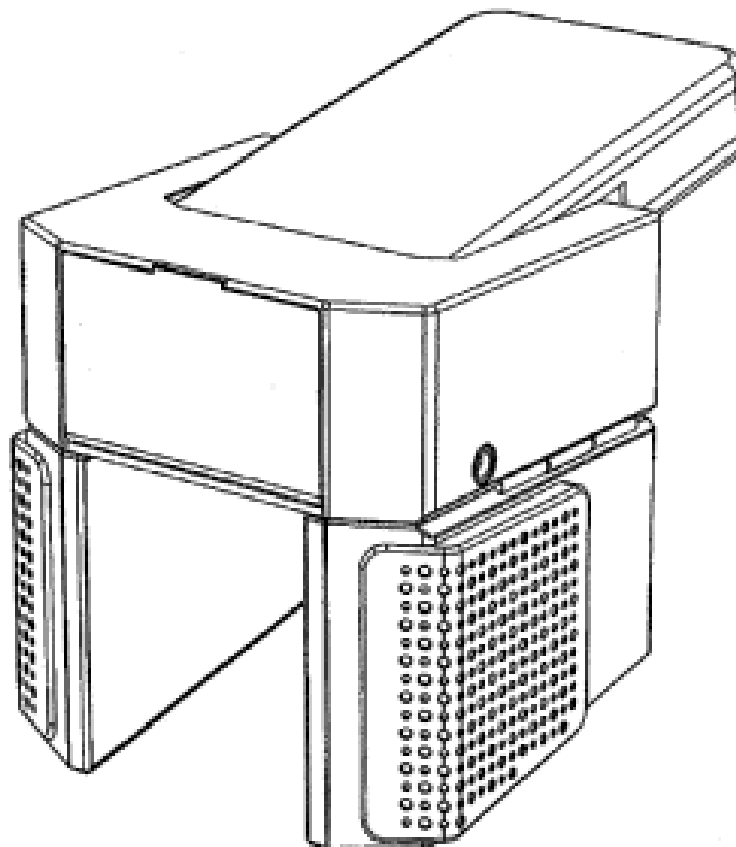
100-102 Cavan Road Dry Creek South Australia 5094 Australia

(72) Name(s) of Designer(s): **Luceille Outhred and Kevin Soper and Adam Weaver**

(45) Registration Date: **04 June 2009**

(56) Related Art Documents: **Not Applicable**

(57) Statement of Newness and Distinctiveness: **Nil**



(21) Design Number: **11712/2009**

(22) Date of Filing Application: **12 May 2009**

(24) Date from which industrial property rights may have effect: **12 May 2009**

(54) Product in respect of which the design is registered: **Portable projection device**

(51) International Design Classification: **16-02**

(71) Name(s) and Address(s) of Applicant(s):

Digislide Holdings Limited

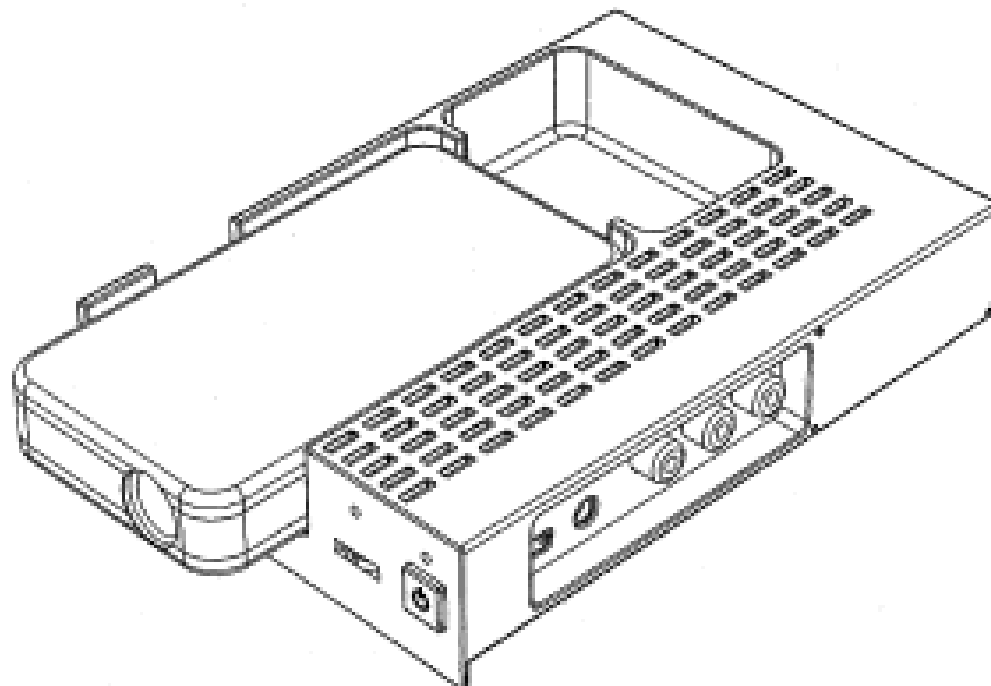
100-102 Cavan Road Dry Creek South Australia 5094 Australia

(72) Name(s) of Designer(s): **Luceille Outhred and Kevin Soper and Adam Weaver**

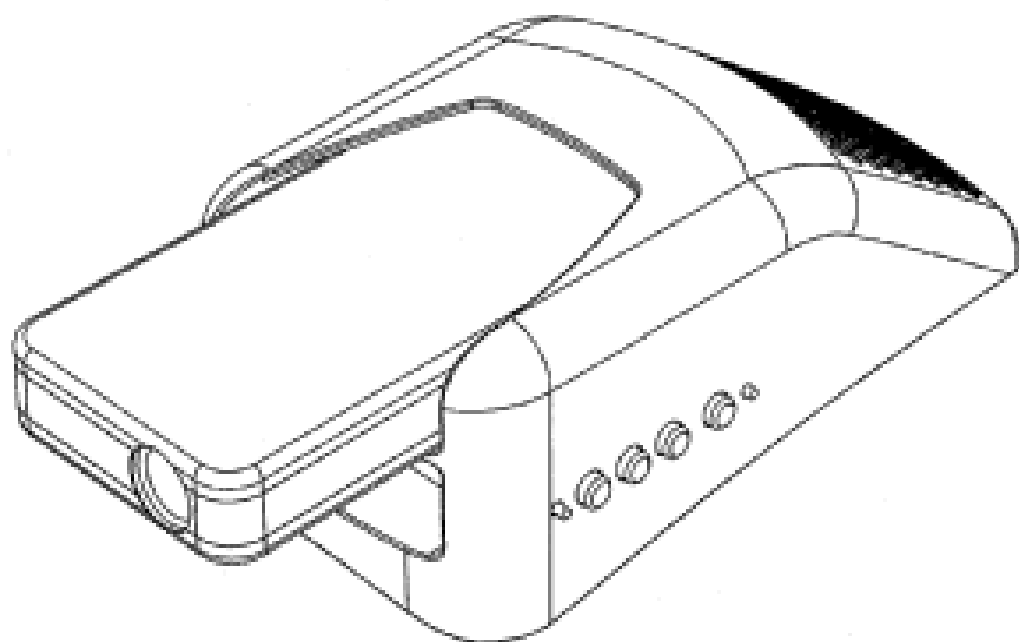
(45) Registration Date: **04 June 2009**

(56) Related Art Documents: **Not Applicable**

(57) Statement of Newness and Distinctiveness: **Nil**

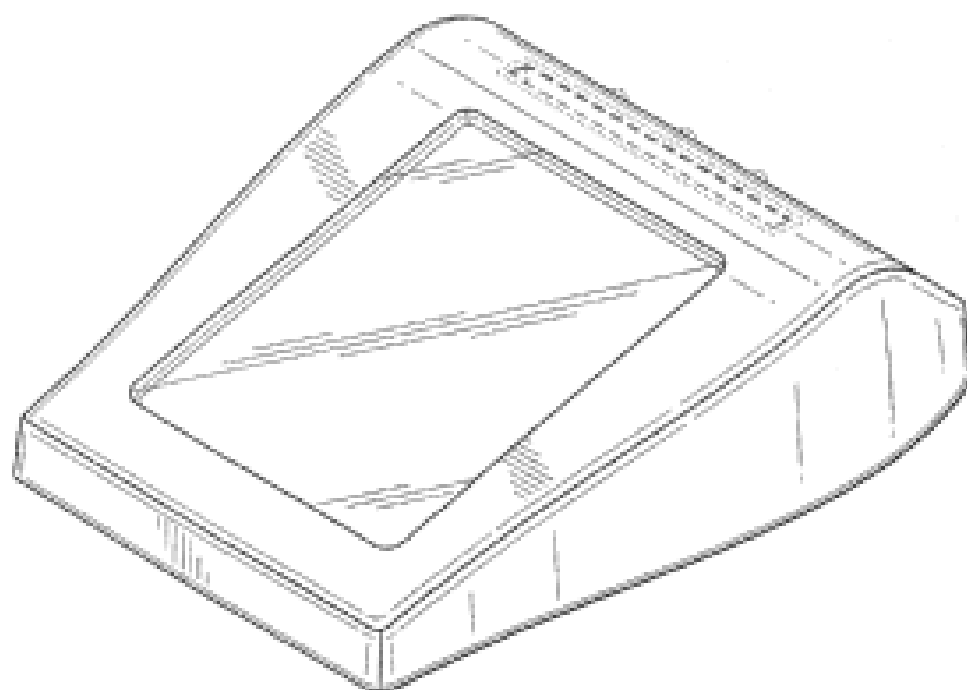


- (21) Design Number: **11713/2009**
- (22) Date of Filing Application: **12 May 2009**
- (24) Date from which industrial property rights may have effect: **12 May 2009**
- (54) Product in respect of which the design is registered: **Portable projection device**
- (51) International Design Classification: **16-02**
- (71) Name(s) and Address(s) of Applicant(s):
Digislide Holdings Limited
100-102 Cavan Road Dry Creek South Australia 5094 Australia
- (72) Name(s) of Designer(s): **Luceille Outhred and Kevin Soper and Adam Weaver**
- (45) Registration Date: **04 June 2009**
- (56) Related Art Documents: **Not Applicable**
- (57) Statement of Newness and Distinctiveness: **Nil**



- (21) Design Number: **11714/2009**
- (22) Date of Filing Application: **12 May 2009**
- (24) Date from which industrial property rights may have effect: **12 May 2009**
- (54) Product in respect of which the design is registered: **An electronic device for a table game**
- (51) International Design Classification: **21-01N**
- (71) Name(s) and Address(s) of Applicant(s):
Paltronics, Inc
1145 Paltronics Court Crystal Lake 60014 IL United States of America
- (72) Name(s) of Designer(s): **Paul Kloster**
- (45) Registration Date: **04 June 2009**
- (30) Convention priority data:

(31) Number	(32) Date	(33) Country
29/309930	13 Nov 2008	UNITED STATES OF AMERICA
- (56) Related Art Documents: **Not Applicable**
- (57) Statement of Newness and Distinctiveness: **Newness and distinctiveness are claimed in the shape and configuration of an electronic device for a table game as shown in the accompanying illustrations.**



(21) Design Number: 11715/2009

(22) Date of Filing Application: 12 May 2009

(24) Date from which industrial property rights may have effect: 12 May 2009

(54) Product in respect of which the design is registered: **Swivel bracket for jockey wheel**

(51) International Design Classification: 12-10, 12-16L

(71) Name(s) and Address(s) of Applicant(s):

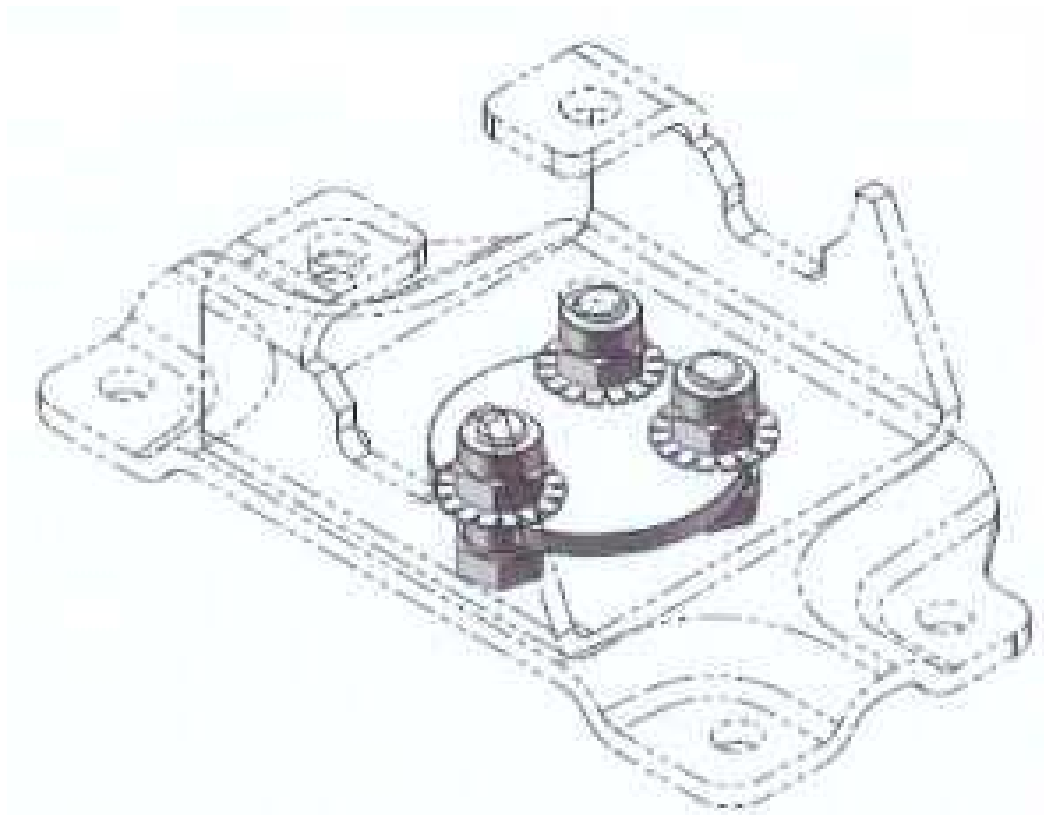
AL-KO International Pty Ltd
67-91 Nathan Road Dandenong South Victoria 3175 Australia

(72) Name(s) of Designer(s): **Slobodan Cabarkapa**

(45) Registration Date: **04 June 2009**

(56) Related Art Documents: **Not Applicable**

(57) Statement of Newness and Distinctiveness: **Monopoly is claimed in the features of shape and configuration of the 3 bolt centre pivot arrangement for a jockey wheel swivel bracket as illustrated in the representations. No monopoly is claimed in the shape of the bolts. No monopoly is claimed in the shape and configuration of the base plate for mounting the swivel bracket as shown in broken line and these features are to be disregarded in considering the extent of monopoly. The number of relative positions of the holes at the ends of the brackets are to be disregarded.**



(21) Design Number: 11716/2009

(22) Date of Filing Application: 12 May 2009

(24) Date from which industrial property rights may have effect: 12 May 2009

(54) Product in respect of which the design is registered: **Swivel bracket for jockey wheel**

(51) International Design Classification: 12-10, 12-16L

(71) Name(s) and Address(s) of Applicant(s):

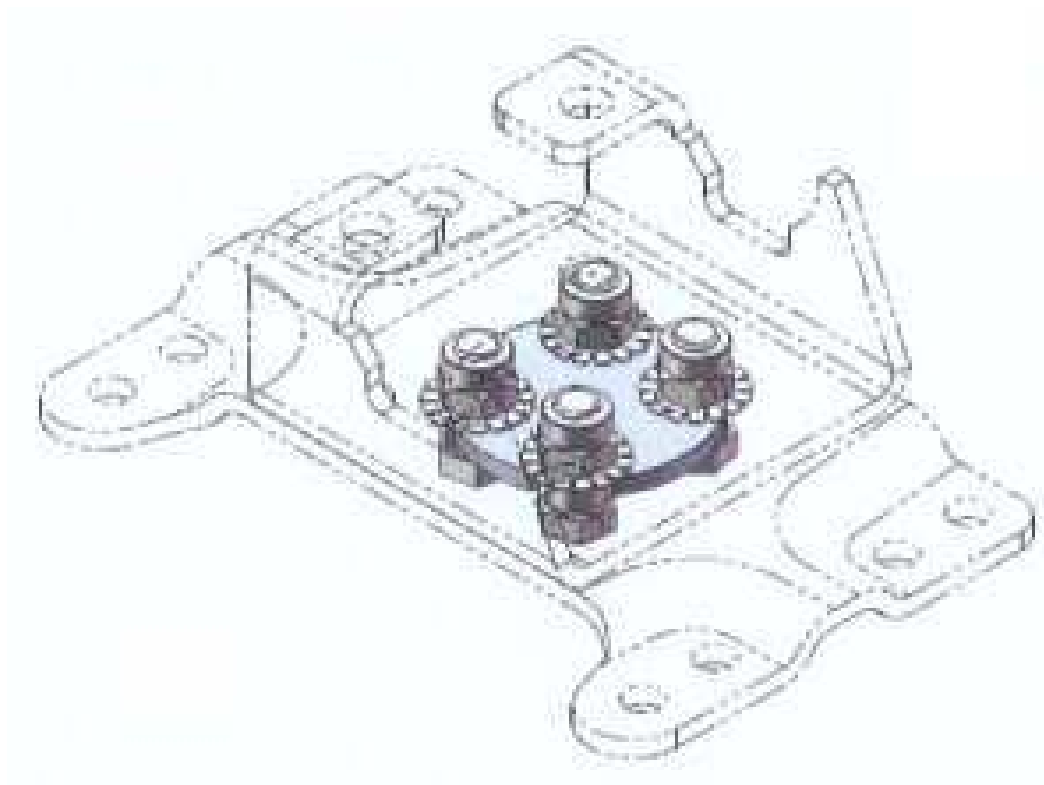
AL-KO International Pty Ltd
67-91 Nathan Road Dandenong South Victoria 3175 Australia

(72) Name(s) of Designer(s): **Slobodan Cabarkapa**

(45) Registration Date: **04 June 2009**

(56) Related Art Documents: **Not Applicable**

(57) Statement of Newness and Distinctiveness: **Monopoly is claimed in the features of shape and configuration of the 4 bolt centre pivot arrangement for a jockey wheel swivel bracket as illustrated in the representations. No monopoly is claimed in the shape of the bolts. No monopoly is claimed in the shape and configuration of the base plate for mounting the swivel bracket as shown in broken line and these features are to be disregarded in considering the extent of monopoly. The number of relative positions of the holes at the ends of the brackets are to be disregarded.**



- (21) Design Number: **11776/2009**
(22) Date of Filing Application: **15 May 2009**
(24) Date from which industrial property rights may have effect: **15 May 2009**
(54) Product in respect of which the design is registered: **Soldering iron**
(51) International Design Classification: **08-05M**
(71) Name(s) and Address(s) of Applicant(s):

Darren Louet-Feisser
Louet Woods Products Regional Development Centre Dundalk
Institute of Technology Dublin Road Dundalk Co. Louth Ireland

(72) Name(s) of Designer(s): **Darren Louet-Feisser**

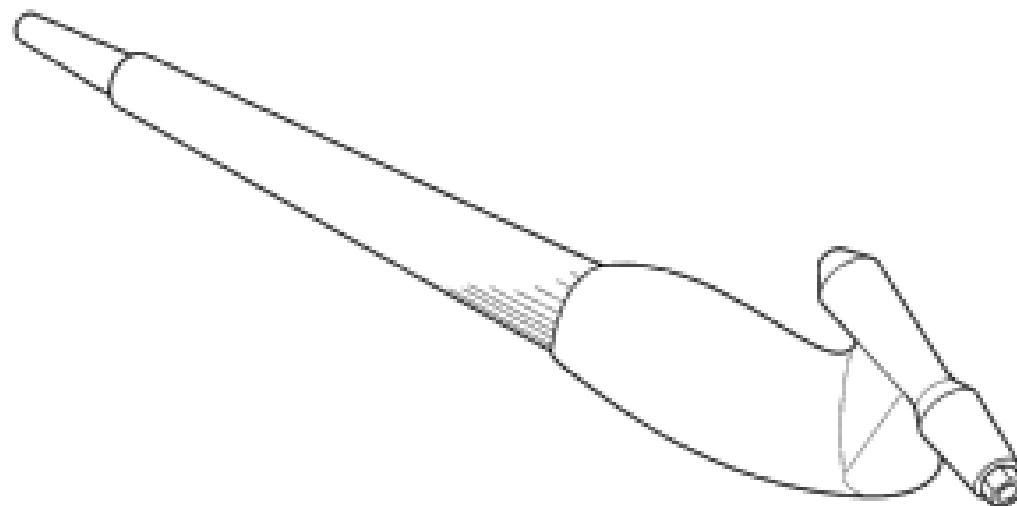
(45) Registration Date: **04 June 2009**

(30) Convention priority data:

(31) Number	(32) Date	(33) Country
001048870-0001	19 Nov 2008	EUROPEAN COMMUNITY

(56) Related Art Documents: **Not Applicable**

(57) Statement of Newness and Distinctiveness: **Newness and distinctiveness resides in the features of shape and configuration of a soldering iron for soldering and/or for providing a hot gas stream as shown in the accompanying representations.**



- (21) Design Number: **11777/2009**
(22) Date of Filing Application: **15 May 2009**
(24) Date from which industrial property rights may have effect: **15 May 2009**
(54) Product in respect of which the design is registered: **Soldering iron**
(51) International Design Classification: **08-05M**
(71) Name(s) and Address(s) of Applicant(s):

Darren Louet-Feisser
Louet Woods Products Regional Development Centre Dundalk
Institute of Technology Dublin Road Dundalk Co. Louth Ireland

(72) Name(s) of Designer(s): **Darren Louet-Feisser**

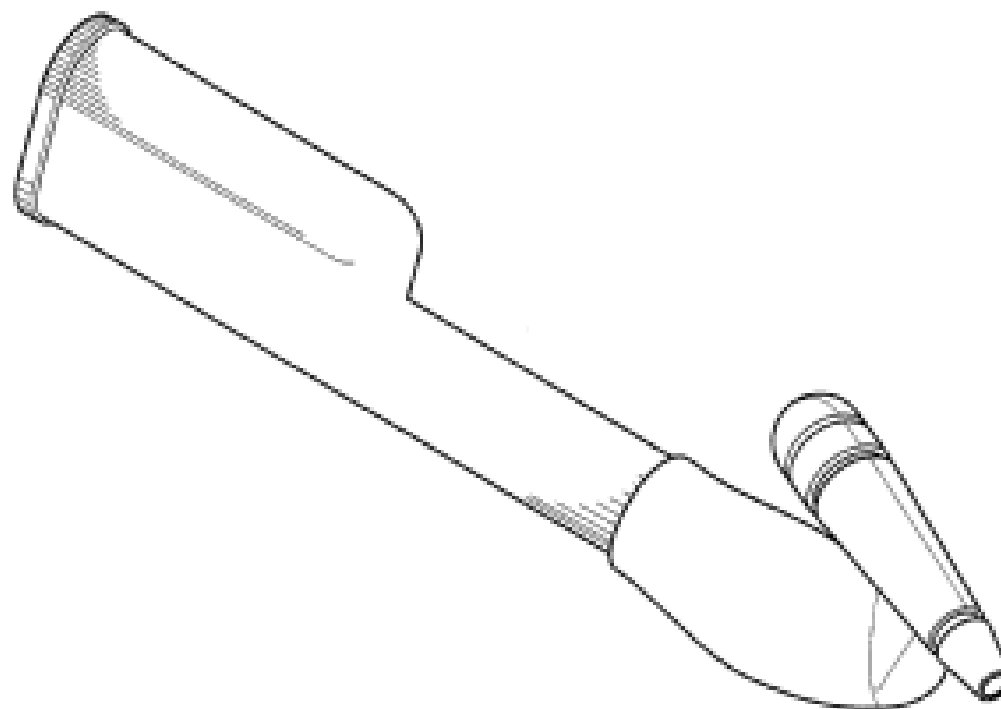
(45) Registration Date: **04 June 2009**

(30) Convention priority data:

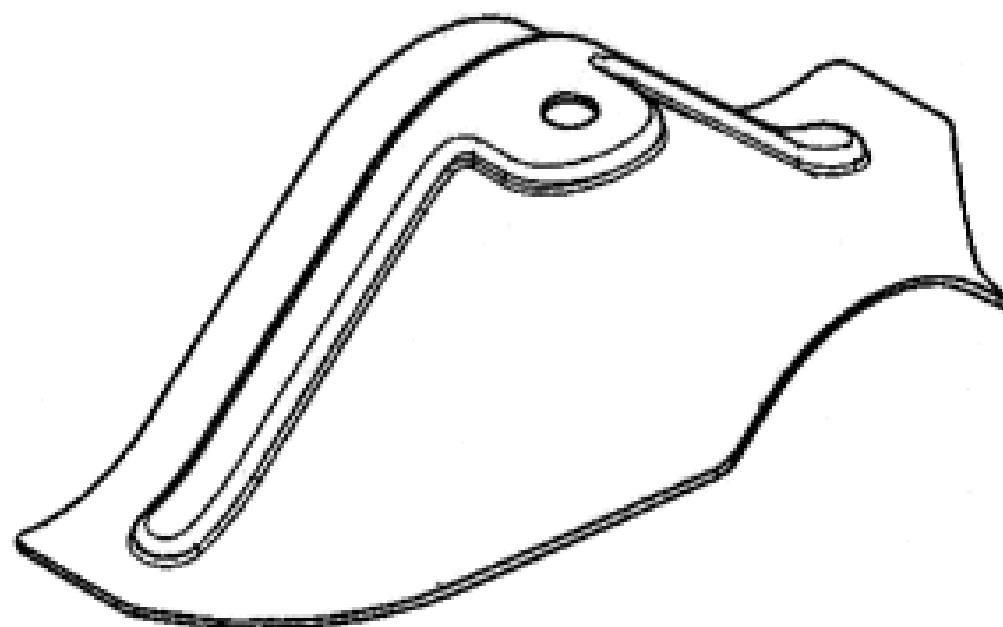
(31) Number	(32) Date	(33) Country
001048870-0002	19 Nov 2008	EUROPEAN COMMUNITY

(56) Related Art Documents: **Not Applicable**

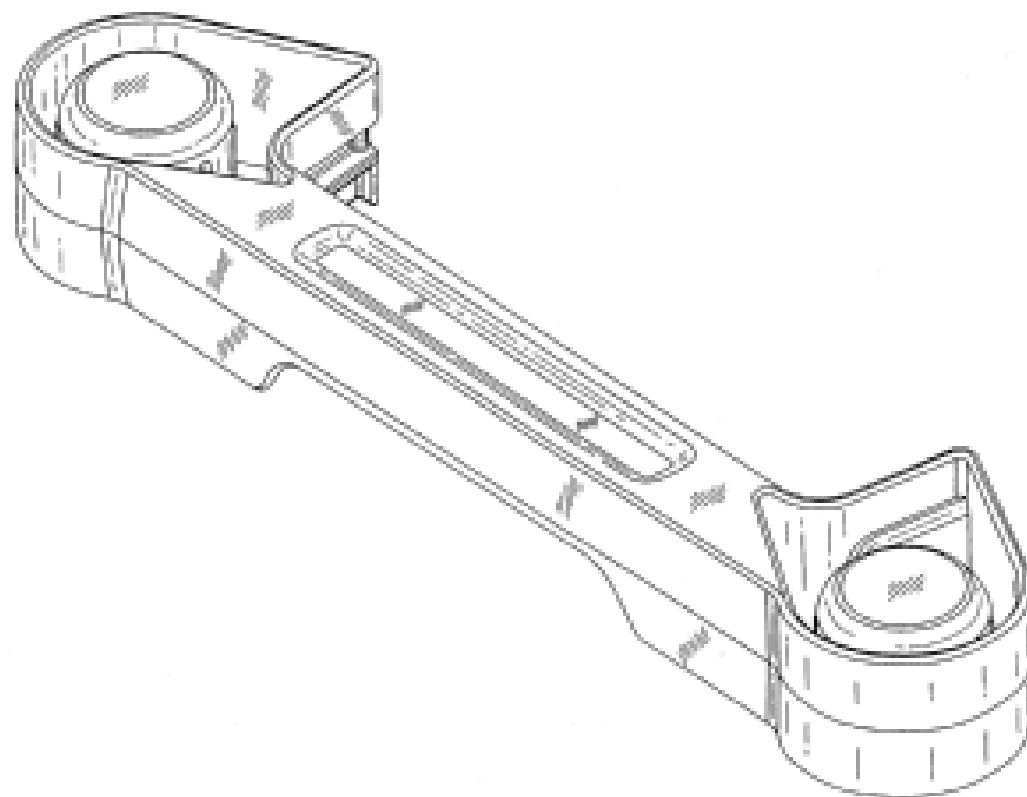
(57) Statement of Newness and Distinctiveness: **Newness and distinctiveness resides in the features of shape and configuration of a soldering iron for soldering and/or for providing a hot gas stream as shown in the accompanying representations.**



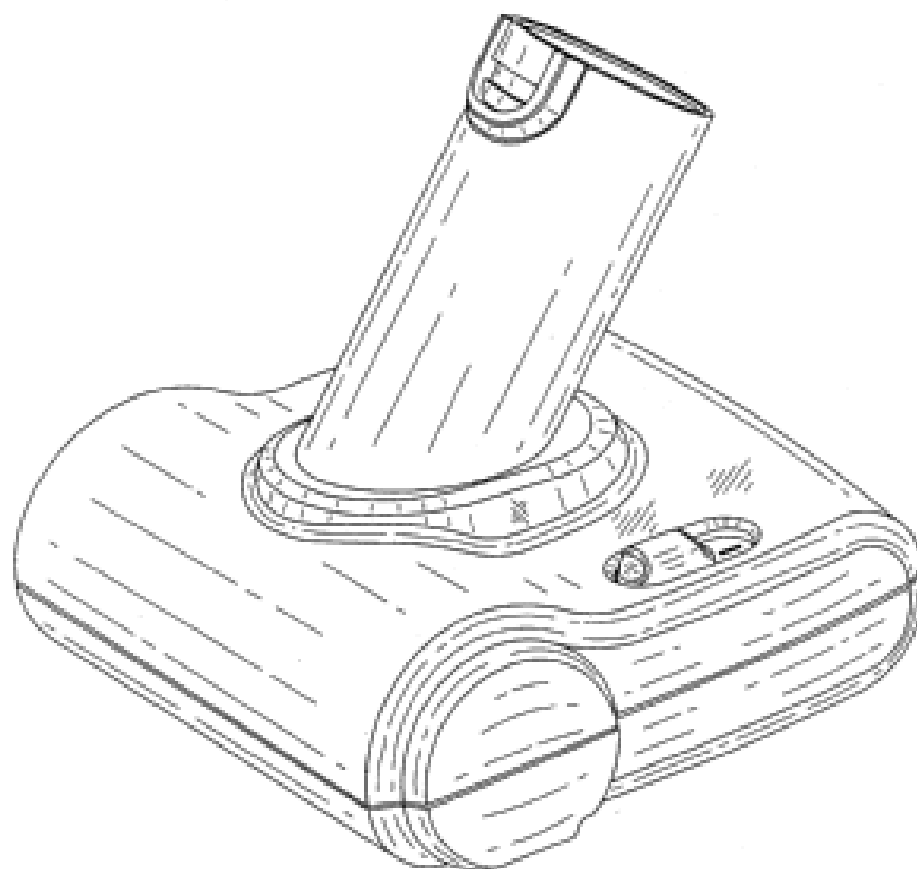
(21) Design Number: **11803/2009**
(22) Date of Filing Application: **18 May 2009**
(24) Date from which industrial property rights may have effect: **18 May 2009**
(54) Product in respect of which the design is registered: **Saddle clip**
(51) International Design Classification: **08-08NES**
(71) Name(s) and Address(s) of Applicant(s):
Top Idea Australia Pty Ltd
2/133 Long Street Smithfield New South Wales 2164 Australia
(72) Name(s) of Designer(s): **Richard Jelacic**
(45) Registration Date: **04 June 2009**
(56) Related Art Documents: **Not Applicable**
(57) Statement of Newness and Distinctiveness: **Nil**



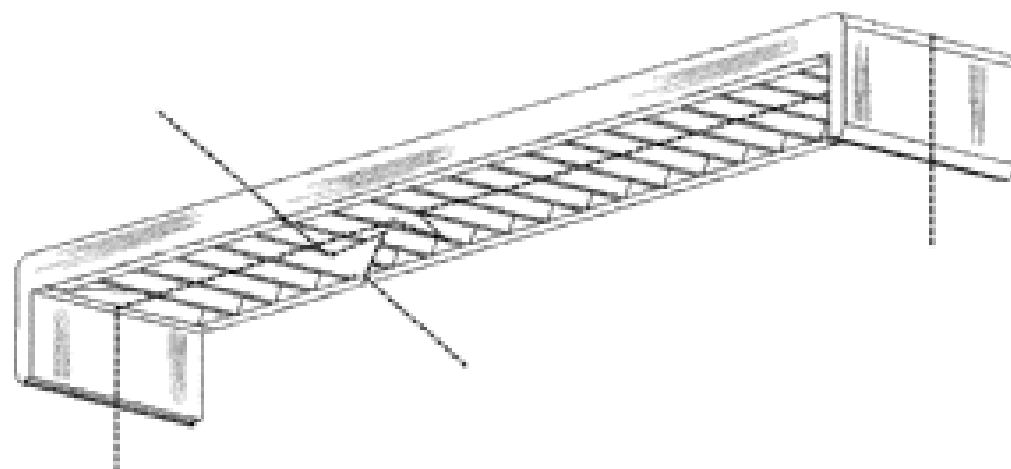
(21) Design Number: **11358/2009**
(22) Date of Filing Application: **20 April 2009**
(24) Date from which industrial property rights may have effect: **20 April 2009**
(54) Product in respect of which the design is registered: **Vacuum cleaner accessory tool holder**
(51) International Design Classification: **06-04NES, 15-05**
(71) Name(s) and Address(s) of Applicant(s):
Black & Decker, Inc.
1207 Drummond Plaza Newark Delaware 19711 United States of America
(72) Name(s) of Designer(s): **Graeme Crawley**
(45) Registration Date: **05 June 2009**
(30) Convention priority data:
(31) Number (32) Date (33) Country
001031116 30 Oct 2008 EUROPEAN COMMUNITY
(56) Related Art Documents: **Not Applicable**
(57) Statement of Newness and Distinctiveness: **Nil**



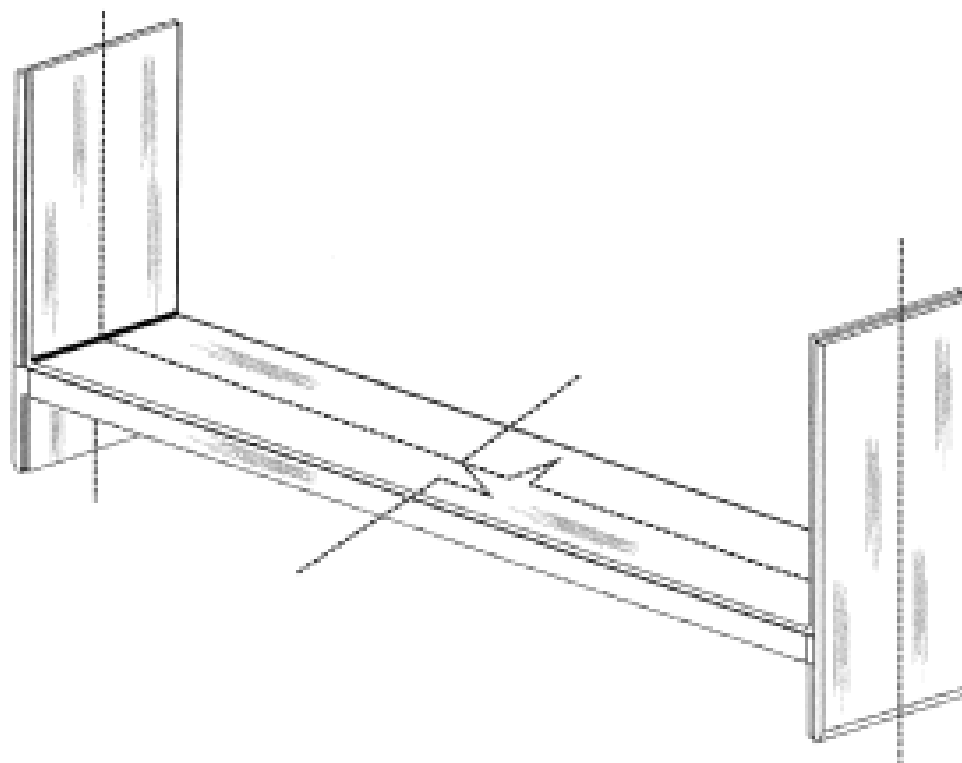
- (21) Design Number: **11359/2009**
(22) Date of Filing Application: **20 April 2009**
(24) Date from which industrial property rights may have effect: **20 April 2009**
(54) Product in respect of which the design is registered: **Powered vacuum cleaner brush head**
(51) International Design Classification: **04-01, 15-05**
(71) Name(s) and Address(s) of Applicant(s):
Black & Decker, Inc.
1207 Drummond Plaza Newark Delaware 19711 United States of America
(72) Name(s) of Designer(s): **Graeme Crawley**
(45) Registration Date: **05 June 2009**
(30) Convention priority data:
(31) Number (32) Date (33) Country
001031124 30 Oct 2008 EUROPEAN COMMUNITY
(56) Related Art Documents: **Not Applicable**
(57) Statement of Newness and Distinctiveness: **Nil**



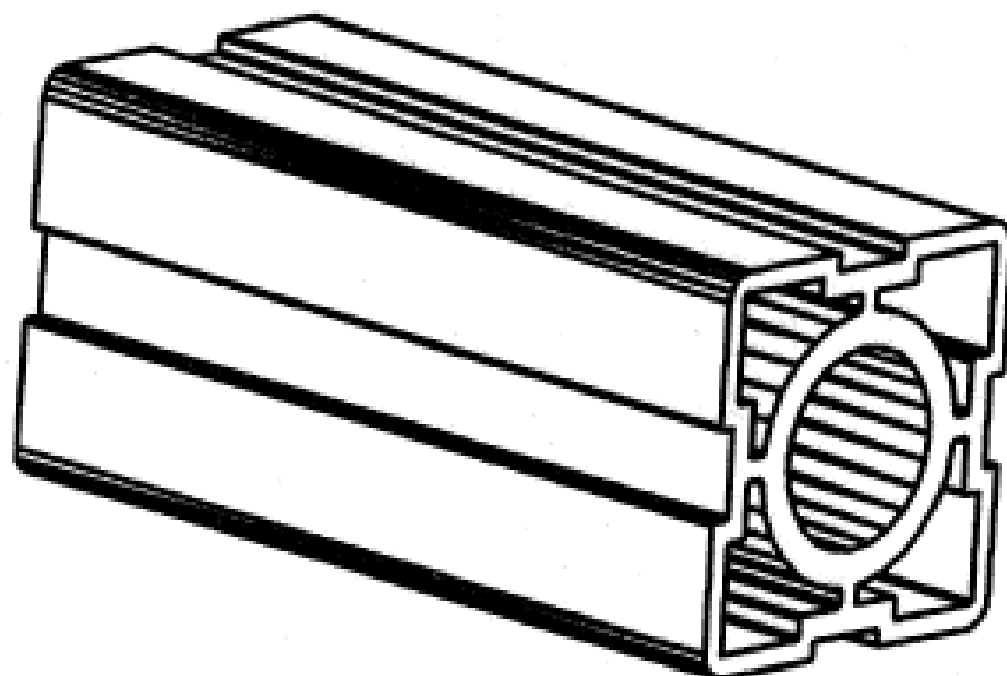
- (21) Design Number: **15831/2008**
(22) Date of Filing Application: **12 December 2008**
(24) Date from which industrial property rights may have effect: **12 December 2008**
(54) Product in respect of which the design is registered: **Building shell wall and roof unit**
(51) International Design Classification: **25-01D**
(71) Name(s) and Address(s) of Applicant(s):
Perrine Architecture Pty Ltd
Level 1 317 Murray Street Perth Western Australia 6000 Australia
(72) Name(s) of Designer(s): **Jean-mic Perrine**
(45) Registration Date: **05 June 2009**
(56) Related Art Documents: **Not Applicable**
(57) Statement of Newness and Distinctiveness: **Newness and distinctiveness is claimed in the features of shape and configuration of a building shell wall and roof unit as illustrated in the accompanying representations. The building shell wall and roof unit is of indefinite width and indefinite depth in the regions illustrated by breaks. In the region illustrated by breaks the corrugations on the underside repeat in the same regular pattern.**



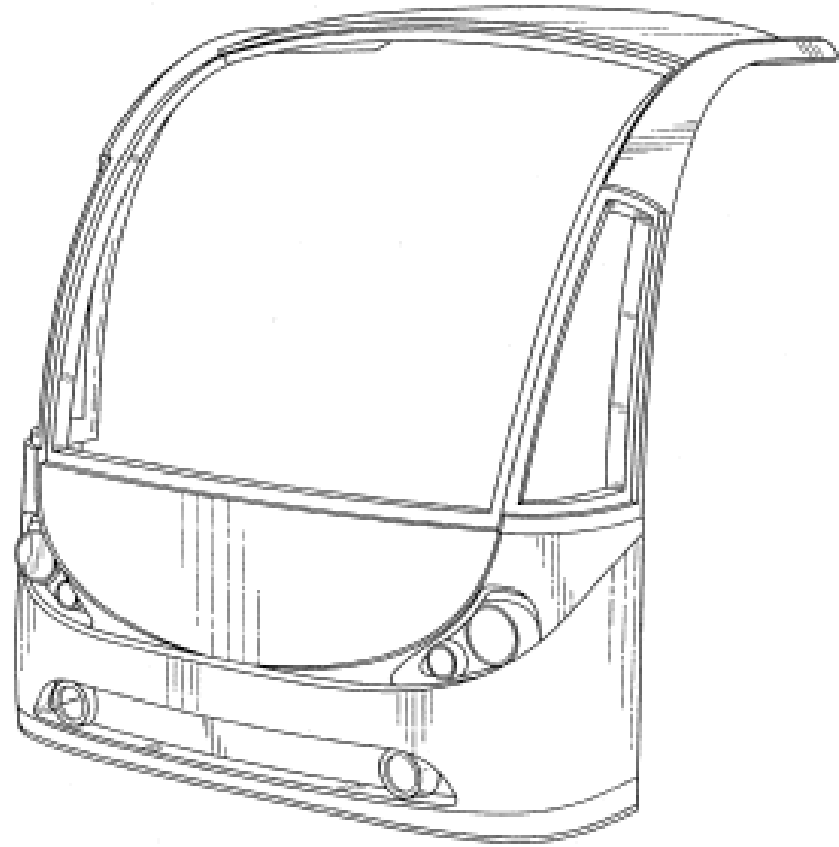
- (21) Design Number: **15832/2008**
(22) Date of Filing Application: **12 December 2008**
(24) Date from which industrial property rights may have effect: **12 December 2008**
(54) Product in respect of which the design is registered: **Building shell wall and floor unit**
(51) International Design Classification: **25-01D**
(71) Name(s) and Address(s) of Applicant(s):
Perrine Architecture Pty Ltd
Level 1 317 Murray Street Perth Western Australia 6000 Australia
(72) Name(s) of Designer(s): **Jean-mic Perrine**
(45) Registration Date: **05 June 2009**
(56) Related Art Documents: **Not Applicable**
(57) Statement of Newness and Distinctiveness: **Newness and distinctiveness is claimed in the features of shape and configuration of a building shell wall and floor unit as illustrated in the accompanying representations. The building shell wall, and floor unit is of indefinite width and indefinite depth in the regions illustrated by breaks. In the region illustrated by breaks the corrugations on the underside repeat in the same regular pattern.**



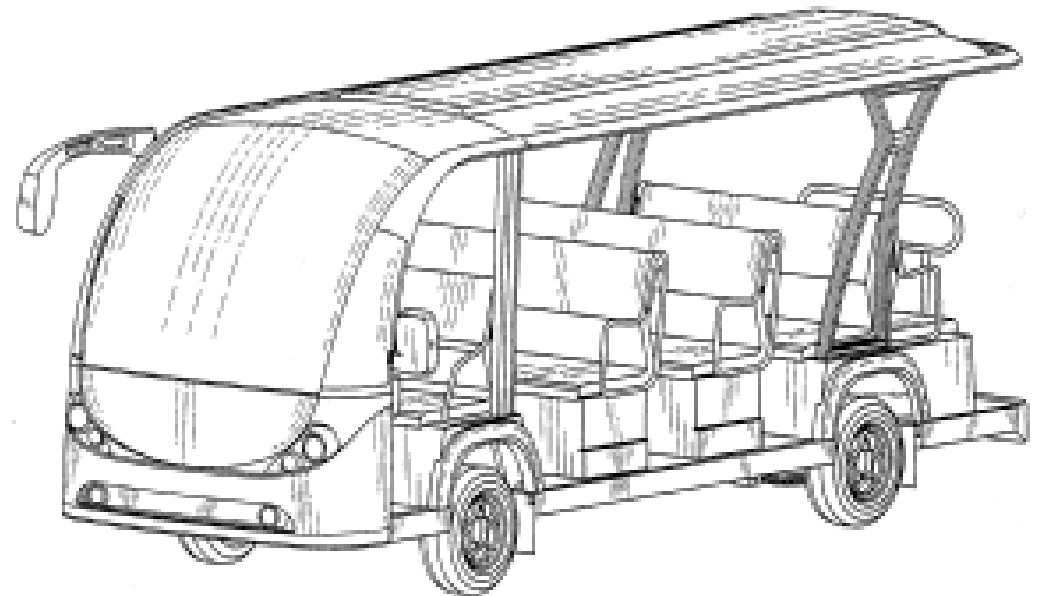
- (21) Design Number: **10819/2009**
(22) Date of Filing Application: **13 March 2009**
(24) Date from which industrial property rights may have effect: **13 March 2009**
(54) Product in respect of which the design is registered: **Column**
(51) International Design Classification: **25-01K**
(71) Name(s) and Address(s) of Applicant(s):
Theo Vanderloo
3 Waninga Road Hornsby Heights New South Wales 2077 Australia
(72) Name(s) of Designer(s): **Theo Vanderloo**
(45) Registration Date: **05 June 2009**
(56) Related Art Documents: **Not Applicable**
(57) Statement of Newness and Distinctiveness: **Nil**



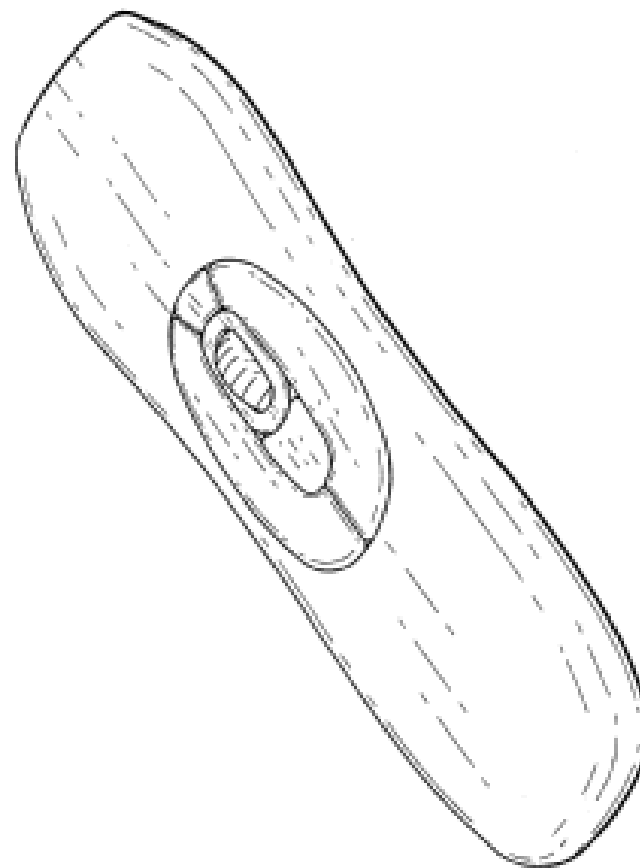
- (21) Design Number: **11734/2009**
(22) Date of Filing Application: **13 May 2009**
(24) Date from which industrial property rights may have effect: **13 May 2009**
(54) Product in respect of which the design is registered: **Front end of a vehicle**
(51) International Design Classification: **12-16B**
(71) Name(s) and Address(s) of Applicant(s):
Suzhou Eagle Electric Vehicle Manufacturing Co., Ltd.
No.699 Tong Yuan Road Suzhou Industrial Park Suzhou City China
(72) Name(s) of Designer(s): **Xueqing Zhang**
(45) Registration Date: **05 June 2009**
(56) Related Art Documents: **Not Applicable**
(57) Statement of Newness and Distinctiveness: **Newness and distinctiveness is claimed in the features of shape and/or configuration of a front end of a vehicle as illustrated in the accompanying representations.**



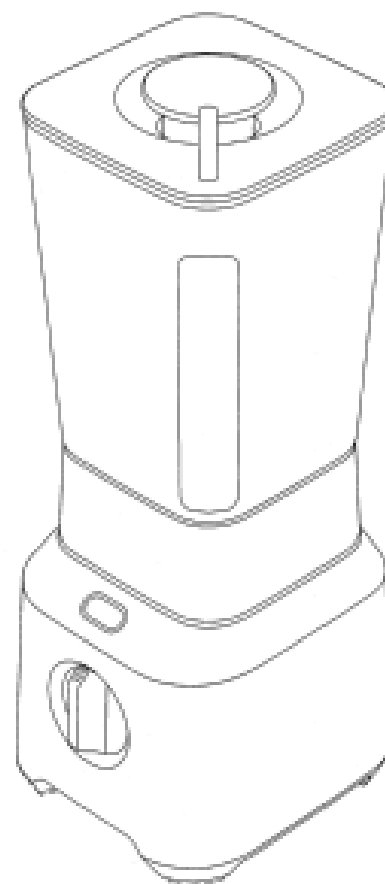
- (21) Design Number: **11735/2009**
(22) Date of Filing Application: **13 May 2009**
(24) Date from which industrial property rights may have effect: **13 May 2009**
(54) Product in respect of which the design is registered: **Electric vehicle**
(51) International Design Classification: **12-08**
(71) Name(s) and Address(s) of Applicant(s):
Suzhou Eagle Electric Vehicle Manufacturing Co., Ltd.
No.699 Tong Yuan Road Suzhou Industrial Park Suzhou City China
(72) Name(s) of Designer(s): **Xueqing Zhang and Anding Zhu**
(45) Registration Date: **05 June 2009**
(30) Convention priority data:
(31) Number (32) Date (33) Country
200930002398.2 **17 Jan 2009** **CHINA**
(56) Related Art Documents: **Not Applicable**
(57) Statement of Newness and Distinctiveness: **Newness and distinctiveness is claimed in the features of shape and/or configuration of an electric vehicle as illustrated in the accompanying representations.**



- (21) Design Number: **11478/2009**
(22) Date of Filing Application: **29 April 2009**
(24) Date from which industrial property rights may have effect: **29 April 2009**
(54) Product in respect of which the design is registered: **Remote control**
(51) International Design Classification: **14-03NES**
(71) Name(s) and Address(s) of Applicant(s):
ZillionTV Corporation
1170 Kifer Road Sunnyvale California 94086 United States of America
(72) Name(s) of Designer(s): **David Dozoretz and Tim Wilcox and Ryan Church and John Duncan**
(45) Registration Date: **05 June 2009**
(30) Convention priority data:
(31) Number (32) Date (33) Country
29/327169 31 Oct 2008 UNITED STATES OF AMERICA
(56) Related Art Documents: **Not Applicable**
(57) Statement of Newness and Distinctiveness: **Nil**



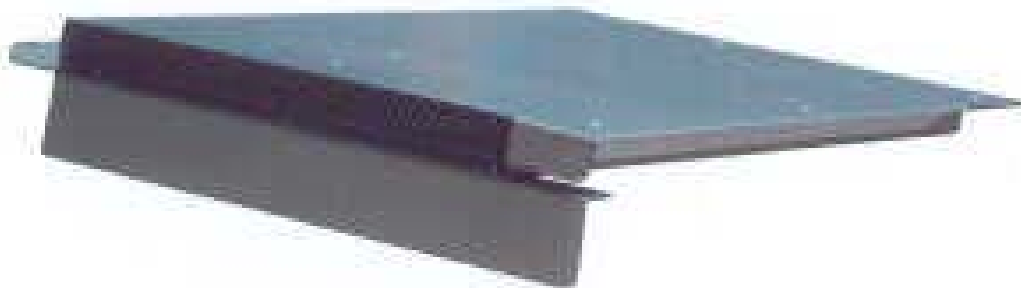
- (21) Design Number: **11729/2009**
(22) Date of Filing Application: **13 May 2009**
(24) Date from which industrial property rights may have effect: **13 May 2009**
(54) Product in respect of which the design is registered: **Blender**
(51) International Design Classification: **31-00**
(71) Name(s) and Address(s) of Applicant(s):
Breville Pty Limited
Building 2 Port Air Industrial Estate 1A Hale Street Botany New South Wales 2019 Australia
(72) Name(s) of Designer(s): **David Davenport and Khon Thai**
(45) Registration Date: **05 June 2009**
(56) Related Art Documents: **Not Applicable**
(57) Statement of Newness and Distinctiveness: **Newness is claimed in the features of shape and configuration of the blender as shown in the accompanying representations. Elements shown in dashed lines form no part of the design.**



- (21) Design Number: **11730/2009**
(22) Date of Filing Application: **13 May 2009**
(24) Date from which industrial property rights may have effect: **13 May 2009**
(54) Product in respect of which the design is registered: **Roof tile**
(51) International Design Classification: **25-01F**
(71) Name(s) and Address(s) of Applicant(s):

Kevin John Baker
6 Sheehan Street Pearce ACT 2607 Australia

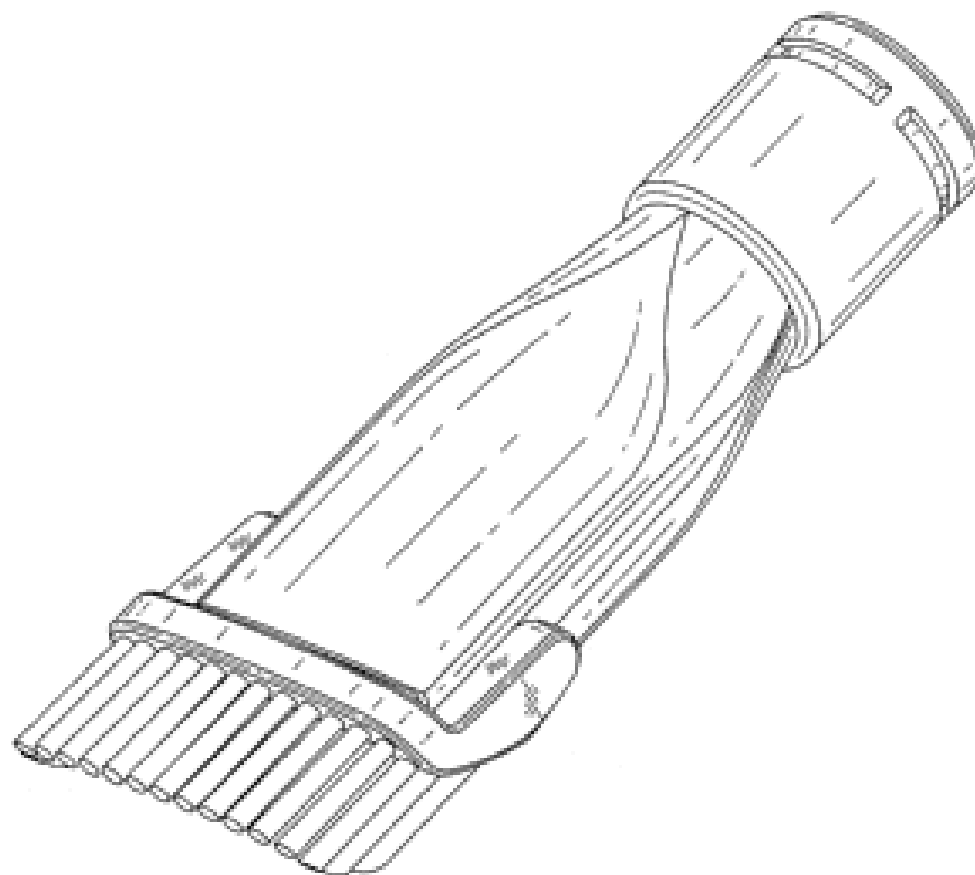
- (72) Name(s) of Designer(s): **Kevin John Baker**
(45) Registration Date: **05 June 2009**
(56) Related Art Documents: **Not Applicable**
(57) Statement of Newness and Distinctiveness: **Newness and distinctiveness is claimed in the features of shape and/or configuration of the roof tile as shown in the representations as a whole without consideration of the pattern or configuration of the grill shown in the photographic representations.**



- (21) Design Number: **11597/2009**
(22) Date of Filing Application: **05 May 2009**
(24) Date from which industrial property rights may have effect: **05 May 2009**
(54) Product in respect of which the design is registered: **Vacuum cleaner suction nozzle with foldable brush**
(51) International Design Classification: **04-01, 15-05**
(71) Name(s) and Address(s) of Applicant(s):

Black & Decker, Inc.
1207 Drummond Plaza Newark Delaware 19711 United States of America

- (72) Name(s) of Designer(s): **Graeme Crawley and Derek Muir**
(45) Registration Date: **05 June 2009**
(30) Convention priority data:
(31) Number (32) Date (33) Country
001035026 07 Nov 2008 EUROPEAN COMMUNITY
(56) Related Art Documents: **Not Applicable**
(57) Statement of Newness and Distinctiveness: **Nil**



(21) Design Number: **11731/2009**

(22) Date of Filing Application: **12 May 2009**

(24) Date from which industrial property rights may have effect: **12 May 2009**

(54) Product in respect of which the design is registered: **Side extrusion**

(51) International Design Classification: **25-01K**

(71) Name(s) and Address(s) of Applicant(s):

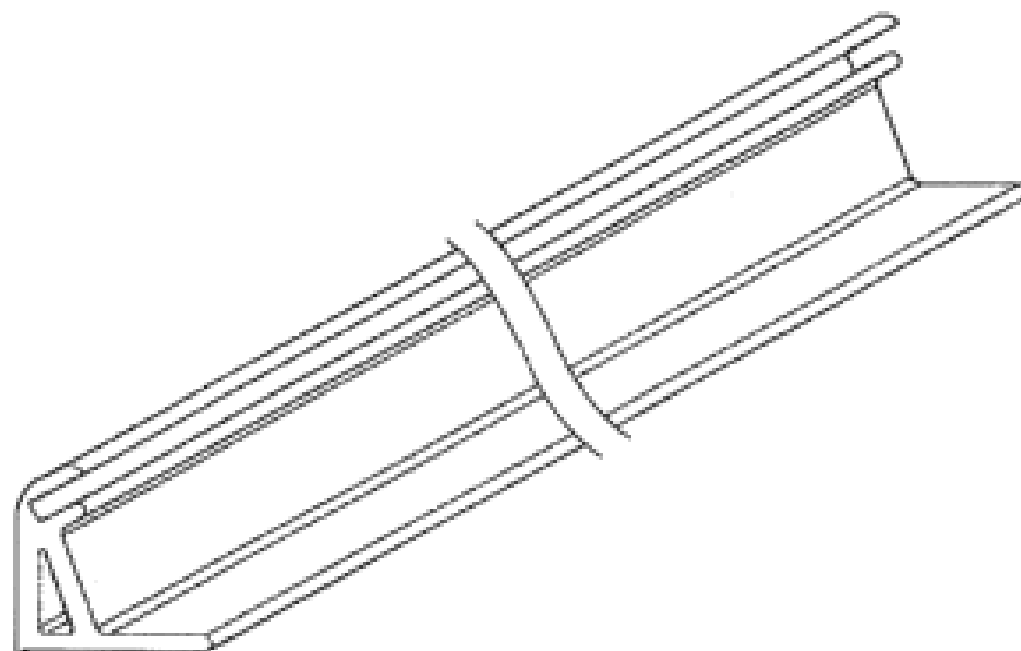
Glidestore Freetrack Pty Ltd
48 Fullarton Road Norwood South Australia 5067 Australia

(72) Name(s) of Designer(s): **Brian Parker**

(45) Registration Date: **05 June 2009**

(56) Related Art Documents: **Not Applicable**

(57) Statement of Newness and Distinctiveness: **Newness and distinctiveness resides in the shape and/or configuration of the Side Extrusion as shown in the accompanying representations.**



(21) Design Number: **11732/2009**

(22) Date of Filing Application: **12 May 2009**

(24) Date from which industrial property rights may have effect: **12 May 2009**

(54) Product in respect of which the design is registered: **Centre extrusion**

(51) International Design Classification: **25-01K**

(71) Name(s) and Address(s) of Applicant(s):

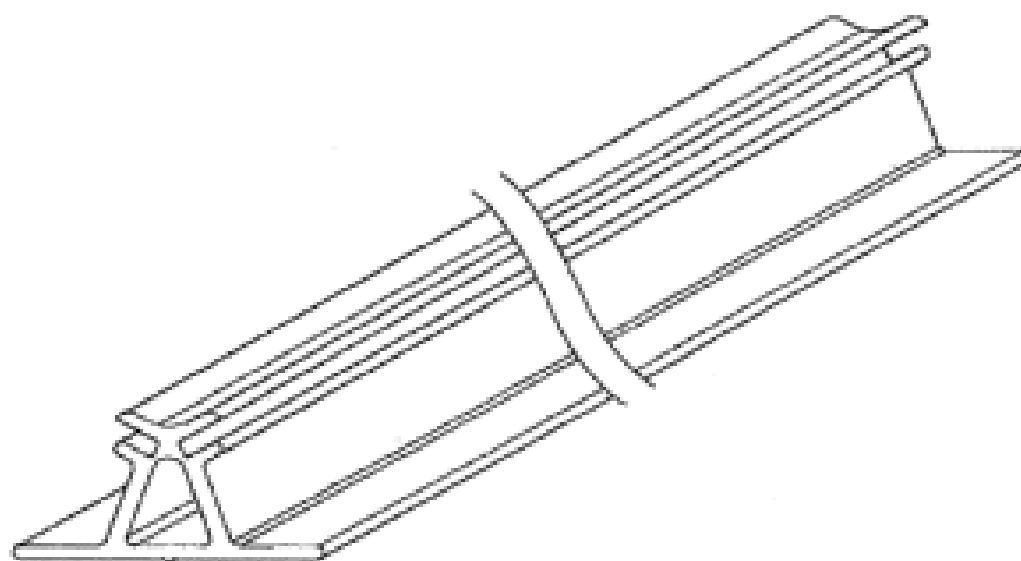
Glidestore Freetrack Pty Ltd
48 Fullarton Road Norwood South Australia 5067 Australia

(72) Name(s) of Designer(s): **Brian Parker**

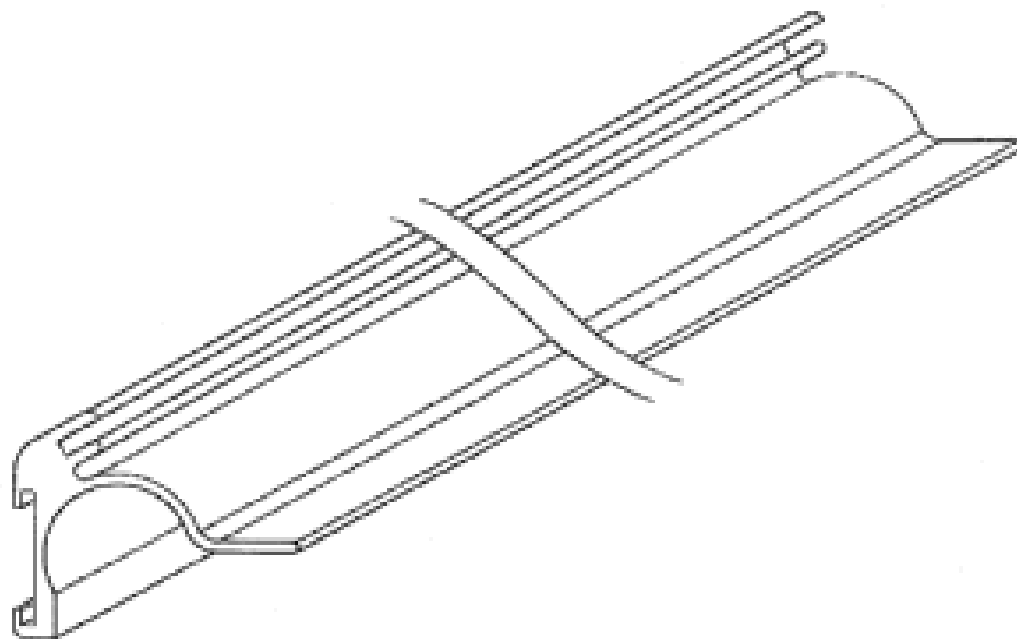
(45) Registration Date: **05 June 2009**

(56) Related Art Documents: **Not Applicable**

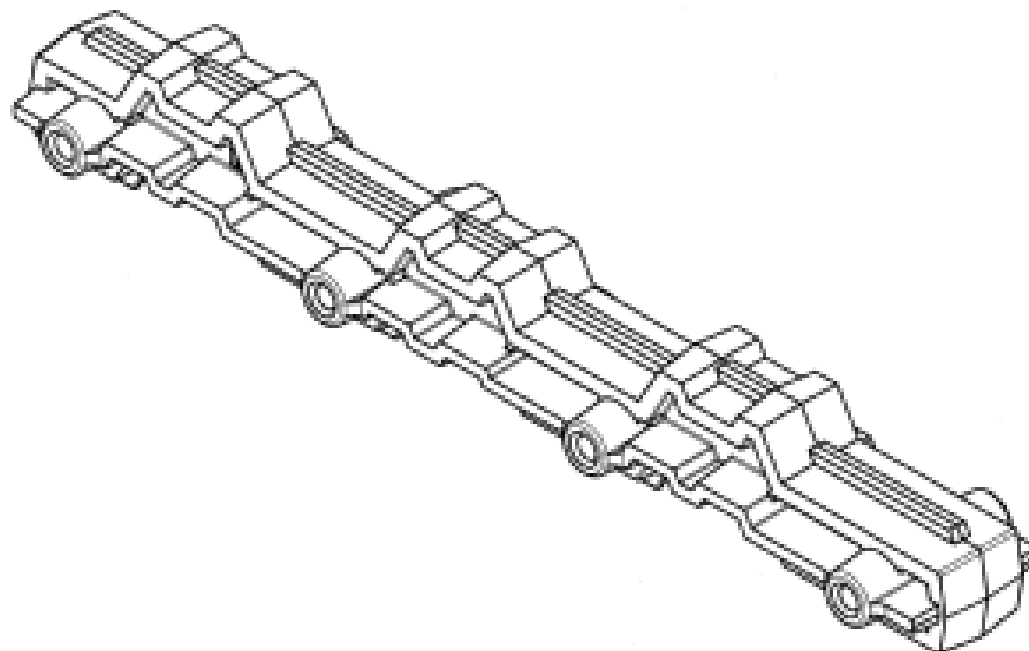
(57) Statement of Newness and Distinctiveness: **Newness and distinctiveness resides in the shape and/or configuration of the Centre Extrusion as shown in the accompanying representations.**



- (21) Design Number: **11733/2009**
(22) Date of Filing Application: **12 May 2009**
(24) Date from which industrial property rights may have effect: **12 May 2009**
(54) Product in respect of which the design is registered: **Roll post cover extrusion**
(51) International Design Classification: **25-01K**
(71) Name(s) and Address(s) of Applicant(s):
Glidestore Freetrack Pty Ltd
48 Fullarton Road Norwood South Australia 5067 Australia
(72) Name(s) of Designer(s): **Brian Parker**
(45) Registration Date: **05 June 2009**
(56) Related Art Documents: **Not Applicable**
(57) Statement of Newness and Distinctiveness: **Newness and distinctiveness resides in the shape and/or configuration of the Roll Post Cover Extrusion as shown in the accompanying representations.**



- (21) Design Number: **11811/2009**
(22) Date of Filing Application: **15 May 2009**
(24) Date from which industrial property rights may have effect: **15 May 2009**
(54) Product in respect of which the design is registered: **Track for vehicle emergency recovery**
(51) International Design Classification: **12-16NES**
(71) Name(s) and Address(s) of Applicant(s):
Ernesto Fernandez
6A Brooks Road Ingleburn New South Wales 2565 Australia
(72) Name(s) of Designer(s): **Ernesto Fernandez**
(45) Registration Date: **05 June 2009**
(56) Related Art Documents: **Not Applicable**
(57) Statement of Newness and Distinctiveness: **The new features of the design are the shape and configuration of the body, and the shape and configuration of the flanges.**



(21) Design Number: **11778/2009**

(22) Date of Filing Application: **15 May 2009**

(24) Date from which industrial property rights may have effect: **15 May 2009**

(54) Product in respect of which the design is registered: **Soldering iron**

(51) International Design Classification: **08-05M**

(71) Name(s) and Address(s) of Applicant(s):

Darren Louet-Feisser

**Louet Woods Products Regional Development Centre Dundalk
Institute of Technology Dublin Road Dundalk Co. Louth Ireland**

(72) Name(s) of Designer(s): **Darren Louet-Feisser**

(45) Registration Date: **05 June 2009**

(30) Convention priority data:

(31) Number

(32) Date

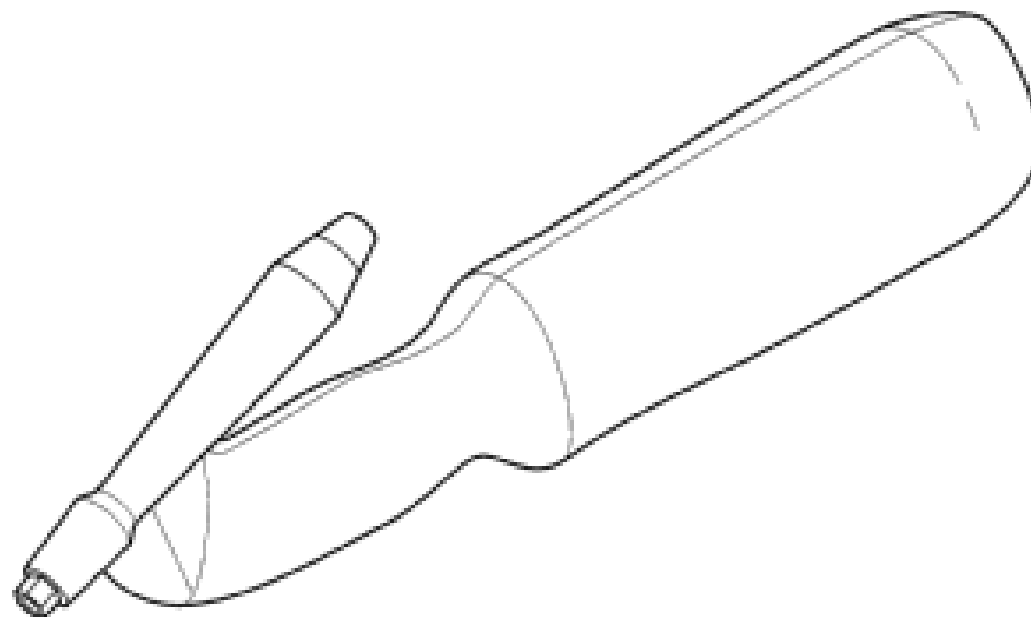
(33) Country

001048870-0003 19 Nov 2008

EUROPEAN COMMUNITY

(56) Related Art Documents: **Not Applicable**

(57) Statement of Newness and Distinctiveness: **Newness and distinctiveness resides in the features of shape and configuration of a soldering iron for soldering and/or for providing a hot gas stream as shown in the accompanying representations.**



(21) Design Number: **10605/2009**

(22) Date of Filing Application: **26 February 2009**

(24) Date from which industrial property rights may have effect: **26 February 2009**

(54) Product in respect of which the design is registered: **Lower chassis of lock bolt receiver**

(51) International Design Classification: **08-07**

(71) Name(s) and Address(s) of Applicant(s):

TNBT Holdings Pty Limited

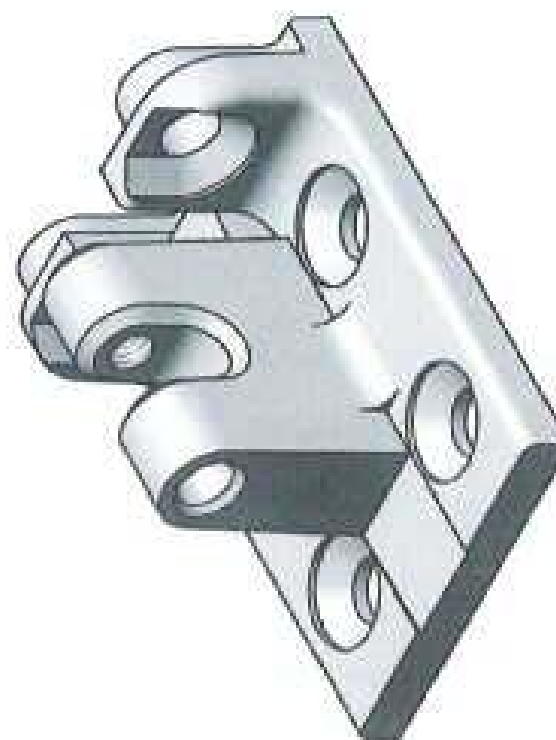
PO Box 841 Moorebank New South Wales 1875 Australia

(72) Name(s) of Designer(s): **Daniel Mascia and Simon Butt**

(45) Registration Date: **05 June 2009**

(56) Related Art Documents: **Not Applicable**

(57) Statement of Newness and Distinctiveness: **The monopoly is claimed in the shape and configuration of a lower chassis of a bolt receiver as illustrated in the representations.**



(21) Design Number: **10606/2009**

(22) Date of Filing Application: **26 February 2009**

(24) Date from which industrial property rights may have effect: **26 February 2009**

(54) Product in respect of which the design is registered: **Top cover of a lock bolt receiver**

(51) International Design Classification: **08-07**

(71) Name(s) and Address(s) of Applicant(s):

**TNBT Holdings Pty Limited
PO Box 841 Moorebank New South Wales 1875 Australia**

(72) Name(s) of Designer(s): **Daniel Mascia and Simon Butt**

(45) Registration Date: **05 June 2009**

(56) Related Art Documents: **Not Applicable**

(57) Statement of Newness and Distinctiveness: **The monopoly is claimed in the shape and configuration of a top cover of a bolt receiver as illustrated in the representations.**



(21) Design Number: **11736/2009**

(22) Date of Filing Application: **14 May 2009**

(24) Date from which industrial property rights may have effect: **14 May 2009**

(54) Product in respect of which the design is registered: **Particle classifier**

(51) International Design Classification: **15-99**

(71) Name(s) and Address(s) of Applicant(s):

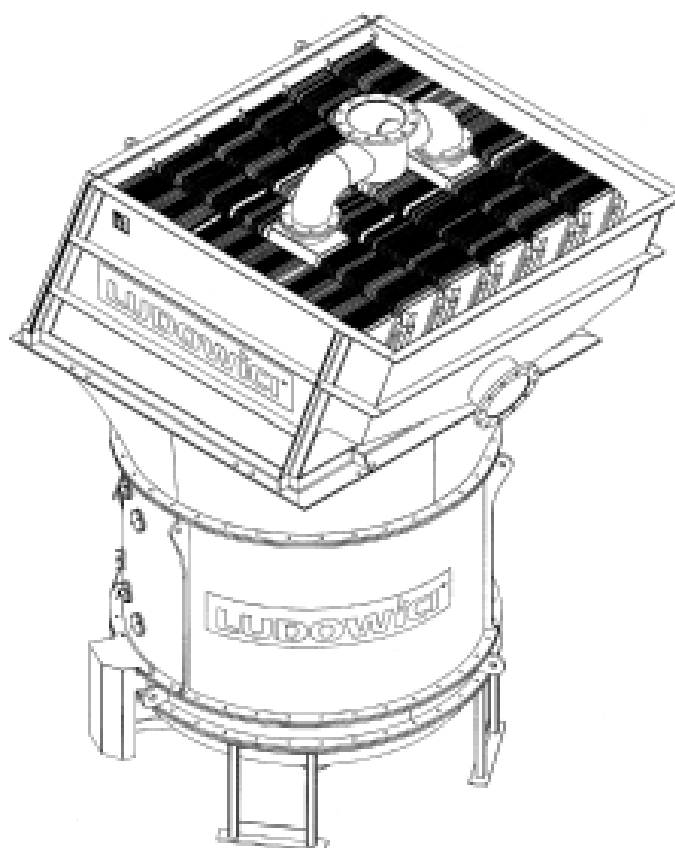
**Ludowici Australia Pty Ltd
67 Randle Road Pinkenba Queensland 4008 Australia**

(72) Name(s) of Designer(s): **Michael Gardener and Taavi Orupold**

(45) Registration Date: **09 June 2009**

(56) Related Art Documents: **Not Applicable**

(57) Statement of Newness and Distinctiveness: **Newness and distinctiveness resides in the features of shape and/or configuration of a particle classifier as illustrated in the accompanying representations.**



(21) Design Number: **11737/2009**

(22) Date of Filing Application: **14 May 2009**

(24) Date from which industrial property rights may have effect: **14 May 2009**

(54) Product in respect of which the design is registered: **Particle classifier**

(51) International Design Classification: **15-99**

(71) Name(s) and Address(s) of Applicant(s):

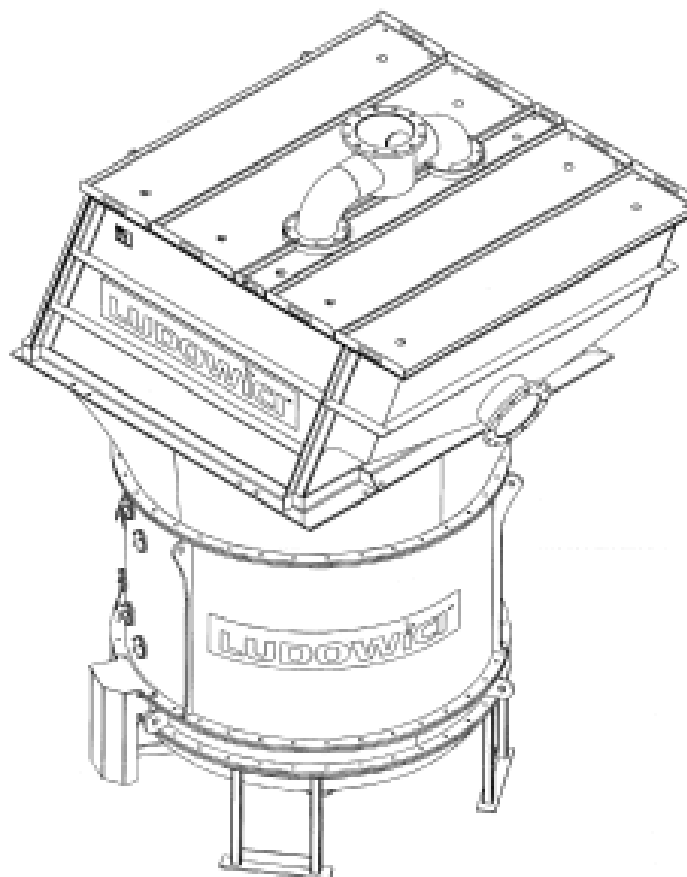
**Ludowici Australia Pty Ltd
67 Randle Road Pinkenba Queensland 4008 Australia**

(72) Name(s) of Designer(s): **Michael Gardener and Taavi Orupold**

(45) Registration Date: **09 June 2009**

(56) Related Art Documents: **Not Applicable**

(57) Statement of Newness and Distinctiveness: **Newness and distinctiveness resides in the features of shape and/or configuration of a particle classifier as illustrated in the accompanying representations.**



(21) Design Number: **11741/2009**

(22) Date of Filing Application: **14 May 2009**

(24) Date from which industrial property rights may have effect: **14 May 2009**

(54) Product in respect of which the design is registered: **321 Water - A re-usable water bottle with a built-in filter to purify tap water**

(51) International Design Classification: **09-01NES, 23-01G**

(71) Name(s) and Address(s) of Applicant(s):

**Half A Teaspoon Pty Ltd
PO Box 6273 St kilda Road Central Victoria 8008 Australia**

(72) Name(s) of Designer(s): **Gretha Oost**

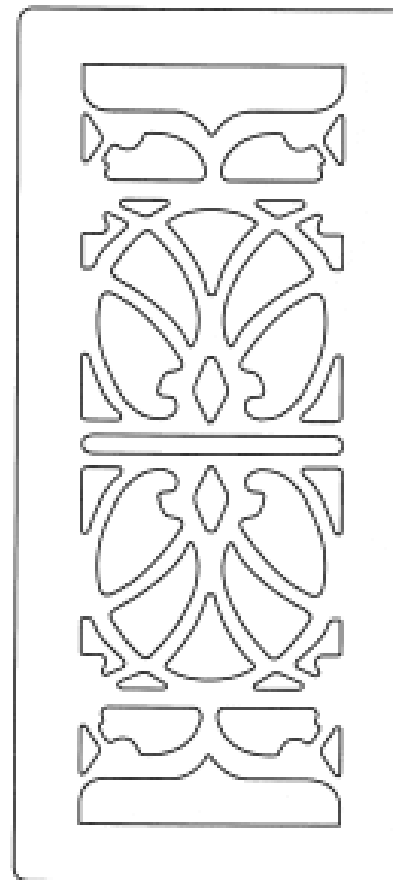
(45) Registration Date: **09 June 2009**

(56) Related Art Documents: **Not Applicable**

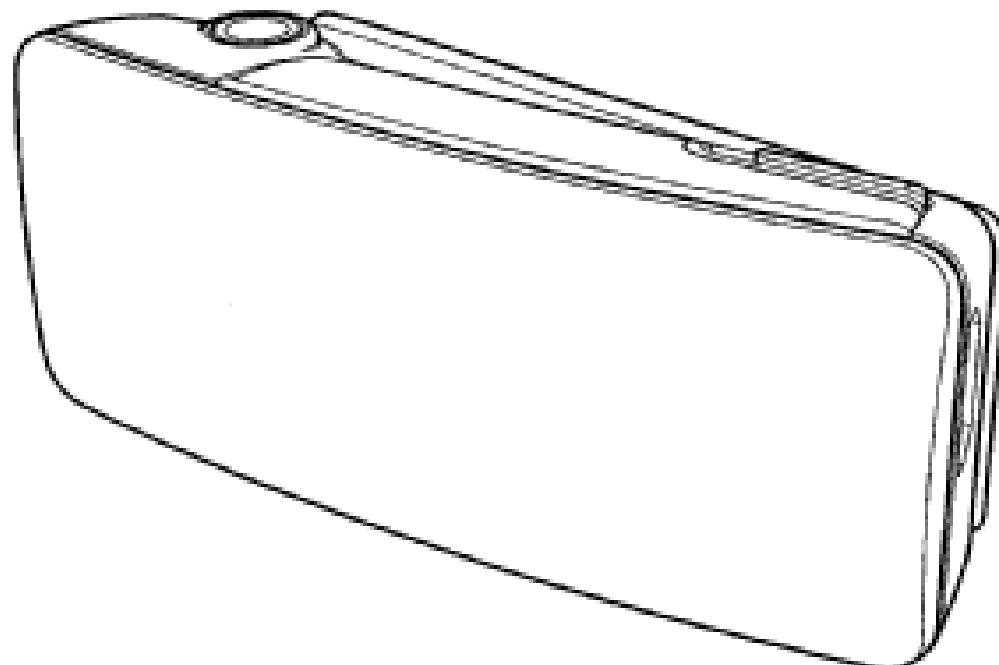
(57) Statement of Newness and Distinctiveness: **Nil**



- (21) Design Number: **11753/2009**
(22) Date of Filing Application: **13 May 2009**
(24) Date from which industrial property rights may have effect: **13 May 2009**
(54) Product in respect of which the design is registered: **Air vent face plate**
(51) International Design Classification: **23-04**
(71) Name(s) and Address(s) of Applicant(s):
Neville Schot
30 Fermanagh Road Camberwell Victoria 3124 Australia
(72) Name(s) of Designer(s): **Neville Schot**
(45) Registration Date: **10 June 2009**
(56) Related Art Documents: **Not Applicable**
(57) Statement of Newness and Distinctiveness: **Monopoly is claimed in the features of pattern or ornamentation of air vent as illustrated in the attached representation.**



- (21) Design Number: **11779/2009**
(22) Date of Filing Application: **15 May 2009**
(24) Date from which industrial property rights may have effect: **15 May 2009**
(54) Product in respect of which the design is registered: **Digital audio player**
(51) International Design Classification: **14-01**
(71) Name(s) and Address(s) of Applicant(s):
Koninklijke Philips Electronics N.V.
Groenewoudseweg 1 NL-5621 BA Eindhoven The Netherlands
(72) Name(s) of Designer(s): **Wai Chung David Lee**
(45) Registration Date: **10 June 2009**
(30) Convention priority data:
(31) Number (32) Date (33) Country
001040398-0002 18 Nov 2008 EUROPEAN COMMUNITY
(56) Related Art Documents: **Not Applicable**
(57) Statement of Newness and Distinctiveness: **Newness and distinctiveness reside in the features of the design as shown in the representations.**



(21) Design Number: **11780/2009**

(22) Date of Filing Application: **15 May 2009**

(24) Date from which industrial property rights may have effect: **15 May 2009**

(54) Product in respect of which the design is registered: **Digital audio player**

(51) International Design Classification: **14-01**

(71) Name(s) and Address(s) of Applicant(s):

**Koninklijke Philips Electronics N.V.
Groenewoudseweg 1 NL-5621 BA Eindhoven The Netherlands**

(72) Name(s) of Designer(s): **Wai Chung David Lee**

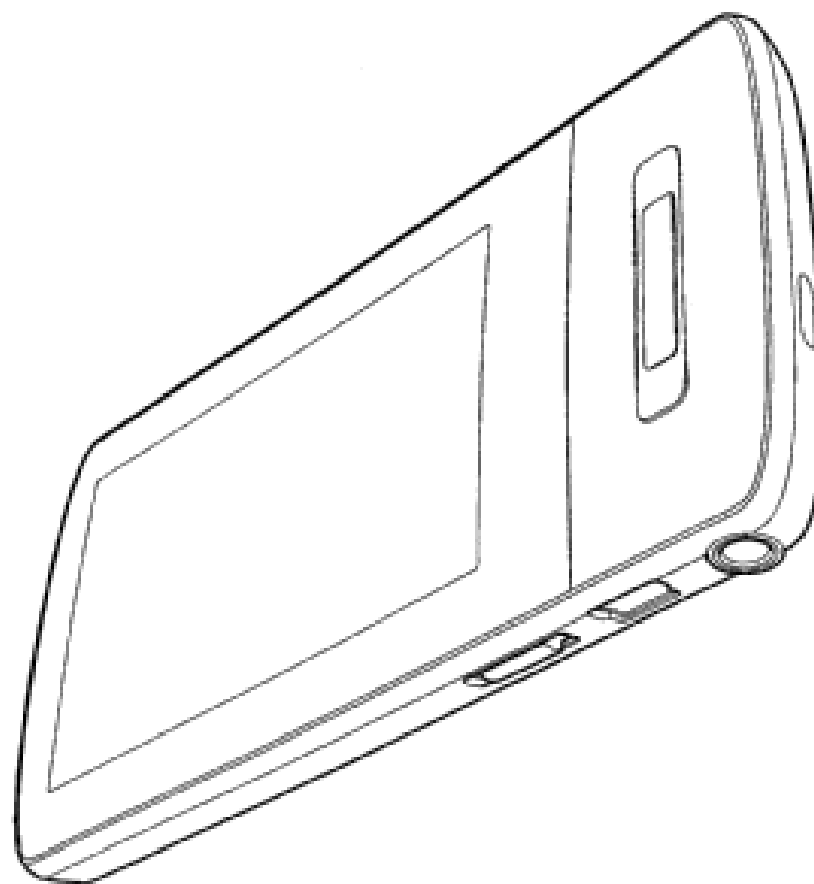
(45) Registration Date: **10 June 2009**

(30) Convention priority data:

(31) Number	(32) Date	(33) Country
001040398-0003	18 Nov 2008	EUROPEAN COMMUNITY

(56) Related Art Documents: **Not Applicable**

(57) Statement of Newness and Distinctiveness: **Newness and distinctiveness reside in the features of the design as shown in the representations.**



(21) Design Number: **11781/2009**

(22) Date of Filing Application: **15 May 2009**

(24) Date from which industrial property rights may have effect: **15 May 2009**

(54) Product in respect of which the design is registered: **Digital audio player**

(51) International Design Classification: **14-01**

(71) Name(s) and Address(s) of Applicant(s):

**Koninklijke Philips Electronics N.V.
Groenewoudseweg 1 NL-5621 BA Eindhoven The Netherlands**

(72) Name(s) of Designer(s): **Wai Chung David Lee**

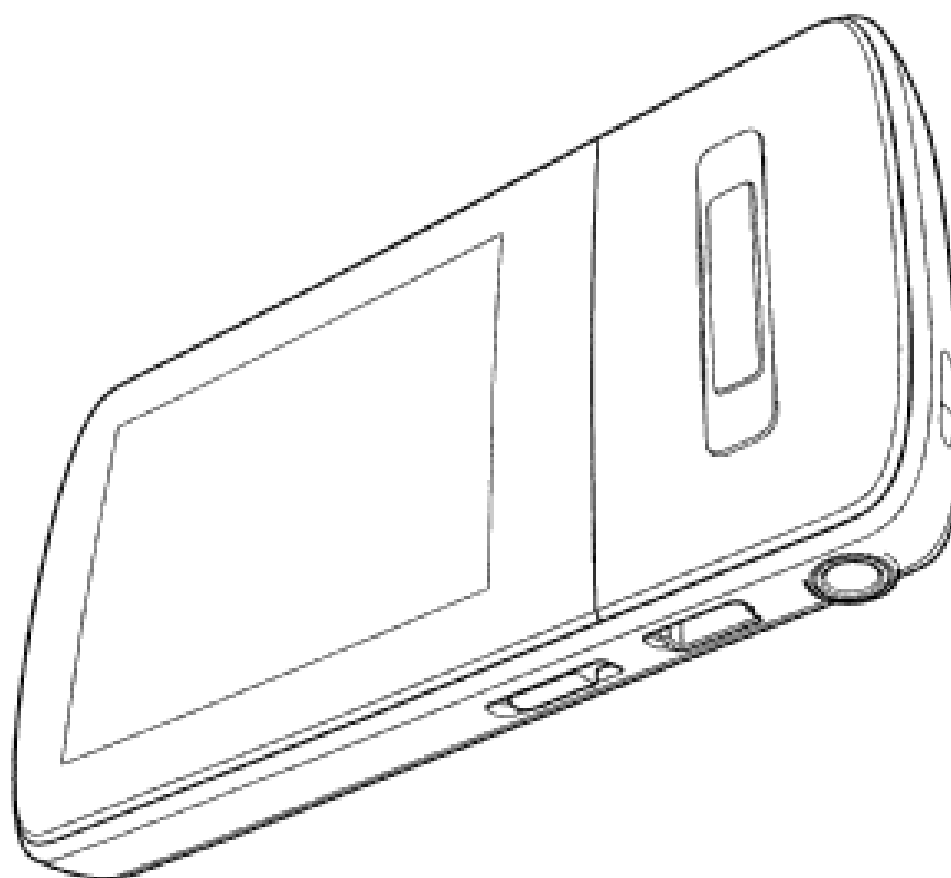
(45) Registration Date: **10 June 2009**

(30) Convention priority data:

(31) Number	(32) Date	(33) Country
001040398-0004	18 Nov 2008	EUROPEAN COMMUNITY

(56) Related Art Documents: **Not Applicable**

(57) Statement of Newness and Distinctiveness: **Newness and distinctiveness reside in the features of the design as shown in the representations.**



(21) Design Number: **11782/2009**

(22) Date of Filing Application: **15 May 2009**

(24) Date from which industrial property rights may have effect: **15 May 2009**

(54) Product in respect of which the design is registered: **Digital audio player**

(51) International Design Classification: **14-01**

(71) Name(s) and Address(s) of Applicant(s):

**Koninklijke Philips Electronics N.V.
Groenewoudseweg 1 NL-5621 BA Eindhoven The Netherlands**

(72) Name(s) of Designer(s): **Wai Chung David Lee**

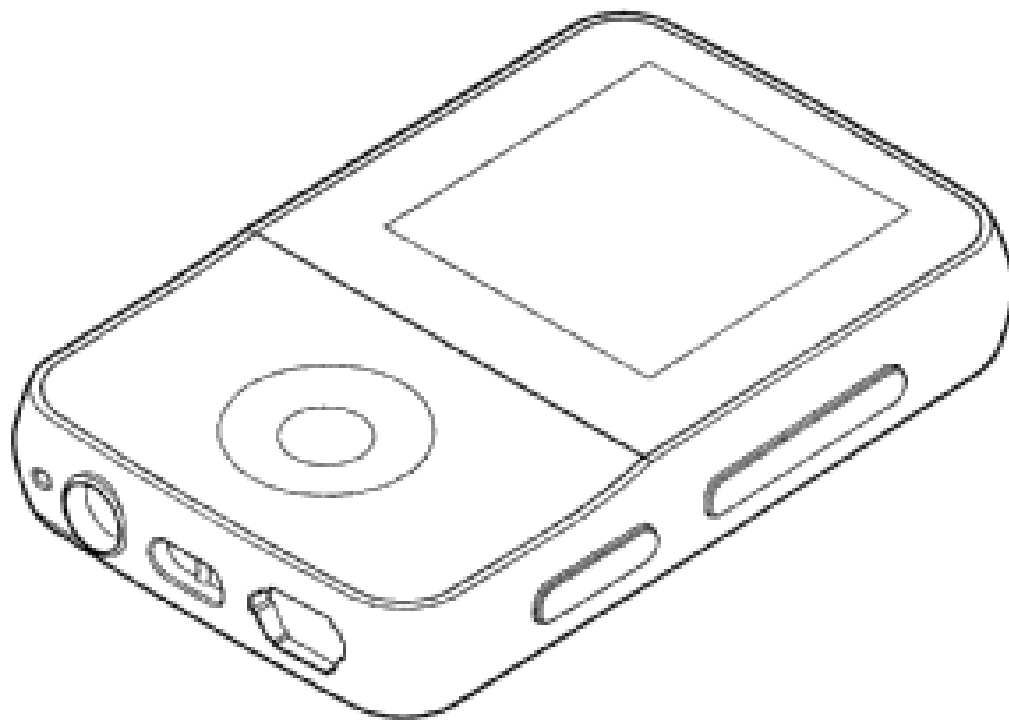
(45) Registration Date: **10 June 2009**

(30) Convention priority data:

(31) Number	(32) Date	(33) Country
001040398-0005	18 Nov 2008	EUROPEAN COMMUNITY

(56) Related Art Documents: **Not Applicable**

(57) Statement of Newness and Distinctiveness: **Newness and distinctiveness reside in the features of the design as shown in the representations.**



(21) Design Number: **11783/2009**

(22) Date of Filing Application: **15 May 2009**

(24) Date from which industrial property rights may have effect: **15 May 2009**

(54) Product in respect of which the design is registered: **Digital audio player**

(51) International Design Classification: **14-01**

(71) Name(s) and Address(s) of Applicant(s):

**Koninklijke Philips Electronics N.V.
Groenewoudseweg 1 NL-5621 BA Eindhoven The Netherlands**

(72) Name(s) of Designer(s): **Wai Chung David Lee**

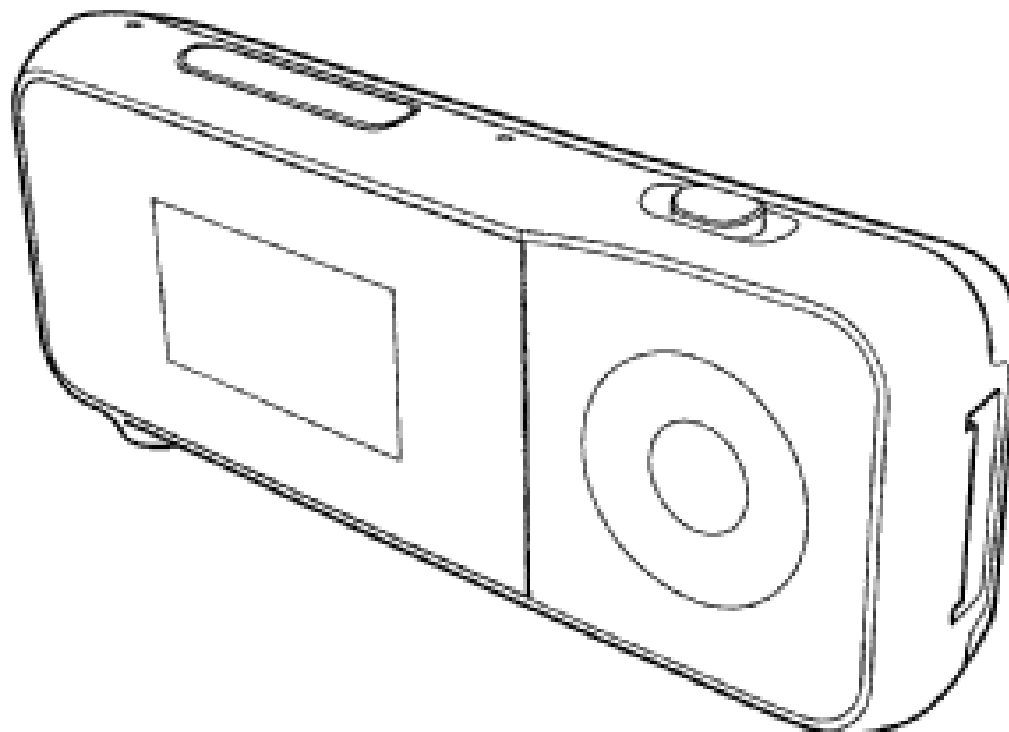
(45) Registration Date: **10 June 2009**

(30) Convention priority data:

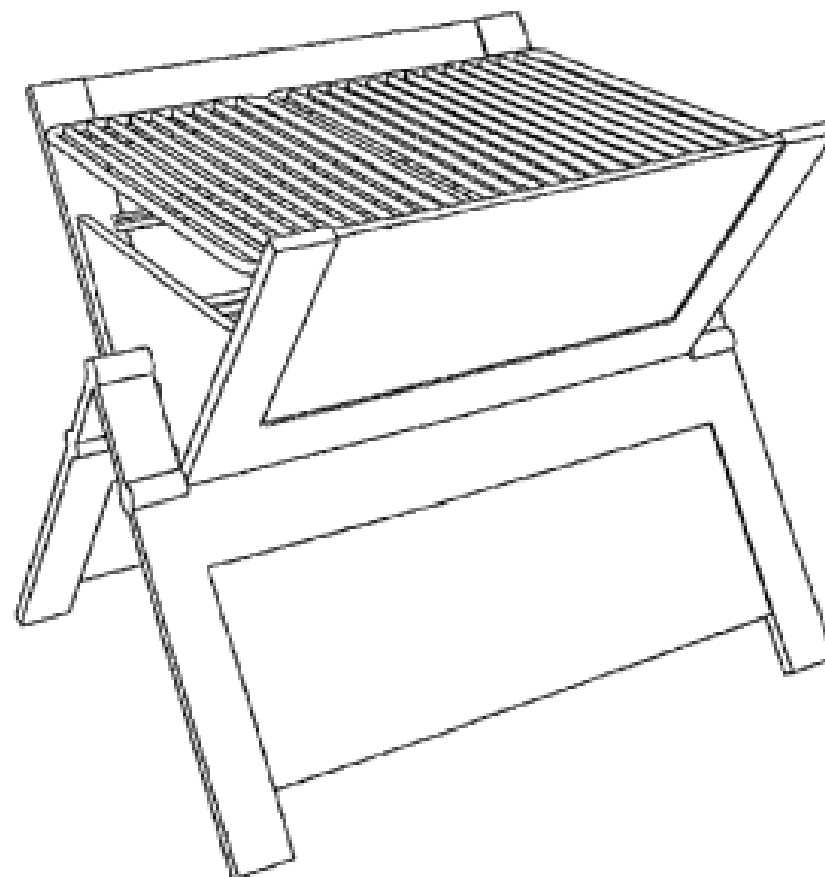
(31) Number	(32) Date	(33) Country
001040398-0006	18 Nov 2008	EUROPEAN COMMUNITY

(56) Related Art Documents: **Not Applicable**

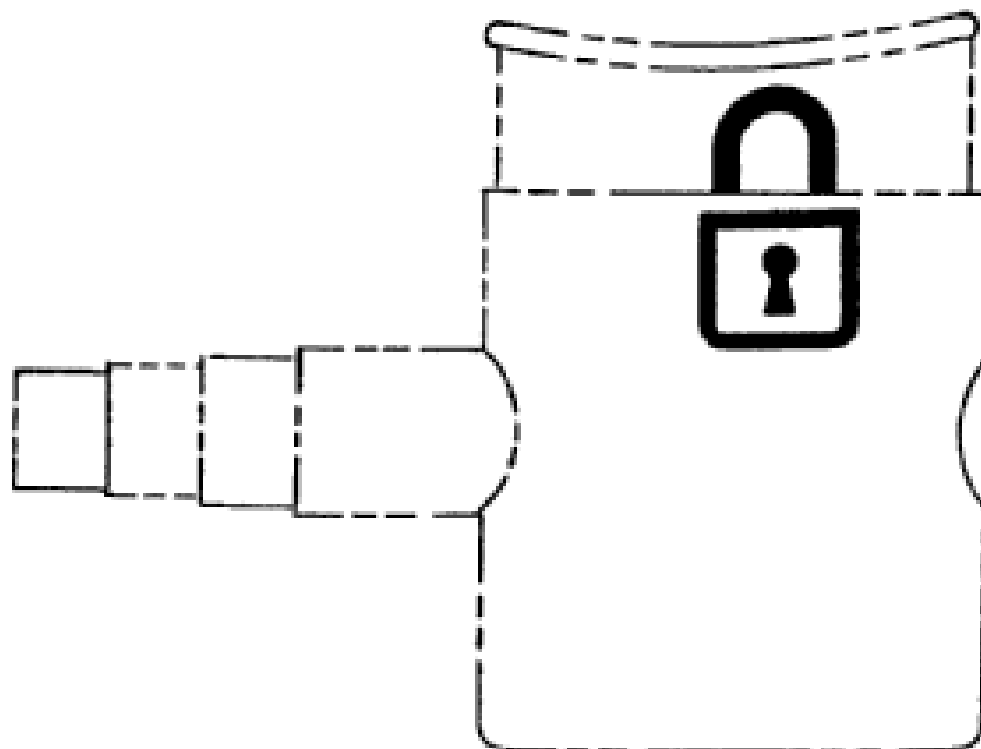
(57) Statement of Newness and Distinctiveness: **Newness and distinctiveness reside in the features of the design as shown in the representations.**



(21) Design Number: **11784/2009**
(22) Date of Filing Application: **15 May 2009**
(24) Date from which industrial property rights may have effect: **15 May 2009**
(54) Product in respect of which the design is registered: **Barbecue**
(51) International Design Classification: **07-02E**
(71) Name(s) and Address(s) of Applicant(s):
Plum Products Ltd
72 High Street Horsell Working Surrey GU21 4SZ United Kingdom
(72) Name(s) of Designer(s): **Martin Robert Gaze and Terence William Gander and Angus Davidson**
(45) Registration Date: **10 June 2009**
(30) Convention priority data:
(31) Number (32) Date (33) Country
1046999-0009 27 Nov 2008 EUROPEAN COMMUNITY
(56) Related Art Documents: **Not Applicable**
(57) Statement of Newness and Distinctiveness: **Newness and distinctiveness reside in the features of the design as shown in the representations.**



(21) Design Number: **11790/2009**
(22) Date of Filing Application: **15 May 2009**
(24) Date from which industrial property rights may have effect: **15 May 2009**
(54) Product in respect of which the design is registered: **Locked valve body**
(51) International Design Classification: **08-07**
(71) Name(s) and Address(s) of Applicant(s):
Kimberly-Clark Worldwide, Inc.
401 North Lake Street Neenah Wisconsin 54956 United States of America
(72) Name(s) of Designer(s): **John Brewer and Joseph A. Cesa and Cassandra E. Morris**
(45) Registration Date: **10 June 2009**
(30) Convention priority data:
(31) Number (32) Date (33) Country
29/329156 10 Dec 2008 UNITED STATES OF AMERICA
(56) Related Art Documents: **Not Applicable**
(57) Statement of Newness and Distinctiveness: **Newness and distinctiveness of the design resides in the pattern and ornamentation of a lock inscription on a locked valve body as shown in solid outline in the accompanying representations.**



(21) Design Number: **11772/2009**

(22) Date of Filing Application: **15 May 2009**

(24) Date from which industrial property rights may have effect: **15 May 2009**

(54) Product in respect of which the design is registered: **Beer fermenter body**

(51) International Design Classification: **31-00**

(71) Name(s) and Address(s) of Applicant(s):

Coopers Brewery Limited

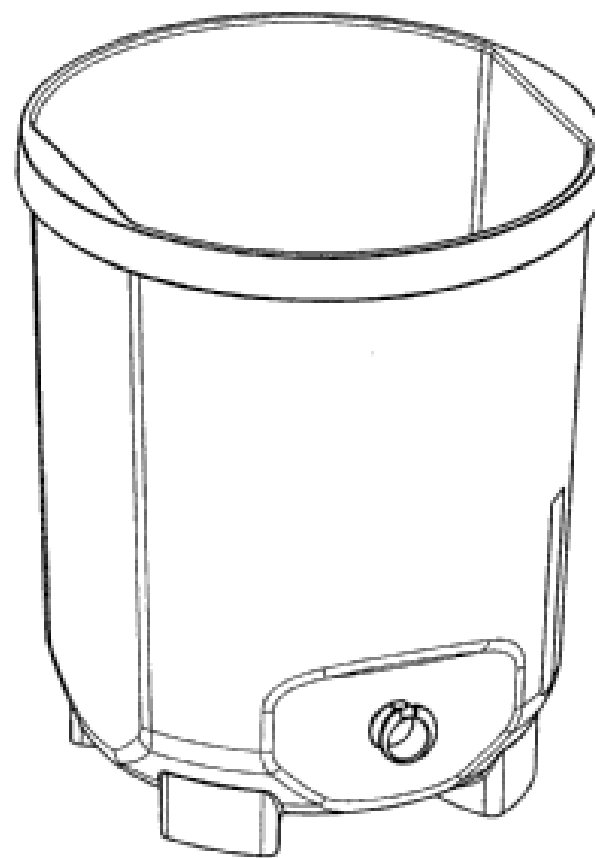
461 South Road Regency Park South Australia 5010 Australia

(72) Name(s) of Designer(s): **Giles Cameron McDonald and Paul Andrew Burge**

(45) Registration Date: **10 June 2009**

(56) Related Art Documents: **Not Applicable**

(57) Statement of Newness and Distinctiveness: **Newness and distinctiveness resides in the features of shape and configuration of a beer fermenter body.**



(21) Design Number: **11773/2009**

(22) Date of Filing Application: **15 May 2009**

(24) Date from which industrial property rights may have effect: **15 May 2009**

(54) Product in respect of which the design is registered: **Beer fermenter lid**

(51) International Design Classification: **31-00, 09-07B**

(71) Name(s) and Address(s) of Applicant(s):

Coopers Brewery Limited

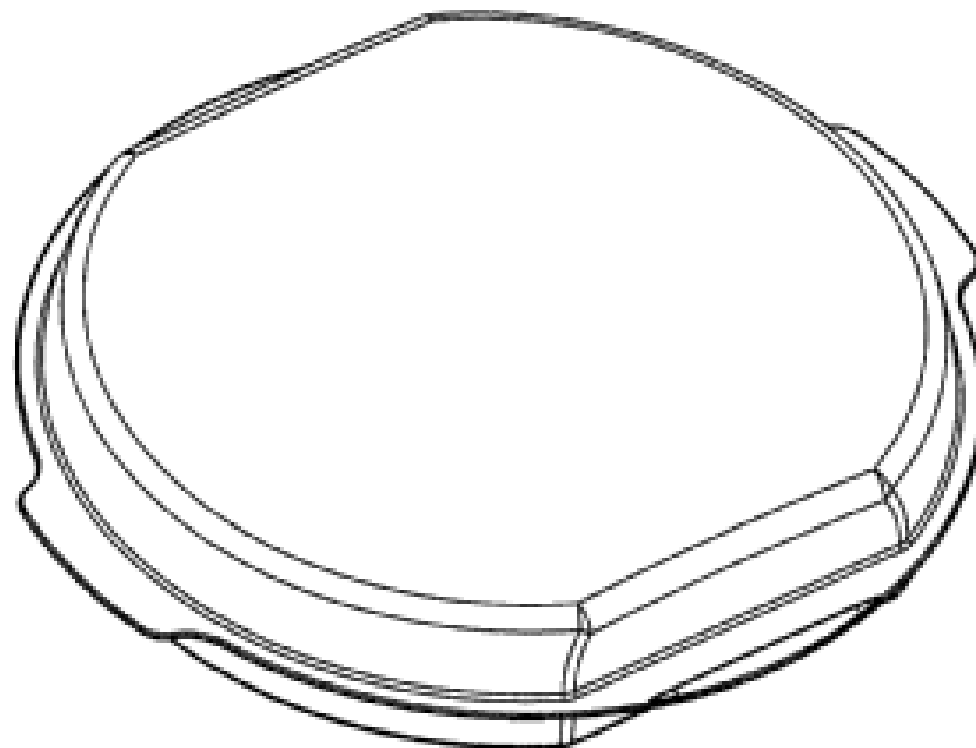
461 South Road Regency Park South Australia 5010 Australia

(72) Name(s) of Designer(s): **Giles Cameron McDonald and Paul Andrew Burge**

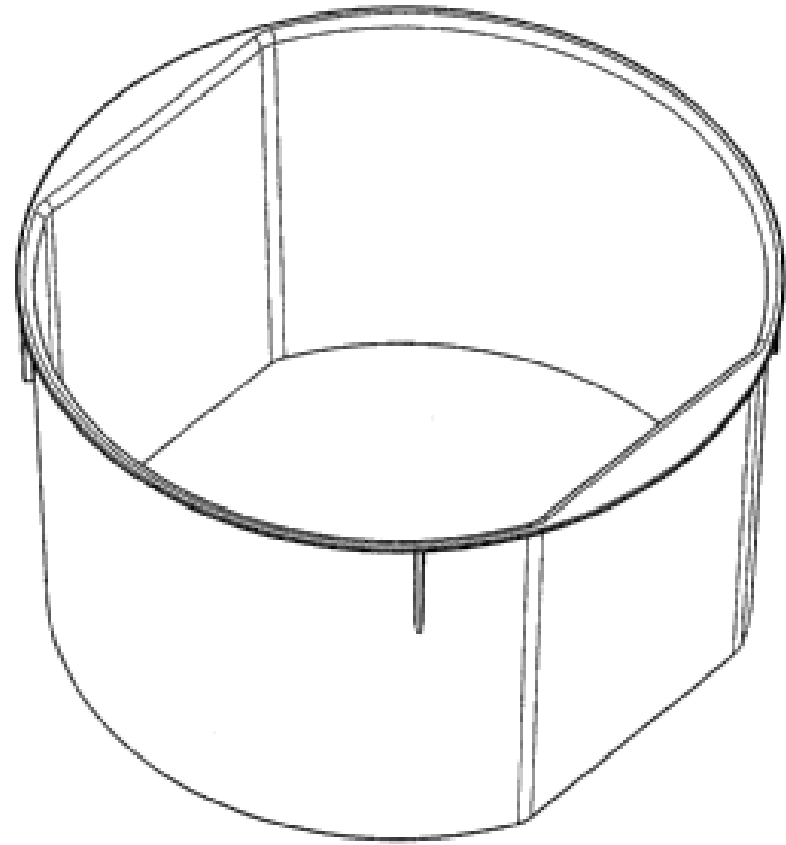
(45) Registration Date: **10 June 2009**

(56) Related Art Documents: **Not Applicable**

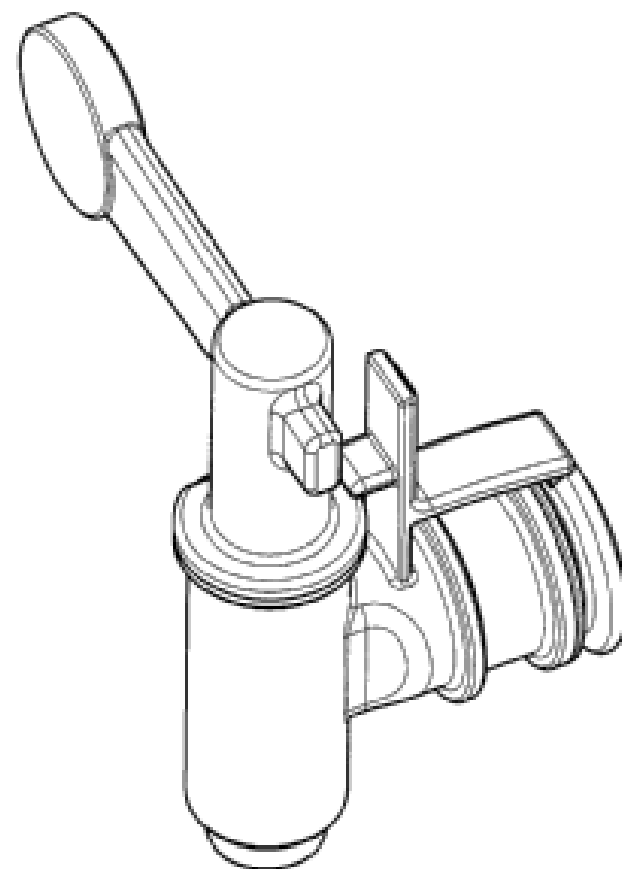
(57) Statement of Newness and Distinctiveness: **Newness and distinctiveness resides in the features of shape and configuration of a beer fermenter lid as shown in the accompanying representations.**



- (21) Design Number: **11774/2009**
(22) Date of Filing Application: **15 May 2009**
(24) Date from which industrial property rights may have effect: **15 May 2009**
(54) Product in respect of which the design is registered: **Beer fermenter height extension collar**
(51) International Design Classification: **31-00**
(71) Name(s) and Address(s) of Applicant(s):
Coopers Brewery Limited
461 South Road Regency Park South Australia 5010 Australia
(72) Name(s) of Designer(s): **Giles Cameron McDonald and Paul Andrew Burge**
(45) Registration Date: **10 June 2009**
(56) Related Art Documents: **Not Applicable**
(57) Statement of Newness and Distinctiveness: **Newness and distinctiveness resides in the features of shape and configuration of a beer fermenter height extension collar as shown in the accompanying representations.**



- (21) Design Number: **11775/2009**
(22) Date of Filing Application: **15 May 2009**
(24) Date from which industrial property rights may have effect: **15 May 2009**
(54) Product in respect of which the design is registered: **Tap**
(51) International Design Classification: **23-01H**
(71) Name(s) and Address(s) of Applicant(s):
Coopers Brewery Limited
461 South Road Regency Park South Australia 5010 Australia
(72) Name(s) of Designer(s): **Giles Cameron McDonald and Paul Andrew Burge**
(45) Registration Date: **10 June 2009**
(56) Related Art Documents: **Not Applicable**
(57) Statement of Newness and Distinctiveness: **Newness and distinctiveness resides in the features of shape and configuration of a tap as shown in the accompanying representations.**



(21) Design Number: **11766/2009**

(22) Date of Filing Application: **18 May 2009**

(24) Date from which industrial property rights may have effect: **18 May 2009**

(54) Product in respect of which the design is registered: **A plant support arm for star dropper stake as (combination)**

(51) International Design Classification: **08-08O**

(71) Name(s) and Address(s) of Applicant(s):

Henry Stubbings

44 Magdalene Terrace Pasadena South Australia 5042 Australia

(72) Name(s) of Designer(s): **Henry Stubbings**

(45) Registration Date: **10 June 2009**

(56) Related Art Documents: **Not Applicable**

(57) Statement of Newness and Distinctiveness: **A plant support arm designed to be used in combination with the star dropper metal stake as its foundation means. The end of helical coil is threaded to retain insulation. Security is added by enclosed screw for public places.**



(21) Design Number: **10044/2009**

(22) Date of Filing Application: **07 January 2009**

(24) Date from which industrial property rights may have effect: **07 January 2009**

(54) Product in respect of which the design is registered: **Halter neck apron**

(51) International Design Classification: **02-02B**

(71) Name(s) and Address(s) of Applicant(s):

Hayley Fitzmaurice

5 Ross Street Epping New South Wales 2121 Australia

(72) Name(s) of Designer(s): **Hayley Fitzmaurice**

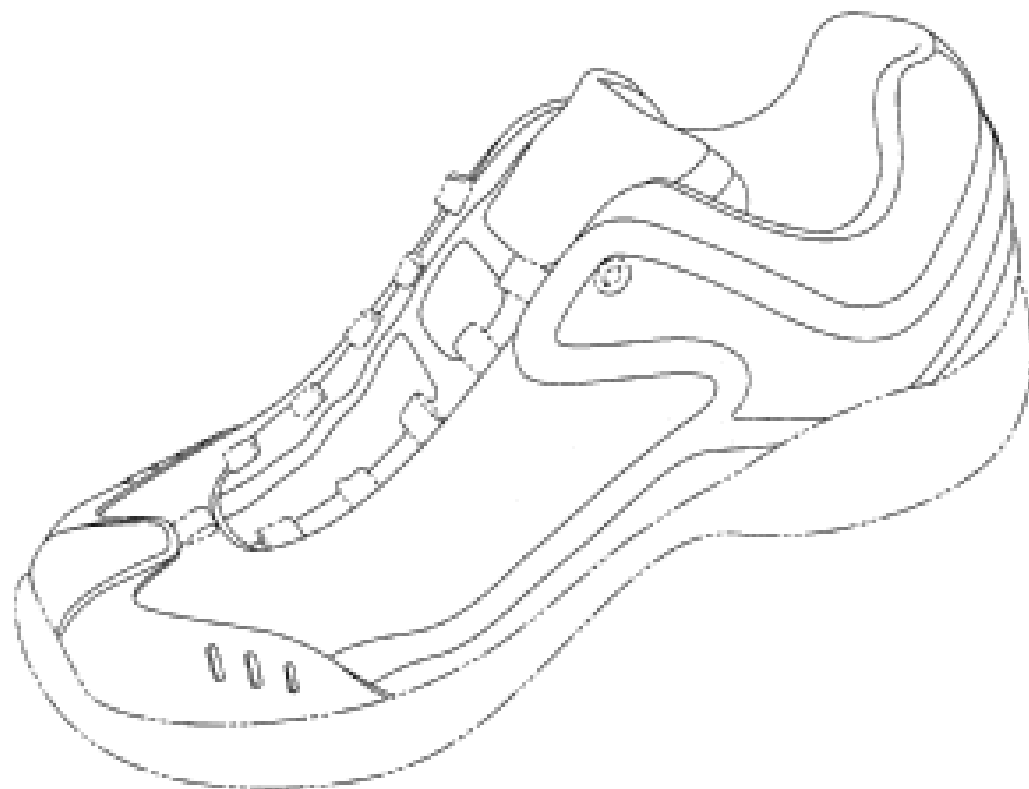
(45) Registration Date: **10 June 2009**

(56) Related Art Documents: **Not Applicable**

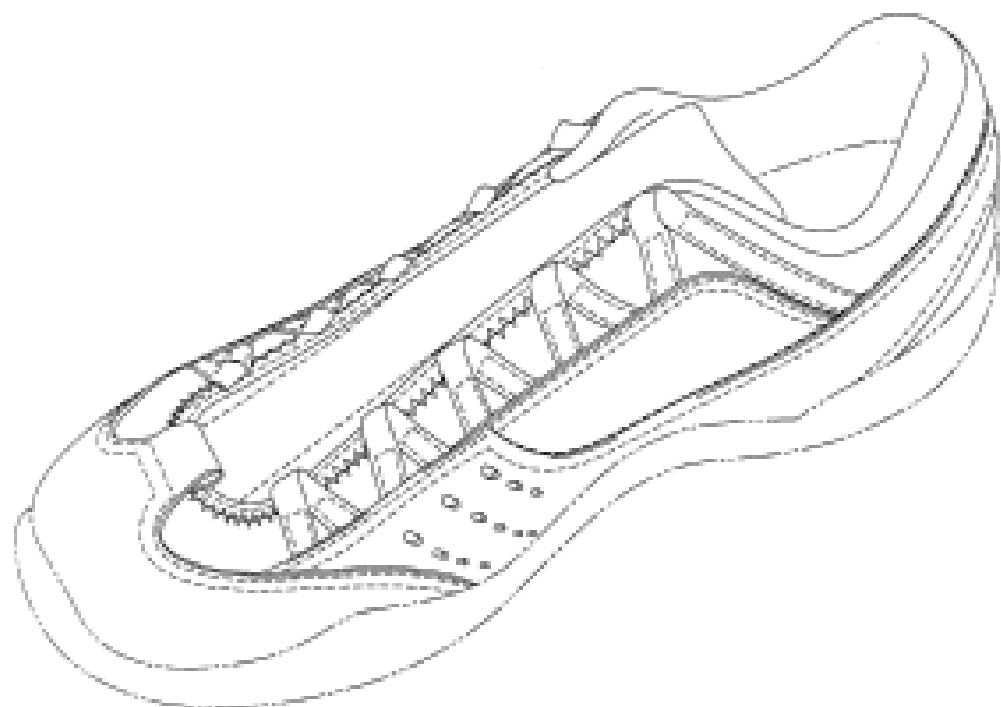
(57) Statement of Newness and Distinctiveness: **The apron has 3D bust cups. The cups have an inner lining, that creates a pocket for removable bra cups. The apron has ties at the neck (halter), under the bust, and at the waist so it moulds to fit individual shape. There is a frill at the bottom that is curved to it creates a diagonal frill when wrapped around the bottom.**



- (21) Design Number: **11422/2009**
(22) Date of Filing Application: **28 April 2009**
(24) Date from which industrial property rights may have effect: **28 April 2009**
(54) Product in respect of which the design is registered: **Footwear upper**
(51) International Design Classification: **02-04NES**
(71) Name(s) and Address(s) of Applicant(s):
Wolverine World Wide, Inc.
9341 Courtland Drive NE Rockford Michigan 49351 United States of America
(72) Name(s) of Designer(s): **Manon Belley and Julie St-Louis**
(45) Registration Date: **10 June 2009**
(30) Convention priority data:
(31) Number (32) Date (33) Country
29/312623 03 Nov 2008 UNITED STATES OF AMERICA
(56) Related Art Documents: **Not Applicable**
(57) Statement of Newness and Distinctiveness: **Newness and distinctiveness is claimed in the visual features shown in the representations except for those shown in phantom lines.**



- (21) Design Number: **11423/2009**
(22) Date of Filing Application: **28 April 2009**
(24) Date from which industrial property rights may have effect: **28 April 2009**
(54) Product in respect of which the design is registered: **Footwear upper**
(51) International Design Classification: **02-04NES**
(71) Name(s) and Address(s) of Applicant(s):
Wolverine World Wide, Inc.
9341 Courtland Drive NE Rockford Michigan 49351 United States of America
(72) Name(s) of Designer(s): **Manon Belley and Julie St-Louis and Martin W.F. Dean**
(45) Registration Date: **10 June 2009**
(30) Convention priority data:
(31) Number (32) Date (33) Country
29/312609 03 Nov 2008 UNITED STATES OF AMERICA
(56) Related Art Documents: **Not Applicable**
(57) Statement of Newness and Distinctiveness: **Newness and distinctiveness is claimed in the visual features shown in the representations except for those shown in phantom lines.**



- (21) Design Number: **11425/2009**
- (22) Date of Filing Application: **28 April 2009**
- (24) Date from which industrial property rights may have effect: **28 April 2009**
- (54) Product in respect of which the design is registered: **Footwear upper**
- (51) International Design Classification: **02-04NES**
- (71) Name(s) and Address(s) of Applicant(s):
Wolverine World Wide, Inc.
9341 Courtland Drive NE Rockford Michigan 49351 United States of America
- (72) Name(s) of Designer(s): **Manon Belley and Julie St-Louis and Martin W.F. Dean**
- (45) Registration Date: **10 June 2009**
- (30) Convention priority data:

(31) Number	(32) Date	(33) Country
29/312601	03 Nov 2008	UNITED STATES OF AMERICA
- (56) Related Art Documents: **Not Applicable**
- (57) Statement of Newness and Distinctiveness: **Newness and distinctiveness is claimed in the visual features shown in the representations except for those shown in phantom lines.**



- (21) Design Number: **11426/2009**
- (22) Date of Filing Application: **28 April 2009**
- (24) Date from which industrial property rights may have effect: **28 April 2009**
- (54) Product in respect of which the design is registered: **Footwear upper**
- (51) International Design Classification: **02-04NES**
- (71) Name(s) and Address(s) of Applicant(s):
Wolverine World Wide, Inc.
9341 Courtland Drive NE Rockford Michigan 49351 United States of America
- (72) Name(s) of Designer(s): **Manon Belley and Julie St-Louis**
- (45) Registration Date: **10 June 2009**
- (30) Convention priority data:

(31) Number	(32) Date	(33) Country
29/312631	03 Nov 2008	UNITED STATES OF AMERICA
- (56) Related Art Documents: **Not Applicable**
- (57) Statement of Newness and Distinctiveness: **Newness and distinctiveness is claimed in the visual features shown in the representations except for those shown in phantom lines.**

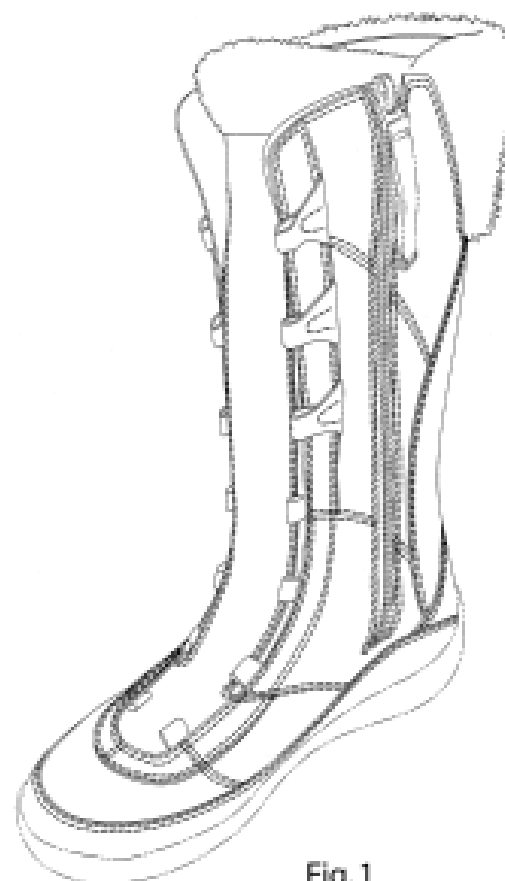
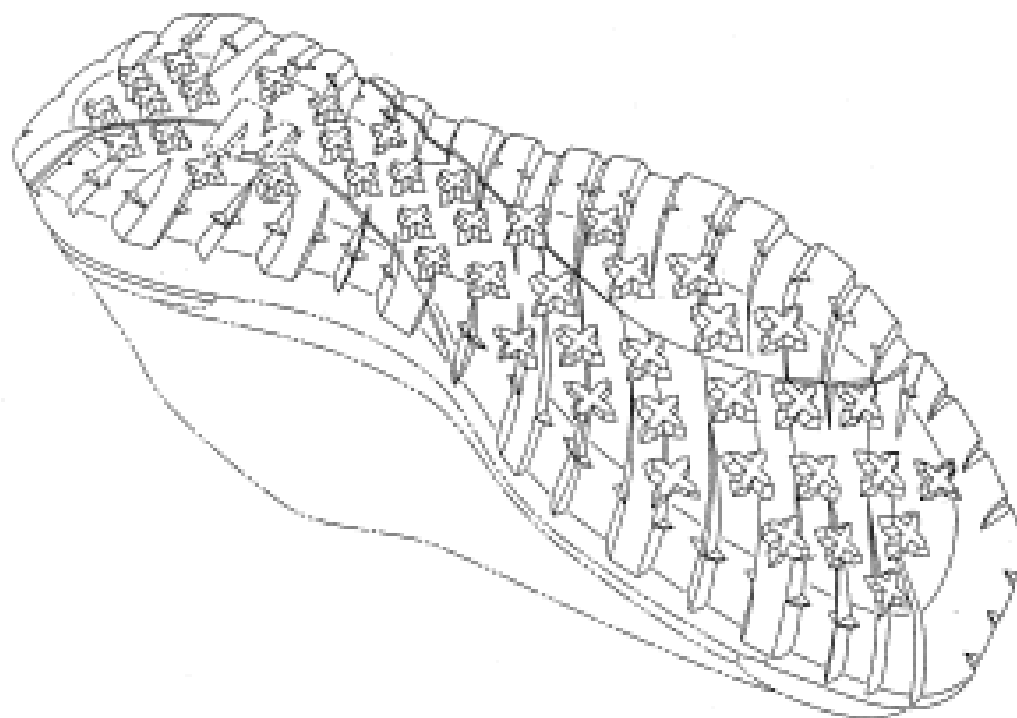


Fig. 1

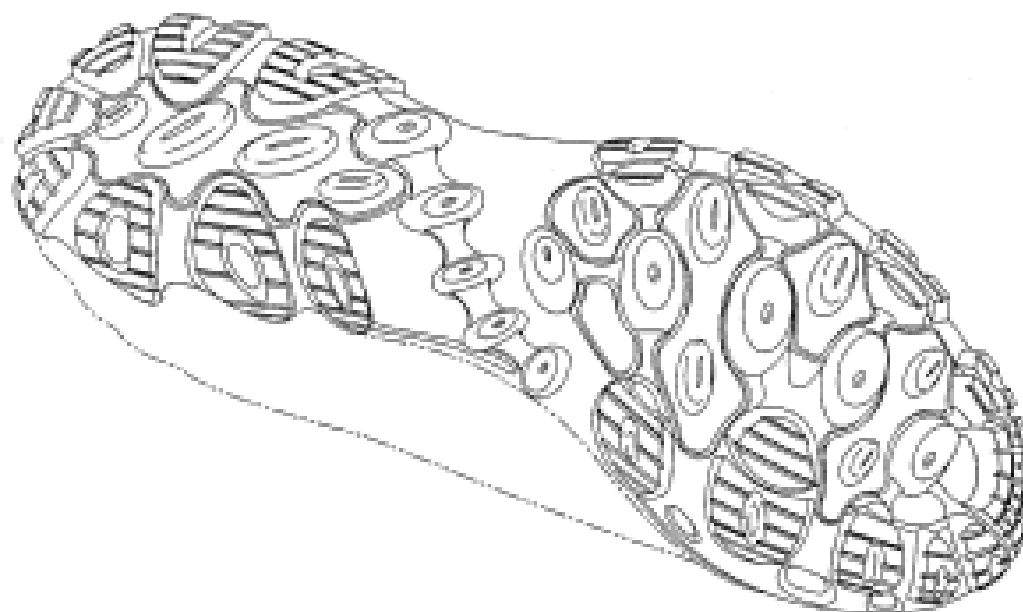
- (21) Design Number: **11427/2009**
- (22) Date of Filing Application: **28 April 2009**
- (24) Date from which industrial property rights may have effect: **28 April 2009**
- (54) Product in respect of which the design is registered: **Footwear sole**
- (51) International Design Classification: **02-04B**
- (71) Name(s) and Address(s) of Applicant(s):
Wolverine World Wide, Inc.
9341 Courtland Drive NE Rockford Michigan 49351 United States of America
- (72) Name(s) of Designer(s): **Manon Belley and Julie St-Louis and Martin W.F. Dean**
- (45) Registration Date: **10 June 2009**
- (30) Convention priority data:

(31) Number	(32) Date	(33) Country
29/312617	03 Nov 2008	UNITED STATES OF AMERICA
- (56) Related Art Documents: **Not Applicable**
- (57) Statement of Newness and Distinctiveness: **Newness and distinctiveness is claimed in the visual features shown in the representations except for those shown in phantom lines.**

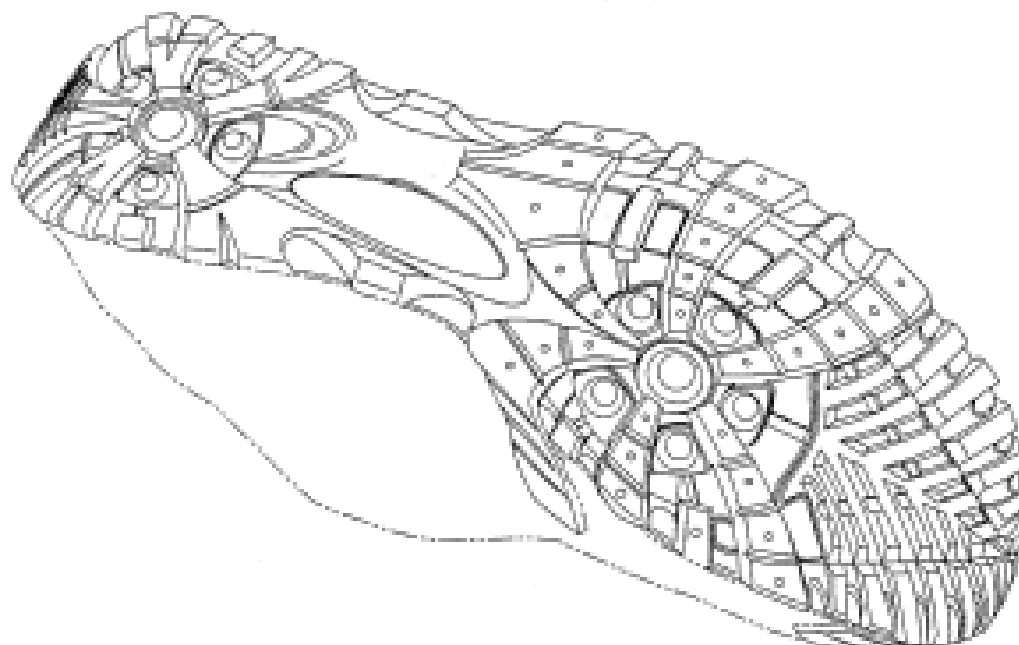


- (21) Design Number: **11428/2009**
- (22) Date of Filing Application: **28 April 2009**
- (24) Date from which industrial property rights may have effect: **28 April 2009**
- (54) Product in respect of which the design is registered: **Footwear sole**
- (51) International Design Classification: **02-04B**
- (71) Name(s) and Address(s) of Applicant(s):
Wolverine World Wide, Inc.
9341 Courtland Drive NE Rockford Michigan 49351 United States of America
- (72) Name(s) of Designer(s): **Manon Belley and Julie St-Louis and Martin W.F. Dean and Laura Bianchi**
- (45) Registration Date: **10 June 2009**
- (30) Convention priority data:

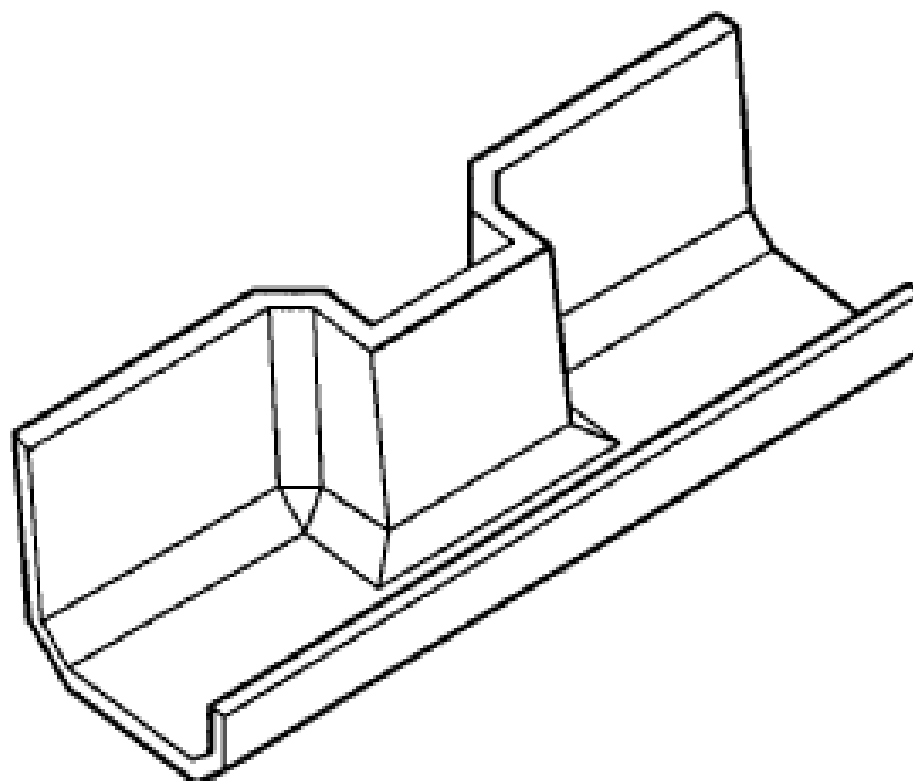
(31) Number	(32) Date	(33) Country
29/312602	03 Nov 2008	UNITED STATES OF AMERICA
- (56) Related Art Documents: **Not Applicable**
- (57) Statement of Newness and Distinctiveness: **Newness and distinctiveness is claimed in the visual features shown in the representations except for those shown in phantom lines.**



- (21) Design Number: **11430/2009**
(22) Date of Filing Application: **28 April 2009**
(24) Date from which industrial property rights may have effect: **28 April 2009**
(54) Product in respect of which the design is registered: **Footwear sole**
(51) International Design Classification: **02-04B**
(71) Name(s) and Address(s) of Applicant(s):
Wolverine World Wide, Inc.
9341 Courtland Drive NE Rockford Michigan 49351 United States of America
(72) Name(s) of Designer(s): **Martin W.F. Dean and Gary J. Banik**
(45) Registration Date: **10 June 2009**
(30) Convention priority data:
(31) Number (32) Date (33) Country
29/312630 03 Nov 2008 UNITED STATES OF AMERICA
(56) Related Art Documents: **Not Applicable**
(57) Statement of Newness and Distinctiveness: **Newness and distinctiveness is claimed in the visual features shown in the representations except for those shown in phantom lines.**



- (21) Design Number: **11818/2009**
(22) Date of Filing Application: **19 May 2009**
(24) Date from which industrial property rights may have effect: **19 May 2009**
(54) Product in respect of which the design is registered: **Adhesive collector tray**
(51) International Design Classification: **08-05NES, 08-08NES**
(71) Name(s) and Address(s) of Applicant(s):
Multiform Industries Pty. Ltd.
7 Colbert Road Campbellfield Victoria 3061 Australia
(72) Name(s) of Designer(s): **Victor Barillaro and Salvatore Benvenuto Calcagno**
(45) Registration Date: **10 June 2009**
(56) Related Art Documents: **Not Applicable**
(57) Statement of Newness and Distinctiveness: **Nil**



(21) Design Number: **11804/2009**

(22) Date of Filing Application: **18 May 2009**

(24) Date from which industrial property rights may have effect: **18 May 2009**

(54) Product in respect of which the design is registered: **Bottle**

(51) International Design Classification: **09-01H**

(71) Name(s) and Address(s) of Applicant(s):

Lidl Stiftung & Co. KG
Stiftsbergstrasse 1 74167 Neckarsulm Germany

(72) Name(s) of Designer(s): **Tim Bork**

(45) Registration Date: **11 June 2009**

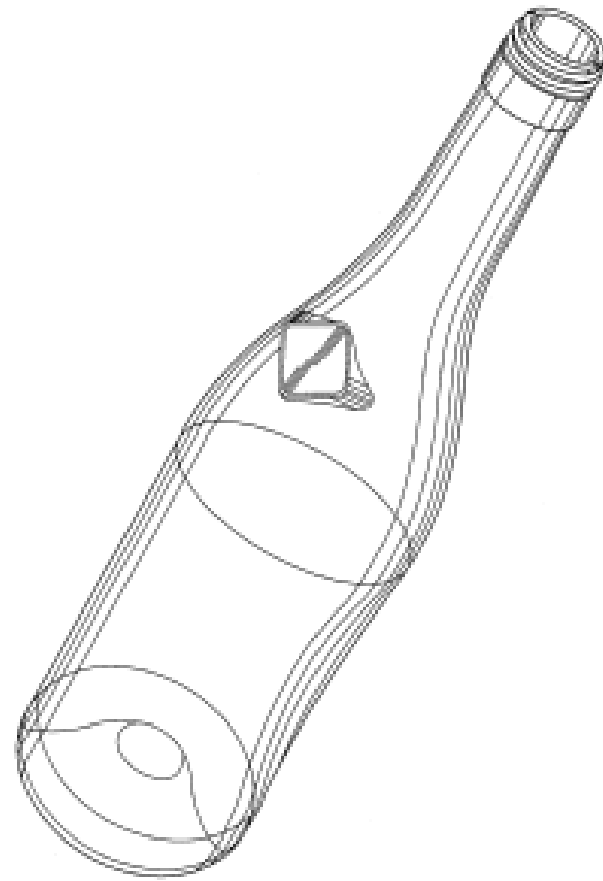
(30) Convention priority data:

(31) Number (32) Date
DM/071479 16 Mar 2009

(33) Country
**WORLD INTELLECTUAL
PROPERTY ORGANIZATION
(WIPO)**

(56) Related Art Documents: **Not Applicable**

(57) Statement of Newness and Distinctiveness: **Nil**



(21) Design Number: **11806/2009**

(22) Date of Filing Application: **19 May 2009**

(24) Date from which industrial property rights may have effect: **19 May 2009**

(54) Product in respect of which the design is registered: **A wooden vehicle toy**

(51) International Design Classification: **21-01C**

(71) Name(s) and Address(s) of Applicant(s):

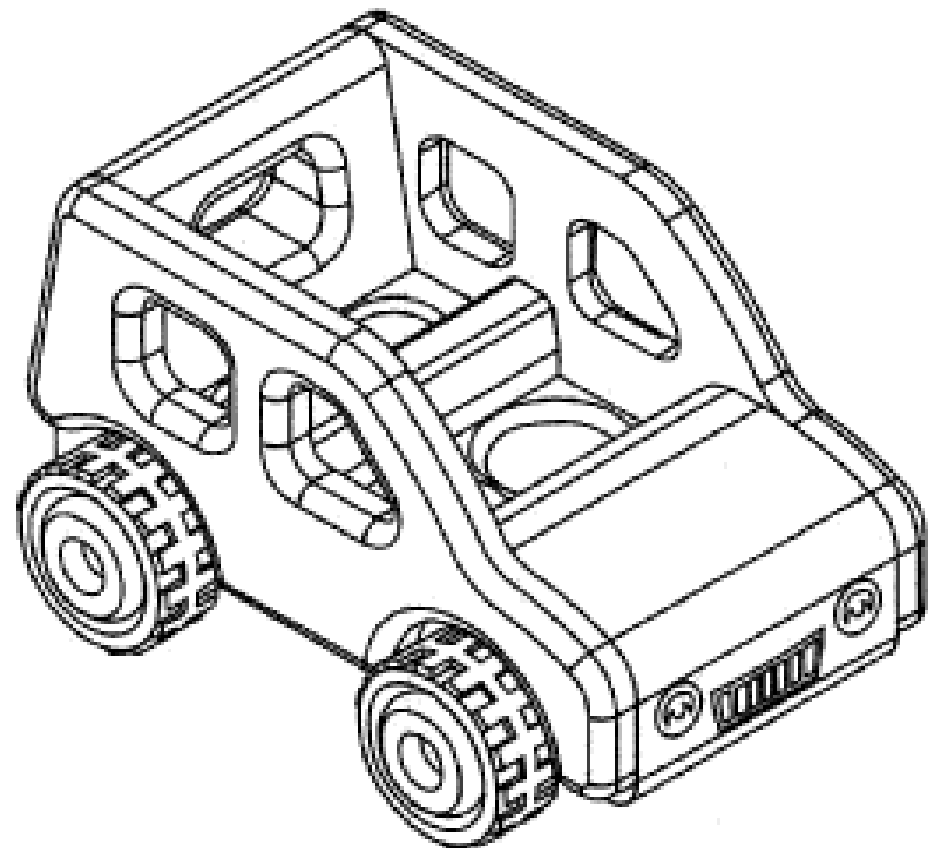
Quins Group Pty Ltd
95 Wright Street Sunshine Victoria 3020 Australia

(72) Name(s) of Designer(s): **Liam Kelly**

(45) Registration Date: **11 June 2009**

(56) Related Art Documents: **Not Applicable**

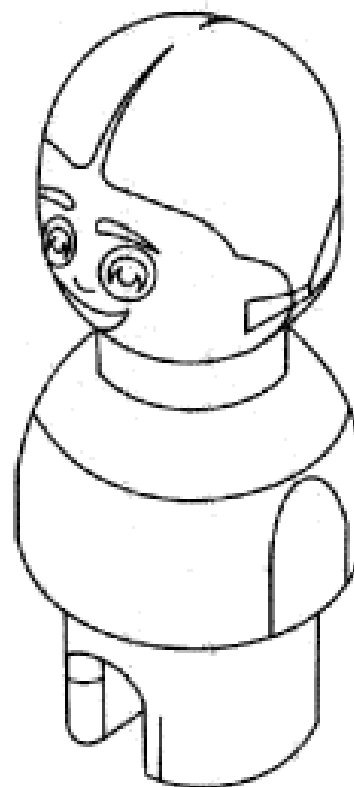
(57) Statement of Newness and Distinctiveness: **Nil**



- (21) Design Number: **11807/2009**
- (22) Date of Filing Application: **19 May 2009**
- (24) Date from which industrial property rights may have effect: **19 May 2009**
- (54) Product in respect of which the design is registered: **A wooden figure toy**
- (51) International Design Classification: **21-01B**
- (71) Name(s) and Address(s) of Applicant(s):

Quins Group Pty Ltd
95 Wright Street Sunshine Victoria 3020 Australia

- (72) Name(s) of Designer(s): **Liam Kelly**
- (45) Registration Date: **11 June 2009**
- (56) Related Art Documents: **Not Applicable**
- (57) Statement of Newness and Distinctiveness: **Newness and distinction are claimed in the shape and/or configuration of this wooden toy figure. No regard is to be taken of the size.**

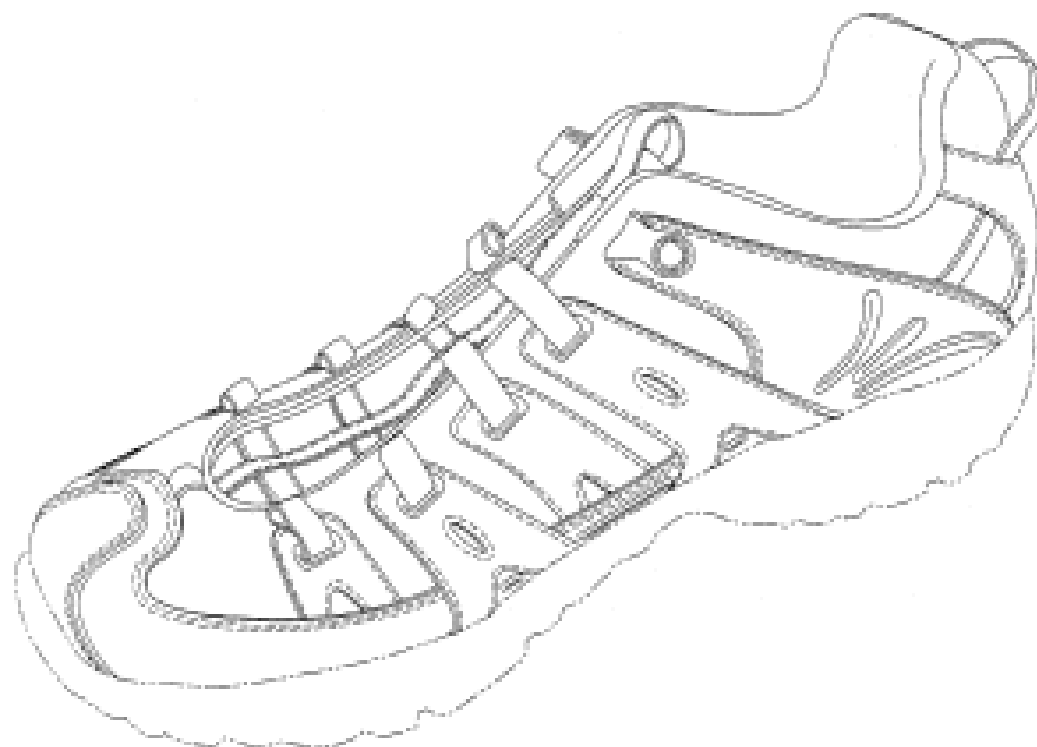


- (21) Design Number: **11433/2009**
- (22) Date of Filing Application: **28 April 2009**
- (24) Date from which industrial property rights may have effect: **28 April 2009**
- (54) Product in respect of which the design is registered: **Footwear upper**
- (51) International Design Classification: **02-04NES**
- (71) Name(s) and Address(s) of Applicant(s):

Wolverine World Wide, Inc.
9341 Courtland Drive NE Rockford Michigan 49351 United States of America

- (72) Name(s) of Designer(s): **Julie St-Louis and Manon Belley**
- (45) Registration Date: **11 June 2009**
- (30) Convention priority data:

(31) Number	(32) Date	(33) Country
29/312621	03 Nov 2008	UNITED STATES OF AMERICA
- (56) Related Art Documents: **Not Applicable**
- (57) Statement of Newness and Distinctiveness: **Newness and distinctiveness is claimed in the visual features shown in the representations except for those shown in phantom lines.**



(21) Design Number: **11944/2009**

(22) Date of Filing Application: **28 May 2009**

(24) Date from which industrial property rights may have effect: **28 May 2009**

(54) Product in respect of which the design is registered: **Toilet pan**

(51) International Design Classification: **23-02C**

(71) Name(s) and Address(s) of Applicant(s):

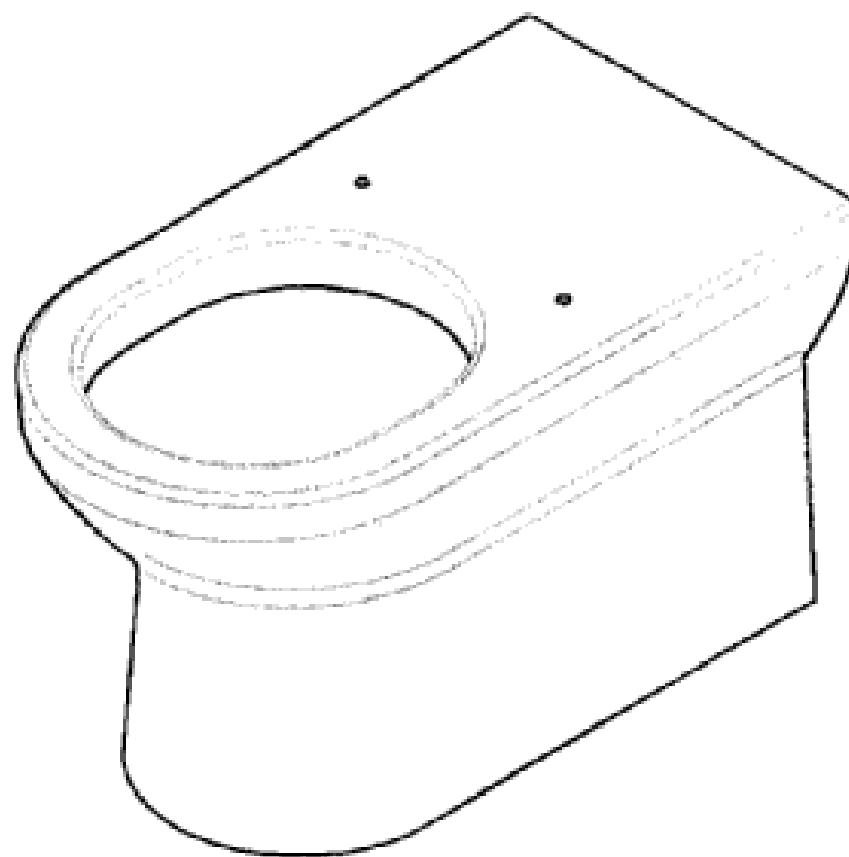
Meco Australia Pty Limited
30 Stenett Road Ingleburn New South Wales 2565 Australia

(72) Name(s) of Designer(s): **Nick Kroopin**

(45) Registration Date: **11 June 2009**

(56) Related Art Documents: **Not Applicable**

(57) Statement of Newness and Distinctiveness: **Newness and distinctiveness is claimed in those visual features that are represented in unbroken lines.**



(21) Design Number: **11883/2009**

(22) Date of Filing Application: **22 May 2009**

(24) Date from which industrial property rights may have effect: **22 May 2009**

(54) Product in respect of which the design is registered: **Womens fashion clothing**

(51) International Design Classification: **02-02NES**

(71) Name(s) and Address(s) of Applicant(s):

Blooms Holdings Pty Ltd
645 Harris Street Ultimo New South Wales 2007 Australia

(72) Name(s) of Designer(s): **Sylvia Dove**

(45) Registration Date: **11 June 2009**

(56) Related Art Documents: **Not Applicable**

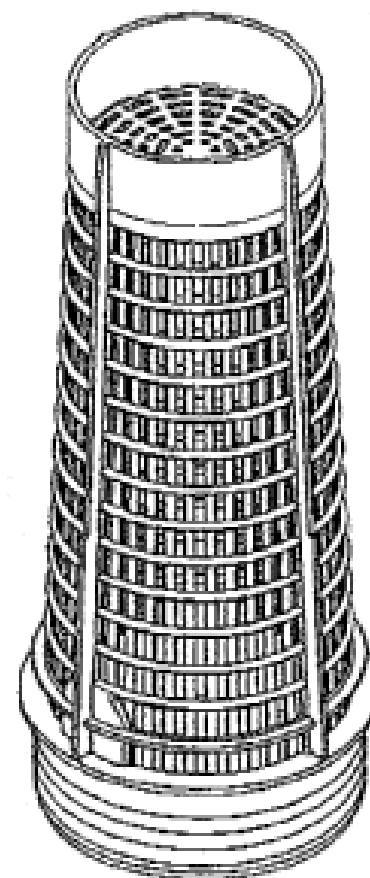
(57) Statement of Newness and Distinctiveness: **Velvet T-shirt with taffeta collar and tie.**



(21) Design Number: **11884/2009**
(22) Date of Filing Application: **22 May 2009**
(24) Date from which industrial property rights may have effect: **22 May 2009**
(54) Product in respect of which the design is registered: **Womens fashion clothing**
(51) International Design Classification: **02-02NES**
(71) Name(s) and Address(s) of Applicant(s):
Blooms Holdings Pty Ltd
645 Harris Street Ultimo New South Wales 2007 Australia
(72) Name(s) of Designer(s): **Sylvia Dove**
(45) Registration Date: **11 June 2009**
(56) Related Art Documents: **Not Applicable**
(57) Statement of Newness and Distinctiveness: **Pink shirt with frill neck and front tie.**

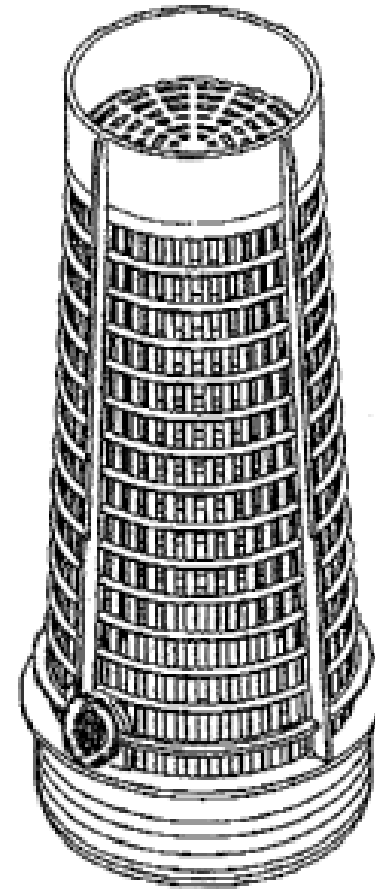


(21) Design Number: **12086/2009**
(22) Date of Filing Application: **05 June 2009**
(24) Date from which industrial property rights may have effect: **05 June 2009**
(54) Product in respect of which the design is registered: **A set of caps for bee tubes**
(51) International Design Classification: **09-07C**
(71) Name(s) and Address(s) of Applicant(s):
Arataki Honey Limited
205 Hastings Street South Hastings New Zealand
(72) Name(s) of Designer(s): **Russell Arthur Berry**
(45) Registration Date: **11 June 2009**
(30) Convention priority data:
(31) Number (32) Date (33) Country
411717 08 Dec 2008 NEW ZEALAND
(56) Related Art Documents: **Not Applicable**
(57) Statement of Newness and Distinctiveness: **The features of shape and/or configuration substantially as shown in the representations.**



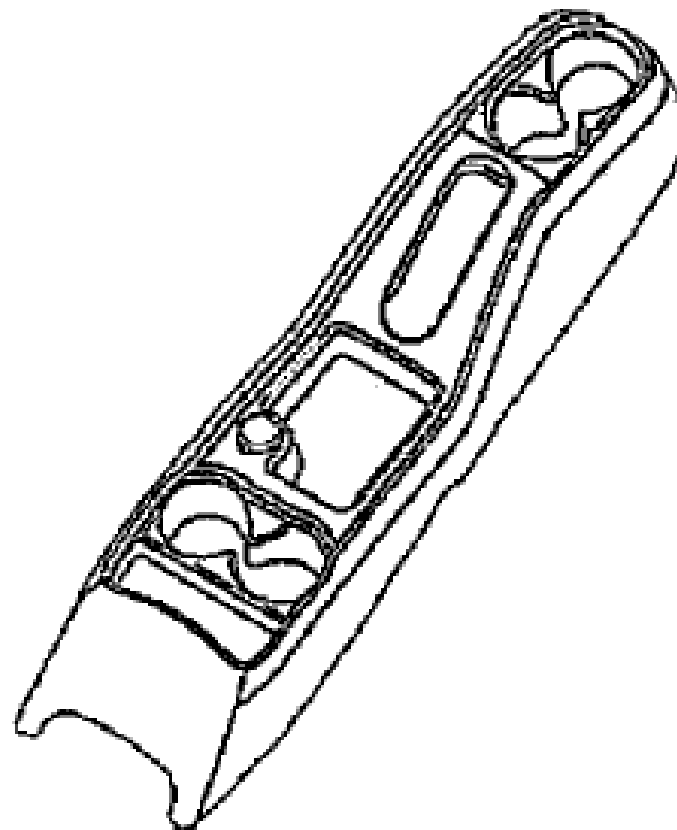
(19) AU

- (21) Design Number: **12087/2009**
(22) Date of Filing Application: **05 June 2009**
(24) Date from which industrial property rights may have effect: **05 June 2009**
(54) Product in respect of which the design is registered: **A set of caps for bee tubes**
(51) International Design Classification: **09-07C**
(71) Name(s) and Address(s) of Applicant(s):
Arataki Honey Limited
205 Hastings Street South Hastings New Zealand
(72) Name(s) of Designer(s): **Russell Arthur Berry**
(45) Registration Date: **11 June 2009**
(30) Convention priority data:
(31) Number (32) Date (33) Country
411717 08 Dec 2008 NEW ZEALAND
(56) Related Art Documents: **Not Applicable**
(57) Statement of Newness and Distinctiveness: **The features of shape and/or configuration substantially as shown in the representations.**



(19) AU

- (21) Design Number: **11794/2009**
(22) Date of Filing Application: **19 May 2009**
(24) Date from which industrial property rights may have effect: **19 May 2009**
(54) Product in respect of which the design is registered: **Floor console**
(51) International Design Classification: **12-16NES**
(71) Name(s) and Address(s) of Applicant(s):
Perusahaan Otomobil Nasional Sdn. Bhd.
Hicom Industrial Estate Batu 3 40000 Shah Alam Selangor Malaysia
(72) Name(s) of Designer(s): **Shahril Afizal Bin Othman**
(45) Registration Date: **11 June 2009**
(30) Convention priority data:
(31) Number (32) Date (33) Country
08-01532-0101 27 Nov 2008 MALAYSIA
(56) Related Art Documents: **Not Applicable**
(57) Statement of Newness and Distinctiveness: **Newness and distinctiveness reside in the overall shape and configuration of the central floor console for a vehicle when viewed from the top and left and in the particular configuration of the shapes of the central floor console when viewed from the top as illustrated in the accompanying representations.**



(21) Design Number: **11795/2009**

(22) Date of Filing Application: **19 May 2009**

(24) Date from which industrial property rights may have effect: **19 May 2009**

(54) Product in respect of which the design is registered: **Gear knob**

(51) International Design Classification: **12-16NES**

(71) Name(s) and Address(s) of Applicant(s):

**Perusahaan Otomobil Nasional Sdn. Bhd.
Hicom Industrial Estate Batu 3 40000 Shah Alam Selangor Malaysia**

(72) Name(s) of Designer(s): **Shahril Afizal Bin Othman**

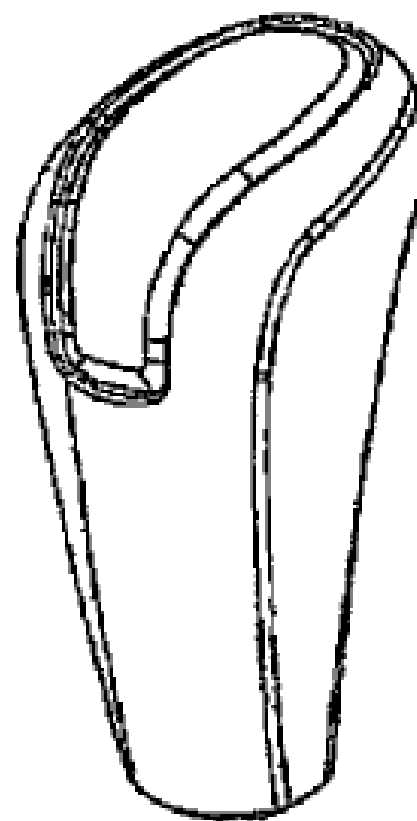
(45) Registration Date: **11 June 2009**

(30) Convention priority data:

(31) Number	(32) Date	(33) Country
08-01534-0101	27 Nov 2008	MALAYSIA

(56) Related Art Documents: **Not Applicable**

(57) Statement of Newness and Distinctiveness: **Newness and distinctiveness reside in the visual shape and configuration of the gear knob as illustrated in the accompanying representations.**



(21) Design Number: **11796/2009**

(22) Date of Filing Application: **19 May 2009**

(24) Date from which industrial property rights may have effect: **19 May 2009**

(54) Product in respect of which the design is registered: **Side mirror**

(51) International Design Classification: **12-16H**

(71) Name(s) and Address(s) of Applicant(s):

**Perusahaan Otomobil Nasional Sdn. Bhd.
Hicom Industrial Estate Batu 3 40000 Shah Alam Selangor Malaysia**

(72) Name(s) of Designer(s): **Effendi Bin Sahar**

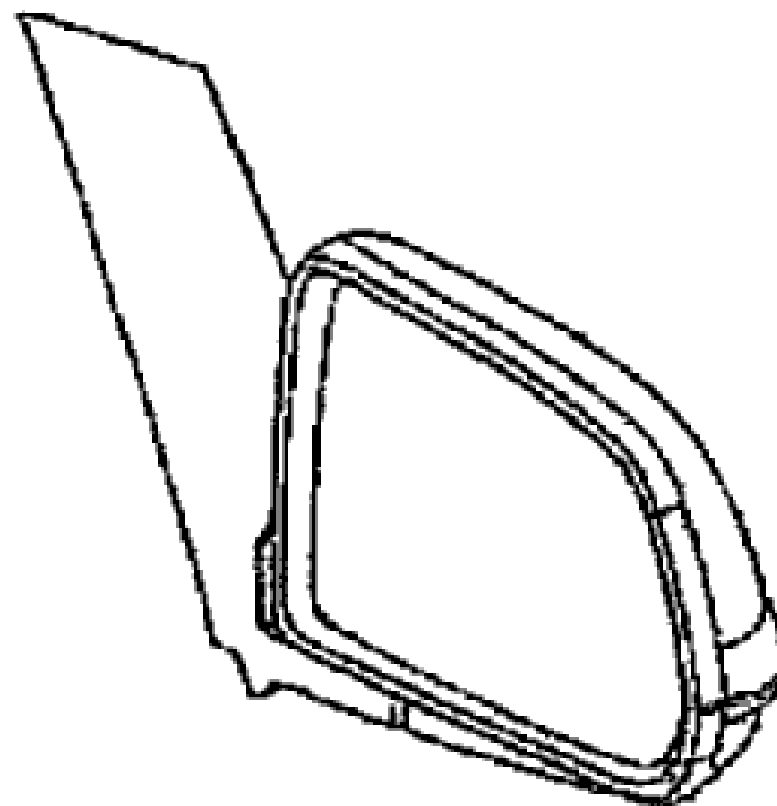
(45) Registration Date: **11 June 2009**

(30) Convention priority data:

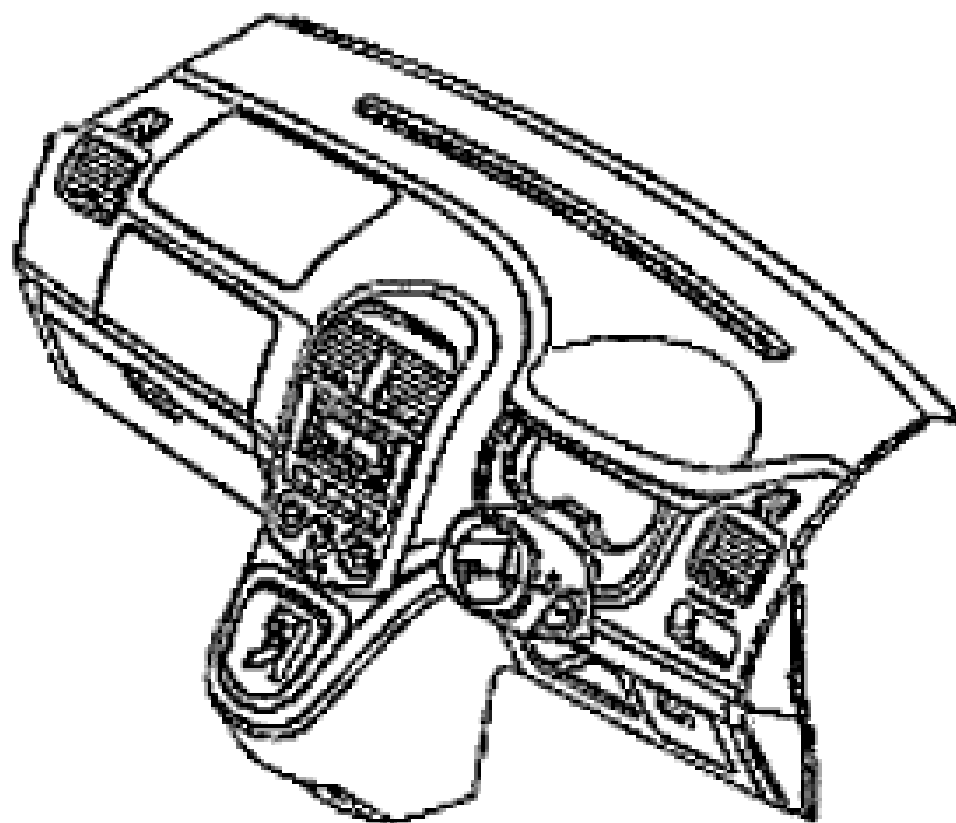
(31) Number	(32) Date	(33) Country
08-01533-0101	27 Nov 2008	MALAYSIA

(56) Related Art Documents: **Not Applicable**

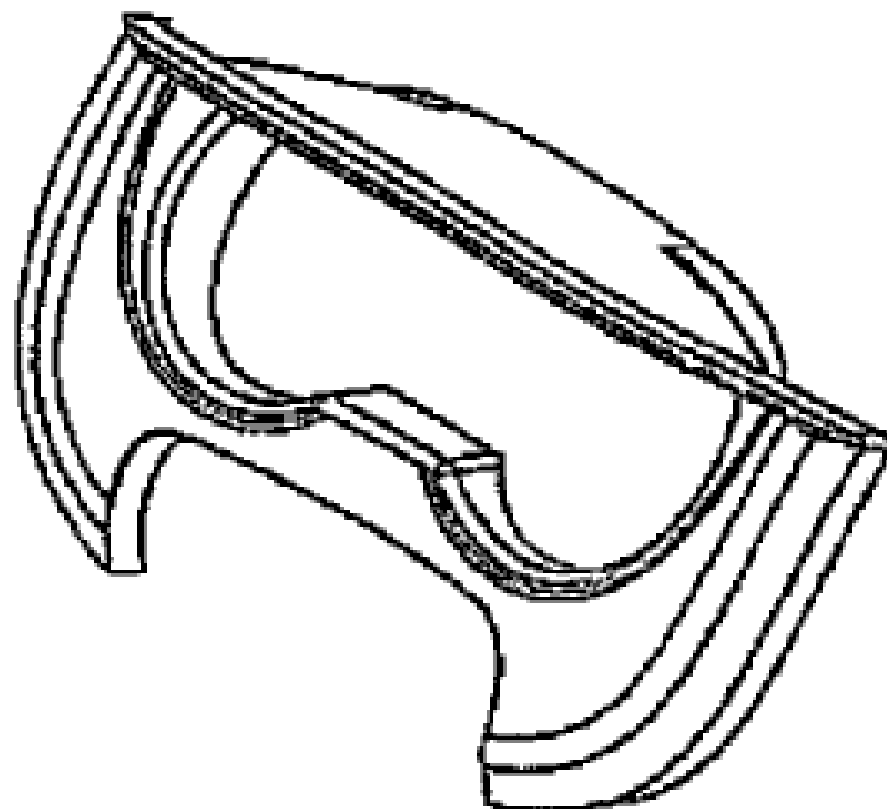
(57) Statement of Newness and Distinctiveness: **Newness and distinctiveness reside in the visual shape and configuration of the side mirror as illustrated in the accompanying representations.**



- (21) Design Number: **11797/2009**
(22) Date of Filing Application: **19 May 2009**
(24) Date from which industrial property rights may have effect: **19 May 2009**
(54) Product in respect of which the design is registered: **Instrument panel**
(51) International Design Classification: **12-16NES**
(71) Name(s) and Address(s) of Applicant(s):
Perusahaan Otomobil Nasional Sdn. Bhd.
Hicom Industrial Estate Batu 3 40000 Shah Alam Selangor Malaysia
(72) Name(s) of Designer(s): **Shahril Afizal Bin Othman**
(45) Registration Date: **11 June 2009**
(30) Convention priority data:
(31) Number (32) Date (33) Country
08-01535-0101 27 Nov 2008 MALAYSIA
(56) Related Art Documents: **Not Applicable**
(57) Statement of Newness and Distinctiveness: **Newness and distinctiveness reside in the outline shape of the instrument panel when viewed from the front and the particular shape and placing of the various elements of the instrument panel apparent when viewed from the front as illustrated in the accompanying representations.**



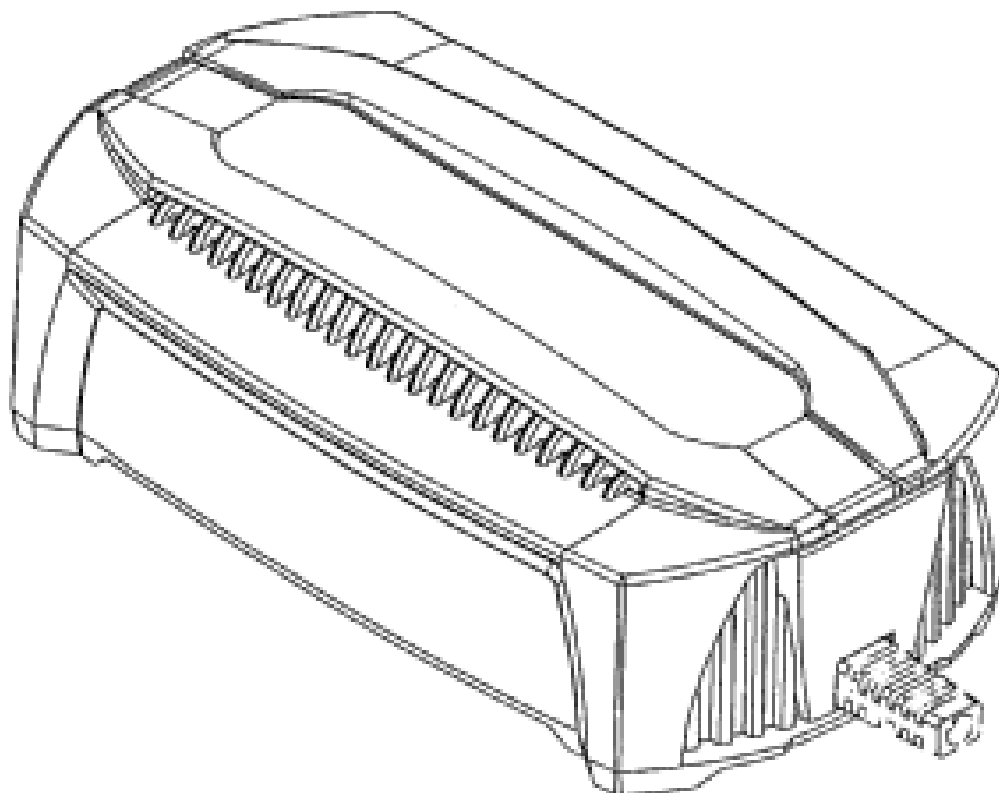
- (21) Design Number: **11798/2009**
(22) Date of Filing Application: **19 May 2009**
(24) Date from which industrial property rights may have effect: **19 May 2009**
(54) Product in respect of which the design is registered: **Meter cluster**
(51) International Design Classification: **12-16NES**
(71) Name(s) and Address(s) of Applicant(s):
Perusahaan Otomobil Nasional Sdn. Bhd.
Hicom Industrial Estate Batu 3 40000 Shah Alam Selangor Malaysia
(72) Name(s) of Designer(s): **Kodsiah Binti Mohd. Juzad**
(45) Registration Date: **11 June 2009**
(30) Convention priority data:
(31) Number (32) Date (33) Country
08-01536-0101 27 Nov 2008 MALAYSIA
(56) Related Art Documents: **Not Applicable**
(57) Statement of Newness and Distinctiveness: **Newness and distinctiveness reside in the outline shape of the meter cluster when viewed from the front and in the particular shape and placing of the various elements of the meter cluster apparent when viewed from the front as illustrated in the accompanying representations.**



- (21) Design Number: **11800/2009**
- (22) Date of Filing Application: **18 May 2009**
- (24) Date from which industrial property rights may have effect: **18 May 2009**
- (54) Product in respect of which the design is registered: **Battery charger**
- (51) International Design Classification: **13-02**
- (71) Name(s) and Address(s) of Applicant(s):

Brown & Watson International Pty Ltd
3 Millennium Court Knoxfield Victoria 3179 Australia

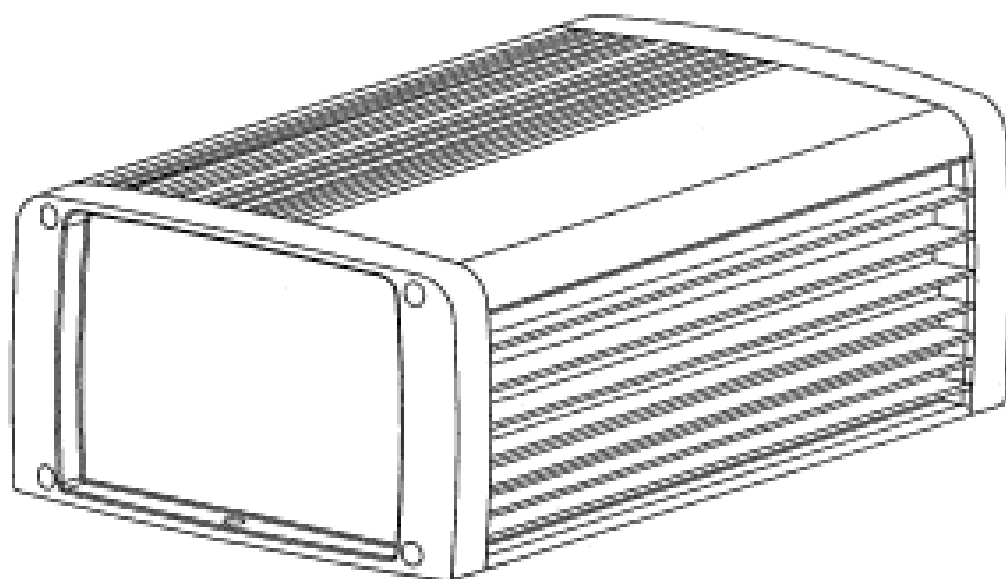
- (72) Name(s) of Designer(s): **Paul Davies**
- (45) Registration Date: **11 June 2009**
- (56) Related Art Documents: **Not Applicable**
- (57) Statement of Newness and Distinctiveness: **Those features of the battery charger depicted in the representations that are new and distinctive are the shape and/or configuration. The features shown in broken lines are not part of the design and are to be disregarded when considering the overall impression of the design.**



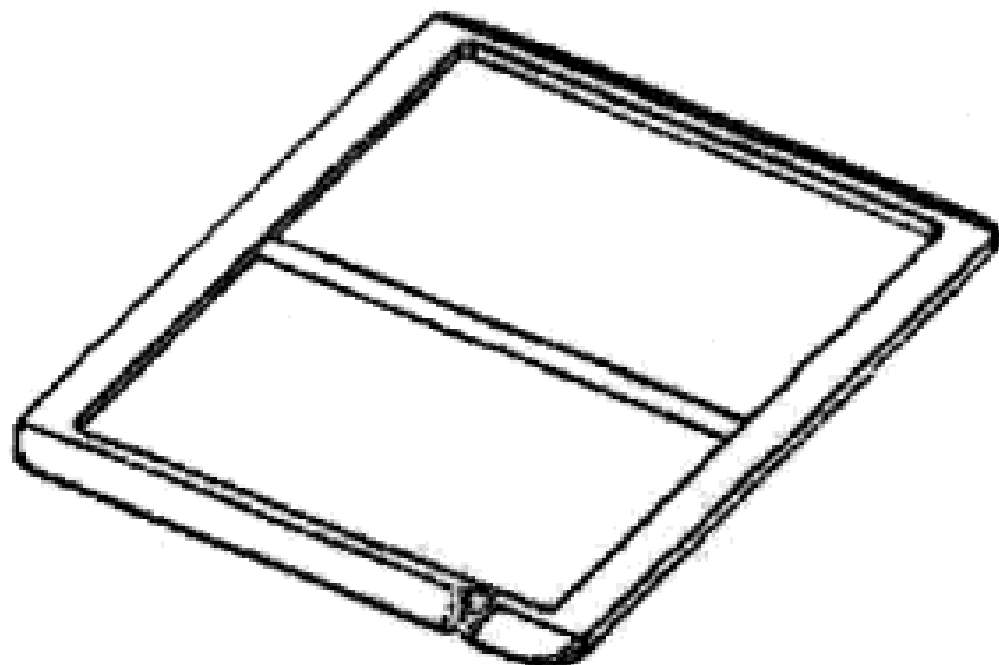
- (21) Design Number: **11801/2009**
- (22) Date of Filing Application: **18 May 2009**
- (24) Date from which industrial property rights may have effect: **18 May 2009**
- (54) Product in respect of which the design is registered: **Battery charger**
- (51) International Design Classification: **13-02**
- (71) Name(s) and Address(s) of Applicant(s):

Brown & Watson International Pty Ltd
3 Millennium Court Knoxfield Victoria 3179 Australia

- (72) Name(s) of Designer(s): **Jo Banks**
- (45) Registration Date: **11 June 2009**
- (56) Related Art Documents: **Not Applicable**
- (57) Statement of Newness and Distinctiveness: **Those features of the battery charger depicted in the representations that are new and distinctive are the shape and/or configuration.**



(21) Design Number: **11802/2009**
(22) Date of Filing Application: **18 May 2009**
(24) Date from which industrial property rights may have effect: **18 May 2009**
(54) Product in respect of which the design is registered: **A treatment card**
(51) International Design Classification: **19-08**
(71) Name(s) and Address(s) of Applicant(s):
Skancard ApS
Vejlevej 160 DK-8700 Horsens Denmark
(72) Name(s) of Designer(s): **Per Kirkegaard Hansen**
(45) Registration Date: **11 June 2009**
(30) Convention priority data:
(31) Number (32) Date (33) Country
001043194-0001 19 Nov 2008 EUROPEAN COMMUNITY
(56) Related Art Documents: **Not Applicable**
(57) Statement of Newness and Distinctiveness: **Nil**



(21) Design Number: **11819/2009**
(22) Date of Filing Application: **19 May 2009**
(24) Date from which industrial property rights may have effect: **19 May 2009**
(54) Product in respect of which the design is registered: **Clamping tool**
(51) International Design Classification: **08-08D, 08-05F**
(71) Name(s) and Address(s) of Applicant(s):
Multiform Industries Pty. Ltd.
7 Colbert Road Campbellfield Victoria 3061 Australia
(72) Name(s) of Designer(s): **Victor Barillaro and Salvatore Benvenuto**
Calcagno
(45) Registration Date: **11 June 2009**
(56) Related Art Documents: **Not Applicable**
(57) Statement of Newness and Distinctiveness: **Nil**

