



**Australian Government**

---

**IP Australia**

**AUSTRALIAN OFFICIAL JOURNAL**

**OF**

**DESIGNS**

Did you know a searchable version of this journal is now available online?  
It's FREE and EASY to SEARCH.

Find it at

<http://pericles.ipaustralia.gov.au/ols/epublish/content/olsEpublications.jsp>  
or using the "Online Journals" link on the IP Australia home page.

This Page Left Intentionally Blank

**Contents**

**General Information & Notices**

**Proceedings Under the Designs Act 1906 preserved as a result of the provisions of Chapter 12  
Part 2 of the Designs Act 2003**

<b>Extension of Period of Registration of Designs .....</b>	<b>2224</b>
<b>Registrations Ceased .....</b>	<b>2224</b>
<b>Subsequent Owners Registered .....</b>	<b>2224</b>

**Proceedings Under the Designs Act 2003**

<b>Applications Lapsed .....</b>	<b>2232</b>
<b>Applications Lodged .....</b>	<b>2229</b>
<b>Certificate of Examination .....</b>	<b>2235</b>
<b>Extension of Period of Registration of Design .....</b>	<b>2234</b>
<b>Extension of Time Granted Under Section 137 .....</b>	<b>2234</b>
<b>Publication and Registration Proceedings</b>	
<b>Designs Registered 326190 to 326557.....</b>	<b>2236</b>
<b>Registrations Ceased .....</b>	<b>2234</b>
<b>Subsequent Owners Registered .....</b>	<b>2234</b>

This Page Left Intentionally Blank

For information on the following please see our website [www.ipaustralia.gov.au](http://www.ipaustralia.gov.au) or contact our Customer Service Network on 1300651010

[Editorial enquiries](#)

[Contact information](#)

[Freedom of Information ACT](#)

[Professional Standards Board](#)

[Sales](#)

[Requests for Information under Section 194 \(c\)](#)

[Country Codes](#)

[Trade Mark and Designs Hearing Sessions](#)

[INID \(Internationally agreed Numbers for the Identification of Data\)](#)

## “INID” NUMBERS in use on Australian Design Documents

“INID” is an acronym for “Internationally agreed Numbers for the Identification of Data”.

### (10) Data concerning the registration/renewal

- (11) Serial number of the registration and/or number of the design document
- (12) Plain language designation of the kind of published document
- (19) Identification, using the two-letter code according to WIPO Standard ST.3, of the authority publishing or registering the industrial design

### (20) Data concerning the application

- (21) Serial number of the application
- (22) Date of filing of the application
- (24) Date from which the industrial design right has effect

### (30) Data relating to priority under the Paris Convention

- (31) Serial number assigned to the priority application
- (32) Date of filing of the priority application
- (33) Two-letter code, according to WIPO Standard ST.3, identifying the authority with which the priority application was made

### (40) Date(s) of making information available to the public

- (45) Date of publication of the registered industrial design by printing or similar process, or making it available to the public by any other means

### (50) Miscellaneous Information

- (51) International Classification for Industrial Designs (class and subclass of the Locarno Classification)
- (54) Designation of article(s) or product(s) covered by the industrial design or title of the industrial design
- (55) Reproduction of the industrial design (e.g., drawing, photograph) and explanations relating to the reproduction
- (56) List of prior art documents, if separate from descriptive text
- (57) Description of characteristic features of the industrial design including indication of colours

### (60) References to other legally related application(s) and registration(s)

- (62) Serial number(s) and, if available, filing date(s) of application(s), registration(s) or document(s) related by division
- (66) Serial number(s) of the application, or the registration, of the design(s) which is (are) a variant(s) of the present one

### (70) Identification of parties concerned with the application or registration

- (71) Name(s) and address(es) of the applicant(s)
- (72) Name(s) of the creator(s) if known to be such
- (74) Name(s) and address(es) of the representative(s)

This Page Left Intentionally Blank

Official Notice**Amendments to Designs Regulations 2004**

On 24 June 2009, the Federal Executive Council made the Intellectual Property Law Amendment Regulations 2009 (No.1) (the IP Regulations). The IP Regulations have been registered in the Federal Register of Legislative Instruments and copies are available from the ComLaw website ([www.comlaw.gov.au](http://www.comlaw.gov.au)).

Amongst other matters, the IP Regulations amended regulation 11.26 of the Designs Regulations 2004 to align the various requirements for declarations in the designs, patents and trade marks legislation in accordance with current government recommendations.

In detail, the IP Regulations made the requirements for declarations under the designs legislation ('designs declarations') simpler and clearer by:

- having general matters required of all designs declarations set out in new subregulation 11.26 (1)
- having additional requirements for certain designs declarations—those made on behalf of another person, or for the purposes of a business whose details are set out in the declaration—set out in new subregulations 11.26 (1A) and (1B)
- substituting replacement paragraphs 11.26 (2) (f) and (g) for the former provisions so that any person who can witness a Commonwealth statutory declaration (that is, under the *Statutory Declarations Act 1959* (Cth)) can witness a declaration for the purpose of the designs legislation, and providing for designs declarations to be made before a diplomatic or consular officer
- inserting new subregulation 11.26 (3) to provide a definition for a diplomatic or consular officer for the purposes of regulation 11.26.

The amendments to the Designs Regulations commenced on 1 July 2009.

**Queries:** Leo O'Keeffe  
Director – Domestic Policy  
+61 2 6283 7929

**Contact:** IP Australia  
**Phone:** 1300 651 010  
**Fax:** +61 2 6283 7999  
**E-mail:** [assist@ipaustalia.gov.au](mailto:assist@ipaustalia.gov.au)  
**Web:** [www.ipaustalia.gov.au](http://www.ipaustalia.gov.au)

Official Notice**Designs Act 2003  
Amendments to Registered Designs at Examination**

The following amendments have been made to details previously published in the Australian Official Journal of Designs during the Examination process:

<b>Registration Numbers</b>	<b>Amendment type</b>	<b>New details</b>
319089	Classification	26-06
319090	Classification	26-06
320309	Classification	25-02Z; 25-01D
321571	Classification	02-07C; 07-06D; 02-03
321832	Classification	24-99, 24-04, 21-02Z; 02-02B
321856	Classification	14-03A; 14-01
322298	Product Name	Tri-axle dolly
322335	Classification	09-01Z; 09-01K
322402	Classification	03-01Z; 07-99Z; 08-05H
322444	Classification	08-05Z; 08-05P
323452	Classification	09-01H
324506	Classification	23-02Z; 09-01A
324611	Classification	09-01A
324613	Classification	09-01A
324663	Classification	09-01A
324256	Classification	06-06C
324612	Classification	09-01A

**Contact:** IP Australia  
**Phone:** 1300 651 010  
**Fax:** +61 2 6283 7999  
**E-mail:** [assist@ipaustrialia.gov.au](mailto:assist@ipaustrialia.gov.au)  
**Web:** [www.ipaustrialia.gov.au](http://www.ipaustrialia.gov.au)



**Proceedings under the Designs Act 1906 preserved as a  
result of the provisions of Chapter 12 Part 2 of the Designs  
Act 2003.**

This Page Left Intentionally Blank

**Applications Lapsed**

There were no Applications Lapsed under this section

**Extension of Period of Registration of Designs**

**2nd Period (Section 27A(12))**

151493	151983	151984
152516	152717	152927
153009	153010	153011
153028	153029	153030
153031	153069	153088
153128	153209	153210
153248	153249	153255
153333	153334	153373
153374	153375	153377
153379	153426	153427
153428	153434	153435
153598	153603	153615
153635	153642	153659
153678	153754	153835
153930	154068	154202
154294	154887	154895
154896	155121	155355
155824	155841	155986
155987	155988	155991
156187	156855	156856

123185	123898	123999
124162	124613	124614
124831	124832	133249
134038	134150	134158
134170	134198	134229
135181	135396	135737
136934	137713	138278
150272	150928	150929
150930	150948	150956
150957	150958	150959
150960	150961	150963
150964	151008	151155
151195	151196	151301
151378	151718	151885
152482	152755	152824
153749	153766	154443
154754	154882	154976
154977	154978	154979
154980	154981	154982
154983	155017	155018
155019	155293	155360
155700	155701	155762
155790	156332	156360
156502	156734	157612
157791	157910	157930

**3rd Period (Section 27A(13))**

134335	135082	135583
135587	135588	135601
135728	135762	135846
135847	135909	135961
135981	136013	136075
136155	136235	136351
136402	136403	136528
136562	136564	136565
136566	136570	136808
137087	137137	137260
137303	137457	137458
137637	137691	137736
138131	138738	138739
138742	138847	138848
138849	139135	139225
139226	139563	139878
149561		

**Subsequent Owners Registered**

(The name in parentheses is that of the subsequent owner)

136989	( <b>AJM Engineering Limited</b> ) Carl William Carpenter
155376	( <b>Fox Run USA, LLC</b> ) Robbins Industries Inc.
156493	( <b>Fox Run USA, LLC</b> ) Robbins Industries Inc.
156494	( <b>Fox Run USA, LLC</b> ) Robbins Industries Inc.
128910	( <b>Fox Run USA, LLC</b> ) Robbins Industries Inc.
140380	( <b>Robert Gouget</b> ) Jacques Gouget

**Registrations Ceased**

Note: Some of the following Registrations may have been previously advertised as ceased. In this instance, the previous advertisement still prevails.

118984	118985	119026
119027	119193	119206
119408	119411	119412
119413	119885	119903
120090	120799	121322
121366	122210	122296
122360	122928	122932

This Page Left Intentionally Blank



**Proceedings under the Designs Act 2003.**

This Page Left Intentionally Blank



**Applications Lodged**

Lodgement information is in the following order: **Applicant's Name**; International Classification, Name of Product, Lodgement Date and **Design Number**. If the applicant claims an earlier priority date under an International Convention, the Convention Country and the associated filing date are shown in parentheses before the Lodgement Date. Divisional information will also appear in parentheses before the Lodgement Date.

<b>A. Richard Tools Co./Outils A. Richard Co.;</b> 08-08C, Paint pan clip, (CA, 31 Mar 2009) 12 Jun 2009	<b>12154/2009</b>	<b>Bayer Schering Pharma AG;</b> 09-03NES, 14-04, Pill dispenser/pill dispenser display, (EM, 23 Dec 2008) 23 Jun 2009	<b>12275/2009</b>
<b>A. Richard Tools Co./Outils A. Richard Co.;</b> 08-05L, Paint pan clip, (CA, 31 Mar 2009) 12 Jun 2009	<b>12153/2009</b>	<b>Bekina NV;</b> 02-04NES, Boot, 17 Jun 2009	<b>12202/2009</b>
<b>Abuzz Solutions Pty Ltd;</b> 20-03NES, 14-02, Touch screen kiosk, 18 Jun 2009	<b>12238/2009</b>	<b>Bennett Precision Tooling Pty Ltd;</b> 09-05, A cartridge, 19 Jun 2009	<b>12227/2009</b>
<b>Advanced Building Systems Pty Ltd;</b> 08-05K, Improved manipulating tool, 16 Jun 2009	<b>12189/2009</b>	<b>Bennett Precision Tooling Pty Ltd;</b> 08-05NES, A plunger, 19 Jun 2009	<b>12229/2009</b>
<b>Aktiebolaget Electrolux;</b> 15-05, Vacuum cleaner, (EM, 22 Dec 2008) 05 Jun 2009	<b>12248/2009</b>	<b>Bent, Susan; Franklin, Jenette;</b> 20-02E, Bling thing by Accez earring holder, 15 Jun 2009	<b>12190/2009</b>
<b>Angas Industrial Pty Ltd;</b> 25-01B, Mesh deck support member, 10 Jun 2009	<b>12117/2009</b>	<b>Bicycle Victoria Incorporated;</b> 08-10, Bicycle rack, 18 Jun 2009	<b>12197/2009</b>
<b>Aquatech Systems Australia Pty Ltd;</b> 08-08C, An attachment clip, 17 Jun 2009	<b>12199/2009</b>	<b>Braun GmbH;</b> 04-02, Toothbrush handle, (DE, 12 Dec 2008) 10 Jun 2009	<b>12118/2009</b>
<b>Art Plastics Pty Ltd;</b> 23-02E, Square on square floor waste, 04 Jun 2009	<b>12110/2009</b>	<b>Brisbane Tray Bodys Pty Ltd;</b> 12-16C, Padding, 23 Jun 2009	<b>12277/2009</b>
<b>Automatic Bar Controls, Inc.;</b> 07-02L, Cladded bar gun, (US, 17 Dec 2008) 11 Jun 2009	<b>12124/2009</b>	<b>Brite LED Tech Pty Ltd;</b> 26-04, Lamp, 11 Jun 2009	<b>12135/2009</b>
<b>Bayer Schering Pharma AG;</b> 09-03NES, Pill dispenser/pill dispenser display, (EM, 23 Dec 2008) 23 Jun 2009	<b>12276/2009</b>	<b>British American Tobacco (Holdings) Limited;</b> 09-03A, Packaging, (US, 22 Dec 2008) 11 Jun 2009	<b>12132/2009</b>
<b>Bayer Schering Pharma AG;</b> 09-03NES, Pill dispenser/pill dispenser display, (EM, 23 Dec 2008) 23 Jun 2009	<b>12268/2009</b>	<b>British American Tobacco (Holdings) Limited;</b> 09-03A, Packaging, (US, 22 Dec 2008) 11 Jun 2009	<b>12130/2009</b>
<b>Bayer Schering Pharma AG;</b> 09-03NES, 14-04, Pill dispenser/pill dispenser display, (EM, 23 Dec 2008) 23 Jun 2009	<b>12269/2009</b>	<b>British American Tobacco (Holdings) Limited;</b> 09-03A, Packaging, (US, 22 Dec 2008) 11 Jun 2009	<b>12131/2009</b>
<b>Bayer Schering Pharma AG;</b> 09-03NES, 14-04, Pill dispenser/pill dispenser display, (EM, 23 Dec 2008) 23 Jun 2009	<b>12270/2009</b>	<b>Burns, Adam;</b> 06-03A, Coffee table, 17 Jun 2009	<b>12208/2009</b>
<b>Bayer Schering Pharma AG;</b> 09-03NES, 14-04, Pill dispenser/pill dispenser display, (EM, 23 Dec 2008) 23 Jun 2009	<b>12271/2009</b>	<b>Cable Accessories (Australia) Pty. Ltd.;</b> 08-99, 13-03B, A cable terminal lug, 15 Jun 2009	<b>12165/2009</b>
<b>Bayer Schering Pharma AG;</b> 09-03NES, 14-04, Pill dispenser/pill dispenser display, (EM, 23 Dec 2008) 23 Jun 2009	<b>12272/2009</b>	<b>Cable Accessories (Australia) Pty. Ltd.;</b> 13-03B, A cable tray connector, 15 Jun 2009	<b>12166/2009</b>
<b>Bayer Schering Pharma AG;</b> 09-03NES, 14-04, Pill dispenser/pill dispenser display, (EM, 23 Dec 2008) 23 Jun 2009	<b>12273/2009</b>	<b>Cable Accessories (Australia) Pty. Ltd.;</b> 13-03B, A cable tray connector, 15 Jun 2009	<b>12167/2009</b>
<b>Bayer Schering Pharma AG;</b> 09-03NES, 14-04, Pill dispenser/pill dispenser display, (EM, 23 Dec 2008) 23 Jun 2009	<b>12274/2009</b>	<b>Cable Accessories (Australia) Pty. Ltd.;</b> 08-99, 13-03B, A cable terminal lug, 15 Jun 2009	<b>12168/2009</b>
<b>Bayer Schering Pharma AG;</b> 09-03NES, 14-04, Pill dispenser/pill dispenser display, (EM, 23 Dec 2008) 23 Jun 2009	<b>12275/2009</b>	<b>Cable Accessories (Australia) Pty. Ltd.;</b> 13-03B, A cable tray connector, 15 Jun 2009	<b>12169/2009</b>
<b>Bayer Schering Pharma AG;</b> 09-03NES, 14-04, Pill dispenser/pill dispenser display, (EM, 23 Dec 2008) 23 Jun 2009	<b>12276/2009</b>	<b>Cable Accessories (Australia) Pty. Ltd.;</b> 08-99, 13-03B, A cable terminal lug, 15 Jun 2009	<b>12164/2009</b>

<b>Campagnaro, M. Gino;</b> 21-02NES, Ski handling attachment, 16 Jun 2009	<b>12192/2009</b>	<b>Franklin, Jenette; Bent, Susan;</b> 20-02E, Bling thing by Accez earring holder, 15 Jun 2009	<b>12190/2009</b>
<b>Campagnaro, M. Gino;</b> 21-02NES, Ski handling attachment, 16 Jun 2009	<b>12191/2009</b>	<b>Gereedschappenfabriek Van den Brink B.V.;</b> 09-03L, Container with lid, (EM, 12 Dec 2008) 12 Jun 2009	<b>12145/2009</b>
<b>Canturi Corporation;</b> 28-03NES, Fragrance bottle, 12 Jun 2009	<b>12170/2009</b>	<b>Glen Dimplex Australasia Limited;</b> 07-02A, Oven, 15 Jun 2009	<b>12158/2009</b>
<b>Container Pty Ltd;</b> 09-01K, Blow moulded plastic bottle with screw cap, 22 Jun 2009	<b>12225/2009</b>	<b>Grendene S.A.;</b> 02-04A, Footwear, (BR, 17 Dec 2008) 15 Jun 2009	<b>12159/2009</b>
<b>Container Pty Ltd;</b> 09-01K, Blow moulded plastic bottle with pump, 22 Jun 2009	<b>12230/2009</b>	<b>Harlequin International Group Pty Ltd;</b> 02-02B, Art smock, 11 Jun 2009	<b>12134/2009</b>
<b>Cushie Tushies Pty Ltd;</b> 03-01NES, Cushie Tushie nappy bag, 03 Jun 2009	<b>12105/2009</b>	<b>Harlequin International Group Pty Ltd;</b> 03-01B, Bag, 11 Jun 2009	<b>12133/2009</b>
<b>Dixie Cummings Enterprises Pty Ltd;</b> 05-05D, Fabric of indefinite dimensions, 18 Jun 2009	<b>12212/2009</b>	<b>Hella New Zealand Limited;</b> 26-06, Vehicle side light, 17 Jun 2009	<b>12204/2009</b>
<b>Dixie Cummings Enterprises Pty Ltd;</b> 05-05D, Fabric of indefinite dimensions, 18 Jun 2009	<b>12213/2009</b>	<b>Hella New Zealand Limited;</b> 26-06, Vehicle running lamp, 17 Jun 2009	<b>12205/2009</b>
<b>DKB Household UK Limited;</b> 07-04, Peeler, (EM, 29 Dec 2008) 12 Jun 2009	<b>12147/2009</b>	<b>Herbert, Jeffrey;</b> 06-06C, Insert cut of perspex to fit into a footring for a chair to transform the footring into a tray, 23 Jun 2009	<b>12249/2009</b>
<b>DKB Household UK Limited;</b> 07-04, Garlic press/cutter, (EM, 29 Dec 2008) 12 Jun 2009	<b>12149/2009</b>	<b>Huhtamaki Australia Pty Limited;</b> 09-03NES, Container base, 19 Jun 2009	<b>12232/2009</b>
<b>DKB Household UK Limited;</b> 07-04, Peeler, (EM, 29 Dec 2008) 12 Jun 2009	<b>12148/2009</b>	<b>Insite Vision Incorporated;</b> 23-01K, Charging fixture, (US, 10 Oct 2008) (Divisional of 11229/2009) 12 Jun 2009	<b>12146/2009</b>
<b>DKB Household UK Limited;</b> 07-06C, Electric condiment mill, (EM, 29 Dec 2008) 12 Jun 2009	<b>12150/2009</b>	<b>International Edge Inc.;</b> 24-04, Toe stretcher, (US, 27 Feb 2009) 18 Jun 2009	<b>12209/2009</b>
<b>DKB Household UK Limited;</b> 10-04, 07-03, Measuring spoon, (EM, 29 Dec 2008) 12 Jun 2009	<b>12151/2009</b>	<b>IGTECH Co. Ltd.;</b> 07-05NES, Washing balls, (EM, 23 Dec 2008) 22 Jun 2009	<b>12218/2009</b>
<b>DKB Household UK Limited;</b> 10-04, Electric scales, (EM, 29 Dec 2008) 12 Jun 2009	<b>12152/2009</b>	<b>Jochnic Packaging Co. Pty Ltd;</b> 07-01C, Triple wall insulated cup, 19 Mar 2009	<b>12172/2009</b>
<b>DYWIDAG-Systems International Pty Limited;</b> 08-08B, Cable bolt end fitting, 17 Jun 2009	<b>12198/2009</b>	<b>Jochnic Packaging Co. Pty Ltd;</b> 07-01C, Triple wall insulated cup, 19 Mar 2009	<b>12173/2009</b>
<b>Eaton Corporation;</b> 21-02C, A slip-on grip, (US, 18 Dec 2008) 17 Jun 2009	<b>12203/2009</b>	<b>Jochnic Packaging Co. Pty Ltd;</b> 07-01C, Triple wall insulated cup, 19 Mar 2009	<b>12174/2009</b>
<b>Elegant Garden World Pty Ltd;</b> 11-02E, Statue or table base, 23 Jun 2009	<b>12245/2009</b>	<b>Kemm, Leslie Gudel;</b> 06-01L, Seat, (US, 22 Dec 2008) 22 Jun 2009	<b>12241/2009</b>
<b>Esdan Plastics Pty Ltd;</b> 23-01C, Hose, 18 Jun 2009	<b>12211/2009</b>	<b>Khubani, Poonam;</b> 21-02F, Exercise device, (US, 04 May 2009) 15 Jun 2009	<b>12178/2009</b>
<b>Faoagali, Robert Mepi;</b> 21-02NES, A training device, 18 Jun 2009	<b>10971/2009</b>	<b>Kieron Gait Architects; Lee, Wei Shun;</b> 06-03A, Flat pack table, 17 Jun 2009	<b>12193/2009</b>
<b>Feltonmix Limited;</b> 23-01H, 10-04, A flow controller, (NZ, 23 Dec 2008) 23 Jun 2009	<b>12246/2009</b>	<b>Kimberley Plastics Pty Ltd;</b> 08-08L, Bracket, 19 Jun 2009	<b>12233/2009</b>
<b>Frankham, Robert Paul;</b> 12-16B, Vehicle canopy, 16 Jun 2009	<b>12175/2009</b>	<b>Koninklijke Philips Electronics N.V.;</b> 26-04, Solid state lighting spot, (EM, 18 Dec 2008) 15 Jun 2009	<b>12177/2009</b>
		<b>Koninklijke Philips Electronics N.V.;</b> 26-04, LED bulb, (EM, 17 Dec 2008) 12 Jun 2009	<b>12157/2009</b>

<b>Koninklijke Philips Electronics N.V.;</b> 26-04, LED bulb, (EM, 17 Dec 2008) 12 Jun 2009	<b>12156/2009</b>	<b>Oasis Technologies Ltd;</b> 15-02, 23-01NES, 23-03NES, Spa heat pumps, 09 Jun 2009	<b>12171/2009</b>
<b>Kyocera Mita Corporation;</b> 14-02, Toner cartridge, (JP, 22 Dec 2008) 11 Jun 2009	<b>12123/2009</b>	<b>Otto Bock Healthcare GmbH;</b> 12-12, Decorative fittings for vehicles, (EM, 22 Dec 2008) 22 Jun 2009	<b>12242/2009</b>
<b>KCI Licensing, Inc.;</b> 24-02, Reduced pressure device, (US, 10 Oct 2008) (Divisional of 11030/2009) 26 Mar 2009	<b>12140/2009</b>	<b>Otto Developments Pty Ltd;</b> 23-01L, Lid or cover for culvert or footing, 16 Jun 2009	<b>12181/2009</b>
<b>Lee, Wei Shun; Kieron Gait Architects;</b> 06-03A, Flat pack table, 17 Jun 2009	<b>12193/2009</b>	<b>Otto Developments Pty Ltd;</b> 23-01L, Lid or cover for culvert or footing, 16 Jun 2009	<b>12182/2009</b>
<b>Lolitta Clothing Pty Ltd;</b> 02-02NES, , 10 Jun 2009	<b>12120/2009</b>	<b>Otto Developments Pty Ltd;</b> 23-01L, Culvert or footing, 16 Jun 2009	<b>12183/2009</b>
<b>Lutton, Robert William;</b> 19-04, 14 page storybook (covering illustrations and copy content/storyline) titled 'Family', 10 Jun 2009	<b>12137/2009</b>	<b>Oztent Australia Pty. Limited;</b> 21-04, Tent awning, 18 Jun 2009	<b>12210/2009</b>
<b>Lutton, Robert William;</b> 19-04, 14 page storybook (covering illustrations and copy content/storyline) titled 'Rainbow', 10 Jun 2009	<b>12138/2009</b>	<b>Oztent Australia Pty. Limited;</b> 21-04, Tent awning, 17 Jun 2009	<b>12201/2009</b>
<b>Lutton, Robert William;</b> 19-04, 14 page storybook (covering illustrations and copy content/storyline) titled 'Teardrop', 10 Jun 2009	<b>12139/2009</b>	<b>Partyware Pty Ltd;</b> 07-01D, Plastic disposable cups, 11 Jun 2009	<b>12119/2009</b>
<b>Mars Australia Pty Ltd;</b> 01-06, Pet food, 19 Jun 2009	<b>12237/2009</b>	<b>Patterson Passion;</b> 06-09, Designer decorative cushion, 19 Jun 2009	<b>12252/2009</b>
<b>Mars, Incorporated;</b> 09-03F, Packaging, (US, 17 Dec 2008) 16 Jun 2009	<b>12196/2009</b>	<b>Patterson Passion;</b> 06-09, Designer decorative cushion, 19 Jun 2009	<b>12250/2009</b>
<b>McConnell, Brian;</b> 23-01L, Gutter for catchment of rainwater, 17 Jun 2009	<b>12180/2009</b>	<b>Patterson Passion;</b> 06-09, Designer decorative cushion, 19 Jun 2009	<b>12251/2009</b>
<b>McLennan, James Matthew;</b> 06-03A, Cafe table, 19 Jun 2009	<b>12222/2009</b>	<b>Pi-Design AG;</b> 07-02L, Beverage maker, (WO, 15 Dec 2008) 15 Jun 2009	<b>12163/2009</b>
<b>McLennan, James Matthew;</b> 06-03NES, Arcade table, 19 Jun 2009	<b>12220/2009</b>	<b>PACT Group Pty Ltd;</b> 09-01NES, Bottle body, 17 Jun 2009	<b>12206/2009</b>
<b>McLennan, James Matthew;</b> 06-03B, Lounge table, 19 Jun 2009	<b>12221/2009</b>	<b>PACT Group Pty Ltd;</b> 07-99A, Tray, 17 Jun 2009	<b>12207/2009</b>
<b>Michelin Recherche et Technique S.A.;</b> <b>Societe De Technologie Michelin;</b> 12-15B, A pneumatic tyre for a heavy vehicle, (FR, 16 Dec 2008) 15 Jun 2009	<b>12186/2009</b>	<b>PVT Solar, Inc.;</b> 13-99, Thermal solar cell, (US, 20 Dec 2008) 19 Jun 2009	<b>12235/2009</b>
<b>Michelin Recherche et Technique S.A.;</b> <b>Societe De Technologie Michelin;</b> 12-15B, A pneumatic tyre, (FR, 16 Dec 2008) 15 Jun 2009	<b>12184/2009</b>	<b>PVT Solar, Inc.;</b> 13-99, A thermal solar cell, (US, 20 Dec 2008) 19 Jun 2009	<b>12236/2009</b>
<b>Michelin Recherche et Technique S.A.;</b> <b>Societe De Technologie Michelin;</b> 12-15B, A pneumatic tyre, (FR, 16 Dec 2008) 15 Jun 2009	<b>12185/2009</b>	<b>PVT Solar, Inc.;</b> 13-99, A thermal solar cell, (US, 20 Dec 2008) 19 Jun 2009	<b>12234/2009</b>
<b>Michelin Recherche et Technique S.A.;</b> <b>Societe De Technologie Michelin;</b> 12-15B, A pneumatic tyre, (FR, 12 Dec 2008) 11 Jun 2009	<b>12126/2009</b>	<b>Reactor Spirits Norway Ltd;</b> 09-01NES, Bottle with a cap, pouring mechanism, and interior temperature mechanism, (US, 11 Dec 2008) 11 Jun 2009	<b>12136/2009</b>
<b>Mytka, Elizar;</b> 02-04C, Leg warmer, 12 Jun 2009	<b>12125/2009</b>	<b>Sandvik Intellectual Property AB;</b> 08-01, A drill tip, 19 Jun 2009	<b>12215/2009</b>
		<b>Sandvik Intellectual Property AB;</b> 08-01, A drill tip, 19 Jun 2009	<b>12216/2009</b>
		<b>Sichuan Wenjun Spirits Company Limited;</b> 09-01K, Bottle, (CN, 20 Mar 2009) 10 Jun 2009	<b>12121/2009</b>
		<b>Sichuan Wenjun Spirits Company Limited;</b> 09-01K, Bottle, (CN, 24 Mar 2009) 10 Jun 2009	<b>12122/2009</b>

<b>Societe De Technologie Michelin; Michelin Recherche et Technique S.A.;</b> 12-15B, A pneumatic tyre, (FR, 12 Dec 2008) 11 Jun 2009	<b>12126/2009</b>	<b>Thornton, Patrick;</b> 25-01K, Log construction member No.1, 22 Jun 2009	<b>12231/2009</b>
<b>Societe De Technologie Michelin; Michelin Recherche et Technique S.A.;</b> 12-15B, A pneumatic tyre, (FR, 16 Dec 2008) 15 Jun 2009	<b>12184/2009</b>	<b>Thornton, Patrick;</b> 25-01K, Log construction member no.2, 22 Jun 2009	<b>12224/2009</b>
<b>Societe De Technologie Michelin; Michelin Recherche et Technique S.A.;</b> 12-15B, A pneumatic tyre, (FR, 16 Dec 2008) 15 Jun 2009	<b>12185/2009</b>	<b>Thornton, Patrick;</b> 25-01C, Structural member, 15 Jun 2009	<b>12160/2009</b>
<b>Societe De Technologie Michelin; Michelin Recherche et Technique S.A.;</b> 12-15B, A pneumatic tyre for a heavy vehicle, (FR, 16 Dec 2008) 15 Jun 2009	<b>12186/2009</b>	<b>Thornton, Patrick;</b> 25-01C, Structural member, 15 Jun 2009	<b>12161/2009</b>
<b>Sunbeam Corporation Limited;</b> 07-02P, Cupcake maker, 04 Jun 2009	<b>12179/2009</b>	<b>Titanium Truck Technologies Pty Ltd;</b> 08-08NES, Skateboard truck hanger, 17 Jun 2009	<b>12200/2009</b>
<b>Swann-Morton Limited;</b> 24-02, Scalpel blades, (EM, 22 Oct 2008) 16 Apr 2009	<b>12194/2009</b>	<b>Toyota Jidosha Kabushiki Kaisha;</b> 12-16B, Vehicle front assembly, (MY, 19 Dec 2008) 18 Jun 2009	<b>11931/2009</b>
<b>Swann-Morton Limited;</b> 24-02, Scalpel blades, (EM, 22 Oct 2008) 16 Apr 2009	<b>12195/2009</b>	<b>Toyota Jidosha Kabushiki Kaisha;</b> 12-08, Automobile, (MY, 19 Dec 2008) 18 Jun 2009	<b>12214/2009</b>
<b>Swatch AG (Swatch SA) (Swatch Ltd);</b> 25-03, Sales kiosk, (CH, 02 Mar 2009) 12 Jun 2009	<b>12155/2009</b>	<b>Vasila, John;</b> 03-01NES, Bicycle bag, 19 Jun 2009	<b>12223/2009</b>
<b>SEB S.A.;</b> 07-02K, Electric teapot, (EM, 13 Jan 2009) 22 Jun 2009	<b>12243/2009</b>	<b>Wahl, Torben;</b> 09-08, Keg pallet for transport and storage of beer kegs or similar cylindrical objects, 16 Jun 2009	<b>12187/2009</b>
<b>SJ Cordell Pty Ltd;</b> 25-02K, 08-08H, Louvre clip, 15 Jun 2009	<b>12141/2009</b>	<b>Wahl, Torben;</b> 09-08, 08-08NES, Keg pallet spacer for transport and storage of beer kegs or similar cylindrical objects, 16 Jun 2009	<b>12188/2009</b>
<b>SJ Cordell Pty Ltd;</b> 25-02K, Louvre blade, 15 Jun 2009	<b>12142/2009</b>	<b>Warner, Roland Alexander;</b> 25-02G, Vent cover, 19 Jun 2009	<b>12244/2009</b>
<b>SJ Cordell Pty Ltd;</b> 25-02K, Louvre blade, 15 Jun 2009	<b>12143/2009</b>	<b>X-Technology Swiss GmbH;</b> 02-01NES, Underwear, (EM, 23 Dec 2008) 15 Jun 2009	<b>12176/2009</b>
<b>SJ Cordell Pty Ltd;</b> 25-02K, Louvre blade, 15 Jun 2009	<b>12144/2009</b>	<b>Xmas-Mil Display Products Pty Ltd;</b> 11-04, Structural steel framed christmas trees (artificial) from 3 metres to 33 metres (plus) in height, 22 Jun 2009	<b>12226/2009</b>
<b>Target Australia Pty Ltd;</b> 10-04, Measuring tape, 19 Jun 2009	<b>12228/2009</b>	<b>Zeeray LLC;</b> 28-99, Air freshener, (US, 11 Dec 2008) 11 Jun 2009	<b>12127/2009</b>
<b>The Coleman Company, Inc.;</b> 07-02D, Portable stove, (US, 23 Dec 2008) 19 Jun 2009	<b>12217/2009</b>	<b>Zeeray LLC;</b> 28-99, Air freshener, (US, 11 Dec 2008) 11 Jun 2009	<b>12128/2009</b>
<b>The Gillette Company;</b> 28-03A, Shaving razor connector, (US, 22 Dec 2008) 19 Jun 2009	<b>12219/2009</b>	<b>Zeeray LLC;</b> 28-99, Air freshener, (US, 11 Dec 2008) 11 Jun 2009	<b>12129/2009</b>
<b>The Good Family Machine Co. Pty. Ltd.;</b> 07-07B, 30-02, 4 Litre bucket and lid is used as part of our environmentally friendly packaging. Reusable many many, times. The lid is modified by us, a circle is cut out of centre of lid and wire mesh is heat welded in place. We, package insects as live pet food, 23 Jun 2009	<b>12247/2009</b>		

---

**Applications Lapsed**

14848 / 2008 (25-01D)  
15756 / 2008 (08-05NES)  
10267 / 2009 (06-04A)  
10928 / 2009 (02-02NES)  
11136 / 2009 (23-02C)

15701 / 2008 (06-03B)  
15906 / 2008 (06-01G)  
10783 / 2009 (02-02NES)  
11035 / 2009 (06-04NES)  
11185 / 2009 (02-01NES)

**Extension of Period of Registration of Designs**

300002	300004	300005
300006	300010	300011
300020	300039	300074
300156	300157	300158
300159	300160	300202
300232	300233	300234
300235	300236	300237
300238	300239	300240
300245	300251	300252
300253	300272	300273
300413	300451	300467
300468	300482	300539
300709	300743	300794
300795	300872	301094
301154	301155	301156
301157	301158	301159
301160	301299	301300
301324	302215	302361
302753	303450	303451
310906	310907	310908

**Registrations Ceased**

315159	318922	318924
318925	318926	318928
318929	318930	320301

**Extensions of time granted under Section 137**

Applications lodged under section 137 for extension of time have been granted.

10460/2009 **Meyer Intellectual Properties Limited**

11244/2009 **The Goodyear Tire & Rubber Company**

11245/2009 **The Goodyear Tire & Rubber Company**

11606/2009 **Smith & Nephew PLC**

**Subsequent Owners Registered**

(The name in parentheses is that of the subsequent owner)

318403      **( Cosset Industries Australia Pty Ltd )** Cosset Industries Pty Ltd

**Certificate(s) of Examination**

Examination of the following Design Registration(s) has been completed. Infringement proceedings may now be commenced.

319088	09-01K	19/06/2009	324489	12-15C	22/06/2009
319089	26-06	22/06/2009	324505	09-01A	22/06/2009
319090	26-06	22/06/2009	324506	09-01A	22/06/2009
319749	02-04A	18/06/2009	324529	16-01	19/06/2009
319750	02-04A	22/06/2009	324570	31-00	19/06/2009
320311	25-02NES	29/05/2009	324581	02-04B	12/06/2009
320469	24-02	19/06/2009	324582	02-04B	12/06/2009
320470	24-02	19/06/2009	324611	09-01A	16/06/2009
321312	02-04A	30/05/2009	324612	09-01A	16/06/2009
321497	21-01L	29/05/2009	324613	09-01A	16/06/2009
321517	21-01L	29/05/2009	324617	12-15NES	22/06/2009
321571	02-07C	29/05/2009	324638	14-03NES	19/06/2009
321832	24-99	17/06/2009	324662	09-01A	16/06/2009
321855	03-01C	30/05/2009	324663	09-01A	16/06/2009
322298	12-10	30/04/2009	324669	02-04NES	24/06/2009
322303	14-01	29/05/2009	324686	19-02	23/06/2009
322337	09-01NES	29/05/2009	324786	08-02	25/06/2009
322377	22-06	15/06/2009	325943	03-01A	23/06/2009
322378	22-06	15/06/2009			
322379	22-06	15/06/2009			
322380	22-06	15/06/2009			
322402	03-01NES	15/06/2009			
322444	08-05NES	17/06/2009			
322540	19-06	28/05/2009			
322555	26-04	18/06/2009			
323076	08-03	23/06/2009			
323180	07-02L	28/05/2009			
323254	09-01NES	24/06/2009			
323255	09-01NES	24/06/2009			
323256	09-01NES	24/06/2009			
323257	09-01NES	24/06/2009			
323258	09-01NES	24/06/2009			
323259	09-01NES	24/06/2009			
323337	14-03NES	22/06/2009			
323338	14-03NES	22/06/2009			
323339	14-03NES	22/06/2009			
323724	21-02NES	16/06/2009			
323828	02-02C	23/06/2009			
323972	06-01H	12/06/2009			
324072	14-01	15/06/2009			
324167	12-15E	17/06/2009			
324178	09-07A	23/06/2009			
324220	19-06	18/06/2009			
324221	19-06	18/06/2009			
324222	19-06	18/06/2009			
324250	11-05	29/05/2009			
324251	11-05	29/05/2009			
324255	06-06C	19/06/2009			
324256	06-06C	19/06/2009			
324274	09-03G	24/06/2009			
324284	15-05	15/06/2009			
324285	15-05	15/06/2009			
324286	15-05	15/06/2009			
324287	15-05	15/06/2009			
324299	09-03M	15/06/2009			
324300	09-03M	15/06/2009			
324301	09-03M	15/06/2009			
324326	25-02C	16/06/2009			
324341	21-02F	16/06/2009			
324419	02-04A	25/06/2009			
324433	15-01	18/06/2009			
324434	12-16NES	18/06/2009			
324488	21-02C	16/06/2009			

**Publication and Registration Proceedings**

**Designs Registered**

This section provides a concordance between design number and registration number of Designs covered in this journal. It also shows the main class and registration date.

This section covers Registration numbers 326190 to 326557 .

The registration number shown below should be used in all future correspondence.

Design Number	Registration Number	International Classification Code (IDC)	Registration Date	Design Number	Registration Number	International Classification Code (IDC)	Registration Date
14426/2008	326528	26-05A	23/06/2009	11437/2009	326350	02-04NES	12/06/2009
14427/2008	326529	26-05A	23/06/2009	11438/2009	326351	02-04NES	12/06/2009
10187/2009	326407	20-02E	16/06/2009	11439/2009	326352	02-04NES	12/06/2009
10188/2009	326408	20-02E	16/06/2009	11440/2009	326353	02-04B	12/06/2009
10460/2009	326375	07-02N	12/06/2009	11441/2009	326354	02-04B	12/06/2009
10516/2009	326400	08-05K	16/06/2009	11442/2009	326355	02-04B	12/06/2009
10831/2009	326267	06-01F	15/06/2009	11443/2009	326356	02-04B	12/06/2009
10934/2009	326268	26-05C	15/06/2009	11444/2009	326381	02-04NES	12/06/2009
10975/2009	326269	09-03NES	15/06/2009	11445/2009	326382	02-04NES	12/06/2009
11030/2009	326452	24-02	17/06/2009	11446/2009	326383	02-04NES	12/06/2009
11042/2009	326270	07-03	15/06/2009	11447/2009	326384	02-04NES	12/06/2009
11043/2009	326271	07-03	15/06/2009	11448/2009	326385	02-04NES	12/06/2009
11044/2009	326272	07-03	15/06/2009	11449/2009	326386	02-04NES	12/06/2009
11045/2009	326273	07-03	15/06/2009	11470/2009	326284	99-00	15/06/2009
11046/2009	326274	07-03	15/06/2009	11471/2009	326285	02-07NES	15/06/2009
11109/2009	326524	08-08H	22/06/2009	11479/2009	326490	28-03NES	19/06/2009
11121/2009	326275	12-08	15/06/2009	11480/2009	326525	13-02	22/06/2009
11155/2009	326404	26-03	15/06/2009	11481/2009	326190	13-01	15/06/2009
11171/2009	326357	12-15A	11/06/2009	11482/2009	326191	13-01	15/06/2009
11209/2009	326276	21-02C	15/06/2009	11483/2009	326192	23-03A	15/06/2009
11229/2009	326433	23-01K	16/06/2009	11484/2009	326193	23-03A	15/06/2009
11244/2009	326485	12-15B	19/06/2009	11521/2009	326358	07-01NES	11/06/2009
11245/2009	326486	12-15A	19/06/2009	11530/2009	326286	25-02B	15/06/2009
11247/2009	326277	13-02	15/06/2009	11531/2009	326287	25-02B	15/06/2009
11261/2009	326365	21-02C	12/06/2009	11532/2009	326288	25-02B	15/06/2009
11262/2009	326366	21-02C	12/06/2009	11533/2009	326289	25-02B	15/06/2009
11280/2009	326372	21-03	12/06/2009	11534/2009	326290	25-02B	15/06/2009
11290/2009	326487	14-01	19/06/2009	11535/2009	326291	25-02B	15/06/2009
11291/2009	326488	14-01	19/06/2009	11536/2009	326292	25-02B	15/06/2009
11292/2009	326405	14-01	15/06/2009	11537/2009	326293	25-02B	15/06/2009
11302/2009	326493	24-02	19/06/2009	11538/2009	326294	25-02B	15/06/2009
11317/2009	326278	06-01F	15/06/2009	11539/2009	326295	25-02B	15/06/2009
11318/2009	326279	06-01F	15/06/2009	11540/2009	326296	25-02B	15/06/2009
11329/2009	326434	27-99	16/06/2009	11541/2009	326297	25-02B	15/06/2009
11331/2009	326435	27-99	16/06/2009	11542/2009	326298	25-02B	15/06/2009
11332/2009	326436	27-99	16/06/2009	11543/2009	326299	25-02B	15/06/2009
11333/2009	326437	27-99	16/06/2009	11544/2009	326300	25-02B	15/06/2009
11334/2009	326438	27-99	16/06/2009	11571/2009	326359	06-05	11/06/2009
11361/2009	326406	12-16C	15/06/2009	11572/2009	326360	06-05	11/06/2009
11369/2009	326557	21-02D	25/06/2009	11573/2009	326361	06-05	11/06/2009
11371/2009	326489	20-02NES	19/06/2009	11574/2009	326362	06-05	11/06/2009
11405/2009	326439	06-13B	16/06/2009	11593/2009	326369	07-01D	12/06/2009
11416/2009	326280	21-01A	15/06/2009	11608/2009	326301	06-09	15/06/2009
11417/2009	326281	21-01M	15/06/2009	11654/2009	326453	24-02	17/06/2009
11418/2009	326282	21-01M	15/06/2009	11655/2009	326454	24-02	17/06/2009
11419/2009	326283	21-01M	15/06/2009	11682/2009	326425	08-08G	16/06/2009
11421/2009	326444	02-04NES	17/06/2009	11694/2009	326548	21-02C	24/06/2009
11424/2009	326409	02-04NES	16/06/2009	11695/2009	326549	21-02C	24/06/2009
11429/2009	326410	02-04B	16/06/2009	11696/2009	326550	21-02C	24/06/2009
11432/2009	326411	02-04NES	16/06/2009	11700/2009	326422	25-02NES	18/06/2009
11434/2009	326347	02-04NES	12/06/2009	11701/2009	326423	25-02NES	18/06/2009
11435/2009	326348	02-04NES	12/06/2009	11702/2009	326424	25-02NES	18/06/2009
11436/2009	326349	02-04NES	12/06/2009	11738/2009	326420	02-04B	16/06/2009



Publication and Registration Proceedings - Designs Registered cont'd

Design Number	Registration Number	International Classification Code (IDC)	Registration Date	Design Number	Registration Number	International Classification Code (IDC)	Registration Date
11746/2009	326426	09-01NES	16/06/2009	11899/2009	326469	09-01G	18/06/2009
11747/2009	326427	09-01NES	16/06/2009	11901/2009	326470	04-02	18/06/2009
11750/2009	326555	13-02	25/06/2009	11902/2009	326466	04-02	19/06/2009
11751/2009	326475	31-00	19/06/2009	11903/2009	326467	04-02	19/06/2009
11752/2009	326476	31-00	19/06/2009	11904/2009	326468	04-02	19/06/2009
11763/2009	326302	23-04	15/06/2009	11905/2009	326462	04-02	18/06/2009
11765/2009	326303	23-04	15/06/2009	11906/2009	326463	04-02	18/06/2009
11808/2009	326367	09-07A	12/06/2009	11911/2009	326480	23-04	19/06/2009
11812/2009	326388	12-11	15/06/2009	11912/2009	326481	23-04	19/06/2009
11814/2009	326389	08-05L	15/06/2009	11913/2009	326482	23-04	19/06/2009
11815/2009	326390	08-05L	15/06/2009	11914/2009	326483	10-04	19/06/2009
11816/2009	326370	26-04	12/06/2009	11916/2009	326368	02-04B	12/06/2009
11817/2009	326371	26-04	12/06/2009	11917/2009	326494	12-15D	19/06/2009
11826/2009	326477	08-06	19/06/2009	11918/2009	326495	12-15B	19/06/2009
11831/2009	326396	08-08NES	15/06/2009	11919/2009	326496	12-15D	19/06/2009
11834/2009	326397	21-01E	15/06/2009	11923/2009	326497	08-08NES	19/06/2009
11835/2009	326398	21-01E	15/06/2009	11925/2009	326498	25-02NES	19/06/2009
11836/2009	326399	21-01E	15/06/2009	11926/2009	326499	25-04	19/06/2009
11837/2009	326412	21-01E	16/06/2009	11927/2009	326500	25-04	19/06/2009
11838/2009	326413	21-01E	16/06/2009	11928/2009	326501	25-04	19/06/2009
11839/2009	326414	21-01E	16/06/2009	11929/2009	326502	25-02NES	19/06/2009
11840/2009	326415	21-01E	16/06/2009	11934/2009	326516	13-03D	22/06/2009
11841/2009	326416	25-02A	16/06/2009	11935/2009	326517	13-03D	22/06/2009
11842/2009	326417	07-02N	16/06/2009	11936/2009	326518	13-03D	22/06/2009
11843/2009	326418	07-02H	16/06/2009	11937/2009	326519	13-03D	22/06/2009
11844/2009	326419	07-01NES	16/06/2009	11938/2009	326520	13-03D	22/06/2009
11846/2009	326391	23-04	15/06/2009	11939/2009	326521	13-03D	22/06/2009
11847/2009	326392	23-04	15/06/2009	11940/2009	326522	13-03D	22/06/2009
11848/2009	326393	23-04	15/06/2009	11941/2009	326523	13-03D	22/06/2009
11849/2009	326394	28-03A	15/06/2009	11942/2009	326510	13-03D	22/06/2009
11850/2009	326395	28-03A	15/06/2009	11943/2009	326511	13-03D	22/06/2009
11851/2009	326387	08-08B	12/06/2009	11947/2009	326430	03-01NES	16/06/2009
11852/2009	326505	14-01	22/06/2009	11948/2009	326512	08-05L	22/06/2009
11853/2009	326478	12-12	19/06/2009	11949/2009	326513	08-05L	22/06/2009
11854/2009	326479	12-12	19/06/2009	11950/2009	326514	23-01A	22/06/2009
11855/2009	326445	10-04	17/06/2009	11951/2009	326515	10-07	22/06/2009
11856/2009	326446	23-02D	17/06/2009	11952/2009	326506	23-01A	22/06/2009
11859/2009	326457	01-06	17/06/2009	11956/2009	326507	23-02C	22/06/2009
11860/2009	326458	01-06	17/06/2009	11957/2009	326484	23-02C	19/06/2009
11861/2009	326428	25-01E	16/06/2009	11958/2009	326508	23-02C	22/06/2009
11862/2009	326429	25-01E	16/06/2009	11961/2009	326509	07-02K	22/06/2009
11866/2009	326401	13-02	16/06/2009	11964/2009	326532	21-01F	23/06/2009
11867/2009	326402	09-05	16/06/2009	11966/2009	326533	06-06G	23/06/2009
11869/2009	326447	21-02C	17/06/2009	11967/2009	326363	30-01	11/06/2009
11870/2009	326448	08-05K	17/06/2009	11968/2009	326364	30-01	11/06/2009
11871/2009	326449	08-05K	17/06/2009	11969/2009	326534	12-02	23/06/2009
11872/2009	326450	09-05	17/06/2009	11971/2009	326431	21-02D	16/06/2009
11874/2009	326451	08-08L	17/06/2009	11981/2009	326530	09-03F	23/06/2009
11875/2009	326373	08-03	12/06/2009	11984/2009	326531	08-08L	23/06/2009
11876/2009	326374	08-03	12/06/2009	11989/2009	326544	25-03	24/06/2009
11879/2009	326459	30-03	17/06/2009	11990/2009	326545	07-02K	24/06/2009
11880/2009	326460	30-03	17/06/2009	11991/2009	326546	21-01A	24/06/2009
11881/2009	326464	23-01F	19/06/2009	11992/2009	326538	21-01B	24/06/2009
11882/2009	326465	19-06	19/06/2009	11993/2009	326539	21-01B	24/06/2009
11890/2009	326440	08-03	17/06/2009	11994/2009	326540	21-01B	24/06/2009
11891/2009	326441	08-03	17/06/2009	11995/2009	326541	21-01B	24/06/2009
11892/2009	326442	08-05K	17/06/2009	11996/2009	326542	21-01B	24/06/2009
11893/2009	326443	23-04	17/06/2009	11997/2009	326543	21-01B	24/06/2009

Publication and Registration Proceedings - Designs Registered cont'd

Design Number	Registration Number	International Classification Code (IDC)	Registration Date	Design Number	Registration Number	International Classification Code (IDC)	Registration Date
11998/2009	326535	21-01A	24/06/2009	12029/2009	326376	07-02N	12/06/2009
11999/2009	326536	21-01B	24/06/2009	12030/2009	326377	07-02N	12/06/2009
12000/2009	326537	21-01B	24/06/2009	12031/2009	326378	07-02N	12/06/2009
12004/2009	326547	03-01NES	24/06/2009	12032/2009	326379	07-02N	12/06/2009
12008/2009	326526	21-02D	22/06/2009	12033/2009	326380	07-02N	12/06/2009
12009/2009	326471	08-05P	18/06/2009	12059/2009	326421	07-02NES	16/06/2009
12010/2009	326472	08-05P	18/06/2009	12078/2009	326553	15-05	24/06/2009
12011/2009	326473	03-01D	18/06/2009	12089/2009	326503	30-01	19/06/2009
12012/2009	326474	10-04	18/06/2009	12117/2009	326455	25-01B	17/06/2009
12014/2009	326432	23-03NES	16/06/2009	12125/2009	326552	02-04C	24/06/2009
12016/2009	326403	09-03F	15/06/2009	12135/2009	326504	26-04	19/06/2009
12018/2009	326556	06-09	25/06/2009	12140/2009	326456	24-02	17/06/2009
12019/2009	326551	06-04B	24/06/2009	12194/2009	326491	24-02	19/06/2009
12021/2009	326527	21-02D	22/06/2009	12195/2009	326492	24-02	19/06/2009
12023/2009	326461	13-01	17/06/2009	12248/2009	326554	15-05	24/06/2009

**Publication and Registration Proceedings**  
**Class Listing of Designs Published or Registered**

The following section shows an International Classification Code listing of the Registered or Published Designs covered in this supplement.

<b>Classification</b>	<b>Registration Number</b>	<b>Design Number</b>	<b>Classification</b>	<b>Registration Number</b>	<b>Design Number</b>
01-06	326457	11859/2009	07-02 K	326545	11990/2009
01-06	326458	11860/2009	07-02 N	326375	10460/2009
02-01 B	326439	11405/2009	07-02 N	326376	12029/2009
02-04 B	326353	11440/2009	07-02 N	326377	12030/2009
02-04 B	326354	11441/2009	07-02 N	326378	12031/2009
02-04 B	326355	11442/2009	07-02 N	326379	12032/2009
02-04 B	326356	11443/2009	07-02 N	326380	12033/2009
02-04 B	326368	11916/2009	07-02 N	326417	11842/2009
02-04 B	326410	11429/2009	07-02 N	326418	11843/2009
02-04 B	326420	11738/2009	07-02 NES	326421	12059/2009
02-04 C	326552	12125/2009	07-03	326270	11042/2009
02-04 NES	326347	11434/2009	07-03	326271	11043/2009
02-04 NES	326348	11435/2009	07-03	326272	11044/2009
02-04 NES	326349	11436/2009	07-03	326273	11045/2009
02-04 NES	326350	11437/2009	07-03	326274	11046/2009
02-04 NES	326351	11438/2009	07-07 NES	326421	12059/2009
02-04 NES	326352	11439/2009	08-03	326373	11875/2009
02-04 NES	326381	11444/2009	08-03	326374	11876/2009
02-04 NES	326382	11445/2009	08-03	326440	11890/2009
02-04 NES	326383	11446/2009	08-03	326441	11891/2009
02-04 NES	326384	11447/2009	08-05 K	326400	10516/2009
02-04 NES	326385	11448/2009	08-05 K	326442	11892/2009
02-04 NES	326386	11449/2009	08-05 K	326448	11870/2009
02-04 NES	326409	11424/2009	08-05 K	326449	11871/2009
02-04 NES	326411	11432/2009	08-05 K	326451	11874/2009
02-04 NES	326444	11421/2009	08-05 L	326389	11814/2009
02-07 NES	326285	11471/2009	08-05 L	326390	11815/2009
03-01 D	326473	12011/2009	08-05 L	326512	11948/2009
03-01 NES	326430	11947/2009	08-05 L	326513	11949/2009
03-01 NES	326547	12004/2009	08-05 NES	326510	11942/2009
04-02	326462	11905/2009	08-05 NES	326511	11943/2009
04-02	326463	11906/2009	08-05 P	326471	12009/2009
04-02	326466	11902/2009	08-05 P	326472	12010/2009
04-02	326467	11903/2009	08-06	326477	11826/2009
04-02	326468	11904/2009	08-06	326498	11925/2009
04-02	326470	11901/2009	08-08 B	326387	11851/2009
06-01 F	326267	10831/2009	08-08 G	326425	11682/2009
06-01 F	326278	11317/2009	08-08 H	326524	11109/2009
06-01 F	326279	11318/2009	08-08 L	326451	11874/2009
06-04 B	326277	11247/2009	08-08 L	326531	11984/2009
06-04 B	326551	12019/2009	08-08 NES	326396	11831/2009
06-04 NES	326473	12011/2009	08-08 NES	326497	11923/2009
06-05	326359	11571/2009	09-01 G	326469	11899/2009
06-05	326360	11572/2009	09-01 NES	326426	11746/2009
06-05	326361	11573/2009	09-01 NES	326427	11747/2009
06-05	326362	11574/2009	09-03 F	326403	12016/2009
06-05	326534	11969/2009	09-03 F	326530	11981/2009
06-06 G	326533	11966/2009	09-03 NES	326269	10975/2009
06-09	326301	11608/2009	09-05	326402	11867/2009
06-09	326556	12018/2009	09-05	326450	11872/2009
06-13 B	326439	11405/2009	09-07 A	326367	11808/2009
07-01 D	326369	11593/2009	10-04	326445	11855/2009
07-01 NES	326358	11521/2009	10-04	326474	12012/2009
07-01 NES	326419	11844/2009	10-04	326483	11914/2009
07-02 H	326418	11843/2009	10-07	326515	11951/2009
07-02 K	326509	11961/2009	12-02	326534	11969/2009

Registration Proceedings - Class Listing of Designs Published or Registered cont'd

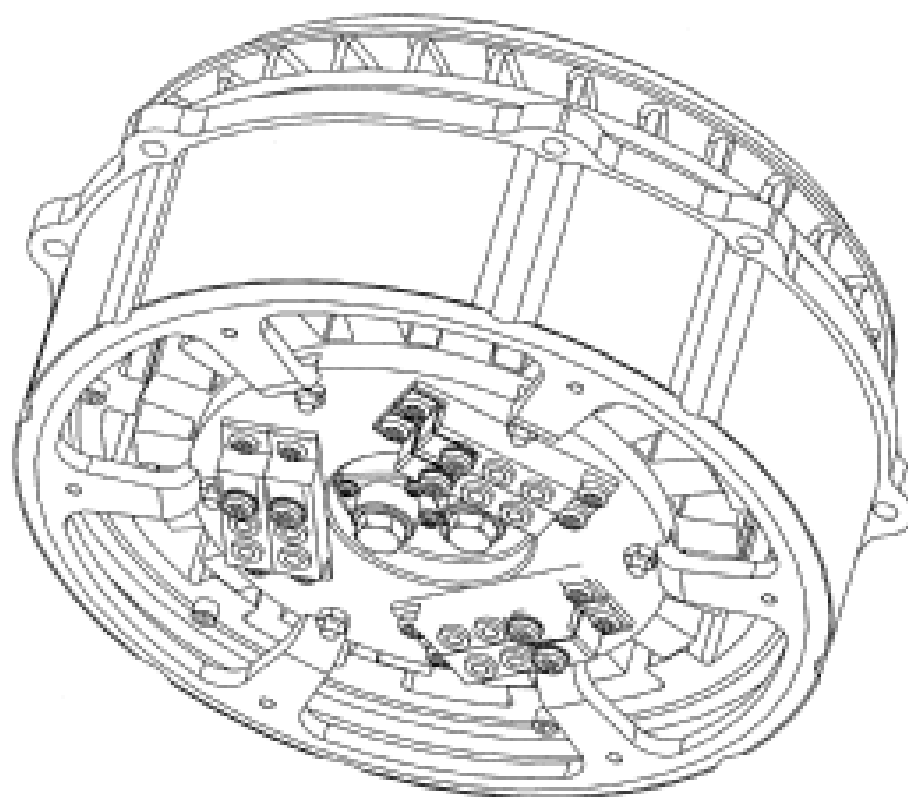
Classification	Registration Number	Design Number	Classification	Registration Number	Design Number
12-08	326275	11121/2009	21-01 M	326282	11418/2009
12-11	326388	11812/2009	21-01 M	326283	11419/2009
12-12	326478	11853/2009	21-02 C	326276	11209/2009
12-12	326479	11854/2009	21-02 C	326365	11261/2009
12-15 A	326357	11171/2009	21-02 C	326366	11262/2009
12-15 A	326486	11245/2009	21-02 C	326447	11869/2009
12-15 B	326485	11244/2009	21-02 C	326548	11694/2009
12-15 B	326495	11918/2009	21-02 C	326549	11695/2009
12-15 D	326494	11917/2009	21-02 C	326550	11696/2009
12-15 D	326496	11919/2009	21-02 D	326431	11971/2009
12-16 C	326406	11361/2009	21-02 D	326526	12008/2009
13-01	326190	11481/2009	21-02 D	326527	12021/2009
13-01	326191	11482/2009	21-02 D	326557	11369/2009
13-01	326461	12023/2009	21-03	326372	11280/2009
13-02	326277	11247/2009	23-01 A	326506	11952/2009
13-02	326401	11866/2009	23-01 A	326514	11950/2009
13-02	326525	11480/2009	23-01 F	326464	11881/2009
13-02	326555	11750/2009	23-01 K	326433	11229/2009
13-03 D	326510	11942/2009	23-02 C	326484	11957/2009
13-03 D	326511	11943/2009	23-02 C	326507	11956/2009
13-03 D	326516	11934/2009	23-02 C	326508	11958/2009
13-03 D	326517	11935/2009	23-02 D	326446	11856/2009
13-03 D	326518	11936/2009	23-03 A	326192	11483/2009
13-03 D	326519	11937/2009	23-03 A	326193	11484/2009
13-03 D	326520	11938/2009	23-03 D	326431	11971/2009
13-03 D	326521	11939/2009	23-03 NES	326432	12014/2009
13-03 D	326522	11940/2009	23-04	326302	11763/2009
13-03 D	326523	11941/2009	23-04	326303	11765/2009
13-99	326461	12023/2009	23-04	326391	11846/2009
14-01	326405	11292/2009	23-04	326392	11847/2009
14-01	326487	11290/2009	23-04	326393	11848/2009
14-01	326488	11291/2009	23-04	326443	11893/2009
14-01	326505	11852/2009	23-04	326480	11911/2009
15-05	326553	12078/2009	23-04	326481	11912/2009
15-05	326554	12248/2009	23-04	326482	11913/2009
19-06	326465	11882/2009	24-02	326452	11030/2009
20-02 E	326407	10187/2009	24-02	326453	11654/2009
20-02 E	326408	10188/2009	24-02	326454	11655/2009
20-02 NES	326489	11371/2009	24-02	326456	12140/2009
21-01 A	326280	11416/2009	24-02	326491	12194/2009
21-01 A	326535	11998/2009	24-02	326492	12195/2009
21-01 A	326546	11991/2009	24-02	326493	11302/2009
21-01 B	326536	11999/2009	25-01 B	326455	12117/2009
21-01 B	326537	12000/2009	25-01 E	326428	11861/2009
21-01 B	326538	11992/2009	25-01 E	326429	11862/2009
21-01 B	326539	11993/2009	25-01 K	326286	11530/2009
21-01 B	326540	11994/2009	25-01 K	326287	11531/2009
21-01 B	326541	11995/2009	25-01 K	326288	11532/2009
21-01 B	326542	11996/2009	25-01 K	326289	11533/2009
21-01 B	326543	11997/2009	25-01 K	326290	11534/2009
21-01 E	326397	11834/2009	25-01 K	326291	11535/2009
21-01 E	326398	11835/2009	25-01 K	326292	11536/2009
21-01 E	326399	11836/2009	25-01 K	326293	11537/2009
21-01 E	326412	11837/2009	25-01 K	326294	11538/2009
21-01 E	326413	11838/2009	25-01 K	326295	11539/2009
21-01 E	326414	11839/2009	25-01 K	326296	11540/2009
21-01 E	326415	11840/2009	25-01 K	326297	11541/2009
21-01 F	326532	11964/2009	25-01 K	326298	11542/2009
21-01 M	326281	11417/2009	25-01 K	326299	11543/2009

Registration Proceedings - Class Listing of Designs Published or Registered cont'd

Classification	Registration Number	Design Number	Classification	Registration Number	Design Number
25-01 K	326300	11544/2009	25-04	326500	11927/2009
25-01 K	326499	11926/2009	25-04	326501	11928/2009
25-01 K	326501	11928/2009	26-03	326404	11155/2009
25-02 A	326416	11841/2009	26-04	326370	11816/2009
25-02 B	326286	11530/2009	26-04	326371	11817/2009
25-02 B	326287	11531/2009	26-04	326504	12135/2009
25-02 B	326288	11532/2009	26-05 A	326528	14426/2008
25-02 B	326289	11533/2009	26-05 A	326529	14427/2008
25-02 B	326290	11534/2009	26-05 C	326268	10934/2009
25-02 B	326291	11535/2009	27-99	326434	11329/2009
25-02 B	326292	11536/2009	27-99	326435	11331/2009
25-02 B	326293	11537/2009	27-99	326436	11332/2009
25-02 B	326294	11538/2009	27-99	326437	11333/2009
25-02 B	326295	11539/2009	27-99	326438	11334/2009
25-02 B	326296	11540/2009	28-03 A	326394	11849/2009
25-02 B	326297	11541/2009	28-03 A	326395	11850/2009
25-02 B	326298	11542/2009	28-03 NES	326490	11479/2009
25-02 B	326299	11543/2009	30-01	326363	11967/2009
25-02 B	326300	11544/2009	30-01	326364	11968/2009
25-02 NES	326422	11700/2009	30-01	326503	12089/2009
25-02 NES	326423	11701/2009	30-03	326459	11879/2009
25-02 NES	326424	11702/2009	30-03	326460	11880/2009
25-02 NES	326498	11925/2009	31-00	326475	11751/2009
25-02 NES	326502	11929/2009	31-00	326476	11752/2009
25-03	326544	11989/2009	99-00	326284	11470/2009
25-04	326499	11926/2009			

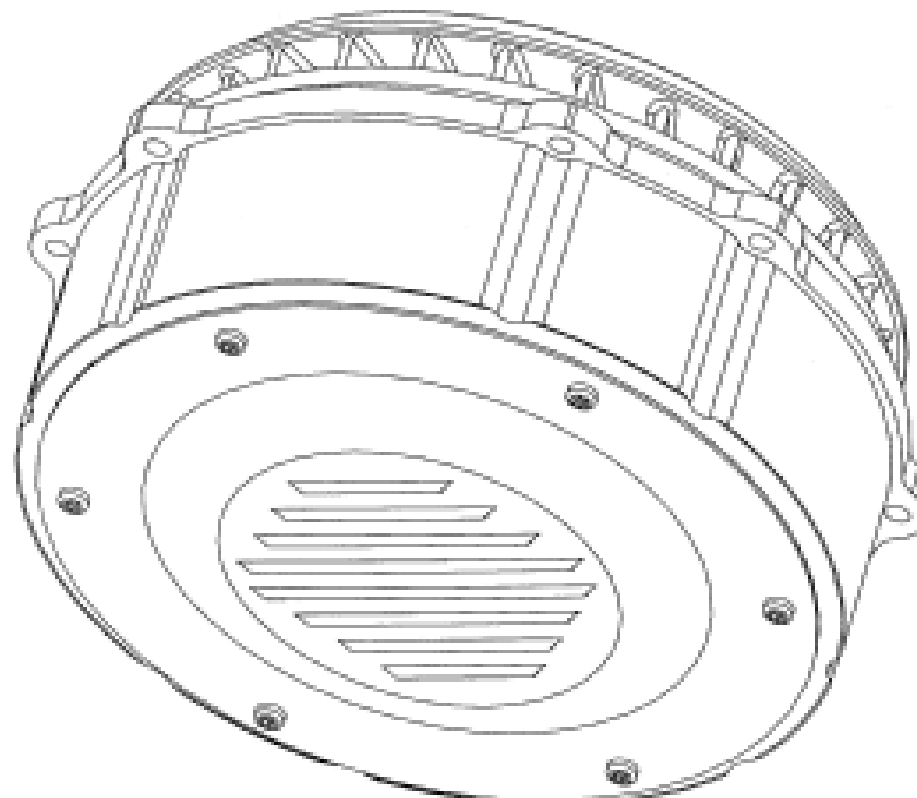
- (21) Design Number: **11481/2009**
- (22) Date of Filing Application: **29 April 2009**
- (24) Date from which industrial property rights may have effect: **29 April 2009**
- (54) Product in respect of which the design is registered: **Electrical alternator sub assembly**
- (51) International Design Classification: **13-01**
- (71) Name(s) and Address(s) of Applicant(s):  
**C.E. Niehoff & Co.**  
**2021 Lee Street Evanston Illinois 60202 United States of America**
- (72) Name(s) of Designer(s): **James Becker and Ninos Canon**
- (45) Registration Date: **15 June 2009**
- (30) Convention priority data:  

(31) Number	(32) Date	(33) Country
<b>29/312574</b>	<b>29 Oct 2008</b>	<b>UNITED STATES OF AMERICA</b>
- (56) Related Art Documents: **Not Applicable**
- (57) Statement of Newness and Distinctiveness: **Newness and distinctiveness is claimed in the features of shape and/or configuration of an electrical alternator sub assembly as illustrated in the accompanying representations.**



- (21) Design Number: **11482/2009**
- (22) Date of Filing Application: **29 April 2009**
- (24) Date from which industrial property rights may have effect: **29 April 2009**
- (54) Product in respect of which the design is registered: **Electrical alternator**
- (51) International Design Classification: **13-01**
- (71) Name(s) and Address(s) of Applicant(s):  
**C.E. Niehoff & Co.**  
**2021 Lee Street Evanston Illinois 60202 United States of America**
- (72) Name(s) of Designer(s): **James Becker and Ninos Canon**
- (45) Registration Date: **15 June 2009**
- (30) Convention priority data:  

(31) Number	(32) Date	(33) Country
<b>29/312574</b>	<b>29 Oct 2008</b>	<b>UNITED STATES OF AMERICA</b>
- (56) Related Art Documents: **Not Applicable**
- (57) Statement of Newness and Distinctiveness: **Newness and distinctiveness is claimed in the features of shape and/or configuration of an electrical alternator as illustrated in the accompanying representations.**



(21) Design Number: **11483/2009**

(22) Date of Filing Application: **30 April 2009**

(24) Date from which industrial property rights may have effect: **30 April 2009**

(54) Product in respect of which the design is registered: **Heater**

(51) International Design Classification: **23-03A**

(71) Name(s) and Address(s) of Applicant(s):

**Bromic Pty Ltd**

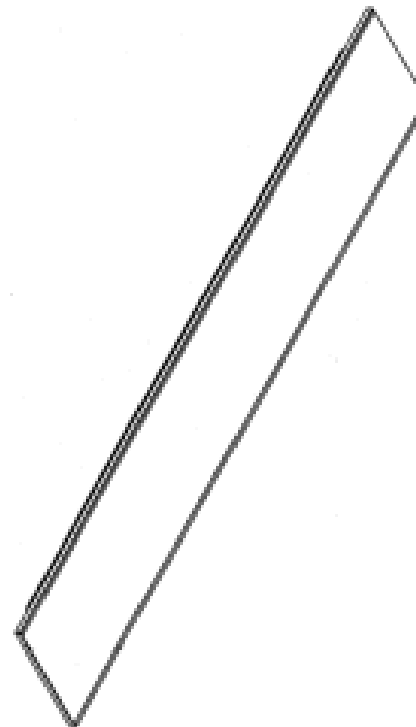
**1 Suttor Street Silverwater New South Wales 2128 Australia**

(72) Name(s) of Designer(s): **Shane Marshall**

(45) Registration Date: **15 June 2009**

(56) Related Art Documents: **Not Applicable**

(57) Statement of Newness and Distinctiveness: **2 box shaped housings, one proportionally smaller than the other, the smaller said box shape attaching to the rear of the larger.**



(21) Design Number: **11484/2009**

(22) Date of Filing Application: **30 April 2009**

(24) Date from which industrial property rights may have effect: **30 April 2009**

(54) Product in respect of which the design is registered: **Heater**

(51) International Design Classification: **23-03A**

(71) Name(s) and Address(s) of Applicant(s):

**Bromic Pty Ltd**

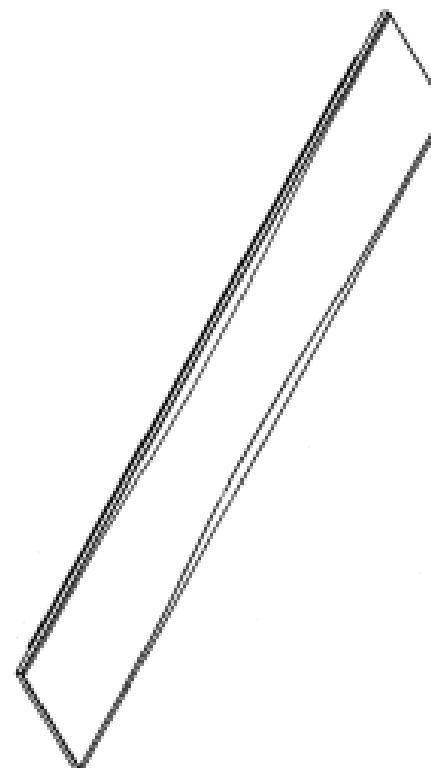
**1 Suttor Street Silverwater New South Wales 2128 Australia**

(72) Name(s) of Designer(s): **Shane Marshall**

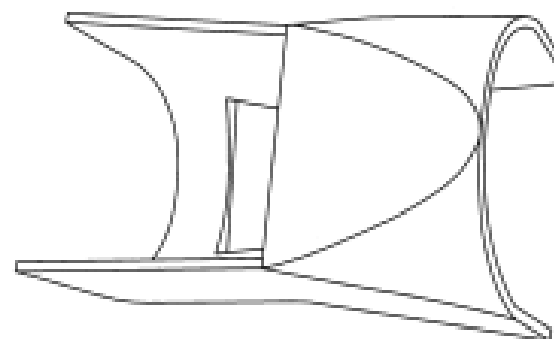
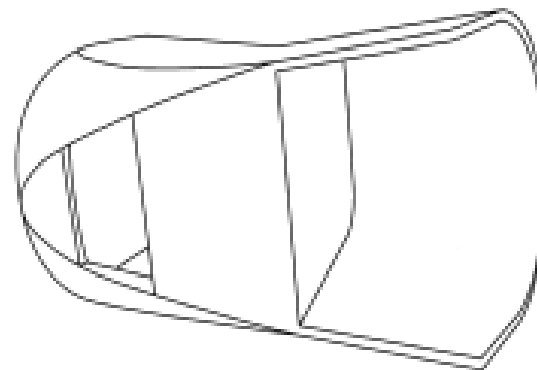
(45) Registration Date: **15 June 2009**

(56) Related Art Documents: **Not Applicable**

(57) Statement of Newness and Distinctiveness: **2 box shaped housings, one proportionally smaller than the other, the smaller said box shape attaching to the rear of the larger. On the front of the larger box shape, is a unique curved shape where in the centre of the appliance, the curve protrudes inwards and gradually evens out to a flat. This is symmetrical both sides.**

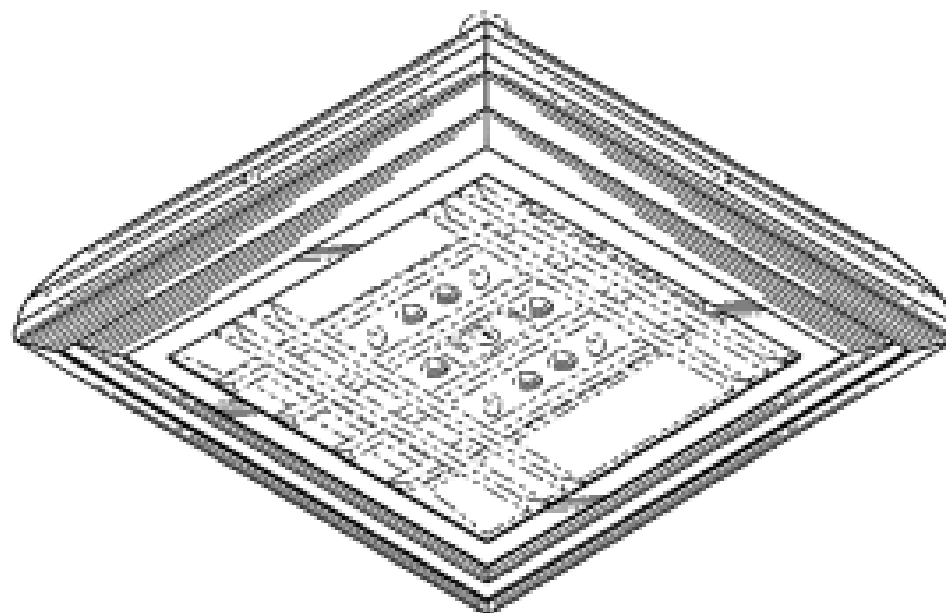


- (21) Design Number: **10831/2009**
- (22) Date of Filing Application: **17 March 2009**
- (24) Date from which industrial property rights may have effect: **17 March 2009**
- (54) Product in respect of which the design is registered: **A seat**
- (51) International Design Classification: **06-01F**
- (71) Name(s) and Address(s) of Applicant(s):  
**Cloud Studio Melbourne Pty Ltd**  
**57 Eastern Road South Melbourne Victoria 3205 Australia**
- (72) Name(s) of Designer(s): **Collins Tim**
- (45) Registration Date: **15 June 2009**
- (56) Related Art Documents: **Not Applicable**
- (57) Statement of Newness and Distinctiveness: **As per attached drawings.**



- (21) Design Number: **10934/2009**
- (22) Date of Filing Application: **20 March 2009**
- (24) Date from which industrial property rights may have effect: **20 March 2009**
- (54) Product in respect of which the design is registered: **Lighting**
- (51) International Design Classification: **26-05C**
- (71) Name(s) and Address(s) of Applicant(s):  
**LSI Industries, Inc.**  
**10000 Alliance Road Cincinnati Ohio 45242 United States of America**
- (72) Name(s) of Designer(s): **John D. Boyer and James P. Sferra and Rob A. Rooms**
- (45) Registration Date: **15 June 2009**
- (30) Convention priority data:

(31) Number	(32) Date	(33) Country
<b>29/324914</b>	<b>23 Sep 2008</b>	<b>UNITED STATES OF AMERICA</b>
- (56) Related Art Documents: **Not Applicable**
- (57) Statement of Newness and Distinctiveness: **Newness and distinctiveness is claimed in the visual features shown in solid lines in the representations.**





- (21) Design Number: **10975/2009**
- (22) Date of Filing Application: **24 March 2009**
- (24) Date from which industrial property rights may have effect: **24 March 2009**
- (54) Product in respect of which the design is registered: **Corrugated modem box**
- (51) International Design Classification: **09-03NES**
- (71) Name(s) and Address(s) of Applicant(s):

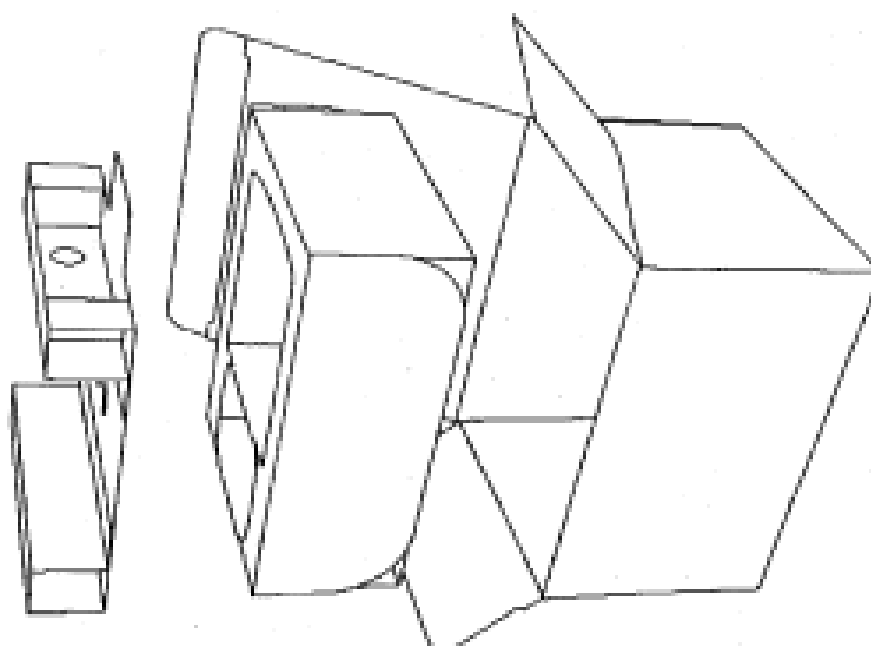
**Robert Pellizzari**  
**7-8 Sovereign Place South Windsor New South Wales 2756 Australia**

(72) Name(s) of Designer(s): **Craig Holland and Stuart Kelly**

(45) Registration Date: **15 June 2009**

(56) Related Art Documents: **Not Applicable**

(57) Statement of Newness and Distinctiveness: **This corrugated modem box set has been specifically designed for Telstra Big Pond modem products and associated hardware. This design consists of an outer carton, an inner base tray and a common top insert. It is easily erected eliminating sub assembly that is currently required to assemble the existing carton range. This new design significantly reduces the quantity of component pieces required to package the Telstra Big Pond modem range.**



- (21) Design Number: **11042/2009**
- (22) Date of Filing Application: **07 January 2009**
- (24) Date from which industrial property rights may have effect: **07 January 2009**
- (54) Product in respect of which the design is registered: **Kitchen utensil**
- (51) International Design Classification: **07-03**
- (71) Name(s) and Address(s) of Applicant(s):

**Chef'n Corporation**  
**1520 4th Avenue 3rd Floor Seattle Washington 98101 United States of America**

(72) Name(s) of Designer(s): **Adam A. Jossem**

(45) Registration Date: **15 June 2009**

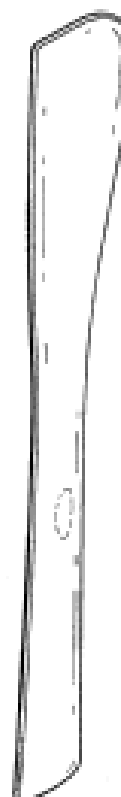
(30) Convention priority data:

(31) Number	(32) Date	(33) Country
<b>29323149</b>	<b>19 Aug 2008</b>	<b>UNITED STATES OF AMERICA</b>

(62) Divisional of: **325623**

(56) Related Art Documents: **Not Applicable**

(57) Statement of Newness and Distinctiveness: **Newness and distinctiveness is claimed in the visual features shown in solid lines in the representations.**



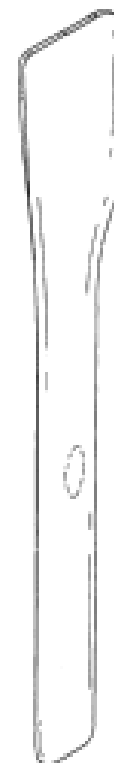
(21) Design Number: **11043/2009**  
(22) Date of Filing Application: **07 January 2009**  
(24) Date from which industrial property rights may have effect: **07 January 2009**  
(54) Product in respect of which the design is registered: **Kitchen utensil**  
(51) International Design Classification: **07-03**  
(71) Name(s) and Address(s) of Applicant(s):  
**Chef'n Corporation**  
**1520 4th Avenue 3rd Floor Seattle Washington 98101 United States of America**  
(72) Name(s) of Designer(s): **Adam A. Jossem**  
(45) Registration Date: **15 June 2009**  
(30) Convention priority data:  
(31) Number (32) Date (33) Country  
**29323149 19 Aug 2008 UNITED STATES OF AMERICA**  
(62) Divisional of: **325623**  
(56) Related Art Documents: **Not Applicable**  
(57) Statement of Newness and Distinctiveness: **Newness and distinctiveness is claimed in the visual features shown in solid lines in the representations.**



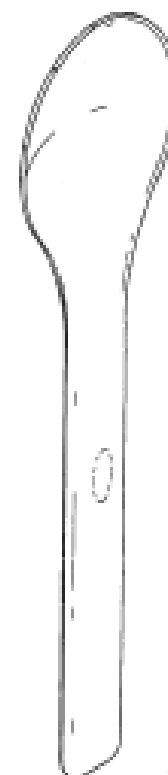
(21) Design Number: **11044/2009**  
(22) Date of Filing Application: **07 January 2009**  
(24) Date from which industrial property rights may have effect: **07 January 2009**  
(54) Product in respect of which the design is registered: **Kitchen utensil**  
(51) International Design Classification: **07-03**  
(71) Name(s) and Address(s) of Applicant(s):  
**Chef'n Corporation**  
**1520 4th Avenue 3rd Floor Seattle Washington 98101 United States of America**  
(72) Name(s) of Designer(s): **Adam A. Jossem**  
(45) Registration Date: **15 June 2009**  
(30) Convention priority data:  
(31) Number (32) Date (33) Country  
**29323149 19 Aug 2008 UNITED STATES OF AMERICA**  
(62) Divisional of: **325623**  
(56) Related Art Documents: **Not Applicable**  
(57) Statement of Newness and Distinctiveness: **Newness and distinctiveness is claimed in the visual features shown in solid lines in the representations.**



(21) Design Number: **11045/2009**  
(22) Date of Filing Application: **07 January 2009**  
(24) Date from which industrial property rights may have effect: **07 January 2009**  
(54) Product in respect of which the design is registered: **Kitchen utensil**  
(51) International Design Classification: **07-03**  
(71) Name(s) and Address(s) of Applicant(s):  
**Chef'n Corporation**  
**1520 4th Avenue 3rd Floor Seattle Washington 98101 United States of America**  
(72) Name(s) of Designer(s): **Jonah S. Griffith**  
(45) Registration Date: **15 June 2009**  
(30) Convention priority data:  
(31) Number (32) Date (33) Country  
**29323148 19 Aug 2008 UNITED STATES OF AMERICA**  
(62) Divisional of: **325621**  
(56) Related Art Documents: **Not Applicable**  
(57) Statement of Newness and Distinctiveness: **Newness and distinctiveness is claimed in the visual features shown in solid lines in the representations.**



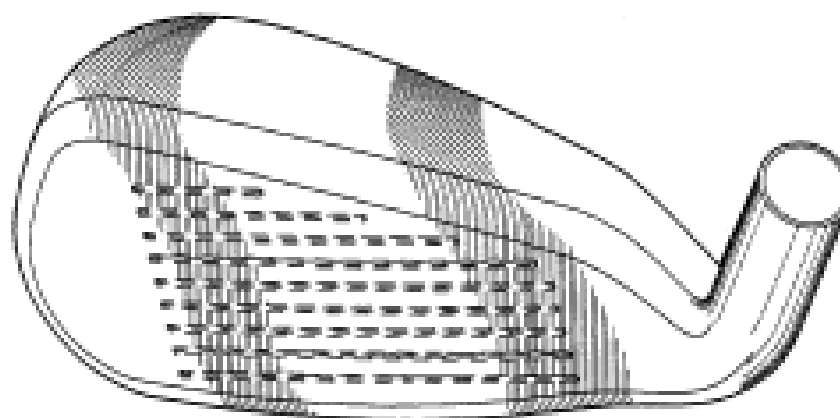
(21) Design Number: **11046/2009**  
(22) Date of Filing Application: **07 January 2009**  
(24) Date from which industrial property rights may have effect: **07 January 2009**  
(54) Product in respect of which the design is registered: **Kitchen utensil**  
(51) International Design Classification: **07-03**  
(71) Name(s) and Address(s) of Applicant(s):  
**Chef'n Corporation**  
**1520 4th Avenue 3rd Floor Seattle Washington 98101 United States of America**  
(72) Name(s) of Designer(s): **Jonah S. Griffith**  
(45) Registration Date: **15 June 2009**  
(30) Convention priority data:  
(31) Number (32) Date (33) Country  
**29323148 19 Aug 2008 UNITED STATES OF AMERICA**  
(62) Divisional of: **325621**  
(56) Related Art Documents: **Not Applicable**  
(57) Statement of Newness and Distinctiveness: **Newness and distinctiveness is claimed in the visual features shown in solid lines in the representations.**



(21) Design Number: **11121/2009**  
 (22) Date of Filing Application: **02 April 2009**  
 (24) Date from which industrial property rights may have effect: **02 April 2009**  
 (54) Product in respect of which the design is registered: **Automobile**  
 (51) International Design Classification: **12-08**  
 (71) Name(s) and Address(s) of Applicant(s):  
**Toyota Jidosha Kabushiki Kaisha**  
**1 Toyota-cho Toyota-shi Aichi-ken 471-8571 Japan**  
 (72) Name(s) of Designer(s): **Yukihiro Koide and Yoshitake Takaoka**  
 (45) Registration Date: **15 June 2009**  
 (30) Convention priority data:  
 (31) Number      (32) Date      (33) Country  
**2008-033106      26 Dec 2008      JAPAN**  
 (56) Related Art Documents: **Not Applicable**  
 (57) Statement of Newness and Distinctiveness: **Newness and distinctiveness is claimed in the visual features of the automobile shown in the accompanying representations.**



(21) Design Number: **11209/2009**  
 (22) Date of Filing Application: **08 April 2009**  
 (24) Date from which industrial property rights may have effect: **08 April 2009**  
 (54) Product in respect of which the design is registered: **Golf club head**  
 (51) International Design Classification: **21-02C**  
 (71) Name(s) and Address(s) of Applicant(s):  
**Karsten Manufacturing Corporation**  
**2201 West Desert Cove Phoenix Arizona 85029 United States of America**  
 (72) Name(s) of Designer(s): **Bradley D. Schweigert**  
 (45) Registration Date: **15 June 2009**  
 (30) Convention priority data:  
 (31) Number      (32) Date      (33) Country  
**29/331724      30 Jan 2009      UNITED STATES OF AMERICA**  
 (56) Related Art Documents: **Not Applicable**  
 (57) Statement of Newness and Distinctiveness: **Newness and distinctiveness is claimed in the visual features shown in solid lines in the representations.**



(21) Design Number: **11247/2009**

(22) Date of Filing Application: **14 April 2009**

(24) Date from which industrial property rights may have effect: **14 April 2009**

(54) Product in respect of which the design is registered: **Secure and portable laptop storage and charging system**

(51) International Design Classification: **13-02, 06-04B**

(71) Name(s) and Address(s) of Applicant(s):

**Trevor Andrew Harry  
Unit 2 Nottingham Airport Tollerton Lane Nottingham NG12 4GA  
United Kingdom**

(72) Name(s) of Designer(s): **Trevor Andrew Harry**

(45) Registration Date: **15 June 2009**

(56) Related Art Documents: **Not Applicable**

(57) Statement of Newness and Distinctiveness: **Incorporates large handles for easy transportation and bumpers on each corner to protect the fabric of the school. Large L-shaped doors provide easy access and a dual locking security system which is operated from the top. An air venting system and grill at the base improve cooling.**



(21) Design Number: **11317/2009**

(22) Date of Filing Application: **17 April 2009**

(24) Date from which industrial property rights may have effect: **17 April 2009**

(54) Product in respect of which the design is registered: **A chair**

(51) International Design Classification: **06-01F**

(71) Name(s) and Address(s) of Applicant(s):

**GAMMA EASTERN s.r.o.  
Kastanova 489/34 Brno 620 00 Czech Republic**

(72) Name(s) of Designer(s): **Michele Magrin and Tomas Velehradsky**

(45) Registration Date: **15 June 2009**

(30) Convention priority data:

(31) Number	(32) Date	(33) Country
<b>001022206-002</b>	<b>17 Oct 2008</b>	<b>EUROPEAN COMMUNITY</b>

(56) Related Art Documents: **Not Applicable**

(57) Statement of Newness and Distinctiveness: **Newness and distinctiveness reside in the features of shape and/or configuration of the chair all as shown in the representations.**



(21) Design Number: **11318/2009**

(22) Date of Filing Application: **17 April 2009**

(24) Date from which industrial property rights may have effect: **17 April 2009**

(54) Product in respect of which the design is registered: **A chair**

(51) International Design Classification: **06-01F**

(71) Name(s) and Address(s) of Applicant(s):

**GAMMA EASTERN s.r.o.**

**Kastanova 489/34 Brno 620 00 Czech Republic**

(72) Name(s) of Designer(s): **Michele Magrin and Tomas Velehradsky**

(45) Registration Date: **15 June 2009**

(30) Convention priority data:

(31) Number

(32) Date

(33) Country

**001022206-0001 17 Oct 2008**

**EUROPEAN COMMUNITY**

(56) Related Art Documents: **Not Applicable**

(57) Statement of Newness and Distinctiveness: **Newness and distinctiveness reside in the features of shape and/or configuration of the chair all as shown in the representations.**



(21) Design Number: **11416/2009**

(22) Date of Filing Application: **28 April 2009**

(24) Date from which industrial property rights may have effect: **28 April 2009**

(54) Product in respect of which the design is registered: **Plush toy**

(51) International Design Classification: **21-01A**

(71) Name(s) and Address(s) of Applicant(s):

**Saabem Pty Ltd**

**15/27 Moxon Road Punchbowl New South Wales 2196 Australia**

(72) Name(s) of Designer(s): **Yujun Simon Wu**

(45) Registration Date: **15 June 2009**

(56) Related Art Documents: **Not Applicable**

(57) Statement of Newness and Distinctiveness: **The newness and distinctiveness is claimed in the features, shape and configuration of the designed koala, particularly the features configuration of the eyes of the koala.**



(21) Design Number: **11417/2009**

(22) Date of Filing Application: **28 April 2009**

(24) Date from which industrial property rights may have effect: **28 April 2009**

(54) Product in respect of which the design is registered: **Puzzle all wooden, 3 dimensional golf ball green 3 dimensional**

(51) International Design Classification: **21-01M**

(71) Name(s) and Address(s) of Applicant(s):

**Prote Pty Ltd**

**13 Speers Court Warrandyte Victoria 3113 Australia**

(72) Name(s) of Designer(s): **Frank Presta**

(45) Registration Date: **15 June 2009**

(56) Related Art Documents: **Not Applicable**

(57) Statement of Newness and Distinctiveness: **Monopoly is claimed for the individual 3-Dimension design/drawing as illustrated in the attached sheets.**



(21) Design Number: **11418/2009**

(22) Date of Filing Application: **28 April 2009**

(24) Date from which industrial property rights may have effect: **28 April 2009**

(54) Product in respect of which the design is registered: **Puzzle all wooden, 3 dimensional tennis racquet and tennis ball 3 dimensional**

(51) International Design Classification: **21-01M**

(71) Name(s) and Address(s) of Applicant(s):

**Prote Pty Ltd**

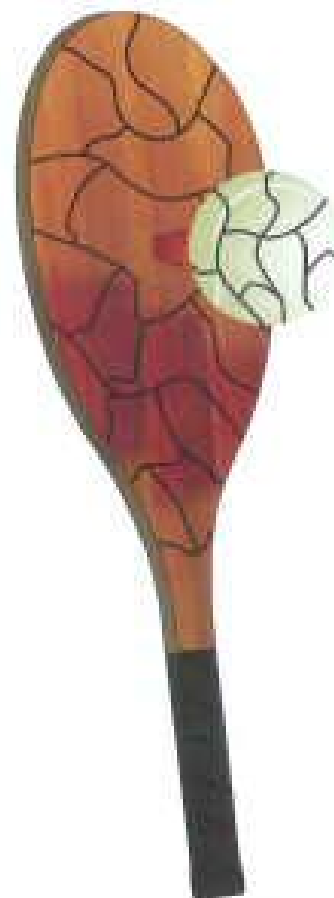
**13 Speers Court Warrandyte Victoria 3113 Australia**

(72) Name(s) of Designer(s): **Frank Presta**

(45) Registration Date: **15 June 2009**

(56) Related Art Documents: **Not Applicable**

(57) Statement of Newness and Distinctiveness: **Monopoly is claimed for the individual 3-Dimension design/drawing as illustrated in the attached sheets.**



(21) Design Number: **11419/2009**

(22) Date of Filing Application: **28 April 2009**

(24) Date from which industrial property rights may have effect: **28 April 2009**

(54) Product in respect of which the design is registered: **Puzzle all wooden, 3 dimensional cricket bat and cricket ball 3 dimensional**

(51) International Design Classification: **21-01M**

(71) Name(s) and Address(s) of Applicant(s):

**Prote Pty Ltd**

**13 Speers Court Warrandyte Victoria 3113 Australia**

(72) Name(s) of Designer(s): **Frank Presta**

(45) Registration Date: **15 June 2009**

(56) Related Art Documents: **Not Applicable**

(57) Statement of Newness and Distinctiveness: **Monopoly is claimed for the individual 3-Dimension design/drawing as illustrated in the attached sheets.**



(21) Design Number: **11470/2009**

(22) Date of Filing Application: **30 April 2009**

(24) Date from which industrial property rights may have effect: **30 April 2009**

(54) Product in respect of which the design is registered: **Envio friendly honey cell and tri-wall cardboard coffin**

(51) International Design Classification: **99-00**

(71) Name(s) and Address(s) of Applicant(s):

**Neta Isabelle McSpadden**

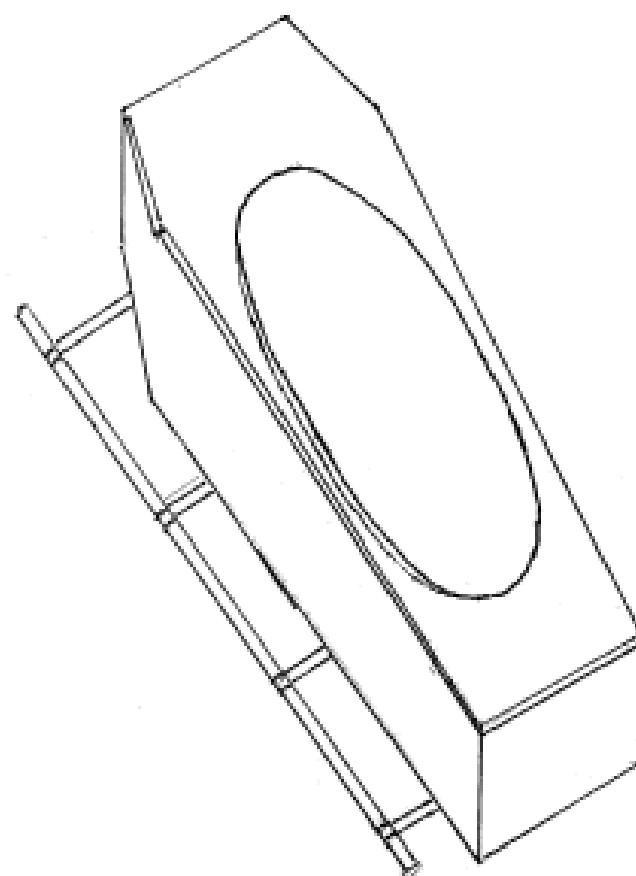
**Unit 7/81A Balaclava Road Eastwood New South Wales 2122 Australia**

(72) Name(s) of Designer(s): **Neta Isabelle McSpadden**

(45) Registration Date: **15 June 2009**

(56) Related Art Documents: **Not Applicable**

(57) Statement of Newness and Distinctiveness: **The new features of the design are the shapes and configuration of the way to create a cardboard envio-friendly coffin - the means of carrying the said coffin with reusable carrying method it is also design to carry a 120kg weight.**





(21) Design Number: **11471/2009**

(22) Date of Filing Application: **29 April 2009**

(24) Date from which industrial property rights may have effect: **29 April 2009**

(54) Product in respect of which the design is registered: **Clothing extension device**

(51) International Design Classification: **02-07NES**

(71) Name(s) and Address(s) of Applicant(s):

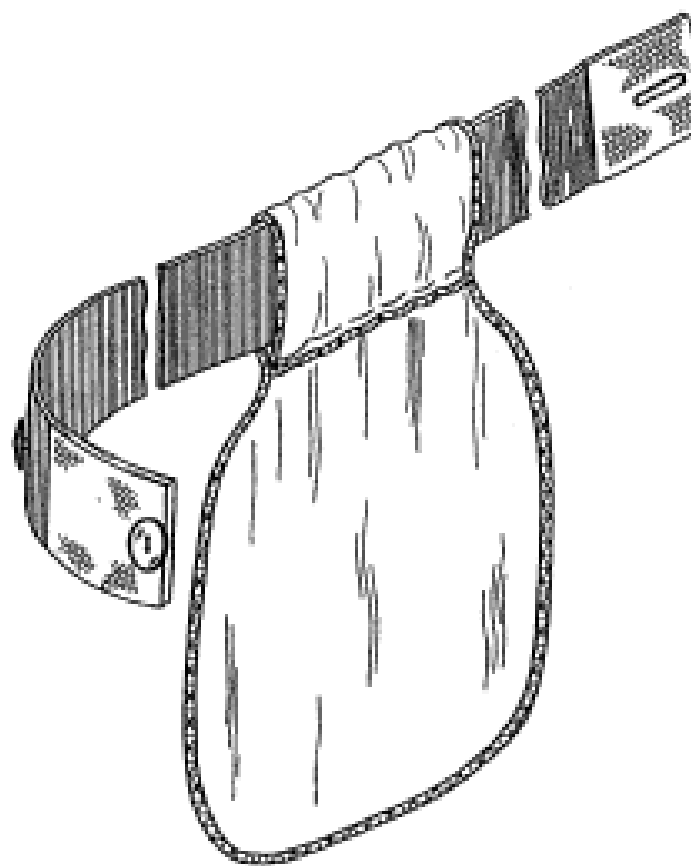
**Fertile Mind Pty Ltd**  
**Unit 12 84 Old Pittwater Road Brookvale New South Wales 2100**  
**Australia**

(72) Name(s) of Designer(s): **Peter Hooker and Christine Kininmonth**

(45) Registration Date: **15 June 2009**

(56) Related Art Documents: **Not Applicable**

(57) Statement of Newness and Distinctiveness: **Newness and distinctiveness reside in the features of the design as shown in the representations.**



(21) Design Number: **11530/2009**

(22) Date of Filing Application: **30 April 2009**

(24) Date from which industrial property rights may have effect: **30 April 2009**

(54) Product in respect of which the design is registered: **Lockstile corner for sliding door**

(51) International Design Classification: **25-02B, 25-01K**

(71) Name(s) and Address(s) of Applicant(s):

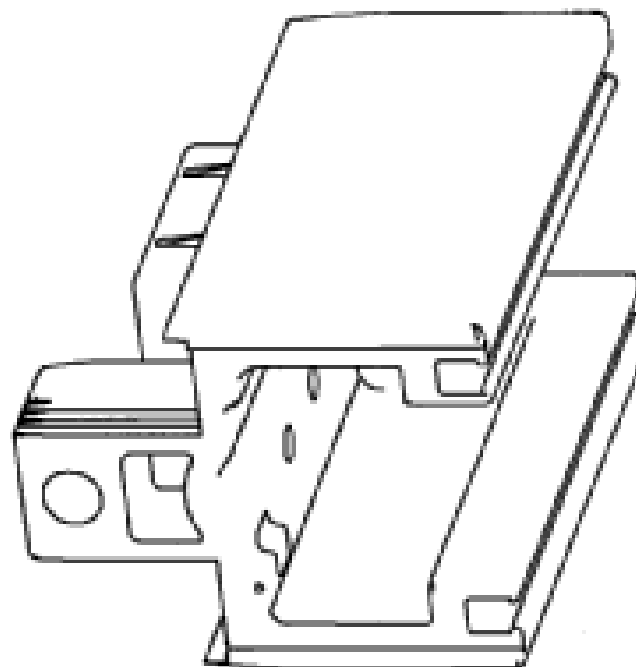
**Dezinal Pty Ltd**  
**C/- GCY Accountants Suites 1 & 2 Level 1 67 Lytton Road East**  
**Brisbane Queensland 4169 Australia**

(72) Name(s) of Designer(s): **Ronald Maxwell**

(45) Registration Date: **15 June 2009**

(56) Related Art Documents: **Not Applicable**

(57) Statement of Newness and Distinctiveness: **The sliding door design has new technology to eliminate standard corner processing reducing labour and simplifying the assembly of the door panels. The seal design incorporates four barriers limiting air, noise, water and thermal exposure from outside to inside and vice versa. Designed to sleeve into the Lock Stile (SD105) and butt at 90 degrees to the Rail (SD104) to create a fabricated corner alleviating processing to the lockstile corner normally associated with standard sliding doors.**



(21) Design Number: 11531/2009

(22) Date of Filing Application: 30 April 2009

(24) Date from which industrial property rights may have effect: 30 April 2009

(54) Product in respect of which the design is registered: **Interlock top corner for sliding door**

(51) International Design Classification: 25-02B, 25-01K

(71) Name(s) and Address(s) of Applicant(s):

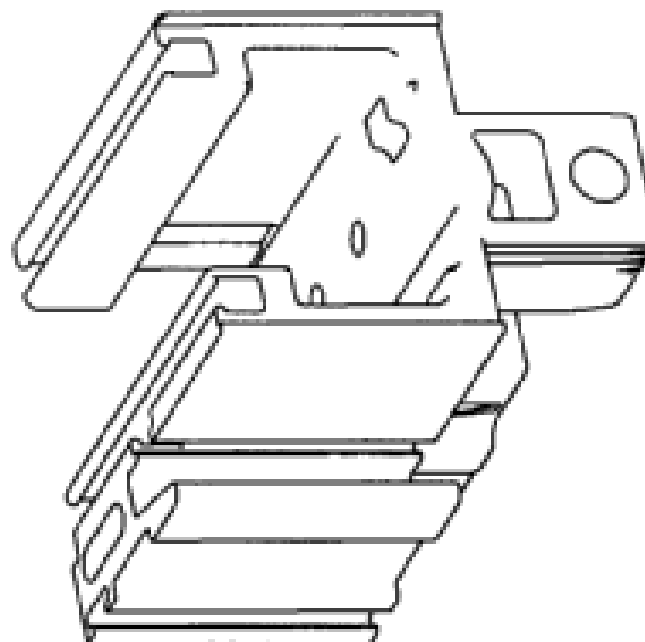
**Dezinal Pty Ltd**  
C/- GCY Accountants Suites 1 & 2 Level 1 67 Lytton Road East  
Brisbane Queensland 4169 Australia

(72) Name(s) of Designer(s): **Ronald Maxwell**

(45) Registration Date: 15 June 2009

(56) Related Art Documents: **Not Applicable**

(57) Statement of Newness and Distinctiveness: **The sliding door design has new technology to eliminate standard corner processing reducing labour and simplifying the assembly of the door panels. The seal design incorporates four barriers limiting air, noise, water and thermal exposure from outside to inside and vice versa. Designed to sleeve into to the top of the Interlock Stile (SD106) and butt at 90 degrees to the Rail (SD104) to create a fabricated corner alleviating processing to the interlock stile corner normally associated with standard sliding doors.**



(21) Design Number: 11532/2009

(22) Date of Filing Application: 30 April 2009

(24) Date from which industrial property rights may have effect: 30 April 2009

(54) Product in respect of which the design is registered: **Interlock bottom corner for sliding door**

(51) International Design Classification: 25-02B, 25-01K

(71) Name(s) and Address(s) of Applicant(s):

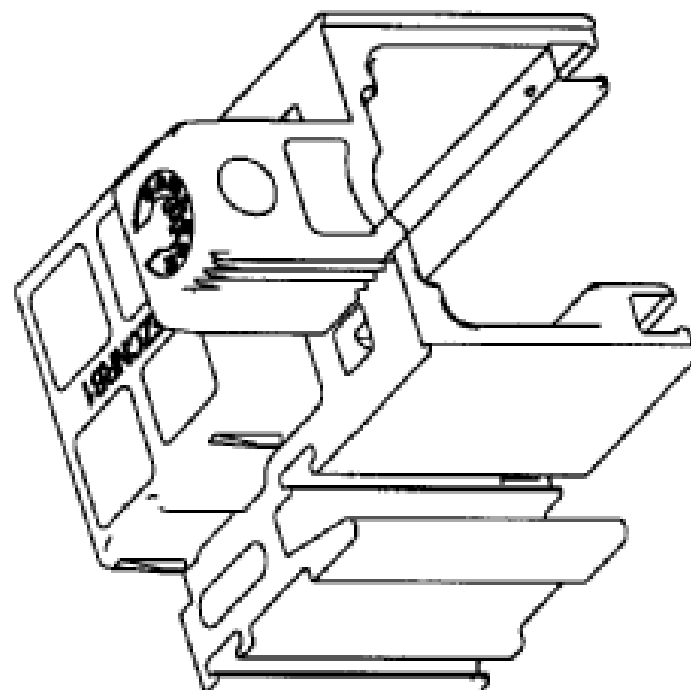
**Dezinal Pty Ltd**  
C/- GCY Accountants Suites 1 & 2 Level 1 67 Lytton Road East  
Brisbane Queensland 4169 Australia

(72) Name(s) of Designer(s): **Ronald Maxwell**

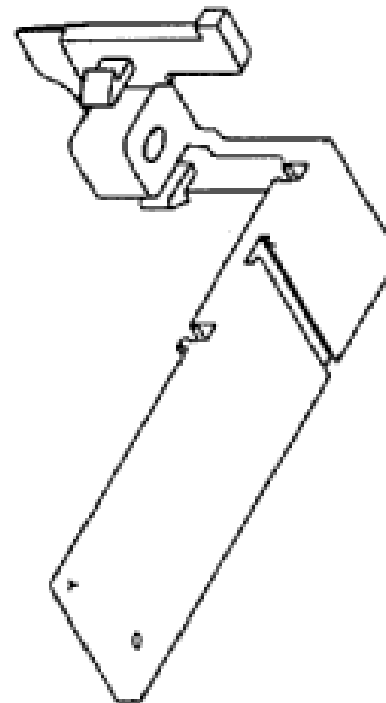
(45) Registration Date: 15 June 2009

(56) Related Art Documents: **Not Applicable**

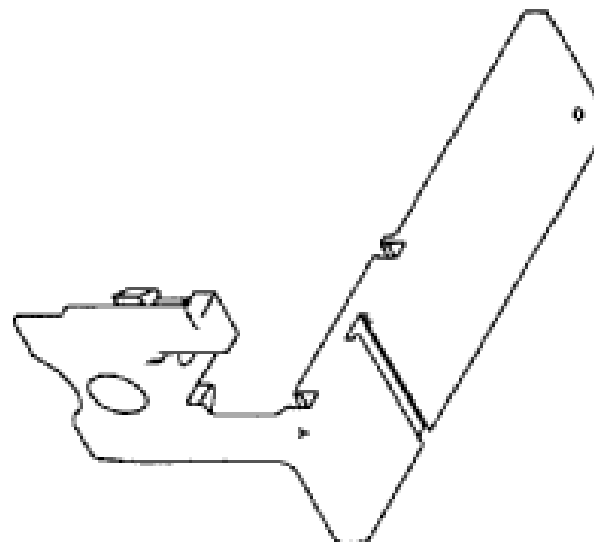
(57) Statement of Newness and Distinctiveness: **The sliding door design has new technology to eliminate standard corner processing reducing labour and simplifying the assembly of the door panels. The seal design incorporates four barriers limiting air, noise, water and thermal exposure from outside to inside and vice versa. Designed to sleeve into the bottom of the Interlock Stile (SD106) and butt at 90 degrees to the Rail (SD104) to create a fabricated corner alleviating processing to the interlock stile normally associated with standard sliding doors.**



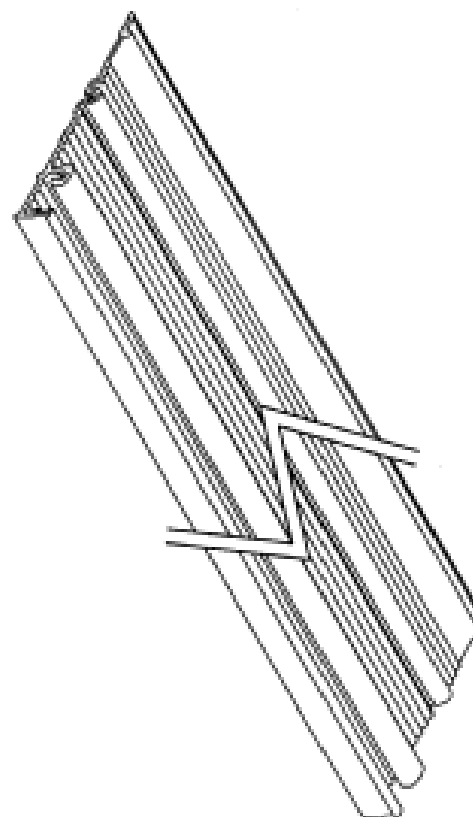
- (21) Design Number: **11533/2009**  
(22) Date of Filing Application: **30 April 2009**  
(24) Date from which industrial property rights may have effect: **30 April 2009**  
(54) Product in respect of which the design is registered: **Interlock head fixed panel cap (right)**  
(51) International Design Classification: **25-02B, 25-01K**  
(71) Name(s) and Address(s) of Applicant(s):  
**Dezinal Pty Ltd**  
**C/- GCY Accountants Suites 1 & 2 Level 1 67 Lytton Road East**  
**Brisbane Queensland 4169 Australia**  
(72) Name(s) of Designer(s): **Ronald Maxwell**  
(45) Registration Date: **15 June 2009**  
(56) Related Art Documents: **Not Applicable**  
(57) Statement of Newness and Distinctiveness: **The sliding door design has new technology to eliminate standard corner processing reducing labour and simplifying the assembly of the door panels. The seal design incorporates four barriers limiting air, noise, water and thermal exposure from outside to inside and vice versa. Designed to sleeve into the head tracks (SD100, SD150, SD200)locking the fixed panel to the head alleviating air gaps above the sliding door panels.**



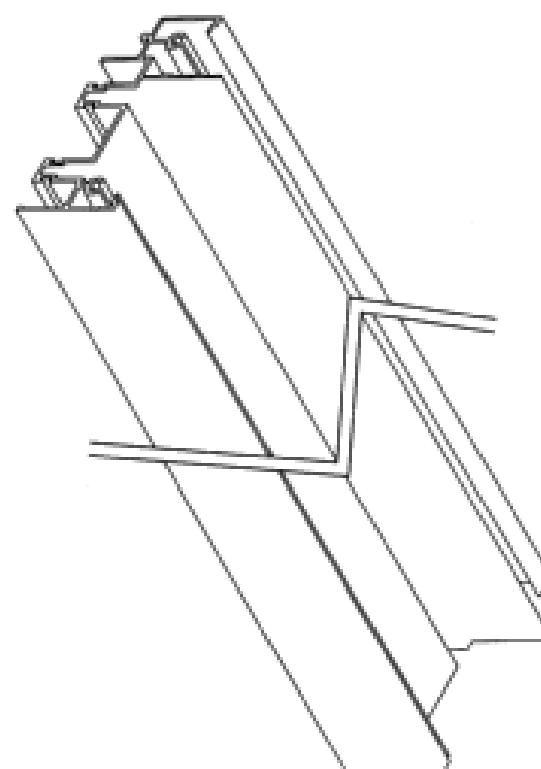
- (21) Design Number: **11534/2009**  
(22) Date of Filing Application: **30 April 2009**  
(24) Date from which industrial property rights may have effect: **30 April 2009**  
(54) Product in respect of which the design is registered: **Interlock head fixed panel cap (left)**  
(51) International Design Classification: **25-02B, 25-01K**  
(71) Name(s) and Address(s) of Applicant(s):  
**Dezinal Pty Ltd**  
**C/- GCY Accountants Suites 1 & 2 Level 1 67 Lytton Road East**  
**Brisbane Queensland 4169 Australia**  
(72) Name(s) of Designer(s): **Ronald Maxwell**  
(45) Registration Date: **15 June 2009**  
(56) Related Art Documents: **Not Applicable**  
(57) Statement of Newness and Distinctiveness: **The sliding door design has new technology to eliminate standard corner processing reducing labour and simplifying the assembly of the door panels. the seal design incorporates four barriers limiting air, noise, water and thermal exposure from outside to inside and vice versa, Designed to sleeve into the head tracks (SD100,SD150,SD200) locking the fixed panel to the head alleviating air gaps above the sliding door panels.**



- (21) Design Number: **11535/2009**  
(22) Date of Filing Application: **30 April 2009**  
(24) Date from which industrial property rights may have effect: **30 April 2009**  
(54) Product in respect of which the design is registered: **101.6mm sliding door disabled sill**  
(51) International Design Classification: **25-02B, 25-01K**  
(71) Name(s) and Address(s) of Applicant(s):  
**Dezinal Pty Ltd**  
**C/- GCY Accountants Suites 1 & 2 Level 1 67 Lytton Road East**  
**Brisbane Queensland 4169 Australia**  
(72) Name(s) of Designer(s): **Ronald Maxwell**  
(45) Registration Date: **15 June 2009**  
(56) Related Art Documents: **Not Applicable**  
(57) Statement of Newness and Distinctiveness: **The sliding door design has new technology to eliminate standard corner processing reducing labour and simplifying the assembly of the door panels. The seal design incorporates four barriers limiting air, noise, water and thermal exposure from outside to inside and vice versa.**



- (21) Design Number: **11536/2009**  
(22) Date of Filing Application: **30 April 2009**  
(24) Date from which industrial property rights may have effect: **30 April 2009**  
(54) Product in respect of which the design is registered: **101.6mm slide door head**  
(51) International Design Classification: **25-02B, 25-01K**  
(71) Name(s) and Address(s) of Applicant(s):  
**Dezinal Pty Ltd**  
**C/- GCY Accountants Suites 1 & 2 Level 1 67 Lytton Road East**  
**Brisbane Queensland 4169 Australia**  
(72) Name(s) of Designer(s): **Ronald Maxwell**  
(45) Registration Date: **15 June 2009**  
(56) Related Art Documents: **Not Applicable**  
(57) Statement of Newness and Distinctiveness: **The sliding door design has new technology to eliminate standard corner processing reducing labour and simplifying the assembly of the door panels. The seal design incorporates four barriers limiting air, noise, water and thermal exposure from outside to inside and vice versa.**



(21) Design Number: **11537/2009**

(22) Date of Filing Application: **30 April 2009**

(24) Date from which industrial property rights may have effect: **30 April 2009**

(54) Product in respect of which the design is registered: **101.6mm sliding door sill**

(51) International Design Classification: **25-02B, 25-01K**

(71) Name(s) and Address(s) of Applicant(s):

**Dezinal Pty Ltd**

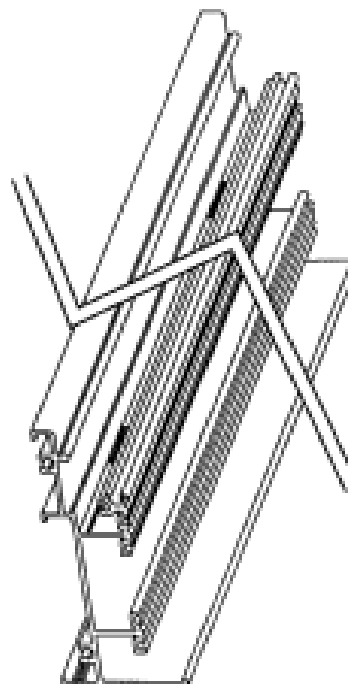
**C/- GCY Accountants Suites 1 & 2 Level 1 67 Lytton Road East  
Brisbane Queensland 4169 Australia**

(72) Name(s) of Designer(s): **Ronald Maxwell**

(45) Registration Date: **15 June 2009**

(56) Related Art Documents: **Not Applicable**

(57) Statement of Newness and Distinctiveness: **The sliding door design has new technology to eliminate standard corner processing reducing labour and simplifying the assembly of the door panels. The seal design incorporates four barriers limiting air, noise, water and thermal exposure from outside to inside and vice versa.**



(21) Design Number: **11538/2009**

(22) Date of Filing Application: **30 April 2009**

(24) Date from which industrial property rights may have effect: **30 April 2009**

(54) Product in respect of which the design is registered: **150mm sliding door head**

(51) International Design Classification: **25-02B, 25-01K**

(71) Name(s) and Address(s) of Applicant(s):

**Dezinal Pty Ltd**

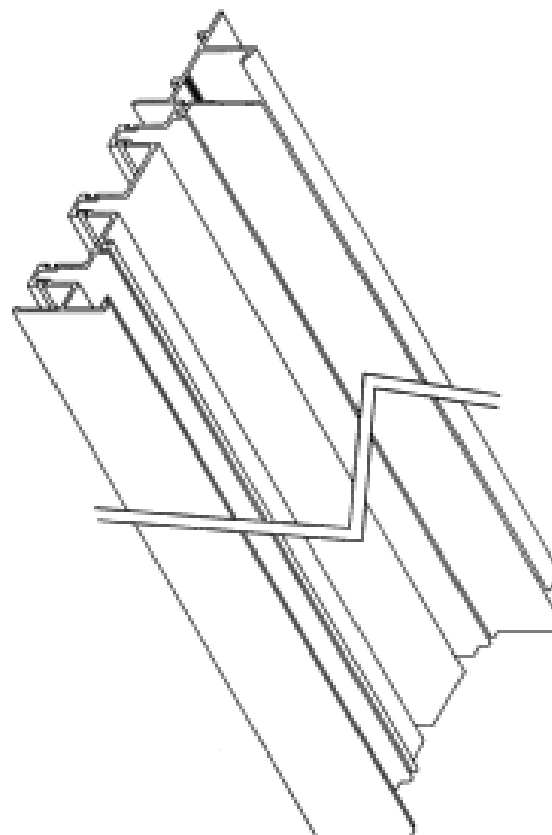
**C/- GCY Accountants Suites 1 & 2 Level 1 67 Lytton Road East  
Brisbane Queensland 4169 Australia**

(72) Name(s) of Designer(s): **Ronald Maxwell**

(45) Registration Date: **15 June 2009**

(56) Related Art Documents: **Not Applicable**

(57) Statement of Newness and Distinctiveness: **The sliding door design has new technology to eliminate standard corner processing reducing labour and simplifying the assembly of the door panels. The seal design incorporates four barriers limiting air, noise, water and thermal exposure from outside to inside and vice versa.**



(21) Design Number: **11539/2009**

(22) Date of Filing Application: **30 April 2009**

(24) Date from which industrial property rights may have effect: **30 April 2009**

(54) Product in respect of which the design is registered: **150mm sliding door sill**

(51) International Design Classification: **25-02B, 25-01K**

(71) Name(s) and Address(s) of Applicant(s):

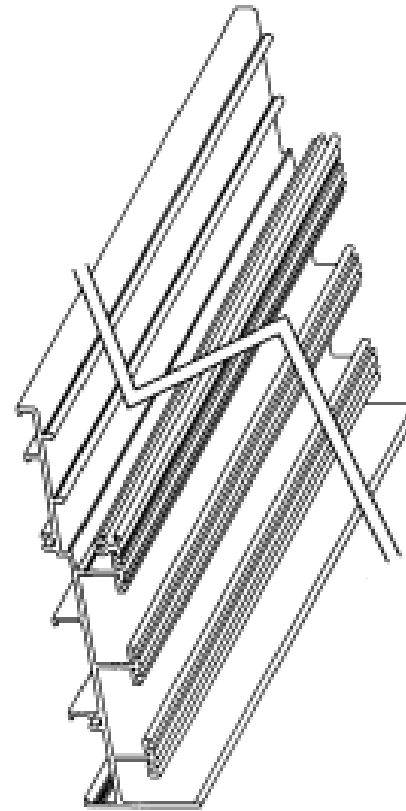
**Dezinal Pty Ltd**  
**C/- GCY Accountants Suites 1 & 2 Level 1 67 Lytton Road East**  
**Brisbane Queensland 4169 Australia**

(72) Name(s) of Designer(s): **Ronald Maxwell**

(45) Registration Date: **15 June 2009**

(56) Related Art Documents: **Not Applicable**

(57) Statement of Newness and Distinctiveness: **The sliding door design has new technology to eliminate standard corner processing reducing labour and simplifying the assembly of the door panels. The seal design incorporates four barriers limiting air, noise, water and thermal exposure from outside to inside and vice versa.**



(21) Design Number: **11540/2009**

(22) Date of Filing Application: **30 April 2009**

(24) Date from which industrial property rights may have effect: **30 April 2009**

(54) Product in respect of which the design is registered: **200mm sliding door head**

(51) International Design Classification: **25-02B, 25-01K**

(71) Name(s) and Address(s) of Applicant(s):

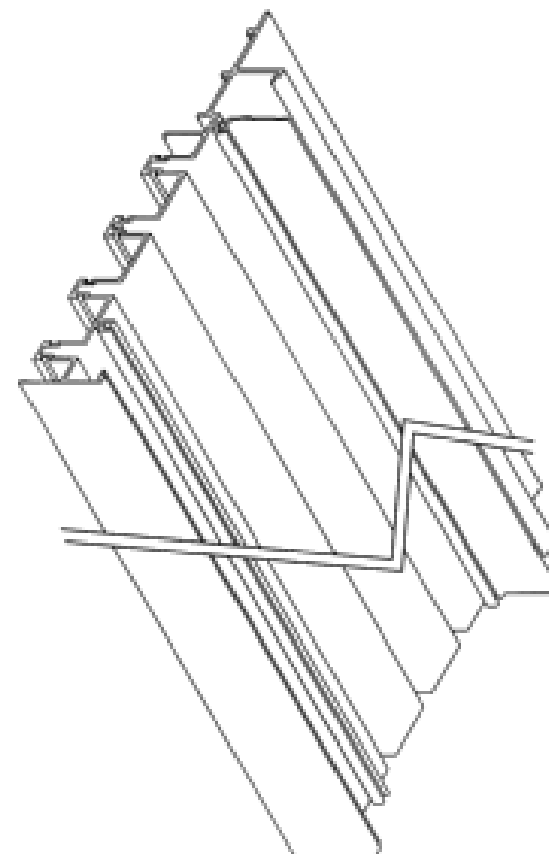
**Dezinal Pty Ltd**  
**C/- GCY Accountants Suites 1 & 2 Level 1 67 Lytton Road East**  
**Brisbane Queensland 4169 Australia**

(72) Name(s) of Designer(s): **Ronald Maxwell**

(45) Registration Date: **15 June 2009**

(56) Related Art Documents: **Not Applicable**

(57) Statement of Newness and Distinctiveness: **The sliding door design has new technology to eliminate standard corner processing reducing labour and simplifying the assembly of the door panels. The seal design incorporates four barriers limiting air, noise, water and thermal exposure from outside to inside and vice versa.**



(21) Design Number: **11541/2009**

(22) Date of Filing Application: **30 April 2009**

(24) Date from which industrial property rights may have effect: **30 April 2009**

(54) Product in respect of which the design is registered: **200mm sliding door sill**

(51) International Design Classification: **25-02B, 25-01K**

(71) Name(s) and Address(s) of Applicant(s):

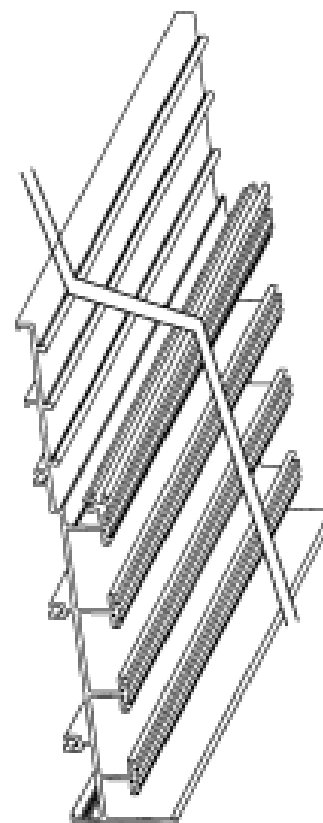
**Dezinal Pty Ltd**  
**C/- GCY Accountants Suites 1 & 2 Level 1 67 Lytton Road East**  
**Brisbane Queensland 4169 Australia**

(72) Name(s) of Designer(s): **Ronald Maxwell**

(45) Registration Date: **15 June 2009**

(56) Related Art Documents: **Not Applicable**

(57) Statement of Newness and Distinctiveness: **The sliding door design has new technology to eliminate standard corner processing reducing labour and simplifying the assembly of the door panels. The seal design incorporates four barriers limiting air, noise, water and thermal exposure from outside to inside and vice versa.**



(21) Design Number: **11542/2009**

(22) Date of Filing Application: **30 April 2009**

(24) Date from which industrial property rights may have effect: **30 April 2009**

(54) Product in respect of which the design is registered: **Sliding door rail**

(51) International Design Classification: **25-02B, 25-01K**

(71) Name(s) and Address(s) of Applicant(s):

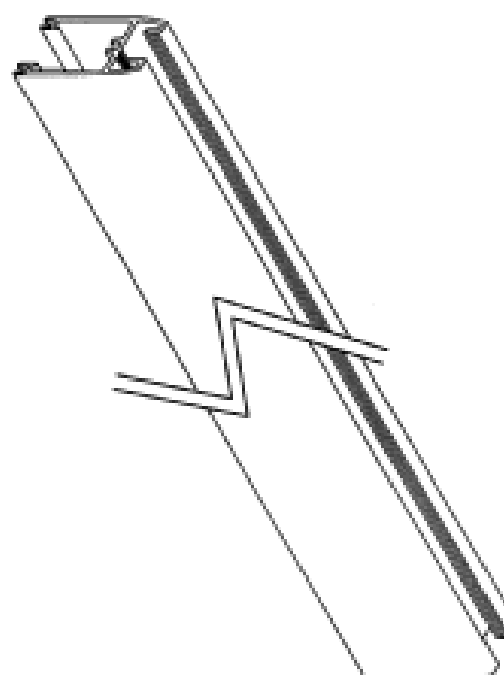
**Dezinal Pty Ltd**  
**C/- GCY Accountants Suites 1 & 2 Level 1 67 Lytton Road East**  
**Brisbane Queensland 4169 Australia**

(72) Name(s) of Designer(s): **Ronald Maxwell**

(45) Registration Date: **15 June 2009**

(56) Related Art Documents: **Not Applicable**

(57) Statement of Newness and Distinctiveness: **The sliding door design has new technology to eliminate standard corner processing reducing labour and simplifying the assembly of the door panels. The seal design incorporates four barriers limiting air, noise, water and thermal exposure from outside to inside and vice versa. Designed to accommodate seals to the bottom of the extrusion alleviating air gaps between the top of the sill and the underside of the sliding or fixed panels. Inside legs of the rails have bearing faces to accommodate seals attached to the internal track.(SD112)**



(21) Design Number: **11543/2009**

(22) Date of Filing Application: **30 April 2009**

(24) Date from which industrial property rights may have effect: **30 April 2009**

(54) Product in respect of which the design is registered: **Sliding door lock stile**

(51) International Design Classification: **25-02B, 25-01K**

(71) Name(s) and Address(s) of Applicant(s):

**Dezinal Pty Ltd**

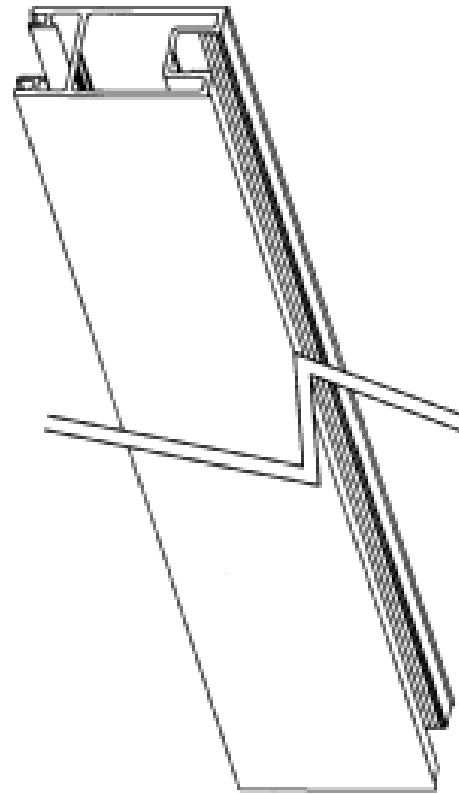
**C/- GCY Accountants Suites 1 & 2 Level 1 67 Lytton Road East  
Brisbane Queensland 4169 Australia**

(72) Name(s) of Designer(s): **Ronald Maxwell**

(45) Registration Date: **15 June 2009**

(56) Related Art Documents: **Not Applicable**

(57) Statement of Newness and Distinctiveness: **The sliding door design has new technology to eliminate standard corner processing reducing labour and simplifying the assembly of the door panels. The seal design incorporates four barriers limiting air, noise, water and thermal exposure from outside to inside and vice versa. Designed to accommodate seals to the sides of the vertical jamb and the side of the sliding or fixed panel alleviating air gaps between the jamb adaptor and the sliding or fixed panels. Inside legs of the lockstile has bearing faces to accommodate seals attached to the vertical jamb.(SD111,SD113).**



(21) Design Number: **11544/2009**

(22) Date of Filing Application: **30 April 2009**

(24) Date from which industrial property rights may have effect: **30 April 2009**

(54) Product in respect of which the design is registered: **Sliding door plant on sill track**

(51) International Design Classification: **25-02B, 25-01K**

(71) Name(s) and Address(s) of Applicant(s):

**Dezinal Pty Ltd**

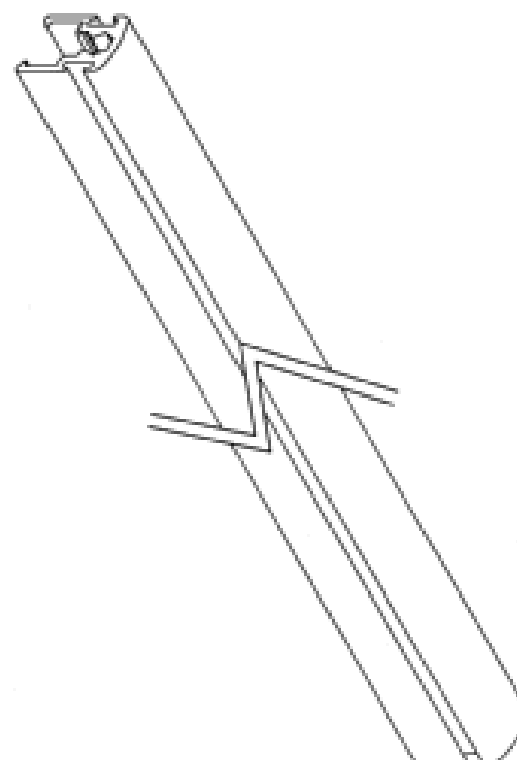
**C/- GCY Accountants Suites 1 & 2 Level 1 67 Lytton Road East  
Brisbane Queensland 4169 Australia**

(72) Name(s) of Designer(s): **Ronald Maxwell**

(45) Registration Date: **15 June 2009**

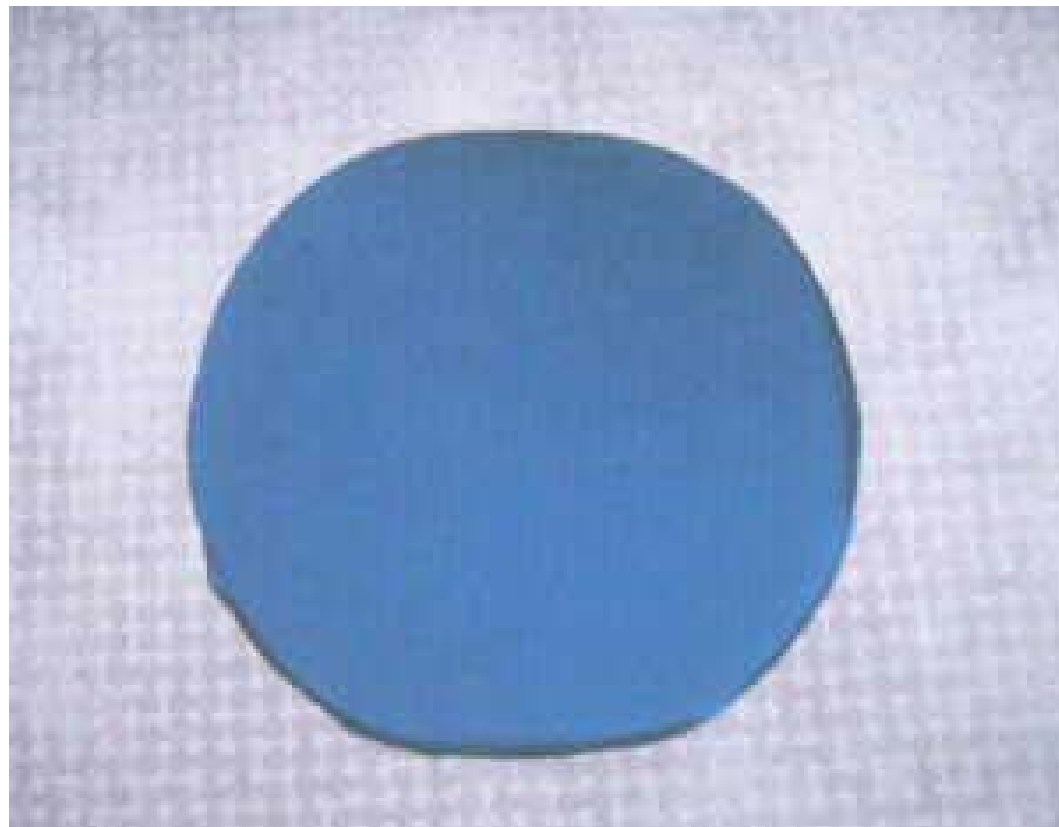
(56) Related Art Documents: **Not Applicable**

(57) Statement of Newness and Distinctiveness: **The sliding door design has new technology to eliminate standard corner processing reducing labour and simplifying the assembly of the door panels. The seal design incorporates four barriers limiting air, noise, water and thermal exposure from outside to inside and vice versa. Designed as an add-on sill track that houses the seals between the rails (SD104) and the sill tracks (SD102, SD152, SD202) alleviating air gaps.**





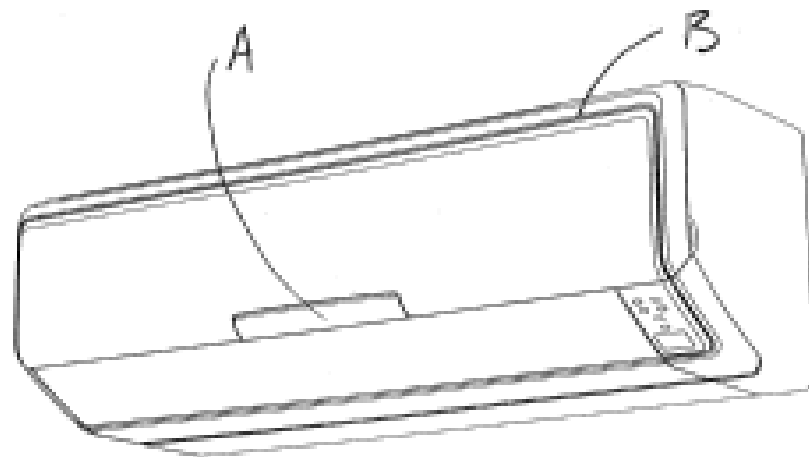
- (21) Design Number: **11608/2009**  
(22) Date of Filing Application: **07 May 2009**  
(24) Date from which industrial property rights may have effect: **07 May 2009**  
(54) Product in respect of which the design is registered: **Power nap pillow**  
(51) International Design Classification: **06-09**  
(71) Name(s) and Address(s) of Applicant(s):  
**Richard Ian Knowles**  
**41 Flinders Street Renmark South Australia 5341 Australia**  
(72) Name(s) of Designer(s): **Richard Ian Knowles**  
(45) Registration Date: **15 June 2009**  
(56) Related Art Documents: **Not Applicable**  
(57) Statement of Newness and Distinctiveness: **Product designed to slip over steering wheel of motor vehicle or truck (power nap pillow) so driver can rest their head in comfort. "See attached picture of product".**



- (21) Design Number: **11763/2009**  
(22) Date of Filing Application: **15 May 2009**  
(24) Date from which industrial property rights may have effect: **15 May 2009**  
(54) Product in respect of which the design is registered: **Air conditioner**  
(51) International Design Classification: **23-04**  
(71) Name(s) and Address(s) of Applicant(s):  
**Fujitsu General Limited**  
**1116 Suenaga Takatsu-Ku Kawasaki-Shi Kanagawa-ken Japan**  
(72) Name(s) of Designer(s): **Shintaro Ueno**  
(45) Registration Date: **15 June 2009**  
(30) Convention priority data:  

(31) Number	(32) Date	(33) Country
<b>2008-029440</b>	<b>17 Nov 2008</b>	<b>JAPAN</b>

  
(56) Related Art Documents: **Not Applicable**  
(57) Statement of Newness and Distinctiveness: **Newness and distinctiveness is claimed in the features of shape and/or configuration of the following parts of an air conditioner as illustrated and labelled in the accompanying representations. Panel below lower edge of front panel labelled "A" equally spaced bands around the circumference of the front panels labelled "B".**



(19) AU

(21) Design Number: **11765/2009**  
(22) Date of Filing Application: **15 May 2009**  
(24) Date from which industrial property rights may have effect: **15 May 2009**  
(54) Product in respect of which the design is registered: **Outdoor unit of an air conditioner**

(51) International Design Classification: **23-04**

(71) Name(s) and Address(s) of Applicant(s):

**Fujitsu General Limited**  
**1116 Suenaga Takatsu-Ku Kawasaki-Shi Kanagawa-ken Japan**

(72) Name(s) of Designer(s): **Mitsuo Fujioka**

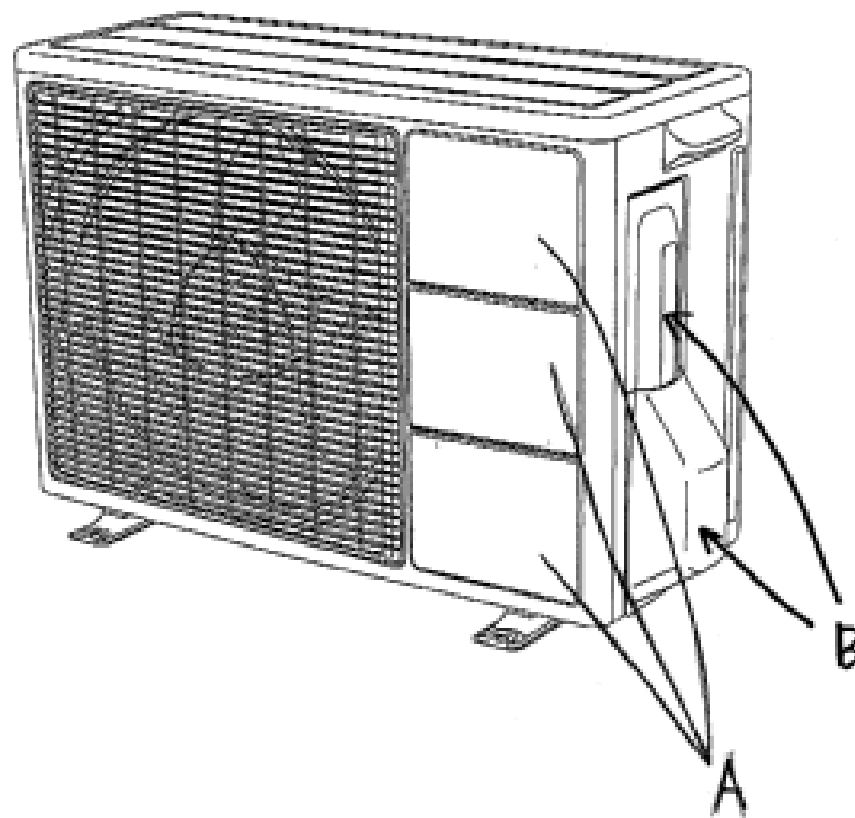
(45) Registration Date: **15 June 2009**

(30) Convention priority data:

(31) Number	(32) Date	(33) Country
<b>2008-029444</b>	<b>17 Nov 2008</b>	<b>JAPAN</b>

(56) Related Art Documents: **Not Applicable**

(57) Statement of Newness and Distinctiveness: **Newness and distinctiveness is claimed in the shape and/or configuration of the following parts of an outdoor unit of an air conditioner as illustrated and labelled in the accompanying representations. Trisected rectangular surface labelled "A". Cover labelled "B".**



(19) AU

(21) Design Number: **11434/2009**  
(22) Date of Filing Application: **28 April 2009**  
(24) Date from which industrial property rights may have effect: **28 April 2009**  
(54) Product in respect of which the design is registered: **Footwear upper**

(51) International Design Classification: **02-04NES**

(71) Name(s) and Address(s) of Applicant(s):

**Wolverine World Wide, Inc.**  
**9341 Courtland Drive NE Rockford Michigan 49351 United States of America**

(72) Name(s) of Designer(s): **Julie St-Louis and Manon Belley**

(45) Registration Date: **12 June 2009**

(30) Convention priority data:

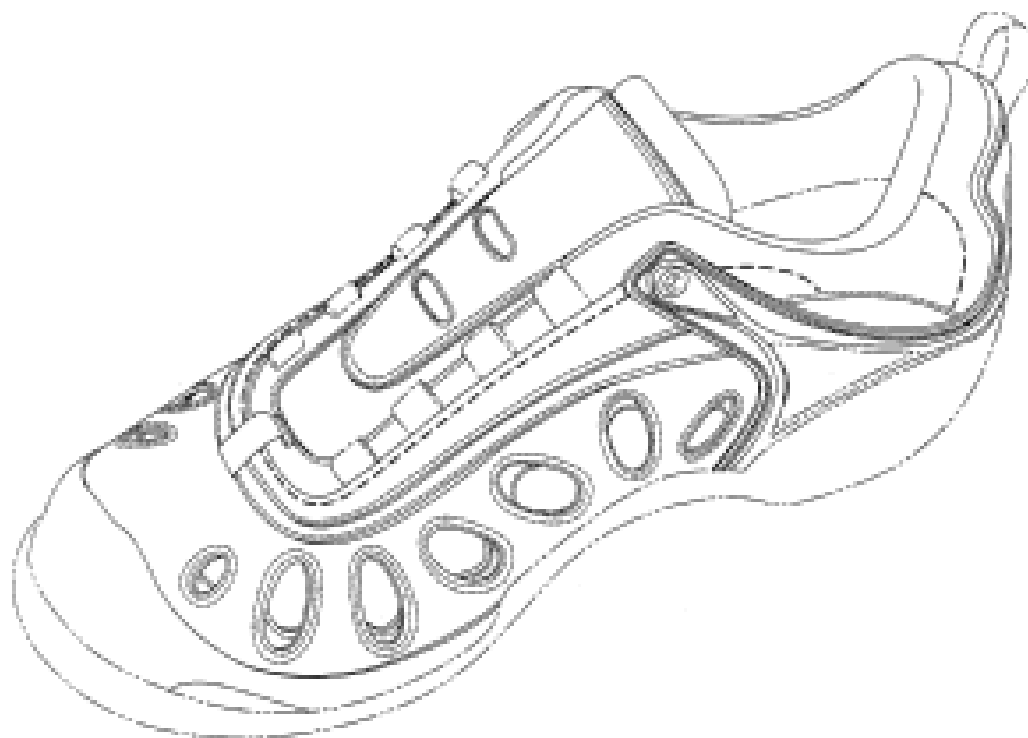
(31) Number	(32) Date	(33) Country
<b>29/312620</b>	<b>03 Nov 2008</b>	<b>UNITED STATES OF AMERICA</b>

(56) Related Art Documents: **Not Applicable**

(57) Statement of Newness and Distinctiveness: **Newness and distinctiveness is claimed in the visual features shown in the representations except for those shown in phantom lines.**



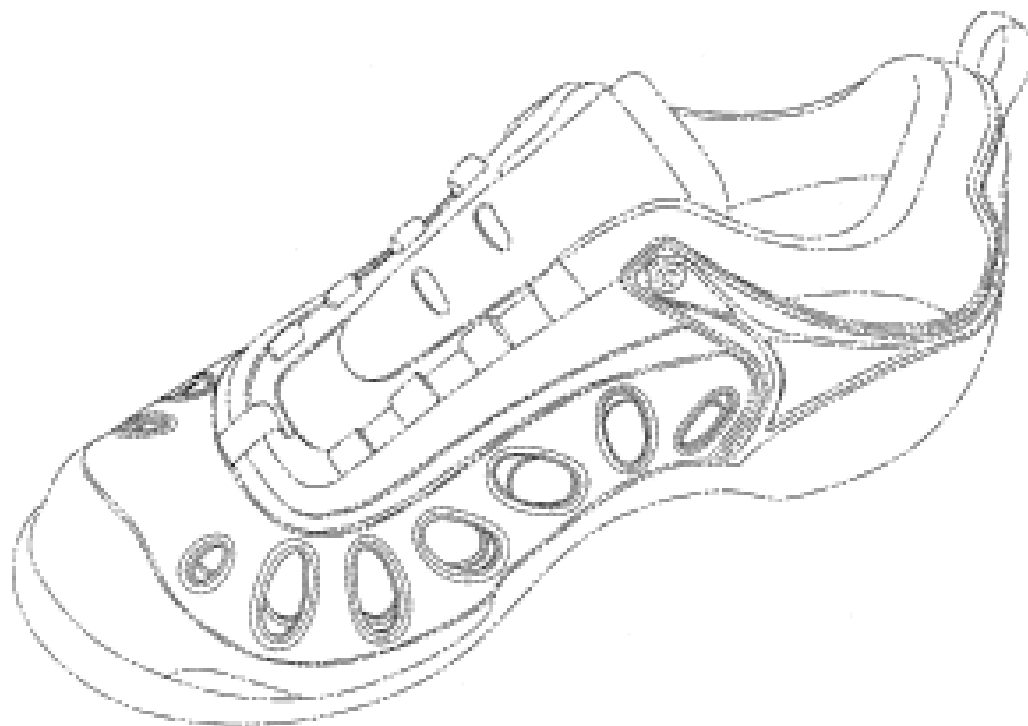
- (21) Design Number: **11435/2009**  
(22) Date of Filing Application: **28 April 2009**  
(24) Date from which industrial property rights may have effect: **28 April 2009**  
(54) Product in respect of which the design is registered: **Footwear upper**  
(51) International Design Classification: **02-04NES**  
(71) Name(s) and Address(s) of Applicant(s):  
**Wolverine World Wide, Inc.**  
**9341 Courtland Drive NE Rockford Michigan 49351 United States of America**  
(72) Name(s) of Designer(s): **Julie St-Louis and Martin W.F. Dean and Manon Belley**  
(45) Registration Date: **12 June 2009**  
(30) Convention priority data:  
(31) Number (32) Date (33) Country  
**29/312625 03 Nov 2008 UNITED STATES OF AMERICA**  
(56) Related Art Documents: **Not Applicable**  
(57) Statement of Newness and Distinctiveness: **Newness and distinctiveness is claimed in the visual features shown in the representations except for those shown in phantom lines.**



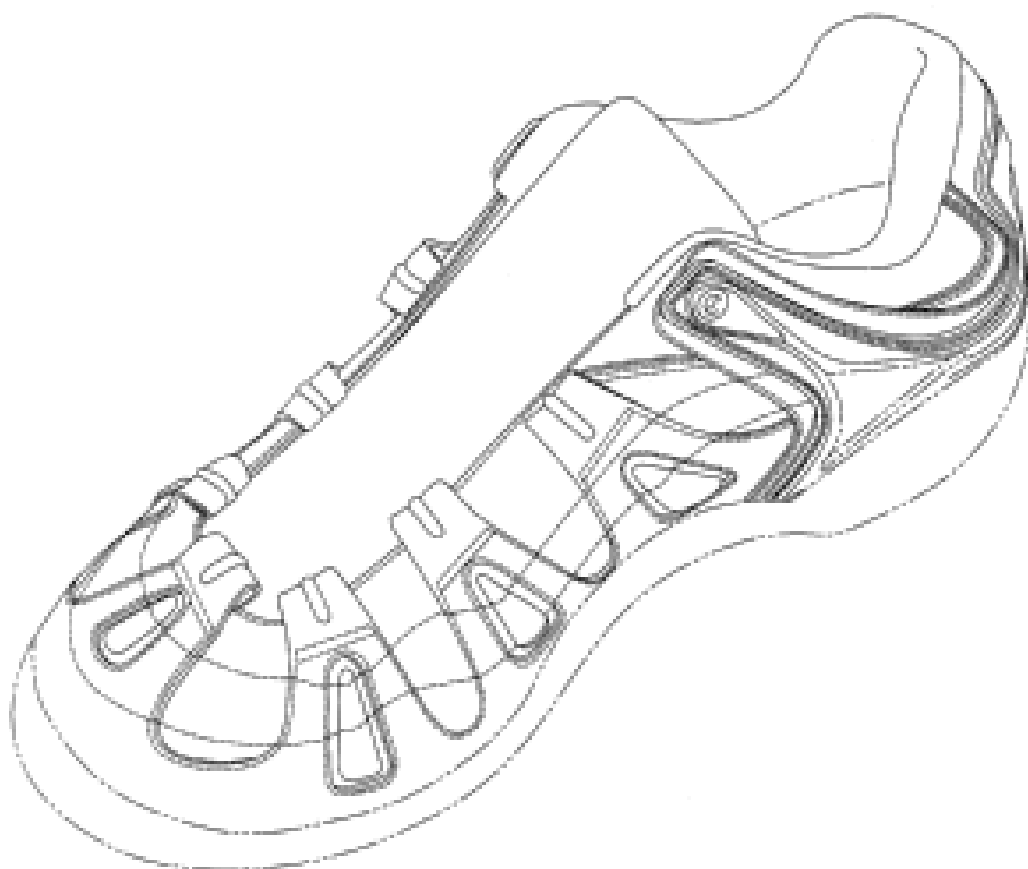
- (21) Design Number: **11436/2009**  
(22) Date of Filing Application: **28 April 2009**  
(24) Date from which industrial property rights may have effect: **28 April 2009**  
(54) Product in respect of which the design is registered: **Footwear upper**  
(51) International Design Classification: **02-04NES**  
(71) Name(s) and Address(s) of Applicant(s):  
**Wolverine World Wide, Inc.**  
**9341 Courtland Drive NE Rockford Michigan 49351 United States of America**  
(72) Name(s) of Designer(s): **Julie St-Louis and Martin W.F. Dean and Manon Belley**  
(45) Registration Date: **12 June 2009**  
(30) Convention priority data:  
(31) Number (32) Date (33) Country  
**29/312635 03 Nov 2008 UNITED STATES OF AMERICA**  
(56) Related Art Documents: **Not Applicable**  
(57) Statement of Newness and Distinctiveness: **Newness and distinctiveness is claimed in the visual features shown in the representations except for those shown in phantom lines.**



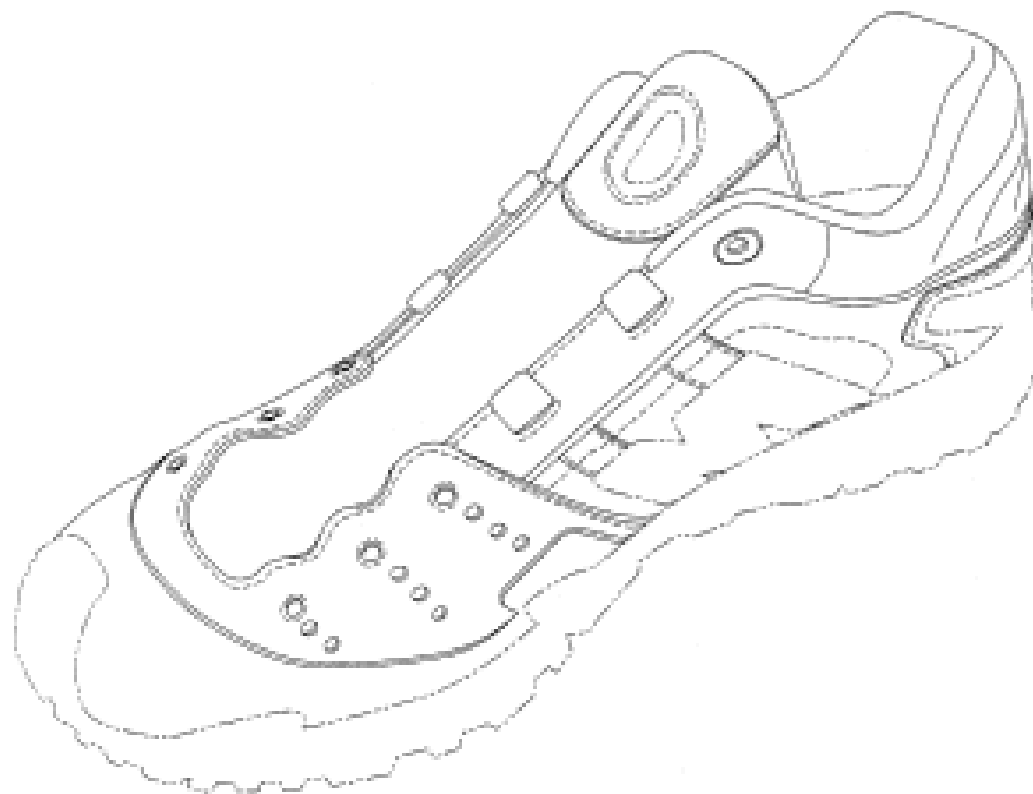
- (21) Design Number: **11437/2009**  
(22) Date of Filing Application: **28 April 2009**  
(24) Date from which industrial property rights may have effect: **28 April 2009**  
(54) Product in respect of which the design is registered: **Footwear upper**  
(51) International Design Classification: **02-04NES**  
(71) Name(s) and Address(s) of Applicant(s):  
**Wolverine World Wide, Inc.**  
**9341 Courtland Drive NE Rockford Michigan 49351 United States of America**  
(72) Name(s) of Designer(s): **Julie St-Louis and Martin W.F. Dean and Manon Belley**  
(45) Registration Date: **12 June 2009**  
(30) Convention priority data:  
(31) Number (32) Date (33) Country  
**29/312615 03 Nov 2008 UNITED STATES OF AMERICA**  
(56) Related Art Documents: **Not Applicable**  
(57) Statement of Newness and Distinctiveness: **Newness and distinctiveness is claimed in the visual features shown in the representations except for those shown in phantom lines.**



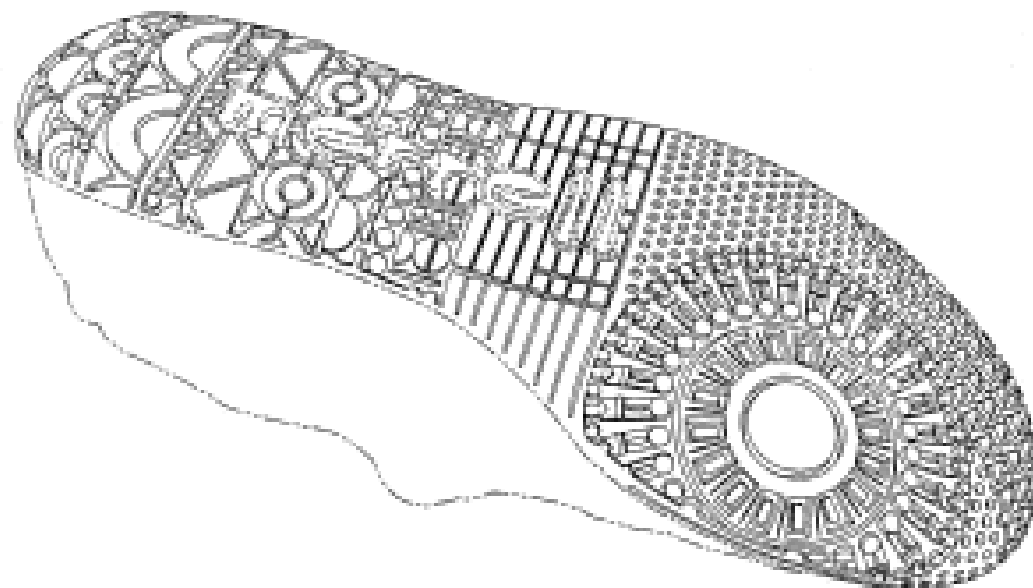
- (21) Design Number: **11438/2009**  
(22) Date of Filing Application: **28 April 2009**  
(24) Date from which industrial property rights may have effect: **28 April 2009**  
(54) Product in respect of which the design is registered: **Footwear upper**  
(51) International Design Classification: **02-04NES**  
(71) Name(s) and Address(s) of Applicant(s):  
**Wolverine World Wide, Inc.**  
**9341 Courtland Drive NE Rockford Michigan 49351 United States of America**  
(72) Name(s) of Designer(s): **Julie St-Louis and Martin W.F. Dean and Manon Belley**  
(45) Registration Date: **12 June 2009**  
(30) Convention priority data:  
(31) Number (32) Date (33) Country  
**29/312616 03 Nov 2008 UNITED STATES OF AMERICA**  
(56) Related Art Documents: **Not Applicable**  
(57) Statement of Newness and Distinctiveness: **Newness and distinctiveness is claimed in the visual features shown in the representations except for those shown in phantom lines.**



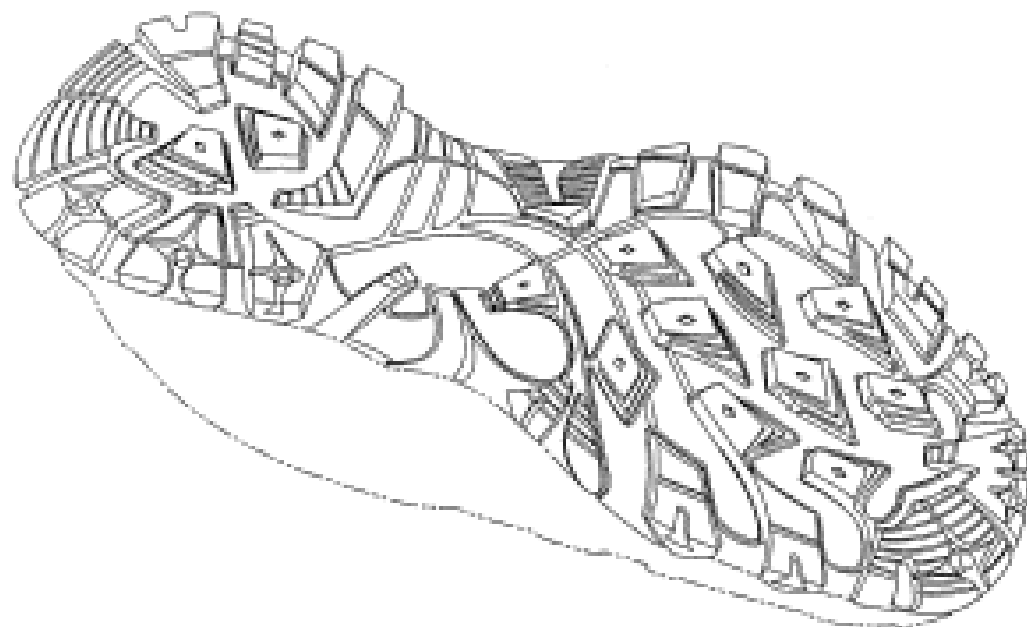
- (21) Design Number: **11439/2009**  
(22) Date of Filing Application: **28 April 2009**  
(24) Date from which industrial property rights may have effect: **28 April 2009**  
(54) Product in respect of which the design is registered: **Footwear upper**  
(51) International Design Classification: **02-04NES**  
(71) Name(s) and Address(s) of Applicant(s):  
**Wolverine World Wide, Inc.**  
**9341 Courtland Drive NE Rockford Michigan 49351 United States of America**  
(72) Name(s) of Designer(s): **Gary J. Banik and Martin W.F. Dean**  
(45) Registration Date: **12 June 2009**  
(30) Convention priority data:  
(31) Number (32) Date (33) Country  
**29/312633 03 Nov 2008 UNITED STATES OF AMERICA**  
(56) Related Art Documents: **Not Applicable**  
(57) Statement of Newness and Distinctiveness: **Newness and distinctiveness is claimed in the visual features shown in the representations except for those shown in phantom lines.**



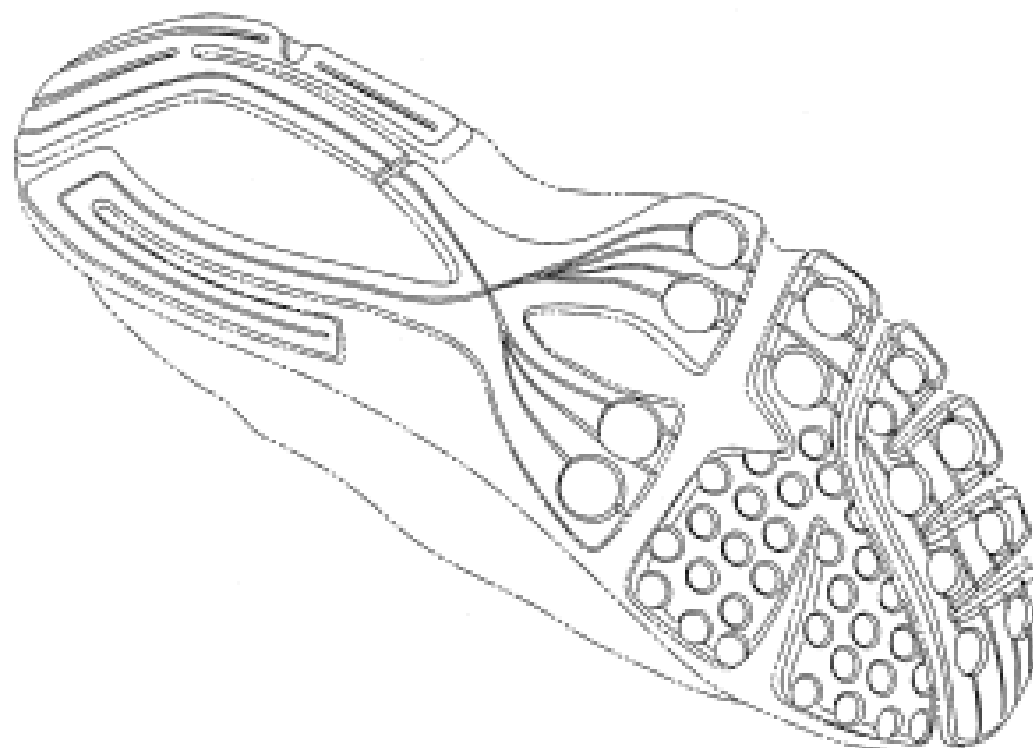
- (21) Design Number: **11440/2009**  
(22) Date of Filing Application: **28 April 2009**  
(24) Date from which industrial property rights may have effect: **28 April 2009**  
(54) Product in respect of which the design is registered: **Footwear sole**  
(51) International Design Classification: **02-04B**  
(71) Name(s) and Address(s) of Applicant(s):  
**Wolverine World Wide, Inc.**  
**9341 Courtland Drive NE Rockford Michigan 49351 United States of America**  
(72) Name(s) of Designer(s): **Manon Belley and Julie St-Louis and Cristian Ardissono**  
(45) Registration Date: **12 June 2009**  
(30) Convention priority data:  
(31) Number (32) Date (33) Country  
**29/312618 03 Nov 2008 UNITED STATES OF AMERICA**  
(56) Related Art Documents: **Not Applicable**  
(57) Statement of Newness and Distinctiveness: **Newness and distinctiveness is claimed in the visual features shown in the representations except for those shown in phantom lines.**



- (21) Design Number: **11441/2009**  
(22) Date of Filing Application: **28 April 2009**  
(24) Date from which industrial property rights may have effect: **28 April 2009**  
(54) Product in respect of which the design is registered: **Footwear sole**  
(51) International Design Classification: **02-04B**  
(71) Name(s) and Address(s) of Applicant(s):  
**Wolverine World Wide, Inc.**  
**9341 Courtland Drive NE Rockford Michigan 49351 United States of America**  
(72) Name(s) of Designer(s): **Julie St-Louis and Defne Yalkut and Manon Belley and Martin W.F. Dean**  
(45) Registration Date: **12 June 2009**  
(30) Convention priority data:  
(31) Number (32) Date (33) Country  
**29/312624 03 Nov 2008 UNITED STATES OF AMERICA**  
(56) Related Art Documents: **Not Applicable**  
(57) Statement of Newness and Distinctiveness: **Newness and distinctiveness is claimed in the visual features shown in the representations except for those shown in phantom lines.**

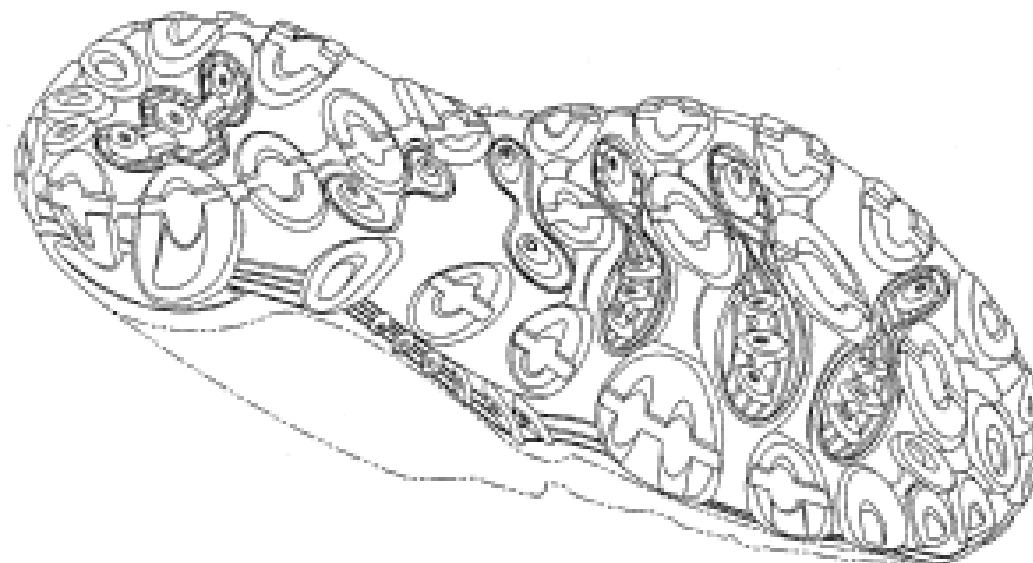


- (21) Design Number: **11442/2009**  
(22) Date of Filing Application: **28 April 2009**  
(24) Date from which industrial property rights may have effect: **28 April 2009**  
(54) Product in respect of which the design is registered: **Footwear sole**  
(51) International Design Classification: **02-04B**  
(71) Name(s) and Address(s) of Applicant(s):  
**Wolverine World Wide, Inc.**  
**9341 Courtland Drive NE Rockford Michigan 49351 United States of America**  
(72) Name(s) of Designer(s): **Greg Duffy**  
(45) Registration Date: **12 June 2009**  
(30) Convention priority data:  
(31) Number (32) Date (33) Country  
**29/312637 03 Nov 2008 UNITED STATES OF AMERICA**  
(56) Related Art Documents: **Not Applicable**  
(57) Statement of Newness and Distinctiveness: **Newness and distinctiveness is claimed in the visual features shown in the representations except for those shown in phantom lines.**



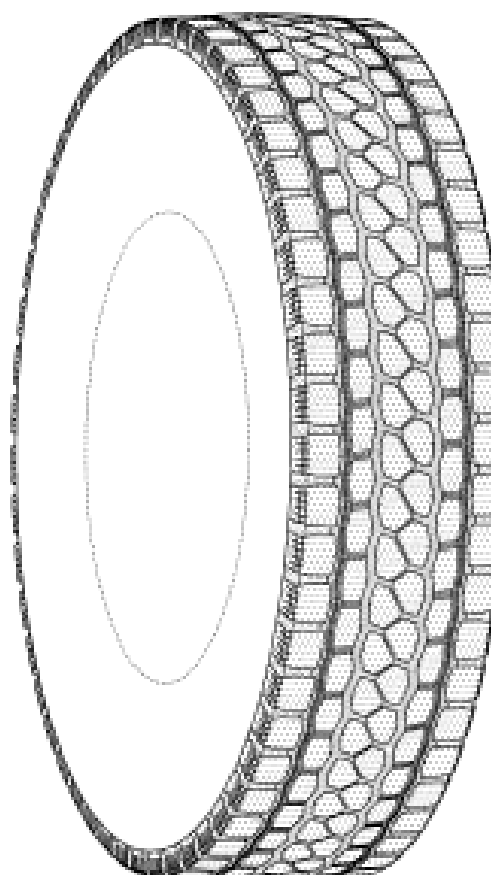
- (21) Design Number: **11443/2009**
- (22) Date of Filing Application: **28 April 2009**
- (24) Date from which industrial property rights may have effect: **28 April 2009**
- (54) Product in respect of which the design is registered: **Footwear sole**
- (51) International Design Classification: **02-04B**
- (71) Name(s) and Address(s) of Applicant(s):  
**Wolverine World Wide, Inc.**  
**9341 Courtland Drive NE Rockford Michigan 49351 United States of America**
- (72) Name(s) of Designer(s): **Julie St-Louis and Laura Bianchi and Manon Belley and Martin W.F. Dean**
- (45) Registration Date: **12 June 2009**
- (30) Convention priority data:  

(31) Number	(32) Date	(33) Country
<b>29/312636</b>	<b>03 Nov 2008</b>	<b>UNITED STATES OF AMERICA</b>
- (56) Related Art Documents: **Not Applicable**
- (57) Statement of Newness and Distinctiveness: **Newness and distinctiveness is claimed in the visual features shown in the representations except for those shown in phantom lines.**



- (21) Design Number: **11171/2009**
- (22) Date of Filing Application: **06 April 2009**
- (24) Date from which industrial property rights may have effect: **06 April 2009**
- (54) Product in respect of which the design is registered: **Automobile tyre**
- (51) International Design Classification: **12-15A**
- (71) Name(s) and Address(s) of Applicant(s):  
**Bridgestone Corporation**  
**10-1 Kyobashi 1-Chome Chuo-ku Tokyo 104-8340 Japan**
- (72) Name(s) of Designer(s): **Akira Nakamizo**
- (45) Registration Date: **11 June 2009**
- (30) Convention priority data:  

(31) Number	(32) Date	(33) Country
<b>2008-025598</b>	<b>06 Oct 2008</b>	<b>JAPAN</b>
- (56) Related Art Documents: **Not Applicable**
- (57) Statement of Newness and Distinctiveness: **The shape, configuration and pattern of the parts of the tyre shown by means of solid lines in the representations are new and distinctive.**



(21) Design Number: **11521/2009**

(22) Date of Filing Application: **30 April 2009**

(24) Date from which industrial property rights may have effect: **30 April 2009**

(54) Product in respect of which the design is registered: **Lid**

(51) International Design Classification: **07-01NES**

(71) Name(s) and Address(s) of Applicant(s):

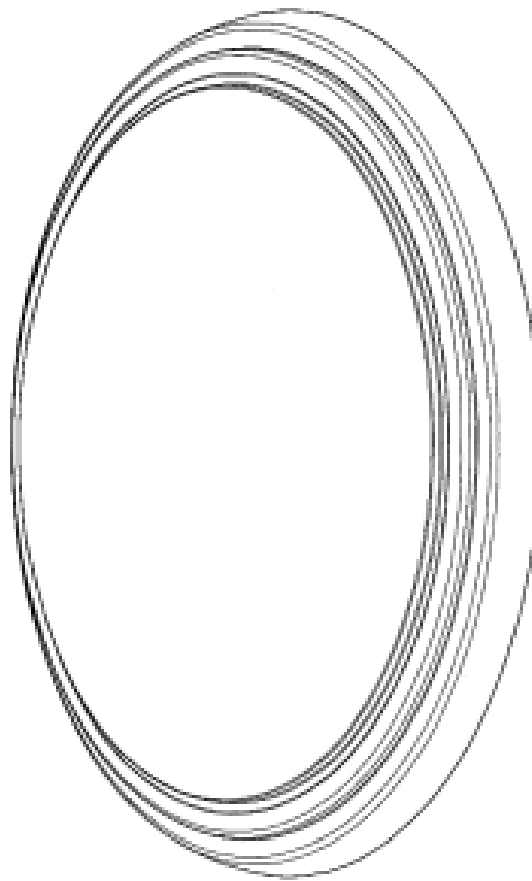
**Orica International IP Holdings Inc.  
33101 East Quincy Avenue Watkins Colorado 80137 United States of  
America**

(72) Name(s) of Designer(s): **Jim Sutton**

(45) Registration Date: **11 June 2009**

(56) Related Art Documents: **Not Applicable**

(57) Statement of Newness and Distinctiveness: **Nil**



(21) Design Number: **11571/2009**

(22) Date of Filing Application: **05 May 2009**

(24) Date from which industrial property rights may have effect: **05 May 2009**

(54) Product in respect of which the design is registered: **Table with seats**

(51) International Design Classification: **06-05**

(71) Name(s) and Address(s) of Applicant(s):

**Stephen Rowlinson  
27 Park Road Bramcote Nottingham NG9 3LA United Kingdom**

(72) Name(s) of Designer(s): **Stephen Rowlinson**

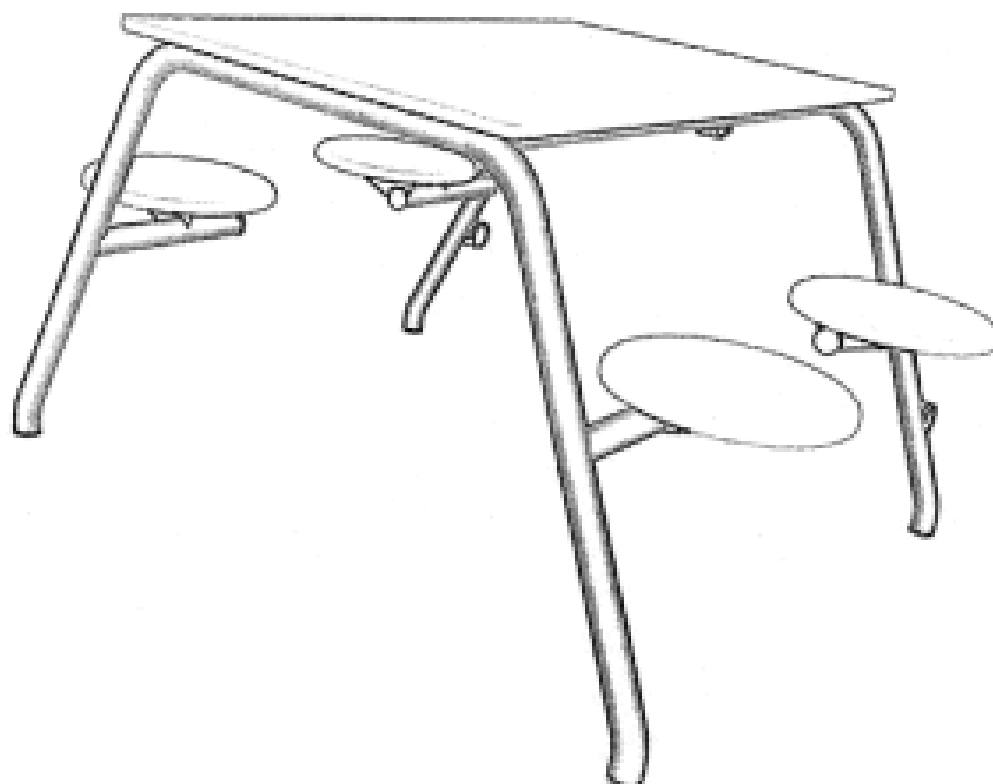
(45) Registration Date: **11 June 2009**

(30) Convention priority data:

(31) Number	(32) Date	(33) Country
<b>001034185-0001</b>	<b>04 Nov 2008</b>	<b>EUROPEAN COMMUNITY</b>

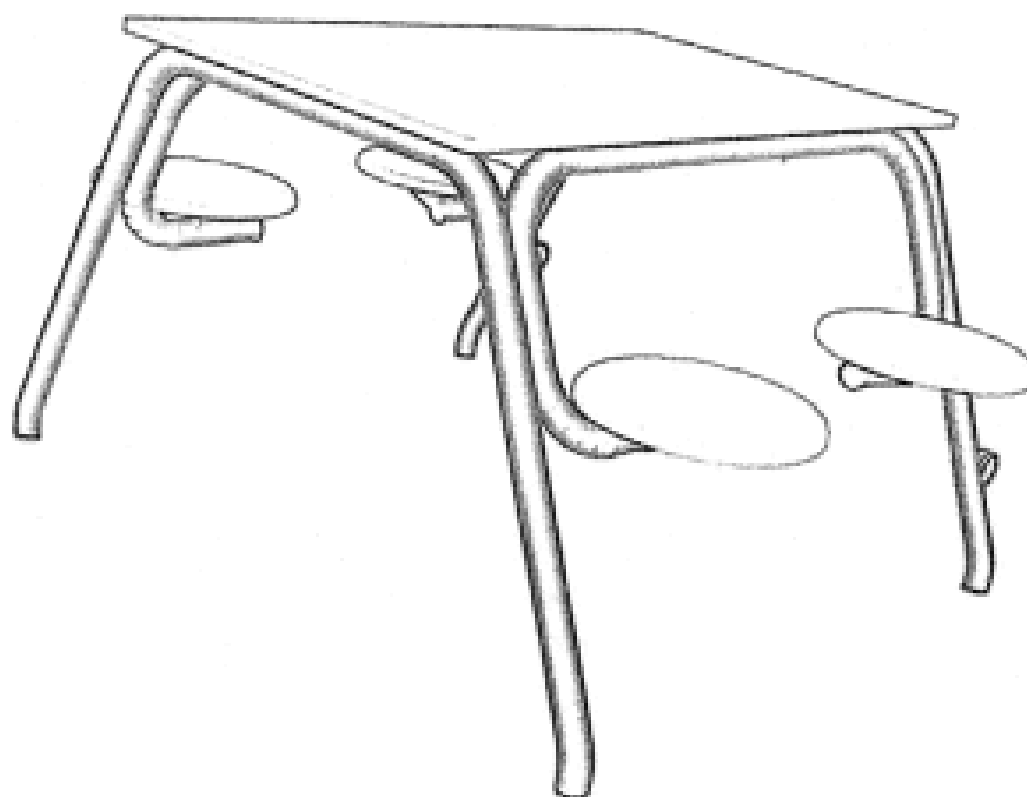
(56) Related Art Documents: **Not Applicable**

(57) Statement of Newness and Distinctiveness: **Newness and distinctiveness resides in the shape and configuration of a table with seats as illustrated in Figures 1.1 to 1.4.**

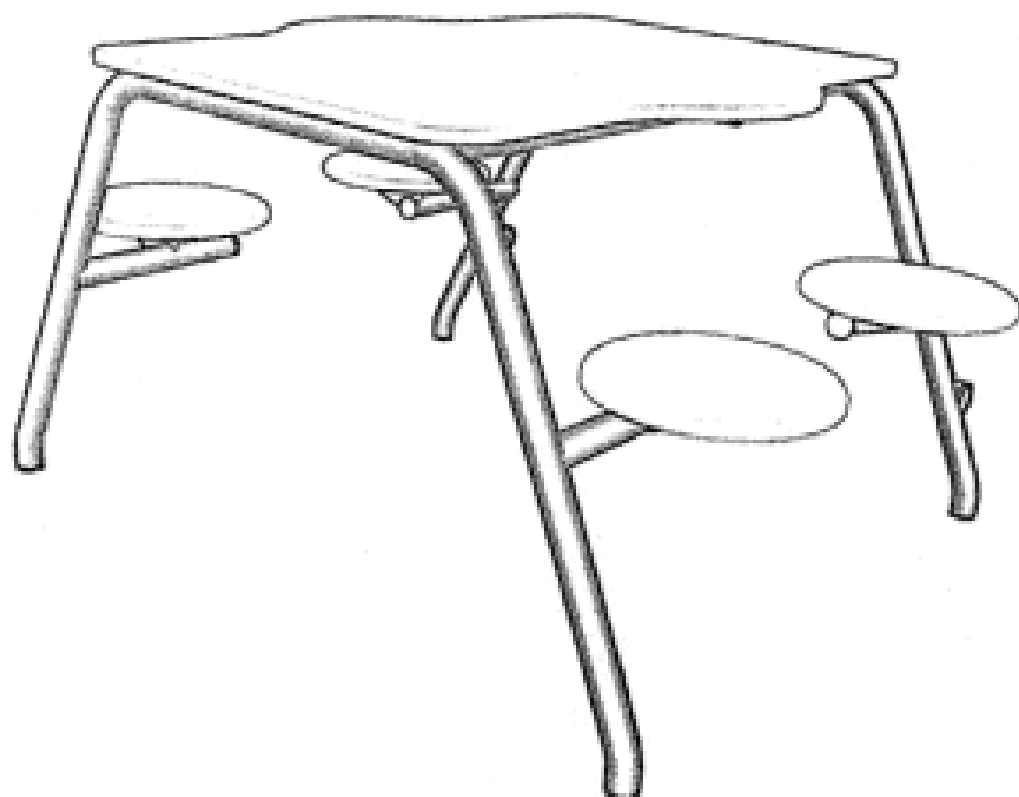




(21) Design Number: **11572/2009**  
(22) Date of Filing Application: **05 May 2009**  
(24) Date from which industrial property rights may have effect: **05 May 2009**  
(54) Product in respect of which the design is registered: **Table with seats**  
(51) International Design Classification: **06-05**  
(71) Name(s) and Address(s) of Applicant(s):  
**Stephen Rowlinson**  
**27 Park Road Bramcote Nottingham NG9 3LA United Kingdom**  
(72) Name(s) of Designer(s): **Stephen Rowlinson**  
(45) Registration Date: **11 June 2009**  
(30) Convention priority data:  
(31) Number (32) Date (33) Country  
**001034185-0002 04 Nov 2008 EUROPEAN COMMUNITY**  
(56) Related Art Documents: **Not Applicable**  
(57) Statement of Newness and Distinctiveness: **Newness and distinctiveness resides in the shape and configuration of a table with seats as illustrated in Figures 2.1 to 2.4.**



(21) Design Number: **11573/2009**  
(22) Date of Filing Application: **05 May 2009**  
(24) Date from which industrial property rights may have effect: **05 May 2009**  
(54) Product in respect of which the design is registered: **Table with seats**  
(51) International Design Classification: **06-05**  
(71) Name(s) and Address(s) of Applicant(s):  
**Stephen Rowlinson**  
**27 Park Road Bramcote Nottingham NG9 3LA United Kingdom**  
(72) Name(s) of Designer(s): **Stephen Rowlinson**  
(45) Registration Date: **11 June 2009**  
(30) Convention priority data:  
(31) Number (32) Date (33) Country  
**001034185-0003 04 Nov 2008 EUROPEAN COMMUNITY**  
(56) Related Art Documents: **Not Applicable**  
(57) Statement of Newness and Distinctiveness: **Newness and distinctiveness resides in the shape and configuration of a table with seats as illustrated in Figures 3.1 to 3.4.**



(21) Design Number: **11574/2009**

(22) Date of Filing Application: **05 May 2009**

(24) Date from which industrial property rights may have effect: **05 May 2009**

(54) Product in respect of which the design is registered: **Table with seats**

(51) International Design Classification: **06-05**

(71) Name(s) and Address(s) of Applicant(s):

**Stephen Rowlinson**

**27 Park Road Bramcote Nottingham NG9 3LA United Kingdom**

(72) Name(s) of Designer(s): **Stephen Rowlinson**

(45) Registration Date: **11 June 2009**

(30) Convention priority data:

(31) Number

(32) Date

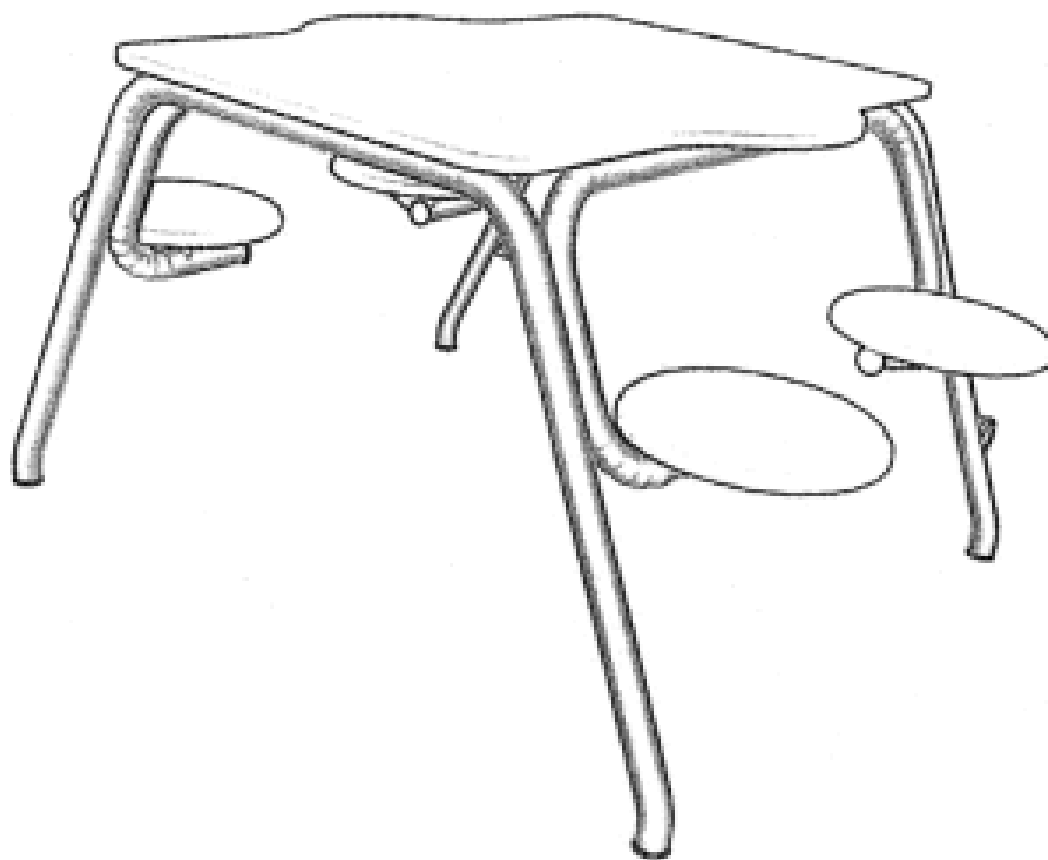
(33) Country

**001034185-0004 04 Nov 2008**

**EUROPEAN COMMUNITY**

(56) Related Art Documents: **Not Applicable**

(57) Statement of Newness and Distinctiveness: **Newness and distinctiveness resides in the shape and configuration of a table with seats as illustrated in Figures 4.1 to 4.4.**



(21) Design Number: **11967/2009**

(22) Date of Filing Application: **29 May 2009**

(24) Date from which industrial property rights may have effect: **29 May 2009**

(54) Product in respect of which the design is registered: **Protective hood for dogs ears**

(51) International Design Classification: **30-01**

(71) Name(s) and Address(s) of Applicant(s):

**Diane Blundell**

**16 Loretta Place Glendenning New South Wales 2761 Australia**

(72) Name(s) of Designer(s): **Diane Marie Blundell**

(45) Registration Date: **11 June 2009**

(56) Related Art Documents: **Not Applicable**

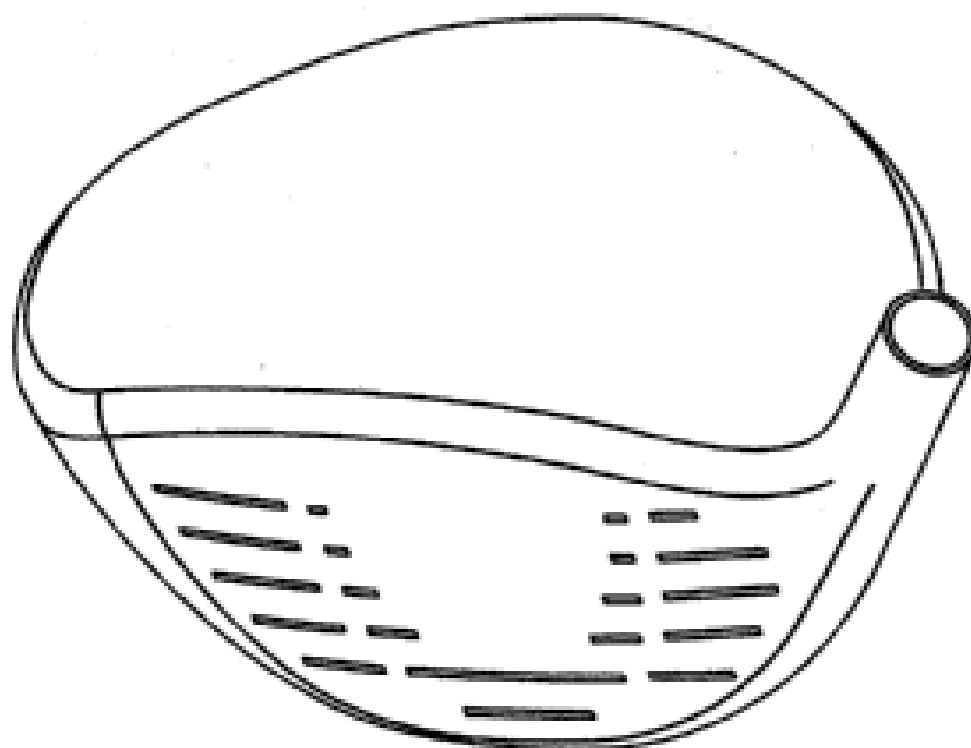
(57) Statement of Newness and Distinctiveness: **Flyzoff offers 100% protection for dogs ears from flies. The strong, durable, weather resistant and washable hood with a sun visor offers protection from fly bites and the sun.**



(21) Design Number: **11968/2009**  
(22) Date of Filing Application: **29 May 2009**  
(24) Date from which industrial property rights may have effect: **29 May 2009**  
(54) Product in respect of which the design is registered: **Protective hood for dogs ears**  
(51) International Design Classification: **30-01**  
(71) Name(s) and Address(s) of Applicant(s):  
**Diane Blundell**  
**16 Loretta Place Glendenning New South Wales 2761 Australia**  
(72) Name(s) of Designer(s): **Diane Marie Blundell**  
(45) Registration Date: **11 June 2009**  
(56) Related Art Documents: **Not Applicable**  
(57) Statement of Newness and Distinctiveness: **Flyzoff offers 100% protection for dogs ears from flies. The strong, durable, weather resistant and washable hood with a sun visor offers protection from fly bites and the sun.**



(21) Design Number: **11261/2009**  
(22) Date of Filing Application: **14 April 2009**  
(24) Date from which industrial property rights may have effect: **14 April 2009**  
(54) Product in respect of which the design is registered: **Golf club head**  
(51) International Design Classification: **21-02C**  
(71) Name(s) and Address(s) of Applicant(s):  
**Karsten Manufacturing Corporation**  
**2201 West Desert Cove Phoenix Arizona 85029 United States of America**  
(72) Name(s) of Designer(s): **Marty R. Jertson and Bradley D. Schweigert and Michael R. Nicolette and Xiaojian Chen and David D. Jones**  
(45) Registration Date: **12 June 2009**  
(30) Convention priority data:  
(31) Number (32) Date (33) Country  
**29/331711 30 Jan 2009 UNITED STATES OF AMERICA**  
(56) Related Art Documents: **Not Applicable**  
(57) Statement of Newness and Distinctiveness: **Nil**



(21) Design Number: **11262/2009**

(22) Date of Filing Application: **14 April 2009**

(24) Date from which industrial property rights may have effect: **14 April 2009**

(54) Product in respect of which the design is registered: **Golf club head**

(51) International Design Classification: **21-02C**

(71) Name(s) and Address(s) of Applicant(s):

**Karsten Manufacturing Corporation  
2201 West Desert Cove Phoenix Arizona 85029 United States of  
America**

(72) Name(s) of Designer(s): **Bradley D. Schweigert and Michael R. Nicolette  
and Xiaojian Chen and David D. Jones**

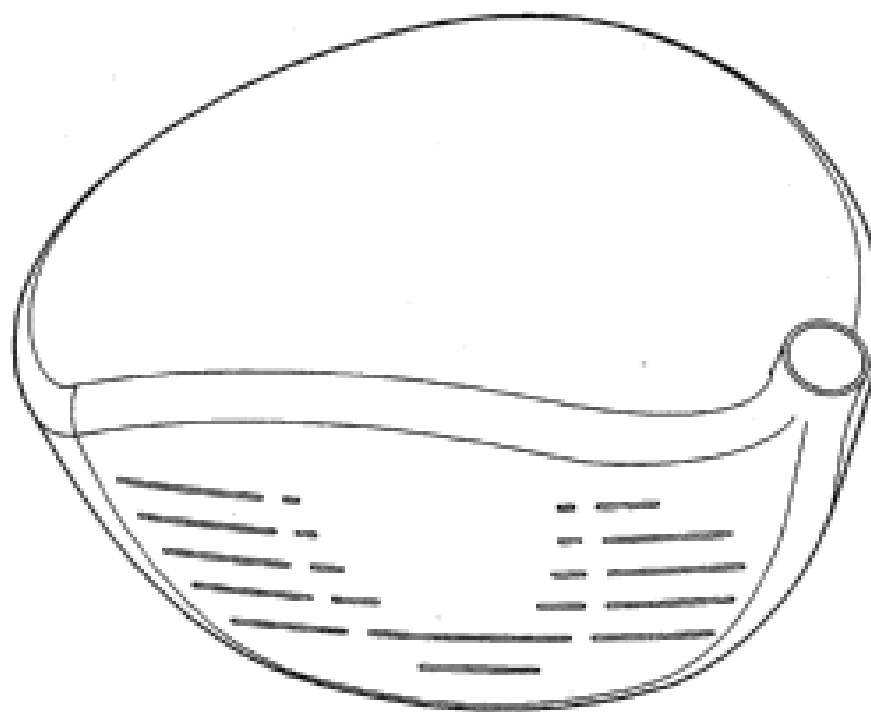
(45) Registration Date: **12 June 2009**

(30) Convention priority data:

(31) Number	(32) Date	(33) Country
<b>29/331706</b>	<b>30 Jan 2009</b>	<b>UNITED STATES OF AMERICA</b>

(56) Related Art Documents: **Not Applicable**

(57) Statement of Newness and Distinctiveness: **Nil**



(21) Design Number: **11808/2009**

(22) Date of Filing Application: **18 May 2009**

(24) Date from which industrial property rights may have effect: **18 May 2009**

(54) Product in respect of which the design is registered: **Closure**

(51) International Design Classification: **09-07A**

(71) Name(s) and Address(s) of Applicant(s):

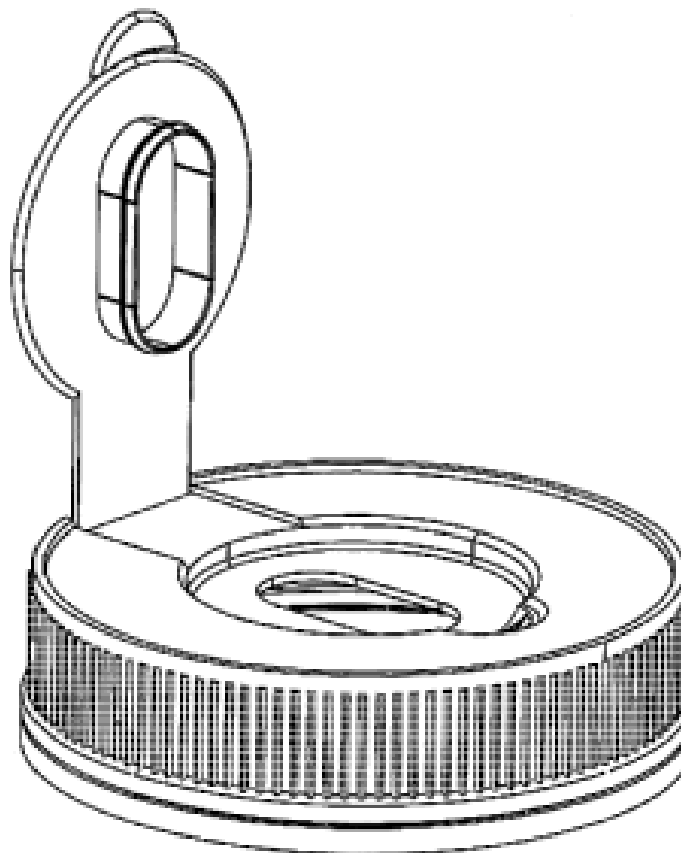
**Chem Plastics Pty Ltd  
7 Crawford Street Braeside Victoria 3193 Australia**

(72) Name(s) of Designer(s): **Warwick Mills and Eddy Velardo**

(45) Registration Date: **12 June 2009**

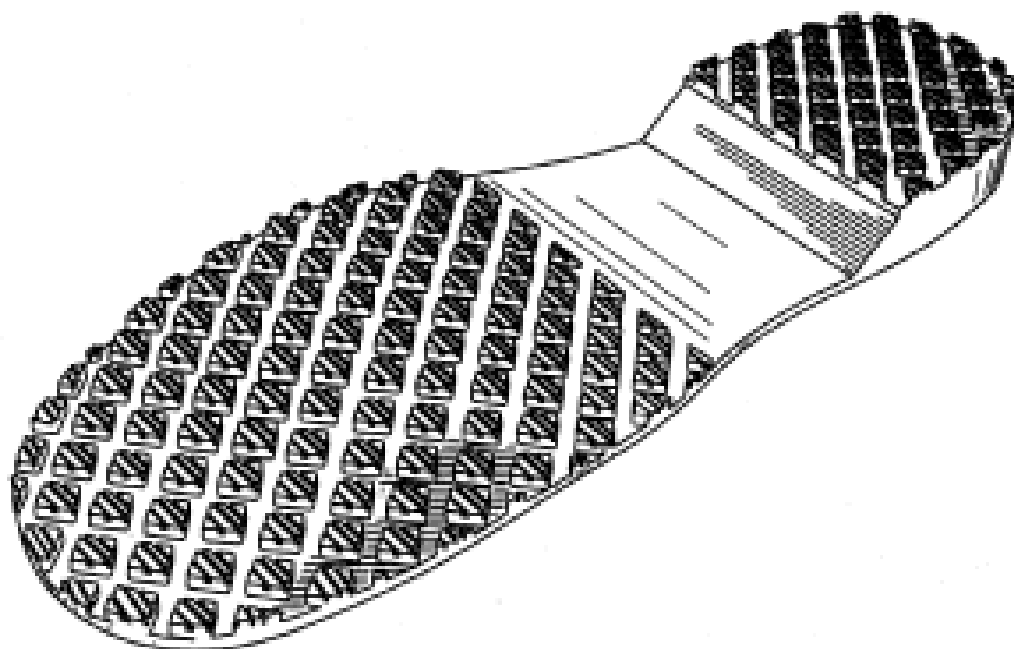
(56) Related Art Documents: **Not Applicable**

(57) Statement of Newness and Distinctiveness: **Newness and distinctiveness is  
claimed in the visual features shown in solid lines in the representations.**



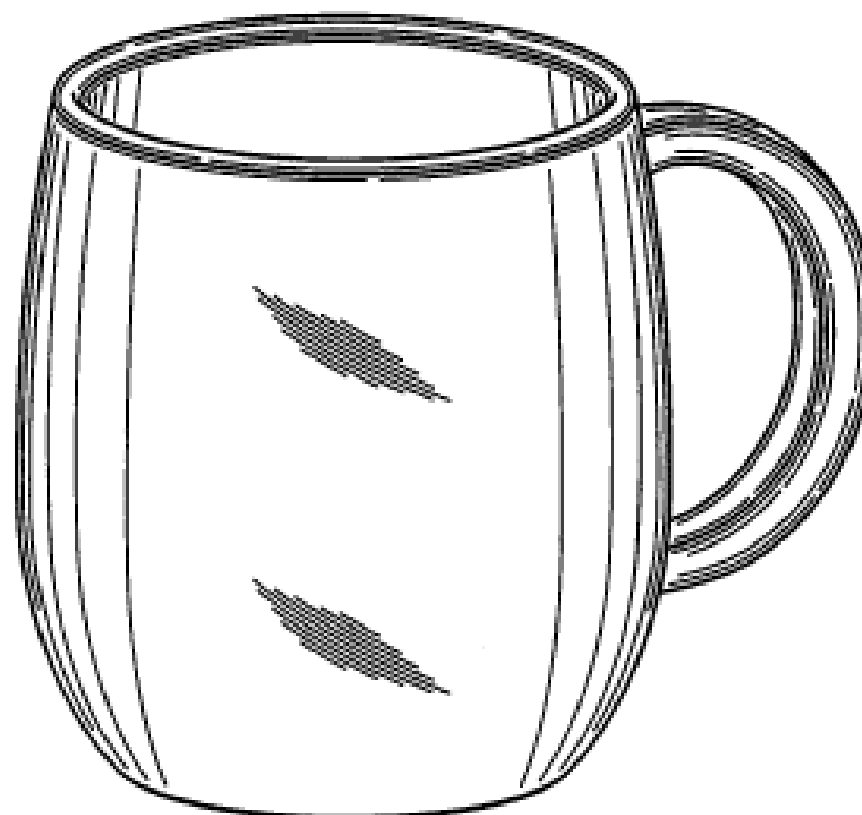
(19) AU

- (21) Design Number: **11916/2009**  
(22) Date of Filing Application: **26 May 2009**  
(24) Date from which industrial property rights may have effect: **26 May 2009**  
(54) Product in respect of which the design is registered: **Boot tread**  
(51) International Design Classification: **02-04B**  
(71) Name(s) and Address(s) of Applicant(s):  
**Shoes for Crews, LLC**  
**1400 Centrepark Boulevard Suite 310 West Palm Beach FL 33401-7403**  
**United States of America**  
(72) Name(s) of Designer(s): **Randy N. Lubart**  
(45) Registration Date: **12 June 2009**  
(30) Convention priority data:  
(31) Number (32) Date (33) Country  
**29/328616 26 Nov 2008 UNITED STATES OF AMERICA**  
(56) Related Art Documents: **Not Applicable**  
(57) Statement of Newness and Distinctiveness: **Newness and distinctiveness is claimed in the visual features shown in solid lines in the representations.**

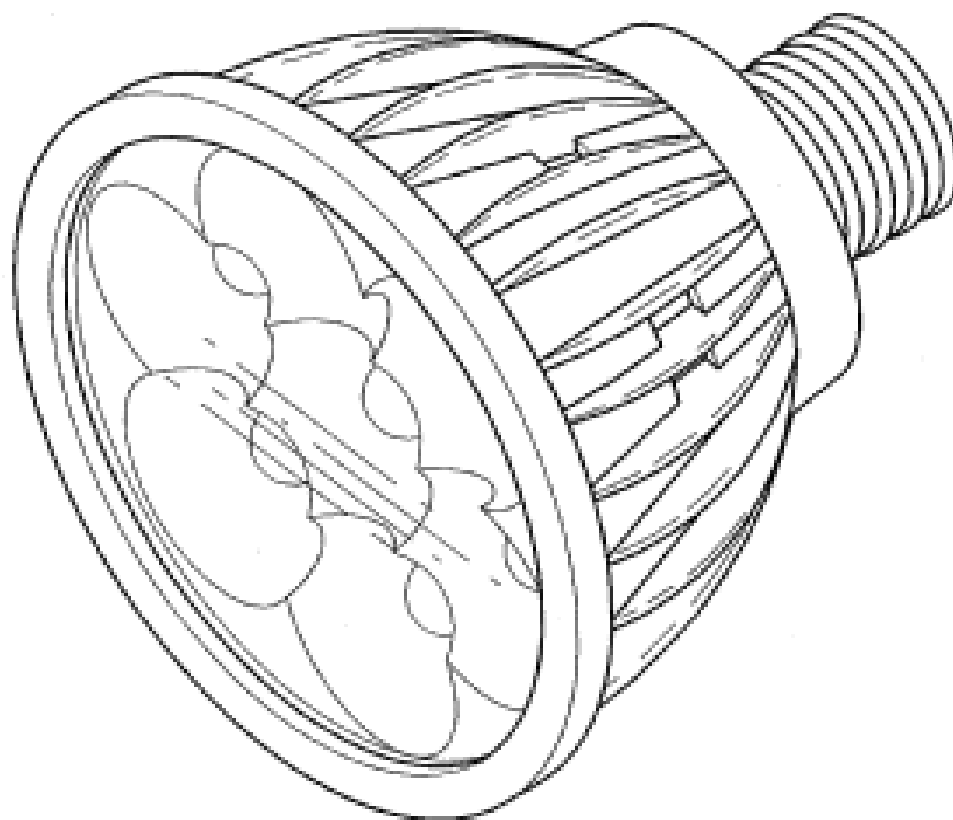


(19) AU

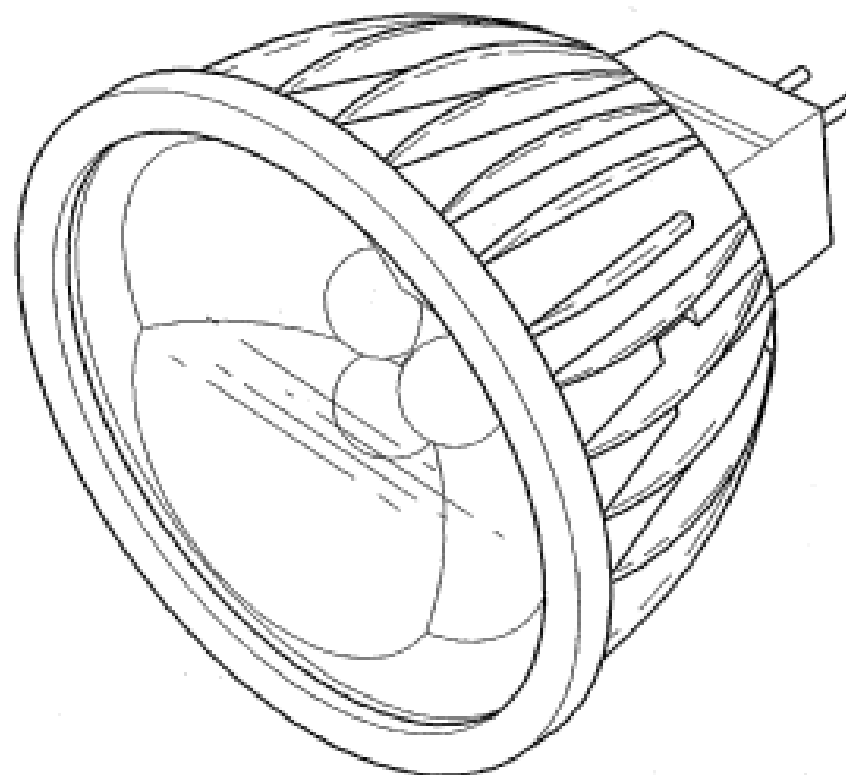
- (21) Design Number: **11593/2009**  
(22) Date of Filing Application: **05 May 2009**  
(24) Date from which industrial property rights may have effect: **05 May 2009**  
(54) Product in respect of which the design is registered: **Mug**  
(51) International Design Classification: **07-01D**  
(71) Name(s) and Address(s) of Applicant(s):  
**Pi-Design AG**  
**Kantonsstrasse 100 Postfach 463 CH-6234 Triengen Switzerland**  
(72) Name(s) of Designer(s): **Jorgen Bodum**  
(45) Registration Date: **12 June 2009**  
(30) Convention priority data:  
(31) Number (32) Date (33) Country  
**DM/071 070 22 Dec 2008 WORLD INTELLECTUAL PROPERTY ORGANIZATION (WIPO)**  
(56) Related Art Documents: **Not Applicable**  
(57) Statement of Newness and Distinctiveness: **Nil**



- (21) Design Number: **11816/2009**  
(22) Date of Filing Application: **19 May 2009**  
(24) Date from which industrial property rights may have effect: **19 May 2009**  
(54) Product in respect of which the design is registered: **LED lamp**  
(51) International Design Classification: **26-04**  
(71) Name(s) and Address(s) of Applicant(s):  
**Wookang Tech Co., Ltd.**  
**175-16 Cheongcheon-dong Bupyeong-gu Incheon-si 403-030 Republic of Korea**  
(72) Name(s) of Designer(s): **In-Hong Ko**  
(45) Registration Date: **12 June 2009**  
(30) Convention priority data:  
(31) Number (32) Date (33) Country  
**30-2009-0007824 24 Feb 2009 REPUBLIC OF KOREA**  
(56) Related Art Documents: **Not Applicable**  
(57) Statement of Newness and Distinctiveness: **Newness and distinctiveness is claimed in the features of shape and/or configuration of a LED lamp as illustrated in the accompanying representations excepting the Reference (cross-sectional) View.**



- (21) Design Number: **11817/2009**  
(22) Date of Filing Application: **19 May 2009**  
(24) Date from which industrial property rights may have effect: **19 May 2009**  
(54) Product in respect of which the design is registered: **LED lamp**  
(51) International Design Classification: **26-04**  
(71) Name(s) and Address(s) of Applicant(s):  
**Wookang Tech Co., Ltd.**  
**175-16 Cheongcheon-dong Bupyeong-gu Incheon-si 403-030 Republic of Korea**  
(72) Name(s) of Designer(s): **In-Hong Ko**  
(45) Registration Date: **12 June 2009**  
(30) Convention priority data:  
(31) Number (32) Date (33) Country  
**30-2009-0007825 24 Feb 2009 REPUBLIC OF KOREA**  
(56) Related Art Documents: **Not Applicable**  
(57) Statement of Newness and Distinctiveness: **Newness and distinctiveness is claimed in the features of shape and/or configuration of a LED lamp as illustrated in the accompanying representations.**



(21) Design Number: **11280/2009**

(22) Date of Filing Application: **15 April 2009**

(24) Date from which industrial property rights may have effect: **15 April 2009**

(54) Product in respect of which the design is registered: **Gaming machine cabinet**

(51) International Design Classification: **21-03**

(71) Name(s) and Address(s) of Applicant(s):

**Konami Gaming, Incorporated**  
**585 Trade Center Drive Las Vegas NV 89119 United States of America**

(72) Name(s) of Designer(s): **Mitsushige Takeuchi**

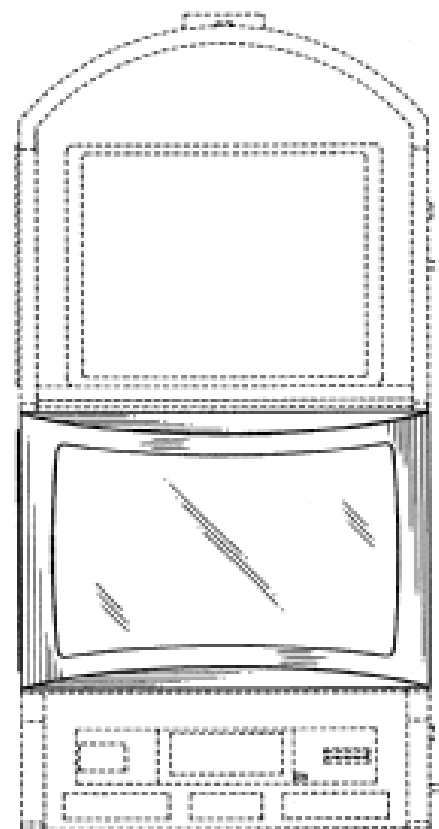
(45) Registration Date: **12 June 2009**

(30) Convention priority data:

(31) Number	(32) Date	(33) Country
<b>29/312,430</b>	<b>20 Oct 2008</b>	<b>UNITED STATES OF AMERICA</b>

(56) Related Art Documents: **Not Applicable**

(57) Statement of Newness and Distinctiveness: **The newness and distinctiveness of the design resides in the features of shape and/or configuration of the gaming machine cabinet shown in unbroken lines in the accompanying representations. The portions of the gaming machine cabinet shown in broken lines are for the purpose of illustrating the environment and form no part of the design.**



(21) Design Number: **11875/2009**

(22) Date of Filing Application: **22 May 2009**

(24) Date from which industrial property rights may have effect: **22 May 2009**

(54) Product in respect of which the design is registered: **Switch-box blade**

(51) International Design Classification: **08-03**

(71) Name(s) and Address(s) of Applicant(s):

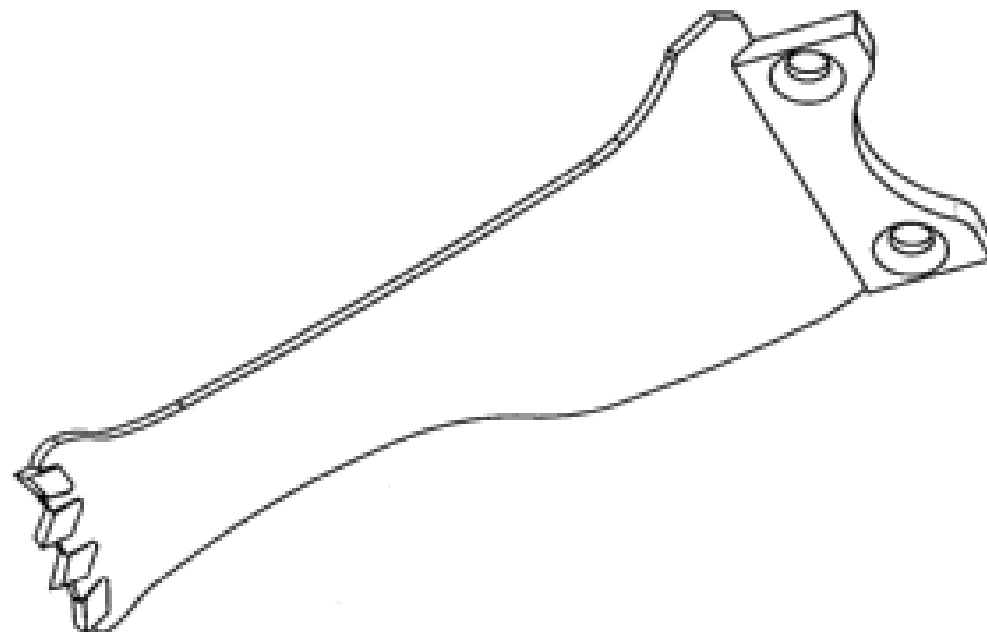
**Arbortech Industries Ltd**  
**67 Westchester Road Malaga Western Australia 6090 Australia**

(72) Name(s) of Designer(s): **Matthew David Cormack**

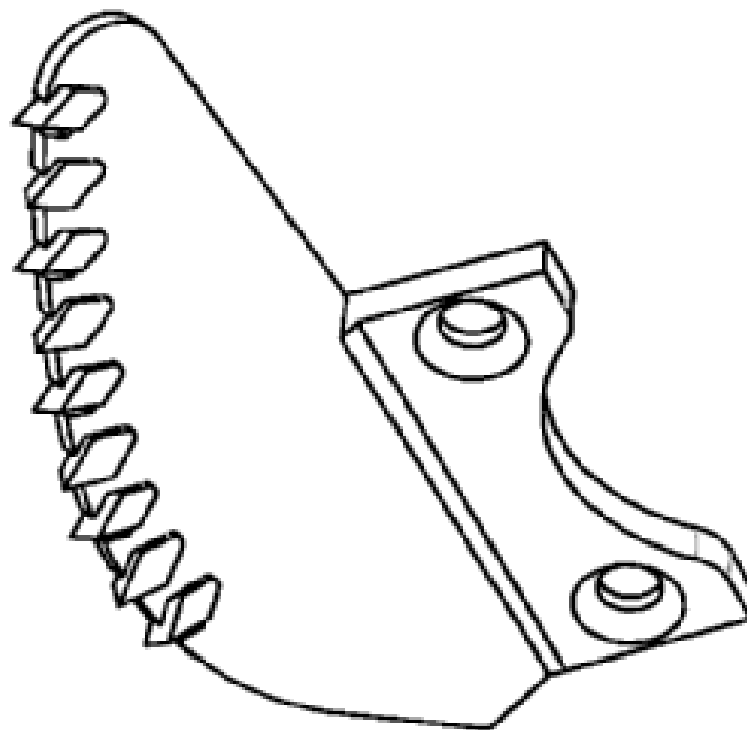
(45) Registration Date: **12 June 2009**

(56) Related Art Documents: **Not Applicable**

(57) Statement of Newness and Distinctiveness: **Nil**



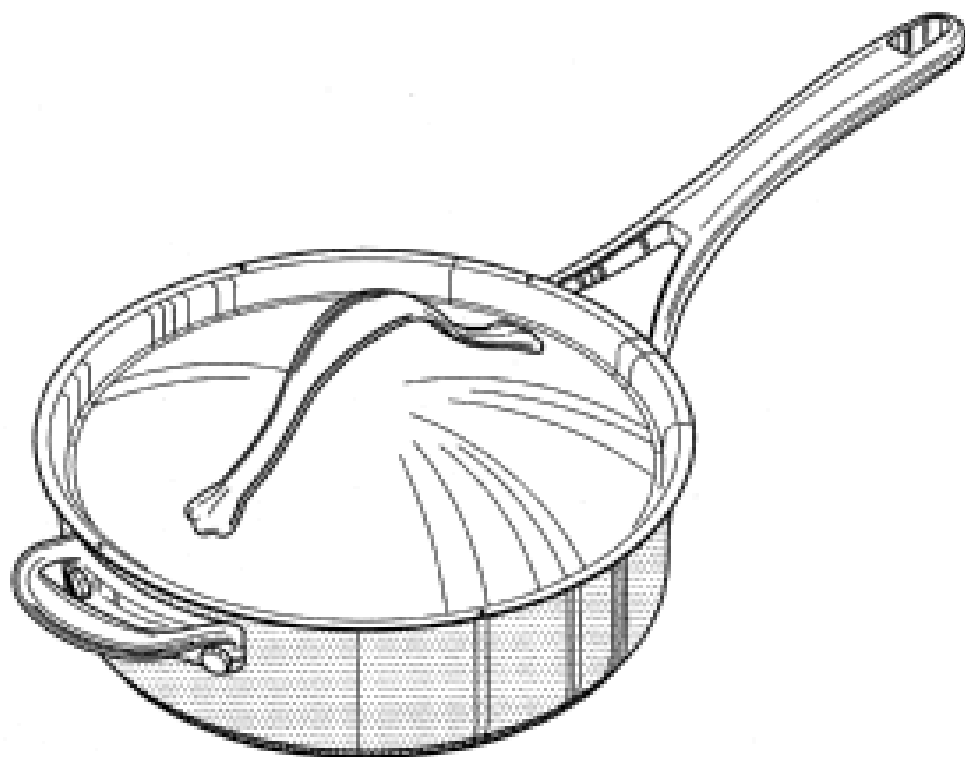
- (21) Design Number: **11876/2009**  
(22) Date of Filing Application: **22 May 2009**  
(24) Date from which industrial property rights may have effect: **22 May 2009**  
(54) Product in respect of which the design is registered: **Tuck-pointing blade**  
(51) International Design Classification: **08-03**  
(71) Name(s) and Address(s) of Applicant(s):  
**Arbortech Industries Ltd**  
**67 Westchester Road Malaga Western Australia 6090 Australia**  
(72) Name(s) of Designer(s): **Matthew David Cormack**  
(45) Registration Date: **12 June 2009**  
(56) Related Art Documents: **Not Applicable**  
(57) Statement of Newness and Distinctiveness: **Nil**



- (21) Design Number: **10460/2009**  
(22) Date of Filing Application: **16 February 2009**  
(24) Date from which industrial property rights may have effect: **16 February 2009**  
(54) Product in respect of which the design is registered: **Covered sauce pan**  
(51) International Design Classification: **07-02N**  
(71) Name(s) and Address(s) of Applicant(s):  
**Meyer Intellectual Properties Limited**  
**382 Kwun Tong Road Hong Kong Sar**  
(72) Name(s) of Designer(s): **Robert A. Rae**  
(45) Registration Date: **12 June 2009**  
(30) Convention priority data:  

(31) Number	(32) Date	(33) Country
<b>29/323,006</b>	<b>15 Aug 2008</b>	<b>UNITED STATES OF AMERICA</b>

  
(56) Related Art Documents: **Not Applicable**  
(57) Statement of Newness and Distinctiveness: **This design is to be applied to a Covered Sauce Pan and the novelty resides in the features of shape and configuration of the article shown in the accompanying representations. No novelty is claimed for the features shown in broken lines - those are for illustrative purposes only and depict the environment of the design.**

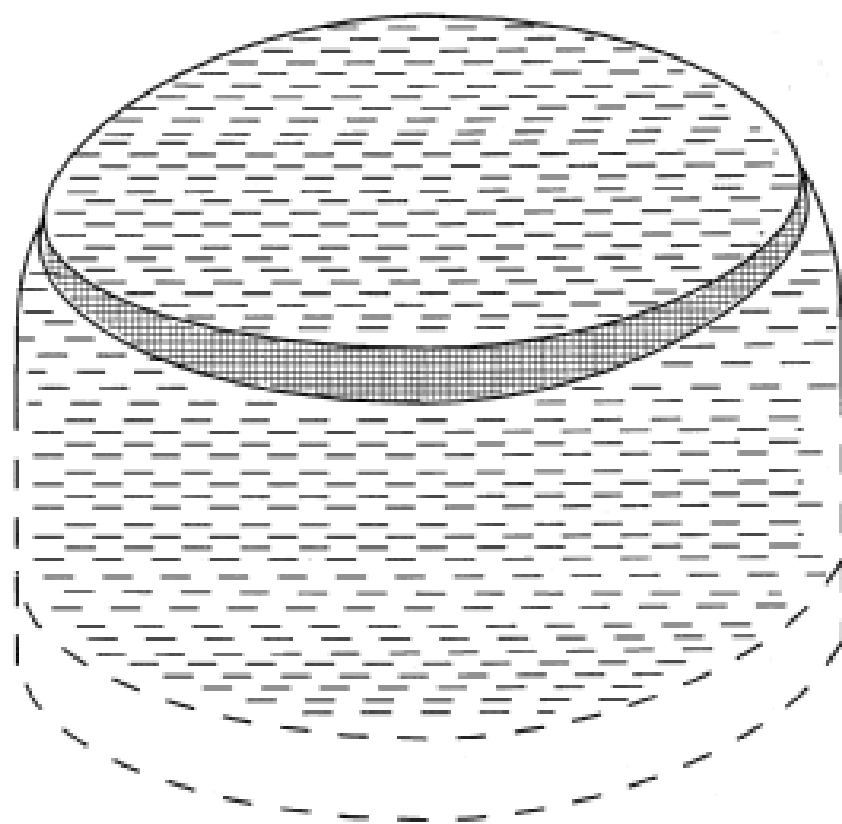




(19) AU

- (21) Design Number: **12029/2009**
- (22) Date of Filing Application: **16 February 2009**
- (24) Date from which industrial property rights may have effect: **16 February 2009**
- (54) Product in respect of which the design is registered: **Covered sauce pan**
- (51) International Design Classification: **07-02N**
- (71) Name(s) and Address(s) of Applicant(s):  
**Meyer Intellectual Properties Limited**  
**382 Kwun Tong Road Hong Kong Sar**
- (72) Name(s) of Designer(s): **Robert A. Rae**
- (45) Registration Date: **12 June 2009**
- (30) Convention priority data:  

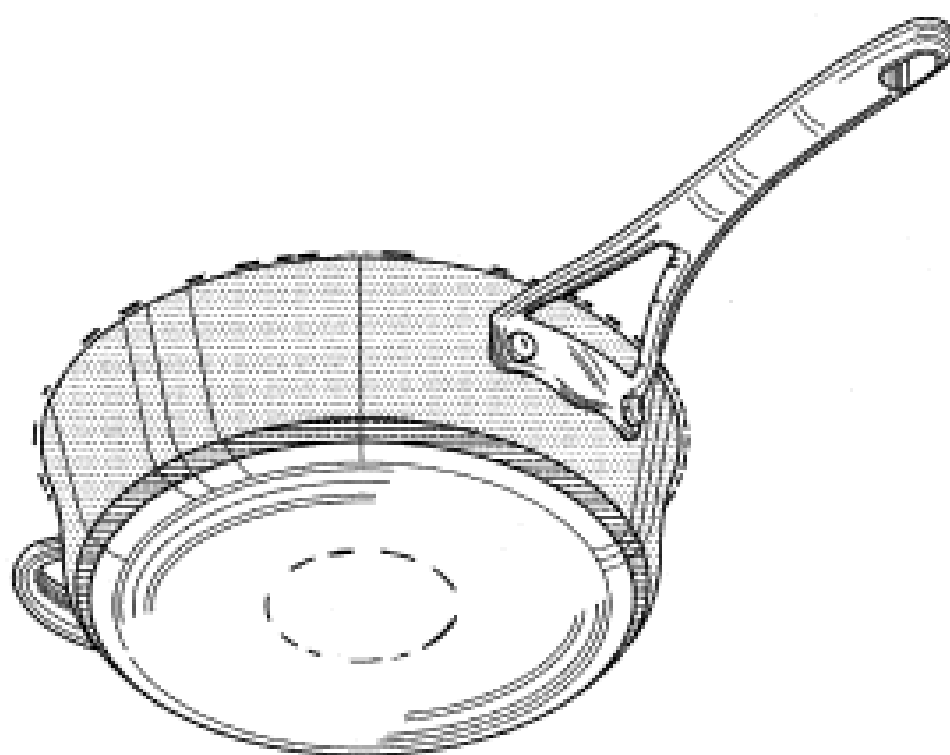
(31) Number	(32) Date	(33) Country
<b>29/323,006</b>	<b>15 Aug 2008</b>	<b>UNITED STATES OF AMERICA</b>
- (56) Related Art Documents: **Not Applicable**
- (57) Statement of Newness and Distinctiveness: **The design is to be applied to a Covered Sauce Pan and the novelty resides in the features of shape and configuration of the article shown in the accompanying representations. No novelty is claimed for the features shown in broken lines - those are for illustrative purposes only and depict the environment of the design.**



(19) AU

- (21) Design Number: **12030/2009**
- (22) Date of Filing Application: **16 February 2009**
- (24) Date from which industrial property rights may have effect: **16 February 2009**
- (54) Product in respect of which the design is registered: **Sauce pan**
- (51) International Design Classification: **07-02N**
- (71) Name(s) and Address(s) of Applicant(s):  
**Meyer Intellectual Properties Limited**  
**382 Kwun Tong Road Hong Kong Sar**
- (72) Name(s) of Designer(s): **Robert A. Rae**
- (45) Registration Date: **12 June 2009**
- (30) Convention priority data:  

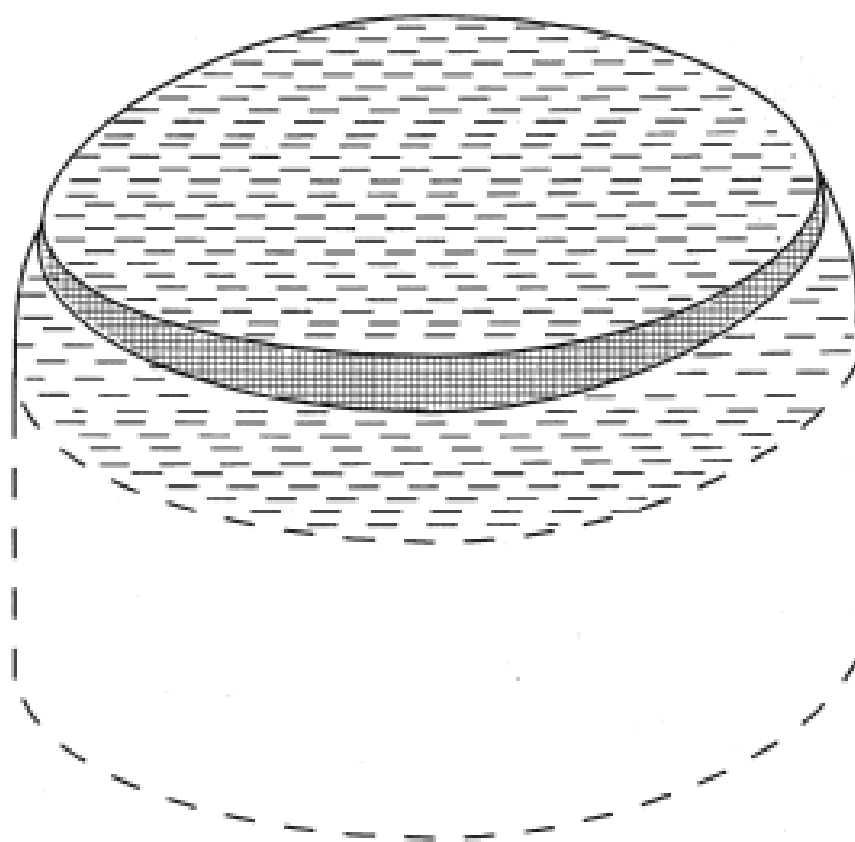
(31) Number	(32) Date	(33) Country
<b>29/323,006</b>	<b>15 Aug 2008</b>	<b>UNITED STATES OF AMERICA</b>
- (56) Related Art Documents: **Not Applicable**
- (57) Statement of Newness and Distinctiveness: **The design is to be applied to a Covered Sauce Pan and the novelty resides in the features of shape and configuration of the article shown in the accompanying representations. No novelty is claimed for the features shown in broken lines - those are for illustrative purposes only and depict the environment of the design.**



(19) AU

- (21) Design Number: **12031/2009**
- (22) Date of Filing Application: **16 February 2009**
- (24) Date from which industrial property rights may have effect: **16 February 2009**
- (54) Product in respect of which the design is registered: **Covered sauce pan**
- (51) International Design Classification: **07-02N**
- (71) Name(s) and Address(s) of Applicant(s):  
**Meyer Intellectual Properties Limited**  
**382 Kwun Tong Road Hong Kong Sar**
- (72) Name(s) of Designer(s): **Robert A. Rae**
- (45) Registration Date: **12 June 2009**
- (30) Convention priority data:  

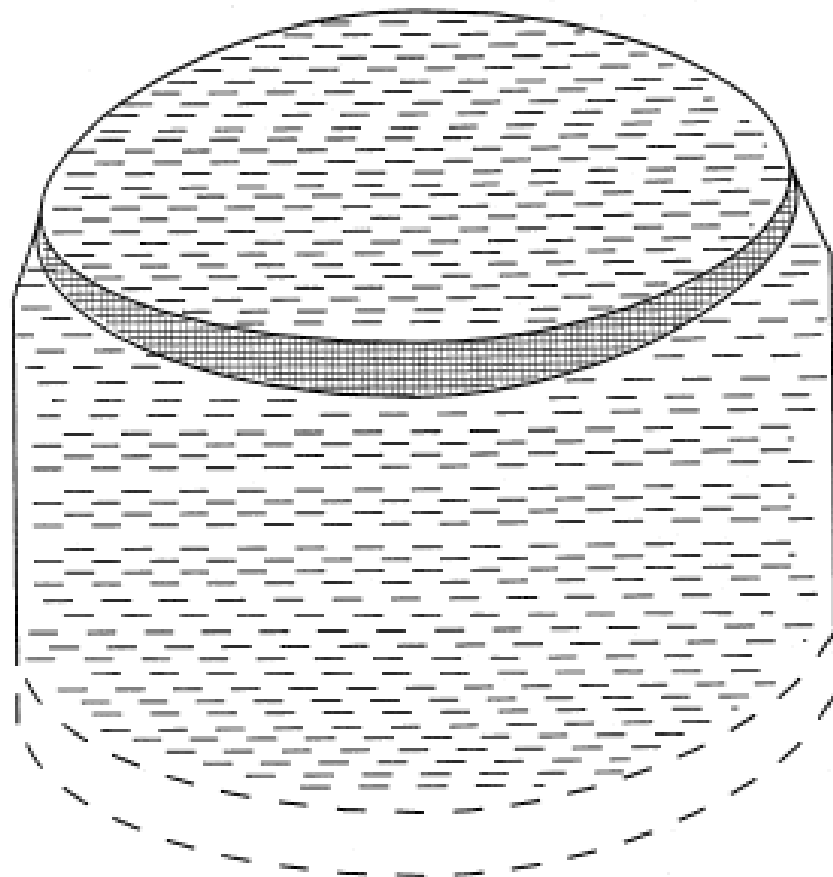
(31) Number	(32) Date	(33) Country
<b>29/323,006</b>	<b>15 Aug 2008</b>	<b>UNITED STATES OF AMERICA</b>
- (56) Related Art Documents: **Not Applicable**
- (57) Statement of Newness and Distinctiveness: **The design is to be applied to a Covered Sauce Pan and the novelty resides in the features of shape and configuration of the article shown in the accompanying representations. No novelty is claimed for the features shown in broken lines - those are for illustrative purposes only and depict the environment of the design.**



(19) AU

- (21) Design Number: **12032/2009**
- (22) Date of Filing Application: **16 February 2009**
- (24) Date from which industrial property rights may have effect: **16 February 2009**
- (54) Product in respect of which the design is registered: **Covered sauce pan**
- (51) International Design Classification: **07-02N**
- (71) Name(s) and Address(s) of Applicant(s):  
**Meyer Intellectual Properties Limited**  
**382 Kwun Tong Road Hong Kong Sar**
- (72) Name(s) of Designer(s): **Robert A. Rae**
- (45) Registration Date: **12 June 2009**
- (30) Convention priority data:  

(31) Number	(32) Date	(33) Country
<b>29/323,006</b>	<b>15 Aug 2008</b>	<b>UNITED STATES OF AMERICA</b>
- (56) Related Art Documents: **Not Applicable**
- (57) Statement of Newness and Distinctiveness: **The design is to be applied to a Covered Sauce Pan and the novelty resides in the features of shape and configuration of the article shown in the accompanying representations. No novelty is claimed for the features shown in broken lines - those are for illustrative purposes only and depict the environment of the design.**



(21) Design Number: **12033/2009**

(22) Date of Filing Application: **16 February 2009**

(24) Date from which industrial property rights may have effect: **16 February 2009**

(54) Product in respect of which the design is registered: **Covered sauce pan**

(51) International Design Classification: **07-02N**

(71) Name(s) and Address(s) of Applicant(s):

**Meyer Intellectual Properties Limited  
382 Kwun Tong Road Hong Kong Sar**

(72) Name(s) of Designer(s): **Robert A. Rae**

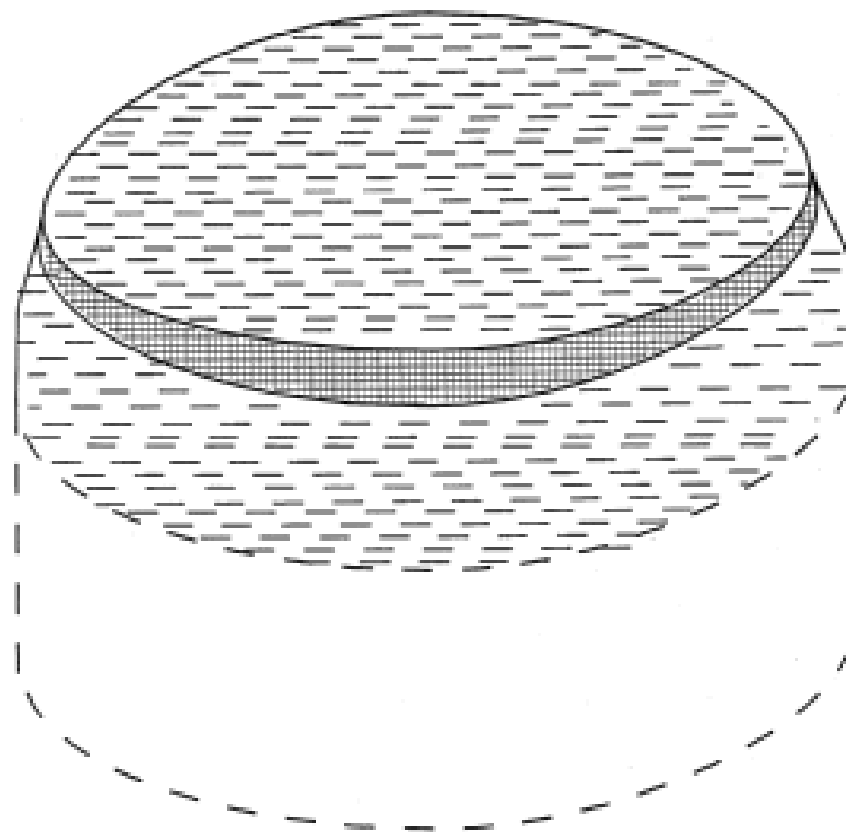
(45) Registration Date: **12 June 2009**

(30) Convention priority data:

(31) Number	(32) Date	(33) Country
<b>29/323,006</b>	<b>15 Aug 2008</b>	<b>UNITED STATES OF AMERICA</b>

(56) Related Art Documents: **Not Applicable**

(57) Statement of Newness and Distinctiveness: **The design is to be applied to a Covered Sauce Pan and the novelty resides in the features of shape and configuration of the article shown in the accompanying representations. No novelty is claimed for the features shown in broken lines - those are for illustrative purposes only and depict the environment of the design.**



(21) Design Number: **11444/2009**

(22) Date of Filing Application: **28 April 2009**

(24) Date from which industrial property rights may have effect: **28 April 2009**

(54) Product in respect of which the design is registered: **Footwear upper**

(51) International Design Classification: **02-04NES**

(71) Name(s) and Address(s) of Applicant(s):

**Wolverine World Wide, Inc.  
9341 Courtland Drive NE Rockford Michigan 49351 United States of America**

(72) Name(s) of Designer(s): **Gregg Duffy**

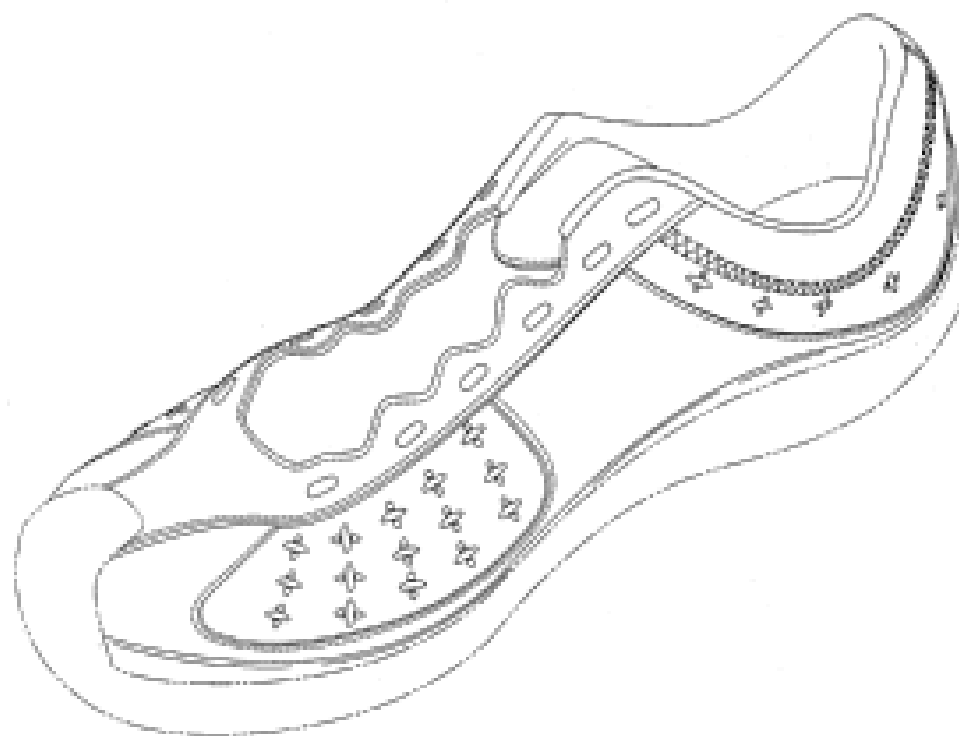
(45) Registration Date: **12 June 2009**

(30) Convention priority data:

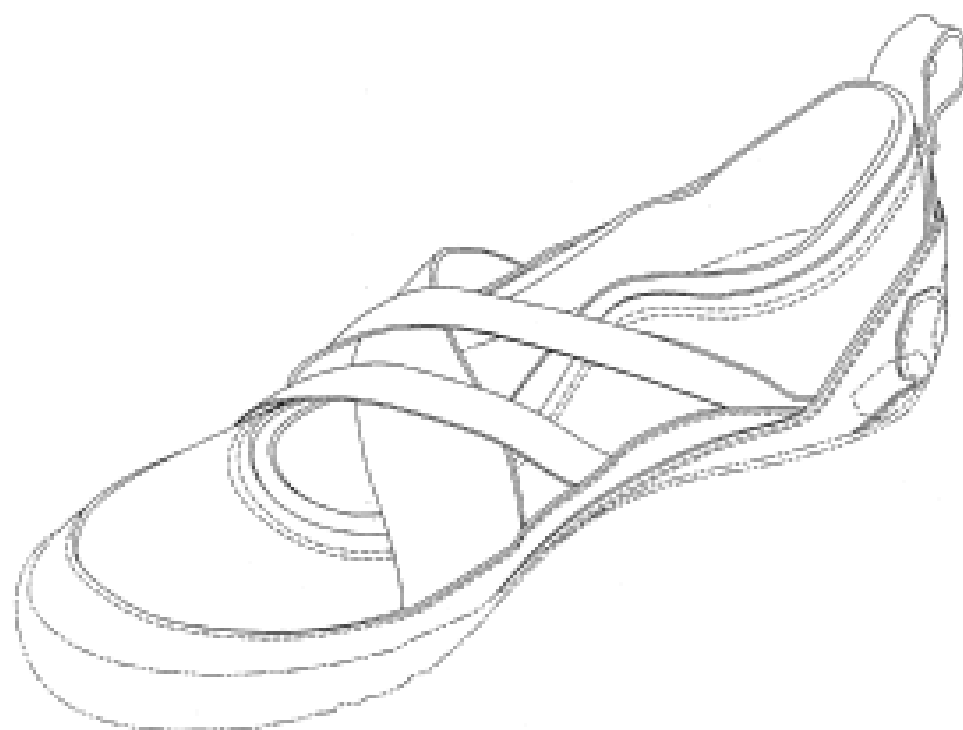
(31) Number	(32) Date	(33) Country
<b>29/312638</b>	<b>03 Nov 2008</b>	<b>UNITED STATES OF AMERICA</b>

(56) Related Art Documents: **Not Applicable**

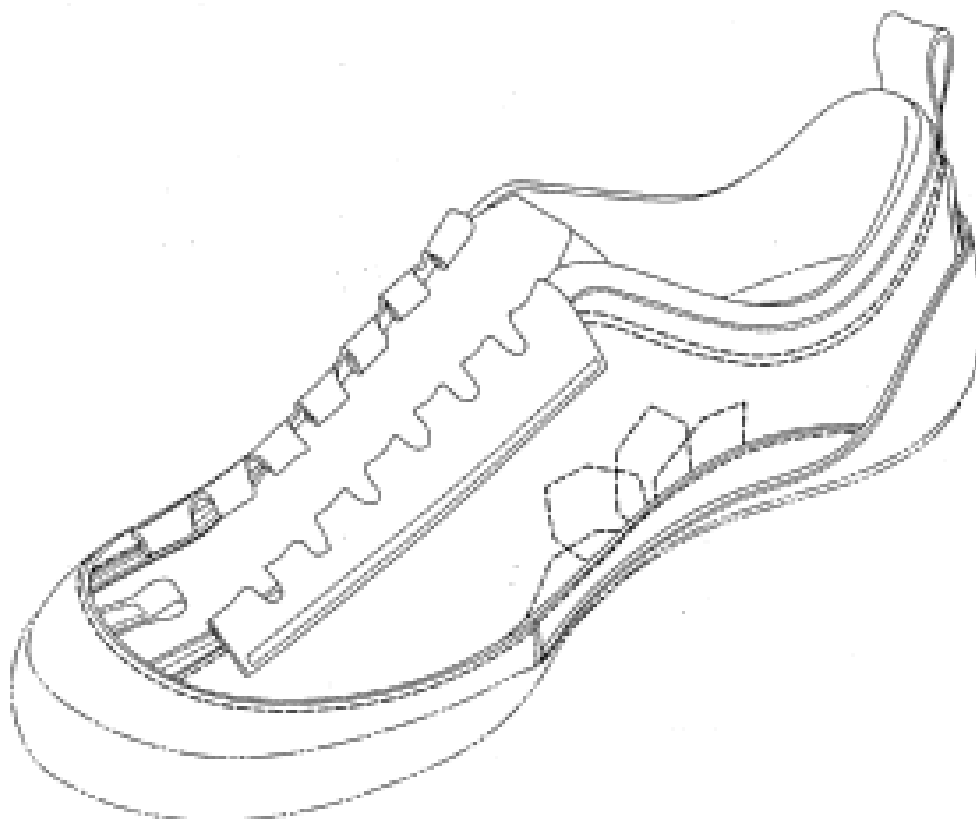
(57) Statement of Newness and Distinctiveness: **Newness and distinctiveness is claimed in the visual features shown in the representations except for those shown in phantom lines.**



- (21) Design Number: **11445/2009**  
(22) Date of Filing Application: **28 April 2009**  
(24) Date from which industrial property rights may have effect: **28 April 2009**  
(54) Product in respect of which the design is registered: **Footwear upper**  
(51) International Design Classification: **02-04NES**  
(71) Name(s) and Address(s) of Applicant(s):  
**Wolverine World Wide, Inc.**  
**9341 Courtland Drive NE Rockford Michigan 49351 United States of America**  
(72) Name(s) of Designer(s): **Manon Belley and Julie St-Louis and Cristian Ardissono**  
(45) Registration Date: **12 June 2009**  
(30) Convention priority data:  
(31) Number (32) Date (33) Country  
**29/312622 03 Nov 2008 UNITED STATES OF AMERICA**  
(56) Related Art Documents: **Not Applicable**  
(57) Statement of Newness and Distinctiveness: **Newness and distinctiveness is claimed in the visual features shown in the representations except for those shown in phantom lines.**



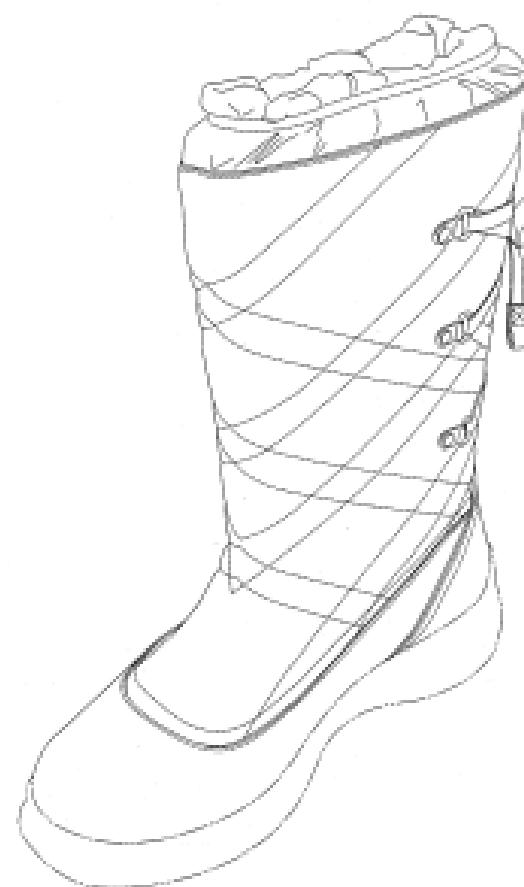
- (21) Design Number: **11446/2009**  
(22) Date of Filing Application: **28 April 2009**  
(24) Date from which industrial property rights may have effect: **28 April 2009**  
(54) Product in respect of which the design is registered: **Footwear upper**  
(51) International Design Classification: **02-04NES**  
(71) Name(s) and Address(s) of Applicant(s):  
**Wolverine World Wide, Inc.**  
**9341 Courtland Drive NE Rockford Michigan 49351 United States of America**  
(72) Name(s) of Designer(s): **Manon Belley and Julie St-Louis and Cristian Ardissono**  
(45) Registration Date: **12 June 2009**  
(30) Convention priority data:  
(31) Number (32) Date (33) Country  
**29/312603 03 Nov 2008 UNITED STATES OF AMERICA**  
(56) Related Art Documents: **Not Applicable**  
(57) Statement of Newness and Distinctiveness: **Newness and distinctiveness is claimed in the visual features shown in the representations except for those shown in phantom lines.**



- (21) Design Number: **11447/2009**  
(22) Date of Filing Application: **28 April 2009**  
(24) Date from which industrial property rights may have effect: **28 April 2009**  
(54) Product in respect of which the design is registered: **Footwear upper**  
(51) International Design Classification: **02-04NES**  
(71) Name(s) and Address(s) of Applicant(s):  
**Wolverine World Wide, Inc.**  
**9341 Courtland Drive NE Rockford Michigan 49351 United States of America**  
(72) Name(s) of Designer(s): **Mary L. Schoenborn and Matthew P. Cushman and Grant A. Urie**  
(45) Registration Date: **12 June 2009**  
(30) Convention priority data:  
(31) Number (32) Date (33) Country  
**29/312598 03 Nov 2008 UNITED STATES OF AMERICA**  
(56) Related Art Documents: **Not Applicable**  
(57) Statement of Newness and Distinctiveness: **Newness and distinctiveness is claimed in the visual features shown in the representations except for those shown in phantom lines.**



- (21) Design Number: **11448/2009**  
(22) Date of Filing Application: **28 April 2009**  
(24) Date from which industrial property rights may have effect: **28 April 2009**  
(54) Product in respect of which the design is registered: **Footwear upper**  
(51) International Design Classification: **02-04NES**  
(71) Name(s) and Address(s) of Applicant(s):  
**Wolverine World Wide, Inc.**  
**9341 Courtland Drive NE Rockford Michigan 49351 United States of America**  
(72) Name(s) of Designer(s): **Manon Belley and Julie St-Louis and Martin W.F. Dean**  
(45) Registration Date: **12 June 2009**  
(30) Convention priority data:  
(31) Number (32) Date (33) Country  
**29/312597 03 Nov 2008 UNITED STATES OF AMERICA**  
(56) Related Art Documents: **Not Applicable**  
(57) Statement of Newness and Distinctiveness: **Newness and distinctiveness is claimed in the visual features shown in the representations except for those shown in phantom lines.**



(19) AU

(21) Design Number: **11449/2009**

(22) Date of Filing Application: **28 April 2009**

(24) Date from which industrial property rights may have effect: **28 April 2009**

(54) Product in respect of which the design is registered: **Footwear upper**

(51) International Design Classification: **02-04NES**

(71) Name(s) and Address(s) of Applicant(s):

**Wolverine World Wide, Inc.**  
**9341 Courtland Drive NE Rockford Michigan 49351 United States of America**

(72) Name(s) of Designer(s): **Flavio Brambilla**

(45) Registration Date: **12 June 2009**

(30) Convention priority data:

(31) Number	(32) Date	(33) Country
<b>29/312600</b>	<b>03 Nov 2008</b>	<b>UNITED STATES OF AMERICA</b>

(56) Related Art Documents: **Not Applicable**

(57) Statement of Newness and Distinctiveness: **Newness and distinctiveness is claimed in the visual features shown in the representations except for those shown in phantom lines.**



(19) AU

(21) Design Number: **11851/2009**

(22) Date of Filing Application: **21 May 2009**

(24) Date from which industrial property rights may have effect: **21 May 2009**

(54) Product in respect of which the design is registered: **The screw peg**

(51) International Design Classification: **08-08B**

(71) Name(s) and Address(s) of Applicant(s):

**Green Glass Trading**  
**101/2-6 Birtley Place Elizabeth Bay New South Wales 2011 Australia**

(72) Name(s) of Designer(s): **Martin Glass**

(45) Registration Date: **12 June 2009**

(56) Related Art Documents: **Not Applicable**

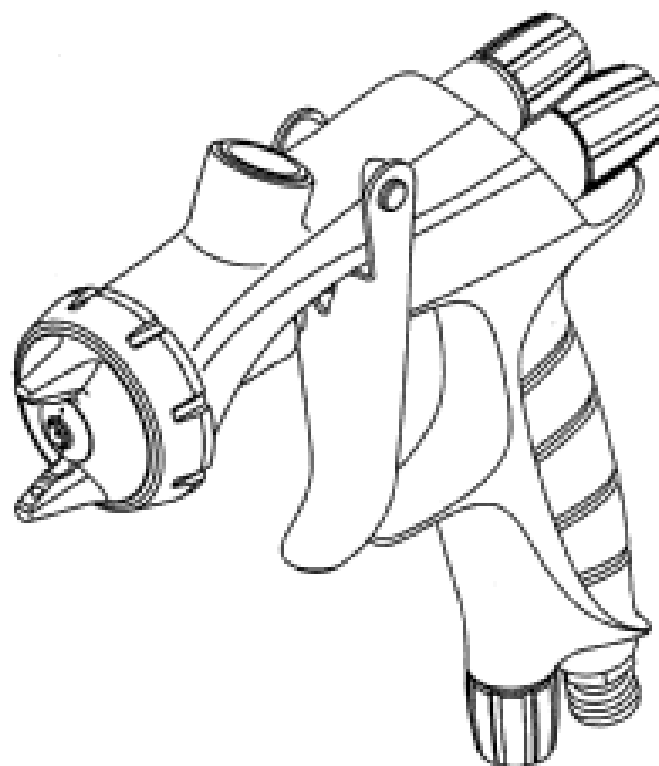
(57) Statement of Newness and Distinctiveness: **The newness and distinctiveness feature of the product range is the screw/auger thread being applied to the ground to increase the holding power and to ease the extraction process. The guy rope attachment point is also unique. Colour is excluded as a feature of the design.**



(21) Design Number: **11812/2009**  
(22) Date of Filing Application: **19 May 2009**  
(24) Date from which industrial property rights may have effect: **19 May 2009**  
(54) Product in respect of which the design is registered: **Motorcycle**  
(51) International Design Classification: **12-11**  
(71) Name(s) and Address(s) of Applicant(s):  
**Sanyang Industry Co., Ltd**  
**No. 184 Keng Tzu Kou Shang Keng Village Hsin Fong Shiang Hsinchu**  
**County 304 Taiwan**  
(72) Name(s) of Designer(s): **Sheng-Hsiung Cheng**  
(45) Registration Date: **15 June 2009**  
(56) Related Art Documents: **Not Applicable**  
(57) Statement of Newness and Distinctiveness: **Nil**



(21) Design Number: **11814/2009**  
(22) Date of Filing Application: **19 May 2009**  
(24) Date from which industrial property rights may have effect: **19 May 2009**  
(54) Product in respect of which the design is registered: **Hand held air spray gun**  
(51) International Design Classification: **08-05L**  
(71) Name(s) and Address(s) of Applicant(s):  
**Anest Iwata Corporation**  
**3176 Shinyoshida-cho Kohoku-ku Yokohama-shi Kanagawa-ken**  
**Japan**  
(72) Name(s) of Designer(s): **Shozo Kosaka**  
(45) Registration Date: **15 June 2009**  
(30) Convention priority data:  
(31) Number      (32) Date      (33) Country  
**2008-030567      28 Nov 2008      JAPAN**  
(56) Related Art Documents: **Not Applicable**  
(57) Statement of Newness and Distinctiveness: **Newness and distinctiveness**  
**reside in the features of the design as shown in the representations.**



(21) Design Number: **11815/2009**  
(22) Date of Filing Application: **19 May 2009**  
(24) Date from which industrial property rights may have effect: **19 May 2009**  
(54) Product in respect of which the design is registered: **Hand held air spray gun**  
(51) International Design Classification: **08-05L**  
(71) Name(s) and Address(s) of Applicant(s):

**Anest Iwata Corporation**  
**3176 Shinyoshida-cho Kohoku-ku Yokohama-shi Kanagawa-ken**  
**Japan**

(72) Name(s) of Designer(s): **Shozo Kosaka**

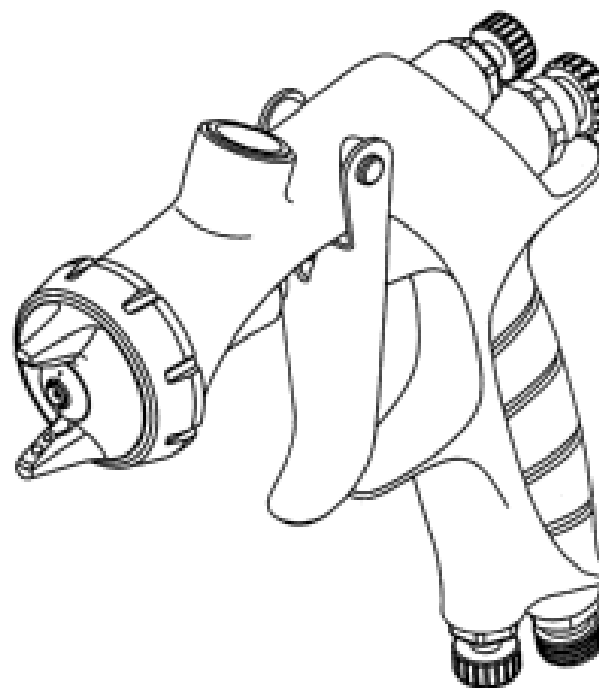
(45) Registration Date: **15 June 2009**

(30) Convention priority data:

(31) Number	(32) Date	(33) Country
<b>2008-030576</b>	<b>28 Nov 2008</b>	<b>JAPAN</b>

(56) Related Art Documents: **Not Applicable**

(57) Statement of Newness and Distinctiveness: **Newness and distinctiveness reside in the features of the design as shown in the representations.**



(21) Design Number: **11846/2009**  
(22) Date of Filing Application: **20 May 2009**  
(24) Date from which industrial property rights may have effect: **20 May 2009**  
(54) Product in respect of which the design is registered: **Air conditioner**  
(51) International Design Classification: **23-04**  
(71) Name(s) and Address(s) of Applicant(s):

**Daikin Industries Ltd.**  
**Umeda Center Building 4-12 Nakazaki-Nishi 2-chome Kita-Ku**  
**Osaka-shi Osaka-fu Japan**

(72) Name(s) of Designer(s): **Junji Nakamura and Kouichirou Seki and Yumi Ohta and Mana Yamashita**

(45) Registration Date: **15 June 2009**

(30) Convention priority data:

(31) Number	(32) Date	(33) Country
<b>2009-002828</b>	<b>12 Feb 2009</b>	<b>JAPAN</b>

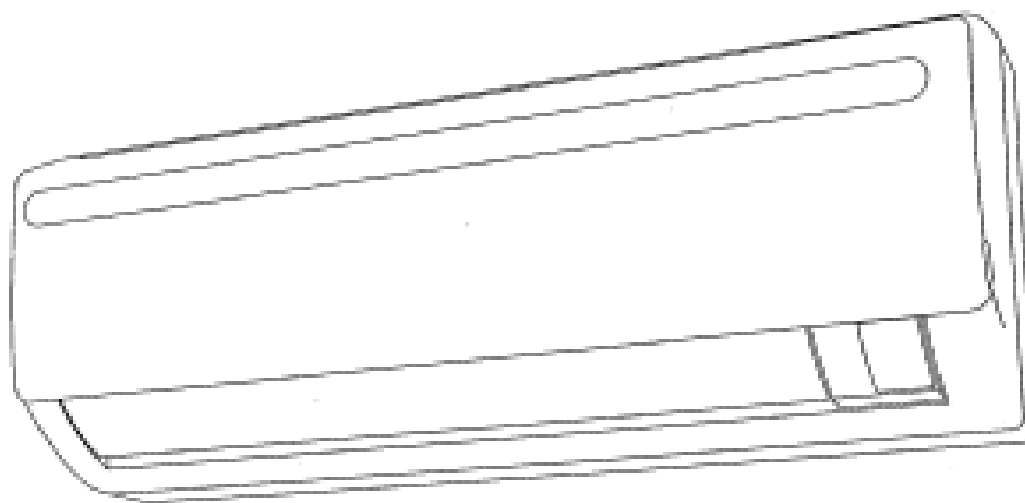
(56) Related Art Documents: **Not Applicable**

(57) Statement of Newness and Distinctiveness: **Nil**





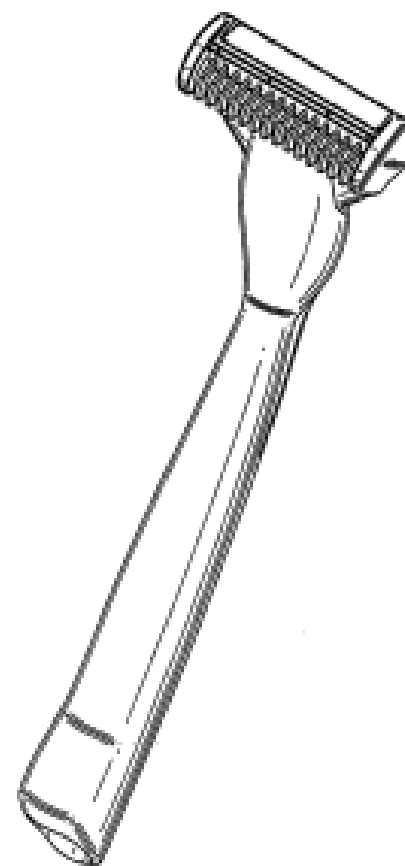
(21) Design Number: **11847/2009**  
(22) Date of Filing Application: **20 May 2009**  
(24) Date from which industrial property rights may have effect: **20 May 2009**  
(54) Product in respect of which the design is registered: **Air conditioner**  
(51) International Design Classification: **23-04**  
(71) Name(s) and Address(s) of Applicant(s):  
**Daikin Industries Ltd.**  
**Umeda Center Building 4-12 Nakazaki-Nishi 2-chome Kita-Ku**  
**Osaka-shi Osaka-fu Japan**  
(72) Name(s) of Designer(s): **Junji Nakamura and Kouichirou Seki and Yumi Ohta and Mana Yamashita**  
(45) Registration Date: **15 June 2009**  
(30) Convention priority data:  
(31) Number      (32) Date      (33) Country  
**2009-002829      12 Feb 2009      JAPAN**  
(56) Related Art Documents: **Not Applicable**  
(57) Statement of Newness and Distinctiveness: **Nil**



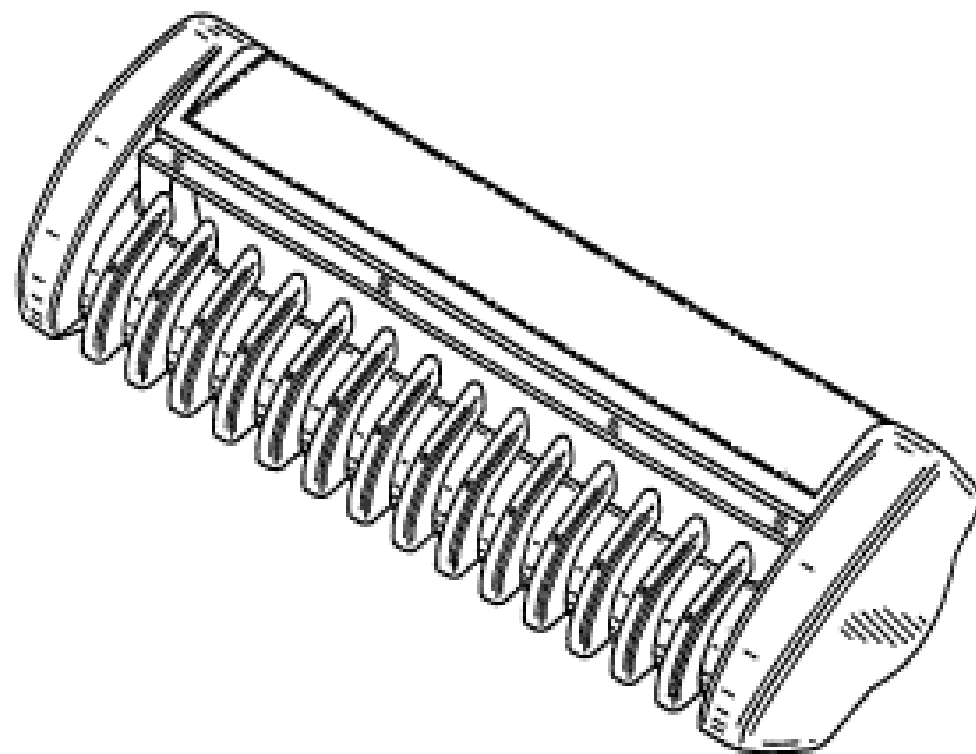
(21) Design Number: **11848/2009**  
(22) Date of Filing Application: **20 May 2009**  
(24) Date from which industrial property rights may have effect: **20 May 2009**  
(54) Product in respect of which the design is registered: **Air conditioner**  
(51) International Design Classification: **23-04**  
(71) Name(s) and Address(s) of Applicant(s):  
**Daikin Industries Ltd.**  
**Umeda Center Building 4-12 Nakazaki-Nishi 2-chome Kita-Ku**  
**Osaka-shi Osaka-fu Japan**  
(72) Name(s) of Designer(s): **Junji Nakamura and Kouichirou Seki and Yumi Ohta and Mana Yamashita**  
(45) Registration Date: **15 June 2009**  
(30) Convention priority data:  
(31) Number      (32) Date      (33) Country  
**2009-002830      12 Feb 2009      JAPAN**  
(56) Related Art Documents: **Not Applicable**  
(57) Statement of Newness and Distinctiveness: **Nil**



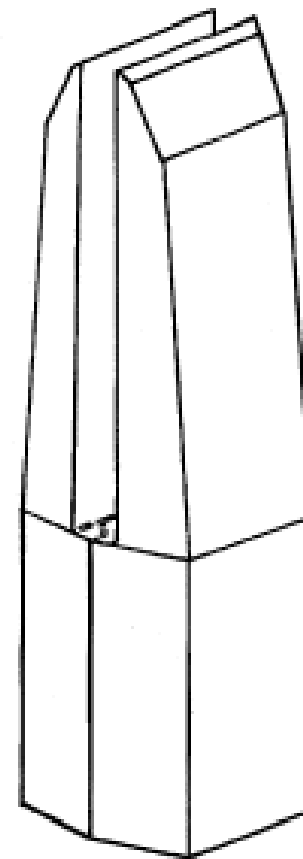
(21) Design Number: **11849/2009**  
 (22) Date of Filing Application: **20 May 2009**  
 (24) Date from which industrial property rights may have effect: **20 May 2009**  
 (54) Product in respect of which the design is registered: **Shaving razor**  
 (51) International Design Classification: **28-03A**  
 (71) Name(s) and Address(s) of Applicant(s):  
**The Gillette Company**  
**Prudential Tower Building Boston Massachusetts 02199 United States of America**  
 (72) Name(s) of Designer(s): **Matthew Corey Cataudella and Edward Neill Forsdike and Alejandro Carlow Lee**  
 (45) Registration Date: **15 June 2009**  
 (30) Convention priority data:  
 (31) Number (32) Date (33) Country  
**29/328,363 24 Nov 2008 UNITED STATES OF AMERICA**  
 (56) Related Art Documents: **Not Applicable**  
 (57) Statement of Newness and Distinctiveness: **Newness and distinctiveness reside in the features of shape and/or configuration of the shaving razor, as shown in the representations. Newness and distinctiveness are not claimed in relation to the features shown in broken lines in the representations.**



(21) Design Number: **11850/2009**  
 (22) Date of Filing Application: **20 May 2009**  
 (24) Date from which industrial property rights may have effect: **20 May 2009**  
 (54) Product in respect of which the design is registered: **Shaving razor cartridge**  
 (51) International Design Classification: **28-03A**  
 (71) Name(s) and Address(s) of Applicant(s):  
**The Gillette Company**  
**Prudential Tower Building Boston Massachusetts 02199 United States of America**  
 (72) Name(s) of Designer(s): **Matthew Corey Cataudella and Edward Neill Forsdike and Alejandro Carlow Lee**  
 (45) Registration Date: **15 June 2009**  
 (30) Convention priority data:  
 (31) Number (32) Date (33) Country  
**29/328,364 24 Nov 2008 UNITED STATES OF AMERICA**  
 (56) Related Art Documents: **Not Applicable**  
 (57) Statement of Newness and Distinctiveness: **Newness and distinctiveness reside in the features of shape and/or configuration of the shaving razor cartridge, as shown in the representations. Newness and distinctiveness are not claimed in relation to the features shown in broken lines in the representations.**



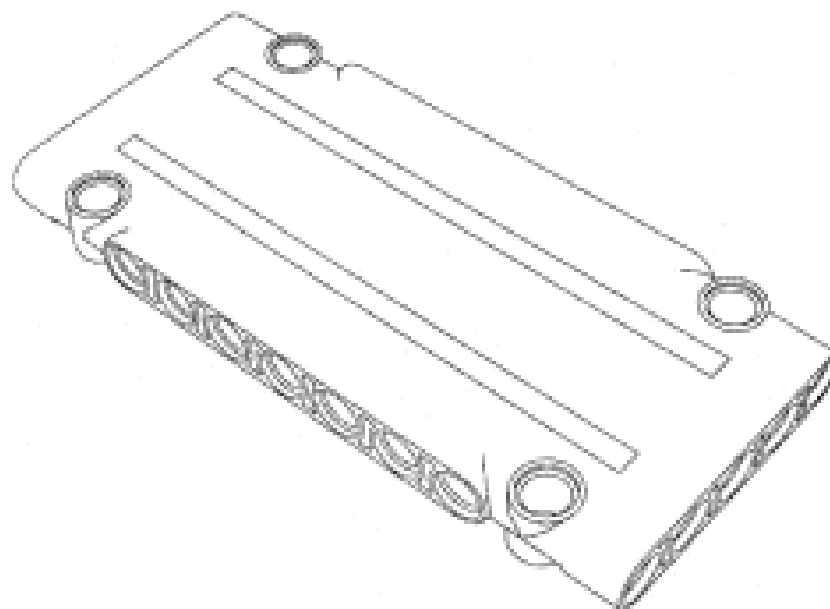
- (21) Design Number: **11831/2009**  
(22) Date of Filing Application: **20 May 2009**  
(24) Date from which industrial property rights may have effect: **20 May 2009**  
(54) Product in respect of which the design is registered: **Panel support bracket for fences, balustrades and the like**  
(51) International Design Classification: **08-08NES**  
(71) Name(s) and Address(s) of Applicant(s):  
**John Michael Schopf**  
**19 Silvertop Street Frankston North Victoria 3071 Australia**  
(72) Name(s) of Designer(s): **John Michael Schopf**  
(45) Registration Date: **15 June 2009**  
(56) Related Art Documents: **Not Applicable**  
(57) Statement of Newness and Distinctiveness: **The external shape of the bracket is identified as new and distinctive. The details shown in dotted lines are not to be considered as part of the design.**



- (21) Design Number: **11834/2009**  
(22) Date of Filing Application: **20 May 2009**  
(24) Date from which industrial property rights may have effect: **20 May 2009**  
(54) Product in respect of which the design is registered: **A toy building element**  
(51) International Design Classification: **21-01E**  
(71) Name(s) and Address(s) of Applicant(s):  
**Lego A/S**  
**Aastvej 1 DK-7190 Billund Denmark**  
(72) Name(s) of Designer(s): **Anders Gaasedal Christensen**  
(45) Registration Date: **15 June 2009**  
(30) Convention priority data:  

(31) Number	(32) Date	(33) Country
<b>001050645</b>	<b>28 Nov 2008</b>	<b>EUROPEAN COMMUNITY</b>

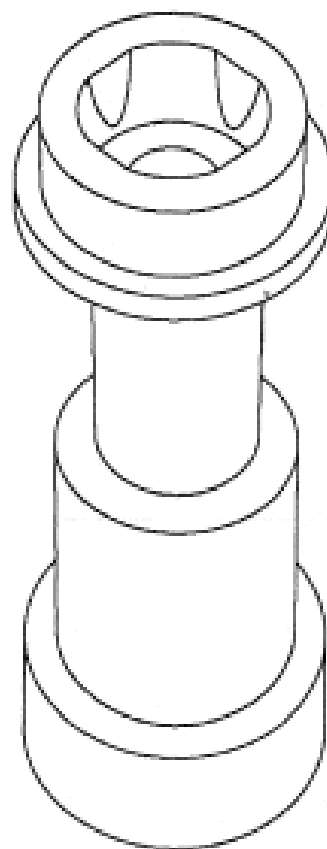
  
(56) Related Art Documents: **Not Applicable**  
(57) Statement of Newness and Distinctiveness: **Nil**



(21) Design Number: **11835/2009**  
 (22) Date of Filing Application: **20 May 2009**  
 (24) Date from which industrial property rights may have effect: **20 May 2009**  
 (54) Product in respect of which the design is registered: **A toy building element**  
 (51) International Design Classification: **21-01E**  
 (71) Name(s) and Address(s) of Applicant(s):  
**Lego A/S**  
**Aastvej 1 DK-7190 Billund Denmark**  
 (72) Name(s) of Designer(s): **Gitte Thorsen**  
 (45) Registration Date: **15 June 2009**  
 (30) Convention priority data:  

(31) Number	(32) Date	(33) Country
<b>001050645</b>	<b>28 Nov 2008</b>	<b>EUROPEAN COMMUNITY</b>

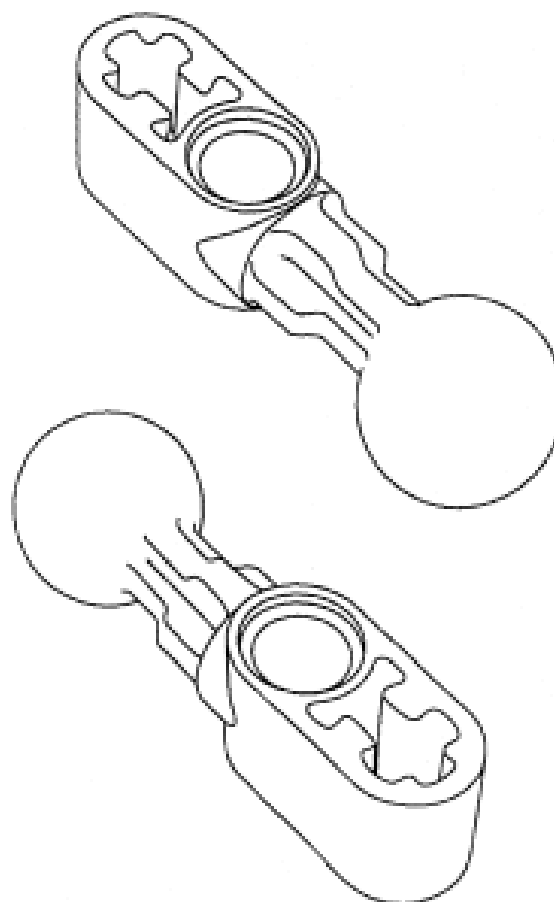
 (56) Related Art Documents: **Not Applicable**  
 (57) Statement of Newness and Distinctiveness: **Nil**



(21) Design Number: **11836/2009**  
 (22) Date of Filing Application: **20 May 2009**  
 (24) Date from which industrial property rights may have effect: **20 May 2009**  
 (54) Product in respect of which the design is registered: **A toy building element**  
 (51) International Design Classification: **21-01E**  
 (71) Name(s) and Address(s) of Applicant(s):  
**Lego A/S**  
**Aastvej 1 DK-7190 Billund Denmark**  
 (72) Name(s) of Designer(s): **Jeffrey Alan Davies**  
 (45) Registration Date: **15 June 2009**  
 (30) Convention priority data:  

(31) Number	(32) Date	(33) Country
<b>001050645</b>	<b>28 Nov 2008</b>	<b>EUROPEAN COMMUNITY</b>

 (56) Related Art Documents: **Not Applicable**  
 (57) Statement of Newness and Distinctiveness: **Nil**



(21) Design Number: **10516/2009**

(22) Date of Filing Application: **17 February 2009**

(24) Date from which industrial property rights may have effect: **17 February 2009**

(54) Product in respect of which the design is registered: **Plasterers featheredge**

(51) International Design Classification: **08-05K**

(71) Name(s) and Address(s) of Applicant(s):

**Peter de Vries**

**Waterstraat 66 Zutphen 7201 HN Netherlands**

(72) Name(s) of Designer(s): **Peter de Vries**

(45) Registration Date: **16 June 2009**

(30) Convention priority data:

(31) Number

(32) Date

(33) Country

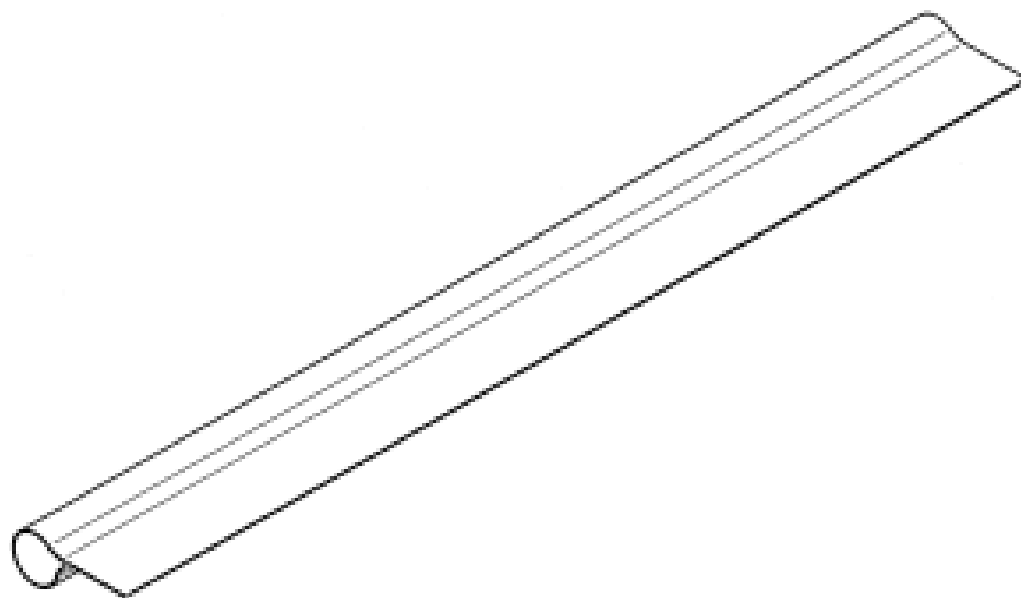
**468836601**

**14 Nov 2008**

**EUROPEAN COMMUNITY**

(56) Related Art Documents: **Not Applicable**

(57) Statement of Newness and Distinctiveness: **The new profile is a full closed one, so both sides will be covered with plastic caps. The aluminium profile itself is being given an anodised treatment which does not "come off", and is making it also easier to clean. In addition, this aluminium extruded profile gives robustness guarantees for stiffness over lengths of 1,50 to 2 metres or more.**



(21) Design Number: **11866/2009**

(22) Date of Filing Application: **21 May 2009**

(24) Date from which industrial property rights may have effect: **21 May 2009**

(54) Product in respect of which the design is registered: **Silicon wafer for solar battery**

(51) International Design Classification: **13-02**

(71) Name(s) and Address(s) of Applicant(s):

**Rin-Soon Park**

**Yongsang Apartment 1-401 150-3 Wonjong-dong Ojeong-gu  
Bucheon-si Gyeonggi-do 421-200 Republic of Korea**

(72) Name(s) of Designer(s): **Rin-Soon Park**

(45) Registration Date: **16 June 2009**

(30) Convention priority data:

(31) Number

(32) Date

(33) Country

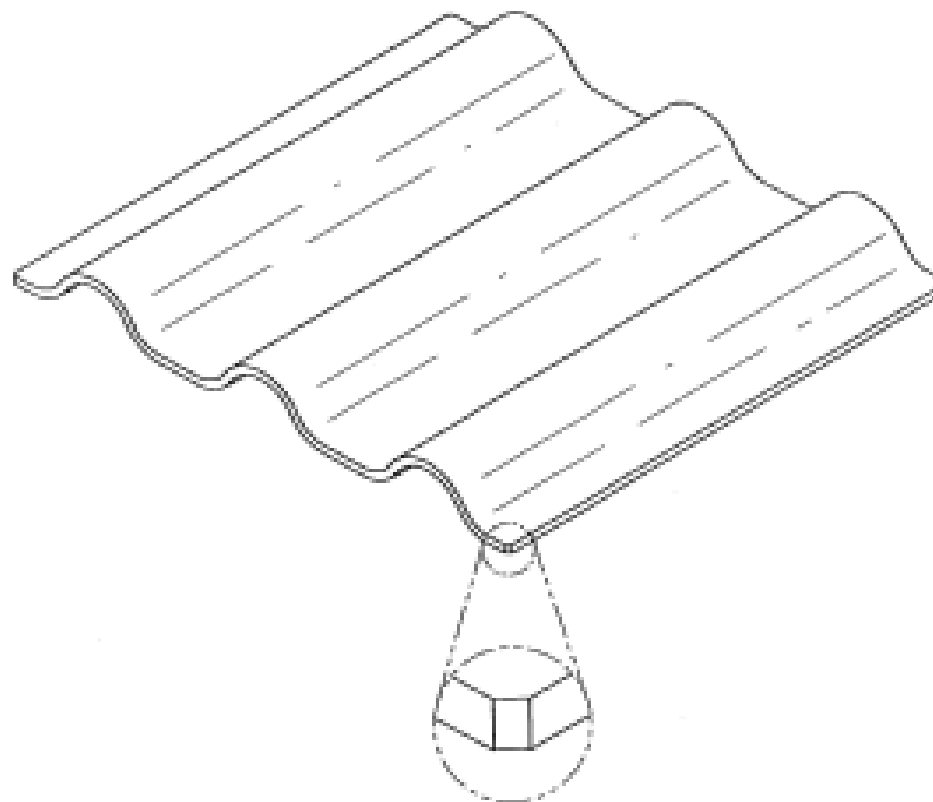
**30-2008-0050316**

**22 Nov 2008**

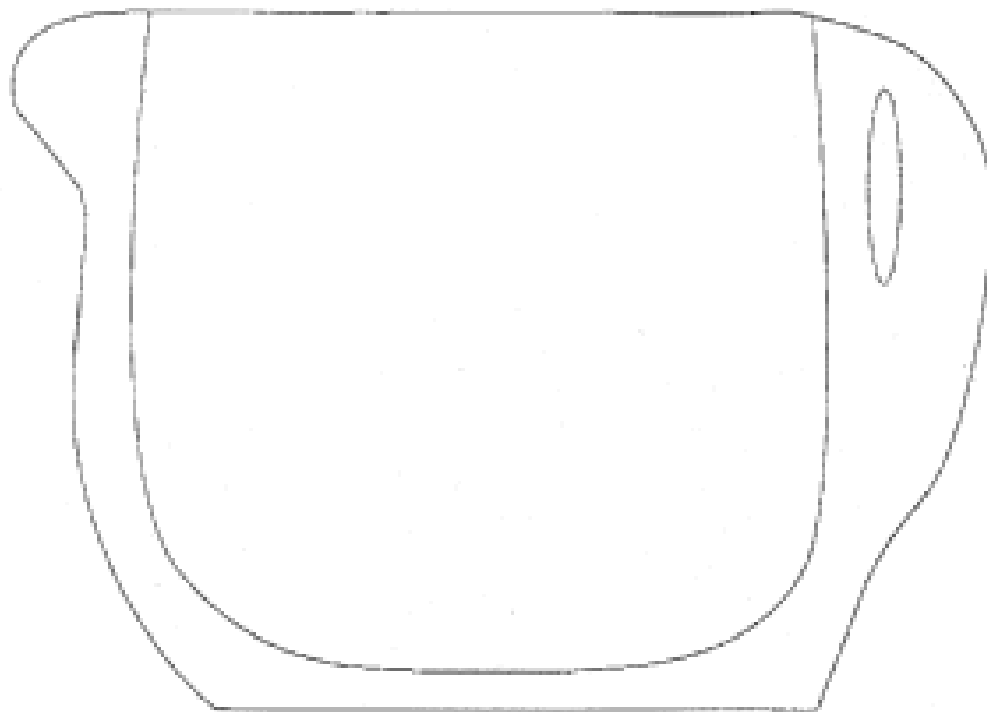
**REPUBLIC OF KOREA**

(56) Related Art Documents: **Not Applicable**

(57) Statement of Newness and Distinctiveness: **Nil**



- (21) Design Number: **11867/2009**  
(22) Date of Filing Application: **21 May 2009**  
(24) Date from which industrial property rights may have effect: **21 May 2009**  
(54) Product in respect of which the design is registered: **Pouch**  
(51) International Design Classification: **09-05**  
(71) Name(s) and Address(s) of Applicant(s):  
**KMC Foods (Singapore) Pte Ltd**  
**Cendex Centre Unit #13-07 120 Lower Delta Road Singapore 169208**  
(72) Name(s) of Designer(s): **Employees of KMC Foods (Singapore) Pte Ltd**  
(45) Registration Date: **16 June 2009**  
(56) Related Art Documents: **Not Applicable**  
(57) Statement of Newness and Distinctiveness: **Newness and distinctiveness is claimed in the shape, configuration and pattern of a pouch as illustrated in the representation.**



- (21) Design Number: **12016/2009**  
(22) Date of Filing Application: **02 June 2009**  
(24) Date from which industrial property rights may have effect: **02 June 2009**  
(54) Product in respect of which the design is registered: **Packaging for produce**  
(51) International Design Classification: **09-03F**  
(71) Name(s) and Address(s) of Applicant(s):  
**Ian Locke**  
**161 Allport Street (East) Leith Tasmania 7315 Australia**  
(72) Name(s) of Designer(s): **Ian Locke**  
(45) Registration Date: **15 June 2009**  
(56) Related Art Documents: **Not Applicable**  
(57) Statement of Newness and Distinctiveness: **ASPER-01 Background. Traditionally, expanded polystyrene (EPS) that has been heated, compressed and moulded into a box or crate shape has been designed for: a) a commodity group (e.g. seafood), b) a specific produce (e.g. broccoli), c) a particular transport type (e.g. airfreight), d) a generic pallet (e.g. AS4068-1993). Furthermore, the design has sought to utilise the thermal conductivity of EPS by adjusting the thickness of the floor and walls of the package to achieve a balance between temperature transfer (loss) and the integral strength of the box. That is, the period that temperature penetrates to or from produce inside the box is balanced against the structural integrity of the box to avoid damage. Conversely, if 10-kilos of chilled broccoli are packed with ice in an EPS package, the thickness of the floor and walls and structural construction of the moulding of the box must be: a) strong enough to hold and transport the produce without breaking b) moulded using compaction and thickness to maximise the thermal conductivity properties of EPS packaging. New. A design is regarded as new if it is not identical to a design that forms part of the prior art base for the design. Newness. The design is new. The design of ASPER-01 exhibits newness because it has been harmonised to commingle with: 1 each returnable (aka reuseable) plastic crate (acronym RPC) used by Woolworths and Coles supermarket. The Coles RPC and the Woolworths RPC are designed not to commingle. 2 Those individual fibre board boxes (acronym FBB) produced by AMCOR and VISY that have been designed to match the external dimensions of each the RPCs. However, these FBB do not commingle with the RPCs. Distinctive. A design is distinctive unless it is substantially similar in overall impression to a design that forms part of the prior art base for the design. Distinctiveness. The design is distinctive. No other polystyrene**



---

**(12) AUSTRALIAN REGISTERED DESIGN**  
**(19) AU**

**(11) AU-S- 326404**

---

(21) Design Number: **11155/2009**

(22) Date of Filing Application: **03 April 2009**

(24) Date from which industrial property rights may have effect: **03 April 2009**

(54) Product in respect of which the design is registered: **Light fixture housing**

(51) International Design Classification: **26-03**

(71) Name(s) and Address(s) of Applicant(s):

**LED Roadway Lighting Ltd.**

**35 Ash Lake Court Bayers Lake Business Park Halifax NS B3S 1B7  
Canada**

(72) Name(s) of Designer(s): **Jack Yitzhak Josefowicz and Matthew Francis Durdle**

(45) Registration Date: **15 June 2009**

(56) Related Art Documents: **Not Applicable**

(57) Statement of Newness and Distinctiveness: **The newness and distinctiveness of the design resides in the features of shape and/or configuration of the light fixture housing shown in unbroken lines in the accompanying representations. The features shown in broken or stippled lines or shown in cross-hatching in the representations form no part of the design. Similar the textual matter apparent in the top plan and top perspective views form no part of the design.**



(21) Design Number: **11292/2009**

(22) Date of Filing Application: **15 April 2009**

(24) Date from which industrial property rights may have effect: **15 April 2009**

(54) Product in respect of which the design is registered: **Portable speaker**

(51) International Design Classification: **14-01**

(71) Name(s) and Address(s) of Applicant(s):

**FKA Distributing Co. doing business as HoMedics, Inc.  
3000 Pontiac Trail Commerce Township Michigan 48390 United States  
of America**

(72) Name(s) of Designer(s): **Sarah Moeggenberg and Mordechai Lev and  
Roman S. Ferber**

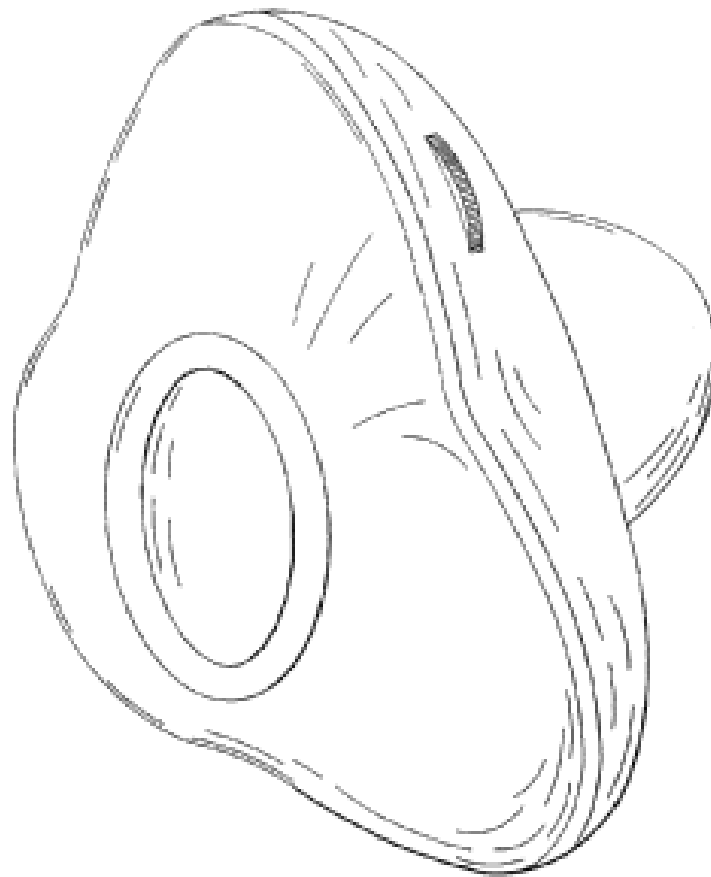
(45) Registration Date: **15 June 2009**

(30) Convention priority data:

(31) Number	(32) Date	(33) Country
<b>29/326415</b>	<b>17 Oct 2008</b>	<b>UNITED STATES OF AMERICA</b>

(56) Related Art Documents: **Not Applicable**

(57) Statement of Newness and Distinctiveness: **Newness and distinctiveness  
resides in the features of shape and configuration of a portable speaker  
as illustrated in the accompanying representations.**



(21) Design Number: **11361/2009**

(22) Date of Filing Application: **20 April 2009**

(24) Date from which industrial property rights may have effect: **20 April 2009**

(54) Product in respect of which the design is registered: **Internal rollover  
protection**

(51) International Design Classification: **12-16C**

(71) Name(s) and Address(s) of Applicant(s):

**Jaram Products Pty  
12 Railway Parade Welshpool Western Australia 6106 Australia**

(72) Name(s) of Designer(s): **Jonathan Lloyd McEwen and Lester Mark  
McEwen**

(45) Registration Date: **15 June 2009**

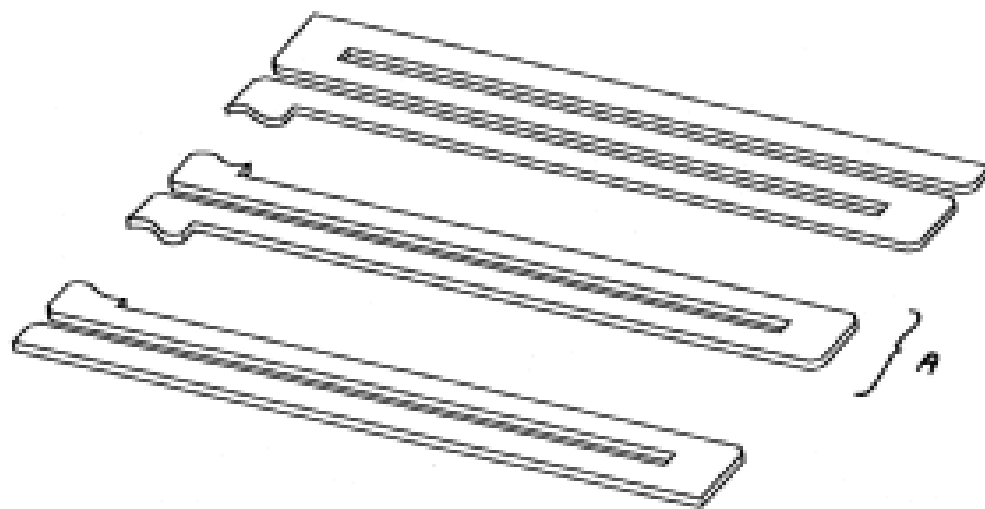
(56) Related Art Documents: **Not Applicable**

(57) Statement of Newness and Distinctiveness: **Nil**

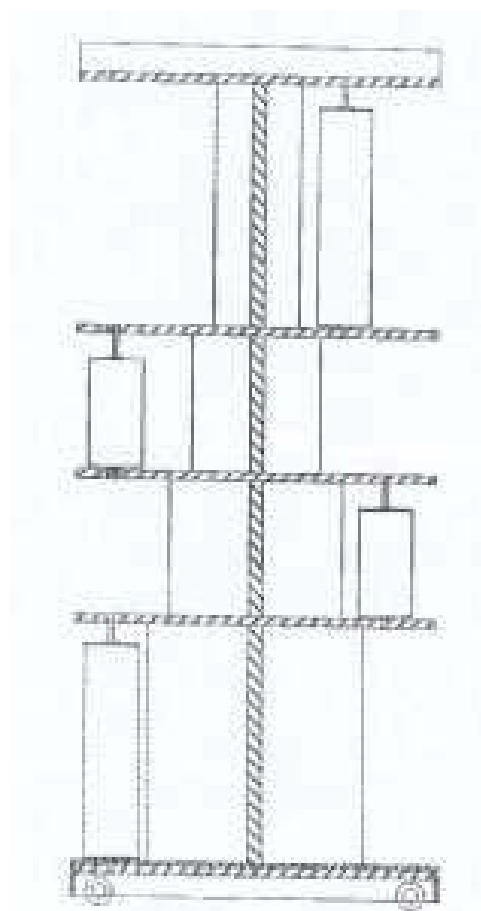




- (21) Design Number: **10187/2009**
- (22) Date of Filing Application: **23 January 2009**
- (24) Date from which industrial property rights may have effect: **23 January 2009**
- (54) Product in respect of which the design is registered: **Double sided shelf for display**
- (51) International Design Classification: **20-02E**
- (71) Name(s) and Address(s) of Applicant(s):  
**Everstone International Pty Ltd**  
**8 George Young Street Auburn New South Wales 2144 Australia**
- (72) Name(s) of Designer(s): **John Zeng**
- (45) Registration Date: **16 June 2009**
- (56) Related Art Documents: **Not Applicable**
- (57) Statement of Newness and Distinctiveness: **Nil**



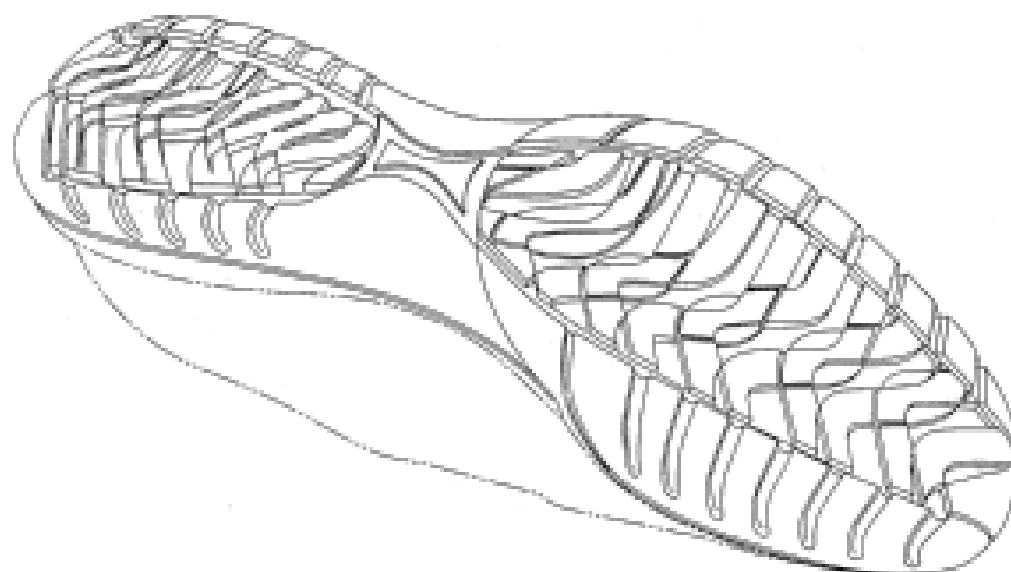
- (21) Design Number: **10188/2009**
- (22) Date of Filing Application: **23 January 2009**
- (24) Date from which industrial property rights may have effect: **23 January 2009**
- (54) Product in respect of which the design is registered: **A display stand**
- (51) International Design Classification: **20-02E**
- (71) Name(s) and Address(s) of Applicant(s):  
**Everstone International Pty Ltd**  
**8 George Young Street Auburn New South Wales 2144 Australia**
- (72) Name(s) of Designer(s): **John Zeng**
- (45) Registration Date: **16 June 2009**
- (56) Related Art Documents: **Not Applicable**
- (57) Statement of Newness and Distinctiveness: **Nil**



- (21) Design Number: **11424/2009**  
(22) Date of Filing Application: **28 April 2009**  
(24) Date from which industrial property rights may have effect: **28 April 2009**  
(54) Product in respect of which the design is registered: **Footwear upper**  
(51) International Design Classification: **02-04NES**  
(71) Name(s) and Address(s) of Applicant(s):  
**Wolverine World Wide, Inc.**  
**9341 Courtland Drive NE Rockford Michigan 49351 United States of America**  
(72) Name(s) of Designer(s): **Manon Belley and Julie St-Louis and Martin W.F. Dean**  
(45) Registration Date: **16 June 2009**  
(30) Convention priority data:  
(31) Number (32) Date (33) Country  
**29/312610 03 Nov 2008 UNITED STATES OF AMERICA**  
(56) Related Art Documents: **Not Applicable**  
(57) Statement of Newness and Distinctiveness: **Newness and distinctiveness is claimed in the visual features shown in the representations except for those shown in phantom lines.**



- (21) Design Number: **11429/2009**  
(22) Date of Filing Application: **28 April 2009**  
(24) Date from which industrial property rights may have effect: **28 April 2009**  
(54) Product in respect of which the design is registered: **Footwear sole**  
(51) International Design Classification: **02-04B**  
(71) Name(s) and Address(s) of Applicant(s):  
**Wolverine World Wide, Inc.**  
**9341 Courtland Drive NE Rockford Michigan 49351 United States of America**  
(72) Name(s) of Designer(s): **Flavio Brambilla**  
(45) Registration Date: **16 June 2009**  
(30) Convention priority data:  
(31) Number (32) Date (33) Country  
**29/312612 03 Nov 2008 UNITED STATES OF AMERICA**  
(56) Related Art Documents: **Not Applicable**  
(57) Statement of Newness and Distinctiveness: **Newness and distinctiveness is claimed in the visual features shown in the representations except for those shown in phantom lines.**



(21) Design Number: **11432/2009**

(22) Date of Filing Application: **28 April 2009**

(24) Date from which industrial property rights may have effect: **28 April 2009**

(54) Product in respect of which the design is registered: **Footwear upper**

(51) International Design Classification: **02-04NES**

(71) Name(s) and Address(s) of Applicant(s):

**Wolverine World Wide, Inc.**  
**9341 Courtland Drive NE Rockford Michigan 49351 United States of America**

(72) Name(s) of Designer(s): **Manon Belley and Julie St-Louis**

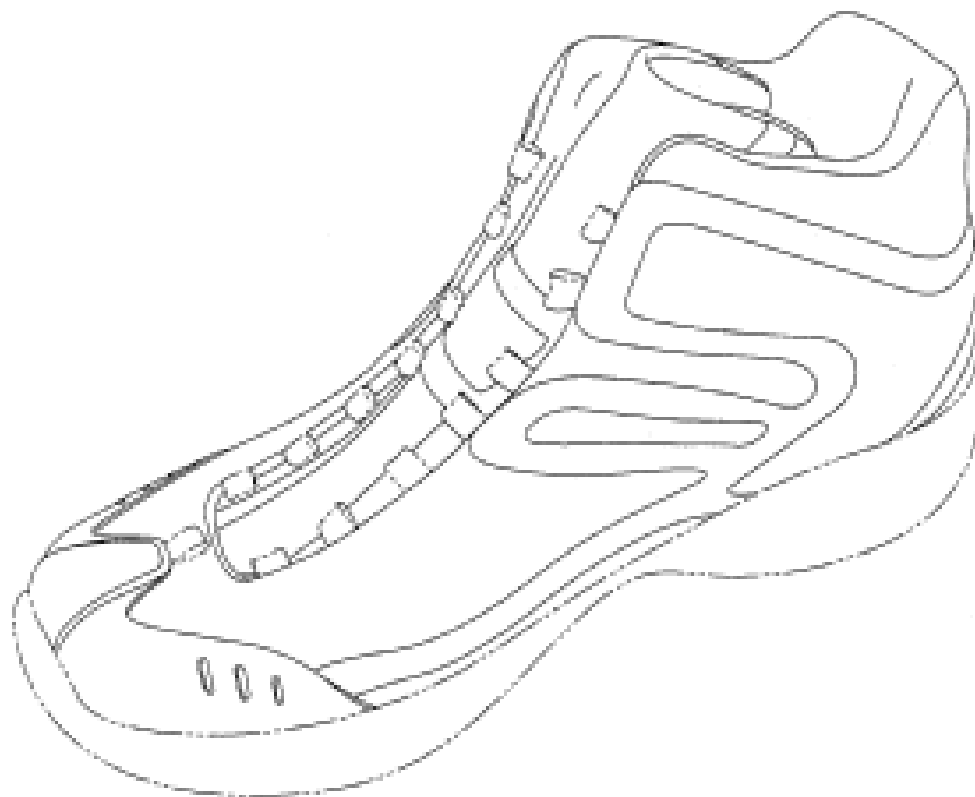
(45) Registration Date: **16 June 2009**

(30) Convention priority data:

(31) Number	(32) Date	(33) Country
<b>29/312626</b>	<b>03 Nov 2008</b>	<b>UNITED STATES OF AMERICA</b>

(56) Related Art Documents: **Not Applicable**

(57) Statement of Newness and Distinctiveness: **Newness and distinctiveness is claimed in the visual features shown in the representations except for those shown in phantom lines.**



(21) Design Number: **11837/2009**

(22) Date of Filing Application: **20 May 2009**

(24) Date from which industrial property rights may have effect: **20 May 2009**

(54) Product in respect of which the design is registered: **A toy building element**

(51) International Design Classification: **21-01E**

(71) Name(s) and Address(s) of Applicant(s):

**Lego A/S**  
**Aastvej 1 DK-7190 Billund Denmark**

(72) Name(s) of Designer(s): **Steen Schmidt**

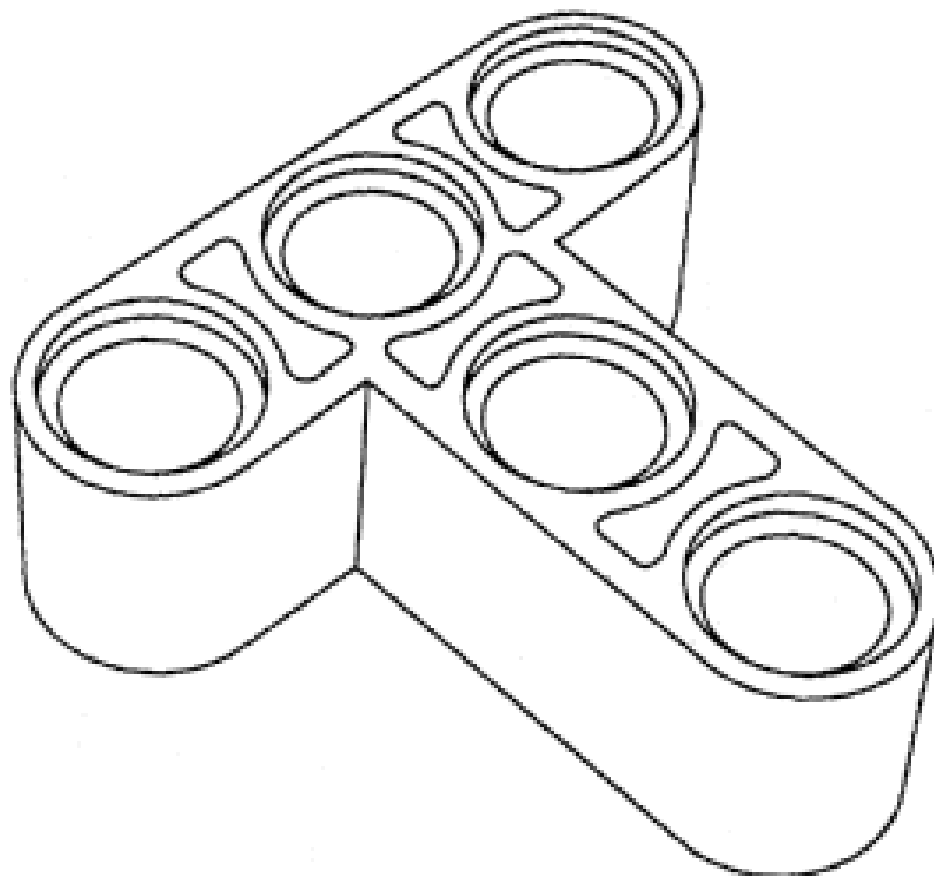
(45) Registration Date: **16 June 2009**

(30) Convention priority data:

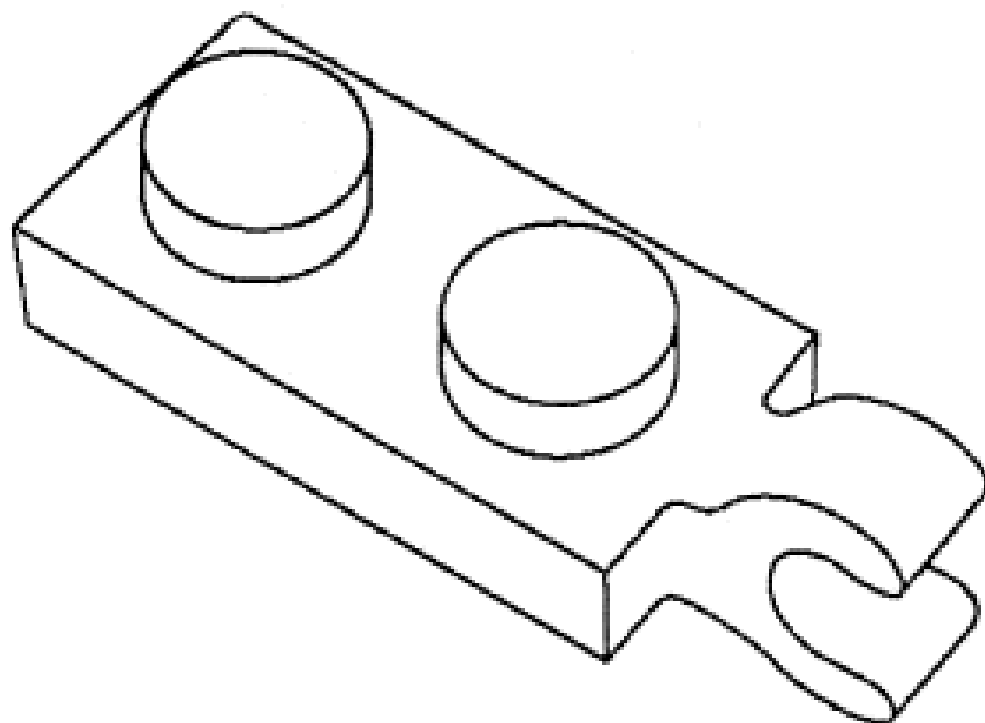
(31) Number	(32) Date	(33) Country
<b>001050645</b>	<b>28 Nov 2008</b>	<b>EUROPEAN COMMUNITY</b>

(56) Related Art Documents: **Not Applicable**

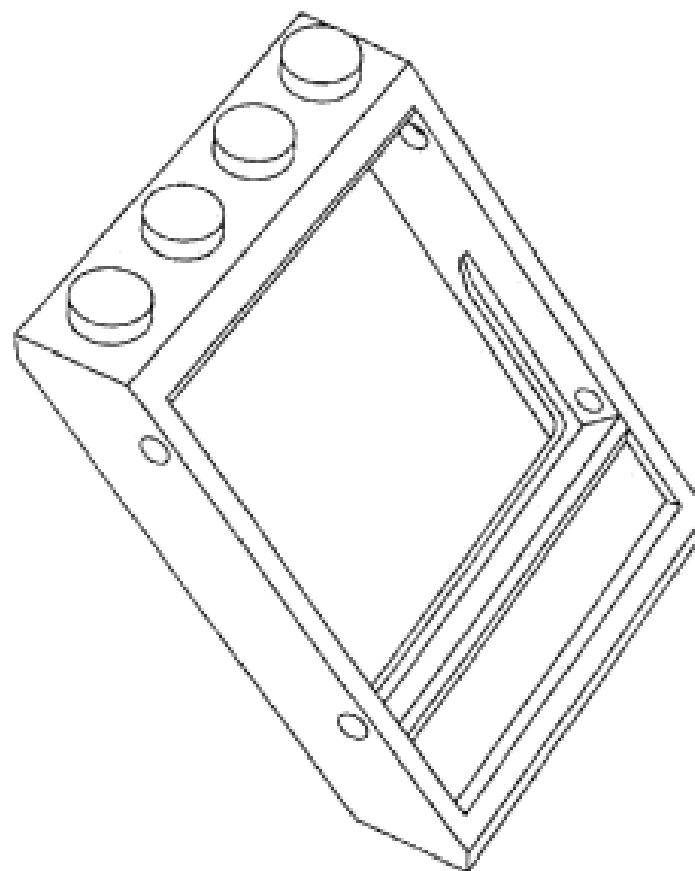
(57) Statement of Newness and Distinctiveness: **Nil**



(21) Design Number: **11838/2009**  
(22) Date of Filing Application: **20 May 2009**  
(24) Date from which industrial property rights may have effect: **20 May 2009**  
(54) Product in respect of which the design is registered: **A toy building element**  
(51) International Design Classification: **21-01E**  
(71) Name(s) and Address(s) of Applicant(s):  
**Lego A/S**  
**Aastvej 1 DK-7190 Billund Denmark**  
(72) Name(s) of Designer(s): **Jan Ryaa**  
(45) Registration Date: **16 June 2009**  
(30) Convention priority data:  
(31) Number (32) Date (33) Country  
**001050645 28 Nov 2008 EUROPEAN COMMUNITY**  
(56) Related Art Documents: **Not Applicable**  
(57) Statement of Newness and Distinctiveness: **Nil**



(21) Design Number: **11839/2009**  
(22) Date of Filing Application: **20 May 2009**  
(24) Date from which industrial property rights may have effect: **20 May 2009**  
(54) Product in respect of which the design is registered: **A toy building element**  
(51) International Design Classification: **21-01E**  
(71) Name(s) and Address(s) of Applicant(s):  
**Lego A/S**  
**Aastvej 1 DK-7190 Billund Denmark**  
(72) Name(s) of Designer(s): **Jan Ryaa**  
(45) Registration Date: **16 June 2009**  
(30) Convention priority data:  
(31) Number (32) Date (33) Country  
**001050645 28 Nov 2008 EUROPEAN COMMUNITY**  
(56) Related Art Documents: **Not Applicable**  
(57) Statement of Newness and Distinctiveness: **Nil**



(21) Design Number: **11840/2009**

(22) Date of Filing Application: **20 May 2009**

(24) Date from which industrial property rights may have effect: **20 May 2009**

(54) Product in respect of which the design is registered: **A toy building element**

(51) International Design Classification: **21-01E**

(71) Name(s) and Address(s) of Applicant(s):

**Lego A/S**

**Aastvej 1 DK-7190 Billund Denmark**

(72) Name(s) of Designer(s): **Jan Ryaa**

(45) Registration Date: **16 June 2009**

(30) Convention priority data:

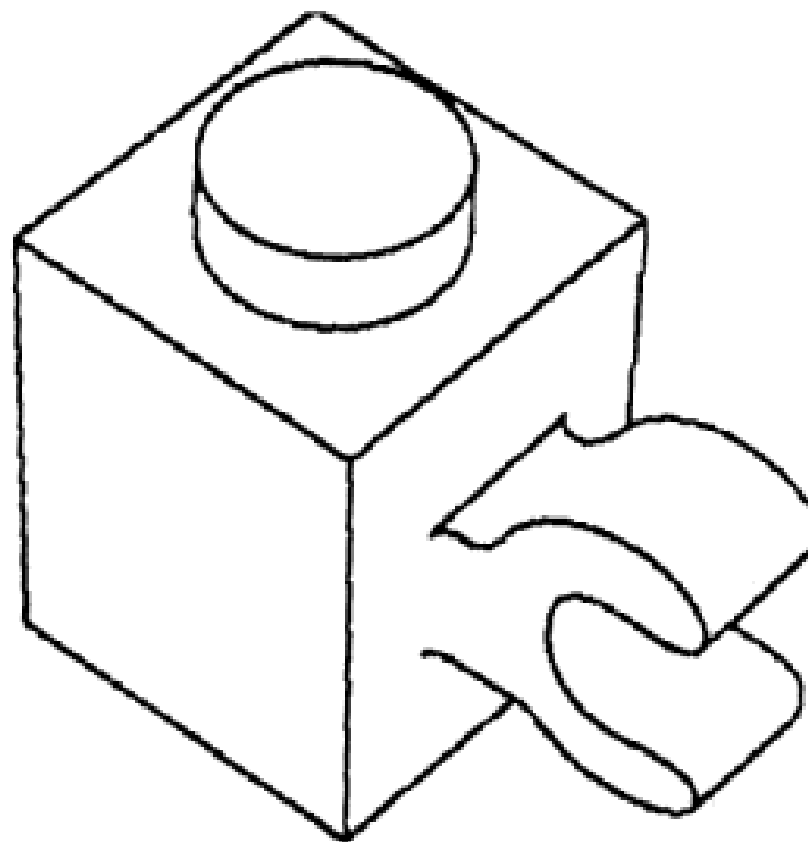
(31) Number  
**001050645**

(32) Date  
**28 Nov 2008**

(33) Country  
**EUROPEAN COMMUNITY**

(56) Related Art Documents: **Not Applicable**

(57) Statement of Newness and Distinctiveness: **Nil**



(21) Design Number: **11841/2009**

(22) Date of Filing Application: **20 May 2009**

(24) Date from which industrial property rights may have effect: **20 May 2009**

(54) Product in respect of which the design is registered: **Anchor post**

(51) International Design Classification: **25-02A**

(71) Name(s) and Address(s) of Applicant(s):

**Roadside Products Pty Ltd**

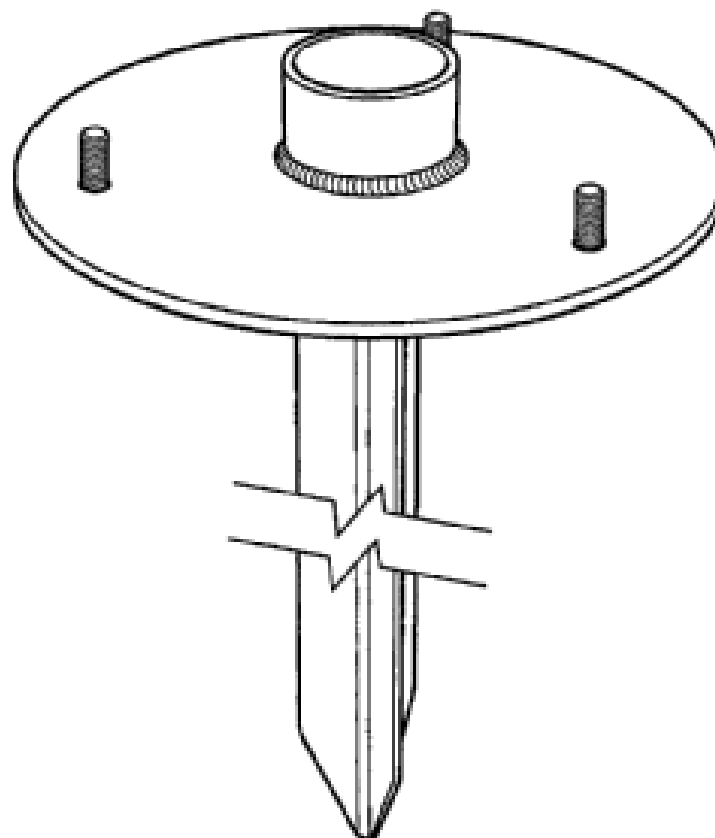
**27 St John Street Launceston Tasmania 7250 Australia**

(72) Name(s) of Designer(s): **Ralph Edward Norton and Darran James Randall and Scott Wesley Payton and Roger Clive Trethewie**

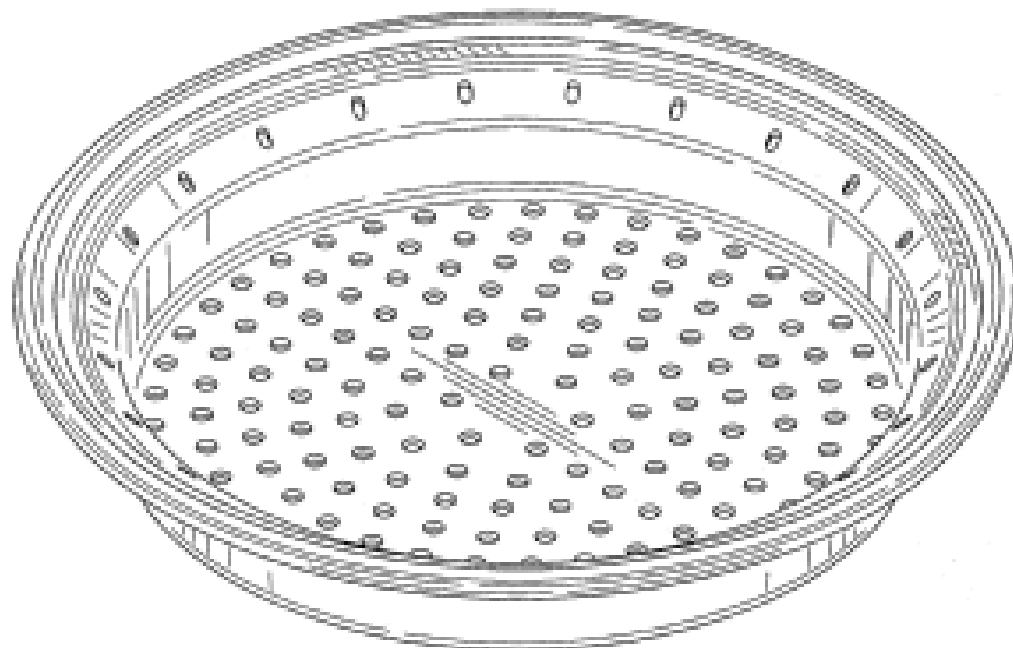
(45) Registration Date: **16 June 2009**

(56) Related Art Documents: **Not Applicable**

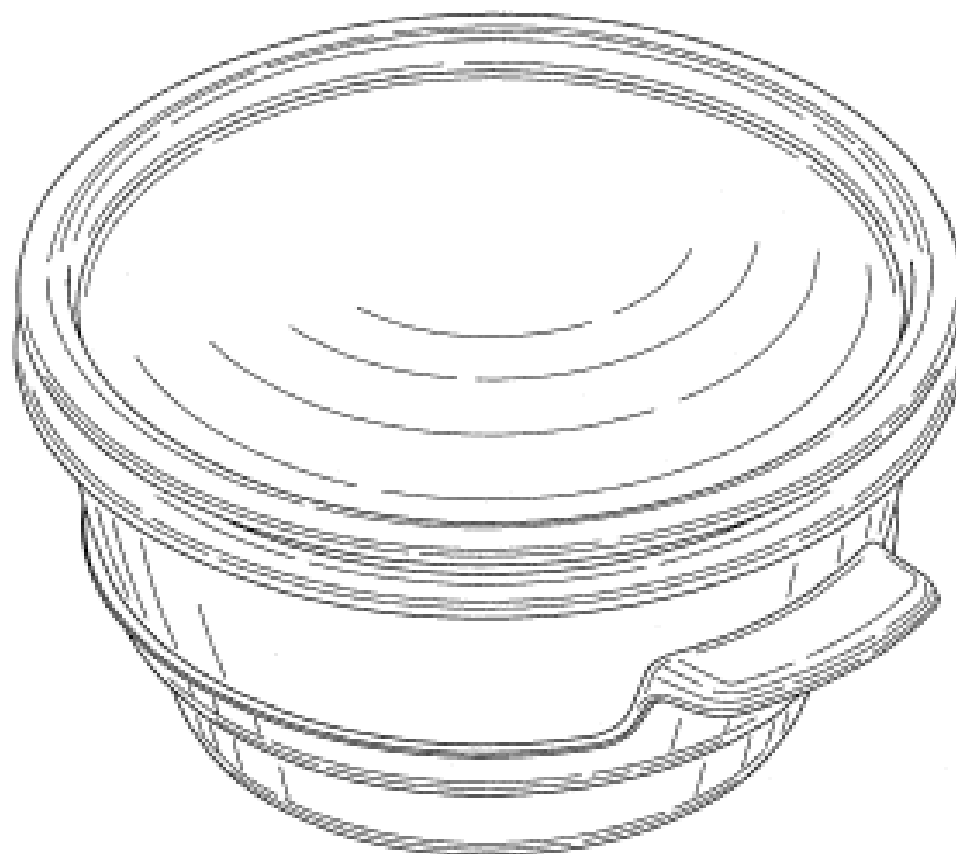
(57) Statement of Newness and Distinctiveness: **Newness and distinctiveness resides in the features of shape and configuration of an anchor post as shown in the accompanying representations.**



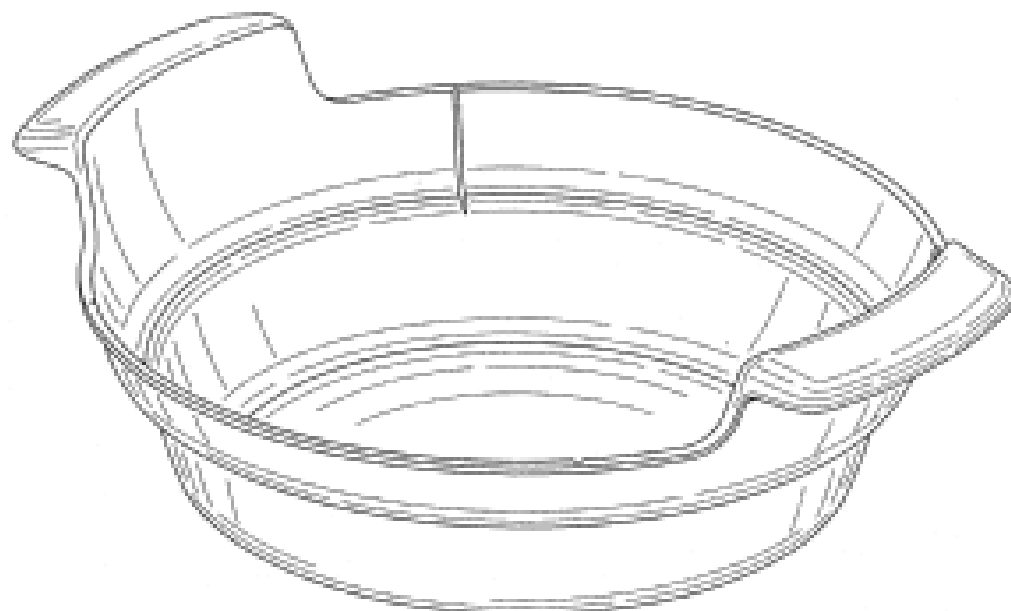
(21) Design Number: **11842/2009**  
 (22) Date of Filing Application: **20 May 2009**  
 (24) Date from which industrial property rights may have effect: **20 May 2009**  
 (54) Product in respect of which the design is registered: **Steamer**  
 (51) International Design Classification: **07-02N**  
 (71) Name(s) and Address(s) of Applicant(s):  
**Dart Industries Inc.**  
**14901 S. Orange Blossom Trail Orlando Florida 32837 United States of America**  
 (72) Name(s) of Designer(s): **Rui Yuan Chen and Jan-Hendrik De Groot and Dimitri M.C.J. Backaert**  
 (45) Registration Date: **16 June 2009**  
 (30) Convention priority data:  
 (31) Number (32) Date (33) Country  
**29/313,280 22 Dec 2008 UNITED STATES OF AMERICA**  
 (56) Related Art Documents: **Not Applicable**  
 (57) Statement of Newness and Distinctiveness: **Those features of the steamer depicted in the representations that are new and distinctive are the shape and/or configuration.**



(21) Design Number: **11843/2009**  
 (22) Date of Filing Application: **20 May 2009**  
 (24) Date from which industrial property rights may have effect: **20 May 2009**  
 (54) Product in respect of which the design is registered: **Steamer with cover**  
 (51) International Design Classification: **07-02H, 07-02N**  
 (71) Name(s) and Address(s) of Applicant(s):  
**Dart Industries Inc.**  
**14901 S. Orange Blossom Trail Orlando Florida 32837 United States of America**  
 (72) Name(s) of Designer(s): **Rui Yuan Chen and Jan-Hendrik De Groot and Dimitri M.C.J. Backaert**  
 (45) Registration Date: **16 June 2009**  
 (30) Convention priority data:  
 (31) Number (32) Date (33) Country  
**29/313,270 22 Dec 2008 UNITED STATES OF AMERICA**  
 (56) Related Art Documents: **Not Applicable**  
 (57) Statement of Newness and Distinctiveness: **Those features of the steamer with cover depicted in the representations that are new and distinctive are the shape and/or configuration.**



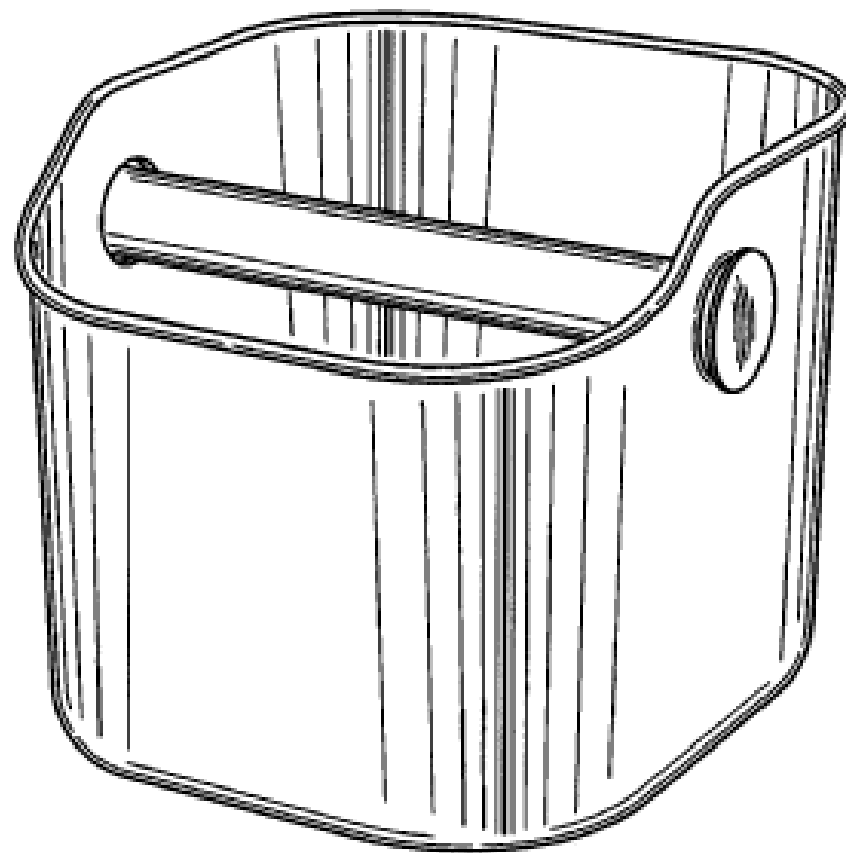
(21) Design Number: **11844/2009**  
(22) Date of Filing Application: **20 May 2009**  
(24) Date from which industrial property rights may have effect: **20 May 2009**  
(54) Product in respect of which the design is registered: **Container**  
(51) International Design Classification: **07-01NES**  
(71) Name(s) and Address(s) of Applicant(s):  
**Dart Industries Inc.**  
**14901 S. Orange Blossom Trail Orlando Florida 32837 United States of America**  
(72) Name(s) of Designer(s): **Rui Yuan Chen and Jan-Hendrik De Groot and Dimitri M.C.J. Backaert**  
(45) Registration Date: **16 June 2009**  
(30) Convention priority data:  
(31) Number (32) Date (33) Country  
**29/313,271 22 Dec 2008 UNITED STATES OF AMERICA**  
(56) Related Art Documents: **Not Applicable**  
(57) Statement of Newness and Distinctiveness: **Those features of the container with cover depicted in the representations that are new and distinctive are the shape and/or configuration.**



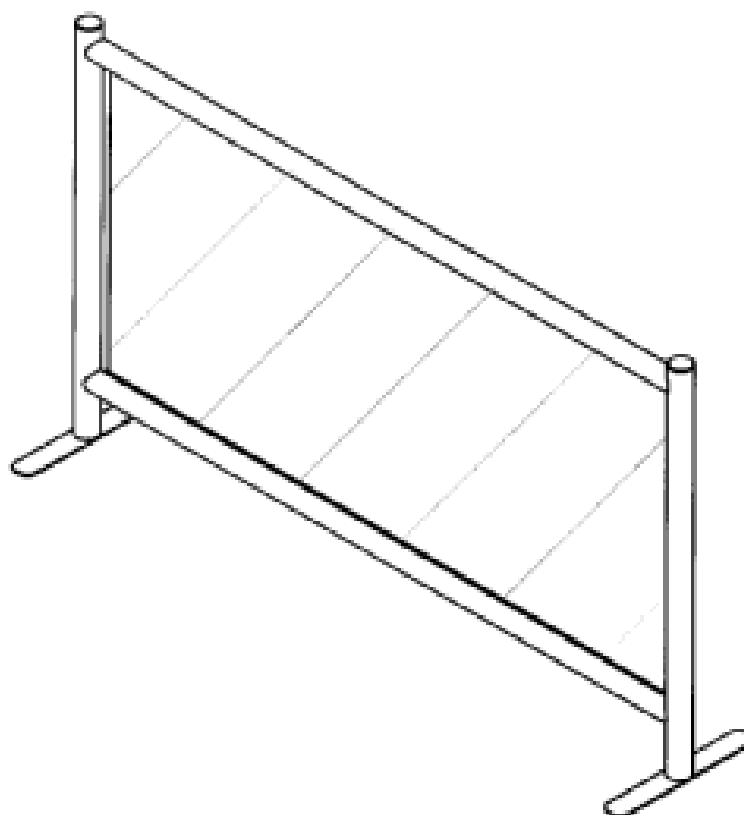
(21) Design Number: **11738/2009**  
(22) Date of Filing Application: **14 May 2009**  
(24) Date from which industrial property rights may have effect: **14 May 2009**  
(54) Product in respect of which the design is registered: **Cover for cleated shoe**  
(51) International Design Classification: **02-04B**  
(71) Name(s) and Address(s) of Applicant(s):  
**Cleatskins**  
**132 N. El Camino Real #287 Encinitas 92924 CA United States of America**  
(72) Name(s) of Designer(s): **Marianne Kay and Richard Keith Kay**  
(45) Registration Date: **16 June 2009**  
(30) Convention priority data:  
(31) Number (32) Date (33) Country  
**29/328,360 24 Nov 2008 UNITED STATES OF AMERICA**  
(56) Related Art Documents: **Not Applicable**  
(57) Statement of Newness and Distinctiveness: **Newness and distinctiveness resides in the shape and configuration of the shoe cover shown in the accompanying representations.**



(21) Design Number: **12059/2009**  
(22) Date of Filing Application: **04 June 2009**  
(24) Date from which industrial property rights may have effect: **04 June 2009**  
(54) Product in respect of which the design is registered: **Used coffee grounds container**  
(51) International Design Classification: **07-02NES, 07-07NES**  
(71) Name(s) and Address(s) of Applicant(s):  
**Pi-Design AG**  
**Kantonsstrasse 100 6234 Triengen Switzerland**  
(72) Name(s) of Designer(s): **Jorgen Bodum**  
(45) Registration Date: **16 June 2009**  
(30) Convention priority data:  
(31) Number (32) Date (33) Country  
**DM/071 162 05 Jan 2009 WORLD INTELLECTUAL PROPERTY ORGANIZATION (WIPO)**  
(56) Related Art Documents: **Not Applicable**  
(57) Statement of Newness and Distinctiveness: **Nil**



(21) Design Number: **11700/2009**  
(22) Date of Filing Application: **13 May 2009**  
(24) Date from which industrial property rights may have effect: **13 May 2009**  
(54) Product in respect of which the design is registered: **Cafe screen**  
(51) International Design Classification: **25-02NES**  
(71) Name(s) and Address(s) of Applicant(s):  
**Asigns Pty Ltd**  
**158-160 Williams Road Dandenong Victoria 3175 Australia**  
(72) Name(s) of Designer(s): **Polin Sok**  
(45) Registration Date: **18 June 2009**  
(56) Related Art Documents: **Not Applicable**  
(57) Statement of Newness and Distinctiveness: **Monopoly is claimed in the feature of the shape and configuration of the cafe screen attached.**





(21) Design Number: **11701/2009**

(22) Date of Filing Application: **13 May 2009**

(24) Date from which industrial property rights may have effect: **13 May 2009**

(54) Product in respect of which the design is registered: **Cafe screen**

(51) International Design Classification: **25-02NES**

(71) Name(s) and Address(s) of Applicant(s):

**Asigns Pty Ltd**

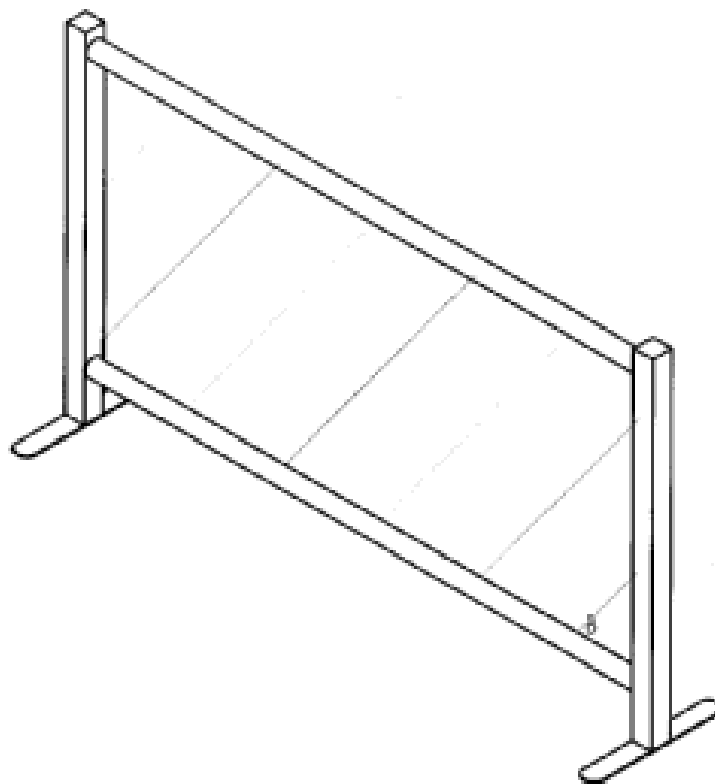
**158-160 Williams Road Dandenong Victoria 3175 Australia**

(72) Name(s) of Designer(s): **Polin Sok**

(45) Registration Date: **18 June 2009**

(56) Related Art Documents: **Not Applicable**

(57) Statement of Newness and Distinctiveness: **Monopoly is claimed in the feature of the shape and configuration of the cafe screen attached.**



(21) Design Number: **11702/2009**

(22) Date of Filing Application: **13 May 2009**

(24) Date from which industrial property rights may have effect: **13 May 2009**

(54) Product in respect of which the design is registered: **Cafe screen**

(51) International Design Classification: **25-02NES**

(71) Name(s) and Address(s) of Applicant(s):

**Asigns Pty Ltd**

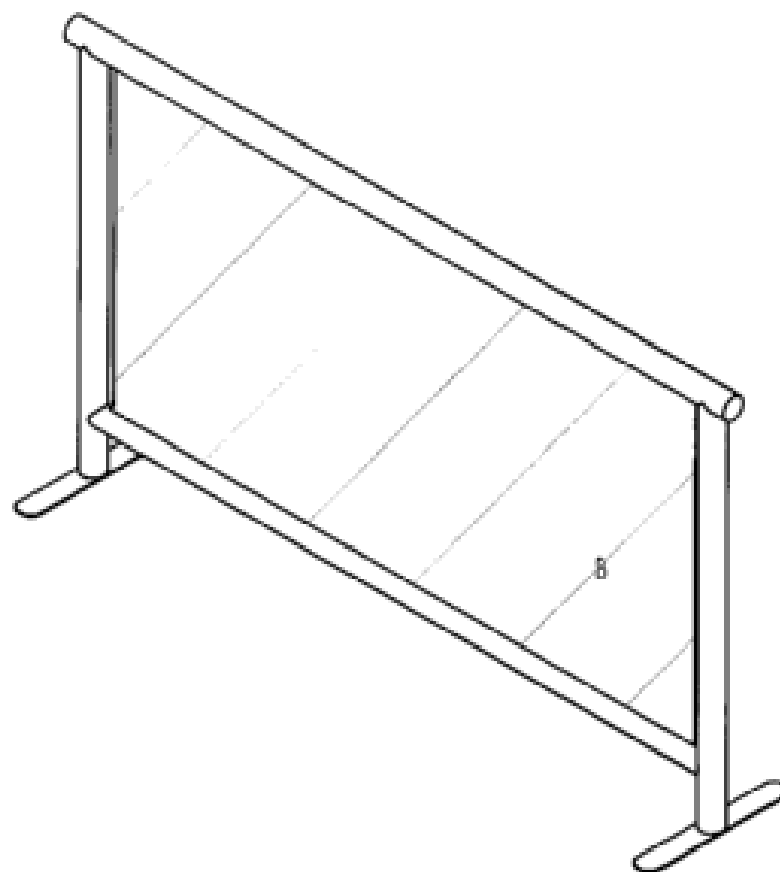
**158-160 Williams Road Dandenong Victoria 3175 Australia**

(72) Name(s) of Designer(s): **Polin Sok**

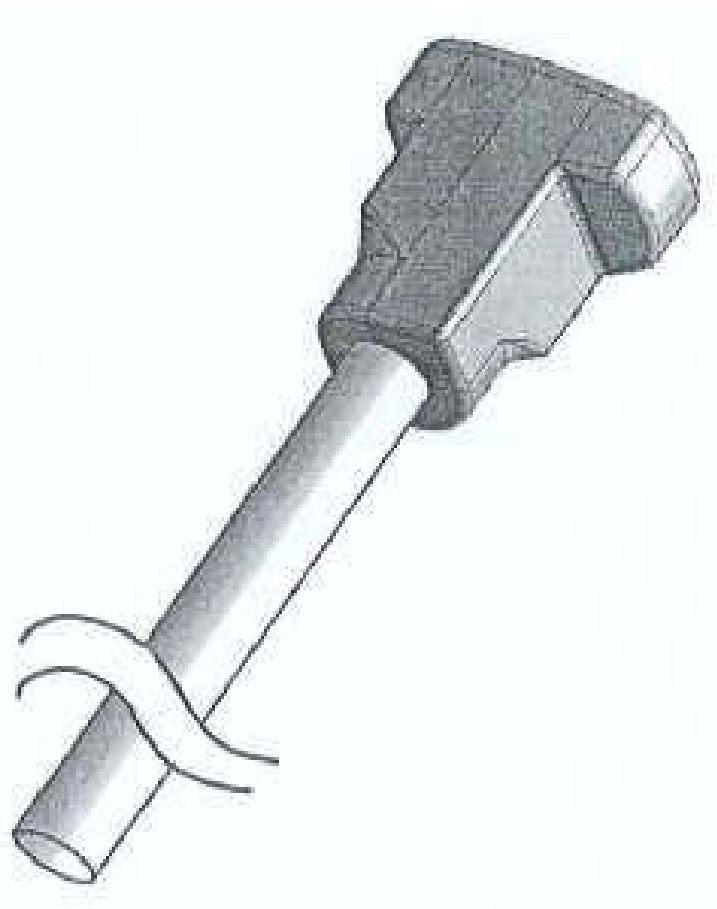
(45) Registration Date: **18 June 2009**

(56) Related Art Documents: **Not Applicable**

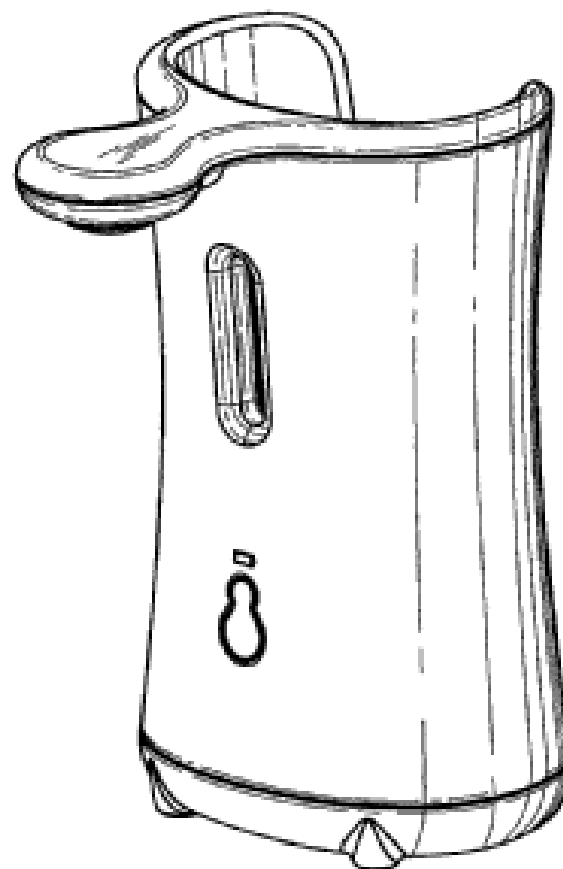
(57) Statement of Newness and Distinctiveness: **Monopoly is claimed in the features of the shape and configuration of the cafe screen attached.**



- (21) Design Number: **11682/2009**  
(22) Date of Filing Application: **11 May 2009**  
(24) Date from which industrial property rights may have effect: **11 May 2009**  
(54) Product in respect of which the design is registered: **Hooking element for hanging an article from an associated rail**  
(51) International Design Classification: **08-08G**  
(71) Name(s) and Address(s) of Applicant(s):  
**Jan Van Boxtel Artitec B.V.**  
**Herastr. 39 5047 TX Tilburg The Netherlands**  
(72) Name(s) of Designer(s): **Wilhelmus Maria van Groesen**  
(45) Registration Date: **16 June 2009**  
(30) Convention priority data:  
(31) Number (32) Date (33) Country  
**001038855-0001 13 Nov 2008 EUROPEAN COMMUNITY**  
(56) Related Art Documents: **Not Applicable**  
(57) Statement of Newness and Distinctiveness: **Newness and distinctiveness is claimed in the features of shape and/or configuration of the lower portion of the head piece of a hooking element for hanging an article from an associated rail as illustrated in the accompanying representations and marked 'A'. The elongate cylindrical component of the hooking element is of indefinite length.**



- (21) Design Number: **11746/2009**  
(22) Date of Filing Application: **14 May 2009**  
(24) Date from which industrial property rights may have effect: **14 May 2009**  
(54) Product in respect of which the design is registered: **Dispenser**  
(51) International Design Classification: **09-01NES**  
(71) Name(s) and Address(s) of Applicant(s):  
**Reckitt & Colman (Overseas) Limited**  
**103-105 Bath Road Slough Berkshire SL1 3UH United Kingdom**  
(72) Name(s) of Designer(s): **John William Rowe MacDonald and Thomas Edward Walker and Christopher Leonard Padain and Craig Ian Wightman**  
(45) Registration Date: **16 June 2009**  
(30) Convention priority data:  
(31) Number (32) Date (33) Country  
**001042675-0001 20 Nov 2008 EUROPEAN COMMUNITY**  
(56) Related Art Documents: **Not Applicable**  
(57) Statement of Newness and Distinctiveness: **The shape and configuration of the dispenser as shown in the accompanying drawings is new and distinctive.**



(21) Design Number: **11747/2009**

(22) Date of Filing Application: **14 May 2009**

(24) Date from which industrial property rights may have effect: **14 May 2009**

(54) Product in respect of which the design is registered: **Dispenser**

(51) International Design Classification: **09-01NES**

(71) Name(s) and Address(s) of Applicant(s):

**Reckitt & Colman (Overseas) Limited**  
**103-105 Bath Road Slough Berkshire SL1 3UH United Kingdom**

(72) Name(s) of Designer(s): **John William Rowe MacDonald and Thomas Edward Walker and Christopher Leonard Padain and Craig Ian Wightman**

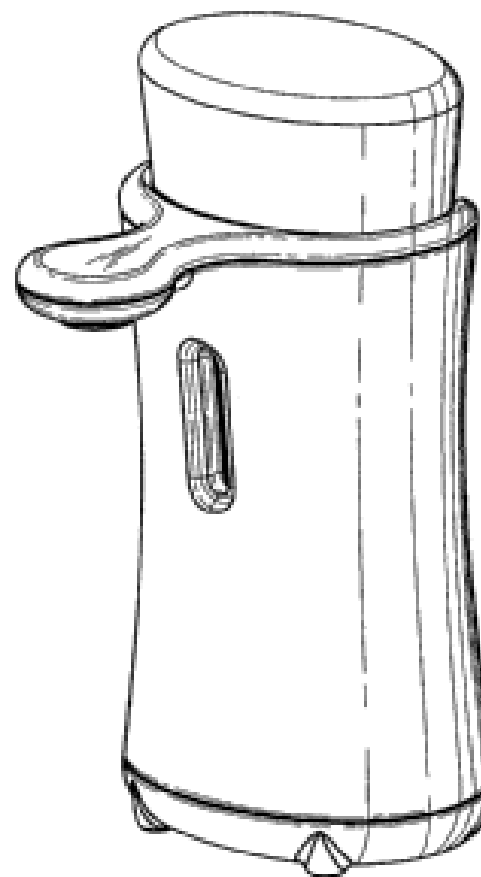
(45) Registration Date: **16 June 2009**

(30) Convention priority data:

(31) Number	(32) Date	(33) Country
<b>001042675-0002</b>	<b>20 Nov 2008</b>	<b>EUROPEAN COMMUNITY</b>

(56) Related Art Documents: **Not Applicable**

(57) Statement of Newness and Distinctiveness: **The shape and configuration of the dispenser as shown in the accompanying drawings is new and distinctive.**



(21) Design Number: **11861/2009**

(22) Date of Filing Application: **20 May 2009**

(24) Date from which industrial property rights may have effect: **20 May 2009**

(54) Product in respect of which the design is registered: **Single fence cap for rolled profile fence posts**

(51) International Design Classification: **25-01E**

(71) Name(s) and Address(s) of Applicant(s):

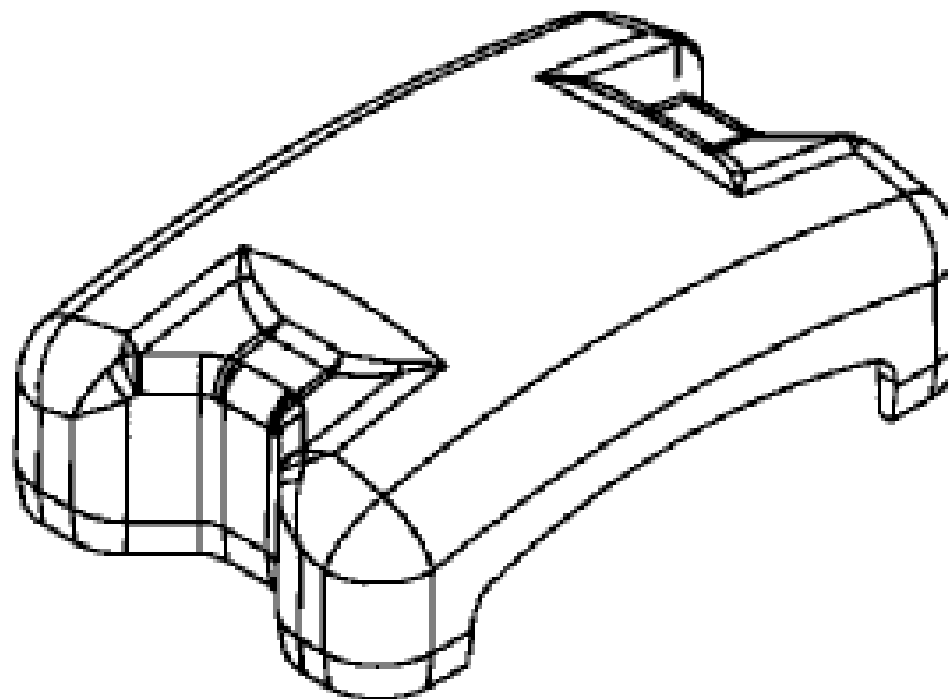
**RMD Industries Pty Ltd**  
**6-10 Market Road Sunshine Victoria 3020 Australia**

(72) Name(s) of Designer(s): **Joseph I.M. Van Der Plas**

(45) Registration Date: **16 June 2009**

(56) Related Art Documents: **Not Applicable**

(57) Statement of Newness and Distinctiveness: **Doubly curved surface that incorporates two indented areas for strength and fitment forms the main shape of this cap.**



(21) Design Number: **11862/2009**

(22) Date of Filing Application: **20 May 2009**

(24) Date from which industrial property rights may have effect: **20 May 2009**

(54) Product in respect of which the design is registered: **Double fence cap for rolled profile fence posts**

(51) International Design Classification: **25-01E**

(71) Name(s) and Address(s) of Applicant(s):

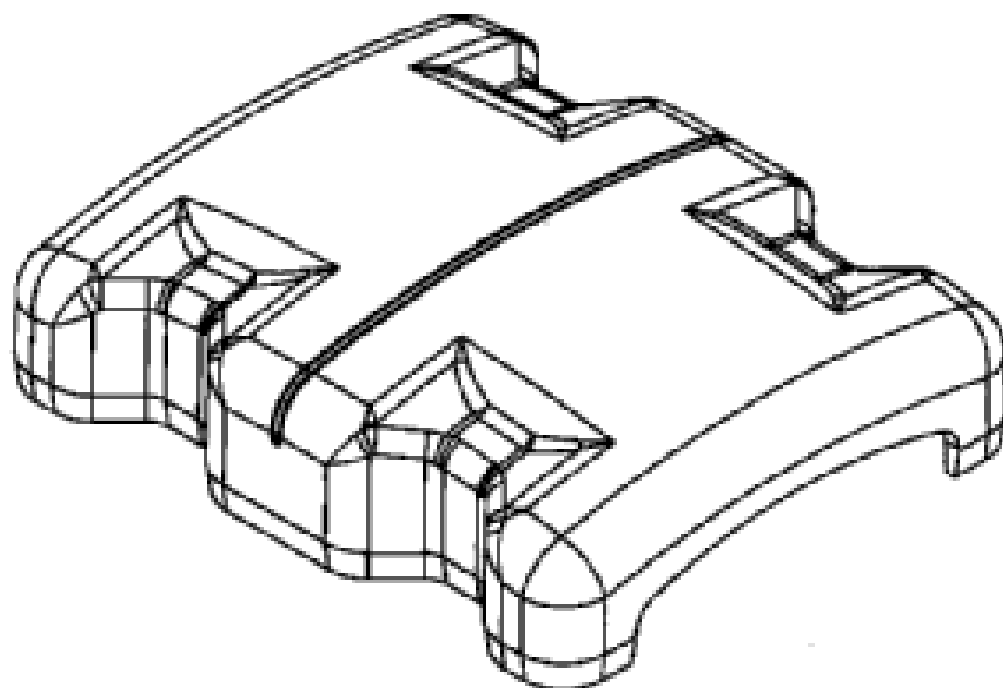
**RMD Industries Pty Ltd  
6-10 Market Road Sunshine Victoria 3020 Australia**

(72) Name(s) of Designer(s): **Joseph I.M. Van Der Plas**

(45) Registration Date: **16 June 2009**

(56) Related Art Documents: **Not Applicable**

(57) Statement of Newness and Distinctiveness: **Doubly curved surface that incorporates four indented areas for strength and fitment forms the main shape of this cap.**



(21) Design Number: **11947/2009**

(22) Date of Filing Application: **28 May 2009**

(24) Date from which industrial property rights may have effect: **28 May 2009**

(54) Product in respect of which the design is registered: **Peg bag; used to hold and dispense pegs to hang out laundry**

(51) International Design Classification: **03-01NES**

(71) Name(s) and Address(s) of Applicant(s):

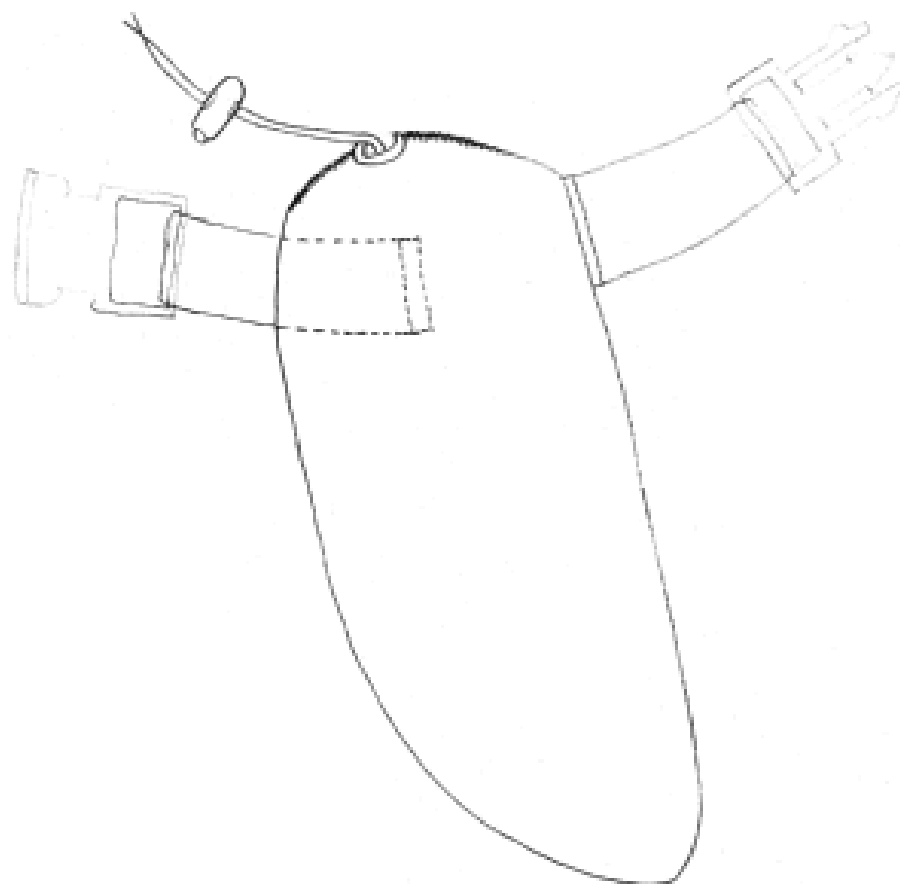
**Graziano Giannone  
8 Kia-Ora Road Reservoir Victoria 3073 Australia**

(72) Name(s) of Designer(s): **Graziano Giannone**

(45) Registration Date: **16 June 2009**

(56) Related Art Documents: **Not Applicable**

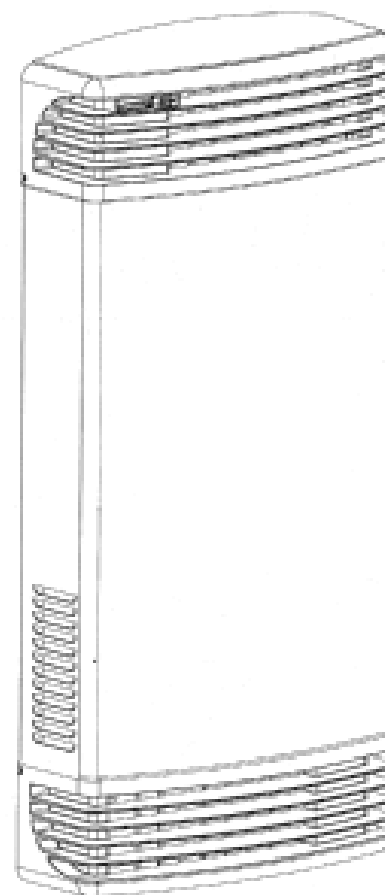
(57) Statement of Newness and Distinctiveness: **Monopoly is claimed in the features of the shape and/or configuration of a peg bag comprising a draw string lid and buckle/clip waist belt as depicted/illustrated in accompanying representations.**



- (21) Design Number: **11971/2009**  
(22) Date of Filing Application: **29 May 2009**  
(24) Date from which industrial property rights may have effect: **29 May 2009**  
(54) Product in respect of which the design is registered: **Solar pool blanket**  
(51) International Design Classification: **21-02D, 23-03D**  
(71) Name(s) and Address(s) of Applicant(s):  
**Supreme Solar Pty Ltd**  
**9 Lucknow Crescent Thomastown Victoria 3074 Australia**  
(72) Name(s) of Designer(s): **Colin Mauger**  
(45) Registration Date: **16 June 2009**  
(56) Related Art Documents: **Not Applicable**  
(57) Statement of Newness and Distinctiveness: **Due to the indeterminate length of the Solar Pool Blanket it is manufactured and fitted to the varying length of pool sizes.**



- (21) Design Number: **12014/2009**  
(22) Date of Filing Application: **28 May 2009**  
(24) Date from which industrial property rights may have effect: **28 May 2009**  
(54) Product in respect of which the design is registered: **Space heater cabinet - inbuilt style**  
(51) International Design Classification: **23-03NES**  
(71) Name(s) and Address(s) of Applicant(s):  
**FF Seeley Nominees Pty Ltd**  
**1-11 Rothesay Avenue St Mary's South Australia 5042 Australia**  
(72) Name(s) of Designer(s): **Mark de Koeyer**  
(45) Registration Date: **16 June 2009**  
(56) Related Art Documents: **Not Applicable**  
(57) Statement of Newness and Distinctiveness: **Nil**



(21) Design Number: **11229/2009**

(22) Date of Filing Application: **08 April 2009**

(24) Date from which industrial property rights may have effect: **08 April 2009**

(54) Product in respect of which the design is registered: **Charging fixture**

(51) International Design Classification: **23-01K**

(71) Name(s) and Address(s) of Applicant(s):

**Insite Vision Incorporated**  
**965 Atlantic Avenue Alameda California 94501 United States of America**

(72) Name(s) of Designer(s): **James Foreman and David Mufson and Roy Duane Archibald and Randal R. Schettl**

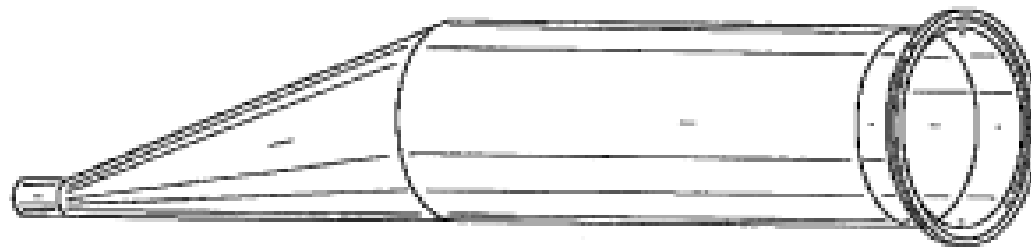
(45) Registration Date: **16 June 2009**

(30) Convention priority data:

(31) Number	(32) Date	(33) Country
<b>29/326079</b>	<b>10 Oct 2008</b>	<b>UNITED STATES OF AMERICA</b>

(56) Related Art Documents: **Not Applicable**

(57) Statement of Newness and Distinctiveness: **Nil**



(21) Design Number: **11329/2009**

(22) Date of Filing Application: **17 April 2009**

(24) Date from which industrial property rights may have effect: **17 April 2009**

(54) Product in respect of which the design is registered: **Smoking article filter**

(51) International Design Classification: **27-99**

(71) Name(s) and Address(s) of Applicant(s):

**British American Tobacco (Investments) Limited**  
**Globe House 1 Water Street London WC2R 3LA United Kingdom**

(72) Name(s) of Designer(s): **Edward Awty and Paulo Oliveira**

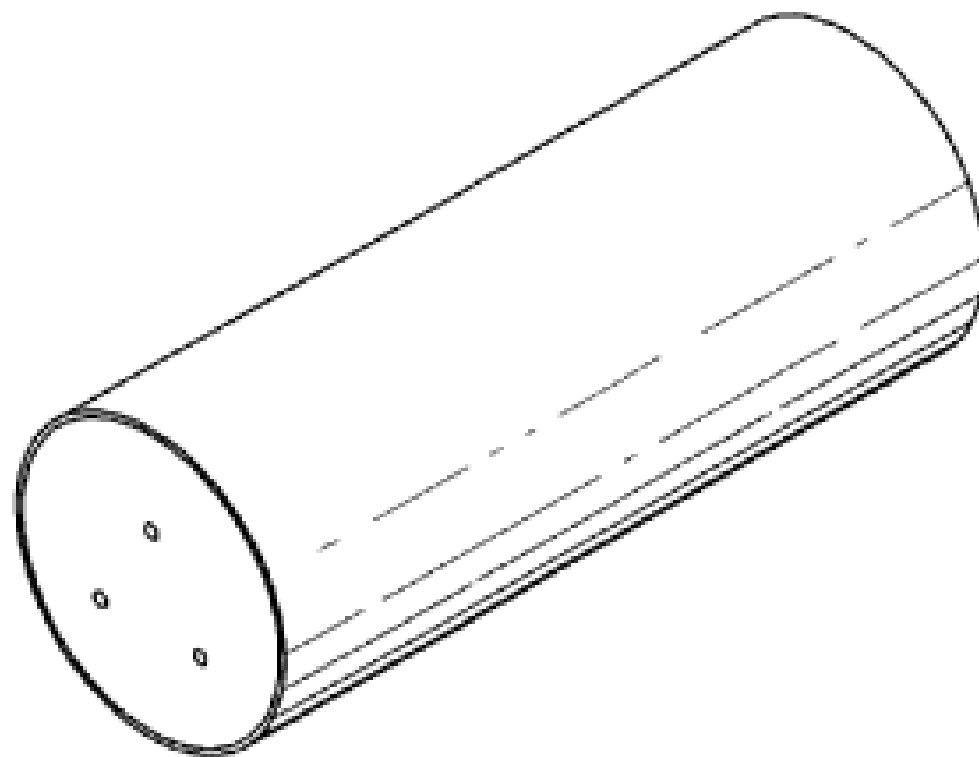
(45) Registration Date: **16 June 2009**

(30) Convention priority data:

(31) Number	(32) Date	(33) Country
<b>DM/070 882</b>	<b>20 Oct 2008</b>	<b>WORLD INTELLECTUAL PROPERTY ORGANIZATION (WIPO)</b>

(56) Related Art Documents: **Not Applicable**

(57) Statement of Newness and Distinctiveness: **Newness and distinctiveness resides in the visual features on the front end of the smoking article filter as illustrated in the accompanying representations.**



(21) Design Number: **11331/2009**

(22) Date of Filing Application: **17 April 2009**

(24) Date from which industrial property rights may have effect: **17 April 2009**

(54) Product in respect of which the design is registered: **Smoking article filter**

(51) International Design Classification: **27-99**

(71) Name(s) and Address(s) of Applicant(s):

**British American Tobacco (Investments) Limited  
Globe House 1 Water Street London WC2R 3LA United Kingdom**

(72) Name(s) of Designer(s): **Edward Awty and Paulo Oliveira**

(45) Registration Date: **16 June 2009**

(30) Convention priority data:

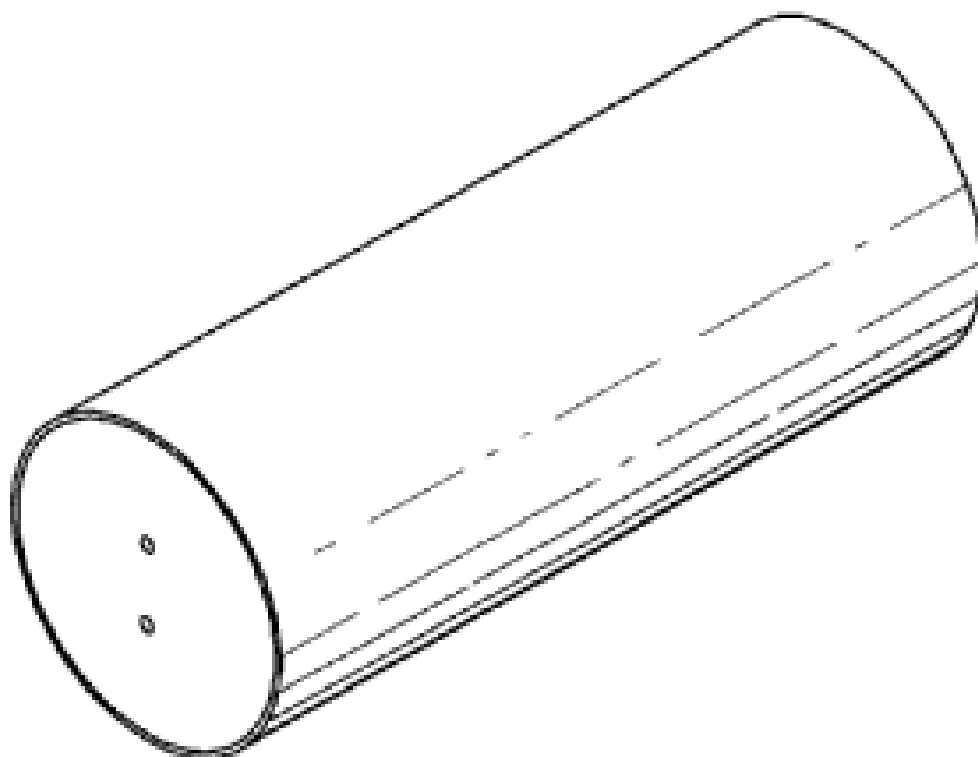
(31) Number  
**DM/070 882**

(32) Date  
**20 Oct 2008**

(33) Country  
**WORLD INTELLECTUAL  
PROPERTY ORGANIZATION  
(WIPO)**

(56) Related Art Documents: **Not Applicable**

(57) Statement of Newness and Distinctiveness: **Newness and distinctiveness resides in the visual features on the front end of the smoking article filter as illustrated in the accompanying representations.**



(21) Design Number: **11332/2009**

(22) Date of Filing Application: **17 April 2009**

(24) Date from which industrial property rights may have effect: **17 April 2009**

(54) Product in respect of which the design is registered: **Smoking article filter**

(51) International Design Classification: **27-99**

(71) Name(s) and Address(s) of Applicant(s):

**British American Tobacco (Investments) Limited  
Globe House 1 Water Street London WC2R 3LA United Kingdom**

(72) Name(s) of Designer(s): **Edward Awty and Paulo Oliveira**

(45) Registration Date: **16 June 2009**

(30) Convention priority data:

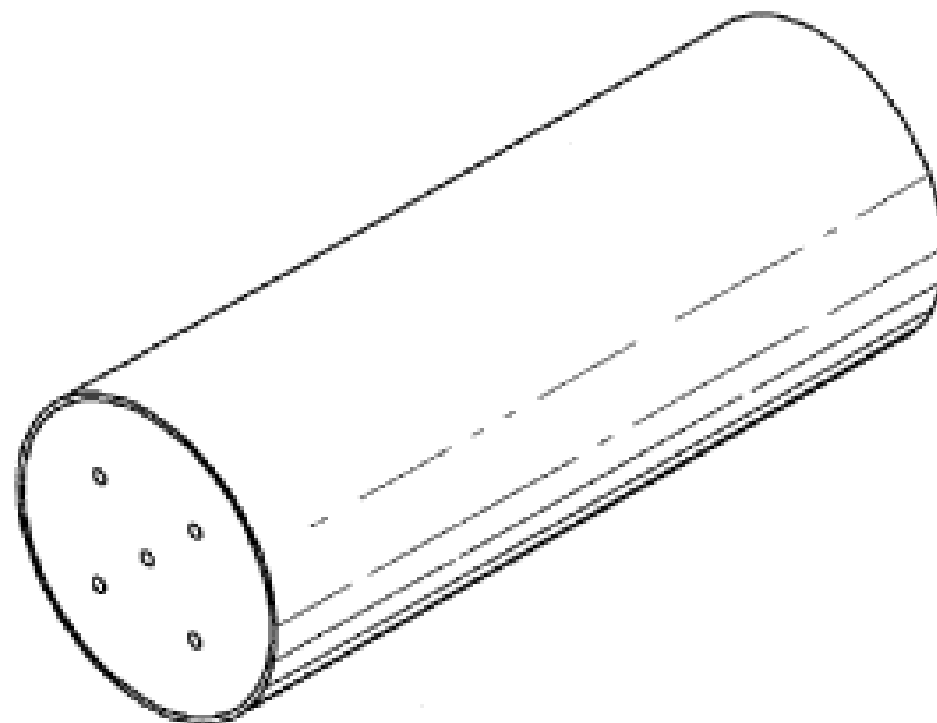
(31) Number  
**DM/070 882**

(32) Date  
**20 Oct 2008**

(33) Country  
**WORLD INTELLECTUAL  
PROPERTY ORGANIZATION  
(WIPO)**

(56) Related Art Documents: **Not Applicable**

(57) Statement of Newness and Distinctiveness: **Newness and distinctiveness resides in the visual features on the front end of the smoking article filter as illustrated in the accompanying representations.**



(21) Design Number: **11333/2009**

(22) Date of Filing Application: **17 April 2009**

(24) Date from which industrial property rights may have effect: **17 April 2009**

(54) Product in respect of which the design is registered: **Smoking article filter**

(51) International Design Classification: **27-99**

(71) Name(s) and Address(s) of Applicant(s):

**British American Tobacco (Investments) Limited  
Globe House 1 Water Street London WC2R 3LA United Kingdom**

(72) Name(s) of Designer(s): **Edward Awty and Paulo Oliveira**

(45) Registration Date: **16 June 2009**

(30) Convention priority data:

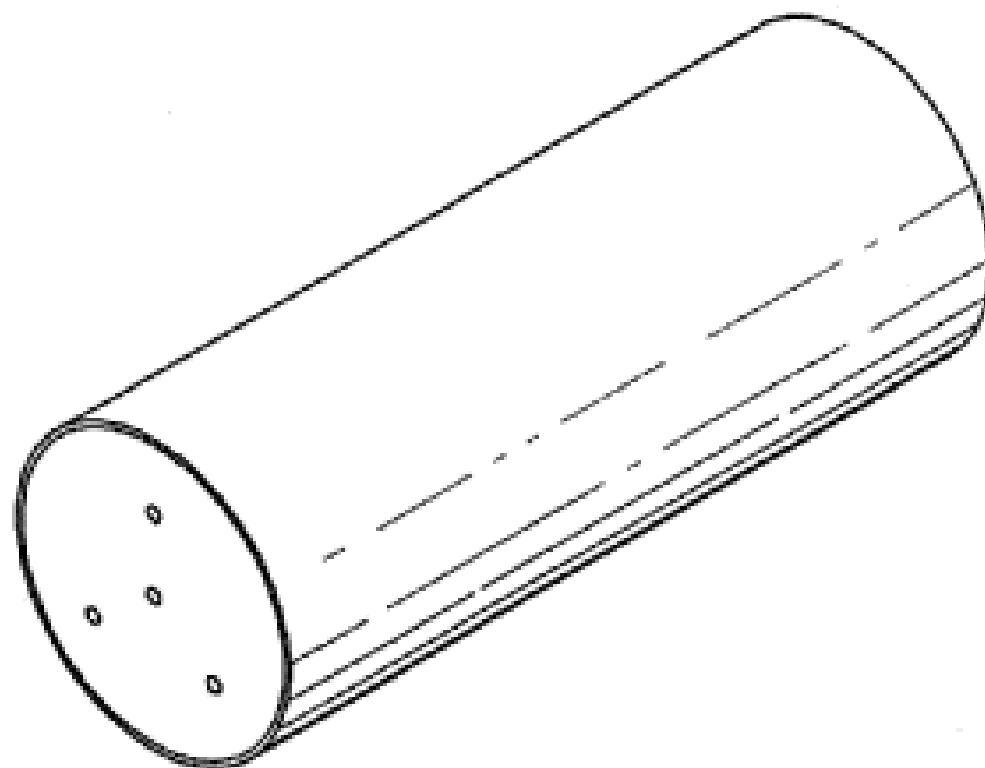
(31) Number  
**DM/070 882**

(32) Date  
**20 Oct 2008**

(33) Country  
**WORLD INTELLECTUAL  
PROPERTY ORGANIZATION  
(WIPO)**

(56) Related Art Documents: **Not Applicable**

(57) Statement of Newness and Distinctiveness: **Newness and distinctiveness resides in the visual features on the front end of the smoking article filter as illustrated in the accompanying representations.**



(21) Design Number: **11334/2009**

(22) Date of Filing Application: **17 April 2009**

(24) Date from which industrial property rights may have effect: **17 April 2009**

(54) Product in respect of which the design is registered: **Smoking article filter**

(51) International Design Classification: **27-99**

(71) Name(s) and Address(s) of Applicant(s):

**British American Tobacco (Investments) Limited  
Globe House 1 Water Street London WC2R 3LA United Kingdom**

(72) Name(s) of Designer(s): **Edward Awty and Paulo Oliveira**

(45) Registration Date: **16 June 2009**

(30) Convention priority data:

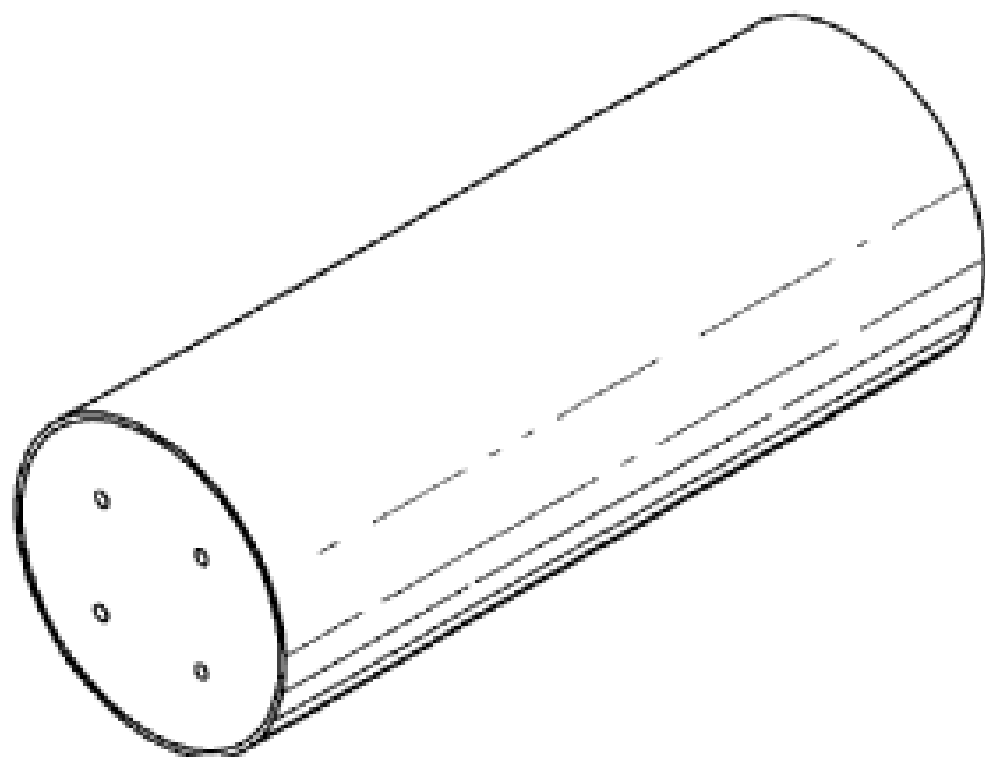
(31) Number  
**DM/070 882**

(32) Date  
**20 Oct 2008**

(33) Country  
**WORLD INTELLECTUAL  
PROPERTY ORGANIZATION  
(WIPO)**

(56) Related Art Documents: **Not Applicable**

(57) Statement of Newness and Distinctiveness: **Newness and distinctiveness resides in the visual features on the front end of the smoking article filter as illustrated on the accompanying representations.**

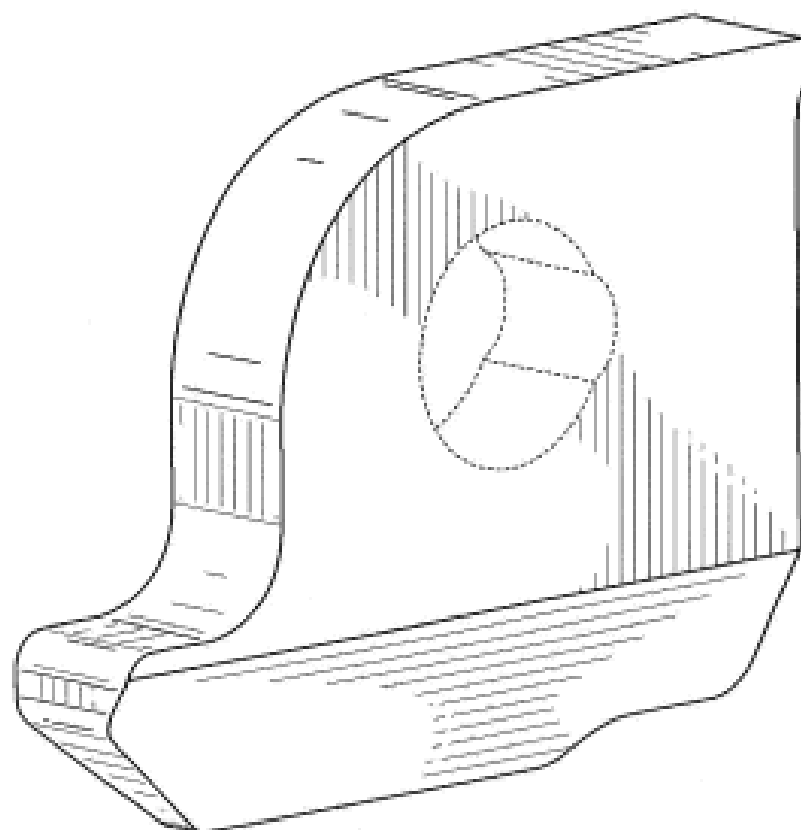




(21) Design Number: **11405/2009**  
(22) Date of Filing Application: **27 April 2009**  
(24) Date from which industrial property rights may have effect: **27 April 2009**  
(54) Product in respect of which the design is registered: **Baby wrap**  
(51) International Design Classification: **06-13B, 02-01B**  
(71) Name(s) and Address(s) of Applicant(s):  
**Ivana Mostafa**  
**23 Maxwell Street Lalor Victoria 3075 Australia**  
(72) Name(s) of Designer(s): **Ivana Mostafa**  
(45) Registration Date: **16 June 2009**  
(56) Related Art Documents: **Not Applicable**  
(57) Statement of Newness and Distinctiveness: **Nil**



(21) Design Number: **11890/2009**  
(22) Date of Filing Application: **22 May 2009**  
(24) Date from which industrial property rights may have effect: **22 May 2009**  
(54) Product in respect of which the design is registered: **Wire cutter**  
(51) International Design Classification: **08-03**  
(71) Name(s) and Address(s) of Applicant(s):  
**Leatherman Tool Group, Inc.**  
**12106 NE Ainsworth Circle Portland OR 97220 United States of America**  
(72) Name(s) of Designer(s): **Jeffrey B. Castro**  
(45) Registration Date: **17 June 2009**  
(30) Convention priority data:  
(31) Number (32) Date (33) Country  
**29/335,352 14 Apr 2009 UNITED STATES OF AMERICA**  
(56) Related Art Documents: **Not Applicable**  
(57) Statement of Newness and Distinctiveness: **The newness and distinctiveness of the design resides in the features of shape and/or configuration of the wire cutter shown in unbroken lines in the accompanying representations.**



(21) Design Number: **11891/2009**  
 (22) Date of Filing Application: **22 May 2009**  
 (24) Date from which industrial property rights may have effect: **22 May 2009**  
 (54) Product in respect of which the design is registered: **Lever**  
 (51) International Design Classification: **08-03**  
 (71) Name(s) and Address(s) of Applicant(s):

**Leatherman Tool Group, Inc.**  
**12106 NE Ainsworth Circle Portland OR 97220 United States of America**

(72) Name(s) of Designer(s): **Jeffrey B. Castro**

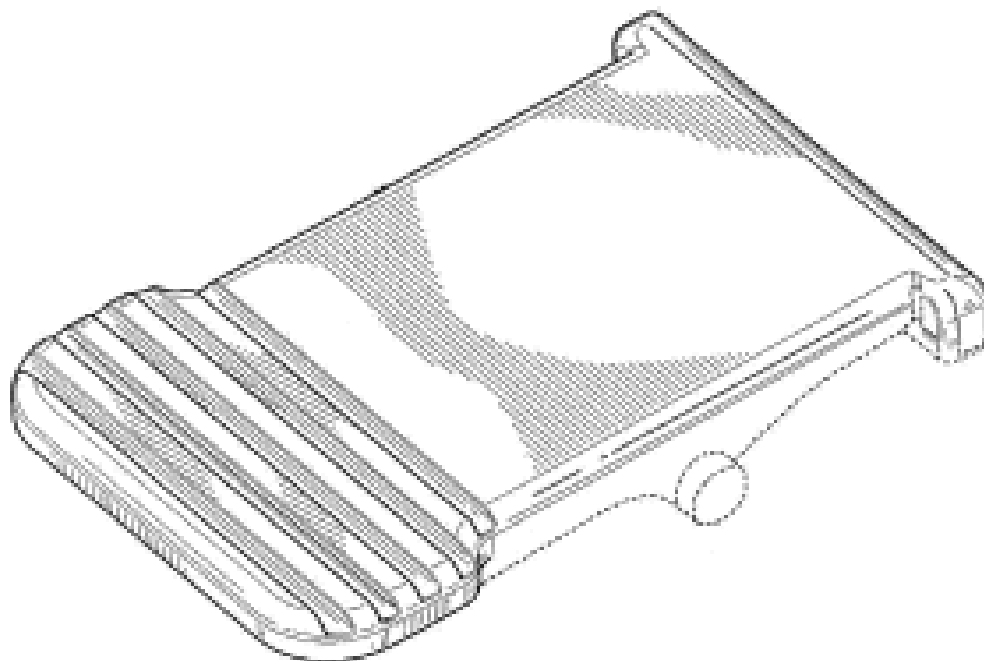
(45) Registration Date: **17 June 2009**

(30) Convention priority data:

(31) Number	(32) Date	(33) Country
<b>29/335,353</b>	<b>14 Apr 2009</b>	<b>UNITED STATES OF AMERICA</b>

(56) Related Art Documents: **Not Applicable**

(57) Statement of Newness and Distinctiveness: **The newness and distinctiveness of the design resides in the features of shape and/or configuration of the lever shown in unbroken lines in the accompanying representations. The hand tool shown in broken lines illustrates an environment of the lever and forms no part of the design.**



(21) Design Number: **11892/2009**  
 (22) Date of Filing Application: **25 May 2009**  
 (24) Date from which industrial property rights may have effect: **25 May 2009**  
 (54) Product in respect of which the design is registered: **Beam to the fixed handle screed**  
 (51) International Design Classification: **08-05K**  
 (71) Name(s) and Address(s) of Applicant(s):

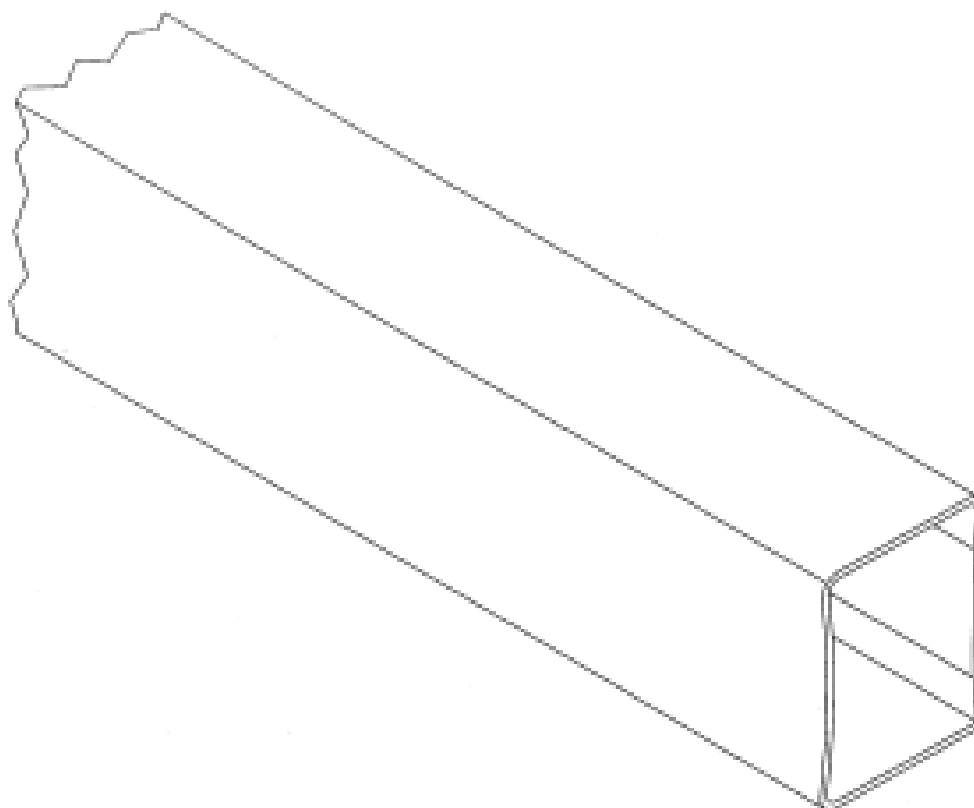
**Daniel J. Kennard**  
**2-4 Excelsior Street Lisarow New South Wales 2250 Australia**

(72) Name(s) of Designer(s): **Daniel J. Kennard**

(45) Registration Date: **17 June 2009**

(56) Related Art Documents: **Not Applicable**

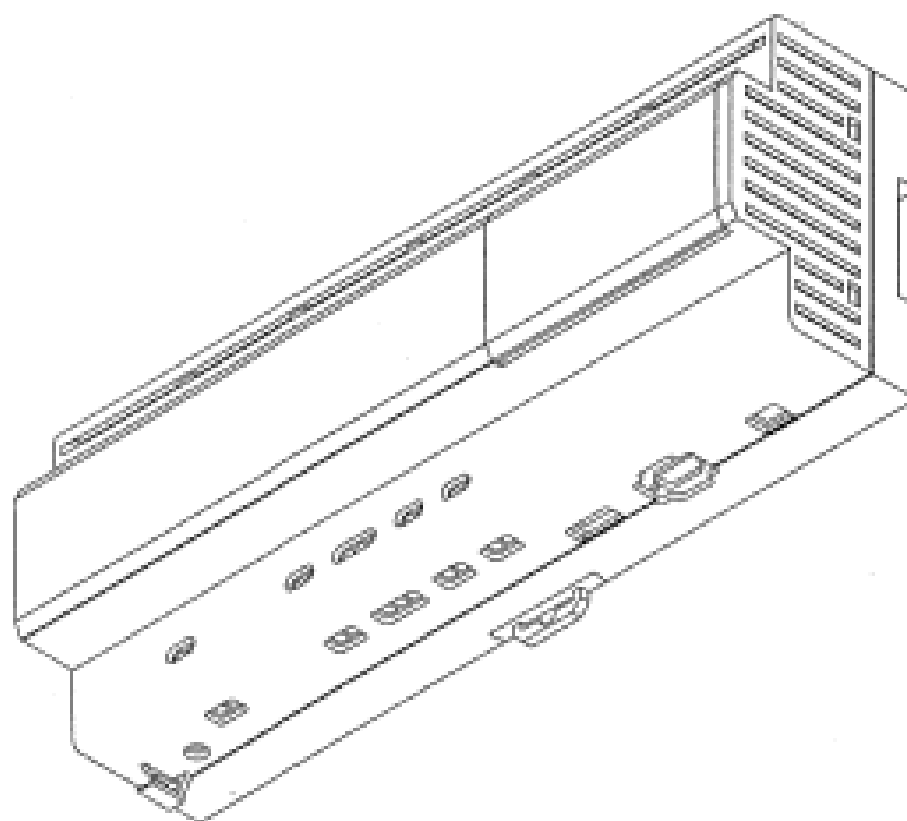
(57) Statement of Newness and Distinctiveness: **Unique beam profile - combination of two top rounded corners combined with concave sides.**



- (21) Design Number: **11893/2009**  
(22) Date of Filing Application: **25 May 2009**  
(24) Date from which industrial property rights may have effect: **25 May 2009**  
(54) Product in respect of which the design is registered: **Converter**  
(51) International Design Classification: **23-04**  
(71) Name(s) and Address(s) of Applicant(s):

**Daikin Industries Ltd**  
**Umeda Centre Building 4-12 Nakazaki-Nishi 2-Chome Kita-ku**  
**Osaka-Shi Osaka-Fu Japan**

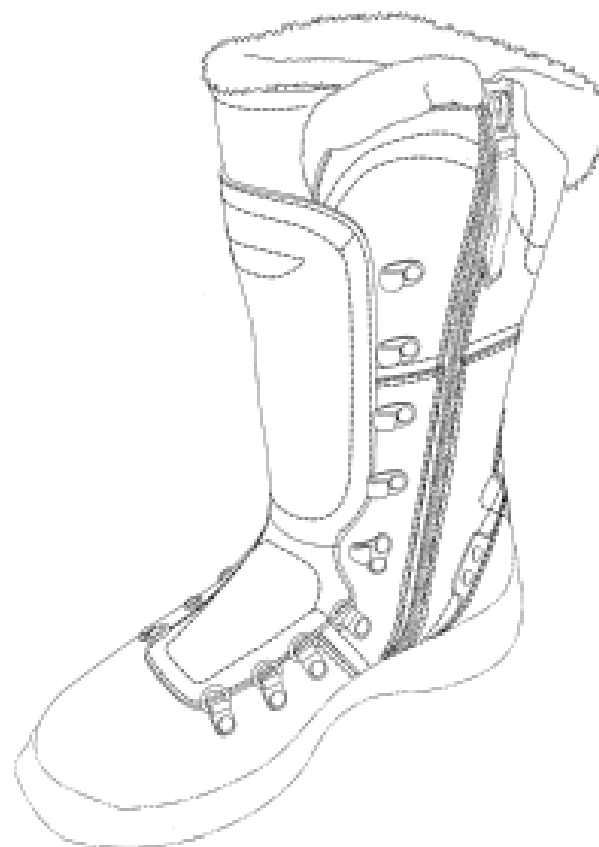
- (72) Name(s) of Designer(s): **Hiroko Kashimoto**  
(45) Registration Date: **17 June 2009**  
(56) Related Art Documents: **Not Applicable**  
(57) Statement of Newness and Distinctiveness: **Nil**



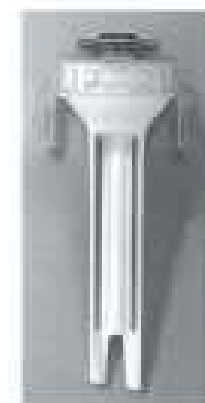
- (21) Design Number: **11421/2009**  
(22) Date of Filing Application: **28 April 2009**  
(24) Date from which industrial property rights may have effect: **28 April 2009**  
(54) Product in respect of which the design is registered: **Footwear upper**  
(51) International Design Classification: **02-04NES**  
(71) Name(s) and Address(s) of Applicant(s):

**Wolverine World Wide, Inc.**  
**9341 Courtland Drive NE Rockford Michigan 49351 United States of**  
**America**

- (72) Name(s) of Designer(s): **Manon Belley and Julie St-Louis and Martin W.F. Dean**  
(45) Registration Date: **17 June 2009**  
(30) Convention priority data:  
(31) Number (32) Date (33) Country  
**29/312619 03 Nov 2008 UNITED STATES OF AMERICA**  
(56) Related Art Documents: **Not Applicable**  
(57) Statement of Newness and Distinctiveness: **Newness and distinctiveness is claimed in the visual features shown in the representations except for those shown in phantom lines.**



(21) Design Number: **11855/2009**  
(22) Date of Filing Application: **21 May 2009**  
(24) Date from which industrial property rights may have effect: **21 May 2009**  
(54) Product in respect of which the design is registered: **Meter**  
(51) International Design Classification: **10-04**  
(71) Name(s) and Address(s) of Applicant(s):  
**BRITA GMBH**  
**Heinrich-Hertz Str. 4 65232 Taunusstein Germany**  
(72) Name(s) of Designer(s): **Heiko Tullney and Till Muhl and Thomas Milewski and Steven Bookbinder**  
(45) Registration Date: **17 June 2009**  
(30) Convention priority data:  
(31) Number (32) Date (33) Country  
**402008006146.2 10 Dec 2008 GERMANY**  
(56) Related Art Documents: **Not Applicable**  
(57) Statement of Newness and Distinctiveness: **Nil**



(21) Design Number: **11856/2009**  
(22) Date of Filing Application: **21 May 2009**  
(24) Date from which industrial property rights may have effect: **21 May 2009**  
(54) Product in respect of which the design is registered: **A water plug**  
(51) International Design Classification: **23-02D**  
(71) Name(s) and Address(s) of Applicant(s):  
**Tabuhl Pty Limited**  
**66 Pascoe Street Mitchelton Queensland 4053 Australia**  
(72) Name(s) of Designer(s): **Raymon John Fulloon**  
(45) Registration Date: **17 June 2009**  
(56) Related Art Documents: **Not Applicable**  
(57) Statement of Newness and Distinctiveness: **Nil**



(21) Design Number: **11869/2009**

(22) Date of Filing Application: **22 May 2009**

(24) Date from which industrial property rights may have effect: **22 May 2009**

(54) Product in respect of which the design is registered: **Iron club head**

(51) International Design Classification: **21-02C**

(71) Name(s) and Address(s) of Applicant(s):

**Callaway Golf Company**  
**2180 Rutherford Road Carlsbad California 92008-7328 United States of America**

(72) Name(s) of Designer(s): **Chris J. Wieland**

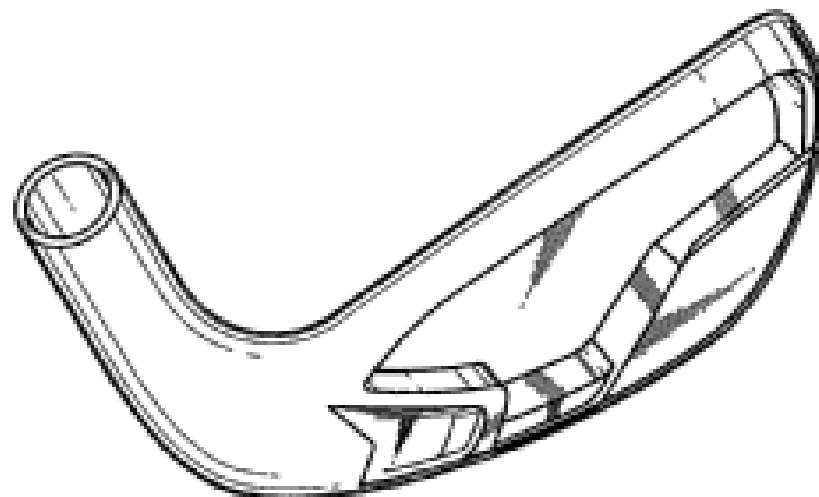
(45) Registration Date: **17 June 2009**

(30) Convention priority data:

(31) Number	(32) Date	(33) Country
<b>29/328479</b>	<b>25 Nov 2008</b>	<b>UNITED STATES OF AMERICA</b>

(56) Related Art Documents: **Not Applicable**

(57) Statement of Newness and Distinctiveness: **Newness and distinctiveness is claimed in those features of shape and/or configuration of an iron golf club head illustrated in the accompanying representations.**



(21) Design Number: **11870/2009**

(22) Date of Filing Application: **25 May 2009**

(24) Date from which industrial property rights may have effect: **25 May 2009**

(54) Product in respect of which the design is registered: **Handle to the fixed handle screed**

(51) International Design Classification: **08-05K**

(71) Name(s) and Address(s) of Applicant(s):

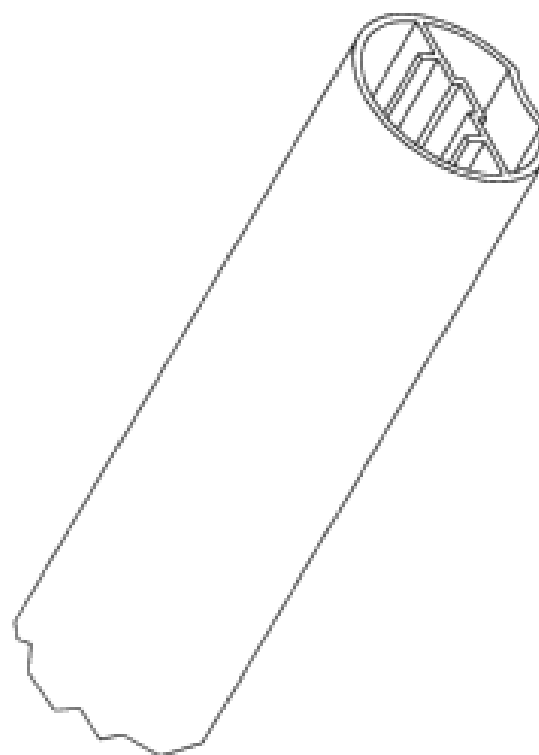
**Daniel J. Kennard**  
**2-4 Excelsior Street Lisarow New South Wales 2250 Australia**

(72) Name(s) of Designer(s): **Daniel J. Kennard**

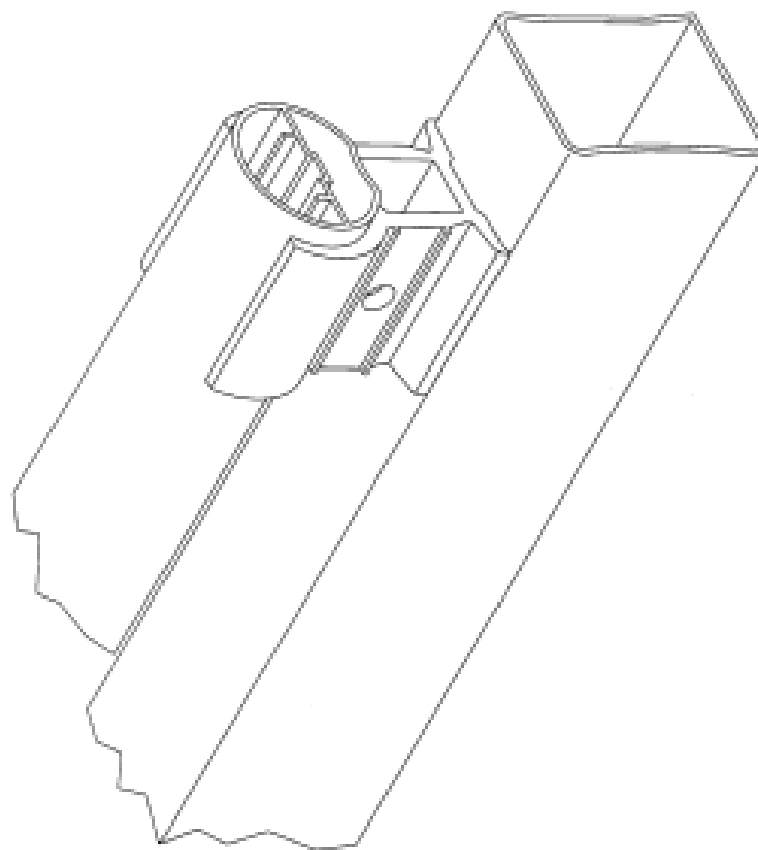
(45) Registration Date: **17 June 2009**

(56) Related Art Documents: **Not Applicable**

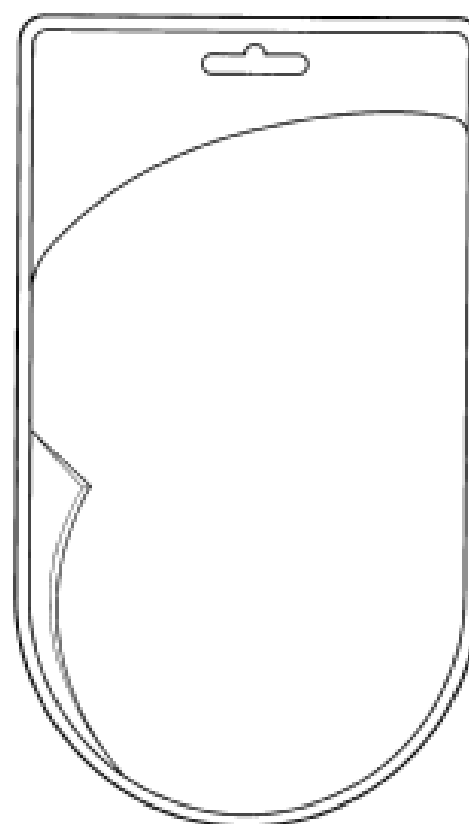
(57) Statement of Newness and Distinctiveness: **Ergonomically shaped handle.**



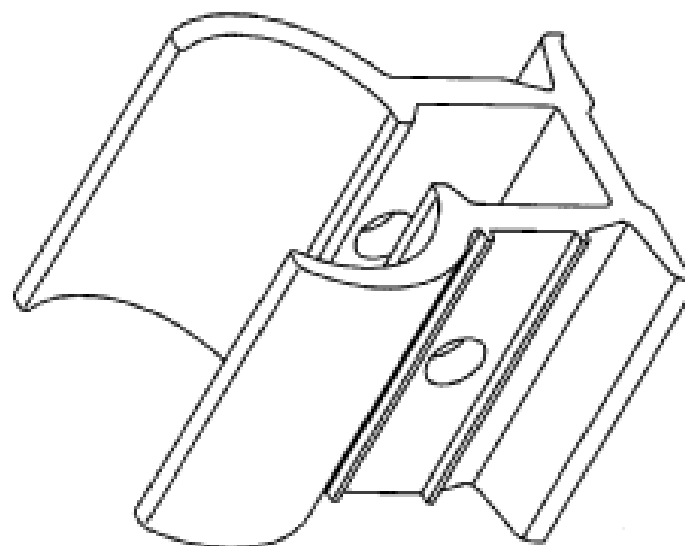
- (21) Design Number: **11871/2009**  
(22) Date of Filing Application: **25 May 2009**  
(24) Date from which industrial property rights may have effect: **25 May 2009**  
(54) Product in respect of which the design is registered: **Assembled fixed handle screed**  
(51) International Design Classification: **08-05K**  
(71) Name(s) and Address(s) of Applicant(s):  
**Daniel J. Kennard**  
**2-4 Excelsior Street Lisarow New South Wales 2250 Australia**  
(72) Name(s) of Designer(s): **Daniel J. Kennard**  
(45) Registration Date: **17 June 2009**  
(56) Related Art Documents: **Not Applicable**  
(57) Statement of Newness and Distinctiveness: **Unique beam profile - combination of two top rounded corners combined with concave sides. Ergonomically shaped handle.**



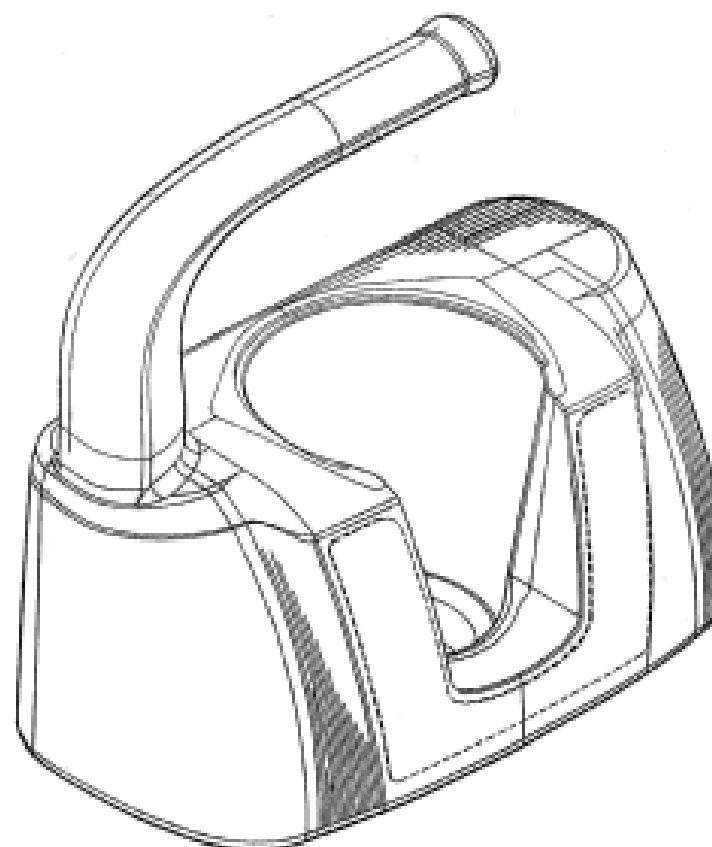
- (21) Design Number: **11872/2009**  
(22) Date of Filing Application: **22 May 2009**  
(24) Date from which industrial property rights may have effect: **22 May 2009**  
(54) Product in respect of which the design is registered: **Blister pack**  
(51) International Design Classification: **09-05**  
(71) Name(s) and Address(s) of Applicant(s):  
**Arlec Australia Pty Ltd**  
**272-274 Maroondah Highway Chirnside Park Victoria 3116 Australia**  
(72) Name(s) of Designer(s): **Geoff Lindsay Sexton**  
(45) Registration Date: **17 June 2009**  
(56) Related Art Documents: **Not Applicable**  
(57) Statement of Newness and Distinctiveness: **Newness and distinctiveness reside in the features of the design as shown in the representations.**



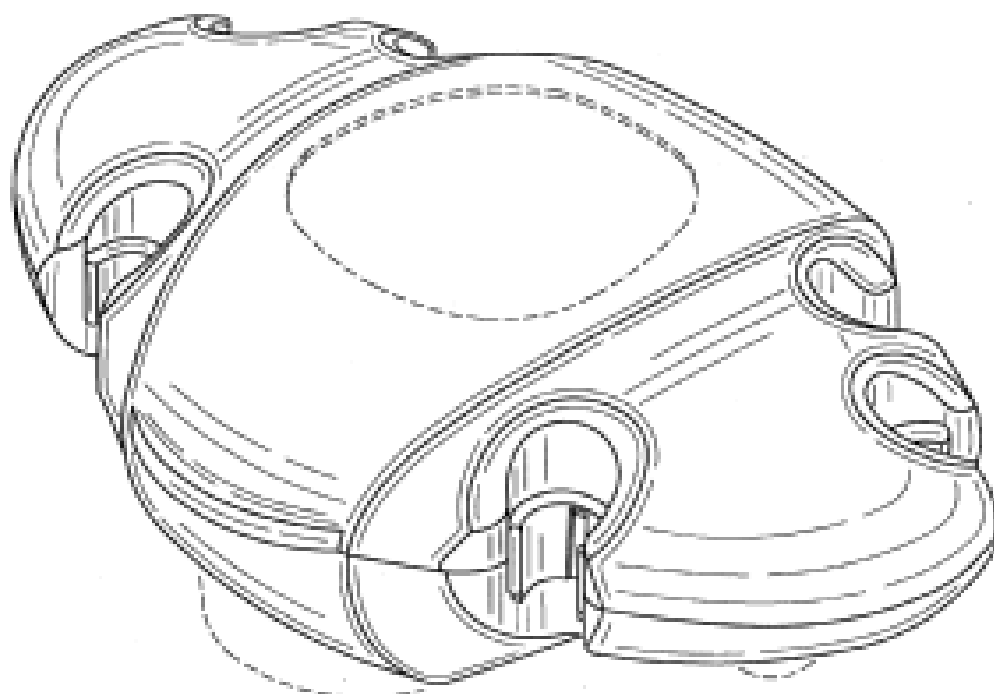
- (21) Design Number: **11874/2009**  
(22) Date of Filing Application: **25 May 2009**  
(24) Date from which industrial property rights may have effect: **25 May 2009**  
(54) Product in respect of which the design is registered: **Bracket to the fixed handle screed**  
(51) International Design Classification: **08-08L, 08-05K**  
(71) Name(s) and Address(s) of Applicant(s):  
**Daniel J. Kennard**  
**2-4 Excelsior Street Lisarow New South Wales 2250 Australia**  
(72) Name(s) of Designer(s): **Daniel J. Kennard**  
(45) Registration Date: **17 June 2009**  
(56) Related Art Documents: **Not Applicable**  
(57) Statement of Newness and Distinctiveness: **Nil**



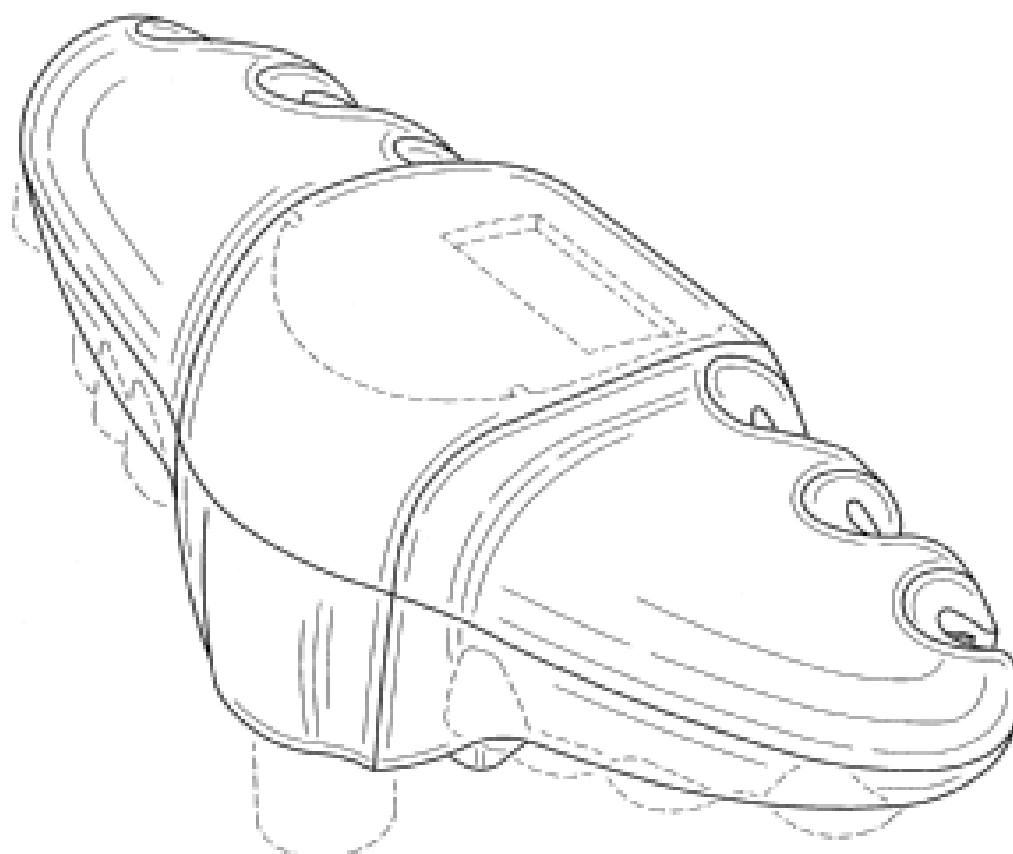
- (21) Design Number: **11030/2009**  
(22) Date of Filing Application: **26 March 2009**  
(24) Date from which industrial property rights may have effect: **26 March 2009**  
(54) Product in respect of which the design is registered: **Reduced pressure device**  
(51) International Design Classification: **24-02**  
(71) Name(s) and Address(s) of Applicant(s):  
**KCI Licensing, Inc**  
**8023 Vantage Drive San Antonio Texas 78230 United States of America**  
(72) Name(s) of Designer(s): **Richard P. Mormino and Christopher T. Niederkrom and Benjamin A. Pratt and Alexander G. Sammons and Tyler H. Simmons**  
(45) Registration Date: **17 June 2009**  
(30) Convention priority data:  
(31) Number (32) Date (33) Country  
**29/326091 10 Oct 2008 UNITED STATES OF AMERICA**  
(56) Related Art Documents: **Not Applicable**  
(57) Statement of Newness and Distinctiveness: **The shape, configuration, shape and configuration, pattern, ornamentation, pattern and ornamentation, of the design of the product are new and distinctive.**



(21) Design Number: **11654/2009**  
 (22) Date of Filing Application: **08 May 2009**  
 (24) Date from which industrial property rights may have effect: **08 May 2009**  
 (54) Product in respect of which the design is registered: **Dental instrument holder**  
 (51) International Design Classification: **24-02**  
 (71) Name(s) and Address(s) of Applicant(s):  
**Dental Equipment, LLC. Trading as Pelton & Crane**  
**11727 Fruehauf Drive Charlotte North Carolina 28273 United States of America**  
 (72) Name(s) of Designer(s): **Austin Unsworth**  
 (45) Registration Date: **17 June 2009**  
 (30) Convention priority data:  
 (31) Number (32) Date (33) Country  
**29/328,045 18 Nov 2008 UNITED STATES OF AMERICA**  
 (56) Related Art Documents: **Not Applicable**  
 (57) Statement of Newness and Distinctiveness: **Nil**

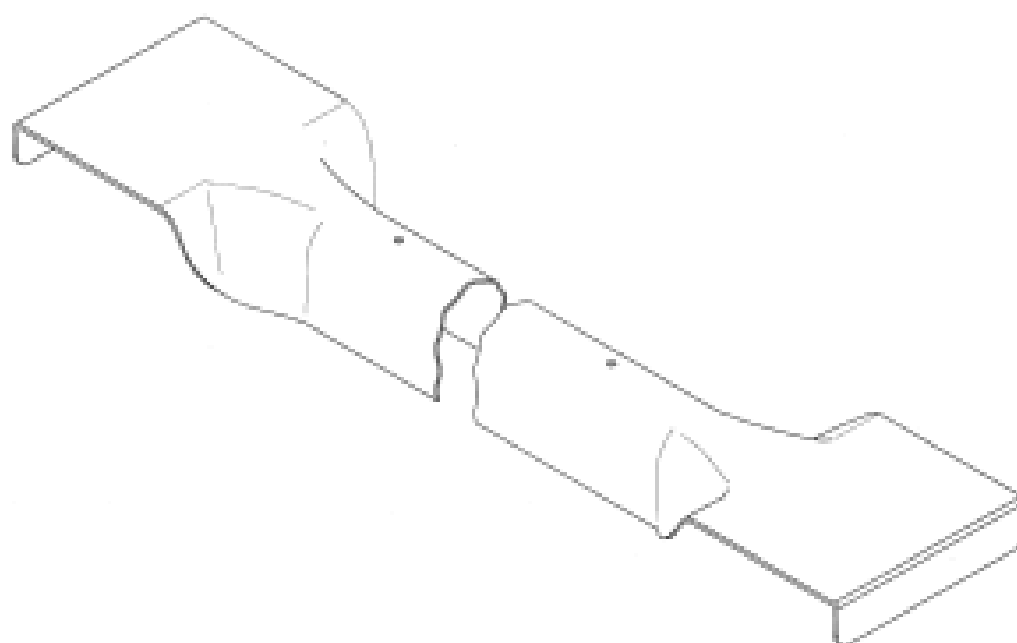


(21) Design Number: **11655/2009**  
 (22) Date of Filing Application: **08 May 2009**  
 (24) Date from which industrial property rights may have effect: **08 May 2009**  
 (54) Product in respect of which the design is registered: **Dental instrument holder**  
 (51) International Design Classification: **24-02**  
 (71) Name(s) and Address(s) of Applicant(s):  
**Dental Equipment, LLC. Trading as Pelton & Crane**  
**11727 Fruehauf Drive Charlotte North Carolina 28273 United States of America**  
 (72) Name(s) of Designer(s): **Austin Unsworth**  
 (45) Registration Date: **17 June 2009**  
 (30) Convention priority data:  
 (31) Number (32) Date (33) Country  
**29/328,037 18 Nov 2008 UNITED STATES OF AMERICA**  
 (56) Related Art Documents: **Not Applicable**  
 (57) Statement of Newness and Distinctiveness: **Nil**



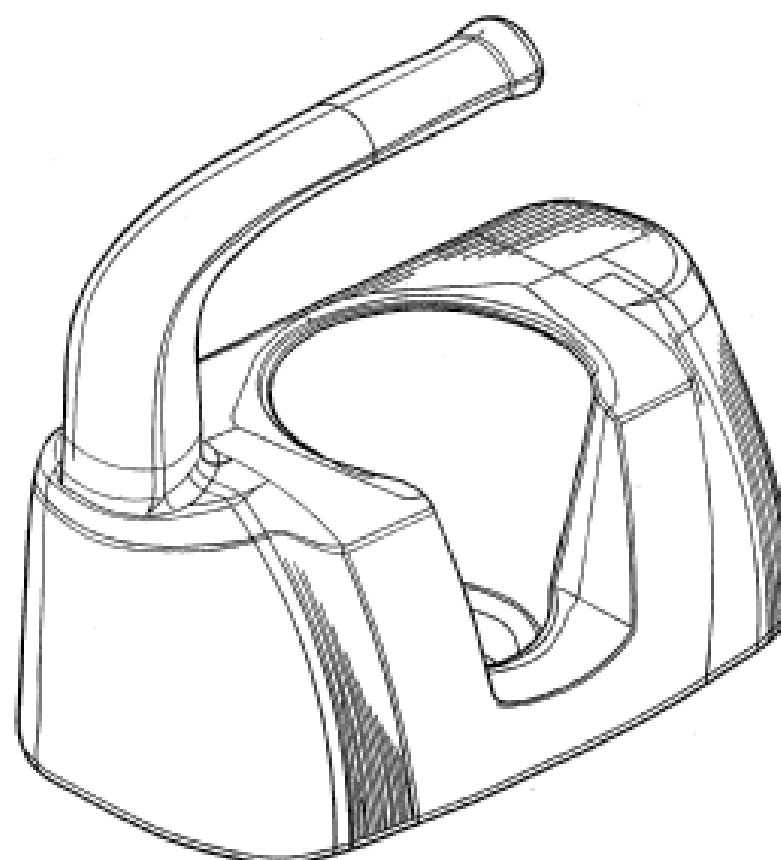


- (21) Design Number: **12117/2009**
- (22) Date of Filing Application: **10 June 2009**
- (24) Date from which industrial property rights may have effect: **10 June 2009**
- (54) Product in respect of which the design is registered: **Mesh deck support member**
- (51) International Design Classification: **25-01B**
- (71) Name(s) and Address(s) of Applicant(s):  
**Angas Industrial Pty Ltd**  
**PO Box 1010 Meadowbank New South Wales 2114 Australia**
- (72) Name(s) of Designer(s): **Alister Matthew Kennard**
- (45) Registration Date: **17 June 2009**
- (56) Related Art Documents: **Not Applicable**
- (57) Statement of Newness and Distinctiveness: **Novelty resides in the shape and/or configuration applicable to the end portion of the mesh deck support member as shown in the representations. That portion of the mesh deck support member between the end portions is of indefinite length and cross section.**

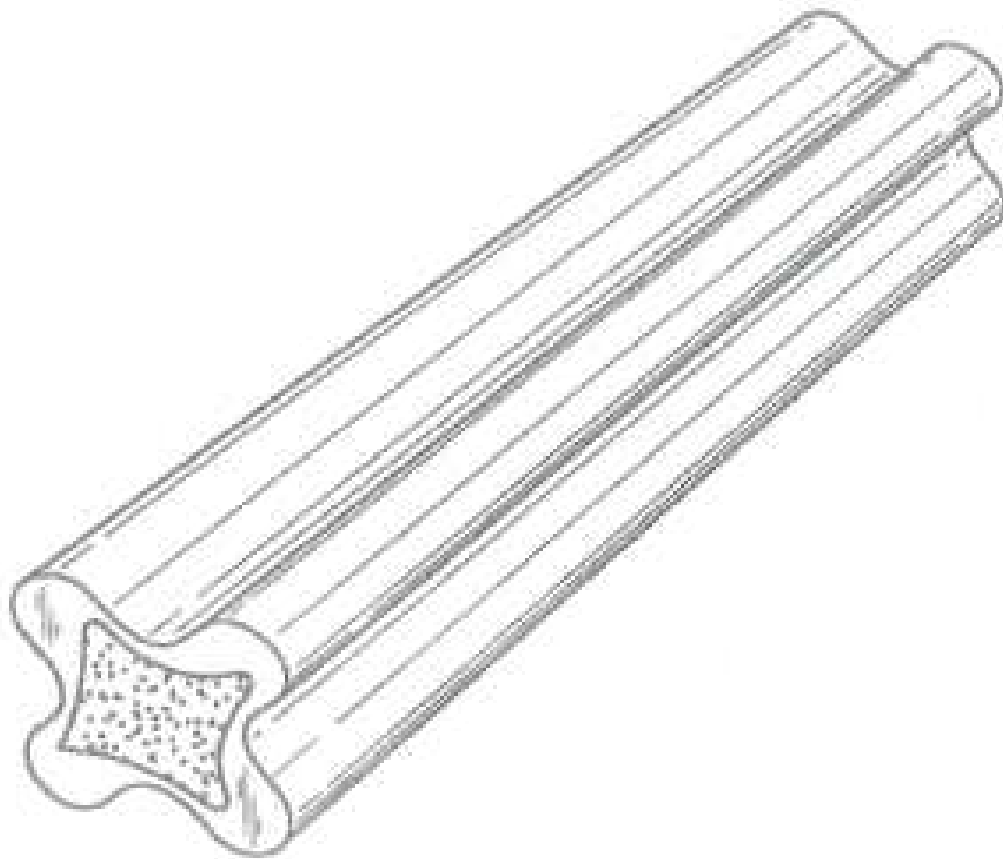


- (21) Design Number: **12140/2009**
- (22) Date of Filing Application: **26 March 2009**
- (24) Date from which industrial property rights may have effect: **26 March 2009**
- (54) Product in respect of which the design is registered: **Reduced pressure device**
- (51) International Design Classification: **24-02**
- (71) Name(s) and Address(s) of Applicant(s):  
**KCI Licensing, Inc**  
**8023 Vantage Drive San Antonio Texas 78230 United States of America**
- (72) Name(s) of Designer(s): **Richard P. Mormino and Christopher T. Niederkrom and Benjamin A. Pratt and Alexander G. Sammons and Tyler H. Simmons**
- (45) Registration Date: **17 June 2009**
- (30) Convention priority data:  

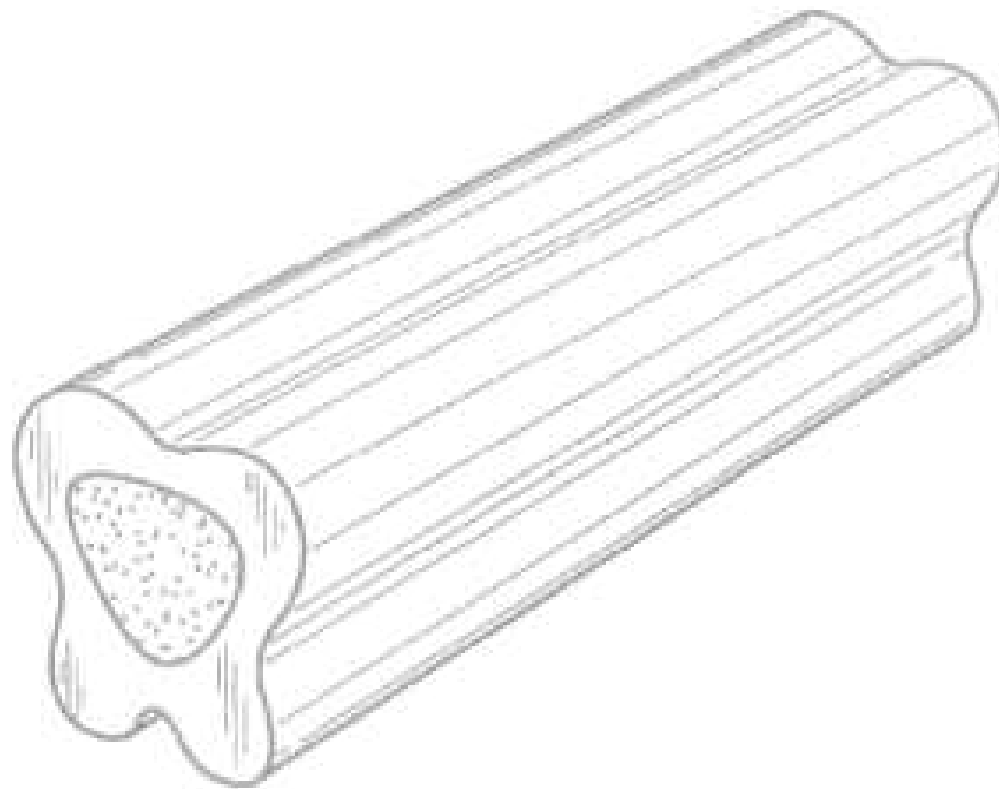
(31) Number	(32) Date	(33) Country
<b>29/326093</b>	<b>10 Oct 2008</b>	<b>UNITED STATES OF AMERICA</b>
- (62) Divisional of: **326452**
- (56) Related Art Documents: **Not Applicable**
- (57) Statement of Newness and Distinctiveness: **The shape, configuration, shape and configuration, pattern, ornamentation, pattern and ornamentation, of the design of the product are new and distinctive.**



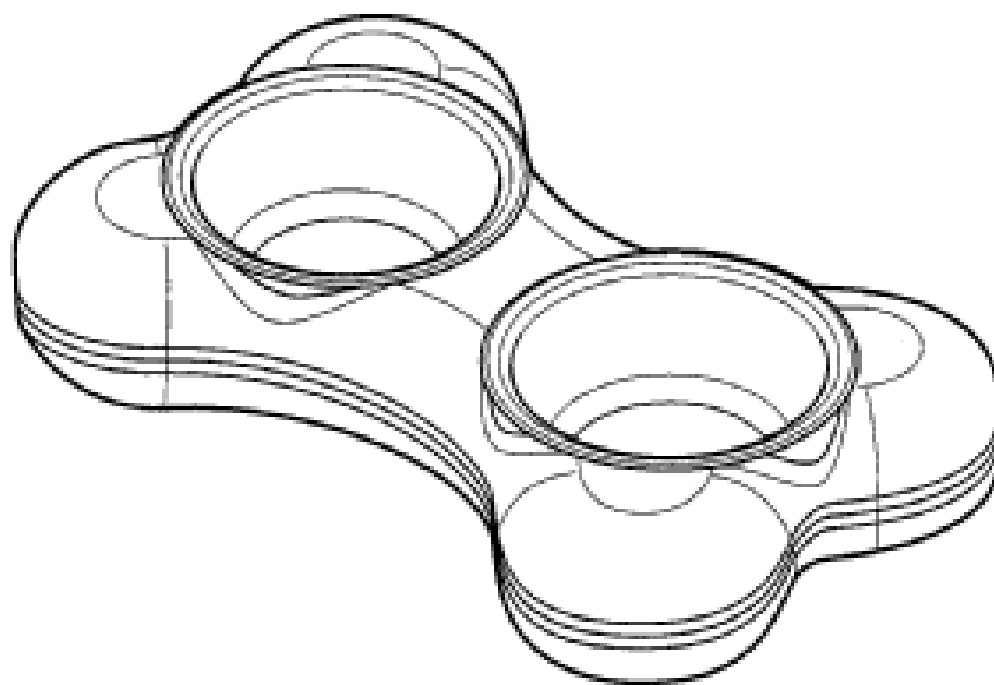
- (21) Design Number: **11859/2009**  
(22) Date of Filing Application: **21 May 2009**  
(24) Date from which industrial property rights may have effect: **21 May 2009**  
(54) Product in respect of which the design is registered: **Pet chew**  
(51) International Design Classification: **01-06**  
(71) Name(s) and Address(s) of Applicant(s):  
**Mars, Incorporated**  
**6885 Elm Street McLean Virginia 22101 United States of America**  
(72) Name(s) of Designer(s): **Emine Unlu and Ximei Liu and Chris Haas and Aaron R. Napier**  
(45) Registration Date: **17 June 2009**  
(30) Convention priority data:  
(31) Number (32) Date (33) Country  
**29/330,810 14 Jan 2009 UNITED STATES OF AMERICA**  
(56) Related Art Documents: **Not Applicable**  
(57) Statement of Newness and Distinctiveness: **The newness and distinctiveness of the design resides in the features of shape and configuration as depicted in the representations attached.**



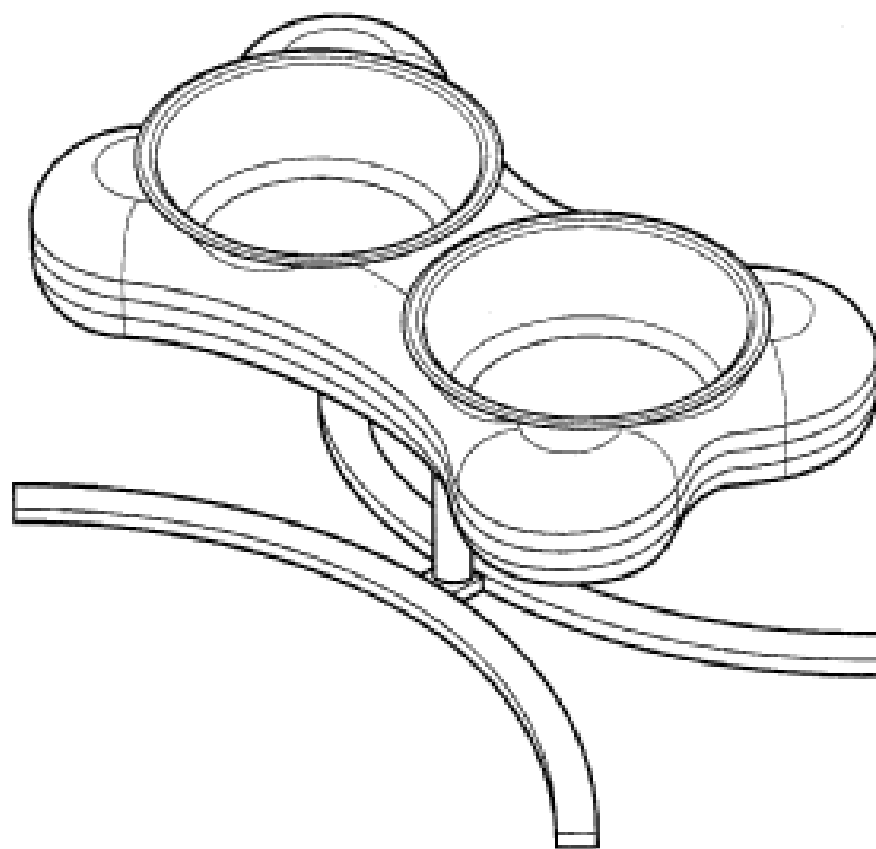
- (21) Design Number: **11860/2009**  
(22) Date of Filing Application: **21 May 2009**  
(24) Date from which industrial property rights may have effect: **21 May 2009**  
(54) Product in respect of which the design is registered: **Pet chew**  
(51) International Design Classification: **01-06**  
(71) Name(s) and Address(s) of Applicant(s):  
**Mars, Incorporated**  
**6885 Elm Street McLean Virginia 22101 United States of America**  
(72) Name(s) of Designer(s): **Emine Unlu and Ximei Liu and Michael R. Sanclemente**  
(45) Registration Date: **17 June 2009**  
(30) Convention priority data:  
(31) Number (32) Date (33) Country  
**29/330,812 14 Jan 2009 UNITED STATES OF AMERICA**  
(56) Related Art Documents: **Not Applicable**  
(57) Statement of Newness and Distinctiveness: **The newness and distinctiveness of the design resides in the features of shape and configuration as depicted in the representations attached.**



(21) Design Number: **11879/2009**  
(22) Date of Filing Application: **22 May 2009**  
(24) Date from which industrial property rights may have effect: **22 May 2009**  
(54) Product in respect of which the design is registered: **Bowl**  
(51) International Design Classification: **30-03**  
(71) Name(s) and Address(s) of Applicant(s):  
**Elite Dogstands Ltd**  
**10 Marigold Place Harlow Essex CM17 0BW United Kingdom**  
(72) Name(s) of Designer(s): **Hang Lam Man**  
(45) Registration Date: **17 June 2009**  
(30) Convention priority data:  
(31) Number (32) Date (33) Country  
**1044804 24 Nov 2008 EUROPEAN COMMUNITY**  
(56) Related Art Documents: **Not Applicable**  
(57) Statement of Newness and Distinctiveness: **Nil**



(21) Design Number: **11880/2009**  
(22) Date of Filing Application: **22 May 2009**  
(24) Date from which industrial property rights may have effect: **22 May 2009**  
(54) Product in respect of which the design is registered: **Bowl and stand**  
(51) International Design Classification: **30-03**  
(71) Name(s) and Address(s) of Applicant(s):  
**Elite Dogstands Ltd**  
**10 Marigold Place Harlow Essex CM17 0BW United Kingdom**  
(72) Name(s) of Designer(s): **Hang Lam Man**  
(45) Registration Date: **17 June 2009**  
(30) Convention priority data:  
(31) Number (32) Date (33) Country  
**1044804 24 Nov 2008 EUROPEAN COMMUNITY**  
(56) Related Art Documents: **Not Applicable**  
(57) Statement of Newness and Distinctiveness: **Nil**



(21) Design Number: **12023/2009**

(22) Date of Filing Application: **02 June 2009**

(24) Date from which industrial property rights may have effect: **02 June 2009**

(54) Product in respect of which the design is registered: **Wind turbine nacelle**

(51) International Design Classification: **13-01, 13-99**

(71) Name(s) and Address(s) of Applicant(s):

**Vestas Wind Systems A/S  
Alsvej 21 Randers SV DK-8940 Denmark**

(72) Name(s) of Designer(s): **Soren Oluf Rasmussen**

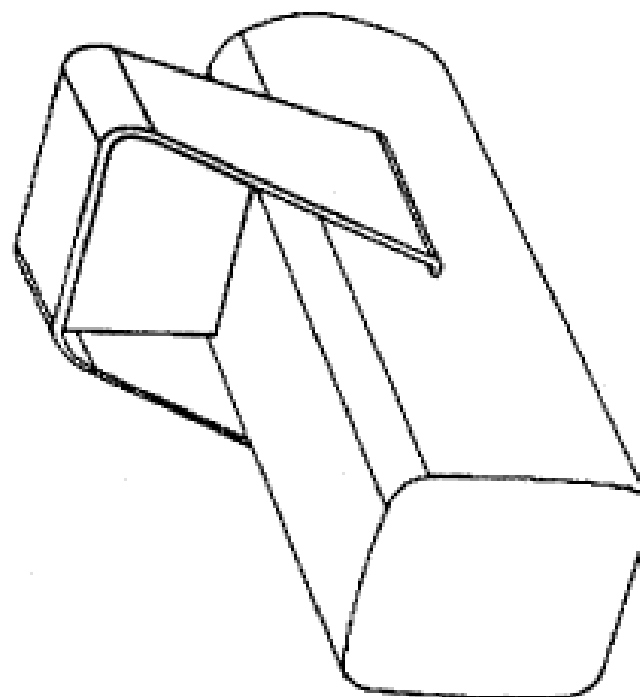
(45) Registration Date: **17 June 2009**

(30) Convention priority data:

(31) Number	(32) Date	(33) Country
<b>001082911</b>	<b>30 Jan 2009</b>	<b>EUROPEAN COMMUNITY</b>

(56) Related Art Documents: **Not Applicable**

(57) Statement of Newness and Distinctiveness: **Newness and distinctiveness resides in the shape or configuration of a wind turbine nacelle as shown in the accompanying representations. The features indicated in broken lines in the representations do not form part of the design for which protection is sought.**



(21) Design Number: **11905/2009**

(22) Date of Filing Application: **25 May 2009**

(24) Date from which industrial property rights may have effect: **25 May 2009**

(54) Product in respect of which the design is registered: **Toothbrush**

(51) International Design Classification: **04-02**

(71) Name(s) and Address(s) of Applicant(s):

**Colgate-Palmolive Company  
300 Park Avenue New York New York 10022 United States of America**

(72) Name(s) of Designer(s): **Wen Jin Xi**

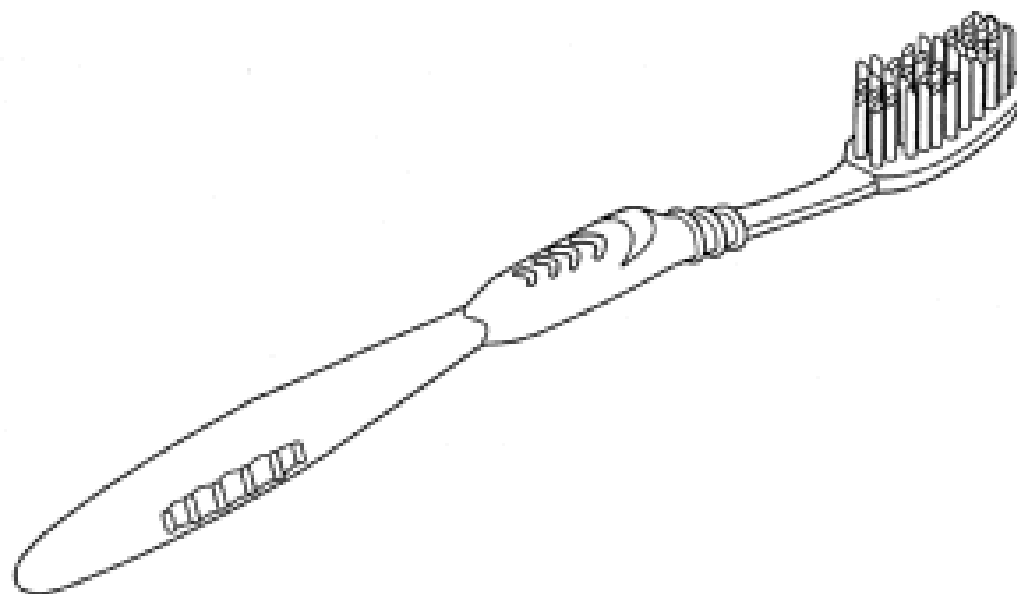
(45) Registration Date: **18 June 2009**

(30) Convention priority data:

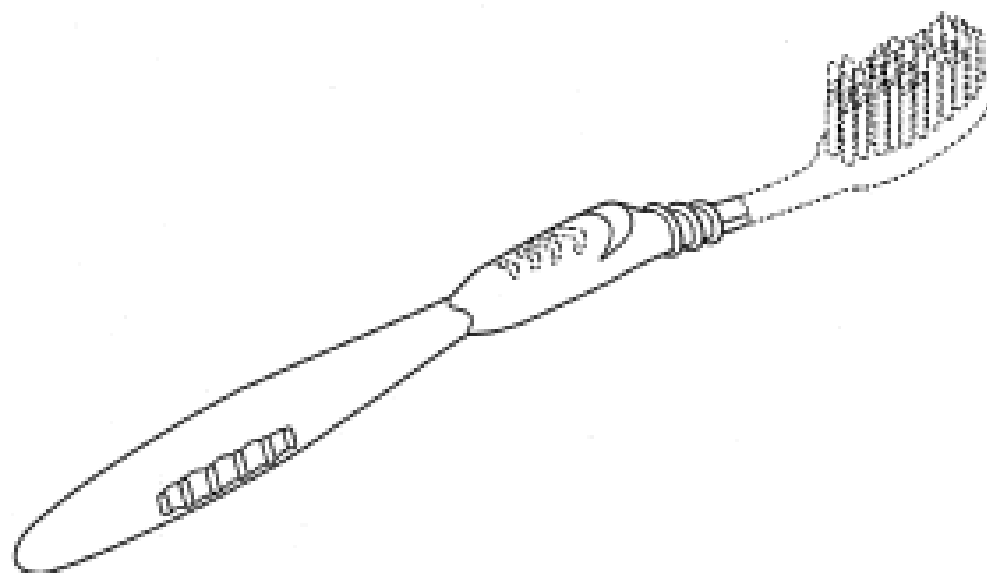
(31) Number	(32) Date	(33) Country
<b>29/328583</b>	<b>26 Nov 2008</b>	<b>UNITED STATES OF AMERICA</b>

(56) Related Art Documents: **Not Applicable**

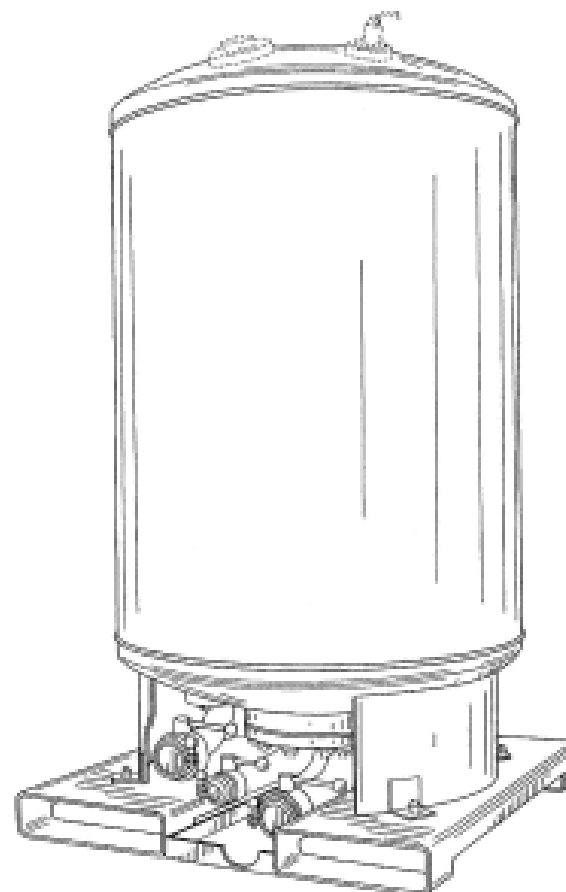
(57) Statement of Newness and Distinctiveness: **Newness and distinctiveness reside in the features of the design as shown in the representations.**



- (21) Design Number: **11906/2009**  
(22) Date of Filing Application: **25 May 2009**  
(24) Date from which industrial property rights may have effect: **25 May 2009**  
(54) Product in respect of which the design is registered: **Toothbrush**  
(51) International Design Classification: **04-02**  
(71) Name(s) and Address(s) of Applicant(s):  
**Colgate-Palmolive Company**  
**300 Park Avenue New York New York 10022 United States of America**  
(72) Name(s) of Designer(s): **Wen Jin Xi**  
(45) Registration Date: **18 June 2009**  
(30) Convention priority data:  
(31) Number (32) Date (33) Country  
**29/328582 26 Nov 2008 UNITED STATES OF AMERICA**  
(56) Related Art Documents: **Not Applicable**  
(57) Statement of Newness and Distinctiveness: **Newness and distinctiveness reside in the features of the design shown in solid lines in the representations excluding those features shown in broken lines.**



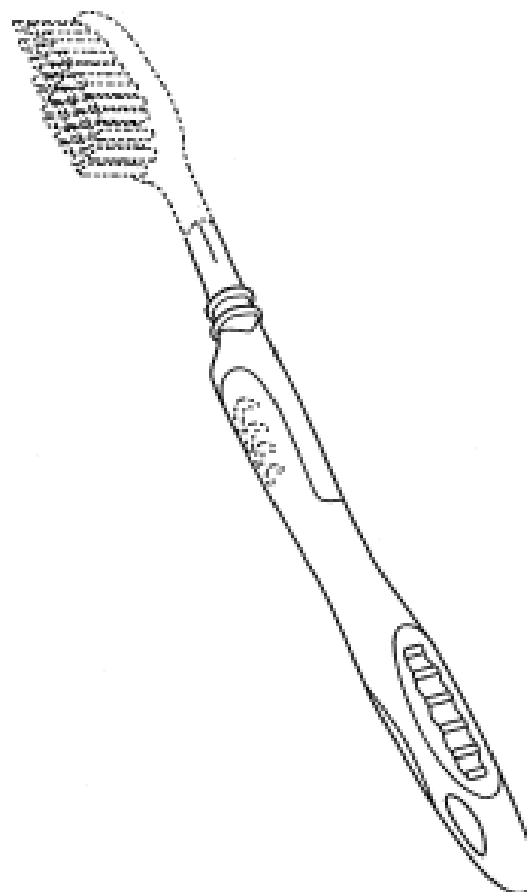
- (21) Design Number: **11881/2009**  
(22) Date of Filing Application: **22 May 2009**  
(24) Date from which industrial property rights may have effect: **22 May 2009**  
(54) Product in respect of which the design is registered: **Bottom entry water treatment tank**  
(51) International Design Classification: **23-01F**  
(71) Name(s) and Address(s) of Applicant(s):  
**Nalco Crossbow Water LLC**  
**320 West 494th Street Glenwood IL 60425 United States of America**  
(72) Name(s) of Designer(s): **Raymond Perdue and Scott Watkins**  
(45) Registration Date: **19 June 2009**  
(30) Convention priority data:  
(31) Number (32) Date (33) Country  
**29/328,372 24 Nov 2008 UNITED STATES OF AMERICA**  
(56) Related Art Documents: **Not Applicable**  
(57) Statement of Newness and Distinctiveness: **Nil**



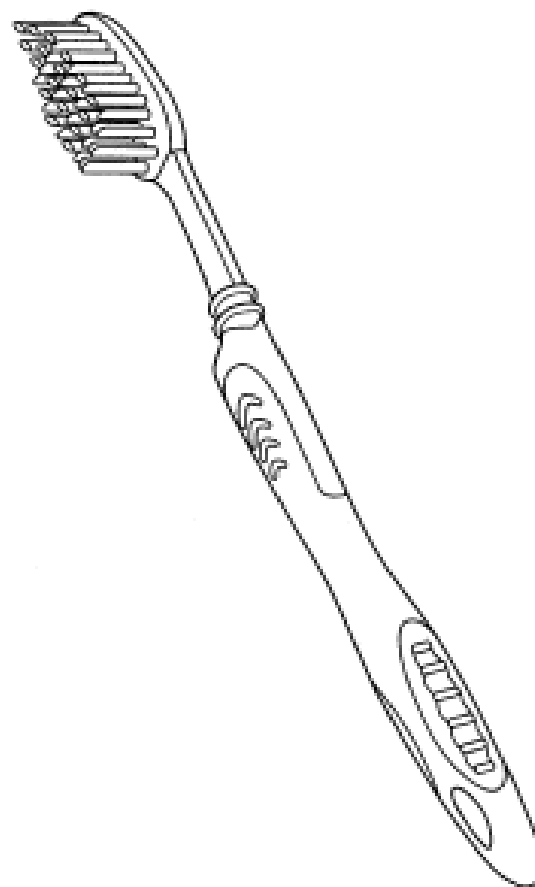
- (21) Design Number: **11882/2009**  
(22) Date of Filing Application: **22 May 2009**  
(24) Date from which industrial property rights may have effect: **22 May 2009**  
(54) Product in respect of which the design is registered: **Writing instrument**  
(51) International Design Classification: **19-06**  
(71) Name(s) and Address(s) of Applicant(s):  
**Senator GmbH & Co. KGaA**  
**Bahnhofstrasse 57 64401 Gross-Bieberau Germany**  
(72) Name(s) of Designer(s): **Hans-Juergen Beyer**  
(45) Registration Date: **19 June 2009**  
(30) Convention priority data:  
(31) Number (32) Date (33) Country  
**402008005955.7 04 Dec 2008 GERMANY**  
(56) Related Art Documents: **Not Applicable**  
(57) Statement of Newness and Distinctiveness: **Newness and distinctiveness reside in the features of the design as shown in the representations with special emphasis on the shape or configuration of the clip.**



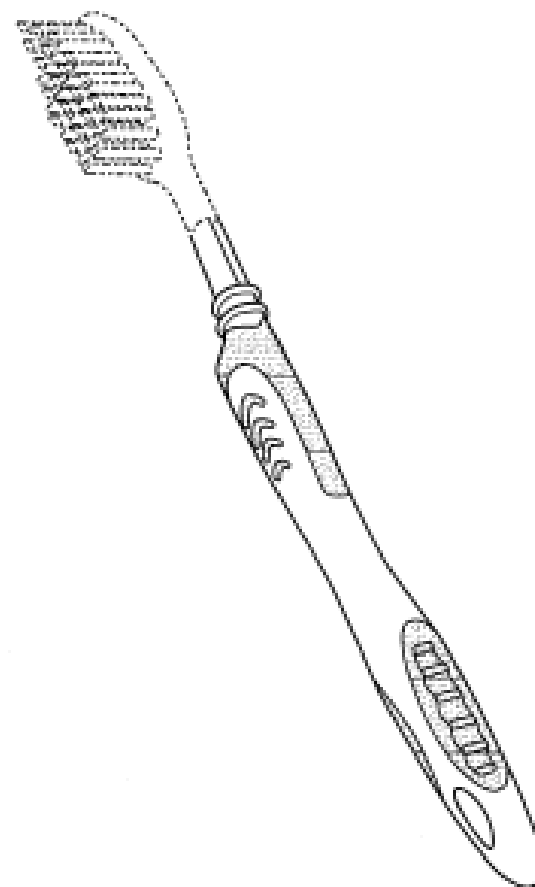
- (21) Design Number: **11902/2009**  
(22) Date of Filing Application: **25 May 2009**  
(24) Date from which industrial property rights may have effect: **25 May 2009**  
(54) Product in respect of which the design is registered: **Toothbrush**  
(51) International Design Classification: **04-02**  
(71) Name(s) and Address(s) of Applicant(s):  
**Colgate-Palmolive Company**  
**300 Park Avenue New York New York 10022 United States of America**  
(72) Name(s) of Designer(s): **Wen Jin Xi**  
(45) Registration Date: **19 June 2009**  
(30) Convention priority data:  
(31) Number (32) Date (33) Country  
**29/328585 26 Nov 2008 UNITED STATES OF AMERICA**  
(56) Related Art Documents: **Not Applicable**  
(57) Statement of Newness and Distinctiveness: **Newness and distinctiveness reside in the features of the design shown in solid lines in the representations excluding those features shown in broken lines.**



(21) Design Number: **11903/2009**  
(22) Date of Filing Application: **25 May 2009**  
(24) Date from which industrial property rights may have effect: **25 May 2009**  
(54) Product in respect of which the design is registered: **Toothbrush**  
(51) International Design Classification: **04-02**  
(71) Name(s) and Address(s) of Applicant(s):  
**Colgate-Palmolive Company**  
**300 Park Avenue New York New York 10022 United States of America**  
(72) Name(s) of Designer(s): **Wen Jin Xi**  
(45) Registration Date: **19 June 2009**  
(30) Convention priority data:  
(31) Number (32) Date (33) Country  
**29/328586 26 Nov 2008 UNITED STATES OF AMERICA**  
(56) Related Art Documents: **Not Applicable**  
(57) Statement of Newness and Distinctiveness: **Newness and distinctiveness reside in the features of the design as shown in the representations.**



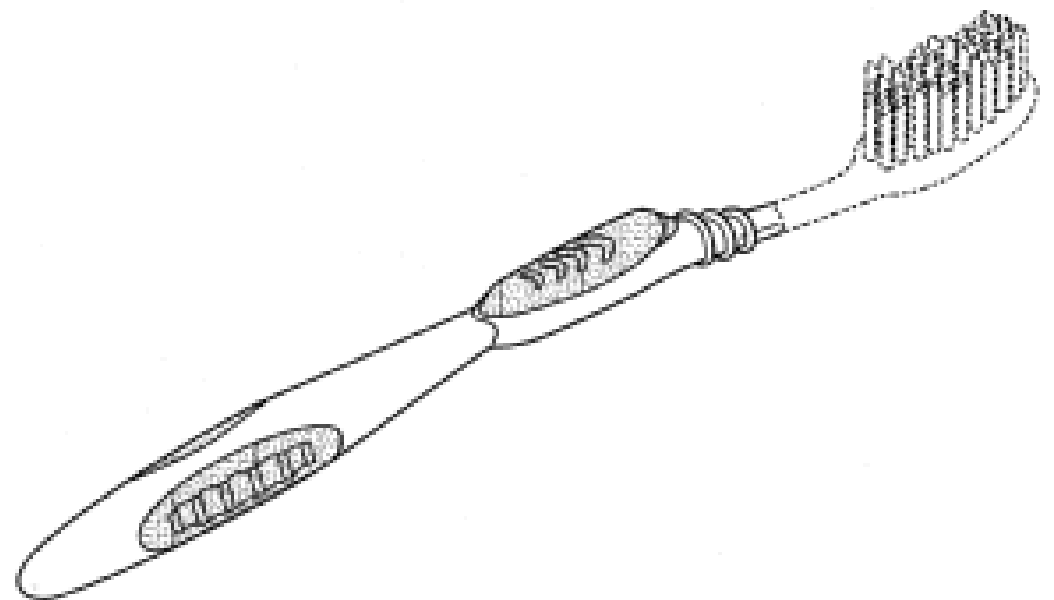
(21) Design Number: **11904/2009**  
(22) Date of Filing Application: **25 May 2009**  
(24) Date from which industrial property rights may have effect: **25 May 2009**  
(54) Product in respect of which the design is registered: **Toothbrush**  
(51) International Design Classification: **04-02**  
(71) Name(s) and Address(s) of Applicant(s):  
**Colgate-Palmolive Company**  
**300 Park Avenue New York New York 10022 United States of America**  
(72) Name(s) of Designer(s): **Wen Jin Xi**  
(45) Registration Date: **19 June 2009**  
(30) Convention priority data:  
(31) Number (32) Date (33) Country  
**29/328584 26 Nov 2008 UNITED STATES OF AMERICA**  
(56) Related Art Documents: **Not Applicable**  
(57) Statement of Newness and Distinctiveness: **Newness and distinctiveness reside in the features of the design shown in solid lines in the representations excluding those features shown in broken lines.**



- (21) Design Number: **11899/2009**  
(22) Date of Filing Application: **25 May 2009**  
(24) Date from which industrial property rights may have effect: **25 May 2009**  
(54) Product in respect of which the design is registered: **Flask for perfumery products**  
(51) International Design Classification: **09-01G**  
(71) Name(s) and Address(s) of Applicant(s):  
**Guerlain Societe Anonyme**  
**68 Avenue Des Champs Elysees Paris 75008 France**  
(72) Name(s) of Designer(s): **Ito Morabito**  
(45) Registration Date: **18 June 2009**  
(30) Convention priority data:  
(31) Number (32) Date (33) Country  
**001046353-0001 26 Nov 2008 EUROPEAN COMMUNITY**  
(56) Related Art Documents: **Not Applicable**  
(57) Statement of Newness and Distinctiveness: **The shape, configuration, and shape and configuration, of the design of the product of a cap and a base is new and distinctive.**



- (21) Design Number: **11901/2009**  
(22) Date of Filing Application: **25 May 2009**  
(24) Date from which industrial property rights may have effect: **25 May 2009**  
(54) Product in respect of which the design is registered: **Toothbrush**  
(51) International Design Classification: **04-02**  
(71) Name(s) and Address(s) of Applicant(s):  
**Colgate-Palmolive Company**  
**300 Park Avenue New York New York 10022 United States of America**  
(72) Name(s) of Designer(s): **Wen Jin Xi**  
(45) Registration Date: **18 June 2009**  
(30) Convention priority data:  
(31) Number (32) Date (33) Country  
**29/328579 26 Nov 2008 UNITED STATES OF AMERICA**  
(56) Related Art Documents: **Not Applicable**  
(57) Statement of Newness and Distinctiveness: **Newness and distinctiveness reside in the features of the design shown in solid lines in the representations excluding those features shown in broken lines.**





(21) Design Number: **12009/2009**

(22) Date of Filing Application: **29 May 2009**

(24) Date from which industrial property rights may have effect: **29 May 2009**

(54) Product in respect of which the design is registered: **Pliers**

(51) International Design Classification: **08-05P**

(71) Name(s) and Address(s) of Applicant(s):

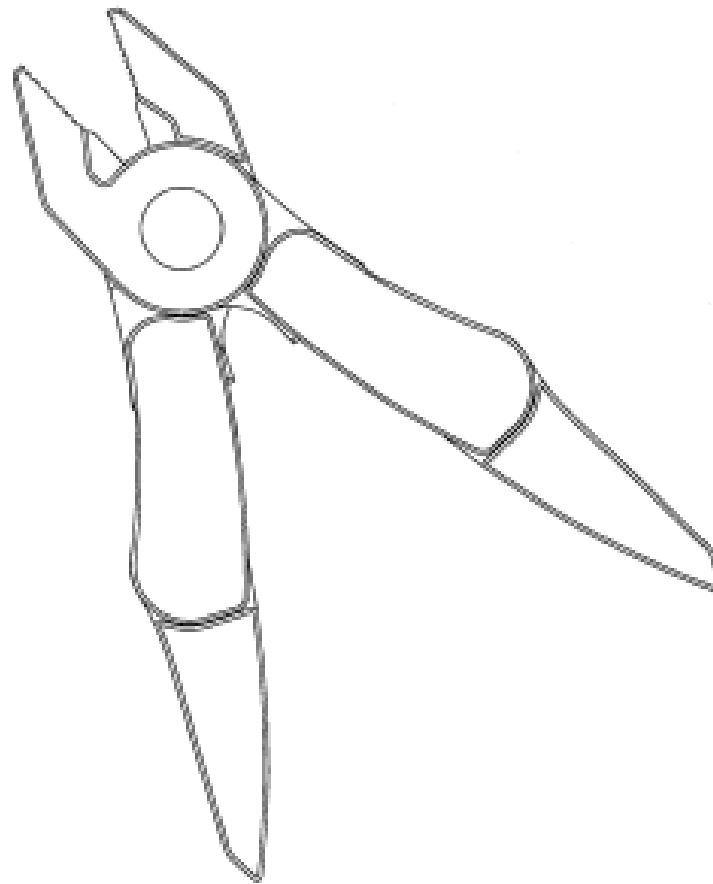
**KNOG Pty Ltd**  
**453 Church Street Richmond Victoria 3121 Australia**

(72) Name(s) of Designer(s): **Malcolm McKechnie**

(45) Registration Date: **18 June 2009**

(56) Related Art Documents: **Not Applicable**

(57) Statement of Newness and Distinctiveness: **Newness and distinctiveness is claimed in those features of shape and/or configuration of pliers as illustrated in the accompanying representations.**



(21) Design Number: **12010/2009**

(22) Date of Filing Application: **29 May 2009**

(24) Date from which industrial property rights may have effect: **29 May 2009**

(54) Product in respect of which the design is registered: **Shifter (adjustable spanner)**

(51) International Design Classification: **08-05P**

(71) Name(s) and Address(s) of Applicant(s):

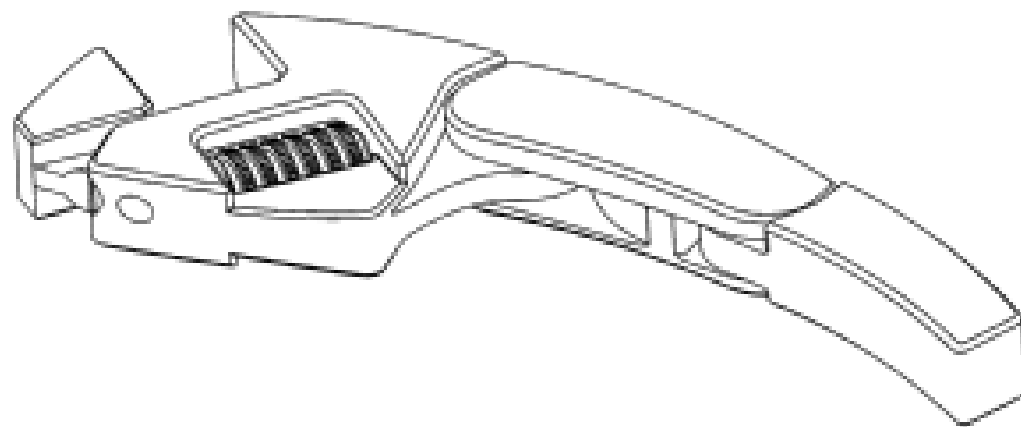
**KNOG Pty Ltd**  
**453 Church Street Richmond Victoria 3121 Australia**

(72) Name(s) of Designer(s): **Malcolm McKechnie**

(45) Registration Date: **18 June 2009**

(56) Related Art Documents: **Not Applicable**

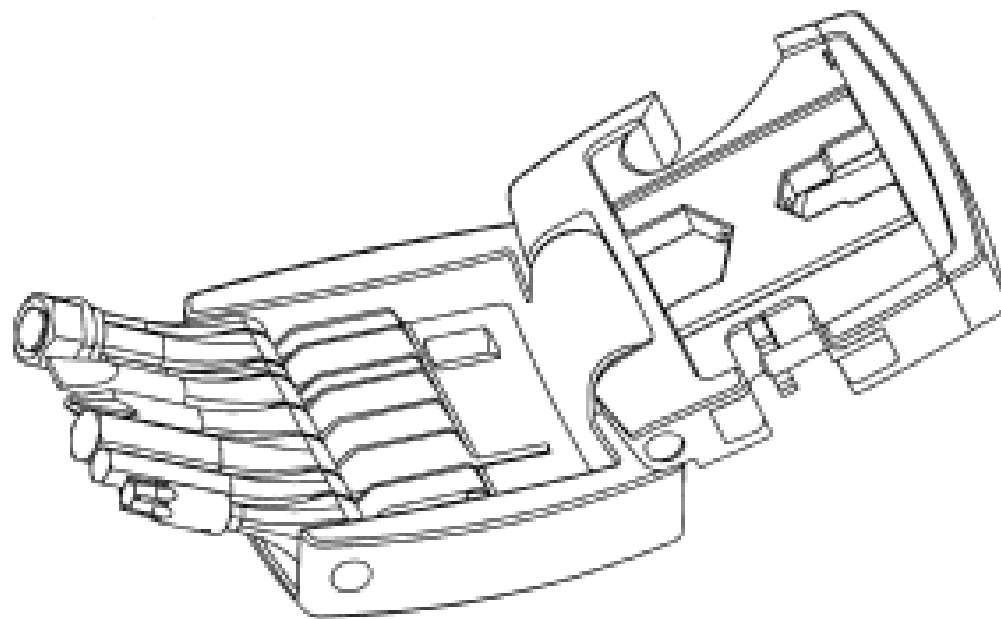
(57) Statement of Newness and Distinctiveness: **Newness and distinctiveness is claimed in those features of shape and/or configuration of shifters as illustrated in the accompanying representations.**



- (21) Design Number: **12011/2009**
- (22) Date of Filing Application: **29 May 2009**
- (24) Date from which industrial property rights may have effect: **29 May 2009**
- (54) Product in respect of which the design is registered: **Tool unit**
- (51) International Design Classification: **03-01D, 06-04NES**
- (71) Name(s) and Address(s) of Applicant(s):

**KNOG Pty Ltd**  
**453 Church Street Richmond Victoria 3121 Australia**

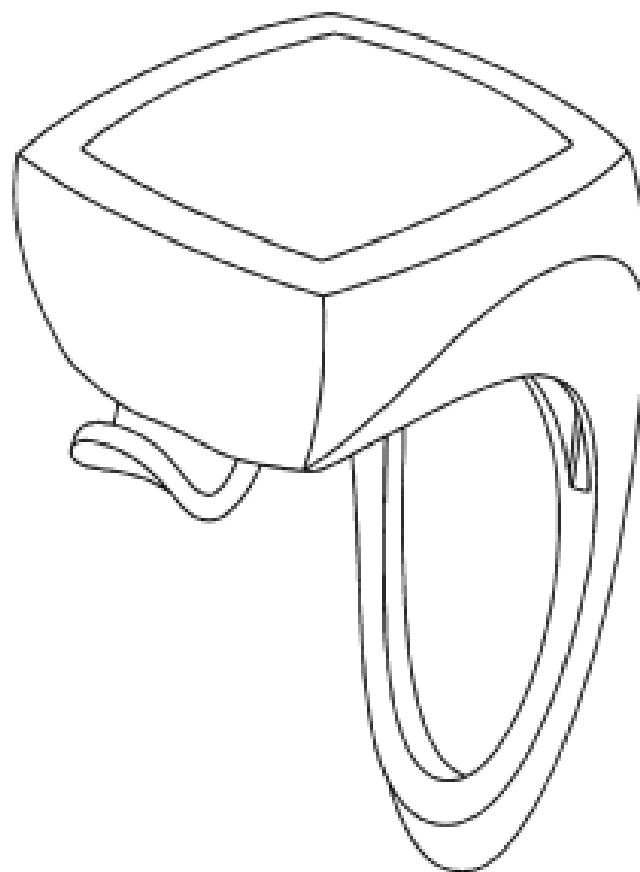
- (72) Name(s) of Designer(s): **Malcolm McKechnie**
- (45) Registration Date: **18 June 2009**
- (56) Related Art Documents: **Not Applicable**
- (57) Statement of Newness and Distinctiveness: **Newness and distinctiveness is claimed in those features of shape and/or configuration of a tool unit as illustrated in the accompanying representations.**



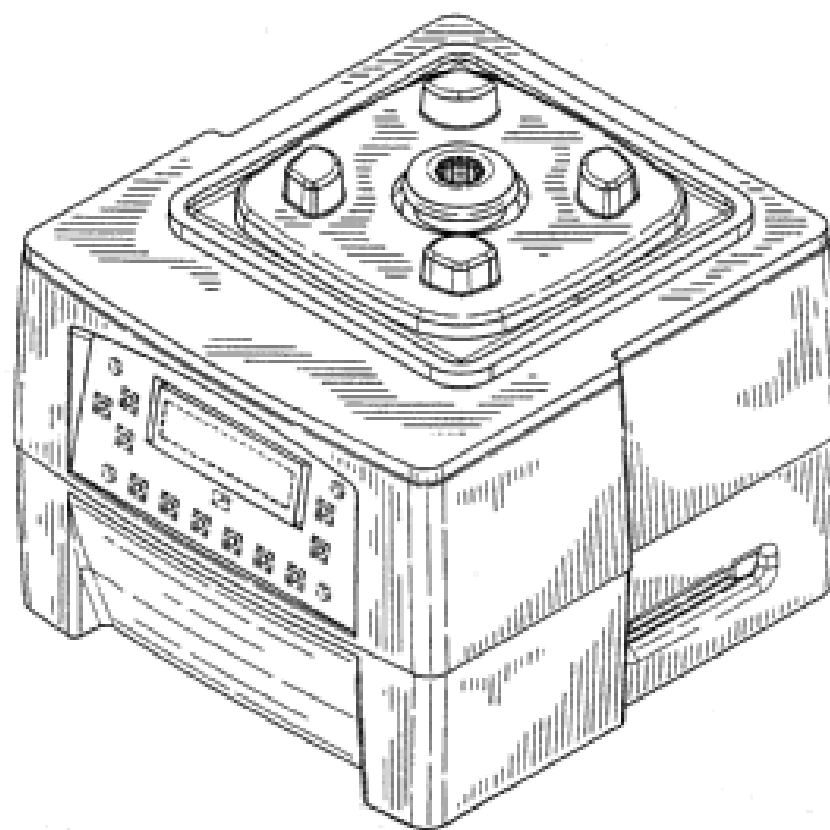
- (21) Design Number: **12012/2009**
- (22) Date of Filing Application: **29 May 2009**
- (24) Date from which industrial property rights may have effect: **29 May 2009**
- (54) Product in respect of which the design is registered: **Odometer**
- (51) International Design Classification: **10-04**
- (71) Name(s) and Address(s) of Applicant(s):

**KNOG Pty Ltd**  
**453 Church Street Richmond Victoria 3121 Australia**

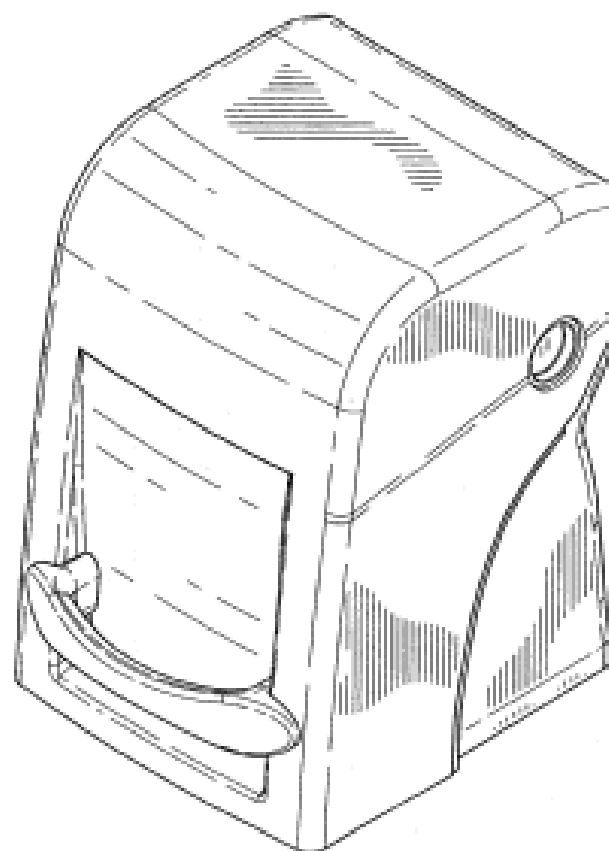
- (72) Name(s) of Designer(s): **Malcolm McKechnie**
- (45) Registration Date: **18 June 2009**
- (56) Related Art Documents: **Not Applicable**
- (57) Statement of Newness and Distinctiveness: **Newness and distinctiveness is claimed in those features of shape and/or configuration of an odometer as illustrated in the accompanying representations.**



(21) Design Number: **11751/2009**  
 (22) Date of Filing Application: **14 May 2009**  
 (24) Date from which industrial property rights may have effect: **14 May 2009**  
 (54) Product in respect of which the design is registered: **Base of a blender**  
 (51) International Design Classification: **31-00**  
 (71) Name(s) and Address(s) of Applicant(s):  
**Vita-Mix Corporation**  
**8615 Usher Road Cleveland Ohio 44138 United States of America**  
 (72) Name(s) of Designer(s): **Paul K. Metaxatos and Steffen F. Koury and Kurtis R. MacLaurin and Robert M. Ulanski and David J. Kolar and Stephen P. Rukavina and Mark F. Fleming and Anthony M. Ciepiel**  
 (45) Registration Date: **19 June 2009**  
 (30) Convention priority data:  
 (31) Number (32) Date (33) Country  
**29/312880 19 Nov 2008 UNITED STATES OF AMERICA**  
 (56) Related Art Documents: **Not Applicable**  
 (57) Statement of Newness and Distinctiveness: **Newness and distinctiveness is claimed in the visual features shown in solid lines in the representations.**



(21) Design Number: **11752/2009**  
 (22) Date of Filing Application: **14 May 2009**  
 (24) Date from which industrial property rights may have effect: **14 May 2009**  
 (54) Product in respect of which the design is registered: **Enclosure for a blender**  
 (51) International Design Classification: **31-00**  
 (71) Name(s) and Address(s) of Applicant(s):  
**Vita-Mix Corporation**  
**8615 Usher Road Cleveland Ohio 44138 United States of America**  
 (72) Name(s) of Designer(s): **Paul K. Metaxatos and Steffen F. Koury and Kurtis R. MacLaurin and David J. Kolar and Eugene J. Kozlowski and Robert M. Ulanski and Mark F. Fleming and Stephen P. Rukavina and Anthony M. Ciepiel**  
 (45) Registration Date: **19 June 2009**  
 (30) Convention priority data:  
 (31) Number (32) Date (33) Country  
**29/312881 19 Nov 2008 UNITED STATES OF AMERICA**  
 (56) Related Art Documents: **Not Applicable**  
 (57) Statement of Newness and Distinctiveness: **Nil**



(21) Design Number: **11826/2009**

(22) Date of Filing Application: **18 May 2009**

(24) Date from which industrial property rights may have effect: **18 May 2009**

(54) Product in respect of which the design is registered: **Screw in gudgeon**

(51) International Design Classification: **08-06**

(71) Name(s) and Address(s) of Applicant(s):

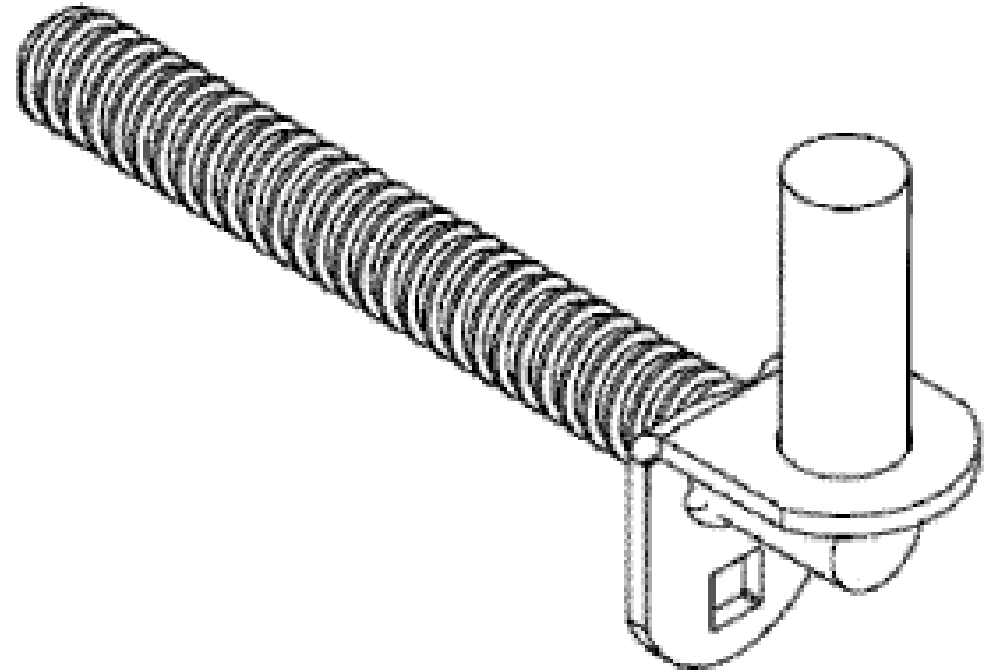
**RMD Industries Pty Ltd - (Downee)  
6-10 Market Street Sunshine Victoria 3020 Australia**

(72) Name(s) of Designer(s): **Joep Van der Plas**

(45) Registration Date: **19 June 2009**

(56) Related Art Documents: **Not Applicable**

(57) Statement of Newness and Distinctiveness: **Nil**



(21) Design Number: **11853/2009**

(22) Date of Filing Application: **20 May 2009**

(24) Date from which industrial property rights may have effect: **20 May 2009**

(54) Product in respect of which the design is registered: **Stroller frame**

(51) International Design Classification: **12-12**

(71) Name(s) and Address(s) of Applicant(s):

**Wei Guan Products Co., Ltd  
Fu Min Village Guan Lan Town Baonan Shenzhen China**

(72) Name(s) of Designer(s): **Chuan-Kai Hsu**

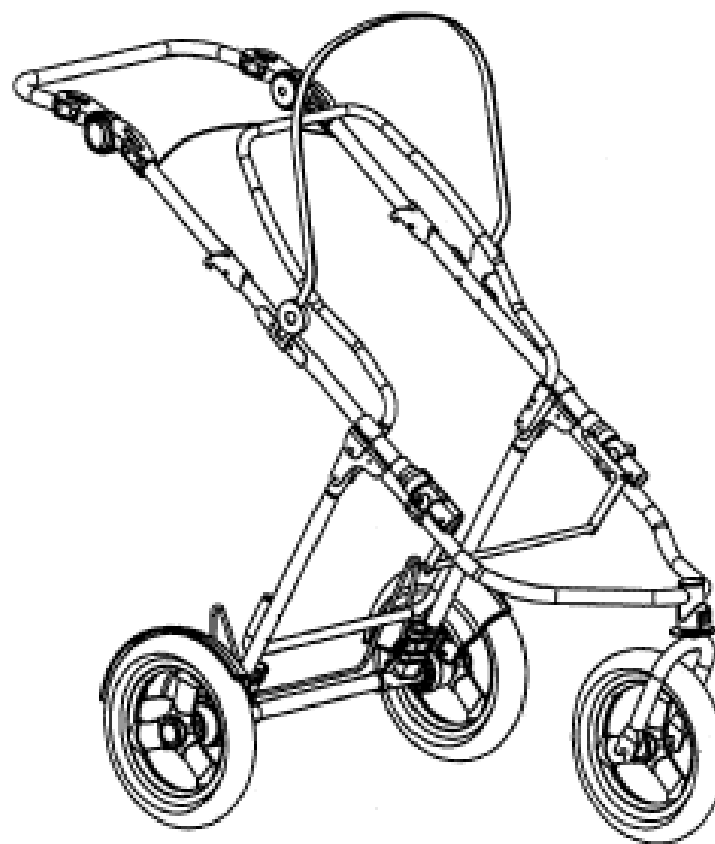
(45) Registration Date: **19 June 2009**

(56) Related Art Documents: **Not Applicable**

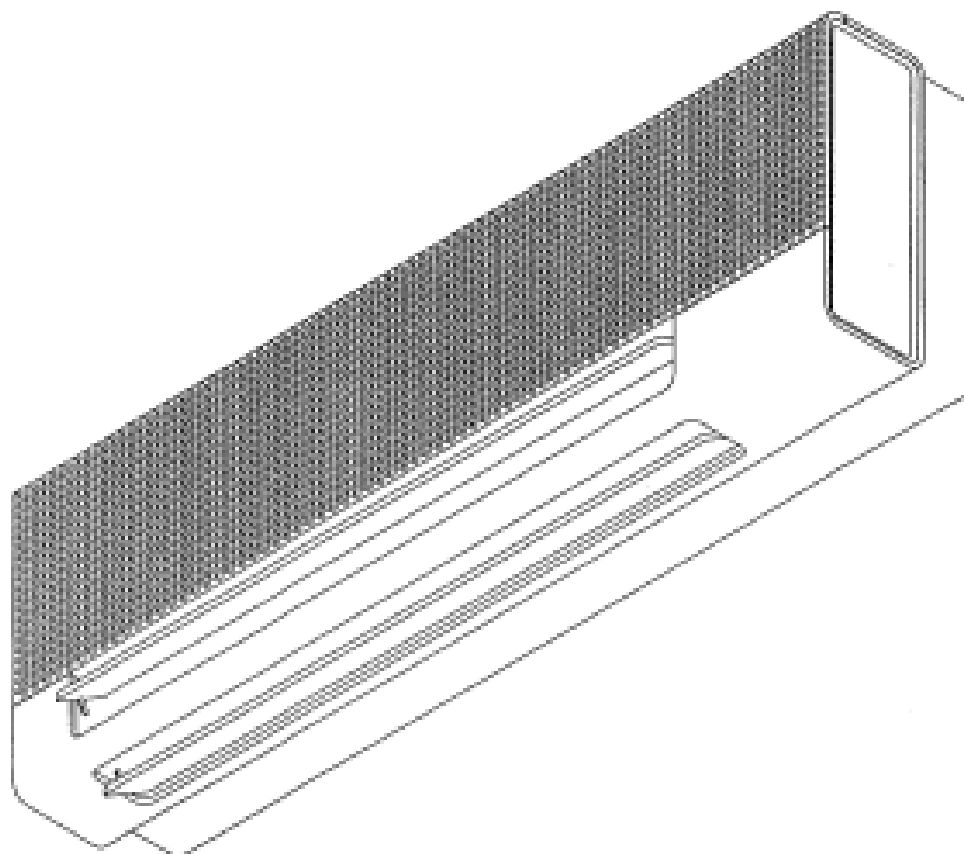
(57) Statement of Newness and Distinctiveness: **Nil**



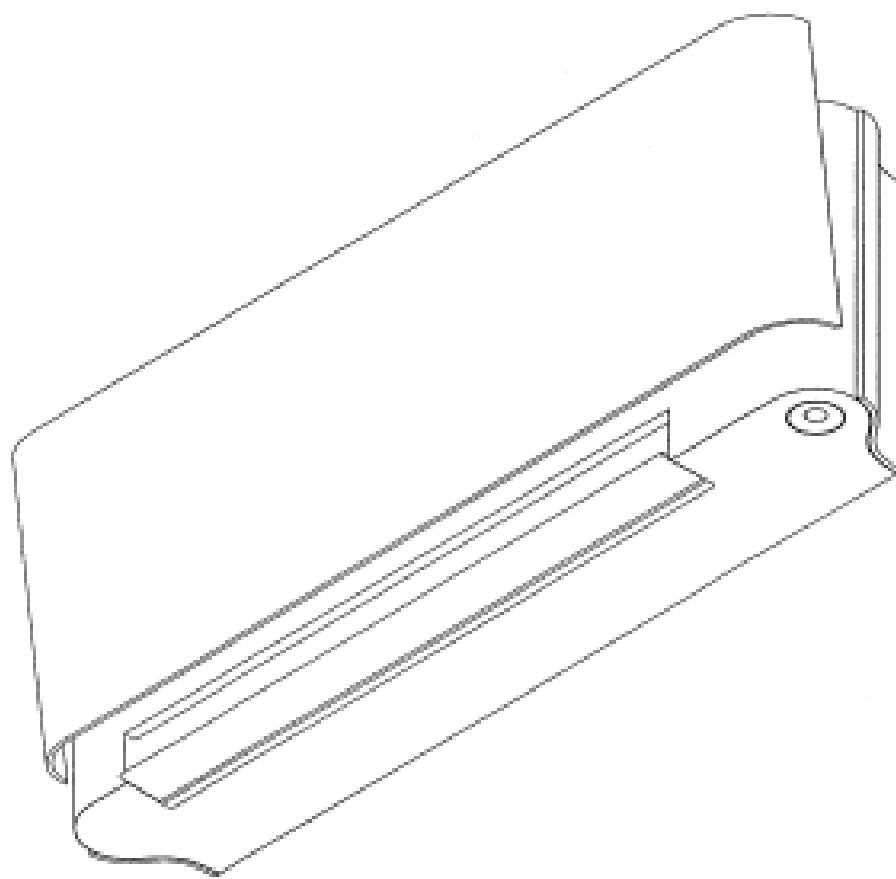
- (21) Design Number: **11854/2009**  
(22) Date of Filing Application: **20 May 2009**  
(24) Date from which industrial property rights may have effect: **20 May 2009**  
(54) Product in respect of which the design is registered: **Stroller frame**  
(51) International Design Classification: **12-12**  
(71) Name(s) and Address(s) of Applicant(s):  
**Wei Guan Products Co., Ltd**  
**Fu Min Village Guan Lan Town Baonan Shenzhen China**  
(72) Name(s) of Designer(s): **Chuan-Kai Hsu**  
(45) Registration Date: **19 June 2009**  
(56) Related Art Documents: **Not Applicable**  
(57) Statement of Newness and Distinctiveness: **Nil**



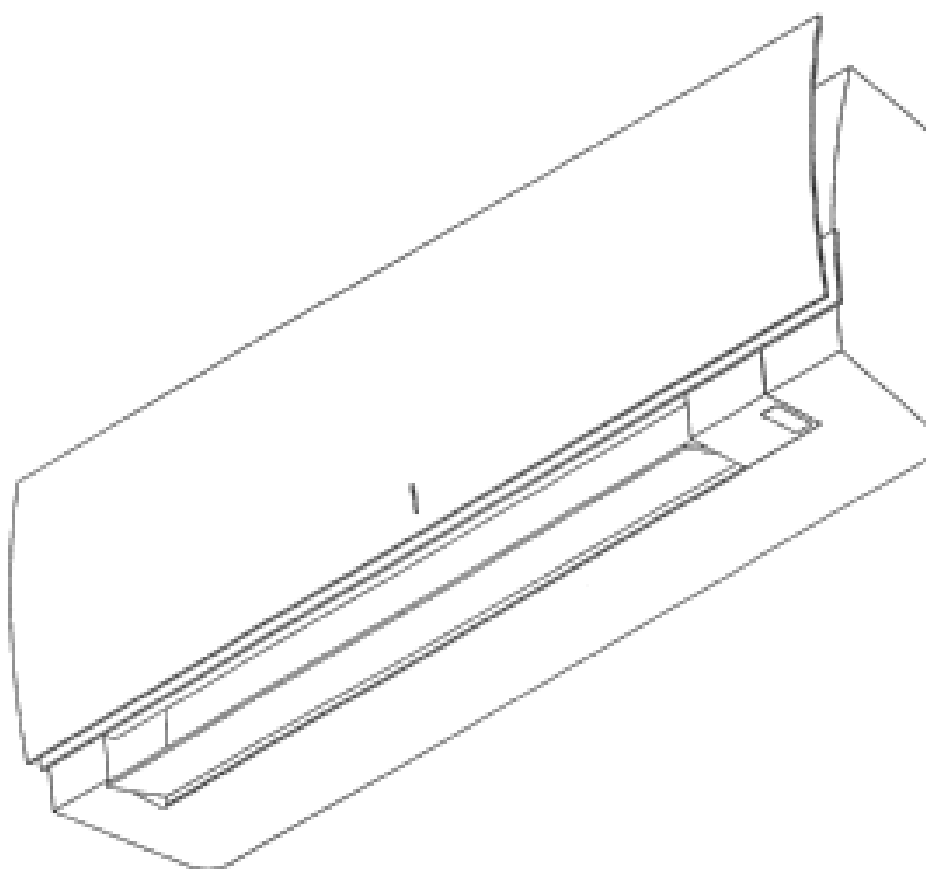
- (21) Design Number: **11911/2009**  
(22) Date of Filing Application: **26 May 2009**  
(24) Date from which industrial property rights may have effect: **26 May 2009**  
(54) Product in respect of which the design is registered: **Air conditioner**  
(51) International Design Classification: **23-04**  
(71) Name(s) and Address(s) of Applicant(s):  
**Daikin Industries Ltd**  
**Umeda Centre Building 4-12 Nakazaki-Nishi 2-Chome Kita-ku**  
**Osaka-Shi Osaka-Fu Japan**  
(72) Name(s) of Designer(s): **Bjoern Vibrans and Wolfgang Wagner**  
(45) Registration Date: **19 June 2009**  
(30) Convention priority data:  
(31) Number      (32) Date      (33) Country  
**2009-008952      17 Apr 2009      JAPAN**  
(56) Related Art Documents: **Not Applicable**  
(57) Statement of Newness and Distinctiveness: **Nil**



- (21) Design Number: **11912/2009**  
(22) Date of Filing Application: **26 May 2009**  
(24) Date from which industrial property rights may have effect: **26 May 2009**  
(54) Product in respect of which the design is registered: **Air conditioner**  
(51) International Design Classification: **23-04**  
(71) Name(s) and Address(s) of Applicant(s):  
**Daikin Industries Ltd**  
**Umeda Centre Building 4-12 Nakazaki-Nishi 2-Chome Kita-ku**  
**Osaka-Shi Osaka-Fu Japan**  
(72) Name(s) of Designer(s): **Bjoern Vibrans and Wolfgang Wagner and Wanjo Koch**  
(45) Registration Date: **19 June 2009**  
(30) Convention priority data:  
(31) Number      (32) Date      (33) Country  
**2009-008954      17 Apr 2009      JAPAN**  
(56) Related Art Documents: **Not Applicable**  
(57) Statement of Newness and Distinctiveness: **Nil**



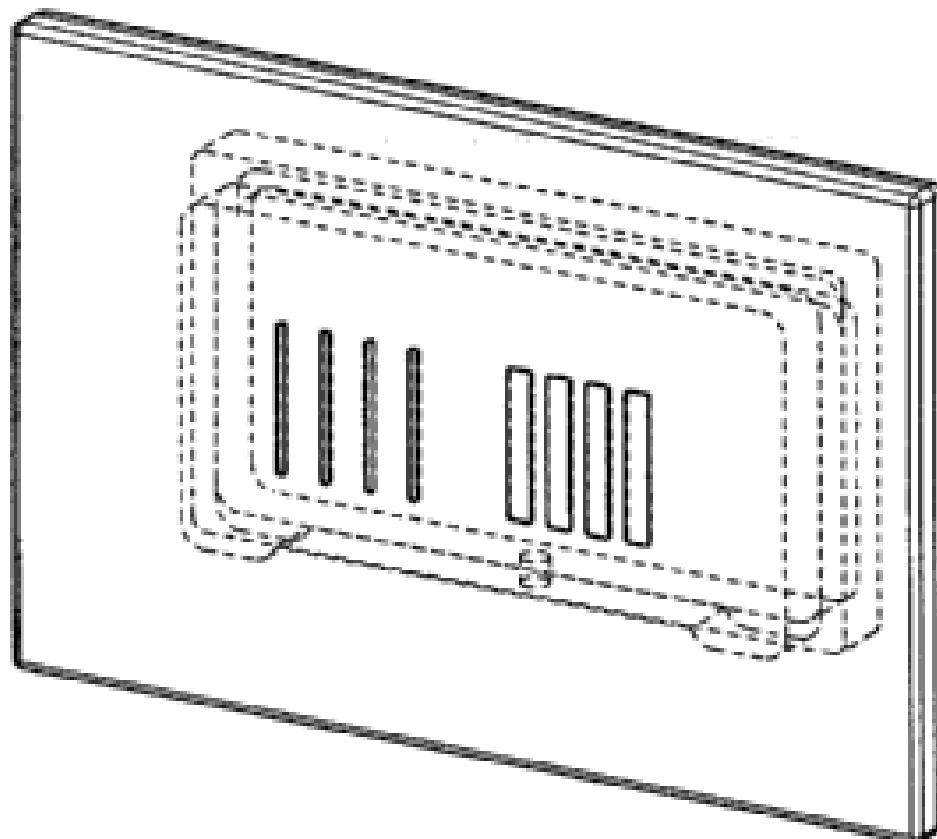
- (21) Design Number: **11913/2009**  
(22) Date of Filing Application: **26 May 2009**  
(24) Date from which industrial property rights may have effect: **26 May 2009**  
(54) Product in respect of which the design is registered: **Air conditioner**  
(51) International Design Classification: **23-04**  
(71) Name(s) and Address(s) of Applicant(s):  
**Daikin Industries Ltd**  
**Umeda Centre Building 4-12 Nakazaki-Nishi 2-Chome Kita-ku**  
**Osaka-Shi Osaka-Fu Japan**  
(72) Name(s) of Designer(s): **Bjoern Vibrans and Wolfgang Wagner and Wanjo Koch**  
(45) Registration Date: **19 June 2009**  
(30) Convention priority data:  
(31) Number      (32) Date      (33) Country  
**2009-008953      17 Apr 2009      JAPAN**  
(56) Related Art Documents: **Not Applicable**  
(57) Statement of Newness and Distinctiveness: **Nil**



- (21) Design Number: **11914/2009**  
(22) Date of Filing Application: **26 May 2009**  
(24) Date from which industrial property rights may have effect: **26 May 2009**  
(54) Product in respect of which the design is registered: **Thermometer**  
(51) International Design Classification: **10-04**  
(71) Name(s) and Address(s) of Applicant(s):  
**Omron Healthcare Co., Ltd.**  
**24 Yamanouchi Yamanoshita-cho Ukyo-ku Kyoto-shi Kyoto 615-0084**  
**Japan**  
(72) Name(s) of Designer(s): **Takashi Shigeno and Kazuya Andachi and**  
**Masahiko Yumoto and Takuto Serizawa and Atsuko Fukui and**  
**Katsuyoshi Morita**  
(45) Registration Date: **19 June 2009**  
(30) Convention priority data:  
(31) Number (32) Date (33) Country  
**2008-031192 05 Dec 2008 JAPAN**  
(56) Related Art Documents: **Not Applicable**  
(57) Statement of Newness and Distinctiveness: **Nil**



- (21) Design Number: **11957/2009**  
(22) Date of Filing Application: **27 May 2009**  
(24) Date from which industrial property rights may have effect: **27 May 2009**  
(54) Product in respect of which the design is registered: **Touch actuator**  
(51) International Design Classification: **23-02C**  
(71) Name(s) and Address(s) of Applicant(s):  
**Mainsflush Pty Ltd**  
**3 Sleeman Street Emu Park Queensland 4710 Australia**  
(72) Name(s) of Designer(s): **Alan Duggan and Brady Haseler and David Lukito**  
**and Lee Baker and Kathrine Stowe and Lloyd Fenn and Mark Bayly**  
(45) Registration Date: **19 June 2009**  
(56) Related Art Documents: **Not Applicable**  
(57) Statement of Newness and Distinctiveness: **Newness and distinctiveness**  
**resides in the features of shape, configuration, pattern and**  
**ornamentation of the touch actuator as shown in the representations. In**  
**considering whether another design is substantially similar in overall**  
**impression, no regard is to be given to the features shown in phantom.**



(21) Design Number: **11244/2009**

(22) Date of Filing Application: **09 April 2009**

(24) Date from which industrial property rights may have effect: **09 April 2009**

(54) Product in respect of which the design is registered: **Tyre for motorcycle**

(51) International Design Classification: **12-15B**

(71) Name(s) and Address(s) of Applicant(s):

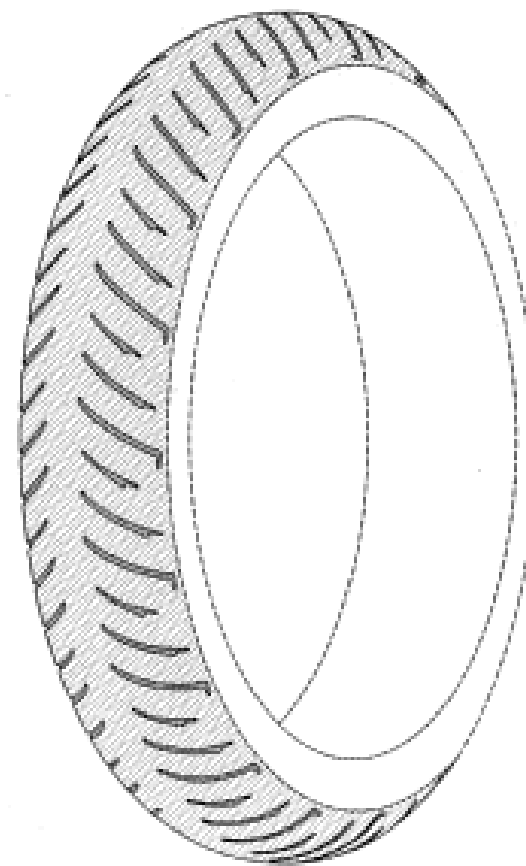
**The Goodyear Tire & Rubber Company  
1144 East Market Street Akron Ohio 44316-0001 United States of  
America**

(72) Name(s) of Designer(s): **Teruka Kumamoto**

(45) Registration Date: **19 June 2009**

(56) Related Art Documents: **Not Applicable**

(57) Statement of Newness and Distinctiveness: **Newness and distinctiveness is claimed in the features of shape and/or configuration of the tread of a tyre as illustrated in the accompanying representations, wherein the shape and/or configuration of the tread is repeated throughout the circumference of the tyre.**



(21) Design Number: **11245/2009**

(22) Date of Filing Application: **09 April 2009**

(24) Date from which industrial property rights may have effect: **09 April 2009**

(54) Product in respect of which the design is registered: **Tyre for motorcycle**

(51) International Design Classification: **12-15A**

(71) Name(s) and Address(s) of Applicant(s):

**The Goodyear Tire & Rubber Company  
1144 East Market Street Akron Ohio 44316-0001 United States of  
America**

(72) Name(s) of Designer(s): **Teruka Kumamoto**

(45) Registration Date: **19 June 2009**

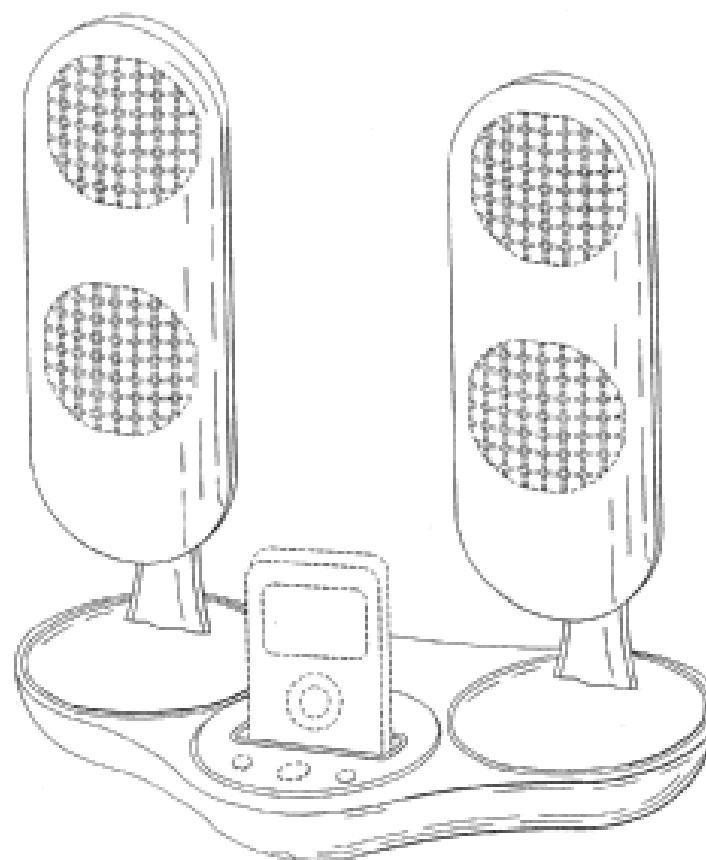
(56) Related Art Documents: **Not Applicable**

(57) Statement of Newness and Distinctiveness: **Newness and distinctiveness is claimed in the features of shape and/or configuration of the tread of a tyre as illustrated in the accompanying representations, wherein the shape and/or configuration of the tread is repeated throughout the circumference of the tyre.**





(21) Design Number: **11290/2009**  
 (22) Date of Filing Application: **15 April 2009**  
 (24) Date from which industrial property rights may have effect: **15 April 2009**  
 (54) Product in respect of which the design is registered: **Wireless speakers**  
 (51) International Design Classification: **14-01**  
 (71) Name(s) and Address(s) of Applicant(s):  
**FKA Distributing Co. doing business as HoMedics, Inc.**  
**3000 Pontiac Trail Commerce Township Michigan 48390 United States of America**  
 (72) Name(s) of Designer(s): **Sarah Moeggenberg and Mordechai Lev and Roman S. Ferber**  
 (45) Registration Date: **19 June 2009**  
 (30) Convention priority data:  
 (31) Number (32) Date (33) Country  
**29/326413 17 Oct 2008 UNITED STATES OF AMERICA**  
 (56) Related Art Documents: **Not Applicable**  
 (57) Statement of Newness and Distinctiveness: **Newness and distinctiveness resides in the features of shape and configuration of wireless speakers as shown in solid lines in the accompanying representations.**



(21) Design Number: **11291/2009**  
 (22) Date of Filing Application: **15 April 2009**  
 (24) Date from which industrial property rights may have effect: **15 April 2009**  
 (54) Product in respect of which the design is registered: **Speaker with a docking station**  
 (51) International Design Classification: **14-01**  
 (71) Name(s) and Address(s) of Applicant(s):  
**FKA Distributing Co. doing business as HoMedics, Inc.**  
**3000 Pontiac Trail Commerce Township Michigan 48390 United States of America**  
 (72) Name(s) of Designer(s): **Sarah Moeggenberg and Mordechai Lev and Roman S. Ferber**  
 (45) Registration Date: **19 June 2009**  
 (30) Convention priority data:  
 (31) Number (32) Date (33) Country  
**29/326411 17 Oct 2008 UNITED STATES OF AMERICA**  
 (56) Related Art Documents: **Not Applicable**  
 (57) Statement of Newness and Distinctiveness: **Newness and distinctiveness resides in the features of shape and configuration of a speaker with a docking station as shown in solid lines in the accompanying representations.**



(21) Design Number: **11371/2009**

(22) Date of Filing Application: **22 April 2009**

(24) Date from which industrial property rights may have effect: **22 April 2009**

(54) Product in respect of which the design is registered: **Display and sales packaging**

(51) International Design Classification: **20-02NES**

(71) Name(s) and Address(s) of Applicant(s):

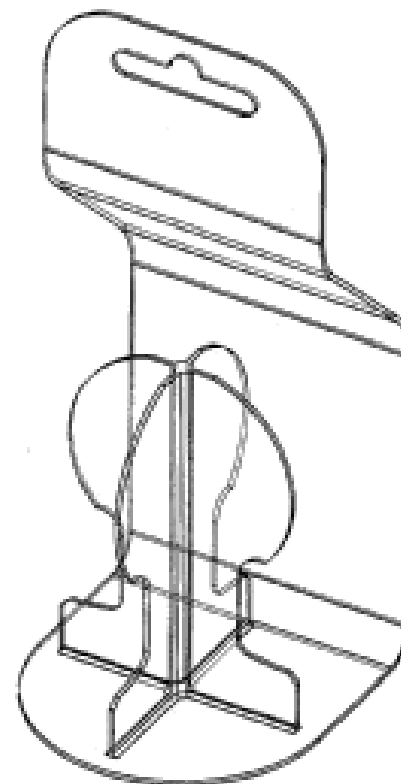
**Dowd Group Pty Ltd**  
**75a Bredon Avenue West Pennant Hills New South Wales 2125**  
**Australia**

(72) Name(s) of Designer(s): **Kieron Dowd**

(45) Registration Date: **19 June 2009**

(56) Related Art Documents: **Not Applicable**

(57) Statement of Newness and Distinctiveness: **I have attached illustrations of the design I wish to register.**



(21) Design Number: **11479/2009**

(22) Date of Filing Application: **29 April 2009**

(24) Date from which industrial property rights may have effect: **29 April 2009**

(54) Product in respect of which the design is registered: **Grooming tool**

(51) International Design Classification: **28-03NES**

(71) Name(s) and Address(s) of Applicant(s):

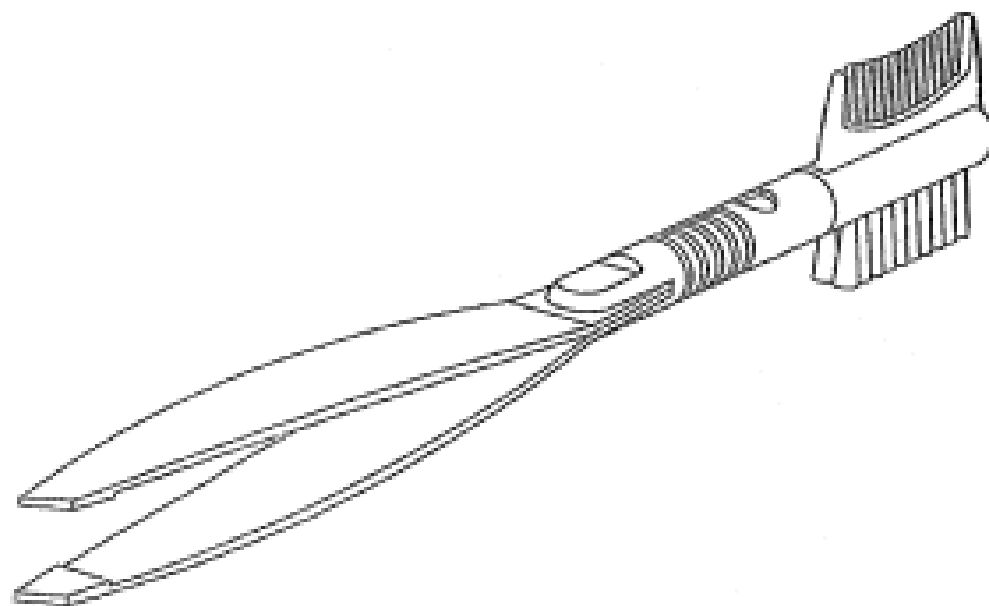
**Clint Ludvigh**  
**29 Eastbank Terrace Helensvale Queensland 4212 Australia**

(72) Name(s) of Designer(s): **Clint Ludvigh**

(45) Registration Date: **19 June 2009**

(56) Related Art Documents: **Not Applicable**

(57) Statement of Newness and Distinctiveness: **Newness and distinctiveness are claimed in the features of shape and/or configuration of a grooming tool, as illustrated in the accompanying representations.**



- (21) Design Number: **12194/2009**  
(22) Date of Filing Application: **16 April 2009**  
(24) Date from which industrial property rights may have effect: **16 April 2009**  
(54) Product in respect of which the design is registered: **Scalpel blades**  
(51) International Design Classification: **24-02**  
(71) Name(s) and Address(s) of Applicant(s):

**Swann-Morton Limited**  
**Owlerton Green Sheffield S6 2BJ United Kingdom**

- (72) Name(s) of Designer(s): **Michael J. McGinley**

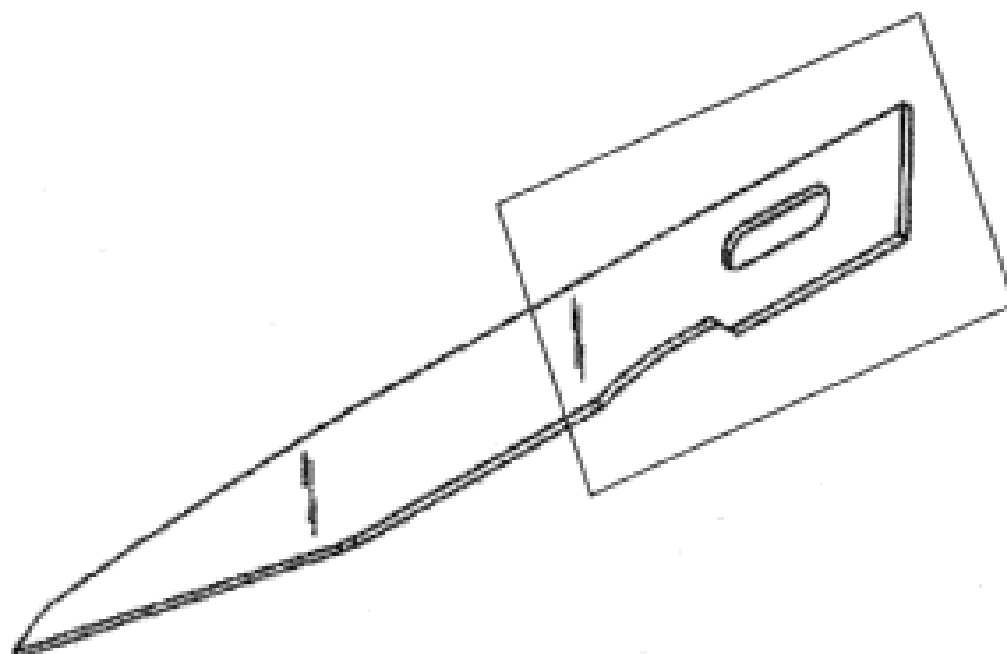
- (45) Registration Date: **19 June 2009**

- (30) Convention priority data:

(31) Number	(32) Date	(33) Country
<b>001025761</b>	<b>22 Oct 2008</b>	<b>EUROPEAN COMMUNITY</b>

- (56) Related Art Documents: **Not Applicable**

- (57) Statement of Newness and Distinctiveness: **Newness and distinctiveness is claimed in the shape and configuration of the boxed portion of the scalpel blades shown in the accompanying representations and wherein the cutting portion of the scalpel blade is to be disregarded and may be one of the 34 standard cutting profiles used in the industry.**



- (21) Design Number: **12195/2009**  
(22) Date of Filing Application: **16 April 2009**  
(24) Date from which industrial property rights may have effect: **16 April 2009**  
(54) Product in respect of which the design is registered: **Scalpel blades**  
(51) International Design Classification: **24-02**  
(71) Name(s) and Address(s) of Applicant(s):

**Swann-Morton Limited**  
**Owlerton Green Sheffield S6 2BJ United Kingdom**

- (72) Name(s) of Designer(s): **Michael J. McGinley**

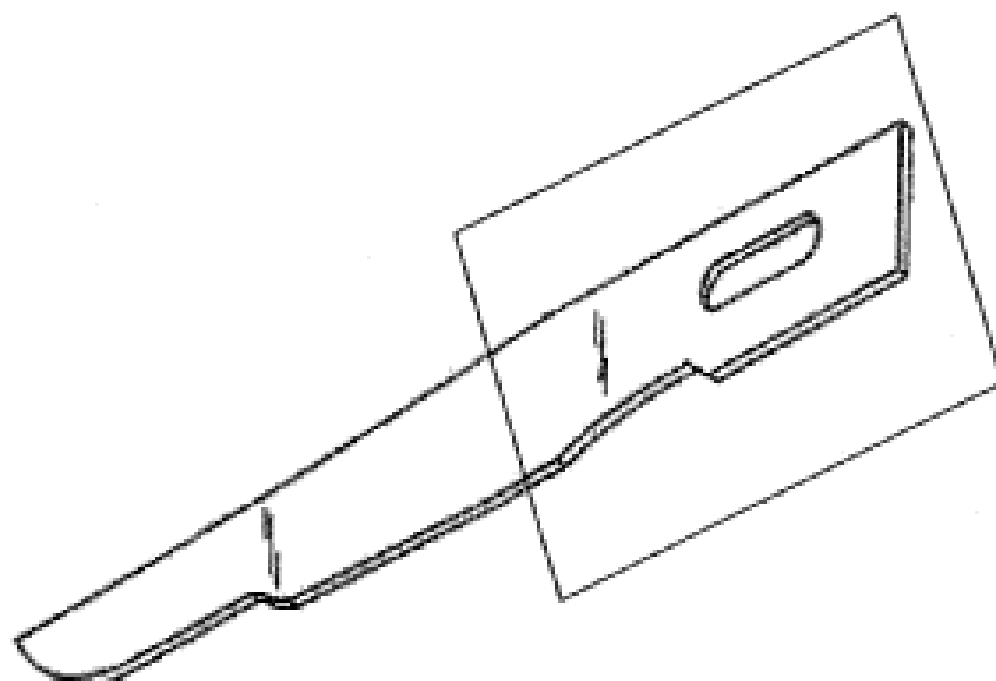
- (45) Registration Date: **19 June 2009**

- (30) Convention priority data:

(31) Number	(32) Date	(33) Country
<b>001025761</b>	<b>22 Oct 2008</b>	<b>EUROPEAN COMMUNITY</b>

- (56) Related Art Documents: **Not Applicable**

- (57) Statement of Newness and Distinctiveness: **Newness and distinctiveness is claimed in the shape and configuration of the boxed portion of the scalpel blades shown in the accompanying representations and wherein the cutting portion of the scalpel blade is to be disregarded and may be one of the 34 standard cutting profiles used in the industry.**



(19) AU

- (21) Design Number: **11302/2009**
- (22) Date of Filing Application: **16 April 2009**
- (24) Date from which industrial property rights may have effect: **16 April 2009**
- (54) Product in respect of which the design is registered: **Scalpel Blades**
- (51) International Design Classification: **24-02**
- (71) Name(s) and Address(s) of Applicant(s):

**Swann-Morton Limited**  
**Owlerton Green Sheffield S6 2BJ United Kingdom**

(72) Name(s) of Designer(s): **Michael J. McGinley**

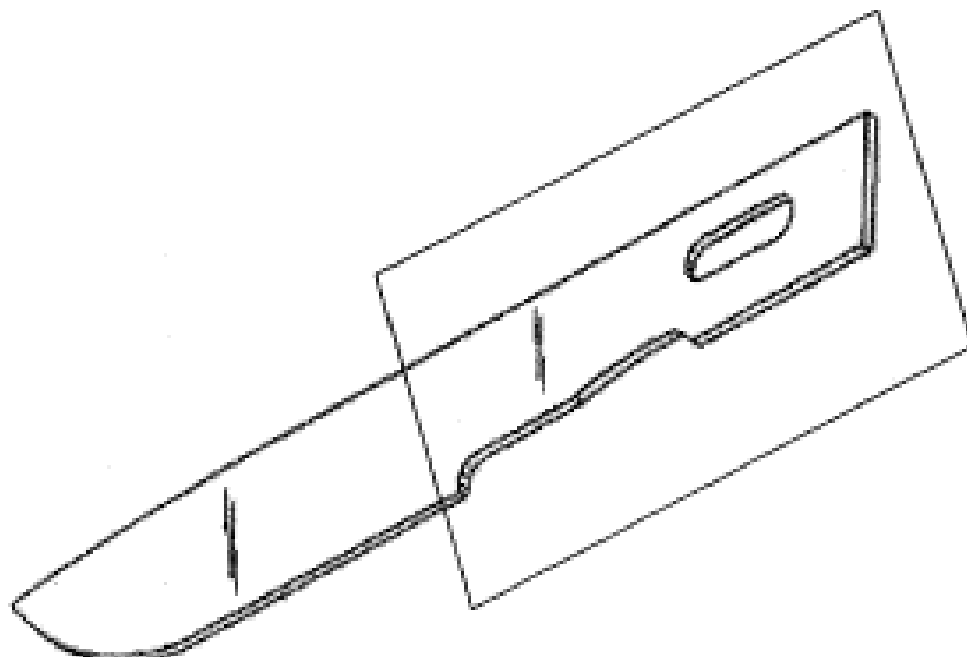
(45) Registration Date: **19 June 2009**

(30) Convention priority data:

(31) Number	(32) Date	(33) Country
<b>001025761</b>	<b>22 Oct 2008</b>	<b>EUROPEAN COMMUNITY</b>

(56) Related Art Documents: **Not Applicable**

(57) Statement of Newness and Distinctiveness: **Newness and distinctiveness is claimed in the shape and configuration of the boxed portion of the scalpel blades shown in the accompanying representations and wherein the cutting portion of the scalpel blade is to be disregarded and may be one of the 34 standard cutting profiles used in the industry.**



(19) AU

- (21) Design Number: **11917/2009**
- (22) Date of Filing Application: **26 May 2009**
- (24) Date from which industrial property rights may have effect: **26 May 2009**
- (54) Product in respect of which the design is registered: **Tyre for motorcycle**
- (51) International Design Classification: **12-15D**
- (71) Name(s) and Address(s) of Applicant(s):

**The Goodyear Tire & Rubber Company**  
**1144 East Market Street Akron Ohio 44316-0001 United States of America**

(72) Name(s) of Designer(s): **Shohei Shibamoto**

(45) Registration Date: **19 June 2009**

(30) Convention priority data:

(31) Number	(32) Date	(33) Country
<b>2008-030977</b>	<b>03 Dec 2008</b>	<b>JAPAN</b>

(56) Related Art Documents: **Not Applicable**

(57) Statement of Newness and Distinctiveness: **Newness and distinctiveness is claimed in the features of shape and/or configuration of the tread of a tyre as illustrated in the accompanying representations, wherein the shape and/or configuration of the tread is repeated throughout the circumference of the tyre.**



(21) Design Number: **11918/2009**  
 (22) Date of Filing Application: **26 May 2009**  
 (24) Date from which industrial property rights may have effect: **26 May 2009**  
 (54) Product in respect of which the design is registered: **Tyre for automobile**  
 (51) International Design Classification: **12-15B**  
 (71) Name(s) and Address(s) of Applicant(s):

**The Goodyear Tire & Rubber Company**  
**1144 East Market Street Akron Ohio 44316-0001 United States of America**

(72) Name(s) of Designer(s): **Takeshi Hamada**

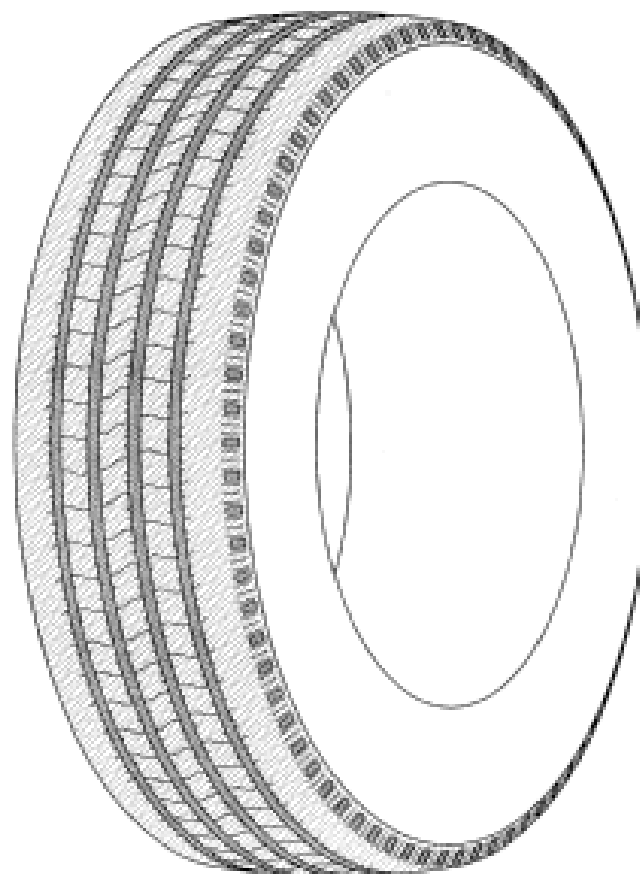
(45) Registration Date: **19 June 2009**

(30) Convention priority data:

(31) Number	(32) Date	(33) Country
<b>2008-030976</b>	<b>03 Dec 2008</b>	<b>JAPAN</b>

(56) Related Art Documents: **Not Applicable**

(57) Statement of Newness and Distinctiveness: **Newness and distinctiveness is claimed in the features of shape and/or configuration of the tread of a tyre as illustrated in the accompanying representations, wherein the shape and/or configuration of the tread is repeated throughout the circumference of the tyre.**



(21) Design Number: **11919/2009**  
 (22) Date of Filing Application: **26 May 2009**  
 (24) Date from which industrial property rights may have effect: **26 May 2009**  
 (54) Product in respect of which the design is registered: **Tyre for motorcycle**  
 (51) International Design Classification: **12-15D**  
 (71) Name(s) and Address(s) of Applicant(s):

**The Goodyear Tire & Rubber Company**  
**1144 East Market Street Akron Ohio 44316-0001 United States of America**

(72) Name(s) of Designer(s): **Shohei Shibamoto**

(45) Registration Date: **19 June 2009**

(30) Convention priority data:

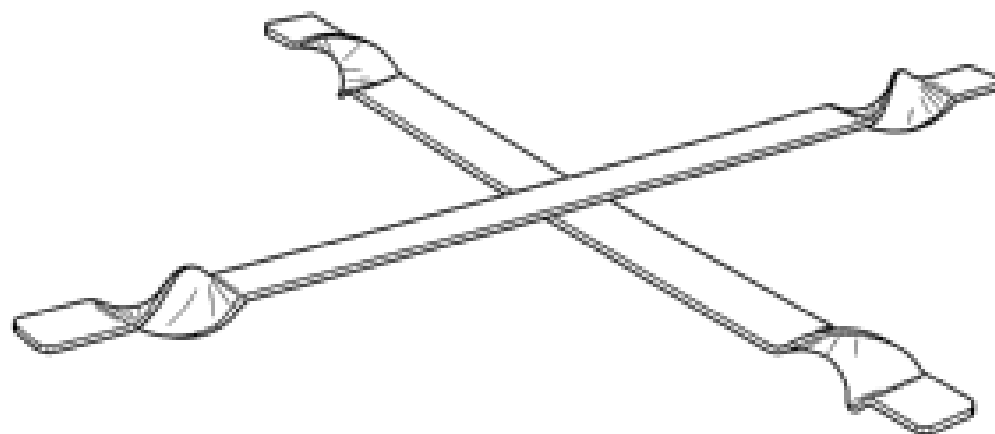
(31) Number	(32) Date	(33) Country
<b>2008-030978</b>	<b>03 Dec 2008</b>	<b>JAPAN</b>

(56) Related Art Documents: **Not Applicable**

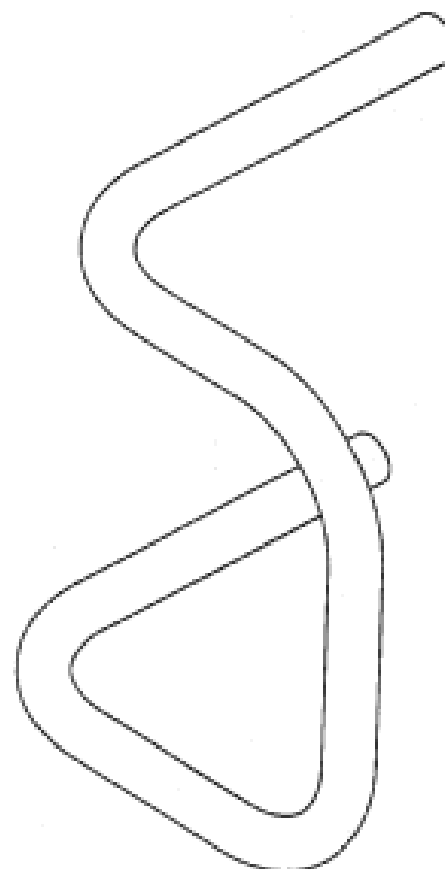
(57) Statement of Newness and Distinctiveness: **Newness and distinctiveness is claimed in the features of shape and/or configuration of the tread of a tyre as illustrated in the accompanying representations, wherein the shape and/or configuration of the tread is repeated throughout the circumference of the tyre.**



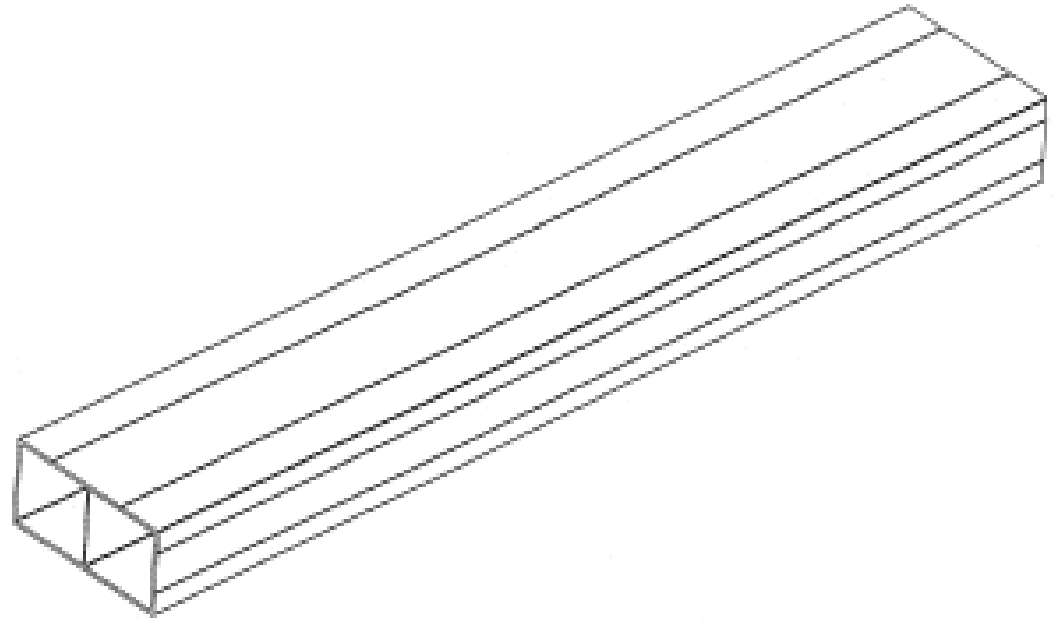
- (21) Design Number: **11923/2009**
- (22) Date of Filing Application: **26 May 2009**
- (24) Date from which industrial property rights may have effect: **26 May 2009**
- (54) Product in respect of which the design is registered: **Keg locator**
- (51) International Design Classification: **08-08NES**
- (71) Name(s) and Address(s) of Applicant(s):  
**Workright Safety Solutions Pty. Ltd.**  
**21 Cumberland Drive Seaford Victoria 3198 Australia**
- (72) Name(s) of Designer(s): **Terence George Valentine Morgan and Dennis John Morgan**
- (45) Registration Date: **19 June 2009**
- (56) Related Art Documents: **Not Applicable**
- (57) Statement of Newness and Distinctiveness: **Newness and distinctiveness reside in the keg locator as shown in the accompanying representations.**



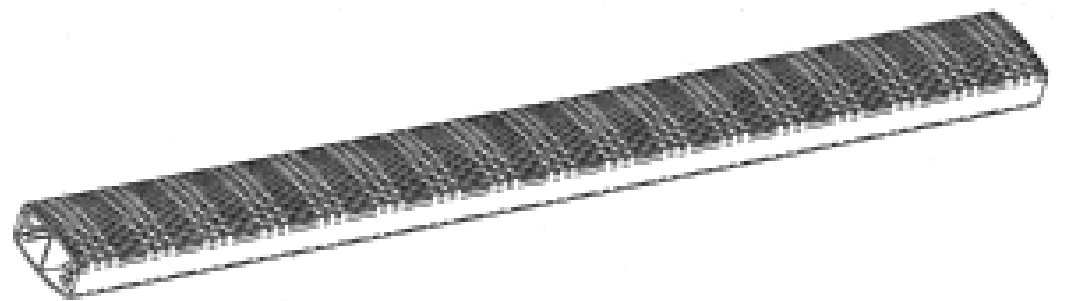
- (21) Design Number: **11925/2009**
- (22) Date of Filing Application: **27 May 2009**
- (24) Date from which industrial property rights may have effect: **27 May 2009**
- (54) Product in respect of which the design is registered: **Hatch grab bar**
- (51) International Design Classification: **25-02NES, 08-06**
- (71) Name(s) and Address(s) of Applicant(s):  
**Workplace Access & Safety Pty. Ltd.**  
**9-11 Shearson Crescent Mentone Victoria 3194 Australia**
- (72) Name(s) of Designer(s): **Carl Sachs and Mick Vrana**
- (45) Registration Date: **19 June 2009**
- (56) Related Art Documents: **Not Applicable**
- (57) Statement of Newness and Distinctiveness: **Nil**



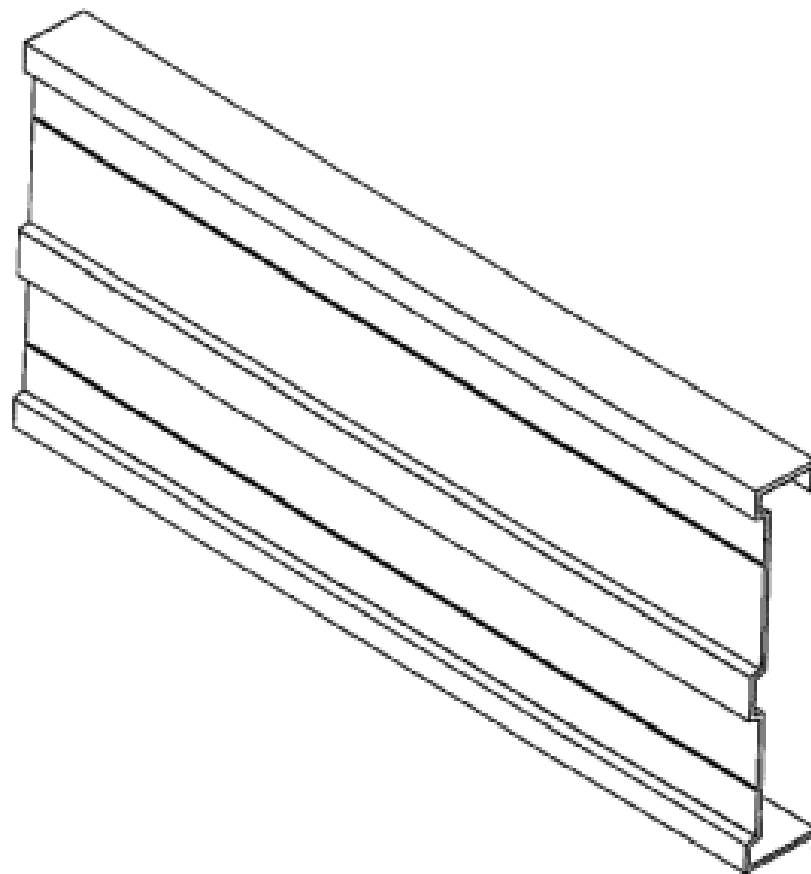
- (21) Design Number: **11926/2009**  
(22) Date of Filing Application: **27 May 2009**  
(24) Date from which industrial property rights may have effect: **27 May 2009**  
(54) Product in respect of which the design is registered: **Ladder stile**  
(51) International Design Classification: **25-04, 25-01K**  
(71) Name(s) and Address(s) of Applicant(s):  
**Workplace Access & Safety Pty. Ltd.**  
**9-11 Shearson Crescent Mentone Victoria 3194 Australia**  
(72) Name(s) of Designer(s): **Carl Sachs and Mick Vrana**  
(45) Registration Date: **19 June 2009**  
(56) Related Art Documents: **Not Applicable**  
(57) Statement of Newness and Distinctiveness: **Nil**



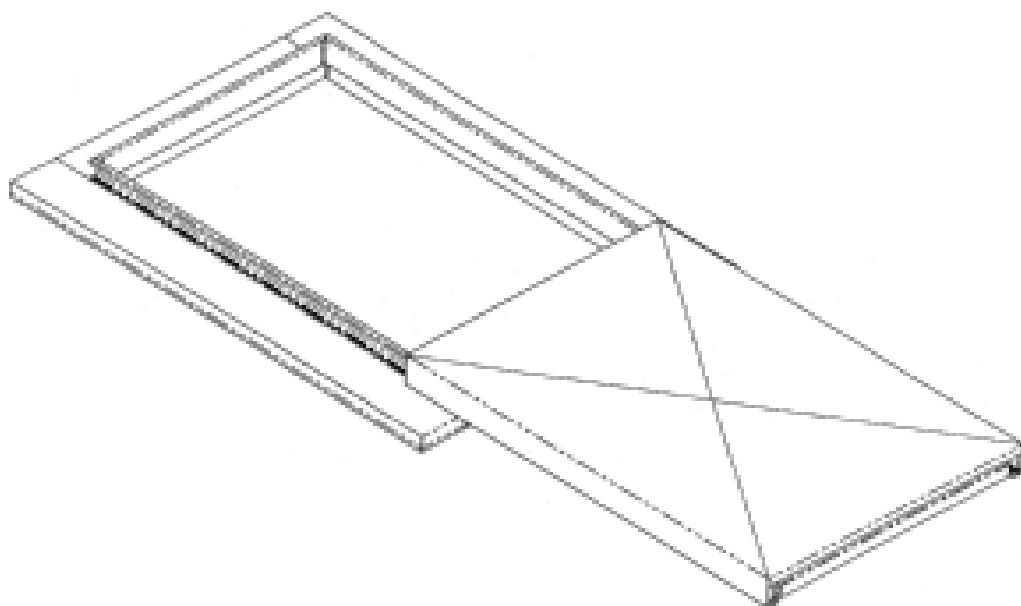
- (21) Design Number: **11927/2009**  
(22) Date of Filing Application: **27 May 2009**  
(24) Date from which industrial property rights may have effect: **27 May 2009**  
(54) Product in respect of which the design is registered: **Ladder rung**  
(51) International Design Classification: **25-04**  
(71) Name(s) and Address(s) of Applicant(s):  
**Workplace Access & Safety Pty. Ltd.**  
**9-11 Shearson Crescent Mentone Victoria 3194 Australia**  
(72) Name(s) of Designer(s): **Carl Sachs and Mick Vrana**  
(45) Registration Date: **19 June 2009**  
(56) Related Art Documents: **Not Applicable**  
(57) Statement of Newness and Distinctiveness: **Nil**



(21) Design Number: **11928/2009**  
(22) Date of Filing Application: **27 May 2009**  
(24) Date from which industrial property rights may have effect: **27 May 2009**  
(54) Product in respect of which the design is registered: **Stair stringer**  
(51) International Design Classification: **25-04, 25-01K**  
(71) Name(s) and Address(s) of Applicant(s):  
**Workplace Access & Safety Pty. Ltd.**  
**9-11 Shearson Crescent Mentone Victoria 3194 Australia**  
(72) Name(s) of Designer(s): **Carl Sachs and Mick Vrana**  
(45) Registration Date: **19 June 2009**  
(56) Related Art Documents: **Not Applicable**  
(57) Statement of Newness and Distinctiveness: **Nil**



(21) Design Number: **11929/2009**  
(22) Date of Filing Application: **27 May 2009**  
(24) Date from which industrial property rights may have effect: **27 May 2009**  
(54) Product in respect of which the design is registered: **Hatch**  
(51) International Design Classification: **25-02NES**  
(71) Name(s) and Address(s) of Applicant(s):  
**Workplace Access & Safety Pty. Ltd.**  
**9-11 Shearson Crescent Mentone Victoria 3194 Australia**  
(72) Name(s) of Designer(s): **Carl Sachs and Mick Vrana**  
(45) Registration Date: **19 June 2009**  
(56) Related Art Documents: **Not Applicable**  
(57) Statement of Newness and Distinctiveness: **Nil**





(21) Design Number: **12089/2009**

(22) Date of Filing Application: **05 June 2009**

(24) Date from which industrial property rights may have effect: **05 June 2009**

(54) Product in respect of which the design is registered: **Armour**

(51) International Design Classification: **30-01**

(71) Name(s) and Address(s) of Applicant(s):

**Tibor Joseph Horvath**

**36 King Arthur Boulevard Bethania Queensland 4205 Australia**

**Tracy Anne Horvath**

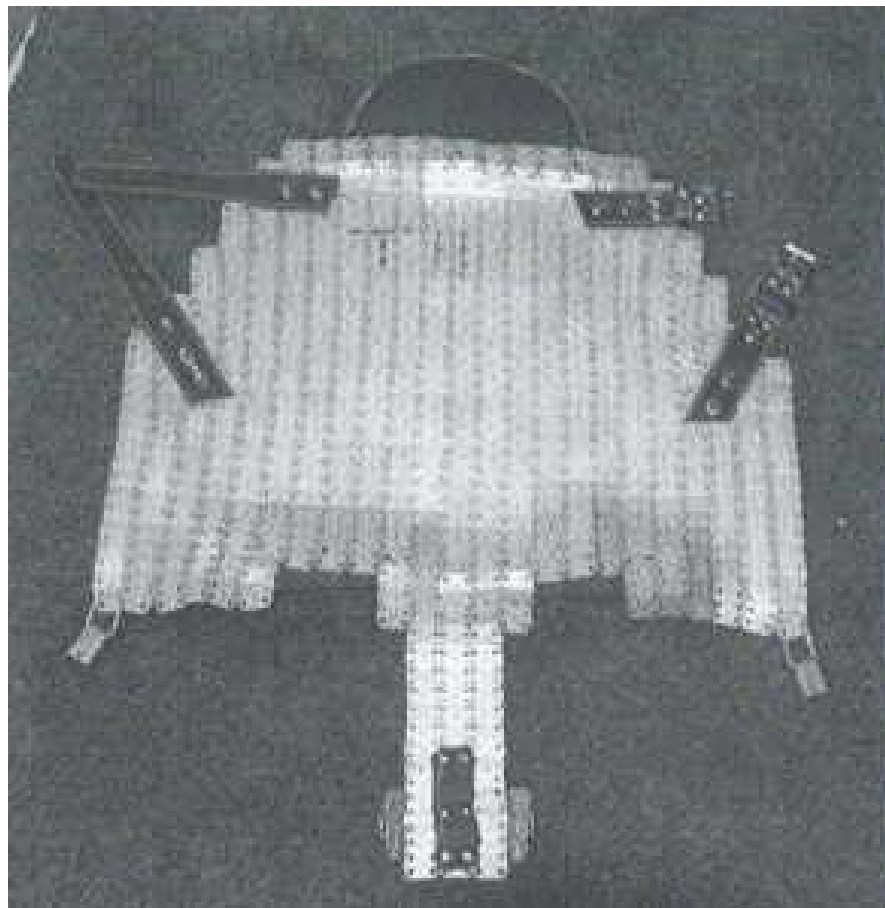
**36 King Arthur Boulevard Bethania Queensland 4205 Australia**

(72) Name(s) of Designer(s): **Tibor Joseph Horvath and Tracy Anne Horvath**

(45) Registration Date: **19 June 2009**

(56) Related Art Documents: **Not Applicable**

(57) Statement of Newness and Distinctiveness: **Newness and distinctiveness is claimed in the shape and configuration of the armour comprising mail and a chin guard as shown in the accompanying representations wherein the collar and foreleg fasteners are to be disregarded, as is the dog and strap held in its jaws.**



(21) Design Number: **12135/2009**

(22) Date of Filing Application: **11 June 2009**

(24) Date from which industrial property rights may have effect: **11 June 2009**

(54) Product in respect of which the design is registered: **Lamp**

(51) International Design Classification: **26-04**

(71) Name(s) and Address(s) of Applicant(s):

**Brite LED Tech Pty Ltd**

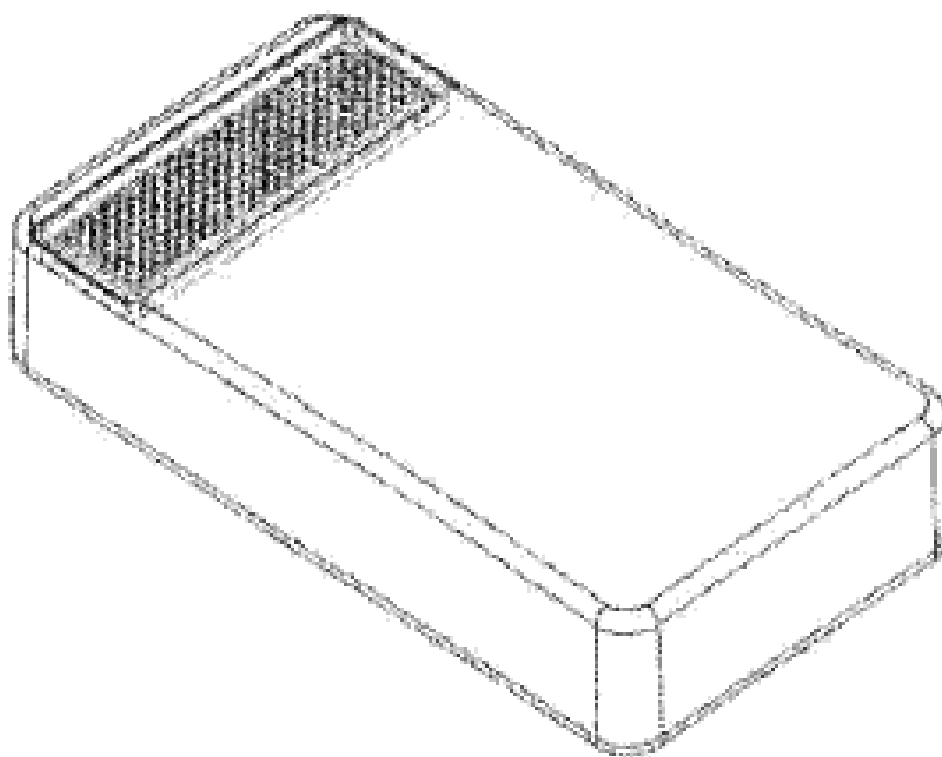
**PO Box 1005 Bayswater Victoria 3153 Australia**

(72) Name(s) of Designer(s): **Paul Sinclair**

(45) Registration Date: **19 June 2009**

(56) Related Art Documents: **Not Applicable**

(57) Statement of Newness and Distinctiveness: **Newness and distinctiveness is claimed in the features of shape and/or configuration of a lamp as illustrated in the accompanying representations shown on sheets 1-4.**



(19) AU

- (21) Design Number: **11852/2009**
- (22) Date of Filing Application: **20 May 2009**
- (24) Date from which industrial property rights may have effect: **20 May 2009**
- (54) Product in respect of which the design is registered: **A television receiver**
- (51) International Design Classification: **14-01**
- (71) Name(s) and Address(s) of Applicant(s):

**Kabushiki Kaisha Toshiba also Trading as Toshiba Corporation  
1-1 Shibaura 1-chome Minato-ku Tokyo Japan**

(72) Name(s) of Designer(s): **Yu Kuramashi and Hideto Shimizu**

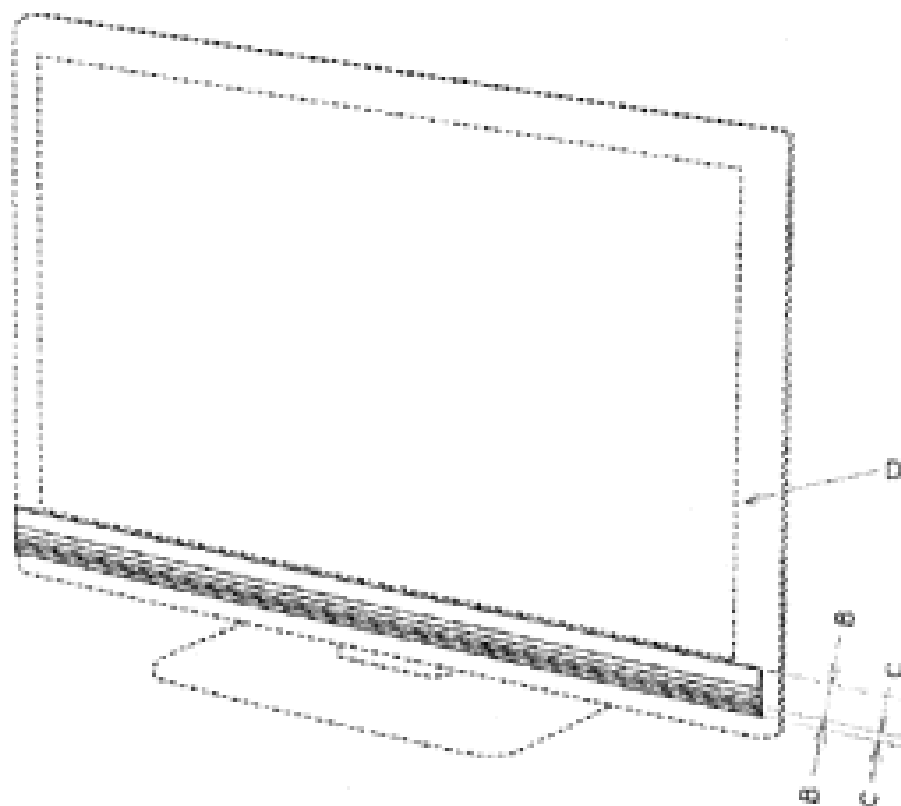
(45) Registration Date: **22 June 2009**

(30) Convention priority data:

(31) Number	(32) Date	(33) Country
<b>2008-030050</b>	<b>21 Nov 2008</b>	<b>JAPAN</b>

(56) Related Art Documents: **Not Applicable**

(57) Statement of Newness and Distinctiveness: **Newness and Distinctiveness is claimed in the features of shape and/or configuration of a television receiver as illustrated in the accompanying representations. The features shown by the dotted lines are to be excluded from the design.**



(19) AU

- (21) Design Number: **11952/2009**
- (22) Date of Filing Application: **27 May 2009**
- (24) Date from which industrial property rights may have effect: **27 May 2009**
- (54) Product in respect of which the design is registered: **Rigid pipe coupling**
- (51) International Design Classification: **23-01A**
- (71) Name(s) and Address(s) of Applicant(s):

**Victaulic Company  
4901 Kesslersville Road Easton Pennsylvania 18040 United States of America**

(72) Name(s) of Designer(s): **Vance W. Henry and John W. Pierce and Douglas R. Dole and Scott D. Madara and Ahmad Sith**

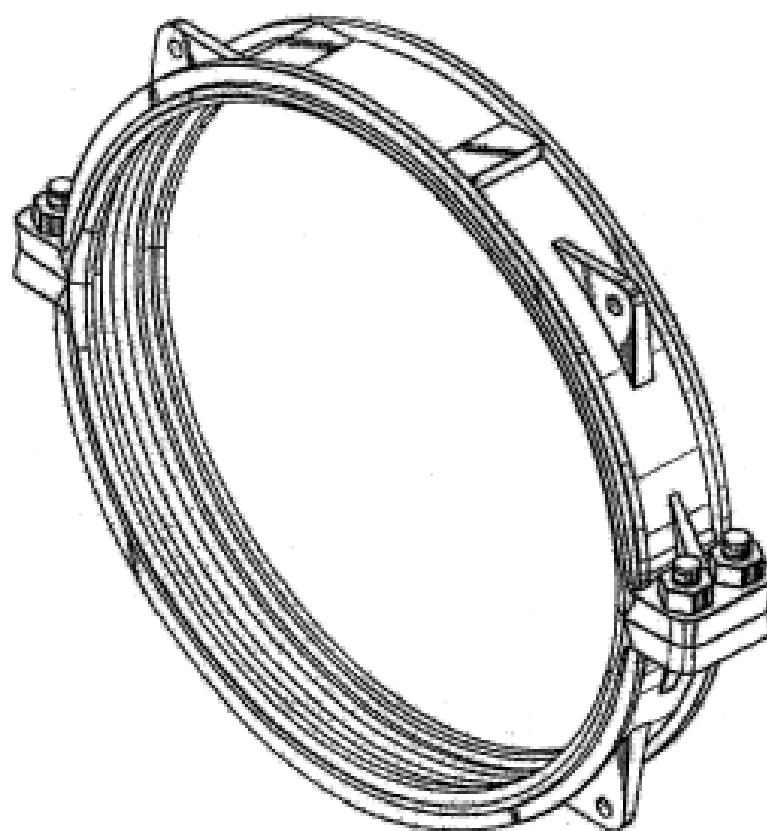
(45) Registration Date: **22 June 2009**

(30) Convention priority data:

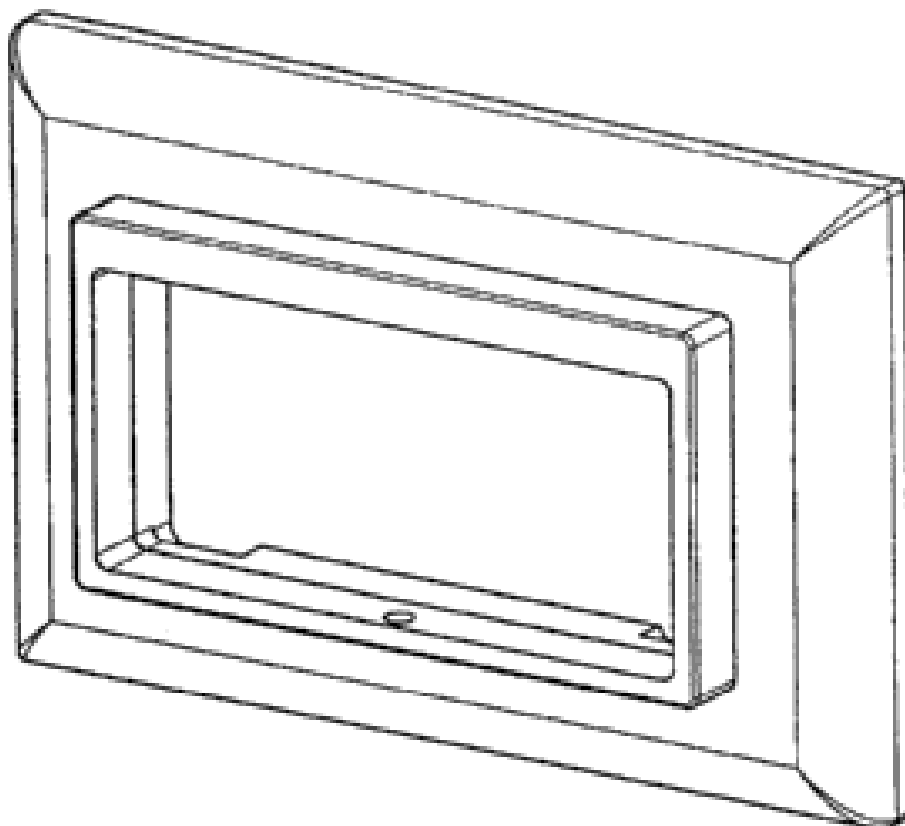
(31) Number	(32) Date	(33) Country
<b>29/328908</b>	<b>03 Dec 2008</b>	<b>UNITED STATES OF AMERICA</b>

(56) Related Art Documents: **Not Applicable**

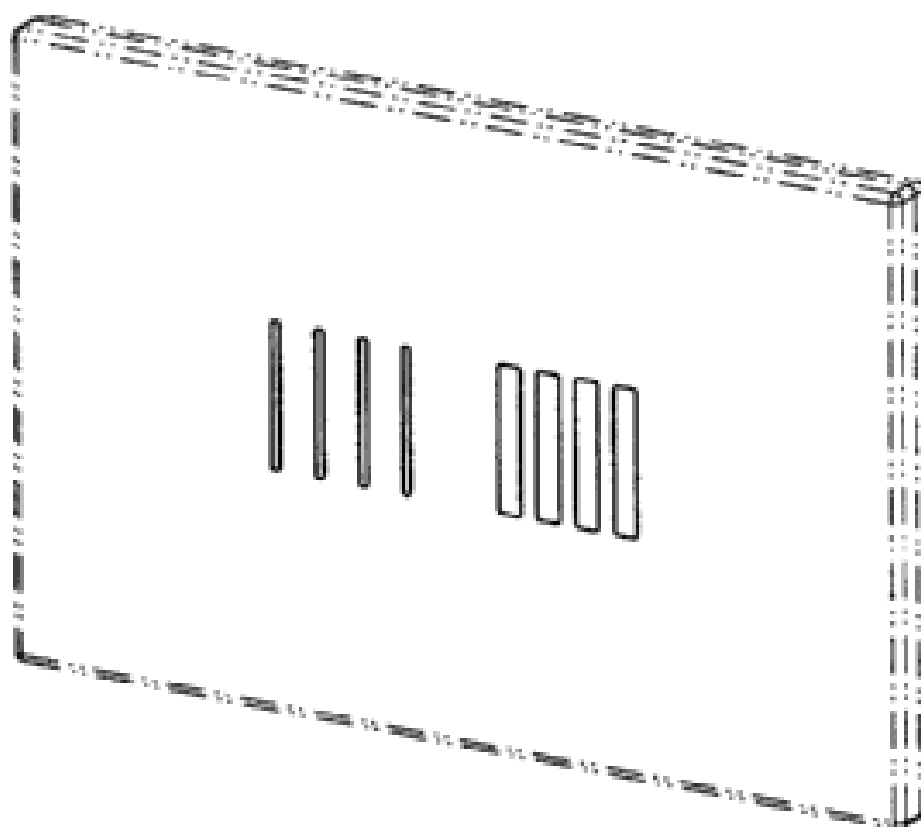
(57) Statement of Newness and Distinctiveness: **Newness and distinctiveness is claimed in the features of shape and/or configuration of a rigid pipe coupling as illustrated in the accompanying representations.**



- (21) Design Number: **11956/2009**  
(22) Date of Filing Application: **27 May 2009**  
(24) Date from which industrial property rights may have effect: **27 May 2009**  
(54) Product in respect of which the design is registered: **Actuator body**  
(51) International Design Classification: **23-02C**  
(71) Name(s) and Address(s) of Applicant(s):  
**Mainsflush Pty Ltd**  
**3 Sleeman Street Emu Park Queensland 4710 Australia**  
(72) Name(s) of Designer(s): **Alan Duggan and Brady Haseler and Lee Baker and Kathrine Stowe and Lloyd Fenn and Mark Bayly**  
(45) Registration Date: **22 June 2009**  
(56) Related Art Documents: **Not Applicable**  
(57) Statement of Newness and Distinctiveness: **Newness and distinctiveness resides in the features of shape and configuration of the actuator body as shown in the representations.**



- (21) Design Number: **11958/2009**  
(22) Date of Filing Application: **27 May 2009**  
(24) Date from which industrial property rights may have effect: **27 May 2009**  
(54) Product in respect of which the design is registered: **Touch actuator**  
(51) International Design Classification: **23-02C**  
(71) Name(s) and Address(s) of Applicant(s):  
**Mainsflush Pty Ltd**  
**3 Sleeman Street Emu Park Queensland 4710 Australia**  
(72) Name(s) of Designer(s): **Alan Duggan and Brady Haseler and David Lukito and Lee Baker and Kathrine Stowe and Lloyd Fenn and Mark Bayly**  
(45) Registration Date: **22 June 2009**  
(56) Related Art Documents: **Not Applicable**  
(57) Statement of Newness and Distinctiveness: **Newness and distinctiveness resides in the features of pattern and ornamentation applied to a touch actuator, as shown in the representations. In considering whether another design is substantially similar in overall impression, no regard is to be given to the features shown in phantom.**



(21) Design Number: **11961/2009**

(22) Date of Filing Application: **27 May 2009**

(24) Date from which industrial property rights may have effect: **27 May 2009**

(54) Product in respect of which the design is registered: **Kettle**

(51) International Design Classification: **07-02K**

(71) Name(s) and Address(s) of Applicant(s):

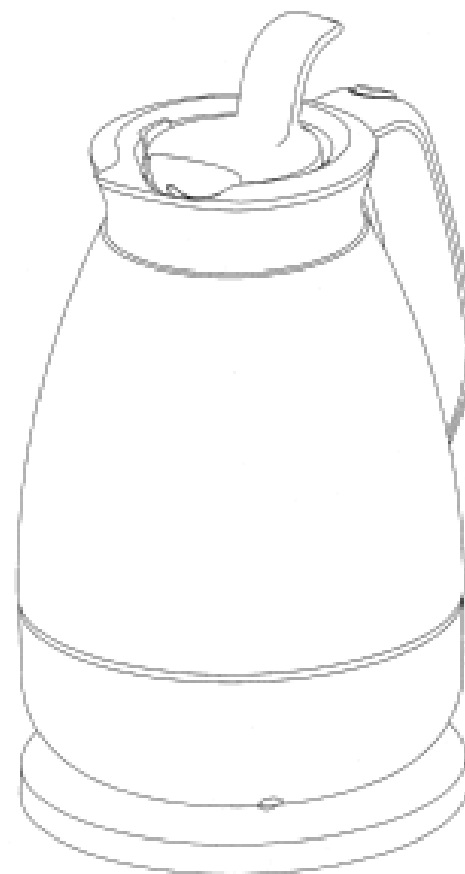
**Breville Pty Limited**  
**Building 2 Port Air Industrial Estate 1A Hale St Botany New South**  
**Wales 2019 Australia**

(72) Name(s) of Designer(s): **Marc Lipsitz and Richard Hoare and Paul Cohen**

(45) Registration Date: **22 June 2009**

(56) Related Art Documents: **Not Applicable**

(57) Statement of Newness and Distinctiveness: **Newness is claimed in the features of shape and configuration of the Kettle as shown in the accompanying representations. Newness is not claimed in the shape, pattern or configuration of the base on which the kettle sits.**



(21) Design Number: **11942/2009**

(22) Date of Filing Application: **28 May 2009**

(24) Date from which industrial property rights may have effect: **28 May 2009**

(54) Product in respect of which the design is registered: **Adaptor for silicone and sealant cartridge and alike**

(51) International Design Classification: **13-03D, 08-05NES**

(71) Name(s) and Address(s) of Applicant(s):

**Andrew Graham Bryant**  
**14 Beach Road Shoreham Victoria 3918 Australia**

(72) Name(s) of Designer(s): **Andrew Graham Bryant**

(45) Registration Date: **22 June 2009**

(56) Related Art Documents: **Not Applicable**

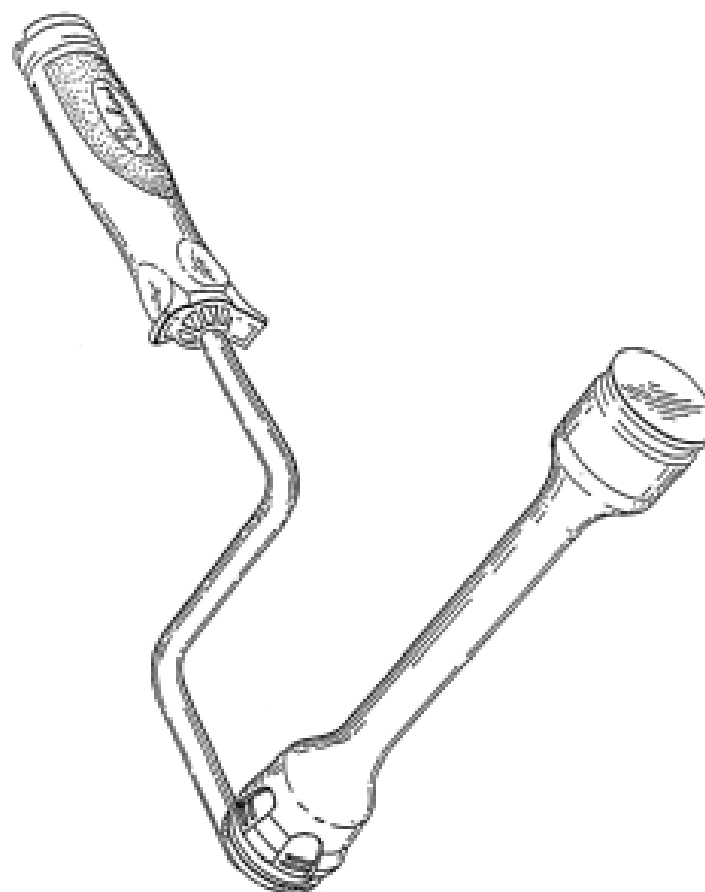
(57) Statement of Newness and Distinctiveness: **Nil**



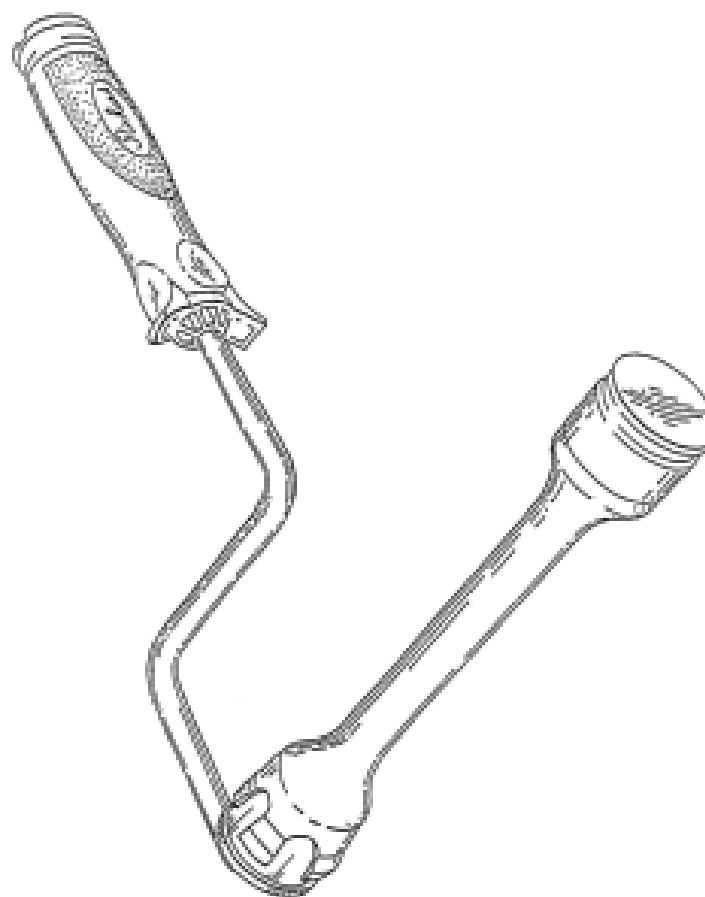
- (21) Design Number: **11943/2009**  
(22) Date of Filing Application: **28 May 2009**  
(24) Date from which industrial property rights may have effect: **28 May 2009**  
(54) Product in respect of which the design is registered: **Adaptor for silicone and sealant cartridge and alike**  
(51) International Design Classification: **13-03D, 08-05NES**  
(71) Name(s) and Address(s) of Applicant(s):  
**Andrew Graham Bryant**  
**14 Beach Road Shoreham Victoria 3918 Australia**  
(72) Name(s) of Designer(s): **Andrew Graham Bryant**  
(45) Registration Date: **22 June 2009**  
(56) Related Art Documents: **Not Applicable**  
(57) Statement of Newness and Distinctiveness: **Nil**



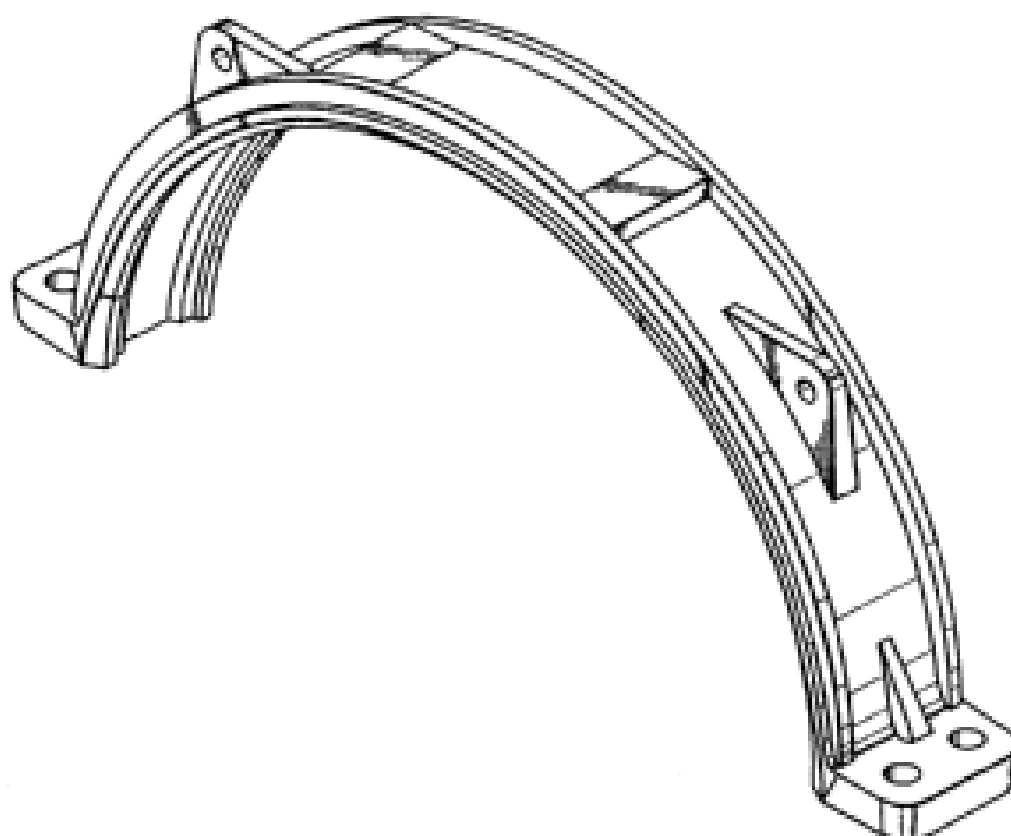
- (21) Design Number: **11948/2009**  
(22) Date of Filing Application: **27 May 2009**  
(24) Date from which industrial property rights may have effect: **27 May 2009**  
(54) Product in respect of which the design is registered: **Roller frame**  
(51) International Design Classification: **08-05L**  
(71) Name(s) and Address(s) of Applicant(s):  
**A. Richard Tools Co./Outils A. Richard Co.**  
**120 Jacques-Cartier Berthierville Quebec J0K 1A0 Canada**  
(72) Name(s) of Designer(s): **Romeo Arvinte and Francois Panfili and Christian Michaud**  
(45) Registration Date: **22 June 2009**  
(30) Convention priority data:  
(31) Number (32) Date (33) Country  
**128799 28 Nov 2008 CANADA**  
(56) Related Art Documents: **Not Applicable**  
(57) Statement of Newness and Distinctiveness: **Newness and distinctiveness is claimed in the features of shape and/or configuration of a roller frame as illustrated in the accompanying representations.**



(21) Design Number: **11949/2009**  
(22) Date of Filing Application: **27 May 2009**  
(24) Date from which industrial property rights may have effect: **27 May 2009**  
(54) Product in respect of which the design is registered: **Roller frame**  
(51) International Design Classification: **08-05L**  
(71) Name(s) and Address(s) of Applicant(s):  
**A. Richard Tools Co./Outils A. Richard Co.**  
**120 Jacques-Cartier Berthierville Quebec J0K 1A0 Canada**  
(72) Name(s) of Designer(s): **Romeo Arvinte and Francois Panfili and Christian Michaud**  
(45) Registration Date: **22 June 2009**  
(30) Convention priority data:  
(31) Number (32) Date (33) Country  
**128799 28 Nov 2008 CANADA**  
(56) Related Art Documents: **Not Applicable**  
(57) Statement of Newness and Distinctiveness: **Newness and distinctiveness is claimed in the features of shape and/or configuration of a roller frame as illustrated in the accompanying representations.**



(21) Design Number: **11950/2009**  
(22) Date of Filing Application: **27 May 2009**  
(24) Date from which industrial property rights may have effect: **27 May 2009**  
(54) Product in respect of which the design is registered: **Rigid pipe coupling segment**  
(51) International Design Classification: **23-01A**  
(71) Name(s) and Address(s) of Applicant(s):  
**Victaulic Company**  
**4901 Kesslersville Road Easton Pennsylvania 18040 United States of America**  
(72) Name(s) of Designer(s): **Vance W. Henry and John W. Pierce and Douglas R. Dole and Scott D. Madara and Ahmad Sith**  
(45) Registration Date: **22 June 2009**  
(30) Convention priority data:  
(31) Number (32) Date (33) Country  
**29/328908 03 Dec 2008 UNITED STATES OF AMERICA**  
(56) Related Art Documents: **Not Applicable**  
(57) Statement of Newness and Distinctiveness: **Newness and distinctiveness is claimed in the features of shape and/or configuration of a rigid pipe coupling segment as illustrated in the accompanying representations.**



(21) Design Number: **11951/2009**  
(22) Date of Filing Application: **27 May 2009**  
(24) Date from which industrial property rights may have effect: **27 May 2009**  
(54) Product in respect of which the design is registered: **Watch body**  
(51) International Design Classification: **10-07**  
(71) Name(s) and Address(s) of Applicant(s):

**Richard Yves**  
**17 rue Schefflengerbiere L-3825 Schiffange Luxembourg**

(72) Name(s) of Designer(s): **Richard Yves**

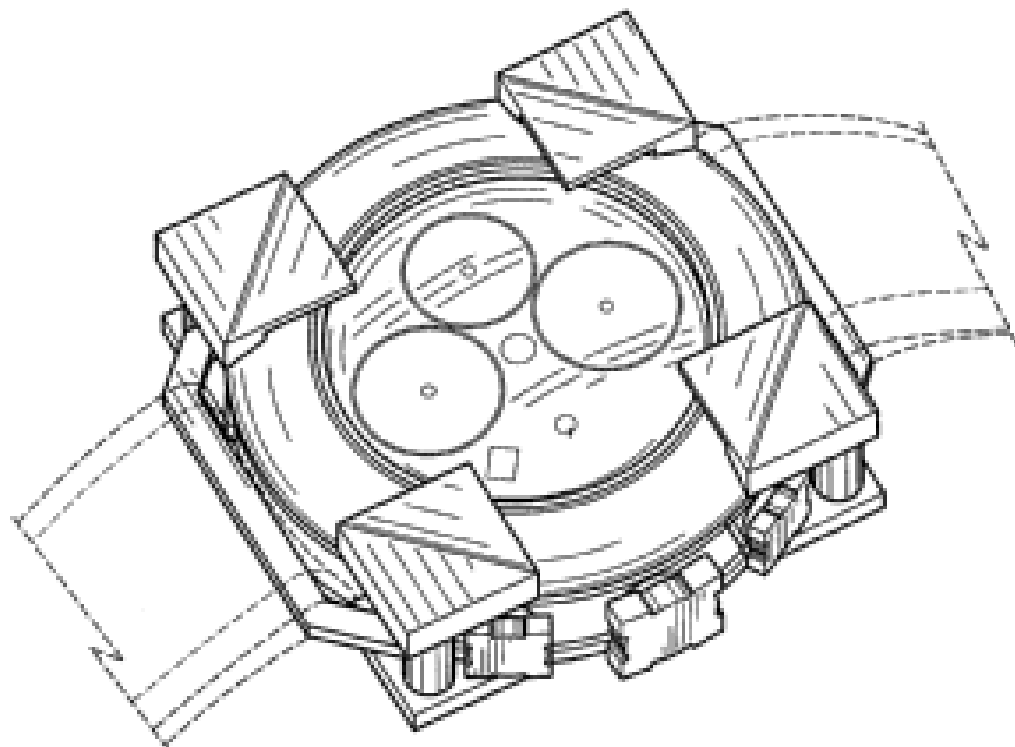
(45) Registration Date: **22 June 2009**

(30) Convention priority data:

(31) Number	(32) Date	(33) Country
<b>09 1948</b>	<b>22 Apr 2009</b>	<b>FRANCE</b>

(56) Related Art Documents: **Not Applicable**

(57) Statement of Newness and Distinctiveness: **Newness and distinctiveness is claimed in the features of shape and/or configuration of a watch body as illustrated in continuous lines in the accompanying representations.**



(21) Design Number: **11934/2009**  
(22) Date of Filing Application: **28 May 2009**  
(24) Date from which industrial property rights may have effect: **28 May 2009**  
(54) Product in respect of which the design is registered: **Adaptor for silicone and sealant cartridge and alike**  
(51) International Design Classification: **13-03D**  
(71) Name(s) and Address(s) of Applicant(s):

**Andrew Graham Bryant**  
**14 Beach Road Shoreham Victoria 3918 Australia**

(72) Name(s) of Designer(s): **Andrew Graham Bryant**

(45) Registration Date: **22 June 2009**

(56) Related Art Documents: **Not Applicable**

(57) Statement of Newness and Distinctiveness: **Nil**



(21) Design Number: **11935/2009**

(22) Date of Filing Application: **28 May 2009**

(24) Date from which industrial property rights may have effect: **28 May 2009**

(54) Product in respect of which the design is registered: **Adaptor for silicone and sealant cartridge and alike**

(51) International Design Classification: **13-03D**

(71) Name(s) and Address(s) of Applicant(s):

**Andrew Graham Bryant**

**14 Beach Road Shoreham Victoria 3918 Australia**

(72) Name(s) of Designer(s): **Andrew Graham Bryant**

(45) Registration Date: **22 June 2009**

(56) Related Art Documents: **Not Applicable**

(57) Statement of Newness and Distinctiveness: **Nil**



(21) Design Number: **11936/2009**

(22) Date of Filing Application: **28 May 2009**

(24) Date from which industrial property rights may have effect: **28 May 2009**

(54) Product in respect of which the design is registered: **Adaptor for silicone and sealant cartridge and alike**

(51) International Design Classification: **13-03D**

(71) Name(s) and Address(s) of Applicant(s):

**Andrew Graham Bryant**

**14 Beach Road Shoreham Victoria 3918 Australia**

(72) Name(s) of Designer(s): **Andrew Graham Bryant**

(45) Registration Date: **22 June 2009**

(56) Related Art Documents: **Not Applicable**

(57) Statement of Newness and Distinctiveness: **Nil**





- (21) Design Number: **11937/2009**  
(22) Date of Filing Application: **28 May 2009**  
(24) Date from which industrial property rights may have effect: **28 May 2009**  
(54) Product in respect of which the design is registered: **Adaptor for silicone and sealant cartridge and alike**  
(51) International Design Classification: **13-03D**  
(71) Name(s) and Address(s) of Applicant(s):  
**Andrew Graham Bryant**  
**14 Beach Road Shoreham Victoria 3918 Australia**  
(72) Name(s) of Designer(s): **Andrew Graham Bryant**  
(45) Registration Date: **22 June 2009**  
(56) Related Art Documents: **Not Applicable**  
(57) Statement of Newness and Distinctiveness: **Nil**



- (21) Design Number: **11938/2009**  
(22) Date of Filing Application: **28 May 2009**  
(24) Date from which industrial property rights may have effect: **28 May 2009**  
(54) Product in respect of which the design is registered: **Adaptor for bulk sausage gun and alike**  
(51) International Design Classification: **13-03D**  
(71) Name(s) and Address(s) of Applicant(s):  
**Andrew Graham Bryant**  
**14 Beach Road Shoreham Victoria 3918 Australia**  
(72) Name(s) of Designer(s): **Andrew Graham Bryant**  
(45) Registration Date: **22 June 2009**  
(56) Related Art Documents: **Not Applicable**  
(57) Statement of Newness and Distinctiveness: **Nil**



(21) Design Number: **11939/2009**

(22) Date of Filing Application: **28 May 2009**

(24) Date from which industrial property rights may have effect: **28 May 2009**

(54) Product in respect of which the design is registered: **Adaptor for bulk sausage gun and alike**

(51) International Design Classification: **13-03D**

(71) Name(s) and Address(s) of Applicant(s):

**Andrew Graham Bryant**

**14 Beach Road Shoreham Victoria 3918 Australia**

(72) Name(s) of Designer(s): **Andrew Graham Bryant**

(45) Registration Date: **22 June 2009**

(56) Related Art Documents: **Not Applicable**

(57) Statement of Newness and Distinctiveness: **Nil**



(21) Design Number: **11940/2009**

(22) Date of Filing Application: **28 May 2009**

(24) Date from which industrial property rights may have effect: **28 May 2009**

(54) Product in respect of which the design is registered: **Adaptor for silicone and sealant cartridge and alike**

(51) International Design Classification: **13-03D**

(71) Name(s) and Address(s) of Applicant(s):

**Andrew Graham Bryant**

**14 Beach Road Shoreham Victoria 3918 Australia**

(72) Name(s) of Designer(s): **Andrew Graham Bryant**

(45) Registration Date: **22 June 2009**

(56) Related Art Documents: **Not Applicable**

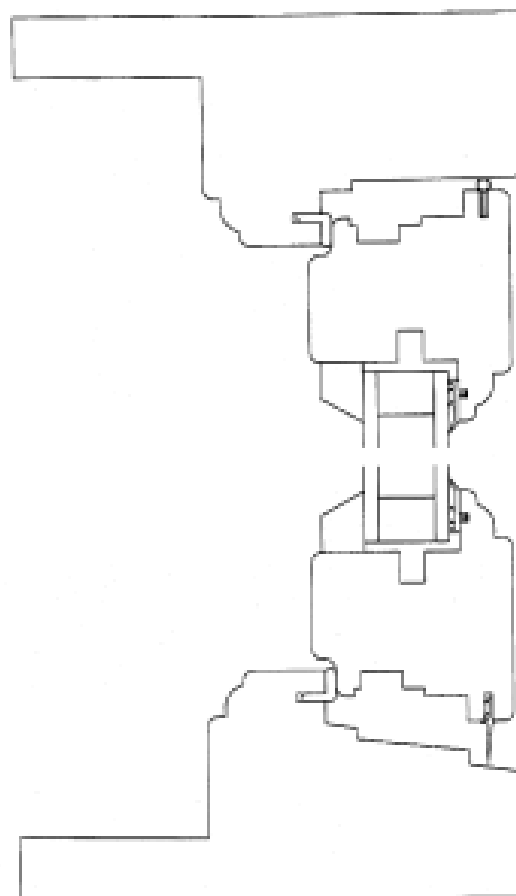
(57) Statement of Newness and Distinctiveness: **Nil**



- (21) Design Number: **11941/2009**  
(22) Date of Filing Application: **28 May 2009**  
(24) Date from which industrial property rights may have effect: **28 May 2009**  
(54) Product in respect of which the design is registered: **Adaptor for silicone and sealant cartridge and alike**  
(51) International Design Classification: **13-03D**  
(71) Name(s) and Address(s) of Applicant(s):  
**Andrew Graham Bryant**  
**14 Beach Road Shoreham Victoria 3918 Australia**  
(72) Name(s) of Designer(s): **Andrew Graham Bryant**  
(45) Registration Date: **22 June 2009**  
(56) Related Art Documents: **Not Applicable**  
(57) Statement of Newness and Distinctiveness: **Nil**



- (21) Design Number: **11109/2009**  
(22) Date of Filing Application: **26 March 2009**  
(24) Date from which industrial property rights may have effect: **26 March 2009**  
(54) Product in respect of which the design is registered: **Window profiles**  
(51) International Design Classification: **08-08H**  
(71) Name(s) and Address(s) of Applicant(s):  
**Cled Richardson**  
**5 Paola Circuit Point Cook Victoria 3030 Australia**  
(72) Name(s) of Designer(s): **Cled Richardson**  
(45) Registration Date: **22 June 2009**  
(56) Related Art Documents: **Not Applicable**  
(57) Statement of Newness and Distinctiveness: **This window design includes 24mm double glazing with a dry glazing gasket and a ventilation system and 57mm thick sashes, the sill is same width as the sides and top of the frame with a larger gap under the sill for water drainage. It has two weather seals and a multi point lock with key locking handles. We have glazed sashes with internal beads. We have the same rounded ovola mould on the frame and sash**



(21) Design Number: **11480/2009**

(22) Date of Filing Application: **29 April 2009**

(24) Date from which industrial property rights may have effect: **29 April 2009**

(54) Product in respect of which the design is registered: **Battery**

(51) International Design Classification: **13-02**

(71) Name(s) and Address(s) of Applicant(s):

**Johnson Controls Technology Company  
912 East 32nd Street Holland Michigan 49423 United States of  
America**

(72) Name(s) of Designer(s): **Robert J. Mack**

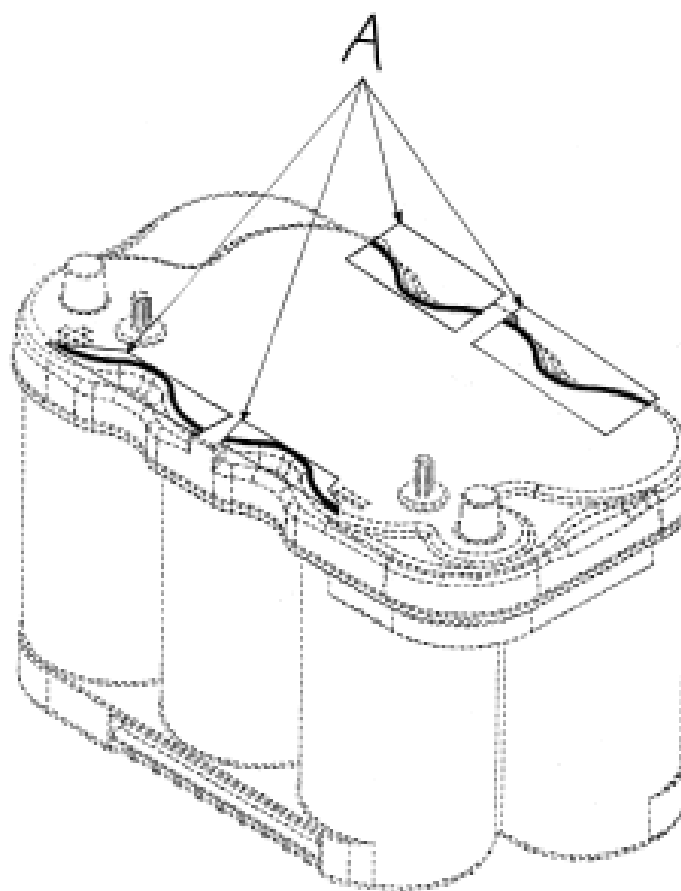
(45) Registration Date: **22 June 2009**

(30) Convention priority data:

(31) Number	(32) Date	(33) Country
<b>29/327181</b>	<b>31 Oct 2008</b>	<b>UNITED STATES OF AMERICA</b>

(56) Related Art Documents: **Not Applicable**

(57) Statement of Newness and Distinctiveness: **Newness and distinctiveness is claimed in those features of shape and/or configuration of the parts labelled A of a battery as illustrated in continuous lines in the accompanying drawings.**



(21) Design Number: **12008/2009**

(22) Date of Filing Application: **01 June 2009**

(24) Date from which industrial property rights may have effect: **01 June 2009**

(54) Product in respect of which the design is registered: **Swim fin**

(51) International Design Classification: **21-02D**

(71) Name(s) and Address(s) of Applicant(s):

**Michael A Stewart  
7062 Kamilo Street Honolulu Hawaii 96825 United States of America**

(72) Name(s) of Designer(s): **Michael A Stewart**

(45) Registration Date: **22 June 2009**

(56) Related Art Documents: **Not Applicable**

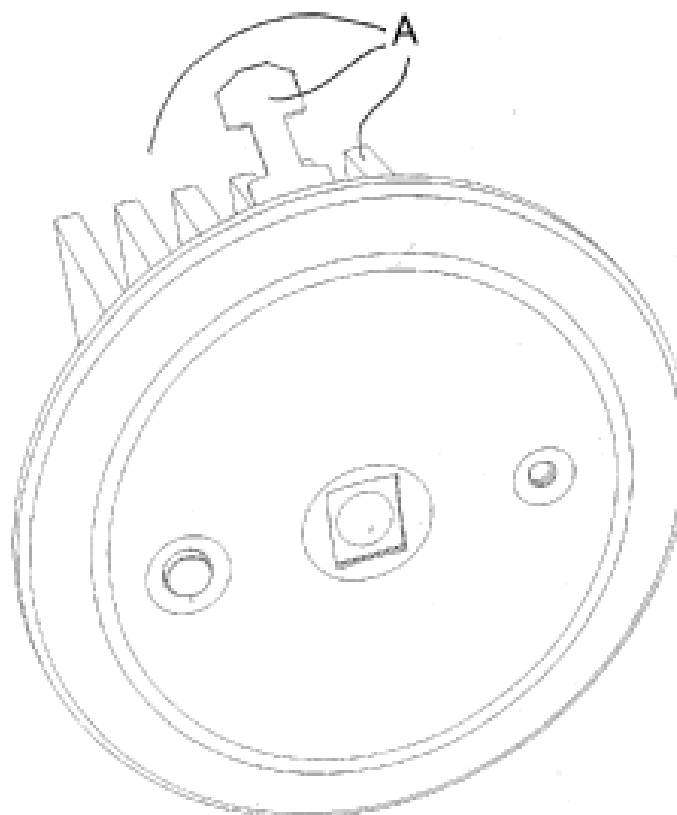
(57) Statement of Newness and Distinctiveness: **The outer template of the swim fin and in particular the trailing edge of the swimfin.**



- (21) Design Number: **12021/2009**
- (22) Date of Filing Application: **01 June 2009**
- (24) Date from which industrial property rights may have effect: **01 June 2009**
- (54) Product in respect of which the design is registered: **Swim fin**
- (51) International Design Classification: **21-02D**
- (71) Name(s) and Address(s) of Applicant(s):  
**Michael A Stewart**  
**7062 Kamilo Street Honolulu Hawaii 96825 United States of America**
- (72) Name(s) of Designer(s): **Michael A Stewart**
- (45) Registration Date: **22 June 2009**
- (56) Related Art Documents: **Not Applicable**
- (57) Statement of Newness and Distinctiveness: **Vent holes for foot pocket.**



- (21) Design Number: **14426/2008**
- (22) Date of Filing Application: **16 September 2008**
- (24) Date from which industrial property rights may have effect: **16 September 2008**
- (54) Product in respect of which the design is registered: **Light fitting**
- (51) International Design Classification: **26-05A**
- (71) Name(s) and Address(s) of Applicant(s):  
**Clevertronics Pty Ltd**  
**14-16 Kylie Place Cheltenham Victoria 3192 Australia**
- (72) Name(s) of Designer(s): **Michael Duce and John McKellar and Gary Cook**
- (45) Registration Date: **23 June 2009**
- (56) Related Art Documents: **Not Applicable**
- (57) Statement of Newness and Distinctiveness: **Visual features of the design which are new and distinctive are the features of shape and configuration of the front face of a light fitting as illustrated in the representations, except that the features of shape and configuration of (i) the rear face of the light fitting, and (ii) components and mountings at the rear of the light fitting and marked "A" in the representations, do not constitute part of the design and are to be disregarded.**



- (21) Design Number: **14427/2008**
- (22) Date of Filing Application: **16 September 2008**
- (24) Date from which industrial property rights may have effect: **16 September 2008**
- (54) Product in respect of which the design is registered: **Light fitting**
- (51) International Design Classification: **26-05A**
- (71) Name(s) and Address(s) of Applicant(s):

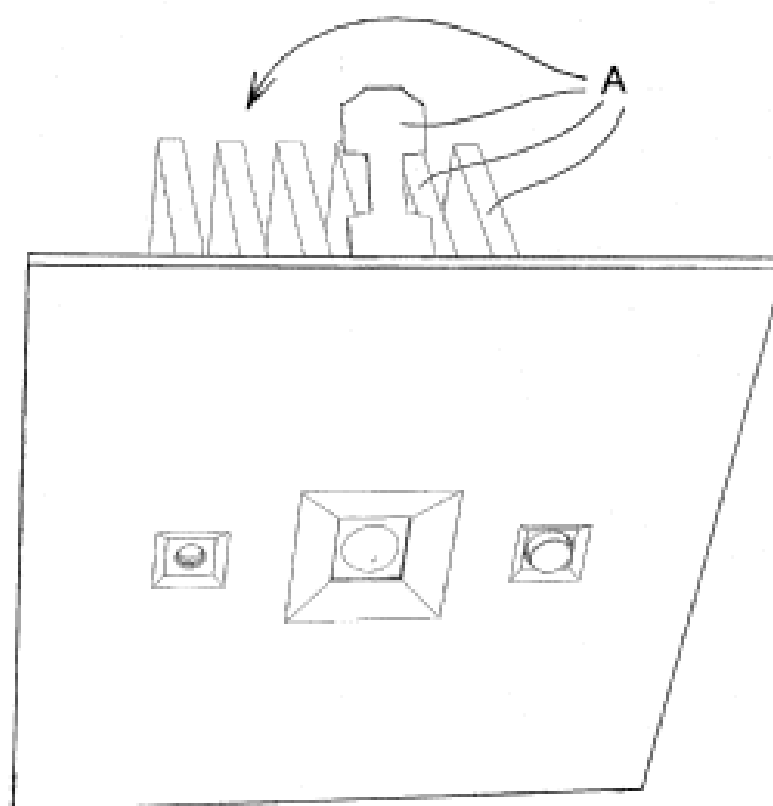
**Clevertronics Pty Ltd**  
**14-16 Kylie Place Cheltenham Victoria 3192 Australia**

- (72) Name(s) of Designer(s): **Michael Duce and John McKellar and Gary Cook**

- (45) Registration Date: **23 June 2009**

- (56) Related Art Documents: **Not Applicable**

- (57) Statement of Newness and Distinctiveness: **Visual features of the design which are new and distinctive are the features of shape and configuration of the front face of a light fitting as illustrated in the representations, except that the features of shape and configuration of (i) the rear face of the light fitting, and (ii) components and mountings at the rear of the light fitting and marked "A" in the representations, do not constitute part of the design and are to be disregarded.**



- (21) Design Number: **11981/2009**
- (22) Date of Filing Application: **28 May 2009**
- (24) Date from which industrial property rights may have effect: **28 May 2009**
- (54) Product in respect of which the design is registered: **Container and blank for forming same**
- (51) International Design Classification: **09-03F**
- (71) Name(s) and Address(s) of Applicant(s):

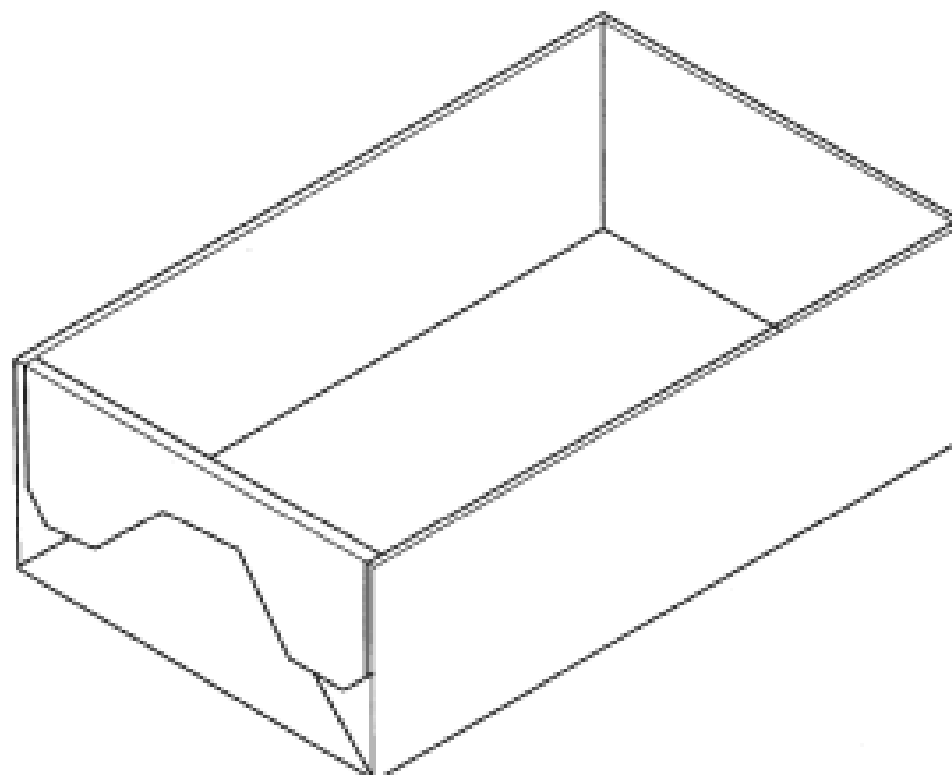
**Visy R & D Pty Ltd**  
**Level 11 2 Southbank Boulevard Southbank Victoria 3006 Australia**

- (72) Name(s) of Designer(s): **Todd Daley and Colin Coles and Wayne Summers**

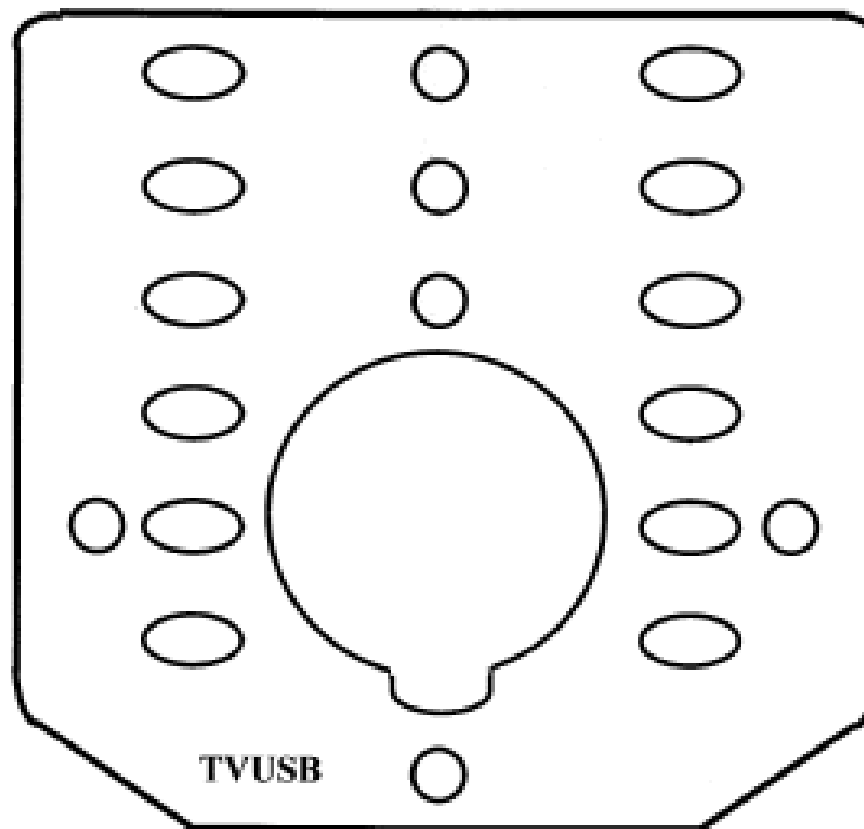
- (45) Registration Date: **23 June 2009**

- (56) Related Art Documents: **Not Applicable**

- (57) Statement of Newness and Distinctiveness: **The features of the design which are new and distinctive are the feature of shape or configuration of the container and the blank for forming same as illustrated in the accompanying representations.**



- (21) Design Number: **11984/2009**  
(22) Date of Filing Application: **29 May 2009**  
(24) Date from which industrial property rights may have effect: **29 May 2009**  
(54) Product in respect of which the design is registered: **A Bracket**  
(51) International Design Classification: **08-08L**  
(71) Name(s) and Address(s) of Applicant(s):  
**Dennis Ronald Gravalin**  
**271 River Street Maclean New South Wales 2463 Australia**  
**Sandra Lorraine Gravalin**  
**271 River Street Maclean New South Wales 2463 Australia**  
(72) Name(s) of Designer(s): **Dennis Ronald Gravalin and Sandra Lorraine Gravalin**  
(45) Registration Date: **23 June 2009**  
(56) Related Art Documents: **Not Applicable**  
(57) Statement of Newness and Distinctiveness: **Newness and distinctiveness is claimed in the visual features of the design in the shape and configuration thereof of a bracket as illustrated in the accompanying representations showed in solid lines.**



- (21) Design Number: **11964/2009**  
(22) Date of Filing Application: **27 May 2009**  
(24) Date from which industrial property rights may have effect: **27 May 2009**  
(54) Product in respect of which the design is registered: **Scooter**  
(51) International Design Classification: **21-01F**  
(71) Name(s) and Address(s) of Applicant(s):  
**Madd Gear Pty Ltd**  
**2/2A Sarton Road Clayton Victoria 3168 Australia**  
(72) Name(s) of Designer(s): **Michael Horne**  
(45) Registration Date: **23 June 2009**  
(56) Related Art Documents: **Not Applicable**  
(57) Statement of Newness and Distinctiveness: **Nil**

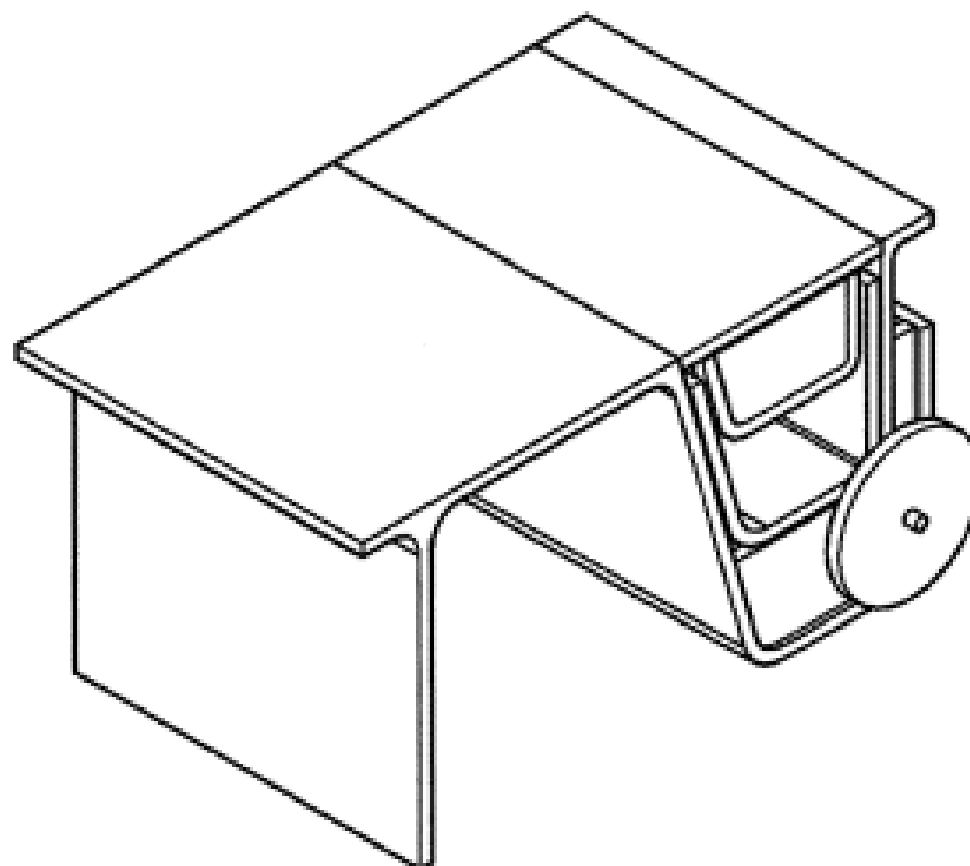




(21) Design Number: **11966/2009**  
(22) Date of Filing Application: **28 May 2009**  
(24) Date from which industrial property rights may have effect: **28 May 2009**  
(54) Product in respect of which the design is registered: **Seat for a chair**  
(51) International Design Classification: **06-06G**  
(71) Name(s) and Address(s) of Applicant(s):  
**BRADO S.P.A.**  
**Via Cal di Mezzo 3 Valdobbiadene 31030 Italy**  
(72) Name(s) of Designer(s): **Stefano Serena and Giovanni Longo**  
(45) Registration Date: **23 June 2009**  
(30) Convention priority data:  
(31) Number (32) Date (33) Country  
**001136287 11 May 2009 EUROPEAN COMMUNITY**  
(56) Related Art Documents: **Not Applicable**  
(57) Statement of Newness and Distinctiveness: **Nil**



(21) Design Number: **11969/2009**  
(22) Date of Filing Application: **28 May 2009**  
(24) Date from which industrial property rights may have effect: **28 May 2009**  
(54) Product in respect of which the design is registered: **Activity trolley**  
(51) International Design Classification: **12-02, 06-05**  
(71) Name(s) and Address(s) of Applicant(s):  
**Kelly Anne Sharples**  
**Unit 3 86 Railway Street Cooks Hill New South Wales 2300 Australia**  
(72) Name(s) of Designer(s): **Kelly Anne Sharples**  
(45) Registration Date: **23 June 2009**  
(56) Related Art Documents: **Not Applicable**  
(57) Statement of Newness and Distinctiveness: **Newness and distinctiveness is claimed in the features of shape and/or configuration of an activity trolley as depicted in the accompanying drawings.**





- (21) Design Number: **11998/2009**
- (22) Date of Filing Application: **29 May 2009**
- (24) Date from which industrial property rights may have effect: **29 May 2009**
- (54) Product in respect of which the design is registered: **Transformable toy**
- (51) International Design Classification: **21-01A**
- (71) Name(s) and Address(s) of Applicant(s):

**Spin Master Ltd**  
**450 Front Street West Toronto M5V 1B6 Ontario Canada**

- (72) Name(s) of Designer(s): **Wataru Sato and Noriyoshi Matsumura**

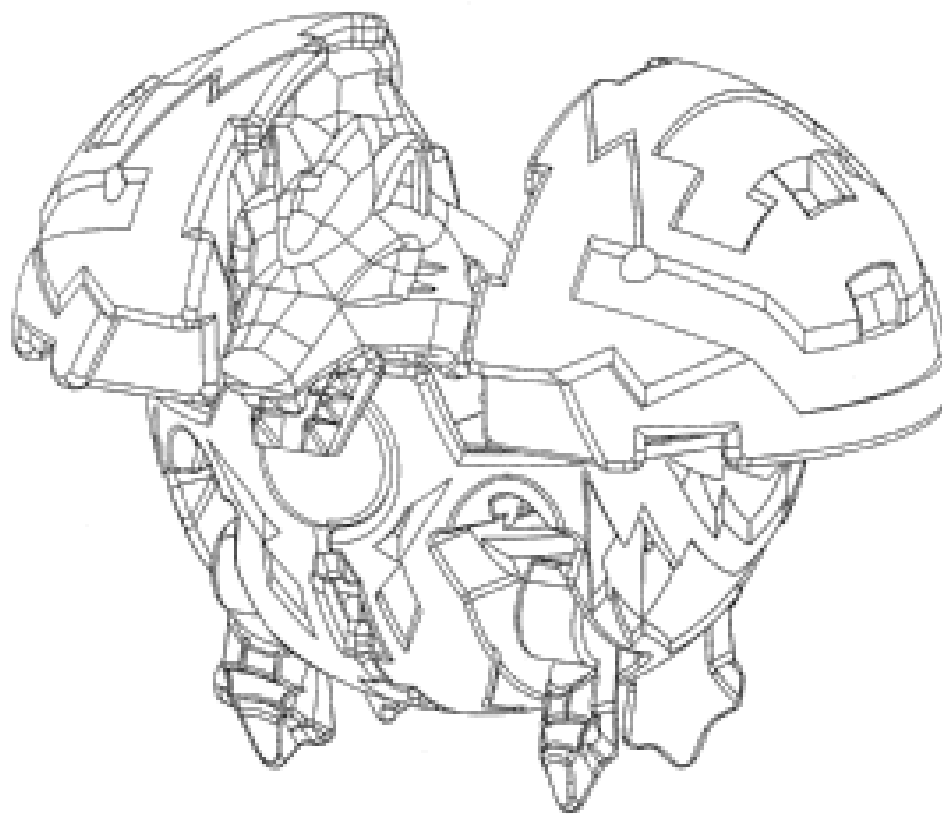
- (45) Registration Date: **24 June 2009**

- (30) Convention priority data:

(31) Number	(32) Date	(33) Country
<b>129728</b>	<b>23 Feb 2009</b>	<b>CANADA</b>

- (56) Related Art Documents: **Not Applicable**

- (57) Statement of Newness and Distinctiveness: **The newness and distinctiveness of the design resides in the shape and/or configuration of the TRANSFORMABLE TOY shown in the representations.**



- (21) Design Number: **11999/2009**
- (22) Date of Filing Application: **29 May 2009**
- (24) Date from which industrial property rights may have effect: **29 May 2009**
- (54) Product in respect of which the design is registered: **Transformable toy**
- (51) International Design Classification: **21-01B**
- (71) Name(s) and Address(s) of Applicant(s):

**Spin Master Ltd**  
**450 Front Street West Toronto M5V 1B6 Ontario Canada**

- (72) Name(s) of Designer(s): **Wataru Sato and Noriyoshi Matsumura**

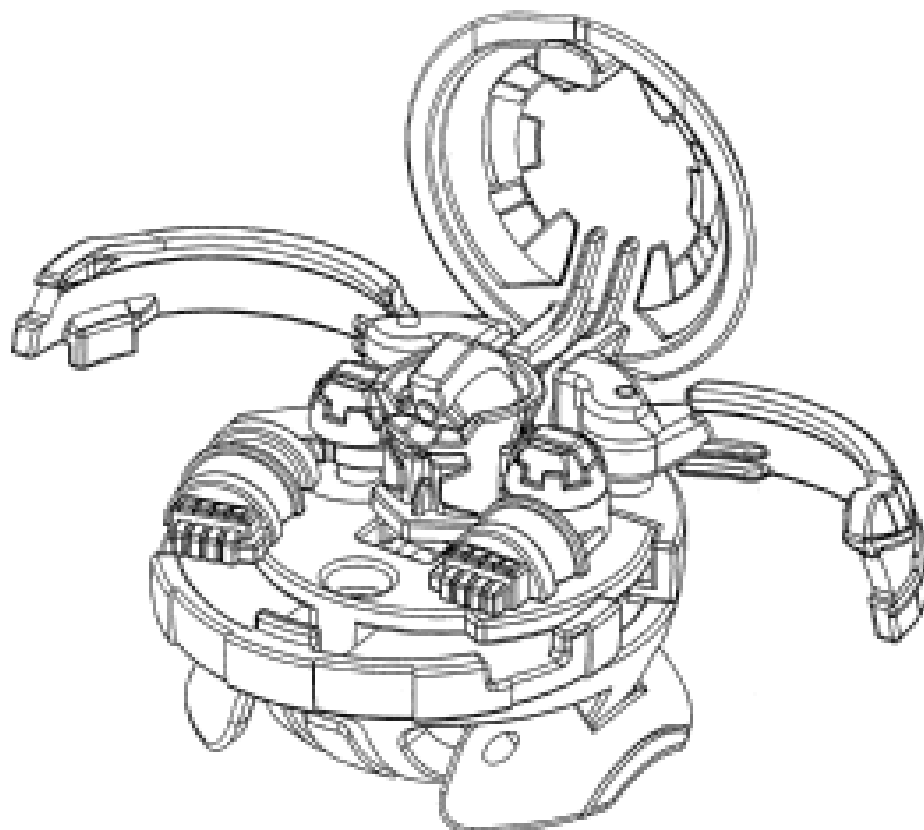
- (45) Registration Date: **24 June 2009**

- (30) Convention priority data:

(31) Number	(32) Date	(33) Country
<b>130077</b>	<b>24 Mar 2009</b>	<b>CANADA</b>

- (56) Related Art Documents: **Not Applicable**

- (57) Statement of Newness and Distinctiveness: **The newness and distinctiveness of the design resides in the shape and/or configuration of the TRANSFORMABLE TOY shown in the representations.**



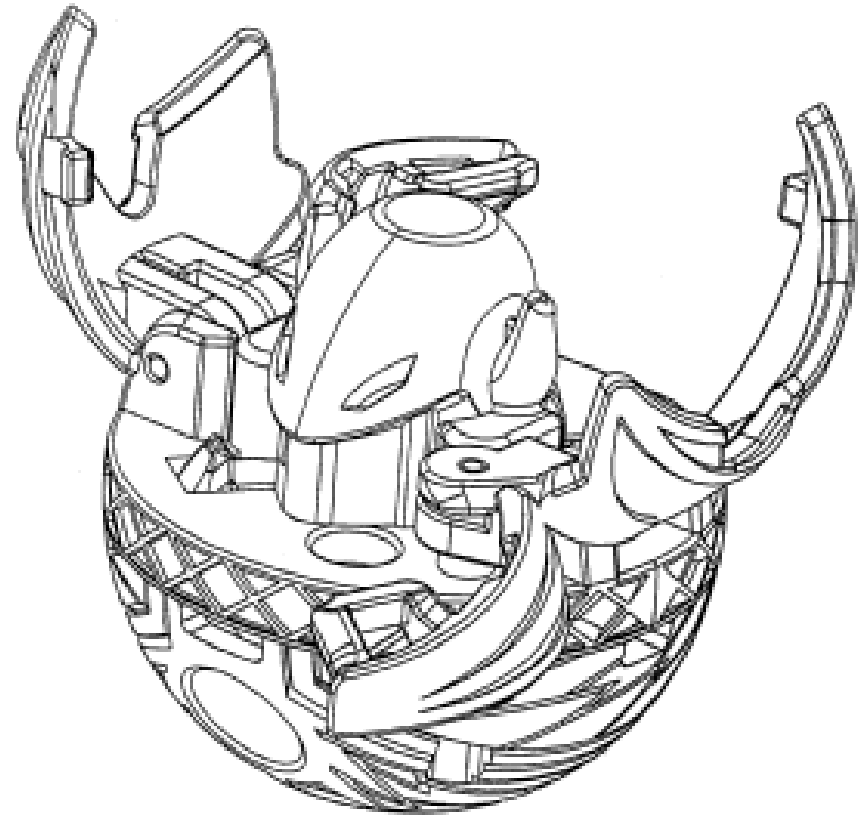
- (21) Design Number: **12000/2009**
- (22) Date of Filing Application: **29 May 2009**
- (24) Date from which industrial property rights may have effect: **29 May 2009**
- (54) Product in respect of which the design is registered: **Transformable toy**
- (51) International Design Classification: **21-01B**
- (71) Name(s) and Address(s) of Applicant(s):

**Spin Master Ltd**  
**450 Front Street West Toronto M5V 1B6 Ontario Canada**

- (72) Name(s) of Designer(s): **Wataru Sato and Noriyoshi Matsumura**
- (45) Registration Date: **24 June 2009**
- (30) Convention priority data:

(31) Number	(32) Date	(33) Country
<b>130237</b>	<b>01 Apr 2009</b>	<b>CANADA</b>

- (56) Related Art Documents: **Not Applicable**
- (57) Statement of Newness and Distinctiveness: **The newness and distinctiveness of the design resides in the shape and/or configuration of the TRANSFORMABLE TOY shown in the representations.**



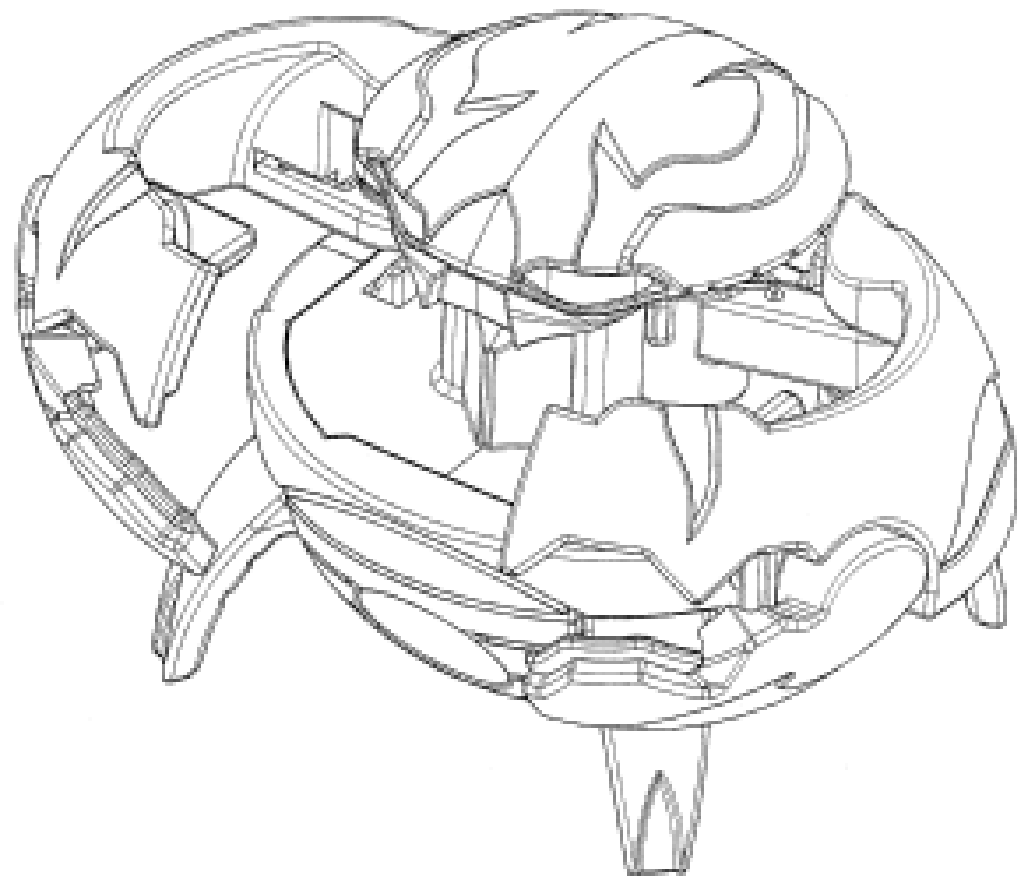
- (21) Design Number: **11992/2009**
- (22) Date of Filing Application: **29 May 2009**
- (24) Date from which industrial property rights may have effect: **29 May 2009**
- (54) Product in respect of which the design is registered: **Transformable toy**
- (51) International Design Classification: **21-01B**
- (71) Name(s) and Address(s) of Applicant(s):

**Spin Master Ltd**  
**450 Front Street West Toronto M5V 1B6 Ontario Canada**

- (72) Name(s) of Designer(s): **Wataru Sato and Noriyoshi Matsumura**
- (45) Registration Date: **24 June 2009**
- (30) Convention priority data:

(31) Number	(32) Date	(33) Country
<b>128776</b>	<b>01 Dec 2008</b>	<b>CANADA</b>

- (56) Related Art Documents: **Not Applicable**
- (57) Statement of Newness and Distinctiveness: **The newness and distinctiveness of the design resides in the shape and/or configuration of the transformable toy shown in the representations.**



- (21) Design Number: **11993/2009**
- (22) Date of Filing Application: **29 May 2009**
- (24) Date from which industrial property rights may have effect: **29 May 2009**
- (54) Product in respect of which the design is registered: **Transformable toy**
- (51) International Design Classification: **21-01B**
- (71) Name(s) and Address(s) of Applicant(s):

**Spin Master Ltd**  
**450 Front Street West Toronto M5V 1B6 Ontario Canada**

- (72) Name(s) of Designer(s): **Wataru Sato and Noriyoshi Matsumura**

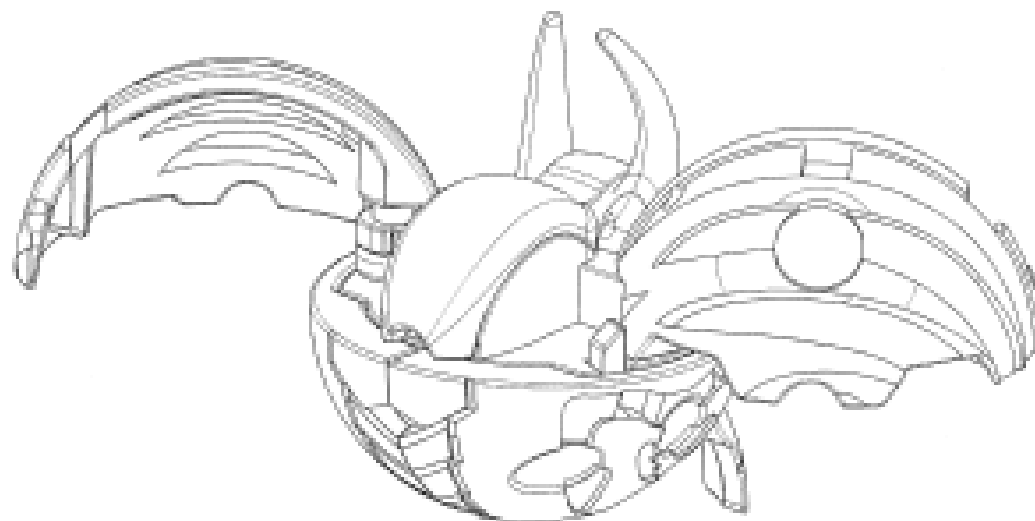
- (45) Registration Date: **24 June 2009**

- (30) Convention priority data:

(31) Number	(32) Date	(33) Country
<b>128775</b>	<b>01 Dec 2008</b>	<b>CANADA</b>

- (56) Related Art Documents: **Not Applicable**

- (57) Statement of Newness and Distinctiveness: **The newness and distinctiveness of the design resides in the shape and/or configuration of the transformable toy shown in the representations.**



- (21) Design Number: **11994/2009**
- (22) Date of Filing Application: **29 May 2009**
- (24) Date from which industrial property rights may have effect: **29 May 2009**
- (54) Product in respect of which the design is registered: **Transformable toy**
- (51) International Design Classification: **21-01B**
- (71) Name(s) and Address(s) of Applicant(s):

**Spin Master Ltd**  
**450 Front Street West Toronto M5V 1B6 Ontario Canada**

- (72) Name(s) of Designer(s): **Wataru Sato and Noriyoshi Matsumura**

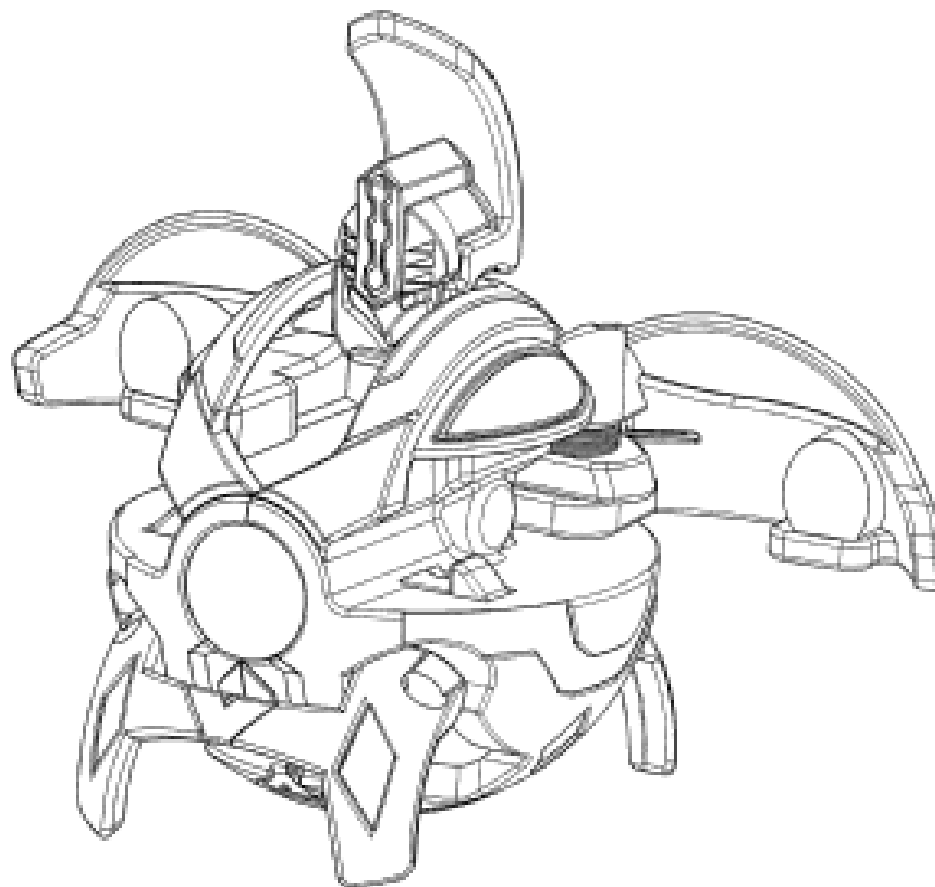
- (45) Registration Date: **24 June 2009**

- (30) Convention priority data:

(31) Number	(32) Date	(33) Country
<b>128777</b>	<b>01 Dec 2008</b>	<b>CANADA</b>

- (56) Related Art Documents: **Not Applicable**

- (57) Statement of Newness and Distinctiveness: **The newness and distinctiveness of the design resides in the shape and/or configuration of the transformable toy shown in the representations.**



- (21) Design Number: **11995/2009**
- (22) Date of Filing Application: **29 May 2009**
- (24) Date from which industrial property rights may have effect: **29 May 2009**
- (54) Product in respect of which the design is registered: **Transformable toy**
- (51) International Design Classification: **21-01B**
- (71) Name(s) and Address(s) of Applicant(s):

**Spin Master Ltd**  
**450 Front Street West Toronto M5V 1B6 Ontario Canada**

- (72) Name(s) of Designer(s): **Wataru Sato and Noriyoshi Matsumura**

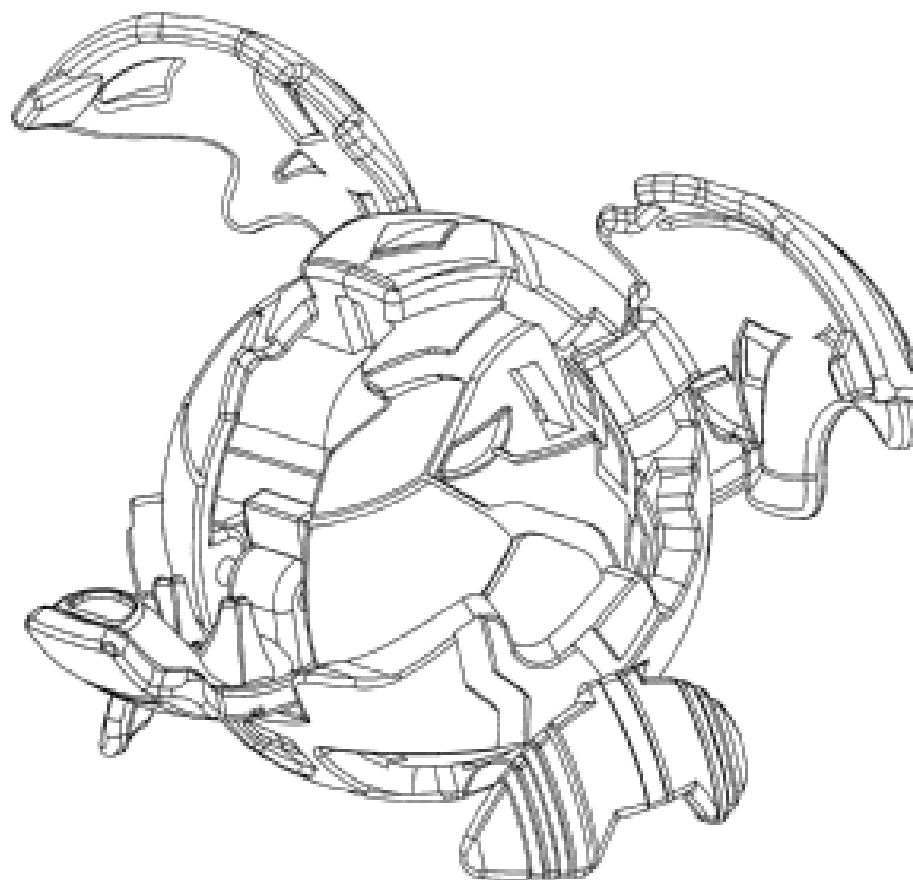
- (45) Registration Date: **24 June 2009**

- (30) Convention priority data:

(31) Number	(32) Date	(33) Country
<b>129668</b>	<b>19 Feb 2009</b>	<b>CANADA</b>

- (56) Related Art Documents: **Not Applicable**

- (57) Statement of Newness and Distinctiveness: **The newness and distinctiveness of the design resides in the shape and/or configuration of the transformable toy shown in the representations.**



- (21) Design Number: **11996/2009**
- (22) Date of Filing Application: **29 May 2009**
- (24) Date from which industrial property rights may have effect: **29 May 2009**
- (54) Product in respect of which the design is registered: **Transformable toy**
- (51) International Design Classification: **21-01B**
- (71) Name(s) and Address(s) of Applicant(s):

**Spin Master Ltd**  
**450 Front Street West Toronto M5V 1B6 Ontario Canada**

- (72) Name(s) of Designer(s): **Wataru Sato and Noriyoshi Matsumura**

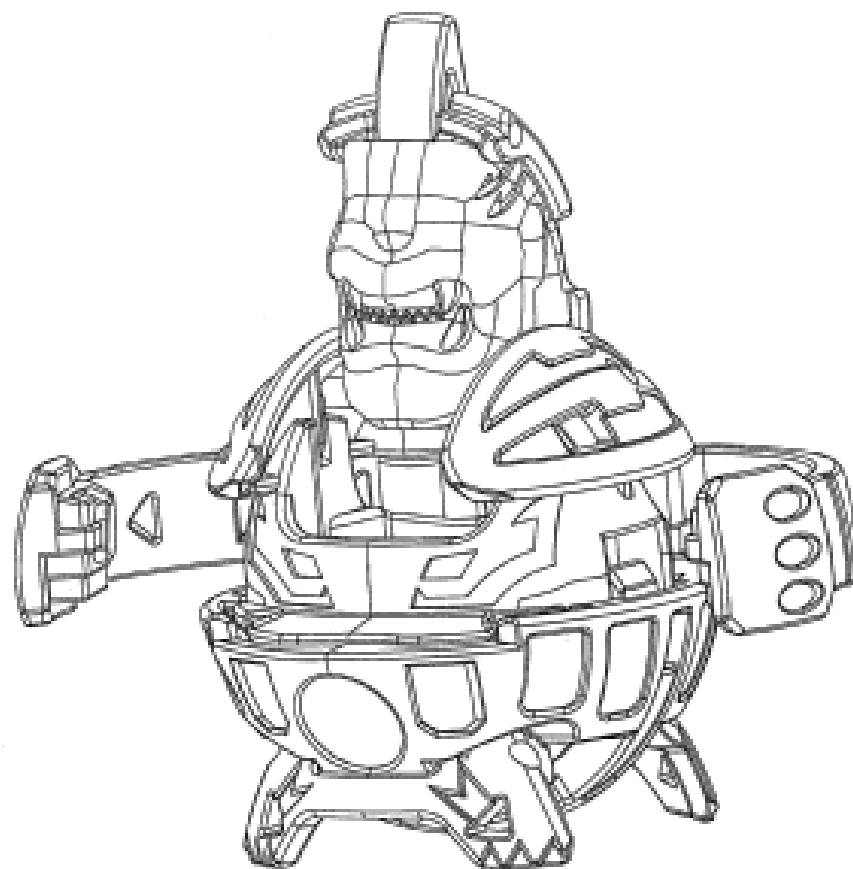
- (45) Registration Date: **24 June 2009**

- (30) Convention priority data:

(31) Number	(32) Date	(33) Country
<b>129471</b>	<b>30 Jan 2009</b>	<b>CANADA</b>

- (56) Related Art Documents: **Not Applicable**

- (57) Statement of Newness and Distinctiveness: **The newness and distinctiveness of the design resides in the shape and/or configuration of the transformable toy shown in the representations.**



(21) Design Number: **11997/2009**

(22) Date of Filing Application: **29 May 2009**

(24) Date from which industrial property rights may have effect: **29 May 2009**

(54) Product in respect of which the design is registered: **Transformable toy**

(51) International Design Classification: **21-01B**

(71) Name(s) and Address(s) of Applicant(s):

**Spin Master Ltd**

**450 Front Street West Toronto M5V 1B6 Ontario Canada**

(72) Name(s) of Designer(s): **Wataru Sato and Noriyoshi Matsumura**

(45) Registration Date: **24 June 2009**

(30) Convention priority data:

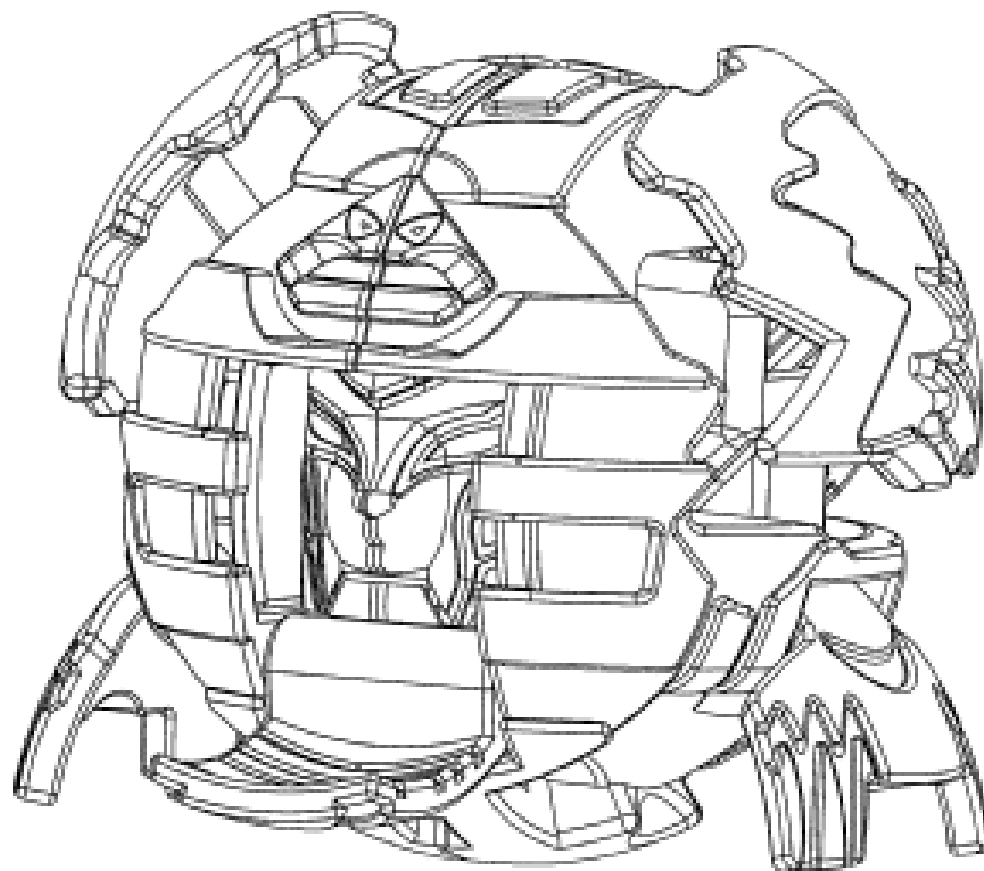
(31) Number  
**129743**

(32) Date  
**23 Feb 2009**

(33) Country  
**CANADA**

(56) Related Art Documents: **Not Applicable**

(57) Statement of Newness and Distinctiveness: **The newness and distinctiveness of the design resides in the shape and/or configuration of the transformable toy shown in the representations.**



(21) Design Number: **11989/2009**

(22) Date of Filing Application: **01 June 2009**

(24) Date from which industrial property rights may have effect: **01 June 2009**

(54) Product in respect of which the design is registered: **Kiosk**

(51) International Design Classification: **25-03**

(71) Name(s) and Address(s) of Applicant(s):

**Kioskgo Pty Ltd**

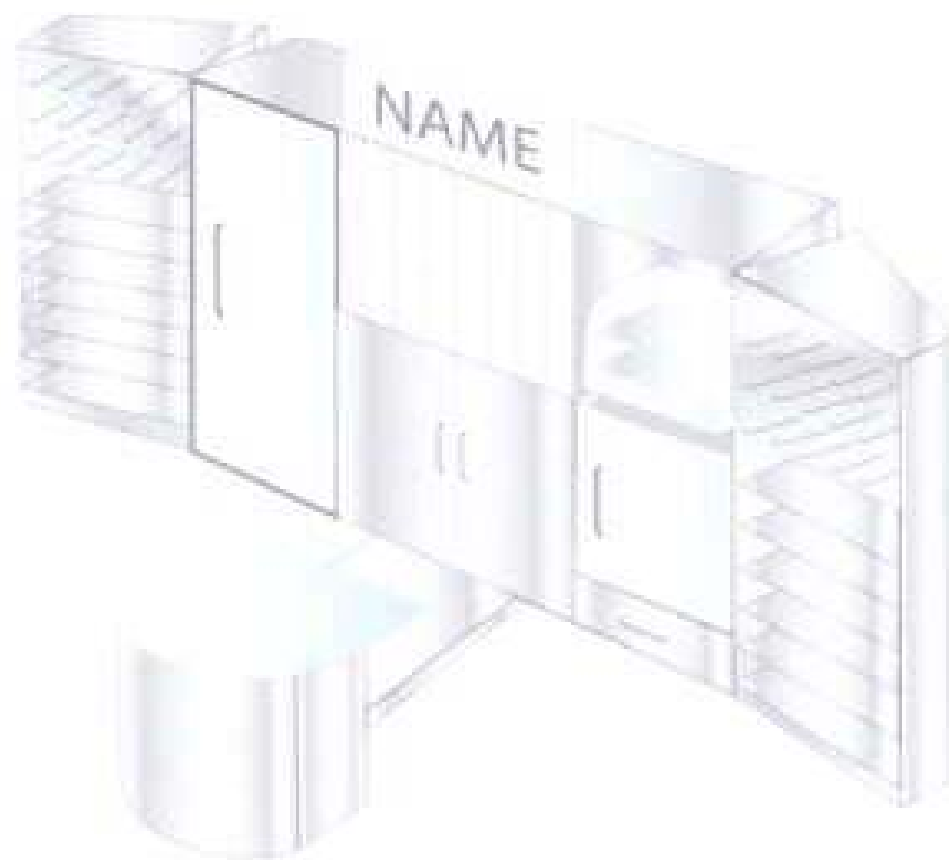
**PO Box 2113 Glynde Plaza Felixstow South Australia 5070 Australia**

(72) Name(s) of Designer(s): **Ivette Colmenares**

(45) Registration Date: **24 June 2009**

(56) Related Art Documents: **Not Applicable**

(57) Statement of Newness and Distinctiveness: **It is a self services, foldable kiosk.**



- (21) Design Number: **11990/2009**
- (22) Date of Filing Application: **29 May 2009**
- (24) Date from which industrial property rights may have effect: **29 May 2009**
- (54) Product in respect of which the design is registered: **Tea maker**
- (51) International Design Classification: **07-02K**
- (71) Name(s) and Address(s) of Applicant(s):  
**Breville Pty Limited**  
**Building 2 Port Air Industrial Estate 1A Hale Street Botany New South**  
**Wales 2019 Australia**
- (72) Name(s) of Designer(s): **Graeme MacDonald and Paul Cohen and Richard**  
**Hoare and Eddie Siu**
- (45) Registration Date: **24 June 2009**
- (56) Related Art Documents: **Not Applicable**
- (57) Statement of Newness and Distinctiveness: **Newness is claimed in the**  
**features of shape and configuration of the tea maker as shown in the**  
**accompanying representations. Elements shown in dashed lines form no**  
**part of the design.**

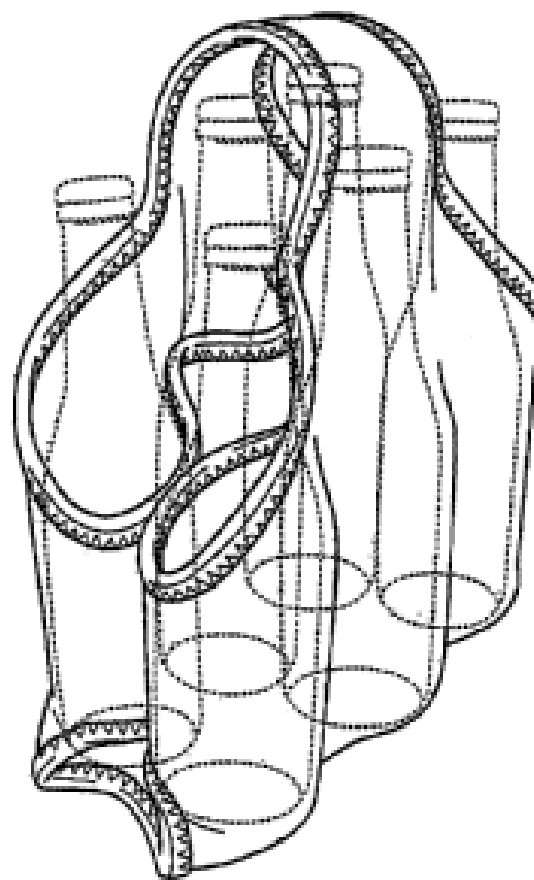


- (21) Design Number: **11991/2009**
- (22) Date of Filing Application: **29 May 2009**
- (24) Date from which industrial property rights may have effect: **29 May 2009**
- (54) Product in respect of which the design is registered: **Transformable toy**
- (51) International Design Classification: **21-01A**
- (71) Name(s) and Address(s) of Applicant(s):  
**Spin Master Ltd**  
**450 Front Street West Toronto M5V 1B6 Ontario Canada**
- (72) Name(s) of Designer(s): **Wataru Sato and Noriyoshi Matsumura**
- (45) Registration Date: **24 June 2009**
- (30) Convention priority data:  

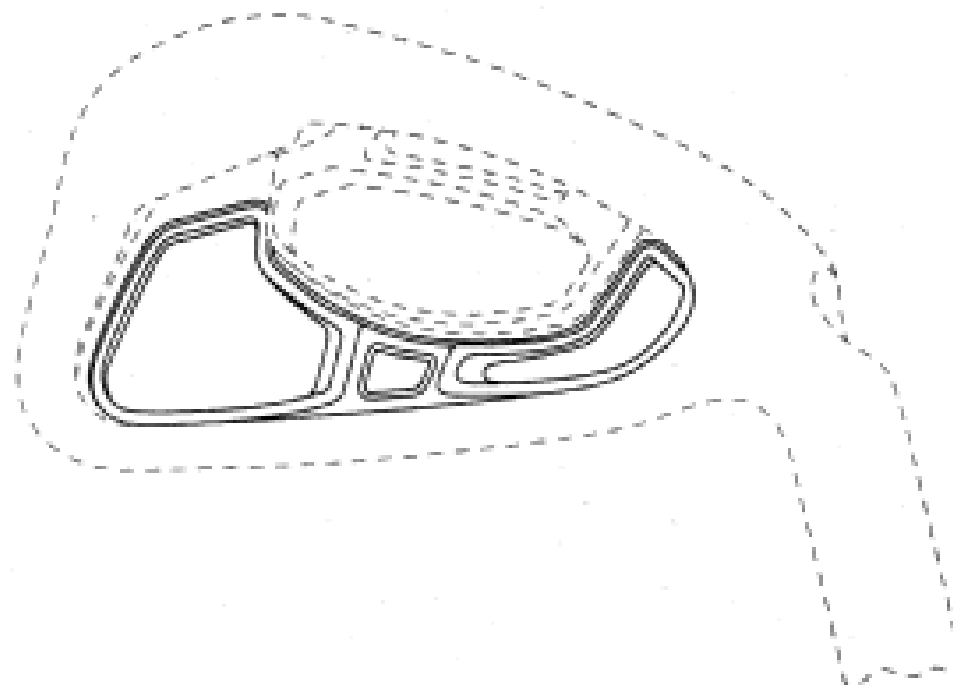
(31) Number	(32) Date	(33) Country
<b>129093</b>	<b>17 Dec 2008</b>	<b>CANADA</b>
- (56) Related Art Documents: **Not Applicable**
- (57) Statement of Newness and Distinctiveness: **The newness and**  
**distinctiveness of the design resides in the shape and/or configuration**  
**of the transformable toy shown in the representations.**



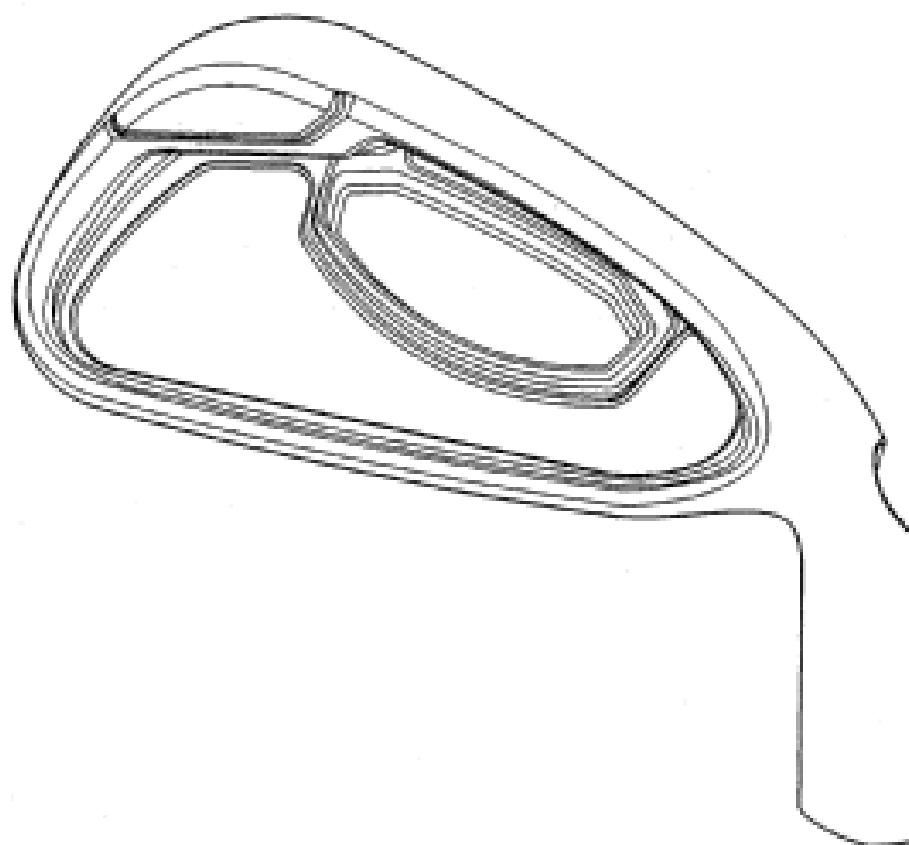
- (21) Design Number: **12004/2009**  
(22) Date of Filing Application: **29 May 2009**  
(24) Date from which industrial property rights may have effect: **29 May 2009**  
(54) Product in respect of which the design is registered: **Collapsible six bottle carry bag**  
(51) International Design Classification: **03-01NES**  
(71) Name(s) and Address(s) of Applicant(s):  
**Creative Products Enterprises Pty Limited**  
**2A & 2B James Ruse Business Park 6 Boundary Road Northmead**  
**New South Wales 2152 Australia**  
(72) Name(s) of Designer(s): **David Te**  
(45) Registration Date: **24 June 2009**  
(56) Related Art Documents: **Not Applicable**  
(57) Statement of Newness and Distinctiveness: **Newness is claimed in the features of shape and configuration of the collapsible six bottle carry bag as shown in the accompanying representations. Elements shown in dashed lines form no part of the design.**



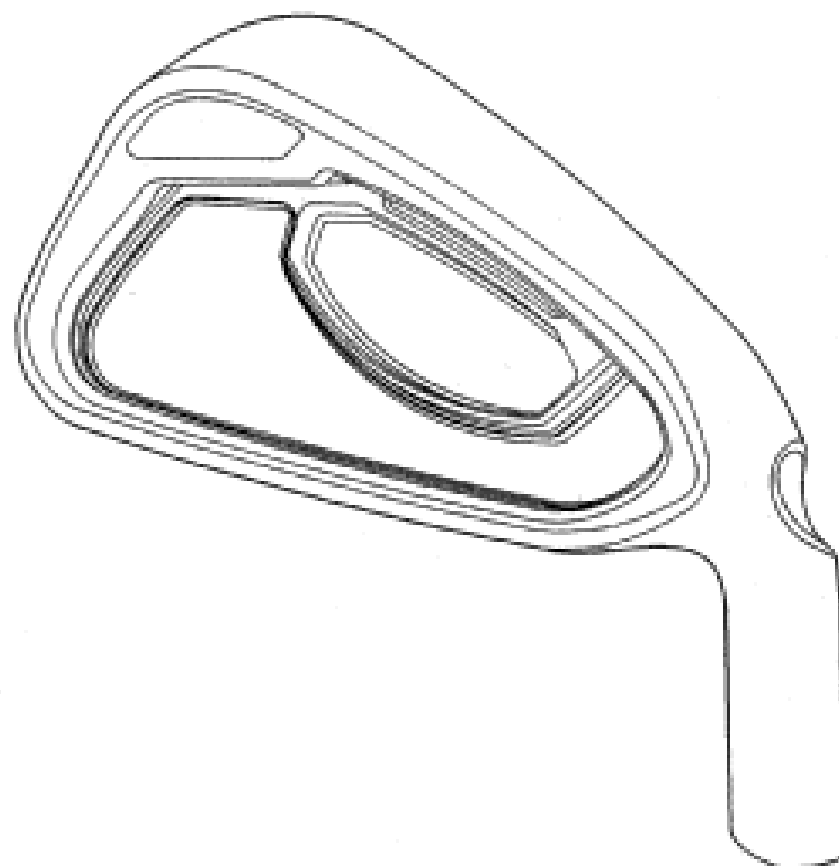
- (21) Design Number: **11694/2009**  
(22) Date of Filing Application: **12 May 2009**  
(24) Date from which industrial property rights may have effect: **12 May 2009**  
(54) Product in respect of which the design is registered: **Badge for a golf club head**  
(51) International Design Classification: **21-02C**  
(71) Name(s) and Address(s) of Applicant(s):  
**Karsten Manufacturing Corporation**  
**2201 West Desert Cove Phoenix Arizona 85029 United States of America**  
(72) Name(s) of Designer(s): **Marty R. Jertson and Michael R. Nicolette and Xiaojian Chen**  
(45) Registration Date: **24 June 2009**  
(30) Convention priority data:  
(31) Number      (32) Date      (33) Country  
**29/332639      20 Feb 2009      UNITED STATES OF AMERICA**  
(56) Related Art Documents: **Not Applicable**  
(57) Statement of Newness and Distinctiveness: **Newness and distinctiveness is claimed in the visual features shown in solid lines in the representations.**



- (21) Design Number: **11695/2009**  
(22) Date of Filing Application: **12 May 2009**  
(24) Date from which industrial property rights may have effect: **12 May 2009**  
(54) Product in respect of which the design is registered: **Golf club head**  
(51) International Design Classification: **21-02C**  
(71) Name(s) and Address(s) of Applicant(s):  
**Karsten Manufacturing Corporation**  
**2201 West Desert Cove Phoenix Arizona 85029 United States of America**  
(72) Name(s) of Designer(s): **Bradley D. Schweigert and Michael R. Nicolette and Xiaojian Chen and David D. Jones**  
(45) Registration Date: **24 June 2009**  
(30) Convention priority data:  
(31) Number (32) Date (33) Country  
**29/332618 20 Feb 2009 UNITED STATES OF AMERICA**  
(56) Related Art Documents: **Not Applicable**  
(57) Statement of Newness and Distinctiveness: **Newness and distinctiveness is claimed in the visual features shown in solid lines in the representations.**

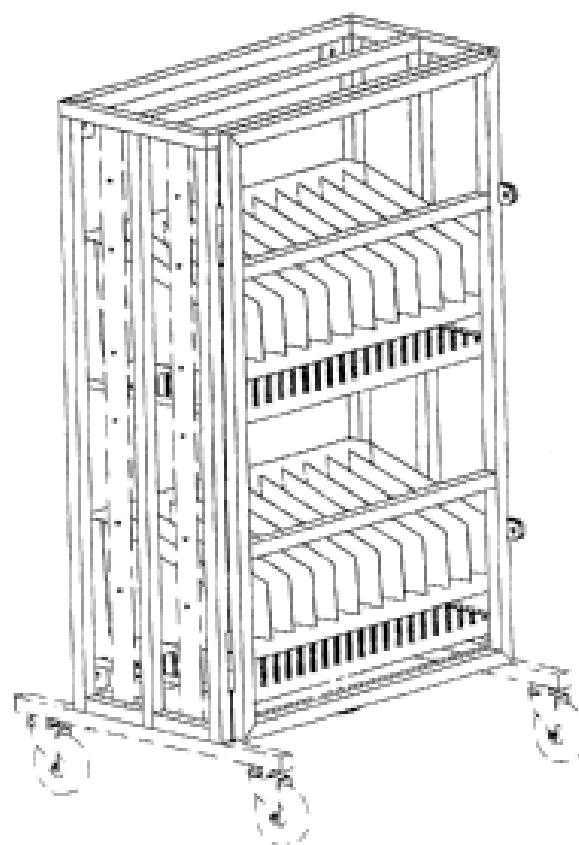


- (21) Design Number: **11696/2009**  
(22) Date of Filing Application: **12 May 2009**  
(24) Date from which industrial property rights may have effect: **12 May 2009**  
(54) Product in respect of which the design is registered: **Golf club head**  
(51) International Design Classification: **21-02C**  
(71) Name(s) and Address(s) of Applicant(s):  
**Karsten Manufacturing Corporation**  
**2201 West Desert Cove Phoenix Arizona 85029 United States of America**  
(72) Name(s) of Designer(s): **Marty R. Jertson and Michael R. Nicolette and Xiaojian Chen**  
(45) Registration Date: **24 June 2009**  
(30) Convention priority data:  
(31) Number (32) Date (33) Country  
**29/332635 20 Feb 2009 UNITED STATES OF AMERICA**  
(56) Related Art Documents: **Not Applicable**  
(57) Statement of Newness and Distinctiveness: **Newness and distinctiveness is claimed in the visual features shown in solid lines in the representations.**

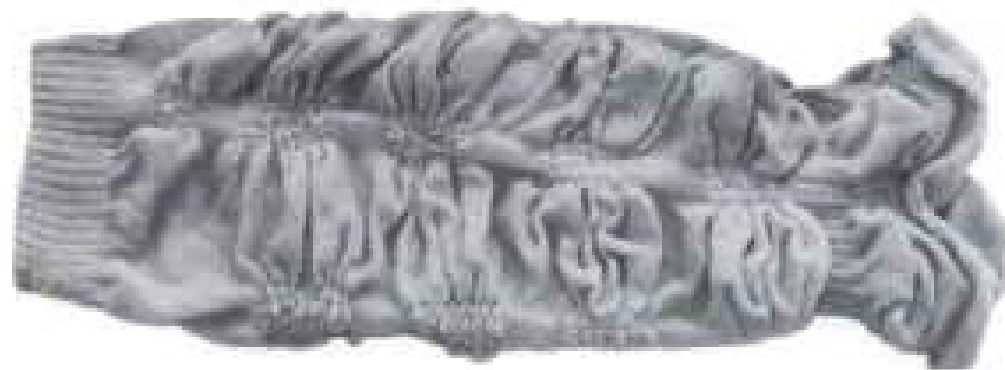




- (21) Design Number: **12019/2009**  
(22) Date of Filing Application: **01 June 2009**  
(24) Date from which industrial property rights may have effect: **01 June 2009**  
(54) Product in respect of which the design is registered: **A computer secure storage unit**  
(51) International Design Classification: **06-04B**  
(71) Name(s) and Address(s) of Applicant(s):  
**Kanweld Products Pty. Limited**  
**42-44 Redfern Street Wetherill Park New South Wales 2164 Australia**  
(72) Name(s) of Designer(s): **Roy Alchin**  
(45) Registration Date: **24 June 2009**  
(56) Related Art Documents: **Not Applicable**  
(57) Statement of Newness and Distinctiveness: **Newness and distinctiveness is claimed in the features of shape and/or configuration of a computer storage unit as illustrated in the accompanying representations.**



- (21) Design Number: **12125/2009**  
(22) Date of Filing Application: **12 June 2009**  
(24) Date from which industrial property rights may have effect: **12 June 2009**  
(54) Product in respect of which the design is registered: **Leg warmer**  
(51) International Design Classification: **02-04C**  
(71) Name(s) and Address(s) of Applicant(s):  
**Elizar Mytka**  
**2A Morgan Street Adamstown New South Wales 2289 Australia**  
(72) Name(s) of Designer(s): **Elizar Mytka**  
(45) Registration Date: **24 June 2009**  
(56) Related Art Documents: **Not Applicable**  
(57) Statement of Newness and Distinctiveness: **Leg warmer has knitted ruching creating ruffle effect to overall warmer. A cuff knitted into but above the lower hem allows the hem to stay free falling while the cuff maintains placing on limb.**



(21) Design Number: **12078/2009**

(22) Date of Filing Application: **05 June 2009**

(24) Date from which industrial property rights may have effect: **05 June 2009**

(54) Product in respect of which the design is registered: **Vacuum cleaner**

(51) International Design Classification: **15-05**

(71) Name(s) and Address(s) of Applicant(s):

**Aktiebolaget Electrolux  
S:t Goransgatan 143 SE 105-45 Stockholm Sweden**

(72) Name(s) of Designer(s): **Oskar Fjellman**

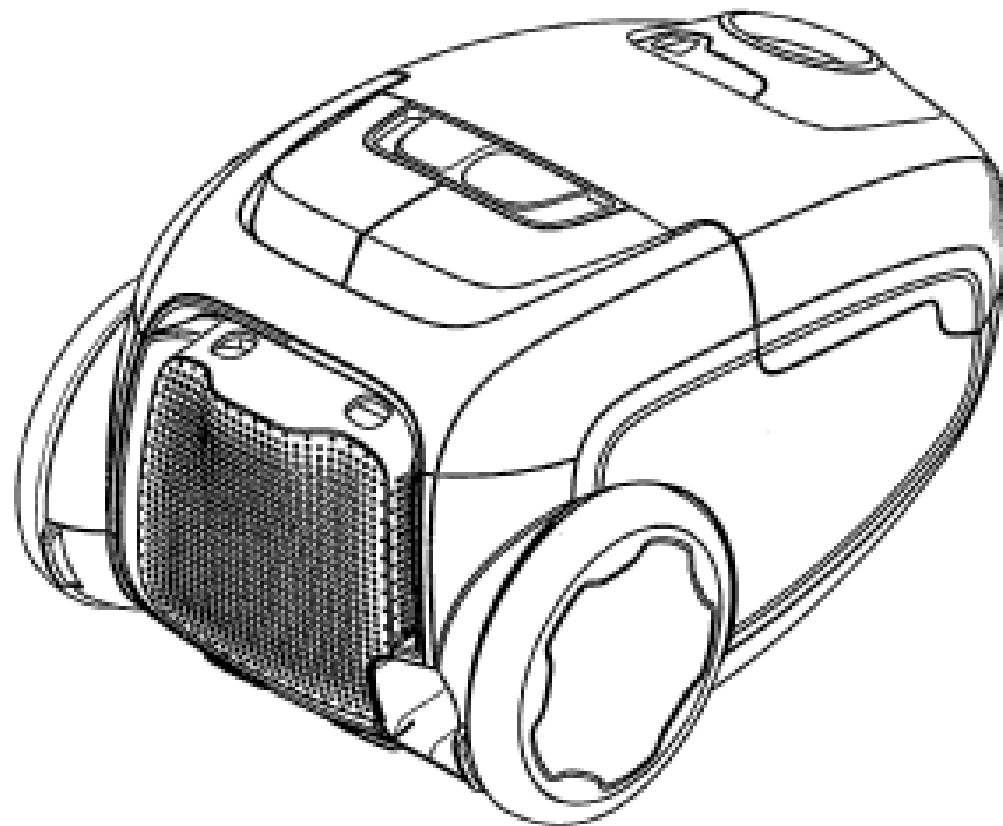
(45) Registration Date: **24 June 2009**

(30) Convention priority data:

(31) Number	(32) Date	(33) Country
<b>001061519</b>	<b>22 Dec 2008</b>	<b>EUROPEAN COMMUNITY</b>

(56) Related Art Documents: **Not Applicable**

(57) Statement of Newness and Distinctiveness: **Newness and distinctiveness is claimed in those visual features depicted in unbroken lines.**



(21) Design Number: **12248/2009**

(22) Date of Filing Application: **05 June 2009**

(24) Date from which industrial property rights may have effect: **05 June 2009**

(54) Product in respect of which the design is registered: **Vacuum cleaner**

(51) International Design Classification: **15-05**

(71) Name(s) and Address(s) of Applicant(s):

**Aktiebolaget Electrolux  
S:t Goransgatan 143 SE 105-45 Stockholm Sweden**

(72) Name(s) of Designer(s): **Oskar Fjellman**

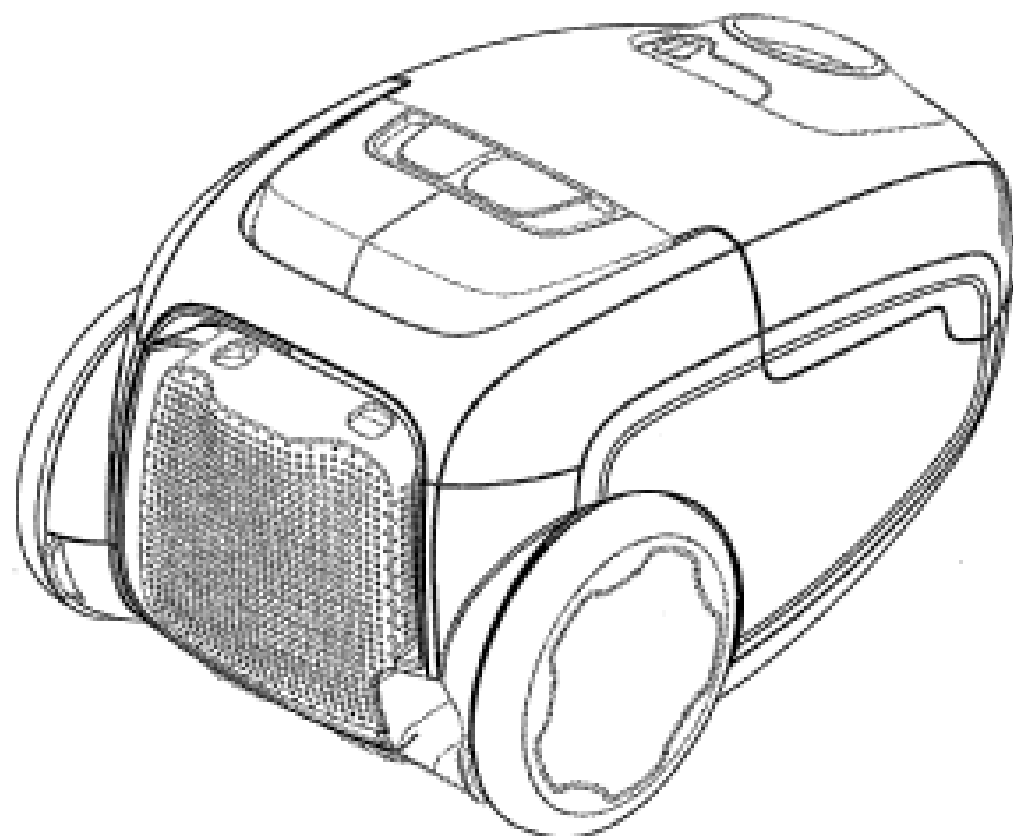
(45) Registration Date: **24 June 2009**

(30) Convention priority data:

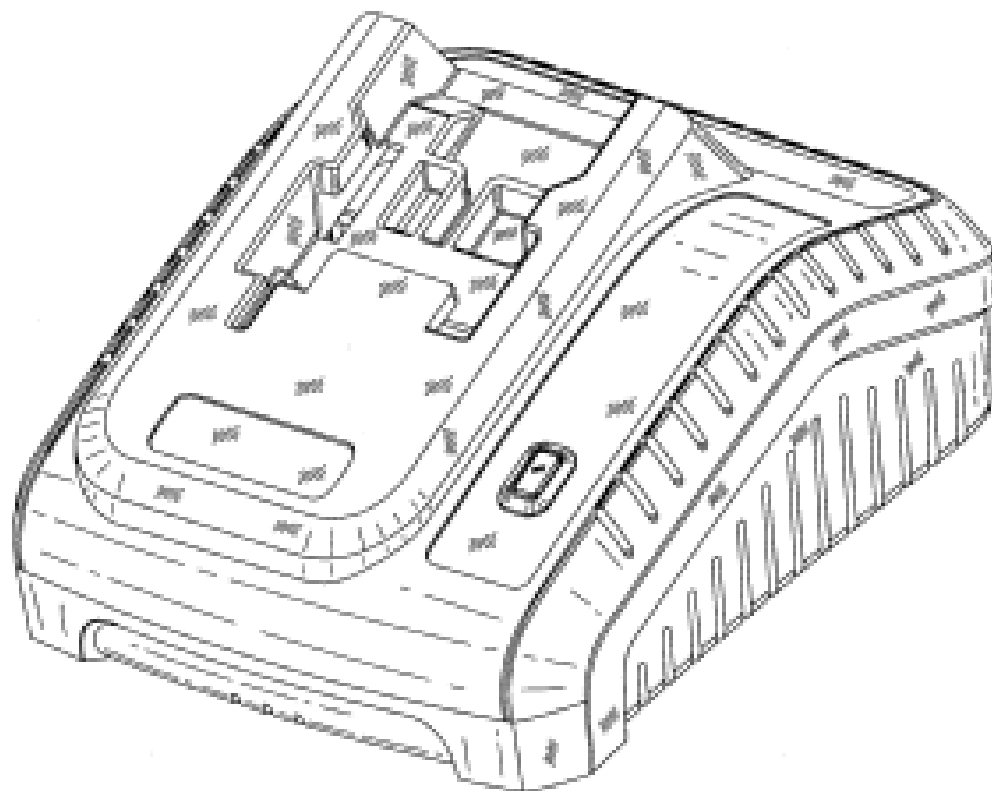
(31) Number	(32) Date	(33) Country
<b>001061519</b>	<b>22 Dec 2008</b>	<b>EUROPEAN COMMUNITY</b>

(56) Related Art Documents: **Not Applicable**

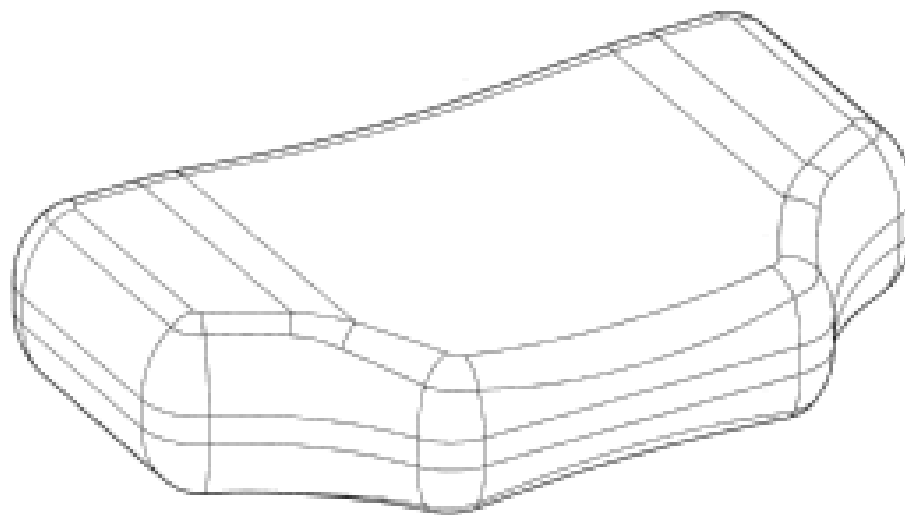
(57) Statement of Newness and Distinctiveness: **Newness and distinctiveness is claimed in those visual features depicted in unbroken lines.**



(21) Design Number: **11750/2009**  
(22) Date of Filing Application: **14 May 2009**  
(24) Date from which industrial property rights may have effect: **14 May 2009**  
(54) Product in respect of which the design is registered: **Battery charger**  
(51) International Design Classification: **13-02**  
(71) Name(s) and Address(s) of Applicant(s):  
**Black & Decker, Inc.**  
**1207 Drummond Plaza Newark Delaware 19711 United States of America**  
(72) Name(s) of Designer(s): **Sean Sweeney**  
(45) Registration Date: **25 June 2009**  
(30) Convention priority data:  
(31) Number (32) Date (33) Country  
**001039341-0001 14 Nov 2008 EUROPEAN COMMUNITY**  
(56) Related Art Documents: **Not Applicable**  
(57) Statement of Newness and Distinctiveness: **Nil**



(21) Design Number: **12018/2009**  
(22) Date of Filing Application: **29 May 2009**  
(24) Date from which industrial property rights may have effect: **29 May 2009**  
(54) Product in respect of which the design is registered: **Pillow**  
(51) International Design Classification: **06-09**  
(71) Name(s) and Address(s) of Applicant(s):  
**Tammy-Jo Hunter**  
**23 Mahony Circuit Driver Northern Territory 0830 Australia**  
(72) Name(s) of Designer(s): **Tammy-Jo Hunter and Edward Joseph Houry**  
(45) Registration Date: **25 June 2009**  
(56) Related Art Documents: **Not Applicable**  
(57) Statement of Newness and Distinctiveness: **Newness and distinctiveness is claimed in the shape and/or configuration of a pillow as illustrated in the accompanying representations.**



- (21) Design Number: **11369/2009**  
(22) Date of Filing Application: **20 April 2009**  
(24) Date from which industrial property rights may have effect: **20 April 2009**  
(54) Product in respect of which the design is registered: **Surfcraft fin box**  
(51) International Design Classification: **21-02D**  
(71) Name(s) and Address(s) of Applicant(s):  
**DMC Industries Pty Ltd**  
**4/11 Ponderosa Parade Warriewood New South Wales 2102 Australia**  
(72) Name(s) of Designer(s): **Don McCredie and Michael Hort and Martin Peknice**  
(45) Registration Date: **25 June 2009**  
(56) Related Art Documents: **Not Applicable**  
(57) Statement of Newness and Distinctiveness: **The new features of the design are the shape and configuration of the body.**

