



Australian Government

IP Australia

AUSTRALIAN OFFICIAL JOURNAL

OF

DESIGNS

Did you know a searchable version of this journal is now available online?

It's FREE and EASY to SEARCH.

Find it at

<http://pericles.ipaustralia.gov.au/ols/epublish/content/olsEpublications.jsp>
or using the "Online Journals" link on the IP Australia home page.

This Page Left Intentionally Blank

Contents

General Information & Notices

**Proceedings Under the Designs Act 1906 preserved as a result of the provisions of Chapter 12
Part 2 of the Designs Act 2003**

Extension of Period of Registration of Designs	2370
Extensions of Time Granted	2370
Names Registered - Alterations and Amendments	2370
Registrations Ceased	2370

Proceedings Under the Designs Act 2003

Applications Lapsed	2379
Applications Lodged	2375
Certificate of Examination	2382
Corrigenda	2381
Extension of Period of Registration of Design	2380
Extension of Time Granted Under Section 137	2380
Publication and Registration Proceedings	
Designs Registered 326558 to 326694.....	2383

This Page Left Intentionally Blank

For information on the following please see our website www.ipaustralia.gov.au or contact our Customer Service Network on 1300651010

[Editorial enquiries](#)

[Contact information](#)

[Freedom of Information ACT](#)

[Professional Standards Board](#)

[Sales](#)

[Requests for Information under Section 194 \(c\)](#)

[Country Codes](#)

[Trade Mark and Designs Hearing Sessions](#)

[INID \(Internationally agreed Numbers for the Identification of Data\)](#)

“INID” NUMBERS in use on Australian Design Documents

“INID” is an acronym for “Internationally agreed Numbers for the Identification of Data”.

(10) Data concerning the registration/renewal

- (11) Serial number of the registration and/or number of the design document
- (12) Plain language designation of the kind of published document
- (19) Identification, using the two-letter code according to WIPO Standard ST.3, of the authority publishing or registering the industrial design

(20) Data concerning the application

- (21) Serial number of the application
- (22) Date of filing of the application
- (24) Date from which the industrial design right has effect

(30) Data relating to priority under the Paris Convention

- (31) Serial number assigned to the priority application
- (32) Date of filing of the priority application
- (33) Two-letter code, according to WIPO Standard ST.3, identifying the authority with which the priority application was made

(40) Date(s) of making information available to the public

- (45) Date of publication of the registered industrial design by printing or similar process, or making it available to the public by any other means

(50) Miscellaneous Information

- (51) International Classification for Industrial Designs (class and subclass of the Locarno Classification)
- (54) Designation of article(s) or product(s) covered by the industrial design or title of the industrial design
- (55) Reproduction of the industrial design (e.g., drawing, photograph) and explanations relating to the reproduction
- (56) List of prior art documents, if separate from descriptive text
- (57) Description of characteristic features of the industrial design including indication of colours

(60) References to other legally related application(s) and registration(s)

- (62) Serial number(s) and, if available, filing date(s) of application(s), registration(s) or document(s) related by division
- (66) Serial number(s) of the application, or the registration, of the design(s) which is (are) a variant(s) of the present one

(70) Identification of parties concerned with the application or registration

- (71) Name(s) and address(es) of the applicant(s)
- (72) Name(s) of the creator(s) if known to be such
- (74) Name(s) and address(es) of the representative(s)

This Page Left Intentionally Blank

Official Notice**Designs Act 2003
Amendments to Registered Designs at Examination**

The following amendments have been made to details previously published in the Australian Official Journal of Designs during the Examination process:

Registration Numbers	Amendment type	New details
320043	Classification	19-99; 19-06
321137	Classification	13-03E
321138	Classification	13-03E
321207	Classification	13-03E
321209	Classification	13-03E
324178	Classification	09-07A; 09-01Z
324299	Classification	09-03M
324301	Classification	09-03M
324530	Classification	09-01K
324579	Classification	12-15E
324580	Classification	12-15E
324617	Classification	12-15Z
324810	Classification	25-02C
324811	Classification	25-02C
324812	Classification	25-02C

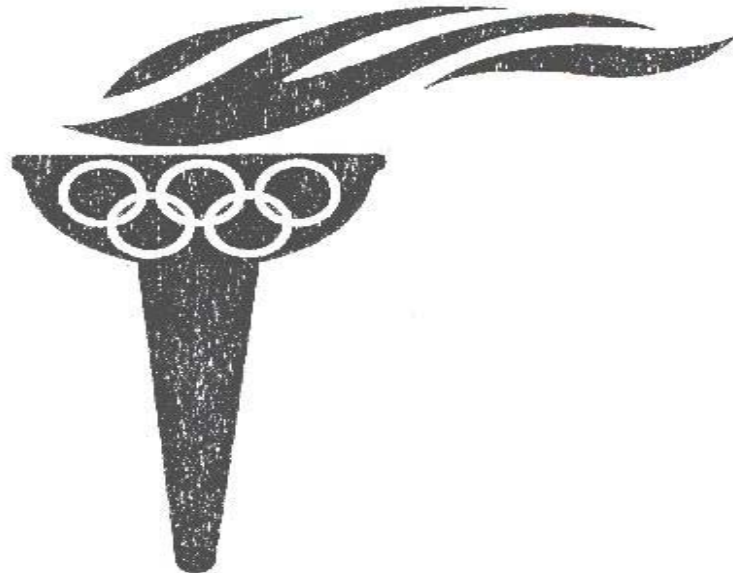
Contact: IP Australia
Phone: 1300 651 010
Fax: +61 2 6283 7999
E-mail: assist@ipaustrialia.gov.au
Web: www.ipaustrialia.gov.au

Official Notice

Olympic Insignia Protection Act 1987

NOTICE TO EXTEND THE PROTECTION PERIOD OF OLYMPIC DESIGN

Notice is hereby given pursuant to sub-section 11(8) of the *Olympic Insignia Protection Act 1987* that the Registrar has Extended the Period of Registration, under sub-section 11(6), of the following registration held by the Australian Olympic Committee Incorporated.



REGISTRATION NO: OD 016
Date of Registration: 22 July 1997
Date of end of protection period: 22 July 2021

Queries: Contact: Gary Flint
Section: Trade Marks and Designs Administration
+61 2 6283 2023

Contact: IP Australia
Phone: 1300 651 010
Fax: +61 2 6283 7999
E-mail: assist@ipaustralia.gov.au
Web: www.ipaustralia.gov.au

Proceedings under the Designs Act 1906 preserved as a result of the provisions of Chapter 12 Part 2 of the Designs Act 2003.

This Page Left Intentionally Blank

Applications Lapsed

There were no Applications Lapsed under this section

Extension of Period of Registration of Designs

2nd Period (Section 27A(12))

150486	150908	151155
152776	152777	152839
152948	153032	153033
153039	153143	153156
153206	153207	153240
153300	153352	153456
153538	153539	153540
153656	153717	153718
153719	153720	153721
153740	153761	153779
153935	153936	153961
154117	154119	154120
154192	154193	154293
154414	154448	154508
154547	154549	154584
154732	154761	154762
154766	154960	155003
155004	155152	155235
155467	155530	155651
156009	156010	156011
156012	156087	156105
156108	156190	156191
156228	156462	156606
156821	157055	157181

3rd Period (Section 27A(13))

133480	134515	134521
134682	134782	135763
135783	135984	136152
136272	136273	136347
136725	138070	138232
138595	138736	138837
139115	139177	139229
139670	139671	140119
140203	142557	142724
151155	151928	152353
155651		

Registrations Ceased

Note: Some of the following Registrations may have been previously advertised as ceased. In this instance, the previous advertisement still prevails.

117603	117809	117939
119102	119130	119133
119138	119161	119215
119254	119300	119334
119371	119456	119485
119593	119600	119605
119671	119707	119740
119855	119897	120122
120626	121908	121958

121959	121968	122485
122486	122848	123088
123147	123452	123453
123454	123455	128715
134129	134130	134180
134181	134182	134183
134184	134190	134196
134206	134232	134267
134270	134311	134336
134380	134381	134467
134646	136191	136194
136197	136267	138162
138163	138355	138962
150333	150725	150726
150727	150728	150729
151065	151067	151068
151069	151090	151110
151156	151157	151158
151198	151216	151217
151218	151219	151220
151255	151266	151267
151317	151318	151321
151322	151348	151379
151402	151426	151441
151442	151443	151489
151537	151578	151634
151730	151731	151767
151901	151980	151981
151982	152018	152068
152102	152103	152172
152224	152381	152382
152383	152384	152445
152756	152869	152956
153109	153302	153356
153423	154255	154985
154986	154987	154988
155037	155038	155096
155116	155120	155373
155527	155791	155982
156401		

Extensions of time granted

Applications lodged for extension of time have been granted.

150486 **Geoffrey Noel Death** An Extension of time to extend a registration has been granted to 22/06/2009

151155 **Neoz Pty Ltd** An Extension of time to extend a registration has been granted to 03/08/2009

Names Registered - Alterations and Amendments

(The name in parentheses is the new name of the proprietor)

139135 (**Catalent Australia Pty Ltd**) Cardinal Health Australia
401 Pty Ltd

This Page Left Intentionally Blank

Proceedings under the Designs Act 2003.

This Page Left Intentionally Blank

Applications Lodged

Lodgement information is in the following order: **Applicant's Name**; International Classification, Name of Product, Lodgement Date and **Design Number**. If the applicant claims an earlier priority date under an International Convention, the Convention Country and the associated filing date are shown in parentheses before the Lodgement Date. Divisional information will also appear in parentheses before the Lodgement Date.

Advanced Automotive Australia Pty Ltd; 26-06, Light, 29 Jun 2009	12317/2009	Brisbane Tray Bodys Pty Ltd; 12-16C, Padding, 23 Jun 2009	12278/2009
Advocate Consultants Trust; 14-04, The design is applicable to both illuminated signs and for television screen display, 25 Jun 2009	12286/2009	Brisbane Tray Bodys Pty Ltd; 12-16NES, Joiner, 23 Jun 2009	12279/2009
Ames True Temper, Inc.; 08-06, 360 degree grip, (US, 15 Jan 2009) 26 Jun 2009	12314/2009	Broadhurst, Sheree; 06-13B, Bed linen set, 30 Jun 2009	12346/2009
Ames True Temper, Inc.; 08-05NES, Wrecking tool, (US, 25 Feb 2009) 26 Jun 2009	12315/2009	Brown & Watson International Pty Ltd; 26-06, Light fitting, 01 Jul 2009	12380/2009
Australian Defibrillators Pty. Ltd.; 24-02, Emergency station incorporating a defibrillator, 29 Jun 2009	12325/2009	Brown & Watson International Pty Ltd; 26-06, Light fitting, 01 Jul 2009	12379/2009
Australian Defibrillators Pty. Ltd.; 24-02, Emergency station incorporating a defibrillator, 24 Jun 2009	12281/2009	Brown & Watson International Pty Ltd; 26-06, Light fitting, 01 Jul 2009	12381/2009
Australian Defibrillators Pty. Ltd.; 24-01, Emergency station incorporating a defibrillator, 24 Jun 2009	12253/2009	Brown & Watson International Pty Ltd; 26-04, Lamp, 02 Jul 2009	12396/2009
Australian Portable Toilet Supplies Pty Ltd; 23-02C, Design refers to the molded internal and base of a portable toilet, 24 Jun 2009	12280/2009	Cash's (Australia) Pty Ltd; 23-01K, Bar tap bracket, 03 Jul 2009	12430/2009
ASSA ABLOY Australia Pty Limited; 08-07, Key blank, 03 Jul 2009	12428/2009	Channel Panel Pty Ltd; 08-06, 20-02NES, 27-99, Hinged covers for display of tobacco products, 01 Jul 2009	12372/2009
ASSA ABLOY Australia Pty Limited; 08-07, Key blank, 03 Jul 2009	12429/2009	Chiang, Herman; 16-06, Swimming goggles, 26 Jun 2009	12301/2009
Bayer Schering Pharma AG; 09-03NES, Pill dispenser/pill dispenser display, (EM, 23 Dec 2008) 23 Jun 2009	12266/2009	Clark & Associates Licensed Estate Agents & Auctioneers Pty Ltd; 06-03C, Laptop platform for use on a tripod, 26 Jun 2009	12303/2009
Bayer Schering Pharma AG; 09-03NES, Pill dispenser/pill dispenser display, (EM, 23 Dec 2008) 23 Jun 2009	12267/2009	Cosgrave, John P.; 07-05D, Clothes drying racks, 25 Jun 2009	12299/2009
Bayer Schering Pharma AG; 09-03NES, Pill dispenser/pill dispenser display, (EM, 23 Dec 2008) 23 Jun 2009	12265/2009	Cowley, Andrew Kenneth; Debenham-Cowley, Karen Lee; 28-03D, An aid for treating or colouring the hair, 03 Jul 2009	12393/2009
Beaute Prestige International; 07-01F, Flask, (EM, 07 Jan 2008) 07 Jul 2009	12454/2009	Creanova Universal Closures Limited; 09-07B, Closure, 23 Jun 2009	12256/2009
Bluescope Steel Limited; 25-01K, Fascia, 01 Jul 2009	12385/2009	Criterion Group Limited; 06-04D, Stand, 29 Oct 2008	12378/2009
Bond Tissue Products Pty Limited; 05-06NES, Toilet tissue, facial tissue., 26 Jun 2009	12312/2009	Croucher, David John; 25-01K, 08-08H, Curtain track, 07 Jul 2009	12438/2009
Bonds Industries Pty Ltd; 02-01B, Infant garment, 06 Jul 2009	12441/2009	Currie, Brendan; 25-01A, A plastic honeycomb type paving system, 07 Jul 2009	12436/2009
Bonds Industries Pty Ltd; 02-01B, Infant garment, 06 Jul 2009	12440/2009	D & C Design Pty Ltd; 08-99, Finial, 26 Jun 2009	12320/2009
Botton & Gardiner Urban Furniture Pty Ltd.; 06-01G, Moulded tetra module, 03 Jul 2009	12435/2009	Dan-Foam ApS; 06-09, Pillow, (US, 23 Dec 2008) 23 Jun 2009	12282/2009
		Debenham-Cowley, Karen Lee; Cowley, Andrew Kenneth; 28-03D, An aid for treating or colouring the hair, 03 Jul 2009	12393/2009
		Demodeks Holdings Pty Ltd; 08-08L, Wall bracket, 30 Jun 2009	12373/2009

Didier, Ross; 06-03A, Sled base table, 23 Jun 2009	12285/2009	Gilson SAS; 24-02, Pipettes, (EM, 05 Jan 2009) 02 Jul 2009	12406/2009
Didier, Ross; 06-01F, Slat table chair, 23 Jun 2009	12284/2009	Gilson SAS; 24-02, Pipettes, (EM, 05 Jan 2009) 02 Jul 2009	12407/2009
Directa AB; 24-02, Dental instrument, (EM, 27 Jan 2009) 26 Jun 2009	12304/2009	Grant Olver Investments, trading as Pilgrim Clothing Pty Ltd.; 02-02C, Ladies garments, 06 Jul 2009	12434/2009
Dreamweaver Studios Pty Ltd; 08-05H, Sharpening tool - case B, 30 Jun 2009	12377/2009	Grant Olver Investments trading Pilgrim Clothing Pty Ltd.; 02-02C, Dress, 29 Jan 2009	12433/2009
Dreamweaver Studios Pty Ltd; 08-05H, Sharpening tool - case A, 30 Jun 2009	12376/2009	Grasshopper Outdoors Pty Ltd; 25-01C, 12-10, Caravan & rv rollout awning fully removable tension rafter, 26 Jun 2009	12310/2009
Eberhard, Brian; 12-10, Caravan, 30 Jun 2009	12349/2009	Hauville, Simon; 08-05P, Scaffold spanner, 29 Jun 2009	12329/2009
Elbowroom (Aust) Pty Ltd; 08-06, Stortite mobile shelving, 03 Jul 2009	12391/2009	Hipwell, Damien Scott; 26-05B, Standing lamp, 03 Jul 2009	12424/2009
Elbowroom (Aust) Pty Ltd; 29-99, Stortite mobile shelving, 03 Jul 2009	12392/2009	Horsfall, Russell Alexander; Horsfall, Annalise; 06-02, 06-13B, Cot halo net with fabric sash, 25 Jun 2009	12297/2009
Emery, Vaughn Cameron; 30-03, Stock feeder, 25 Jun 2009	12322/2009	Horsfall, Annalise; Horsfall, Russell Alexander; 06-02, 06-13B, Cot halo net with fabric sash, 25 Jun 2009	12297/2009
Eveready Partitions Pty Ltd; 06-06E, Furniture leg component, 30 Jun 2009	12374/2009	HPNA LLC; 13-03NES, Mat for charging an electronic device, (US, 06 Jan 2009) 03 Jul 2009	12427/2009
EZ-Snap Products Inc.; 08-08NES, Marking and fastening device, (Divisional of 11374/2009) 03 Jul 2009	12426/2009	Illinois Tool Works Inc.; 08-08B, A screw, 06 Jul 2009	12447/2009
EZ-Snap Products Inc.; 08-08NES, Marking and fastening device, (Divisional of 11374/2009) 03 Jul 2009	12425/2009	Illinois Tool Works Inc.; 08-08NES, A cast-in connector, 03 Jul 2009	12421/2009
Fenske Tooling Pty Ltd; 25-02A, Post; extruded plastic; flexible steel picket replacement/ alternative., 02 Jul 2009	12405/2009	IP Co Nominees Pty Ltd; 09-07C, Bottle cap, 24 Jun 2009	12294/2009
Ferrari S.p.A.; 12-08, 21-01C, Car and toy car, (EM, 09 Jan 2009) 02 Jul 2009	12395/2009	IP Co Nominees Pty Ltd; 09-07C, Bottle cap, 24 Jun 2009	12293/2009
Fifty Fourth Rischelle Pty Ltd; 02-02C, Mens clothing, 06 Jul 2009	12437/2009	Join Pty Ltd; 06-01E, Joss Stool, 07 Jul 2009	12442/2009
Filleul, Denys Lloyd Trading as Playground Centre; Filleul, Marcia Ann Trading as Playground Centre; 21-03, A play frame, (NZ, 28 Jan 2009) 07 Jul 2009	12432/2009	JLV Industries Pty Ltd; 15-99, Rocker, 03 Jul 2009	12422/2009
Filleul, Marcia Ann Trading as Playground Centre; Filleul, Denys Lloyd Trading as Playground Centre; 21-03, A play frame, (NZ, 28 Jan 2009) 07 Jul 2009	12432/2009	K.D.B. Engineering Pty Ltd, Care of Hills Industries Limited; 06-01NES, A shower chair shell, 26 Jun 2009	12321/2009
Frankham, Robert Paul; 12-16B, Vehicle canopy, 16 Jun 2009	12408/2009	Karsten Manufacturing Corporation; 21-02C, Golf club head, (US, 22 Apr 2009) 01 Jul 2009	12399/2009
Fuego North America; 07-02E, Outdoor grill, (US, 13 Feb 2009) 06 Jul 2009	12444/2009	Karsten Manufacturing Corporation; 21-02C, Golf club head, (US, 22 Apr 2009) 01 Jul 2009	12400/2009
Fujitsu Ten Limited; 14-03D, Head unit for a vehicle audio system, 30 Jun 2009	12361/2009	Karsten Manufacturing Corporation; 21-02C, Golf club head, (US, 22 Apr 2009) 01 Jul 2009	12401/2009
Giga Signs Pty Ltd; 13-03NES, Portable, hand held, remote, automated trailer light tester and diagnostic unit with rechargeable internal battery in, plastic or metal box/housing, 24 Jun 2009	12255/2009	Karsten Manufacturing Corporation; 21-02C, Golf club head, (US, 22 Apr 2009) 01 Jul 2009	12398/2009
		Karsten Manufacturing Corporation; 21-02C, Golf club head, (US, 22 Apr 2009) 01 Jul 2009	12402/2009

Katz, Marcus A.; 21-01L, Card game table layout, 01 Jul 2009	12386/2009	Melbourne, Keith; 06-01F, Chair, 29 Jun 2009	12309/2009
Khubani, Poonam; 21-02F, Exercise device, (US, 04 May 2009) 15 Jun 2009	12375/2009	Melbourne, Keith; 06-01E, Stool, 29 Jun 2009	12308/2009
Koninklijke Philips Electronics N.V.; 26-04, Lamp, (EM, 19 Jan 2009) 30 Jun 2009	12348/2009	Melbourne, Keith; 06-03B, Table, 29 Jun 2009	12306/2009
Koss Corporation; 14-01, Earphone, (US, 31 Dec 2008) 30 Jun 2009	12351/2009	Melbourne, Keith; 06-01G, Sofa, 29 Jun 2009	12307/2009
Koss Corporation; 14-01, Earphone, (US, 31 Dec 2008) 30 Jun 2009	12352/2009	Micallef, Martin; 14-03B, 20-03B, Triangular three LCD screen advertising stand, 01 Jul 2009	12390/2009
Lafleur, Jerome Armio; 06-01F, Chair, 26 Jun 2009	12300/2009	Michael Kors, LLC; 09-01G, Fragrance bottle, (US, 18 May 2009) 03 Jul 2009	12431/2009
Licciardi Di Stefano, Carmelo Joseph; 12-05, An extended idler (no.2), 29 Jun 2009	12331/2009	Miller, W.H.; 23-01E, , 26 Jun 2009	12313/2009
Licciardi Di Stefano, Carmelo Joseph; 12-05, A retracted idler (no.2), 29 Jun 2009	12332/2009	Myhill Pty Ltd; Seller, Roger; 23-01H, Tapware and bathroom accessories, 06 Jul 2009	12420/2009
Licciardi Di Stefano, Carmelo Joseph; 12-05, An extended idler (no.3), 29 Jun 2009	12333/2009	Novaplas Pty Ltd; 25-01E, , 26 Jun 2009	12319/2009
Licciardi Di Stefano, Carmelo Joseph; 12-05, A core extended idler (no.3), 29 Jun 2009	12334/2009	Nuna International B.V.; 02-07A, Buckle, (US, 29 Jan 2009) 29 Jun 2009	12337/2009
Licciardi Di Stefano, Carmelo Joseph; 12-05, An idler (no.3), 29 Jun 2009	12335/2009	Nuna International B.V.; 12-12, Wheel for a stroller, (CN, 23 Jan 2009) 29 Jun 2009	12338/2009
Licciardi Di Stefano, Carmelo Joseph; 12-05, A retracted idler (no.3), 29 Jun 2009	12336/2009	Orica International IP Holdings Inc.; 07-01NES, Lid, 24 Jun 2009	12288/2009
Licciardi Di Stefano, Carmelo Joseph; 12-05, An idler (no.2), 29 Jun 2009	12330/2009	Pac Vac Pty Ltd; 15-05, Vacuum cleaner, 03 Jul 2009	12394/2009
Linden, Ludwig; 21-01B, Doll/sculpture, (EM, 30 Dec 2008) 26 Jun 2009	12318/2009	Plastec Australia Pty Ltd; 23-01A, A pipe fitting, 03 Jul 2009	12414/2009
LG Electronics Inc.; 14-03A, Mobile phone, (KR, 10 Mar 2009) 30 Jun 2009	12350/2009	Plastec Australia Pty Ltd; 23-01A, A pipe fitting, 03 Jul 2009	12409/2009
Mag Instrument, Inc.; 26-02, Flashlight, (US, 14 Jan 2009) 03 Jul 2009	12419/2009	Plastec Australia Pty Ltd; 23-01A, A pipe fitting, 03 Jul 2009	12411/2009
Maliform Pty Ltd; 23-01NES, Apparatus for dispensing water, 23 Jun 2009	12257/2009	Plastec Australia Pty Ltd; 23-01A, A pipe fitting, 03 Jul 2009	12410/2009
Marnic Enterprises; 03-01B, Chair bag, 22 Jun 2009	12283/2009	Plastec Australia Pty Ltd; 23-01A, A pipe fitting, 03 Jul 2009	12412/2009
McDonald, Stephen John; 11-02E, 07-99NES, Fridge magnets, 01 Jul 2009	12382/2009	Pragma Design; 20-03NES, Sign, 07 Jul 2009	12446/2009
McDonald, Stephen John; 11-02E, 07-99NES, Fridge magnets, 01 Jul 2009	12383/2009	Pragma Design; 20-03NES, Sign, 07 Jul 2009	12445/2009
McDonald, Stephen John; 11-02E, Fridge magnets, 01 Jul 2009	12384/2009	Preston, John Clement; 25-01E, 08-08K, Fence panel support foot, 03 Jul 2009	12415/2009
McSpadden, Neta Isabelle; 99-00, Ashes cardboard burial cyclinder and personalised carry bag, 25 Jun 2009	12295/2009	Reckitt & Colman (Overseas) Limited; 28-03A, Depilatory device, (EM, 26 Dec 2008) 24 Jun 2009	12290/2009
Meher Trailer Products Pty Ltd; 12-16A, 12-16L, Jockey wheel, 29 Jun 2009	12323/2009	Sanyang Industry Co., Ltd; 12-11, Motorcycle, 26 Jun 2009	12324/2009
		Scales, Alexander Patrick; 25-03, Modular building unit, 03 Jul 2009	12423/2009

Schott, Bradley; 06-01E, Bar stool, stool, table, 07 Jul 2009	12455/2009	The Libman Company; 04-01, Bristle portion of a broom head, (Divisional of 11239/2009) 09 Apr 2009	12258/2009
Scott, Wayne; 12-16K, Roof top carrier lid, 29 Jun 2009	12327/2009	The Libman Company; 04-01, Bristle portion of a broom head, (Divisional of 11239/2009) 09 Apr 2009	12259/2009
Scott, Wayne; 12-16K, Roof top carrier tray, 29 Jun 2009	12328/2009	Toshiba Tec Kabushiki Kaisha; 18-01, Controller of a cash register for a point of sales terminal, (JP, 29 Jan 2009) 06 Jul 2009	12443/2009
Seapa Pty Ltd; 22-05, Oyster basket cross-staking attachment, 24 Jun 2009	12287/2009	Turborich Trading Ltd; 09-09, 09-99, Bin wheel, 29 Apr 2009	12240/2009
Seller, Roger; Myhill Pty Ltd; 23-01H, Tapware and bathroom accessories, 06 Jul 2009	12420/2009	Turner, Michael; 06-01L, Chair 2.1, 29 Jun 2009	12340/2009
Shachihata Inc.; 19-06, Marking pen, (JP, 06 Jan 2009) 29 Jun 2009	12343/2009	TELWIN S.P.A.; 08-05M, A welding machine, (EM, 30 Mar 2009) 24 Jun 2009	12291/2009
Smith, Terrence Edward; Williams, Nicholas Powell; 14-03NES, Communications data hub recessed., 26 Jun 2009	12311/2009	TELWIN S.P.A.; 08-05M, A welding machine, (EM, 30 Mar 2009) 24 Jun 2009	12292/2009
Societe des Produits Nestle S.A.; 07-01D, Cup, (CH, 04 Mar 2009) 03 Jul 2009	12416/2009	Unilever PLC; 31-00, Beverage preparation device, (GB, 24 Jan 2009) 01 Jul 2009	12404/2009
Sony Computer Entertainment Inc.; 21-01N, Arithmetic and control unit, (JP, 12 Feb 2009) 30 Jun 2009	12369/2009	Unilever PLC; 31-00, Beverage preparation device, (GB, 24 Jan 2009) 01 Jul 2009	12403/2009
Sony Computer Entertainment Inc.; 21-01N, Arithmetic and control unit, (JP, 12 Feb 2009) 30 Jun 2009	12370/2009	Wa, Vincent Chan Kun; 06-03A, Table, 24 Jun 2009	12289/2009
Sony Computer Entertainment Inc.; 21-01N, Arithmetic and control unit, (JP, 12 Feb 2009) 30 Jun 2009	12371/2009	Weld-Spec Pty Ltd; 09-03K, Modular roof design for containers, 18 Jun 2009	12239/2009
Tepra Pty Ltd; 12-16NES, Linear camber adjuster for the use on go karts, 25 Jun 2009	12417/2009	White, Paul; White, Isabel; 06-04D, 06-04F, , 30 Jun 2009	12339/2009
Tepra Pty Ltd; 12-16NES, Go kart chassis alignment adjuster comprises of parts A, B and C shown in the design, 06 Jul 2009	12418/2009	White, Isabel; White, Paul; 06-04D, 06-04F, , 30 Jun 2009	12339/2009
Tepra Pty Ltd; 12-16NES, Linear camber (part A&B) and castor (part C&D) adjusters for the use on Go-karts., 25 Jun 2009	12298/2009	White, Paul; White, Isabel; 06-04D, 06-04F, , 30 Jun 2009	12344/2009
The Coca-Cola Company; 09-01NES, Bottle, (US, 26 Jan 2009) 02 Jul 2009	12397/2009	White, Isabel; White, Paul; 06-04D, 06-04F, , 30 Jun 2009	12344/2009
The Coleman Company, Inc.; 21-02D, 29-02, Personal flotation device, 29 Jun 2009	12326/2009	White, Paul; White, Isabel; 06-04D, 06-04F, , 30 Jun 2009	12345/2009
The Coleman Company, Inc.; 26-02, 09-03NES, Lantern carry case, (US, 06 Jan 2009) 06 Jul 2009	12439/2009	Williams, Nicholas Powell; Smith, Terrence Edward; 14-03NES, Communications data hub recessed., 26 Jun 2009	12311/2009
The Decor Corporation Pty Ltd; 09-03NES, Container, 29 Jun 2009	12341/2009	Williams, Simon; 12-11, Tilting electric motorcycle - the "Williams Electric" MK I, 22 Jun 2009	12254/2009
The Decor Corporation Pty Ltd; 09-03F, Lid for container, 29 Jun 2009	12342/2009	Wilton Industries, Inc.; 09-07A, Pour and seal assembly, (US, 19 Jun 2009) 26 Jun 2009	12316/2009
The Goodyear Tire & Rubber Company; 12-15D, Tyre for motorcycle, (JP, 09 Jan 2009) 26 Jun 2009	12305/2009	Wolfedale Engineering Limited; 07-02E, Barbeque, (CA, 17 Nov 2008) 11 Feb 2009	12260/2009
		Wolfedale Engineering Limited; 07-02E, Barbeque, (CA, 17 Nov 2008) 11 Feb 2009	12261/2009

Wolfedale Engineering Limited; 07-02E, Barbeque, (CA, 17 Nov 2008) 11 Feb 2009	12262/2009	Xinhua Wheel Products Australia Pty Ltd; 12-16A, Alloy wheel, 30 Jun 2009	12360/2009
Wolfedale Engineering Limited; 07-02E, Barbeque, (CA, 17 Nov 2008) 11 Feb 2009	12263/2009	Xinhua Wheel Products Australia Pty Ltd; 12-16A, Alloy wheel, 30 Jun 2009	12362/2009
Wolfedale Engineering Limited; 07-02E, Barbecue, (Divisional of 10390/2009) 11 Feb 2009	12264/2009	Xinhua Wheel Products Australia Pty Ltd; 12-16A, Alloy wheel, 30 Jun 2009	12363/2009
Wu, Yuewei; 08-03, A utility knife, 25 Jun 2009	12296/2009	Xinhua Wheel Products Australia Pty Ltd; 12-16A, Alloy wheel, 30 Jun 2009	12365/2009
Wynne, Liana; Wynne, Noel; 07-05NES, This design is an addition to design registration numbers: 325739 and 325740 (Registered in March 2009), 01 Jul 2009	12347/2009	Xinhua Wheel Products Australia Pty Ltd; 12-16A, Alloy wheel, 30 Jun 2009	12366/2009
Wynne, Noel; Wynne, Liana; 07-05NES, This design is an addition to design registration numbers: 325739 and 325740 (Registered in March 2009), 01 Jul 2009	12347/2009	Xinhua Wheel Products Australia Pty Ltd; 12-16A, Wheel centre cap with logo, 30 Jun 2009	12367/2009
Xinhua Wheel Products Australia Pty Ltd; 12-16A, Alloy wheel, 30 Jun 2009	12353/2009	Xinhua Wheel Products Australia Pty Ltd; 12-16A, Alloy wheel, 30 Jun 2009	12368/2009
Xinhua Wheel Products Australia Pty Ltd; 12-16A, Alloy wheel, 30 Jun 2009	12354/2009	Xmas-Mil Display Products Pty Ltd; 11-04, Structural steel framed christmas trees (artificial) from 3 metres to 33 metres (plus) in height, 22 Jun 2009	12387/2009
Xinhua Wheel Products Australia Pty Ltd; 12-16A, Alloy wheel, 30 Jun 2009	12355/2009	Xmas-Mil Display Products Pty Ltd; 11-04, Structural steel framed christmas trees (artificial) from 3 metres to 33 metres (plus) in height, 22 Jun 2009	12388/2009
Xinhua Wheel Products Australia Pty Ltd; 12-16A, Alloy wheel, 30 Jun 2009	12356/2009	Xmas-Mil Display Products Pty Ltd; 11-04, Structural steel framed christmas trees (artificial) from 3 metres to 33 metres (plus) in height, 22 Jun 2009	12389/2009
Xinhua Wheel Products Australia Pty Ltd; 12-16A, Alloy wheel, 30 Jun 2009	12357/2009	Y-Gen Enterprises Pty Ltd; 06-04E, Food storage cabinet, 26 Jun 2009	12302/2009
Xinhua Wheel Products Australia Pty Ltd; 12-16A, Alloy wheel, 30 Jun 2009	12358/2009		
Xinhua Wheel Products Australia Pty Ltd; 12-16A, Alloy wheel, 30 Jun 2009	12359/2009		

Applications Lapsed

14830 / 2008 (20-01)	15943 / 2008 (09-01NES)
10886 / 2009 (07-02A)	10908 / 2009 (07-01C)
11094 / 2009 (07-06NES)	11189 / 2009 (13-99)
11190 / 2009 (13-99)	11191 / 2009 (13-99)
11310 / 2009 (12-16C)	12172 / 2009 (07-01C)
12173 / 2009 (07-01C)	12174 / 2009 (07-01C)

Extension of Period of Registration of Designs

300025	300026	300027
300028	300029	300034
300035	300036	300037
300038	300040	300041
300046	300082	300092
300098	300100	300118
300125	300126	300166
300167	300169	300170
300171	300172	300173
300174	300194	300195
300196	300220	300221
300222	300223	300224
300225	300226	300227
300228	300231	300279
300293	300294	300304
300332	300336	300337
300381	300402	300403
300408	300459	300471
300472	300484	300566
300614	300615	300616
300617	300663	300671
300721	300841	300863
301161	301175	301182
301581	304605	

Extensions of time granted under Section 137

Applications lodged under section 137 for extension of time have been granted.

11035/2009 **Fingo Products Pty Ltd**

12265/2009 **Bayer Schering Pharma AG**

12266/2009 **Bayer Schering Pharma AG**

12267/2009 **Bayer Schering Pharma AG**

12268/2009 **Bayer Schering Pharma AG**

12269/2009 **Bayer Schering Pharma AG**

12270/2009 **Bayer Schering Pharma AG**

12271/2009 **Bayer Schering Pharma AG**

12272/2009 **Bayer Schering Pharma AG**

12273/2009 **Bayer Schering Pharma AG**

12274/2009 **Bayer Schering Pharma AG**

12275/2009 **Bayer Schering Pharma AG**

12276/2009 **Bayer Schering Pharma AG**

Corrigenda

Number 326567

In Vol 23 , No 12 , page 2125 under the heading **Applications Lapsed**; Design No. 15612/2008 (12-15A) should be deleted.

Number 15126/2008

In Vol 22 , No 24 , page 2863 under the heading **Applications Withdrawn**; Advertised withdrawn in error.

Number 326091

In Vol 23 , No 11 , page 2097 under the heading **Australian Registered Design**; (72) Names(s) of Deisgner(s) should read: David Baird and Austin Unsworth.

Certificate(s) of Examination

Examination of the following Design Registration(s) has been completed. Infringement proceedings may now be commenced.

319080	28-99	30/06/2009
319081	28-99	30/06/2009
319546	13-03NES	03/07/2009
319547	13-03NES	03/07/2009
320043	19-99	30/06/2009
321137	13-03E	06/07/2009
321138	13-03E	06/07/2009
321206	13-03E	07/07/2009
321207	13-03E	06/07/2009
321209	13-03E	06/07/2009
321216	13-03C	03/07/2009
322040	07-01B	30/06/2009
322041	07-01B	30/06/2009
322042	07-01A	01/07/2009
322043	07-01A	01/07/2009
323117	14-02	07/07/2009
323182	08-07	01/07/2009
323241	15-05	07/07/2009
323336	14-03NES	02/07/2009
323666	07-99C	06/07/2009
324302	09-03NES	26/06/2009
324491	02-01A	26/06/2009
324492	02-01A	26/06/2009
324530	09-01K	30/06/2009
324579	12-15E	07/07/2009
324580	12-15E	07/07/2009
324699	04-01	26/06/2009
324700	04-01	26/06/2009
324779	05-05B	25/06/2009
324810	25-02C	30/06/2009
324811	25-02C	29/06/2009
324812	25-02C	29/06/2009
324959	23-02B	29/06/2009
324960	23-02B	29/06/2009
324961	23-02B	29/06/2009
324998	06-02	29/06/2009
324999	03-01NES	30/06/2009
325003	06-01D	30/06/2009
325004	06-01D	30/06/2009
325021	24-02	02/07/2009
325026	24-02	02/07/2009
325027	24-02	02/07/2009
325029	06-02	29/06/2009
325061	21-01K	03/07/2009
325075	14-01	06/07/2009
325076	14-01	06/07/2009
325077	14-01	06/07/2009
325639	07-04	07/07/2009
325640	07-04	07/07/2009
325665	23-01NES	07/07/2009
325667	23-01NES	07/07/2009
325668	15-99	07/07/2009
325672	23-01NES	07/07/2009
325673	23-01NES	07/07/2009

Publication and Registration Proceedings

Designs Registered

This section provides a concordance between design number and registration number of Designs covered in this journal. It also shows the main class and registration date.

This section covers Registration numbers 326558 to 326694 .

The registration number shown below should be used in all future correspondence.

Design Number	Registration Number	International Classification Code (IDC)	Registration Date	Design Number	Registration Number	International Classification Code (IDC)	Registration Date
15147/2008	326690	06-04D	09/07/2009	12055/2009	326598	22-06	30/06/2009
15458/2008	326608	25-01K	02/07/2009	12056/2009	326599	02-03	30/06/2009
15612/2008	326567	12-15A	26/06/2009	12057/2009	326600	12-16NES	30/06/2009
16033/2008	326646	10-04	03/07/2009	12058/2009	326601	12-11	30/06/2009
10001/2009	326609	24-99	02/07/2009	12060/2009	326602	09-01NES	30/06/2009
10102/2009	326558	07-02E	26/06/2009	12062/2009	326594	12-15A	30/06/2009
10390/2009	326561	07-02E	26/06/2009	12063/2009	326595	12-15A	30/06/2009
10856/2009	326689	25-03	08/07/2009	12065/2009	326596	12-15B	30/06/2009
11035/2009	326643	06-04NES	03/07/2009	12066/2009	326597	12-15B	30/06/2009
11235/2009	326566	07-07A	26/06/2009	12071/2009	326605	12-15C	30/06/2009
11239/2009	326572	04-01	26/06/2009	12073/2009	326606	12-15NES	30/06/2009
11248/2009	326638	13-02	03/07/2009	12075/2009	326607	12-15NES	30/06/2009
11249/2009	326639	13-02	03/07/2009	12081/2009	326611	13-03NES	01/07/2009
11250/2009	326640	13-02	03/07/2009	12082/2009	326612	13-03NES	01/07/2009
11251/2009	326641	13-02	03/07/2009	12083/2009	326613	13-03NES	01/07/2009
11340/2009	326575	15-05	26/06/2009	12084/2009	326614	13-03NES	01/07/2009
11341/2009	326576	15-05	26/06/2009	12085/2009	326615	12-16NES	01/07/2009
11342/2009	326577	15-05	26/06/2009	12095/2009	326617	26-04	01/07/2009
11363/2009	326568	02-02C	26/06/2009	12096/2009	326618	26-04	01/07/2009
11364/2009	326569	02-02NES	26/06/2009	12097/2009	326619	12-15B	01/07/2009
11365/2009	326570	02-02NES	26/06/2009	12098/2009	326620	31-00	01/07/2009
11366/2009	326571	02-02C	26/06/2009	12099/2009	326621	28-03A	01/07/2009
11374/2009	326680	08-08NES	08/07/2009	12101/2009	326622	08-08L	01/07/2009
11379/2009	326642	15-01	03/07/2009	12102/2009	326623	08-08L	01/07/2009
11472/2009	326632	09-09	02/07/2009	12103/2009	326624	12-10	01/07/2009
11559/2009	326610	25-01D	02/07/2009	12104/2009	326625	07-02G	01/07/2009
11643/2009	326685	04-02	08/07/2009	12106/2009	326665	15-02	08/07/2009
11644/2009	326686	25-01K	08/07/2009	12107/2009	326603	03-01A	30/06/2009
11791/2009	326687	08-07	08/07/2009	12108/2009	326604	06-13A	30/06/2009
11793/2009	326688	02-04A	08/07/2009	12110/2009	326631	23-02E	02/07/2009
11810/2009	326644	06-13B	03/07/2009	12114/2009	326628	21-02D	02/07/2009
11924/2009	326645	23-02B	03/07/2009	12115/2009	326629	06-04F	02/07/2009
11945/2009	326681	08-03	08/07/2009	12116/2009	326630	06-04F	02/07/2009
12022/2009	326559	19-01	26/06/2009	12118/2009	326616	04-02	01/07/2009
12024/2009	326560	26-06	26/06/2009	12121/2009	326634	09-01K	03/07/2009
12025/2009	326655	09-01K	07/07/2009	12122/2009	326635	09-01K	03/07/2009
12026/2009	326626	25-04	02/07/2009	12123/2009	326666	14-02	08/07/2009
12035/2009	326588	09-07B	29/06/2009	12124/2009	326667	07-02L	08/07/2009
12038/2009	326583	23-01A	29/06/2009	12126/2009	326650	12-15B	06/07/2009
12039/2009	326584	23-01A	29/06/2009	12127/2009	326651	28-99	06/07/2009
12040/2009	326585	23-01A	29/06/2009	12128/2009	326652	28-99	06/07/2009
12041/2009	326586	23-01A	29/06/2009	12129/2009	326653	28-99	06/07/2009
12042/2009	326587	23-01A	29/06/2009	12133/2009	326647	03-01B	06/07/2009
12043/2009	326589	23-01A	29/06/2009	12134/2009	326648	02-02B	06/07/2009
12044/2009	326590	23-01A	29/06/2009	12146/2009	326649	23-01K	06/07/2009
12045/2009	326591	23-01A	29/06/2009	12147/2009	326662	07-04	07/07/2009
12046/2009	326592	23-01A	29/06/2009	12148/2009	326663	07-04	07/07/2009
12047/2009	326593	23-01A	29/06/2009	12149/2009	326664	07-04	07/07/2009
12048/2009	326578	23-01A	29/06/2009	12150/2009	326656	07-06C	07/07/2009
12049/2009	326579	23-01A	29/06/2009	12151/2009	326657	10-04	07/07/2009
12050/2009	326580	23-01A	29/06/2009	12152/2009	326658	10-04	07/07/2009
12052/2009	326581	20-02C	29/06/2009	12153/2009	326659	08-05L	07/07/2009
12053/2009	326582	08-06	29/06/2009	12154/2009	326682	08-08C	08/07/2009

Publication and Registration Proceedings - Designs Registered cont'd

Design Number	Registration Number	International Classification Code (IDC)	Registration Date	Design Number	Registration Number	International Classification Code (IDC)	Registration Date
12156/2009	326683	26-04	08/07/2009	12191/2009	326660	21-02NES	07/07/2009
12157/2009	326684	26-04	08/07/2009	12192/2009	326661	21-02NES	07/07/2009
12158/2009	326678	07-02A	08/07/2009	12196/2009	326694	09-03F	09/07/2009
12159/2009	326668	02-04A	08/07/2009	12229/2009	326693	08-05NES	09/07/2009
12163/2009	326679	07-02L	08/07/2009	12240/2009	326633	09-09	02/07/2009
12164/2009	326669	08-99	08/07/2009	12258/2009	326573	04-01	26/06/2009
12165/2009	326670	08-99	08/07/2009	12259/2009	326574	04-01	26/06/2009
12166/2009	326671	13-03B	08/07/2009	12260/2009	326562	07-02E	26/06/2009
12167/2009	326672	13-03B	08/07/2009	12261/2009	326563	07-02E	26/06/2009
12168/2009	326673	08-99	08/07/2009	12262/2009	326564	07-02E	26/06/2009
12169/2009	326674	13-03B	08/07/2009	12263/2009	326565	07-02E	26/06/2009
12175/2009	326675	12-16B	08/07/2009	12312/2009	326654	05-06NES	06/07/2009
12177/2009	326677	26-04	08/07/2009	12375/2009	326637	21-02F	03/07/2009
12178/2009	326636	21-02F	03/07/2009	12378/2009	326691	06-04D	09/07/2009
12189/2009	326692	08-05K	09/07/2009	12408/2009	326676	12-16B	08/07/2009
12190/2009	326627	20-02E	02/07/2009				

Publication and Registration Proceedings
Class Listing of Designs Published or Registered

The following section shows an International Classification Code listing of the Registered or Published Designs covered in this supplement.

Classification	Registration Number	Design Number	Classification	Registration Number	Design Number
02-02 B	326648	12134/2009	08-99	326673	12168/2009
02-02 C	326568	11363/2009	09-01 K	326634	12121/2009
02-02 C	326571	11366/2009	09-01 K	326635	12122/2009
02-02 NES	326569	11364/2009	09-01 K	326655	12025/2009
02-02 NES	326570	11365/2009	09-01 NES	326602	12060/2009
02-03	326599	12056/2009	09-03 F	326694	12196/2009
02-04 A	326668	12159/2009	09-07 B	326588	12035/2009
02-04 A	326688	11793/2009	09-09	326632	11472/2009
03-01 A	326603	12107/2009	09-09	326633	12240/2009
03-01 B	326647	12133/2009	09-99	326632	11472/2009
04-01	326572	11239/2009	09-99	326633	12240/2009
04-01	326573	12258/2009	10-04	326646	16033/2008
04-01	326574	12259/2009	10-04	326657	12151/2009
04-02	326616	12118/2009	10-04	326658	12152/2009
04-02	326685	11643/2009	12-10	326624	12103/2009
05-06 NES	326654	12312/2009	12-11	326601	12058/2009
06-04 B	326638	11248/2009	12-15 A	326567	15612/2008
06-04 B	326639	11249/2009	12-15 A	326594	12062/2009
06-04 B	326640	11250/2009	12-15 A	326595	12063/2009
06-04 B	326641	11251/2009	12-15 B	326596	12065/2009
06-04 D	326690	15147/2008	12-15 B	326597	12066/2009
06-04 D	326691	12378/2009	12-15 B	326619	12097/2009
06-04 F	326629	12115/2009	12-15 B	326650	12126/2009
06-04 F	326630	12116/2009	12-15 C	326605	12071/2009
06-04 NES	326643	11035/2009	12-15 NES	326606	12073/2009
06-13 A	326604	12108/2009	12-15 NES	326607	12075/2009
06-13 B	326644	11810/2009	12-16 B	326675	12175/2009
07-01 NES	326588	12035/2009	12-16 B	326676	12408/2009
07-02 A	326678	12158/2009	12-16 NES	326600	12057/2009
07-02 E	326558	10102/2009	12-16 NES	326615	12085/2009
07-02 E	326561	10390/2009	13-02	326638	11248/2009
07-02 E	326562	12260/2009	13-02	326639	11249/2009
07-02 E	326563	12261/2009	13-02	326640	11250/2009
07-02 E	326564	12262/2009	13-02	326641	11251/2009
07-02 E	326565	12263/2009	13-03 B	326669	12164/2009
07-02 G	326625	12104/2009	13-03 B	326670	12165/2009
07-02 L	326667	12124/2009	13-03 B	326671	12166/2009
07-02 L	326679	12163/2009	13-03 B	326672	12167/2009
07-03	326657	12151/2009	13-03 B	326673	12168/2009
07-04	326662	12147/2009	13-03 B	326674	12169/2009
07-04	326663	12148/2009	13-03 NES	326611	12081/2009
07-04	326664	12149/2009	13-03 NES	326612	12082/2009
07-06 C	326656	12150/2009	13-03 NES	326613	12083/2009
07-07 A	326566	11235/2009	13-03 NES	326614	12084/2009
08-03	326681	11945/2009	14-02	326666	12123/2009
08-05 K	326692	12189/2009	15-01	326642	11379/2009
08-05 L	326659	12153/2009	15-02	326642	11379/2009
08-05 NES	326693	12229/2009	15-02	326665	12106/2009
08-06	326582	12053/2009	15-05	326575	11340/2009
08-07	326687	11791/2009	15-05	326576	11341/2009
08-08 C	326682	12154/2009	15-05	326577	11342/2009
08-08 L	326622	12101/2009	19-01	326559	12022/2009
08-08 L	326623	12102/2009	20-02 C	326581	12052/2009
08-08 NES	326680	11374/2009	20-02 E	326627	12190/2009
08-99	326669	12164/2009	21-02 D	326628	12114/2009
08-99	326670	12165/2009	21-02 F	326636	12178/2009

Registration Proceedings - Class Listing of Designs Published or Registered cont'd

Classification	Registration Number	Design Number	Classification	Registration Number	Design Number
21-02 F	326637	12375/2009	23-04	326615	12085/2009
21-02 NES	326660	12191/2009	24-99	326609	10001/2009
21-02 NES	326661	12192/2009	25-01 D	326610	11559/2009
22-06	326598	12055/2009	25-01 K	326608	15458/2008
23-01 A	326578	12048/2009	25-01 K	326686	11644/2009
23-01 A	326579	12049/2009	25-03	326689	10856/2009
23-01 A	326580	12050/2009	25-04	326626	12026/2009
23-01 A	326583	12038/2009	26-04	326617	12095/2009
23-01 A	326584	12039/2009	26-04	326618	12096/2009
23-01 A	326585	12040/2009	26-04	326677	12177/2009
23-01 A	326586	12041/2009	26-04	326683	12156/2009
23-01 A	326587	12042/2009	26-04	326684	12157/2009
23-01 A	326589	12043/2009	26-06	326560	12024/2009
23-01 A	326590	12044/2009	28-03 A	326621	12099/2009
23-01 A	326591	12045/2009	28-99	326651	12127/2009
23-01 A	326592	12046/2009	28-99	326652	12128/2009
23-01 A	326593	12047/2009	28-99	326653	12129/2009
23-01 K	326649	12146/2009	29-02	326600	12057/2009
23-02 B	326645	11924/2009	31-00	326620	12098/2009
23-02 E	326631	12110/2009			

(21) Design Number: **10102/2009**

(22) Date of Filing Application: **14 January 2009**

(24) Date from which industrial property rights may have effect: **14 January 2009**

(54) Product in respect of which the design is registered: **Barbecue**

(51) International Design Classification: **07-02E**

(71) Name(s) and Address(s) of Applicant(s):

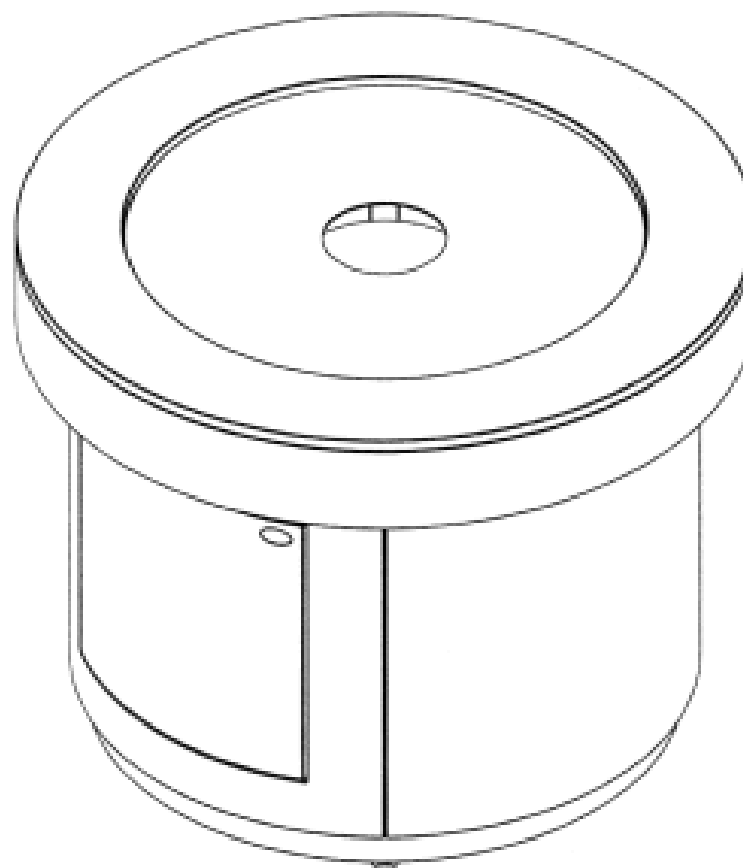
**Luxuria Global Pty Ltd
3/3 Catherine Street Caulfield North Victoria 3161 Australia**

(72) Name(s) of Designer(s): **Ian Rochfort and Samantha Woodward**

(45) Registration Date: **26 June 2009**

(56) Related Art Documents: **Not Applicable**

(57) Statement of Newness and Distinctiveness: **Monopoly is claimed in the shape and/or configuration of the barbecue as shown in the accompanying representations.**



(21) Design Number: **12022/2009**

(22) Date of Filing Application: **02 June 2009**

(24) Date from which industrial property rights may have effect: **02 June 2009**

(54) Product in respect of which the design is registered: **Postcard**

(51) International Design Classification: **19-01**

(71) Name(s) and Address(s) of Applicant(s):

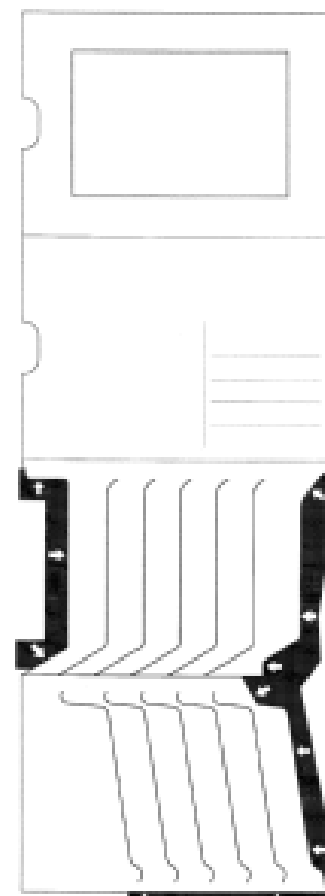
**Oddball Pty Ltd
PO Box 2273 Richmond Victoria 3121 Australia**

(72) Name(s) of Designer(s): **Stuart Parry**

(45) Registration Date: **26 June 2009**

(56) Related Art Documents: **Not Applicable**

(57) Statement of Newness and Distinctiveness: **Multi view card.**



(21) Design Number: **12024/2009**

(22) Date of Filing Application: **03 June 2009**

(24) Date from which industrial property rights may have effect: **03 June 2009**

(54) Product in respect of which the design is registered: **Light**

(51) International Design Classification: **26-06**

(71) Name(s) and Address(s) of Applicant(s):

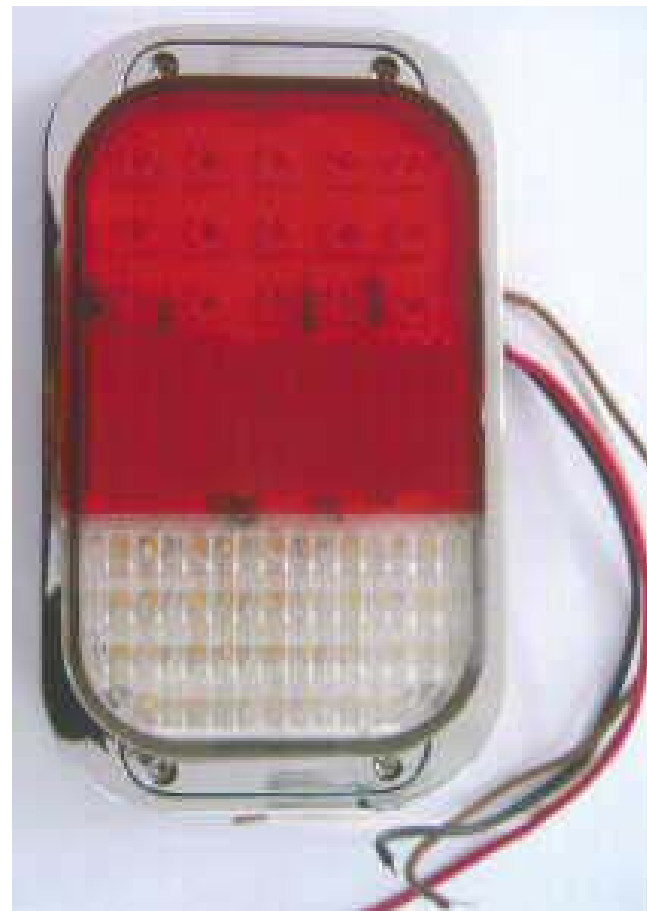
**Advanced Automotive Australia Pty Ltd
909 Metry Street Albury New South Wales 2640 Australia**

(72) Name(s) of Designer(s): **Mark Young**

(45) Registration Date: **26 June 2009**

(56) Related Art Documents: **Not Applicable**

(57) Statement of Newness and Distinctiveness: **New and distinctive with features of stop tail reflector and reverse included in one modular lamp, this modularity can be extended to two and three lamp combinations, the addition of indicator feature can be added in two and three lamp combinations.**



(21) Design Number: **10390/2009**

(22) Date of Filing Application: **11 February 2009**

(24) Date from which industrial property rights may have effect: **11 February 2009**

(54) Product in respect of which the design is registered: **Barbeque**

(51) International Design Classification: **07-02E**

(71) Name(s) and Address(s) of Applicant(s):

**Wolfedale Engineering Limited
2 Walker Drive Brampton Ont L6T 5E1 Canada**

(72) Name(s) of Designer(s): **Sydney Barkhouse and Patrick Minshall and Shawn Long and Orrin Bowser**

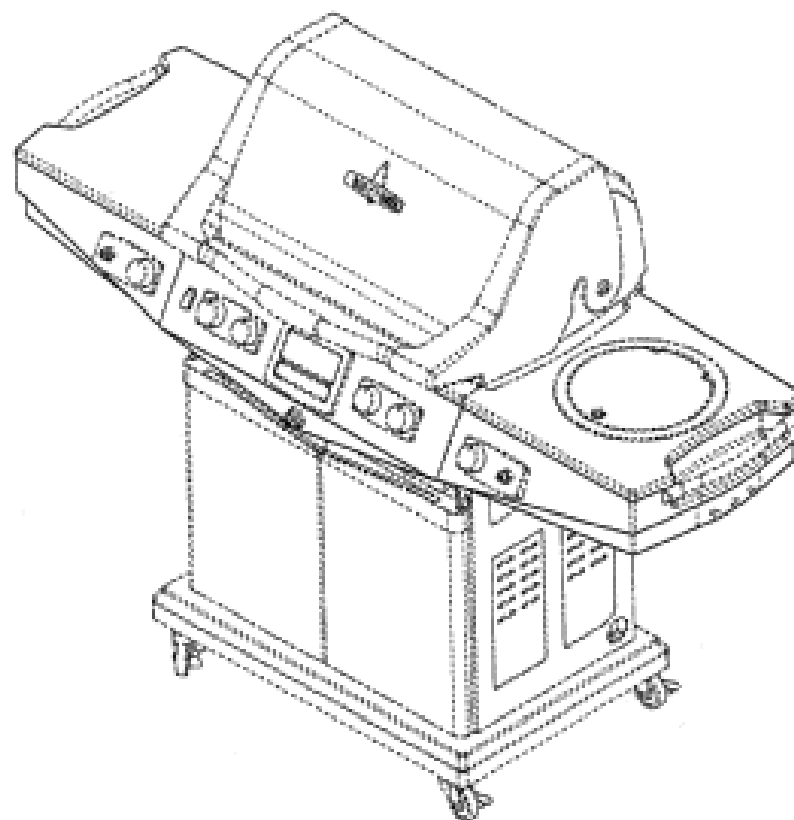
(45) Registration Date: **26 June 2009**

(30) Convention priority data:

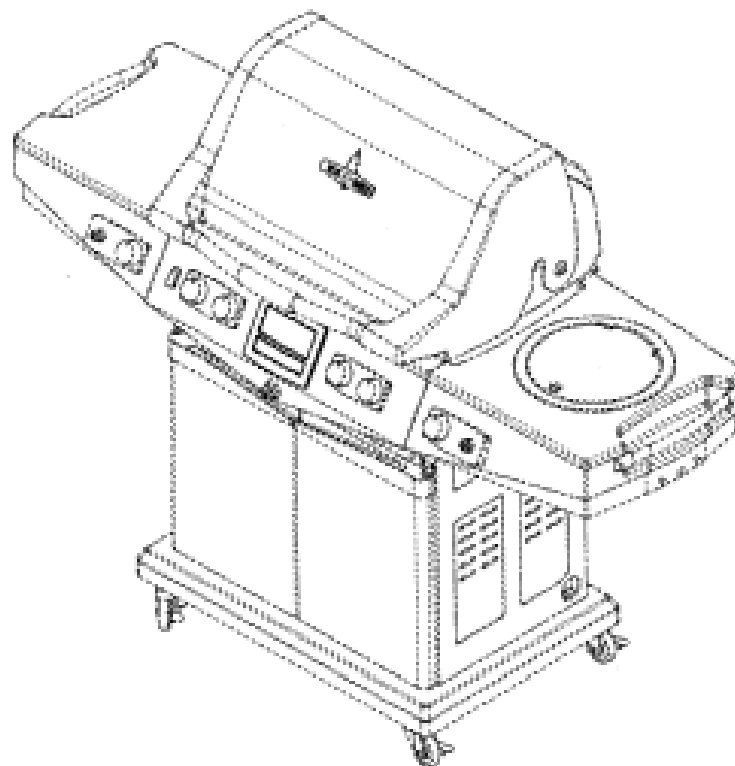
(31) Number	(32) Date	(33) Country
128629	17 Nov 2008	CANADA

(56) Related Art Documents: **Not Applicable**

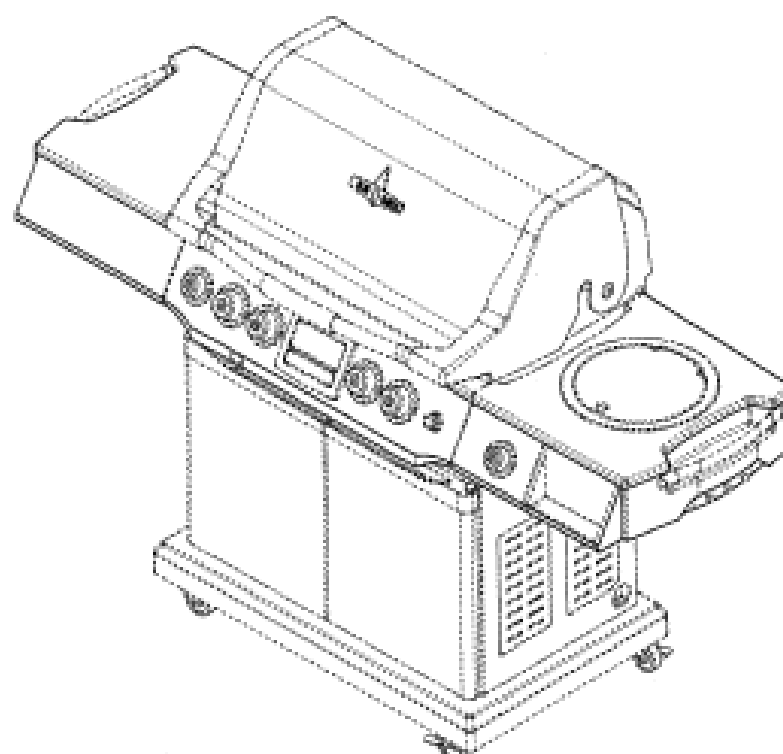
(57) Statement of Newness and Distinctiveness: **The newness and distinctiveness of the design resides in the features of shape and/or configuration of the barbeque shown in unbroken lines in the accompanying drawings.**



- (21) Design Number: **12260/2009**
(22) Date of Filing Application: **11 February 2009**
(24) Date from which industrial property rights may have effect: **11 February 2009**
(54) Product in respect of which the design is registered: **Barbeque**
(51) International Design Classification: **07-02E**
(71) Name(s) and Address(s) of Applicant(s):
Wolfedale Engineering Limited
2 Walker Drive Brampton Ont L6T 5E1 Canada
(72) Name(s) of Designer(s): **Sydney Barkhouse and Patrick Minshall and Shawn Long and Orrin Bowser**
(45) Registration Date: **26 June 2009**
(30) Convention priority data:
(31) Number (32) Date (33) Country
128629 17 Nov 2008 CANADA
(56) Related Art Documents: **Not Applicable**
(57) Statement of Newness and Distinctiveness: **The newness and distinctiveness of the design resides in the features of shape and/or configuration of the barbeque shown in unbroken lines in the accompanying drawings.**

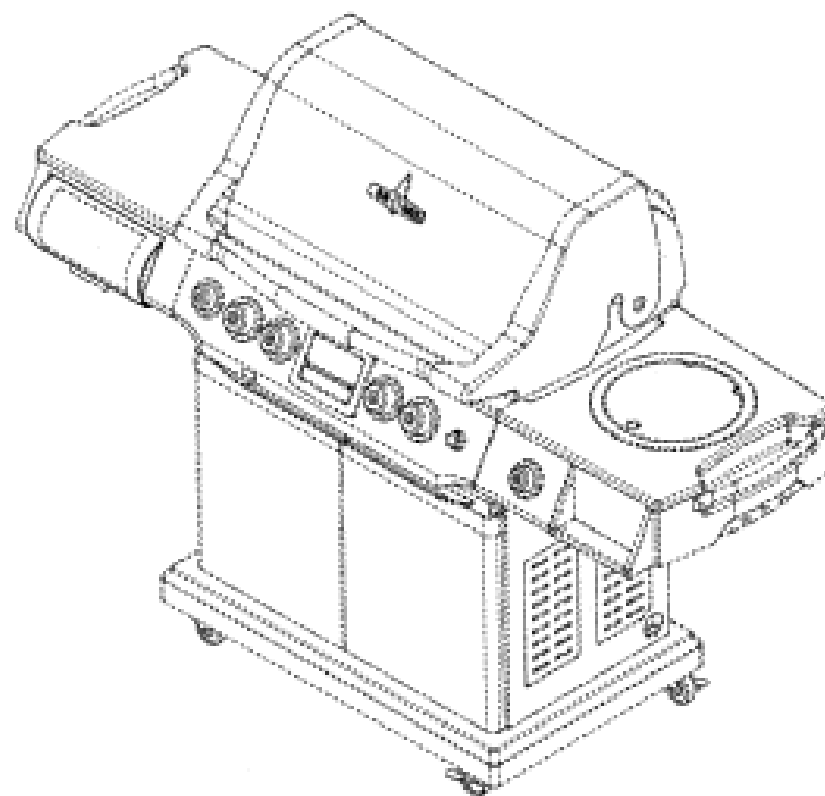


- (21) Design Number: **12261/2009**
(22) Date of Filing Application: **11 February 2009**
(24) Date from which industrial property rights may have effect: **11 February 2009**
(54) Product in respect of which the design is registered: **Barbeque**
(51) International Design Classification: **07-02E**
(71) Name(s) and Address(s) of Applicant(s):
Wolfedale Engineering Limited
2 Walker Drive Brampton Ont L6T 5E1 Canada
(72) Name(s) of Designer(s): **Sydney Barkhouse and Patrick Minshall and Shawn Long and Orrin Bowser**
(45) Registration Date: **26 June 2009**
(30) Convention priority data:
(31) Number (32) Date (33) Country
128629 17 Nov 2008 CANADA
(56) Related Art Documents: **Not Applicable**
(57) Statement of Newness and Distinctiveness: **The newness and distinctiveness of the design resides in the features of shape and/or configuration of the barbeque shown in unbroken lines in the accompanying drawings.**



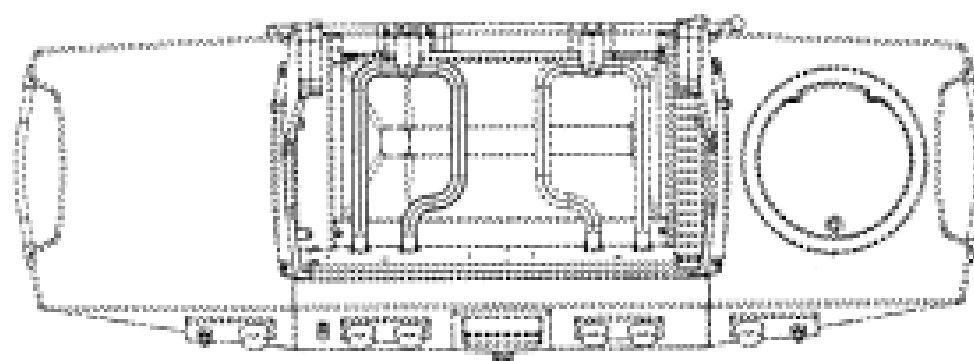
- (21) Design Number: **12262/2009**
- (22) Date of Filing Application: **11 February 2009**
- (24) Date from which industrial property rights may have effect: **11 February 2009**
- (54) Product in respect of which the design is registered: **Barbeque**
- (51) International Design Classification: **07-02E**
- (71) Name(s) and Address(s) of Applicant(s):
Wolfedale Engineering Limited
2 Walker Drive Brampton Ont L6T 5E1 Canada
- (72) Name(s) of Designer(s): **Sydney Barkhouse and Patrick Minshall and Shawn Long and Orrin Bowser**
- (45) Registration Date: **26 June 2009**
- (30) Convention priority data:

(31) Number	(32) Date	(33) Country
128629	17 Nov 2008	CANADA
- (56) Related Art Documents: **Not Applicable**
- (57) Statement of Newness and Distinctiveness: **The newness and distinctiveness of the design resides in the features of shape and/or configuration of the barbeque shown in unbroken lines in the accompanying drawings.**



- (21) Design Number: **12263/2009**
- (22) Date of Filing Application: **11 February 2009**
- (24) Date from which industrial property rights may have effect: **11 February 2009**
- (54) Product in respect of which the design is registered: **Barbeque**
- (51) International Design Classification: **07-02E**
- (71) Name(s) and Address(s) of Applicant(s):
Wolfedale Engineering Limited
2 Walker Drive Brampton Ont L6T 5E1 Canada
- (72) Name(s) of Designer(s): **Patrick Minshall and Sydney Barkhouse and Shawn Long and Orrin Bowser**
- (45) Registration Date: **26 June 2009**
- (30) Convention priority data:

(31) Number	(32) Date	(33) Country
128629	17 Nov 2008	CANADA
- (56) Related Art Documents: **Not Applicable**
- (57) Statement of Newness and Distinctiveness: **The newness and distinctiveness of the design resides in the features of shape and/or configuration of the barbeque shown in unbroken lines in the accompanying drawings.**



(21) Design Number: **11235/2009**

(22) Date of Filing Application: **09 April 2009**

(24) Date from which industrial property rights may have effect: **09 April 2009**

(54) Product in respect of which the design is registered: **Ice box**

(51) International Design Classification: **07-07A**

(71) Name(s) and Address(s) of Applicant(s):

**Yetimo International Pty Ltd
37 Cleveland Street Surry Hills New South Wales 2010 Australia**

(72) Name(s) of Designer(s): **Geney Melek**

(45) Registration Date: **26 June 2009**

(56) Related Art Documents: **Not Applicable**

(57) Statement of Newness and Distinctiveness: **Newness and Distinctiveness resides in the shape and configuration of an Ice Box that has the form of a keg, together with a flat base.**



(21) Design Number: **15612/2008**

(22) Date of Filing Application: **27 November 2008**

(24) Date from which industrial property rights may have effect: **27 November 2008**

(54) Product in respect of which the design is registered: **Automobile tyre**

(51) International Design Classification: **12-15A**

(71) Name(s) and Address(s) of Applicant(s):

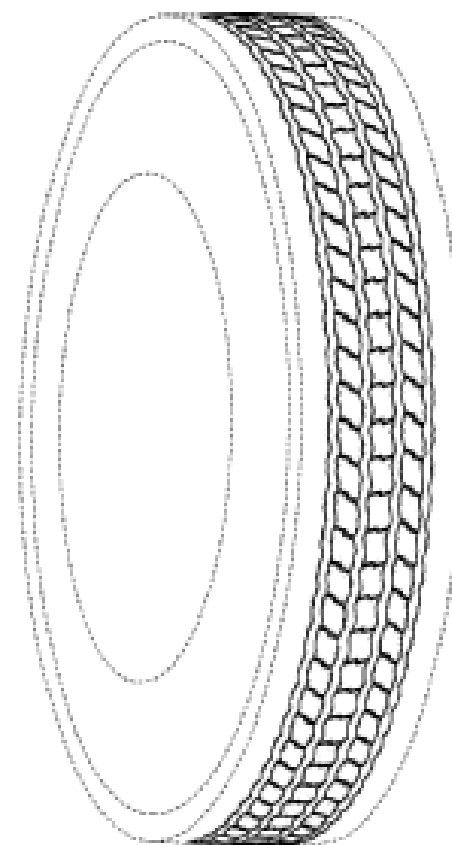
**Bridgestone Corporation
10-1 Kyobashi 1-Chome Chuo-ku Tokyo 104-8340 Japan**

(72) Name(s) of Designer(s): **Makoto Koshio**

(45) Registration Date: **26 June 2009**

(56) Related Art Documents: **Not Applicable**

(57) Statement of Newness and Distinctiveness: **The shape and configuration of the tread portion of the automobile tyre is new and distinctive.**



(21) Design Number: **11363/2009**

(22) Date of Filing Application: **21 April 2009**

(24) Date from which industrial property rights may have effect: **21 April 2009**

(54) Product in respect of which the design is registered: **Ladies jumpsuit**

(51) International Design Classification: **02-02C**

(71) Name(s) and Address(s) of Applicant(s):

Bardot Pty Ltd

63 Victoria Crescent Abbotsford Victoria 3067 Australia

(72) Name(s) of Designer(s): **Hannah Gaunt**

(45) Registration Date: **26 June 2009**

(56) Related Art Documents: **Not Applicable**

(57) Statement of Newness and Distinctiveness: **Nil**



(21) Design Number: **11364/2009**

(22) Date of Filing Application: **21 April 2009**

(24) Date from which industrial property rights may have effect: **21 April 2009**

(54) Product in respect of which the design is registered: **Ladies fashion top**

(51) International Design Classification: **02-02NES**

(71) Name(s) and Address(s) of Applicant(s):

Bardot Pty Ltd

63 Victoria Crescent Abbotsford Victoria 3067 Australia

(72) Name(s) of Designer(s): **Hannah Gaunt**

(45) Registration Date: **26 June 2009**

(56) Related Art Documents: **Not Applicable**

(57) Statement of Newness and Distinctiveness: **Nil**



(21) Design Number: **11365/2009**

(22) Date of Filing Application: **21 April 2009**

(24) Date from which industrial property rights may have effect: **21 April 2009**

(54) Product in respect of which the design is registered: **Ladies fashion top**

(51) International Design Classification: **02-02NES**

(71) Name(s) and Address(s) of Applicant(s):

Bardot Pty Ltd

63 Victoria Crescent Abbotsford Victoria 3067 Australia

(72) Name(s) of Designer(s): **Hannah Gaunt**

(45) Registration Date: **26 June 2009**

(56) Related Art Documents: **Not Applicable**

(57) Statement of Newness and Distinctiveness: **Nil**



(21) Design Number: **11366/2009**

(22) Date of Filing Application: **21 April 2009**

(24) Date from which industrial property rights may have effect: **21 April 2009**

(54) Product in respect of which the design is registered: **Ladies dress**

(51) International Design Classification: **02-02C**

(71) Name(s) and Address(s) of Applicant(s):

Bardot Pty Ltd

63 Victoria Crescent Abbotsford Victoria 3067 Australia

(72) Name(s) of Designer(s): **Hannah Gaunt**

(45) Registration Date: **26 June 2009**

(56) Related Art Documents: **Not Applicable**

(57) Statement of Newness and Distinctiveness: **Nil**



(21) Design Number: **11239/2009**

(22) Date of Filing Application: **09 April 2009**

(24) Date from which industrial property rights may have effect: **09 April 2009**

(54) Product in respect of which the design is registered: **A bristle portion of a broom head**

(51) International Design Classification: **04-01**

(71) Name(s) and Address(s) of Applicant(s):

The Libman Company

220 North Sheldon Arcola Illinois 61910 United States of America

(72) Name(s) of Designer(s): **Robert J. Libman**

(45) Registration Date: **26 June 2009**

(30) Convention priority data:

(31) Number
29/326102

(32) Date
10 Oct 2008

(33) Country
UNITED STATES OF AMERICA

(56) Related Art Documents: **Not Applicable**

(57) Statement of Newness and Distinctiveness: **Newness and distinctiveness reside in the contrasting colours in the bristle portion of the broom head, as illustrated by solid lines in the accompanying representations. The specific colours illustrated in the representations of the design are exemplary only and are intended to represent any combination of contrasting colours. The block portion of the broom head shown in discontinuous outline is for illustrative purposes only and does not form part of the design.**



(21) Design Number: **12258/2009**

(22) Date of Filing Application: **09 April 2009**

(24) Date from which industrial property rights may have effect: **09 April 2009**

(54) Product in respect of which the design is registered: **Bristle portion of a broom head**

(51) International Design Classification: **04-01**

(71) Name(s) and Address(s) of Applicant(s):

The Libman Company

220 North Sheldon Arcola Illinois 61910 United States of America

(72) Name(s) of Designer(s): **Robert J. Libman**

(45) Registration Date: **26 June 2009**

(62) Divisional of: **326572**

(56) Related Art Documents: **Not Applicable**

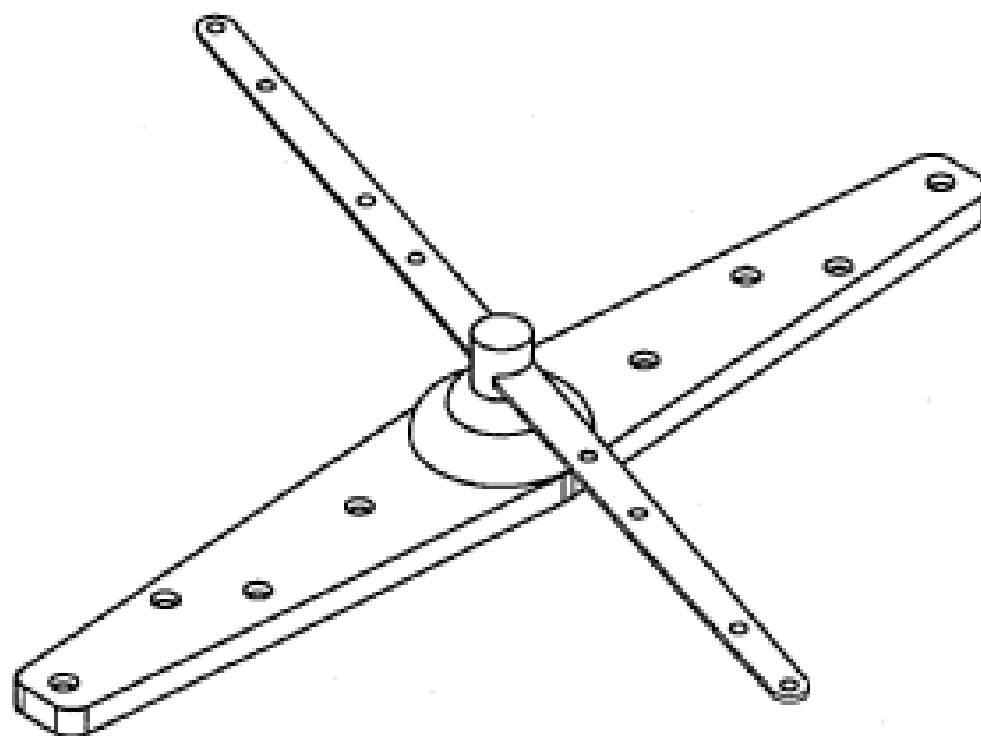
(57) Statement of Newness and Distinctiveness: **Newness and distinctiveness reside in the contrasting colours in the bristle portion of a broom head, as illustrated by solid lines in the accompanying representations. The specific colours illustrated in the representations of the design are exemplary only and are intended to represent any combination of contrasting colours. The block portion of the broom head shown in discontinuous outline is for illustrative purposes only and does not form part of the design.**



- (21) Design Number: **12259/2009**
(22) Date of Filing Application: **09 April 2009**
(24) Date from which industrial property rights may have effect: **09 April 2009**
(54) Product in respect of which the design is registered: **Bristle portion of a broom head**
(51) International Design Classification: **04-01**
(71) Name(s) and Address(s) of Applicant(s):
The Libman Company
220 North Sheldon Arcola Illinois 61910 United States of America
(72) Name(s) of Designer(s): **Robert J. Libman**
(45) Registration Date: **26 June 2009**
(62) Divisional of: **326572**
(56) Related Art Documents: **Not Applicable**
(57) Statement of Newness and Distinctiveness: **Newness and distinctiveness reside in the contrasting colours in the bristle portion of the broom head, as illustrated by solid lines in the accompanying representations. The specific colours illustrated in the representations of the design are exemplary only and are intended to represent any colour of the block portion and any combination of contrasting colours for the bristles.**



- (21) Design Number: **11340/2009**
(22) Date of Filing Application: **23 January 2009**
(24) Date from which industrial property rights may have effect: **23 January 2009**
(54) Product in respect of which the design is registered: **Spray arms**
(51) International Design Classification: **15-05**
(71) Name(s) and Address(s) of Applicant(s):
Premark FEG L.L.C.
1300 Market Street Suite 504 Wilmington Delaware 19801 United States of America
(72) Name(s) of Designer(s): **Udo Buerkle**
(45) Registration Date: **26 June 2009**
(30) Convention priority data:
(31) Number (32) Date (33) Country
000982889 06 Aug 2008 EUROPEAN COMMUNITY
(62) Divisional of: **325815**
(56) Related Art Documents: **Not Applicable**
(57) Statement of Newness and Distinctiveness: **Those features of the spray arms depicted in the representations that are new and distinctive are the shape and/or configuration.**



(21) Design Number: **11341/2009**
 (22) Date of Filing Application: **23 January 2009**
 (24) Date from which industrial property rights may have effect: **23 January 2009**
 (54) Product in respect of which the design is registered: **Spray arms**
 (51) International Design Classification: **15-05**
 (71) Name(s) and Address(s) of Applicant(s):

Premark FEG L.L.C.
1300 Market Street Suite 504 Wilmington Delaware 19801 United States of America

(72) Name(s) of Designer(s): **Udo Buerkle**

(45) Registration Date: **26 June 2009**

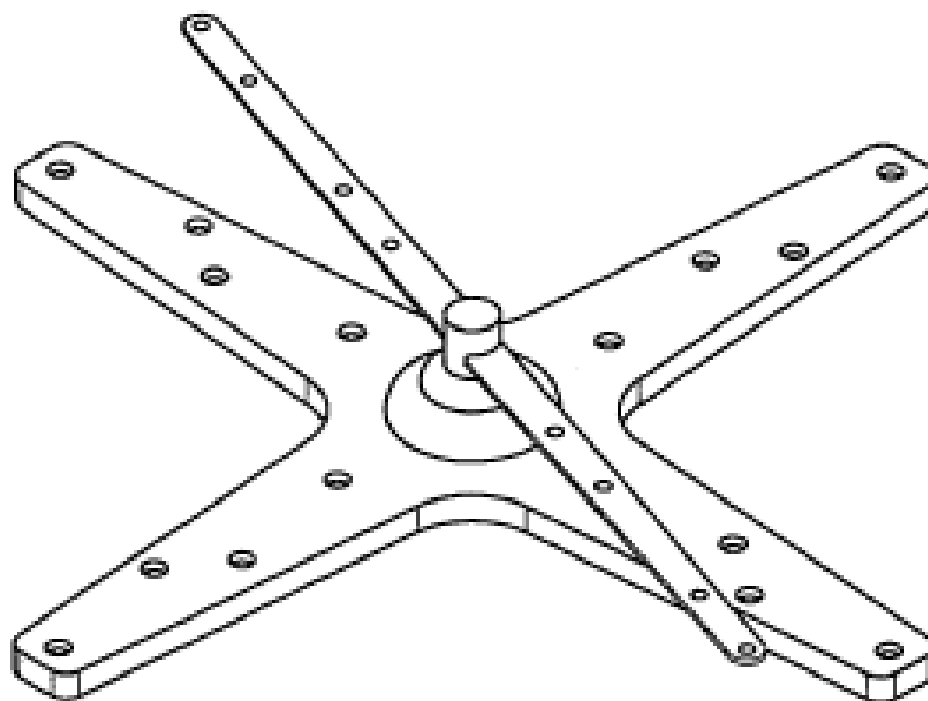
(30) Convention priority data:

(31) Number	(32) Date	(33) Country
000982889	06 Aug 2008	EUROPEAN COMMUNITY

(62) Divisional of: **325815**

(56) Related Art Documents: **Not Applicable**

(57) Statement of Newness and Distinctiveness: **Those features of the spray arms depicted in the representations that are new and distinctive are the shape and/or configuration.**



(21) Design Number: **11342/2009**
 (22) Date of Filing Application: **23 January 2009**
 (24) Date from which industrial property rights may have effect: **23 January 2009**
 (54) Product in respect of which the design is registered: **Control panel**
 (51) International Design Classification: **15-05**
 (71) Name(s) and Address(s) of Applicant(s):

Premark FEG L.L.C.
1300 Market Street Suite 504 Wilmington Delaware 19801 United States of America

(72) Name(s) of Designer(s): **Udo Buerkle**

(45) Registration Date: **26 June 2009**

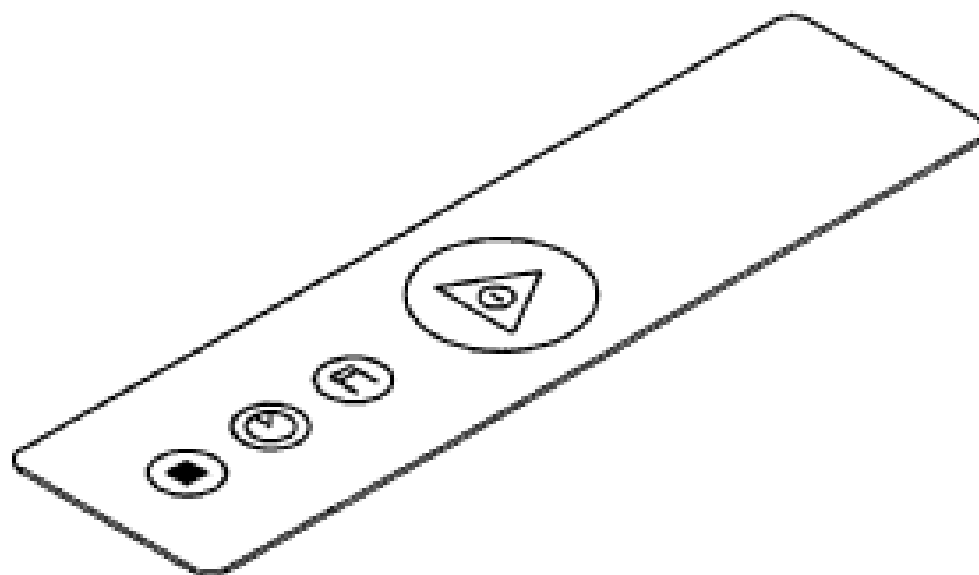
(30) Convention priority data:

(31) Number	(32) Date	(33) Country
000982889	06 Aug 2008	EUROPEAN COMMUNITY

(62) Divisional of: **325815**

(56) Related Art Documents: **Not Applicable**

(57) Statement of Newness and Distinctiveness: **Those features of the control panel depicted in the representations that are new and distinctive are the shape and/or configuration and the pattern and/or ornamentation.**



(21) Design Number: **12048/2009**

(22) Date of Filing Application: **03 June 2009**

(24) Date from which industrial property rights may have effect: **03 June 2009**

(54) Product in respect of which the design is registered: **Ribbed pipe coupling**

(51) International Design Classification: **23-01A**

(71) Name(s) and Address(s) of Applicant(s):

Victaulic Company

4901 Kesslersville Road Easton Pennsylvania 18040 United States of America

(72) Name(s) of Designer(s): **Amit R. Shah and Douglas R. Dole and John W. Pierce and Scott D. Madara**

(45) Registration Date: **29 June 2009**

(30) Convention priority data:

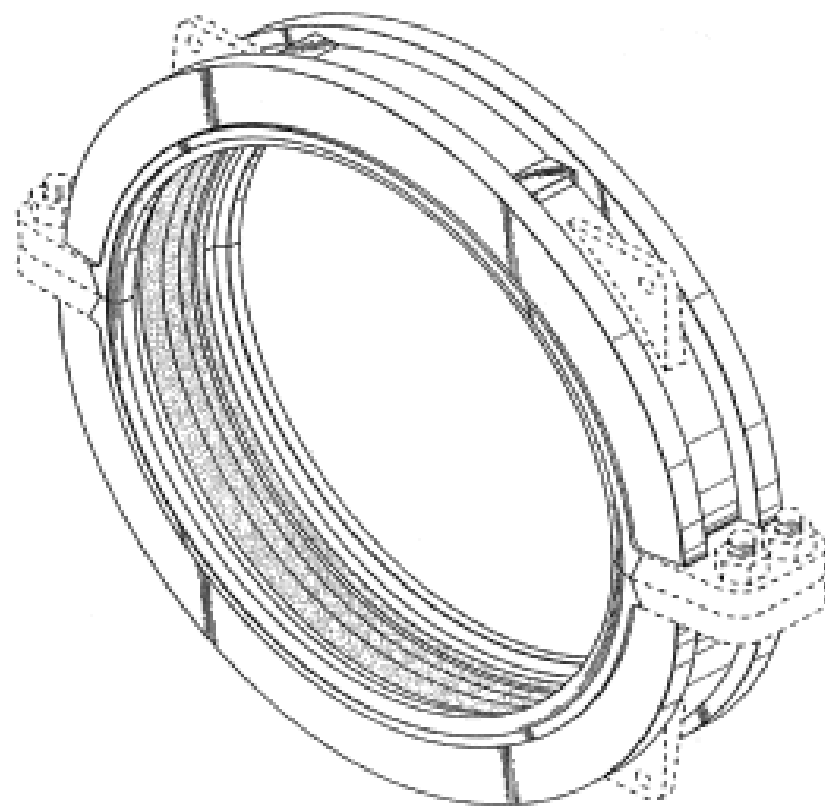
(31) Number
29/329365

(32) Date
13 Dec 2008

(33) Country
UNITED STATES OF AMERICA

(56) Related Art Documents: **Not Applicable**

(57) Statement of Newness and Distinctiveness: **Newness and distinctiveness is claimed in those features of shape and/or configuration of a ribbed pipe coupling illustrated in continuous lines in the accompanying representations.**



(21) Design Number: **12049/2009**

(22) Date of Filing Application: **03 June 2009**

(24) Date from which industrial property rights may have effect: **03 June 2009**

(54) Product in respect of which the design is registered: **Ribbed pipe coupling**

(51) International Design Classification: **23-01A**

(71) Name(s) and Address(s) of Applicant(s):

Victaulic Company

4901 Kesslersville Road Easton Pennsylvania 18040 United States of America

(72) Name(s) of Designer(s): **Amit R. Shah and Douglas R. Dole and John W. Pierce and Scott D. Madara**

(45) Registration Date: **29 June 2009**

(30) Convention priority data:

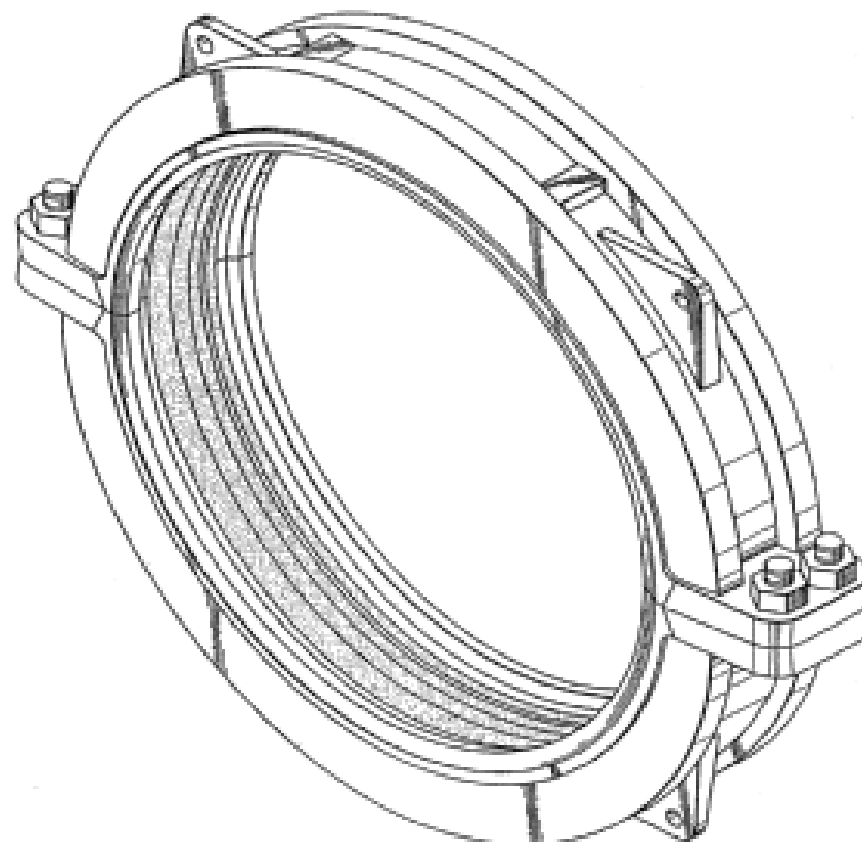
(31) Number
29/329365

(32) Date
13 Dec 2008

(33) Country
UNITED STATES OF AMERICA

(56) Related Art Documents: **Not Applicable**

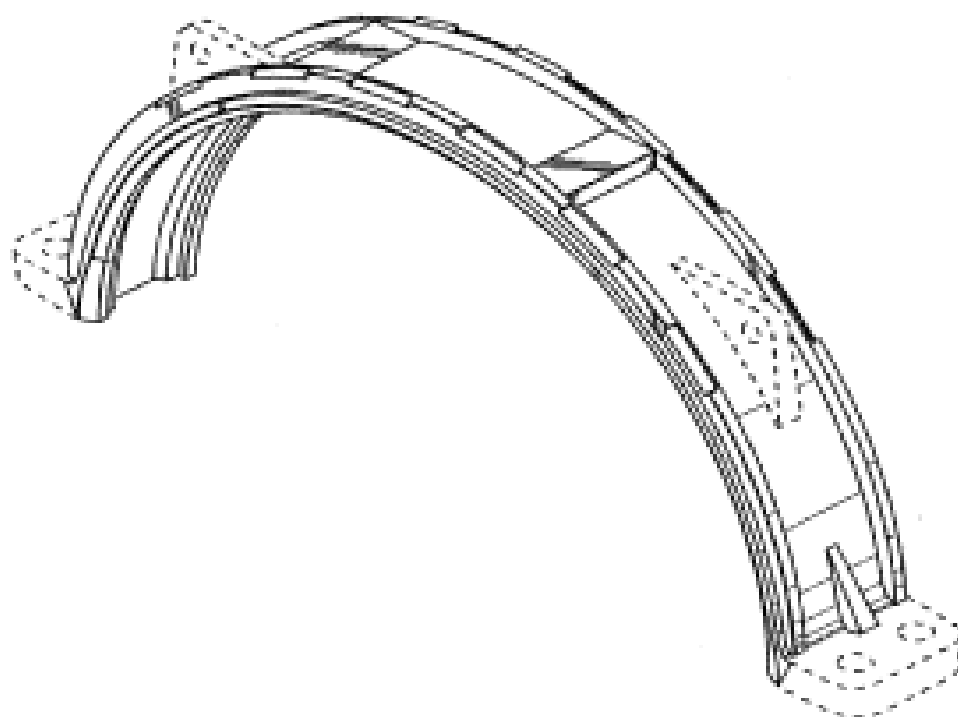
(57) Statement of Newness and Distinctiveness: **Newness and distinctiveness is claimed in the features of shape and/or configuration of a ribbed pipe coupling as illustrated in the accompanying representations.**



(19) AU

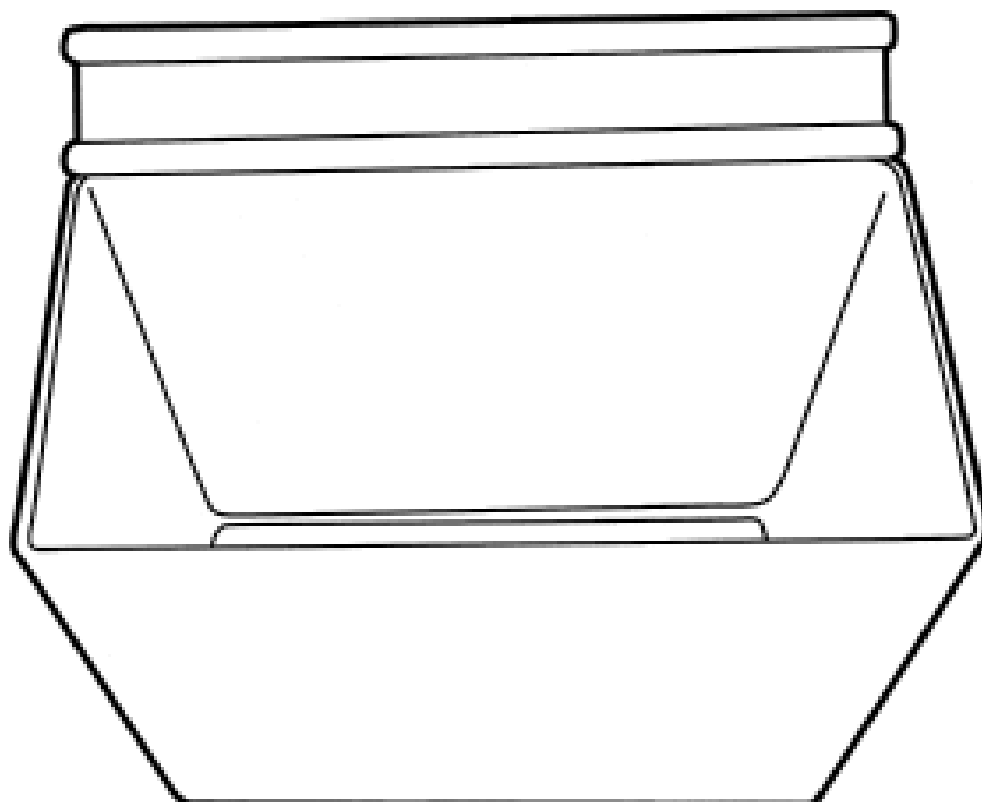
- (21) Design Number: **12050/2009**
- (22) Date of Filing Application: **03 June 2009**
- (24) Date from which industrial property rights may have effect: **03 June 2009**
- (54) Product in respect of which the design is registered: **Flexible pipe coupling segment**
- (51) International Design Classification: **23-01A**
- (71) Name(s) and Address(s) of Applicant(s):
Victaulic Company
4901 Kesslersville Road Easton Pennsylvania 18040 United States of America
- (72) Name(s) of Designer(s): **Vance W. Henry and John W. Pierce and Douglas R. Dole and Scott D. Madara and Ahmad Sith**
- (45) Registration Date: **29 June 2009**
- (30) Convention priority data:

(31) Number	(32) Date	(33) Country
29/328916	04 Dec 2008	UNITED STATES OF AMERICA
- (56) Related Art Documents: **Not Applicable**
- (57) Statement of Newness and Distinctiveness: **Newness and distinctiveness is claimed in those features of shape and/or configuration of a flexible pipe coupling segment illustrated in continuous lines in the accompanying representations.**



(19) AU

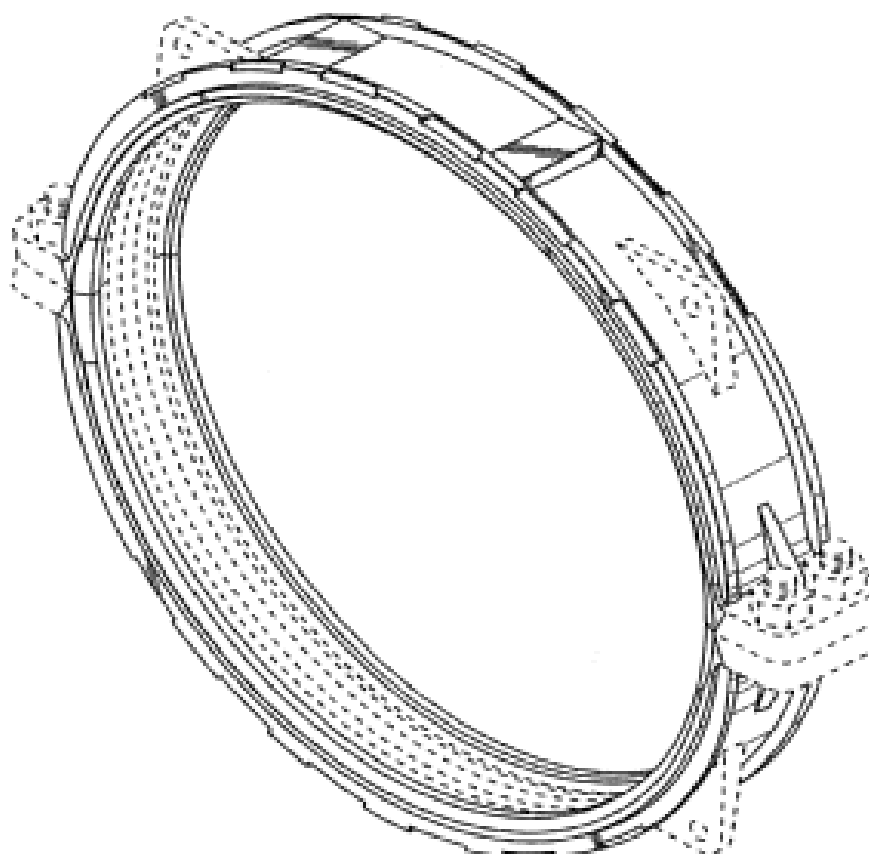
- (21) Design Number: **12052/2009**
- (22) Date of Filing Application: **04 June 2009**
- (24) Date from which industrial property rights may have effect: **04 June 2009**
- (54) Product in respect of which the design is registered: **Display cabinet serving dishes vis deli case display/serving dishes**
- (51) International Design Classification: **20-02C**
- (71) Name(s) and Address(s) of Applicant(s):
Susan Kemenes
14 Ullamulla Crescent Karabar New South Wales 2620 Australia
- (72) Name(s) of Designer(s): **Susan Kemenes**
- (45) Registration Date: **29 June 2009**
- (56) Related Art Documents: **Not Applicable**
- (57) Statement of Newness and Distinctiveness: **Plastic dish with integral ticket mount at back or front of dish.**



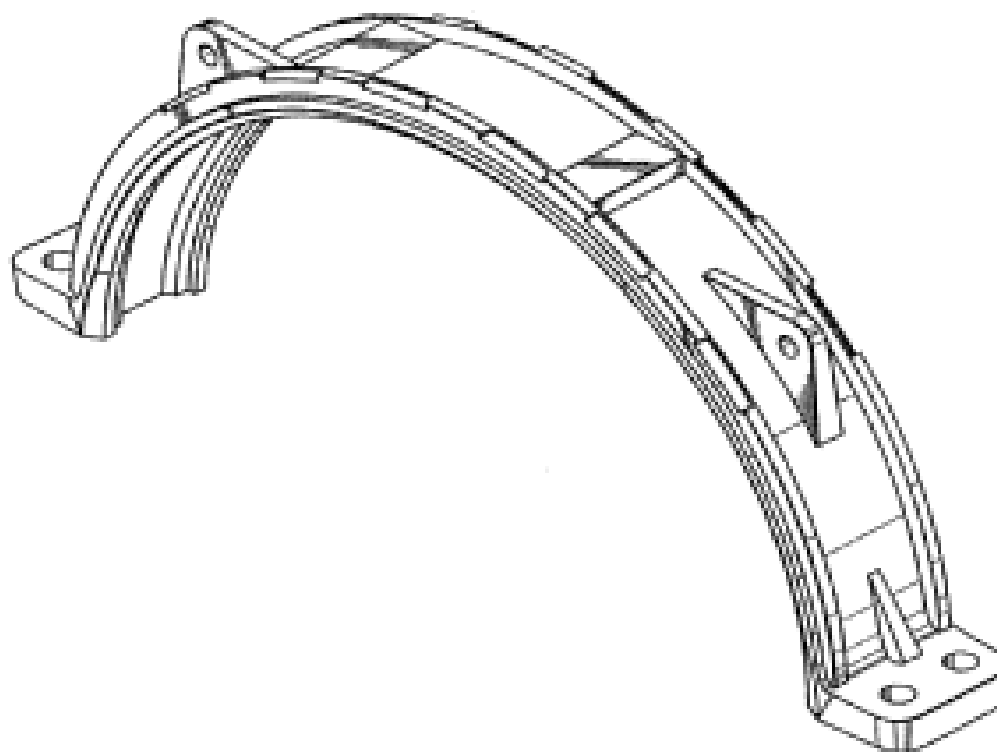
- (21) Design Number: **12053/2009**
(22) Date of Filing Application: **03 June 2009**
(24) Date from which industrial property rights may have effect: **03 June 2009**
(54) Product in respect of which the design is registered: **Door hinge**
(51) International Design Classification: **08-06**
(71) Name(s) and Address(s) of Applicant(s):
Metlam Australia Pty. Limited
17 Parker Road New Gisborne Victoria 3438 Australia
(72) Name(s) of Designer(s): **Brian Bishop**
(45) Registration Date: **29 June 2009**
(56) Related Art Documents: **Not Applicable**
(57) Statement of Newness and Distinctiveness: **Nil**



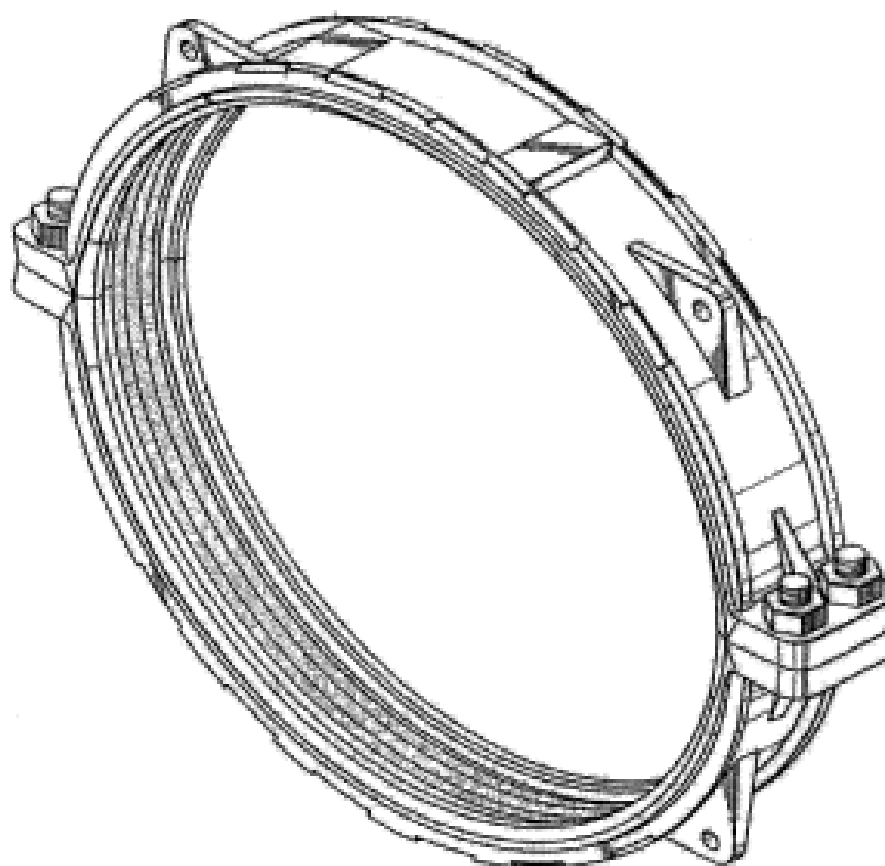
- (21) Design Number: **12038/2009**
(22) Date of Filing Application: **03 June 2009**
(24) Date from which industrial property rights may have effect: **03 June 2009**
(54) Product in respect of which the design is registered: **Flexible pipe coupling**
(51) International Design Classification: **23-01A**
(71) Name(s) and Address(s) of Applicant(s):
Victaulic Company
4901 Kesslersville Road Easton Pennsylvania 18040 United States of America
(72) Name(s) of Designer(s): **Vance W. Henry and John W. Pierce and Douglas R. Dole and Scott D. Madara and Ahmad Sith**
(45) Registration Date: **29 June 2009**
(30) Convention priority data:
(31) Number (32) Date (33) Country
29/328916 04 Dec 2008 UNITED STATES OF AMERICA
(56) Related Art Documents: **Not Applicable**
(57) Statement of Newness and Distinctiveness: **Newness and distinctiveness is claimed in those features of shape and/or configuration of a flexible pipe coupling illustrated in continuous lines in the accompanying representations.**



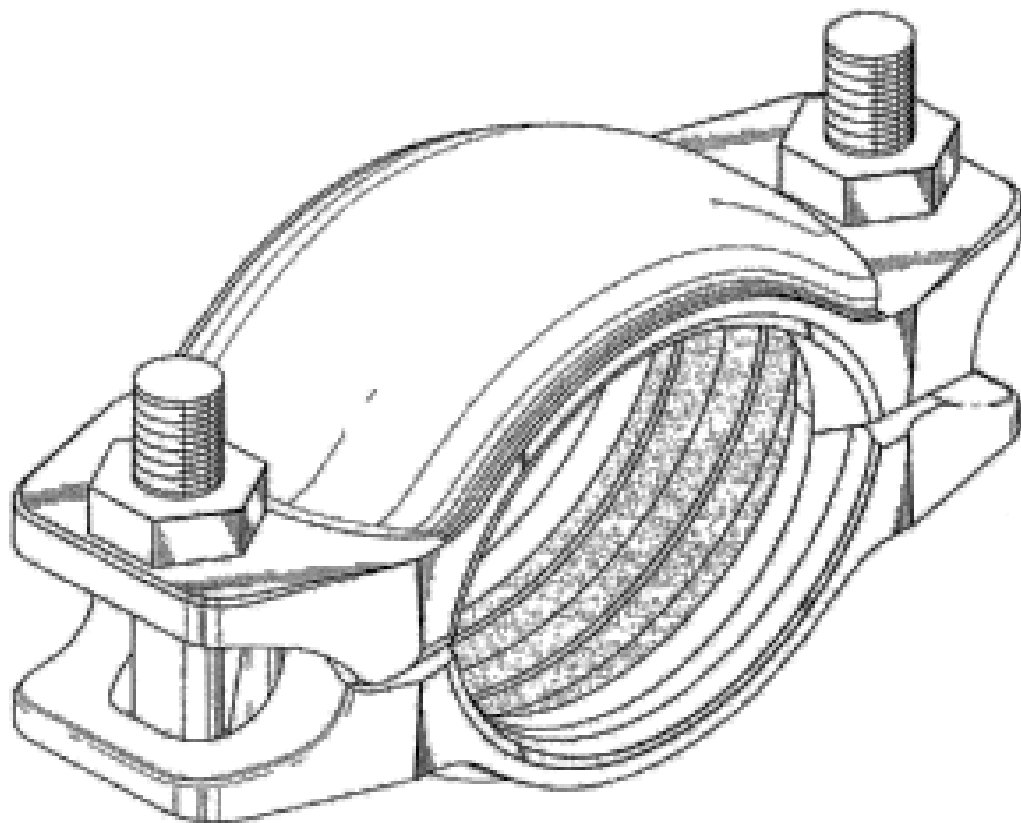
- (21) Design Number: **12039/2009**
(22) Date of Filing Application: **03 June 2009**
(24) Date from which industrial property rights may have effect: **03 June 2009**
(54) Product in respect of which the design is registered: **Flexible pipe coupling segment**
(51) International Design Classification: **23-01A**
(71) Name(s) and Address(s) of Applicant(s):
Victaulic Company
4901 Kesslersville Road Easton Pennsylvania 18040 United States of America
(72) Name(s) of Designer(s): **Vance W. Henry and John W. Pierce and Douglas R. Dole and Scott D. Madara and Ahmad Sith**
(45) Registration Date: **29 June 2009**
(30) Convention priority data:
(31) Number (32) Date (33) Country
29/328916 04 Dec 2008 UNITED STATES OF AMERICA
(56) Related Art Documents: **Not Applicable**
(57) Statement of Newness and Distinctiveness: **Newness and distinctiveness is claimed in the features of shape and/or configuration of a flexible pipe coupling segment as illustrated in the accompanying representations.**



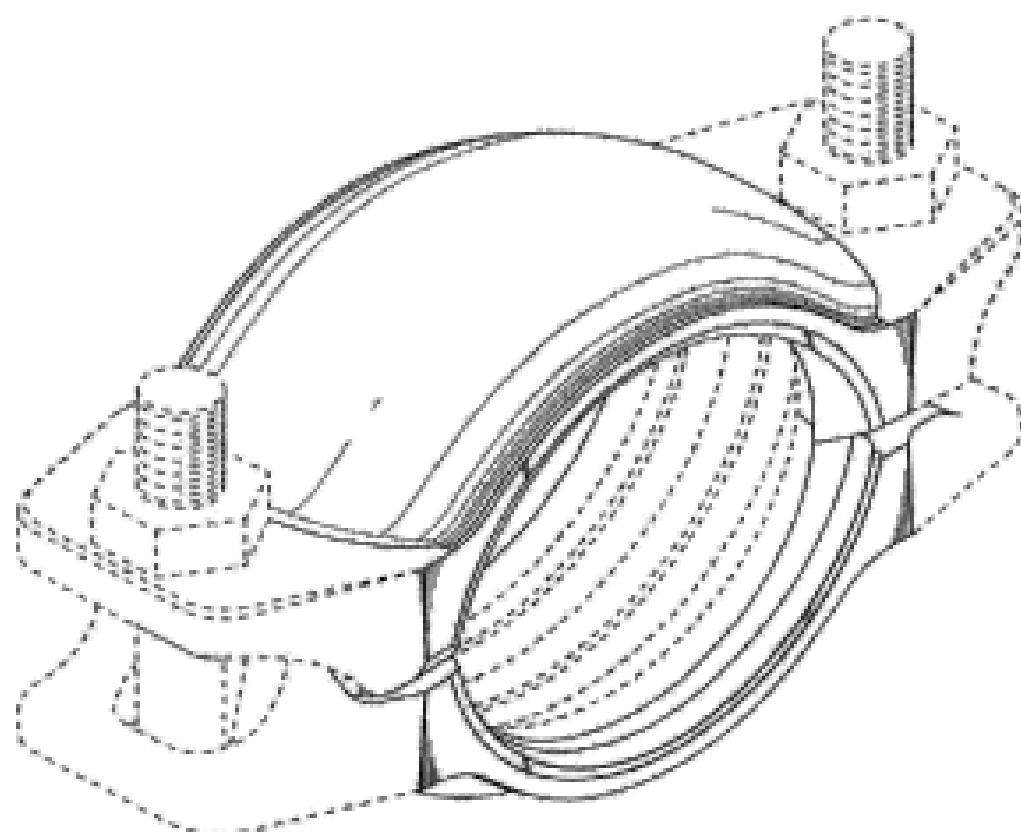
- (21) Design Number: **12040/2009**
(22) Date of Filing Application: **03 June 2009**
(24) Date from which industrial property rights may have effect: **03 June 2009**
(54) Product in respect of which the design is registered: **Flexible pipe coupling**
(51) International Design Classification: **23-01A**
(71) Name(s) and Address(s) of Applicant(s):
Victaulic Company
4901 Kesslersville Road Easton Pennsylvania 18040 United States of America
(72) Name(s) of Designer(s): **Vance W. Henry and John W. Pierce and Douglas R. Dole and Scott D. Madara and Ahmad Sith**
(45) Registration Date: **29 June 2009**
(30) Convention priority data:
(31) Number (32) Date (33) Country
29/328916 04 Dec 2008 UNITED STATES OF AMERICA
(56) Related Art Documents: **Not Applicable**
(57) Statement of Newness and Distinctiveness: **Newness and distinctiveness is claimed in the features of shape and/or configuration of a flexible pipe coupling as illustrated in the accompanying representations.**



(21) Design Number: **12041/2009**
 (22) Date of Filing Application: **03 June 2009**
 (24) Date from which industrial property rights may have effect: **03 June 2009**
 (54) Product in respect of which the design is registered: **V-interface coupling**
 (51) International Design Classification: **23-01A**
 (71) Name(s) and Address(s) of Applicant(s):
Victaulic Company
4901 Kesslersville Road Easton Pennsylvania 18040 United States of America
 (72) Name(s) of Designer(s): **Michael V. Porter and Torrey G. Sipos and William A. Nagle**
 (45) Registration Date: **29 June 2009**
 (30) Convention priority data:
 (31) Number (32) Date (33) Country
29/328917 04 Dec 2008 UNITED STATES OF AMERICA
 (56) Related Art Documents: **Not Applicable**
 (57) Statement of Newness and Distinctiveness: **Newness and distinctiveness is claimed in the features of shape and/or configuration of a V-interface coupling as illustrated in the accompanying representations, and in particular the interfacing surfaces of the opposing segments of the coupling.**



(21) Design Number: **12042/2009**
 (22) Date of Filing Application: **03 June 2009**
 (24) Date from which industrial property rights may have effect: **03 June 2009**
 (54) Product in respect of which the design is registered: **V-interface coupling**
 (51) International Design Classification: **23-01A**
 (71) Name(s) and Address(s) of Applicant(s):
Victaulic Company
4901 Kesslersville Road Easton Pennsylvania 18040 United States of America
 (72) Name(s) of Designer(s): **Michael V. Porter and Torrey G. Sipos and William A. Nagle**
 (45) Registration Date: **29 June 2009**
 (30) Convention priority data:
 (31) Number (32) Date (33) Country
29/328917 04 Dec 2008 UNITED STATES OF AMERICA
 (56) Related Art Documents: **Not Applicable**
 (57) Statement of Newness and Distinctiveness: **Newness and distinctiveness is claimed in those features of shape and/or configuration of a V-interface coupling illustrated in continuous lines in the accompanying representations, and in particular the interfacing surfaces of the opposing segments of the coupling.**



(19) AU

(21) Design Number: **12035/2009**

(22) Date of Filing Application: **03 June 2009**

(24) Date from which industrial property rights may have effect: **03 June 2009**

(54) Product in respect of which the design is registered: **Cover**

(51) International Design Classification: **09-07B, 07-01NES**

(71) Name(s) and Address(s) of Applicant(s):

Dart Industries Inc.

14901 S. Orange Blossom Trail Orlando Florida 32837 United States of America

(72) Name(s) of Designer(s): **Jan-Hendrik De Groot**

(45) Registration Date: **29 June 2009**

(30) Convention priority data:

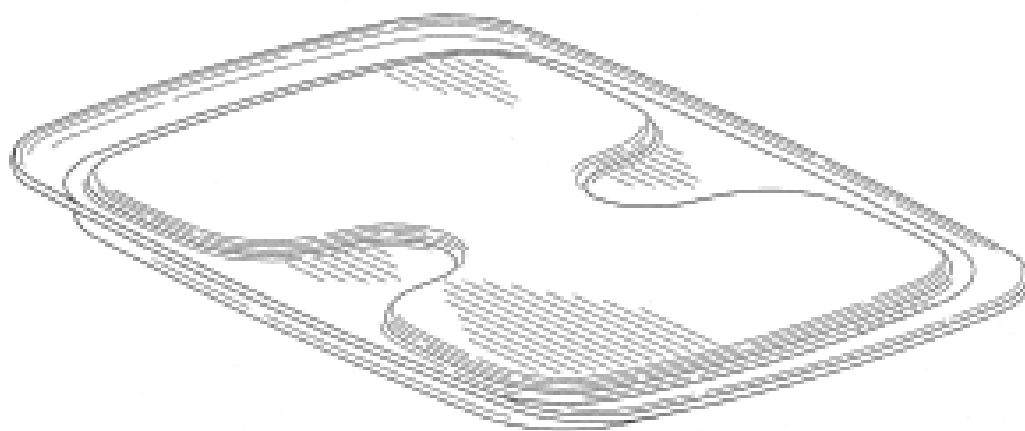
(31) Number
29/313,453

(32) Date
07 Jan 2009

(33) Country
UNITED STATES OF AMERICA

(56) Related Art Documents: **Not Applicable**

(57) Statement of Newness and Distinctiveness: **Those features of the cover depicted in the representations that are new and distinctive are the shape and/or configuration.**



(19) AU

(21) Design Number: **12043/2009**

(22) Date of Filing Application: **03 June 2009**

(24) Date from which industrial property rights may have effect: **03 June 2009**

(54) Product in respect of which the design is registered: **V-interface coupling segment**

(51) International Design Classification: **23-01A**

(71) Name(s) and Address(s) of Applicant(s):

Victaulic Company

4901 Kesslersville Road Easton Pennsylvania 18040 United States of America

(72) Name(s) of Designer(s): **Michael V. Porter and Torrey G. Sipos and William A. Nagle**

(45) Registration Date: **29 June 2009**

(30) Convention priority data:

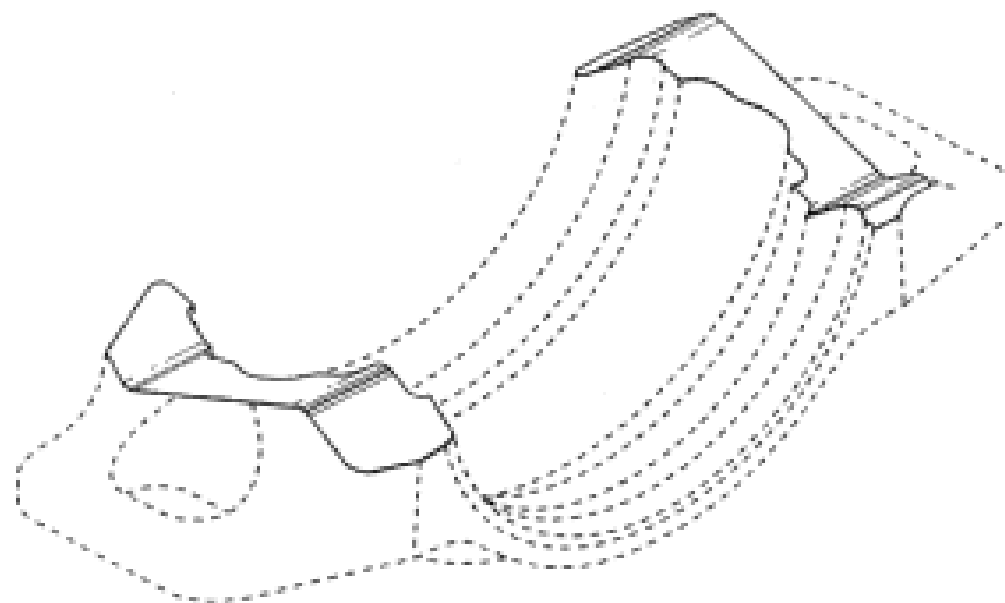
(31) Number
29/328917

(32) Date
04 Dec 2008

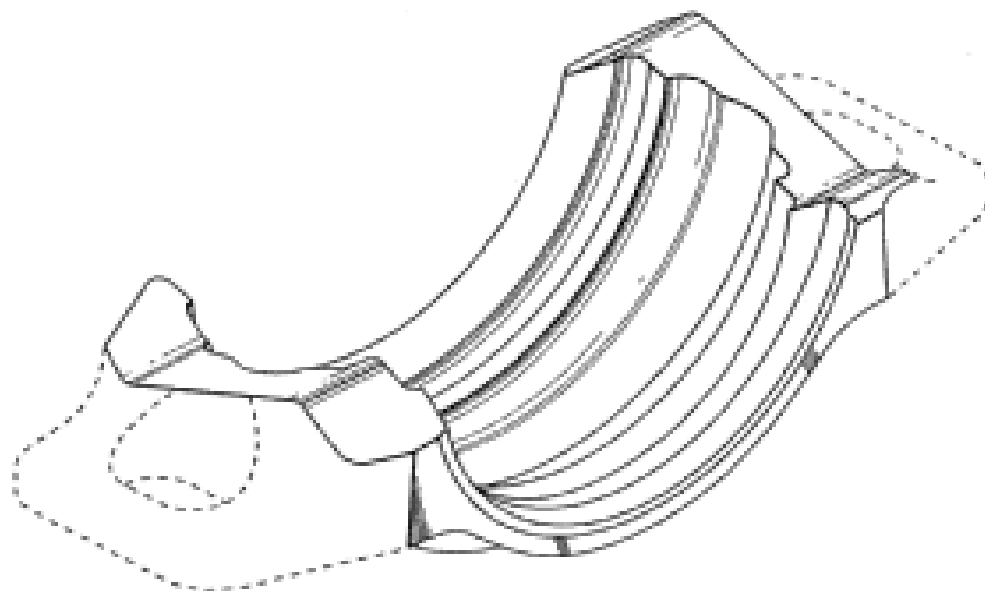
(33) Country
UNITED STATES OF AMERICA

(56) Related Art Documents: **Not Applicable**

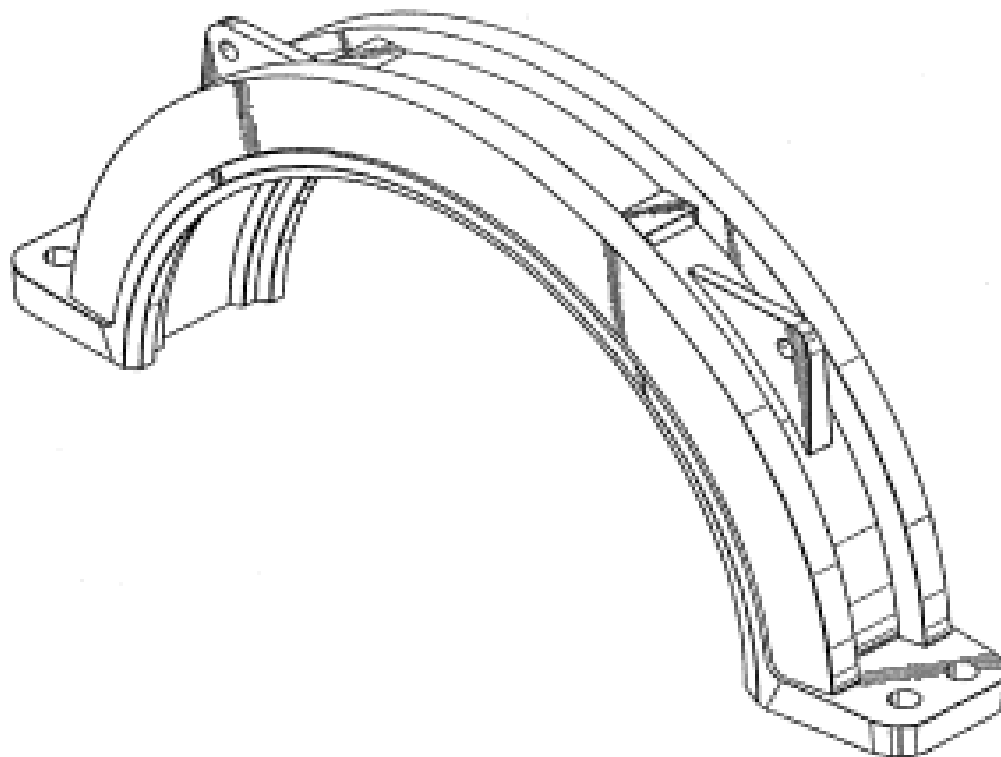
(57) Statement of Newness and Distinctiveness: **Newness and distinctiveness is claimed in those features of shape and/or configuration of a V-interface coupling segment illustrated in continuous lines in the accompanying representations.**



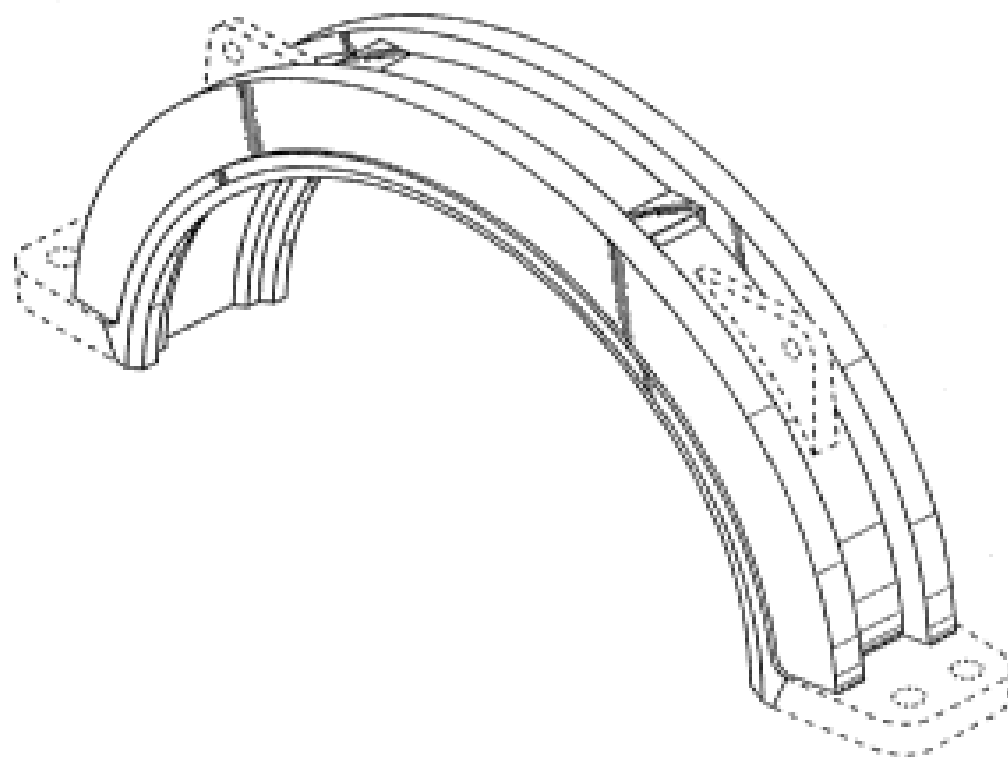
(21) Design Number: **12044/2009**
 (22) Date of Filing Application: **03 June 2009**
 (24) Date from which industrial property rights may have effect: **03 June 2009**
 (54) Product in respect of which the design is registered: **V-interface coupling segment**
 (51) International Design Classification: **23-01A**
 (71) Name(s) and Address(s) of Applicant(s):
Victaulic Company
4901 Kesslersville Road Easton Pennsylvania 18040 United States of America
 (72) Name(s) of Designer(s): **Michael V. Porter and Torrey G. Sipos and William A. Nagle**
 (45) Registration Date: **29 June 2009**
 (30) Convention priority data:
 (31) Number (32) Date (33) Country
29/328917 04 Dec 2008 UNITED STATES OF AMERICA
 (56) Related Art Documents: **Not Applicable**
 (57) Statement of Newness and Distinctiveness: **Newness and distinctiveness is claimed in those features of shape and/or configuration of a V-interface coupling segment illustrated in continuous lines in the accompanying representations, and in particular the interface surfaces labelled 'A' in the isometric view.**



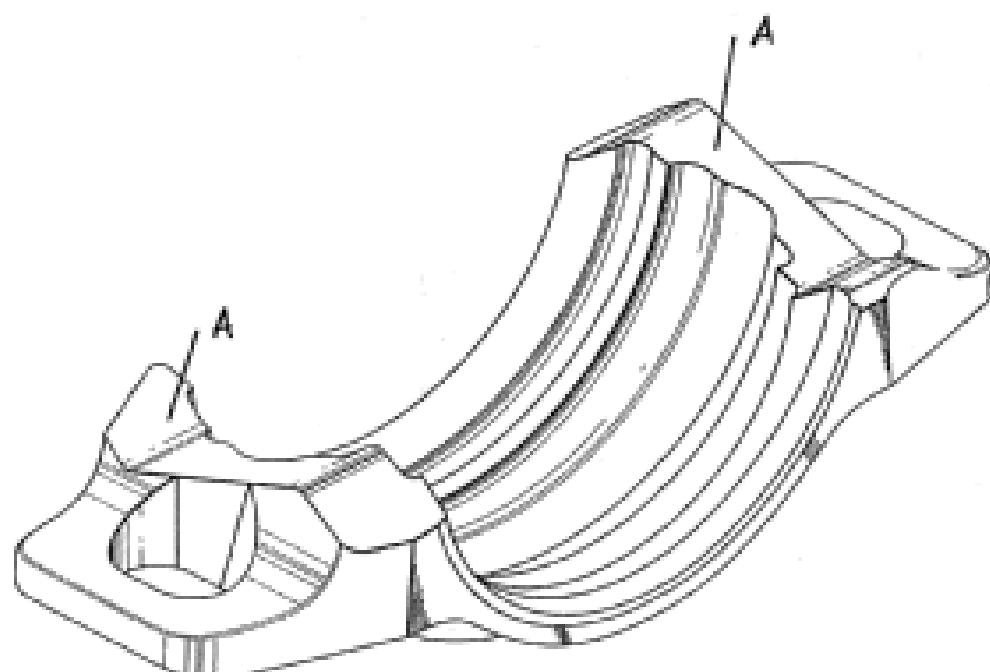
(21) Design Number: **12045/2009**
 (22) Date of Filing Application: **03 June 2009**
 (24) Date from which industrial property rights may have effect: **03 June 2009**
 (54) Product in respect of which the design is registered: **Ribbed pipe coupling segment**
 (51) International Design Classification: **23-01A**
 (71) Name(s) and Address(s) of Applicant(s):
Victaulic Company
4901 Kesslersville Road Easton Pennsylvania 18040 United States of America
 (72) Name(s) of Designer(s): **Amit R. Shah and Douglas R. Dole and John W. Pierce and Scott D. Madara**
 (45) Registration Date: **29 June 2009**
 (30) Convention priority data:
 (31) Number (32) Date (33) Country
29/329365 13 Dec 2008 UNITED STATES OF AMERICA
 (56) Related Art Documents: **Not Applicable**
 (57) Statement of Newness and Distinctiveness: **Newness and distinctiveness is claimed in the features of shape and/or configuration of a ribbed pipe coupling segment as illustrated in the accompanying representations.**



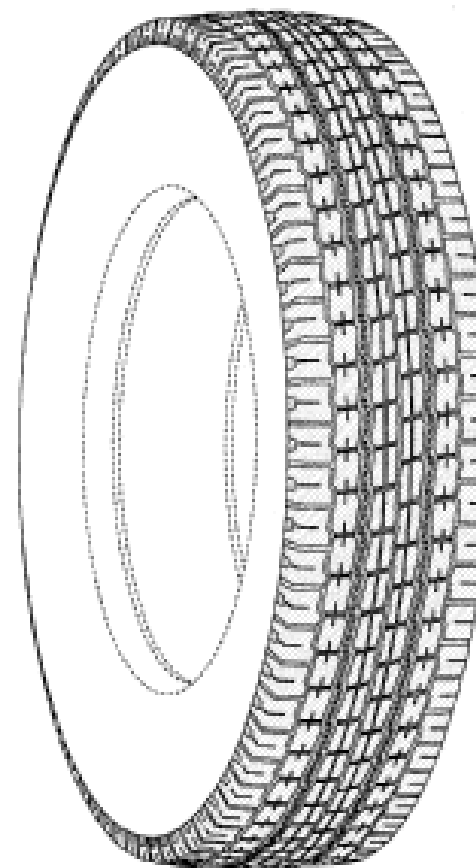
(21) Design Number: **12046/2009**
(22) Date of Filing Application: **03 June 2009**
(24) Date from which industrial property rights may have effect: **03 June 2009**
(54) Product in respect of which the design is registered: **Ribbed pipe coupling segment**
(51) International Design Classification: **23-01A**
(71) Name(s) and Address(s) of Applicant(s):
Victaulic Company
4901 Kesslersville Road Easton Pennsylvania 18040 United States of America
(72) Name(s) of Designer(s): **Amit R. Shah and Douglas R. Dole and John W. Pierce and Scott D. Madara**
(45) Registration Date: **29 June 2009**
(30) Convention priority data:
(31) Number (32) Date (33) Country
29/329365 13 Dec 2008 UNITED STATES OF AMERICA
(56) Related Art Documents: **Not Applicable**
(57) Statement of Newness and Distinctiveness: **Newness and distinctiveness is claimed in those features of shape and/or configuration of a ribbed pipe coupling segment illustrated in continuous lines in the accompanying representations.**



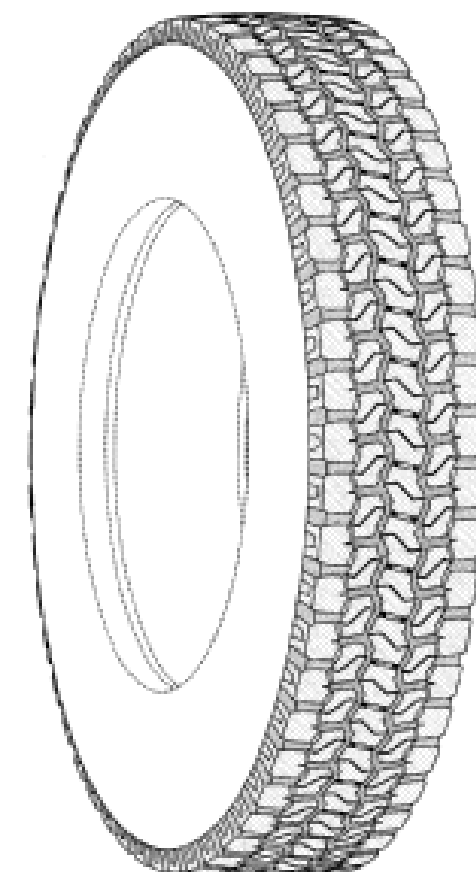
(21) Design Number: **12047/2009**
(22) Date of Filing Application: **03 June 2009**
(24) Date from which industrial property rights may have effect: **03 June 2009**
(54) Product in respect of which the design is registered: **V-interface coupling segment**
(51) International Design Classification: **23-01A**
(71) Name(s) and Address(s) of Applicant(s):
Victaulic Company
4901 Kesslersville Road Easton Pennsylvania 18040 United States of America
(72) Name(s) of Designer(s): **Michael V. Porter and Torrey G. Sipos and William A. Nagle**
(45) Registration Date: **29 June 2009**
(30) Convention priority data:
(31) Number (32) Date (33) Country
29/328917 04 Dec 2008 UNITED STATES OF AMERICA
(56) Related Art Documents: **Not Applicable**
(57) Statement of Newness and Distinctiveness: **Newness and distinctiveness is claimed in the features of shape and/or configuration of a V-interface coupling as illustrated in the accompanying representations, and in particular the interface surfaces labelled 'A' in the isometric view.**



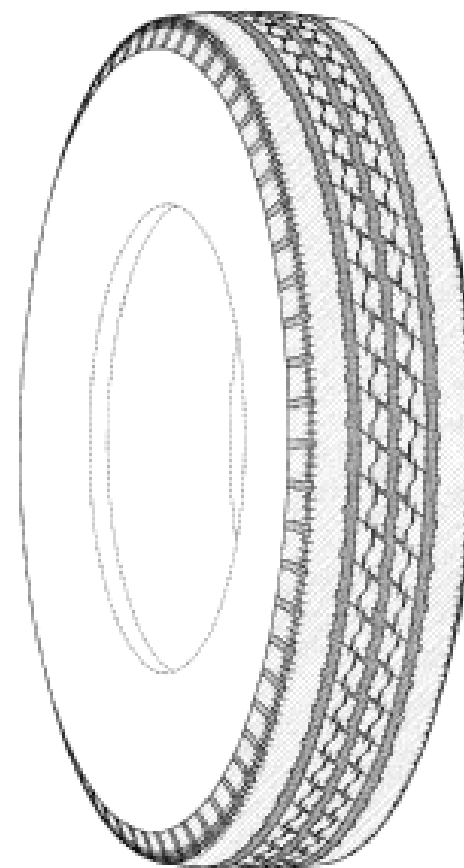
(21) Design Number: **12062/2009**
(22) Date of Filing Application: **04 June 2009**
(24) Date from which industrial property rights may have effect: **04 June 2009**
(54) Product in respect of which the design is registered: **Automobile Tyre**
(51) International Design Classification: **12-15A**
(71) Name(s) and Address(s) of Applicant(s):
Bridgestone Corporation
10-1 Kyobashi 1-Chome Chuo-ku Tokyo 104-8340 Japan
(72) Name(s) of Designer(s): **Seiichi Toda**
(45) Registration Date: **30 June 2009**
(30) Convention priority data:
(31) Number (32) Date (33) Country
2008-032199 18 Dec 2008 JAPAN
(56) Related Art Documents: **Not Applicable**
(57) Statement of Newness and Distinctiveness: **The shape and configuration of the tread portion of the tyre is new and distinctive.**



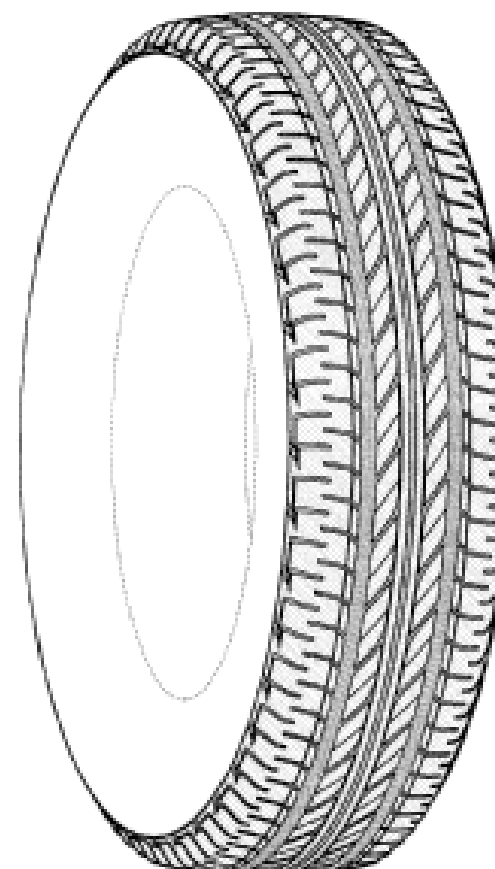
(21) Design Number: **12063/2009**
(22) Date of Filing Application: **04 June 2009**
(24) Date from which industrial property rights may have effect: **04 June 2009**
(54) Product in respect of which the design is registered: **Automobile tyre**
(51) International Design Classification: **12-15A**
(71) Name(s) and Address(s) of Applicant(s):
Bridgestone Corporation
10-1 Kyobashi 1-Chome Chuo-ku Tokyo 104-8340 Japan
(72) Name(s) of Designer(s): **Makoto Koshio**
(45) Registration Date: **30 June 2009**
(30) Convention priority data:
(31) Number (32) Date (33) Country
2008-031590 12 Dec 2008 JAPAN
(56) Related Art Documents: **Not Applicable**
(57) Statement of Newness and Distinctiveness: **The shape and configuration of the tread portion of the tyre is new and distinctive.**



- (21) Design Number: **12065/2009**
(22) Date of Filing Application: **04 June 2009**
(24) Date from which industrial property rights may have effect: **04 June 2009**
(54) Product in respect of which the design is registered: **Automobile tyre**
(51) International Design Classification: **12-15B**
(71) Name(s) and Address(s) of Applicant(s):
Bridgestone Corporation
10-1 Kyobashi 1-Chome Chuo-ku Tokyo 104-8340 Japan
(72) Name(s) of Designer(s): **Daisuke Sakamoto**
(45) Registration Date: **30 June 2009**
(30) Convention priority data:
(31) Number (32) Date (33) Country
2008-033000 25 Dec 2008 JAPAN
(56) Related Art Documents: **Not Applicable**
(57) Statement of Newness and Distinctiveness: **The shape and configuration of the tread portion of the tyre is new and distinctive.**



- (21) Design Number: **12066/2009**
(22) Date of Filing Application: **04 June 2009**
(24) Date from which industrial property rights may have effect: **04 June 2009**
(54) Product in respect of which the design is registered: **Automobile tyre**
(51) International Design Classification: **12-15B**
(71) Name(s) and Address(s) of Applicant(s):
Bridgestone Corporation
10-1 Kyobashi 1-Chome Chuo-ku Tokyo 104-8340 Japan
(72) Name(s) of Designer(s): **Takamitsu Nakamura and Yukihiro Kiwaki**
(45) Registration Date: **30 June 2009**
(30) Convention priority data:
(31) Number (32) Date (33) Country
2008-031336 09 Dec 2008 JAPAN
(56) Related Art Documents: **Not Applicable**
(57) Statement of Newness and Distinctiveness: **The shape and configuration of the tread portion of the tyre is new and distinctive.**



(21) Design Number: **12055/2009**

(22) Date of Filing Application: **04 June 2009**

(24) Date from which industrial property rights may have effect: **04 June 2009**

(54) Product in respect of which the design is registered: **A trap**

(51) International Design Classification: **22-06**

(71) Name(s) and Address(s) of Applicant(s):

CMI Limited

7A Carmont Place Mt Wellington Auckland New Zealand

(72) Name(s) of Designer(s): **Phillip Waddington and Ross Desmond Mitchell**

(45) Registration Date: **30 June 2009**

(30) Convention priority data:

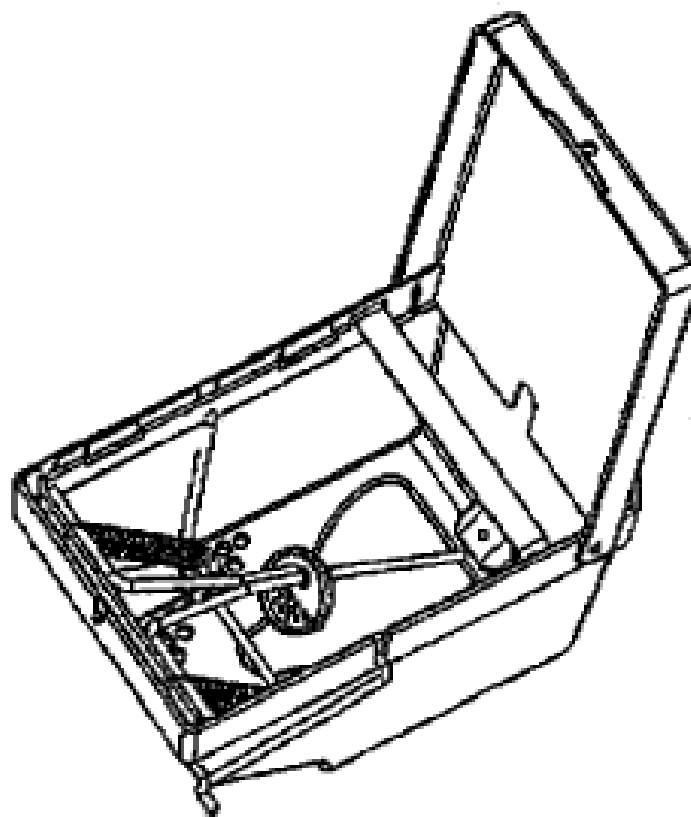
(31) Number
411741

(32) Date
12 Dec 2008

(33) Country
NEW ZEALAND

(56) Related Art Documents: **Not Applicable**

(57) Statement of Newness and Distinctiveness: **The features of shape and/or configuration substantially as shown in the representations.**



(21) Design Number: **12056/2009**

(22) Date of Filing Application: **03 June 2009**

(24) Date from which industrial property rights may have effect: **03 June 2009**

(54) Product in respect of which the design is registered: **A ventilated hat**

(51) International Design Classification: **02-03**

(71) Name(s) and Address(s) of Applicant(s):

Jason Hamilton Hall

58 Manning Street Scarborough Western Australia 6019 Australia

(72) Name(s) of Designer(s): **Jason Hamilton Hall**

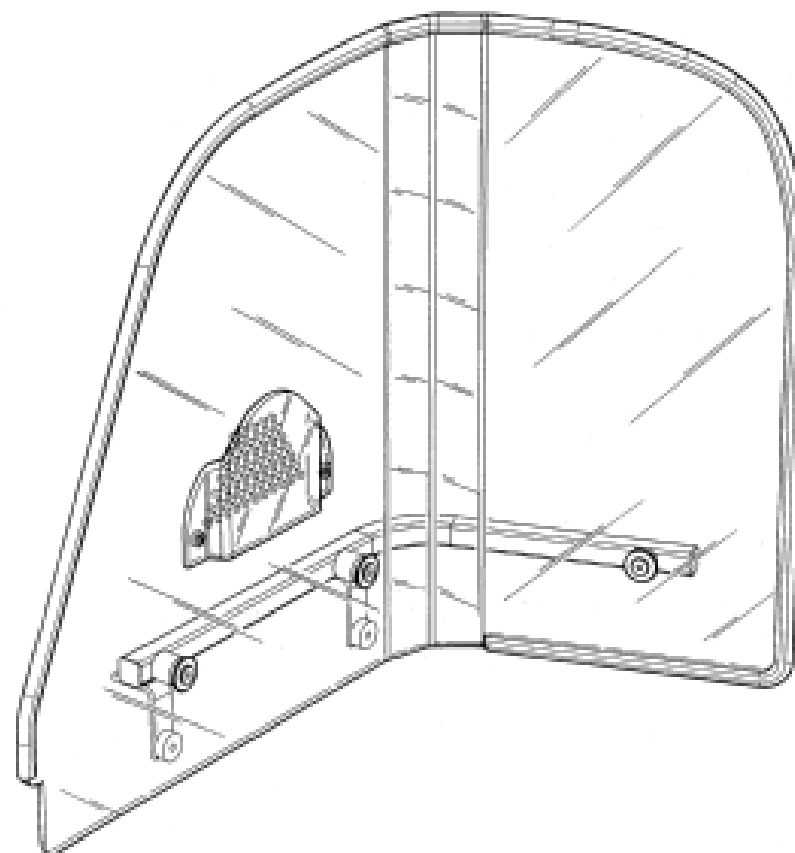
(45) Registration Date: **30 June 2009**

(56) Related Art Documents: **Not Applicable**

(57) Statement of Newness and Distinctiveness: **Newness and distinctiveness are claimed in the features of shape and/or configuration of a ventilated hat as shown in the accompanying representations. Versions A and B differ only in terms of the placement of ventilation zips in the sheet of material.**



- (21) Design Number: **12057/2009**
(22) Date of Filing Application: **04 June 2009**
(24) Date from which industrial property rights may have effect: **04 June 2009**
(54) Product in respect of which the design is registered: **Vehicle driver protection screen**
(51) International Design Classification: **12-16NES, 29-02**
(71) Name(s) and Address(s) of Applicant(s):
Bregifer Pty Ltd
1/1 Trade Park Drive Tullamarine Victoria 3043 Australia
(72) Name(s) of Designer(s): **Francis Joseph Hart and Brendan Hart**
(45) Registration Date: **30 June 2009**
(56) Related Art Documents: **Not Applicable**
(57) Statement of Newness and Distinctiveness: **Newness and distinctiveness resides in the features of shape and/or configuration of a vehicle driver protection screen as shown in the accompanying representations.**



- (21) Design Number: **12058/2009**
(22) Date of Filing Application: **04 June 2009**
(24) Date from which industrial property rights may have effect: **04 June 2009**
(54) Product in respect of which the design is registered: **Motorcycle**
(51) International Design Classification: **12-11**
(71) Name(s) and Address(s) of Applicant(s):
Honda Motor Co., Ltd.
1-1 Minamiaoyama 2-chome Minato-ku Tokyo Japan
(72) Name(s) of Designer(s): **Akihiko Nishimoto and Kazuya Kurita**
(45) Registration Date: **30 June 2009**
(30) Convention priority data:
(31) Number (32) Date (33) Country
2009-1848 30 Jan 2009 JAPAN
(56) Related Art Documents: **Not Applicable**
(57) Statement of Newness and Distinctiveness: **Newness and distinctiveness is claimed in the features of shape and/or configuration of a motorcycle highlighted in the accompanying representations, apart from features represented in shades of violet colour.**



(21) Design Number: **12060/2009**

(22) Date of Filing Application: **04 June 2009**

(24) Date from which industrial property rights may have effect: **04 June 2009**

(54) Product in respect of which the design is registered: **Container**

(51) International Design Classification: **09-01NES**

(71) Name(s) and Address(s) of Applicant(s):

Colgate-Palmolive Company

300 Park Avenue New York New York 10022 United States of America

(72) Name(s) of Designer(s): **Kiat-Cheong Toh and Sergio Gedanke and Ravi Varma**

(45) Registration Date: **30 June 2009**

(30) Convention priority data:

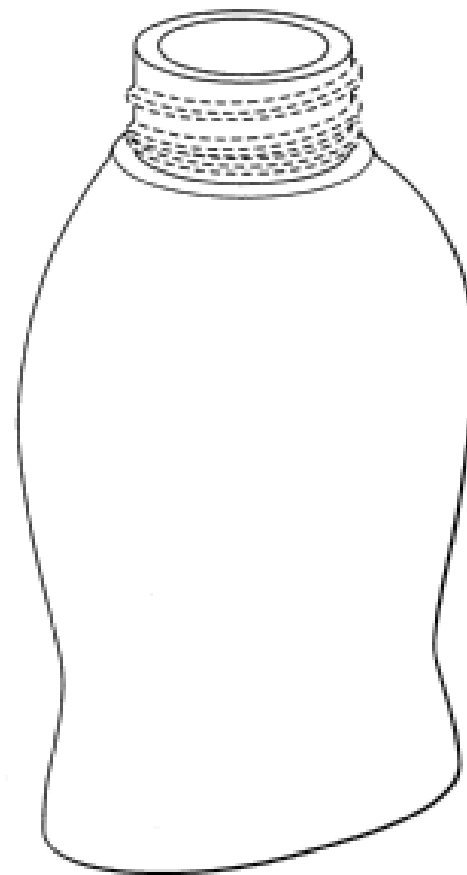
(31) Number
29/328932

(32) Date
04 Dec 2008

(33) Country
UNITED STATES OF AMERICA

(56) Related Art Documents: **Not Applicable**

(57) Statement of Newness and Distinctiveness: **Newness and distinctiveness reside in the features of the design shown in solid lines in the representations excluding those features shown in broken lines.**



(21) Design Number: **12107/2009**

(22) Date of Filing Application: **09 June 2009**

(24) Date from which industrial property rights may have effect: **09 June 2009**

(54) Product in respect of which the design is registered: **Green fabric carry bag with 2 fabric handles**

(51) International Design Classification: **03-01A**

(71) Name(s) and Address(s) of Applicant(s):

June Neil

2 Scenic Circle Blaxland East New South Wales 2774 Australia

(72) Name(s) of Designer(s): **June Neil**

(45) Registration Date: **30 June 2009**

(56) Related Art Documents: **Not Applicable**

(57) Statement of Newness and Distinctiveness: **Screen printed design of a horse behind a white fence and the words "My Horse".**



(21) Design Number: **12108/2009**

(22) Date of Filing Application: **09 June 2009**

(24) Date from which industrial property rights may have effect: **09 June 2009**

(54) Product in respect of which the design is registered: **Activity table cover**

(51) International Design Classification: **06-13A**

(71) Name(s) and Address(s) of Applicant(s):

June Neil

2 Scenic Circle Blaxland East New South Wales 2774 Australia

(72) Name(s) of Designer(s): **June Neil**

(45) Registration Date: **30 June 2009**

(56) Related Art Documents: **Not Applicable**

(57) Statement of Newness and Distinctiveness: **Table cover made from khaki drill fabric with tactile fabrics attached including hessian, red vinyl, white webbing and metal rings, tape measure, shade cloth pockets containing gloves soft duster, sand paper and piece of soft wood.**



(21) Design Number: **12071/2009**

(22) Date of Filing Application: **04 June 2009**

(24) Date from which industrial property rights may have effect: **04 June 2009**

(54) Product in respect of which the design is registered: **Automobile tyre**

(51) International Design Classification: **12-15C**

(71) Name(s) and Address(s) of Applicant(s):

Bridgestone Corporation

10-1 Kyobashi 1-Chome Chuo-ku Tokyo 104-8340 Japan

(72) Name(s) of Designer(s): **Takamitsu Nakamura**

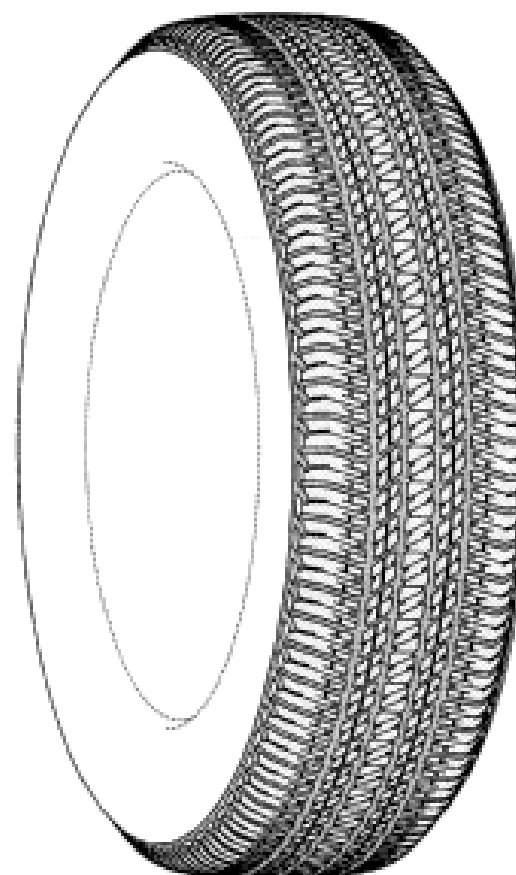
(45) Registration Date: **30 June 2009**

(30) Convention priority data:

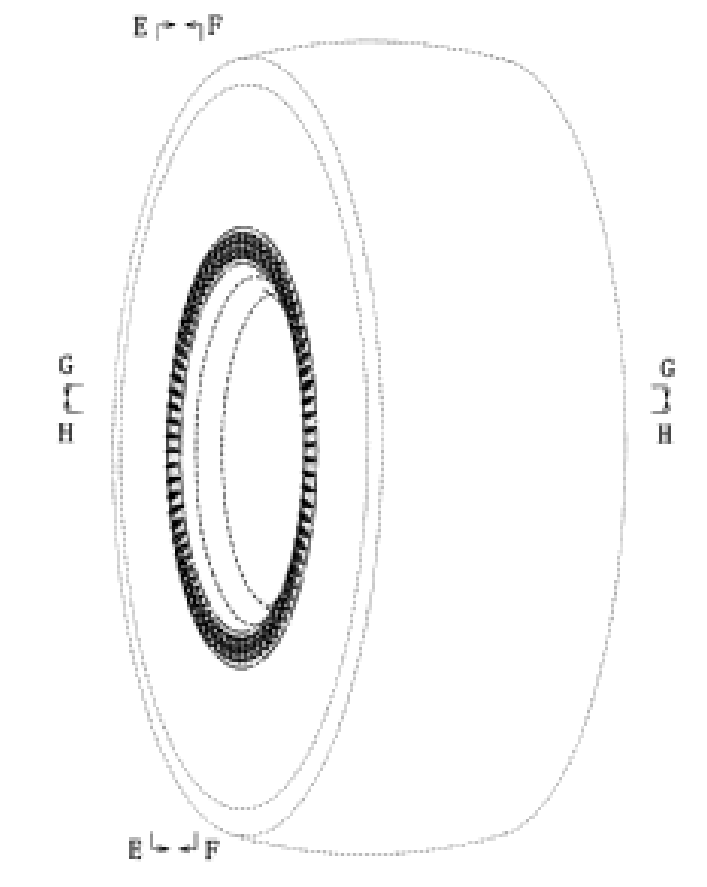
(31) Number	(32) Date	(33) Country
2008-032224	19 Dec 2008	JAPAN

(56) Related Art Documents: **Not Applicable**

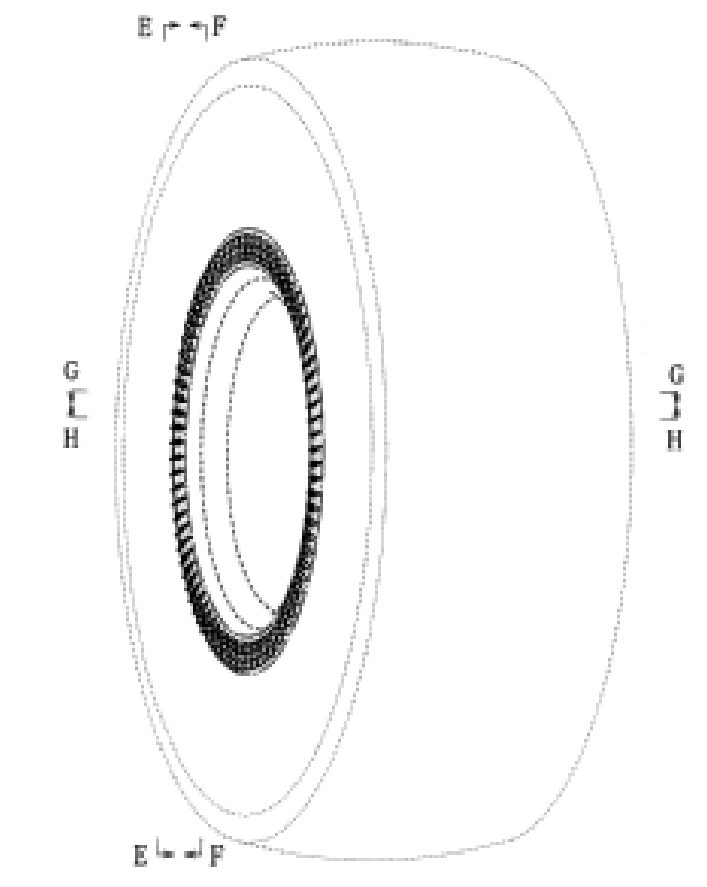
(57) Statement of Newness and Distinctiveness: **The shape and configuration of the tread portion of the tyre is new and distinctive.**



(21) Design Number: **12073/2009**
 (22) Date of Filing Application: **04 June 2009**
 (24) Date from which industrial property rights may have effect: **04 June 2009**
 (54) Product in respect of which the design is registered: **Automobile tyre**
 (51) International Design Classification: **12-15NES**
 (71) Name(s) and Address(s) of Applicant(s):
Bridgestone Corporation
10-1 Kyobashi 1-Chome Chuo-ku Tokyo 104-8340 Japan
 (72) Name(s) of Designer(s): **Kazuya Kuroishi**
 (45) Registration Date: **30 June 2009**
 (30) Convention priority data:
 (31) Number (32) Date (33) Country
2009/007920 06 Apr 2009 JAPAN
 (56) Related Art Documents: **Not Applicable**
 (57) Statement of Newness and Distinctiveness: **The shape, configuration, pattern and ornamentation of the side wall portion of the tyre is new and distinctive.**



(21) Design Number: **12075/2009**
 (22) Date of Filing Application: **04 June 2009**
 (24) Date from which industrial property rights may have effect: **04 June 2009**
 (54) Product in respect of which the design is registered: **Automobile tyre**
 (51) International Design Classification: **12-15NES**
 (71) Name(s) and Address(s) of Applicant(s):
Bridgestone Corporation
10-1 Kyobashi 1-Chome Chuo-ku Tokyo 104-8340 Japan
 (72) Name(s) of Designer(s): **Kazuya Kuroishi**
 (45) Registration Date: **30 June 2009**
 (30) Convention priority data:
 (31) Number (32) Date (33) Country
2009-007919 06 Apr 2009 JAPAN
 (56) Related Art Documents: **Not Applicable**
 (57) Statement of Newness and Distinctiveness: **The shape, configuration, pattern and ornamentation of the side wall portion of the tyre is new and distinctive.**



(21) Design Number: **15458/2008**

(22) Date of Filing Application: **19 November 2008**

(24) Date from which industrial property rights may have effect: **19 November 2008**

(54) Product in respect of which the design is registered: **A door on face and reveal sub frame**

(51) International Design Classification: **25-01K**

(71) Name(s) and Address(s) of Applicant(s):

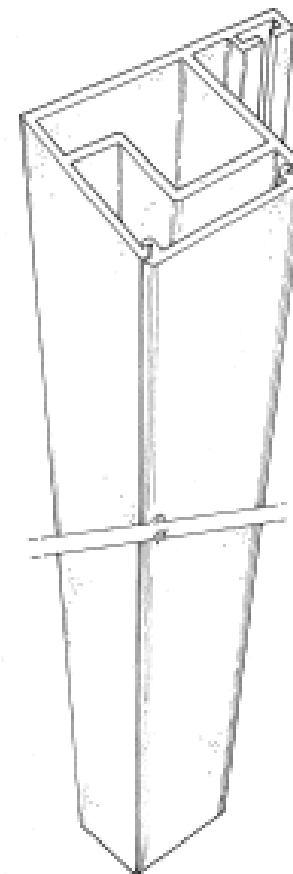
**Norma Beatrice Carmen Bond
PO Box 3187 Malaga Western Australia 6945 Australia**

(72) Name(s) of Designer(s): **Brian Peter Bond**

(45) Registration Date: **02 July 2009**

(56) Related Art Documents: **Not Applicable**

(57) Statement of Newness and Distinctiveness: **The particular visual features of the design which are new and distinctive are shape OR configuration.**



(21) Design Number: **10001/2009**

(22) Date of Filing Application: **02 January 2009**

(24) Date from which industrial property rights may have effect: **02 January 2009**

(54) Product in respect of which the design is registered: **A dental capsule**

(51) International Design Classification: **24-99**

(71) Name(s) and Address(s) of Applicant(s):

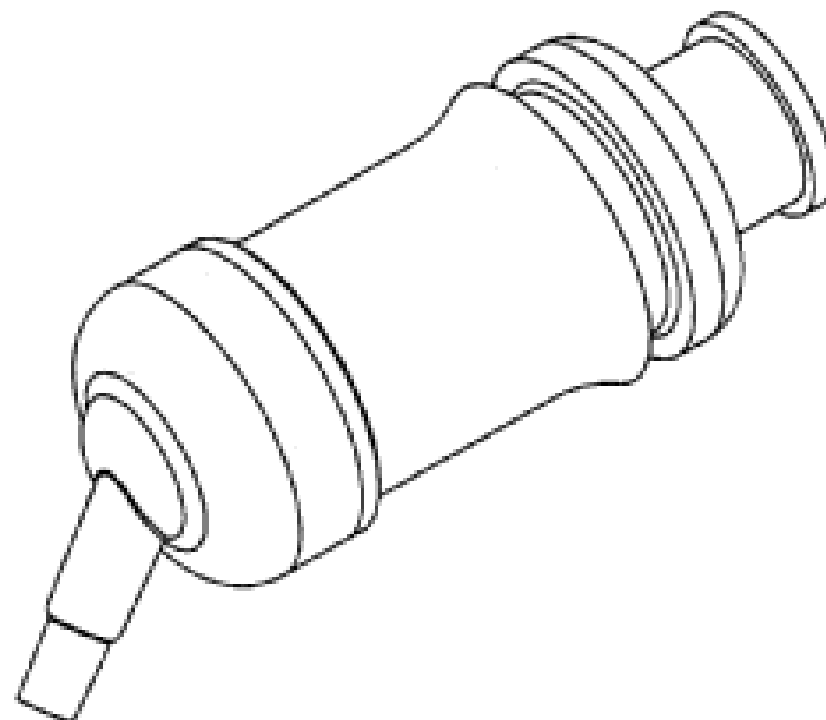
**SDI Limited
5-9 Brunsdon Street Bayswater Victoria 3153 Australia**

(72) Name(s) of Designer(s): **Joshua James Cheetham**

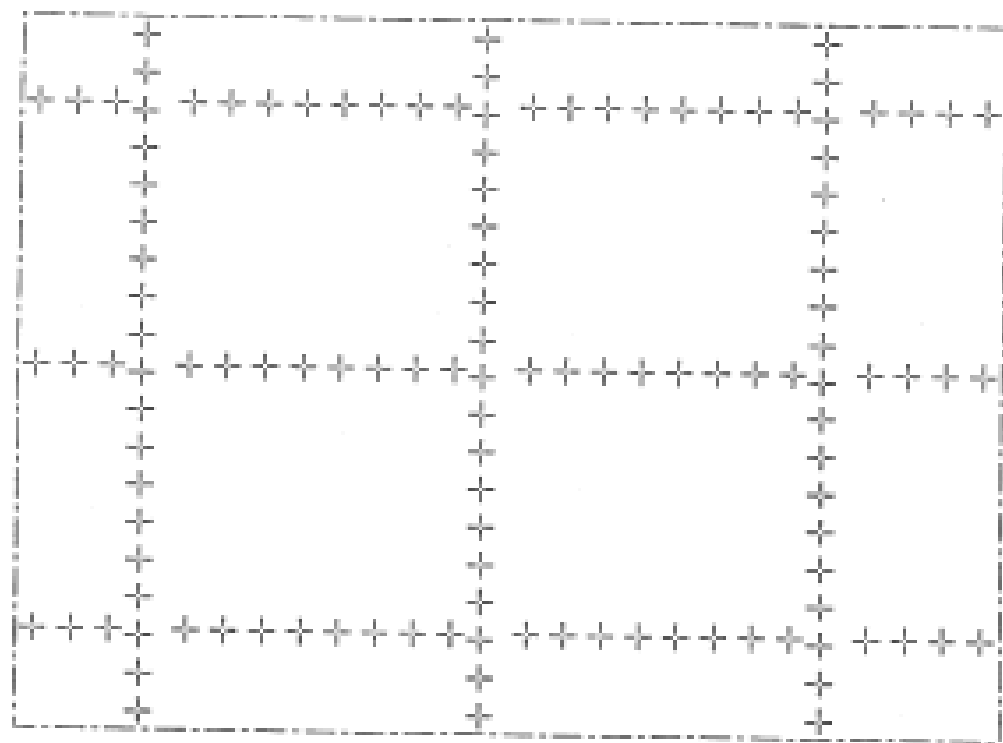
(45) Registration Date: **02 July 2009**

(56) Related Art Documents: **Not Applicable**

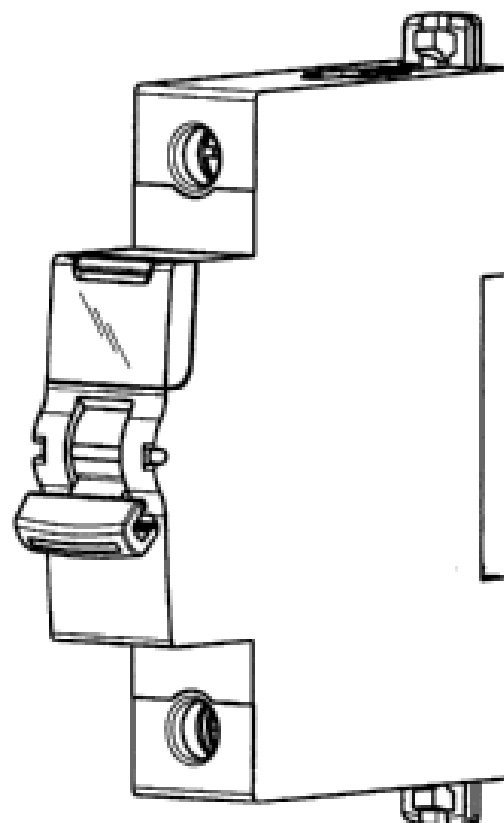
(57) Statement of Newness and Distinctiveness: **The particular visual features of the design which are new and distinctive are shape or configuration.**



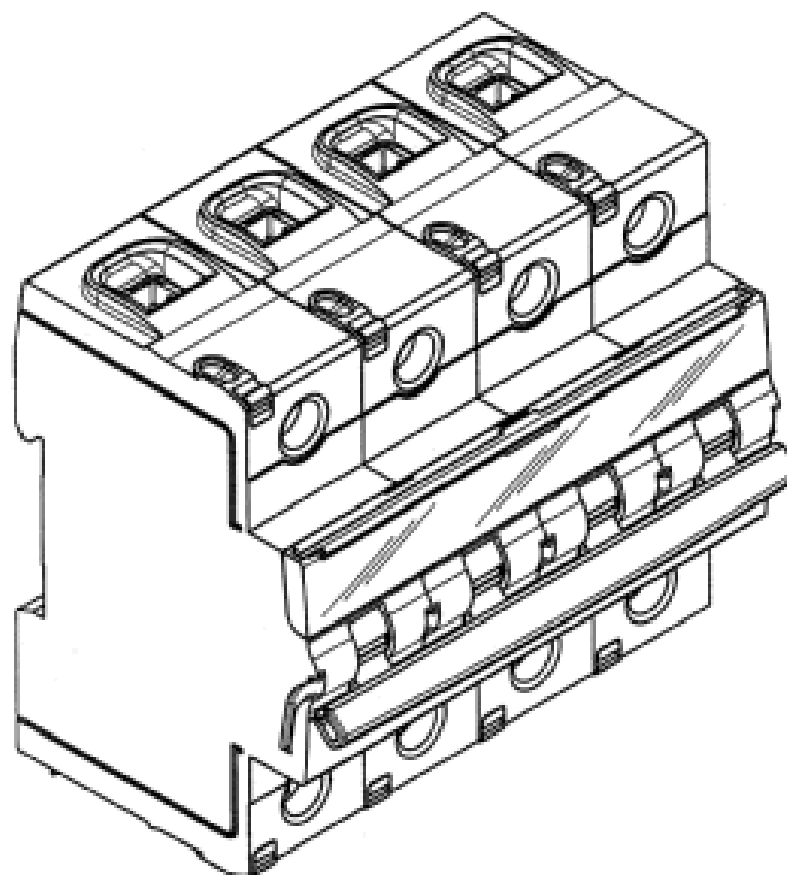
(21) Design Number: **11559/2009**
(22) Date of Filing Application: **04 May 2009**
(24) Date from which industrial property rights may have effect: **04 May 2009**
(54) Product in respect of which the design is registered: **Sheet material**
(51) International Design Classification: **25-01D**
(71) Name(s) and Address(s) of Applicant(s):
Surrey Police Authority
Mount Brown Sandy Lane Guildford Surrey GU3 1HG United Kingdom
(72) Name(s) of Designer(s): **Ian Cook**
(45) Registration Date: **02 July 2009**
(30) Convention priority data:
(31) Number (32) Date (33) Country
001079883-0001 02 Feb 2009 EUROPEAN COMMUNITY
(56) Related Art Documents: **Not Applicable**
(57) Statement of Newness and Distinctiveness: **Newness and distinctiveness is claimed in the shape and configuration of the repeating pattern of frangible perforations formed in the sheet material. The sheet material is of indefinite length and width.**



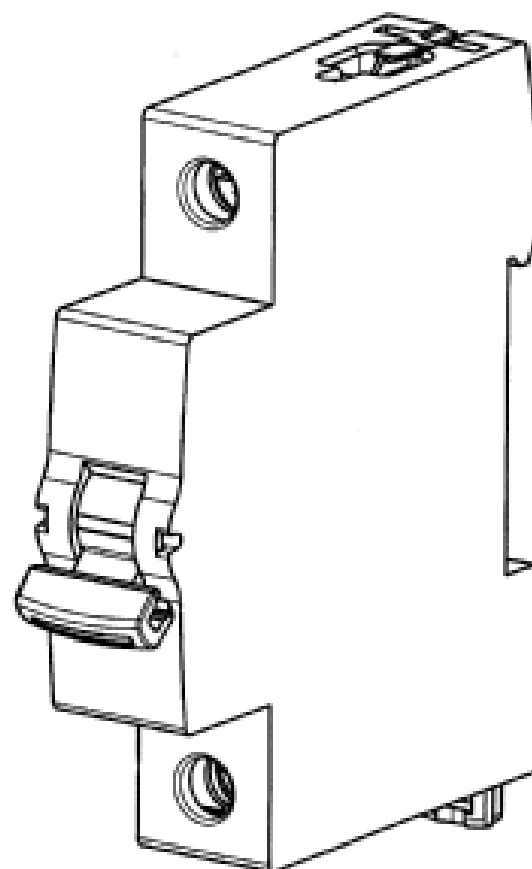
(21) Design Number: **12081/2009**
(22) Date of Filing Application: **05 June 2009**
(24) Date from which industrial property rights may have effect: **05 June 2009**
(54) Product in respect of which the design is registered: **Modular electric apparatus**
(51) International Design Classification: **13-03NES**
(71) Name(s) and Address(s) of Applicant(s):
Legrand France
128 avenue du Marechal de Lattre-de-Tassigny FR-87000 Limoges France
Legrand SNC
128 avenue du Marechal de Lattre-de-Tassigny FR-87000 Limoges France
(72) Name(s) of Designer(s): **Amelie Poupinet and Thomas Boury**
(45) Registration Date: **01 July 2009**
(30) Convention priority data:
(31) Number (32) Date (33) Country
001068829-1/16 10 Dec 2008 EUROPEAN COMMUNITY
(56) Related Art Documents: **Not Applicable**
(57) Statement of Newness and Distinctiveness: **Nil**



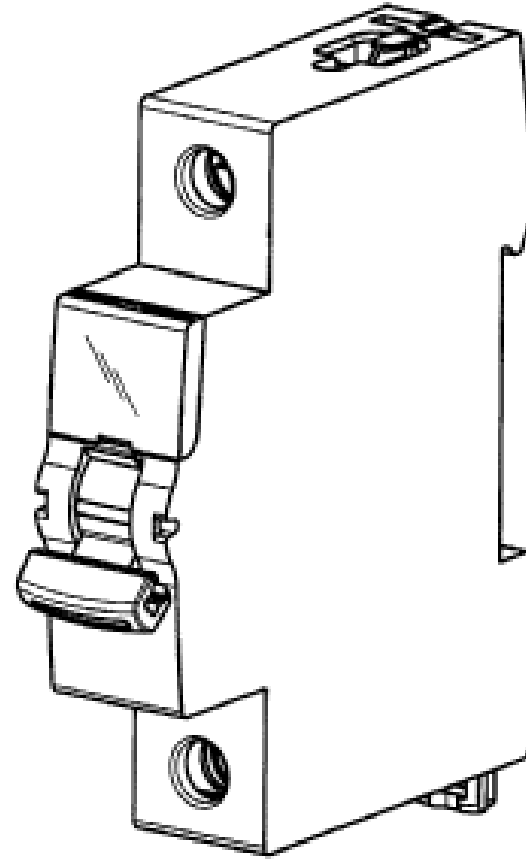
- (21) Design Number: **12082/2009**
(22) Date of Filing Application: **05 June 2009**
(24) Date from which industrial property rights may have effect: **05 June 2009**
(54) Product in respect of which the design is registered: **Modular electric apparatus**
(51) International Design Classification: **13-03NES**
(71) Name(s) and Address(s) of Applicant(s):
 Legrand France
 128 avenue du Marechal de Lattre-de-Tassigny FR-87000 Limoges
 France
 Legrand SNC
 128 avenue du Marechal de Lattre-de-Tassigny FR-87000 Limoges
 France
(72) Name(s) of Designer(s): **Amelie Poupinet and Thomas Boury**
(45) Registration Date: **01 July 2009**
(30) Convention priority data:
 (31) Number (32) Date (33) Country
 001068829-1/16 10 Dec 2008 EUROPEAN COMMUNITY
(56) Related Art Documents: **Not Applicable**
(57) Statement of Newness and Distinctiveness: **Nil**



- (21) Design Number: **12083/2009**
(22) Date of Filing Application: **05 June 2009**
(24) Date from which industrial property rights may have effect: **05 June 2009**
(54) Product in respect of which the design is registered: **Modular electric apparatus**
(51) International Design Classification: **13-03NES**
(71) Name(s) and Address(s) of Applicant(s):
 Legrand France
 128 avenue du Marechal de Lattre-de-Tassigny FR-87000 Limoges
 France
 Legrand SNC
 128 avenue du Marechal de Lattre-de-Tassigny FR-87000 Limoges
 France
(72) Name(s) of Designer(s): **Amelie Poupinet and Thomas Boury**
(45) Registration Date: **01 July 2009**
(30) Convention priority data:
 (31) Number (32) Date (33) Country
 001068829-1/16 10 Dec 2008 EUROPEAN COMMUNITY
(56) Related Art Documents: **Not Applicable**
(57) Statement of Newness and Distinctiveness: **Nil**



(21) Design Number: **12084/2009**
(22) Date of Filing Application: **05 June 2009**
(24) Date from which industrial property rights may have effect: **05 June 2009**
(54) Product in respect of which the design is registered: **Modular electric apparatus**
(51) International Design Classification: **13-03NES**
(71) Name(s) and Address(s) of Applicant(s):
Legrand France
128 avenue du Marechal de Lattre-de-Tassigny FR-87000 Limoges
France
Legrand SNC
128 avenue du Marechal de Lattre-de-Tassigny FR-87000 Limoges
France
(72) Name(s) of Designer(s): **Amelie Poupinet and Thomas Boury**
(45) Registration Date: **01 July 2009**
(30) Convention priority data:
(31) Number (32) Date (33) Country
001068829-1/16 10 Dec 2008 EUROPEAN COMMUNITY
(56) Related Art Documents: **Not Applicable**
(57) Statement of Newness and Distinctiveness: **Nil**



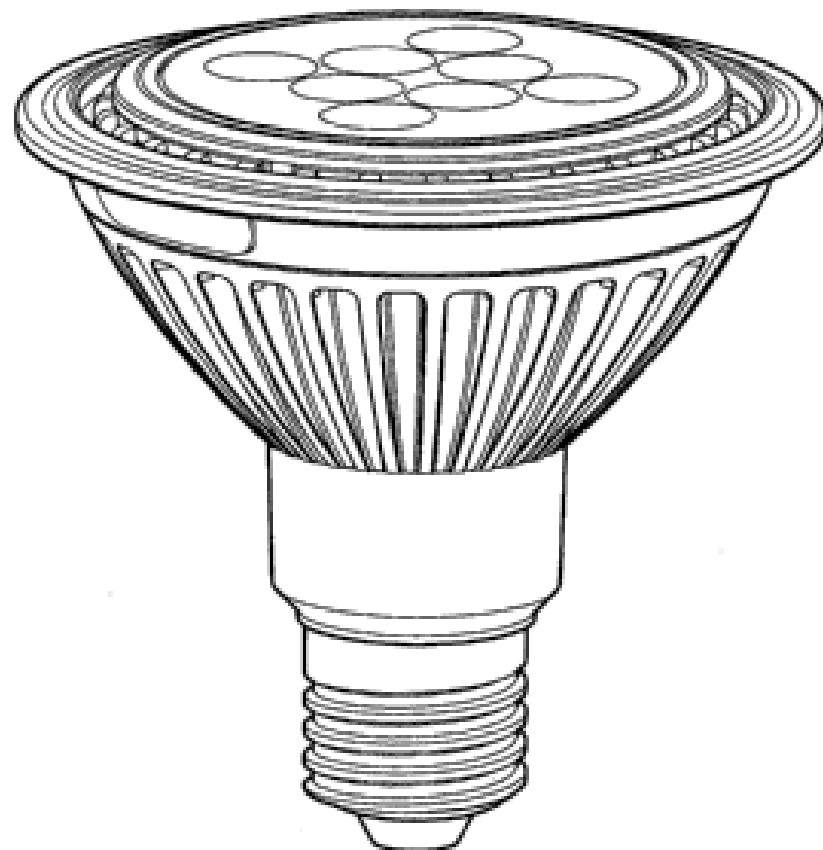
(21) Design Number: **12085/2009**
(22) Date of Filing Application: **05 June 2009**
(24) Date from which industrial property rights may have effect: **05 June 2009**
(54) Product in respect of which the design is registered: **Vehicle vent**
(51) International Design Classification: **12-16NES, 23-04**
(71) Name(s) and Address(s) of Applicant(s):
Daniel Sangster
PO Box 1061 Mountain Gate Victoria 3156 Australia
(72) Name(s) of Designer(s): **Daniel Sangster**
(45) Registration Date: **01 July 2009**
(56) Related Art Documents: **Not Applicable**
(57) Statement of Newness and Distinctiveness: **Newness and distinctiveness are claimed in the features of shape and/or configuration of a vehicle vent, as illustrated in the accompanying representations. The word FLEXIVAN is not claimed as part of the design.**



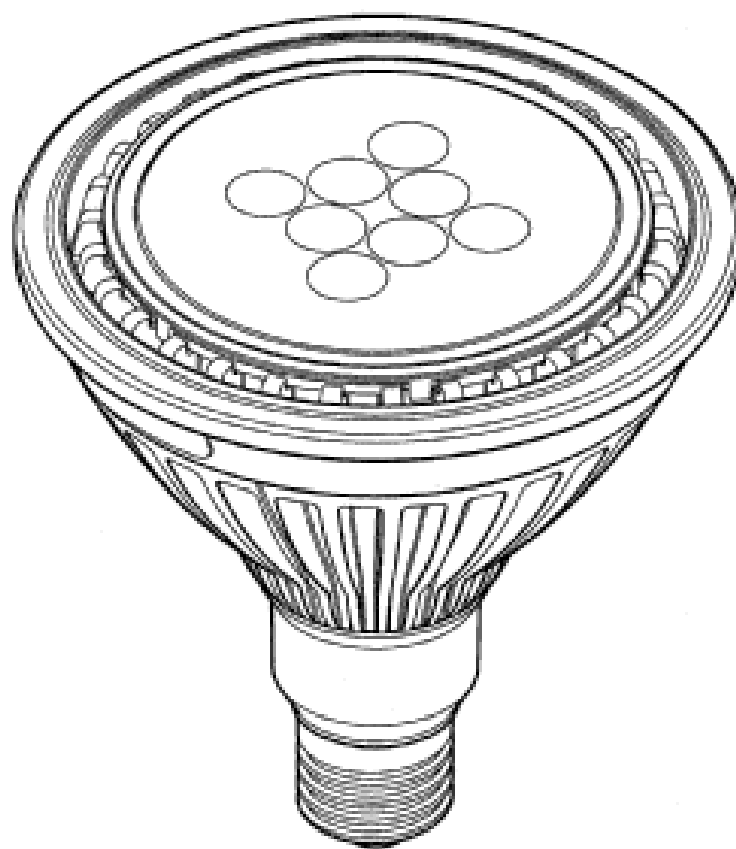
- (21) Design Number: **12118/2009**
(22) Date of Filing Application: **10 June 2009**
(24) Date from which industrial property rights may have effect: **10 June 2009**
(54) Product in respect of which the design is registered: **Toothbrush handle**
(51) International Design Classification: **04-02**
(71) Name(s) and Address(s) of Applicant(s):
Braun GmbH
Frankfurter Strasse 145 61476 Kronberg Germany
(72) Name(s) of Designer(s): **Tillman Winkler and Heiko Bornheimer and Hauke Schormair**
(45) Registration Date: **01 July 2009**
(30) Convention priority data:
(31) Number (32) Date (33) Country
402008005994.8 12 Dec 2008 GERMANY
(56) Related Art Documents: **Not Applicable**
(57) Statement of Newness and Distinctiveness: **Newness and distinctiveness reside in the features of shape and/or configuration of the toothbrush handle, as shown in the representations.**



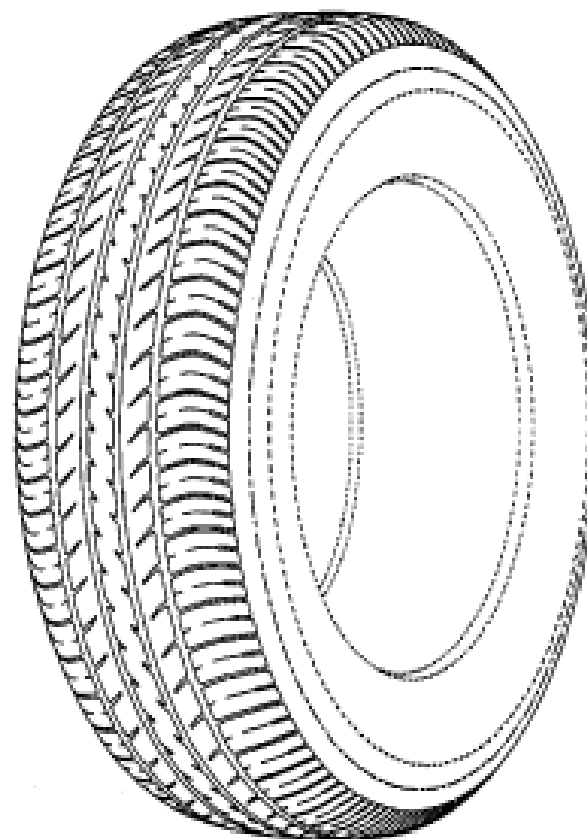
- (21) Design Number: **12095/2009**
(22) Date of Filing Application: **05 June 2009**
(24) Date from which industrial property rights may have effect: **05 June 2009**
(54) Product in respect of which the design is registered: **Solid state lighting spot**
(51) International Design Classification: **26-04**
(71) Name(s) and Address(s) of Applicant(s):
Koninklijke Philips Electronics N.V.
Groenewoudseweg 1 5621 BA Eindhoven The Netherlands
(72) Name(s) of Designer(s): **Yongsi Bi**
(45) Registration Date: **01 July 2009**
(30) Convention priority data:
(31) Number (32) Date (33) Country
001051999-0001 08 Dec 2008 EUROPEAN COMMUNITY
(56) Related Art Documents: **Not Applicable**
(57) Statement of Newness and Distinctiveness: **Newness and distinctiveness reside in the features of the design as shown in the representations.**



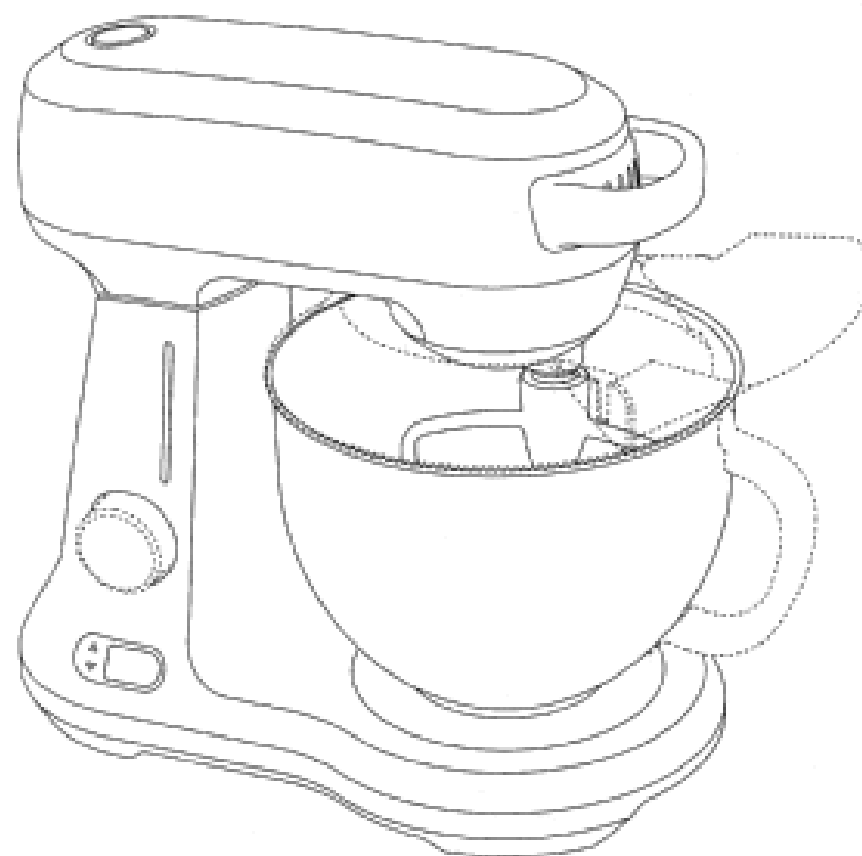
- (21) Design Number: **12096/2009**
(22) Date of Filing Application: **05 June 2009**
(24) Date from which industrial property rights may have effect: **05 June 2009**
(54) Product in respect of which the design is registered: **Solid state lighting spot**
(51) International Design Classification: **26-04**
(71) Name(s) and Address(s) of Applicant(s):
Koninklijke Philips Electronics N.V.
Groenewoudseweg 1 5621 BA Eindhoven The Netherlands
(72) Name(s) of Designer(s): **Yongsi Bi**
(45) Registration Date: **01 July 2009**
(30) Convention priority data:
(31) Number (32) Date (33) Country
001051999-0002 08 Dec 2008 EUROPEAN COMMUNITY
(56) Related Art Documents: **Not Applicable**
(57) Statement of Newness and Distinctiveness: **Newness and distinctiveness reside in the features of the design as shown in the representations.**



- (21) Design Number: **12097/2009**
(22) Date of Filing Application: **05 June 2009**
(24) Date from which industrial property rights may have effect: **05 June 2009**
(54) Product in respect of which the design is registered: **Automobile tire**
(51) International Design Classification: **12-15B**
(71) Name(s) and Address(s) of Applicant(s):
The Yokohama Rubber Co., Ltd.
36-11 Shimbashi 5-chome Minato-ku Tokyo Japan
(72) Name(s) of Designer(s): **Yoshifumi Koishikawa and Tsuyoto Shimizu**
(45) Registration Date: **01 July 2009**
(30) Convention priority data:
(31) Number (32) Date (33) Country
2008-031177 05 Dec 2008 JAPAN
(56) Related Art Documents: **Not Applicable**
(57) Statement of Newness and Distinctiveness: **Newness and distinctiveness reside in the features of the design shown in solid lines in the representations excluding those features shown in broken lines.**



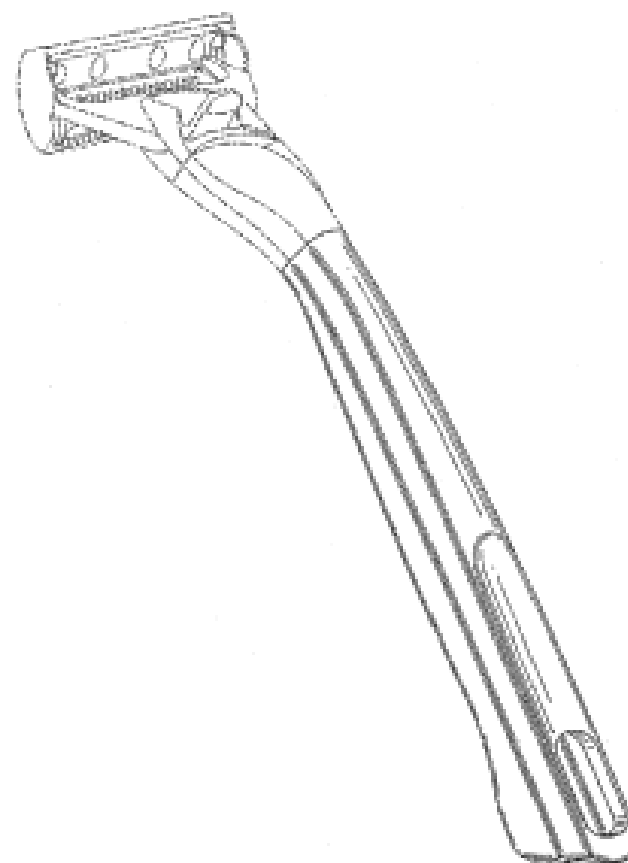
(21) Design Number: **12098/2009**
 (22) Date of Filing Application: **05 June 2009**
 (24) Date from which industrial property rights may have effect: **05 June 2009**
 (54) Product in respect of which the design is registered: **Bench mixer**
 (51) International Design Classification: **31-00**
 (71) Name(s) and Address(s) of Applicant(s):
Breville Pty Limited
Building 2 Port Air Industrial Estate 1A Hale Street Botany New South
Wales 2019 Australia
 (72) Name(s) of Designer(s): **Nick Roseby and Richard Hoare**
 (45) Registration Date: **01 July 2009**
 (56) Related Art Documents: **Not Applicable**
 (57) Statement of Newness and Distinctiveness: **Newness is claimed in the features of shape and configuration of the Bench Mixer as shown in the accompanying representations. Elements shown in dashed lines form no part of the design.**



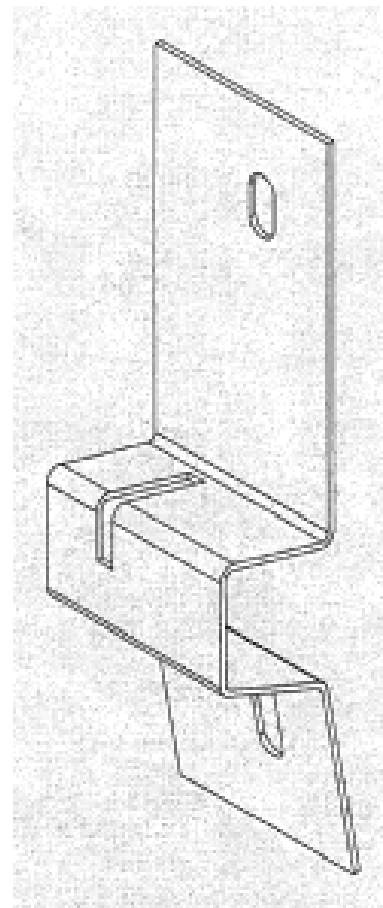
(21) Design Number: **12099/2009**
 (22) Date of Filing Application: **05 June 2009**
 (24) Date from which industrial property rights may have effect: **05 June 2009**
 (54) Product in respect of which the design is registered: **Shaving razor handle**
 (51) International Design Classification: **28-03A**
 (71) Name(s) and Address(s) of Applicant(s):
The Gillette Company
Prudential Tower Building Boston Massachusetts 02199 United States
of America
 (72) Name(s) of Designer(s): **Matthew Corey Cataudella**
 (45) Registration Date: **01 July 2009**
 (30) Convention priority data:

(31) Number	(32) Date	(33) Country
29/329087	09 Dec 2008	UNITED STATES OF AMERICA

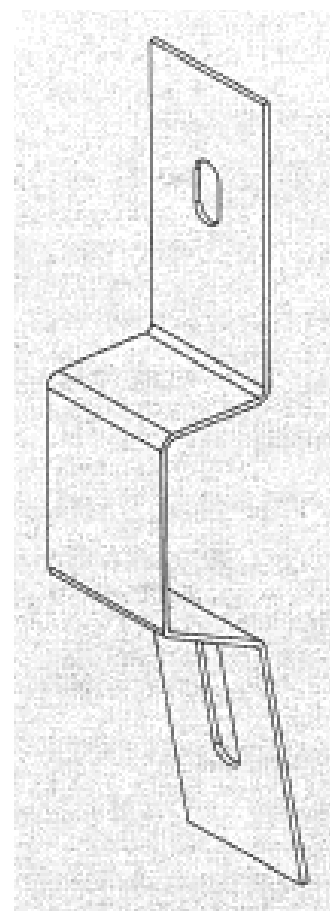
 (56) Related Art Documents: **Not Applicable**
 (57) Statement of Newness and Distinctiveness: **Newness and distinctiveness reside in the features of shape and/or configuration of the shaving razor handle, as shown in the representations. Newness and distinctiveness are not claimed in relation to the features shown in broken lines in the representations, including the razor cartridge.**



- (21) Design Number: **12101/2009**
(22) Date of Filing Application: **05 June 2009**
(24) Date from which industrial property rights may have effect: **05 June 2009**
(54) Product in respect of which the design is registered: **Connector**
(51) International Design Classification: **08-08L**
(71) Name(s) and Address(s) of Applicant(s):
Hierros Y Aplanaciones, S.A.
Pol. Ind. De Cancienes S/N Corvera Asturias 33470 Spain
(72) Name(s) of Designer(s): **Antonio Amengual Pericas**
(45) Registration Date: **01 July 2009**
(56) Related Art Documents: **Not Applicable**
(57) Statement of Newness and Distinctiveness: **Nil**



- (21) Design Number: **12102/2009**
(22) Date of Filing Application: **05 June 2009**
(24) Date from which industrial property rights may have effect: **05 June 2009**
(54) Product in respect of which the design is registered: **Connector**
(51) International Design Classification: **08-08L**
(71) Name(s) and Address(s) of Applicant(s):
Hierros Y Aplanaciones, S.A.
Pol. Ind. De Cancienes S/N Corvera Asturias 33470 Spain
(72) Name(s) of Designer(s): **Antonio Amengual Pericas**
(45) Registration Date: **01 July 2009**
(56) Related Art Documents: **Not Applicable**
(57) Statement of Newness and Distinctiveness: **Nil**



(21) Design Number: **12103/2009**

(22) Date of Filing Application: **09 June 2009**

(24) Date from which industrial property rights may have effect: **09 June 2009**

(54) Product in respect of which the design is registered: **A self steering trailer**

(51) International Design Classification: **12-10**

(71) Name(s) and Address(s) of Applicant(s):

Geoffrey Robert Crocker
23 East Street Harden New South Wales 2587 Australia

(72) Name(s) of Designer(s): **Geoffrey Robert Crocker**

(45) Registration Date: **01 July 2009**

(56) Related Art Documents: **Not Applicable**

(57) Statement of Newness and Distinctiveness: **This trailer is different as it requires no correctional steering from the towing vehicle. It's road wheels can swivel on a vertical axis. It's connection to the towing vehicle is via two points.**



(21) Design Number: **12104/2009**

(22) Date of Filing Application: **05 June 2009**

(24) Date from which industrial property rights may have effect: **05 June 2009**

(54) Product in respect of which the design is registered: **Grill**

(51) International Design Classification: **07-02G**

(71) Name(s) and Address(s) of Applicant(s):

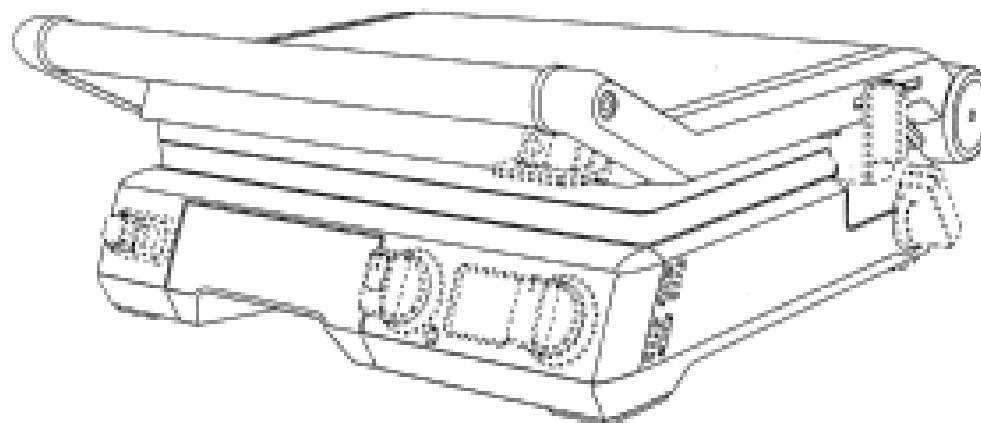
Breville Pty Limited
Building 2 Port Air Industrial Estate 1A Hale Street Botany New South Wales 2019 Australia

(72) Name(s) of Designer(s): **Richard Hoare and Nicholas Robinson**

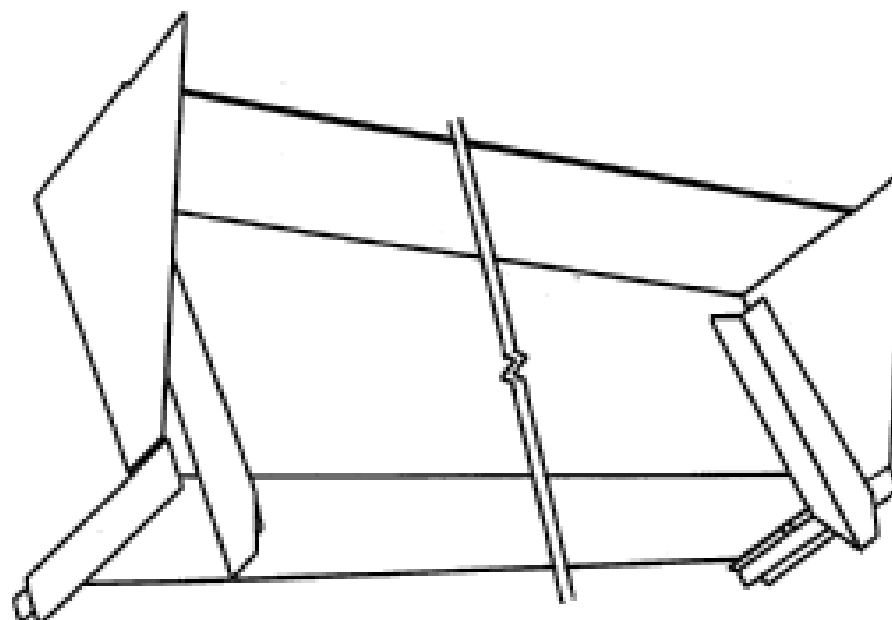
(45) Registration Date: **01 July 2009**

(56) Related Art Documents: **Not Applicable**

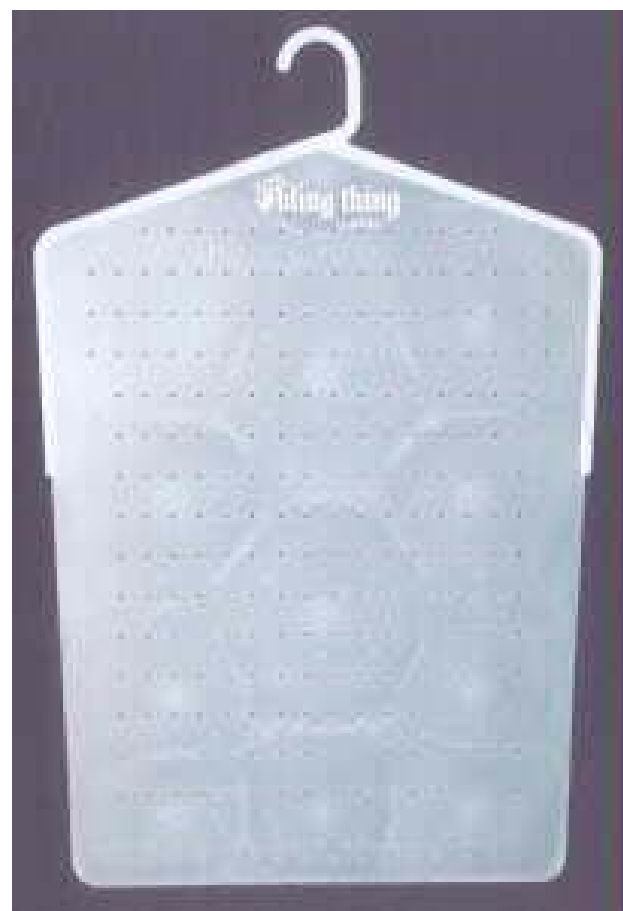
(57) Statement of Newness and Distinctiveness: **Newness is claimed in the features of shape and configuration of the Grill as shown in the accompanying representations. Elements shown in dashed lines form no part of the design.**



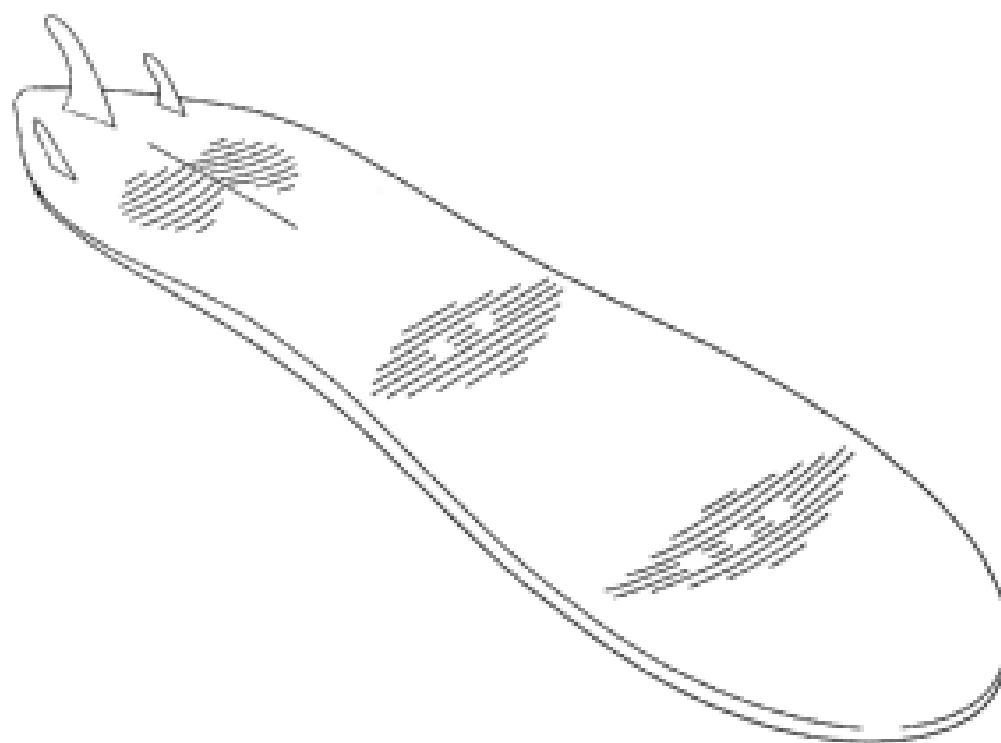
- (21) Design Number: **12026/2009**
(22) Date of Filing Application: **29 May 2009**
(24) Date from which industrial property rights may have effect: **29 May 2009**
(54) Product in respect of which the design is registered: **Step for use in constructing a set of stairs**
(51) International Design Classification: **25-04**
(71) Name(s) and Address(s) of Applicant(s):
Kenneth David Roberts
56 Shamley Heath Road Kureelpa Queensland 4560 Australia
(72) Name(s) of Designer(s): **Kenneth David Roberts**
(45) Registration Date: **02 July 2009**
(56) Related Art Documents: **Not Applicable**
(57) Statement of Newness and Distinctiveness: **Nil**



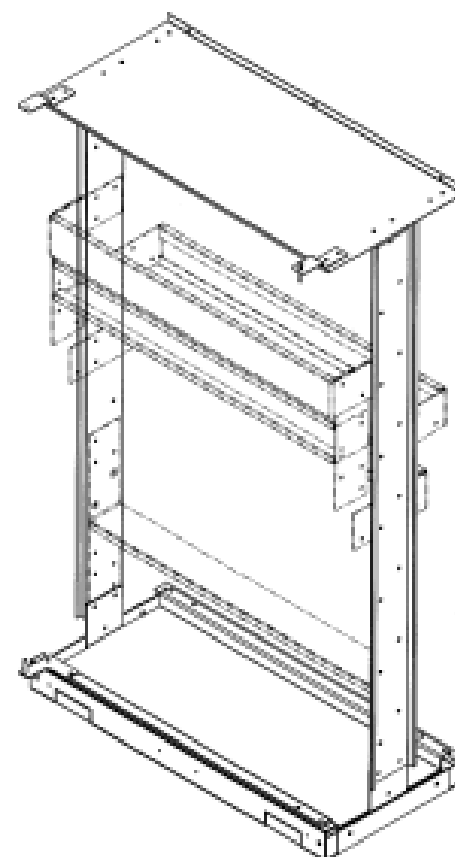
- (21) Design Number: **12190/2009**
(22) Date of Filing Application: **15 June 2009**
(24) Date from which industrial property rights may have effect: **15 June 2009**
(54) Product in respect of which the design is registered: **Bling thing by Aceez earring holder**
(51) International Design Classification: **20-02E**
(71) Name(s) and Address(s) of Applicant(s):
Susan Bent
C/- 110 Arun Drive Arundel Queensland 4214 Australia
Jenette Franklin
C/- 110 Arun Drive Arundel Queensland 4214 Australia
(72) Name(s) of Designer(s): **Susan Bent**
(45) Registration Date: **02 July 2009**
(56) Related Art Documents: **Not Applicable**
(57) Statement of Newness and Distinctiveness: **Nil**



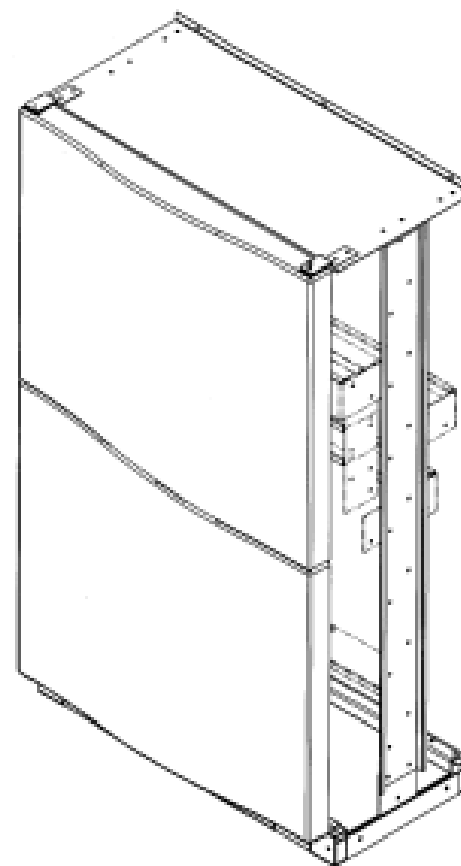
- (21) Design Number: **12114/2009**
(22) Date of Filing Application: **09 June 2009**
(24) Date from which industrial property rights may have effect: **09 June 2009**
(54) Product in respect of which the design is registered: **Surfboard**
(51) International Design Classification: **21-02D**
(71) Name(s) and Address(s) of Applicant(s):
Thomas Meyerhoffer
1241 Main Street Montara CA 94037 United States of America
(72) Name(s) of Designer(s): **Thomas Meyerhoffer**
(45) Registration Date: **02 July 2009**
(30) Convention priority data:
(31) Number (32) Date (33) Country
US29/329,451 15 Dec 2008 UNITED STATES OF AMERICA
(56) Related Art Documents: **Not Applicable**
(57) Statement of Newness and Distinctiveness: **Nil**



- (21) Design Number: **12115/2009**
(22) Date of Filing Application: **09 June 2009**
(24) Date from which industrial property rights may have effect: **09 June 2009**
(54) Product in respect of which the design is registered: **Cabinet frame structure**
(51) International Design Classification: **06-04F**
(71) Name(s) and Address(s) of Applicant(s):
Aquatec Environmental Group Pty Ltd
12 Telford Drive Shepparton Victoria 3632 Australia
Cleartec Pty Ltd
7-11 Beete Street Welshpool Western Australia 6106 Australia
(72) Name(s) of Designer(s): **Bruce Seeley and Gavin Slack**
(45) Registration Date: **02 July 2009**
(56) Related Art Documents: **Not Applicable**
(57) Statement of Newness and Distinctiveness: **Newness and distinctiveness resides in the features of shape and/or configuration of a cabinet frame structure as shown in solid lines in the accompanying representations. The horizontal support brackets are shown in dashed lines as the positioning and number of same can vary and as such these brackets do not form part of the claimed design.**



- (21) Design Number: **12116/2009**
(22) Date of Filing Application: **09 June 2009**
(24) Date from which industrial property rights may have effect: **09 June 2009**
(54) Product in respect of which the design is registered: **Cabinet frame structure with door**
(51) International Design Classification: **06-04F**
(71) Name(s) and Address(s) of Applicant(s):
Aquatec Environmental Group Pty Ltd
12 Telford Drive Shepparton Victoria 3632 Australia
Cleartec Pty Ltd
7-11 Beete Street Welshpool Western Australia 6106 Australia
(72) Name(s) of Designer(s): **Bruce Seeley and Gavin Slack**
(45) Registration Date: **02 July 2009**
(56) Related Art Documents: **Not Applicable**
(57) Statement of Newness and Distinctiveness: **Newness and distinctiveness resides in the features of shape and/or configuration of a cabinet frame structure with door as shown in solid lines in the accompanying representations. The horizontal support brackets are shown in dashed lines as the positioning and number of same can vary and as such these brackets do not form part of the claimed design.**



- (21) Design Number: **12110/2009**
(22) Date of Filing Application: **04 June 2009**
(24) Date from which industrial property rights may have effect: **04 June 2009**
(54) Product in respect of which the design is registered: **Square on square floor waste**
(51) International Design Classification: **23-02E**
(71) Name(s) and Address(s) of Applicant(s):
Art Plastics Pty Ltd
14 White Street Bayswater Western Australia 6053 Australia
(72) Name(s) of Designer(s): **Scott Johnstone**
(45) Registration Date: **02 July 2009**
(56) Related Art Documents: **Not Applicable**
(57) Statement of Newness and Distinctiveness: **The newness and distinctiveness of the square on square floor wastes is shown in the following drawings: Fig 1. Is an isometric view of the square on square floor waste assembly complete. Fig 2. Is an isometric view of the square on square floor waste body only with the grate removed. It is similar isometric view to that of Fig 1. Fig 3. Is an isometric view of the square on square floor waste assembly complete at a slight angle to the plane of view shown in Fig 1. Fig 4. Is a bottom plan view of the square on square floor waste body only with the grate removed? Fig 5. Is plan view of the square on square floor waste body only with the grate removed? Fig 6. Is a bottom plan view of the square on square floor waste grate only with the body removed. Fig 7. is a plan view of the square on square floor waste grate only with the body removed? Fig 8. Is an isometric view of the square on square floor waste grate only with the body removed? It is a similar isometric view to that of Fig 1.**



(21) Design Number: **11472/2009**

(22) Date of Filing Application: **29 April 2009**

(24) Date from which industrial property rights may have effect: **29 April 2009**

(54) Product in respect of which the design is registered: **Bin wheel**

(51) International Design Classification: **09-09, 09-99**

(71) Name(s) and Address(s) of Applicant(s):

Turborich Trading Ltd
Suite 1505 Albion Plaza 2-6 Granville Road Tsimshatsui Kowloon
Hong Kong

(72) Name(s) of Designer(s): **Nguyen Thi Kim Oanh**

(45) Registration Date: **02 July 2009**

(56) Related Art Documents: **Not Applicable**

(57) Statement of Newness and Distinctiveness: **Newness and distinctiveness are claimed in the features of shape and/or configuration of a bin wheel, as illustrated in the accompanying representations.**



(21) Design Number: **12240/2009**

(22) Date of Filing Application: **29 April 2009**

(24) Date from which industrial property rights may have effect: **29 April 2009**

(54) Product in respect of which the design is registered: **Bin wheel**

(51) International Design Classification: **09-09, 09-99**

(71) Name(s) and Address(s) of Applicant(s):

Turborich Trading Ltd
Suite 1505 Albion Plaza 2-6 Granville Road Tsimshatsui Kowloon
Hong Kong

(72) Name(s) of Designer(s): **Nguyen Thi Kim Oanh**

(45) Registration Date: **02 July 2009**

(56) Related Art Documents: **Not Applicable**

(57) Statement of Newness and Distinctiveness: **Newness and distinctiveness are claimed in the features of shape and/or configuration of a bin wheel, as illustrated in the accompanying representations.**



(21) Design Number: **12121/2009**

(22) Date of Filing Application: **10 June 2009**

(24) Date from which industrial property rights may have effect: **10 June 2009**

(54) Product in respect of which the design is registered: **Bottle**

(51) International Design Classification: **09-01K**

(71) Name(s) and Address(s) of Applicant(s):

**Sichuan Wenjun Spirits Company Limited
No. 33, East Ring Road Linqiong Town Qionglai City Chengdu City
Sichuan Province China**

(72) Name(s) of Designer(s): **Craig Glass and Toh Meng Lee and Jason Glassick**

(45) Registration Date: **03 July 2009**

(30) Convention priority data:

(31) Number	(32) Date	(33) Country
200930008871.8	20 Mar 2009	CHINA

(56) Related Art Documents: **Not Applicable**

(57) Statement of Newness and Distinctiveness: **Newness and distinctiveness is claimed in the features of shape and/or configuration of a bottle as illustrated in the accompanying representations.**



(21) Design Number: **12122/2009**

(22) Date of Filing Application: **10 June 2009**

(24) Date from which industrial property rights may have effect: **10 June 2009**

(54) Product in respect of which the design is registered: **Bottle**

(51) International Design Classification: **09-01K**

(71) Name(s) and Address(s) of Applicant(s):

**Sichuan Wenjun Spirits Company Limited
No. 33, East Ring Road Linqiong Town Qionglai City Chengdu City
Sichuan Province China**

(72) Name(s) of Designer(s): **Craig Glass and Toh Meng Lee and Jason Glassick**

(45) Registration Date: **03 July 2009**

(30) Convention priority data:

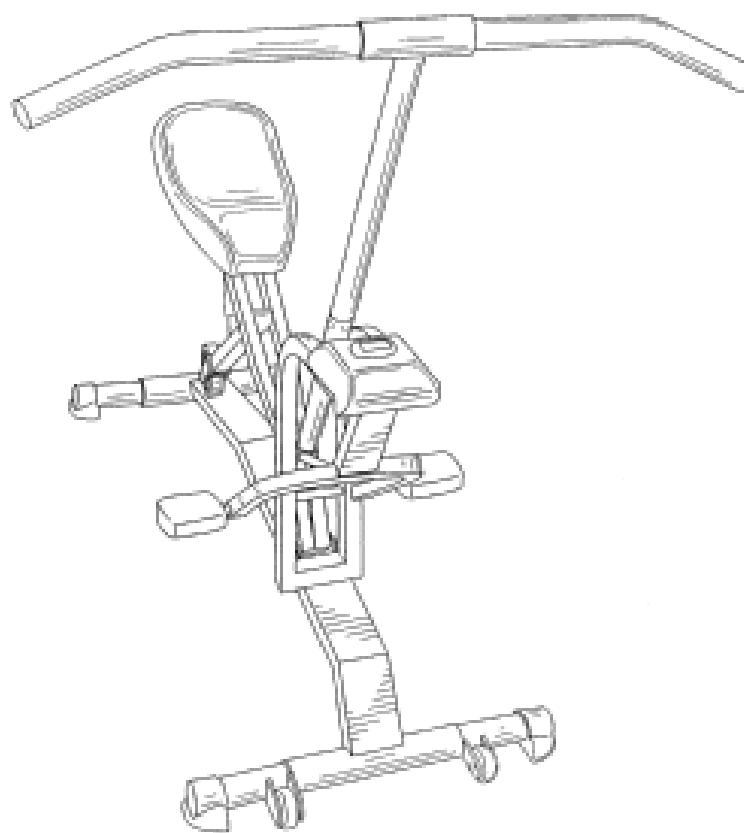
(31) Number	(32) Date	(33) Country
200930007648.1	24 Mar 2009	CHINA

(56) Related Art Documents: **Not Applicable**

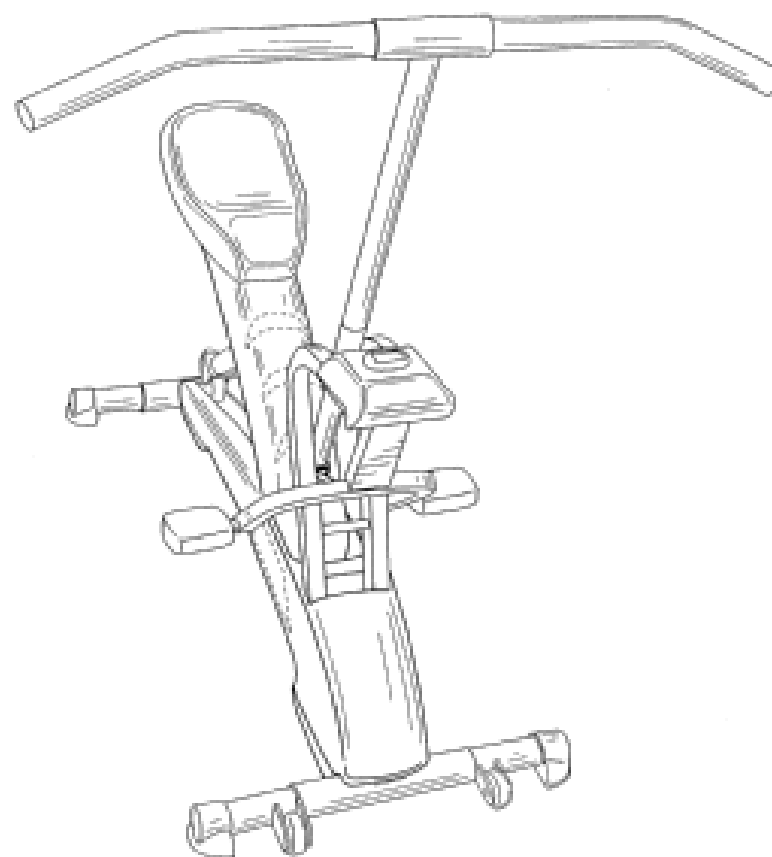
(57) Statement of Newness and Distinctiveness: **Newness and distinctiveness is claimed in the features of shape and/or configuration and pattern and/or ornamentation of a bottle as illustrated in the accompanying representations.**



(21) Design Number: **12178/2009**
(22) Date of Filing Application: **15 June 2009**
(24) Date from which industrial property rights may have effect: **15 June 2009**
(54) Product in respect of which the design is registered: **Exercise device**
(51) International Design Classification: **21-02F**
(71) Name(s) and Address(s) of Applicant(s):
Poonam Khubani
Saddle River New Jersey United States of America
(72) Name(s) of Designer(s): **Poonam Khubani**
(45) Registration Date: **03 July 2009**
(30) Convention priority data:
(31) Number (32) Date (33) Country
29/314,851 04 May 2009 UNITED STATES OF AMERICA
(56) Related Art Documents: **Not Applicable**
(57) Statement of Newness and Distinctiveness: **Nil**



(21) Design Number: **12375/2009**
(22) Date of Filing Application: **15 June 2009**
(24) Date from which industrial property rights may have effect: **15 June 2009**
(54) Product in respect of which the design is registered: **Exercise device**
(51) International Design Classification: **21-02F**
(71) Name(s) and Address(s) of Applicant(s):
Poonam Khubani
Saddle River New Jersey United States of America
(72) Name(s) of Designer(s): **Poonam Khubani**
(45) Registration Date: **03 July 2009**
(30) Convention priority data:
(31) Number (32) Date (33) Country
29/314,852 04 May 2009 UNITED STATES OF AMERICA
(56) Related Art Documents: **Not Applicable**
(57) Statement of Newness and Distinctiveness: **Nil**



(21) Design Number: **11248/2009**

(22) Date of Filing Application: **14 April 2009**

(24) Date from which industrial property rights may have effect: **14 April 2009**

(54) Product in respect of which the design is registered: **Secure and portable laptop storage and charging system**

(51) International Design Classification: **13-02, 06-04B**

(71) Name(s) and Address(s) of Applicant(s):

Trevor Andrew HARRY
Unit 2 Nottingham Airport Tollerton Lane Nottingham NG12 4GA
United Kingdom

(72) Name(s) of Designer(s): **Trevor Andrew HARRY**

(45) Registration Date: **03 July 2009**

(56) Related Art Documents: **Not Applicable**

(57) Statement of Newness and Distinctiveness: **Incorporates large handles for easy transportation and bumpers on each corner to protect the fabric of the school. Large L-shaped doors provide easy access and a dual locking security system which is operated from the top. An air venting system and grill at the base improve cooling.**



(21) Design Number: **11249/2009**

(22) Date of Filing Application: **14 April 2009**

(24) Date from which industrial property rights may have effect: **14 April 2009**

(54) Product in respect of which the design is registered: **Secure and portable laptop storage and charging system**

(51) International Design Classification: **13-02, 06-04B**

(71) Name(s) and Address(s) of Applicant(s):

Trevor Andrew HARRY
Unit 2 Nottingham Airport Tollerton Lane Nottingham NG12 4GA
United Kingdom

(72) Name(s) of Designer(s): **Trevor Andrew HARRY**

(45) Registration Date: **03 July 2009**

(56) Related Art Documents: **Not Applicable**

(57) Statement of Newness and Distinctiveness: **Incorporates large handles for easy transportation and bumpers on each corner to protect the fabric of the school. Large L-shaped doors provide easy access and a dual locking security system which is operated from the top. An air venting system and grill at the base improve cooling.**



(21) Design Number: **11250/2009**

(22) Date of Filing Application: **14 April 2009**

(24) Date from which industrial property rights may have effect: **14 April 2009**

(54) Product in respect of which the design is registered: **Secure and portable laptop storage and charging system**

(51) International Design Classification: **13-02, 06-04B**

(71) Name(s) and Address(s) of Applicant(s):

Trevor Andrew HARRY
Unit 2 Nottingham Airport Tollerton Lane Nottingham NG12 4GA
United Kingdom

(72) Name(s) of Designer(s): **Trevor Andrew HARRY**

(45) Registration Date: **03 July 2009**

(56) Related Art Documents: **Not Applicable**

(57) Statement of Newness and Distinctiveness: **Incorporates large handles for easy transportation and bumpers on each corner to protect the fabric of the school. Large L-shaped doors provide easy access and a dual locking security system which is operated from the top. An air venting system and grill at the base improve cooling.**



(21) Design Number: **11251/2009**

(22) Date of Filing Application: **14 April 2009**

(24) Date from which industrial property rights may have effect: **14 April 2009**

(54) Product in respect of which the design is registered: **Secure an portable laptop storage and charging system**

(51) International Design Classification: **13-02, 06-04B**

(71) Name(s) and Address(s) of Applicant(s):

Trevor Andrew HARRY
Unit 2 Nottingham Airport Tollerton Lane Nottingham NG12 4GA
United Kingdom

(72) Name(s) of Designer(s): **Trevor Andrew HARRY**

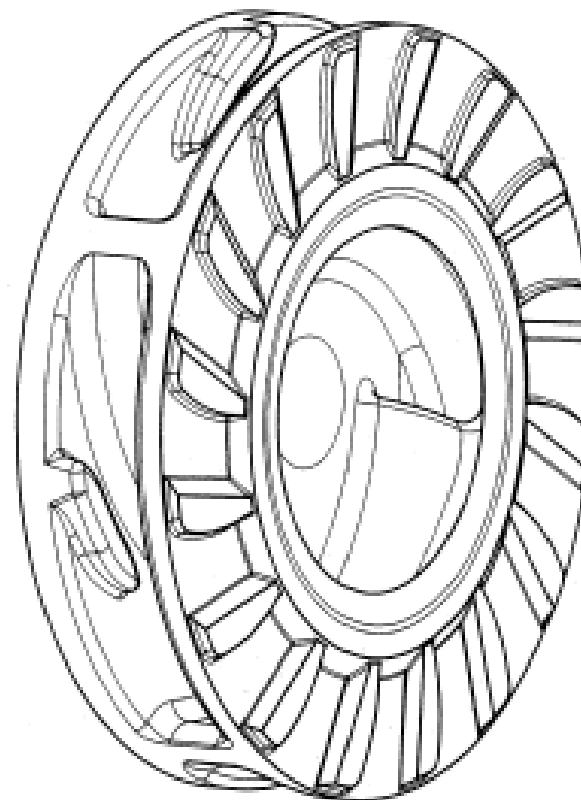
(45) Registration Date: **03 July 2009**

(56) Related Art Documents: **Not Applicable**

(57) Statement of Newness and Distinctiveness: **Incorporates large handles for easy transportation and bumpers on each corner to protect the fabric of the school. Large L-shaped doors provide easy access and a dual locking security system which is operated from the top. An air venting system and grill at the base improve cooling.**



- (21) Design Number: **11379/2009**
- (22) Date of Filing Application: **24 April 2009**
- (24) Date from which industrial property rights may have effect: **24 April 2009**
- (54) Product in respect of which the design is registered: **Impeller**
- (51) International Design Classification: **15-01, 15-02**
- (71) Name(s) and Address(s) of Applicant(s):
Weir Minerals Australia Ltd
1 Marden Street Artarmon New South Wales 2064 Australia
- (72) Name(s) of Designer(s): **Garry Bruce Glaves and Kevin Edward Burgess and Wen-Jie Liu**
- (45) Registration Date: **03 July 2009**
- (56) Related Art Documents: **Not Applicable**
- (57) Statement of Newness and Distinctiveness: **Nil**



- (21) Design Number: **11035/2009**
- (22) Date of Filing Application: **27 March 2009**
- (24) Date from which industrial property rights may have effect: **27 March 2009**
- (54) Product in respect of which the design is registered: **Horizontal Storage Rack**
- (51) International Design Classification: **06-04NES**
- (71) Name(s) and Address(s) of Applicant(s):
Fingo Products Pty Ltd
23 Reedie Street Henley Beach South Australia 5022 Australia
- (72) Name(s) of Designer(s): **Giles McDonald and Andrew Whittaker and Andrew Kumnick**
- (45) Registration Date: **03 July 2009**



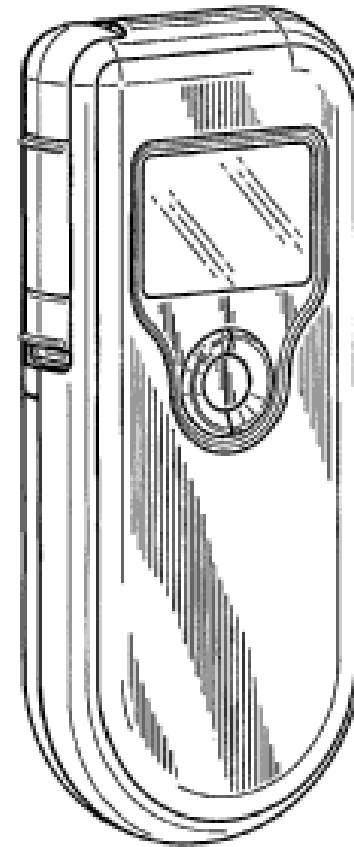
- (21) Design Number: **11810/2009**
(22) Date of Filing Application: **18 May 2009**
(24) Date from which industrial property rights may have effect: **18 May 2009**
(54) Product in respect of which the design is registered: **Baby wrap, baby blanket**
(51) International Design Classification: **06-13B**
(71) Name(s) and Address(s) of Applicant(s):
HS Industrial Supplies Pty Ltd
27 Monterey Street Wentworthville New South Wales 2145 Australia
(72) Name(s) of Designer(s): **Cheyne Smith and Natalie Smith and Alex Harper and Monique Harper**
(45) Registration Date: **03 July 2009**
(56) Related Art Documents: **Not Applicable**
(57) Statement of Newness and Distinctiveness: **Size of product being 1.2m by 1.2m, product is made of 100% Australian super fine, light weight, easy care Merino wool.**



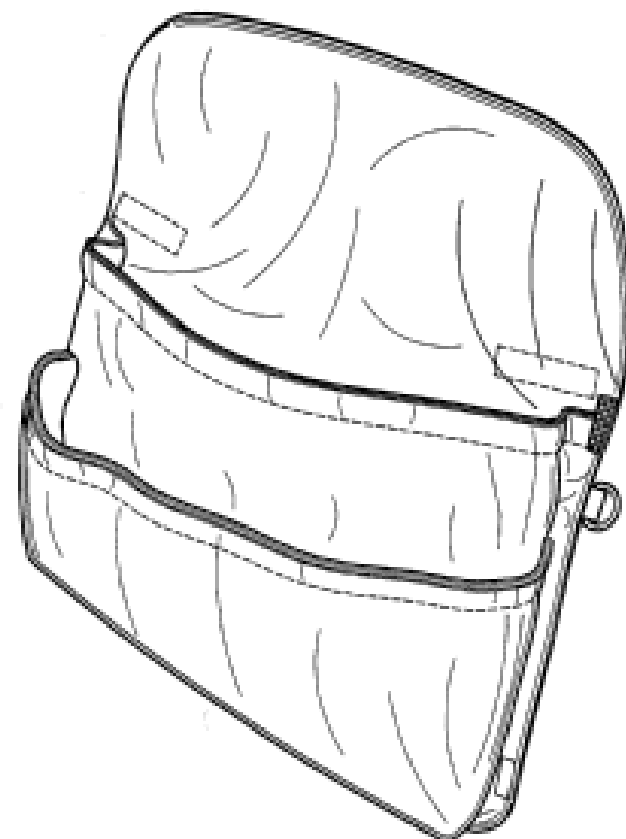
- (21) Design Number: **11924/2009**
(22) Date of Filing Application: **25 May 2009**
(24) Date from which industrial property rights may have effect: **25 May 2009**
(54) Product in respect of which the design is registered: **RF welded shower tray**
(51) International Design Classification: **23-02B**
(71) Name(s) and Address(s) of Applicant(s):
Mustafa Karahangil
20 Beresford Road Greystanes New South Wales 2145 Australia
(72) Name(s) of Designer(s): **Mustafa Karahangil**
(45) Registration Date: **03 July 2009**
(56) Related Art Documents: **Not Applicable**
(57) Statement of Newness and Distinctiveness: **Nil**



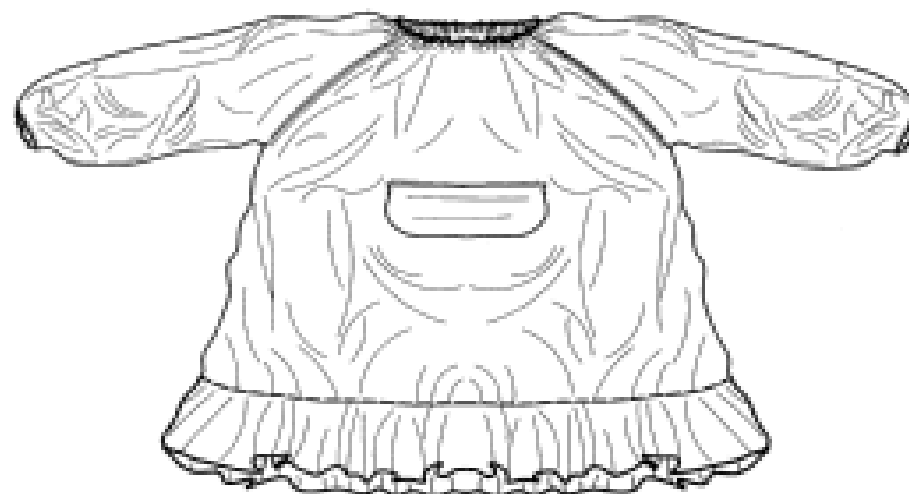
- (21) Design Number: **16033/2008**
(22) Date of Filing Application: **23 December 2008**
(24) Date from which industrial property rights may have effect: **23 December 2008**
(54) Product in respect of which the design is registered: **Breathalyzer**
(51) International Design Classification: **10-04**
(71) Name(s) and Address(s) of Applicant(s):
KHN Solutions LLC
1136 Montgomery Street San Francisco California 94133 United States of America
(72) Name(s) of Designer(s): **Keith H. Nothacker and Michael J. Strasser and Ralf Groene**
(45) Registration Date: **03 July 2009**
(30) Convention priority data:
(31) Number (32) Date (33) Country
29307005 26 Mar 2008 UNITED STATES OF AMERICA
(56) Related Art Documents: **Not Applicable**
(57) Statement of Newness and Distinctiveness: **Nil**



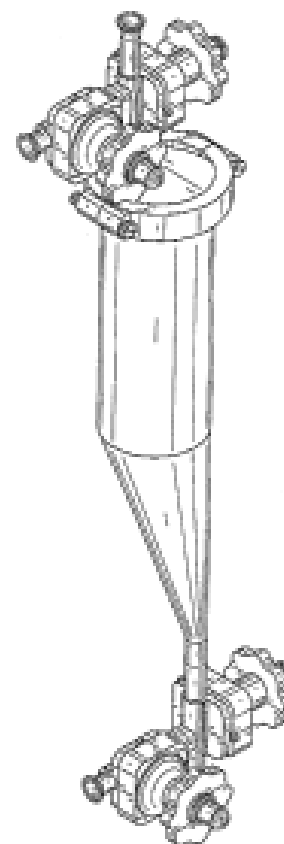
- (21) Design Number: **12133/2009**
(22) Date of Filing Application: **11 June 2009**
(24) Date from which industrial property rights may have effect: **11 June 2009**
(54) Product in respect of which the design is registered: **Bag**
(51) International Design Classification: **03-01B**
(71) Name(s) and Address(s) of Applicant(s):
Harlequin International Group Pty Ltd
109 The Cooperage 56 Bowman Street Pyrmont New South Wales 2009 Australia
(72) Name(s) of Designer(s): **Penelope Montague**
(45) Registration Date: **06 July 2009**
(56) Related Art Documents: **Not Applicable**
(57) Statement of Newness and Distinctiveness: **Nil**



(21) Design Number: **12134/2009**
(22) Date of Filing Application: **11 June 2009**
(24) Date from which industrial property rights may have effect: **11 June 2009**
(54) Product in respect of which the design is registered: **Art smock**
(51) International Design Classification: **02-02B**
(71) Name(s) and Address(s) of Applicant(s):
Harlequin International Group Pty Ltd
109 The Cooperage 56 Bowman Street Pyrmont New South Wales
2009 Australia
(72) Name(s) of Designer(s): **Penelope Montague**
(45) Registration Date: **06 July 2009**
(56) Related Art Documents: **Not Applicable**
(57) Statement of Newness and Distinctiveness: **Nil**



(21) Design Number: **12146/2009**
(22) Date of Filing Application: **12 June 2009**
(24) Date from which industrial property rights may have effect: **08 April 2009**
(54) Product in respect of which the design is registered: **Charging fixture**
(51) International Design Classification: **23-01K**
(71) Name(s) and Address(s) of Applicant(s):
Insite Vision Incorporated
965 Atlantic Avenue Alameda California 94501 United States of
America
Catalent Pharma Solutions
14 Schoolhouse Road Somerset NJ 08873 United States of America
(72) Name(s) of Designer(s): **James Foreman and David Mufson and Roy**
Duane Archibald and Randal R. Schettl
(45) Registration Date: **06 July 2009**
(30) Convention priority data:
(31) Number (32) Date (33) Country
29/326079 10 Oct 2008 UNITED STATES OF AMERICA
(62) Divisional of: **326433**
(56) Related Art Documents: **Not Applicable**
(57) Statement of Newness and Distinctiveness: **Nil**



(21) Design Number: **12126/2009**

(22) Date of Filing Application: **11 June 2009**

(24) Date from which industrial property rights may have effect: **11 June 2009**

(54) Product in respect of which the design is registered: **A pneumatic tyre**

(51) International Design Classification: **12-15B**

(71) Name(s) and Address(s) of Applicant(s):

Societe De Technologie Michelin
23 rue Breschet F-63000 Clermont-Ferrand Cedex France

Michelin Recherche et Technique S.A.
Route Louis-Braille 10 et 12 CH-1763 Granges-Paccot Switzerland

(72) Name(s) of Designer(s): **Giles Godeau**

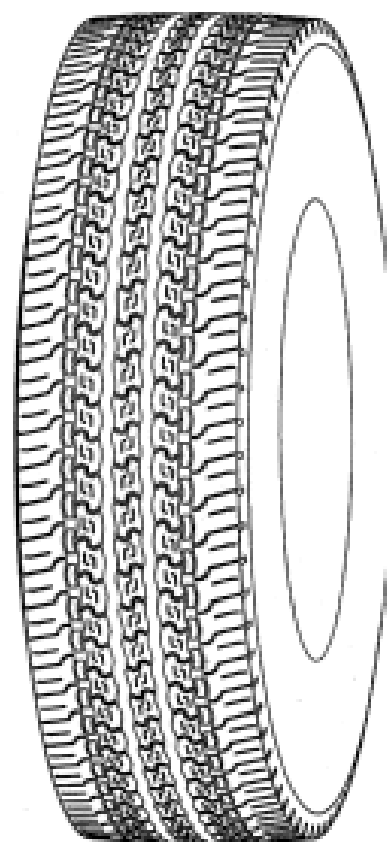
(45) Registration Date: **06 July 2009**

(30) Convention priority data:

(31) Number	(32) Date	(33) Country
08/5607	12 Dec 2008	FRANCE

(56) Related Art Documents: **Not Applicable**

(57) Statement of Newness and Distinctiveness: **Newness and distinctiveness resides in the shape and appearance of the tread region of the pneumatic tyre, with the remainder of the tyre not forming any part of the design.**



(21) Design Number: **12127/2009**

(22) Date of Filing Application: **11 June 2009**

(24) Date from which industrial property rights may have effect: **11 June 2009**

(54) Product in respect of which the design is registered: **Air freshener**

(51) International Design Classification: **28-99**

(71) Name(s) and Address(s) of Applicant(s):

Zeeray LLC
13 Zachary Way Eatontown New Jersey 07724 United States of America

(72) Name(s) of Designer(s): **Abraham J. Hakim**

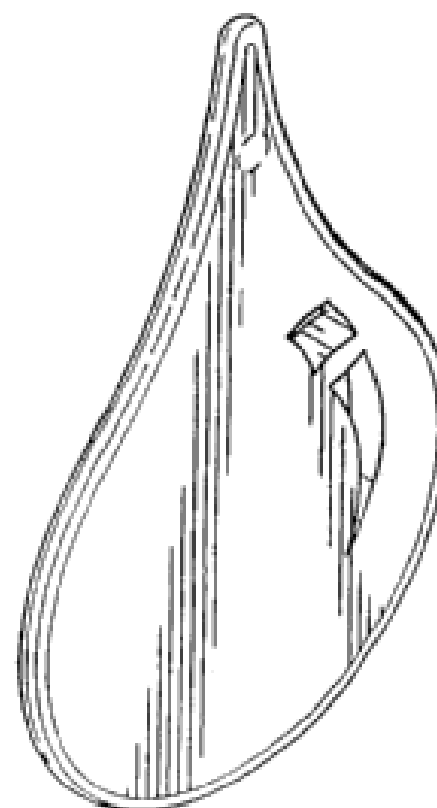
(45) Registration Date: **06 July 2009**

(30) Convention priority data:

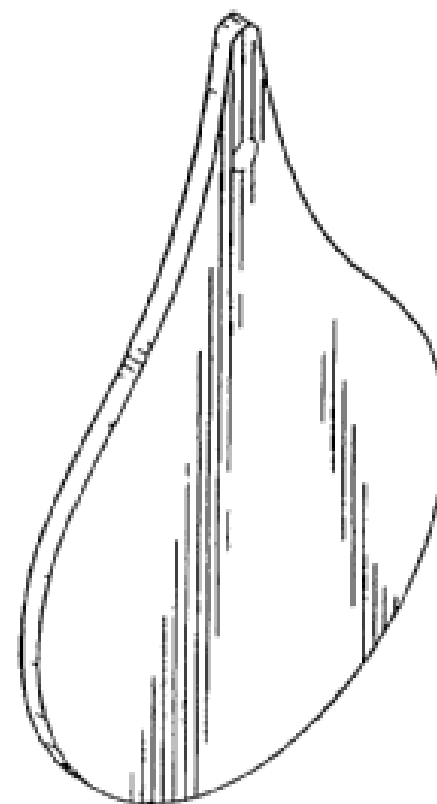
(31) Number	(32) Date	(33) Country
29/313154	11 Dec 2008	UNITED STATES OF AMERICA

(56) Related Art Documents: **Not Applicable**

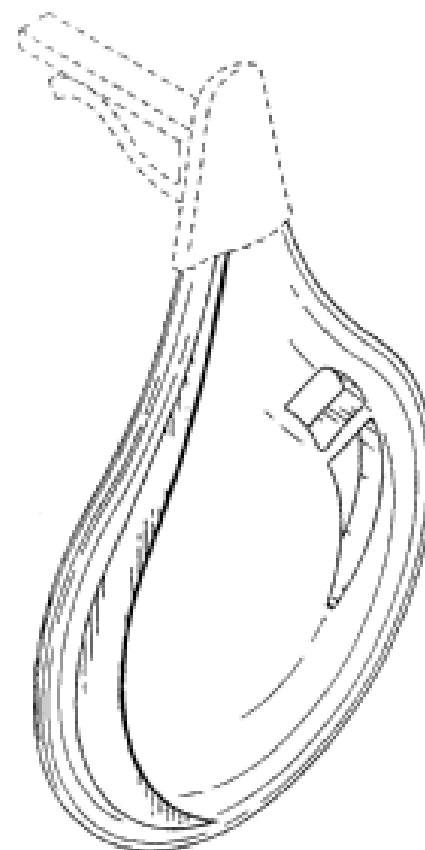
(57) Statement of Newness and Distinctiveness: **Newness and distinctiveness is claimed in the features of shape and/or configuration of the drop shape and cutout portions of an air freshener as illustrated in the accompanying representations.**



- (21) Design Number: **12128/2009**
(22) Date of Filing Application: **11 June 2009**
(24) Date from which industrial property rights may have effect: **11 June 2009**
(54) Product in respect of which the design is registered: **Air freshener**
(51) International Design Classification: **28-99**
(71) Name(s) and Address(s) of Applicant(s):
Zeeray LLC
13 Zachary Way Eatontown New Jersey 07724 United States of America
(72) Name(s) of Designer(s): **Abraham J. Hakim**
(45) Registration Date: **06 July 2009**
(30) Convention priority data:
(31) Number (32) Date (33) Country
29/313154 11 Dec 2008 UNITED STATES OF AMERICA
(56) Related Art Documents: **Not Applicable**
(57) Statement of Newness and Distinctiveness: **Newness and distinctiveness is claimed in the features of shape and/or configuration of the drop shape of an air freshener as illustrated in the accompanying representations.**



- (21) Design Number: **12129/2009**
(22) Date of Filing Application: **11 June 2009**
(24) Date from which industrial property rights may have effect: **11 June 2009**
(54) Product in respect of which the design is registered: **Air freshener**
(51) International Design Classification: **28-99**
(71) Name(s) and Address(s) of Applicant(s):
Zeeray LLC
13 Zachary Way Eatontown New Jersey 07724 United States of America
(72) Name(s) of Designer(s): **Abraham J. Hakim**
(45) Registration Date: **06 July 2009**
(30) Convention priority data:
(31) Number (32) Date (33) Country
29/313154 11 Dec 2008 UNITED STATES OF AMERICA
(56) Related Art Documents: **Not Applicable**
(57) Statement of Newness and Distinctiveness: **Newness and distinctiveness is claimed in the features of shape and/or configuration of the drop shape and cut out portions of an air freshener as illustrated in the accompanying representations.**



(21) Design Number: **12312/2009**

(22) Date of Filing Application: **26 June 2009**

(24) Date from which industrial property rights may have effect: **26 June 2009**

(54) Product in respect of which the design is registered: **Toilet tissue, facial tissue.**

(51) International Design Classification: **05-06NES**

(71) Name(s) and Address(s) of Applicant(s):

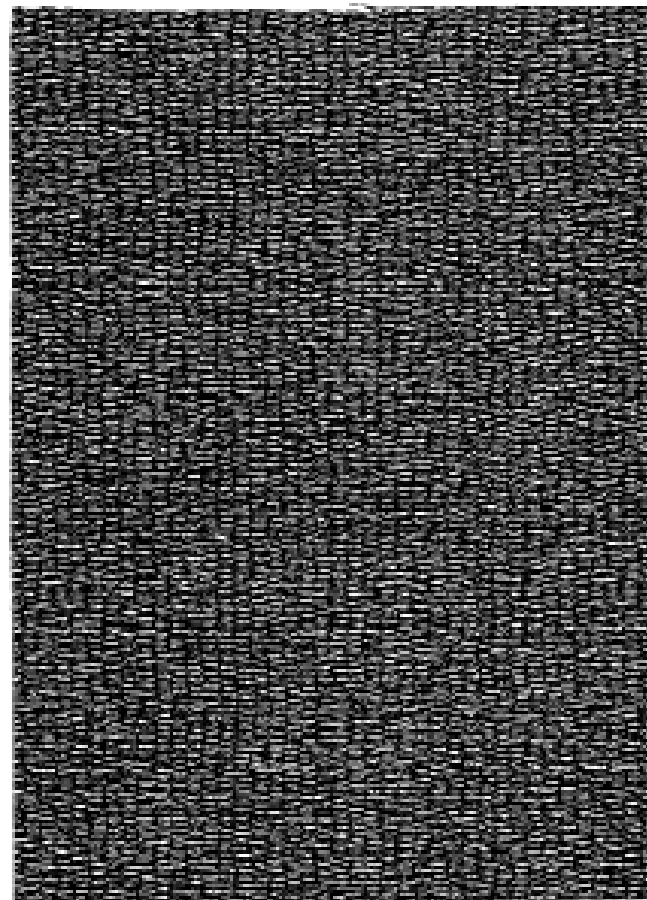
**Bond Tissue Products Pty Limited
19 Toohey Road Wetherill Park New South Wales 2164 Australia**

(72) Name(s) of Designer(s): **Hout Ly**

(45) Registration Date: **06 July 2009**

(56) Related Art Documents: **Not Applicable**

(57) Statement of Newness and Distinctiveness: **In the representation a monopoly is claimed in the feature of pattern or ornamentation of an embossed tissue as illustrated in the representations accompanying this application.**



(21) Design Number: **12025/2009**

(22) Date of Filing Application: **02 June 2009**

(24) Date from which industrial property rights may have effect: **02 June 2009**

(54) Product in respect of which the design is registered: **Bottle**

(51) International Design Classification: **09-01K**

(71) Name(s) and Address(s) of Applicant(s):

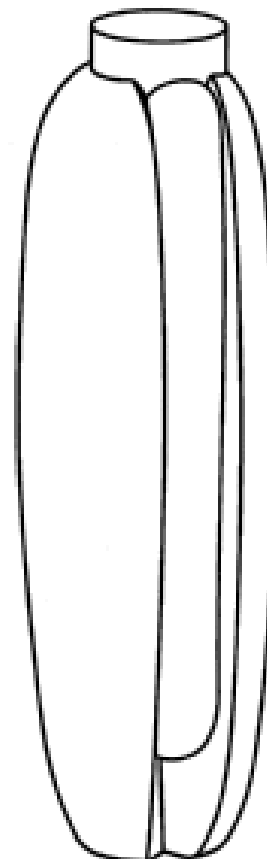
**Nicholas Bokas
C/- Shop 177 Birkenhead Point Drummoyne New South Wales 2047
Australia**

(72) Name(s) of Designer(s): **Nicholas Bokas**

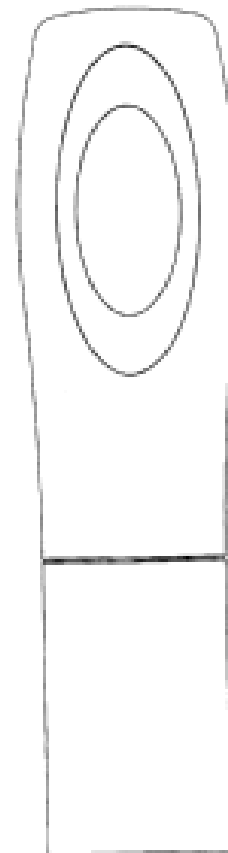
(45) Registration Date: **07 July 2009**

(56) Related Art Documents: **Not Applicable**

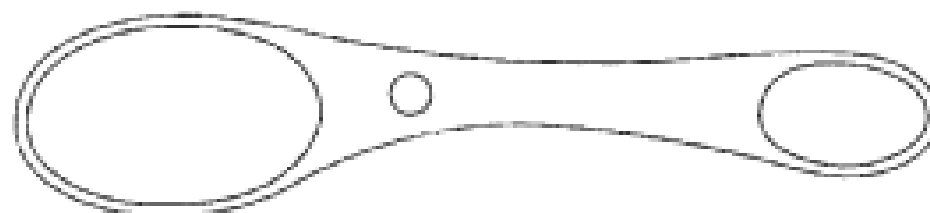
(57) Statement of Newness and Distinctiveness: **The newness and distinctiveness resides in the shape and configuration of the bottle.**



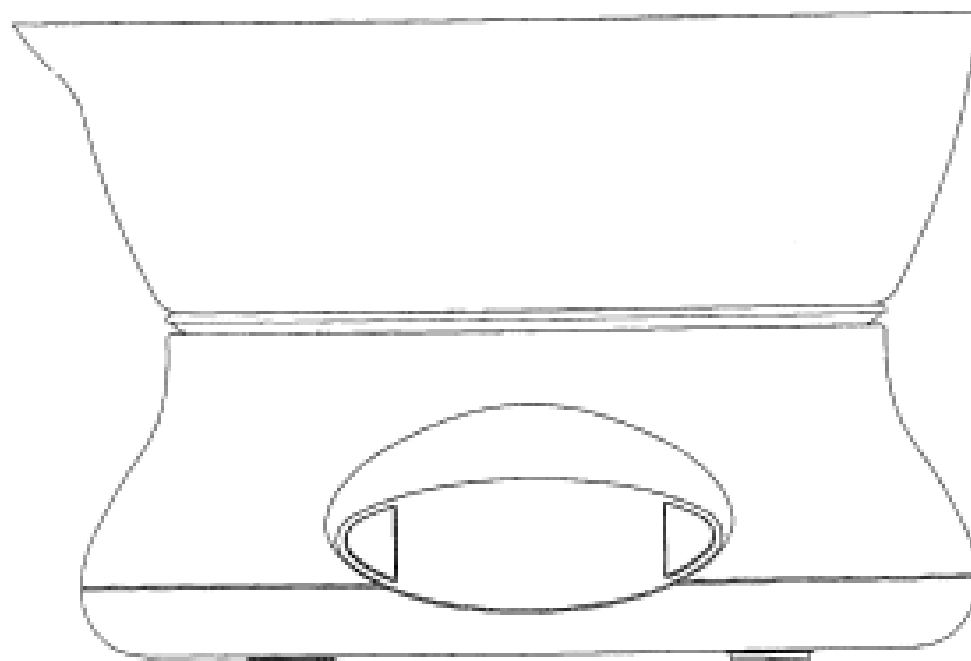
(21) Design Number: **12150/2009**
(22) Date of Filing Application: **12 June 2009**
(24) Date from which industrial property rights may have effect: **12 June 2009**
(54) Product in respect of which the design is registered: **Electric condiment mill**
(51) International Design Classification: **07-06C**
(71) Name(s) and Address(s) of Applicant(s):
DKB Household UK Limited
Bridge House Eelmoor Road Farnborough Hampshire GU14 7UE
United Kingdom
(72) Name(s) of Designer(s): **Daniel Kestenbaum**
(45) Registration Date: **07 July 2009**
(30) Convention priority data:
(31) Number (32) Date (33) Country
001065528-0001 29 Dec 2008 EUROPEAN COMMUNITY
(56) Related Art Documents: **Not Applicable**
(57) Statement of Newness and Distinctiveness: **Nil**



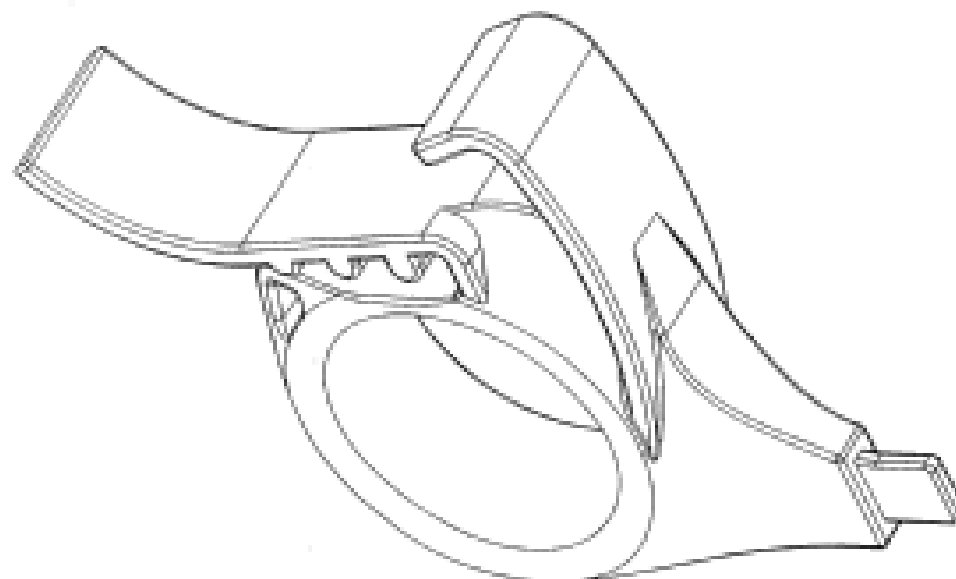
(21) Design Number: **12151/2009**
(22) Date of Filing Application: **12 June 2009**
(24) Date from which industrial property rights may have effect: **12 June 2009**
(54) Product in respect of which the design is registered: **Measuring spoon**
(51) International Design Classification: **10-04, 07-03**
(71) Name(s) and Address(s) of Applicant(s):
DKB Household UK Limited
Bridge House Eelmoor Road Farnborough Hampshire GU14 7UE
United Kingdom
(72) Name(s) of Designer(s): **Daniel Kestenbaum**
(45) Registration Date: **07 July 2009**
(30) Convention priority data:
(31) Number (32) Date (33) Country
001065528-0002 29 Dec 2008 EUROPEAN COMMUNITY
(56) Related Art Documents: **Not Applicable**
(57) Statement of Newness and Distinctiveness: **Nil**



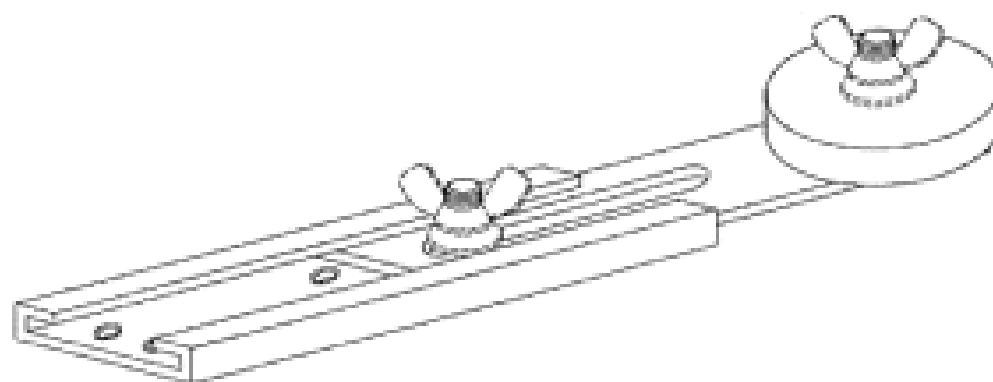
(21) Design Number: **12152/2009**
(22) Date of Filing Application: **12 June 2009**
(24) Date from which industrial property rights may have effect: **12 June 2009**
(54) Product in respect of which the design is registered: **Electric scales**
(51) International Design Classification: **10-04**
(71) Name(s) and Address(s) of Applicant(s):
DKB Household UK Limited
Bridge House Eelmoor Road Farnborough Hampshire GU14 7UE
United Kingdom
(72) Name(s) of Designer(s): **Daniel Kestenbaum**
(45) Registration Date: **07 July 2009**
(30) Convention priority data:
(31) Number (32) Date (33) Country
001109482-0001 29 Dec 2008 EUROPEAN COMMUNITY
(56) Related Art Documents: **Not Applicable**
(57) Statement of Newness and Distinctiveness: **Nil**



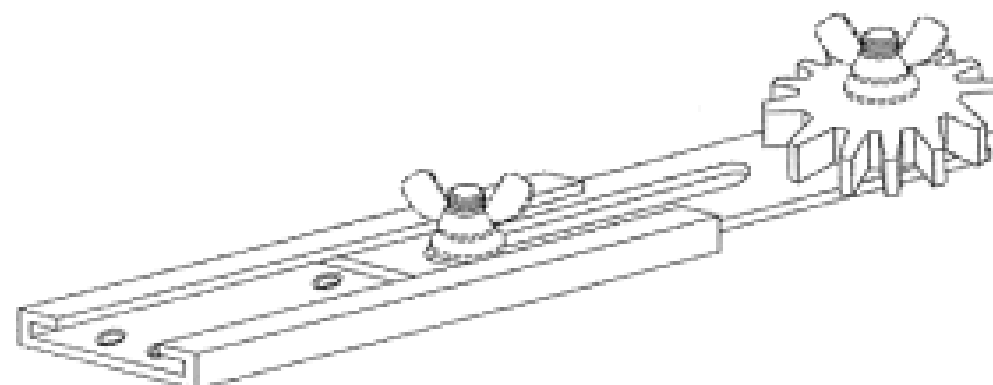
(21) Design Number: **12153/2009**
(22) Date of Filing Application: **12 June 2009**
(24) Date from which industrial property rights may have effect: **12 June 2009**
(54) Product in respect of which the design is registered: **Paint pan clip**
(51) International Design Classification: **08-05L**
(71) Name(s) and Address(s) of Applicant(s):
A. Richard Tools Co./Outils A. Richard Co.
120 Jacques-Cartier Berthierville Quebec J0K 1A0 Canada
(72) Name(s) of Designer(s): **Francois Panfili and Romeo Arvinte**
(45) Registration Date: **07 July 2009**
(30) Convention priority data:
(31) Number (32) Date (33) Country
130216 31 Mar 2009 CANADA
(56) Related Art Documents: **Not Applicable**
(57) Statement of Newness and Distinctiveness: **Newness and distinctiveness is claimed in the features of shape and/or configuration of a paint pan clip as illustrated in the accompanying representations.**



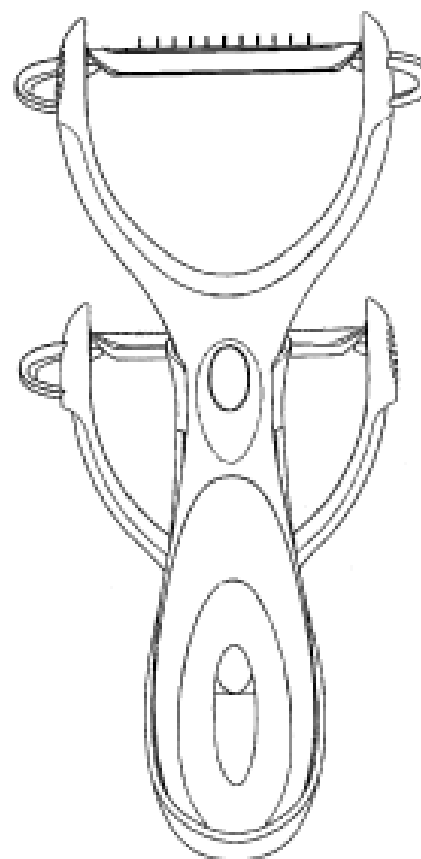
- (21) Design Number: **12191/2009**
(22) Date of Filing Application: **16 June 2009**
(24) Date from which industrial property rights may have effect: **16 June 2009**
(54) Product in respect of which the design is registered: **Ski handling attachment**
(51) International Design Classification: **21-02NES**
(71) Name(s) and Address(s) of Applicant(s):
M. Gino Campagnaro
2 Mawson Street Cooma New South Wales 2630 Australia
(72) Name(s) of Designer(s): **M. Gino Campagnaro**
(45) Registration Date: **07 July 2009**
(56) Related Art Documents: **Not Applicable**
(57) Statement of Newness and Distinctiveness: **Nil**



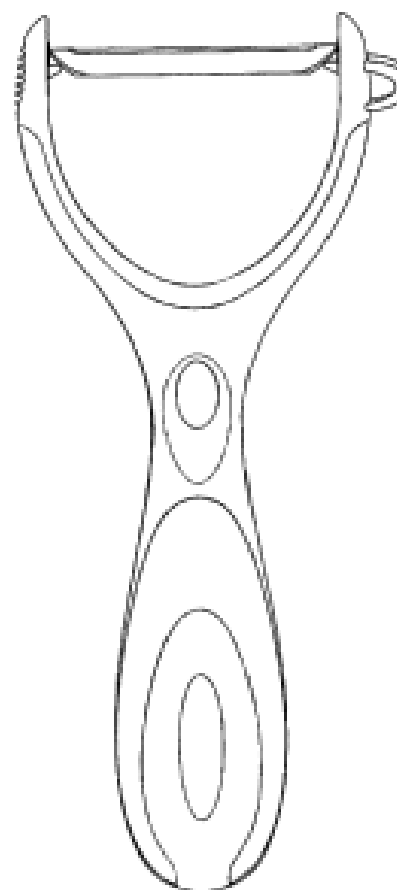
- (21) Design Number: **12192/2009**
(22) Date of Filing Application: **16 June 2009**
(24) Date from which industrial property rights may have effect: **16 June 2009**
(54) Product in respect of which the design is registered: **Ski handling attachment**
(51) International Design Classification: **21-02NES**
(71) Name(s) and Address(s) of Applicant(s):
M. Gino Campagnaro
2 Mawson Street Cooma New South Wales 2630 Australia
(72) Name(s) of Designer(s): **M. Gino Campagnaro**
(45) Registration Date: **07 July 2009**
(56) Related Art Documents: **Not Applicable**
(57) Statement of Newness and Distinctiveness: **Nil**



(21) Design Number: **12147/2009**
(22) Date of Filing Application: **12 June 2009**
(24) Date from which industrial property rights may have effect: **12 June 2009**
(54) Product in respect of which the design is registered: **Peeler**
(51) International Design Classification: **07-04**
(71) Name(s) and Address(s) of Applicant(s):
DKB Household UK Limited
Bridge House Eelmoor Road Farnborough Hampshire GU14 7UE
United Kingdom
(72) Name(s) of Designer(s): **Daniel Kestenbaum**
(45) Registration Date: **07 July 2009**
(30) Convention priority data:
(31) Number (32) Date (33) Country
001065528-0004 29 Dec 2008 EUROPEAN COMMUNITY
(56) Related Art Documents: **Not Applicable**
(57) Statement of Newness and Distinctiveness: **Nil**



(21) Design Number: **12148/2009**
(22) Date of Filing Application: **12 June 2009**
(24) Date from which industrial property rights may have effect: **12 June 2009**
(54) Product in respect of which the design is registered: **Peeler**
(51) International Design Classification: **07-04**
(71) Name(s) and Address(s) of Applicant(s):
DKB Household UK Limited
Bridge House Eelmoor Road Farnborough Hampshire GU14 7UE
United Kingdom
(72) Name(s) of Designer(s): **Daniel Kestenbaum**
(45) Registration Date: **07 July 2009**
(30) Convention priority data:
(31) Number (32) Date (33) Country
001065528-0005 29 Dec 2008 EUROPEAN COMMUNITY
(56) Related Art Documents: **Not Applicable**
(57) Statement of Newness and Distinctiveness: **Nil**



(21) Design Number: **12149/2009**

(22) Date of Filing Application: **12 June 2009**

(24) Date from which industrial property rights may have effect: **12 June 2009**

(54) Product in respect of which the design is registered: **Garlic press/cutter**

(51) International Design Classification: **07-04**

(71) Name(s) and Address(s) of Applicant(s):

DKB Household UK Limited
Bridge House Eelmoor Road Farnborough Hampshire GU14 7UE
United Kingdom

(72) Name(s) of Designer(s): **Daniel Kestenbaum**

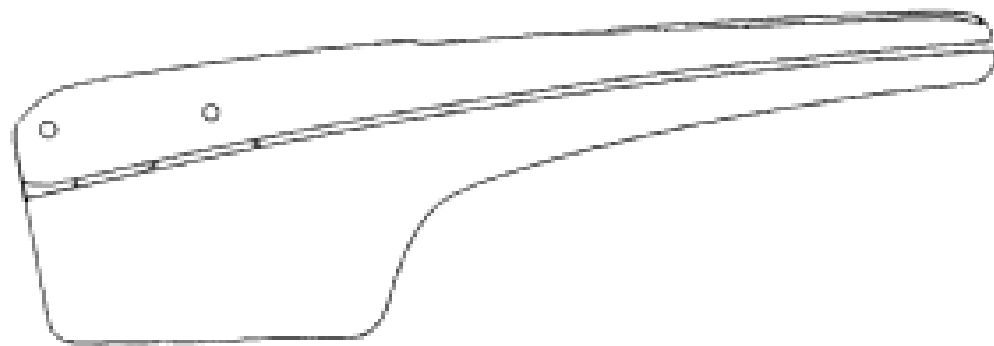
(45) Registration Date: **07 July 2009**

(30) Convention priority data:

(31) Number	(32) Date	(33) Country
001065528-0006	29 Dec 2008	EUROPEAN COMMUNITY

(56) Related Art Documents: **Not Applicable**

(57) Statement of Newness and Distinctiveness: **Nil**



(21) Design Number: **12106/2009**

(22) Date of Filing Application: **09 June 2009**

(24) Date from which industrial property rights may have effect: **09 June 2009**

(54) Product in respect of which the design is registered: **Spa heat pumps**

(51) International Design Classification: **15-02**

(71) Name(s) and Address(s) of Applicant(s):

Oasis Technologies Ltd
5B Estuary Views Howick Auckland 2014 New Zealand

(72) Name(s) of Designer(s): **Michael Ridenton**

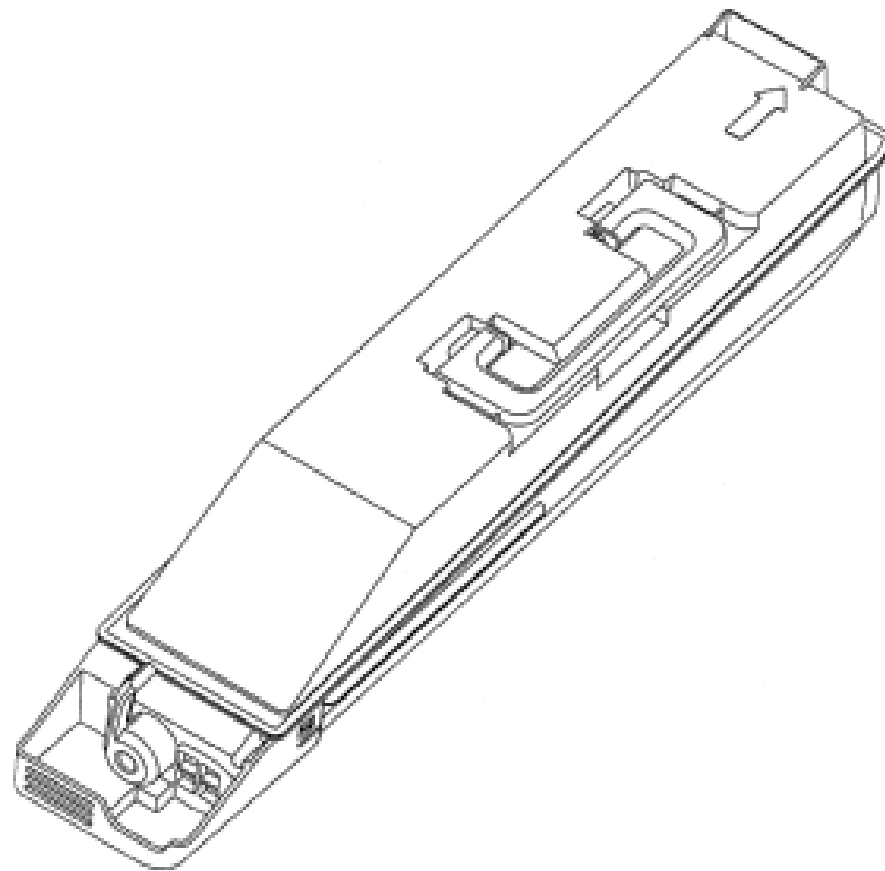
(45) Registration Date: **08 July 2009**

(56) Related Art Documents: **Not Applicable**

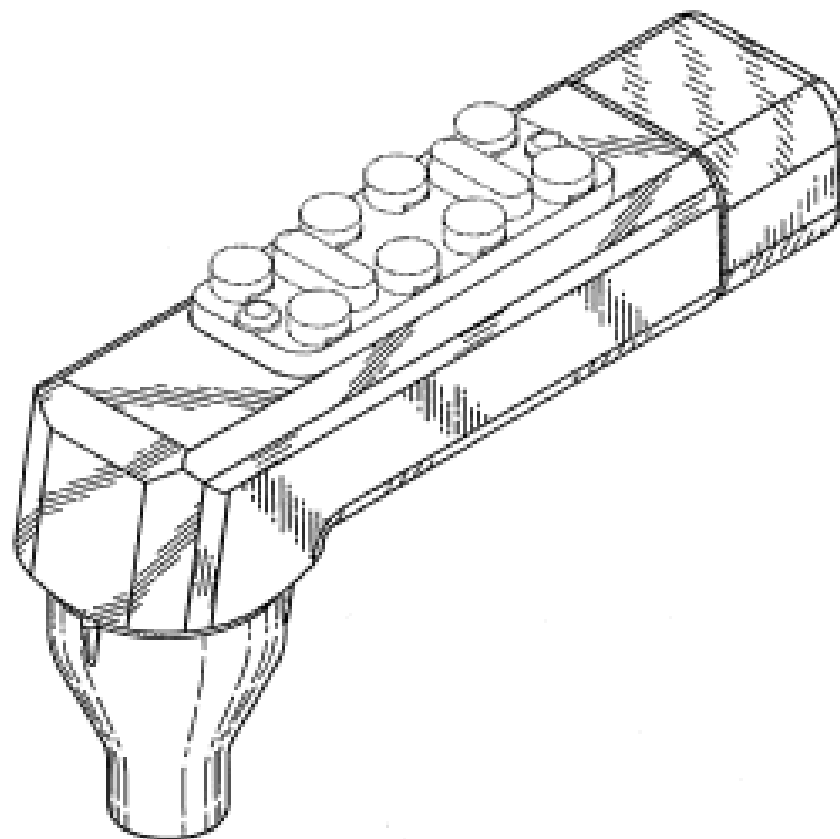
(57) Statement of Newness and Distinctiveness: **Newness and distinctiveness in the design resides in the features of shape and/or configuration of the spa heat pump all as is shown in the accompanying representations.**



- (21) Design Number: **12123/2009**
(22) Date of Filing Application: **11 June 2009**
(24) Date from which industrial property rights may have effect: **11 June 2009**
(54) Product in respect of which the design is registered: **Toner cartridge**
(51) International Design Classification: **14-02**
(71) Name(s) and Address(s) of Applicant(s):
Kyocera Mita Corporation
2-28 1-Chome Tamatsukuri Chuo-ku Osaka 540 8585 Japan
(72) Name(s) of Designer(s): **Masanobu Maeshima and Koji Murata and Takaya Akiyama**
(45) Registration Date: **08 July 2009**
(30) Convention priority data:
(31) Number (32) Date (33) Country
2008-032533 22 Dec 2008 JAPAN
(56) Related Art Documents: **Not Applicable**
(57) Statement of Newness and Distinctiveness: **Nil**



- (21) Design Number: **12124/2009**
(22) Date of Filing Application: **11 June 2009**
(24) Date from which industrial property rights may have effect: **11 June 2009**
(54) Product in respect of which the design is registered: **Cladded bar gun**
(51) International Design Classification: **07-02L**
(71) Name(s) and Address(s) of Applicant(s):
Automatic Bar Controls, Inc.
790 Eubanks Drive Vacaville CA 95688 United States of America
(72) Name(s) of Designer(s): **Richard A. Martindale**
(45) Registration Date: **08 July 2009**
(30) Convention priority data:
(31) Number (32) Date (33) Country
29/329,575 17 Dec 2008 UNITED STATES OF AMERICA
(56) Related Art Documents: **Not Applicable**
(57) Statement of Newness and Distinctiveness: **The newness and distinctiveness of the design resides in the features of pattern, ornamentation, shape and/or configuration shown in unbroken lines in the accompanying representations.**



(21) Design Number: **12159/2009**

(22) Date of Filing Application: **15 June 2009**

(24) Date from which industrial property rights may have effect: **15 June 2009**

(54) Product in respect of which the design is registered: **Footwear**

(51) International Design Classification: **02-04A**

(71) Name(s) and Address(s) of Applicant(s):

Grendene S.A.

**Av. Pimentel Gomes 214 Expectativa Sobral - CE CEP 62040-050
Brazil**

(72) Name(s) of Designer(s): **Volnei Tadeu Dal Magro**

(45) Registration Date: **08 July 2009**

(30) Convention priority data:

(31) Number	(32) Date	(33) Country
DI6805509-9	17 Dec 2008	BRAZIL

(56) Related Art Documents: **Not Applicable**

(57) Statement of Newness and Distinctiveness: **Those features of the footwear depicted in the representations that are new and distinctive are the shape , configuration, and coloured pattern and ornamentation.**



(21) Design Number: **12164/2009**

(22) Date of Filing Application: **15 June 2009**

(24) Date from which industrial property rights may have effect: **15 June 2009**

(54) Product in respect of which the design is registered: **A cable terminal lug**

(51) International Design Classification: **08-99, 13-03B**

(71) Name(s) and Address(s) of Applicant(s):

Cable Accessories (Australia) Pty. Ltd.

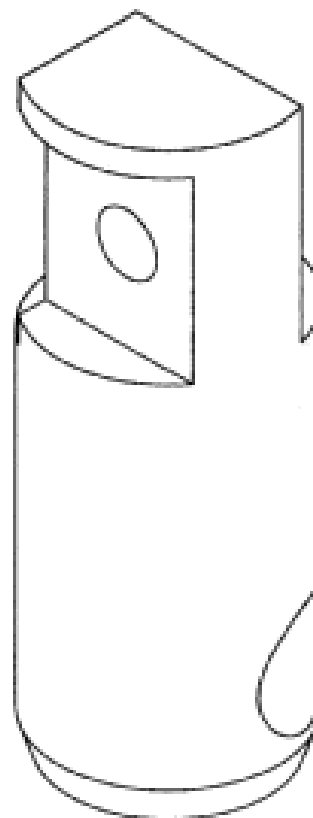
8 Distribution Place Seven Hills New South Wales 2147 Australia

(72) Name(s) of Designer(s): **Bruce James Ogden**

(45) Registration Date: **08 July 2009**

(56) Related Art Documents: **Not Applicable**

(57) Statement of Newness and Distinctiveness: **Newness and distinctiveness is claimed in the features of shape and/or configuration of the upper portion of a cable terminal as illustrated in the accompanying representations and marked 'A' on the front elevation view.**



(21) Design Number: **12165/2009**

(22) Date of Filing Application: **15 June 2009**

(24) Date from which industrial property rights may have effect: **15 June 2009**

(54) Product in respect of which the design is registered: **A cable terminal lug**

(51) International Design Classification: **08-99, 13-03B**

(71) Name(s) and Address(s) of Applicant(s):

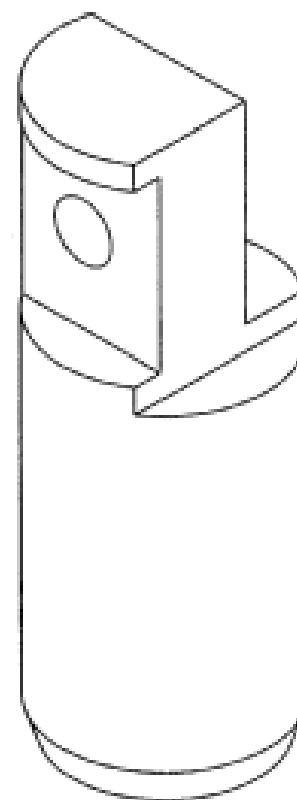
**Cable Accessories (Australia) Pty. Ltd.
8 Distribution Place Seven Hills New South Wales 2147 Australia**

(72) Name(s) of Designer(s): **Bruce James Ogden**

(45) Registration Date: **08 July 2009**

(56) Related Art Documents: **Not Applicable**

(57) Statement of Newness and Distinctiveness: **Newness and distinctiveness is claimed in the features of shape and/or configuration of the upper portion of a cable terminal lug as illustrated in the accompanying representations and marked 'A' on the front elevation view.**



(21) Design Number: **12166/2009**

(22) Date of Filing Application: **15 June 2009**

(24) Date from which industrial property rights may have effect: **15 June 2009**

(54) Product in respect of which the design is registered: **A cable tray connector**

(51) International Design Classification: **13-03B**

(71) Name(s) and Address(s) of Applicant(s):

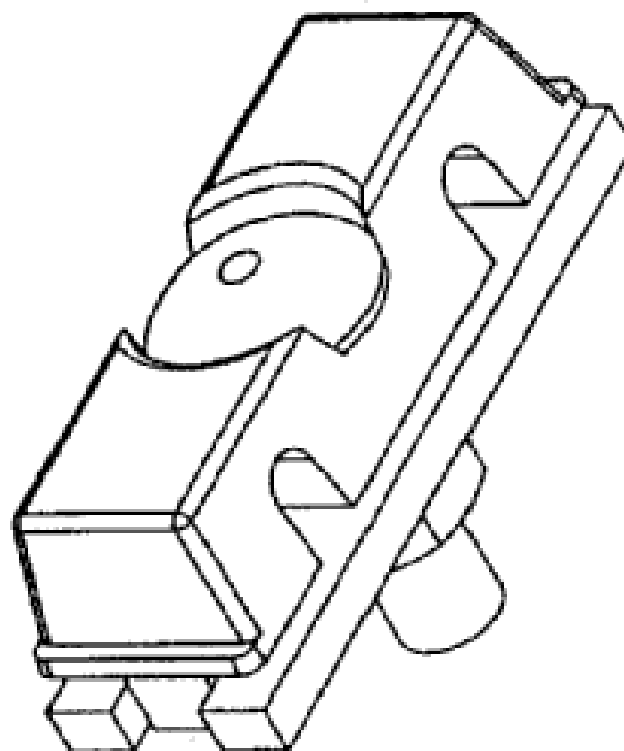
**Cable Accessories (Australia) Pty. Ltd.
8 Distribution Place Seven Hills New South Wales 2147 Australia**

(72) Name(s) of Designer(s): **Bruce James Ogden**

(45) Registration Date: **08 July 2009**

(56) Related Art Documents: **Not Applicable**

(57) Statement of Newness and Distinctiveness: **Newness and distinctiveness is claimed in the features of shape and/or configuration of a cable tray connector as illustrated in the accompanying representations.**



(21) Design Number: **12167/2009**

(22) Date of Filing Application: **15 June 2009**

(24) Date from which industrial property rights may have effect: **15 June 2009**

(54) Product in respect of which the design is registered: **A cable tray connector**

(51) International Design Classification: **13-03B**

(71) Name(s) and Address(s) of Applicant(s):

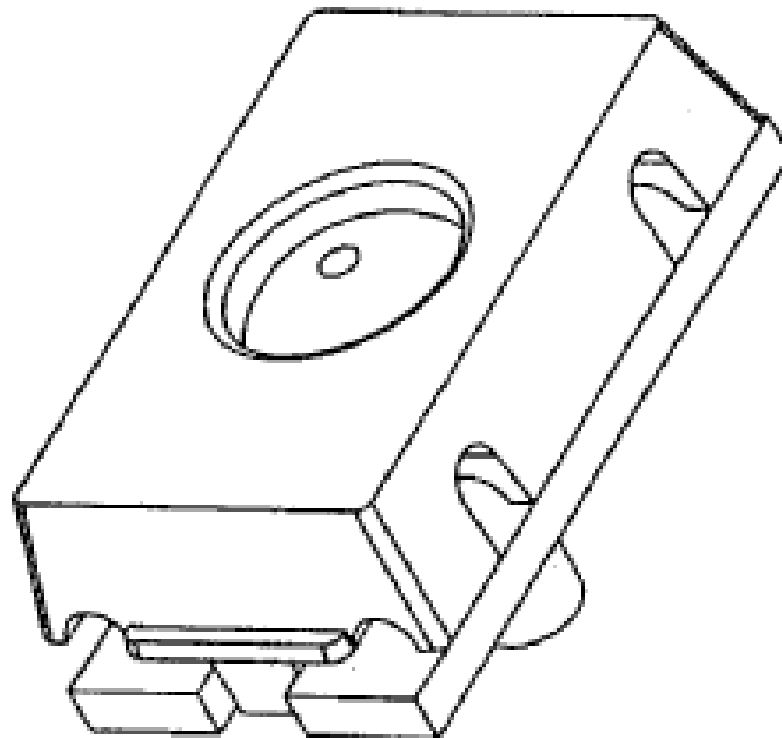
**Cable Accessories (Australia) Pty. Ltd.
8 Distribution Place Seven Hills New South Wales 2147 Australia**

(72) Name(s) of Designer(s): **Bruce James Ogden**

(45) Registration Date: **08 July 2009**

(56) Related Art Documents: **Not Applicable**

(57) Statement of Newness and Distinctiveness: **Newness and distinctiveness is claimed in the features of shape and/or configuration of a cable tray connector as illustrated in the accompanying representations.**



(21) Design Number: **12168/2009**

(22) Date of Filing Application: **15 June 2009**

(24) Date from which industrial property rights may have effect: **15 June 2009**

(54) Product in respect of which the design is registered: **A cable terminal lug**

(51) International Design Classification: **08-99, 13-03B**

(71) Name(s) and Address(s) of Applicant(s):

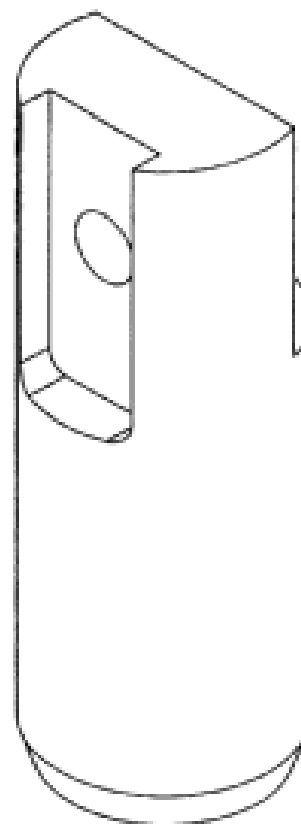
**Cable Accessories (Australia) Pty. Ltd.
8 Distribution Place Seven Hills New South Wales 2147 Australia**

(72) Name(s) of Designer(s): **Bruce James Ogden**

(45) Registration Date: **08 July 2009**

(56) Related Art Documents: **Not Applicable**

(57) Statement of Newness and Distinctiveness: **Newness and distinctiveness is claimed in the features of shape and/or configuration of the upper portion of a cable terminal lug as illustrated in the accompanying representations and marked 'A' on the front elevation view.**



(21) Design Number: **12169/2009**

(22) Date of Filing Application: **15 June 2009**

(24) Date from which industrial property rights may have effect: **15 June 2009**

(54) Product in respect of which the design is registered: **A cable tray connector**

(51) International Design Classification: **13-03B**

(71) Name(s) and Address(s) of Applicant(s):

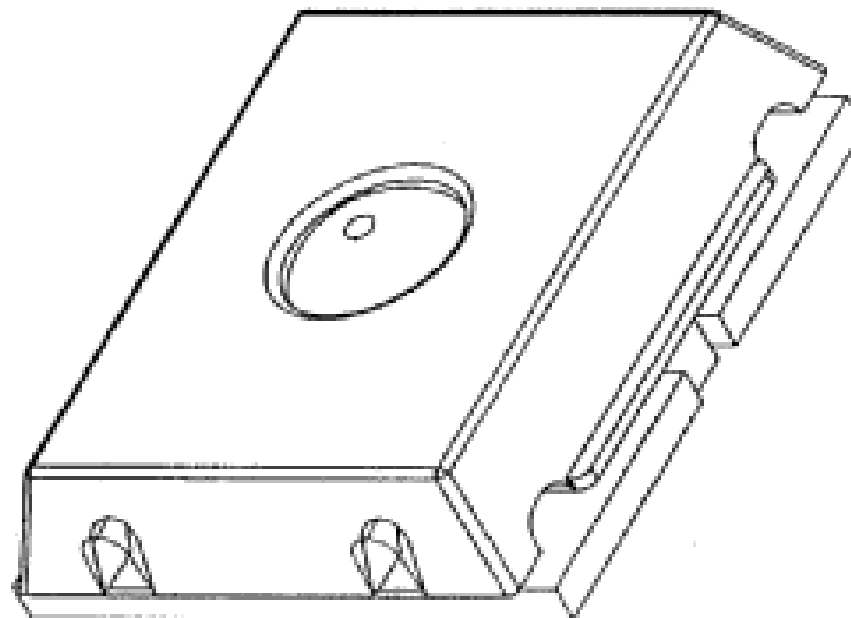
**Cable Accessories (Australia) Pty. Ltd.
8 Distribution Place Seven Hills New South Wales 2147 Australia**

(72) Name(s) of Designer(s): **Bruce James Ogden**

(45) Registration Date: **08 July 2009**

(56) Related Art Documents: **Not Applicable**

(57) Statement of Newness and Distinctiveness: **Newness and distinctiveness is claimed in the features of shape and/or configuration of a cable tray connector as illustrated in the accompanying representations.**



(21) Design Number: **12175/2009**

(22) Date of Filing Application: **16 June 2009**

(24) Date from which industrial property rights may have effect: **16 June 2009**

(54) Product in respect of which the design is registered: **Vehicle canopy**

(51) International Design Classification: **12-16B**

(71) Name(s) and Address(s) of Applicant(s):

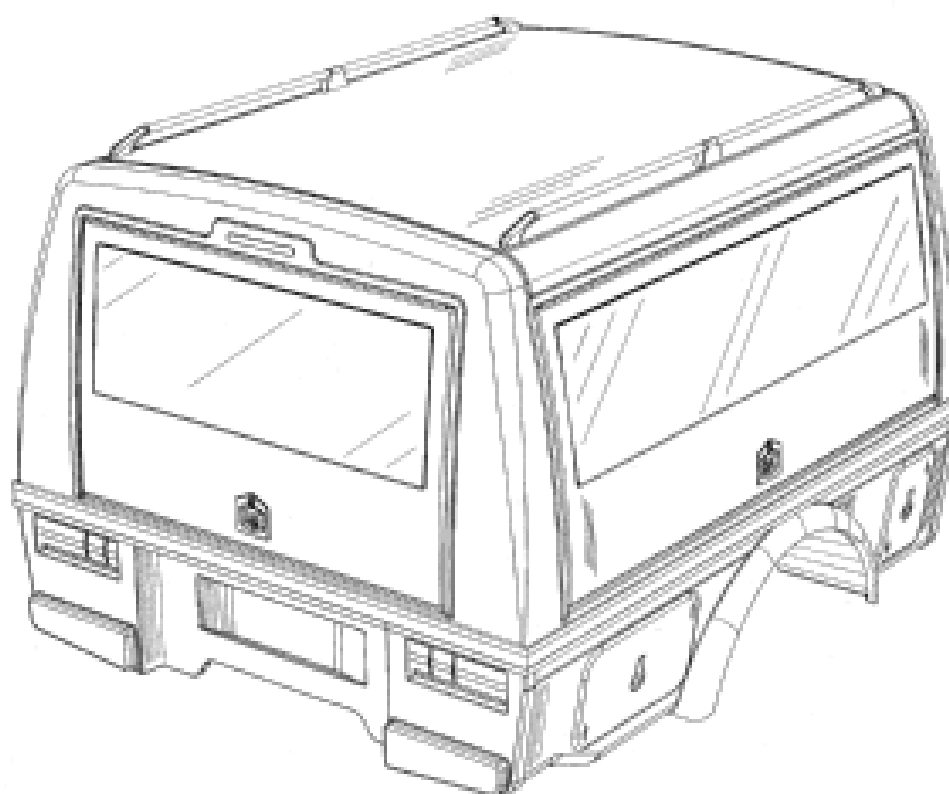
**Robert Paul Frankham
5 Central Drive Burleigh Heads Queensland 4220 Australia**

(72) Name(s) of Designer(s): **Robert Paul Frankham**

(45) Registration Date: **08 July 2009**

(56) Related Art Documents: **Not Applicable**

(57) Statement of Newness and Distinctiveness: **Nil**



(21) Design Number: **12408/2009**

(22) Date of Filing Application: **16 June 2009**

(24) Date from which industrial property rights may have effect: **16 June 2009**

(54) Product in respect of which the design is registered: **Vehicle canopy**

(51) International Design Classification: **12-16B**

(71) Name(s) and Address(s) of Applicant(s):

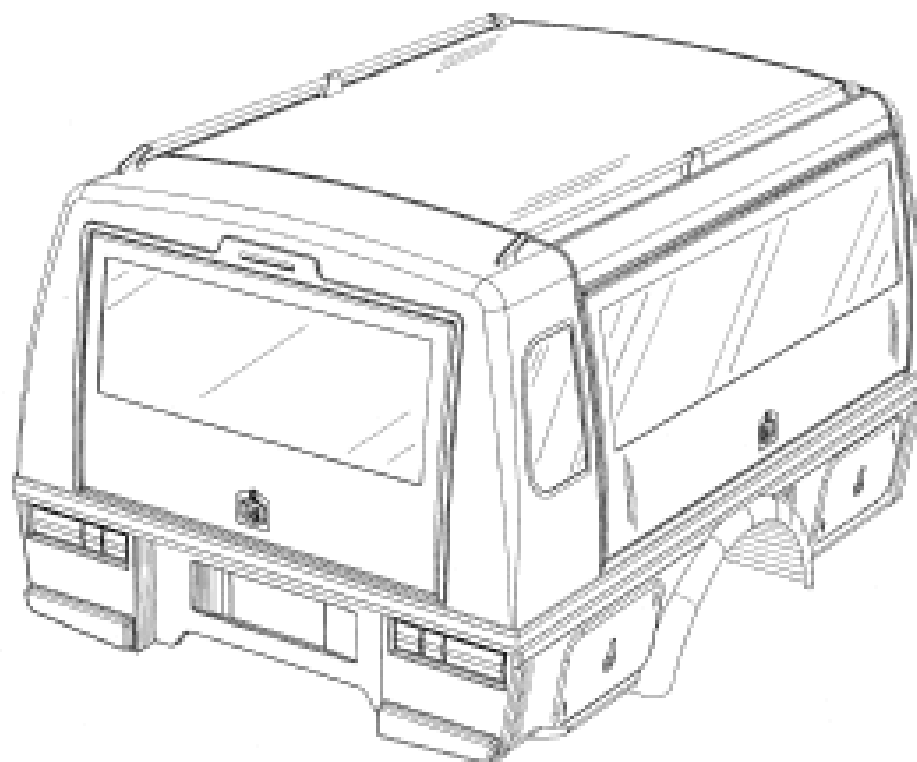
Robert Paul Frankham
5 Central Drive Burleigh Heads Queensland 4220 Australia

(72) Name(s) of Designer(s): **Robert Paul Frankham**

(45) Registration Date: **08 July 2009**

(56) Related Art Documents: **Not Applicable**

(57) Statement of Newness and Distinctiveness: **Nil**



(21) Design Number: **12177/2009**

(22) Date of Filing Application: **15 June 2009**

(24) Date from which industrial property rights may have effect: **15 June 2009**

(54) Product in respect of which the design is registered: **Solid state lighting spot**

(51) International Design Classification: **26-04**

(71) Name(s) and Address(s) of Applicant(s):

Koninklijke Philips Electronics N.V.
Groenewoudseweg 1 5621 BA Eindhoven The Netherlands

(72) Name(s) of Designer(s): **Li Zhang and Mark Craig Weedon**

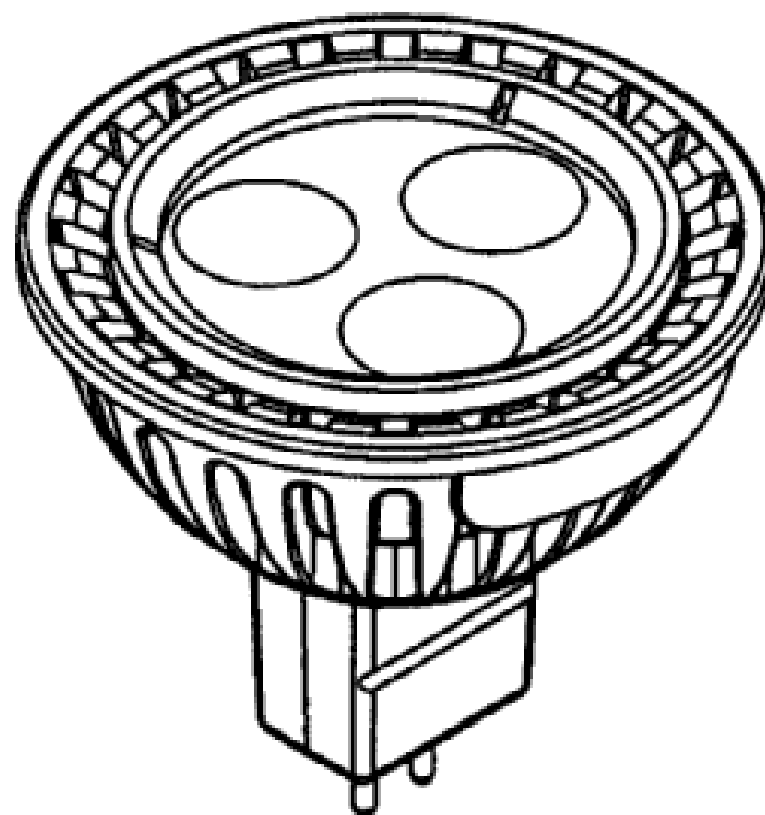
(45) Registration Date: **08 July 2009**

(30) Convention priority data:

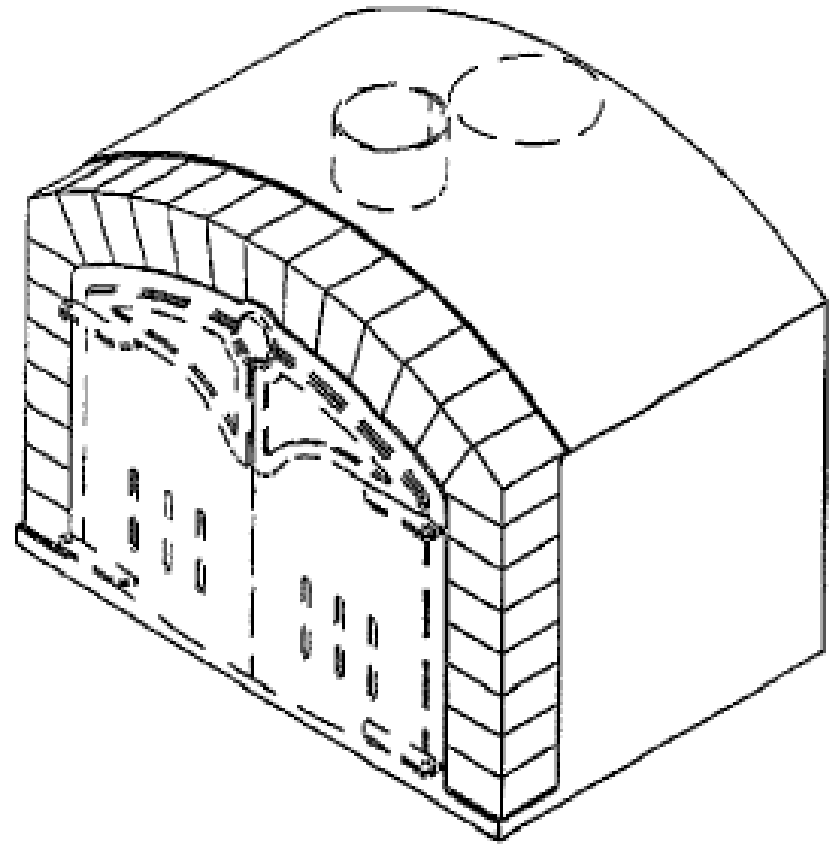
(31) Number	(32) Date	(33) Country
001059042	18 Dec 2008	EUROPEAN COMMUNITY

(56) Related Art Documents: **Not Applicable**

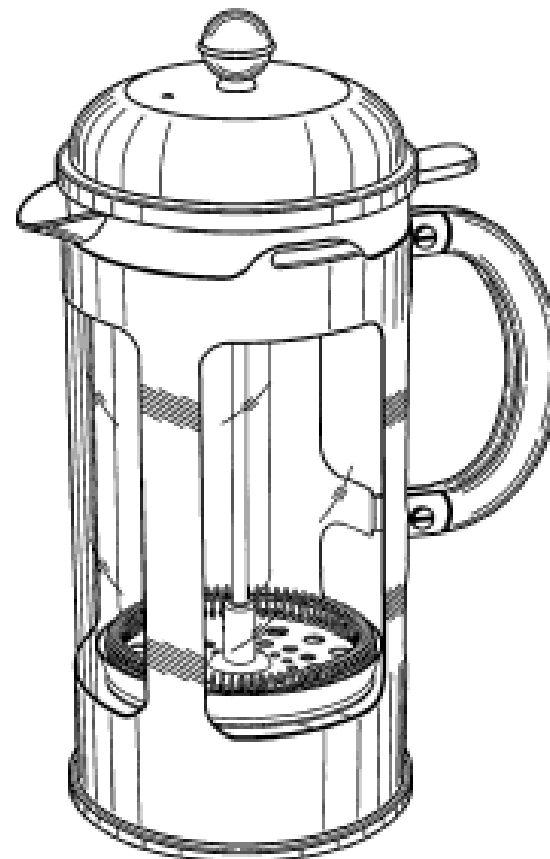
(57) Statement of Newness and Distinctiveness: **Newness and distinctiveness reside in the features of the design as shown in the representations.**



- (21) Design Number: **12158/2009**
(22) Date of Filing Application: **15 June 2009**
(24) Date from which industrial property rights may have effect: **15 June 2009**
(54) Product in respect of which the design is registered: **Oven**
(51) International Design Classification: **07-02A**
(71) Name(s) and Address(s) of Applicant(s):
Glen Dimplex Australasia Limited
38 Harris Road East Tamaki Manukau Auckland New Zealand
(72) Name(s) of Designer(s): **Leon John Kipa and Ernest Auora and Prakash Sonar**
(45) Registration Date: **08 July 2009**
(56) Related Art Documents: **Not Applicable**
(57) Statement of Newness and Distinctiveness: **Newness and distinctiveness is claimed in the features of shape and/or configuration of the product as shown in the representations. No newness and distinctiveness is claimed in features shown in broken lines.**

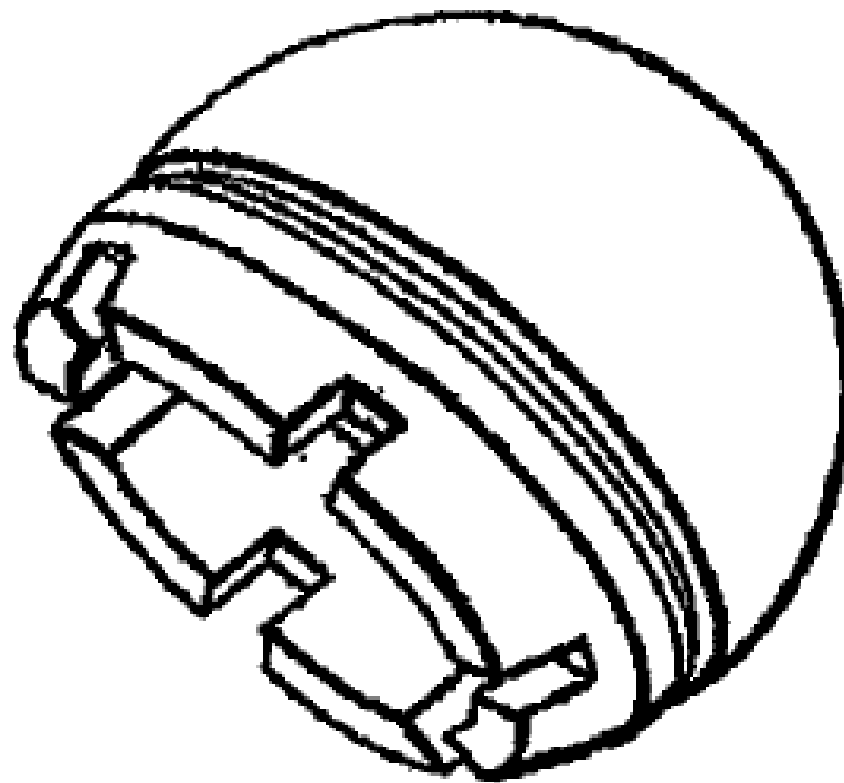


- (21) Design Number: **12163/2009**
(22) Date of Filing Application: **15 June 2009**
(24) Date from which industrial property rights may have effect: **15 June 2009**
(54) Product in respect of which the design is registered: **Beverage maker**
(51) International Design Classification: **07-02L**
(71) Name(s) and Address(s) of Applicant(s):
Pi-Design AG
Kantonsstrasse 100 6234 Triengen Switzerland
(72) Name(s) of Designer(s): **Jorgen Bodum**
(45) Registration Date: **08 July 2009**
(30) Convention priority data:
(31) Number (32) Date (33) Country
DM/071 061 15 Dec 2008 WORLD INTELLECTUAL PROPERTY ORGANIZATION (WIPO)
(56) Related Art Documents: **Not Applicable**
(57) Statement of Newness and Distinctiveness: **Nil**



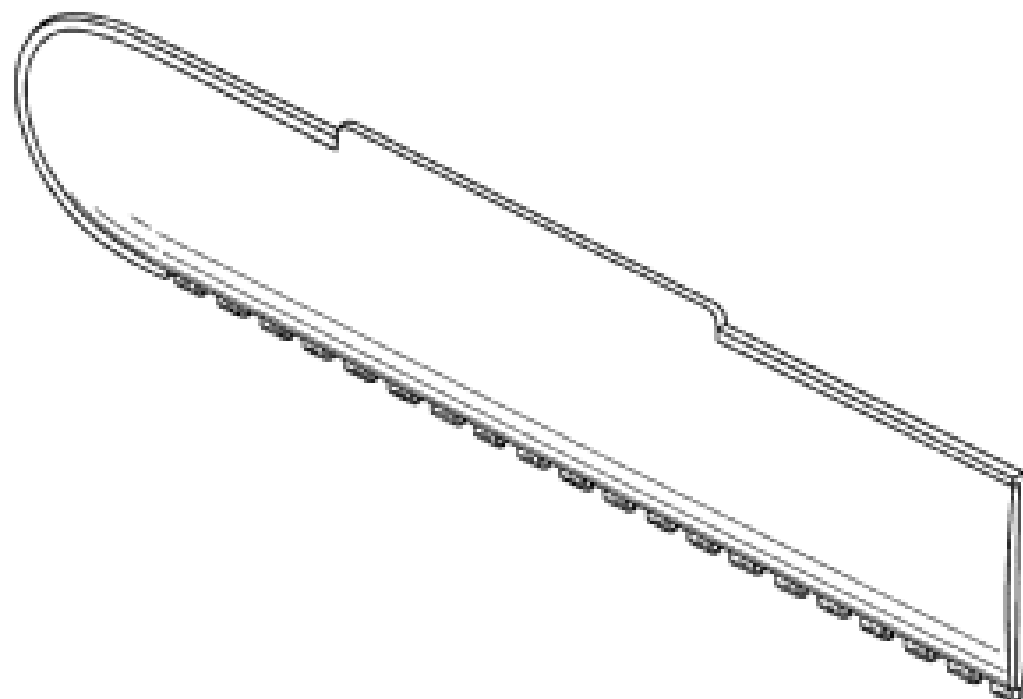
(19) AU

- (21) Design Number: **11374/2009**
(22) Date of Filing Application: **22 April 2009**
(24) Date from which industrial property rights may have effect: **22 April 2009**
(54) Product in respect of which the design is registered: **Marking and fastening device**
(51) International Design Classification: **08-08NES**
(71) Name(s) and Address(s) of Applicant(s):
EZ-Snap Products Inc.
104-1710 Kosmina Road Vernon British Columbia V1T8T2 Canada
(72) Name(s) of Designer(s): **Raymond J. Waddell and Dean A. Myrfield**
(45) Registration Date: **08 July 2009**
(30) Convention priority data:
(31) Number (32) Date (33) Country
128404 22 Oct 2008 CANADA
(56) Related Art Documents: **Not Applicable**
(57) Statement of Newness and Distinctiveness: **Novelty resides in the shape and/or configuration of the MARKING AND FASTENING DEVICE shown in the accompanying representations.**

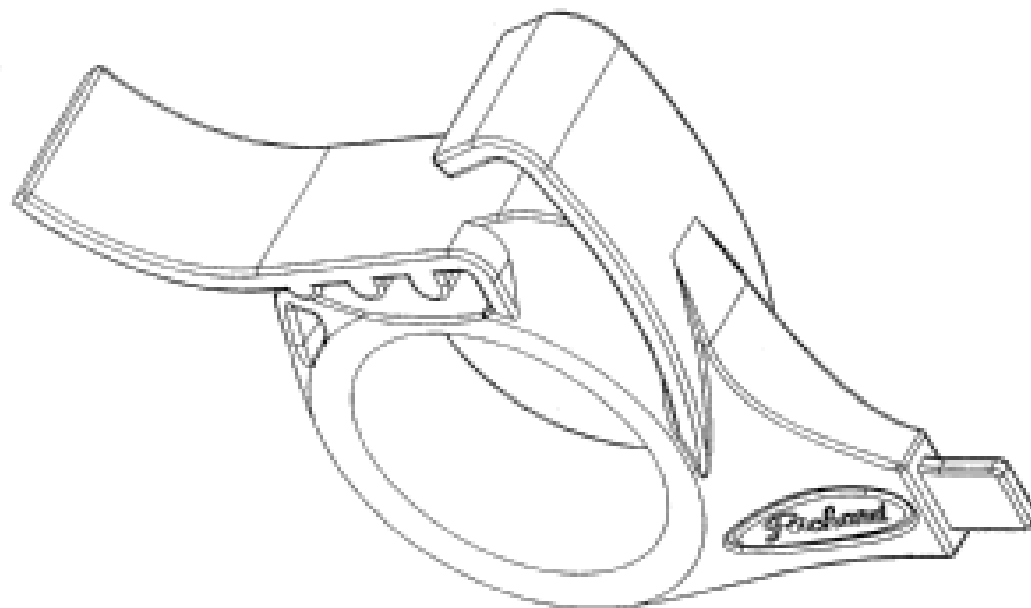


(19) AU

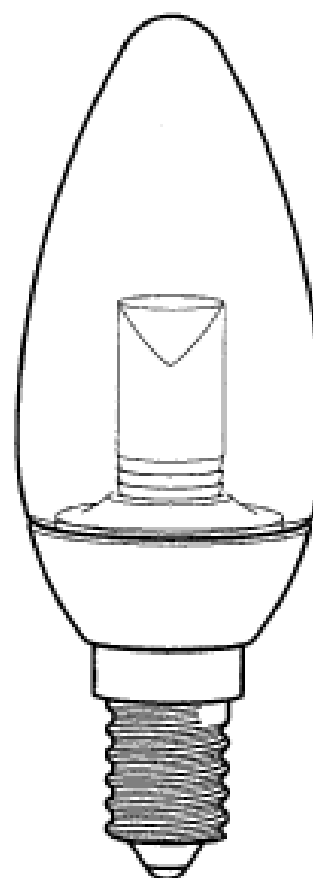
- (21) Design Number: **11945/2009**
(22) Date of Filing Application: **27 May 2009**
(24) Date from which industrial property rights may have effect: **27 May 2009**
(54) Product in respect of which the design is registered: **Knife blade protector**
(51) International Design Classification: **08-03**
(71) Name(s) and Address(s) of Applicant(s):
Bisbell Magnetics Products Limited
Hillfield Lane Stretton Burton upon Trent Staffordshire DE13 0BN
United Kingdom
(72) Name(s) of Designer(s): **Andrew John Stokes**
(45) Registration Date: **08 July 2009**
(30) Convention priority data:
(31) Number (32) Date (33) Country
001093603-0012 24 Feb 2009 EUROPEAN COMMUNITY
(56) Related Art Documents: **Not Applicable**
(57) Statement of Newness and Distinctiveness: **Nil**



- (21) Design Number: **12154/2009**
(22) Date of Filing Application: **12 June 2009**
(24) Date from which industrial property rights may have effect: **12 June 2009**
(54) Product in respect of which the design is registered: **Paint pan clip**
(51) International Design Classification: **08-08C**
(71) Name(s) and Address(s) of Applicant(s):
A. Richard Tools Co./Outils A. Richard Co.
120 Jacques-Cartier Berthierville Quebec J0K 1A0 Canada
(72) Name(s) of Designer(s): **Francois Panfili and Romeo Arvinte**
(45) Registration Date: **08 July 2009**
(30) Convention priority data:
(31) Number (32) Date (33) Country
130216 31 Mar 2009 CANADA
(56) Related Art Documents: **Not Applicable**
(57) Statement of Newness and Distinctiveness: **Newness and distinctiveness is claimed in the features of shape and/or configuration of a paint pan clip as illustrated in the accompanying representations.**



- (21) Design Number: **12156/2009**
(22) Date of Filing Application: **12 June 2009**
(24) Date from which industrial property rights may have effect: **12 June 2009**
(54) Product in respect of which the design is registered: **LED bulb**
(51) International Design Classification: **26-04**
(71) Name(s) and Address(s) of Applicant(s):
Koninklijke Philips Electronics N.V.
Groenewoudseweg 1 5621 BA Eindhoven The Netherlands
(72) Name(s) of Designer(s): **Qing Guo and Jin-Young Song and Yun Li**
(45) Registration Date: **08 July 2009**
(30) Convention priority data:
(31) Number (32) Date (33) Country
001058259-0001 17 Dec 2008 EUROPEAN COMMUNITY
(56) Related Art Documents: **Not Applicable**
(57) Statement of Newness and Distinctiveness: **Newness and distinctiveness reside in the features of the design as shown in the representations.**



(21) Design Number: **12157/2009**

(22) Date of Filing Application: **12 June 2009**

(24) Date from which industrial property rights may have effect: **12 June 2009**

(54) Product in respect of which the design is registered: **LED bulb**

(51) International Design Classification: **26-04**

(71) Name(s) and Address(s) of Applicant(s):

**Koninklijke Philips Electronics N.V.
Groenewoudseweg 1 NL-5621 BA Eindhoven The Netherlands**

(72) Name(s) of Designer(s): **Qing Guo and Jin-Young Song and Yun Li**

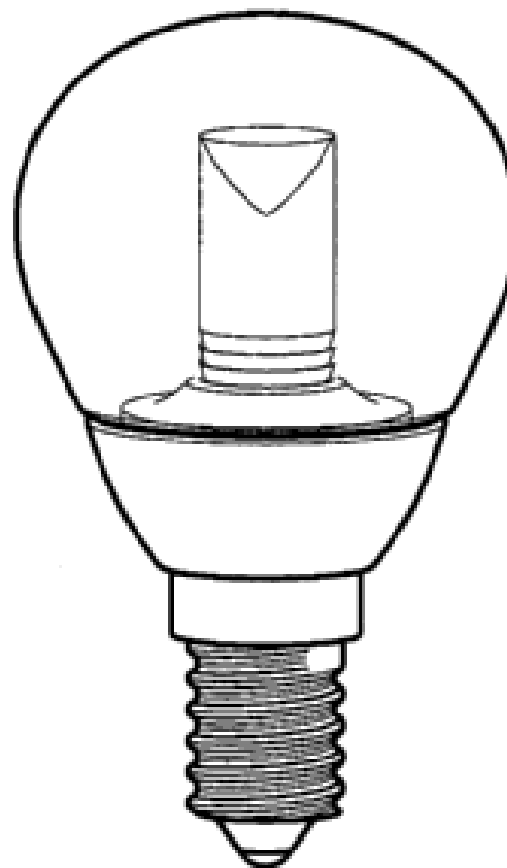
(45) Registration Date: **08 July 2009**

(30) Convention priority data:

(31) Number	(32) Date	(33) Country
001058259-0002	17 Dec 2008	EUROPEAN COMMUNITY

(56) Related Art Documents: **Not Applicable**

(57) Statement of Newness and Distinctiveness: **Newness and distinctiveness reside in the features of the design as shown in the representations.**



(21) Design Number: **11643/2009**

(22) Date of Filing Application: **07 May 2009**

(24) Date from which industrial property rights may have effect: **07 May 2009**

(54) Product in respect of which the design is registered: **Toilet brushware**

(51) International Design Classification: **04-02**

(71) Name(s) and Address(s) of Applicant(s):

**Carl Freudenberg KG
Hoehnerweg 2-4 D-69469 Weinheim Germany**

(72) Name(s) of Designer(s): **Ralf Juergens**

(45) Registration Date: **08 July 2009**

(30) Convention priority data:

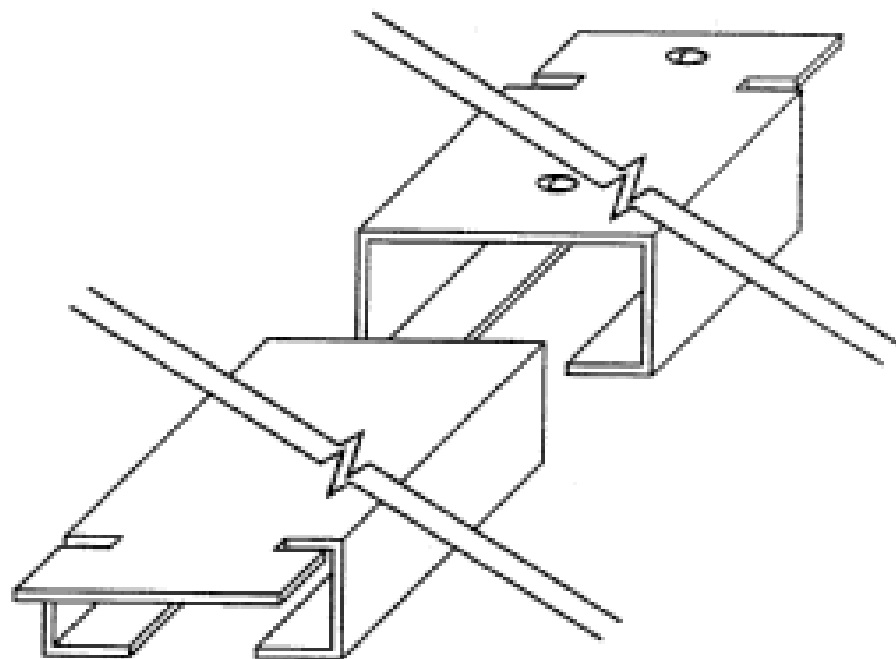
(31) Number	(32) Date	(33) Country
001062111-0001	23 Dec 2008	EUROPEAN COMMUNITY

(56) Related Art Documents: **Not Applicable**

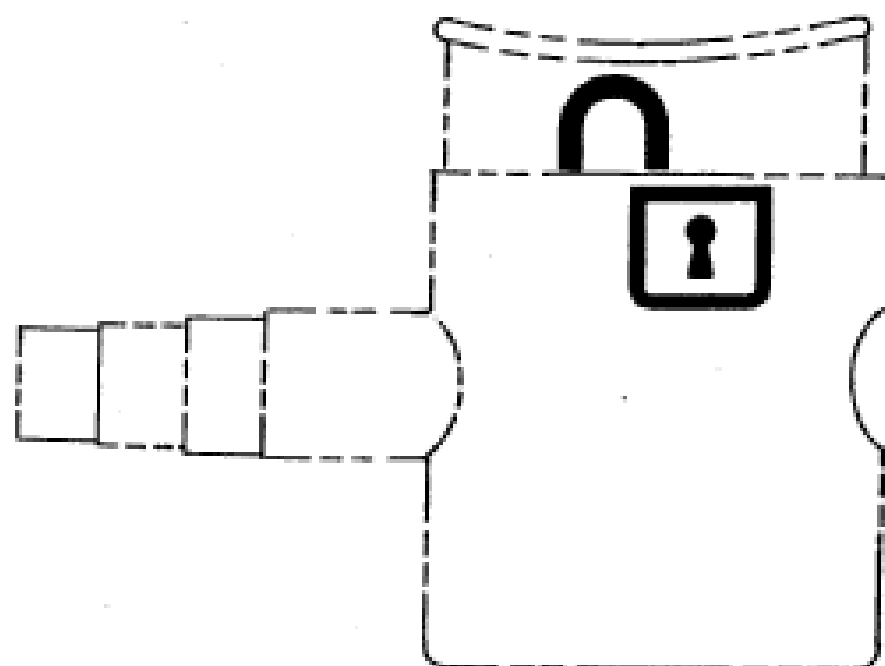
(57) Statement of Newness and Distinctiveness: **Newness and Distinctiveness is claimed in the visual features of the toilet brushware as illustrated. In considering the extent of the design rights colour does not form part of the design.**



(21) Design Number: **11644/2009**
 (22) Date of Filing Application: **07 May 2009**
 (24) Date from which industrial property rights may have effect: **07 May 2009**
 (54) Product in respect of which the design is registered: **Roof frame component**
 (51) International Design Classification: **25-01K**
 (71) Name(s) and Address(s) of Applicant(s):
Mario Hurst
2844 Wylara Way Hope Island Queensland 4212 Australia
 (72) Name(s) of Designer(s): **Mario Hurst**
 (45) Registration Date: **08 July 2009**
 (56) Related Art Documents: **Not Applicable**
 (57) Statement of Newness and Distinctiveness: **Newness and distinctiveness are claimed in the shape and configuration of the roof frame component of indefinite length depicted in the accompanying illustrations.**

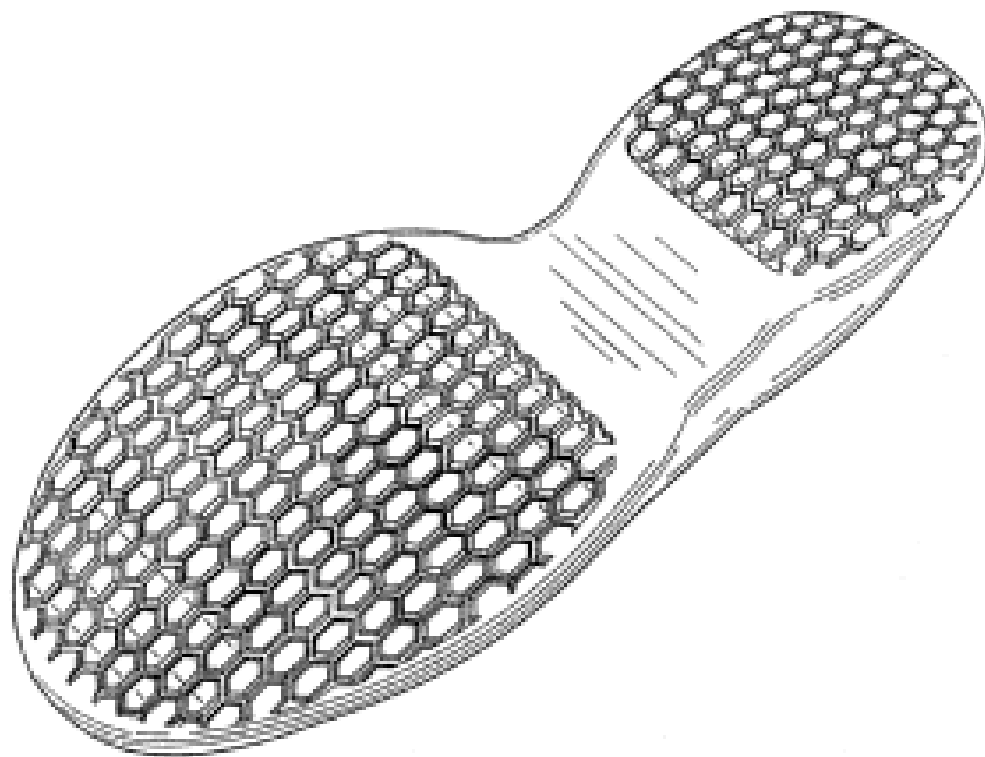


(21) Design Number: **11791/2009**
 (22) Date of Filing Application: **15 May 2009**
 (24) Date from which industrial property rights may have effect: **15 May 2009**
 (54) Product in respect of which the design is registered: **Unlocked valve body**
 (51) International Design Classification: **08-07**
 (71) Name(s) and Address(s) of Applicant(s):
Kimberly-Clark Worldwide, Inc.
401 North Lake Street Neenah Wisconsin 54956 United States of America
 (72) Name(s) of Designer(s): **John Brewer and Joseph A. Cesa and Cassandra E. Morris**
 (45) Registration Date: **08 July 2009**
 (30) Convention priority data:
 (31) Number (32) Date (33) Country
29/329160 10 Dec 2008 UNITED STATES OF AMERICA
 (56) Related Art Documents: **Not Applicable**
 (57) Statement of Newness and Distinctiveness: **Newness and distinctiveness of the design resides in the pattern and ornamentation of a lock inscription on an unlocked valve body as shown in solid outline in the accompanying representations.**

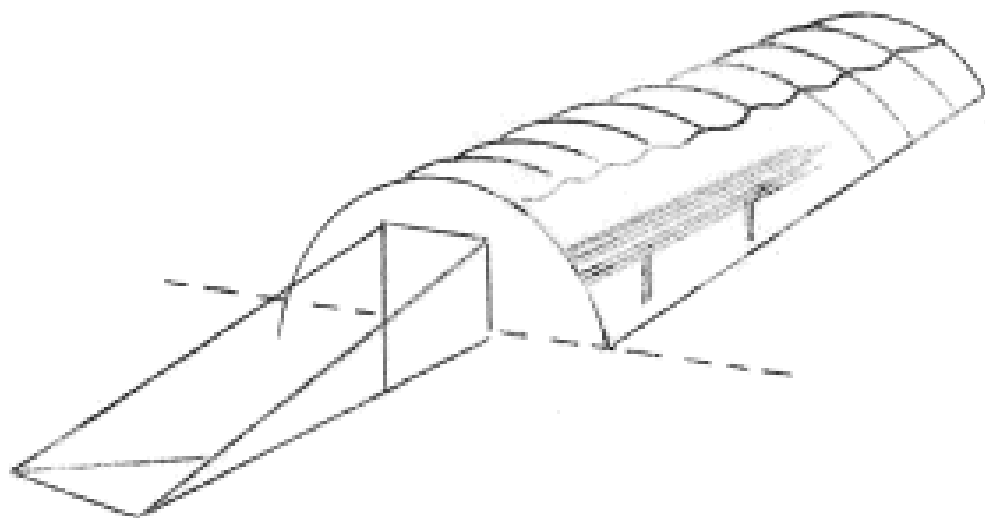


- (21) Design Number: **11793/2009**
- (22) Date of Filing Application: **15 May 2009**
- (24) Date from which industrial property rights may have effect: **15 May 2009**
- (54) Product in respect of which the design is registered: **Cover for cleated shoe**
- (51) International Design Classification: **02-04A**
- (71) Name(s) and Address(s) of Applicant(s):
Cleatskins
132 N. El Camino Real #287 Encinitas 92924 CA United States of America
- (72) Name(s) of Designer(s): **Marianne Kay and Richard Keith Kay**
- (45) Registration Date: **08 July 2009**
- (30) Convention priority data:

(31) Number	(32) Date	(33) Country
29/328,358	24 Nov 2008	UNITED STATES OF AMERICA
- (56) Related Art Documents: **Not Applicable**
- (57) Statement of Newness and Distinctiveness: **Newness and distinctiveness resides in the shape and configuration of the shoe cover shown in the accompanying representations.**



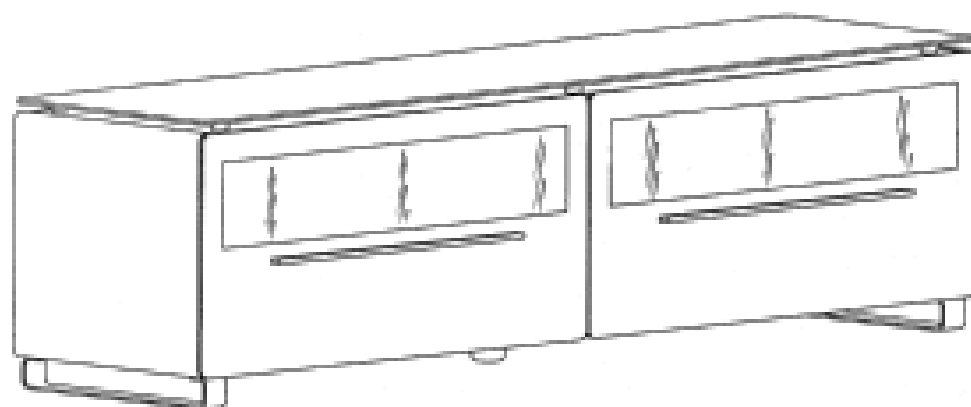
- (21) Design Number: **10856/2009**
- (22) Date of Filing Application: **17 March 2009**
- (24) Date from which industrial property rights may have effect: **17 March 2009**
- (54) Product in respect of which the design is registered: **Fire safe bunker; tubular corrugated; galvanised steel; underground.**
- (51) International Design Classification: **25-03**
- (71) Name(s) and Address(s) of Applicant(s):
Bruce Robinson
400 Fernbank Glenaladale Road Fernbank Victoria 3864 Australia
- (72) Name(s) of Designer(s): **Bruce Robinson**
- (45) Registration Date: **08 July 2009**
- (56) Related Art Documents: **Not Applicable**
- (57) Statement of Newness and Distinctiveness: **The bunker is positioned approximately 20 meters east of the house, and buried 2/3 of its diameter underground, the top 1/3 being covered with 30 cm of top soil to act as a heat barrier. This should be planted with grass or non flammable ground cover.**



- (21) Design Number: **15147/2008**
(22) Date of Filing Application: **29 October 2008**
(24) Date from which industrial property rights may have effect: **29 October 2008**
(54) Product in respect of which the design is registered: **Stand**
(51) International Design Classification: **06-04D**
(71) Name(s) and Address(s) of Applicant(s):

Criterion Group Limited
18 Ron Driver Place East Tamaki Auckland New Zealand

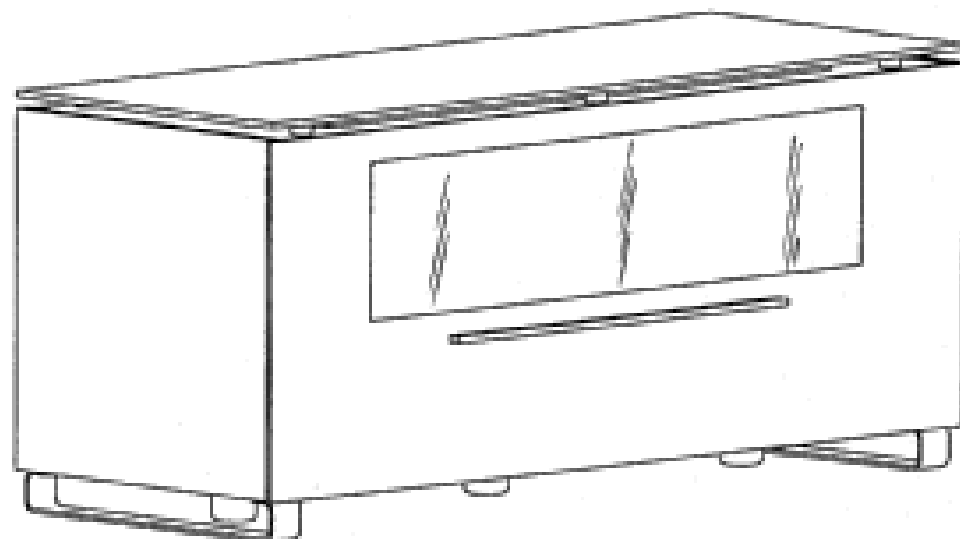
- (72) Name(s) of Designer(s): **Ray Coles and Peter Moyle**
(45) Registration Date: **09 July 2009**
(56) Related Art Documents: **Not Applicable**
(57) Statement of Newness and Distinctiveness: **Those visual features of the stand depicted in the representations that are new and distinctive are the shape and/or configuration. When considering the overall impression of the design the cylindrical stand support and the door handles are to be disregarded.**



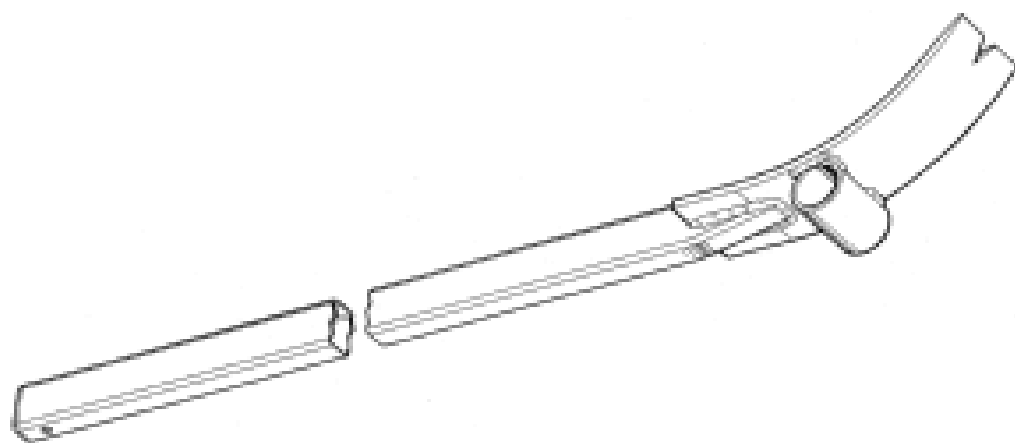
- (21) Design Number: **12378/2009**
(22) Date of Filing Application: **29 October 2008**
(24) Date from which industrial property rights may have effect: **29 October 2008**
(54) Product in respect of which the design is registered: **Stand**
(51) International Design Classification: **06-04D**
(71) Name(s) and Address(s) of Applicant(s):

Criterion Group Limited
18 Ron Driver Place East Tamaki Auckland New Zealand

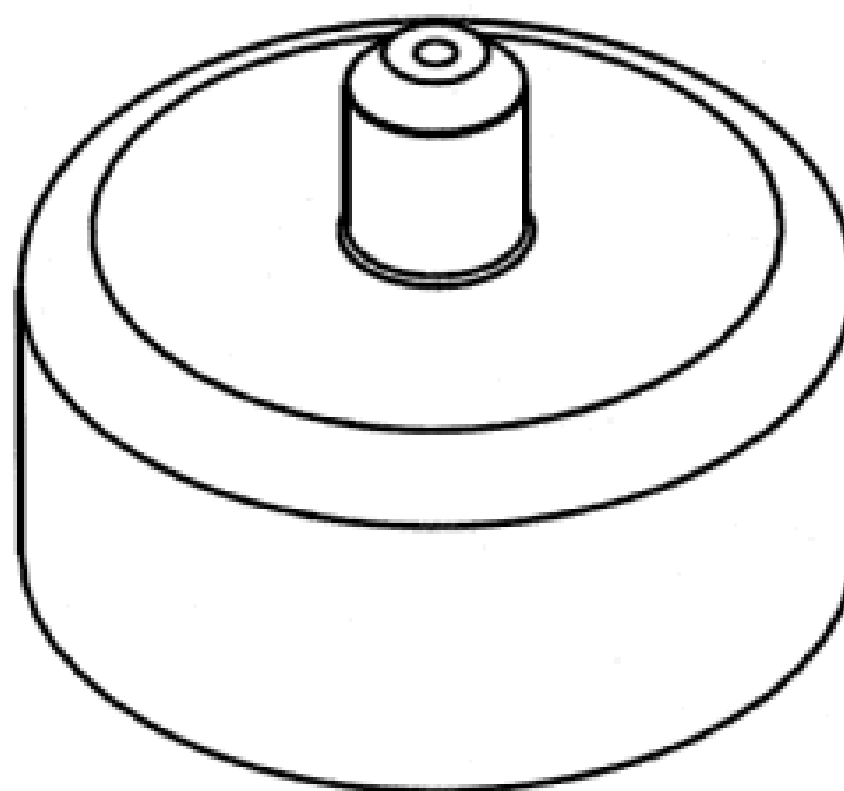
- (72) Name(s) of Designer(s): **Peter Moyle and Ray Coles**
(45) Registration Date: **09 July 2009**
(56) Related Art Documents: **Not Applicable**
(57) Statement of Newness and Distinctiveness: **Those visual features of the stand depicted in the representations that are new and distinctive are the shape and/or configuration. When considering the overall impression of the design the holes at the back of the stand, the cylindrical stand supports and the door handle are to be disregarded.**



- (21) Design Number: **12189/2009**
(22) Date of Filing Application: **16 June 2009**
(24) Date from which industrial property rights may have effect: **16 June 2009**
(54) Product in respect of which the design is registered: **Improved manipulating tool**
(51) International Design Classification: **08-05K**
(71) Name(s) and Address(s) of Applicant(s):
Advanced Building Systems Pty Ltd
Unit 2/22 Violet Street Revesby New South Wales 2212 Australia
(72) Name(s) of Designer(s): **Malcolm John Davis**
(45) Registration Date: **09 July 2009**
(56) Related Art Documents: **Not Applicable**
(57) Statement of Newness and Distinctiveness: **Newness and distinctiveness reside in the features of the tool head of the tool as shown in the representations, where the tool comprises a tool head and tool handle of indeterminate length.**



- (21) Design Number: **12229/2009**
(22) Date of Filing Application: **19 June 2009**
(24) Date from which industrial property rights may have effect: **19 June 2009**
(54) Product in respect of which the design is registered: **A plunger**
(51) International Design Classification: **08-05NES**
(71) Name(s) and Address(s) of Applicant(s):
Bennett Precision Tooling Pty Ltd
10 Binney Road Kings Park New South Wales 2148 Australia
(72) Name(s) of Designer(s): **Stephen Scott and Mark Bennett and Maurice Kastelin and David Frank and Shane Bell**
(45) Registration Date: **09 July 2009**
(56) Related Art Documents: **Not Applicable**
(57) Statement of Newness and Distinctiveness: **Nil**



(21) Design Number: **12196/2009**

(22) Date of Filing Application: **16 June 2009**

(24) Date from which industrial property rights may have effect: **16 June 2009**

(54) Product in respect of which the design is registered: **Packaging**

(51) International Design Classification: **09-03F**

(71) Name(s) and Address(s) of Applicant(s):

Mars, Incorporated

6885 Elm Street McLean Virginia 22101 United States of America

(72) Name(s) of Designer(s): **Robert M. Friedman and Sharon M. Weaver**

(45) Registration Date: **09 July 2009**

(30) Convention priority data:

(31) Number
29/329,561

(32) Date
17 Dec 2008

(33) Country
UNITED STATES OF AMERICA

(56) Related Art Documents: **Not Applicable**

(57) Statement of Newness and Distinctiveness: **The newness and distinctiveness of the design resides in the overall shape and configuration of the packaging depicted in the accompanying representations, and in particular in the following visual features: a) the shape of the right and left edges of the packaging flap which give the flap a trapezoidal shape; b) the undulating shape of the top edge of the front cover of the packaging body as shown in figures 2, 7 and 8; c) the convex surface of the packaging body as depicted in figures 2,3,4,5 and 6; d) the shapes of the flap slot (identified with A in figure 2) and the flap insert (identified with B in figure 3); e) the rounded corners as shown in figures 1, 3-7, and 10-12; f) the shape of the side edges of the front layer of the packaging body (identified with D in figure 8) are not parallel with the side edges of the back layer of the packaging body as shown in figures 2-3 and 13-14; and g) the flap seal (identified with C in figure 14).**

