



Australian Government

IP Australia

AUSTRALIAN OFFICIAL JOURNAL

OF

DESIGNS

Did you know a searchable version of this journal is now available online?
It's FREE and EASY to SEARCH.

Find it at

<http://pericles.ipaustralia.gov.au/ols/epublish/content/olsEpublications.jsp>
or using the "Online Journals" link on the IP Australia home page.

This Page Left Intentionally Blank

Contents

General Information & Notices

Proceedings Under the Designs Act 1906 preserved as a result of the provisions of Chapter 12 Part 2 of the Designs Act 2003

Extension of Period of Registration of Designs	2458
Mortgages Registered	2458
Registrations Ceased	2458
Subsequent Owners Registered	2458

Proceedings Under the Designs Act 2003

Applications Lapsed	2474
Applications Lodged	2467
Applications Withdrawn	2474
Certificate of Examination	2478
Extension of Period of Registration of Design	2475
Extension of Time Granted Under Section 137	2475
Mortgages Registered	2475
Names Registered - Alterations and Amendments	2477
Publication and Registration Proceedings	
Designs Registered 326695 to 326887.....	2479
Subsequent Owners Registered	2477

This Page Left Intentionally Blank

For information on the following please see our website www.ipaustralia.gov.au or contact our Customer Service Network on 1300651010

[Editorial enquiries](#)

[Contact information](#)

[Freedom of Information ACT](#)

[Professional Standards Board](#)

[Sales](#)

[Requests for Information under Section 194 \(c\)](#)

[Country Codes](#)

[Trade Mark and Designs Hearing Sessions](#)

[INID \(Internationally agreed Numbers for the Identification of Data\)](#)

“INID” NUMBERS in use on Australian Design Documents

“INID” is an acronym for “Internationally agreed Numbers for the Identification of Data”.

(10) Data concerning the registration/renewal

- (11) Serial number of the registration and/or number of the design document
- (12) Plain language designation of the kind of published document
- (19) Identification, using the two-letter code according to WIPO Standard ST.3, of the authority publishing or registering the industrial design

(20) Data concerning the application

- (21) Serial number of the application
- (22) Date of filing of the application
- (24) Date from which the industrial design right has effect

(30) Data relating to priority under the Paris Convention

- (31) Serial number assigned to the priority application
- (32) Date of filing of the priority application
- (33) Two-letter code, according to WIPO Standard ST.3, identifying the authority with which the priority application was made

(40) Date(s) of making information available to the public

- (45) Date of publication of the registered industrial design by printing or similar process, or making it available to the public by any other means

(50) Miscellaneous Information

- (51) International Classification for Industrial Designs (class and subclass of the Locarno Classification)
- (54) Designation of article(s) or product(s) covered by the industrial design or title of the industrial design
- (55) Reproduction of the industrial design (e.g., drawing, photograph) and explanations relating to the reproduction
- (56) List of prior art documents, if separate from descriptive text
- (57) Description of characteristic features of the industrial design including indication of colours

(60) References to other legally related application(s) and registration(s)

- (62) Serial number(s) and, if available, filing date(s) of application(s), registration(s) or document(s) related by division
- (66) Serial number(s) of the application, or the registration, of the design(s) which is (are) a variant(s) of the present one

(70) Identification of parties concerned with the application or registration

- (71) Name(s) and address(es) of the applicant(s)
- (72) Name(s) of the creator(s) if known to be such
- (74) Name(s) and address(es) of the representative(s)

This Page Left Intentionally Blank

Official Notice

Withdrawal of American Express as a method of payment

In conjunction with its new state based lodgement services with Australia Post, IP Australia has reviewed its service arrangements to ensure they provide good convenience and value for money to the taxpayer.

As a result, IP Australia is no longer able to offer American Express as a method of payment. IP Australia will continue to offer American Express at each of its state offices until close of business Friday 28 August 2009. Online payments using American Express will be accepted until midnight Friday 28 August 2009.

IP Australia continues to accept payment by cheque, money order, cash EFTPOS, Electronic Funds Transfer, Master Card and Visa.

Contact: IP Australia
Phone: 1300 651 010
Fax: +61 2 6283 7999
E-mail: assist@ipaaustralia.gov.au
Web: www.ipaustralia.gov

Official Notice

Surrender of Registration

322238

A request under Section 49 of the *Designs Act 2003* has been made by the registered owner of Design Registration No. 322238 to surrender the registration.

Any interested person may give notice to the Registrar that he or she wishes to be heard in relation to the above offer. This notice must be given within 1 month after 30 July 2009.

Your attention is drawn to Regulation 4.10 and 4.11 of the *Designs Regulations 2004*.

Address for Service: Daisy Shoe Company (Aust) Pty Ltd, PO Box 704, 254 High Street, Kew Victoria 3101 Australia.

Contact: IP Australia
Phone: 1300 651 010
Fax: +61 2 6283 7999
E-Mail: assist@ipaustralia.gov.au
Web: www.ipaustralia.gov.au

Official Notice**Designs Act 2003
Amendments to Registered Designs at Examination**

The following amendments have been made to details previously published in the Australian Official Journal of Designs during the Examination process:

Registration Numbers	Amendment type	New details
319546	Classification	13-03Z, 13-01
319547	Classification	13-03Z, 13-01
321208	Classification	13-03E
323117	Classification	14-02, 14-03Z
323336	Classification	14-03Z, 14-01
323396	Classification	12-15B, 12-15A
324255	Classification	06-06C
324505	Classification	23-02Z, 09-01A
325605	Classification	15-04
325617	Classification	25-01A
325627	Classification	26-03
325665	Classification	23-01Z
325667	Classification	23-01Z
325668	Classification	23-01Z

Contact: IP Australia
Phone: 1300 651 010
Fax: +61 2 6283 7999
E-mail: assist@ipaustrialia.gov.au
Web: www.ipaustrialia.gov.au

**Proceedings under the Designs Act 1906 preserved as a
result of the provisions of Chapter 12 Part 2 of the Designs
Act 2003.**

This Page Left Intentionally Blank

Applications Lapsed

There were no Applications Lapsed under this section

Extension of Period of Registration of Designs

2nd Period (Section 27A(12))

152625	153130	153131
153132	153134	153135
153138	153162	153163
153165	153211	153239
153254	153316	153337
153339	153351	153450
153480	153519	153595
153596	153616	153617
153618	153619	153621
153679	153724	153753
153775	153877	153878
153882	153883	153912
153939	153940	153941
153942	153943	153977
153978	153980	153981
154177	154291	154449
154470	154514	154749
154755	154756	154839
155041	155066	155297
155577	156287	156288
156289	156671	156672
156865	157164	157189
157190	157191	157836
158215		

3rd Period (Section 27A(13))

135158	135570	135937
136098	136401	136429
136473	136571	136572
136592	136593	136635
136888	136957	136972
137317	137495	137498
137501	137519	137520
137521	137584	137622
137623	137624	137625
137626	137717	137882
137883	137884	137885
137886	137887	137888
138171	138233	139244
139410	139427	140123
141145	143761	143762
143763	148668	150216
150314	150468	151181

Registrations Ceased

Note: Some of the following Registrations may have been previously advertised as ceased. In this instance, the previous advertisement still prevails.

119426	119427	119513
119557	119560	119564
119572	119573	119832

119870	120067	120263
120442	120577	120585
120586	120659	121706
121757	121758	121845
122481	122624	122866
123783	124594	132956
132957	134312	134344
134346	134513	134667
134668	134895	134896
136333	136352	136353
136354	136355	136356
136867	137768	138963
150366	150668	151159
151241	151256	151268
151282	151337	151359
151360	151445	151492
151544	151545	151547
151548	151550	151593
151861	151941	151942
151968	152180	152306
152308	152403	152522
152554	152626	152627
152628	152635	152636
152637	152638	152639
152692	152728	152731
152732	152733	152757
152784	152917	153285
153286	153287	153330
153443	154682	155810
156021	156041	156376

Subsequent Owners Registered

(The name in parentheses is that of the subsequent owner)

144637	(Coors Brewing Company) Coors European Properties GmbH.
158269	(Coors Brewing Company) Coors European Properties GmbH
146014	(Coors Brewing Company) Coors European Properties GmbH

Mortgages Registered

157628	A mortgage has been granted to The United States Department of the Treasury
157629	A mortgage has been granted to The United States Department of the Treasury
157627	A mortgage has been granted to The United States Department of the Treasury
157630	A mortgage has been granted to The United States Department of the Treasury
157631	A mortgage has been granted to The United States Department of the Treasury
157632	A mortgage has been granted to The United States Department of the Treasury
157633	A mortgage has been granted to The United States Department of the Treasury
157634	A mortgage has been granted to The United States

- 139007 A mortgage has been granted to **The United States Department of the Treasury**
- 139008 A mortgage has been granted to **The United States Department of the Treasury**
- 139009 A mortgage has been granted to **The United States Department of the Treasury**
- 139010 A mortgage has been granted to **The United States Department of the Treasury**
- 139264 A mortgage has been granted to **The United States Department of the Treasury**
- 139265 A mortgage has been granted to **The United States Department of the Treasury**
- 139266 A mortgage has been granted to **The United States Department of the Treasury**
- 139624 A mortgage has been granted to **The United States Department of the Treasury**
- 139625 A mortgage has been granted to **The United States Department of the Treasury**
- 140356 A mortgage has been granted to **The United States Department of the Treasury**
- 140545 A mortgage has been granted to **The United States Department of the Treasury**
- 140936 A mortgage has been granted to **The United States Department of the Treasury**
- 140937 A mortgage has been granted to **The United States Department of the Treasury**
- 140938 A mortgage has been granted to **The United States Department of the Treasury**
- 140939 A mortgage has been granted to **The United States Department of the Treasury**
- 140940 A mortgage has been granted to **The United States Department of the Treasury**
- 140941 A mortgage has been granted to **The United States Department of the Treasury**
- 140942 A mortgage has been granted to **The United States Department of the Treasury**
- 140943 A mortgage has been granted to **The United States Department of the Treasury**
- 141144 A mortgage has been granted to **The United States Department of the Treasury**

This Page Left Intentionally Blank

Proceedings under the Designs Act 2003.

This Page Left Intentionally Blank

Applications Lodged

Lodgement information is in the following order: **Applicant's Name**; International Classification, Name of Product, Lodgement Date and **Design Number**. If the applicant claims an earlier priority date under an International Convention, the Convention Country and the associated filing date are shown in parentheses before the Lodgement Date. Divisional information will also appear in parentheses before the Lodgement Date.

kustomkombi.com; Hage, Jamie; 06-01D, 08-07, , 10 Jul 2009	12488/2009	Apparition Holdings Pty Limited; 02-04C, Socks, 16 Jul 2009	12586/2009
A-DEC, Inc.; 06-01NES, A dental chair, (US, 26 Jan 2009) 22 Jul 2009	12690/2009	Apparition Holdings Pty Limited; 02-04C, , 16 Jul 2009	12587/2009
A-DEC, Inc.; 06-01NES, A dental chair, (US, 26 Jan 2009) 22 Jul 2009	12697/2009	Art Plastics Pty Ltd; 23-01E, 23-02NES, Smell stopper, 09 Jul 2009	12461/2009
A-DEC, Inc.; 06-01NES, A dental chair, (US, 26 Jan 2009) 22 Jul 2009	12698/2009	Art Plastics Pty Ltd; 23-01E, 23-02NES, Smell stopper, 09 Jul 2009	12460/2009
A-DEC, Inc.; 06-01NES, A base plate for a dental chair, (US, 02 Feb 2009) 22 Jul 2009	12699/2009	Astral Property Pty Limited; 05-06NES, Artificial turf shock pad, 10 Jul 2009	12524/2009
A-DEC, Inc.; 06-01NES, A dental chair, (US, 02 Feb 2009) 22 Jul 2009	12700/2009	Auclair, Marie-Pier; Kirkwood, Luke James; 07-07A, 15-07, Cooler, refrigerator, seat, beverage serving tray storage container, 10 Jul 2009	12499/2009
A-DEC, Inc.; 24-02, A control head for use with dental equipment, (US, 03 Feb 2009) 22 Jul 2009	12701/2009	ADC Communications (Australia) Pty Limited; 08-99, Reel assembly, 15 Jul 2009	12561/2009
A-DEC, Inc.; 24-01, A support system for dental equipment, (US, 02 Feb 2009) 22 Jul 2009	12702/2009	AM Retail Investments Pty Ltd; 09-01NES, Container, 16 Jul 2009	12569/2009
A-DEC, Inc.; 24-01, A dental light, (US, 26 Jan 2009) 22 Jul 2009	12691/2009	ARK Corporation Pty Ltd; 12-16M, Brake caliper, 16 Jul 2009	12568/2009
A-DEC, Inc.; 06-01NES, A dental chair, (US, 26 Jan 2009) 22 Jul 2009	12692/2009	Baker, Raymond John; 09-01K, Bottle, 08 Jul 2009	12464/2009
A-DEC, Inc.; 06-01NES, A dental chair back, (US, 26 Jan 2009) 22 Jul 2009	12693/2009	Baker, Raymond John; 09-01K, Bottle, 08 Jul 2009	12465/2009
A-DEC, Inc.; 06-01NES, A dental chair, (US, 26 Jan 2009) 22 Jul 2009	12694/2009	Bartco Traffic Equipment Pty. Ltd.; 26-04, A LED module for an illuminated sign, 17 Jul 2009	12614/2009
A-DEC, Inc.; 06-01NES, A dental chair, (US, 26 Jan 2009) 22 Jul 2009	12695/2009	Bartco Traffic Equipment Pty. Ltd.; 26-04, A LED module for an illuminated sign, 17 Jul 2009	12615/2009
A-DEC, Inc.; 06-01NES, A dental chair, (US, 26 Jan 2009) 22 Jul 2009	12696/2009	Bayer Australia Limited; 09-07C, Bottle cap, 10 Jul 2009	12514/2009
A-DEC, Inc.; 24-02, A control head for use with dental equipment, (US, 03 Feb 2009) 22 Jul 2009	12625/2009	Bayer Australia Limited; 09-01NES, Bottle, 10 Jul 2009	12515/2009
Adbri Masonry Pty Ltd; 25-01A, A mortarless masonry brick, 17 Jul 2009	12466/2009	Bayer Australia Limited; 09-01NES, Bottle and cap, 10 Jul 2009	12516/2009
Alvares, Garth; 99-00, Merchandise, 09 Jul 2009	12584/2009	Beyers, Edward O.; 30-03, Hay feeding case, (US, 03 Feb 2009) 16 Jul 2009	12596/2009
Apparition Holdings Pty Limited; 02-04C, Socks, 16 Jul 2009	12585/2009	Bhagwandas, Dhiren; 26-05B, Lamp, 12 Jul 2009	12537/2009
Apparition Holdings Pty Limited; 02-04C, Socks, 16 Jul 2009		Bhagwandas, Dhiren; 06-04B, Storage unit, 12 Jul 2009	12538/2009
		Bhagwandas, Dhiren; 06-03A, Table, 12 Jul 2009	12539/2009
		Bhagwandas, Dhiren; 06-03A, Table, 12 Jul 2009	12536/2009

Black & Decker, Inc.; 15-05, Hand-held vacuum cleaner, (EM, 19 Jan 2009) 15 Jul 2009	12563/2009	Colgate-Palmolive Company; 04-02, Toothbrush, (US, 23 Jan 2009) 22 Jul 2009	12685/2009
Bolt International Pty Ltd; 14-02, Laptop stand, 16 Jul 2009	12581/2009	Colonial Castings Pty. Ltd.; 25-01D, A panel, 10 Jul 2009	12511/2009
BreezSong LLC.; 14-01, Portable rehearsal studio, (US, 14 Jan 2009) 14 Jul 2009	12554/2009	Colonial Castings Pty. Ltd.; 25-01D, A panel, 10 Jul 2009	12510/2009
Bridgestone Corporation; 12-15NES, Automobile tyre, (JP, 25 Feb 2009) 08 Jul 2009	12462/2009	Coutts, Giles; 28-03A, Manual shaving handle with a hood, (GB, 01 May 2009) 08 Jul 2009	12467/2009
Bridgestone Corporation; 12-15A, Automobile tyre, (JP, 25 Feb 2009) 08 Jul 2009	12463/2009	De Boer, Kylie; 99-00, Design 1, 21 Jul 2009	12672/2009
Building Solutions Pty Ltd; 25-02E, 25-01G, Roof panel, 09 Jul 2009	12502/2009	Durance, David; 06-02, Bed frame, 15 Jul 2009	12566/2009
Challenge Implements Holdings Pty Limited; 15-04, Front end loader and components, 07 Jul 2009	12456/2009	Ecosave Systems Limited; Seladis Bio Limited; 23-02C, Urinal outlet device, (EM, 28 Jan 2009) 17 Jul 2009	12621/2009
Channel Panel Pty Ltd; 08-06, 20-02NES, 27-99, Hinged covers for display of tobacco products, 01 Jul 2009	12565/2009	Ecosave Systems Limited; Seladis Bio Limited; 23-02C, Urinal outlet device, (EM, 28 Jan 2009) 17 Jul 2009	12620/2009
Chef'n Corporation; 07-04, Food slicer, (US, 22 Jan 2009) 15 Jul 2009	12562/2009	Elbowroom (Aust) Pty Ltd; 08-06, 90 Degree stop hinge for mobile shelving, (Divisional of 12391/2009) 03 Jul 2009	12629/2009
Chromend Supply Co.; 12-16N, Exhaust extensions for cars, 08 Jul 2009	12457/2009	Equmen Pty Ltd; 02-01NES, Underpants, 13 Jul 2009	12551/2009
Chromend Supply Co.; 12-16N, Expandable inlet, 08 Jul 2009	12458/2009	Equmen Pty Ltd; 02-01NES, Underpants, 13 Jul 2009	12550/2009
CobaltNiche Design; 21-01D, Kicker tube, 09 Jul 2009	12486/2009	European Cervical Cancer Association; 11-01NES, Jewellery, (EM, 16 Jan 2009) 16 Jul 2009	12582/2009
Colgate-Palmolive Company; 09-01B, Container, (US, 23 Jan 2009) 22 Jul 2009	12677/2009	ED Oates Pty Ltd; 07-05E, Dust pan, 20 Jul 2009	12641/2009
Colgate-Palmolive Company; 04-02, Toothbrush, (US, 23 Jan 2009) 22 Jul 2009	12678/2009	Foshan Shunde Everteam Industrial Co., Ltd.; 23-03NES, Heating equipment, (CN, 15 Apr 2009) 21 Jul 2009	12657/2009
Colgate-Palmolive Company; 09-01B, Container, (US, 23 Jan 2009) 22 Jul 2009	12679/2009	Foshan Shunde Everteam Industrial Co., Ltd.; 07-02E, Cooking apparatus, (CN, 15 Apr 2009) 21 Jul 2009	12648/2009
Colgate-Palmolive Company; 09-01B, Container, (US, 23 Jan 2009) 22 Jul 2009	12680/2009	Foshan Shunde Everteam Industrial Co., Ltd.; 07-02E, Cooking apparatus, (CN, 29 Apr 2009) 21 Jul 2009	12649/2009
Colgate-Palmolive Company; 04-02, Toothbrush, (US, 23 Jan 2009) 22 Jul 2009	12681/2009	Foshan Shunde Everteam Industrial Co., Ltd.; 07-02E, Cooking apparatus, (CN, 15 Apr 2009) 21 Jul 2009	12650/2009
Colgate-Palmolive Company; 04-02, Toothbrush, (US, 23 Jan 2009) 22 Jul 2009	12682/2009	Foshan Shunde Everteam Industrial Co., Ltd.; 07-02E, Cooking apparatus, (CN, 15 Apr 2009) 21 Jul 2009	12651/2009
Colgate-Palmolive Company; 04-02, Toothbrush, (US, 23 Jan 2009) 22 Jul 2009	12683/2009	Foshan Shunde Everteam Industrial Co., Ltd.; 07-02E, Cooking apparatus, (CN, 15 Apr 2009) 21 Jul 2009	12652/2009
Colgate-Palmolive Company; 04-02, Toothbrush, (US, 23 Jan 2009) 22 Jul 2009	12684/2009		

Foshan Shunde Everteam Industrial Co., Ltd; 07-02E, Cooking apparatus, (CN, 15 Apr 2009) 21 Jul 2009	12653/2009	Goldwin Inc.; Goldwin Technicalcenter Inc.; 02-02NES, Shirt for sports, (JP, 15 Jan 2009) 14 Jul 2009	12558/2009
Foshan Shunde Everteam Industrial Co., Ltd; 07-02E, Cooking apparatus, (CN, 15 Apr 2009) 21 Jul 2009	12654/2009	Goldwin Inc.; Goldwin Technicalcenter Inc.; 02-02NES, Shirt for sports, (JP, 15 Jan 2009) 14 Jul 2009	12557/2009
Foshan Shunde Everteam Industrial Co., Ltd; 07-02E, Cooking apparatus, (CN, 15 Apr 2009) 21 Jul 2009	12655/2009	Goldwin Inc.; Goldwin Technicalcenter Inc.; 02-02NES, Shirt for sports, (JP, 15 Jan 2009) 14 Jul 2009	12556/2009
Foshan Shunde Everteam Industrial Co., Ltd; 23-03NES, Heating equipment, (CN, 15 Apr 2009) 21 Jul 2009	12658/2009	Goldwin Technicalcenter Inc.; Goldwin Inc.; 02-02NES, Shirt for sports, (JP, 15 Jan 2009) 14 Jul 2009	12556/2009
Foshan Shunde Everteam Industrial Co., Ltd; 07-02E, Cooking apparatus, (CN, 20 Mar 2009) 21 Jul 2009	12656/2009	Goldwin Technicalcenter Inc.; Goldwin Inc.; 02-02NES, Shirt for sports, (JP, 15 Jan 2009) 14 Jul 2009	12558/2009
Foshan Shunde Everteam Industrial Co., Ltd; 07-02E, Cooking apparatus, (CN, 15 Apr 2009) 21 Jul 2009	12647/2009	Goldwin Technicalcenter Inc.; Goldwin Inc.; 02-04C, Tights for sports, (JP, 15 Jan 2009) 14 Jul 2009	12559/2009
Fowler, Christopher; 19-07, 23-03D, 21-01C, Liquid container education apparatus - helicopter 1, 14 Jul 2009	12545/2009	Goodall Design Pty Ltd; 06-07, Picture frames, 21 Jul 2009	12630/2009
Fowler, Christopher; 19-07, 13-01, 21-01C, Liquid container education apparatus - wind generator, 14 Jul 2009	12542/2009	Gravolin, Sandra Lorraine; Gravolin, Dennis Ronald; 12-16L, Trailer plug holder, 20 Jul 2009	12605/2009
Fowler, Christopher; 19-01, 13-01, 21-01C, Liquid container education apparatus - wind generator 2 blade, 14 Jul 2009	12543/2009	Gravolin, Dennis Ronald; Gravolin, Sandra Lorraine; 12-16L, Trailer plug holder, 20 Jul 2009	12605/2009
Fowler, Christopher; 19-07, 13-01, 21-01C, Liquid container education apparatus - wind generator 3 blade, 14 Jul 2009	12544/2009	Green Profile AS; 09-03M, Container, (NO, 08 Jan 2009) 08 Jul 2009	12468/2009
Fowler, Christopher; 19-07, 23-03D, 21-01C, Liquid container education apparatus - helicopter 2, 14 Jul 2009	12546/2009	Haddad, Allan Ashley; 06-03C, 21-02NES, Desk/coffee table, arm wrestling surface, 360 degree convertible top, 10 Jul 2009	12507/2009
Fowler, Christopher; 19-07, 21-01A, Liquid container education apparatus - turtle, 14 Jul 2009	12547/2009	Hage, Jamie; kustomkombi.com; 06-01D, 08-07, , 10 Jul 2009	12488/2009
Fry, Michael; 12-06NES, Paddle, 16 Jul 2009	12580/2009	Honda Motor Co., Ltd.; 12-11, Motorcycle, (JP, 15 Jan 2009) 15 Jul 2009	12576/2009
Gambro Lundia AB; 09-01NES, 24-01, Container suitable for containing a medical solution, 09 Jul 2009	12506/2009	Honda Motor Co., Ltd.; 12-11, Side cover for motorcycle, (JP, 15 Jan 2009) 15 Jul 2009	12575/2009
Gardam, Ross; 06-06E, 06-06G, The leg on the table or bench seat, 16 Jul 2009	12552/2009	Hosking, Mark; Tolson, Andrew; 06-03NES, A trolley, 16 Jul 2009	12603/2009
Going Dancing Pty Ltd; 03-01B, Wrist wallet, 21 Jul 2009	12676/2009	Jackson, Marc William; 05-06NES, 09-03F, Fruit and plant protection device, 09 Jul 2009	12490/2009
Going Dancing Pty Ltd; 03-01B, Wrist wallet, 21 Jul 2009	12675/2009	Jackson, Marc William; 05-06NES, 09-03F, Fruit and plant protection device, 09 Jul 2009	12491/2009
Goldwin Inc.; Goldwin Technicalcenter Inc.; 02-04C, Tights for sports, (JP, 15 Jan 2009) 14 Jul 2009	12559/2009	Kabushiki Kaisha Mix Style; 14-03A, Earphone, (JP, 14 Jan 2009) 09 Jul 2009	12525/2009
		Kabushiki Kaisha Mix Style; 14-01, Earphone, (JP, 14 Jan 2009) 09 Jul 2009	12513/2009

Karsten Manufacturing Corporation; 21-02C, Golf club head, (US, 22 Apr 2009) 17 Jul 2009	12600/2009	Lego A/S; 21-01E, A toy building element, (EM, 27 Jan 2009) 08 Jul 2009	12480/2009
Karsten Manufacturing Corporation; 21-02C, Golf club head, (US, 22 Apr 2009) 17 Jul 2009	12601/2009	Lego A/S; 21-01E, A toy building element, (EM, 27 Jan 2009) 08 Jul 2009	12481/2009
Karsten Manufacturing Corporation; 21-02C, Golf club head, (US, 09 Jun 2009) 17 Jul 2009	12602/2009	Lego A/S; 21-01E, A toy building element, (EM, 27 Jan 2009) 08 Jul 2009	12482/2009
Karsten Manufacturing Corporation; 21-02C, Golf club head, (US, 22 Apr 2009) 16 Jul 2009	12595/2009	Lego A/S; 21-01E, A toy building element, (EM, 27 Jan 2009) 08 Jul 2009	12483/2009
Karsten Manufacturing Corporation; 21-02C, Golf club head, (US, 22 Apr 2009) 16 Jul 2009	12593/2009	Lego A/S; 21-01E, A toy building element, (EM, 27 Jan 2009) 08 Jul 2009	12484/2009
Karsten Manufacturing Corporation; 21-02C, Golf club head, (US, 22 Apr 2009) 15 Jul 2009	12577/2009	Lego A/S; 21-01E, A toy building element, (EM, 27 Jan 2009) 08 Jul 2009	12485/2009
Karsten Manufacturing Corporation; 21-02C, Golf club head, (US, 22 Apr 2009) 15 Jul 2009	12579/2009	Lego A/S; 21-01E, A toy building element, (EM, 27 Jan 2009) 08 Jul 2009	12476/2009
Karsten Manufacturing Corporation; 21-02C, Golf club head, (US, 22 Apr 2009) 15 Jul 2009	12578/2009	Lego A/S; 21-01E, A toy building element, (EM, 27 Jan 2009) 08 Jul 2009	12477/2009
Kimyee Furniture Sdn Bhd; 06-02, 21-01C, Yellow tow truck bed, 13 Jul 2009	12560/2009	Lego A/S; 21-01E, A toy building element, (EM, 27 Jan 2009) 08 Jul 2009	12478/2009
Kimyee Furniture Sdn Bhd; 06-02, 21-01C, Adventure jeep bed with cover, 13 Jul 2009	12555/2009	Lego A/S; 21-01E, A toy building element, (EM, 27 Jan 2009) 08 Jul 2009	12479/2009
Kirkwood, Luke James; Auclair, Marie-Pier; 07-07A, 15-07, Cooler, refrigerator, seat, beverage serving tray storage container, 10 Jul 2009	12499/2009	Lego A/S; 21-01E, A toy building element, (EM, 27 Jan 2009) 08 Jul 2009	12469/2009
Knog Pty Ltd; 08-07, Padlock, 17 Jul 2009	12623/2009	Lego A/S; 21-01E, A toy building element, (EM, 27 Jan 2009) 08 Jul 2009	12470/2009
Knog Pty Ltd; 08-07, Bicycle cable lock, 17 Jul 2009	12606/2009	Lego A/S; 21-01E, A toy building element, (EM, 27 Jan 2009) 08 Jul 2009	12471/2009
Knog Pty Ltd; 26-02, Portable light, 17 Jul 2009	12607/2009	Linnell, Michael Charles; Linnell, Linda Rose; Linnell, Michael Charles Jr; Manning, Sharon Ann; 12-02, Delivery cart for mail, (EM, 06 Feb 2009) 21 Jul 2009	12631/2009
Knog Pty Ltd; 08-07, 14-99, Electronic U shape bicycle lock, 17 Jul 2009	12611/2009	Linnell, Michael Charles Jr; Linnell, Linda Rose; Manning, Sharon Ann; Linnell, Michael Charles; 12-02, Delivery cart for mail, (EM, 06 Feb 2009) 21 Jul 2009	12631/2009
Knog Pty Ltd; 08-07, 14-99, U shape bicycle lock, 17 Jul 2009	12612/2009	Linnell, Linda Rose; Linnell, Michael Charles Jr; Manning, Sharon Ann; Linnell, Michael Charles; 12-02, Delivery cart for mail, (EM, 06 Feb 2009) 21 Jul 2009	12631/2009
Lego A/S; 21-01E, A toy building element, (EM, 27 Jan 2009) 08 Jul 2009	12473/2009	Luo, Huada; 08-10, Bicycle locker, (CN, 06 Jul 2009) 08 Jul 2009	12487/2009
Lego A/S; 21-01E, A toy building element, (EM, 27 Jan 2009) 08 Jul 2009	12474/2009	Macs Engineering Pty Ltd; 12-16NES, 13-03B, A connector, 20 Jul 2009	12644/2009
Lego A/S; 21-01E, A toy building element, (EM, 27 Jan 2009) 08 Jul 2009	12475/2009		
Lego A/S; 21-01E, A toy building element, (EM, 27 Jan 2009) 08 Jul 2009	12472/2009		

Macs Engineering Pty Ltd; 12-16C, Padding, 20 Jul 2009	12645/2009	Norton, Mathew; 08-05K, , 22 Jul 2009	12709/2009
Macs Engineering Pty Ltd; 12-16C, Rollover Protection System, 20 Jul 2009	12646/2009	O & S Holdings (Vic) Pty Ltd; 02-04B, Footwear sole, 09 Jul 2009	12505/2009
Manning, Sharon Ann; Linnell, Linda Rose; Linnell, Michael Charles Jr; Linnell, Michael Charles; 12-02, Delivery cart for mail, (EM, 06 Feb 2009) 21 Jul 2009	12631/2009	Ovenden, Ronald George; Ovenden, David Edward; 08-08K, Footplate to support fence stay, 10 Jul 2009	12489/2009
Mass Electronics Pty Ltd; 25-04, 08-08NES, A scaffolding clip, 15 Jul 2009	12571/2009	Ovenden, David Edward; Ovenden, Ronald George; 08-08K, Footplate to support fence stay, 10 Jul 2009	12489/2009
McCullough, Mike; 25-01A, Landscape block, 17 Jul 2009	12622/2009	Peters, Marie; 07-04, Chopping board stand/holder, 23 Jul 2009	12705/2009
McNeil-PPC, Inc.; 04-02, Toothbrush, (US, 31 Jan 2009) 17 Jul 2009	12617/2009	Peters, Marie; 07-04, Safety chopping board, 23 Jul 2009	12706/2009
McNeil-PPC, Inc.; 04-02, Toothbrush, (US, 31 Jan 2009) 17 Jul 2009	12618/2009	Pi-Design AG; 07-01C, Canteen double wall mug, (WO, 12 Jan 2009) 10 Jul 2009	12492/2009
Metlam Australia Pty. Limited; 08-07, Lock assembly, 21 Jul 2009	12673/2009	Pi-Design AG; 07-01C, Canteen double wall mug, (WO, 12 Jan 2009) 10 Jul 2009	12493/2009
Metlam Australia Pty. Limited; 08-07, Lock assembly, 21 Jul 2009	12674/2009	Pi-Design AG; 07-01C, Canteen double wall mug, (WO, 12 Jan 2009) 10 Jul 2009	12494/2009
Mills, Julian; 07-02E, Folding barbeque, 17 Jul 2009	12616/2009	Pi-Design AG; 07-01C, Travel mug and closure, (WO, 09 Feb 2009) 10 Jul 2009	12495/2009
Mitsubishi Electric Corporation; 23-04, Air conditioner, 15 Jul 2009	12567/2009	Pi-Design AG; 09-03NES, 07-07A, Storage box, (WO, 23 Jan 2009) 10 Jul 2009	12518/2009
Mok, Timothy; 09-03F, Hinged takeaway container, 17 Jul 2009	12619/2009	Pi-Design AG; 07-02K, Electric kettle and base therefor, (WO, 03 Feb 2009) 10 Jul 2009	12503/2009
Moorevann Pty Ltd; 06-01F, SmarTable student chair - multi positioning, 21 Jul 2009	12664/2009	Pi-Design AG; 07-01NES, Storage jar, (WO, 24 Feb 2009) 10 Jul 2009	12504/2009
Moorevann Pty Ltd; 06-03NES, SmarTable flip table - stackable, flipping top with SmarTable mechanism (design registered No. 326042)., Adjustable height mobile legs, 21 Jul 2009	12663/2009	Pi-Design AG; 09-03NES, 07-07A, Storage box, (WO, 23 Jan 2009) 10 Jul 2009	12519/2009
Moxey, Norman Alfred; 08-08NES, Peg guide and guy rope anchor, 17 Jul 2009	12604/2009	Pi-Design AG; 09-03NES, 07-07A, Storage box, (WO, 23 Jan 2009) 10 Jul 2009	12520/2009
MAM Babyartikel Gesellschaft m.b.H.; 24-04, Pacifier teat, (EM, 16 Jan 2009) 13 Jul 2009	12549/2009	Pi-Design AG; 09-03L, 07-07A, Storage box, (WO, 23 Jan 2009) 10 Jul 2009	12521/2009
MAM Babyartikel Gesellschaft m.b.H.; 07-01E, Pacifier teat, (EM, 16 Jan 2009) 16 Jul 2009	12583/2009	Pi-Design AG; 09-03NES, 03-01NES, Bag, (WO, 23 Jan 2009) 10 Jul 2009	12522/2009
N.V. Organon; 09-03NES, Tablet dispenser, (EM, 07 Jul 2009) 22 Jul 2009	12703/2009	Pi-Design AG; 09-03L, Household container, (WO, 23 Jan 2009) 10 Jul 2009	12523/2009
Nissan Jidosha Kabushiki Kaisha; 12-08, Automobile, (JP, 06 Mar 2009) 22 Jul 2009	12688/2009	Portabrand Limited; 09-03NES, Drinks Carriers, (EM, 15 Jan 2009) 14 Jul 2009	12548/2009
Norton, Mathew; 08-05K, , 22 Jul 2009	12689/2009	Rapala VMC Oyj; 22-05, Fishing tackle, (EM, 13 Jul 2009) 21 Jul 2009	12662/2009

Rapala VMC Oyj; 22-05, Fishing tackle, (EM, 13 Jul 2009) 21 Jul 2009	12660/2009	Seladis Bio Limited; Ecosave Systems Limited; 23-02C, Urinal outlet device, (EM, 28 Jan 2009) 17 Jul 2009	12620/2009
Rapala VMC Oyj; 22-05, Fishing tackle, (EM, 13 Jul 2009) 21 Jul 2009	12661/2009	Seladis Bio Limited; Ecosave Systems Limited; 23-02C, Urinal outlet device, (EM, 28 Jan 2009) 17 Jul 2009	12621/2009
Rapala VMC Oyj; 22-05, Fishing tackle, (EM, 13 Jul 2009) 16 Jul 2009	12594/2009	Shutter World Company Pty Ltd; 25-02K, Shutter slat, 13 Jul 2009	12509/2009
Rapala VMC Oyj; 22-05, Fishing tackle, (EM, 13 Jul 2009) 16 Jul 2009	12592/2009	Sperling Enterprises Pty Limited; 06-13NES, Seat cover, 09 Jul 2009	12500/2009
Red Bull GmbH; 09-01K, Bottle, (EM, 28 Jan 2009) 16 Jul 2009	12597/2009	Sperling Enterprises Pty Limited; 06-13NES, Seat cover, 09 Jul 2009	12501/2009
Red Bull GmbH; 09-01K, Bottle, (EM, 28 Jan 2009) 16 Jul 2009	12598/2009	Spin Master Ltd; 21-01A, 21-01B, Transformable toy, (CA, 21 Jan 2009) 10 Jul 2009	12526/2009
Red Bull GmbH; 09-01K, Bottle, (EM, 28 Jan 2009) 16 Jul 2009	12599/2009	Spin Master Ltd; 21-01B, Transformable toy, (CA, 19 Feb 2009) 17 Jul 2009	12626/2009
ResMed Ltd; 24-01, Air delivery tube, (US, 22 Jan 2009) 13 Jul 2009	12540/2009	Spin Master Ltd; 21-01A, Transformable toy, (CA, 26 Jan 2009) 17 Jul 2009	12638/2009
ResMed Ltd; 24-01, Air delivery tube, (US, 12 Jan 2009) 10 Jul 2009	12512/2009	Spin Master Ltd; 21-01A, Transformable toy, (CA, 23 Jan 2009) 17 Jul 2009	12639/2009
Rockbrook Holdings Limited; 02-04A, Orthotic device, 17 Jul 2009	12624/2009	Spin Master Ltd; 21-01B, Transformable toy, (CA, 22 Jan 2009) 17 Jul 2009	12640/2009
Rope & Plastic Products Pty. Ltd.; 08-08NES, 13-02, A battery clamp clip, 13 Jul 2009	12553/2009	Spin Master Ltd; 21-01B, Transformable toy, (CA, 23 Jan 2009) 17 Jul 2009	12636/2009
S-Rain Control A/S; 14-03NES, 23-01E, Encoders/decoders of remote controller for water irrigation, (EM, 08 Dec 2008) (Divisional of 12080/2009) 05 Jun 2009	12589/2009	Spin Master Ltd; 21-01B, Transformable toy, (CA, 26 Jan 2009) 17 Jul 2009	12637/2009
S-Rain Control A/S; 14-03NES, 23-01E, Encoders/decoders of remote controller for water irrigation, (EM, 08 Dec 2008) (Divisional of 12080/2009) 05 Jun 2009	12590/2009	Spin Master Ltd; 21-01B, Transformable toy, (CA, 26 Jan 2009) 17 Jul 2009	12627/2009
S-Rain Control A/S; 14-03NES, 23-01E, Encoders/decoders of remote controller for water irrigation, (EM, 08 Dec 2008) (Divisional of 12080/2009) 05 Jun 2009	12591/2009	Spin Master Ltd; 21-01B, Transformable toy, (CA, 13 Jan 2009) 10 Jul 2009	12530/2009
Saunders, Georgina; Zurzolo, Francesca; 06-02, Bed, 13 Jul 2009	12541/2009	Spin Master Ltd; 21-01B, Transformable toy, (CA, 26 Jan 2009) 10 Jul 2009	12535/2009
Saunders, Anthony; 07-01B, Perforated pie pastry dish, 07 Jul 2009	12449/2009	Spin Master Ltd; 21-01B, Transformable toy, (CA, 14 Jan 2009) 10 Jul 2009	12528/2009
Schneider Electric Industries SAS; 13-03NES, Circuit breaker 1 pole, (FR, 30 Jan 2009) 09 Jul 2009	12496/2009	Spin Master Ltd; 21-01B, Transformable toy, (CA, 28 Jan 2009) 17 Jul 2009	12633/2009
Schneider Electric Industries SAS; 13-03E, Residual-current switch 2 poles, (FR, 30 Jan 2009) 09 Jul 2009	12497/2009	Spin Master Ltd; 21-01B, Transformable toy, (CA, 15 Apr 2009) 17 Jul 2009	12634/2009
Schneider Electric Industries SAS; 13-03NES, Remote control circuit breaker 4 poles, (FR, 30 Jan 2009) 09 Jul 2009	12498/2009	Spin Master Ltd; 21-01B, Transformable toy, (CA, 26 Jan 2009) 17 Jul 2009	12635/2009
		Spin Master Ltd; 21-01B, Transformable toy, (CA, 26 Jan 2009) 10 Jul 2009	12529/2009

Spin Master Ltd; 21-01B, Transformable toy, (CA, 04 Feb 2009) 10 Jul 2009	12531/2009	Victaulic Company; 23-01A, Gasket, (US, 23 Jan 2009) 21 Jul 2009	12669/2009
Spin Master Ltd; 21-01B, Transformable toy, (CA, 14 Jan 2009) 10 Jul 2009	12532/2009	Victaulic Company; 23-01A, Gasket, (US, 23 Jan 2009) 21 Jul 2009	12670/2009
Spin Master Ltd; 21-01B, Transformable toy, (CA, 14 Jan 2009) 10 Jul 2009	12533/2009	Waste-Not-Basket, Inc.; 09-09, Wastebasket, (CA, 27 Jan 2009) 22 Jul 2009	12686/2009
Spin Master Ltd; 21-01B, Transformable toy, (CA, 16 Jan 2009) 10 Jul 2009	12534/2009	Waste-Not-Basket, Inc.; 09-09, Wastebasket, (CA, 27 Jan 2009) 22 Jul 2009	12687/2009
Spin Master Ltd; 21-01B, Transformable toy, (CA, 14 Jan 2009) 10 Jul 2009	12527/2009	Wenatex DAS Schlafsystem GmbH; 06-09, Mattress, (EM, 29 Apr 2009) 21 Jul 2009	12659/2009
Stiletto Seeding Systems Pty Ltd; 08-01, 15-09, A digging point, 17 Jul 2009	12608/2009	Williams, Daniel; 08-09, 25-01K, Flooring plank, 08 Jul 2009	12451/2009
Stiletto Seeding Systems Pty Ltd; 08-99, 15-09, An adaptor, 17 Jul 2009	12609/2009	Williams, Daniel; 08-09, Door, 08 Jul 2009	12452/2009
Stiletto Seeding Systems Pty Ltd; 08-01, A digging point, 17 Jul 2009	12610/2009	Williams, Daniel; 08-09, Door, 08 Jul 2009	12453/2009
Stiletto Seeding Systems Pty Ltd; 08-01, A digging point, 17 Jul 2009	12610/2009	Williams, Daniel; 08-09, Mid door jam, 08 Jul 2009	12450/2009
Stiletto Seeding Systems Pty Ltd; 08-01, A digging point, 15 Jul 2009	12572/2009	Wilson, Martyn S.; 08-10, Bicycle rack, 09 Jul 2009	12710/2009
Stiletto Seeding Systems Pty Ltd; 08-01, A digging point, 15 Jul 2009	12574/2009	Wilson, Martyn S.; 08-10, Bicycle hitching rail, 09 Jul 2009	12711/2009
Stuart Weitzman IP, LLC; 20-02C, 20-02E, Shop layouts, (EM, 22 Oct 2008) 22 Jul 2009	12708/2009	Wilson, Martyn S.; 08-10, Bicycle hitching rail, 09 Jul 2009	12712/2009
SAGEM Communications SAS; 14-01, Digital photo frame, 08 Jul 2009	12459/2009	Wilson, Martyn S.; 08-10, Bicycle hitching rail, 09 Jul 2009	12713/2009
Thermos L.L.C.; 07-01NES, Lid for a container, (US, 24 Feb 2009) 22 Jul 2009	12704/2009	Wilson, Martyn S.; 08-10, Bicycle rack, 09 Jul 2009	12508/2009
Tieco International (Aust) Pty Ltd; 12-16N, Air ram for vehicles, 16 Jul 2009	12588/2009	Wine Companion Australia; 07-06A, Wine companion is a wine glass holder which can be secured to the neck of wine bottles, 08 Jul 2009	12448/2009
Tolson, Andrew; Hosking, Mark; 06-03NES, A trolley, 16 Jul 2009	12603/2009	Wm. Wrigley Jr. Company; 09-05, Blister card, 15 Jul 2009	12573/2009
Toro Australia Pty Limited; 23-01C, Hose connector, 17 Jul 2009	12628/2009	Worms Downunder; 99-00, Worm habitat grande, 13 Jul 2009	12517/2009
Toro Australia Pty Limited; 23-01C, Hose connector, 17 Jul 2009	12632/2009	Worms Downunder; 09-02A, Worm habitat, 21 Jul 2009	12665/2009
Trymak Australia; 23-01B, Plumbing fitting, 17 Jul 2009	12613/2009	Wow Display Media Pty Ltd; 20-03NES, LUCI Advertising Lightbox, 20 Jul 2009	12643/2009
TV Products (HK), Ltd.; 21-02F, Back and thigh exercise apparatus, (CN, 19 Jan 2009) 15 Jul 2009	12570/2009	Wynne, Michael John; 23-01E, The concrete box section, the type and angle of the louvres, the inspection and maintenance access details and, the fact that it is scalable to any size and capacity and is a worldwide distribution application., 13 Jul 2009	12564/2009
UCB Pharma SA; 24-02, 10-04, System for automatically administering medication, 20 Jul 2009	12642/2009	X-Technology Swiss GmbH; 02-01NES, Underwear, (EM, 23 Dec 2008) (Divisional of 12176/2009) 22 Jul 2009	12707/2009
Victaulic Company; 23-01A, Gasket, (US, 23 Jan 2009) 21 Jul 2009	12667/2009	Zurzolo, Francesca; Saunders, Georgina; 06-02, Bed, 13 Jul 2009	12541/2009
Victaulic Company; 23-01A, Gasket, (US, 23 Jan 2009) 21 Jul 2009	12668/2009		
Victaulic Company; 23-01A, Gasket, (US, 23 Jan 2009) 21 Jul 2009	12666/2009		
Victaulic Company; 23-01A, Gasket, (US, 23 Jan 2009) 21 Jul 2009	12671/2009		

Applications Withdrawn

11959 / 2009 (15-05)

Applications Lapsed

10080 / 2009 (09-07NES)	10646 / 2009 (25-02K)
10647 / 2009 (14-01)	11397 / 2009 (99-00)
11464 / 2009 (24-02)	11465 / 2009 (24-02)
11473 / 2009 (09-07B)	11485 / 2009 (10-04)
11494 / 2009 (07-06A)	11495 / 2009 (07-03)
11496 / 2009 (07-03)	11497 / 2009 (07-03)
11546 / 2009 (06-13B)	11547 / 2009 (07-05E)
11566 / 2009 (23-01G)	11578 / 2009 (09-03F)
11596 / 2009 (11-01E)	11652 / 2009 (12-16B)

Extension of Period of Registration of Designs

300031	300054	300090
300122	300132	300133
300136	300197	300198
300212	300213	300266
300268	300281	300287
300295	300296	300297
300298	300299	300300
300301	300302	300303
300308	300309	300310
300311	300313	300314
300323	300324	300327
300328	300369	300370
300371	300379	300382
300383	300384	300385
300388	300407	300424
300428	300429	300454
300458	300460	300463
300465	300466	300477
300493	300511	300512
300545	300546	300583
300584	300585	300586
300591	300592	300593
300594	300596	300602
300603	300611	300620
300724	300727	300728
300742	300753	300754
300755	300756	300757
300758	300782	300864
300906	300947	300948
300954	300971	301412
301413	301414	301610
301751	301752	301864
302165	302166	302167
302267	302268	302269
302270	302299	302300
302541	302960	302961
302962	304584	

Extensions of time granted under Section 137

Applications lodged under section 137 for extension of time have been granted.

14848/2008 **Underwood Companies Holdings Pty Ltd**

15906/2008 **Bang Design Pty Limited**

11920/2009 **Sarah Mayo**

Mortgages Registered

301161	A mortgage has been granted to The United States Department of the Treasury
301164	A mortgage has been granted to The United States Department of the Treasury

301663	A mortgage has been granted to The United States Department of the Treasury
301664	A mortgage has been granted to The United States Department of the Treasury
301665	A mortgage has been granted to The United States Department of the Treasury
301666	A mortgage has been granted to The United States Department of the Treasury
301667	A mortgage has been granted to The United States Department of the Treasury
301668	A mortgage has been granted to The United States Department of the Treasury
301669	A mortgage has been granted to The United States Department of the Treasury
301670	A mortgage has been granted to The United States Department of the Treasury
301671	A mortgage has been granted to The United States Department of the Treasury
301672	A mortgage has been granted to The United States Department of the Treasury
301673	A mortgage has been granted to The United States Department of the Treasury
301674	A mortgage has been granted to The United States Department of the Treasury
301675	A mortgage has been granted to The United States Department of the Treasury
301676	A mortgage has been granted to The United States Department of the Treasury
302543	A mortgage has been granted to The United States Department of the Treasury
302575	A mortgage has been granted to The United States Department of the Treasury
302662	A mortgage has been granted to The United States Department of the Treasury
302758	A mortgage has been granted to The United States Department of the Treasury
302800	A mortgage has been granted to The United States Department of the Treasury
305910	A mortgage has been granted to The United States Department of the Treasury
305911	A mortgage has been granted to The United States Department of the Treasury
306821	A mortgage has been granted to The United States Department of the Treasury
305935	A mortgage has been granted to The United States Department of the Treasury
305941	A mortgage has been granted to The United States Department of the Treasury
305989	A mortgage has been granted to The United States Department of the Treasury
307865	A mortgage has been granted to The United States Department of the Treasury
307897	A mortgage has been granted to The United States Department of the Treasury
310170	A mortgage has been granted to The United States Department of the Treasury
310171	A mortgage has been granted to The United States Department of the Treasury
310244	A mortgage has been granted to The United States Department of the Treasury

311324 A mortgage has been granted to **The United States Department of the Treasury**

311325 A mortgage has been granted to **The United States Department of the Treasury**

311326 A mortgage has been granted to **The United States Department of the Treasury**

311327 A mortgage has been granted to **The United States Department of the Treasury**

311332 A mortgage has been granted to **The United States Department of the Treasury**

311333 A mortgage has been granted to **The United States Department of the Treasury**

311334 A mortgage has been granted to **The United States Department of the Treasury**

311335 A mortgage has been granted to **The United States Department of the Treasury**

311356 A mortgage has been granted to **The United States Department of the Treasury**

311357 A mortgage has been granted to **The United States Department of the Treasury**

311358 A mortgage has been granted to **The United States Department of the Treasury**

311359 A mortgage has been granted to **The United States Department of the Treasury**

311378 A mortgage has been granted to **The United States Department of the Treasury**

311403 A mortgage has been granted to **The United States Department of the Treasury**

311404 A mortgage has been granted to **The United States Department of the Treasury**

311405 A mortgage has been granted to **The United States Department of the Treasury**

311406 A mortgage has been granted to **The United States Department of the Treasury**

311407 A mortgage has been granted to **The United States Department of the Treasury**

311408 A mortgage has been granted to **The United States Department of the Treasury**

311409 A mortgage has been granted to **The United States Department of the Treasury**

311410 A mortgage has been granted to **The United States Department of the Treasury**

311411 A mortgage has been granted to **The United States Department of the Treasury**

311412 A mortgage has been granted to **The United States Department of the Treasury**

311413 A mortgage has been granted to **The United States Department of the Treasury**

311414 A mortgage has been granted to **The United States Department of the Treasury**

311328 A mortgage has been granted to **The United States Department of the Treasury**

323032 (**Jemcats Investments Pty Ltd**) International Mining Supplies Pty Ltd

323033 (**Jemcats Investments Pty Ltd**) International Mining Supplies Pty Ltd

323034 (**Jemcats Investments Pty Ltd**) International Mining Supplies Pty Ltd

323035 (**Jemcats Investments Pty Ltd**) International Mining Supplies Pty Ltd

323036 (**Jemcats Investments Pty Ltd**) International Mining Supplies Pty Ltd

Names Registered - Alterations and Amendments

(The name in parentheses is that of the subsequent applicant)

314080 (**Keep It Together Pty Ltd**) Brown & Muller Pty Ltd

321996 (**Panasonic Corporation**) Matsushita Electric Industrial Co., Ltd.

322758 (**Panasonic Corporation**) Matsushita Electric Industrial Co., Ltd.

305720 (**Panasonic Corporation**) Matsushita Electric Industrial Co. Ltd

Subsequent Owners Registered

(The name in parentheses is that of the subsequent owner)

325515 (**APOLLO ENGERGY PTY LTD**) Viet Van Do

325516 (**APOLLO ENGERGY PTY LTD**) Viet Van Do

320154 (**Bird Raptor Internacional S.L.**) Bird Raptor S.r.l.

Certificate(s) of Examination

Examination of the following Design Registration(s) has been completed. Infringement proceedings may now be commenced.

304944	07-01NES	22/07/2009	324908	15-05	30/06/2009
310901	16-06	16/07/2009	324930	19-06	20/07/2009
314495	16-06	17/07/2009	324931	19-06	20/07/2009
314496	16-06	17/07/2009	324962	23-02B	24/07/2009
315347	21-03	17/07/2009	324997	07-05E	24/07/2009
320392	09-03M	14/07/2009	325009	14-01	22/07/2009
320394	09-03M	14/07/2009	325010	14-01	22/07/2009
320396	09-03M	14/07/2009	325014	12-15B	20/07/2009
320807	09-01A	15/07/2009	325035	14-01	20/07/2009
321058	21-02F	16/07/2009	325036	14-01	20/07/2009
321197	13-03E	16/07/2009	325044	14-02	24/07/2009
321198	13-03E	16/07/2009	325139	03-01B	21/07/2009
321208	13-03E	30/06/2009	325187	08-03	27/07/2009
321386	16-03	30/06/2009	325188	08-03	27/07/2009
321641	21-02C	30/06/2009	325206	08-03	27/07/2009
322037	07-01D	23/07/2009	325225	23-04	23/07/2009
322038	07-01D	23/07/2009	325226	23-04	23/07/2009
322039	07-01D	23/07/2009	325241	15-99	14/07/2009
322342	15-02	14/07/2009	325258	25-01A	23/07/2009
322343	15-02	14/07/2009	325366	06-02	10/07/2009
322501	15-04	30/06/2009	325369	06-01C	10/07/2009
322638	21-02C	30/06/2009	325425	25-01A	13/07/2009
322648	21-02C	26/06/2009	325426	25-01A	13/07/2009
322654	21-02C	26/06/2009	325551	23-04	15/07/2009
322655	21-02C	26/06/2009	325552	23-04	15/07/2009
322656	21-02C	26/06/2009	325605	15-04	10/07/2009
322676	14-03E	17/07/2009	325617	25-01A	09/07/2009
322679	21-02C	26/06/2009	325627	26-03	10/07/2009
322689	21-02C	26/06/2009	325642	24-01	24/07/2009
322713	21-02C	26/06/2009	325698	12-05	24/07/2009
322714	21-02C	26/06/2009			
322715	21-02C	26/06/2009			
322718	06-01D	20/07/2009			
322751	23-01L	20/07/2009			
322752	23-01L	20/07/2009			
322753	23-01L	20/07/2009			
322754	23-01L	20/07/2009			
322755	23-01L	20/07/2009			
323047	14-03E	30/06/2009			
323152	03-01A	30/06/2009			
323366	09-01H	21/07/2009			
323396	12-15B	13/07/2009			
323632	21-01L	24/07/2009			
323681	21-02A	15/07/2009			
323850	08-03	21/07/2009			
324049	01-01	15/07/2009			
324050	01-01	15/07/2009			
324175	07-06C	17/07/2009			
324176	07-06C	17/07/2009			
324177	07-06C	17/07/2009			
324215	28-03NES	15/07/2009			
324303	06-04B	17/07/2009			
324760	09-03H	24/07/2009			
324838	09-03M	17/07/2009			
324843	15-02	13/07/2009			
324844	15-02	30/06/2009			
324845	15-02	14/07/2009			
324846	15-02	14/07/2009			
324847	15-02	24/07/2009			
324848	15-02	24/07/2009			
324849	15-02	24/07/2009			
324850	15-02	24/07/2009			
324907	15-05	30/06/2009			

Publication and Registration Proceedings

Designs Registered

This section provides a concordance between design number and registration number of Designs covered in this journal. It also shows the main class and registration date.

This section covers Registration numbers 326695 to 326887 .

The registration number shown below should be used in all future correspondence.

Design Number	Registration Number	International Classification Code (IDC)	Registration Date	Design Number	Registration Number	International Classification Code (IDC)	Registration Date
14848/2008	326775	25-01D	15/07/2009	12002/2009	326750	26-05C	15/07/2009
15529/2008	326840	06-01L	22/07/2009	12003/2009	326762	26-05C	15/07/2009
15883/2008	326745	25-01D	15/07/2009	12007/2009	326710	07-04	10/07/2009
15884/2008	326746	25-01D	15/07/2009	12020/2009	326711	07-04	10/07/2009
10013/2009	326695	23-01B	09/07/2009	12027/2009	326739	25-02NES	14/07/2009
10014/2009	326696	23-01B	09/07/2009	12054/2009	326794	23-02A	17/07/2009
10015/2009	326697	23-01B	09/07/2009	12076/2009	326754	28-03A	15/07/2009
10016/2009	326698	23-01B	09/07/2009	12080/2009	326814	14-03NES	21/07/2009
10017/2009	326699	23-01B	09/07/2009	12088/2009	326701	02-04NES	09/07/2009
10018/2009	326700	23-01B	09/07/2009	12100/2009	326755	23-01K	15/07/2009
10093/2009	326706	08-07	09/07/2009	12109/2009	326702	06-09	09/07/2009
10175/2009	326865	20-02NES	24/07/2009	12145/2009	326799	09-03L	17/07/2009
10217/2009	326822	02-02B	21/07/2009	12155/2009	326758	25-03	15/07/2009
10756/2009	326717	09-01C	10/07/2009	12181/2009	326879	23-01NES	24/07/2009
10971/2009	326774	21-02NES	15/07/2009	12182/2009	326880	23-01NES	24/07/2009
11034/2009	326824	02-02C	22/07/2009	12183/2009	326881	23-01NES	24/07/2009
11150/2009	326797	26-04	17/07/2009	12184/2009	326703	12-15B	09/07/2009
11165/2009	326720	25-01NES	10/07/2009	12185/2009	326704	12-15B	09/07/2009
11575/2009	326778	07-01NES	16/07/2009	12186/2009	326705	12-15B	09/07/2009
11595/2009	326757	11-02NES	15/07/2009	12199/2009	326712	08-08C	10/07/2009
11599/2009	326718	23-04	10/07/2009	12200/2009	326707	08-08NES	10/07/2009
11623/2009	326719	08-08L	10/07/2009	12201/2009	326708	21-04	10/07/2009
11627/2009	326791	06-13B	17/07/2009	12202/2009	326740	02-04NES	14/07/2009
11675/2009	326721	21-02C	10/07/2009	12203/2009	326713	21-02C	10/07/2009
11677/2009	326820	07-01C	21/07/2009	12204/2009	326714	26-06	10/07/2009
11678/2009	326821	07-01C	21/07/2009	12205/2009	326715	26-06	10/07/2009
11679/2009	326825	08-08NES	22/07/2009	12208/2009	326869	06-03A	24/07/2009
11680/2009	326826	08-08NES	22/07/2009	12209/2009	326726	24-04	14/07/2009
11690/2009	326779	25-02C	17/07/2009	12210/2009	326866	21-04	24/07/2009
11703/2009	326780	08-08NES	17/07/2009	12212/2009	326734	05-05D	14/07/2009
11739/2009	326792	20-02E	17/07/2009	12213/2009	326735	05-05D	14/07/2009
11740/2009	326793	20-02E	17/07/2009	12215/2009	326763	08-01	15/07/2009
11742/2009	326827	23-01NES	22/07/2009	12216/2009	326764	08-01	15/07/2009
11743/2009	326828	23-01NES	22/07/2009	12217/2009	326765	07-02D	15/07/2009
11744/2009	326829	23-01NES	22/07/2009	12218/2009	326766	07-05NES	15/07/2009
11745/2009	326830	23-01NES	22/07/2009	12219/2009	326727	28-03A	14/07/2009
11748/2009	326747	13-02	15/07/2009	12220/2009	326728	06-03NES	14/07/2009
11749/2009	326748	13-02	15/07/2009	12221/2009	326729	06-03B	14/07/2009
11762/2009	326722	06-01F	10/07/2009	12222/2009	326730	06-03A	14/07/2009
11768/2009	326723	99-00	10/07/2009	12223/2009	326731	03-01NES	14/07/2009
11809/2009	326831	13-03NES	22/07/2009	12227/2009	326741	09-05	14/07/2009
11857/2009	326724	14-03NES	10/07/2009	12233/2009	326736	08-08L	14/07/2009
11873/2009	326725	08-06	10/07/2009	12235/2009	326737	13-99	14/07/2009
11888/2009	326809	19-08	21/07/2009	12237/2009	326738	01-06	14/07/2009
11889/2009	326810	19-08	21/07/2009	12241/2009	326751	06-01L	15/07/2009
11900/2009	326878	12-16C	24/07/2009	12243/2009	326752	07-02K	15/07/2009
11910/2009	326798	09-01G	17/07/2009	12244/2009	326870	25-02G	24/07/2009
11932/2009	326803	06-06A	20/07/2009	12245/2009	326759	11-02E	15/07/2009
11933/2009	326804	06-03A	20/07/2009	12246/2009	326760	23-01H	15/07/2009
11979/2009	326858	09-05	22/07/2009	12247/2009	326767	07-07B	15/07/2009
11982/2009	326753	15-05	15/07/2009	12249/2009	326768	06-06C	15/07/2009
11983/2009	326709	04-01	10/07/2009	12253/2009	326769	24-01	15/07/2009
12001/2009	326749	26-05C	15/07/2009	12254/2009	326776	12-11	16/07/2009

Publication and Registration Proceedings - Designs Registered cont'd

Design Number	Registration Number	International Classification Code (IDC)	Registration Date	Design Number	Registration Number	International Classification Code (IDC)	Registration Date
12256/2009	326777	09-07B	16/07/2009	12333/2009	326844	12-05	22/07/2009
12257/2009	326773	23-01NES	15/07/2009	12334/2009	326845	12-05	22/07/2009
12277/2009	326787	12-16C	17/07/2009	12335/2009	326846	12-05	22/07/2009
12278/2009	326788	12-16C	17/07/2009	12336/2009	326847	12-05	22/07/2009
12279/2009	326789	12-16NES	17/07/2009	12337/2009	326848	02-07A	22/07/2009
12280/2009	326790	23-02C	17/07/2009	12341/2009	326859	09-03NES	22/07/2009
12281/2009	326761	24-02	15/07/2009	12342/2009	326860	09-03F	22/07/2009
12282/2009	326742	06-09	14/07/2009	12343/2009	326861	19-06	22/07/2009
12287/2009	326781	22-05	17/07/2009	12347/2009	326772	07-05NES	15/07/2009
12288/2009	326743	07-01NES	14/07/2009	12348/2009	326882	26-04	24/07/2009
12289/2009	326782	06-03A	17/07/2009	12350/2009	326883	14-03A	24/07/2009
12290/2009	326783	28-03A	17/07/2009	12351/2009	326884	14-01	24/07/2009
12291/2009	326795	08-05M	17/07/2009	12352/2009	326885	14-01	24/07/2009
12292/2009	326796	08-05M	17/07/2009	12369/2009	326871	21-01N	24/07/2009
12293/2009	326805	09-07C	20/07/2009	12370/2009	326872	21-01N	24/07/2009
12294/2009	326806	09-07C	20/07/2009	12371/2009	326873	21-01N	24/07/2009
12295/2009	326770	99-00	15/07/2009	12372/2009	326838	08-06	22/07/2009
12296/2009	326832	08-03	22/07/2009	12373/2009	326863	08-08L	23/07/2009
12297/2009	326833	06-02	22/07/2009	12374/2009	326864	06-06E	23/07/2009
12300/2009	326744	06-01F	14/07/2009	12379/2009	326867	26-06	24/07/2009
12301/2009	326801	16-06	20/07/2009	12380/2009	326886	26-06	24/07/2009
12302/2009	326802	06-04E	20/07/2009	12381/2009	326887	26-06	24/07/2009
12303/2009	326815	06-03C	21/07/2009	12382/2009	326732	11-02E	14/07/2009
12304/2009	326816	24-02	21/07/2009	12383/2009	326733	11-02E	14/07/2009
12305/2009	326817	12-15D	21/07/2009	12384/2009	326716	11-02E	10/07/2009
12306/2009	326818	06-03B	21/07/2009	12390/2009	326785	14-03B	17/07/2009
12307/2009	326819	06-01G	21/07/2009	12391/2009	326856	08-08M	22/07/2009
12309/2009	326850	06-01F	22/07/2009	12392/2009	326857	29-99	22/07/2009
12310/2009	326851	25-02H	22/07/2009	12420/2009	326874	23-01H	24/07/2009
12311/2009	326852	14-02	22/07/2009	12433/2009	326823	02-02C	21/07/2009
12313/2009	326784	23-01E	17/07/2009	12435/2009	326849	06-01G	22/07/2009
12314/2009	326811	08-06	21/07/2009	12440/2009	326875	02-01B	24/07/2009
12315/2009	326812	08-05NES	21/07/2009	12441/2009	326876	02-01B	24/07/2009
12317/2009	326813	26-06	21/07/2009	12443/2009	326862	18-01	22/07/2009
12320/2009	326834	08-99	22/07/2009	12444/2009	326800	07-02E	17/07/2009
12321/2009	326835	06-01NES	22/07/2009	12445/2009	326807	20-03NES	20/07/2009
12323/2009	326836	12-16A	22/07/2009	12446/2009	326808	20-03NES	20/07/2009
12324/2009	326837	12-11	22/07/2009	12464/2009	326868	09-01K	24/07/2009
12325/2009	326771	24-02	15/07/2009	12467/2009	326786	28-03A	17/07/2009
12326/2009	326853	21-02D	22/07/2009	12513/2009	326756	14-01	15/07/2009
12327/2009	326854	12-16K	22/07/2009	12548/2009	326877	09-03NES	24/07/2009
12328/2009	326855	12-16K	22/07/2009	12565/2009	326839	08-06	22/07/2009
12330/2009	326841	12-05	22/07/2009				
12331/2009	326842	12-05	22/07/2009				
12332/2009	326843	12-05	22/07/2009				

Publication and Registration Proceedings
Class Listing of Designs Published or Registered

The following section shows an International Classification Code listing of the Registered or Published Designs covered in this supplement.

Classification	Registration Number	Design Number	Classification	Registration Number	Design Number
01-06	326738	12237/2009	08-05 M	326795	12291/2009
02-01 B	326875	12440/2009	08-05 M	326796	12292/2009
02-01 B	326876	12441/2009	08-05 NES	326812	12315/2009
02-02 B	326822	10217/2009	08-06	326725	11873/2009
02-02 C	326823	12433/2009	08-06	326811	12314/2009
02-02 C	326824	11034/2009	08-06	326838	12372/2009
02-02 NES	326824	11034/2009	08-06	326839	12565/2009
02-04 NES	326701	12088/2009	08-07	326706	10093/2009
02-04 NES	326740	12202/2009	08-08 C	326712	12199/2009
02-07 A	326848	12337/2009	08-08 H	326851	12310/2009
03-01 NES	326731	12223/2009	08-08 L	326719	11623/2009
04-01	326709	11983/2009	08-08 L	326736	12233/2009
05-05 D	326734	12212/2009	08-08 L	326863	12373/2009
05-05 D	326735	12213/2009	08-08 M	326856	12391/2009
06-01 F	326722	11762/2009	08-08 NES	326707	12200/2009
06-01 F	326744	12300/2009	08-08 NES	326780	11703/2009
06-01 F	326850	12309/2009	08-08 NES	326825	11679/2009
06-01 G	326819	12307/2009	08-08 NES	326826	11680/2009
06-01 G	326849	12435/2009	08-09	326857	12392/2009
06-01 L	326751	12241/2009	08-99	326834	12320/2009
06-01 L	326840	15529/2008	09-01 C	326717	10756/2009
06-01 NES	326835	12321/2009	09-01 G	326798	11910/2009
06-02	326833	12297/2009	09-01 K	326868	12464/2009
06-03 A	326730	12222/2009	09-03 F	326860	12342/2009
06-03 A	326782	12289/2009	09-03 L	326799	12145/2009
06-03 A	326804	11933/2009	09-03 NES	326859	12341/2009
06-03 A	326869	12208/2009	09-03 NES	326877	12548/2009
06-03 B	326729	12221/2009	09-05	326741	12227/2009
06-03 B	326818	12306/2009	09-05	326858	11979/2009
06-03 C	326815	12303/2009	09-07 B	326777	12256/2009
06-03 NES	326728	12220/2009	09-07 C	326805	12293/2009
06-04 E	326802	12302/2009	09-07 C	326806	12294/2009
06-06 A	326803	11932/2009	10-04	326760	12246/2009
06-06 C	326768	12249/2009	11-02 E	326716	12384/2009
06-06 E	326864	12374/2009	11-02 E	326732	12382/2009
06-09	326702	12109/2009	11-02 E	326733	12383/2009
06-09	326742	12282/2009	11-02 E	326759	12245/2009
06-13 B	326791	11627/2009	11-02 NES	326757	11595/2009
06-13 B	326833	12297/2009	12-05	326841	12330/2009
07-01 C	326820	11677/2009	12-05	326842	12331/2009
07-01 C	326821	11678/2009	12-05	326843	12332/2009
07-01 NES	326743	12288/2009	12-05	326844	12333/2009
07-01 NES	326778	11575/2009	12-05	326845	12334/2009
07-02 D	326765	12217/2009	12-05	326846	12335/2009
07-02 E	326800	12444/2009	12-05	326847	12336/2009
07-02 K	326752	12243/2009	12-11	326776	12254/2009
07-04	326710	12007/2009	12-11	326837	12324/2009
07-04	326711	12020/2009	12-15 B	326703	12184/2009
07-05 NES	326766	12218/2009	12-15 B	326704	12185/2009
07-05 NES	326772	12347/2009	12-15 B	326705	12186/2009
07-07 B	326767	12247/2009	12-15 D	326817	12305/2009
07-99 NES	326732	12382/2009	12-16 A	326836	12323/2009
07-99 NES	326733	12383/2009	12-16 C	326787	12277/2009
08-01	326763	12215/2009	12-16 C	326788	12278/2009
08-01	326764	12216/2009	12-16 C	326878	11900/2009
08-03	326832	12296/2009	12-16 K	326854	12327/2009

Registration Proceedings - Class Listing of Designs Published or Registered cont'd

Classification	Registration Number	Design Number	Classification	Registration Number	Design Number
12-16 K	326855	12328/2009	23-01 K	326755	12100/2009
12-16 L	326836	12323/2009	23-01 NES	326773	12257/2009
12-16 NES	326789	12279/2009	23-01 NES	326827	11742/2009
13-02	326747	11748/2009	23-01 NES	326828	11743/2009
13-02	326748	11749/2009	23-01 NES	326829	11744/2009
13-03 NES	326831	11809/2009	23-01 NES	326830	11745/2009
13-99	326737	12235/2009	23-01 NES	326879	12181/2009
14-01	326756	12513/2009	23-01 NES	326880	12182/2009
14-01	326884	12351/2009	23-01 NES	326881	12183/2009
14-01	326885	12352/2009	23-02 A	326794	12054/2009
14-02	326852	12311/2009	23-02 C	326790	12280/2009
14-03 A	326883	12350/2009	23-04	326718	11599/2009
14-03 B	326785	12390/2009	24-01	326769	12253/2009
14-03 NES	326724	11857/2009	24-02	326761	12281/2009
14-03 NES	326814	12080/2009	24-02	326771	12325/2009
14-99	326871	12369/2009	24-02	326816	12304/2009
15-02	326827	11742/2009	24-04	326726	12209/2009
15-02	326828	11743/2009	24-04	326858	11979/2009
15-02	326829	11744/2009	25-01 D	326745	15883/2008
15-02	326830	11745/2009	25-01 D	326746	15884/2008
15-05	326753	11982/2009	25-01 D	326775	14848/2008
16-06	326801	12301/2009	25-01 NES	326720	11165/2009
18-01	326862	12443/2009	25-02 C	326779	11690/2009
19-06	326861	12343/2009	25-02 C	326825	11679/2009
19-08	326809	11888/2009	25-02 C	326826	11680/2009
19-08	326810	11889/2009	25-02 G	326870	12244/2009
20-02 E	326792	11739/2009	25-02 H	326851	12310/2009
20-02 E	326793	11740/2009	25-02 NES	326739	12027/2009
20-02 NES	326838	12372/2009	25-03	326758	12155/2009
20-02 NES	326839	12565/2009	26-04	326797	11150/2009
20-02 NES	326865	10175/2009	26-04	326882	12348/2009
20-03 B	326785	12390/2009	26-05 C	326749	12001/2009
20-03 NES	326807	12445/2009	26-05 C	326750	12002/2009
20-03 NES	326808	12446/2009	26-05 C	326762	12003/2009
21-01 N	326871	12369/2009	26-06	326714	12204/2009
21-01 N	326872	12370/2009	26-06	326715	12205/2009
21-01 N	326873	12371/2009	26-06	326813	12317/2009
21-02 C	326713	12203/2009	26-06	326867	12379/2009
21-02 C	326721	11675/2009	26-06	326886	12380/2009
21-02 D	326853	12326/2009	26-06	326887	12381/2009
21-02 NES	326774	10971/2009	27-99	326838	12372/2009
21-04	326708	12201/2009	27-99	326839	12565/2009
21-04	326866	12210/2009	28-03 A	326727	12219/2009
22-05	326781	12287/2009	28-03 A	326754	12076/2009
23-01 B	326695	10013/2009	28-03 A	326783	12290/2009
23-01 B	326696	10014/2009	28-03 A	326786	12467/2009
23-01 B	326697	10015/2009	29-02	326853	12326/2009
23-01 B	326698	10016/2009	29-99	326857	12392/2009
23-01 B	326699	10017/2009	30-02	326767	12247/2009
23-01 B	326700	10018/2009	99-00	326723	11768/2009
23-01 E	326784	12313/2009	99-00	326770	12295/2009
23-01 E	326814	12080/2009			
23-01 H	326760	12246/2009			
23-01 H	326874	12420/2009			

(21) Design Number: **10013/2009**

(22) Date of Filing Application: **05 January 2009**

(24) Date from which industrial property rights may have effect: **05 January 2009**

(54) Product in respect of which the design is registered: **Tube connector**

(51) International Design Classification: **23-01B**

(71) Name(s) and Address(s) of Applicant(s):

David George Cook

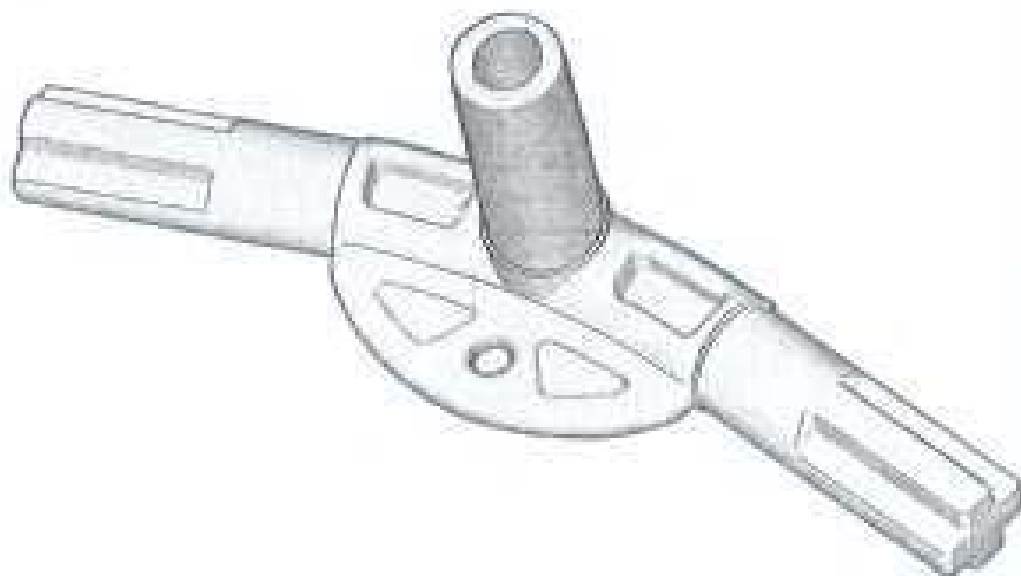
14 Binary Street Yatala Queensland 4207 Australia

(72) Name(s) of Designer(s): **David George Cook**

(45) Registration Date: **09 July 2009**

(56) Related Art Documents: **Not Applicable**

(57) Statement of Newness and Distinctiveness: **Newness and distinctiveness reside in the features of shape and configuration of a tube connector as shown in the accompanying representations.**



(21) Design Number: **10014/2009**

(22) Date of Filing Application: **05 January 2009**

(24) Date from which industrial property rights may have effect: **05 January 2009**

(54) Product in respect of which the design is registered: **Tube connector**

(51) International Design Classification: **23-01B**

(71) Name(s) and Address(s) of Applicant(s):

David George Cook

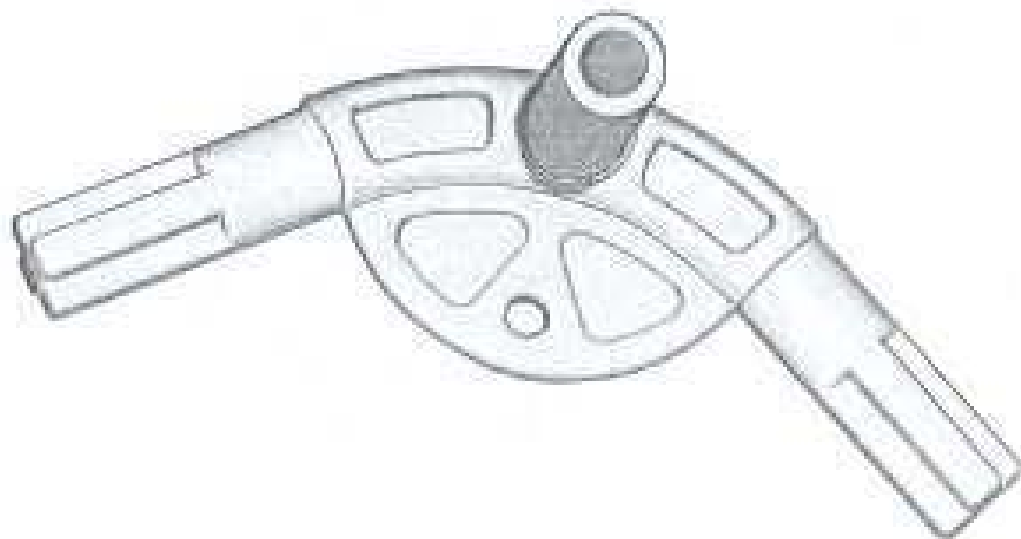
14 Binary Street Yatala Queensland 4207 Australia

(72) Name(s) of Designer(s): **David George Cook**

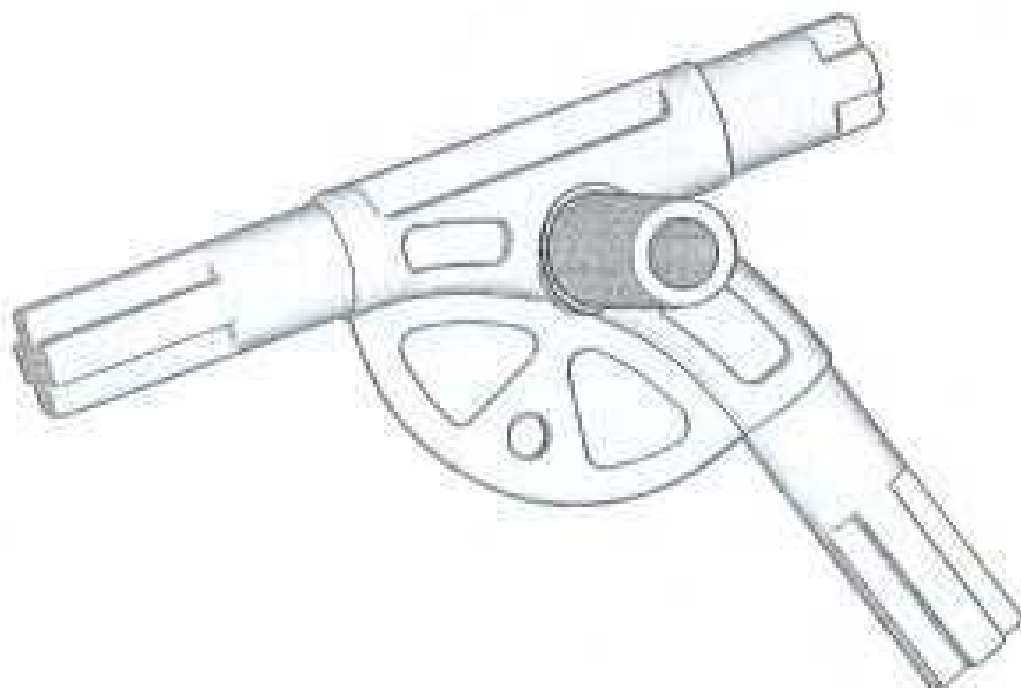
(45) Registration Date: **09 July 2009**

(56) Related Art Documents: **Not Applicable**

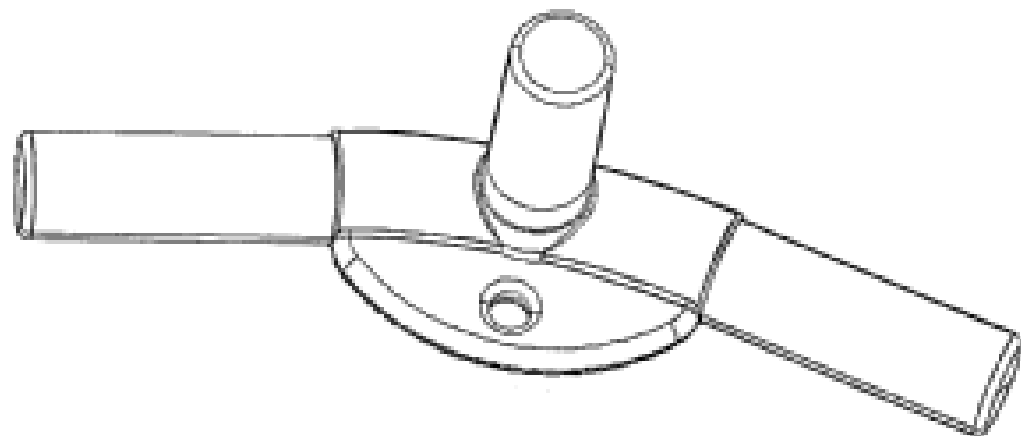
(57) Statement of Newness and Distinctiveness: **Newness and distinctiveness reside in the features of shape and configuration of a tube connector as shown in the accompanying representations.**



- (21) Design Number: **10015/2009**
(22) Date of Filing Application: **05 January 2009**
(24) Date from which industrial property rights may have effect: **05 January 2009**
(54) Product in respect of which the design is registered: **Tube connector**
(51) International Design Classification: **23-01B**
(71) Name(s) and Address(s) of Applicant(s):
David George Cook
14 Binary Street Yatala Queensland 4207 Australia
(72) Name(s) of Designer(s): **David George Cook**
(45) Registration Date: **09 July 2009**
(56) Related Art Documents: **Not Applicable**
(57) Statement of Newness and Distinctiveness: **Newness and distinctiveness reside in the features of shape and configuration of a tube connector as shown in the accompanying representations.**



- (21) Design Number: **10016/2009**
(22) Date of Filing Application: **05 January 2009**
(24) Date from which industrial property rights may have effect: **05 January 2009**
(54) Product in respect of which the design is registered: **Tube connector**
(51) International Design Classification: **23-01B**
(71) Name(s) and Address(s) of Applicant(s):
David George Cook
14 Binary Street Yatala Queensland 4207 Australia
(72) Name(s) of Designer(s): **David George Cook**
(45) Registration Date: **09 July 2009**
(56) Related Art Documents: **Not Applicable**
(57) Statement of Newness and Distinctiveness: **Newness and distinctiveness reside in the features of shape and configuration of a tube connector as shown in the accompanying representations.**



(21) Design Number: **10017/2009**

(22) Date of Filing Application: **05 January 2009**

(24) Date from which industrial property rights may have effect: **05 January 2009**

(54) Product in respect of which the design is registered: **Tube connector**

(51) International Design Classification: **23-01B**

(71) Name(s) and Address(s) of Applicant(s):

David George Cook

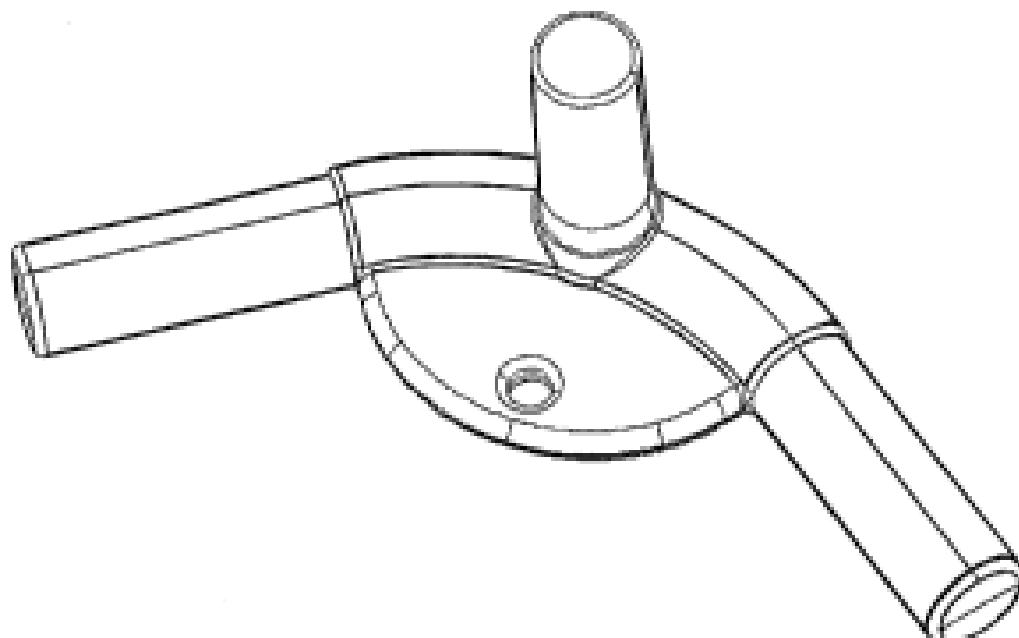
14 Binary Street Yatala Queensland 4207 Australia

(72) Name(s) of Designer(s): **David George Cook**

(45) Registration Date: **09 July 2009**

(56) Related Art Documents: **Not Applicable**

(57) Statement of Newness and Distinctiveness: **Newness and distinctiveness reside in the features of shape and configuration of a tube connector as shown in the accompanying representations.**



(21) Design Number: **10018/2009**

(22) Date of Filing Application: **05 January 2009**

(24) Date from which industrial property rights may have effect: **05 January 2009**

(54) Product in respect of which the design is registered: **Tube connector**

(51) International Design Classification: **23-01B**

(71) Name(s) and Address(s) of Applicant(s):

David George Cook

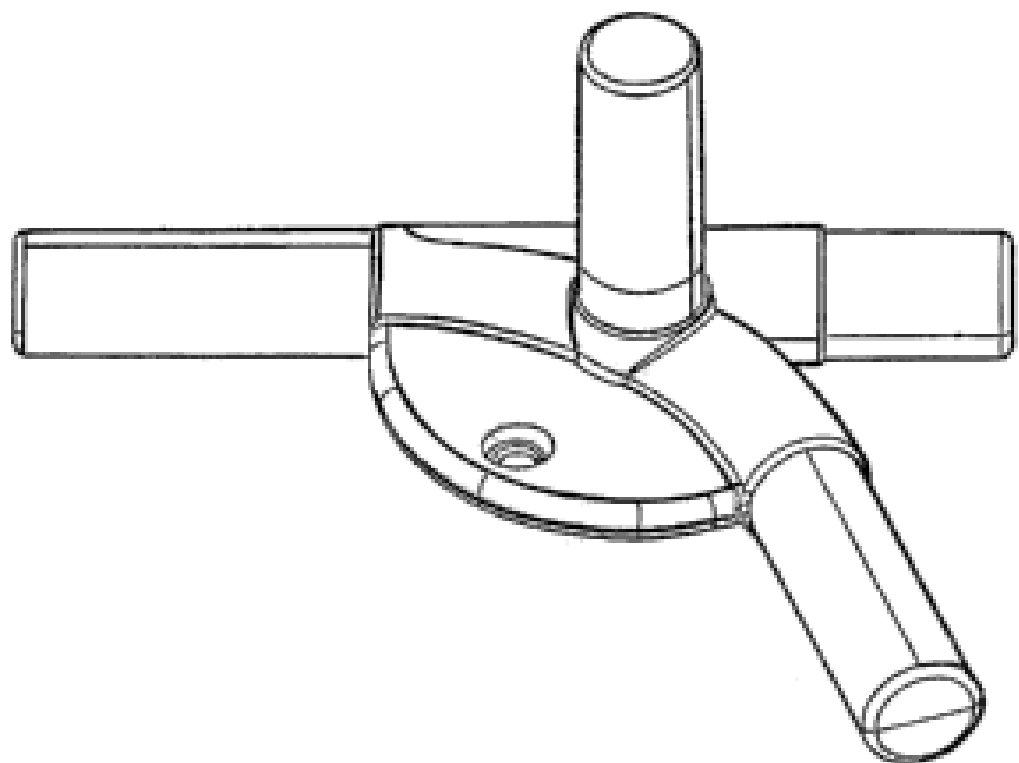
14 Binary Street Yatala Queensland 4207 Australia

(72) Name(s) of Designer(s): **David George Cook**

(45) Registration Date: **09 July 2009**

(56) Related Art Documents: **Not Applicable**

(57) Statement of Newness and Distinctiveness: **Newness and distinctiveness reside in the features of shape and configuration of a tube connector as shown in the accompanying representations.**



(21) Design Number: **12088/2009**

(22) Date of Filing Application: **05 June 2009**

(24) Date from which industrial property rights may have effect: **05 June 2009**

(54) Product in respect of which the design is registered: **Click-it sandle**

(51) International Design Classification: **02-04NES**

(71) Name(s) and Address(s) of Applicant(s):

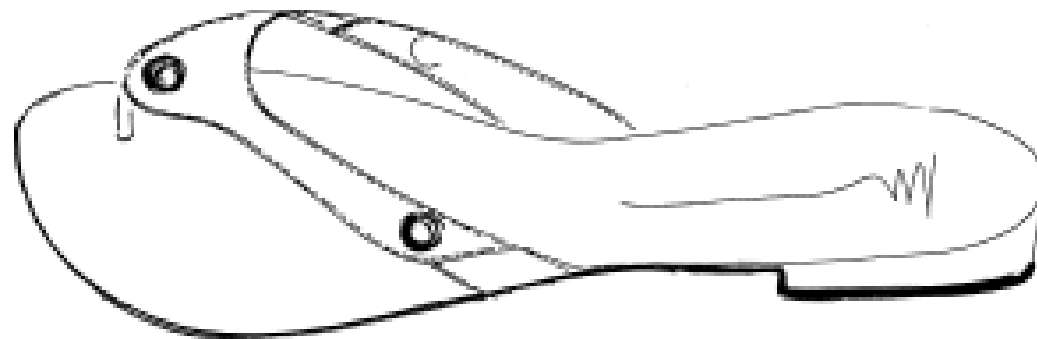
Marcia Pilkington
8 Platypus Avenue Isle Of Sorrento Queensland 4217 Australia

(72) Name(s) of Designer(s): **Marcia Pilkington**

(45) Registration Date: **09 July 2009**

(56) Related Art Documents: **Not Applicable**

(57) Statement of Newness and Distinctiveness: **The "Y" front of this sandle is unique in that it is interchangeable. The "Y" front is easily changed by the use of press studs which allow the "Y" front to be changed to different colours and materials.**



(21) Design Number: **12109/2009**

(22) Date of Filing Application: **09 June 2009**

(24) Date from which industrial property rights may have effect: **09 June 2009**

(54) Product in respect of which the design is registered: **Mattress core**

(51) International Design Classification: **06-09**

(71) Name(s) and Address(s) of Applicant(s):

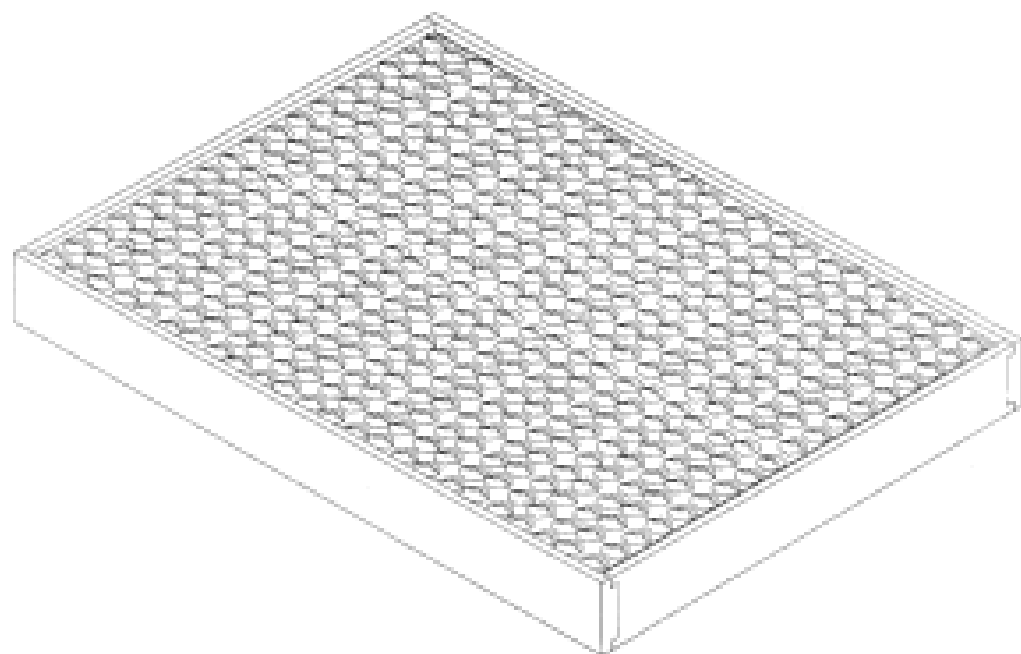
Sleepeeze Bedding (Aust.) Pty Ltd
27-29 Jesica Road Campbellfield Victoria 3061 Australia

(72) Name(s) of Designer(s): **George Mantzis**

(45) Registration Date: **09 July 2009**

(56) Related Art Documents: **Not Applicable**

(57) Statement of Newness and Distinctiveness: **The features of shape and configuration of the mattress core shown in the accompanying representations are considered to be new and distinctive.**



(21) Design Number: **12184/2009**

(22) Date of Filing Application: **15 June 2009**

(24) Date from which industrial property rights may have effect: **15 June 2009**

(54) Product in respect of which the design is registered: **A pneumatic tyre**

(51) International Design Classification: **12-15B**

(71) Name(s) and Address(s) of Applicant(s):

Societe De Technologie Michelin
23 rue Breschet F-63000 Clermont-Ferrand Cedex France

Michelin Recherche et Technique S.A.
Route Louis Braille 10 et 12 CH-1763 Granges-Paccot Switzerland

(72) Name(s) of Designer(s): **Francois Harle**

(45) Registration Date: **09 July 2009**

(30) Convention priority data:

(31) Number	(32) Date	(33) Country
08/5679	16 Dec 2008	FRANCE

(56) Related Art Documents: **Not Applicable**

(57) Statement of Newness and Distinctiveness: **Newness and distinctiveness resides in the shape and appearance of the tread region of the pneumatic tyre, the remainder of the tyre forming no part of the design.**



(21) Design Number: **12185/2009**

(22) Date of Filing Application: **15 June 2009**

(24) Date from which industrial property rights may have effect: **15 June 2009**

(54) Product in respect of which the design is registered: **A pneumatic tyre**

(51) International Design Classification: **12-15B**

(71) Name(s) and Address(s) of Applicant(s):

Societe De Technologie Michelin
23 rue Breschet F-63000 Clermont-Ferrand Cedex France

Michelin Recherche et Technique S.A.
Route Louis Braille 10 et 12 CH-1763 Granges-Paccot Switzerland

(72) Name(s) of Designer(s): **Sebastien Laroche**

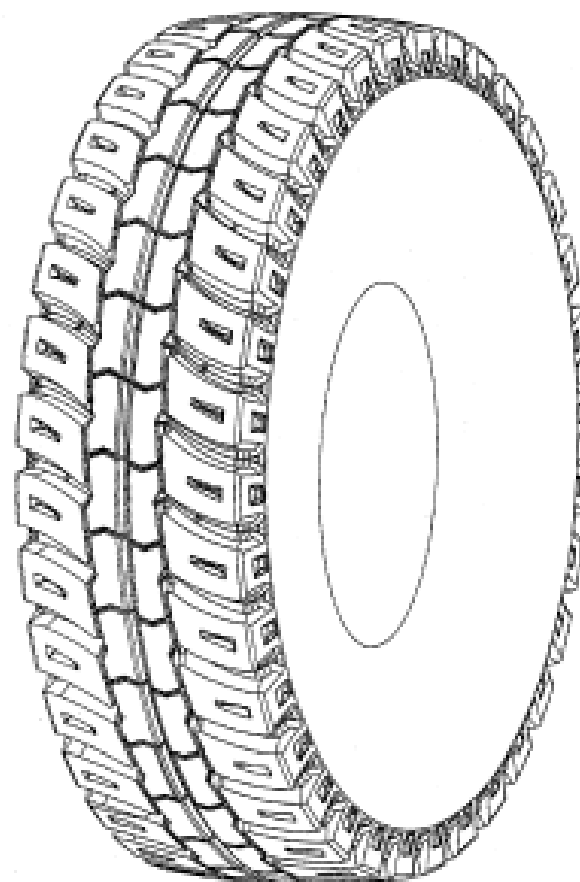
(45) Registration Date: **09 July 2009**

(30) Convention priority data:

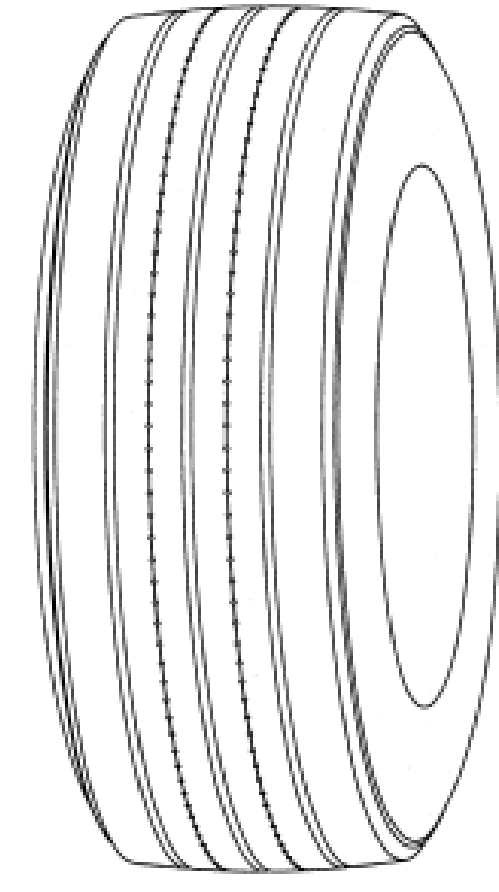
(31) Number	(32) Date	(33) Country
08/5681	16 Dec 2008	FRANCE

(56) Related Art Documents: **Not Applicable**

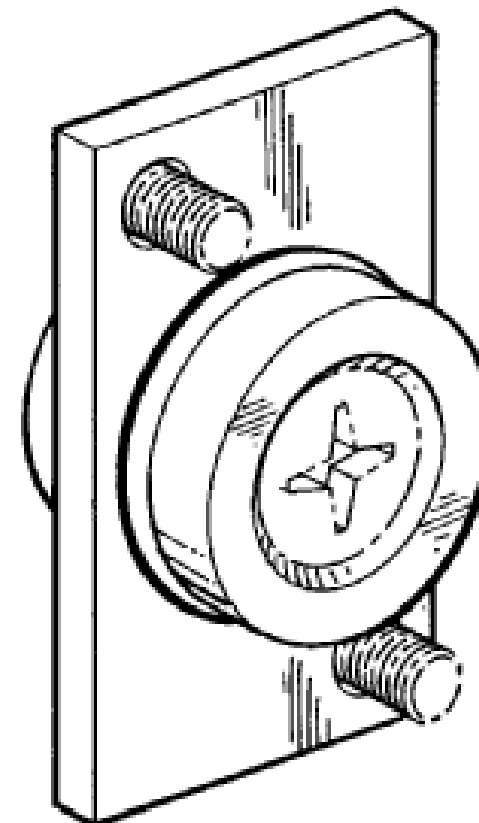
(57) Statement of Newness and Distinctiveness: **Newness and distinctiveness resides in the shape and appearance of the tread region of the pneumatic tyre, the remainder of the tyre not forming part of the design.**



- (21) Design Number: **12186/2009**
(22) Date of Filing Application: **15 June 2009**
(24) Date from which industrial property rights may have effect: **15 June 2009**
(54) Product in respect of which the design is registered: **A pneumatic tyre for a heavy vehicle**
(51) International Design Classification: **12-15B**
(71) Name(s) and Address(s) of Applicant(s):
Societe De Technologie Michelin
23 rue Breschet F-63000 Clermont-Ferrand Cedex France
Michelin Recherche et Technique S.A.
Route Louis Braille 10 et 12 CH-1763 Granges-Paccot Switzerland
(72) Name(s) of Designer(s): **Stephane Oraison and Eric Slachmuylders**
(45) Registration Date: **09 July 2009**
(30) Convention priority data:
(31) Number (32) Date (33) Country
08/5680 16 Dec 2008 FRANCE
(56) Related Art Documents: **Not Applicable**
(57) Statement of Newness and Distinctiveness: **Newness and distinctiveness resides in the shape and appearance of the tread region of the tyre, the remainder of the tyre not forming part of the design.**



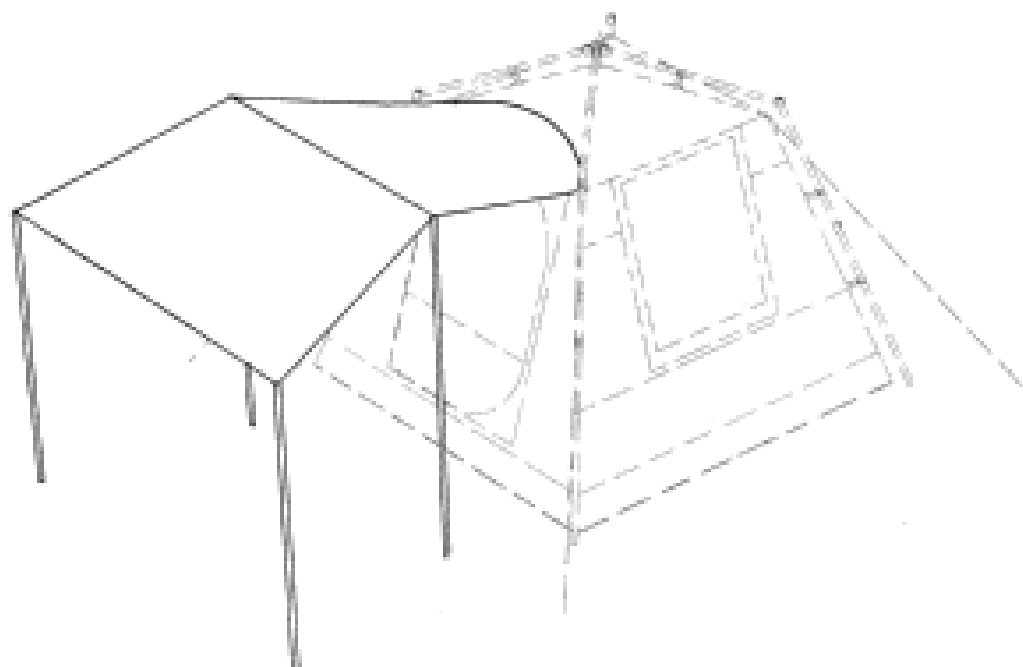
- (21) Design Number: **10093/2009**
(22) Date of Filing Application: **14 January 2009**
(24) Date from which industrial property rights may have effect: **14 January 2009**
(54) Product in respect of which the design is registered: **Catch**
(51) International Design Classification: **08-07**
(71) Name(s) and Address(s) of Applicant(s):
Burgundy Trial Pty Ltd
2 Merchant Avenue Thomastown Victoria 3074 Australia
(72) Name(s) of Designer(s): **David Martin Stuckey**
(45) Registration Date: **09 July 2009**
(56) Related Art Documents: **Not Applicable**
(57) Statement of Newness and Distinctiveness: **Nil**



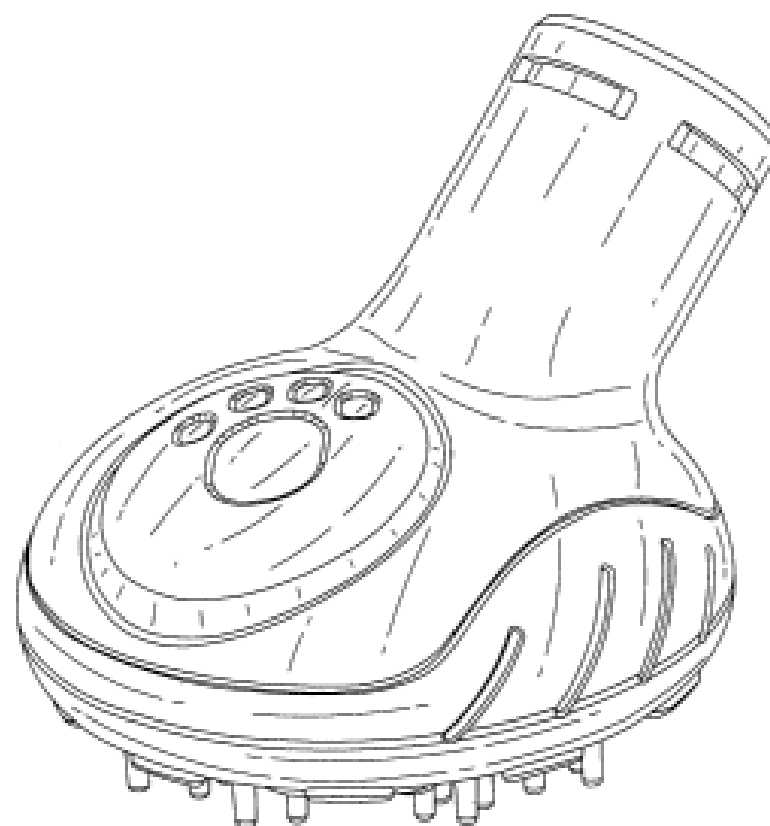
- (21) Design Number: **12200/2009**
(22) Date of Filing Application: **17 June 2009**
(24) Date from which industrial property rights may have effect: **17 June 2009**
(54) Product in respect of which the design is registered: **Skateboard truck hanger**
(51) International Design Classification: **08-08NES**
(71) Name(s) and Address(s) of Applicant(s):
Titanium Truck Technologies Pty Ltd
411 Macaulay Road Kensington Victoria 3031 Australia
(72) Name(s) of Designer(s): **Chris Northwood**
(45) Registration Date: **10 July 2009**
(56) Related Art Documents: **Not Applicable**
(57) Statement of Newness and Distinctiveness: **Monopoly is claimed in the features of shape and configuration of the skateboard truck hanger as illustrated in the representations. Any words, letters or numbers appearing in the representations are excluded from the design.**



- (21) Design Number: **12201/2009**
(22) Date of Filing Application: **17 June 2009**
(24) Date from which industrial property rights may have effect: **17 June 2009**
(54) Product in respect of which the design is registered: **Tent awning**
(51) International Design Classification: **21-04**
(71) Name(s) and Address(s) of Applicant(s):
Oztent Australia Pty. Limited
Unit 2 1273 The Horsley Drive Wetherill Park New South Wales 2164 Australia
(72) Name(s) of Designer(s): **Shane Viglione**
(45) Registration Date: **10 July 2009**
(56) Related Art Documents: **Not Applicable**
(57) Statement of Newness and Distinctiveness: **Newness and distinctiveness is claimed in those features of shape and/or configuration of a tent awning as illustrated in continuous lines in the accompanying representations.**



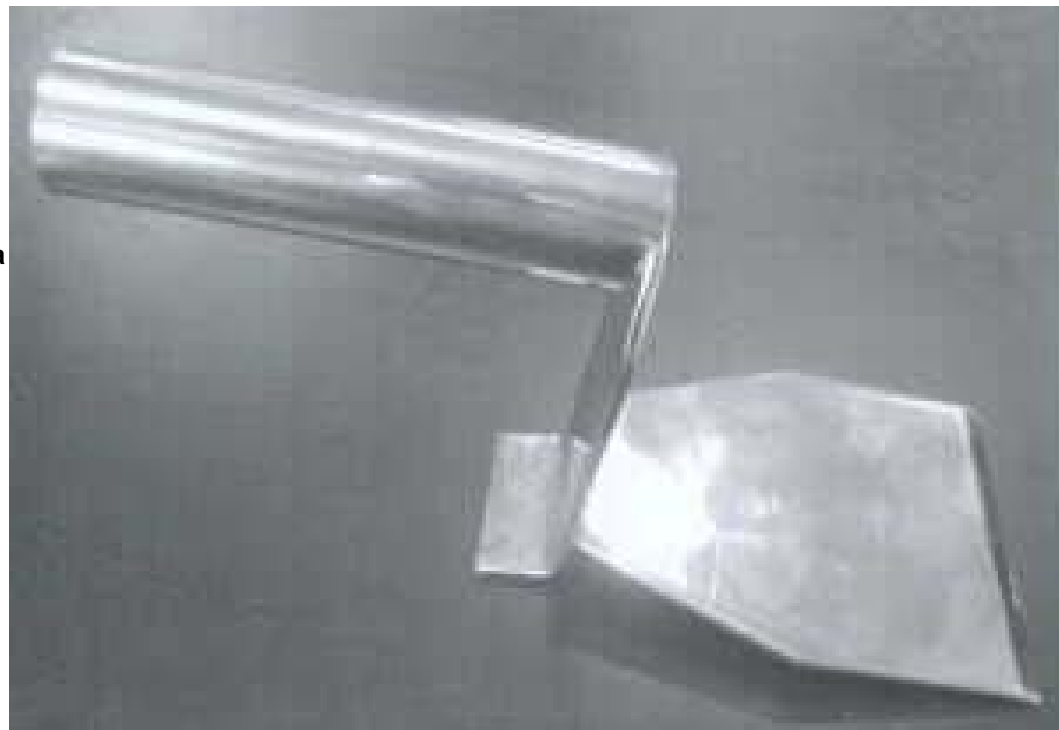
(21) Design Number: **11983/2009**
(22) Date of Filing Application: **28 May 2009**
(24) Date from which industrial property rights may have effect: **28 May 2009**
(54) Product in respect of which the design is registered: **Vacuum cleaner accessory brush**
(51) International Design Classification: **04-01**
(71) Name(s) and Address(s) of Applicant(s):
Black & Decker, Inc.
1207 Drummond Plaza, Newark, Delaware, 19711, United States of America
(72) Name(s) of Designer(s): **Graeme Crawley**
(45) Registration Date: **10 July 2009**
(30) Convention priority data:
(31) Number (32) Date (33) Country
001047849 28 Nov 2008 EUROPEAN COMMUNITY
(56) Related Art Documents: **Not Applicable**
(57) Statement of Newness and Distinctiveness: **Nil**



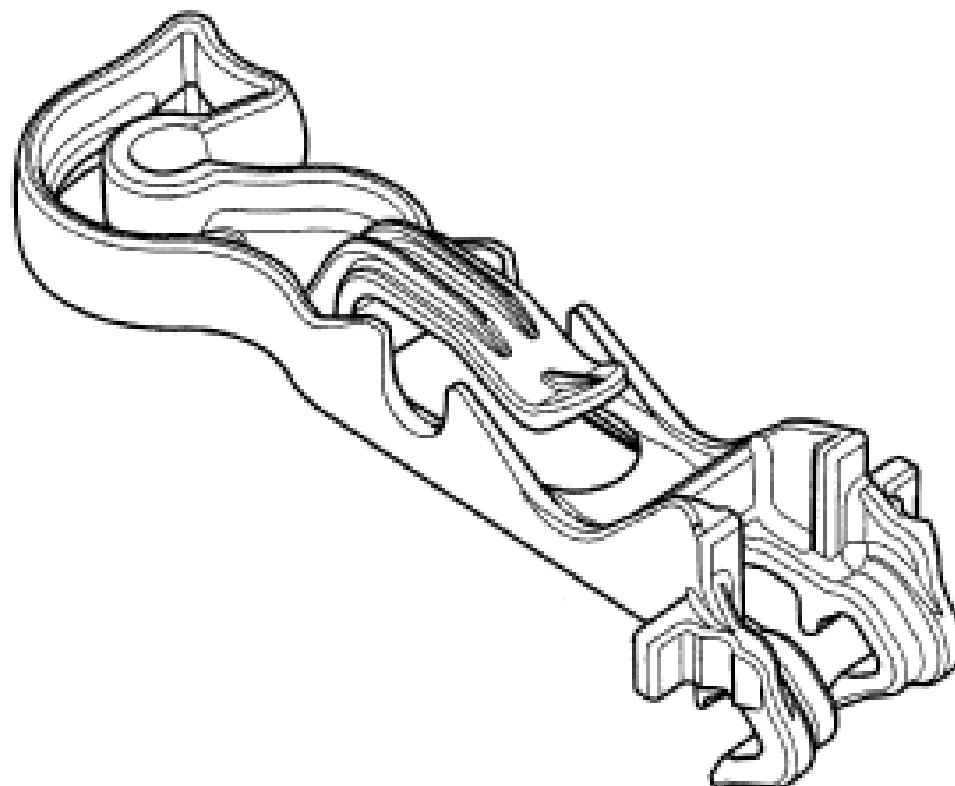
(21) Design Number: **12007/2009**
(22) Date of Filing Application: **01 June 2009**
(24) Date from which industrial property rights may have effect: **01 June 2009**
(54) Product in respect of which the design is registered: **Stainless steel BBQ lifter**
(51) International Design Classification: **07-04**
(71) Name(s) and Address(s) of Applicant(s):
Ken Roche
12 Mountain Circuit Calwell 2905 Australian Capital Territory Australia
(72) Name(s) of Designer(s): **Joe Sajina**
(45) Registration Date: **10 July 2009**
(56) Related Art Documents: **Not Applicable**
(57) Statement of Newness and Distinctiveness: **BBQ lifter for grill to BBQ**



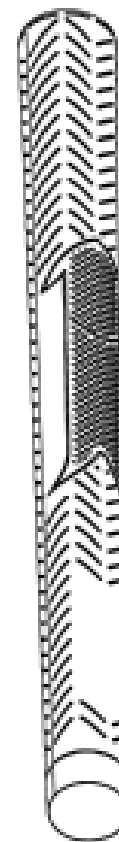
(21) Design Number: **12020/2009**
(22) Date of Filing Application: **01 June 2009**
(24) Date from which industrial property rights may have effect: **01 June 2009**
(54) Product in respect of which the design is registered: **Stainless steel BBQ lifters**
(51) International Design Classification: **07-04**
(71) Name(s) and Address(s) of Applicant(s):
Ken Roche
12 Mountain Circuit Calwell 2905 Australian Capital Territory Australia
(72) Name(s) of Designer(s): **Joe Sajina**
(45) Registration Date: **10 July 2009**
(56) Related Art Documents: **Not Applicable**
(57) Statement of Newness and Distinctiveness: **BBQ lifter for solid plate to BBQ and scraper.**



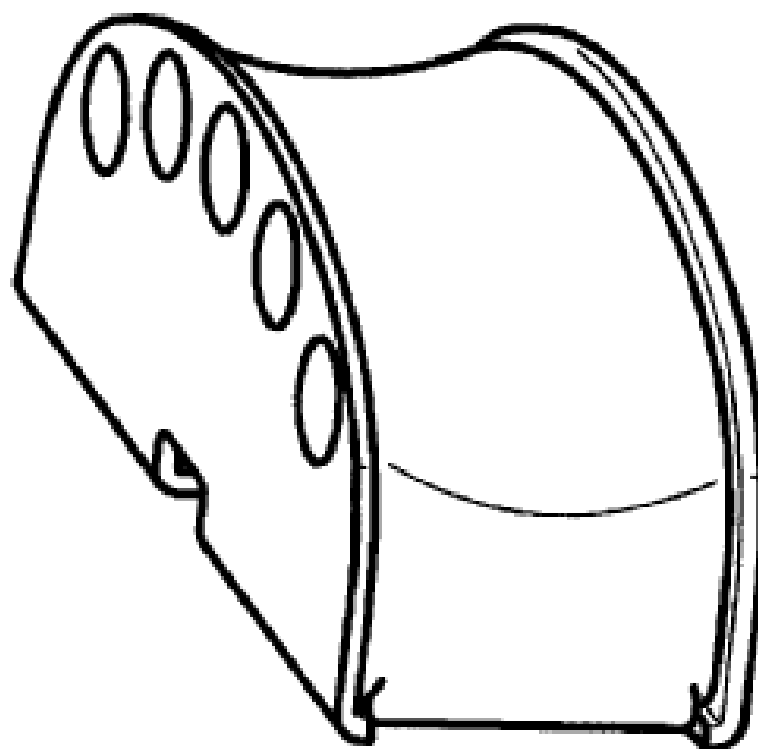
(21) Design Number: **12199/2009**
(22) Date of Filing Application: **17 June 2009**
(24) Date from which industrial property rights may have effect: **17 June 2009**
(54) Product in respect of which the design is registered: **An attachment clip**
(51) International Design Classification: **08-08C**
(71) Name(s) and Address(s) of Applicant(s):
Aquatech Systems Australia Pty Ltd
59 Bergmann Drive Ceduna South Australia 5690 Australia
(72) Name(s) of Designer(s): **Ian Howard Pendergrast and Garry Bruno Seidl**
(45) Registration Date: **10 July 2009**
(56) Related Art Documents: **Not Applicable**
(57) Statement of Newness and Distinctiveness: **Nil**



- (21) Design Number: **12203/2009**
(22) Date of Filing Application: **17 June 2009**
(24) Date from which industrial property rights may have effect: **17 June 2009**
(54) Product in respect of which the design is registered: **A slip-on grip**
(51) International Design Classification: **21-02C**
(71) Name(s) and Address(s) of Applicant(s):
Eaton Corporation
Eaton Center 1111 Superior Avenue Cleveland Ohio 44114-2584
United States of America
(72) Name(s) of Designer(s): **David Keith Gill and Richard Andrew Black and Billy Dee Wood**
(45) Registration Date: **10 July 2009**
(30) Convention priority data:
(31) Number (32) Date (33) Country
29/313243 18 Dec 2008 UNITED STATES OF AMERICA
(56) Related Art Documents: **Not Applicable**
(57) Statement of Newness and Distinctiveness: **Newness and distinctiveness reside in the features of the design as shown in the representations.**



- (21) Design Number: **12204/2009**
(22) Date of Filing Application: **17 June 2009**
(24) Date from which industrial property rights may have effect: **17 June 2009**
(54) Product in respect of which the design is registered: **Vehicle side light**
(51) International Design Classification: **26-06**
(71) Name(s) and Address(s) of Applicant(s):
Hella New Zealand Limited
81-83 Ben Lomond Crescent Pakuranga Auckland 6 New Zealand
(72) Name(s) of Designer(s): **Martin Reinbach**
(45) Registration Date: **10 July 2009**
(56) Related Art Documents: **Not Applicable**
(57) Statement of Newness and Distinctiveness: **Nil**



(21) Design Number: **12205/2009**

(22) Date of Filing Application: **17 June 2009**

(24) Date from which industrial property rights may have effect: **17 June 2009**

(54) Product in respect of which the design is registered: **Vehicle running lamp**

(51) International Design Classification: **26-06**

(71) Name(s) and Address(s) of Applicant(s):

Hella New Zealand Limited

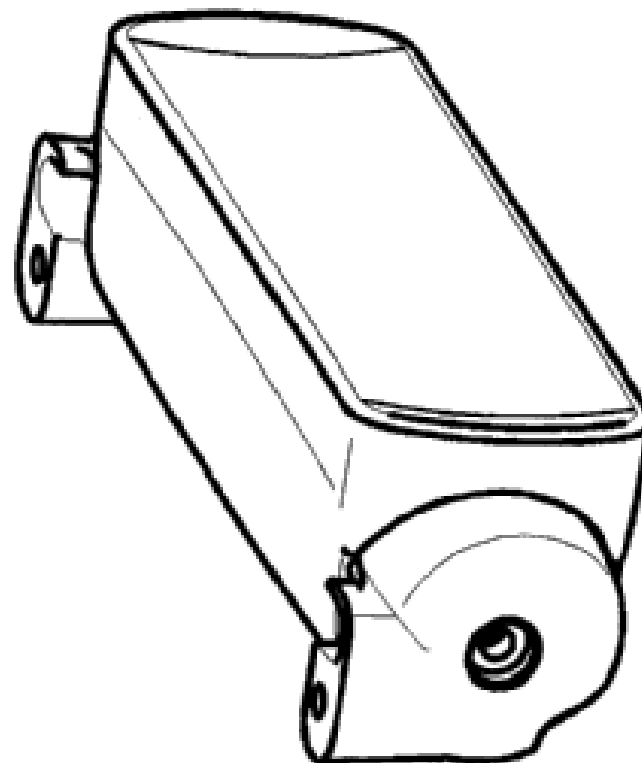
81-83 Ben Lomond Crescent Pakuranga Auckland 6 New Zealand

(72) Name(s) of Designer(s): **Martin Reinbach**

(45) Registration Date: **10 July 2009**

(56) Related Art Documents: **Not Applicable**

(57) Statement of Newness and Distinctiveness: **Nil**



(21) Design Number: **12384/2009**

(22) Date of Filing Application: **01 July 2009**

(24) Date from which industrial property rights may have effect: **01 July 2009**

(54) Product in respect of which the design is registered: **Fridge magnets**

(51) International Design Classification: **11-02E**

(71) Name(s) and Address(s) of Applicant(s):

Stephen John McDonald

24 Tarcoola Avenue Ferny Hills Queensland 4055 Australia

(72) Name(s) of Designer(s): **Stephen John McDonald**

(45) Registration Date: **10 July 2009**

(56) Related Art Documents: **Not Applicable**

(57) Statement of Newness and Distinctiveness: **Nil**



(21) Design Number: **10756/2009**

(22) Date of Filing Application: **06 March 2009**

(24) Date from which industrial property rights may have effect: **06 March 2009**

(54) Product in respect of which the design is registered: **Container**

(51) International Design Classification: **09-01C**

(71) Name(s) and Address(s) of Applicant(s):

SmithKline Beecham Corporation
One Franklin Plaza PO Box 7929 Philadelphia Pennsylvania 19101
United States of America

(72) Name(s) of Designer(s): **Angie Yonju Kim**

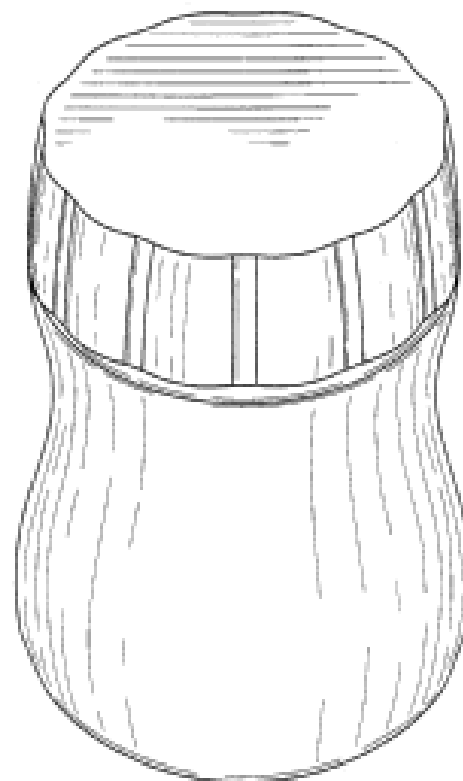
(45) Registration Date: **10 July 2009**

(30) Convention priority data:

(31) Number	(32) Date	(33) Country
29/324231	09 Sep 2008	UNITED STATES OF AMERICA

(56) Related Art Documents: **Not Applicable**

(57) Statement of Newness and Distinctiveness: **Newness and distinctiveness is claimed in the visual features shown in solid lines in the representations.**



(21) Design Number: **11599/2009**

(22) Date of Filing Application: **05 May 2009**

(24) Date from which industrial property rights may have effect: **05 May 2009**

(54) Product in respect of which the design is registered: **A fan**

(51) International Design Classification: **23-04**

(71) Name(s) and Address(s) of Applicant(s):

Dyson Limited
Tetbury Hill Malmesbury Wiltshire SN16 0RP United Kingdom

(72) Name(s) of Designer(s): **Peter David Gammack and James Dyson**

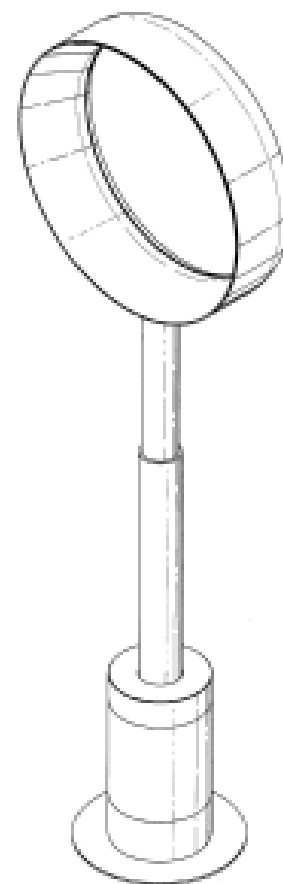
(45) Registration Date: **10 July 2009**

(30) Convention priority data:

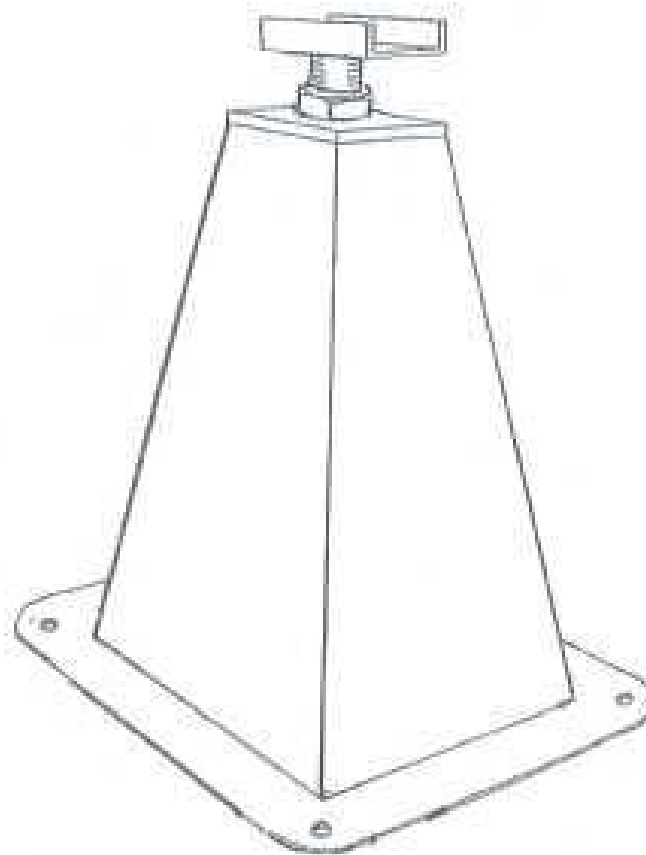
(31) Number	(32) Date	(33) Country
4009465	07 Nov 2008	UNITED KINGDOM

(56) Related Art Documents: **Not Applicable**

(57) Statement of Newness and Distinctiveness: **Newness and distinctiveness resides in the features of shape and/or configuration of A FAN as illustrated in the accompanying representations.**



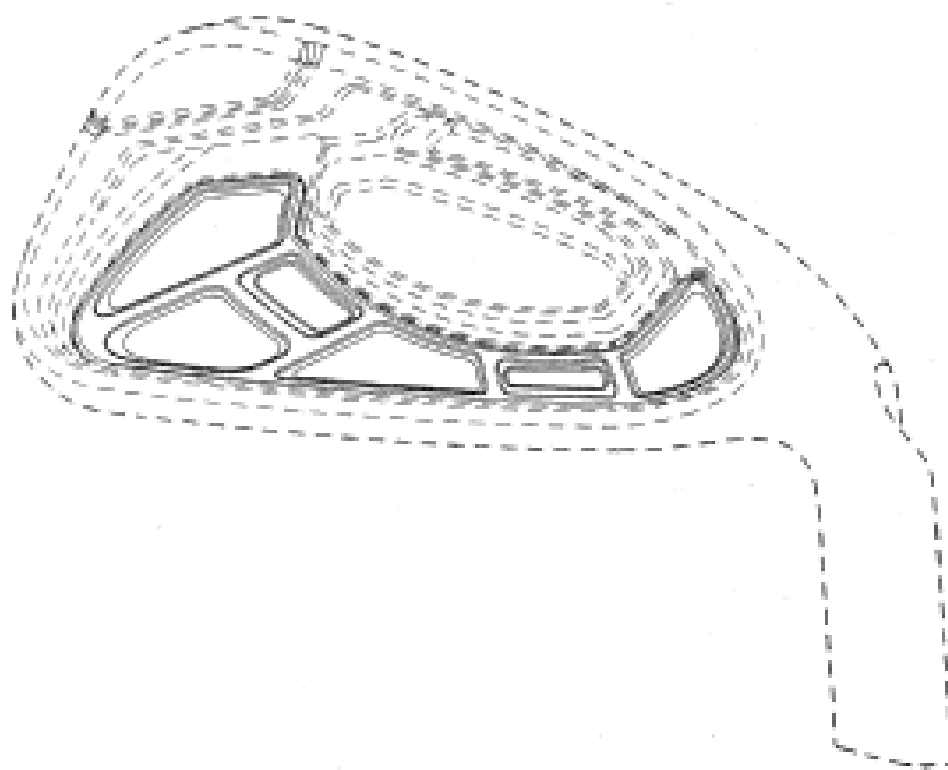
- (21) Design Number: **11623/2009**
(22) Date of Filing Application: **07 May 2009**
(24) Date from which industrial property rights may have effect: **07 May 2009**
(54) Product in respect of which the design is registered: **Support for a rail**
(51) International Design Classification: **08-08L**
(71) Name(s) and Address(s) of Applicant(s):
Williames Pty Ltd
Wills Street Warragul Victoria 3820 Australia
(72) Name(s) of Designer(s): **Geoffrey Alan Williames**
(45) Registration Date: **10 July 2009**
(56) Related Art Documents: **Not Applicable**
(57) Statement of Newness and Distinctiveness: **Nil**



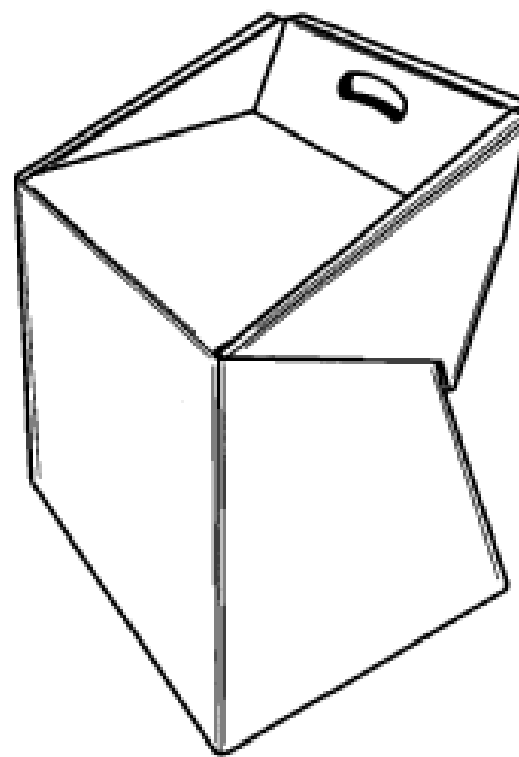
- (21) Design Number: **11165/2009**
(22) Date of Filing Application: **07 April 2009**
(24) Date from which industrial property rights may have effect: **07 April 2009**
(54) Product in respect of which the design is registered: **Hermetically sealed steel banded sandwich panel**
(51) International Design Classification: **25-01NES**
(71) Name(s) and Address(s) of Applicant(s):
Clive Geoffrey Venter
19 Pademelon Avenue St Helen's Park New South Wales 2560 Australia
(72) Name(s) of Designer(s): **Clive Geoffrey Venter**
(45) Registration Date: **10 July 2009**
(56) Related Art Documents: **Not Applicable**
(57) Statement of Newness and Distinctiveness: **Steel channel which surrounds the inner core of the panel as shown in photographs.**



- (21) Design Number: **11675/2009**
(22) Date of Filing Application: **11 May 2009**
(24) Date from which industrial property rights may have effect: **11 May 2009**
(54) Product in respect of which the design is registered: **Badge for a golf club head**
(51) International Design Classification: **21-02C**
(71) Name(s) and Address(s) of Applicant(s):
Karsten Manufacturing Corporation
2201 West Desert Cove Phoenix Arizona 85029 United States of America
(72) Name(s) of Designer(s): **Bradley D. Schweigert and Michael R. Nicolette and Xiaojian Chen and David D. Jones**
(45) Registration Date: **10 July 2009**
(30) Convention priority data:
(31) Number (32) Date (33) Country
29/332623 20 Feb 2009 UNITED STATES OF AMERICA
(56) Related Art Documents: **Not Applicable**
(57) Statement of Newness and Distinctiveness: **Newness and Distinctiveness is claimed in the visual features shown in solid lines in the representations.**



- (21) Design Number: **11762/2009**
(22) Date of Filing Application: **15 May 2009**
(24) Date from which industrial property rights may have effect: **15 May 2009**
(54) Product in respect of which the design is registered: **Chair and foldable blank for forming same**
(51) International Design Classification: **06-01F**
(71) Name(s) and Address(s) of Applicant(s):
Sally Caroline Klopper
11A Prentice Street St Kilda East Victoria 3183 Australia
(72) Name(s) of Designer(s): **Sally Caroline Klopper**
(45) Registration Date: **10 July 2009**
(56) Related Art Documents: **Not Applicable**
(57) Statement of Newness and Distinctiveness: **Nil**



(21) Design Number: **11768/2009**

(22) Date of Filing Application: **15 May 2009**

(24) Date from which industrial property rights may have effect: **15 May 2009**

(54) Product in respect of which the design is registered: **A mounting device**

(51) International Design Classification: **99-00**

(71) Name(s) and Address(s) of Applicant(s):

Rhino Manufacturing Limited
19 Willmott Place Rotorua 3015 New Zealand

(72) Name(s) of Designer(s): **Eddie Genefass**

(45) Registration Date: **10 July 2009**

(30) Convention priority data:

(31) Number	(32) Date	(33) Country
412217	23 Apr 2009	NEW ZEALAND

(56) Related Art Documents: **Not Applicable**

(57) Statement of Newness and Distinctiveness: **Nil**



(21) Design Number: **11857/2009**

(22) Date of Filing Application: **21 May 2009**

(24) Date from which industrial property rights may have effect: **21 May 2009**

(54) Product in respect of which the design is registered: **Chassis for a telecommunication module**

(51) International Design Classification: **14-03NES**

(71) Name(s) and Address(s) of Applicant(s):

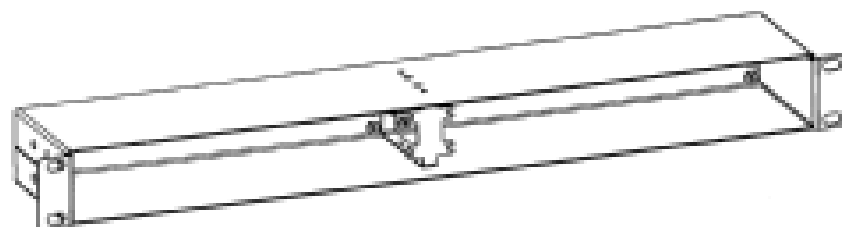
ADC Communications (Australia) Pty Limited
2 Hereford Street Berkeley Vale New South Wales 2261 Australia

(72) Name(s) of Designer(s): **Kevin James Truskett and Malcolm Bruce Brear**

(45) Registration Date: **10 July 2009**

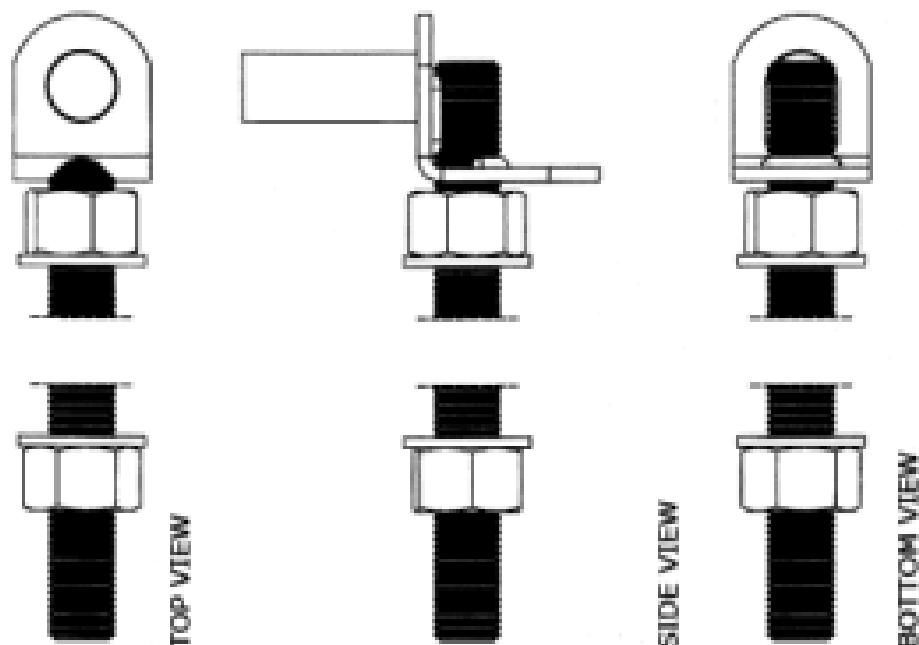
(56) Related Art Documents: **Not Applicable**

(57) Statement of Newness and Distinctiveness: **The features of shape and configuration of the chassis shown in the accompanying representations are considered to be new and distinctive.**



(19) AU

(21) Design Number: **11873/2009**
 (22) Date of Filing Application: **18 May 2009**
 (24) Date from which industrial property rights may have effect: **18 May 2009**
 (54) Product in respect of which the design is registered: **Adjustable bolt through gudgeon**
 (51) International Design Classification: **08-06**
 (71) Name(s) and Address(s) of Applicant(s):
RMD Industries Pty Ltd
6-10 Market Road Sunshine Victoria 3020 Australia
 (72) Name(s) of Designer(s): **Joep van der Plas**
 (45) Registration Date: **10 July 2009**
 (56) Related Art Documents: **Not Applicable**
 (57) Statement of Newness and Distinctiveness: **Nil**

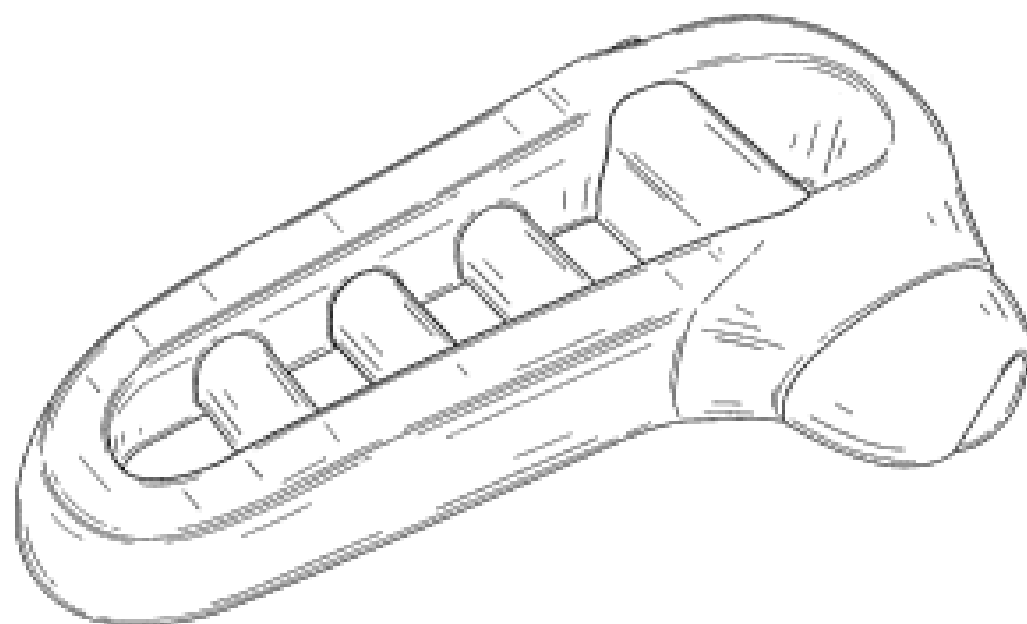


(19) AU

(21) Design Number: **12209/2009**
 (22) Date of Filing Application: **18 June 2009**
 (24) Date from which industrial property rights may have effect: **18 June 2009**
 (54) Product in respect of which the design is registered: **Toe stretcher**
 (51) International Design Classification: **24-04**
 (71) Name(s) and Address(s) of Applicant(s):
International Edge Inc.
79 Two Bridges Road Fairfield NJ 07004 United States of America
 (72) Name(s) of Designer(s): **Jun Yang**
 (45) Registration Date: **14 July 2009**
 (30) Convention priority data:

(31) Number	(32) Date	(33) Country
29/314,044	27 Feb 2009	UNITED STATES OF AMERICA

 (56) Related Art Documents: **Not Applicable**
 (57) Statement of Newness and Distinctiveness: **Nil**



(21) Design Number: **12219/2009**

(22) Date of Filing Application: **19 June 2009**

(24) Date from which industrial property rights may have effect: **19 June 2009**

(54) Product in respect of which the design is registered: **Shaving razor connector**

(51) International Design Classification: **28-03A**

(71) Name(s) and Address(s) of Applicant(s):

**The Gillette Company
Prudential Tower Building Boston Massachusetts 02199 United States of America**

(72) Name(s) of Designer(s): **Matthew Corey Cataudella**

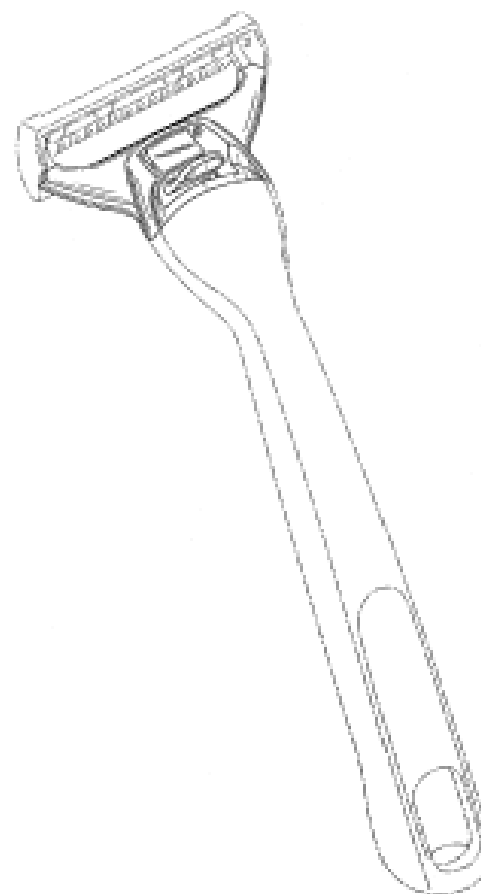
(45) Registration Date: **14 July 2009**

(30) Convention priority data:

(31) Number	(32) Date	(33) Country
29/329,810	22 Dec 2008	UNITED STATES OF AMERICA

(56) Related Art Documents: **Not Applicable**

(57) Statement of Newness and Distinctiveness: **Newness and distinctiveness reside in the features of shape and/or configuration of the shaving razor connector, as shown in solid lines in the representations. The handle and cartridge shown in broken lines in the representations are shown for illustrative purposes only and form no part of the design for which newness and distinctiveness are being claimed.**



(21) Design Number: **12220/2009**

(22) Date of Filing Application: **19 June 2009**

(24) Date from which industrial property rights may have effect: **19 June 2009**

(54) Product in respect of which the design is registered: **Arcade table**

(51) International Design Classification: **06-03NES**

(71) Name(s) and Address(s) of Applicant(s):

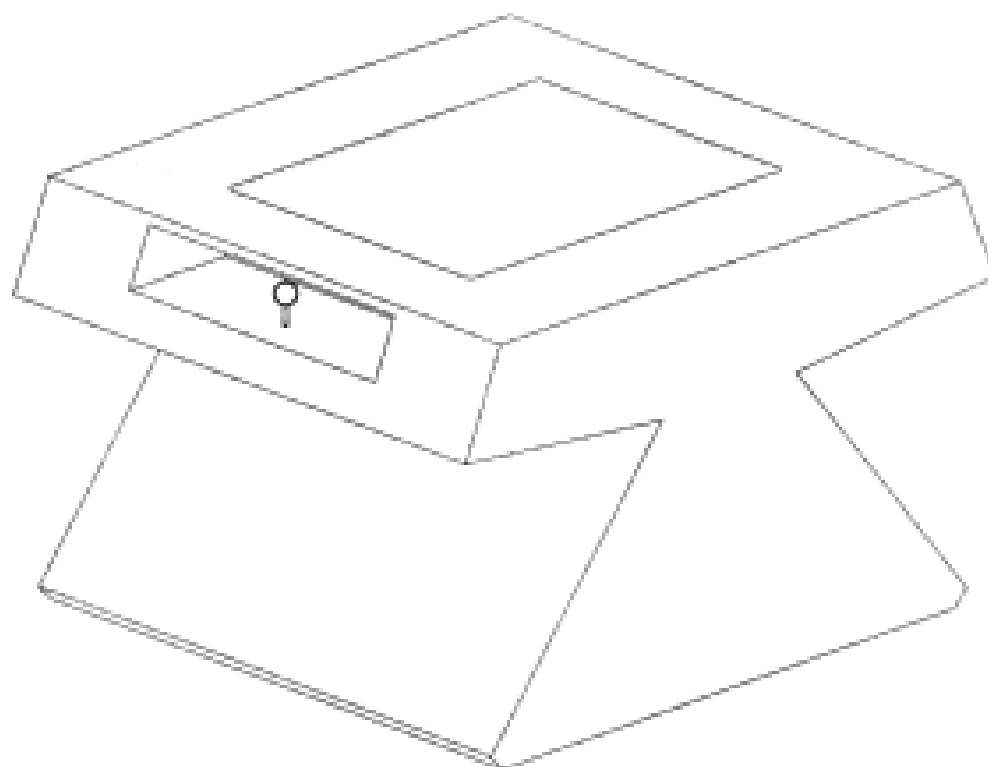
**James Matthew McLennan
1/2 Kareela Avenue Noosa Heads Queensland 4567 Australia**

(72) Name(s) of Designer(s): **James Matthew McLennan**

(45) Registration Date: **14 July 2009**

(56) Related Art Documents: **Not Applicable**

(57) Statement of Newness and Distinctiveness: **The design relates to the overall appearance and particular visual features of a product, being a coffee or cafe table, having the pattern, shape, configuration or ornamentation as shown in the accompanying representations. An interface, such as a monitor or screen, is mounted flush with a top surface of the table, as shown.**



(21) Design Number: **12221/2009**

(22) Date of Filing Application: **19 June 2009**

(24) Date from which industrial property rights may have effect: **19 June 2009**

(54) Product in respect of which the design is registered: **Lounge table**

(51) International Design Classification: **06-03B**

(71) Name(s) and Address(s) of Applicant(s):

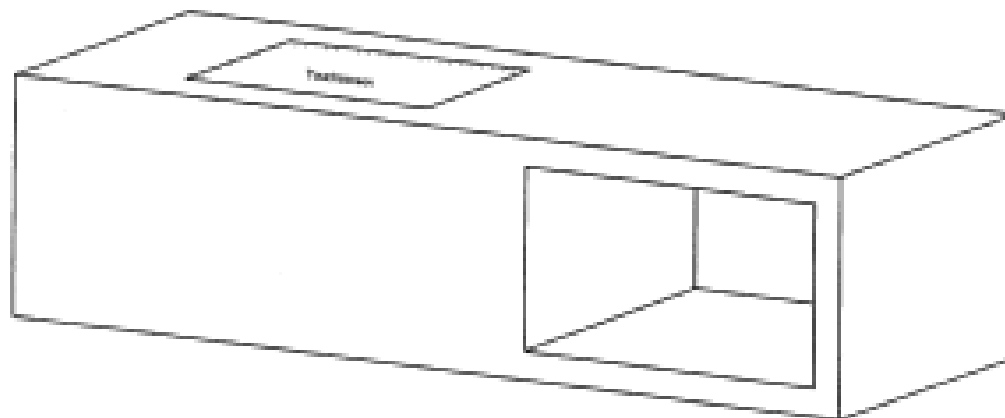
James Matthew McLennan
1/2 Kareela Avenue Noosa Heads Queensland 4567 Australia

(72) Name(s) of Designer(s): **James Matthew McLennan**

(45) Registration Date: **14 July 2009**

(56) Related Art Documents: **Not Applicable**

(57) Statement of Newness and Distinctiveness: **The design relates to the overall appearance and particular visual features of a product, being a coffee or cafe table, having the pattern, shape, configuration or ornamentation as shown in the accompanying representations. An interface, such as a monitor or screen, is mounted flush with a top surface of the table, as shown.**



(21) Design Number: **12222/2009**

(22) Date of Filing Application: **19 June 2009**

(24) Date from which industrial property rights may have effect: **19 June 2009**

(54) Product in respect of which the design is registered: **Cafe table**

(51) International Design Classification: **06-03A**

(71) Name(s) and Address(s) of Applicant(s):

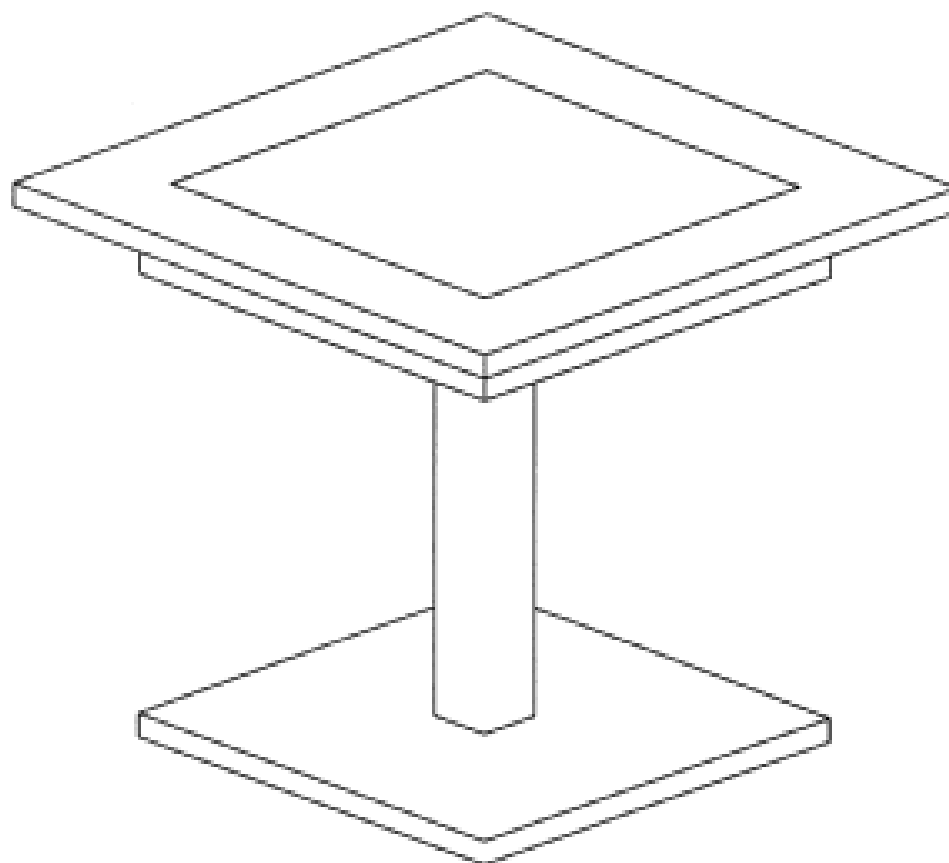
James Matthew McLennan
1/2 Kareela Avenue Noosa Heads Queensland 4567 Australia

(72) Name(s) of Designer(s): **James Matthew McLennan**

(45) Registration Date: **14 July 2009**

(56) Related Art Documents: **Not Applicable**

(57) Statement of Newness and Distinctiveness: **The design relates to the overall appearance and particular visual features of a product, being a coffee or cafe table, having the pattern, shape, configuration or ornamentation as shown in the accompanying representations. An interface, such as a monitor or screen, is mounted flush with a top surface of the table, as shown.**



(21) Design Number: **12223/2009**

(22) Date of Filing Application: **19 June 2009**

(24) Date from which industrial property rights may have effect: **19 June 2009**

(54) Product in respect of which the design is registered: **Bicycle bag**

(51) International Design Classification: **03-01NES**

(71) Name(s) and Address(s) of Applicant(s):

John Vasila

5 Gaydon Street Ferntree Gully Victoria 3156 Australia

(72) Name(s) of Designer(s): **John Vasila**

(45) Registration Date: **14 July 2009**

(56) Related Art Documents: **Not Applicable**

(57) Statement of Newness and Distinctiveness: **Visual features of the design which are new and distinctive are inter alia the features of shape and/or configuration of the bicycle bag as illustrated in the accompanying representaitons. The bicycle bag is shown with straps attached thereto and the position, shape and/or configuration of the straps do not form part of the design and are to be disregarded in considering the extent of monopoly protection.**



(21) Design Number: **12382/2009**

(22) Date of Filing Application: **01 July 2009**

(24) Date from which industrial property rights may have effect: **01 July 2009**

(54) Product in respect of which the design is registered: **Fridge magnets**

(51) International Design Classification: **11-02E, 07-99NES**

(71) Name(s) and Address(s) of Applicant(s):

Stephen John McDonald

24 Tarcoola Avenue Ferny Hills Queensland 4055 Australia

(72) Name(s) of Designer(s): **Stephen McDonald**

(45) Registration Date: **14 July 2009**

(56) Related Art Documents: **Not Applicable**

(57) Statement of Newness and Distinctiveness: **Nil**



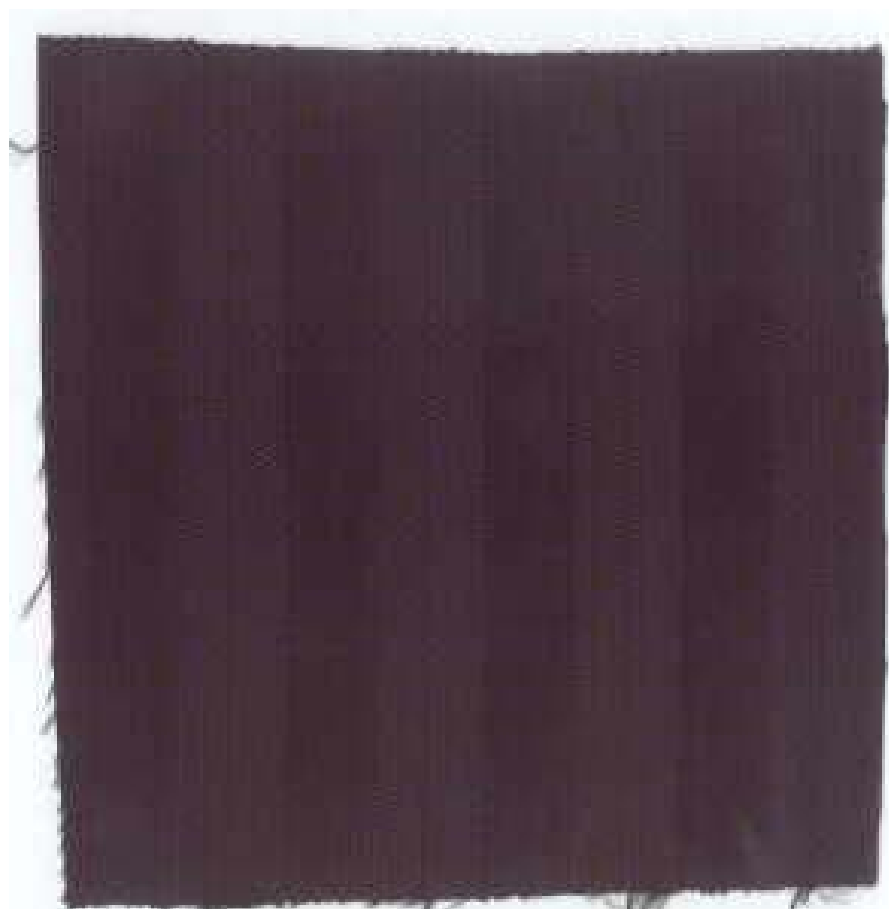
- (21) Design Number: **12383/2009**
(22) Date of Filing Application: **01 July 2009**
(24) Date from which industrial property rights may have effect: **01 July 2009**
(54) Product in respect of which the design is registered: **Fridge magnets**
(51) International Design Classification: **11-02E, 07-99NES**
(71) Name(s) and Address(s) of Applicant(s):
Stephen John McDonald
24 Tarcoola Avenue Ferny Hills Queensland 4055 Australia
(72) Name(s) of Designer(s): **Stephen McDonald**
(45) Registration Date: **14 July 2009**
(56) Related Art Documents: **Not Applicable**
(57) Statement of Newness and Distinctiveness: **Nil**



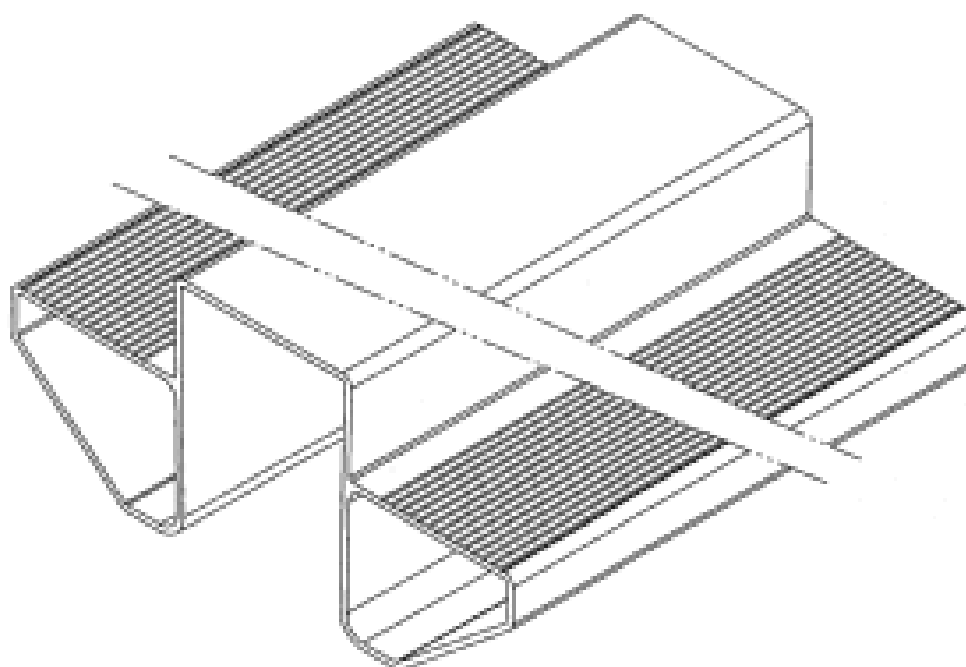
- (21) Design Number: **12212/2009**
(22) Date of Filing Application: **18 June 2009**
(24) Date from which industrial property rights may have effect: **18 June 2009**
(54) Product in respect of which the design is registered: **Fabric of indefinite dimensions**
(51) International Design Classification: **05-05D**
(71) Name(s) and Address(s) of Applicant(s):
Dixie Cummings Enterprises Pty Ltd
20 Holloway Drive Bayswater Victoria 3153 Australia
(72) Name(s) of Designer(s): **Robert Lesley Cummings**
(45) Registration Date: **14 July 2009**
(56) Related Art Documents: **Not Applicable**
(57) Statement of Newness and Distinctiveness: **Newness and distinctiveness of the design resides in the appearance of the alternating bands of herringbone and flocking, including their approximate size, as illustrated in the accompanying representations.**



- (21) Design Number: **12213/2009**
(22) Date of Filing Application: **18 June 2009**
(24) Date from which industrial property rights may have effect: **18 June 2009**
(54) Product in respect of which the design is registered: **Fabric of indefinite dimensions**
(51) International Design Classification: **05-05D**
(71) Name(s) and Address(s) of Applicant(s):
Dixie Cummings Enterprises Pty Ltd
20 Holloway Drive Bayswater Victoria 3153 Australia
(72) Name(s) of Designer(s): **Robert Lesley Cummings**
(45) Registration Date: **14 July 2009**
(56) Related Art Documents: **Not Applicable**
(57) Statement of Newness and Distinctiveness: **Newness and distinctiveness of the design resides in the shape, configuration, pattern and ornamentation, excluding colour, of the fabric exemplified by the samples attached hereto.**



- (21) Design Number: **12233/2009**
(22) Date of Filing Application: **19 June 2009**
(24) Date from which industrial property rights may have effect: **19 June 2009**
(54) Product in respect of which the design is registered: **Bracket**
(51) International Design Classification: **08-08L**
(71) Name(s) and Address(s) of Applicant(s):
Kimberley Plastics Pty Ltd
5 Abbots Road Dandenong South Victoria 3175 Australia
(72) Name(s) of Designer(s): **Vuong Minh Tran**
(45) Registration Date: **14 July 2009**
(56) Related Art Documents: **Not Applicable**
(57) Statement of Newness and Distinctiveness: **Those features of the bracket depicted in the representations that are new and distinctive are the shape and/or configuration. The bracket may be of any length.**



(21) Design Number: **12235/2009**

(22) Date of Filing Application: **19 June 2009**

(24) Date from which industrial property rights may have effect: **19 June 2009**

(54) Product in respect of which the design is registered: **Thermal solar cell**

(51) International Design Classification: **13-99**

(71) Name(s) and Address(s) of Applicant(s):

PVT Solar, Inc.
2607 Seventh Street Suite G Berkeley California 94710 United States of America

(72) Name(s) of Designer(s): **Eric R. Burt**

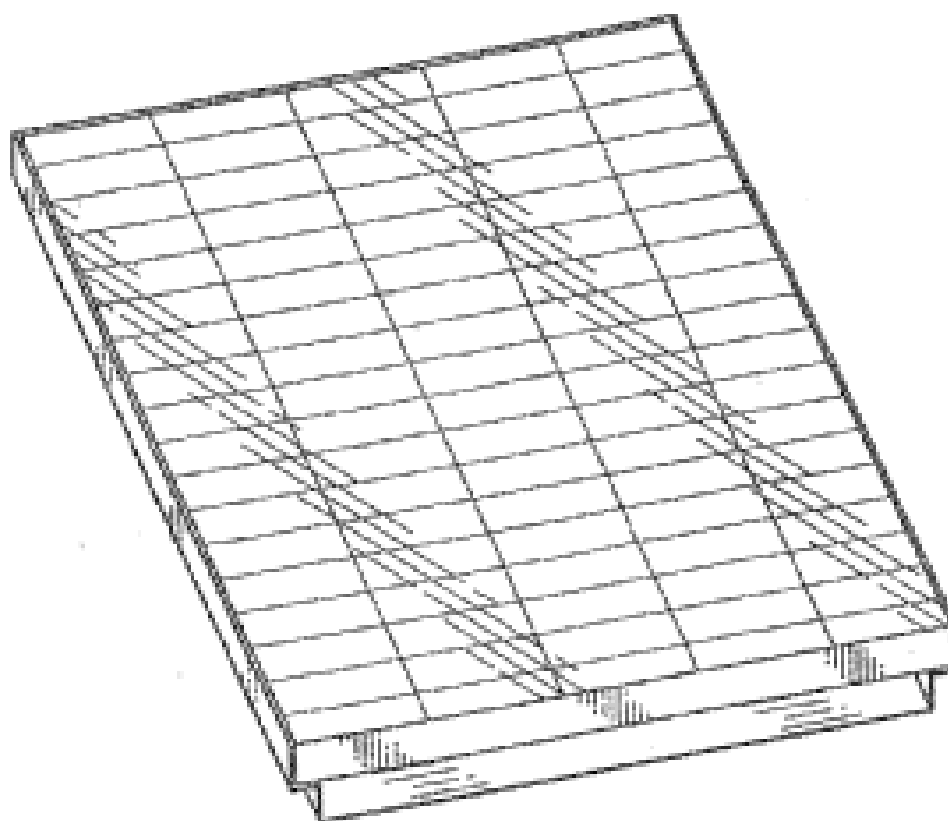
(45) Registration Date: **14 July 2009**

(30) Convention priority data:

(31) Number	(32) Date	(33) Country
29/329770	20 Dec 2008	UNITED STATES OF AMERICA

(56) Related Art Documents: **Not Applicable**

(57) Statement of Newness and Distinctiveness: **Newness and distinctiveness is claimed in those features of shape and/or configuration of a thermal solar cell as illustrated in continuous lines in the accompanying representations.**



(21) Design Number: **12237/2009**

(22) Date of Filing Application: **19 June 2009**

(24) Date from which industrial property rights may have effect: **19 June 2009**

(54) Product in respect of which the design is registered: **Pet food**

(51) International Design Classification: **01-06**

(71) Name(s) and Address(s) of Applicant(s):

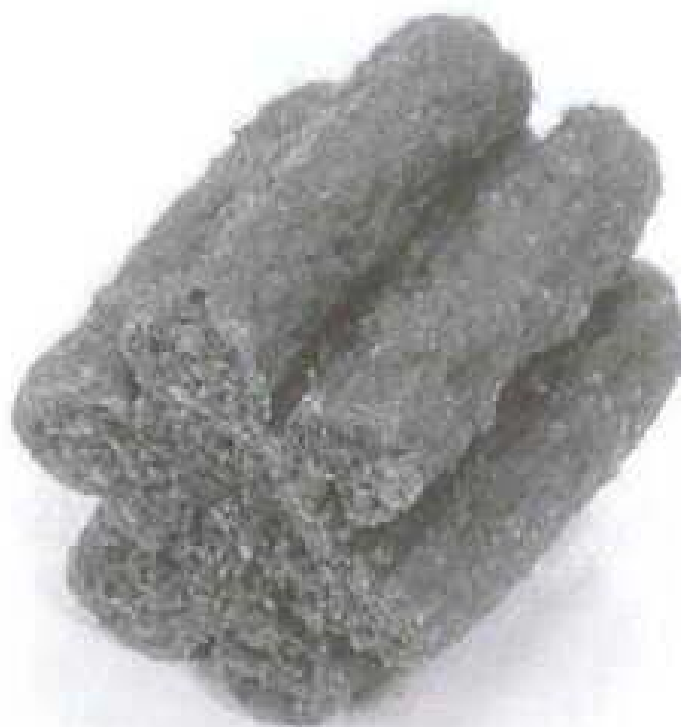
Mars Australia Pty Ltd
Petcare Place Wodonga Victoria 3690 Australia

(72) Name(s) of Designer(s): **Edward McCarron and Natalie Bredin**

(45) Registration Date: **14 July 2009**

(56) Related Art Documents: **Not Applicable**

(57) Statement of Newness and Distinctiveness: **The newness and distinctiveness of the design resides in the features of shape and configuration as depicted in the representations attached.**



(21) Design Number: **12027/2009**

(22) Date of Filing Application: **02 June 2009**

(24) Date from which industrial property rights may have effect: **02 June 2009**

(54) Product in respect of which the design is registered: **Access cover**

(51) International Design Classification: **25-02NES**

(71) Name(s) and Address(s) of Applicant(s):

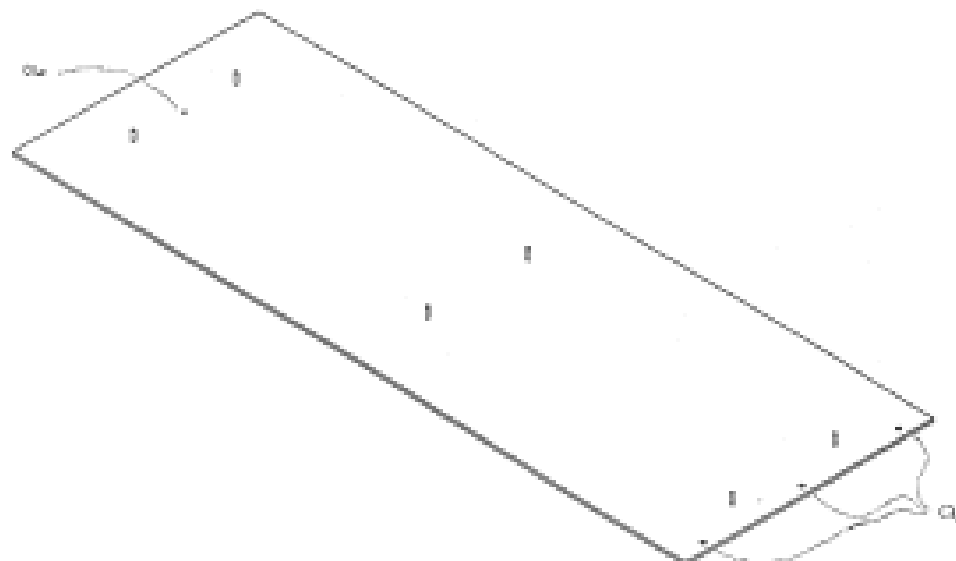
Kimberley Products Pty Ltd
5 Abbotts Road Dandenong South Victoria 3175 Australia

(72) Name(s) of Designer(s): **Vuong Minh Tran and Fredrick Thomas Kimberely**

(45) Registration Date: **14 July 2009**

(56) Related Art Documents: **Not Applicable**

(57) Statement of Newness and Distinctiveness: **Those features of the access cover depicted in the representations that are new and distinctive are the shape and/or configuration. The features marked "a" are not part of the design and are to be disregarded when considering the overall impression of the design.**



(21) Design Number: **12202/2009**

(22) Date of Filing Application: **17 June 2009**

(24) Date from which industrial property rights may have effect: **17 June 2009**

(54) Product in respect of which the design is registered: **Boot**

(51) International Design Classification: **02-04NES**

(71) Name(s) and Address(s) of Applicant(s):

Bekina NV
Berchemstraat 124-126 B-9690 Kluisbergen Belgium

(72) Name(s) of Designer(s): **Rudy Scherf**

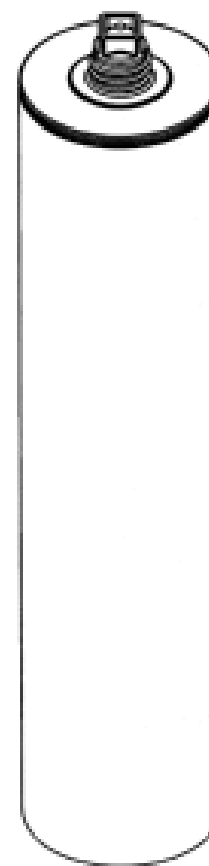
(45) Registration Date: **14 July 2009**

(56) Related Art Documents: **Not Applicable**

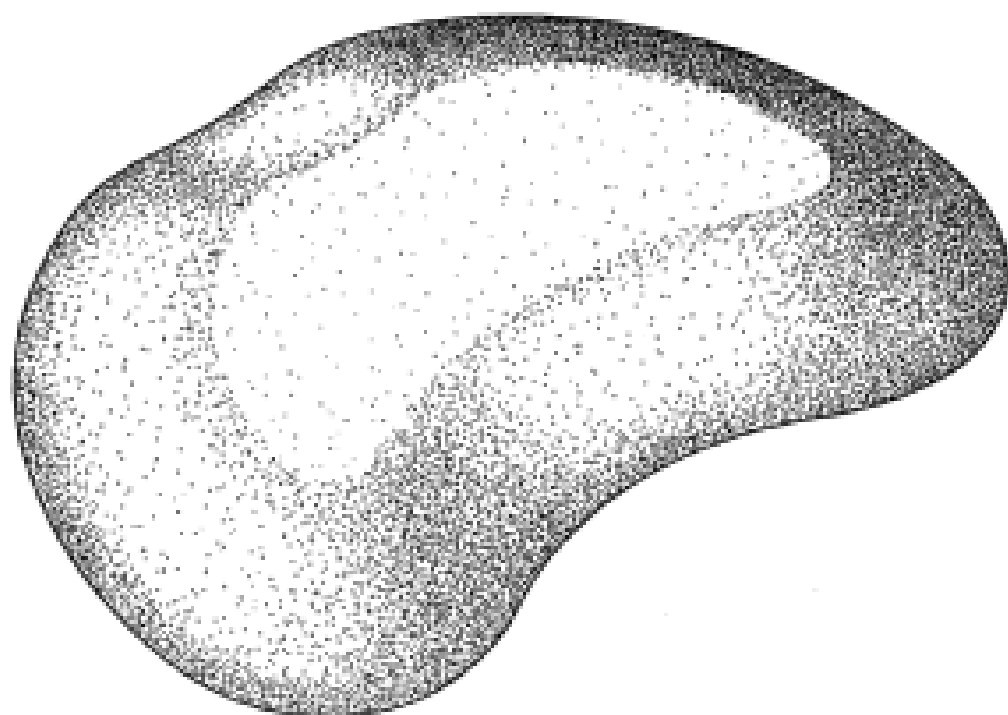
(57) Statement of Newness and Distinctiveness: **Newness and distinctiveness is claimed in the features of shape and/or configuration of a boot as illustrated in the accompanying representations.**



- (21) Design Number: **12227/2009**
(22) Date of Filing Application: **19 June 2009**
(24) Date from which industrial property rights may have effect: **19 June 2009**
(54) Product in respect of which the design is registered: **A cartridge**
(51) International Design Classification: **09-05**
(71) Name(s) and Address(s) of Applicant(s):
Bennett Precision Tooling Pty Ltd
10 Binney Road Kings Park New South Wales 2148 Australia
(72) Name(s) of Designer(s): **Stephen Scott and Mark Bennett and Maurice Kastelin and David Frank and Shane Bell**
(45) Registration Date: **14 July 2009**
(56) Related Art Documents: **Not Applicable**
(57) Statement of Newness and Distinctiveness: **Nil**



- (21) Design Number: **12282/2009**
(22) Date of Filing Application: **23 June 2009**
(24) Date from which industrial property rights may have effect: **23 June 2009**
(54) Product in respect of which the design is registered: **Pillow**
(51) International Design Classification: **06-09**
(71) Name(s) and Address(s) of Applicant(s):
Dan-Foam ApS
Holmelund 43 DK-5560 Aarup Denmark
(72) Name(s) of Designer(s): **Rikke Lund Jorgensen and Kristina Rassmussen and Rikke Leonia Jessen**
(45) Registration Date: **14 July 2009**
(30) Convention priority data:
(31) Number (32) Date (33) Country
29/329,956 23 Dec 2008 UNITED STATES OF AMERICA
(56) Related Art Documents: **Not Applicable**
(57) Statement of Newness and Distinctiveness: **Those features of the pillow depicted in the representations that are new and distinctive are the shape and/or contour.**



(21) Design Number: **12288/2009**

(22) Date of Filing Application: **24 June 2009**

(24) Date from which industrial property rights may have effect: **24 June 2009**

(54) Product in respect of which the design is registered: **Lid**

(51) International Design Classification: **07-01NES**

(71) Name(s) and Address(s) of Applicant(s):

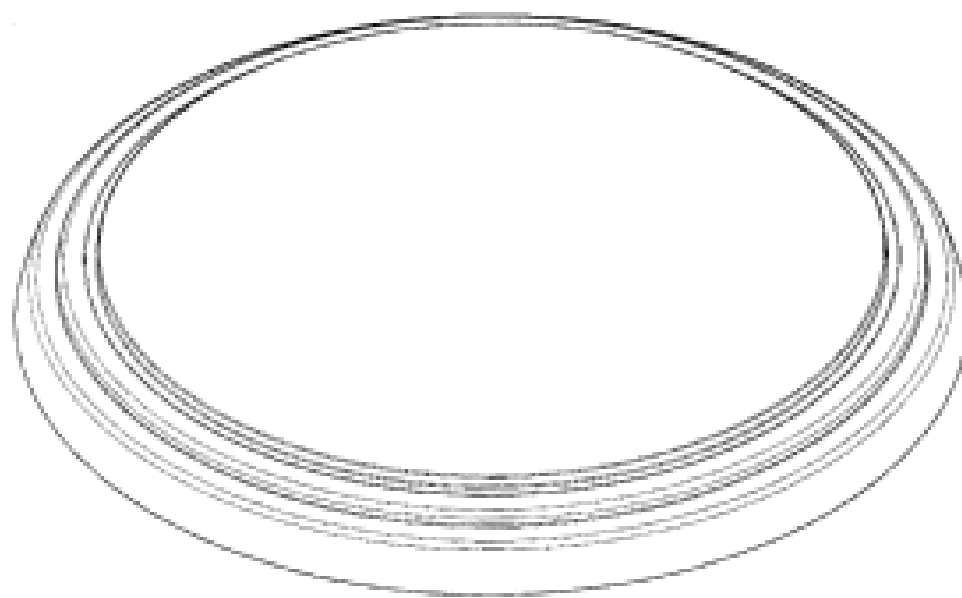
Orica International IP Holdings Inc.
33101 East Quincy Avenue Watkins Colorado 80137 United States of America

(72) Name(s) of Designer(s): **Jim Sutton**

(45) Registration Date: **14 July 2009**

(56) Related Art Documents: **Not Applicable**

(57) Statement of Newness and Distinctiveness: **Nil**



(21) Design Number: **12300/2009**

(22) Date of Filing Application: **26 June 2009**

(24) Date from which industrial property rights may have effect: **26 June 2009**

(54) Product in respect of which the design is registered: **Chair**

(51) International Design Classification: **06-01F**

(71) Name(s) and Address(s) of Applicant(s):

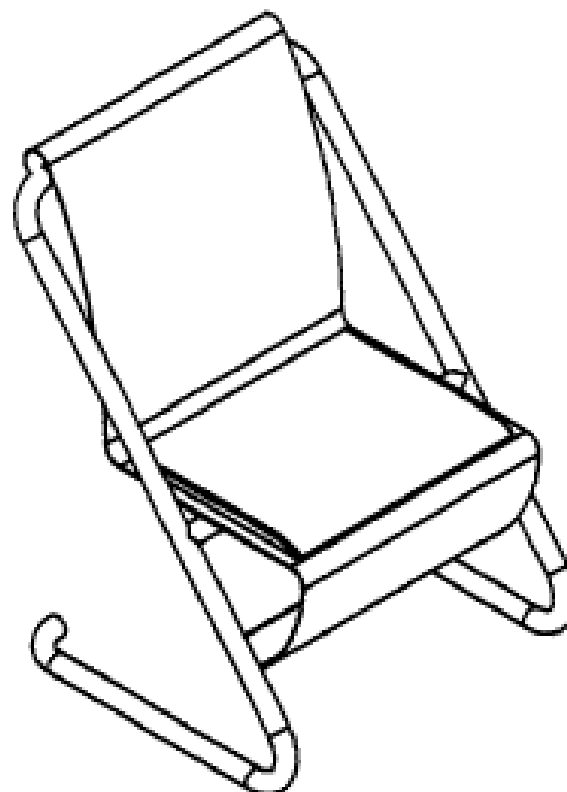
Jerome Armio Lafleur
Unit 2 36A Onslow Street South Perth Western Australia 6151 Australia

(72) Name(s) of Designer(s): **Jerome Armio Lafleur**

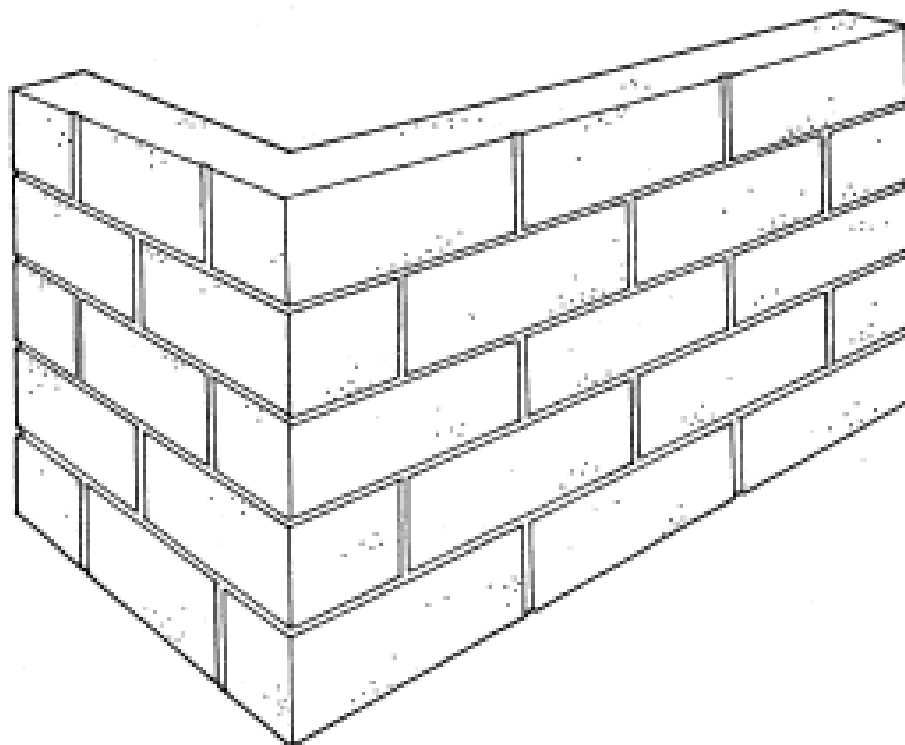
(45) Registration Date: **14 July 2009**

(56) Related Art Documents: **Not Applicable**

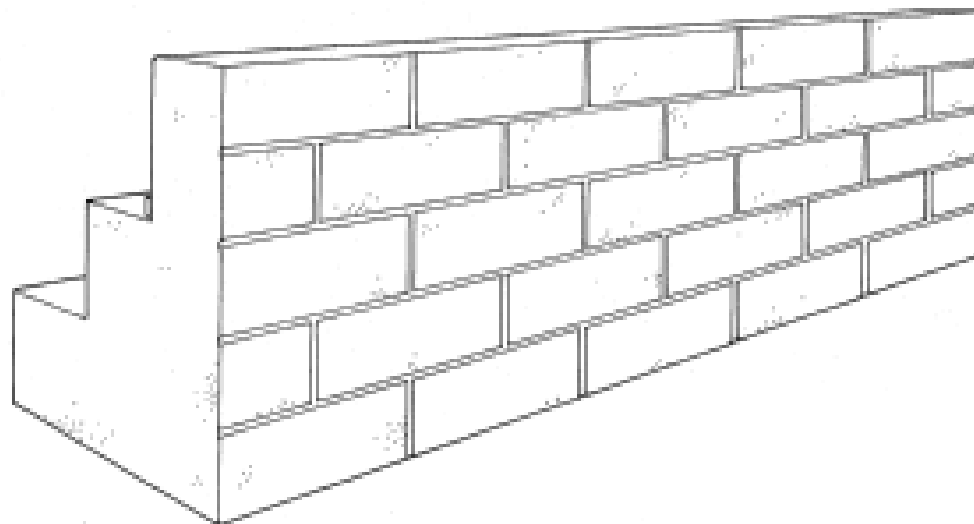
(57) Statement of Newness and Distinctiveness: **Nil**



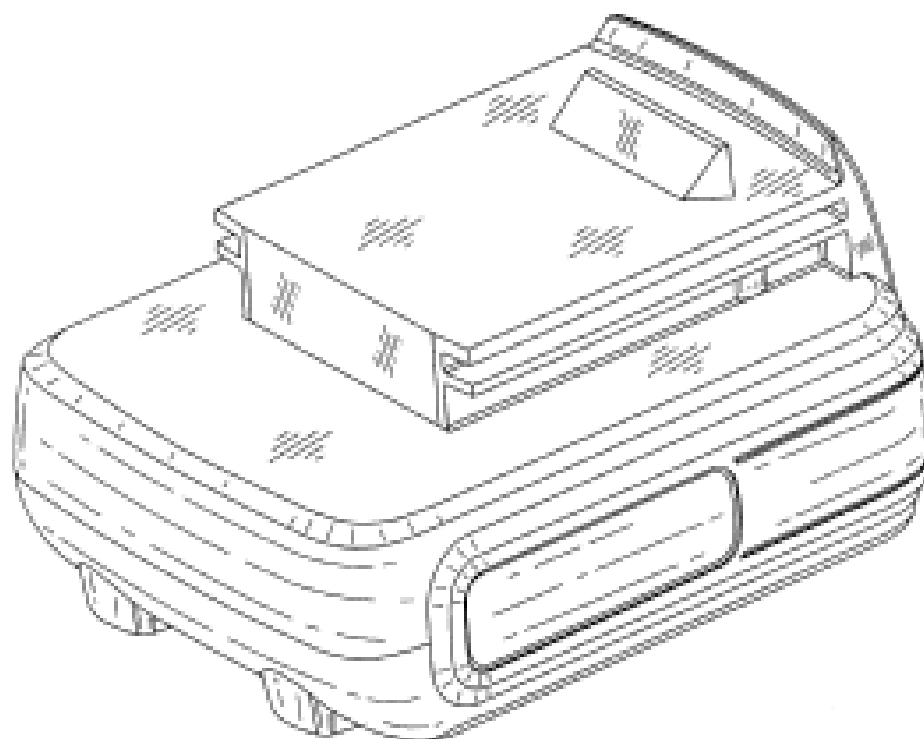
(21) Design Number: **15883/2008**
(22) Date of Filing Application: **16 December 2008**
(24) Date from which industrial property rights may have effect: **16 December 2008**
(54) Product in respect of which the design is registered: **Corner wall panel**
(51) International Design Classification: **25-01D**
(71) Name(s) and Address(s) of Applicant(s):
Big Hit Enterprises Pty Ltd
137 High Road Wanneroo Western Australia 6065 Australia
(72) Name(s) of Designer(s): **Martin Daniel Murphy**
(45) Registration Date: **15 July 2009**
(56) Related Art Documents: **Not Applicable**
(57) Statement of Newness and Distinctiveness: **Nil**



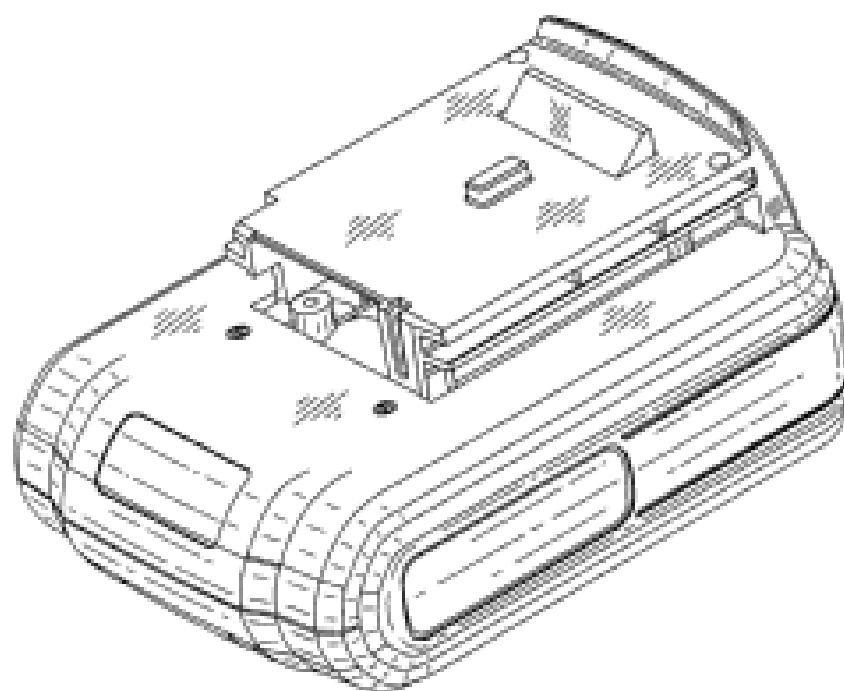
(21) Design Number: **15884/2008**
(22) Date of Filing Application: **16 December 2008**
(24) Date from which industrial property rights may have effect: **16 December 2008**
(54) Product in respect of which the design is registered: **Straight wall panel**
(51) International Design Classification: **25-01D**
(71) Name(s) and Address(s) of Applicant(s):
Big Hit Enterprises Pty Ltd
137 High Road Wanneroo Western Australia 6065 Australia
(72) Name(s) of Designer(s): **Martin Daniel Murphy**
(45) Registration Date: **15 July 2009**
(56) Related Art Documents: **Not Applicable**
(57) Statement of Newness and Distinctiveness: **Nil**



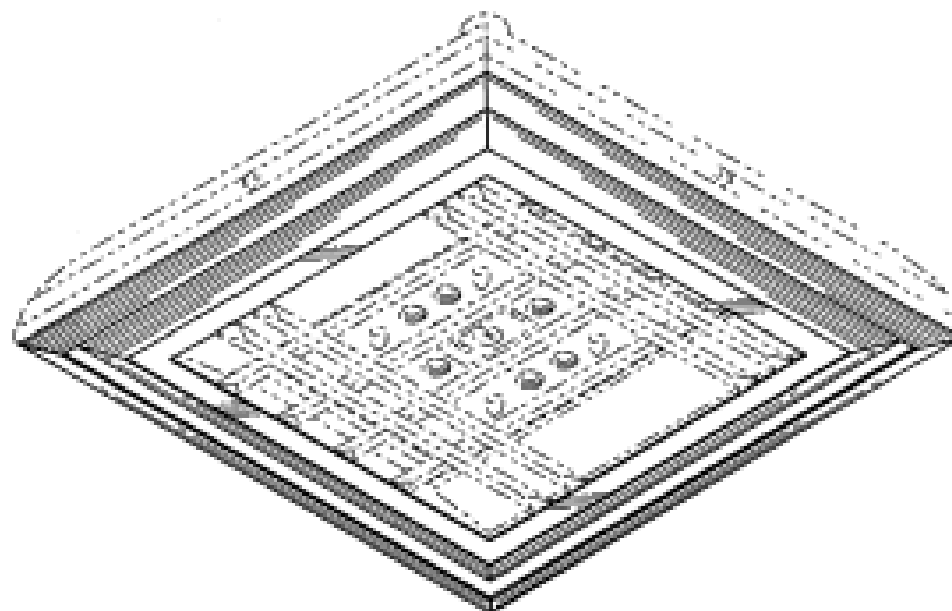
(21) Design Number: **11748/2009**
(22) Date of Filing Application: **14 May 2009**
(24) Date from which industrial property rights may have effect: **14 May 2009**
(54) Product in respect of which the design is registered: **Battery pack**
(51) International Design Classification: **13-02**
(71) Name(s) and Address(s) of Applicant(s):
Black & Decker, Inc.
1207 Drummond Plaza Newark Delaware 19711 United States of America
(72) Name(s) of Designer(s): **Sean Sweeney**
(45) Registration Date: **15 July 2009**
(30) Convention priority data:
(31) Number (32) Date (33) Country
001039192 14 Nov 2008 EUROPEAN COMMUNITY
(56) Related Art Documents: **Not Applicable**
(57) Statement of Newness and Distinctiveness: **Nil**



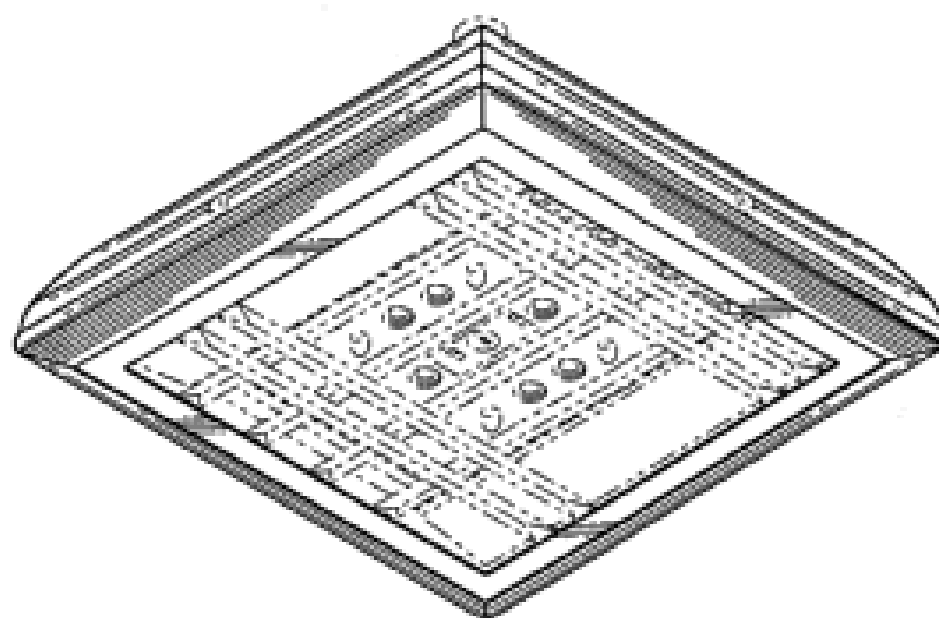
(21) Design Number: **11749/2009**
(22) Date of Filing Application: **14 May 2009**
(24) Date from which industrial property rights may have effect: **14 May 2009**
(54) Product in respect of which the design is registered: **Battery pack**
(51) International Design Classification: **13-02**
(71) Name(s) and Address(s) of Applicant(s):
Black & Decker, Inc.
1207 Drummond Plaza Newark Delaware 19711 United States of America
(72) Name(s) of Designer(s): **Sean Sweeney**
(45) Registration Date: **15 July 2009**
(30) Convention priority data:
(31) Number (32) Date (33) Country
001039226-0001 14 Nov 2008 EUROPEAN COMMUNITY
(56) Related Art Documents: **Not Applicable**
(57) Statement of Newness and Distinctiveness: **Nil**



- (21) Design Number: **12001/2009**
(22) Date of Filing Application: **20 March 2009**
(24) Date from which industrial property rights may have effect: **20 March 2009**
(54) Product in respect of which the design is registered: **Lighting**
(51) International Design Classification: **26-05C**
(71) Name(s) and Address(s) of Applicant(s):
LSI Industries, Inc.
10000 Alliance Road Cincinnati Ohio 45242 United States of America
(72) Name(s) of Designer(s): **John D. Boyer and James P. Sferra and Rob A. Rooms**
(45) Registration Date: **15 July 2009**
(30) Convention priority data:
(31) Number (32) Date (33) Country
29/324914 23 Sep 2008 UNITED STATES OF AMERICA
(62) Divisional of: **326268**
(56) Related Art Documents: **Not Applicable**
(57) Statement of Newness and Distinctiveness: **Newness and distinctiveness is claimed in the visual features shown in solid lines in the representations.**



- (21) Design Number: **12002/2009**
(22) Date of Filing Application: **20 March 2009**
(24) Date from which industrial property rights may have effect: **20 March 2009**
(54) Product in respect of which the design is registered: **Lighting**
(51) International Design Classification: **26-05C**
(71) Name(s) and Address(s) of Applicant(s):
LSI Industries, Inc.
10000 Alliance Road Cincinnati Ohio 45242 United States of America
(72) Name(s) of Designer(s): **John D. Boyer and James P. Sferra and Rob A. Rooms**
(45) Registration Date: **15 July 2009**
(30) Convention priority data:
(31) Number (32) Date (33) Country
29/324914 23 Sep 2008 UNITED STATES OF AMERICA
(62) Divisional of: **326268**
(56) Related Art Documents: **Not Applicable**
(57) Statement of Newness and Distinctiveness: **Newness and distinctiveness is claimed in the visual features shown in solid lines in the representations.**



(21) Design Number: **12241/2009**

(22) Date of Filing Application: **22 June 2009**

(24) Date from which industrial property rights may have effect: **22 June 2009**

(54) Product in respect of which the design is registered: **Seat**

(51) International Design Classification: **06-01L**

(71) Name(s) and Address(s) of Applicant(s):

Leslie Gudel Kemm
531 Winston Way Berwyn PA 19312 United States of America

(72) Name(s) of Designer(s): **Leslie Gudel Kemm**

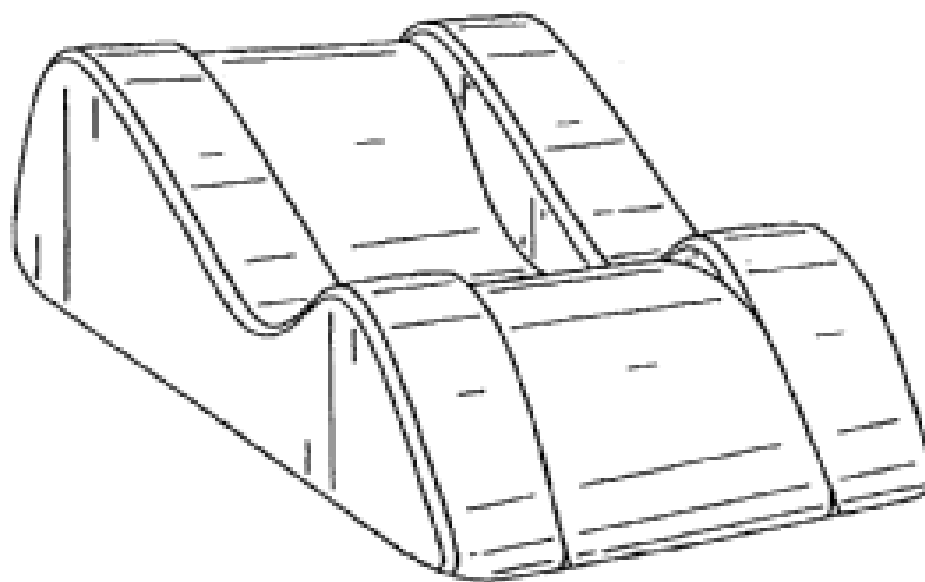
(45) Registration Date: **15 July 2009**

(30) Convention priority data:

(31) Number	(32) Date	(33) Country
29/329,843	22 Dec 2008	UNITED STATES OF AMERICA

(56) Related Art Documents: **Not Applicable**

(57) Statement of Newness and Distinctiveness: **Nil**



(21) Design Number: **12243/2009**

(22) Date of Filing Application: **22 June 2009**

(24) Date from which industrial property rights may have effect: **22 June 2009**

(54) Product in respect of which the design is registered: **Electric teapot**

(51) International Design Classification: **07-02K**

(71) Name(s) and Address(s) of Applicant(s):

SEB S.A.
Les 4 M Chemin du Petit Bois F-69130 Ecully France

(72) Name(s) of Designer(s): **Philippe Piret**

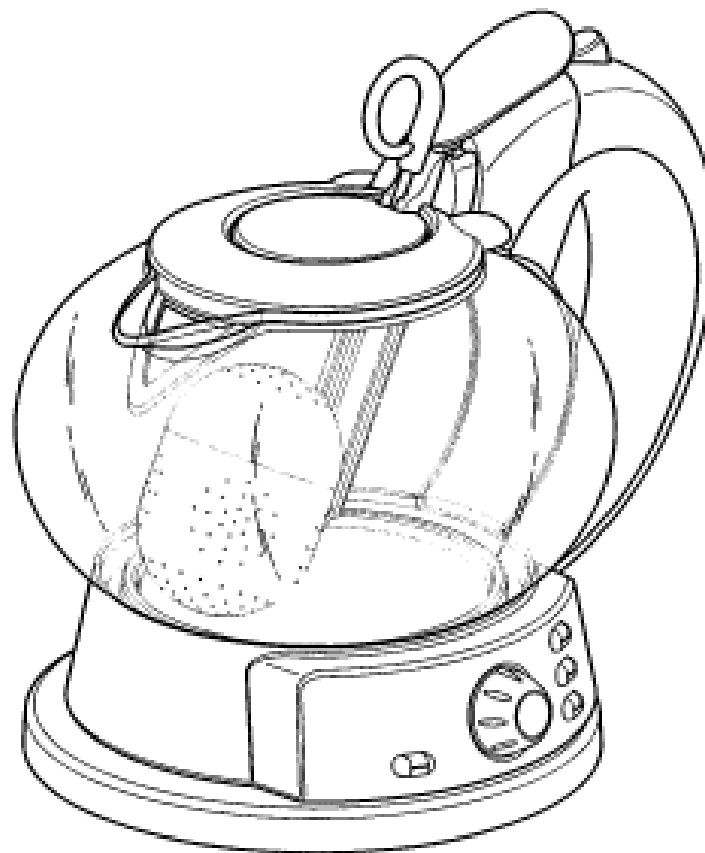
(45) Registration Date: **15 July 2009**

(30) Convention priority data:

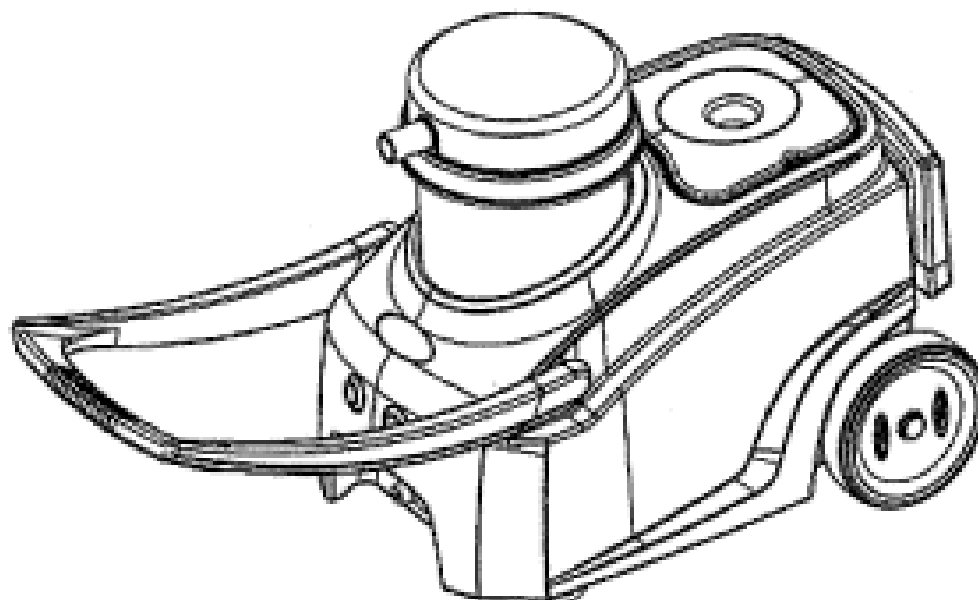
(31) Number	(32) Date	(33) Country
001069611-0001	13 Jan 2009	EUROPEAN COMMUNITY

(56) Related Art Documents: **Not Applicable**

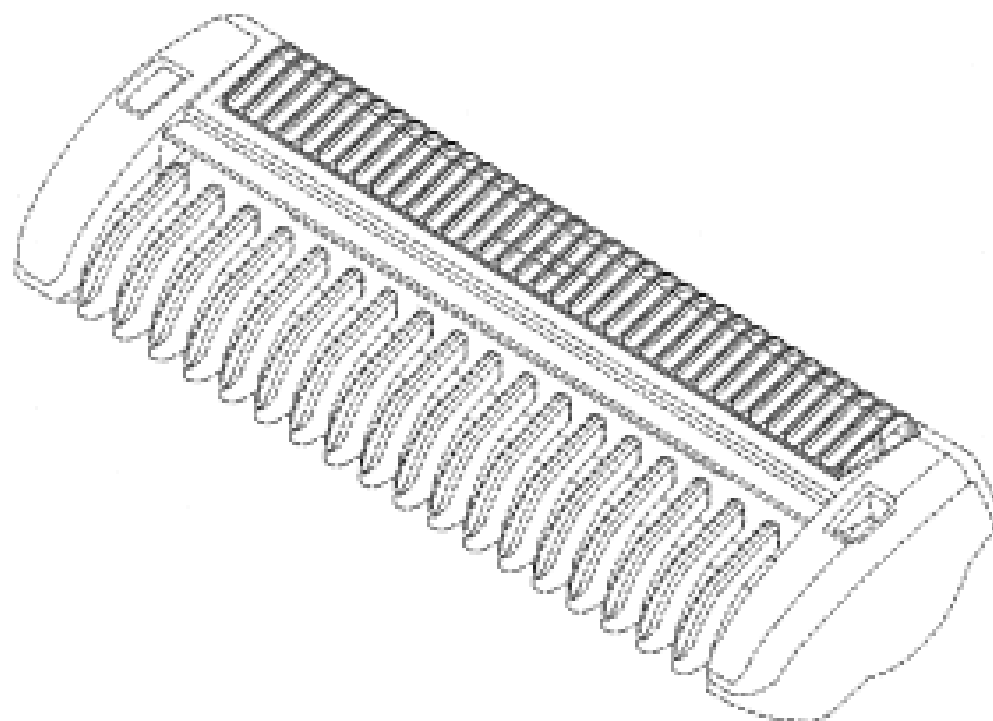
(57) Statement of Newness and Distinctiveness: **Newness and distinctiveness reside in the features of the design as shown in the representations.**



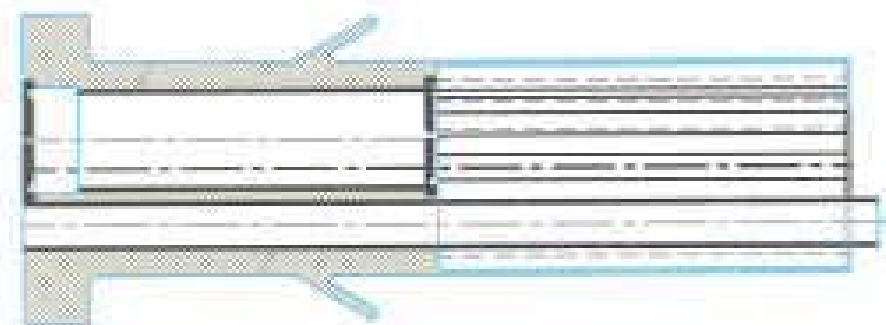
- (21) Design Number: **11982/2009**
(22) Date of Filing Application: **28 May 2009**
(24) Date from which industrial property rights may have effect: **28 May 2009**
(54) Product in respect of which the design is registered: **Carpet cleaning machine**
(51) International Design Classification: **15-05**
(71) Name(s) and Address(s) of Applicant(s):
Britex Carpet Care Pty Ltd
22-26 Joseph Street Blackburn North Victoria 3130 Australia
(72) Name(s) of Designer(s): **Dean Holmes**
(45) Registration Date: **15 July 2009**
(56) Related Art Documents: **Not Applicable**
(57) Statement of Newness and Distinctiveness: **Nil**



- (21) Design Number: **12076/2009**
(22) Date of Filing Application: **04 June 2009**
(24) Date from which industrial property rights may have effect: **04 June 2009**
(54) Product in respect of which the design is registered: **Razor cartridge with cap**
(51) International Design Classification: **28-03A**
(71) Name(s) and Address(s) of Applicant(s):
The Gillette Company
Prudential Tower Building Boston Massachusetts 02199 United States of America
(72) Name(s) of Designer(s): **Kevin James Wain**
(45) Registration Date: **15 July 2009**
(30) Convention priority data:
(31) Number (32) Date (33) Country
29/328,976 05 Dec 2008 UNITED STATES OF AMERICA
(56) Related Art Documents: **Not Applicable**
(57) Statement of Newness and Distinctiveness: **Newness and distinctiveness reside in the features of shape and/or configuration of the part of the cap shown in solid lines in the representations. Newness and distinctiveness are not claimed in relation to the features of the cap shown in broken lines in the representations. The cartridge is not shown in the representations because the cartridge does not form part of the design for which newness and distinctiveness are being claimed.**

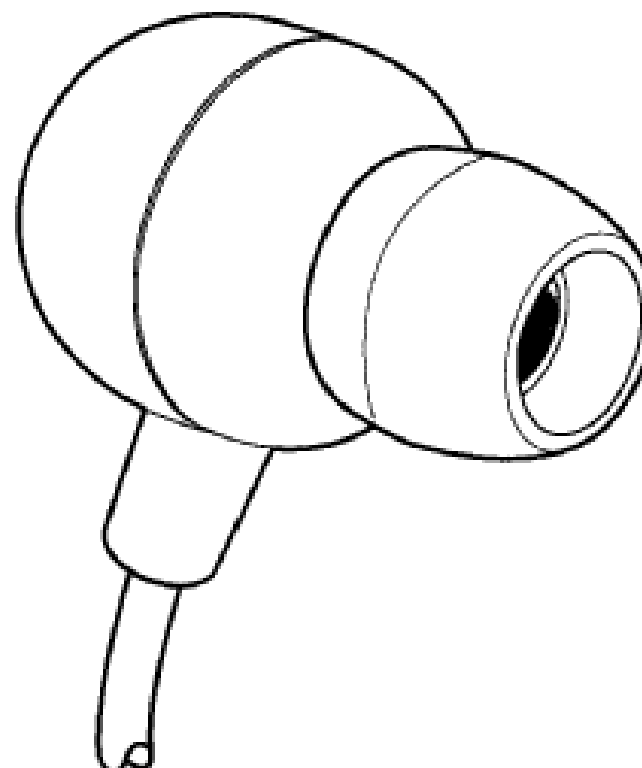


- (21) Design Number: **12100/2009**
- (22) Date of Filing Application: **08 June 2009**
- (24) Date from which industrial property rights may have effect: **08 June 2009**
- (54) Product in respect of which the design is registered: **Fluid flow control device**
- (51) International Design Classification: **23-01K**
- (71) Name(s) and Address(s) of Applicant(s):
Mortlach Holdings Pty Ltd
26 Castle Road Woodlands Western Australia 6018 Australia
- (72) Name(s) of Designer(s): **Ian McKay**
- (45) Registration Date: **15 July 2009**
- (56) Related Art Documents: **Not Applicable**
- (57) Statement of Newness and Distinctiveness: **Newness and distinctiveness is claimed in the shape and/or configuration of the fluid flow control device as illustrated in the accompanying representation.**



- (21) Design Number: **12513/2009**
- (22) Date of Filing Application: **09 July 2009**
- (24) Date from which industrial property rights may have effect: **09 July 2009**
- (54) Product in respect of which the design is registered: **Earphone**
- (51) International Design Classification: **14-01**
- (71) Name(s) and Address(s) of Applicant(s):
Kabushiki Kaisha Mix Style
8-1 Takayama-cho 1-chome Kasugai-shi Aichi Japan
- (72) Name(s) of Designer(s): **Hidekazu Tahara**
- (45) Registration Date: **15 July 2009**
- (30) Convention priority data:

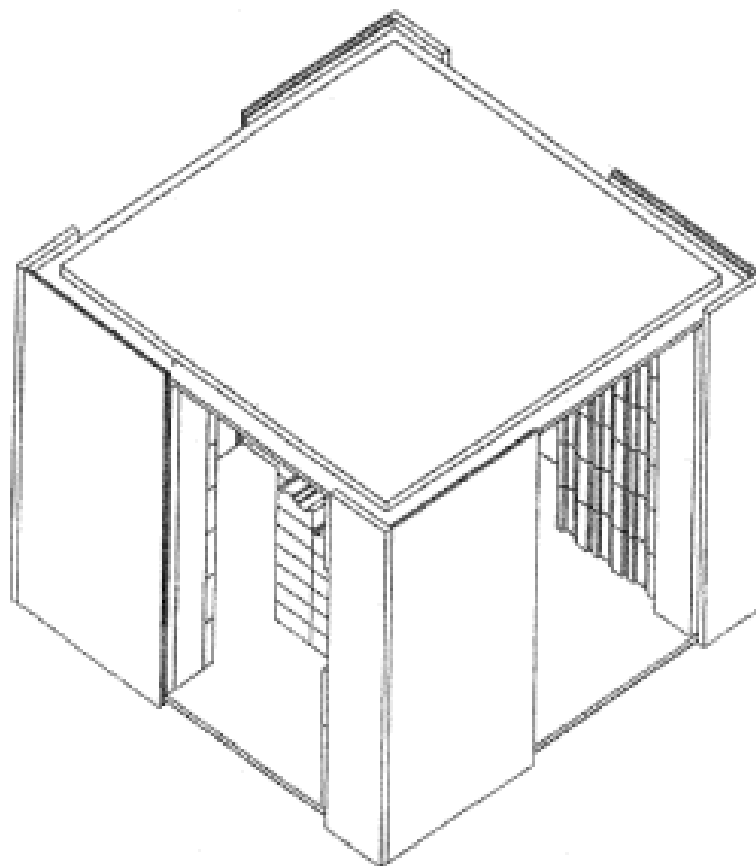
(31) Number	(32) Date	(33) Country
2009-000543	14 Jan 2009	JAPAN
- (56) Related Art Documents: **Not Applicable**
- (57) Statement of Newness and Distinctiveness: **In considering the newness or distinctiveness of the design, regard is to be given to the overall shape and/or configuration of the earpiece as shown in the representations. Furthermore, in considering the newness and distinctiveness no regard should be given to the star indicia.**



- (21) Design Number: **11595/2009**
(22) Date of Filing Application: **04 May 2009**
(24) Date from which industrial property rights may have effect: **04 May 2009**
(54) Product in respect of which the design is registered: **Base plate element for decorations or ornaments**
(51) International Design Classification: **11-02NES**
(71) Name(s) and Address(s) of Applicant(s):
De Jour Sanitary Products Pty Ltd
286 Chesterville Road Moorabbin Victoria 3189 Australia
(72) Name(s) of Designer(s): **Katrina Allen**
(45) Registration Date: **15 July 2009**
(56) Related Art Documents: **Not Applicable**
(57) Statement of Newness and Distinctiveness: **The base plate element is of indefinite length and width and the overall shape of the base plate element is indefinite.**



- (21) Design Number: **12155/2009**
(22) Date of Filing Application: **12 June 2009**
(24) Date from which industrial property rights may have effect: **12 June 2009**
(54) Product in respect of which the design is registered: **Sales kiosk**
(51) International Design Classification: **25-03**
(71) Name(s) and Address(s) of Applicant(s):
Swatch AG (Swatch SA) (Swatch Ltd)
94 rue Jakob Stampfli Bienne Switzerland
(72) Name(s) of Designer(s): **Thomas Kaspar**
(45) Registration Date: **15 July 2009**
(30) Convention priority data:
(31) Number (32) Date (33) Country
DM/071 519 02 Mar 2009 SWITZERLAND
(56) Related Art Documents: **Not Applicable**
(57) Statement of Newness and Distinctiveness: **Nil**

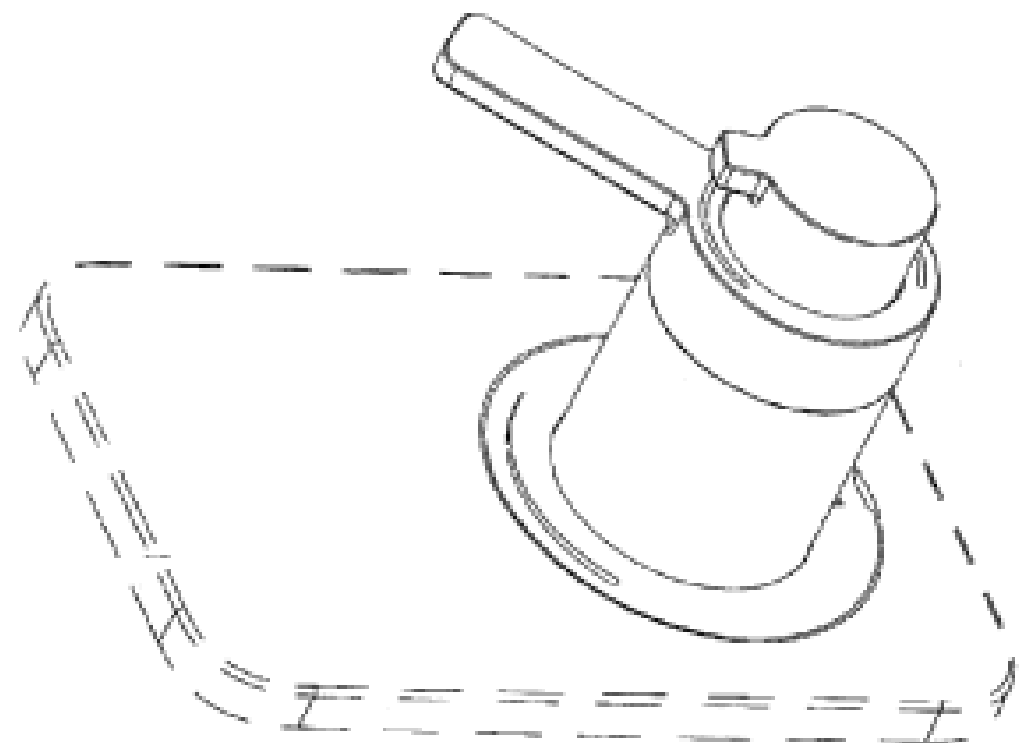


- (21) Design Number: **12245/2009**
- (22) Date of Filing Application: **23 June 2009**
- (24) Date from which industrial property rights may have effect: **23 June 2009**
- (54) Product in respect of which the design is registered: **Statue or table base**
- (51) International Design Classification: **11-02E**
- (71) Name(s) and Address(s) of Applicant(s):
Elegant Garden World Pty Ltd
40 Lisbon Street Fairfield East New South Wales 2165 Australia
- (72) Name(s) of Designer(s): **Yi Luo**
- (45) Registration Date: **15 July 2009**
- (56) Related Art Documents: **Not Applicable**
- (57) Statement of Newness and Distinctiveness: **Nil**

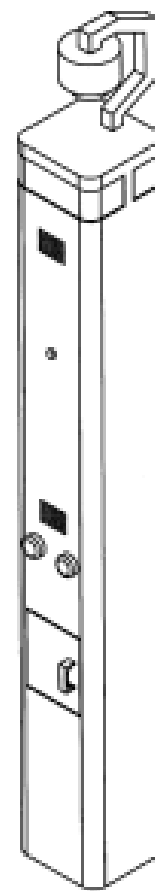


- (21) Design Number: **12246/2009**
- (22) Date of Filing Application: **23 June 2009**
- (24) Date from which industrial property rights may have effect: **23 June 2009**
- (54) Product in respect of which the design is registered: **A flow controller**
- (51) International Design Classification: **23-01H, 10-04**
- (71) Name(s) and Address(s) of Applicant(s):
Feltonmix Limited
Level 3 117 St Georges Bay Road Parnell Auckland New Zealand
- (72) Name(s) of Designer(s): **Mark Rodney Turner and Stephen James Beagley and Graham Trevan Brain**
- (45) Registration Date: **15 July 2009**
- (30) Convention priority data:

(31) Number	(32) Date	(33) Country
411780	23 Dec 2008	NEW ZEALAND
- (56) Related Art Documents: **Not Applicable**
- (57) Statement of Newness and Distinctiveness: **Newness and distinctiveness reside in the features of shape and/or configuration of the flow controller, all as shown in the representations. Newness and distinctiveness are not claimed in relation to the features shown in broken lines in the representations.**

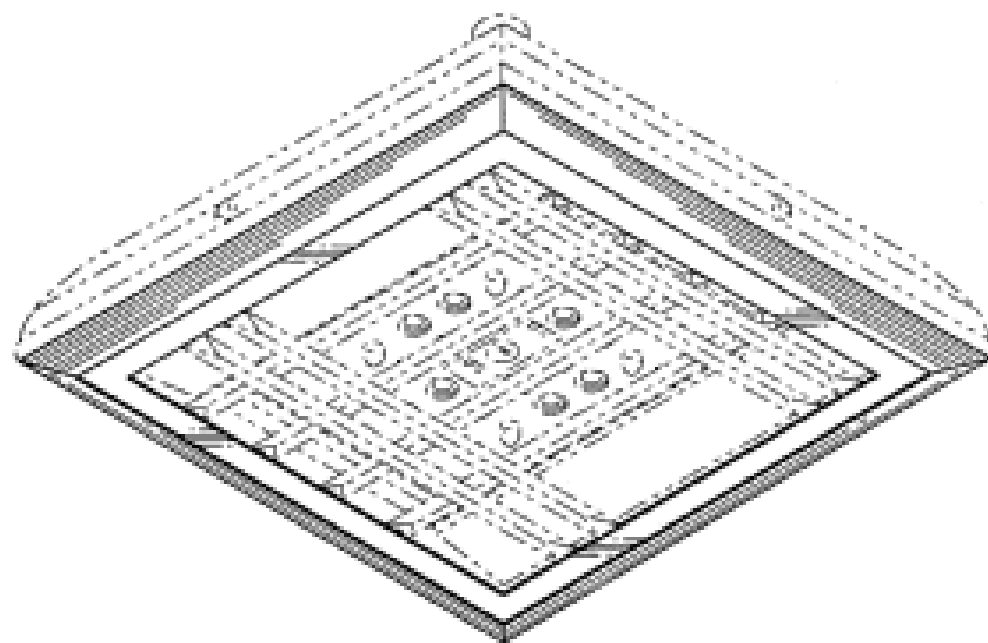


- (21) Design Number: **12281/2009**
- (22) Date of Filing Application: **24 June 2009**
- (24) Date from which industrial property rights may have effect: **24 June 2009**
- (54) Product in respect of which the design is registered: **Emergency station incorporating a defibrillator**
- (51) International Design Classification: **24-02**
- (71) Name(s) and Address(s) of Applicant(s):
Australian Defibrillators Pty. Ltd.
6 Truro Street Port Noarlunga South Australia 5167 Australia
- (72) Name(s) of Designer(s): **Paul Jones**
- (45) Registration Date: **15 July 2009**
- (56) Related Art Documents: **Not Applicable**
- (57) Statement of Newness and Distinctiveness: **Nil**

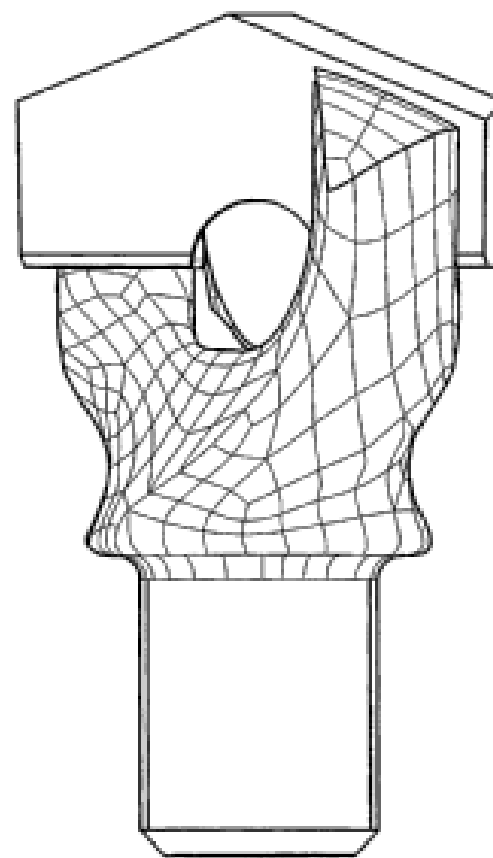


- (21) Design Number: **12003/2009**
- (22) Date of Filing Application: **20 March 2009**
- (24) Date from which industrial property rights may have effect: **20 March 2009**
- (54) Product in respect of which the design is registered: **Lighting**
- (51) International Design Classification: **26-05C**
- (71) Name(s) and Address(s) of Applicant(s):
LSI Industries, Inc.
10000 Alliance Road Cincinnati Ohio 45242 United States of America
- (72) Name(s) of Designer(s): **John D. Boyer and James P. Sferra and Rob A. Rooms**
- (45) Registration Date: **15 July 2009**
- (30) Convention priority data:

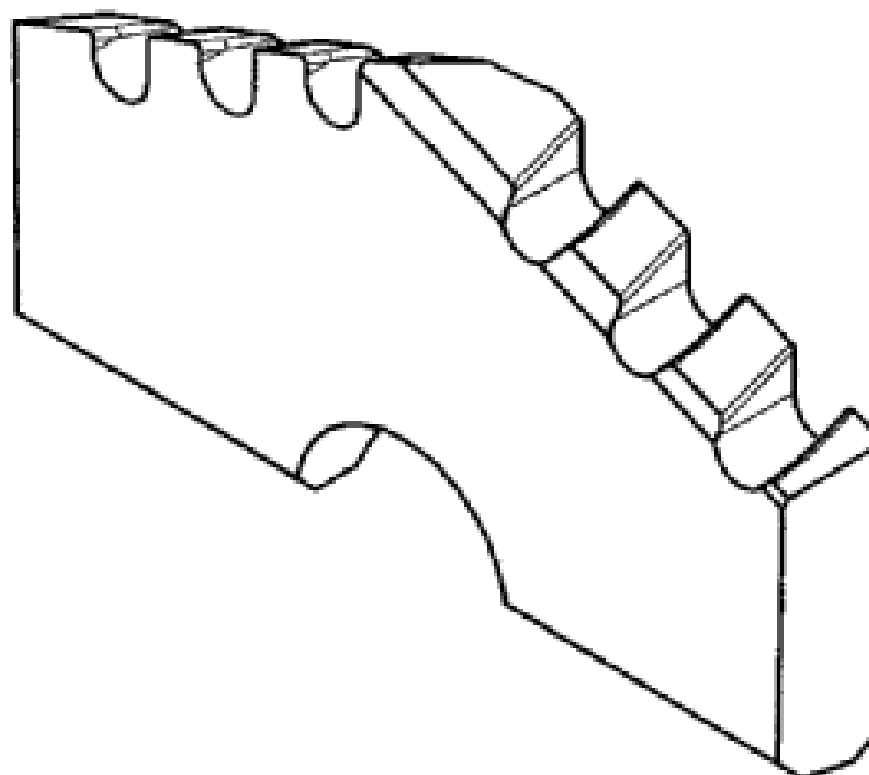
(31) Number	(32) Date	(33) Country
29/324914	23 Sep 2008	UNITED STATES OF AMERICA
- (62) Divisional of: **326268**
- (56) Related Art Documents: **Not Applicable**
- (57) Statement of Newness and Distinctiveness: **Newness and distinctiveness is claimed in the visual features shown in solid lines in the representations.**



(21) Design Number: **12215/2009**
(22) Date of Filing Application: **19 June 2009**
(24) Date from which industrial property rights may have effect: **19 June 2009**
(54) Product in respect of which the design is registered: **A drill tip**
(51) International Design Classification: **08-01**
(71) Name(s) and Address(s) of Applicant(s):
Sandvik Intellectual Property AB
Spangvagen 10 Sandviken SE-811 81 Sweden
(72) Name(s) of Designer(s): **Matthew Kenny and Steve Weaver**
(45) Registration Date: **15 July 2009**
(56) Related Art Documents: **Not Applicable**
(57) Statement of Newness and Distinctiveness: **Nil**



(21) Design Number: **12216/2009**
(22) Date of Filing Application: **19 June 2009**
(24) Date from which industrial property rights may have effect: **19 June 2009**
(54) Product in respect of which the design is registered: **A drill tip**
(51) International Design Classification: **08-01**
(71) Name(s) and Address(s) of Applicant(s):
Sandvik Intellectual Property AB
Spangvagen 10 Sandviken SE-811 81 Sweden
(72) Name(s) of Designer(s): **Matthew Kenny and Steve Weaver**
(45) Registration Date: **15 July 2009**
(56) Related Art Documents: **Not Applicable**
(57) Statement of Newness and Distinctiveness: **Nil**



(21) Design Number: **12217/2009**

(22) Date of Filing Application: **19 June 2009**

(24) Date from which industrial property rights may have effect: **19 June 2009**

(54) Product in respect of which the design is registered: **Portable stove**

(51) International Design Classification: **07-02D**

(71) Name(s) and Address(s) of Applicant(s):

**The Coleman Company, Inc.
3600 N. Hydraulic Wichita Kansas 67219 United States of America**

(72) Name(s) of Designer(s): **Jake L. Hillard and Kyle R. Penner and Clyde R. Schulte and Mary K. Richardson**

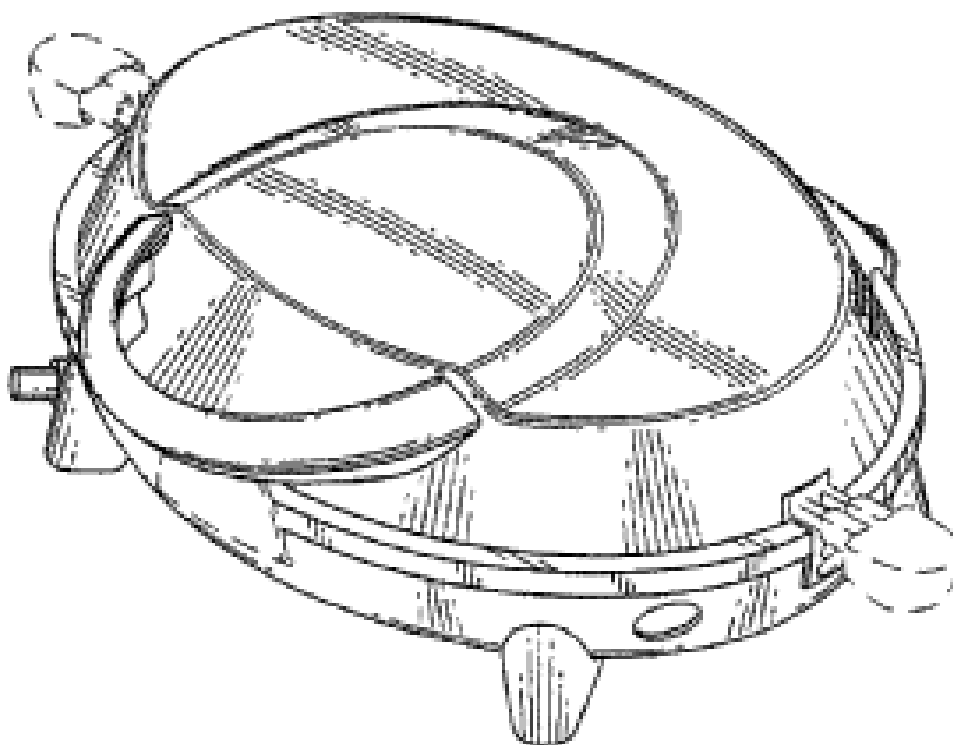
(45) Registration Date: **15 July 2009**

(30) Convention priority data:

(31) Number	(32) Date	(33) Country
29/329901	23 Dec 2008	UNITED STATES OF AMERICA

(56) Related Art Documents: **Not Applicable**

(57) Statement of Newness and Distinctiveness: **When determining whether the design 1 is substantially similar in overall impression to another design, no regard is to be had to those features shown in dotted outline in the accompanying drawings. The shape and configuration of the portable stove is new and distinctive.**



(21) Design Number: **12218/2009**

(22) Date of Filing Application: **22 June 2009**

(24) Date from which industrial property rights may have effect: **22 June 2009**

(54) Product in respect of which the design is registered: **Washing balls**

(51) International Design Classification: **07-05NES**

(71) Name(s) and Address(s) of Applicant(s):

**IGTECH Co. Ltd.
Factory #24 Yongsan Ri Chocheon-Myun Jincheon-Gun
Chungcheongbuk-Do 365-852 Republic of Korea**

(72) Name(s) of Designer(s): **Gab Seok Chae**

(45) Registration Date: **15 July 2009**

(30) Convention priority data:

(31) Number	(32) Date	(33) Country
EP061931-0001	23 Dec 2008	EUROPEAN COMMUNITY

(56) Related Art Documents: **Not Applicable**

(57) Statement of Newness and Distinctiveness: **Nil**



(21) Design Number: **12247/2009**

(22) Date of Filing Application: **23 June 2009**

(24) Date from which industrial property rights may have effect: **23 June 2009**

(54) Product in respect of which the design is registered: **4 Litre bucket and lid is used as part of our environmentally friendly packaging. Reusable many many**

(51) International Design Classification: **07-07B, 30-02**

(71) Name(s) and Address(s) of Applicant(s):

**The Good Family Machine Co. Pty. Ltd.
34 Milton Street Bannockburn Victoria 3331 Australia**

(72) Name(s) of Designer(s): **Guenter Moosbrugger and Sue Moosbrugger**

(45) Registration Date: **15 July 2009**

(56) Related Art Documents: **Not Applicable**

(57) Statement of Newness and Distinctiveness: **The lid: A circle is cut out of lid approx. 160 mm in diameter. Wire mesh of corresponding size is heat welded on to provide air flow for the insects until used. We want to keep this design as unique for our business as part of our packaging.**



(21) Design Number: **12249/2009**

(22) Date of Filing Application: **23 June 2009**

(24) Date from which industrial property rights may have effect: **23 June 2009**

(54) Product in respect of which the design is registered: **Insert cut of perspex to fit into a footring for a chair to transform the footring into a tray**

(51) International Design Classification: **06-06C**

(71) Name(s) and Address(s) of Applicant(s):

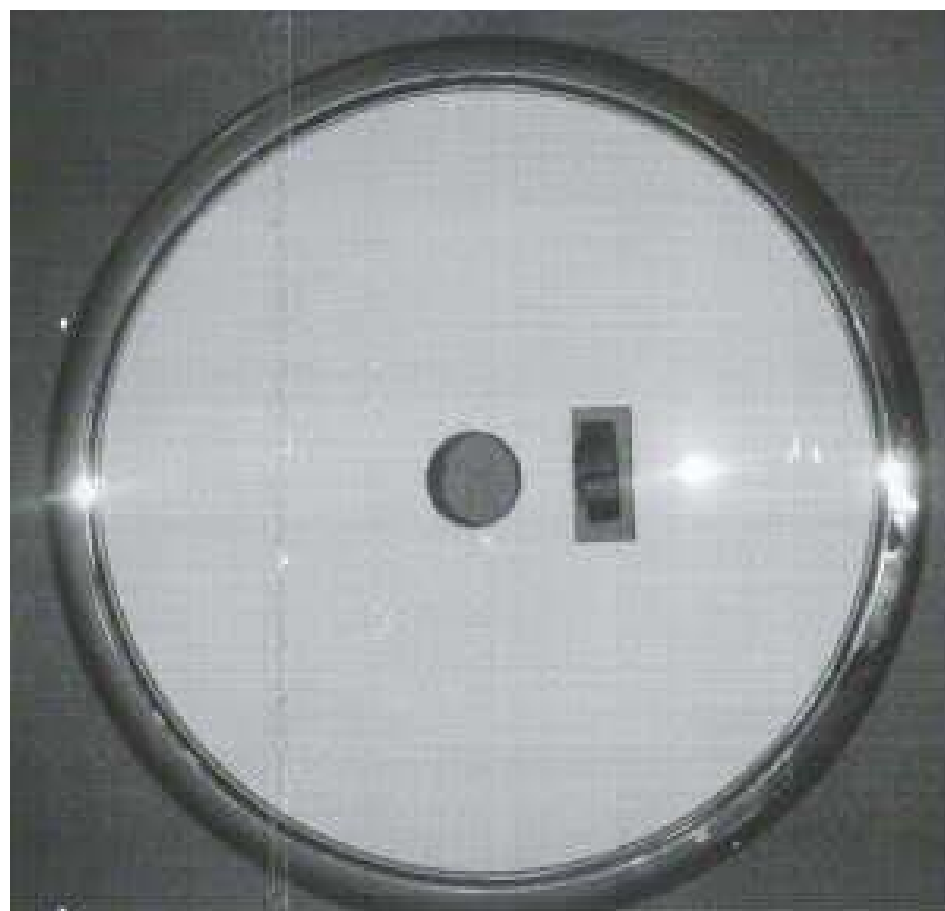
**Jeffrey Herbert
2A Austin Street Rye Victoria 3841 Australia**

(72) Name(s) of Designer(s): **Jeffery Herbert**

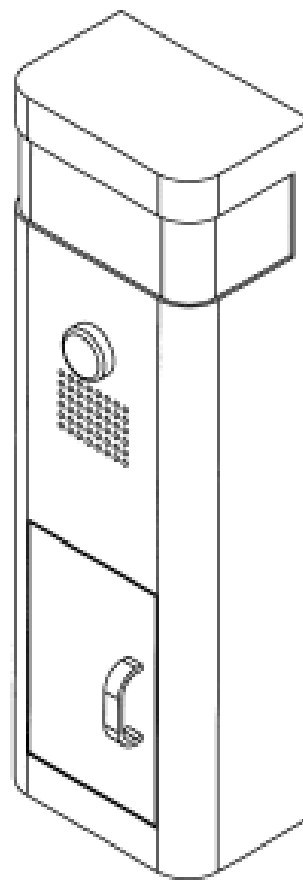
(45) Registration Date: **15 July 2009**

(56) Related Art Documents: **Not Applicable**

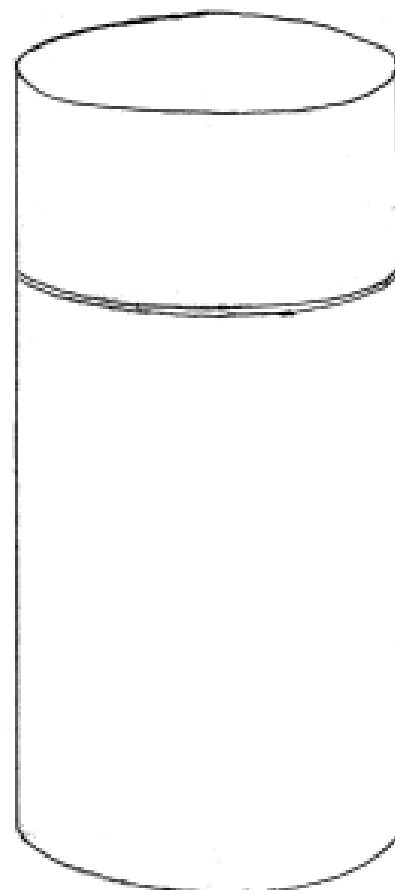
(57) Statement of Newness and Distinctiveness: **Circular perspex disc with a center hole to fit over the gaslift in a chair and a small cutout to allow access to the ring adjustment.**



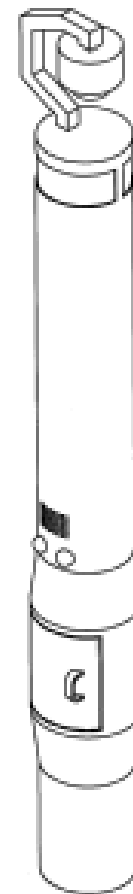
- (21) Design Number: **12253/2009**
(22) Date of Filing Application: **24 June 2009**
(24) Date from which industrial property rights may have effect: **24 June 2009**
(54) Product in respect of which the design is registered: **Emergency station incorporating a defibrillator**
(51) International Design Classification: **24-01**
(71) Name(s) and Address(s) of Applicant(s):
Australian Defibrillators Pty. Ltd.
6 Truro Street Port Noarlunga South Australia 5167 Australia
(72) Name(s) of Designer(s): **Paul Jones**
(45) Registration Date: **15 July 2009**
(56) Related Art Documents: **Not Applicable**
(57) Statement of Newness and Distinctiveness: **Nil**



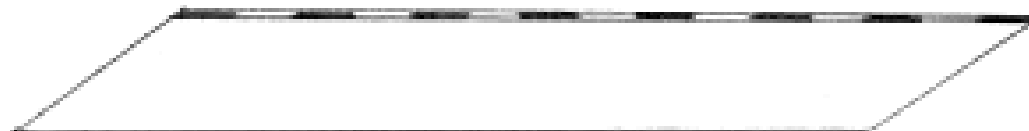
- (21) Design Number: **12295/2009**
(22) Date of Filing Application: **25 June 2009**
(24) Date from which industrial property rights may have effect: **25 June 2009**
(54) Product in respect of which the design is registered: **Ashes memorial container**
(51) International Design Classification: **99-00**
(71) Name(s) and Address(s) of Applicant(s):
Neta Isabelle McSpadden
Unit 7/81A Balaclava Road Eastwood New South Wales 2122 Australia
(72) Name(s) of Designer(s): **Neta Isabelle McSpadden**
(45) Registration Date: **15 July 2009**
(56) Related Art Documents: **Not Applicable**
(57) Statement of Newness and Distinctiveness: **The new features of the ashes memorial container are the twist lock lid and laminea wallpaper or the like, to enhance the finished appearance.**



- (21) Design Number: **12325/2009**
(22) Date of Filing Application: **29 June 2009**
(24) Date from which industrial property rights may have effect: **29 June 2009**
(54) Product in respect of which the design is registered: **Emergency station incorporating a defibrillator**
(51) International Design Classification: **24-02**
(71) Name(s) and Address(s) of Applicant(s):
Australian Defibrillators Pty. Ltd.
6 Truro Street Port Noarlunga South Australia 5167 Australia
(72) Name(s) of Designer(s): **Paul Jones**
(45) Registration Date: **15 July 2009**
(56) Related Art Documents: **Not Applicable**
(57) Statement of Newness and Distinctiveness: **Nil**



- (21) Design Number: **12347/2009**
(22) Date of Filing Application: **01 July 2009**
(24) Date from which industrial property rights may have effect: **01 July 2009**
(54) Product in respect of which the design is registered: **A skirt for a clothesline**
(51) International Design Classification: **07-05NES**
(71) Name(s) and Address(s) of Applicant(s):
Liana Wynne
589 Piggabeen Road Piggabeen New South Wales 2486 Australia
Noel Wynne
589 Piggabeen Road Piggabeen New South Wales 2486 Australia
(72) Name(s) of Designer(s): **Liana Wynne**
(45) Registration Date: **15 July 2009**
(56) Related Art Documents: **Not Applicable**
(57) Statement of Newness and Distinctiveness: **This addition is made of a clear PVC material which is adhered to design numbers 325739 and 325740 by way of velcro and appears like a 'skirt' around the outer edge. This 'skirt' hangs vertically around the outer edge of designs 325739 and 325740.**



(21) Design Number: **12257/2009**

(22) Date of Filing Application: **23 June 2009**

(24) Date from which industrial property rights may have effect: **23 June 2009**

(54) Product in respect of which the design is registered: **Apparatus for dispensing water**

(51) International Design Classification: **23-01NES**

(71) Name(s) and Address(s) of Applicant(s):

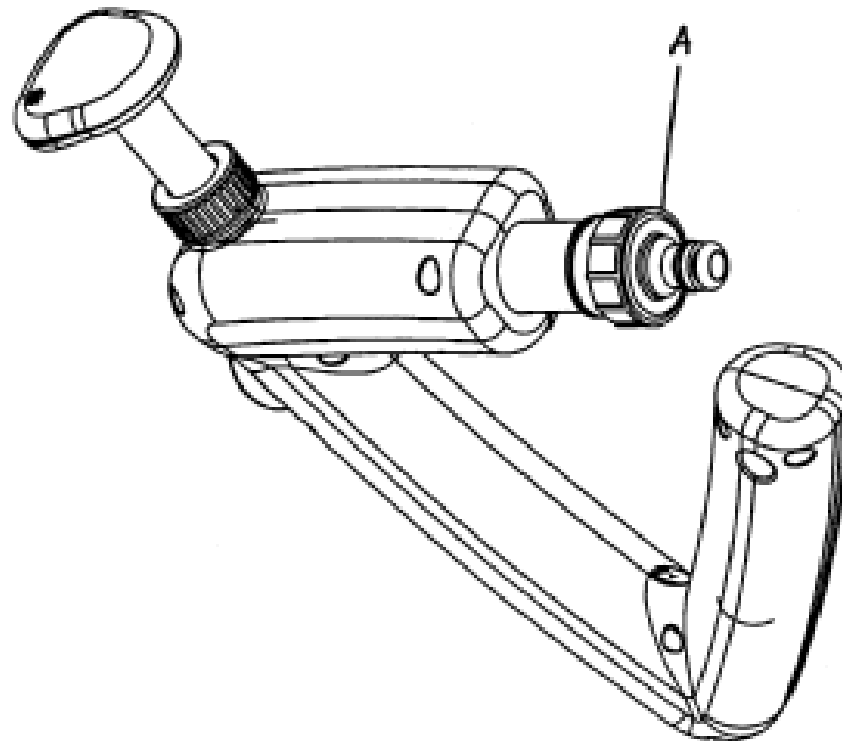
Maliform Pty Ltd
15A Redan Road Caulfield North Victoria 3161 Australia

(72) Name(s) of Designer(s): **Colin Opwald and Desmond Berry and Aisha Sadikay**

(45) Registration Date: **15 July 2009**

(56) Related Art Documents: **Not Applicable**

(57) Statement of Newness and Distinctiveness: **The design resides in the features of shape and configuration as applied to the apparatus for dispensing water as shown in the drawings. The connection means, as marked A on the drawings does not form part of the design.**



(21) Design Number: **10971/2009**

(22) Date of Filing Application: **18 June 2009**

(24) Date from which industrial property rights may have effect: **18 June 2009**

(54) Product in respect of which the design is registered: **A training device**

(51) International Design Classification: **21-02NES**

(71) Name(s) and Address(s) of Applicant(s):

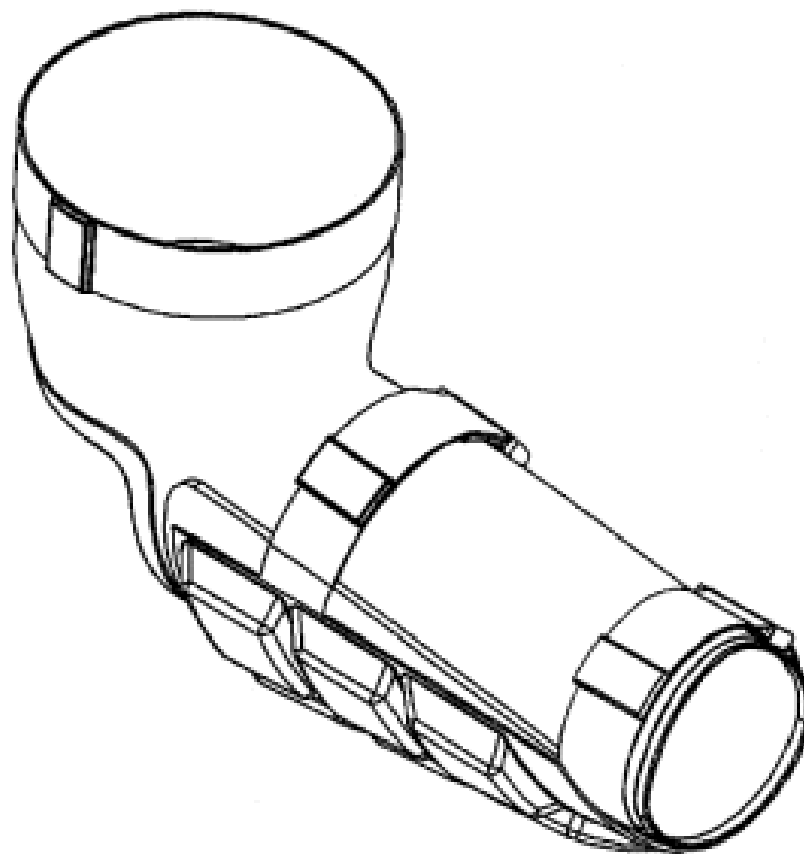
Robert Mepi Faoagali
18 Cilento Street McDowall Queensland 4053 Australia

(72) Name(s) of Designer(s): **Robert Mepi Faoagali and Benjamin Douglas Vinal Cramp**

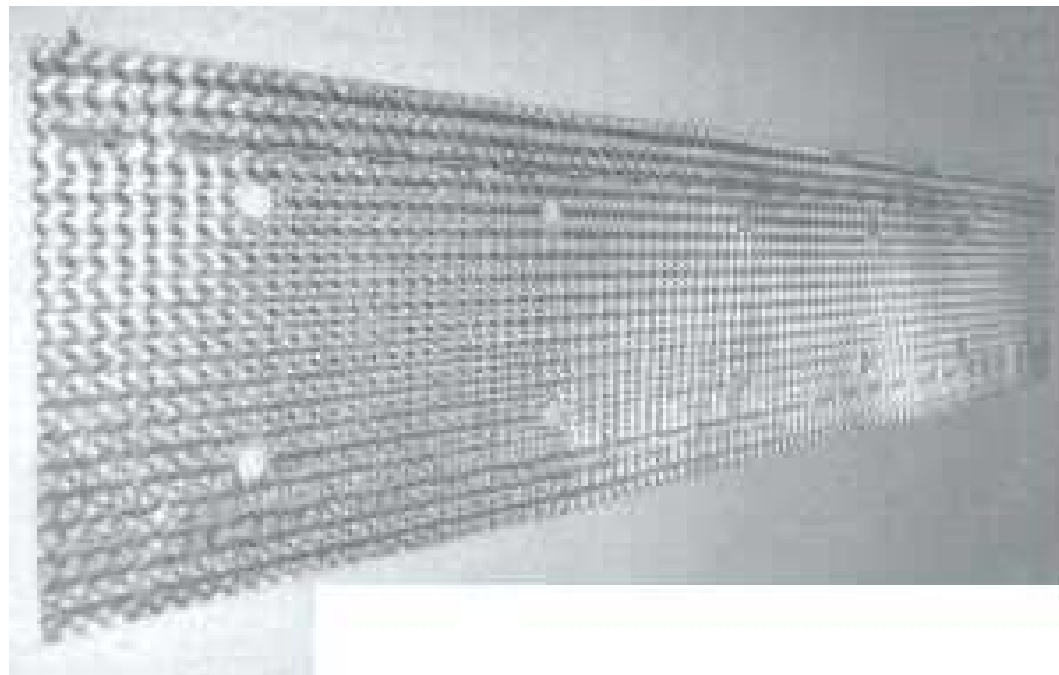
(45) Registration Date: **15 July 2009**

(56) Related Art Documents: **Not Applicable**

(57) Statement of Newness and Distinctiveness: **The newness and distinctiveness of the design resides in the shape and/or configuration of the training device shown in the representations.**



- (21) Design Number: **14848/2008**
(22) Date of Filing Application: **10 October 2008**
(24) Date from which industrial property rights may have effect: **10 October 2008**
(54) Product in respect of which the design is registered: **A dimpled metal sheet with holes and marginal edge perforation**
(51) International Design Classification: **25-01D**
(71) Name(s) and Address(s) of Applicant(s):
Underwood Companies Holdings Pty Ltd
21 Steel Place Morningside Queensland 4172 Australia
(72) Name(s) of Designer(s): **Daniel Charles Underwood**
(45) Registration Date: **15 July 2009**
(56) Related Art Documents: **Not Applicable**
(57) Statement of Newness and Distinctiveness: **Nil**



- (21) Design Number: **12254/2009**
(22) Date of Filing Application: **22 June 2009**
(24) Date from which industrial property rights may have effect: **22 June 2009**
(54) Product in respect of which the design is registered: **Tilting electric motorcycle - the "Williams Electric" MK I**
(51) International Design Classification: **12-11**
(71) Name(s) and Address(s) of Applicant(s):
Simon Williams
208 Summerleas Road Kingston Tasmania 7050 Australia
(72) Name(s) of Designer(s): **Simon John Williams**
(45) Registration Date: **16 July 2009**
(56) Related Art Documents: **Not Applicable**
(57) Statement of Newness and Distinctiveness: **Nil**



(21) Design Number: **12256/2009**

(22) Date of Filing Application: **23 June 2009**

(24) Date from which industrial property rights may have effect: **23 June 2009**

(54) Product in respect of which the design is registered: **Closure**

(51) International Design Classification: **09-07B**

(71) Name(s) and Address(s) of Applicant(s):

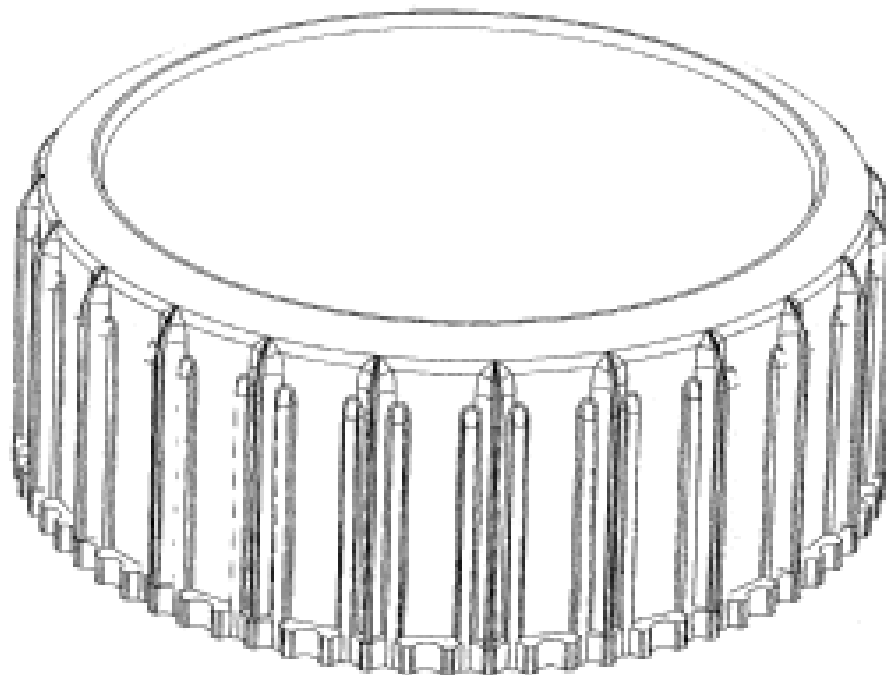
Creanova Universal Closures Limited
5 Shannon Point Oakfield Close Tewkesbury Business Park
Tewkesbury GL20 8PF United Kingdom

(72) Name(s) of Designer(s): **Mark Smith and Clive Buswell**

(45) Registration Date: **16 July 2009**

(56) Related Art Documents: **Not Applicable**

(57) Statement of Newness and Distinctiveness: **Newness and distinctiveness reside in the features of the design as shown in the representations.**



(21) Design Number: **11575/2009**

(22) Date of Filing Application: **04 May 2009**

(24) Date from which industrial property rights may have effect: **04 May 2009**

(54) Product in respect of which the design is registered: **Lid for a container**

(51) International Design Classification: **07-01NES**

(71) Name(s) and Address(s) of Applicant(s):

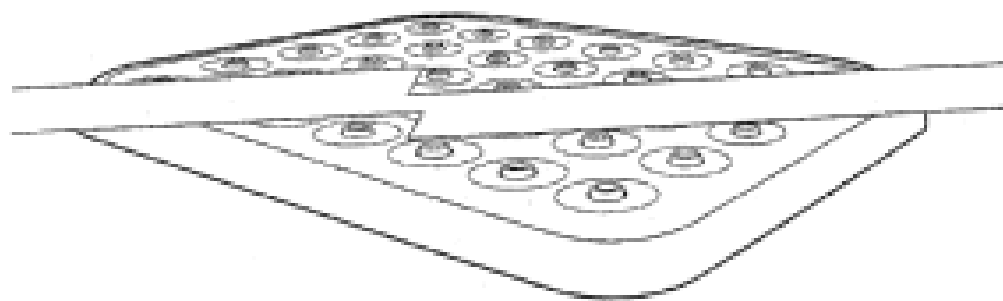
De Jour Sanitary Products Pty Ltd
286 Chesterville Road Moorabbin Victoria 3189 Australia

(72) Name(s) of Designer(s): **Katrina Allen**

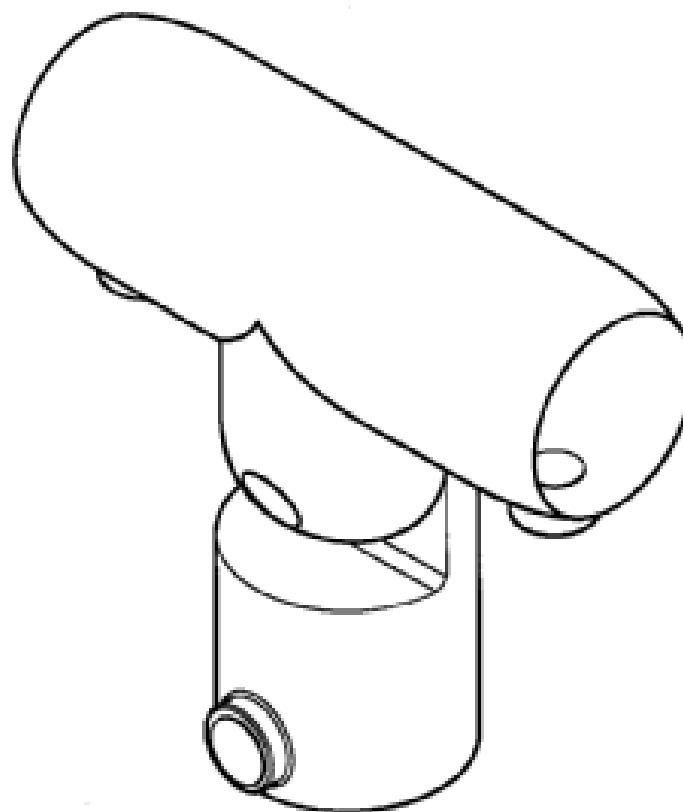
(45) Registration Date: **16 July 2009**

(56) Related Art Documents: **Not Applicable**

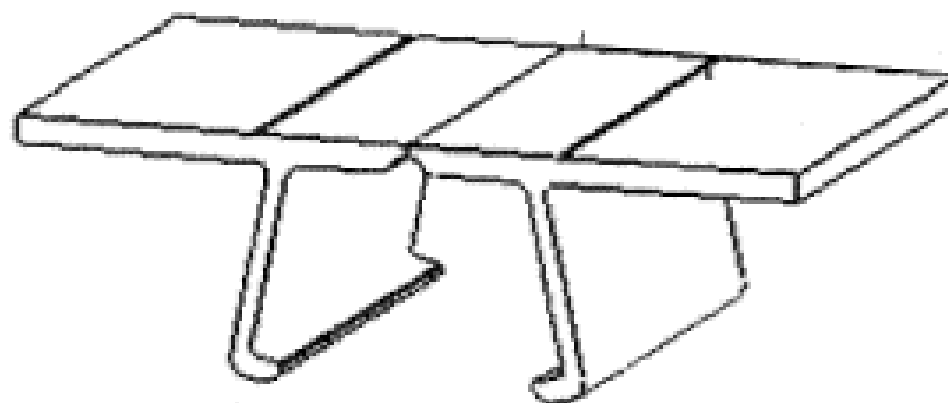
(57) Statement of Newness and Distinctiveness: **Nil**



- (21) Design Number: **11690/2009**
- (22) Date of Filing Application: **11 May 2009**
- (24) Date from which industrial property rights may have effect: **11 May 2009**
- (54) Product in respect of which the design is registered: **Fitting for a support rail**
- (51) International Design Classification: **25-02C**
- (71) Name(s) and Address(s) of Applicant(s):
Alltuff Products Pty Ltd
15 Dixie Road Kelmscott Western Australia 6111 Australia
- (72) Name(s) of Designer(s): **James Arthur Fawkes**
- (45) Registration Date: **17 July 2009**
- (56) Related Art Documents: **Not Applicable**
- (57) Statement of Newness and Distinctiveness: **Newness and distinctiveness is claimed in the features of shape and/or configuration of the fitting for a support rail as illustrated in the accompanying representations.**



- (21) Design Number: **11703/2009**
- (22) Date of Filing Application: **12 May 2009**
- (24) Date from which industrial property rights may have effect: **12 May 2009**
- (54) Product in respect of which the design is registered: **Roof mounting saddle**
- (51) International Design Classification: **08-08NES**
- (71) Name(s) and Address(s) of Applicant(s):
Roland Stephen Voss
C/- 44 Kalman Drive Boronia Victoria 3155 Australia
- (72) Name(s) of Designer(s): **Roland Stephen Voss**
- (45) Registration Date: **17 July 2009**
- (56) Related Art Documents: **Not Applicable**
- (57) Statement of Newness and Distinctiveness: **Newness and Distinctiveness are claimed in the features of shape and/or configuration of a Roof mounting saddle, as illustrated in the accompanying representations.**



(21) Design Number: **12287/2009**

(22) Date of Filing Application: **24 June 2009**

(24) Date from which industrial property rights may have effect: **24 June 2009**

(54) Product in respect of which the design is registered: **Oyster basket cross-staking attachment**

(51) International Design Classification: **22-05**

(71) Name(s) and Address(s) of Applicant(s):

Seapa Pty Ltd

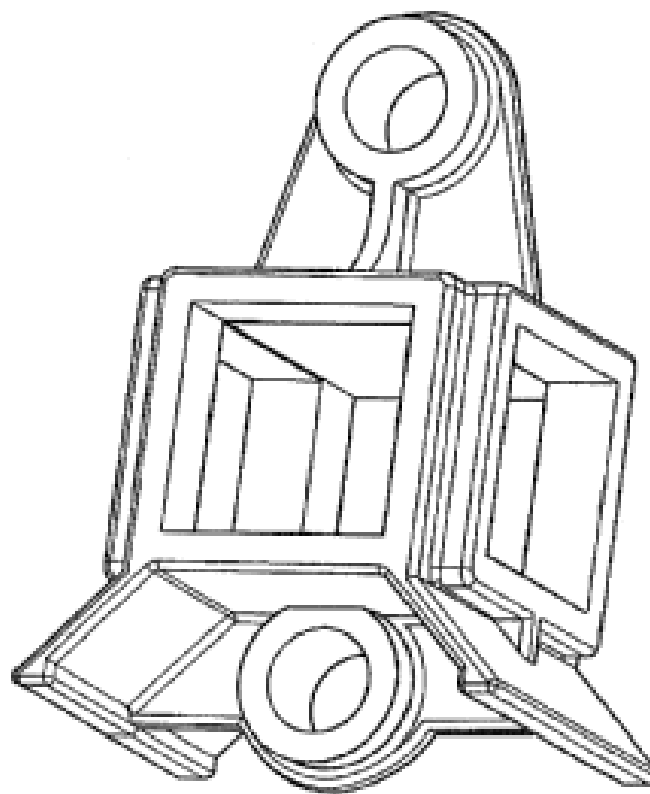
26-28 Erudina Avenue Edwardstown South Australia 5039 Australia

(72) Name(s) of Designer(s): **Garry Thompson**

(45) Registration Date: **17 July 2009**

(56) Related Art Documents: **Not Applicable**

(57) Statement of Newness and Distinctiveness: **Nil**



(21) Design Number: **12289/2009**

(22) Date of Filing Application: **24 June 2009**

(24) Date from which industrial property rights may have effect: **24 June 2009**

(54) Product in respect of which the design is registered: **Table**

(51) International Design Classification: **06-03A**

(71) Name(s) and Address(s) of Applicant(s):

Vincent Chan Kun Wa

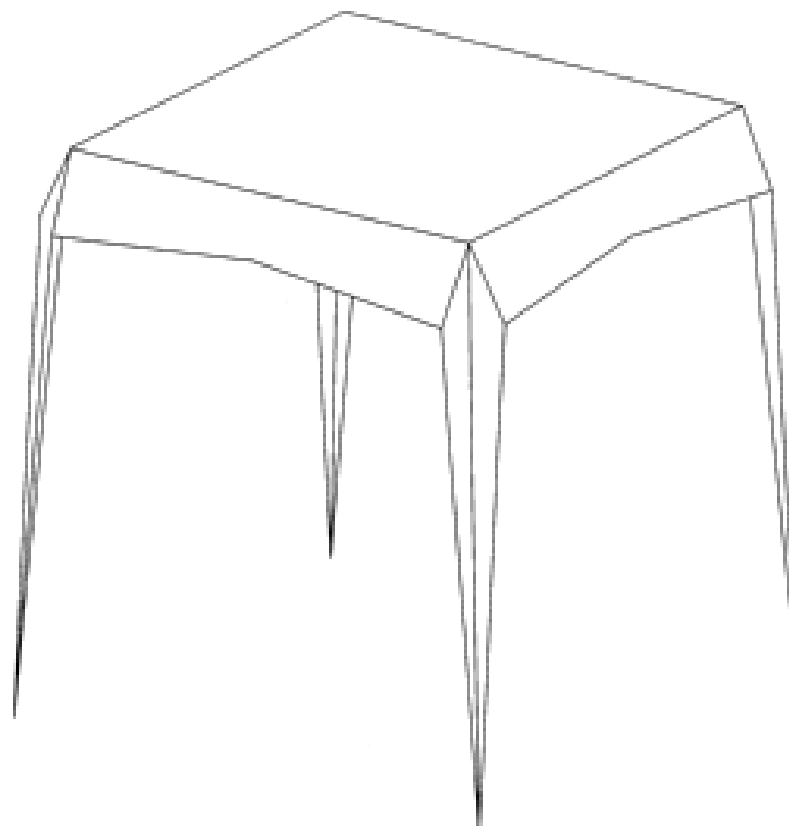
14/30 Russell Street Melbourne Victoria 3000 Australia

(72) Name(s) of Designer(s): **Vincent Chan Kun Wa**

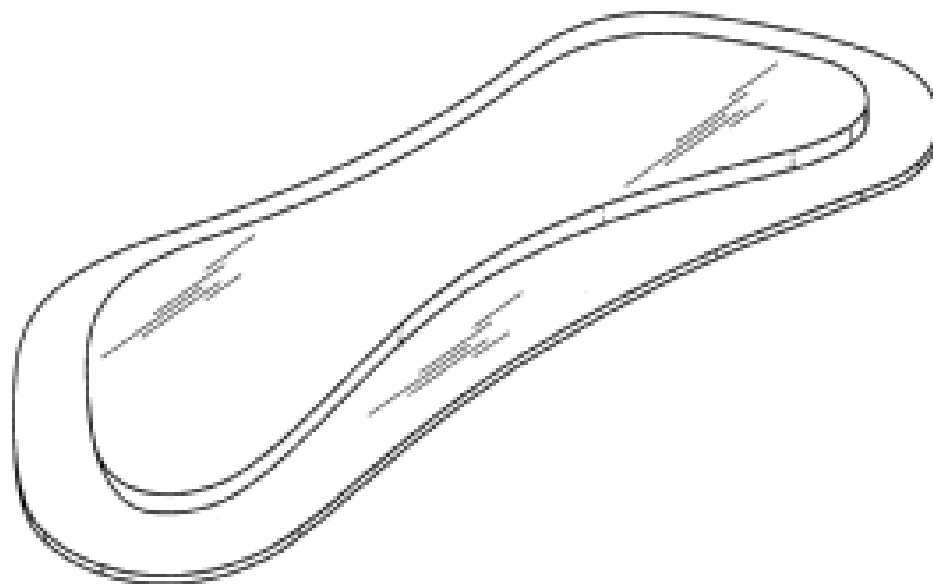
(45) Registration Date: **17 July 2009**

(56) Related Art Documents: **Not Applicable**

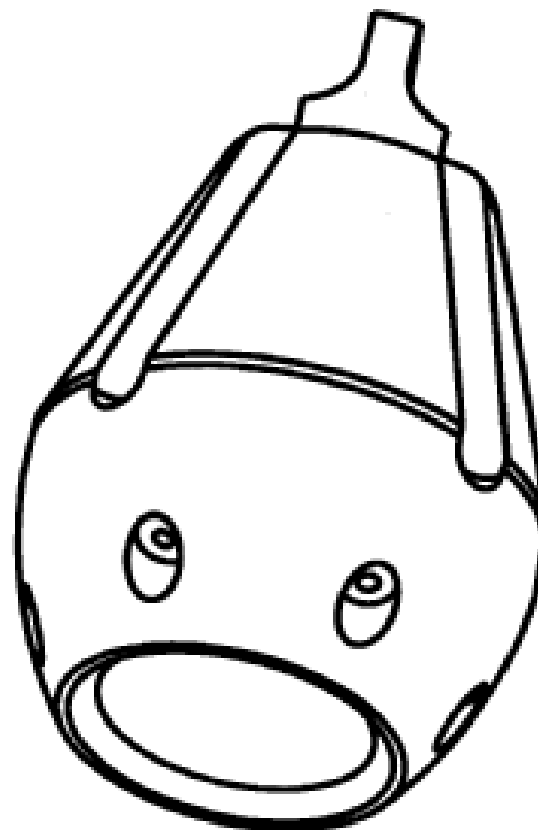
(57) Statement of Newness and Distinctiveness: **The design follows the principle of paper folding where the main structural features are expressed as folded planes.**



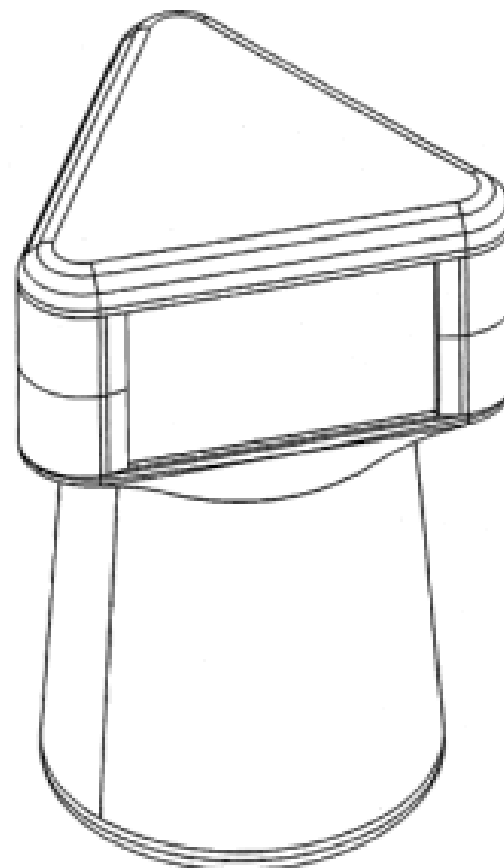
(21) Design Number: **12290/2009**
(22) Date of Filing Application: **24 June 2009**
(24) Date from which industrial property rights may have effect: **24 June 2009**
(54) Product in respect of which the design is registered: **Depilatory device**
(51) International Design Classification: **28-03A**
(71) Name(s) and Address(s) of Applicant(s):
Reckitt & Colman (Overseas) Limited
103-105 Bath Road Slough Berkshire SL1 3UH United Kingdom
(72) Name(s) of Designer(s): **Carl Dibnah and Iain Sabberton**
(45) Registration Date: **17 July 2009**
(30) Convention priority data:
(31) Number (32) Date (33) Country
001063721-0001 26 Dec 2008 EUROPEAN COMMUNITY
(56) Related Art Documents: **Not Applicable**
(57) Statement of Newness and Distinctiveness: **Nil**



(21) Design Number: **12313/2009**
(22) Date of Filing Application: **26 June 2009**
(24) Date from which industrial property rights may have effect: **26 June 2009**
(54) Product in respect of which the design is registered: **High pressure drain cleaning nozzle**
(51) International Design Classification: **23-01E**
(71) Name(s) and Address(s) of Applicant(s):
W.H. Miller
A5/15 Narabang Way Belrose New South Wales 2085 Australia
(72) Name(s) of Designer(s): **William H. Miller**
(45) Registration Date: **17 July 2009**
(56) Related Art Documents: **Not Applicable**
(57) Statement of Newness and Distinctiveness: **Screwdriver tip on end of nozzle.**



- (21) Design Number: **12390/2009**
(22) Date of Filing Application: **01 July 2009**
(24) Date from which industrial property rights may have effect: **01 July 2009**
(54) Product in respect of which the design is registered: **Triangular three LCD screen advertising stand**
(51) International Design Classification: **14-03B, 20-03B**
(71) Name(s) and Address(s) of Applicant(s):
Martin Micallef
30 Sheahan Road Rockbank Victoria 3335 Australia
(72) Name(s) of Designer(s): **Martin Micallef**
(45) Registration Date: **17 July 2009**
(56) Related Art Documents: **Not Applicable**
(57) Statement of Newness and Distinctiveness: **Stand with Three LCD Screens in Triangular Shape.**



- (21) Design Number: **12467/2009**
(22) Date of Filing Application: **08 July 2009**
(24) Date from which industrial property rights may have effect: **08 July 2009**
(54) Product in respect of which the design is registered: **Manual shaving handle with a hood**
(51) International Design Classification: **28-03A**
(71) Name(s) and Address(s) of Applicant(s):
Giles Coutts
Basement Flat 14 Willes Road Leamington Spa Warwickshire CV32 4PY United Kingdom
(72) Name(s) of Designer(s): **Giles Coutts**
(45) Registration Date: **17 July 2009**
(30) Convention priority data:
(31) Number (32) Date (33) Country
4011058 01 May 2009 UNITED KINGDOM
(56) Related Art Documents: **Not Applicable**
(57) Statement of Newness and Distinctiveness: **Hood - leading from handle to blade unit.**



(21) Design Number: **12277/2009**

(22) Date of Filing Application: **23 June 2009**

(24) Date from which industrial property rights may have effect: **23 June 2009**

(54) Product in respect of which the design is registered: **Padding**

(51) International Design Classification: **12-16C**

(71) Name(s) and Address(s) of Applicant(s):

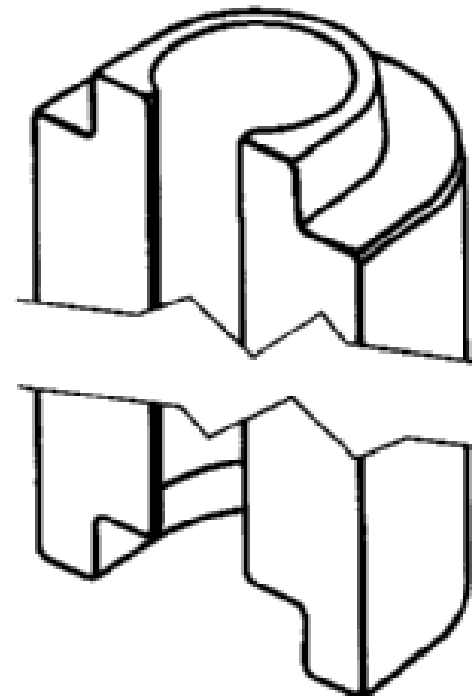
Brisbane Tray Bodys Pty Ltd
Lot 2 Redbank Plains Road Redbank Plains Queensland 4301
Australia

(72) Name(s) of Designer(s): **Bryan Glasper and Jamie Facer**

(45) Registration Date: **17 July 2009**

(56) Related Art Documents: **Not Applicable**

(57) Statement of Newness and Distinctiveness: **The newness and distinctiveness of the design resides in the shape and/or configuration of the PADDING shown in the representations.**



(21) Design Number: **12278/2009**

(22) Date of Filing Application: **23 June 2009**

(24) Date from which industrial property rights may have effect: **23 June 2009**

(54) Product in respect of which the design is registered: **Padding**

(51) International Design Classification: **12-16C**

(71) Name(s) and Address(s) of Applicant(s):

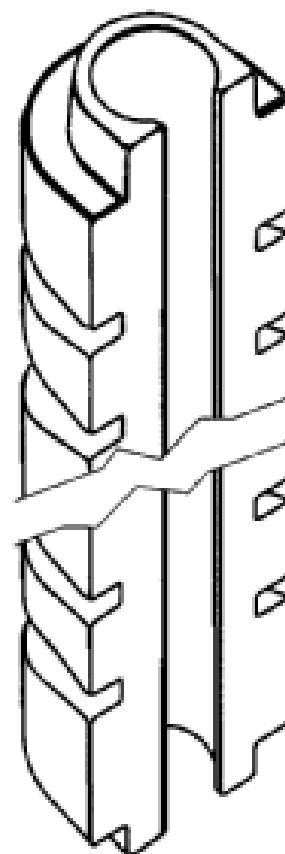
Brisbane Tray Bodys Pty Ltd
Lot 2 Redbank Plains Road Redbank Plains Queensland 4301
Australia

(72) Name(s) of Designer(s): **Bryan Glasper and Jamie Facer**

(45) Registration Date: **17 July 2009**

(56) Related Art Documents: **Not Applicable**

(57) Statement of Newness and Distinctiveness: **The newness and distinctiveness of the design resides in the shape and/or configuration of the PADDING shown in the representations.**



(21) Design Number: **12279/2009**

(22) Date of Filing Application: **23 June 2009**

(24) Date from which industrial property rights may have effect: **23 June 2009**

(54) Product in respect of which the design is registered: **Joiner**

(51) International Design Classification: **12-16NES**

(71) Name(s) and Address(s) of Applicant(s):

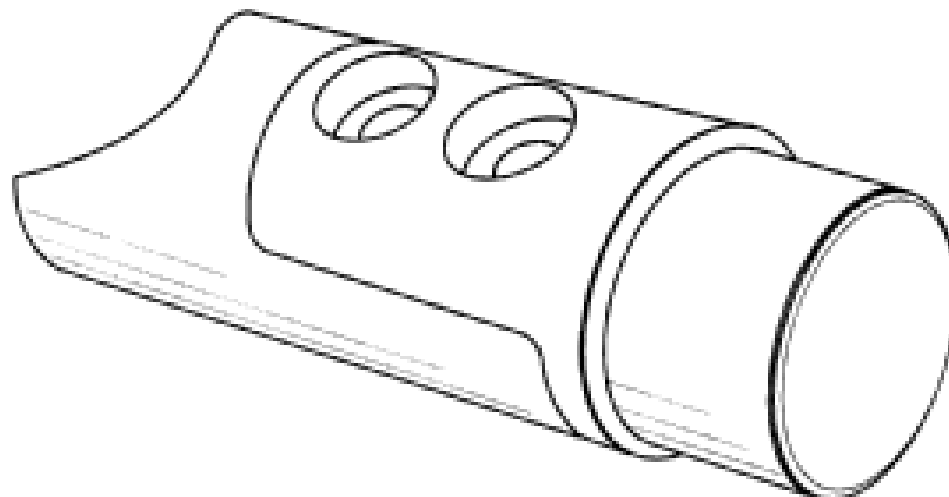
**Brisbane Tray Bodys Pty Ltd
Lot 2 Redbank Plains Road Redbank Plains Queensland 4301
Australia**

(72) Name(s) of Designer(s): **Bryan Glasper and Jamie Facer**

(45) Registration Date: **17 July 2009**

(56) Related Art Documents: **Not Applicable**

(57) Statement of Newness and Distinctiveness: **The newness and distinctiveness of the design resides in the shape and/or configuration of the JOINER shown in the representations.**



(21) Design Number: **12280/2009**

(22) Date of Filing Application: **24 June 2009**

(24) Date from which industrial property rights may have effect: **24 June 2009**

(54) Product in respect of which the design is registered: **Design refers to the molded internal and base of a portable toilet**

(51) International Design Classification: **23-02C**

(71) Name(s) and Address(s) of Applicant(s):

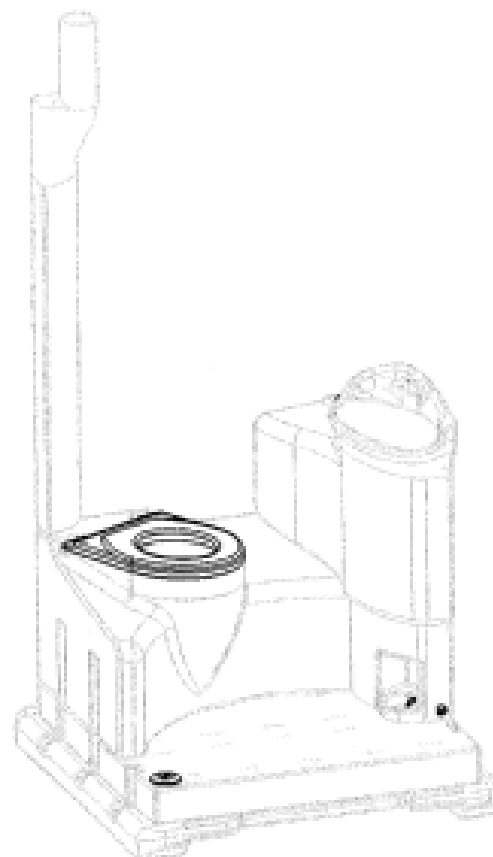
**Australian Portable Toilet Supplies Pty Ltd
PO Box 804 Coolum Beach Queensland 4573 Australia**

(72) Name(s) of Designer(s): **Victor Knight**

(45) Registration Date: **17 July 2009**

(56) Related Art Documents: **Not Applicable**

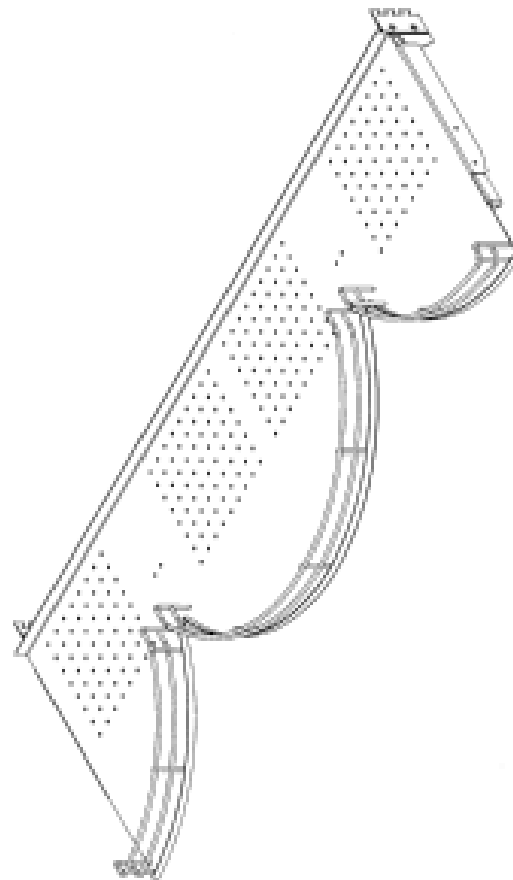
(57) Statement of Newness and Distinctiveness: **Particulars of this design are:- integrated vent pipe at LHS rear of base, corner sloping tank, large handwash basin inbuilt shelf, molded grab handles on skid base, corner tank, skid base can be used as additional water storage of up to 62 litres. Completely foot pump operation for flushing and hand washing.**



- (21) Design Number: **11627/2009**
(22) Date of Filing Application: **07 May 2009**
(24) Date from which industrial property rights may have effect: **07 May 2009**
(54) Product in respect of which the design is registered: **A sleeping bag**
(51) International Design Classification: **06-13B**
(71) Name(s) and Address(s) of Applicant(s):
Mums and Kids Enterprises Pty Ltd
34 Musgrave Street Fig Tree Pocket Queensland 4069 Australia
(72) Name(s) of Designer(s): **Joanne May Kennard and Grant Richard Kennard**
(45) Registration Date: **17 July 2009**
(56) Related Art Documents: **Not Applicable**
(57) Statement of Newness and Distinctiveness: **Monopoly is claimed in the shape and configuration of a sleeping bag as shown in the accompanying representations.**



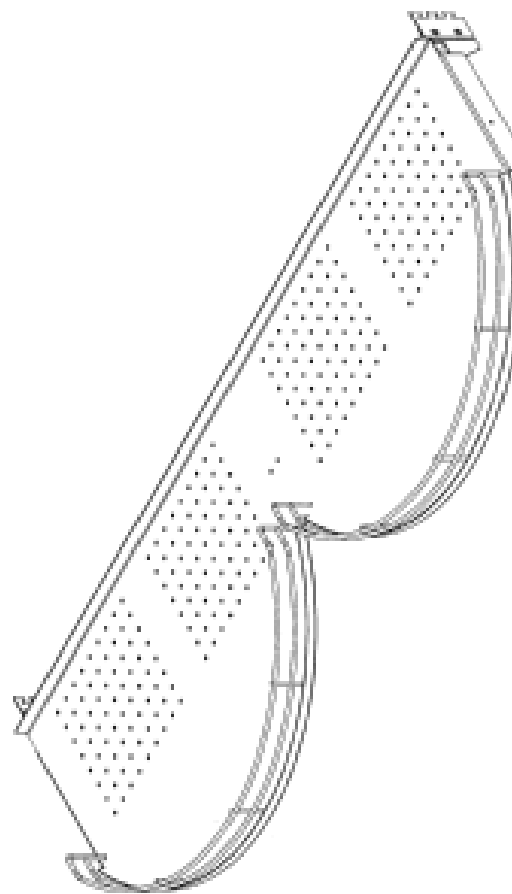
- (21) Design Number: **11739/2009**
(22) Date of Filing Application: **14 May 2009**
(24) Date from which industrial property rights may have effect: **14 May 2009**
(54) Product in respect of which the design is registered: **Display shelf**
(51) International Design Classification: **20-02E**
(71) Name(s) and Address(s) of Applicant(s):
Hamlon Pty Ltd
1/10 Rodborough Road Frenchs Forest New South Wales 2086 Australia
(72) Name(s) of Designer(s): **Amy Simpson**
(45) Registration Date: **17 July 2009**
(56) Related Art Documents: **Not Applicable**
(57) Statement of Newness and Distinctiveness: **Newness and distinctiveness is claimed in the shape and/or configuration of a display shelf as illustrated in the representations and in considering the extent of the newness and distinctiveness of the shape and/or configuration of the display shelf, the attachment brackets protruding from the rear of the display shelf are to be disregarded.**



- (21) Design Number: **11740/2009**
- (22) Date of Filing Application: **14 May 2009**
- (24) Date from which industrial property rights may have effect: **14 May 2009**
- (54) Product in respect of which the design is registered: **Display shelf**
- (51) International Design Classification: **20-02E**
- (71) Name(s) and Address(s) of Applicant(s):

Hamlon Pty Ltd
1/10 Rodborough Road Frenchs Forest New South Wales 2086
Australia

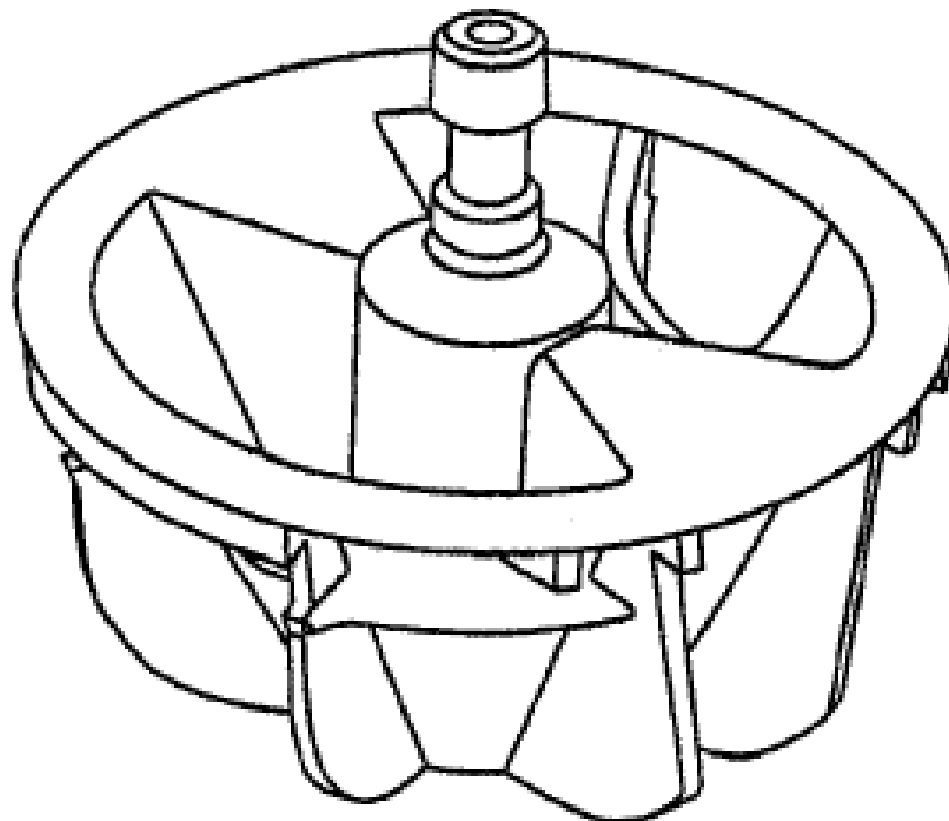
- (72) Name(s) of Designer(s): **Amy Simpson**
- (45) Registration Date: **17 July 2009**
- (56) Related Art Documents: **Not Applicable**
- (57) Statement of Newness and Distinctiveness: **Newness and distinctiveness is claimed in the shape and/or configuration of a display shelf as illustrated in the representations and in considering the extent of the newness and distinctiveness of the shape and/or configuration of the display shelf, the attachment brackets protruding from the rear of the display shelf are to be disregarded.**



- (21) Design Number: **12054/2009**
- (22) Date of Filing Application: **03 June 2009**
- (24) Date from which industrial property rights may have effect: **03 June 2009**
- (54) Product in respect of which the design is registered: **Plug for paper roll**
- (51) International Design Classification: **23-02A**
- (71) Name(s) and Address(s) of Applicant(s):

SCA Hygiene Products AB
S-405 03 Goteborg Sweden

- (72) Name(s) of Designer(s): **Per Moller and Erik Hjort and Allan Salaker**
- (45) Registration Date: **17 July 2009**
- (30) Convention priority data:
 - (31) Number (32) Date (33) Country
 - 001056063-001-3 04 Dec 2008 EUROPEAN COMMUNITY**
- (56) Related Art Documents: **Not Applicable**
- (57) Statement of Newness and Distinctiveness: **Nil**



(21) Design Number: **12291/2009**

(22) Date of Filing Application: **24 June 2009**

(24) Date from which industrial property rights may have effect: **24 June 2009**

(54) Product in respect of which the design is registered: **A welding machine**

(51) International Design Classification: **08-05M**

(71) Name(s) and Address(s) of Applicant(s):

TELWIN S.P.A.

Via della Tecnica 3 Villaverla (Prov. of Vicenza) 36030 Italy

(72) Name(s) of Designer(s): **Antonino Morato**

(45) Registration Date: **17 July 2009**

(30) Convention priority data:

(31) Number

(32) Date

(33) Country

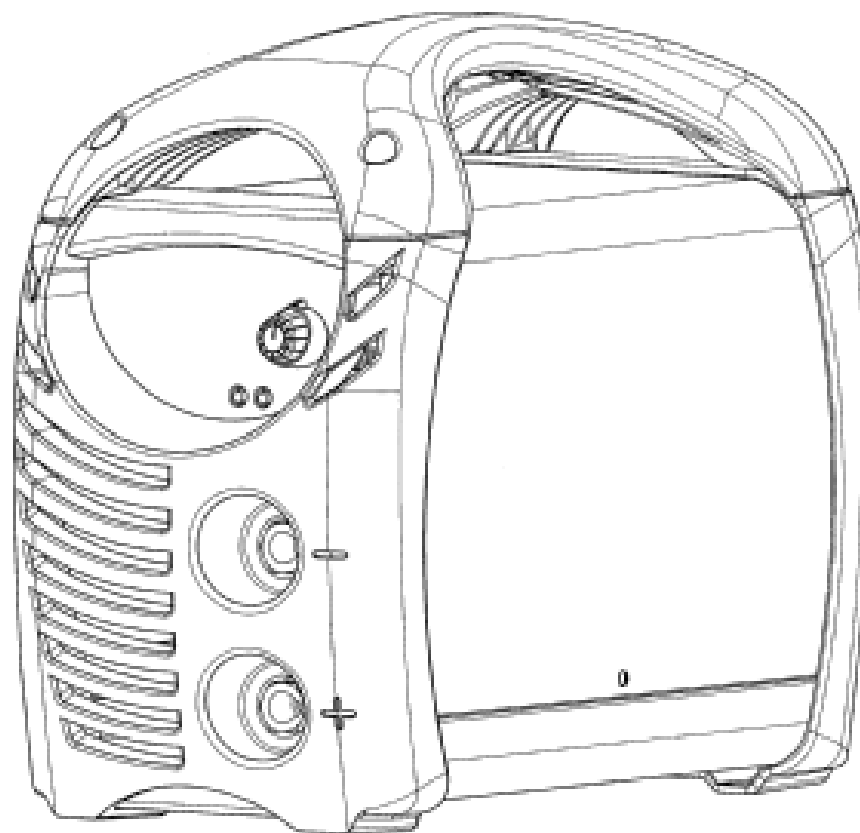
001116099

30 Mar 2009

EUROPEAN COMMUNITY

(56) Related Art Documents: **Not Applicable**

(57) Statement of Newness and Distinctiveness: **Nil**



(21) Design Number: **12292/2009**

(22) Date of Filing Application: **24 June 2009**

(24) Date from which industrial property rights may have effect: **24 June 2009**

(54) Product in respect of which the design is registered: **A welding machine**

(51) International Design Classification: **08-05M**

(71) Name(s) and Address(s) of Applicant(s):

TELWIN S.P.A.

Via della Tecnica 3 Villaverla (Prov. of Vicenza) 36030 Italy

(72) Name(s) of Designer(s): **Antonino Morato**

(45) Registration Date: **17 July 2009**

(30) Convention priority data:

(31) Number

(32) Date

(33) Country

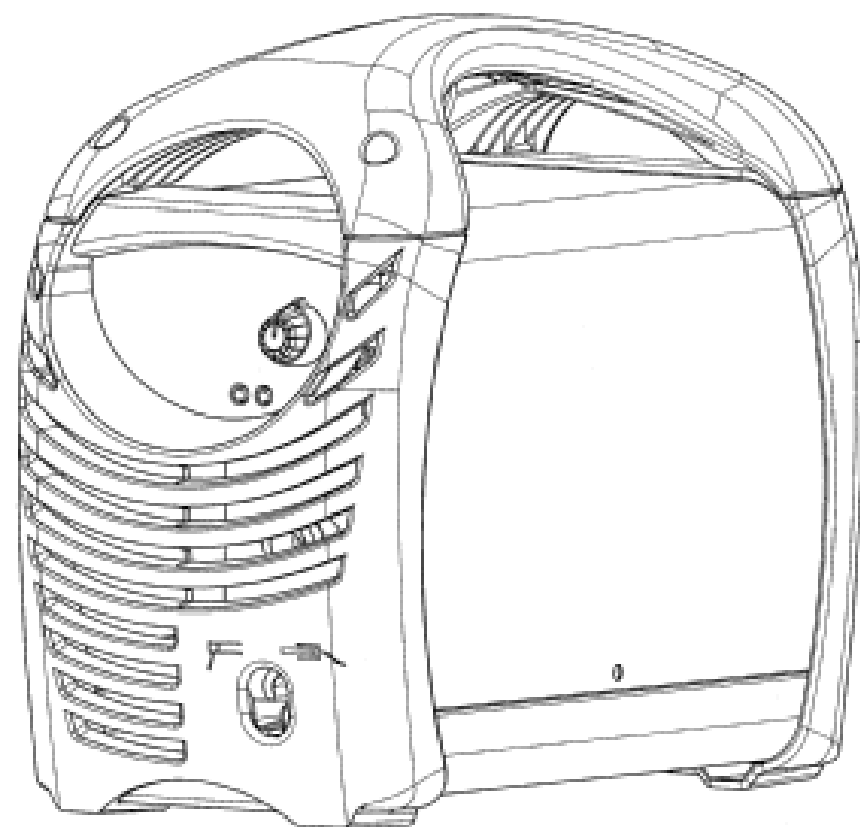
001116099

30 Mar 2009

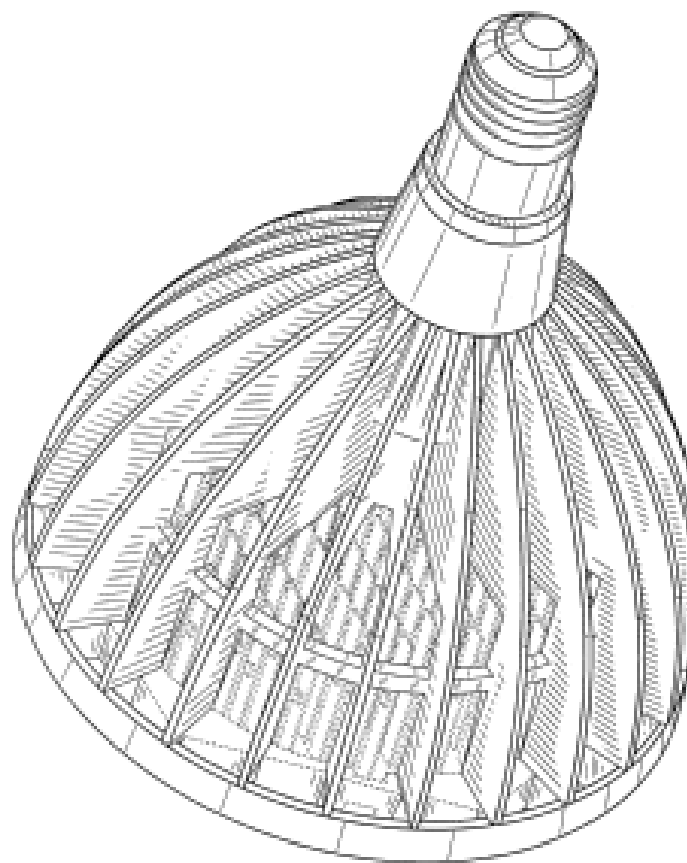
EUROPEAN COMMUNITY

(56) Related Art Documents: **Not Applicable**

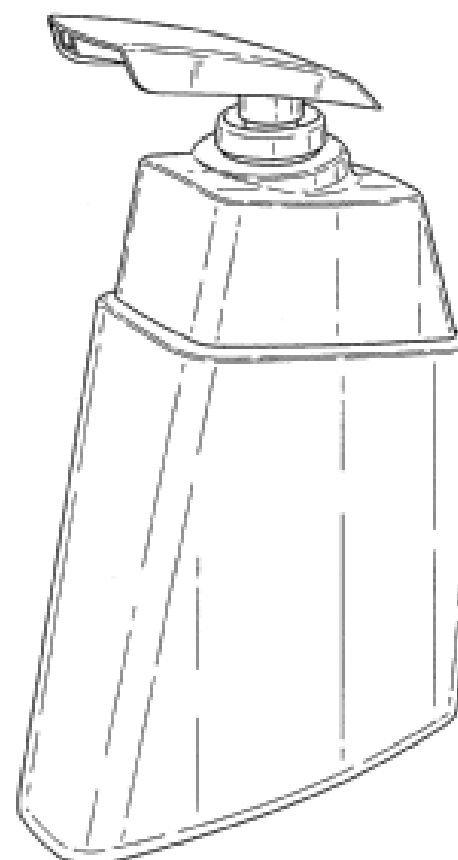
(57) Statement of Newness and Distinctiveness: **Nil**



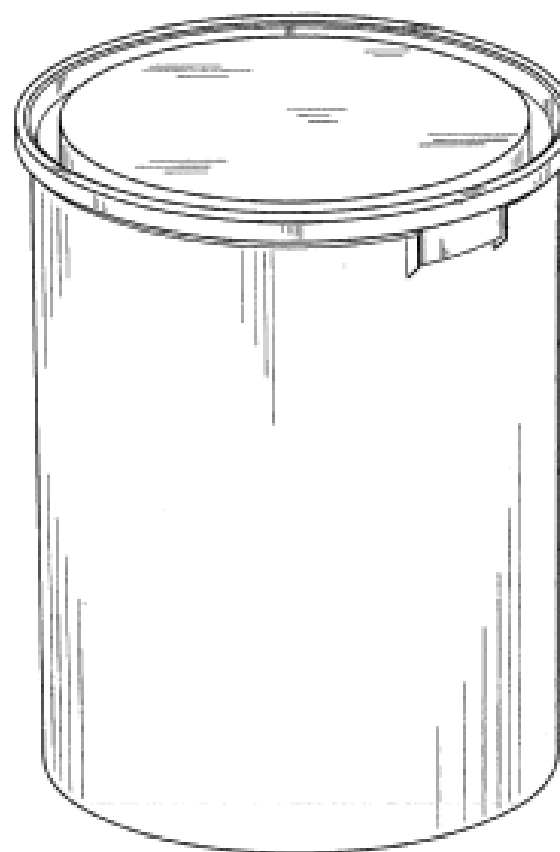
- (21) Design Number: **11150/2009**
(22) Date of Filing Application: **03 April 2009**
(24) Date from which industrial property rights may have effect: **03 April 2009**
(54) Product in respect of which the design is registered: **Light**
(51) International Design Classification: **26-04**
(71) Name(s) and Address(s) of Applicant(s):
Nexus Lighting, Inc.
124 Floyd Smith Drive Suite 300 Charlotte North Carolina 28262
United States of America
(72) Name(s) of Designer(s): **Zdenko Grajcar**
(45) Registration Date: **17 July 2009**
(30) Convention priority data:
(31) Number (32) Date (33) Country
29/325564 02 Oct 2008 UNITED STATES OF AMERICA
(56) Related Art Documents: **Not Applicable**
(57) Statement of Newness and Distinctiveness: **Newness and distinctiveness reside in the features of the design shown in solid lines in the representations excluding those features shown in broken lines.**



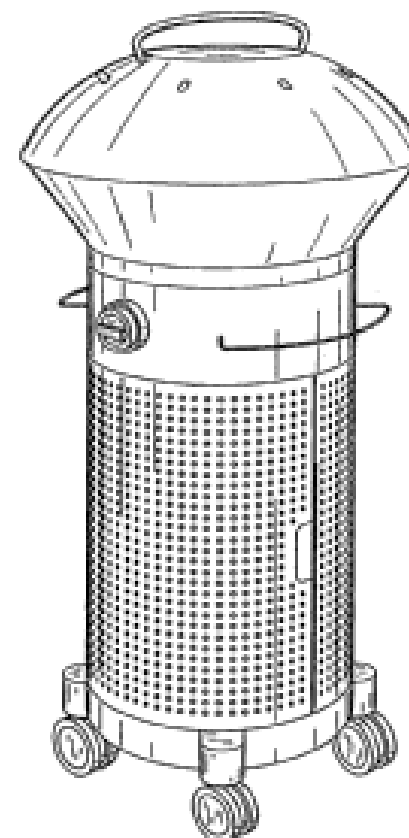
- (21) Design Number: **11910/2009**
(22) Date of Filing Application: **25 May 2009**
(24) Date from which industrial property rights may have effect: **25 May 2009**
(54) Product in respect of which the design is registered: **Container with pump**
(51) International Design Classification: **09-01G**
(71) Name(s) and Address(s) of Applicant(s):
Unilever PLC
Unilever House 100 Victoria Embarkment London EC4Y ODY United Kingdom
(72) Name(s) of Designer(s): **Timothy James Llewellyn and David Eugene Salmon and Donald Wilfred Robert Williams**
(45) Registration Date: **17 July 2009**
(30) Convention priority data:
(31) Number (32) Date (33) Country
4009763 12 Dec 2008 UNITED KINGDOM
(56) Related Art Documents: **Not Applicable**
(57) Statement of Newness and Distinctiveness: **Newness and distinctiveness is claimed in the visual features shown in solid lines in the representations.**



- (21) Design Number: **12145/2009**
(22) Date of Filing Application: **12 June 2009**
(24) Date from which industrial property rights may have effect: **12 June 2009**
(54) Product in respect of which the design is registered: **Container with lid**
(51) International Design Classification: **09-03L**
(71) Name(s) and Address(s) of Applicant(s):
Gereedschappenfabriek Van den Brink B.V.
Molenweg 10 b Harskamp 6732 BL The Netherlands
(72) Name(s) of Designer(s): **Johan van Veenschoten and Kees van Heerikhuize**
(45) Registration Date: **17 July 2009**
(30) Convention priority data:
(31) Number (32) Date (33) Country
1055495-0001 12 Dec 2008 EUROPEAN COMMUNITY
(56) Related Art Documents: **Not Applicable**
(57) Statement of Newness and Distinctiveness: **Newness and distinctiveness is claimed in the shape and configuration of the rim structure at the open end of the container as shown in the representations.**



- (21) Design Number: **12444/2009**
(22) Date of Filing Application: **06 July 2009**
(24) Date from which industrial property rights may have effect: **06 July 2009**
(54) Product in respect of which the design is registered: **Outdoor grill**
(51) International Design Classification: **07-02E**
(71) Name(s) and Address(s) of Applicant(s):
Fuego North America LLC
Roundhouse One 1500 Sansome Street Suite 100 San Francisco CA
94111 United States of America
(72) Name(s) of Designer(s): **Alex Siow and Robert Brunner**
(45) Registration Date: **17 July 2009**
(30) Convention priority data:
(31) Number (32) Date (33) Country
29/332,397 13 Feb 2009 UNITED STATES OF AMERICA
(56) Related Art Documents: **Not Applicable**
(57) Statement of Newness and Distinctiveness: **Nil**



(21) Design Number: **12301/2009**

(22) Date of Filing Application: **26 June 2009**

(24) Date from which industrial property rights may have effect: **26 June 2009**

(54) Product in respect of which the design is registered: **Swimming goggles**

(51) International Design Classification: **16-06**

(71) Name(s) and Address(s) of Applicant(s):

Herman Chiang

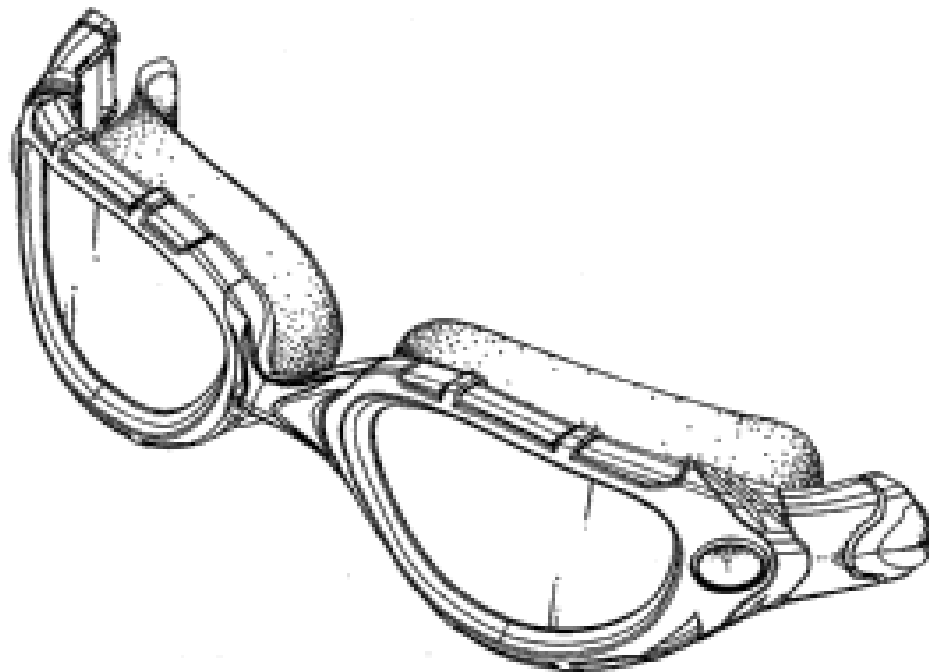
11F-2 No. 634-9 Ching-Ping Rd Chung-Ho City Taipei Hsien Taiwan

(72) Name(s) of Designer(s): **Herman Chiang**

(45) Registration Date: **20 July 2009**

(56) Related Art Documents: **Not Applicable**

(57) Statement of Newness and Distinctiveness: **Nil**



(21) Design Number: **12302/2009**

(22) Date of Filing Application: **26 June 2009**

(24) Date from which industrial property rights may have effect: **26 June 2009**

(54) Product in respect of which the design is registered: **Food storage cabinet**

(51) International Design Classification: **06-04E**

(71) Name(s) and Address(s) of Applicant(s):

Y-Gen Enterprises Pty Ltd

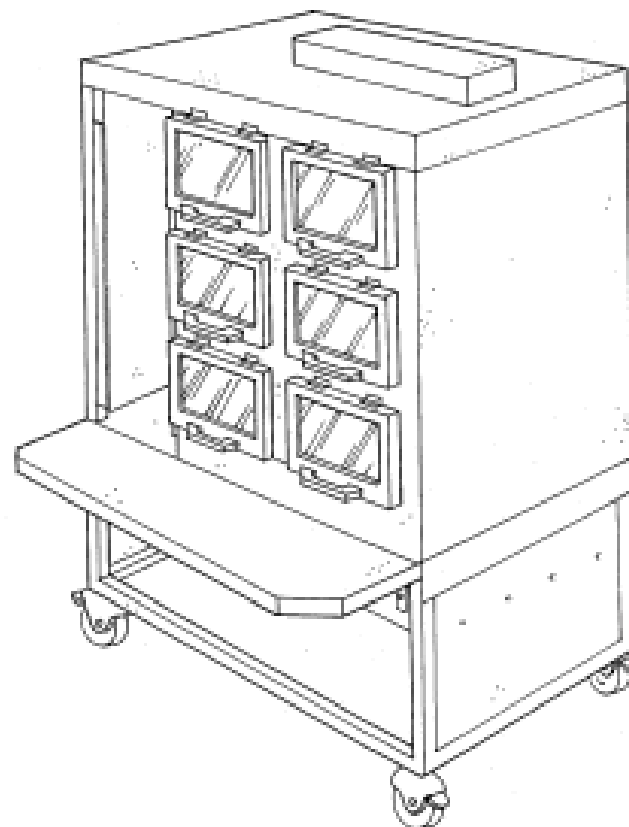
78 Johanson Promenade Murdoch Western Australia 6150 Australia

(72) Name(s) of Designer(s): **Mark Victor Keefe Fiori**

(45) Registration Date: **20 July 2009**

(56) Related Art Documents: **Not Applicable**

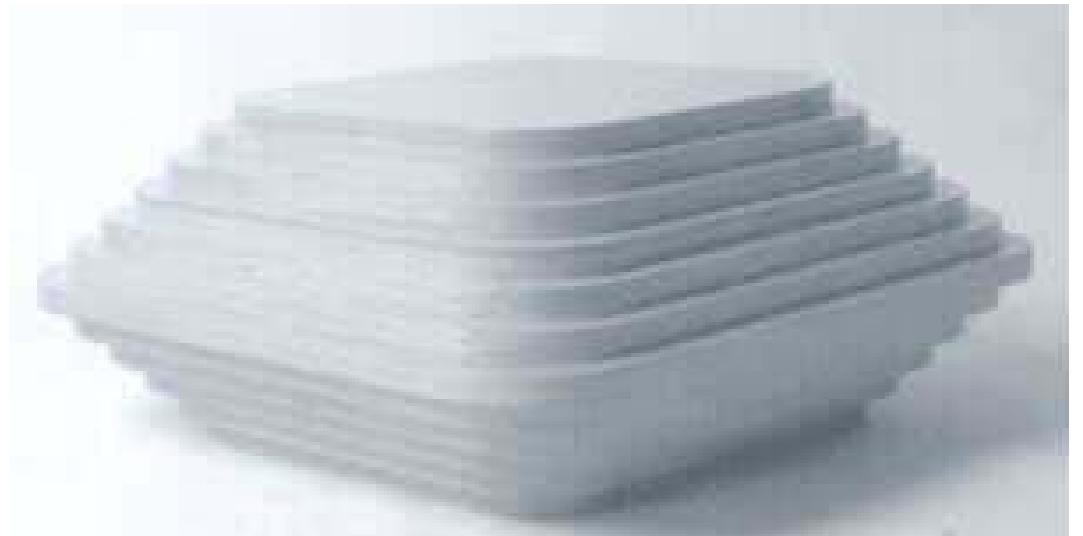
(57) Statement of Newness and Distinctiveness: **The particular visual features of the design which are new and distinctive are shape OR configuration.**



- (21) Design Number: **11932/2009**
(22) Date of Filing Application: **28 May 2009**
(24) Date from which industrial property rights may have effect: **28 May 2009**
(54) Product in respect of which the design is registered: **Silhouette hat stand**
(51) International Design Classification: **06-06A**
(71) Name(s) and Address(s) of Applicant(s):
Amy Cunningham
2/10 Dalley Street Queenscliff New South Wales 2096 Australia
(72) Name(s) of Designer(s): **Amy Cunningham**
(45) Registration Date: **20 July 2009**
(56) Related Art Documents: **Not Applicable**
(57) Statement of Newness and Distinctiveness: **The shape is unique. The 3 parts come together by using intricate slots in the material. There are no fixings and the pieces can be pulled apart and flat packed.**



- (21) Design Number: **11933/2009**
(22) Date of Filing Application: **28 May 2009**
(24) Date from which industrial property rights may have effect: **28 May 2009**
(54) Product in respect of which the design is registered: **Steppe table**
(51) International Design Classification: **06-03A**
(71) Name(s) and Address(s) of Applicant(s):
Amy Cunningham
2/10 Dalley Street Queenscliff New South Wales 2096 Australia
(72) Name(s) of Designer(s): **Amy Cunningham**
(45) Registration Date: **20 July 2009**
(56) Related Art Documents: **Not Applicable**
(57) Statement of Newness and Distinctiveness: **The shape and stacking ability. The piece is hollow and can have an opening lid for storage. The "stepping" of material.**



(21) Design Number: **12293/2009**

(22) Date of Filing Application: **24 June 2009**

(24) Date from which industrial property rights may have effect: **24 June 2009**

(54) Product in respect of which the design is registered: **Bottle cap**

(51) International Design Classification: **09-07C**

(71) Name(s) and Address(s) of Applicant(s):

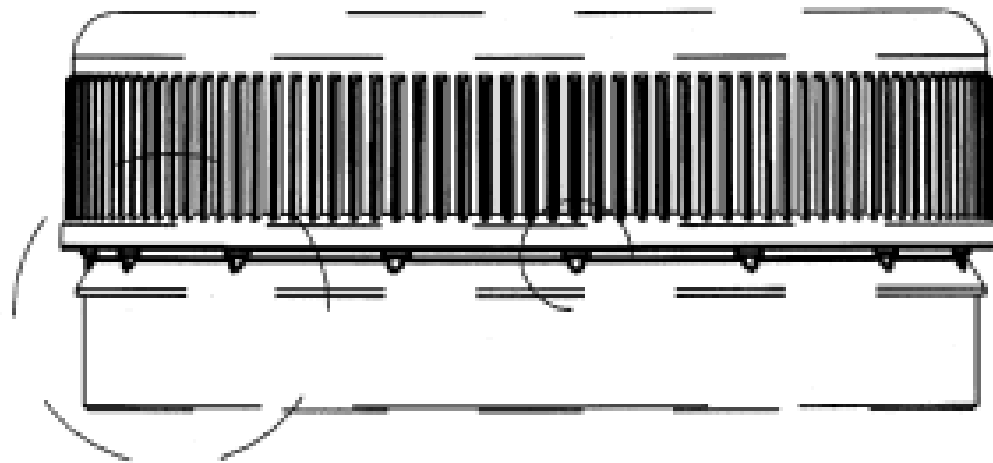
IP Co Nominees Pty Ltd
29 Auburn Road Hawthorn Victoria 3122 Australia

(72) Name(s) of Designer(s): **Brian Lovrek**

(45) Registration Date: **20 July 2009**

(56) Related Art Documents: **Not Applicable**

(57) Statement of Newness and Distinctiveness: **Novelty resides in the two step bridge portions connecting the cap and tamper band of the closure, the remaining closure being shown in dashed lines.**



(21) Design Number: **12294/2009**

(22) Date of Filing Application: **24 June 2009**

(24) Date from which industrial property rights may have effect: **24 June 2009**

(54) Product in respect of which the design is registered: **Bottle cap**

(51) International Design Classification: **09-07C**

(71) Name(s) and Address(s) of Applicant(s):

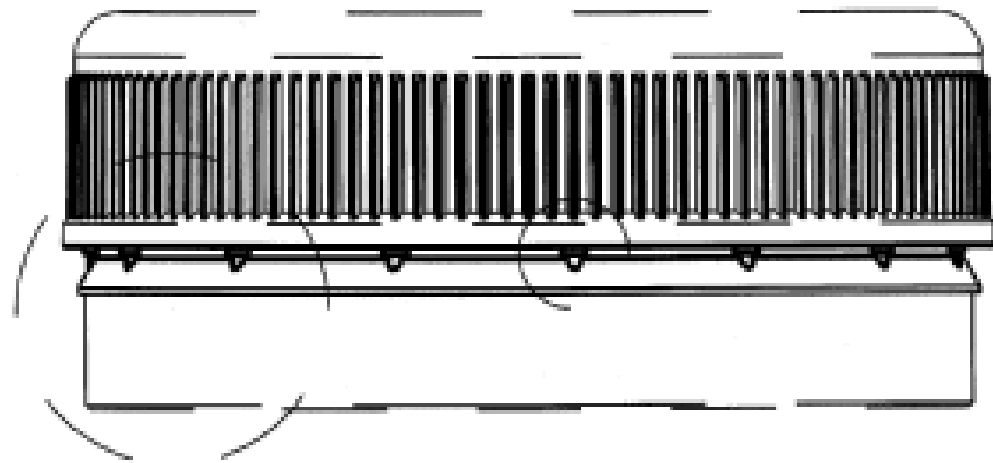
IP Co Nominees Pty Ltd
29 Auburn Road Hawthorn Victoria 3122 Australia

(72) Name(s) of Designer(s): **Brian Lovrek**

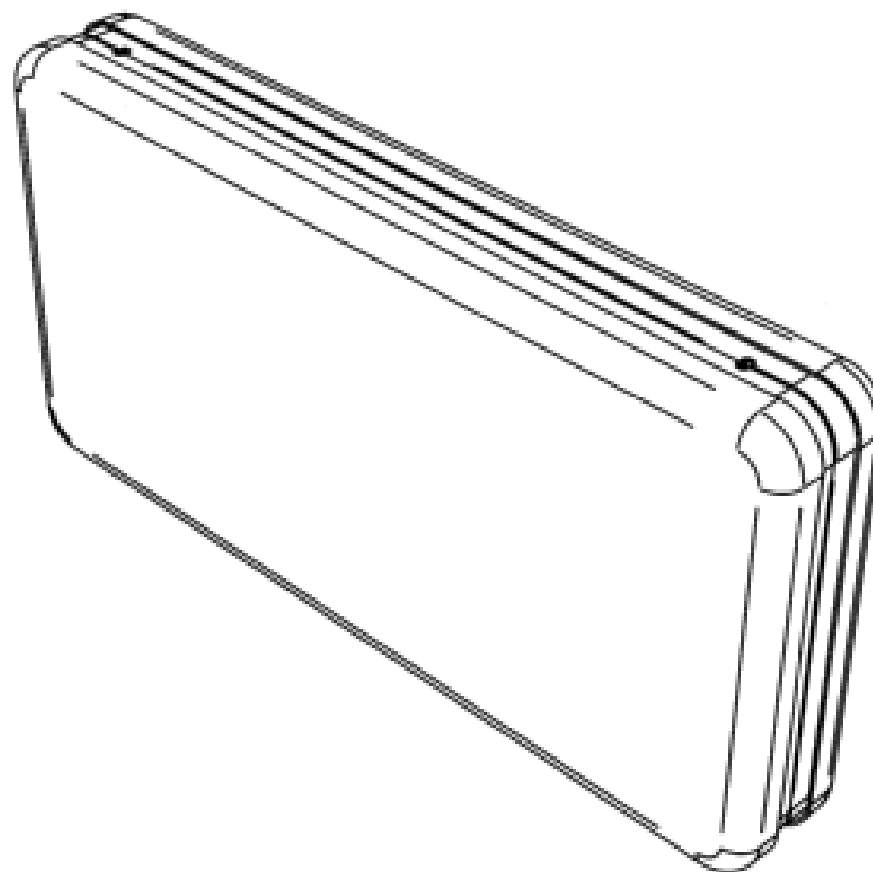
(45) Registration Date: **20 July 2009**

(56) Related Art Documents: **Not Applicable**

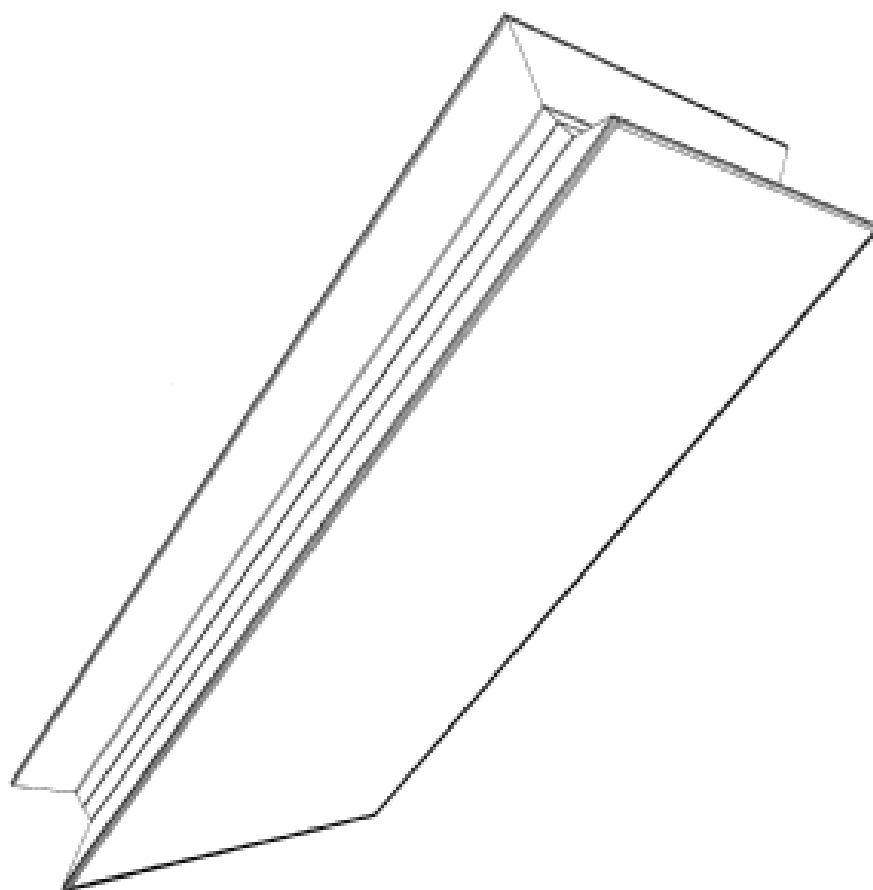
(57) Statement of Newness and Distinctiveness: **Novelty resides in the lip, chamfer at the top of the tamper band and two step bridge portions connecting the tamper band and cap of the closure, the remaining closure being shown in dashed lines.**



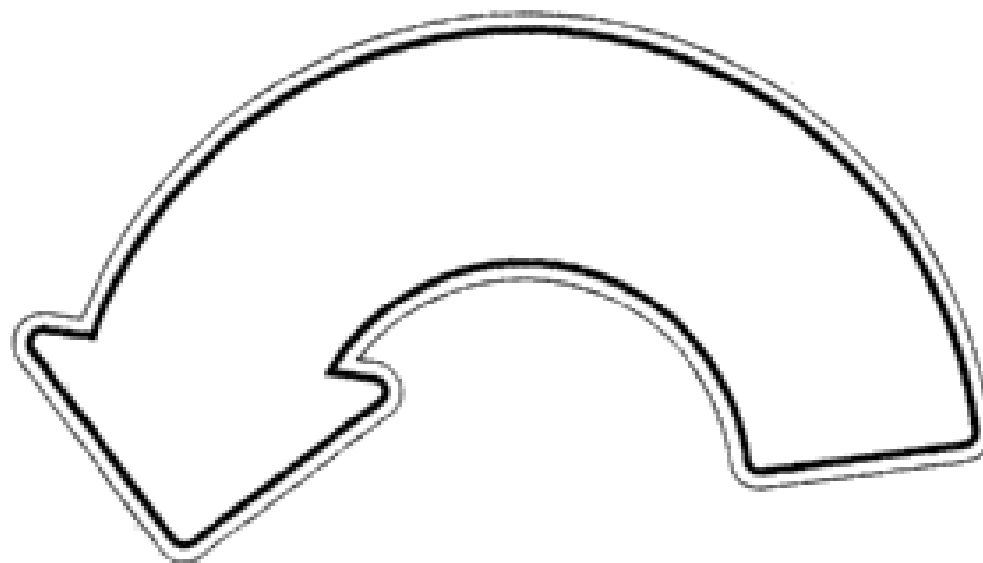
- (21) Design Number: **12445/2009**
(22) Date of Filing Application: **07 July 2009**
(24) Date from which industrial property rights may have effect: **07 July 2009**
(54) Product in respect of which the design is registered: **Sign**
(51) International Design Classification: **20-03NES**
(71) Name(s) and Address(s) of Applicant(s):
Angelo Alateras
19/35 Dunlop Road Mulgrave Victoria 3170 Australia
(72) Name(s) of Designer(s): **Angelo Alateras and Andrew Lau**
(45) Registration Date: **20 July 2009**
(56) Related Art Documents: **Not Applicable**
(57) Statement of Newness and Distinctiveness: **Newness and distinctiveness is claimed in the features of the shape and configuration of the illustrated sign.**



- (21) Design Number: **12446/2009**
(22) Date of Filing Application: **07 July 2009**
(24) Date from which industrial property rights may have effect: **07 July 2009**
(54) Product in respect of which the design is registered: **Sign**
(51) International Design Classification: **20-03NES**
(71) Name(s) and Address(s) of Applicant(s):
Angelo Alateras
19/35 Dunlop Road Mulgrave Victoria 3170 Australia
(72) Name(s) of Designer(s): **Angelo Alateras and Andrew Lau**
(45) Registration Date: **20 July 2009**
(56) Related Art Documents: **Not Applicable**
(57) Statement of Newness and Distinctiveness: **Newness and distinctiveness is claimed in the features of the shape and configuration of the illustrated sign.**



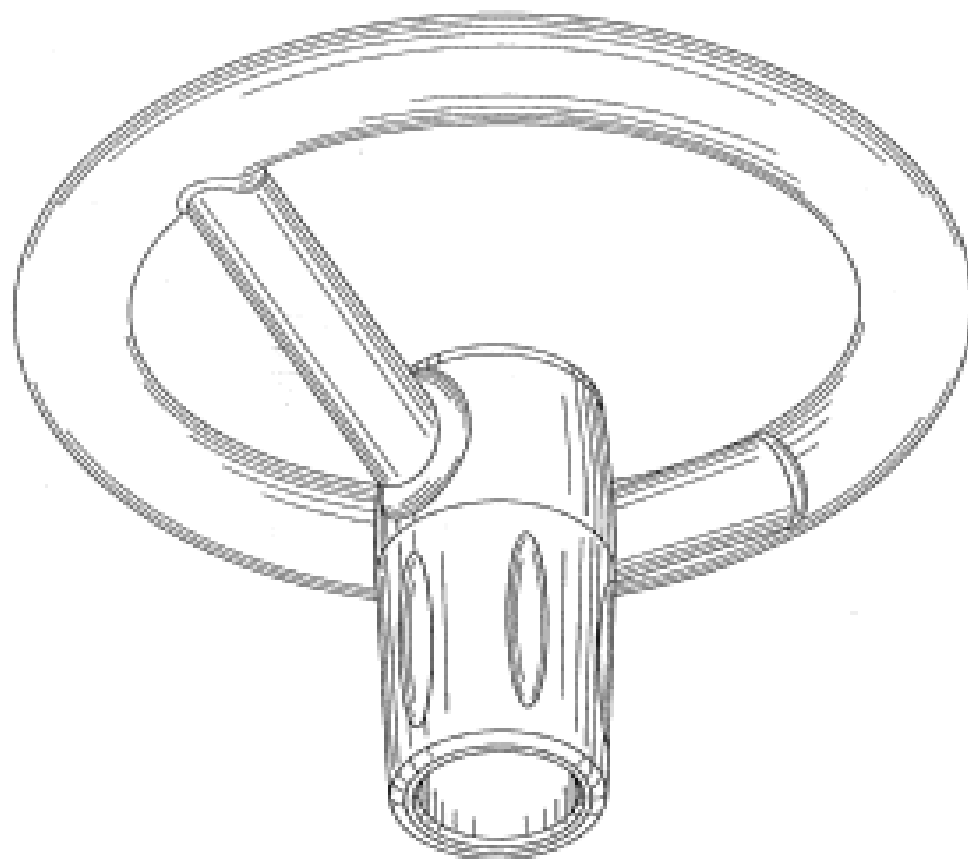
- (21) Design Number: **11888/2009**
(22) Date of Filing Application: **25 May 2009**
(24) Date from which industrial property rights may have effect: **25 May 2009**
(54) Product in respect of which the design is registered: **Safe tap sticker (arrow-shaped, self adhesive, waterproof vinyl stickers)**
(51) International Design Classification: **19-08**
(71) Name(s) and Address(s) of Applicant(s):
Lynne Rice
91 Memorial Drive Swan Hill Victoria 3585 Australia
(72) Name(s) of Designer(s): **Lynne Rice**
(45) Registration Date: **21 July 2009**
(56) Related Art Documents: **Not Applicable**
(57) Statement of Newness and Distinctiveness: **The features of the design depicted in the representations that are new and distinctive are the shape and/or configuration and/or ornamentation.**



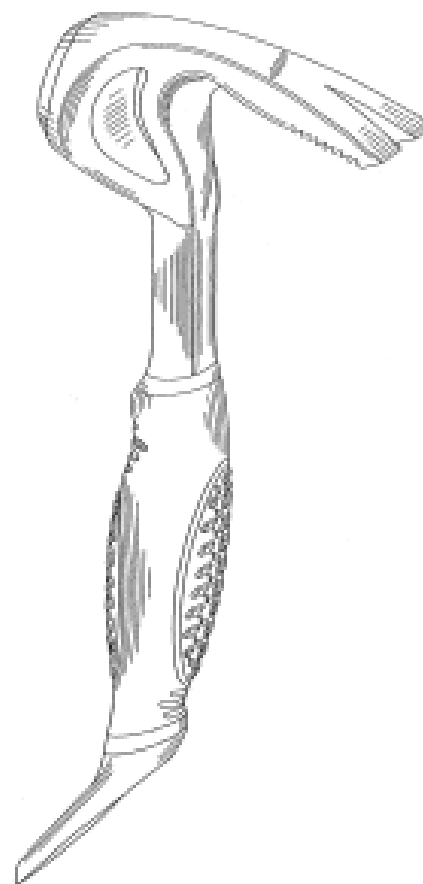
- (21) Design Number: **11889/2009**
(22) Date of Filing Application: **25 May 2009**
(24) Date from which industrial property rights may have effect: **25 May 2009**
(54) Product in respect of which the design is registered: **Safe tap sticker (double ended arrow-shaped, self adhesive, waterproof vinyl stickers)**
(51) International Design Classification: **19-08**
(71) Name(s) and Address(s) of Applicant(s):
Lynne Rice
91 Memorial Drive Swan Hill Victoria 3585 Australia
(72) Name(s) of Designer(s): **Lynne Rice**
(45) Registration Date: **21 July 2009**
(56) Related Art Documents: **Not Applicable**
(57) Statement of Newness and Distinctiveness: **The features of the design depicted in the representations that are new and distinctive are the shape and/or configuration and/or ornamentation.**



(21) Design Number: **12314/2009**
(22) Date of Filing Application: **26 June 2009**
(24) Date from which industrial property rights may have effect: **26 June 2009**
(54) Product in respect of which the design is registered: **360 degree grip**
(51) International Design Classification: **08-06**
(71) Name(s) and Address(s) of Applicant(s):
Ames True Temper, Inc.
465 Railroad Avenue Camp Hill PA 17011 United States of America
(72) Name(s) of Designer(s): **Maureen Elizabeth Carroll and David Boies and Shane Byler**
(45) Registration Date: **21 July 2009**
(30) Convention priority data:
(31) Number (32) Date (33) Country
29/330,852 15 Jan 2009 UNITED STATES OF AMERICA
(56) Related Art Documents: **Not Applicable**
(57) Statement of Newness and Distinctiveness: **Nil**



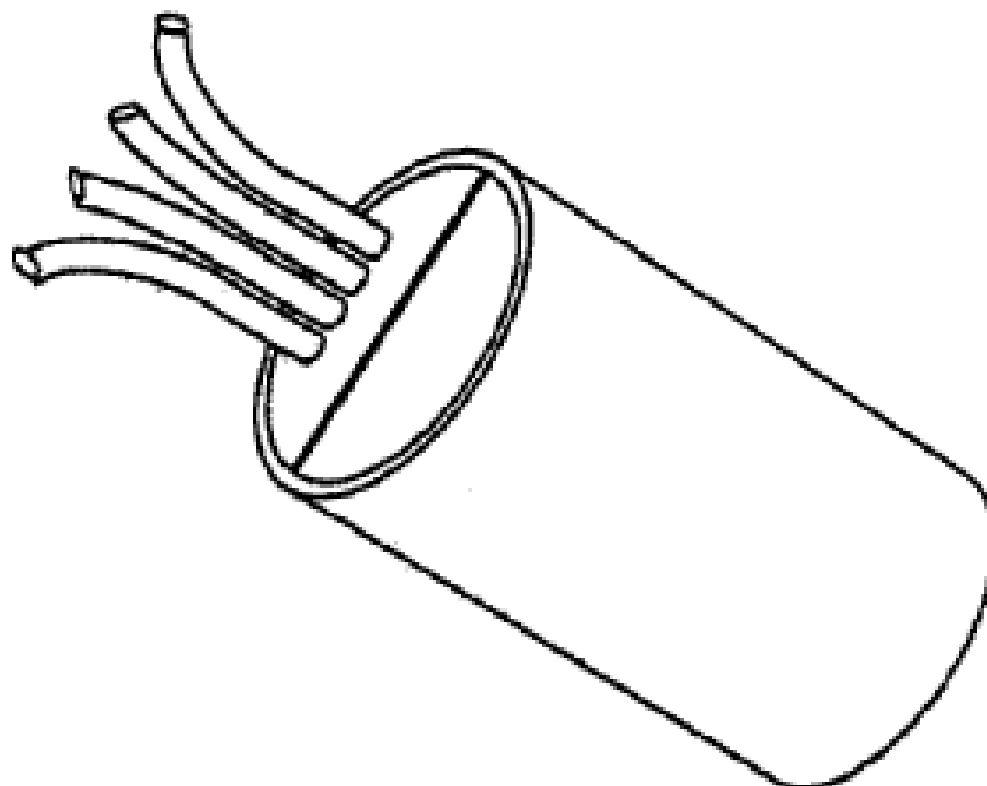
(21) Design Number: **12315/2009**
(22) Date of Filing Application: **26 June 2009**
(24) Date from which industrial property rights may have effect: **26 June 2009**
(54) Product in respect of which the design is registered: **Wrecking tool**
(51) International Design Classification: **08-05NES**
(71) Name(s) and Address(s) of Applicant(s):
Ames True Temper, Inc.
465 Railroad Avenue Camp Hill PA 17011 United States of America
(72) Name(s) of Designer(s): **Joshua O. Mullen and Michael C. Gehman**
(45) Registration Date: **21 July 2009**
(30) Convention priority data:
(31) Number (32) Date (33) Country
29/332,751 25 Feb 2009 UNITED STATES OF AMERICA
(56) Related Art Documents: **Not Applicable**
(57) Statement of Newness and Distinctiveness: **Nil**



- (21) Design Number: **12317/2009**
(22) Date of Filing Application: **29 June 2009**
(24) Date from which industrial property rights may have effect: **29 June 2009**
(54) Product in respect of which the design is registered: **Light**
(51) International Design Classification: **26-06**
(71) Name(s) and Address(s) of Applicant(s):
Advanced Automotive Australia Pty Ltd
909 Metry Street Albury New South Wales 2640 Australia
(72) Name(s) of Designer(s): **He Qi Yu**
(45) Registration Date: **21 July 2009**
(56) Related Art Documents: **Not Applicable**
(57) Statement of Newness and Distinctiveness: **New and distinctive features of Octagonal lens pattern housed in eight sided bracket.**



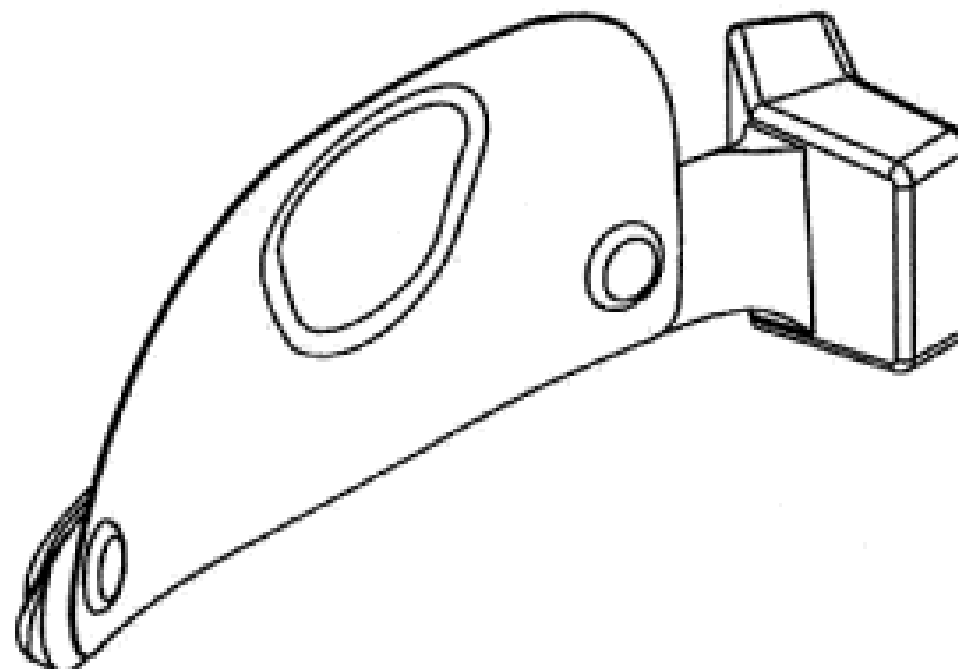
- (21) Design Number: **12080/2009**
(22) Date of Filing Application: **05 June 2009**
(24) Date from which industrial property rights may have effect: **05 June 2009**
(54) Product in respect of which the design is registered: **Encoders/decoders of remote control for water irrigation**
(51) International Design Classification: **14-03NES, 23-01E**
(71) Name(s) and Address(s) of Applicant(s):
S-Rain Control A/S
Oldenvej 6 DK-3490 Kvistgaard Denmark
(72) Name(s) of Designer(s): **Tom Nohr Christiansen**
(45) Registration Date: **21 July 2009**
(30) Convention priority data:
(31) Number (32) Date (33) Country
001052526 08 Dec 2008 EUROPEAN COMMUNITY
(56) Related Art Documents: **Not Applicable**
(57) Statement of Newness and Distinctiveness: **Nil**



- (21) Design Number: **12303/2009**
(22) Date of Filing Application: **26 June 2009**
(24) Date from which industrial property rights may have effect: **26 June 2009**
(54) Product in respect of which the design is registered: **Laptop platform for use on a tripod**
(51) International Design Classification: **06-03C**
(71) Name(s) and Address(s) of Applicant(s):
Clark & Associates Licensed Estate Agents & Auctioneers Pty Ltd
82 Smith Street Warragul Victoria 3820 Australia
(72) Name(s) of Designer(s): **Peter Clark**
(45) Registration Date: **21 July 2009**
(56) Related Art Documents: **Not Applicable**
(57) Statement of Newness and Distinctiveness: **Monopoly is claimed in the features of shape and configuration of a laptop platform which can be affixed to a tripod as illustrated in the representations. No monopoly is claimed in the tripod legs or head of the tripod, including adjusting handles. Any words, letters or numbers appearing in the representations are excluded from the design.**



- (21) Design Number: **12304/2009**
(22) Date of Filing Application: **26 June 2009**
(24) Date from which industrial property rights may have effect: **26 June 2009**
(54) Product in respect of which the design is registered: **Dental instrument**
(51) International Design Classification: **24-02**
(71) Name(s) and Address(s) of Applicant(s):
Directa AB
Box 723 Upplands Vasby SE-194 27 Sweden
(72) Name(s) of Designer(s): **Jan Johansson and Dan Ericson and Orjan Arkang and Stefan Leffler and Olof Larsson**
(45) Registration Date: **21 July 2009**
(30) Convention priority data:
(31) Number (32) Date (33) Country
001076533 27 Jan 2009 EUROPEAN COMMUNITY
(56) Related Art Documents: **Not Applicable**
(57) Statement of Newness and Distinctiveness: **The newness and distinctiveness of the design resides in the features of shape and/or configuration of the dental instrument shown in unbroken lines in the accompanying representations.**



(21) Design Number: **12305/2009**

(22) Date of Filing Application: **26 June 2009**

(24) Date from which industrial property rights may have effect: **26 June 2009**

(54) Product in respect of which the design is registered: **Tyre for motorcycle**

(51) International Design Classification: **12-15D**

(71) Name(s) and Address(s) of Applicant(s):

**The Goodyear Tire & Rubber Company
1144 East Market Street Akron Ohio 44316-0001 United States of
America**

(72) Name(s) of Designer(s): **Teruka Kumamoto**

(45) Registration Date: **21 July 2009**

(30) Convention priority data:

(31) Number	(32) Date	(33) Country
2009-000394	09 Jan 2009	JAPAN

(56) Related Art Documents: **Not Applicable**

(57) Statement of Newness and Distinctiveness: **Newness and distinctiveness is claimed in the features of shape and/or configuration of the tread of a tyre for motorcycle as illustrated in the accompanying representations, wherein the shape and/or configuration of the tread is repeated throughout the circumference of the tyre.**



(21) Design Number: **12306/2009**

(22) Date of Filing Application: **29 June 2009**

(24) Date from which industrial property rights may have effect: **29 June 2009**

(54) Product in respect of which the design is registered: **Table**

(51) International Design Classification: **06-03B**

(71) Name(s) and Address(s) of Applicant(s):

**Keith Melbourne
23/34 Smith Street Collingwood Victoria 3066 Australia**

(72) Name(s) of Designer(s): **Keith Melbourne**

(45) Registration Date: **21 July 2009**

(56) Related Art Documents: **Not Applicable**

(57) Statement of Newness and Distinctiveness: **Newness and distinctiveness is claimed in respect of the shape and/or configuration of the table.**



(21) Design Number: **12307/2009**

(22) Date of Filing Application: **29 June 2009**

(24) Date from which industrial property rights may have effect: **29 June 2009**

(54) Product in respect of which the design is registered: **Sofa**

(51) International Design Classification: **06-01G**

(71) Name(s) and Address(s) of Applicant(s):

Keith Melbourne

23/34 Smith Street Collingwood Victoria 3066 Australia

(72) Name(s) of Designer(s): **Keith Melbourne**

(45) Registration Date: **21 July 2009**

(56) Related Art Documents: **Not Applicable**

(57) Statement of Newness and Distinctiveness: **Newness and distinctiveness is claimed in respect of the shape and/or configuration of the sofa.**



(21) Design Number: **11677/2009**

(22) Date of Filing Application: **11 May 2009**

(24) Date from which industrial property rights may have effect: **11 May 2009**

(54) Product in respect of which the design is registered: **A cup**

(51) International Design Classification: **07-01C**

(71) Name(s) and Address(s) of Applicant(s):

Visy R & D Pty Ltd

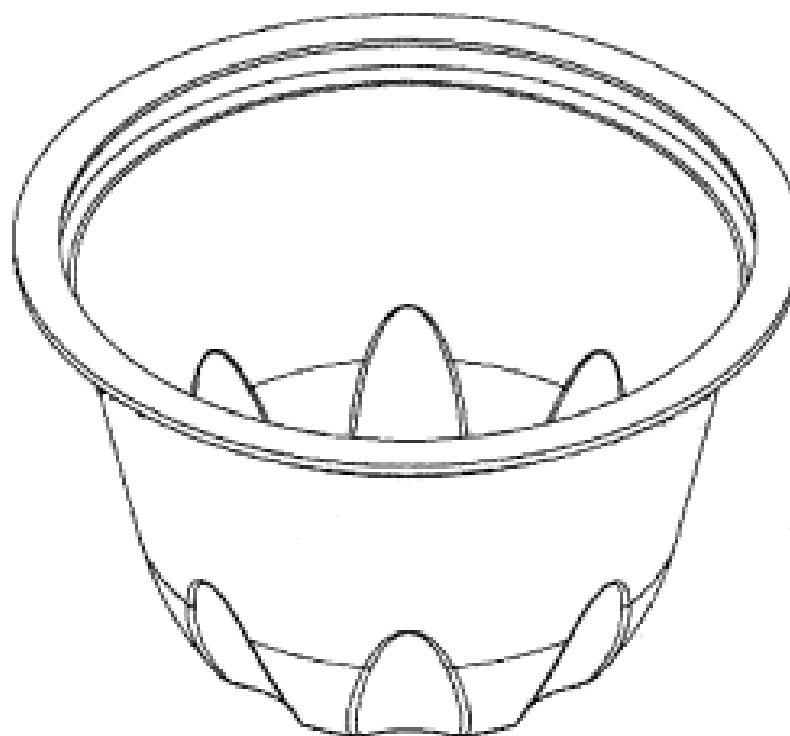
Level 11 2 Southbank Boulevard Southbank Victoria 3006 Australia

(72) Name(s) of Designer(s): **David Stephens**

(45) Registration Date: **21 July 2009**

(56) Related Art Documents: **Not Applicable**

(57) Statement of Newness and Distinctiveness: **The features of the design which are new and distinctive are the shape or configuration of the cup, as illustrated in the accompanying representations.**



(21) Design Number: **11678/2009**

(22) Date of Filing Application: **11 May 2009**

(24) Date from which industrial property rights may have effect: **11 May 2009**

(54) Product in respect of which the design is registered: **A cup**

(51) International Design Classification: **07-01C**

(71) Name(s) and Address(s) of Applicant(s):

Visy R & D Pty Ltd

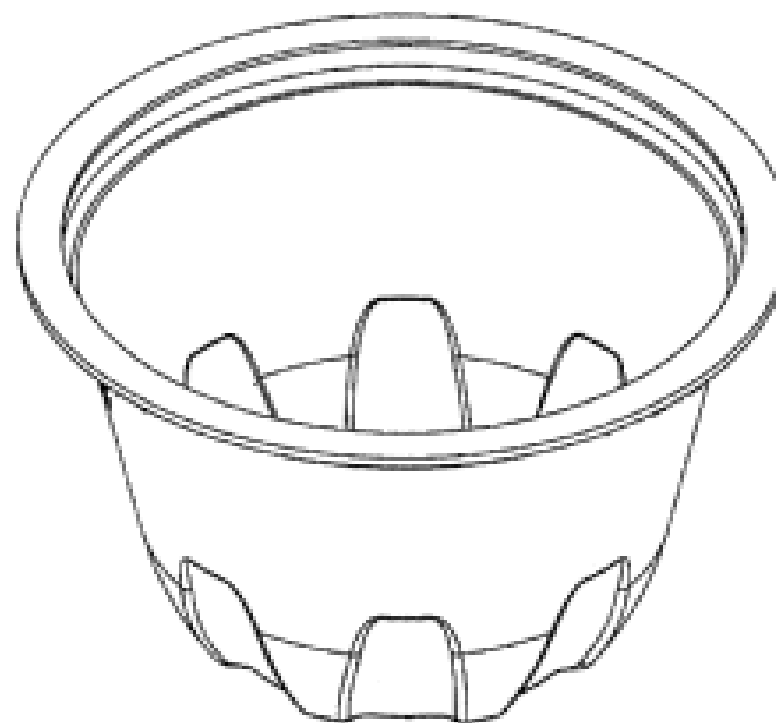
Level 11 2 Southbank Boulevard Southbank Victoria 3006 Australia

(72) Name(s) of Designer(s): **David Stephens**

(45) Registration Date: **21 July 2009**

(56) Related Art Documents: **Not Applicable**

(57) Statement of Newness and Distinctiveness: **The features of the design which are new and distinctive are the shape or configuration of the cup, as illustrated in the accompanying representations.**



(21) Design Number: **10217/2009**

(22) Date of Filing Application: **29 January 2009**

(24) Date from which industrial property rights may have effect: **29 January 2009**

(54) Product in respect of which the design is registered: **Coat**

(51) International Design Classification: **02-02B**

(71) Name(s) and Address(s) of Applicant(s):

Grant Olver Investments Pty Ltd trading as Pilgrim Clothing

2 Vale Street St Kilda Victoria 3182 Australia

(72) Name(s) of Designer(s): **Grant Olver**

(45) Registration Date: **21 July 2009**

(56) Related Art Documents: **Not Applicable**

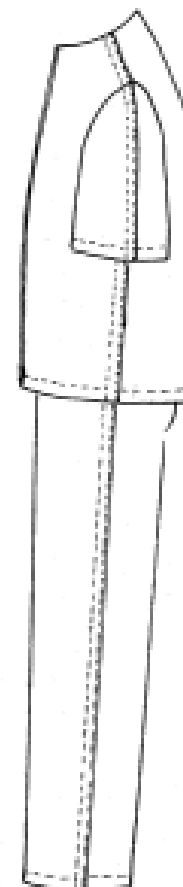
(57) Statement of Newness and Distinctiveness: **Nil**



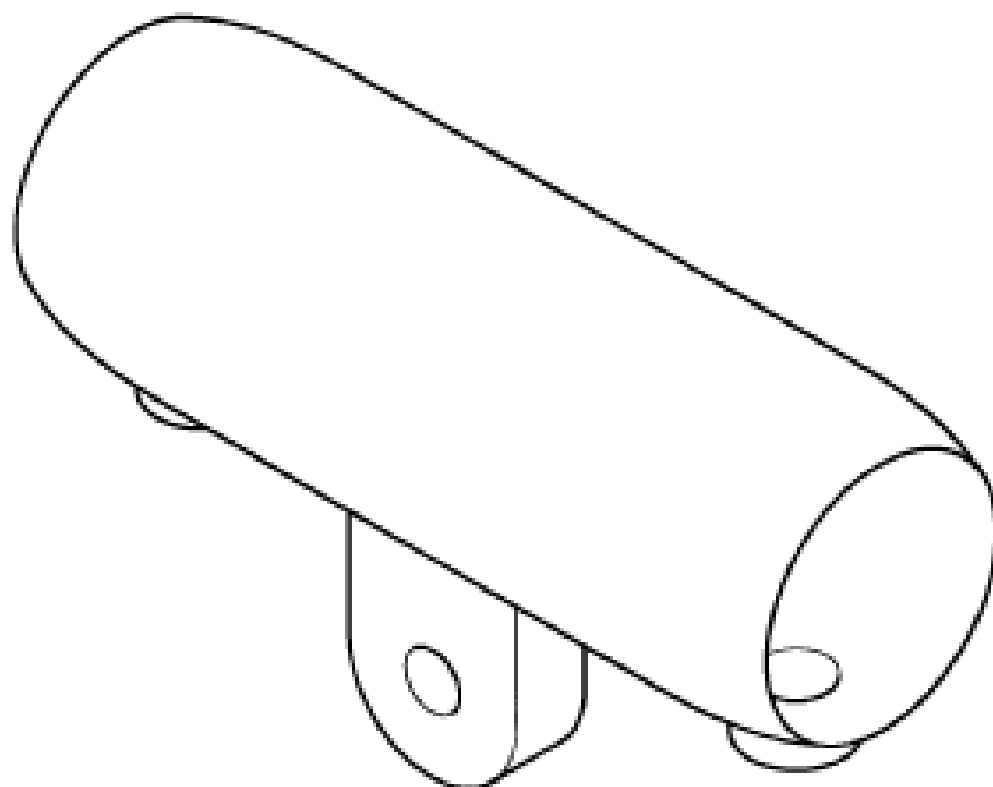
- (21) Design Number: **12433/2009**
- (22) Date of Filing Application: **29 January 2009**
- (24) Date from which industrial property rights may have effect: **29 January 2009**
- (54) Product in respect of which the design is registered: **Dress**
- (51) International Design Classification: **02-02C**
- (71) Name(s) and Address(s) of Applicant(s):
Grant Olver Investments Pty Ltd trading as Pilgrim Clothing
2 Vale Street St Kilda Victoria 3182 Australia
- (72) Name(s) of Designer(s): **Grant Olver**
- (45) Registration Date: **21 July 2009**
- (56) Related Art Documents: **Not Applicable**
- (57) Statement of Newness and Distinctiveness: **Nil**



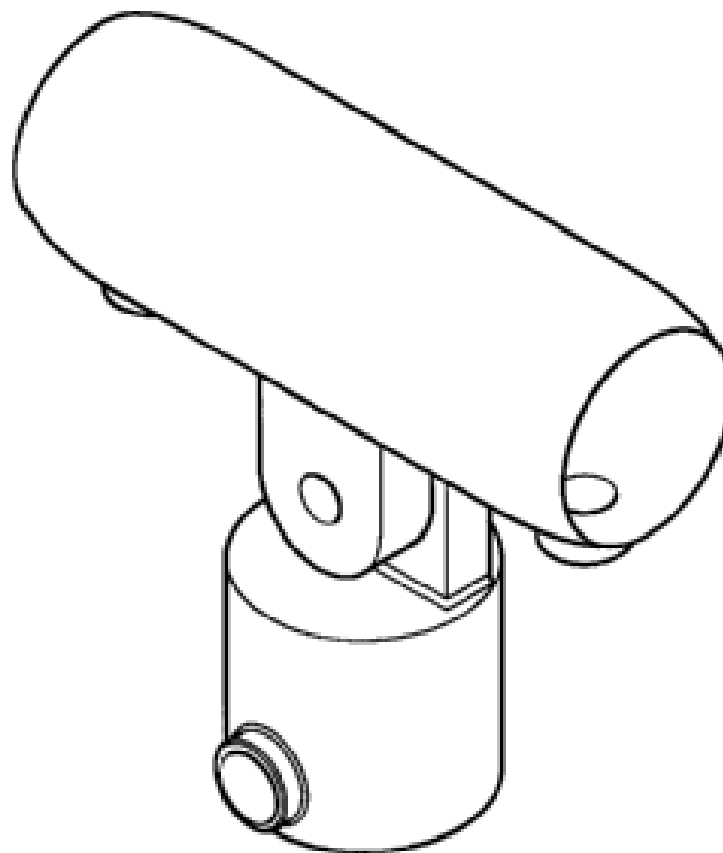
- (21) Design Number: **11034/2009**
- (22) Date of Filing Application: **27 March 2009**
- (24) Date from which industrial property rights may have effect: **27 March 2009**
- (54) Product in respect of which the design is registered: **Clothing**
- (51) International Design Classification: **02-02C, 02-02NES**
- (71) Name(s) and Address(s) of Applicant(s):
Robin Lorene Hort
10 Geranium Place Canning Vale Western Australia 6155 Australia
- (72) Name(s) of Designer(s): **Robin Lorene Hort**
- (45) Registration Date: **22 July 2009**
- (56) Related Art Documents: **Not Applicable**
- (57) Statement of Newness and Distinctiveness: **Nil**



- (21) Design Number: **11679/2009**
(22) Date of Filing Application: **11 May 2009**
(24) Date from which industrial property rights may have effect: **11 May 2009**
(54) Product in respect of which the design is registered: **Fitting for a support rail**
(51) International Design Classification: **08-08NES, 25-02C**
(71) Name(s) and Address(s) of Applicant(s):
Alltuff Products Pty Ltd
15 Dixie Road Kelmscott Western Australia 6111 Australia
(72) Name(s) of Designer(s): **James Arthur Fawkes**
(45) Registration Date: **22 July 2009**
(56) Related Art Documents: **Not Applicable**
(57) Statement of Newness and Distinctiveness: **Newness and distinctiveness is claimed in the features of shape and/or configuration of the fitting for a support rail as illustrated in the accompanying representations.**



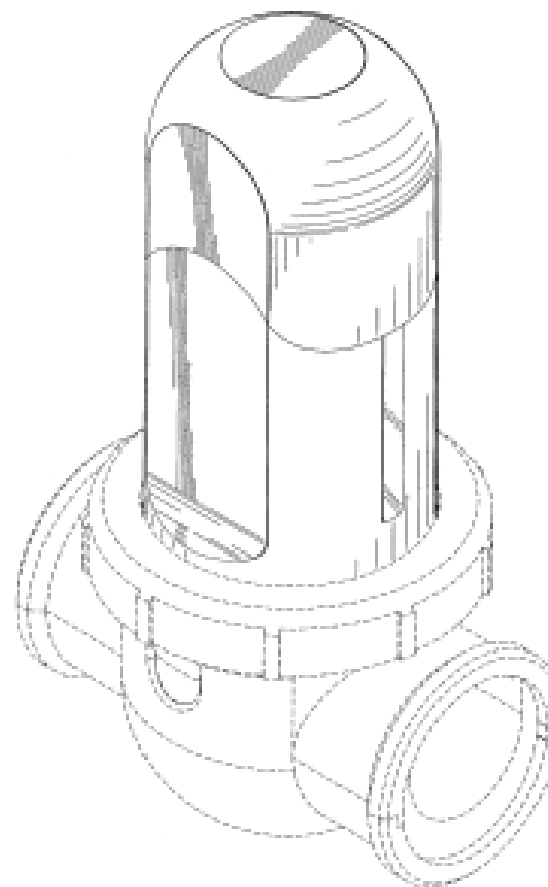
- (21) Design Number: **11680/2009**
(22) Date of Filing Application: **11 May 2009**
(24) Date from which industrial property rights may have effect: **11 May 2009**
(54) Product in respect of which the design is registered: **Fitting for a support rail**
(51) International Design Classification: **08-08NES, 25-02C**
(71) Name(s) and Address(s) of Applicant(s):
Alltuff Products Pty Ltd
15 Dixie Road Kelmscott Western Australia 6111 Australia
(72) Name(s) of Designer(s): **James Arthur Fawkes**
(45) Registration Date: **22 July 2009**
(56) Related Art Documents: **Not Applicable**
(57) Statement of Newness and Distinctiveness: **Newness and distinctiveness is claimed in the features of shape and/or configuration of the fitting for a support rail as illustrated in the accompanying representations.**



(21) Design Number: **11742/2009**
 (22) Date of Filing Application: **14 May 2009**
 (24) Date from which industrial property rights may have effect: **14 May 2009**
 (54) Product in respect of which the design is registered: **Component of a pool water circulation system**
 (51) International Design Classification: **23-01NES, 15-02**
 (71) Name(s) and Address(s) of Applicant(s):
Zodiac Pool Care Europe SA
2 rue Maurice Malley Issy les Moulineaux 92130 France
 (72) Name(s) of Designer(s): **Raymond A. Hin and Craig Andrews**
 (45) Registration Date: **22 July 2009**
 (30) Convention priority data:

(31) Number	(32) Date	(33) Country
29/312828	14 Nov 2008	UNITED STATES OF AMERICA

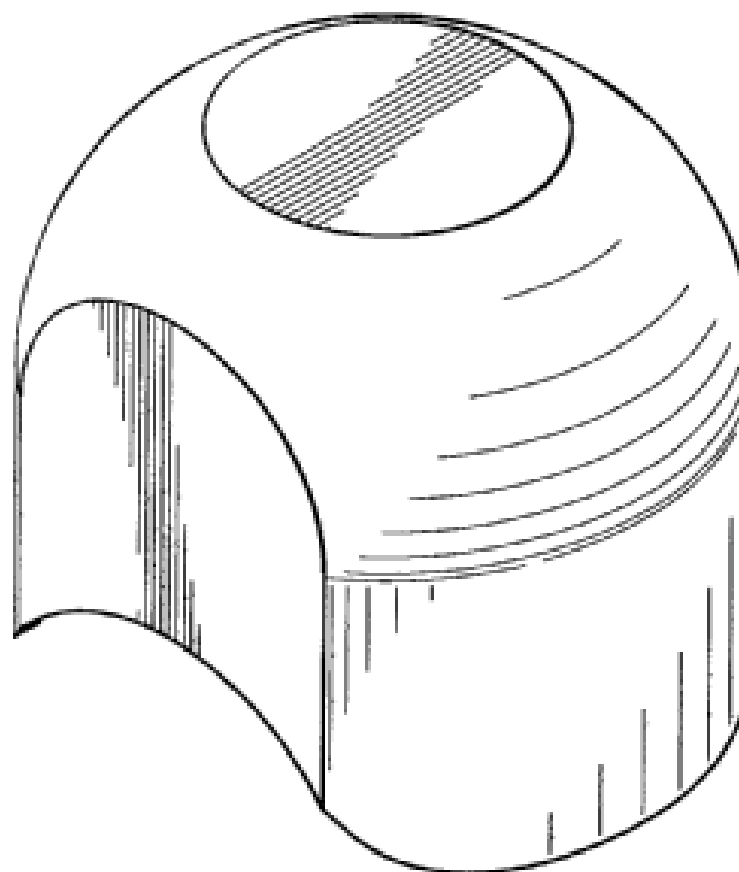
 (56) Related Art Documents: **Not Applicable**
 (57) Statement of Newness and Distinctiveness: **When determining whether the design 1 is substantially similar in overall impression to another design, it should be noted that the broken line representations in the figures are for the purpose of illustration only, and form no part of the design/component part.**



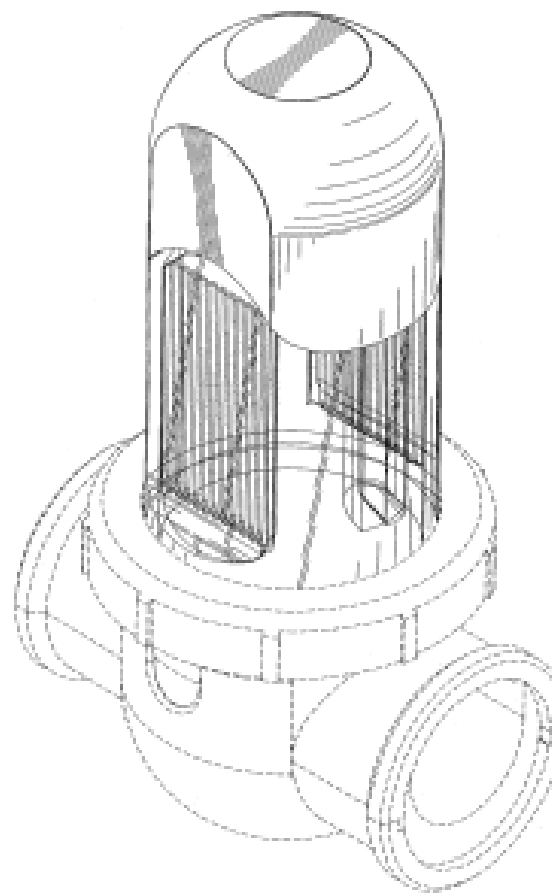
(21) Design Number: **11743/2009**
 (22) Date of Filing Application: **14 May 2009**
 (24) Date from which industrial property rights may have effect: **14 May 2009**
 (54) Product in respect of which the design is registered: **Component of a pool water circulation system**
 (51) International Design Classification: **23-01NES, 15-02**
 (71) Name(s) and Address(s) of Applicant(s):
Zodiac Pool Care Europe SA
2 rue Maurice Malley Issy les Moulineaux 92130 France
 (72) Name(s) of Designer(s): **Raymond A. Hin and Craig Andrews**
 (45) Registration Date: **22 July 2009**
 (30) Convention priority data:

(31) Number	(32) Date	(33) Country
29/312829	14 Nov 2008	UNITED STATES OF AMERICA

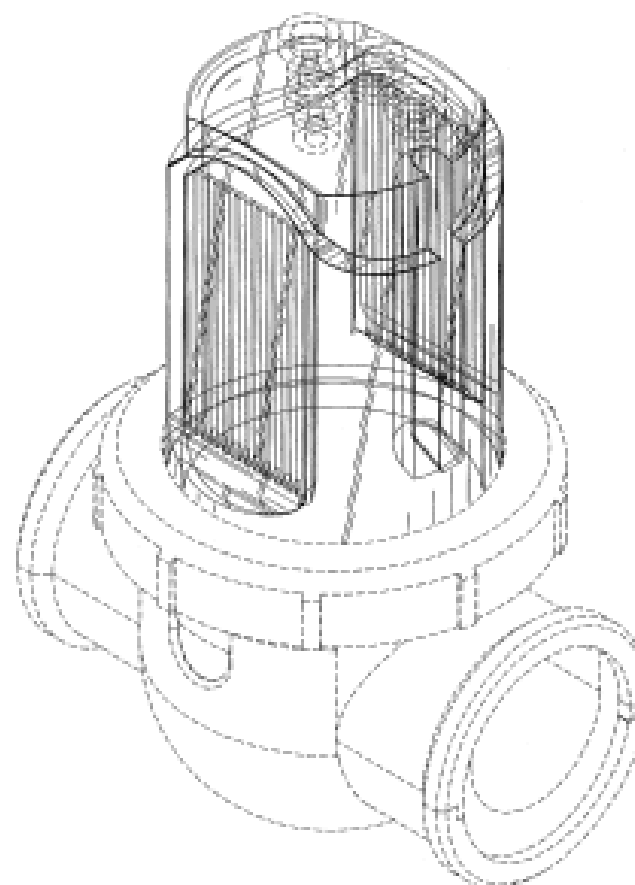
 (56) Related Art Documents: **Not Applicable**
 (57) Statement of Newness and Distinctiveness: **Nil**



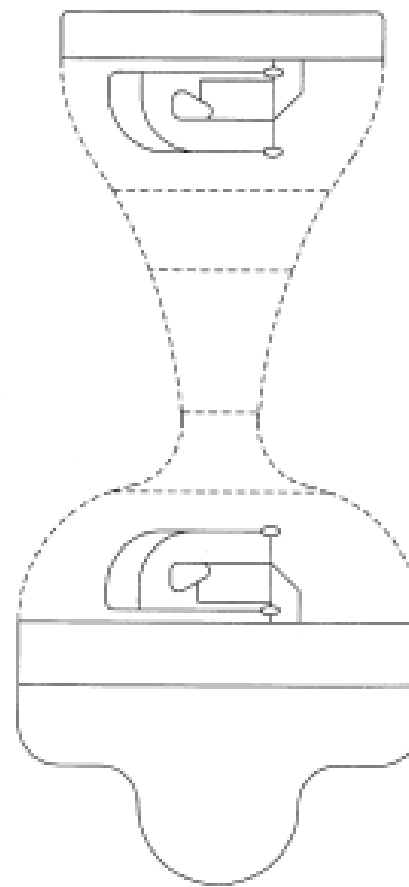
- (21) Design Number: **11744/2009**
(22) Date of Filing Application: **14 May 2009**
(24) Date from which industrial property rights may have effect: **14 May 2009**
(54) Product in respect of which the design is registered: **Component of a pool water circulation system**
(51) International Design Classification: **23-01NES, 15-02**
(71) Name(s) and Address(s) of Applicant(s):
Zodiac Pool Care Europe SA
2 rue Maurice Malley Issy les Moulineaux 92130 France
(72) Name(s) of Designer(s): **Raymond A. Hin and Craig Andrews**
(45) Registration Date: **22 July 2009**
(30) Convention priority data:
(31) Number (32) Date (33) Country
29/312836 14 Nov 2008 UNITED STATES OF AMERICA
(56) Related Art Documents: **Not Applicable**
(57) Statement of Newness and Distinctiveness: **When determining whether the design 1 is substantially similar in overall impression to another design, it should be noted that the broken line representations in the figures are for the purpose of illustration only, and form no part of the design/component part.**



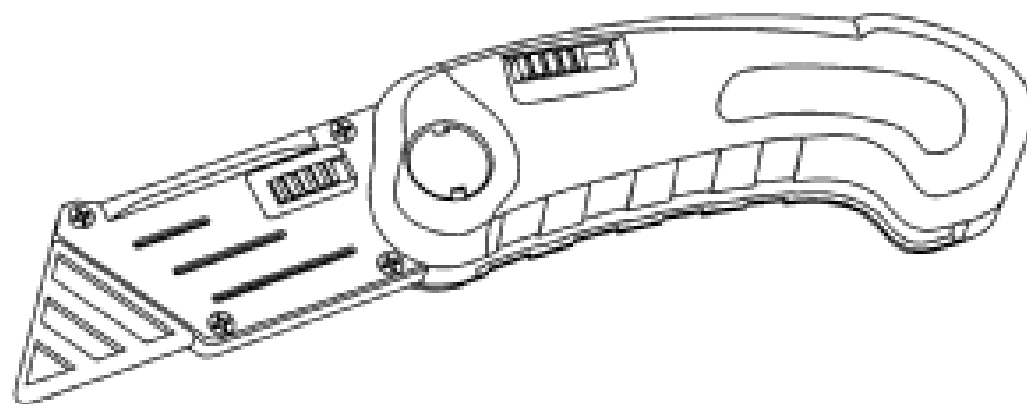
- (21) Design Number: **11745/2009**
(22) Date of Filing Application: **14 May 2009**
(24) Date from which industrial property rights may have effect: **14 May 2009**
(54) Product in respect of which the design is registered: **Component of a pool water circulation system**
(51) International Design Classification: **23-01NES, 15-02**
(71) Name(s) and Address(s) of Applicant(s):
Zodiac Pool Care Europe SA
2 rue Maurice Malley Issy les Moulineaux 92130 France
(72) Name(s) of Designer(s): **Raymond A. Hin and Craig Andrews**
(45) Registration Date: **22 July 2009**
(30) Convention priority data:
(31) Number (32) Date (33) Country
29/312839 14 Nov 2008 UNITED STATES OF AMERICA
(56) Related Art Documents: **Not Applicable**
(57) Statement of Newness and Distinctiveness: **When determining whether the design 1 is substantially similar in overall impression to another design, it should be noted that the broken line representations in the figures are for the purpose of illustration only, and form no part of the design/component part.**



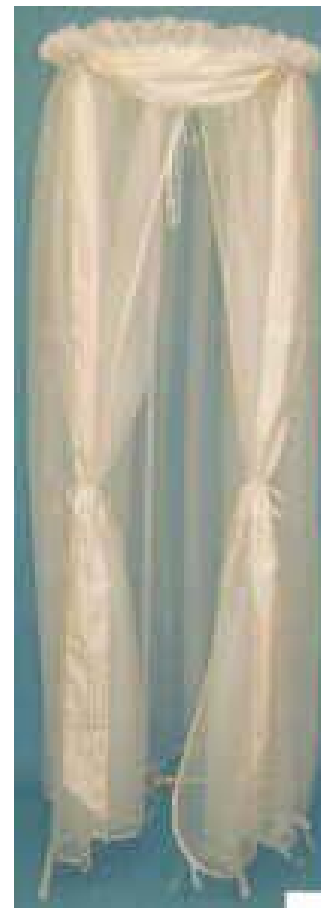
- (21) Design Number: **11809/2009**
(22) Date of Filing Application: **18 May 2009**
(24) Date from which industrial property rights may have effect: **18 May 2009**
(54) Product in respect of which the design is registered: **Electrode Pad**
(51) International Design Classification: **13-03NES**
(71) Name(s) and Address(s) of Applicant(s):
Impedimed Limited
Unit 1 50 Parker Court Pinkenba Queensland 4008 Australia
(72) Name(s) of Designer(s): **Richelle Gaw and Todd Kirschen**
(45) Registration Date: **22 July 2009**
(56) Related Art Documents: **Not Applicable**
(57) Statement of Newness and Distinctiveness: **The design relates to the overall appearance and particular visual features of a product, being an electrode pad, having the pattern, shape, configuration and ornamentation as shown in the representation. Broken lines are used to indicate elements of the product beyond that to which the visual features are applied. As such, the design may include variations in the central portion of the electrode pad.**



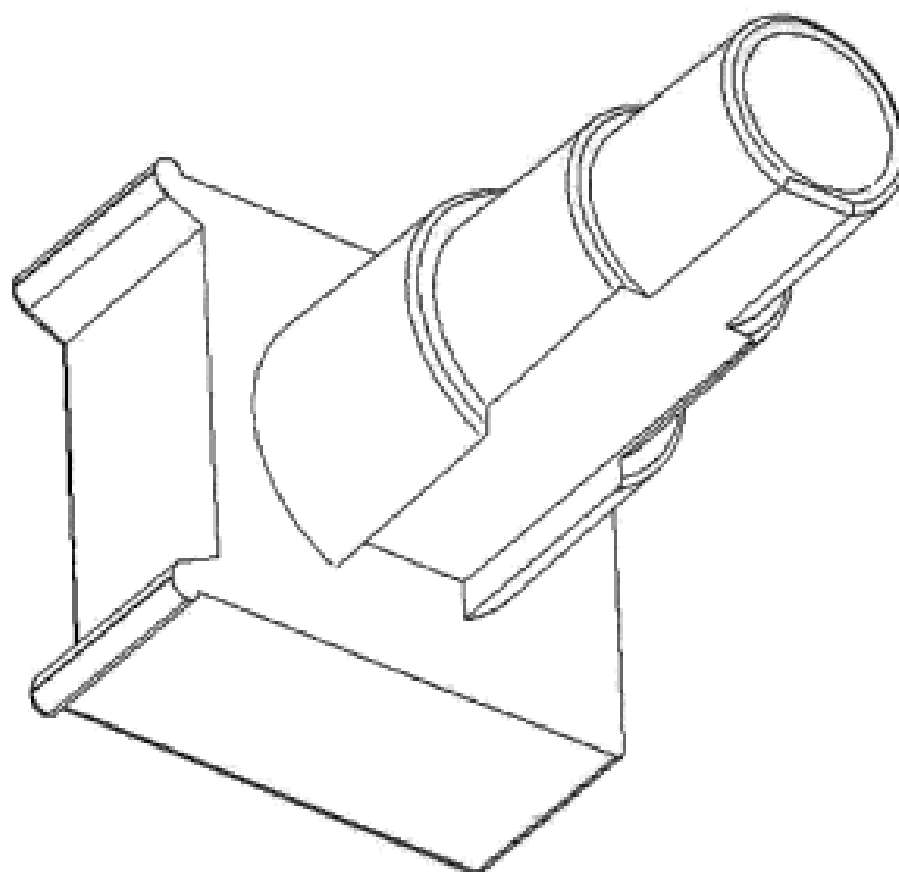
- (21) Design Number: **12296/2009**
(22) Date of Filing Application: **25 June 2009**
(24) Date from which industrial property rights may have effect: **25 June 2009**
(54) Product in respect of which the design is registered: **A utility knife**
(51) International Design Classification: **08-03**
(71) Name(s) and Address(s) of Applicant(s):
Yuewei Wu
Ningbo Xingwei Plastic Product Co., Ltd. Industrial Zone of Xidian
Ninghai Zhejiang 315613 People's Republic of China
(72) Name(s) of Designer(s): **Yuewei Wu**
(45) Registration Date: **22 July 2009**
(56) Related Art Documents: **Not Applicable**
(57) Statement of Newness and Distinctiveness: **Nil**



- (21) Design Number: **12297/2009**
(22) Date of Filing Application: **25 June 2009**
(24) Date from which industrial property rights may have effect: **25 June 2009**
(54) Product in respect of which the design is registered: **Cot halo net with fabric sash**
(51) International Design Classification: **06-02, 06-13B**
(71) Name(s) and Address(s) of Applicant(s):
Annalise Horsfall
312 George Street Windsor New South Wales 2756 Australia
Russell Alexander Horsfall
312 George Street Windsor New South Wales 2756 Australia
(72) Name(s) of Designer(s): **Russell Alexander Horsfall**
(45) Registration Date: **22 July 2009**
(56) Related Art Documents: **Not Applicable**
(57) Statement of Newness and Distinctiveness: **This cot halo net with fabric sash is a new and distinctive product which we wish to register.**



- (21) Design Number: **12320/2009**
(22) Date of Filing Application: **26 June 2009**
(24) Date from which industrial property rights may have effect: **26 June 2009**
(54) Product in respect of which the design is registered: **Finial**
(51) International Design Classification: **08-99**
(71) Name(s) and Address(s) of Applicant(s):
D & C Design Pty Ltd
43-45 Garden Street South Yarra Victoria 3141 Australia
(72) Name(s) of Designer(s): **Andrew Foreman**
(45) Registration Date: **22 July 2009**
(56) Related Art Documents: **Not Applicable**
(57) Statement of Newness and Distinctiveness: **Nil**



(21) Design Number: **12321/2009**

(22) Date of Filing Application: **26 June 2009**

(24) Date from which industrial property rights may have effect: **26 June 2009**

(54) Product in respect of which the design is registered: **A shower chair shell**

(51) International Design Classification: **06-01NES**

(71) Name(s) and Address(s) of Applicant(s):

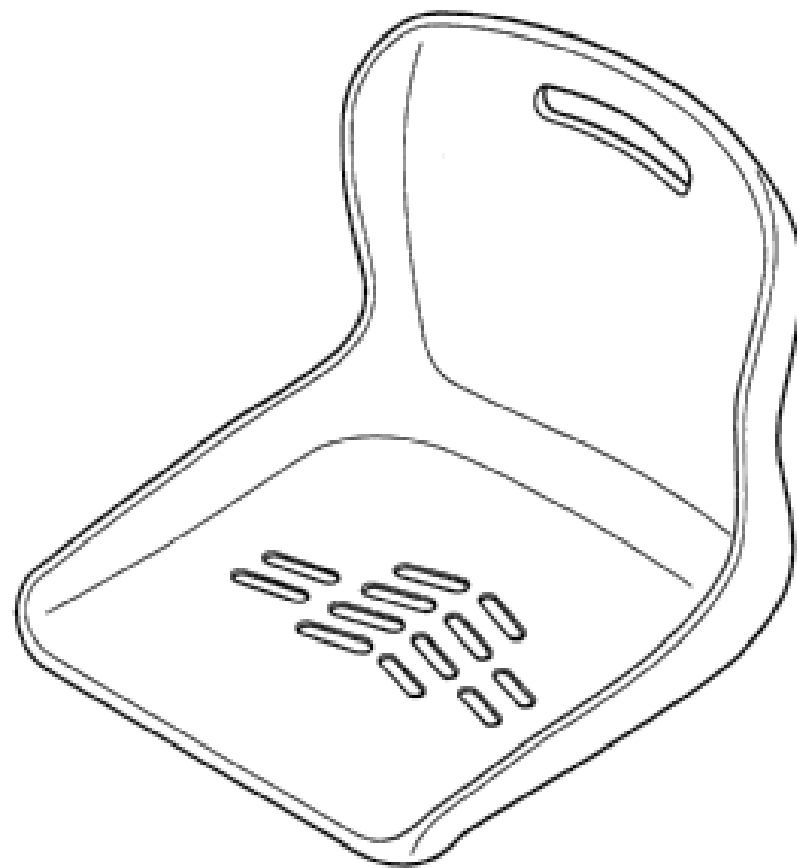
**K.D.B. Engineering Pty Ltd Care of Hills Industries Limited
944-956 South Road Edwardstown South Australia 5039 Australia**

(72) Name(s) of Designer(s): **Shane Janicki**

(45) Registration Date: **22 July 2009**

(56) Related Art Documents: **Not Applicable**

(57) Statement of Newness and Distinctiveness: **Newness and distinctiveness resides in the features of shape and configuration of a shower chair shell as shown in the accompanying representations.**



(21) Design Number: **12323/2009**

(22) Date of Filing Application: **29 June 2009**

(24) Date from which industrial property rights may have effect: **29 June 2009**

(54) Product in respect of which the design is registered: **Jockey wheel**

(51) International Design Classification: **12-16A, 12-16L**

(71) Name(s) and Address(s) of Applicant(s):

**Meher Trailer Products Pty Ltd
11 National Drive Hallam Victoria 3803 Australia**

(72) Name(s) of Designer(s): **Paramraj Singh Viridi and Kamaldeep Kaur Viridi**

(45) Registration Date: **22 July 2009**

(56) Related Art Documents: **Not Applicable**

(57) Statement of Newness and Distinctiveness: **Monopoly is claimed in the shape, configuration, pattern and/or ornamentation of a WHEEL as illustrated. Any letters, numbers or logos should be disregarded.**



(21) Design Number: **12324/2009**

(22) Date of Filing Application: **26 June 2009**

(24) Date from which industrial property rights may have effect: **26 June 2009**

(54) Product in respect of which the design is registered: **Motorcycle**

(51) International Design Classification: **12-11**

(71) Name(s) and Address(s) of Applicant(s):

Sanyang Industry Co., Ltd
No. 184 Keng Tzu Kou Shang Keng Village Hsin Fong Shiang Hsinchu
County 304 TAIWAN R.O.C.

(72) Name(s) of Designer(s): **Po-Wen Liu**

(45) Registration Date: **22 July 2009**

(56) Related Art Documents: **Not Applicable**

(57) Statement of Newness and Distinctiveness: **Newness and distinctiveness resides in the shape and configuration of the motorcycle shown in the accompanying representations.**



(21) Design Number: **12372/2009**

(22) Date of Filing Application: **01 July 2009**

(24) Date from which industrial property rights may have effect: **01 July 2009**

(54) Product in respect of which the design is registered: **Hinged covers for display of tobacco products**

(51) International Design Classification: **08-06, 20-02NES, 27-99**

(71) Name(s) and Address(s) of Applicant(s):

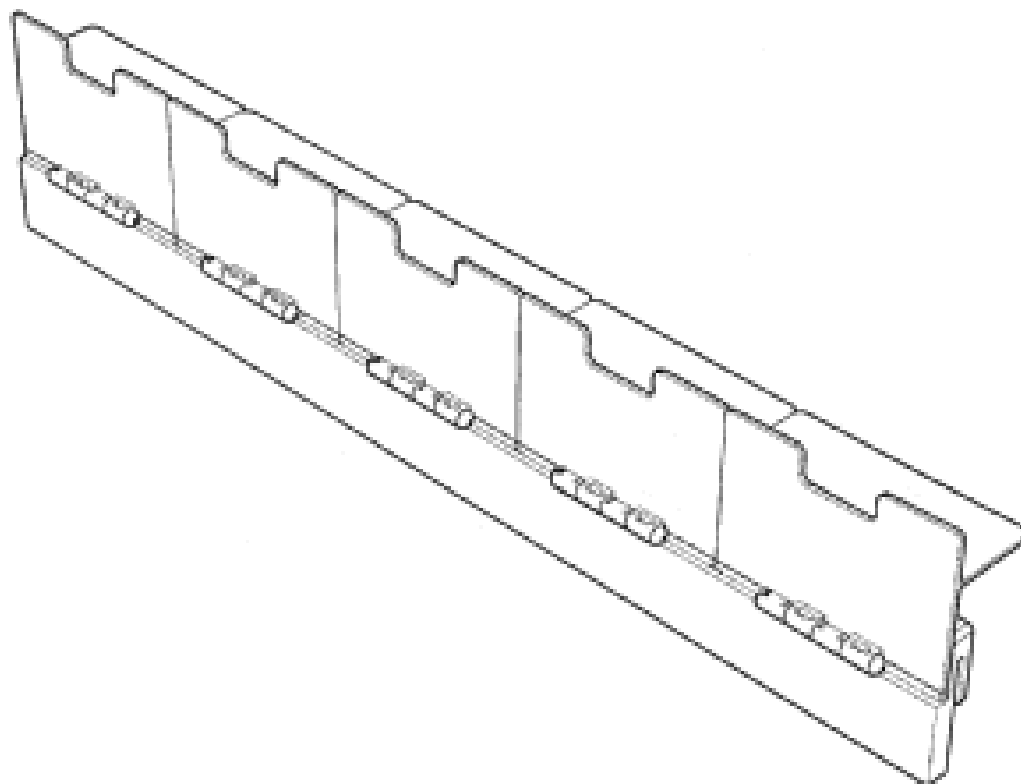
Channel Panel Pty Ltd
6/30 Leighton Place Hornsby New South Wales 2077 Australia

(72) Name(s) of Designer(s): **Garry Holder and Andrew Stolp**

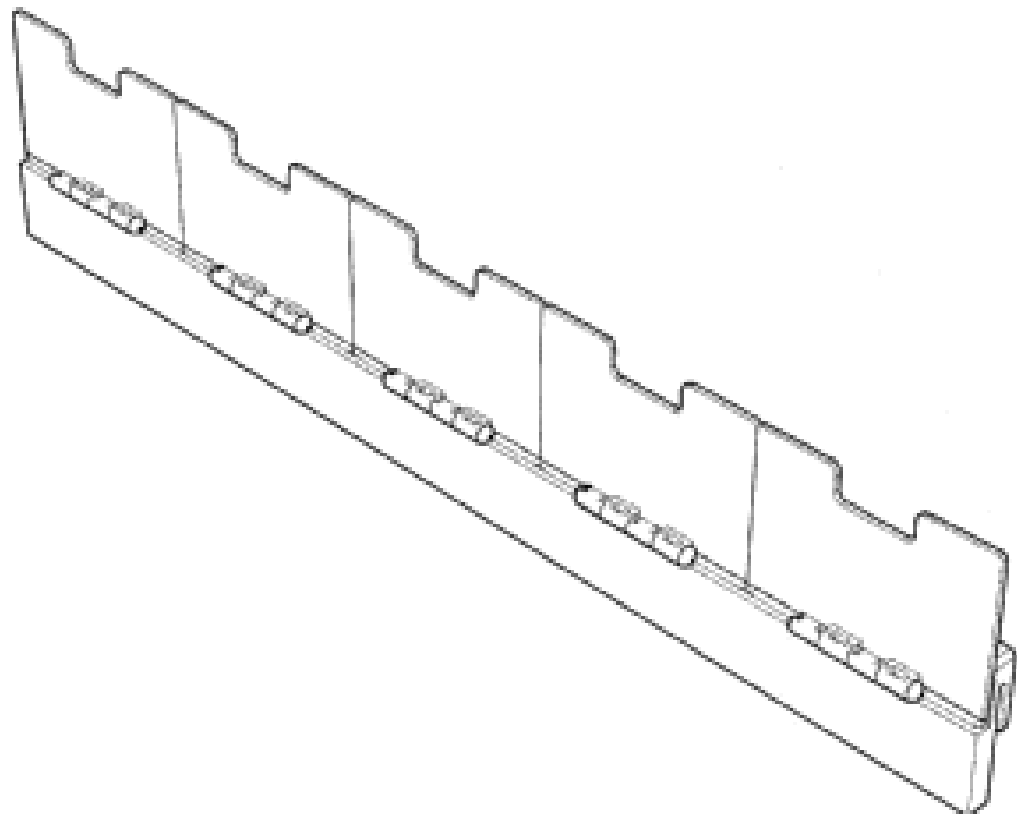
(45) Registration Date: **22 July 2009**

(56) Related Art Documents: **Not Applicable**

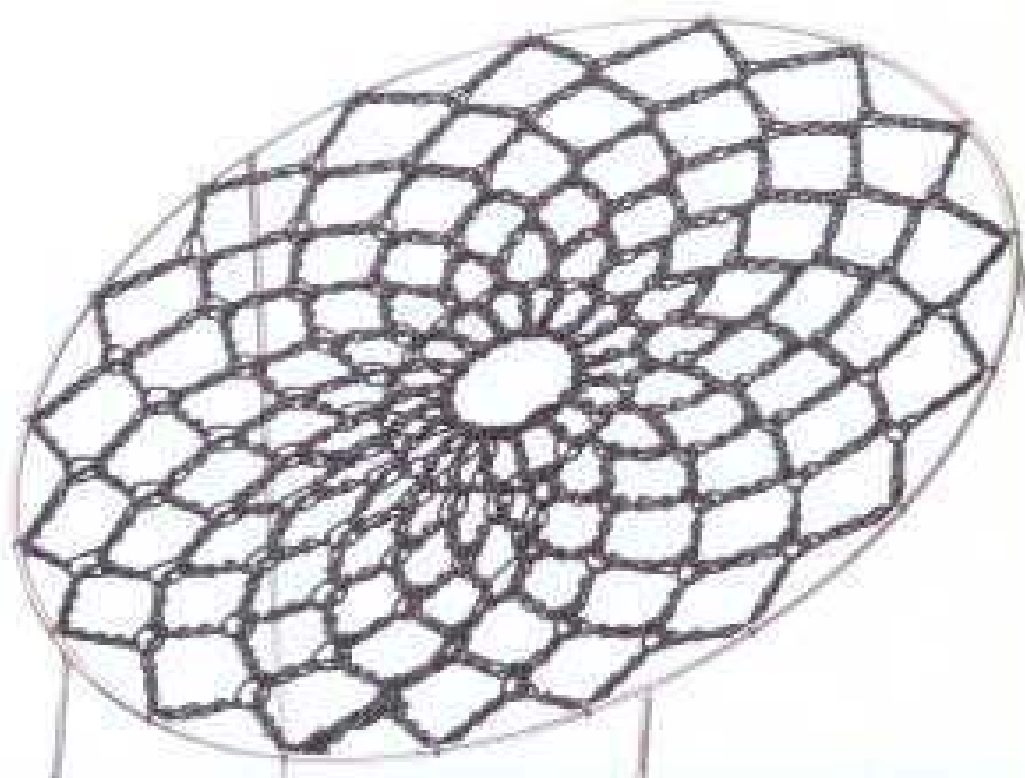
(57) Statement of Newness and Distinctiveness: **The design features removable hinged covers of varying widths to suit different width products. All covers slide into a holder that attaches to a shelf front. The covers hide the product behind, yet can easily be accessed via the hinged door.**



- (21) Design Number: **12565/2009**
(22) Date of Filing Application: **01 July 2009**
(24) Date from which industrial property rights may have effect: **01 July 2009**
(54) Product in respect of which the design is registered: **Hinged covers for display of tobacco products**
(51) International Design Classification: **08-06, 20-02NES, 27-99**
(71) Name(s) and Address(s) of Applicant(s):
Channel Panel Pty Ltd
6/30 Leighton Place Hornsby New South Wales 2077 Australia
(72) Name(s) of Designer(s): **Garry Holder and Andrew Stolp**
(45) Registration Date: **22 July 2009**
(56) Related Art Documents: **Not Applicable**
(57) Statement of Newness and Distinctiveness: **The design features removable hinged covers of varying widths to suit different width products. All covers slide into a holder that attaches to a shelf front. The covers hide the product behind, yet can easily be accessed via the hinged door.**



- (21) Design Number: **15529/2008**
(22) Date of Filing Application: **21 November 2008**
(24) Date from which industrial property rights may have effect: **21 November 2008**
(54) Product in respect of which the design is registered: **Furniture**
(51) International Design Classification: **06-01L**
(71) Name(s) and Address(s) of Applicant(s):
Henry Sgourakis
45A O'Briens Lane Templestowe Victoria 3106 Australia
(72) Name(s) of Designer(s): **Henry Sgourakis**
(45) Registration Date: **22 July 2009**
(56) Related Art Documents: **Not Applicable**
(57) Statement of Newness and Distinctiveness: **Monopoly is claimed in the features of pattern and ornamentation and shape and configuration as illustrated in the accompanying representation.**



(21) Design Number: **12330/2009**

(22) Date of Filing Application: **29 June 2009**

(24) Date from which industrial property rights may have effect: **29 June 2009**

(54) Product in respect of which the design is registered: **An idler (no.2)**

(51) International Design Classification: **12-05**

(71) Name(s) and Address(s) of Applicant(s):

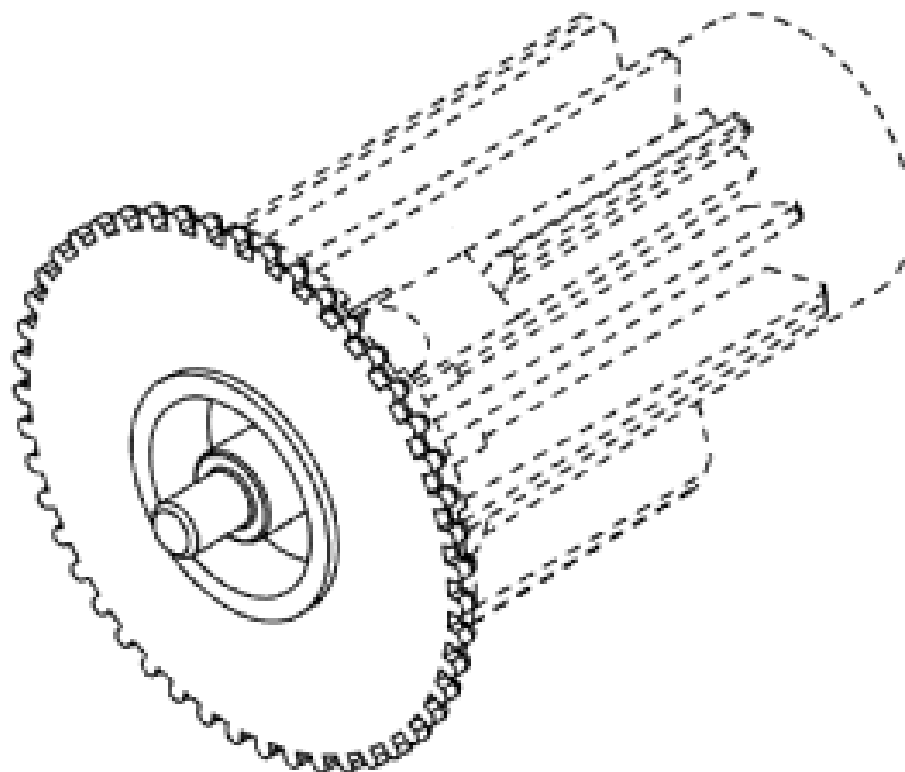
Carmelo Joseph Licciardi Di Stefano
110 Northcorp Boulevard Broadmeadows Victoria 3047 Australia

(72) Name(s) of Designer(s): **Carmelo Joseph Licciardi Di Stefano**

(45) Registration Date: **22 July 2009**

(56) Related Art Documents: **Not Applicable**

(57) Statement of Newness and Distinctiveness: **The following visual features of the design are new and distinctive: The shape and configuration of an idler (no.2) as shown in solid lines in the accompanying drawings. In considering the newness and distinctiveness of the design, no regard is to be had to the visual features depicted by the broken lines.**



(21) Design Number: **12331/2009**

(22) Date of Filing Application: **29 June 2009**

(24) Date from which industrial property rights may have effect: **29 June 2009**

(54) Product in respect of which the design is registered: **An extended idler (no.2)**

(51) International Design Classification: **12-05**

(71) Name(s) and Address(s) of Applicant(s):

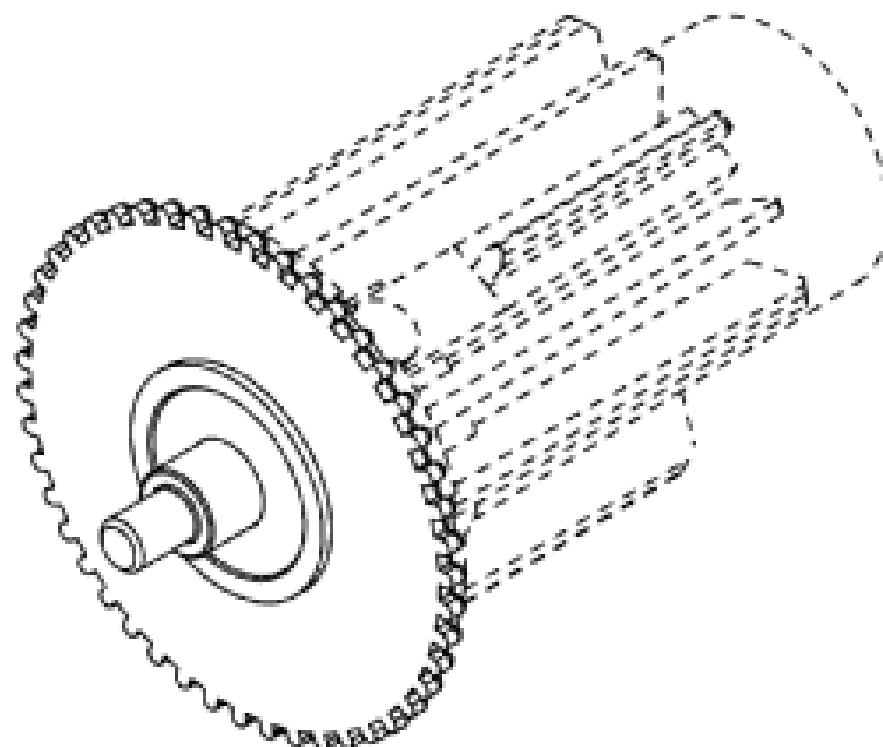
Carmelo Joseph Licciardi Di Stefano
110 Northcorp Boulevard Broadmeadows Victoria 3047 Australia

(72) Name(s) of Designer(s): **Carmelo Joseph Licciardi Di Stefano**

(45) Registration Date: **22 July 2009**

(56) Related Art Documents: **Not Applicable**

(57) Statement of Newness and Distinctiveness: **The following visual features of the design are new and distinctive: The shape and configuration of an extended idler (no.2) as shown in solid lines in the accompanying drawings. In considering the newness and distinctiveness of the design, no regard is to be had to the visual features depicted by the broken lines.**



(21) Design Number: 12332/2009

(22) Date of Filing Application: 29 June 2009

(24) Date from which industrial property rights may have effect: 29 June 2009

(54) Product in respect of which the design is registered: A retracted idler (no.2)

(51) International Design Classification: 12-05

(71) Name(s) and Address(s) of Applicant(s):

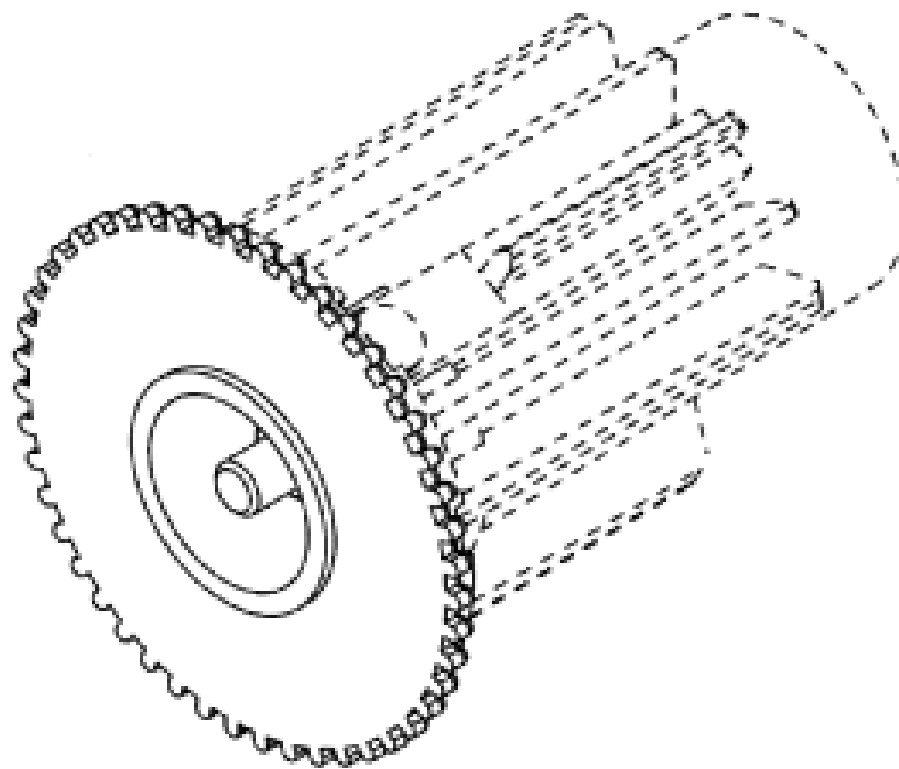
Carmelo Joseph Licciardi Di Stefano
110 Northcorp Boulevard Broadmeadows Victoria 3047 Australia

(72) Name(s) of Designer(s): Carmelo Joseph Licciardi Di Stefano

(45) Registration Date: 22 July 2009

(56) Related Art Documents: Not Applicable

(57) Statement of Newness and Distinctiveness: The following visual features of the design are new and distinctive: The shape and configuration of a retracted idler (no.2) as shown in solid lines in the accompanying drawings. In considering the newness and distinctiveness of the design, no regard is to be had to the visual features depicted by the broken lines.



(21) Design Number: 12333/2009

(22) Date of Filing Application: 29 June 2009

(24) Date from which industrial property rights may have effect: 29 June 2009

(54) Product in respect of which the design is registered: An extended idler (no.3)

(51) International Design Classification: 12-05

(71) Name(s) and Address(s) of Applicant(s):

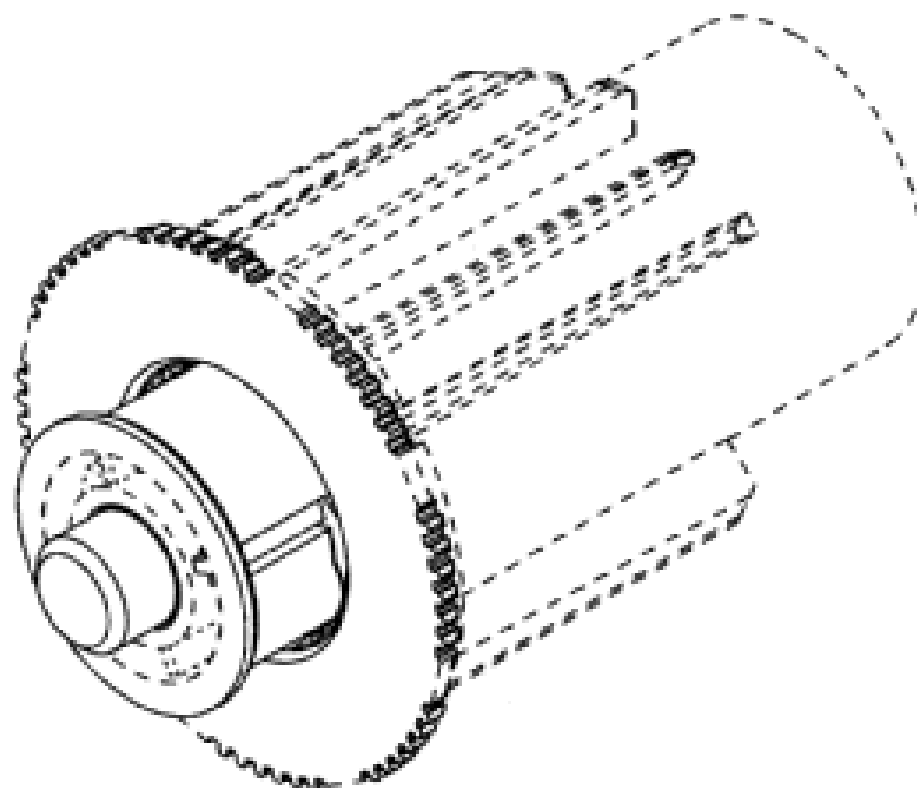
Carmelo Joseph Licciardi Di Stefano
110 Northcorp Boulevard Broadmeadows Victoria 3047 Australia

(72) Name(s) of Designer(s): Carmelo Joseph Licciardi Di Stefano

(45) Registration Date: 22 July 2009

(56) Related Art Documents: Not Applicable

(57) Statement of Newness and Distinctiveness: The following visual features of the design are new and distinctive: The shape and configuration of an extended idler (no.3) as shown in solid lines in the accompanying drawings. In considering the newness and distinctiveness of the design, no regard is to be had to the visual features depicted by the broken lines.



(21) Design Number: **12334/2009**

(22) Date of Filing Application: **29 June 2009**

(24) Date from which industrial property rights may have effect: **29 June 2009**

(54) Product in respect of which the design is registered: **A core extended idler (no.3)**

(51) International Design Classification: **12-05**

(71) Name(s) and Address(s) of Applicant(s):

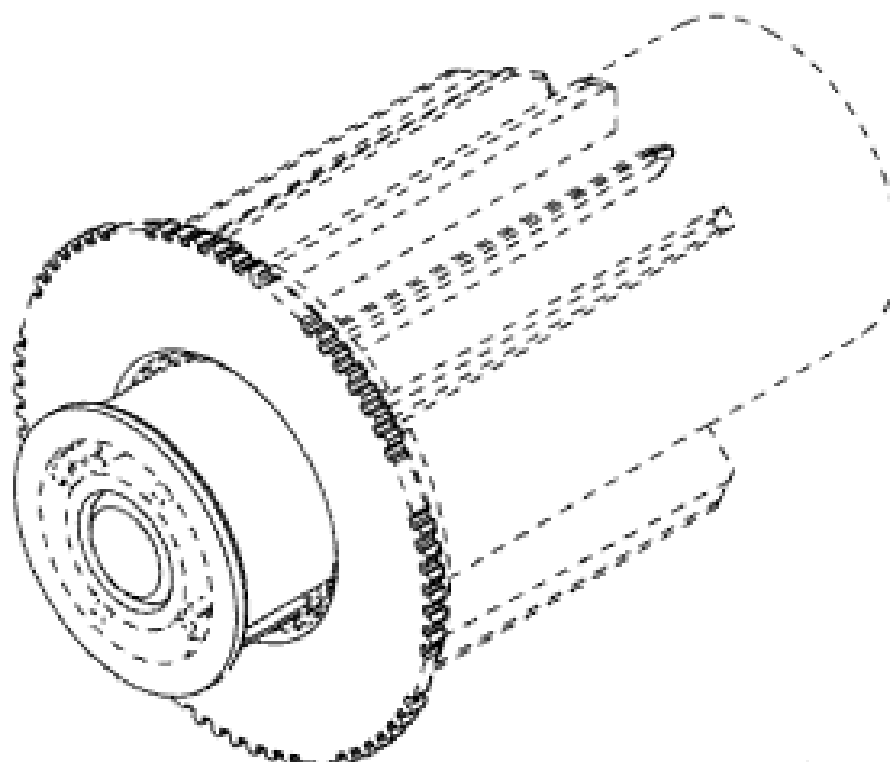
Carmelo Joseph Licciardi Di Stefano
110 Northcorp Boulevard Broadmeadows Victoria 3047 Australia

(72) Name(s) of Designer(s): **Carmelo Joseph Licciardi Di Stefano**

(45) Registration Date: **22 July 2009**

(56) Related Art Documents: **Not Applicable**

(57) Statement of Newness and Distinctiveness: **The following visual features of the design are new and distinctive: The shape and configuration of a core extended idler (no.3) as shown in solid lines in the accompanying drawings. In considering the newness and distinctiveness of the design, no regard is to be had to the visual features depicted by the broken lines.**



(21) Design Number: **12335/2009**

(22) Date of Filing Application: **29 June 2009**

(24) Date from which industrial property rights may have effect: **29 June 2009**

(54) Product in respect of which the design is registered: **An idler (no.3)**

(51) International Design Classification: **12-05**

(71) Name(s) and Address(s) of Applicant(s):

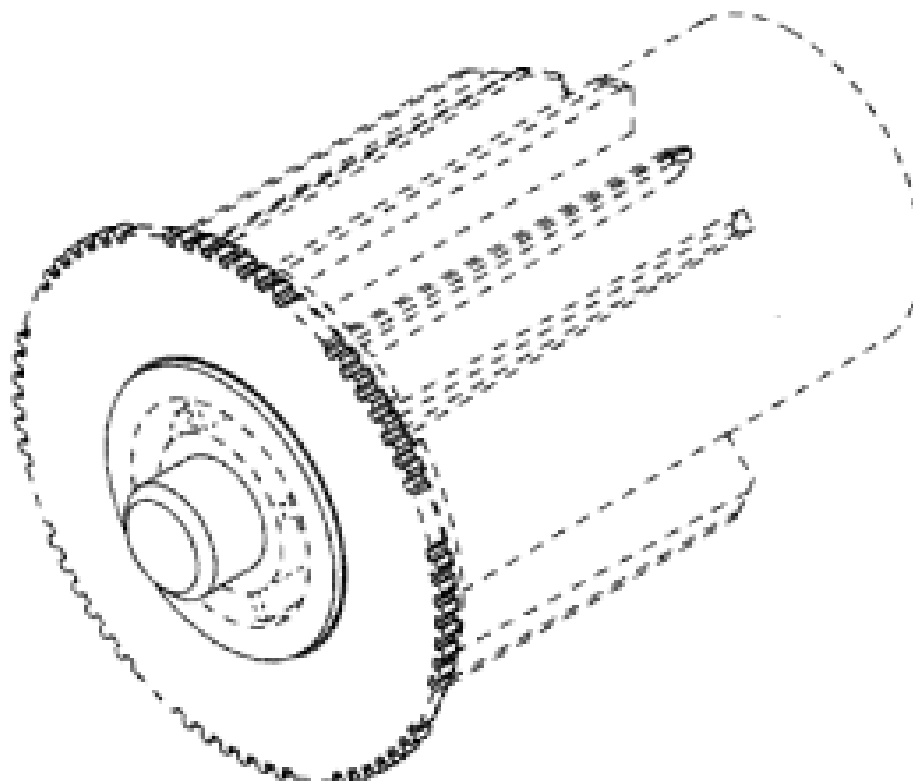
Carmelo Joseph Licciardi Di Stefano
110 Northcorp Boulevard Broadmeadows Victoria 3047 Australia

(72) Name(s) of Designer(s): **Carmelo Joseph Licciardi Di Stefano**

(45) Registration Date: **22 July 2009**

(56) Related Art Documents: **Not Applicable**

(57) Statement of Newness and Distinctiveness: **The following visual features of the design are new and distinctive: The shape and configuration of an idler (no.3) as shown in solid lines in the accompanying drawings. In considering the newness and distinctiveness of the design, no regard is to be had to the visual features depicted by the broken lines.**



(21) Design Number: **12336/2009**

(22) Date of Filing Application: **29 June 2009**

(24) Date from which industrial property rights may have effect: **29 June 2009**

(54) Product in respect of which the design is registered: **A retracted idler (no.3)**

(51) International Design Classification: **12-05**

(71) Name(s) and Address(s) of Applicant(s):

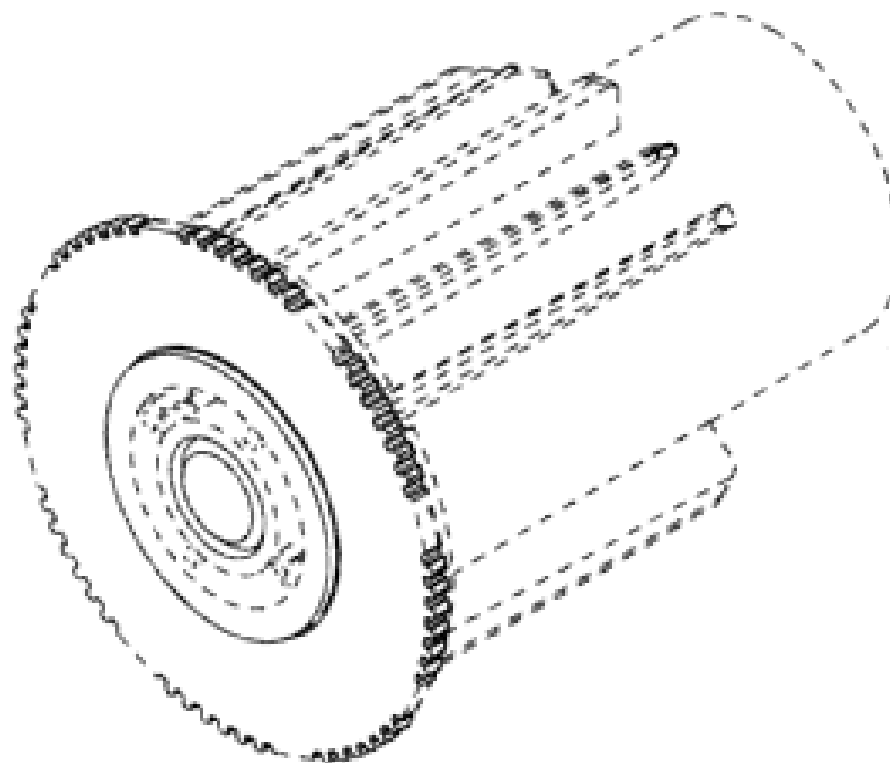
Carmelo Joseph Licciardi Di Stefano
110 Northcorp Boulevard Broadmeadows Victoria 3047 Australia

(72) Name(s) of Designer(s): **Carmelo Joseph Licciardi Di Stefano**

(45) Registration Date: **22 July 2009**

(56) Related Art Documents: **Not Applicable**

(57) Statement of Newness and Distinctiveness: **The following visual features of the design are new and distinctive: The shape and configuration of a retracted idler (no.3) as shown in solid lines in the accompanying drawings. In considering the newness and distinctiveness of the design, no regard is to be had to the visual features depicted by the broken lines.**



(21) Design Number: **12337/2009**

(22) Date of Filing Application: **29 June 2009**

(24) Date from which industrial property rights may have effect: **29 June 2009**

(54) Product in respect of which the design is registered: **Buckle**

(51) International Design Classification: **02-07A**

(71) Name(s) and Address(s) of Applicant(s):

Nuna International B.V.
Paasheuvelweg 26 NL-1105 BJ Amsterdam Zuidoost The Netherlands

(72) Name(s) of Designer(s): **Jonatha Kirk Mountz and Nathanael Saint**

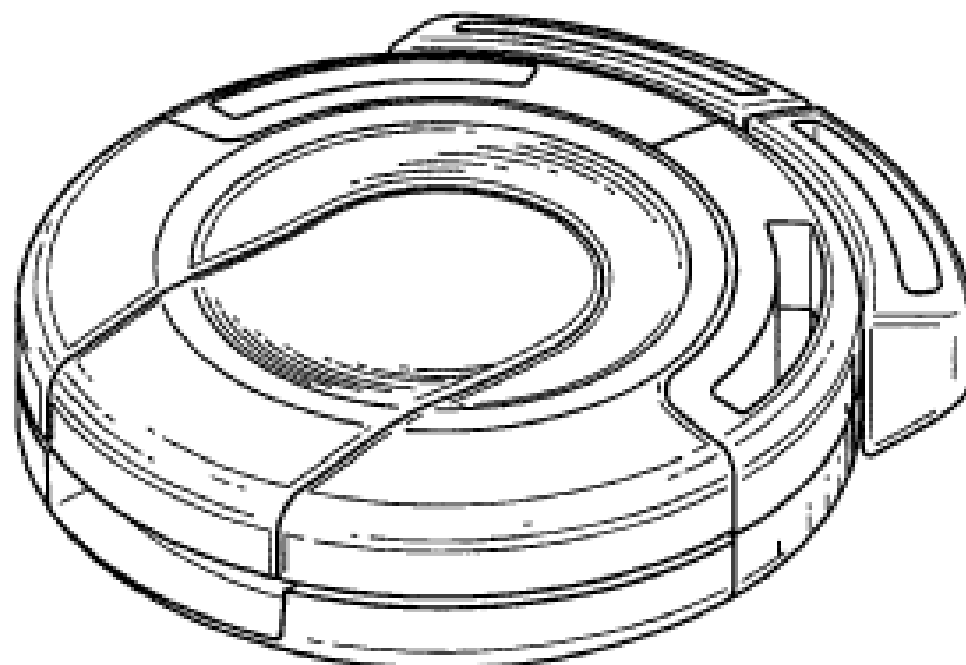
(45) Registration Date: **22 July 2009**

(30) Convention priority data:

(31) Number	(32) Date	(33) Country
29/311249	29 Jan 2009	UNITED STATES OF AMERICA

(56) Related Art Documents: **Not Applicable**

(57) Statement of Newness and Distinctiveness: **Newness and distinctiveness resides in the features of shape and/or configuration of a BUCKLE as illustrated in the accompanying representations.**



(21) Design Number: **12435/2009**

(22) Date of Filing Application: **03 July 2009**

(24) Date from which industrial property rights may have effect: **03 July 2009**

(54) Product in respect of which the design is registered: **Moulded tetra module**

(51) International Design Classification: **06-01G**

(71) Name(s) and Address(s) of Applicant(s):

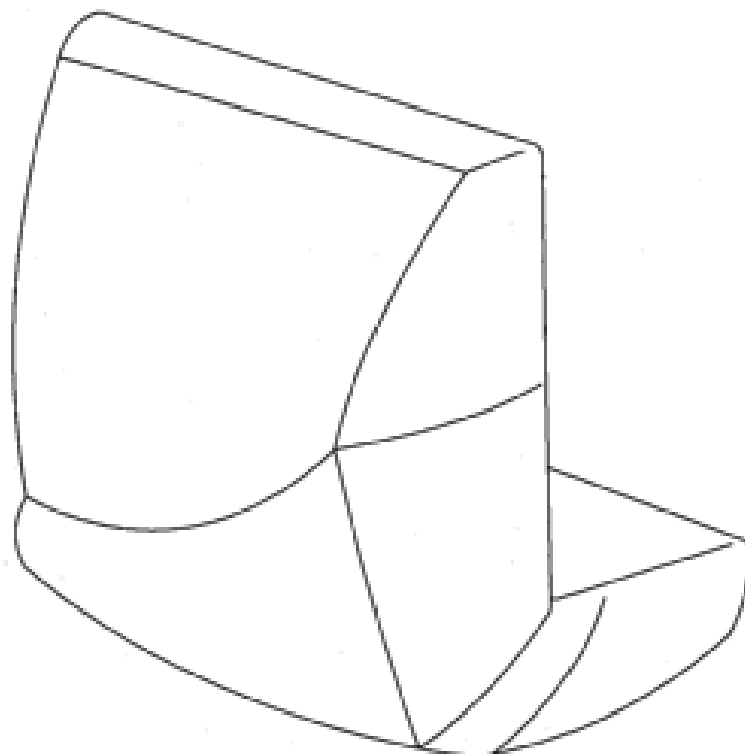
Botton & Gardiner Urban Furniture Pty Ltd.
37/34-36 Ralph Street Alexandria New South Wales 2015 Australia

(72) Name(s) of Designer(s): **Mike Botton and Thomas Marlay**

(45) Registration Date: **22 July 2009**

(56) Related Art Documents: **Not Applicable**

(57) Statement of Newness and Distinctiveness: **The design is new and distinctive by virtue of the shape and configuration.**



(21) Design Number: **12309/2009**

(22) Date of Filing Application: **29 June 2009**

(24) Date from which industrial property rights may have effect: **29 June 2009**

(54) Product in respect of which the design is registered: **Chair**

(51) International Design Classification: **06-01F**

(71) Name(s) and Address(s) of Applicant(s):

Keith Melbourne
23/34 Smith Street Collingwood Victoria 3066 Australia

(72) Name(s) of Designer(s): **Keith Melbourne**

(45) Registration Date: **22 July 2009**

(56) Related Art Documents: **Not Applicable**

(57) Statement of Newness and Distinctiveness: **Newness and distinctiveness is claimed in respect of the shape and/or configuration of the chair.**



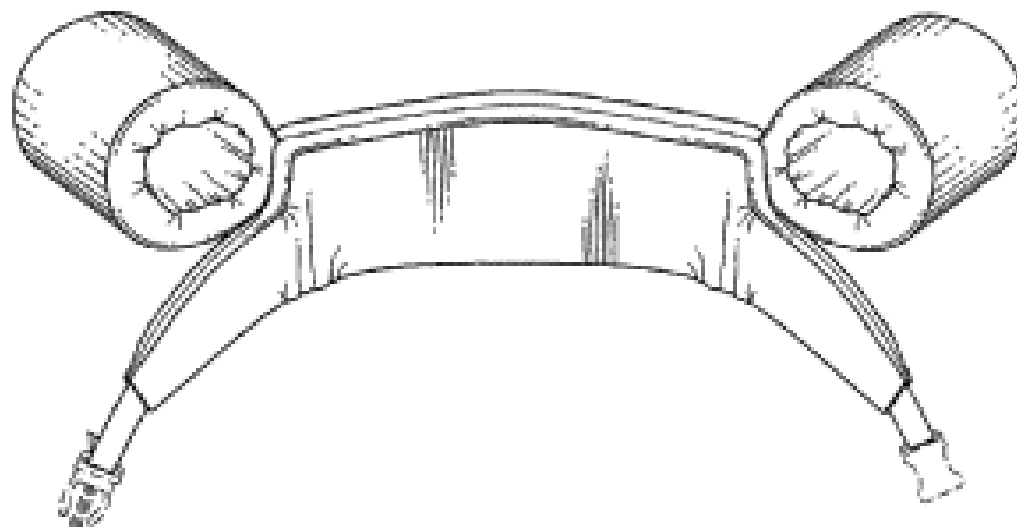
- (21) Design Number: **12310/2009**
(22) Date of Filing Application: **26 June 2009**
(24) Date from which industrial property rights may have effect: **26 June 2009**
(54) Product in respect of which the design is registered: **Caravan & RV rollout awning fully removable tension rafter**
(51) International Design Classification: **25-02H, 08-08H**
(71) Name(s) and Address(s) of Applicant(s):
Grasshopper Outdoors Pty Ltd
1/28 Cessna Drive Caboolture Queensland 4510 Australia
(72) Name(s) of Designer(s): **Steve van Schagen**
(45) Registration Date: **22 July 2009**
(56) Related Art Documents: **Not Applicable**
(57) Statement of Newness and Distinctiveness: **The inclusion of a power lever arm and it's position on the rafter relative to one end. Other removable rafters in the market place are curved; the uniqueness of this removable rafter is that it is straight.**



- (21) Design Number: **12311/2009**
(22) Date of Filing Application: **26 June 2009**
(24) Date from which industrial property rights may have effect: **26 June 2009**
(54) Product in respect of which the design is registered: **Communications data hub recessed.**
(51) International Design Classification: **14-02**
(71) Name(s) and Address(s) of Applicant(s):
Terrence Edward Smith
12 Orange Road Darlington Western Australia 6070 Australia
Nicholas Powell Williams
12 Orange Road Darlington Western Australia 6070 Australia
(72) Name(s) of Designer(s): **Nicholas Powell Williams**
(45) Registration Date: **22 July 2009**
(56) Related Art Documents: **Not Applicable**
(57) Statement of Newness and Distinctiveness: **The internal escutcheon of the enclosure which supports data outlets and orients them so as to minimise space requirements and simplify identification and patching of telephones and data points within a premises.**



- (21) Design Number: **12326/2009**
(22) Date of Filing Application: **29 June 2009**
(24) Date from which industrial property rights may have effect: **29 June 2009**
(54) Product in respect of which the design is registered: **Personal flotation device**
(51) International Design Classification: **21-02D, 29-02**
(71) Name(s) and Address(s) of Applicant(s):
The Coleman Company, Inc.
3600 North Hydraulic Wichita KS 67219 United States of America
(72) Name(s) of Designer(s): **Ralph E. Steger**
(45) Registration Date: **22 July 2009**
(56) Related Art Documents: **Not Applicable**
(57) Statement of Newness and Distinctiveness: **When determining whether the design is substantially similar in overall impression to another design, no regard is to had to those features shown in dotted outline in the accompanying drawings. Newness and distinctiveness otherwise consists in the shape and configuration of the personal flotation device.**



- (21) Design Number: **12327/2009**
(22) Date of Filing Application: **29 June 2009**
(24) Date from which industrial property rights may have effect: **29 June 2009**
(54) Product in respect of which the design is registered: **Roof top carrier lid**
(51) International Design Classification: **12-16K**
(71) Name(s) and Address(s) of Applicant(s):
Wayne Scott
19-25 Antimony Street Carole Park Queensland 4300 Australia
(72) Name(s) of Designer(s): **Wayne Scott and Ronald Rae**
(45) Registration Date: **22 July 2009**
(56) Related Art Documents: **Not Applicable**
(57) Statement of Newness and Distinctiveness: **Nil**



(21) Design Number: **12328/2009**

(22) Date of Filing Application: **29 June 2009**

(24) Date from which industrial property rights may have effect: **29 June 2009**

(54) Product in respect of which the design is registered: **Roof top carrier tray**

(51) International Design Classification: **12-16K**

(71) Name(s) and Address(s) of Applicant(s):

Wayne Scott

19-25 Antimony Street Carole Park Queensland 4300 Australia

(72) Name(s) of Designer(s): **Wayne Scott**

(45) Registration Date: **22 July 2009**

(56) Related Art Documents: **Not Applicable**

(57) Statement of Newness and Distinctiveness: **Newness and distinctiveness is claimed in the shape and configuration of the roof top carrier tray as shown in the accompanying representations wherein the text on the roof top carrier tray is to be disregarded.**



(21) Design Number: **12391/2009**

(22) Date of Filing Application: **03 July 2009**

(24) Date from which industrial property rights may have effect: **03 July 2009**

(54) Product in respect of which the design is registered: **Reticulation bow for mobile shelving**

(51) International Design Classification: **08-08M**

(71) Name(s) and Address(s) of Applicant(s):

Elbowroom (Aust) Pty Ltd

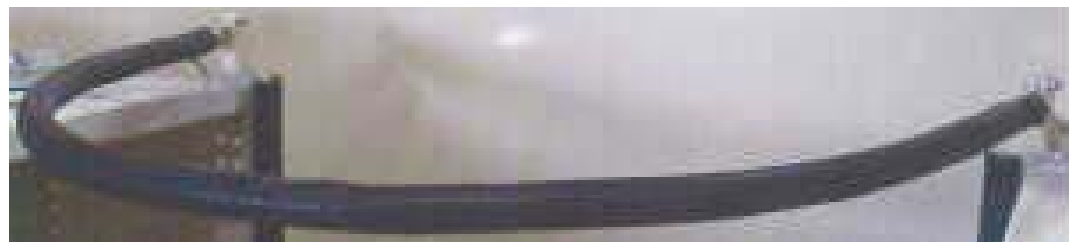
2/31 Archimedes Place Murarrie Quensland 4172 Australia

(72) Name(s) of Designer(s): **Mark W. Althaus**

(45) Registration Date: **22 July 2009**

(56) Related Art Documents: **Not Applicable**

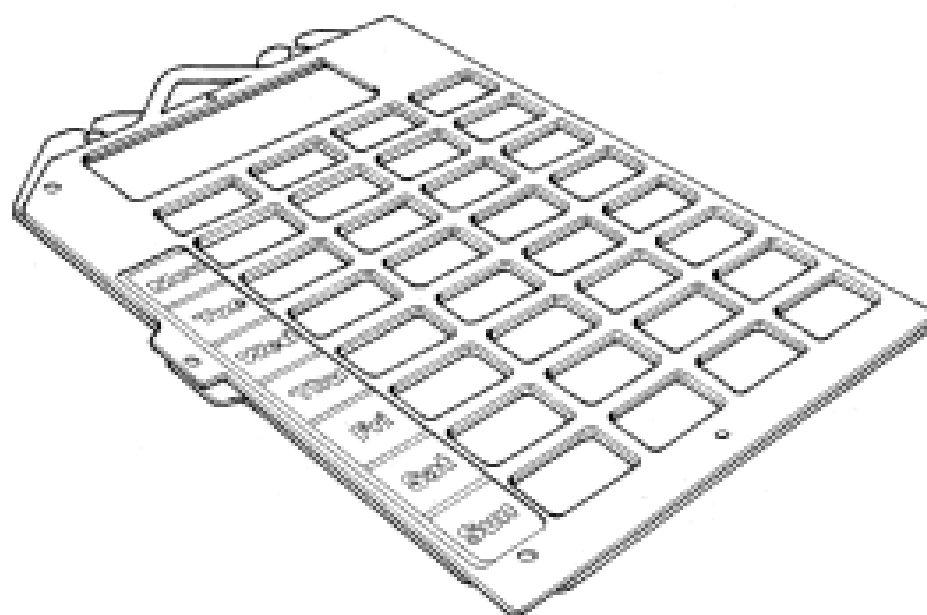
(57) Statement of Newness and Distinctiveness: **The new and distinctive feature of the design is its rubber/fibreglass flexibility, which prevents any peak distortion of its internal wiring.**



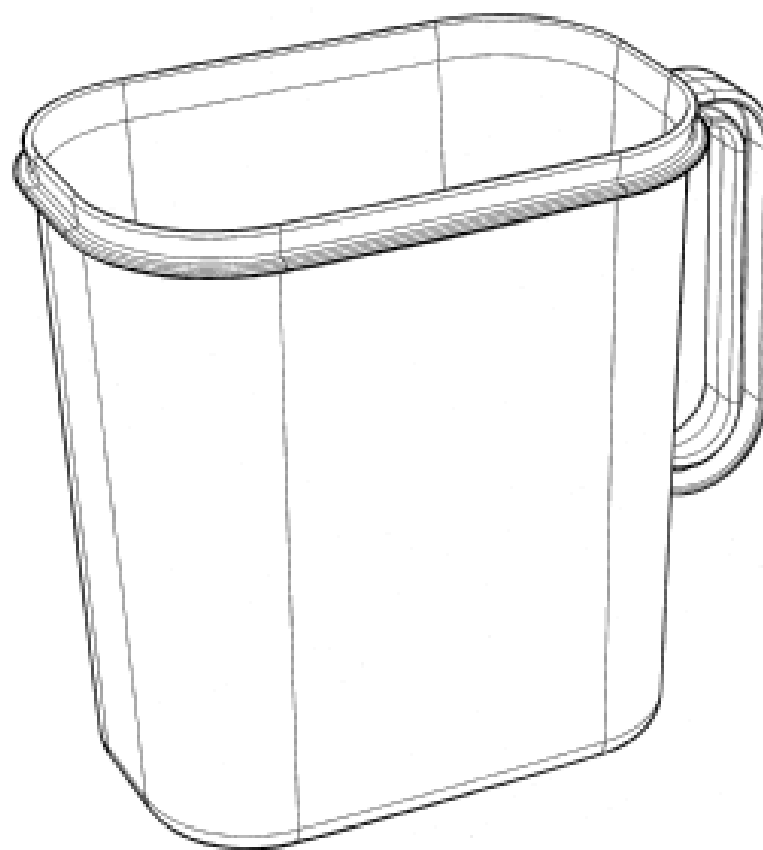
- (21) Design Number: **12392/2009**
(22) Date of Filing Application: **03 July 2009**
(24) Date from which industrial property rights may have effect: **03 July 2009**
(54) Product in respect of which the design is registered: **Safety stop flap for mobile shelving**
(51) International Design Classification: **29-99, 08-09**
(71) Name(s) and Address(s) of Applicant(s):
Elbowroom (Aust) Pty Ltd
2/31 Archimedes Place Murarrie Queensland 4172 Australia
(72) Name(s) of Designer(s): **Mark W. Althaus**
(45) Registration Date: **22 July 2009**
(56) Related Art Documents: **Not Applicable**
(57) Statement of Newness and Distinctiveness: **The distinctive feature of the design is its compact size and reduced depth (gap) from the face of the mobile shelving installation.**



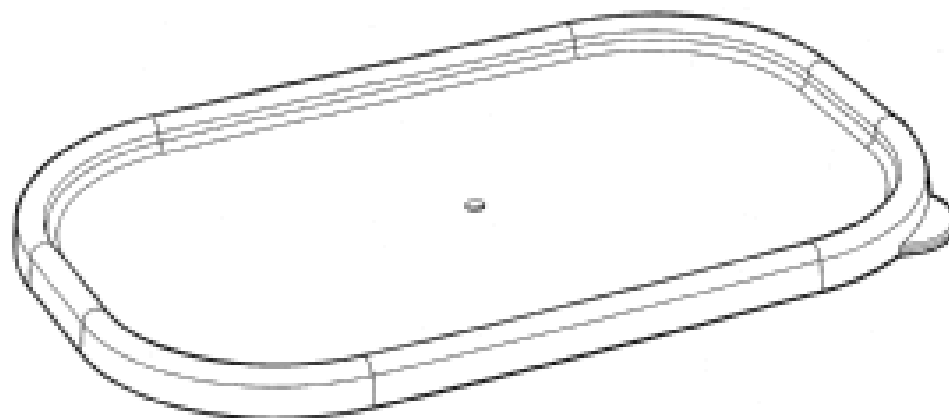
- (21) Design Number: **11979/2009**
(22) Date of Filing Application: **28 May 2009**
(24) Date from which industrial property rights may have effect: **28 May 2009**
(54) Product in respect of which the design is registered: **A folder for a medication blister package**
(51) International Design Classification: **09-05, 24-04**
(71) Name(s) and Address(s) of Applicant(s):
Manrex Pty. Ltd.
17-19 Moore Street Leichhardt New South Wales 2040 Australia
(72) Name(s) of Designer(s): **Gerard Stevens and Ian Stevens**
(45) Registration Date: **22 July 2009**
(56) Related Art Documents: **Not Applicable**
(57) Statement of Newness and Distinctiveness: **The folder has a black face and the lettering is large and white so that it is easy to read by a person with low vision.**



(21) Design Number: **12341/2009**
(22) Date of Filing Application: **29 June 2009**
(24) Date from which industrial property rights may have effect: **29 June 2009**
(54) Product in respect of which the design is registered: **Container**
(51) International Design Classification: **09-03NES**
(71) Name(s) and Address(s) of Applicant(s):
The Decor Corporation Pty Ltd
1314 Ferntree Gully Road Scoresby Victoria 3179 Australia
(72) Name(s) of Designer(s): **Anthony Henry Wolfenden**
(45) Registration Date: **22 July 2009**
(56) Related Art Documents: **Not Applicable**
(57) Statement of Newness and Distinctiveness: **Nil**



(21) Design Number: **12342/2009**
(22) Date of Filing Application: **29 June 2009**
(24) Date from which industrial property rights may have effect: **29 June 2009**
(54) Product in respect of which the design is registered: **Lid for container**
(51) International Design Classification: **09-03F**
(71) Name(s) and Address(s) of Applicant(s):
The Decor Corporation Pty Ltd
1314 Ferntree Gully Road Scoresby Victoria 3179 Australia
(72) Name(s) of Designer(s): **Anthony Henry Wolfenden**
(45) Registration Date: **22 July 2009**
(56) Related Art Documents: **Not Applicable**
(57) Statement of Newness and Distinctiveness: **Nil**



- (21) Design Number: **12343/2009**
(22) Date of Filing Application: **29 June 2009**
(24) Date from which industrial property rights may have effect: **29 June 2009**
(54) Product in respect of which the design is registered: **Marking pen**
(51) International Design Classification: **19-06**
(71) Name(s) and Address(s) of Applicant(s):

Shachihata Inc.
No. 69 4-chome Amazuka-cho Nishi-ku Nagoya-shi Aichi 451-0021
Japan

(72) Name(s) of Designer(s): **Masaki Kida and Motohide Imaizumi**

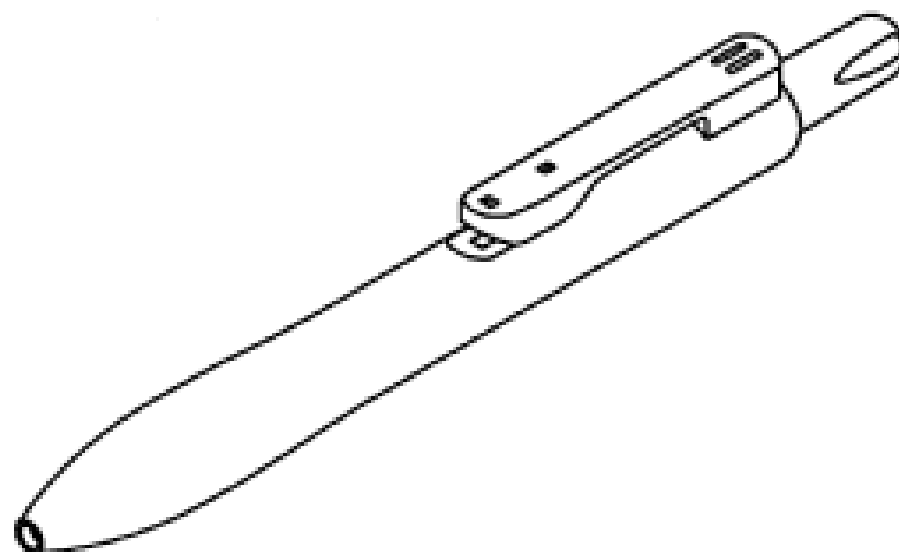
(45) Registration Date: **22 July 2009**

(30) Convention priority data:

(31) Number	(32) Date	(33) Country
2009-000122	06 Jan 2009	JAPAN

(56) Related Art Documents: **Not Applicable**

(57) Statement of Newness and Distinctiveness: **Nil**



- (21) Design Number: **12443/2009**
(22) Date of Filing Application: **06 July 2009**
(24) Date from which industrial property rights may have effect: **06 July 2009**
(54) Product in respect of which the design is registered: **Controller of a cash register for a point of sales terminal**
(51) International Design Classification: **18-01**
(71) Name(s) and Address(s) of Applicant(s):

Toshiba Tec Kabushiki Kaisha
2-17-2 Higashigotanda Shinagawa-ku Tokyo Japan

(72) Name(s) of Designer(s): **Shigeru Sato**

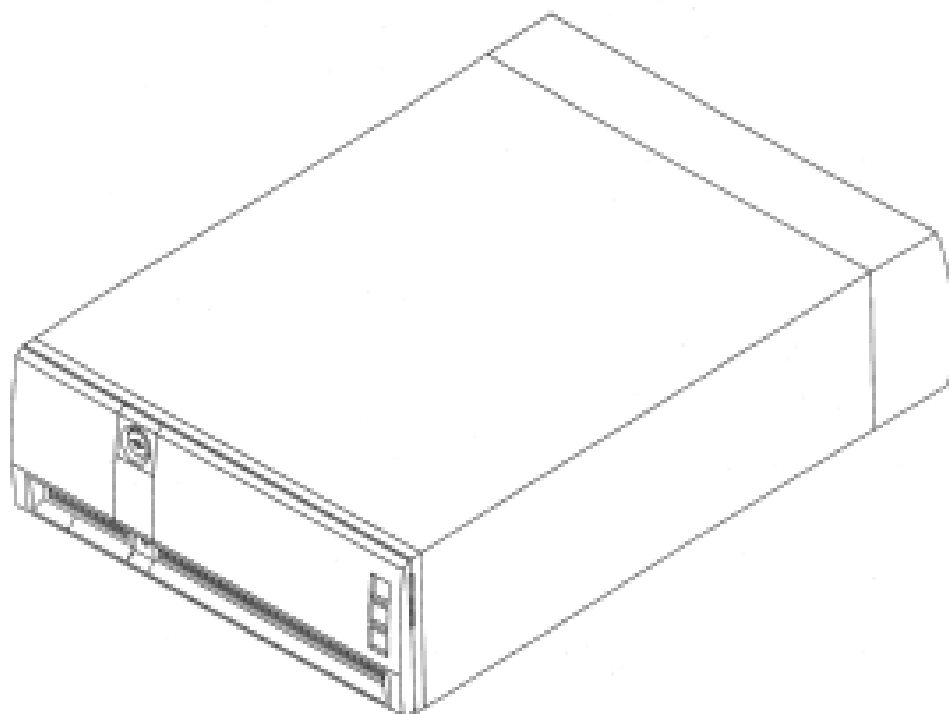
(45) Registration Date: **22 July 2009**

(30) Convention priority data:

(31) Number	(32) Date	(33) Country
2009-001756	29 Jan 2009	JAPAN

(56) Related Art Documents: **Not Applicable**

(57) Statement of Newness and Distinctiveness: **Newness and distinctiveness is claimed in the features of shape and/or configuration of a controller of a cash register for a point of sales terminal as illustrated in the accompanying representations.**



(21) Design Number: **12373/2009**

(22) Date of Filing Application: **30 June 2009**

(24) Date from which industrial property rights may have effect: **30 June 2009**

(54) Product in respect of which the design is registered: **Wall bracket**

(51) International Design Classification: **08-08L**

(71) Name(s) and Address(s) of Applicant(s):

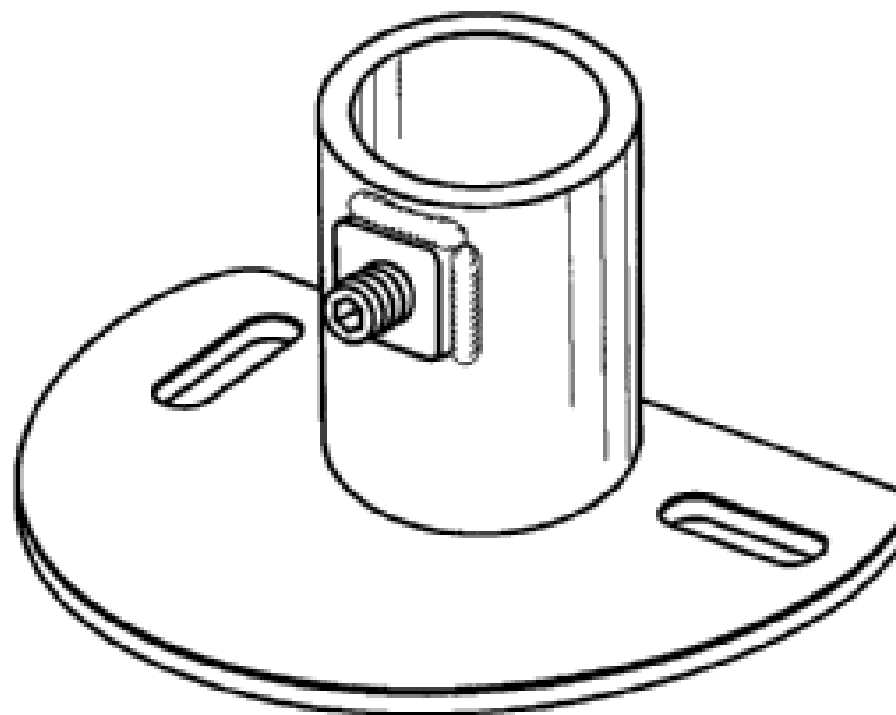
Demodeks Holdings Pty Ltd
Unit 7 210 Robinson Road Geebung Queensland 4034 Australia

(72) Name(s) of Designer(s): **Bob Metcalfe and David Ogle**

(45) Registration Date: **23 July 2009**

(56) Related Art Documents: **Not Applicable**

(57) Statement of Newness and Distinctiveness: **The newness and distinctiveness of the design resides in the shape and configuration of the WALL BRACKET shown in the representations.**



(21) Design Number: **12374/2009**

(22) Date of Filing Application: **30 June 2009**

(24) Date from which industrial property rights may have effect: **30 June 2009**

(54) Product in respect of which the design is registered: **Furniture leg component**

(51) International Design Classification: **06-06E**

(71) Name(s) and Address(s) of Applicant(s):

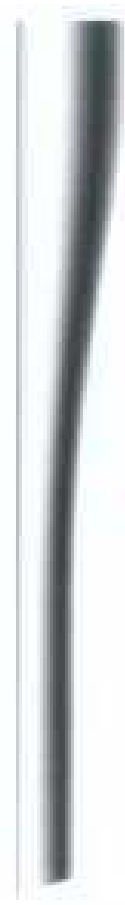
Eveready Partitions Pty Ltd
101 Tulip Street Sandringham Victoria 3191 Australia

(72) Name(s) of Designer(s): **Perry McNeilage**

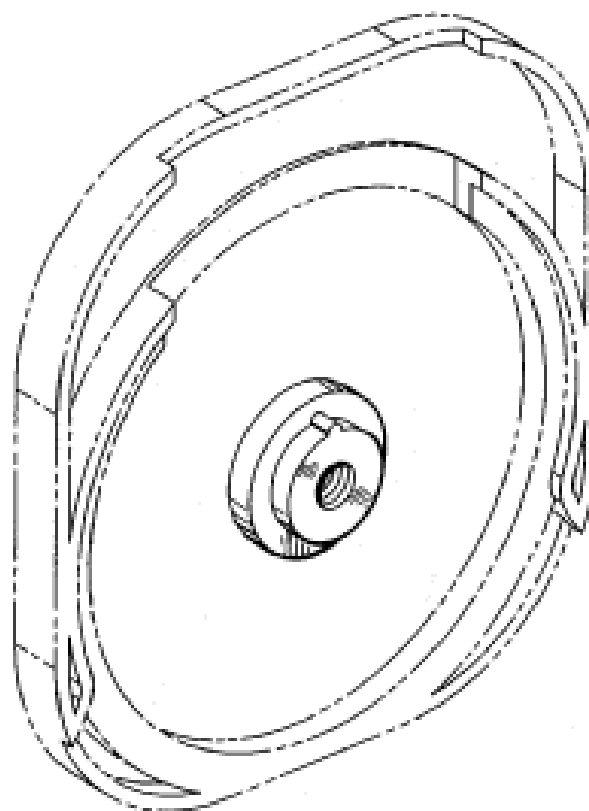
(45) Registration Date: **23 July 2009**

(56) Related Art Documents: **Not Applicable**

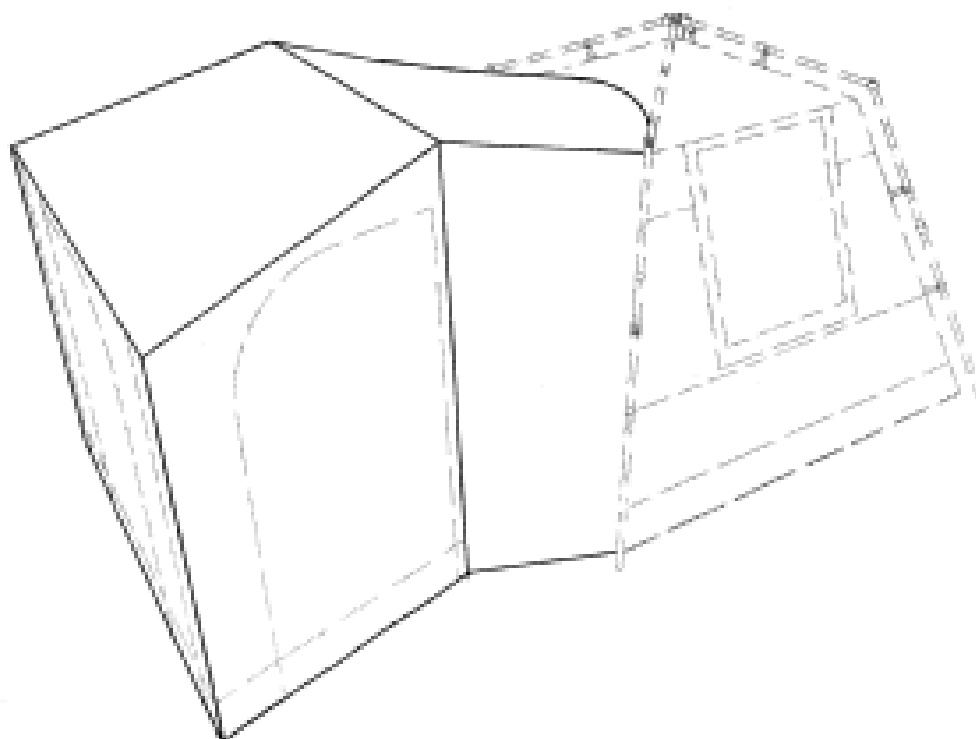
(57) Statement of Newness and Distinctiveness: **The shape and configuration of the furniture leg component illustrated in the accompanying drawings are new and distinctive.**



- (21) Design Number: **10175/2009**
(22) Date of Filing Application: **23 January 2009**
(24) Date from which industrial property rights may have effect: **23 January 2009**
(54) Product in respect of which the design is registered: **Brand display**
(51) International Design Classification: **20-02NES**
(71) Name(s) and Address(s) of Applicant(s):
Foster's Group Limited
77 Southbank Boulevard Southbank Victoria 3006 Australia
(72) Name(s) of Designer(s): **Leonard Velich and Timothy Swete Kelly**
(45) Registration Date: **24 July 2009**
(56) Related Art Documents: **Not Applicable**
(57) Statement of Newness and Distinctiveness: **Newness and distinctiveness resides in the visual features of the shape and/or configuration of a brand display as illustrated in solid lines in the accompanying representations.**



- (21) Design Number: **12210/2009**
(22) Date of Filing Application: **18 June 2009**
(24) Date from which industrial property rights may have effect: **18 June 2009**
(54) Product in respect of which the design is registered: **Tent awning**
(51) International Design Classification: **21-04**
(71) Name(s) and Address(s) of Applicant(s):
Oztent Australia Pty. Limited
Unit 2 1273 The Horsley Drive Wetherill Park New South Wales 2164 Australia
(72) Name(s) of Designer(s): **Shane Viglione**
(45) Registration Date: **24 July 2009**
(56) Related Art Documents: **Not Applicable**
(57) Statement of Newness and Distinctiveness: **Newness and distinctiveness is claimed in those features of shape and/or configuration of a tent awning as illustrated in continuous lines in the accompanying representations.**



(21) Design Number: **12379/2009**

(22) Date of Filing Application: **01 July 2009**

(24) Date from which industrial property rights may have effect: **01 July 2009**

(54) Product in respect of which the design is registered: **Light fitting**

(51) International Design Classification: **26-06**

(71) Name(s) and Address(s) of Applicant(s):

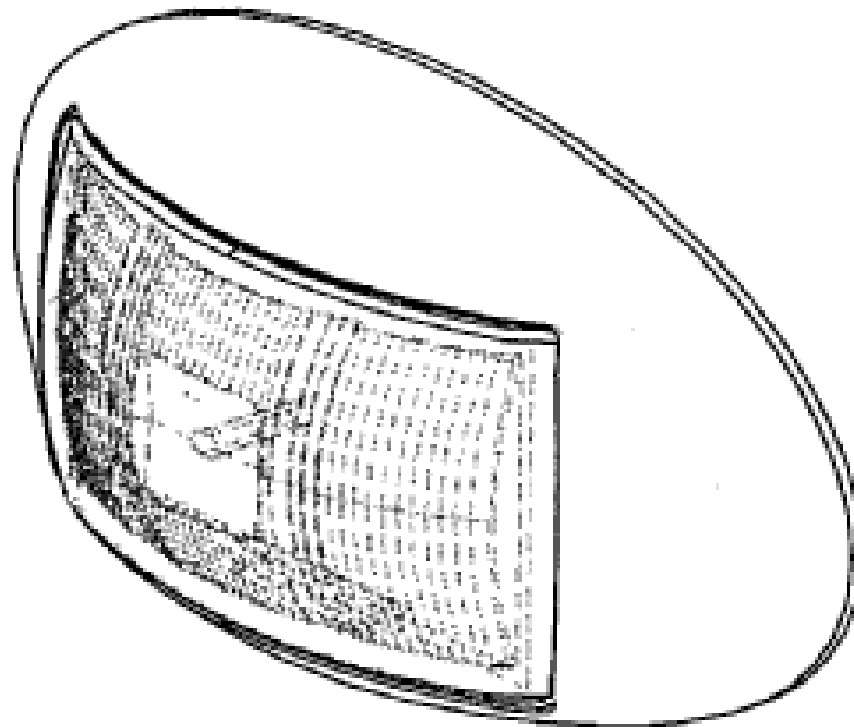
**Brown & Watson International Pty Ltd
3 Millennium Court Knoxfield Victoria 3179 Australia**

(72) Name(s) of Designer(s): **Paul Davies**

(45) Registration Date: **24 July 2009**

(56) Related Art Documents: **Not Applicable**

(57) Statement of Newness and Distinctiveness: **Those features of the light fitting depicted in the representations that are new and distinctive are the shape and/or configuration.**



(21) Design Number: **12464/2009**

(22) Date of Filing Application: **08 July 2009**

(24) Date from which industrial property rights may have effect: **08 July 2009**

(54) Product in respect of which the design is registered: **Bottle**

(51) International Design Classification: **09-01K**

(71) Name(s) and Address(s) of Applicant(s):

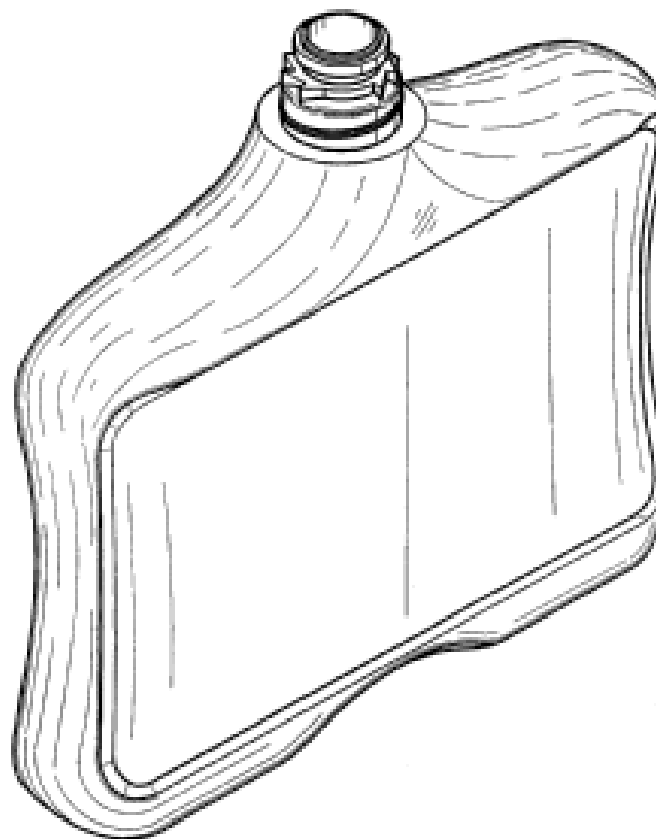
**Raymond John Baker
Suite 2 70 Lincoln Road Essendon Victoria 3040 Australia**

(72) Name(s) of Designer(s): **Raymond John Baker**

(45) Registration Date: **24 July 2009**

(56) Related Art Documents: **Not Applicable**

(57) Statement of Newness and Distinctiveness: **The shape, configuration, or shape and configuration, of the design of the product is new and distinctive.**



(21) Design Number: **12208/2009**

(22) Date of Filing Application: **17 June 2009**

(24) Date from which industrial property rights may have effect: **17 June 2009**

(54) Product in respect of which the design is registered: **Coffee table**

(51) International Design Classification: **06-03A**

(71) Name(s) and Address(s) of Applicant(s):

Adam Burns

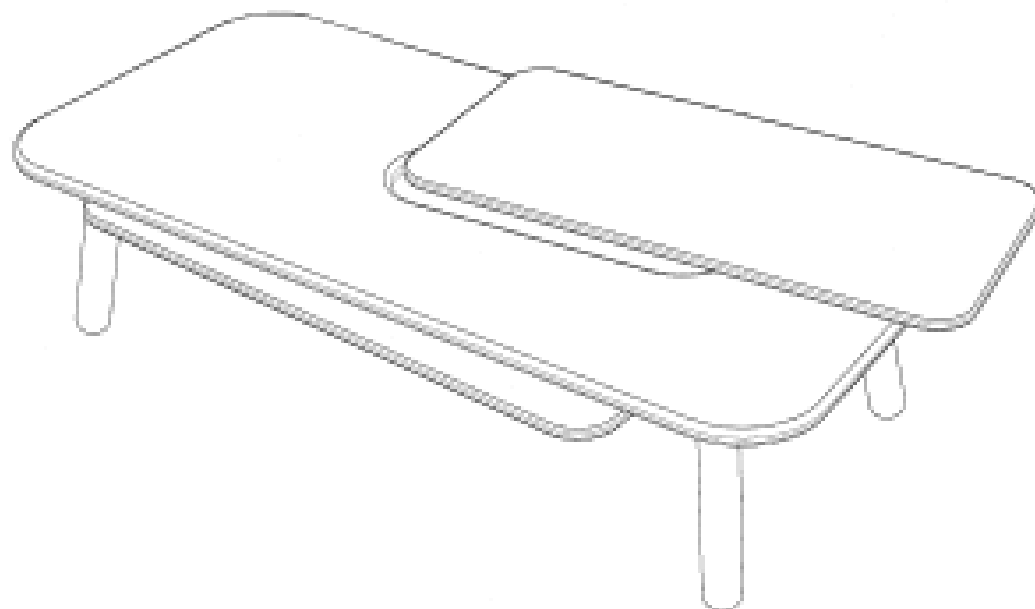
42 Trappers Way Clareville New South Wales 2107 Australia

(72) Name(s) of Designer(s): **Adam Burns**

(45) Registration Date: **24 July 2009**

(56) Related Art Documents: **Not Applicable**

(57) Statement of Newness and Distinctiveness: **The coffee table has 3 tiered leaves of different sizes. The top and bottom leaves are attached to the middle stable platform and can expand outwards to form a secondary shape.**



(21) Design Number: **12244/2009**

(22) Date of Filing Application: **19 June 2009**

(24) Date from which industrial property rights may have effect: **19 June 2009**

(54) Product in respect of which the design is registered: **Vent cover**

(51) International Design Classification: **25-02G**

(71) Name(s) and Address(s) of Applicant(s):

Roland Alexander Warner

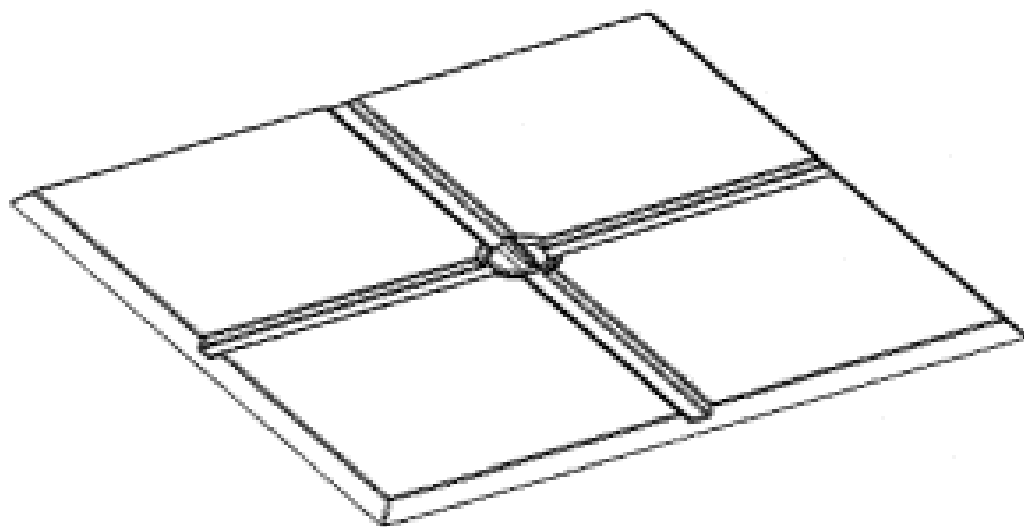
22 Russell Road Madeley Western Australia 6065 Australia

(72) Name(s) of Designer(s): **Roland Alexander Warner**

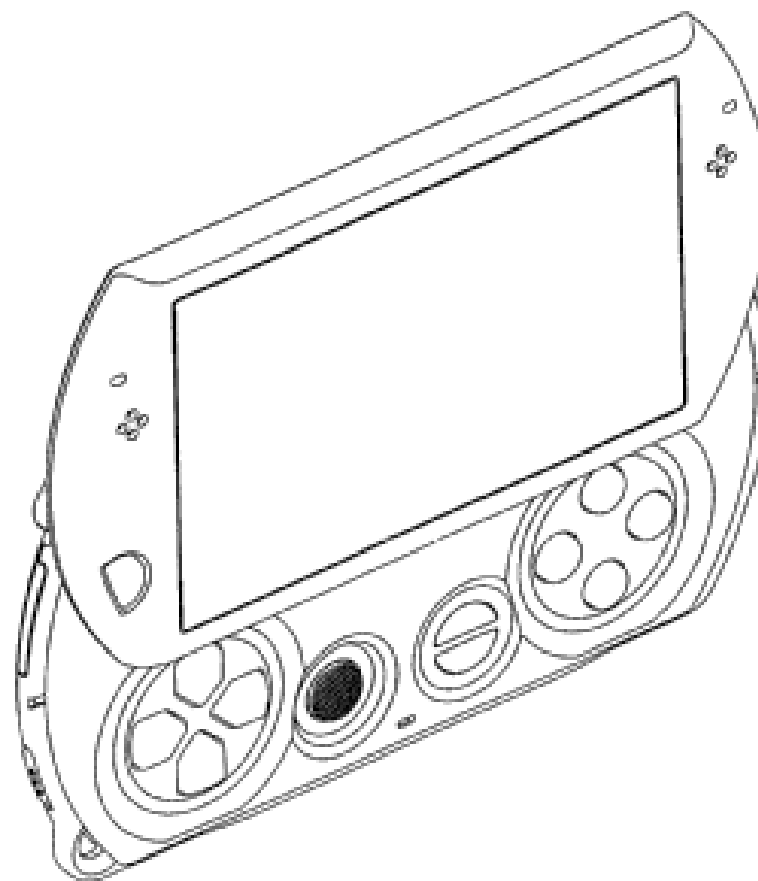
(45) Registration Date: **24 July 2009**

(56) Related Art Documents: **Not Applicable**

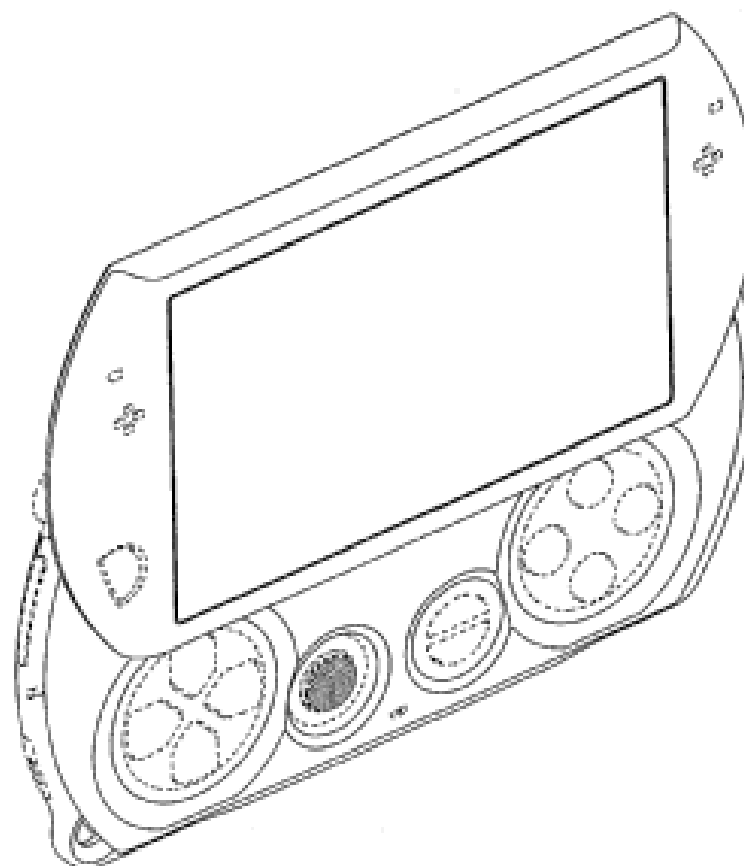
(57) Statement of Newness and Distinctiveness: **Each feature of the design considered separately or in combination with any other feature or features.**



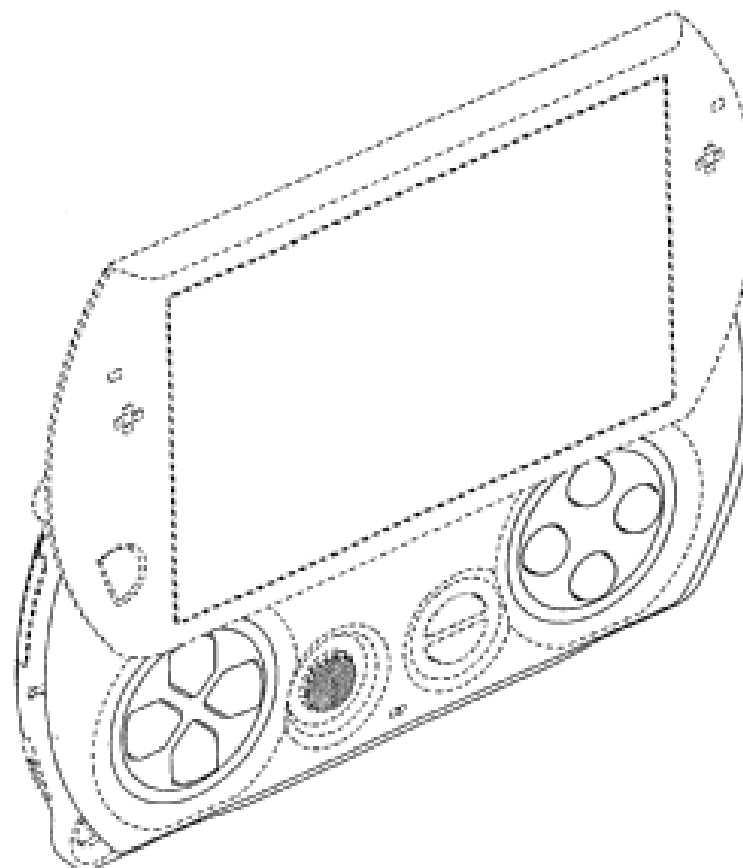
(21) Design Number: **12369/2009**
(22) Date of Filing Application: **30 June 2009**
(24) Date from which industrial property rights may have effect: **30 June 2009**
(54) Product in respect of which the design is registered: **Arithmetic and control unit**
(51) International Design Classification: **21-01N, 14-99**
(71) Name(s) and Address(s) of Applicant(s):
Sony Computer Entertainment Inc.
2-6-21 Minami-Aoyama Minato-ku Tokyo Japan
(72) Name(s) of Designer(s): **Ken Yano**
(45) Registration Date: **24 July 2009**
(30) Convention priority data:
(31) Number (32) Date (33) Country
2009-002843 12 Feb 2009 JAPAN
(56) Related Art Documents: **Not Applicable**
(57) Statement of Newness and Distinctiveness: **Nil**



(21) Design Number: **12370/2009**
(22) Date of Filing Application: **30 June 2009**
(24) Date from which industrial property rights may have effect: **30 June 2009**
(54) Product in respect of which the design is registered: **Arithmetic and control unit**
(51) International Design Classification: **21-01N**
(71) Name(s) and Address(s) of Applicant(s):
Sony Computer Entertainment Inc.
2-6-21 Minami-Aoyama Minato-ku Tokyo Japan
(72) Name(s) of Designer(s): **Ken Yano**
(45) Registration Date: **24 July 2009**
(30) Convention priority data:
(31) Number (32) Date (33) Country
2009-002844 12 Feb 2009 JAPAN
(56) Related Art Documents: **Not Applicable**
(57) Statement of Newness and Distinctiveness: **Newness and distinctiveness resides in the features of shape and configuration of an arithmetic and control unit as shown in solid lines in the accompanying representations.**



- (21) Design Number: **12371/2009**
(22) Date of Filing Application: **30 June 2009**
(24) Date from which industrial property rights may have effect: **30 June 2009**
(54) Product in respect of which the design is registered: **Arithmetic and control unit**
(51) International Design Classification: **21-01N**
(71) Name(s) and Address(s) of Applicant(s):
Sony Computer Entertainment Inc.
2-6-21 Minami-Aoyama Minato-ku Tokyo Japan
(72) Name(s) of Designer(s): **Ken Yano**
(45) Registration Date: **24 July 2009**
(30) Convention priority data:
(31) Number (32) Date (33) Country
2009-002845 12 Feb 2009 JAPAN
(56) Related Art Documents: **Not Applicable**
(57) Statement of Newness and Distinctiveness: **Newness and distinctiveness resides in the features of shape and configuration of an arithmetic and control unit as shown in solid lines in the accompanying representations.**



- (21) Design Number: **12420/2009**
(22) Date of Filing Application: **06 July 2009**
(24) Date from which industrial property rights may have effect: **06 July 2009**
(54) Product in respect of which the design is registered: **Tap**
(51) International Design Classification: **23-01H**
(71) Name(s) and Address(s) of Applicant(s):
Roger Seller
173-177 Barkly Avenue Burnley Victoria 3121 Australia
Myhill Pty Ltd
173-177 Barkly Avenue Burnley Victoria 3121 Australia
(72) Name(s) of Designer(s): **Lien Giang and James Edmonds**
(45) Registration Date: **24 July 2009**
(56) Related Art Documents: **Not Applicable**
(57) Statement of Newness and Distinctiveness: **The features of the design which are unique is the low slim profile base flange, the pinch fluid form of the body. The soft sweeping radius between the two adjacent planes.**



(21) Design Number: **12440/2009**

(22) Date of Filing Application: **06 July 2009**

(24) Date from which industrial property rights may have effect: **06 July 2009**

(54) Product in respect of which the design is registered: **Infant garment**

(51) International Design Classification: **02-01B**

(71) Name(s) and Address(s) of Applicant(s):

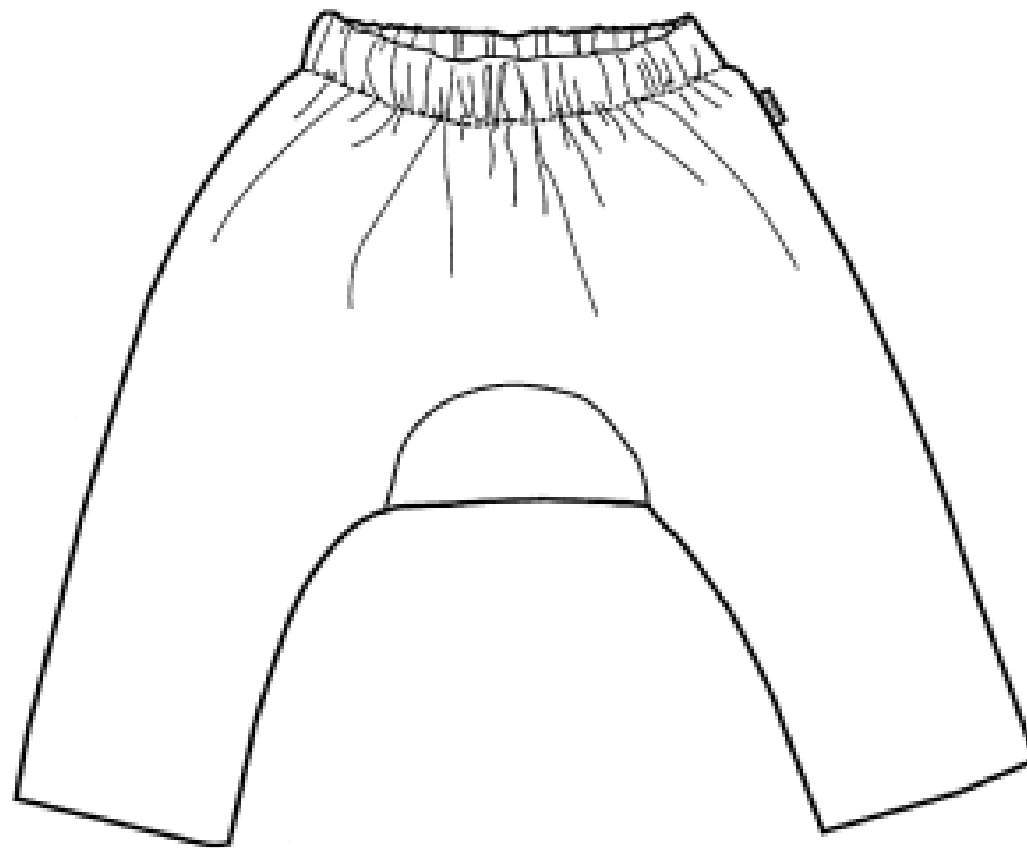
Bonds Industries Pty Ltd
Level 3 290 Burwood Road Hawthorn Victoria 3122 Australia

(72) Name(s) of Designer(s): **Rebecca Meli**

(45) Registration Date: **24 July 2009**

(56) Related Art Documents: **Not Applicable**

(57) Statement of Newness and Distinctiveness: **Nil**



(21) Design Number: **12441/2009**

(22) Date of Filing Application: **06 July 2009**

(24) Date from which industrial property rights may have effect: **06 July 2009**

(54) Product in respect of which the design is registered: **Infant garment**

(51) International Design Classification: **02-01B**

(71) Name(s) and Address(s) of Applicant(s):

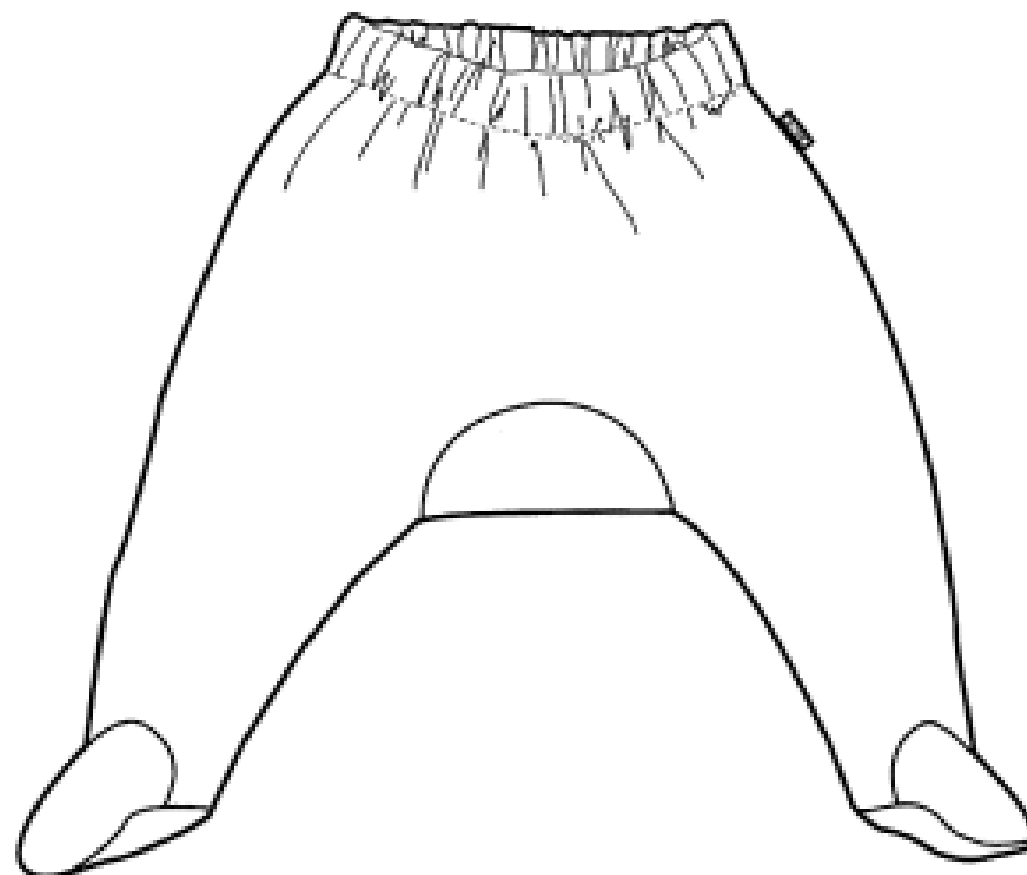
Bonds Industries Pty Ltd
Level 3 290 Burwood Road Hawthorn Victoria 3122 Australia

(72) Name(s) of Designer(s): **Rebecca Meli**

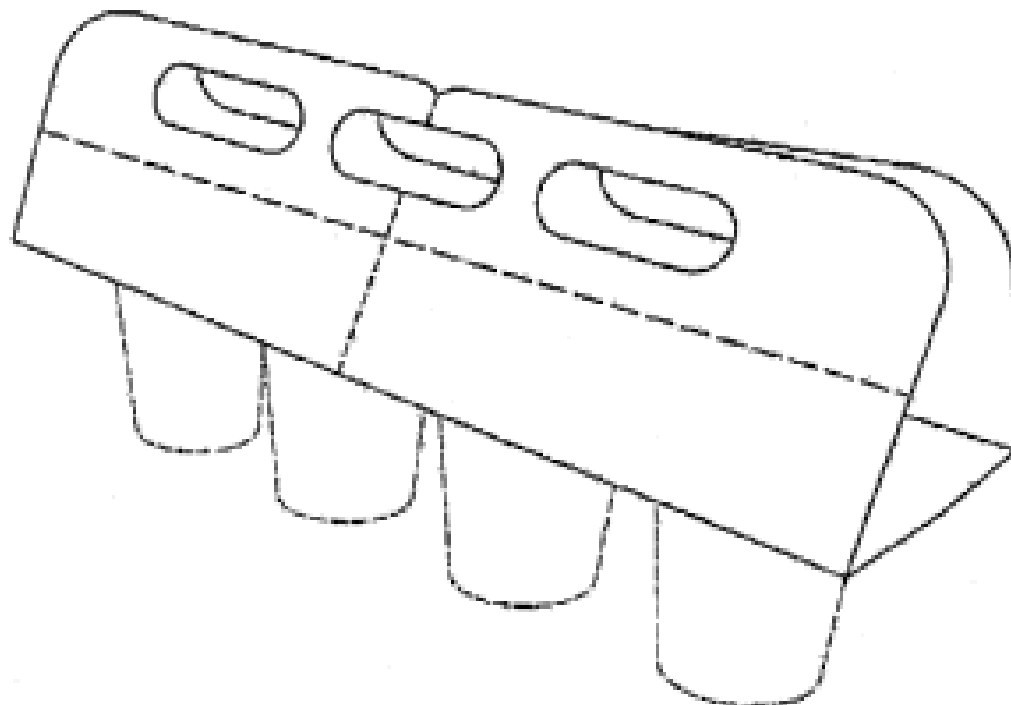
(45) Registration Date: **24 July 2009**

(56) Related Art Documents: **Not Applicable**

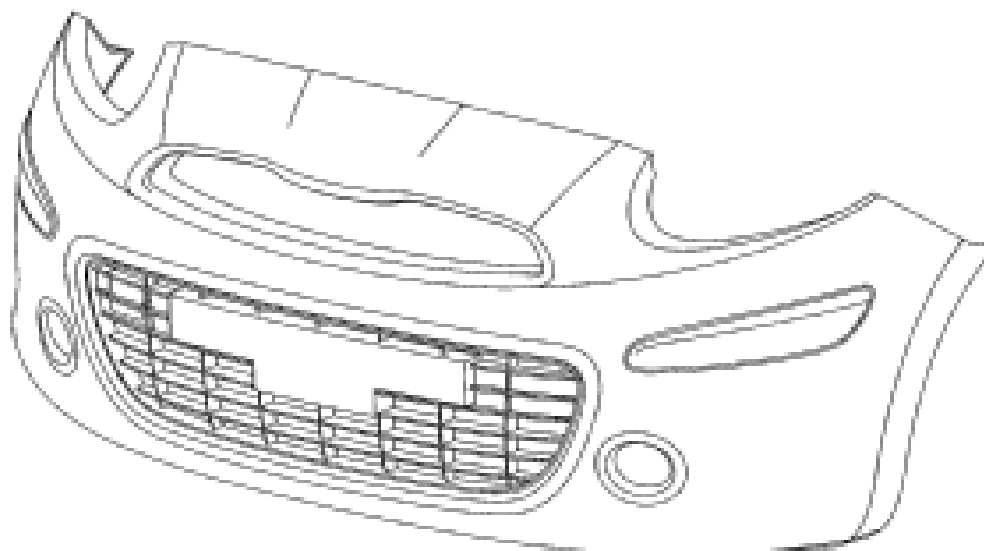
(57) Statement of Newness and Distinctiveness: **Nil**



- (21) Design Number: **12548/2009**
(22) Date of Filing Application: **14 July 2009**
(24) Date from which industrial property rights may have effect: **14 July 2009**
(54) Product in respect of which the design is registered: **Drinks Carriers**
(51) International Design Classification: **09-03NES**
(71) Name(s) and Address(s) of Applicant(s):
Portabrands Limited
The Gallery Minerva Centre Roundbush Farm Burnham Road Mundon
Essex CM9 6NP United Kingdom
(72) Name(s) of Designer(s): **Ian Bates**
(45) Registration Date: **24 July 2009**
(30) Convention priority data:
(31) Number (32) Date (33) Country
001070593-0001 15 Jan 2009 EUROPEAN COMMUNITY
(56) Related Art Documents: **Not Applicable**
(57) Statement of Newness and Distinctiveness: **Monopoly is claimed in the shape and configuration of a drinks carrier as illustrated in the accompanying representations. In considering the extent of monopoly protection, the phantom lines indicating cups supported by the drinks carrier are to be disregarded and are not part of the design. The phantom lines indicating the cups are for illustrative purposes only.**



- (21) Design Number: **11900/2009**
(22) Date of Filing Application: **25 May 2009**
(24) Date from which industrial property rights may have effect: **25 May 2009**
(54) Product in respect of which the design is registered: **Front bumper for automobile**
(51) International Design Classification: **12-16C**
(71) Name(s) and Address(s) of Applicant(s):
Nissan Jidosha Kabushiki Kaisha also trading as Nissan Motor Co., Ltd.
No. 2 Takaracho Kanagawa-ku Yokohama-shi Kanagawa-ken Japan
(72) Name(s) of Designer(s): **Kenji Yamamoto and Toshiyuki Itou and Tooru Odagiri**
(45) Registration Date: **24 July 2009**
(30) Convention priority data:
(31) Number (32) Date (33) Country
2008-030326 26 Nov 2008 JAPAN
(56) Related Art Documents: **Not Applicable**
(57) Statement of Newness and Distinctiveness: **Nil**



(21) Design Number: **12181/2009**

(22) Date of Filing Application: **16 June 2009**

(24) Date from which industrial property rights may have effect: **16 June 2009**

(54) Product in respect of which the design is registered: **Lid or cover for culvert or footing**

(51) International Design Classification: **23-01NES**

(71) Name(s) and Address(s) of Applicant(s):

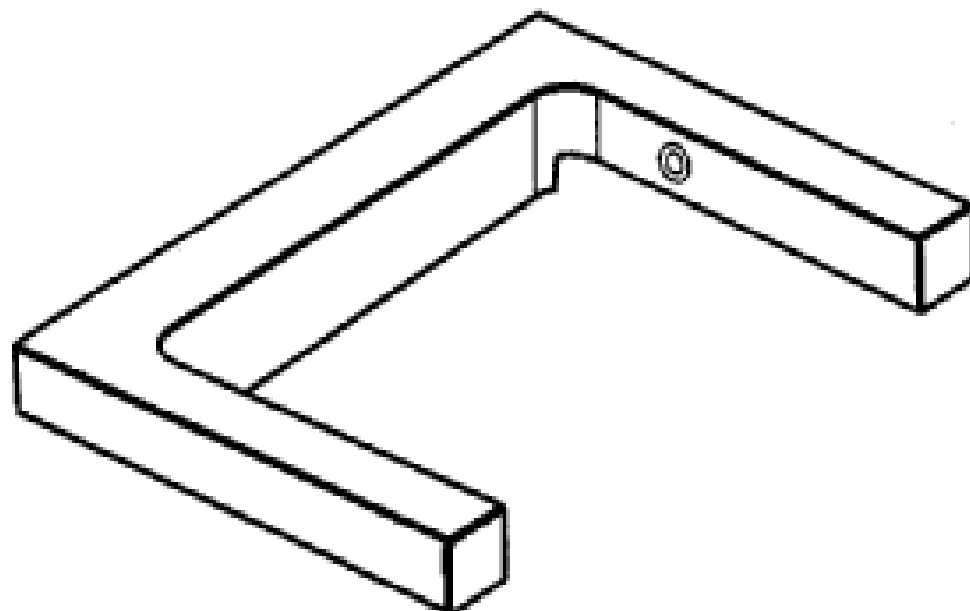
Otto Developments Pty Ltd
43 Enterprise Street Bundaberg Queensland 4670 Australia

(72) Name(s) of Designer(s): **Brett Adrian Otto**

(45) Registration Date: **24 July 2009**

(56) Related Art Documents: **Not Applicable**

(57) Statement of Newness and Distinctiveness: **The newness and distinctiveness of the design resides in the shape and configuration of the lid or cover for culvert or footing shown in the representations.**



(21) Design Number: **12182/2009**

(22) Date of Filing Application: **16 June 2009**

(24) Date from which industrial property rights may have effect: **16 June 2009**

(54) Product in respect of which the design is registered: **Lid or cover for culvert or footing**

(51) International Design Classification: **23-01NES**

(71) Name(s) and Address(s) of Applicant(s):

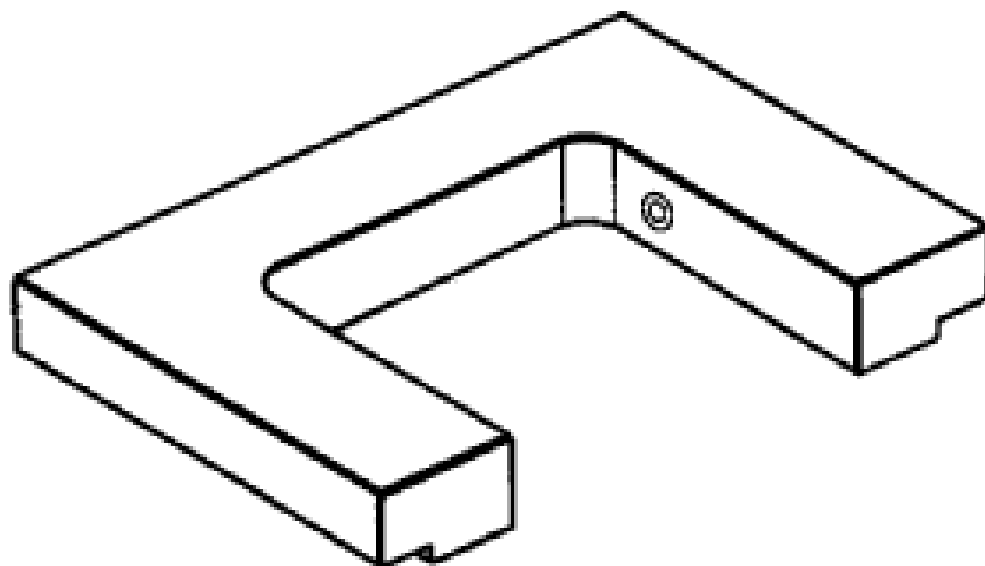
Otto Developments Pty Ltd
43 Enterprise Street Bundaberg Queensland 4670 Australia

(72) Name(s) of Designer(s): **Brett Adrian Otto**

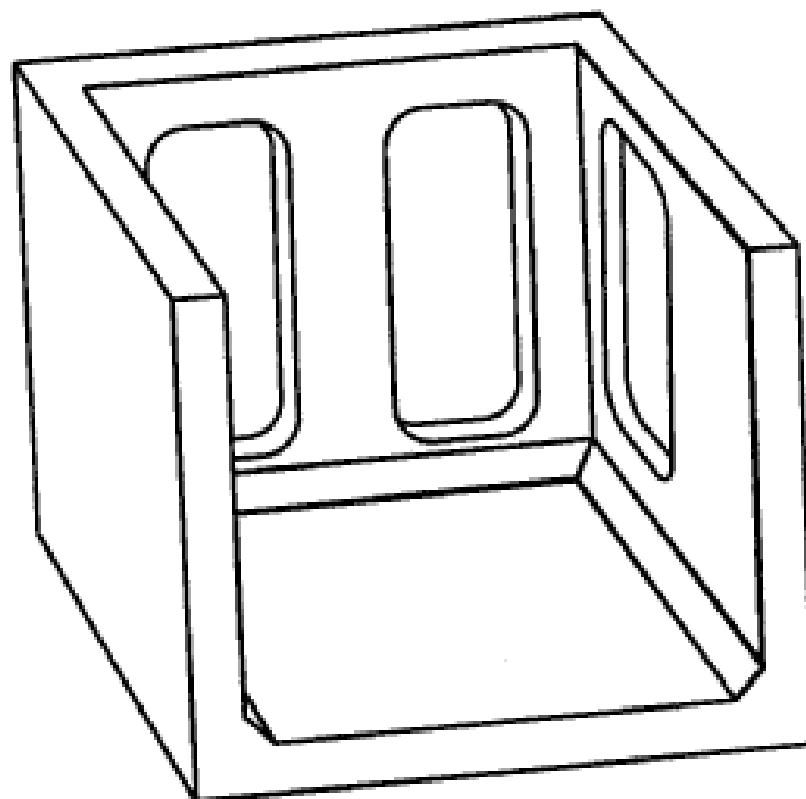
(45) Registration Date: **24 July 2009**

(56) Related Art Documents: **Not Applicable**

(57) Statement of Newness and Distinctiveness: **The newness and distinctiveness of the design resides in the shape and configuration of the lid or cover for culvert or footing shown in the representations.**

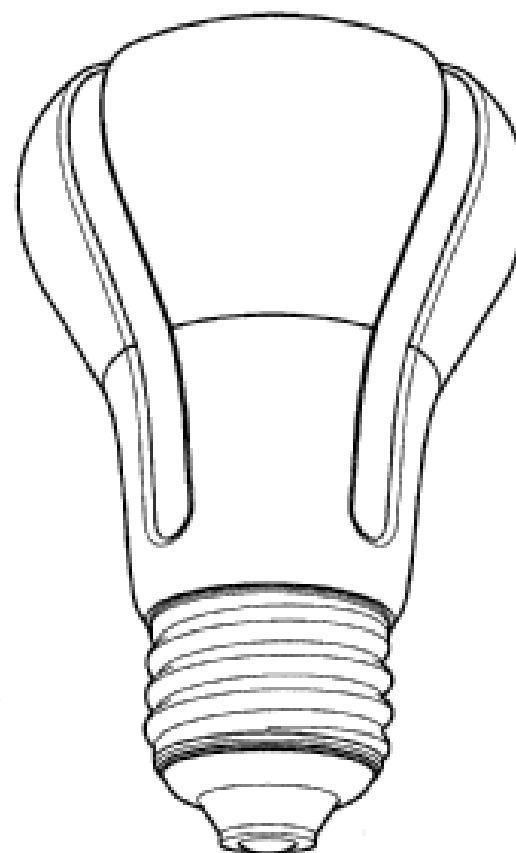


- (21) Design Number: **12183/2009**
- (22) Date of Filing Application: **16 June 2009**
- (24) Date from which industrial property rights may have effect: **16 June 2009**
- (54) Product in respect of which the design is registered: **Culvert or footing**
- (51) International Design Classification: **23-01NES**
- (71) Name(s) and Address(s) of Applicant(s):
Otto Developments Pty Ltd
43 Enterprise Street Bundaberg Queensland 4670 Australia
- (72) Name(s) of Designer(s): **Brett Adrian Otto**
- (45) Registration Date: **24 July 2009**
- (56) Related Art Documents: **Not Applicable**
- (57) Statement of Newness and Distinctiveness: **The newness and distinctiveness of the design resides in the shape and configuration of the culvert or footing shown in the representations.**



- (21) Design Number: **12348/2009**
- (22) Date of Filing Application: **30 June 2009**
- (24) Date from which industrial property rights may have effect: **30 June 2009**
- (54) Product in respect of which the design is registered: **Lamp**
- (51) International Design Classification: **26-04**
- (71) Name(s) and Address(s) of Applicant(s):
Koninklijke Philips Electronics N.V.
Groenewoudseweg 1 5621 BA Eindhoven The Netherlands
- (72) Name(s) of Designer(s): **Peter Gerritsen**
- (45) Registration Date: **24 July 2009**
- (30) Convention priority data:

(31) Number	(32) Date	(33) Country
001072326	19 Jan 2009	EUROPEAN COMMUNITY
- (56) Related Art Documents: **Not Applicable**
- (57) Statement of Newness and Distinctiveness: **Newness and distinctiveness reside in the features of the design as shown in the representations.**



(21) Design Number: **12350/2009**

(22) Date of Filing Application: **30 June 2009**

(24) Date from which industrial property rights may have effect: **30 June 2009**

(54) Product in respect of which the design is registered: **Mobile phone**

(51) International Design Classification: **14-03A**

(71) Name(s) and Address(s) of Applicant(s):

LG Electronics Inc.

20 Yeouido-dong Yeongdeungpo-gu Seoul 150-721 Republic of Korea

(72) Name(s) of Designer(s): **Hyun Chul Kim**

(45) Registration Date: **24 July 2009**

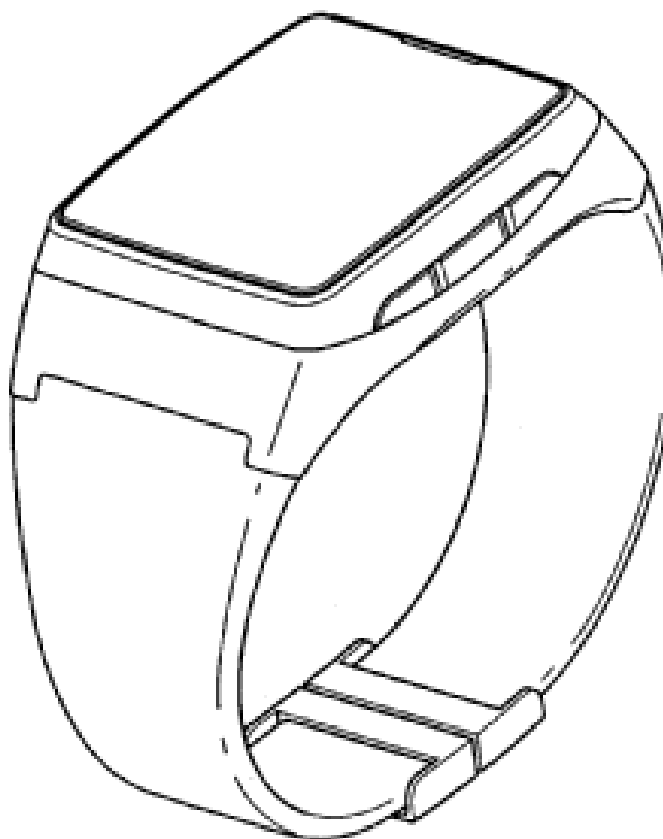
(30) Convention priority data:

(31) Number (32) Date
30-2009-0010212 10 Mar 2009

(33) Country
REPUBLIC OF KOREA

(56) Related Art Documents: **Not Applicable**

(57) Statement of Newness and Distinctiveness: **Nil**



(21) Design Number: **12351/2009**

(22) Date of Filing Application: **30 June 2009**

(24) Date from which industrial property rights may have effect: **30 June 2009**

(54) Product in respect of which the design is registered: **Earphone**

(51) International Design Classification: **14-01**

(71) Name(s) and Address(s) of Applicant(s):

Koss Corporation

**4129 North Port Washington Avenue Milwaukee Wisconsin 53212
United States America**

(72) Name(s) of Designer(s): **Jerry O'Leary and Iain Roberts and Martin Thaler
and George Aye and Michael Koss**

(45) Registration Date: **24 July 2009**

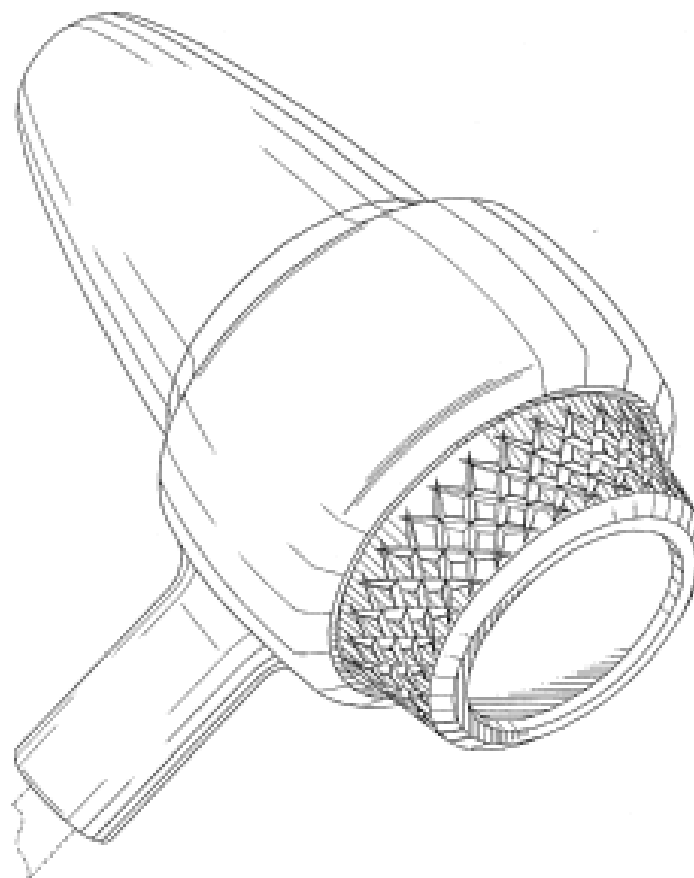
(30) Convention priority data:

(31) Number (32) Date
PCT/US08/88656 31 Dec 2008

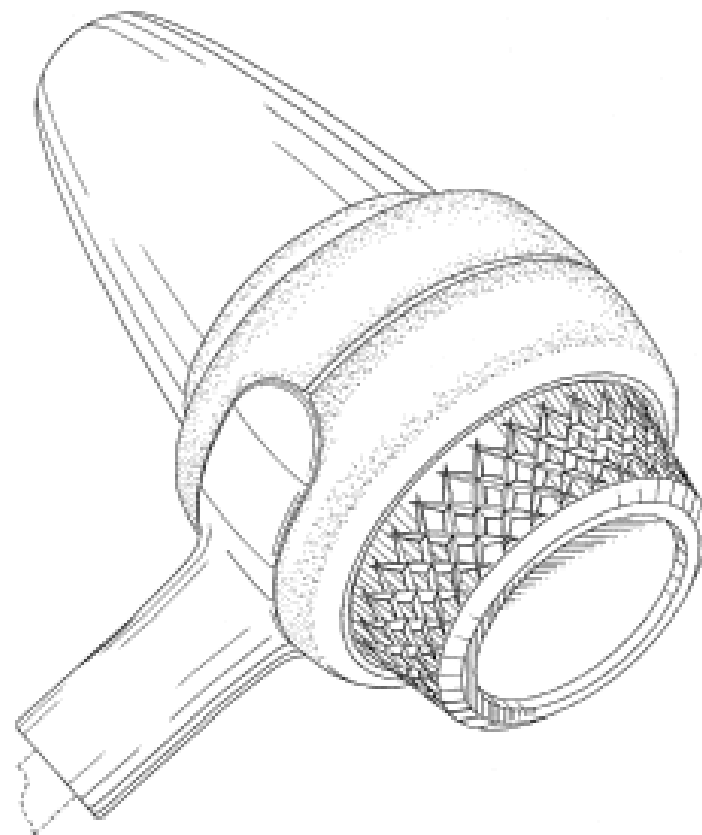
(33) Country
UNITED STATES OF AMERICA

(56) Related Art Documents: **Not Applicable**

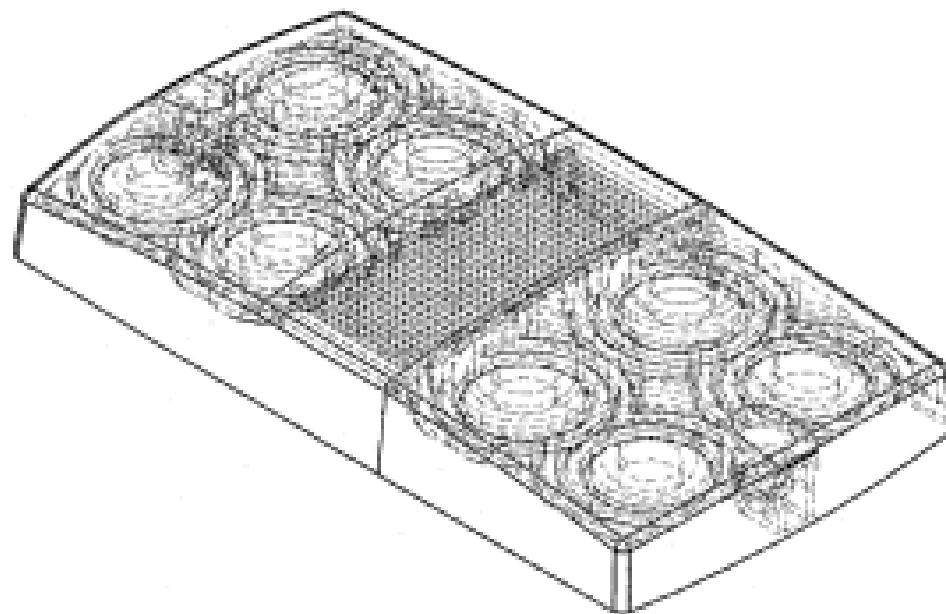
(57) Statement of Newness and Distinctiveness: **Nil**



- (21) Design Number: **12352/2009**
(22) Date of Filing Application: **30 June 2009**
(24) Date from which industrial property rights may have effect: **30 June 2009**
(54) Product in respect of which the design is registered: **Earphone**
(51) International Design Classification: **14-01**
(71) Name(s) and Address(s) of Applicant(s):
Koss Corporation
4129 North Port Washington Avenue Milwaukee Wisconsin 53212
United States America
(72) Name(s) of Designer(s): **Michael Koss and Jerry O'Leary and Iain Roberts**
and Martin Thaler and George Aye
(45) Registration Date: **24 July 2009**
(30) Convention priority data:
(31) Number (32) Date (33) Country
PCT/US08/88656 31 Dec 2008 UNITED STATES OF AMERICA
(56) Related Art Documents: **Not Applicable**
(57) Statement of Newness and Distinctiveness: **Nil**



- (21) Design Number: **12380/2009**
(22) Date of Filing Application: **01 July 2009**
(24) Date from which industrial property rights may have effect: **01 July 2009**
(54) Product in respect of which the design is registered: **Light fitting**
(51) International Design Classification: **26-06**
(71) Name(s) and Address(s) of Applicant(s):
Brown & Watson International Pty Ltd
3 Millennium Court Knoxfield Victoria 3179 Australia
(72) Name(s) of Designer(s): **Paul Davies**
(45) Registration Date: **24 July 2009**
(56) Related Art Documents: **Not Applicable**
(57) Statement of Newness and Distinctiveness: **Those features of the light fitting depicted in the representations that are new and distinctive are the shape and/or configuration. The feature shown in broken line is not part of the design and is to be disregarded when considering the overall impression of the design.**



(21) Design Number: **12381/2009**

(22) Date of Filing Application: **01 July 2009**

(24) Date from which industrial property rights may have effect: **01 July 2009**

(54) Product in respect of which the design is registered: **Light fitting**

(51) International Design Classification: **26-06**

(71) Name(s) and Address(s) of Applicant(s):

**Brown & Watson International Pty Ltd
3 Millennium Court Knoxfield Victoria 3179 Australia**

(72) Name(s) of Designer(s): **Paul Davies**

(45) Registration Date: **24 July 2009**

(56) Related Art Documents: **Not Applicable**

(57) Statement of Newness and Distinctiveness: **Those features of the light fitting depicted in the representations that are new and distinctive are the shape and/or configuration.**

