



Australian Government

IP Australia

AUSTRALIAN OFFICIAL JOURNAL

OF

DESIGNS

Did you know a searchable version of this journal is now available online?

It's FREE and EASY to SEARCH.

Find it at

<http://pericles.ipaustralia.gov.au/ols/epublish/content/olsEpublications.jsp>
or using the "Online Journals" link on the IP Australia home page.

This Page Left Intentionally Blank

Contents

General Information & Notices

Proceedings Under the Designs Act 1906 preserved as a result of the provisions of Chapter 12 Part 2 of the Designs Act 2003

Extension of Period of Registration of Designs	2582
Names Registered - Alterations and Amendments	2582
Registrations Ceased	2582
Subsequent Owners Registered	2582

Proceedings Under the Designs Act 2003

Applications Lapsed	2592
Applications Lodged	2587
Certificate of Examination	2597
Corrigenda	2596
Extension of Period of Registration of Design	2593
Extension of Time Granted Under Section 137	2593
Mortgages Registered	2593
Names Registered - Alterations and Amendments	2595
Publication and Registration Proceedings	
Designs Registered 326888 to 327052.....	2598
Registrations Ceased	2593
Subsequent Owners Registered	2595

This Page Left Intentionally Blank

For information on the following please see our website www.ipaustralia.gov.au or contact our Customer Service Network on 1300651010

[Editorial enquiries](#)

[Contact information](#)

[Freedom of Information ACT](#)

[Professional Standards Board](#)

[Sales](#)

[Requests for Information under Section 194 \(c\)](#)

[Country Codes](#)

[Trade Mark and Designs Hearing Sessions](#)

[INID \(Internationally agreed Numbers for the Identification of Data\)](#)

“INID” NUMBERS in use on Australian Design Documents

“INID” is an acronym for “Internationally agreed Numbers for the Identification of Data”.

(10) Data concerning the registration/renewal

- (11) Serial number of the registration and/or number of the design document
- (12) Plain language designation of the kind of published document
- (19) Identification, using the two-letter code according to WIPO Standard ST.3, of the authority publishing or registering the industrial design

(20) Data concerning the application

- (21) Serial number of the application
- (22) Date of filing of the application
- (24) Date from which the industrial design right has effect

(30) Data relating to priority under the Paris Convention

- (31) Serial number assigned to the priority application
- (32) Date of filing of the priority application
- (33) Two-letter code, according to WIPO Standard ST.3, identifying the authority with which the priority application was made

(40) Date(s) of making information available to the public

- (45) Date of publication of the registered industrial design by printing or similar process, or making it available to the public by any other means

(50) Miscellaneous Information

- (51) International Classification for Industrial Designs (class and subclass of the Locarno Classification)
- (54) Designation of article(s) or product(s) covered by the industrial design or title of the industrial design
- (55) Reproduction of the industrial design (e.g., drawing, photograph) and explanations relating to the reproduction
- (56) List of prior art documents, if separate from descriptive text
- (57) Description of characteristic features of the industrial design including indication of colours

(60) References to other legally related application(s) and registration(s)

- (62) Serial number(s) and, if available, filing date(s) of application(s), registration(s) or document(s) related by division
- (66) Serial number(s) of the application, or the registration, of the design(s) which is (are) a variant(s) of the present one

(70) Identification of parties concerned with the application or registration

- (71) Name(s) and address(es) of the applicant(s)
- (72) Name(s) of the creator(s) if known to be such
- (74) Name(s) and address(es) of the representative(s)

This Page Left Intentionally Blank

Official Notice**Designs Act 2003
Amendments to Registered Designs at Examination**

The following amendments have been made to details previously published in the Australian Official Journal of Designs during the Examination process:

Registration Numbers	Amendment type	New details
323366	Classification	09-01H
324175	Classification	07-06C
324176	Classification	07-06C
324177	Classification	07-06C
324303	Classification	06-03C, 06-06E, 06-04B
325190	Classification	08-08B, 08-09, 06-06Z

Contact: IP Australia
Phone: 1300 651 010
Fax: +61 2 6283 7999
E-mail: assist@ipaustrialia.gov.au
Web: www.ipaustrialia.gov.au

Proceedings under the Designs Act 1906 preserved as a result of the provisions of Chapter 12 Part 2 of the Designs Act 2003.

This Page Left Intentionally Blank

Applications Lapsed

There were no Applications Lapsed under this section

Extension of Period of Registration of Designs

2nd Period (Section 27A(12))

153164	153438	153439
153440	153459	153460
153734	153735	153798
153803	153915	153953
154135	154196	154356
154357	154450	154452
154857	155775	156448
156883	156902	157659
157723	157837	157925
157926	158110	158198

3rd Period (Section 27A(13))

134173	134922	136220
136405	136406	136407
136436	136437	136438
136491	136527	136994
137416	137776	137990
138338	138613	138614
138615	139060	139472
139473	139474	139475
139623	139942	140264
140265	140266	140489
140521	140854	140873
141006		

Registrations Ceased

Note: Some of the following Registrations may have been previously advertised as ceased. In this instance, the previous advertisement still prevails.

118498	118561	119076
119469	119496	119505
119508	119559	119563
119576	119580	119581
119582	119811	119813
119825	119892	119907
119969	120129	120275
120437	120472	120473
120639	121030	121581
122005	122149	122150
122612	122714	122857
123415	127919	133345
133346	133347	133348
133349	133350	134203
134358	134411	134416
134468	134469	134555
134573	134613	134614
134991	135129	136089
138129	139799	139800
140366	147819	147820
150829	151009	151328
151341	151342	151343

151351	151361	151362
151385	151427	151497
151617	151698	151748
151807	151845	151846
151847	152024	152258
152523	152758	154206
154944	155232	155546
155600	155670	155763
155771	155811	155812
155815	156102	156103
156104	156142	156143
156555	156556	156558
157618	157973	

Subsequent Owners Registered

(The name in parentheses is that of the subsequent owner)

137170	(Alicia Simpson)	June Neil
137270	(Alicia Simpson)	June Neil
137310	(Alicia Simpson)	June Neil
137311	(Alicia Simpson)	June Neil
153516	(Alicia Simpson)	June Neil
153517	(Alicia Simpson)	June Neil

Names Registered - Alterations and Amendments

(The name in parentheses is the new name of the proprietor)

153953	(Panasonic Corporation)	Matsushita Electric Industrial Co. Ltd
154570	(Panasonic Corporation)	Matsushita Electric Industrial Co. Ltd

This Page Left Intentionally Blank

Proceedings under the Designs Act 2003.

This Page Left Intentionally Blank

Applications Lodged

Lodgement information is in the following order: **Applicant's Name**; International Classification, Name of Product, Lodgement Date and **Design Number**. If the applicant claims an earlier priority date under an International Convention, the Convention Country and the associated filing date are shown in parentheses before the Lodgement Date. Divisional information will also appear in parentheses before the Lodgement Date.

Adbri Masonry Pty Ltd; 25-01A, A mortarless masonry brick, 17 Jul 2009	12872/2009	Black & Decker, Inc.; 08-03, Chain saw, (EM, 16 Feb 2009) 28 Jul 2009	12802/2009
Adbri Masonry Pty Ltd; 25-01A, A mortarless masonry brick, 17 Jul 2009	12873/2009	Black & Decker, Inc.; 08-03, Chain saw, (EM, 16 Feb 2009) 28 Jul 2009	12803/2009
Adbri Masonry Pty Ltd; 25-01A, A mortarless masonry brick, 17 Jul 2009	12874/2009	Bobrick Washroom Equipment, Inc.; 09-07A, Dispenser spout, (US, 29 Jan 2009) 29 Jul 2009	12817/2009
Alto Packaging Limited; 09-03F, Tray, 31 Jul 2009	12848/2009	Campbell, Robert Gordon; 13-03NES, A panel-mountable power distribution box, 24 Jul 2009	12769/2009
Alto Packaging Limited; 09-03F, Tray, 31 Jul 2009	12849/2009	Campbell, Robert Gordon; 13-03NES, A power distribution box, 24 Jul 2009	12767/2009
Alto Packaging Limited; 09-03F, Tray, 31 Jul 2009	12850/2009	Campbell, Robert Gordon; 08-07, A panel latch member, 24 Jul 2009	12768/2009
Alto Packaging Limited; 09-03F, Tray, 31 Jul 2009	12846/2009	Carl Freudenberg KG; 04-01, 07-05NES, Heads for cleaning brushware, (EM, 09 Jun 2009) 30 Jul 2009	12828/2009
Alto Packaging Limited; 09-03F, Tray, 31 Jul 2009	12851/2009	Chromend Supply Co.; 12-16N, Expandable inlet, (Divisional of 12457/2009) 08 Jul 2009	12724/2009
Alto Packaging Limited; 09-03F, Tray, 31 Jul 2009	12852/2009	Colgate-Palmolive Company; 09-01B, Container, (US, 23 Jan 2009) 23 Jul 2009	12732/2009
Alto Packaging Limited; 09-03F, Tray, 31 Jul 2009	12847/2009	Colgate-Palmolive Company; 09-01NES, Container, (US, 29 Jan 2009) 28 Jul 2009	12792/2009
Alto-Vista Australasia Pty Ltd; 08-08NES, Adjustable spigot, 24 Jul 2009	12764/2009	Colgate-Palmolive Company; 09-01B, Container, (US, 23 Jan 2009) 23 Jul 2009	12733/2009
Alto-Vista Australasia Pty Ltd; 08-08NES, Adjustable spigot, 24 Jul 2009	12765/2009	Colgate-Palmolive Company; 09-01B, Container, (US, 23 Jan 2009) 23 Jul 2009	12734/2009
Ashton, Thomas Felix; Harvey, Hugh Edward; 12-16A, A reconfigurable vehicle being a hull of any shape with matching wheel assemblies able to be raised and lowered), (NZ, 22 Jan 2009) 21 Jul 2009	12801/2009	Colgate-Palmolive Company; 09-01B, Container, (US, 23 Jan 2009) 23 Jul 2009	12733/2009
Ashton, Thomas Felix; Harvey, Hugh Edward; 12-06A, 12-06B, A kit for hull attachment to provide a reconfigurable vehicle (being matching wheel assemblies), (NZ, 23 Jan 2009) 21 Jul 2009	12800/2009	Colgate-Palmolive Company; 09-01B, Container, (US, 23 Jan 2009) 23 Jul 2009	12734/2009
Australian Defibrillators Pty. Ltd.; 24-01, Emergency Station incorporating a Defibrillator, 28 Jul 2009	12791/2009	Container Pty Ltd; 09-01K, Blow mould plastic bottle, 27 Jul 2009	12749/2009
Bedol, Mark A.; 10-01, Clock, (US, 23 Jan 2009) 23 Jul 2009	12730/2009	Cooke, Julian Mallison; 22-05, The design is of a stainless steel snap which replaces a string "snood" currently in use by mussel farmers, 24 Jul 2009	12748/2009
Berry-Smith, Mathew Philip; 07-06NES, 19-06, A cooler/holder template for bottles or cans containing liquids, 27 Jul 2009	12737/2009	CMP Engineers Pty Ltd; 12-16L, Vehicle towing apparatus, 04 Aug 2009	12864/2009
Bhagwandas, Dhiren; 26-05B, Lamp, 31 Jul 2009	12860/2009	Dolan, Kieran; 07-04, Culinary aid, 03 Aug 2009	12843/2009
Bhagwandas, Dhiren; 06-01E, Stool, 31 Jul 2009	12845/2009	Dow, James; 03-01B, Visor wallet for the motor vehicle, 03 Aug 2009	12865/2009
		Dunand, Nicholas; 06-01E, Furniture toys, 29 Jul 2009	12795/2009
		Ekebol Engineering Pty Ltd; 12-05, A vehicle mounted crane, 24 Jul 2009	12747/2009

Ewing, Warren; 08-05P, Spanner socket combination, 24 Jul 2009	12714/2009	Garth Living Pty Ltd; 07-02E, Outdoor cooking unit, 27 Jul 2009	12780/2009
F F Seeley Nominees Pty Ltd; 23-04, Ducting assembly - curved inlet, 27 Jul 2009	12799/2009	Global Rotomoulding; 03-01NES, Moulded equipment trunk/case, 27 Jul 2009	12738/2009
F F Seeley Nominees Pty Ltd; 23-04, Ducting assembly - straight inlet, 27 Jul 2009	12766/2009	Global Rotomoulding; 03-01NES, Moulded equipment trunk/case, 27 Jul 2009	12739/2009
Fitzgerald, Peter Michael; 08-08L, Bracket, 29 Jul 2009	12818/2009	Global Rotomoulding; 03-01NES, Moulded equipment trunk/case, 27 Jul 2009	12740/2009
Frostings Pty Ltd; 11-01A, Shoe/thong ring, 24 Jul 2009	12735/2009	Graduate Group SDN. BHD.; 04-02, Toothbrush, 23 Jul 2009	12741/2009
FMP Group (Australia) Pty Limited; 12-16M, Brake pad friction material 1819, 04 Aug 2009	12875/2009	GP Graders Pty Ltd; 12-05, Conveyor roller, 03 Aug 2009	12866/2009
FMP Group (Australia) Pty Limited; 12-16M, Brake pad friction material 1820, 04 Aug 2009	12876/2009	GP Graders Pty Ltd; 23-01E, Pneumatic ejection nozzle, 03 Aug 2009	12867/2009
FMP Group (Australia) Pty Limited; 12-16M, Brake pad friction material 1821, 04 Aug 2009	12877/2009	Hager Electro GMBH; 13-03NES, Distribution box, (EM, 04 Feb 2009) 24 Jul 2009	12759/2009
FMP Group (Australia) Pty Limited; 12-16M, Brake pad friction material 1822, 04 Aug 2009	12878/2009	Hager Electro GMBH; 13-03NES, Distribution box, (EM, 04 Feb 2009) 24 Jul 2009	12760/2009
FMP Group (Australia) Pty Limited; 12-16M, Brake pad friction material 1823, 04 Aug 2009	12879/2009	Harchie Pty Ltd; 02-02B, 02-02NES, A vest, 31 Jul 2009	12841/2009
FMP Group (Australia) Pty Limited; 12-16M, Brake pad friction material 1828, 04 Aug 2009	12884/2009	Harchie Pty Ltd; 02-02B, 02-02NES, A vest, 31 Jul 2009	12837/2009
FMP Group (Australia) Pty Limited; 12-16M, Brake pad friction material 1829, 04 Aug 2009	12885/2009	Harchie Pty Ltd; 02-02B, 02-02NES, A vest, 31 Jul 2009	12838/2009
FMP Group (Australia) Pty Limited; 12-16M, Brake pad friction material 1824, 04 Aug 2009	12880/2009	Harchie Pty Ltd; 02-02B, 02-02NES, A vest, 31 Jul 2009	12839/2009
FMP Group (Australia) Pty Limited; 12-16M, Brake pad friction material 1825, 04 Aug 2009	12881/2009	Harchie Pty Ltd; 02-02B, 02-02NES, A vest, 31 Jul 2009	12836/2009
FMP Group (Australia) Pty Limited; 12-16M, Brake pad friction material 1826, 04 Aug 2009	12882/2009	Harchie Pty Ltd; 02-02B, 02-02NES, A vest, 31 Jul 2009	12840/2009
FMP Group (Australia) Pty Limited; 12-16M, Brake pad friction material 1831, 04 Aug 2009	12887/2009	Harvey, Hugh Edward; Ashton, Thomas Felix; 12-16A, A reconfigurable vehicle being a hull of any shape with matching wheel assemblies able to be raised and lowered), (NZ, 22 Jan 2009) 21 Jul 2009	12801/2009
FMP Group (Australia) Pty Limited; 12-16M, Brake pad friction material 1832, 04 Aug 2009	12888/2009	Harvey, Hugh Edward; Ashton, Thomas Felix; 12-06A, 12-06B, A kit for hull attachment to provide a reconfigurable vehicle (being matching wheel assemblies), (NZ, 23 Jan 2009) 21 Jul 2009	12800/2009
FMP Group (Australia) Pty Limited; 12-16M, Brake pad friction material 1827, 04 Aug 2009	12883/2009	Illinois Tool Works Inc.; 08-08L, 25-01B, A spacer for concrete reinforcement, 24 Jul 2009	12778/2009
FMP Group (Australia) Pty Limited; 12-16M, Brake pad friction material 1830, 04 Aug 2009	12886/2009	IHS Global Alliance Pty Ltd; 25-02NES, 06-03NES, Table skirting panel, 30 Jul 2009	12835/2009
Garth Living Pty Ltd; 07-02E, Outdoor cooking unit, 27 Jul 2009	12779/2009	Lea, Charles Steven; 99-00, Holder, (NZ, 09 Feb 2009) 23 Jul 2009	12725/2009

Leatherman Tool Group, Inc.; 08-05P, Hand tool, (US, 14 Apr 2009) 30 Jul 2009	12829/2009	Moon, Ku Do; Techline Union Co., Ltd.; 02-04B, Slip-resistant sole, (KR, 05 Mar 2009) 24 Jul 2009	12773/2009
Lego A/S; 21-01E, A toy building element, (EM, 27 Jan 2009) 23 Jul 2009	12731/2009	Moon, Ku Do; Techline Union Co., Ltd.; 02-04B, Slip-resistant sole, (KR, 04 Mar 2009) 24 Jul 2009	12772/2009
Leisure Pools and Spas Manufacturing Pty Ltd; 11-99, Composite water feature for swimming pools, 28 Jul 2009	12793/2009	Moon, Ku Do; Techline Union Co., Ltd.; 02-04B, Slip-resistant sole, (KR, 05 Mar 2009) 23 Jul 2009	12729/2009
Little Gems Australia Pty Ltd; 02-02C, Baby and children's apparel and related items, 31 Jul 2009	12844/2009	Moon, Ku Do; Techline Union Co., Ltd.; 02-04B, A slip-resistant element of a shoe outsole, (KR, 20 Mar 2009) 23 Jul 2009	12726/2009
Lolitta Clothing; 02-02NES, , 28 Jul 2009	12797/2009	Moon, Ku Do; Techline Union Co., Ltd.; 02-04B, Slip-resistant sole, (KR, 04 Mar 2009) 23 Jul 2009	12728/2009
Lucas, Kain; 06-04NES, Magazine rack, 27 Jul 2009	12786/2009	MW Engineers Pty Ltd; 09-07NES, 13-03NES, Protector cover for electrical equipment boxes, 29 Jul 2009	12830/2009
Martino, Francesco Antonio; 25-03, A base chassis for a modular transportable building, 22 Jul 2009	12719/2009	Nobel Biocare Services AG; 24-01, Scanner, (EM, 27 Jan 2009) 27 Jul 2009	12785/2009
Martino, Francesco Antonio; 25-01K, An extrusion, 22 Jul 2009	12720/2009	Norton, Mathew Raymund; 08-05K, , 29 Jul 2009	12798/2009
Martino, Francesco Antonio; 25-01K, A roof chassis beam for a modular transportable building, 22 Jul 2009	12721/2009	Odell, James; 12-06A, Bimini T Top, 28 Jul 2009	12820/2009
Martino, Francesco Antonio; 25-01C, A corner wall support column for a modular transportable building, 22 Jul 2009	12722/2009	OfficePOD Limited; 25-03, Portable cabin, (EM, 05 Feb 2009) 03 Aug 2009	12871/2009
Martino, Francesco Antonio; 25-01C, A wall support column for a modular transportable building, 22 Jul 2009	12723/2009	Osram GmbH; 26-05NES, 26-04, Luminaire, (EM, 18 Feb 2009) 27 Jul 2009	12781/2009
Martino, Francesco Antonio; 25-03, A modular stackable transportable building, 22 Jul 2009	12715/2009	Osram GmbH; 26-04, Luminaire, (EM, 18 Feb 2009) 27 Jul 2009	12783/2009
Martino, Francesco Antonio; 12-05, 25-01K, A base chassis beam for a modular transportable building off-centre fork lift channels, 22 Jul 2009	12716/2009	Osram GmbH; 26-04, Luminaire, (EM, 18 Feb 2009) 27 Jul 2009	12782/2009
Martino, Francesco Antonio; 12-05, A base chassis for a modular transportable building off-centre fork lift channels, 22 Jul 2009	12717/2009	Pacific Market International, LLC; 09-01B, Beverage container, (US, 27 Jan 2009) 24 Jul 2009	12761/2009
Martino, Francesco Antonio; 25-02E, A roof chassis for a modular transportable building, 22 Jul 2009	12718/2009	PSI Systems, Inc.; 19-08, Postage stamp label sheet, (US, 21 Nov 2008) (Divisional of 11845/2009) 20 May 2009	12762/2009
McSpadden, Neta Isabelle; 99-00, Enviro cardboard caskets and coffins handles, 29 Jul 2009	12805/2009	PSI Systems, Inc.; 19-08, Postage stamp label sheet, (US, 21 Nov 2008) (Divisional of 11845/2009) 20 May 2009	12763/2009
Moon, Ku Do; Techline Union Co., Ltd.; 02-04B, Slip-resistant sole, (KR, 05 Mar 2009) 24 Jul 2009	12771/2009	Ransom, Peter Tony; 12-16B, A motor vehicle body, 03 Aug 2009	12861/2009
Moon, Ku Do; Techline Union Co., Ltd.; 02-04B, Slip-resistant sole, (KR, 05 Mar 2009) 24 Jul 2009	12770/2009	ResMed Ltd; 24-01, Humidifier tub for humidifier for positive airway pressure delivery device, (US, 05 Mar 2009) 03 Aug 2009	12863/2009
Moon, Ku Do; Techline Union Co., Ltd.; 02-04B, A slip-resistant element of a shoe outsole, (KR, 20 Mar 2009) 23 Jul 2009	12727/2009	ResMed Ltd; 24-01, Humidifier tub for humidifier for positive airway pressure delivery device, (US, 05 Mar 2009) 03 Aug 2009	12862/2009
		Roadvision Pty Ltd; 26-06, Lighting Assembly, 29 Jul 2009	12790/2009

Scott, Stephen John; 25-02C, 12-16NES, Open boats, 30 Jul 2009	12816/2009	Spin Master Ltd.; 21-01B, Transformable toy, (CA, 23 Feb 2009) 29 Jul 2009	12808/2009
Sea to Summit Pty Ltd; 09-03NES, Packaging, 24 Jul 2009	12736/2009	Spin Master Ltd.; 21-01B, Transformable toy, (CA, 23 Feb 2009) 29 Jul 2009	12809/2009
Sebel Furniture Ltd; 12-16A, A chair, 31 Jul 2009	12832/2009	Spin Master Ltd.; 21-01B, Transformable toy, (CA, 23 Feb 2009) 29 Jul 2009	12810/2009
Smash Enterprises Pty Ltd; 03-01A, 07-07NES, Lunch box cover, 24 Jul 2009	12774/2009	Spin Master Ltd.; 21-01B, Transformable toy, (CA, 23 Feb 2009) 29 Jul 2009	12811/2009
Smash Enterprises Pty Ltd; 03-01A, 07-06A, 09-03E, Lunch box cover with bottle holder, 24 Jul 2009	12775/2009	Spin Master Ltd.; 21-01B, Transformable toy, (CA, 24 Feb 2009) 29 Jul 2009	12812/2009
Smith & Nephew PLC; 24-04, Medical dressing, (GB, 05 Nov 2008) 06 May 2009	12855/2009	Spin Master Ltd.; 21-01B, Transformable toy, (CA, 24 Feb 2009) 29 Jul 2009	12813/2009
Sony Ericsson Mobile Communications AB; 14-01, Speaker, (EM, 10 Mar 2009) 29 Jul 2009	12819/2009	Spin Master Ltd.; 21-01B, Transformable toy, (CA, 24 Feb 2009) 29 Jul 2009	12821/2009
Spin Master Ltd.; 21-01B, Transformable toy, (CA, 30 Jan 2009) 29 Jul 2009	12815/2009	Staples the Office Superstore, LLC; 19-04, Tab divider, (US, 02 Dec 2008) 26 May 2009	12822/2009
Spin Master Ltd.; 21-01A, Transformable toy, (CA, 24 Feb 2009) 04 Aug 2009	12906/2009	Staples the Office Superstore, LLC; 19-04, Adjustable tab divider, (US, 01 Dec 2008) 26 May 2009	12823/2009
Spin Master Ltd.; 21-01B, Transformable toy, (CA, 27 Mar 2009) 04 Aug 2009	12902/2009	Staples the Office Superstore, LLC; 19-04, Adjustable tab divider, (US, 01 Dec 2008) 26 May 2009	12824/2009
Spin Master Ltd.; 21-01B, Transformable toy, (CA, 06 Mar 2009) 04 Aug 2009	12903/2009	Staples the Office Superstore, LLC; 19-04, Adjustable tab divider, (US, 01 Dec 2008) 26 May 2009	12825/2009
Spin Master Ltd.; 21-01B, Transformable toy, (CA, 24 Feb 2009) 04 Aug 2009	12901/2009	Stila A/S; 08-08H, A rail of a venetian blind, (EM, 30 Jan 2009) 28 Jul 2009	12804/2009
Spin Master Ltd.; 21-01A, Transformable toy, (CA, 25 Mar 2009) 04 Aug 2009	12904/2009	Stila A/S; 08-08H, A rail of a venetian blind, (EM, 30 Jan 2009) 28 Jul 2009	12784/2009
Spin Master Ltd.; 21-01B, Transformable toy, (CA, 24 Feb 2009) 04 Aug 2009	12905/2009	Stratton, Christopher; 03-01B, 09-03NES, The gigga clam, 29 Jul 2009	12834/2009
Spin Master Ltd.; 21-01A, Transformable toy, (CA, 24 Feb 2009) 04 Aug 2009	12907/2009	Techline Union Co., Ltd.; Moon, Ku Do; 02-04B, Slip-resistant sole, (KR, 04 Mar 2009) 24 Jul 2009	12772/2009
Spin Master Ltd.; 21-01A, Transformable toy, (CA, 31 Mar 2009) 04 Aug 2009	12908/2009	Techline Union Co., Ltd.; Moon, Ku Do; 02-04B, Slip-resistant sole, (KR, 05 Mar 2009) 24 Jul 2009	12773/2009
Spin Master Ltd.; 21-01A, Transformable toy, (CA, 24 Mar 2009) 04 Aug 2009	12909/2009	Techline Union Co., Ltd.; Moon, Ku Do; 02-04B, A slip-resistant element of a shoe outsole, (KR, 20 Mar 2009) 23 Jul 2009	12727/2009
Spin Master Ltd.; 21-01B, Transformable toy, (CA, 24 Feb 2009) 29 Jul 2009	12814/2009	Techline Union Co., Ltd.; Moon, Ku Do; 02-04B, Slip-resistant sole, (KR, 05 Mar 2009) 24 Jul 2009	12771/2009
Spin Master Ltd.; 21-01B, Transformable toy, (CA, 30 Jan 2009) 29 Jul 2009	12806/2009	Techline Union Co., Ltd.; Moon, Ku Do; 02-04B, Slip-resistant sole, (KR, 05 Mar 2009) 24 Jul 2009	12770/2009
Spin Master Ltd.; 21-01B, Transformable toy, (CA, 03 Mar 2009) 29 Jul 2009	12807/2009		

Techline Union Co., Ltd.; Moon, Ku Do; 02-04B, Slip-resistant sole, (KR, 05 Mar 2009) 23 Jul 2009	12729/2009	Tran, Phung Kim; 24-04, Wrap around wheat bag, 31 Jul 2009	12827/2009
Techline Union Co., Ltd.; Moon, Ku Do; 02-04B, A slip-resistant element of a shoe outsole, (KR, 20 Mar 2009) 23 Jul 2009	12726/2009	TIC (Retail Accessories) Pty Ltd; 06-08, Garment hanger, 28 Jul 2009	12794/2009
Techline Union Co., Ltd.; Moon, Ku Do; 02-04B, Slip-resistant sole, (KR, 04 Mar 2009) 23 Jul 2009	12728/2009	Victaulic Company; 23-01A, Reversed v-interface coupling segment, (US, 27 Jan 2009) 24 Jul 2009	12750/2009
Tepra Pty Ltd; 12-16NES, Linear castor and camber adjuster for the use on go karts, 28 Jul 2009	12787/2009	Victaulic Company; 23-01A, Reversed v-interface coupling, (US, 27 Jan 2009) 24 Jul 2009	12755/2009
Tepra Pty Ltd; 12-16NES, Linear camber and castor adjuster for the use on go karts, 28 Jul 2009	12788/2009	Victaulic Company; 23-01A, Pipe coupling, (US, 27 Jan 2009) 24 Jul 2009	12756/2009
The Coleman Company, Inc.; 13-02, Charging station, (US, 26 Jan 2009) 24 Jul 2009	12743/2009	Victaulic Company; 23-01A, Pipe coupling segment, (US, 27 Jan 2009) 24 Jul 2009	12757/2009
The Coleman Company, Inc.; 26-02, Worklight, (US, 26 Jan 2009) 24 Jul 2009	12744/2009	Victaulic Company; 23-01A, Reversed v-interface coupling segment, (US, 27 Jan 2009) 24 Jul 2009	12758/2009
The Coleman Company, Inc.; 26-02, Flashlight, (US, 26 Jan 2009) 24 Jul 2009	12745/2009	Victaulic Company; 23-01A, Pipe coupling segment, (US, 27 Jan 2009) 24 Jul 2009	12753/2009
The Coleman Company, Inc.; 09-03L, Insulated container, (US, 28 Jan 2009) 24 Jul 2009	12746/2009	Victaulic Company; 23-01A, Pipe coupling, (US, 27 Jan 2009) 24 Jul 2009	12754/2009
The Coleman Company, Inc.; 09-03L, Insulated container, (US, 28 Jan 2009) 24 Jul 2009	12742/2009	Victaulic Company; 23-01A, Reversed v-interface coupling, (US, 27 Jan 2009) 24 Jul 2009	12752/2009
The Decor Corporation Pty Ltd; 09-07B, Lid for container, 03 Aug 2009	12859/2009	Victaulic Company; 23-01A, Reversed v-interface coupling segment, (US, 27 Jan 2009) 24 Jul 2009	12751/2009
The Decor Corporation Pty Ltd; 09-01NES, Container, 03 Aug 2009	12858/2009	Visy R & D Pty Ltd; 07-01NES, A double container, 24 Jul 2009	12776/2009
Thermos L.L.C.; 09-01NES, A container, (US, 06 Mar 2009) 03 Aug 2009	12857/2009	Visy R & D Pty Ltd; 09-03NES, A double container, 24 Jul 2009	12777/2009
Thermos L.L.C.; 07-01F, 09-07B, A lid, (US, 06 Mar 2009) 31 Jul 2009	12842/2009	Vu, Hong Phuc; 07-02D, 07-02E, , 29 Jul 2009	12796/2009
Thermos L.L.C.; 09-01NES, A container, (US, 06 Mar 2009) 03 Aug 2009	12856/2009	Waddington, Daniel; 23-01G, 23-02NES, 15-99, Saw tooth disc, 03 Aug 2009	12853/2009
Tombow Pencil Co., Ltd.; 19-99, Dispenser, (JP, 13 Mar 2009) 31 Jul 2009	12868/2009	Waddington, Daniel; 23-01G, 23-02NES, 15-99, Saw tooth disc, 03 Aug 2009	12854/2009
Tombow Pencil Co., Ltd.; 19-99, Dispenser, (JP, 13 Mar 2009) 31 Jul 2009	12869/2009	YHI (Australia) Pty Limited; 06-01F, "Advanti Tourer" wheel design, 31 Jul 2009	12831/2009
Tombow Pencil Co., Ltd.; 19-99, Dispenser, (JP, 13 Mar 2009) 31 Jul 2009	12870/2009	Zhang, Da Wei; 29-01, Air-escape (fire equipment), 27 Jul 2009	12789/2009
Tran, Phung Kim; 03-01NES, 09-05, Neck and shoulder wheat bag, 31 Jul 2009	12833/2009	3M Innovative Properties Company; 14-02, Filter cartridge having a magenta netting, (US, 02 Feb 2009) 29 Jul 2009	12826/2009

Applications Lapsed

10186 / 2009 (02-04A)	10718 / 2009 (23-01F)
11387 / 2009 (25-01D)	11698 / 2009 (11-02B)
11699 / 2009 (11-02B)	11824 / 2009 (21-02C)
11825 / 2009 (06-04NES)	11895 / 2009 (19-06)
11896 / 2009 (19-06)	11897 / 2009 (19-06)
11898 / 2009 (19-06)	11930 / 2009 (06-01H)

Extension of Period of Registration of Designs

300162	300164	300325
300352	300353	300414
300426	300473	300520
300521	300522	300523
300524	300525	300526
300527	300569	300590
300607	300609	300613
300651	300687	300688
300690	300711	300731
300732	300735	300744
300745	300746	300771
300772	300933	301076
301183	301361	301362
301543	301801	302754
302755	303172	303173
303174	303635	303636

Registrations Ceased

300925	304910	315598
315602	316470	318376
318381	318649	321057
321059		

Extensions of time granted under Section 137

Applications lodged under section 137 for extension of time have been granted.

11136/2009 **Villeroy & Boch AG**

12708/2009 **Stuart Weitzman IP, LLC**

Mortgages Registered

310697	A mortgage has been granted to The United States Department of the Treasury
310698	A mortgage has been granted to The United States Department of the Treasury
310699	A mortgage has been granted to The United States Department of the Treasury
310700	A mortgage has been granted to The United States Department of the Treasury
310701	A mortgage has been granted to The United States Department of the Treasury
310702	A mortgage has been granted to The United States Department of the Treasury
310720	A mortgage has been granted to The United States Department of the Treasury
310721	A mortgage has been granted to The United States Department of the Treasury
310722	A mortgage has been granted to The United States Department of the Treasury
310762	A mortgage has been granted to The United States Department of the Treasury
310763	A mortgage has been granted to The United States Department of the Treasury
310764	A mortgage has been granted to The United States Department of the Treasury
310765	A mortgage has been granted to The United States Department of the Treasury
310881	A mortgage has been granted to The United States Department of the Treasury
311674	A mortgage has been granted to The United States Department of the Treasury
311675	A mortgage has been granted to The United States Department of the Treasury
312432	A mortgage has been granted to The United States Department of the Treasury
312433	A mortgage has been granted to The United States Department of the Treasury
312434	A mortgage has been granted to The United States Department of the Treasury
312435	A mortgage has been granted to The United States Department of the Treasury
312436	A mortgage has been granted to The United States Department of the Treasury

316897	A mortgage has been granted to The United States Department of the Treasury	313774	(Bostock Developments Pty Ltd) BBL International Pty Ltd
316898	A mortgage has been granted to The United States Department of the Treasury	313775	(Bostock Developments Pty Ltd) BBL International Pty Ltd
316899	A mortgage has been granted to The United States Department of the Treasury	324977	(DL Gray & Sons Nominees Pty Ltd) Thomas Burnett Gray
316900	A mortgage has been granted to The United States Department of the Treasury	326739	(Vuong Minh Tran) Kimberley Products Pty Ltd
316902	A mortgage has been granted to The United States Department of the Treasury	326603	(Alicia Simpson) June Neil
316903	A mortgage has been granted to The United States Department of the Treasury	326604	(Alicia Simpson) June Neil
316904	A mortgage has been granted to The United States Department of the Treasury		
319567	A mortgage has been granted to The United States Department of the Treasury		
319568	A mortgage has been granted to The United States Department of the Treasury		
319648	A mortgage has been granted to The United States Department of the Treasury		
320099	A mortgage has been granted to The United States Department of the Treasury		
320134	A mortgage has been granted to The United States Department of the Treasury		
320135	A mortgage has been granted to The United States Department of the Treasury		
320194	A mortgage has been granted to The United States Department of the Treasury		
320195	A mortgage has been granted to The United States Department of the Treasury		
321319	A mortgage has been granted to The United States Department of the Treasury		
321320	A mortgage has been granted to The United States Department of the Treasury		
321728	A mortgage has been granted to The United States Department of the Treasury		
321729	A mortgage has been granted to The United States Department of the Treasury		
323172	A mortgage has been granted to The United States Department of the Treasury		
323874	A mortgage has been granted to The United States Department of the Treasury		
323875	A mortgage has been granted to The United States Department of the Treasury		
323876	A mortgage has been granted to The United States Department of the Treasury		
316132	A mortgage has been granted to The United States Department of the Treasury		
305692	A mortgage has been granted to The United States Department of the Treasury		

Names Registered - Alterations and Amendments

(The name in parentheses is that of the subsequent applicant)

316863	(Australian Football League) Australian Football League Limited
--------	--

Subsequent Owners Registered

(The name in parentheses is that of the subsequent owner)

313043	(Mars Australia Pty Ltd) Mars, Incorporated
322915	(Mars Australia Pty Ltd) Mars Incorporated
300304	(Bilingual Design Pty Ltd) Marta Niegowska
313681	(Bostock Developments Pty Ltd) BBL International Pty Ltd

Corrigenda

Number 326485

In Vol 23 , No 13 , page 2332 under the heading **Australian Registered Design**; (30) Convention Priority data should read: (31) Number: 2008-025884 (32) Date: 8 October 2008 (33) Country: Japan.

Number 326486

In Vol 23 , No 13 , page 2332 under the heading **Australian Registered Design**; (30) Convention Priority data should read: (31) Number: 2008-025885 (32) Date: 8 October 2008 (33) Country: Japan.

Certificate(s) of Examination

Examination of the following Design Registration(s) has been completed. Infringement proceedings may now be commenced.

302076	23-01H	05/08/2009
302077	23-01H	05/08/2009
310024	25-02A	27/07/2009
313049	09-01B	27/07/2009
313293	09-01B	27/07/2009
315347	21-03	17/07/2009
319815	24-02	28/07/2009
321285	23-01H	30/07/2009
321286	23-01H	30/07/2009
323170	25-01A	03/08/2009
323771	26-05NES	03/08/2009
323904	26-05NES	03/08/2009
324338	31-00	29/07/2009
324352	09-01NES	29/07/2009
324380	26-05C	30/07/2009
324381	26-05C	03/08/2009
324387	09-01NES	29/07/2009
324388	09-01NES	29/07/2009
324767	08-07	30/07/2009
324839	09-03M	27/07/2009
324921	14-03NES	28/07/2009
325190	08-08B	27/07/2009
325207	14-01	30/07/2009
325370	09-01H	27/07/2009
325409	28-03NES	06/08/2009
325410	28-03NES	06/08/2009
325525	09-01G	31/07/2009
325526	09-01G	31/07/2009
325527	09-01G	31/07/2009
325643	24-01	27/07/2009
325691	07-02R	29/07/2009
325711	12-15A	03/08/2009
325728	26-03	31/07/2009
325729	26-03	31/07/2009
325761	25-04	28/07/2009
325773	14-01	31/07/2009
325774	14-01	27/07/2009
325796	08-02	27/07/2009
325802	25-01K	27/07/2009
325803	25-01K	27/07/2009
325807	08-08NES	31/07/2009
325808	08-08NES	31/07/2009
325809	08-08NES	31/07/2009
325815	15-05	31/07/2009
325826	03-01NES	27/07/2009
325828	08-01	05/08/2009
326004	08-01	31/07/2009
326030	06-01D	31/07/2009
326031	06-01D	31/07/2009
326165	19-02	31/07/2009
326166	19-02	31/07/2009
326170	21-02C	03/08/2009
326204	02-02C	06/08/2009

Publication and Registration Proceedings

Designs Registered

This section provides a concordance between design number and registration number of Designs covered in this journal. It also shows the main class and registration date.

This section covers Registration numbers 326888 to 327052 .

The registration number shown below should be used in all future correspondence.

Design Number	Registration Number	International Classification Code (IDC)	Registration Date	Design Number	Registration Number	International Classification Code (IDC)	Registration Date
10176/2009	326895	20-02NES	27/07/2009	12396/2009	326896	26-04	27/07/2009
10409/2009	327018	06-01F	05/08/2009	12397/2009	326897	09-01NES	27/07/2009
10555/2009	327038	06-01F	06/08/2009	12398/2009	326898	21-02C	27/07/2009
10556/2009	327026	06-01F	05/08/2009	12399/2009	326899	21-02C	27/07/2009
10558/2009	327029	06-01F	06/08/2009	12400/2009	326900	21-02C	27/07/2009
10559/2009	327019	06-01F	05/08/2009	12401/2009	326901	21-02C	27/07/2009
11136/2009	326947	23-02C	30/07/2009	12402/2009	326902	21-02C	27/07/2009
11335/2009	326934	12-02	29/07/2009	12406/2009	326903	24-02	27/07/2009
11606/2009	327039	24-04	06/08/2009	12407/2009	326904	24-02	27/07/2009
11754/2009	327040	23-01G	06/08/2009	12409/2009	326916	23-01A	28/07/2009
11755/2009	327041	23-01G	06/08/2009	12410/2009	326917	23-01A	28/07/2009
11756/2009	327042	23-01G	06/08/2009	12411/2009	326918	23-01A	28/07/2009
11757/2009	327043	23-01G	06/08/2009	12412/2009	326919	23-01A	28/07/2009
11758/2009	327044	23-01G	06/08/2009	12413/2009	326920	23-01A	28/07/2009
11759/2009	327045	23-01G	06/08/2009	12414/2009	326921	23-01A	28/07/2009
11760/2009	327046	23-01G	06/08/2009	12415/2009	326929	25-01E	30/07/2009
11761/2009	327047	23-01G	06/08/2009	12416/2009	326930	07-01D	30/07/2009
11792/2009	327008	14-03A	05/08/2009	12419/2009	326931	26-02	30/07/2009
11813/2009	327048	07-05D	06/08/2009	12422/2009	326922	15-99	28/07/2009
11828/2009	327049	20-02NES	06/08/2009	12423/2009	326923	25-03	28/07/2009
11845/2009	326935	19-08	29/07/2009	12427/2009	326936	13-03NES	29/07/2009
11858/2009	326948	15-04	30/07/2009	12428/2009	326937	08-07	29/07/2009
11907/2009	326940	08-03	29/07/2009	12429/2009	326938	08-07	29/07/2009
11920/2009	326909	06-13NES	27/07/2009	12430/2009	326939	23-01K	29/07/2009
11921/2009	326966	19-04	31/07/2009	12436/2009	326946	25-01A	29/07/2009
11922/2009	326970	19-04	31/07/2009	12439/2009	326974	26-02	03/08/2009
11931/2009	326950	12-16B	30/07/2009	12442/2009	326893	06-01E	27/07/2009
11953/2009	326941	11-01A	29/07/2009	12449/2009	326913	07-01B	27/07/2009
11954/2009	326942	11-01A	29/07/2009	12457/2009	326914	12-16N	27/07/2009
11955/2009	326943	11-01NES	29/07/2009	12458/2009	326915	12-16N	27/07/2009
11960/2009	326906	24-01	28/07/2009	12459/2009	326961	14-01	31/07/2009
11963/2009	326910	06-13NES	27/07/2009	12460/2009	326962	23-01E	31/07/2009
11985/2009	326888	06-13NES	27/07/2009	12461/2009	326963	23-01E	31/07/2009
11988/2009	327027	15-02	05/08/2009	12462/2009	326964	12-15NES	31/07/2009
12005/2009	326889	25-01D	27/07/2009	12463/2009	326965	12-15A	31/07/2009
12006/2009	326890	25-01D	27/07/2009	12469/2009	326958	21-01E	31/07/2009
12013/2009	326925	08-05NES	30/07/2009	12470/2009	326959	21-01E	31/07/2009
12015/2009	326951	09-01NES	31/07/2009	12471/2009	326960	21-01E	31/07/2009
12036/2009	326891	09-03M	27/07/2009	12472/2009	326975	21-01E	03/08/2009
12051/2009	326907	12-10	28/07/2009	12473/2009	326976	21-01E	03/08/2009
12112/2009	327030	06-01F	06/08/2009	12474/2009	326977	21-01E	03/08/2009
12113/2009	327031	06-01F	06/08/2009	12475/2009	326978	21-01E	03/08/2009
12136/2009	326926	09-01NES	30/07/2009	12476/2009	326979	21-01E	03/08/2009
12176/2009	326944	02-01NES	29/07/2009	12477/2009	326980	21-01E	03/08/2009
12187/2009	326927	09-08	30/07/2009	12478/2009	326981	21-01E	03/08/2009
12188/2009	326928	09-08	30/07/2009	12479/2009	326982	21-01E	03/08/2009
12214/2009	326949	12-08	30/07/2009	12480/2009	326952	21-01E	31/07/2009
12225/2009	326973	09-01K	03/08/2009	12481/2009	326953	21-01E	31/07/2009
12230/2009	326945	09-01K	29/07/2009	12482/2009	326954	21-01E	31/07/2009
12286/2009	326996	20-03C	04/08/2009	12483/2009	326955	21-01E	31/07/2009
12385/2009	326892	25-01G	27/07/2009	12484/2009	326956	21-01E	31/07/2009
12394/2009	326911	15-05	27/07/2009	12485/2009	326957	21-01E	31/07/2009
12395/2009	326912	12-08	27/07/2009	12489/2009	326983	08-08K	03/08/2009

Publication and Registration Proceedings - Designs Registered cont'd

Design Number	Registration Number	International Classification Code (IDC)	Registration Date	Design Number	Registration Number	International Classification Code (IDC)	Registration Date
12492/2009	326988	07-01C	04/08/2009	12535/2009	327005	21-01B	04/08/2009
12493/2009	326989	07-01C	04/08/2009	12540/2009	327028	24-01	05/08/2009
12494/2009	326990	07-01C	04/08/2009	12549/2009	327024	24-04	05/08/2009
12495/2009	326991	07-01C	04/08/2009	12554/2009	327037	14-01	06/08/2009
12496/2009	326992	13-03NES	04/08/2009	12555/2009	326932	06-02	30/07/2009
12497/2009	326993	13-03E	04/08/2009	12556/2009	327032	02-02NES	06/08/2009
12498/2009	326994	13-03NES	04/08/2009	12557/2009	327033	02-02NES	06/08/2009
12499/2009	326924	07-07A	28/07/2009	12558/2009	327035	02-02NES	06/08/2009
12500/2009	326984	06-13NES	03/08/2009	12559/2009	327036	02-04C	06/08/2009
12501/2009	326985	06-13NES	03/08/2009	12560/2009	326933	06-02	30/07/2009
12503/2009	326986	07-02K	03/08/2009	12571/2009	326908	25-04	28/07/2009
12504/2009	326987	07-01NES	03/08/2009	12603/2009	326894	06-03NES	27/07/2009
12509/2009	327020	25-02K	05/08/2009	12622/2009	327034	25-01A	06/08/2009
12510/2009	327021	25-01D	05/08/2009	12663/2009	327006	06-03NES	05/08/2009
12511/2009	327022	25-01D	05/08/2009	12664/2009	327007	06-01F	05/08/2009
12512/2009	327023	24-01	05/08/2009	12673/2009	327050	08-07	06/08/2009
12517/2009	326995	99-00	04/08/2009	12674/2009	327051	08-07	06/08/2009
12527/2009	326997	21-01B	04/08/2009	12707/2009	326905	02-01NES	27/07/2009
12528/2009	326998	21-01B	04/08/2009	12714/2009	327025	08-05P	05/08/2009
12529/2009	326999	21-01B	04/08/2009	12821/2009	326971	19-04	31/07/2009
12530/2009	327000	21-01B	04/08/2009	12822/2009	326972	19-04	31/07/2009
12531/2009	327001	21-01B	04/08/2009	12823/2009	326967	19-04	31/07/2009
12532/2009	327002	21-01B	04/08/2009	12824/2009	326968	19-04	31/07/2009
12533/2009	327003	21-01B	04/08/2009	12825/2009	326969	19-04	31/07/2009
12534/2009	327004	21-01B	04/08/2009	12855/2009	327052	24-04	06/08/2009

Publication and Registration Proceedings
Class Listing of Designs Published or Registered

The following section shows an International Classification Code listing of the Registered or Published Designs covered in this supplement.

Classification	Registration Number	Design Number	Classification	Registration Number	Design Number
02-01 NES	326905	12707/2009	11-01 A	326941	11953/2009
02-01 NES	326944	12176/2009	11-01 A	326942	11954/2009
02-02 NES	327032	12556/2009	11-01 NES	326943	11955/2009
02-02 NES	327033	12557/2009	12-02	326934	11335/2009
02-02 NES	327035	12558/2009	12-08	326912	12395/2009
02-04 C	327036	12559/2009	12-08	326949	12214/2009
06-01 E	326893	12442/2009	12-10	326907	12051/2009
06-01 F	327007	12664/2009	12-15 A	326965	12463/2009
06-01 F	327018	10409/2009	12-15 NES	326964	12462/2009
06-01 F	327019	10559/2009	12-16 B	326950	11931/2009
06-01 F	327026	10556/2009	12-16 N	326914	12457/2009
06-01 F	327029	10558/2009	12-16 N	326915	12458/2009
06-01 F	327030	12112/2009	13-03 E	326993	12497/2009
06-01 F	327031	12113/2009	13-03 NES	326936	12427/2009
06-01 F	327038	10555/2009	13-03 NES	326992	12496/2009
06-02	326932	12555/2009	13-03 NES	326994	12498/2009
06-02	326933	12560/2009	14-01	326961	12459/2009
06-03 NES	326894	12603/2009	14-01	327037	12554/2009
06-03 NES	327006	12663/2009	14-03 A	327008	11792/2009
06-13 NES	326888	11985/2009	15-02	327027	11988/2009
06-13 NES	326909	11920/2009	15-04	326948	11858/2009
06-13 NES	326910	11963/2009	15-05	326911	12394/2009
06-13 NES	326984	12500/2009	15-05	326948	11858/2009
06-13 NES	326985	12501/2009	15-07	326924	12499/2009
07-01 B	326913	12449/2009	15-99	326922	12422/2009
07-01 C	326988	12492/2009	19-04	326966	11921/2009
07-01 C	326989	12493/2009	19-04	326967	12823/2009
07-01 C	326990	12494/2009	19-04	326968	12824/2009
07-01 C	326991	12495/2009	19-04	326969	12825/2009
07-01 D	326930	12416/2009	19-04	326970	11922/2009
07-01 NES	326987	12504/2009	19-04	326971	12821/2009
07-02 K	326986	12503/2009	19-04	326972	12822/2009
07-05 D	327048	11813/2009	19-08	326935	11845/2009
07-07 A	326924	12499/2009	20-02 NES	326895	10176/2009
08-03	326940	11907/2009	20-02 NES	327049	11828/2009
08-05 NES	326925	12013/2009	20-03 C	326996	12286/2009
08-05 P	327025	12714/2009	21-01 B	326997	12527/2009
08-07	326937	12428/2009	21-01 B	326998	12528/2009
08-07	326938	12429/2009	21-01 B	326999	12529/2009
08-07	327050	12673/2009	21-01 B	327000	12530/2009
08-07	327051	12674/2009	21-01 B	327001	12531/2009
08-08 K	326929	12415/2009	21-01 B	327002	12532/2009
08-08 K	326983	12489/2009	21-01 B	327003	12533/2009
08-08 L	326895	10176/2009	21-01 B	327004	12534/2009
08-08 NES	326908	12571/2009	21-01 B	327005	12535/2009
08-08 NES	326928	12188/2009	21-01 C	326912	12395/2009
09-01 K	326945	12230/2009	21-01 C	326932	12555/2009
09-01 K	326973	12225/2009	21-01 C	326933	12560/2009
09-01 NES	326897	12397/2009	21-01 E	326952	12480/2009
09-01 NES	326926	12136/2009	21-01 E	326953	12481/2009
09-01 NES	326951	12015/2009	21-01 E	326954	12482/2009
09-03 M	326891	12036/2009	21-01 E	326955	12483/2009
09-03 NES	326974	12439/2009	21-01 E	326956	12484/2009
09-08	326927	12187/2009	21-01 E	326957	12485/2009
09-08	326928	12188/2009	21-01 E	326958	12469/2009
10-04	326926	12136/2009	21-01 E	326959	12470/2009

Registration Proceedings - Class Listing of Designs Published or Registered cont'd

Classification	Registration Number	Design Number	Classification	Registration Number	Design Number
21-01 E	326960	12471/2009	23-01 K	326939	12430/2009
21-01 E	326975	12472/2009	23-02 A	327048	11813/2009
21-01 E	326976	12473/2009	23-02 C	326947	11136/2009
21-01 E	326977	12474/2009	23-02 NES	326962	12460/2009
21-01 E	326978	12475/2009	23-02 NES	326963	12461/2009
21-01 E	326979	12476/2009	24-01	326906	11960/2009
21-01 E	326980	12477/2009	24-01	327023	12512/2009
21-01 E	326981	12478/2009	24-01	327028	12540/2009
21-01 E	326982	12479/2009	24-02	326903	12406/2009
21-02 C	326898	12398/2009	24-02	326904	12407/2009
21-02 C	326899	12399/2009	24-04	327024	12549/2009
21-02 C	326900	12400/2009	24-04	327039	11606/2009
21-02 C	326901	12401/2009	24-04	327052	12855/2009
21-02 C	326902	12402/2009	25-01 A	326946	12436/2009
23-01 A	326916	12409/2009	25-01 A	327034	12622/2009
23-01 A	326917	12410/2009	25-01 D	326889	12005/2009
23-01 A	326918	12411/2009	25-01 D	326890	12006/2009
23-01 A	326919	12412/2009	25-01 D	327021	12510/2009
23-01 A	326920	12413/2009	25-01 D	327022	12511/2009
23-01 A	326921	12414/2009	25-01 E	326929	12415/2009
23-01 E	326962	12460/2009	25-01 G	326892	12385/2009
23-01 E	326963	12461/2009	25-02 K	327020	12509/2009
23-01 G	327040	11754/2009	25-03	326923	12423/2009
23-01 G	327041	11755/2009	25-04	326908	12571/2009
23-01 G	327042	11756/2009	26-02	326931	12419/2009
23-01 G	327043	11757/2009	26-02	326974	12439/2009
23-01 G	327044	11758/2009	26-04	326896	12396/2009
23-01 G	327045	11759/2009	99-00	326995	12517/2009
23-01 G	327046	11760/2009			
23-01 G	327047	11761/2009			

(21) Design Number: **11985/2009**

(22) Date of Filing Application: **22 May 2009**

(24) Date from which industrial property rights may have effect: **22 May 2009**

(54) Product in respect of which the design is registered: **Outdoor furniture cover**

(51) International Design Classification: **06-13NES**

(71) Name(s) and Address(s) of Applicant(s):

Sarah Mayo

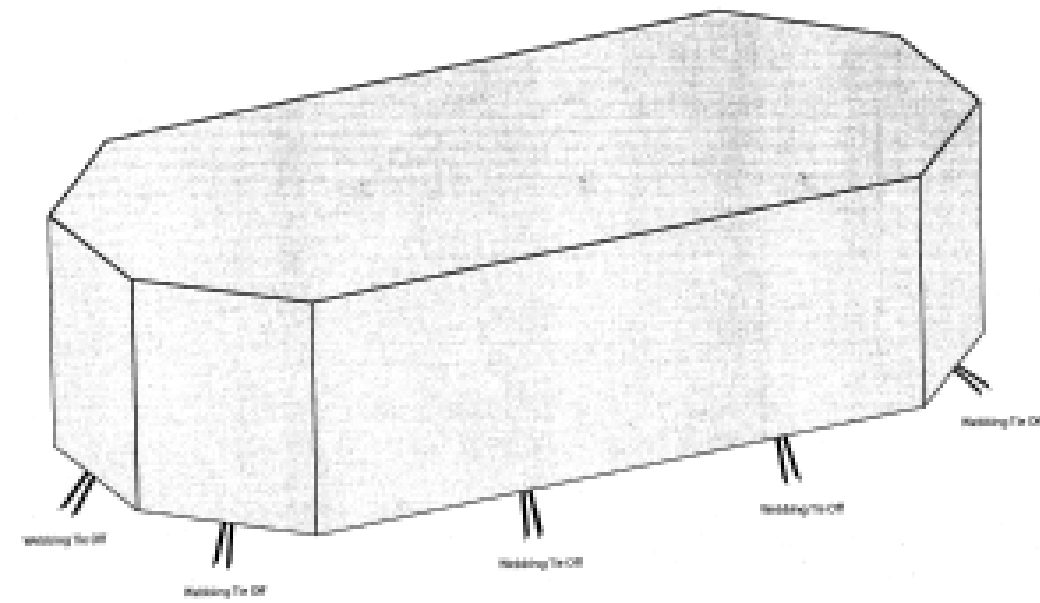
Mayo Group International 34 Morley Avenue Rosebery New South Wales 2093 Australia

(72) Name(s) of Designer(s): **Mark Thame**

(45) Registration Date: **27 July 2009**

(56) Related Art Documents: **Not Applicable**

(57) Statement of Newness and Distinctiveness: **New and distinctive design is for the octagonal shape for the outdoor table cover, 9 piece.**



(21) Design Number: **12005/2009**

(22) Date of Filing Application: **29 May 2009**

(24) Date from which industrial property rights may have effect: **29 May 2009**

(54) Product in respect of which the design is registered: **Building element**

(51) International Design Classification: **25-01D**

(71) Name(s) and Address(s) of Applicant(s):

James Hardie International Finance B.V.

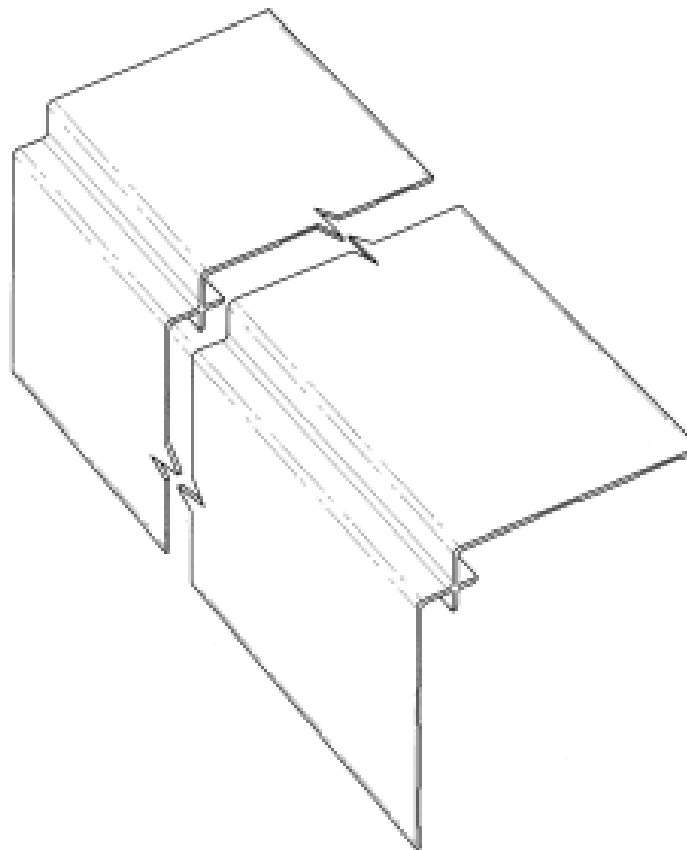
Atrium 8th Floor Strawinskylaan 3077 1077 ZX Amsterdam The Netherlands

(72) Name(s) of Designer(s): **Darren Southwell**

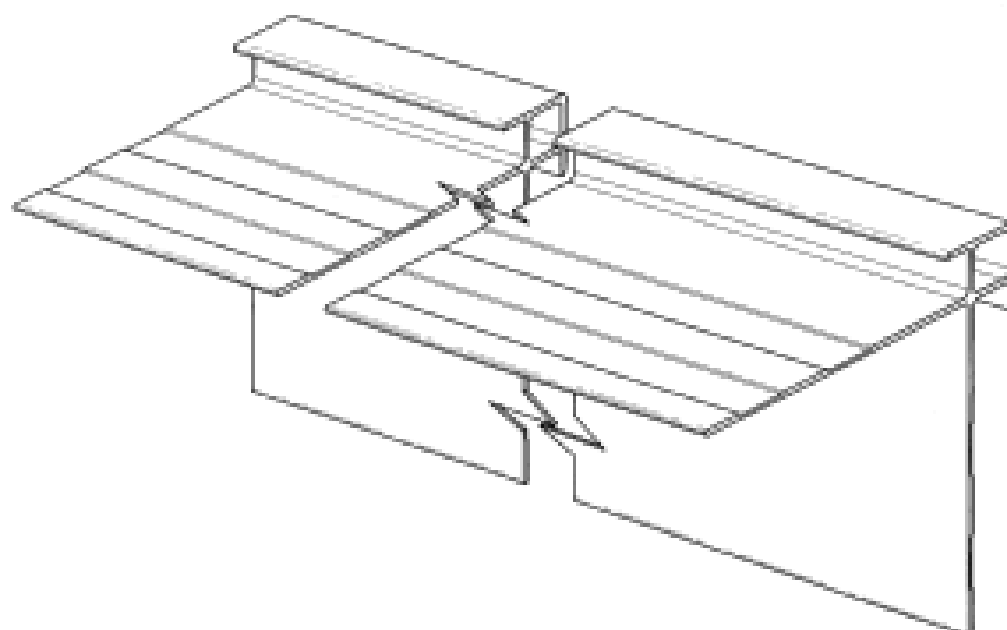
(45) Registration Date: **27 July 2009**

(56) Related Art Documents: **Not Applicable**

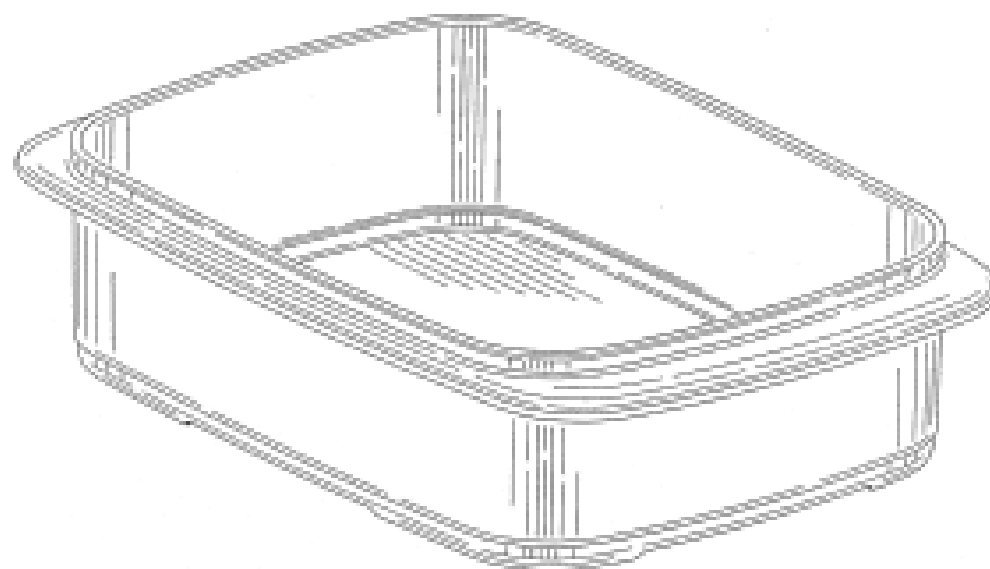
(57) Statement of Newness and Distinctiveness: **Newness and distinctiveness reside in the features of shape and configuration of a building element of indefinite length as illustrated in the accompanying representations.**



- (21) Design Number: **12006/2009**
(22) Date of Filing Application: **29 May 2009**
(24) Date from which industrial property rights may have effect: **29 May 2009**
(54) Product in respect of which the design is registered: **Building element**
(51) International Design Classification: **25-01D**
(71) Name(s) and Address(s) of Applicant(s):
James Hardie International Finance B.V.
Atrium 8th Floor Strawinskylaan 3077 1077 ZX Amsterdam The Netherlands
(72) Name(s) of Designer(s): **Darren Southwell**
(45) Registration Date: **27 July 2009**
(56) Related Art Documents: **Not Applicable**
(57) Statement of Newness and Distinctiveness: **Newness and distinctiveness reside in the features of shape and configuration of a building element of indefinite length as illustrated in the accompanying representations.**



- (21) Design Number: **12036/2009**
(22) Date of Filing Application: **03 June 2009**
(24) Date from which industrial property rights may have effect: **03 June 2009**
(54) Product in respect of which the design is registered: **Container**
(51) International Design Classification: **09-03M**
(71) Name(s) and Address(s) of Applicant(s):
Dart Industries Inc.
14901 S. Orange Blossom Trail Orlando Florida 32837 United States of America
(72) Name(s) of Designer(s): **Jan-Hendrik de Groot**
(45) Registration Date: **27 July 2009**
(30) Convention priority data:
(31) Number (32) Date (33) Country
29/313,452 07 Jan 2009 UNITED STATES OF AMERICA
(56) Related Art Documents: **Not Applicable**
(57) Statement of Newness and Distinctiveness: **Those features of the container depicted in the representations that are new and distinctive are the shape and/or configuration.**



(21) Design Number: **12385/2009**

(22) Date of Filing Application: **01 July 2009**

(24) Date from which industrial property rights may have effect: **01 July 2009**

(54) Product in respect of which the design is registered: **Fascia**

(51) International Design Classification: **25-01G**

(71) Name(s) and Address(s) of Applicant(s):

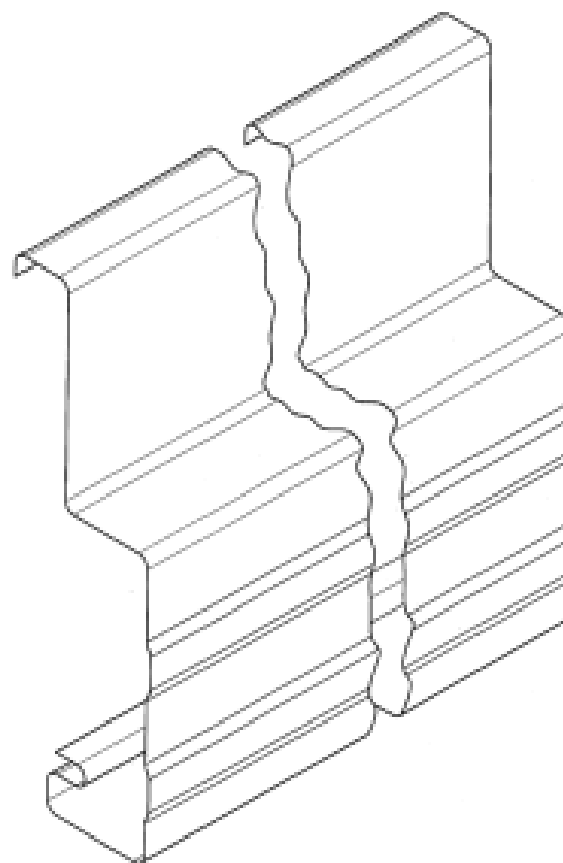
**Bluescope Steel Limited
Level 11 120 Collins Street Melbourne Victoria 3000 Australia**

(72) Name(s) of Designer(s): **Nurul Shaheed**

(45) Registration Date: **27 July 2009**

(56) Related Art Documents: **Not Applicable**

(57) Statement of Newness and Distinctiveness: **The shape and configuration of a fascia as shown in the accompanying drawings is new and distinctive. The fascia is of indefinite length and has a constant cross section over its length.**



(21) Design Number: **12442/2009**

(22) Date of Filing Application: **07 July 2009**

(24) Date from which industrial property rights may have effect: **07 July 2009**

(54) Product in respect of which the design is registered: **Joss Stool**

(51) International Design Classification: **06-01E**

(71) Name(s) and Address(s) of Applicant(s):

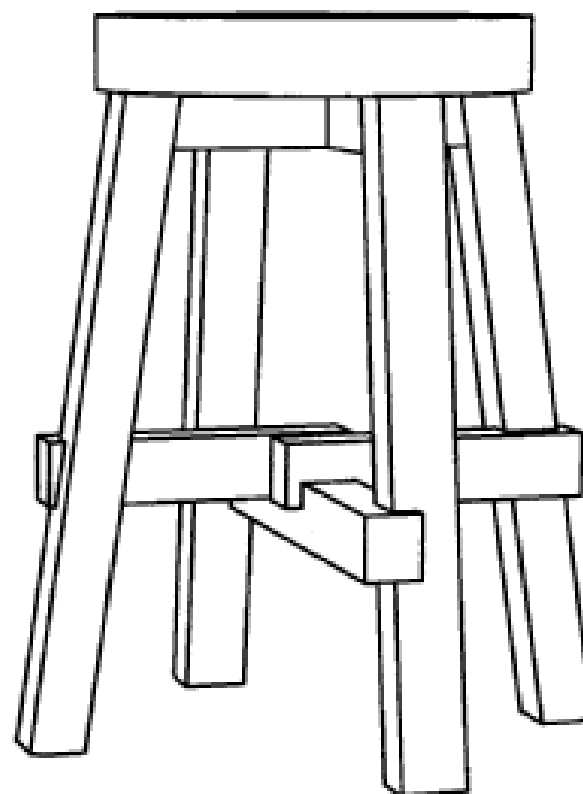
**Join Pty Ltd
Lot 01 148 Main Arm Road Mullumbimby New South Wales 2482
Australia**

(72) Name(s) of Designer(s): **Paul Morris**

(45) Registration Date: **27 July 2009**

(56) Related Art Documents: **Not Applicable**

(57) Statement of Newness and Distinctiveness: **The alignment of the cross over rails at the centre and on the legs.**



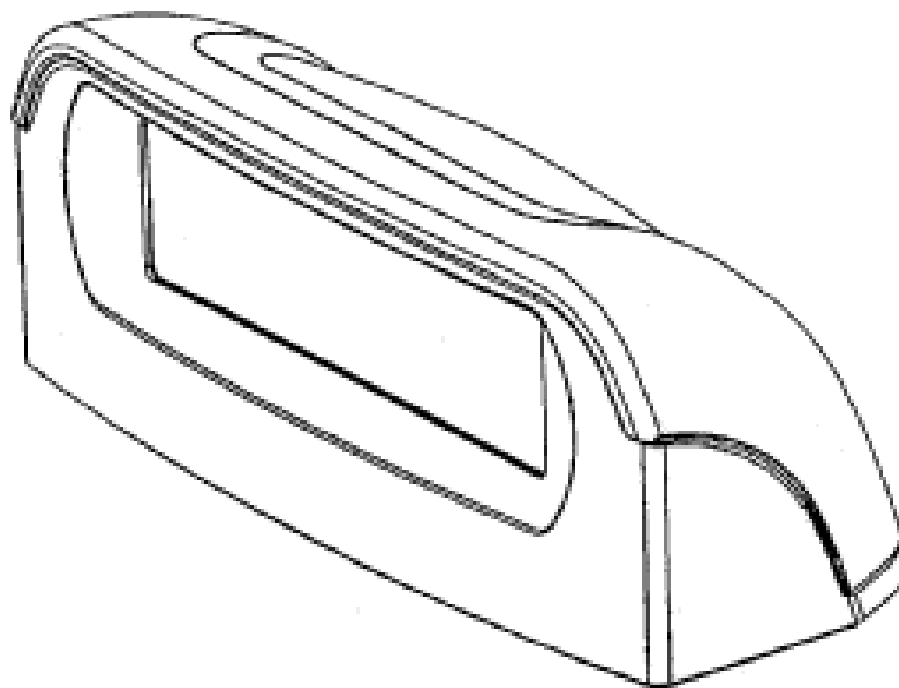
- (21) Design Number: **12603/2009**
(22) Date of Filing Application: **16 July 2009**
(24) Date from which industrial property rights may have effect: **16 July 2009**
(54) Product in respect of which the design is registered: **A trolley**
(51) International Design Classification: **06-03NES**
(71) Name(s) and Address(s) of Applicant(s):
Mark Hosking
9 Greenside Avenue Athelstone South Australia 5076 Australia
Andrew Tolson
6 Eyre Street Seaview Downs South Australia 5049 Australia
(72) Name(s) of Designer(s): **Mark Hosking and Andrew Tolson**
(45) Registration Date: **27 July 2009**
(56) Related Art Documents: **Not Applicable**
(57) Statement of Newness and Distinctiveness: **Nil**



- (21) Design Number: **10176/2009**
(22) Date of Filing Application: **23 January 2009**
(24) Date from which industrial property rights may have effect: **23 January 2009**
(54) Product in respect of which the design is registered: **Mounting device**
(51) International Design Classification: **20-02NES, 08-08L**
(71) Name(s) and Address(s) of Applicant(s):
Foster's Group Limited
77 Southbank Boulevard Southbank Victoria 3006 Australia
(72) Name(s) of Designer(s): **Leonard Velich and Timothy Swete Kelly**
(45) Registration Date: **27 July 2009**
(56) Related Art Documents: **Not Applicable**
(57) Statement of Newness and Distinctiveness: **Newness and distinctiveness resides in the visual features of the shape and/or configuration of a mounting device as illustrated in the accompanying representations.**

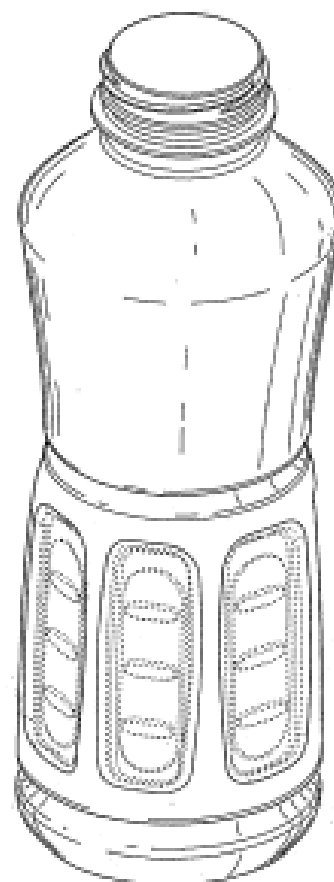


- (21) Design Number: **12396/2009**
- (22) Date of Filing Application: **02 July 2009**
- (24) Date from which industrial property rights may have effect: **02 July 2009**
- (54) Product in respect of which the design is registered: **Lamp**
- (51) International Design Classification: **26-04**
- (71) Name(s) and Address(s) of Applicant(s):
Brown & Watson International Pty Ltd
3 Millennium Court Knoxfield Victoria 3179 Australia
- (72) Name(s) of Designer(s): **Paul Davies**
- (45) Registration Date: **27 July 2009**
- (56) Related Art Documents: **Not Applicable**
- (57) Statement of Newness and Distinctiveness: **Those features of the lamp depicted in the representations that are new and distinctive are the shape and/or configuration.**



- (21) Design Number: **12397/2009**
- (22) Date of Filing Application: **02 July 2009**
- (24) Date from which industrial property rights may have effect: **02 July 2009**
- (54) Product in respect of which the design is registered: **Bottle**
- (51) International Design Classification: **09-01NES**
- (71) Name(s) and Address(s) of Applicant(s):
The Coca-Cola Company
One Coca-Cola Plaza NW Atlanta Georgia 30313 United States of America
- (72) Name(s) of Designer(s): **Leah Marie Chewing and Megan Hurley and Richard K Rangler and Richard John Steih and John Brendan Simon and Christopher W Burt**
- (45) Registration Date: **27 July 2009**
- (30) Convention priority data:

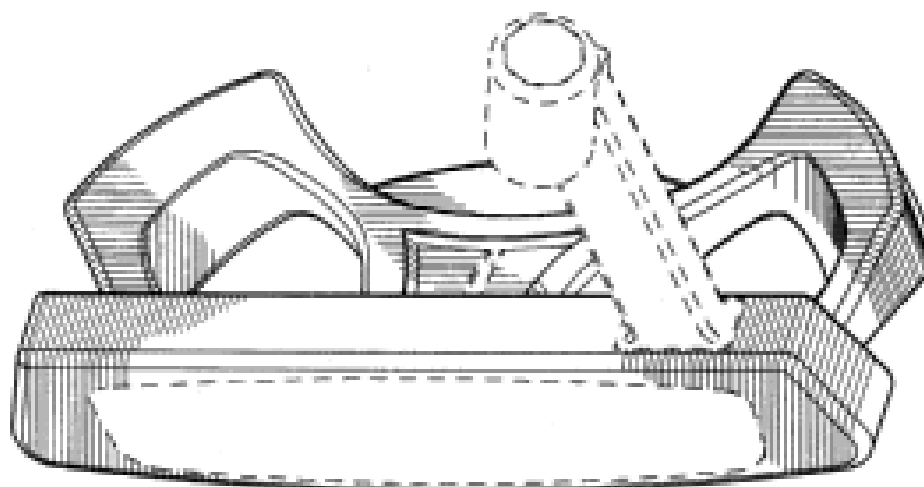
(31) Number	(32) Date	(33) Country
29/331,425	26 Jan 2009	UNITED STATES OF AMERICA
- (56) Related Art Documents: **Not Applicable**
- (57) Statement of Newness and Distinctiveness: **Those features of the bottle depicted in the representations that are new and distinctive are the shape and/or configuration. The features shown in broken line are not part of the design and are to be disregarded when considering the overall impression of the design.**



(19) AU

- (21) Design Number: **12398/2009**
- (22) Date of Filing Application: **01 July 2009**
- (24) Date from which industrial property rights may have effect: **01 July 2009**
- (54) Product in respect of which the design is registered: **Golf club head**
- (51) International Design Classification: **21-02C**
- (71) Name(s) and Address(s) of Applicant(s):
Karsten Manufacturing Corporation
2201 West Desert Cove Post Office Box 9990 Phoenix Arizona 85068
United States of America
- (72) Name(s) of Designer(s): **Anthony D. Serrano and Xiaojian Chen**
- (45) Registration Date: **27 July 2009**
- (30) Convention priority data:

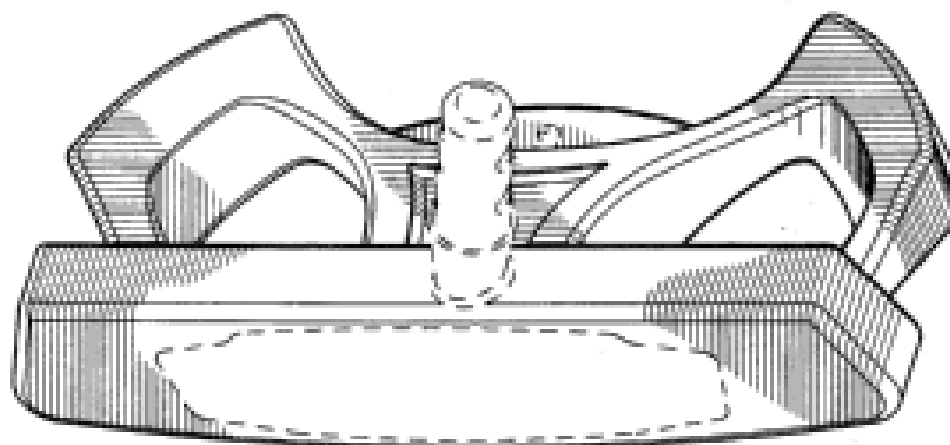
(31) Number	(32) Date	(33) Country
29/335828	22 Apr 2009	UNITED STATES OF AMERICA
- (56) Related Art Documents: **Not Applicable**
- (57) Statement of Newness and Distinctiveness: **Newness and distinctiveness is claimed in the visual features shown in solid lines in the representations. The broken lines are for illustrative purposes only and do not form part of the design.**



(19) AU

- (21) Design Number: **12399/2009**
- (22) Date of Filing Application: **01 July 2009**
- (24) Date from which industrial property rights may have effect: **01 July 2009**
- (54) Product in respect of which the design is registered: **Golf club head**
- (51) International Design Classification: **21-02C**
- (71) Name(s) and Address(s) of Applicant(s):
Karsten Manufacturing Corporation
2201 West Desert Cove Phoenix Arizona 85029 United States of
America
- (72) Name(s) of Designer(s): **Anthony D. Serrano and Xiaojian Chen**
- (45) Registration Date: **27 July 2009**
- (30) Convention priority data:

(31) Number	(32) Date	(33) Country
29/335828	22 Apr 2009	UNITED STATES OF AMERICA
- (56) Related Art Documents: **Not Applicable**
- (57) Statement of Newness and Distinctiveness: **Newness and distinctiveness is claimed in the visual features shown in the solid lines in the representations. The broken lines are for illustrative purposes only and do not form part of the design.**



(19) AU

(21) Design Number: 12400/2009

(22) Date of Filing Application: 01 July 2009

(24) Date from which industrial property rights may have effect: 01 July 2009

(54) Product in respect of which the design is registered: Golf club head

(51) International Design Classification: 21-02C

(71) Name(s) and Address(s) of Applicant(s):

Karsten Manufacturing Corporation
2201 West Desert Cove Phoenix Arizona 85029 United States of America

(72) Name(s) of Designer(s): Anthony D. Serrano and Xiaojian Chen

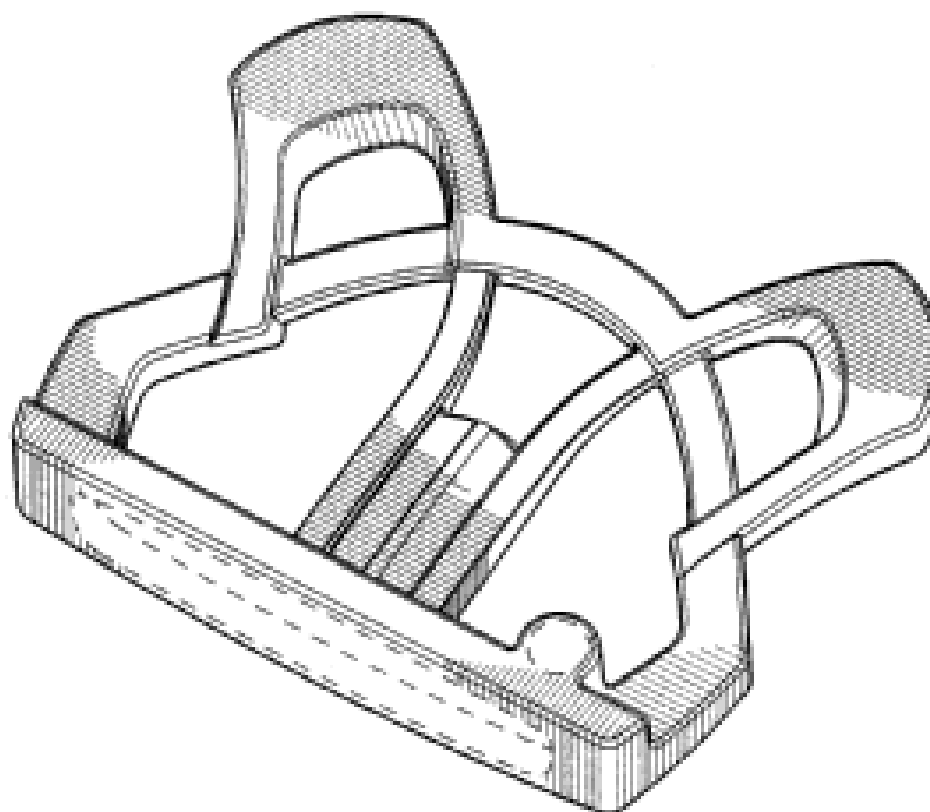
(45) Registration Date: 27 July 2009

(30) Convention priority data:

(31) Number	(32) Date	(33) Country
29/335832	22 Apr 2009	UNITED STATES OF AMERICA

(56) Related Art Documents: Not Applicable

(57) Statement of Newness and Distinctiveness: **Newness and distinctiveness is claimed in the visual features shown in solid lines in the representations. The broken lines are for illustrative purposes only and do not form part of the design.**



(19) AU

(21) Design Number: 12401/2009

(22) Date of Filing Application: 01 July 2009

(24) Date from which industrial property rights may have effect: 01 July 2009

(54) Product in respect of which the design is registered: Golf club head

(51) International Design Classification: 21-02C

(71) Name(s) and Address(s) of Applicant(s):

Karsten Manufacturing Corporation
2201 West Desert Cove Phoenix Arizona 85029 United States of America

(72) Name(s) of Designer(s): Anthony D. Serrano and Xiaojian Chen

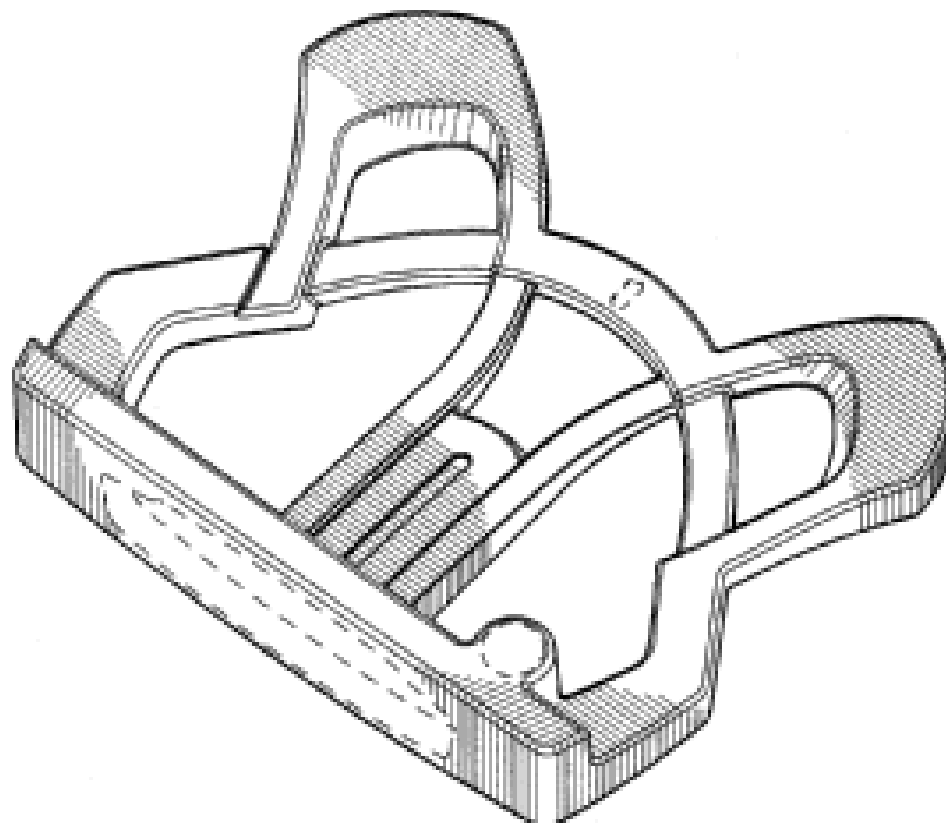
(45) Registration Date: 27 July 2009

(30) Convention priority data:

(31) Number	(32) Date	(33) Country
29/335832	22 Apr 2009	UNITED STATES OF AMERICA

(56) Related Art Documents: Not Applicable

(57) Statement of Newness and Distinctiveness: **Newness and distinctiveness is claimed in the visual features shown in the solid lines in the representations. The broken lines are for illustrative purposes only and do not form part of the design.**



(21) Design Number: **12402/2009**

(22) Date of Filing Application: **01 July 2009**

(24) Date from which industrial property rights may have effect: **01 July 2009**

(54) Product in respect of which the design is registered: **Golf club head**

(51) International Design Classification: **21-02C**

(71) Name(s) and Address(s) of Applicant(s):

Karsten Manufacturing Corporation
2201 West Desert Cove Phoenix Arizona 85029 United States of America

(72) Name(s) of Designer(s): **Anthony D. Serrano and Xiaojian Chen**

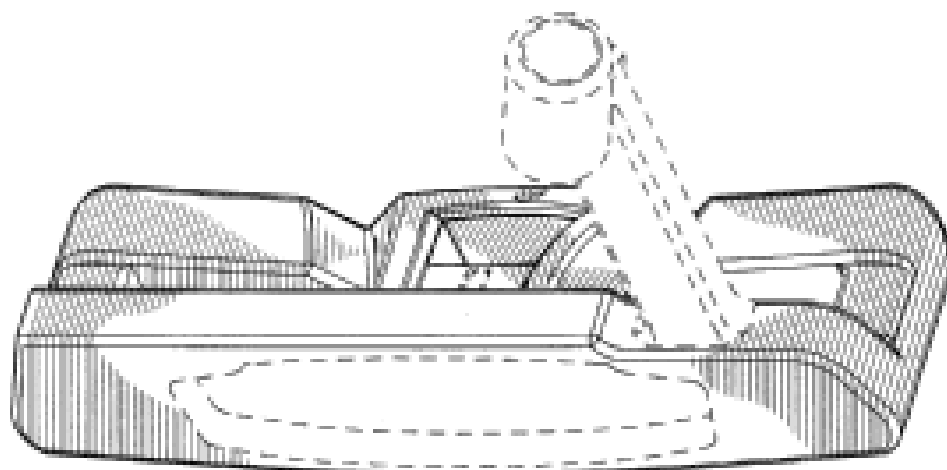
(45) Registration Date: **27 July 2009**

(30) Convention priority data:

(31) Number	(32) Date	(33) Country
29/335827	22 Apr 2009	UNITED STATES OF AMERICA

(56) Related Art Documents: **Not Applicable**

(57) Statement of Newness and Distinctiveness: **Newness and distinctiveness is claimed in the visual features shown in the solid lines in the representations. The broken lines are for illustrative purposes only and do not form part of the design.**



(21) Design Number: **12406/2009**

(22) Date of Filing Application: **02 July 2009**

(24) Date from which industrial property rights may have effect: **02 July 2009**

(54) Product in respect of which the design is registered: **Pipettes**

(51) International Design Classification: **24-02**

(71) Name(s) and Address(s) of Applicant(s):

Gilson SAS
19 avenue des Entrepreneurs ZI Tissonvilliers BP 145 Villiers Le Bel
95400 France

(72) Name(s) of Designer(s): **Stephane Guichardon**

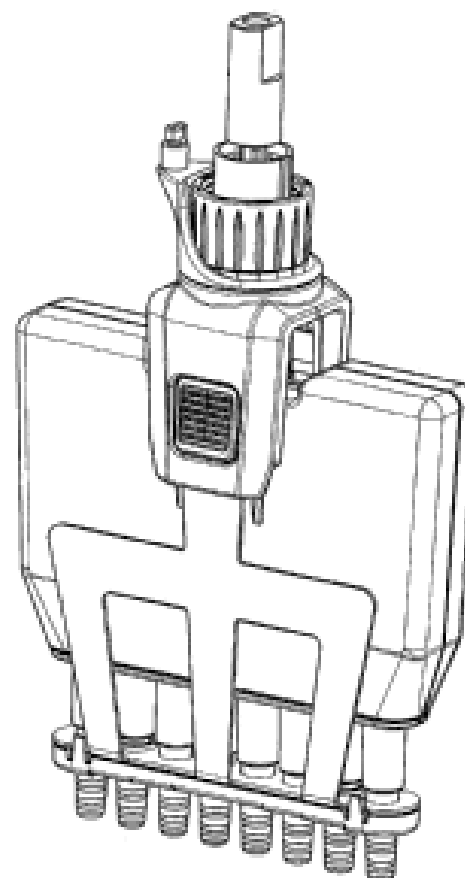
(45) Registration Date: **27 July 2009**

(30) Convention priority data:

(31) Number	(32) Date	(33) Country
1065700-0002	05 Jan 2009	EUROPEAN COMMUNITY

(56) Related Art Documents: **Not Applicable**

(57) Statement of Newness and Distinctiveness: **Nil**



(21) Design Number: **12407/2009**

(22) Date of Filing Application: **02 July 2009**

(24) Date from which industrial property rights may have effect: **02 July 2009**

(54) Product in respect of which the design is registered: **Pipettes**

(51) International Design Classification: **24-02**

(71) Name(s) and Address(s) of Applicant(s):

Gilson SAS

**19 avenue des Entrepreneurs ZI Tissonvilliers BP 145 Villiers Le Bel
95400 France**

(72) Name(s) of Designer(s): **Stephane Guichardon**

(45) Registration Date: **27 July 2009**

(30) Convention priority data:

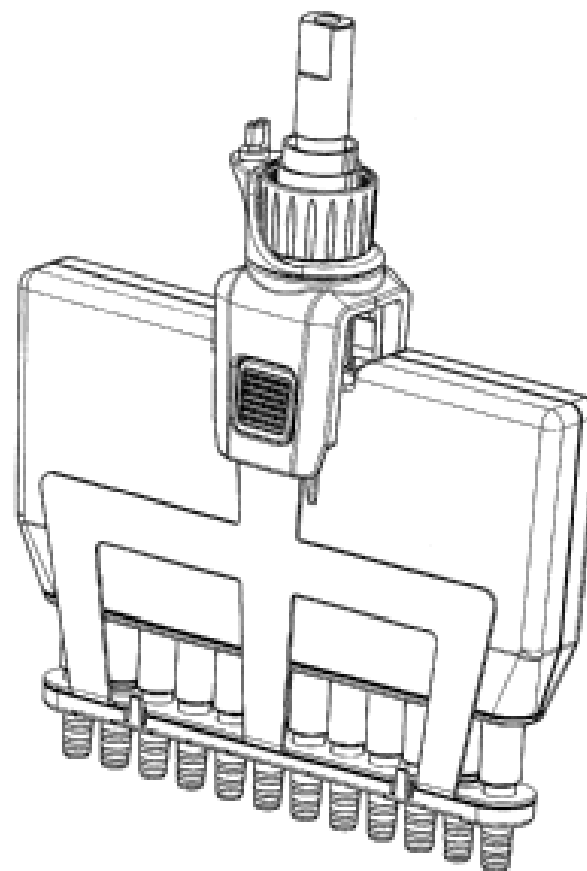
(31) Number
1065700-0001

(32) Date
05 Jan 2009

(33) Country
EUROPEAN COMMUNITY

(56) Related Art Documents: **Not Applicable**

(57) Statement of Newness and Distinctiveness: **Nil**



(21) Design Number: **12707/2009**

(22) Date of Filing Application: **22 July 2009**

(24) Date from which industrial property rights may have effect: **15 June 2009**

(54) Product in respect of which the design is registered: **Underwear**

(51) International Design Classification: **02-01NES**

(71) Name(s) and Address(s) of Applicant(s):

X-Technology Swiss GmbH

Samstagerstrasse 45 CH-8832 Wollerau Switzerland

(72) Name(s) of Designer(s): **Bodo W. Lambertz**

(45) Registration Date: **27 July 2009**

(30) Convention priority data:

(31) Number
001062541

(32) Date
23 Dec 2008

(33) Country
EUROPEAN COMMUNITY

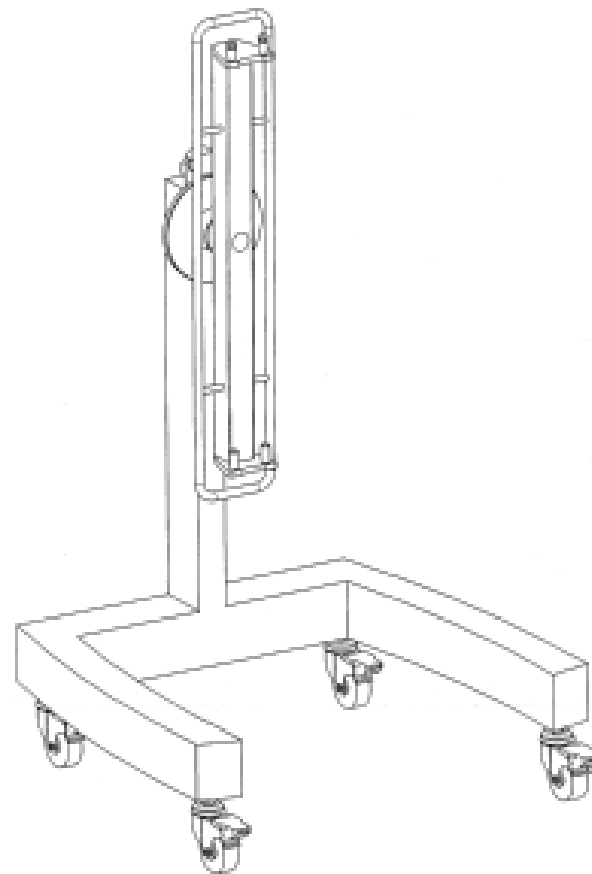
(62) Divisional of: **326944**

(56) Related Art Documents: **Not Applicable**

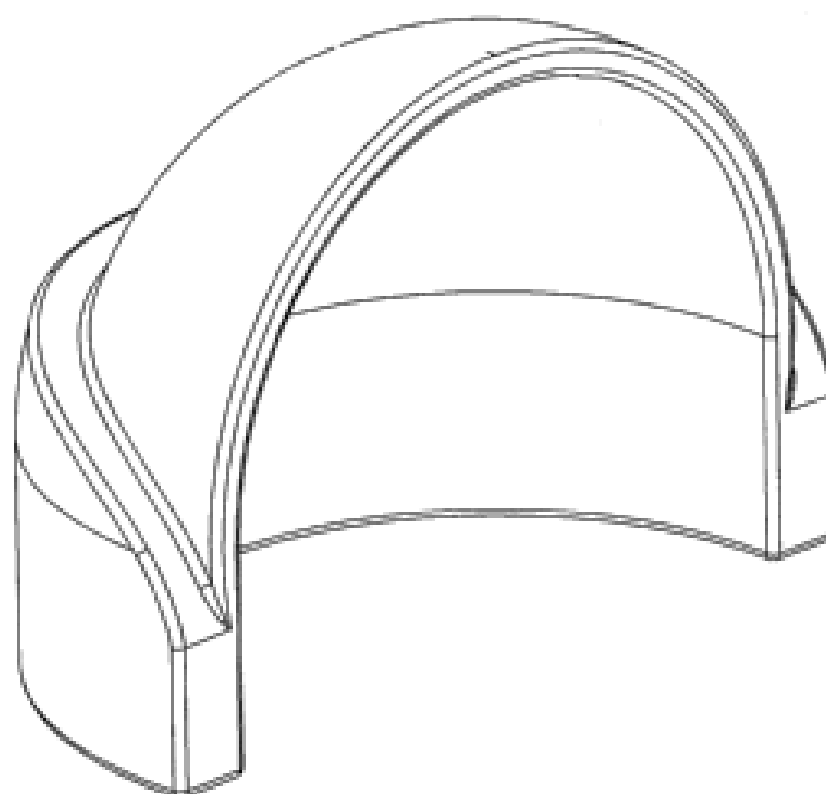
(57) Statement of Newness and Distinctiveness: **Newness and distinctiveness is claimed in the visual features of shape, configuration, pattern and/or ornamentation of the knee and thigh regions of the underwear. The graphic logo "X BIONIC" does not form part of the design and is disclaimed.**



(21) Design Number: **11960/2009**
(22) Date of Filing Application: **27 May 2009**
(24) Date from which industrial property rights may have effect: **27 May 2009**
(54) Product in respect of which the design is registered: **Stand for a chromatography column**
(51) International Design Classification: **24-01**
(71) Name(s) and Address(s) of Applicant(s):
GE Healthcare Bio-Sciences AB
Bjorkgatan 30 Uppsala SE-751 84 Sweden
(72) Name(s) of Designer(s): **Sven Wounder and Tomas Haukkala and Ida Sundqvist**
(45) Registration Date: **28 July 2009**
(30) Convention priority data:
(31) Number (32) Date (33) Country
001048748-0001 01 Dec 2008 EUROPEAN COMMUNITY
(56) Related Art Documents: **Not Applicable**
(57) Statement of Newness and Distinctiveness: **Nil**



(21) Design Number: **12051/2009**
(22) Date of Filing Application: **03 June 2009**
(24) Date from which industrial property rights may have effect: **03 June 2009**
(54) Product in respect of which the design is registered: **Trailer hitch guard**
(51) International Design Classification: **12-10**
(71) Name(s) and Address(s) of Applicant(s):
Towcap International Pty Limited
7 Sheppard Road Narrabeena New South Wales 2099 Australia
(72) Name(s) of Designer(s): **Cameron Russell**
(45) Registration Date: **28 July 2009**
(56) Related Art Documents: **Not Applicable**
(57) Statement of Newness and Distinctiveness: **Nil**



(21) Design Number: **12571/2009**

(22) Date of Filing Application: **15 July 2009**

(24) Date from which industrial property rights may have effect: **15 July 2009**

(54) Product in respect of which the design is registered: **A scaffolding clip**

(51) International Design Classification: **25-04, 08-08NES**

(71) Name(s) and Address(s) of Applicant(s):

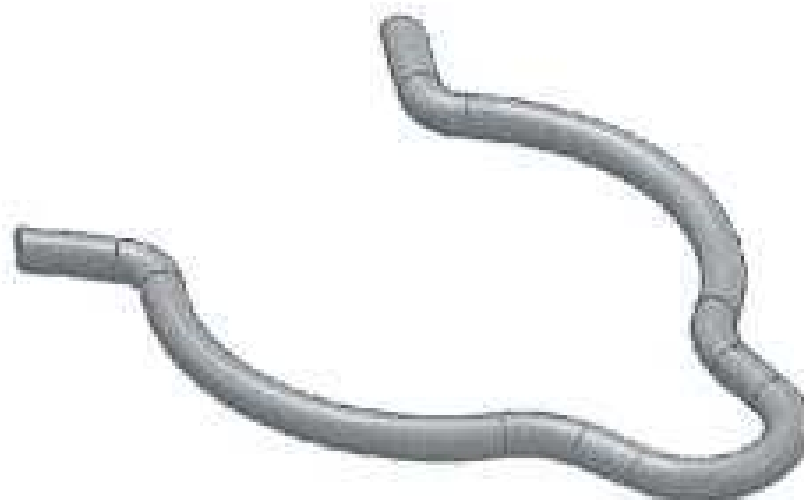
**Mass Electronics Pty Ltd
6 McKechnie Drive Eight Mile Plains Queensland 4113 Australia**

(72) Name(s) of Designer(s): **Stephen Alfred Miranda**

(45) Registration Date: **28 July 2009**

(56) Related Art Documents: **Not Applicable**

(57) Statement of Newness and Distinctiveness: **The shape and configuration of a scaffolding clip as described in the accompanying representation without regard to the shape of the opposing tips of the clip and without regard to any surface line markings.**



(21) Design Number: **11920/2009**

(22) Date of Filing Application: **22 May 2009**

(24) Date from which industrial property rights may have effect: **22 May 2009**

(54) Product in respect of which the design is registered: **Outdoor furniture cover**

(51) International Design Classification: **06-13NES**

(71) Name(s) and Address(s) of Applicant(s):

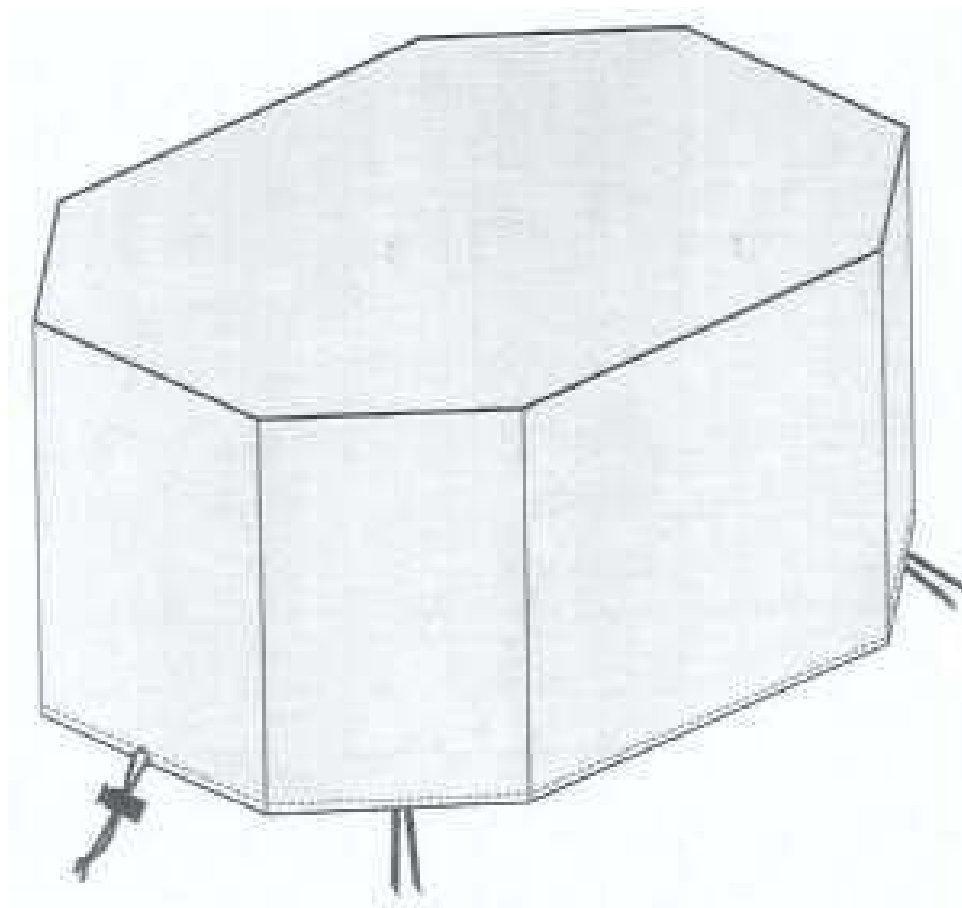
**Sarah Mayo
Mayo Group International 34 Morley Avenue Rosebery New South
Wales 2093 Australia**

(72) Name(s) of Designer(s): **Mark Thame**

(45) Registration Date: **27 July 2009**

(56) Related Art Documents: **Not Applicable**

(57) Statement of Newness and Distinctiveness: **New and distinctive design is for the octagonal shape for the outdoor table cover, 5 piece.**



(21) Design Number: **11963/2009**

(22) Date of Filing Application: **22 May 2009**

(24) Date from which industrial property rights may have effect: **22 May 2009**

(54) Product in respect of which the design is registered: **Outdoor furniture cover**

(51) International Design Classification: **06-13NES**

(71) Name(s) and Address(s) of Applicant(s):

Sarah Mayo

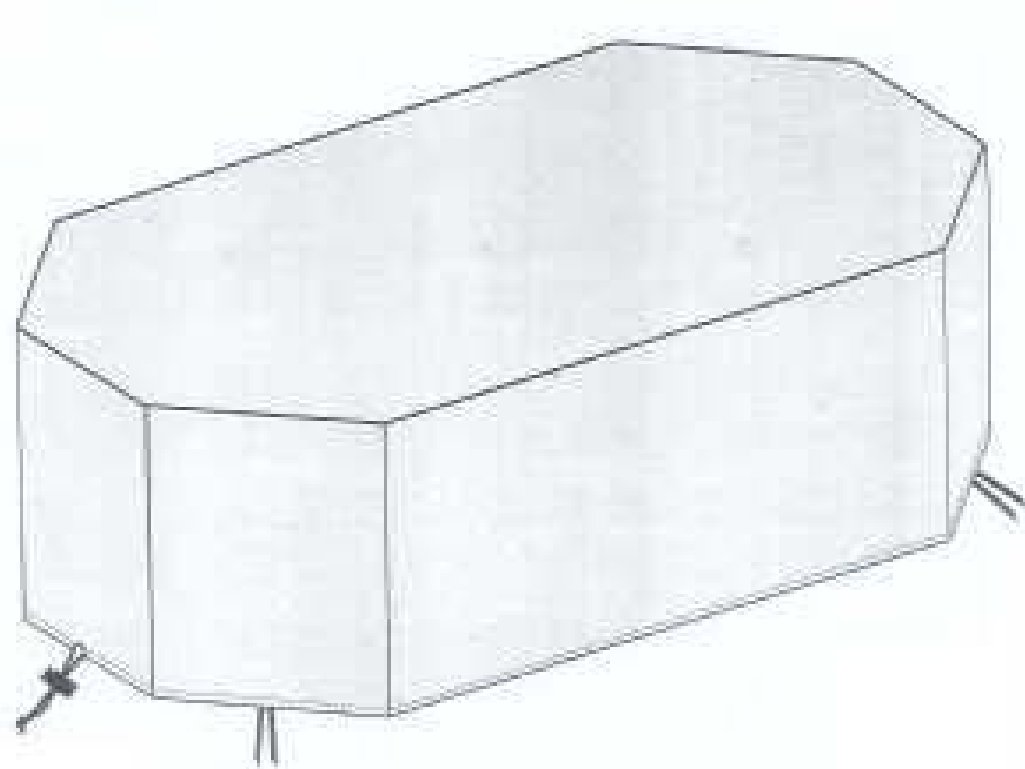
**Mayo Group International 34 Morley Avenue Rosebery New South
Wales 2093 Australia**

(72) Name(s) of Designer(s): **Mark Thame**

(45) Registration Date: **27 July 2009**

(56) Related Art Documents: **Not Applicable**

(57) Statement of Newness and Distinctiveness: **New and distinctive design is
for the octagonal shape for the outdoor table cover, 7 piece.**



(21) Design Number: **12394/2009**

(22) Date of Filing Application: **03 July 2009**

(24) Date from which industrial property rights may have effect: **03 July 2009**

(54) Product in respect of which the design is registered: **Vacuum cleaner**

(51) International Design Classification: **15-05**

(71) Name(s) and Address(s) of Applicant(s):

Pac Vac Pty Ltd

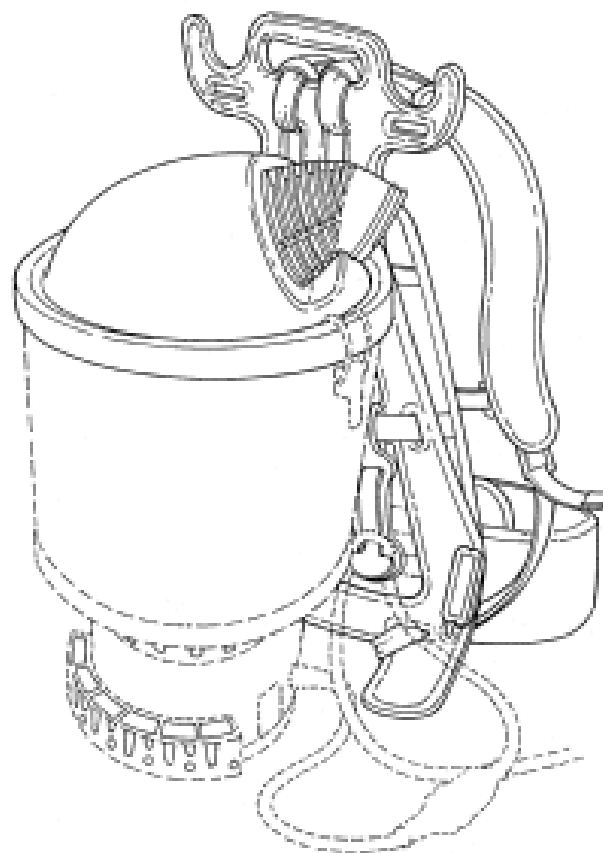
182 Daly Street Belmont Western Australia 6104 Australia

(72) Name(s) of Designer(s): **Mario Pezzanitti**

(45) Registration Date: **27 July 2009**

(56) Related Art Documents: **Not Applicable**

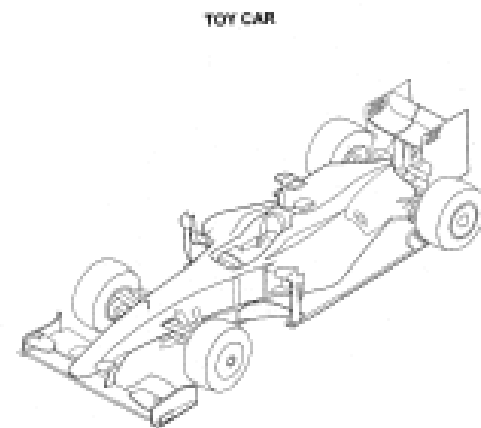
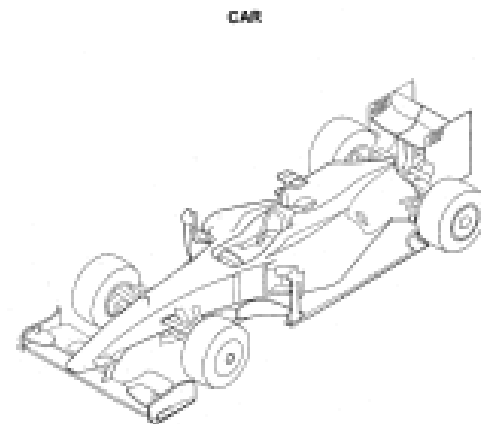
(57) Statement of Newness and Distinctiveness: **The particular visual features of
the design which are new and distinctive are shape or configuration, the
features represented by dotted lines are to be disregarded.**



- (21) Design Number: **12395/2009**
- (22) Date of Filing Application: **02 July 2009**
- (24) Date from which industrial property rights may have effect: **02 July 2009**
- (54) Product in respect of which the design is registered: **Car and toy car**
- (51) International Design Classification: **12-08, 21-01C**
- (71) Name(s) and Address(s) of Applicant(s):

Ferrari S.p.A.
Via Emilia Est 1163 I-41100 Modena Italy

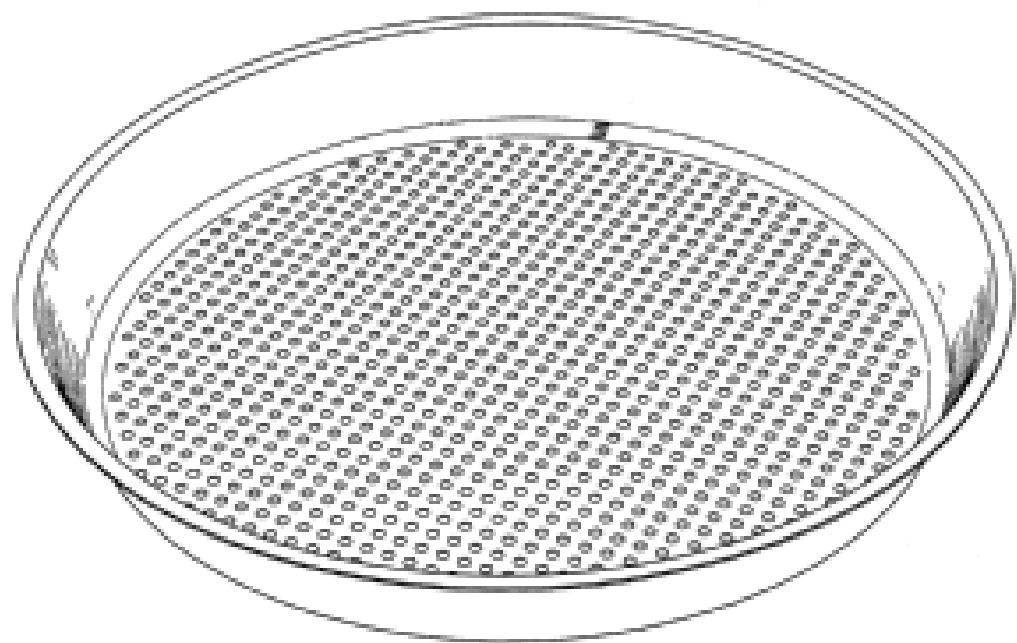
- (72) Name(s) of Designer(s): **Nikolaos Tombazis**
- (45) Registration Date: **27 July 2009**
- (30) Convention priority data:
 - (31) Number (32) Date (33) Country
 - 001067870 09 Jan 2009 EUROPEAN COMMUNITY**
- (56) Related Art Documents: **Not Applicable**
- (57) Statement of Newness and Distinctiveness: **Those features of the car and toy car depicted in the representations that are new and distinctive are the shape and/or configuration.**



- (21) Design Number: **12449/2009**
- (22) Date of Filing Application: **07 July 2009**
- (24) Date from which industrial property rights may have effect: **07 July 2009**
- (54) Product in respect of which the design is registered: **Perforated pie pastry dish**
- (51) International Design Classification: **07-01B**
- (71) Name(s) and Address(s) of Applicant(s):

Anthony Saunders
159 Clyde Road Christchurch 8053 New Zealand

- (72) Name(s) of Designer(s): **Anthony Saunders**
- (45) Registration Date: **27 July 2009**
- (56) Related Art Documents: **Not Applicable**
- (57) Statement of Newness and Distinctiveness: **The newness and distinctiveness is claimed in the shape and configuration of a perforated pastry pie dish as illustrated in the accompanying representations.**



- (21) Design Number: **12457/2009**
(22) Date of Filing Application: **08 July 2009**
(24) Date from which industrial property rights may have effect: **08 July 2009**
(54) Product in respect of which the design is registered: **Exhaust extensions for cars**
(51) International Design Classification: **12-16N**
(71) Name(s) and Address(s) of Applicant(s):
Chromend Supply Co.
13 Windsor Street Richmond New South Wales 2753 Australia
(72) Name(s) of Designer(s): **Daniel Woodbury**
(45) Registration Date: **27 July 2009**
(56) Related Art Documents: **Not Applicable**
(57) Statement of Newness and Distinctiveness: **This has a unique inner cone with a twist outlet incorporating a unique expandable inlet. The design covers a left and right angles. Has a unique collector internal.**



- (21) Design Number: **12458/2009**
(22) Date of Filing Application: **08 July 2009**
(24) Date from which industrial property rights may have effect: **08 July 2009**
(54) Product in respect of which the design is registered: **Expandable inlet**
(51) International Design Classification: **12-16N**
(71) Name(s) and Address(s) of Applicant(s):
Chromend Supply Co.
13 Windsor Street Richmond New South Wales 2753 Australia
(72) Name(s) of Designer(s): **Daniel Woodbury**
(45) Registration Date: **27 July 2009**
(56) Related Art Documents: **Not Applicable**
(57) Statement of Newness and Distinctiveness: **This has a unique shape with twin curved dropdown incorporating a unique expandable inlet. The tip has a twist to follow the curved bumper bar curving to the right or left.**



(21) Design Number: **12409/2009**

(22) Date of Filing Application: **03 July 2009**

(24) Date from which industrial property rights may have effect: **03 July 2009**

(54) Product in respect of which the design is registered: **A pipe fitting**

(51) International Design Classification: **23-01A**

(71) Name(s) and Address(s) of Applicant(s):

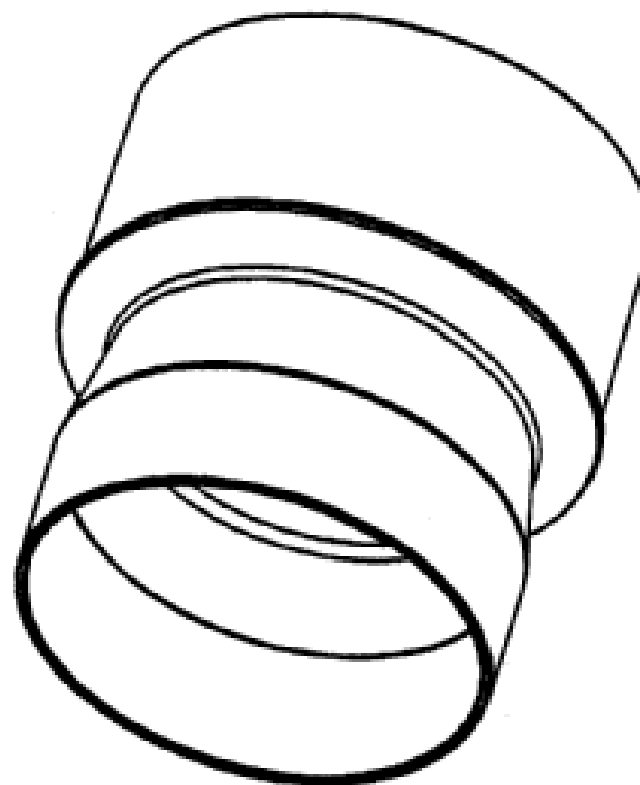
**Plastec Australia Pty Ltd
2 Enterprise Street Caloundra Queensland 4551 Australia**

(72) Name(s) of Designer(s): **Brian Eyley**

(45) Registration Date: **28 July 2009**

(56) Related Art Documents: **Not Applicable**

(57) Statement of Newness and Distinctiveness: **The newness and distinctiveness of the design resides in the visual features of shape and/or configuration of a pipe fitting as shown in the accompanying representations.**



(21) Design Number: **12410/2009**

(22) Date of Filing Application: **03 July 2009**

(24) Date from which industrial property rights may have effect: **03 July 2009**

(54) Product in respect of which the design is registered: **A pipe fitting**

(51) International Design Classification: **23-01A**

(71) Name(s) and Address(s) of Applicant(s):

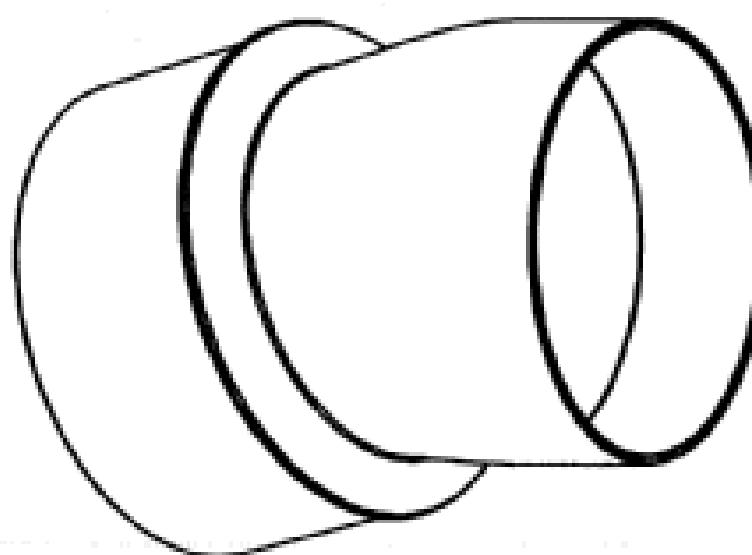
**Plastec Australia Pty Ltd
2 Enterprise Street Caloundra Queensland 4551 Australia**

(72) Name(s) of Designer(s): **Brian Eyley**

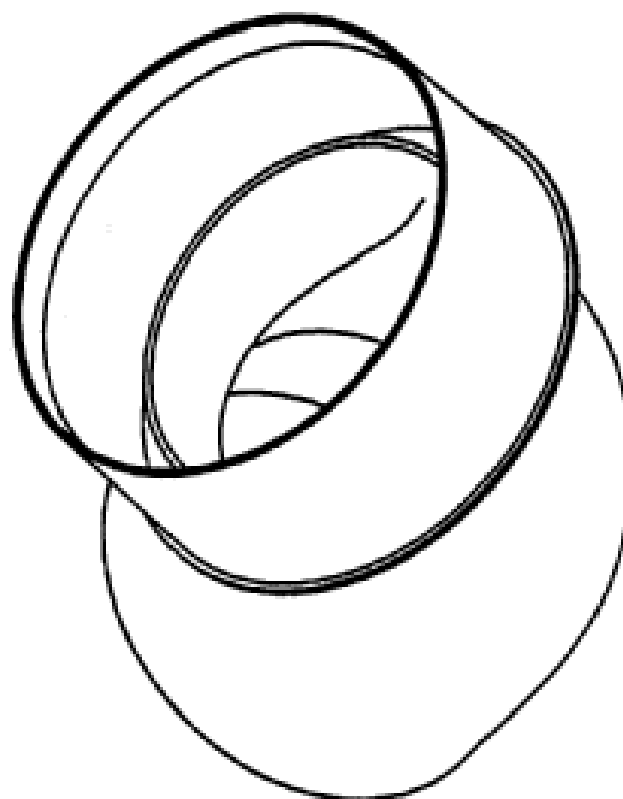
(45) Registration Date: **28 July 2009**

(56) Related Art Documents: **Not Applicable**

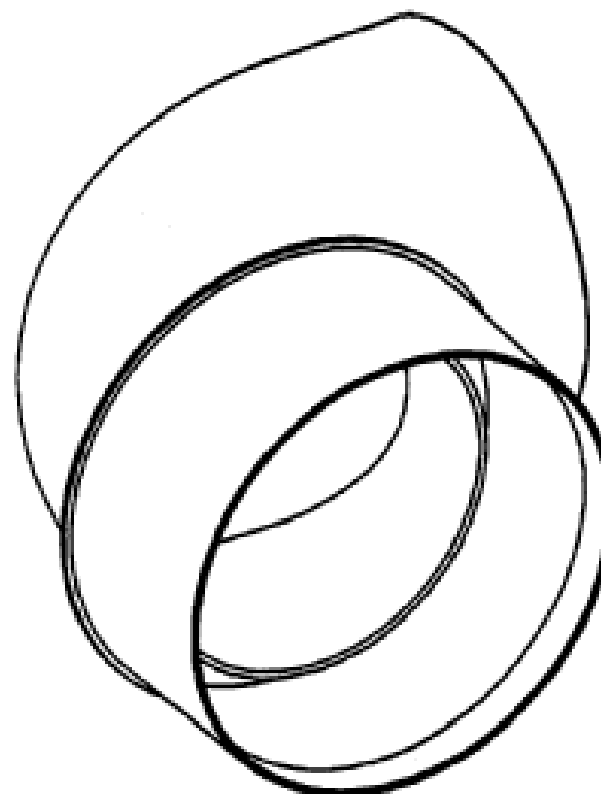
(57) Statement of Newness and Distinctiveness: **The newness and distinctiveness of the design resides in the visual features of shape and/or configuration of a pipe fitting as shown in the accompanying representations.**



- (21) Design Number: **12411/2009**
(22) Date of Filing Application: **03 July 2009**
(24) Date from which industrial property rights may have effect: **03 July 2009**
(54) Product in respect of which the design is registered: **A pipe fitting**
(51) International Design Classification: **23-01A**
(71) Name(s) and Address(s) of Applicant(s):
Plastec Australia Pty Ltd
2 Enterprise Street Caloundra Queensland 4551 Australia
(72) Name(s) of Designer(s): **Brian Eyley**
(45) Registration Date: **28 July 2009**
(56) Related Art Documents: **Not Applicable**
(57) Statement of Newness and Distinctiveness: **The newness and distinctiveness of the design resides in the visual features of shape and/or configuration of a pipe fitting as shown in the accompanying representations.**



- (21) Design Number: **12412/2009**
(22) Date of Filing Application: **03 July 2009**
(24) Date from which industrial property rights may have effect: **03 July 2009**
(54) Product in respect of which the design is registered: **A pipe fitting**
(51) International Design Classification: **23-01A**
(71) Name(s) and Address(s) of Applicant(s):
Plastec Australia Pty Ltd
2 Enterprise Street Caloundra Queensland 4551 Australia
(72) Name(s) of Designer(s): **Brian Eyley**
(45) Registration Date: **28 July 2009**
(56) Related Art Documents: **Not Applicable**
(57) Statement of Newness and Distinctiveness: **The newness and distinctiveness of the design resides in the visual features of shape and/or configuration of a pipe fitting as shown in the accompanying representations.**



(21) Design Number: **12413/2009**

(22) Date of Filing Application: **03 July 2009**

(24) Date from which industrial property rights may have effect: **03 July 2009**

(54) Product in respect of which the design is registered: **A pipe fitting**

(51) International Design Classification: **23-01A**

(71) Name(s) and Address(s) of Applicant(s):

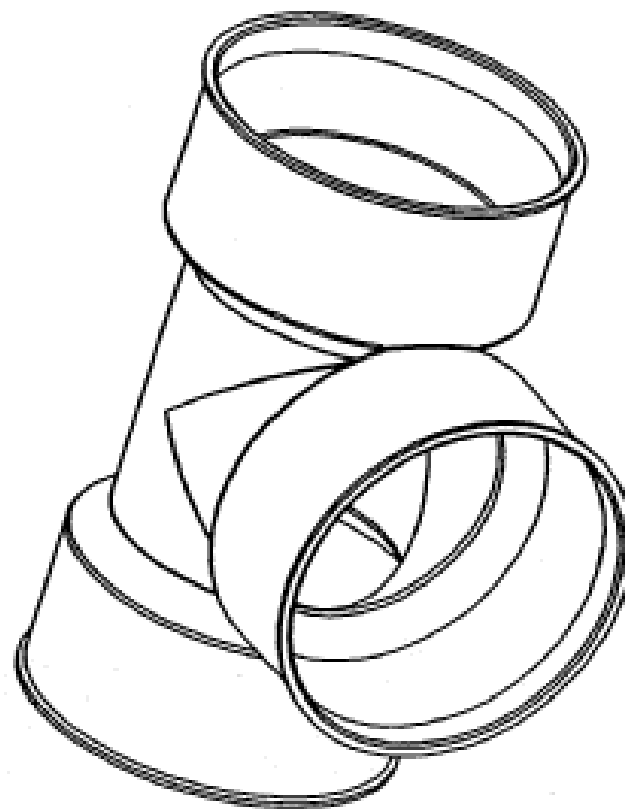
**Plastec Australia Pty Ltd
2 Enterprise Street Caloundra Queensland 4551 Australia**

(72) Name(s) of Designer(s): **Brian Eyley**

(45) Registration Date: **28 July 2009**

(56) Related Art Documents: **Not Applicable**

(57) Statement of Newness and Distinctiveness: **The newness and distinctiveness of the design resides in the visual features of shape and/or configuration of a pipe fitting as shown in the accompanying representations.**



(21) Design Number: **12414/2009**

(22) Date of Filing Application: **03 July 2009**

(24) Date from which industrial property rights may have effect: **03 July 2009**

(54) Product in respect of which the design is registered: **A pipe fitting**

(51) International Design Classification: **23-01A**

(71) Name(s) and Address(s) of Applicant(s):

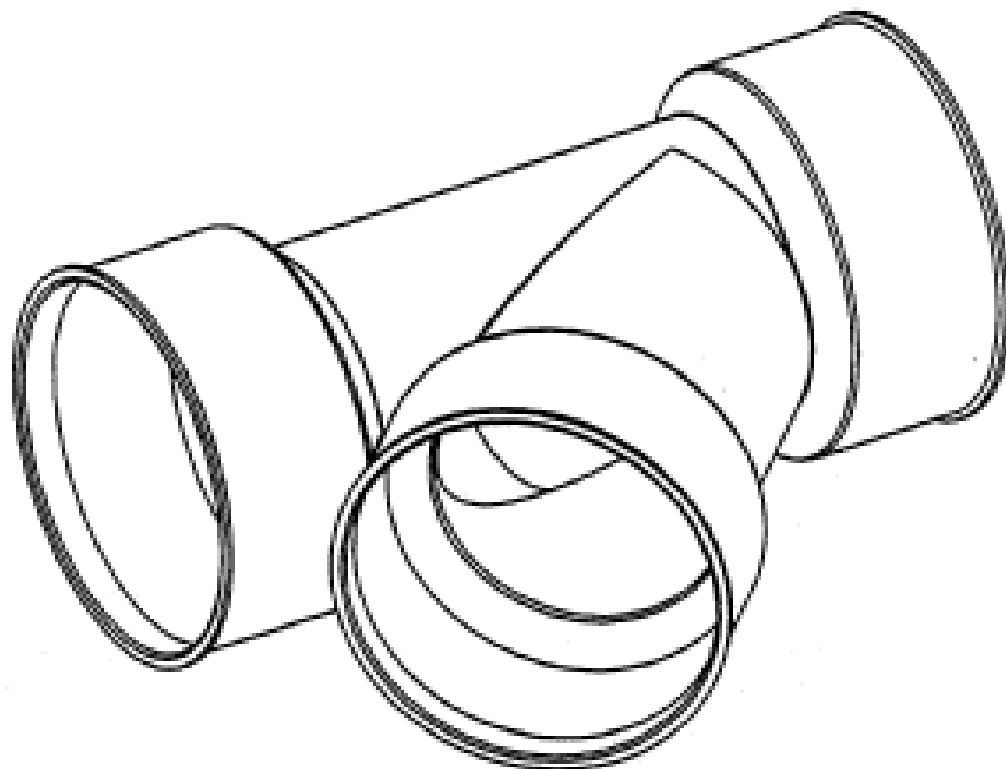
**Plastec Australia Pty Ltd
2 Enterprise Street Caloundra Queensland 4551 Australia**

(72) Name(s) of Designer(s): **Brian Eyley**

(45) Registration Date: **28 July 2009**

(56) Related Art Documents: **Not Applicable**

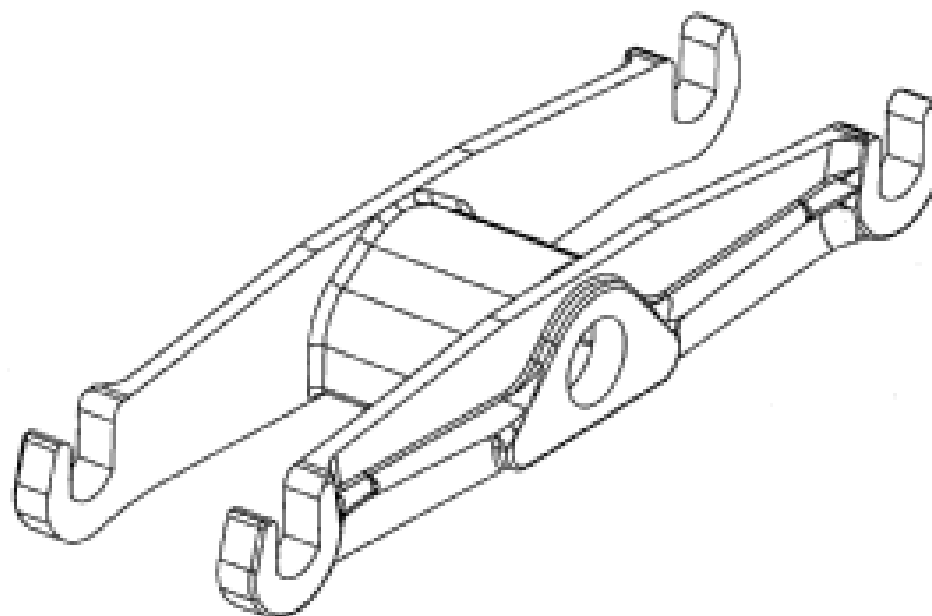
(57) Statement of Newness and Distinctiveness: **The newness and distinctiveness of the design resides in the visual features of shape and/or configuration of a pipe fitting as shown in the accompanying representations.**



- (21) Design Number: **12422/2009**
(22) Date of Filing Application: **03 July 2009**
(24) Date from which industrial property rights may have effect: **03 July 2009**
(54) Product in respect of which the design is registered: **Rocker**
(51) International Design Classification: **15-99**
(71) Name(s) and Address(s) of Applicant(s):

JLV Industries Pty Ltd
85 McCoy Street Myaree Western Australia 6154 Australia

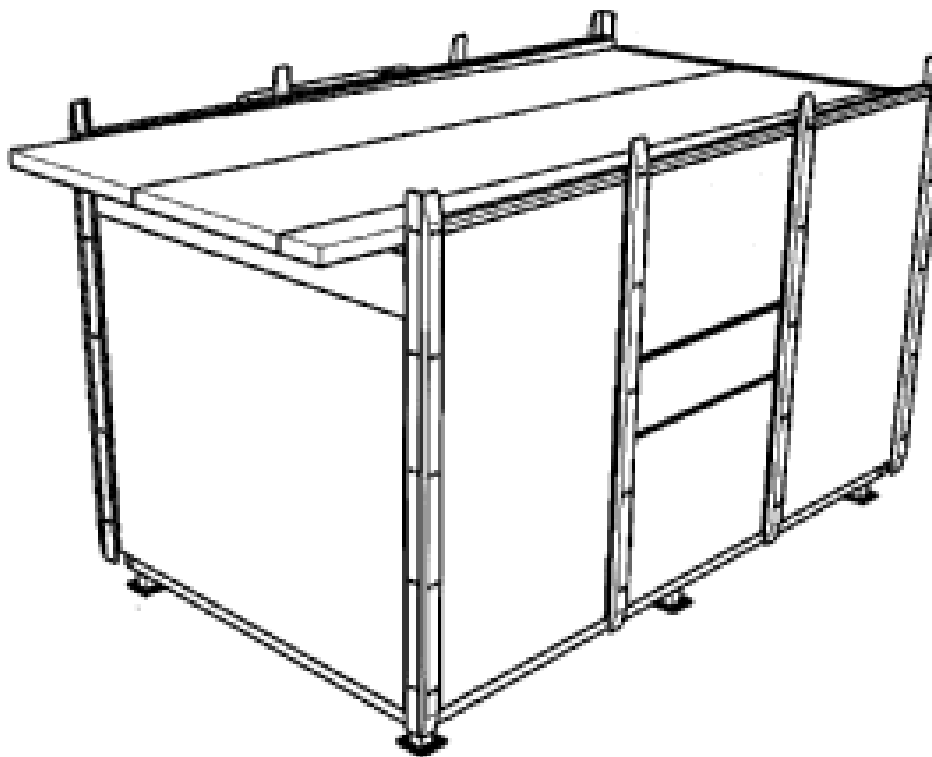
- (72) Name(s) of Designer(s): **Alexander Mathieson Mackie**
(45) Registration Date: **28 July 2009**
(56) Related Art Documents: **Not Applicable**
(57) Statement of Newness and Distinctiveness: **Nil**



- (21) Design Number: **12423/2009**
(22) Date of Filing Application: **03 July 2009**
(24) Date from which industrial property rights may have effect: **03 July 2009**
(54) Product in respect of which the design is registered: **Modular building unit**
(51) International Design Classification: **25-03**
(71) Name(s) and Address(s) of Applicant(s):

Alexander Patrick Scales
12 Hillside Avenue Dromana Victoria 3936 Australia

- (72) Name(s) of Designer(s): **Alexander Patrick Scales**
(45) Registration Date: **28 July 2009**
(56) Related Art Documents: **Not Applicable**
(57) Statement of Newness and Distinctiveness: **The newness and distinctiveness of the design resides in the shape and/or configuration of the MODULAR BUILDING UNIT shown in the representations.**



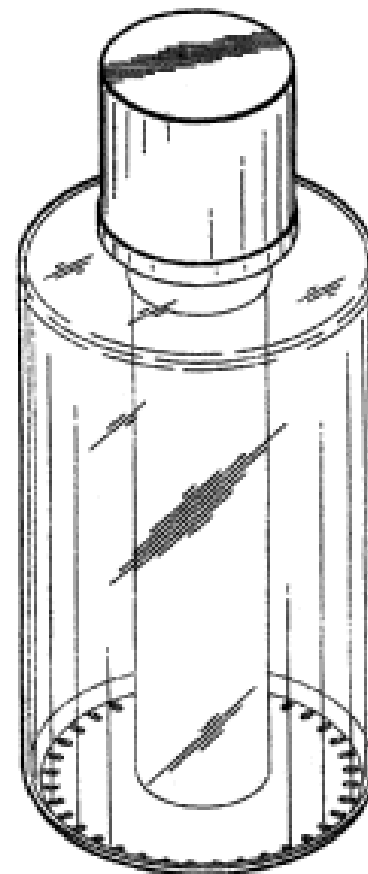
- (21) Design Number: **12499/2009**
(22) Date of Filing Application: **10 July 2009**
(24) Date from which industrial property rights may have effect: **10 July 2009**
(54) Product in respect of which the design is registered: **Cooler, refrigerator, seat, beverage serving tray storage container**
(51) International Design Classification: **07-07A, 15-07**
(71) Name(s) and Address(s) of Applicant(s):
Luke James Kirkwood
3/15 Clarence Road Indooroopilly Queensland 4068 Australia
Marie-Pier Auclair
3/15 Clarence Road Indooroopilly Queensland 4068 Australia
(72) Name(s) of Designer(s): **Luke James Kirkwood and Marie-Pier Auclair**
(45) Registration Date: **28 July 2009**
(56) Related Art Documents: **Not Applicable**
(57) Statement of Newness and Distinctiveness: **The main body and base are threaded allowing to be fastened together. Two units can be stacked due to recess in base. Lid can fit to body either way and has recess cup holders.**



- (21) Design Number: **12013/2009**
(22) Date of Filing Application: **01 June 2009**
(24) Date from which industrial property rights may have effect: **01 June 2009**
(54) Product in respect of which the design is registered: **A device for tensioning a material**
(51) International Design Classification: **08-05NES**
(71) Name(s) and Address(s) of Applicant(s):
Malcolm Hogg
418 Kaitemako Road RD 5 Tauranga 3175 New Zealand
(72) Name(s) of Designer(s): **Malcolm Hogg**
(45) Registration Date: **30 July 2009**
(30) Convention priority data:
(31) Number (32) Date (33) Country
411753 19 Dec 2008 NEW ZEALAND
(56) Related Art Documents: **Not Applicable**
(57) Statement of Newness and Distinctiveness: **Nil**



- (21) Design Number: **12136/2009**
(22) Date of Filing Application: **11 June 2009**
(24) Date from which industrial property rights may have effect: **11 June 2009**
(54) Product in respect of which the design is registered: **Bottle with a cap, pouring mechanism, and interior temperature mechanism**
(51) International Design Classification: **09-01NES, 10-04**
(71) Name(s) and Address(s) of Applicant(s):
Reactor Spirits Norway Ltd
PO Box 138 NO 1300 Sandvika Norway
(72) Name(s) of Designer(s): **Erik Overgaard**
(45) Registration Date: **30 July 2009**
(30) Convention priority data:
(31) Number (32) Date (33) Country
29/329287 11 Dec 2008 UNITED STATES OF AMERICA
(56) Related Art Documents: **Not Applicable**
(57) Statement of Newness and Distinctiveness: **Newness and distinctiveness is claimed in the visual features of the bottle shape, the interior temperature mechanism, and the pouring mechanism shown in solid lines in the representations.**



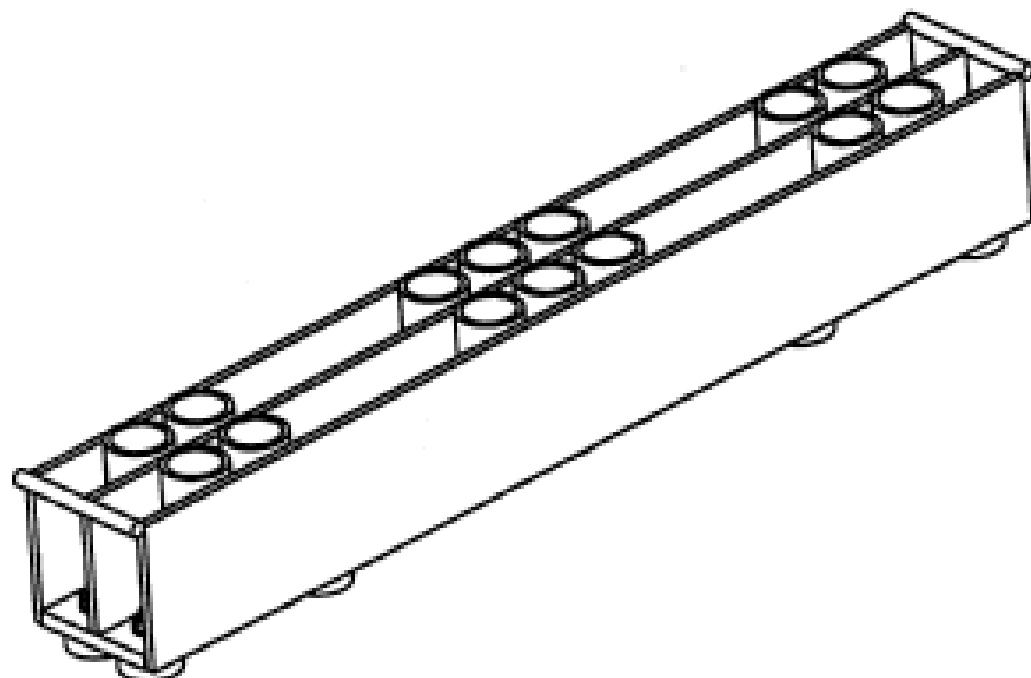
- (21) Design Number: **12187/2009**
(22) Date of Filing Application: **16 June 2009**
(24) Date from which industrial property rights may have effect: **16 June 2009**
(54) Product in respect of which the design is registered: **Keg pallet for transport and storage of beer kegs or similar cylindrical objects**
(51) International Design Classification: **09-08**
(71) Name(s) and Address(s) of Applicant(s):
Torben Wahl
9 Gurner Street St Kilda Victoria 3182 Australia
(72) Name(s) of Designer(s): **Torben Wahl**
(45) Registration Date: **30 July 2009**
(56) Related Art Documents: **Not Applicable**
(57) Statement of Newness and Distinctiveness: **A visually distinctive minimalistic support frame holds and supports a substantial load of cylindrical objects.**



- (21) Design Number: **12188/2009**
(22) Date of Filing Application: **16 June 2009**
(24) Date from which industrial property rights may have effect: **16 June 2009**
(54) Product in respect of which the design is registered: **Keg pallet spacer for transport and storage of beer kegs or similar cylindrical objects**
(51) International Design Classification: **09-08, 08-08NES**
(71) Name(s) and Address(s) of Applicant(s):
Torben Wahl
9 Gurner Street St Kilda Victoria 3182 Australia
(72) Name(s) of Designer(s): **Torben Wahl**
(45) Registration Date: **30 July 2009**
(56) Related Art Documents: **Not Applicable**
(57) Statement of Newness and Distinctiveness: **A visually distinctive minimalist support frame holds and supports a substantial load of cylindrical objects.**



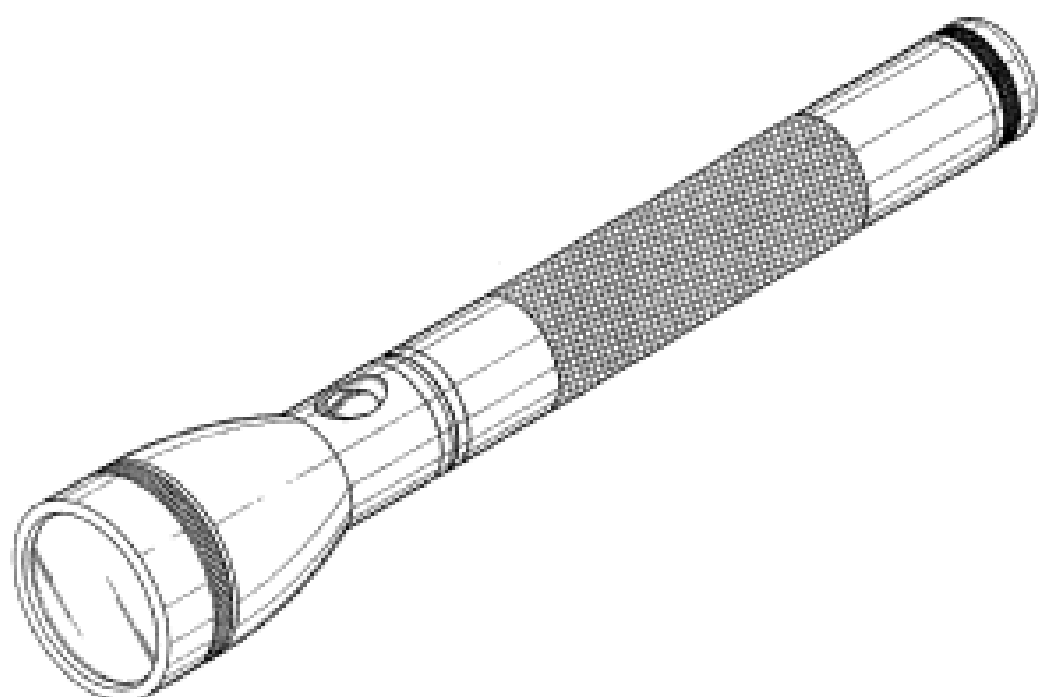
- (21) Design Number: **12415/2009**
(22) Date of Filing Application: **03 July 2009**
(24) Date from which industrial property rights may have effect: **03 July 2009**
(54) Product in respect of which the design is registered: **Fence panel support foot**
(51) International Design Classification: **25-01E, 08-08K**
(71) Name(s) and Address(s) of Applicant(s):
John Clement Preston
196 Silverwater Road Silverwater New South Wales 2128 Australia
(72) Name(s) of Designer(s): **John Clement Preston**
(45) Registration Date: **30 July 2009**
(56) Related Art Documents: **Not Applicable**
(57) Statement of Newness and Distinctiveness: **Nil**



(21) Design Number: **12416/2009**
(22) Date of Filing Application: **03 July 2009**
(24) Date from which industrial property rights may have effect: **03 July 2009**
(54) Product in respect of which the design is registered: **Cup**
(51) International Design Classification: **07-01D**
(71) Name(s) and Address(s) of Applicant(s):
Societe des Produits Nestle S.A.
1800 Vevey Switzerland
(72) Name(s) of Designer(s): **Antoine Cahen**
(45) Registration Date: **30 July 2009**
(30) Convention priority data:
(31) Number (32) Date (33) Country
135913 04 Mar 2009 SWITZERLAND
(56) Related Art Documents: **Not Applicable**
(57) Statement of Newness and Distinctiveness: **Nil**



(21) Design Number: **12419/2009**
(22) Date of Filing Application: **03 July 2009**
(24) Date from which industrial property rights may have effect: **03 July 2009**
(54) Product in respect of which the design is registered: **Flashlight**
(51) International Design Classification: **26-02**
(71) Name(s) and Address(s) of Applicant(s):
Mag Instrument, Inc.
2001 South Hellman Avenue Ontario California 91761 United States of America
(72) Name(s) of Designer(s): **Anthony Maglica**
(45) Registration Date: **30 July 2009**
(30) Convention priority data:
(31) Number (32) Date (33) Country
29/330770 14 Jan 2009 UNITED STATES OF AMERICA
(56) Related Art Documents: **Not Applicable**
(57) Statement of Newness and Distinctiveness: **Newness and distinctiveness is claimed in the features of shape and/or configuration of a flashlight as illustrated in the accompanying representations.**



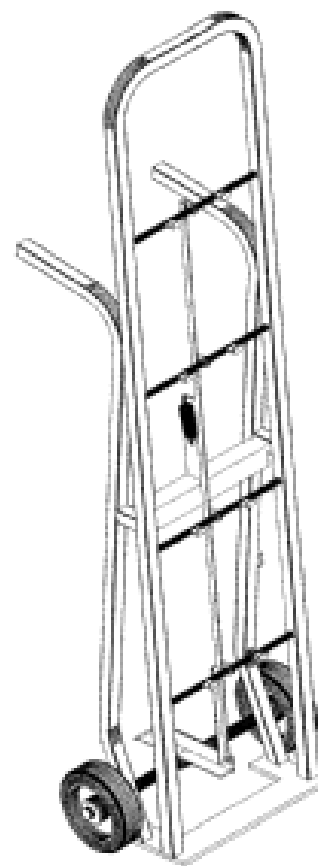
- (21) Design Number: **12555/2009**
(22) Date of Filing Application: **13 July 2009**
(24) Date from which industrial property rights may have effect: **13 July 2009**
(54) Product in respect of which the design is registered: **Adventure jeep bed with cover**
(51) International Design Classification: **06-02, 21-01C**
(71) Name(s) and Address(s) of Applicant(s):
Kimyee Furniture Sdn Bhd
58A Jalan Parit Kangkong Bukit Pasir Batu Pahat Johor 83050
Malaysia
(72) Name(s) of Designer(s): **Aw Gan Kian**
(45) Registration Date: **30 July 2009**
(56) Related Art Documents: **Not Applicable**
(57) Statement of Newness and Distinctiveness: **Nil full lines are new and distinctive.**



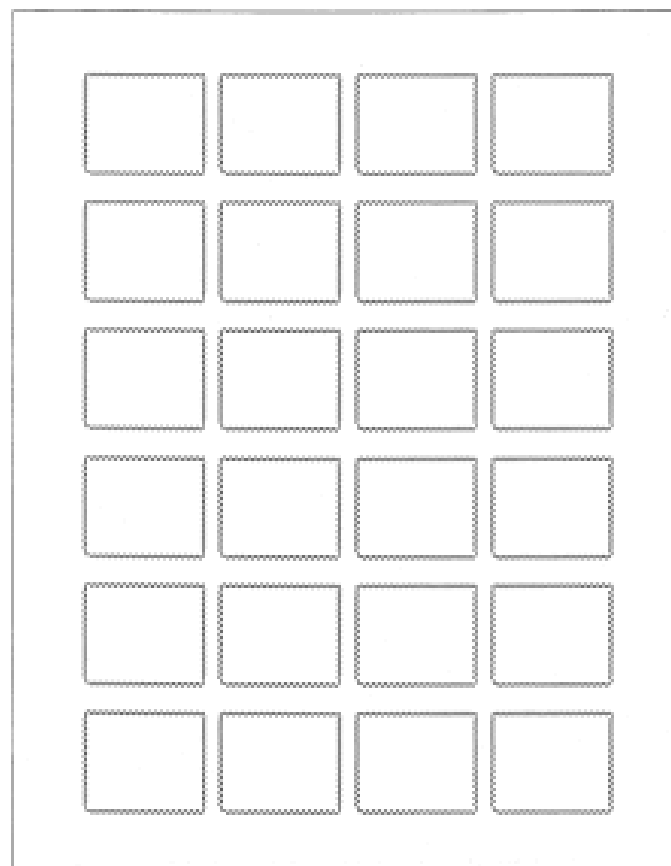
- (21) Design Number: **12560/2009**
(22) Date of Filing Application: **13 July 2009**
(24) Date from which industrial property rights may have effect: **13 July 2009**
(54) Product in respect of which the design is registered: **Yellow tow truck bed**
(51) International Design Classification: **06-02, 21-01C**
(71) Name(s) and Address(s) of Applicant(s):
Kimyee Furniture Sdn Bhd
58A Jalan Parit Kangkong Bukit Pasir Batu Pahat Johor 83050
Malaysia
(72) Name(s) of Designer(s): **Aw Gan Kian**
(45) Registration Date: **30 July 2009**
(56) Related Art Documents: **Not Applicable**
(57) Statement of Newness and Distinctiveness: **Nil**



(21) Design Number: **11335/2009**
(22) Date of Filing Application: **16 April 2009**
(24) Date from which industrial property rights may have effect: **16 April 2009**
(54) Product in respect of which the design is registered: **A crate carrying trolley**
(51) International Design Classification: **12-02**
(71) Name(s) and Address(s) of Applicant(s):
Daniel Malone
22 Nicole Way Dandenong Victoria 3175 Australia
Michael Malone
22 Nicole Way Dandenong Victoria 3175 Australia
(72) Name(s) of Designer(s): **Daniel Victor Malone**
(45) Registration Date: **29 July 2009**
(56) Related Art Documents: **Not Applicable**
(57) Statement of Newness and Distinctiveness: **Nil**

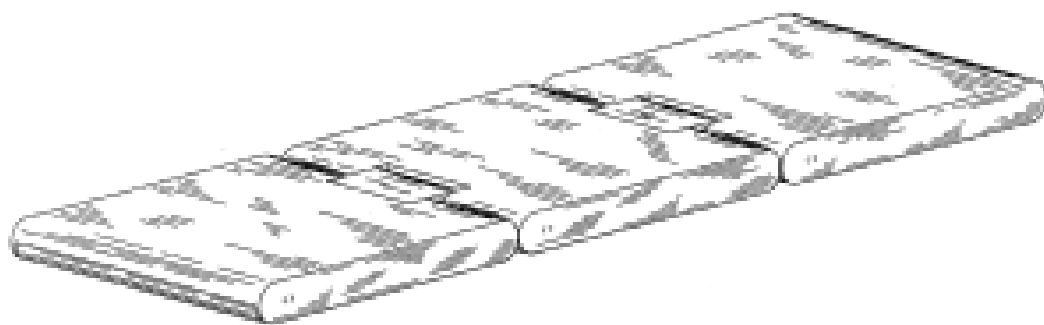


(21) Design Number: **11845/2009**
(22) Date of Filing Application: **20 May 2009**
(24) Date from which industrial property rights may have effect: **20 May 2009**
(54) Product in respect of which the design is registered: **Postage stamp label sheet**
(51) International Design Classification: **19-08**
(71) Name(s) and Address(s) of Applicant(s):
PSI Systems, Inc.
247 High Street Palo Alto California 94301 United States of America
(72) Name(s) of Designer(s): **Meghan Novack and Carrie Dufour**
(45) Registration Date: **29 July 2009**
(30) Convention priority data:
(31) Number (32) Date (33) Country
29/328322 21 Nov 2008 UNITED STATES OF AMERICA
(56) Related Art Documents: **Not Applicable**
(57) Statement of Newness and Distinctiveness: **Nil**



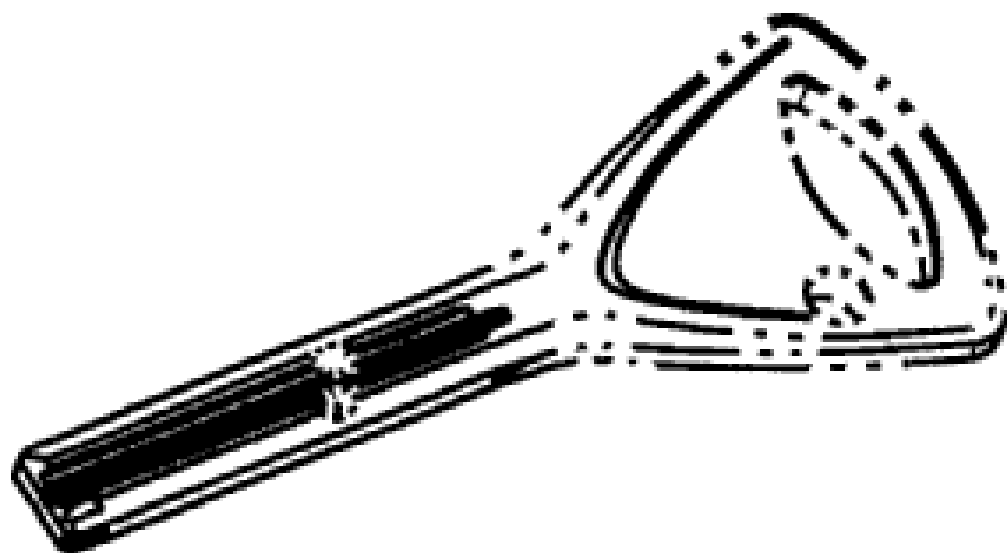
(19) AU

- (21) Design Number: **12427/2009**
(22) Date of Filing Application: **03 July 2009**
(24) Date from which industrial property rights may have effect: **03 July 2009**
(54) Product in respect of which the design is registered: **Mat for charging an electronic device**
(51) International Design Classification: **13-03NES**
(71) Name(s) and Address(s) of Applicant(s):
HPNA LLC
3000 Pontiac Trail Commerce Township Michigan 48390 United States of America
(72) Name(s) of Designer(s): **William Webb**
(45) Registration Date: **29 July 2009**
(30) Convention priority data:
(31) Number (32) Date (33) Country
29/330347 06 Jan 2009 UNITED STATES OF AMERICA
(56) Related Art Documents: **Not Applicable**
(57) Statement of Newness and Distinctiveness: **Nil**



(19) AU

- (21) Design Number: **12428/2009**
(22) Date of Filing Application: **03 July 2009**
(24) Date from which industrial property rights may have effect: **03 July 2009**
(54) Product in respect of which the design is registered: **Key blank**
(51) International Design Classification: **08-07**
(71) Name(s) and Address(s) of Applicant(s):
ASSA ABLOY Australia Pty Limited
235 Huntingdale Road Oakleigh Victoria 3166 Australia
(72) Name(s) of Designer(s): **Seppo Kiiski**
(45) Registration Date: **29 July 2009**
(56) Related Art Documents: **Not Applicable**
(57) Statement of Newness and Distinctiveness: **Those features of the key blank that are new and distinctive are the cross-sectional shape of the blade of the key blank as depicted in the profile of the key blank as shown in section A-A and B-B views. The shape and/or configuration of the head of the key blank and dimple bittings shown in broken line are not part of the design and are to be disregarded when considering the overall impression of the design.**



- (21) Design Number: **12429/2009**
- (22) Date of Filing Application: **03 July 2009**
- (24) Date from which industrial property rights may have effect: **03 July 2009**
- (54) Product in respect of which the design is registered: **Key blank**
- (51) International Design Classification: **08-07**
- (71) Name(s) and Address(s) of Applicant(s):

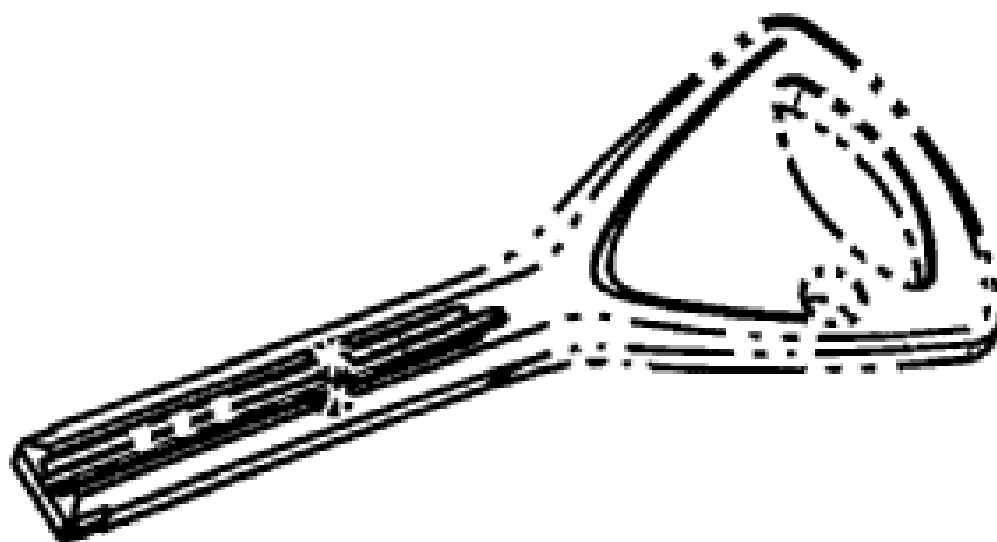
ASSA ABLOY Australia Pty Limited
235 Huntingdale Road Oakleigh Victoria 3166 Australia

- (72) Name(s) of Designer(s): **Seppo Kiiski**

- (45) Registration Date: **29 July 2009**

- (56) Related Art Documents: **Not Applicable**

- (57) Statement of Newness and Distinctiveness: **Those features of the key blank that are new and distinctive are the cross-sectional shape of the blade of the key blank as depicted in the profile of the key blank as shown in section A-A and B-B views. The shape and/or configuration of the head of the key blank and dimple bittings shown in broken line are not part of the design and are to be disregarded when considering the overall impression of the design.**



- (21) Design Number: **12430/2009**
- (22) Date of Filing Application: **03 July 2009**
- (24) Date from which industrial property rights may have effect: **03 July 2009**
- (54) Product in respect of which the design is registered: **Bar tap bracket**
- (51) International Design Classification: **23-01K**
- (71) Name(s) and Address(s) of Applicant(s):

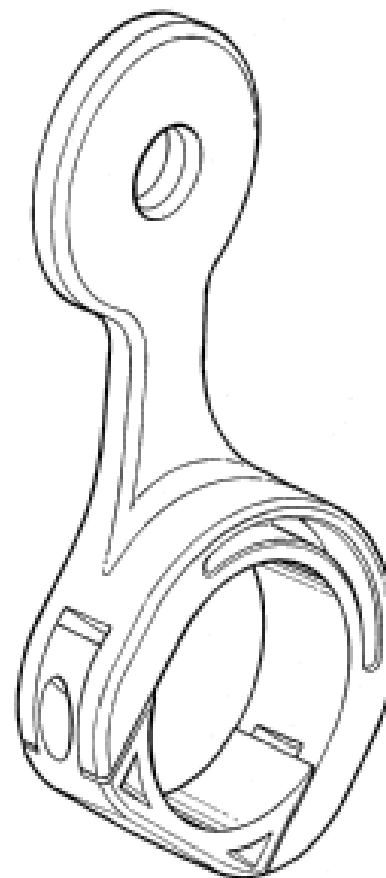
Cash's (Australia) Pty Ltd
10 Rocklea Drive Port Melbourne Victoria 3207 Australia

- (72) Name(s) of Designer(s): **Vincent Formosa**

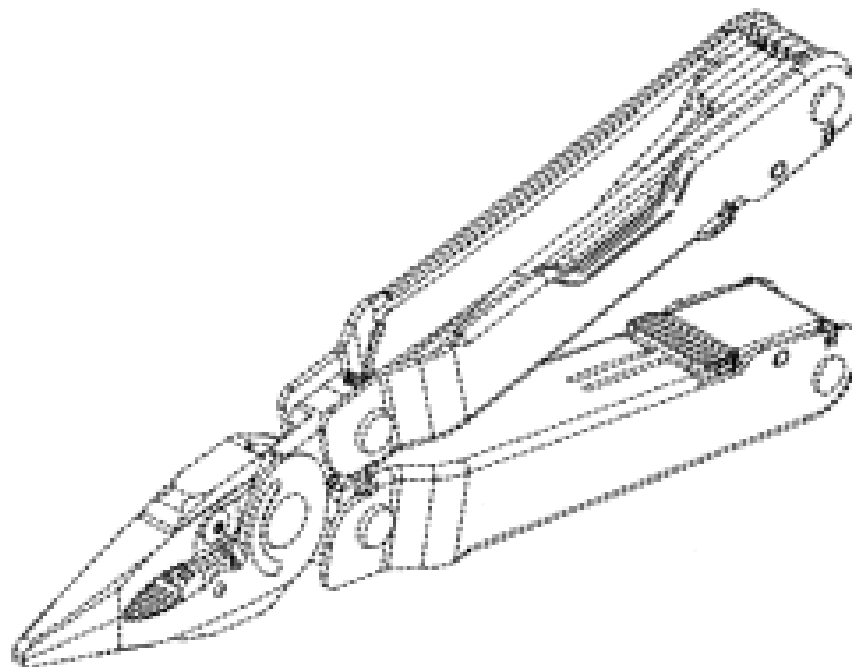
- (45) Registration Date: **29 July 2009**

- (56) Related Art Documents: **Not Applicable**

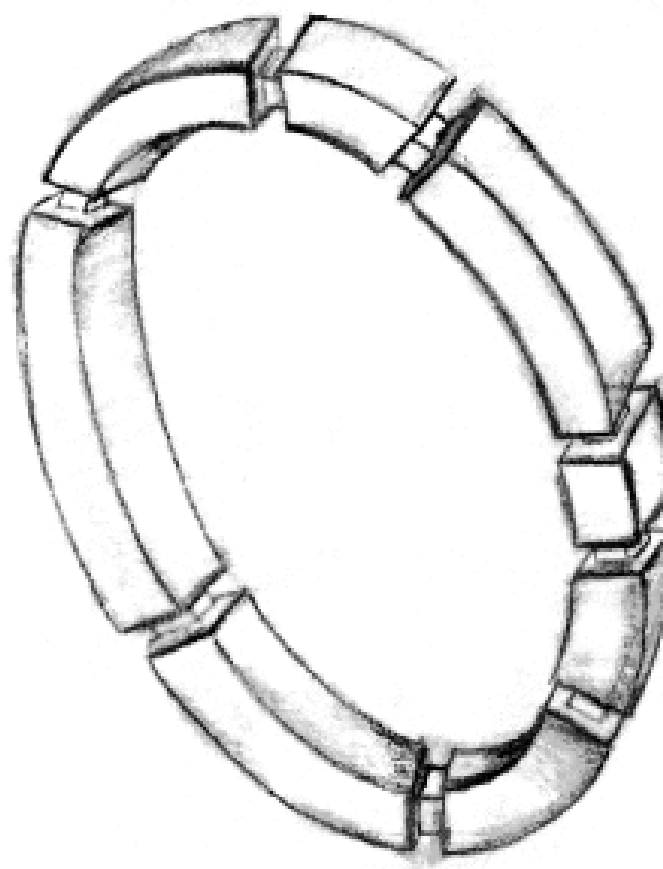
- (57) Statement of Newness and Distinctiveness: **Nil**



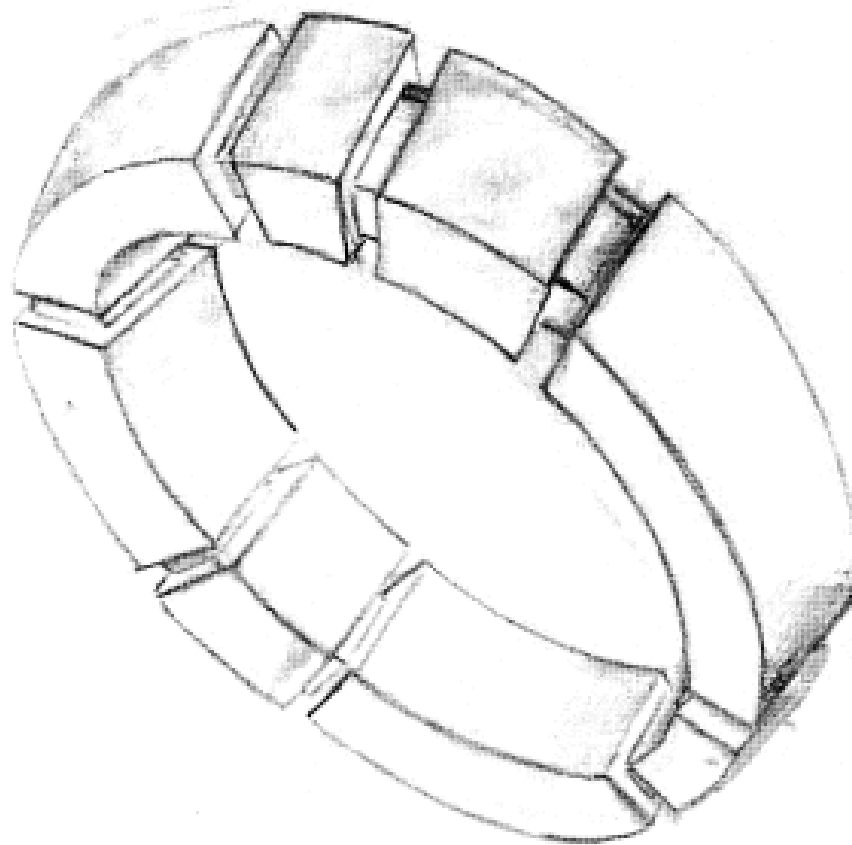
- (21) Design Number: **11907/2009**
(22) Date of Filing Application: **25 May 2009**
(24) Date from which industrial property rights may have effect: **25 May 2009**
(54) Product in respect of which the design is registered: **Thumb groove for handle of hand tool**
(51) International Design Classification: **08-03**
(71) Name(s) and Address(s) of Applicant(s):
Leatherman Tool Group, Inc.
12106 NE Ainsworth Circle Portland OR 97220 United States of America
(72) Name(s) of Designer(s): **Jeffrey B. Castro**
(45) Registration Date: **29 July 2009**
(30) Convention priority data:
(31) Number (32) Date (33) Country
29/335,358 14 Apr 2009 UNITED STATES OF AMERICA
(56) Related Art Documents: **Not Applicable**
(57) Statement of Newness and Distinctiveness: **The newness and distinctiveness of the respective design resides in the features of shape and/or configuration of a handle of the hand tool shown in unbroken lines in the accompanying representations.**



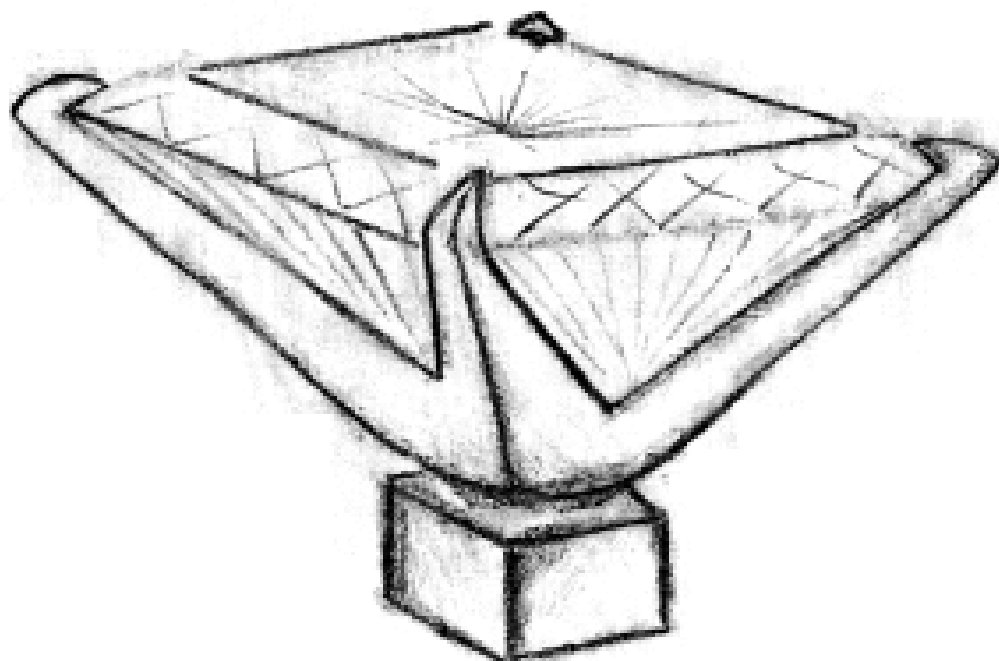
- (21) Design Number: **11953/2009**
(22) Date of Filing Application: **25 May 2009**
(24) Date from which industrial property rights may have effect: **25 May 2009**
(54) Product in respect of which the design is registered: **Jewellery**
(51) International Design Classification: **11-01A**
(71) Name(s) and Address(s) of Applicant(s):
Canturi Corporation
Level 3 99 York Street Sydney New South Wales 2000 Australia
(72) Name(s) of Designer(s): **Stefano Canturi**
(45) Registration Date: **29 July 2009**
(56) Related Art Documents: **Not Applicable**
(57) Statement of Newness and Distinctiveness: **The designs featured in the shape of rings and a claw setting.**



- (21) Design Number: **11954/2009**
- (22) Date of Filing Application: **25 May 2009**
- (24) Date from which industrial property rights may have effect: **25 May 2009**
- (54) Product in respect of which the design is registered: **Jewellery**
- (51) International Design Classification: **11-01A**
- (71) Name(s) and Address(s) of Applicant(s):
Canturi Corporation
Level 3 99 York Street Sydney New South Wales 2000 Australia
- (72) Name(s) of Designer(s): **Stefano Canturi**
- (45) Registration Date: **29 July 2009**
- (56) Related Art Documents: **Not Applicable**
- (57) Statement of Newness and Distinctiveness: **The designs featured in the shape of rings and a claw setting.**



- (21) Design Number: **11955/2009**
- (22) Date of Filing Application: **25 May 2009**
- (24) Date from which industrial property rights may have effect: **25 May 2009**
- (54) Product in respect of which the design is registered: **Jewellery**
- (51) International Design Classification: **11-01NES**
- (71) Name(s) and Address(s) of Applicant(s):
Canturi Corporation
Level 3 99 York Street Sydney New South Wales 2000 Australia
- (72) Name(s) of Designer(s): **Stefano Canturi**
- (45) Registration Date: **29 July 2009**
- (56) Related Art Documents: **Not Applicable**
- (57) Statement of Newness and Distinctiveness: **The designs featured in the shape of rings and a claw setting.**



(21) Design Number: **12176/2009**

(22) Date of Filing Application: **15 June 2009**

(24) Date from which industrial property rights may have effect: **15 June 2009**

(54) Product in respect of which the design is registered: **Underwear**

(51) International Design Classification: **02-01NES**

(71) Name(s) and Address(s) of Applicant(s):

**X-Technology Swiss GmbH
Samstagerstrasse 45 CH-8832 Wollerau Switzerland**

(72) Name(s) of Designer(s): **Bodo W. Lambertz**

(45) Registration Date: **29 July 2009**

(30) Convention priority data:

(31) Number	(32) Date	(33) Country
001062541	23 Dec 2008	EUROPEAN COMMUNITY

(56) Related Art Documents: **Not Applicable**

(57) Statement of Newness and Distinctiveness: **Newness and distinctiveness is claimed in the visual features of shape, configuration, pattern and/or ornamentation of the shoulder, hip/waist and elbow regions of the underwear. The graphic logo "X BIONIC" does not form part of the design and is disclaimed.**



(21) Design Number: **12230/2009**

(22) Date of Filing Application: **22 June 2009**

(24) Date from which industrial property rights may have effect: **22 June 2009**

(54) Product in respect of which the design is registered: **Blow moulded plastic bottle with pump**

(51) International Design Classification: **09-01K**

(71) Name(s) and Address(s) of Applicant(s):

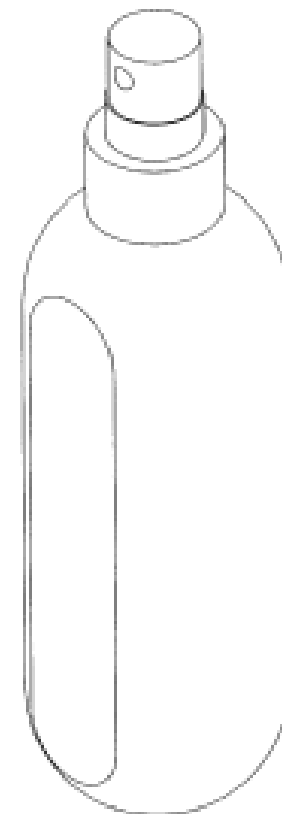
**Container Pty Ltd
6/244 Commonwealth Street Surry Hills New South Wales 2010
Australia**

(72) Name(s) of Designer(s): **Brenan Liston and Jonnie Vigar and Mark Evans**

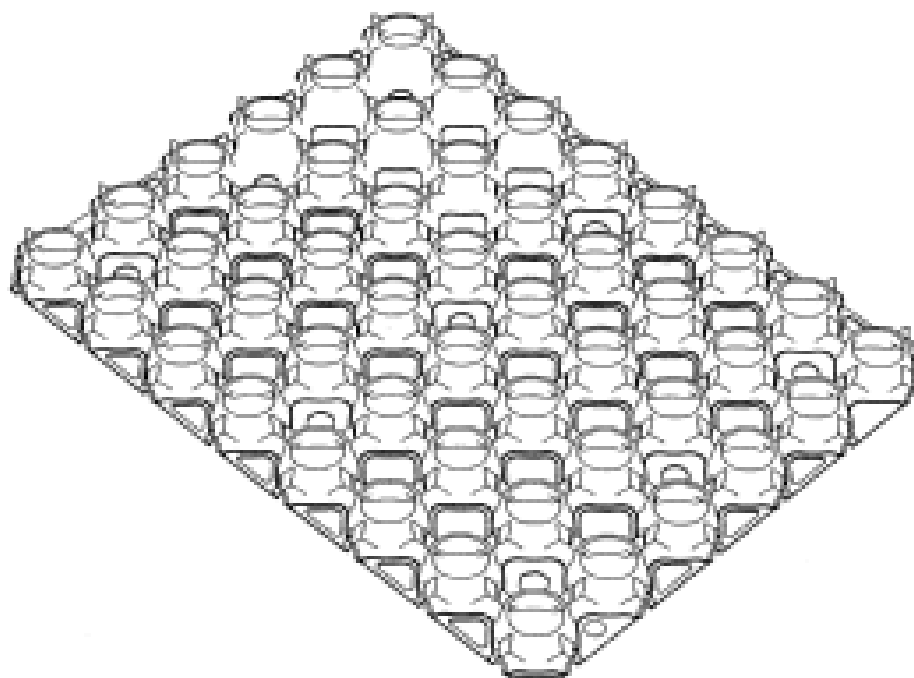
(45) Registration Date: **29 July 2009**

(56) Related Art Documents: **Not Applicable**

(57) Statement of Newness and Distinctiveness: **Nil**



- (21) Design Number: **12436/2009**
(22) Date of Filing Application: **07 July 2009**
(24) Date from which industrial property rights may have effect: **07 July 2009**
(54) Product in respect of which the design is registered: **A plastic honeycomb type paving system**
(51) International Design Classification: **25-01A**
(71) Name(s) and Address(s) of Applicant(s):
Brendan Currie
823 Cook Place Hastings New Zealand
(72) Name(s) of Designer(s): **Brendan Currie**
(45) Registration Date: **29 July 2009**
(56) Related Art Documents: **Not Applicable**
(57) Statement of Newness and Distinctiveness: **Nil**



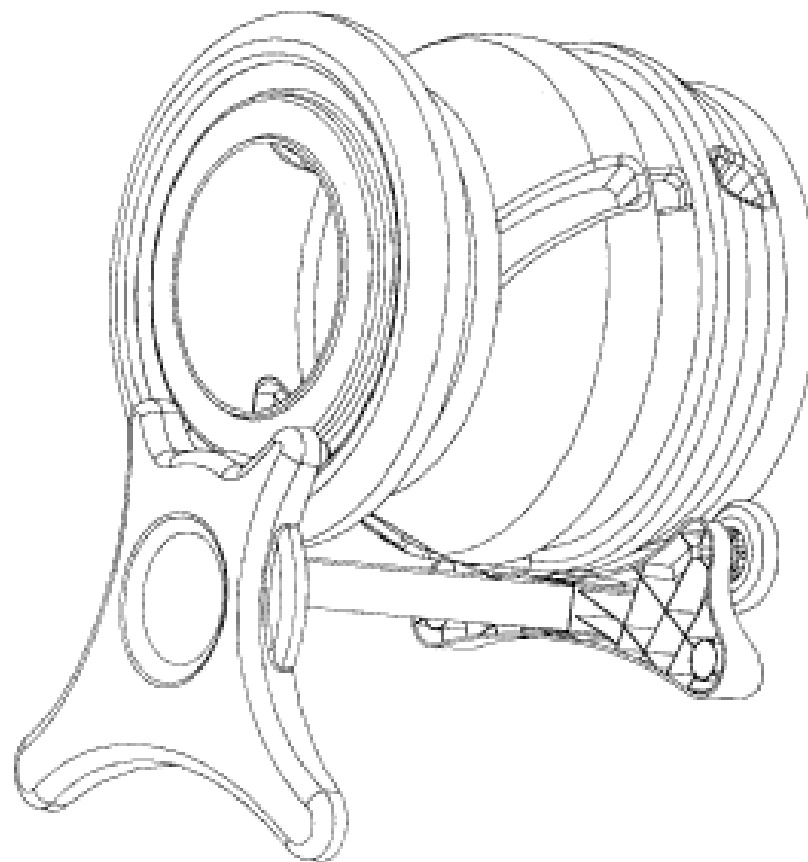
- (21) Design Number: **11136/2009**
(22) Date of Filing Application: **03 April 2009**
(24) Date from which industrial property rights may have effect: **03 April 2009**
(54) Product in respect of which the design is registered: **Villeroy & Boch Architectura back to wall WC**
(51) International Design Classification: **23-02C**
(71) Name(s) and Address(s) of Applicant(s):
Villeroy & Boch AG
Villeroy & Boch AG Corporate Headquarters PO Box 1120 Mettlach D
66688 Germany
(72) Name(s) of Designer(s): **Terry McGrath**
(45) Registration Date: **30 July 2009**
(56) Related Art Documents: **Not Applicable**
(57) Statement of Newness and Distinctiveness: **Nil**



- (21) Design Number: **11858/2009**
(22) Date of Filing Application: **21 May 2009**
(24) Date from which industrial property rights may have effect: **21 May 2009**
(54) Product in respect of which the design is registered: **Mixer**
(51) International Design Classification: **15-04, 15-05**
(71) Name(s) and Address(s) of Applicant(s):

Winston Grey
2 Logan Street Hamlyn Heights Victoria 3215 Australia

- (72) Name(s) of Designer(s): **Winston Grey and Simon Andresen**
(45) Registration Date: **30 July 2009**
(56) Related Art Documents: **Not Applicable**
(57) Statement of Newness and Distinctiveness: **The features of shape and configuration of the mixer shown in the accompanying representations are considered to be new and distinctive.**



- (21) Design Number: **12214/2009**
(22) Date of Filing Application: **18 June 2009**
(24) Date from which industrial property rights may have effect: **18 June 2009**
(54) Product in respect of which the design is registered: **Automobile**
(51) International Design Classification: **12-08**
(71) Name(s) and Address(s) of Applicant(s):

Toyota Jidosha Kabushiki Kaisha
1 Toyota-cho Toyota-shi Aichi-ken 471-8571 Japan

- (72) Name(s) of Designer(s): **Kenichi Inukai and Gen Ikeda and Takafumi Ito**
(45) Registration Date: **30 July 2009**
(30) Convention priority data:
- | | | |
|----------------------|--------------------|-----------------|
| (31) Number | (32) Date | (33) Country |
| 08-01654-0101 | 19 Dec 2008 | MALAYSIA |

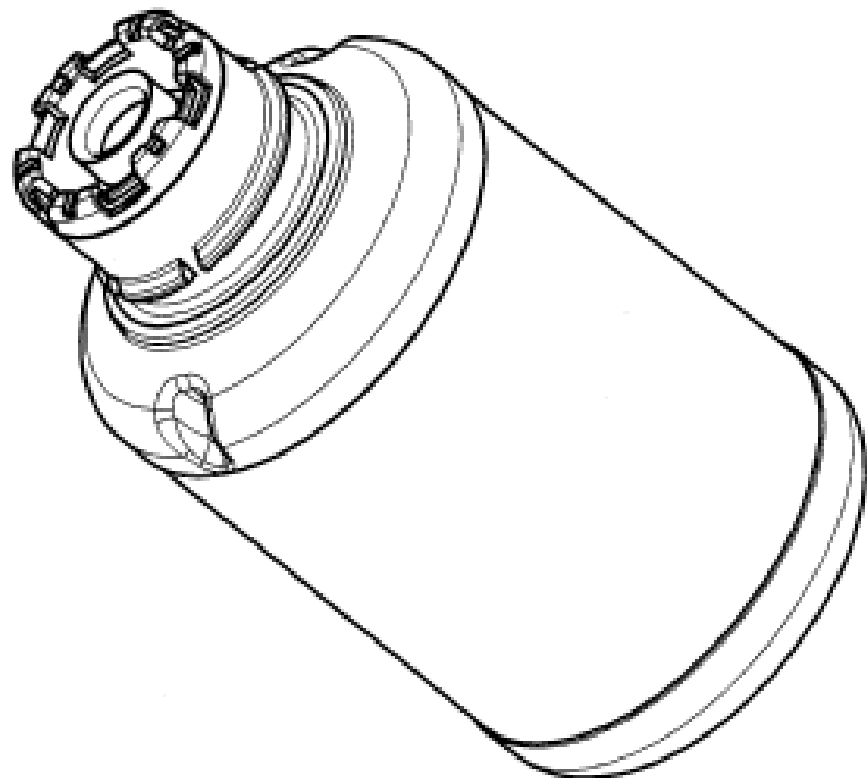
- (56) Related Art Documents: **Not Applicable**
(57) Statement of Newness and Distinctiveness: **Those features of the automobile depicted in the representations that are new and distinctive are the shape and/or configuration. The features of the inside of the automobile are not part of the design and are to be disregarded when considering the overall impression of the design.**



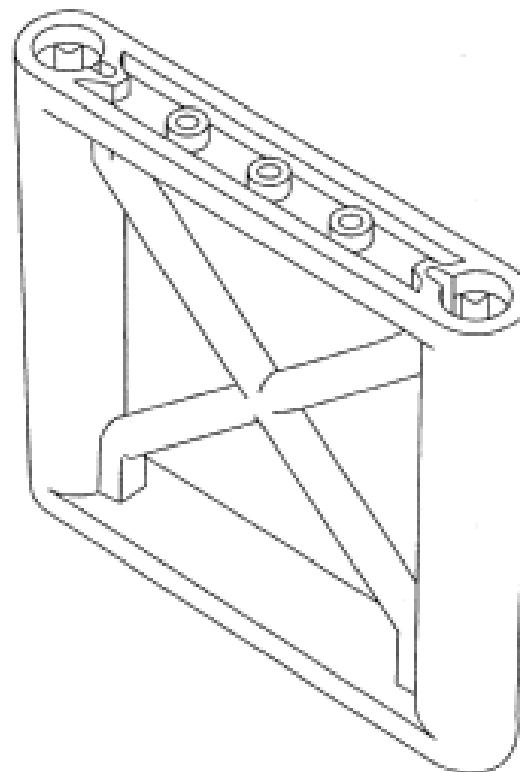
- (21) Design Number: **11931/2009**
(22) Date of Filing Application: **18 June 2009**
(24) Date from which industrial property rights may have effect: **18 June 2009**
(54) Product in respect of which the design is registered: **Vehicle front assembly**
(51) International Design Classification: **12-16B**
(71) Name(s) and Address(s) of Applicant(s):
Toyota Jidosha Kabushiki Kaisha
1 Toyota-cho Toyota-shi Aichi-ken 471-8571 Japan
(72) Name(s) of Designer(s): **Kenichi Inukai and Gen Ikeda and Takafumi Ito**
(45) Registration Date: **30 July 2009**
(30) Convention priority data:
(31) Number (32) Date (33) Country
08-01643-0101 19 Dec 2008 MALAYSIA
(56) Related Art Documents: **Not Applicable**
(57) Statement of Newness and Distinctiveness: **Those features of the vehicle front assembly depicted in dark shade in the representations that are new and distinctive are the shape and/or configuration. The features shown in light shade are not part of the design and are to be disregarded when considering the overall impression of the design.**



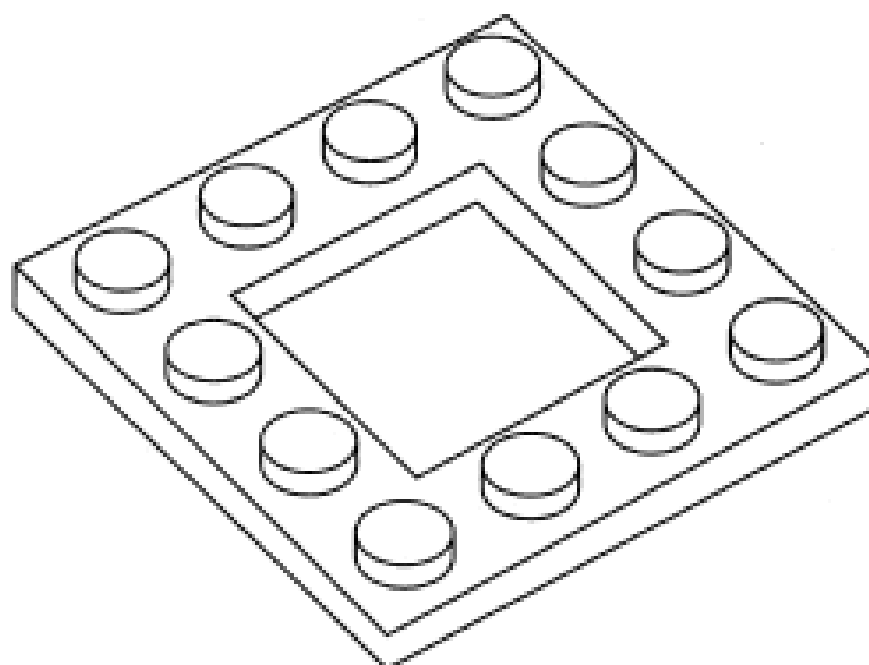
- (21) Design Number: **12015/2009**
(22) Date of Filing Application: **01 June 2009**
(24) Date from which industrial property rights may have effect: **01 June 2009**
(54) Product in respect of which the design is registered: **Bottle**
(51) International Design Classification: **09-01NES**
(71) Name(s) and Address(s) of Applicant(s):
Saban Ventures Pty Limited
Unit 24 566 Gardeners Road Alexandria New South Wales 2015
Australia
(72) Name(s) of Designer(s): **Daniel Gasser and Stephen Hill**
(45) Registration Date: **31 July 2009**
(56) Related Art Documents: **Not Applicable**
(57) Statement of Newness and Distinctiveness: **Newness and distinctiveness resides in the features of shape and/or configuration of a BOTTLE as illustrated in the accompanying representations.**



(21) Design Number: **12480/2009**
(22) Date of Filing Application: **08 July 2009**
(24) Date from which industrial property rights may have effect: **08 July 2009**
(54) Product in respect of which the design is registered: **A toy building element**
(51) International Design Classification: **21-01E**
(71) Name(s) and Address(s) of Applicant(s):
Lego A/S
Aastvej 1 Billund DK-7190 Denmark
(72) Name(s) of Designer(s): **Henrik Andersen**
(45) Registration Date: **31 July 2009**
(30) Convention priority data:
(31) Number (32) Date (33) Country
001076178 27 Jan 2009 EUROPEAN COMMUNITY
(56) Related Art Documents: **Not Applicable**
(57) Statement of Newness and Distinctiveness: **Nil**



(21) Design Number: **12481/2009**
(22) Date of Filing Application: **08 July 2009**
(24) Date from which industrial property rights may have effect: **08 July 2009**
(54) Product in respect of which the design is registered: **A toy building element**
(51) International Design Classification: **21-01E**
(71) Name(s) and Address(s) of Applicant(s):
Lego A/S
Aastvej 1 Billund DK-7190 Denmark
(72) Name(s) of Designer(s): **Jens Kronvold Frederiksen**
(45) Registration Date: **31 July 2009**
(30) Convention priority data:
(31) Number (32) Date (33) Country
001076178 27 Jan 2009 EUROPEAN COMMUNITY
(56) Related Art Documents: **Not Applicable**
(57) Statement of Newness and Distinctiveness: **Nil**



(21) Design Number: **12482/2009**
(22) Date of Filing Application: **08 July 2009**
(24) Date from which industrial property rights may have effect: **08 July 2009**
(54) Product in respect of which the design is registered: **A toy building element**
(51) International Design Classification: **21-01E**
(71) Name(s) and Address(s) of Applicant(s):

Lego A/S
Aastvej 1 Billund DK-7190 Denmark

(72) Name(s) of Designer(s): **William Thorogood**

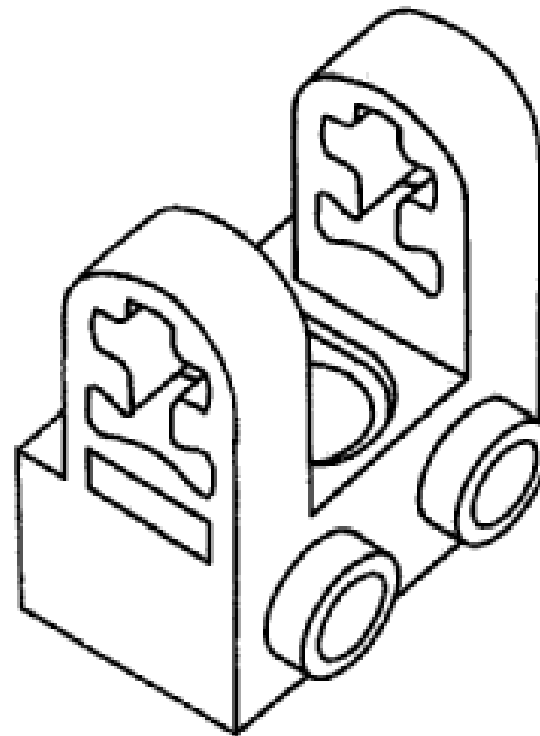
(45) Registration Date: **31 July 2009**

(30) Convention priority data:

(31) Number	(32) Date	(33) Country
001076178	27 Jan 2009	EUROPEAN COMMUNITY

(56) Related Art Documents: **Not Applicable**

(57) Statement of Newness and Distinctiveness: **Nil**



(21) Design Number: **12483/2009**
(22) Date of Filing Application: **08 July 2009**
(24) Date from which industrial property rights may have effect: **08 July 2009**
(54) Product in respect of which the design is registered: **A toy building element**
(51) International Design Classification: **21-01E**
(71) Name(s) and Address(s) of Applicant(s):

Lego A/S
Aastvej 1 Billund DK-7190 Denmark

(72) Name(s) of Designer(s): **Jan Ryaa**

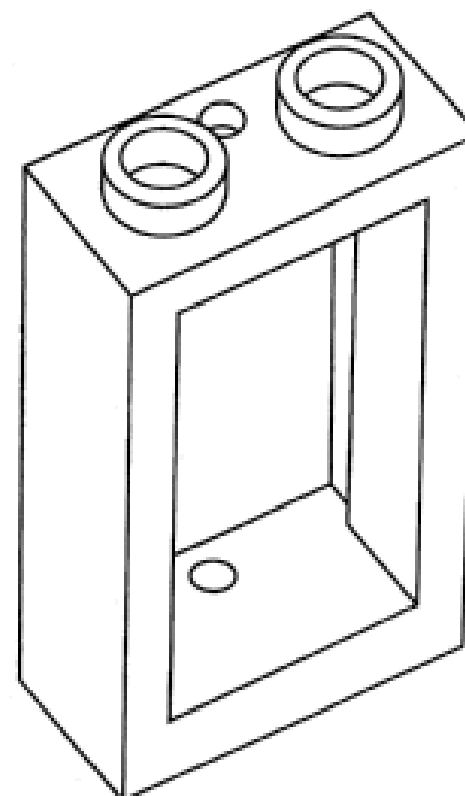
(45) Registration Date: **31 July 2009**

(30) Convention priority data:

(31) Number	(32) Date	(33) Country
001076178	27 Jan 2009	EUROPEAN COMMUNITY

(56) Related Art Documents: **Not Applicable**

(57) Statement of Newness and Distinctiveness: **Nil**



(21) Design Number: **12484/2009**
(22) Date of Filing Application: **08 July 2009**
(24) Date from which industrial property rights may have effect: **08 July 2009**
(54) Product in respect of which the design is registered: **A toy building element**
(51) International Design Classification: **21-01E**
(71) Name(s) and Address(s) of Applicant(s):

Lego A/S
Aastvej 1 Billund DK-7190 Denmark

(72) Name(s) of Designer(s): **Anders Gaasedal Christensen**

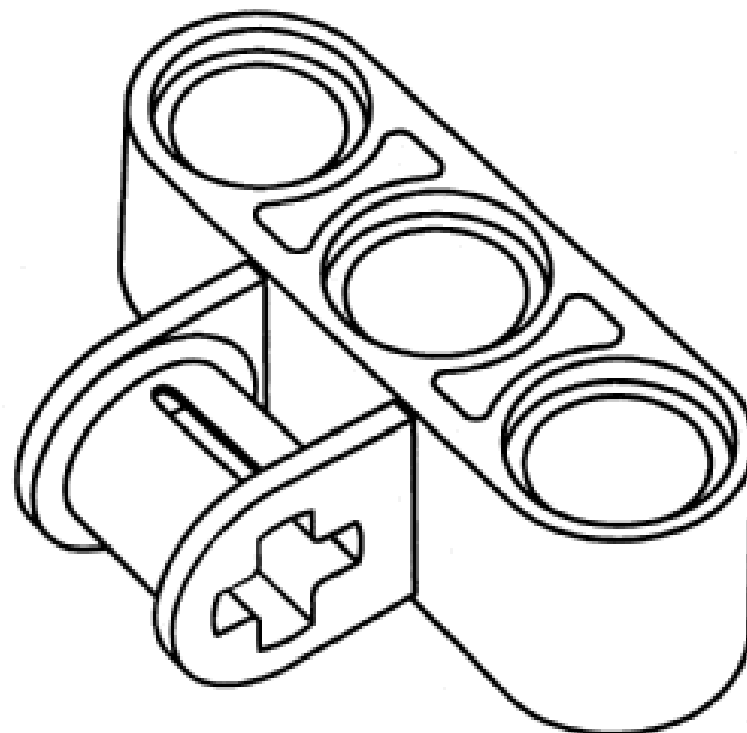
(45) Registration Date: **31 July 2009**

(30) Convention priority data:

(31) Number	(32) Date	(33) Country
001076178	27 Jan 2009	EUROPEAN COMMUNITY

(56) Related Art Documents: **Not Applicable**

(57) Statement of Newness and Distinctiveness: **Nil**



(21) Design Number: **12485/2009**
(22) Date of Filing Application: **08 July 2009**
(24) Date from which industrial property rights may have effect: **08 July 2009**
(54) Product in respect of which the design is registered: **A toy building element**
(51) International Design Classification: **21-01E**
(71) Name(s) and Address(s) of Applicant(s):

Lego A/S
Aastvej 1 Billund DK-7190 Denmark

(72) Name(s) of Designer(s): **Jesper C Nielsen**

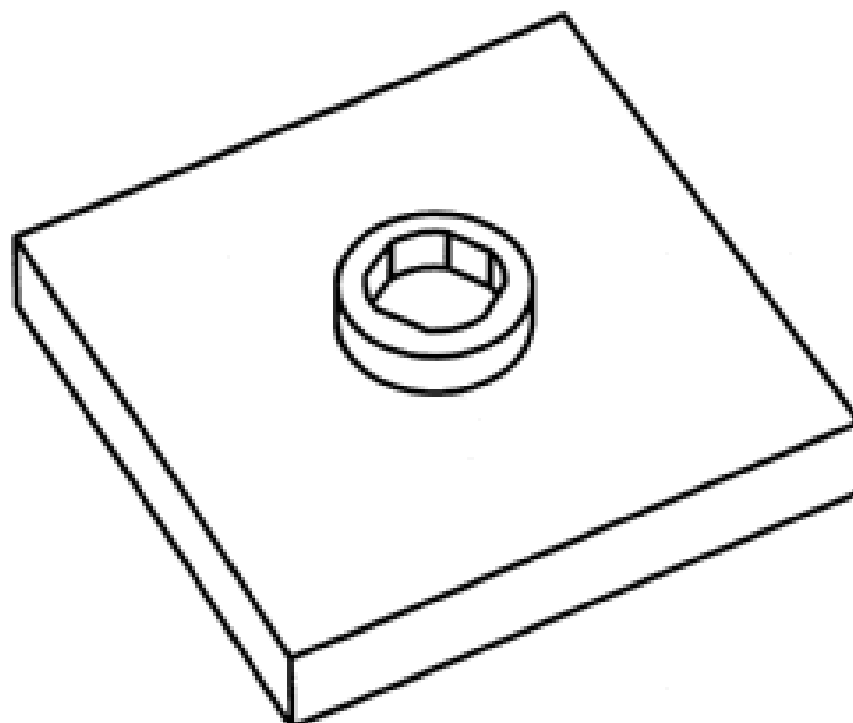
(45) Registration Date: **31 July 2009**

(30) Convention priority data:

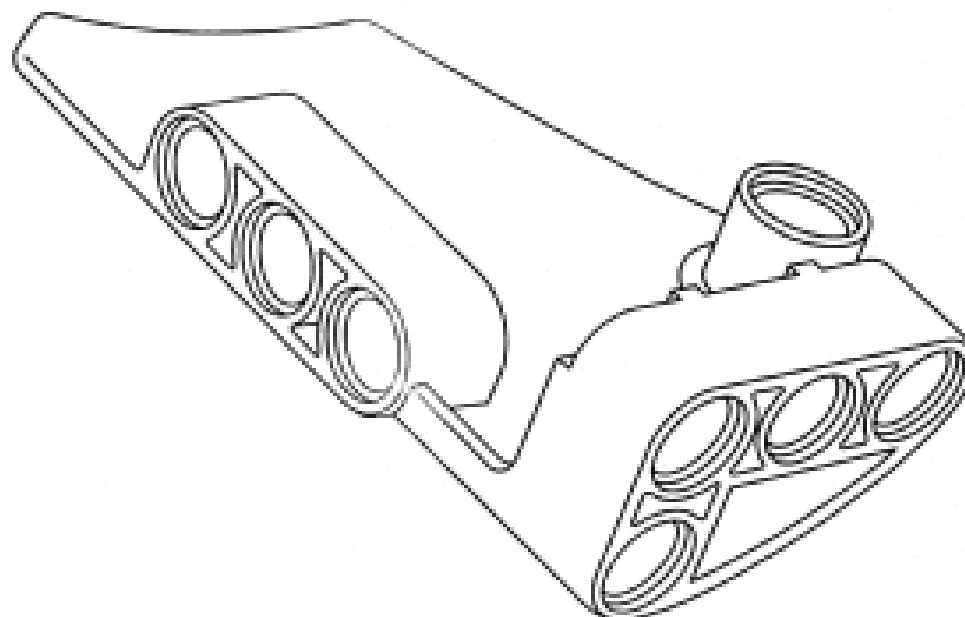
(31) Number	(32) Date	(33) Country
001076178	27 Jan 2009	EUROPEAN COMMUNITY

(56) Related Art Documents: **Not Applicable**

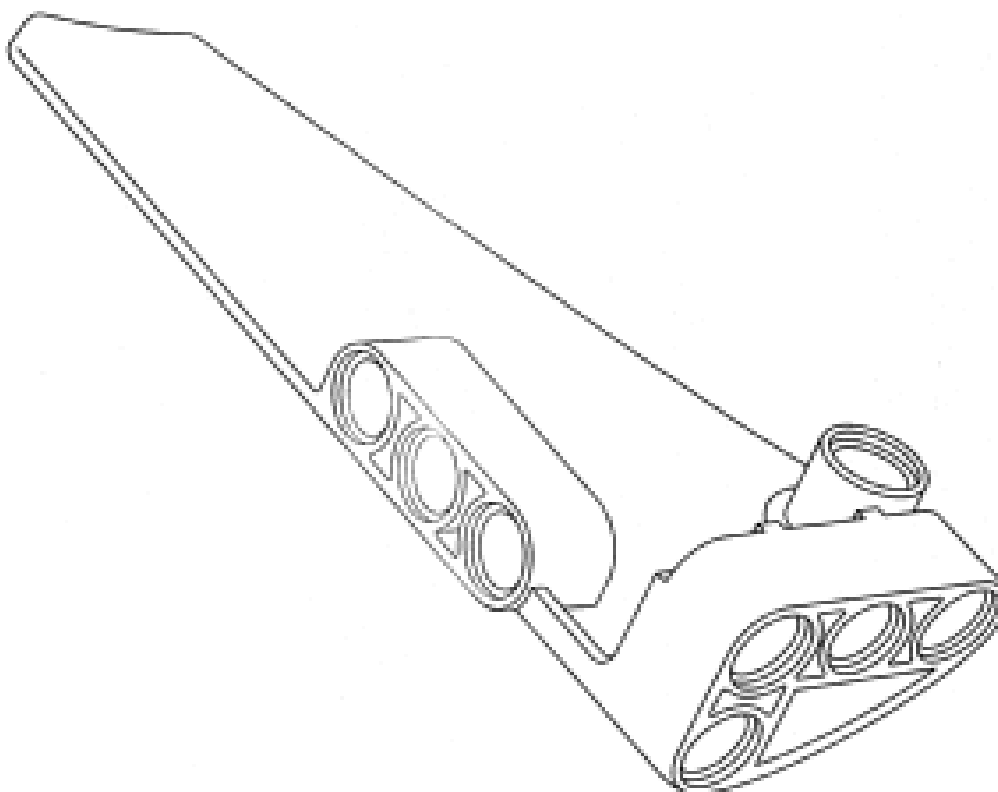
(57) Statement of Newness and Distinctiveness: **Nil**



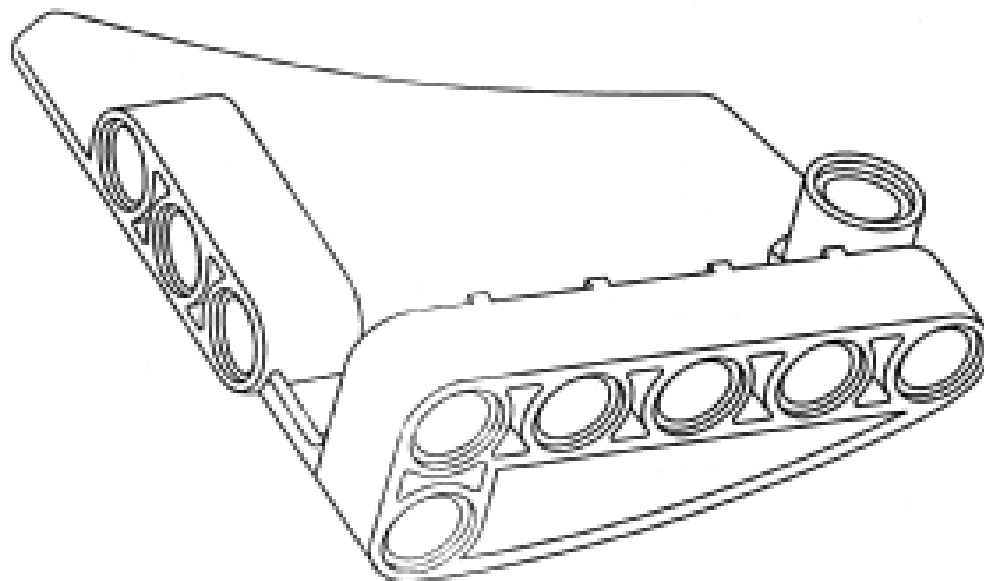
(21) Design Number: **12469/2009**
(22) Date of Filing Application: **08 July 2009**
(24) Date from which industrial property rights may have effect: **08 July 2009**
(54) Product in respect of which the design is registered: **A toy building element**
(51) International Design Classification: **21-01E**
(71) Name(s) and Address(s) of Applicant(s):
Lego A/S
Aastvej 1 DK-7190 Billund Denmark
(72) Name(s) of Designer(s): **Markus Kossmann**
(45) Registration Date: **31 July 2009**
(30) Convention priority data:
(31) Number (32) Date (33) Country
001076178 27 Jan 2009 EUROPEAN COMMUNITY
(56) Related Art Documents: **Not Applicable**
(57) Statement of Newness and Distinctiveness: **Nil**



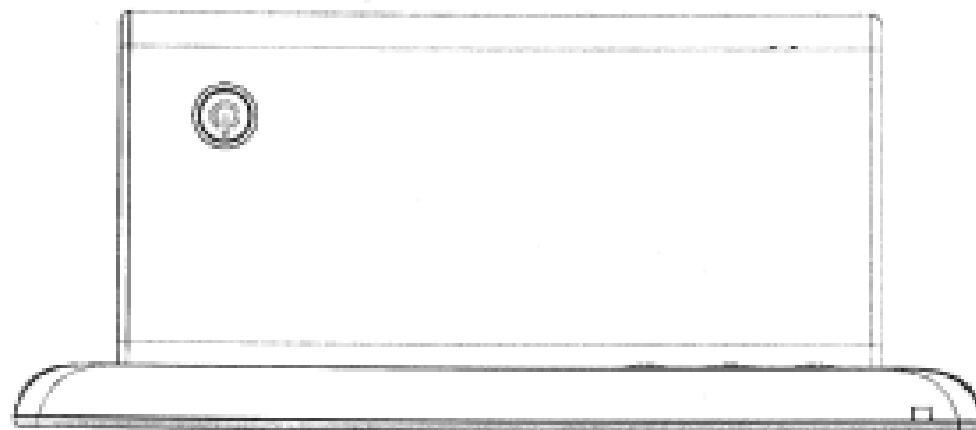
(21) Design Number: **12470/2009**
(22) Date of Filing Application: **08 July 2009**
(24) Date from which industrial property rights may have effect: **08 July 2009**
(54) Product in respect of which the design is registered: **A toy building element**
(51) International Design Classification: **21-01E**
(71) Name(s) and Address(s) of Applicant(s):
Lego A/S
Aastvej 1 Billund DK-7190 Denmark
(72) Name(s) of Designer(s): **Markus Kossmann**
(45) Registration Date: **31 July 2009**
(30) Convention priority data:
(31) Number (32) Date (33) Country
001076178 27 Jan 2009 EUROPEAN COMMUNITY
(56) Related Art Documents: **Not Applicable**
(57) Statement of Newness and Distinctiveness: **Nil**



(21) Design Number: **12471/2009**
(22) Date of Filing Application: **08 July 2009**
(24) Date from which industrial property rights may have effect: **08 July 2009**
(54) Product in respect of which the design is registered: **A toy building element**
(51) International Design Classification: **21-01E**
(71) Name(s) and Address(s) of Applicant(s):
Lego A/S
Aastvej 1 Billund DK-7190 Denmark
(72) Name(s) of Designer(s): **Markus Kossmann**
(45) Registration Date: **31 July 2009**
(30) Convention priority data:
(31) Number (32) Date (33) Country
001076178 27 Jan 2009 EUROPEAN COMMUNITY
(56) Related Art Documents: **Not Applicable**
(57) Statement of Newness and Distinctiveness: **Nil**



(21) Design Number: **12459/2009**
(22) Date of Filing Application: **08 July 2009**
(24) Date from which industrial property rights may have effect: **08 July 2009**
(54) Product in respect of which the design is registered: **Digital photo frame**
(51) International Design Classification: **14-01**
(71) Name(s) and Address(s) of Applicant(s):
SAGEM Communications SAS
Le Ponant de Paris 27 rue Leblanc 75015 Paris France
(72) Name(s) of Designer(s): **Maxime Morel**
(45) Registration Date: **31 July 2009**
(56) Related Art Documents: **Not Applicable**
(57) Statement of Newness and Distinctiveness: **Newness and distinctiveness reside in the features of the design as shown in the representations.**



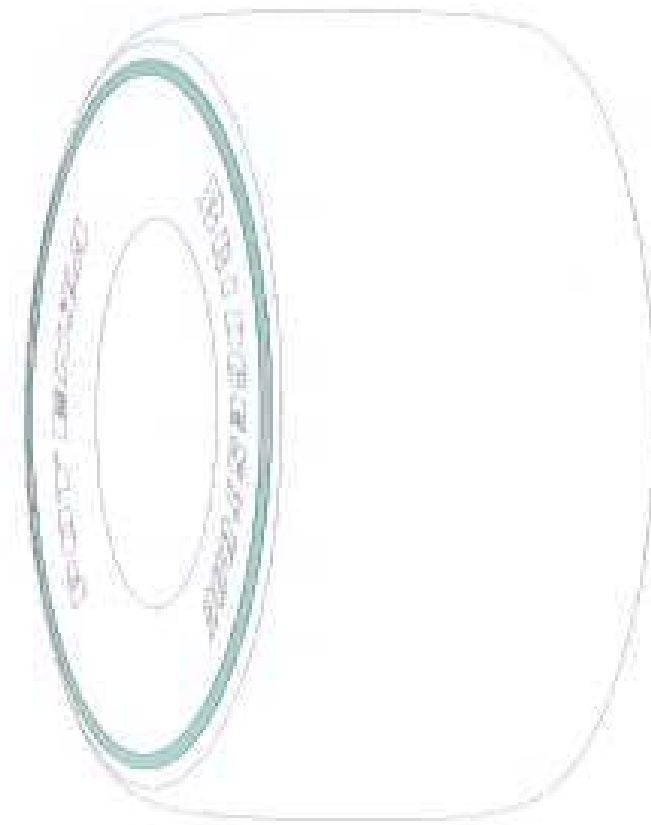
(21) Design Number: **12460/2009**
(22) Date of Filing Application: **09 July 2009**
(24) Date from which industrial property rights may have effect: **09 July 2009**
(54) Product in respect of which the design is registered: **Smell stopper**
(51) International Design Classification: **23-01E, 23-02NES**
(71) Name(s) and Address(s) of Applicant(s):
Art Plastics Pty Ltd
14 White Street Bayswater Western Australia 6053 Australia
(72) Name(s) of Designer(s): **Tim Lucas**
(45) Registration Date: **31 July 2009**
(56) Related Art Documents: **Not Applicable**
(57) Statement of Newness and Distinctiveness: **Nil**



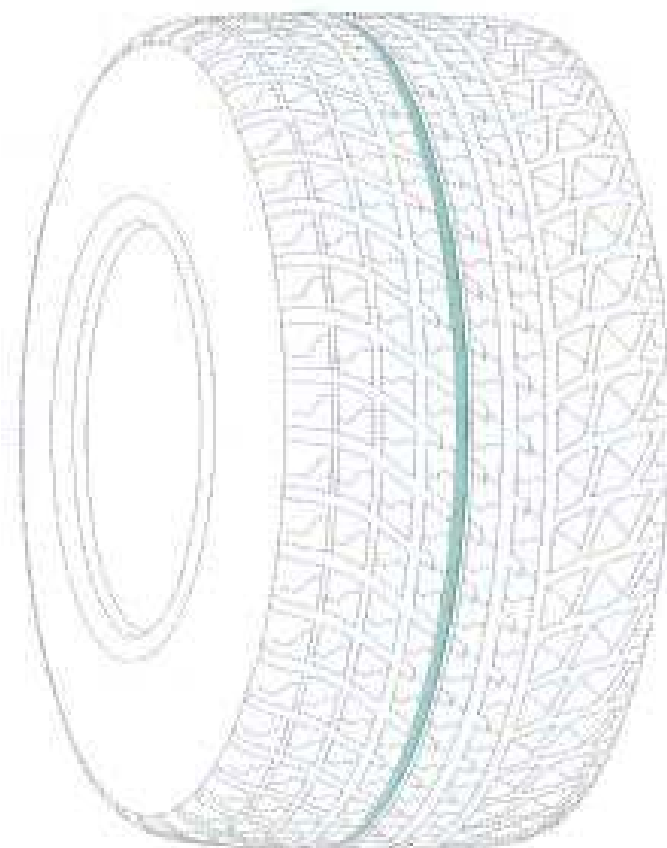
(21) Design Number: **12461/2009**
(22) Date of Filing Application: **09 July 2009**
(24) Date from which industrial property rights may have effect: **09 July 2009**
(54) Product in respect of which the design is registered: **Smell stopper**
(51) International Design Classification: **23-01E, 23-02NES**
(71) Name(s) and Address(s) of Applicant(s):
Art Plastics Pty Ltd
14 White Street Bayswater Western Australia 6053 Australia
(72) Name(s) of Designer(s): **Tim Lucas**
(45) Registration Date: **31 July 2009**
(56) Related Art Documents: **Not Applicable**
(57) Statement of Newness and Distinctiveness: **Nil**



- (21) Design Number: **12462/2009**
(22) Date of Filing Application: **08 July 2009**
(24) Date from which industrial property rights may have effect: **08 July 2009**
(54) Product in respect of which the design is registered: **Automobile tyre**
(51) International Design Classification: **12-15NES**
(71) Name(s) and Address(s) of Applicant(s):
Bridgestone Corporation
10-1 Kyobashi 1-Chome Chuo-ku Tokyo 104-8340 Japan
(72) Name(s) of Designer(s): **Yukihiro Kiwaki**
(45) Registration Date: **31 July 2009**
(30) Convention priority data:
(31) Number (32) Date (33) Country
2009-004034 25 Feb 2009 JAPAN
(56) Related Art Documents: **Not Applicable**
(57) Statement of Newness and Distinctiveness: **The circumferential green band on the sidewall of the tyre is new and distinctive.**



- (21) Design Number: **12463/2009**
(22) Date of Filing Application: **08 July 2009**
(24) Date from which industrial property rights may have effect: **08 July 2009**
(54) Product in respect of which the design is registered: **Automobile tyre**
(51) International Design Classification: **12-15A**
(71) Name(s) and Address(s) of Applicant(s):
Bridgestone Corporation
10-1 Kyobashi 1-Chome Chuo-ku Tokyo 104-8340 Japan
(72) Name(s) of Designer(s): **Yukihiro Kiwaki**
(45) Registration Date: **31 July 2009**
(30) Convention priority data:
(31) Number (32) Date (33) Country
2009-004032 25 Feb 2009 JAPAN
(56) Related Art Documents: **Not Applicable**
(57) Statement of Newness and Distinctiveness: **The single green circumferential groove in the tread portion of the tyre is new and distinctive.**



(21) Design Number: **11921/2009**

(22) Date of Filing Application: **26 May 2009**

(24) Date from which industrial property rights may have effect: **26 May 2009**

(54) Product in respect of which the design is registered: **Adjustable tab divider**

(51) International Design Classification: **19-04**

(71) Name(s) and Address(s) of Applicant(s):

Staples the Office Superstore, LLC
500 Staples Drive Framingham MA 01702 United States of America

(72) Name(s) of Designer(s): **Sasha Barausky and Tom Lutzow**

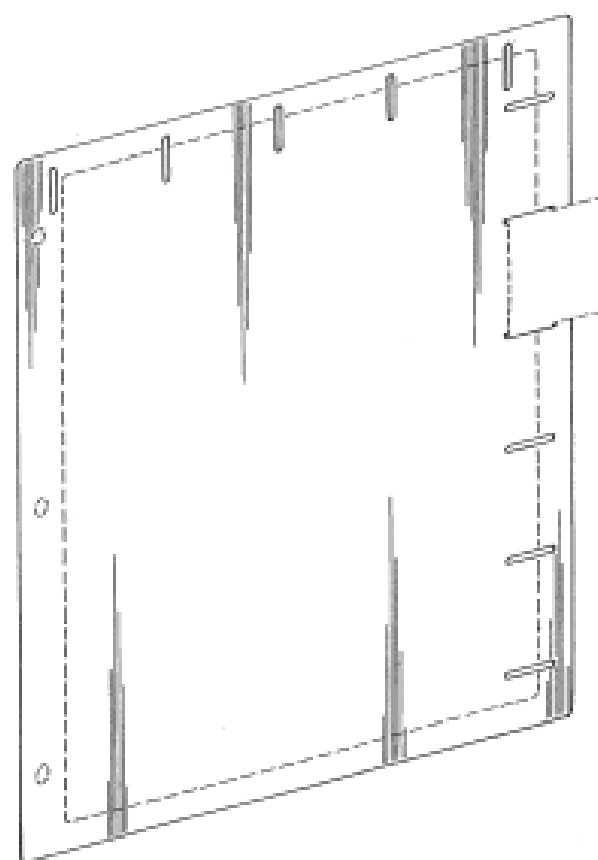
(45) Registration Date: **31 July 2009**

(30) Convention priority data:

(31) Number	(32) Date	(33) Country
29/328,698	01 Dec 2008	UNITED STATES OF AMERICA

(56) Related Art Documents: **Not Applicable**

(57) Statement of Newness and Distinctiveness: **Nil**



(21) Design Number: **12823/2009**

(22) Date of Filing Application: **26 May 2009**

(24) Date from which industrial property rights may have effect: **26 May 2009**

(54) Product in respect of which the design is registered: **Adjustable tab divider**

(51) International Design Classification: **19-04**

(71) Name(s) and Address(s) of Applicant(s):

Staples the Office Superstore, LLC
500 Staples Drive Framingham MA 01702 United States of America

(72) Name(s) of Designer(s): **Sasha Barausky and Tom Lutzow**

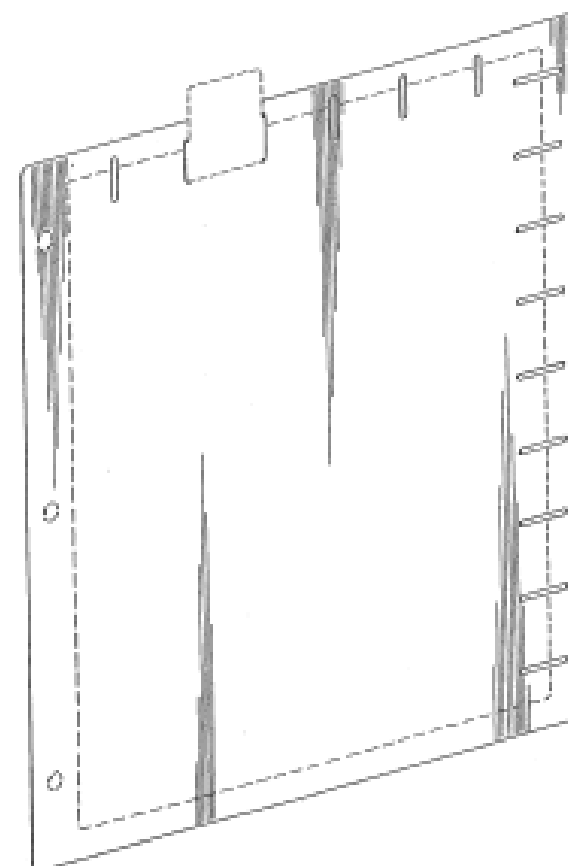
(45) Registration Date: **31 July 2009**

(30) Convention priority data:

(31) Number	(32) Date	(33) Country
29/328,698	01 Dec 2008	UNITED STATES OF AMERICA

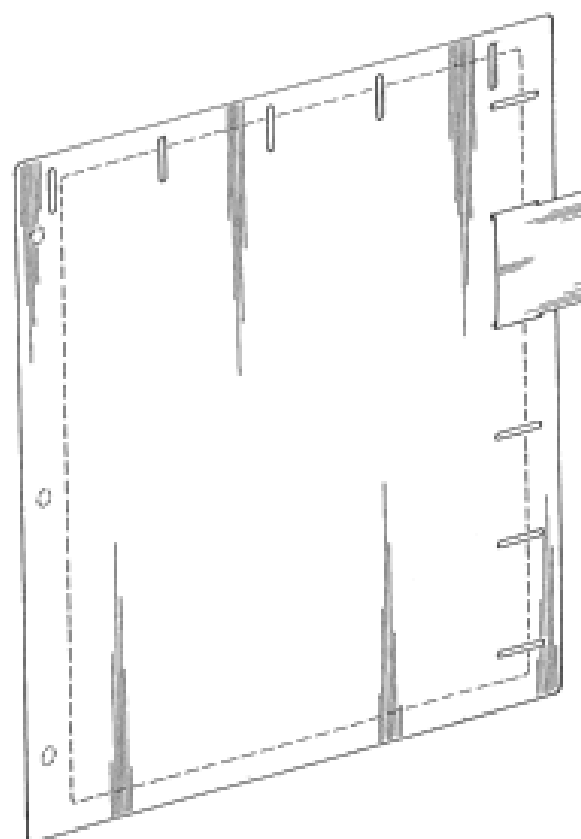
(56) Related Art Documents: **Not Applicable**

(57) Statement of Newness and Distinctiveness: **Nil**



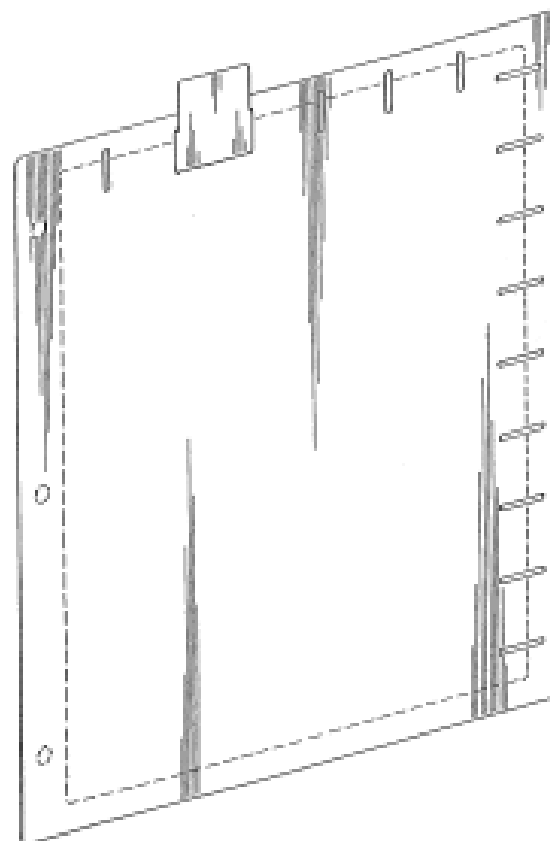
(19) AU

(21) Design Number: **12824/2009**
(22) Date of Filing Application: **26 May 2009**
(24) Date from which industrial property rights may have effect: **26 May 2009**
(54) Product in respect of which the design is registered: **Adjustable tab divider**
(51) International Design Classification: **19-04**
(71) Name(s) and Address(s) of Applicant(s):
Staples the Office Superstore, LLC
500 Staples Drive Framingham MA 01702 United States of America
(72) Name(s) of Designer(s): **Sasha Barausky and Tom Lutzow**
(45) Registration Date: **31 July 2009**
(30) Convention priority data:
(31) Number (32) Date (33) Country
29/328,698 01 Dec 2008 UNITED STATES OF AMERICA
(56) Related Art Documents: **Not Applicable**
(57) Statement of Newness and Distinctiveness: **Nil**

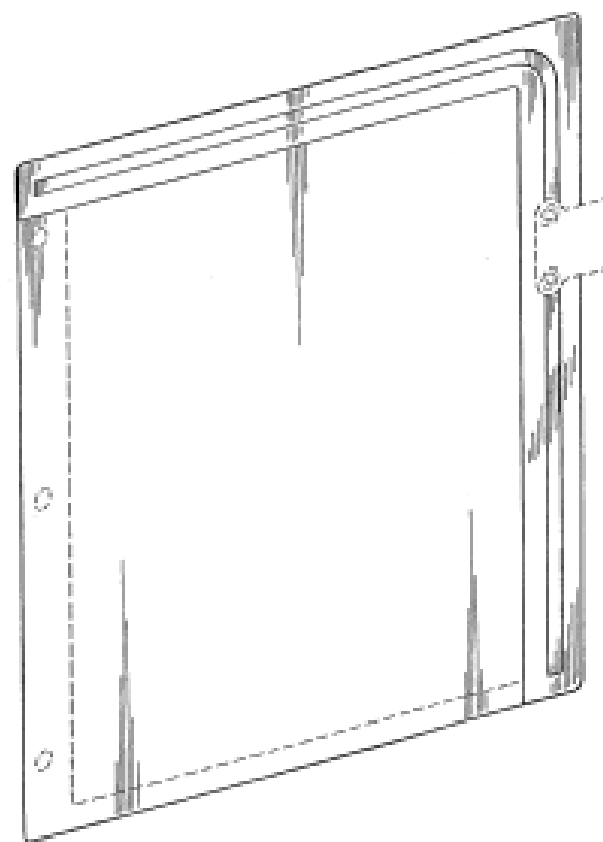


(19) AU

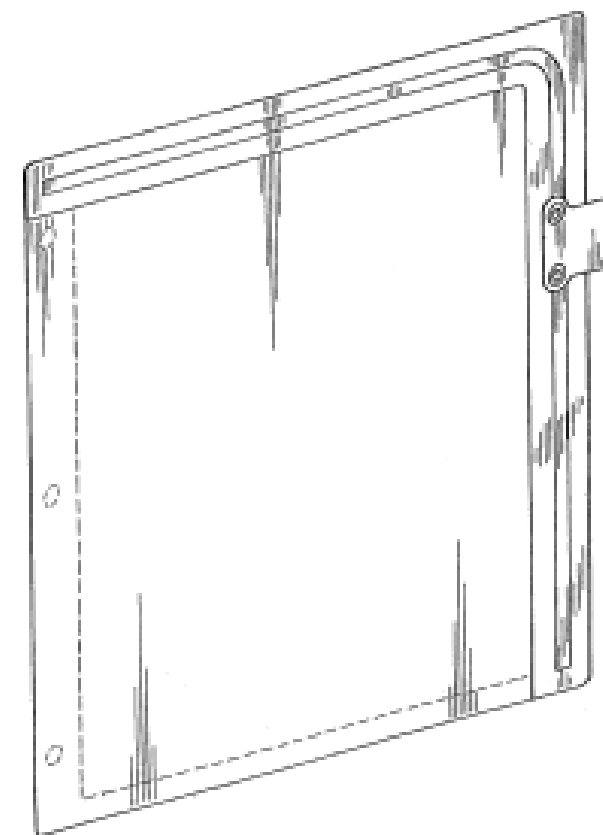
(21) Design Number: **12825/2009**
(22) Date of Filing Application: **26 May 2009**
(24) Date from which industrial property rights may have effect: **26 May 2009**
(54) Product in respect of which the design is registered: **Adjustable tab divider**
(51) International Design Classification: **19-04**
(71) Name(s) and Address(s) of Applicant(s):
Staples the Office Superstore, LLC
500 Staples Drive Framingham MA 01702 United States of America
(72) Name(s) of Designer(s): **Sasha Barausky and Tom Lutzow**
(45) Registration Date: **31 July 2009**
(30) Convention priority data:
(31) Number (32) Date (33) Country
29/328,698 01 Dec 2008 UNITED STATES OF AMERICA
(56) Related Art Documents: **Not Applicable**
(57) Statement of Newness and Distinctiveness: **Nil**



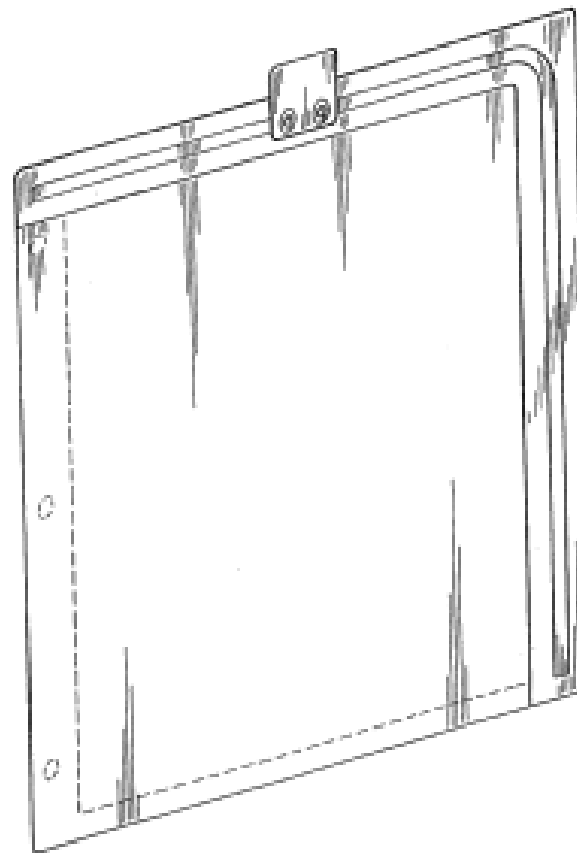
- (21) Design Number: **11922/2009**
(22) Date of Filing Application: **26 May 2009**
(24) Date from which industrial property rights may have effect: **26 May 2009**
(54) Product in respect of which the design is registered: **Tab divider**
(51) International Design Classification: **19-04**
(71) Name(s) and Address(s) of Applicant(s):
Staples the Office Superstore, LLC
500 Staples Drive Framingham MA 01702 United States of America
(72) Name(s) of Designer(s): **Tom Lutzow and Irene Wong and Ryan Shafer and Matthew Chace Carpenter**
(45) Registration Date: **31 July 2009**
(30) Convention priority data:
(31) Number (32) Date (33) Country
29/328,772 02 Dec 2008 UNITED STATES OF AMERICA
(56) Related Art Documents: **Not Applicable**
(57) Statement of Newness and Distinctiveness: **Nil**



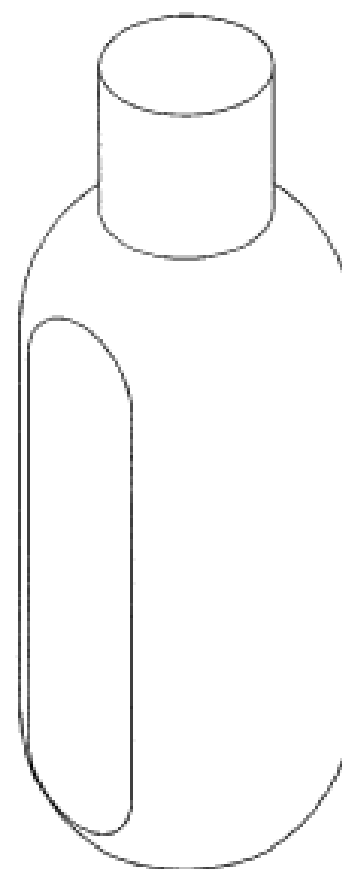
- (21) Design Number: **12821/2009**
(22) Date of Filing Application: **26 May 2009**
(24) Date from which industrial property rights may have effect: **26 May 2009**
(54) Product in respect of which the design is registered: **Tab divider**
(51) International Design Classification: **19-04**
(71) Name(s) and Address(s) of Applicant(s):
Staples the Office Superstore, LLC
500 Staples Drive Framingham MA 01702 United States of America
(72) Name(s) of Designer(s): **Tom Lutzow and Irene Wong and Ryan Shafer and Matthew Chace Carpenter**
(45) Registration Date: **31 July 2009**
(30) Convention priority data:
(31) Number (32) Date (33) Country
29/328,772 02 Dec 2008 UNITED STATES OF AMERICA
(56) Related Art Documents: **Not Applicable**
(57) Statement of Newness and Distinctiveness: **Nil**



(21) Design Number: **12822/2009**
(22) Date of Filing Application: **26 May 2009**
(24) Date from which industrial property rights may have effect: **26 May 2009**
(54) Product in respect of which the design is registered: **Tab divider**
(51) International Design Classification: **19-04**
(71) Name(s) and Address(s) of Applicant(s):
Staples the Office Superstore, LLC
500 Staples Drive Framingham MA 01702 United States of America
(72) Name(s) of Designer(s): **Tom Lutzow and Irene Wong and Ryan Shafer and Matthew Chace Carpenter**
(45) Registration Date: **31 July 2009**
(30) Convention priority data:
(31) Number (32) Date (33) Country
29/328,772 02 Dec 2008 UNITED STATES OF AMERICA
(56) Related Art Documents: **Not Applicable**
(57) Statement of Newness and Distinctiveness: **Nil**



(21) Design Number: **12225/2009**
(22) Date of Filing Application: **22 June 2009**
(24) Date from which industrial property rights may have effect: **22 June 2009**
(54) Product in respect of which the design is registered: **Blow moulded plastic bottle with screw cap**
(51) International Design Classification: **09-01K**
(71) Name(s) and Address(s) of Applicant(s):
Container Pty Ltd
6/244 Commonwealth Street Surry Hills New South Wales 2010 Australia
(72) Name(s) of Designer(s): **Brenan Liston and Jonnie Vigar and Mark Evans**
(45) Registration Date: **03 August 2009**
(56) Related Art Documents: **Not Applicable**
(57) Statement of Newness and Distinctiveness: **Nil**



(21) Design Number: **12439/2009**

(22) Date of Filing Application: **06 July 2009**

(24) Date from which industrial property rights may have effect: **06 July 2009**

(54) Product in respect of which the design is registered: **Lantern carry case**

(51) International Design Classification: **26-02, 09-03NES**

(71) Name(s) and Address(s) of Applicant(s):

**The Coleman Company, Inc.
3600 N. Hydraulic Wichita KS 67219 United States of America**

(72) Name(s) of Designer(s): **Philip M. Holsinger**

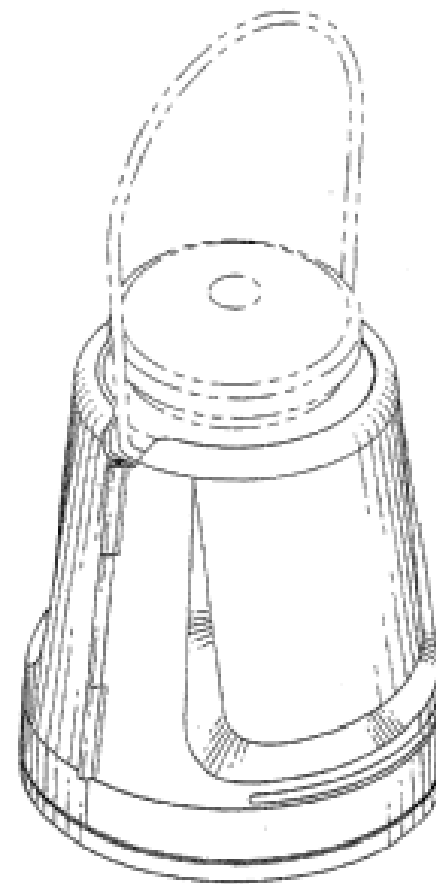
(45) Registration Date: **03 August 2009**

(30) Convention priority data:

(31) Number	(32) Date	(33) Country
29/330400	06 Jan 2009	UNITED STATES OF AMERICA

(56) Related Art Documents: **Not Applicable**

(57) Statement of Newness and Distinctiveness: **When determining whether the design 1 is substantially similar in overall impression to another design, no regard is to be had to those features shown in dotted outline in the accompanying drawings.**



(21) Design Number: **12472/2009**

(22) Date of Filing Application: **08 July 2009**

(24) Date from which industrial property rights may have effect: **08 July 2009**

(54) Product in respect of which the design is registered: **A toy building element**

(51) International Design Classification: **21-01E**

(71) Name(s) and Address(s) of Applicant(s):

**Lego A/S
Aastvej 1 Billund DK-7190 Denmark**

(72) Name(s) of Designer(s): **Markus Kossmann**

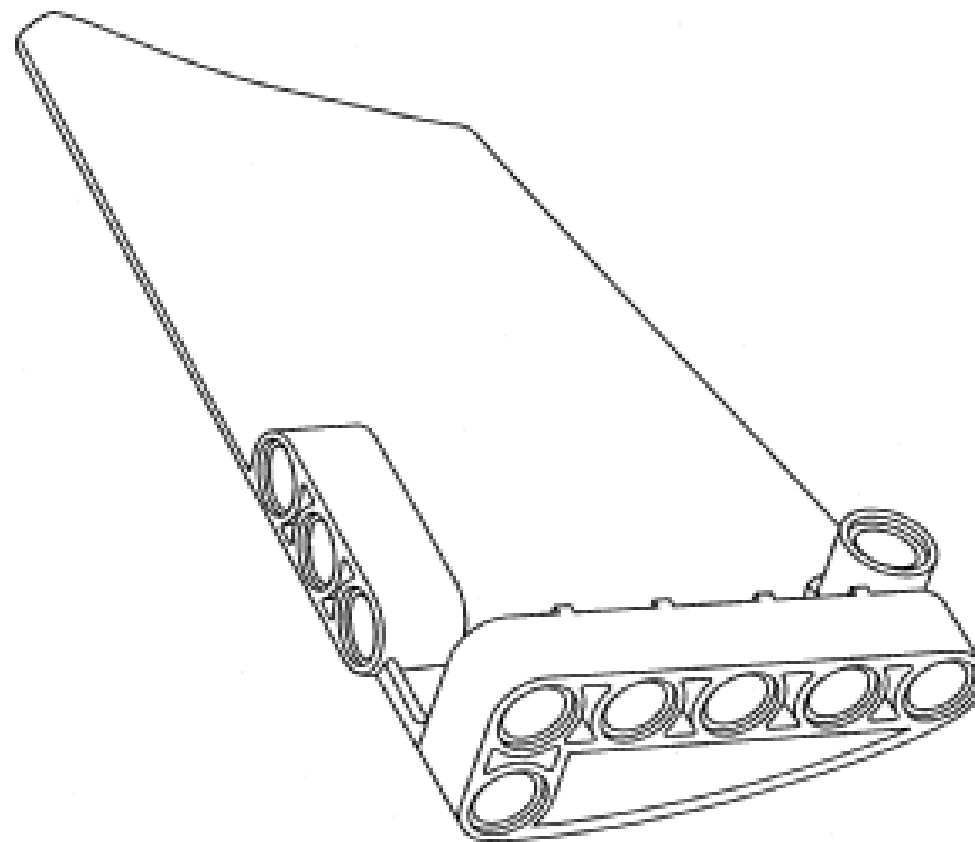
(45) Registration Date: **03 August 2009**

(30) Convention priority data:

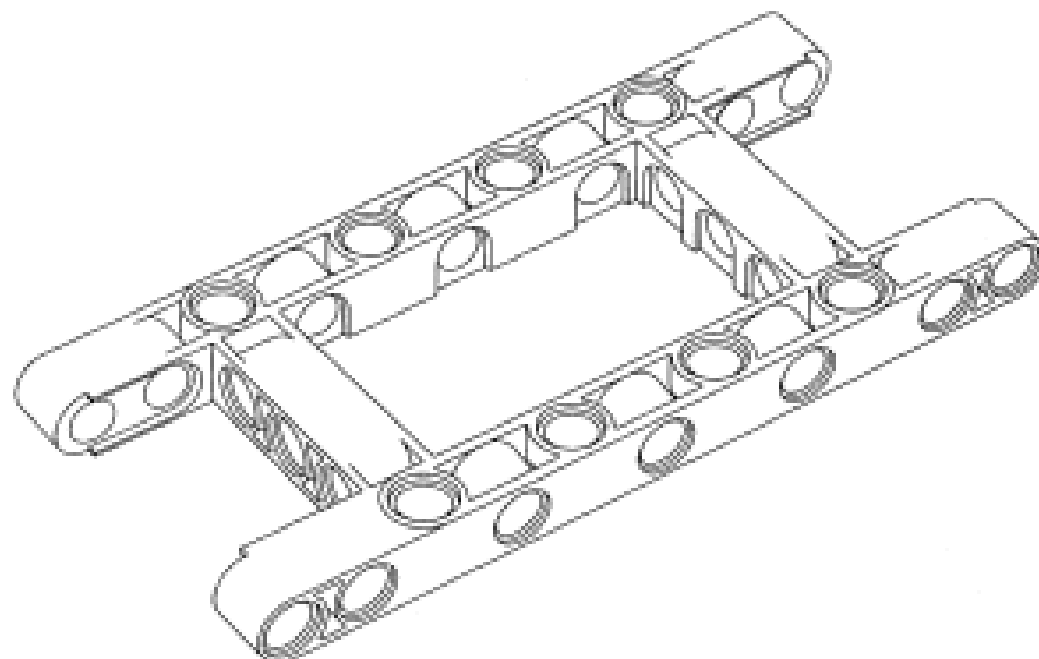
(31) Number	(32) Date	(33) Country
001076178	27 Jan 2009	EUROPEAN COMMUNITY

(56) Related Art Documents: **Not Applicable**

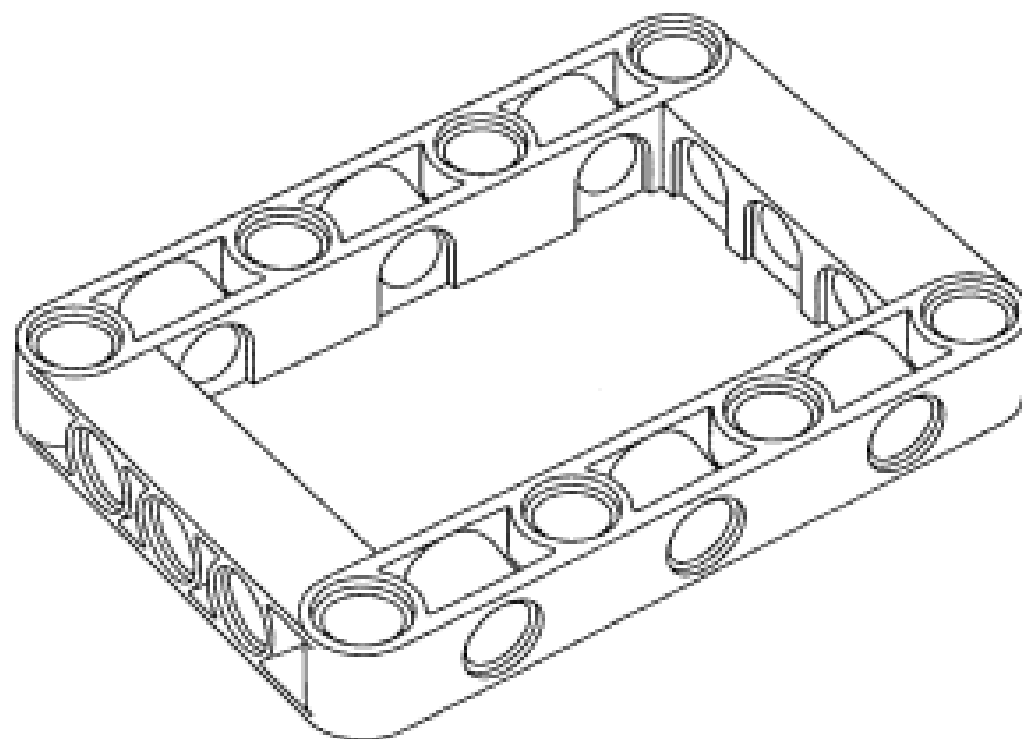
(57) Statement of Newness and Distinctiveness: **Nil**



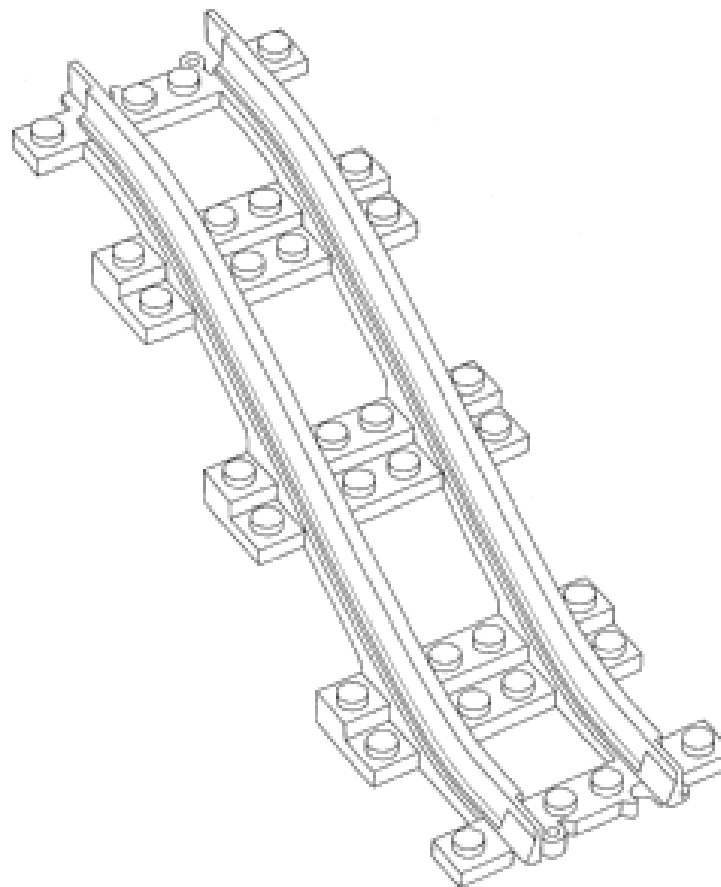
(21) Design Number: **12473/2009**
(22) Date of Filing Application: **08 July 2009**
(24) Date from which industrial property rights may have effect: **08 July 2009**
(54) Product in respect of which the design is registered: **A toy building element**
(51) International Design Classification: **21-01E**
(71) Name(s) and Address(s) of Applicant(s):
Lego A/S
Aastvej 1 Billund DK-7190 Denmark
(72) Name(s) of Designer(s): **Markus Kossmann**
(45) Registration Date: **03 August 2009**
(30) Convention priority data:
(31) Number (32) Date (33) Country
001076178 27 Jan 2009 EUROPEAN COMMUNITY
(56) Related Art Documents: **Not Applicable**
(57) Statement of Newness and Distinctiveness: **Nil**



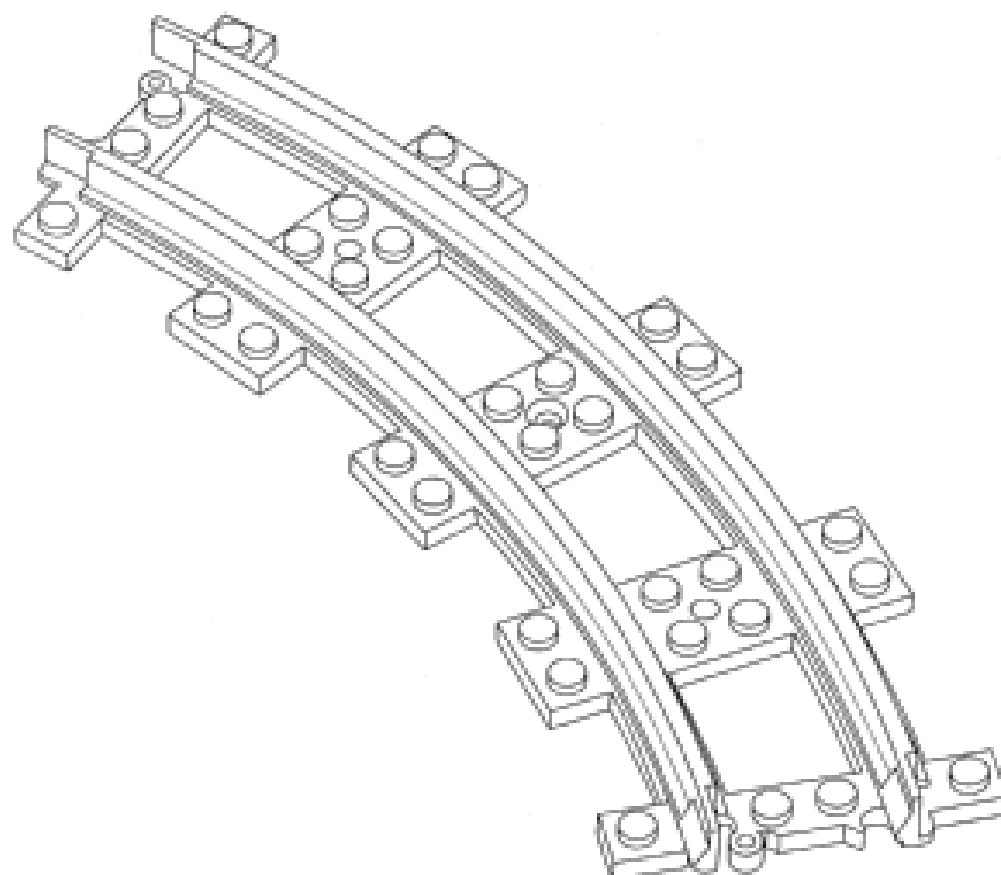
(21) Design Number: **12474/2009**
(22) Date of Filing Application: **08 July 2009**
(24) Date from which industrial property rights may have effect: **08 July 2009**
(54) Product in respect of which the design is registered: **A toy building element**
(51) International Design Classification: **21-01E**
(71) Name(s) and Address(s) of Applicant(s):
Lego A/S
Aastvej 1 Billund DK-7190 Denmark
(72) Name(s) of Designer(s): **Markus Kossmann**
(45) Registration Date: **03 August 2009**
(30) Convention priority data:
(31) Number (32) Date (33) Country
001076178 27 Jan 2009 EUROPEAN COMMUNITY
(56) Related Art Documents: **Not Applicable**
(57) Statement of Newness and Distinctiveness: **Nil**



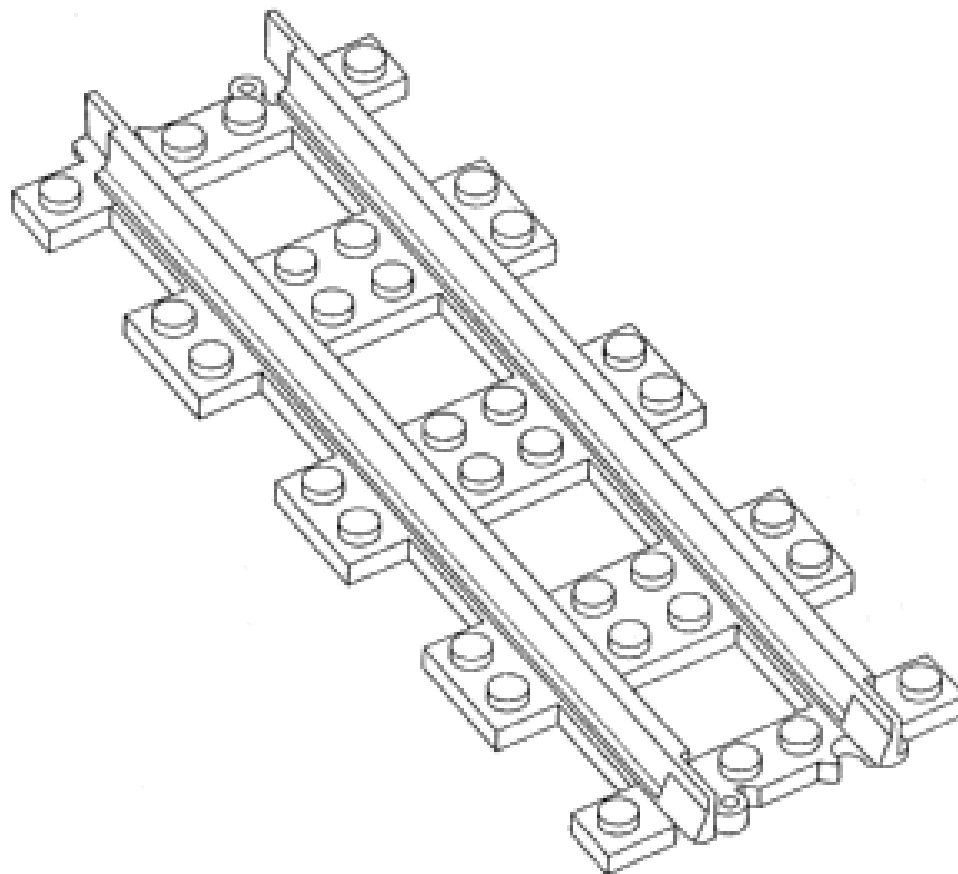
(21) Design Number: **12475/2009**
(22) Date of Filing Application: **08 July 2009**
(24) Date from which industrial property rights may have effect: **08 July 2009**
(54) Product in respect of which the design is registered: **A toy building element**
(51) International Design Classification: **21-01E**
(71) Name(s) and Address(s) of Applicant(s):
Lego A/S
Aastvej 1 Billund DK-7190 Denmark
(72) Name(s) of Designer(s): **Henrik Saaby Clausen**
(45) Registration Date: **03 August 2009**
(30) Convention priority data:
(31) Number (32) Date (33) Country
001076178 27 Jan 2009 EUROPEAN COMMUNITY
(56) Related Art Documents: **Not Applicable**
(57) Statement of Newness and Distinctiveness: **Nil**



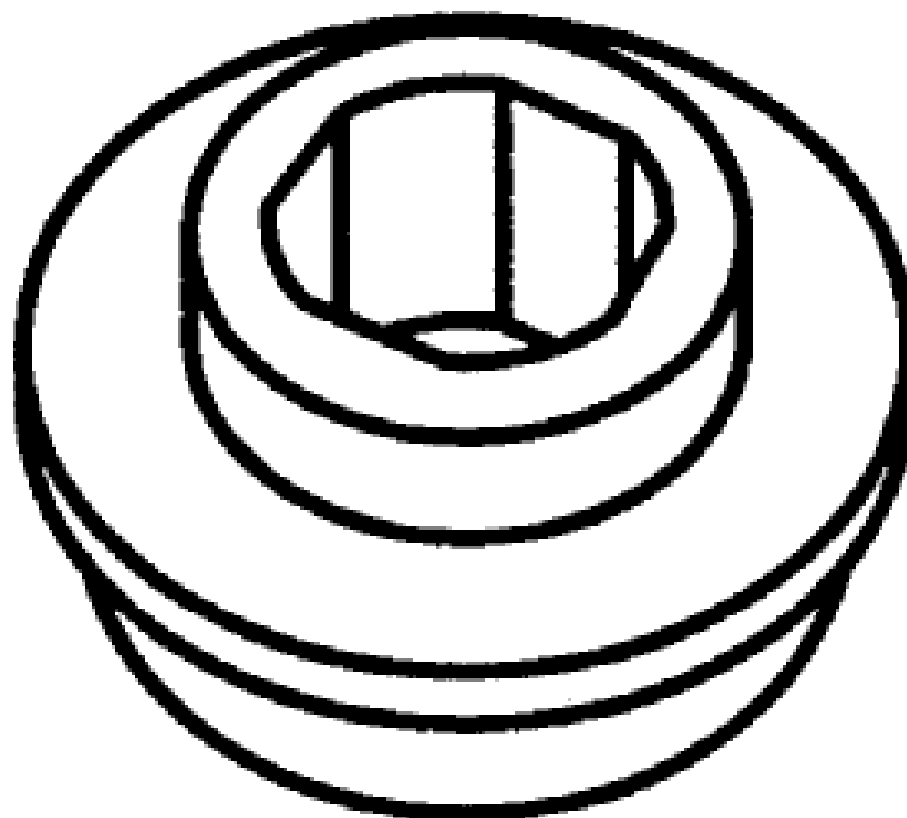
(21) Design Number: **12476/2009**
(22) Date of Filing Application: **08 July 2009**
(24) Date from which industrial property rights may have effect: **08 July 2009**
(54) Product in respect of which the design is registered: **A toy building element**
(51) International Design Classification: **21-01E**
(71) Name(s) and Address(s) of Applicant(s):
Lego A/S
Aastvej 1 Billund DK-7190 Denmark
(72) Name(s) of Designer(s): **Henrik Saaby Clausen**
(45) Registration Date: **03 August 2009**
(30) Convention priority data:
(31) Number (32) Date (33) Country
001076178 27 Jan 2009 EUROPEAN COMMUNITY
(56) Related Art Documents: **Not Applicable**
(57) Statement of Newness and Distinctiveness: **Nil**



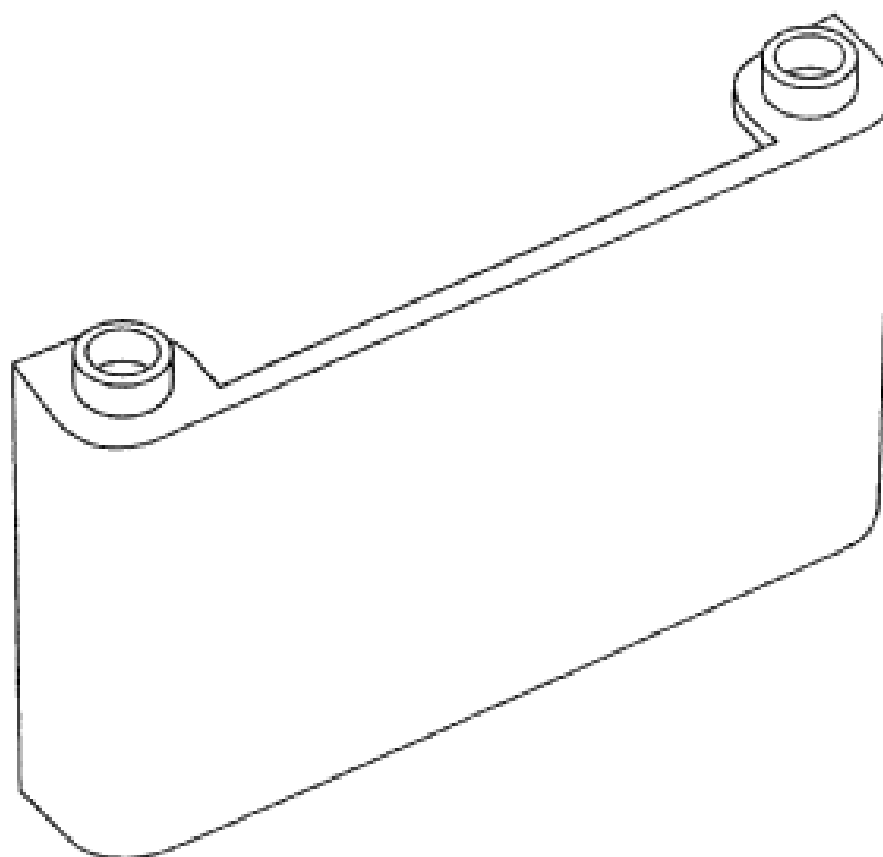
(21) Design Number: **12477/2009**
(22) Date of Filing Application: **08 July 2009**
(24) Date from which industrial property rights may have effect: **08 July 2009**
(54) Product in respect of which the design is registered: **A toy building element**
(51) International Design Classification: **21-01E**
(71) Name(s) and Address(s) of Applicant(s):
Lego A/S
Aastvej 1 Billund DK-7190 Denmark
(72) Name(s) of Designer(s): **Henrik Saaby Clausen**
(45) Registration Date: **03 August 2009**
(30) Convention priority data:
(31) Number (32) Date (33) Country
001076178 27 Jan 2009 EUROPEAN COMMUNITY
(56) Related Art Documents: **Not Applicable**
(57) Statement of Newness and Distinctiveness: **Nil**



(21) Design Number: **12478/2009**
(22) Date of Filing Application: **08 July 2009**
(24) Date from which industrial property rights may have effect: **08 July 2009**
(54) Product in respect of which the design is registered: **A toy building element**
(51) International Design Classification: **21-01E**
(71) Name(s) and Address(s) of Applicant(s):
Lego A/S
Aastvej 1 Billund DK-7190 Denmark
(72) Name(s) of Designer(s): **Henrik Saaby Clausen**
(45) Registration Date: **03 August 2009**
(30) Convention priority data:
(31) Number (32) Date (33) Country
001076178 27 Jan 2009 EUROPEAN COMMUNITY
(56) Related Art Documents: **Not Applicable**
(57) Statement of Newness and Distinctiveness: **Nil**



(21) Design Number: **12479/2009**
(22) Date of Filing Application: **08 July 2009**
(24) Date from which industrial property rights may have effect: **08 July 2009**
(54) Product in respect of which the design is registered: **A toy building element**
(51) International Design Classification: **21-01E**
(71) Name(s) and Address(s) of Applicant(s):
Lego A/S
Aastvej 1 Billund DK-7190 Denmark
(72) Name(s) of Designer(s): **Henrik Andersen**
(45) Registration Date: **03 August 2009**
(30) Convention priority data:
(31) Number (32) Date (33) Country
001076178 27 Jan 2009 EUROPEAN COMMUNITY
(56) Related Art Documents: **Not Applicable**
(57) Statement of Newness and Distinctiveness: **Nil**



(21) Design Number: **12489/2009**
(22) Date of Filing Application: **10 July 2009**
(24) Date from which industrial property rights may have effect: **10 July 2009**
(54) Product in respect of which the design is registered: **Footplate to support fence stay**
(51) International Design Classification: **08-08K**
(71) Name(s) and Address(s) of Applicant(s):
Ronald George Ovenden
3 Roper Avenue Armidale New South Wales 2350 Australia
David Edward Ovenden
6 O'Conner Road Armidale New South Wales 2350 Australia
(72) Name(s) of Designer(s): **Ronald George Ovenden and David Edward Ovenden**
(45) Registration Date: **03 August 2009**
(56) Related Art Documents: **Not Applicable**
(57) Statement of Newness and Distinctiveness: **Monopoly is claimed in the shape and configuration of the two part footplate assembly as illustrated in the representations. The shaded section of the assembly does not form part of the design and is to be disregarded when considering whether the design is identical or substantially similar in overall impression to another design.**



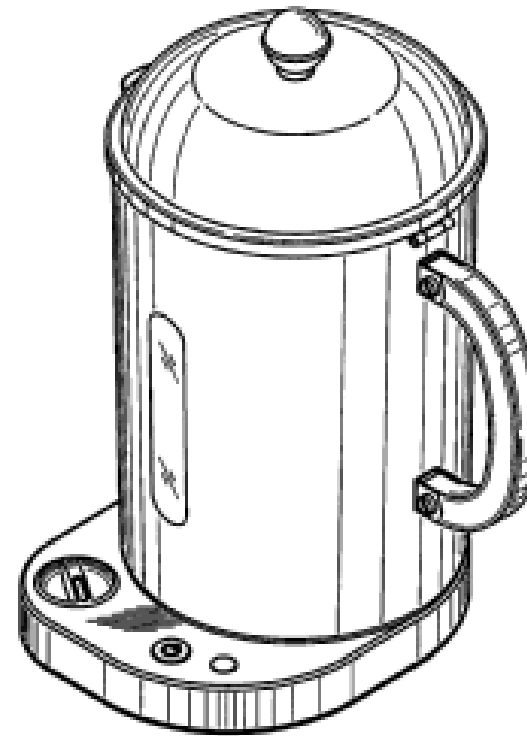
- (21) Design Number: **12500/2009**
(22) Date of Filing Application: **09 July 2009**
(24) Date from which industrial property rights may have effect: **09 July 2009**
(54) Product in respect of which the design is registered: **Seat cover**
(51) International Design Classification: **06-13NES**
(71) Name(s) and Address(s) of Applicant(s):
Sperling Enterprises Pty Limited
16 Helles Avenue Moorebank New South Wales 2170 Australia
(72) Name(s) of Designer(s): **Peter Sperling**
(45) Registration Date: **03 August 2009**
(56) Related Art Documents: **Not Applicable**
(57) Statement of Newness and Distinctiveness: **Newness and distinctiveness reside in the features of the design as shown in the representations and in particular in the two slots/slits shown in the close up views.**



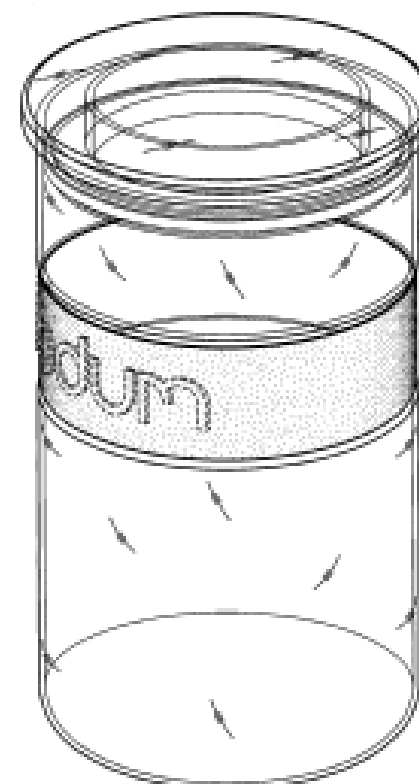
- (21) Design Number: **12501/2009**
(22) Date of Filing Application: **09 July 2009**
(24) Date from which industrial property rights may have effect: **09 July 2009**
(54) Product in respect of which the design is registered: **Seat cover**
(51) International Design Classification: **06-13NES**
(71) Name(s) and Address(s) of Applicant(s):
Sperling Enterprises Pty Limited
16 Helles Avenue Moorebank New South Wales 2170 Australia
(72) Name(s) of Designer(s): **Peter Sperling**
(45) Registration Date: **03 August 2009**
(56) Related Art Documents: **Not Applicable**
(57) Statement of Newness and Distinctiveness: **Newness and distinctiveness reside in the features of the design as shown in the representations and in particular in the shape and configuration of that part of the product shown in the close up views, including the slots.**



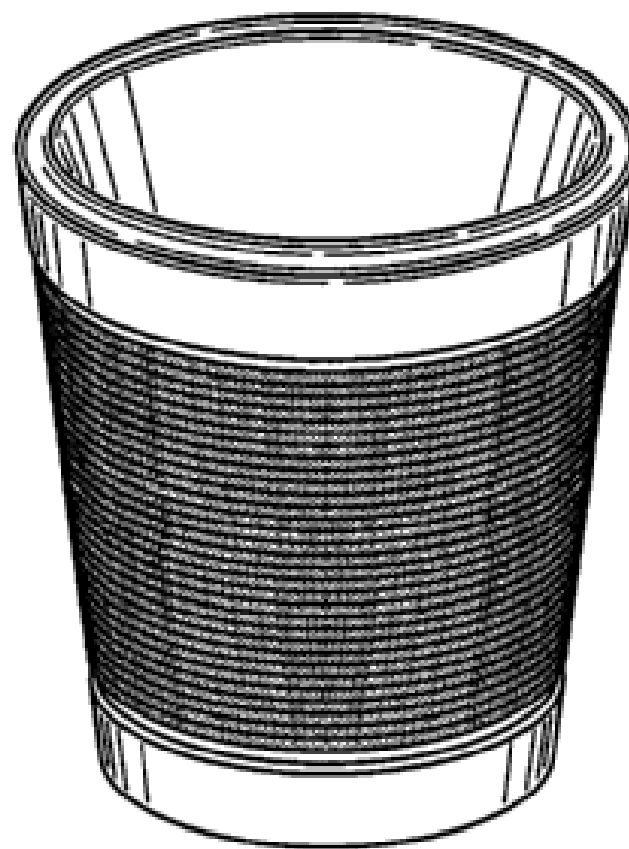
(21) Design Number: **12503/2009**
(22) Date of Filing Application: **10 July 2009**
(24) Date from which industrial property rights may have effect: **10 July 2009**
(54) Product in respect of which the design is registered: **Electric kettle and base therefor**
(51) International Design Classification: **07-02K**
(71) Name(s) and Address(s) of Applicant(s):
Pi-Design AG
Kantonsstrasse 100 Postfach 463 CH-6234 Triengen Switzerland
(72) Name(s) of Designer(s): **Jorgen Bodum**
(45) Registration Date: **03 August 2009**
(30) Convention priority data:
(31) Number (32) Date (33) Country
DM/071 324 03 Feb 2009 WORLD INTELLECTUAL PROPERTY ORGANIZATION (WIPO)
(56) Related Art Documents: **Not Applicable**
(57) Statement of Newness and Distinctiveness: **Nil**



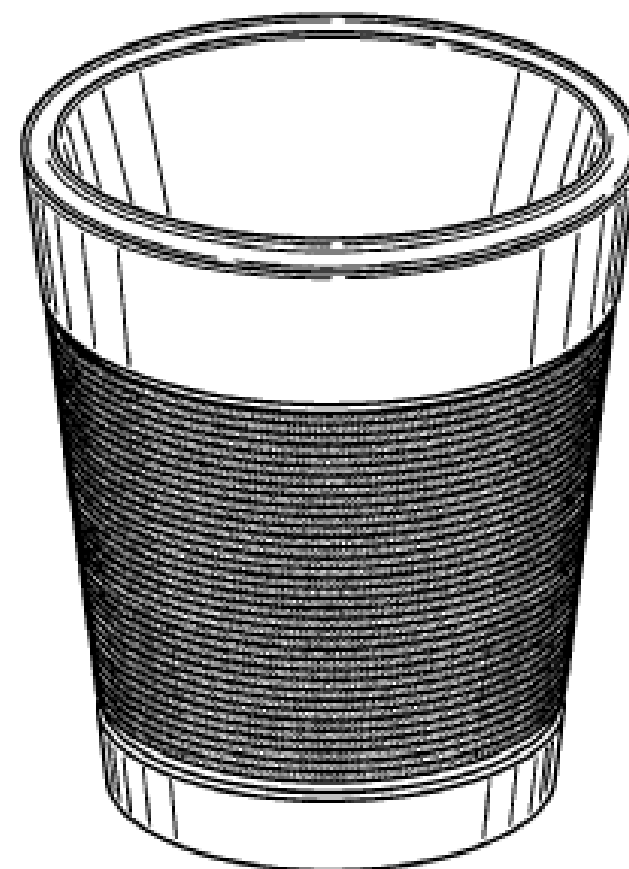
(21) Design Number: **12504/2009**
(22) Date of Filing Application: **10 July 2009**
(24) Date from which industrial property rights may have effect: **10 July 2009**
(54) Product in respect of which the design is registered: **Storage jar**
(51) International Design Classification: **07-01NES**
(71) Name(s) and Address(s) of Applicant(s):
Pi-Design AG
Kantonsstrasse 100 Postfach 463 CH-6234 Triengen Switzerland
(72) Name(s) of Designer(s): **Jorgen Bodum**
(45) Registration Date: **03 August 2009**
(30) Convention priority data:
(31) Number (32) Date (33) Country
DM/071 501 24 Feb 2009 WORLD INTELLECTUAL PROPERTY ORGANIZATION (WIPO)
(56) Related Art Documents: **Not Applicable**
(57) Statement of Newness and Distinctiveness: **Nil**



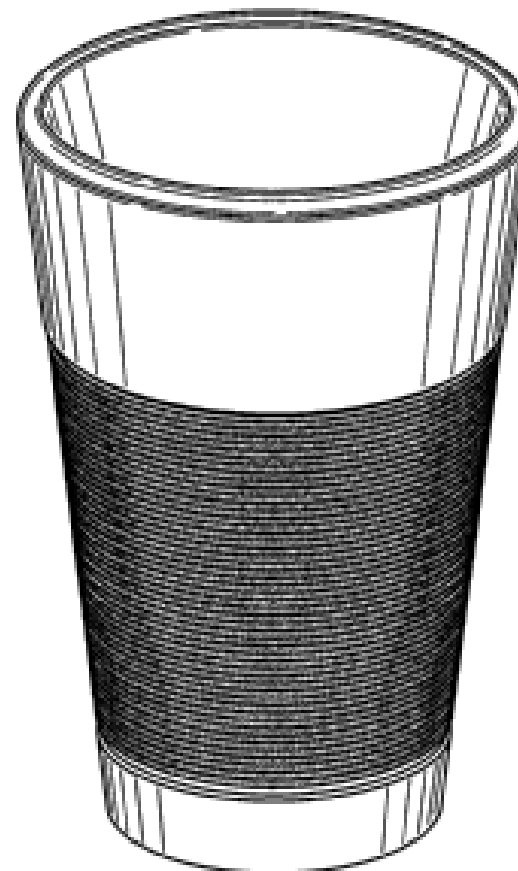
(21) Design Number: **12492/2009**
(22) Date of Filing Application: **10 July 2009**
(24) Date from which industrial property rights may have effect: **10 July 2009**
(54) Product in respect of which the design is registered: **Canteen double wall mug**
(51) International Design Classification: **07-01C**
(71) Name(s) and Address(s) of Applicant(s):
Pi-Design AG
Kantonsstrasse 100 6234 Triengen Switzerland
(72) Name(s) of Designer(s): **Jorgen Bodum**
(45) Registration Date: **04 August 2009**
(30) Convention priority data:
(31) Number (32) Date (33) Country
DM/071 171 12 Jan 2009 WORLD INTELLECTUAL PROPERTY ORGANIZATION (WIPO)
(56) Related Art Documents: **Not Applicable**
(57) Statement of Newness and Distinctiveness: **Nil**



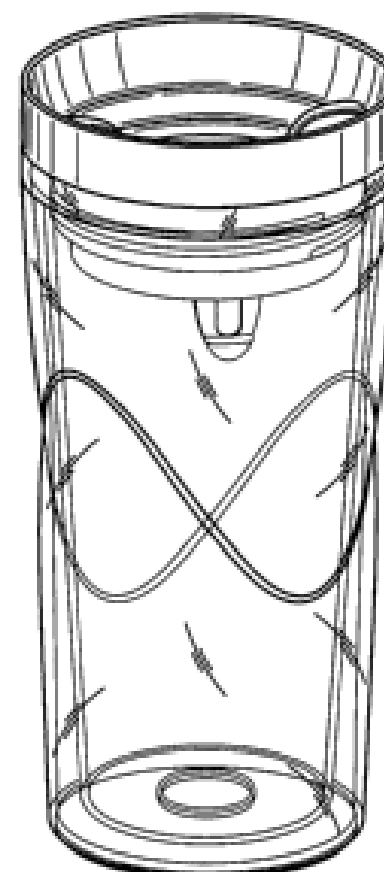
(21) Design Number: **12493/2009**
(22) Date of Filing Application: **10 July 2009**
(24) Date from which industrial property rights may have effect: **10 July 2009**
(54) Product in respect of which the design is registered: **Canteen double wall mug**
(51) International Design Classification: **07-01C**
(71) Name(s) and Address(s) of Applicant(s):
Pi-Design AG
Kantonsstrasse 100 6234 Triengen Switzerland
(72) Name(s) of Designer(s): **Jorgen Bodum**
(45) Registration Date: **04 August 2009**
(30) Convention priority data:
(31) Number (32) Date (33) Country
DM/071 171 12 Jan 2009 WORLD INTELLECTUAL PROPERTY ORGANIZATION (WIPO)
(56) Related Art Documents: **Not Applicable**
(57) Statement of Newness and Distinctiveness: **Nil**



(21) Design Number: **12494/2009**
(22) Date of Filing Application: **10 July 2009**
(24) Date from which industrial property rights may have effect: **10 July 2009**
(54) Product in respect of which the design is registered: **Canteen double wall mug**
(51) International Design Classification: **07-01C**
(71) Name(s) and Address(s) of Applicant(s):
Pi-Design AG
Kantonsstrasse 100 6234 Triengen Switzerland
(72) Name(s) of Designer(s): **Jorgen Bodum**
(45) Registration Date: **04 August 2009**
(30) Convention priority data:
(31) Number (32) Date (33) Country
DM/071 171 12 Jan 2009 WORLD INTELLECTUAL PROPERTY ORGANIZATION (WIPO)
(56) Related Art Documents: **Not Applicable**
(57) Statement of Newness and Distinctiveness: **Nil**



(21) Design Number: **12495/2009**
(22) Date of Filing Application: **10 July 2009**
(24) Date from which industrial property rights may have effect: **10 July 2009**
(54) Product in respect of which the design is registered: **Travel mug and closure**
(51) International Design Classification: **07-01C**
(71) Name(s) and Address(s) of Applicant(s):
Pi-Design AG
Kantonsstrasse 100 Postfach 463 CH-6234 Triengen Switzerland
(72) Name(s) of Designer(s): **Jorgen Bodum**
(45) Registration Date: **04 August 2009**
(30) Convention priority data:
(31) Number (32) Date (33) Country
DM/071 370 09 Feb 2009 WORLD INTELLECTUAL PROPERTY ORGANIZATION (WIPO)
(56) Related Art Documents: **Not Applicable**
(57) Statement of Newness and Distinctiveness: **Nil**



(21) Design Number: **12496/2009**

(22) Date of Filing Application: **09 July 2009**

(24) Date from which industrial property rights may have effect: **09 July 2009**

(54) Product in respect of which the design is registered: **Circuit breaker 1 pole**

(51) International Design Classification: **13-03NES**

(71) Name(s) and Address(s) of Applicant(s):

Schneider Electric Industries SAS
35 rue Joseph Monier F-92500 Rueil Malmaison France

(72) Name(s) of Designer(s): **Marc Metral**

(45) Registration Date: **04 August 2009**

(30) Convention priority data:

(31) Number	(32) Date	(33) Country
09 0401	30 Jan 2009	FRANCE

(56) Related Art Documents: **Not Applicable**

(57) Statement of Newness and Distinctiveness: **Nil**



(21) Design Number: **12497/2009**

(22) Date of Filing Application: **09 July 2009**

(24) Date from which industrial property rights may have effect: **09 July 2009**

(54) Product in respect of which the design is registered: **Residual-current switch 2 poles**

(51) International Design Classification: **13-03E**

(71) Name(s) and Address(s) of Applicant(s):

Schneider Electric Industries SAS
35 rue Joseph Monier F-92500 Rueil Malmaison France

(72) Name(s) of Designer(s): **Marc Metral**

(45) Registration Date: **04 August 2009**

(30) Convention priority data:

(31) Number	(32) Date	(33) Country
09 0401	30 Jan 2009	FRANCE

(56) Related Art Documents: **Not Applicable**

(57) Statement of Newness and Distinctiveness: **Nil**



(21) Design Number: **12498/2009**

(22) Date of Filing Application: **09 July 2009**

(24) Date from which industrial property rights may have effect: **09 July 2009**

(54) Product in respect of which the design is registered: **Remote control circuit breaker 4 poles**

(51) International Design Classification: **13-03NES**

(71) Name(s) and Address(s) of Applicant(s):

**Schneider Electric Industries SAS
35 rue Joseph Monier F-92500 Rueil Malmaison France**

(72) Name(s) of Designer(s): **Marc Metral**

(45) Registration Date: **04 August 2009**

(30) Convention priority data:

(31) Number	(32) Date	(33) Country
09 0406	30 Jan 2009	FRANCE

(56) Related Art Documents: **Not Applicable**

(57) Statement of Newness and Distinctiveness: **Nil**



(21) Design Number: **12517/2009**

(22) Date of Filing Application: **13 July 2009**

(24) Date from which industrial property rights may have effect: **13 July 2009**

(54) Product in respect of which the design is registered: **Worm habitat grande**

(51) International Design Classification: **99-00**

(71) Name(s) and Address(s) of Applicant(s):

**Paul Michael Harrey
308 Tanawha Tourist Drive Tanawha Queensland 4556 Australia**

**Penelope Anne Mitchell
308 Tanawha Tourist Drive Tanawha Queensland 4556 Australia**

(72) Name(s) of Designer(s): **Paul Michael Harrey and Penelope Anne Mitchell**

(45) Registration Date: **04 August 2009**

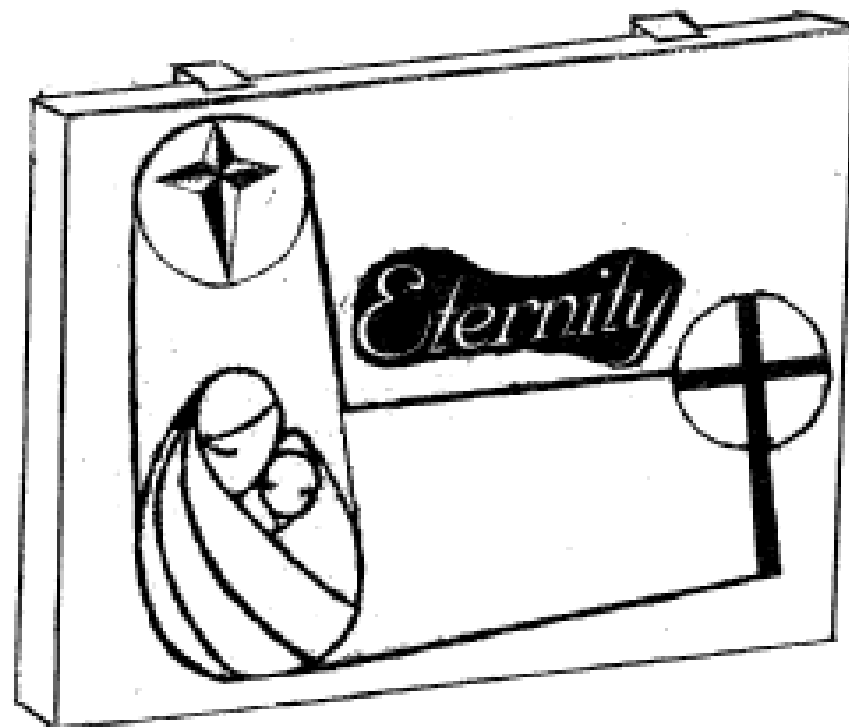
(56) Related Art Documents: **Not Applicable**

(57) Statement of Newness and Distinctiveness: **Nil**



(19) AU

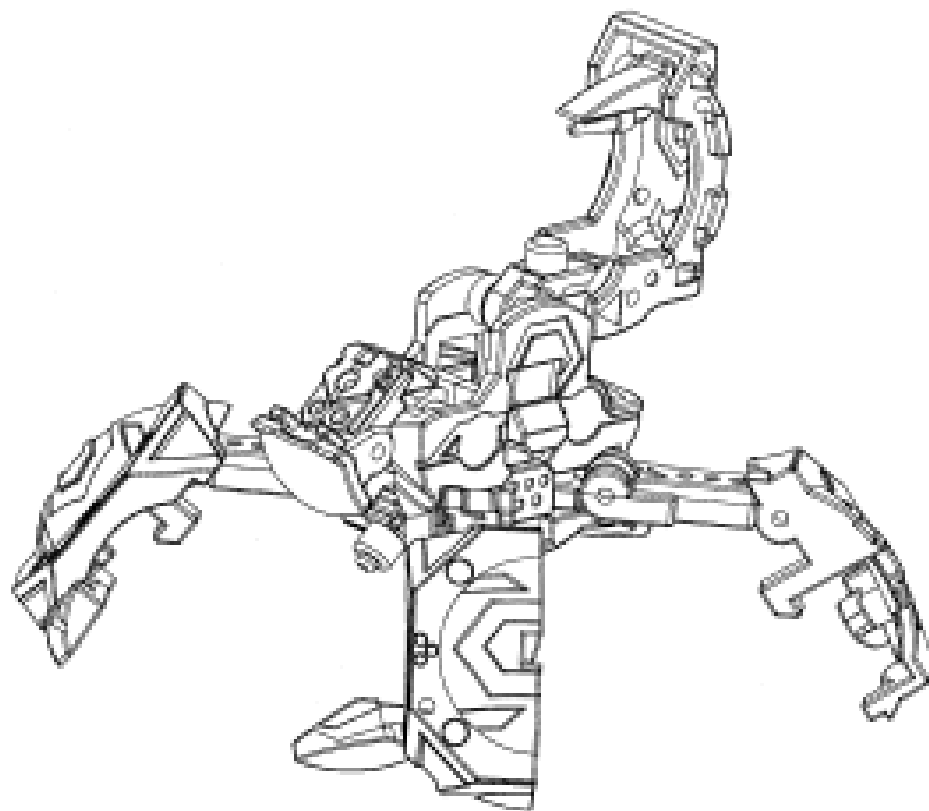
- (21) Design Number: **12286/2009**
- (22) Date of Filing Application: **25 June 2009**
- (24) Date from which industrial property rights may have effect: **25 June 2009**
- (54) Product in respect of which the design is registered: **The design is applicable to illuminated signs to be attached to facades and roofs**
- (51) International Design Classification: **20-03C**
- (71) Name(s) and Address(s) of Applicant(s):
**James Bernard Hill Trustee of Advocates Consultants Trust
 8/735 New South Head Road Rose Bay New South Wales 2029
 Australia**
- (72) Name(s) of Designer(s): **James Bernard Hill**
- (45) Registration Date: **04 August 2009**
- (56) Related Art Documents: **Not Applicable**
- (57) Statement of Newness and Distinctiveness: **This is claimed for the shape, configuration, pattern and ornamentation of the illuminated sign features, being respectively the star, the Madonna, the cross and the word "eternity", as illustrated in the accompanying representations. This is also claimed for the sequential illumination of these features, being first the star, then the Madonna, then the cross and finally the word "eternity".**



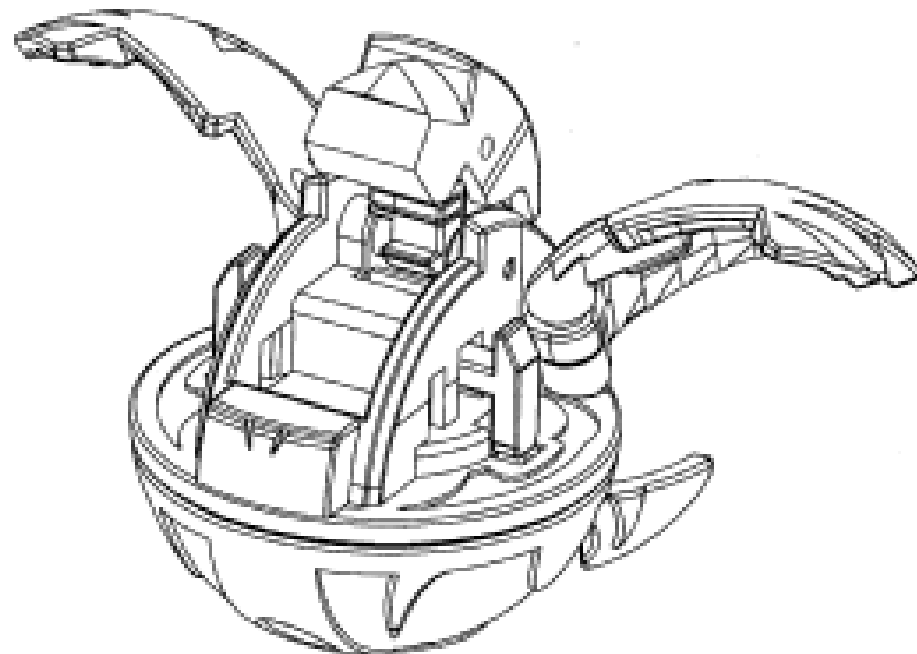
(19) AU

- (21) Design Number: **12527/2009**
- (22) Date of Filing Application: **10 July 2009**
- (24) Date from which industrial property rights may have effect: **10 July 2009**
- (54) Product in respect of which the design is registered: **Transformable toy**
- (51) International Design Classification: **21-01B**
- (71) Name(s) and Address(s) of Applicant(s):
**Spin Master Ltd
 450 Front Street West Toronto M5V 1B6 Ontario Canada**
- (72) Name(s) of Designer(s): **Wataru Sato and Kohji Hirose and Richard Keuter**
- (45) Registration Date: **04 August 2009**
- (30) Convention priority data:

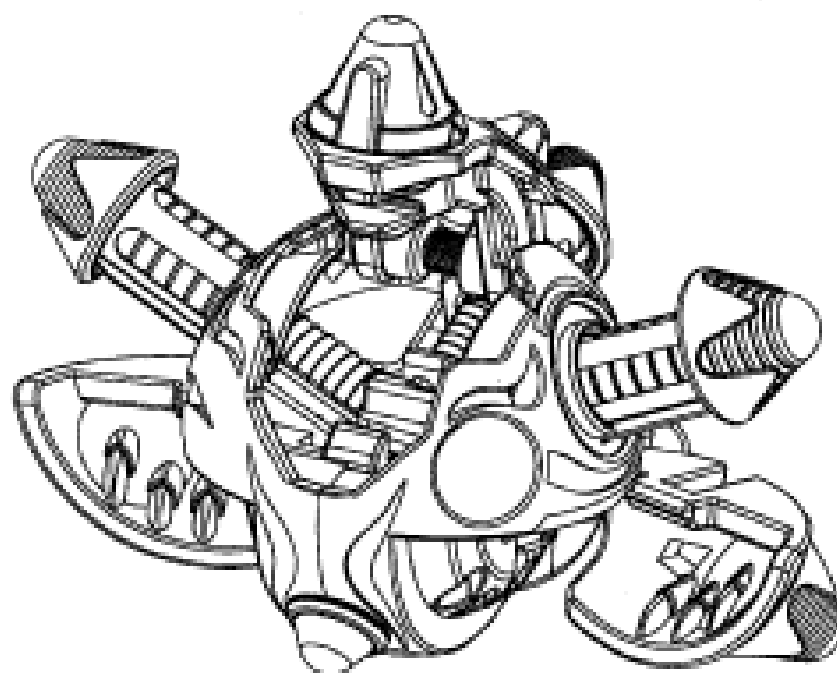
(31) Number	(32) Date	(33) Country
129316	14 Jan 2009	CANADA
- (56) Related Art Documents: **Not Applicable**
- (57) Statement of Newness and Distinctiveness: **The newness and distinctiveness of the design resides in the shape and/or configuration of the transformable toy as shown in the representations.**



- (21) Design Number: **12528/2009**
(22) Date of Filing Application: **10 July 2009**
(24) Date from which industrial property rights may have effect: **10 July 2009**
(54) Product in respect of which the design is registered: **Transformable toy**
(51) International Design Classification: **21-01B**
(71) Name(s) and Address(s) of Applicant(s):
Spin Master Ltd
450 Front Street West Toronto M5V 1B6 Ontario Canada
(72) Name(s) of Designer(s): **Wataru Sato and Kohji Hirose and Richard Keuter**
(45) Registration Date: **04 August 2009**
(30) Convention priority data:
(31) Number (32) Date (33) Country
129315 14 Jan 2009 CANADA
(56) Related Art Documents: **Not Applicable**
(57) Statement of Newness and Distinctiveness: **The newness and distinctiveness of the design resides in the shape and/or configuration of the transformable toy as shown in the representations.**



- (21) Design Number: **12529/2009**
(22) Date of Filing Application: **10 July 2009**
(24) Date from which industrial property rights may have effect: **10 July 2009**
(54) Product in respect of which the design is registered: **Transformable toy**
(51) International Design Classification: **21-01B**
(71) Name(s) and Address(s) of Applicant(s):
Spin Master Ltd
450 Front Street West Toronto M5V 1B6 Ontario Canada
(72) Name(s) of Designer(s): **Wataru Sato and Kohji Hirose and Richard Keuter**
(45) Registration Date: **04 August 2009**
(30) Convention priority data:
(31) Number (32) Date (33) Country
129395 26 Jan 2009 CANADA
(56) Related Art Documents: **Not Applicable**
(57) Statement of Newness and Distinctiveness: **The newness and distinctiveness of the design resides in the shape and/or configuration of the transformable toy as shown in the representations.**



(21) Design Number: **12530/2009**

(22) Date of Filing Application: **10 July 2009**

(24) Date from which industrial property rights may have effect: **10 July 2009**

(54) Product in respect of which the design is registered: **Transformable toy**

(51) International Design Classification: **21-01B**

(71) Name(s) and Address(s) of Applicant(s):

Spin Master Ltd

450 Front Street West Toronto M5V 1B6 Ontario Canada

(72) Name(s) of Designer(s): **Wataru Sato and Kohji Hirose and Richard Keuter**

(45) Registration Date: **04 August 2009**

(30) Convention priority data:

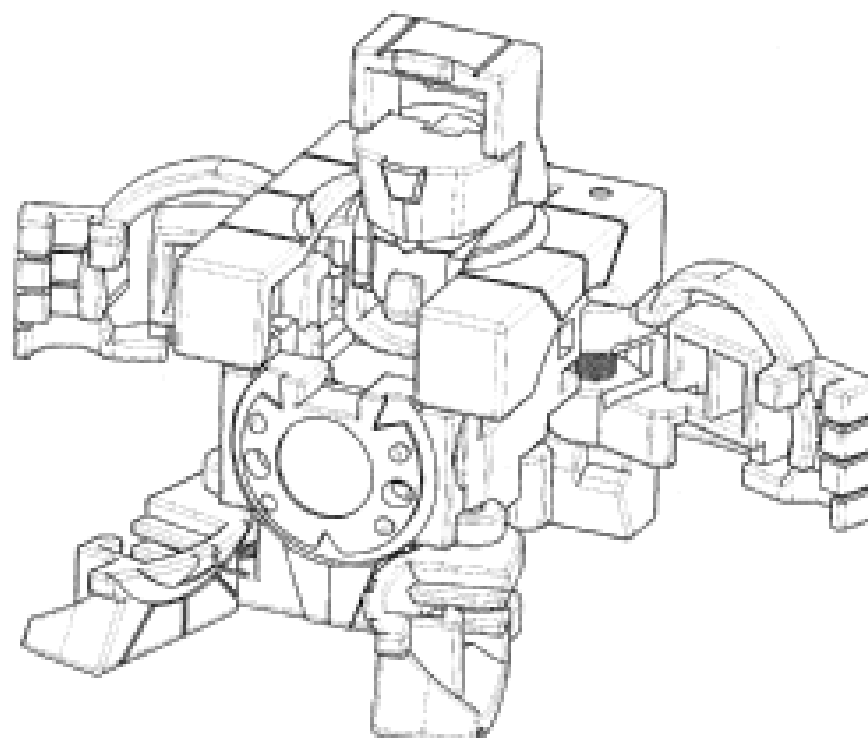
(31) Number
129298

(32) Date
13 Jan 2009

(33) Country
CANADA

(56) Related Art Documents: **Not Applicable**

(57) Statement of Newness and Distinctiveness: **The newness and distinctiveness of the design resides in the shape and/or configuration of the transformable toy as shown in the representations.**



(21) Design Number: **12531/2009**

(22) Date of Filing Application: **10 July 2009**

(24) Date from which industrial property rights may have effect: **10 July 2009**

(54) Product in respect of which the design is registered: **Transformable toy**

(51) International Design Classification: **21-01B**

(71) Name(s) and Address(s) of Applicant(s):

Spin Master Ltd

450 Front Street West Toronto M5V 1B6 Ontario Canada

(72) Name(s) of Designer(s): **Wataru Sato and Kohji Hirose and Richard Keuter**

(45) Registration Date: **04 August 2009**

(30) Convention priority data:

(31) Number
129520

(32) Date
04 Feb 2009

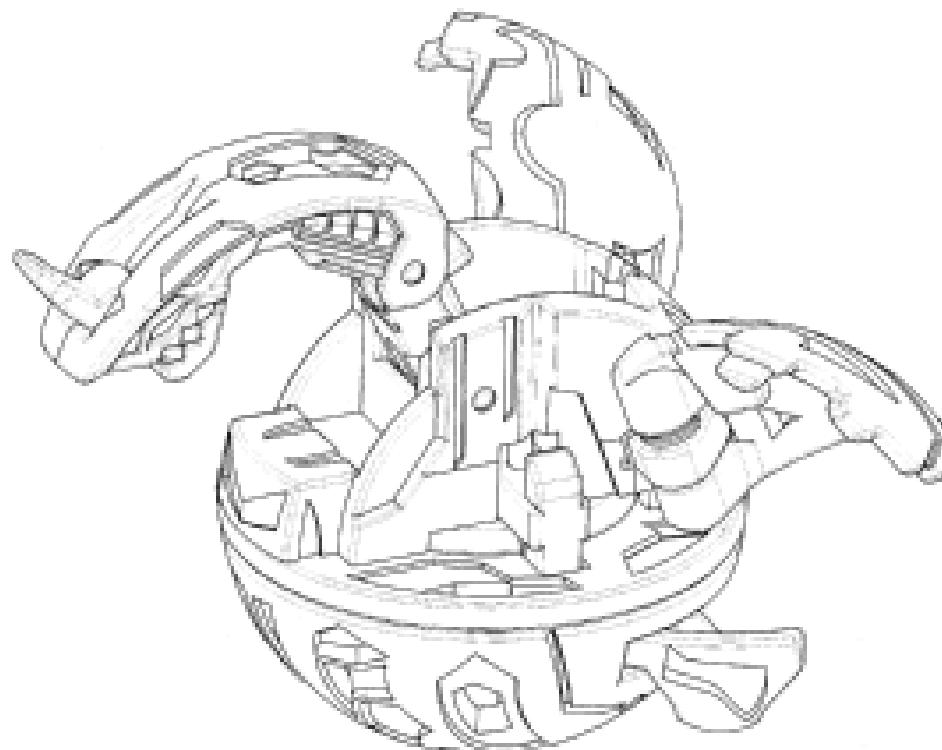
(33) Country
CANADA

(56) Related Art Documents: **Not Applicable**

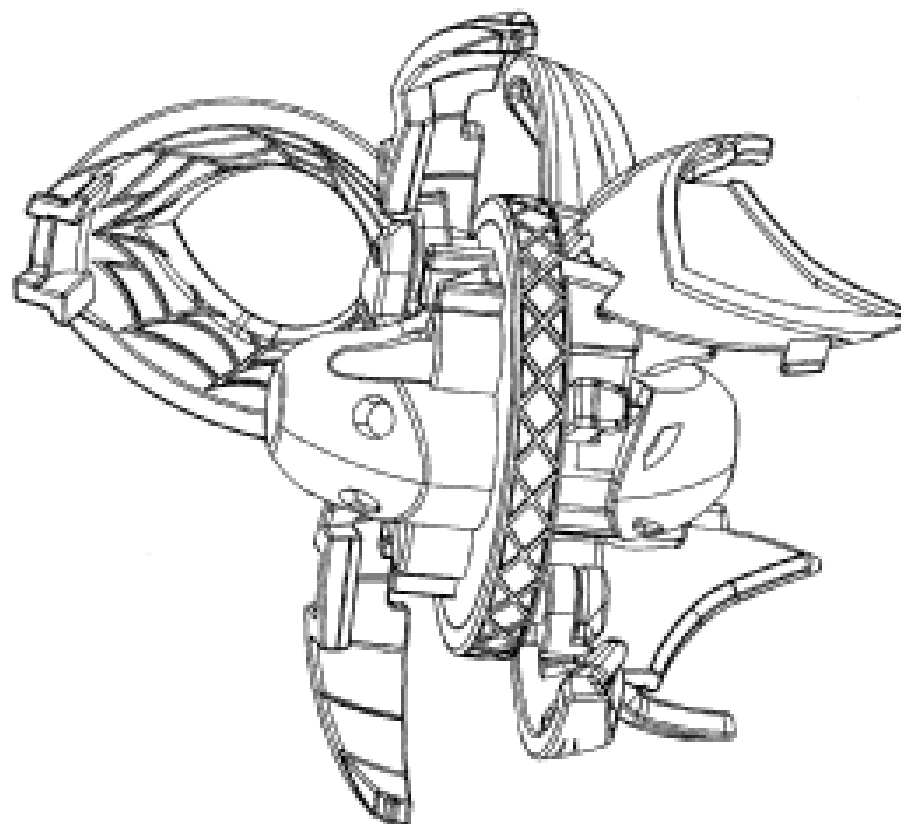
(57) Statement of Newness and Distinctiveness: **The newness and distinctiveness of the design resides in the shape and/or configuration of the transformable toy as shown in the representations.**



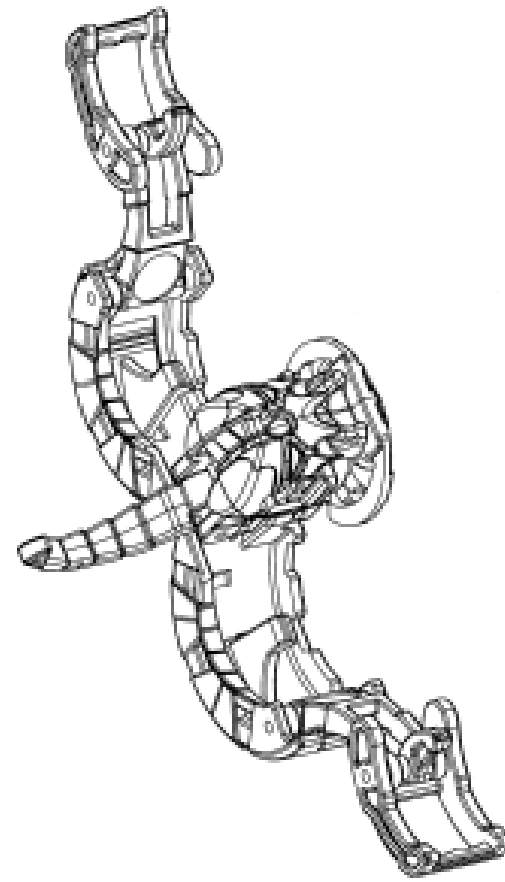
- (21) Design Number: **12532/2009**
(22) Date of Filing Application: **10 July 2009**
(24) Date from which industrial property rights may have effect: **10 July 2009**
(54) Product in respect of which the design is registered: **Transformable toy**
(51) International Design Classification: **21-01B**
(71) Name(s) and Address(s) of Applicant(s):
Spin Master Ltd
450 Front Street West Toronto M5V 1B6 Ontario Canada
(72) Name(s) of Designer(s): **Wataru Sato and Kohji Hirose and Richard Keuter**
(45) Registration Date: **04 August 2009**
(30) Convention priority data:
(31) Number (32) Date (33) Country
129314 14 Jan 2009 CANADA
(56) Related Art Documents: **Not Applicable**
(57) Statement of Newness and Distinctiveness: **The newness and distinctiveness of the design resides in the shape and/or configuration of the transformable toy as shown in the representations.**



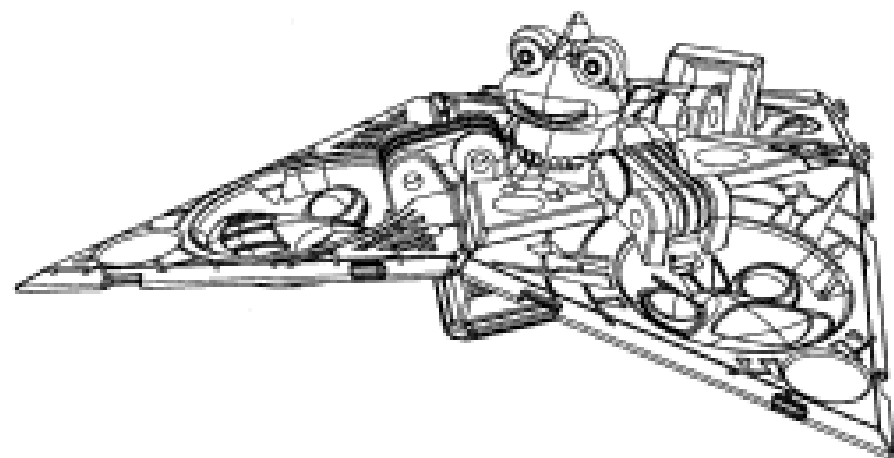
- (21) Design Number: **12533/2009**
(22) Date of Filing Application: **10 July 2009**
(24) Date from which industrial property rights may have effect: **10 July 2009**
(54) Product in respect of which the design is registered: **Transformable toy**
(51) International Design Classification: **21-01B**
(71) Name(s) and Address(s) of Applicant(s):
Spin Master Ltd
450 Front Street West Toronto M5V 1B6 Ontario Canada
(72) Name(s) of Designer(s): **Wataru Sato and Kohji Hirose and Richard Keuter**
(45) Registration Date: **04 August 2009**
(30) Convention priority data:
(31) Number (32) Date (33) Country
129313 14 Jan 2009 CANADA
(56) Related Art Documents: **Not Applicable**
(57) Statement of Newness and Distinctiveness: **The newness and distinctiveness of the design resides in the shape and/or configuration of the transformable toy as shown in the representations.**



- (21) Design Number: **12534/2009**
(22) Date of Filing Application: **10 July 2009**
(24) Date from which industrial property rights may have effect: **10 July 2009**
(54) Product in respect of which the design is registered: **Transformable toy**
(51) International Design Classification: **21-01B**
(71) Name(s) and Address(s) of Applicant(s):
Spin Master Ltd
450 Front Street West Toronto M5V 1B6 Ontario Canada
(72) Name(s) of Designer(s): **Wataru Sato and Kohji Hirose and Richard Keuter**
(45) Registration Date: **04 August 2009**
(30) Convention priority data:
(31) Number (32) Date (33) Country
129317 16 Jan 2009 CANADA
(56) Related Art Documents: **Not Applicable**
(57) Statement of Newness and Distinctiveness: **The newness and distinctiveness of the design resides in the shape and/or configuration of the transformable toy as shown in the representations.**



- (21) Design Number: **12535/2009**
(22) Date of Filing Application: **10 July 2009**
(24) Date from which industrial property rights may have effect: **10 July 2009**
(54) Product in respect of which the design is registered: **Transformable toy**
(51) International Design Classification: **21-01B**
(71) Name(s) and Address(s) of Applicant(s):
Spin Master Ltd
450 Front Street West Toronto M5V 1B6 Ontario Canada
(72) Name(s) of Designer(s): **Wataru Sato and Kohji Hirose and Richard Keuter**
(45) Registration Date: **04 August 2009**
(30) Convention priority data:
(31) Number (32) Date (33) Country
129396 26 Jan 2009 CANADA
(56) Related Art Documents: **Not Applicable**
(57) Statement of Newness and Distinctiveness: **The newness and distinctiveness of the design resides in the shape and/or configuration of the transformable toy as shown in the representations.**



(21) Design Number: **12663/2009**

(22) Date of Filing Application: **21 July 2009**

(24) Date from which industrial property rights may have effect: **21 July 2009**

(54) Product in respect of which the design is registered: **SmarTable flip table**

(51) International Design Classification: **06-03NES**

(71) Name(s) and Address(s) of Applicant(s):

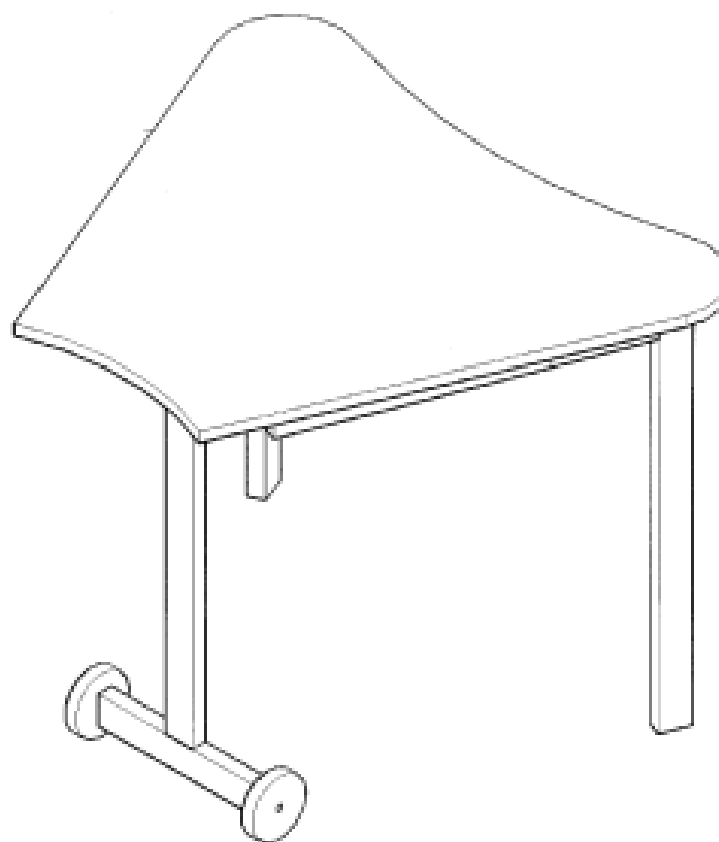
Moorevann Pty Ltd
75 Wises Road Maroochydore Queensland 4558 Australia

(72) Name(s) of Designer(s): **Penny Moore**

(45) Registration Date: **05 August 2009**

(56) Related Art Documents: **Not Applicable**

(57) Statement of Newness and Distinctiveness: **Table Top Flips Up to Stack against each other, Adjustable Height Leg combined with spring-loaded, heavy duty stainless steel pin, enabling various heights, Mobile.**



(21) Design Number: **12664/2009**

(22) Date of Filing Application: **21 July 2009**

(24) Date from which industrial property rights may have effect: **21 July 2009**

(54) Product in respect of which the design is registered: **SmarTable student chair**

(51) International Design Classification: **06-01F**

(71) Name(s) and Address(s) of Applicant(s):

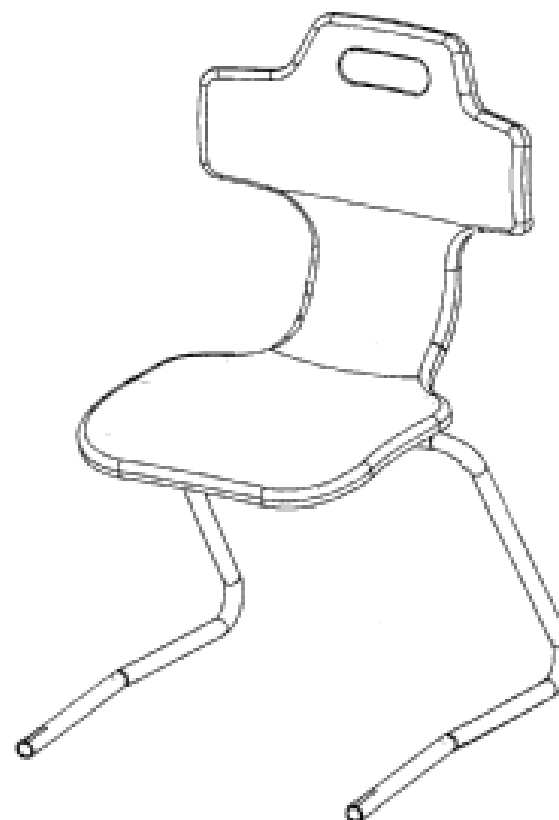
Moorevann Pty Ltd
75 Wises Road Maroochydore Queensland 4558 Australia

(72) Name(s) of Designer(s): **Penny Moore**

(45) Registration Date: **05 August 2009**

(56) Related Art Documents: **Not Applicable**

(57) Statement of Newness and Distinctiveness: **Stackable, Reverse Seating with Arm Rest, Poly-Propylene Moulded Shell, Steel Frame Reverse Sled Base.**



(21) Design Number: **11792/2009**

(22) Date of Filing Application: **15 May 2009**

(24) Date from which industrial property rights may have effect: **15 May 2009**

(54) Product in respect of which the design is registered: **Earpiece**

(51) International Design Classification: **14-03A**

(71) Name(s) and Address(s) of Applicant(s):

**Sony Ericsson Mobile Communications AB
Nya Vattentorget SE 221 88 Lund Sweden**

(72) Name(s) of Designer(s): **Koi Chin Chung and Wenshan Chen**

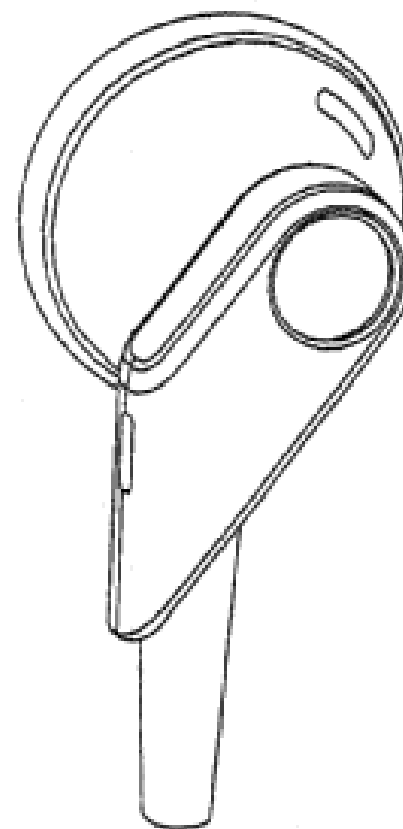
(45) Registration Date: **05 August 2009**

(30) Convention priority data:

(31) Number	(32) Date	(33) Country
001042287-003	19 Nov 2008	EUROPEAN COMMUNITY

(56) Related Art Documents: **Not Applicable**

(57) Statement of Newness and Distinctiveness: **Nil**



(21) Design Number: **10409/2009**

(22) Date of Filing Application: **13 February 2009**

(24) Date from which industrial property rights may have effect: **13 February 2009**

(54) Product in respect of which the design is registered: **Chair**

(51) International Design Classification: **06-01F**

(71) Name(s) and Address(s) of Applicant(s):

**Sedus Stoll Aktiengesellschaft
Bruckenstrasse 15 79761 Waldshut Germany**

(72) Name(s) of Designer(s): **Thomas Starczewski**

(45) Registration Date: **05 August 2009**

(56) Related Art Documents: **Not Applicable**

(57) Statement of Newness and Distinctiveness: **The particular visual features of the design which are new and distinctive are shape OR configuration.**



(21) Design Number: **10559/2009**

(22) Date of Filing Application: **24 February 2009**

(24) Date from which industrial property rights may have effect: **24 February 2009**

(54) Product in respect of which the design is registered: **Chair**

(51) International Design Classification: **06-01F**

(71) Name(s) and Address(s) of Applicant(s):

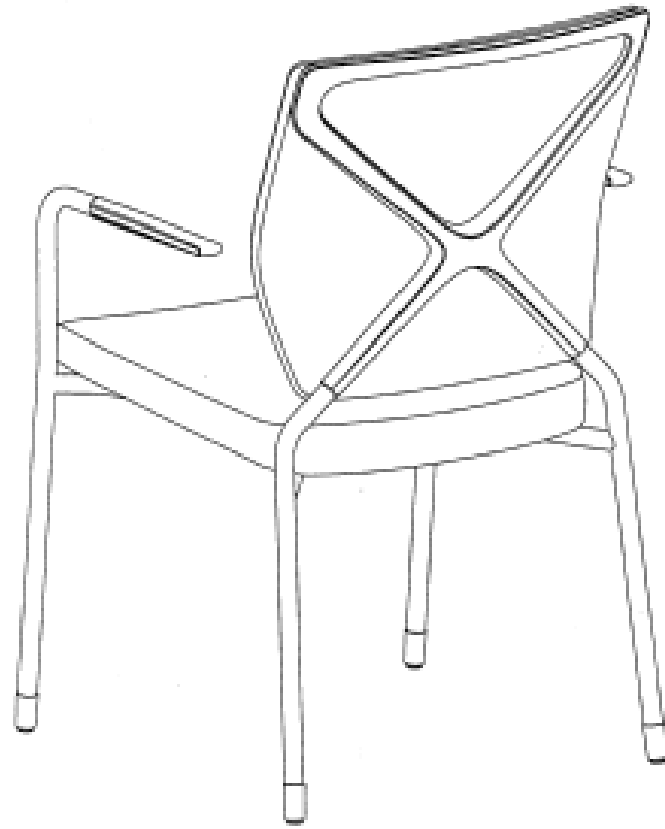
**Sedus Stoll Aktiengesellschaft
Bruckenstrasse 15 79761 Waldshut Germany**

(72) Name(s) of Designer(s): **Markus Dorner**

(45) Registration Date: **05 August 2009**

(56) Related Art Documents: **Not Applicable**

(57) Statement of Newness and Distinctiveness: **The particular visual features of the design which are new and distinctive are shape OR configuration.**



(21) Design Number: **12509/2009**

(22) Date of Filing Application: **13 July 2009**

(24) Date from which industrial property rights may have effect: **13 July 2009**

(54) Product in respect of which the design is registered: **Shutter slat**

(51) International Design Classification: **25-02K**

(71) Name(s) and Address(s) of Applicant(s):

**Shutter World Company Pty Ltd
Unit 4 17 Stennett Road Ingleburn New South Wales 2565 Australia**

(72) Name(s) of Designer(s): **Paul Cannarella and Leanne Cannarella**

(45) Registration Date: **05 August 2009**

(56) Related Art Documents: **Not Applicable**

(57) Statement of Newness and Distinctiveness: **Nil**



(21) Design Number: **12510/2009**

(22) Date of Filing Application: **10 July 2009**

(24) Date from which industrial property rights may have effect: **10 July 2009**

(54) Product in respect of which the design is registered: **A panel**

(51) International Design Classification: **25-01D**

(71) Name(s) and Address(s) of Applicant(s):

Colonial Castings Pty. Ltd.

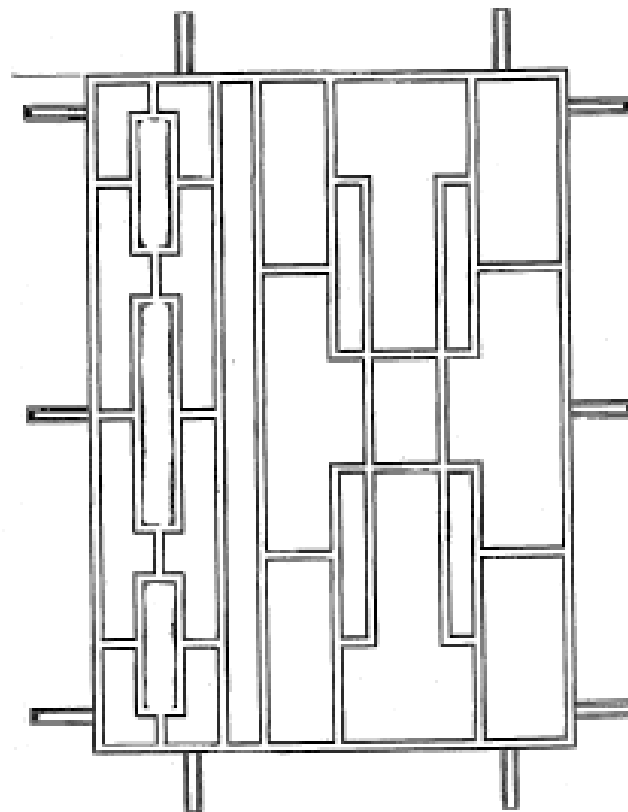
95-97 Market Street Smithfield New South Wales 2164 Australia

(72) Name(s) of Designer(s): **Roy Norman Alchin**

(45) Registration Date: **05 August 2009**

(56) Related Art Documents: **Not Applicable**

(57) Statement of Newness and Distinctiveness: **Newness and distinctiveness is claimed in the features of shape and/or configuration of a panel as illustrated in the accompanying representations.**



(21) Design Number: **12511/2009**

(22) Date of Filing Application: **10 July 2009**

(24) Date from which industrial property rights may have effect: **10 July 2009**

(54) Product in respect of which the design is registered: **A panel**

(51) International Design Classification: **25-01D**

(71) Name(s) and Address(s) of Applicant(s):

Colonial Castings Pty. Ltd.

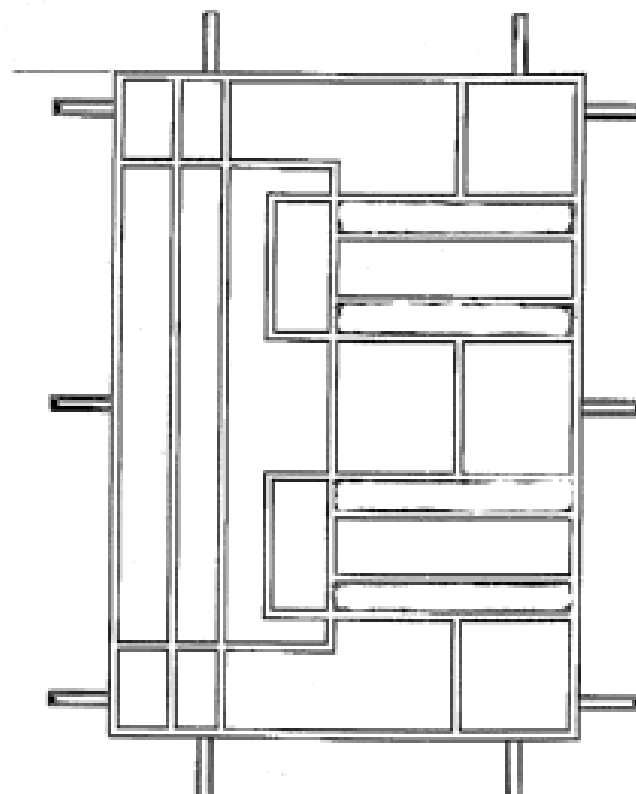
95-97 Market Street Smithfield New South Wales 2164 Australia

(72) Name(s) of Designer(s): **Roy Norman Alchin**

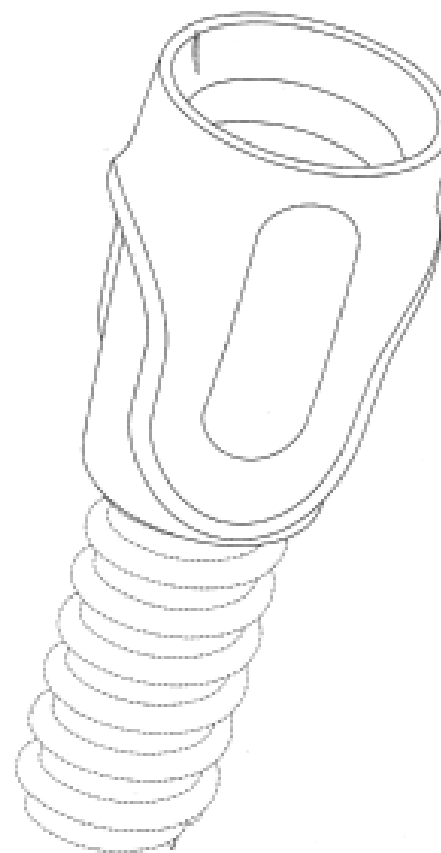
(45) Registration Date: **05 August 2009**

(56) Related Art Documents: **Not Applicable**

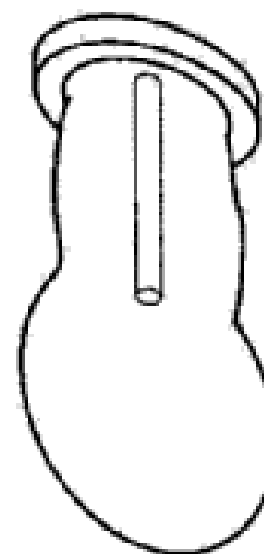
(57) Statement of Newness and Distinctiveness: **Newness and distinctiveness is claimed in the features of shape and/or configuration of a panel as illustrated in the accompanying representations.**



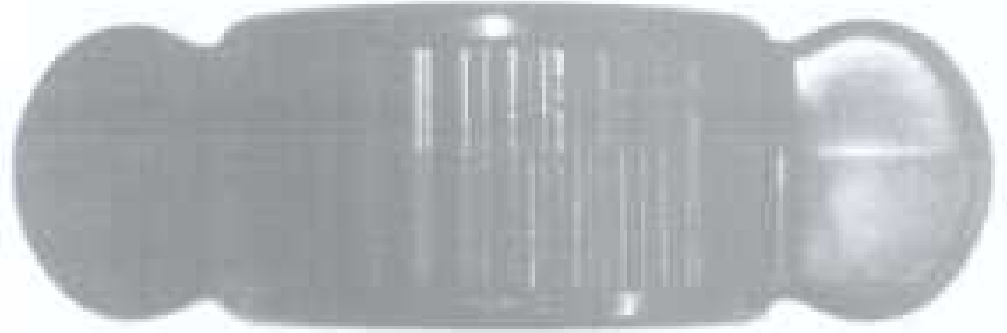
- (21) Design Number: **12512/2009**
(22) Date of Filing Application: **10 July 2009**
(24) Date from which industrial property rights may have effect: **10 July 2009**
(54) Product in respect of which the design is registered: **Air delivery tube**
(51) International Design Classification: **24-01**
(71) Name(s) and Address(s) of Applicant(s):
ResMed Ltd
1 Elizabeth Macarthur Drive Bella Vista New South Wales 2153
Australia
(72) Name(s) of Designer(s): **Andrew Roderick Bath and Alexander Virr and**
Nathan John Row and Mark Bertinetti
(45) Registration Date: **05 August 2009**
(30) Convention priority data:
(31) Number (32) Date (33) Country
29/311183 12 Jan 2009 UNITED STATES OF AMERICA
(56) Related Art Documents: **Not Applicable**
(57) Statement of Newness and Distinctiveness: **Newness and distinctiveness is**
claimed in the cuff portion of the air delivery tube, shown in unbroken
lines.



- (21) Design Number: **12549/2009**
(22) Date of Filing Application: **13 July 2009**
(24) Date from which industrial property rights may have effect: **13 July 2009**
(54) Product in respect of which the design is registered: **Pacifier teat**
(51) International Design Classification: **24-04**
(71) Name(s) and Address(s) of Applicant(s):
MAM Babyartikel Gesellschaft m.b.H
Lorenz-Mandl-Gasse 50 1160 Wien Austria
(72) Name(s) of Designer(s): **Peter Rohrig**
(45) Registration Date: **05 August 2009**
(30) Convention priority data:
(31) Number (32) Date (33) Country
1071054-0006 16 Jan 2009 EUROPEAN COMMUNITY
(56) Related Art Documents: **Not Applicable**
(57) Statement of Newness and Distinctiveness: **Newness and distinctiveness is**
claimed in the features of shape and/or configuration of a pacifier teat as
illustrated in the accompanying representations.



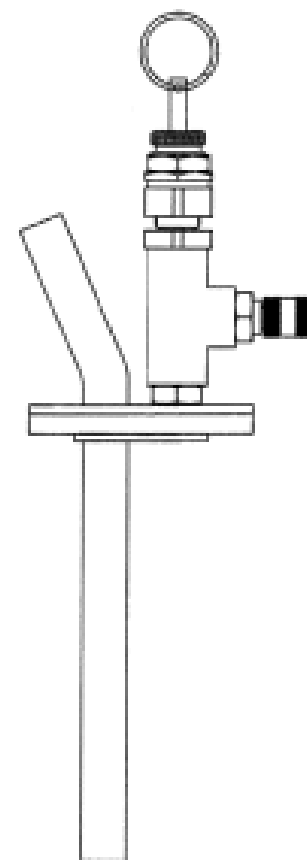
- (21) Design Number: **12714/2009**
(22) Date of Filing Application: **24 July 2009**
(24) Date from which industrial property rights may have effect: **24 July 2009**
(54) Product in respect of which the design is registered: **Spanner socket combination**
(51) International Design Classification: **08-05P**
(71) Name(s) and Address(s) of Applicant(s):
Warren Ewing
4/24 Deakin Street Brendale Queensland 4500 Australia
(72) Name(s) of Designer(s): **Warren Ewing**
(45) Registration Date: **05 August 2009**
(56) Related Art Documents: **Not Applicable**
(57) Statement of Newness and Distinctiveness: **Newness and distinctiveness are claimed in the shape and configuration of the dual head spanner and socket combination depicted in the accompanying representations.**



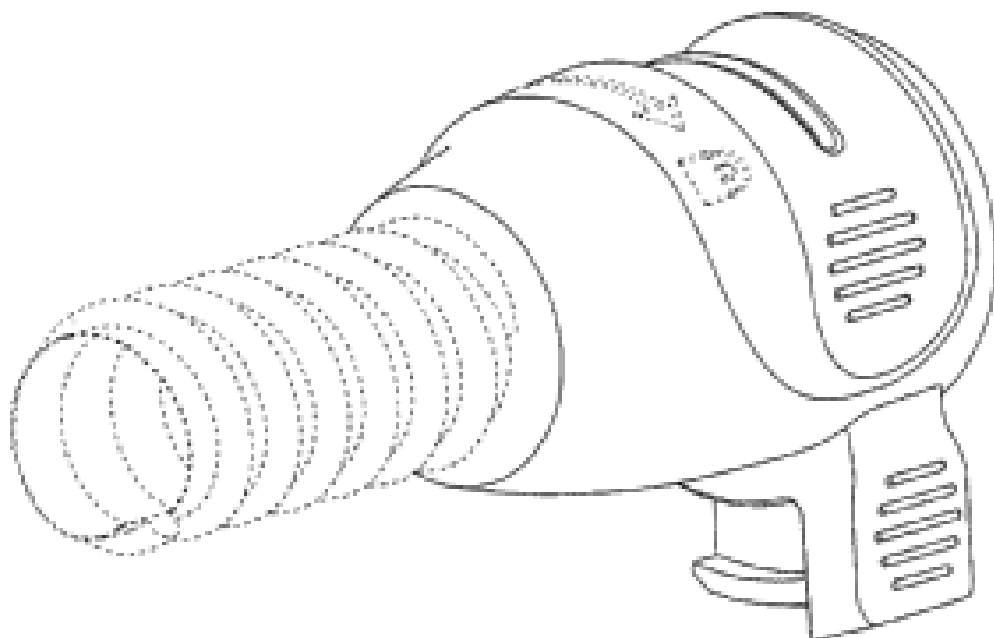
- (21) Design Number: **10556/2009**
(22) Date of Filing Application: **24 February 2009**
(24) Date from which industrial property rights may have effect: **24 February 2009**
(54) Product in respect of which the design is registered: **Chair**
(51) International Design Classification: **06-01F**
(71) Name(s) and Address(s) of Applicant(s):
Sedus Stoll Aktiengesellschaft
Bruckenstrasse 15 79761 Waldshut Germany
(72) Name(s) of Designer(s): **Markus Dorner**
(45) Registration Date: **05 August 2009**
(56) Related Art Documents: **Not Applicable**
(57) Statement of Newness and Distinctiveness: **The particular visual features of the design which are new and distinctive are shape or configuration.**



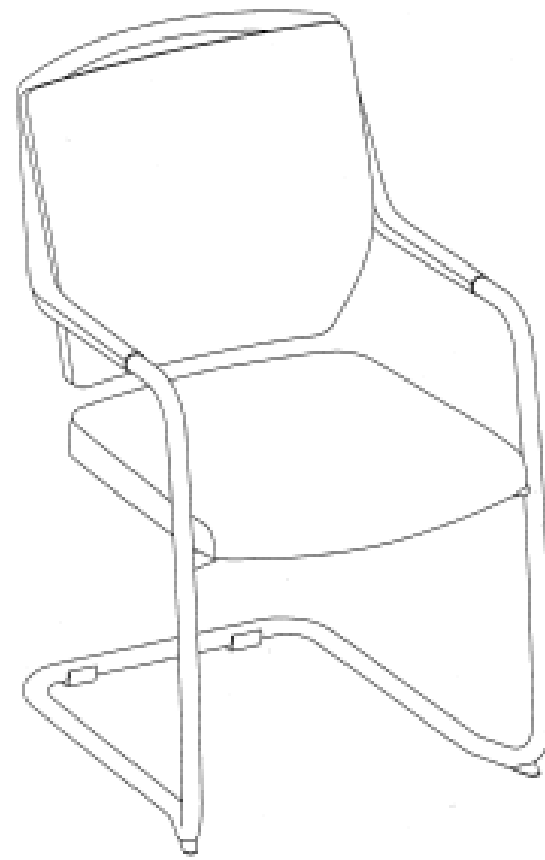
- (21) Design Number: **11988/2009**
(22) Date of Filing Application: **01 June 2009**
(24) Date from which industrial property rights may have effect: **01 June 2009**
(54) Product in respect of which the design is registered: **A pump**
(51) International Design Classification: **15-02**
(71) Name(s) and Address(s) of Applicant(s):
Mark John Stonehouse
PO Box 475 Narangba Queensland 4504 Australia
Mark John Simpson
PO Box 475 Narangba Queensland 4504 Australia
Christopher Raynor Hubble
PO Box 475 Narangba Queensland 4504 Australia
(72) Name(s) of Designer(s): **Mark John Stonehouse and Mark John Simpson and Christopher Raynor Hubble**
(45) Registration Date: **05 August 2009**
(56) Related Art Documents: **Not Applicable**
(57) Statement of Newness and Distinctiveness: **Newness and distinctiveness is claimed in those features of shape and/or configuration of a pump as illustrated in the accompanying representations.**



- (21) Design Number: **12540/2009**
(22) Date of Filing Application: **13 July 2009**
(24) Date from which industrial property rights may have effect: **13 July 2009**
(54) Product in respect of which the design is registered: **Air delivery tube**
(51) International Design Classification: **24-01**
(71) Name(s) and Address(s) of Applicant(s):
ResMed Ltd
1 Elizabeth Macarthur Drive Bella Vista New South Wales 2153 Australia
(72) Name(s) of Designer(s): **Alexander Virr and Nathan John Row and Nicholas Earl and Mark Bertinetti and Hargopal Verma**
(45) Registration Date: **05 August 2009**
(30) Convention priority data:
(31) Number (32) Date (33) Country
29/311222 22 Jan 2009 UNITED STATES OF AMERICA
(56) Related Art Documents: **Not Applicable**
(57) Statement of Newness and Distinctiveness: **Newness and distinctiveness is claimed in the cuff portion of the air delivery tube, shown in unbroken lines.**



- (21) Design Number: **10558/2009**
(22) Date of Filing Application: **24 February 2009**
(24) Date from which industrial property rights may have effect: **24 February 2009**
(54) Product in respect of which the design is registered: **Chair**
(51) International Design Classification: **06-01F**
(71) Name(s) and Address(s) of Applicant(s):
Sedus Stoll Aktiengesellschaft
Bruckenstrasse 15 79761 Waldshut Germany
(72) Name(s) of Designer(s): **Markus Dorner**
(45) Registration Date: **06 August 2009**
(56) Related Art Documents: **Not Applicable**
(57) Statement of Newness and Distinctiveness: **The particular visual features of the design which are new and distinctive are shape OR configuration.**



- (21) Design Number: **12112/2009**
(22) Date of Filing Application: **09 June 2009**
(24) Date from which industrial property rights may have effect: **09 June 2009**
(54) Product in respect of which the design is registered: **A chair**
(51) International Design Classification: **06-01F**
(71) Name(s) and Address(s) of Applicant(s):
Formway Furniture Limited
176 Gracefield Road Petone Wellington New Zealand
(72) Name(s) of Designer(s): **Paul Michael Wilkinson and Kent Wallace Parker**
(45) Registration Date: **06 August 2009**
(30) Convention priority data:

(31) Number	(32) Date	(33) Country
411733	12 Dec 2008	NEW ZEALAND

(56) Related Art Documents: **Not Applicable**
(57) Statement of Newness and Distinctiveness: **Newness and distinctiveness reside in the features of shape and/or configuration of the chair, as shown in the representations.**



(21) Design Number: **12113/2009**

(22) Date of Filing Application: **09 June 2009**

(24) Date from which industrial property rights may have effect: **09 June 2009**

(54) Product in respect of which the design is registered: **A chair**

(51) International Design Classification: **06-01F**

(71) Name(s) and Address(s) of Applicant(s):

Formway Furniture Limited
176 Gracefield Road Petone Wellington New Zealand

(72) Name(s) of Designer(s): **Paul Michael Wilkinson and Kent Wallace Parker**

(45) Registration Date: **06 August 2009**

(30) Convention priority data:

(31) Number	(32) Date	(33) Country
411733	12 Dec 2008	NEW ZEALAND

(56) Related Art Documents: **Not Applicable**

(57) Statement of Newness and Distinctiveness: **Newness and distinctiveness reside in the features of shape and/or configuration of the chair, as shown in the representations.**



(21) Design Number: **12556/2009**

(22) Date of Filing Application: **14 July 2009**

(24) Date from which industrial property rights may have effect: **14 July 2009**

(54) Product in respect of which the design is registered: **Shirt for sports**

(51) International Design Classification: **02-02NES**

(71) Name(s) and Address(s) of Applicant(s):

Goldwin Inc.
210 Kiyosawa Oyabe-shi Toyama-ken Japan

Goldwin Technicalcenter Inc.
230 Kiyosawa Oyabe-shi Toyama-ken Japan

(72) Name(s) of Designer(s): **Tsuguhiko Kanada and Gen Arai and Ryota Ito**

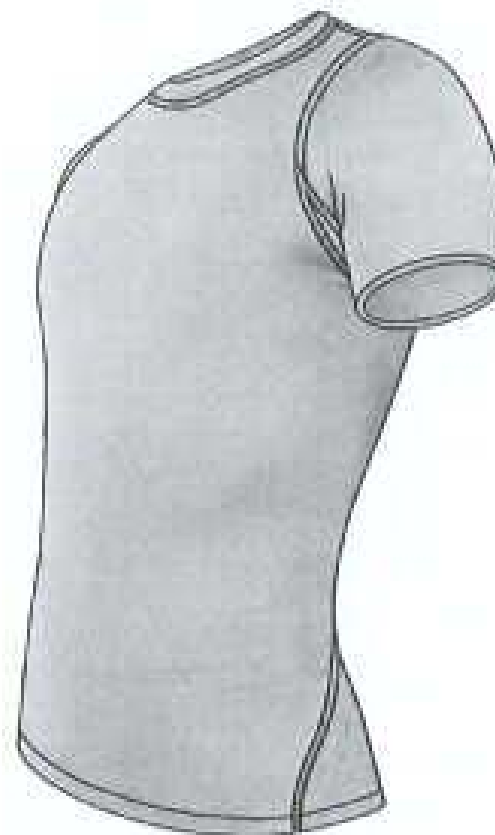
(45) Registration Date: **06 August 2009**

(30) Convention priority data:

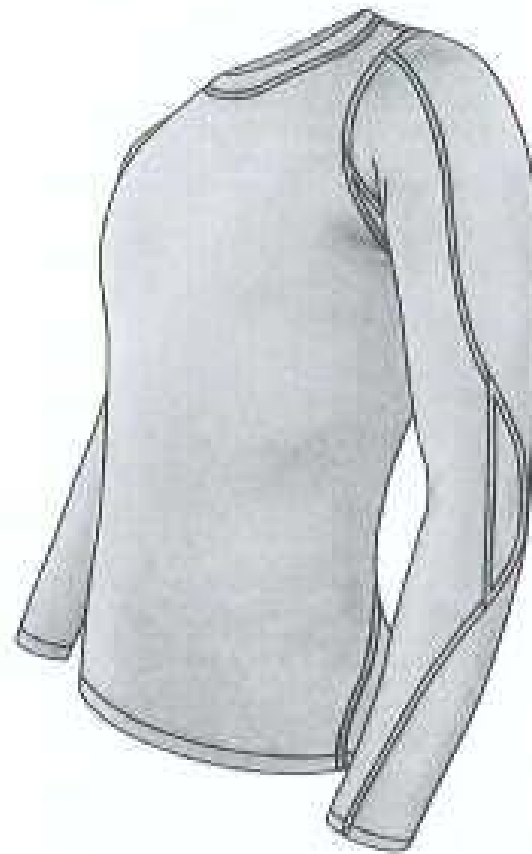
(31) Number	(32) Date	(33) Country
2009-000665	15 Jan 2009	JAPAN

(56) Related Art Documents: **Not Applicable**

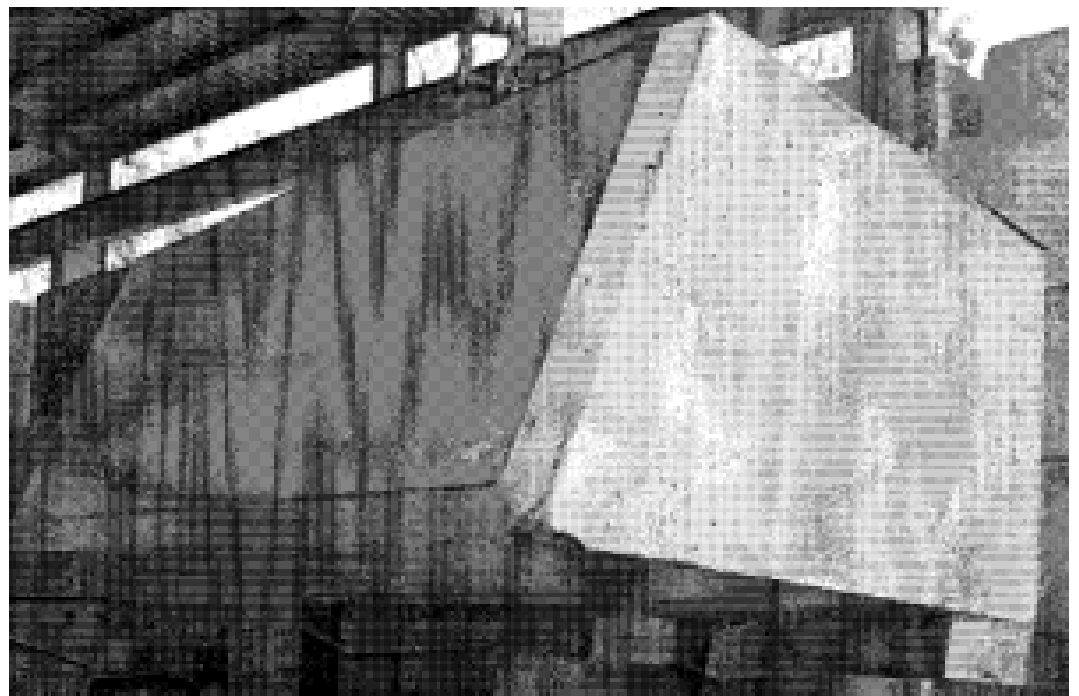
(57) Statement of Newness and Distinctiveness: **The shape and configuration of the crescent-shaped portion on the rear left and rear right sides of the body of the shirt are new and distinctive.**



- (21) Design Number: **12557/2009**
(22) Date of Filing Application: **14 July 2009**
(24) Date from which industrial property rights may have effect: **14 July 2009**
(54) Product in respect of which the design is registered: **Shirt for sports**
(51) International Design Classification: **02-02NES**
(71) Name(s) and Address(s) of Applicant(s):
Goldwin Inc.
210 Kiyosawa Oyabe-shi Toyama-ken Japan
Goldwin Technicalcenter Inc.
230 Kiyosawa Oyabe-shi Toyama-ken Japan
(72) Name(s) of Designer(s): **Tsuguhiro Kanada and Gen Arai and Ryota Ito**
(45) Registration Date: **06 August 2009**
(30) Convention priority data:
(31) Number (32) Date (33) Country
2009-000665 15 Jan 2009 JAPAN
(56) Related Art Documents: **Not Applicable**
(57) Statement of Newness and Distinctiveness: **The shape and configuration of the crescent shaped portions on the rear left and right, and on the elbows of the shirt are new and distinctive.**



- (21) Design Number: **12622/2009**
(22) Date of Filing Application: **17 July 2009**
(24) Date from which industrial property rights may have effect: **17 July 2009**
(54) Product in respect of which the design is registered: **Landscape block**
(51) International Design Classification: **25-01A**
(71) Name(s) and Address(s) of Applicant(s):
Mike McCullough
C/o Gladstone Premix Concrete 2 Anson Close Gladstone
Queensland 4680 Australia
(72) Name(s) of Designer(s): **Mike McCullough**
(45) Registration Date: **06 August 2009**
(56) Related Art Documents: **Not Applicable**
(57) Statement of Newness and Distinctiveness: **Newness and Distinctiveness are claimed in the features of shape and/or configuration of a landscape block, as illustrated in the accompanying representations. No monopoly is claimed in the hook holding the block or in the type of presentation front surface.**



(21) Design Number: **12558/2009**

(22) Date of Filing Application: **14 July 2009**

(24) Date from which industrial property rights may have effect: **14 July 2009**

(54) Product in respect of which the design is registered: **Shirt for sports**

(51) International Design Classification: **02-02NES**

(71) Name(s) and Address(s) of Applicant(s):

Goldwin Inc.

210 Kiyosawa Oyabe-shi Toyama-ken Japan

Goldwin Technicalcenter Inc.

230 Kiyosawa Oyabe-shi Toyama-ken Japan

(72) Name(s) of Designer(s): **Tsuguhiro Kanada and Gen Arai and Ryota Ito**

(45) Registration Date: **06 August 2009**

(30) Convention priority data:

(31) Number

(32) Date

(33) Country

2009-000665

15 Jan 2009

JAPAN

(56) Related Art Documents: **Not Applicable**

(57) Statement of Newness and Distinctiveness: **The shape and configuration of the crescent-shaped part on the rear left and rear right sides of the body of the shirt are new and distinctive.**



(21) Design Number: **12559/2009**

(22) Date of Filing Application: **14 July 2009**

(24) Date from which industrial property rights may have effect: **14 July 2009**

(54) Product in respect of which the design is registered: **Tights for sports**

(51) International Design Classification: **02-04C**

(71) Name(s) and Address(s) of Applicant(s):

Goldwin Inc.

210 Kiyosawa Oyabe-shi Toyama-ken Japan

Goldwin Technicalcenter Inc.

230 Kiyosawa Oyabe-shi Toyama-ken Japan

(72) Name(s) of Designer(s): **Tsuguhiro Kanada and Gen Arai and Ryota Ito**

(45) Registration Date: **06 August 2009**

(30) Convention priority data:

(31) Number

(32) Date

(33) Country

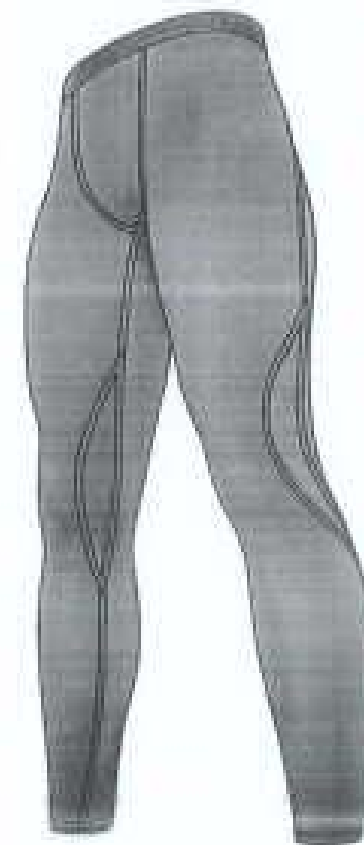
2009-000665

15 Jan 2009

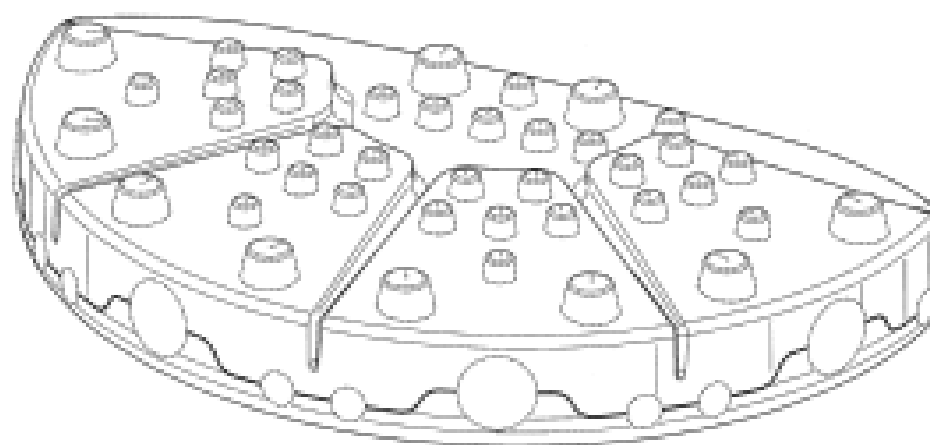
JAPAN

(56) Related Art Documents: **Not Applicable**

(57) Statement of Newness and Distinctiveness: **The shape and configuration of the crescent-shaped portions on the sides of knees of the tights are new and distinctive.**



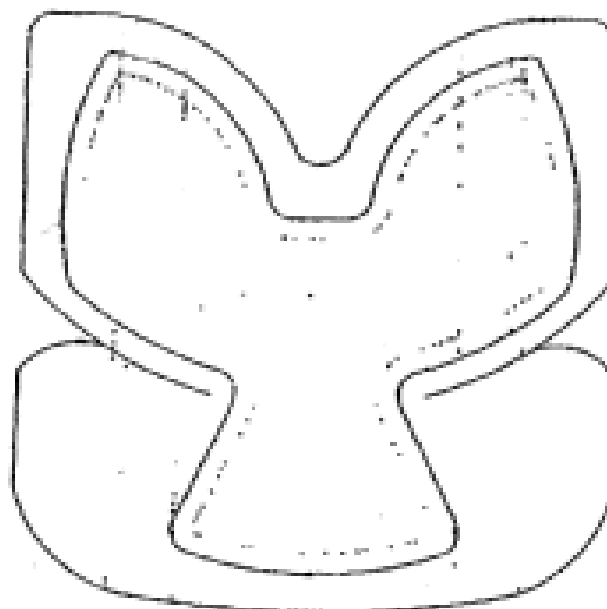
- (21) Design Number: **12554/2009**
(22) Date of Filing Application: **14 July 2009**
(24) Date from which industrial property rights may have effect: **14 July 2009**
(54) Product in respect of which the design is registered: **Portable rehearsal studio**
(51) International Design Classification: **14-01**
(71) Name(s) and Address(s) of Applicant(s):
BreezSong LLC.
250 Clover Hill Road Whitinsville MA 01588 United States of America
(72) Name(s) of Designer(s): **Steve Skillings**
(45) Registration Date: **06 August 2009**
(30) Convention priority data:
(31) Number (32) Date (33) Country
29/330,791 14 Jan 2009 UNITED STATES OF AMERICA
(56) Related Art Documents: **Not Applicable**
(57) Statement of Newness and Distinctiveness: **The features of the portable rehearsal studio shown in full lines are new and distinctive.**



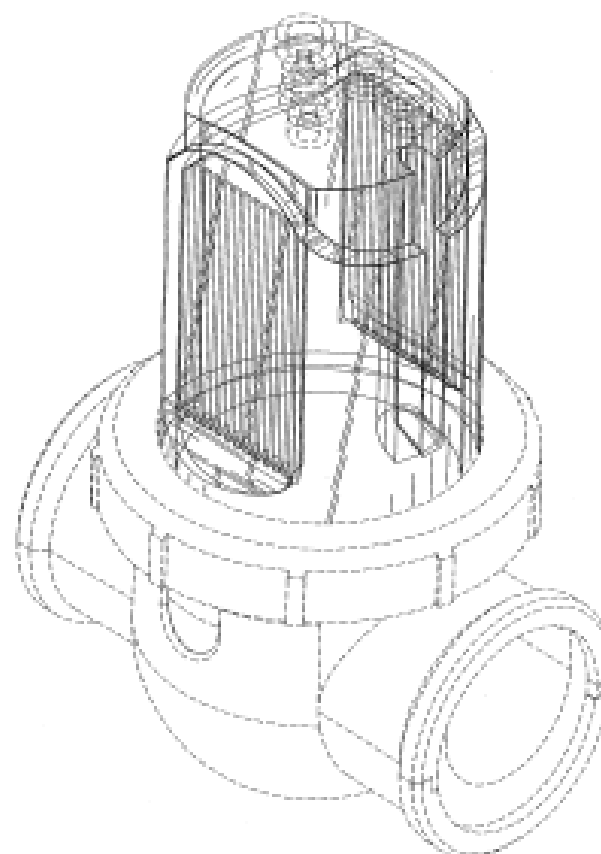
- (21) Design Number: **10555/2009**
(22) Date of Filing Application: **24 February 2009**
(24) Date from which industrial property rights may have effect: **24 February 2009**
(54) Product in respect of which the design is registered: **Chair**
(51) International Design Classification: **06-01F**
(71) Name(s) and Address(s) of Applicant(s):
Sedus Stoll Aktiengesellschaft
Bruckenstrasse 15 79761 Waldshut Germany
(72) Name(s) of Designer(s): **Markus Dorner**
(45) Registration Date: **06 August 2009**
(56) Related Art Documents: **Not Applicable**
(57) Statement of Newness and Distinctiveness: **The particular visual features of the design which are new and distinctive are shape OR configuration.**



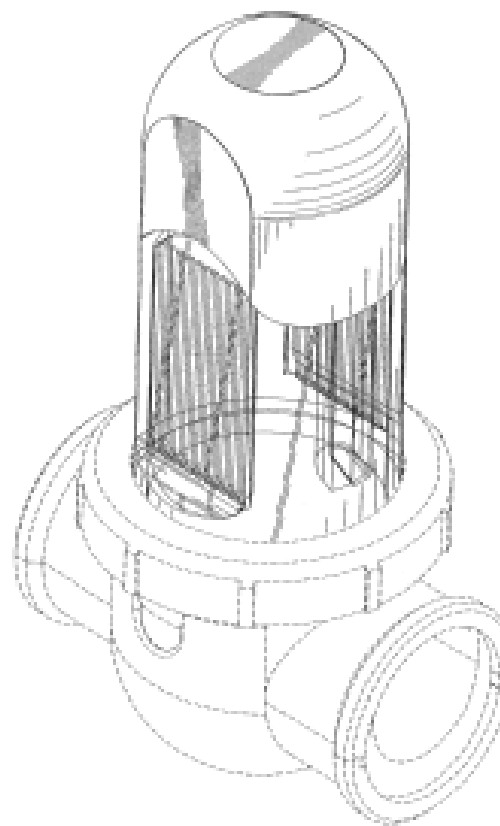
- (21) Design Number: **11606/2009**
(22) Date of Filing Application: **06 May 2009**
(24) Date from which industrial property rights may have effect: **06 May 2009**
(54) Product in respect of which the design is registered: **Medical dressing**
(51) International Design Classification: **24-04**
(71) Name(s) and Address(s) of Applicant(s):
Smith & Nephew PLC
15 Adam Street London WC2N 6LA United Kingdom
(72) Name(s) of Designer(s): **Damian Smith and Fatoona Mosa**
(45) Registration Date: **06 August 2009**
(30) Convention priority data:
(31) Number (32) Date (33) Country
4009461 05 Nov 2008 UNITED KINGDOM
(56) Related Art Documents: **Not Applicable**
(57) Statement of Newness and Distinctiveness: **Newness and distinctiveness reside in the features of the design as shown in the representations.**



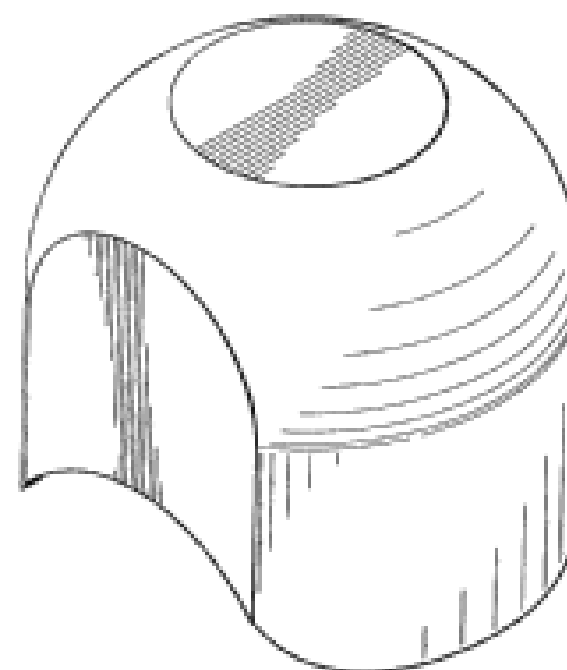
- (21) Design Number: **11754/2009**
(22) Date of Filing Application: **14 May 2009**
(24) Date from which industrial property rights may have effect: **14 May 2009**
(54) Product in respect of which the design is registered: **Filter**
(51) International Design Classification: **23-01G**
(71) Name(s) and Address(s) of Applicant(s):
Zodiac Pool Care Europe SA
2 rue Maurice Malley Issy les Moulineaux 92130 France
(72) Name(s) of Designer(s): **Craig Andrews and Raymond A. Hin**
(45) Registration Date: **06 August 2009**
(30) Convention priority data:
(31) Number (32) Date (33) Country
29/312839 14 Nov 2008 UNITED STATES OF AMERICA
(56) Related Art Documents: **Not Applicable**
(57) Statement of Newness and Distinctiveness: **The broken lines shown in the figures are for illustrative purposes only, and form no part of the actual designs.**



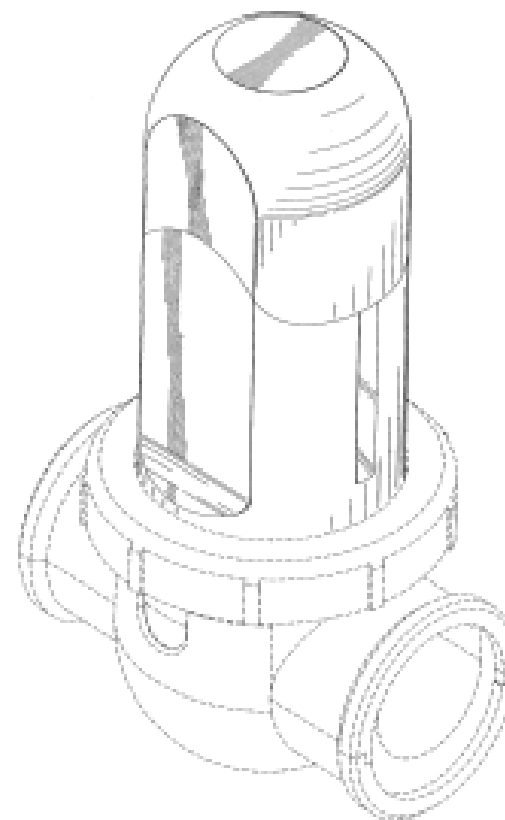
- (21) Design Number: **11755/2009**
(22) Date of Filing Application: **14 May 2009**
(24) Date from which industrial property rights may have effect: **14 May 2009**
(54) Product in respect of which the design is registered: **Filter**
(51) International Design Classification: **23-01G**
(71) Name(s) and Address(s) of Applicant(s):
Zodiac Pool Care Europe SA
2 rue Maurice Malley Issy les Moulineaux 92130 France
(72) Name(s) of Designer(s): **Raymond A. Hin and Craig Andrews**
(45) Registration Date: **06 August 2009**
(30) Convention priority data:
(31) Number (32) Date (33) Country
29/312836 14 Nov 2008 UNITED STATES OF AMERICA
(56) Related Art Documents: **Not Applicable**
(57) Statement of Newness and Distinctiveness: **The broken lines shown in the figures are for illustrative purposes only, and form no part of the actual designs.**



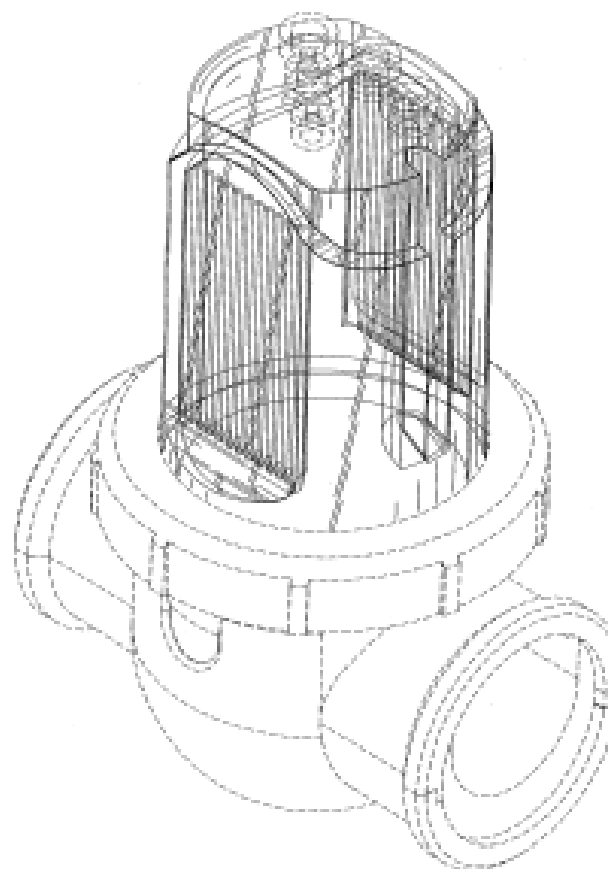
- (21) Design Number: **11756/2009**
(22) Date of Filing Application: **14 May 2009**
(24) Date from which industrial property rights may have effect: **14 May 2009**
(54) Product in respect of which the design is registered: **Filter**
(51) International Design Classification: **23-01G**
(71) Name(s) and Address(s) of Applicant(s):
Zodiac Pool Care Europe SA
2 rue Maurice Malley Issy les Moulineaux 92130 France
(72) Name(s) of Designer(s): **Raymond A. Hin and Craig Andrews**
(45) Registration Date: **06 August 2009**
(30) Convention priority data:
(31) Number (32) Date (33) Country
29/312829 14 Nov 2008 UNITED STATES OF AMERICA
(56) Related Art Documents: **Not Applicable**
(57) Statement of Newness and Distinctiveness: **The broken lines shown in the figures are for illustrative purposes only, and form no part of the actual designs.**



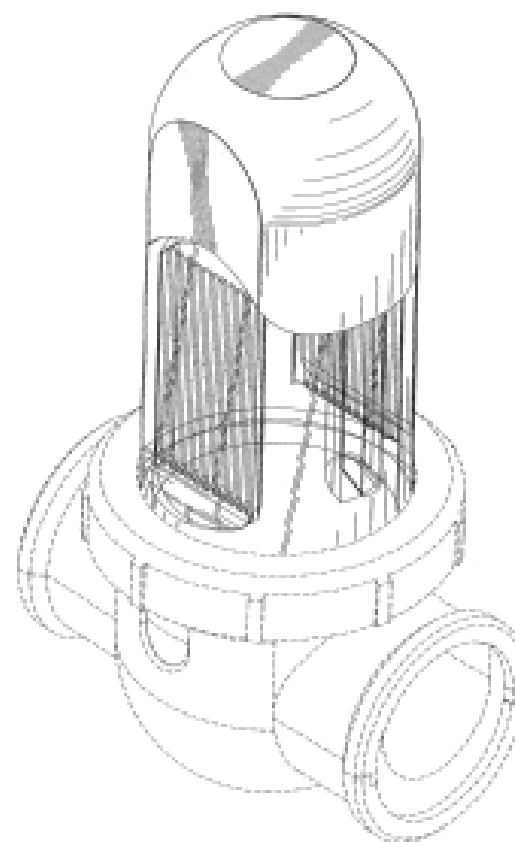
- (21) Design Number: **11757/2009**
(22) Date of Filing Application: **14 May 2009**
(24) Date from which industrial property rights may have effect: **14 May 2009**
(54) Product in respect of which the design is registered: **Filter**
(51) International Design Classification: **23-01G**
(71) Name(s) and Address(s) of Applicant(s):
Zodiac Pool Care Europe SA
2 rue Maurice Malley Issy les Moulineaux 92130 France
(72) Name(s) of Designer(s): **Raymond A. Hin and Craig Andrews**
(45) Registration Date: **06 August 2009**
(30) Convention priority data:
(31) Number (32) Date (33) Country
29/312828 14 Nov 2008 UNITED STATES OF AMERICA
(56) Related Art Documents: **Not Applicable**
(57) Statement of Newness and Distinctiveness: **The broken lines shown in the figures are for illustrative purposes only, and form no part of the actual designs.**



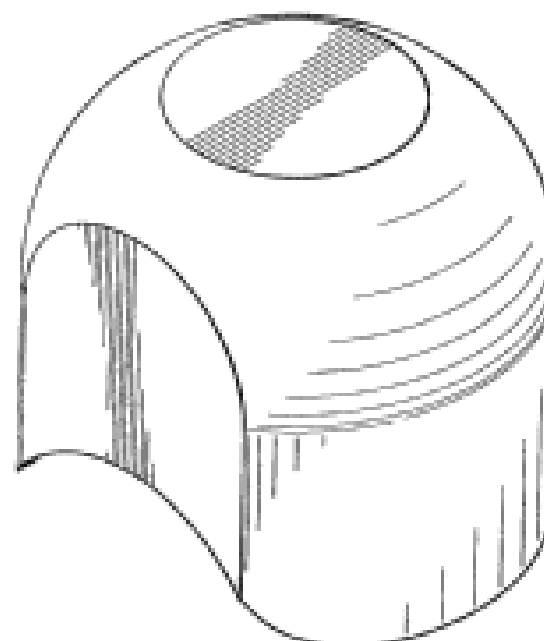
- (21) Design Number: **11758/2009**
(22) Date of Filing Application: **14 May 2009**
(24) Date from which industrial property rights may have effect: **14 May 2009**
(54) Product in respect of which the design is registered: **Filter assembly**
(51) International Design Classification: **23-01G**
(71) Name(s) and Address(s) of Applicant(s):
Zodiac Pool Care Europe SA
2 rue Maurice Malley Issy les Moulineaux 92130 France
(72) Name(s) of Designer(s): **Raymond A. Hin and Craig Andrews**
(45) Registration Date: **06 August 2009**
(30) Convention priority data:
(31) Number (32) Date (33) Country
29/312839 14 Nov 2008 UNITED STATES OF AMERICA
(56) Related Art Documents: **Not Applicable**
(57) Statement of Newness and Distinctiveness: **The shape and configuration of those parts of the product shown by means of solid lines in the representations is/are new and distinctive.**



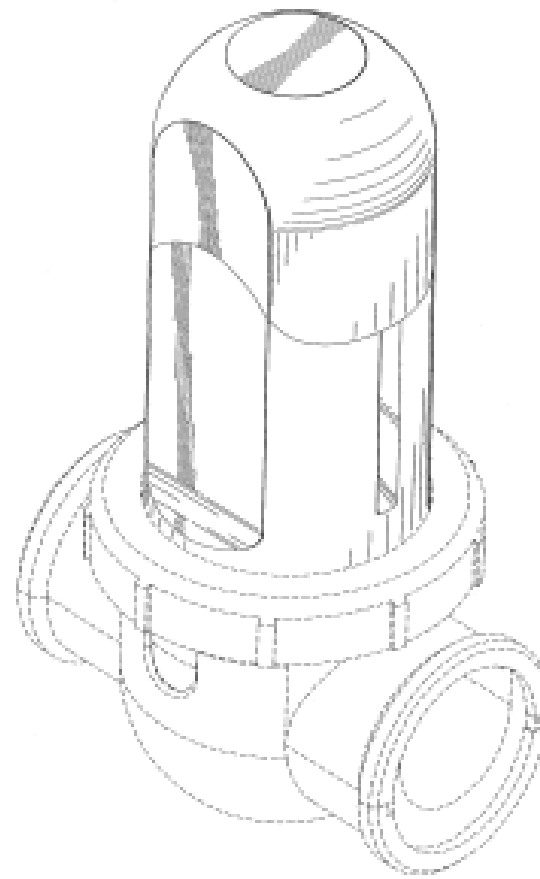
- (21) Design Number: **11759/2009**
(22) Date of Filing Application: **14 May 2009**
(24) Date from which industrial property rights may have effect: **14 May 2009**
(54) Product in respect of which the design is registered: **Filter assembly**
(51) International Design Classification: **23-01G**
(71) Name(s) and Address(s) of Applicant(s):
Zodiac Pool Care Europe SA
2 rue Maurice Malley Issy les Moulineaux 92130 France
(72) Name(s) of Designer(s): **Raymond A. Hin and Craig Andrews**
(45) Registration Date: **06 August 2009**
(30) Convention priority data:
(31) Number (32) Date (33) Country
29/312836 14 Nov 2008 UNITED STATES OF AMERICA
(56) Related Art Documents: **Not Applicable**
(57) Statement of Newness and Distinctiveness: **The shape and configuration of those parts of the product shown by means of solid lines in the representations is/are new and distinctive.**



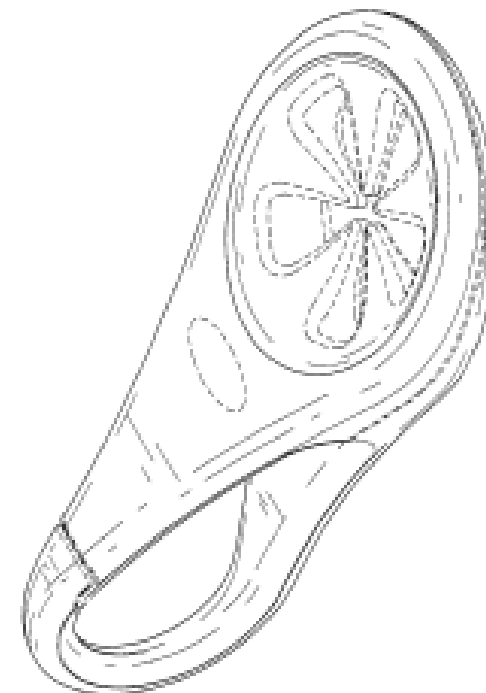
- (21) Design Number: **11760/2009**
(22) Date of Filing Application: **14 May 2009**
(24) Date from which industrial property rights may have effect: **14 May 2009**
(54) Product in respect of which the design is registered: **Filter assembly**
(51) International Design Classification: **23-01G**
(71) Name(s) and Address(s) of Applicant(s):
Zodiac Pool Care Europe SA
2 rue Maurice Malley Issy les Moulineaux 92130 France
(72) Name(s) of Designer(s): **Raymond A. Hin and Craig Andrews**
(45) Registration Date: **06 August 2009**
(30) Convention priority data:
(31) Number (32) Date (33) Country
29/312829 14 Nov 2008 UNITED STATES OF AMERICA
(56) Related Art Documents: **Not Applicable**
(57) Statement of Newness and Distinctiveness: **The shape and configuration of those parts of the product shown by means of solid lines in the representations is/are new and distinctive.**



(21) Design Number: **11761/2009**
(22) Date of Filing Application: **14 May 2009**
(24) Date from which industrial property rights may have effect: **14 May 2009**
(54) Product in respect of which the design is registered: **Filter assembly**
(51) International Design Classification: **23-01G**
(71) Name(s) and Address(s) of Applicant(s):
Zodiac Pool Care Europe SA
2 rue Maurice Malley Issy les Moulineaux 92130 France
(72) Name(s) of Designer(s): **Raymond A. Hin and Craig Andrews**
(45) Registration Date: **06 August 2009**
(30) Convention priority data:
(31) Number (32) Date (33) Country
29/312828 14 Nov 2008 UNITED STATES OF AMERICA
(56) Related Art Documents: **Not Applicable**
(57) Statement of Newness and Distinctiveness: **The shape and configuration of those parts of the product shown by means of solid lines in the representations is/are new and distinctive.**



(21) Design Number: **11813/2009**
(22) Date of Filing Application: **19 May 2009**
(24) Date from which industrial property rights may have effect: **19 May 2009**
(54) Product in respect of which the design is registered: **Towel holder**
(51) International Design Classification: **07-05D, 23-02A**
(71) Name(s) and Address(s) of Applicant(s):
Chef'n Corporation
1520 4th Avenue 3rd Floor Seattle Washington 98101 United States of America
(72) Name(s) of Designer(s): **Jason O. Germany**
(45) Registration Date: **06 August 2009**
(30) Convention priority data:
(31) Number (32) Date (33) Country
29/328785 02 Dec 2008 UNITED STATES OF AMERICA
(56) Related Art Documents: **Not Applicable**
(57) Statement of Newness and Distinctiveness: **Newness and distinctiveness is claimed in the visual features shown in solid lines in the representations.**



(21) Design Number: **11828/2009**

(22) Date of Filing Application: **20 May 2009**

(24) Date from which industrial property rights may have effect: **20 May 2009**

(54) Product in respect of which the design is registered: **A display device**

(51) International Design Classification: **20-02NES**

(71) Name(s) and Address(s) of Applicant(s):

Andre Luiz Esteves Palmeira
Rua Afonso Cavalcanti No. 13.-APTO. 1105 Cidade Nova RJ Brazil

(72) Name(s) of Designer(s): **Andre Luiz Esteves Palmeira**

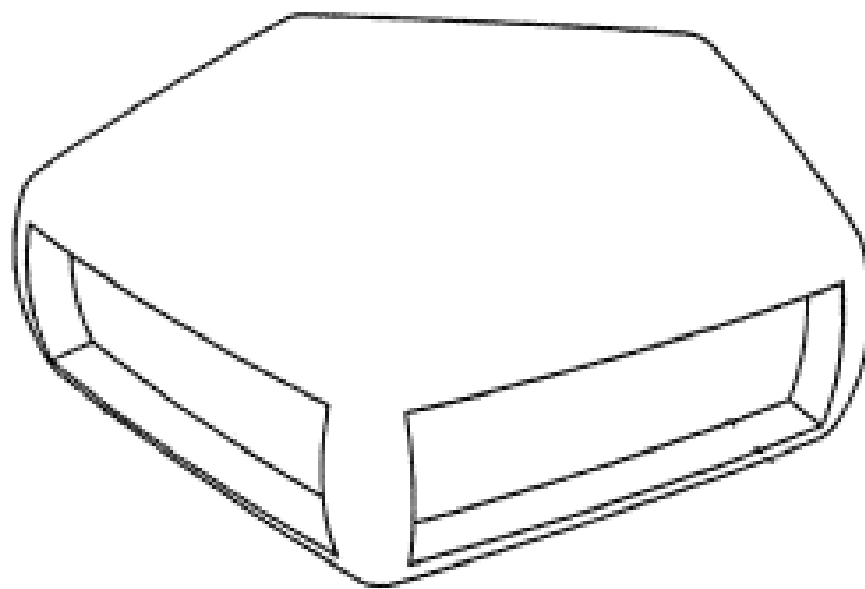
(45) Registration Date: **06 August 2009**

(30) Convention priority data:

(31) Number	(32) Date	(33) Country
DI6805858-6	24 Nov 2008	BRAZIL

(56) Related Art Documents: **Not Applicable**

(57) Statement of Newness and Distinctiveness: **Nil**



(21) Design Number: **12673/2009**

(22) Date of Filing Application: **21 July 2009**

(24) Date from which industrial property rights may have effect: **21 July 2009**

(54) Product in respect of which the design is registered: **Lock assembly**

(51) International Design Classification: **08-07**

(71) Name(s) and Address(s) of Applicant(s):

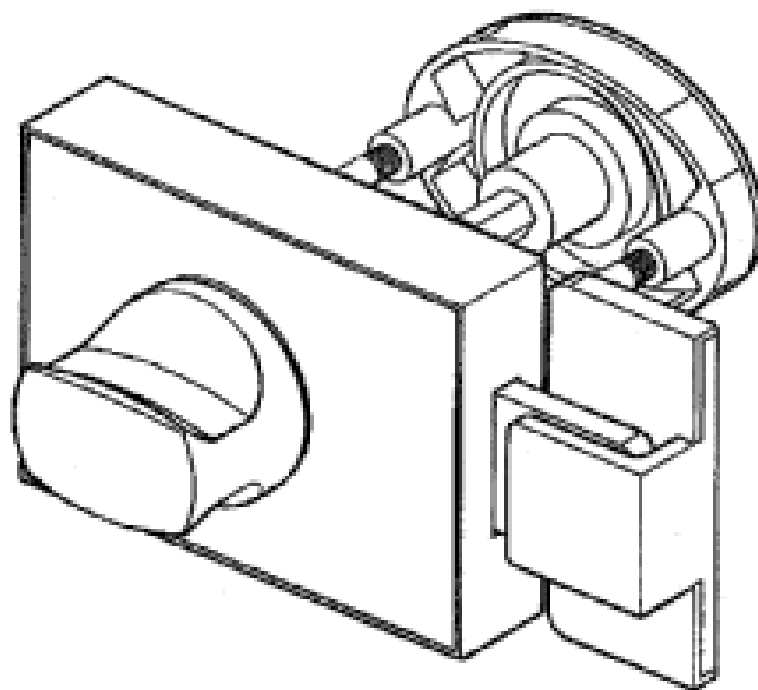
Metlam Australia Pty. Limited
7 Sauer Road New Gisborne Victoria 3438 Australia

(72) Name(s) of Designer(s): **Brian Bishop**

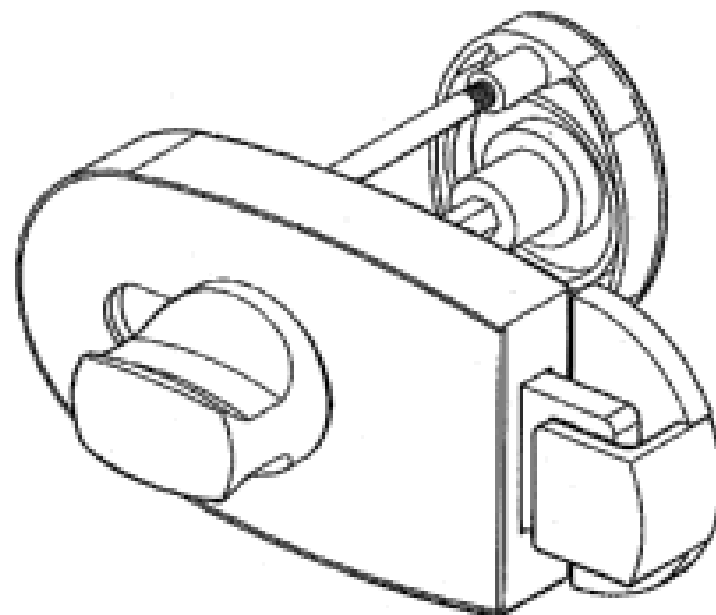
(45) Registration Date: **06 August 2009**

(56) Related Art Documents: **Not Applicable**

(57) Statement of Newness and Distinctiveness: **Nil**



(21) Design Number: **12674/2009**
(22) Date of Filing Application: **21 July 2009**
(24) Date from which industrial property rights may have effect: **21 July 2009**
(54) Product in respect of which the design is registered: **Lock assembly**
(51) International Design Classification: **08-07**
(71) Name(s) and Address(s) of Applicant(s):
Metlam Australia Pty. Limited
7 Sauer Road New Gisborne Victoria 3438 Australia
(72) Name(s) of Designer(s): **Brian Bishop**
(45) Registration Date: **06 August 2009**
(56) Related Art Documents: **Not Applicable**
(57) Statement of Newness and Distinctiveness: **Nil**



(21) Design Number: **12855/2009**
(22) Date of Filing Application: **06 May 2009**
(24) Date from which industrial property rights may have effect: **06 May 2009**
(54) Product in respect of which the design is registered: **Medical dressing**
(51) International Design Classification: **24-04**
(71) Name(s) and Address(s) of Applicant(s):
Smith & Nephew PLC
15 Adam Street London WC2N 6LA United Kingdom
(72) Name(s) of Designer(s): **Damian Smith**
(45) Registration Date: **06 August 2009**
(30) Convention priority data:
(31) Number (32) Date (33) Country
4009461 05 Nov 2008 UNITED KINGDOM
(56) Related Art Documents: **Not Applicable**
(57) Statement of Newness and Distinctiveness: **Newness and distinctiveness reside in the features of the design as shown in the representations.**

