



Australian Government

IP Australia

AUSTRALIAN OFFICIAL JOURNAL

OF

DESIGNS

Did you know a searchable version of this journal is now available online?

It's FREE and EASY to SEARCH.

Find it at

<http://pericles.ipaustralia.gov.au/ols/epublish/content/olsEpublications.jsp>
or using the "Online Journals" link on the IP Australia home page.

This Page Left Intentionally Blank

Contents

General Information & Notices

Proceedings Under the Designs Act 1906 preserved as a result of the provisions of Chapter 12 Part 2 of the Designs Act 2003

Extension of Period of Registration of Designs	2682
Extensions of Time Granted	2682
Names Registered - Alterations and Amendments	2683
Registrations Ceased	2682
Subsequent Owners Registered	2682

Proceedings Under the Designs Act 2003

Applications Lapsed	2692
Applications Lodged	2687
Applications Withdrawn	2692
Certificate of Examination	2695
Extension of Period of Registration of Design	2694
Extension of Time Granted Under Section 137	2694
Names Registered - Alterations and Amendments	2694
Publication and Registration Proceedings	
Designs Registered 327009 to 327235.....	2696
Subsequent Owners Registered	2694

This Page Left Intentionally Blank

For information on the following please see our website www.ipaustralia.gov.au or contact our Customer Service Network on 1300651010

[Editorial enquiries](#)

[Contact information](#)

[Freedom of Information ACT](#)

[Professional Standards Board](#)

[Sales](#)

[Requests for Information under Section 194 \(c\)](#)

[Country Codes](#)

[Trade Mark and Designs Hearing Sessions](#)

[INID \(Internationally agreed Numbers for the Identification of Data\)](#)

“INID” NUMBERS in use on Australian Design Documents

“INID” is an acronym for “Internationally agreed Numbers for the Identification of Data”.

(10) Data concerning the registration/renewal

- (11) Serial number of the registration and/or number of the design document
- (12) Plain language designation of the kind of published document
- (19) Identification, using the two-letter code according to WIPO Standard ST.3, of the authority publishing or registering the industrial design

(20) Data concerning the application

- (21) Serial number of the application
- (22) Date of filing of the application
- (24) Date from which the industrial design right has effect

(30) Data relating to priority under the Paris Convention

- (31) Serial number assigned to the priority application
- (32) Date of filing of the priority application
- (33) Two-letter code, according to WIPO Standard ST.3, identifying the authority with which the priority application was made

(40) Date(s) of making information available to the public

- (45) Date of publication of the registered industrial design by printing or similar process, or making it available to the public by any other means

(50) Miscellaneous Information

- (51) International Classification for Industrial Designs (class and subclass of the Locarno Classification)
- (54) Designation of article(s) or product(s) covered by the industrial design or title of the industrial design
- (55) Reproduction of the industrial design (e.g., drawing, photograph) and explanations relating to the reproduction
- (56) List of prior art documents, if separate from descriptive text
- (57) Description of characteristic features of the industrial design including indication of colours

(60) References to other legally related application(s) and registration(s)

- (62) Serial number(s) and, if available, filing date(s) of application(s), registration(s) or document(s) related by division
- (66) Serial number(s) of the application, or the registration, of the design(s) which is (are) a variant(s) of the present one

(70) Identification of parties concerned with the application or registration

- (71) Name(s) and address(es) of the applicant(s)
- (72) Name(s) of the creator(s) if known to be such
- (74) Name(s) and address(es) of the representative(s)

This Page Left Intentionally Blank

Official Notice**IP Australia's Tasmanian Sub-Office**

IP Australia is pleased to advise all customers that it has engaged Australia Post to deliver its new state based lodgement service arrangements. These services include the lodgement of documents and payment of fees relating to registered IP rights and new applications.

For the purposes of section 205(2) of the Patents Act 1990, section 199(2) of the Trade Marks Act 1995 and section 125(2) of the Designs Act 2003, effective from 7 September 2009, the Tasmania sub-office is:

IP Lodgement Point
Hobart GPO
9 Elizabeth Street
Hobart TAS 7000

From 7 September 2009 the lodgement of documents and payment of official fees in Tasmania can only be made at the above address. The filing date and/or payment date will be the date the lodgement and/or payment is made at the Hobart GPO.

Consistent with existing legislative requirements, this service will be available from 9.00am – 5.00pm Monday to Friday, except for public holidays.

Unfortunately the new arrangements do not allow for Plant Breeder's Rights lodgements with Australia Post. To address this issue IP Australia has developed a comprehensive new range of e-forms which can be found at <http://www.ipaustralia.gov.au/pbr/forms.shtml>.

Plant Breeder's Rights forms, payments or other correspondence can continue to be lodged directly at IP Australia in Canberra to PO Box 200 Woden ACT 2606; or by fax to +61 2 6283 7999.

For further information please visit: http://www.ipaustralia.gov.au/about/state_transition.shtml

Contact: IP Australia
Phone: 1300 651 010
Fax: +61 2 6283 7999
E-mail: servicetransition@ipaustralia.gov.au
Web: www.ipaustralia.gov.au

Proceedings under the Designs Act 1906 preserved as a result of the provisions of Chapter 12 Part 2 of the Designs Act 2003.

This Page Left Intentionally Blank

Applications Lapsed

There were no Applications Lapsed under this section

Extension of Period of Registration of Designs

2nd Period (Section 27A(12))

150800	152385	152623
152761	153004	153084
153154	153155	153215
153216	153218	153311
153367	153396	153397
153398	153491	153492
153493	153497	153498
153499	153500	153501
153518	153736	153760
153837	153838	153839
153857	153914	153916
154156	154157	154178
154197	154215	154298
154328	154387	154388
154475	154533	154570
154585	154617	154618
154619	154645	154711
154712	154853	154854
154875	154911	154940
155138	155339	155765
155835	155969	156042
156784	156921	156985
157056	157097	157098
157490	157734	157973

3rd Period (Section 27A(13))

135449	135610	136344
136358	136526	136536
136591	136636	136637
136726	136727	136729
136811	136864	136907
137021	137227	137342
137356	137357	137358
137359	137360	137361
137362	137363	137364
137365	137366	137367
137368	137372	137373
139058	139600	139649
139650	157616	157739

Registrations Ceased

Note: Some of the following Registrations may have been previously advertised as ceased. In this instance, the previous advertisement still prevails.

118863	119637	119644
119657	119679	119681
119723	119724	119725
119833	119878	119898
119905	119926	120382
120451	120536	120556
120833	121034	121035

121036	121486	121534
122630	133352	133775
134455	134540	134615
134771	134793	135204
135295	135998	136388
136935	136970	137131
138906	139299	139300
139609	139610	140188
140189	140689	150607
150608	150830	151388
151428	151429	151459
151460	151473	151474
151498	151499	151500
151520	151538	151539
151598	151599	151600
151620	151636	151720
151721	151793	151887
151944	152066	152182
152261	152342	152459
152525	152526	152809
152846	153054	153056
153057	153150	153571
153829	153990	154225
154253	154283	154383
154384	154464	154651
154730	154731	154803
154804	154909	154922
155342	155817	155833
155892	155893	155962
156321	157462	

Extensions of time granted

Applications lodged for extension of time have been granted.

150800 **Peter John Dominey** An Extension of time to extend a registration has been granted to 23/05/2009

157973 **Sally Dominguez** An Extension of time to renew a registration has been granted to 17/02/2009

Subsequent Owners Registered

(The name in parentheses is that of the subsequent owner)

138368	(CDS NU-STEEL HOMES INTERNATIONAL Co., Ltd) CDS Nu-Steel Pty Ltd
138169	(CDS NU-STEEL HOMES INTERNATIONAL Co., Ltd) CDS Nu-Steel Pty Ltd
135368	(CDS NU-STEEL HOMES INTERNATIONAL Co., Ltd) CDS Nu-Steel Pty Ltd
135369	(CDS NU-STEEL HOMES INTERNATIONAL Co., Ltd) CDS Nu-Steel Pty Ltd
135370	(CDS NU-STEEL HOMES INTERNATIONAL Co., Ltd) CDS Nu-Steel Pty Ltd
140957	(CDS NU-STEEL HOMES INTERNATIONAL Co., Ltd) CDS Nu-Steel Pty Ltd
141122	(MERCK SERONO SA) Laboratoires Serono SA

Names Registered - Alterations and Amendments

(The name in parentheses is the new name of the proprietor)

156618	(3M Svenska Aktiebolag) Peltor A.B.
135738	(3M Svenska Aktiebolag) Peltor A.B.
135739	(3M Svenska Aktiebolag) Peltor A.B.
147579	(3M Svenska Aktiebolag) Peltor A.B.
147597	(3M Svenska Aktiebolag) Peltor A.B.

This Page Left Intentionally Blank

Proceedings under the Designs Act 2003.

This Page Left Intentionally Blank

Applications Lodged

Lodgement information is in the following order: **Applicant's Name**; International Classification, Name of Product, Lodgement Date and **Design Number**. If the applicant claims an earlier priority date under an International Convention, the Convention Country and the associated filing date are shown in parentheses before the Lodgement Date. Divisional information will also appear in parentheses before the Lodgement Date.

About Tack Limited; 29-02, Face mask to protect equids from flies, (EM, 16 Feb 2009) 14 Aug 2009	13132/2009	Black & Decker, Inc.; 08-03, Chain saw, (EM, 16 Feb 2009) 10 Aug 2009	13015/2009
Actron Technology Pty Ltd; 07-06A, A glass stem, 12 Aug 2009	13053/2009	Blundell, Diane Marie; 30-01, Protective hood for dogs ears, 12 Aug 2009	13048/2009
Aktiebolaget Electrolux; 15-05, Vacuum cleaner, (EM, 20 Mar 2009) 13 Aug 2009	13061/2009	Blundell, Diane Marie; 30-01, Protective hood for dogs ears, 12 Aug 2009	13047/2009
All Pumps Holdings Pty; 23-01F, Expandable water tank, 14 Aug 2009	13108/2009	Breville Pty Limited; 07-02B, Slow cooker, 05 Aug 2009	12932/2009
All Pumps Holdings Pty; 23-01G, 23-01E, Stormwater quality improvement device, 14 Aug 2009	13109/2009	BISSELL Homecare, Inc.; 09-07A, Aerosol cleaner tool, (US, 11 Feb 2009) 11 Aug 2009	13019/2009
Apps, Darryl; 26-06, LED lights for trucks and trailers, 12 Aug 2009	13070/2009	BISSELL Homecare, Inc.; 04-01, Clean up tool, (US, 11 Feb 2009) 11 Aug 2009	13020/2009
Apps, Darryl; 26-06, LED lights for trucks and trailers, 12 Aug 2009	13071/2009	Cellnet Group Limited; 13-02, A charger, 11 Aug 2009	13044/2009
Apps, Darryl; 26-06, LED lights for trucks and trailers, 12 Aug 2009	13072/2009	Chiang, Herman; 16-06, Swimming goggles, 12 Aug 2009	13029/2009
Apps, Darryl; 26-06, LED lights for trucks and trailers, 12 Aug 2009	13073/2009	Clarion Co., Ltd.; 14-01, Audio player, 07 Aug 2009	12989/2009
Apps, Darryl; 26-06, LED lights for trucks and trailers, 12 Aug 2009	13068/2009	Clarion Co., Ltd.; 14-01, Audio player, 07 Aug 2009	12992/2009
Apps, Darryl; 26-06, LED lights for trucks and trailers, 12 Aug 2009	13069/2009	Colgate-Palmolive Company; 04-02, Toothbrush, (US, 05 Feb 2009) 05 Aug 2009	12944/2009
Apps, Darryl; 26-06, LED lights for trucks and trailers, 12 Aug 2009	13067/2009	Colgate-Palmolive Company; 04-02, Toothbrush, (US, 05 Feb 2009) 05 Aug 2009	12945/2009
Apps, Darryl; 26-06, LED lights for trucks and trailers, 12 Aug 2009	13067/2009	Colgate-Palmolive Company; 04-02, Toothbrush, (US, 05 Feb 2009) 05 Aug 2009	12946/2009
Atos Worldline; 14-02, Payment terminal, (WO, 23 Feb 2009) 11 Aug 2009	13030/2009	Colgate-Palmolive Company; 04-02, Toothbrush, (US, 05 Feb 2009) 05 Aug 2009	12943/2009
Atos Worldline; 14-02, Payment terminal, (WO, 23 Feb 2009) 11 Aug 2009	13031/2009	Colgate-Palmolive Company; 04-02, Toothbrush, (US, 05 Feb 2009) 05 Aug 2009	12938/2009
Baird, Graeme Thomas; 14-03NES, Aerial, 14 Aug 2009	13106/2009	Colgate-Palmolive Company; 04-02, Toothbrush, (US, 05 Feb 2009) 05 Aug 2009	12939/2009
Baird, Graeme Thomas; 26-05C, Light, 14 Aug 2009	13107/2009	Colgate-Palmolive Company; 04-02, Toothbrush, (US, 05 Feb 2009) 05 Aug 2009	12940/2009
Berry-Smith, Matthew Philip; 19-06, 07-06NES, A cooler/holder template for bottles or cans containing liquids, 17 Aug 2009	13076/2009	Colgate-Palmolive Company; 04-02, Toothbrush, (US, 05 Feb 2009) 05 Aug 2009	12941/2009
Black & Decker, Inc.; 08-03, Chain saw, (EM, 16 Feb 2009) 10 Aug 2009	13014/2009	Colgate-Palmolive Company; 04-02, Toothbrush, (US, 05 Feb 2009) 05 Aug 2009	12942/2009

Container Pty Ltd; 09-01NES, Blow mould bottle and injection mould cap, 06 Aug 2009	12960/2009	Grant Olver Investments Pty Ltd trading as Pilgrim Clothing; 02-02C, Ladies garments, 17 Aug 2009	13074/2009
Container Pty Ltd; 09-01NES, Injection mould jar, 06 Aug 2009	12961/2009	Hansa Metallwerke AG; 23-01H, Mixing Tap, (EM, 12 Feb 2009) 06 Aug 2009	12950/2009
Cook, Simon Alexander; 06-01NES, Seat 3 legged for kneeling and crossleg postures, 12 Aug 2009	13021/2009	Hatzis Holdings Pty Ltd; 02-02C, Dress, 07 Aug 2009	12994/2009
CMO Investments Pty Ltd; 21-02NES, Fitting for sports scoring ring, 14 Aug 2009	13111/2009	Helen of Troy Limited; 09-03M, Storage container, (US, 07 May 2009) 07 Aug 2009	12990/2009
Dairy Crest Limited; 07-01F, Jug, (EM, 10 Feb 2009) 05 Aug 2009	12937/2009	Helen of Troy Limited; 09-03M, Storage container, (US, 07 May 2009) 10 Aug 2009	13012/2009
Decor Corporation Pty Ltd, The; 09-03M, Container, 14 Aug 2009	13088/2009	Helen of Troy Limited; 09-03M, Storage container, (US, 07 May 2009) 10 Aug 2009	13013/2009
Decor Corporation Pty Ltd, The; 07-01NES, Lid and seal for container, 14 Aug 2009	13089/2009	Helen of Troy Limited; 09-03M, Storage container, (US, 07 May 2009) 07 Aug 2009	12991/2009
Decor Corporation Pty Ltd, The; 09-03M, Container, 14 Aug 2009	13090/2009	Helen of Troy Limited; 26-05NES, 21-01D, Lighting apparatus, (US, 27 Feb 2009) 12 Aug 2009	13054/2009
Decor Corporation Pty Ltd, The; 07-01NES, Lid and seal for container, 14 Aug 2009	13091/2009	Helen of Troy Limited; 26-05NES, 21-01C, Lighting apparatus, (US, 27 Feb 2009) 12 Aug 2009	13055/2009
Decor Corporation Pty Ltd, The; 09-03M, Container, 14 Aug 2009	13092/2009	Hobart, Peter David; 25-02NES, Safety barrier, 14 Aug 2009	13133/2009
Decor Corporation Pty Ltd, The; 07-01NES, Lid and seal for container, 14 Aug 2009	13093/2009	Hort, Robin L; 02-01B, Underwear, 10 Aug 2009	12993/2009
Decor Corporation Pty Ltd, The; 09-03M, Container, 14 Aug 2009	13094/2009	Huhtamaki Australia Pty Ltd; 07-01NES, Container base, 06 Aug 2009	12974/2009
Fealy, David; 06-06F, Slat boot, 14 Aug 2009	13096/2009	J R Scott Pty Ltd; 13-03C, Scott cable protector, 12 Aug 2009	13049/2009
Ferrari S.p.A.; 12-08, 21-01C, Car and toy-car, (EM, 26 Feb 2009) 17 Aug 2009	13114/2009	Jenkins, Lance; 15-03B, Grain roller mill, 14 Aug 2009	13063/2009
Foster's Group Limited; 25-03, Portable structure, 12 Aug 2009	13045/2009	Jupiter Roofing; 25-01G, Roof tail sheet, 17 Aug 2009	13097/2009
Franklin, Wayne Brendon; 08-08NES, Post adapter, (NZ, 11 Feb 2009) 10 Aug 2009	13010/2009	Jupiter Roofing; 25-01G, Roofing tail sheet, 17 Aug 2009	13098/2009
FMP Group (Australia) Pty Limited; 12-16M, Brake pad friction material 1833, 04 Aug 2009	12889/2009	Jupiter Roofing; 25-01G, Roof tail sheet, 17 Aug 2009	13099/2009
FMP Group (Australia) Pty Limited; 12-16M, Brake pad friction material 1834, 04 Aug 2009	12890/2009	Jupiter Roofing; 25-01G, Roof tail sheet, 17 Aug 2009	13100/2009
FMP Group (Australia) Pty Limited; 12-16M, Brake pad friction material 1835, 04 Aug 2009	12891/2009	Kastanos, R.; 03-01NES, Laptop sleeve, 12 Aug 2009	13059/2009
FMP Group (Australia) Pty Limited; 12-16M, Brake pad friction material 1836, 04 Aug 2009	12892/2009	King Furniture (Australia) Pty Ltd; 06-01G, Article of furniture, 11 Aug 2009	13023/2009
Gooden, Ben; Gooden, Rebecca; 99-00, A modulated structural cell, 14 Aug 2009	13062/2009	King Furniture (Australia) Pty Ltd; 06-01G, Article of furniture, 11 Aug 2009	13022/2009
Gooden, Rebecca; Gooden, Ben; 99-00, A modulated structural cell, 14 Aug 2009	13062/2009	KNOG Pty Ltd; 26-06, Front light, 17 Aug 2009	13125/2009
		KNOG Pty Ltd; 26-06, Rear light, 17 Aug 2009	13126/2009

Lexington Lasercomb IPAG; 28-03NES, Laser comb, (US, 24 Feb 2009) 14 Aug 2009	13101/2009	Oceanic Agencies Pty Ltd; 09-03M, Container, 07 Aug 2009	12983/2009
Libman Company, The; 08-06, 07-05NES, Handle portion for a cleaning implement, (US, 06 Feb 2009) 06 Aug 2009	12962/2009	Opresnik, Maria; 19-06, Pattern drafting ruler, 07 Aug 2009	12980/2009
Libman Company, The; 08-06, 07-05NES, 09-07A, Trigger portion for a cleaning implement handle, (US, 06 Feb 2009) 06 Aug 2009	12963/2009	Orion transport lamps ltd; 26-06, BT101, BT102, BT103, BTFSA, BTFSE, BTFSR, BTFSW, BT104, BTC01, 03 Aug 2009	12895/2009
Loud & Clear Safety Pty Ltd; 02-03, 29-02, Safety apparatus, 04 Aug 2009	12900/2009	Orion transport lamps ltd; 26-06, SD01, SD02, SD03, SDADR, SD04, SD05, SD06, 03 Aug 2009	12896/2009
Marinis, Alexander; 06-01E, Barstool, 11 Aug 2009	13026/2009	Orion transport lamps ltd; 26-06, CTL01, CTL02, CTL03, CTL04, CTLC01, 03 Aug 2009	12897/2009
Martin Engineering Company; 25-02NES, 12-05, Stringer or a belt conveyor system, (US, 02 Jul 2009) 06 Aug 2009	12951/2009	Osram GmbH; 26-04, Luminaire, (EM, 18 Feb 2009) 12 Aug 2009	13046/2009
McNeil-PPC, Inc.; 04-02, Toothbrush, (Divisional of 12618/2009) 17 Jul 2009	13121/2009	Pacific Market International, LLC; 07-01NES, A food container, (US, 05 Mar 2009) 13 Aug 2009	13066/2009
McNeil-PPC, Inc.; 04-02, Toothbrush, (Divisional of 12618/2009) 17 Jul 2009	13120/2009	Pacific Market International, LLC; 09-07B, A beverage container lid, (US, 05 Feb 2009) 04 Aug 2009	12893/2009
McNeil-PPC, Inc.; 04-02, Toothbrush, (Divisional of 12617/2009) 17 Jul 2009	13122/2009	Parsons, Kenneth Douglas; 06-04NES, CD and DVD rack, 06 Aug 2009	12936/2009
McNeil-PPC, Inc.; 04-02, Toothbrush, (Divisional of 12618/2009) 17 Jul 2009	13119/2009	Pelco, Inc.; 10-05, 16-01, Camera enclosure, (US, 30 Mar 2009) 06 Aug 2009	12973/2009
McPherson's Limited; 07-99NES, Knife block, 06 Aug 2009	12970/2009	Pennell, Paul; 25-03, Mobile photobooth, 04 Aug 2009	12898/2009
Millar, Donald Malcolm; 25-01NES, Timber connector particularly for connecting joists and rafters to beams, 05 Aug 2009	12917/2009	Perla, Salvatore; 08-05L, This product provides paint, and or other materials, drop sheet coverage for toilets including floors, seat, cistern and pipes where applicable, whether it be by canvas or another material, plastic, paper or otherwise., 11 Aug 2009	13027/2009
Nielsen, Erik Brinch; 09-01NES, Wine dispenser, (EM, 04 Mar 2009) 10 Aug 2009	12997/2009	Perrin, Suzanne Maree; Perrin, Kimberley Donald; 09-09, Litter bin, 17 Aug 2009	13115/2009
Nintendo Co., Ltd.; 21-01N, Controller for electronic game machine, (JP, 23 Feb 2009) 14 Aug 2009	13112/2009	Perrin, Kimberley Donald; Perrin, Suzanne Maree; 09-09, Litter bin, 17 Aug 2009	13115/2009
Nokia Corporation; 14-03E, Handset, (US, 14 Jul 2009) 14 Aug 2009	13103/2009	Perusahaan Otomobil Nasional SDN. BHD.; 06-01D, Seat for vehicle, (MY, 03 Feb 2009) 31 Jul 2009	12911/2009
Nokia Corporation; 14-03E, Handset, (US, 14 Jul 2009) 14 Aug 2009	13104/2009	Perusahaan Otomobil Nasional SDN. BHD.; 12-16A, Steering wheel, (MY, 03 Feb 2009) 31 Jul 2009	12912/2009
Nokia Corporation; 14-03E, Handset, (US, 15 Jul 2009) 14 Aug 2009	13105/2009	Perusahaan Otomobil Nasional SDN. BHD.; 06-01D, Seat for vehicle, (MY, 03 Feb 2009) 31 Jul 2009	12913/2009
Nokia Corporation; 14-03E, Handset, (US, 04 May 2009) 14 Aug 2009	13102/2009	Perusahaan Otomobil Nasional SDN. BHD.; 06-01D, Seat for vehicle, (MY, 03 Feb 2009) 31 Jul 2009	12914/2009
Novetec Building Products Pty Ltd; 23-02B, Square shower fitting, 11 Aug 2009	13017/2009	Perusahaan Otomobil Nasional SDN. BHD.; 06-01D, Seat for vehicle, (MY, 03 Feb 2009) 31 Jul 2009	12916/2009
Novetec Building Products Pty Ltd; 23-01H, Tap ware, 07 Aug 2009	12947/2009		

Perusahaan Otomobil Nasional SDN. BHD.; 12-16A, Wheel rim, (MY, 03 Feb 2009) 31 Jul 2009	12915/2009	Revolabs, Inc.; 14-01, Personal wireless microphone for use with a multi-user audio system., (US, 09 Feb 2009) 06 Aug 2009	12959/2009
Pocared Diagnostics Ltd; 24-01, Cartridge, (US, 05 Feb 2009) 05 Aug 2009	12935/2009	Revolabs, Inc.; 14-01, Directional wireless microphone for use with a multi-user audio system, (US, 09 Feb 2009) 06 Aug 2009	12958/2009
Pocared Diagnostics Ltd; 24-01, Couvette, (US, 05 Feb 2009) 05 Aug 2009	12933/2009	Rigter, Steve Mark; 08-09, For the use of installation of revealed windows and/or doors, 06 Aug 2009	12931/2009
Pocared Diagnostics Ltd; 24-01, Cartridge, (US, 05 Feb 2009) 05 Aug 2009	12934/2009	Rinnon Products Limited; 12-16K, Truck and trailer generic container with aerofoil only, 11 Aug 2009	13024/2009
PR Enterprises Pty Ltd; 23-01NES, Fluid dispenser, 10 Aug 2009	13011/2009	Rinnon Products Limited; 12-16K, Truck container and trailer container, (NZ, 11 Feb 2009) 11 Aug 2009	13025/2009
Rado Uhren AG (Rado Watch Co Ltd) (Montres Rado SA); 10-02, Watch, (CH, 06 Mar 2009) 06 Aug 2009	12948/2009	Rinnon Products Limited; 23-03NES, Aerofoil of indefinite length, 11 Aug 2009	13028/2009
Rado Uhren AG (Rado Watch Co Ltd) (Montres Rado SA); 10-02, Watch, (CH, 24 Mar 2009) 14 Aug 2009	13118/2009	Robertson Engineering Limited; 08-08K, 13-03A, A pin lock insulator, (NZ, 20 Feb 2009) 13 Aug 2009	13050/2009
Rado Uhren AG (Rado Watch Co Ltd) (Montres Rado SA); 10-02, Watch, (CH, 06 Mar 2009) 06 Aug 2009	12949/2009	Robertson Engineering Limited; 08-08K, 13-03A, A claw insulator, (NZ, 20 Feb 2009) 13 Aug 2009	13051/2009
Rapala Freetime Australia Pty Ltd; 22-05, Fishing tackle, 13 Aug 2009	13052/2009	Ruth Tarvydas International; 02-02C, Dress, 06 Aug 2009	12920/2009
Rasa, Iwan; 07-04, Grater, (EM, 14 Nov 2008) 14 May 2009	12975/2009	Ruth Tarvydas International; 02-02C, Dress, 06 Aug 2009	12921/2009
Rehau AG + Co; 23-01A, Pipe fitting, (DE, 06 Feb 2009) 05 Aug 2009	12928/2009	Ruth Tarvydas International; 02-02C, Dress, 06 Aug 2009	12922/2009
Rehau AG + Co; 23-01B, Pipe fitting, (DE, 06 Feb 2009) 05 Aug 2009	12929/2009	Ruth Tarvydas International; 02-02C, Dress, 06 Aug 2009	12923/2009
Rehau AG + Co; 23-01A, Pipe fitting, (DE, 06 Feb 2009) 05 Aug 2009	12930/2009	S.C. Johnson & Son, Inc.; 03-01D, 09-01G, 28-03NES, Scent module, (US, 11 Feb 2009) 11 Aug 2009	13033/2009
Republic Tobacco L.P.; 27-99, Rectangular cigarette-making machine, (US, 23 Jul 2009) 11 Aug 2009	13018/2009	S.C. Johnson & Son, Inc.; 09-01G, 28-03NES, Fragrance sampler holder, (US, 11 Feb 2009) 11 Aug 2009	13032/2009
Republic Tobacco L.P.; 27-99, Square cigarette-making machine, (US, 22 Jul 2009) 07 Aug 2009	12979/2009	Saabeam Pty Ltd; 06-09, 21-01A, Plush toys, 18 Aug 2009	13113/2009
ResMed Ltd; 24-01, Positive airway pressure delivery device and/or humidifier and/or components thereof, (Divisional of 10853/2009) 19 Dec 2008	13060/2009	Sabco Australia Pty Ltd; 07-07B, Bucket, (US, 03 Jun 2009) 07 Aug 2009	12981/2009
ResMed Ltd; 24-01, Air delivery tube, (US, 05 Mar 2009) 04 Aug 2009	12918/2009	Samar, LLC; 28-03NES, Shoe deodorising apparatus, (EM, 17 Feb 2009) 14 Aug 2009	13116/2009
ResMed Ltd; 24-01, Air delivery tube, (US, 05 Mar 2009) 04 Aug 2009	12919/2009	Savage, Sara; 20-03NES, Uni-directional cross, 12 Aug 2009	13016/2009
Revolabs, Inc.; 14-01, Omnidirectional wireless microphone for use with a multi-user audio system, (US, 06 Feb 2009) 05 Aug 2009	12894/2009	Seaquist Closures L.L.C.; 09-07NES, 09-01G, Closure, (US, 20 Feb 2009) 12 Aug 2009	13056/2009
		Seaquist Closures L.L.C.; 09-07NES, 09-01G, Closure, (US, 20 Feb 2009) 12 Aug 2009	13057/2009

Seaquist Closures L.L.C.; 09-07NES, 09-01G, Closure, (US, 20 Feb 2009) 12 Aug 2009	13058/2009	Spin Master Ltd.; 21-01B, Transformable toy, (CA, 16 Feb 2009) 12 Aug 2009	13040/2009
Securi-Cap Pty Ltd; 05-06B, 08-08NES, 12-05, Slider sheet, 07 Aug 2009	12985/2009	Spin Master Ltd.; 21-01B, Transformable toy, (CA, 23 Feb 2009) 12 Aug 2009	13035/2009
Securi-Cap Pty Ltd; 05-06B, 08-08NES, 12-05, Slider sheet, 07 Aug 2009	12986/2009	Spin Master Ltd.; 21-01A, Transformable toy, (CA, 13 Feb 2009) 12 Aug 2009	13043/2009
Securi-Cap Pty Ltd; 05-06B, 08-08NES, 12-05, Slider sheet, 07 Aug 2009	12984/2009	Spin Master Ltd.; 21-01B, Transformable toy, (CA, 16 Feb 2009) 12 Aug 2009	13042/2009
Shirliff, Ian Peter; 23-01H, Tap handle, 14 Aug 2009	13065/2009	Stiletto Seeding Systems Pty Ltd; 08-01, A digging point, 11 Aug 2009	13034/2009
Simcro Tech Limited; 24-02, 10-04, Measuring dispenser, (NZ, 11 Aug 2008) 10 Aug 2009	12976/2009	SCA Hygiene Products AB; 05-06NES, Embossing design for paper towel, 14 Aug 2009	13117/2009
Societe des Produits Nestle S.A.; 07-01NES, 09-01K, Containers and closures, (CH, 30 Apr 2009) 05 Aug 2009	12924/2009	Teach & Play Pty Ltd; 21-01C, The leaky boat, 17 Aug 2009	13123/2009
Societe des Produits Nestle S.A.; 07-02L, 31-00, A drinks machine, (CH, 06 May 2009) 14 Aug 2009	13081/2009	Teach & Play Pty Ltd; 21-01C, The beaut ute, 17 Aug 2009	13124/2009
Societe des Produits Nestle S.A.; 07-02L, 31-00, A capsule holder, (CH, 06 May 2009) 14 Aug 2009	13082/2009	The Decor Corporation Pty Ltd; 07-01NES, 09-03NES, Container, 14 Aug 2009	13084/2009
Societe des Produits Nestle S.A.; 07-02L, 31-00, A capsule receiver, (CH, 06 May 2009) 14 Aug 2009	13083/2009	The Decor Corporation Pty Ltd; 07-01NES, 09-07C, Lid and seal for container, 14 Aug 2009	13085/2009
Societe des Produits Nestle S.A.; 07-02L, 31-00, A capsule receiver, (CH, 06 May 2009) 14 Aug 2009	13083/2009	The Decor Corporation Pty Ltd; 07-01NES, 09-03NES, Container, 14 Aug 2009	13086/2009
Societe des Produits Nestle S.A.; 07-01NES, 09-07B, Containers and closures, (CH, 30 Apr 2009) 05 Aug 2009	12925/2009	The Decor Corporation Pty Ltd; 07-01NES, 09-07C, Lid and seal for container, 14 Aug 2009	13087/2009
Societe des Produits Nestle S.A.; 09-01NES, 09-01K, Containers and closures, (CH, 30 Apr 2009) 05 Aug 2009	12926/2009	The Decor Corporation Pty Ltd; 07-01NES, Lid and seal for container, 14 Aug 2009	13095/2009
Societe des Produits Nestle S.A.; 07-01NES, 09-07B, Containers and closures, (CH, 30 Apr 2009) 05 Aug 2009	12927/2009	The Decor Corporation Pty Ltd; 09-03M, Container, 10 Aug 2009	13006/2009
Spin Master Ltd.; 21-01A, Transformable toy, (CA, 31 Mar 2009) 04 Aug 2009	12910/2009	The Decor Corporation Pty Ltd; 09-03M, Container, 10 Aug 2009	13007/2009
Spin Master Ltd.; 21-01B, Transformable toy, (CA, 10 Feb 2009) 07 Aug 2009	12978/2009	The Decor Corporation Pty Ltd; 09-03M, Container, 10 Aug 2009	13008/2009
Spin Master Ltd.; 21-01B, Transformable toy, (CA, 16 Feb 2009) 12 Aug 2009	13041/2009	The Decor Corporation Pty Ltd; 07-01NES, Lid and seal for container, 10 Aug 2009	13002/2009
Spin Master Ltd.; 21-01B, Transformable toy, (CA, 23 Feb 2000) 12 Aug 2009	13036/2009	The Decor Corporation Pty Ltd; 07-01NES, Lid and seal for container, 10 Aug 2009	13003/2009
Spin Master Ltd.; 21-01B, Transformable toy, (CA, 17 Feb 2009) 12 Aug 2009	13037/2009	The Decor Corporation Pty Ltd; 07-01NES, Lid and seal for container, 10 Aug 2009	13004/2009
Spin Master Ltd.; 21-01B, Transformable toy, (CA, 16 Feb 2009) 12 Aug 2009	13038/2009	The Decor Corporation Pty Ltd; 09-03M, Container, 10 Aug 2009	13005/2009
Spin Master Ltd.; 21-01B, Transformable toy, (CA, 16 Feb 2009) 12 Aug 2009	13039/2009	The Decor Corporation Pty Ltd; 07-01NES, 09-03M, Container, 10 Aug 2009	12998/2009

The Decor Corporation Pty Ltd; 07-01NES, 09-07C, Lid and seal for container, 10 Aug 2009	12999/2009	Toyota Jidosha Kabushiki Kaisha; 12-16B, Front grille for an automobile, 18 Aug 2009	13149/2009
The Decor Corporation Pty Ltd; 07-01NES, 09-07C, Lid and seal for container, 10 Aug 2009	13000/2009	Toyota Jidosha Kabushiki Kaisha; 12-16B, Vehicle front assembly, 06 Aug 2009	12972/2009
The Decor Corporation Pty Ltd; 07-01NES, 09-07C, Lid and seal for container, 10 Aug 2009	13001/2009	Toyota Jidosha Kabushiki Kaisha; 12-08, Automobile, 06 Aug 2009	12957/2009
The Libman Company; 08-06, 04-01, Handle portion for a cleaning implement, (US, 06 Feb 2009) 06 Aug 2009	12964/2009	Toyota Jidosha Kabushiki Kaisha; 12-08, Automobile, 06 Aug 2009	12971/2009
The Libman Company; 04-01, Portion of a mop, (US, 06 Feb 2009) 06 Aug 2009	12965/2009	Toyota Jidosha Kabushiki Kaisha; 12-08, Automobile, 06 Aug 2009	12952/2009
The Libman Company; 04-01, Cover for a cleaning implement, (US, 06 Feb 2009) 06 Aug 2009	12969/2009	Toyota Jidosha Kabushiki Kaisha; 12-16C, Front bumper for automobile, 06 Aug 2009	12955/2009
The Libman Company; 04-01, Portion of a mop, (US, 06 Feb 2009) 06 Aug 2009	12966/2009	Toyota Jidosha Kabushiki Kaisha; 12-16B, Front grille for automobile, 06 Aug 2009	12953/2009
The Libman Company; 04-01, Mop, (US, 06 Feb 2009) 06 Aug 2009	12968/2009	Toyota Jidosha Kabushiki Kaisha; 12-08, Automobile, 06 Aug 2009	12954/2009
The Libman Company; 04-01, Portion of a mop, (US, 06 Feb 2009) 06 Aug 2009	12967/2009	Traffic Calming Australia; 25-02C, Lane separator, 07 Aug 2009	12988/2009
The NTF Group Pty Ltd; 14-02, Self serve kiosk, 10 Aug 2009	12982/2009	Tyson, Warren Leslie; 08-07, Child restraint anchor fitting, 05 Aug 2009	12899/2009
Thiess Pty Ltd; 25-04, Vibration dampening ladder, 07 Aug 2009	12987/2009	TAG Heuer SA; 10-07, Watch case, (WO, 11 Mar 2009) 17 Aug 2009	13110/2009
Tida Bella Monkey; 06-13B, 02-02C, Baby wrap, clothing, blanket, 17 Aug 2009	13075/2009	Vass Marketing; 02-01NES, Undergarment, 13 Aug 2009	13064/2009
Toyota Jidosha Kabushiki Kaisha; 12-08, Automobile, 06 Aug 2009	12956/2009	Waikato Milking Systems NZ Limited; 15-03C, A moulding for udder spray nozzle mounting, (NZ, 19 Feb 2009) 13 Aug 2009	13077/2009
Toyota Jidosha Kabushiki Kaisha; 12-08, Automobile, 18 Aug 2009	13145/2009	Waikato Milking Systems NZ Limited; 15-03C, Udder spraying apparatus, (NZ, 19 Feb 2009) 13 Aug 2009	13078/2009
Toyota Jidosha Kabushiki Kaisha; 12-16E, Front combination lamp for an automobile, 18 Aug 2009	13146/2009	Waikato Milking Systems NZ Limited; 15-03C, A moulding housing, or for housing, two spray nozzles, (NZ, 19 Feb 2009) 13 Aug 2009	13079/2009
Toyota Jidosha Kabushiki Kaisha; 12-16E, Rear combination lamp for an automobile, 18 Aug 2009	13147/2009	Waikato Milking Systems NZ Limited; 15-03C, Udder spraying apparatus, (NZ, 19 Feb 2009) 13 Aug 2009	13080/2009
Toyota Jidosha Kabushiki Kaisha; 12-16C, Front bumper for an automobile, 18 Aug 2009	13148/2009	Xarax International Beverages Pty Ltd; 09-03NES, Rainwater and springwater, 10 Aug 2009	12977/2009

Applications Withdrawn

12790 / 2009 (26-06)

Applications Lapsed

10336 / 2009 (11-05)
10387 / 2009 (06-06NES)
11965 / 2009 (08-05P)
12028 / 2009 (15-99)
12111 / 2009 (14-03NES)

10386 / 2009 (06-06NES)
11833 / 2009 (22-06)
11987 / 2009 (08-08NES)
12077 / 2009 (07-02A)

Extension of Period of Registration of Designs

300070	300073	300143
300330	300494	300553
300554	300555	300567
300608	300646	300650
300665	300666	300667
300679	300684	300686
300700	300717	300718
300719	300752	300759
300760	300761	300762
300763	300764	300765
300776	300777	300816
300836	300837	300838
300839	300851	300857
300867	300873	300907
300908	300909	300913
300941	300942	300943
300944	300952	300982
301029	301107	301114
301121	301125	301259
301268	301269	301322
301323	301562	301563
301564	301639	301819
301870	302005	302376
302377	302378	302756
302759	302852	302853
303248	303249	303250
303251	303455	304466
304467	304468	304469
304470	304471	304472
304473	304474	304475
304476	304585	304586
304587	304588	304589
304590	304591	304607
304608	304609	304610
304611	304667	304736
304737	304774	305274
305275		

318543	(Barbara Zygouras;Stella Zygouras) Australiana Group Holdings Pty Ltd
319631	(Caterpillar Inc.) Caterpillar Technologies Singapore Pte. Ltd.
319632	(Caterpillar Inc.) Caterpillar Technologies Singapore Pte. Ltd.
304028	(Jillian Jolly) Montage Group Pty Ltd
304029	(Jillian Jolly) Montage Group Pty Ltd
304030	(Jillian Jolly) Montage Group Pty Ltd
304031	(Jillian Jolly) Montage Group Pty Ltd
308124	(Jillian Jolly) Montage Group Pty Ltd
310546	(Jillian Jolly) Montage Group Pty Ltd
324116	(Societe de velo en libre-service) Societe en commandite Stationnement de Montreal
324192	(Societe de velo en libre-service) Societe en commandite Stationnement de Montreal
324193	(Societe de velo en libre-service) Societe en commandite Stationnement de Montreal
308231	(Nutro Products, Inc.) S&M NuTec LLC
313201	(Nutro Products, Inc.) S&M NuTec, LLC.
313202	(Nutro Products, Inc.) S&M NuTec, LLC.
313203	(Nutro Products, Inc.) S&M NuTec, LLC.
313204	(Nutro Products, Inc.) S&M NuTec, LLC.
313588	(Nutro Products, Inc.) S&M NuTec, LLC
314096	(Nutro Products, Inc.) S&M NuTec, LLC
314097	(Nutro Products, Inc.) S&M NuTec, LLC
314224	(Nutro Products, Inc.) S&M NuTec, LLC
314225	(Nutro Products, Inc.) S&M NuTec, LLC
314226	(Nutro Products, Inc.) S&M NuTec, LLC
317264	(Nutro Products, Inc.) S&M NuTec, LLC

Names Registered - Alterations and Amendments

(The name in parentheses is that of the subsequent applicant)

301091	(3M Svenska Aktiebolag) Peltor A.B.
306858	(3M Svenska Aktiebolag) Peltor AB
306859	(3M Svenska Aktiebolag) Peltor AB
306860	(3M Svenska Aktiebolag) Peltor AB
307341	(3M Svenska Aktiebolag) Peltor AB

Extensions of time granted under Section 137

Applications lodged under section 137 for extension of time have been granted.

- 10386/2009 **Corporate Culture Australia**
- 10387/2009 **Corporate Culture Australia**
- 11485/2009 **Hanan Abdalla**
- 11578/2009 **Mark Smith**
- 11915/2009 **Ross Didier**

Subsequent Owners Registered

(The name in parentheses is that of the subsequent owner)

Certificate(s) of Examination

Examination of the following Design Registration(s) has been completed. Infringement proceedings may now be commenced.

309348	25-02A	12/08/2009
311860	13-03E	14/08/2009
313826	09-01D	11/08/2009
316283	24-03	20/08/2009
316284	24-03	20/08/2009
319528	07-05E	10/08/2009
319529	07-05E	10/08/2009
319530	07-05E	10/08/2009
321295	26-03	11/08/2009
321555	27-03	10/08/2009
321556	27-03	10/08/2009
321792	12-15A	07/08/2009
321793	12-15A	07/08/2009
321800	23-02B	17/08/2009
322434	08-07	07/08/2009
323039	15-03B	14/08/2009
323869	24-04	17/08/2009
324189	09-07A	10/08/2009
324651	09-01NES	17/08/2009
324887	16-03	10/08/2009
324889	14-02	07/08/2009
324945	12-15C	18/08/2009
324981	09-07B	10/08/2009
324982	09-07B	10/08/2009
325011	14-01	27/07/2009
325022	07-05E	07/08/2009
325168	14-03NES	12/08/2009
325405	23-01B	12/08/2009
325703	14-02	19/08/2009
325704	14-02	19/08/2009
325705	14-02	19/08/2009
325712	12-15A	07/08/2009
325723	12-15B	31/07/2009
325817	25-01K	20/08/2009
325829	07-07A	14/08/2009
325857	06-03D	10/08/2009
325860	14-03NES	10/08/2009
325910	24-02	11/08/2009
325911	24-02	11/08/2009
325971	06-05	13/08/2009
326015	14-01	20/08/2009
326062	24-01	14/08/2009
326129	08-01	14/08/2009
326130	08-01	14/08/2009
326134	09-03H	14/08/2009
326136	23-01A	19/08/2009
326217	24-02	12/08/2009
326237	12-15C	19/08/2009
326248	08-08NES	14/08/2009
326265	08-07	18/08/2009
326401	13-02	14/08/2009
326777	09-07B	10/08/2009

Publication and Registration Proceedings

Designs Registered

This section provides a concordance between design number and registration number of Designs covered in this journal. It also shows the main class and registration date.

This section covers Registration numbers 327009 to 327235 .

The registration number shown below should be used in all future correspondence.

Design Number	Registration Number	International Classification Code (IDC)	Registration Date	Design Number	Registration Number	International Classification Code (IDC)	Registration Date
10557/2009	327063	06-01F	10/08/2009	12590/2009	327072	14-03NES	10/08/2009
11485/2009	327199	10-04	20/08/2009	12591/2009	327073	14-03NES	10/08/2009
11578/2009	327103	09-03F	13/08/2009	12596/2009	327077	30-03	11/08/2009
11624/2009	327222	11-01NES	20/08/2009	12597/2009	327078	09-01K	11/08/2009
11672/2009	327192	25-02NES	18/08/2009	12598/2009	327079	09-01K	11/08/2009
11830/2009	327235	12-16L	20/08/2009	12599/2009	327080	09-01K	11/08/2009
11915/2009	327172	06-06E	19/08/2009	12605/2009	327120	12-16L	14/08/2009
11972/2009	327200	12-06A	20/08/2009	12607/2009	327141	26-02	17/08/2009
12064/2009	327064	12-15A	10/08/2009	12608/2009	327207	08-01	20/08/2009
12090/2009	327201	11-01NES	20/08/2009	12609/2009	327208	08-99	20/08/2009
12092/2009	327202	12-15A	20/08/2009	12610/2009	327209	08-01	20/08/2009
12094/2009	327203	12-15B	20/08/2009	12616/2009	327075	07-02E	11/08/2009
12105/2009	327159	03-01NES	17/08/2009	12619/2009	327076	09-03F	11/08/2009
12119/2009	327065	07-01D	10/08/2009	12624/2009	327085	02-04A	12/08/2009
12130/2009	327223	09-03A	20/08/2009	12625/2009	327054	25-01A	06/08/2009
12131/2009	327224	09-03A	20/08/2009	12626/2009	327086	21-01B	12/08/2009
12132/2009	327225	09-03A	20/08/2009	12627/2009	327087	21-01B	12/08/2009
12160/2009	327160	25-01C	17/08/2009	12628/2009	327088	23-01C	12/08/2009
12161/2009	327161	25-01C	17/08/2009	12629/2009	327074	08-06	10/08/2009
12162/2009	327162	25-01C	17/08/2009	12631/2009	327109	12-02	13/08/2009
12197/2009	327204	08-10	20/08/2009	12632/2009	327081	23-01C	11/08/2009
12231/2009	327173	25-01K	19/08/2009	12633/2009	327082	21-01B	11/08/2009
12284/2009	327174	06-01F	19/08/2009	12634/2009	327083	21-01B	11/08/2009
12285/2009	327175	06-03A	19/08/2009	12635/2009	327084	21-01B	11/08/2009
12376/2009	327104	08-05H	13/08/2009	12636/2009	327089	21-01A	12/08/2009
12377/2009	327105	08-05H	13/08/2009	12637/2009	327090	21-01A	12/08/2009
12447/2009	327163	08-08B	17/08/2009	12638/2009	327091	21-01A	12/08/2009
12488/2009	327205	06-01D	20/08/2009	12639/2009	327092	21-01A	12/08/2009
12502/2009	327066	25-02E	10/08/2009	12640/2009	327093	21-01A	12/08/2009
12508/2009	327140	08-10	17/08/2009	12644/2009	327094	12-16NES	12/08/2009
12518/2009	327009	09-03NES	07/08/2009	12645/2009	327095	12-16C	12/08/2009
12519/2009	327010	09-03NES	07/08/2009	12646/2009	327096	12-16C	12/08/2009
12520/2009	327011	09-03NES	07/08/2009	12647/2009	327111	07-02E	13/08/2009
12521/2009	327012	09-03L	07/08/2009	12648/2009	327110	07-02E	13/08/2009
12522/2009	327013	09-03NES	07/08/2009	12649/2009	327112	07-02E	13/08/2009
12523/2009	327014	09-03L	07/08/2009	12650/2009	327113	07-02E	13/08/2009
12524/2009	327015	05-06NES	07/08/2009	12651/2009	327114	07-02E	13/08/2009
12525/2009	327016	14-03A	07/08/2009	12652/2009	327115	07-02E	13/08/2009
12526/2009	327017	21-01A	07/08/2009	12653/2009	327116	07-02E	13/08/2009
12553/2009	327053	08-08NES	06/08/2009	12654/2009	327117	07-02E	13/08/2009
12562/2009	327107	07-04	13/08/2009	12655/2009	327118	07-02E	13/08/2009
12563/2009	327108	15-05	13/08/2009	12656/2009	327119	07-02E	13/08/2009
12566/2009	327067	06-02	10/08/2009	12666/2009	327106	23-01A	13/08/2009
12567/2009	327206	23-04	20/08/2009	12667/2009	327098	23-01A	13/08/2009
12569/2009	327068	09-01NES	10/08/2009	12668/2009	327099	23-01A	13/08/2009
12570/2009	327069	21-02F	10/08/2009	12669/2009	327100	23-01A	13/08/2009
12572/2009	327059	08-01	07/08/2009	12670/2009	327101	23-01A	13/08/2009
12573/2009	327060	09-05	07/08/2009	12671/2009	327102	23-01A	13/08/2009
12574/2009	327061	08-01	07/08/2009	12675/2009	327194	03-01B	18/08/2009
12575/2009	327062	12-11	07/08/2009	12676/2009	327193	03-01B	18/08/2009
12583/2009	327070	07-01E	10/08/2009	12677/2009	327129	09-01B	14/08/2009
12588/2009	327128	12-16N	14/08/2009	12678/2009	327130	04-02	14/08/2009
12589/2009	327071	14-03NES	10/08/2009	12679/2009	327131	09-01B	14/08/2009

Publication and Registration Proceedings - Designs Registered cont'd

Design Number	Registration Number	International Classification Code (IDC)	Registration Date	Design Number	Registration Number	International Classification Code (IDC)	Registration Date
12680/2009	327132	09-01B	14/08/2009	12735/2009	327058	11-01A	06/08/2009
12681/2009	327133	04-02	14/08/2009	12738/2009	327196	03-01NES	18/08/2009
12682/2009	327134	04-02	14/08/2009	12739/2009	327197	03-01NES	18/08/2009
12683/2009	327135	04-02	14/08/2009	12740/2009	327198	03-01NES	18/08/2009
12684/2009	327136	04-02	14/08/2009	12742/2009	327210	09-03L	20/08/2009
12685/2009	327137	04-02	14/08/2009	12743/2009	327211	13-02	20/08/2009
12686/2009	327138	09-09	14/08/2009	12744/2009	327212	26-02	20/08/2009
12687/2009	327139	09-09	14/08/2009	12745/2009	327213	26-02	20/08/2009
12690/2009	327151	06-01NES	17/08/2009	12746/2009	327214	09-03L	20/08/2009
12691/2009	327152	06-01NES	17/08/2009	12747/2009	327215	12-05	20/08/2009
12692/2009	327153	06-01NES	17/08/2009	12749/2009	327179	09-01K	19/08/2009
12693/2009	327154	06-01NES	17/08/2009	12752/2009	327180	23-01A	19/08/2009
12694/2009	327155	06-01NES	17/08/2009	12754/2009	327181	23-01A	19/08/2009
12695/2009	327156	24-02	17/08/2009	12757/2009	327182	23-01A	19/08/2009
12696/2009	327157	06-01NES	17/08/2009	12758/2009	327183	23-01A	19/08/2009
12697/2009	327158	06-01NES	17/08/2009	12759/2009	327184	13-03NES	19/08/2009
12698/2009	327121	24-01	14/08/2009	12760/2009	327185	13-03NES	19/08/2009
12699/2009	327122	24-01	14/08/2009	12764/2009	327216	08-08NES	19/08/2009
12700/2009	327123	24-02	14/08/2009	12765/2009	327217	08-08NES	19/08/2009
12701/2009	327124	24-01	14/08/2009	12767/2009	327230	13-03NES	20/08/2009
12702/2009	327125	24-01	14/08/2009	12768/2009	327231	08-07	20/08/2009
12703/2009	327126	09-03NES	14/08/2009	12769/2009	327232	13-03NES	20/08/2009
12704/2009	327127	07-01NES	14/08/2009	12770/2009	327233	02-04B	20/08/2009
12710/2009	327164	08-10	17/08/2009	12771/2009	327234	02-04B	20/08/2009
12711/2009	327165	08-10	17/08/2009	12772/2009	327218	02-04B	19/08/2009
12712/2009	327166	08-10	17/08/2009	12773/2009	327219	02-04B	19/08/2009
12713/2009	327167	08-10	17/08/2009	12774/2009	327220	03-01A	19/08/2009
12715/2009	327142	25-03	17/08/2009	12775/2009	327221	03-01A	19/08/2009
12717/2009	327143	12-05	17/08/2009	12783/2009	327228	26-04	20/08/2009
12718/2009	327144	25-02E	17/08/2009	12786/2009	327229	06-04NES	20/08/2009
12719/2009	327176	25-03	19/08/2009	12805/2009	327097	99-00	12/08/2009
12720/2009	327177	25-01K	19/08/2009	12828/2009	327195	04-01	18/08/2009
12721/2009	327226	25-01K	20/08/2009	12872/2009	327055	25-01A	06/08/2009
12722/2009	327178	25-01C	19/08/2009	12873/2009	327056	25-01A	06/08/2009
12723/2009	327227	25-01C	20/08/2009	12874/2009	327057	25-01A	06/08/2009
12724/2009	327168	12-16N	17/08/2009	12911/2009	327186	06-01D	18/08/2009
12726/2009	327145	02-04B	17/08/2009	12912/2009	327187	12-16A	18/08/2009
12727/2009	327146	02-04B	17/08/2009	12913/2009	327188	06-01D	18/08/2009
12728/2009	327147	02-04B	17/08/2009	12914/2009	327189	06-01D	18/08/2009
12729/2009	327148	02-04B	17/08/2009	12915/2009	327190	12-16A	18/08/2009
12730/2009	327149	10-01	17/08/2009	12916/2009	327191	06-01D	18/08/2009
12731/2009	327150	21-01E	17/08/2009				
12732/2009	327169	09-01B	17/08/2009				
12733/2009	327170	09-01B	17/08/2009				
12734/2009	327171	09-01B	17/08/2009				

Publication and Registration Proceedings
Class Listing of Designs Published or Registered

The following section shows an International Classification Code listing of the Registered or Published Designs covered in this supplement.

Classification	Registration Number	Design Number	Classification	Registration Number	Design Number
02-04 A	327085	12624/2009	07-02 E	327116	12653/2009
02-04 B	327145	12726/2009	07-02 E	327117	12654/2009
02-04 B	327146	12727/2009	07-02 E	327118	12655/2009
02-04 B	327147	12728/2009	07-02 E	327119	12656/2009
02-04 B	327148	12729/2009	07-04	327107	12562/2009
02-04 B	327218	12772/2009	07-05 NES	327195	12828/2009
02-04 B	327219	12773/2009	07-06 A	327221	12775/2009
02-04 B	327233	12770/2009	07-07 A	327009	12518/2009
02-04 B	327234	12771/2009	07-07 A	327010	12519/2009
03-01 A	327220	12774/2009	07-07 A	327011	12520/2009
03-01 A	327221	12775/2009	07-07 A	327012	12521/2009
03-01 B	327193	12676/2009	07-07 NES	327220	12774/2009
03-01 B	327194	12675/2009	08-01	327059	12572/2009
03-01 NES	327013	12522/2009	08-01	327061	12574/2009
03-01 NES	327159	12105/2009	08-01	327207	12608/2009
03-01 NES	327196	12738/2009	08-01	327209	12610/2009
03-01 NES	327197	12739/2009	08-05 H	327104	12376/2009
03-01 NES	327198	12740/2009	08-05 H	327105	12377/2009
04-01	327195	12828/2009	08-06	327074	12629/2009
04-02	327130	12678/2009	08-07	327205	12488/2009
04-02	327133	12681/2009	08-07	327231	12768/2009
04-02	327134	12682/2009	08-08 B	327163	12447/2009
04-02	327135	12683/2009	08-08 NES	327053	12553/2009
04-02	327136	12684/2009	08-08 NES	327216	12764/2009
04-02	327137	12685/2009	08-08 NES	327217	12765/2009
05-06 NES	327015	12524/2009	08-10	327140	12508/2009
06-01 D	327186	12911/2009	08-10	327164	12710/2009
06-01 D	327188	12913/2009	08-10	327165	12711/2009
06-01 D	327189	12914/2009	08-10	327166	12712/2009
06-01 D	327191	12916/2009	08-10	327167	12713/2009
06-01 D	327205	12488/2009	08-10	327204	12197/2009
06-01 F	327063	10557/2009	08-99	327208	12609/2009
06-01 F	327174	12284/2009	09-01 B	327129	12677/2009
06-01 NES	327121	12698/2009	09-01 B	327131	12679/2009
06-01 NES	327122	12699/2009	09-01 B	327132	12680/2009
06-01 NES	327151	12690/2009	09-01 B	327169	12732/2009
06-01 NES	327152	12691/2009	09-01 B	327170	12733/2009
06-01 NES	327153	12692/2009	09-01 B	327171	12734/2009
06-01 NES	327154	12693/2009	09-01 K	327078	12597/2009
06-01 NES	327155	12694/2009	09-01 K	327079	12598/2009
06-01 NES	327157	12696/2009	09-01 K	327080	12599/2009
06-01 NES	327158	12697/2009	09-01 K	327179	12749/2009
06-02	327067	12566/2009	09-01 NES	327068	12569/2009
06-03 A	327175	12285/2009	09-03 A	327223	12130/2009
06-04 NES	327229	12786/2009	09-03 A	327224	12131/2009
06-06 E	327172	11915/2009	09-03 A	327225	12132/2009
07-01 D	327065	12119/2009	09-03 E	327221	12775/2009
07-01 E	327070	12583/2009	09-03 F	327076	12619/2009
07-01 NES	327127	12704/2009	09-03 F	327103	11578/2009
07-02 E	327075	12616/2009	09-03 L	327012	12521/2009
07-02 E	327110	12648/2009	09-03 L	327014	12523/2009
07-02 E	327111	12647/2009	09-03 L	327210	12742/2009
07-02 E	327112	12649/2009	09-03 L	327214	12746/2009
07-02 E	327113	12650/2009	09-03 NES	327009	12518/2009
07-02 E	327114	12651/2009	09-03 NES	327010	12519/2009
07-02 E	327115	12652/2009	09-03 NES	327011	12520/2009

Registration Proceedings - Class Listing of Designs Published or Registered cont'd

Classification	Registration Number	Design Number	Classification	Registration Number	Design Number
09-03 NES	327013	12522/2009	23-01 A	327099	12668/2009
09-03 NES	327126	12703/2009	23-01 A	327100	12669/2009
09-05	327060	12573/2009	23-01 A	327101	12670/2009
09-09	327138	12686/2009	23-01 A	327102	12671/2009
09-09	327139	12687/2009	23-01 A	327106	12666/2009
10-01	327149	12730/2009	23-01 A	327180	12752/2009
10-04	327199	11485/2009	23-01 A	327181	12754/2009
11-01 A	327058	12735/2009	23-01 A	327182	12757/2009
11-01 NES	327201	12090/2009	23-01 A	327183	12758/2009
11-01 NES	327222	11624/2009	23-01 C	327081	12632/2009
12-02	327109	12631/2009	23-01 C	327088	12628/2009
12-05	327143	12717/2009	23-01 E	327071	12589/2009
12-05	327215	12747/2009	23-01 E	327072	12590/2009
12-06 A	327200	11972/2009	23-01 E	327073	12591/2009
12-11	327062	12575/2009	23-04	327206	12567/2009
12-15 A	327064	12064/2009	24-01	327121	12698/2009
12-15 A	327202	12092/2009	24-01	327122	12699/2009
12-15 B	327203	12094/2009	24-01	327124	12701/2009
12-16 A	327187	12912/2009	24-01	327125	12702/2009
12-16 A	327190	12915/2009	24-01	327151	12690/2009
12-16 C	327095	12645/2009	24-01	327152	12691/2009
12-16 C	327096	12646/2009	24-01	327153	12692/2009
12-16 L	327120	12605/2009	24-01	327154	12693/2009
12-16 L	327235	11830/2009	24-01	327155	12694/2009
12-16 N	327128	12588/2009	24-01	327157	12696/2009
12-16 N	327168	12724/2009	24-01	327158	12697/2009
12-16 NES	327094	12644/2009	24-02	327123	12700/2009
13-02	327053	12553/2009	24-02	327156	12695/2009
13-02	327211	12743/2009	25-01 A	327054	12625/2009
13-03 B	327094	12644/2009	25-01 A	327055	12872/2009
13-03 NES	327184	12759/2009	25-01 A	327056	12873/2009
13-03 NES	327185	12760/2009	25-01 A	327057	12874/2009
13-03 NES	327230	12767/2009	25-01 C	327160	12160/2009
13-03 NES	327232	12769/2009	25-01 C	327161	12161/2009
14-03 A	327016	12525/2009	25-01 C	327162	12162/2009
14-03 NES	327071	12589/2009	25-01 C	327178	12722/2009
14-03 NES	327072	12590/2009	25-01 C	327226	12721/2009
14-03 NES	327073	12591/2009	25-01 C	327227	12723/2009
15-05	327108	12563/2009	25-01 G	327066	12502/2009
15-09	327207	12608/2009	25-01 K	327173	12231/2009
15-09	327208	12609/2009	25-01 K	327177	12720/2009
21-01 A	327017	12526/2009	25-01 K	327226	12721/2009
21-01 A	327089	12636/2009	25-02 E	327066	12502/2009
21-01 A	327090	12637/2009	25-02 E	327144	12718/2009
21-01 A	327091	12638/2009	25-02 NES	327192	11672/2009
21-01 A	327092	12639/2009	25-03	327142	12715/2009
21-01 A	327093	12640/2009	25-03	327176	12719/2009
21-01 B	327017	12526/2009	26-02	327141	12607/2009
21-01 B	327082	12633/2009	26-02	327212	12744/2009
21-01 B	327083	12634/2009	26-02	327213	12745/2009
21-01 B	327084	12635/2009	26-04	327228	12783/2009
21-01 B	327086	12626/2009	30-03	327077	12596/2009
21-01 B	327087	12627/2009	99-00	327097	12805/2009
21-01 E	327150	12731/2009			
21-02 F	327069	12570/2009			
23-01 A	327098	12667/2009			

(21) Design Number: **12518/2009**

(22) Date of Filing Application: **10 July 2009**

(24) Date from which industrial property rights may have effect: **10 July 2009**

(54) Product in respect of which the design is registered: **Storage box**

(51) International Design Classification: **09-03NES, 07-07A**

(71) Name(s) and Address(s) of Applicant(s):

Pi-Design AG

Kantonsstrasse 100 6234 Triengen Switzerland

(72) Name(s) of Designer(s): **Jorgen Bodum**

(45) Registration Date: **07 August 2009**

(30) Convention priority data:

(31) Number
DM/071 234

(32) Date
23 Jan 2009

(33) Country
**WORLD INTELLECTUAL
PROPERTY ORGANIZATION
(WIPO)**

(56) Related Art Documents: **Not Applicable**

(57) Statement of Newness and Distinctiveness: **The following visual features of the design are new and distinctive: the storage box is made of flexible material, the outer surface is made of a foamed rubber-like material.**



(21) Design Number: **12519/2009**

(22) Date of Filing Application: **10 July 2009**

(24) Date from which industrial property rights may have effect: **10 July 2009**

(54) Product in respect of which the design is registered: **Storage box**

(51) International Design Classification: **09-03NES, 07-07A**

(71) Name(s) and Address(s) of Applicant(s):

Pi-Design AG

Kantonsstrasse 100 6234 Triengen Switzerland

(72) Name(s) of Designer(s): **Jorgen Bodum**

(45) Registration Date: **07 August 2009**

(30) Convention priority data:

(31) Number
DM/071 234

(32) Date
23 Jan 2009

(33) Country
**WORLD INTELLECTUAL
PROPERTY ORGANIZATION
(WIPO)**

(56) Related Art Documents: **Not Applicable**

(57) Statement of Newness and Distinctiveness: **The following visual features of the design are new and distinctive: the storage box is made of flexible material, the outer surface is made of a foamed rubber-like material.**



(21) Design Number: **12520/2009**
(22) Date of Filing Application: **10 July 2009**
(24) Date from which industrial property rights may have effect: **10 July 2009**
(54) Product in respect of which the design is registered: **Storage box**
(51) International Design Classification: **09-03NES, 07-07A**
(71) Name(s) and Address(s) of Applicant(s):

Pi-Design AG
Kantonsstrasse 100 6234 Triengen Switzerland

(72) Name(s) of Designer(s): **Jorgen Bodum**

(45) Registration Date: **07 August 2009**

(30) Convention priority data:

(31) Number	(32) Date	(33) Country
DM/071 234	23 Jan 2009	WORLD INTELLECTUAL PROPERTY ORGANIZATION (WIPO)

(56) Related Art Documents: **Not Applicable**

(57) Statement of Newness and Distinctiveness: **The following visual features of the design are new and distinctive: the storage box is made of flexible material, the outer surface is made of a foamed rubber-like material.**



(21) Design Number: **12521/2009**
(22) Date of Filing Application: **10 July 2009**
(24) Date from which industrial property rights may have effect: **10 July 2009**
(54) Product in respect of which the design is registered: **Storage box**
(51) International Design Classification: **09-03L, 07-07A**
(71) Name(s) and Address(s) of Applicant(s):

Pi-Design AG
Kantonsstrasse 100 6234 Triengen Switzerland

(72) Name(s) of Designer(s): **Jorgen Bodum**

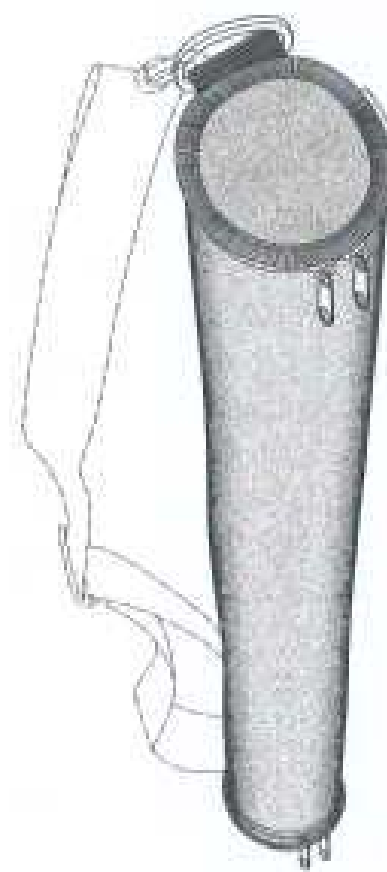
(45) Registration Date: **07 August 2009**

(30) Convention priority data:

(31) Number	(32) Date	(33) Country
DM/071 234	23 Jan 2009	WORLD INTELLECTUAL PROPERTY ORGANIZATION (WIPO)

(56) Related Art Documents: **Not Applicable**

(57) Statement of Newness and Distinctiveness: **The following visual features of the design are new and distinctive: the storage box is made of flexible material, the outer surface is made of a foamed rubber-like material.**



(21) Design Number: **12522/2009**

(22) Date of Filing Application: **10 July 2009**

(24) Date from which industrial property rights may have effect: **10 July 2009**

(54) Product in respect of which the design is registered: **Bag**

(51) International Design Classification: **09-03NES, 03-01NES**

(71) Name(s) and Address(s) of Applicant(s):

Pi-Design AG

Kantonsstrasse 100 6234 Triengen Switzerland

(72) Name(s) of Designer(s): **Jorgen Bodum**

(45) Registration Date: **07 August 2009**

(30) Convention priority data:

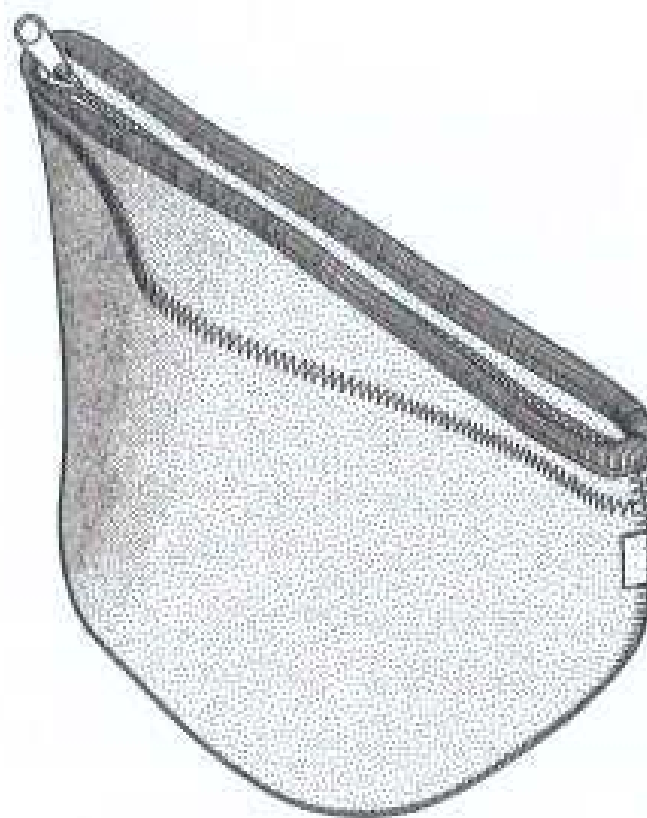
(31) Number
DM/071 234

(32) Date
23 Jan 2009

(33) Country
**WORLD INTELLECTUAL
PROPERTY ORGANIZATION
(WIPO)**

(56) Related Art Documents: **Not Applicable**

(57) Statement of Newness and Distinctiveness: **The following visual features of the design are new and distinctive: the bag is made of a flexible material, the outer surface is made of a foamed rubber-like material.**



(21) Design Number: **12523/2009**

(22) Date of Filing Application: **10 July 2009**

(24) Date from which industrial property rights may have effect: **10 July 2009**

(54) Product in respect of which the design is registered: **Household container**

(51) International Design Classification: **09-03L**

(71) Name(s) and Address(s) of Applicant(s):

Pi-Design AG

Kantonsstrasse 100 6234 Triengen Switzerland

(72) Name(s) of Designer(s): **Jorgen Bodum**

(45) Registration Date: **07 August 2009**

(30) Convention priority data:

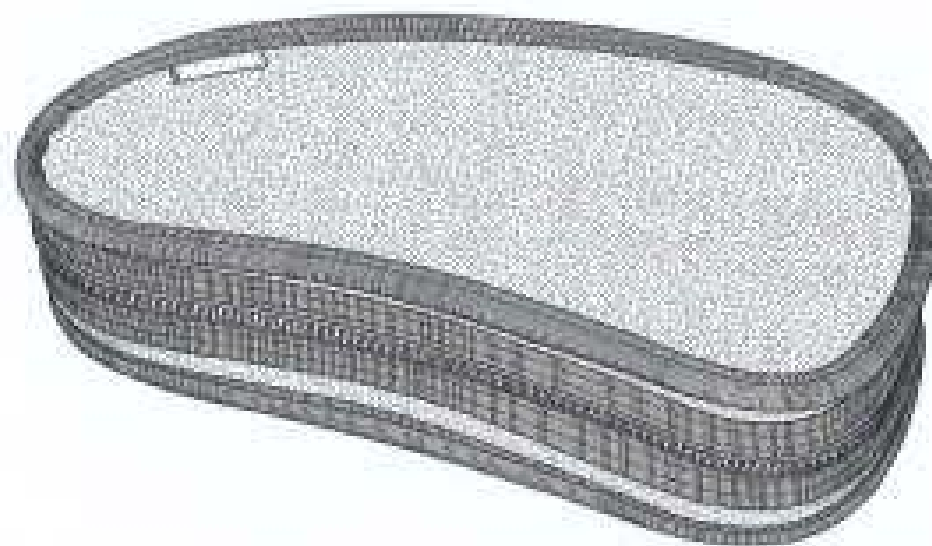
(31) Number
DM/071 234

(32) Date
23 Jan 2009

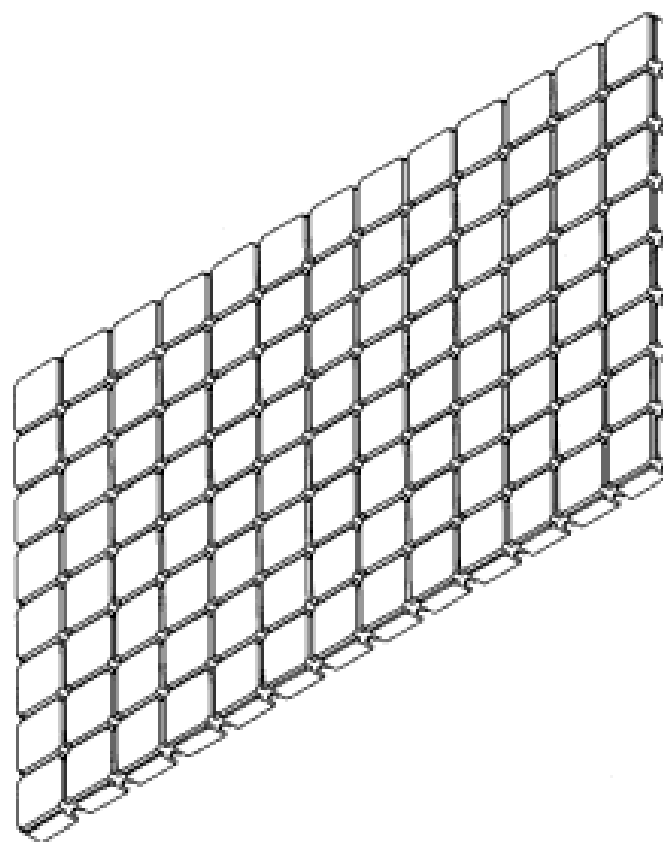
(33) Country
**WORLD INTELLECTUAL
PROPERTY ORGANIZATION
(WIPO)**

(56) Related Art Documents: **Not Applicable**

(57) Statement of Newness and Distinctiveness: **The following visual features of the design are new and distinctive: the household container is made of a flexible material and having a rigid plastic insert, the outer surface is made of a foamed rubber-like material.**



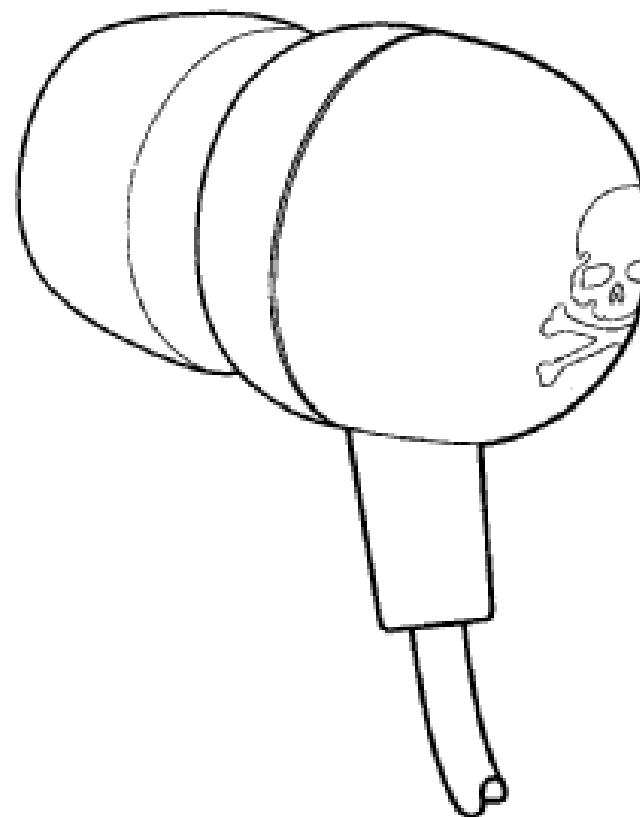
- (21) Design Number: **12524/2009**
(22) Date of Filing Application: **10 July 2009**
(24) Date from which industrial property rights may have effect: **10 July 2009**
(54) Product in respect of which the design is registered: **Artificial turf shock pad**
(51) International Design Classification: **05-06NES**
(71) Name(s) and Address(s) of Applicant(s):
Astral Property Pty Limited
Unit 3 19-21 Gibbes Street Chatswood New South Wales 2067
Australia
(72) Name(s) of Designer(s): **Humberto Urriola**
(45) Registration Date: **07 August 2009**
(56) Related Art Documents: **Not Applicable**
(57) Statement of Newness and Distinctiveness: **The newness and distinctiveness in respect of the design is claimed in the features of shape and configuration of the artificial turf shock pad, as illustrated in the accompanying representations.**



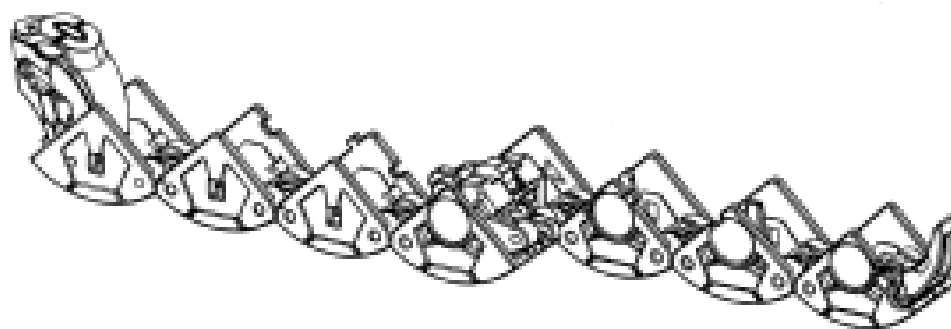
- (21) Design Number: **12525/2009**
(22) Date of Filing Application: **09 July 2009**
(24) Date from which industrial property rights may have effect: **09 July 2009**
(54) Product in respect of which the design is registered: **Earphone**
(51) International Design Classification: **14-03A**
(71) Name(s) and Address(s) of Applicant(s):
Kabushiki Kaisha Mix Style
8-1 Takayama-cho 1-chome Kasugai-shi Aichi Japan
(72) Name(s) of Designer(s): **Hidekazu Tahara**
(45) Registration Date: **07 August 2009**
(30) Convention priority data:

(31) Number	(32) Date	(33) Country
2009-000544	14 Jan 2009	JAPAN

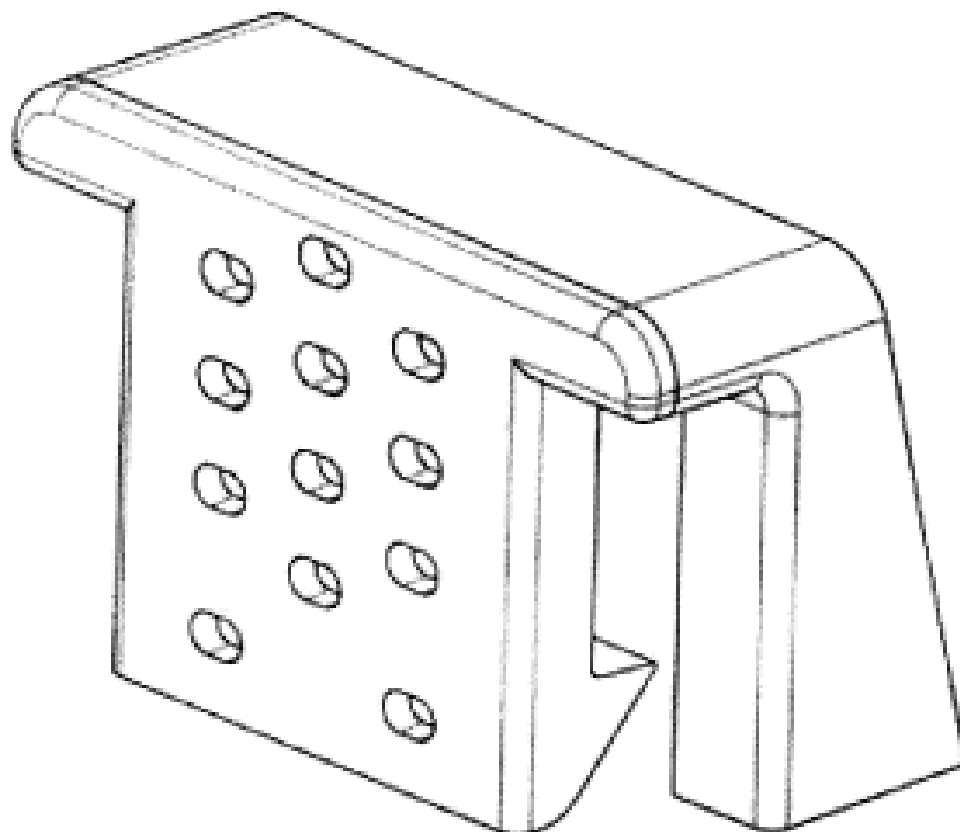
(56) Related Art Documents: **Not Applicable**
(57) Statement of Newness and Distinctiveness: **In considering the newness or distinctiveness of the design, regard is to be given to the overall shape and/or configuration of the earpiece as shown in the representations. Furthermore, in considering the newness and distinctiveness no regard should be given to the skull indicia.**



- (21) Design Number: **12526/2009**
(22) Date of Filing Application: **10 July 2009**
(24) Date from which industrial property rights may have effect: **10 July 2009**
(54) Product in respect of which the design is registered: **Transformable toy**
(51) International Design Classification: **21-01A, 21-01B**
(71) Name(s) and Address(s) of Applicant(s):
Spin Master Ltd
450 Front Street West Toronto M5V 1B6 Ontario Canada
(72) Name(s) of Designer(s): **Wataru Sato and Kohji Hirose and Richard Keuter**
(45) Registration Date: **07 August 2009**
(30) Convention priority data:
(31) Number (32) Date (33) Country
129346 21 Jan 2009 CANADA
(56) Related Art Documents: **Not Applicable**
(57) Statement of Newness and Distinctiveness: **The newness and distinctiveness of the design resides in the shape and/or configuration of the transformable toy as shown in the representations.**



- (21) Design Number: **12553/2009**
(22) Date of Filing Application: **13 July 2009**
(24) Date from which industrial property rights may have effect: **13 July 2009**
(54) Product in respect of which the design is registered: **A battery clamp clip**
(51) International Design Classification: **08-08NES, 13-02**
(71) Name(s) and Address(s) of Applicant(s):
Rope & Plastic Products Pty. Ltd.
Level 2 139 Frome Street Adelaide South Australia 5000 Australia
(72) Name(s) of Designer(s): **Rod Arthur and John Sutton and Ken Organ**
(45) Registration Date: **06 August 2009**
(56) Related Art Documents: **Not Applicable**
(57) Statement of Newness and Distinctiveness: **Nil**



(21) Design Number: **12625/2009**

(22) Date of Filing Application: **17 July 2009**

(24) Date from which industrial property rights may have effect: **17 July 2009**

(54) Product in respect of which the design is registered: **A mortarless masonry brick**

(51) International Design Classification: **25-01A**

(71) Name(s) and Address(s) of Applicant(s):

Adbri Masonry Pty Ltd

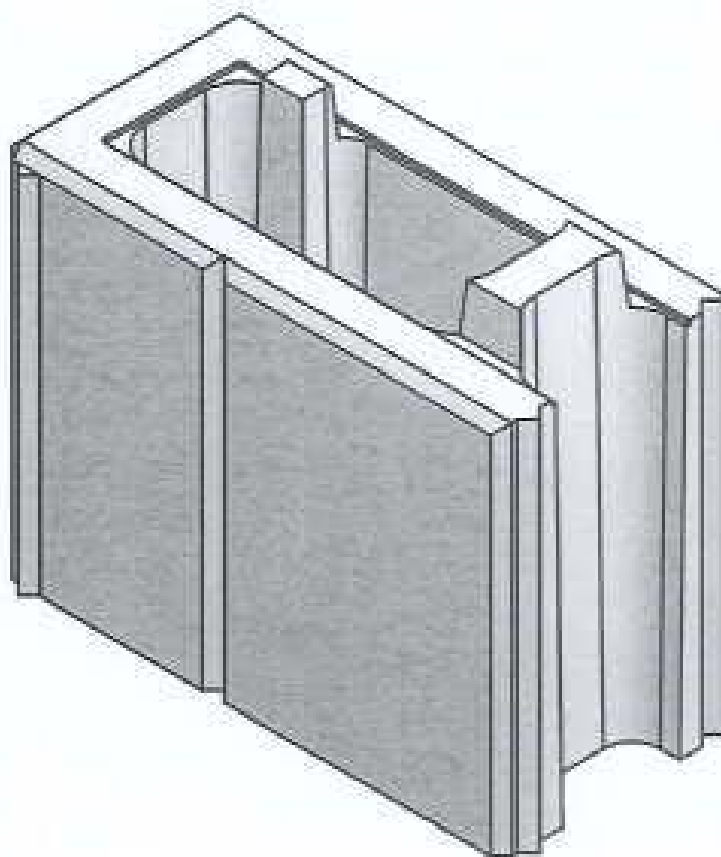
Level 1 157 Grenfell Street Adelaide South Australia 5000 Australia

(72) Name(s) of Designer(s): **John Kenneth Dyson**

(45) Registration Date: **06 August 2009**

(56) Related Art Documents: **Not Applicable**

(57) Statement of Newness and Distinctiveness: **The newness and distinctiveness of the design resides in the shape and/or configuration of the masonry brick shown in the representations having particular regard to the shape/contours of the ends of the blocks and the shape/contours of the struts connecting the two side faces.**



(21) Design Number: **12872/2009**

(22) Date of Filing Application: **17 July 2009**

(24) Date from which industrial property rights may have effect: **17 July 2009**

(54) Product in respect of which the design is registered: **A mortarless masonry brick**

(51) International Design Classification: **25-01A**

(71) Name(s) and Address(s) of Applicant(s):

Adbri Masonry Pty Ltd

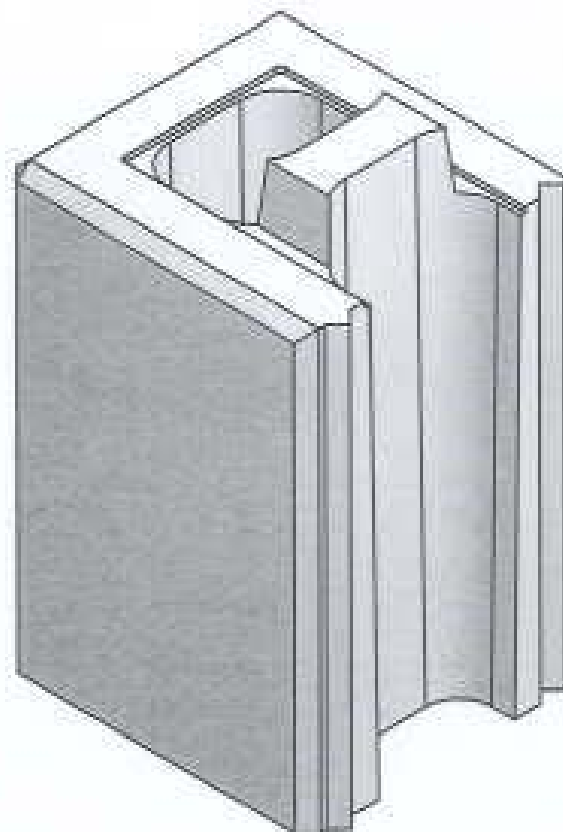
Level 1 157 Grenfell Street Adelaide South Australia 5000 Australia

(72) Name(s) of Designer(s): **John Kenneth Dyson**

(45) Registration Date: **06 August 2009**

(56) Related Art Documents: **Not Applicable**

(57) Statement of Newness and Distinctiveness: **The newness and distinctiveness of the design resides in the shape and/or configuration of the masonry brick shown in the representations having particular regard to the shape/contours of the ends of the blocks and the shape/contours of the struts connecting the two side faces.**



(21) Design Number: **12873/2009**

(22) Date of Filing Application: **17 July 2009**

(24) Date from which industrial property rights may have effect: **17 July 2009**

(54) Product in respect of which the design is registered: **A mortarless masonry brick**

(51) International Design Classification: **25-01A**

(71) Name(s) and Address(s) of Applicant(s):

Adbri Masonry Pty Ltd

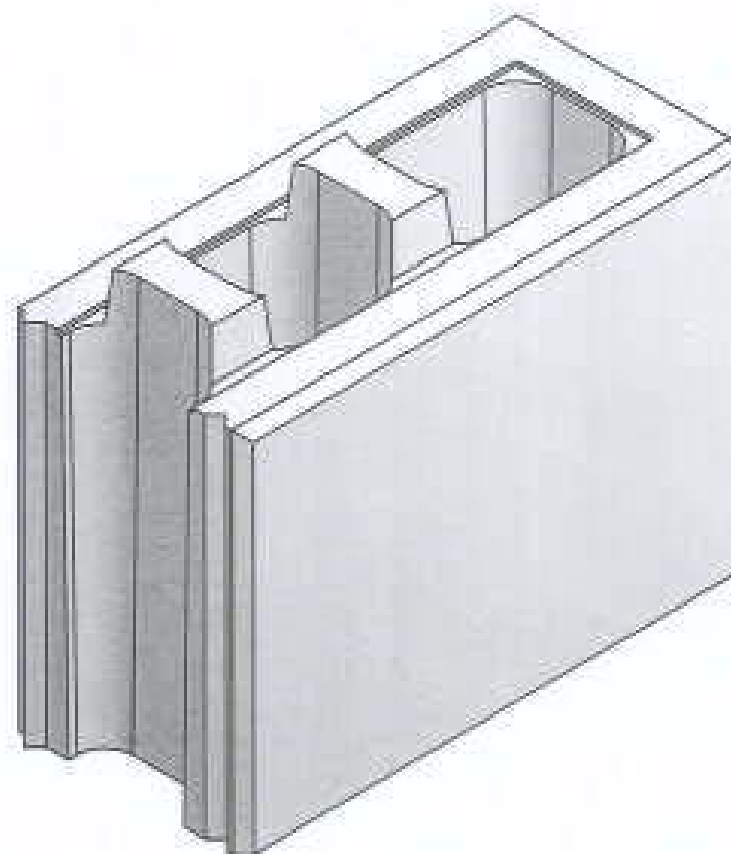
Level 1 157 Grenfell Street Adelaide South Australia 5000 Australia

(72) Name(s) of Designer(s): **John Kenneth Dyson**

(45) Registration Date: **06 August 2009**

(56) Related Art Documents: **Not Applicable**

(57) Statement of Newness and Distinctiveness: **The newness and distinctiveness of the design resides in the shape and/or configuration of the masonry brick shown in the representations having particular regard to the shape/contours of the ends of the blocks and the shape/contours of the struts connecting the two side faces.**



(21) Design Number: **12874/2009**

(22) Date of Filing Application: **17 July 2009**

(24) Date from which industrial property rights may have effect: **17 July 2009**

(54) Product in respect of which the design is registered: **A mortarless masonry brick**

(51) International Design Classification: **25-01A**

(71) Name(s) and Address(s) of Applicant(s):

Adbri Masonry Pty Ltd

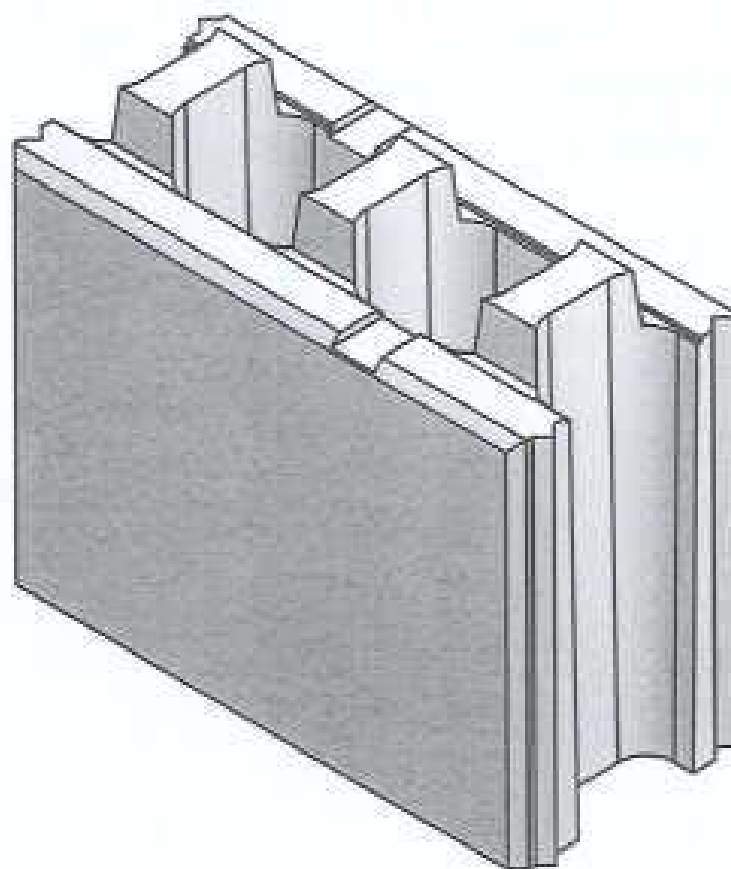
Level 1 157 Grenfell Street Adelaide South Australia 5000 Australia

(72) Name(s) of Designer(s): **John Kenneth Dyson**

(45) Registration Date: **06 August 2009**

(56) Related Art Documents: **Not Applicable**

(57) Statement of Newness and Distinctiveness: **The newness and distinctiveness of the design resides in the shape and/or configuration of the masonry brick shown in the representations having particular regard to the shape/contours of the ends of the blocks and the shape/contours of the struts connecting the two side faces.**



(21) Design Number: **12735/2009**

(22) Date of Filing Application: **24 July 2009**

(24) Date from which industrial property rights may have effect: **24 July 2009**

(54) Product in respect of which the design is registered: **Shoe/thong ring**

(51) International Design Classification: **11-01A**

(71) Name(s) and Address(s) of Applicant(s):

Frostings Pty Ltd

62 Elsie Grove Chelsea Victoria 3196 Australia

(72) Name(s) of Designer(s): **Joanne Mai-Lee Baldwin and Marita Ann James**

(45) Registration Date: **06 August 2009**

(56) Related Art Documents: **Not Applicable**

(57) Statement of Newness and Distinctiveness: **It is an accessory for a shoew/thong. The looping element of the ring allows for the unique attachment to the shoe/thong. e.g no puncturing; no clipping, no defacing of shoe/thong. It is unique and not seen on the market before.**



(21) Design Number: **12572/2009**

(22) Date of Filing Application: **15 July 2009**

(24) Date from which industrial property rights may have effect: **15 July 2009**

(54) Product in respect of which the design is registered: **A digging point**

(51) International Design Classification: **08-01**

(71) Name(s) and Address(s) of Applicant(s):

Stiletto Seeding Systems Pty Ltd

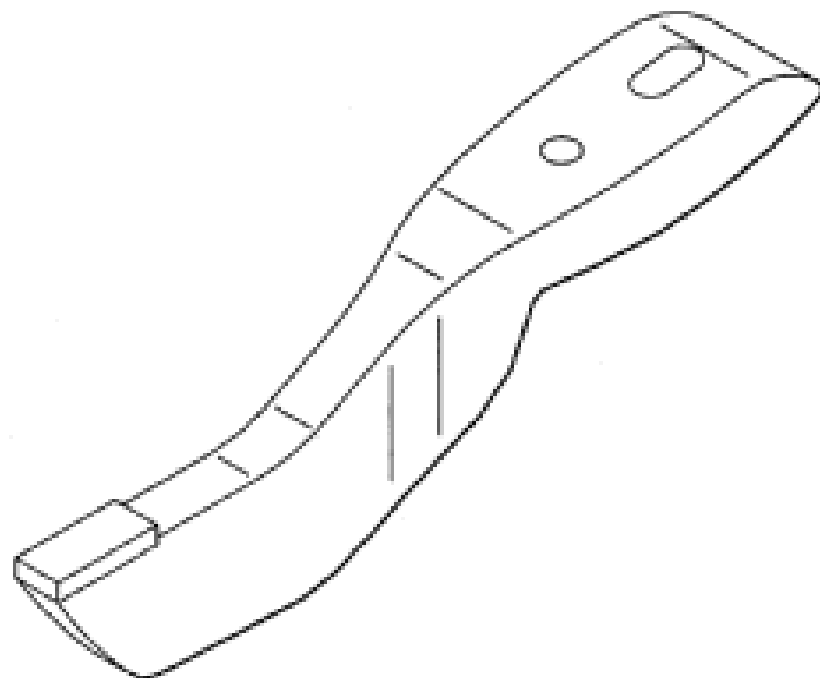
278 Place Road Geraldton Western Australia 6530 Australia

(72) Name(s) of Designer(s): **Stuart Davis Smart**

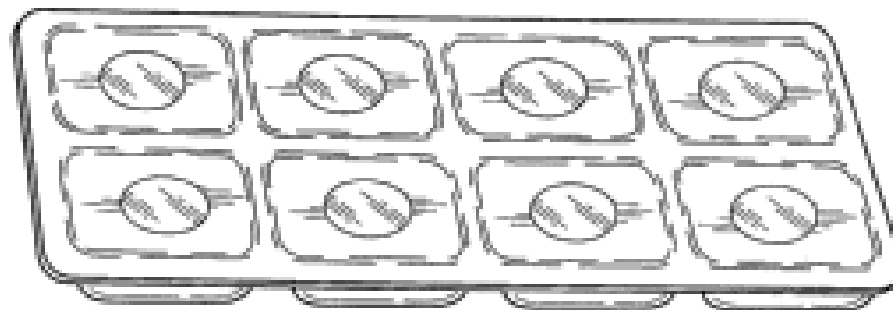
(45) Registration Date: **07 August 2009**

(56) Related Art Documents: **Not Applicable**

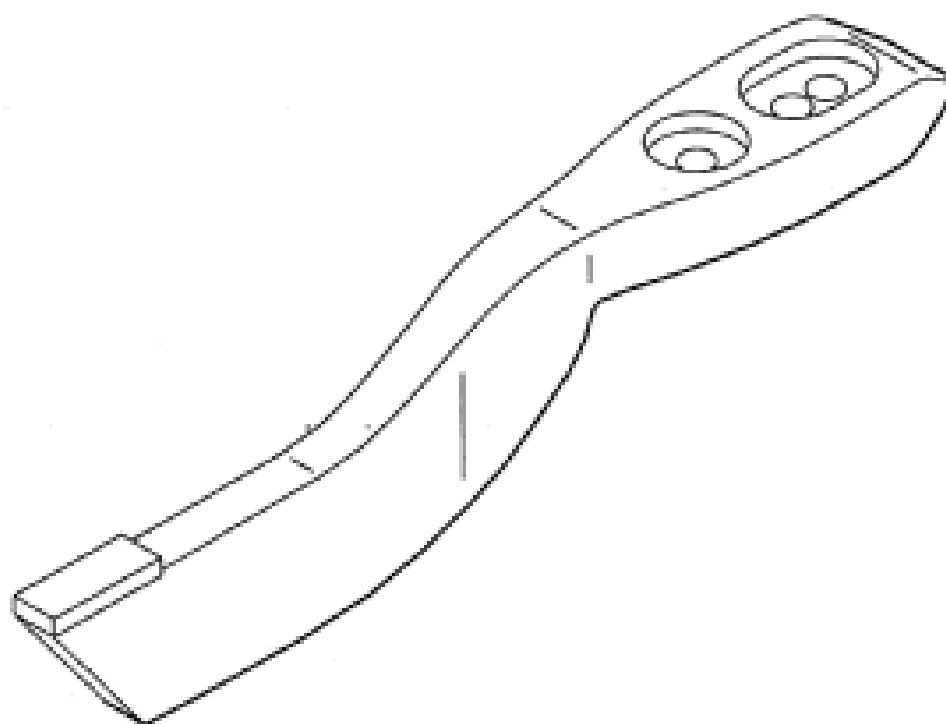
(57) Statement of Newness and Distinctiveness: **Newness and distinctiveness is claimed in the features of shape and/or configuration of a digging point as illustrated in the accompanying representations.**



- (21) Design Number: **12573/2009**
(22) Date of Filing Application: **15 July 2009**
(24) Date from which industrial property rights may have effect: **15 July 2009**
(54) Product in respect of which the design is registered: **Blister card**
(51) International Design Classification: **09-05**
(71) Name(s) and Address(s) of Applicant(s):
Wm. Wrigley Jr. Company
410 North Michigan Avenue Chicago Illinois 60611 United States of America
(72) Name(s) of Designer(s): **Kristy L. Stojek**
(45) Registration Date: **07 August 2009**
(56) Related Art Documents: **Not Applicable**
(57) Statement of Newness and Distinctiveness: **Newness and distinctiveness is claimed in the features of shape and/or configuration of a blister card as illustrated in the accompanying representations.**



- (21) Design Number: **12574/2009**
(22) Date of Filing Application: **15 July 2009**
(24) Date from which industrial property rights may have effect: **15 July 2009**
(54) Product in respect of which the design is registered: **A digging point**
(51) International Design Classification: **08-01**
(71) Name(s) and Address(s) of Applicant(s):
Stiletto Seeding Systems Pty Ltd
278 Place Road Geraldton Western Australia 6530 Australia
(72) Name(s) of Designer(s): **Stuart Davis Smart**
(45) Registration Date: **07 August 2009**
(56) Related Art Documents: **Not Applicable**
(57) Statement of Newness and Distinctiveness: **Newness and distinctiveness is claimed in the features of shape and/or configuration of a digging point as illustrated in the accompanying representations.**



- (21) Design Number: **12575/2009**
(22) Date of Filing Application: **15 July 2009**
(24) Date from which industrial property rights may have effect: **15 July 2009**
(54) Product in respect of which the design is registered: **Side cover for motorcycle**
(51) International Design Classification: **12-11**
(71) Name(s) and Address(s) of Applicant(s):
Honda Motor Co., Ltd.
1-1 Minamiaoyama 2-chome Minato-ku Tokyo Japan
(72) Name(s) of Designer(s): **Tokumaru Watanabe and Kazuyuki Tachibana**
(45) Registration Date: **07 August 2009**
(30) Convention priority data:
(31) Number (32) Date (33) Country
2009-000650 15 Jan 2009 JAPAN
(56) Related Art Documents: **Not Applicable**
(57) Statement of Newness and Distinctiveness: **Newness and distinctiveness is claimed in the features of shape and/or configuration of a side cover for motorcycle as illustrated in the accompanying representations.**



- (21) Design Number: **10557/2009**
(22) Date of Filing Application: **24 February 2009**
(24) Date from which industrial property rights may have effect: **24 February 2009**
(54) Product in respect of which the design is registered: **Chair**
(51) International Design Classification: **06-01F**
(71) Name(s) and Address(s) of Applicant(s):
Sedus Stoll Aktiengesellschaft
Bruckenstrasse 15 79761 Waldshut Germany
(72) Name(s) of Designer(s): **Markus Dorner**
(45) Registration Date: **10 August 2009**
(56) Related Art Documents: **Not Applicable**
(57) Statement of Newness and Distinctiveness: **The particular visual features of the design which are new and distinctive are shape OR configuration.**



(21) Design Number: **12064/2009**

(22) Date of Filing Application: **04 June 2009**

(24) Date from which industrial property rights may have effect: **04 June 2009**

(54) Product in respect of which the design is registered: **Automobile tyre**

(51) International Design Classification: **12-15A**

(71) Name(s) and Address(s) of Applicant(s):

Bridgestone Corporation
10-1 Kyobashi 1-Chome Chuo-ku Tokyo 104-8340 Japan

(72) Name(s) of Designer(s): **Teruhiko Hagiwara**

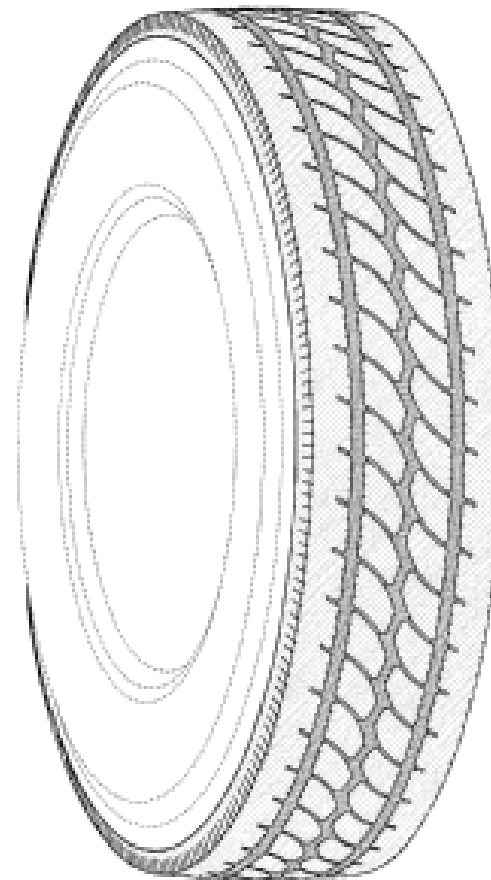
(45) Registration Date: **10 August 2009**

(30) Convention priority data:

(31) Number	(32) Date	(33) Country
2008-031417	10 Dec 2008	JAPAN

(56) Related Art Documents: **Not Applicable**

(57) Statement of Newness and Distinctiveness: **The shape and configuration of the tread portion of the tyre is new and distinctive.**



(21) Design Number: **12119/2009**

(22) Date of Filing Application: **11 June 2009**

(24) Date from which industrial property rights may have effect: **11 June 2009**

(54) Product in respect of which the design is registered: **Plastic disposable cups**

(51) International Design Classification: **07-01D**

(71) Name(s) and Address(s) of Applicant(s):

Partyware Pty Ltd
10 University Place Clayton North Victoria 3168 Australia

(72) Name(s) of Designer(s): **Aron Segev**

(45) Registration Date: **10 August 2009**

(56) Related Art Documents: **Not Applicable**

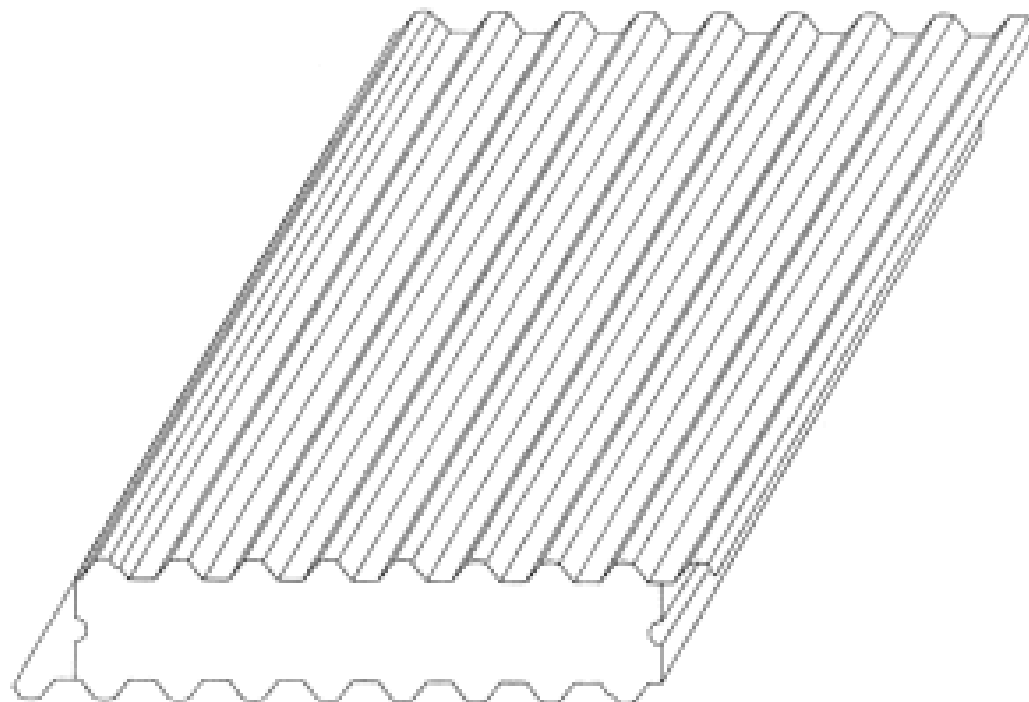
(57) Statement of Newness and Distinctiveness: **Hexagonal cup with half moon design on the top part.**



- (21) Design Number: **12502/2009**
(22) Date of Filing Application: **09 July 2009**
(24) Date from which industrial property rights may have effect: **09 July 2009**
(54) Product in respect of which the design is registered: **Roof panel**
(51) International Design Classification: **25-02E, 25-01G**
(71) Name(s) and Address(s) of Applicant(s):

Building Solutions Pty Ltd
19 Lower Mill Road Cooroy Queensland 4563 Australia

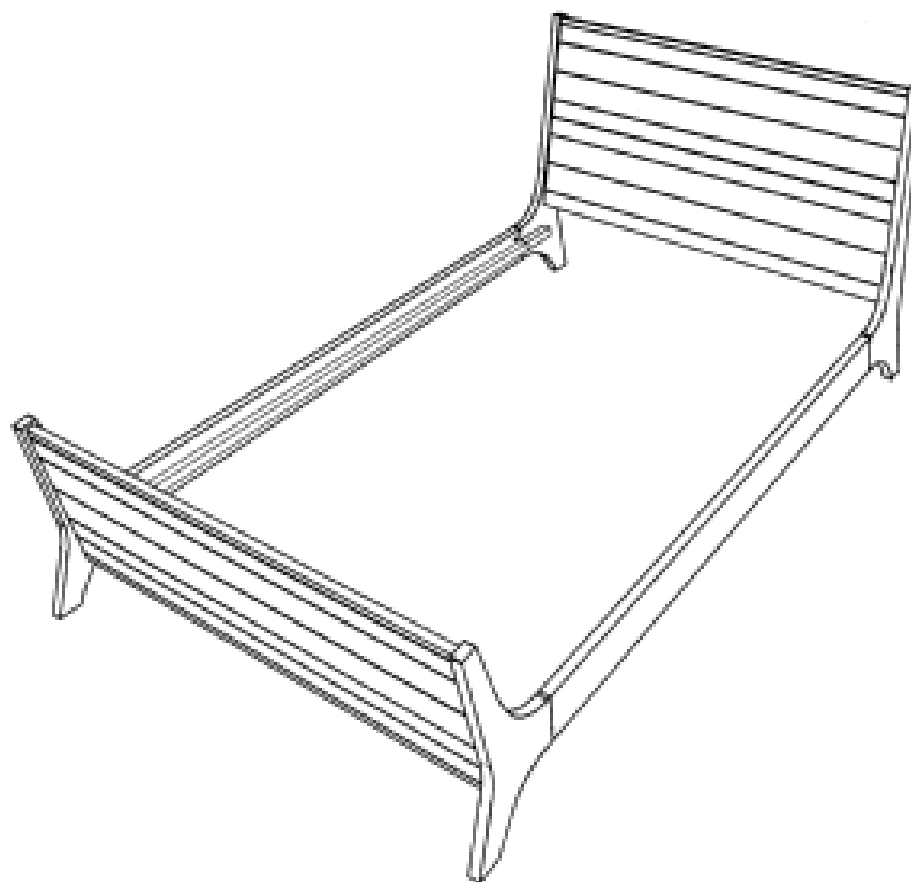
- (72) Name(s) of Designer(s): **Peter Kelly**
(45) Registration Date: **10 August 2009**
(56) Related Art Documents: **Not Applicable**
(57) Statement of Newness and Distinctiveness: **The design relates to the overall appearance and particular visual features of a product, being a roof panel, having the pattern, shape, configuration or ornamentation as shown in the accompanying representations. The roof panel includes top and bottom sections having shaped corrugations, as shown.**



- (21) Design Number: **12566/2009**
(22) Date of Filing Application: **15 July 2009**
(24) Date from which industrial property rights may have effect: **15 July 2009**
(54) Product in respect of which the design is registered: **Bed frame**
(51) International Design Classification: **06-02**
(71) Name(s) and Address(s) of Applicant(s):

David Durance
Rear 24 Cunningham Street Northcote Victoria 3070 Australia

- (72) Name(s) of Designer(s): **David Durance**
(45) Registration Date: **10 August 2009**
(56) Related Art Documents: **Not Applicable**
(57) Statement of Newness and Distinctiveness: **Nil**



(21) Design Number: **12569/2009**

(22) Date of Filing Application: **16 July 2009**

(24) Date from which industrial property rights may have effect: **16 July 2009**

(54) Product in respect of which the design is registered: **Container**

(51) International Design Classification: **09-01NES**

(71) Name(s) and Address(s) of Applicant(s):

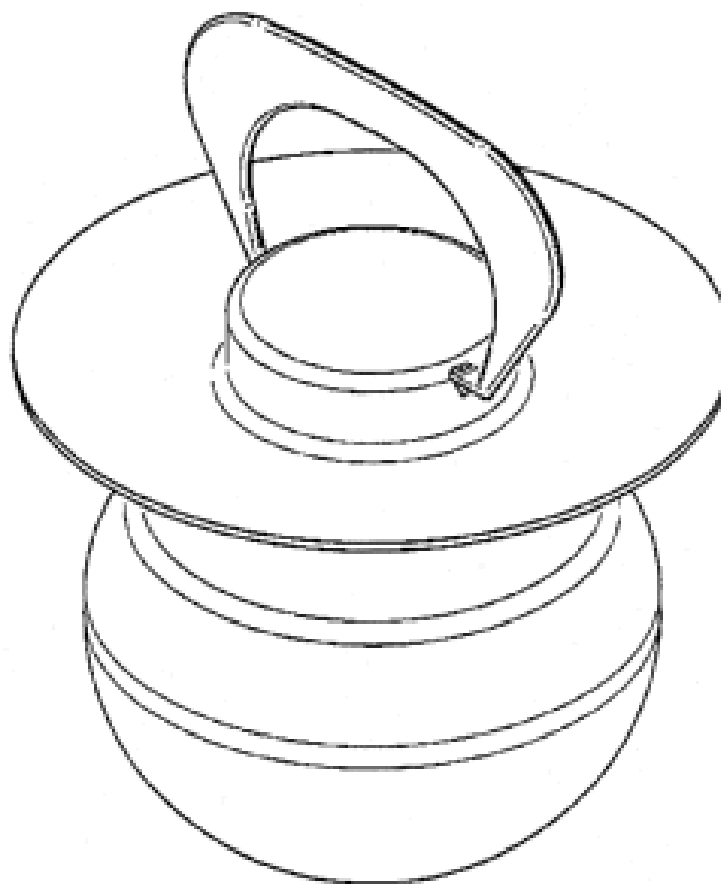
**AM Retail Investments Pty Ltd
32 Tropicana Circuit Burleigh Waters Queensland 4220 Australia**

(72) Name(s) of Designer(s): **Teresa Moran and Caroline Gill**

(45) Registration Date: **10 August 2009**

(56) Related Art Documents: **Not Applicable**

(57) Statement of Newness and Distinctiveness: **Nil**



(21) Design Number: **12570/2009**

(22) Date of Filing Application: **15 July 2009**

(24) Date from which industrial property rights may have effect: **15 July 2009**

(54) Product in respect of which the design is registered: **Back and thigh exercise apparatus**

(51) International Design Classification: **21-02F**

(71) Name(s) and Address(s) of Applicant(s):

**TV Products (HK), Ltd.
Unit 2708 27F Greenfield Tower #1 Science Museum Road
Tsimshatsui Kowloon Hong Kong**

(72) Name(s) of Designer(s): **Sandeep Gopal Dukhande**

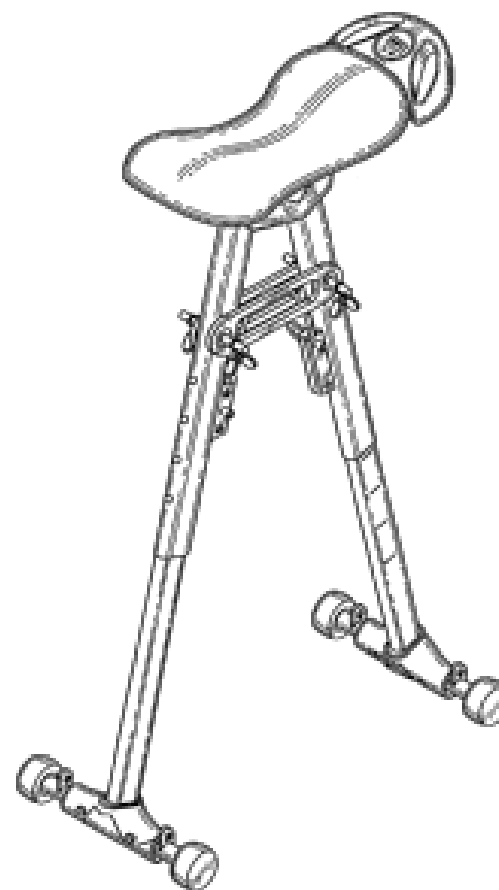
(45) Registration Date: **10 August 2009**

(30) Convention priority data:

(31) Number	(32) Date	(33) Country
20093003209.3	19 Jan 2009	CHINA

(56) Related Art Documents: **Not Applicable**

(57) Statement of Newness and Distinctiveness: **Nil**



(21) Design Number: **12583/2009**

(22) Date of Filing Application: **16 July 2009**

(24) Date from which industrial property rights may have effect: **16 July 2009**

(54) Product in respect of which the design is registered: **Pacifier teat**

(51) International Design Classification: **07-01E**

(71) Name(s) and Address(s) of Applicant(s):

**MAM Babyartikel Gesellschaft m.b.H.
Lorenz-Mandl-Gasse 50 1160 Wien Austria**

(72) Name(s) of Designer(s): **Peter Rohrig**

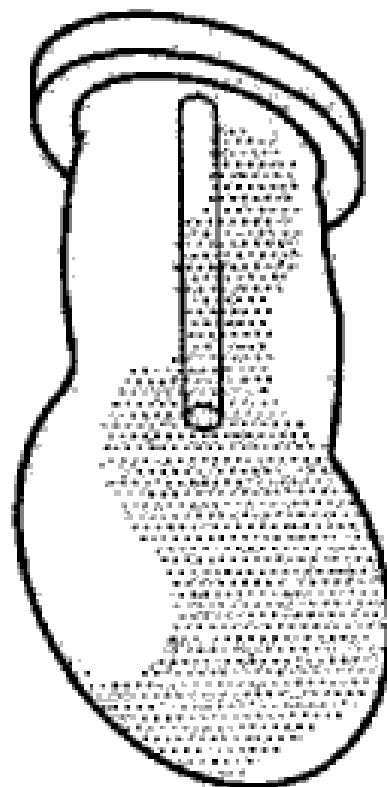
(45) Registration Date: **10 August 2009**

(30) Convention priority data:

(31) Number	(32) Date	(33) Country
1071054-0002	16 Jan 2009	EUROPEAN COMMUNITY

(56) Related Art Documents: **Not Applicable**

(57) Statement of Newness and Distinctiveness: **Newness and distinctiveness is claimed in the features of shape and/or configuration of a pacifier teat as illustrated in the accompanying representations.**



(21) Design Number: **12589/2009**

(22) Date of Filing Application: **05 June 2009**

(24) Date from which industrial property rights may have effect: **05 June 2009**

(54) Product in respect of which the design is registered: **Encoders/decoders of remote controller for water irrigation**

(51) International Design Classification: **14-03NES, 23-01E**

(71) Name(s) and Address(s) of Applicant(s):

**S-Rain Control A/S
Oldenvej 6 DK-3490 Kvistgaard Denmark**

(72) Name(s) of Designer(s): **Tom Nohr Christiansen**

(45) Registration Date: **10 August 2009**

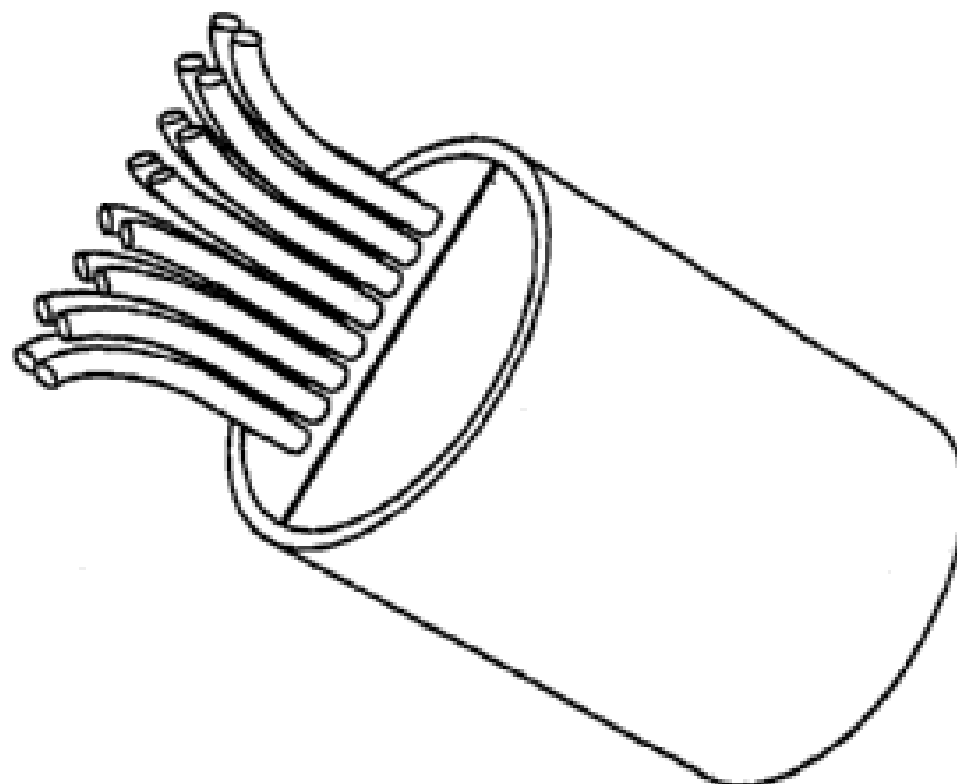
(30) Convention priority data:

(31) Number	(32) Date	(33) Country
001052526	08 Dec 2008	EUROPEAN COMMUNITY

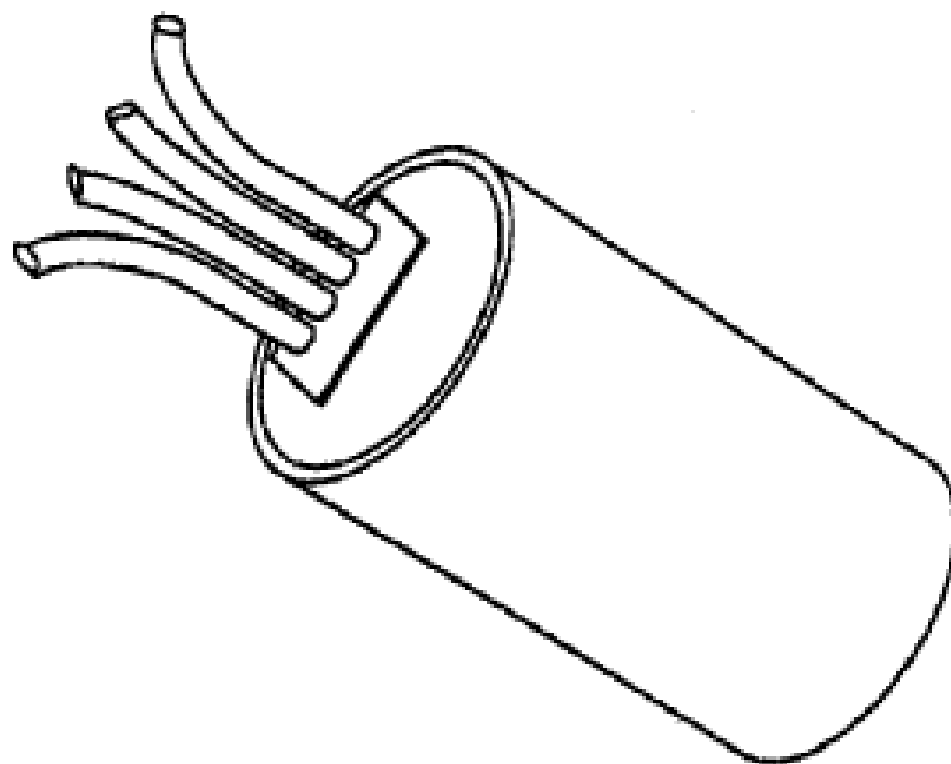
(62) Divisional of: **326814**

(56) Related Art Documents: **Not Applicable**

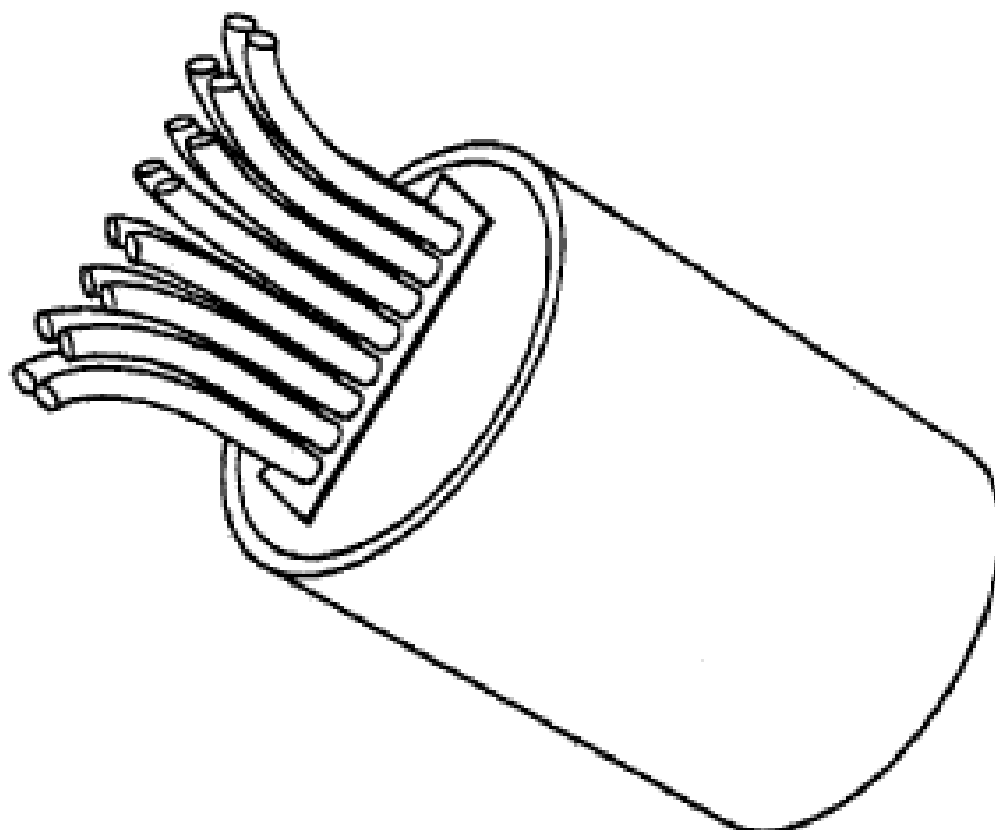
(57) Statement of Newness and Distinctiveness: **Nil**



(21) Design Number: **12590/2009**
(22) Date of Filing Application: **05 June 2009**
(24) Date from which industrial property rights may have effect: **05 June 2009**
(54) Product in respect of which the design is registered: **Encoders/decoders of remote controller for water irrigation**
(51) International Design Classification: **14-03NES, 23-01E**
(71) Name(s) and Address(s) of Applicant(s):
S-Rain Control A/S
Oldenvej 6 DK-3490 Kvistgaard Denmark
(72) Name(s) of Designer(s): **Tom Nohr Christiansen**
(45) Registration Date: **10 August 2009**
(30) Convention priority data:
(31) Number (32) Date (33) Country
001052526 08 Dec 2008 EUROPEAN COMMUNITY
(62) Divisional of: **326814**
(56) Related Art Documents: **Not Applicable**
(57) Statement of Newness and Distinctiveness: **Nil**



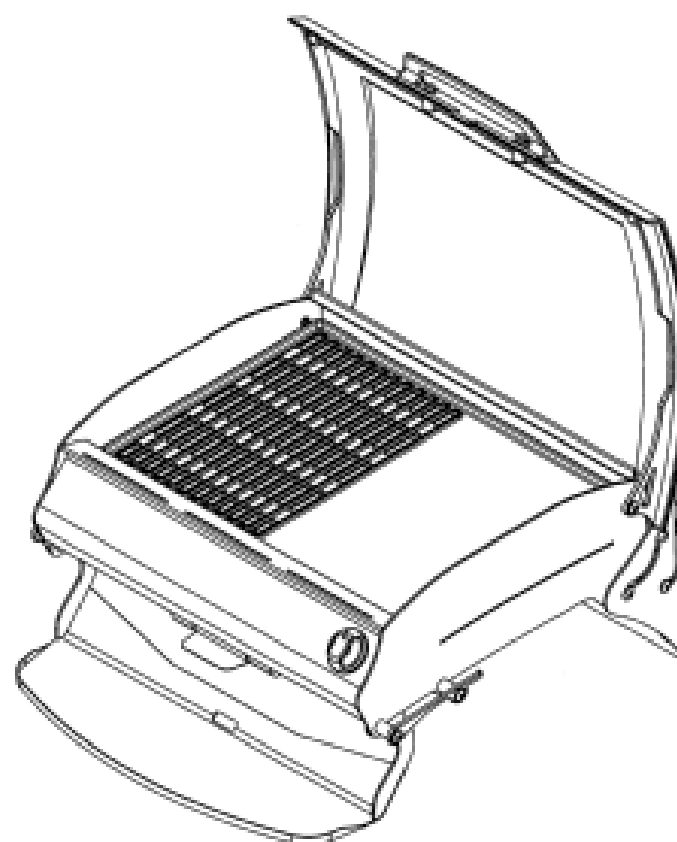
(21) Design Number: **12591/2009**
(22) Date of Filing Application: **05 June 2009**
(24) Date from which industrial property rights may have effect: **05 June 2009**
(54) Product in respect of which the design is registered: **Encoders/decoders of remote controller for water irrigation**
(51) International Design Classification: **14-03NES, 23-01E**
(71) Name(s) and Address(s) of Applicant(s):
S-Rain Control A/S
Oldenvej 6 DK-3490 Kvistgaard Denmark
(72) Name(s) of Designer(s): **Tom Nohr Christiansen**
(45) Registration Date: **10 August 2009**
(30) Convention priority data:
(31) Number (32) Date (33) Country
001052526 08 Dec 2008 EUROPEAN COMMUNITY
(62) Divisional of: **326814**
(56) Related Art Documents: **Not Applicable**
(57) Statement of Newness and Distinctiveness: **Nil**



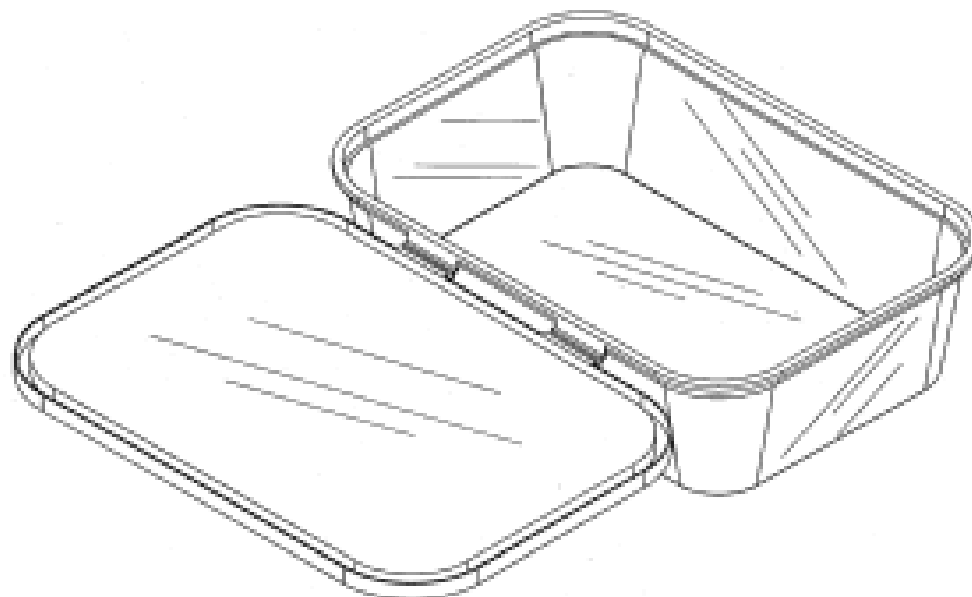
- (21) Design Number: **12629/2009**
(22) Date of Filing Application: **03 July 2009**
(24) Date from which industrial property rights may have effect: **03 July 2009**
(54) Product in respect of which the design is registered: **90 Degree stop hinge for mobile shelving**
(51) International Design Classification: **08-06**
(71) Name(s) and Address(s) of Applicant(s):
Elbowroom (Aust) Pty Ltd
2/31 Archimedes Place Murarrie Queensland 4172 Australia
(72) Name(s) of Designer(s): **Mark W. Althaus**
(45) Registration Date: **10 August 2009**
(62) Divisional of: **326856**
(56) Related Art Documents: **Not Applicable**
(57) Statement of Newness and Distinctiveness: **The new features of the design are its shape and two-part configuration.**



- (21) Design Number: **12616/2009**
(22) Date of Filing Application: **17 July 2009**
(24) Date from which industrial property rights may have effect: **17 July 2009**
(54) Product in respect of which the design is registered: **Folding barbeque**
(51) International Design Classification: **07-02E**
(71) Name(s) and Address(s) of Applicant(s):
Julian Mills
15/69 Wellington Street St Kilda Victoria 3182 Australia
(72) Name(s) of Designer(s): **Julian Mills**
(45) Registration Date: **11 August 2009**
(56) Related Art Documents: **Not Applicable**
(57) Statement of Newness and Distinctiveness: **The newness and distinctiveness of the design resides in the features of shape and/or configuration of the folding barbeque shown in the accompanying drawings.**



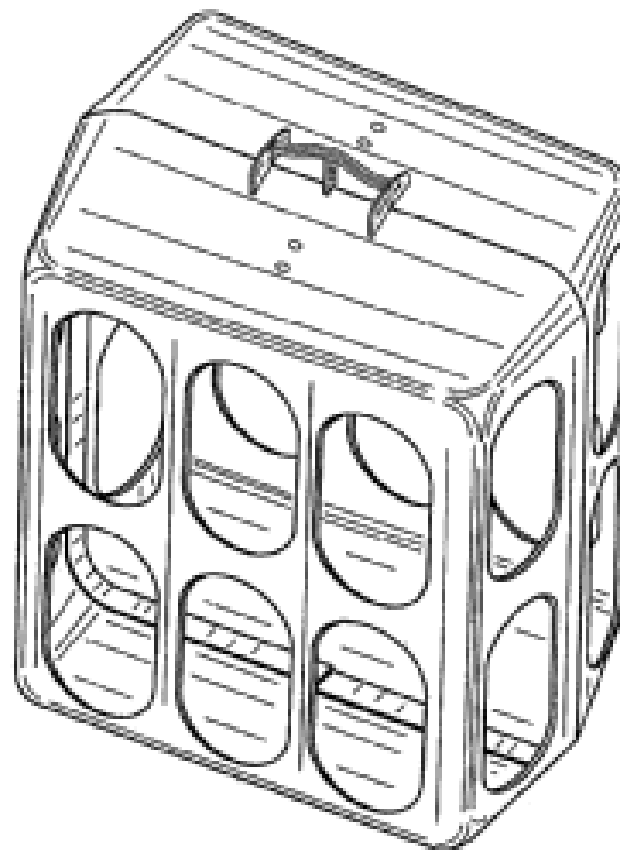
(21) Design Number: **12619/2009**
(22) Date of Filing Application: **17 July 2009**
(24) Date from which industrial property rights may have effect: **17 July 2009**
(54) Product in respect of which the design is registered: **Hinged takeaway container**
(51) International Design Classification: **09-03F**
(71) Name(s) and Address(s) of Applicant(s):
Timothy Mok
18 Downwind Court Birkdale Queensland 4159 Australia
(72) Name(s) of Designer(s): **Timothy Mok**
(45) Registration Date: **11 August 2009**
(56) Related Art Documents: **Not Applicable**
(57) Statement of Newness and Distinctiveness: **Nil**



(21) Design Number: **12596/2009**
(22) Date of Filing Application: **16 July 2009**
(24) Date from which industrial property rights may have effect: **16 July 2009**
(54) Product in respect of which the design is registered: **Hay feeding case**
(51) International Design Classification: **30-03**
(71) Name(s) and Address(s) of Applicant(s):
Edward O. Beyers
928 St Paul Road Ballwin Missouri 63021 United States of America
(72) Name(s) of Designer(s): **Edward O. Beyers**
(45) Registration Date: **11 August 2009**
(30) Convention priority data:

(31) Number	(32) Date	(33) Country
29/313695	03 Feb 2009	UNITED STATES OF AMERICA

(56) Related Art Documents: **Not Applicable**
(57) Statement of Newness and Distinctiveness: **Nil**



(21) Design Number: **12597/2009**

(22) Date of Filing Application: **16 July 2009**

(24) Date from which industrial property rights may have effect: **16 July 2009**

(54) Product in respect of which the design is registered: **Bottle**

(51) International Design Classification: **09-01K**

(71) Name(s) and Address(s) of Applicant(s):

Red Bull GmbH

Am Brunnen 1 5330 Fuschl am See Austria

(72) Name(s) of Designer(s): **Ronald Concin**

(45) Registration Date: **11 August 2009**

(30) Convention priority data:

(31) Number

(32) Date

(33) Country

001076541-0001 28 Jan 2009

EUROPEAN COMMUNITY

(56) Related Art Documents: **Not Applicable**

(57) Statement of Newness and Distinctiveness: **Nil**



(21) Design Number: **12598/2009**

(22) Date of Filing Application: **16 July 2009**

(24) Date from which industrial property rights may have effect: **16 July 2009**

(54) Product in respect of which the design is registered: **Bottle**

(51) International Design Classification: **09-01K**

(71) Name(s) and Address(s) of Applicant(s):

Red Bull GmbH

Am Brunnen 1 5330 Fuschl am See Austria

(72) Name(s) of Designer(s): **Ronald Concin**

(45) Registration Date: **11 August 2009**

(30) Convention priority data:

(31) Number

(32) Date

(33) Country

001076541-0002 28 Jan 2009

EUROPEAN COMMUNITY

(56) Related Art Documents: **Not Applicable**

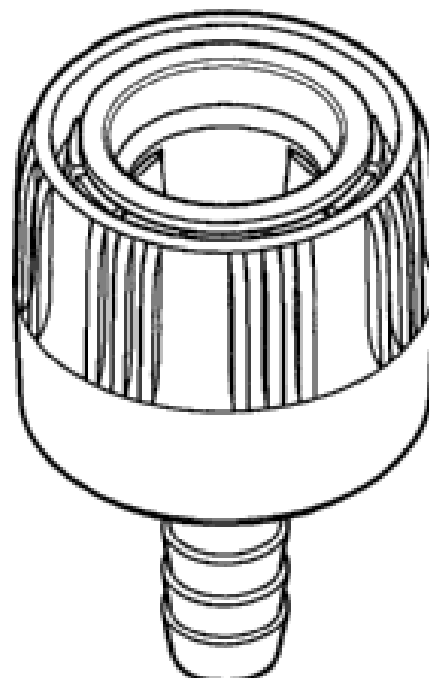
(57) Statement of Newness and Distinctiveness: **Nil**



(21) Design Number: **12599/2009**
(22) Date of Filing Application: **16 July 2009**
(24) Date from which industrial property rights may have effect: **16 July 2009**
(54) Product in respect of which the design is registered: **Bottle**
(51) International Design Classification: **09-01K**
(71) Name(s) and Address(s) of Applicant(s):
Red Bull GmbH
Am Brunnen 1 5330 Fuschl am See Austria
(72) Name(s) of Designer(s): **Ronald Concin**
(45) Registration Date: **11 August 2009**
(30) Convention priority data:
(31) Number (32) Date (33) Country
001076541-0003 28 Jan 2009 EUROPEAN COMMUNITY
(56) Related Art Documents: **Not Applicable**
(57) Statement of Newness and Distinctiveness: **Nil**



(21) Design Number: **12632/2009**
(22) Date of Filing Application: **17 July 2009**
(24) Date from which industrial property rights may have effect: **17 July 2009**
(54) Product in respect of which the design is registered: **Hose connector**
(51) International Design Classification: **23-01C**
(71) Name(s) and Address(s) of Applicant(s):
Toro Australia Pty Limited
53 Howards Road Beverley South Australia 5009 Australia
(72) Name(s) of Designer(s): **Christopher Alan Appleton and Alan Sanders and Tony Chan**
(45) Registration Date: **11 August 2009**
(56) Related Art Documents: **Not Applicable**
(57) Statement of Newness and Distinctiveness: **Nil**



(21) Design Number: **12633/2009**

(22) Date of Filing Application: **17 July 2009**

(24) Date from which industrial property rights may have effect: **17 July 2009**

(54) Product in respect of which the design is registered: **Transformable toy**

(51) International Design Classification: **21-01B**

(71) Name(s) and Address(s) of Applicant(s):

Spin Master Ltd
450 Front Street West Toronto M5V 1B6 Ontario Canada

(72) Name(s) of Designer(s): **Wataru Sato and Kohji Hirose and Richard Keuter**

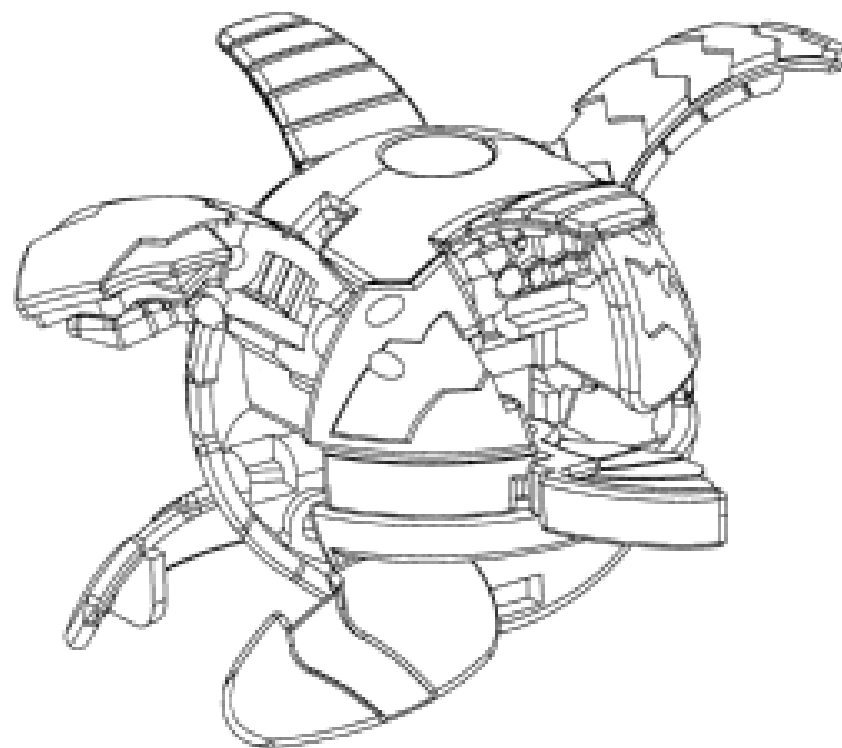
(45) Registration Date: **11 August 2009**

(30) Convention priority data:

(31) Number	(32) Date	(33) Country
129420	28 Jan 2009	CANADA

(56) Related Art Documents: **Not Applicable**

(57) Statement of Newness and Distinctiveness: **Newness and distinctiveness resides in the features of shape and/or configuration of a transformable toy as shown in the accompanying representations.**



(21) Design Number: **12634/2009**

(22) Date of Filing Application: **17 July 2009**

(24) Date from which industrial property rights may have effect: **17 July 2009**

(54) Product in respect of which the design is registered: **Transformable toy**

(51) International Design Classification: **21-01B**

(71) Name(s) and Address(s) of Applicant(s):

Spin Master Ltd
450 Front Street West Toronto M5V 1B6 Ontario Canada

(72) Name(s) of Designer(s): **Wataru Sato and Kohji Hirose and Richard Keuter**

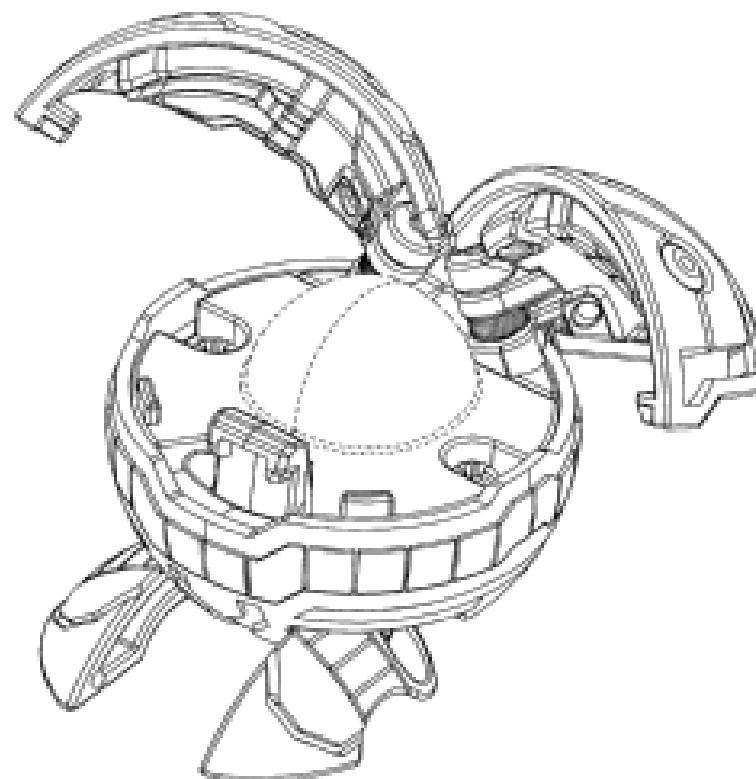
(45) Registration Date: **11 August 2009**

(30) Convention priority data:

(31) Number	(32) Date	(33) Country
130366	15 Apr 2009	CANADA

(56) Related Art Documents: **Not Applicable**

(57) Statement of Newness and Distinctiveness: **Newness and distinctiveness resides in the features of shape and/or configuration of a transformable toy as shown in the accompanying representations. Elements of the transformable toy not shown in solid lines are not considered to be part of the design.**



(21) Design Number: **12635/2009**

(22) Date of Filing Application: **17 July 2009**

(24) Date from which industrial property rights may have effect: **17 July 2009**

(54) Product in respect of which the design is registered: **Transformable toy**

(51) International Design Classification: **21-01B**

(71) Name(s) and Address(s) of Applicant(s):

Spin Master Ltd

450 Front Street West Toronto M5V 1B6 Ontario Canada

(72) Name(s) of Designer(s): **Wataru Sato and Kohji Hirose and Richard Keuter**

(45) Registration Date: **11 August 2009**

(30) Convention priority data:

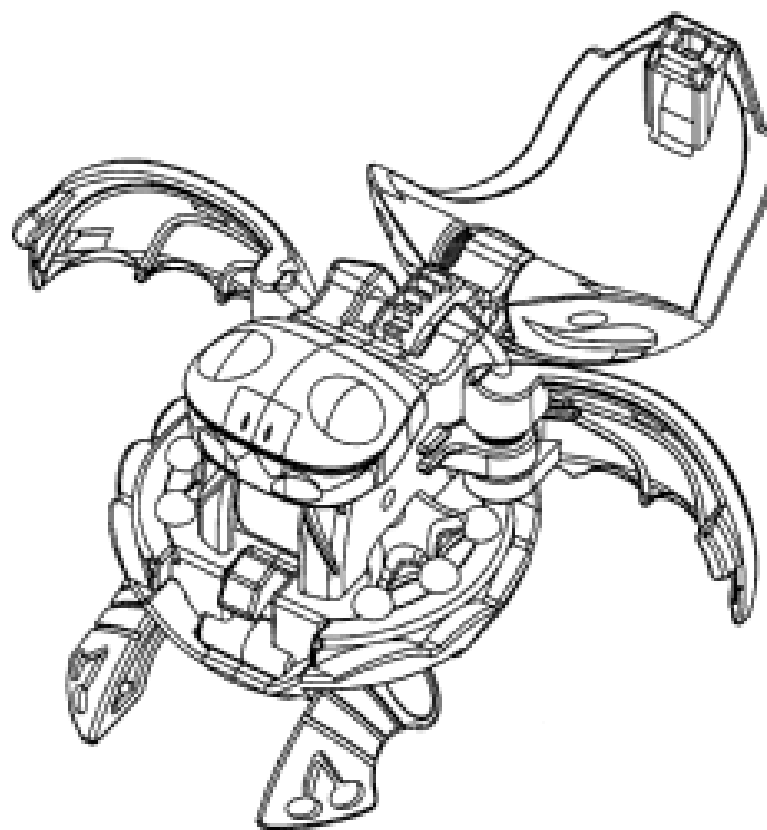
(31) Number
129392

(32) Date
26 Jan 2009

(33) Country
CANADA

(56) Related Art Documents: **Not Applicable**

(57) Statement of Newness and Distinctiveness: **Newness and distinctiveness resides in the feature of shape and/or configuration of a transformable toy as shown in the accompanying representations.**



(21) Design Number: **12624/2009**

(22) Date of Filing Application: **17 July 2009**

(24) Date from which industrial property rights may have effect: **17 July 2009**

(54) Product in respect of which the design is registered: **Orthotic device**

(51) International Design Classification: **02-04A**

(71) Name(s) and Address(s) of Applicant(s):

Rockbrook Holdings Limited

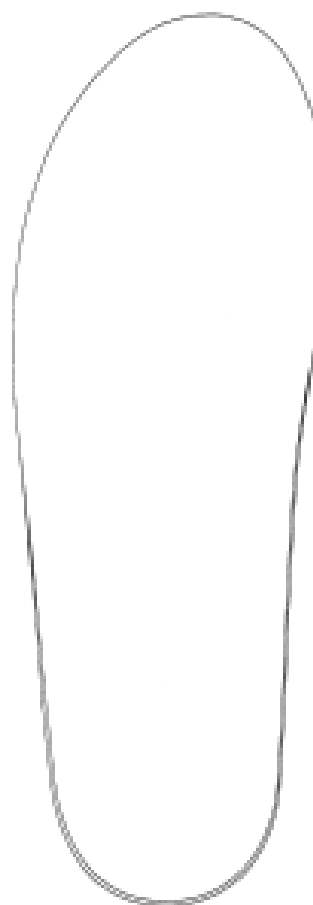
**C/- ATU General Trust (BVI) Limited 3076 Sir Frances Drake's Highway
Road Town Tortola British Virgin Islands**

(72) Name(s) of Designer(s): **David Warwick**

(45) Registration Date: **12 August 2009**

(56) Related Art Documents: **Not Applicable**

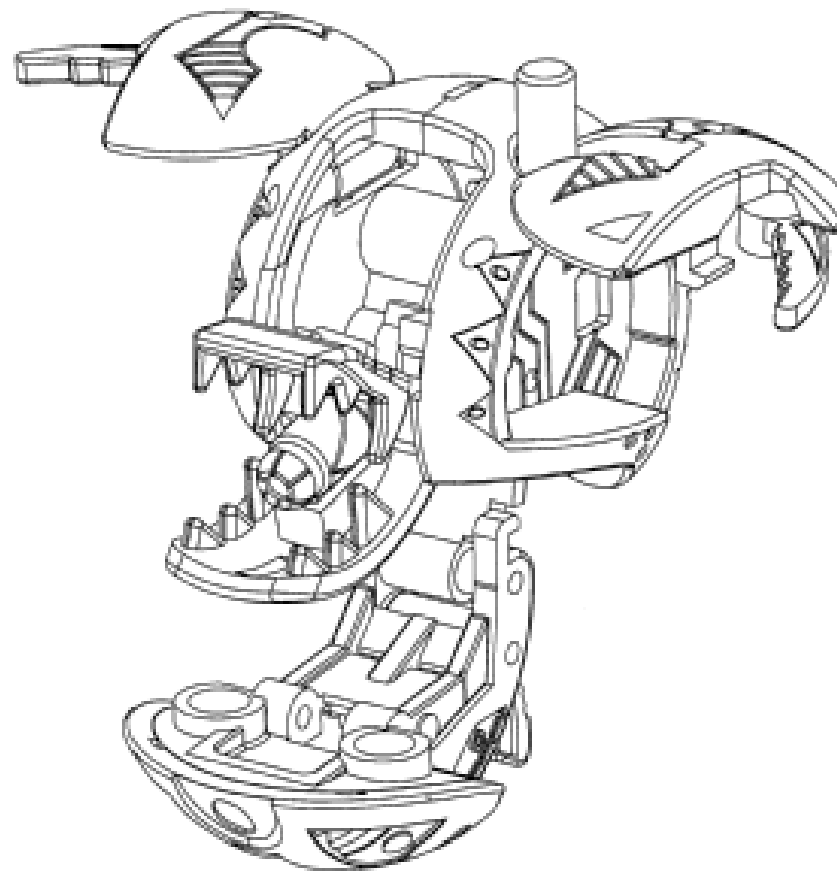
(57) Statement of Newness and Distinctiveness: **Nil**



(21) Design Number: **12626/2009**
 (22) Date of Filing Application: **17 July 2009**
 (24) Date from which industrial property rights may have effect: **17 July 2009**
 (54) Product in respect of which the design is registered: **Transformable toy**
 (51) International Design Classification: **21-01B**
 (71) Name(s) and Address(s) of Applicant(s):
Spin Master Ltd
450 Front Street West Toronto M5V 1B6 Ontario Canada
 (72) Name(s) of Designer(s): **Wataru Sato and Kohji Hirose and Richard Keuter**
 (45) Registration Date: **12 August 2009**
 (30) Convention priority data:

(31) Number	(32) Date	(33) Country
129669	19 Feb 2009	CANADA

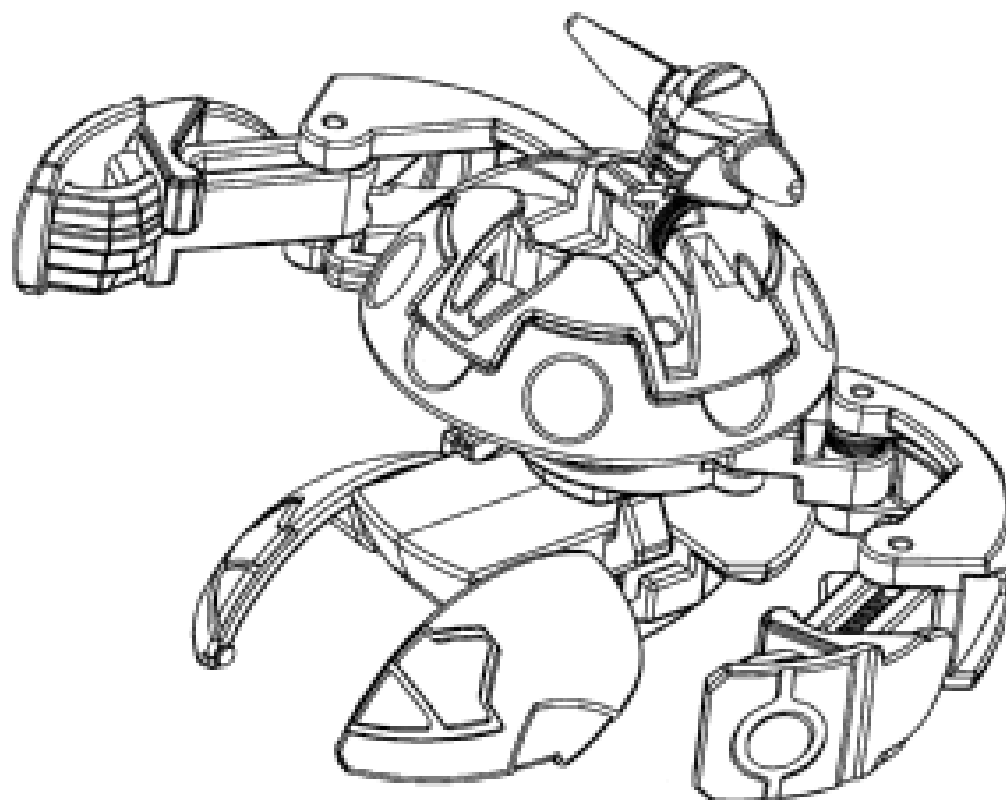
 (56) Related Art Documents: **Not Applicable**
 (57) Statement of Newness and Distinctiveness: **Newness and distinctiveness resides in the features of shape and/or configuration of a transformable toy as shown in the accompanying representations.**



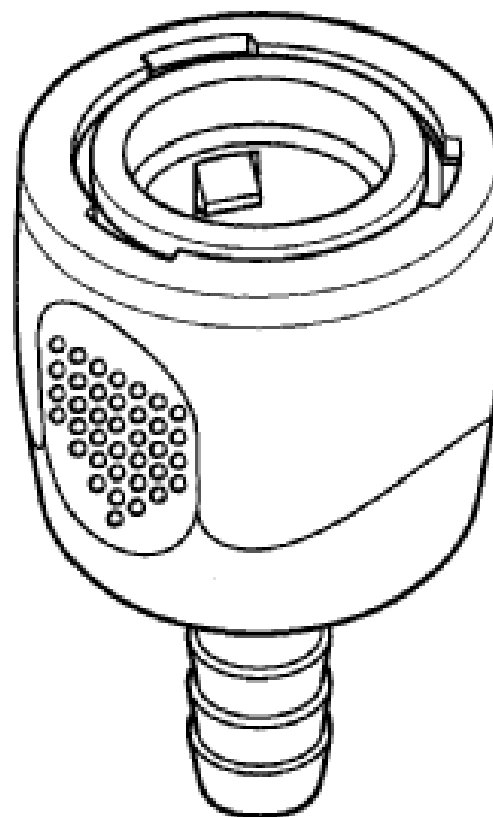
(21) Design Number: **12627/2009**
 (22) Date of Filing Application: **17 July 2009**
 (24) Date from which industrial property rights may have effect: **17 July 2009**
 (54) Product in respect of which the design is registered: **Transformable toy**
 (51) International Design Classification: **21-01B**
 (71) Name(s) and Address(s) of Applicant(s):
Spin Master Ltd
450 Front Street West Toronto M5V 1B6 Ontario Canada
 (72) Name(s) of Designer(s): **Wataru Sato and Kohji Hirose and Richard Keuter**
 (45) Registration Date: **12 August 2009**
 (30) Convention priority data:

(31) Number	(32) Date	(33) Country
129394	26 Jan 2009	CANADA

 (56) Related Art Documents: **Not Applicable**
 (57) Statement of Newness and Distinctiveness: **Newness and distinctiveness resides in the features of shape and/or configuration of a transformable toy as shown in the accompanying representations.**



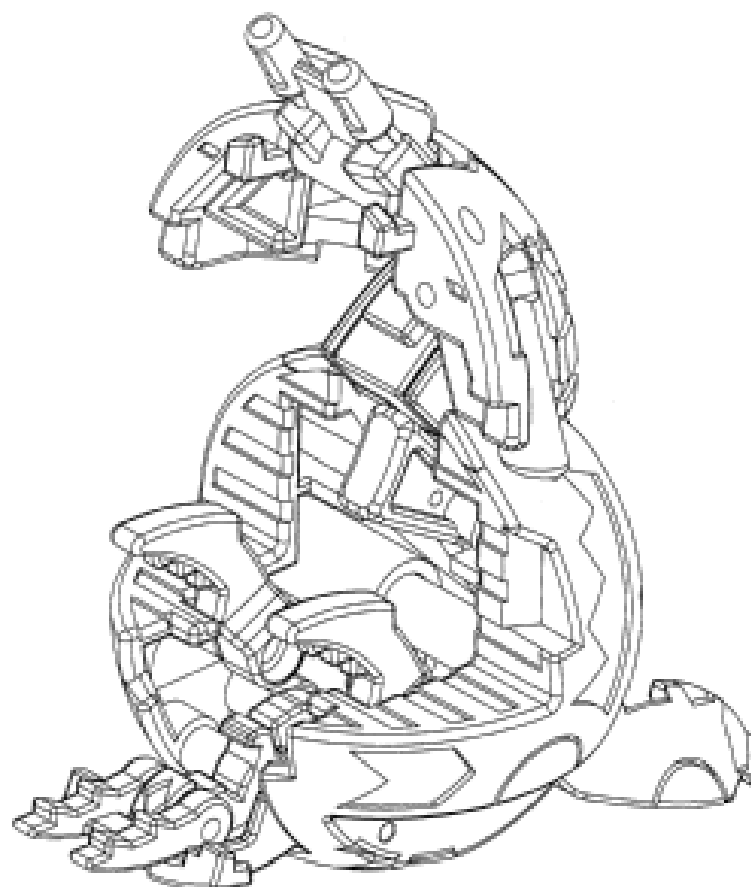
- (21) Design Number: **12628/2009**
(22) Date of Filing Application: **17 July 2009**
(24) Date from which industrial property rights may have effect: **17 July 2009**
(54) Product in respect of which the design is registered: **Hose connector**
(51) International Design Classification: **23-01C**
(71) Name(s) and Address(s) of Applicant(s):
Toro Australia Pty Limited
53 Howards Road Beverley South Australia 5009 Australia
(72) Name(s) of Designer(s): **Christopher Alan Appleton and Alan Sanders and Tony Chan**
(45) Registration Date: **12 August 2009**
(56) Related Art Documents: **Not Applicable**
(57) Statement of Newness and Distinctiveness: **Nil**



- (21) Design Number: **12636/2009**
(22) Date of Filing Application: **17 July 2009**
(24) Date from which industrial property rights may have effect: **17 July 2009**
(54) Product in respect of which the design is registered: **Transformable toy**
(51) International Design Classification: **21-01A**
(71) Name(s) and Address(s) of Applicant(s):
Spin Master Ltd
450 Front Street West Toronto M5V 1B6 Ontario Canada
(72) Name(s) of Designer(s): **Wataru Sato and Kohji Hirose and Richard Keuter**
(45) Registration Date: **12 August 2009**
(30) Convention priority data:

(31) Number	(32) Date	(33) Country
129380	23 Jan 2009	CANADA

(56) Related Art Documents: **Not Applicable**
(57) Statement of Newness and Distinctiveness: **Newness and distinctiveness resides in the features of shape and/or configuration of a transformable toy as shown in the accompanying representations.**



(21) Design Number: **12637/2009**

(22) Date of Filing Application: **17 July 2009**

(24) Date from which industrial property rights may have effect: **17 July 2009**

(54) Product in respect of which the design is registered: **Transformable toy**

(51) International Design Classification: **21-01A**

(71) Name(s) and Address(s) of Applicant(s):

Spin Master Ltd

450 Front Street West Toronto M5V 1B6 Ontario Canada

(72) Name(s) of Designer(s): **Wataru Sato and Kohji Hirose and Richard Keuter**

(45) Registration Date: **12 August 2009**

(30) Convention priority data:

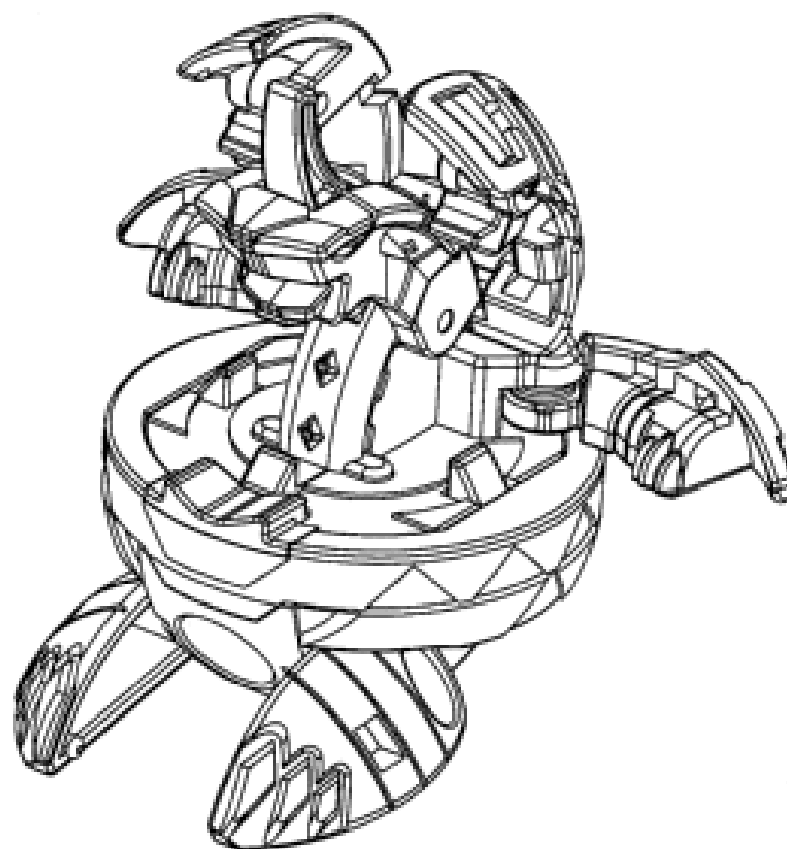
(31) Number
129393

(32) Date
26 Jan 2009

(33) Country
CANADA

(56) Related Art Documents: **Not Applicable**

(57) Statement of Newness and Distinctiveness: **Newness and distinctiveness resides in the features of shape and/or configuration of a transformable toy as shown in the accompanying representations.**



(21) Design Number: **12638/2009**

(22) Date of Filing Application: **17 July 2009**

(24) Date from which industrial property rights may have effect: **17 July 2009**

(54) Product in respect of which the design is registered: **Transformable toy**

(51) International Design Classification: **21-01A**

(71) Name(s) and Address(s) of Applicant(s):

Spin Master Ltd

450 Front Street West Toronto M5V 1B6 Ontario Canada

(72) Name(s) of Designer(s): **Wataru Sato and Kohji Hirose and Richard Keuter**

(45) Registration Date: **12 August 2009**

(30) Convention priority data:

(31) Number
129391

(32) Date
26 Jan 2009

(33) Country
CANADA

(56) Related Art Documents: **Not Applicable**

(57) Statement of Newness and Distinctiveness: **Newness and distinctiveness resides in the features of shape and/or configuration of a transformable toy as shown in the accompanying representations.**



(21) Design Number: **12639/2009**

(22) Date of Filing Application: **17 July 2009**

(24) Date from which industrial property rights may have effect: **17 July 2009**

(54) Product in respect of which the design is registered: **Transformable toy**

(51) International Design Classification: **21-01A**

(71) Name(s) and Address(s) of Applicant(s):

Spin Master Ltd
450 Front Street West Toronto M5V 1B6 Ontario Canada

(72) Name(s) of Designer(s): **Wataru Sato and Kohji Hirose and Richard Keuter**

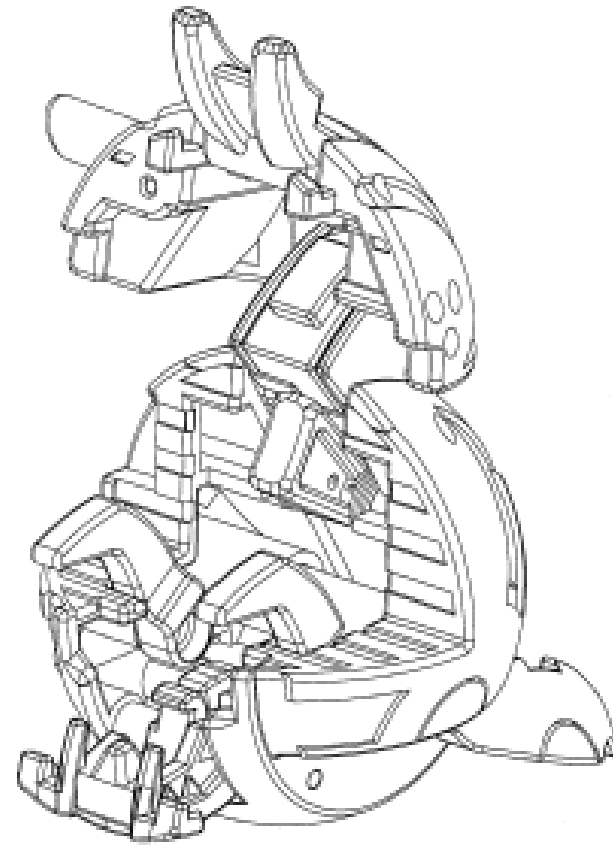
(45) Registration Date: **12 August 2009**

(30) Convention priority data:

(31) Number	(32) Date	(33) Country
129379	23 Jan 2009	CANADA

(56) Related Art Documents: **Not Applicable**

(57) Statement of Newness and Distinctiveness: **Newness and distinctiveness resides in the features of shape and/or configuration of a transformable toy as shown in the accompanying representations.**



(21) Design Number: **12640/2009**

(22) Date of Filing Application: **17 July 2009**

(24) Date from which industrial property rights may have effect: **17 July 2009**

(54) Product in respect of which the design is registered: **Transformable toy**

(51) International Design Classification: **21-01A**

(71) Name(s) and Address(s) of Applicant(s):

Spin Master Ltd
450 Front Street West Toronto M5V 1B6 Ontario Canada

(72) Name(s) of Designer(s): **Wataru Sato and Kohji Hirose and Richard Keuter**

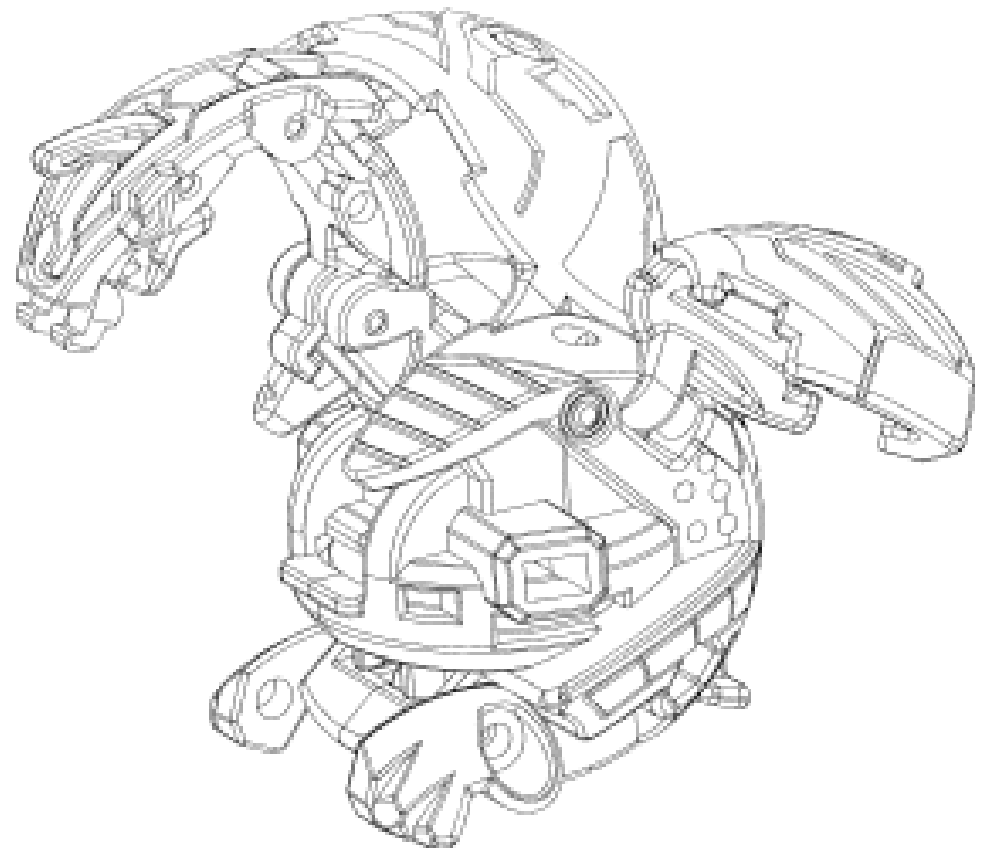
(45) Registration Date: **12 August 2009**

(30) Convention priority data:

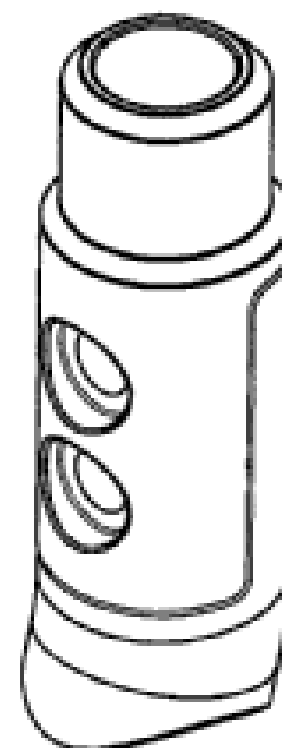
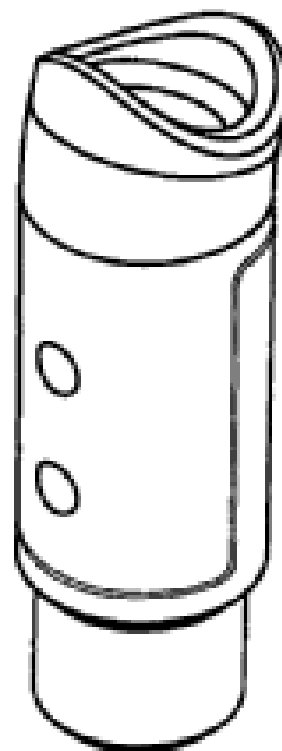
(31) Number	(32) Date	(33) Country
129372	22 Jan 2009	CANADA

(56) Related Art Documents: **Not Applicable**

(57) Statement of Newness and Distinctiveness: **Newness and distinctiveness resides in the features of shape and/or configuration of a transformable toy as shown in the accompanying representations.**



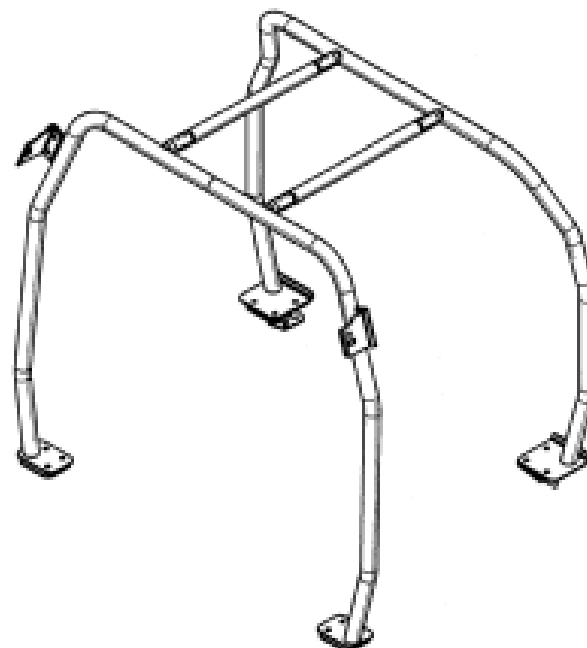
- (21) Design Number: **12644/2009**
- (22) Date of Filing Application: **20 July 2009**
- (24) Date from which industrial property rights may have effect: **20 July 2009**
- (54) Product in respect of which the design is registered: **A connector**
- (51) International Design Classification: **12-16NES, 13-03B**
- (71) Name(s) and Address(s) of Applicant(s):
Macs Engineering Pty Ltd
1C Victoria Street Mackay Queensland 4740 Australia
- (72) Name(s) of Designer(s): **Michael Cavanaugh and Ross Fredrickson**
- (45) Registration Date: **12 August 2009**
- (56) Related Art Documents: **Not Applicable**
- (57) Statement of Newness and Distinctiveness: **The newness and distinctiveness of the design resides in the shape and/or configuration of A CONNECTOR shown in the representations.**



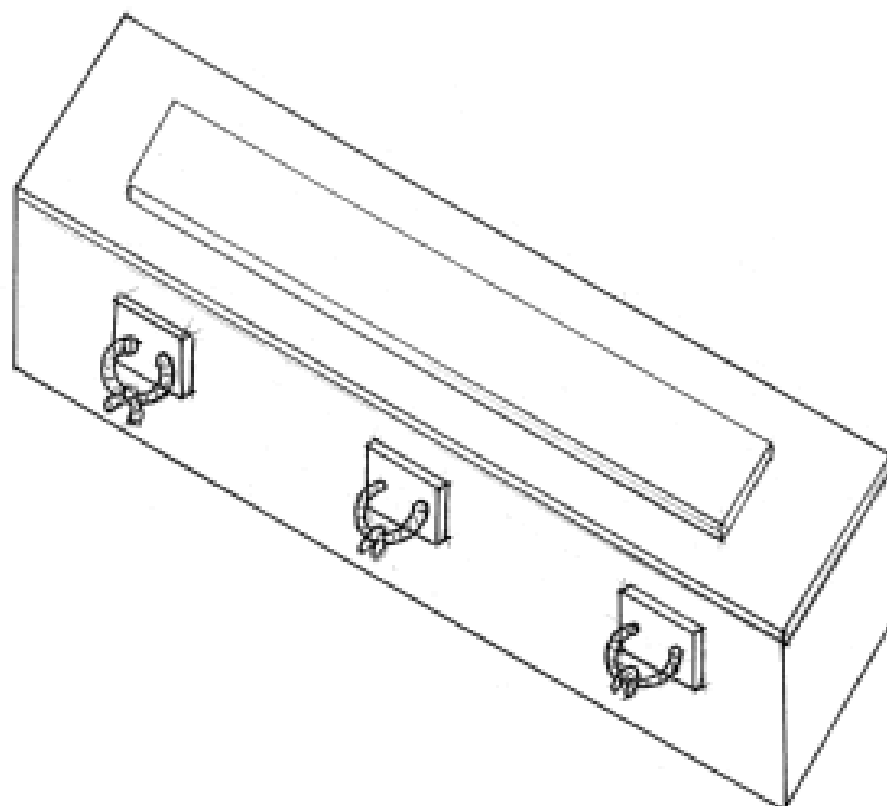
- (21) Design Number: **12645/2009**
- (22) Date of Filing Application: **20 July 2009**
- (24) Date from which industrial property rights may have effect: **20 July 2009**
- (54) Product in respect of which the design is registered: **Padding**
- (51) International Design Classification: **12-16C**
- (71) Name(s) and Address(s) of Applicant(s):
Macs Engineering Pty Ltd
1C Victoria Street Mackay Queensland 4740 Australia
- (72) Name(s) of Designer(s): **Ross Fredrickson and Michael Cavanaugh**
- (45) Registration Date: **12 August 2009**
- (56) Related Art Documents: **Not Applicable**
- (57) Statement of Newness and Distinctiveness: **The newness and distinctiveness of the design resides in the shape and/or configuration of the PADDING shown in the representations.**



- (21) Design Number: **12646/2009**
(22) Date of Filing Application: **20 July 2009**
(24) Date from which industrial property rights may have effect: **20 July 2009**
(54) Product in respect of which the design is registered: **Rollover Protection System**
(51) International Design Classification: **12-16C**
(71) Name(s) and Address(s) of Applicant(s):
Macs Engineering Pty Ltd
1C Victoria Street Mackay Queensland 4740 Australia
(72) Name(s) of Designer(s): **Ross Fredrickson and Michael Cavanaugh**
(45) Registration Date: **12 August 2009**
(56) Related Art Documents: **Not Applicable**
(57) Statement of Newness and Distinctiveness: **The newness and distinctiveness of the design resides in the shape and/or configuration of the ROLLOVER PROTECTION SYSTEM shown in the representations.**



- (21) Design Number: **12805/2009**
(22) Date of Filing Application: **29 July 2009**
(24) Date from which industrial property rights may have effect: **29 July 2009**
(54) Product in respect of which the design is registered: **Enviro cardboard caskets and coffins handles**
(51) International Design Classification: **99-00**
(71) Name(s) and Address(s) of Applicant(s):
Neta Isabelle McSpadden
7/81A Balaclava Road Eastwood New South Wales 2122 Australia
(72) Name(s) of Designer(s): **Neta Isabelle McSpadden**
(45) Registration Date: **12 August 2009**
(56) Related Art Documents: **Not Applicable**
(57) Statement of Newness and Distinctiveness: **The means of fastening rope or traditional handles to cardboard coffins and caskets.**



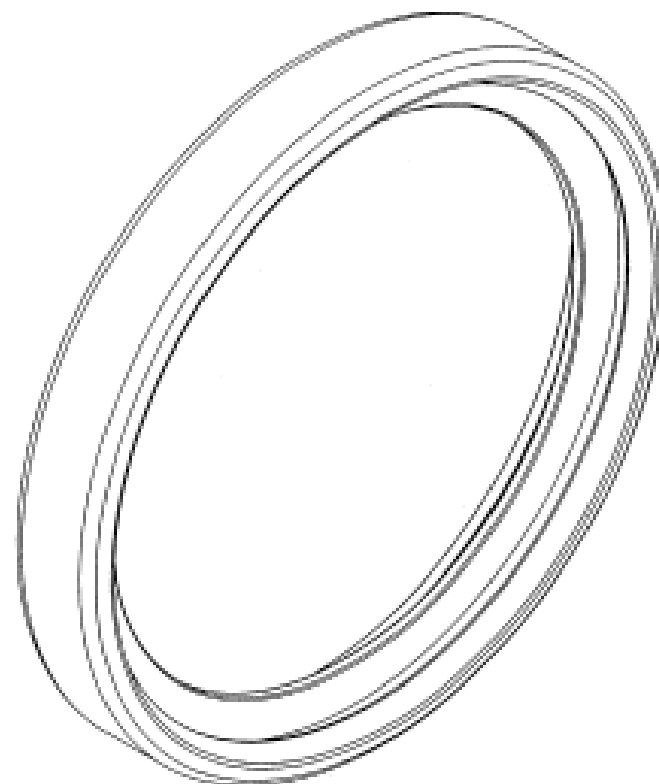
(21) Design Number: **12667/2009**
(22) Date of Filing Application: **21 July 2009**
(24) Date from which industrial property rights may have effect: **21 July 2009**
(54) Product in respect of which the design is registered: **Gasket**
(51) International Design Classification: **23-01A**
(71) Name(s) and Address(s) of Applicant(s):
Victaulic Company
4901 Kesslersville Road Easton Pennsylvania 18040 United States of America
(72) Name(s) of Designer(s): **Vance W. Henry and Scott D. Madara**
(45) Registration Date: **13 August 2009**
(30) Convention priority data:
(31) Number (32) Date (33) Country
29/331382 23 Jan 2009 UNITED STATES OF AMERICA
(56) Related Art Documents: **Not Applicable**
(57) Statement of Newness and Distinctiveness: **Newness and distinctiveness is claimed in the features of shape and/or configuration of a gasket as illustrated in the accompanying representations.**



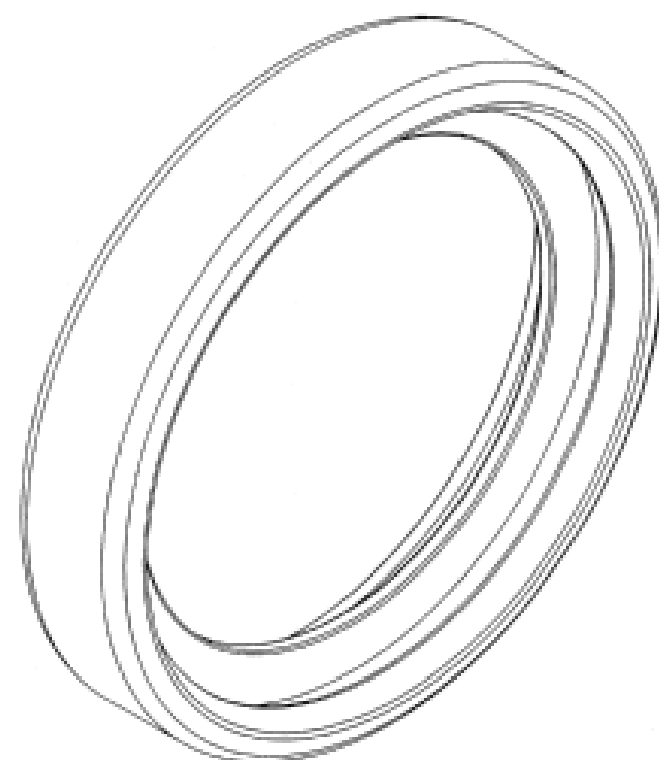
(21) Design Number: **12668/2009**
(22) Date of Filing Application: **21 July 2009**
(24) Date from which industrial property rights may have effect: **21 July 2009**
(54) Product in respect of which the design is registered: **Gasket**
(51) International Design Classification: **23-01A**
(71) Name(s) and Address(s) of Applicant(s):
Victaulic Company
4901 Kesslersville Road Easton Pennsylvania 18040 United States of America
(72) Name(s) of Designer(s): **Vance W. Henry and Scott D. Madara**
(45) Registration Date: **13 August 2009**
(30) Convention priority data:
(31) Number (32) Date (33) Country
29/331382 23 Jan 2009 UNITED STATES OF AMERICA
(56) Related Art Documents: **Not Applicable**
(57) Statement of Newness and Distinctiveness: **Newness and distinctiveness is claimed in the features of shape and/or configuration of a gasket as illustrated in the accompanying representations.**



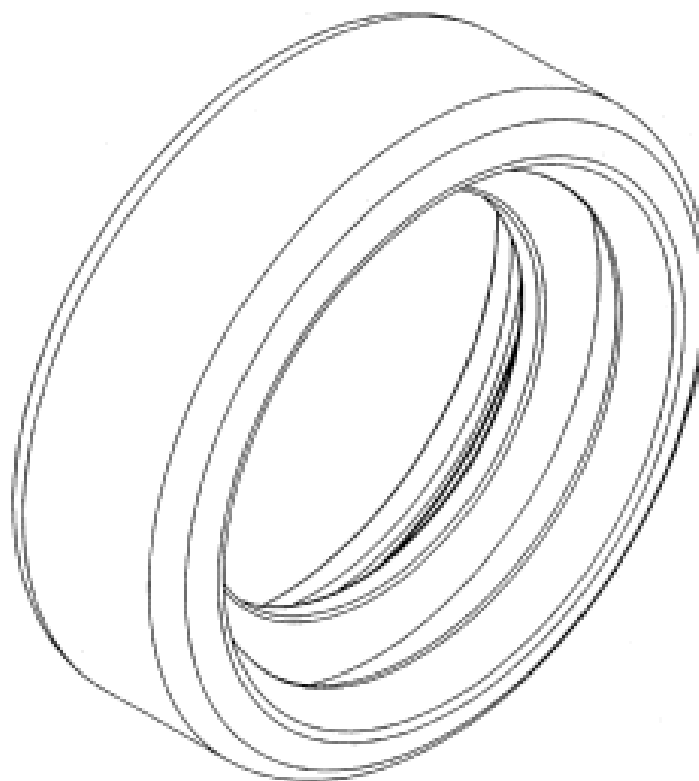
(21) Design Number: **12669/2009**
(22) Date of Filing Application: **21 July 2009**
(24) Date from which industrial property rights may have effect: **21 July 2009**
(54) Product in respect of which the design is registered: **Gasket**
(51) International Design Classification: **23-01A**
(71) Name(s) and Address(s) of Applicant(s):
Victaulic Company
4901 Kesslersville Road Easton Pennsylvania 18040 United States of America
(72) Name(s) of Designer(s): **Vance W. Henry and Scott D. Madara**
(45) Registration Date: **13 August 2009**
(30) Convention priority data:
(31) Number (32) Date (33) Country
29/331382 23 Jan 2009 UNITED STATES OF AMERICA
(56) Related Art Documents: **Not Applicable**
(57) Statement of Newness and Distinctiveness: **Newness and distinctiveness is claimed in the features of shape and/or configuration of a gasket as illustrated in the accompanying representations.**



(21) Design Number: **12670/2009**
(22) Date of Filing Application: **21 July 2009**
(24) Date from which industrial property rights may have effect: **21 July 2009**
(54) Product in respect of which the design is registered: **Gasket**
(51) International Design Classification: **23-01A**
(71) Name(s) and Address(s) of Applicant(s):
Victaulic Company
4901 Kesslersville Road Easton Pennsylvania 18040 United States of America
(72) Name(s) of Designer(s): **Vance W. Henry and Scott D. Madara**
(45) Registration Date: **13 August 2009**
(30) Convention priority data:
(31) Number (32) Date (33) Country
29/331382 23 Jan 2009 UNITED STATES OF AMERICA
(56) Related Art Documents: **Not Applicable**
(57) Statement of Newness and Distinctiveness: **Newness and distinctiveness is claimed in the features of shape and/or configuration of a gasket as illustrated in the accompanying representations.**



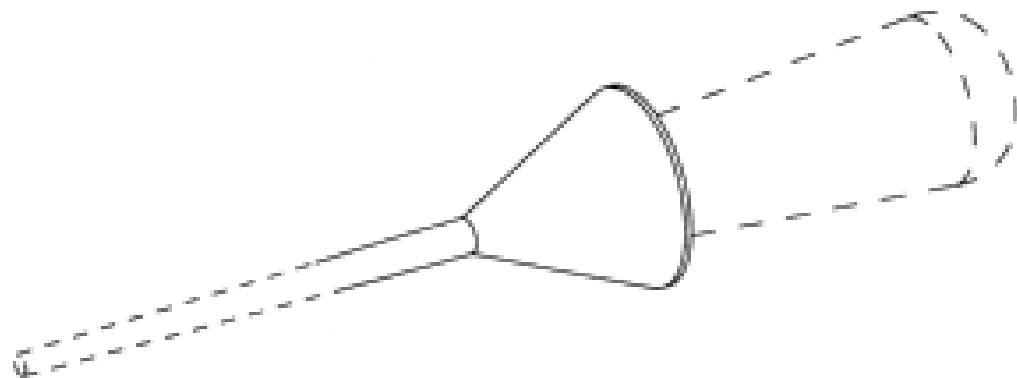
- (21) Design Number: **12671/2009**
(22) Date of Filing Application: **21 July 2009**
(24) Date from which industrial property rights may have effect: **21 July 2009**
(54) Product in respect of which the design is registered: **Gasket**
(51) International Design Classification: **23-01A**
(71) Name(s) and Address(s) of Applicant(s):
Victaulic Company
4901 Kesslersville Road Easton Pennsylvania 18040 United States of America
(72) Name(s) of Designer(s): **Vance W. Henry and Scott D. Madara**
(45) Registration Date: **13 August 2009**
(30) Convention priority data:
(31) Number (32) Date (33) Country
29/331382 23 Jan 2009 UNITED STATES OF AMERICA
(56) Related Art Documents: **Not Applicable**
(57) Statement of Newness and Distinctiveness: **Newness and distinctiveness is claimed in the features of shape and/or configuration of a gasket as illustrated in the accompanying representations.**



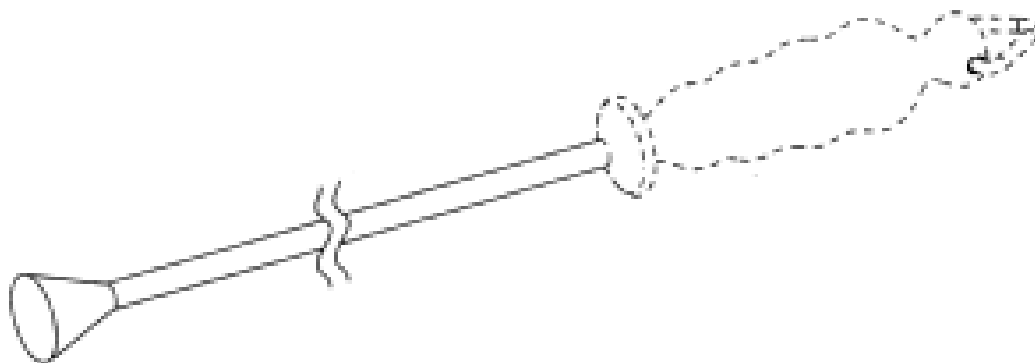
- (21) Design Number: **11578/2009**
(22) Date of Filing Application: **04 May 2009**
(24) Date from which industrial property rights may have effect: **04 May 2009**
(54) Product in respect of which the design is registered: **Aquaponics/hydroponics growbed**
(51) International Design Classification: **09-03F**
(71) Name(s) and Address(s) of Applicant(s):
Mark Smith
227 Timaru Road Muchea Western Australia 6501 Australia
(72) Name(s) of Designer(s): **Mark Douglas Smith**
(45) Registration Date: **13 August 2009**
(56) Related Art Documents: **Not Applicable**
(57) Statement of Newness and Distinctiveness: **Extendable Growbeds are made to suit the growers property or greenhouse size simply by adding or removing sections to make one largest possible growbed insted of lots of single growbeds wich wastes valuable space between sections.**



- (21) Design Number: **12376/2009**
(22) Date of Filing Application: **30 June 2009**
(24) Date from which industrial property rights may have effect: **30 June 2009**
(54) Product in respect of which the design is registered: **Sharpening tool - case A**
(51) International Design Classification: **08-05H**
(71) Name(s) and Address(s) of Applicant(s):
Dreamweaver Studios Pty Ltd
Unit 1 43 Marlston Drive Bunbury Western Australia 6230 Australia
(72) Name(s) of Designer(s): **Antonio Bandera and Joanne Watts**
(45) Registration Date: **13 August 2009**
(56) Related Art Documents: **Not Applicable**
(57) Statement of Newness and Distinctiveness: **Each feature of the design considered separately or in combination with any other feature or features. In considering the scope and novelty of the design the portions of the design shown in the accompanying drawings in broken lines are not a part of the design.**



- (21) Design Number: **12377/2009**
(22) Date of Filing Application: **30 June 2009**
(24) Date from which industrial property rights may have effect: **30 June 2009**
(54) Product in respect of which the design is registered: **Sharpening tool - case B**
(51) International Design Classification: **08-05H**
(71) Name(s) and Address(s) of Applicant(s):
Dreamweaver Studios Pty Ltd
Unit 1 43 Marlston Drive Bunbury Western Australia 6230 Australia
(72) Name(s) of Designer(s): **Antonio Bandera and Joanne Watts**
(45) Registration Date: **13 August 2009**
(56) Related Art Documents: **Not Applicable**
(57) Statement of Newness and Distinctiveness: **Each feature of the design considered separately or in combination with any other feature or features. In considering the scope and novelty of the design the portions of the design shown in the accompanying drawings in broken lines are not a part of the design.**



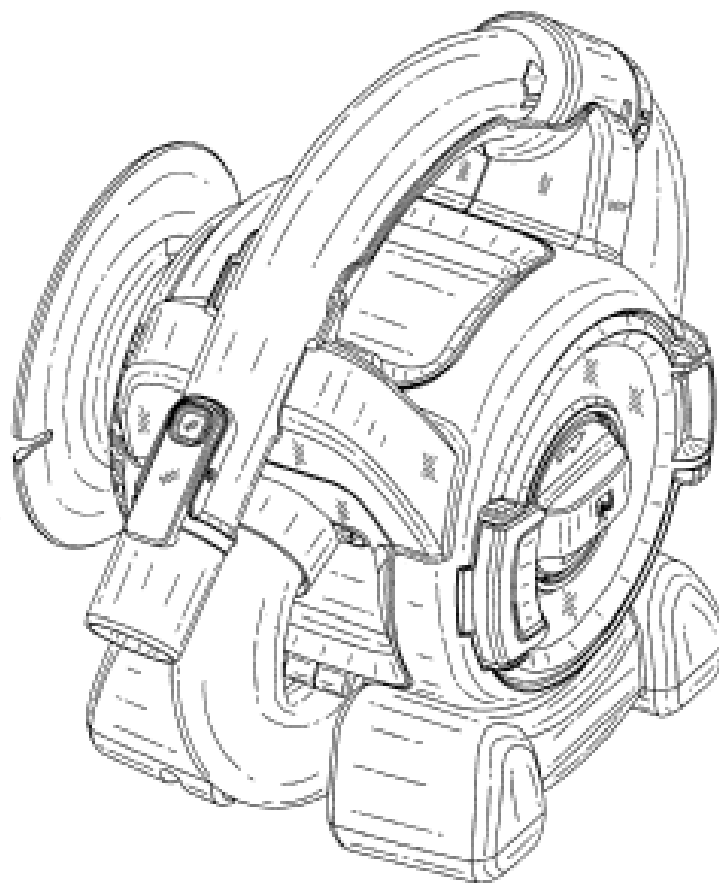
- (21) Design Number: **12666/2009**
(22) Date of Filing Application: **21 July 2009**
(24) Date from which industrial property rights may have effect: **21 July 2009**
(54) Product in respect of which the design is registered: **Gasket**
(51) International Design Classification: **23-01A**
(71) Name(s) and Address(s) of Applicant(s):
Victaulic Company
4901 Kesslersville Road Easton Pennsylvania 18040 United States of America
(72) Name(s) of Designer(s): **Vance W. Henry and Scott D. Madara**
(45) Registration Date: **13 August 2009**
(30) Convention priority data:
(31) Number (32) Date (33) Country
29/331382 23 Jan 2009 UNITED STATES OF AMERICA
(56) Related Art Documents: **Not Applicable**
(57) Statement of Newness and Distinctiveness: **Newness and distinctiveness is claimed in the features of shape and/or configuration of a gasket as illustrated in the accompanying representations.**



- (21) Design Number: **12562/2009**
(22) Date of Filing Application: **15 July 2009**
(24) Date from which industrial property rights may have effect: **15 July 2009**
(54) Product in respect of which the design is registered: **Food slicer**
(51) International Design Classification: **07-04**
(71) Name(s) and Address(s) of Applicant(s):
Chef'n Corporation
1520 4th Avenue 3rd Floor Seattle Washington 98101 United States of America
(72) Name(s) of Designer(s): **Matthew Krus and Adam A. Jossem and Jonah S. Griffith and David Hull**
(45) Registration Date: **13 August 2009**
(30) Convention priority data:
(31) Number (32) Date (33) Country
29/331285 22 Jan 2009 UNITED STATES OF AMERICA
(56) Related Art Documents: **Not Applicable**
(57) Statement of Newness and Distinctiveness: **Newness and distinctiveness is claimed in the visual features shown in solid lines in the representations.**



(21) Design Number: **12563/2009**
(22) Date of Filing Application: **15 July 2009**
(24) Date from which industrial property rights may have effect: **15 July 2009**
(54) Product in respect of which the design is registered: **Hand-held vacuum cleaner**
(51) International Design Classification: **15-05**
(71) Name(s) and Address(s) of Applicant(s):
Black & Decker, Inc.
1207 Drummond Plaza Newark Delaware 19711 United States of America
(72) Name(s) of Designer(s): **Graeme Crawley**
(45) Registration Date: **13 August 2009**
(30) Convention priority data:
(31) Number (32) Date (33) Country
001071773 19 Jan 2009 EUROPEAN COMMUNITY
(56) Related Art Documents: **Not Applicable**
(57) Statement of Newness and Distinctiveness: **Nil**



(21) Design Number: **12631/2009**
(22) Date of Filing Application: **21 July 2009**
(24) Date from which industrial property rights may have effect: **21 July 2009**
(54) Product in respect of which the design is registered: **Delivery cart for mail**
(51) International Design Classification: **12-02**
(71) Name(s) and Address(s) of Applicant(s):
Linda Rose Linnell
New Harbours 75 River Road Barking Essex IG11 0DR United Kingdom
Michael Charles Linnell Jr
New Harbours 75 River Road Barking Essex IG11 0DR United Kingdom
Sharon Ann Manning
New Harbours 75 River Road Barking Essex IG11 0DR United Kingdom
Michael Charles Linnell
New Harbours 75 River Road Barking Essex IG11 0DR United Kingdom
(72) Name(s) of Designer(s): **Michael Charles Linnell Jr**
(45) Registration Date: **13 August 2009**
(30) Convention priority data:
(31) Number (32) Date (33) Country
001084131-001 06 Feb 2009 EUROPEAN COMMUNITY
(56) Related Art Documents: **Not Applicable**
(57) Statement of Newness and Distinctiveness: **The newness and distinctiveness of the design resides in the shape and/or configuration of the delivery cart for mail shown in the representations.**



(21) Design Number: **12648/2009**

(22) Date of Filing Application: **21 July 2009**

(24) Date from which industrial property rights may have effect: **21 July 2009**

(54) Product in respect of which the design is registered: **Cooking apparatus**

(51) International Design Classification: **07-02E**

(71) Name(s) and Address(s) of Applicant(s):

**Foshan Shunde Everteam Industrial Co., Ltd
No. 27 East Rongqi Dadao Ronggui Shunde District Foshan City
Guangdong Province China**

(72) Name(s) of Designer(s): **Zhiqiang Liang**

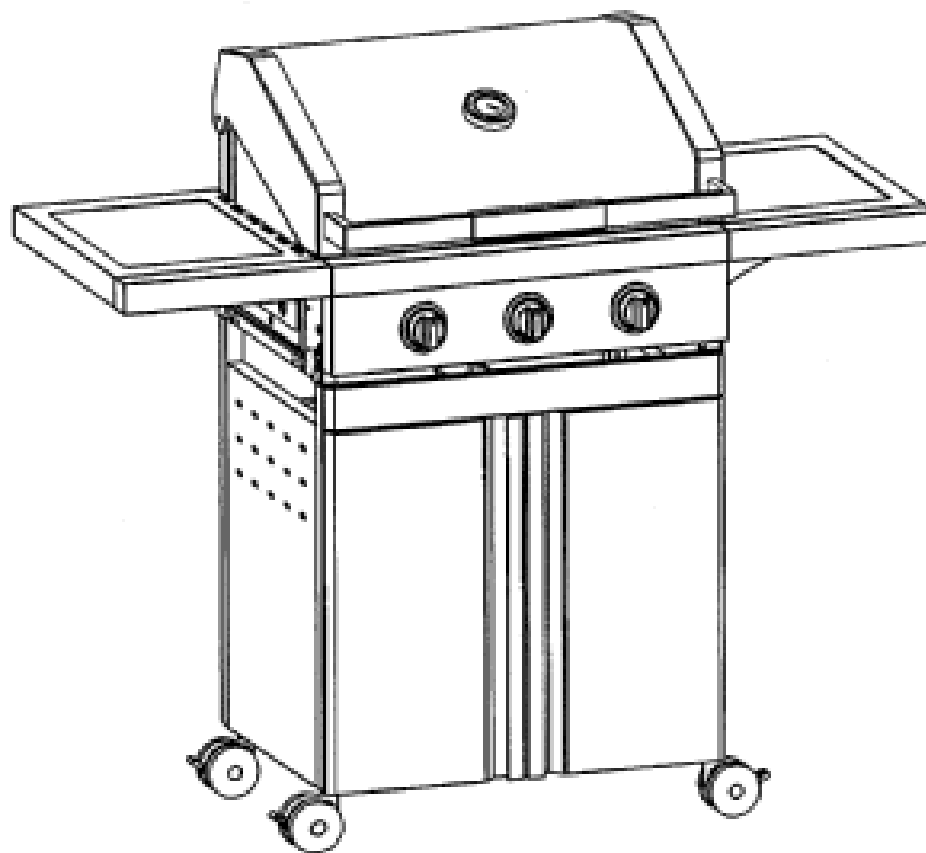
(45) Registration Date: **13 August 2009**

(30) Convention priority data:

(31) Number	(32) Date	(33) Country
200930073721.5	15 Apr 2009	CHINA

(56) Related Art Documents: **Not Applicable**

(57) Statement of Newness and Distinctiveness: **Newness and distinctiveness is claimed in the features of shape and/or configuration of a cooking apparatus as illustrated in the accompanying representations. The bottom view (2.6) does not form part of the design.**



(21) Design Number: **12647/2009**

(22) Date of Filing Application: **21 July 2009**

(24) Date from which industrial property rights may have effect: **21 July 2009**

(54) Product in respect of which the design is registered: **Cooking apparatus**

(51) International Design Classification: **07-02E**

(71) Name(s) and Address(s) of Applicant(s):

**Foshan Shunde Everteam Industrial Co., Ltd
No. 27 East Rongqi Dadao Ronggui Shunde District Foshan City
Guangdong Province China**

(72) Name(s) of Designer(s): **Zhiqiang Liang**

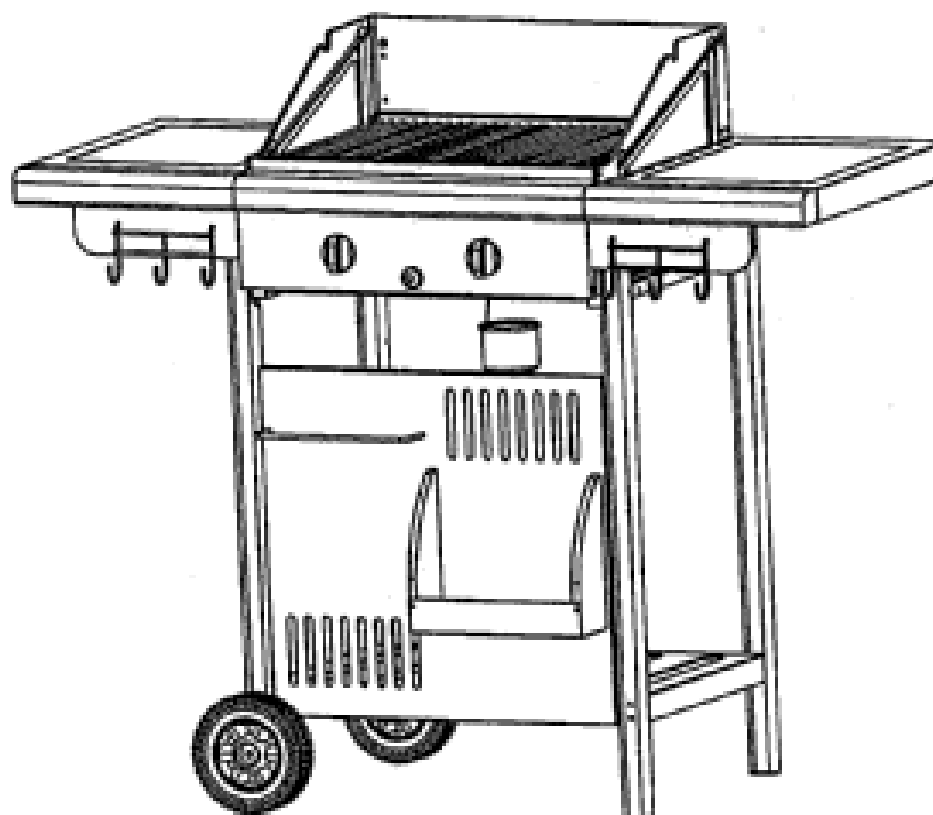
(45) Registration Date: **13 August 2009**

(30) Convention priority data:

(31) Number	(32) Date	(33) Country
200930073724.9	15 Apr 2009	CHINA

(56) Related Art Documents: **Not Applicable**

(57) Statement of Newness and Distinctiveness: **Newness and distinctiveness is claimed in the features of shape and/or configuration of a cooking apparatus as illustrated in the accompanying representations. The bottom view (1.6) does not form part of the design.**



(21) Design Number: **12649/2009**

(22) Date of Filing Application: **21 July 2009**

(24) Date from which industrial property rights may have effect: **21 July 2009**

(54) Product in respect of which the design is registered: **Cooking apparatus**

(51) International Design Classification: **07-02E**

(71) Name(s) and Address(s) of Applicant(s):

**Foshan Shunde Everteam Industrial Co., Ltd
No. 27 East Rongqi Dadao Ronggui Shunde District Foshan City
Guangdong Province China**

(72) Name(s) of Designer(s): **Zhiqiang Liang**

(45) Registration Date: **13 August 2009**

(30) Convention priority data:

(31) Number	(32) Date	(33) Country
200930075104.9	29 Apr 2009	CHINA

(56) Related Art Documents: **Not Applicable**

(57) Statement of Newness and Distinctiveness: **Newness and distinctiveness is claimed in the features of shape and/or configuration of a cooking apparatus as illustrated in the accompanying representations. The bottom view (3.6) does not form part of the design.**



(21) Design Number: **12650/2009**

(22) Date of Filing Application: **21 July 2009**

(24) Date from which industrial property rights may have effect: **21 July 2009**

(54) Product in respect of which the design is registered: **Cooking apparatus**

(51) International Design Classification: **07-02E**

(71) Name(s) and Address(s) of Applicant(s):

**Foshan Shunde Everteam Industrial Co., Ltd
No. 27 East Rongqi Dadao Ronggui Shunde District Foshan City
Guangdong Province China**

(72) Name(s) of Designer(s): **Zhiqiang Liang**

(45) Registration Date: **13 August 2009**

(30) Convention priority data:

(31) Number	(32) Date	(33) Country
200930073720.0	15 Apr 2009	CHINA

(56) Related Art Documents: **Not Applicable**

(57) Statement of Newness and Distinctiveness: **Newness and distinctiveness is claimed in the features of shape and/or configuration of a cooking apparatus as illustrated in the accompanying representations. The bottom view (4.6) does not form part of the design.**



(21) Design Number: 12651/2009

(22) Date of Filing Application: 21 July 2009

(24) Date from which industrial property rights may have effect: 21 July 2009

(54) Product in respect of which the design is registered: **Cooking apparatus**

(51) International Design Classification: 07-02E

(71) Name(s) and Address(s) of Applicant(s):

**Foshan Shunde Everteam Industrial Co., Ltd
No. 27 East Rongqi Dadao Ronggui Shunde District Foshan City
Guangdong Province China**

(72) Name(s) of Designer(s): **Zhiqiang Liang**

(45) Registration Date: 13 August 2009

(30) Convention priority data:

(31) Number	(32) Date	(33) Country
200930073718.3	15 Apr 2009	CHINA

(56) Related Art Documents: **Not Applicable**

(57) Statement of Newness and Distinctiveness: **Newness and distinctiveness is claimed in the features of shape and/or configuration of a cooking apparatus as illustrated in the accompanying representations. The bottom view (5.6) does not form part of the design.**



(21) Design Number: 12652/2009

(22) Date of Filing Application: 21 July 2009

(24) Date from which industrial property rights may have effect: 21 July 2009

(54) Product in respect of which the design is registered: **Cooking apparatus**

(51) International Design Classification: 07-02E

(71) Name(s) and Address(s) of Applicant(s):

**Foshan Shunde Everteam Industrial Co., Ltd
No. 27 East Rongqi Dadao Ronggui Shunde District Foshan City
Guangdong Province China**

(72) Name(s) of Designer(s): **Zhiqiang Liang**

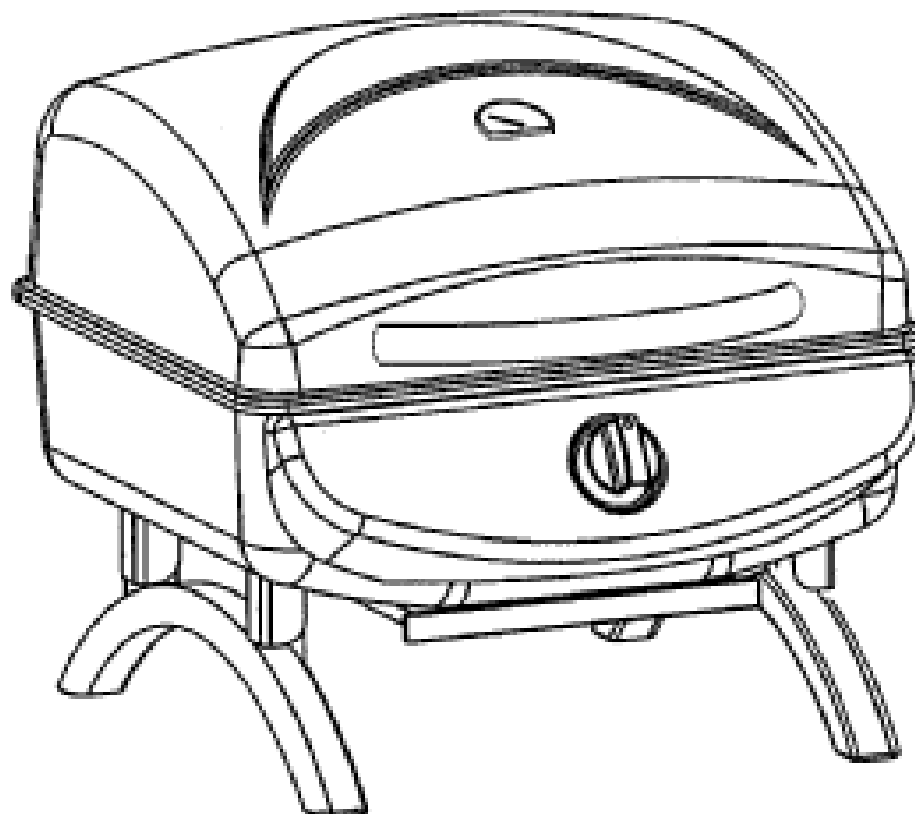
(45) Registration Date: 13 August 2009

(30) Convention priority data:

(31) Number	(32) Date	(33) Country
200930073716.4	15 Apr 2009	CHINA

(56) Related Art Documents: **Not Applicable**

(57) Statement of Newness and Distinctiveness: **Newness and distinctiveness is claimed in the features of shape and/or configuration of a cooking apparatus as illustrated in the accompanying representations. The bottom view (6.6) does not form part of the design.**



(21) Design Number: 12653/2009

(22) Date of Filing Application: 21 July 2009

(24) Date from which industrial property rights may have effect: 21 July 2009

(54) Product in respect of which the design is registered: **Cooking apparatus**

(51) International Design Classification: 07-02E

(71) Name(s) and Address(s) of Applicant(s):

**Foshan Shunde Everteam Industrial Co., Ltd
No. 27 East Rongqi Dadao Ronggui Shunde District Foshan City
Guangdong Province China**

(72) Name(s) of Designer(s): **Zhiqiang Liang**

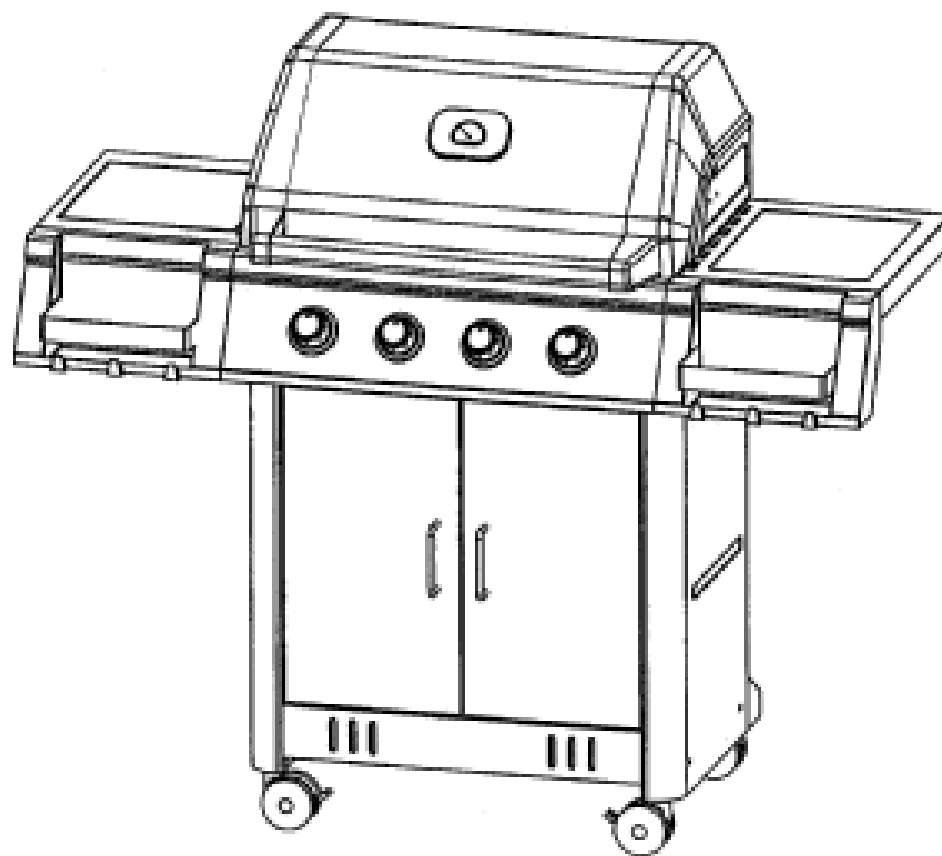
(45) Registration Date: 13 August 2009

(30) Convention priority data:

(31) Number	(32) Date	(33) Country
200930073715.X	15 Apr 2009	CHINA

(56) Related Art Documents: **Not Applicable**

(57) Statement of Newness and Distinctiveness: **Newness and distinctiveness is claimed in the features of shape and/or configuration of a cooking apparatus as illustrated in the accompanying representations. The bottom view (7.6) does not form part of the design.**



(21) Design Number: 12654/2009

(22) Date of Filing Application: 21 July 2009

(24) Date from which industrial property rights may have effect: 21 July 2009

(54) Product in respect of which the design is registered: **Cooking apparatus**

(51) International Design Classification: 07-02E

(71) Name(s) and Address(s) of Applicant(s):

**Foshan Shunde Everteam Industrial Co., Ltd
No. 27 East Rongqi Dadao Ronggui Shunde District Foshan City
Guangdong Province China**

(72) Name(s) of Designer(s): **Zhiqiang Liang**

(45) Registration Date: 13 August 2009

(30) Convention priority data:

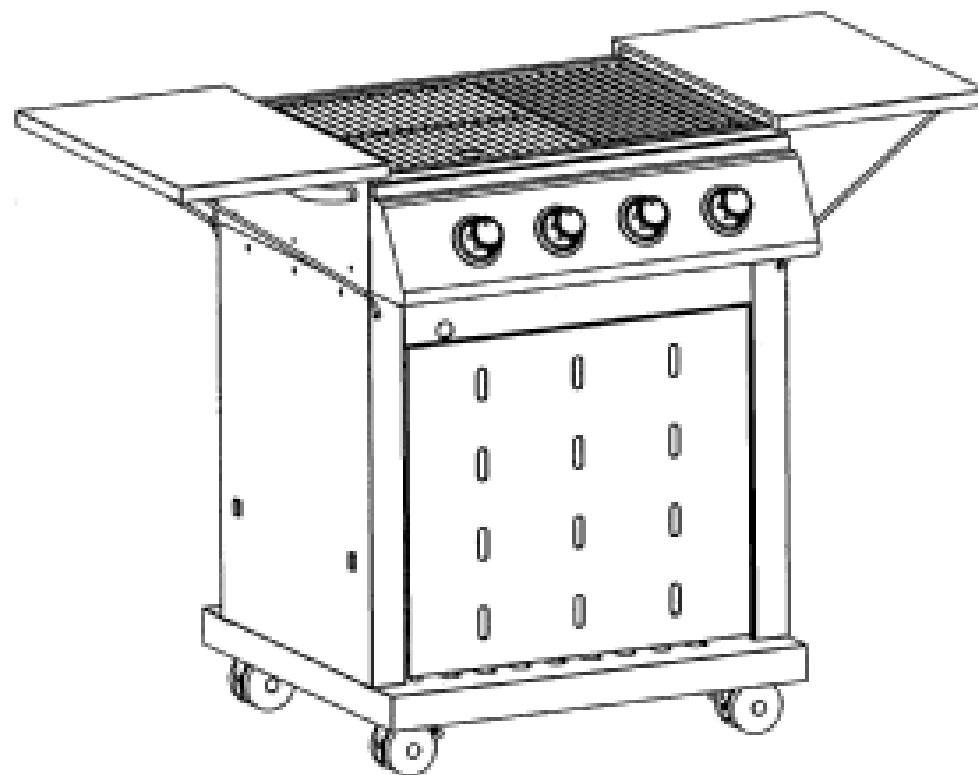
(31) Number	(32) Date	(33) Country
200930073714.5	15 Apr 2009	CHINA

(56) Related Art Documents: **Not Applicable**

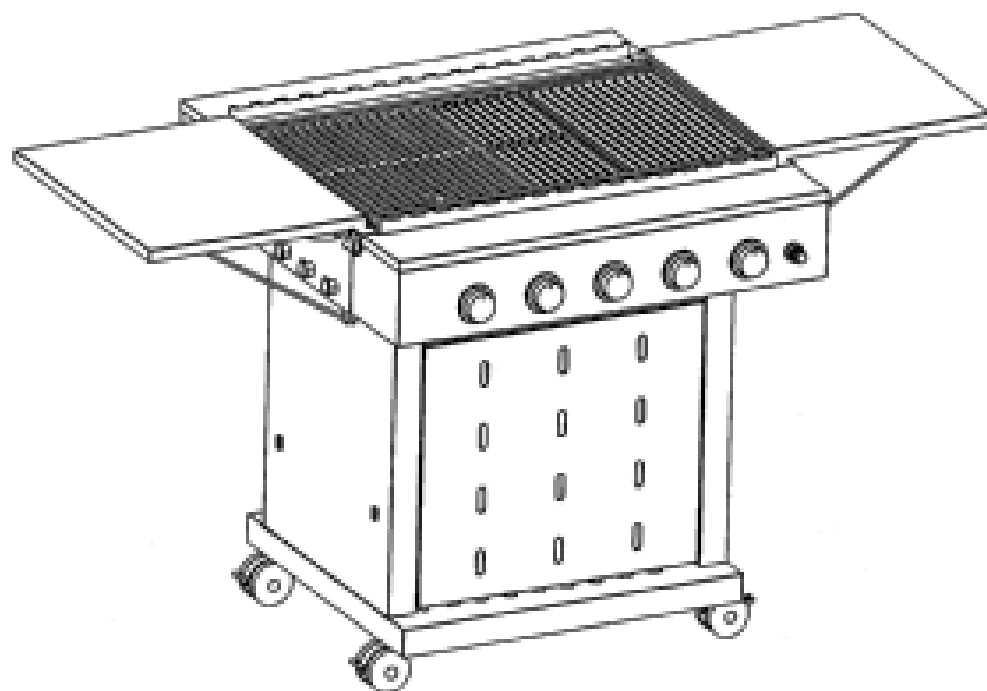
(57) Statement of Newness and Distinctiveness: **Newness and distinctiveness is claimed in the features of shape and/or configuration of a cooking apparatus as illustrated in the accompanying representations. The bottom view (8.6) does not form part of the design.**



- (21) Design Number: **12655/2009**
(22) Date of Filing Application: **21 July 2009**
(24) Date from which industrial property rights may have effect: **21 July 2009**
(54) Product in respect of which the design is registered: **Cooking apparatus**
(51) International Design Classification: **07-02E**
(71) Name(s) and Address(s) of Applicant(s):
Foshan Shunde Everteam Industrial Co., Ltd
No. 27 East Rongqi Dadao Ronggui Shunde District Foshan City
Guangdong Province China
(72) Name(s) of Designer(s): **Zhiqiang Liang**
(45) Registration Date: **13 August 2009**
(30) Convention priority data:
(31) Number (32) Date (33) Country
200930073713.0 15 Apr 2009 CHINA
(56) Related Art Documents: **Not Applicable**
(57) Statement of Newness and Distinctiveness: **Newness and distinctiveness is claimed in the features of shape and/or configuration of a cooking apparatus as illustrated in the accompanying representations. The bottom view (9.6) does not form part of the design.**



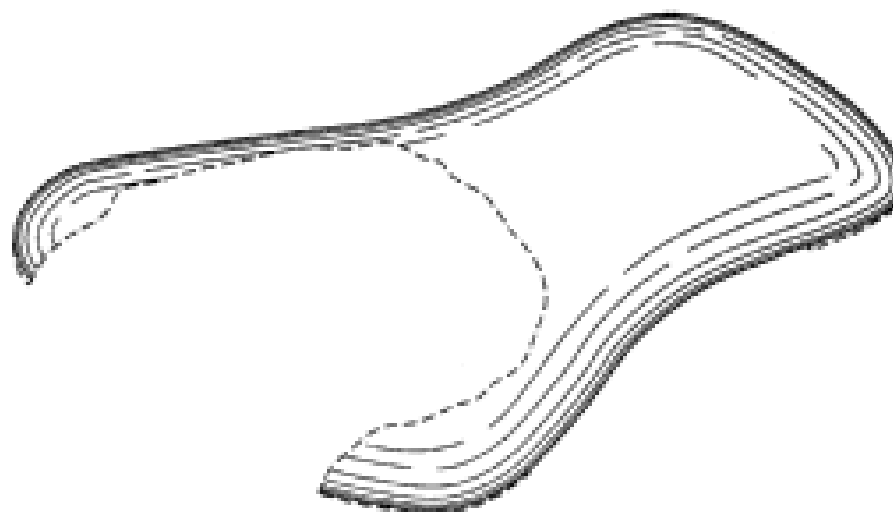
- (21) Design Number: **12656/2009**
(22) Date of Filing Application: **21 July 2009**
(24) Date from which industrial property rights may have effect: **21 July 2009**
(54) Product in respect of which the design is registered: **Cooking apparatus**
(51) International Design Classification: **07-02E**
(71) Name(s) and Address(s) of Applicant(s):
Foshan Shunde Everteam Industrial Co., Ltd
No. 27 East Rongqi Dadao Ronggui Shunde District Foshan City
Guangdong Province China
(72) Name(s) of Designer(s): **Zhiqiang Liang**
(45) Registration Date: **13 August 2009**
(30) Convention priority data:
(31) Number (32) Date (33) Country
200930070969.6 20 Mar 2009 CHINA
(56) Related Art Documents: **Not Applicable**
(57) Statement of Newness and Distinctiveness: **Newness and distinctiveness is claimed in the features of shape and/or configuration of a cooking apparatus as illustrated in the accompanying representations. The bottom view (10.6) does not form part of the design.**



- (21) Design Number: **12605/2009**
(22) Date of Filing Application: **20 July 2009**
(24) Date from which industrial property rights may have effect: **20 July 2009**
(54) Product in respect of which the design is registered: **Trailer plug holder**
(51) International Design Classification: **12-16L**
(71) Name(s) and Address(s) of Applicant(s):
Sandra Lorraine Gravalin
271 River Street Maclean New South Wales 2463 Australia
Dennis Ronald Gravalin
271 River Street Maclean New South Wales 2463 Australia
(72) Name(s) of Designer(s): **Sandra Lorraine Gravalin and Dennis Ronald Gravalin**
(45) Registration Date: **14 August 2009**
(56) Related Art Documents: **Not Applicable**
(57) Statement of Newness and Distinctiveness: **A universal trailer plug holder to hold different types of power, video, camera and trailer plugs, with a pin spreader socket for trailer plug electrical connecting pins. A compass for the direction of the sun for solar panels and a leveling device to level the positioning of trailers. The visual features of the design is claimed in the illustration of the accompanying representations shown in solid lines.**



- (21) Design Number: **12698/2009**
(22) Date of Filing Application: **22 July 2009**
(24) Date from which industrial property rights may have effect: **22 July 2009**
(54) Product in respect of which the design is registered: **A base plate for a dental chair**
(51) International Design Classification: **24-01, 06-01NES**
(71) Name(s) and Address(s) of Applicant(s):
A-DEC, Inc.
PO Box 111 Newberg Oregon 97132 United States of America
(72) Name(s) of Designer(s): **Harold Halvorson Jr**
(45) Registration Date: **14 August 2009**
(30) Convention priority data:
(31) Number (32) Date (33) Country
29/331,835 02 Feb 2009 UNITED STATES OF AMERICA
(56) Related Art Documents: **Not Applicable**
(57) Statement of Newness and Distinctiveness: **The shape and configuration of the parts of the design shown by means of solid lines are new and distinctive.**



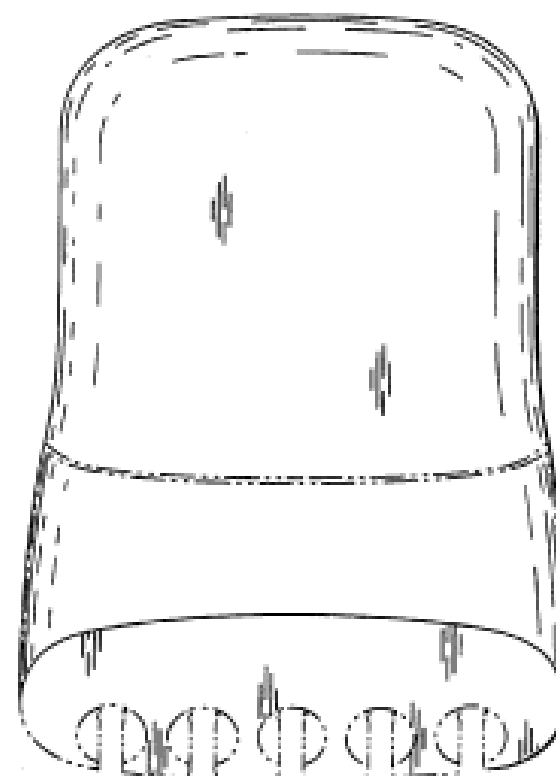
- (21) Design Number: **12699/2009**
- (22) Date of Filing Application: **22 July 2009**
- (24) Date from which industrial property rights may have effect: **22 July 2009**
- (54) Product in respect of which the design is registered: **A dental chair**
- (51) International Design Classification: **24-01, 06-01NES**
- (71) Name(s) and Address(s) of Applicant(s):
A-DEC, Inc.
PO Box 111 Newberg Oregon 97132 United States of America
- (72) Name(s) of Designer(s): **Harold Halvorson Jr and Stephen N. Weiler**
- (45) Registration Date: **14 August 2009**
- (30) Convention priority data:

(31) Number	(32) Date	(33) Country
29/331,836	02 Feb 2009	UNITED STATES OF AMERICA
- (56) Related Art Documents: **Not Applicable**
- (57) Statement of Newness and Distinctiveness: **The shape and configuration of the parts of the design shown by means of solid lines are new and distinctive.**



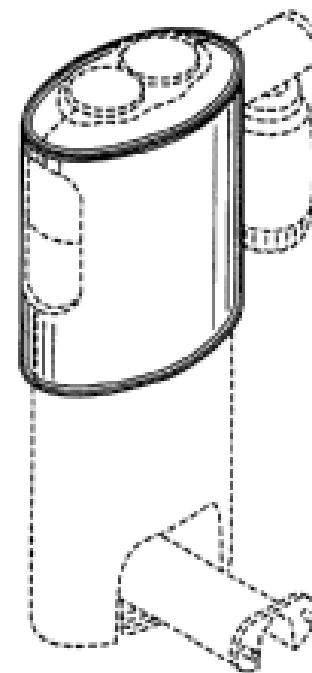
- (21) Design Number: **12700/2009**
- (22) Date of Filing Application: **22 July 2009**
- (24) Date from which industrial property rights may have effect: **22 July 2009**
- (54) Product in respect of which the design is registered: **A control head for use with dental equipment**
- (51) International Design Classification: **24-02**
- (71) Name(s) and Address(s) of Applicant(s):
A-DEC, Inc.
PO Box 111 Newberg Oregon 97132 United States of America
- (72) Name(s) of Designer(s): **John R. Tofte and Harold Halvorson Jr**
- (45) Registration Date: **14 August 2009**
- (30) Convention priority data:

(31) Number	(32) Date	(33) Country
29/331,877	03 Feb 2009	UNITED STATES OF AMERICA
- (56) Related Art Documents: **Not Applicable**
- (57) Statement of Newness and Distinctiveness: **The shape and configuration of the parts of the design shown by means of solid lines are new and distinctive.**



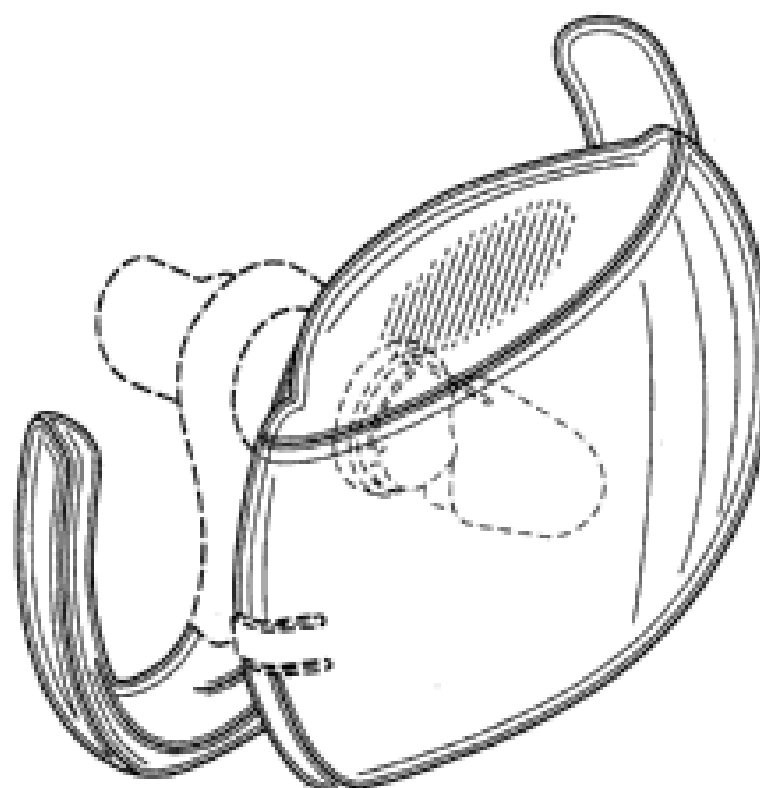
- (21) Design Number: **12701/2009**
- (22) Date of Filing Application: **22 July 2009**
- (24) Date from which industrial property rights may have effect: **22 July 2009**
- (54) Product in respect of which the design is registered: **A support system for dental equipment**
- (51) International Design Classification: **24-01**
- (71) Name(s) and Address(s) of Applicant(s):
A-DEC, Inc.
PO Box 111 Newberg Oregon 97132 United States of America
- (72) Name(s) of Designer(s): **Jason Alvarez and Harold Halvorson Jr**
- (45) Registration Date: **14 August 2009**
- (30) Convention priority data:

(31) Number	(32) Date	(33) Country
29/331,833	02 Feb 2009	UNITED STATES OF AMERICA
- (56) Related Art Documents: **Not Applicable**
- (57) Statement of Newness and Distinctiveness: **The shape and configuration of the parts of the design shown by means of solid lines are new and distinctive.**



- (21) Design Number: **12702/2009**
- (22) Date of Filing Application: **22 July 2009**
- (24) Date from which industrial property rights may have effect: **22 July 2009**
- (54) Product in respect of which the design is registered: **A dental light**
- (51) International Design Classification: **24-01**
- (71) Name(s) and Address(s) of Applicant(s):
A-DEC, Inc.
PO Box 111 Newberg Oregon 97132 United States of America
- (72) Name(s) of Designer(s): **Jason Alvarez**
- (45) Registration Date: **14 August 2009**
- (30) Convention priority data:

(31) Number	(32) Date	(33) Country
29/331,451	26 Jan 2009	UNITED STATES OF AMERICA
- (56) Related Art Documents: **Not Applicable**
- (57) Statement of Newness and Distinctiveness: **The shape and configuration of the parts of the design shown by means of solid lines are new and distinctive.**



(21) Design Number: **12703/2009**
(22) Date of Filing Application: **22 July 2009**
(24) Date from which industrial property rights may have effect: **22 July 2009**
(54) Product in respect of which the design is registered: **Tablet dispenser**
(51) International Design Classification: **09-03NES**
(71) Name(s) and Address(s) of Applicant(s):

N.V. Organon
P.O. Box 20 Kloosterstraat 6 NL-5349 AB Oss The Netherlands

(72) Name(s) of Designer(s): **Erik Rietjens and Jan-Jaap Rietjens**

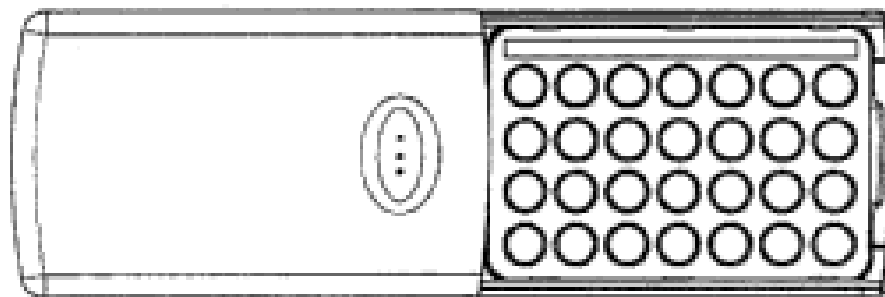
(45) Registration Date: **14 August 2009**

(30) Convention priority data:

(31) Number	(32) Date	(33) Country
001575960	07 Jul 2009	EUROPEAN COMMUNITY

(56) Related Art Documents: **Not Applicable**

(57) Statement of Newness and Distinctiveness: **Newness and distinctiveness is claimed in the features of shape and/or configuration of a tablet dispenser as illustrated in the accompanying representations.**



(21) Design Number: **12704/2009**
(22) Date of Filing Application: **22 July 2009**
(24) Date from which industrial property rights may have effect: **22 July 2009**
(54) Product in respect of which the design is registered: **Lid for a container**
(51) International Design Classification: **07-01NES**
(71) Name(s) and Address(s) of Applicant(s):

Thermos L.L.C.
2550 West Golf Road Suite 800 Rolling Meadows Illinois 60008 United States of America

(72) Name(s) of Designer(s): **Marvin Lane and Dwayne Boroski**

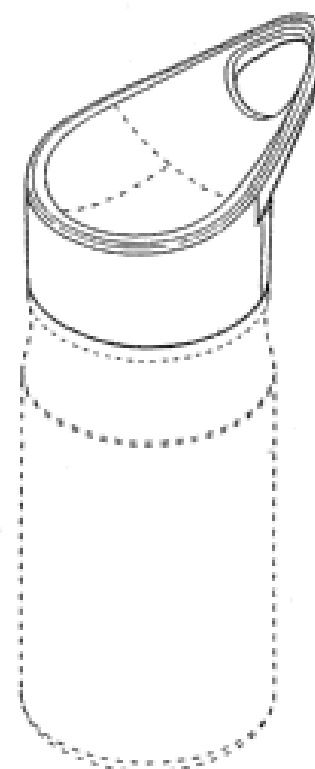
(45) Registration Date: **14 August 2009**

(30) Convention priority data:

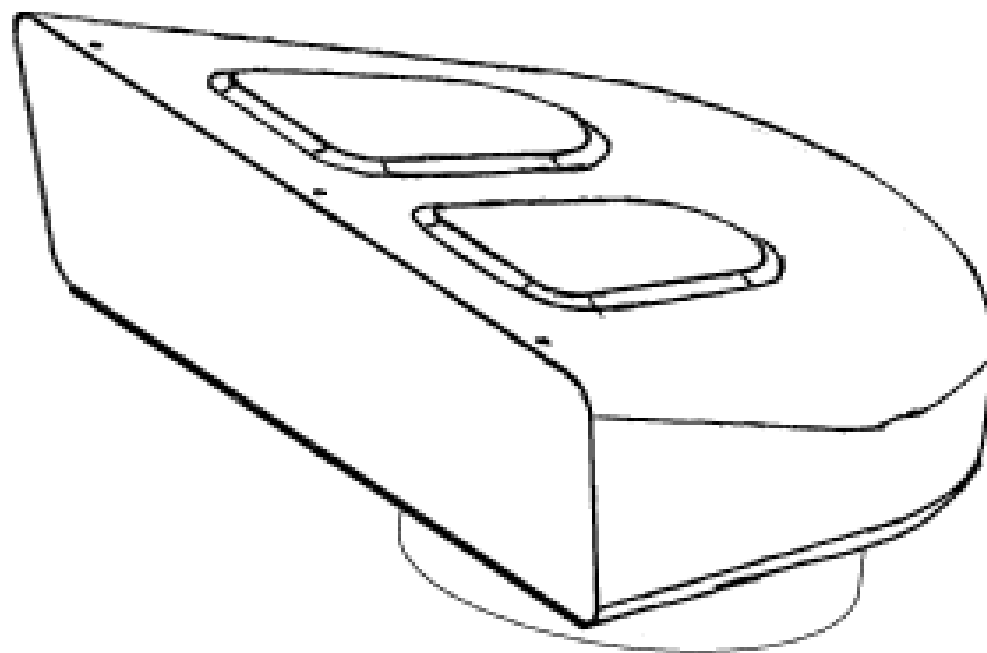
(31) Number	(32) Date	(33) Country
29/313981	24 Feb 2009	UNITED STATES OF AMERICA

(56) Related Art Documents: **Not Applicable**

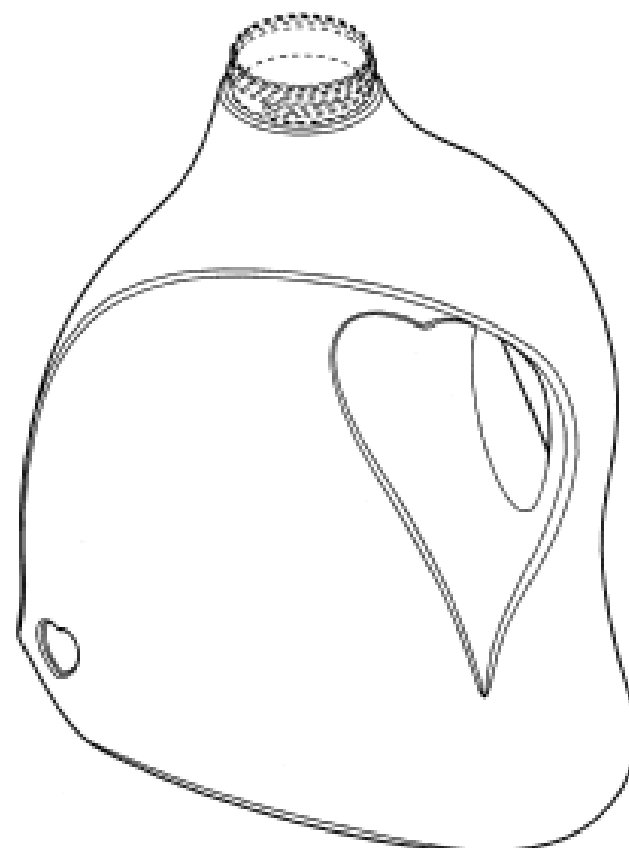
(57) Statement of Newness and Distinctiveness: **Newness and distinctiveness is claimed in those features of shape and/or configuration of a lid for a container as illustrated in continuous lines in the accompanying representations.**



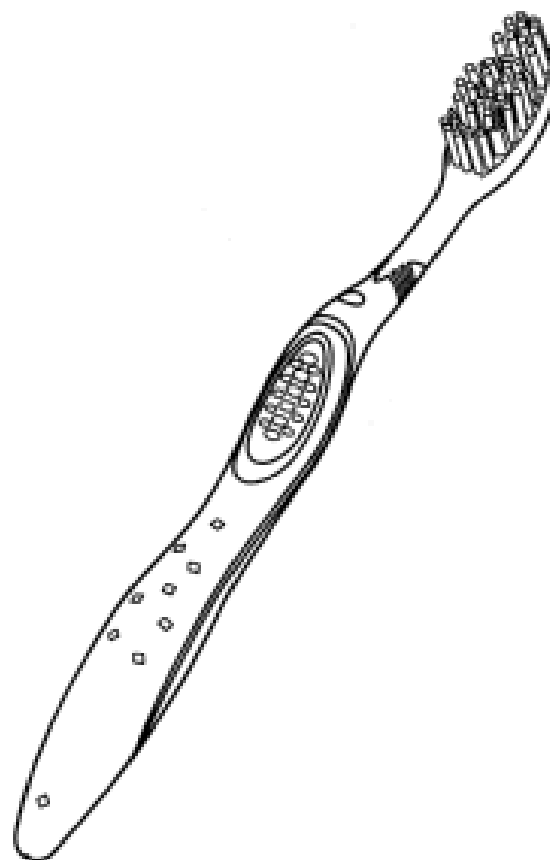
(21) Design Number: **12588/2009**
(22) Date of Filing Application: **16 July 2009**
(24) Date from which industrial property rights may have effect: **16 July 2009**
(54) Product in respect of which the design is registered: **Air ram for vehicles**
(51) International Design Classification: **12-16N**
(71) Name(s) and Address(s) of Applicant(s):
Tieco International (Aust) Pty Ltd
4 Tampe Road Rowville Victoria 3178 Australia
(72) Name(s) of Designer(s): **John Howard Smith and Trevor Warren Smith**
(45) Registration Date: **14 August 2009**
(56) Related Art Documents: **Not Applicable**
(57) Statement of Newness and Distinctiveness: **Nil**



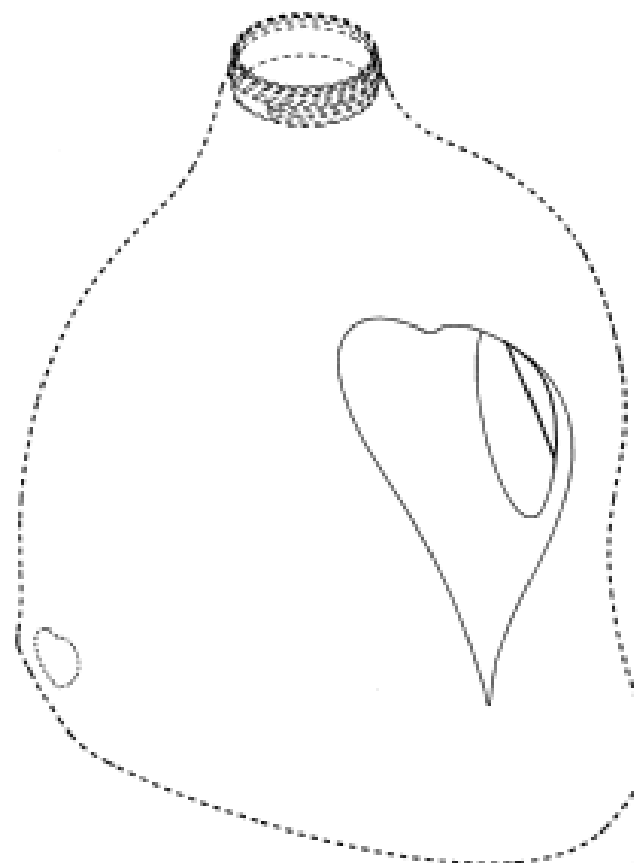
(21) Design Number: **12677/2009**
(22) Date of Filing Application: **22 July 2009**
(24) Date from which industrial property rights may have effect: **22 July 2009**
(54) Product in respect of which the design is registered: **Container**
(51) International Design Classification: **09-01B**
(71) Name(s) and Address(s) of Applicant(s):
Colgate-Palmolive Company
300 Park Avenue New York New York 10022 United States of America
(72) Name(s) of Designer(s): **Jeffrey Mayers and Frank Yang and John Lamb and Corinne Elstow and Mark Watson and Alan Whiting**
(45) Registration Date: **14 August 2009**
(30) Convention priority data:
(31) Number (32) Date (33) Country
29/331324 23 Jan 2009 UNITED STATES OF AMERICA
(56) Related Art Documents: **Not Applicable**
(57) Statement of Newness and Distinctiveness: **Newness and distinctiveness reside in the features of the design shown in solid lines in the representations excluding those features shown in broken lines.**



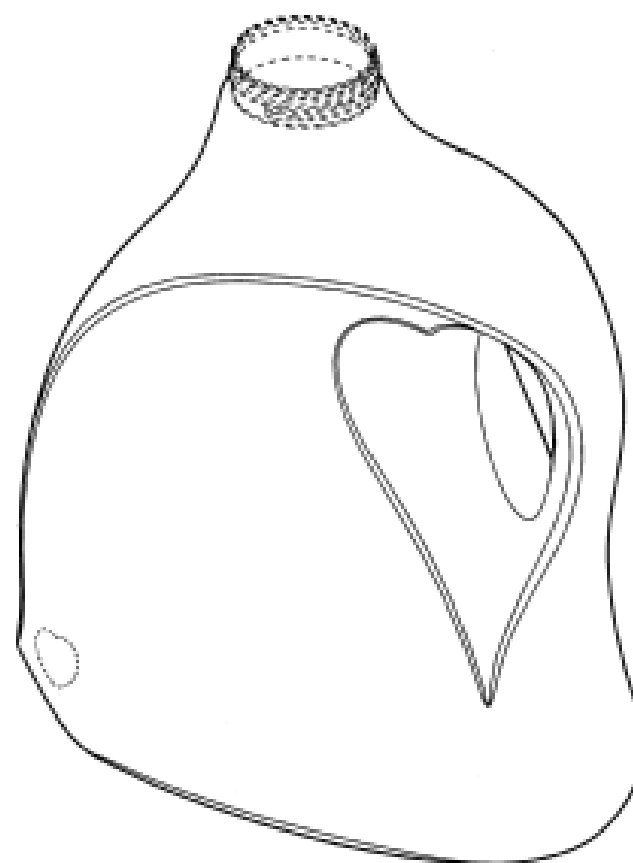
- (21) Design Number: **12678/2009**
(22) Date of Filing Application: **22 July 2009**
(24) Date from which industrial property rights may have effect: **22 July 2009**
(54) Product in respect of which the design is registered: **Toothbrush**
(51) International Design Classification: **04-02**
(71) Name(s) and Address(s) of Applicant(s):
Colgate-Palmolive Company
300 Park Avenue New York New York 10022 United States of America
(72) Name(s) of Designer(s): **Xi Wen Jin and Douglas J. Hohlbein and Al A. Sprosta**
(45) Registration Date: **14 August 2009**
(30) Convention priority data:
(31) Number (32) Date (33) Country
29/331307 23 Jan 2009 UNITED STATES OF AMERICA
(56) Related Art Documents: **Not Applicable**
(57) Statement of Newness and Distinctiveness: **Newness and distinctiveness reside in the features of the design as shown in the representations.**



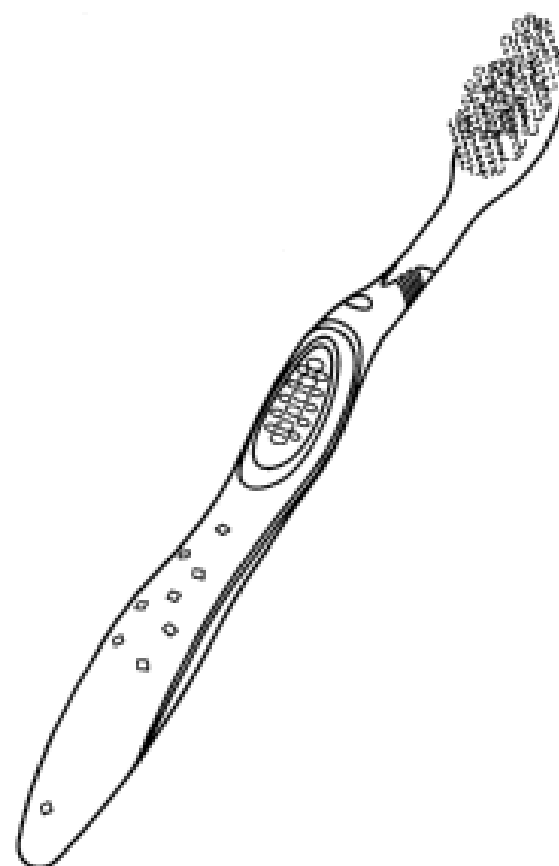
- (21) Design Number: **12679/2009**
(22) Date of Filing Application: **22 July 2009**
(24) Date from which industrial property rights may have effect: **22 July 2009**
(54) Product in respect of which the design is registered: **Container**
(51) International Design Classification: **09-01B**
(71) Name(s) and Address(s) of Applicant(s):
Colgate-Palmolive Company
300 Park Avenue New York New York 10022 United States of America
(72) Name(s) of Designer(s): **Jeffery Mayers and Frank Yang and John Lamb and Corinne Elstow and Mark Watson and Alan Whiting**
(45) Registration Date: **14 August 2009**
(30) Convention priority data:
(31) Number (32) Date (33) Country
29/331324 23 Jan 2009 UNITED STATES OF AMERICA
(56) Related Art Documents: **Not Applicable**
(57) Statement of Newness and Distinctiveness: **Newness and distinctiveness reside in the features of the design shown in solid lines in the representations excluding those features shown in broken lines.**



- (21) Design Number: **12680/2009**
(22) Date of Filing Application: **22 July 2009**
(24) Date from which industrial property rights may have effect: **22 July 2009**
(54) Product in respect of which the design is registered: **Container**
(51) International Design Classification: **09-01B**
(71) Name(s) and Address(s) of Applicant(s):
Colgate-Palmolive Company
300 Park Avenue New York New York 10022 United States of America
(72) Name(s) of Designer(s): **Jeffery Mayers and Frank Yang and John Lamb and Corinne Elstow and Mark Watson and Alan Whiting**
(45) Registration Date: **14 August 2009**
(30) Convention priority data:
(31) Number (32) Date (33) Country
29/331324 23 Jan 2009 UNITED STATES OF AMERICA
(56) Related Art Documents: **Not Applicable**
(57) Statement of Newness and Distinctiveness: **Newness and distinctiveness reside in the features of the design shown in solid lines in the representations excluding those features shown in broken lines.**

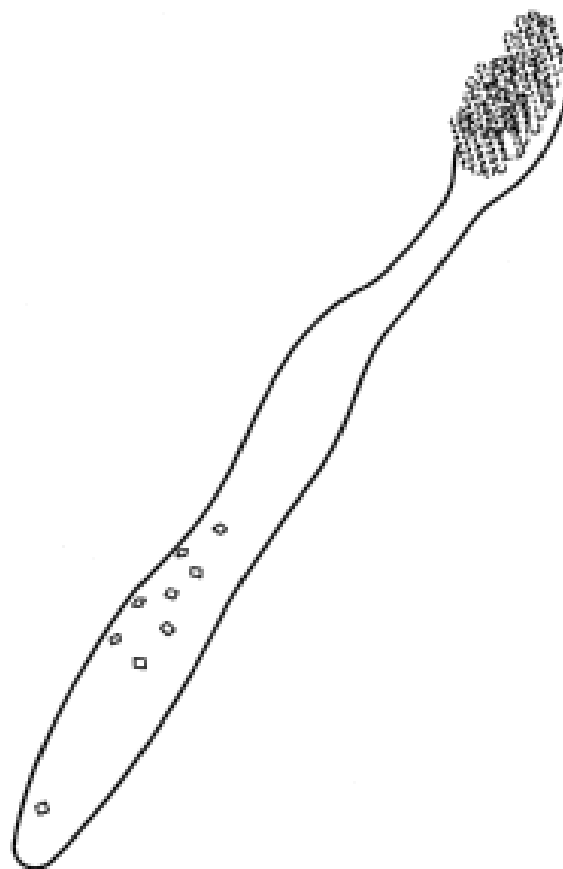


- (21) Design Number: **12681/2009**
(22) Date of Filing Application: **22 July 2009**
(24) Date from which industrial property rights may have effect: **22 July 2009**
(54) Product in respect of which the design is registered: **Toothbrush**
(51) International Design Classification: **04-02**
(71) Name(s) and Address(s) of Applicant(s):
Colgate-Palmolive Company
300 Park Avenue New York New York 10022 United States of America
(72) Name(s) of Designer(s): **Xi Wen Jin and Douglas J. Hohlbein and Al A. Sprosta**
(45) Registration Date: **14 August 2009**
(30) Convention priority data:
(31) Number (32) Date (33) Country
29/331307 23 Jan 2009 UNITED STATES OF AMERICA
(56) Related Art Documents: **Not Applicable**
(57) Statement of Newness and Distinctiveness: **Newness and distinctiveness reside in the features of the design shown in solid lines in the representations excluding those features shown in broken lines.**



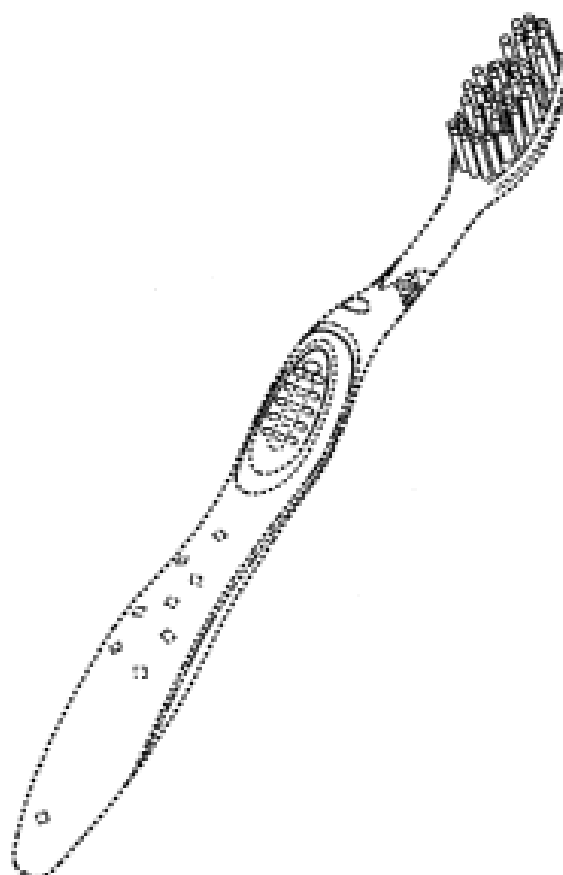
- (21) Design Number: **12682/2009**
- (22) Date of Filing Application: **22 July 2009**
- (24) Date from which industrial property rights may have effect: **22 July 2009**
- (54) Product in respect of which the design is registered: **Toothbrush**
- (51) International Design Classification: **04-02**
- (71) Name(s) and Address(s) of Applicant(s):
Colgate-Palmolive Company
300 Park Avenue New York New York 10022 United States of America
- (72) Name(s) of Designer(s): **Xi Wen Jin and Douglas J. Hohlbein and Al A. Sprosta**
- (45) Registration Date: **14 August 2009**
- (30) Convention priority data:

(31) Number	(32) Date	(33) Country
29/331307	23 Jan 2009	UNITED STATES OF AMERICA
- (56) Related Art Documents: **Not Applicable**
- (57) Statement of Newness and Distinctiveness: **Newness and distinctiveness reside in the features of the design shown in solid lines in the representations excluding those features shown in broken lines.**

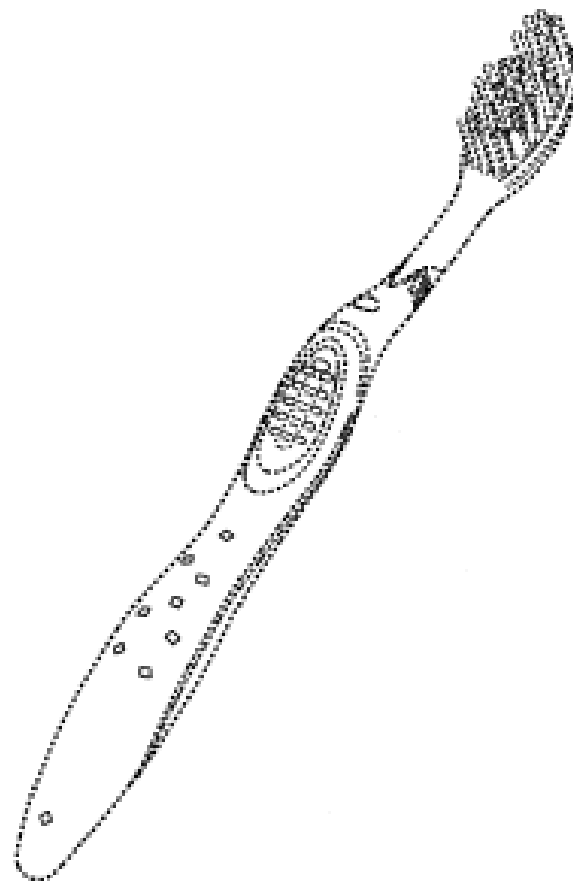


- (21) Design Number: **12683/2009**
- (22) Date of Filing Application: **22 July 2009**
- (24) Date from which industrial property rights may have effect: **22 July 2009**
- (54) Product in respect of which the design is registered: **Toothbrush**
- (51) International Design Classification: **04-02**
- (71) Name(s) and Address(s) of Applicant(s):
Colgate-Palmolive Company
300 Park Avenue New York New York 10022 United States of America
- (72) Name(s) of Designer(s): **Xi Wen Jin and Douglas J. Hohlbein and Al A. Sprosta**
- (45) Registration Date: **14 August 2009**
- (30) Convention priority data:

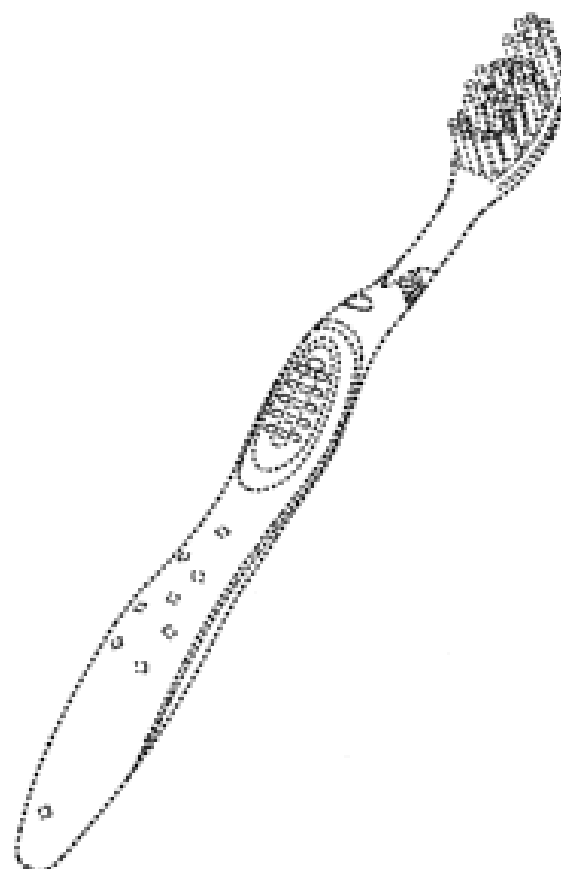
(31) Number	(32) Date	(33) Country
29/331307	23 Jan 2009	UNITED STATES OF AMERICA
- (56) Related Art Documents: **Not Applicable**
- (57) Statement of Newness and Distinctiveness: **Newness and distinctiveness reside in the features of the design shown in solid lines in the representations excluding those features shown in broken lines.**



- (21) Design Number: **12684/2009**
(22) Date of Filing Application: **22 July 2009**
(24) Date from which industrial property rights may have effect: **22 July 2009**
(54) Product in respect of which the design is registered: **Toothbrush**
(51) International Design Classification: **04-02**
(71) Name(s) and Address(s) of Applicant(s):
Colgate-Palmolive Company
300 Park Avenue New York New York 10022 United States of America
(72) Name(s) of Designer(s): **Xi Wen Jin and Douglas J. Hohlbein and Al A. Sprosta**
(45) Registration Date: **14 August 2009**
(30) Convention priority data:
(31) Number (32) Date (33) Country
29/331307 23 Jan 2009 UNITED STATES OF AMERICA
(56) Related Art Documents: **Not Applicable**
(57) Statement of Newness and Distinctiveness: **Newness and distinctiveness reside in the features of the design shown in solid lines in the representations excluding those features shown in broken lines.**



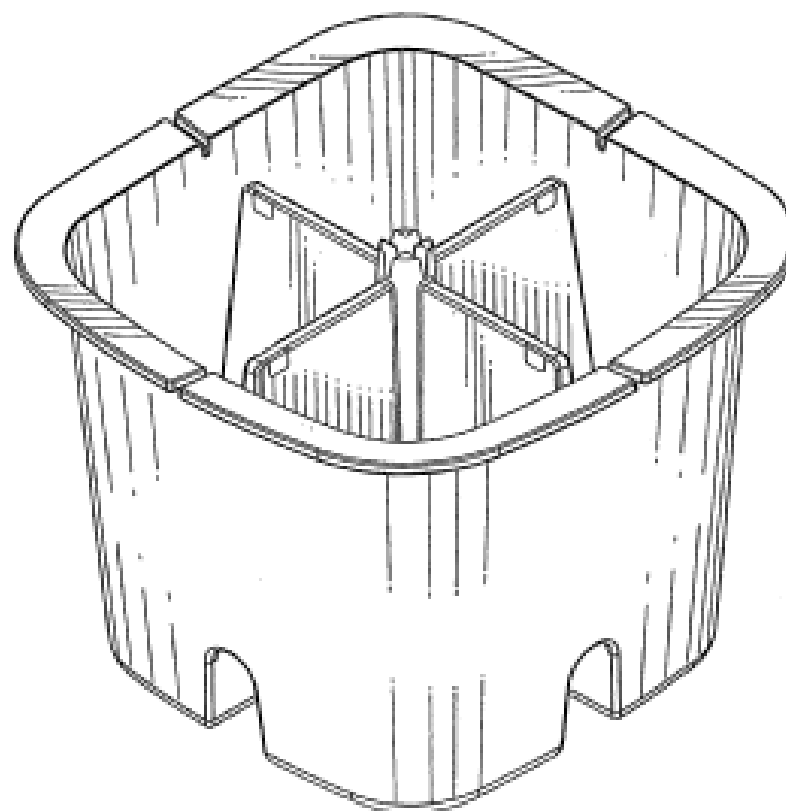
- (21) Design Number: **12685/2009**
(22) Date of Filing Application: **22 July 2009**
(24) Date from which industrial property rights may have effect: **22 July 2009**
(54) Product in respect of which the design is registered: **Toothbrush**
(51) International Design Classification: **04-02**
(71) Name(s) and Address(s) of Applicant(s):
Colgate-Palmolive Company
300 Park Avenue New York New York 10022 United States of America
(72) Name(s) of Designer(s): **Xi Wen Jin and Douglas J. Hohlbein and Al A. Sprosta**
(45) Registration Date: **14 August 2009**
(30) Convention priority data:
(31) Number (32) Date (33) Country
29/331307 23 Jan 2009 UNITED STATES OF AMERICA
(56) Related Art Documents: **Not Applicable**
(57) Statement of Newness and Distinctiveness: **Newness and distinctiveness reside in the features of the design shown in solid lines in the representations excluding those features shown in broken lines.**



(21) Design Number: **12686/2009**
 (22) Date of Filing Application: **22 July 2009**
 (24) Date from which industrial property rights may have effect: **22 July 2009**
 (54) Product in respect of which the design is registered: **Wastebasket**
 (51) International Design Classification: **09-09**
 (71) Name(s) and Address(s) of Applicant(s):
Waste-Not-Basket, Inc.
Unit 110-11780 Hammersmith Way Richmond British Columbia V7A
5E9 Canada
 (72) Name(s) of Designer(s): **Susan H. Memory and Alex Feldman**
 (45) Registration Date: **14 August 2009**
 (30) Convention priority data:

(31) Number	(32) Date	(33) Country
129453	27 Jan 2009	CANADA

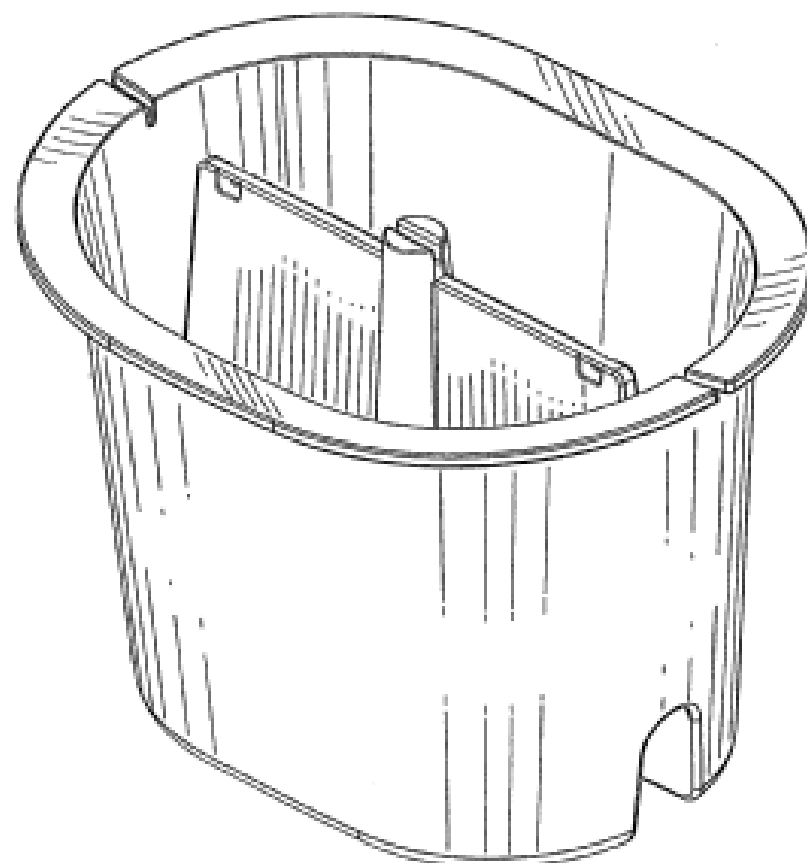
 (56) Related Art Documents: **Not Applicable**
 (57) Statement of Newness and Distinctiveness: **Newness and distinctiveness resides in the shape and configuration of each design.**



(21) Design Number: **12687/2009**
 (22) Date of Filing Application: **22 July 2009**
 (24) Date from which industrial property rights may have effect: **22 July 2009**
 (54) Product in respect of which the design is registered: **Wastebasket**
 (51) International Design Classification: **09-09**
 (71) Name(s) and Address(s) of Applicant(s):
Waste-Not-Basket, Inc.
Unit 110-11780 Hammersmith Way Richmond British Columbia V7A
5E9 Canada
 (72) Name(s) of Designer(s): **Susan H. Memory and Alex Feldman**
 (45) Registration Date: **14 August 2009**
 (30) Convention priority data:

(31) Number	(32) Date	(33) Country
129452	27 Jan 2009	CANADA

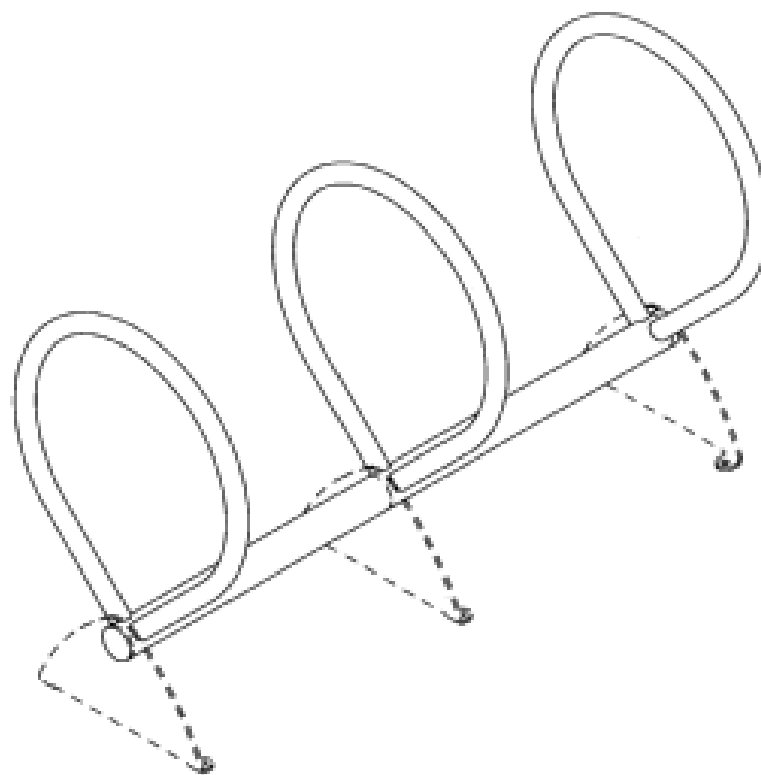
 (56) Related Art Documents: **Not Applicable**
 (57) Statement of Newness and Distinctiveness: **Newness and distinctiveness resides in the shape and configuration of each design.**



- (21) Design Number: **12508/2009**
(22) Date of Filing Application: **09 July 2009**
(24) Date from which industrial property rights may have effect: **09 July 2009**
(54) Product in respect of which the design is registered: **Bicycle rack**
(51) International Design Classification: **08-10**
(71) Name(s) and Address(s) of Applicant(s):

Martyn S Wilson
16 Badminton Road Croydon New South Wales 2132 Australia

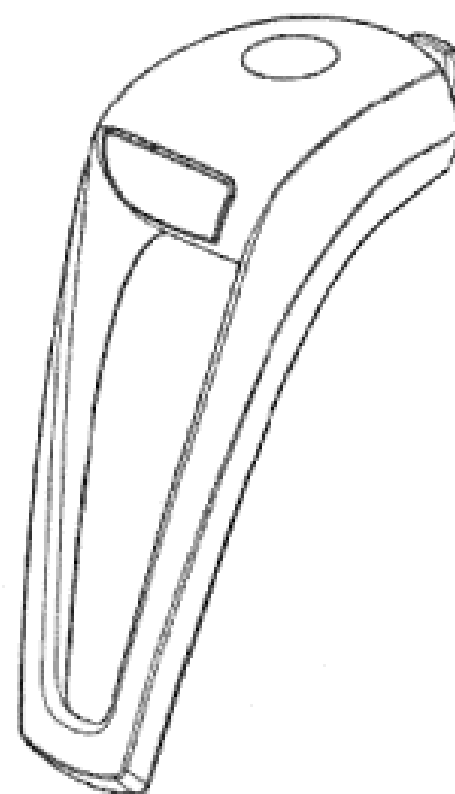
- (72) Name(s) of Designer(s): **Martyn Stanley Wilson**
(45) Registration Date: **17 August 2009**
(56) Related Art Documents: **Not Applicable**
(57) Statement of Newness and Distinctiveness: **The shape and configuration of the bicycle rack as shown in the representations is claimed as new and distinctive. No claim is made in the shape of the fixing (foot) portion of the bicycle rack shown in the dotted outline. The rack design is of indefinite length.**



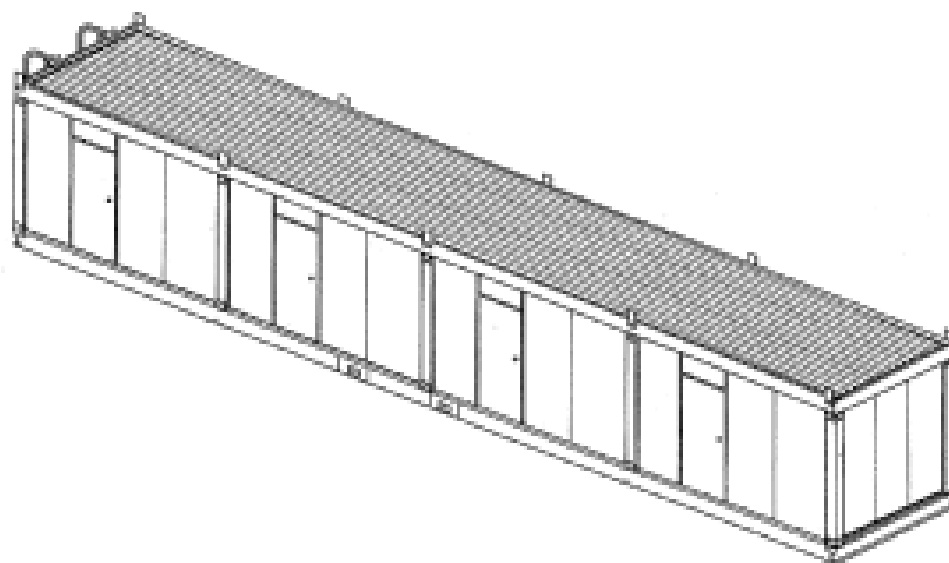
- (21) Design Number: **12607/2009**
(22) Date of Filing Application: **17 July 2009**
(24) Date from which industrial property rights may have effect: **17 July 2009**
(54) Product in respect of which the design is registered: **Portable light**
(51) International Design Classification: **26-02**
(71) Name(s) and Address(s) of Applicant(s):

Knog Pty Ltd
453 Church Street Richmond Victoria 3121 Australia

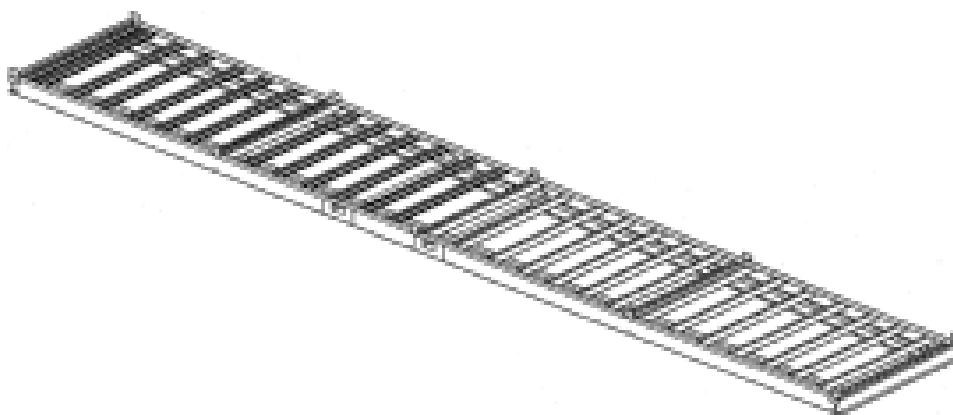
- (72) Name(s) of Designer(s): **Hugo Davidson and Malcolm McKechnie and Jonaphan Chan and Chris Bilanenko and Kynan Taylor**
(45) Registration Date: **17 August 2009**
(56) Related Art Documents: **Not Applicable**
(57) Statement of Newness and Distinctiveness: **Newness and Distinctiveness are claimed in the features of shape and/or configuration of a portable light for bicycles, camping or the like, as illustrated in the accompanying representations.**



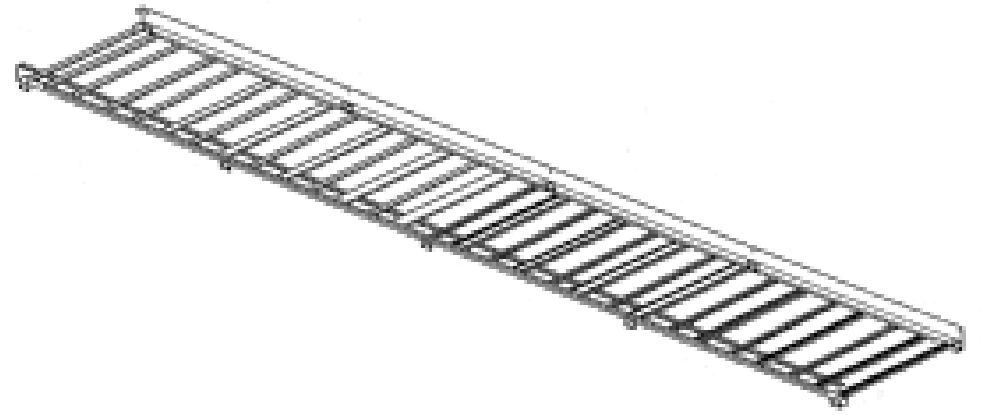
- (21) Design Number: **12715/2009**
(22) Date of Filing Application: **22 July 2009**
(24) Date from which industrial property rights may have effect: **22 July 2009**
(54) Product in respect of which the design is registered: **A modular stackable transportable building**
(51) International Design Classification: **25-03**
(71) Name(s) and Address(s) of Applicant(s):
Francesco Antonio Martino
Lot 25 Old Princes Highway Monarto South Australia 5254 Australia
(72) Name(s) of Designer(s): **Francesco Antonio Martino**
(45) Registration Date: **17 August 2009**
(56) Related Art Documents: **Not Applicable**
(57) Statement of Newness and Distinctiveness: **Nil**



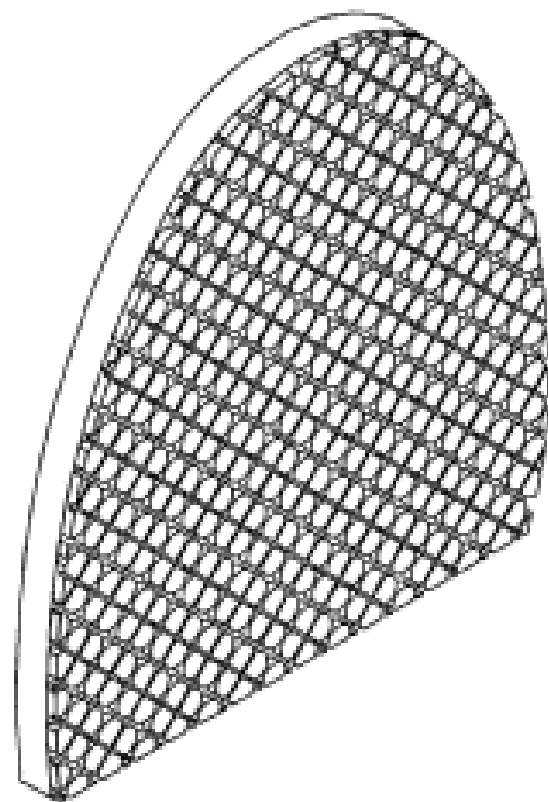
- (21) Design Number: **12717/2009**
(22) Date of Filing Application: **22 July 2009**
(24) Date from which industrial property rights may have effect: **22 July 2009**
(54) Product in respect of which the design is registered: **A base chassis for a modular transportable building off-centre fork lift channels**
(51) International Design Classification: **12-05**
(71) Name(s) and Address(s) of Applicant(s):
Francesco Antonio Martino
Lot 25 Old Princes Highway Monarto South Australia 5254 Australia
(72) Name(s) of Designer(s): **Francesco Antonio Martino**
(45) Registration Date: **17 August 2009**
(56) Related Art Documents: **Not Applicable**
(57) Statement of Newness and Distinctiveness: **Nil**



- (21) Design Number: **12718/2009**
(22) Date of Filing Application: **22 July 2009**
(24) Date from which industrial property rights may have effect: **22 July 2009**
(54) Product in respect of which the design is registered: **A roof chassis for a modular transportable building**
(51) International Design Classification: **25-02E**
(71) Name(s) and Address(s) of Applicant(s):
Francesco Antonio Martino
Lot 25 Old Princes Highway Monarto South Australia 5254 Australia
(72) Name(s) of Designer(s): **Francesco Antonio Martino**
(45) Registration Date: **17 August 2009**
(56) Related Art Documents: **Not Applicable**
(57) Statement of Newness and Distinctiveness: **Nil**



- (21) Design Number: **12726/2009**
(22) Date of Filing Application: **23 July 2009**
(24) Date from which industrial property rights may have effect: **23 July 2009**
(54) Product in respect of which the design is registered: **A slip-resistant element of a shoe outsole**
(51) International Design Classification: **02-04B**
(71) Name(s) and Address(s) of Applicant(s):
Ku Do Moon
22600 Hidden Hills Rd Yorba Linda California 92887 United States of America
Techline Union Co., Ltd.
258-7 An-dong Gimhae-si Gyeongsangnam-do 621-200 Republic of Korea
(72) Name(s) of Designer(s): **Ku Do Moon**
(45) Registration Date: **17 August 2009**
(30) Convention priority data:
(31) Number (32) Date (33) Country
30-2009-0011939 20 Mar 2009 REPUBLIC OF KOREA
(56) Related Art Documents: **Not Applicable**
(57) Statement of Newness and Distinctiveness: **Newness and distinctiveness is claimed in the features of shape and/or configuration, and pattern of a slip-resistant element of a shoe outsole as illustrated in the accompanying representations.**



(21) Design Number: **12727/2009**
 (22) Date of Filing Application: **23 July 2009**
 (24) Date from which industrial property rights may have effect: **23 July 2009**
 (54) Product in respect of which the design is registered: **A slip-resistant element of a shoe outsole**

(51) International Design Classification: **02-04B**

(71) Name(s) and Address(s) of Applicant(s):

Ku Do Moon
 22600 Hidden Hills Rd Yorba Linda California 92887 United States of America

Techline Union Co., Ltd.
 258-7 An-dong Gimhae-si Gyeongsangnam-do 621-200 Republic of Korea

(72) Name(s) of Designer(s): **Ku Do Moon**

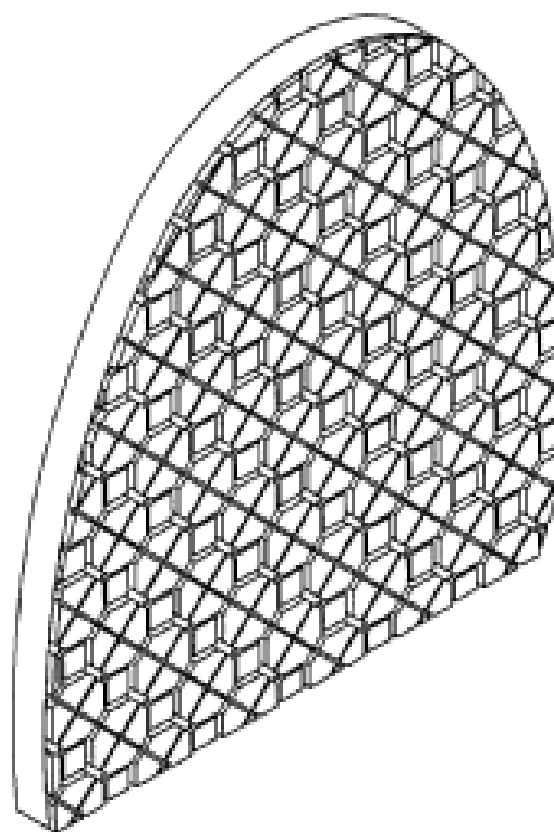
(45) Registration Date: **17 August 2009**

(30) Convention priority data:

(31) Number	(32) Date	(33) Country
30-2009-0011941	20 Mar 2009	REPUBLIC OF KOREA

(56) Related Art Documents: **Not Applicable**

(57) Statement of Newness and Distinctiveness: **Newness and distinctiveness is claimed in the features of shape and/or configuration, and pattern of a slip-resistant element of a shoe outsole as illustrated in the accompanying representations.**



(21) Design Number: **12728/2009**
 (22) Date of Filing Application: **23 July 2009**
 (24) Date from which industrial property rights may have effect: **23 July 2009**
 (54) Product in respect of which the design is registered: **Slip-resistant sole**

(51) International Design Classification: **02-04B**

(71) Name(s) and Address(s) of Applicant(s):

Ku Do Moon
 22600 Hidden Hills Rd Yorba Linda California 92887 United States of America

Techline Union Co., Ltd.
 258-7 An-dong Gimhae-si Gyeongsangnam-do 621-200 Republic of Korea

(72) Name(s) of Designer(s): **Ku Do Moon**

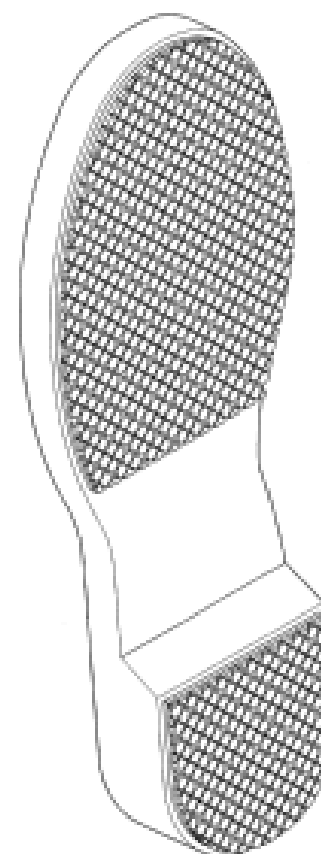
(45) Registration Date: **17 August 2009**

(30) Convention priority data:

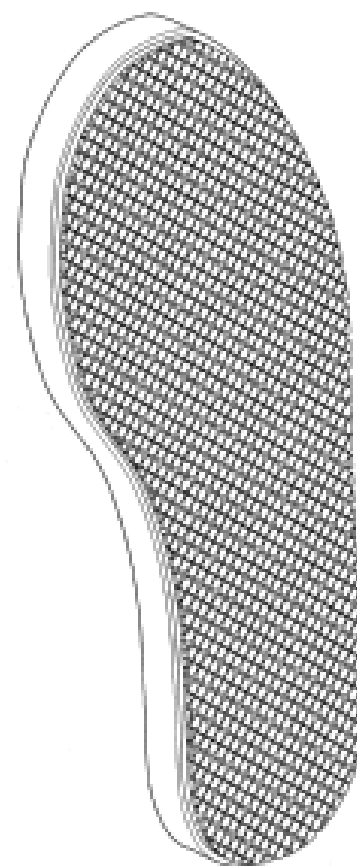
(31) Number	(32) Date	(33) Country
30-2009-0009389	04 Mar 2009	REPUBLIC OF KOREA

(56) Related Art Documents: **Not Applicable**

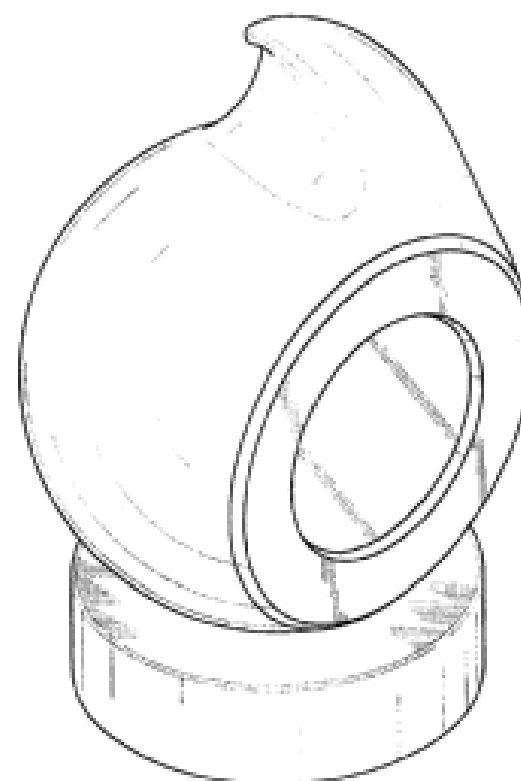
(57) Statement of Newness and Distinctiveness: **Newness and distinctiveness is claimed in the features of shape and/or configuration, and pattern of a slip-resistant sole as illustrated in the accompanying representations.**



(21) Design Number: **12729/2009**
 (22) Date of Filing Application: **23 July 2009**
 (24) Date from which industrial property rights may have effect: **23 July 2009**
 (54) Product in respect of which the design is registered: **Slip-resistant sole**
 (51) International Design Classification: **02-04B**
 (71) Name(s) and Address(s) of Applicant(s):
Ku Do Moon
22600 Hidden Hills Rd Yorba Linda California 92887 United States of America
Techline Union Co., Ltd.
258-7 An-dong Gimhae-si Gyeongsangnam-do 621-200 Republic of Korea
 (72) Name(s) of Designer(s): **Ku Do Moon**
 (45) Registration Date: **17 August 2009**
 (30) Convention priority data:
 (31) Number (32) Date (33) Country
30-2009-0009511 05 Mar 2009 REPUBLIC OF KOREA
 (56) Related Art Documents: **Not Applicable**
 (57) Statement of Newness and Distinctiveness: **Newness and distinctiveness is claimed in the features of shape and/or configuration, and pattern of a slip-resistant sole as illustrated in the accompanying representations.**



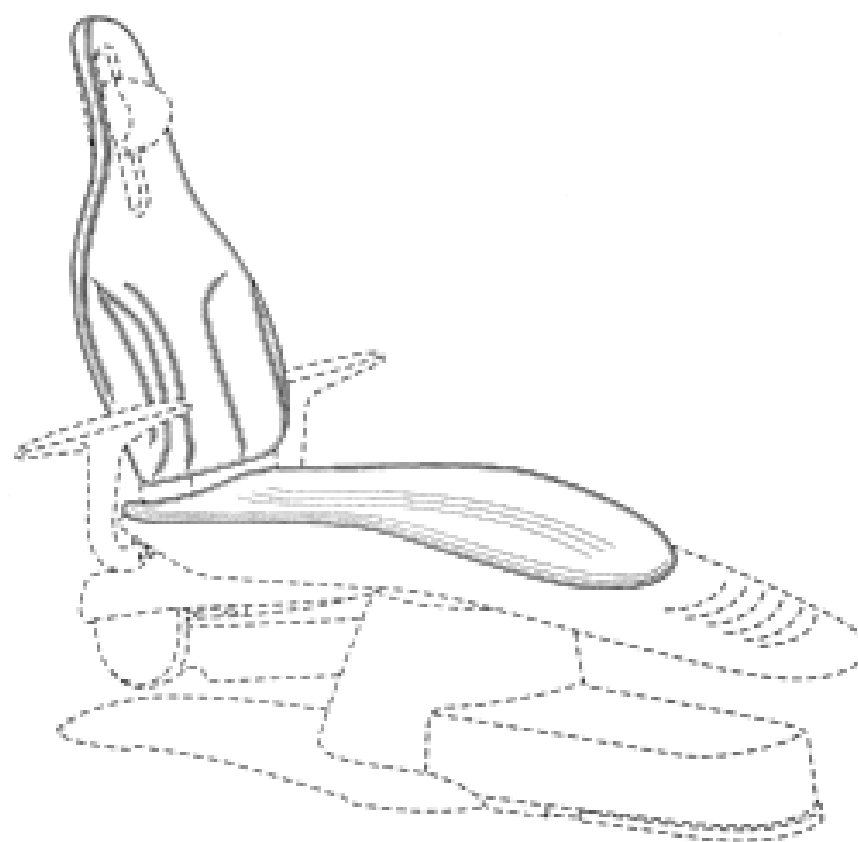
(21) Design Number: **12730/2009**
 (22) Date of Filing Application: **23 July 2009**
 (24) Date from which industrial property rights may have effect: **23 July 2009**
 (54) Product in respect of which the design is registered: **Clock**
 (51) International Design Classification: **10-01**
 (71) Name(s) and Address(s) of Applicant(s):
Mark A. Bedol
3423 Yankton Avenue Claremont California 91711 United States of America
 (72) Name(s) of Designer(s): **Mark A. Bedol and Scott Kohar**
 (45) Registration Date: **17 August 2009**
 (30) Convention priority data:
 (31) Number (32) Date (33) Country
29/313,579 23 Jan 2009 UNITED STATES OF AMERICA
 (56) Related Art Documents: **Not Applicable**
 (57) Statement of Newness and Distinctiveness: **Newness and distinctiveness is claimed in the shape and/or configuration of a clock as illustrated in the accompanying representations.**



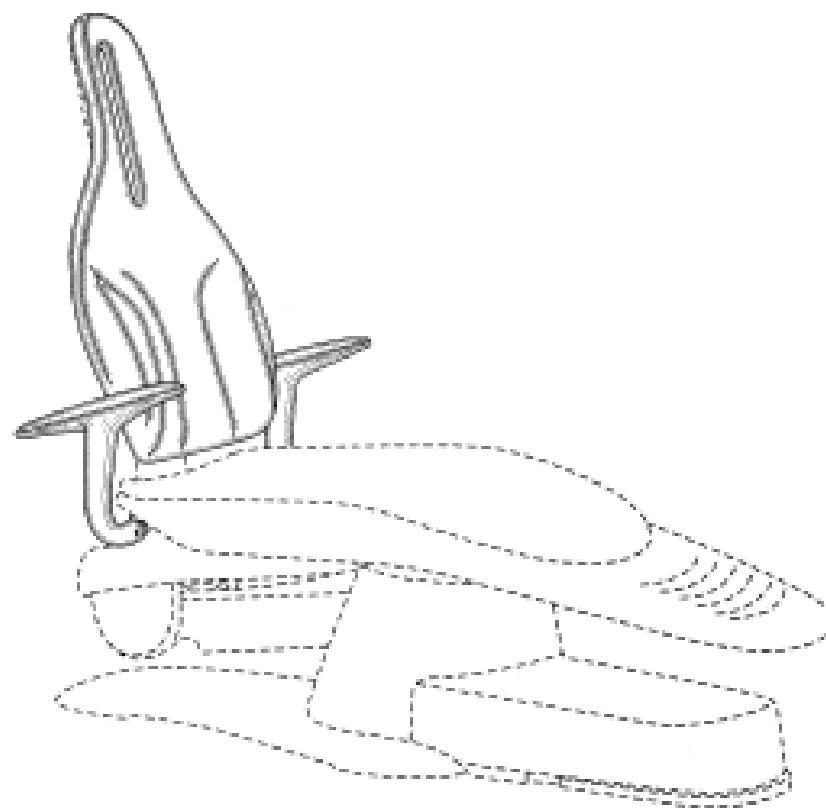
(21) Design Number: **12731/2009**
(22) Date of Filing Application: **23 July 2009**
(24) Date from which industrial property rights may have effect: **23 July 2009**
(54) Product in respect of which the design is registered: **A toy building element**
(51) International Design Classification: **21-01E**
(71) Name(s) and Address(s) of Applicant(s):
Lego A/S
Aastvej 1 Billund DK-7190 Denmark
(72) Name(s) of Designer(s): **Pia Pilgaard**
(45) Registration Date: **17 August 2009**
(30) Convention priority data:
(31) Number (32) Date (33) Country
001076293 27 Jan 2009 EUROPEAN COMMUNITY
(56) Related Art Documents: **Not Applicable**
(57) Statement of Newness and Distinctiveness: **Nil**



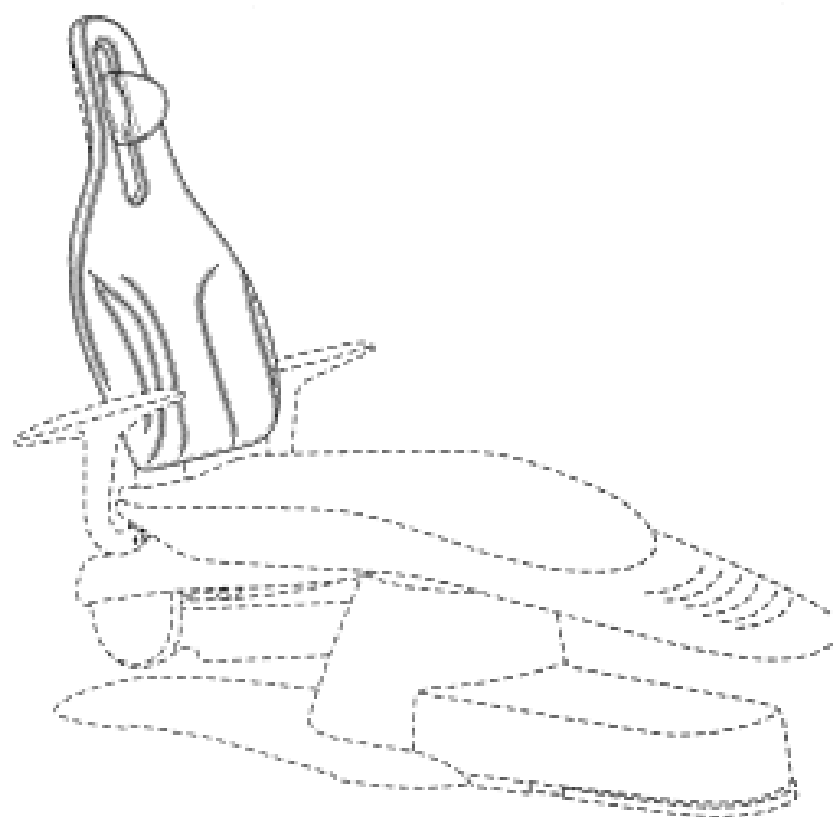
(21) Design Number: **12690/2009**
(22) Date of Filing Application: **22 July 2009**
(24) Date from which industrial property rights may have effect: **22 July 2009**
(54) Product in respect of which the design is registered: **A dental chair**
(51) International Design Classification: **06-01NES, 24-01**
(71) Name(s) and Address(s) of Applicant(s):
A-DEC, Inc.
PO Box 111 Newberg Oregon 97132 United States of America
(72) Name(s) of Designer(s): **Harold Halvorson Jr and Jason Alvarez**
(45) Registration Date: **17 August 2009**
(30) Convention priority data:
(31) Number (32) Date (33) Country
29/331,460 26 Jan 2009 UNITED STATES OF AMERICA
(56) Related Art Documents: **Not Applicable**
(57) Statement of Newness and Distinctiveness: **The shape and configuration of the parts of the design shown by means of solid lines are new and distinctive.**



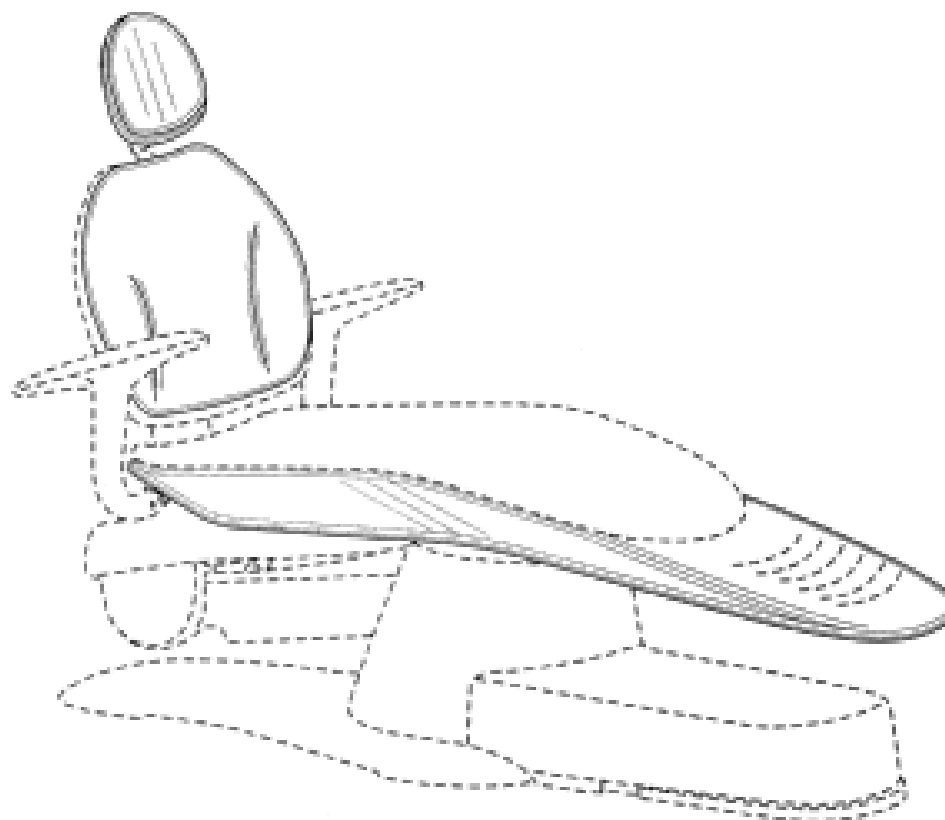
- (21) Design Number: **12691/2009**
(22) Date of Filing Application: **22 July 2009**
(24) Date from which industrial property rights may have effect: **22 July 2009**
(54) Product in respect of which the design is registered: **A dental chair**
(51) International Design Classification: **06-01NES, 24-01**
(71) Name(s) and Address(s) of Applicant(s):
 A-DEC, Inc.
 PO Box 111 Newberg Oregon 97132 United States of America
(72) Name(s) of Designer(s): **Harold Halvorson Jr and Jason Alvarez**
(45) Registration Date: **17 August 2009**
(30) Convention priority data:
 (31) Number (32) Date (33) Country
 29/331,459 26 Jan 2009 UNITED STATES OF AMERICA
(56) Related Art Documents: **Not Applicable**
(57) Statement of Newness and Distinctiveness: **The shape and configuration of the parts of the design shown by means of solid lines are new and distinctive.**



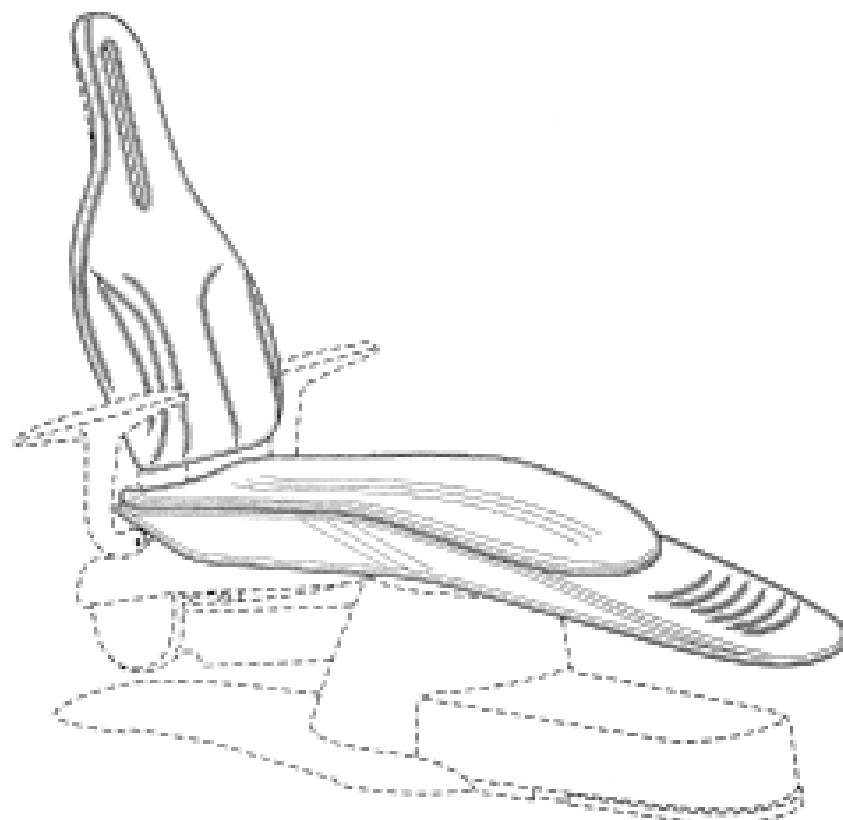
- (21) Design Number: **12692/2009**
(22) Date of Filing Application: **22 July 2009**
(24) Date from which industrial property rights may have effect: **22 July 2009**
(54) Product in respect of which the design is registered: **A dental chair back**
(51) International Design Classification: **06-01NES, 24-01**
(71) Name(s) and Address(s) of Applicant(s):
 A-DEC, Inc.
 PO Box 111 Newberg Oregon 97132 United States of America
(72) Name(s) of Designer(s): **Harold Halvorson Jr and Jason Alvarez**
(45) Registration Date: **17 August 2009**
(30) Convention priority data:
 (31) Number (32) Date (33) Country
 29/331,457 26 Jan 2009 UNITED STATES OF AMERICA
(56) Related Art Documents: **Not Applicable**
(57) Statement of Newness and Distinctiveness: **The shape and configuration of the dental chair back are new and distinctive. Other parts of the dental chair shown in the broken lines in the representations are included for illustrative purposes only, and do not form part of the design.**



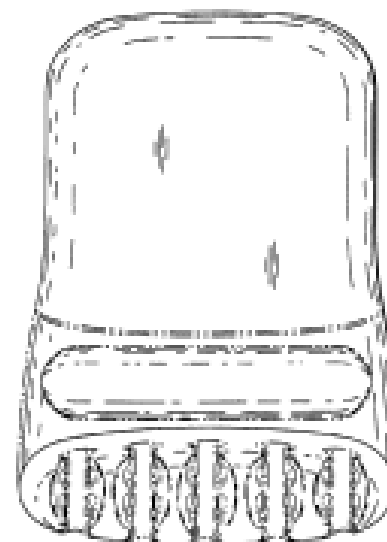
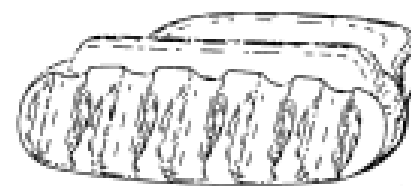
(21) Design Number: **12693/2009**
(22) Date of Filing Application: **22 July 2009**
(24) Date from which industrial property rights may have effect: **22 July 2009**
(54) Product in respect of which the design is registered: **A dental chair**
(51) International Design Classification: **06-01NES, 24-01**
(71) Name(s) and Address(s) of Applicant(s):
A-DEC, Inc.
PO Box 111 Newberg Oregon 97132 United States of America
(72) Name(s) of Designer(s): **Jason Alvarez and Harold Halvorson Jr**
(45) Registration Date: **17 August 2009**
(30) Convention priority data:
(31) Number (32) Date (33) Country
29/331,455 26 Jan 2009 UNITED STATES OF AMERICA
(56) Related Art Documents: **Not Applicable**
(57) Statement of Newness and Distinctiveness: **The shape and configuration of the parts of the design shown by means of solid lines are new and distinctive.**



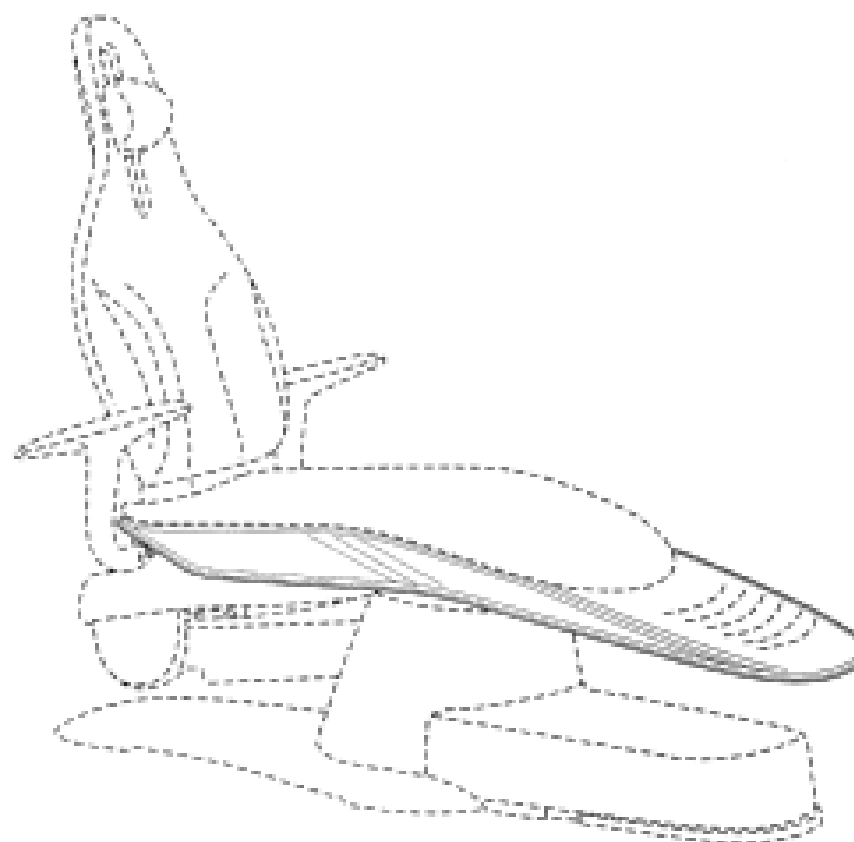
(21) Design Number: **12694/2009**
(22) Date of Filing Application: **22 July 2009**
(24) Date from which industrial property rights may have effect: **22 July 2009**
(54) Product in respect of which the design is registered: **A dental chair**
(51) International Design Classification: **06-01NES, 24-01**
(71) Name(s) and Address(s) of Applicant(s):
A-DEC, Inc.
PO Box 111 Newberg Oregon 97132 United States of America
(72) Name(s) of Designer(s): **Harold Halvorson Jr and Jason Alvarez**
(45) Registration Date: **17 August 2009**
(30) Convention priority data:
(31) Number (32) Date (33) Country
29/331,461 26 Jan 2009 UNITED STATES OF AMERICA
(56) Related Art Documents: **Not Applicable**
(57) Statement of Newness and Distinctiveness: **The shape and configuration of the parts of the design shown by means of solid lines are new and distinctive.**



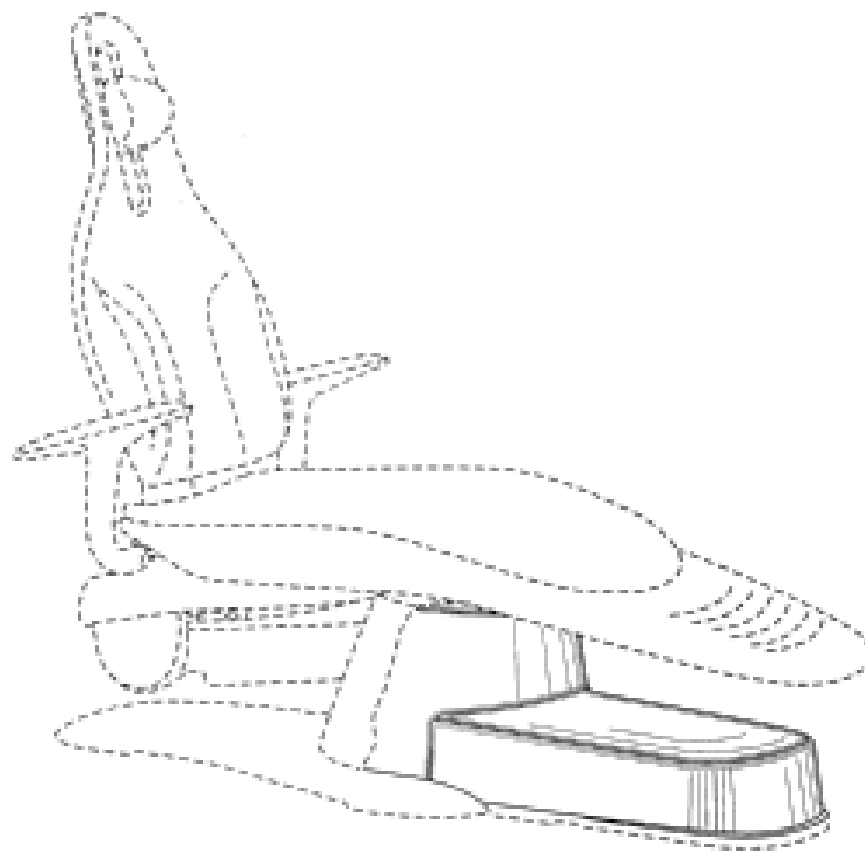
(21) Design Number: **12695/2009**
 (22) Date of Filing Application: **22 July 2009**
 (24) Date from which industrial property rights may have effect: **22 July 2009**
 (54) Product in respect of which the design is registered: **A control head for use with dental equipment**
 (51) International Design Classification: **24-02**
 (71) Name(s) and Address(s) of Applicant(s):
A-DEC, Inc.
PO Box 111 Newberg Oregon 97132 United States of America
 (72) Name(s) of Designer(s): **John R. Tofte and Harold Halvorson Jr**
 (45) Registration Date: **17 August 2009**
 (30) Convention priority data:
 (31) Number (32) Date (33) Country
29/331,877 03 Feb 2009 UNITED STATES OF AMERICA
 (56) Related Art Documents: **Not Applicable**
 (57) Statement of Newness and Distinctiveness: **The shape and configuration of the parts of the design shown by means of solid lines are new and distinctive.**



(21) Design Number: **12696/2009**
 (22) Date of Filing Application: **22 July 2009**
 (24) Date from which industrial property rights may have effect: **22 July 2009**
 (54) Product in respect of which the design is registered: **A dental chair**
 (51) International Design Classification: **06-01NES, 24-01**
 (71) Name(s) and Address(s) of Applicant(s):
A-DEC, Inc.
PO Box 111 Newberg Oregon 97132 United States of America
 (72) Name(s) of Designer(s): **Harold Halvorson Jr and Jason Alvarez**
 (45) Registration Date: **17 August 2009**
 (30) Convention priority data:
 (31) Number (32) Date (33) Country
29/331,453 26 Jan 2009 UNITED STATES OF AMERICA
 (56) Related Art Documents: **Not Applicable**
 (57) Statement of Newness and Distinctiveness: **The shape and configuration of the parts of the design shown by means of solid lines are new and distinctive.**



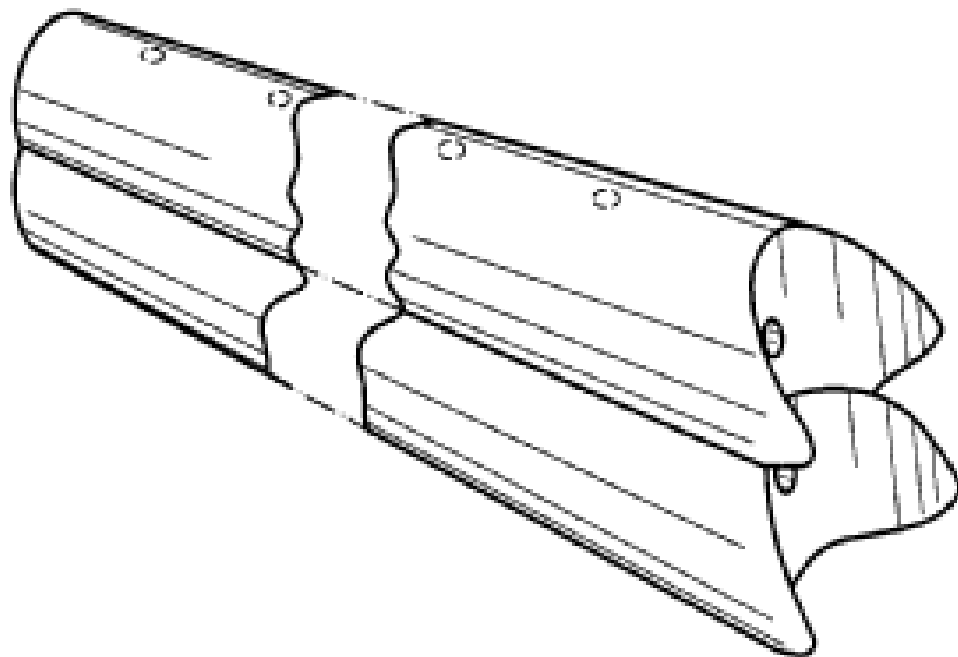
- (21) Design Number: **12697/2009**
(22) Date of Filing Application: **22 July 2009**
(24) Date from which industrial property rights may have effect: **22 July 2009**
(54) Product in respect of which the design is registered: **A dental chair**
(51) International Design Classification: **06-01NES, 24-01**
(71) Name(s) and Address(s) of Applicant(s):
A-DEC, Inc.
PO Box 111 Newberg Oregon 97132 United States of America
(72) Name(s) of Designer(s): **Harold Halvorson Jr**
(45) Registration Date: **17 August 2009**
(30) Convention priority data:
(31) Number (32) Date (33) Country
29/331,450 26 Jan 2009 UNITED STATES OF AMERICA
(56) Related Art Documents: **Not Applicable**
(57) Statement of Newness and Distinctiveness: **The shape and configuration of the parts of the design shown by means of solid lines are new and distinctive.**



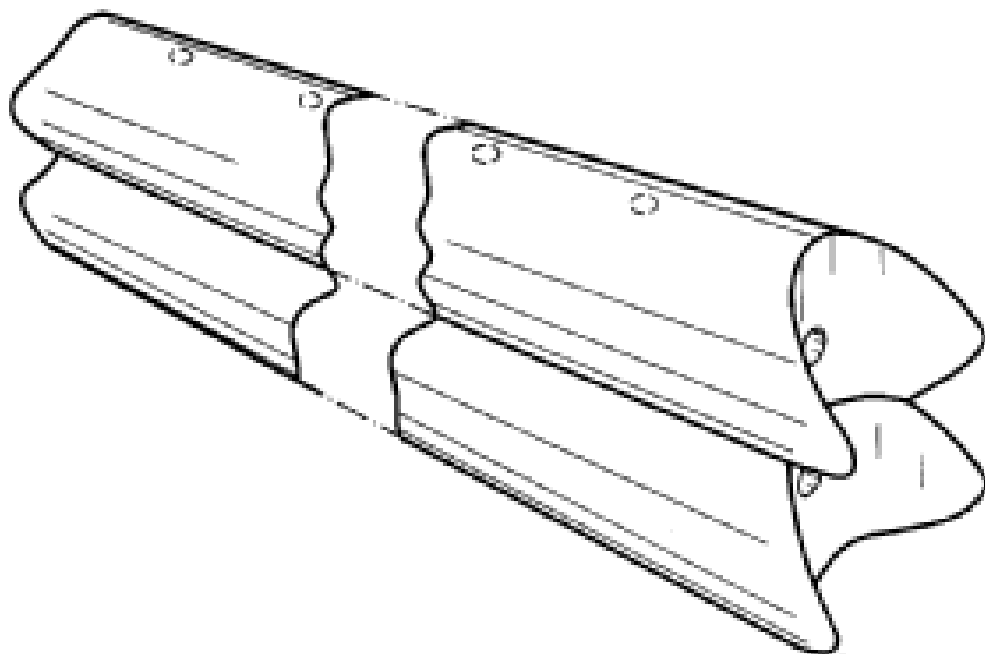
- (21) Design Number: **12105/2009**
(22) Date of Filing Application: **03 June 2009**
(24) Date from which industrial property rights may have effect: **03 June 2009**
(54) Product in respect of which the design is registered: **Cushie Tushie nappy bag**
(51) International Design Classification: **03-01NES**
(71) Name(s) and Address(s) of Applicant(s):
Cushie Tushies Pty Ltd
93 Mildura Drive Helensvale Queensland 4212 Australia
(72) Name(s) of Designer(s): **Michelle Fowler**
(45) Registration Date: **17 August 2009**
(56) Related Art Documents: **Not Applicable**
(57) Statement of Newness and Distinctiveness: **A waterproof laminated bag used to transport soiled cloth nappies. Features a handle which snaps together and a smaller matching wallet, for carrying wipes, that snaps on and off the side of the bag.**



- (21) Design Number: **12160/2009**
(22) Date of Filing Application: **15 June 2009**
(24) Date from which industrial property rights may have effect: **15 June 2009**
(54) Product in respect of which the design is registered: **Structural member**
(51) International Design Classification: **25-01C**
(71) Name(s) and Address(s) of Applicant(s):
Patrick Thornton
33 Bridge Avenue Oak Flats New South Wales 2529 Australia
(72) Name(s) of Designer(s): **Patrick Thornton**
(45) Registration Date: **17 August 2009**
(56) Related Art Documents: **Not Applicable**
(57) Statement of Newness and Distinctiveness: **Newness and distinctiveness resides in the shape and/or configuration of a structural member of indefinite length as shown in solid outline in the accompanying representations.**



- (21) Design Number: **12161/2009**
(22) Date of Filing Application: **15 June 2009**
(24) Date from which industrial property rights may have effect: **15 June 2009**
(54) Product in respect of which the design is registered: **Structural member**
(51) International Design Classification: **25-01C**
(71) Name(s) and Address(s) of Applicant(s):
Patrick Thornton
33 Bridge Avenue Oak Flats New South Wales 2529 Australia
(72) Name(s) of Designer(s): **Patrick Thornton**
(45) Registration Date: **17 August 2009**
(56) Related Art Documents: **Not Applicable**
(57) Statement of Newness and Distinctiveness: **Newness and distinctiveness resides in the shape and/or configuration of a structural member of indefinite length as shown in solid outline in the accompanying representations.**



(21) Design Number: **12162/2009**

(22) Date of Filing Application: **15 June 2009**

(24) Date from which industrial property rights may have effect: **15 June 2009**

(54) Product in respect of which the design is registered: **Structural member**

(51) International Design Classification: **25-01C**

(71) Name(s) and Address(s) of Applicant(s):

Patrick Thornton

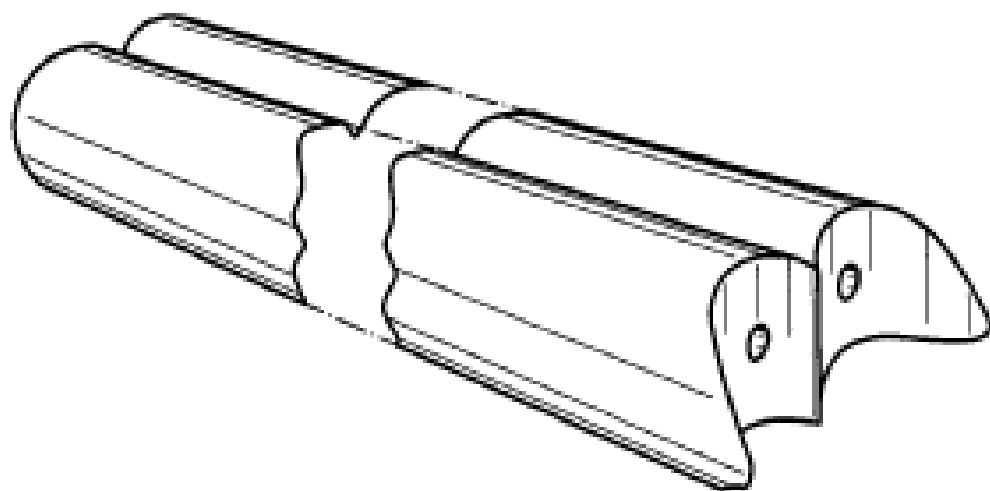
33 Bridge Avenue Oak Flats New South Wales 2529 Australia

(72) Name(s) of Designer(s): **Patrick Thornton**

(45) Registration Date: **17 August 2009**

(56) Related Art Documents: **Not Applicable**

(57) Statement of Newness and Distinctiveness: **Newness and distinctiveness resides in the shape and/or configuration of a structural member of indefinite length as shown in the accompanying representations.**



(21) Design Number: **12447/2009**

(22) Date of Filing Application: **06 July 2009**

(24) Date from which industrial property rights may have effect: **06 July 2009**

(54) Product in respect of which the design is registered: **A screw**

(51) International Design Classification: **08-08B**

(71) Name(s) and Address(s) of Applicant(s):

Illinois Tool Works Inc.

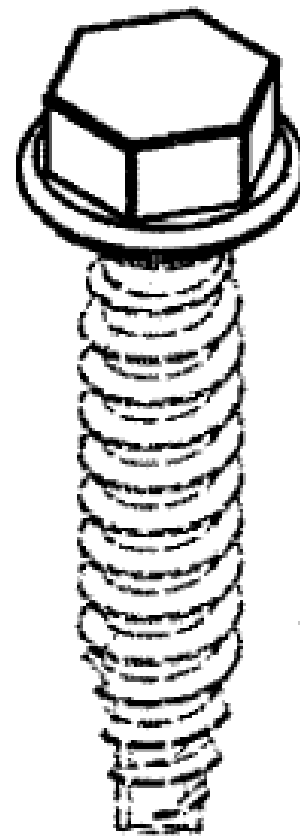
3600 West Lake Avenue Glenview Illinois 60026 United States of America

(72) Name(s) of Designer(s): **John Christopher Mallet and David Charles Collinson**

(45) Registration Date: **17 August 2009**

(56) Related Art Documents: **Not Applicable**

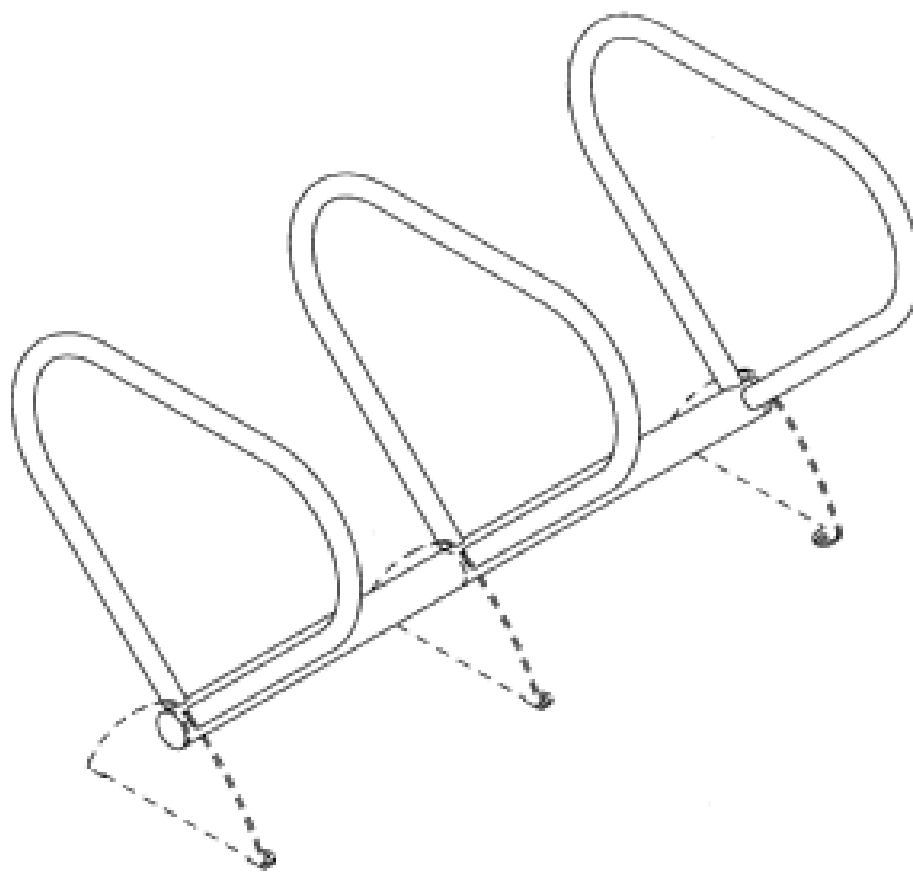
(57) Statement of Newness and Distinctiveness: **Newness and distinctiveness is claimed in the shape and configuration of the head portion of the screw as shown in solid lines in the representations.**



- (21) Design Number: **12710/2009**
- (22) Date of Filing Application: **09 July 2009**
- (24) Date from which industrial property rights may have effect: **09 July 2009**
- (54) Product in respect of which the design is registered: **Bicycle rack**
- (51) International Design Classification: **08-10**
- (71) Name(s) and Address(s) of Applicant(s):

Martyn S. Wilson
16 Badminton Road Croydon New South Wales 2132 Australia

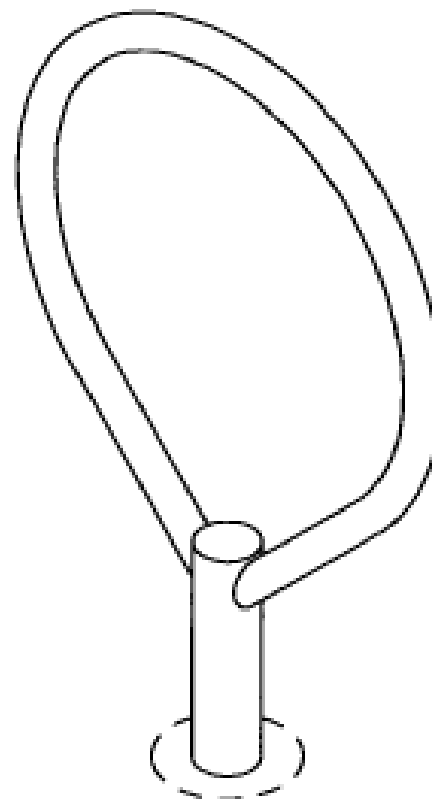
- (72) Name(s) of Designer(s): **Martyn Stanley Wilson**
- (45) Registration Date: **17 August 2009**
- (56) Related Art Documents: **Not Applicable**
- (57) Statement of Newness and Distinctiveness: **The shape and configuration of the bicycle rack as shown in the representations is claimed as new and distinctive. No claim is made in the shape of the fixing (foot) portion of the bicycle rack shown in the dotted outline. The rack design is of indefinite length.**



- (21) Design Number: **12711/2009**
- (22) Date of Filing Application: **09 July 2009**
- (24) Date from which industrial property rights may have effect: **09 July 2009**
- (54) Product in respect of which the design is registered: **Bicycle hitching rail**
- (51) International Design Classification: **08-10**
- (71) Name(s) and Address(s) of Applicant(s):

Martyn S. Wilson
16 Badminton Road Croydon New South Wales 2132 Australia

- (72) Name(s) of Designer(s): **Martyn Stanley Wilson**
- (45) Registration Date: **17 August 2009**
- (56) Related Art Documents: **Not Applicable**
- (57) Statement of Newness and Distinctiveness: **The shape and configuration of the bicycle hitching rail as shown in the representations is claimed as new and distinctive. No claim is made in the shape of the fixing (foot) portion of the hitching rail shown in the dotted outline.**



(21) Design Number: **12712/2009**

(22) Date of Filing Application: **09 July 2009**

(24) Date from which industrial property rights may have effect: **09 July 2009**

(54) Product in respect of which the design is registered: **Bicycle hitching rail**

(51) International Design Classification: **08-10**

(71) Name(s) and Address(s) of Applicant(s):

Martyn S. Wilson

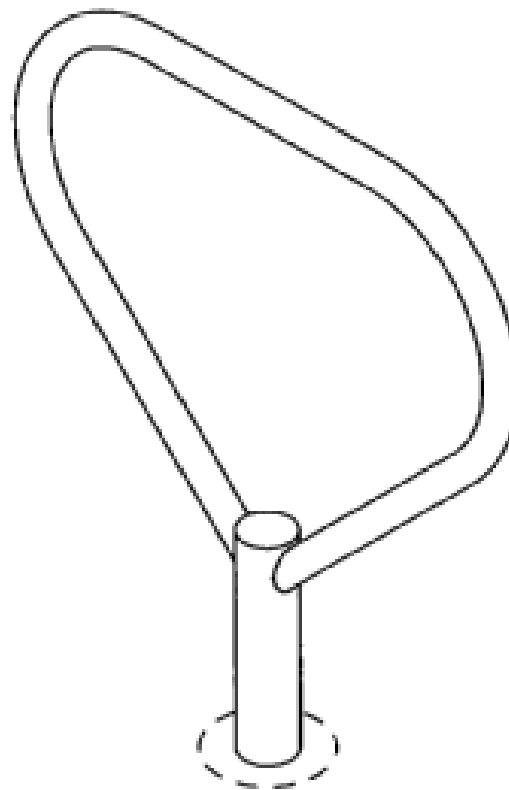
16 Badminton Road Croydon New South Wales 2132 Australia

(72) Name(s) of Designer(s): **Martyn Stanley Wilson**

(45) Registration Date: **17 August 2009**

(56) Related Art Documents: **Not Applicable**

(57) Statement of Newness and Distinctiveness: **The shape and configuration of the bicycle hitching rail as shown in the representations is claimed as new and distinctive. No claim is made in the shape of the fixing (foot) portion of the hitching rail shown in the dotted outline.**



(21) Design Number: **12713/2009**

(22) Date of Filing Application: **09 July 2009**

(24) Date from which industrial property rights may have effect: **09 July 2009**

(54) Product in respect of which the design is registered: **Bicycle hitching rail**

(51) International Design Classification: **08-10**

(71) Name(s) and Address(s) of Applicant(s):

Martyn S. Wilson

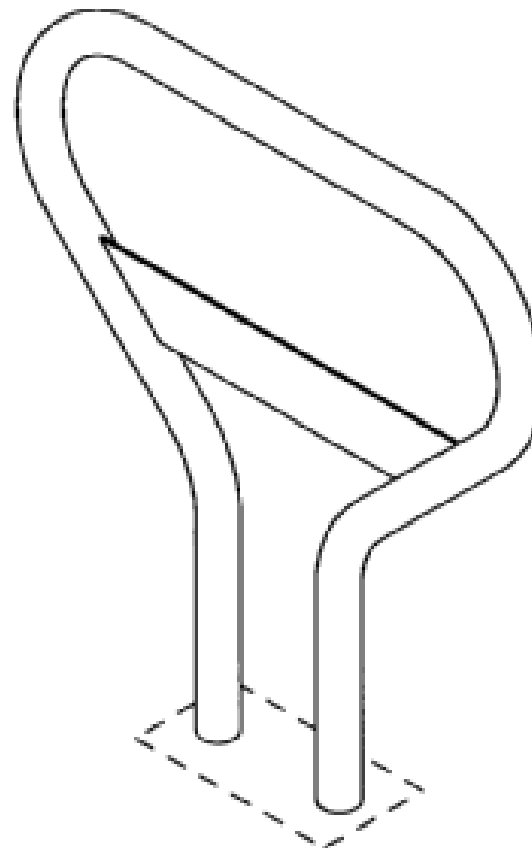
16 Badminton Road Croydon New South Wales 2132 Australia

(72) Name(s) of Designer(s): **Martyn Stanley Wilson**

(45) Registration Date: **17 August 2009**

(56) Related Art Documents: **Not Applicable**

(57) Statement of Newness and Distinctiveness: **The shape and configuration of the bicycle hitching rail as shown in the representations is claimed as new and distinctive. No claim is made in the shape of the fixing (foot) portion of the hitching rail shown in the dotted outline.**



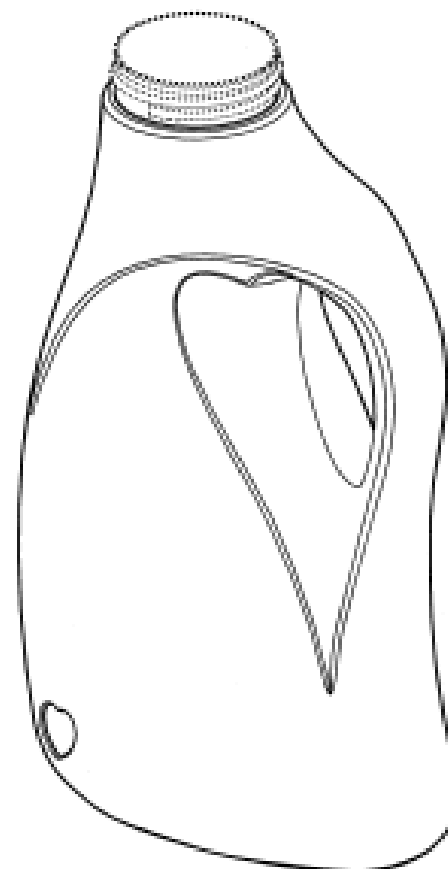
(21) Design Number: **12724/2009**
 (22) Date of Filing Application: **08 July 2009**
 (24) Date from which industrial property rights may have effect: **08 July 2009**
 (54) Product in respect of which the design is registered: **Expandable inlet**
 (51) International Design Classification: **12-16N**
 (71) Name(s) and Address(s) of Applicant(s):
Chromend Supply Co.
13 Windsor Street Richmond New South Wales 2753 Australia
 (72) Name(s) of Designer(s): **Daniel Woodbury**
 (45) Registration Date: **17 August 2009**
 (62) Divisional of: **326914**
 (56) Related Art Documents: **Not Applicable**
 (57) Statement of Newness and Distinctiveness: **This design is for straight bumpers. Has a unique collector internal. This has a unique inner cone with a straight outlet incorporating a unique expandable inlet.**



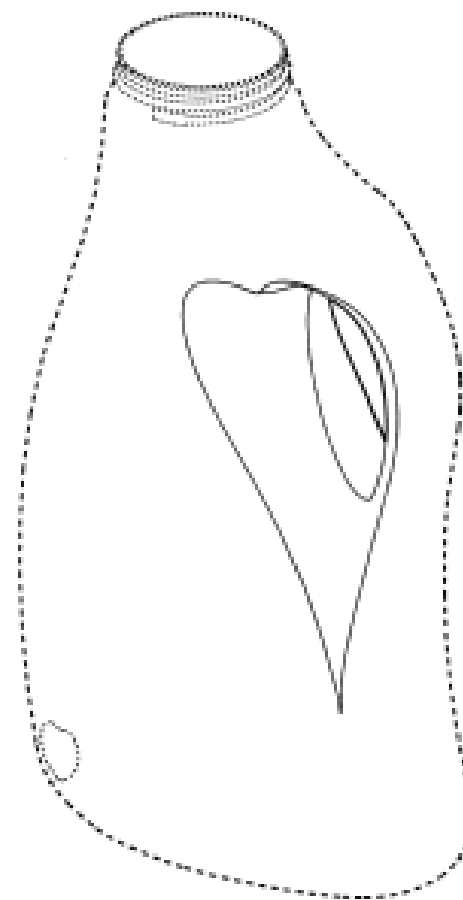
(21) Design Number: **12732/2009**
 (22) Date of Filing Application: **23 July 2009**
 (24) Date from which industrial property rights may have effect: **23 July 2009**
 (54) Product in respect of which the design is registered: **Container**
 (51) International Design Classification: **09-01B**
 (71) Name(s) and Address(s) of Applicant(s):
Colgate-Palmolive Company
300 Park Avenue New York New York 10022 United States of America
 (72) Name(s) of Designer(s): **Jeffery Mayers and Frank Yang and John Lamb and Corinne Elstow and Mark Watson and Alan Whiting**
 (45) Registration Date: **17 August 2009**
 (30) Convention priority data:

(31) Number	(32) Date	(33) Country
29/331328	23 Jan 2009	UNITED STATES OF AMERICA

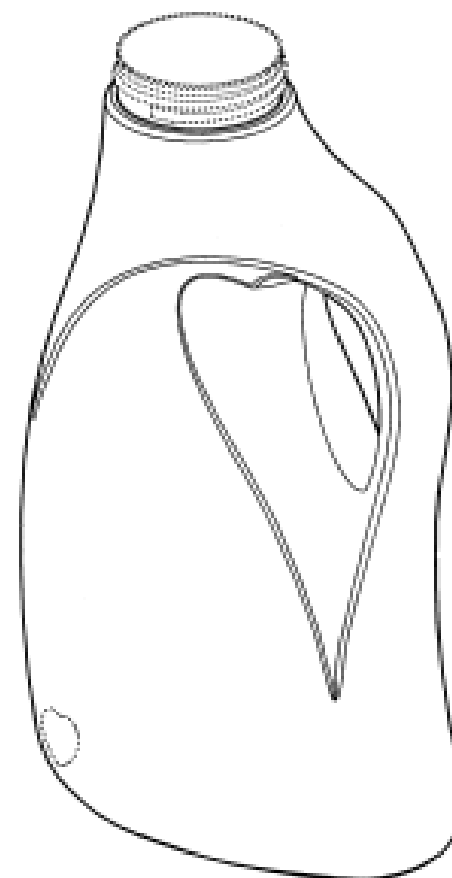
 (56) Related Art Documents: **Not Applicable**
 (57) Statement of Newness and Distinctiveness: **Newness and distinctiveness reside in the features of the design shown in solid lines in the representations excluding those features shown in broken lines.**



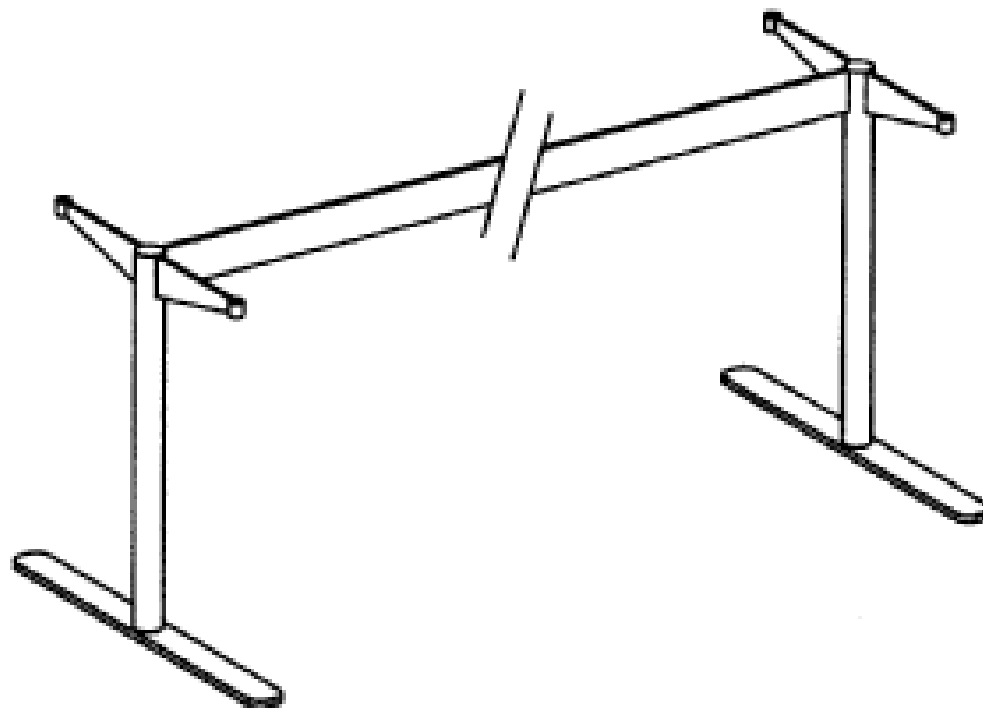
(21) Design Number: **12733/2009**
 (22) Date of Filing Application: **23 July 2009**
 (24) Date from which industrial property rights may have effect: **23 July 2009**
 (54) Product in respect of which the design is registered: **Container**
 (51) International Design Classification: **09-01B**
 (71) Name(s) and Address(s) of Applicant(s):
Colgate-Palmolive Company
300 Park Avenue New York New York 10022 United States of America
 (72) Name(s) of Designer(s): **Jeffery Mayers and Frank Yang and John Lamb**
and Corinne Elstow and Mark Watson and Alan Whiting
 (45) Registration Date: **17 August 2009**
 (30) Convention priority data:
 (31) Number (32) Date (33) Country
29/331328 23 Jan 2009 UNITED STATES OF AMERICA
 (56) Related Art Documents: **Not Applicable**
 (57) Statement of Newness and Distinctiveness: **Newness and distinctiveness**
reside in the features of the design shown in solid lines in the
representations excluding those features shown in broken lines.



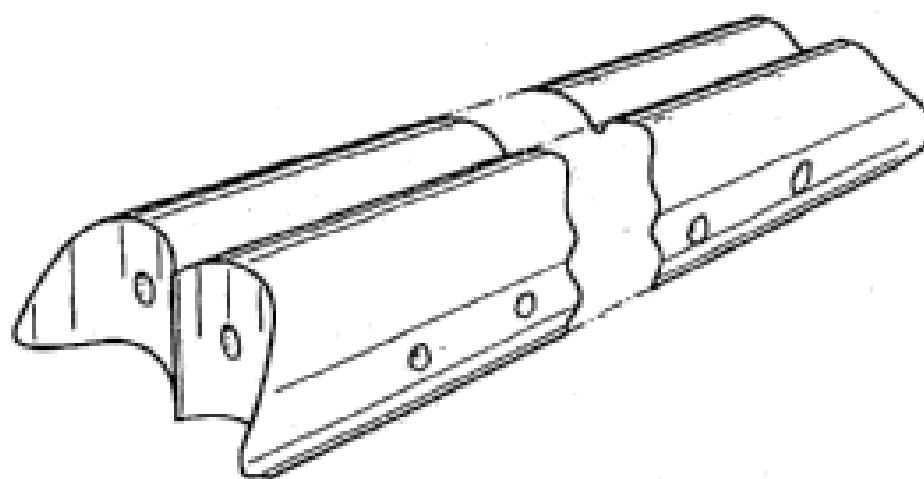
(21) Design Number: **12734/2009**
 (22) Date of Filing Application: **23 July 2009**
 (24) Date from which industrial property rights may have effect: **23 July 2009**
 (54) Product in respect of which the design is registered: **Container**
 (51) International Design Classification: **09-01B**
 (71) Name(s) and Address(s) of Applicant(s):
Colgate-Palmolive Company
300 Park Avenue New York New York 10022 United States of America
 (72) Name(s) of Designer(s): **Jeffery Mayers and Frank Yang and John Lamb**
and Corinne Elstow and Mark Watson and Alan Whiting
 (45) Registration Date: **17 August 2009**
 (30) Convention priority data:
 (31) Number (32) Date (33) Country
29/331328 23 Jan 2009 UNITED STATES OF AMERICA
 (56) Related Art Documents: **Not Applicable**
 (57) Statement of Newness and Distinctiveness: **Newness and distinctiveness**
reside in the features of the design shown in solid lines in the
representations excluding those features shown in broken lines.



- (21) Design Number: **11915/2009**
(22) Date of Filing Application: **26 May 2009**
(24) Date from which industrial property rights may have effect: **26 May 2009**
(54) Product in respect of which the design is registered: **Table frame**
(51) International Design Classification: **06-06E**
(71) Name(s) and Address(s) of Applicant(s):
Ross Didier
81 Glenair Court Lower Templestowe Victoria 3107 Australia
(72) Name(s) of Designer(s): **Ross Didier**
(45) Registration Date: **19 August 2009**
(56) Related Art Documents: **Not Applicable**
(57) Statement of Newness and Distinctiveness: **The distinct visual feature of the design is the flat feet with radius ends at the base of each vertical column.**



- (21) Design Number: **12231/2009**
(22) Date of Filing Application: **22 June 2009**
(24) Date from which industrial property rights may have effect: **22 June 2009**
(54) Product in respect of which the design is registered: **Log construction member No.1**
(51) International Design Classification: **25-01K**
(71) Name(s) and Address(s) of Applicant(s):
Patrick Thornton
33 Bridge Avenue Oak Flats New South Wales 2529 Australia
(72) Name(s) of Designer(s): **Patrick Thornton**
(45) Registration Date: **19 August 2009**
(56) Related Art Documents: **Not Applicable**
(57) Statement of Newness and Distinctiveness: **In the overall impression the uniqueness and distinction resides in the shape and configuration of the 3D outline.**



(21) Design Number: **12284/2009**

(22) Date of Filing Application: **23 June 2009**

(24) Date from which industrial property rights may have effect: **23 June 2009**

(54) Product in respect of which the design is registered: **Slat table chair**

(51) International Design Classification: **06-01F**

(71) Name(s) and Address(s) of Applicant(s):

Ross Didier

81 Glenair Court Lower Templestowe Victoria 3107 Australia

(72) Name(s) of Designer(s): **Ross Didier**

(45) Registration Date: **19 August 2009**

(56) Related Art Documents: **Not Applicable**

(57) Statement of Newness and Distinctiveness: **The distinct visual features of the design is the tapered form of the back and seat with blended slats.**



(21) Design Number: **12285/2009**

(22) Date of Filing Application: **23 June 2009**

(24) Date from which industrial property rights may have effect: **23 June 2009**

(54) Product in respect of which the design is registered: **Sled base table**

(51) International Design Classification: **06-03A**

(71) Name(s) and Address(s) of Applicant(s):

Ross Didier

81 Glenair Court Lower Templestowe Victoria 3107 Australia

(72) Name(s) of Designer(s): **Ross Didier**

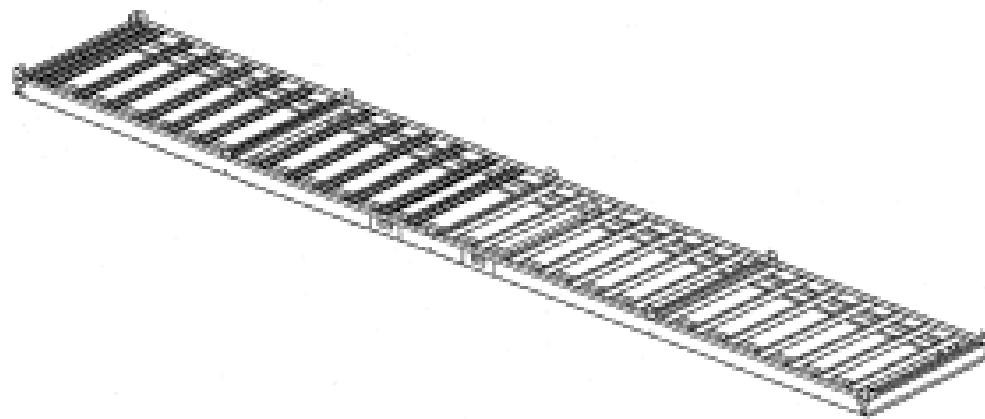
(45) Registration Date: **19 August 2009**

(56) Related Art Documents: **Not Applicable**

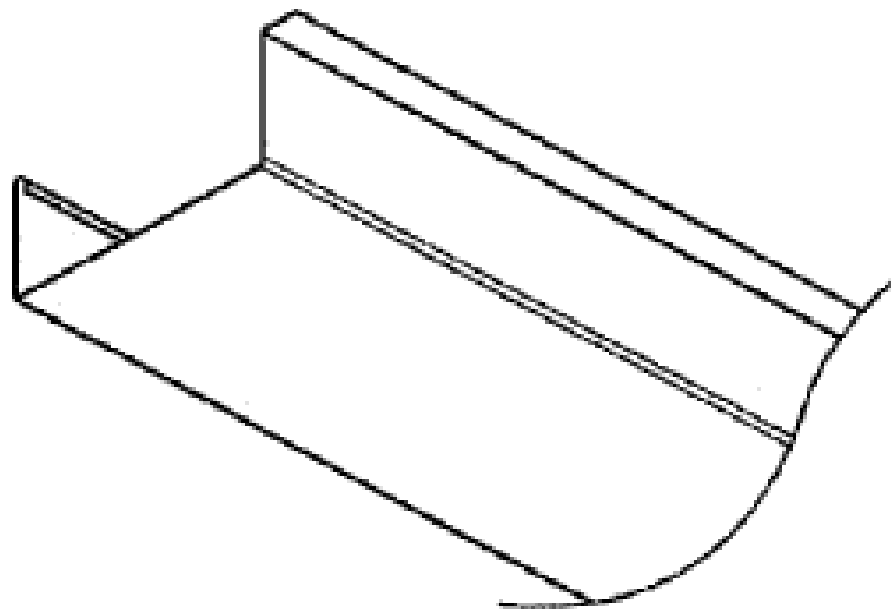
(57) Statement of Newness and Distinctiveness: **The distinct feature of the design is the tapered form of the sled base as well as the inward angles from side view.**



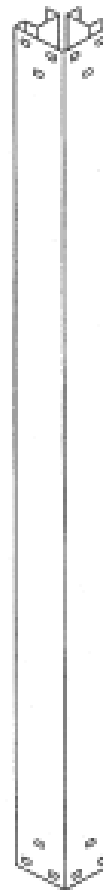
- (21) Design Number: **12719/2009**
- (22) Date of Filing Application: **22 July 2009**
- (24) Date from which industrial property rights may have effect: **22 July 2009**
- (54) Product in respect of which the design is registered: **A base chassis for a modular transportable building**
- (51) International Design Classification: **25-03**
- (71) Name(s) and Address(s) of Applicant(s):
Francesco Antonio Martino
Lot 25 Old Princes Highway Monarto South Australia 5254 Australia
- (72) Name(s) of Designer(s): **Francesco Antonio Martino**
- (45) Registration Date: **19 August 2009**
- (56) Related Art Documents: **Not Applicable**
- (57) Statement of Newness and Distinctiveness: **Nil**



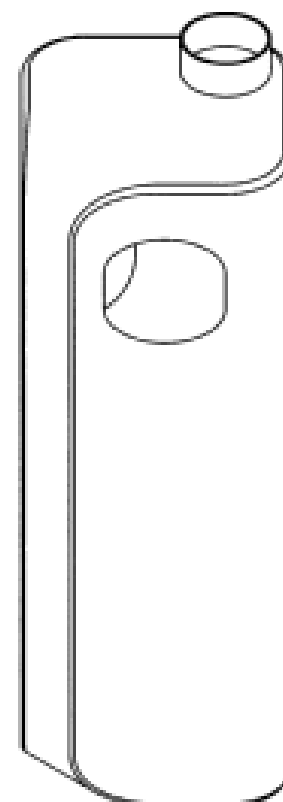
- (21) Design Number: **12720/2009**
- (22) Date of Filing Application: **22 July 2009**
- (24) Date from which industrial property rights may have effect: **22 July 2009**
- (54) Product in respect of which the design is registered: **An extrusion**
- (51) International Design Classification: **25-01K**
- (71) Name(s) and Address(s) of Applicant(s):
Francesco Antonio Martino
Lot 25 Old Princes Highway Monarto South Australia 5254 Australia
- (72) Name(s) of Designer(s): **Francesco Antonio Martino**
- (45) Registration Date: **19 August 2009**
- (56) Related Art Documents: **Not Applicable**
- (57) Statement of Newness and Distinctiveness: **Nil**



- (21) Design Number: **12722/2009**
(22) Date of Filing Application: **22 July 2009**
(24) Date from which industrial property rights may have effect: **22 July 2009**
(54) Product in respect of which the design is registered: **A corner wall support column for a modular transportable building**
(51) International Design Classification: **25-01C**
(71) Name(s) and Address(s) of Applicant(s):
Francesco Antonio Martino
Lot 25 Old Princes Highway Monarto South Australia 5254 Australia
(72) Name(s) of Designer(s): **Francesco Antonio Martino**
(45) Registration Date: **19 August 2009**
(56) Related Art Documents: **Not Applicable**
(57) Statement of Newness and Distinctiveness: **Nil**

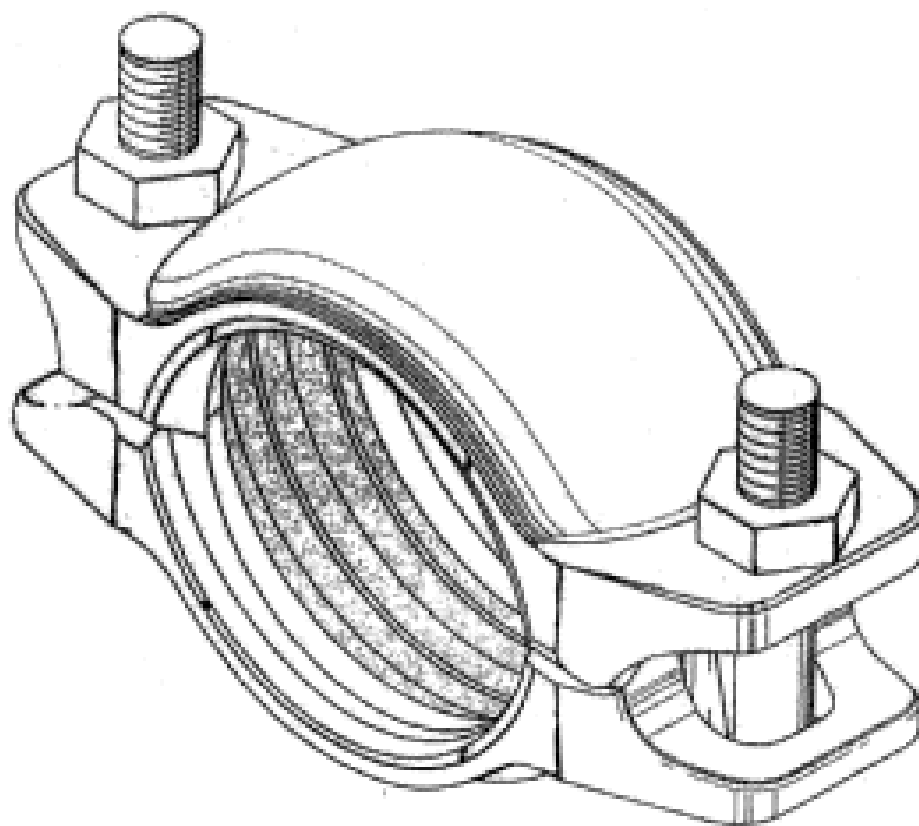


- (21) Design Number: **12749/2009**
(22) Date of Filing Application: **27 July 2009**
(24) Date from which industrial property rights may have effect: **27 July 2009**
(54) Product in respect of which the design is registered: **Blow mould plastic bottle**
(51) International Design Classification: **09-01K**
(71) Name(s) and Address(s) of Applicant(s):
Container Pty Ltd
6/244 Commonwealth Street Surry Hills New South Wales 2010 Australia
(72) Name(s) of Designer(s): **Brenan Liston**
(45) Registration Date: **19 August 2009**
(56) Related Art Documents: **Not Applicable**
(57) Statement of Newness and Distinctiveness: **Nil**



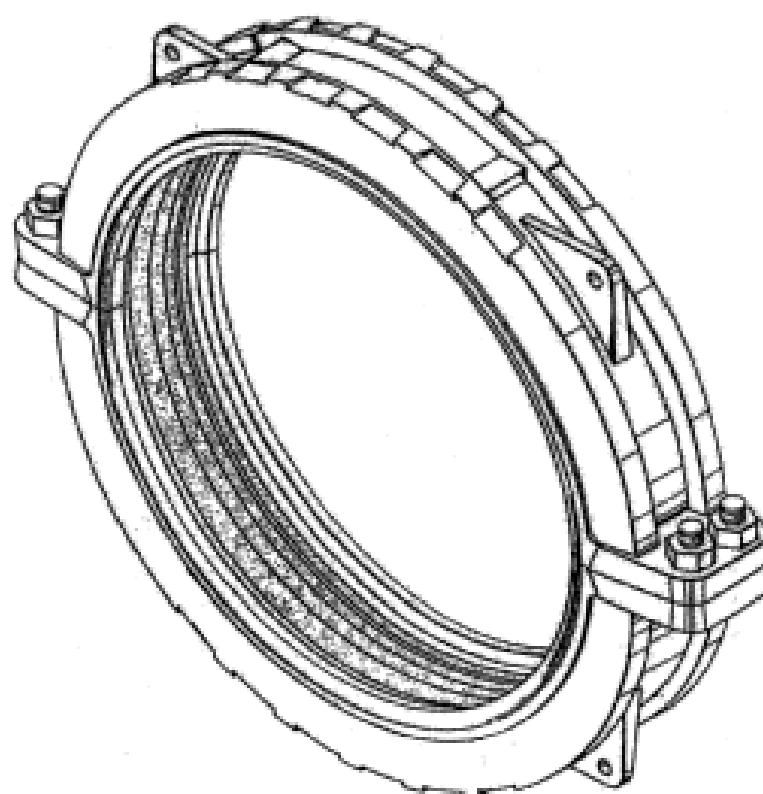
- (21) Design Number: **12752/2009**
- (22) Date of Filing Application: **24 July 2009**
- (24) Date from which industrial property rights may have effect: **24 July 2009**
- (54) Product in respect of which the design is registered: **Reversed v-interface coupling**
- (51) International Design Classification: **23-01A**
- (71) Name(s) and Address(s) of Applicant(s):
Victaulic Company
4901 Kesslersville Road Easton Pennsylvania 18040 United States of America
- (72) Name(s) of Designer(s): **Michael V. Porter and Torrey G. Sipos and William A. Nagle**
- (45) Registration Date: **19 August 2009**
- (30) Convention priority data:

(31) Number	(32) Date	(33) Country
29/331497	27 Jan 2009	UNITED STATES OF AMERICA
- (56) Related Art Documents: **Not Applicable**
- (57) Statement of Newness and Distinctiveness: **Newness and distinctiveness is claimed in the features of shape and/or configuration of a reversed interface coupling as illustrated in the accompanying representations.**

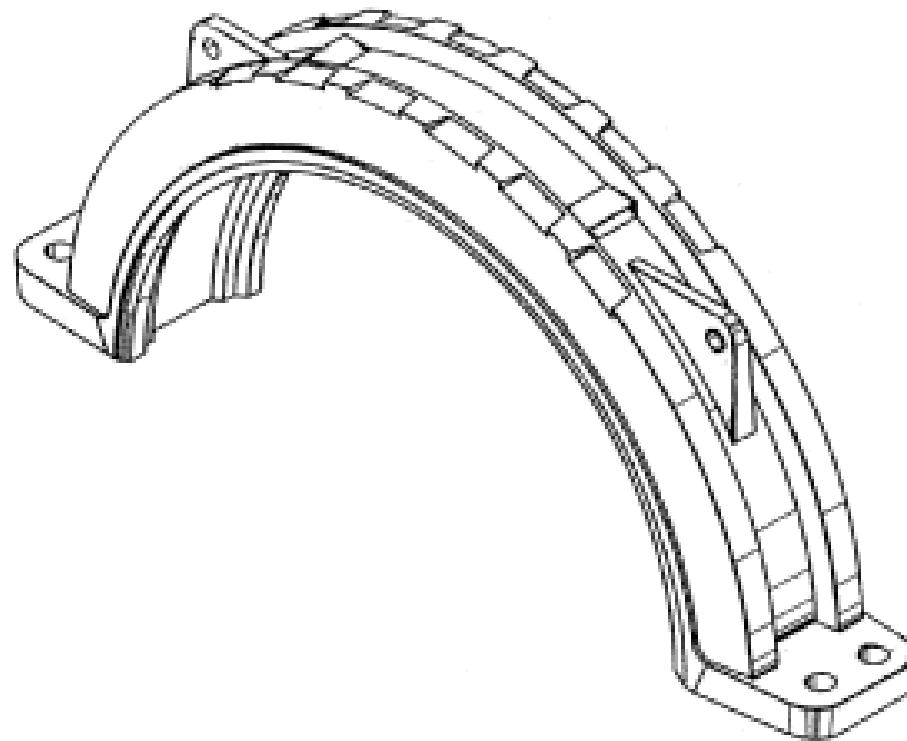


- (21) Design Number: **12754/2009**
- (22) Date of Filing Application: **24 July 2009**
- (24) Date from which industrial property rights may have effect: **24 July 2009**
- (54) Product in respect of which the design is registered: **Pipe coupling**
- (51) International Design Classification: **23-01A**
- (71) Name(s) and Address(s) of Applicant(s):
Victaulic Company
4901 Kesslersville Road Easton Pennsylvania 18040 United States of America
- (72) Name(s) of Designer(s): **Amit R. Shah and Douglas R. Dole and John W. Pierce and Scott D. Madara**
- (45) Registration Date: **19 August 2009**
- (30) Convention priority data:

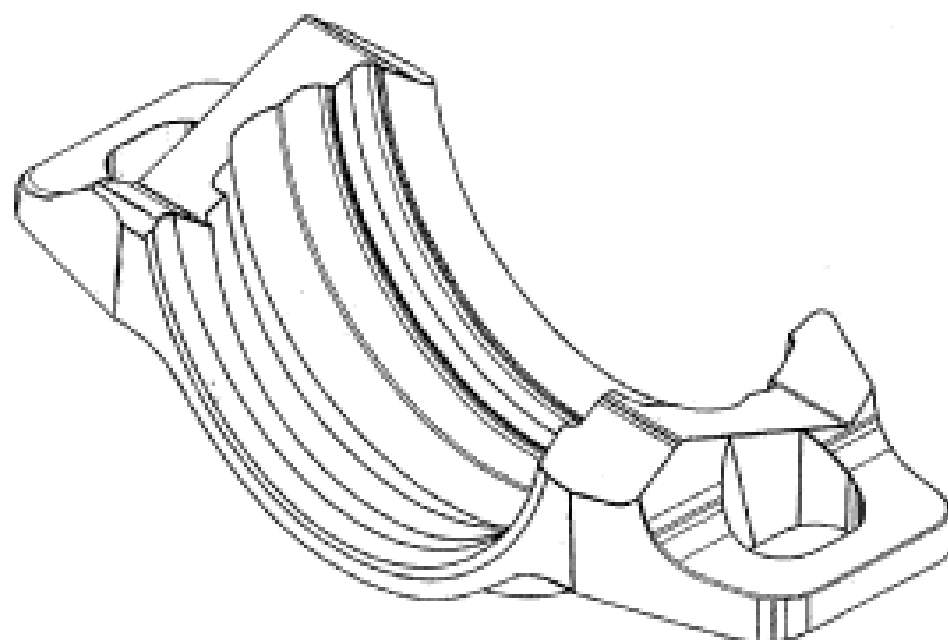
(31) Number	(32) Date	(33) Country
29/331485	27 Jan 2009	UNITED STATES OF AMERICA
- (56) Related Art Documents: **Not Applicable**
- (57) Statement of Newness and Distinctiveness: **Newness and distinctiveness is claimed in the features of shape and/or configuration of a pipe coupling as illustrated in the accompanying representations.**



(21) Design Number: **12757/2009**
(22) Date of Filing Application: **24 July 2009**
(24) Date from which industrial property rights may have effect: **24 July 2009**
(54) Product in respect of which the design is registered: **Pipe coupling segment**
(51) International Design Classification: **23-01A**
(71) Name(s) and Address(s) of Applicant(s):
Victaulic Company
4901 Kesslersville Road Easton Pennsylvania 18040 United States of America
(72) Name(s) of Designer(s): **Amit R. Shah and Douglas R. Dole and John W. Pierce and Scott D. Madara**
(45) Registration Date: **19 August 2009**
(30) Convention priority data:
(31) Number (32) Date (33) Country
29/331485 27 Jan 2009 UNITED STATES OF AMERICA
(56) Related Art Documents: **Not Applicable**
(57) Statement of Newness and Distinctiveness: **Newness and distinctiveness is claimed in the features of shape and/or configuration of a pipe coupling segment as illustrated in the accompanying representations.**



(21) Design Number: **12758/2009**
(22) Date of Filing Application: **24 July 2009**
(24) Date from which industrial property rights may have effect: **24 July 2009**
(54) Product in respect of which the design is registered: **Reversed v-interface coupling segment**
(51) International Design Classification: **23-01A**
(71) Name(s) and Address(s) of Applicant(s):
Victaulic Company
4901 Kesslersville Road Easton Pennsylvania 18040 United States of America
(72) Name(s) of Designer(s): **Michael V. Porter and Torrey G. Sipos and William A. Nagle**
(45) Registration Date: **19 August 2009**
(30) Convention priority data:
(31) Number (32) Date (33) Country
29/331497 27 Jan 2009 UNITED STATES OF AMERICA
(56) Related Art Documents: **Not Applicable**
(57) Statement of Newness and Distinctiveness: **Newness and distinctiveness is claimed in the features of shape and/or configuration of a reversed v-interface coupling segment as illustrated in the accompanying representations.**



(21) Design Number: **12759/2009**

(22) Date of Filing Application: **24 July 2009**

(24) Date from which industrial property rights may have effect: **24 July 2009**

(54) Product in respect of which the design is registered: **Distribution box**

(51) International Design Classification: **13-03NES**

(71) Name(s) and Address(s) of Applicant(s):

HAGER ELECTRO GmbH & CO. KG
IM Hofgarten D-66131 Saarbrücken Germany

(72) Name(s) of Designer(s): **Erwin von Handenhoven**

(45) Registration Date: **19 August 2009**

(30) Convention priority data:

(31) Number	(32) Date	(33) Country
001081053	04 Feb 2009	EUROPEAN COMMUNITY

(56) Related Art Documents: **Not Applicable**

(57) Statement of Newness and Distinctiveness: **Nil**



(21) Design Number: **12760/2009**

(22) Date of Filing Application: **24 July 2009**

(24) Date from which industrial property rights may have effect: **24 July 2009**

(54) Product in respect of which the design is registered: **Distribution box**

(51) International Design Classification: **13-03NES**

(71) Name(s) and Address(s) of Applicant(s):

HAGER ELECTRO GmbH & CO. KG
IM Hofgarten D-66131 Saarbrücken Germany

(72) Name(s) of Designer(s): **Erwin von Handenhoven**

(45) Registration Date: **19 August 2009**

(30) Convention priority data:

(31) Number	(32) Date	(33) Country
001081053	04 Feb 2009	EUROPEAN COMMUNITY

(56) Related Art Documents: **Not Applicable**

(57) Statement of Newness and Distinctiveness: **Nil**



(21) Design Number: **12911/2009**

(22) Date of Filing Application: **31 July 2009**

(24) Date from which industrial property rights may have effect: **31 July 2009**

(54) Product in respect of which the design is registered: **Seat for vehicle**

(51) International Design Classification: **06-01D**

(71) Name(s) and Address(s) of Applicant(s):

**Perusahaan Otomobil Nasional SDN. BHD.
Hicom Industrial Estate Batu 3 40000 Shah Alam Selangor Malaysia**

(72) Name(s) of Designer(s): **Kimmy Lim Li Ling**

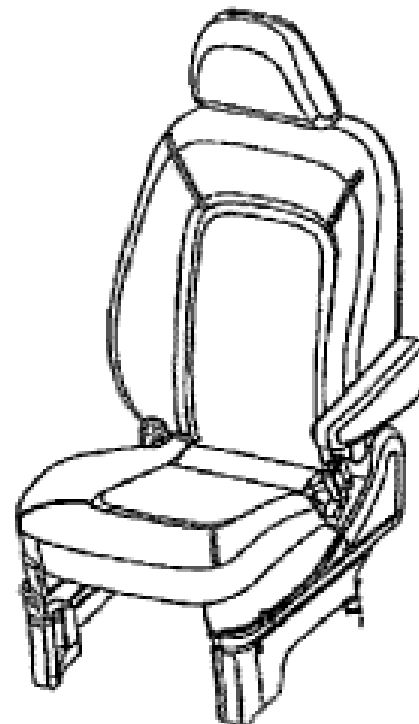
(45) Registration Date: **18 August 2009**

(30) Convention priority data:

(31) Number	(32) Date	(33) Country
09000660101	03 Feb 2009	MALAYSIA

(56) Related Art Documents: **Not Applicable**

(57) Statement of Newness and Distinctiveness: **Newness and distinctiveness reside in the features of shape and configuration of the front row seat when viewed from the front and in the particular configuration of the shape of the front row seat when viewed from the side as illustrated in the accompanying representations.**



(21) Design Number: **12912/2009**

(22) Date of Filing Application: **31 July 2009**

(24) Date from which industrial property rights may have effect: **31 July 2009**

(54) Product in respect of which the design is registered: **Steering wheel**

(51) International Design Classification: **12-16A**

(71) Name(s) and Address(s) of Applicant(s):

**Perusahaan Otomobil Nasional SDN. BHD.
Hicom Industrial Estate Batu 3 40000 Shah Alam Selangor Malaysia**

(72) Name(s) of Designer(s): **Shahril Afizal bin Othman**

(45) Registration Date: **18 August 2009**

(30) Convention priority data:

(31) Number	(32) Date	(33) Country
09000700101	03 Feb 2009	MALAYSIA

(56) Related Art Documents: **Not Applicable**

(57) Statement of Newness and Distinctiveness: **Newness and distinctiveness reside in the features of the visual shape and configuration of the steering wheel when viewed from the front and in the particular shape and placing of the various elements of the steering wheel apparent when viewed in the perspective as illustrated in the accompanying representations.**



(21) Design Number: **12913/2009**
(22) Date of Filing Application: **31 July 2009**
(24) Date from which industrial property rights may have effect: **31 July 2009**
(54) Product in respect of which the design is registered: **Seat for vehicle**
(51) International Design Classification: **06-01D**
(71) Name(s) and Address(s) of Applicant(s):

Perusahaan Otomobil Nasional SDN. BHD.
Hicom Industrial Estate Batu 3 40000 Shah Alam Selangor Malaysia

(72) Name(s) of Designer(s): **Kimmy Lim Li Ling**

(45) Registration Date: **18 August 2009**

(30) Convention priority data:

(31) Number	(32) Date	(33) Country
09000680101	03 Feb 2009	MALAYSIA

(56) Related Art Documents: **Not Applicable**

(57) Statement of Newness and Distinctiveness: **Newness and distinctiveness reside in the features of shape and configuration of the front row seat when viewed from the front and in the particular configuration of the shapes of the front row seat when viewed from the side as illustrated in the accompanying representations.**



(21) Design Number: **12914/2009**
(22) Date of Filing Application: **31 July 2009**
(24) Date from which industrial property rights may have effect: **31 July 2009**
(54) Product in respect of which the design is registered: **Seat for vehicle**
(51) International Design Classification: **06-01D**
(71) Name(s) and Address(s) of Applicant(s):

Perusahaan Otomobil Nasional SDN. BHD.
Hicom Industrial Estate Batu 3 40000 Shah Alam Selangor Malaysia

(72) Name(s) of Designer(s): **Kimmy Lim Li Ling**

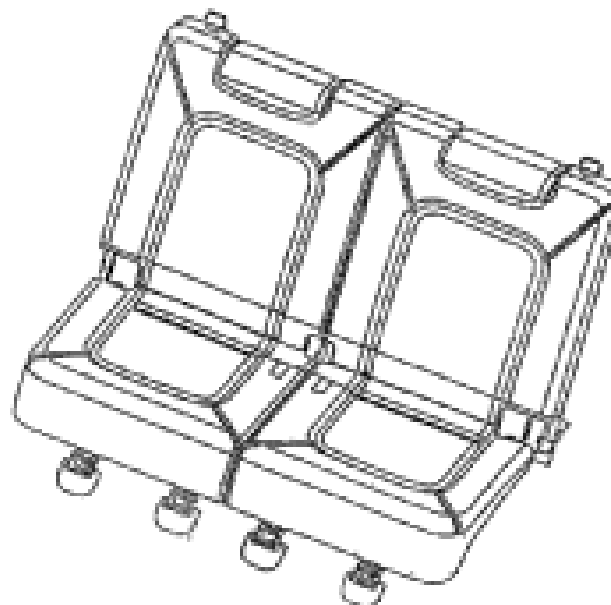
(45) Registration Date: **18 August 2009**

(30) Convention priority data:

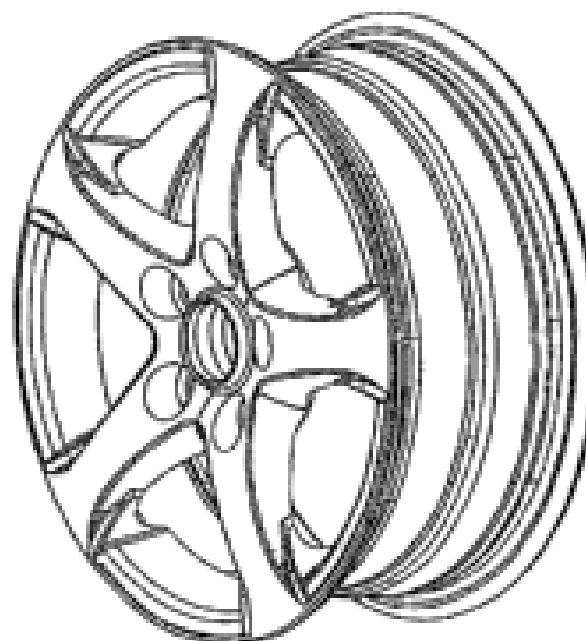
(31) Number	(32) Date	(33) Country
09000670101	03 Feb 2009	MALAYSIA

(56) Related Art Documents: **Not Applicable**

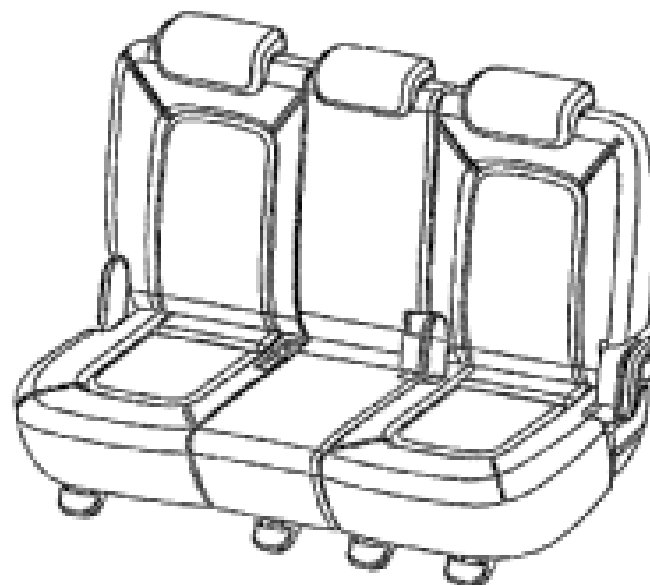
(57) Statement of Newness and Distinctiveness: **Newness and distinctiveness reside in the features of shape and configuration of the third row seats when viewed from the side and in the particular configuration of the shapes of the third row seats when viewed in the perspective as illustrated in the accompanying representations.**



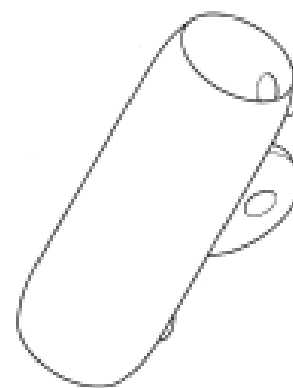
- (21) Design Number: **12915/2009**
(22) Date of Filing Application: **31 July 2009**
(24) Date from which industrial property rights may have effect: **31 July 2009**
(54) Product in respect of which the design is registered: **Wheel rim**
(51) International Design Classification: **12-16A**
(71) Name(s) and Address(s) of Applicant(s):
Perusahaan Otomobil Nasional SDN. BHD.
Hicom Industrial Estate Batu 3 40000 Shah Alam Selangor Malaysia
(72) Name(s) of Designer(s): **Effendi Bin Sahar**
(45) Registration Date: **18 August 2009**
(30) Convention priority data:
(31) Number (32) Date (33) Country
09000710101 03 Feb 2009 MALAYSIA
(56) Related Art Documents: **Not Applicable**
(57) Statement of Newness and Distinctiveness: **Newness and distinctiveness reside in the visual shape and configuration of the wheel rim as illustrated in the accompanying representations.**



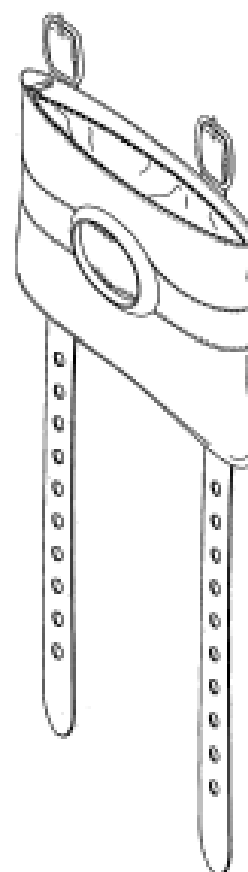
- (21) Design Number: **12916/2009**
(22) Date of Filing Application: **31 July 2009**
(24) Date from which industrial property rights may have effect: **31 July 2009**
(54) Product in respect of which the design is registered: **Seat for vehicle**
(51) International Design Classification: **06-01D**
(71) Name(s) and Address(s) of Applicant(s):
Perusahaan Otomobil Nasional SDN. BHD.
Hicom Industrial Estate Batu 3 40000 Shah Alam Selangor Malaysia
(72) Name(s) of Designer(s): **Kimmy Lim Li Ling**
(45) Registration Date: **18 August 2009**
(30) Convention priority data:
(31) Number (32) Date (33) Country
09000690101 03 Feb 2009 MALAYSIA
(56) Related Art Documents: **Not Applicable**
(57) Statement of Newness and Distinctiveness: **Newness and distinctiveness reside in the features of shape and configuration of the second row seats when viewed from the side as illustrated in the accompanying representations.**



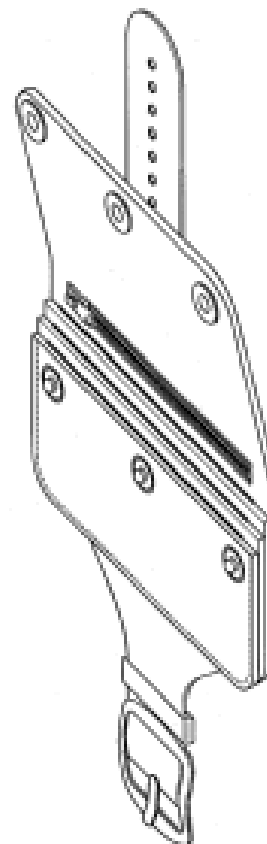
- (21) Design Number: **11672/2009**
- (22) Date of Filing Application: **11 May 2009**
- (24) Date from which industrial property rights may have effect: **11 May 2009**
- (54) Product in respect of which the design is registered: **Fitting for a support rail**
- (51) International Design Classification: **25-02NES**
- (71) Name(s) and Address(s) of Applicant(s):
Alltuff Products Pty Ltd
15 Dixie Road Kelmscott Western Australia 6111 Australia
- (72) Name(s) of Designer(s): **James Arthur Fawkes**
- (45) Registration Date: **18 August 2009**
- (56) Related Art Documents: **Not Applicable**
- (57) Statement of Newness and Distinctiveness: **Newness and distinctiveness is claimed in the features of shape and/or configuration of the fitting for a support rail as illustrated in the accompanying representations.**



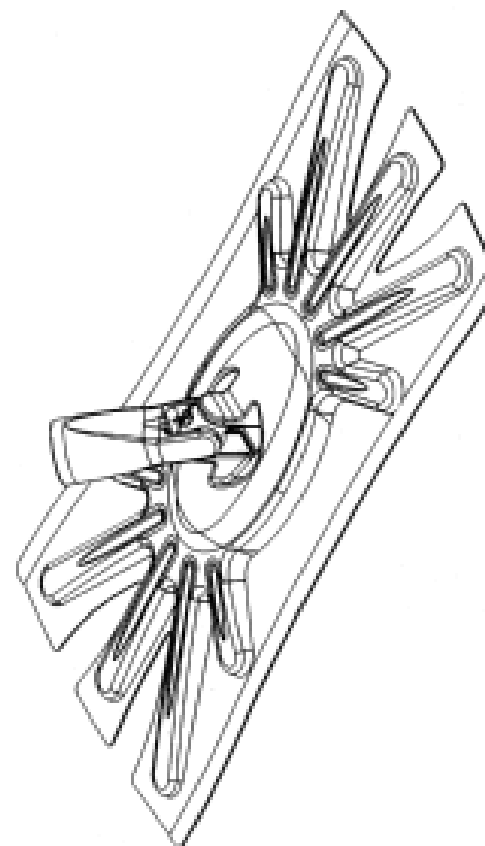
- (21) Design Number: **12676/2009**
- (22) Date of Filing Application: **21 July 2009**
- (24) Date from which industrial property rights may have effect: **21 July 2009**
- (54) Product in respect of which the design is registered: **Wrist wallet**
- (51) International Design Classification: **03-01B**
- (71) Name(s) and Address(s) of Applicant(s):
Going Dancing Pty Ltd
229 Marlock Way Mandurah Western Australia Australia 6210
- (72) Name(s) of Designer(s): **Stacey Cole**
- (45) Registration Date: **18 August 2009**
- (56) Related Art Documents: **Not Applicable**
- (57) Statement of Newness and Distinctiveness: **Nil**



- (21) Design Number: **12675/2009**
(22) Date of Filing Application: **21 July 2009**
(24) Date from which industrial property rights may have effect: **21 July 2009**
(54) Product in respect of which the design is registered: **Wrist wallet**
(51) International Design Classification: **03-01B**
(71) Name(s) and Address(s) of Applicant(s):
Going Dancing Pty Ltd
229 Marlock Way Mandurah Western Australia Australia 6210
(72) Name(s) of Designer(s): **Stacey Cole**
(45) Registration Date: **18 August 2009**
(56) Related Art Documents: **Not Applicable**
(57) Statement of Newness and Distinctiveness: **Nil**



- (21) Design Number: **12828/2009**
(22) Date of Filing Application: **30 July 2009**
(24) Date from which industrial property rights may have effect: **30 July 2009**
(54) Product in respect of which the design is registered: **Heads for cleaning brushware**
(51) International Design Classification: **04-01, 07-05NES**
(71) Name(s) and Address(s) of Applicant(s):
Carl Freudenberg KG
Hoehnerweg 2-4 69469 Weinheim Germany
(72) Name(s) of Designer(s): **Hans Joerg**
(45) Registration Date: **18 August 2009**
(30) Convention priority data:
(31) Number (32) Date (33) Country
001541624-0001 09 Jun 2009 EUROPEAN COMMUNITY
(56) Related Art Documents: **Not Applicable**
(57) Statement of Newness and Distinctiveness: **Newness and distinctiveness is claimed in the visual features shown in solid lines in the representations.**



(21) Design Number: **12738/2009**

(22) Date of Filing Application: **27 July 2009**

(24) Date from which industrial property rights may have effect: **27 July 2009**

(54) Product in respect of which the design is registered: **Moulded equipment trunk/case**

(51) International Design Classification: **03-01NES**

(71) Name(s) and Address(s) of Applicant(s):

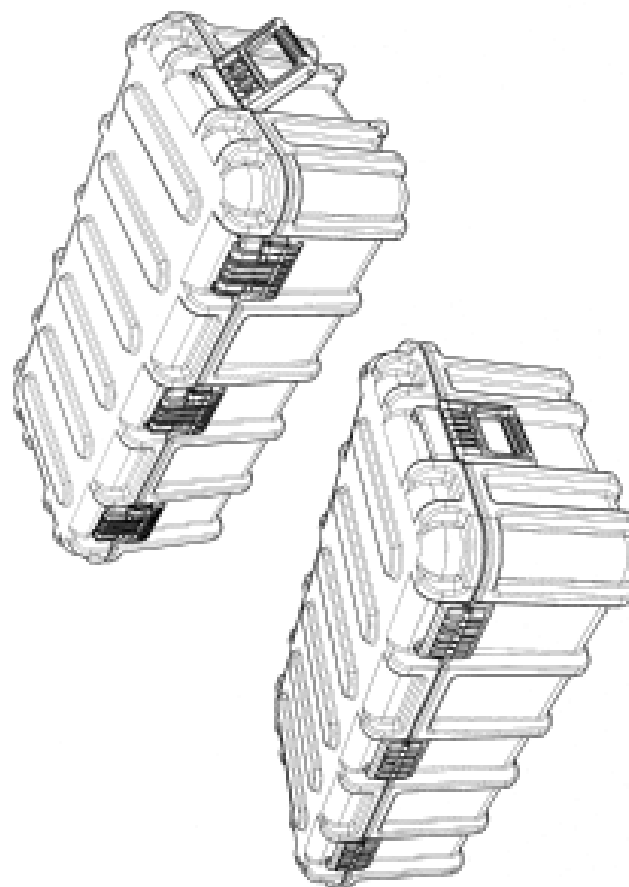
**Global Rotomoulding Pty Ltd
774 Koorlong Avenue Irymple Victoria 3498 Australia**

(72) Name(s) of Designer(s): **Howard Ferry**

(45) Registration Date: **18 August 2009**

(56) Related Art Documents: **Not Applicable**

(57) Statement of Newness and Distinctiveness: **Physical appearance and shape of product is new and distinctive. Also distinctive is the common mounting point for the hinges, handles and lockable catch which can be fitted in any one of the 8 locations around the product.**



(21) Design Number: **12739/2009**

(22) Date of Filing Application: **27 July 2009**

(24) Date from which industrial property rights may have effect: **27 July 2009**

(54) Product in respect of which the design is registered: **Moulded equipment trunk/case**

(51) International Design Classification: **03-01NES**

(71) Name(s) and Address(s) of Applicant(s):

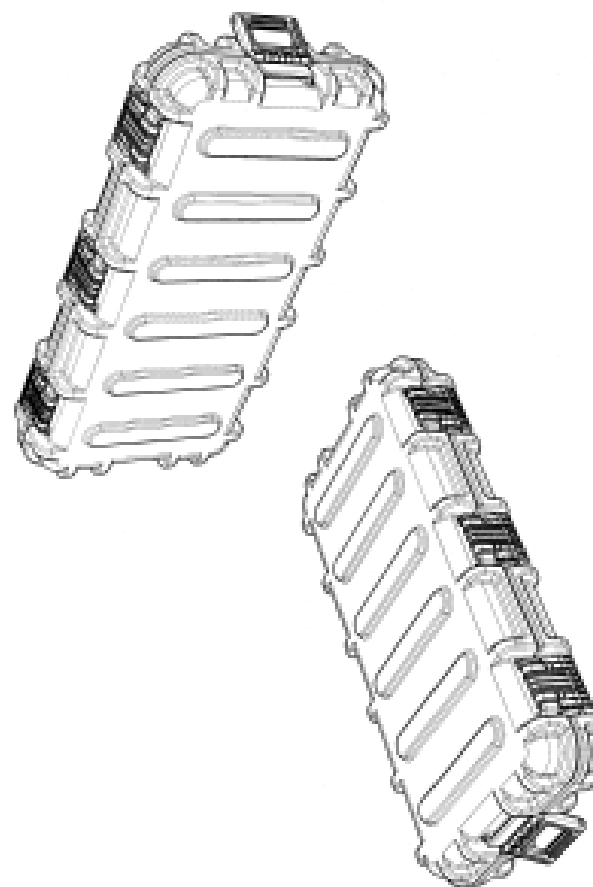
**Global Rotomoulding Pty Ltd
774 Koorlong Avenue Irymple Victoria 3498 Australia**

(72) Name(s) of Designer(s): **Howard Ferry**

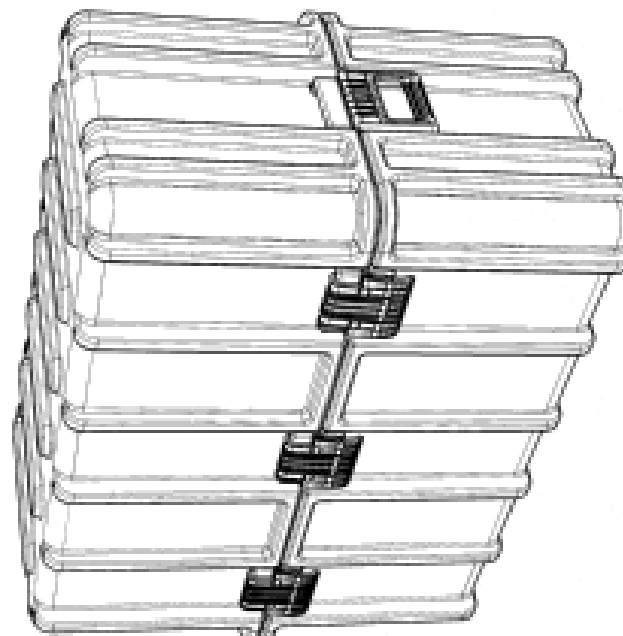
(45) Registration Date: **18 August 2009**

(56) Related Art Documents: **Not Applicable**

(57) Statement of Newness and Distinctiveness: **Physical appearance and shape of product is new and distinctive. Also distinctive is the common mounting point for the hinges, handles and lockable catch which can be fitted in any one of the 8 locations around the product.**



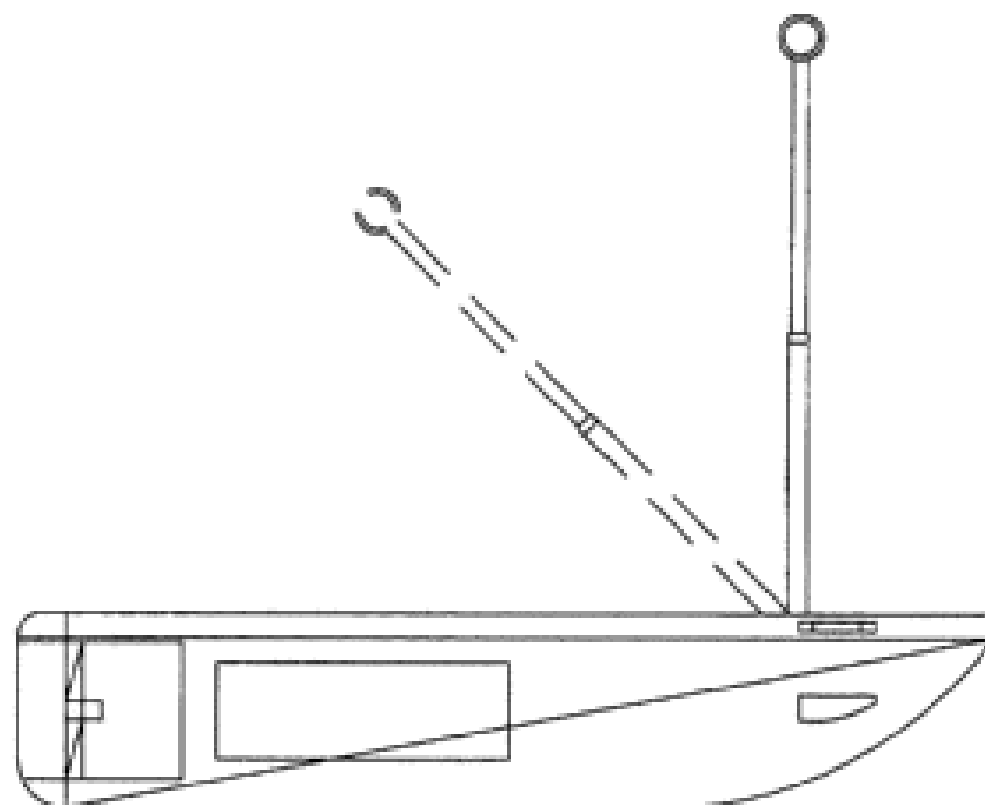
- (21) Design Number: **12740/2009**
(22) Date of Filing Application: **27 July 2009**
(24) Date from which industrial property rights may have effect: **27 July 2009**
(54) Product in respect of which the design is registered: **Moulded equipment trunk/case**
(51) International Design Classification: **03-01NES**
(71) Name(s) and Address(s) of Applicant(s):
Global Rotomoulding Pty Ltd
774 Koorlong Avenue Irymple Victoria 3498 Australia
(72) Name(s) of Designer(s): **Howard Ferry**
(45) Registration Date: **18 August 2009**
(56) Related Art Documents: **Not Applicable**
(57) Statement of Newness and Distinctiveness: **Physical appearance and shape of product is new and distinctive. Also distinctive is the common mounting point for the hinges, handles and lockable catch which can be fitted in any one of the 8 locations around the product.**



- (21) Design Number: **11485/2009**
(22) Date of Filing Application: **28 April 2009**
(24) Date from which industrial property rights may have effect: **28 April 2009**
(54) Product in respect of which the design is registered: **The L-Tape is a passive measuring (no liquid decanting is required) and is used to confirm the mathematical and**
(51) International Design Classification: **10-04**
(71) Name(s) and Address(s) of Applicant(s):
Hanan Abdalla
2/20 Continua Court Wattle Grove New South Wales 2173 Australia
(72) Name(s) of Designer(s): **Hanan Abdalla**
(45) Registration Date: **20 August 2009**
(56) Related Art Documents: **Not Applicable**
(57) Statement of Newness and Distinctiveness: **The L-Tape can be calibrated for specific product such as methadone, morphine or codeine liquid preparations. The current method of checking methadone balance is creating large accumulative discrepancies in the methadone volume and introducing environmental contaminants to the medications. Unnecessarily volume loss occurs with every time the liquid is decanted between the bottle and the measuring cylinder. The L-Tape is a passive measuring (no liquid decanting is required) and is used to confirm the mathematical and physical volumes.**



- (21) Design Number: **11972/2009**
(22) Date of Filing Application: **28 May 2009**
(24) Date from which industrial property rights may have effect: **28 May 2009**
(54) Product in respect of which the design is registered: **Water scooter**
(51) International Design Classification: **12-06A**
(71) Name(s) and Address(s) of Applicant(s):
Da Wei Zhang
4 Yates Wynd Doncaster East Victoria 3109 Australia
(72) Name(s) of Designer(s): **Da Wei Zhang**
(45) Registration Date: **20 August 2009**
(56) Related Art Documents: **Not Applicable**
(57) Statement of Newness and Distinctiveness: **Nil**



- (21) Design Number: **12090/2009**
(22) Date of Filing Application: **05 June 2009**
(24) Date from which industrial property rights may have effect: **05 June 2009**
(54) Product in respect of which the design is registered: **Pendant**
(51) International Design Classification: **11-01NES**
(71) Name(s) and Address(s) of Applicant(s):
Robert Zander
10 Merrimac Boulevard Broadbeach Waters Queensland 4218
Australia
(72) Name(s) of Designer(s): **Robert Zander**
(45) Registration Date: **20 August 2009**
(56) Related Art Documents: **Not Applicable**
(57) Statement of Newness and Distinctiveness: **The design relates to the overall appearance and particular visual features of a product, being an item of jewellery, having the pattern, shape, configuration and ornamentation as shown in the representations. The item of jewellery includes a concealed bail hinge, embossed script - cloverme, faith, hope, love, luck. An interchangeable inner portion with gems (gems have no mechanical fixing), a main body shaped and dimensioned to receive the inner portion, and a magnetic arrangement to releasably attach the inner portion to the main body.**



(21) Design Number: **12092/2009**

(22) Date of Filing Application: **05 June 2009**

(24) Date from which industrial property rights may have effect: **05 June 2009**

(54) Product in respect of which the design is registered: **Automobile tyre**

(51) International Design Classification: **12-15A**

(71) Name(s) and Address(s) of Applicant(s):

Bridgestone Corporation
10-1 Kyobashi 1-Chome Chuo-ku Tokyo 104-8340 Japan

(72) Name(s) of Designer(s): **Shungo Fujita**

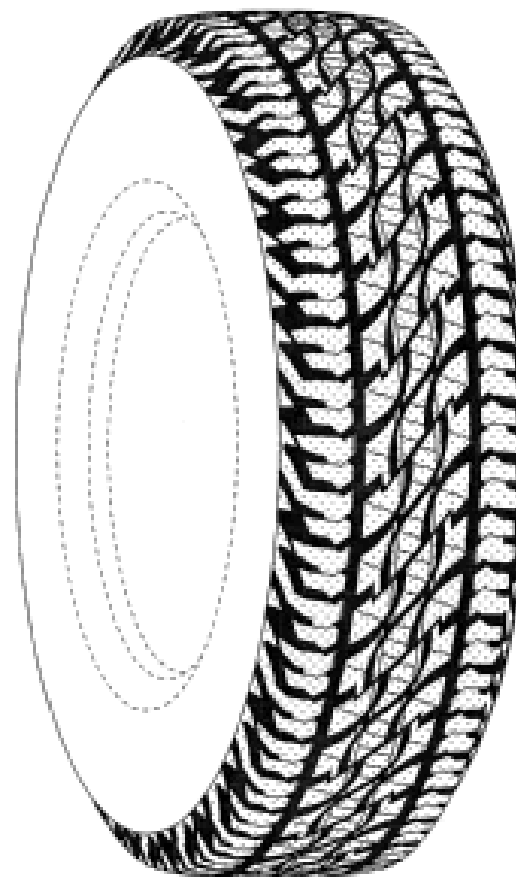
(45) Registration Date: **20 August 2009**

(30) Convention priority data:

(31) Number	(32) Date	(33) Country
2008-031494	11 Dec 2008	JAPAN

(56) Related Art Documents: **Not Applicable**

(57) Statement of Newness and Distinctiveness: **The shape and configuration of the tread portion of the tyre as shown in solid lines in the representations is new and distinctive.**



(21) Design Number: **12094/2009**

(22) Date of Filing Application: **05 June 2009**

(24) Date from which industrial property rights may have effect: **05 June 2009**

(54) Product in respect of which the design is registered: **Automobile tyre**

(51) International Design Classification: **12-15B**

(71) Name(s) and Address(s) of Applicant(s):

Bridgestone Corporation
10-1 Kyobashi 1-Chome Chuo-ku Tokyo 104-8340 Japan

(72) Name(s) of Designer(s): **Suguru Yamaguchi**

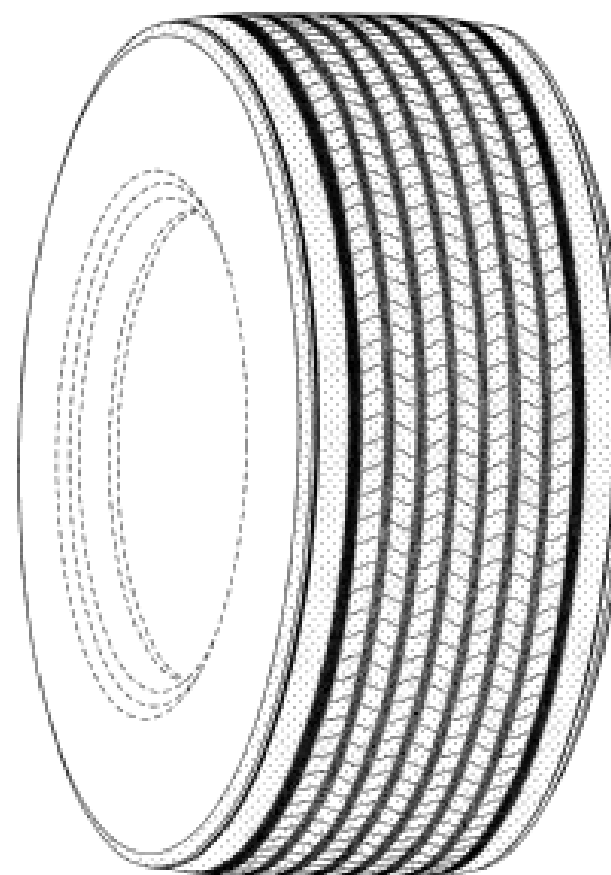
(45) Registration Date: **20 August 2009**

(30) Convention priority data:

(31) Number	(32) Date	(33) Country
2008-031416	10 Dec 2008	JAPAN

(56) Related Art Documents: **Not Applicable**

(57) Statement of Newness and Distinctiveness: **The shape and configuration of the tread portion of the tyre as shown in solid lines in the representations is new and distinctive.**



(21) Design Number: **12197/2009**

(22) Date of Filing Application: **18 June 2009**

(24) Date from which industrial property rights may have effect: **18 June 2009**

(54) Product in respect of which the design is registered: **Bicycle rack**

(51) International Design Classification: **08-10**

(71) Name(s) and Address(s) of Applicant(s):

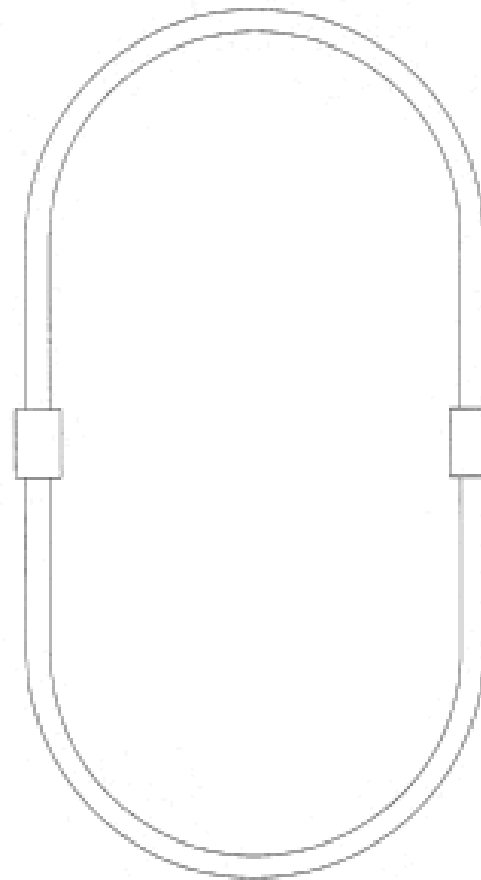
**Bicycle Victoria Incorporated
L10 446 Collins Street Melbourne Victoria 3000 Australia**

(72) Name(s) of Designer(s): **Jason der Hollander**

(45) Registration Date: **20 August 2009**

(56) Related Art Documents: **Not Applicable**

(57) Statement of Newness and Distinctiveness: **Joined pipe using a modular clamp system for the purpose of fastening to street signage.**



(21) Design Number: **12488/2009**

(22) Date of Filing Application: **10 July 2009**

(24) Date from which industrial property rights may have effect: **10 July 2009**

(54) Product in respect of which the design is registered: **Kustom kombi bed seat**

(51) International Design Classification: **06-01D, 08-07**

(71) Name(s) and Address(s) of Applicant(s):

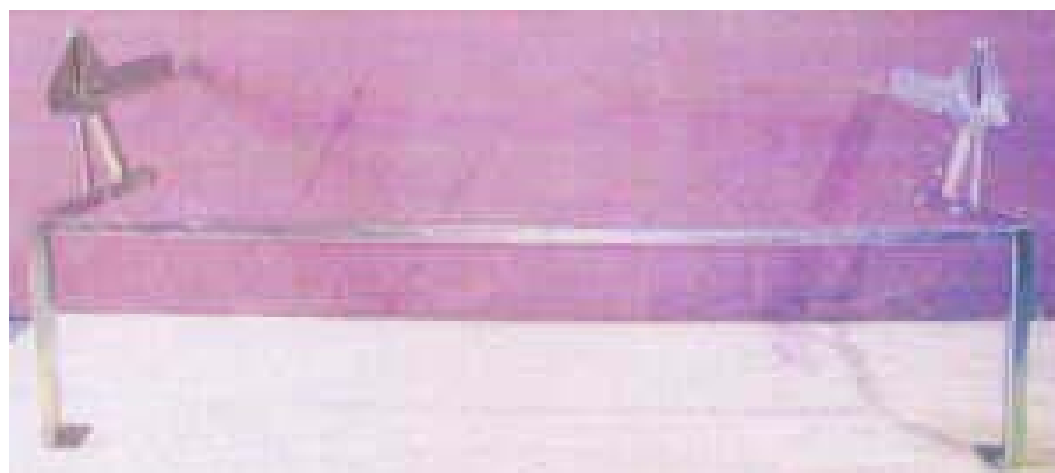
**Jamie Alan Hage
16/217 Boat Park Brisbane Road Labrador Queensland 4215 Australia**

(72) Name(s) of Designer(s): **Jamie Alan Hage**

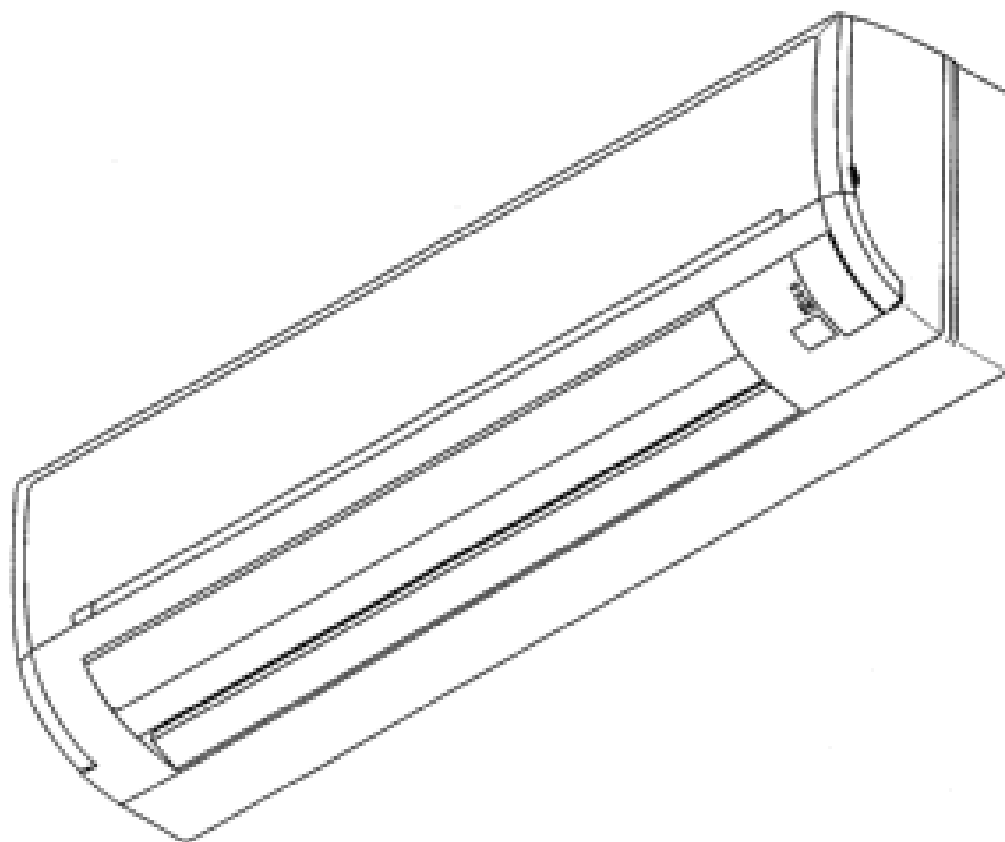
(45) Registration Date: **20 August 2009**

(56) Related Art Documents: **Not Applicable**

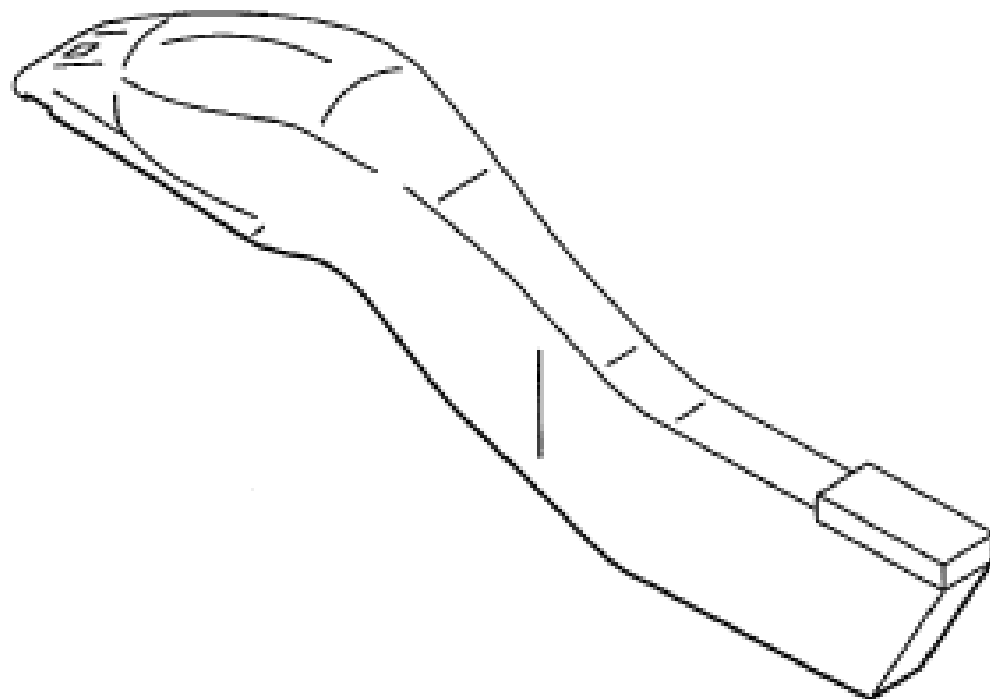
(57) Statement of Newness and Distinctiveness: **The main locking mechanism is designed to be released when the seat base is lifted up and then the seat can fold into a bed.**



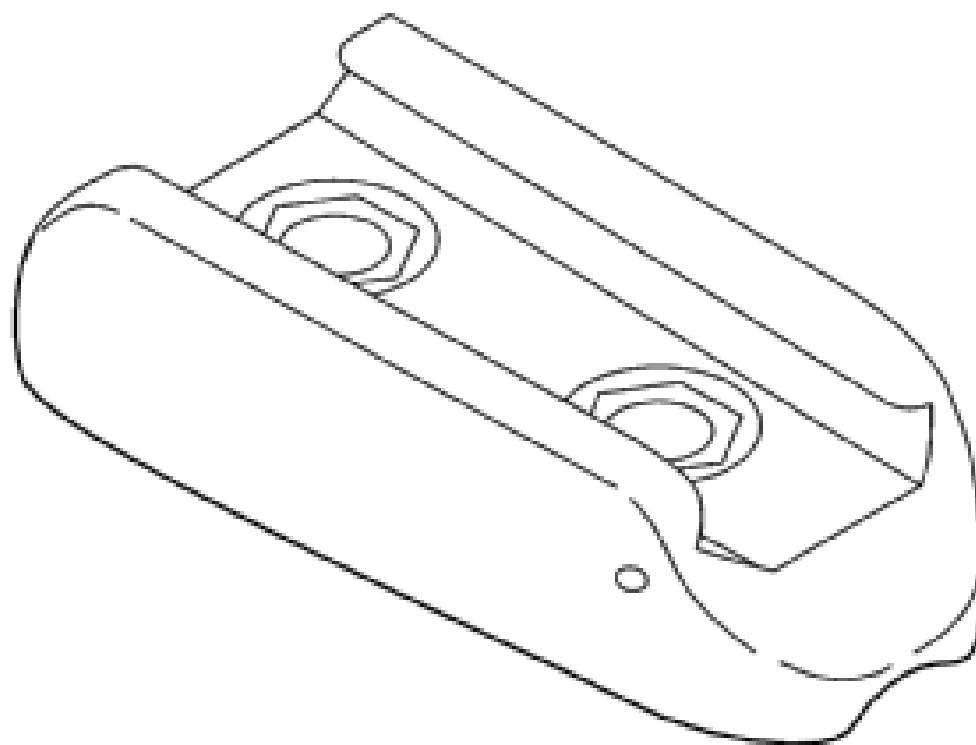
- (21) Design Number: **12567/2009**
(22) Date of Filing Application: **15 July 2009**
(24) Date from which industrial property rights may have effect: **15 July 2009**
(54) Product in respect of which the design is registered: **Air conditioner**
(51) International Design Classification: **23-04**
(71) Name(s) and Address(s) of Applicant(s):
Mitsubishi Electric Corporation
7-3 Marunouchi 2-chome Chiyoda-ku Tokyo 100-8310 Japan
(72) Name(s) of Designer(s): **Masataka Nagahori and Takanori Miyake and Sou Nakai**
(45) Registration Date: **20 August 2009**
(56) Related Art Documents: **Not Applicable**
(57) Statement of Newness and Distinctiveness: **Nil**



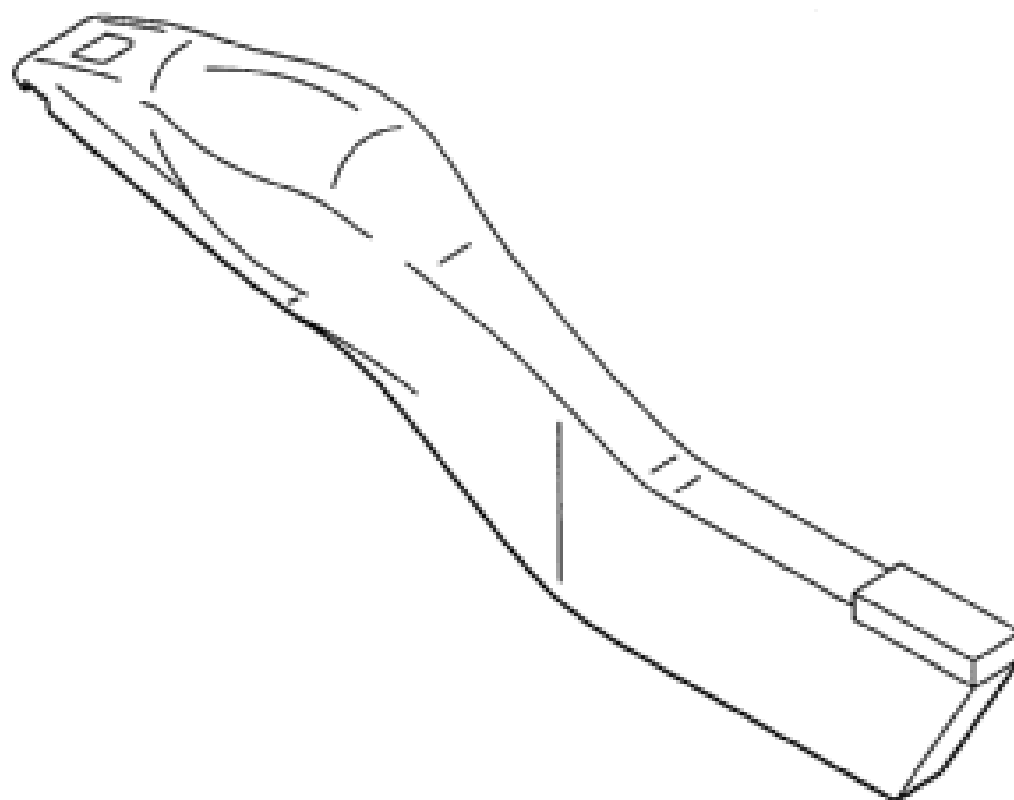
- (21) Design Number: **12608/2009**
(22) Date of Filing Application: **17 July 2009**
(24) Date from which industrial property rights may have effect: **17 July 2009**
(54) Product in respect of which the design is registered: **A digging point**
(51) International Design Classification: **08-01, 15-09**
(71) Name(s) and Address(s) of Applicant(s):
Stiletto Seeding Systems Pty Ltd
278 Place Road Geraldton Western Australia 6530 Australia
(72) Name(s) of Designer(s): **Mark Dawson and Stuart Davis Smart**
(45) Registration Date: **20 August 2009**
(56) Related Art Documents: **Not Applicable**
(57) Statement of Newness and Distinctiveness: **Newness and distinctiveness is claimed in the features of shape and/or configuration of a digging point as illustrated in the accompanying representations.**



- (21) Design Number: **12609/2009**
- (22) Date of Filing Application: **17 July 2009**
- (24) Date from which industrial property rights may have effect: **17 July 2009**
- (54) Product in respect of which the design is registered: **An adaptor**
- (51) International Design Classification: **08-99, 15-09**
- (71) Name(s) and Address(s) of Applicant(s):
Stiletto Seeding Systems Pty Ltd
278 Place Road Geraldton Western Australia 6530 Australia
- (72) Name(s) of Designer(s): **Mark Dawson and Stuart Davis Smart**
- (45) Registration Date: **20 August 2009**
- (56) Related Art Documents: **Not Applicable**
- (57) Statement of Newness and Distinctiveness: **Newness and distinctiveness is claimed in the features of shape and/or configuration of an adaptor as illustrated in the accompanying representations.**



- (21) Design Number: **12610/2009**
- (22) Date of Filing Application: **17 July 2009**
- (24) Date from which industrial property rights may have effect: **17 July 2009**
- (54) Product in respect of which the design is registered: **A digging point**
- (51) International Design Classification: **08-01**
- (71) Name(s) and Address(s) of Applicant(s):
Stiletto Seeding Systems Pty Ltd
278 Place Road Geraldton Western Australia 6530 Australia
- (72) Name(s) of Designer(s): **Mark Dawson and Stuart Davis Smart**
- (45) Registration Date: **20 August 2009**
- (56) Related Art Documents: **Not Applicable**
- (57) Statement of Newness and Distinctiveness: **Newness and distinctiveness is claimed in the features of shape and/or configuration of a digging point as illustrated in the accompanying representations.**



(21) Design Number: 12742/2009

(22) Date of Filing Application: 24 July 2009

(24) Date from which industrial property rights may have effect: 24 July 2009

(54) Product in respect of which the design is registered: Insulated container

(51) International Design Classification: 09-03L

(71) Name(s) and Address(s) of Applicant(s):

The Coleman Company, Inc.
3600 N. Hydraulic Wichita Kansas 67219 United States of America

(72) Name(s) of Designer(s): **W. Geoffrey Daniel and Philip M. Holsinger**

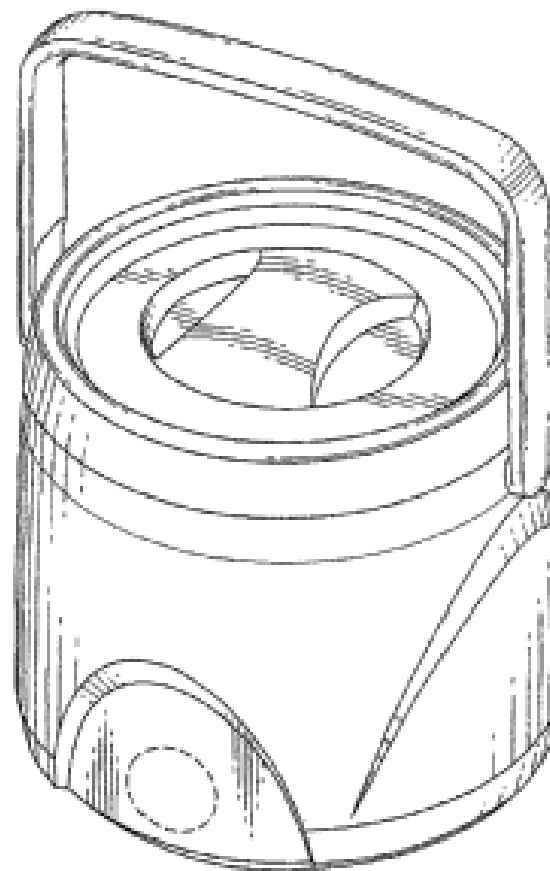
(45) Registration Date: 20 August 2009

(30) Convention priority data:

(31) Number	(32) Date	(33) Country
29/331592	28 Jan 2009	UNITED STATES OF AMERICA

(56) Related Art Documents: **Not Applicable**

(57) Statement of Newness and Distinctiveness: **When determining whether the design 1 is substantially similar in overall impression to another design, it should be noted that the broken line representations in the figures are for the purpose of illustration only, and form no part of the design.**



(21) Design Number: 12743/2009

(22) Date of Filing Application: 24 July 2009

(24) Date from which industrial property rights may have effect: 24 July 2009

(54) Product in respect of which the design is registered: Charging station

(51) International Design Classification: 13-02

(71) Name(s) and Address(s) of Applicant(s):

The Coleman Company, Inc.
3600 N. Hydraulic Wichita Kansas 67219 United States of America

(72) Name(s) of Designer(s): **Jake L. Hillard**

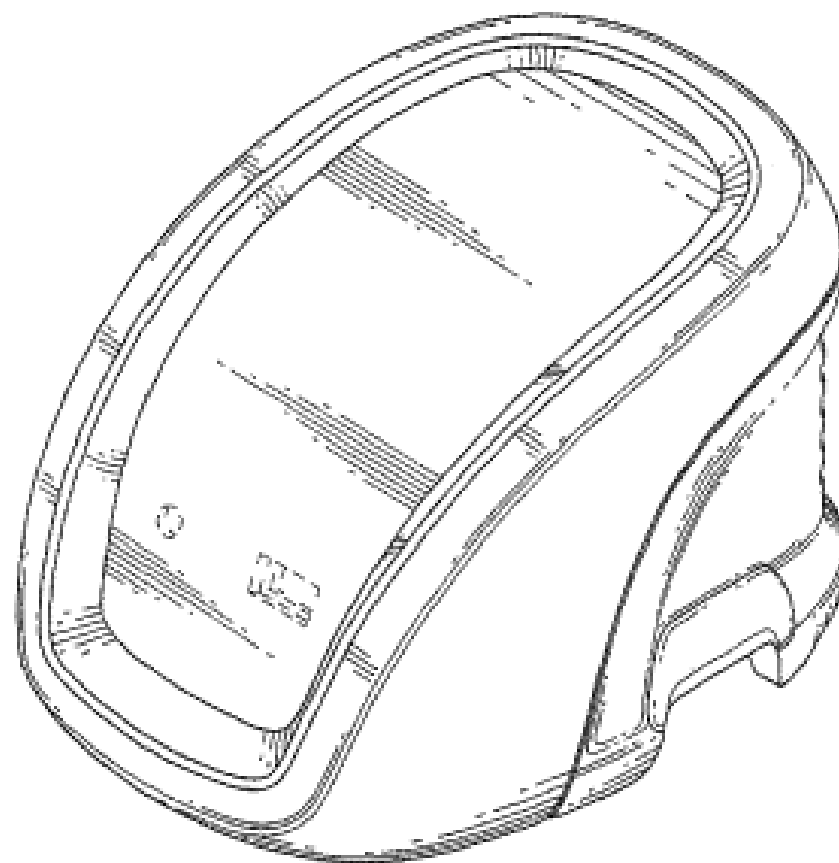
(45) Registration Date: 20 August 2009

(30) Convention priority data:

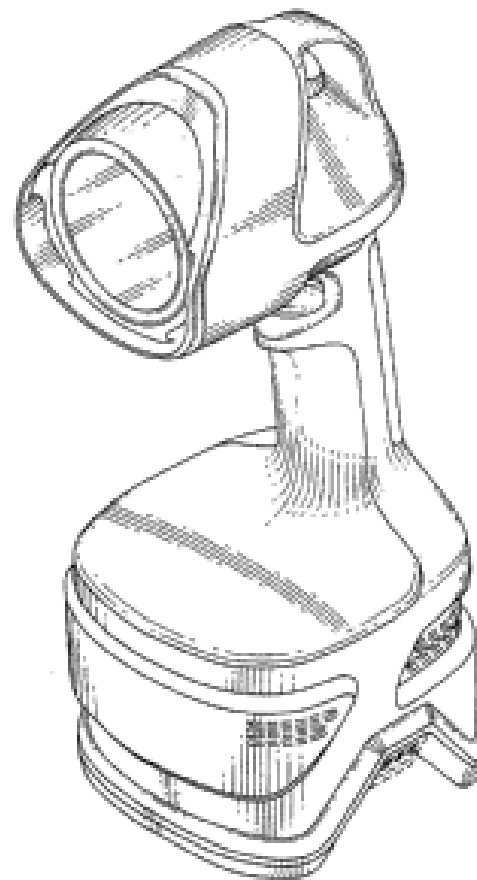
(31) Number	(32) Date	(33) Country
29/331441	26 Jan 2009	UNITED STATES OF AMERICA

(56) Related Art Documents: **Not Applicable**

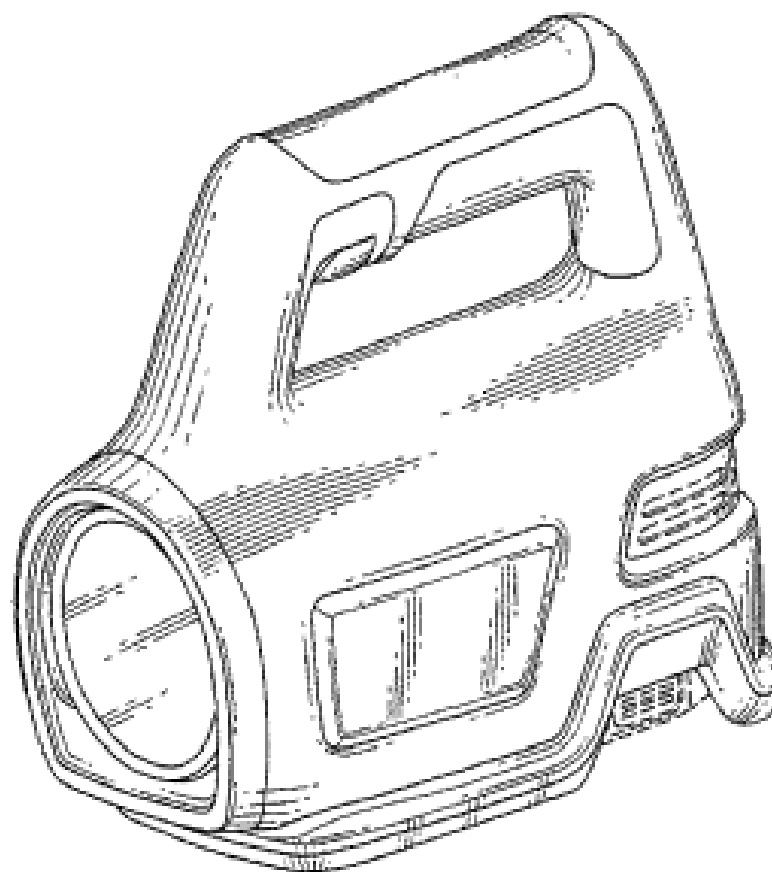
(57) Statement of Newness and Distinctiveness: **When determining whether the design 1 is substantially similar in overall impression to another design, it should be noted that the broken line representations in the figures are for the purpose of illustration only, and form no part of the design.**



(21) Design Number: **12744/2009**
 (22) Date of Filing Application: **24 July 2009**
 (24) Date from which industrial property rights may have effect: **24 July 2009**
 (54) Product in respect of which the design is registered: **Worklight**
 (51) International Design Classification: **26-02**
 (71) Name(s) and Address(s) of Applicant(s):
The Coleman Company, Inc.
3600 N. Hydraulic Wichita Kansas 67219 United States of America
 (72) Name(s) of Designer(s): **Jake L. Hillard**
 (45) Registration Date: **20 August 2009**
 (30) Convention priority data:
 (31) Number (32) Date (33) Country
29/331443 26 Jan 2009 UNITED STATES OF AMERICA
 (56) Related Art Documents: **Not Applicable**
 (57) Statement of Newness and Distinctiveness: **When determining whether the design 1 is substantially similar in overall impression to another design, it should be noted that the broken line representations in the figures are for the purpose of illustration only, and form no part of the design.**



(21) Design Number: **12745/2009**
 (22) Date of Filing Application: **24 July 2009**
 (24) Date from which industrial property rights may have effect: **24 July 2009**
 (54) Product in respect of which the design is registered: **Flashlight**
 (51) International Design Classification: **26-02**
 (71) Name(s) and Address(s) of Applicant(s):
The Coleman Company, Inc.
3600 N. Hydraulic Wichita Kansas 67219 United States of America
 (72) Name(s) of Designer(s): **Daniel E. DeBrunner**
 (45) Registration Date: **20 August 2009**
 (30) Convention priority data:
 (31) Number (32) Date (33) Country
29/331449 26 Jan 2009 UNITED STATES OF AMERICA
 (56) Related Art Documents: **Not Applicable**
 (57) Statement of Newness and Distinctiveness: **When determining whether the design 1 is substantially similar in overall impression to another design, it should be noted that the broken line representations in the figures are for the purpose of illustration only, and form no part of the design.**



(21) Design Number: **12746/2009**

(22) Date of Filing Application: **24 July 2009**

(24) Date from which industrial property rights may have effect: **24 July 2009**

(54) Product in respect of which the design is registered: **Insulated container**

(51) International Design Classification: **09-03L**

(71) Name(s) and Address(s) of Applicant(s):

**The Coleman Company, Inc.
3600 N. Hydraulic Wichita Kansas 67219 United States of America**

(72) Name(s) of Designer(s): **Philip M. Holsinger**

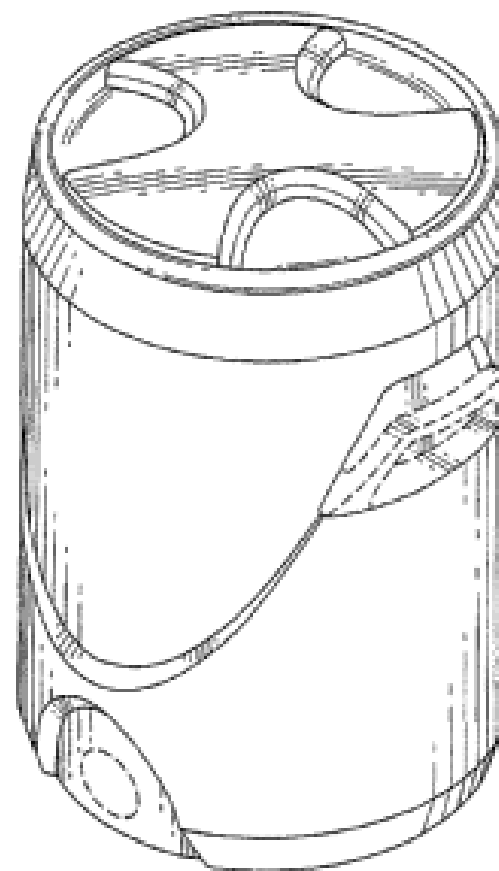
(45) Registration Date: **20 August 2009**

(30) Convention priority data:

(31) Number	(32) Date	(33) Country
29/331,594	28 Jan 2009	UNITED STATES OF AMERICA

(56) Related Art Documents: **Not Applicable**

(57) Statement of Newness and Distinctiveness: **When determining whether the design 1 is substantially similar in overall impression to another design, it should be noted that the broken line representations in the figures are for the purpose of illustration only, and form no part of the design.**



(21) Design Number: **12747/2009**

(22) Date of Filing Application: **24 July 2009**

(24) Date from which industrial property rights may have effect: **24 July 2009**

(54) Product in respect of which the design is registered: **A vehicle mounted crane**

(51) International Design Classification: **12-05**

(71) Name(s) and Address(s) of Applicant(s):

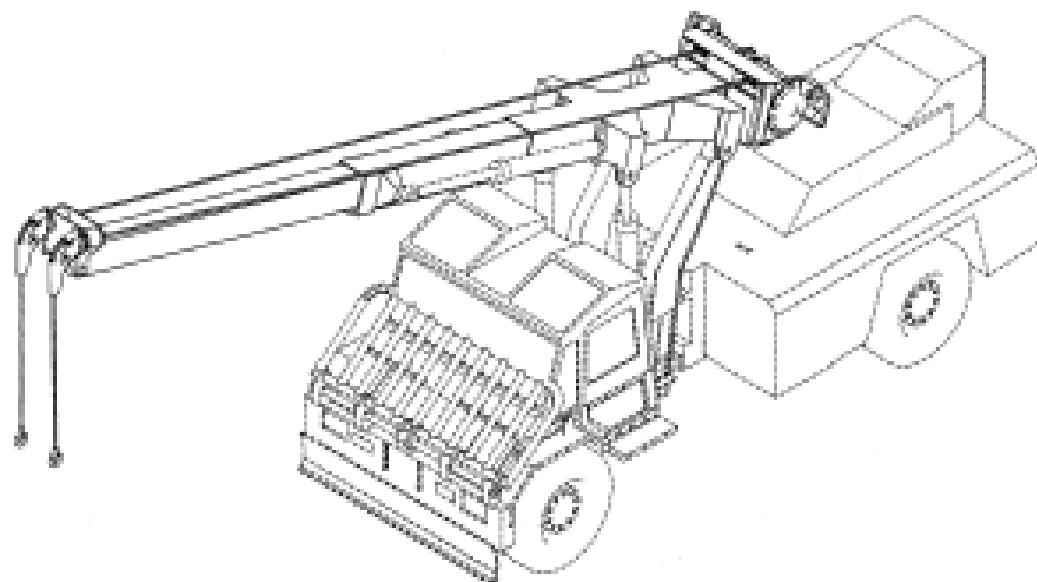
**Ekebol Engineering Pty Ltd
14 Enterprise Street Kunda Park Queensland 4556 Australia**

(72) Name(s) of Designer(s): **Wayne Joseph Luck and Orvar Ekebol and Ken Barnett**

(45) Registration Date: **20 August 2009**

(56) Related Art Documents: **Not Applicable**

(57) Statement of Newness and Distinctiveness: **The newness and distinctiveness of the design resides in the visual features of shape and/or configuration of a vehicle mounted crane as shown in solid lines in the accompanying representations.**



(21) Design Number: **12764/2009**

(22) Date of Filing Application: **24 July 2009**

(24) Date from which industrial property rights may have effect: **24 July 2009**

(54) Product in respect of which the design is registered: **Adjustable spigot**

(51) International Design Classification: **08-08NES**

(71) Name(s) and Address(s) of Applicant(s):

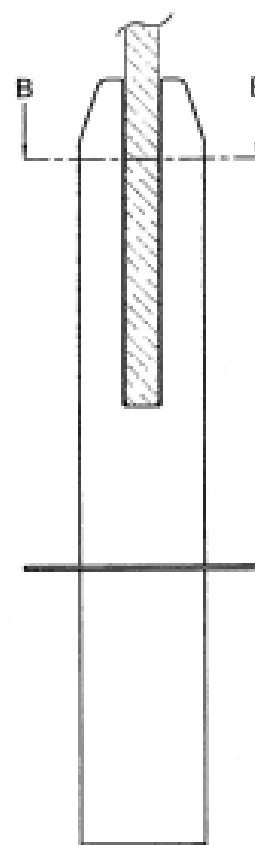
**Alto-Vista Australasia Pty Ltd
Unit 10/23 Activity Crescent Molendinar Queensland 4214 Australia**

(72) Name(s) of Designer(s): **Robert Gimenez**

(45) Registration Date: **19 August 2009**

(56) Related Art Documents: **Not Applicable**

(57) Statement of Newness and Distinctiveness: **The newness and distinctiveness of the design resides in the features of shape and/or configuration of the adjustable spigot shown in unbroken lines in the accompanying representations. The glass panel depicted in broken lines in the sectional view is for illustrative purposes only and forms no part of the design.**



(21) Design Number: **12765/2009**

(22) Date of Filing Application: **24 July 2009**

(24) Date from which industrial property rights may have effect: **24 July 2009**

(54) Product in respect of which the design is registered: **Adjustable spigot**

(51) International Design Classification: **08-08NES**

(71) Name(s) and Address(s) of Applicant(s):

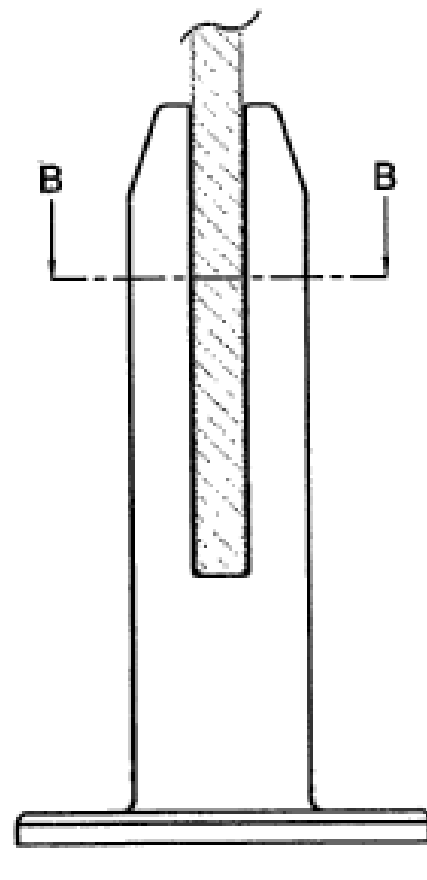
**Alto-Vista Australasia Pty Ltd
Unit 10/23 Activity Crescent Molendinar Queensland 4214 Australia**

(72) Name(s) of Designer(s): **Robert Gimenez**

(45) Registration Date: **19 August 2009**

(56) Related Art Documents: **Not Applicable**

(57) Statement of Newness and Distinctiveness: **The newness and distinctiveness of the design resides in the features of shape and/or configuration of the adjustable spigot shown in unbroken lines in the accompanying representations. The glass panel depicted in broken lines in the sectional view is for illustrative purposes only and forms no part of the design.**



(21) Design Number: **12772/2009**

(22) Date of Filing Application: **24 July 2009**

(24) Date from which industrial property rights may have effect: **24 July 2009**

(54) Product in respect of which the design is registered: **Slip-resistant sole**

(51) International Design Classification: **02-04B**

(71) Name(s) and Address(s) of Applicant(s):

Ku Do Moon

22600 Hidden Hills Road Yorba Linda California 92887 United States of America

Techline Union Co., Ltd.

258-7 An-dong Gimhae-si Gyeongsangnam-do 621-200 Republic of Korea

(72) Name(s) of Designer(s): **Ku Do Moon**

(45) Registration Date: **19 August 2009**

(30) Convention priority data:

(31) Number

(32) Date

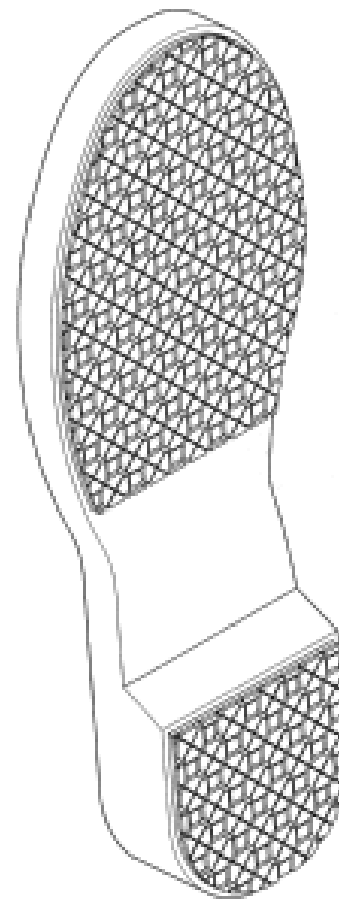
(33) Country

30-2009-0009385 04 Mar 2009

REPUBLIC OF KOREA

(56) Related Art Documents: **Not Applicable**

(57) Statement of Newness and Distinctiveness: **Newness and distinctiveness is claimed in the features of shape and/or configuration, and pattern of a slip-resistant sole as illustrated in the accompanying representations.**



(21) Design Number: **12773/2009**

(22) Date of Filing Application: **24 July 2009**

(24) Date from which industrial property rights may have effect: **24 July 2009**

(54) Product in respect of which the design is registered: **Slip-resistant sole**

(51) International Design Classification: **02-04B**

(71) Name(s) and Address(s) of Applicant(s):

Ku Do Moon

22600 Hidden Hills Road Yorba Linda California 92887 United States of America

Techline Union Co., Ltd.

258-7 An-dong Gimhae-si Gyeongsangnam-do 621-200 Republic of Korea

(72) Name(s) of Designer(s): **Ku Do Moon**

(45) Registration Date: **19 August 2009**

(30) Convention priority data:

(31) Number

(32) Date

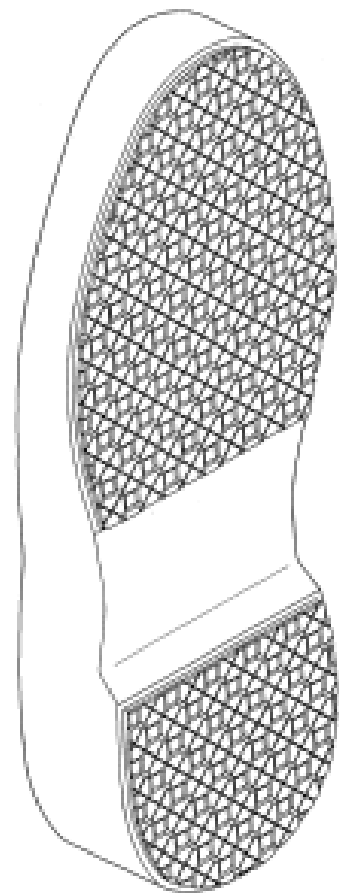
(33) Country

30-2009-0009405 05 Mar 2009

REPUBLIC OF KOREA

(56) Related Art Documents: **Not Applicable**

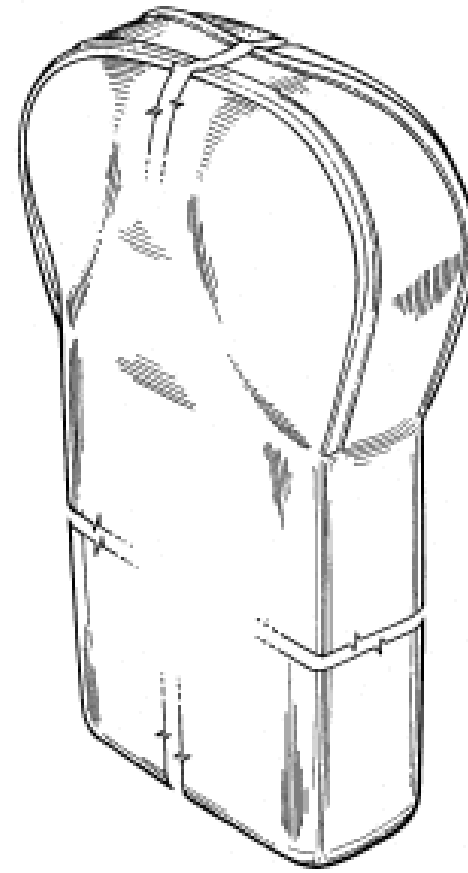
(57) Statement of Newness and Distinctiveness: **Newness and distinctiveness is claimed in the features of shape and/or configuration, and pattern of a slip-resistant sole as illustrated in the accompanying representations.**



- (21) Design Number: **12774/2009**
(22) Date of Filing Application: **24 July 2009**
(24) Date from which industrial property rights may have effect: **24 July 2009**
(54) Product in respect of which the design is registered: **Lunch box cover**
(51) International Design Classification: **03-01A, 07-07NES**
(71) Name(s) and Address(s) of Applicant(s):

Smash Enterprises Pty Ltd
11 Redland Drive Mitcham Victoria 3132 Australia

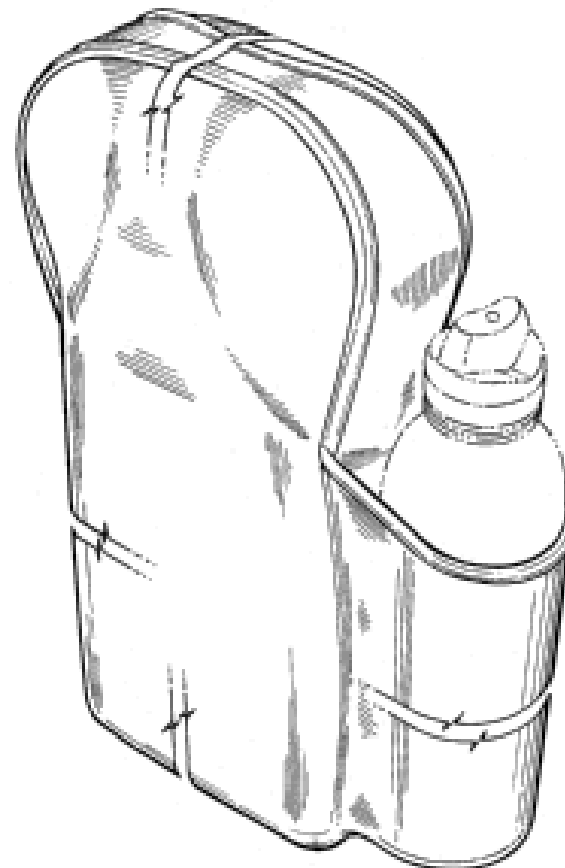
- (72) Name(s) of Designer(s): **Dale Harbinson**
(45) Registration Date: **19 August 2009**
(56) Related Art Documents: **Not Applicable**
(57) Statement of Newness and Distinctiveness: **Newness and distinctiveness resides in the features of shape and/or configuration of a lunch box cover as shown in the accompanying representations. The lunch box cover being of indefinite length and width.**



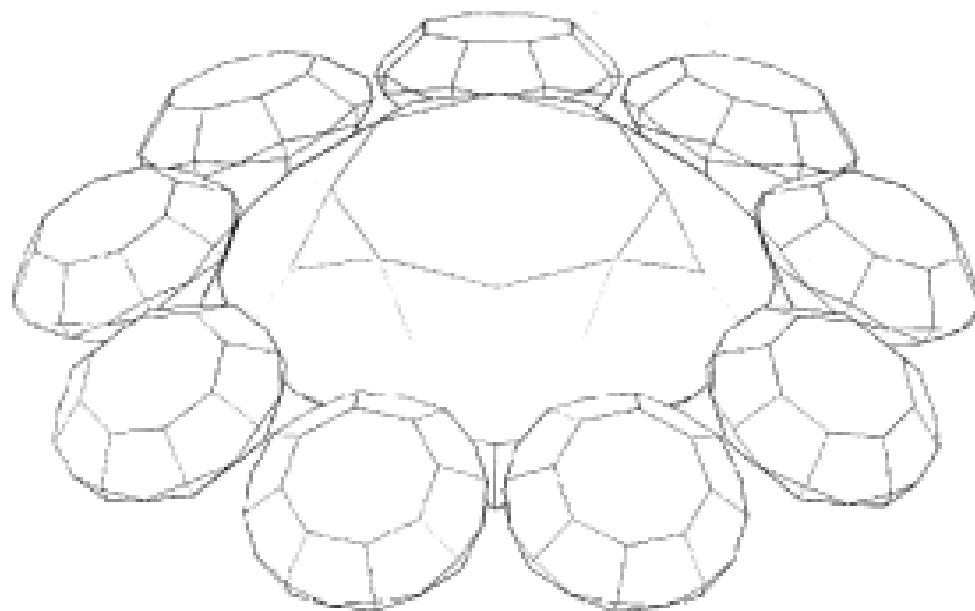
- (21) Design Number: **12775/2009**
(22) Date of Filing Application: **24 July 2009**
(24) Date from which industrial property rights may have effect: **24 July 2009**
(54) Product in respect of which the design is registered: **Lunch box cover with bottle holder**
(51) International Design Classification: **03-01A, 07-06A, 09-03E**
(71) Name(s) and Address(s) of Applicant(s):

Smash Enterprises Pty Ltd
11 Redland Drive Mitcham Victoria 3132 Australia

- (72) Name(s) of Designer(s): **Dale Harbinson**
(45) Registration Date: **19 August 2009**
(56) Related Art Documents: **Not Applicable**
(57) Statement of Newness and Distinctiveness: **Newness and distinctiveness resides in the features of shape and/or configuration of a lunch box cover with bottle holder as shown in solid lines in the accompanying representations. The lunch box cover with bottle holder being of indefinite length and width.**



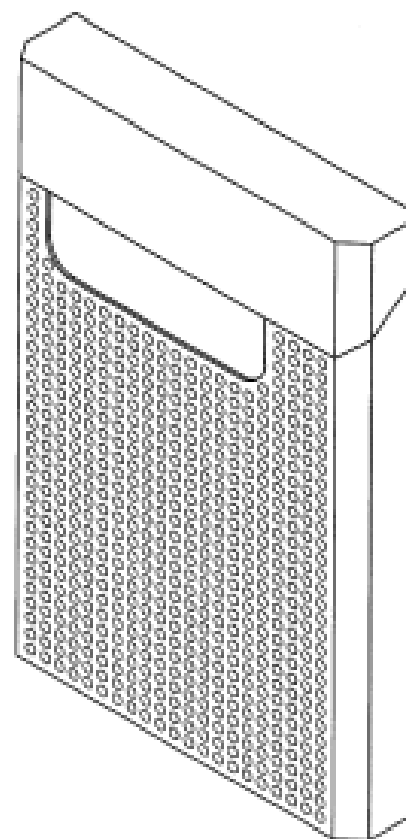
(21) Design Number: **11624/2009**
 (22) Date of Filing Application: **07 May 2009**
 (24) Date from which industrial property rights may have effect: **07 May 2009**
 (54) Product in respect of which the design is registered: **Diamond jewellery**
 (51) International Design Classification: **11-01NES**
 (71) Name(s) and Address(s) of Applicant(s):
Wing Yee Gems & Jewellery Limited
Rooms 701-2 7/F Hilder Centre 2 Sung Ping Street Hunghom Kowloon
Hong Kong
 (72) Name(s) of Designer(s): **Tse-Kok Wong and Lok-Sung Wong**
 (45) Registration Date: **20 August 2009**
 (56) Related Art Documents: **Not Applicable**
 (57) Statement of Newness and Distinctiveness: **Newness and distinctiveness resides in the shape and configuration of the design as shown in the accompanying representations.**



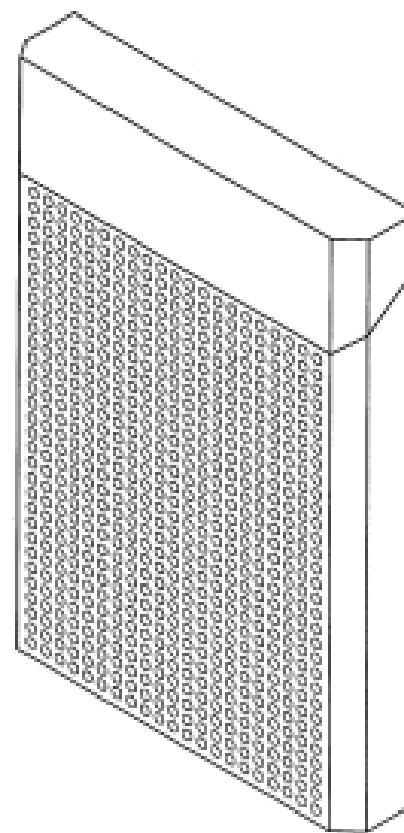
(21) Design Number: **12130/2009**
 (22) Date of Filing Application: **11 June 2009**
 (24) Date from which industrial property rights may have effect: **11 June 2009**
 (54) Product in respect of which the design is registered: **Packaging**
 (51) International Design Classification: **09-03A**
 (71) Name(s) and Address(s) of Applicant(s):
British American Tobacco (Holdings) Limited
Globe House 4 Temple Place London WC2R 2PG United Kingdom
 (72) Name(s) of Designer(s): **Tanneguy Blaudin de The and John England and Steven Holford**
 (45) Registration Date: **20 August 2009**
 (30) Convention priority data:

(31) Number	(32) Date	(33) Country
29/329849	22 Dec 2008	UNITED STATES OF AMERICA

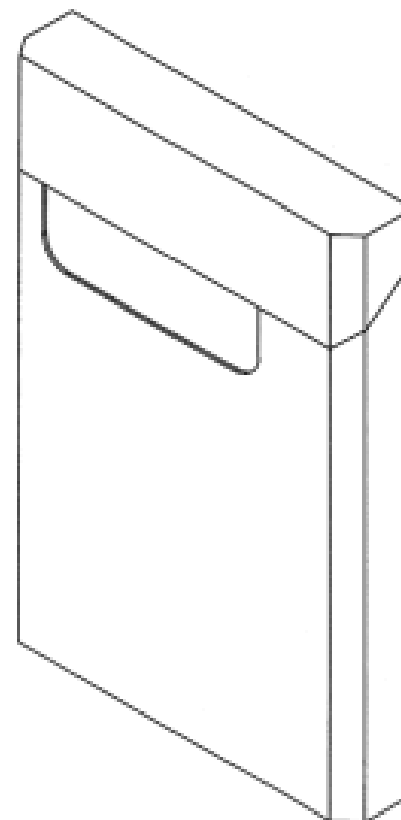
 (56) Related Art Documents: **Not Applicable**
 (57) Statement of Newness and Distinctiveness: **Nil**



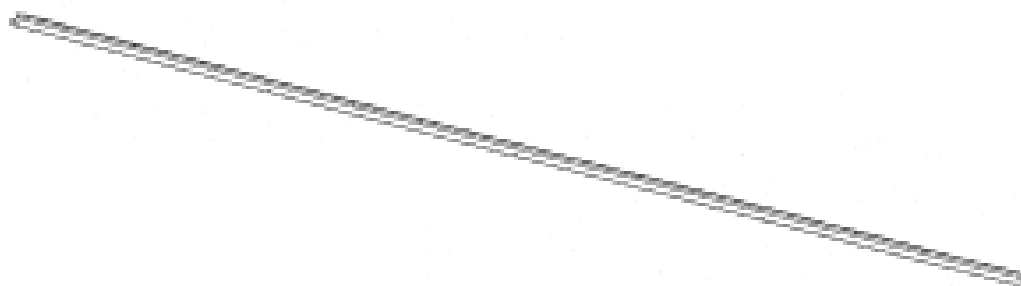
(21) Design Number: **12131/2009**
(22) Date of Filing Application: **11 June 2009**
(24) Date from which industrial property rights may have effect: **11 June 2009**
(54) Product in respect of which the design is registered: **Packaging**
(51) International Design Classification: **09-03A**
(71) Name(s) and Address(s) of Applicant(s):
British American Tobacco (Holdings) Limited
Globe House 4 Temple Place London WC2R 2PG United Kingdom
(72) Name(s) of Designer(s): **Tanneguy Blaudin de The and John England and Steven Holford**
(45) Registration Date: **20 August 2009**
(30) Convention priority data:
(31) Number (32) Date (33) Country
29/329849 22 Dec 2008 UNITED STATES OF AMERICA
(56) Related Art Documents: **Not Applicable**
(57) Statement of Newness and Distinctiveness: **Nil**



(21) Design Number: **12132/2009**
(22) Date of Filing Application: **11 June 2009**
(24) Date from which industrial property rights may have effect: **11 June 2009**
(54) Product in respect of which the design is registered: **Packaging**
(51) International Design Classification: **09-03A**
(71) Name(s) and Address(s) of Applicant(s):
British American Tobacco (Holdings) Limited
Globe House 4 Temple Place London WC2R 2PG United Kingdom
(72) Name(s) of Designer(s): **Tanneguy Blaudin de The and John England and Steven Holford**
(45) Registration Date: **20 August 2009**
(30) Convention priority data:
(31) Number (32) Date (33) Country
29/329849 22 Dec 2008 UNITED STATES OF AMERICA
(56) Related Art Documents: **Not Applicable**
(57) Statement of Newness and Distinctiveness: **Nil**



- (21) Design Number: **12721/2009**
(22) Date of Filing Application: **22 July 2009**
(24) Date from which industrial property rights may have effect: **22 July 2009**
(54) Product in respect of which the design is registered: **A roof chassis beam for a modular transportable building**
(51) International Design Classification: **25-01K, 25-01C**
(71) Name(s) and Address(s) of Applicant(s):
Francesco Antonio Martino
Lot 25 Old Princes Highway Monarto South Australia 5254 Australia
(72) Name(s) of Designer(s): **Francesco Antonio Martino**
(45) Registration Date: **20 August 2009**
(56) Related Art Documents: **Not Applicable**
(57) Statement of Newness and Distinctiveness: **Nil**



- (21) Design Number: **12723/2009**
(22) Date of Filing Application: **22 July 2009**
(24) Date from which industrial property rights may have effect: **22 July 2009**
(54) Product in respect of which the design is registered: **A wall support column for a modular transportable building**
(51) International Design Classification: **25-01C**
(71) Name(s) and Address(s) of Applicant(s):
Francesco Antonio Martino
Lot 25 Old Princes Highway Monarto South Australia 5254 Australia
(72) Name(s) of Designer(s): **Francesco Antonio Martino**
(45) Registration Date: **20 August 2009**
(56) Related Art Documents: **Not Applicable**
(57) Statement of Newness and Distinctiveness: **Nil**



(21) Design Number: **12783/2009**

(22) Date of Filing Application: **27 July 2009**

(24) Date from which industrial property rights may have effect: **27 July 2009**

(54) Product in respect of which the design is registered: **Luminaire**

(51) International Design Classification: **26-04**

(71) Name(s) and Address(s) of Applicant(s):

Osram GmbH

Hellabrunner Strasse 1 D-81543 Munich Germany

(72) Name(s) of Designer(s): **Jurgen Komar and Florian Wildner**

(45) Registration Date: **20 August 2009**

(30) Convention priority data:

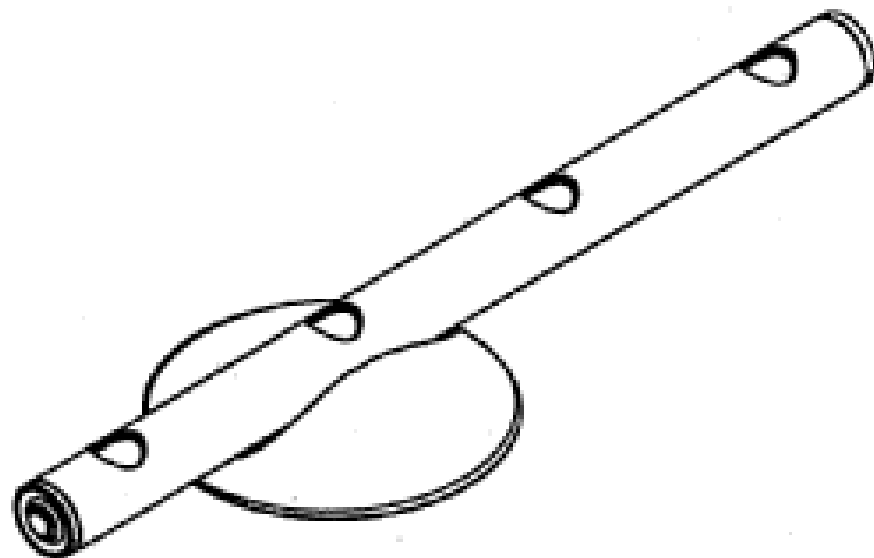
(31) Number
001097646

(32) Date
18 Feb 2009

(33) Country
EUROPEAN COMMUNITY

(56) Related Art Documents: **Not Applicable**

(57) Statement of Newness and Distinctiveness: **Nil**



(21) Design Number: **12786/2009**

(22) Date of Filing Application: **27 July 2009**

(24) Date from which industrial property rights may have effect: **27 July 2009**

(54) Product in respect of which the design is registered: **Magazine rack**

(51) International Design Classification: **06-04NES**

(71) Name(s) and Address(s) of Applicant(s):

Kain Lucas

1/8 Yardley Street Maidstone Victoria 3012 Australia

(72) Name(s) of Designer(s): **Kain Lucas**

(45) Registration Date: **20 August 2009**

(56) Related Art Documents: **Not Applicable**

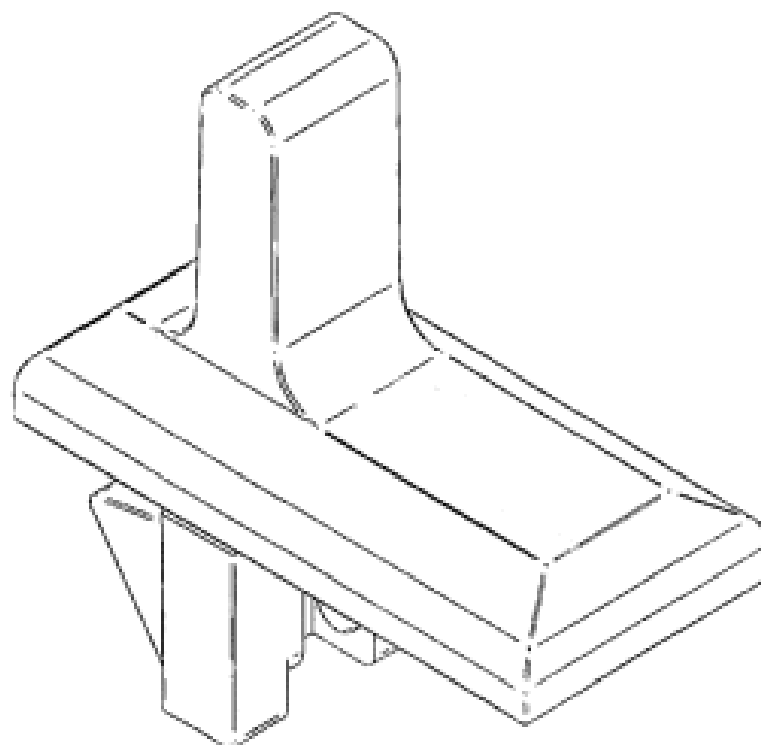
(57) Statement of Newness and Distinctiveness: **Nil**



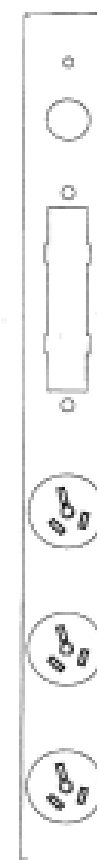
- (21) Design Number: **12767/2009**
- (22) Date of Filing Application: **24 July 2009**
- (24) Date from which industrial property rights may have effect: **24 July 2009**
- (54) Product in respect of which the design is registered: **A power distribution box**
- (51) International Design Classification: **13-03NES**
- (71) Name(s) and Address(s) of Applicant(s):
Robert Gordon Campbell
7 Bavin Street Curtin Australian Capital Territory 2605 Australia
- (72) Name(s) of Designer(s): **Robert Gordon Campbell**
- (45) Registration Date: **20 August 2009**
- (56) Related Art Documents: **Not Applicable**
- (57) Statement of Newness and Distinctiveness: **Nil**



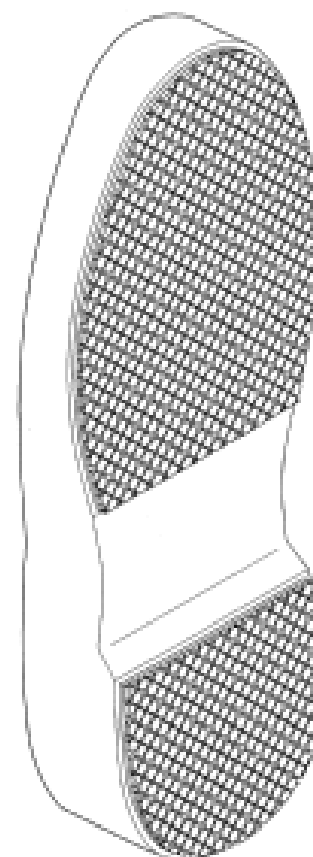
- (21) Design Number: **12768/2009**
- (22) Date of Filing Application: **24 July 2009**
- (24) Date from which industrial property rights may have effect: **24 July 2009**
- (54) Product in respect of which the design is registered: **A panel latch member**
- (51) International Design Classification: **08-07**
- (71) Name(s) and Address(s) of Applicant(s):
Robert Gordon Campbell
7 Bavin Street Curtin Australian Capital Territory 2605 Australia
- (72) Name(s) of Designer(s): **Robert Gordon Campbell**
- (45) Registration Date: **20 August 2009**
- (56) Related Art Documents: **Not Applicable**
- (57) Statement of Newness and Distinctiveness: **Nil**



(21) Design Number: **12769/2009**
 (22) Date of Filing Application: **24 July 2009**
 (24) Date from which industrial property rights may have effect: **24 July 2009**
 (54) Product in respect of which the design is registered: **A panel-mountable power distribution box**
 (51) International Design Classification: **13-03NES**
 (71) Name(s) and Address(s) of Applicant(s):
Robert Gordon Campbell
7 Bavin Street Curtin Australian Capital Territory 2605 Australia
 (72) Name(s) of Designer(s): **Robert Gordon Campbell**
 (45) Registration Date: **20 August 2009**
 (56) Related Art Documents: **Not Applicable**
 (57) Statement of Newness and Distinctiveness: **Nil**



(21) Design Number: **12770/2009**
 (22) Date of Filing Application: **24 July 2009**
 (24) Date from which industrial property rights may have effect: **24 July 2009**
 (54) Product in respect of which the design is registered: **Slip-resistant sole**
 (51) International Design Classification: **02-04B**
 (71) Name(s) and Address(s) of Applicant(s):
Ku Do Moon
22600 Hidden Hills Rd Yorba Linda California 92887 United States of America
Techline Union Co., Ltd.
258-7 An-dong Gimhae-si Gyeongsangnam-do 621-200 Republic of Korea
 (72) Name(s) of Designer(s): **Ku Do Moon**
 (45) Registration Date: **20 August 2009**
 (30) Convention priority data:
 (31) Number (32) Date (33) Country
30-2009-0009414 05 Mar 2009 REPUBLIC OF KOREA
 (56) Related Art Documents: **Not Applicable**
 (57) Statement of Newness and Distinctiveness: **Newness and distinctiveness is claimed in the features of shape and/or configuration, and pattern of a slip-resistant sole as illustrated in the accompanying representations.**



(21) Design Number: **12771/2009**

(22) Date of Filing Application: **24 July 2009**

(24) Date from which industrial property rights may have effect: **24 July 2009**

(54) Product in respect of which the design is registered: **Slip-resistant sole**

(51) International Design Classification: **02-04B**

(71) Name(s) and Address(s) of Applicant(s):

Ku Do Moon

22600 Hidden Hills Rd Yorba Linda California 92887 United States of America

Techline Union Co., Ltd.

258-7 An-dong Gimhae-si Gyeongsangnam-do 621-200 Republic of Korea

(72) Name(s) of Designer(s): **Ku Do Moon**

(45) Registration Date: **20 August 2009**

(30) Convention priority data:

(31) Number

(32) Date

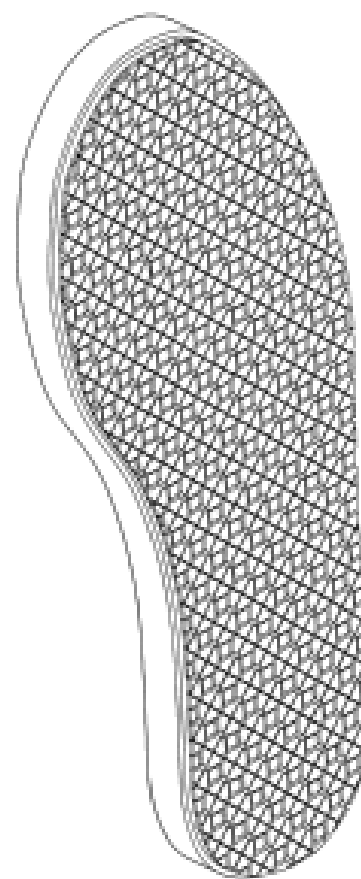
(33) Country

30-2009-0009491 05 Mar 2009

REPUBLIC OF KOREA

(56) Related Art Documents: **Not Applicable**

(57) Statement of Newness and Distinctiveness: **Newness and distinctiveness is claimed in the features of shape and/or configuration, and pattern of a slip-resistant sole as illustrated in the accompanying representations.**



(21) Design Number: **11830/2009**

(22) Date of Filing Application: **21 May 2009**

(24) Date from which industrial property rights may have effect: **21 May 2009**

(54) Product in respect of which the design is registered: **Jockey wheel**

(51) International Design Classification: **12-16L**

(71) Name(s) and Address(s) of Applicant(s):

Meher Trailer Products Pty Ltd

11 National Drive Hallam Victoria 3803 Australia

(72) Name(s) of Designer(s): **Paramraj Singh Viridi and Kamaldeep Kaur Viridi**

(45) Registration Date: **20 August 2009**

(56) Related Art Documents: **Not Applicable**

(57) Statement of Newness and Distinctiveness: **Monopoly is claimed in the shape configuration pattern and/or ornamentation of a WHEEL as illustrated. Any letters numbers or logos should be disregarded.**

