



Australian Government

IP Australia

AUSTRALIAN OFFICIAL JOURNAL

OF

DESIGNS

Did you know a searchable version of this journal is now available online?

It's FREE and EASY to SEARCH.

Find it at

<http://pericles.ipaustralia.gov.au/ols/epublish/content/olsEpublications.jsp>
or using the "Online Journals" link on the IP Australia home page.

This Page Left Intentionally Blank

Contents

General Information & Notices

Proceedings Under the Designs Act 1906 preserved as a result of the provisions of Chapter 12 Part 2 of the Designs Act 2003

Extension of Period of Registration of Designs	2798
Extensions of Time Granted	2798
Registrations Ceased	2798
Subsequent Owners Registered	2798

Proceedings Under the Designs Act 2003

Applications for Extension of Time Under Section 137	2809
Applications Lapsed	2808
Applications Lodged	2803
Applications Withdrawn	2808
Certificate of Examination	2810
Extension of Period of Registration of Design	2809
Extension of Time Granted Under Section 137	2809
Publication and Registration Proceedings	
Designs Registered 327236 to 327471.....	2811
Subsequent Owners Registered	2809

This Page Left Intentionally Blank

For information on the following please see our website www.ipaustralia.gov.au or contact our Customer Service Network on 1300651010

[Editorial enquiries](#)

[Contact information](#)

[Freedom of Information ACT](#)

[Professional Standards Board](#)

[Sales](#)

[Requests for Information under Section 194 \(c\)](#)

[Country Codes](#)

[Trade Mark and Designs Hearing Sessions](#)

[INID \(Internationally agreed Numbers for the Identification of Data\)](#)

“INID” NUMBERS in use on Australian Design Documents

“INID” is an acronym for “Internationally agreed Numbers for the Identification of Data”.

(10) Data concerning the registration/renewal

- (11) Serial number of the registration and/or number of the design document
- (12) Plain language designation of the kind of published document
- (19) Identification, using the two-letter code according to WIPO Standard ST.3, of the authority publishing or registering the industrial design

(20) Data concerning the application

- (21) Serial number of the application
- (22) Date of filing of the application
- (24) Date from which the industrial design right has effect

(30) Data relating to priority under the Paris Convention

- (31) Serial number assigned to the priority application
- (32) Date of filing of the priority application
- (33) Two-letter code, according to WIPO Standard ST.3, identifying the authority with which the priority application was made

(40) Date(s) of making information available to the public

- (45) Date of publication of the registered industrial design by printing or similar process, or making it available to the public by any other means

(50) Miscellaneous Information

- (51) International Classification for Industrial Designs (class and subclass of the Locarno Classification)
- (54) Designation of article(s) or product(s) covered by the industrial design or title of the industrial design
- (55) Reproduction of the industrial design (e.g., drawing, photograph) and explanations relating to the reproduction
- (56) List of prior art documents, if separate from descriptive text
- (57) Description of characteristic features of the industrial design including indication of colours

(60) References to other legally related application(s) and registration(s)

- (62) Serial number(s) and, if available, filing date(s) of application(s), registration(s) or document(s) related by division
- (66) Serial number(s) of the application, or the registration, of the design(s) which is (are) a variant(s) of the present one

(70) Identification of parties concerned with the application or registration

- (71) Name(s) and address(es) of the applicant(s)
- (72) Name(s) of the creator(s) if known to be such
- (74) Name(s) and address(es) of the representative(s)

This Page Left Intentionally Blank

Official Notice**Amendment of Statement of Newness and Distinctiveness
Prior to Registration**

In the Hearing decision *Reckitt Benckiser Inc* [2008] ADO 1 (2 January 2008), a Deputy Registrar of Designs considered a situation where a request under s.28 to amend a Statement of Newness and Distinctiveness was filed the day before the design was registered - but was not considered until after registration had taken place. The Deputy Registrar concluded that :

- a Statement of Newness and Distinctiveness, as defined under s.19, could not be amended after registration had occurred
- while it is administratively desirable to deal with a request to amend a statement of newness and distinctiveness before registration occurs, there is no basis to conclude that the registrations are a nullity because the requests to amend were not considered prior to registration.

Recognising that the Registrar does not give advance notice of the date of registration of any particular design, where an applicant has:

- requested registration of a design;
- has either not received a formalities report, or has responded to a formalities report; and
- now wishes to amend the statement of newness and distinctiveness

practitioners are advised to proceed on the following basis - to ensure the amendment is considered before registration occurs:

- file the request to amend, marking it as urgent; **AND**
- ringing Designs Administration Staff to advise that the request to amend has been filed, and requesting that it be considered before registration occurs [Designs Administration Manager Ext 2023] or [Senior Clerk Designs Ext 2432].

Where such telephone contact is made, the Registrar will take all efforts to ensure the amendment is considered before registration occurs. However requests received on the day of registration cannot be given effect.

Queries: Gary Flint
Designs Administration Manager
+ 61 26283 2023

Contact: IP Australia
Phone: 1300 651 010
Fax: +61 2 6283 7999
E-mail: assist@ipaaustralia.gov.au
Web: www.ipaustralia.gov.au

Official Notice

Surrender of Registration

300877

A request under Section 49 of the *Designs Act 2003* has been made by the registered owner of Design Registration No. 300877 to surrender the registration.

Any interested person may give notice to the Registrar that he or she wishes to be heard in relation to the above offer. This notice must be given within 1 month after 10 September 2009.

Your attention is drawn to Regulation 4.10 and 4.11 of the *Designs Regulations 2004*.

Address for Service: The State of Queensland Health, Biomedical Technology Services, 450 Gregory Terrace, Fortitude Valley Queensland 4006 Australia.

Queries: Gary Flint
Designs Administration Manager
+ 61 26283 2023

Contact: IP Australia
Phone: 1300 651 010
Fax: +61 2 6283 7999
E-mail: assist@ipaustalia.gov.au
Web: www.ipaustalia.gov.au

Proceedings under the Designs Act 1906 preserved as a result of the provisions of Chapter 12 Part 2 of the Designs Act 2003.

This Page Left Intentionally Blank

Applications Lapsed

There were no Applications Lapsed under this section

Extension of Period of Registration of Designs

2nd Period (Section 27A(12))

153243	153285	153365
153366	153414	153541
153604	153641	153643
153644	153661	153662
153663	153758	153763
153799	153841	153875
153876	153963	154091
154092	154182	154231
154314	154364	154365
154398	154471	154473
154474	154586	154587
154588	154589	154593
154639	154640	154641
154661	154682	154842
155153	155191	155264
155376	155579	155589
155923	156006	156146
156166	156193	156231
156376	156493	156494
156702	156719	156764
156822	156823	156824
156825	157036	157037
157096	157216	157327
157419	157761	157985
157992	157993	157996
158272	158562	

3rd Period (Section 27A(13))

135510	135611	135864
136595	136609	136643
136645	136678	136679
136682	136870	136871
136960	136973	137094
137095	137096	137097
137098	137255	137505
137785	137818	138852
139508	139777	139816
139856	139857	139919
140757	140954	

Registrations Ceased

Note: Some of the following Registrations may have been previously advertised as ceased. In this instance, the previous advertisement still prevails.

119762	119784	119802
119847	119848	119849
119914	120050	120220
120221	120237	120238
120244	120246	120533
120738	120888	121050
121351	121551	122629

123009	123464	124375
134154	134519	134597
134598	134599	134600
134617	134636	134653
134654	134655	134809
134810	135420	135740
135819	136071	136212
136232	138720	138823
140337	144201	144202
151302	151434	151554
151555	151556	151557
151558	151559	151560
151621	151622	151750
151849	152107	152183
152184	152185	152227
152228	152232	152460
152529	152870	152871
153019	153059	153184
153289	153591	153897
153968	154348	154437
154444	154996	154997
154998	154999	155000
155001	155002	155108
155303	155409	155529
155682	155856	156224
156282	156991	157159

Extensions of time granted

Applications lodged for extension of time have been granted.

153285 **Tania Louise Wilson** An Extension of time to extend a registration has been granted to 27/07/2009

154682 **Albert George Chompff** An Extension of time to extend a registration has been granted to 27/07/2009

Subsequent Owners Registered

(The name in parentheses is that of the subsequent owner)

137329 (**Kraft Foods Global Brands LLC.**) Kraft Foods Inc.

This Page Left Intentionally Blank

Proceedings under the Designs Act 2003.

This Page Left Intentionally Blank

Applications Lodged

Lodgement information is in the following order: **Applicant's Name**; International Classification, Name of Product, Lodgement Date and **Design Number**. If the applicant claims an earlier priority date under an International Convention, the Convention Country and the associated filing date are shown in parentheses before the Lodgement Date. Divisional information will also appear in parentheses before the Lodgement Date.

Active Food Systems Limited; 07-02E, A base for a grill/barbeque, (EM, 25 Feb 2009) 25 Aug 2009	13256/2009	Boori International Pty Ltd; 06-02, 06-01G, Reconfigurable furniture, 01 Sep 2009	13347/2009
Ames True Temper, Inc.; 08-06, Handle for a garden tool, (US, 13 Mar 2009) 31 Aug 2009	13341/2009	Boori International Pty Ltd; 06-02, 06-01G, Reconfigurable furniture, 01 Sep 2009	13348/2009
Ames True Temper, Inc.; 08-06, Handle for a garden tool, (US, 13 Mar 2009) 31 Aug 2009	13342/2009	Boori International Pty Ltd; 06-02, 06-01G, Reconfigurable furniture, 01 Sep 2009	13346/2009
Ames True Temper, Inc.; 08-06, 08-01, "D" handle for shovel, (US, 13 Mar 2009) 01 Sep 2009	13343/2009	Bose Corporation; 06-01D, Vehicle seat base, (US, 12 Mar 2009) 19 Aug 2009	13210/2009
Anna Thomas Pty Ltd; 02-02C, 02-02NES, Ladies garments, 19 Aug 2009	13191/2009	Bose Corporation; 06-01D, Vehicle seat, (US, 12 Mar 2009) 19 Aug 2009	13209/2009
Arena, Angela; 02-99, A multipurpose garment, 28 Aug 2009	13322/2009	Breville Pty Limited; 07-02H, Toaster oven, 19 Aug 2009	13158/2009
Artweger GmbH & Co.; 23-02B, Bath tub, (EM, 25 Feb 2009) 20 Aug 2009	13218/2009	Broadhurst, Sheree; 06-13B, Pillow case, 30 Jun 2009	13139/2009
Artweger GmbH & Co.; 23-02B, Bath tub, (EM, 25 Feb 2009) 20 Aug 2009	13217/2009	Broadhurst, Sheree; 06-13B, Bottom sheet, 30 Jun 2009	13140/2009
Artweger GmbH & Co.; 23-02B, Bath tub, (EM, 25 Feb 2009) 20 Aug 2009	13215/2009	Callaghan, Natalie Rosemary; Watts, Graham Stewart; 09-07B, A can cover, (ZA, 03 Feb 2009) 03 Aug 2009	13162/2009
Artweger GmbH & Co.; 23-02B, Bath tub, (EM, 25 Feb 2009) 20 Aug 2009	13216/2009	Callaghan, Natalie Rosemary; Watts, Graham Stewart; 09-07B, A can cover, (ZA, 03 Feb 2009) 03 Aug 2009	13161/2009
Australian Performance Development Pty Ltd; 12-16NES, Air intake snorkel for a vehicle, 18 Aug 2009	13137/2009	Callaghan, Natalie Rosemary; Watts, Graham Stewart; 09-07B, A can cover, (ZA, 03 Feb 2009) 03 Aug 2009	13163/2009
Australian Performance Development Pty Ltd; 12-16NES, Air intake snorkel for a vehicle, 18 Aug 2009	13136/2009	Caroma Industries Limited; 23-02F, A basin, 19 Aug 2009	13205/2009
ASA (Qld) Pty Ltd; 25-02NES, Frame for access panel opening, 19 Aug 2009	13159/2009	Caroma Industries Limited; 23-02F, A basin, 19 Aug 2009	13207/2009
ASA (Qld) Pty Ltd; 25-02NES, Frame for access panel opening, 19 Aug 2009	13160/2009	Caroma Industries Limited; 23-02F, A basin, 19 Aug 2009	13206/2009
Bermel Business Systems Pty Ltd; 14-02, Bermel self serve revaluator dispenser EFT kiosk, 20 Aug 2009	13196/2009	Ceiling Panels (Qld) Pty Ltd; 25-02E, Plaster cornice, 24 Aug 2009	13245/2009
Bluescope Steel Limited; 08-08NES, Gutter clip, 19 Aug 2009	13174/2009	Ceiling Panels (Qld) Pty Ltd; 25-02E, Plaster cornice, 24 Aug 2009	13246/2009
Bolwell Corporation Pty Ltd; 12-10, Caravan, camper van, 21 Aug 2009	13195/2009	Ceiling Panels (Qld) Pty Ltd; 25-02E, Plaster cornice, 24 Aug 2009	13247/2009
		Cleatskins, Inc.; 02-04NES, Footwear cover, (US, 03 Mar 2009) 31 Aug 2009	13336/2009
		Cocks, Martin; 25-02K, A louvre, 26 Aug 2009	13290/2009
		D-Zone International Pty Ltd; 02-03, A helmet, 21 Aug 2009	13212/2009

David Stuckey Investments Pty Ltd; 08-06, Handle, 31 Aug 2009	13332/2009	Elsteel (Private) Ltd.; 13-03B, Holder for electrical busbar, (EM, 16 Jun 2009) 21 Aug 2009	13190/2009
David Stuckey Investments Pty Ltd; 08-06, Handle, 31 Aug 2009	13331/2009	Ergopouch; 06-13B, Ergococoon, 28 Aug 2009	13305/2009
Decor Corporation Pty Ltd, The; 11-02B, Planter pot, 24 Aug 2009	13240/2009	Excell Decor Hardware Pty. Limited; 25-01K, An extruded metal section of uniform cross-section and indefinite length, 20 Aug 2009	13165/2009
Decor Corporation Pty Ltd, The; 11-02B, Plate for planter pot, 24 Aug 2009	13241/2009	Excell Decor Hardware Pty. Limited; 08-08H, Left and right hand master carrier for centre close curtains, 20 Aug 2009	13166/2009
Decor Corporation Pty Ltd, The; 11-02B, Planter pot, 24 Aug 2009	13242/2009	Excell Decor Hardware Pty. Limited; 25-01K, An extruded metal section of uniform cross-section and indefinite length, 20 Aug 2009	13164/2009
Decor Corporation Pty Ltd, The; 07-04, Colander, 24 Aug 2009	13243/2009	Faith Insignias Pty Ltd; 03-01NES, Circles of life collection - packaging, 20 Aug 2009	13168/2009
Decor Corporation Pty Ltd, The; 07-04, Mixing bowl, 24 Aug 2009	13244/2009	Faith Insignias Pty Ltd; 11-01NES, Circles of life '09, 20 Aug 2009	13167/2009
Decor Corporation Pty Ltd, The; 11-02C, Plate for planter pot, 24 Aug 2009	13237/2009	Faith Insignias Pty Ltd; 11-01NES, Adorn collection '09 - shine pendant, 20 Aug 2009	13170/2009
Decor Corporation Pty Ltd, The; 11-02C, Planter pot, 24 Aug 2009	13238/2009	Faith Insignias Pty Ltd; 11-01NES, Adorn collection '09 - beautiful pendant, 20 Aug 2009	13171/2009
Decor Corporation Pty Ltd, The; 11-02C, Plate for planter pot, 24 Aug 2009	13239/2009	Faith Insignias Pty Ltd; 11-01NES, Adorn collection '09 - princess pendant, 20 Aug 2009	13169/2009
Designer Doorware Pty Ltd; 08-06, Cabinet knob, 24 Aug 2009	13248/2009	Faith Insignias Pty Ltd; 11-01NES, Adorn collection '09 : joy pendant, 20 Aug 2009	13172/2009
Designer Doorware Pty Ltd; 06-06C, 08-06, Adaptor kit assembly, 24 Aug 2009	13249/2009	Fertile Mind Pty Ltd; 02-07NES, Clothing extension means, 26 Aug 2009	13272/2009
Designer Doorware Pty Ltd; 06-06C, 08-06, Adaptor kit assembly, 24 Aug 2009	13250/2009	Foti Bros. Hawaii, LLC; 21-02D, Float for an infant or toddler, (US, 20 Feb 2009) 19 Aug 2009	13173/2009
Designer Doorware Pty Ltd; 08-06, Pair entrance handle, 24 Aug 2009	13251/2009	Fresenius Medical Care Deutschland GmbH; 24-01, Dialysis apparatus, (EM, 15 Apr 2009) 25 Aug 2009	13265/2009
Designer Doorware Pty Ltd; 08-06, Door handle, right hand, 24 Aug 2009	13252/2009	Giulio Vanelli Marmi S.r.l.; 25-03, Transportable house module, (EM, 18 Feb 2009) 18 Aug 2009	13138/2009
Didier, Ross; 06-01B, Chair, 25 Aug 2009	13255/2009	Gojo Industries Inc.; 09-03NES, Hand held dispenser, (US, 27 Feb 2009) 24 Aug 2009	13229/2009
Discovery Group; 02-02C, , 27 Aug 2009	13291/2009	Gojo Industries Inc.; 09-03NES, Hand held dispenser, (US, 27 Feb 2009) 24 Aug 2009	13230/2009
Dower, Richard Francis; 08-05NES, Chain tension device, 18 Aug 2009	13141/2009	Great Top Technology Co., Ltd; Optrom, Inc.; Optrom (Hong Kong) International Ltd; 26-05A, Lamp tube, (JP, 16 Apr 2009) 28 Aug 2009	13307/2009
Dower, Richard Francis; 12-05, Jacking bar, 18 Aug 2009	13142/2009	Hansa Metallwerke AG; 23-01H, Mixing tap, (EM, 06 Apr 2009) 31 Aug 2009	13349/2009
Eagle, Janis; 28-03C, Heated hair roller, 19 Aug 2009	13143/2009		
Eagle, Janis; 28-03C, Hair clip for heated hair roller, 19 Aug 2009	13144/2009		
Eastdragon International Limited; 23-02B, Shower tray, (NZ, 27 Feb 2009) 27 Aug 2009	13301/2009		
Electrolux Home Products Corporation N.V.; 07-02A, Ovens and parts thereof, (EM, 26 Feb 2009) 19 Aug 2009	13208/2009		
Elite Cat Feeders Ltd; 30-03, Feeding bowl for animals, (FR, 09 Mar 2009) 24 Aug 2009	13222/2009		

Hansa Metallwerke AG; 23-01H, Mixing tap, (EM, 06 Apr 2009) 31 Aug 2009	13350/2009	JPMorgan Chase Bank, N.A.; 14-02, Metal transaction device, (US, 06 Mar 2009) 31 Aug 2009	13293/2009
Hansa Metallwerke AG; 23-01H, Tap, (EM, 06 Mar 2009) 25 Aug 2009	13262/2009	Ke, Zhi Jun; 25-02H, 06-06NES, 25-01K, Privacy screen, 20 Aug 2009	13200/2009
Hansa Metallwerke AG; 23-01H, Part of a mixing tap, (EM, 09 Mar 2009) 25 Aug 2009	13259/2009	Ke, Zhi Jun; 25-02K, 06-06NES, 25-01K, Louvre system, 20 Aug 2009	13201/2009
Hansa Metallwerke AG; 23-01H, Mixing tap, (EM, 06 Mar 2009) 25 Aug 2009	13260/2009	Ke, Zhi Jun; 25-02K, 06-06NES, 25-01K, Louvre system, 20 Aug 2009	13202/2009
Hansa Metallwerke AG; 23-01H, Tap, (EM, 06 Mar 2009) 25 Aug 2009	13261/2009	Ke, Zhi Jun; 25-02K, 06-06NES, 25-01K, Louvre system, 20 Aug 2009	13203/2009
Hansa Metallwerke AG; 21-01H, Mixing tap, (EM, 09 Mar 2009) 25 Aug 2009	13258/2009	Ke, Zhi Jun; 25-02K, 06-06NES, 25-01K, Louvre system, 20 Aug 2009	13204/2009
Hansa Metallwerke AG; 23-01H, Tap, (EM, 06 Mar 2009) 25 Aug 2009	13263/2009	Ke, Zhi Jun; 25-02H, 06-06NES, 25-01K, Privacy screen, 20 Aug 2009	13197/2009
Hansa Metallwerke AG; 23-02B, Shower fitting, (EM, 06 Mar 2009) 25 Aug 2009	13264/2009	Ke, Zhi Jun; 25-02H, 06-06NES, 25-01K, Privacy screen, 20 Aug 2009	13198/2009
Heineken Supply Chain B.V.; 09-01H, Bottle, (EM, 20 Feb 2009) 20 Aug 2009	13219/2009	Ke, Zhi Jun; 25-02H, 06-06NES, 25-01K, Privacy screen, 20 Aug 2009	13199/2009
Hexcyl Systems Pty Ltd; 08-08NES, Attachment clip adaptor, 31 Aug 2009	13329/2009	Kells, Shane Gordon; Kells, Shelley Joanne; 21-02C, Golf tee, (NZ, 26 Feb 2009) 26 Aug 2009	13274/2009
Hills Industries Limited; 06-06G, Back rest, 27 Aug 2009	13303/2009	Kells, Shelley Joanne; Kells, Shane Gordon; 21-02C, Golf tee, (NZ, 26 Feb 2009) 26 Aug 2009	13274/2009
Hooker, Kelly; 06-13B, The attached design relates to a baby / toddler sleeping bag and a baby swaddling wrap, 26 Aug 2009	13292/2009	La, Jack; 14-02, Main body of computer, 19 Aug 2009	13153/2009
Huhtamaki Australia Pty Limited; 07-01NES, 09-03M, Container base, 19 Aug 2009	13175/2009	Leisure Pools and Spas Manufacturing Pty Ltd; 21-02D, Step configuration for a swimming pool, 24 Aug 2009	13232/2009
Hutchinson, Tony Andrew; Richings, Shayne David; 12-16NES, Adapter for a vehicle, 28 Aug 2009	13319/2009	Little Gems Australia Pty Ltd; 02-02B, Baby and children's apparel and related items, 23 Feb 2009	13223/2009
Iles, Ernest; Iles, Petra; 08-08H, 06-10, Curtain rod bracket, 31 Aug 2009	13333/2009	Little Gems Australia Pty Ltd; 02-02B, 02-03, Baby and children's apparel and related items, 23 Feb 2009	13225/2009
Iles, Petra; Iles, Ernest; 08-08H, 06-10, Curtain rod bracket, 31 Aug 2009	13333/2009	Little Gems Australia Pty Ltd; 02-02B, Baby and children's apparel and related items, 23 Feb 2009	13226/2009
INFA-SECURE Pty Ltd; 29-02, Tether strap, 18 Aug 2009	13134/2009	Little Gems Australia Pty Ltd; 02-02B, Baby and children's apparel and related items, 23 Feb 2009	13227/2009
INFA-SECURE Pty Ltd; 29-02, Tether strap, 18 Aug 2009	13135/2009	Little Gems Australia Pty Ltd; 02-02B, Baby and children's apparel and related items, 23 Feb 2009	13224/2009
Jennmar Corporation; 08-08B, Profiled nut, 01 Sep 2009	13345/2009	Lolitta Clothing; 02-02C, 02-02NES, , 25 Aug 2009	13268/2009
Jennmar Corporation; 08-04, Profiled driver, 01 Sep 2009	13344/2009	Lucas, Kain; 06-03B, Table, 25 Aug 2009	13254/2009
Jorgandziewski, Kiro; 09-07NES, Paint can pouring lip, 31 Aug 2009	13337/2009		
Jorgandziewski, Kiro; 09-07NES, Paint can pouring lip, 31 Aug 2009	13338/2009		

LG Electronics Inc.; 14-03E, Mobile phone, (KR, 23 Mar 2009) 21 Aug 2009	13213/2009	Ovenden, David Edward; Ovenden, Ronald George; 08-08C, 08-07, Spring loaded hook latch, 21 Aug 2009	13211/2009
Maher, John; 21-02NES, Lawn bowls practice jack, 28 Aug 2009	13306/2009	Pacific Market International, LLC; 07-01C, 09-01NES, 09-03L, Beverage container, (US, 04 Mar 2009) 26 Aug 2009	13277/2009
Masterson, Philip A.; 12-16NES, Removable roof post for truck bodies or trailers, 27 Aug 2009	13275/2009	Parnham & Associates Pty Ltd; West, Kelly Christina; 06-09, Pillow, 28 Aug 2009	13296/2009
Max Co., Ltd.; 08-08NES, Rebar tying machine, (JP, 14 Apr 2009) 27 Aug 2009	13295/2009	Partyware Pty Ltd; 07-01D, Plastic champagne flute with metallic rim or colour, 20 Aug 2009	13156/2009
Max-Inf (Ningbo) Baby Product Co., Ltd.; 06-01D, Car seat, 28 Aug 2009	13314/2009	Partyware Pty Ltd; 07-01D, Plastic wine glass with metallic/colour rim, 20 Aug 2009	13157/2009
Max-Inf (Ningbo) Baby Product Co., Ltd.; 06-01D, Car Seat, 28 Aug 2009	13315/2009	Pelco, Inc.; 16-99, Camera Trim Ring, (US, 30 Mar 2009) 27 Aug 2009	13299/2009
Max-Inf (Ningbo) Baby Product Co., Ltd.; 06-01D, Car seat, 28 Aug 2009	13316/2009	Penny Farthings Pushbike Parking; 08-10, Horizontal bicycle rack, 19 Aug 2009	13131/2009
Max-Inf (Ningbo) Baby Product Co., Ltd.; 06-01D, Car seat, 28 Aug 2009	13317/2009	Peterson, Andrew; 15-03NES, 15-04, A front end loader attachment for loading of low density materials into high sided road trucks, 20 Aug 2009	13192/2009
Max-Inf (Ningbo) Baby Product Co., Ltd.; 06-01D, Car seat, 28 Aug 2009	13318/2009	Pi-Design AG; 07-01C, Champagne glass, (WO, 10 Mar 2009) 28 Aug 2009	13309/2009
Megara (Australia) Pty Ltd; 26-05B, Design 1 - Sydney Harbour Bridge light, 27 Aug 2009	13273/2009	Pi-Design AG; 07-01C, Port wine glass, (WO, 10 Mar 2009) 28 Aug 2009	13310/2009
Mercuri, David; 08-08C, Alligator clip with probe, 28 Aug 2009	13302/2009	Pi-Design AG; 07-01C, White wine glass, (WO, 10 Mar 2009) 28 Aug 2009	13311/2009
Mike Treloar Investments Pty Ltd; 02-02NES, Shirt, 28 Aug 2009	13308/2009	Pi-Design AG; 07-01C, Water glass, (WO, 10 Mar 2009) 28 Aug 2009	13312/2009
Moana Pty Ltd; 02-02NES, A uniform garment, 24 Aug 2009	13234/2009	Pi-Design AG; 07-01C, Red wine glass, (WO, 10 Mar 2009) 28 Aug 2009	13313/2009
MSM Global Investments Pty. Ltd.; 28-03NES, Eye makeup applicator, 19 Aug 2009	13127/2009	Quinn, John Paul; 22-05, 22-06, Crab trap bait holder, 31 Aug 2009	13327/2009
Nadco Foods; 09-03C, Plastic box (container) in the shape of Christmas tree, 18 Aug 2009	13129/2009	Quinn, John Paul; 07-04, Fold up/extendable, cutting board, 31 Aug 2009	13325/2009
Neng, Li Ze; 08-08NES, Electrical appliance support, 02 Sep 2009	13352/2009	Quinn, John Paul; 22-05, 22-06, Crab trap bait holder, 31 Aug 2009	13326/2009
Nuna International B.V.; 12-15D, Wheel for a stroller, (Divisional of 12338/2009) 29 Jun 2009	13330/2009	Quins Group Pty Ltd; 21-01C, A wooden airplane toy, 31 Aug 2009	13339/2009
Optrom (Hong Kong) International Ltd; Optrom, Inc.; Great Top Technology Co., Ltd.; 26-05A, Lamp tube, (JP, 16 Apr 2009) 28 Aug 2009	13307/2009	Quins Group Pty Ltd; 21-01C, A wooden school bus toy, 31 Aug 2009	13340/2009
Optrom, Inc.; Great Top Technology Co., Ltd; Optrom (Hong Kong) International Ltd; 26-05A, Lamp tube, (JP, 16 Apr 2009) 28 Aug 2009	13307/2009	Randall, Martin; Randall, Judith; 08-08B, 08-08NES, Ferrule screw plate with peg, 19 Aug 2009	13155/2009
Outerspace Design; 07-05D, Clothes airer, 31 Aug 2009	13324/2009	Randall, Judith; Randall, Martin; 08-08B, 08-08NES, Ferrule screw plate with peg, 19 Aug 2009	13155/2009
Ovenden, Ronald George; Ovenden, David Edward; 08-08C, 08-07, Spring loaded hook latch, 21 Aug 2009	13211/2009		

Reckitt Benckiser Inc.; 07-99NES, Dynamic dispenser, (EM, 06 Mar 2009) 18 Aug 2009	13152/2009	Spin Master Ltd; 21-01B, Transformable toy, (CA, 03 Mar 2009) 20 Aug 2009	13183/2009
Richings, Shayne David; Hutchinson, Tony Andrew; 12-16NES, Adapter for a vehicle, 28 Aug 2009	13319/2009	Spin Master Ltd; 21-01A, Transformable toy, (CA, 06 Mar 2009) 20 Aug 2009	13184/2009
Roadvision Pty Ltd; 26-06, Rear combination lights, 19 Aug 2009	13193/2009	Spin Master Ltd; 21-01B, Transformable toy, (CA, 03 Mar 2009) 20 Aug 2009	13185/2009
Roadvision Pty Ltd; 26-06, Rear combination lights, 19 Aug 2009	13194/2009	Spin Master Ltd; 21-01A, Transformable toy, (CA, 04 Mar 2009) 20 Aug 2009	13186/2009
Royal Alexandra Hospital for Children; 24-01, Neonatal transport system footprint, 26 Aug 2009	13278/2009	Spin Master Ltd; 21-01A, Transformable toy, (CA, 04 Mar 2009) 20 Aug 2009	13187/2009
Royal Alexandra Hospital for Children; 24-01, Patient transport harness, 26 Aug 2009	13279/2009	Spin Master Ltd; 21-01A, Transformable toy, (CA, 24 Mar 2009) 20 Aug 2009	13188/2009
Samsung Electronics Co., Ltd.; 14-03E, Mobile phone, (KR, 26 May 2009) 24 Aug 2009	13233/2009	Sun Ngar Lee Australia Pty. Ltd.; 02-02C, Clothing - dress, 20 Aug 2009	13176/2009
Shachihata Inc.; 19-06, Cap of writing material, (JP, 30 Mar 2009) 18 Aug 2009	13130/2009	Sun Ngar Lee Australia Pty. Ltd.; 02-02C, Clothing - dress, 20 Aug 2009	13178/2009
Shiseido Co., Ltd.; 28-03NES, Mask for face pack, (JP, 16 Mar 2009) 27 Aug 2009	13304/2009	Sun Ngar Lee Australia Pty. Ltd.; 02-02C, Clothing - dress, 20 Aug 2009	13179/2009
Skope Industries Limited; 15-07, An apparatus for freezing and/or chilling, (NZ, 24 Apr 2009) 26 Aug 2009	13280/2009	Sun Ngar Lee Australia Pty. Ltd.; 02-02C, Clothing - dress, 20 Aug 2009	13177/2009
Skope Industries Limited; 15-07, An apparatus for freezing and/or chilling, (NZ, 24 Apr 2009) 26 Aug 2009	13281/2009	Surf Composites Pty Ltd; 21-02D, Surfboard fin set with a flanged base for detachable fin attachment that can be used in a single, two or three fin, configuration., 25 Aug 2009	13267/2009
Skope Industries Limited; 15-07, An apparatus for freezing and/or chilling, (NZ, 24 Apr 2009) 26 Aug 2009	13282/2009	SOF Surfaces Inc.; 25-01F, Tile, (CA, 05 Jun 2009) 25 Aug 2009	13266/2009
Smash Enterprises Pty Ltd; 21-01B, Toy character, 27 Aug 2009	13294/2009	Techno Glass Designs Pty Ltd; 25-01K, An extrusion, 31 Aug 2009	13328/2009
Solar Golf Pty Ltd; 13-99, 21-99, A solar powered mobile charging unit for portable golf GPS units, 31 Aug 2009	13323/2009	Telebrands Corp.; 14-03A, Cellphone plug adapter, (US, 13 Jul 2009) 27 Aug 2009	13297/2009
Solartherm International Pty Ltd; 23-03D, Solar panel, 28 Aug 2009	13300/2009	Telebrands Corp.; 14-03E, Handsfree cellphone device, (US, 13 Jul 2009) 27 Aug 2009	13298/2009
Spacers Pty Ltd; 13-03C, Conduit spacer, 26 Aug 2009	13269/2009	Thomas Wagner GmbH; 03-01A, Luggage case, (DE, 10 Mar 2009) 31 Aug 2009	13334/2009
Spacers Pty Ltd; 13-03C, Conduit spacer, 26 Aug 2009	13270/2009	Thomas Wagner GmbH; 03-01A, Luggage case, (DE, 10 Mar 2009) 31 Aug 2009	13335/2009
Spacers Pty Ltd; 13-03C, Conduit spacer, 26 Aug 2009	13271/2009	Touchscreen Solutions Pty Ltd; 18-01, 18-02, 14-02, Kiosk Terminal, 24 Aug 2009	13231/2009
Spin Master Ltd; 21-01B, Transformable toy, (CA, 27 Mar 2009) 20 Aug 2009	13189/2009	Toyota Jidosha Kabushiki Kaisha; 12-16NES, Instrument panel for an automobile, 18 Aug 2009	13150/2009
Spin Master Ltd; 21-01B, Transformable toy, (CA, 23 Feb 2009) 20 Aug 2009	13180/2009	Toyota Jidosha Kabushiki Kaisha; 12-08, Automobile, 18 Aug 2009	13151/2009
Spin Master Ltd; 21-01B, Transformable toy, (CA, 01 Apr 2009) 20 Aug 2009	13181/2009	Uni-Pro Painting Equipment Pty Ltd; 08-05L, Paint tray cover, 24 Aug 2009	13235/2009
Spin Master Ltd; 21-01A, Transformable toy, (CA, 06 Mar 2009) 20 Aug 2009	13182/2009		

Uni-Pro Painting Equipment Pty Ltd; 08-05L, Paint tray, 24 Aug 2009	13236/2009	Williams, Daniel; 25-01K, Corner coaming, 20 Aug 2009	13220/2009
Usual Suspects Pty Ltd; 02-02C, The design of the ripping featured on the denim, jean leggings as photo provided, 24 Aug 2009	13228/2009	Williams, Daniel; 25-01K, Bottom side coaming, 20 Aug 2009	13221/2009
Verheem, Johann B.; 21-02F, Exercise device, (US, 24 Jul 2009) 31 Aug 2009	13351/2009	Williams, Daniel; 25-01K, Rear end coaming, 20 Aug 2009	13214/2009
Vinco Hardware Products Pty Ltd; 08-07, Slide latch with removable keyed cylinder, 19 Aug 2009	13154/2009	Yoshiritsu Kabushiki Kaisha; 07-06D, Bottle opener, (JP, 10 Apr 2009) 18 Aug 2009	13128/2009
Waterson, Christina Mary; 11-02NES, Ornament, homeware and jewellery, 28 Aug 2009	13320/2009	Zork Pty Ltd; 07-06C, A bottle closure component, 25 Aug 2009	13257/2009
Waterson, Christina Mary; 06-01NES, Furniture, 28 Aug 2009	13321/2009	ZBx Corporation; 24-02, Diagnostic device, (US, 19 Jun 2009) 26 Aug 2009	13286/2009
Waterson, Christina Mary; 11-02NES, Ornament, 26 Aug 2009	13276/2009	ZBx Corporation; 24-02, Diagnostic device, (US, 19 Jun 2009) 26 Aug 2009	13287/2009
Watts, Graham Stewart; Callaghan, Natalie Rosemary; 09-07B, A can cover, (ZA, 03 Feb 2009) 03 Aug 2009	13163/2009	ZBx Corporation; 24-02, Diagnostic device, (US, 19 Jun 2009) 26 Aug 2009	13288/2009
Watts, Graham Stewart; Callaghan, Natalie Rosemary; 09-07B, A can cover, (ZA, 03 Feb 2009) 03 Aug 2009	13162/2009	ZBx Corporation; 24-02, Diagnostic device, (US, 19 Jun 2009) 26 Aug 2009	13284/2009
Watts, Graham Stewart; Callaghan, Natalie Rosemary; 09-07B, A can cover, (ZA, 03 Feb 2009) 03 Aug 2009	13161/2009	ZBx Corporation; 24-02, Diagnostic device, (US, 19 Jun 2009) 26 Aug 2009	13285/2009
West, Kelly Christina; Parnham & Associates Pty Ltd; 06-09, Pillow, 28 Aug 2009	13296/2009	ZBx Corporation; 24-02, Diagnostic device, (US, 19 Jun 2009) 26 Aug 2009	13289/2009
Wilkhahn Wilkening + Hahne GmbH + Co.; 06-01F, Chair, (EM, 01 Apr 2009) 25 Aug 2009	13253/2009	ZBx Corporation; 24-02, Diagnostic device, (US, 19 Jun 2009) 26 Aug 2009	13283/2009

Applications Withdrawn

12387 / 2009 (11-04)

Applications Lapsed

10426 / 2009 (02-02C)	10440 / 2009 (08-08G)
10441 / 2009 (08-08G)	10495 / 2009 (22-05)
10853 / 2009 (24-01)	12137 / 2009 (19-04)
12138 / 2009 (19-04)	12139 / 2009 (19-04)

Extension of Period of Registration of Designs

300045	300127	300138
300306	300368	300495
300496	300497	300498
300499	300500	300501
300502	300503	300504
300505	300506	300507
300508	300509	300510
300547	300559	300560
300563	300568	300643
300647	300653	300656
300657	300658	300659
300660	300661	300662
300664	300670	300681
300682	300683	300691
300702	300703	300704
300705	300713	300714
300722	300723	300739
300740	300766	300767
300780	300815	300852
300853	300854	300855
300856	300884	300916
300926	300935	300936
300937	300949	300966
300970	300972	300973
300975	300976	300977
300978	300979	300981
300985	300986	300987
300994	300996	301000
301005	301006	301021
301077	301090	301092
301093	301095	301096
301097	301100	301147
301162	301163	301211
301232	301263	301321
301365	301492	301569
301570	301754	301756
301757	301816	301817
301818	301820	301822
302359	302360	302505
302508	302509	302540
302545	302653	302654
302655	302656	302657
302658	302673	302674
302757	302799	302861
303195	303697	304477
304478	304698	305073
305074	305468	305530
306750		

the date of this journal.

12675/2008 **Somfy SAS** Address for Service: PIZZEYS GPO Box 1374 BRISBANE QLD 4001

Extensions of time granted under Section 137

Applications lodged under section 137 for extension of time have been granted.

300045 **Hansgrohe A.G.**

10336/2009 **Colleen Wenn**

11965/2009 **Colin Roy Stone**

11987/2009 **Megadeck Australia Pty Ltd**

Subsequent Owners Registered

(The name in parentheses is that of the subsequent owner)

304582	(Bosch Pouch Systems AG) SaddleSprings Beverage Company, Inc.
315360	(Bosch Pouch Systems AG) Ronald H. Berman
315737	(Bosch Pouch Systems AG) Ronald H. Berman
315923	(Bosch Pouch Systems AG) Ronald H. Berman
315924	(Bosch Pouch Systems AG) Ronald H. Berman
316849	(TEXTRON INNOVATIONS INC) Textron Inc.
318211	(Bosch Pouch Systems AG) Ronald H. Berman
321540	(Bosch Pouch Systems AG) Ronald H. Berman
324114	(Societe de velo en libre-service) Societe en commandite Stationnement de Montreal

Applications for Extension of time under Section 137

Applications under section 137 for extension of time have been lodged. Objections must be lodged within 1 month from

Certificate(s) of Examination

Examination of the following Design Registration(s) has been completed. Infringement proceedings may now be commenced.

316304	10-06	25/08/2009	326692	08-05NES	27/08/2009
318681	24-03	25/08/2009	326718	23-04	26/08/2009
318783	25-01K	24/08/2009	326751	06-01L	25/08/2009
318784	25-01K	24/08/2009	326800	07-02E	24/08/2009
318785	25-01K	24/08/2009	326811	08-06	28/08/2009
320063	24-03	25/08/2009	326812	08-05NES	25/08/2009
320777	25-02NES	28/08/2009			
321265	06-11	28/08/2009			
321296	25-02NES	28/08/2009			
321859	09-01NES	27/08/2009			
321860	09-01NES	27/08/2009			
323364	02-03	31/08/2009			
323365	29-02	01/09/2009			
324242	02-03	31/08/2009			
324243	02-03	31/08/2009			
324244	02-03	31/08/2009			
324444	02-03	31/08/2009			
324445	02-03	31/08/2009			
324654	06-01G	31/08/2009			
324655	06-01G	31/08/2009			
324701	06-01G	31/08/2009			
324702	06-01G	31/08/2009			
324762	21-02D	02/09/2009			
324818	14-01	31/08/2009			
324819	14-01	31/08/2009			
324820	14-01	31/08/2009			
324821	14-01	31/08/2009			
324822	14-01	31/08/2009			
324823	14-01	31/08/2009			
324824	14-01	31/08/2009			
324825	14-01	31/08/2009			
325134	15-05	31/08/2009			
325248	26-05C	03/09/2009			
325249	26-05C	03/09/2009			
325250	26-05C	03/09/2009			
325318	14-03E	20/08/2009			
325320	22-05	02/09/2009			
325335	08-08NES	31/08/2009			
325432	24-02	31/08/2009			
325604	09-05	24/08/2009			
326011	12-16NES	24/08/2009			
326012	09-01K	25/08/2009			
326016	25-01K	26/08/2009			
326017	19-02	31/08/2009			
326032	08-06	27/08/2009			
326033	12-05	31/08/2009			
326034	09-01K	25/08/2009			
326065	25-01K	20/08/2009			
326219	08-08L	31/08/2009			
326329	09-01H	01/09/2009			
326452	24-01	31/08/2009			
326456	24-01	31/08/2009			
326462	04-02	21/08/2009			
326463	04-02	21/08/2009			
326466	04-02	01/09/2009			
326467	04-02	01/09/2009			
326468	04-02	01/09/2009			
326470	04-02	01/09/2009			
326494	12-15D	02/09/2009			
326496	12-15D	02/09/2009			
326575	15-05	03/09/2009			
326576	15-05	03/09/2009			
326628	21-02D	24/08/2009			

Publication and Registration Proceedings

Designs Registered

This section provides a concordance between design number and registration number of Designs covered in this journal. It also shows the main class and registration date.

This section covers Registration numbers 327236 to 327471 .

The registration number shown below should be used in all future correspondence.

Design Number	Registration Number	International Classification Code (IDC)	Registration Date	Design Number	Registration Number	International Classification Code (IDC)	Registration Date
10599/2009	327440	23-01B	02/09/2009	12595/2009	327250	21-02C	21/08/2009
10600/2009	327441	23-01B	02/09/2009	12600/2009	327260	21-02C	24/08/2009
10601/2009	327442	23-01B	02/09/2009	12601/2009	327261	21-02C	24/08/2009
10602/2009	327443	23-01B	02/09/2009	12602/2009	327262	21-02C	24/08/2009
10603/2009	327444	23-01B	02/09/2009	12617/2009	327251	04-02	21/08/2009
10604/2009	327445	23-01B	02/09/2009	12618/2009	327252	04-02	21/08/2009
11186/2009	327365	25-01K	27/08/2009	12705/2009	327263	07-04	24/08/2009
11187/2009	327366	25-01K	27/08/2009	12706/2009	327264	07-04	24/08/2009
11188/2009	327367	08-08NES	27/08/2009	12716/2009	327265	12-05	24/08/2009
11460/2009	327255	23-03E	24/08/2009	12748/2009	327342	22-05	02/09/2009
11930/2009	327272	06-01H	24/08/2009	12750/2009	327429	23-01A	02/09/2009
11962/2009	327305	22-05	26/08/2009	12751/2009	327430	23-01A	02/09/2009
11965/2009	327446	08-05P	02/09/2009	12753/2009	327431	23-01A	02/09/2009
11987/2009	327390	08-08NES	28/08/2009	12762/2009	327393	19-08	28/08/2009
12141/2009	327295	25-02K	24/08/2009	12763/2009	327394	19-08	28/08/2009
12142/2009	327296	25-02K	24/08/2009	12779/2009	327279	07-02E	24/08/2009
12143/2009	327297	25-02K	24/08/2009	12780/2009	327280	07-02E	24/08/2009
12144/2009	327298	25-02K	24/08/2009	12781/2009	327343	26-05NES	02/09/2009
12170/2009	327273	28-03NES	24/08/2009	12782/2009	327327	26-04	28/08/2009
12198/2009	327274	08-08B	24/08/2009	12784/2009	327328	08-08H	28/08/2009
12206/2009	327391	09-01NES	28/08/2009	12785/2009	327381	24-01	28/08/2009
12207/2009	327392	07-99A	28/08/2009	12787/2009	327267	12-16NES	24/08/2009
12224/2009	327275	25-01K	24/08/2009	12788/2009	327266	12-16NES	24/08/2009
12226/2009	327306	11-04	26/08/2009	12791/2009	327236	24-01	20/08/2009
12228/2009	327379	10-04	28/08/2009	12792/2009	327237	09-01NES	20/08/2009
12234/2009	327301	13-99	25/08/2009	12793/2009	327238	11-99	20/08/2009
12236/2009	327302	13-99	25/08/2009	12798/2009	327281	08-05K	24/08/2009
12242/2009	327380	12-16D	28/08/2009	12802/2009	327382	08-03	28/08/2009
12255/2009	327240	10-04	20/08/2009	12803/2009	327383	08-03	28/08/2009
12298/2009	327276	12-16NES	24/08/2009	12804/2009	327375	08-08H	28/08/2009
12299/2009	327428	07-05D	02/09/2009	12806/2009	327288	21-01B	24/08/2009
12316/2009	327398	09-07A	31/08/2009	12807/2009	327289	21-01B	24/08/2009
12318/2009	327247	21-01B	21/08/2009	12808/2009	327290	21-01B	24/08/2009
12346/2009	327244	06-13B	20/08/2009	12809/2009	327291	21-01B	24/08/2009
12388/2009	327307	11-04	26/08/2009	12810/2009	327282	21-01B	24/08/2009
12389/2009	327308	11-04	26/08/2009	12811/2009	327283	21-01B	24/08/2009
12405/2009	327303	25-02A	25/08/2009	12812/2009	327284	21-01B	24/08/2009
12417/2009	327277	12-16NES	24/08/2009	12813/2009	327285	21-01B	24/08/2009
12418/2009	327278	12-16NES	24/08/2009	12814/2009	327253	21-01B	21/08/2009
12432/2009	327241	21-03	20/08/2009	12815/2009	327254	21-01B	21/08/2009
12450/2009	327338	08-09	02/09/2009	12818/2009	327268	08-08L	24/08/2009
12451/2009	327339	08-09	02/09/2009	12819/2009	327269	14-01	24/08/2009
12452/2009	327340	08-09	02/09/2009	12820/2009	327270	12-06A	24/08/2009
12453/2009	327341	08-09	02/09/2009	12826/2009	327294	14-02	24/08/2009
12454/2009	327309	07-01F	26/08/2009	12827/2009	327299	24-04	28/08/2009
12465/2009	327248	09-01K	21/08/2009	12829/2009	327300	08-05P	28/08/2009
12486/2009	327256	21-01D	24/08/2009	12830/2009	327292	09-07NES	24/08/2009
12541/2009	327242	06-02	20/08/2009	12832/2009	327293	12-16A	24/08/2009
12552/2009	327321	06-06E	26/08/2009	12833/2009	327286	03-01NES	24/08/2009
12577/2009	327257	21-02C	24/08/2009	12835/2009	327287	25-02NES	24/08/2009
12578/2009	327258	21-02C	24/08/2009	12842/2009	327310	07-01F	26/08/2009
12579/2009	327259	21-02C	24/08/2009	12843/2009	327311	07-04	26/08/2009
12593/2009	327249	21-02C	21/08/2009	12850/2009	327322	09-03F	26/08/2009

Publication and Registration Proceedings - Designs Registered cont'd

Design Number	Registration Number	International Classification Code (IDC)	Registration Date	Design Number	Registration Number	International Classification Code (IDC)	Registration Date
12851/2009	327323	09-03F	26/08/2009	12947/2009	327457	23-01H	03/09/2009
12852/2009	327324	09-03F	26/08/2009	12948/2009	327458	10-02	03/09/2009
12853/2009	327325	23-01G	26/08/2009	12949/2009	327459	10-02	03/09/2009
12854/2009	327326	23-01G	26/08/2009	12951/2009	327460	25-02NES	03/09/2009
12856/2009	327344	09-01NES	02/09/2009	12958/2009	327411	14-01	01/09/2009
12857/2009	327345	09-01NES	02/09/2009	12959/2009	327406	14-01	31/08/2009
12858/2009	327346	09-01NES	02/09/2009	12960/2009	327407	09-01NES	31/08/2009
12859/2009	327347	09-07B	02/09/2009	12961/2009	327408	09-01NES	31/08/2009
12861/2009	327312	12-16B	26/08/2009	12962/2009	327409	08-06	31/08/2009
12862/2009	327313	24-01	26/08/2009	12963/2009	327410	08-06	31/08/2009
12863/2009	327314	24-01	26/08/2009	12964/2009	327420	08-06	02/09/2009
12864/2009	327315	12-16L	26/08/2009	12965/2009	327421	04-01	02/09/2009
12880/2009	327329	12-16M	28/08/2009	12966/2009	327422	04-01	02/09/2009
12881/2009	327330	12-16M	28/08/2009	12967/2009	327423	04-01	02/09/2009
12882/2009	327331	12-16M	28/08/2009	12968/2009	327424	04-01	02/09/2009
12883/2009	327332	12-16M	28/08/2009	12969/2009	327399	04-01	31/08/2009
12884/2009	327333	12-16M	28/08/2009	12970/2009	327400	07-99NES	31/08/2009
12885/2009	327334	12-16M	28/08/2009	12973/2009	327401	10-05	31/08/2009
12886/2009	327335	12-16M	28/08/2009	12977/2009	327372	09-03NES	27/08/2009
12887/2009	327336	12-16M	28/08/2009	12978/2009	327373	21-01B	28/08/2009
12888/2009	327337	12-16M	28/08/2009	12979/2009	327412	27-99	01/09/2009
12889/2009	327348	12-16M	02/09/2009	12980/2009	327243	19-06	20/08/2009
12890/2009	327349	12-16M	02/09/2009	12984/2009	327425	05-06B	02/09/2009
12891/2009	327350	12-16M	02/09/2009	12985/2009	327426	05-06B	02/09/2009
12892/2009	327351	12-16M	02/09/2009	12986/2009	327427	05-06B	02/09/2009
12894/2009	327352	14-01	02/09/2009	12987/2009	327413	25-04	01/09/2009
12898/2009	327239	25-03	20/08/2009	12988/2009	327414	25-02C	01/09/2009
12899/2009	327353	08-07	02/09/2009	12989/2009	327415	14-01	01/09/2009
12900/2009	327354	02-03	02/09/2009	12990/2009	327416	09-03M	01/09/2009
12901/2009	327355	21-01B	27/08/2009	12991/2009	327447	09-03M	02/09/2009
12902/2009	327356	21-01B	27/08/2009	12992/2009	327448	14-01	02/09/2009
12903/2009	327357	21-01B	27/08/2009	12997/2009	327461	09-01NES	03/09/2009
12904/2009	327358	21-01A	27/08/2009	12998/2009	327432	07-01NES	02/09/2009
12905/2009	327359	21-01B	27/08/2009	12999/2009	327433	07-01NES	02/09/2009
12906/2009	327360	21-01A	27/08/2009	13000/2009	327434	07-01NES	02/09/2009
12907/2009	327361	21-01A	27/08/2009	13002/2009	327462	07-01NES	03/09/2009
12908/2009	327362	21-01A	27/08/2009	13003/2009	327463	07-01NES	03/09/2009
12909/2009	327363	21-01A	27/08/2009	13004/2009	327464	07-01NES	03/09/2009
12910/2009	327368	21-01A	27/08/2009	13005/2009	327465	09-03M	03/09/2009
12917/2009	327369	25-01NES	27/08/2009	13006/2009	327435	09-03M	02/09/2009
12918/2009	327370	24-01	27/08/2009	13007/2009	327436	09-03M	02/09/2009
12919/2009	327371	24-01	27/08/2009	13008/2009	327437	09-03M	02/09/2009
12928/2009	327395	23-01A	28/08/2009	13009/2009	327438	09-03M	02/09/2009
12929/2009	327396	23-01B	28/08/2009	13010/2009	327439	08-08NES	02/09/2009
12930/2009	327397	23-01A	28/08/2009	13011/2009	327449	23-01NES	02/09/2009
12932/2009	327417	07-02B	02/09/2009	13012/2009	327450	09-03M	02/09/2009
12934/2009	327418	24-01	02/09/2009	13013/2009	327451	09-03M	02/09/2009
12935/2009	327419	24-01	02/09/2009	13017/2009	327452	23-02B	03/09/2009
12937/2009	327384	07-01F	28/08/2009	13018/2009	327453	27-99	03/09/2009
12938/2009	327385	04-02	28/08/2009	13019/2009	327454	09-07A	03/09/2009
12939/2009	327386	04-02	28/08/2009	13020/2009	327455	04-01	03/09/2009
12940/2009	327387	04-02	28/08/2009	13021/2009	327271	06-01NES	24/08/2009
12941/2009	327388	04-02	28/08/2009	13022/2009	327466	06-01G	03/09/2009
12942/2009	327389	04-02	28/08/2009	13023/2009	327467	06-01G	03/09/2009
12943/2009	327402	04-02	31/08/2009	13024/2009	327468	12-16K	03/09/2009
12944/2009	327403	04-02	31/08/2009	13029/2009	327456	16-06	03/09/2009
12945/2009	327404	04-02	31/08/2009	13032/2009	327469	09-01G	03/09/2009
12946/2009	327405	04-02	31/08/2009	13033/2009	327470	03-01D	03/09/2009

Publication and Registration Proceedings - Designs Registered cont'd

Design Number	Registration Number	International Classification Code (IDC)	Registration Date	Design Number	Registration Number	International Classification Code (IDC)	Registration Date
13034/2009	327471	08-01	03/09/2009	13137/2009	327378	12-16NES	28/08/2009
13036/2009	327374	21-01B	28/08/2009	13139/2009	327245	06-13B	20/08/2009
13047/2009	327376	30-01	28/08/2009	13140/2009	327246	06-13B	20/08/2009
13048/2009	327377	30-01	28/08/2009	13154/2009	327364	08-07	27/08/2009
13052/2009	327304	22-05	25/08/2009				

Publication and Registration Proceedings
Class Listing of Designs Published or Registered

The following section shows an International Classification Code listing of the Registered or Published Designs covered in this supplement.

Classification	Registration Number	Design Number	Classification	Registration Number	Design Number
02-03	327354	12900/2009	07-99 NES	327400	12970/2009
03-01 D	327470	13033/2009	08-01	327471	13034/2009
03-01 NES	327286	12833/2009	08-03	327382	12802/2009
04-01	327399	12969/2009	08-03	327383	12803/2009
04-01	327420	12964/2009	08-05 K	327281	12798/2009
04-01	327421	12965/2009	08-05 P	327300	12829/2009
04-01	327422	12966/2009	08-05 P	327446	11965/2009
04-01	327423	12967/2009	08-06	327409	12962/2009
04-01	327424	12968/2009	08-06	327410	12963/2009
04-01	327455	13020/2009	08-06	327420	12964/2009
04-02	327251	12617/2009	08-07	327353	12899/2009
04-02	327252	12618/2009	08-07	327364	13154/2009
04-02	327385	12938/2009	08-08 B	327274	12198/2009
04-02	327386	12939/2009	08-08 H	327295	12141/2009
04-02	327387	12940/2009	08-08 H	327328	12784/2009
04-02	327388	12941/2009	08-08 H	327375	12804/2009
04-02	327389	12942/2009	08-08 L	327268	12818/2009
04-02	327402	12943/2009	08-08 NES	327367	11188/2009
04-02	327403	12944/2009	08-08 NES	327390	11987/2009
04-02	327404	12945/2009	08-08 NES	327425	12984/2009
04-02	327405	12946/2009	08-08 NES	327426	12985/2009
05-06 B	327425	12984/2009	08-08 NES	327427	12986/2009
05-06 B	327426	12985/2009	08-08 NES	327439	13010/2009
05-06 B	327427	12986/2009	08-09	327338	12450/2009
06-01 G	327466	13022/2009	08-09	327339	12451/2009
06-01 G	327467	13023/2009	08-09	327340	12452/2009
06-01 H	327272	11930/2009	08-09	327341	12453/2009
06-01 NES	327271	13021/2009	09-01 G	327469	13032/2009
06-02	327242	12541/2009	09-01 G	327470	13033/2009
06-03 NES	327287	12835/2009	09-01 K	327248	12465/2009
06-06 E	327321	12552/2009	09-01 NES	327237	12792/2009
06-06 G	327321	12552/2009	09-01 NES	327344	12856/2009
06-10	327328	12784/2009	09-01 NES	327345	12857/2009
06-13 B	327244	12346/2009	09-01 NES	327346	12858/2009
06-13 B	327245	13139/2009	09-01 NES	327391	12206/2009
06-13 B	327246	13140/2009	09-01 NES	327407	12960/2009
07-01 F	327309	12454/2009	09-01 NES	327408	12961/2009
07-01 F	327310	12842/2009	09-01 NES	327461	12997/2009
07-01 F	327384	12937/2009	09-03 F	327322	12850/2009
07-01 NES	327432	12998/2009	09-03 F	327323	12851/2009
07-01 NES	327433	12999/2009	09-03 F	327324	12852/2009
07-01 NES	327434	13000/2009	09-03 M	327416	12990/2009
07-01 NES	327462	13002/2009	09-03 M	327432	12998/2009
07-01 NES	327463	13003/2009	09-03 M	327435	13006/2009
07-01 NES	327464	13004/2009	09-03 M	327436	13007/2009
07-02 B	327417	12932/2009	09-03 M	327437	13008/2009
07-02 E	327279	12779/2009	09-03 M	327438	13009/2009
07-02 E	327280	12780/2009	09-03 M	327447	12991/2009
07-02 N	327417	12932/2009	09-03 M	327450	13012/2009
07-04	327263	12705/2009	09-03 M	327451	13013/2009
07-04	327264	12706/2009	09-03 M	327465	13005/2009
07-04	327311	12843/2009	09-03 NES	327372	12977/2009
07-05 D	327428	12299/2009	09-05	327286	12833/2009
07-05 NES	327409	12962/2009	09-07 A	327398	12316/2009
07-05 NES	327410	12963/2009	09-07 A	327410	12963/2009
07-99 A	327392	12207/2009	09-07 A	327454	13019/2009

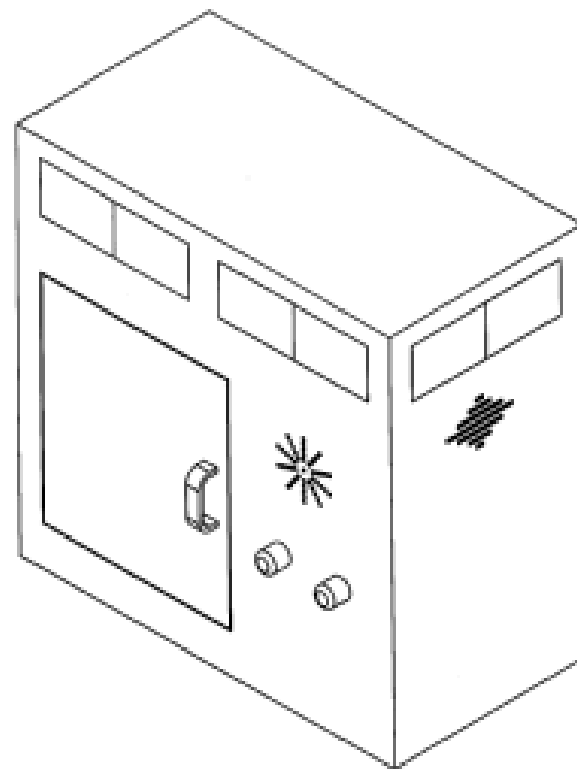
Registration Proceedings - Class Listing of Designs Published or Registered cont'd

Classification	Registration Number	Design Number	Classification	Registration Number	Design Number
09-07 B	327310	12842/2009	19-08	327393	12762/2009
09-07 B	327347	12859/2009	19-08	327394	12763/2009
09-07 C	327433	12999/2009	21-01 A	327358	12904/2009
09-07 C	327434	13000/2009	21-01 A	327360	12906/2009
09-07 NES	327292	12830/2009	21-01 A	327361	12907/2009
10-02	327458	12948/2009	21-01 A	327362	12908/2009
10-02	327459	12949/2009	21-01 A	327363	12909/2009
10-04	327240	12255/2009	21-01 A	327368	12910/2009
10-04	327379	12228/2009	21-01 B	327247	12318/2009
10-05	327401	12973/2009	21-01 B	327253	12814/2009
11-04	327306	12226/2009	21-01 B	327254	12815/2009
11-04	327307	12388/2009	21-01 B	327282	12810/2009
11-04	327308	12389/2009	21-01 B	327283	12811/2009
11-99	327238	12793/2009	21-01 B	327284	12812/2009
12-05	327265	12716/2009	21-01 B	327285	12813/2009
12-05	327425	12984/2009	21-01 B	327288	12806/2009
12-05	327426	12985/2009	21-01 B	327289	12807/2009
12-05	327427	12986/2009	21-01 B	327290	12808/2009
12-05	327460	12951/2009	21-01 B	327291	12809/2009
12-06 A	327270	12820/2009	21-01 B	327355	12901/2009
12-16 A	327293	12832/2009	21-01 B	327356	12902/2009
12-16 B	327312	12861/2009	21-01 B	327357	12903/2009
12-16 D	327380	12242/2009	21-01 B	327359	12905/2009
12-16 K	327468	13024/2009	21-01 B	327373	12978/2009
12-16 L	327315	12864/2009	21-01 B	327374	13036/2009
12-16 M	327329	12880/2009	21-01 D	327256	12486/2009
12-16 M	327330	12881/2009	21-02 C	327249	12593/2009
12-16 M	327331	12882/2009	21-02 C	327250	12595/2009
12-16 M	327332	12883/2009	21-02 C	327257	12577/2009
12-16 M	327333	12884/2009	21-02 C	327258	12578/2009
12-16 M	327334	12885/2009	21-02 C	327259	12579/2009
12-16 M	327335	12886/2009	21-02 C	327260	12600/2009
12-16 M	327336	12887/2009	21-02 C	327261	12601/2009
12-16 M	327337	12888/2009	21-02 C	327262	12602/2009
12-16 M	327348	12889/2009	21-03	327241	12432/2009
12-16 M	327349	12890/2009	22-05	327304	13052/2009
12-16 M	327350	12891/2009	22-05	327305	11962/2009
12-16 M	327351	12892/2009	22-05	327342	12748/2009
12-16 NES	327266	12788/2009	23-01 A	327395	12928/2009
12-16 NES	327267	12787/2009	23-01 A	327397	12930/2009
12-16 NES	327276	12298/2009	23-01 A	327429	12750/2009
12-16 NES	327277	12417/2009	23-01 A	327430	12751/2009
12-16 NES	327278	12418/2009	23-01 A	327431	12753/2009
12-16 NES	327378	13137/2009	23-01 B	327396	12929/2009
13-03 NES	327292	12830/2009	23-01 B	327440	10599/2009
13-99	327301	12234/2009	23-01 B	327441	10600/2009
13-99	327302	12236/2009	23-01 B	327442	10601/2009
14-01	327269	12819/2009	23-01 B	327443	10602/2009
14-01	327352	12894/2009	23-01 B	327444	10603/2009
14-01	327406	12959/2009	23-01 B	327445	10604/2009
14-01	327411	12958/2009	23-01 G	327325	12853/2009
14-01	327415	12989/2009	23-01 G	327326	12854/2009
14-01	327448	12992/2009	23-01 H	327457	12947/2009
14-02	327294	12826/2009	23-01 NES	327449	13011/2009
15-99	327325	12853/2009	23-02 B	327452	13017/2009
15-99	327326	12854/2009	23-02 NES	327325	12853/2009
16-01	327401	12973/2009	23-02 NES	327326	12854/2009
16-06	327456	13029/2009	23-03 E	327255	11460/2009
19-06	327243	12980/2009	24-01	327236	12791/2009

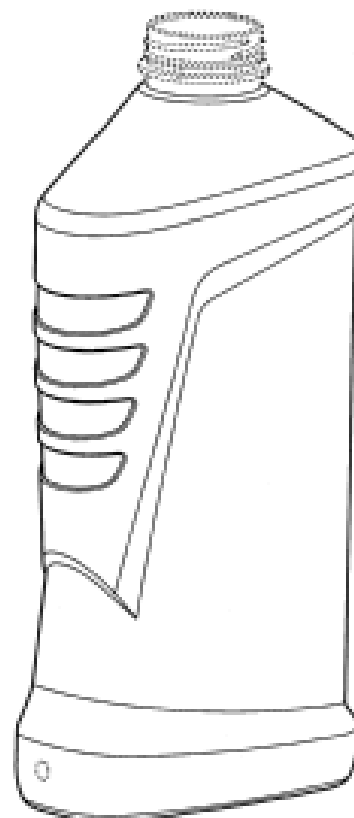
Registration Proceedings - Class Listing of Designs Published or Registered cont'd

Classification	Registration Number	Design Number	Classification	Registration Number	Design Number
24-01	327313	12862/2009	25-02 K	327297	12143/2009
24-01	327314	12863/2009	25-02 K	327298	12144/2009
24-01	327370	12918/2009	25-02 NES	327287	12835/2009
24-01	327371	12919/2009	25-02 NES	327460	12951/2009
24-01	327381	12785/2009	25-03	327239	12898/2009
24-01	327418	12934/2009	25-04	327413	12987/2009
24-01	327419	12935/2009	26-04	327327	12782/2009
24-04	327299	12827/2009	26-04	327343	12781/2009
25-01 K	327265	12716/2009	26-05 NES	327343	12781/2009
25-01 K	327275	12224/2009	27-99	327412	12979/2009
25-01 K	327339	12451/2009	27-99	327453	13018/2009
25-01 K	327365	11186/2009	28-03 NES	327273	12170/2009
25-01 K	327366	11187/2009	28-03 NES	327469	13032/2009
25-01 NES	327369	12917/2009	28-03 NES	327470	13033/2009
25-02 A	327303	12405/2009	29-02	327354	12900/2009
25-02 C	327414	12988/2009	30-01	327376	13047/2009
25-02 K	327295	12141/2009	30-01	327377	13048/2009
25-02 K	327296	12142/2009			

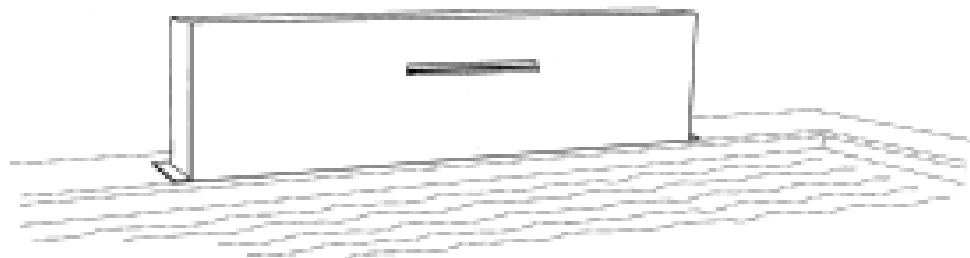
- (21) Design Number: **12791/2009**
(22) Date of Filing Application: **28 July 2009**
(24) Date from which industrial property rights may have effect: **28 July 2009**
(54) Product in respect of which the design is registered: **Emergency Station incorporating a Defibrillator**
(51) International Design Classification: **24-01**
(71) Name(s) and Address(s) of Applicant(s):
Australian Defibrillators Pty. Ltd.
6 Truro Street Port Noarlunga South Australia 5167 Australia
(72) Name(s) of Designer(s): **Paul Jones**
(45) Registration Date: **20 August 2009**
(56) Related Art Documents: **Not Applicable**
(57) Statement of Newness and Distinctiveness: **Nil**



- (21) Design Number: **12792/2009**
(22) Date of Filing Application: **28 July 2009**
(24) Date from which industrial property rights may have effect: **28 July 2009**
(54) Product in respect of which the design is registered: **Container**
(51) International Design Classification: **09-01NES**
(71) Name(s) and Address(s) of Applicant(s):
Colgate-Palmolive Company
300 Park Avenue New York New York 10022 United States of America
(72) Name(s) of Designer(s): **Isaac Milhem and Bruce Cummings and Simon Dutton and Nick Verebelyi**
(45) Registration Date: **20 August 2009**
(30) Convention priority data:
(31) Number (32) Date (33) Country
29/331625 29 Jan 2009 UNITED STATES OF AMERICA
(56) Related Art Documents: **Not Applicable**
(57) Statement of Newness and Distinctiveness: **Newness and distinctiveness reside in the features of the design shown in solid lines in the representations excluding those features shown in broken lines.**



- (21) Design Number: **12793/2009**
(22) Date of Filing Application: **28 July 2009**
(24) Date from which industrial property rights may have effect: **28 July 2009**
(54) Product in respect of which the design is registered: **Composite water feature for swimming pools**
(51) International Design Classification: **11-99**
(71) Name(s) and Address(s) of Applicant(s):
Leisure Pools and Spas Manufacturing Pty Ltd
6 Computer Road Yatala Queensland 4207 Australia
(72) Name(s) of Designer(s): **Kerry Pain**
(45) Registration Date: **20 August 2009**
(56) Related Art Documents: **Not Applicable**
(57) Statement of Newness and Distinctiveness: **Monopoly is claimed in the shape and/or configuration of a composite water feature for swimming pools as shown in the figures. In considering the scope of the monopoly, features shown in broken outline are to be discounted as are features of the bottom view of the object.**



- (21) Design Number: **12898/2009**
(22) Date of Filing Application: **04 August 2009**
(24) Date from which industrial property rights may have effect: **04 August 2009**
(54) Product in respect of which the design is registered: **Mobile photobooth**
(51) International Design Classification: **25-03**
(71) Name(s) and Address(s) of Applicant(s):
Paul Pennell
PO Box 4043 Towradgi New South Wales 2518 Australia
(72) Name(s) of Designer(s): **Paul Pennell**
(45) Registration Date: **20 August 2009**
(56) Related Art Documents: **Not Applicable**
(57) Statement of Newness and Distinctiveness: **A mobile or portable style photobooth - NOT a fixed style photobooth.**

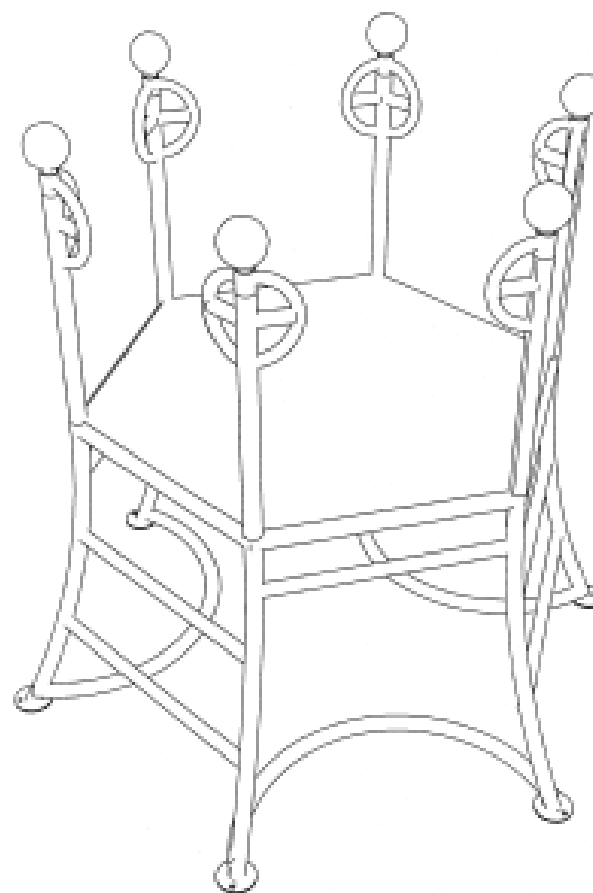


- (21) Design Number: **12255/2009**
- (22) Date of Filing Application: **24 June 2009**
- (24) Date from which industrial property rights may have effect: **24 June 2009**
- (54) Product in respect of which the design is registered: **Portable, hand held, remote, automated trailer light tester and diagnostic unit with rechargeable internal battery in**
- (51) International Design Classification: **10-04**
- (71) Name(s) and Address(s) of Applicant(s):
Giga Signs Pty Ltd
11/20 O'Shea Drive Nerang Queensland 4211 Australia
- (72) Name(s) of Designer(s): **Anthony Verner and Joshua Adler**
- (45) Registration Date: **20 August 2009**
- (56) Related Art Documents: **Not Applicable**
- (57) Statement of Newness and Distinctiveness: **Shape and design of portable hand held trailer light tester.**

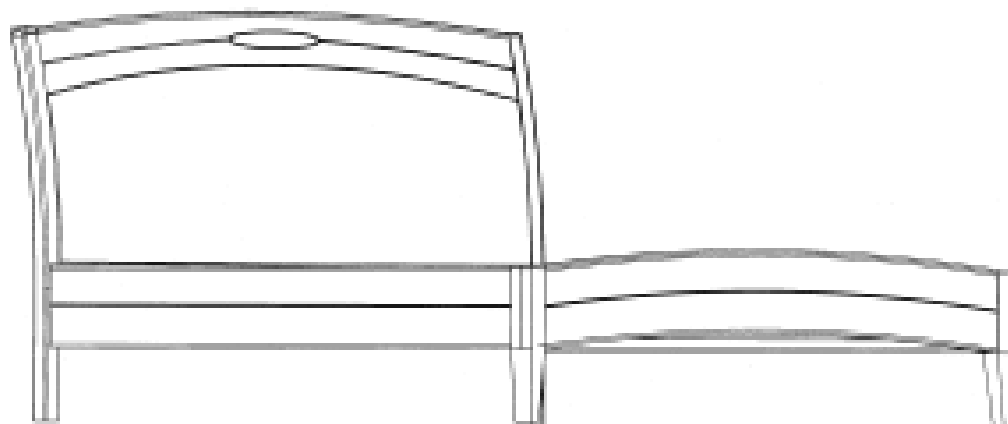


- (21) Design Number: **12432/2009**
- (22) Date of Filing Application: **07 July 2009**
- (24) Date from which industrial property rights may have effect: **07 July 2009**
- (54) Product in respect of which the design is registered: **A play frame**
- (51) International Design Classification: **21-03**
- (71) Name(s) and Address(s) of Applicant(s):
Denys Lloyd Filleul Trading as Playground Centre
10 St Leonard Street Wanganui 4501 New Zealand
Marcia Ann Filleul Trading as Playground Centre
10 St Leonard Street Wanganui 4501 New Zealand
- (72) Name(s) of Designer(s): **Simon Andrew Filleul**
- (45) Registration Date: **20 August 2009**
- (30) Convention priority data:

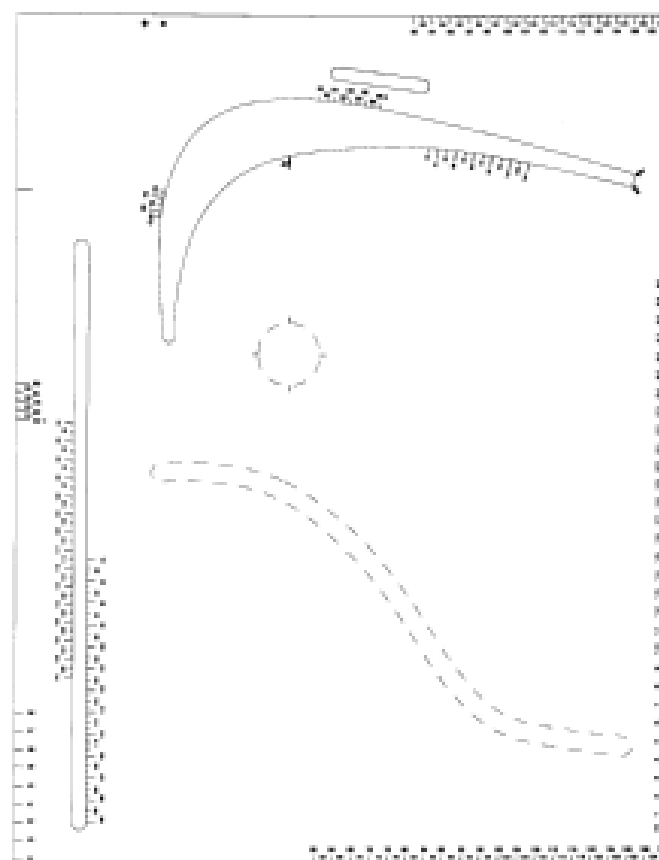
(31) Number	(32) Date	(33) Country
411842	28 Jan 2009	NEW ZEALAND
- (56) Related Art Documents: **Not Applicable**
- (57) Statement of Newness and Distinctiveness: **Nil**



- (21) Design Number: **12541/2009**
- (22) Date of Filing Application: **13 July 2009**
- (24) Date from which industrial property rights may have effect: **13 July 2009**
- (54) Product in respect of which the design is registered: **Bed**
- (51) International Design Classification: **06-02**
- (71) Name(s) and Address(s) of Applicant(s):
Georgina Saunders
6 Capri Crescent Avondale Heights Victoria 3034 Australia
Francesca Zurzolo
6 Capri Crescent Avondale Heights Victoria 3034 Australia
- (72) Name(s) of Designer(s): **Georgina Saunders and Francesca Zurzolo**
- (45) Registration Date: **20 August 2009**
- (56) Related Art Documents: **Not Applicable**
- (57) Statement of Newness and Distinctiveness: **Nil**



- (21) Design Number: **12980/2009**
- (22) Date of Filing Application: **07 August 2009**
- (24) Date from which industrial property rights may have effect: **07 August 2009**
- (54) Product in respect of which the design is registered: **Pattern drafting ruler**
- (51) International Design Classification: **19-06**
- (71) Name(s) and Address(s) of Applicant(s):
Maria Opresnik
81 Orchard Circuit Shepparton Victoria 3630 Australia
- (72) Name(s) of Designer(s): **Maria Opresnik**
- (45) Registration Date: **20 August 2009**
- (56) Related Art Documents: **Not Applicable**
- (57) Statement of Newness and Distinctiveness: **Newness and distinctiveness are claimed in the features of shape and configuration shown in solid lines.**



(21) Design Number: **12346/2009**

(22) Date of Filing Application: **30 June 2009**

(24) Date from which industrial property rights may have effect: **30 June 2009**

(54) Product in respect of which the design is registered: **Top sheet**

(51) International Design Classification: **06-13B**

(71) Name(s) and Address(s) of Applicant(s):

Sheree Broadhurst

29 Sicilia Street Prestons New South Wales 2170 Australia

(72) Name(s) of Designer(s): **Sheree Broadhurst**

(45) Registration Date: **20 August 2009**

(56) Related Art Documents: **Not Applicable**

(57) Statement of Newness and Distinctiveness: **Top sheet is fitted, no elastic is used.**



(21) Design Number: **13139/2009**

(22) Date of Filing Application: **30 June 2009**

(24) Date from which industrial property rights may have effect: **30 June 2009**

(54) Product in respect of which the design is registered: **Pillow case**

(51) International Design Classification: **06-13B**

(71) Name(s) and Address(s) of Applicant(s):

Sheree Broadhurst

29 Sicilia Street Prestons New South Wales 2170 Australia

(72) Name(s) of Designer(s): **Sheree Broadhurst**

(45) Registration Date: **20 August 2009**

(56) Related Art Documents: **Not Applicable**

(57) Statement of Newness and Distinctiveness: **Opening of pillow case on length side as opposed to width on standard pillow case.**



(21) Design Number: **13140/2009**

(22) Date of Filing Application: **30 June 2009**

(24) Date from which industrial property rights may have effect: **30 June 2009**

(54) Product in respect of which the design is registered: **Bottom sheet**

(51) International Design Classification: **06-13B**

(71) Name(s) and Address(s) of Applicant(s):

Sheree Broadhurst

29 Sicilia Street Prestons New South Wales 2170 Australia

(72) Name(s) of Designer(s): **Sheree Broadhurst**

(45) Registration Date: **20 August 2009**

(56) Related Art Documents: **Not Applicable**

(57) Statement of Newness and Distinctiveness: **The bottom fitted sheet has short ends at both top and bottom of the bed. No elastic is used.**



(21) Design Number: **12318/2009**

(22) Date of Filing Application: **26 June 2009**

(24) Date from which industrial property rights may have effect: **26 June 2009**

(54) Product in respect of which the design is registered: **Doll/sculpture**

(51) International Design Classification: **21-01B**

(71) Name(s) and Address(s) of Applicant(s):

Ludwig Linden

Bruhler Landstrasse 100-100c 50997 Cologne Germany

(72) Name(s) of Designer(s): **Ludwig Linden**

(45) Registration Date: **21 August 2009**

(30) Convention priority data:

(31) Number

(32) Date

(33) Country

001063531-002 30 Dec 2008

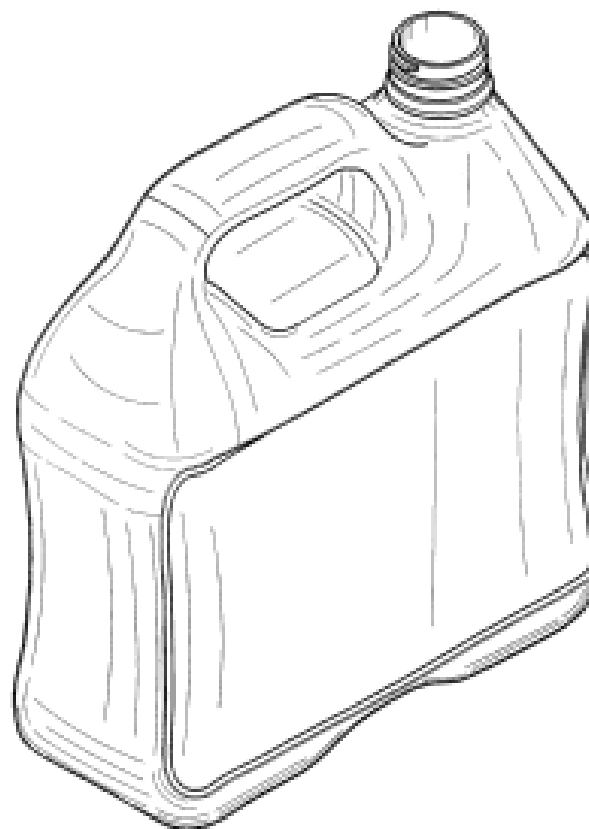
EUROPEAN COMMUNITY

(56) Related Art Documents: **Not Applicable**

(57) Statement of Newness and Distinctiveness: **Newness and distinctiveness is claimed in the visual features shown in the representations.**

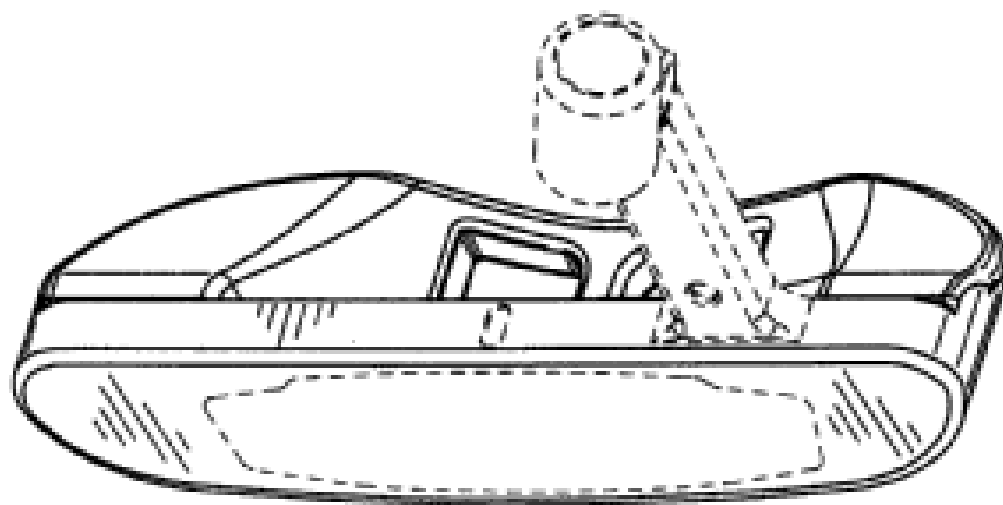


- (21) Design Number: **12465/2009**
- (22) Date of Filing Application: **08 July 2009**
- (24) Date from which industrial property rights may have effect: **08 July 2009**
- (54) Product in respect of which the design is registered: **Bottle**
- (51) International Design Classification: **09-01K**
- (71) Name(s) and Address(s) of Applicant(s):
Raymond John Baker
Suite 2 70 Lincoln Road Essendon Victoria 3040 Australia
- (72) Name(s) of Designer(s): **Raymond John Baker**
- (45) Registration Date: **21 August 2009**
- (56) Related Art Documents: **Not Applicable**
- (57) Statement of Newness and Distinctiveness: **The shape, configuration, or shape and configuration, of the design of the product is new and distinctive.**



- (21) Design Number: **12593/2009**
- (22) Date of Filing Application: **16 July 2009**
- (24) Date from which industrial property rights may have effect: **16 July 2009**
- (54) Product in respect of which the design is registered: **Golf club head**
- (51) International Design Classification: **21-02C**
- (71) Name(s) and Address(s) of Applicant(s):
Karsten Manufacturing Corporation
2201 West Desert Cove Phoenix Arizona 85029 United States of America
- (72) Name(s) of Designer(s): **Anthony D. Serrano and Xiaojian Chen**
- (45) Registration Date: **21 August 2009**
- (30) Convention priority data:

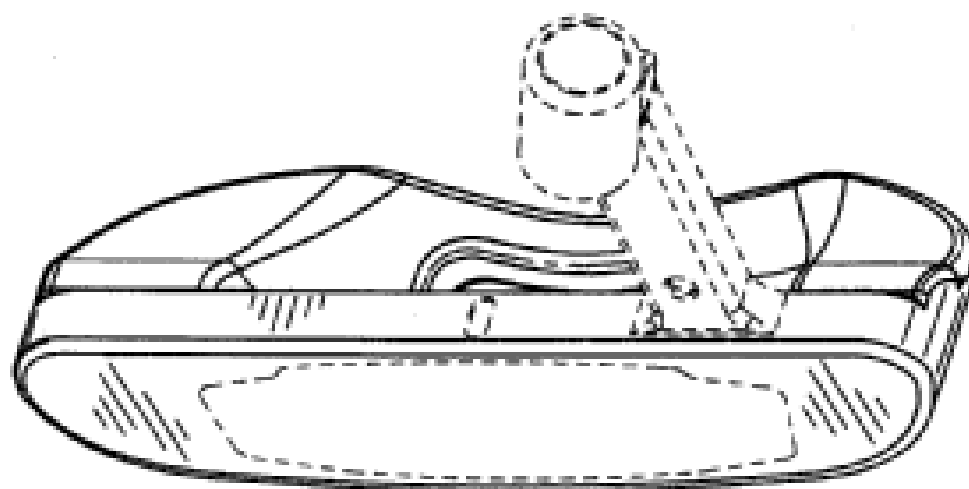
(31) Number	(32) Date	(33) Country
29/335811	22 Apr 2009	UNITED STATES OF AMERICA
- (56) Related Art Documents: **Not Applicable**
- (57) Statement of Newness and Distinctiveness: **Newness and distinctiveness is claimed in the visual features shown in solid lines in the representations.**



(21) Design Number: **12595/2009**
 (22) Date of Filing Application: **16 July 2009**
 (24) Date from which industrial property rights may have effect: **16 July 2009**
 (54) Product in respect of which the design is registered: **Golf club head**
 (51) International Design Classification: **21-02C**
 (71) Name(s) and Address(s) of Applicant(s):
Karsten Manufacturing Corporation
2201 West Desert Cove Phoenix Arizona 85029 United States of America
 (72) Name(s) of Designer(s): **Anthony D. Serrano and Xiaojian Chen**
 (45) Registration Date: **21 August 2009**
 (30) Convention priority data:

(31) Number	(32) Date	(33) Country
29/335811	22 Apr 2009	UNITED STATES OF AMERICA

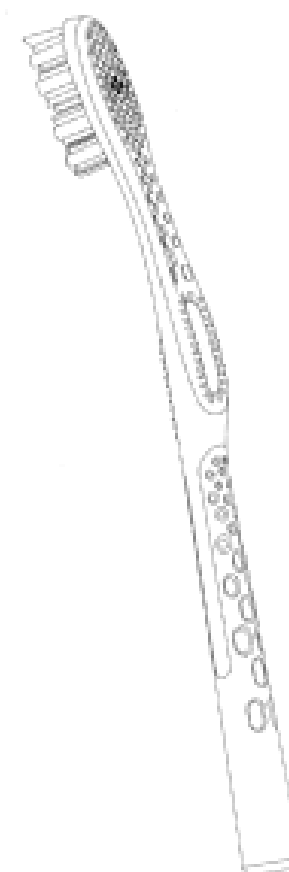
 (56) Related Art Documents: **Not Applicable**
 (57) Statement of Newness and Distinctiveness: **Newness and distinctiveness is claimed in the visual features shown in solid lines in the representations.**



(21) Design Number: **12617/2009**
 (22) Date of Filing Application: **17 July 2009**
 (24) Date from which industrial property rights may have effect: **17 July 2009**
 (54) Product in respect of which the design is registered: **Toothbrush**
 (51) International Design Classification: **04-02**
 (71) Name(s) and Address(s) of Applicant(s):
McNeil-PPC, Inc.
199 Grandview Road Skillman New Jersey 08558 United States of America
 (72) Name(s) of Designer(s): **Steve Blanchard and Janette Suh Edelstein and Robert W. Fusi II and Josef Knutzen and Justin McDonough and Yves Behar and Joshua Morenstein and Christopher Hibmacronan and Logan Ray and Lori Dee Kumar**
 (45) Registration Date: **21 August 2009**
 (30) Convention priority data:

(31) Number	(32) Date	(33) Country
29/331790	31 Jan 2009	UNITED STATES OF AMERICA

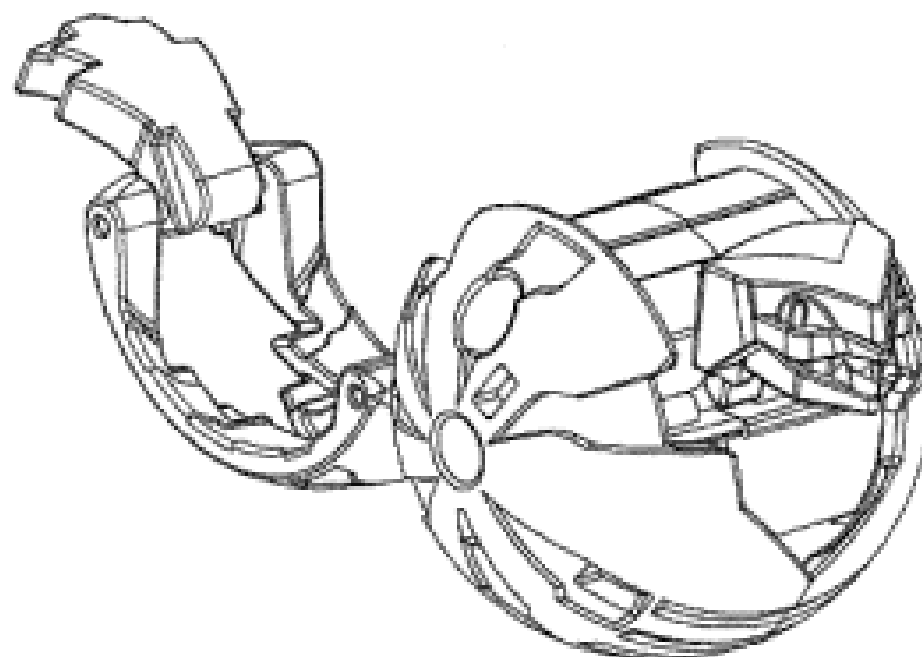
 (56) Related Art Documents: **Not Applicable**
 (57) Statement of Newness and Distinctiveness: **Newness and distinctiveness resides in the solid line features of shape and/or configuration of a TOOTHBRUSH as illustrated in the accompanying representations.**



- (21) Design Number: **12618/2009**
- (22) Date of Filing Application: **17 July 2009**
- (24) Date from which industrial property rights may have effect: **17 July 2009**
- (54) Product in respect of which the design is registered: **Toothbrush**
- (51) International Design Classification: **04-02**
- (71) Name(s) and Address(s) of Applicant(s):
McNeil-PPC, Inc.
199 Grandview Road Skillman New Jersey 08558 United States of America
- (72) Name(s) of Designer(s): **Steve Blanchard and Janette Suh Edelstein and Robert W. Fusi II and Josef Knutzen and Justin McDonough and Yves Behar and Joshua Morenstein and Christopher Hibmacronan and Logan Ray and Lori Dee Kumar**
- (45) Registration Date: **21 August 2009**
- (30) Convention priority data:
 - (31) Number (32) Date (33) Country
 - 29/331790 31 Jan 2009 UNITED STATES OF AMERICA**
- (56) Related Art Documents: **Not Applicable**
- (57) Statement of Newness and Distinctiveness: **Newness and distinctiveness resides in the solid line features of shape and/or configuration of a TOOTHBRUSH as illustrated in the accompanying representations.**



- (21) Design Number: **12814/2009**
- (22) Date of Filing Application: **29 July 2009**
- (24) Date from which industrial property rights may have effect: **29 July 2009**
- (54) Product in respect of which the design is registered: **Transformable toy**
- (51) International Design Classification: **21-01B**
- (71) Name(s) and Address(s) of Applicant(s):
Spin Master Ltd
450 Front Street West Toronto M5V 1B6 Ontario Canada
- (72) Name(s) of Designer(s): **Wataru Sato and Noriyoshi Matsumura**
- (45) Registration Date: **21 August 2009**
- (30) Convention priority data:
 - (31) Number (32) Date (33) Country
 - 129733 24 Feb 2009 CANADA**
- (56) Related Art Documents: **Not Applicable**
- (57) Statement of Newness and Distinctiveness: **Nil**



(21) Design Number: **12815/2009**
(22) Date of Filing Application: **29 July 2009**
(24) Date from which industrial property rights may have effect: **29 July 2009**
(54) Product in respect of which the design is registered: **Transformable toy**
(51) International Design Classification: **21-01B**
(71) Name(s) and Address(s) of Applicant(s):

Spin Master Ltd
450 Front Street West Toronto M5V 1B6 Ontario Canada

(72) Name(s) of Designer(s): **Wataru Sato and Noriyoshi Matsumura**

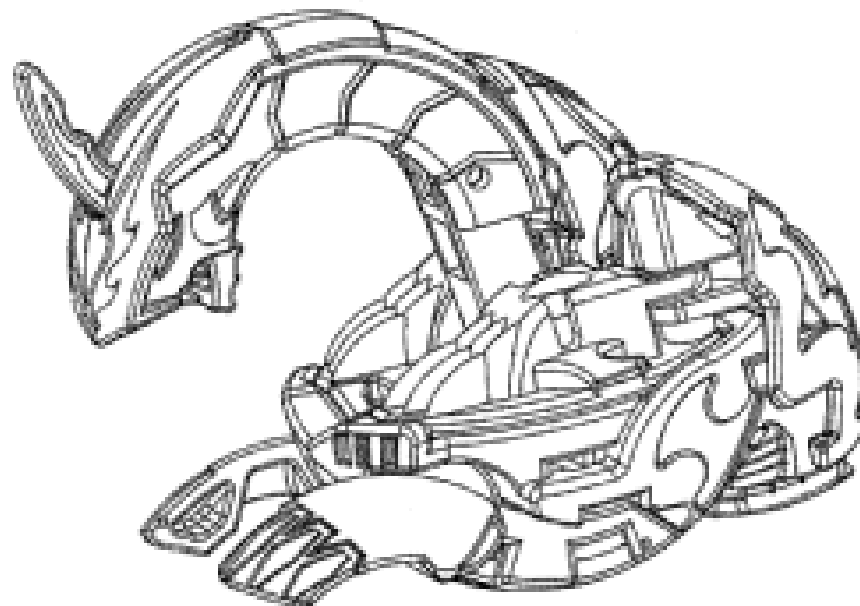
(45) Registration Date: **21 August 2009**

(30) Convention priority data:

(31) Number	(32) Date	(33) Country
129469	30 Jan 2009	CANADA

(56) Related Art Documents: **Not Applicable**

(57) Statement of Newness and Distinctiveness: **Nil**



(21) Design Number: **11460/2009**
(22) Date of Filing Application: **29 April 2009**
(24) Date from which industrial property rights may have effect: **29 April 2009**
(54) Product in respect of which the design is registered: **Heater fascia**
(51) International Design Classification: **23-03E**
(71) Name(s) and Address(s) of Applicant(s):

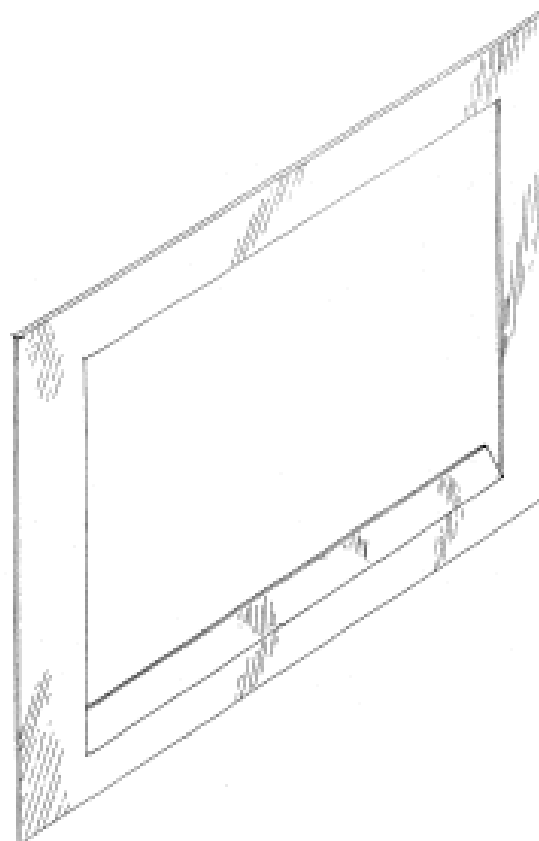
Heatmaster Pty Ltd
2/9 Nicole Close Bayswater Victoria 3153 Australia

(72) Name(s) of Designer(s): **Patrick Urrutia**

(45) Registration Date: **24 August 2009**

(56) Related Art Documents: **Not Applicable**

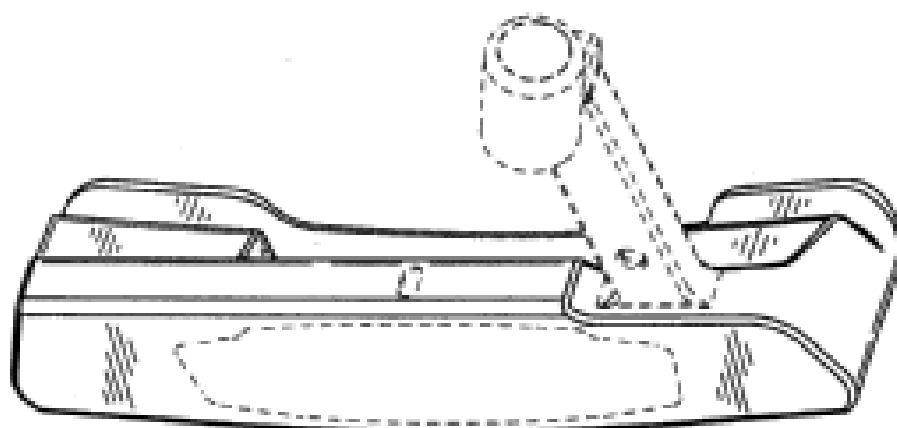
(57) Statement of Newness and Distinctiveness: **Visual features of the design which are new and distinctive are the features of shape and configuration of the heater fascia as illustrated in the representations.**



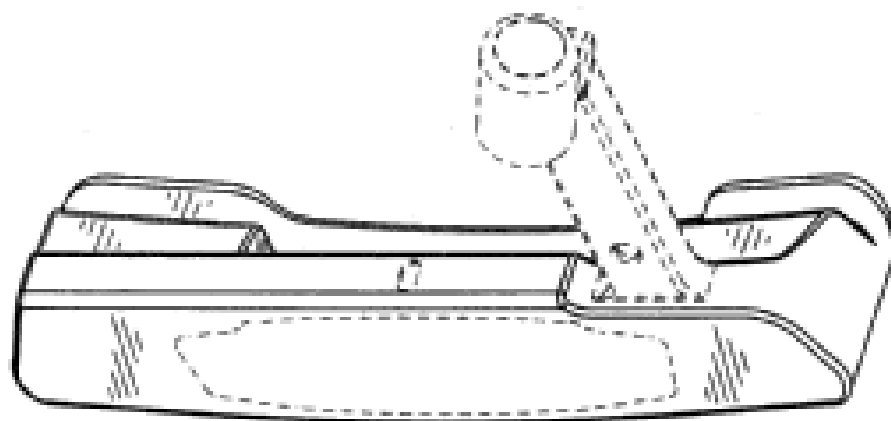
(21) Design Number: **12486/2009**
(22) Date of Filing Application: **09 July 2009**
(24) Date from which industrial property rights may have effect: **09 July 2009**
(54) Product in respect of which the design is registered: **Inflatable entertainment unit**
(51) International Design Classification: **21-01D**
(71) Name(s) and Address(s) of Applicant(s):
Cobaltniche Design Pty Ltd
17 Little Dryburgh Street North North Melbourne Victoria 3051
Australia
(72) Name(s) of Designer(s): **Jack Magree and Daniel Booker**
(45) Registration Date: **24 August 2009**
(56) Related Art Documents: **Not Applicable**
(57) Statement of Newness and Distinctiveness: **Nil**



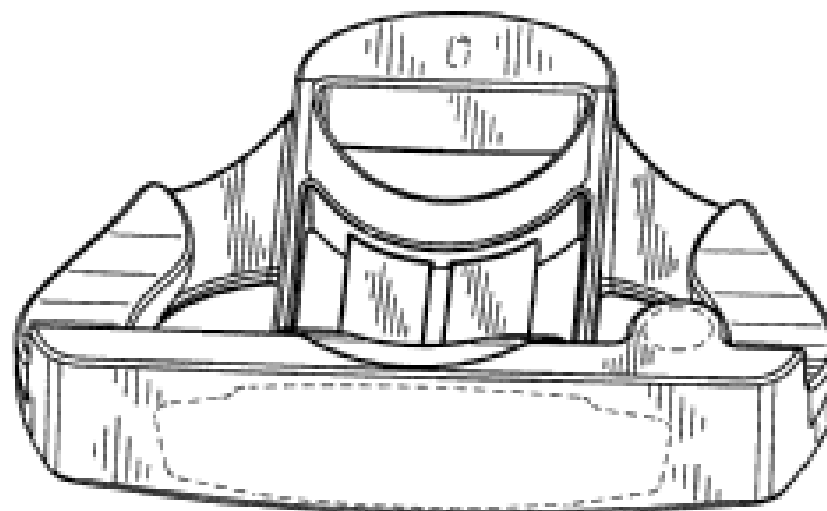
(21) Design Number: **12577/2009**
(22) Date of Filing Application: **15 July 2009**
(24) Date from which industrial property rights may have effect: **15 July 2009**
(54) Product in respect of which the design is registered: **Golf club head**
(51) International Design Classification: **21-02C**
(71) Name(s) and Address(s) of Applicant(s):
Karsten Manufacturing Corporation
2201 West Desert Cove Phoenix Arizona 85029 United States of
America
(72) Name(s) of Designer(s): **Anthony D. Serrano and Xiaojian Chen**
(45) Registration Date: **24 August 2009**
(30) Convention priority data:
(31) Number (32) Date (33) Country
29/335825 22 Apr 2009 UNITED STATES OF AMERICA
(56) Related Art Documents: **Not Applicable**
(57) Statement of Newness and Distinctiveness: **Newness and distinctiveness is claimed in the visual features shown in solid lines in the representations.**



(21) Design Number: **12578/2009**
 (22) Date of Filing Application: **15 July 2009**
 (24) Date from which industrial property rights may have effect: **15 July 2009**
 (54) Product in respect of which the design is registered: **Golf club head**
 (51) International Design Classification: **21-02C**
 (71) Name(s) and Address(s) of Applicant(s):
Karsten Manufacturing Corporation
2201 West Desert Cove Phoenix Arizona 85029 United States of America
 (72) Name(s) of Designer(s): **Anthony D. Serrano and Xiaojian Chen**
 (45) Registration Date: **24 August 2009**
 (30) Convention priority data:
 (31) Number (32) Date (33) Country
29/335825 22 Apr 2009 UNITED STATES OF AMERICA
 (56) Related Art Documents: **Not Applicable**
 (57) Statement of Newness and Distinctiveness: **Newness and distinctiveness is claimed in the visual features shown in solid lines in the representations.**



(21) Design Number: **12579/2009**
 (22) Date of Filing Application: **15 July 2009**
 (24) Date from which industrial property rights may have effect: **15 July 2009**
 (54) Product in respect of which the design is registered: **Golf club head**
 (51) International Design Classification: **21-02C**
 (71) Name(s) and Address(s) of Applicant(s):
Karsten Manufacturing Corporation
2201 West Desert Cove Phoenix Arizona 85029 United States of America
 (72) Name(s) of Designer(s): **Anthony D. Serrano and Xiaojian Chen**
 (45) Registration Date: **24 August 2009**
 (30) Convention priority data:
 (31) Number (32) Date (33) Country
29/335808 22 Apr 2009 UNITED STATES OF AMERICA
 (56) Related Art Documents: **Not Applicable**
 (57) Statement of Newness and Distinctiveness: **Newness and distinctiveness is claimed in the visual features shown in solid lines in the representations.**



(21) Design Number: **12600/2009**

(22) Date of Filing Application: **17 July 2009**

(24) Date from which industrial property rights may have effect: **17 July 2009**

(54) Product in respect of which the design is registered: **Golf club head**

(51) International Design Classification: **21-02C**

(71) Name(s) and Address(s) of Applicant(s):

**Karsten Manufacturing Corporation
2201 West Desert Cove Phoenix Arizona 85029 United States of
America**

(72) Name(s) of Designer(s): **Anthony D. Serrano and Xiaojian Chen**

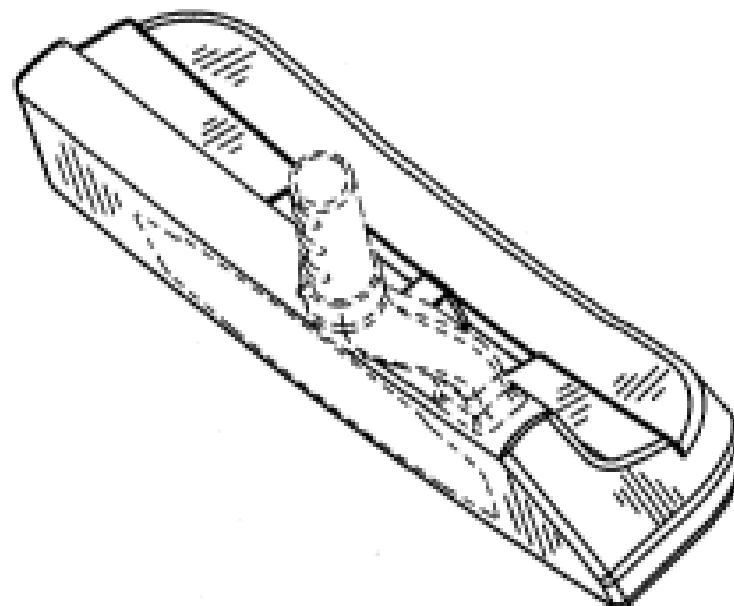
(45) Registration Date: **24 August 2009**

(30) Convention priority data:

(31) Number	(32) Date	(33) Country
29/335797	22 Apr 2009	UNITED STATES OF AMERICA

(56) Related Art Documents: **Not Applicable**

(57) Statement of Newness and Distinctiveness: **Newness and distinctiveness is claimed in the visual features shown in solid lines in the representations.**



(21) Design Number: **12601/2009**

(22) Date of Filing Application: **17 July 2009**

(24) Date from which industrial property rights may have effect: **17 July 2009**

(54) Product in respect of which the design is registered: **Golf club head**

(51) International Design Classification: **21-02C**

(71) Name(s) and Address(s) of Applicant(s):

**Karsten Manufacturing Corporation
2201 West Desert Cove Phoenix Arizona 85029 United States of
America**

(72) Name(s) of Designer(s): **Anthony D. Serrano and Xiaojian Chen**

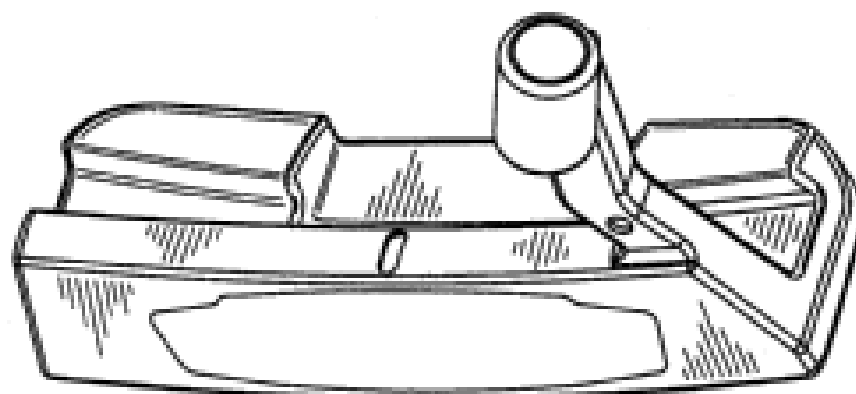
(45) Registration Date: **24 August 2009**

(30) Convention priority data:

(31) Number	(32) Date	(33) Country
29/335806	22 Apr 2009	UNITED STATES OF AMERICA

(56) Related Art Documents: **Not Applicable**

(57) Statement of Newness and Distinctiveness: **Newness and distinctiveness is claimed in the visual features shown in solid lines in the representations.**



(21) Design Number: **12602/2009**

(22) Date of Filing Application: **17 July 2009**

(24) Date from which industrial property rights may have effect: **17 July 2009**

(54) Product in respect of which the design is registered: **Golf club head**

(51) International Design Classification: **21-02C**

(71) Name(s) and Address(s) of Applicant(s):

**Karsten Manufacturing Corporation
2201 West Desert Cove Phoenix Arizona 85029 United States of
America**

(72) Name(s) of Designer(s): **John A. Solheim and Leslie J. Bryant**

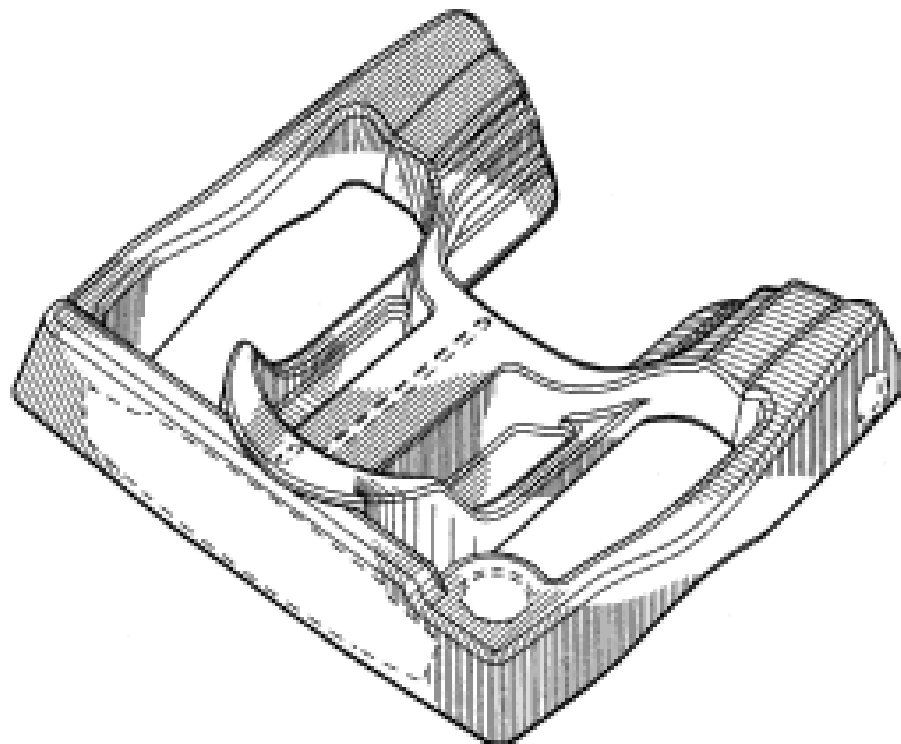
(45) Registration Date: **24 August 2009**

(30) Convention priority data:

(31) Number	(32) Date	(33) Country
29/338292	09 Jun 2009	UNITED STATES OF AMERICA

(56) Related Art Documents: **Not Applicable**

(57) Statement of Newness and Distinctiveness: **Newness and distinctiveness is claimed in the visual features shown in solid lines in the representations.**



(21) Design Number: **12705/2009**

(22) Date of Filing Application: **23 July 2009**

(24) Date from which industrial property rights may have effect: **23 July 2009**

(54) Product in respect of which the design is registered: **Chopping board stand/holder**

(51) International Design Classification: **07-04**

(71) Name(s) and Address(s) of Applicant(s):

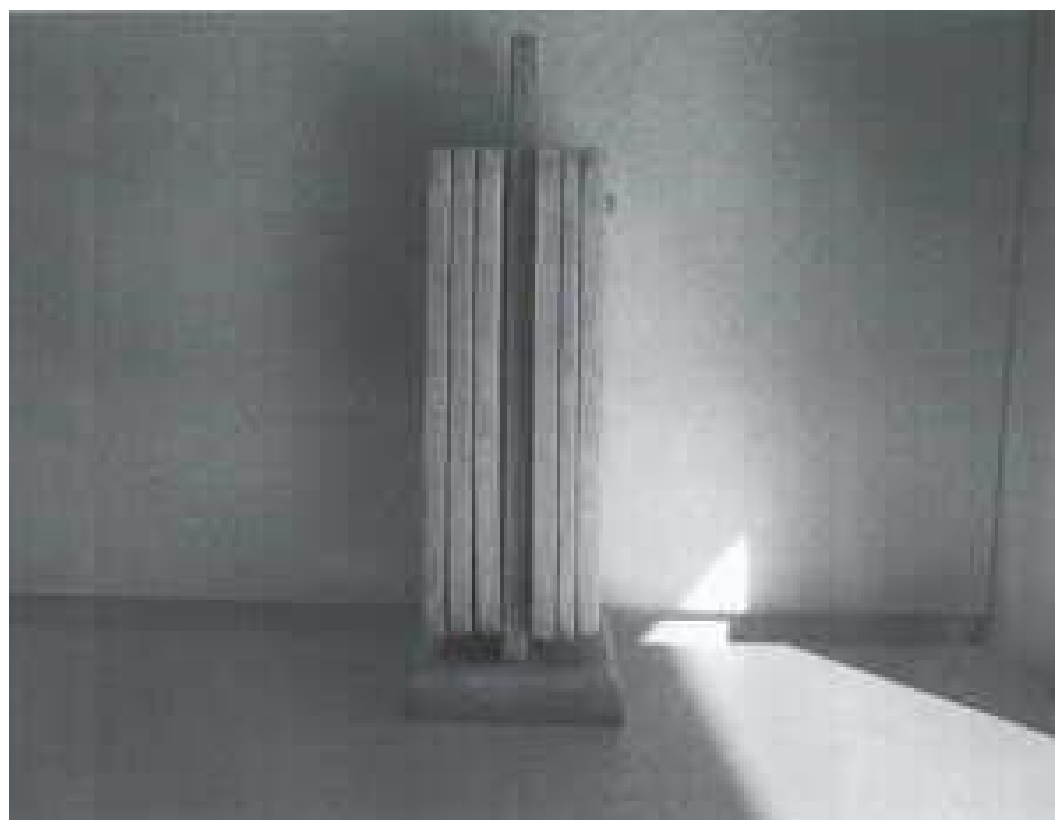
**Marie Peters
12/12 Farnham Court Flemington Victoria 3031 Australia**

(72) Name(s) of Designer(s): **Marie Peters**

(45) Registration Date: **24 August 2009**

(56) Related Art Documents: **Not Applicable**

(57) Statement of Newness and Distinctiveness: **The features of shape and configuration of the chopping board/holder as shown in the representations accompanying this application are new and distinctive. The newness and distinctiveness of the chopping board/holder resides in the capacity of the chopping board/holder to be able to house a number of chopping boards.**



(21) Design Number: **12706/2009**

(22) Date of Filing Application: **23 July 2009**

(24) Date from which industrial property rights may have effect: **23 July 2009**

(54) Product in respect of which the design is registered: **Safety chopping board**

(51) International Design Classification: **07-04**

(71) Name(s) and Address(s) of Applicant(s):

Marie Peters

12/12 Farnham Court Flemington Victoria 3031 Australia

(72) Name(s) of Designer(s): **Marie Peters**

(45) Registration Date: **24 August 2009**

(56) Related Art Documents: **Not Applicable**

(57) Statement of Newness and Distinctiveness: **The features of shape and configuration of the chopping board as shown in the representations accompanying this application are new and distinctive. The newness and distinctiveness of the safety chopping board resides in the addition of the non-slip surface on the underside of the safety chopping board which differentiates it from the traditional safety chopping board.**



(21) Design Number: **12716/2009**

(22) Date of Filing Application: **22 July 2009**

(24) Date from which industrial property rights may have effect: **22 July 2009**

(54) Product in respect of which the design is registered: **A base chassis beam for a modular transportable building off-centre fork lift channels**

(51) International Design Classification: **12-05, 25-01K**

(71) Name(s) and Address(s) of Applicant(s):

Francesco Antonio Martino

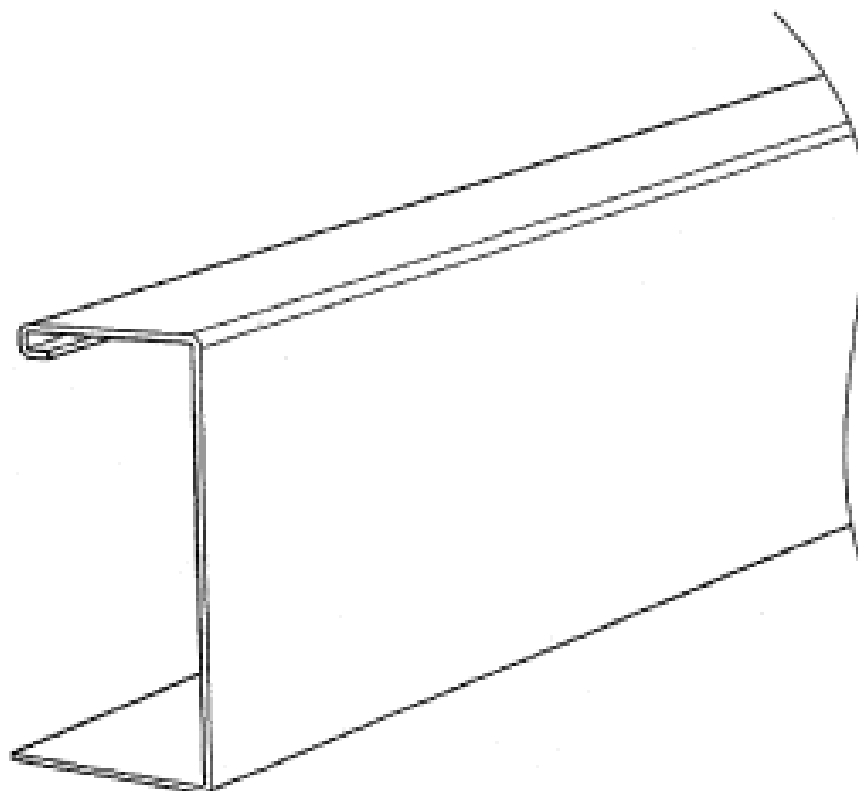
Lot 25 Old Princes Highway Monarto South Australia 5254 Australia

(72) Name(s) of Designer(s): **Francesco Antonio Martino**

(45) Registration Date: **24 August 2009**

(56) Related Art Documents: **Not Applicable**

(57) Statement of Newness and Distinctiveness: **Nil**



(21) Design Number: **12788/2009**

(22) Date of Filing Application: **28 July 2009**

(24) Date from which industrial property rights may have effect: **28 July 2009**

(54) Product in respect of which the design is registered: **Linear camber and castor adjuster for the use on go karts**

(51) International Design Classification: **12-16NES**

(71) Name(s) and Address(s) of Applicant(s):

Tepra Pty Ltd

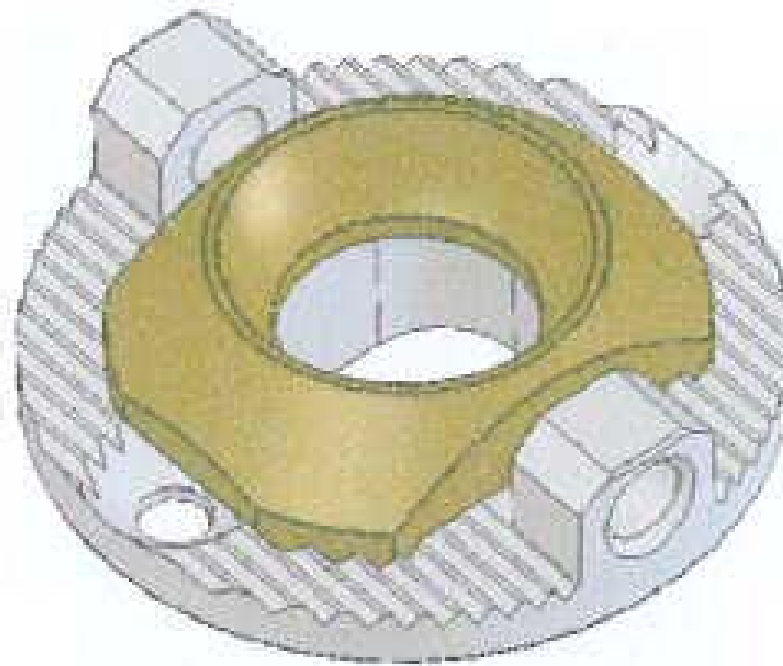
52 Country Drive Oakford Western Australia 6121 Australia

(72) Name(s) of Designer(s): **Paul Machek**

(45) Registration Date: **24 August 2009**

(56) Related Art Documents: **Not Applicable**

(57) Statement of Newness and Distinctiveness: **This Adjuster moves in a Linear motion whereas existing adjusters move in a circular motion.**



(21) Design Number: **12787/2009**

(22) Date of Filing Application: **28 July 2009**

(24) Date from which industrial property rights may have effect: **28 July 2009**

(54) Product in respect of which the design is registered: **Linear castor and camber adjuster for the use on go karts**

(51) International Design Classification: **12-16NES**

(71) Name(s) and Address(s) of Applicant(s):

Tepra Pty Ltd

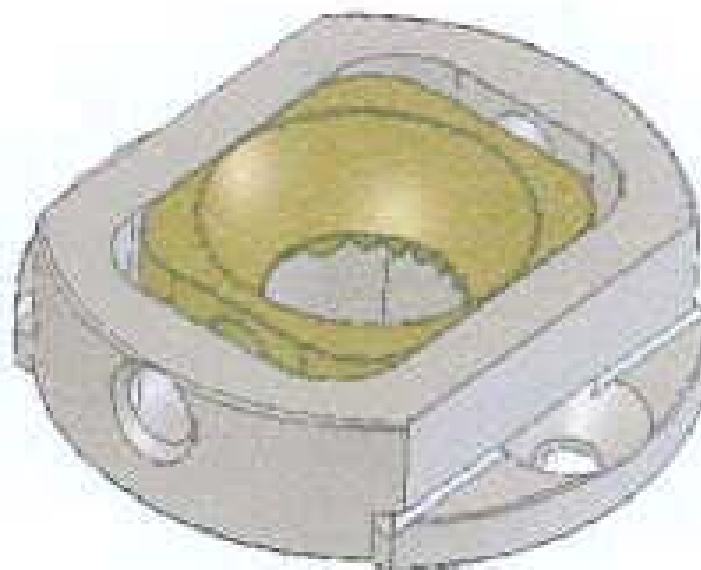
52 Country Drive Oakford Western Australia 6121 Australia

(72) Name(s) of Designer(s): **Paul Machek**

(45) Registration Date: **24 August 2009**

(56) Related Art Documents: **Not Applicable**

(57) Statement of Newness and Distinctiveness: **This Adjuster moves in a Linear motion whereas existing adjusters move in a circular motion.**



(21) Design Number: **12818/2009**

(22) Date of Filing Application: **29 July 2009**

(24) Date from which industrial property rights may have effect: **29 July 2009**

(54) Product in respect of which the design is registered: **Bracket**

(51) International Design Classification: **08-08L**

(71) Name(s) and Address(s) of Applicant(s):

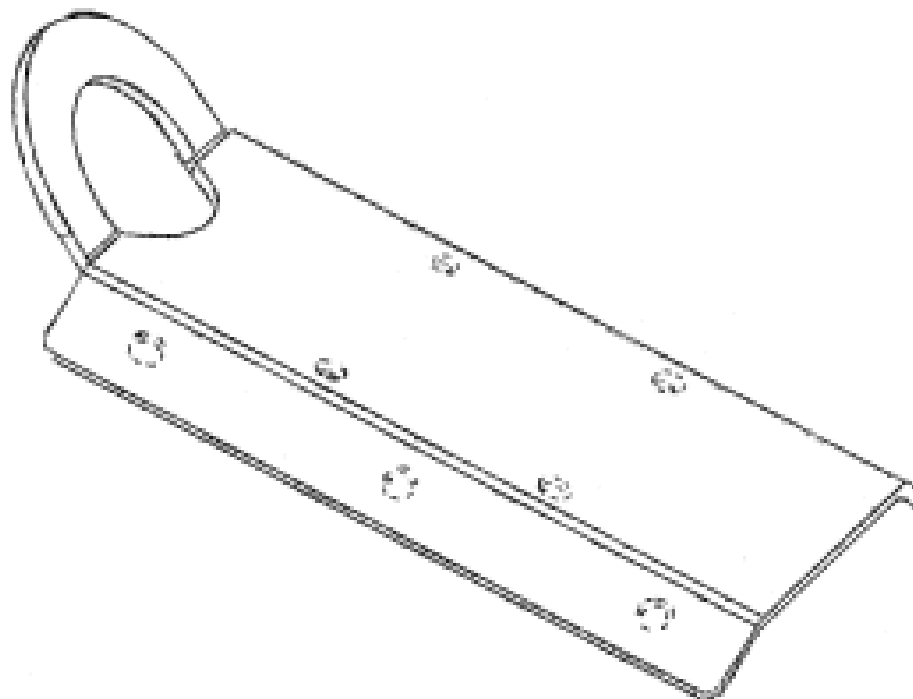
Peter Michael Fitzgerald
51 Tramway Road North Avoca New South Wales 2260 Australia

(72) Name(s) of Designer(s): **Peter Michael Fitzgerald**

(45) Registration Date: **24 August 2009**

(56) Related Art Documents: **Not Applicable**

(57) Statement of Newness and Distinctiveness: **Newness and distinctiveness is claimed in the features of shape and/or configuration of a bracket, as shown in the attached representations.**



(21) Design Number: **12819/2009**

(22) Date of Filing Application: **29 July 2009**

(24) Date from which industrial property rights may have effect: **29 July 2009**

(54) Product in respect of which the design is registered: **Speaker**

(51) International Design Classification: **14-01**

(71) Name(s) and Address(s) of Applicant(s):

Sony Ericsson Mobile Communications AB
Nya Vattentorget SE 221 88 Lund Sweden

(72) Name(s) of Designer(s): **Leonardo Salzedo**

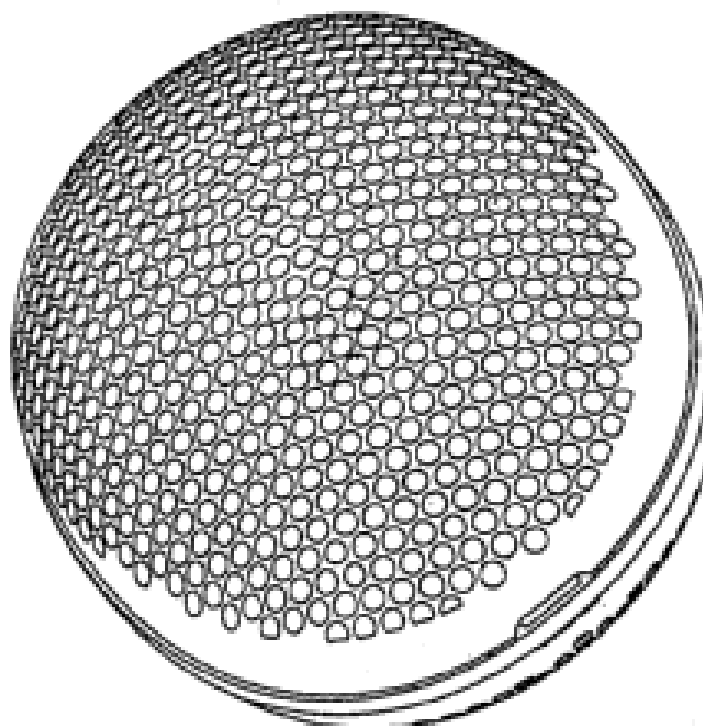
(45) Registration Date: **24 August 2009**

(30) Convention priority data:

(31) Number	(32) Date	(33) Country
001102032-0001	10 Mar 2009	EUROPEAN COMMUNITY

(56) Related Art Documents: **Not Applicable**

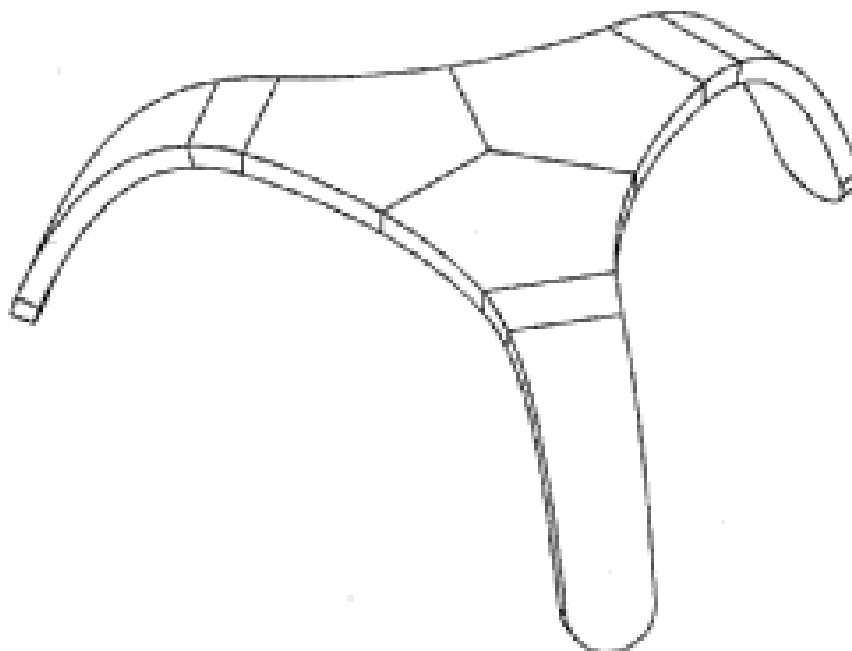
(57) Statement of Newness and Distinctiveness: **Nil**



- (21) Design Number: **12820/2009**
(22) Date of Filing Application: **28 July 2009**
(24) Date from which industrial property rights may have effect: **28 July 2009**
(54) Product in respect of which the design is registered: **Bimini T Top**
(51) International Design Classification: **12-06A**
(71) Name(s) and Address(s) of Applicant(s):
James Odell
6/4 Nolan Place Seven Hills New South Wales 2147 Australia
(72) Name(s) of Designer(s): **James Odell**
(45) Registration Date: **24 August 2009**
(56) Related Art Documents: **Not Applicable**
(57) Statement of Newness and Distinctiveness: **Bimini T Top for boats with curved and stylized frame.**



- (21) Design Number: **13021/2009**
(22) Date of Filing Application: **12 August 2009**
(24) Date from which industrial property rights may have effect: **12 August 2009**
(54) Product in respect of which the design is registered: **Seat 3 legged for kneeling and crossleg postures**
(51) International Design Classification: **06-01NES**
(71) Name(s) and Address(s) of Applicant(s):
Simon Alexander Cook
PO Box 5151 Old Toongabbie New South Wales 2146 Australia
(72) Name(s) of Designer(s): **Simon Alexander Cook**
(45) Registration Date: **24 August 2009**
(56) Related Art Documents: **Not Applicable**
(57) Statement of Newness and Distinctiveness: **Nil**



(21) Design Number: **11930/2009**

(22) Date of Filing Application: **26 May 2009**

(24) Date from which industrial property rights may have effect: **26 May 2009**

(54) Product in respect of which the design is registered: **Slat lounge chair**

(51) International Design Classification: **06-01H**

(71) Name(s) and Address(s) of Applicant(s):

Ross Didier

81 Glenair Court Lower Templestowe Victoria 3107 Australia

(72) Name(s) of Designer(s): **Ross Didier**

(45) Registration Date: **24 August 2009**

(56) Related Art Documents: **Not Applicable**

(57) Statement of Newness and Distinctiveness: **The distinct visual features of the design is the tapered cantilever form and blended slats.**



(21) Design Number: **12170/2009**

(22) Date of Filing Application: **12 June 2009**

(24) Date from which industrial property rights may have effect: **12 June 2009**

(54) Product in respect of which the design is registered: **Fragrance bottle**

(51) International Design Classification: **28-03NES**

(71) Name(s) and Address(s) of Applicant(s):

Canturi Corporation

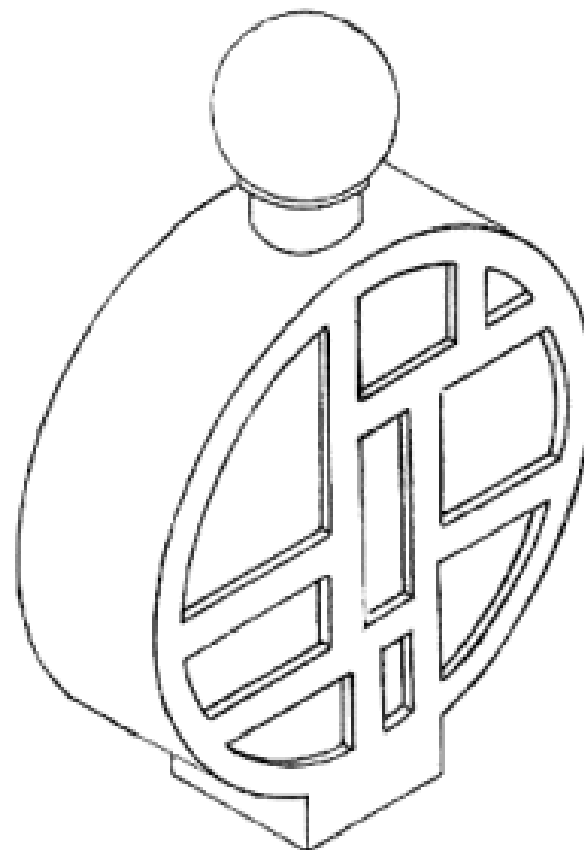
Level 3 99 York Street Sydney New South Wales 2000 Australia

(72) Name(s) of Designer(s): **Stefano Canturi**

(45) Registration Date: **24 August 2009**

(56) Related Art Documents: **Not Applicable**

(57) Statement of Newness and Distinctiveness: **Nil**



(21) Design Number: **12198/2009**

(22) Date of Filing Application: **17 June 2009**

(24) Date from which industrial property rights may have effect: **17 June 2009**

(54) Product in respect of which the design is registered: **Cable bolt end fitting**

(51) International Design Classification: **08-08B**

(71) Name(s) and Address(s) of Applicant(s):

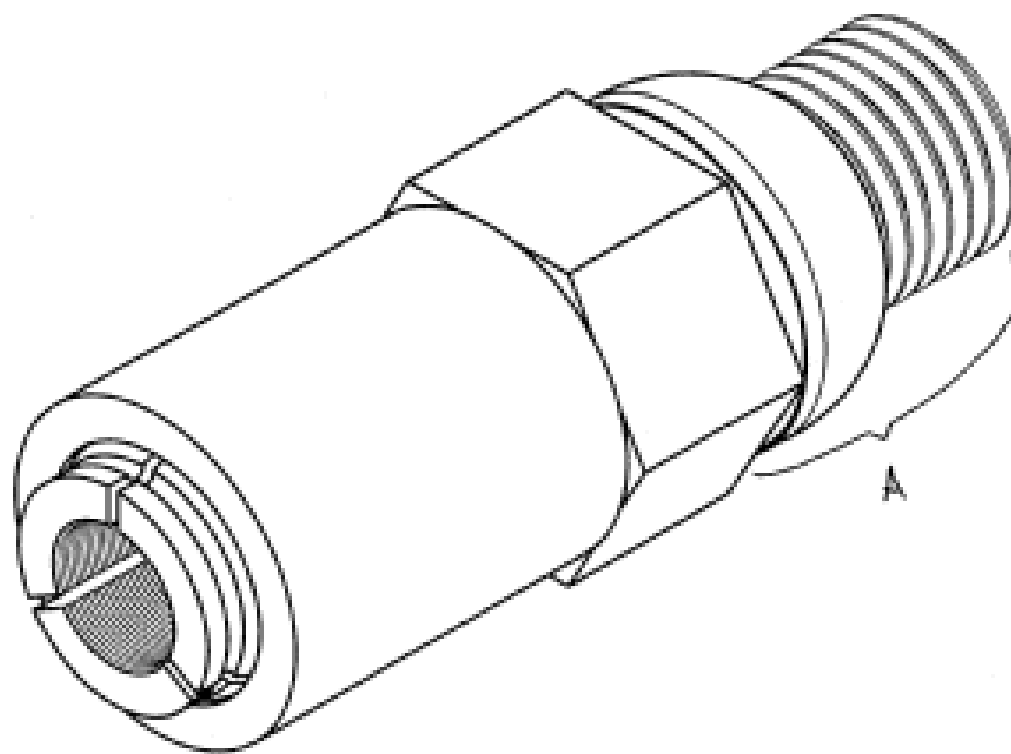
DYWIDAG-Systems International Pty Limited
25 Pacific Highway Bennett's Green New South Wales 2290 Australia

(72) Name(s) of Designer(s): **Derek Colin Hird**

(45) Registration Date: **24 August 2009**

(56) Related Art Documents: **Not Applicable**

(57) Statement of Newness and Distinctiveness: **Newness and distinctiveness is claimed in the features of shape and/or configuration of the following parts of a cable bolt end fitting as illustrated and labelled in the accompanying representations: leading end portion labelled "A".**



(21) Design Number: **12224/2009**

(22) Date of Filing Application: **22 June 2009**

(24) Date from which industrial property rights may have effect: **22 June 2009**

(54) Product in respect of which the design is registered: **Log construction member no.2**

(51) International Design Classification: **25-01K**

(71) Name(s) and Address(s) of Applicant(s):

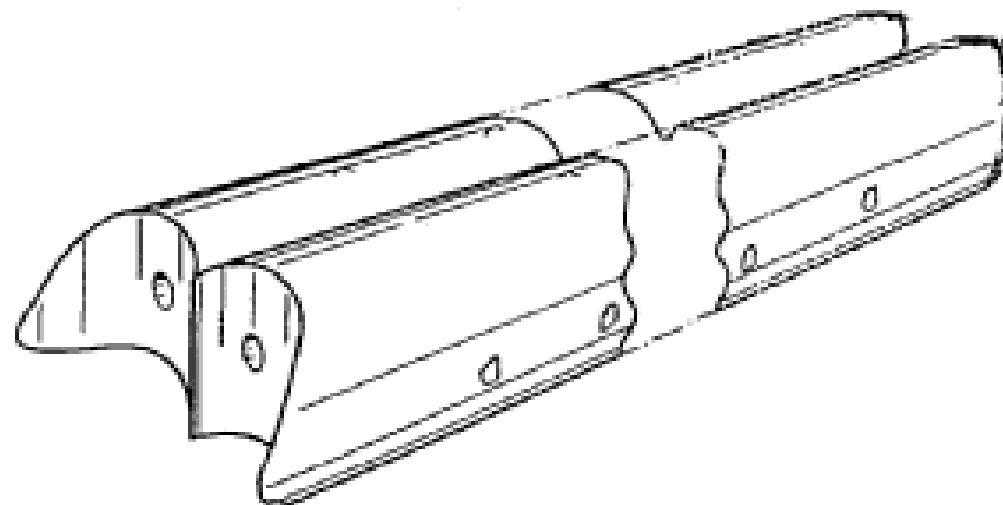
Patrick Thornton
33 Bridge Avenue Oak Flats New South Wales 2529 Australia

(72) Name(s) of Designer(s): **Patrick Thornton**

(45) Registration Date: **24 August 2009**

(56) Related Art Documents: **Not Applicable**

(57) Statement of Newness and Distinctiveness: **In the overall impression the uniqueness and distinction resides in the shape and configuration of the 3D outline.**



(21) Design Number: **12298/2009**

(22) Date of Filing Application: **25 June 2009**

(24) Date from which industrial property rights may have effect: **25 June 2009**

(54) Product in respect of which the design is registered: **Linear castor adjuster for the use on go karts**

(51) International Design Classification: **12-16NES**

(71) Name(s) and Address(s) of Applicant(s):

Tepra Pty Ltd

52 Country Drive Oakford Western Australia 6121 Australia

(72) Name(s) of Designer(s): **Paul Machek**

(45) Registration Date: **24 August 2009**

(56) Related Art Documents: **Not Applicable**

(57) Statement of Newness and Distinctiveness: **These adjusters move in a linear motion where as existing adjusters move in a circular motion.**



(21) Design Number: **12417/2009**

(22) Date of Filing Application: **25 June 2009**

(24) Date from which industrial property rights may have effect: **25 June 2009**

(54) Product in respect of which the design is registered: **Linear camber adjuster for the use on go karts**

(51) International Design Classification: **12-16NES**

(71) Name(s) and Address(s) of Applicant(s):

Tepra Pty Ltd

52 Country Drive Oakford Western Australia 6121 Australia

(72) Name(s) of Designer(s): **Paul Machek**

(45) Registration Date: **24 August 2009**

(56) Related Art Documents: **Not Applicable**

(57) Statement of Newness and Distinctiveness: **These adjusters move in a linear motion whereas existing adjusters move in a circular motion.**



(21) Design Number: **12418/2009**

(22) Date of Filing Application: **06 July 2009**

(24) Date from which industrial property rights may have effect: **06 July 2009**

(54) Product in respect of which the design is registered: **Go kart chassis alignment adjuster comprises of parts A, B and C shown in the design**

(51) International Design Classification: **12-16NES**

(71) Name(s) and Address(s) of Applicant(s):

Tepra Pty Ltd

52 Country Drive Oakford Western Australia 6121 Australia

(72) Name(s) of Designer(s): **Paul Machek**

(45) Registration Date: **24 August 2009**

(56) Related Art Documents: **Not Applicable**

(57) Statement of Newness and Distinctiveness: **This adjuster moves in linear motions and all adjustments are made from one side, giving the option for more adjustment from the second side if required, whereas existing adjusters work in a circular motion and are required on both sides therefore limiting the range of adjustment and precision.**



(21) Design Number: **12779/2009**

(22) Date of Filing Application: **27 July 2009**

(24) Date from which industrial property rights may have effect: **27 July 2009**

(54) Product in respect of which the design is registered: **Outdoor cooking unit**

(51) International Design Classification: **07-02E**

(71) Name(s) and Address(s) of Applicant(s):

Garth Living Pty Ltd

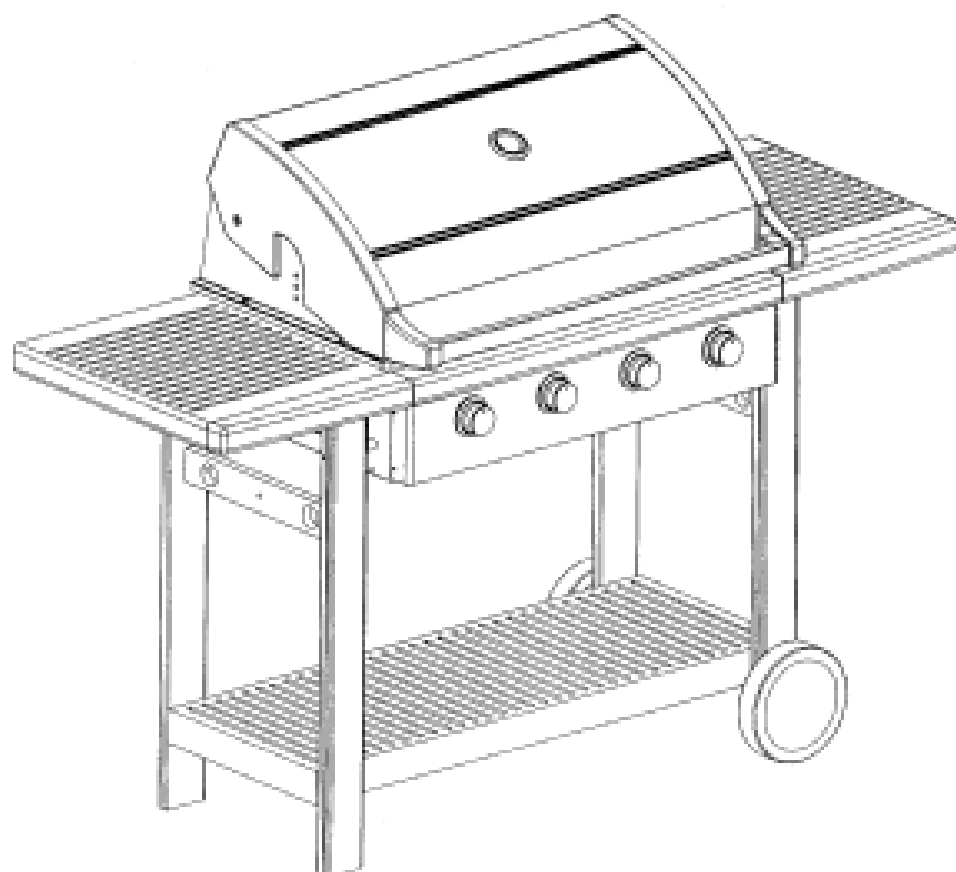
C/- 45 Yale Drive Epping Victoria 3076 Australia

(72) Name(s) of Designer(s): **Andrew Hoven**

(45) Registration Date: **24 August 2009**

(56) Related Art Documents: **Not Applicable**

(57) Statement of Newness and Distinctiveness: **Newness and distinctiveness reside in the features of the design as shown in the representations.**



(21) Design Number: **12780/2009**

(22) Date of Filing Application: **27 July 2009**

(24) Date from which industrial property rights may have effect: **27 July 2009**

(54) Product in respect of which the design is registered: **Outdoor cooking unit**

(51) International Design Classification: **07-02E**

(71) Name(s) and Address(s) of Applicant(s):

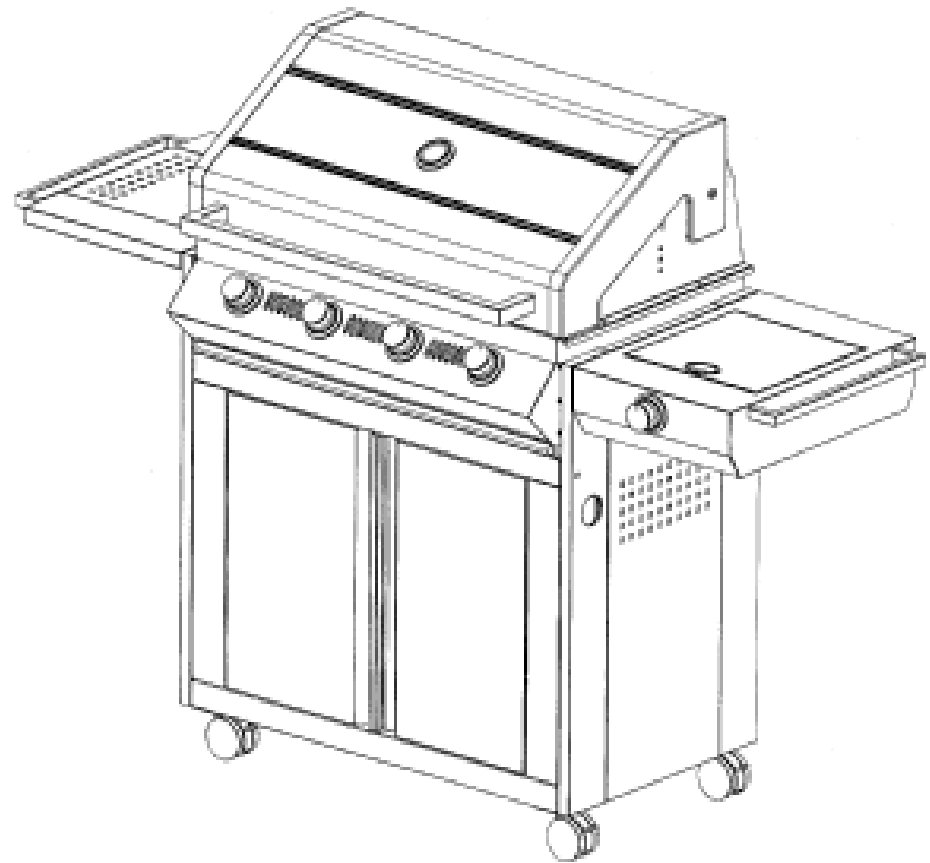
Garth Living Pty Ltd
C/- 45 Yale Drive Epping Victoria 3076 Australia

(72) Name(s) of Designer(s): **Gavin Hill**

(45) Registration Date: **24 August 2009**

(56) Related Art Documents: **Not Applicable**

(57) Statement of Newness and Distinctiveness: **Newness and distinctiveness reside in the features of the design as shown in the representations.**



(21) Design Number: **12798/2009**

(22) Date of Filing Application: **29 July 2009**

(24) Date from which industrial property rights may have effect: **29 July 2009**

(54) Product in respect of which the design is registered: **Crack chasing floor bracket**

(51) International Design Classification: **08-05K**

(71) Name(s) and Address(s) of Applicant(s):

Mathew Raymund Norton
24 Dapper Street Sunnybank Hills Queensland 4109 Australia

(72) Name(s) of Designer(s): **Mathew Raymund Norton**

(45) Registration Date: **24 August 2009**

(56) Related Art Documents: **Not Applicable**

(57) Statement of Newness and Distinctiveness: **Monopoly is claimed in the shape and configuration of the Crack Chasing Bracket.**



(21) Design Number: **12810/2009**
(22) Date of Filing Application: **29 July 2009**
(24) Date from which industrial property rights may have effect: **29 July 2009**
(54) Product in respect of which the design is registered: **Transformable toy**
(51) International Design Classification: **21-01B**
(71) Name(s) and Address(s) of Applicant(s):

Spin Master Ltd.
450 Front Street West Toronto Ontario M5V 1B6 Canada

(72) Name(s) of Designer(s): **Wataru Sato and Noriyoshi Matsumura**

(45) Registration Date: **24 August 2009**

(30) Convention priority data:

(31) Number	(32) Date	(33) Country
129729	23 Feb 2009	CANADA

(56) Related Art Documents: **Not Applicable**

(57) Statement of Newness and Distinctiveness: **Nil**



(21) Design Number: **12811/2009**
(22) Date of Filing Application: **29 July 2009**
(24) Date from which industrial property rights may have effect: **29 July 2009**
(54) Product in respect of which the design is registered: **Transformable toy**
(51) International Design Classification: **21-01B**
(71) Name(s) and Address(s) of Applicant(s):

Spin Master Ltd.
450 Front Street West Toronto Ontario M5V 1B6 Canada

(72) Name(s) of Designer(s): **Wataru Sato and Noriyoshi Matsumura**

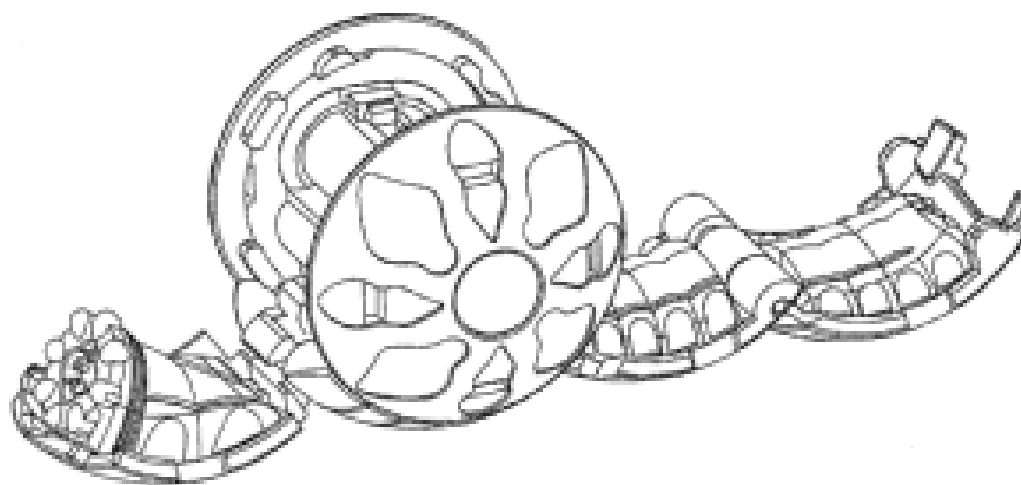
(45) Registration Date: **24 August 2009**

(30) Convention priority data:

(31) Number	(32) Date	(33) Country
129470	30 Jan 2009	CANADA

(56) Related Art Documents: **Not Applicable**

(57) Statement of Newness and Distinctiveness: **Nil**



(21) Design Number: **12812/2009**
(22) Date of Filing Application: **29 July 2009**
(24) Date from which industrial property rights may have effect: **29 July 2009**
(54) Product in respect of which the design is registered: **Transformable toy**
(51) International Design Classification: **21-01B**
(71) Name(s) and Address(s) of Applicant(s):

Spin Master Ltd.
450 Front Street West Toronto Ontario M5V 1B6 Canada

(72) Name(s) of Designer(s): **Wataru Sato and Noriyoshi Matsumura**

(45) Registration Date: **24 August 2009**

(30) Convention priority data:

(31) Number	(32) Date	(33) Country
129730	24 Feb 2009	CANADA

(56) Related Art Documents: **Not Applicable**

(57) Statement of Newness and Distinctiveness: **Nil**



(21) Design Number: **12813/2009**
(22) Date of Filing Application: **29 July 2009**
(24) Date from which industrial property rights may have effect: **29 July 2009**
(54) Product in respect of which the design is registered: **Transformable toy**
(51) International Design Classification: **21-01B**
(71) Name(s) and Address(s) of Applicant(s):

Spin Master Ltd.
450 Front Street West Toronto Ontario M5V 1B6 Canada

(72) Name(s) of Designer(s): **Wataru Sato and Noriyoshi Matsumura**

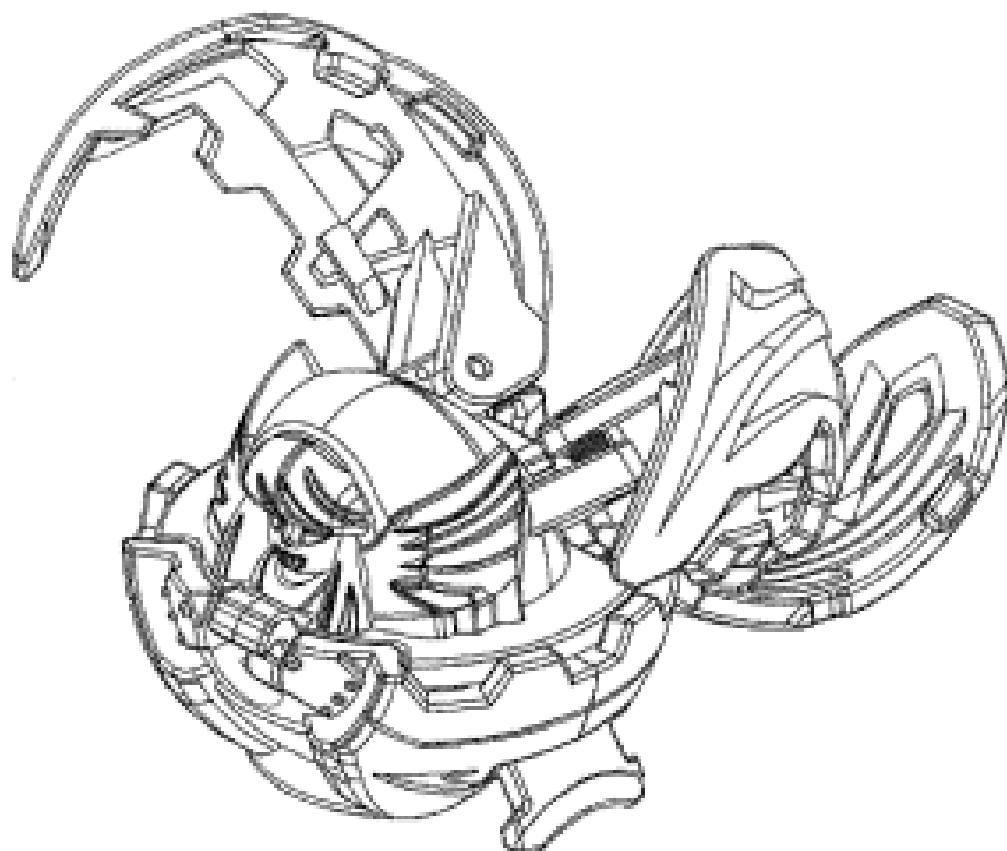
(45) Registration Date: **24 August 2009**

(30) Convention priority data:

(31) Number	(32) Date	(33) Country
129742	24 Feb 2009	CANADA

(56) Related Art Documents: **Not Applicable**

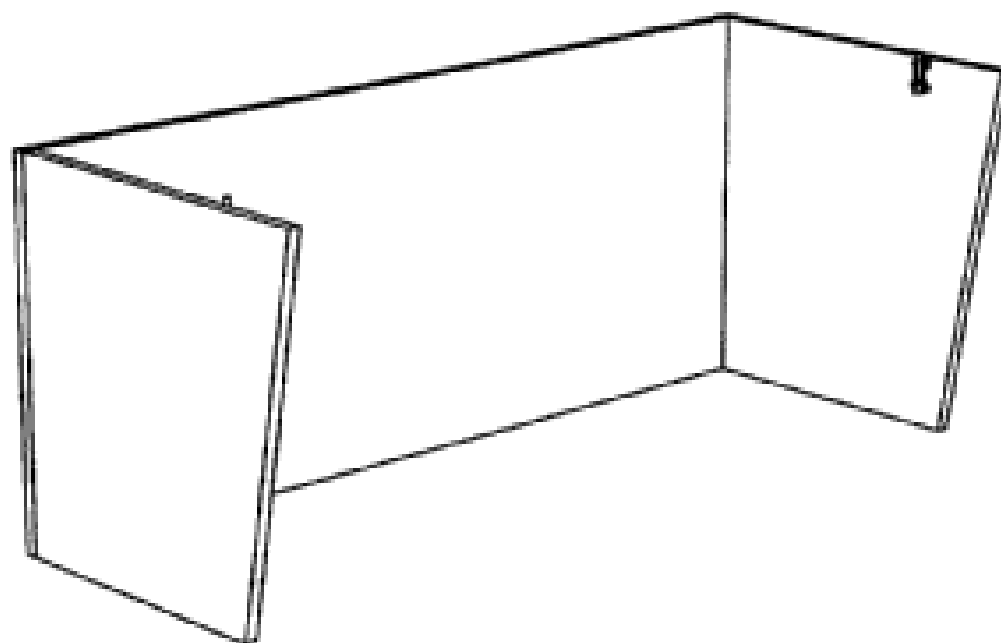
(57) Statement of Newness and Distinctiveness: **Nil**



- (21) Design Number: **12833/2009**
(22) Date of Filing Application: **31 July 2009**
(24) Date from which industrial property rights may have effect: **31 July 2009**
(54) Product in respect of which the design is registered: **Neck and shoulder wheat bag**
(51) International Design Classification: **03-01NES, 09-05**
(71) Name(s) and Address(s) of Applicant(s):
Phung Kim Tran
1 Redward Avenue Greenacres South Australia 5086 Australia
(72) Name(s) of Designer(s): **Phung Kim Tran**
(45) Registration Date: **24 August 2009**
(56) Related Art Documents: **Not Applicable**
(57) Statement of Newness and Distinctiveness: **The wheat bag consists of 2 wheat filled pieces joined together by a flat piece of material. The top and smaller piece is long and rectangular. The larger piece is also rectangular but has the middle 1/6 portion cut out where the two pieces are joined.**



- (21) Design Number: **12835/2009**
(22) Date of Filing Application: **30 July 2009**
(24) Date from which industrial property rights may have effect: **30 July 2009**
(54) Product in respect of which the design is registered: **Table skirting panel**
(51) International Design Classification: **25-02NES, 06-03NES**
(71) Name(s) and Address(s) of Applicant(s):
IHS Global Alliance Pty Ltd
15 Redland Drive Mitcham Victoria 3132 Australia
(72) Name(s) of Designer(s): **Nicholas Polidoros**
(45) Registration Date: **24 August 2009**
(56) Related Art Documents: **Not Applicable**
(57) Statement of Newness and Distinctiveness: **Nil**



(21) Design Number: **12806/2009**

(22) Date of Filing Application: **29 July 2009**

(24) Date from which industrial property rights may have effect: **29 July 2009**

(54) Product in respect of which the design is registered: **Transformable toy**

(51) International Design Classification: **21-01B**

(71) Name(s) and Address(s) of Applicant(s):

Spin Master Ltd.

450 Front Street West Toronto Ontario M5V 1B6 Canada

(72) Name(s) of Designer(s): **Wataru Sato and Noriyoshi Matsumura**

(45) Registration Date: **24 August 2009**

(30) Convention priority data:

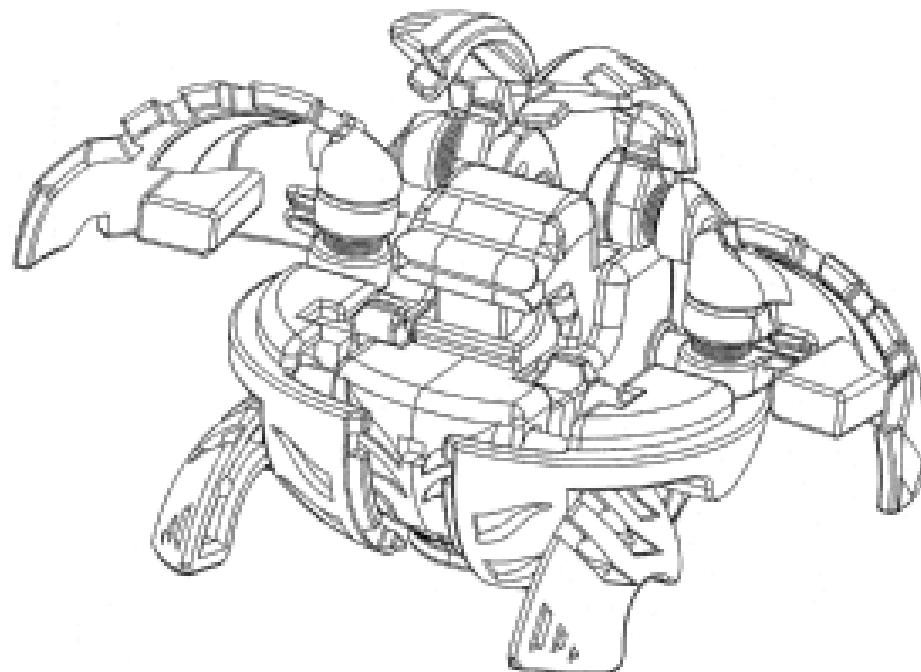
(31) Number
129468

(32) Date
30 Jan 2009

(33) Country
CANADA

(56) Related Art Documents: **Not Applicable**

(57) Statement of Newness and Distinctiveness: **Nil**



(21) Design Number: **12807/2009**

(22) Date of Filing Application: **29 July 2009**

(24) Date from which industrial property rights may have effect: **29 July 2009**

(54) Product in respect of which the design is registered: **Transformable toy**

(51) International Design Classification: **21-01B**

(71) Name(s) and Address(s) of Applicant(s):

Spin Master Ltd.

450 Front Street West Toronto Ontario M5V 1B6 Canada

(72) Name(s) of Designer(s): **Wataru Sato and Noriyoshi Matsumura**

(45) Registration Date: **24 August 2009**

(30) Convention priority data:

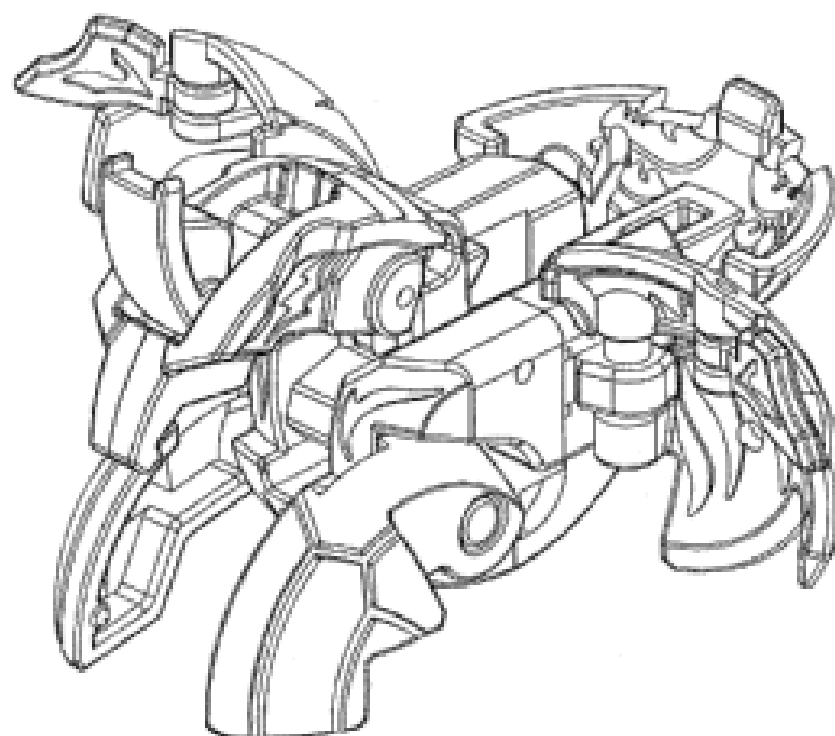
(31) Number
129844

(32) Date
03 Mar 2009

(33) Country
CANADA

(56) Related Art Documents: **Not Applicable**

(57) Statement of Newness and Distinctiveness: **Nil**



(21) Design Number: **12808/2009**
(22) Date of Filing Application: **29 July 2009**
(24) Date from which industrial property rights may have effect: **29 July 2009**
(54) Product in respect of which the design is registered: **Transformable toy**
(51) International Design Classification: **21-01B**
(71) Name(s) and Address(s) of Applicant(s):

Spin Master Ltd.
450 Front Street West Toronto Ontario M5V 1B6 Canada

(72) Name(s) of Designer(s): **Wataru Sato and Noriyoshi Matsumura**

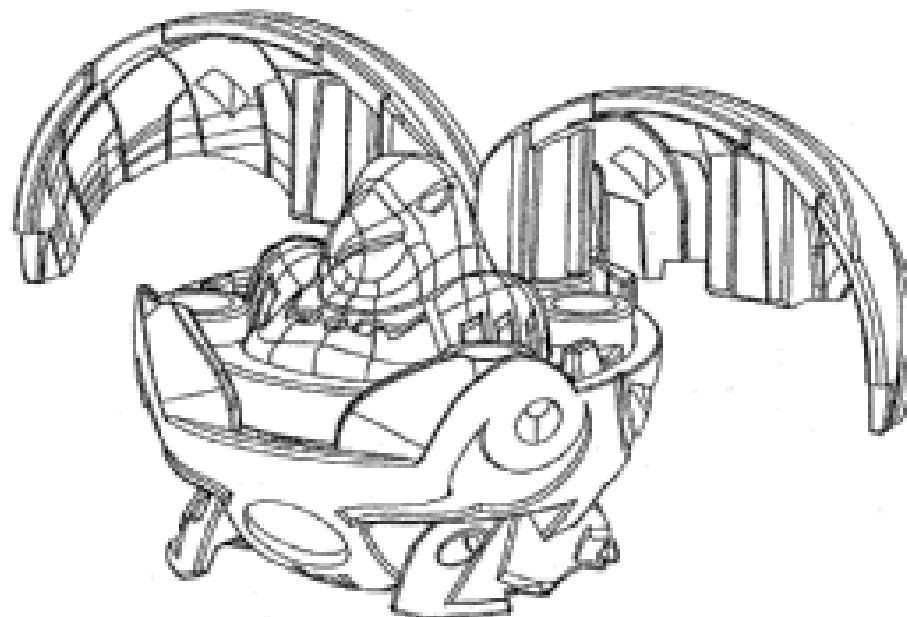
(45) Registration Date: **24 August 2009**

(30) Convention priority data:

(31) Number	(32) Date	(33) Country
129740	23 Feb 2009	CANADA

(56) Related Art Documents: **Not Applicable**

(57) Statement of Newness and Distinctiveness: **Nil**



(21) Design Number: **12809/2009**
(22) Date of Filing Application: **29 July 2009**
(24) Date from which industrial property rights may have effect: **29 July 2009**
(54) Product in respect of which the design is registered: **Transformable toy**
(51) International Design Classification: **21-01B**
(71) Name(s) and Address(s) of Applicant(s):

Spin Master Ltd.
450 Front Street West Toronto Ontario M5V 1B6 Canada

(72) Name(s) of Designer(s): **Wataru Sato and Noriyoshi Matsumura**

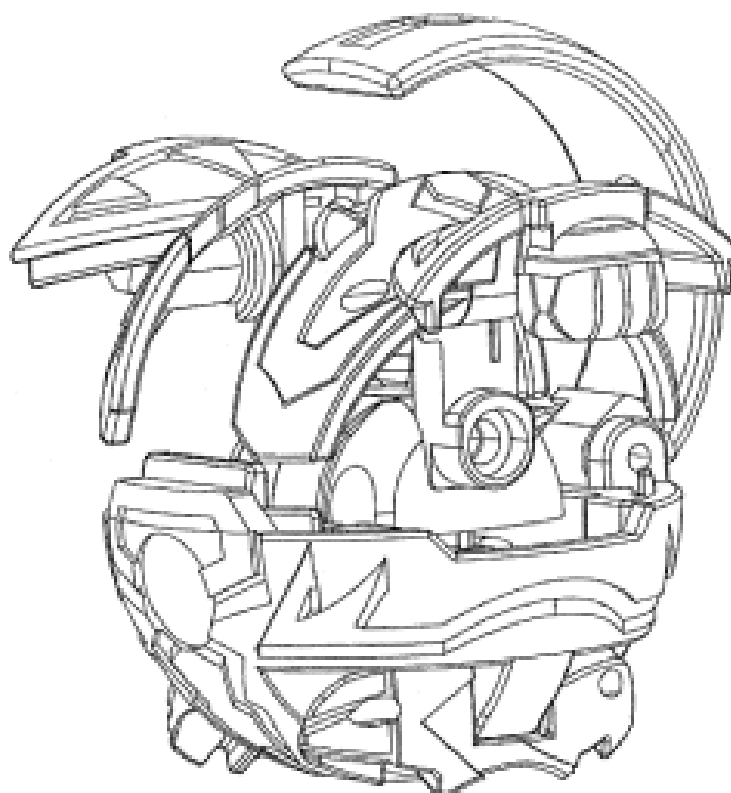
(45) Registration Date: **24 August 2009**

(30) Convention priority data:

(31) Number	(32) Date	(33) Country
129875	23 Feb 2009	CANADA

(56) Related Art Documents: **Not Applicable**

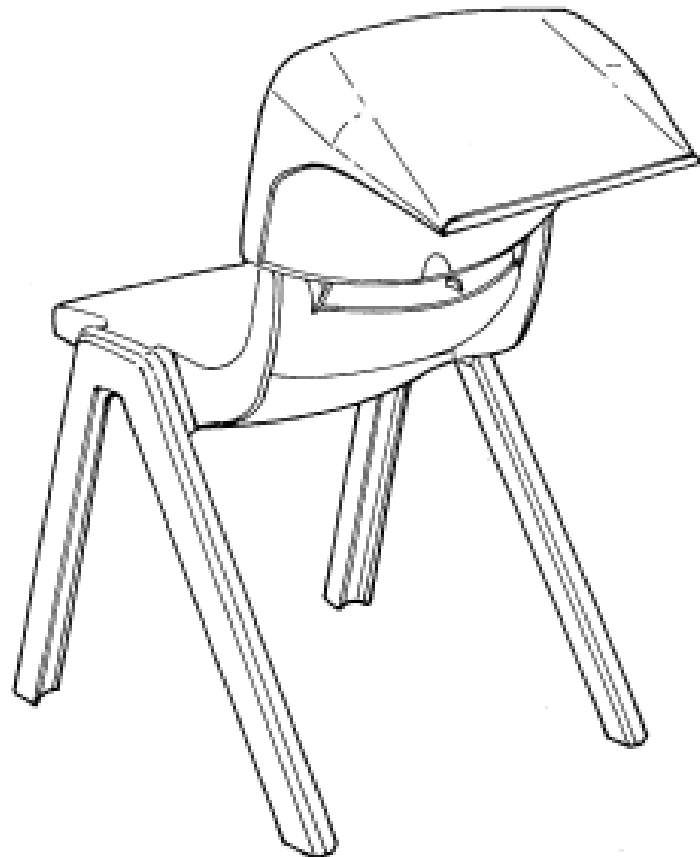
(57) Statement of Newness and Distinctiveness: **Nil**



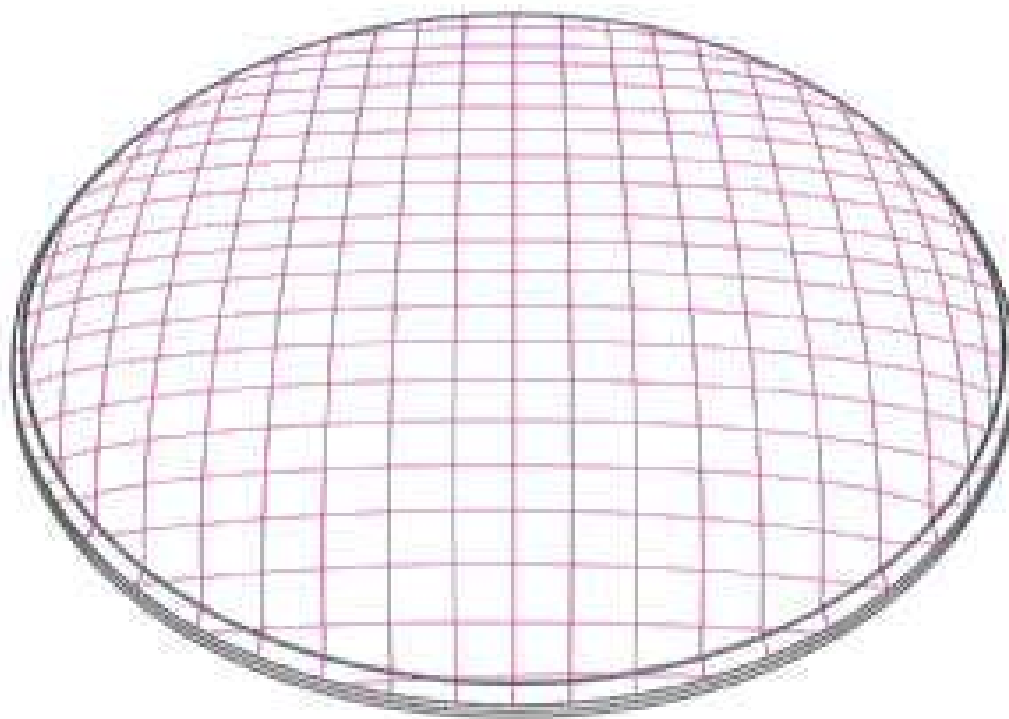
- (21) Design Number: **12830/2009**
(22) Date of Filing Application: **29 July 2009**
(24) Date from which industrial property rights may have effect: **29 July 2009**
(54) Product in respect of which the design is registered: **Protector cover for electrical equipment boxes**
(51) International Design Classification: **09-07NES, 13-03NES**
(71) Name(s) and Address(s) of Applicant(s):
MW Engineers Pty Ltd
21 Hall Street Suite J 96 Port Melbourne Victoria 3207 Australia
(72) Name(s) of Designer(s): **Joseph Edwin Willaims**
(45) Registration Date: **24 August 2009**
(56) Related Art Documents: **Not Applicable**
(57) Statement of Newness and Distinctiveness: **Collapsible roof extension and cover for electrical equipment box for protection from weather elements.**



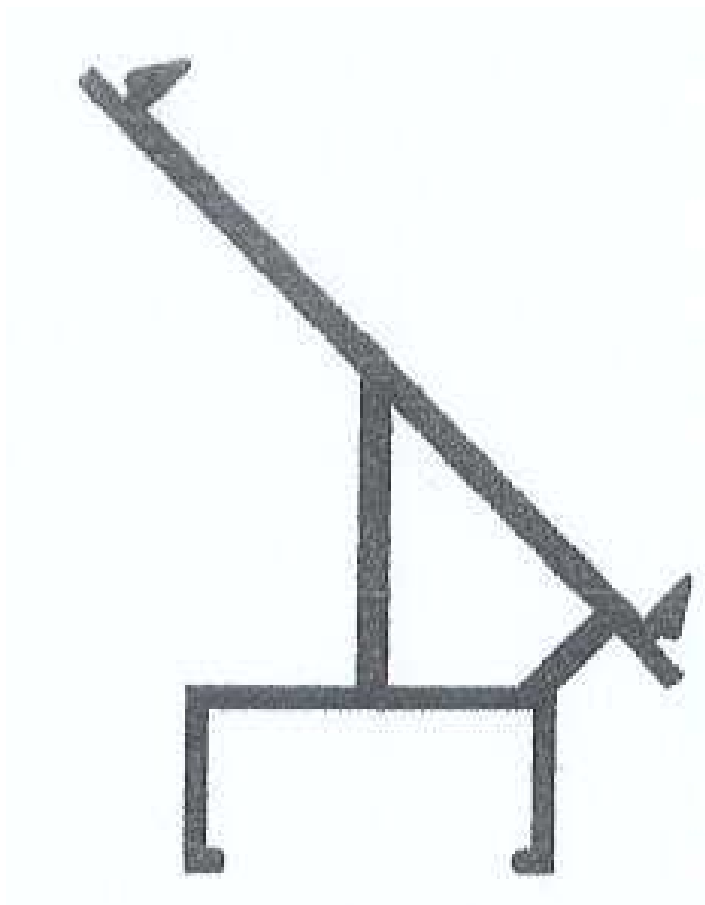
- (21) Design Number: **12832/2009**
(22) Date of Filing Application: **31 July 2009**
(24) Date from which industrial property rights may have effect: **31 July 2009**
(54) Product in respect of which the design is registered: **A chair**
(51) International Design Classification: **12-16A**
(71) Name(s) and Address(s) of Applicant(s):
Sebel Furniture Ltd
92 Gow Street Padstow New South Wales 2211 Australia
(72) Name(s) of Designer(s): **Gregory Brent Welsh**
(45) Registration Date: **24 August 2009**
(56) Related Art Documents: **Not Applicable**
(57) Statement of Newness and Distinctiveness: **Newness and distinctiveness is claimed in respect of the shape and configuration of the chair illustrated in the accompanying representations. In carrying out a consideration in accordance with Section 19 the shape and/or configuration of the seat, lower backrest and legs illustrated in the representations are not to be considered either new or distinctive and do not form part of the design whilst the shape and/or configuration of the book rest support is to be considered new or distinctive and does form the design.**



- (21) Design Number: **12826/2009**
(22) Date of Filing Application: **29 July 2009**
(24) Date from which industrial property rights may have effect: **29 July 2009**
(54) Product in respect of which the design is registered: **Filter cartridge having a magenta netting**
(51) International Design Classification: **14-02**
(71) Name(s) and Address(s) of Applicant(s):
3M Innovative Properties Company
3M Center Post Office Box 33427 Saint Paul Minnesota 55133-3427
United States of America
(72) Name(s) of Designer(s): **John Steven Huberty and Dean Roy Duffy**
(45) Registration Date: **24 August 2009**
(30) Convention priority data:
(31) Number (32) Date (33) Country
29/331805 02 Feb 2009 UNITED STATES OF AMERICA
(56) Related Art Documents: **Not Applicable**
(57) Statement of Newness and Distinctiveness: **Newness and distinctiveness lies in the features of pattern and/or ornamentation of a filter cartridge having a magenta netting as shown in solid outline in the accompanying representations. By way of non-limiting example, Pantones representative of a magenta colour include Pantones 2582 U, 2592 U, 258 U, 259 U, Purple U, 253 U, 254 U, 246 U, 247 U, 2395 U, and 2405 U.**



- (21) Design Number: **12141/2009**
(22) Date of Filing Application: **15 June 2009**
(24) Date from which industrial property rights may have effect: **15 June 2009**
(54) Product in respect of which the design is registered: **Louvre clip**
(51) International Design Classification: **25-02K, 08-08H**
(71) Name(s) and Address(s) of Applicant(s):
SJ Cordell Pty Ltd
111A Miller Street Epping Victoria 3076 Australia
(72) Name(s) of Designer(s): **Stephen Cordell**
(45) Registration Date: **24 August 2009**
(56) Related Art Documents: **Not Applicable**
(57) Statement of Newness and Distinctiveness: **Nil**



(21) Design Number: **12142/2009**

(22) Date of Filing Application: **15 June 2009**

(24) Date from which industrial property rights may have effect: **15 June 2009**

(54) Product in respect of which the design is registered: **Louvre blade**

(51) International Design Classification: **25-02K**

(71) Name(s) and Address(s) of Applicant(s):

SJ Cordell Pty Ltd

111A Miller Street Epping Victoria 3076 Australia

(72) Name(s) of Designer(s): **Stephen Cordell**

(45) Registration Date: **24 August 2009**

(56) Related Art Documents: **Not Applicable**

(57) Statement of Newness and Distinctiveness: **Nil**



(21) Design Number: **12143/2009**

(22) Date of Filing Application: **15 June 2009**

(24) Date from which industrial property rights may have effect: **15 June 2009**

(54) Product in respect of which the design is registered: **Louvre blade**

(51) International Design Classification: **25-02K**

(71) Name(s) and Address(s) of Applicant(s):

SJ Cordell Pty Ltd

111A Miller Street Epping Victoria 3076 Australia

(72) Name(s) of Designer(s): **Stephen Cordell**

(45) Registration Date: **24 August 2009**

(56) Related Art Documents: **Not Applicable**

(57) Statement of Newness and Distinctiveness: **Nil**



- (21) Design Number: **12144/2009**
(22) Date of Filing Application: **15 June 2009**
(24) Date from which industrial property rights may have effect: **15 June 2009**
(54) Product in respect of which the design is registered: **Louvre blade**
(51) International Design Classification: **25-02K**
(71) Name(s) and Address(s) of Applicant(s):
SJ Cordell Pty Ltd
111A Miller Street Epping Victoria 3076 Australia
(72) Name(s) of Designer(s): **Stephen Cordell**
(45) Registration Date: **24 August 2009**
(56) Related Art Documents: **Not Applicable**
(57) Statement of Newness and Distinctiveness: **Nil**



- (21) Design Number: **12827/2009**
(22) Date of Filing Application: **31 July 2009**
(24) Date from which industrial property rights may have effect: **31 July 2009**
(54) Product in respect of which the design is registered: **Wrap around wheat bag**
(51) International Design Classification: **24-04**
(71) Name(s) and Address(s) of Applicant(s):
Phung Kim Tran
1 Redward Avenue Greenacres South Australia 5086 Australia
(72) Name(s) of Designer(s): **Phung Kim Tran**
(45) Registration Date: **28 August 2009**
(56) Related Art Documents: **Not Applicable**
(57) Statement of Newness and Distinctiveness: **Rectangular wheat bag divided into four equal sections. The top two sections contain long sewn in slots, which allow a long and flat piece of rope to pass under.**



(21) Design Number: **12829/2009**
 (22) Date of Filing Application: **30 July 2009**
 (24) Date from which industrial property rights may have effect: **30 July 2009**
 (54) Product in respect of which the design is registered: **Hand tool**
 (51) International Design Classification: **08-05P**
 (71) Name(s) and Address(s) of Applicant(s):

Leatherman Tool Group, Inc.
12106 NE Ainsworth Circle Portland OR 97220 United States of America

(72) Name(s) of Designer(s): **Jeffrey B. Castro**

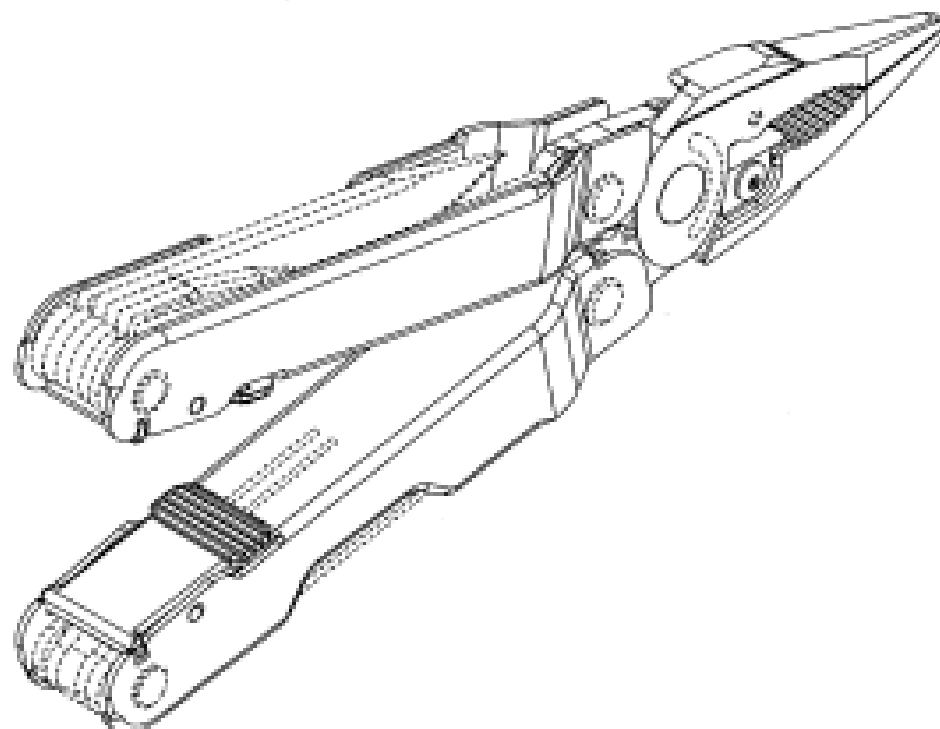
(45) Registration Date: **28 August 2009**

(30) Convention priority data:

(31) Number	(32) Date	(33) Country
29/335,358	14 Apr 2009	UNITED STATES OF AMERICA

(56) Related Art Documents: **Not Applicable**

(57) Statement of Newness and Distinctiveness: **The newness and distinctiveness of the design resides in the features of shape and/or configuration of the hand tool shown in unbroken lines in the accompanying representations.**



(21) Design Number: **12234/2009**
 (22) Date of Filing Application: **19 June 2009**
 (24) Date from which industrial property rights may have effect: **19 June 2009**
 (54) Product in respect of which the design is registered: **A thermal solar cell**
 (51) International Design Classification: **13-99**
 (71) Name(s) and Address(s) of Applicant(s):

PVT Solar, Inc.
2607 Seventh Street Suite G Berkeley California 94710 United States of America

(72) Name(s) of Designer(s): **Eric R. Burtt**

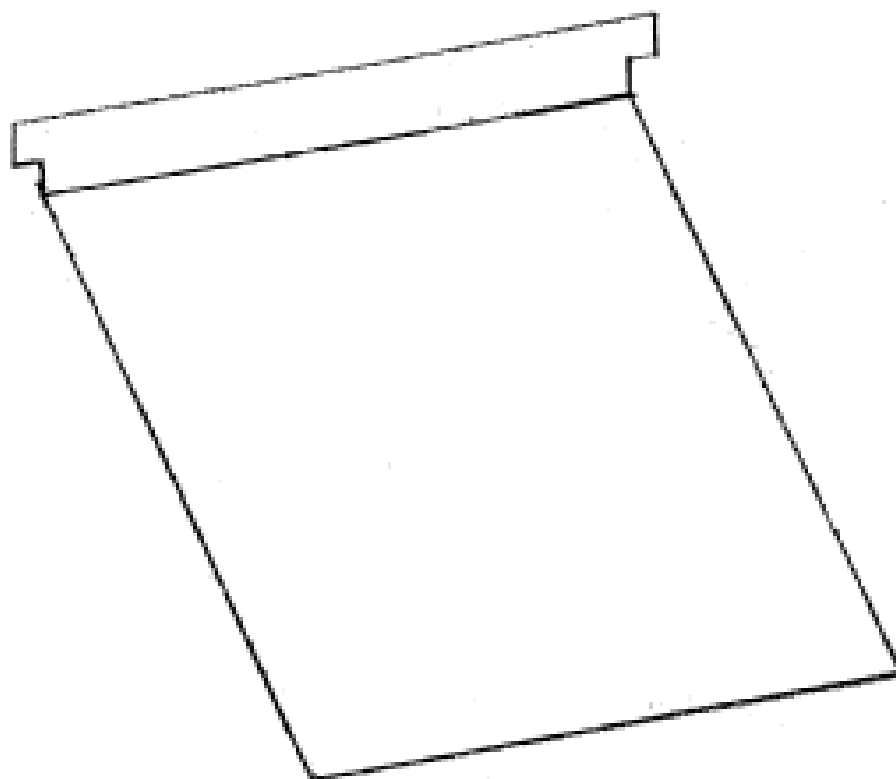
(45) Registration Date: **25 August 2009**

(30) Convention priority data:

(31) Number	(32) Date	(33) Country
29/329770	20 Dec 2008	UNITED STATES OF AMERICA

(56) Related Art Documents: **Not Applicable**

(57) Statement of Newness and Distinctiveness: **Newness and distinctiveness is claimed in those features of shape and/or configuration of a thermal solar cell as illustrated in continuous lines in the accompanying representations.**



(21) Design Number: **12236/2009**

(22) Date of Filing Application: **19 June 2009**

(24) Date from which industrial property rights may have effect: **19 June 2009**

(54) Product in respect of which the design is registered: **A thermal solar cell**

(51) International Design Classification: **13-99**

(71) Name(s) and Address(s) of Applicant(s):

PVT Solar, Inc.

2607 Seventh Street Suite G Berkeley California 94710 United States of America

(72) Name(s) of Designer(s): **Eric R. Burt**

(45) Registration Date: **25 August 2009**

(30) Convention priority data:

(31) Number

(32) Date

(33) Country

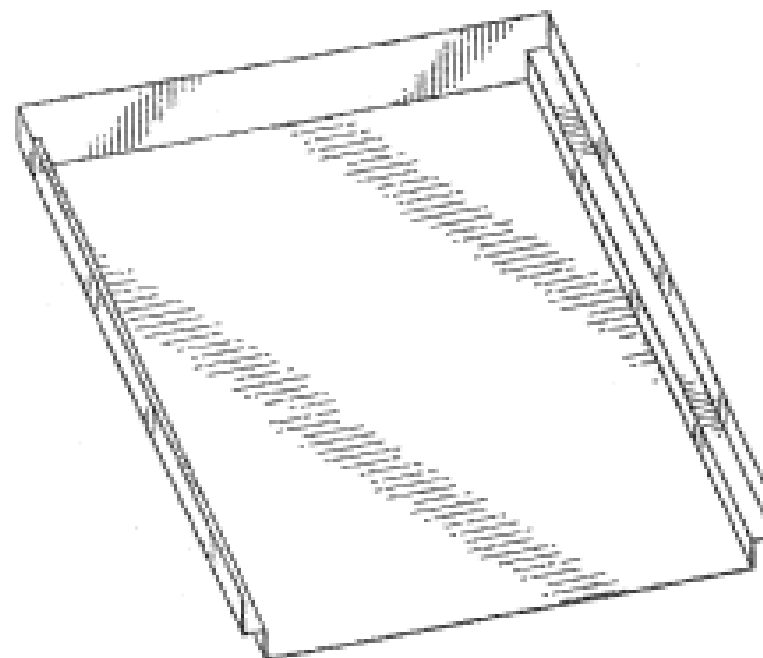
29/329770

20 Dec 2008

UNITED STATES OF AMERICA

(56) Related Art Documents: **Not Applicable**

(57) Statement of Newness and Distinctiveness: **Newness and distinctiveness is claimed in those features of shape and/or configuration of a thermal solar cell as illustrated in continuous lines in the accompanying representations.**



(21) Design Number: **12405/2009**

(22) Date of Filing Application: **02 July 2009**

(24) Date from which industrial property rights may have effect: **02 July 2009**

(54) Product in respect of which the design is registered: **Post; extruded plastic; flexible steel picket replacement/ alternative.**

(51) International Design Classification: **25-02A**

(71) Name(s) and Address(s) of Applicant(s):

Fenske Tooling Pty Ltd

Lot 4 31 Norfolk Avenue South Nowra New South Wales 2541 Australia

(72) Name(s) of Designer(s): **Erich Fenske**

(45) Registration Date: **25 August 2009**

(56) Related Art Documents: **Not Applicable**

(57) Statement of Newness and Distinctiveness: **It is a tube or pipe with two cross section webs to provide extra flexural strength and will provide a point when lead angle is turned on the ends.**



- (21) Design Number: **13052/2009**
(22) Date of Filing Application: **13 August 2009**
(24) Date from which industrial property rights may have effect: **13 August 2009**
(54) Product in respect of which the design is registered: **Fishing tackle**
(51) International Design Classification: **22-05**
(71) Name(s) and Address(s) of Applicant(s):
Rapala Freetime Australia Pty Ltd
1B Amour Street Milperra New South Wales 2214 Australia
(72) Name(s) of Designer(s): **Dean Ferguson**
(45) Registration Date: **25 August 2009**
(56) Related Art Documents: **Not Applicable**
(57) Statement of Newness and Distinctiveness: **Nil**

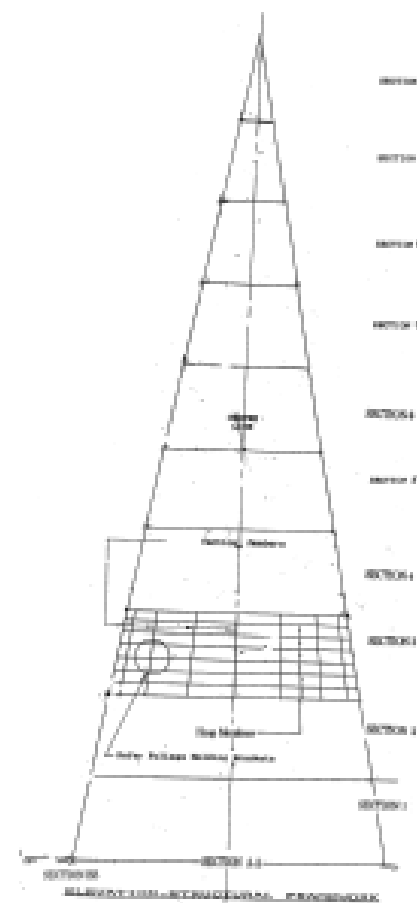


- (21) Design Number: **11962/2009**
(22) Date of Filing Application: **28 May 2009**
(24) Date from which industrial property rights may have effect: **28 May 2009**
(54) Product in respect of which the design is registered: **Rainbow teasers**
(51) International Design Classification: **22-05**
(71) Name(s) and Address(s) of Applicant(s):
Istvan Pinter
83 Jarryd Crescent Berwick Victoria 3806 Australia
(72) Name(s) of Designer(s): **Istvan Pinter**
(45) Registration Date: **26 August 2009**
(56) Related Art Documents: **Not Applicable**
(57) Statement of Newness and Distinctiveness: **Nil**



(19) AU

- (21) Design Number: **12226/2009**
- (22) Date of Filing Application: **22 June 2009**
- (24) Date from which industrial property rights may have effect: **22 June 2009**
- (54) Product in respect of which the design is registered: **A structural steel coned framed Christmas tree (artificial)**
- (51) International Design Classification: **11-04**
- (71) Name(s) and Address(s) of Applicant(s):
Xmas-Mil Display Products Pty Ltd
1 Melrich Road Bayswater Victoria 3153 Australia
- (72) Name(s) of Designer(s): **Leonard G. Miller**
- (45) Registration Date: **26 August 2009**
- (56) Related Art Documents: **Not Applicable**
- (57) Statement of Newness and Distinctiveness: **Nil**

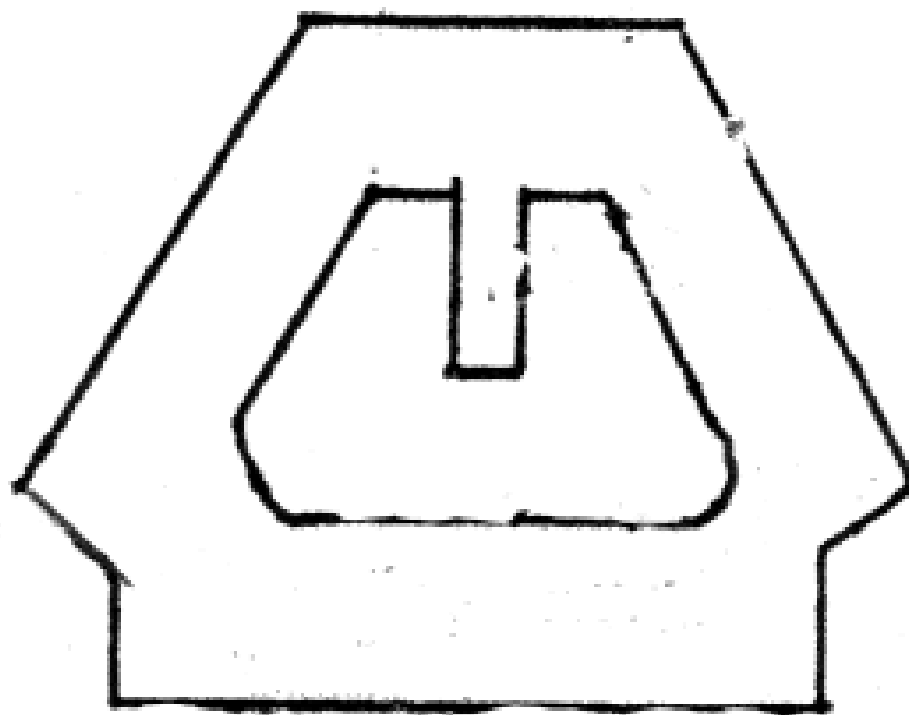


(19) AU

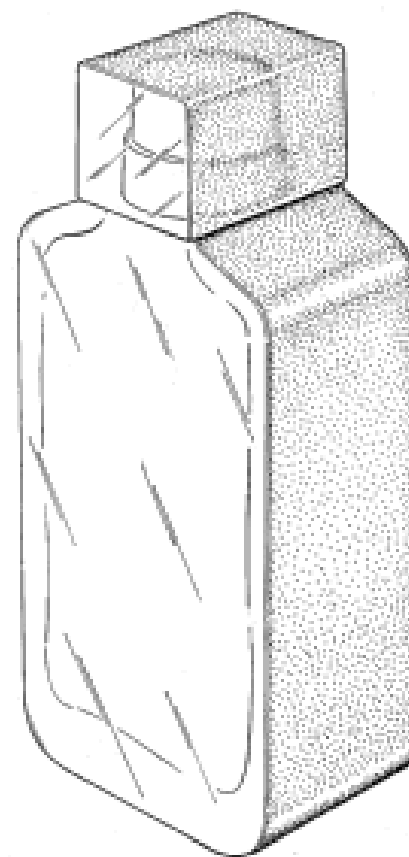
- (21) Design Number: **12388/2009**
- (22) Date of Filing Application: **22 June 2009**
- (24) Date from which industrial property rights may have effect: **22 June 2009**
- (54) Product in respect of which the design is registered: **A "V" shaped foliage branch for a structural steel coned Christmas tree (artificial)**
- (51) International Design Classification: **11-04**
- (71) Name(s) and Address(s) of Applicant(s):
Xmas-Mil Display Products Pty Ltd
1 Melrich Road Bayswater Victoria 3153 Australia
- (72) Name(s) of Designer(s): **Leonard G. Miller**
- (45) Registration Date: **26 August 2009**
- (56) Related Art Documents: **Not Applicable**
- (57) Statement of Newness and Distinctiveness: **Nil**



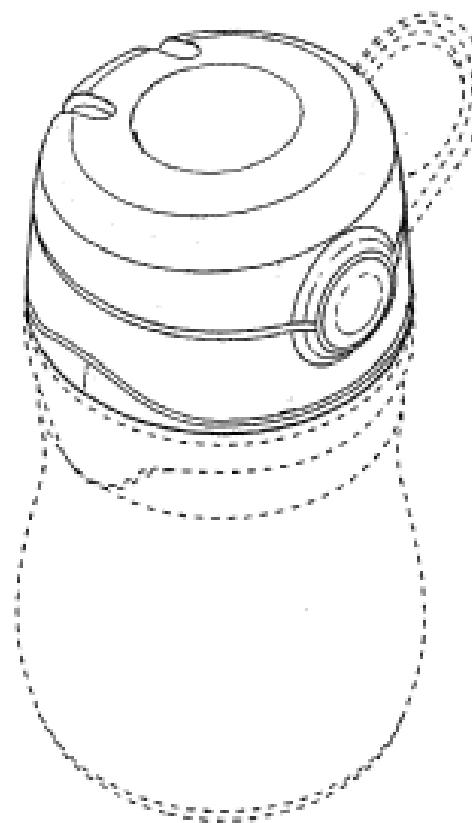
- (21) Design Number: **12389/2009**
(22) Date of Filing Application: **22 June 2009**
(24) Date from which industrial property rights may have effect: **22 June 2009**
(54) Product in respect of which the design is registered: **A branch holding bracket for a structural steel coned framed Christmas tree (artificial)**
(51) International Design Classification: **11-04**
(71) Name(s) and Address(s) of Applicant(s):
Xmas-Mil Display Products Pty Ltd
1 Melrich Road Bayswater Victoria 3153 Australia
(72) Name(s) of Designer(s): **Leonard G. Miller**
(45) Registration Date: **26 August 2009**
(56) Related Art Documents: **Not Applicable**
(57) Statement of Newness and Distinctiveness: **Nil**



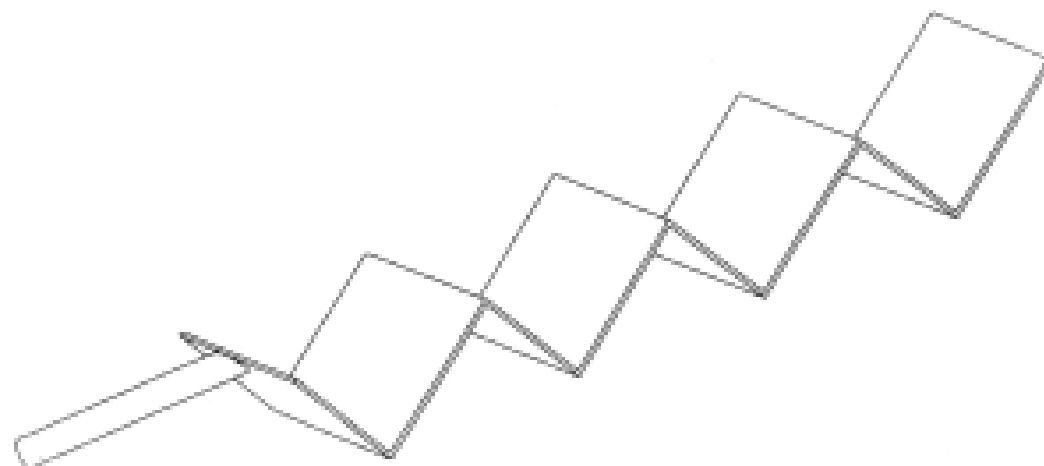
- (21) Design Number: **12454/2009**
(22) Date of Filing Application: **07 July 2009**
(24) Date from which industrial property rights may have effect: **07 July 2009**
(54) Product in respect of which the design is registered: **Flask**
(51) International Design Classification: **07-01F**
(71) Name(s) and Address(s) of Applicant(s):
Beaute Prestige International
28-32 Avenue Victor Hugo 75116 Paris France
(72) Name(s) of Designer(s): **Arik Levy**
(45) Registration Date: **26 August 2009**
(30) Convention priority data:
(31) Number (32) Date (33) Country
001066641-0002 07 Jan 2009 EUROPEAN COMMUNITY
(56) Related Art Documents: **Not Applicable**
(57) Statement of Newness and Distinctiveness: **Nil**



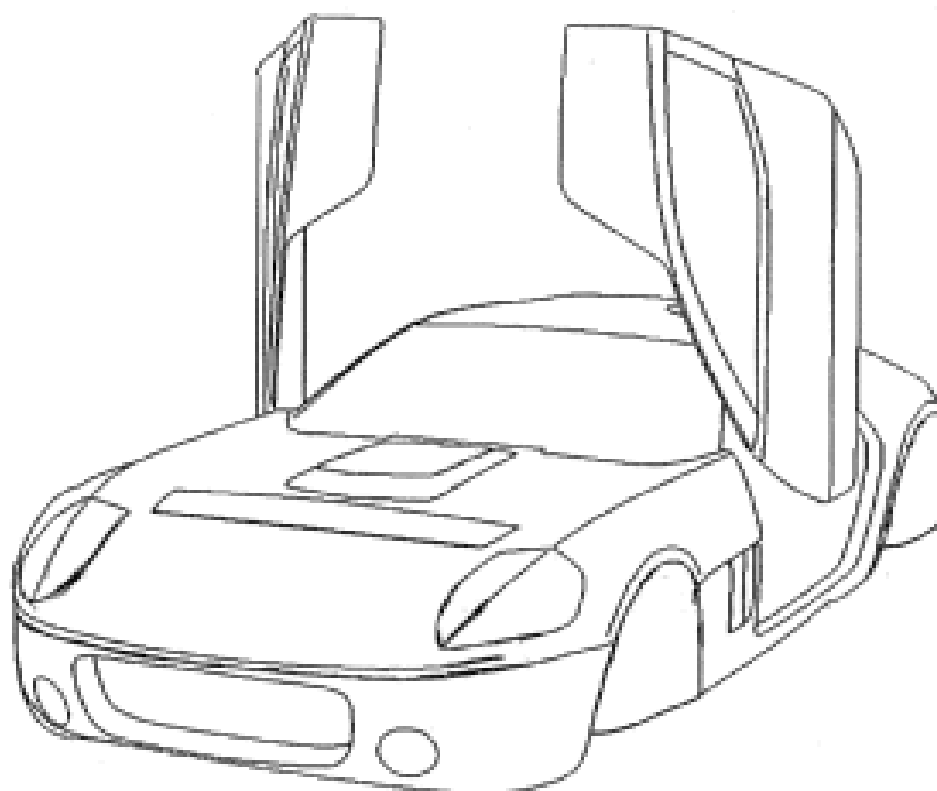
(21) Design Number: **12842/2009**
(22) Date of Filing Application: **31 July 2009**
(24) Date from which industrial property rights may have effect: **31 July 2009**
(54) Product in respect of which the design is registered: **A lid**
(51) International Design Classification: **07-01F, 09-07B**
(71) Name(s) and Address(s) of Applicant(s):
Thermos L.L.C.
2550 West Golf Road Suite 800 Rolling Meadows Illinois 60008 United States of America
(72) Name(s) of Designer(s): **Marvin Lane**
(45) Registration Date: **26 August 2009**
(30) Convention priority data:
(31) Number (32) Date (33) Country
29/314155 06 Mar 2009 UNITED STATES OF AMERICA
(56) Related Art Documents: **Not Applicable**
(57) Statement of Newness and Distinctiveness: **Newness and distinctiveness is claimed in those features of shape and/or configuration of a lid as illustrated in continuous lines in the accompanying representations.**



(21) Design Number: **12843/2009**
(22) Date of Filing Application: **03 August 2009**
(24) Date from which industrial property rights may have effect: **03 August 2009**
(54) Product in respect of which the design is registered: **Culinary aid**
(51) International Design Classification: **07-04**
(71) Name(s) and Address(s) of Applicant(s):
Kieran Dolan
Unit 3 65 Stapylton Street Coolangatta Queensland 4225 Australia
(72) Name(s) of Designer(s): **Kieran Dolan**
(45) Registration Date: **26 August 2009**
(56) Related Art Documents: **Not Applicable**
(57) Statement of Newness and Distinctiveness: **Nil**



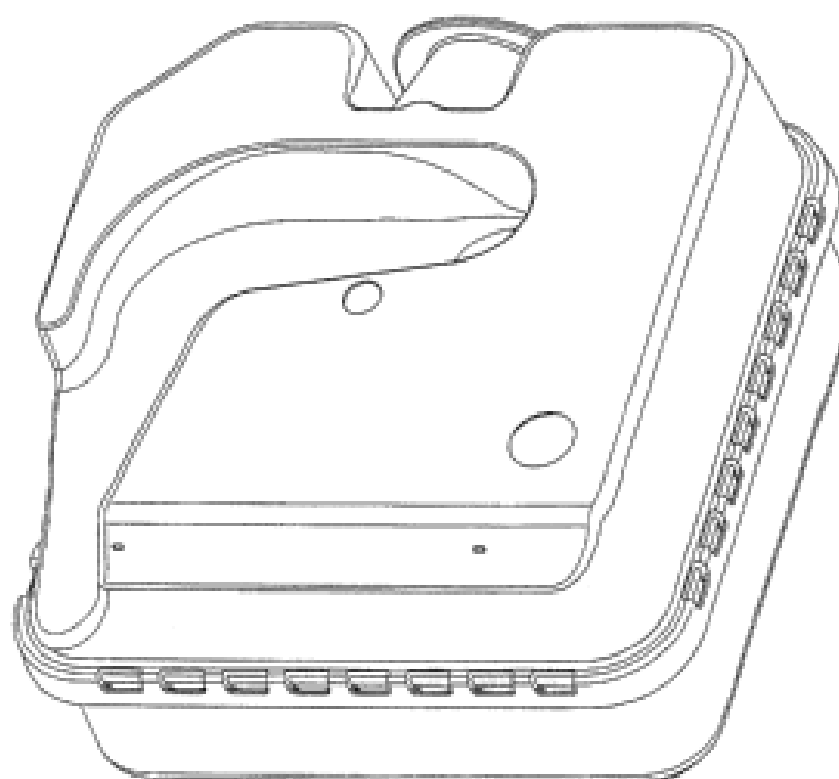
(21) Design Number: **12861/2009**
 (22) Date of Filing Application: **03 August 2009**
 (24) Date from which industrial property rights may have effect: **03 August 2009**
 (54) Product in respect of which the design is registered: **A motor vehicle body**
 (51) International Design Classification: **12-16B**
 (71) Name(s) and Address(s) of Applicant(s):
Peter Tony Ransom
29 Old Pacific Highway Yatala Queensland 4207 Australia
 (72) Name(s) of Designer(s): **Peter Tony Ransom**
 (45) Registration Date: **26 August 2009**
 (56) Related Art Documents: **Not Applicable**
 (57) Statement of Newness and Distinctiveness: **Nil**



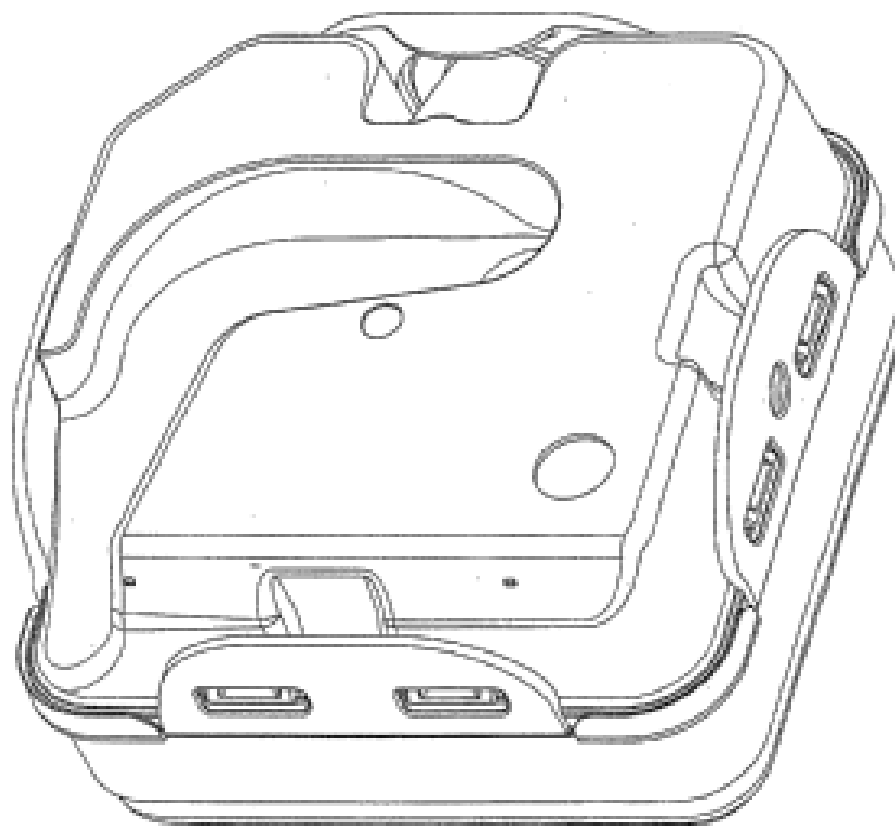
(21) Design Number: **12862/2009**
 (22) Date of Filing Application: **03 August 2009**
 (24) Date from which industrial property rights may have effect: **03 August 2009**
 (54) Product in respect of which the design is registered: **Humidifier tub for humidifier for positive airway pressure delivery device**
 (51) International Design Classification: **24-01**
 (71) Name(s) and Address(s) of Applicant(s):
ResMed Ltd
1 Elizabeth Macarthur Drive Bella Vista New South Wales 2153 Australia
 (72) Name(s) of Designer(s): **Dan Kao and Alexander Virr and Mark Bertinetti**
 (45) Registration Date: **26 August 2009**
 (30) Convention priority data:

(31) Number	(32) Date	(33) Country
29/311388	05 Mar 2009	UNITED STATES OF AMERICA

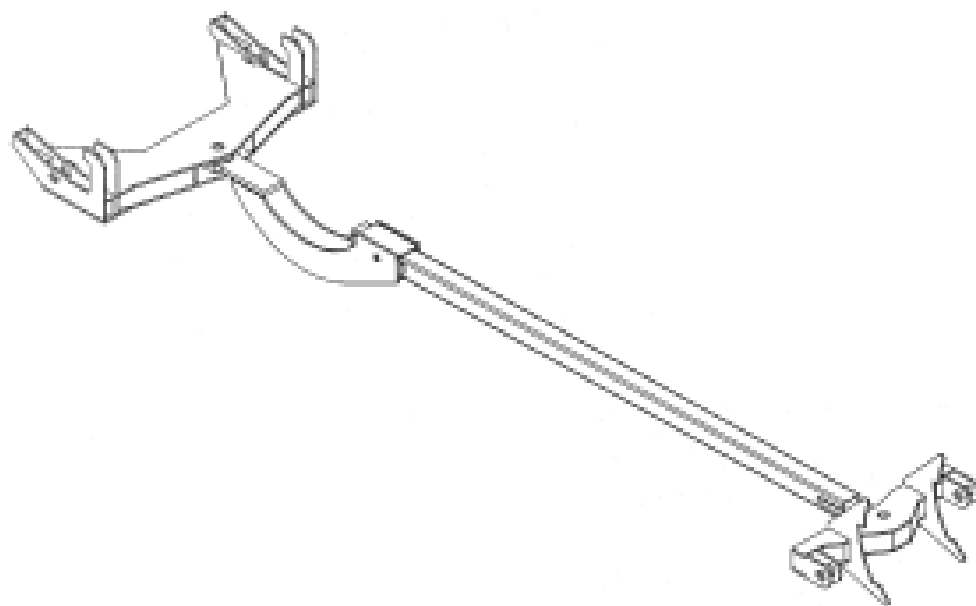
 (56) Related Art Documents: **Not Applicable**
 (57) Statement of Newness and Distinctiveness: **Nil**



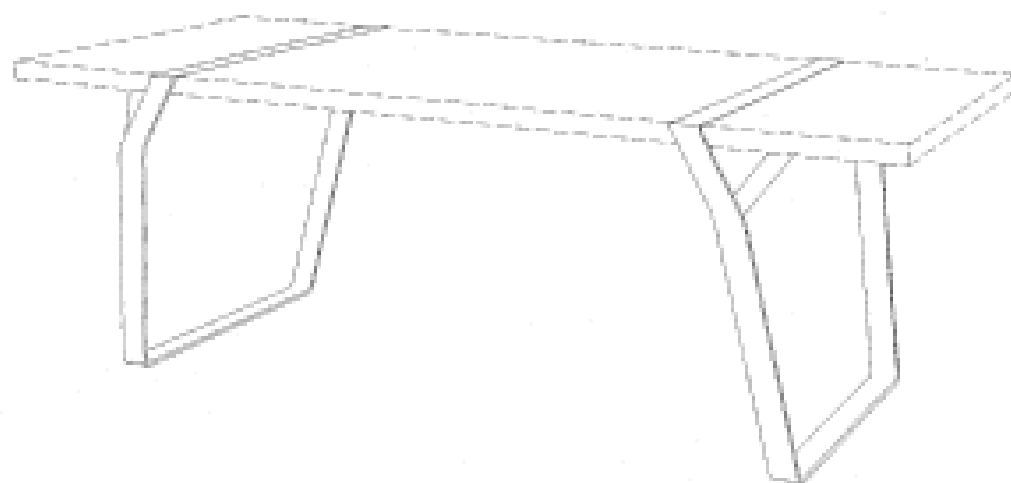
(21) Design Number: **12863/2009**
(22) Date of Filing Application: **03 August 2009**
(24) Date from which industrial property rights may have effect: **03 August 2009**
(54) Product in respect of which the design is registered: **Humidifier tub for humidifier for positive airway pressure delivery device**
(51) International Design Classification: **24-01**
(71) Name(s) and Address(s) of Applicant(s):
ResMed Ltd
1 Elizabeth Macarthur Drive Bella Vista New South Wales 2153
Australia
(72) Name(s) of Designer(s): **Dan Kao and Alexander Virr and Mark Bertinetti**
(45) Registration Date: **26 August 2009**
(30) Convention priority data:
(31) Number (32) Date (33) Country
29/311387 05 Mar 2009 UNITED STATES OF AMERICA
(56) Related Art Documents: **Not Applicable**
(57) Statement of Newness and Distinctiveness: **Nil**



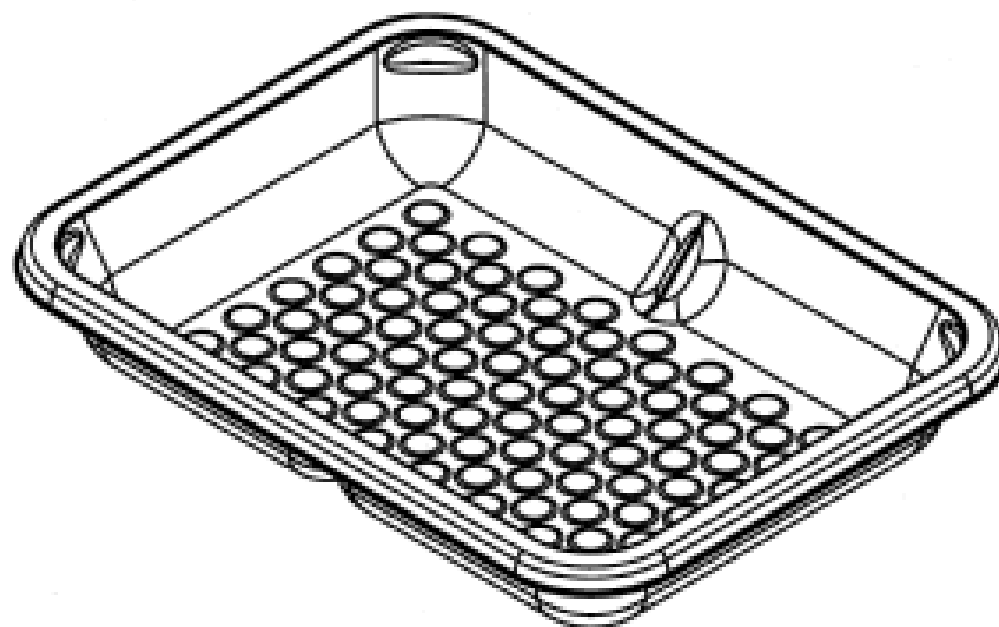
(21) Design Number: **12864/2009**
(22) Date of Filing Application: **04 August 2009**
(24) Date from which industrial property rights may have effect: **04 August 2009**
(54) Product in respect of which the design is registered: **Vehicle towing apparatus**
(51) International Design Classification: **12-16L**
(71) Name(s) and Address(s) of Applicant(s):
CMP Engineers Pty Ltd
Level 2 457 Upper Edward Street Brisbane Queensland 4000 Australia
(72) Name(s) of Designer(s): **Mark Petrie**
(45) Registration Date: **26 August 2009**
(56) Related Art Documents: **Not Applicable**
(57) Statement of Newness and Distinctiveness: **Nil**



- (21) Design Number: **12552/2009**
(22) Date of Filing Application: **16 July 2009**
(24) Date from which industrial property rights may have effect: **16 July 2009**
(54) Product in respect of which the design is registered: **The leg on the table or bench seat**
(51) International Design Classification: **06-06E, 06-06G**
(71) Name(s) and Address(s) of Applicant(s):
Ross Gardam
17 Austin Way Fitzroy North Victoria 3068 Australia
(72) Name(s) of Designer(s): **Ross Gardam**
(45) Registration Date: **26 August 2009**
(56) Related Art Documents: **Not Applicable**
(57) Statement of Newness and Distinctiveness: **The leg loops around the top surface of a substrate while a second support loops up and connects to the bottom surface of the substrate. This creates the visual effect of the leg been "locked" or "levered" onto the substrate.**



- (21) Design Number: **12850/2009**
(22) Date of Filing Application: **31 July 2009**
(24) Date from which industrial property rights may have effect: **31 July 2009**
(54) Product in respect of which the design is registered: **Tray**
(51) International Design Classification: **09-03F**
(71) Name(s) and Address(s) of Applicant(s):
Alto Packaging Limited
Level 6 LJ Hooker House 57-59 Symonds Street Auckland New Zealand
(72) Name(s) of Designer(s): **Keith Irvine**
(45) Registration Date: **26 August 2009**
(56) Related Art Documents: **Not Applicable**
(57) Statement of Newness and Distinctiveness: **Nil**



- (21) Design Number: **12851/2009**
- (22) Date of Filing Application: **31 July 2009**
- (24) Date from which industrial property rights may have effect: **31 July 2009**
- (54) Product in respect of which the design is registered: **Tray**
- (51) International Design Classification: **09-03F**
- (71) Name(s) and Address(s) of Applicant(s):

Alto Packaging Limited
Level 6 LJ Hooker House 57-59 Symonds Street Auckland New Zealand

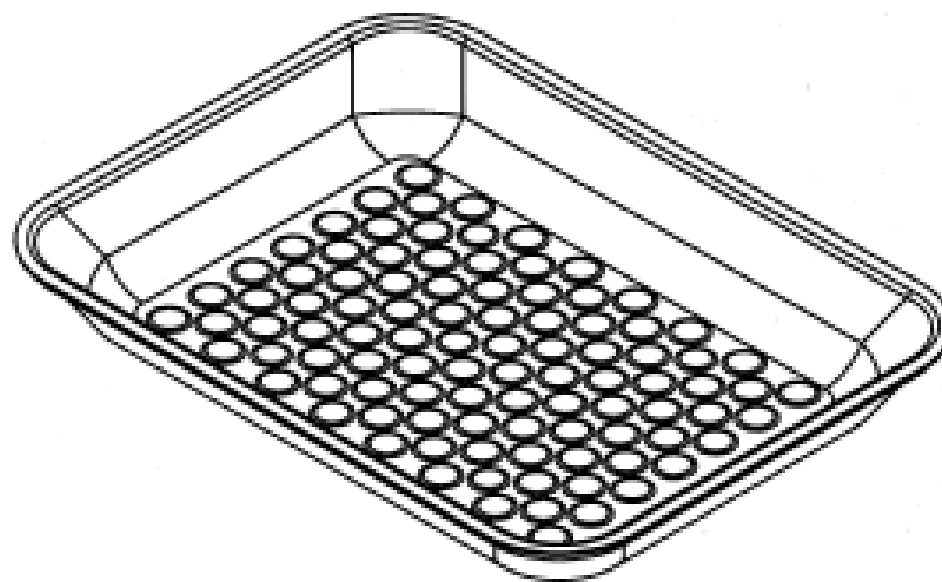
- (72) Name(s) of Designer(s): **Keith Irvine**
- (45) Registration Date: **26 August 2009**
- (56) Related Art Documents: **Not Applicable**
- (57) Statement of Newness and Distinctiveness: **Nil**



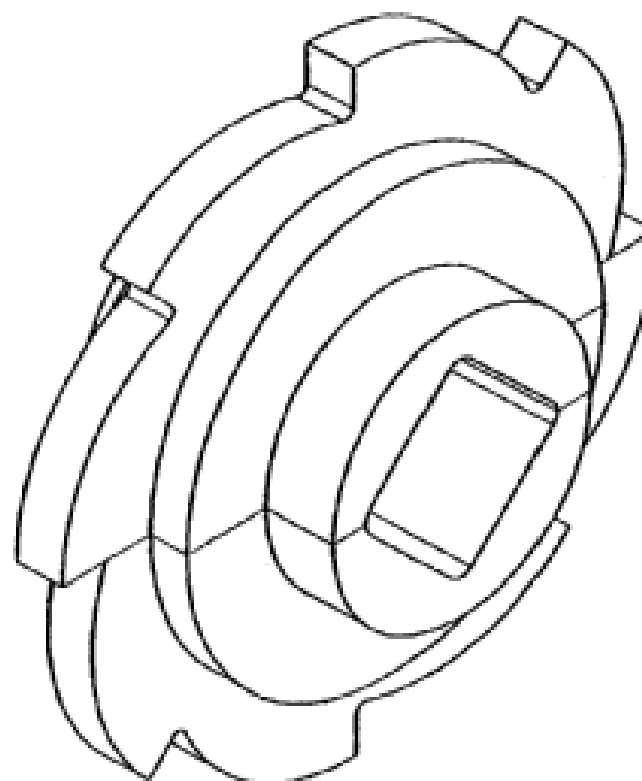
- (21) Design Number: **12852/2009**
- (22) Date of Filing Application: **31 July 2009**
- (24) Date from which industrial property rights may have effect: **31 July 2009**
- (54) Product in respect of which the design is registered: **Tray**
- (51) International Design Classification: **09-03F**
- (71) Name(s) and Address(s) of Applicant(s):

Alto Packaging Limited
Level 6 LJ Hooker House 57-59 Symonds Street Auckland New Zealand

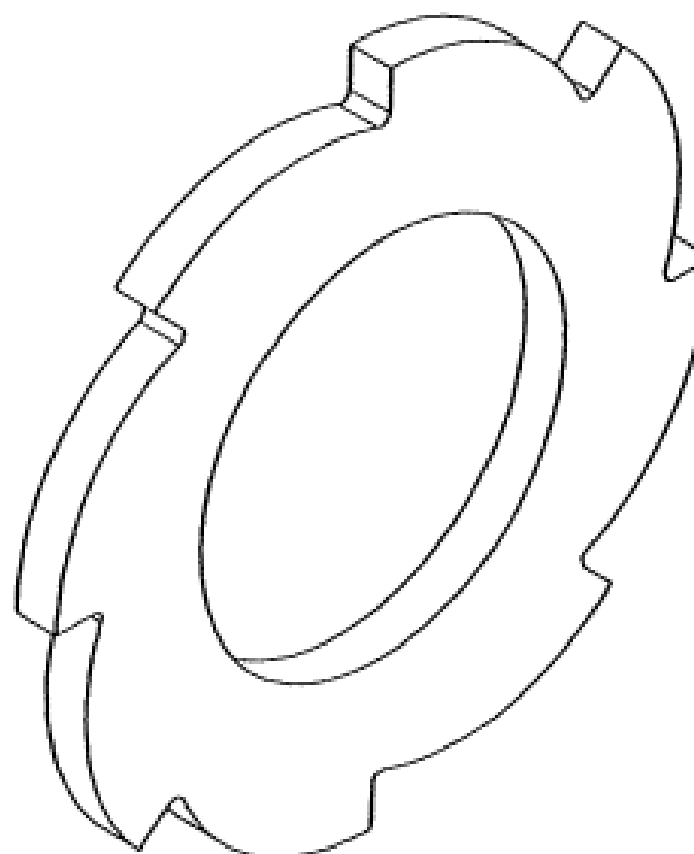
- (72) Name(s) of Designer(s): **Keith Irvine**
- (45) Registration Date: **26 August 2009**
- (56) Related Art Documents: **Not Applicable**
- (57) Statement of Newness and Distinctiveness: **Nil**



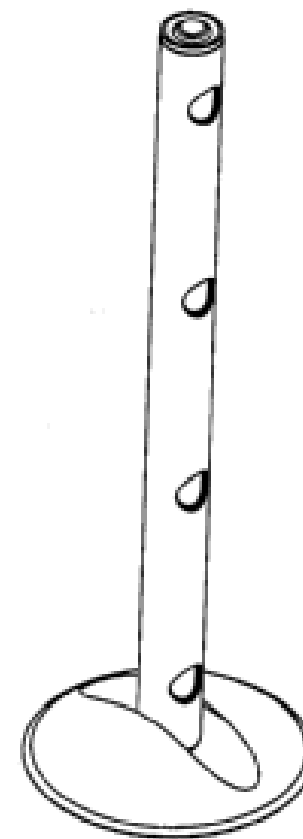
- (21) Design Number: **12853/2009**
(22) Date of Filing Application: **03 August 2009**
(24) Date from which industrial property rights may have effect: **03 August 2009**
(54) Product in respect of which the design is registered: **Saw tooth disc**
(51) International Design Classification: **23-01G, 23-02NES, 15-99**
(71) Name(s) and Address(s) of Applicant(s):
Daniel Waddington
133 Coachwood Road Matcham New South Wales 2250 Australia
(72) Name(s) of Designer(s): **Daniel Waddington**
(45) Registration Date: **26 August 2009**
(56) Related Art Documents: **Not Applicable**
(57) Statement of Newness and Distinctiveness: **Newness and distinctiveness reside in the features of the design as shown in the representations.**



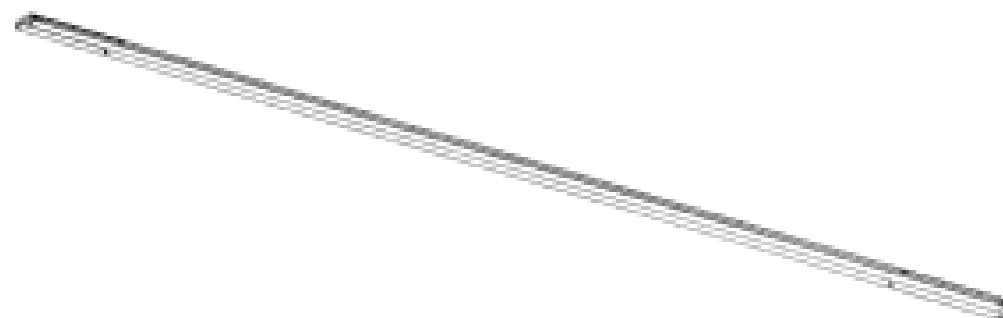
- (21) Design Number: **12854/2009**
(22) Date of Filing Application: **03 August 2009**
(24) Date from which industrial property rights may have effect: **03 August 2009**
(54) Product in respect of which the design is registered: **Saw tooth disc**
(51) International Design Classification: **23-01G, 23-02NES, 15-99**
(71) Name(s) and Address(s) of Applicant(s):
Daniel Waddington
133 Coachwood Road Matcham New South Wales 2250 Australia
(72) Name(s) of Designer(s): **Daniel Waddington**
(45) Registration Date: **26 August 2009**
(56) Related Art Documents: **Not Applicable**
(57) Statement of Newness and Distinctiveness: **Newness and distinctiveness reside in the fetures of the design as shown in the representations.**



(21) Design Number: **12782/2009**
(22) Date of Filing Application: **27 July 2009**
(24) Date from which industrial property rights may have effect: **27 July 2009**
(54) Product in respect of which the design is registered: **Luminaire**
(51) International Design Classification: **26-04**
(71) Name(s) and Address(s) of Applicant(s):
Osram GmbH
Hellabrunner Strasse 1 D-81543 Munich Germany
(72) Name(s) of Designer(s): **Jurgen Komar and Florian Wildner**
(45) Registration Date: **28 August 2009**
(30) Convention priority data:
(31) Number (32) Date (33) Country
001097646 18 Feb 2009 EUROPEAN COMMUNITY
(56) Related Art Documents: **Not Applicable**
(57) Statement of Newness and Distinctiveness: **Nil**



(21) Design Number: **12784/2009**
(22) Date of Filing Application: **28 July 2009**
(24) Date from which industrial property rights may have effect: **28 July 2009**
(54) Product in respect of which the design is registered: **A rail of a venetian blind**
(51) International Design Classification: **08-08H, 06-10**
(71) Name(s) and Address(s) of Applicant(s):
Stila A/S
Hassellunden 3 Smorum 2765 Denmark
(72) Name(s) of Designer(s): **Peter Moller-Jensen**
(45) Registration Date: **28 August 2009**
(30) Convention priority data:
(31) Number (32) Date (33) Country
001079321-0003 30 Jan 2009 EUROPEAN COMMUNITY
(56) Related Art Documents: **Not Applicable**
(57) Statement of Newness and Distinctiveness: **Nil**



(21) Design Number: **12880/2009**

(22) Date of Filing Application: **04 August 2009**

(24) Date from which industrial property rights may have effect: **04 August 2009**

(54) Product in respect of which the design is registered: **Brake pad friction material 1824**

(51) International Design Classification: **12-16M**

(71) Name(s) and Address(s) of Applicant(s):

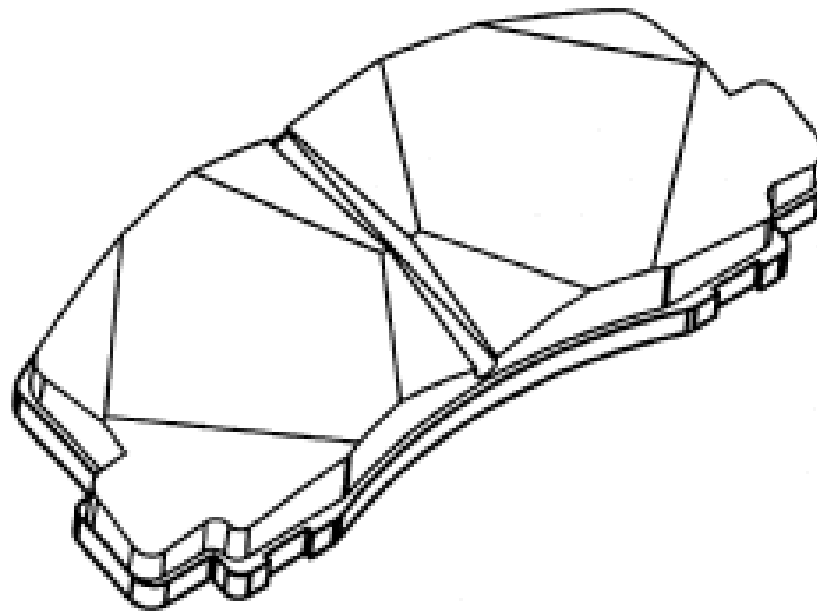
**FMP Group (Australia) Pty Limited
Ground Floor 38 Gilby Road Mount Waverley Victoria 3149 Australia**

(72) Name(s) of Designer(s): **Tim Paton**

(45) Registration Date: **28 August 2009**

(56) Related Art Documents: **Not Applicable**

(57) Statement of Newness and Distinctiveness: **Each feature of the shape and configuration of the friction material as applied to the brake pad backing plate. The backing plate and any holding clips are to be disregarded.**



(21) Design Number: **12881/2009**

(22) Date of Filing Application: **04 August 2009**

(24) Date from which industrial property rights may have effect: **04 August 2009**

(54) Product in respect of which the design is registered: **Brake pad friction material 1825**

(51) International Design Classification: **12-16M**

(71) Name(s) and Address(s) of Applicant(s):

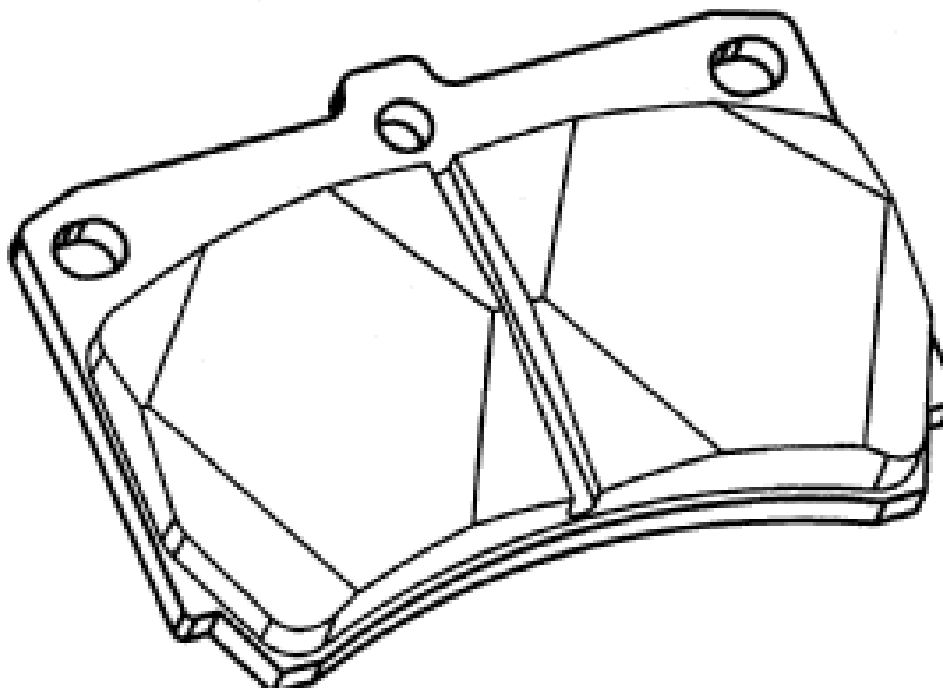
**FMP Group (Australia) Pty Limited
Ground Floor 38 Gilby Road Mount Waverley Victoria 3149 Australia**

(72) Name(s) of Designer(s): **Tim Paton**

(45) Registration Date: **28 August 2009**

(56) Related Art Documents: **Not Applicable**

(57) Statement of Newness and Distinctiveness: **Each feature of the shape and configuration of the friction material as applied to the brake pad backing plate. The backing plate and any holding clips are to be disregarded.**



(21) Design Number: **12882/2009**

(22) Date of Filing Application: **04 August 2009**

(24) Date from which industrial property rights may have effect: **04 August 2009**

(54) Product in respect of which the design is registered: **Brake pad friction material 1826**

(51) International Design Classification: **12-16M**

(71) Name(s) and Address(s) of Applicant(s):

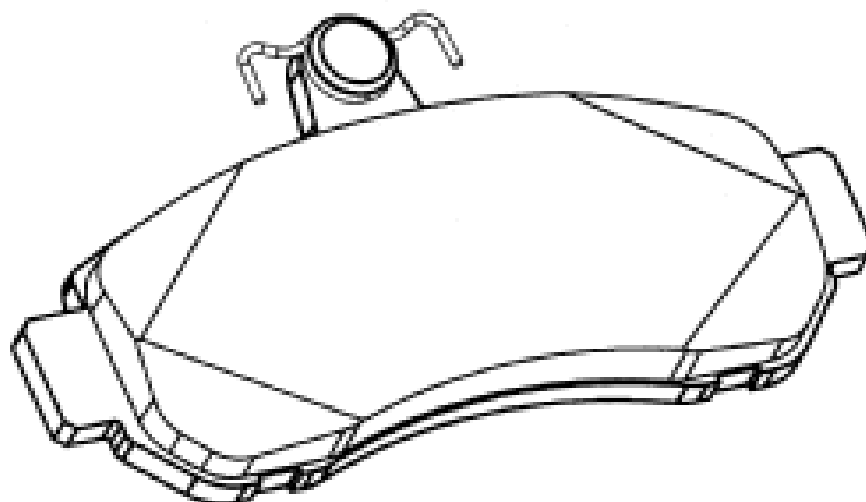
**FMP Group (Australia) Pty Limited
Ground Floor 38 Gilby Road Mount Waverley Victoria 3149 Australia**

(72) Name(s) of Designer(s): **Tim Paton**

(45) Registration Date: **28 August 2009**

(56) Related Art Documents: **Not Applicable**

(57) Statement of Newness and Distinctiveness: **Each feature of the shape and configuration of the friction material as applied to the brake pad backing plate. The backing plate and any holding clips are to be disregarded.**



(21) Design Number: **12883/2009**

(22) Date of Filing Application: **04 August 2009**

(24) Date from which industrial property rights may have effect: **04 August 2009**

(54) Product in respect of which the design is registered: **Brake pad friction material 1827**

(51) International Design Classification: **12-16M**

(71) Name(s) and Address(s) of Applicant(s):

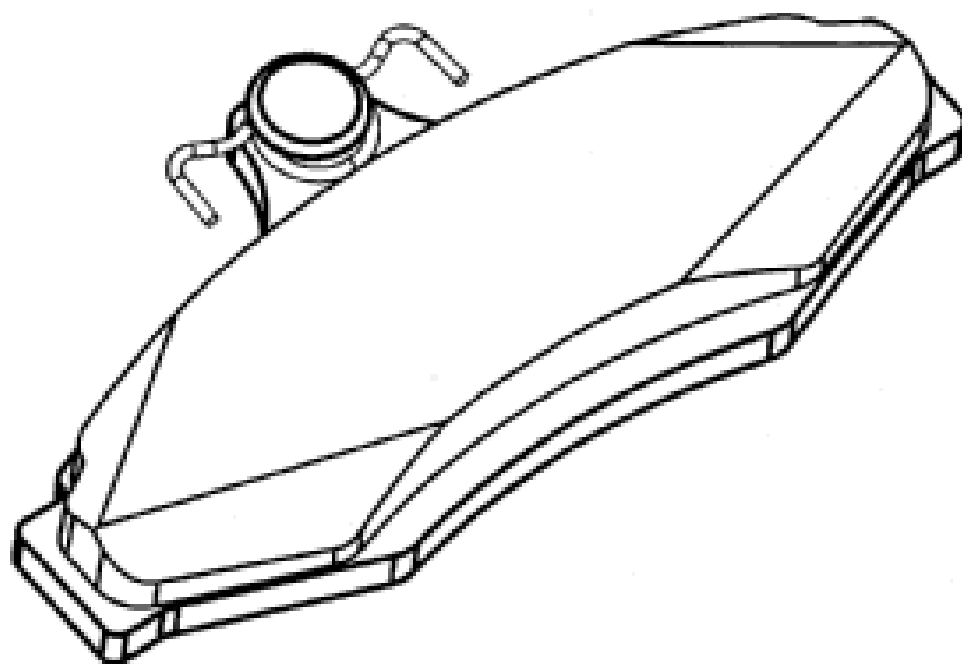
**FMP Group (Australia) Pty Limited
Ground Floor 38 Gilby Road Mount Waverley Victoria 3149 Australia**

(72) Name(s) of Designer(s): **Tim Paton**

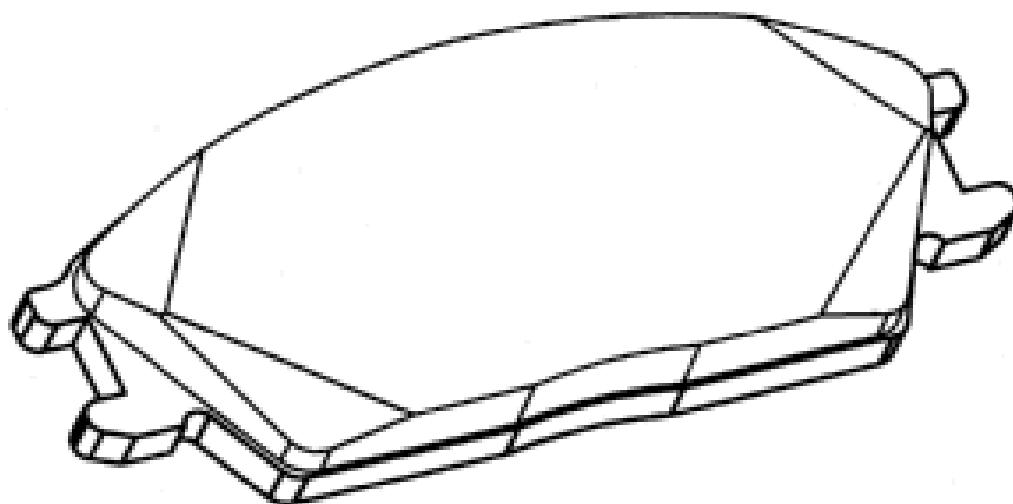
(45) Registration Date: **28 August 2009**

(56) Related Art Documents: **Not Applicable**

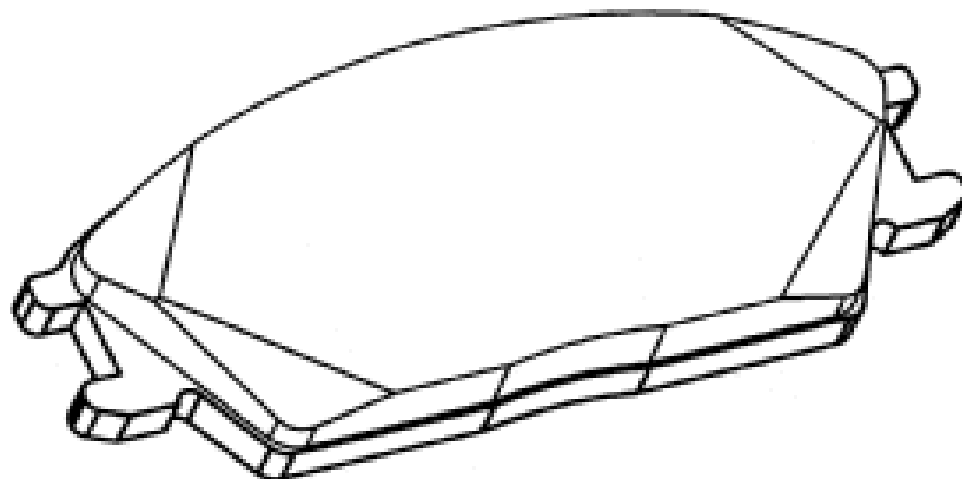
(57) Statement of Newness and Distinctiveness: **Each feature of the shape and configuration of the friction material as applied to the brake pad backing plate. The backing plate and any holding clips are to be disregarded.**



- (21) Design Number: **12884/2009**
(22) Date of Filing Application: **04 August 2009**
(24) Date from which industrial property rights may have effect: **04 August 2009**
(54) Product in respect of which the design is registered: **Brake pad friction material 1828**
(51) International Design Classification: **12-16M**
(71) Name(s) and Address(s) of Applicant(s):
FMP Group (Australia) Pty Limited
Ground Floor 38 Gilby Road Mount Waverley Victoria 3149 Australia
(72) Name(s) of Designer(s): **Tim Paton**
(45) Registration Date: **28 August 2009**
(56) Related Art Documents: **Not Applicable**
(57) Statement of Newness and Distinctiveness: **Each feature of the shape and configuration of the friction material as applied to the brake pad backing plate. The backing plate and any holding clips are to be disregarded.**



- (21) Design Number: **12885/2009**
(22) Date of Filing Application: **04 August 2009**
(24) Date from which industrial property rights may have effect: **04 August 2009**
(54) Product in respect of which the design is registered: **Brake pad friction material 1829**
(51) International Design Classification: **12-16M**
(71) Name(s) and Address(s) of Applicant(s):
FMP Group (Australia) Pty Limited
Ground Floor 38 Gilby Road Mount Waverley Victoria 3149 Australia
(72) Name(s) of Designer(s): **Tim Paton**
(45) Registration Date: **28 August 2009**
(56) Related Art Documents: **Not Applicable**
(57) Statement of Newness and Distinctiveness: **Each feature of the shape and configuration of the friction material as applied to the brake pad backing plate. The backing plate and any holding clips are to be disregarded.**



(21) Design Number: **12886/2009**

(22) Date of Filing Application: **04 August 2009**

(24) Date from which industrial property rights may have effect: **04 August 2009**

(54) Product in respect of which the design is registered: **Brake pad friction material 1830**

(51) International Design Classification: **12-16M**

(71) Name(s) and Address(s) of Applicant(s):

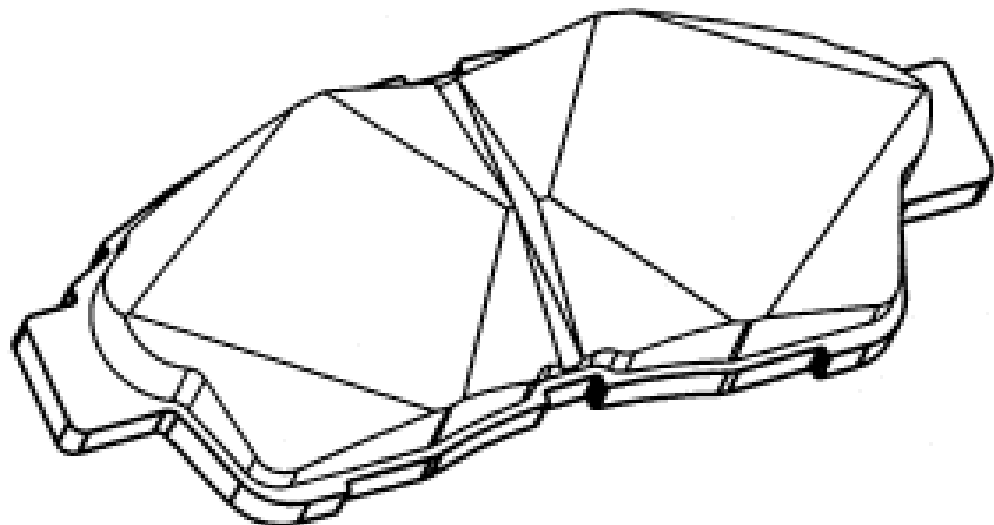
**FMP Group (Australia) Pty Limited
Ground Floor 38 Gilby Road Mount Waverley Victoria 3149 Australia**

(72) Name(s) of Designer(s): **Tim Paton**

(45) Registration Date: **28 August 2009**

(56) Related Art Documents: **Not Applicable**

(57) Statement of Newness and Distinctiveness: **Each feature of the shape and configuration of the friction material as applied to the brake pad backing plate. The backing plate and any holding clips are to be disregarded.**



(21) Design Number: **12887/2009**

(22) Date of Filing Application: **04 August 2009**

(24) Date from which industrial property rights may have effect: **04 August 2009**

(54) Product in respect of which the design is registered: **Brake pad friction material 1831**

(51) International Design Classification: **12-16M**

(71) Name(s) and Address(s) of Applicant(s):

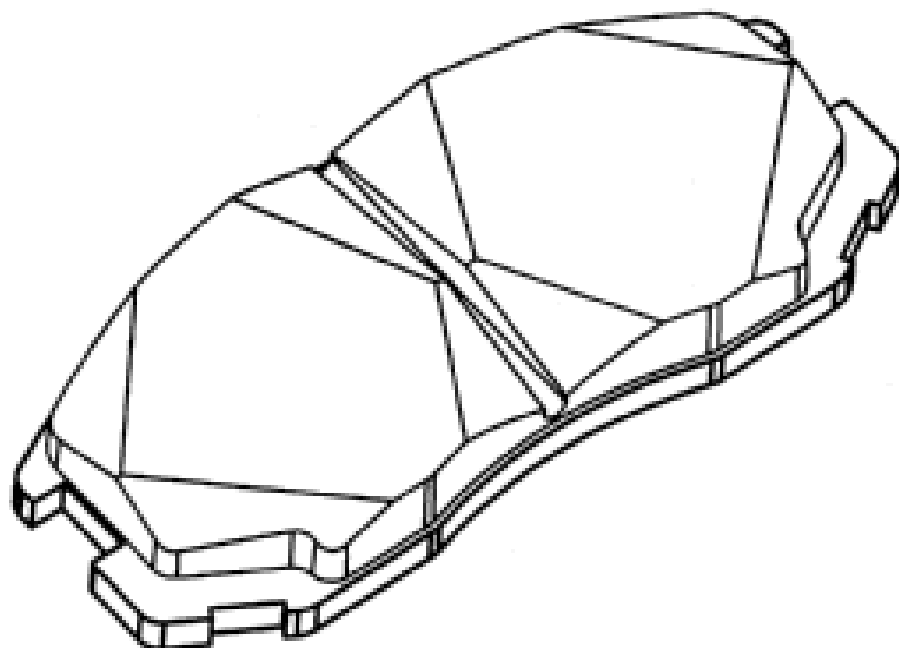
**FMP Group (Australia) Pty Limited
Ground Floor 38 Gilby Road Mount Waverley Victoria 3149 Australia**

(72) Name(s) of Designer(s): **Tim Paton**

(45) Registration Date: **28 August 2009**

(56) Related Art Documents: **Not Applicable**

(57) Statement of Newness and Distinctiveness: **Each feature of the shape and configuration of the friction material as applied to the brake pad backing plate. The backing plate and any holding clips are to be disregarded.**



(21) Design Number: **12888/2009**

(22) Date of Filing Application: **04 August 2009**

(24) Date from which industrial property rights may have effect: **04 August 2009**

(54) Product in respect of which the design is registered: **Brake pad friction material 1832**

(51) International Design Classification: **12-16M**

(71) Name(s) and Address(s) of Applicant(s):

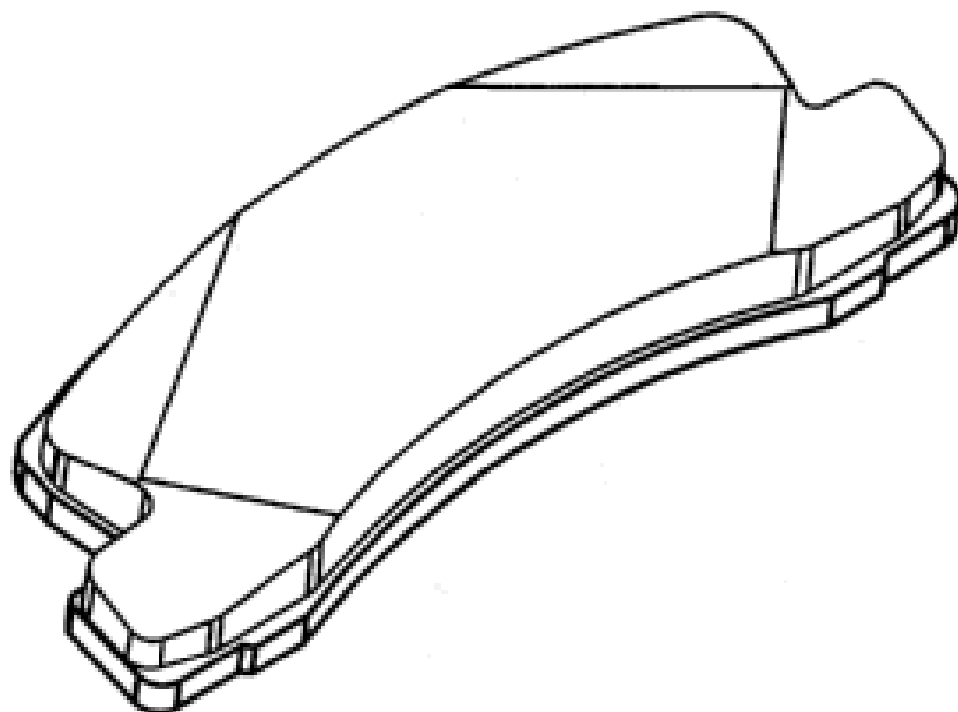
**FMP Group (Australia) Pty Limited
Ground Floor 38 Gilby Road Mount Waverley Victoria 3149 Australia**

(72) Name(s) of Designer(s): **Tim Paton**

(45) Registration Date: **28 August 2009**

(56) Related Art Documents: **Not Applicable**

(57) Statement of Newness and Distinctiveness: **Each feature of the shape and configuration of the friction material as applied to the brake pad backing plate. The backing plate and any holding clips are to be disregarded.**



(21) Design Number: **12450/2009**

(22) Date of Filing Application: **08 July 2009**

(24) Date from which industrial property rights may have effect: **08 July 2009**

(54) Product in respect of which the design is registered: **Mid door jam**

(51) International Design Classification: **08-09**

(71) Name(s) and Address(s) of Applicant(s):

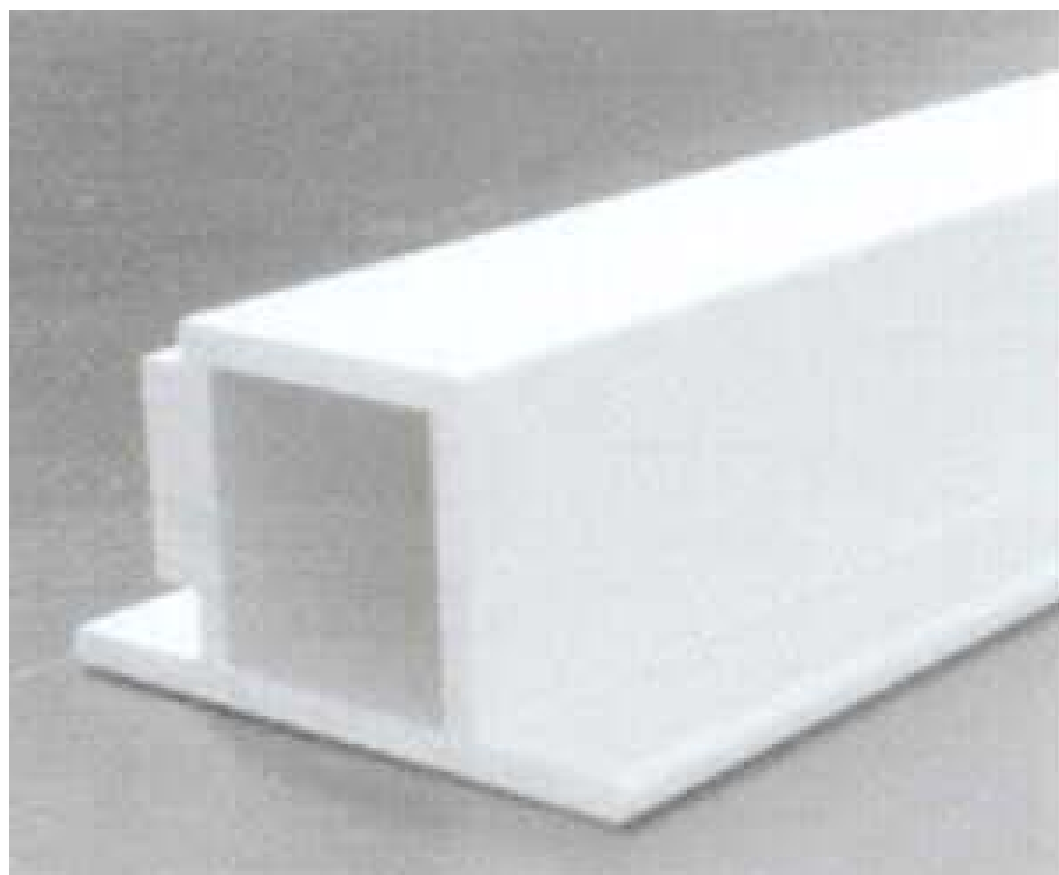
**Daniel Williams
Unit 8/37 Blanck Street Ormeau Queensland 4208 Australia**

(72) Name(s) of Designer(s): **Daniel Williams**

(45) Registration Date: **02 September 2009**

(56) Related Art Documents: **Not Applicable**

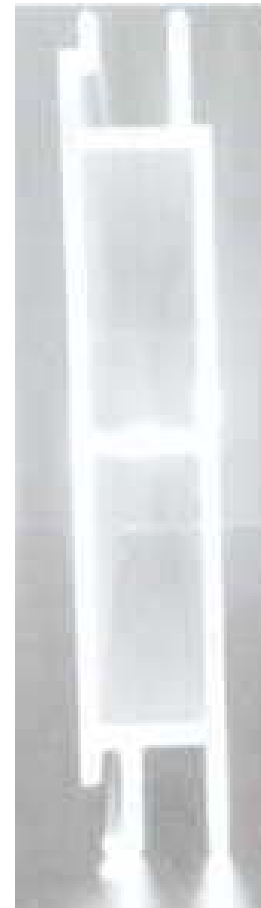
(57) Statement of Newness and Distinctiveness: **Newness and distinctiveness resides in the visual features, shape and/or configuration of the extrusion as shown in the accompanying representations. The extrusion is of variable length.**



- (21) Design Number: **12451/2009**
(22) Date of Filing Application: **08 July 2009**
(24) Date from which industrial property rights may have effect: **08 July 2009**
(54) Product in respect of which the design is registered: **Floor section**
(51) International Design Classification: **08-09, 25-01K**
(71) Name(s) and Address(s) of Applicant(s):

Daniel Williams
Unit 8/37 Blanck Street Ormeau Queensland 4208 Australia

- (72) Name(s) of Designer(s): **Daniel Williams**
(45) Registration Date: **02 September 2009**
(56) Related Art Documents: **Not Applicable**
(57) Statement of Newness and Distinctiveness: **Newness and distinctiveness resides in the visual features, shape and/or configuration of the extrusion as shown in the accompanying representations. The extrusion is of variable length.**



- (21) Design Number: **12452/2009**
(22) Date of Filing Application: **08 July 2009**
(24) Date from which industrial property rights may have effect: **08 July 2009**
(54) Product in respect of which the design is registered: **Door section 1**
(51) International Design Classification: **08-09**
(71) Name(s) and Address(s) of Applicant(s):

Daniel Williams
Unit 8/37 Blanck Street Ormeau Queensland 4208 Australia

- (72) Name(s) of Designer(s): **Daniel Williams**
(45) Registration Date: **02 September 2009**
(56) Related Art Documents: **Not Applicable**
(57) Statement of Newness and Distinctiveness: **Newness and distinctiveness resides in the visual features, shape and/or configuration of the extrusion as shown in the accompanying representations. The extrusion is of variable length.**



- (21) Design Number: **12453/2009**
(22) Date of Filing Application: **08 July 2009**
(24) Date from which industrial property rights may have effect: **08 July 2009**
(54) Product in respect of which the design is registered: **Door section 2**
(51) International Design Classification: **08-09**
(71) Name(s) and Address(s) of Applicant(s):

Daniel Williams
Unit 8/37 Blanck Street Ormeau Queensland 4208 Australia

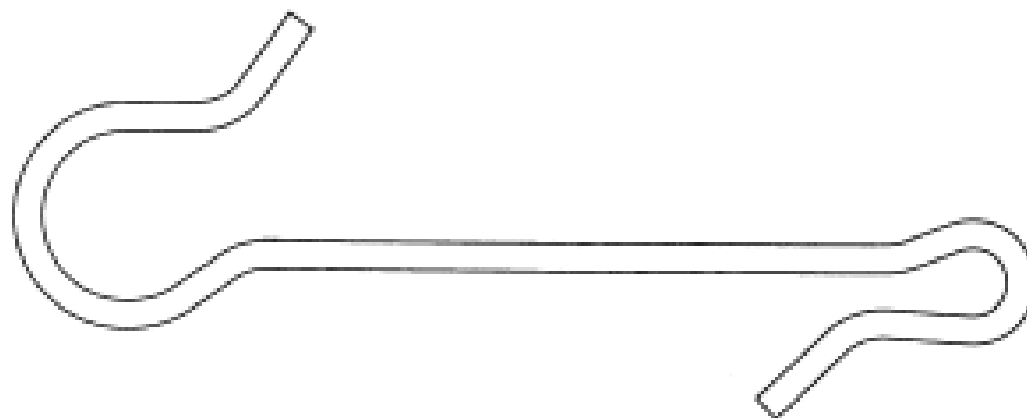
- (72) Name(s) of Designer(s): **Daniel Williams**
(45) Registration Date: **02 September 2009**
(56) Related Art Documents: **Not Applicable**
(57) Statement of Newness and Distinctiveness: **Newness and distinctiveness resides in the visual features, shape and/or configuration of the extrusion as shown in the accompanying representations. The extrusion is of variable length.**



- (21) Design Number: **12748/2009**
(22) Date of Filing Application: **24 July 2009**
(24) Date from which industrial property rights may have effect: **24 July 2009**
(54) Product in respect of which the design is registered: **Snood snap**
(51) International Design Classification: **22-05**
(71) Name(s) and Address(s) of Applicant(s):

Julian Mallison Cooke
129 Bailey Boulevard Dawesville Western Australia 6211 Australia

- (72) Name(s) of Designer(s): **Julian Mallison Cooke**
(45) Registration Date: **02 September 2009**
(56) Related Art Documents: **Not Applicable**
(57) Statement of Newness and Distinctiveness: **The mussel industry has been searching for a replacement for the string "snood" for many years. Previous efforts were generally based on the conventional fishing snap. This design is specific to the needs of the industry.**



(21) Design Number: **12781/2009**
(22) Date of Filing Application: **27 July 2009**
(24) Date from which industrial property rights may have effect: **27 July 2009**
(54) Product in respect of which the design is registered: **Luminaire**
(51) International Design Classification: **26-05NES, 26-04**
(71) Name(s) and Address(s) of Applicant(s):

Osram GmbH
Hellabrunner Strasse 1 D-81543 Munich Germany

(72) Name(s) of Designer(s): **Jurgen Komar and Florian Wildner**

(45) Registration Date: **02 September 2009**

(30) Convention priority data:

(31) Number	(32) Date	(33) Country
001097646	18 Feb 2009	EUROPEAN COMMUNITY

(56) Related Art Documents: **Not Applicable**

(57) Statement of Newness and Distinctiveness: **Nil**



(21) Design Number: **12856/2009**
(22) Date of Filing Application: **03 August 2009**
(24) Date from which industrial property rights may have effect: **03 August 2009**
(54) Product in respect of which the design is registered: **A container**
(51) International Design Classification: **09-01NES**
(71) Name(s) and Address(s) of Applicant(s):

Thermos L.L.C.
2550 West Golf Road Suite 800 Rolling Meadows Illinois 60008 United States of America

(72) Name(s) of Designer(s): **Marvin Lane**

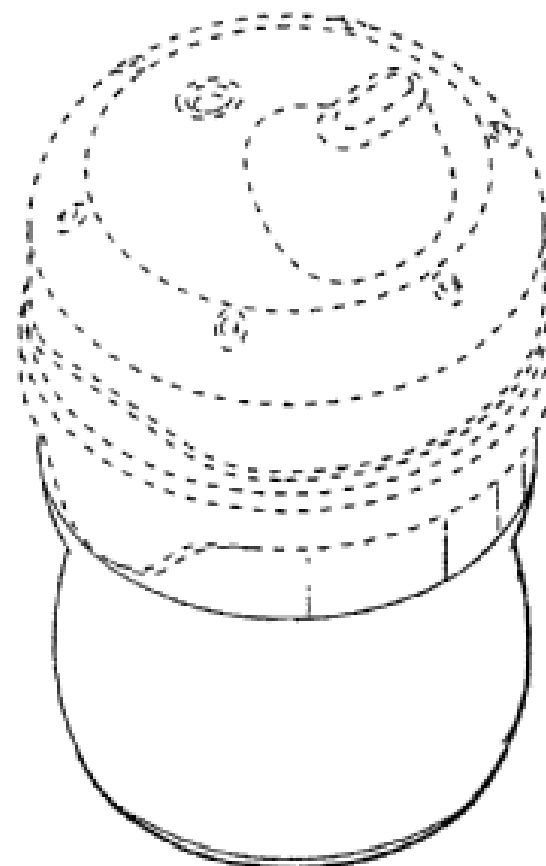
(45) Registration Date: **02 September 2009**

(30) Convention priority data:

(31) Number	(32) Date	(33) Country
29/314156	06 Mar 2009	UNITED STATES OF AMERICA

(56) Related Art Documents: **Not Applicable**

(57) Statement of Newness and Distinctiveness: **Newness and distinctiveness is claimed in those features of shape and/or configuration of a container as illustrated in continuous lines in the accompanying representations.**



(21) Design Number: **12857/2009**

(22) Date of Filing Application: **03 August 2009**

(24) Date from which industrial property rights may have effect: **03 August 2009**

(54) Product in respect of which the design is registered: **A container**

(51) International Design Classification: **09-01NES**

(71) Name(s) and Address(s) of Applicant(s):

Thermos L.L.C.

2550 West Golf Road Suite 800 Rolling Meadows Illinois 60008 United States of America

(72) Name(s) of Designer(s): **Marvin Lane**

(45) Registration Date: **02 September 2009**

(30) Convention priority data:

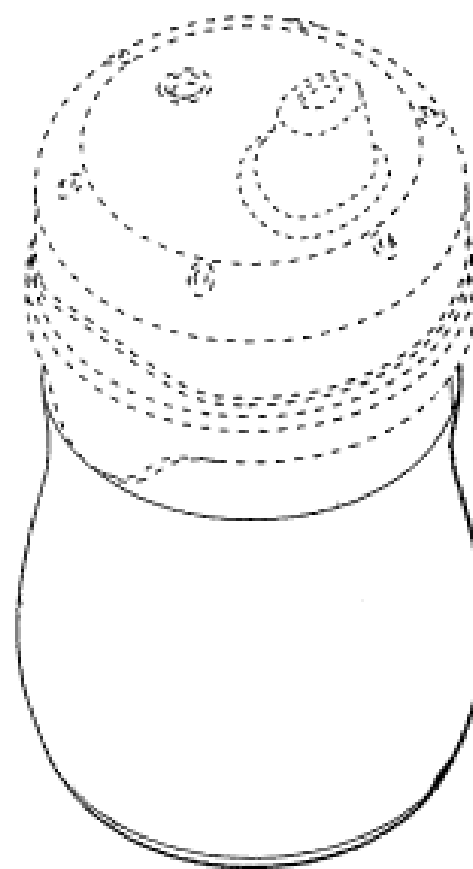
(31) Number
29/314149

(32) Date
06 Mar 2009

(33) Country
UNITED STATES OF AMERICA

(56) Related Art Documents: **Not Applicable**

(57) Statement of Newness and Distinctiveness: **Newness and distinctiveness is claimed in those features of shape and/or configuration of a container as illustrated in continuous lines in the accompanying representations.**



(21) Design Number: **12858/2009**

(22) Date of Filing Application: **03 August 2009**

(24) Date from which industrial property rights may have effect: **03 August 2009**

(54) Product in respect of which the design is registered: **Container**

(51) International Design Classification: **09-01NES**

(71) Name(s) and Address(s) of Applicant(s):

The Decor Corporation Pty Ltd

1314 Ferntree Gully Road Scoresby Victoria 3179 Australia

(72) Name(s) of Designer(s): **Arthur Richard Carlson**

(45) Registration Date: **02 September 2009**

(56) Related Art Documents: **Not Applicable**

(57) Statement of Newness and Distinctiveness: **Nil**



(21) Design Number: **12859/2009**

(22) Date of Filing Application: **03 August 2009**

(24) Date from which industrial property rights may have effect: **03 August 2009**

(54) Product in respect of which the design is registered: **Lid for container**

(51) International Design Classification: **09-07B**

(71) Name(s) and Address(s) of Applicant(s):

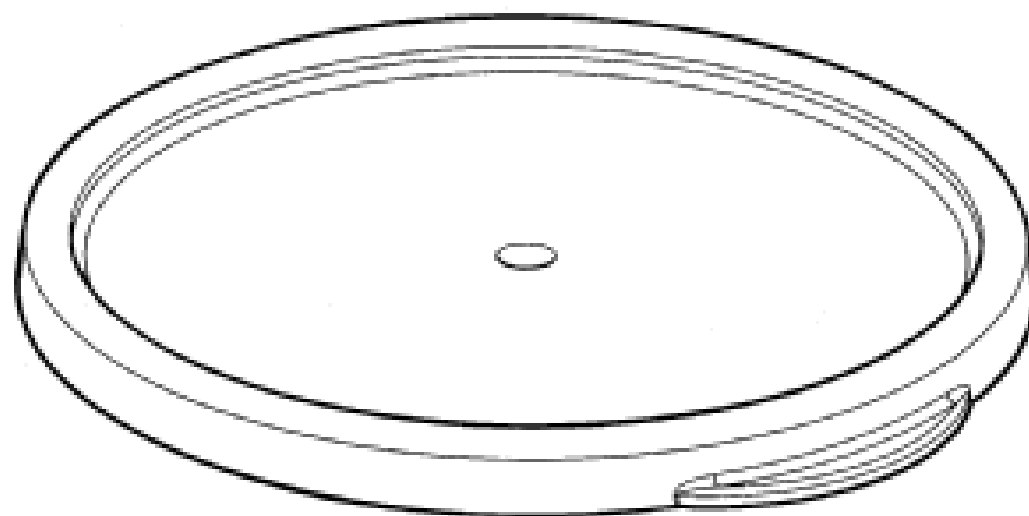
**The Decor Corporation Pty Ltd
1314 Ferntree Gully Road Scoresby Victoria 3179 Australia**

(72) Name(s) of Designer(s): **Arthur Richard Carlson**

(45) Registration Date: **02 September 2009**

(56) Related Art Documents: **Not Applicable**

(57) Statement of Newness and Distinctiveness: **Nil**



(21) Design Number: **12889/2009**

(22) Date of Filing Application: **04 August 2009**

(24) Date from which industrial property rights may have effect: **04 August 2009**

(54) Product in respect of which the design is registered: **Brake pad friction material 1833**

(51) International Design Classification: **12-16M**

(71) Name(s) and Address(s) of Applicant(s):

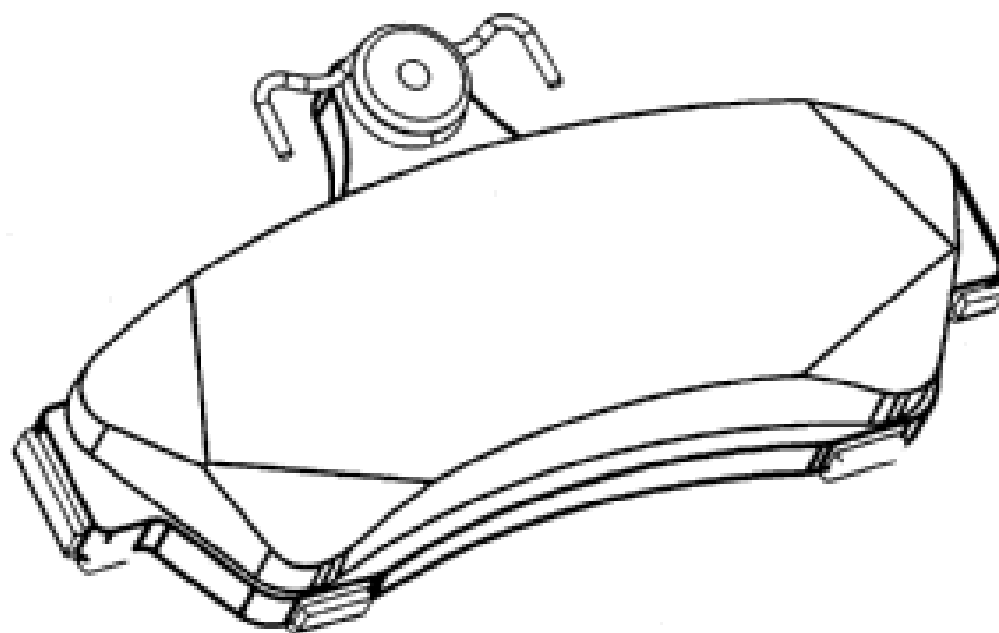
**FMP Group (Australia) Pty Limited
Ground Floor 38 Gilby Road Mount Waverley Victoria 3149 Australia**

(72) Name(s) of Designer(s): **Tim Paton**

(45) Registration Date: **02 September 2009**

(56) Related Art Documents: **Not Applicable**

(57) Statement of Newness and Distinctiveness: **Each feature of the shape and configuration of the friction material as applied to the brake pad backing plate. The backing plate and any holding clips are to be disregarded.**



(21) Design Number: **12890/2009**

(22) Date of Filing Application: **04 August 2009**

(24) Date from which industrial property rights may have effect: **04 August 2009**

(54) Product in respect of which the design is registered: **Brake pad friction material 1834**

(51) International Design Classification: **12-16M**

(71) Name(s) and Address(s) of Applicant(s):

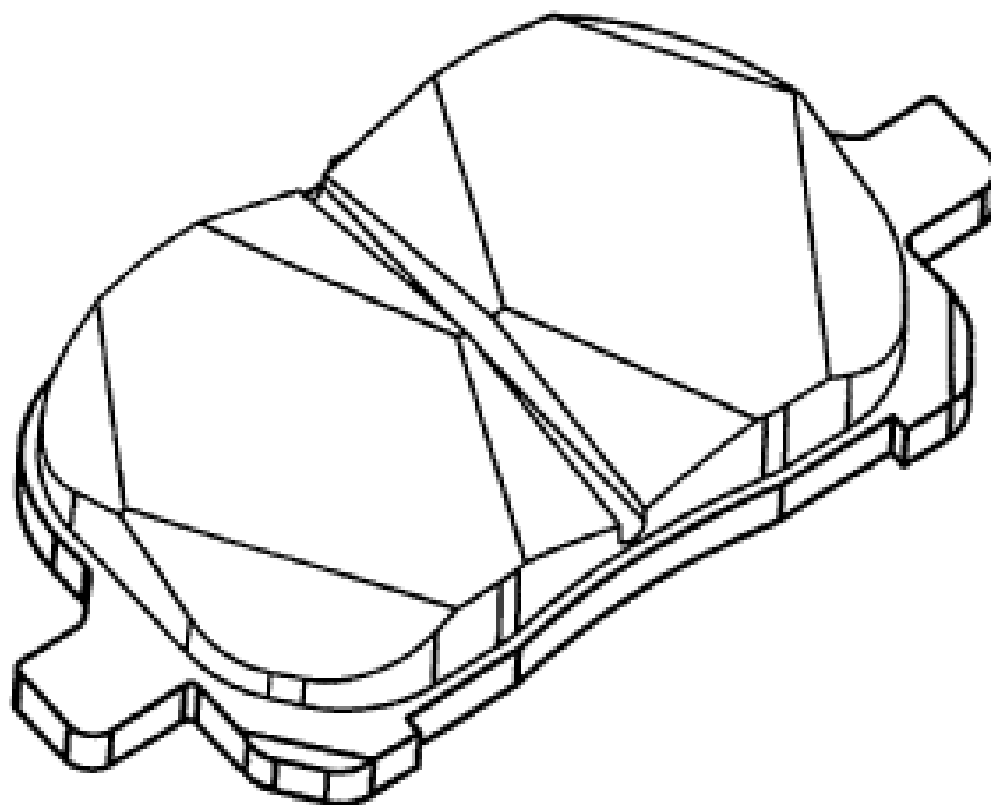
**FMP Group (Australia) Pty Limited
Ground Floor 38 Gilby Road Mount Waverley Victoria 3149 Australia**

(72) Name(s) of Designer(s): **Tim Paton**

(45) Registration Date: **02 September 2009**

(56) Related Art Documents: **Not Applicable**

(57) Statement of Newness and Distinctiveness: **Each feature of the shape and configuration of the friction material as applied to the brake pad backing plate. The backing plate and any holding clips are to be disregarded.**



(21) Design Number: **12891/2009**

(22) Date of Filing Application: **04 August 2009**

(24) Date from which industrial property rights may have effect: **04 August 2009**

(54) Product in respect of which the design is registered: **Brake pad friction material 1835**

(51) International Design Classification: **12-16M**

(71) Name(s) and Address(s) of Applicant(s):

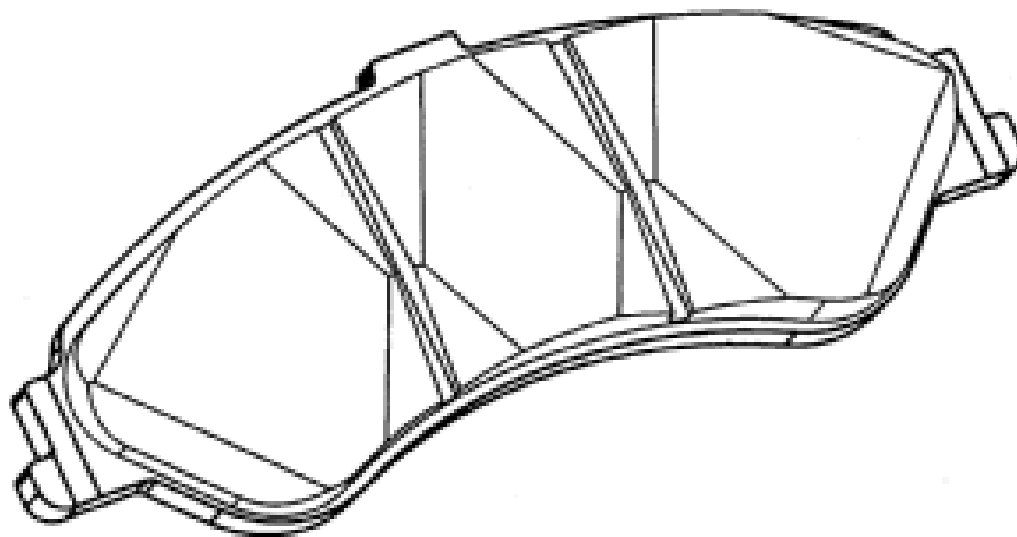
**FMP Group (Australia) Pty Limited
Ground Floor 38 Gilby Road Mount Waverley Victoria 3149 Australia**

(72) Name(s) of Designer(s): **Tim Paton**

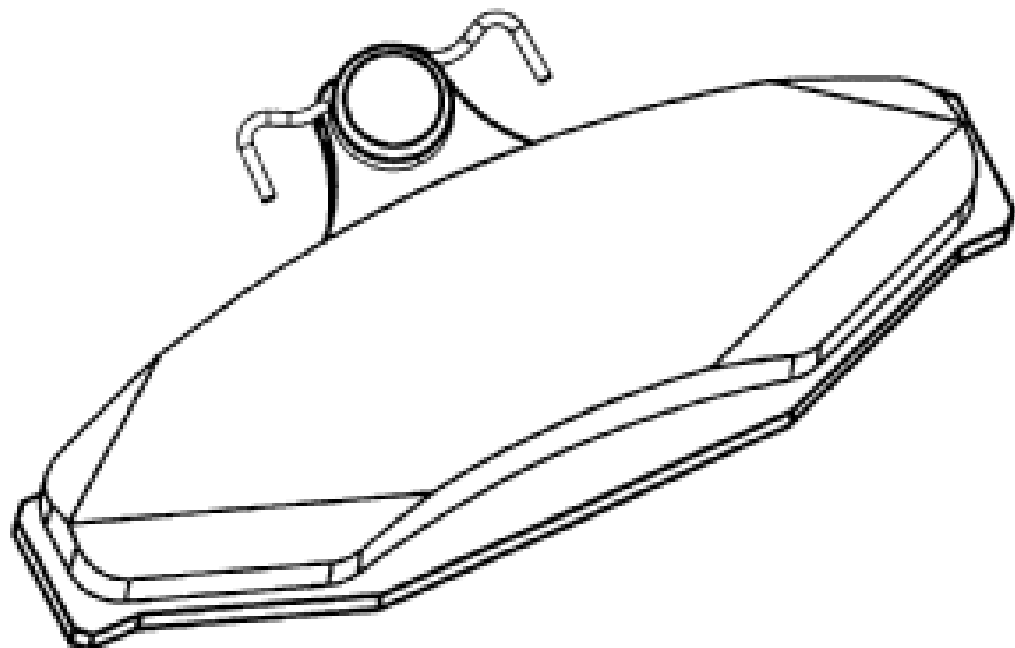
(45) Registration Date: **02 September 2009**

(56) Related Art Documents: **Not Applicable**

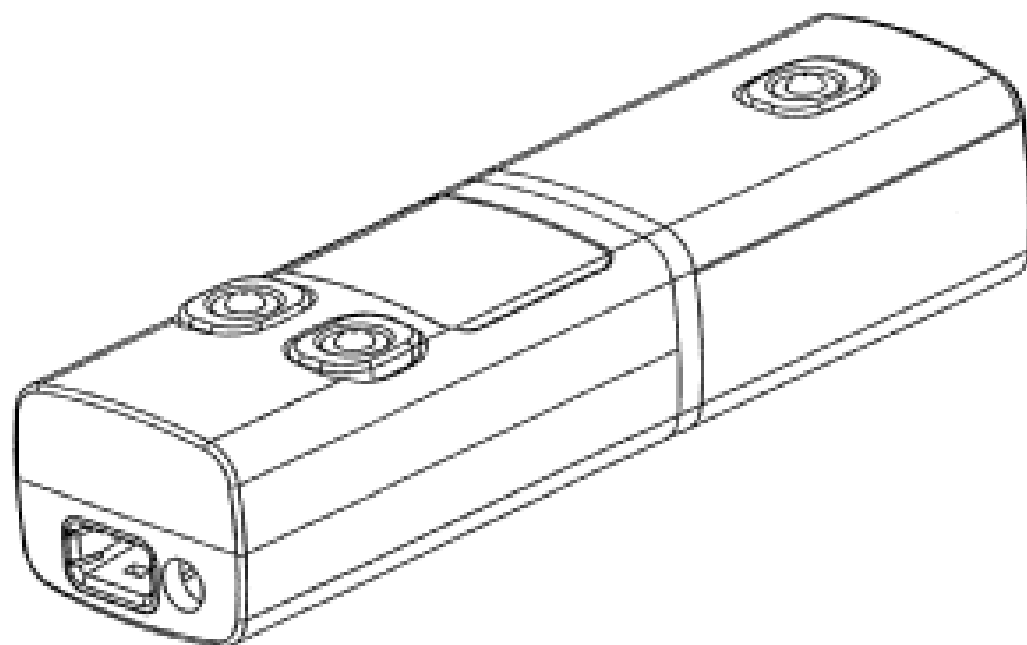
(57) Statement of Newness and Distinctiveness: **Each feature of the shape and configuration of the friction material as applied to the brake pad backing plate. The backing plate and any holding clips are to be disregarded.**



- (21) Design Number: **12892/2009**
(22) Date of Filing Application: **04 August 2009**
(24) Date from which industrial property rights may have effect: **04 August 2009**
(54) Product in respect of which the design is registered: **Brake pad friction material 1836**
(51) International Design Classification: **12-16M**
(71) Name(s) and Address(s) of Applicant(s):
FMP Group (Australia) Pty Limited
Ground Floor 38 Gilby Road Mount Waverley Victoria 3149 Australia
(72) Name(s) of Designer(s): **Tim Paton**
(45) Registration Date: **02 September 2009**
(56) Related Art Documents: **Not Applicable**
(57) Statement of Newness and Distinctiveness: **Each feature of the shape and configuration of the friction material as applied to the brake pad backing plate. The backing plate and any holding clips are to be disregarded.**



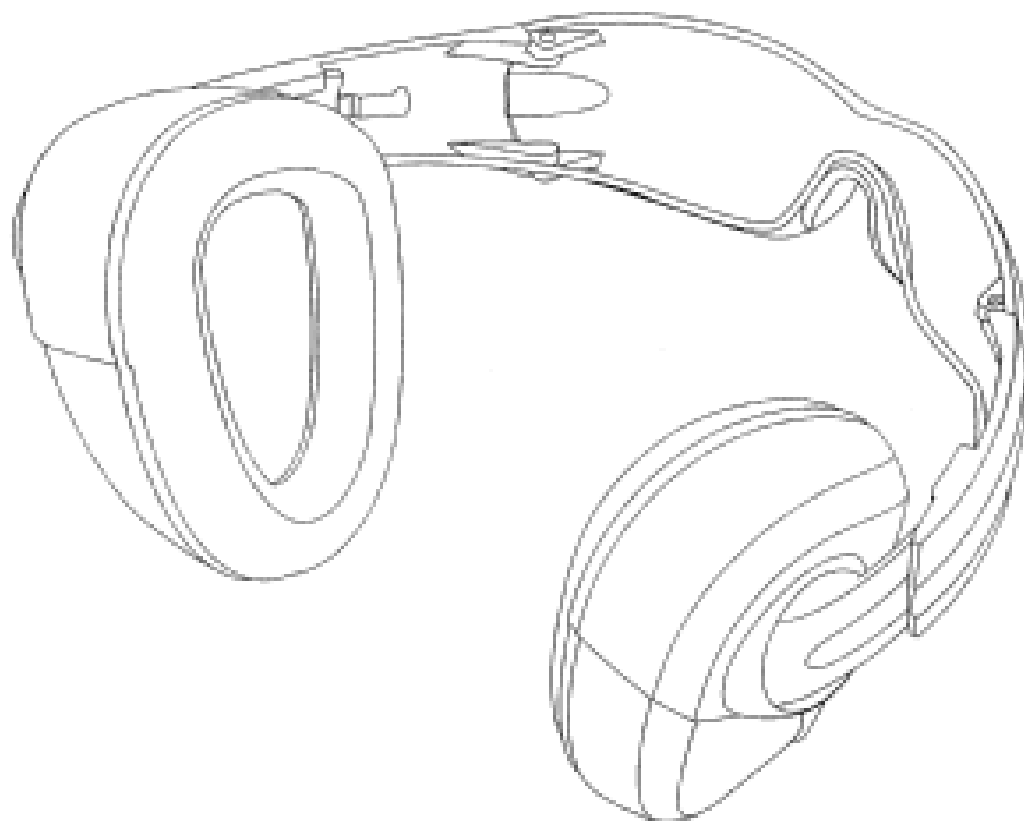
- (21) Design Number: **12894/2009**
(22) Date of Filing Application: **05 August 2009**
(24) Date from which industrial property rights may have effect: **05 August 2009**
(54) Product in respect of which the design is registered: **Omnidirectional wireless microphone for use with a multi-user audio system**
(51) International Design Classification: **14-01**
(71) Name(s) and Address(s) of Applicant(s):
Revolabs, Inc.
63 Great Road Maynard MA 01754 United States of America
(72) Name(s) of Designer(s): **Martin Reed Bodley and Jean-Pierre Carney and Stephen Lyman**
(45) Registration Date: **02 September 2009**
(30) Convention priority data:
(31) Number (32) Date (33) Country
29/332,011 06 Feb 2009 UNITED STATES OF AMERICA
(56) Related Art Documents: **Not Applicable**
(57) Statement of Newness and Distinctiveness: **Nil**



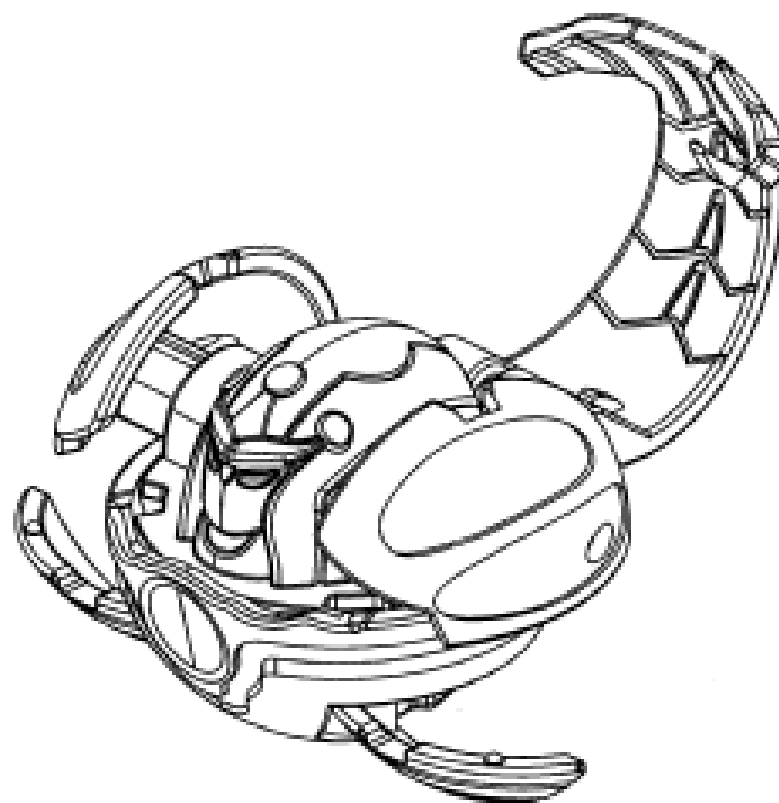
- (21) Design Number: **12899/2009**
(22) Date of Filing Application: **05 August 2009**
(24) Date from which industrial property rights may have effect: **05 August 2009**
(54) Product in respect of which the design is registered: **Child restraint anchor fitting**
(51) International Design Classification: **08-07**
(71) Name(s) and Address(s) of Applicant(s):
Warren Leslie Tyson
834 Rochedale Road Rochedale South Queensland 4123 Australia
(72) Name(s) of Designer(s): **Warren Leslie Tyson**
(45) Registration Date: **02 September 2009**
(56) Related Art Documents: **Not Applicable**
(57) Statement of Newness and Distinctiveness: **Nil**



- (21) Design Number: **12900/2009**
(22) Date of Filing Application: **04 August 2009**
(24) Date from which industrial property rights may have effect: **04 August 2009**
(54) Product in respect of which the design is registered: **Safety apparatus**
(51) International Design Classification: **02-03, 29-02**
(71) Name(s) and Address(s) of Applicant(s):
Loud & Clear Safety Pty Ltd
95 Warrigal Road Oakleigh Victoria 3166 Australia
(72) Name(s) of Designer(s): **Daniel Booker and Matthew Lewandowski and Jack Magree**
(45) Registration Date: **02 September 2009**
(56) Related Art Documents: **Not Applicable**
(57) Statement of Newness and Distinctiveness: **Nil**



- (21) Design Number: **12901/2009**
(22) Date of Filing Application: **04 August 2009**
(24) Date from which industrial property rights may have effect: **04 August 2009**
(54) Product in respect of which the design is registered: **Transformable toy**
(51) International Design Classification: **21-01B**
(71) Name(s) and Address(s) of Applicant(s):
Spin Master Ltd
450 Front Street West Toronto M5V 1B6 Ontario Canada
(72) Name(s) of Designer(s): **Wataru Sato and Noriyoshi Matsumura**
(45) Registration Date: **27 August 2009**
(30) Convention priority data:
(31) Number (32) Date (33) Country
129732 24 Feb 2009 CANADA
(56) Related Art Documents: **Not Applicable**
(57) Statement of Newness and Distinctiveness: **The newness and distinctiveness of the design resides in the shape and/or configuration of the TRANSFORMABLE TOY shown in the representations.**



- (21) Design Number: **12902/2009**
(22) Date of Filing Application: **04 August 2009**
(24) Date from which industrial property rights may have effect: **04 August 2009**
(54) Product in respect of which the design is registered: **Transformable toy**
(51) International Design Classification: **21-01B**
(71) Name(s) and Address(s) of Applicant(s):
Spin Master Ltd
450 Front Street West Toronto M5V 1B6 Ontario Canada
(72) Name(s) of Designer(s): **Wataru Sato and Noriyoshi Matsumura**
(45) Registration Date: **27 August 2009**
(30) Convention priority data:
(31) Number (32) Date (33) Country
130124 27 Mar 2009 CANADA
(56) Related Art Documents: **Not Applicable**
(57) Statement of Newness and Distinctiveness: **The newness and distinctiveness of the design resides in the shape and/or configuration of the TRANSFORMABLE TOY shown in the representations.**



(21) Design Number: **12903/2009**

(22) Date of Filing Application: **04 August 2009**

(24) Date from which industrial property rights may have effect: **04 August 2009**

(54) Product in respect of which the design is registered: **Transformable toy**

(51) International Design Classification: **21-01B**

(71) Name(s) and Address(s) of Applicant(s):

Spin Master Ltd

450 Front Street West Toronto M5V 1B6 Ontario Canada

(72) Name(s) of Designer(s): **Wataru Sato and Noriyoshi Matsumura**

(45) Registration Date: **27 August 2009**

(30) Convention priority data:

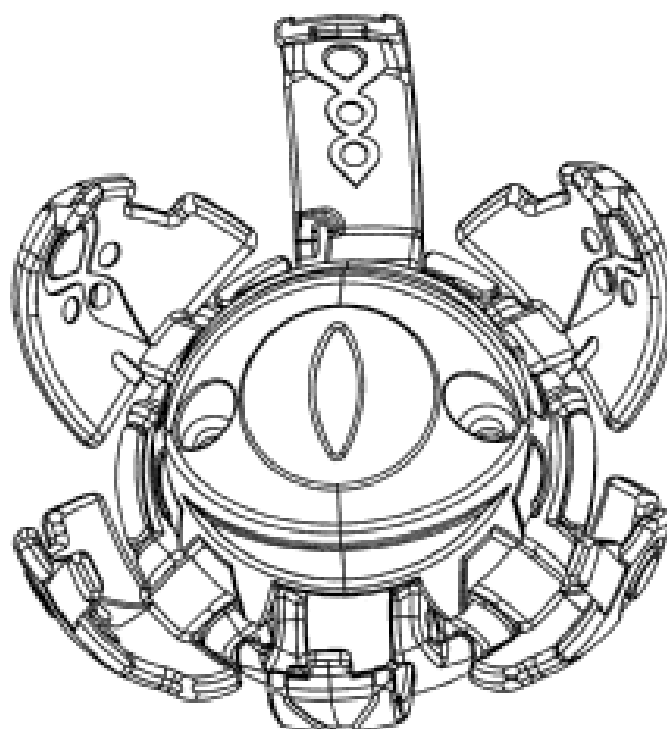
(31) Number
129876

(32) Date
06 Mar 2009

(33) Country
CANADA

(56) Related Art Documents: **Not Applicable**

(57) Statement of Newness and Distinctiveness: **The newness and distinctiveness of the design resides in the shape and/or configuration of the TRANSFORMABLE TOY shown in the representations.**



(21) Design Number: **12904/2009**

(22) Date of Filing Application: **04 August 2009**

(24) Date from which industrial property rights may have effect: **04 August 2009**

(54) Product in respect of which the design is registered: **Transformable toy**

(51) International Design Classification: **21-01A**

(71) Name(s) and Address(s) of Applicant(s):

Spin Master Ltd

450 Front Street West Toronto M5V 1B6 Ontario Canada

(72) Name(s) of Designer(s): **Wataru Sato and Noriyoshi Matsumura**

(45) Registration Date: **27 August 2009**

(30) Convention priority data:

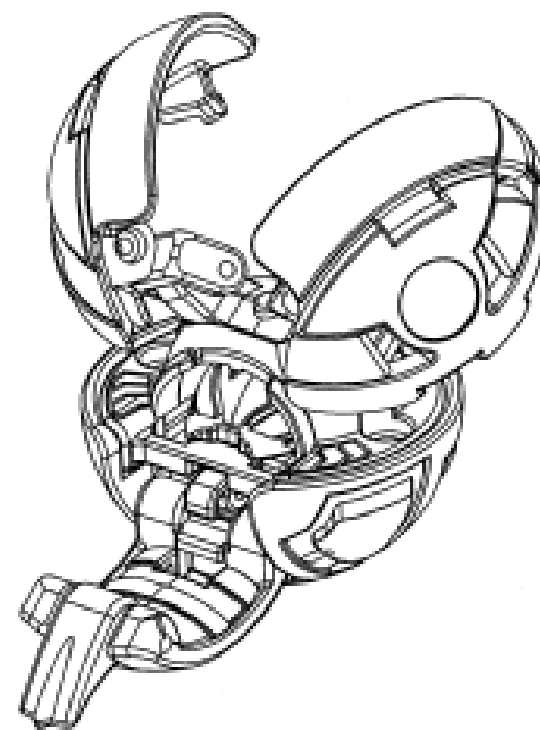
(31) Number
130079

(32) Date
25 Mar 2009

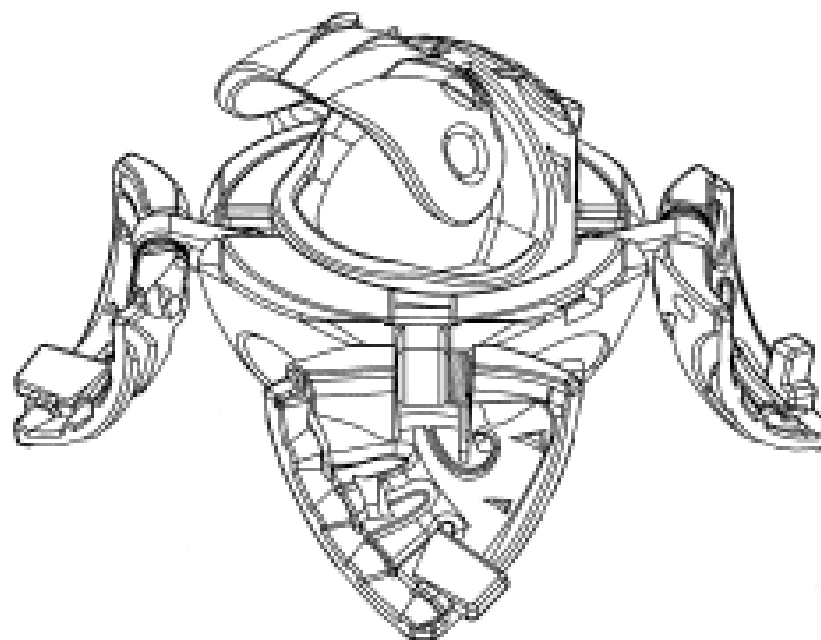
(33) Country
CANADA

(56) Related Art Documents: **Not Applicable**

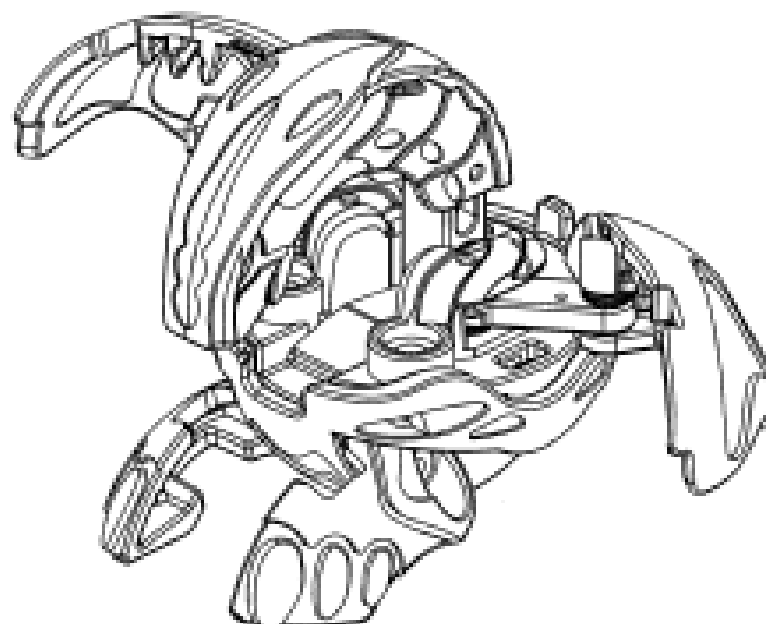
(57) Statement of Newness and Distinctiveness: **The newness and distinctiveness of the design resides in the shape and/or configuration of the TRANSFORMABLE TOY shown in the representations.**



- (21) Design Number: **12905/2009**
(22) Date of Filing Application: **04 August 2009**
(24) Date from which industrial property rights may have effect: **04 August 2009**
(54) Product in respect of which the design is registered: **Transformable toy**
(51) International Design Classification: **21-01B**
(71) Name(s) and Address(s) of Applicant(s):
Spin Master Ltd
450 Front Street West Toronto M5V 1B6 Ontario Canada
(72) Name(s) of Designer(s): **Wataru Sato and Noriyoshi Matsumura**
(45) Registration Date: **27 August 2009**
(30) Convention priority data:
(31) Number (32) Date (33) Country
129741 24 Feb 2009 CANADA
(56) Related Art Documents: **Not Applicable**
(57) Statement of Newness and Distinctiveness: **The newness and distinctiveness of the design resides in the shape and/or configuration of the TRANSFORMABLE TOY shown in the representations.**



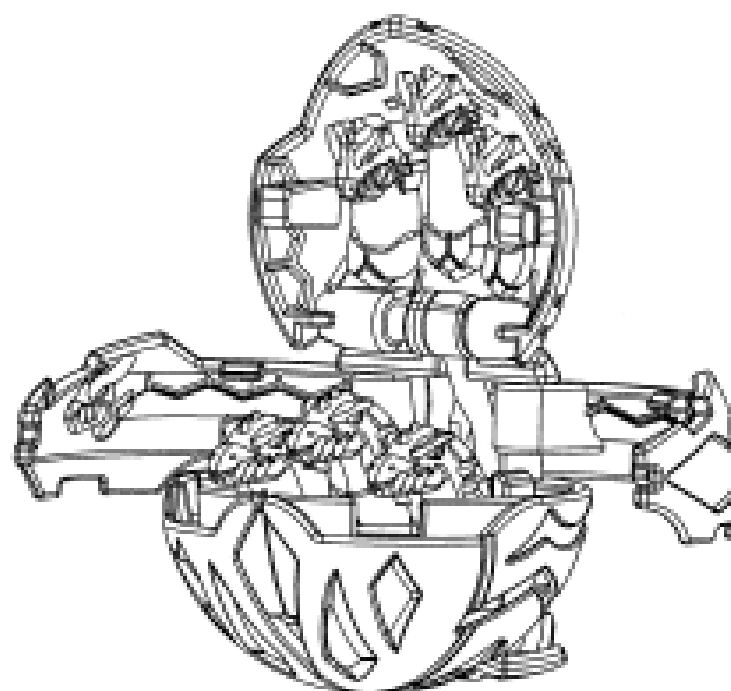
- (21) Design Number: **12906/2009**
(22) Date of Filing Application: **04 August 2009**
(24) Date from which industrial property rights may have effect: **04 August 2009**
(54) Product in respect of which the design is registered: **Transformable toy**
(51) International Design Classification: **21-01A**
(71) Name(s) and Address(s) of Applicant(s):
Spin Master Ltd
450 Front Street West Toronto M5V 1B6 Ontario Canada
(72) Name(s) of Designer(s): **Wataru Sato and Noriyoshi Matsumura**
(45) Registration Date: **27 August 2009**
(30) Convention priority data:
(31) Number (32) Date (33) Country
129747 24 Feb 2009 CANADA
(56) Related Art Documents: **Not Applicable**
(57) Statement of Newness and Distinctiveness: **The newness and distinctiveness of the design resides in the shape and/or configuration of the TRANSFORMABLE TOY shown in the representations.**



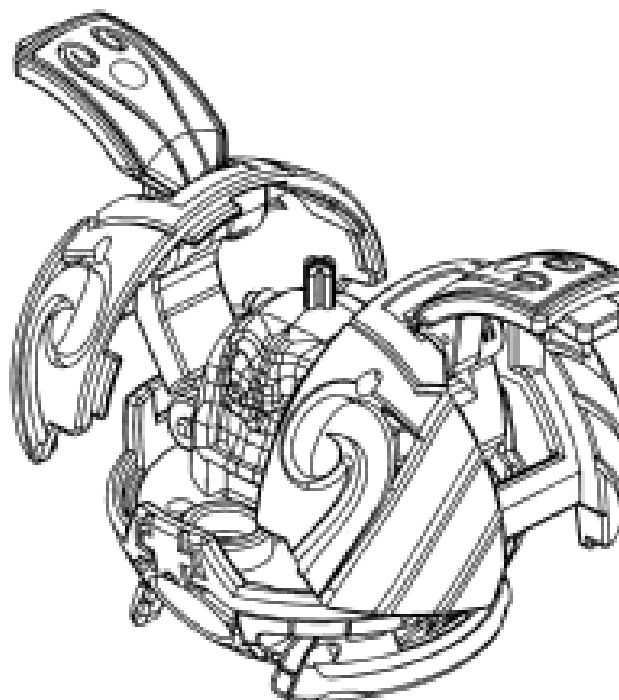
(21) Design Number: **12907/2009**
(22) Date of Filing Application: **04 August 2009**
(24) Date from which industrial property rights may have effect: **04 August 2009**
(54) Product in respect of which the design is registered: **Transformable toy**
(51) International Design Classification: **21-01A**
(71) Name(s) and Address(s) of Applicant(s):
Spin Master Ltd
450 Front Street West Toronto M5V 1B6 Ontario Canada
(72) Name(s) of Designer(s): **Wataru Sato and Noriyoshi Matsumura**
(45) Registration Date: **27 August 2009**
(30) Convention priority data:
(31) Number (32) Date (33) Country
129734 24 Feb 2009 CANADA
(56) Related Art Documents: **Not Applicable**
(57) Statement of Newness and Distinctiveness: **The newness and distinctiveness of the design resides in the shape and/or configuration of the TRANSFORMABLE TOY shown in the representations.**



(21) Design Number: **12908/2009**
(22) Date of Filing Application: **04 August 2009**
(24) Date from which industrial property rights may have effect: **04 August 2009**
(54) Product in respect of which the design is registered: **Transformable toy**
(51) International Design Classification: **21-01A**
(71) Name(s) and Address(s) of Applicant(s):
Spin Master Ltd
450 Front Street West Toronto M5V 1B6 Ontario Canada
(72) Name(s) of Designer(s): **Wataru Sato and Noriyoshi Matsumura**
(45) Registration Date: **27 August 2009**
(30) Convention priority data:
(31) Number (32) Date (33) Country
130188 31 Mar 2009 CANADA
(56) Related Art Documents: **Not Applicable**
(57) Statement of Newness and Distinctiveness: **The newness and distinctiveness of the design resides in the shape and/or configuration of the TRANSFORMABLE TOY shown in the representations.**



- (21) Design Number: **12909/2009**
(22) Date of Filing Application: **04 August 2009**
(24) Date from which industrial property rights may have effect: **04 August 2009**
(54) Product in respect of which the design is registered: **Transformable toy**
(51) International Design Classification: **21-01A**
(71) Name(s) and Address(s) of Applicant(s):
Spin Master Ltd
450 Front Street West Toronto M5V 1B6 Ontario Canada
(72) Name(s) of Designer(s): **Wataru Sato and Noriyoshi Matsumura**
(45) Registration Date: **27 August 2009**
(30) Convention priority data:
(31) Number (32) Date (33) Country
130076 24 Mar 2009 CANADA
(56) Related Art Documents: **Not Applicable**
(57) Statement of Newness and Distinctiveness: **The newness and distinctiveness of the design resides in the shape and/or configuration of the TRANSFORMABLE TOY shown in the representations.**



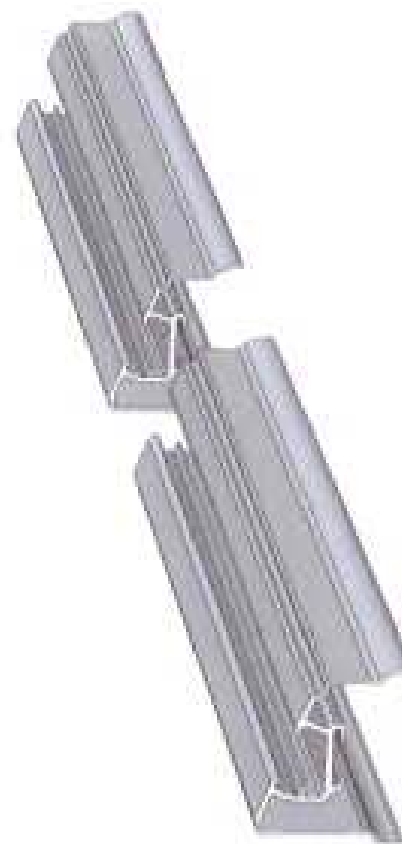
- (21) Design Number: **13154/2009**
(22) Date of Filing Application: **19 August 2009**
(24) Date from which industrial property rights may have effect: **19 August 2009**
(54) Product in respect of which the design is registered: **Slide latch with removable keyed cylinder**
(51) International Design Classification: **08-07**
(71) Name(s) and Address(s) of Applicant(s):
Vinco Hardware Products Pty Ltd
19 Barclay Street Marrickville New South Wales 2204 Australia
(72) Name(s) of Designer(s): **Warren Lam**
(45) Registration Date: **27 August 2009**
(56) Related Art Documents: **Not Applicable**
(57) Statement of Newness and Distinctiveness: **Can be locked using both/either keyed cylinder and/or padlock.**



- (21) Design Number: **11186/2009**
(22) Date of Filing Application: **03 April 2009**
(24) Date from which industrial property rights may have effect: **03 April 2009**
(54) Product in respect of which the design is registered: **Aluminium wall post:
wall header to post assembly for sustainable housing design**
(51) International Design Classification: **25-01K**
(71) Name(s) and Address(s) of Applicant(s):
Naess Design Pty Ltd
36 Lurline Street Wentworth Falls New South Wales 2782 Australia
(72) Name(s) of Designer(s): **Johan Hauso Naess**
(45) Registration Date: **27 August 2009**
(56) Related Art Documents: **Not Applicable**
(57) Statement of Newness and Distinctiveness: **It is a 4-way wall connector,
able to connect walls in multiple directions, both internally and
externally, at any stage of construction or later.**



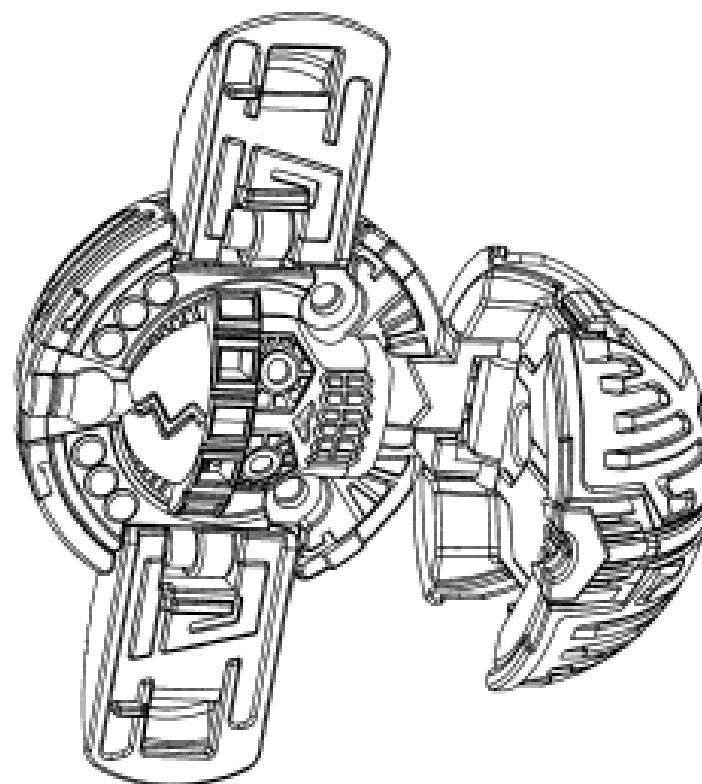
- (21) Design Number: **11187/2009**
(22) Date of Filing Application: **03 April 2009**
(24) Date from which industrial property rights may have effect: **03 April 2009**
(54) Product in respect of which the design is registered: **Aluminium wall header:
wall header to post assembly for sustainable housing design**
(51) International Design Classification: **25-01K**
(71) Name(s) and Address(s) of Applicant(s):
Naess Design Pty Ltd
36 Lurline Street Wentworth Falls New South Wales 2782 Australia
(72) Name(s) of Designer(s): **Johan Hauso Naess**
(45) Registration Date: **27 August 2009**
(56) Related Art Documents: **Not Applicable**
(57) Statement of Newness and Distinctiveness: **As well as connecting roof and
wall panels, this header has a role as a decorative cornice.**



- (21) Design Number: **11188/2009**
(22) Date of Filing Application: **03 April 2009**
(24) Date from which industrial property rights may have effect: **03 April 2009**
(54) Product in respect of which the design is registered: **Moulded connector:
wall header to post connecting part for sustainable housing design**
(51) International Design Classification: **08-08NES**
(71) Name(s) and Address(s) of Applicant(s):
**Naess Design Pty Ltd
36 Lurline Street Wentworth Falls New South Wales 2782 Australia**
(72) Name(s) of Designer(s): **Johan Hauso Naess**
(45) Registration Date: **27 August 2009**
(56) Related Art Documents: **Not Applicable**
(57) Statement of Newness and Distinctiveness: **This provides a smooth visual
and structural connection between the vertical design 1 and the
horizontal design 2.**



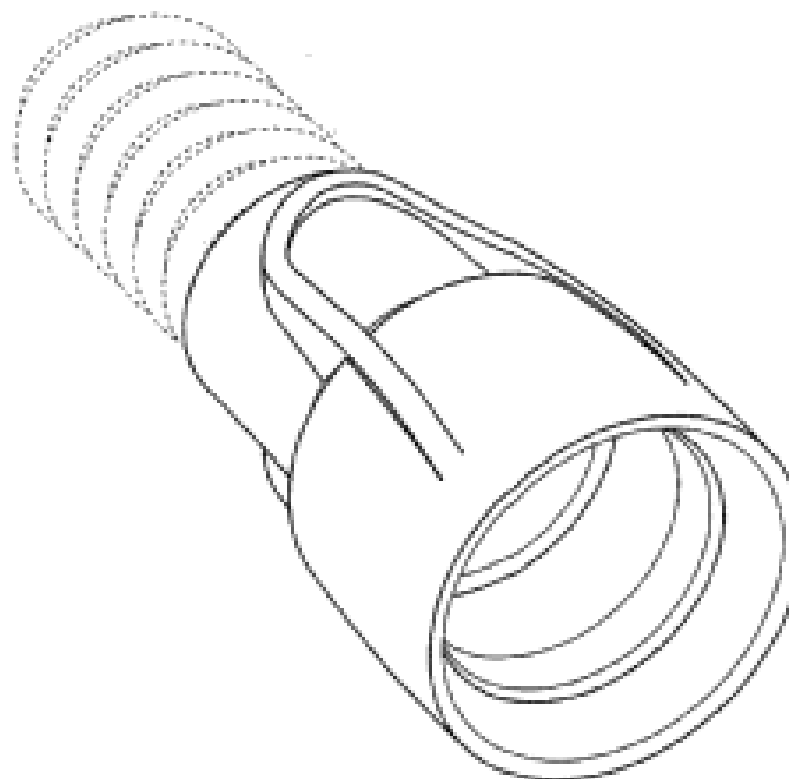
- (21) Design Number: **12910/2009**
(22) Date of Filing Application: **04 August 2009**
(24) Date from which industrial property rights may have effect: **04 August 2009**
(54) Product in respect of which the design is registered: **Transformable toy**
(51) International Design Classification: **21-01A**
(71) Name(s) and Address(s) of Applicant(s):
**Spin Master Ltd
450 Front Street West Toronto M5V 1B6 Ontario Canada**
(72) Name(s) of Designer(s): **Wataru Sato and Noriyoshi Matsumura**
(45) Registration Date: **27 August 2009**
(30) Convention priority data:
(31) Number (32) Date (33) Country
130189 31 Mar 2009 CANADA
(56) Related Art Documents: **Not Applicable**
(57) Statement of Newness and Distinctiveness: **The newness and
distinctiveness of the design resides in the shape and/or configuration
of the TRANSFORMABLE TOY shown in the representations.**



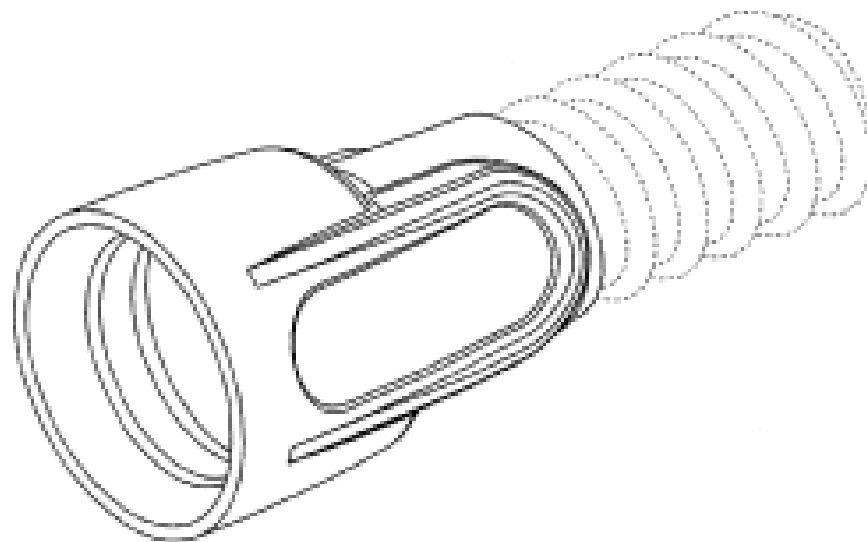
- (21) Design Number: **12917/2009**
(22) Date of Filing Application: **05 August 2009**
(24) Date from which industrial property rights may have effect: **05 August 2009**
(54) Product in respect of which the design is registered: **Timber connector particularly for connecting joists and rafters to beams**
(51) International Design Classification: **25-01NES**
(71) Name(s) and Address(s) of Applicant(s):
Donald Malcolm Millar
PO Box 766 Denmark Western Australia 6333 Australia
(72) Name(s) of Designer(s): **Donald Malcolm Millar**
(45) Registration Date: **27 August 2009**
(56) Related Art Documents: **Not Applicable**
(57) Statement of Newness and Distinctiveness: **The new and distinctive feature of this design is its decorative/ornamental shape.**



- (21) Design Number: **12918/2009**
(22) Date of Filing Application: **04 August 2009**
(24) Date from which industrial property rights may have effect: **04 August 2009**
(54) Product in respect of which the design is registered: **Air delivery tube**
(51) International Design Classification: **24-01**
(71) Name(s) and Address(s) of Applicant(s):
ResMed Ltd
1 Elizabeth Macarthur Drive Bella Vista New South Wales 2153 Australia
(72) Name(s) of Designer(s): **Alexander Virr and Nathan John Row and Nicholas Earl and Phoebe Hill and Mark Bertinetti**
(45) Registration Date: **27 August 2009**
(30) Convention priority data:
(31) Number (32) Date (33) Country
29/311404 05 Mar 2009 UNITED STATES OF AMERICA
(56) Related Art Documents: **Not Applicable**
(57) Statement of Newness and Distinctiveness: **Newness and distinctiveness is claimed in those visual features depicted in unbroken lines.**



(21) Design Number: **12919/2009**
 (22) Date of Filing Application: **04 August 2009**
 (24) Date from which industrial property rights may have effect: **04 August 2009**
 (54) Product in respect of which the design is registered: **Air delivery tube**
 (51) International Design Classification: **24-01**
 (71) Name(s) and Address(s) of Applicant(s):
ResMed Ltd
1 Elizabeth Macarthur Drive Bella Vista New South Wales 2153
Australia
 (72) Name(s) of Designer(s): **Alexander Virr and Nathan John Row and**
Nicholas Earl and Phoebe Hill and Mark Bertinetti
 (45) Registration Date: **27 August 2009**
 (30) Convention priority data:
 (31) Number (32) Date (33) Country
29/311404 05 Mar 2009 UNITED STATES OF AMERICA
 (56) Related Art Documents: **Not Applicable**
 (57) Statement of Newness and Distinctiveness: **Newness and distinctiveness is**
claimed in those visual features depicted in unbroken lines.



(21) Design Number: **12977/2009**
 (22) Date of Filing Application: **10 August 2009**
 (24) Date from which industrial property rights may have effect: **10 August 2009**
 (54) Product in respect of which the design is registered: **Cask for rainwater and**
springwater
 (51) International Design Classification: **09-03NES**
 (71) Name(s) and Address(s) of Applicant(s):
Xarax International Beverages Pty Ltd
4-30 Waterloo Crescent East Perth Western Australia 6004 Australia
 (72) Name(s) of Designer(s): **Will Gadd**
 (45) Registration Date: **27 August 2009**
 (56) Related Art Documents: **Not Applicable**
 (57) Statement of Newness and Distinctiveness: **This design mark application is**
based upon its uniqueness of style and design. Designed by Will Gadd,
principal of Fatara Productions under instructions by applicant, Bill
Bowen Chairman and CEO - of XARAX International Beverages Pty. Ltd.
This company (XARAX International Beverages Pty Ltd) will, in due
course, own all rights, trade marks and designs marks (registered with IP
Australia) to these exclusive trade marks/designs/concepts, to enable
these rights to be licensed to Rainforest Plantations (Australia) Pty Ltd
(the operating entity). XARAX trademark class 32 - No. 1155902, Bottle
design mark no. 325221 (design number 10469/2009). Other designs of
trade marks have been lodged and results are currently pending. This
additional application will complete the applications lodged within IP
Australia. Additional and environmental considerations. The exterior
construction of the Rainforest Rainwater cask is cardboard. This will be
100% recyclable. The interior 5 litre bladder, made in the thinnest
possible plastic (the approx. thickness of a human hair) is not dissimilar
in thickness to 'Gladwrap', and is bio-degradable. The plastic moulded
tap is 100% recyclable for production in other plastic objects. The
products, XARAX Rainforest Rainwater and XARAX Rainforest Rainwater
and XARAX Rainforest Springwater, are harvested applying new and
unique methods, including gravity feeds and solar power, whereby this
rainwater harvesting is achieved in a 100% carbon-free method, leaving a
nil carbon footprint, with a globally coveted ISO22,000 accreditation. The
photograph and its rights, are owned by XARAX International Beverages
Pty. Ltd. (ACN 127 757 911). The design of this Rainforest Raintwater
cask, and its rights, are owned by Xarax International Beverages Pty.
Ltd. (ACN 127 757 911). The subsequent quality controls following the



commissioning and completion in 2008 by Rainforest Plantations (Australia) Pty. Ltd. for a protocol designed by the Queensland Department of Primary Industry (DPI) will result in an ISO22,000 accreditation of both our Water Products. A Global First. This Rainforest Rainwater cask is designed to fit into all types of domestic and hospitality fridges (including Hotels and Motels) being only 15cm wide X 15cm high X 20cm long.

(12) AUSTRALIAN REGISTERED DESIGN
(19) AU

(11) AU-S- 327373

(21) Design Number: **12978/2009**

(22) Date of Filing Application: **07 August 2009**

(24) Date from which industrial property rights may have effect: **07 August 2009**

(54) Product in respect of which the design is registered: **Transformable toy**

(51) International Design Classification: **21-01B**

(71) Name(s) and Address(s) of Applicant(s):

Spin Master Ltd.

450 Front Street West Toronto Ontario M5V 1B6 Canada

(72) Name(s) of Designer(s): **Wataru Sato and Kohji Hirose and Richard Keuter**

(45) Registration Date: **28 August 2009**

(30) Convention priority data:

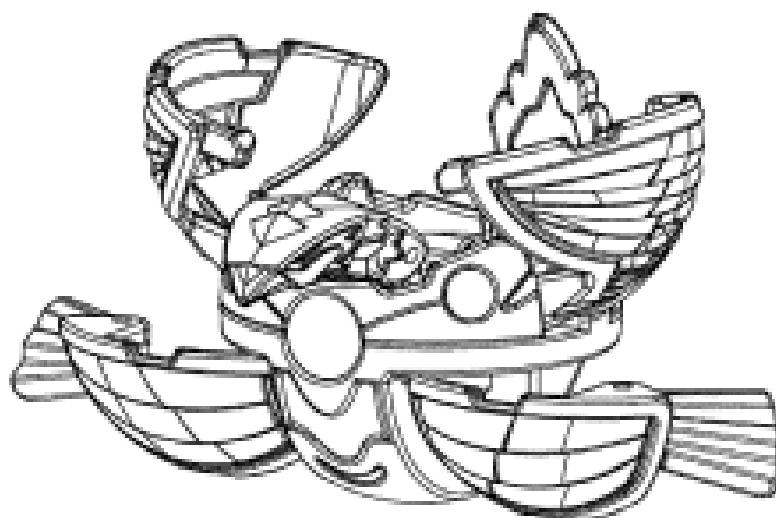
(31) Number
129598

(32) Date
10 Feb 2009

(33) Country
CANADA

(56) Related Art Documents: **Not Applicable**

(57) Statement of Newness and Distinctiveness: **Nil**



(21) Design Number: **13036/2009**

(22) Date of Filing Application: **12 August 2009**

(24) Date from which industrial property rights may have effect: **12 August 2009**

(54) Product in respect of which the design is registered: **Transformable toy**

(51) International Design Classification: **21-01B**

(71) Name(s) and Address(s) of Applicant(s):

Spin Master Ltd.

450 Front Street West Toronto Ontario M5V 1B6 Canada

(72) Name(s) of Designer(s): **Wataru Sato and Kohji Hirose and Richard Keuter**

(45) Registration Date: **28 August 2009**

(30) Convention priority data:

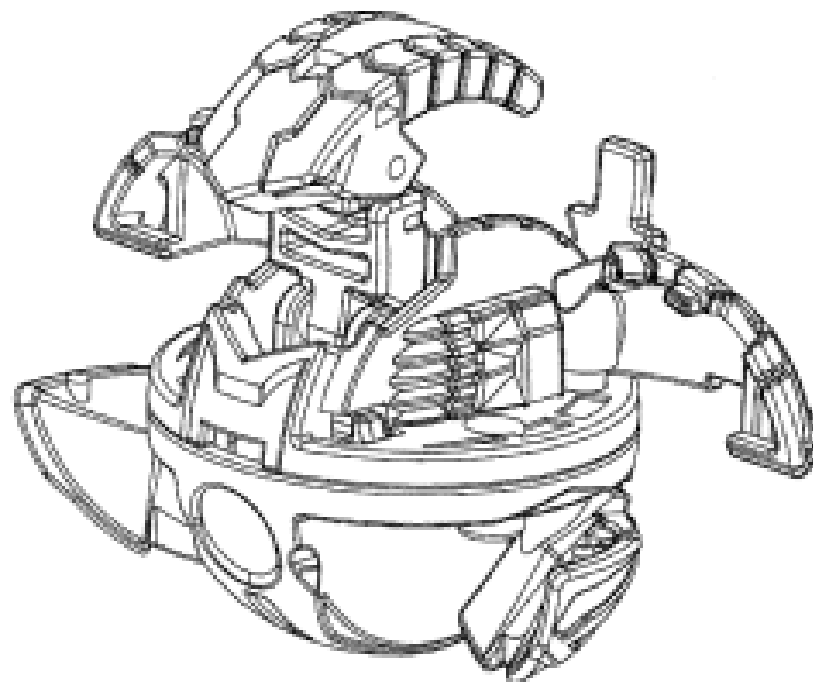
(31) Number
129744

(32) Date
23 Feb 2009

(33) Country
CANADA

(56) Related Art Documents: **Not Applicable**

(57) Statement of Newness and Distinctiveness: **Nil**



(21) Design Number: **12804/2009**

(22) Date of Filing Application: **28 July 2009**

(24) Date from which industrial property rights may have effect: **28 July 2009**

(54) Product in respect of which the design is registered: **A rail of a venetian blind**

(51) International Design Classification: **08-08H**

(71) Name(s) and Address(s) of Applicant(s):

Stila A/S

Hassellunden 3 Smorum 2765 Denmark

(72) Name(s) of Designer(s): **Peter Moller-Jensen**

(45) Registration Date: **28 August 2009**

(30) Convention priority data:

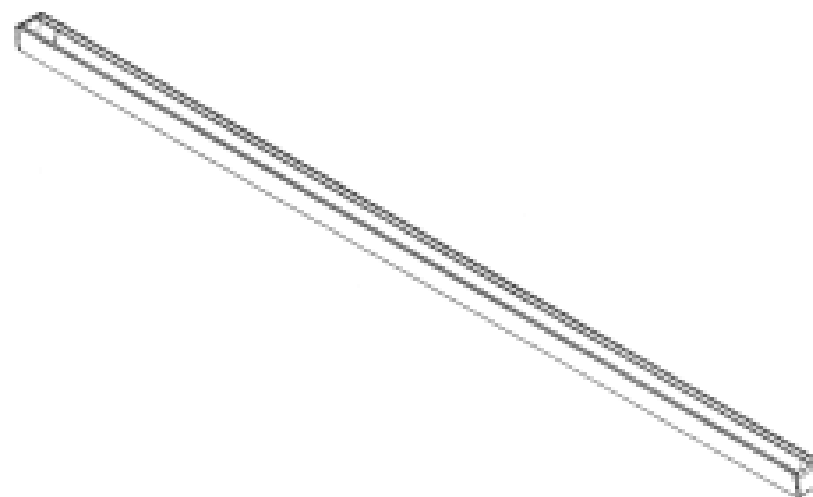
(31) Number
001079321-0002

(32) Date
30 Jan 2009

(33) Country
EUROPEAN COMMUNITY

(56) Related Art Documents: **Not Applicable**

(57) Statement of Newness and Distinctiveness: **Nil**



(21) Design Number: **13047/2009**

(22) Date of Filing Application: **12 August 2009**

(24) Date from which industrial property rights may have effect: **12 August 2009**

(54) Product in respect of which the design is registered: **Protective hood for dogs ears**

(51) International Design Classification: **30-01**

(71) Name(s) and Address(s) of Applicant(s):

Diane Marie Blundell

16 Loretta Place Glendenning New South Wales 2761 Australia

(72) Name(s) of Designer(s): **Diane Marie Blundell**

(45) Registration Date: **28 August 2009**

(56) Related Art Documents: **Not Applicable**

(57) Statement of Newness and Distinctiveness: **Flyzoff offers 100% protection against fly bites on dogs ears. The strong durable material is machine washable. The ears have mesh on them for breatheability. The elastic underneath stretches with the dog. The strap adjustment underneath secures the neck so the hood cannot move forward over the head and the muzzel adjustment at the front is totally adjustable and prevents the hood from going back over the head.**



(21) Design Number: **13048/2009**

(22) Date of Filing Application: **12 August 2009**

(24) Date from which industrial property rights may have effect: **12 August 2009**

(54) Product in respect of which the design is registered: **Protective hood for dogs ears**

(51) International Design Classification: **30-01**

(71) Name(s) and Address(s) of Applicant(s):

Diane Marie Blundell

16 Loretta Place Glendenning New South Wales 2761 Australia

(72) Name(s) of Designer(s): **Diane Marie Blundell**

(45) Registration Date: **28 August 2009**

(56) Related Art Documents: **Not Applicable**

(57) Statement of Newness and Distinctiveness: **Flyzoff offers 100% protection against fly bites on dogs ears. The strong durable material is machine washable. The ears have mesh on them for breatheability. The elastic underneath stretches with the dog. The strap adjustment underneath secures the neck so the hood cannot move forward over the head and the muzzel adjustment at the front is totally adjustable and prevents the hood from going back over the head.**



- (21) Design Number: **13137/2009**
(22) Date of Filing Application: **18 August 2009**
(24) Date from which industrial property rights may have effect: **18 August 2009**
(54) Product in respect of which the design is registered: **Air intake snorkel for a vehicle**
(51) International Design Classification: **12-16NES**
(71) Name(s) and Address(s) of Applicant(s):
Australian Performance Development Pty Ltd
73 Merrindale Drive South Croydon Victoria 3136 Australia
(72) Name(s) of Designer(s): **Peter Luxon and Manvir Randhawa**
(45) Registration Date: **28 August 2009**
(56) Related Art Documents: **Not Applicable**
(57) Statement of Newness and Distinctiveness: **Newness and distinctiveness is claimed in the features of shape and/or configuration of an air intake snorkel for a vehicle as illustrated in the accompanying representations.**



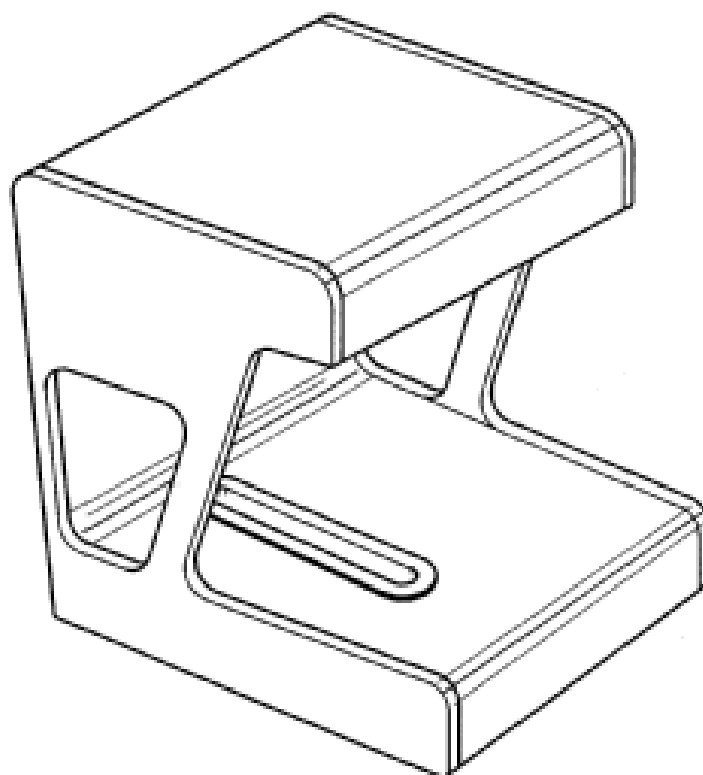
- (21) Design Number: **12228/2009**
(22) Date of Filing Application: **19 June 2009**
(24) Date from which industrial property rights may have effect: **19 June 2009**
(54) Product in respect of which the design is registered: **Measuring tape**
(51) International Design Classification: **10-04**
(71) Name(s) and Address(s) of Applicant(s):
Target Australia Pty Ltd
12-14 Thompson Road North Geelong Victoria 3215 Australia
(72) Name(s) of Designer(s): **Megan Jane Hook**
(45) Registration Date: **28 August 2009**
(56) Related Art Documents: **Not Applicable**
(57) Statement of Newness and Distinctiveness: **Newness and distinctiveness reside in the visual features of pattern and/or ornamentation of a measuring tape as illustrated in the accompanying representations. The words 'The Bra Tape' appearing on the front and rear sides of the illustrated measuring tape and all textual and graphical indicia appearing between the vertical line adjacent to the number '26' and the right hand end of the tape, do not form part of the design and are to be disregarded when considering whether the design is identical or substantially similar in overall impression to another design.**



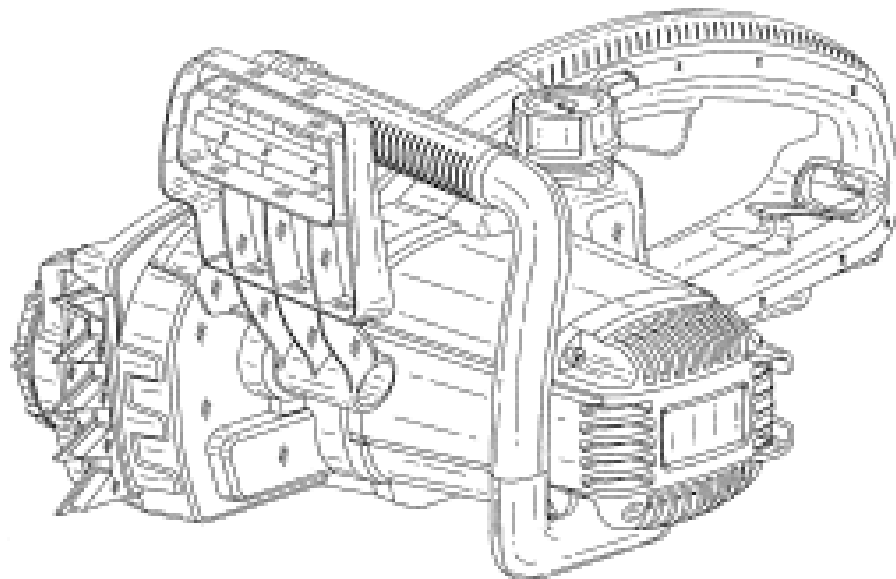
- (21) Design Number: **12242/2009**
(22) Date of Filing Application: **22 June 2009**
(24) Date from which industrial property rights may have effect: **22 June 2009**
(54) Product in respect of which the design is registered: **Decorative emblem for vehicles**
(51) International Design Classification: **12-16D**
(71) Name(s) and Address(s) of Applicant(s):
Otto Bock Healthcare GmbH
Max-Naeder-Strasse 15 37115 Duderstadt Germany
(72) Name(s) of Designer(s): **Oliver Kretschmer**
(45) Registration Date: **28 August 2009**
(30) Convention priority data:
(31) Number (32) Date (33) Country
001060529 22 Dec 2008 EUROPEAN COMMUNITY
(56) Related Art Documents: **Not Applicable**
(57) Statement of Newness and Distinctiveness: **The newness and distinctiveness of the design resides in the shape, configuration, pattern and/or ornamentation of the decorative emblem for vehicles shown in the representations.**



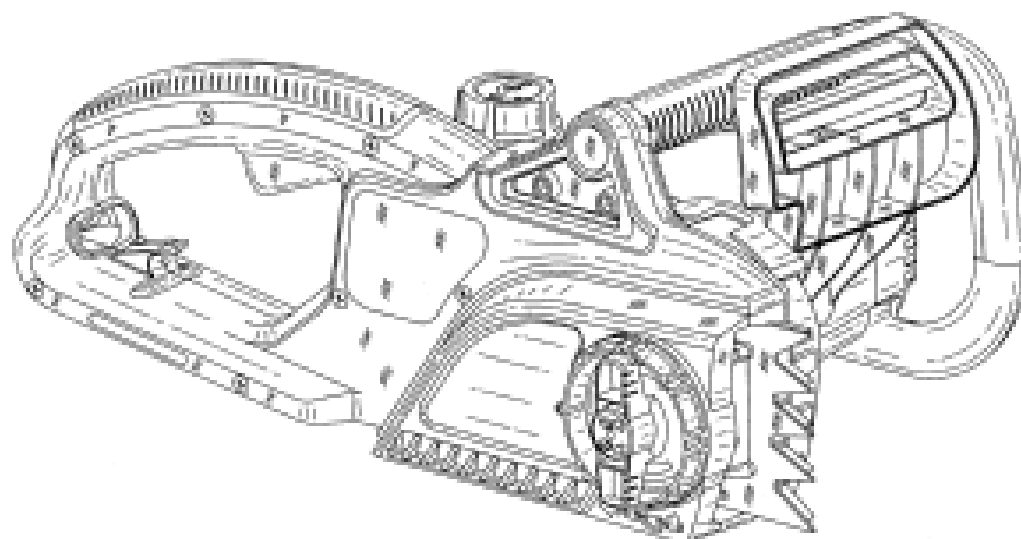
- (21) Design Number: **12785/2009**
(22) Date of Filing Application: **27 July 2009**
(24) Date from which industrial property rights may have effect: **27 July 2009**
(54) Product in respect of which the design is registered: **Scanner**
(51) International Design Classification: **24-01**
(71) Name(s) and Address(s) of Applicant(s):
Nobel Biocare Services AG
Postfach CH-8058 Zurich Flughafen SWITZERLAND
(72) Name(s) of Designer(s): **Lina Odhe and Cecilia Stoop**
(45) Registration Date: **28 August 2009**
(30) Convention priority data:
(31) Number (32) Date (33) Country
001076509-0001 27 Jan 2009 EUROPEAN COMMUNITY
(56) Related Art Documents: **Not Applicable**
(57) Statement of Newness and Distinctiveness: **The shape and configuration of the product is new and distinctive.**



(21) Design Number: **12802/2009**
(22) Date of Filing Application: **28 July 2009**
(24) Date from which industrial property rights may have effect: **28 July 2009**
(54) Product in respect of which the design is registered: **Chain saw**
(51) International Design Classification: **08-03**
(71) Name(s) and Address(s) of Applicant(s):
Black & Decker, Inc.
1207 Drummond Plaza Newark Delaware 19711 United States of America
(72) Name(s) of Designer(s): **Mark Baxter**
(45) Registration Date: **28 August 2009**
(30) Convention priority data:
(31) Number (32) Date (33) Country
001089163 16 Feb 2009 EUROPEAN COMMUNITY
(56) Related Art Documents: **Not Applicable**
(57) Statement of Newness and Distinctiveness: **Nil**



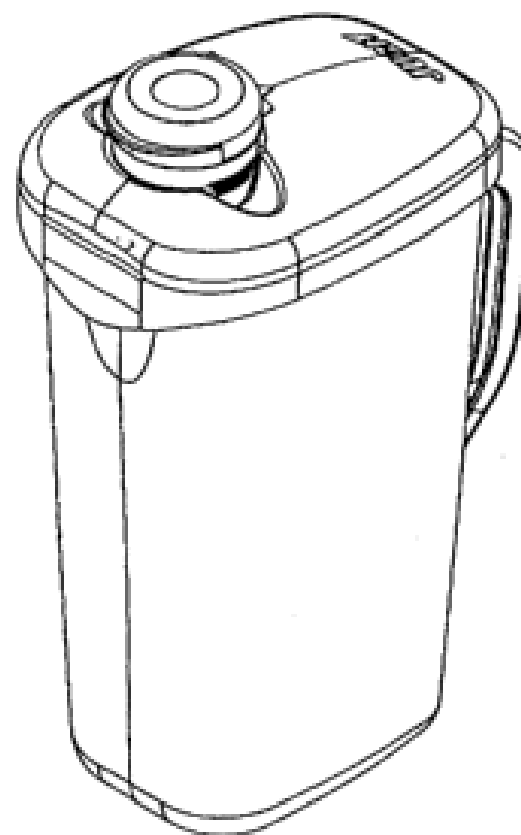
(21) Design Number: **12803/2009**
(22) Date of Filing Application: **28 July 2009**
(24) Date from which industrial property rights may have effect: **28 July 2009**
(54) Product in respect of which the design is registered: **Chain saw**
(51) International Design Classification: **08-03**
(71) Name(s) and Address(s) of Applicant(s):
Black & Decker, Inc.
1207 Drummond Plaza Newark Delaware 19711 United States of America
(72) Name(s) of Designer(s): **Mark Baxter**
(45) Registration Date: **28 August 2009**
(30) Convention priority data:
(31) Number (32) Date (33) Country
001089163 16 Feb 2009 EUROPEAN COMMUNITY
(56) Related Art Documents: **Not Applicable**
(57) Statement of Newness and Distinctiveness: **Nil**



(21) Design Number: **12937/2009**
 (22) Date of Filing Application: **05 August 2009**
 (24) Date from which industrial property rights may have effect: **05 August 2009**
 (54) Product in respect of which the design is registered: **Jug**
 (51) International Design Classification: **07-01F**
 (71) Name(s) and Address(s) of Applicant(s):
Dairy Crest Limited
Claygate House Littleworth Road Esher Surrey KT10 9PN United Kingdom
 (72) Name(s) of Designer(s): **Lee Matthew Twycross**
 (45) Registration Date: **28 August 2009**
 (30) Convention priority data:

(31) Number	(32) Date	(33) Country
001088454	10 Feb 2009	EUROPEAN COMMUNITY

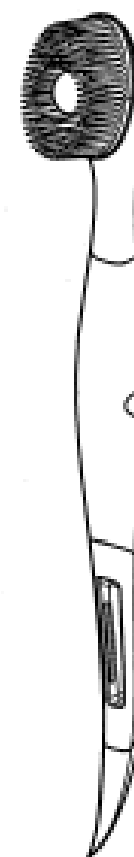
 (56) Related Art Documents: **Not Applicable**
 (57) Statement of Newness and Distinctiveness: **Newness and distinctiveness reside in the features of the design as shown in the representations excluding the word JUGIT which does not form a part of the design.**



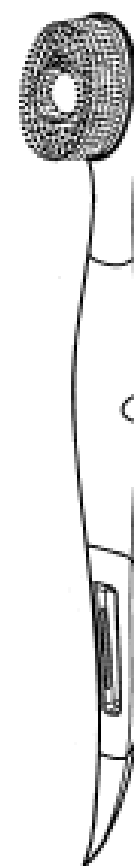
(21) Design Number: **12938/2009**
 (22) Date of Filing Application: **05 August 2009**
 (24) Date from which industrial property rights may have effect: **05 August 2009**
 (54) Product in respect of which the design is registered: **Toothbrush**
 (51) International Design Classification: **04-02**
 (71) Name(s) and Address(s) of Applicant(s):
Colgate-Palmolive Company
300 Park Avenue New York New York 10022 United States of America
 (72) Name(s) of Designer(s): **Douglas Hohlbein and Al Sprosta and Alan Sorrentino**
 (45) Registration Date: **28 August 2009**
 (30) Convention priority data:

(31) Number	(32) Date	(33) Country
29/331929	05 Feb 2009	UNITED STATES OF AMERICA

 (56) Related Art Documents: **Not Applicable**
 (57) Statement of Newness and Distinctiveness: **Newness and distinctiveness reside in the features of the design as shown in the representations.**



- (21) Design Number: **12939/2009**
(22) Date of Filing Application: **05 August 2009**
(24) Date from which industrial property rights may have effect: **05 August 2009**
(54) Product in respect of which the design is registered: **Toothbrush**
(51) International Design Classification: **04-02**
(71) Name(s) and Address(s) of Applicant(s):
Colgate-Palmolive Company
300 Park Avenue New York New York 10022 United States of America
(72) Name(s) of Designer(s): **Douglas Hohlbein and Al Sprosta and Alan Sorrentino**
(45) Registration Date: **28 August 2009**
(30) Convention priority data:
(31) Number (32) Date (33) Country
29/331929 05 Feb 2009 UNITED STATES OF AMERICA
(56) Related Art Documents: **Not Applicable**
(57) Statement of Newness and Distinctiveness: **Newness and distinctiveness reside in the features of the design as shown in solid lines in the representations excluding those features shown in broken lines.**



- (21) Design Number: **12940/2009**
(22) Date of Filing Application: **05 August 2009**
(24) Date from which industrial property rights may have effect: **05 August 2009**
(54) Product in respect of which the design is registered: **Toothbrush**
(51) International Design Classification: **04-02**
(71) Name(s) and Address(s) of Applicant(s):
Colgate-Palmolive Company
300 Park Avenue New York New York 10022 United States of America
(72) Name(s) of Designer(s): **Douglas Hohlbein and Al Sprosta and Alan Sorrentino**
(45) Registration Date: **28 August 2009**
(30) Convention priority data:
(31) Number (32) Date (33) Country
29/331929 05 Feb 2009 UNITED STATES OF AMERICA
(56) Related Art Documents: **Not Applicable**
(57) Statement of Newness and Distinctiveness: **Newness and distinctiveness reside in the features of the design as shown in solid lines in the representations excluding those features shown in broken lines.**



- (21) Design Number: **12941/2009**
(22) Date of Filing Application: **05 August 2009**
(24) Date from which industrial property rights may have effect: **05 August 2009**
(54) Product in respect of which the design is registered: **Toothbrush**
(51) International Design Classification: **04-02**
(71) Name(s) and Address(s) of Applicant(s):
Colgate-Palmolive Company
300 Park Avenue New York New York 10022 United States of America
(72) Name(s) of Designer(s): **Douglas Hohlbein and Al Sprosta and Alan Sorrentino**
(45) Registration Date: **28 August 2009**
(30) Convention priority data:
(31) Number (32) Date (33) Country
29/331929 05 Feb 2009 UNITED STATES OF AMERICA
(56) Related Art Documents: **Not Applicable**
(57) Statement of Newness and Distinctiveness: **Newness and distinctiveness reside in the features of the design as shown in solid lines in the representations excluding those features shown in broken lines.**



- (21) Design Number: **12942/2009**
(22) Date of Filing Application: **05 August 2009**
(24) Date from which industrial property rights may have effect: **05 August 2009**
(54) Product in respect of which the design is registered: **Toothbrush**
(51) International Design Classification: **04-02**
(71) Name(s) and Address(s) of Applicant(s):
Colgate-Palmolive Company
300 Park Avenue New York New York 10022 United States of America
(72) Name(s) of Designer(s): **Douglas Hohlbein and Al Sprosta and Alan Sorrentino**
(45) Registration Date: **28 August 2009**
(30) Convention priority data:
(31) Number (32) Date (33) Country
29/331929 05 Feb 2009 UNITED STATES OF AMERICA
(56) Related Art Documents: **Not Applicable**
(57) Statement of Newness and Distinctiveness: **Newness and distinctiveness reside in the features of the design as shown in solid lines in the representations excluding those features shown in broken lines.**



(21) Design Number: **11987/2009**

(22) Date of Filing Application: **18 May 2009**

(24) Date from which industrial property rights may have effect: **18 May 2009**

(54) Product in respect of which the design is registered: **Handrail coupling**

(51) International Design Classification: **08-08NES**

(71) Name(s) and Address(s) of Applicant(s):

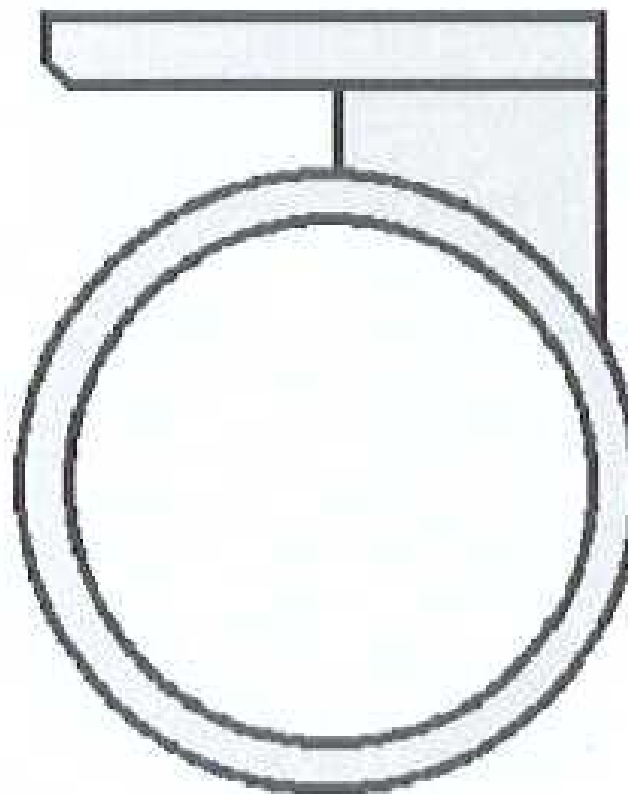
Megadeck Australia Pty Ltd
87 MacDonald Street Erskineville New South Wales 2043 Australia

(72) Name(s) of Designer(s): **William Edlington**

(45) Registration Date: **28 August 2009**

(56) Related Art Documents: **Not Applicable**

(57) Statement of Newness and Distinctiveness: **This a connecting unit for handrail to a temporary staging system there is no other connector like it and does not require any fixing tools or bolts.**



(21) Design Number: **12206/2009**

(22) Date of Filing Application: **17 June 2009**

(24) Date from which industrial property rights may have effect: **17 June 2009**

(54) Product in respect of which the design is registered: **Bottle body**

(51) International Design Classification: **09-01NES**

(71) Name(s) and Address(s) of Applicant(s):

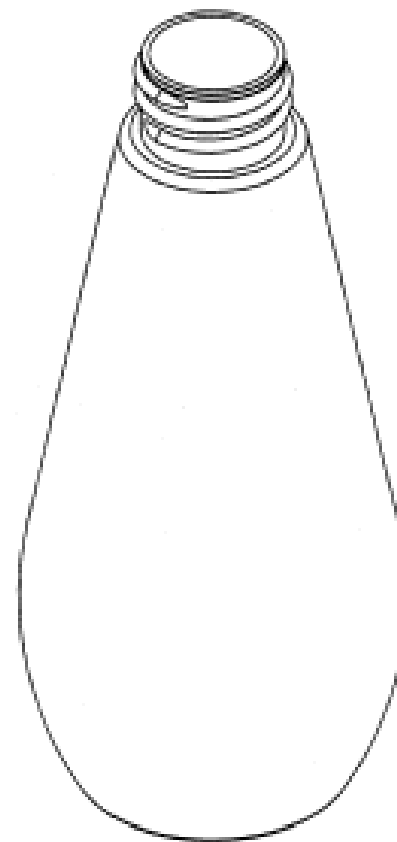
PACT Group Pty Ltd
Level 17 644 Chapel Street South Yarra Victoria 3141 Australia

(72) Name(s) of Designer(s): **Christina Koeleman**

(45) Registration Date: **28 August 2009**

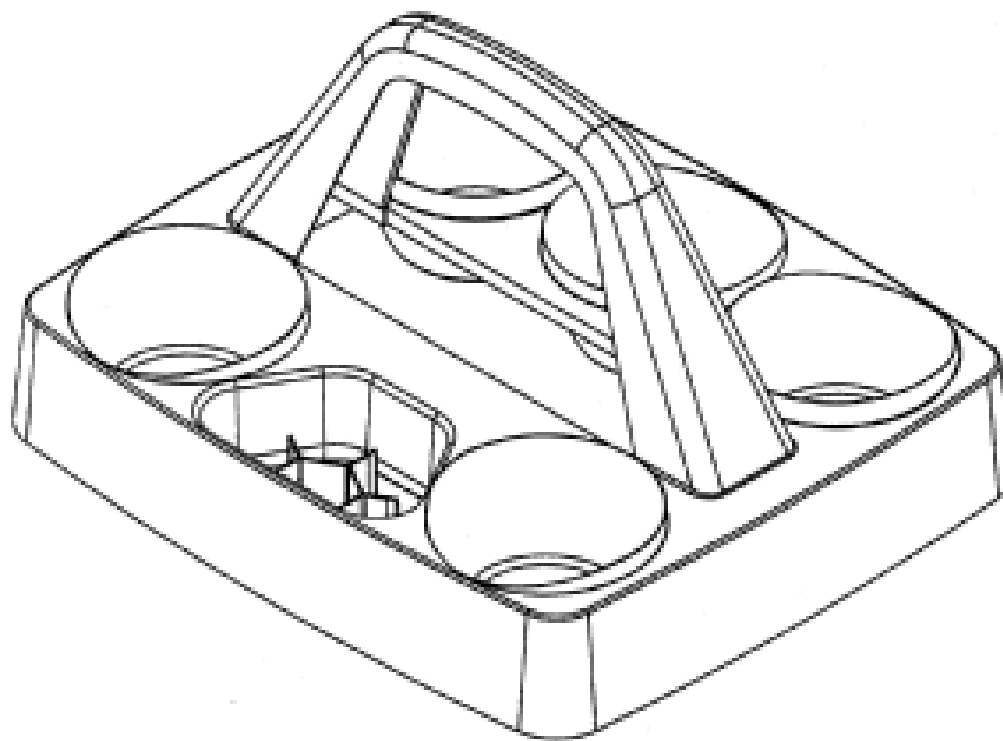
(56) Related Art Documents: **Not Applicable**

(57) Statement of Newness and Distinctiveness: **The new and distinctive aspects of the shape and configuration of a bottle body as shown in the accompanying representations is claimed.**



(19) AU

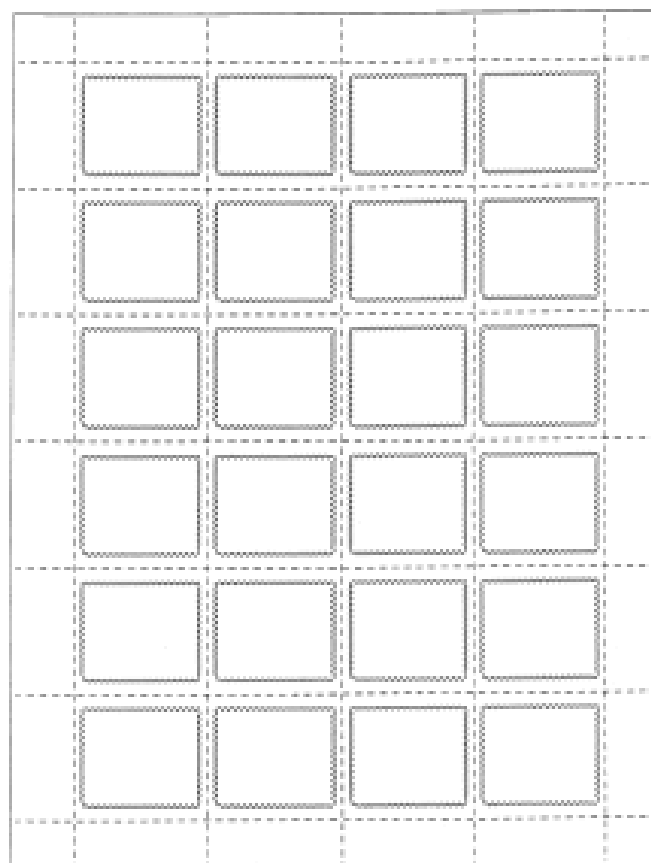
- (21) Design Number: **12207/2009**
- (22) Date of Filing Application: **17 June 2009**
- (24) Date from which industrial property rights may have effect: **17 June 2009**
- (54) Product in respect of which the design is registered: **Tray**
- (51) International Design Classification: **07-99A**
- (71) Name(s) and Address(s) of Applicant(s):
PACT Group Pty Ltd
Level 17 644 Chapel Street South Yarra Victoria 3141 Australia
- (72) Name(s) of Designer(s): **Christina Koeleman**
- (45) Registration Date: **28 August 2009**
- (56) Related Art Documents: **Not Applicable**
- (57) Statement of Newness and Distinctiveness: **Nil**



(19) AU

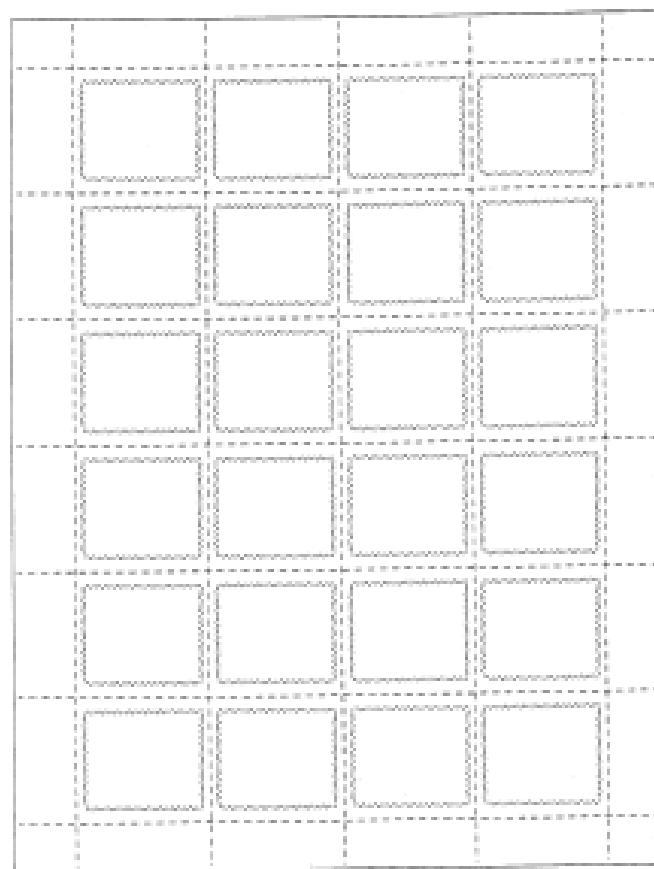
- (21) Design Number: **12762/2009**
- (22) Date of Filing Application: **20 May 2009**
- (24) Date from which industrial property rights may have effect: **20 May 2009**
- (54) Product in respect of which the design is registered: **Postage stamp label sheet**
- (51) International Design Classification: **19-08**
- (71) Name(s) and Address(s) of Applicant(s):
PSI Systems, Inc.
247 High Street Palo Alto California 94301 United States of America
- (72) Name(s) of Designer(s): **Meghan Novack and Carrie Dufour**
- (45) Registration Date: **28 August 2009**
- (30) Convention priority data:

(31) Number	(32) Date	(33) Country
29/328322	21 Nov 2008	UNITED STATES OF AMERICA
- (62) Divisional of: **326935**
- (56) Related Art Documents: **Not Applicable**
- (57) Statement of Newness and Distinctiveness: **Nil**



(19) AU

- (21) Design Number: **12763/2009**
(22) Date of Filing Application: **20 May 2009**
(24) Date from which industrial property rights may have effect: **20 May 2009**
(54) Product in respect of which the design is registered: **Postage stamp label sheet**
(51) International Design Classification: **19-08**
(71) Name(s) and Address(s) of Applicant(s):
PSI Systems, Inc.
247 High Street Palo Alto California 94301 United States of America
(72) Name(s) of Designer(s): **Meghan Novack and Carrie Dufour**
(45) Registration Date: **28 August 2009**
(30) Convention priority data:
(31) Number (32) Date (33) Country
29/328322 21 Nov 2008 UNITED STATES OF AMERICA
(62) Divisional of: **326935**
(56) Related Art Documents: **Not Applicable**
(57) Statement of Newness and Distinctiveness: **Nil**



(19) AU

- (21) Design Number: **12928/2009**
(22) Date of Filing Application: **05 August 2009**
(24) Date from which industrial property rights may have effect: **05 August 2009**
(54) Product in respect of which the design is registered: **Pipe fitting**
(51) International Design Classification: **23-01A**
(71) Name(s) and Address(s) of Applicant(s):
Rehau AG + Co
Rheniumhaus 95111 Rehau Germany
(72) Name(s) of Designer(s): **Ehrenfried Bonhag and Hansi Homburg**
(45) Registration Date: **28 August 2009**
(30) Convention priority data:
(31) Number (32) Date (33) Country
40 06 Feb 2009 GERMANY
2009000607.3
(56) Related Art Documents: **Not Applicable**
(57) Statement of Newness and Distinctiveness: **Newness and distinctiveness resides in the features of shape and/or configuration of a pipe fitting as illustrated in the accompanying representation.**



- (21) Design Number: **12929/2009**
(22) Date of Filing Application: **05 August 2009**
(24) Date from which industrial property rights may have effect: **05 August 2009**
(54) Product in respect of which the design is registered: **Pipe fitting**
(51) International Design Classification: **23-01B**
(71) Name(s) and Address(s) of Applicant(s):
Rehau AG + Co
Rheniumhaus 95111 Rehau Germany
(72) Name(s) of Designer(s): **Ehrenfried Bonhag and Hansi Homburg**
(45) Registration Date: **28 August 2009**
(30) Convention priority data:
(31) Number (32) Date (33) Country
40 06 Feb 2009 GERMANY
2009000607.3
(56) Related Art Documents: **Not Applicable**
(57) Statement of Newness and Distinctiveness: **Newness and distinctiveness resides in the features of shape and/or configuration of a pipe fitting as illustrated in the accompanying representation.**



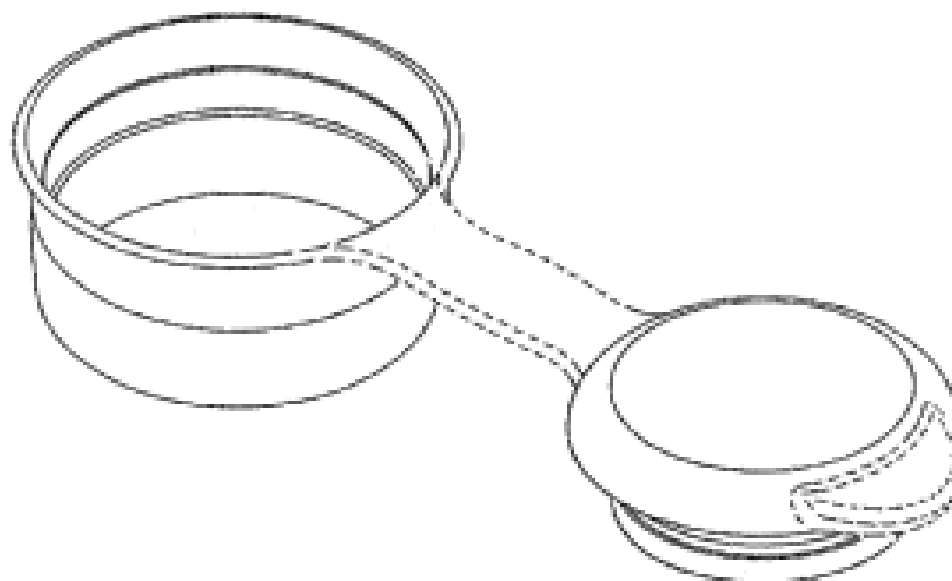
- (21) Design Number: **12930/2009**
(22) Date of Filing Application: **05 August 2009**
(24) Date from which industrial property rights may have effect: **05 August 2009**
(54) Product in respect of which the design is registered: **Pipe fitting**
(51) International Design Classification: **23-01A**
(71) Name(s) and Address(s) of Applicant(s):
Rehau AG + Co
Rheniumhaus 95111 Rehau Germany
(72) Name(s) of Designer(s): **Ehrenfried Bonhag and Hansi Homburg**
(45) Registration Date: **28 August 2009**
(30) Convention priority data:
(31) Number (32) Date (33) Country
40 06 Feb 2009 GERMANY
2009000607.3
(56) Related Art Documents: **Not Applicable**
(57) Statement of Newness and Distinctiveness: **Newness and distinctiveness resides in the features of shape and/or configuration of a pipe fitting as illustrated in the accompanying representation.**



(21) Design Number: **12316/2009**
 (22) Date of Filing Application: **26 June 2009**
 (24) Date from which industrial property rights may have effect: **26 June 2009**
 (54) Product in respect of which the design is registered: **Pour and seal assembly**
 (51) International Design Classification: **09-07A**
 (71) Name(s) and Address(s) of Applicant(s):
Wilton Industries, Inc.
2240 W.75th Street Woodridge IL 60517 United States of America
 (72) Name(s) of Designer(s): **Corinne Gorskey and David Starr and Traci Chapple and Jeff Chiu and Mason Umholtz**
 (45) Registration Date: **31 August 2009**
 (30) Convention priority data:

(31) Number	(32) Date	(33) Country
29/338,852	19 Jun 2009	UNITED STATES OF AMERICA

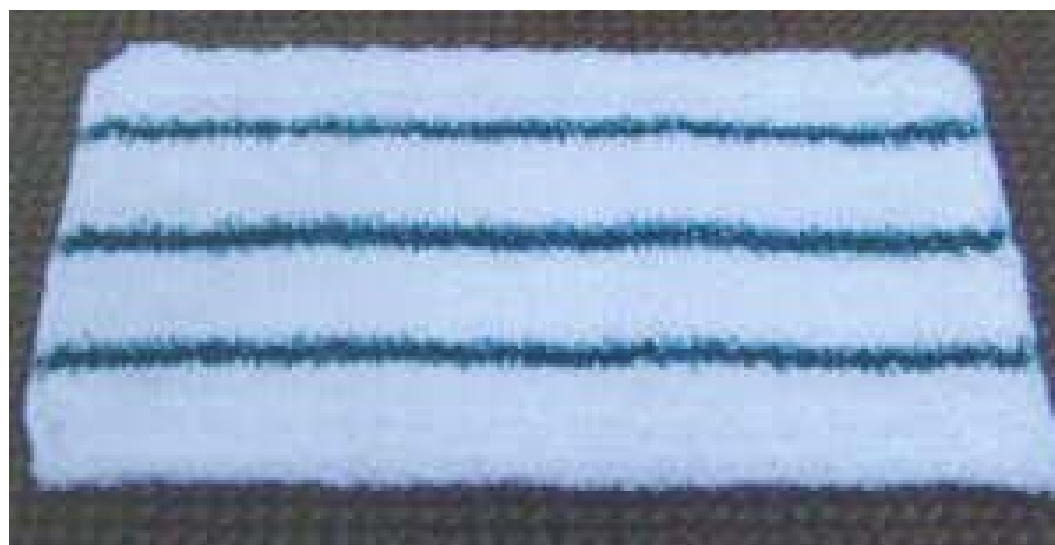
 (56) Related Art Documents: **Not Applicable**
 (57) Statement of Newness and Distinctiveness: **Nil**



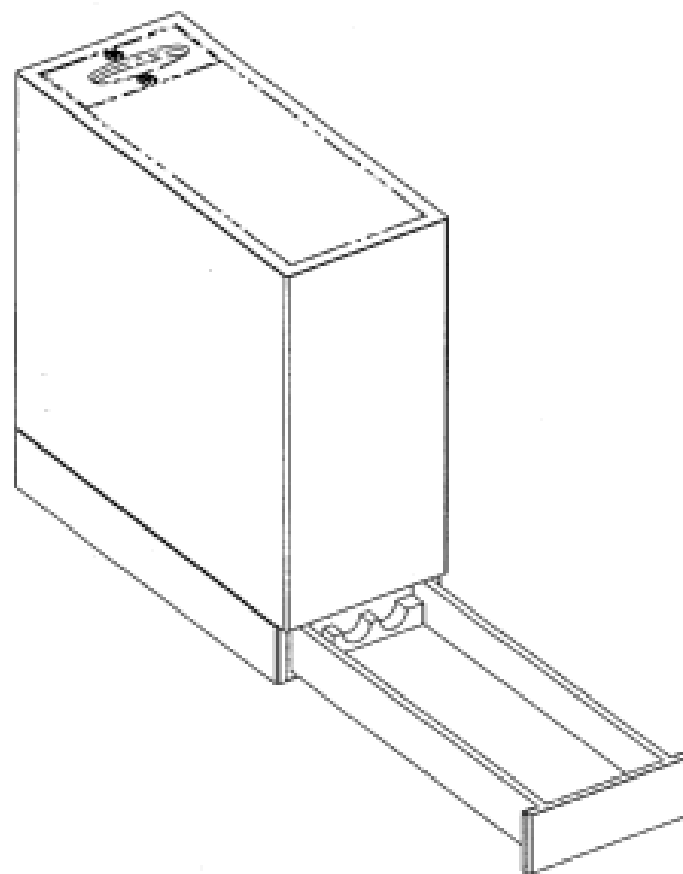
(21) Design Number: **12969/2009**
 (22) Date of Filing Application: **06 August 2009**
 (24) Date from which industrial property rights may have effect: **06 August 2009**
 (54) Product in respect of which the design is registered: **Cover for a cleaning implement**
 (51) International Design Classification: **04-01**
 (71) Name(s) and Address(s) of Applicant(s):
The Libman Company
220 North Sheldon Arcola Illinois 61910 United States of America
 (72) Name(s) of Designer(s): **Robert J Libman and Marco Bizzotto and Enzo Berti**
 (45) Registration Date: **31 August 2009**
 (30) Convention priority data:

(31) Number	(32) Date	(33) Country
29/332061	06 Feb 2009	UNITED STATES OF AMERICA

 (56) Related Art Documents: **Not Applicable**
 (57) Statement of Newness and Distinctiveness: **Newness and distinctiveness reside in the pattern and/or ornamentation of the stripes in the cover for a cleaning implement, as illustrated by solid lines in the accompanying representations. The specific colours illustrated in the representations of the design are exemplary only and are intended to represent any combination of contrasting colours for the stripes and surrounding areas of the cover.**

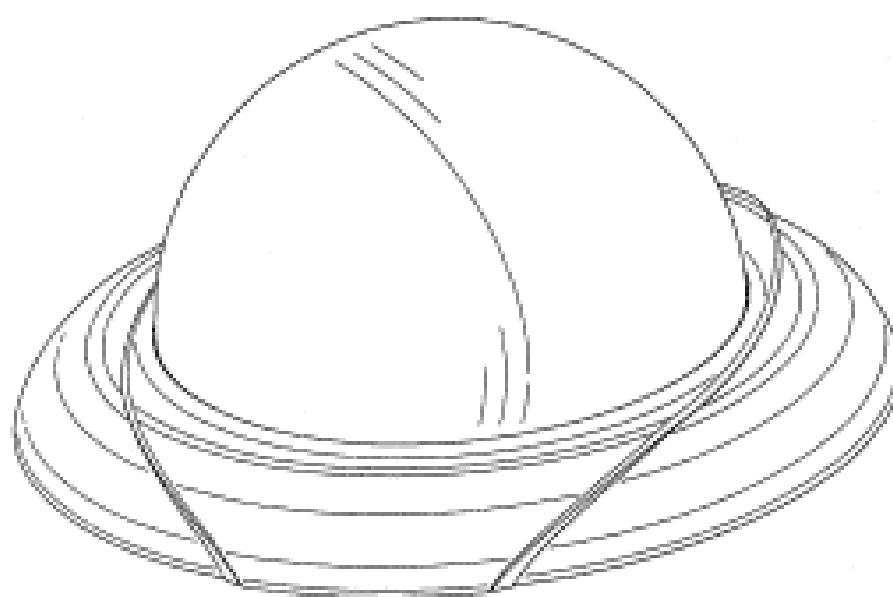


- (21) Design Number: **12970/2009**
- (22) Date of Filing Application: **06 August 2009**
- (24) Date from which industrial property rights may have effect: **06 August 2009**
- (54) Product in respect of which the design is registered: **Knife block**
- (51) International Design Classification: **07-99NES**
- (71) Name(s) and Address(s) of Applicant(s):
McPherson's Limited
5 Dunlop Road Mulgrave Victoria 3170 Australia
- (72) Name(s) of Designer(s): **Clive Solari**
- (45) Registration Date: **31 August 2009**
- (56) Related Art Documents: **Not Applicable**
- (57) Statement of Newness and Distinctiveness: **Those features of the knife block depicted in the representations that are new and distinctive are the shape and/or configuration. The features shown in broken lines are not part of the design and are to be disregarded when considering the overall impression of the design.**



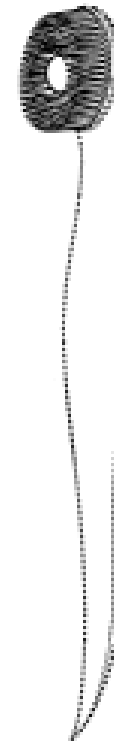
- (21) Design Number: **12973/2009**
- (22) Date of Filing Application: **06 August 2009**
- (24) Date from which industrial property rights may have effect: **06 August 2009**
- (54) Product in respect of which the design is registered: **Camera enclosure**
- (51) International Design Classification: **10-05, 16-01**
- (71) Name(s) and Address(s) of Applicant(s):
Pelco, Inc.
3500 Pelco Way Clovis California 93612 United States of America
- (72) Name(s) of Designer(s): **Julie T. Pettit and Michael L. Gay and Donald R. Nohavec**
- (45) Registration Date: **31 August 2009**
- (30) Convention priority data:

(31) Number	(32) Date	(33) Country
29/334,626	30 Mar 2009	UNITED STATES OF AMERICA
- (56) Related Art Documents: **Not Applicable**
- (57) Statement of Newness and Distinctiveness: **Those features of the camera enclosure depicted in the representations that are new and distinctive are the shape and/or configuration.**



(19) AU

- (21) Design Number: **12943/2009**
(22) Date of Filing Application: **05 August 2009**
(24) Date from which industrial property rights may have effect: **05 August 2009**
(54) Product in respect of which the design is registered: **Toothbrush**
(51) International Design Classification: **04-02**
(71) Name(s) and Address(s) of Applicant(s):
Colgate-Palmolive Company
300 Park Avenue New York New York 10022 United States of America
(72) Name(s) of Designer(s): **Douglas Hohlbein and Al Sprosta and Alan Sorrentino**
(45) Registration Date: **31 August 2009**
(30) Convention priority data:
(31) Number (32) Date (33) Country
29/331929 05 Feb 2009 UNITED STATES OF AMERICA
(56) Related Art Documents: **Not Applicable**
(57) Statement of Newness and Distinctiveness: **Newness and distinctiveness reside in the features of the design shown in solid lines in the representations excluding those features shown in broken lines.**



(19) AU

- (21) Design Number: **12944/2009**
(22) Date of Filing Application: **05 August 2009**
(24) Date from which industrial property rights may have effect: **05 August 2009**
(54) Product in respect of which the design is registered: **Toothbrush**
(51) International Design Classification: **04-02**
(71) Name(s) and Address(s) of Applicant(s):
Colgate-Palmolive Company
300 Park Avenue New York New York 10022 United States of America
(72) Name(s) of Designer(s): **Douglas Hohlbein and Al Sprosta and Alan Sorrentino**
(45) Registration Date: **31 August 2009**
(30) Convention priority data:
(31) Number (32) Date (33) Country
29/331929 05 Feb 2009 UNITED STATES OF AMERICA
(56) Related Art Documents: **Not Applicable**
(57) Statement of Newness and Distinctiveness: **Newness and distinctiveness reside in the features of the design shown in solid lines in the representations excluding those features shown in broken lines.**



- (21) Design Number: **12945/2009**
- (22) Date of Filing Application: **05 August 2009**
- (24) Date from which industrial property rights may have effect: **05 August 2009**
- (54) Product in respect of which the design is registered: **Toothbrush**
- (51) International Design Classification: **04-02**
- (71) Name(s) and Address(s) of Applicant(s):
Colgate-Palmolive Company
300 Park Avenue New York New York 10022 United States of America
- (72) Name(s) of Designer(s): **Douglas Hohlbein and Al Sprosta and Alan Sorrentino**
- (45) Registration Date: **31 August 2009**
- (30) Convention priority data:

(31) Number	(32) Date	(33) Country
29/331929	05 Feb 2009	UNITED STATES OF AMERICA
- (56) Related Art Documents: **Not Applicable**
- (57) Statement of Newness and Distinctiveness: **Newness and distinctiveness reside in the features of the design shown in the representations.**

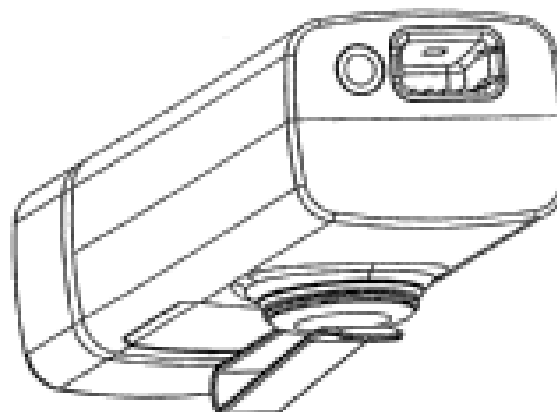


- (21) Design Number: **12946/2009**
- (22) Date of Filing Application: **05 August 2009**
- (24) Date from which industrial property rights may have effect: **05 August 2009**
- (54) Product in respect of which the design is registered: **Toothbrush**
- (51) International Design Classification: **04-02**
- (71) Name(s) and Address(s) of Applicant(s):
Colgate-Palmolive Company
300 Park Avenue New York New York 10022 United States of America
- (72) Name(s) of Designer(s): **Douglas Hohlbein and Al Sprosta and Alan Sorrentino**
- (45) Registration Date: **31 August 2009**
- (30) Convention priority data:

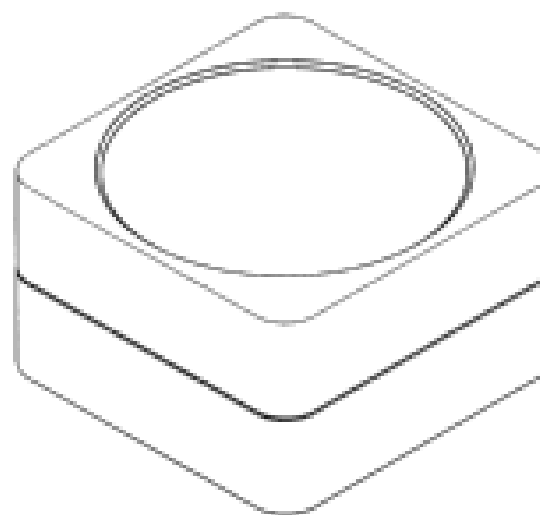
(31) Number	(32) Date	(33) Country
29/331929	05 Feb 2009	UNITED STATES OF AMERICA
- (56) Related Art Documents: **Not Applicable**
- (57) Statement of Newness and Distinctiveness: **Newness and distinctiveness reside in the features of the design shown in solid lines in the representations excluding those features shown in broken lines.**



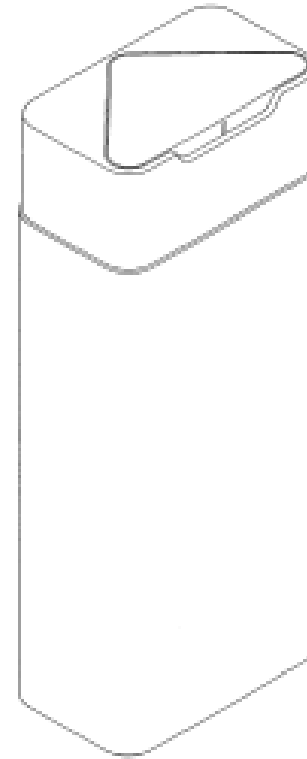
- (21) Design Number: **12959/2009**
(22) Date of Filing Application: **06 August 2009**
(24) Date from which industrial property rights may have effect: **06 August 2009**
(54) Product in respect of which the design is registered: **Personal wireless microphone for use with a multi-user audio system.**
(51) International Design Classification: **14-01**
(71) Name(s) and Address(s) of Applicant(s):
Revolabs, Inc.
63 Great Road Maynard MA 01754 United States of America
(72) Name(s) of Designer(s): **Jean-Pierre Carney and Stephen Lyman and Martin Reed Bodley**
(45) Registration Date: **31 August 2009**
(30) Convention priority data:
(31) Number (32) Date (33) Country
29/332,104 09 Feb 2009 UNITED STATES OF AMERICA
(56) Related Art Documents: **Not Applicable**
(57) Statement of Newness and Distinctiveness: **Nil**



- (21) Design Number: **12960/2009**
(22) Date of Filing Application: **06 August 2009**
(24) Date from which industrial property rights may have effect: **06 August 2009**
(54) Product in respect of which the design is registered: **Blow mould bottle and injection mould cap**
(51) International Design Classification: **09-01NES**
(71) Name(s) and Address(s) of Applicant(s):
Container Pty Ltd
Level 3 255 Riley Street Surry Hills New South Wales 2010 Australia
(72) Name(s) of Designer(s): **Brenan Liston**
(45) Registration Date: **31 August 2009**
(56) Related Art Documents: **Not Applicable**
(57) Statement of Newness and Distinctiveness: **The disc cap attached to the bottle is original in shape and function.**



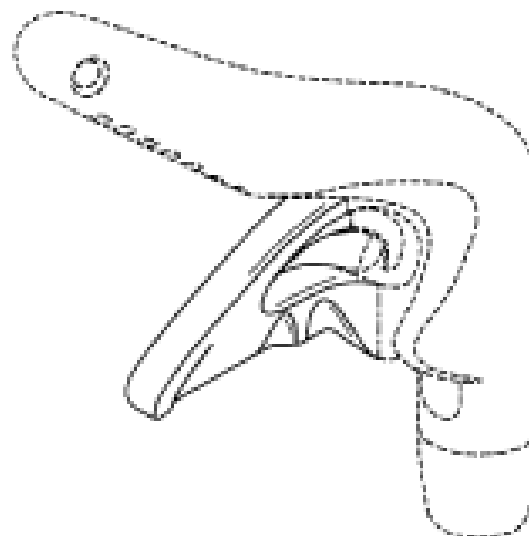
- (21) Design Number: **12961/2009**
(22) Date of Filing Application: **06 August 2009**
(24) Date from which industrial property rights may have effect: **06 August 2009**
(54) Product in respect of which the design is registered: **Injection mould jar**
(51) International Design Classification: **09-01NES**
(71) Name(s) and Address(s) of Applicant(s):
Container Pty Ltd
Level 3 255 Riley Street Surry Hills New South Wales 2010 Australia
(72) Name(s) of Designer(s): **Brenan Liston**
(45) Registration Date: **31 August 2009**
(56) Related Art Documents: **Not Applicable**
(57) Statement of Newness and Distinctiveness: **Nil**



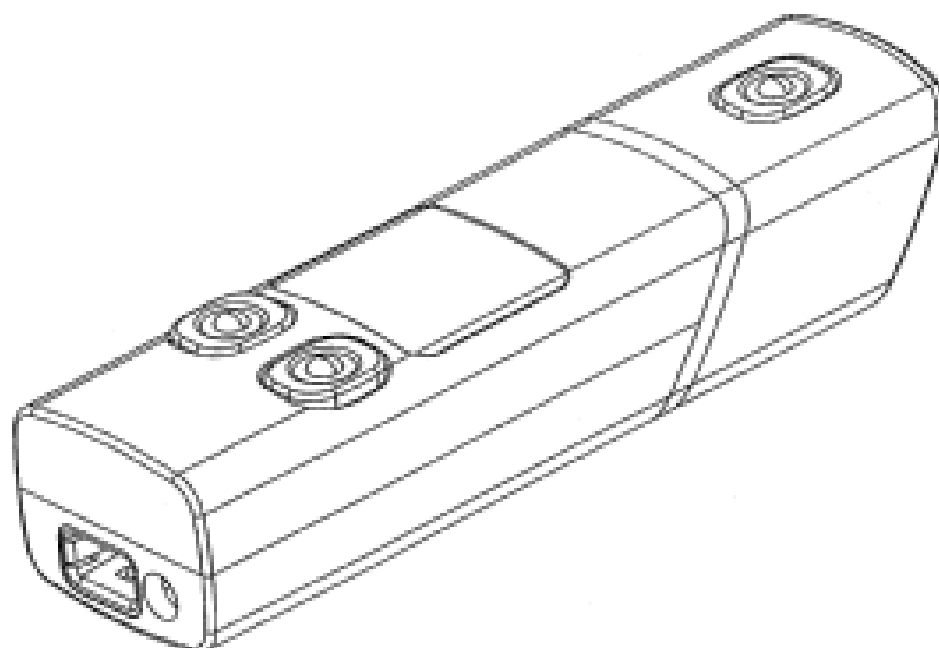
- (21) Design Number: **12962/2009**
(22) Date of Filing Application: **06 August 2009**
(24) Date from which industrial property rights may have effect: **06 August 2009**
(54) Product in respect of which the design is registered: **Handle portion for a cleaning implement**
(51) International Design Classification: **08-06, 07-05NES**
(71) Name(s) and Address(s) of Applicant(s):
The Libman Company
220 North Sheldon Arcola Illinois 61910 United States of America
(72) Name(s) of Designer(s): **Robert J Libman and Marco Bizzotto and Enzo Berti**
(45) Registration Date: **31 August 2009**
(30) Convention priority data:
(31) Number (32) Date (33) Country
29/332055 06 Feb 2009 UNITED STATES OF AMERICA
(56) Related Art Documents: **Not Applicable**
(57) Statement of Newness and Distinctiveness: **Newness and distinctiveness reside in the shape and/or configuration of a handle portion for a cleaning implement illustrated by solid lines in the accompanying representations. The features shown in discontinuous lines or in broken outline are for illustrative purposes only and form no part of the design.**



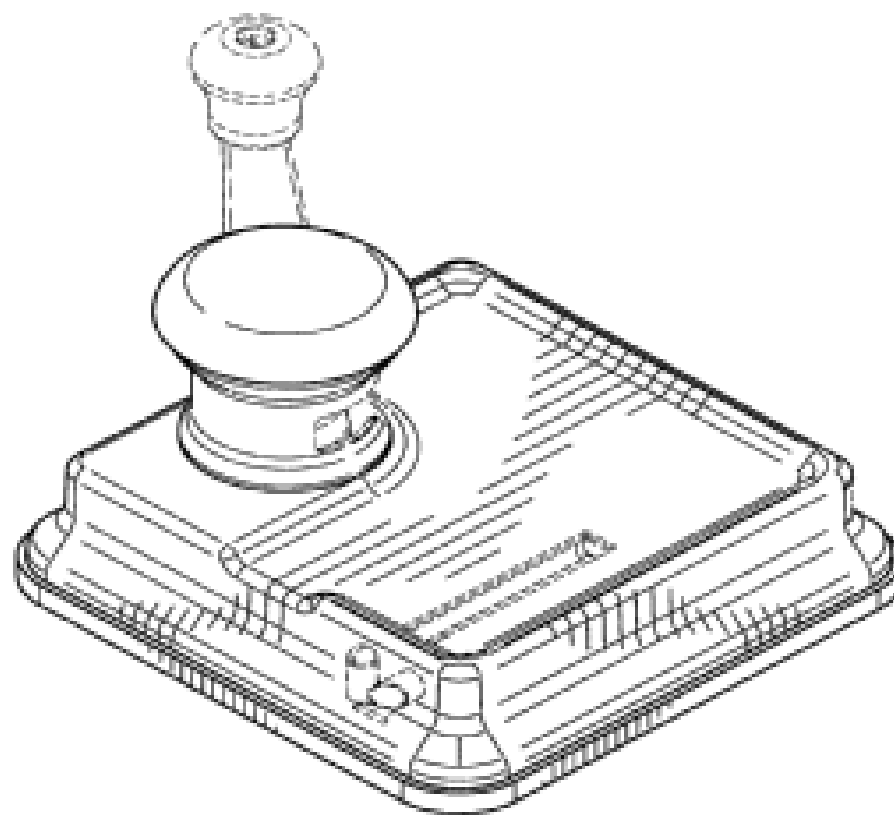
(21) Design Number: **12963/2009**
(22) Date of Filing Application: **06 August 2009**
(24) Date from which industrial property rights may have effect: **06 August 2009**
(54) Product in respect of which the design is registered: **Trigger portion for a cleaning implement handle**
(51) International Design Classification: **08-06, 07-05NES, 09-07A**
(71) Name(s) and Address(s) of Applicant(s):
The Libman Company
220 North Sheldon Arcola Illinois 61910 United States of America
(72) Name(s) of Designer(s): **Robert J Libman and Marco Bizzotto and Enzo Berti**
(45) Registration Date: **31 August 2009**
(30) Convention priority data:
(31) Number (32) Date (33) Country
29/332057 06 Feb 2009 UNITED STATES OF AMERICA
(56) Related Art Documents: **Not Applicable**
(57) Statement of Newness and Distinctiveness: **Newness and distinctiveness reside in the shape and/or configuration of a trigger portion for a cleaning implement handle illustrated by solid lines in the accompanying representations. The features shown in discontinuous lines or in broken outline are for illustrative purposes only and form no part of the design.**



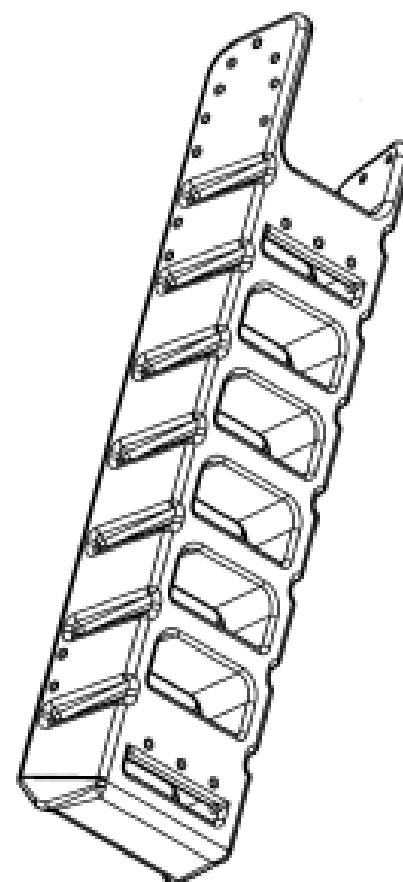
(21) Design Number: **12958/2009**
(22) Date of Filing Application: **06 August 2009**
(24) Date from which industrial property rights may have effect: **06 August 2009**
(54) Product in respect of which the design is registered: **Directional wireless microphone for use with a multi-user audio system**
(51) International Design Classification: **14-01**
(71) Name(s) and Address(s) of Applicant(s):
Revolabs, Inc.
63 Great Road Maynard MA 01754 United States of America
(72) Name(s) of Designer(s): **Martin Reed Bodley and Jean-Pierre Carney and Stephen Lyman**
(45) Registration Date: **01 September 2009**
(30) Convention priority data:
(31) Number (32) Date (33) Country
29/332,096 09 Feb 2009 UNITED STATES OF AMERICA
(56) Related Art Documents: **Not Applicable**
(57) Statement of Newness and Distinctiveness: **Nil**



- (21) Design Number: **12979/2009**
(22) Date of Filing Application: **07 August 2009**
(24) Date from which industrial property rights may have effect: **07 August 2009**
(54) Product in respect of which the design is registered: **Square cigarette-making machine**
(51) International Design Classification: **27-99**
(71) Name(s) and Address(s) of Applicant(s):
Republic Tobacco L.P.
2301 Ravine Way Glenview IL 60025 United States of America
(72) Name(s) of Designer(s): **Mei Lin**
(45) Registration Date: **01 September 2009**
(30) Convention priority data:
(31) Number (32) Date (33) Country
29/340635 22 Jul 2009 UNITED STATES OF AMERICA
(56) Related Art Documents: **Not Applicable**
(57) Statement of Newness and Distinctiveness: **When determining whether the design 1 is substantially similar in overall impression to another design, it should be noted that the broken line representations in the figures are for the purpose of illustration only, and form no part of the design.**



- (21) Design Number: **12987/2009**
(22) Date of Filing Application: **07 August 2009**
(24) Date from which industrial property rights may have effect: **07 August 2009**
(54) Product in respect of which the design is registered: **Vibration dampening ladder**
(51) International Design Classification: **25-04**
(71) Name(s) and Address(s) of Applicant(s):
Thiess Pty Ltd
179 Grey Street South Bank Queensland 4101 Australia
(72) Name(s) of Designer(s): **Ivan Omar Rivera**
(45) Registration Date: **01 September 2009**
(56) Related Art Documents: **Not Applicable**
(57) Statement of Newness and Distinctiveness: **Nil**



(21) Design Number: **12988/2009**

(22) Date of Filing Application: **07 August 2009**

(24) Date from which industrial property rights may have effect: **07 August 2009**

(54) Product in respect of which the design is registered: **Lane separator**

(51) International Design Classification: **25-02C**

(71) Name(s) and Address(s) of Applicant(s):

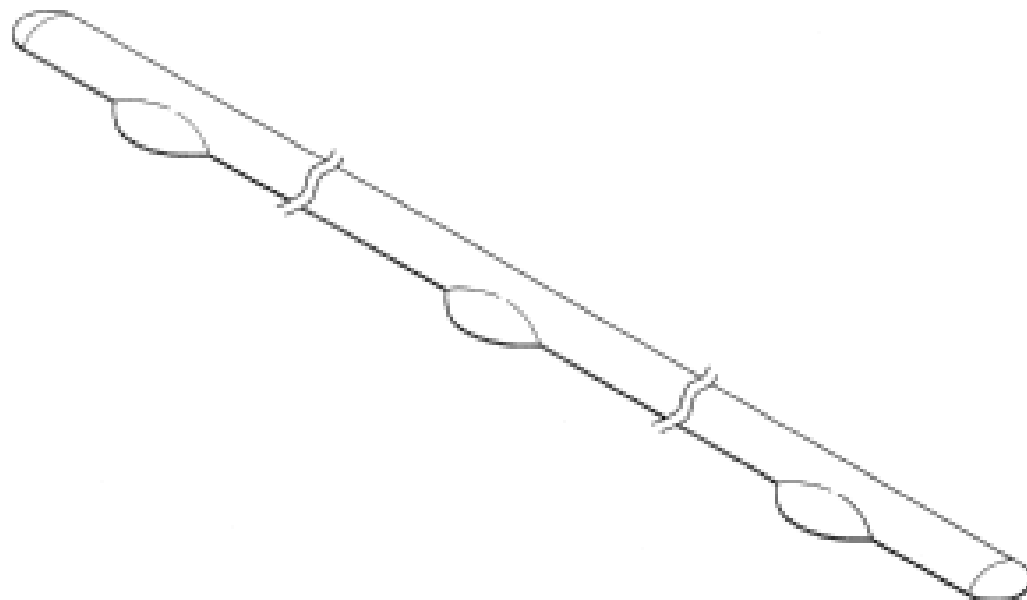
**Traffic Calming Australia
Factory 1 6-8 Concord Crescent Carrum Downs Victoria 3201
Australia**

(72) Name(s) of Designer(s): **Richard McKie**

(45) Registration Date: **01 September 2009**

(56) Related Art Documents: **Not Applicable**

(57) Statement of Newness and Distinctiveness: **The shape and configuration of the product, which is of indefinite length, is new and distinctive. The number of lateral elements extending from the longitudinal member may be varied and does not form part of the design. In the case of two or more lateral elements, the spacing between the lateral elements may also be varied and does not form part of the design.**



(21) Design Number: **12989/2009**

(22) Date of Filing Application: **07 August 2009**

(24) Date from which industrial property rights may have effect: **07 August 2009**

(54) Product in respect of which the design is registered: **Audio player**

(51) International Design Classification: **14-01**

(71) Name(s) and Address(s) of Applicant(s):

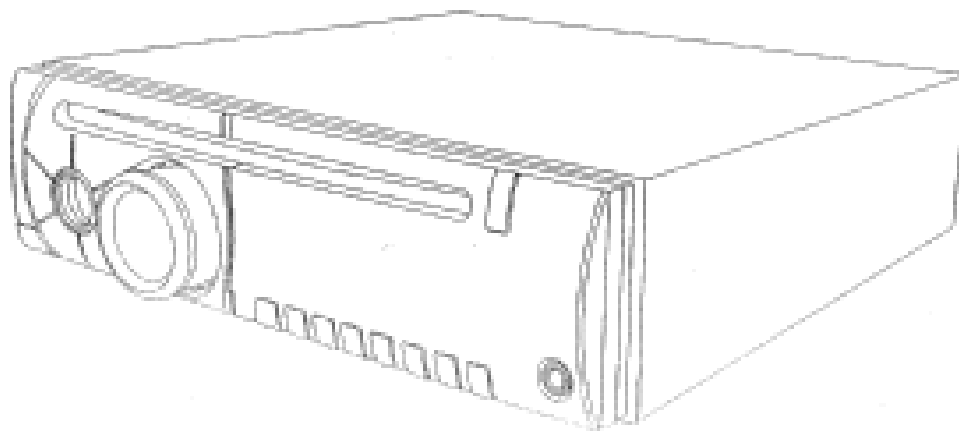
**Clarion Co., Ltd.
35-2 Hakusan 5-chome Bunkyo-ku Tokyo Japan**

(72) Name(s) of Designer(s): **Muneki Sugita**

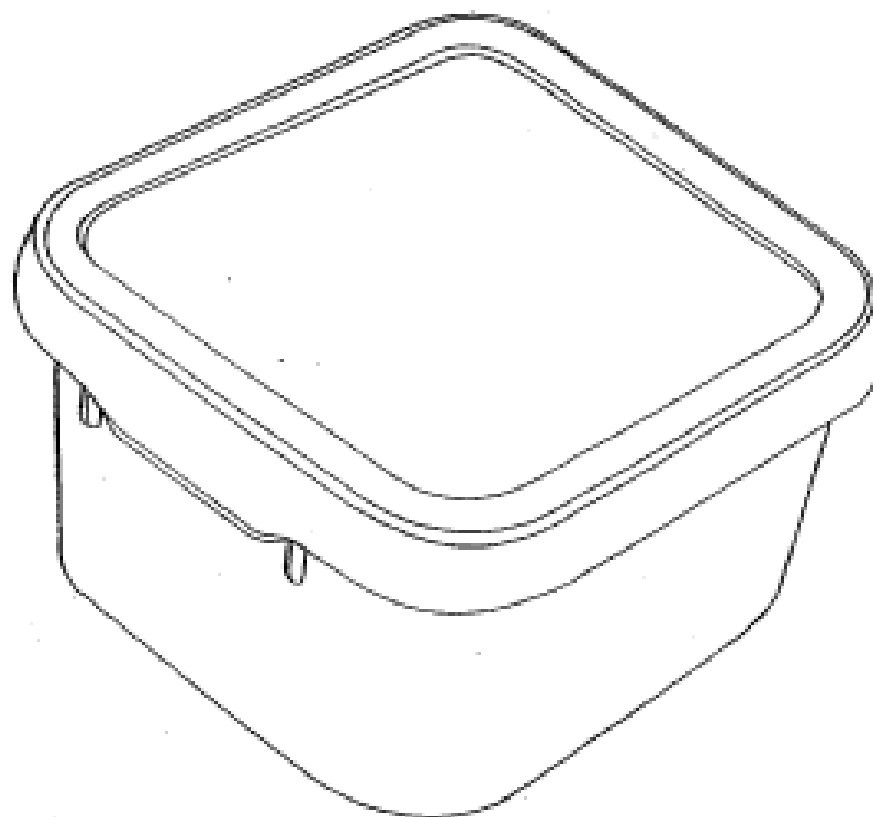
(45) Registration Date: **01 September 2009**

(56) Related Art Documents: **Not Applicable**

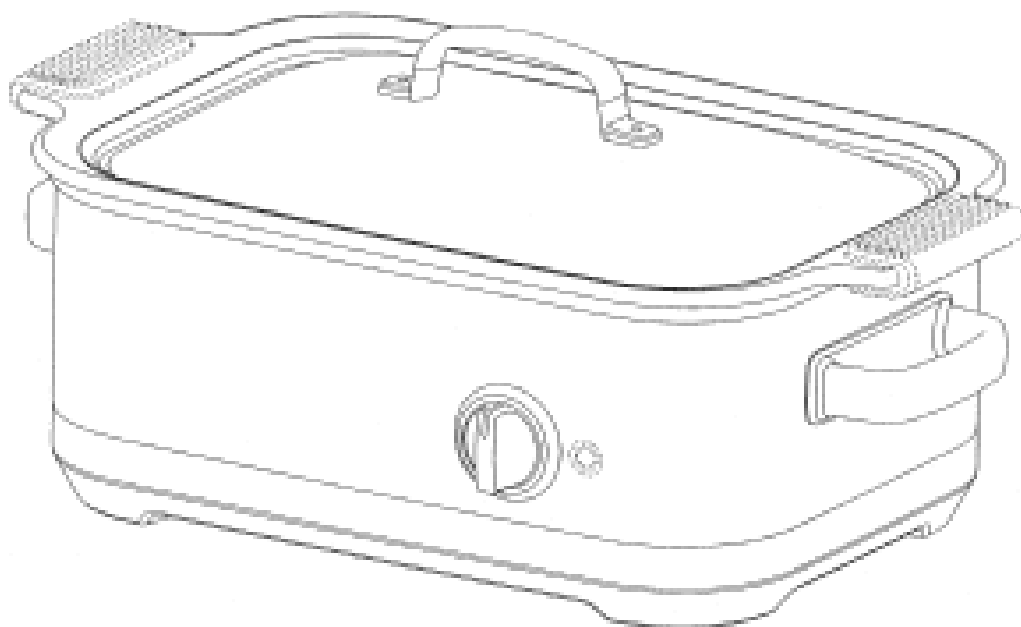
(57) Statement of Newness and Distinctiveness: **Newness and distinctiveness is claimed in those features of shape and/or configuration of an audio player as illustrated in continuous lines and labelled A in the accompanying representations.**



- (21) Design Number: **12990/2009**
(22) Date of Filing Application: **07 August 2009**
(24) Date from which industrial property rights may have effect: **07 August 2009**
(54) Product in respect of which the design is registered: **Storage container**
(51) International Design Classification: **09-03M**
(71) Name(s) and Address(s) of Applicant(s):
Helen of Troy Limited
13 8th Avenue Belleville PO Box 836E St Michael Barbados
(72) Name(s) of Designer(s): **Dean Di Pietro and Timothy Jude Kennedy and Sherwood Forlee**
(45) Registration Date: **01 September 2009**
(30) Convention priority data:
(31) Number (32) Date (33) Country
29/314880 07 May 2009 UNITED STATES OF AMERICA
(56) Related Art Documents: **Not Applicable**
(57) Statement of Newness and Distinctiveness: **Newness and distinctiveness is claimed in the features of shape and/or configuration of a storage container as illustrated in the accompanying representations.**



- (21) Design Number: **12932/2009**
(22) Date of Filing Application: **05 August 2009**
(24) Date from which industrial property rights may have effect: **05 August 2009**
(54) Product in respect of which the design is registered: **Slow cooker**
(51) International Design Classification: **07-02B, 07-02N**
(71) Name(s) and Address(s) of Applicant(s):
Breville Pty Limited
Building 2 Port Air Industrial Estate 1A Hale Street Botany New South Wales 2019 Australia
(72) Name(s) of Designer(s): **Vyvyan Rose**
(45) Registration Date: **02 September 2009**
(56) Related Art Documents: **Not Applicable**
(57) Statement of Newness and Distinctiveness: **Newness is claimed in the features of shape and configuration of the slow cooker as shown in the accompanying representations. Features shown in broken lines do not form a part of the design.**



(21) Design Number: 12934/2009

(22) Date of Filing Application: 05 August 2009

(24) Date from which industrial property rights may have effect: 05 August 2009

(54) Product in respect of which the design is registered: Cartridge

(51) International Design Classification: 24-01

(71) Name(s) and Address(s) of Applicant(s):

Pocared Diagnostics Ltd
Omer Industrial Park Building 3b 1st Floor PO Box 3042 Omer 84965
Israel

(72) Name(s) of Designer(s): **John S. Laudo and Gal Ingber and William G. Atterbury and Thomas A. Klausung and Dave Holley and John Tallarico**

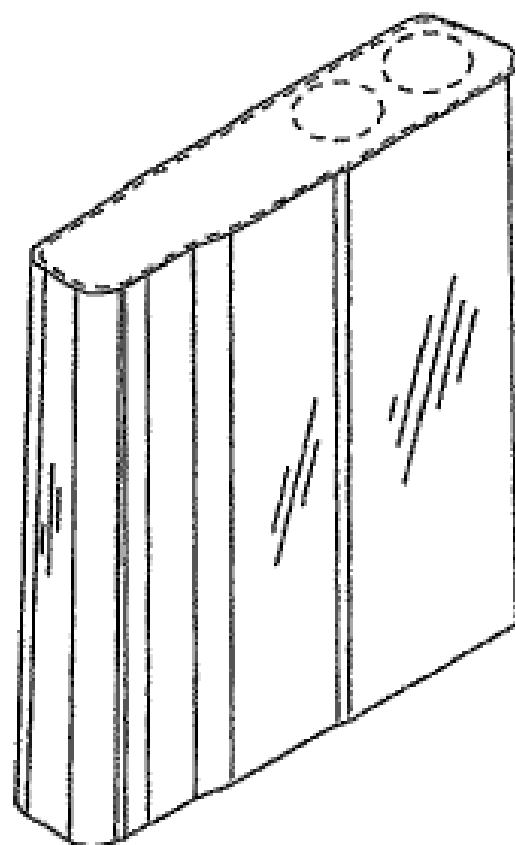
(45) Registration Date: 02 September 2009

(30) Convention priority data:

(31) Number	(32) Date	(33) Country
29/331947	05 Feb 2009	UNITED STATES OF AMERICA

(56) Related Art Documents: **Not Applicable**

(57) Statement of Newness and Distinctiveness: **When determining whether designs 1 and 2 are substantially similar in overall impression to another design, it should noted that the broken line representations the figures are for the purpose of illustration only, and form no part of the designs.**



(21) Design Number: 12935/2009

(22) Date of Filing Application: 05 August 2009

(24) Date from which industrial property rights may have effect: 05 August 2009

(54) Product in respect of which the design is registered: Cartridge

(51) International Design Classification: 24-01

(71) Name(s) and Address(s) of Applicant(s):

Pocared Diagnostics Ltd
Omer Industrial Park Building 3b 1st Floor PO Box 3042 Omer 84965
Israel

(72) Name(s) of Designer(s): **John S. Laudo and Gal Ingber and William G. Atterbury and Thomas A. Klausung and Dave Holley and John Tallarico**

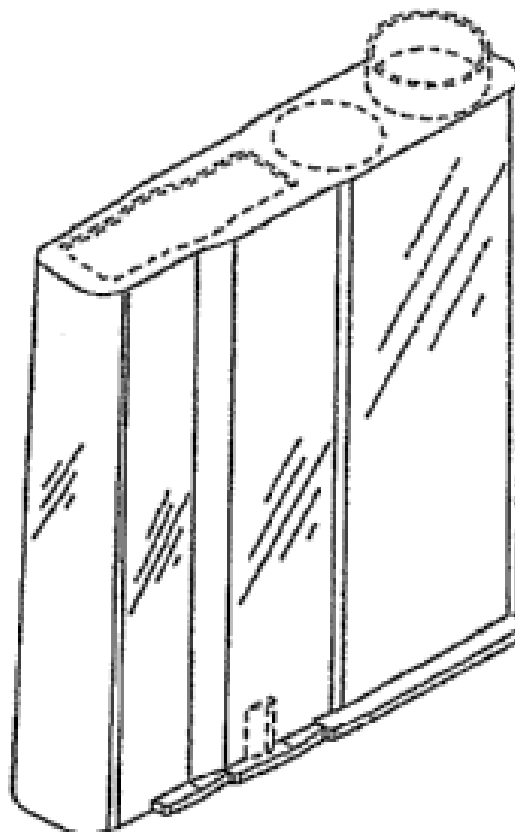
(45) Registration Date: 02 September 2009

(30) Convention priority data:

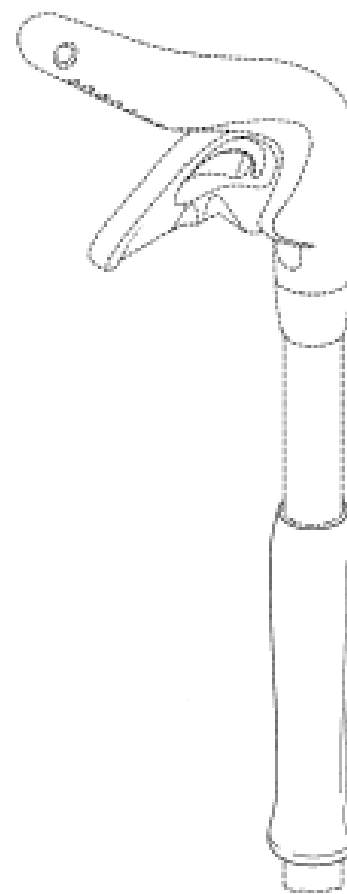
(31) Number	(32) Date	(33) Country
29/331947	05 Feb 2009	UNITED STATES OF AMERICA

(56) Related Art Documents: **Not Applicable**

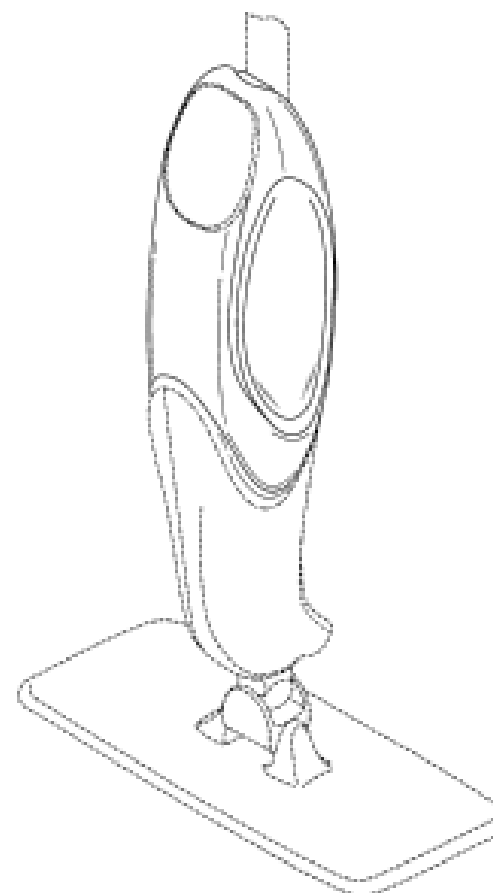
(57) Statement of Newness and Distinctiveness: **When determining whether designs 1 and 2 are substantially similar in overall impression to another design, it should noted that the broken line representations the figures are for the purpose of illustration only, and form no part of the designs.**



(21) Design Number: **12964/2009**
 (22) Date of Filing Application: **06 August 2009**
 (24) Date from which industrial property rights may have effect: **06 August 2009**
 (54) Product in respect of which the design is registered: **Handle portion for a cleaning implement**
 (51) International Design Classification: **08-06, 04-01**
 (71) Name(s) and Address(s) of Applicant(s):
The Libman Company
220 North Sheldon Arcola Illinois 61910 United States of America
 (72) Name(s) of Designer(s): **Robert J. Libman and Marco Bizzotto and Enzo Berti**
 (45) Registration Date: **02 September 2009**
 (30) Convention priority data:
 (31) Number (32) Date (33) Country
29/332058 06 Feb 2009 UNITED STATES OF AMERICA
 (56) Related Art Documents: **Not Applicable**
 (57) Statement of Newness and Distinctiveness: **Newness and distinctiveness reside in the shape and/or configuration of a handle portion for a cleaning implement illustrated by solid lines in the accompanying representations. The features shown in discontinuous lines or in broken outline are for illustrative purposes only and form no part of the design.**



(21) Design Number: **12965/2009**
 (22) Date of Filing Application: **06 August 2009**
 (24) Date from which industrial property rights may have effect: **06 August 2009**
 (54) Product in respect of which the design is registered: **Portion of a mop**
 (51) International Design Classification: **04-01**
 (71) Name(s) and Address(s) of Applicant(s):
The Libman Company
220 North Sheldon Arcola Illinois 61910 United States of America
 (72) Name(s) of Designer(s): **Robert J. Libman and Marco Bizzotto and Enzo Berti**
 (45) Registration Date: **02 September 2009**
 (30) Convention priority data:
 (31) Number (32) Date (33) Country
29/332059 06 Feb 2009 UNITED STATES OF AMERICA
 (56) Related Art Documents: **Not Applicable**
 (57) Statement of Newness and Distinctiveness: **Newness and distinctiveness reside in the shape and/or configuration of a portion of a mop illustrated by solid lines in the accompanying representations. The features shown in discontinuous lines or in broken outline are for illustrative purposes only and form no part of the design.**



(21) Design Number: **12966/2009**

(22) Date of Filing Application: **06 August 2009**

(24) Date from which industrial property rights may have effect: **06 August 2009**

(54) Product in respect of which the design is registered: **Portion of a mop**

(51) International Design Classification: **04-01**

(71) Name(s) and Address(s) of Applicant(s):

**The Libman Company
220 North Sheldon Arcola Illinois 61910 United States of America**

(72) Name(s) of Designer(s): **Robert J. Libman and Marco Bizzotto and Enzo Berti**

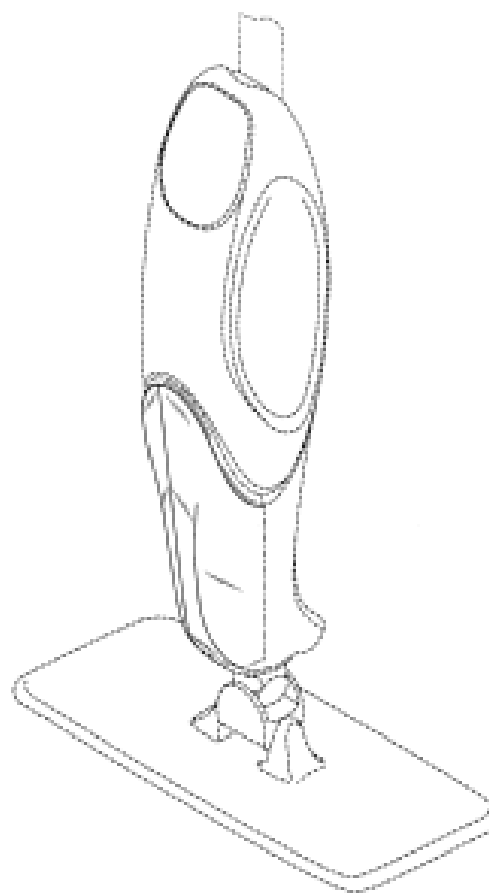
(45) Registration Date: **02 September 2009**

(30) Convention priority data:

(31) Number	(32) Date	(33) Country
29/332052	06 Feb 2009	UNITED STATES OF AMERICA

(56) Related Art Documents: **Not Applicable**

(57) Statement of Newness and Distinctiveness: **Newness and distinctiveness reside in the shape and/or configuration of a portion of a mop as illustrated by solid lines in the accompanying representations. The features shown in discontinuous lines or in broken outline are for illustrative purposes only and form no part of the design.**



(21) Design Number: **12967/2009**

(22) Date of Filing Application: **06 August 2009**

(24) Date from which industrial property rights may have effect: **06 August 2009**

(54) Product in respect of which the design is registered: **Portion of a mop**

(51) International Design Classification: **04-01**

(71) Name(s) and Address(s) of Applicant(s):

**The Libman Company
220 North Sheldon Arcola Illinois 61910 United States of America**

(72) Name(s) of Designer(s): **Robert J. Libman and Marco Bizzotto and Enzo Berti**

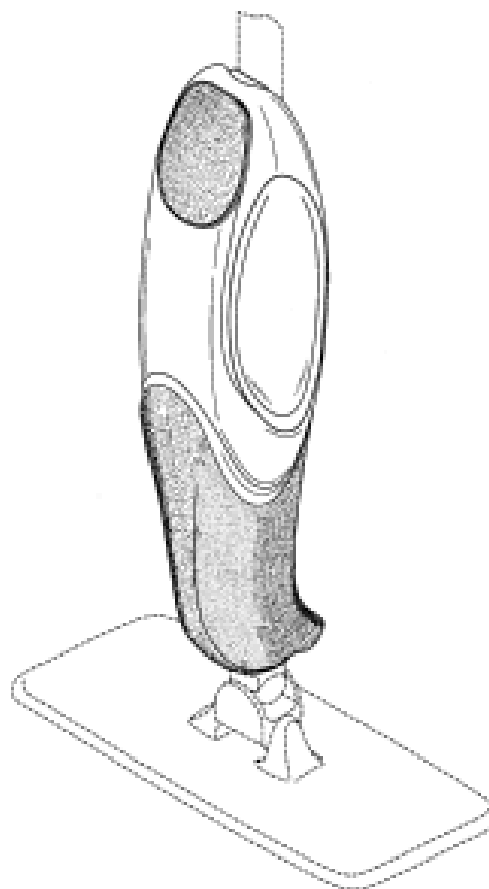
(45) Registration Date: **02 September 2009**

(30) Convention priority data:

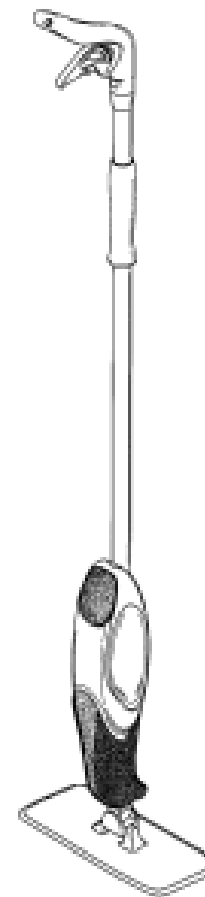
(31) Number	(32) Date	(33) Country
29/332054	06 Feb 2009	UNITED STATES OF AMERICA

(56) Related Art Documents: **Not Applicable**

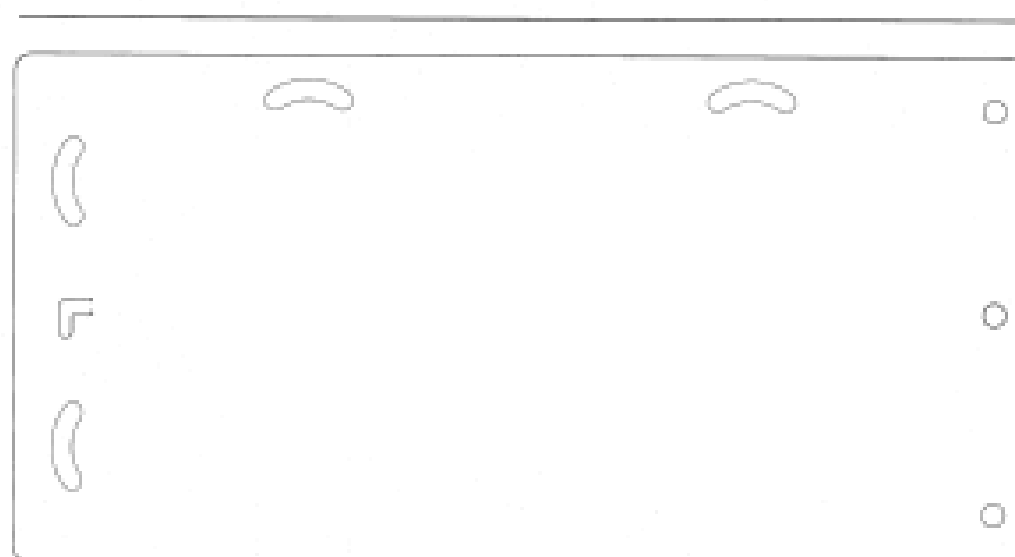
(57) Statement of Newness and Distinctiveness: **Newness and distinctiveness reside in the shape and/or configuration of a portion of a mop illustrated by solid lines in the accompanying representations. The features shown in discontinuous lines or in broken outline are for illustrative purposes only and form no part of the design.**



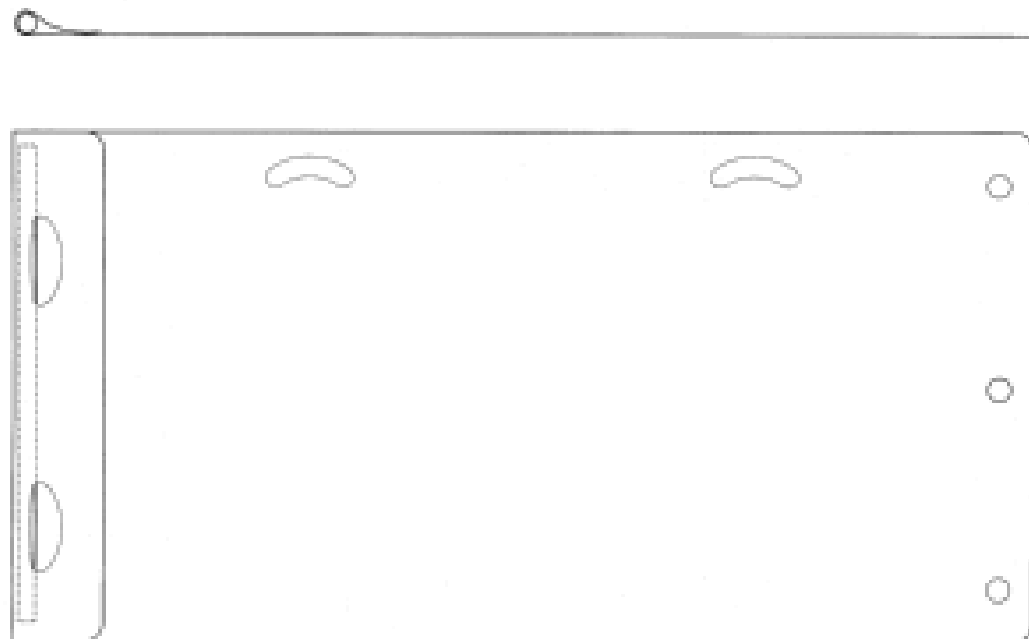
(21) Design Number: **12968/2009**
 (22) Date of Filing Application: **06 August 2009**
 (24) Date from which industrial property rights may have effect: **06 August 2009**
 (54) Product in respect of which the design is registered: **Mop**
 (51) International Design Classification: **04-01**
 (71) Name(s) and Address(s) of Applicant(s):
The Libman Company
220 North Sheldon Arcola Illinois 61910 United States of America
 (72) Name(s) of Designer(s): **Robert J. Libman and Marco Bizzotto and Enzo Berti**
 (45) Registration Date: **02 September 2009**
 (30) Convention priority data:
 (31) Number (32) Date (33) Country
29/332050 06 Feb 2009 UNITED STATES OF AMERICA
 (56) Related Art Documents: **Not Applicable**
 (57) Statement of Newness and Distinctiveness: **Newness and distinctiveness reside in the shape and/or configuration of a mop illustrated by solid lines in the accompanying representations.**



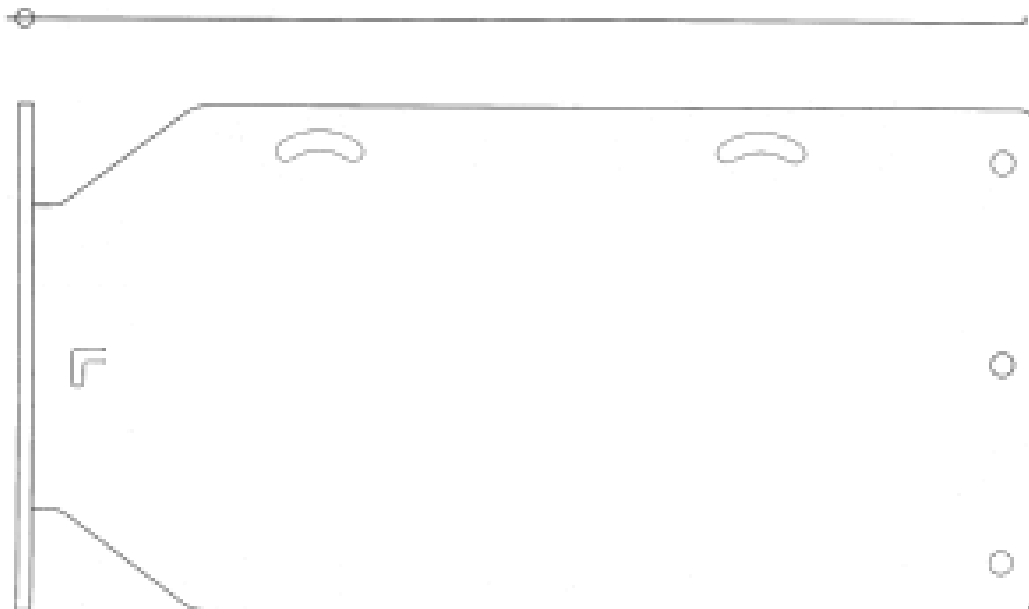
(21) Design Number: **12984/2009**
 (22) Date of Filing Application: **07 August 2009**
 (24) Date from which industrial property rights may have effect: **07 August 2009**
 (54) Product in respect of which the design is registered: **Slider sheet**
 (51) International Design Classification: **05-06B, 08-08NES, 12-05**
 (71) Name(s) and Address(s) of Applicant(s):
Securi-Cap Pty Ltd
547 Highett Road Highett Victoria 3190 Australia
 (72) Name(s) of Designer(s): **John Scheirs and Garry Parker**
 (45) Registration Date: **02 September 2009**
 (56) Related Art Documents: **Not Applicable**
 (57) Statement of Newness and Distinctiveness: **Polymeric sheet with rounded corners and rounded hand holds and holes for gripping sheet in order to slide heavy loads.**



- (21) Design Number: **12985/2009**
- (22) Date of Filing Application: **07 August 2009**
- (24) Date from which industrial property rights may have effect: **07 August 2009**
- (54) Product in respect of which the design is registered: **Slider sheet**
- (51) International Design Classification: **05-06B, 08-08NES, 12-05**
- (71) Name(s) and Address(s) of Applicant(s):
Securi-Cap Pty Ltd
547 Highett Road Highett Victoria 3190 Australia
- (72) Name(s) of Designer(s): **John Scheirs and Garry Parker**
- (45) Registration Date: **02 September 2009**
- (56) Related Art Documents: **Not Applicable**
- (57) Statement of Newness and Distinctiveness: **Polymeric sheet with rounded corners and rounded enclosed tube handle for gripping sheet in order to slide heavy loads.**



- (21) Design Number: **12986/2009**
- (22) Date of Filing Application: **07 August 2009**
- (24) Date from which industrial property rights may have effect: **07 August 2009**
- (54) Product in respect of which the design is registered: **Slider sheet**
- (51) International Design Classification: **05-06B, 08-08NES, 12-05**
- (71) Name(s) and Address(s) of Applicant(s):
Securi-Cap Pty Ltd
547 Highett Road Highett Victoria 3190 Australia
- (72) Name(s) of Designer(s): **John Scheirs and Garry Parker**
- (45) Registration Date: **02 September 2009**
- (56) Related Art Documents: **Not Applicable**
- (57) Statement of Newness and Distinctiveness: **Polymeric sheet with rounded corners and rounded slotted tube handle for gripping sheet in order to slide heavy loads.**



(21) Design Number: **12299/2009**
 (22) Date of Filing Application: **25 June 2009**
 (24) Date from which industrial property rights may have effect: **25 June 2009**
 (54) Product in respect of which the design is registered: **Clothes drying racks**
 (51) International Design Classification: **07-05D**
 (71) Name(s) and Address(s) of Applicant(s):

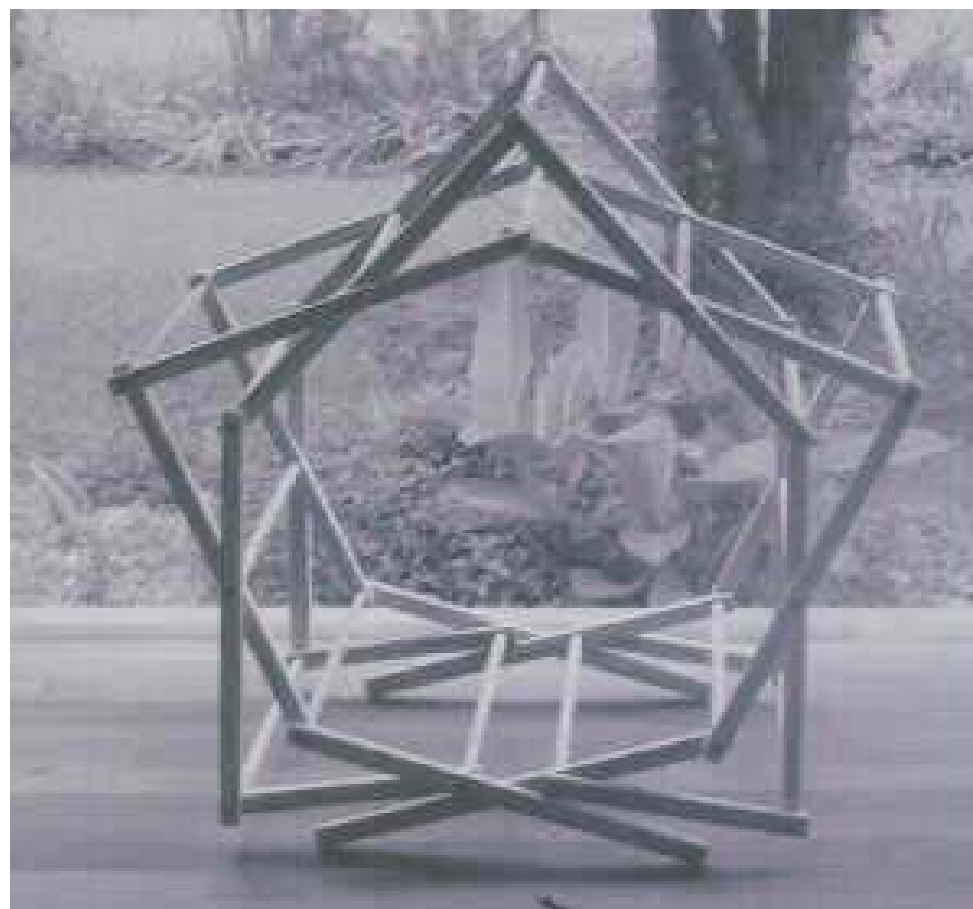
John P. Cosgrave
Lot 1 Newry Island Drive Urunga New South Wales 2455 Australia

(72) Name(s) of Designer(s): **John P. Cosgrave**

(45) Registration Date: **02 September 2009**

(56) Related Art Documents: **Not Applicable**

(57) Statement of Newness and Distinctiveness: **The Essential feature of the design is the distance between the positioning of the "dowell" or "Struts" on the "frame", being non-centered and at a particular interval, and with end of the 'Struts' being reduced in diameter, it gives stability to the 'rack'. The design is reliant on the 'Struts' being reduced until it is fixed inside the outer 'frame' preventing it from slipping but allowing the 'Strut' to rotate on the inner 'frame', it also prevents the 'inner frame' from moving inwards or sideways. The 'Rack' works from the closed or storage position by expanding and then pulling the centre up to form one of two positions, high first and medium secondly by moving the bottom part of the frame with the foot, as shown by the pictures included. The reverse will bring it back to the storage position. The design is stable in that it will not collapse inwards, or blow over, on itself when erected. This is because of the spacing and counter levering effect of the dowell spacing. The same principles of the design can be worked with other materials such as Stainless Steel, plastic coated or other.**



(21) Design Number: **12750/2009**
 (22) Date of Filing Application: **24 July 2009**
 (24) Date from which industrial property rights may have effect: **24 July 2009**
 (54) Product in respect of which the design is registered: **Reversed v-interface coupling segment**
 (51) International Design Classification: **23-01A**
 (71) Name(s) and Address(s) of Applicant(s):

Victaulic Company
4901 Kesslersville Road Easton Pennsylvania 18040 United States of America

(72) Name(s) of Designer(s): **Michael V. Porter and Torrey G. Sipos and William A. Nagle**

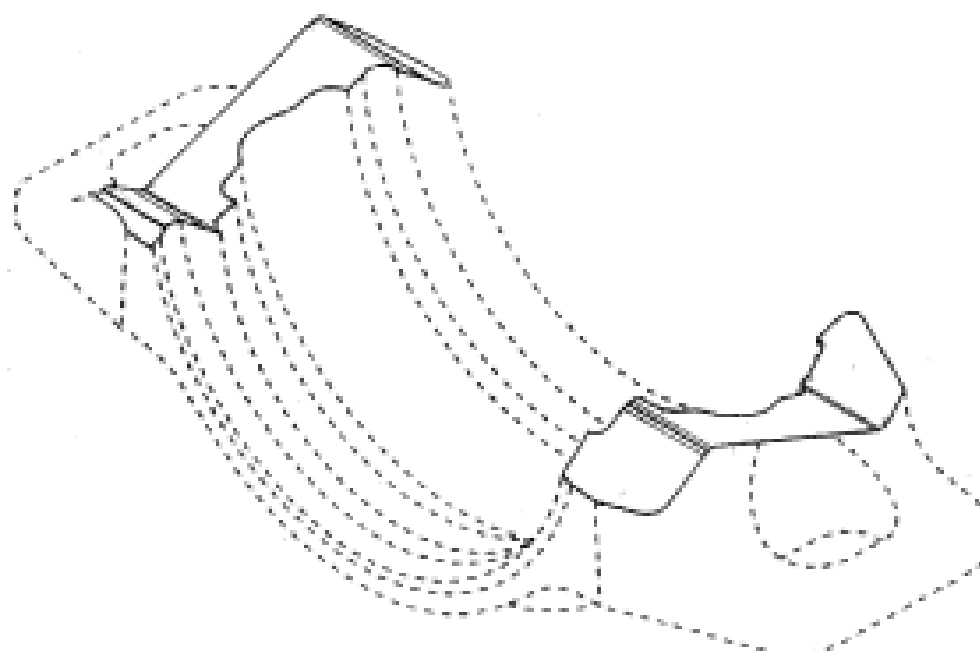
(45) Registration Date: **02 September 2009**

(30) Convention priority data:

(31) Number	(32) Date	(33) Country
29/331497	27 Jan 2009	UNITED STATES OF AMERICA

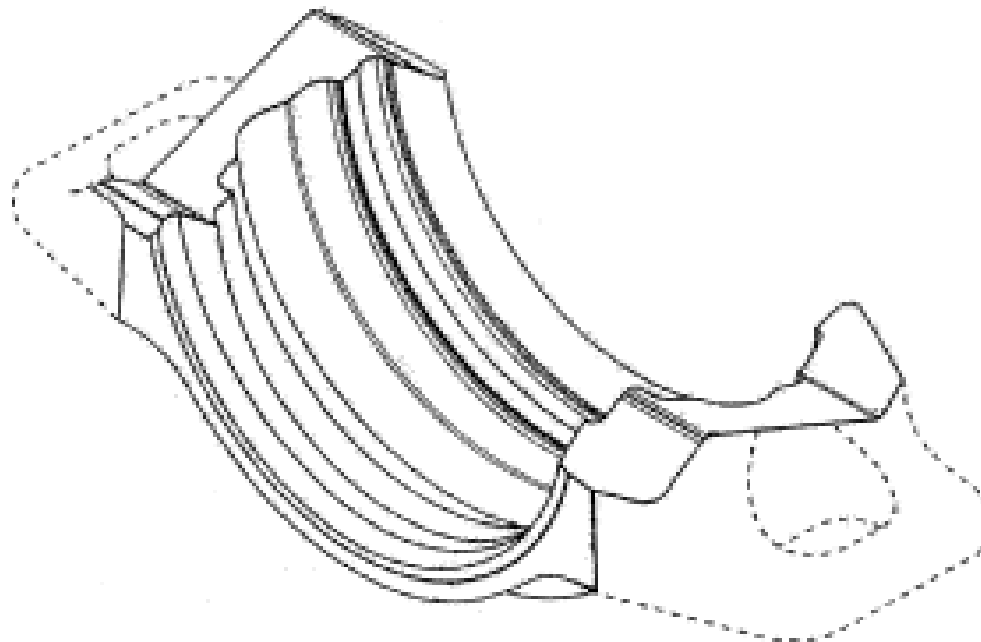
(56) Related Art Documents: **Not Applicable**

(57) Statement of Newness and Distinctiveness: **Newness and distinctiveness is claimed in those features of shape and/or configuration of a reversed v-interface coupling segment illustrated in continuous lines in the accompanying representations.**



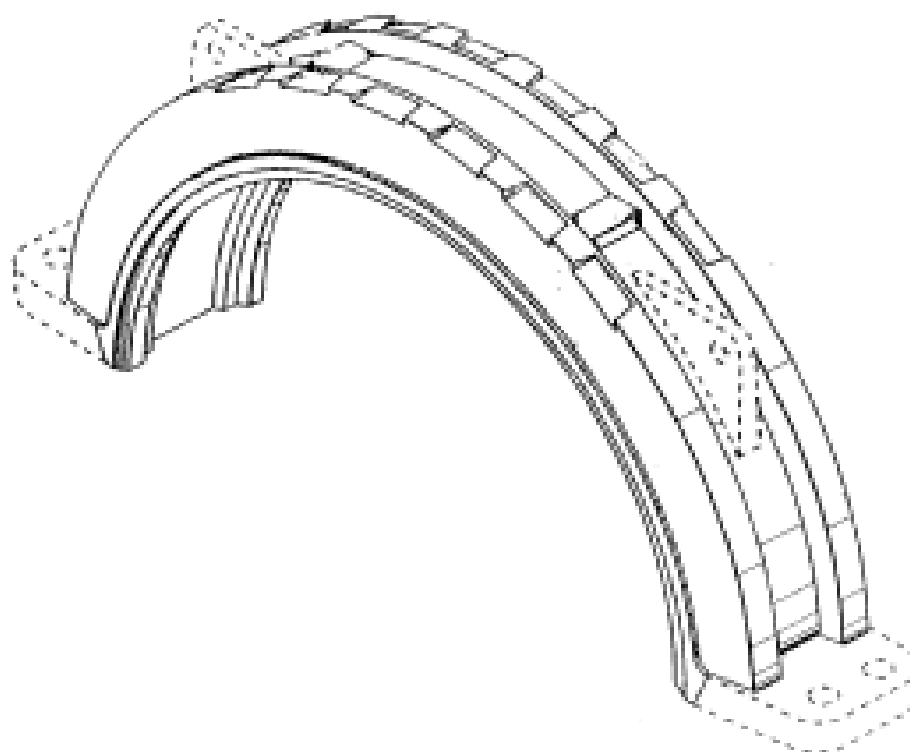
- (21) Design Number: **12751/2009**
- (22) Date of Filing Application: **24 July 2009**
- (24) Date from which industrial property rights may have effect: **24 July 2009**
- (54) Product in respect of which the design is registered: **Reversed v-interface coupling segment**
- (51) International Design Classification: **23-01A**
- (71) Name(s) and Address(s) of Applicant(s):
Victaulic Company
4901 Kesslersville Road Easton Pennsylvania 18040 United States of America
- (72) Name(s) of Designer(s): **Michael V. Porter and Torrey G. Sipos and William A. Nagle**
- (45) Registration Date: **02 September 2009**
- (30) Convention priority data:

(31) Number	(32) Date	(33) Country
29/331497	27 Jan 2009	UNITED STATES OF AMERICA
- (56) Related Art Documents: **Not Applicable**
- (57) Statement of Newness and Distinctiveness: **Newness and distinctiveness is claimed in those features of shape and/or configuration of a reversed v-interface coupling segment illustrated in continuous lines in the accompanying representations.**

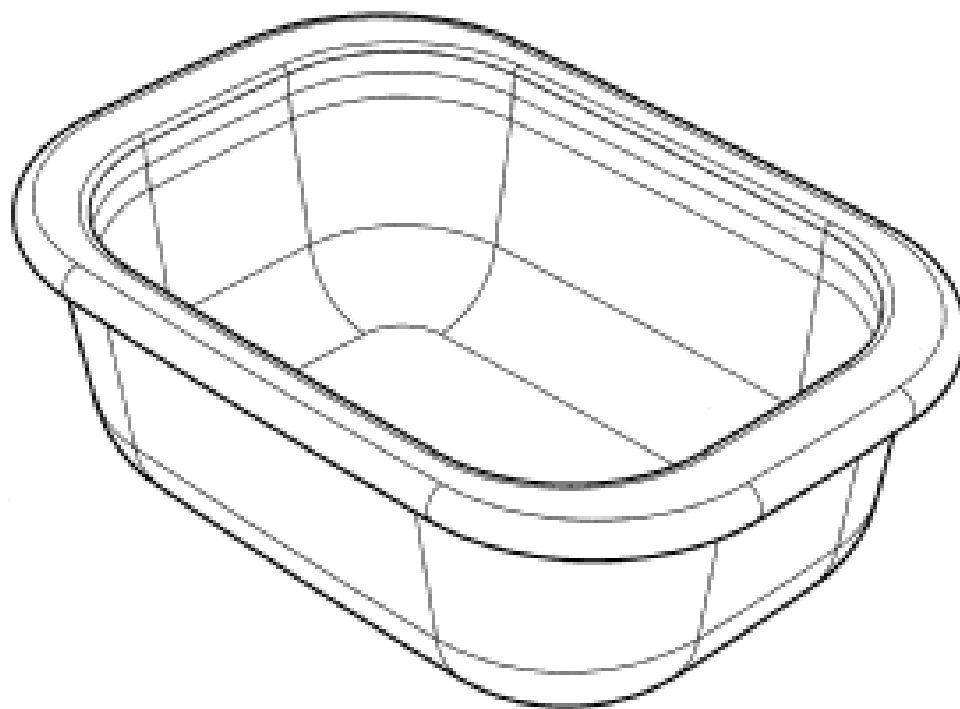


- (21) Design Number: **12753/2009**
- (22) Date of Filing Application: **24 July 2009**
- (24) Date from which industrial property rights may have effect: **24 July 2009**
- (54) Product in respect of which the design is registered: **Pipe coupling segment**
- (51) International Design Classification: **23-01A**
- (71) Name(s) and Address(s) of Applicant(s):
Victaulic Company
4901 Kesslersville Road Easton Pennsylvania 18040 United States of America
- (72) Name(s) of Designer(s): **Amit R. Shah and Douglas R. Dole and John W. Pierce and Scott D. Madara**
- (45) Registration Date: **02 September 2009**
- (30) Convention priority data:

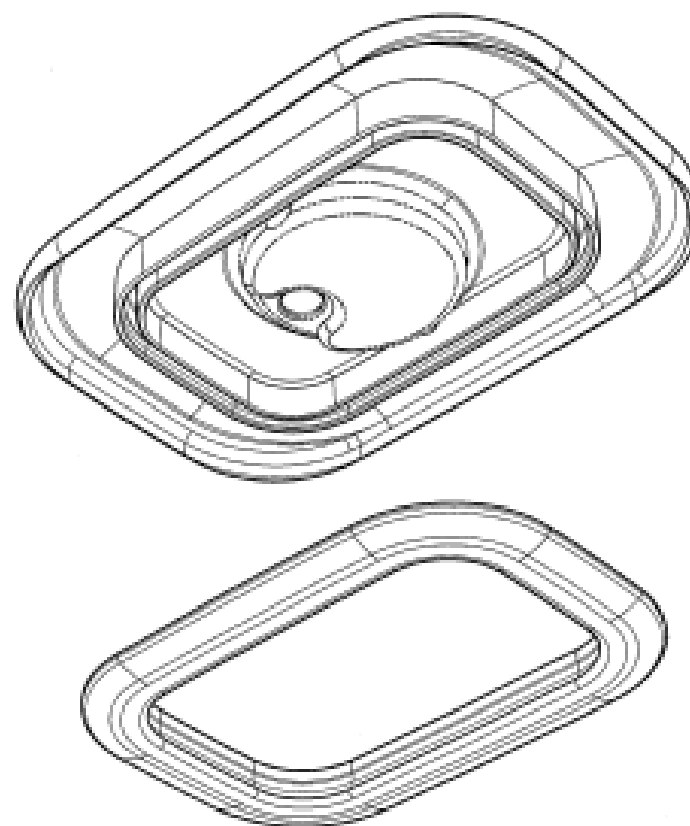
(31) Number	(32) Date	(33) Country
29/331485	27 Jan 2009	UNITED STATES OF AMERICA
- (56) Related Art Documents: **Not Applicable**
- (57) Statement of Newness and Distinctiveness: **Newness and distinctiveness is claimed in those features of shape and/or configuration of a pipe coupling segment illustrated in continuous lines in the accompanying representations.**



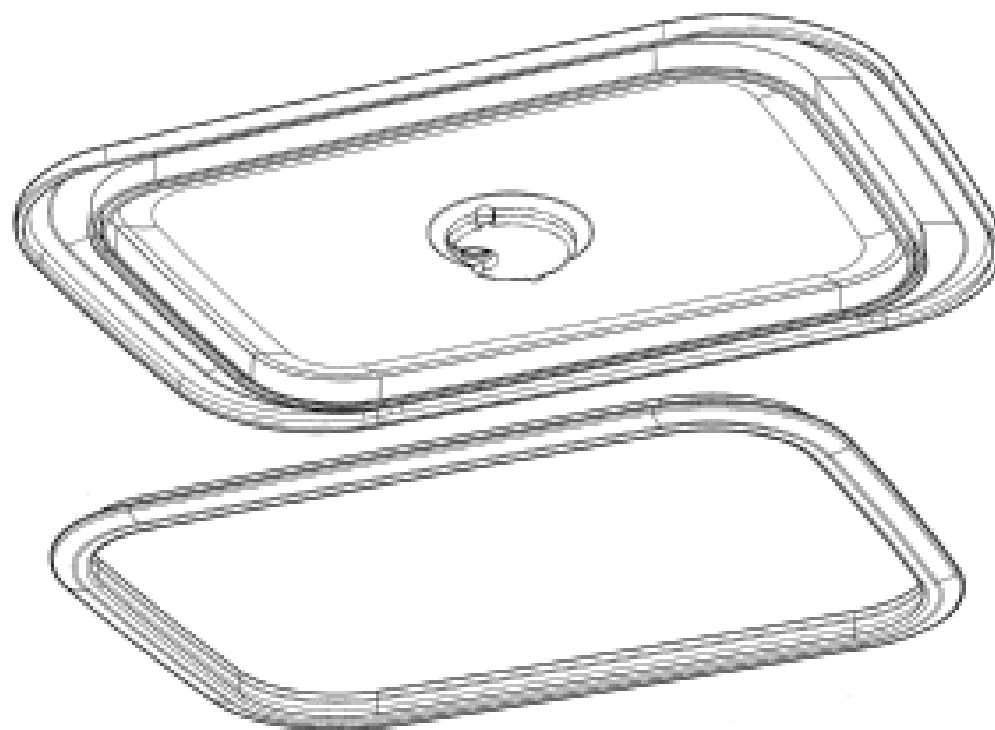
- (21) Design Number: **12998/2009**
(22) Date of Filing Application: **10 August 2009**
(24) Date from which industrial property rights may have effect: **10 August 2009**
(54) Product in respect of which the design is registered: **Container**
(51) International Design Classification: **07-01NES, 09-03M**
(71) Name(s) and Address(s) of Applicant(s):
The Decor Corporation Pty Ltd
1314 Ferntree Gully Road Scoresby Victoria 3179 Australia
(72) Name(s) of Designer(s): **James Samartgis**
(45) Registration Date: **02 September 2009**
(56) Related Art Documents: **Not Applicable**
(57) Statement of Newness and Distinctiveness: **Nil**



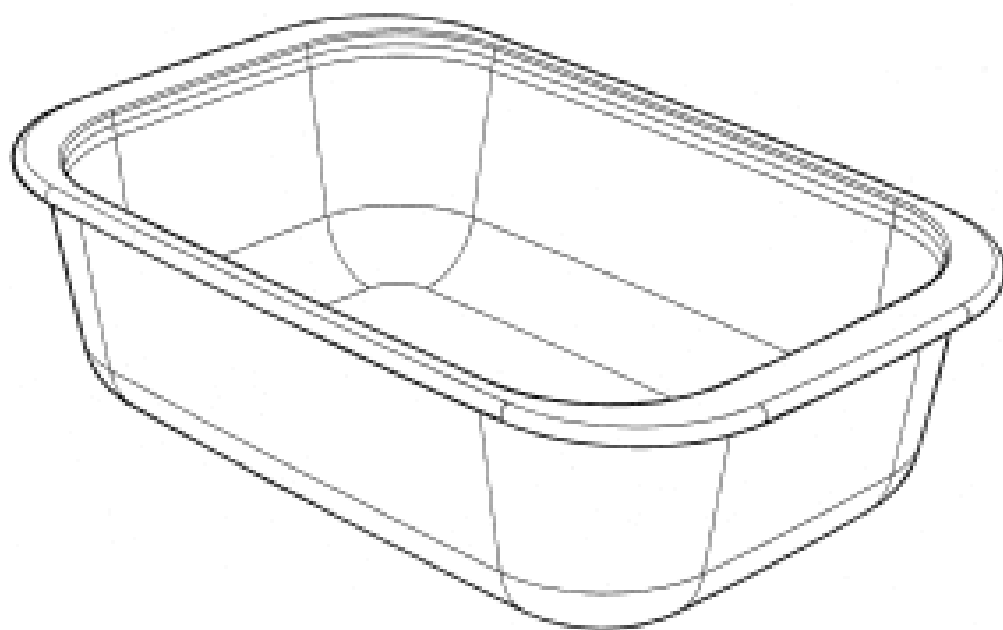
- (21) Design Number: **12999/2009**
(22) Date of Filing Application: **10 August 2009**
(24) Date from which industrial property rights may have effect: **10 August 2009**
(54) Product in respect of which the design is registered: **Lid and seal for container**
(51) International Design Classification: **07-01NES, 09-07C**
(71) Name(s) and Address(s) of Applicant(s):
The Decor Corporation Pty Ltd
1314 Ferntree Gully Road Scoresby Victoria 3179 Australia
(72) Name(s) of Designer(s): **James Samartgis**
(45) Registration Date: **02 September 2009**
(56) Related Art Documents: **Not Applicable**
(57) Statement of Newness and Distinctiveness: **The design resides in the application of the features of shape and configuration to a lid for a container (referred to in the representations as Item 1) and to a seal (referred to in the representations as Item 2) for use with the said lid.**



- (21) Design Number: **13000/2009**
(22) Date of Filing Application: **10 August 2009**
(24) Date from which industrial property rights may have effect: **10 August 2009**
(54) Product in respect of which the design is registered: **Lid and seal for container**
(51) International Design Classification: **07-01NES, 09-07C**
(71) Name(s) and Address(s) of Applicant(s):
The Decor Corporation Pty Ltd
1314 Ferntree Gully Road Scoresby Victoria 3179 Australia
(72) Name(s) of Designer(s): **James Samartgis**
(45) Registration Date: **02 September 2009**
(56) Related Art Documents: **Not Applicable**
(57) Statement of Newness and Distinctiveness: **The design resides in the application of the features of shape and configuration to a lid for a container (referred to in the representations as Item 1) and to a seal (referred to in the representations as Item 2) for use with the said lid.**



- (21) Design Number: **13006/2009**
(22) Date of Filing Application: **10 August 2009**
(24) Date from which industrial property rights may have effect: **10 August 2009**
(54) Product in respect of which the design is registered: **Container**
(51) International Design Classification: **09-03M**
(71) Name(s) and Address(s) of Applicant(s):
The Decor Corporation Pty Ltd
1314 Ferntree Gully Road Scoresby Victoria 3179 Australia
(72) Name(s) of Designer(s): **James Samartgis**
(45) Registration Date: **02 September 2009**
(56) Related Art Documents: **Not Applicable**
(57) Statement of Newness and Distinctiveness: **Nil**



(21) Design Number: **13007/2009**

(22) Date of Filing Application: **10 August 2009**

(24) Date from which industrial property rights may have effect: **10 August 2009**

(54) Product in respect of which the design is registered: **Container**

(51) International Design Classification: **09-03M**

(71) Name(s) and Address(s) of Applicant(s):

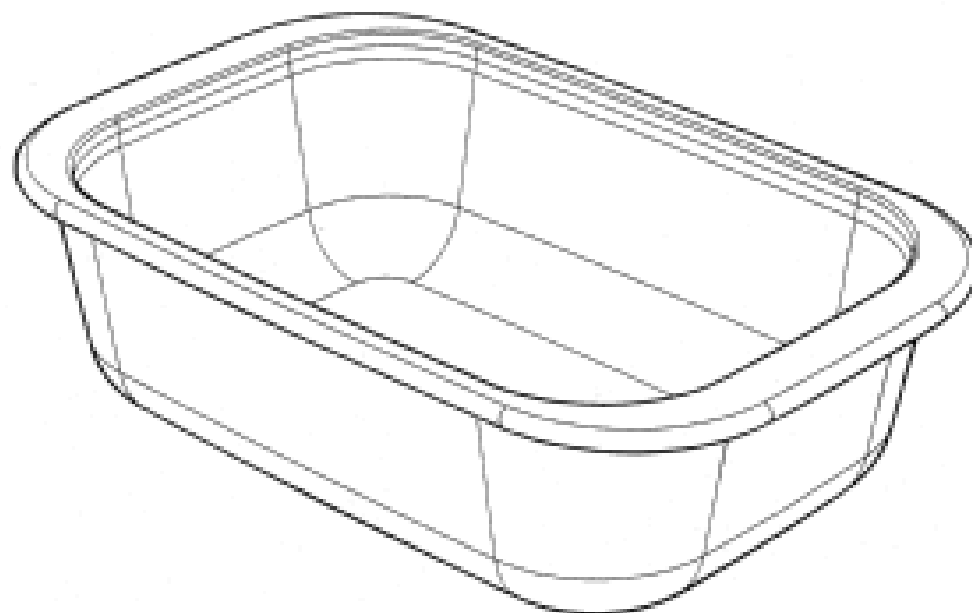
**The Decor Corporation Pty Ltd
1314 Ferntree Gully Road Scoresby Victoria 3179 Australia**

(72) Name(s) of Designer(s): **James Samartgis**

(45) Registration Date: **02 September 2009**

(56) Related Art Documents: **Not Applicable**

(57) Statement of Newness and Distinctiveness: **Nil**



(21) Design Number: **13008/2009**

(22) Date of Filing Application: **10 August 2009**

(24) Date from which industrial property rights may have effect: **10 August 2009**

(54) Product in respect of which the design is registered: **Container**

(51) International Design Classification: **09-03M**

(71) Name(s) and Address(s) of Applicant(s):

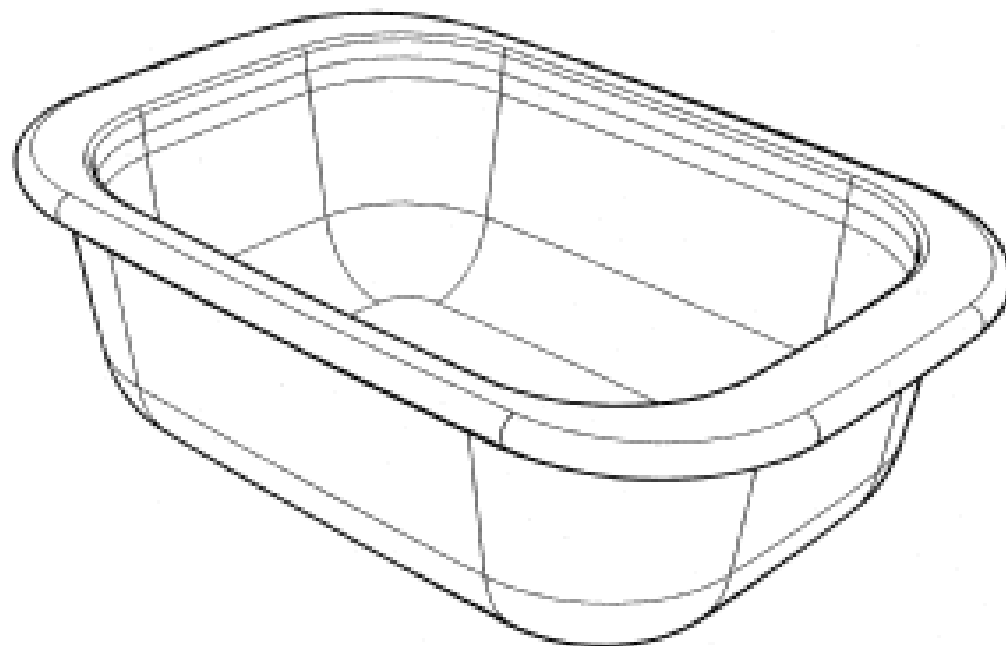
**The Decor Corporation Pty Ltd
1314 Ferntree Gully Road Scoresby Victoria 3179 Australia**

(72) Name(s) of Designer(s): **James Samartgis**

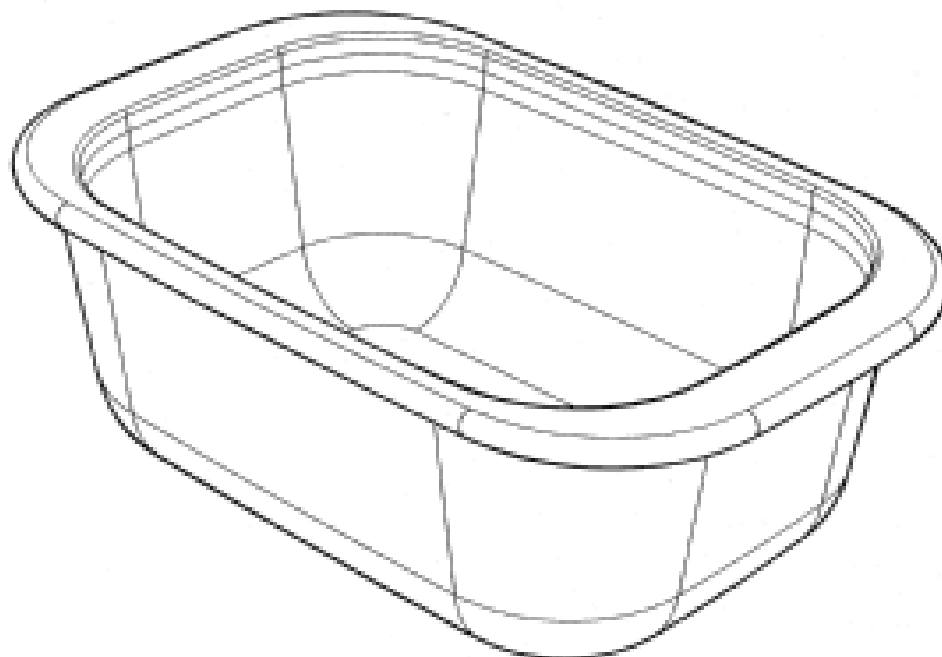
(45) Registration Date: **02 September 2009**

(56) Related Art Documents: **Not Applicable**

(57) Statement of Newness and Distinctiveness: **Nil**



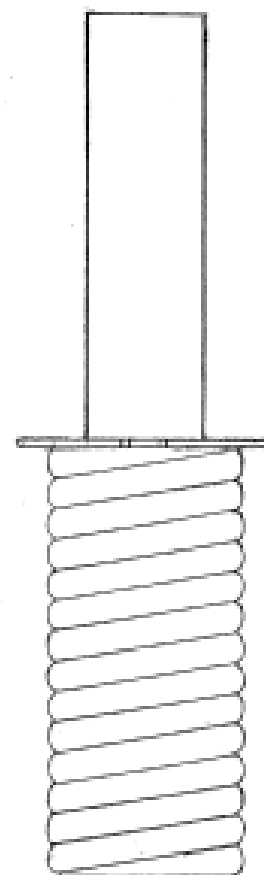
- (21) Design Number: **13009/2009**
(22) Date of Filing Application: **10 August 2009**
(24) Date from which industrial property rights may have effect: **10 August 2009**
(54) Product in respect of which the design is registered: **Container**
(51) International Design Classification: **09-03M**
(71) Name(s) and Address(s) of Applicant(s):
The Decor Corporation Pty Ltd
1314 Ferntree Gully Road Scoresby Victoria 3179 Australia
(72) Name(s) of Designer(s): **James Samartgis**
(45) Registration Date: **02 September 2009**
(56) Related Art Documents: **Not Applicable**
(57) Statement of Newness and Distinctiveness: **Nil**



- (21) Design Number: **13010/2009**
(22) Date of Filing Application: **10 August 2009**
(24) Date from which industrial property rights may have effect: **10 August 2009**
(54) Product in respect of which the design is registered: **Post adapter**
(51) International Design Classification: **08-08NES**
(71) Name(s) and Address(s) of Applicant(s):
Wayne Brendon Franklin
136A West Tamaki Road Glendowie Auckland 1072 New Zealand
(72) Name(s) of Designer(s): **Wayne Brendon Franklin**
(45) Registration Date: **02 September 2009**
(30) Convention priority data:

(31) Number	(32) Date	(33) Country
411888	11 Feb 2009	NEW ZEALAND

(56) Related Art Documents: **Not Applicable**
(57) Statement of Newness and Distinctiveness: **This design is to be applied to a Post Adapter and the novelty resides in the features of shape and configuration of the article shown in the accompanying representations.**



(21) Design Number: **10599/2009**

(22) Date of Filing Application: **26 February 2009**

(24) Date from which industrial property rights may have effect: **26 February 2009**

(54) Product in respect of which the design is registered: **Tube connector**

(51) International Design Classification: **23-01B**

(71) Name(s) and Address(s) of Applicant(s):

David George Cook

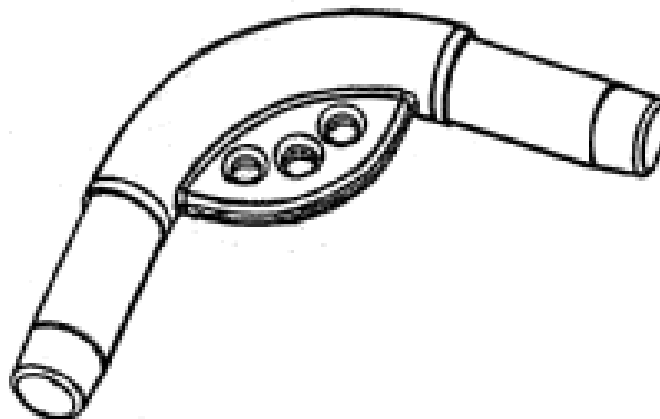
14 Binary Street Yatala Queensland 4207 Australia

(72) Name(s) of Designer(s): **David George Cook**

(45) Registration Date: **02 September 2009**

(56) Related Art Documents: **Not Applicable**

(57) Statement of Newness and Distinctiveness: **Newness and distinctiveness reside in the features of shape and configuration of a tube connector as shown in the accompanying representations.**



(21) Design Number: **10600/2009**

(22) Date of Filing Application: **26 February 2009**

(24) Date from which industrial property rights may have effect: **26 February 2009**

(54) Product in respect of which the design is registered: **Tube connector**

(51) International Design Classification: **23-01B**

(71) Name(s) and Address(s) of Applicant(s):

David George Cook

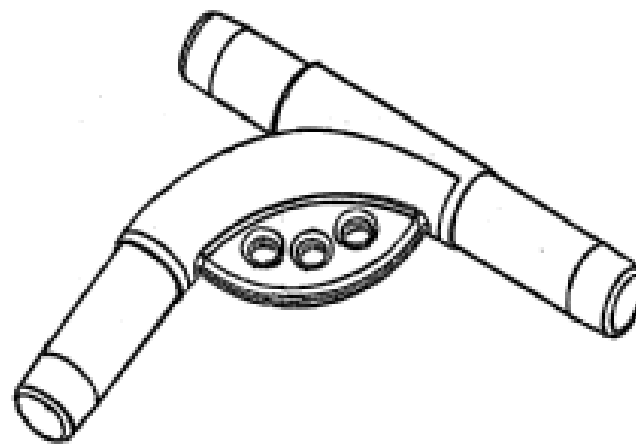
14 Binary Street Yatala Queensland 4207 Australia

(72) Name(s) of Designer(s): **David George Cook**

(45) Registration Date: **02 September 2009**

(56) Related Art Documents: **Not Applicable**

(57) Statement of Newness and Distinctiveness: **Newness and distinctiveness reside in the features of shape and configuration of a tube connector as shown in the accompanying representations.**



(21) Design Number: **10601/2009**

(22) Date of Filing Application: **26 February 2009**

(24) Date from which industrial property rights may have effect: **26 February 2009**

(54) Product in respect of which the design is registered: **Tube Connector**

(51) International Design Classification: **23-01B**

(71) Name(s) and Address(s) of Applicant(s):

David George Cook

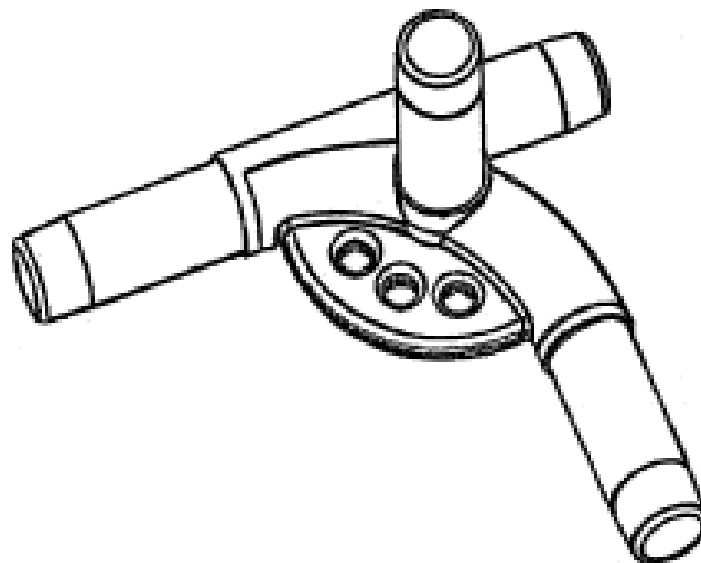
14 Binary Street Yatala Queensland 4207 Australia

(72) Name(s) of Designer(s): **David George Cook**

(45) Registration Date: **02 September 2009**

(56) Related Art Documents: **Not Applicable**

(57) Statement of Newness and Distinctiveness: **Newness and distinctiveness reside in the features of shape and configuration of a tube connector as shown in the accompanying representations.**



(21) Design Number: **10602/2009**

(22) Date of Filing Application: **26 February 2009**

(24) Date from which industrial property rights may have effect: **26 February 2009**

(54) Product in respect of which the design is registered: **Tube connector**

(51) International Design Classification: **23-01B**

(71) Name(s) and Address(s) of Applicant(s):

David George Cook

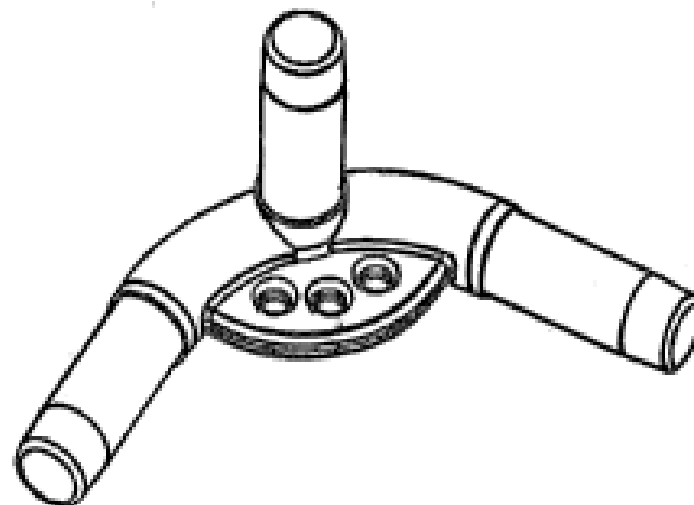
14 Binary Street Yatala Queensland 4207 Australia

(72) Name(s) of Designer(s): **David George Cook**

(45) Registration Date: **02 September 2009**

(56) Related Art Documents: **Not Applicable**

(57) Statement of Newness and Distinctiveness: **Newness and distinctiveness reside in the features of shape and configuration of a tube connector as shown in the accompanying representations.**



(21) Design Number: **10603/2009**

(22) Date of Filing Application: **26 February 2009**

(24) Date from which industrial property rights may have effect: **26 February 2009**

(54) Product in respect of which the design is registered: **Tube connector**

(51) International Design Classification: **23-01B**

(71) Name(s) and Address(s) of Applicant(s):

David George Cook

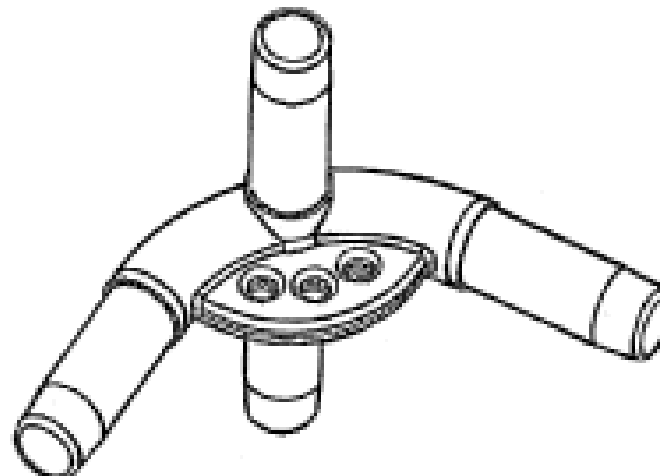
14 Binary Street Yatala Queensland 4207 Australia

(72) Name(s) of Designer(s): **David George Cook**

(45) Registration Date: **02 September 2009**

(56) Related Art Documents: **Not Applicable**

(57) Statement of Newness and Distinctiveness: **Newness and distinctiveness reside in the features of shape and configuration of a tube connector as shown in the accompanying representations.**



(21) Design Number: **10604/2009**

(22) Date of Filing Application: **26 February 2009**

(24) Date from which industrial property rights may have effect: **26 February 2009**

(54) Product in respect of which the design is registered: **Tube connector**

(51) International Design Classification: **23-01B**

(71) Name(s) and Address(s) of Applicant(s):

David George Cook

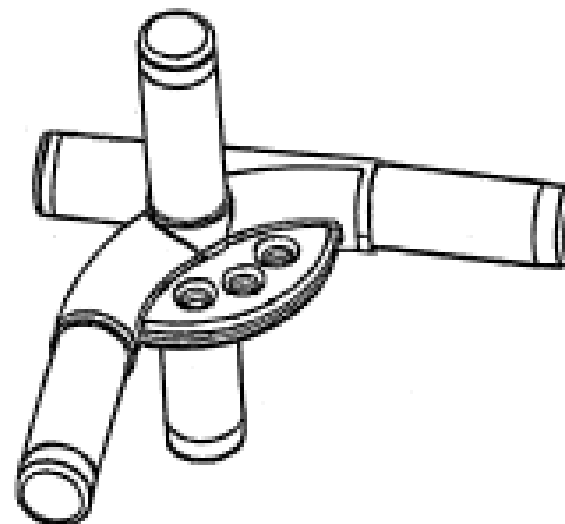
14 Binary Street Yatala Queensland 4207 Australia

(72) Name(s) of Designer(s): **David George Cook**

(45) Registration Date: **02 September 2009**

(56) Related Art Documents: **Not Applicable**

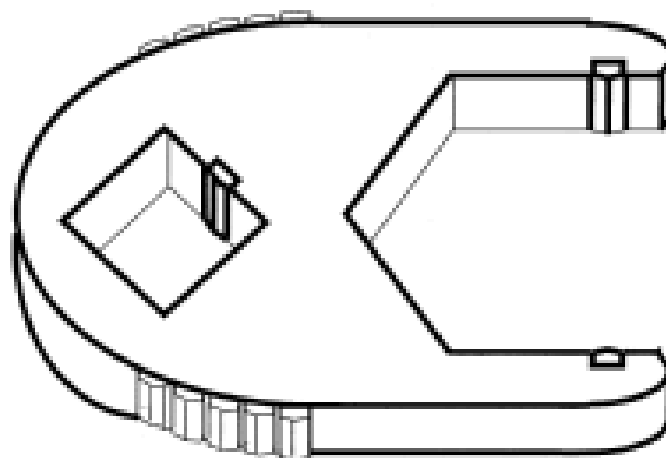
(57) Statement of Newness and Distinctiveness: **Newness and distinctiveness reside in the features of shape and configuration of a tube connector as shown in the accompanying representations.**



- (21) Design Number: **11965/2009**
- (22) Date of Filing Application: **29 May 2009**
- (24) Date from which industrial property rights may have effect: **29 May 2009**
- (54) Product in respect of which the design is registered: **Plumbers basin spanner**
- (51) International Design Classification: **08-05P**
- (71) Name(s) and Address(s) of Applicant(s):

Colin Roy Stone
122 Rosella Road Gullmarrad New South Wales 2463 Australia

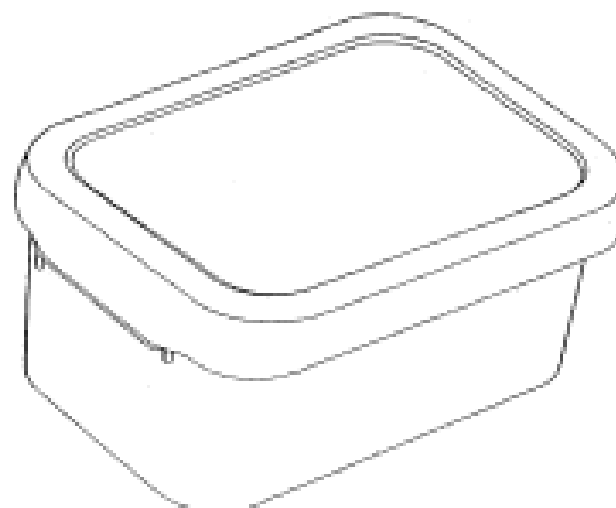
- (72) Name(s) of Designer(s): **Colin Roy Stone**
- (45) Registration Date: **02 September 2009**
- (56) Related Art Documents: **Not Applicable**
- (57) Statement of Newness and Distinctiveness: **Newness and distinctiveness is claimed in the visual features of the design in shape and configuration thereof as illustrated in the accompanying representations shown in solid lines.**



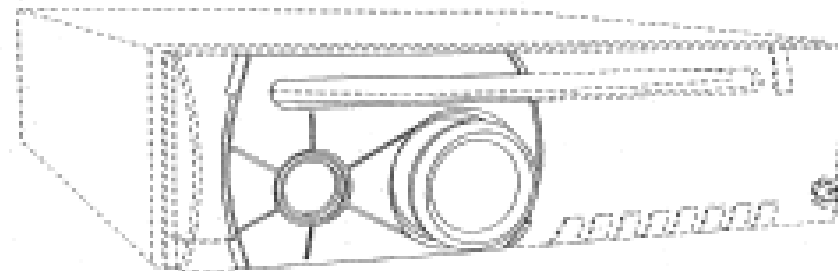
- (21) Design Number: **12991/2009**
- (22) Date of Filing Application: **07 August 2009**
- (24) Date from which industrial property rights may have effect: **07 August 2009**
- (54) Product in respect of which the design is registered: **Storage container**
- (51) International Design Classification: **09-03M**
- (71) Name(s) and Address(s) of Applicant(s):

Helen of Troy Limited
13 8th Avenue Belleville PO Box 836E St Michael Barbados

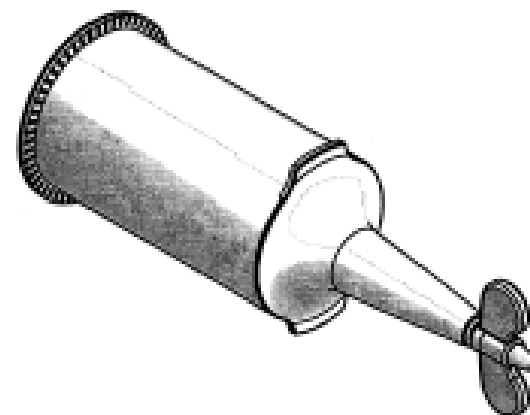
- (72) Name(s) of Designer(s): **Dean Di Pietro and Timothy Jude Kennedy and Sherwood Forlee**
- (45) Registration Date: **02 September 2009**
- (30) Convention priority data:
 - (31) Number (32) Date (33) Country
 - 29/314880 07 May 2009 UNITED STATES OF AMERICA**
- (56) Related Art Documents: **Not Applicable**
- (57) Statement of Newness and Distinctiveness: **Newness and distinctiveness is claimed in the features of shape and/or configuration of a storage container as illustrated in the accompanying representations.**



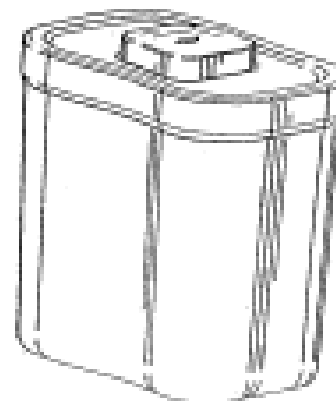
- (21) Design Number: **12992/2009**
(22) Date of Filing Application: **07 August 2009**
(24) Date from which industrial property rights may have effect: **07 August 2009**
(54) Product in respect of which the design is registered: **Audio player**
(51) International Design Classification: **14-01**
(71) Name(s) and Address(s) of Applicant(s):
Clarion Co., Ltd.
35-2 Hakusan 5-chome Bunkyo-ku Tokyo Japan
(72) Name(s) of Designer(s): **Muneki Sugita**
(45) Registration Date: **02 September 2009**
(56) Related Art Documents: **Not Applicable**
(57) Statement of Newness and Distinctiveness: **Newness and distinctiveness is claimed in those features of shape and/or configuration of an audio player as illustrated in continuous lines and labelled A and B in the accompanying representations.**



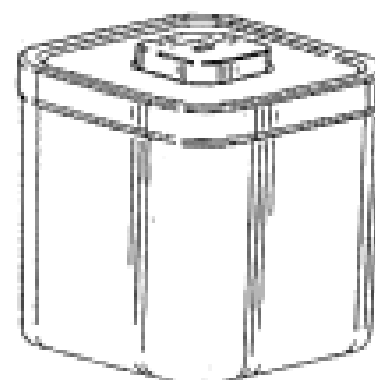
- (21) Design Number: **13011/2009**
(22) Date of Filing Application: **10 August 2009**
(24) Date from which industrial property rights may have effect: **10 August 2009**
(54) Product in respect of which the design is registered: **Fluid dispenser**
(51) International Design Classification: **23-01NES**
(71) Name(s) and Address(s) of Applicant(s):
PR Enterprises Pty Ltd
Ground Floor 18 Dequetteville Terrace Kent Town South Australia
5067 Australia
(72) Name(s) of Designer(s): **Robert Sladojevic and Peter Perkins**
(45) Registration Date: **02 September 2009**
(56) Related Art Documents: **Not Applicable**
(57) Statement of Newness and Distinctiveness: **Newness and distinctiveness reside in the features of the design as shown in the representations.**



- (21) Design Number: **13012/2009**
(22) Date of Filing Application: **10 August 2009**
(24) Date from which industrial property rights may have effect: **10 August 2009**
(54) Product in respect of which the design is registered: **Storage container**
(51) International Design Classification: **09-03M**
(71) Name(s) and Address(s) of Applicant(s):
Helen of Troy Limited
13 8th Avenue Belleville PO Box 836E St Michael Barbados
(72) Name(s) of Designer(s): **Tamotsu Matsumoto and Makiko Kida and Eugene Ryu Kaneko**
(45) Registration Date: **02 September 2009**
(30) Convention priority data:
(31) Number (32) Date (33) Country
29/314882 07 May 2009 UNITED STATES OF AMERICA
(56) Related Art Documents: **Not Applicable**
(57) Statement of Newness and Distinctiveness: **Newness and distinctiveness is claimed in the features of shape and/or configuration of a storage container as illustrated in the accompanying representations.**



- (21) Design Number: **13013/2009**
(22) Date of Filing Application: **10 August 2009**
(24) Date from which industrial property rights may have effect: **10 August 2009**
(54) Product in respect of which the design is registered: **Storage container**
(51) International Design Classification: **09-03M**
(71) Name(s) and Address(s) of Applicant(s):
Helen of Troy Limited
13 8th Avenue Belleville PO Box 836E St Michael Barbados
(72) Name(s) of Designer(s): **Tamotsu Matsumoto and Makiko Kida and Eugene Ryu Kaneko**
(45) Registration Date: **02 September 2009**
(30) Convention priority data:
(31) Number (32) Date (33) Country
29/314882 07 May 2009 UNITED STATES OF AMERICA
(56) Related Art Documents: **Not Applicable**
(57) Statement of Newness and Distinctiveness: **Newness and distinctiveness is claimed in the features of shape and/or configuration of a storage container as illustrated in the accompanying representations.**



(21) Design Number: **13017/2009**

(22) Date of Filing Application: **11 August 2009**

(24) Date from which industrial property rights may have effect: **11 August 2009**

(54) Product in respect of which the design is registered: **Square shower fitting**

(51) International Design Classification: **23-02B**

(71) Name(s) and Address(s) of Applicant(s):

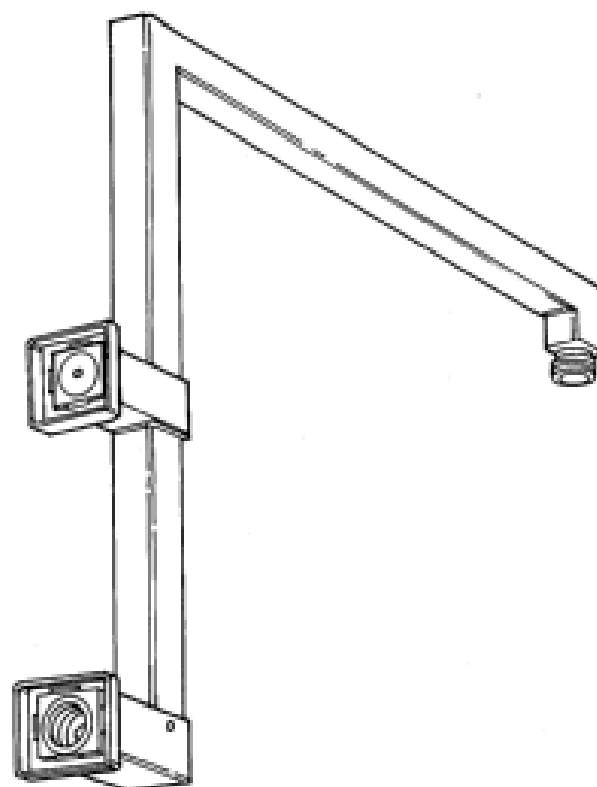
**Novetec Building Products Pty Ltd
PO Box 1596 Osborne Park Western Australia 6916 Australia**

(72) Name(s) of Designer(s): **John Rigo**

(45) Registration Date: **03 September 2009**

(56) Related Art Documents: **Not Applicable**

(57) Statement of Newness and Distinctiveness: **The particular visual features of the design which are new and distinctive are shape or configuration.**



(21) Design Number: **13018/2009**

(22) Date of Filing Application: **11 August 2009**

(24) Date from which industrial property rights may have effect: **11 August 2009**

(54) Product in respect of which the design is registered: **Rectangular cigarette-making machine**

(51) International Design Classification: **27-99**

(71) Name(s) and Address(s) of Applicant(s):

**Republic Tobacco L.P.
2301 Ravine Way Glenview IL 60025 United States of America**

(72) Name(s) of Designer(s): **Mei Lin**

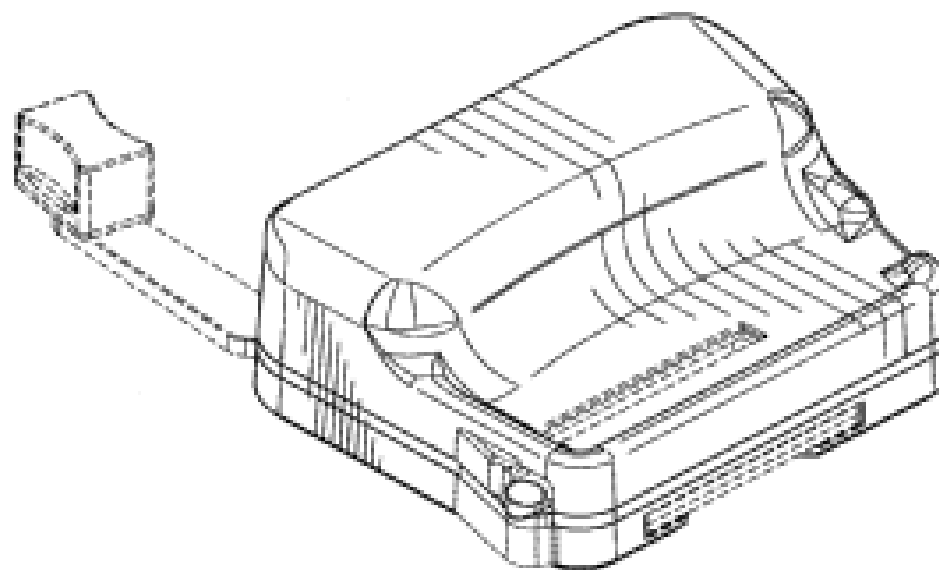
(45) Registration Date: **03 September 2009**

(30) Convention priority data:

(31) Number	(32) Date	(33) Country
29/340673	23 Jul 2009	UNITED STATES OF AMERICA

(56) Related Art Documents: **Not Applicable**

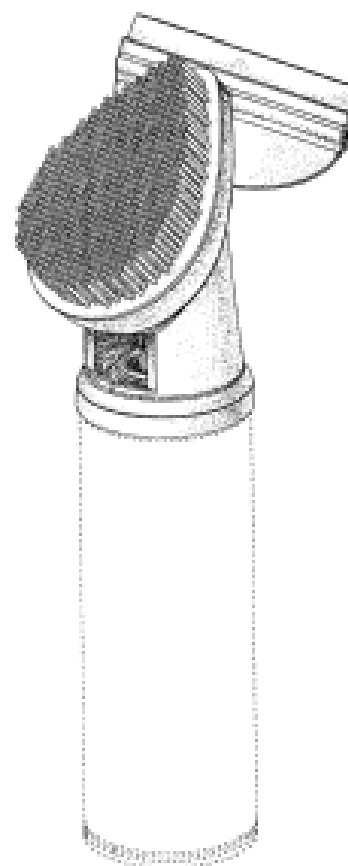
(57) Statement of Newness and Distinctiveness: **When determining whether the design 1 is substantially similar in overall impression to another design, it should be noted that the broken line representations in the figures are for the purpose of illustration only, and form no part of the design.**



(21) Design Number: **13019/2009**
 (22) Date of Filing Application: **11 August 2009**
 (24) Date from which industrial property rights may have effect: **11 August 2009**
 (54) Product in respect of which the design is registered: **Aerosol cleaner tool**
 (51) International Design Classification: **09-07A**
 (71) Name(s) and Address(s) of Applicant(s):
BISSELL Homecare, Inc.
2345 Walker Avenue N.W. Grand Rapids MI 49544 United States of America
 (72) Name(s) of Designer(s): **Ambreese Hill**
 (45) Registration Date: **03 September 2009**
 (30) Convention priority data:

(31) Number	(32) Date	(33) Country
29/332232	11 Feb 2009	UNITED STATES OF AMERICA

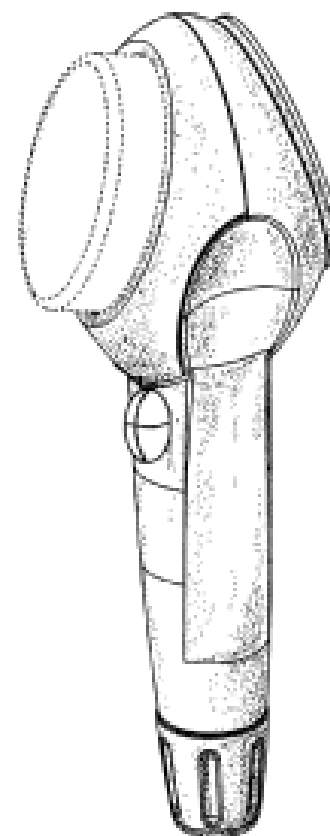
 (56) Related Art Documents: **Not Applicable**
 (57) Statement of Newness and Distinctiveness: **The shape and configuration of the product (which is shown with solid lines in the figures) is new and distinctive.**



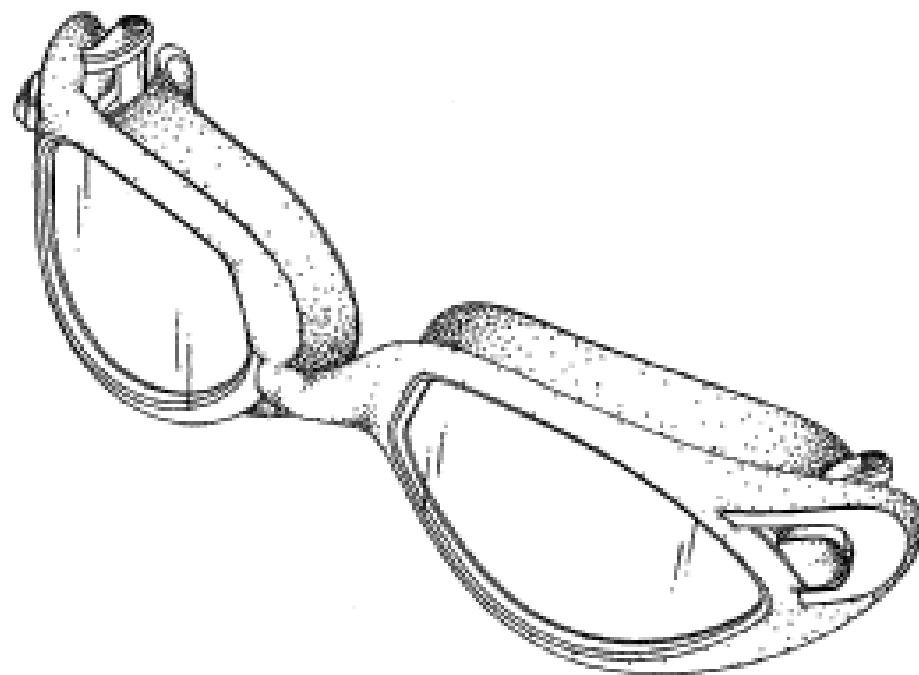
(21) Design Number: **13020/2009**
 (22) Date of Filing Application: **11 August 2009**
 (24) Date from which industrial property rights may have effect: **11 August 2009**
 (54) Product in respect of which the design is registered: **Clean up tool**
 (51) International Design Classification: **04-01**
 (71) Name(s) and Address(s) of Applicant(s):
BISSELL Homecare, Inc.
2345 Walker Avenue N.W. Grand Rapids MI 49544 United States of America
 (72) Name(s) of Designer(s): **Ambreese Hill and Meghan L. McNeil**
 (45) Registration Date: **03 September 2009**
 (30) Convention priority data:

(31) Number	(32) Date	(33) Country
29/332247	11 Feb 2009	UNITED STATES OF AMERICA

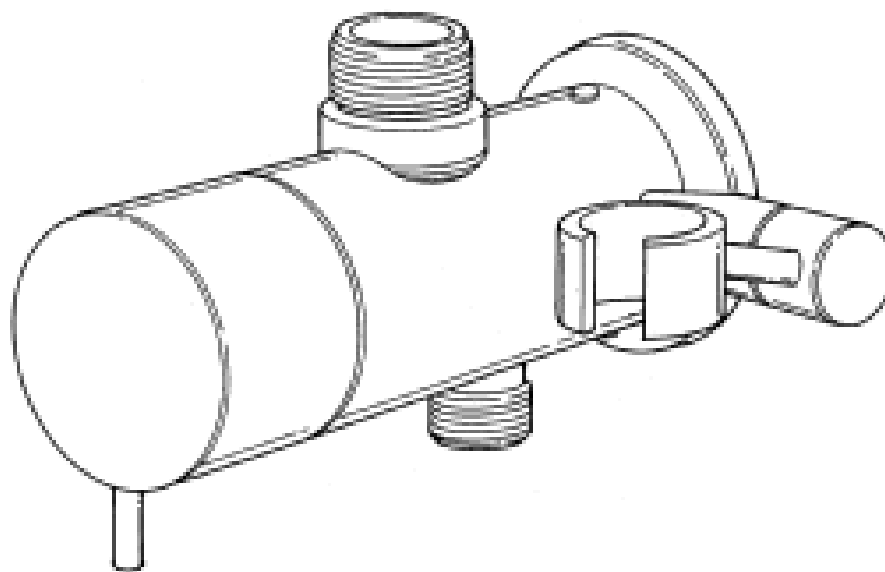
 (56) Related Art Documents: **Not Applicable**
 (57) Statement of Newness and Distinctiveness: **The shape and configuration of the product (which is shown with solid lines in the figures) is new and distinctive.**



(21) Design Number: **13029/2009**
(22) Date of Filing Application: **12 August 2009**
(24) Date from which industrial property rights may have effect: **12 August 2009**
(54) Product in respect of which the design is registered: **Swimming goggles**
(51) International Design Classification: **16-06**
(71) Name(s) and Address(s) of Applicant(s):
Herman Chiang
11F-2 No. 634-9 Ching-Ping Rd Chung-Ho City Taipei Hsien Taiwan
(72) Name(s) of Designer(s): **Herman Chiang**
(45) Registration Date: **03 September 2009**
(56) Related Art Documents: **Not Applicable**
(57) Statement of Newness and Distinctiveness: **Nil**



(21) Design Number: **12947/2009**
(22) Date of Filing Application: **07 August 2009**
(24) Date from which industrial property rights may have effect: **07 August 2009**
(54) Product in respect of which the design is registered: **Tap ware**
(51) International Design Classification: **23-01H**
(71) Name(s) and Address(s) of Applicant(s):
Novetec Building Products Pty Ltd
PO Box 1596 Osborne Park Western Australia 6916 Australia
(72) Name(s) of Designer(s): **John Rigo**
(45) Registration Date: **03 September 2009**
(56) Related Art Documents: **Not Applicable**
(57) Statement of Newness and Distinctiveness: **The particular visual features of the design which are new and distinctive are shape OR configuration.**



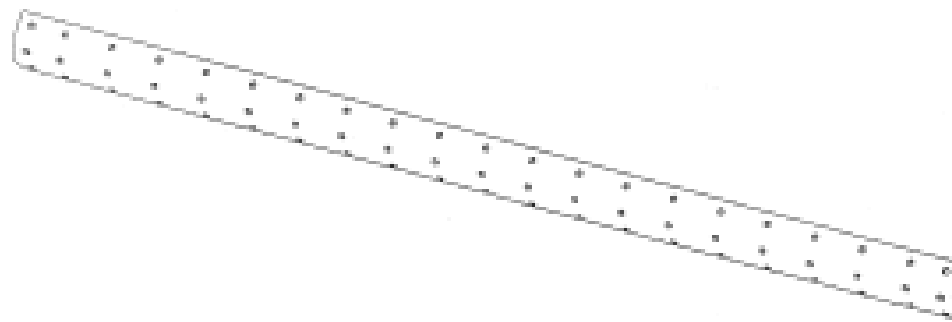
(21) Design Number: **12948/2009**
(22) Date of Filing Application: **06 August 2009**
(24) Date from which industrial property rights may have effect: **06 August 2009**
(54) Product in respect of which the design is registered: **Watch**
(51) International Design Classification: **10-02**
(71) Name(s) and Address(s) of Applicant(s):
Rado Uhren AG (Rado Watch Co Ltd) (Montres Rado SA)
Bielstrasse 45 Lengnau Switzerland
(72) Name(s) of Designer(s): **Jasper Morrison**
(45) Registration Date: **03 September 2009**
(30) Convention priority data:
(31) Number (32) Date (33) Country
DM/071 424 06 Mar 2009 SWITZERLAND
(56) Related Art Documents: **Not Applicable**
(57) Statement of Newness and Distinctiveness: **Nil**



(21) Design Number: **12949/2009**
(22) Date of Filing Application: **06 August 2009**
(24) Date from which industrial property rights may have effect: **06 August 2009**
(54) Product in respect of which the design is registered: **Watch**
(51) International Design Classification: **10-02**
(71) Name(s) and Address(s) of Applicant(s):
Rado Uhren AG (Rado Watch Co Ltd) (Montres Rado SA)
Bielstrasse 45 Lengnau Switzerland
(72) Name(s) of Designer(s): **Jasper Morrison**
(45) Registration Date: **03 September 2009**
(30) Convention priority data:
(31) Number (32) Date (33) Country
DM/071 424 06 Mar 2009 SWITZERLAND
(56) Related Art Documents: **Not Applicable**
(57) Statement of Newness and Distinctiveness: **Nil**



- (21) Design Number: **12951/2009**
(22) Date of Filing Application: **06 August 2009**
(24) Date from which industrial property rights may have effect: **06 August 2009**
(54) Product in respect of which the design is registered: **Stringer or a belt conveyor system**
(51) International Design Classification: **25-02NES, 12-05**
(71) Name(s) and Address(s) of Applicant(s):
Martin Engineering Company
One Martin Place Neponset Illinois 61345 United States of America
(72) Name(s) of Designer(s): **Robert Todd Swinderman**
(45) Registration Date: **03 September 2009**
(30) Convention priority data:
(31) Number (32) Date (33) Country
29/339625 02 Jul 2009 UNITED STATES OF AMERICA
(56) Related Art Documents: **Not Applicable**
(57) Statement of Newness and Distinctiveness: **Newness and distinctiveness is claimed in the features of shape and/or configuration of a stringer of a belt conveyor system as illustrated in the accompanying representations.**



- (21) Design Number: **12997/2009**
(22) Date of Filing Application: **10 August 2009**
(24) Date from which industrial property rights may have effect: **10 August 2009**
(54) Product in respect of which the design is registered: **Wine dispenser**
(51) International Design Classification: **09-01NES**
(71) Name(s) and Address(s) of Applicant(s):
Erik Brinch Nielsen
Hjulgardsvej 15 8380 Trige Denmark
(72) Name(s) of Designer(s): **Erik Brinch Nielsen**
(45) Registration Date: **03 September 2009**
(30) Convention priority data:
(31) Number (32) Date (33) Country
001098545-0001 04 Mar 2009 EUROPEAN COMMUNITY
(56) Related Art Documents: **Not Applicable**
(57) Statement of Newness and Distinctiveness: **Newness and distinctiveness resides in the shape and configuration of the wine dispenser shown in the accompanying representations.**



(21) Design Number: **13002/2009**

(22) Date of Filing Application: **10 August 2009**

(24) Date from which industrial property rights may have effect: **10 August 2009**

(54) Product in respect of which the design is registered: **Lid and seal for container**

(51) International Design Classification: **07-01NES**

(71) Name(s) and Address(s) of Applicant(s):

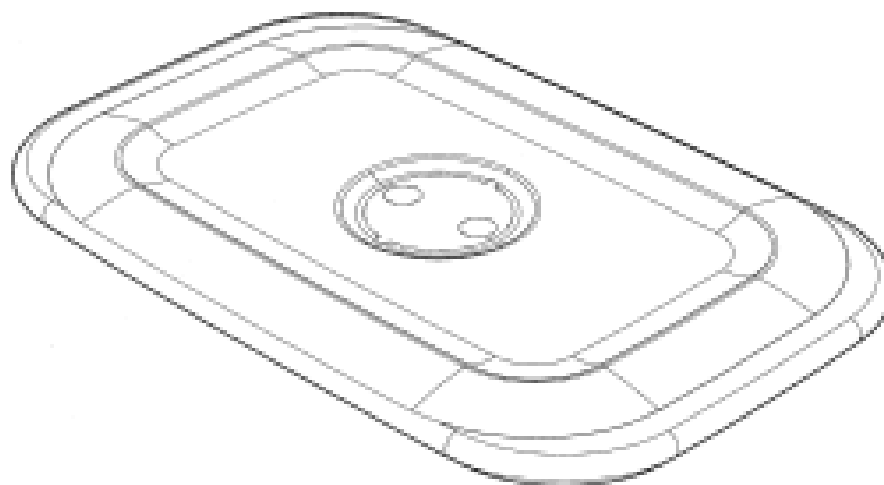
**The Decor Corporation Pty Ltd
1314 Ferntree Gully Road Scoresby Victoria 3179 Australia**

(72) Name(s) of Designer(s): **James Samartgis**

(45) Registration Date: **03 September 2009**

(56) Related Art Documents: **Not Applicable**

(57) Statement of Newness and Distinctiveness: **The design resides in the application of the features of shape and configuration to a lid for a container (referred to in the representations as item 1) and to a seal (referred to in the representations as item 2) for use with the said lid.**



(21) Design Number: **13003/2009**

(22) Date of Filing Application: **10 August 2009**

(24) Date from which industrial property rights may have effect: **10 August 2009**

(54) Product in respect of which the design is registered: **Lid and seal for container**

(51) International Design Classification: **07-01NES**

(71) Name(s) and Address(s) of Applicant(s):

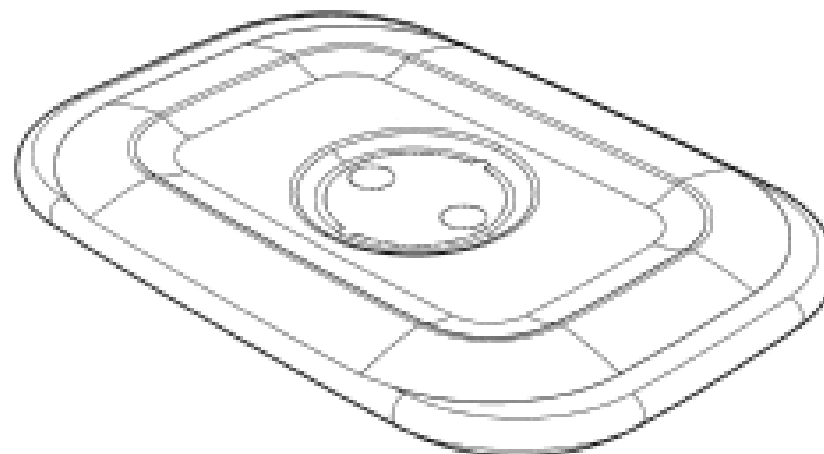
**The Decor Corporation Pty Ltd
1314 Ferntree Gully Road Scoresby Victoria 3179 Australia**

(72) Name(s) of Designer(s): **James Samartgis**

(45) Registration Date: **03 September 2009**

(56) Related Art Documents: **Not Applicable**

(57) Statement of Newness and Distinctiveness: **The design resides in the application of the features of shape and configuration to a lid for a container (referred to in the representations as item 1) and to a seal (referred to in the representations as item 2) for use with the said lid.**



(21) Design Number: **13004/2009**

(22) Date of Filing Application: **10 August 2009**

(24) Date from which industrial property rights may have effect: **10 August 2009**

(54) Product in respect of which the design is registered: **Lid and seal for container**

(51) International Design Classification: **07-01NES**

(71) Name(s) and Address(s) of Applicant(s):

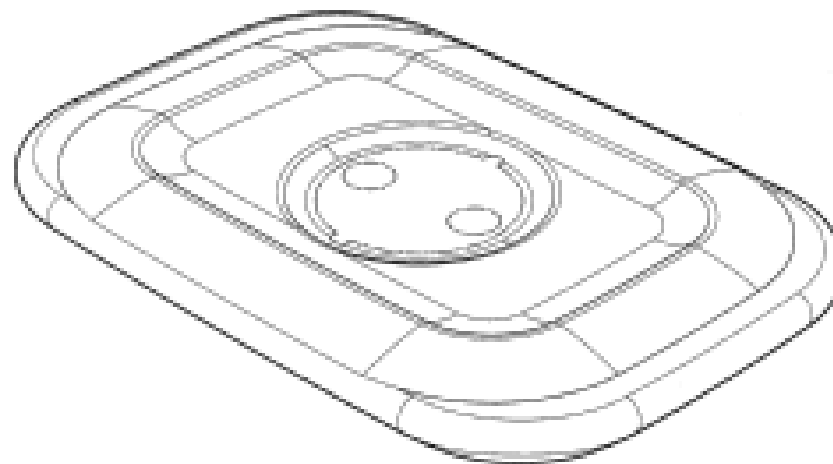
**The Decor Corporation Pty Ltd
1314 Ferntree Gully Road Scoresby Victoria 3179 Australia**

(72) Name(s) of Designer(s): **James Samartgis**

(45) Registration Date: **03 September 2009**

(56) Related Art Documents: **Not Applicable**

(57) Statement of Newness and Distinctiveness: **The design resides in the application of the features of shape and configuration to a lid for a container (referred to in the representations as item 1) and to a seal (referred to in the representations as item 2) for use with the said lid.**



(21) Design Number: **13005/2009**

(22) Date of Filing Application: **10 August 2009**

(24) Date from which industrial property rights may have effect: **10 August 2009**

(54) Product in respect of which the design is registered: **Container**

(51) International Design Classification: **09-03M**

(71) Name(s) and Address(s) of Applicant(s):

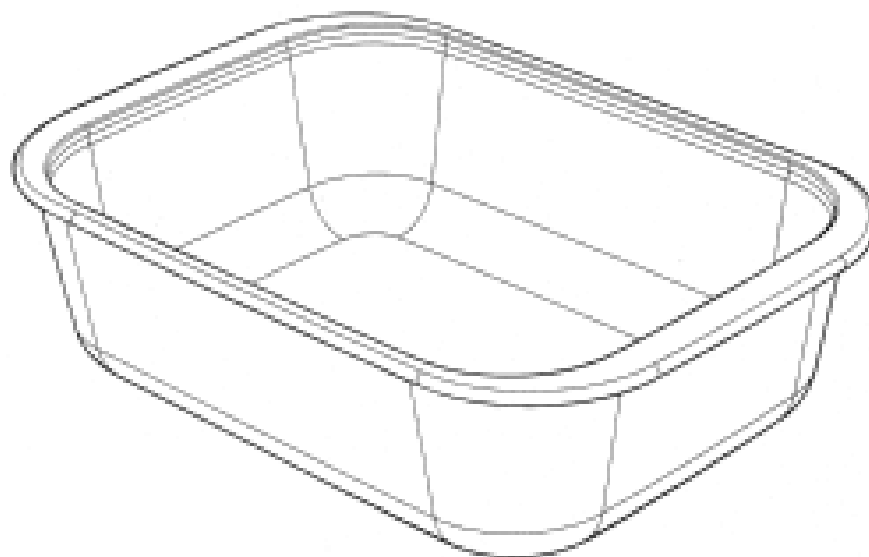
**The Decor Corporation Pty Ltd
1314 Ferntree Gully Road Scoresby Victoria 3179 Australia**

(72) Name(s) of Designer(s): **James Samartgis**

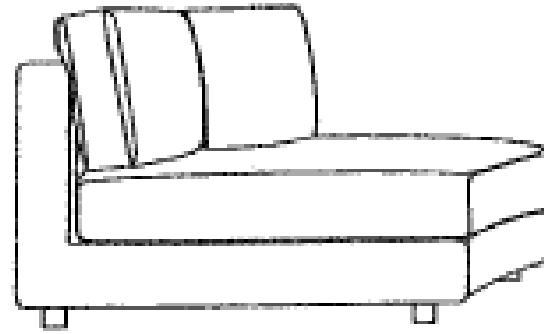
(45) Registration Date: **03 September 2009**

(56) Related Art Documents: **Not Applicable**

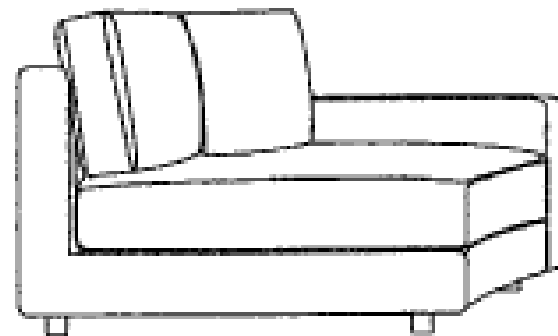
(57) Statement of Newness and Distinctiveness: **Nil**



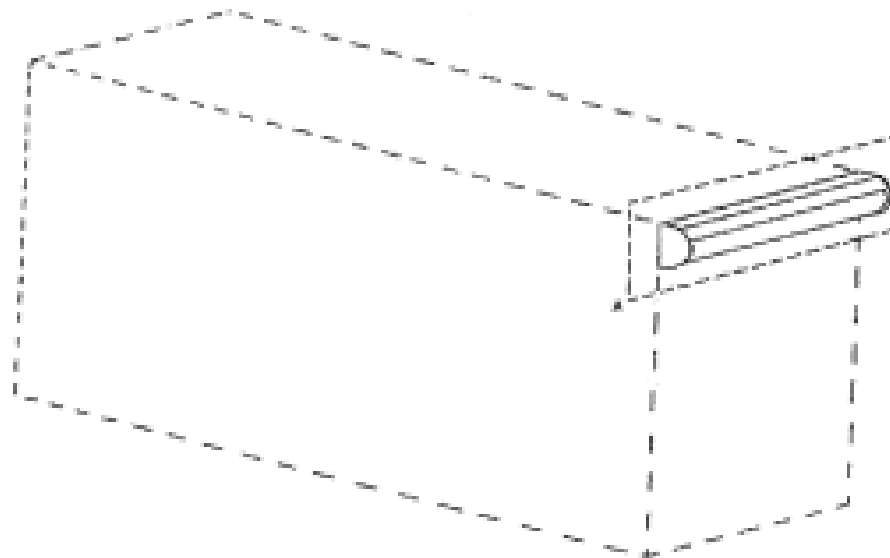
- (21) Design Number: **13022/2009**
(22) Date of Filing Application: **11 August 2009**
(24) Date from which industrial property rights may have effect: **11 August 2009**
(54) Product in respect of which the design is registered: **Article of furniture**
(51) International Design Classification: **06-01G**
(71) Name(s) and Address(s) of Applicant(s):
King Furniture (Australia) Pty Ltd
123 Turrella Street Turrella New South Wales 2205 Australia
(72) Name(s) of Designer(s): **David Russell King and Stephen Higgs**
(45) Registration Date: **03 September 2009**
(56) Related Art Documents: **Not Applicable**
(57) Statement of Newness and Distinctiveness: **Newness and distinctiveness reside in the features of the design as shown in the representations.**



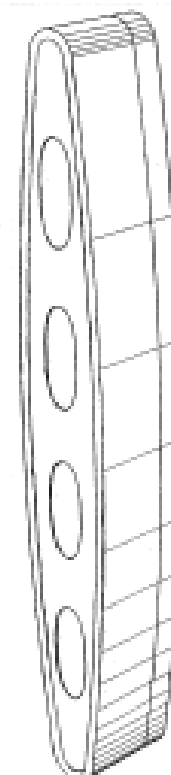
- (21) Design Number: **13023/2009**
(22) Date of Filing Application: **11 August 2009**
(24) Date from which industrial property rights may have effect: **11 August 2009**
(54) Product in respect of which the design is registered: **Article of furniture**
(51) International Design Classification: **06-01G**
(71) Name(s) and Address(s) of Applicant(s):
King Furniture (Australia) Pty Ltd
123 Turrella Street Turrella New South Wales 2205 Australia
(72) Name(s) of Designer(s): **David Russell King and Stephen Higgs**
(45) Registration Date: **03 September 2009**
(56) Related Art Documents: **Not Applicable**
(57) Statement of Newness and Distinctiveness: **Newness and distinctiveness reside in the features of the design as shown in the representations it being understood that, while the armrest is illustrated on the left side of the article of furniture, the armrest could appear on either side of the article of furniture.**



- (21) Design Number: **13024/2009**
(22) Date of Filing Application: **11 August 2009**
(24) Date from which industrial property rights may have effect: **11 August 2009**
(54) Product in respect of which the design is registered: **Truck and trailer generic container with aerofoil only**
(51) International Design Classification: **12-16K**
(71) Name(s) and Address(s) of Applicant(s):
Rinnon Products Limited
518 Kaikorai Valley Road Kenmore Dunedin 9011 New Zealand
(72) Name(s) of Designer(s): **Ian Marsh**
(45) Registration Date: **03 September 2009**
(56) Related Art Documents: **Not Applicable**
(57) Statement of Newness and Distinctiveness: **When determining whether the design 1 is substantially similar in overall impression to another design, no regard is to be had to those features shown in dotted outline in the accompanying drawings.**



- (21) Design Number: **13032/2009**
(22) Date of Filing Application: **11 August 2009**
(24) Date from which industrial property rights may have effect: **11 August 2009**
(54) Product in respect of which the design is registered: **Fragrance sampler holder**
(51) International Design Classification: **09-01G, 28-03NES**
(71) Name(s) and Address(s) of Applicant(s):
S.C. Johnson & Son, Inc.
1525 Howe Street Racine Wisconsin 53403-2236 United States of America
(72) Name(s) of Designer(s): **Michael E. Short and David A. Hoadley and Scott W. Demarest and Kit R. Morris and Sunny Kim and Matthew Grossman**
(45) Registration Date: **03 September 2009**
(30) Convention priority data:
(31) Number (32) Date (33) Country
29/332251 11 Feb 2009 UNITED STATES OF AMERICA
(56) Related Art Documents: **Not Applicable**
(57) Statement of Newness and Distinctiveness: **Newness and distinctiveness is claimed in the features of shape and/or configuration of a fragrance sampler holder as illustrated in the accompanying representations.**



(21) Design Number: **13033/2009**

(22) Date of Filing Application: **11 August 2009**

(24) Date from which industrial property rights may have effect: **11 August 2009**

(54) Product in respect of which the design is registered: **Scent module**

(51) International Design Classification: **03-01D, 09-01G, 28-03NES**

(71) Name(s) and Address(s) of Applicant(s):

S.C. Johnson & Son, Inc.
1525 Howe Street Racine Wisconsin 53403-2236 United States of America

(72) Name(s) of Designer(s): **Michael E. Short and David A. Hoadley and Scott W. Demarest and Kit R. Morris and Sunny Kim and Matthew Grossman**

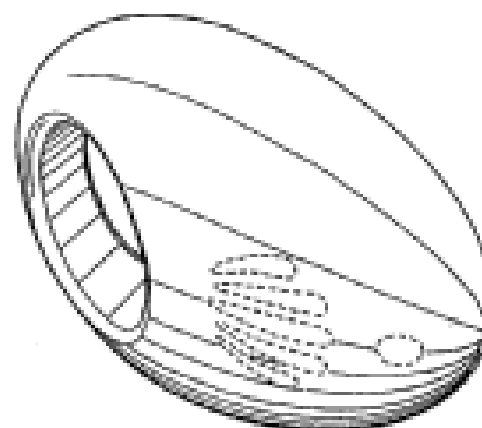
(45) Registration Date: **03 September 2009**

(30) Convention priority data:

(31) Number	(32) Date	(33) Country
29/332251	11 Feb 2009	UNITED STATES OF AMERICA

(56) Related Art Documents: **Not Applicable**

(57) Statement of Newness and Distinctiveness: **Newness and distinctiveness is claimed in those features of shape and/or configuration of a scent module as illustrated in continuous lines in the accompanying representations.**



(21) Design Number: **13034/2009**

(22) Date of Filing Application: **11 August 2009**

(24) Date from which industrial property rights may have effect: **11 August 2009**

(54) Product in respect of which the design is registered: **A digging point**

(51) International Design Classification: **08-01**

(71) Name(s) and Address(s) of Applicant(s):

Stiletto Seeding Systems Pty Ltd
278 Place Road Geraldton Western Australia 6530 Australia

(72) Name(s) of Designer(s): **Stuart Davis Smart and Mark Dawson**

(45) Registration Date: **03 September 2009**

(56) Related Art Documents: **Not Applicable**

(57) Statement of Newness and Distinctiveness: **Newness and distinctiveness is claimed in the features of shape and/or configuration of the mounting portion labelled "A" of a digging point as illustrated in the accompanying representations.**

