



Australian Government

IP Australia

AUSTRALIAN OFFICIAL JOURNAL

OF

DESIGNS

Did you know a searchable version of this journal is now available online?

It's FREE and EASY to SEARCH.

Find it at

<http://pericles.ipaustralia.gov.au/ols/epublish/content/olsEpublications.jsp>
or using the "Online Journals" link on the IP Australia home page.

This Page Left Intentionally Blank

Contents

General Information & Notices

Proceedings Under the Designs Act 1906 preserved as a result of the provisions of Chapter 12 Part 2 of the Designs Act 2003

Applications for Extension of Time	2934
Extension of Period of Registration of Designs	2934
Extensions of Time Granted	2934
Names Registered - Alterations and Amendments	2935
Registrations Ceased	2934
Subsequent Owners Registered	2934

Proceedings Under the Designs Act 2003

Applications Lapsed	2944
Applications Lodged	2939
Applications Withdrawn	2944
Certificate of Examination	2946
Extension of Period of Registration of Design	2945
Extension of Time Granted Under Section 137	2945
Names Registered - Alterations and Amendments	2945
Publication and Registration Proceedings	
Designs Registered 327316 to 327653.....	2947
Revocation of Design Registrations	2945
Subsequent Owners Registered	2945

This Page Left Intentionally Blank

For information on the following please see our website www.ipaustralia.gov.au or contact our Customer Service Network on 1300651010

[Editorial enquiries](#)

[Contact information](#)

[Freedom of Information ACT](#)

[Professional Standards Board](#)

[Sales](#)

[Requests for Information under Section 194 \(c\)](#)

[Country Codes](#)

[Trade Mark and Designs Hearing Sessions](#)

[INID \(Internationally agreed Numbers for the Identification of Data\)](#)

“INID” NUMBERS in use on Australian Design Documents

“INID” is an acronym for “Internationally agreed Numbers for the Identification of Data”.

(10) Data concerning the registration/renewal

- (11) Serial number of the registration and/or number of the design document
- (12) Plain language designation of the kind of published document
- (19) Identification, using the two-letter code according to WIPO Standard ST.3, of the authority publishing or registering the industrial design

(20) Data concerning the application

- (21) Serial number of the application
- (22) Date of filing of the application
- (24) Date from which the industrial design right has effect

(30) Data relating to priority under the Paris Convention

- (31) Serial number assigned to the priority application
- (32) Date of filing of the priority application
- (33) Two-letter code, according to WIPO Standard ST.3, identifying the authority with which the priority application was made

(40) Date(s) of making information available to the public

- (45) Date of publication of the registered industrial design by printing or similar process, or making it available to the public by any other means

(50) Miscellaneous Information

- (51) International Classification for Industrial Designs (class and subclass of the Locarno Classification)
- (54) Designation of article(s) or product(s) covered by the industrial design or title of the industrial design
- (55) Reproduction of the industrial design (e.g., drawing, photograph) and explanations relating to the reproduction
- (56) List of prior art documents, if separate from descriptive text
- (57) Description of characteristic features of the industrial design including indication of colours

(60) References to other legally related application(s) and registration(s)

- (62) Serial number(s) and, if available, filing date(s) of application(s), registration(s) or document(s) related by division
- (66) Serial number(s) of the application, or the registration, of the design(s) which is (are) a variant(s) of the present one

(70) Identification of parties concerned with the application or registration

- (71) Name(s) and address(es) of the applicant(s)
- (72) Name(s) of the creator(s) if known to be such
- (74) Name(s) and address(es) of the representative(s)

This Page Left Intentionally Blank

Official Notice**IP Australia's Western Australian Sub-Office**

IP Australia is pleased to advise all customers that it has engaged Australia Post to deliver its new state based lodgement service arrangements. These services include the lodgement of documents and payment of fees relating to registered IP rights and new applications.

For the purposes of section 205(2) of the Patents Act 1990, section 199(2) of the Trade Marks Act 1995 and section 125(2) of the Designs Act 2003, effective from 28 September 2009, the Western Australia sub-office is:

IP Lodgement Point
Perth GPO
3-7 Forrest Place
Perth WA 9000

From 28 September 2009 the lodgement of documents and payment of official fees in Western Australia can only be made at the above address. The filing date and/or payment date will be the date the lodgement and/or payment is made at the Perth GPO.

Consistent with existing legislative requirements, this service will be available from 9.00am – 5.00pm Monday to Friday, except for public holidays.

Unfortunately the new arrangements do not allow for Plant Breeder's Rights lodgements with Australia Post. To address this issue IP Australia has developed a comprehensive new range of fillable forms which can be found at <http://www.ipaustralia.gov.au/pbr/forms.shtml>.

Plant Breeder's Rights forms, payments or other correspondence can continue to be lodged directly at IP Australia in Canberra to PO Box 200 Woden ACT 2606; or by fax to +61 2 6283 7999.

For further information please visit: http://www.ipaustralia.gov.au/about/state_transition.shtml

Contact: IP Australia
Phone: 1300 651 010
Fax: +61 2 6283 7999
E-mail: servicetransition@ipaustralia.gov.au
Web: www.ipaustralia.gov.au

Official Notice

Surrender of Registration

323804

A request under Section 49 of the *Designs Act 2003* has been made by the registered owner of Design Registration No. 323804 to surrender the registration.

Any interested person may give notice to the Registrar that he or she wishes to be heard in relation to the above offer. This notice must be given within 1 month after 24 September 2009.

Your attention is drawn to Regulation 4.10 and 4.11 of the *Designs Regulations 2004*.

Address for Service: F B Rice & Co Level 23 44 Market Street SYDNEY NSW 2000

Queries: Gary Flint
Designs Administration Manager
+ 61 26283 2023

Contact: IP Australia
Phone: 1300 651 010
Fax: +61 2 6283 7999
E-mail: assist@ipaustralia.gov.au
Web: www.ipaustralia.gov.au

Official Notice**Designs Act 2003
Amendments to Registered Designs at Examination**

The following amendments have been made to details previously published in the Australian Official Journal of Designs during the Examination process:

Registration Numbers	Amendment type	New details
321556	Classification	09-09, 27-03

Contact: IP Australia
Phone: 1300 651 010
Fax: +61 2 6283 7999
E-mail: assist@ipaustralia.gov.au
Web: www.ipaustralia.gov.au

Proceedings under the Designs Act 1906 preserved as a result of the provisions of Chapter 12 Part 2 of the Designs Act 2003.

This Page Left Intentionally Blank

Applications Lapsed

There were no Applications Lapsed under this section

Extension of Period of Registration of Designs

2nd Period (Section 27A(12))

151474	153317	153348
153402	153436	153543
153684	154042	154071
154098	154216	154217
154267	154332	154333
154334	154335	154399
154451	154594	154646
154683	154828	154844
154950	155005	155006
155068	155154	155155
155156	155192	155222
155340	155533	155580
155677	155706	155846
155872	155874	155902
156073	156088	156089
156272	156385	156386
156387	156388	156673
156674	156937	157139
157305	157329	157556
157621		

3rd Period (Section 27A(13))

136189	136253	136810
136845	136846	136847
136848	136849	136850
136851	136852	136853
136854	136855	136856
136857	137052	137170
137171	137172	137213
137270	137320	137374
137564	137737	137789
137895	137896	137897
137898	137953	138029
138839	139013	139014
139085	139242	140005
140124	140125	140427
140428	140447	141416
141923		

Registrations Ceased

Note: Some of the following Registrations may have been previously advertised as ceased. In this instance, the previous advertisement still prevails.

118312	119910	120003
120004	120264	120265
120569	120683	120742
120972	121058	122227
122414	123502	123565
123733	124496	125594
134660	134672	134677
134678	134679	134734

134735	134736	134737
134738	134762	134811
134812	134832	135059
135820	139187	151010
151160	151161	151352
151751	151772	151773
151904	151905	151917
151948	151957	151969
152233	152235	152264
152266	152267	152268
152269	152270	152345
152346	152390	152409
152447	152531	152532
152557	152570	152571
152573	152574	152575
152576	152577	152597
152736	152805	152825
152919	152920	153110
153442	153454	153509
153510	153511	154530
154583	154599	154600
154779	154780	154781
154782	154783	154784
154785	154786	154787
154788	154789	154790
155097	155098	155454
155792	155963	156004
156344	156603	157695
158156		

Applications for Extension of time

Applications for extension of time have been lodged. Objections must be lodged within 1 month from the date of this journal.

153464 **Mark Carpinelli** Extension of time to extend a registration. Address for Service: O. Farese 1 Broadway GLENELG SOUTH SA 5045

Extensions of time granted

Applications lodged for extension of time have been granted.

151474 **Jillian Gay Dyball** An Extension of time to renew a registration has been granted to 10/09/2009

Subsequent Owners Registered

(The name in parentheses is that of the subsequent owner)

134378	(Wet Technologies (Australia) Pty Ltd) Nylex Corporation Pty Ltd
157399	(iGo, Inc) Mobility Electronics Inc.
157400	(iGo, Inc) Mobility Electronics Inc.
157401	(iGo, Inc) Mobility Electronics Inc.
157402	(iGo, Inc) Mobility Electronics Inc.
157403	(iGo, Inc) Mobility Electronics Inc.

Subsequent Owners Registered

- 157404 (**iGo, Inc**) Mobility Electronics Inc.
- 157405 (**iGo, Inc**) Mobility Electronics Inc.
- 157406 (**iGo, Inc**) Mobility Electronics Inc.
- 157502 (**iGo, Inc**) Mobility Electronics Inc.
- 157503 (**iGo, Inc**) Mobility Electronics Inc.
- 157504 (**iGo, Inc**) Mobility Electronics Inc.
- 157505 (**iGo, Inc**) Mobility Electronics Inc.
- 157506 (**iGo, Inc**) Mobility Electronics Inc.
- 157507 (**iGo, Inc**) Mobility Electronics Inc.
- 157508 (**iGo, Inc**) Mobility Electronics Inc.
- 157164 (**Recall Technology Pty Limited**) Ausdoc Information Management Pty Ltd
- 127759 (**Clipsal Australia Pty Ltd**) Moduline Pty Limited
- 127576 (**Clipsal Australia Pty Ltd**) Moduline Pty Limited
- 127845 (**Clipsal Australia Pty Ltd**) Moduline Pty Limited

Names Registered - Alterations and Amendments

(The name in parentheses is the new name of the proprietor)

- 154683 (**COSMETICO PTY LIMITED**) Smartpak Pty Ltd
- 155776 (**Panasonic Corporation**) Matsushita Electric Industrial Co. Ltd

This Page Left Intentionally Blank

Proceedings under the Designs Act 2003.

This Page Left Intentionally Blank

Applications Lodged

Lodgement information is in the following order: **Applicant's Name**; International Classification, Name of Product, Lodgement Date and **Design Number**. If the applicant claims an earlier priority date under an International Convention, the Convention Country and the associated filing date are shown in parentheses before the Lodgement Date. Divisional information will also appear in parentheses before the Lodgement Date.

e-pargreen Pty Limited; 25-03, Multi function centre, 09 Sep 2009	13486/2009	ADC Communications (Australia) Pty Limited; 13-03C, Junction box, 09 Sep 2009	13484/2009
Abuzz Solutions Pty Ltd; 20-03NES, 14-02, Touch screen kiosk, 18 Jun 2009	13458/2009	B&R Enclosures Pty Ltd; 14-03NES, Combined services enclosure, 11 Sep 2009	13534/2009
Abuzz Solutions Pty Ltd; 20-03NES, 14-02, Touch screen kiosk, 18 Jun 2009	13459/2009	BabyBjorn AB; 06-01E, High baby chair, (EM, 30 Mar 2009) 02 Sep 2009	13355/2009
Agri-Fab, Inc.; 15-03A, Push broadcast spreader, (US, 10 Mar 2009) 07 Sep 2009	13449/2009	Barber, Philip; 06-01NES, 06-09, Infant feeding/sitting support, 03 Sep 2009	13390/2009
Agri-Fab, Inc.; 15-03A, Tow broadcast spreader, (US, 10 Mar 2009) 07 Sep 2009	13450/2009	Becton, Dickinson and Company; 09-07C, Pierceable collection container cap and assembly, (US, 05 Mar 2009) 04 Sep 2009	13471/2009
Aktiebolaget Electrolux; 15-05, Vacuum cleaner, (EM, 20 Mar 2009) 13 Aug 2009	13457/2009	Becton, Dickinson and Company; 24-02, Collection container, (US, 05 Mar 2009) 04 Sep 2009	13470/2009
Aluminium Industries of Australia Pty Ltd; 08-09, 25-01K, The wardrobe stile with leg is used to create a sliding mirror wardrobe door for residential applications, 03 Sep 2009	13361/2009	Bobrick Washroom Equipment, Inc.; 09-07A, Dispenser spout, (US, 29 Jan 2009) 29 Jul 2009	13446/2009
Aluminium Industries of Australia Pty Ltd; 08-09, 25-01K, The wardrobe rail with leg is used to create a sliding mirror wardrobe door for residential applications, 03 Sep 2009	13362/2009	Bobrick Washroom Equipment, Inc.; 09-07A, Dispenser spout, (US, 29 Jan 2009) 29 Jul 2009	13447/2009
Aluminium Industries of Australia Pty Ltd; 08-08NES, The wardrobe cap is used to create a sliding wardrobe mirror door for residential applications, 03 Sep 2009	13363/2009	Body Works Pty Ltd; 02-02A, Swimwear, underwear, clothing, 16 Sep 2009	13550/2009
Aluminium Industries of Australia Pty Ltd; 06-07, 08-08NES, 25-01K, The mirror frame with leg is used to creat a framed mirror, 03 Sep 2009	13360/2009	Bradken Resources Pty Limited; 15-99, , 10 Sep 2009	13509/2009
Arlec Australia Pty Ltd; 10-03, Timer, 02 Sep 2009	13389/2009	Bradken Resources Pty Limited; 08-08B, Bolt, 10 Sep 2009	13508/2009
Atkinson, Robert George; 25-01C, Especially designed device for wall propping and maintenance, 11 Sep 2009	13531/2009	Bradken Resources Pty Limited; 08-99, Wedge-shaped tool, 11 Sep 2009	13516/2009
Australian Performance Development Pty Ltd; 12-16NES, Air intake snorkel for a vehicle, 03 Sep 2009	13396/2009	Bridgestone Corporation; 12-15B, Automobile tyre, (JP, 11 Mar 2009) 10 Sep 2009	13533/2009
Australian Performance Development Pty Ltd; 12-16NES, Air intake snorkel for a vehicle, 03 Sep 2009	13395/2009	Brisbane Metal Products Pty Ltd; 08-08G, Utility hooks, 08 Sep 2009	13464/2009
AB Electrolux; 31-00, Mixers, (EP, 12 Mar 2009) 11 Sep 2009	13529/2009	Chef'n Corporation; 07-04, Ricer, (US, 19 Mar 2009) 11 Sep 2009	13528/2009
ADC Communications (Australia) Pty Limited; 13-03C, Junction box, 09 Sep 2009	13485/2009	Chef'n Corporation; 07-04, Juicer, (US, 19 Mar 2009) 11 Sep 2009	13527/2009
		Clads4Pads Pty Ltd; 03-01C, Pad cover, 11 Sep 2009	13526/2009
		Container Pty Ltd; 09-03NES, Container, 02 Sep 2009	13364/2009
		Cooper, Darren Alfred; 10-01, 11-99, , 10 Sep 2009	13507/2009
		Crown Equipment Corporation; 12-05, 12-16NES, 15-01, Power unit for a pallet truck, (US, 13 Mar 2009) 03 Sep 2009	13397/2009

Crown Equipment Corporation; 12-05, 12-16NES, 15-01, Power unit for a pallet truck, (US, 13 Mar 2009) 03 Sep 2009	13398/2009	Georgini Holdings Pty Ltd; 11-01E, Pendant, 11 Sep 2009	13517/2009
Crown Equipment Corporation; 13-02, Power unit for pallet truck, (US, 13 Mar 2009) 03 Sep 2009	13399/2009	Gibson, Vivienne; 11-01E, Jewellery pendant for a necklace, to be made in various precious metals, (sterling silver, gold etc), 14 Sep 2009	13538/2009
Daikin Industries Ltd.; 23-04, Air-conditioner, (JP, 24 Apr 2009) 01 Sep 2009	13385/2009	Glud & Marstrand A/S; 07-01D, 07-01NES, 09-07B, Cupcan, 10 Sep 2009	13495/2009
Daikin Industries Ltd.; 23-04, Air-conditioner, (JP, 24 Apr 2009) 01 Sep 2009	13386/2009	Grant Olver Investments Pty Ltd trading as Pilgrim Clothing; 02-02C, Ladies garments, 07 Sep 2009	13451/2009
Daka Research Inc.; 07-06D, Bottle opener and closer, (US, 17 Apr 2009) 11 Sep 2009	13505/2009	Greenshpon Engineering Works Ltd.; 15-01, A transmission unit, (IL, 15 Mar 2009) 15 Sep 2009	13549/2009
Daka Research Inc.; 07-04, Mandolin slicer, (US, 17 Apr 2009) 11 Sep 2009	13506/2009	Haiku Design Sdn. Bhd.; 23-04, A fan, (SG, 17 Mar 2009) 04 Sep 2009	13434/2009
Dart Industries Inc.; 09-03NES, Container, (US, 31 Mar 2009) 04 Sep 2009	13432/2009	Hako Australia Pty Ltd; 15-05, Vacuum cleaner, 03 Sep 2009	13430/2009
Dart Industries Inc.; 07-03, Utensil combining fork, spoon and knife, (US, 31 Mar 2009) 04 Sep 2009	13433/2009	Haley, Kristy; 02-01B, Re-useable nappy, 14 Sep 2009	13540/2009
DKB Household UK Limited; 07-06C, Condiment grinder, (EM, 06 Jul 2009) 09 Sep 2009	13502/2009	Hangzhou China Arts Economic & Trading Corp. Ltd.; 06-01F, Bar stool, (CN, 23 Apr 2009) 02 Sep 2009	13415/2009
Electrolux do Brasil SA; 07-02C, Control panel for a microwave oven, (BR, 16 Mar 2009) 15 Sep 2009	13542/2009	Hangzhou China Arts Economic & Trading Corp. Ltd.; 06-03A, Bar table, (CN, 23 Apr 2009) 02 Sep 2009	13416/2009
Emery, Vaughn Cameron; 30-03, Stock Feeder / Hay Feeder, 16 Jul 2009	13472/2009	Honda Motor Co., Ltd.; 26-06, Front combination lamp for motor scooter, (JP, 17 Mar 2009) 15 Sep 2009	13554/2009
Engwerda, Joshua Augustus James; 11-02B, 23-01C, A domestic hydroponics system, 07 Sep 2009	13448/2009	Honda Motor Co., Ltd.; 26-06, Tail lamp for motor scooter, (JP, 17 Mar 2009) 15 Sep 2009	13553/2009
Ezypot Pty Ltd; 12-02, Especially designed foldable trolley, 10 Sep 2009	13503/2009	Honda Motor Co., Ltd.; 12-11, Motor scooter, (JP, 17 Mar 2009) 15 Sep 2009	13555/2009
Final Furniture Limited; 99-00, A funeral casket, for humans or pets, (NZ, 22 Jul 2009) 10 Sep 2009	13477/2009	Huang, I-Cheng; 07-02B, Electric oven, 14 Sep 2009	13539/2009
Forever New Clothing Pty Ltd; 02-02C, 02-02NES, Dress, 14 Sep 2009	13536/2009	Humphreys, Anthony Richard; Kane, Jeff; 29-01, A fire hydrant insect seal, 14 Sep 2009	13551/2009
Freightquip Australia Pty Ltd; 09-02A, 06-04NES, Multi level load support racking system for Australian domestic intermodal container, 09 Sep 2009	13490/2009	HSD Medstor; Middup, Barrie I.; 20-03NES, Product identification holders for fitting on to trays holding medical supplies, 03 Sep 2009	13366/2009
Freightquip Australia Pty Ltd; 09-02A, Aluminium Australian domestic refrigerated container, 09 Sep 2009	13489/2009	Kane, Jeff; Humphreys, Anthony Richard; 29-01, A fire hydrant insect seal, 14 Sep 2009	13551/2009
Gainsborough Hardware Industries Limited; 08-07, An escutcheon assembly, 03 Sep 2009	13431/2009	Kate Somerville Skin Care LLC; 28-03NES, Skin care device, 15 Sep 2009	13548/2009
Gambro Lundia AB; 24-02, Medical clamp, (EM, 23 Mar 2009) 14 Sep 2009	13547/2009	Kennett, Nigel; 30-02, Fiberglass whelping/breeding box, 04 Sep 2009	13394/2009
Georgini Holdings Pty Ltd; 11-01NES, Pendant, 11 Sep 2009	13515/2009	Kim, Ki-Soo; Kim, Young-Sook; 21-02F, Body exercise device, (KR, 06 Mar 2009) 07 Sep 2009	13467/2009

Kim, Young-Sook; Kim, Ki-Soo; 21-02F, Body exercise device, (KR, 06 Mar 2009) 07 Sep 2009	13467/2009	Mirza, Andrew Jawan; 28-03B, A hairtool holder designed to hold heated hairtools ie. hairdryers, hair straighteners. Also designed to hold, clippers, 10 Sep 2009	13496/2009
King Furniture (Australia) Pty Ltd; 06-03B, A table, 02 Sep 2009	13405/2009	Mitchell, Yvonne Maree; Mitchell, Wayne Douglas; 22-05, Fishing, 03 Sep 2009	13392/2009
King Furniture (Australia) Pty Ltd; 06-03B, A table, 02 Sep 2009	13406/2009	Mitchell, Wayne Douglas; Mitchell, Yvonne Maree; 22-05, Fishing, 03 Sep 2009	13392/2009
King Furniture (Australia) Pty Ltd; 06-03A, A table, 02 Sep 2009	13410/2009	Moana Pty Ltd; 02-02B, An armour vest, 08 Sep 2009	13488/2009
King Furniture (Australia) Pty Ltd; 06-03B, A table, 02 Sep 2009	13407/2009	Multisteps Pty Ltd; 09-03M, Improved produce container, 02 Sep 2009	13359/2009
King Furniture (Australia) Pty Ltd; 06-03A, A table, 02 Sep 2009	13408/2009	Mum 2 Mum Ltd; 06-13B, Baby wrap, (NZ, 12 Jun 2009) 09 Sep 2009	13483/2009
King Furniture (Australia) Pty Ltd; 06-03A, A table, 02 Sep 2009	13409/2009	Mun, Lee Ngai; 02-03, A safety helmet, 07 Sep 2009	13452/2009
Kirby Morgan Dive Systems Inc.; 21-02D, Bubble diverter, (US, 11 Mar 2009) 09 Sep 2009	13481/2009	Mun, Lee Ngai; 02-03, Safety helmet, 07 Sep 2009	13453/2009
Lee, Alan Sian Ghee; 12-05, Adjustable pedestal, 04 Sep 2009	13469/2009	MMD Design & Consultancy Ltd; 15-99, Mineral breaker tooth, (BR, 28 May 2009) 03 Sep 2009	13393/2009
Magee, Peter; 20-02C, Wood folding display unit, 27 Aug 2009	13546/2009	Neame, Macdonald; Neame, Travis Grant; 08-08K, A fence clip, 08 Sep 2009	13466/2009
Magee, Peter; 20-02C, Metal folding display unit, 27 Aug 2009	13552/2009	Neame, Travis Grant; Neame, Macdonald; 08-08K, A fence clip, 08 Sep 2009	13466/2009
MannKind Corporation; 24-04, Cartridge for a dry powder inhaler, (US, 04 Mar 2009) 02 Sep 2009	13387/2009	Nextinct Pty Ltd; 02-02NES, Article of clothing, 01 Sep 2009	13377/2009
MannKind Corporation; 24-04, Dry powder inhaler, (US, 04 Mar 2009) 02 Sep 2009	13388/2009	Nextinct Pty Ltd; 02-02NES, Article of clothing, 01 Sep 2009	13378/2009
McCabe, Sarah; 02-05, Fold-up pocket baby bib, 11 Sep 2009	13519/2009	Nextinct Pty Ltd; 02-02NES, Article of clothing, 01 Sep 2009	13381/2009
McPherson's Limited; 07-02P, Cake pan, 08 Sep 2009	13474/2009	Nextinct Pty Ltd; 02-02NES, Article of clothing, 01 Sep 2009	13382/2009
McPherson's Limited; 07-02P, Cake pan, 08 Sep 2009	13476/2009	Nextinct Pty Ltd; 02-02NES, Article of clothing, 01 Sep 2009	13383/2009
McPherson's Limited; 07-02P, Cake pan, 08 Sep 2009	13475/2009	Nextinct Pty Ltd; 02-02NES, Article of clothing, 01 Sep 2009	13384/2009
Michael Kors, LLC; 09-01G, Fragrance bottle, (US, 18 May 2009) 03 Jul 2009	13524/2009	Nextinct Pty Ltd; 02-02NES, Article of clothing, 01 Sep 2009	13379/2009
Michael Kors, LLC; 09-01G, Fragrance bottle, (US, 18 May 2009) 03 Jul 2009	13525/2009	Nextinct Pty Ltd; 02-02NES, Article of clothing, 01 Sep 2009	13380/2009
Michelin Recherche et Technique S.A.; Societe De Technologie Michelin; 12-15B, A tyre, (US, 23 Mar 2009) 09 Sep 2009	13479/2009	Nicel, Paul Alexander; 22-05, Fishing lure, 09 Sep 2009	13480/2009
Michelin Recherche et Technique S.A.; Societe De Technologie Michelin; 12-15C, A tyre, (US, 27 Mar 2009) 09 Sep 2009	13478/2009	Norbrook Laboratories Limited; 09-01K, Container, (EM, 24 Jul 2009) 08 Sep 2009	13461/2009
Middup, Barrie I.; HSD Medstor; 20-03NES, Product identification holders for fitting on to trays holding medical supplies, 03 Sep 2009	13366/2009	Norbrook Laboratories Limited; 09-01K, Container, (EM, 24 Jul 2009) 08 Sep 2009	13462/2009
		NEC Corporation; 14-02, Information terminal device, (JP, 07 May 2009) 10 Sep 2009	13497/2009

NHP Electrical Engineering Products Pty Ltd; 13-03E, Weatherproof cover for electrical protective device/s, 09 Sep 2009	13487/2009	Ryan, Lawrence John; 01-01, A bread roll, 07 Sep 2009	13455/2009
O & S Holdings (Vic) Pty Ltd; 02-04B, Footwear sole, 14 Sep 2009	13541/2009	Sargood, Christine; 07-01F, 07-02NES, Kitchen jug - a fat separator for gravy and soup making, 08 Sep 2009	13460/2009
Oriental Copper Co., Ltd.; 25-01K, Twist bar, (TH, 30 Mar 2009) 14 Sep 2009	13537/2009	Schyns, Werner; 12-11, Aluminium handguard complete with protective cover, 15 Sep 2009	13544/2009
Outotec Oyj; 23-01NES, Mixer, (EM, 11 Mar 2009) 10 Sep 2009	13532/2009	Schyns, Werner; 12-11, Aluminium handguard complete with protective plastic shell, 15 Sep 2009	13545/2009
Parkinson, Sam; 21-02C, Putter head, 02 Sep 2009	13365/2009	Societe De Technologie Michelin; Michelin Recherche et Technique S.A.; 12-15C, A tyre, (US, 27 Mar 2009) 09 Sep 2009	13478/2009
Paterson, Kentyn; 08-01, Agricultural tillage implement, 11 Sep 2009	13535/2009	Societe De Technologie Michelin; Michelin Recherche et Technique S.A.; 12-15B, A tyre, (US, 23 Mar 2009) 09 Sep 2009	13479/2009
Penaluna, David; 09-01K, Bottle, 02 Sep 2009	13353/2009	Sony Computer Entertainment Inc.; 16-01, Camera, (JP, 30 Apr 2009) 10 Sep 2009	13520/2009
Penaluna, David; 09-01K, Bottle, 02 Sep 2009	13354/2009	Sony Computer Entertainment Inc.; 21-01N, Supporting base for a portable electronic device, (JP, 22 May 2009) 10 Sep 2009	13521/2009
Plastec Australia Pty Ltd; 23-01A, A pipe joint, 10 Sep 2009	13498/2009	Sony Computer Entertainment Inc.; 21-01N, Arithmetic and control unit, (JP, 02 Jun 2009) 10 Sep 2009	13522/2009
Plastec Australia Pty Ltd; 23-01A, A pipe joint, 10 Sep 2009	13499/2009	Sony Computer Entertainment Inc.; 21-01N, Supporting base, (JP, 22 Jun 2009) 10 Sep 2009	13523/2009
Plastec Australia Pty Ltd; 23-01B, A pipe fitting, 10 Sep 2009	13500/2009	Spin Master Ltd; 21-01A, Transformable toy, (CA, 04 Mar 2009) 03 Sep 2009	13420/2009
Popenko, Peter Alexander; 07-06A, Bottle carrying device, 15 Sep 2009	13543/2009	Spin Master Ltd; 21-01B, Transformable toy, (CA, 26 Mar 2009) 03 Sep 2009	13423/2009
Remlap Tracking Pty Ltd; 08-08H, 06-10, Curtain track, 04 Sep 2009	13417/2009	Spin Master Ltd; 21-01B, Transformable toy, (CA, 26 Mar 2009) 03 Sep 2009	13424/2009
Remlap Tracking Pty Ltd; 08-08H, 06-10, Curtain track, 04 Sep 2009	13418/2009	Spin Master Ltd; 21-01B, Transformable toy, (CA, 27 Mar 2009) 03 Sep 2009	13425/2009
Remlap Tracking Pty Ltd; 08-08H, 06-10, Curtain track bracket, 04 Sep 2009	13419/2009	Spin Master Ltd; 21-01B, Transformable toy, (CA, 01 Apr 2009) 03 Sep 2009	13426/2009
Rhino Play Pty Ltd; 21-01NES, 21-99, Play equipment, 08 Sep 2009	13473/2009	Spin Master Ltd; 21-01B, Transformable toy, (CA, 01 Apr 2009) 03 Sep 2009	13427/2009
Rhino Rack Australia Pty Limited; 12-16NES, Collapsible vehicle awning, 04 Sep 2009	13435/2009	Spin Master Ltd; 21-01B, Transformable toy, (CA, 01 Apr 2009) 03 Sep 2009	13428/2009
Rhino Rack Australia Pty Limited; 12-16NES, Collapsible awning for a vehicle, 04 Sep 2009	13436/2009	Spin Master Ltd; 21-01A, Transformable toy, (CA, 27 Mar 2009) 03 Sep 2009	13422/2009
Rhino Rack Australia Pty Limited; 12-16NES, Stowable vehicle awning, 04 Sep 2009	13437/2009	Spin Master Ltd; 21-01A, Transformable toy, (CA, 26 Mar 2009) 03 Sep 2009	13421/2009
Roth, Donna; Roth, Henry; 09-01NES, Container, (US, 20 Apr 2009) 11 Sep 2009	13511/2009		
Roth, Henry; Roth, Donna; 09-01NES, Container, (US, 20 Apr 2009) 11 Sep 2009	13511/2009		
Ryan, Lawrence John; 31-00, 08-05C, Male and female components of a mould for bread preparation, 07 Sep 2009	13454/2009		

Storm Trap LLC; 23-01E, Module for an underground assembly for storm water retention or detention, (US, 05 Mar 2009) 03 Sep 2009	13445/2009	Thinking Ergonomix Pty Limited; 06-06E, A furniture leg, 02 Sep 2009	13411/2009
Suzhou Eagle Electric Vehicle Manufacturing Co., Ltd.; 12-08, Electric vehicle, (CN, 02 May 2009) 01 Sep 2009	13356/2009	Thinking Ergonomix Pty Limited; 06-06NES, A barrier, 09 Sep 2009	13493/2009
Suzhou Eagle Electric Vehicle Manufacturing Co., Ltd.; 12-08, Electric vehicle, (CN, 02 May 2009) 01 Sep 2009	13357/2009	Thinking Ergonomix Pty Limited; 06-06NES, A barrier, 09 Sep 2009	13494/2009
Suzhou Eagle Electric Vehicle Manufacturing Co., Ltd.; 12-08, Electric vehicle, (CN, 02 May 2009) 01 Sep 2009	13358/2009	Thinking Ergonomix Pty Limited; 06-06E, A furniture leg, 02 Sep 2009	13412/2009
SCA Hygiene Products AB; 24-04, Sanitary napkin, (EM, 03 Apr 2009) 11 Sep 2009	13512/2009	Thinking Ergonomix Pty Limited; 06-06E, A furniture leg, 02 Sep 2009	13413/2009
SULO MGB Australia Pty Ltd; 09-09, Container lid, 04 Sep 2009	13444/2009	Thinking Ergonomix Pty Limited; 06-06E, A furniture leg, 02 Sep 2009	13414/2009
SULO MGB Australia Pty Ltd; 09-09, Container body, 04 Sep 2009	13443/2009	Tieco International (Aust) Pty Ltd; 12-16NES, Air ram for vehicles, 08 Sep 2009	13465/2009
Tennant, Ian Noel; 21-01L, Dice, 11 Sep 2009	13530/2009	Tim Bird Design; 09-07B, , 10 Sep 2009	13504/2009
The Gillette Company; 28-03A, Handle suitable for a shaving razor, (US, 09 Mar 2009) 07 Sep 2009	13456/2009	Titanium Truck Technologies Pty Ltd; 08-08NES, 12-16NES, Skateboard truck hanger, 08 Sep 2009	13463/2009
The Procter & Gamble Company; 09-01H, Container, (US, 02 Mar 2009) 01 Sep 2009	13373/2009	Toshiba Tec Kabushiki Kaisha; 18-01, Controller of a cash register for a point of sales terminal, (JP, 20 Aug 2009) 09 Sep 2009	13491/2009
The Procter & Gamble Company; 09-01H, Container, (US, 02 Mar 2009) 01 Sep 2009	13374/2009	Toshiba Tec Kabushiki Kaisha; 14-02, Keyboard with a magnetic card reader for a cash register, (JP, 19 Aug 2009) 09 Sep 2009	13492/2009
The Procter & Gamble Company; 09-01H, Container, (US, 02 Mar 2009) 01 Sep 2009	13375/2009	Tour & Andersson A.B.; 23-01E, Valve handle, (EM, 27 Mar 2009) 10 Sep 2009	13482/2009
The Procter & Gamble Company; 09-01NES, Container, (US, 02 Mar 2009) 01 Sep 2009	13376/2009	Unique Product & Design Co., Ltd.; 12-12, Combination pushchair frame, 10 Sep 2009	13501/2009
The Procter & Gamble Company; 19-08, Label, (US, 02 Mar 2009) 01 Sep 2009	13367/2009	Vibram S.P.A.; 02-04B, Sole for footwear, (EM, 09 Mar 2009) 02 Sep 2009	13401/2009
The Procter & Gamble Company; 09-01H, Container, (US, 02 Mar 2009) 01 Sep 2009	13368/2009	Vibram S.P.A.; 02-04NES, Footwear, (EM, 09 Mar 2009) 02 Sep 2009	13402/2009
The Procter & Gamble Company; 19-08, Label, (US, 02 Mar 2009) 01 Sep 2009	13369/2009	Vibram S.P.A.; 02-04NES, Footwear, (EM, 09 Mar 2009) 02 Sep 2009	13403/2009
The Procter & Gamble Company; 09-01H, Container, (US, 02 Mar 2009) 01 Sep 2009	13370/2009	Vibram S.P.A.; 02-04NES, Footwear, (EM, 09 Mar 2009) 02 Sep 2009	13404/2009
The Procter & Gamble Company; 19-08, Label, (US, 02 Mar 2009) 01 Sep 2009	13371/2009	Victor Equipment Company; 10-04, Gas pressure regulator, (US, 11 Mar 2009) 10 Sep 2009	13518/2009
The Procter & Gamble Company; 09-01H, Container, (US, 02 Mar 2009) 01 Sep 2009	13372/2009	Voss, Roland Stephen; 08-08NES, 25-01G, Fall-arrest roof anchor point, 11 Sep 2009	13510/2009
The Yokohama Rubber Co., Ltd.; 12-15A, Automobile tyre, (JP, 16 Mar 2009) 08 Sep 2009	13468/2009	Watson, Anne; 21-01L, Board game, 03 Sep 2009	13400/2009
		Weld-Spec Pty Ltd; 25-02NES, Modular roof design for containers, 18 Jun 2009	13391/2009
		Wenn, Colleen; 11-05, Christmas crackers, 06 Feb 2009	12995/2009

Wenn, Colleen; 11-05, Christmas crackers, 06 Feb 2009	12996/2009	Woods Furniture Pty Ltd; 06-01E, Ottoman, 04 Sep 2009	13438/2009
Wittner's Australia Pty Ltd; 09-03M, Box, 11 Sep 2009	13513/2009	Woods Furniture Pty Ltd; 06-01E, Ottoman, 04 Sep 2009	13440/2009
Wittner's Australia Pty Ltd; 09-07NES, Box lid, 11 Sep 2009	13514/2009	Woods Furniture Pty Ltd; 06-01E, Ottoman, 04 Sep 2009	13442/2009
Woods Furniture Pty Ltd; 06-01E, Ottoman, 04 Sep 2009	13439/2009		
Woods Furniture Pty Ltd; 06-01E, Ottoman, 04 Sep 2009	13441/2009		

Applications Withdrawn

13097 / 2009 (25-01G)	13098 / 2009 (25-01G)
13099 / 2009 (25-01G)	13100 / 2009 (25-01G)

Applications Lapsed

10553 / 2009 (02-02C)	10554 / 2009 (02-02C)
12017 / 2009 (23-03A)	12319 / 2009 (25-01E)
12322 / 2009 (30-03)	12424 / 2009 (26-05B)
12438 / 2009 (25-01K)	

Extension of Period of Registration of Designs

300141	300142	300326
300489	300652	300708
300769	300878	300879
300880	300921	300922
300923	300965	300988
300995	301003	301004
301014	301015	301027
301101	301102	301103
301104	301105	301106
301109	301110	301111
301112	301113	301130
301131	301132	301135
301137	301148	301149
301150	301164	301167
301168	301176	301177
301178	301179	301180
301181	301210	301224
301240	301241	301242
301243	301251	301285
301378	301420	301464
301541	301579	301580
301588	301589	301603
301663	301664	301665
301667	301671	301731
302145	302164	302173
302174	302240	302542
302543	302758	304624
305113	305641	305642

Subsequent Owners Registered

(The name in parentheses is that of the subsequent owner)

316729	(Parchem Construction Supplies Pty Ltd) Flextool (Aust) Pty Ltd
316754	(Parchem Construction Supplies Pty Ltd) Flextool (Aust) Pty Ltd
324169	(Societe de velo en libre-service) Societe en commandite Stationnement de Montreal
324170	(Societe de velo en libre-service) Societe en commandite Stationnement de Montreal
319428	(APC Group Pty Ltd) Acerack Pty Limited
322901	(APC Group Pty Ltd) Acerack Pty Limited
322902	(APC Group Pty Ltd) Acerack Pty Limited
324031	(Aquacart Holdings Pty Ltd) Salvatore Giuseppe Ragusa
300037	(iGo, Inc) Mobility Electronics Inc.
300038	(iGo, Inc) Mobility Electronics Inc.
300125	(iGo, Inc) Mobility Electronics Inc.
300126	(iGo, Inc) Mobility Electronics Inc.
300127	(iGo, Inc) Mobility Electronics Inc.
305626	(Clipsal Australia Pty Ltd) Moduline Pty Ltd
306711	(Clipsal Australia Pty Ltd) Moduline Pty Ltd
326040	(BFX HO Pty Ltd) Moorevann Pty Ltd
326041	(BFX HO Pty Ltd) Moorevann Pty Ltd
326042	(BFX HO Pty Ltd) Moorevann Pty Ltd
327006	(BFX HO Pty Ltd) Moorevann Pty Ltd
327007	(BFX HO Pty Ltd) Moorevann Pty Ltd

Revocation of Design Registrations

The following Design Registration(s) have been revoked and are taken never to have been registered:

322238 02-04NES

Extensions of time granted under Section 137

Applications lodged under section 137 for extension of time have been granted.

- 11474/2009 **Geoffrey Francis Keating**
- 11475/2009 **Geoffrey Francis Keating**
- 11476/2009 **Geoffrey Francis Keating**
- 11477/2009 **Geoffrey Francis Keating**
- 11495/2009 **Joshua Turco**
- 11496/2009 **Joshua Turco**
- 11497/2009 **Joshua Turco**
- 12426/2009 **EZ-Snap Products Inc.**

Names Registered - Alterations and Amendments

(The name in parentheses is that of the subsequent applicant)

305025	(Strauss Group Ltd.) Elite Confectionery Ltd
312946	(Strauss Group Ltd.) Elite Confectionery Ltd
312945	(Strauss Group Ltd.) Elite Confectionery Ltd
307338	(Patron Spirits International AG) Caribbean Distillers Corporation, Limited
317733	(WILEY X, INC.) Protective Optics, Inc.

Certificate(s) of Examination

Examination of the following Design Registration(s) has been completed. Infringement proceedings may now be commenced.

318472	02-02NES	09/09/2009
321879	09-03NES	16/09/2009
321881	09-03NES	16/09/2009
324022	23-04	17/09/2009
324652	12-08	04/09/2009
324653	12-16NES	04/09/2009
326040	06-01G	16/09/2009
326041	06-01NES	17/09/2009
326495	12-15B	16/09/2009
326577	15-05	04/09/2009
326602	09-01NES	15/09/2009
326609	24-99	11/09/2009
326626	25-04	15/09/2009
326636	21-02F	07/09/2009
326637	21-02F	07/09/2009
326701	02-04NES	09/09/2009
326713	21-02C	14/09/2009
326738	01-06	11/09/2009
326782	06-03A	17/09/2009
326816	24-02	16/09/2009

Publication and Registration Proceedings

Designs Registered

This section provides a concordance between design number and registration number of Designs covered in this journal. It also shows the main class and registration date.

This section covers Registration numbers 327316 to 327653 .

The registration number shown below should be used in all future correspondence.

Design Number	Registration Number	International Classification Code (IDC)	Registration Date	Design Number	Registration Number	International Classification Code (IDC)	Registration Date
10653/2009	327554	06-04NES	09/09/2009	13041/2009	327485	21-01B	07/09/2009
11061/2009	327512	08-08NES	09/09/2009	13042/2009	327486	21-01B	07/09/2009
12074/2009	327477	12-15NES	07/09/2009	13043/2009	327487	21-01B	07/09/2009
12265/2009	327544	09-03NES	10/09/2009	13046/2009	327492	26-04	09/09/2009
12266/2009	327545	09-03NES	10/09/2009	13049/2009	327611	13-03C	15/09/2009
12267/2009	327546	09-03NES	10/09/2009	13053/2009	327488	07-06A	07/09/2009
12268/2009	327530	09-03NES	09/09/2009	13054/2009	327493	26-05NES	09/09/2009
12308/2009	327577	06-01E	14/09/2009	13055/2009	327494	26-05NES	09/09/2009
12329/2009	327478	08-05P	07/09/2009	13056/2009	327495	09-07NES	09/09/2009
12338/2009	327489	12-12	09/09/2009	13057/2009	327496	09-07NES	09/09/2009
12349/2009	327516	12-10	09/09/2009	13058/2009	327497	09-07NES	09/09/2009
12386/2009	327578	21-01L	14/09/2009	13059/2009	327498	03-01NES	09/09/2009
12403/2009	327479	31-00	07/09/2009	13061/2009	327570	15-05	15/09/2009
12404/2009	327480	31-00	07/09/2009	13062/2009	327561	08-08NES	09/09/2009
12421/2009	327481	08-08NES	07/09/2009	13063/2009	327572	15-03B	11/09/2009
12425/2009	327547	08-08NES	10/09/2009	13065/2009	327499	23-01H	09/09/2009
12431/2009	327645	09-01G	16/09/2009	13081/2009	327523	07-02L	09/09/2009
12448/2009	327517	07-06A	09/09/2009	13082/2009	327524	07-02L	09/09/2009
12514/2009	327482	09-07C	07/09/2009	13083/2009	327525	07-02L	09/09/2009
12515/2009	327483	09-01NES	07/09/2009	13084/2009	327526	07-01NES	09/09/2009
12516/2009	327484	09-01NES	07/09/2009	13085/2009	327527	07-01NES	09/09/2009
12550/2009	327579	02-01NES	14/09/2009	13086/2009	327528	07-01NES	09/09/2009
12551/2009	327580	02-01NES	14/09/2009	13087/2009	327529	07-01NES	09/09/2009
12576/2009	327501	12-11	09/09/2009	13088/2009	327504	09-03M	09/09/2009
12580/2009	327502	12-06NES	09/09/2009	13089/2009	327505	07-01NES	09/09/2009
12581/2009	327503	14-02	09/09/2009	13090/2009	327506	09-03M	09/09/2009
12641/2009	327597	07-05E	14/09/2009	13091/2009	327507	07-01NES	09/09/2009
12657/2009	327581	23-03NES	14/09/2009	13092/2009	327508	09-03M	09/09/2009
12736/2009	327555	09-03NES	09/09/2009	13093/2009	327509	07-01NES	09/09/2009
12776/2009	327518	07-01NES	09/09/2009	13094/2009	327510	09-03M	09/09/2009
12777/2009	327490	09-03NES	09/09/2009	13095/2009	327531	07-01NES	09/09/2009
12778/2009	327491	08-08L	09/09/2009	13096/2009	327532	06-06F	09/09/2009
12796/2009	327582	07-02D	14/09/2009	13101/2009	327540	28-03NES	09/09/2009
12817/2009	327565	09-07A	10/09/2009	13102/2009	327541	14-03E	09/09/2009
12846/2009	327316	09-03F	09/09/2009	13103/2009	327562	14-03E	09/09/2009
12847/2009	327317	09-03F	09/09/2009	13104/2009	327563	14-03E	09/09/2009
12848/2009	327318	09-03F	09/09/2009	13105/2009	327564	14-03E	09/09/2009
12849/2009	327319	09-03F	09/09/2009	13109/2009	327542	23-01G	09/09/2009
12871/2009	327320	25-03	09/09/2009	13110/2009	327543	10-07	09/09/2009
12920/2009	327557	02-02C	09/09/2009	13111/2009	327533	21-02NES	09/09/2009
12921/2009	327558	02-02C	09/09/2009	13113/2009	327534	06-09	09/09/2009
12922/2009	327559	02-02C	09/09/2009	13114/2009	327535	12-08	09/09/2009
12923/2009	327560	02-02C	09/09/2009	13115/2009	327536	09-09	09/09/2009
12924/2009	327519	07-01NES	09/09/2009	13116/2009	327612	28-03NES	15/09/2009
12925/2009	327520	07-01NES	09/09/2009	13117/2009	327583	05-06NES	14/09/2009
12926/2009	327521	09-01NES	09/09/2009	13118/2009	327584	10-02	14/09/2009
12927/2009	327522	07-01NES	09/09/2009	13119/2009	327585	04-02	14/09/2009
12976/2009	327556	24-02	09/09/2009	13120/2009	327586	04-02	14/09/2009
13035/2009	327472	21-01B	04/09/2009	13121/2009	327548	04-02	10/09/2009
13037/2009	327473	21-01B	04/09/2009	13122/2009	327549	04-02	10/09/2009
13038/2009	327474	21-01B	04/09/2009	13123/2009	327550	21-01C	10/09/2009
13039/2009	327475	21-01B	04/09/2009	13124/2009	327551	21-01C	10/09/2009
13040/2009	327476	21-01B	04/09/2009	13125/2009	327552	26-06	10/09/2009

Publication and Registration Proceedings - Designs Registered cont'd

Design Number	Registration Number	International Classification Code (IDC)	Registration Date	Design Number	Registration Number	International Classification Code (IDC)	Registration Date
13126/2009	327553	26-06	10/09/2009	13214/2009	327513	25-01K	09/09/2009
13127/2009	327568	28-03NES	15/09/2009	13215/2009	327649	23-02B	16/09/2009
13130/2009	327569	19-06	15/09/2009	13216/2009	327615	23-02B	15/09/2009
13133/2009	327511	25-02NES	09/09/2009	13217/2009	327616	23-02B	15/09/2009
13136/2009	327573	12-16NES	11/09/2009	13218/2009	327617	23-02B	15/09/2009
13143/2009	327587	28-03C	14/09/2009	13219/2009	327539	09-01H	09/09/2009
13144/2009	327588	28-03C	14/09/2009	13220/2009	327514	25-01K	09/09/2009
13152/2009	327589	07-99NES	14/09/2009	13221/2009	327515	25-01K	09/09/2009
13156/2009	327590	07-01D	14/09/2009	13222/2009	327619	30-03	16/09/2009
13157/2009	327591	07-01D	14/09/2009	13228/2009	327620	02-02C	16/09/2009
13158/2009	327596	07-02H	11/09/2009	13229/2009	327621	09-03NES	16/09/2009
13161/2009	327574	09-07B	11/09/2009	13230/2009	327622	09-03NES	16/09/2009
13162/2009	327575	09-07B	11/09/2009	13233/2009	327624	14-03E	16/09/2009
13163/2009	327576	09-07B	11/09/2009	13235/2009	327625	08-05L	16/09/2009
13164/2009	327537	25-01K	09/09/2009	13236/2009	327626	08-05L	16/09/2009
13165/2009	327538	25-01K	09/09/2009	13237/2009	327627	11-02C	16/09/2009
13173/2009	327592	21-02D	14/09/2009	13238/2009	327628	11-02C	16/09/2009
13174/2009	327593	08-08NES	14/09/2009	13239/2009	327629	11-02C	16/09/2009
13180/2009	327630	21-01B	16/09/2009	13240/2009	327632	11-02B	16/09/2009
13181/2009	327631	21-01B	16/09/2009	13241/2009	327633	11-02B	16/09/2009
13182/2009	327603	21-01A	14/09/2009	13242/2009	327634	11-02B	16/09/2009
13183/2009	327604	21-01B	14/09/2009	13243/2009	327635	07-04	16/09/2009
13184/2009	327605	21-01A	14/09/2009	13244/2009	327636	07-04	16/09/2009
13185/2009	327606	21-01B	14/09/2009	13265/2009	327650	24-01	17/09/2009
13186/2009	327607	21-01A	14/09/2009	13292/2009	327595	06-13B	14/09/2009
13187/2009	327608	21-01A	14/09/2009	13302/2009	327618	08-08C	15/09/2009
13188/2009	327609	21-01A	14/09/2009	13417/2009	327651	08-08H	17/09/2009
13189/2009	327610	21-01B	14/09/2009	13418/2009	327652	08-08H	17/09/2009
13190/2009	327500	13-03B	09/09/2009	13419/2009	327653	08-08H	17/09/2009
13193/2009	327613	26-06	15/09/2009	13446/2009	327566	09-07A	10/09/2009
13194/2009	327614	26-06	15/09/2009	13447/2009	327567	09-07A	10/09/2009
13196/2009	327594	14-02	14/09/2009	13457/2009	327571	15-05	15/09/2009
13205/2009	327598	23-02F	14/09/2009	13524/2009	327646	09-01G	16/09/2009
13206/2009	327599	23-02F	14/09/2009	13525/2009	327647	09-01G	16/09/2009
13207/2009	327600	23-02F	14/09/2009				
13209/2009	327601	06-01D	14/09/2009				
13210/2009	327602	06-01D	14/09/2009				
13213/2009	327648	14-03E	16/09/2009				

Publication and Registration Proceedings
Class Listing of Designs Published or Registered

The following section shows an International Classification Code listing of the Registered or Published Designs covered in this supplement.

Classification	Registration Number	Design Number	Classification	Registration Number	Design Number
02-01 NES	327579	12550/2009	08-08 H	327653	13419/2009
02-01 NES	327580	12551/2009	08-08 L	327491	12778/2009
02-02 C	327557	12920/2009	08-08 NES	327481	12421/2009
02-02 C	327558	12921/2009	08-08 NES	327512	11061/2009
02-02 C	327559	12922/2009	08-08 NES	327547	12425/2009
02-02 C	327560	12923/2009	08-08 NES	327561	13062/2009
02-02 C	327620	13228/2009	08-08 NES	327593	13174/2009
03-01 NES	327498	13059/2009	09-01 G	327495	13056/2009
04-02	327548	13121/2009	09-01 G	327496	13057/2009
04-02	327549	13122/2009	09-01 G	327497	13058/2009
04-02	327585	13119/2009	09-01 G	327645	12431/2009
04-02	327586	13120/2009	09-01 G	327646	13524/2009
05-06 NES	327583	13117/2009	09-01 G	327647	13525/2009
06-01 D	327601	13209/2009	09-01 H	327539	13219/2009
06-01 D	327602	13210/2009	09-01 K	327519	12924/2009
06-01 E	327577	12308/2009	09-01 K	327521	12926/2009
06-04 NES	327554	10653/2009	09-01 NES	327483	12515/2009
06-06 F	327532	13096/2009	09-01 NES	327484	12516/2009
06-09	327534	13113/2009	09-01 NES	327521	12926/2009
06-10	327651	13417/2009	09-03 F	327316	12846/2009
06-10	327652	13418/2009	09-03 F	327317	12847/2009
06-10	327653	13419/2009	09-03 F	327318	12848/2009
06-13 B	327595	13292/2009	09-03 F	327319	12849/2009
07-01 D	327590	13156/2009	09-03 M	327504	13088/2009
07-01 D	327591	13157/2009	09-03 M	327506	13090/2009
07-01 NES	327488	13053/2009	09-03 M	327508	13092/2009
07-01 NES	327505	13089/2009	09-03 M	327510	13094/2009
07-01 NES	327507	13091/2009	09-03 NES	327490	12777/2009
07-01 NES	327509	13093/2009	09-03 NES	327526	13084/2009
07-01 NES	327518	12776/2009	09-03 NES	327528	13086/2009
07-01 NES	327519	12924/2009	09-03 NES	327530	12268/2009
07-01 NES	327520	12925/2009	09-03 NES	327544	12265/2009
07-01 NES	327522	12927/2009	09-03 NES	327545	12266/2009
07-01 NES	327526	13084/2009	09-03 NES	327546	12267/2009
07-01 NES	327527	13085/2009	09-03 NES	327555	12736/2009
07-01 NES	327528	13086/2009	09-03 NES	327621	13229/2009
07-01 NES	327529	13087/2009	09-03 NES	327622	13230/2009
07-01 NES	327531	13095/2009	09-07 A	327565	12817/2009
07-02 D	327582	12796/2009	09-07 A	327566	13446/2009
07-02 E	327582	12796/2009	09-07 A	327567	13447/2009
07-02 H	327596	13158/2009	09-07 B	327574	13161/2009
07-02 L	327523	13081/2009	09-07 B	327575	13162/2009
07-02 L	327524	13082/2009	09-07 B	327576	13163/2009
07-02 L	327525	13083/2009	09-07 C	327482	12514/2009
07-04	327635	13243/2009	09-07 C	327527	13085/2009
07-04	327636	13244/2009	09-07 C	327529	13087/2009
07-05 E	327597	12641/2009	09-07 NES	327495	13056/2009
07-06 A	327488	13053/2009	09-07 NES	327496	13057/2009
07-06 A	327517	12448/2009	09-07 NES	327497	13058/2009
07-99 NES	327589	13152/2009	09-07 NES	327520	12925/2009
08-05 L	327625	13235/2009	09-07 NES	327522	12927/2009
08-05 L	327626	13236/2009	09-09	327536	13115/2009
08-05 P	327478	12329/2009	10-02	327584	13118/2009
08-08 C	327618	13302/2009	10-04	327556	12976/2009
08-08 H	327651	13417/2009	10-07	327543	13110/2009
08-08 H	327652	13418/2009	11-02 B	327632	13240/2009

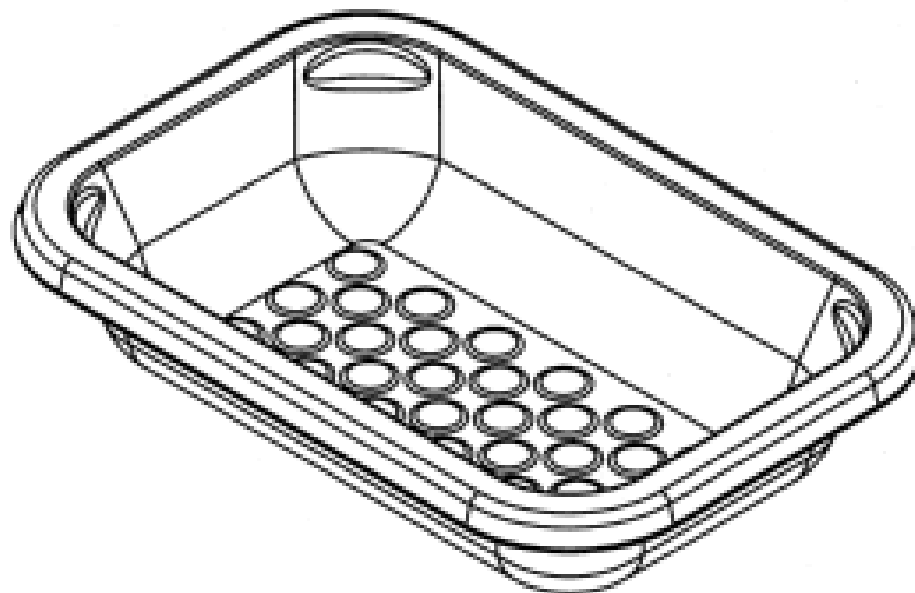
Registration Proceedings - Class Listing of Designs Published or Registered cont'd

Classification	Registration Number	Design Number	Classification	Registration Number	Design Number
11-02 B	327633	13241/2009	21-01 C	327551	13124/2009
11-02 B	327634	13242/2009	21-01 D	327493	13054/2009
11-02 C	327627	13237/2009	21-01 L	327578	12386/2009
11-02 C	327628	13238/2009	21-02 D	327592	13173/2009
11-02 C	327629	13239/2009	21-02 NES	327533	13111/2009
12-06 NES	327502	12580/2009	23-01 E	327542	13109/2009
12-08	327535	13114/2009	23-01 G	327542	13109/2009
12-10	327516	12349/2009	23-01 H	327499	13065/2009
12-11	327501	12576/2009	23-02 B	327615	13216/2009
12-12	327489	12338/2009	23-02 B	327616	13217/2009
12-15 NES	327477	12074/2009	23-02 B	327617	13218/2009
12-16 NES	327573	13136/2009	23-02 B	327649	13215/2009
13-03 B	327500	13190/2009	23-02 F	327598	13205/2009
13-03 C	327611	13049/2009	23-02 F	327599	13206/2009
14-02	327503	12581/2009	23-02 F	327600	13207/2009
14-02	327594	13196/2009	23-03 NES	327581	12657/2009
14-03 E	327541	13102/2009	24-01	327650	13265/2009
14-03 E	327562	13103/2009	24-02	327556	12976/2009
14-03 E	327563	13104/2009	25-01 B	327491	12778/2009
14-03 E	327564	13105/2009	25-01 K	327513	13214/2009
14-03 E	327624	13233/2009	25-01 K	327514	13220/2009
14-03 E	327648	13213/2009	25-01 K	327515	13221/2009
15-03 B	327572	13063/2009	25-01 K	327537	13164/2009
15-05	327570	13061/2009	25-01 K	327538	13165/2009
15-05	327571	13457/2009	25-01 NES	327561	13062/2009
19-06	327569	13130/2009	25-02 NES	327511	13133/2009
21-01 A	327534	13113/2009	25-03	327320	12871/2009
21-01 A	327603	13182/2009	26-04	327492	13046/2009
21-01 A	327605	13184/2009	26-05 NES	327493	13054/2009
21-01 A	327607	13186/2009	26-05 NES	327494	13055/2009
21-01 A	327608	13187/2009	26-06	327552	13125/2009
21-01 A	327609	13188/2009	26-06	327553	13126/2009
21-01 B	327472	13035/2009	26-06	327613	13193/2009
21-01 B	327473	13037/2009	26-06	327614	13194/2009
21-01 B	327474	13038/2009	28-03 C	327587	13143/2009
21-01 B	327475	13039/2009	28-03 C	327588	13144/2009
21-01 B	327476	13040/2009	28-03 NES	327540	13101/2009
21-01 B	327485	13041/2009	28-03 NES	327568	13127/2009
21-01 B	327486	13042/2009	28-03 NES	327612	13116/2009
21-01 B	327487	13043/2009	30-03	327619	13222/2009
21-01 B	327604	13183/2009	31-00	327479	12403/2009
21-01 B	327606	13185/2009	31-00	327480	12404/2009
21-01 B	327610	13189/2009	31-00	327523	13081/2009
21-01 B	327630	13180/2009	31-00	327524	13082/2009
21-01 B	327631	13181/2009	31-00	327525	13083/2009
21-01 C	327494	13055/2009			
21-01 C	327535	13114/2009			
21-01 C	327550	13123/2009			

- (21) Design Number: **12846/2009**
- (22) Date of Filing Application: **31 July 2009**
- (24) Date from which industrial property rights may have effect: **31 July 2009**
- (54) Product in respect of which the design is registered: **Tray**
- (51) International Design Classification: **09-03F**
- (71) Name(s) and Address(s) of Applicant(s):

Alto Packaging Limited
Level 6 LJ Hooker House 57-59 Symonds Street Auckland New Zealand

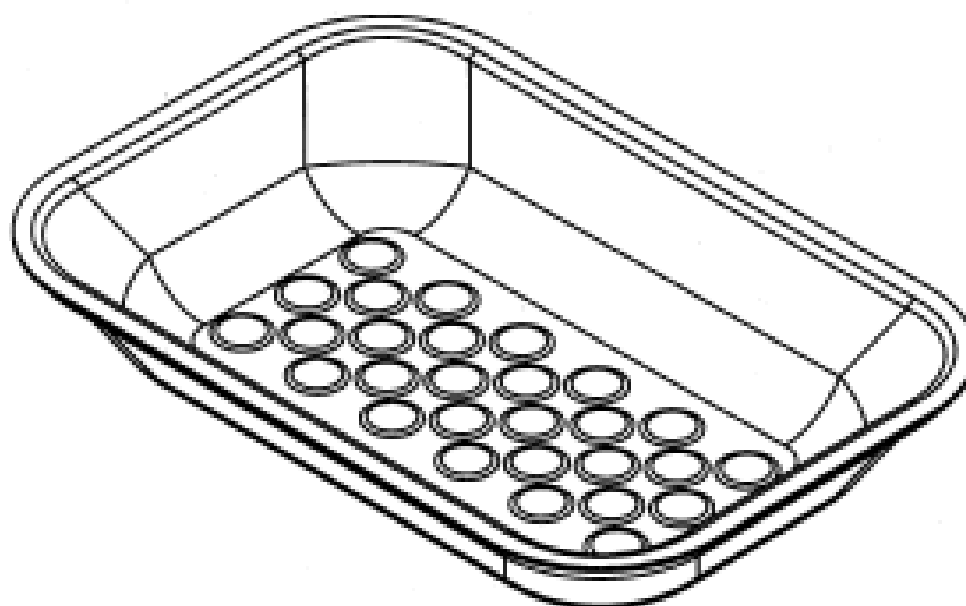
- (72) Name(s) of Designer(s): **Keith Irvine**
- (45) Registration Date: **09 September 2009**
- (56) Related Art Documents: **Not Applicable**
- (57) Statement of Newness and Distinctiveness: **Nil**



- (21) Design Number: **12847/2009**
- (22) Date of Filing Application: **31 July 2009**
- (24) Date from which industrial property rights may have effect: **31 July 2009**
- (54) Product in respect of which the design is registered: **Tray**
- (51) International Design Classification: **09-03F**
- (71) Name(s) and Address(s) of Applicant(s):

Alto Packaging Limited
Level 6 LJ Hooker House 57-59 Symonds Street Auckland New Zealand

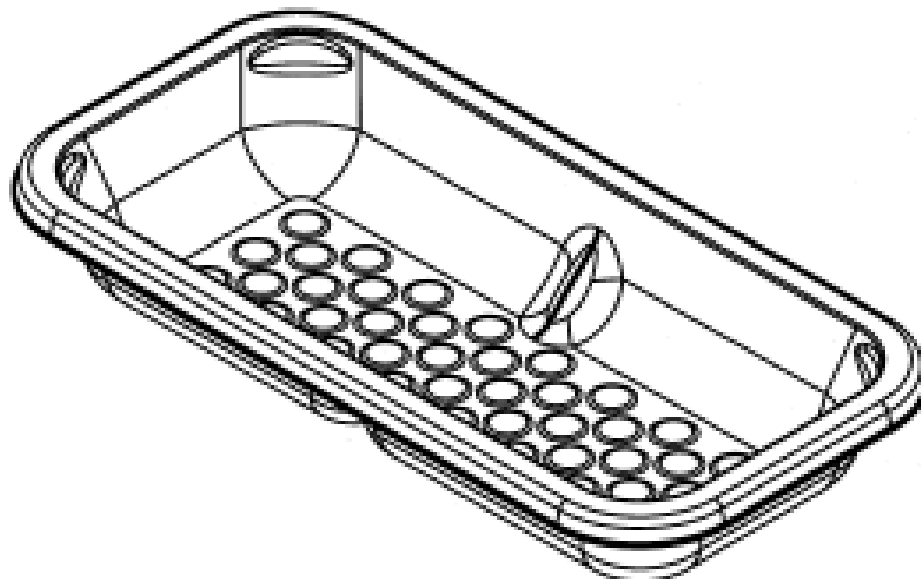
- (72) Name(s) of Designer(s): **Keith Irvine**
- (45) Registration Date: **09 September 2009**
- (56) Related Art Documents: **Not Applicable**
- (57) Statement of Newness and Distinctiveness: **Nil**



- (21) Design Number: **12848/2009**
- (22) Date of Filing Application: **31 July 2009**
- (24) Date from which industrial property rights may have effect: **31 July 2009**
- (54) Product in respect of which the design is registered: **Tray**
- (51) International Design Classification: **09-03F**
- (71) Name(s) and Address(s) of Applicant(s):

Alto Packaging Limited
Level 6 LJ Hooker House 57-59 Symonds Street Auckland New Zealand

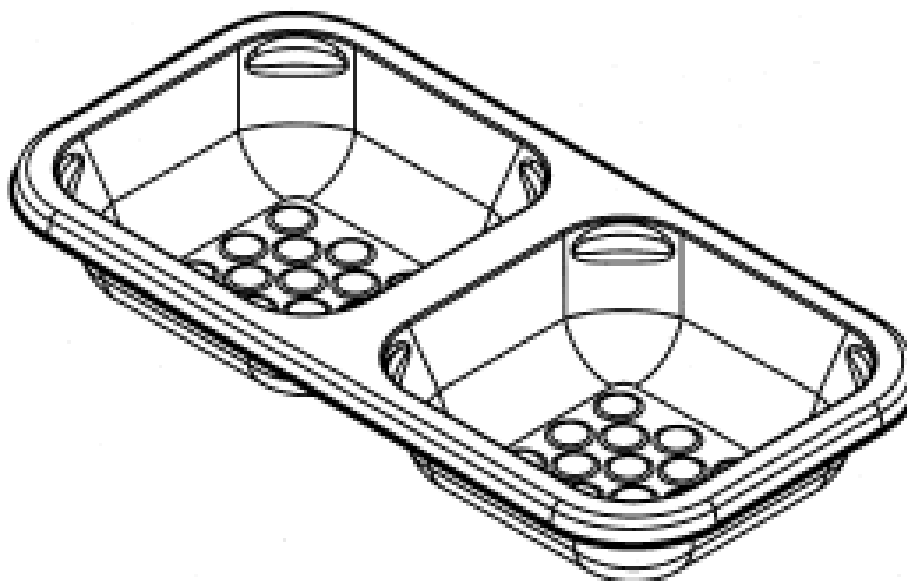
- (72) Name(s) of Designer(s): **Keith Irvine**
- (45) Registration Date: **09 September 2009**
- (56) Related Art Documents: **Not Applicable**
- (57) Statement of Newness and Distinctiveness: **Nil**



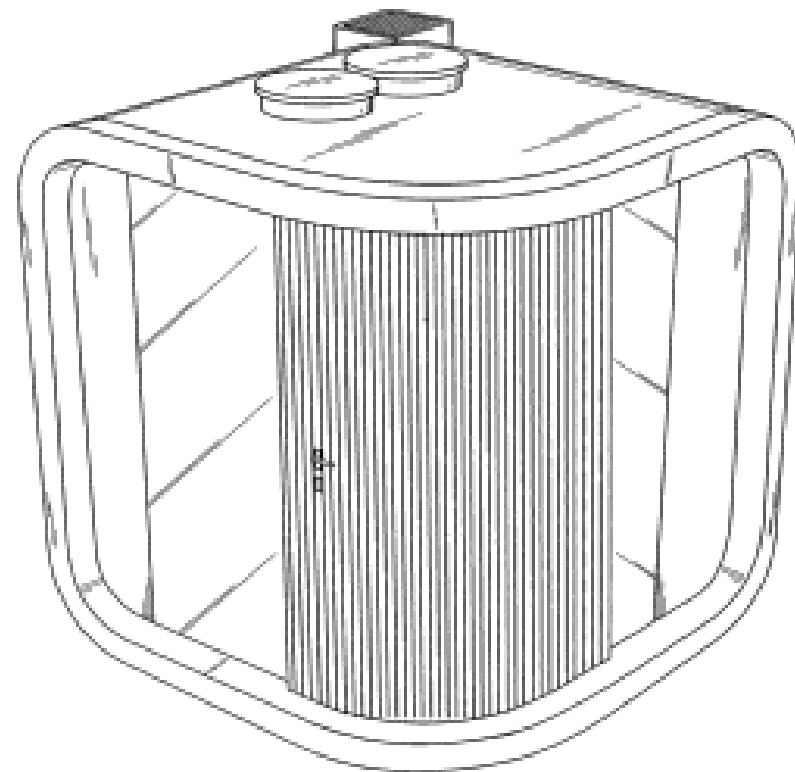
- (21) Design Number: **12849/2009**
- (22) Date of Filing Application: **31 July 2009**
- (24) Date from which industrial property rights may have effect: **31 July 2009**
- (54) Product in respect of which the design is registered: **Tray**
- (51) International Design Classification: **09-03F**
- (71) Name(s) and Address(s) of Applicant(s):

Alto Packaging Limited
Level 6 LJ Hooker House 57-59 Symonds Street Auckland New Zealand

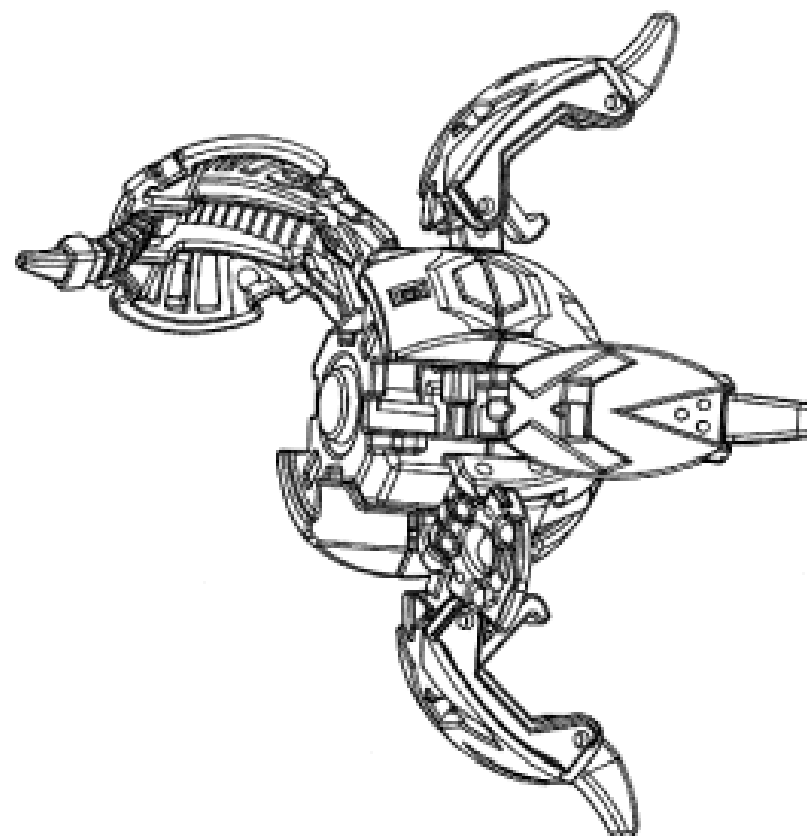
- (72) Name(s) of Designer(s): **Keith Irvine**
- (45) Registration Date: **09 September 2009**
- (56) Related Art Documents: **Not Applicable**
- (57) Statement of Newness and Distinctiveness: **Nil**



(21) Design Number: **12871/2009**
 (22) Date of Filing Application: **03 August 2009**
 (24) Date from which industrial property rights may have effect: **03 August 2009**
 (54) Product in respect of which the design is registered: **Portable cabin**
 (51) International Design Classification: **25-03**
 (71) Name(s) and Address(s) of Applicant(s):
OfficePOD Limited
EOffice 2 Sheraton Street London W1F 8BH United Kingdom
 (72) Name(s) of Designer(s): **Graham Clark**
 (45) Registration Date: **09 September 2009**
 (30) Convention priority data:
 (31) Number (32) Date (33) Country
001082713-0001 05 Feb 2009 EUROPEAN COMMUNITY
 (56) Related Art Documents: **Not Applicable**
 (57) Statement of Newness and Distinctiveness: **Newness and distinctiveness resides in the shape and configuration of the design shown in the accompanying representations.**



(21) Design Number: **13035/2009**
 (22) Date of Filing Application: **12 August 2009**
 (24) Date from which industrial property rights may have effect: **12 August 2009**
 (54) Product in respect of which the design is registered: **Transformable toy**
 (51) International Design Classification: **21-01B**
 (71) Name(s) and Address(s) of Applicant(s):
Spin Master Ltd.
450 Front Street West Toronto Ontario M5V 1B6 Canada
 (72) Name(s) of Designer(s): **Wataru Sato and Kohji Hirose and Richard Keuter**
 (45) Registration Date: **04 September 2009**
 (30) Convention priority data:
 (31) Number (32) Date (33) Country
129745 23 Feb 2009 CANADA
 (56) Related Art Documents: **Not Applicable**
 (57) Statement of Newness and Distinctiveness: **Nil**



(21) Design Number: **13037/2009**

(22) Date of Filing Application: **12 August 2009**

(24) Date from which industrial property rights may have effect: **12 August 2009**

(54) Product in respect of which the design is registered: **Transformable toy**

(51) International Design Classification: **21-01B**

(71) Name(s) and Address(s) of Applicant(s):

Spin Master Ltd.

450 Front Street West Toronto Ontario M5V 1B6 Canada

(72) Name(s) of Designer(s): **Wataru Sato and Kohji Hirose and Richard Keuter**

(45) Registration Date: **04 September 2009**

(30) Convention priority data:

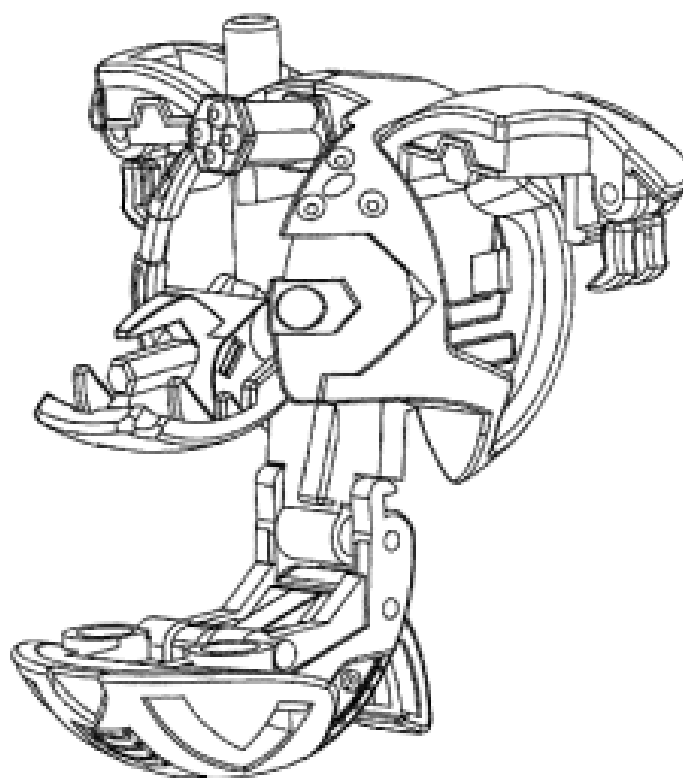
(31) Number
129651

(32) Date
17 Feb 2009

(33) Country
CANADA

(56) Related Art Documents: **Not Applicable**

(57) Statement of Newness and Distinctiveness: **Nil**



(21) Design Number: **13038/2009**

(22) Date of Filing Application: **12 August 2009**

(24) Date from which industrial property rights may have effect: **12 August 2009**

(54) Product in respect of which the design is registered: **Transformable toy**

(51) International Design Classification: **21-01B**

(71) Name(s) and Address(s) of Applicant(s):

Spin Master Ltd.

450 Front Street West Toronto Ontario M5V 1B6 Canada

(72) Name(s) of Designer(s): **Wataru Sato and Kohji Hirose and Richard Keuter**

(45) Registration Date: **04 September 2009**

(30) Convention priority data:

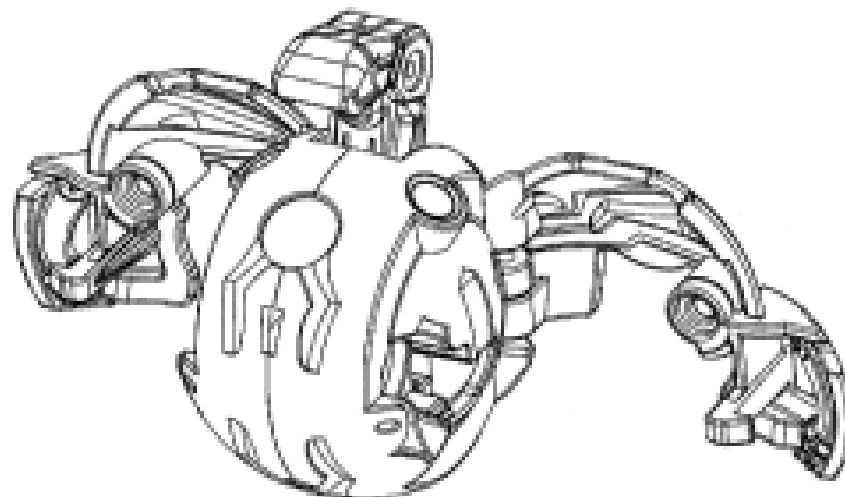
(31) Number
129647

(32) Date
16 Feb 2009

(33) Country
CANADA

(56) Related Art Documents: **Not Applicable**

(57) Statement of Newness and Distinctiveness: **Nil**



(21) Design Number: **13039/2009**

(22) Date of Filing Application: **12 August 2009**

(24) Date from which industrial property rights may have effect: **12 August 2009**

(54) Product in respect of which the design is registered: **Transformable toy**

(51) International Design Classification: **21-01B**

(71) Name(s) and Address(s) of Applicant(s):

Spin Master Ltd.

450 Front Street West Toronto Ontario M5V 1B6 Canada

(72) Name(s) of Designer(s): **Wataru Sato and Kohji Hirose and Richard Keuter**

(45) Registration Date: **04 September 2009**

(30) Convention priority data:

(31) Number
129648

(32) Date
16 Feb 2009

(33) Country
CANADA

(56) Related Art Documents: **Not Applicable**

(57) Statement of Newness and Distinctiveness: **Nil**



(21) Design Number: **13040/2009**

(22) Date of Filing Application: **12 August 2009**

(24) Date from which industrial property rights may have effect: **12 August 2009**

(54) Product in respect of which the design is registered: **Transformable toy**

(51) International Design Classification: **21-01B**

(71) Name(s) and Address(s) of Applicant(s):

Spin Master Ltd.

450 Front Street West Toronto Ontario M5V 1B6 Canada

(72) Name(s) of Designer(s): **Wataru Sato and Kohji Hirose and Richard Keuter**

(45) Registration Date: **04 September 2009**

(30) Convention priority data:

(31) Number
129649

(32) Date
16 Feb 2009

(33) Country
CANADA

(56) Related Art Documents: **Not Applicable**

(57) Statement of Newness and Distinctiveness: **Nil**



(21) Design Number: **12074/2009**

(22) Date of Filing Application: **04 June 2009**

(24) Date from which industrial property rights may have effect: **04 June 2009**

(54) Product in respect of which the design is registered: **Automobile tyre**

(51) International Design Classification: **12-15NES**

(71) Name(s) and Address(s) of Applicant(s):

Bridgestone Corporation
10-1 Kyobashi 1-Chome Chuo-ku Tokyo 104-8340 Japan

(72) Name(s) of Designer(s): **Shungo Fujita**

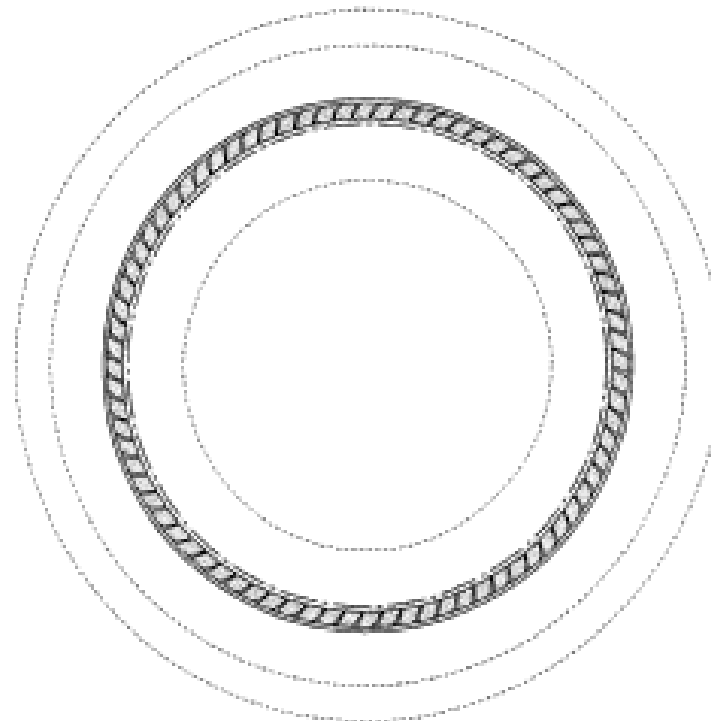
(45) Registration Date: **07 September 2009**

(30) Convention priority data:

(31) Number	(32) Date	(33) Country
2009/004662	03 Mar 2009	JAPAN

(56) Related Art Documents: **Not Applicable**

(57) Statement of Newness and Distinctiveness: **The shape, configuration, pattern and ornamentation of the side wall portion of the tyre is new and distinctive.**



(21) Design Number: **12329/2009**

(22) Date of Filing Application: **29 June 2009**

(24) Date from which industrial property rights may have effect: **29 June 2009**

(54) Product in respect of which the design is registered: **Scaffold spanner**

(51) International Design Classification: **08-05P**

(71) Name(s) and Address(s) of Applicant(s):

Simon Hauville
12 Falkiner Crescent Singleton New South Wales 2330 Australia

(72) Name(s) of Designer(s): **Simon Hauville**

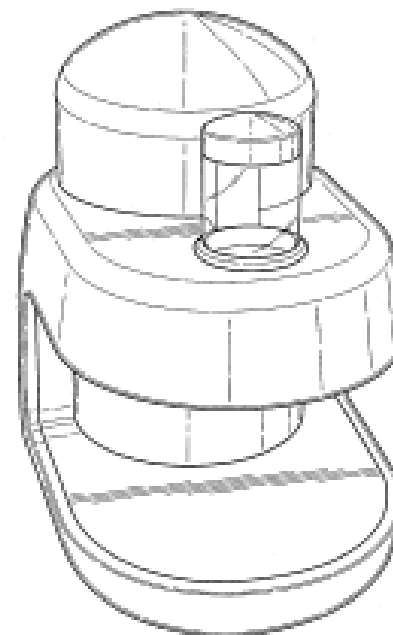
(45) Registration Date: **07 September 2009**

(56) Related Art Documents: **Not Applicable**

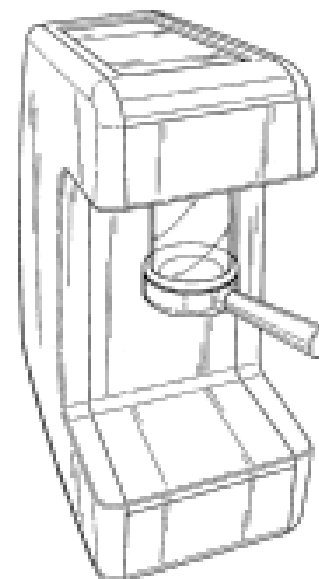
(57) Statement of Newness and Distinctiveness: **Newness and distinctiveness resides in the shape and configuration of the scaffold spanner having a socket head and a pivoting handle attached to the socket head as shown in the accompanying drawings wherein: Fig. 1 is a pictorial representation of the scaffold spanner from one side showing the handle in one orientation; Fig. 2 is a pictorial representation of the scaffold spanner from above showing the other side with the handle pivoted through 180 degrees; Fig. 3 is a pictorial representation of the scaffold spanner from one side with the handle in the same orientation as Fig. 1; Fig. 4 is a pictorial representation of the scaffold spanner with the handle in the same orientation as in Fig 2.**



(21) Design Number: **12403/2009**
(22) Date of Filing Application: **01 July 2009**
(24) Date from which industrial property rights may have effect: **01 July 2009**
(54) Product in respect of which the design is registered: **Beverage preparation device**
(51) International Design Classification: **31-00**
(71) Name(s) and Address(s) of Applicant(s):
Unilever PLC
Unilever House 100 Victoria Embankment London EC4Y ODY United Kingdom
(72) Name(s) of Designer(s): **Robert Wim Bronwasser**
(45) Registration Date: **07 September 2009**
(30) Convention priority data:
(31) Number (32) Date (33) Country
4010033 24 Jan 2009 UNITED KINGDOM
(56) Related Art Documents: **Not Applicable**
(57) Statement of Newness and Distinctiveness: **Newness and distinctiveness is claimed in the visual features shown in solid lines in the representations.**



(21) Design Number: **12404/2009**
(22) Date of Filing Application: **01 July 2009**
(24) Date from which industrial property rights may have effect: **01 July 2009**
(54) Product in respect of which the design is registered: **Beverage preparation device**
(51) International Design Classification: **31-00**
(71) Name(s) and Address(s) of Applicant(s):
Unilever PLC
Unilever House 100 Victoria Embankment London EC4Y ODY United Kingdom
(72) Name(s) of Designer(s): **Robert Wim Bronwasser**
(45) Registration Date: **07 September 2009**
(30) Convention priority data:
(31) Number (32) Date (33) Country
4010032 24 Jan 2009 UNITED KINGDOM
(56) Related Art Documents: **Not Applicable**
(57) Statement of Newness and Distinctiveness: **Newness and distinctiveness is claimed in the visual features shown in solid lines in the representations.**



(21) Design Number: **12421/2009**

(22) Date of Filing Application: **03 July 2009**

(24) Date from which industrial property rights may have effect: **03 July 2009**

(54) Product in respect of which the design is registered: **A cast-in connector**

(51) International Design Classification: **08-08NES**

(71) Name(s) and Address(s) of Applicant(s):

Illinois Tool Works Inc.
3600 West Lake Avenue Glenview Illinois 60026 United States of America

(72) Name(s) of Designer(s): **Andrew Barraclough and Petar Uscumlic**

(45) Registration Date: **07 September 2009**

(56) Related Art Documents: **Not Applicable**

(57) Statement of Newness and Distinctiveness: **Newness and distinctiveness is claimed in the features of shape and configuration of a cast-in connector in the form of a clevis pin connector to be cast into a concrete wall panel for connecting the wall panel to adjacent reinforcing structure.**



(21) Design Number: **12514/2009**

(22) Date of Filing Application: **10 July 2009**

(24) Date from which industrial property rights may have effect: **10 July 2009**

(54) Product in respect of which the design is registered: **Bottle cap**

(51) International Design Classification: **09-07C**

(71) Name(s) and Address(s) of Applicant(s):

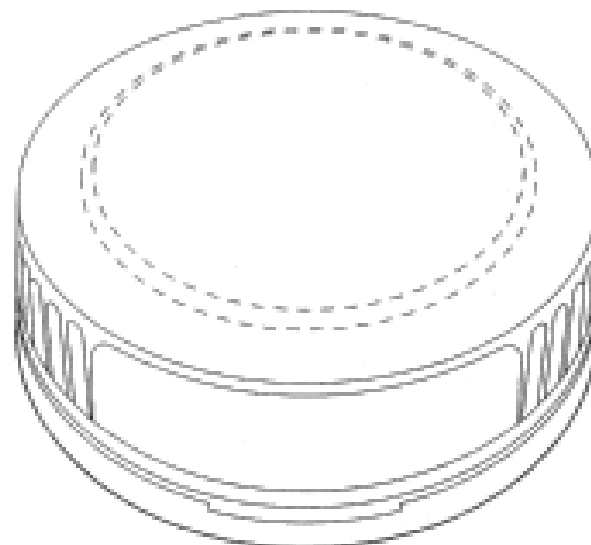
Bayer Australia Limited
875 Pacific Highway Pymble New South Wales 2073 Australia

(72) Name(s) of Designer(s): **Robert A Neil**

(45) Registration Date: **07 September 2009**

(56) Related Art Documents: **Not Applicable**

(57) Statement of Newness and Distinctiveness: **Newness and distinctiveness is claimed in the visual features shown in solid lines in the representations.**



(21) Design Number: **12515/2009**

(22) Date of Filing Application: **10 July 2009**

(24) Date from which industrial property rights may have effect: **10 July 2009**

(54) Product in respect of which the design is registered: **Bottle**

(51) International Design Classification: **09-01NES**

(71) Name(s) and Address(s) of Applicant(s):

Bayer Australia Limited
875 Pacific Highway Pymble New South Wales 2073 Australia

(72) Name(s) of Designer(s): **Robert A Neil**

(45) Registration Date: **07 September 2009**

(56) Related Art Documents: **Not Applicable**

(57) Statement of Newness and Distinctiveness: **Newness and distinctiveness is claimed in the visual features shown in solid lines in the representations.**



(21) Design Number: **12516/2009**

(22) Date of Filing Application: **10 July 2009**

(24) Date from which industrial property rights may have effect: **10 July 2009**

(54) Product in respect of which the design is registered: **Bottle and cap**

(51) International Design Classification: **09-01NES**

(71) Name(s) and Address(s) of Applicant(s):

Bayer Australia Limited
875 Pacific Highway Pymble New South Wales 2073 Australia

(72) Name(s) of Designer(s): **Robert A Neil**

(45) Registration Date: **07 September 2009**

(56) Related Art Documents: **Not Applicable**

(57) Statement of Newness and Distinctiveness: **Newness and distinctiveness is claimed in the visual features shown in solid lines in the representations.**



(21) Design Number: **13041/2009**

(22) Date of Filing Application: **12 August 2009**

(24) Date from which industrial property rights may have effect: **12 August 2009**

(54) Product in respect of which the design is registered: **Transformable toy**

(51) International Design Classification: **21-01B**

(71) Name(s) and Address(s) of Applicant(s):

Spin Master Ltd.

450 Front Street West Toronto Ontario M5V 1B6 Canada

(72) Name(s) of Designer(s): **Wataru Sato and Kohji Hirose and Richard Keuter**

(45) Registration Date: **07 September 2009**

(30) Convention priority data:

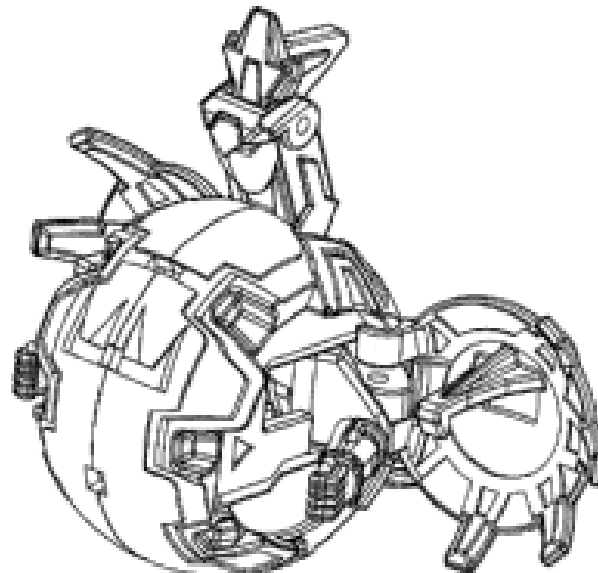
(31) Number
129650

(32) Date
16 Feb 2009

(33) Country
CANADA

(56) Related Art Documents: **Not Applicable**

(57) Statement of Newness and Distinctiveness: **Nil**



(21) Design Number: **13042/2009**

(22) Date of Filing Application: **12 August 2009**

(24) Date from which industrial property rights may have effect: **12 August 2009**

(54) Product in respect of which the design is registered: **Transformable toy**

(51) International Design Classification: **21-01B**

(71) Name(s) and Address(s) of Applicant(s):

Spin Master Ltd.

450 Front Street West Toronto Ontario M5V 1B6 Canada

(72) Name(s) of Designer(s): **Wataru Sato and Kohji Hirose and Richard Keuter**

(45) Registration Date: **07 September 2009**

(30) Convention priority data:

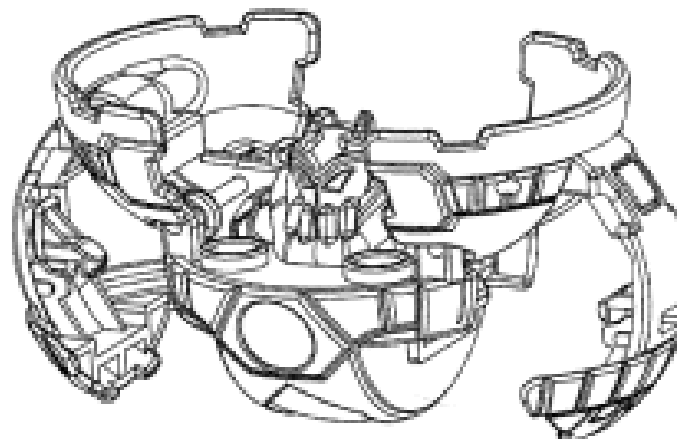
(31) Number
129646

(32) Date
16 Feb 2009

(33) Country
CANADA

(56) Related Art Documents: **Not Applicable**

(57) Statement of Newness and Distinctiveness: **Nil**



(21) Design Number: **13043/2009**

(22) Date of Filing Application: **12 August 2009**

(24) Date from which industrial property rights may have effect: **12 August 2009**

(54) Product in respect of which the design is registered: **Transformable toy**

(51) International Design Classification: **21-01B**

(71) Name(s) and Address(s) of Applicant(s):

Spin Master Ltd.

450 Front Street West Toronto Ontario M5V 1B6 Canada

(72) Name(s) of Designer(s): **Wataru Sato and Kohji Hirose and Richard Keuter**

(45) Registration Date: **07 September 2009**

(30) Convention priority data:

(31) Number

(32) Date

(33) Country

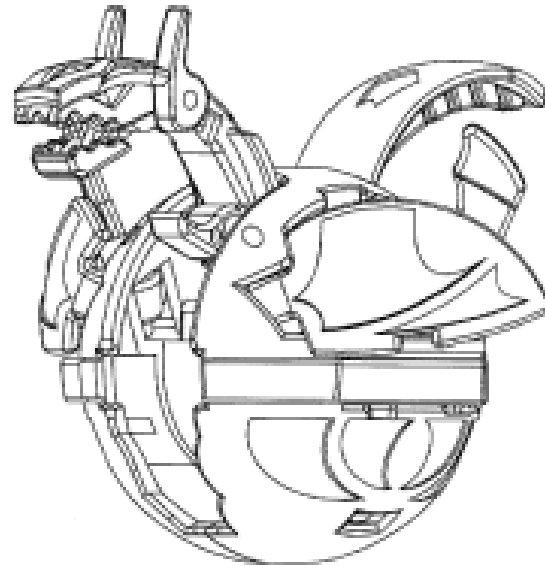
129625

13 Feb 2009

CANADA

(56) Related Art Documents: **Not Applicable**

(57) Statement of Newness and Distinctiveness: **Nil**



(21) Design Number: **13053/2009**

(22) Date of Filing Application: **12 August 2009**

(24) Date from which industrial property rights may have effect: **12 August 2009**

(54) Product in respect of which the design is registered: **A glass stem**

(51) International Design Classification: **07-06A, 07-01NES**

(71) Name(s) and Address(s) of Applicant(s):

Actron Technology Pty Ltd

12 Anderson Road Echunga South Australia 5153 Australia

(72) Name(s) of Designer(s): **Sandy Mercier**

(45) Registration Date: **07 September 2009**

(56) Related Art Documents: **Not Applicable**

(57) Statement of Newness and Distinctiveness: **Newness and distinctiveness resides in the spiral twist shape in the glass stem.**



(21) Design Number: **12338/2009**

(22) Date of Filing Application: **29 June 2009**

(24) Date from which industrial property rights may have effect: **29 June 2009**

(54) Product in respect of which the design is registered: **Wheel for a stroller**

(51) International Design Classification: **12-12**

(71) Name(s) and Address(s) of Applicant(s):

Nuna International B.V.

Paasheuvelweg 26 NL-1105 BJ Amsterdam Zuidoost The Netherlands

(72) Name(s) of Designer(s): **Therese Johansson and Eric Biermann**

(45) Registration Date: **09 September 2009**

(30) Convention priority data:

(31) Number	(32) Date	(33) Country
200930001380.0	23 Jan 2009	CHINA

(56) Related Art Documents: **Not Applicable**

(57) Statement of Newness and Distinctiveness: **Newness and distinctiveness resides in the features of shape and/or configuration of a WHEEL FOR A STROLLER as illustrated in the accompanying representations.**



(21) Design Number: **12777/2009**

(22) Date of Filing Application: **24 July 2009**

(24) Date from which industrial property rights may have effect: **24 July 2009**

(54) Product in respect of which the design is registered: **A double container**

(51) International Design Classification: **09-03NES**

(71) Name(s) and Address(s) of Applicant(s):

Visy R & D Pty Ltd

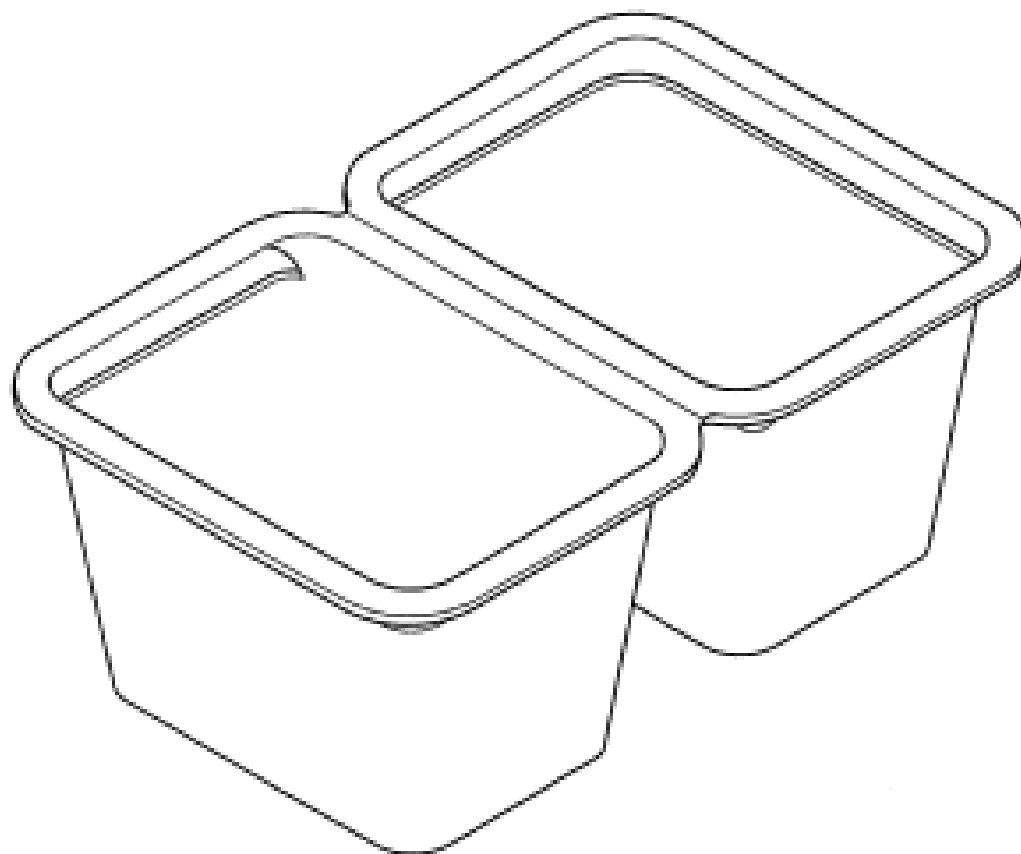
Level 11 2 Southbank Boulevard Southbank Victoria 3006 Australia

(72) Name(s) of Designer(s): **David Stephens**

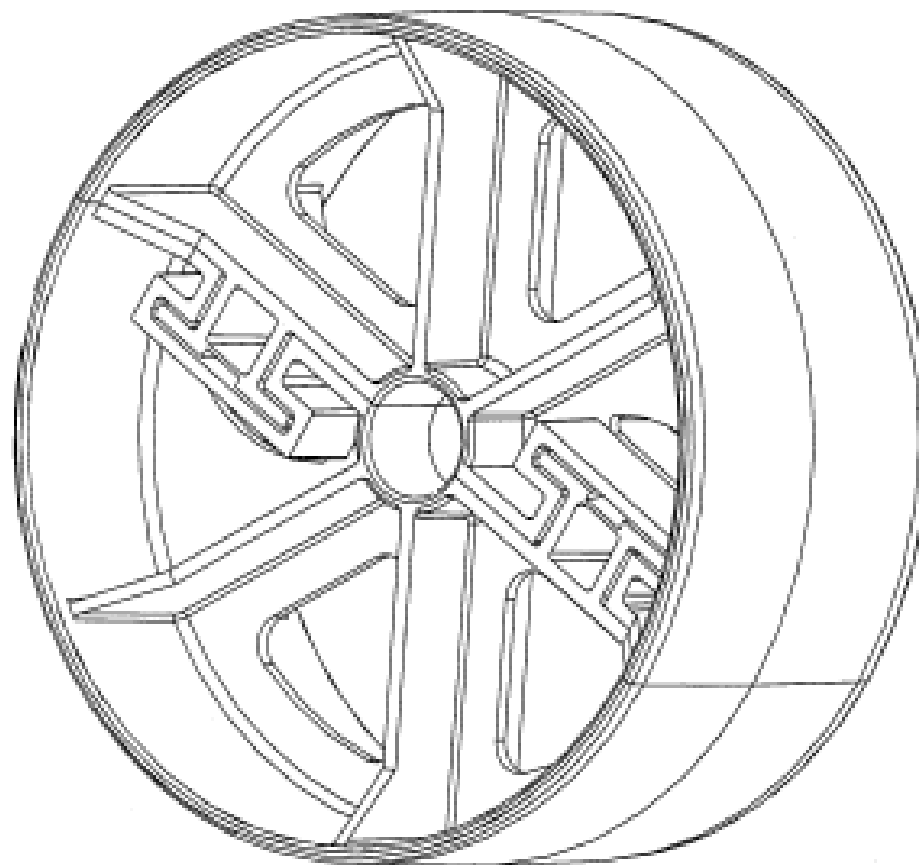
(45) Registration Date: **09 September 2009**

(56) Related Art Documents: **Not Applicable**

(57) Statement of Newness and Distinctiveness: **The features of the design which are new and distinctive are the shape or configuration of the double container, as illustrated in the accompanying representations.**



(21) Design Number: **12778/2009**
 (22) Date of Filing Application: **24 July 2009**
 (24) Date from which industrial property rights may have effect: **24 July 2009**
 (54) Product in respect of which the design is registered: **A spacer for concrete reinforcement**
 (51) International Design Classification: **08-08L, 25-01B**
 (71) Name(s) and Address(s) of Applicant(s):
Illinois Tool Works Inc.
3600 West Lake Avenue Glenview Illinois 60026 United States of America
 (72) Name(s) of Designer(s): **Brendan Andersen and Andrew O'Loughlin**
 (45) Registration Date: **09 September 2009**
 (56) Related Art Documents: **Not Applicable**
 (57) Statement of Newness and Distinctiveness: **Nil**



(21) Design Number: **13046/2009**
 (22) Date of Filing Application: **12 August 2009**
 (24) Date from which industrial property rights may have effect: **12 August 2009**
 (54) Product in respect of which the design is registered: **Luminaire**
 (51) International Design Classification: **26-04**
 (71) Name(s) and Address(s) of Applicant(s):
Osram GmbH
Hellabrunner Strasse 1 D-81543 Munchen Germany
 (72) Name(s) of Designer(s): **Florian Wildner**
 (45) Registration Date: **09 September 2009**
 (30) Convention priority data:

(31) Number	(32) Date	(33) Country
001097646	18 Feb 2009	EUROPEAN COMMUNITY

 (56) Related Art Documents: **Not Applicable**
 (57) Statement of Newness and Distinctiveness: **Nil**



(21) Design Number: **13054/2009**

(22) Date of Filing Application: **12 August 2009**

(24) Date from which industrial property rights may have effect: **12 August 2009**

(54) Product in respect of which the design is registered: **Lighting apparatus**

(51) International Design Classification: **26-05NES, 21-01D**

(71) Name(s) and Address(s) of Applicant(s):

Helen of Troy Limited
13 8th Avenue Belleville PO Box 836E St Michael Barbados

(72) Name(s) of Designer(s): **Stefane Barbeau and Duane Smith**

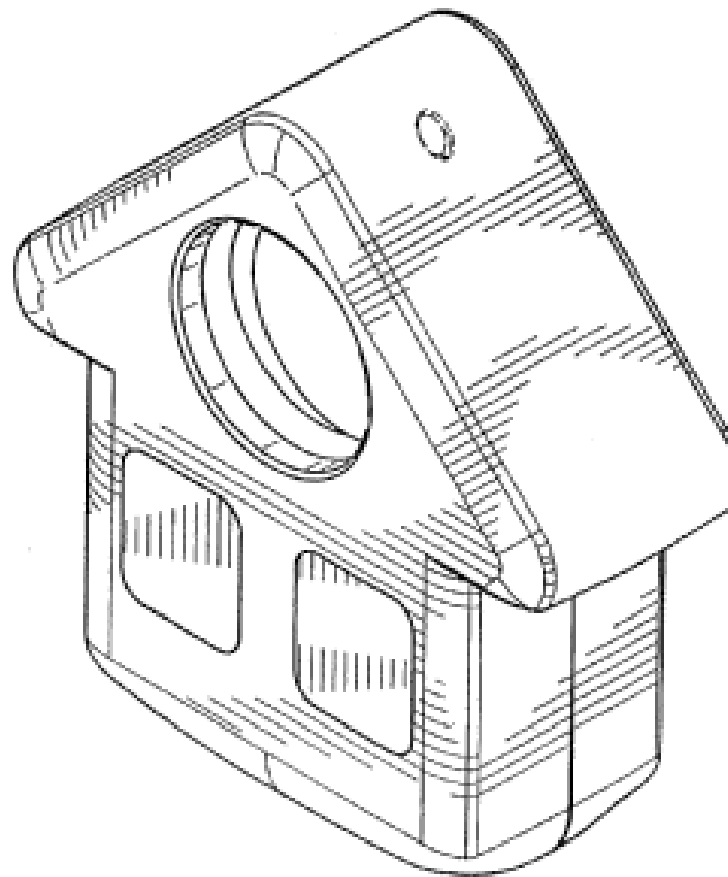
(45) Registration Date: **09 September 2009**

(30) Convention priority data:

(31) Number	(32) Date	(33) Country
29/332983	27 Feb 2009	UNITED STATES OF AMERICA

(56) Related Art Documents: **Not Applicable**

(57) Statement of Newness and Distinctiveness: **Newness and distinctiveness is claimed in the features of shape and/or configuration of a lighting apparatus as illustrated in continuous lines in the accompanying representations.**



(21) Design Number: **13055/2009**

(22) Date of Filing Application: **12 August 2009**

(24) Date from which industrial property rights may have effect: **12 August 2009**

(54) Product in respect of which the design is registered: **Lighting apparatus**

(51) International Design Classification: **26-05NES, 21-01C**

(71) Name(s) and Address(s) of Applicant(s):

Helen of Troy Limited
13 8th Avenue Belleville PO Box 836E St Michael Barbados

(72) Name(s) of Designer(s): **Stefane Barbeau and Duane Smith**

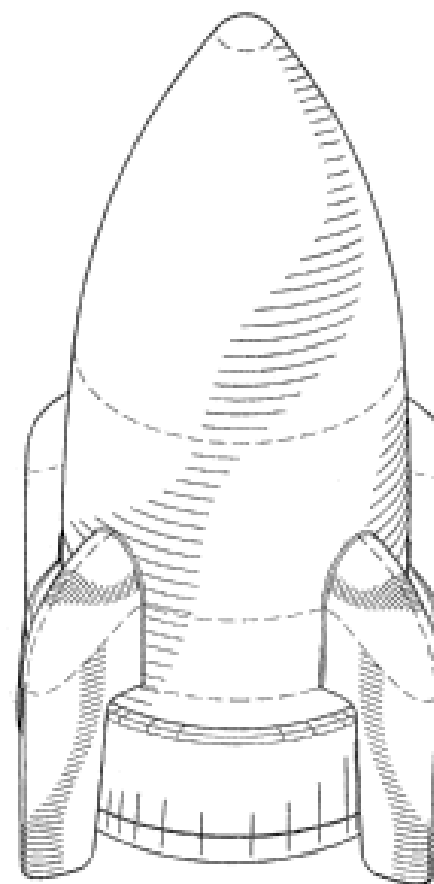
(45) Registration Date: **09 September 2009**

(30) Convention priority data:

(31) Number	(32) Date	(33) Country
29/332979	27 Feb 2009	UNITED STATES OF AMERICA

(56) Related Art Documents: **Not Applicable**

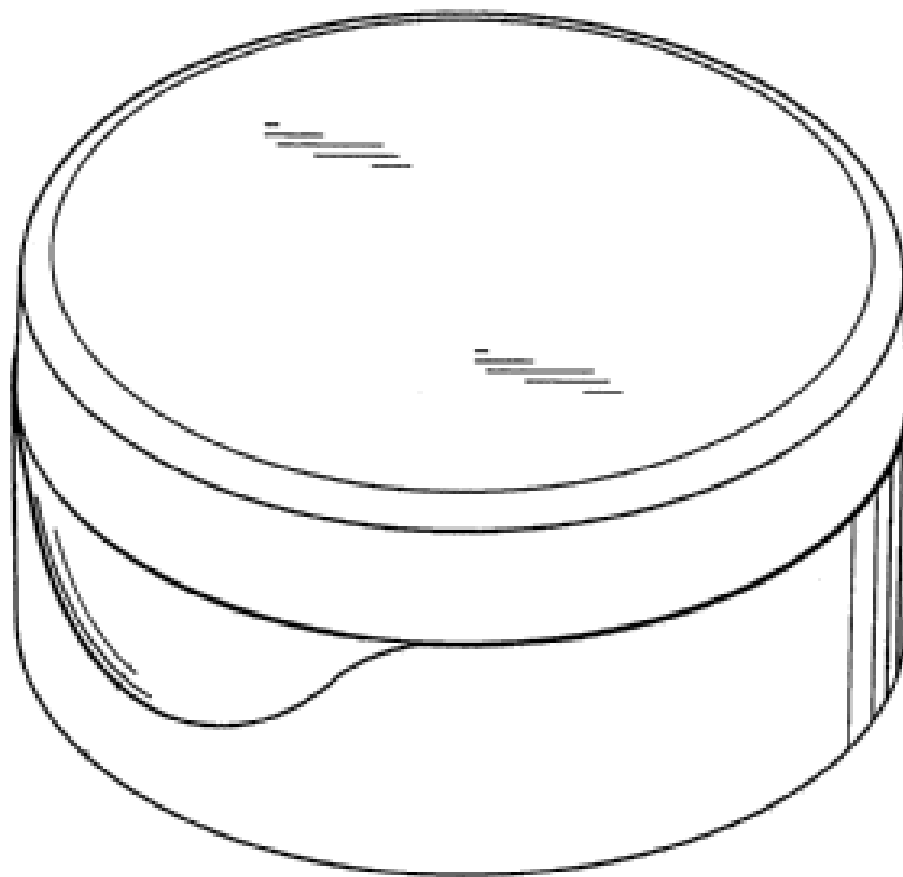
(57) Statement of Newness and Distinctiveness: **Newness and distinctiveness is claimed in the features of shape and/or configuration of a lighting apparatus as illustrated in the accompanying representations.**



(21) Design Number: **13056/2009**
 (22) Date of Filing Application: **12 August 2009**
 (24) Date from which industrial property rights may have effect: **12 August 2009**
 (54) Product in respect of which the design is registered: **Closure**
 (51) International Design Classification: **09-07NES, 09-01G**
 (71) Name(s) and Address(s) of Applicant(s):
Seaquist Closures L.L.C.
711 Fox Street Mukwonago Wisconsin 53149 United States of America
 (72) Name(s) of Designer(s): **John M. Wisniewski**
 (45) Registration Date: **09 September 2009**
 (30) Convention priority data:

(31) Number	(32) Date	(33) Country
29/313954	20 Feb 2009	UNITED STATES OF AMERICA

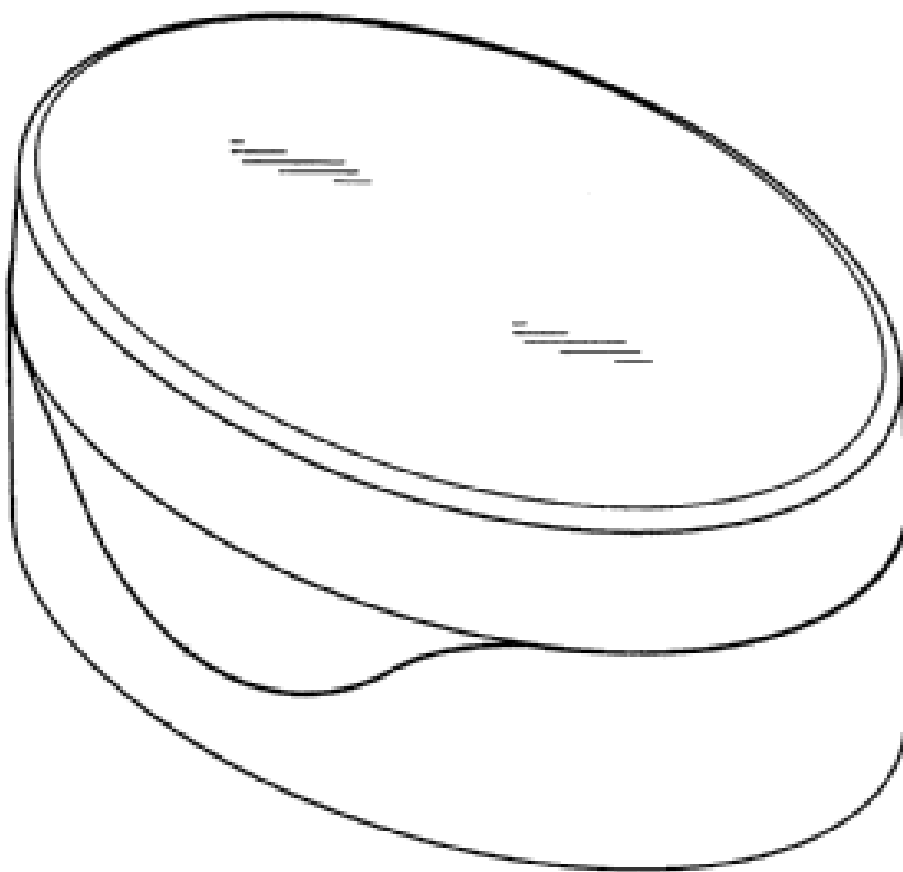
 (56) Related Art Documents: **Not Applicable**
 (57) Statement of Newness and Distinctiveness: **Newness and distinctiveness is claimed in the features of shape and/or configuration of the finger lift recess labelled "A" and the ratio of diameter to height of a closure as illustrated in the accompanying representations. Newness and distinctiveness is not claimed in the features shown in the bottom plan view or the hinge labelled "B".**



(21) Design Number: **13057/2009**
 (22) Date of Filing Application: **12 August 2009**
 (24) Date from which industrial property rights may have effect: **12 August 2009**
 (54) Product in respect of which the design is registered: **Closure**
 (51) International Design Classification: **09-07NES, 09-01G**
 (71) Name(s) and Address(s) of Applicant(s):
Seaquist Closures L.L.C.
711 Fox Street Mukwonago Wisconsin 53149 United States of America
 (72) Name(s) of Designer(s): **Stacy L. Beilke**
 (45) Registration Date: **09 September 2009**
 (30) Convention priority data:

(31) Number	(32) Date	(33) Country
29/313951	20 Feb 2009	UNITED STATES OF AMERICA

 (56) Related Art Documents: **Not Applicable**
 (57) Statement of Newness and Distinctiveness: **Newness and distinctiveness is claimed in the features of shape and/or configuration of the finger lift recess labelled "A" and the ratio between major and minor axes and height of a closure as illustrated in the accompanying representations. Newness and distinctiveness is not claimed in the features shown in the bottom plan view or the hinge labelled "B".**



(21) Design Number: 13058/2009

(22) Date of Filing Application: 12 August 2009

(24) Date from which industrial property rights may have effect: 12 August 2009

(54) Product in respect of which the design is registered: Closure

(51) International Design Classification: 09-07NES, 09-01G

(71) Name(s) and Address(s) of Applicant(s):

Seaquist Closures L.L.C.

711 Fox Street Mukwonago Wisconsin 53149 United States of America

(72) Name(s) of Designer(s): Timothy M. Mazurkiewicz

(45) Registration Date: 09 September 2009

(30) Convention priority data:

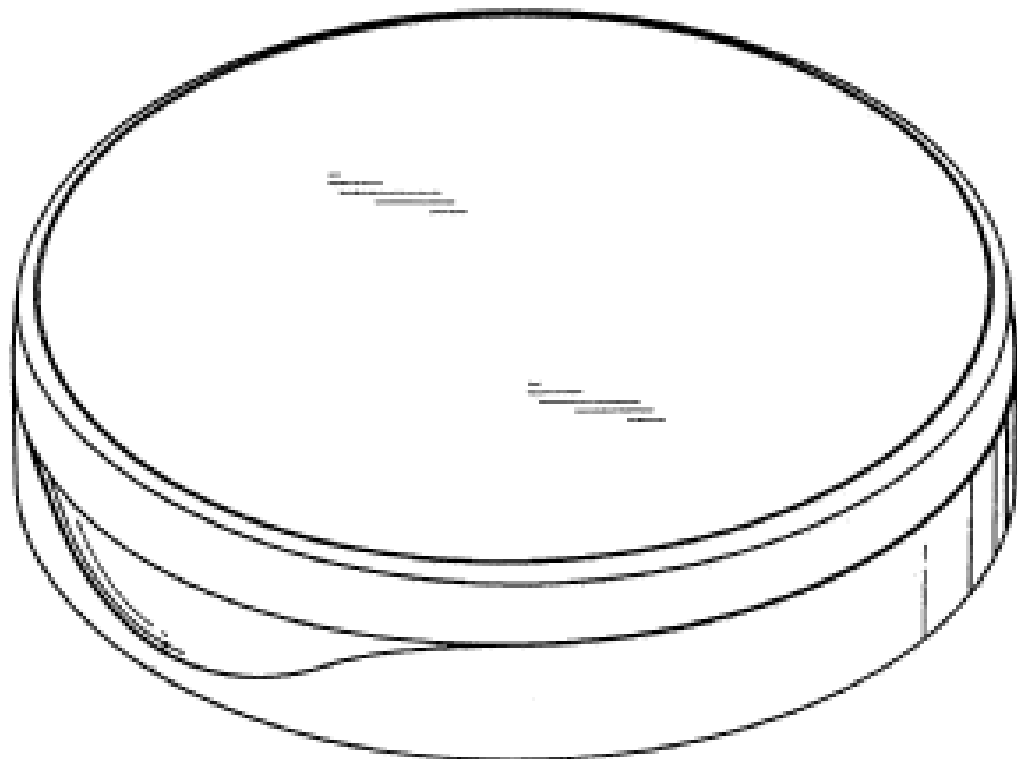
(31) Number
29/313953

(32) Date
20 Feb 2009

(33) Country
UNITED STATES OF AMERICA

(56) Related Art Documents: Not Applicable

(57) Statement of Newness and Distinctiveness: **Newness and distinctiveness is claimed in the features of shape and/or configuration of the finger lift recess labelled "A" and the ratio of diameter to height of a closure as illustrated in the accompanying representations. Newness and distinctiveness is not claimed in the features shown in the bottom plan view or the hinge labelled "B".**



(21) Design Number: 13059/2009

(22) Date of Filing Application: 12 August 2009

(24) Date from which industrial property rights may have effect: 12 August 2009

(54) Product in respect of which the design is registered: Laptop sleeve

(51) International Design Classification: 03-01NES

(71) Name(s) and Address(s) of Applicant(s):

R. Kastanos

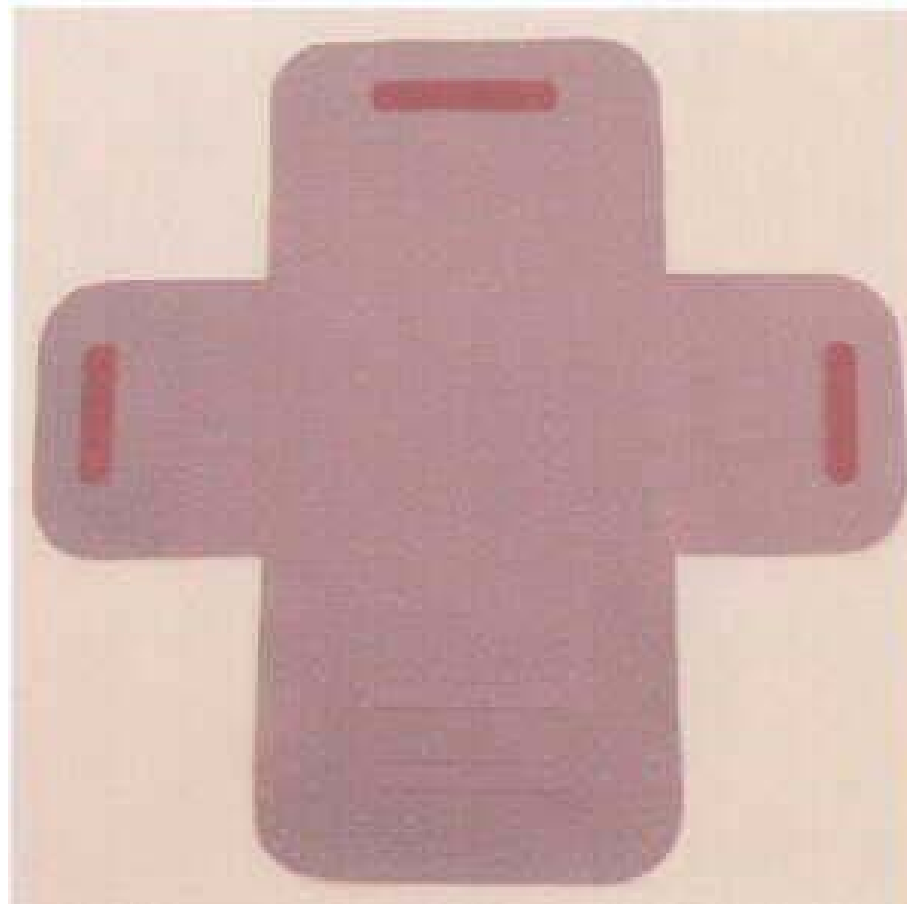
96 Hope Street Brunswick Victoria 3056 Australia

(72) Name(s) of Designer(s): R. Kastanos

(45) Registration Date: 09 September 2009

(56) Related Art Documents: Not Applicable

(57) Statement of Newness and Distinctiveness: **The newness and distinctiveness of this laptop sleeve is that fact that it is made from one layer of fabric which folds around the laptop for protection and transportation. The sleeve is secured by velcro strips. Unfolded it functions as a workstation with integrated mousepad.**



(21) Design Number: **13065/2009**

(22) Date of Filing Application: **14 August 2009**

(24) Date from which industrial property rights may have effect: **14 August 2009**

(54) Product in respect of which the design is registered: **Tap handle**

(51) International Design Classification: **23-01H**

(71) Name(s) and Address(s) of Applicant(s):

Ian Peter Shirliff

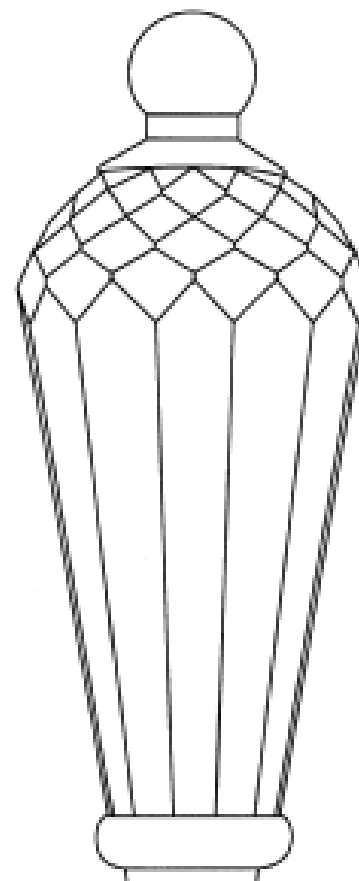
45 Carlingford Road Epping New South Wales 2121 Australia

(72) Name(s) of Designer(s): **Ian Peter Shirliff**

(45) Registration Date: **09 September 2009**

(56) Related Art Documents: **Not Applicable**

(57) Statement of Newness and Distinctiveness: **The features are the design, shape and configuration as illustrated in the accompanying representations.**



(21) Design Number: **13190/2009**

(22) Date of Filing Application: **21 August 2009**

(24) Date from which industrial property rights may have effect: **21 August 2009**

(54) Product in respect of which the design is registered: **Holder for electrical busbar**

(51) International Design Classification: **13-03B**

(71) Name(s) and Address(s) of Applicant(s):

Elsteel (Private) Ltd.

Spur Road 2 Phase 1 EPZ Katunayake Western 11420 Sri Lanka

(72) Name(s) of Designer(s): **Erik Landsperg Logstrup**

(45) Registration Date: **09 September 2009**

(30) Convention priority data:

(31) Number

(32) Date

(33) Country

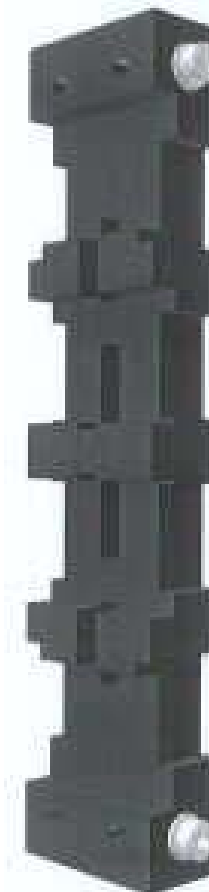
001549676-001

16 Jun 2009

EUROPEAN COMMUNITY

(56) Related Art Documents: **Not Applicable**

(57) Statement of Newness and Distinctiveness: **Nil**



(21) Design Number: **12576/2009**

(22) Date of Filing Application: **15 July 2009**

(24) Date from which industrial property rights may have effect: **15 July 2009**

(54) Product in respect of which the design is registered: **Motorcycle**

(51) International Design Classification: **12-11**

(71) Name(s) and Address(s) of Applicant(s):

Honda Motor Co., Ltd.

1-1 Minamiaoyama 2-chome Minato-ku Tokyo Japan

(72) Name(s) of Designer(s): **Tokumaru Watanabe and Kazuyuki Tachibana**

(45) Registration Date: **09 September 2009**

(30) Convention priority data:

(31) Number	(32) Date	(33) Country
2009-000651	15 Jan 2009	JAPAN

(56) Related Art Documents: **Not Applicable**

(57) Statement of Newness and Distinctiveness: **Newness and distinctiveness is claimed in the features of shape and/or configuration of a motorcycle as highlighted in the accompanying representations and other than the portions illustrated in shades of violet colour.**



(21) Design Number: **12580/2009**

(22) Date of Filing Application: **16 July 2009**

(24) Date from which industrial property rights may have effect: **16 July 2009**

(54) Product in respect of which the design is registered: **Paddle**

(51) International Design Classification: **12-06NES**

(71) Name(s) and Address(s) of Applicant(s):

Michael Fry

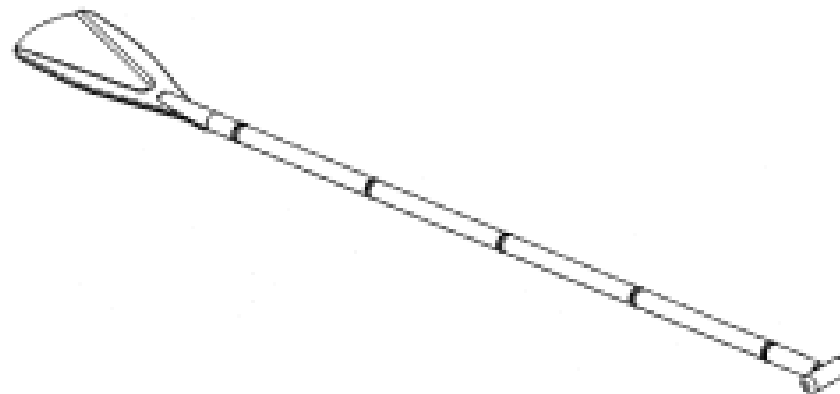
202/200 Stephen Street Yarraville Victoria 3013 Australia

(72) Name(s) of Designer(s): **Michael Fry**

(45) Registration Date: **09 September 2009**

(56) Related Art Documents: **Not Applicable**

(57) Statement of Newness and Distinctiveness: **V-Shaped paddle reinforcement feature as shown in fig 8. Knuckle attachment component to couple specific shaft material selection (bamboo) with the paddle blade as shown in fig 8. Multiple raised ring features on shaft as shown in fig 6 and fig 9.**



(21) Design Number: **12581/2009**

(22) Date of Filing Application: **16 July 2009**

(24) Date from which industrial property rights may have effect: **16 July 2009**

(54) Product in respect of which the design is registered: **Laptop stand**

(51) International Design Classification: **14-02**

(71) Name(s) and Address(s) of Applicant(s):

Bolt International Pty Ltd
c/o Meskin IP Level 23 Tower 1 520 Oxford Street New South Wales
2022 Australia

(72) Name(s) of Designer(s): **Larry Porter**

(45) Registration Date: **09 September 2009**

(56) Related Art Documents: **Not Applicable**

(57) Statement of Newness and Distinctiveness: **Nil**



(21) Design Number: **13088/2009**

(22) Date of Filing Application: **14 August 2009**

(24) Date from which industrial property rights may have effect: **14 August 2009**

(54) Product in respect of which the design is registered: **Container**

(51) International Design Classification: **09-03M**

(71) Name(s) and Address(s) of Applicant(s):

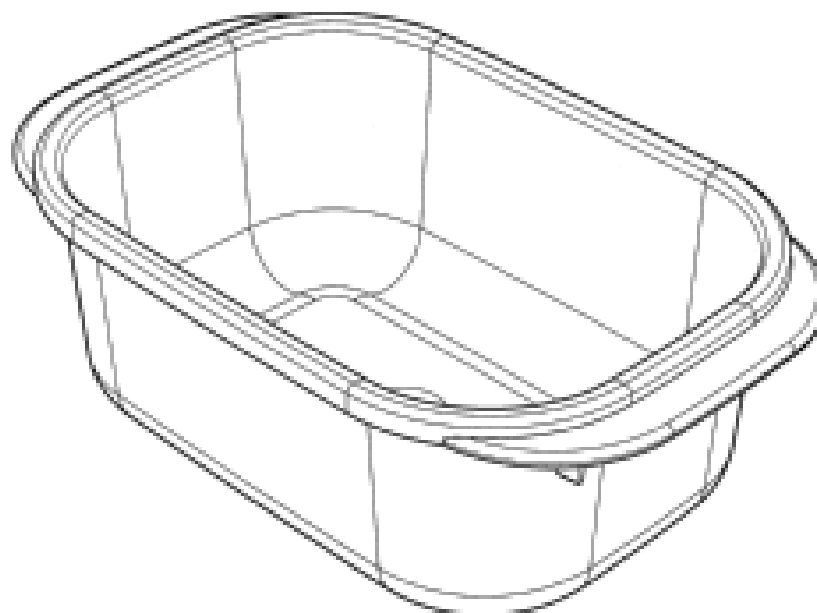
The Decor Corporation Pty Ltd
1314 Ferntree Gully Road Scoresby Victoria 3179 Australia

(72) Name(s) of Designer(s): **James Samartgis**

(45) Registration Date: **09 September 2009**

(56) Related Art Documents: **Not Applicable**

(57) Statement of Newness and Distinctiveness: **Nil**



(21) Design Number: **13089/2009**

(22) Date of Filing Application: **14 August 2009**

(24) Date from which industrial property rights may have effect: **14 August 2009**

(54) Product in respect of which the design is registered: **Lid and seal for container**

(51) International Design Classification: **07-01NES**

(71) Name(s) and Address(s) of Applicant(s):

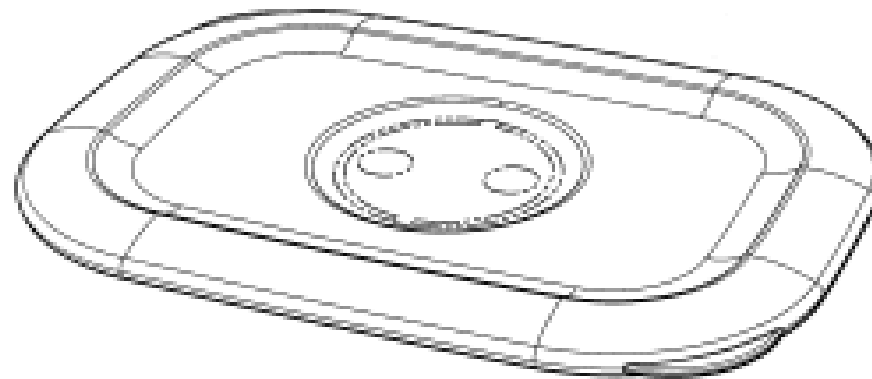
**The Decor Corporation Pty Ltd
1314 Ferntree Gully Road Scoresby Victoria 3179 Australia**

(72) Name(s) of Designer(s): **James Samartgis**

(45) Registration Date: **09 September 2009**

(56) Related Art Documents: **Not Applicable**

(57) Statement of Newness and Distinctiveness: **The design resides in the application of the features of shape and configuration to a Lid for a Container (referred to in the representations as Item 1) and to a Seal (referred to in the representations as Item 2) for use with the said Lid.**



(21) Design Number: **13090/2009**

(22) Date of Filing Application: **14 August 2009**

(24) Date from which industrial property rights may have effect: **14 August 2009**

(54) Product in respect of which the design is registered: **Container**

(51) International Design Classification: **09-03M**

(71) Name(s) and Address(s) of Applicant(s):

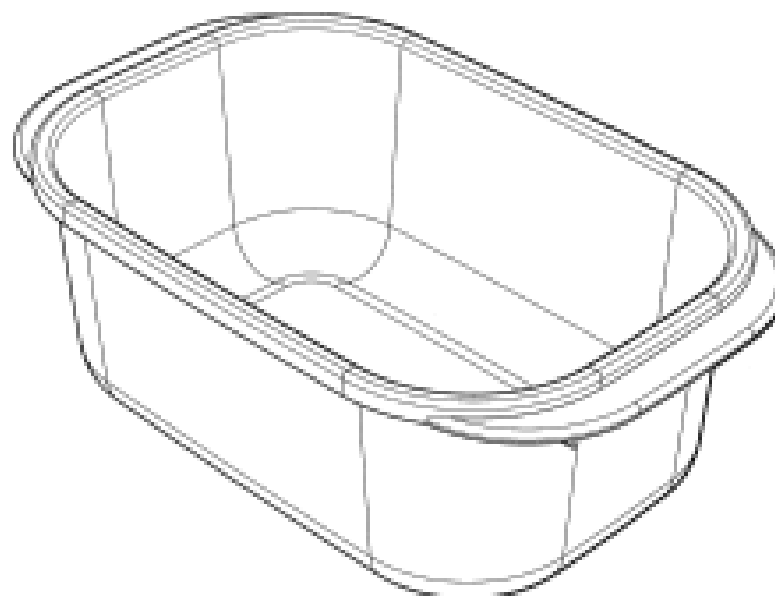
**The Decor Corporation Pty Ltd
1314 Ferntree Gully Road Scoresby Victoria 3179 Australia**

(72) Name(s) of Designer(s): **James Samartgis**

(45) Registration Date: **09 September 2009**

(56) Related Art Documents: **Not Applicable**

(57) Statement of Newness and Distinctiveness: **Nil**



(21) Design Number: **13091/2009**

(22) Date of Filing Application: **14 August 2009**

(24) Date from which industrial property rights may have effect: **14 August 2009**

(54) Product in respect of which the design is registered: **Lid and seal for container**

(51) International Design Classification: **07-01NES**

(71) Name(s) and Address(s) of Applicant(s):

**The Decor Corporation Pty Ltd
1314 Ferntree Gully Road Scoresby Victoria 3179 Australia**

(72) Name(s) of Designer(s): **James Samartgis**

(45) Registration Date: **09 September 2009**

(56) Related Art Documents: **Not Applicable**

(57) Statement of Newness and Distinctiveness: **The design resides in the application of the features of shape and configuration to a Lid for a Container (referred to in the representations as Item 1) and to a Seal (referred to in the representations as Item 2) for use with the said Lid.**



(21) Design Number: **13092/2009**

(22) Date of Filing Application: **14 August 2009**

(24) Date from which industrial property rights may have effect: **14 August 2009**

(54) Product in respect of which the design is registered: **Container**

(51) International Design Classification: **09-03M**

(71) Name(s) and Address(s) of Applicant(s):

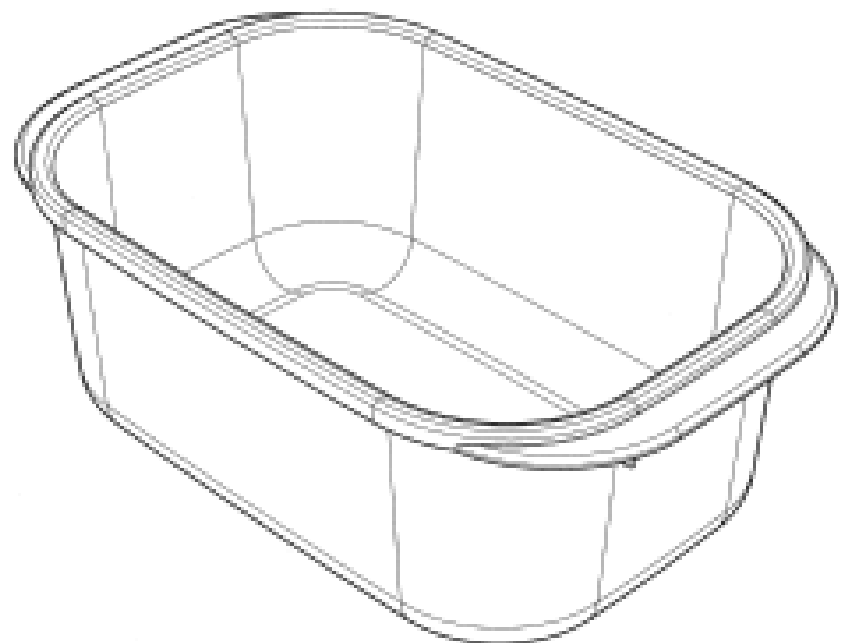
**The Decor Corporation Pty Ltd
1314 Ferntree Gully Road Scoresby Victoria 3179 Australia**

(72) Name(s) of Designer(s): **James Samartgis**

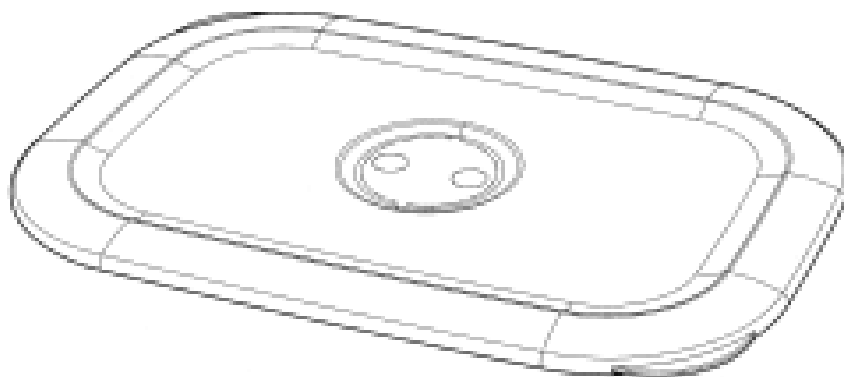
(45) Registration Date: **09 September 2009**

(56) Related Art Documents: **Not Applicable**

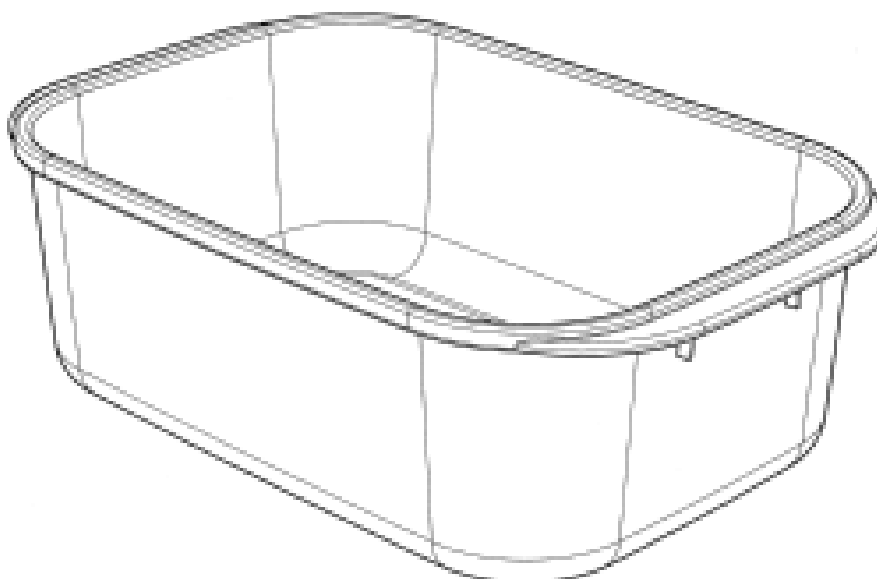
(57) Statement of Newness and Distinctiveness: **Nil**



- (21) Design Number: **13093/2009**
(22) Date of Filing Application: **14 August 2009**
(24) Date from which industrial property rights may have effect: **14 August 2009**
(54) Product in respect of which the design is registered: **Lid and seal for container**
(51) International Design Classification: **07-01NES**
(71) Name(s) and Address(s) of Applicant(s):
The Decor Corporation Pty Ltd
1314 Ferntree Gully Road Scoresby Victoria 3179 Australia
(72) Name(s) of Designer(s): **James Samartgis**
(45) Registration Date: **09 September 2009**
(56) Related Art Documents: **Not Applicable**
(57) Statement of Newness and Distinctiveness: **The design resides in the application of the features of shape and configuration to a Lid for a Container (referred to in the representations as Item 1) and to a Seal (referred to in the representations as Item 2) for use with the said Lid.**



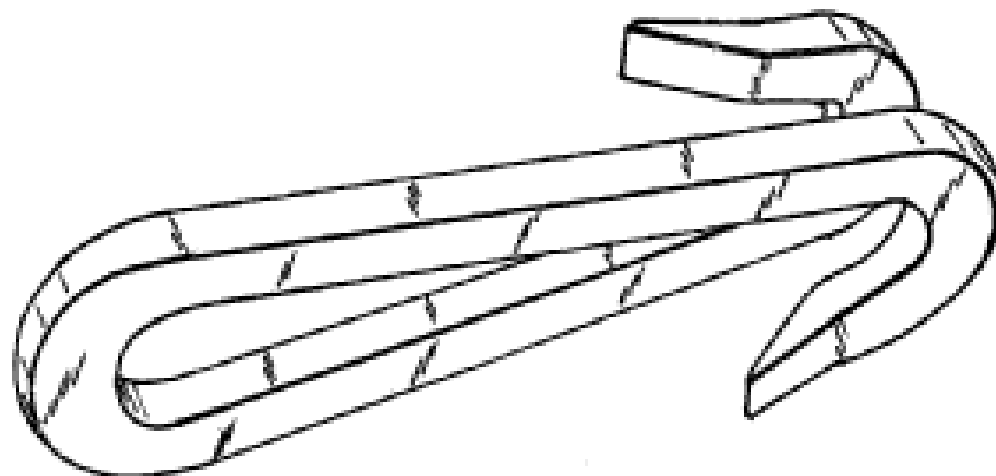
- (21) Design Number: **13094/2009**
(22) Date of Filing Application: **14 August 2009**
(24) Date from which industrial property rights may have effect: **14 August 2009**
(54) Product in respect of which the design is registered: **Container**
(51) International Design Classification: **09-03M**
(71) Name(s) and Address(s) of Applicant(s):
The Decor Corporation Pty Ltd
1314 Ferntree Gully Road Scoresby Victoria 3179 Australia
(72) Name(s) of Designer(s): **James Samartgis**
(45) Registration Date: **09 September 2009**
(56) Related Art Documents: **Not Applicable**
(57) Statement of Newness and Distinctiveness: **Nil**



- (21) Design Number: **13133/2009**
(22) Date of Filing Application: **14 August 2009**
(24) Date from which industrial property rights may have effect: **14 August 2009**
(54) Product in respect of which the design is registered: **Safety barrier**
(51) International Design Classification: **25-02NES**
(71) Name(s) and Address(s) of Applicant(s):
Peter David Hobart
12 Mingus Street Sippy Downs Queensland 4556 Australia
(72) Name(s) of Designer(s): **Peter David Hobart**
(45) Registration Date: **09 September 2009**
(56) Related Art Documents: **Not Applicable**
(57) Statement of Newness and Distinctiveness: **Newness and distinctiveness is claimed in the shape and configuration of a safety barrier as shown in the representations. No Newness and distinctiveness is claimed in the diagonal striping.**



- (21) Design Number: **11061/2009**
(22) Date of Filing Application: **27 March 2009**
(24) Date from which industrial property rights may have effect: **27 March 2009**
(54) Product in respect of which the design is registered: **A clip**
(51) International Design Classification: **08-08NES**
(71) Name(s) and Address(s) of Applicant(s):
B & K Plastics Pty Ltd
Unit 5 68-70 Township Drive West Burleigh Queensland 4219
Australia
(72) Name(s) of Designer(s): **Bradley Roy Coleman**
(45) Registration Date: **09 September 2009**
(56) Related Art Documents: **Not Applicable**
(57) Statement of Newness and Distinctiveness: **Newness and distinctiveness are claimed in the shape and configuration of a clip as illustrated in the accompanying representations.**



(21) Design Number: **13214/2009**

(22) Date of Filing Application: **14 August 2009**

(24) Date from which industrial property rights may have effect: **14 August 2009**

(54) Product in respect of which the design is registered: **Rear end coaming**

(51) International Design Classification: **25-01K**

(71) Name(s) and Address(s) of Applicant(s):

Daniel Williams

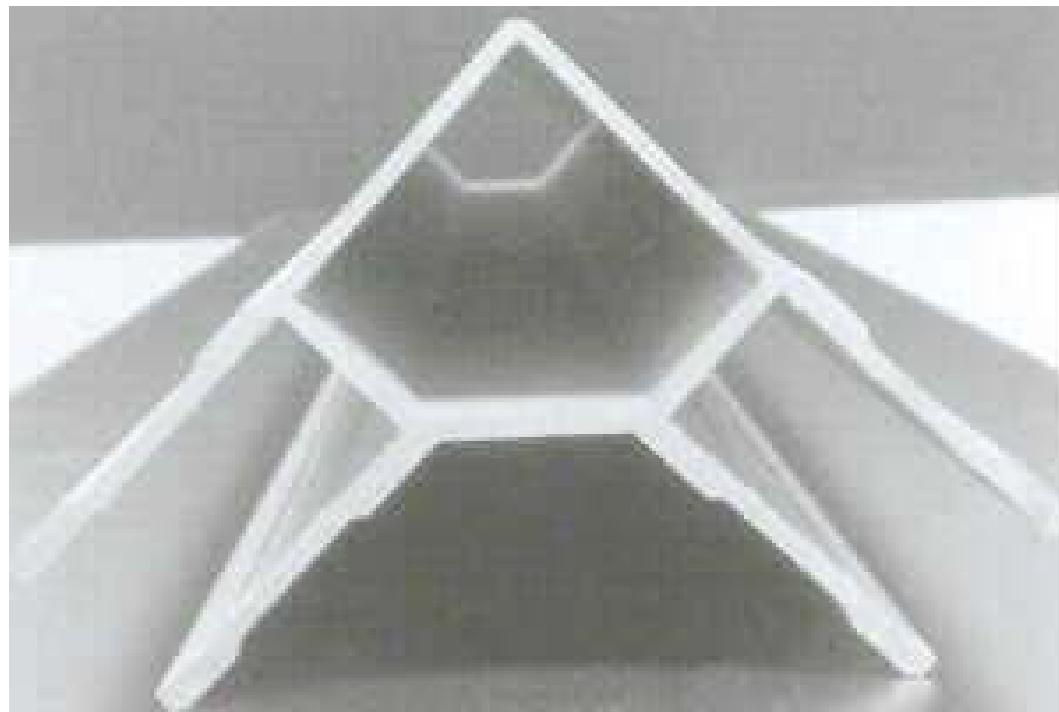
Unit 8/37 Blanck Street Ormeau Queensland 4208 Australia

(72) Name(s) of Designer(s): **Daniel Williams**

(45) Registration Date: **09 September 2009**

(56) Related Art Documents: **Not Applicable**

(57) Statement of Newness and Distinctiveness: **Newness and distinctiveness resides in the visual features shown in solid lines and shape of the extrusion as shown in the attached representations.**



(21) Design Number: **13220/2009**

(22) Date of Filing Application: **14 August 2009**

(24) Date from which industrial property rights may have effect: **14 August 2009**

(54) Product in respect of which the design is registered: **Corner coaming**

(51) International Design Classification: **25-01K**

(71) Name(s) and Address(s) of Applicant(s):

Daniel Williams

Unit 8/37 Blanck Street Ormeau Queensland 4208 Australia

(72) Name(s) of Designer(s): **Daniel Williams**

(45) Registration Date: **09 September 2009**

(56) Related Art Documents: **Not Applicable**

(57) Statement of Newness and Distinctiveness: **Newness and distinctiveness resides in the visual features shown in solid lines and shape of the extrusion as shown in the attached representations.**



(21) Design Number: **13221/2009**

(22) Date of Filing Application: **14 August 2009**

(24) Date from which industrial property rights may have effect: **14 August 2009**

(54) Product in respect of which the design is registered: **Bottom side coaming**

(51) International Design Classification: **25-01K**

(71) Name(s) and Address(s) of Applicant(s):

Daniel Williams

Unit 8/37 Blanck Street Ormeau Queensland 4208 Australia

(72) Name(s) of Designer(s): **Daniel Williams**

(45) Registration Date: **09 September 2009**

(56) Related Art Documents: **Not Applicable**

(57) Statement of Newness and Distinctiveness: **Newness and distinctiveness resides in the visual features shown in solid lines and shape of the extrusion as shown in the attached representations.**



(21) Design Number: **12349/2009**

(22) Date of Filing Application: **30 June 2009**

(24) Date from which industrial property rights may have effect: **30 June 2009**

(54) Product in respect of which the design is registered: **Caravan**

(51) International Design Classification: **12-10**

(71) Name(s) and Address(s) of Applicant(s):

Brian Eberhard

46 Mullumbimbi Street Brunswick Heads New South Wales 2483 Australia

(72) Name(s) of Designer(s): **Brian Eberhard**

(45) Registration Date: **09 September 2009**

(56) Related Art Documents: **Not Applicable**

(57) Statement of Newness and Distinctiveness: **Newness and distinctiveness are claimed in the features of shape and/or configuration of a caravan, as illustrated in the accompanying representations. Colour and/or shading are not features of the design.**



(21) Design Number: **12448/2009**

(22) Date of Filing Application: **08 July 2009**

(24) Date from which industrial property rights may have effect: **08 July 2009**

(54) Product in respect of which the design is registered: **Wine glass holder**

(51) International Design Classification: **07-06A**

(71) Name(s) and Address(s) of Applicant(s):

Ian Neil Smith

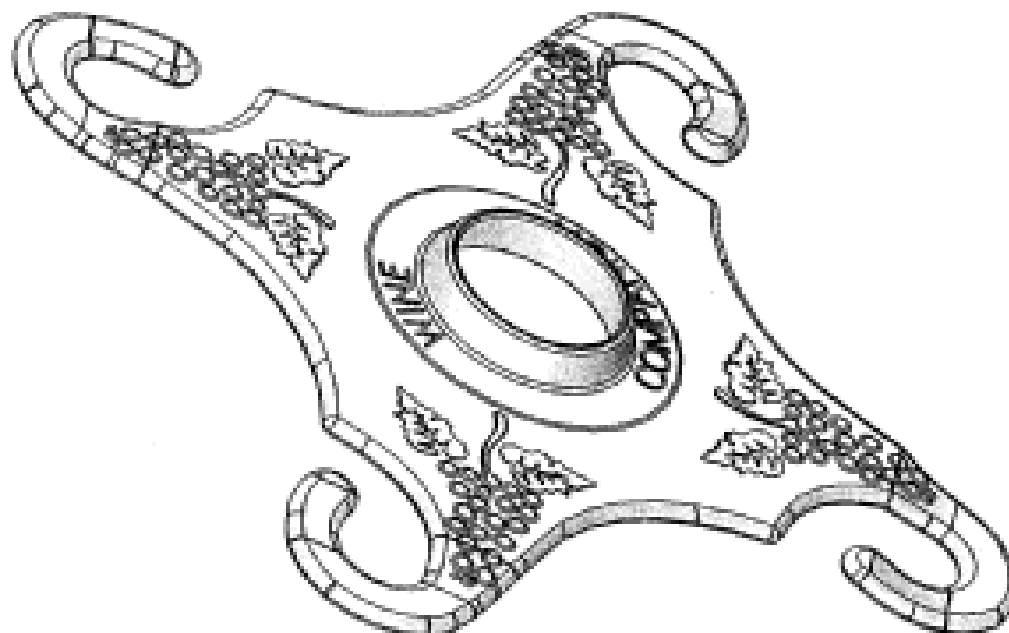
5 Ash Street Holloways Beach Queensland 4878 Australia

(72) Name(s) of Designer(s): **Ian Neil Smith and Raymond Owen Perry**

(45) Registration Date: **09 September 2009**

(56) Related Art Documents: **Not Applicable**

(57) Statement of Newness and Distinctiveness: **Wine companion has a unique locking device which relies on an off-set locking design for glass security. Go to www.winecompanionaustralia.com.au.**



(21) Design Number: **12776/2009**

(22) Date of Filing Application: **24 July 2009**

(24) Date from which industrial property rights may have effect: **24 July 2009**

(54) Product in respect of which the design is registered: **A double container**

(51) International Design Classification: **07-01NES**

(71) Name(s) and Address(s) of Applicant(s):

Visy R & D Pty Ltd

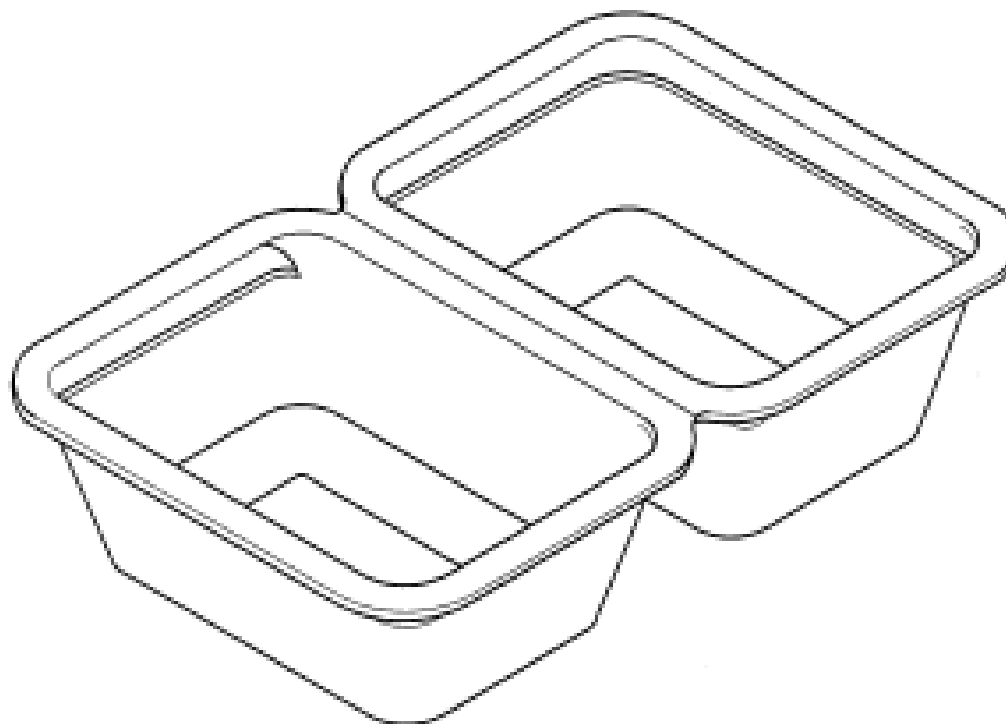
Level 11 2 Southbank Boulevard Southbank Victoria 3006 Australia

(72) Name(s) of Designer(s): **David Stephens**

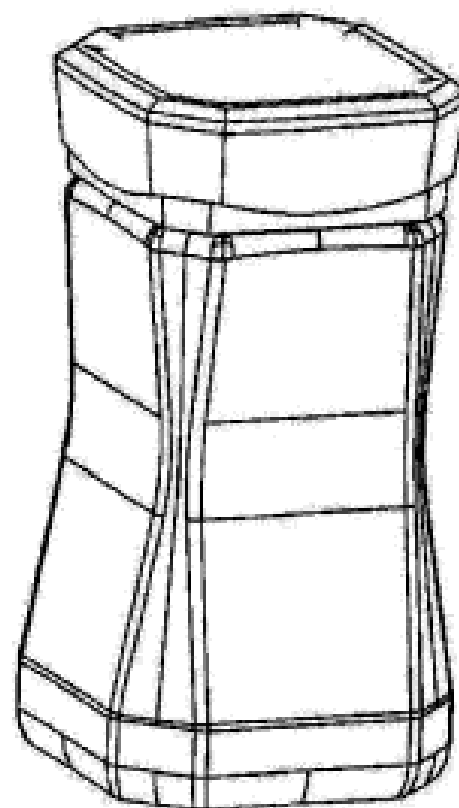
(45) Registration Date: **09 September 2009**

(56) Related Art Documents: **Not Applicable**

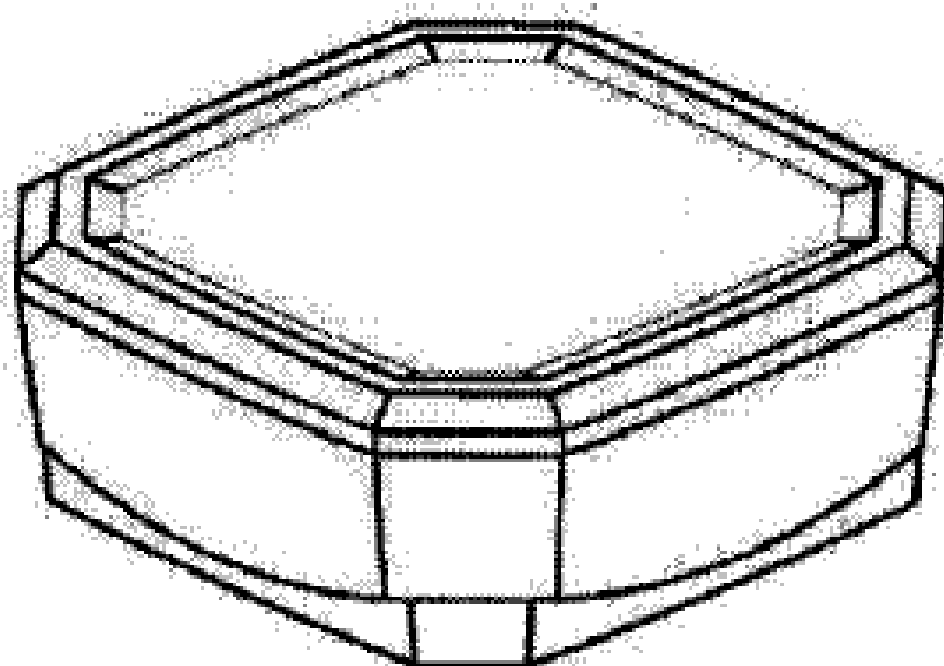
(57) Statement of Newness and Distinctiveness: **The features of the design which are new and distinctive are the shape or configuration of the double container, as illustrated in the accompanying representations.**



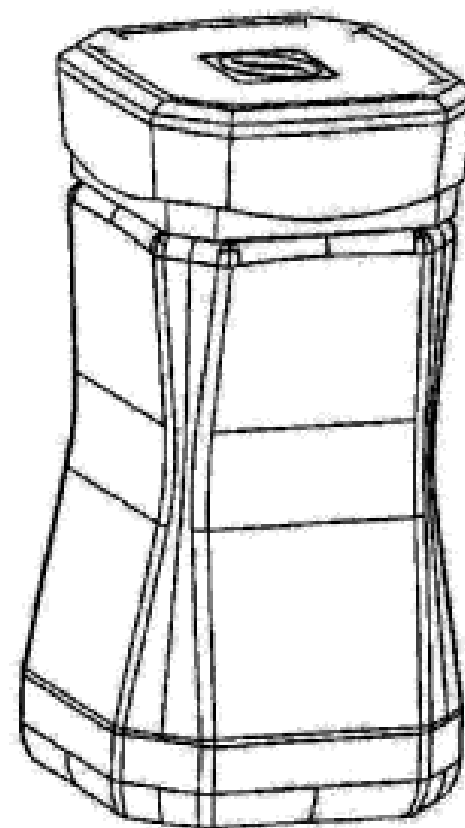
(21) Design Number: **12924/2009**
(22) Date of Filing Application: **05 August 2009**
(24) Date from which industrial property rights may have effect: **05 August 2009**
(54) Product in respect of which the design is registered: **A container with closure**
(51) International Design Classification: **07-01NES, 09-01K**
(71) Name(s) and Address(s) of Applicant(s):
Societe des Produits Nestle S.A.
1800 Vevey Switzerland
(72) Name(s) of Designer(s): **Sebastien Servaire and Candido De Barros and**
Erwann Pivert
(45) Registration Date: **09 September 2009**
(30) Convention priority data:
(31) Number (32) Date (33) Country
136001 30 Apr 2009 SWITZERLAND
(56) Related Art Documents: **Not Applicable**
(57) Statement of Newness and Distinctiveness: **Nil**



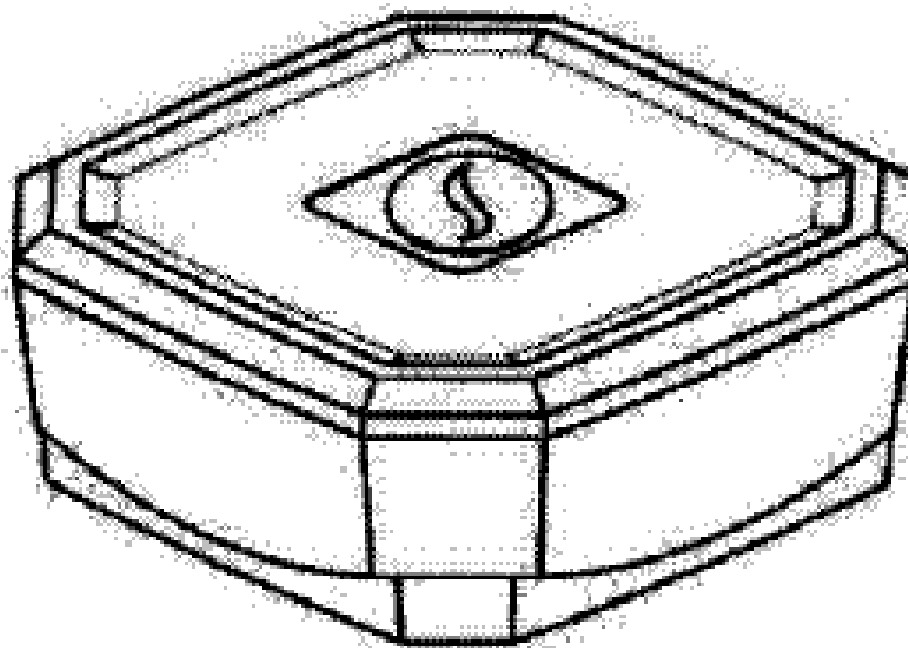
(21) Design Number: **12925/2009**
(22) Date of Filing Application: **05 August 2009**
(24) Date from which industrial property rights may have effect: **05 August 2009**
(54) Product in respect of which the design is registered: **A closure for a container**
(51) International Design Classification: **07-01NES, 09-07NES**
(71) Name(s) and Address(s) of Applicant(s):
Societe des Produits Nestle S.A.
1800 Vevey Switzerland
(72) Name(s) of Designer(s): **Sebastien Servaire and Candido De Barros and**
Erwann Pivert
(45) Registration Date: **09 September 2009**
(30) Convention priority data:
(31) Number (32) Date (33) Country
136001 30 Apr 2009 SWITZERLAND
(56) Related Art Documents: **Not Applicable**
(57) Statement of Newness and Distinctiveness: **Nil**



(21) Design Number: **12926/2009**
(22) Date of Filing Application: **05 August 2009**
(24) Date from which industrial property rights may have effect: **05 August 2009**
(54) Product in respect of which the design is registered: **A container with closure**
(51) International Design Classification: **09-01NES, 09-01K**
(71) Name(s) and Address(s) of Applicant(s):
Societe des Produits Nestle S.A.
1800 Vevey Switzerland
(72) Name(s) of Designer(s): **Sebastien Servaire and Candido De Barros and**
Erwann Pivert
(45) Registration Date: **09 September 2009**
(30) Convention priority data:
(31) Number (32) Date (33) Country
136001 30 Apr 2009 SWITZERLAND
(56) Related Art Documents: **Not Applicable**
(57) Statement of Newness and Distinctiveness: **Nil**



(21) Design Number: **12927/2009**
(22) Date of Filing Application: **05 August 2009**
(24) Date from which industrial property rights may have effect: **05 August 2009**
(54) Product in respect of which the design is registered: **A closure for a container**
(51) International Design Classification: **07-01NES, 09-07NES**
(71) Name(s) and Address(s) of Applicant(s):
Societe des Produits Nestle S.A.
1800 Vevey Switzerland
(72) Name(s) of Designer(s): **Sebastien Servaire and Candido De Barros and**
Erwann Pivert
(45) Registration Date: **09 September 2009**
(30) Convention priority data:
(31) Number (32) Date (33) Country
136001 30 Apr 2009 SWITZERLAND
(56) Related Art Documents: **Not Applicable**
(57) Statement of Newness and Distinctiveness: **Nil**



(21) Design Number: **13081/2009**

(22) Date of Filing Application: **14 August 2009**

(24) Date from which industrial property rights may have effect: **14 August 2009**

(54) Product in respect of which the design is registered: **A drinks machine**

(51) International Design Classification: **07-02L, 31-00**

(71) Name(s) and Address(s) of Applicant(s):

**Societe des Produits Nestle S.A.
1800 Vevey Switzerland**

(72) Name(s) of Designer(s): **Pierre Struzka and Sebastien Dassi**

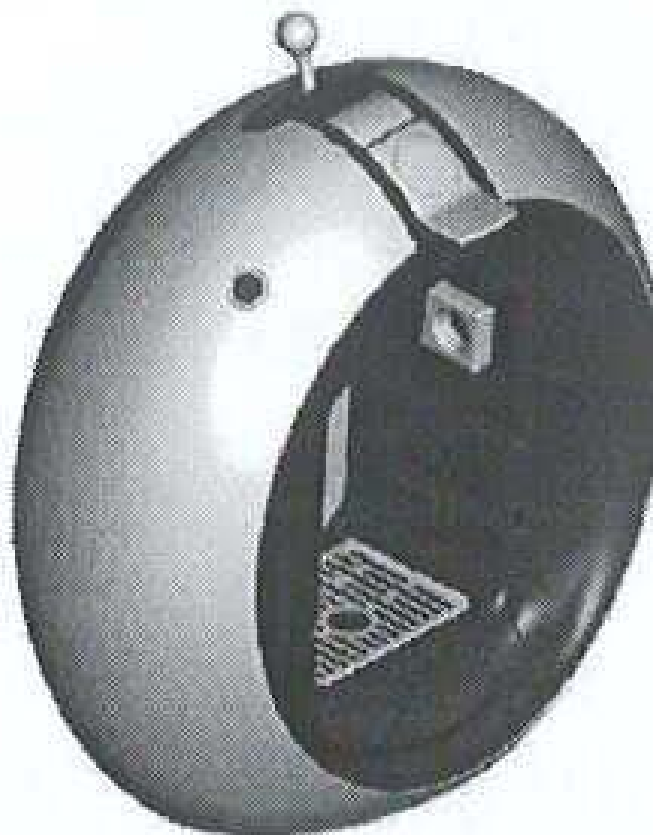
(45) Registration Date: **09 September 2009**

(30) Convention priority data:

(31) Number	(32) Date	(33) Country
136005	06 May 2009	SWITZERLAND

(56) Related Art Documents: **Not Applicable**

(57) Statement of Newness and Distinctiveness: **Nil**



(21) Design Number: **13082/2009**

(22) Date of Filing Application: **14 August 2009**

(24) Date from which industrial property rights may have effect: **14 August 2009**

(54) Product in respect of which the design is registered: **A capsule holder**

(51) International Design Classification: **07-02L, 31-00**

(71) Name(s) and Address(s) of Applicant(s):

**Societe des Produits Nestle S.A.
1800 Vevey Switzerland**

(72) Name(s) of Designer(s): **Pierre Struzka and Sebastien Dassi**

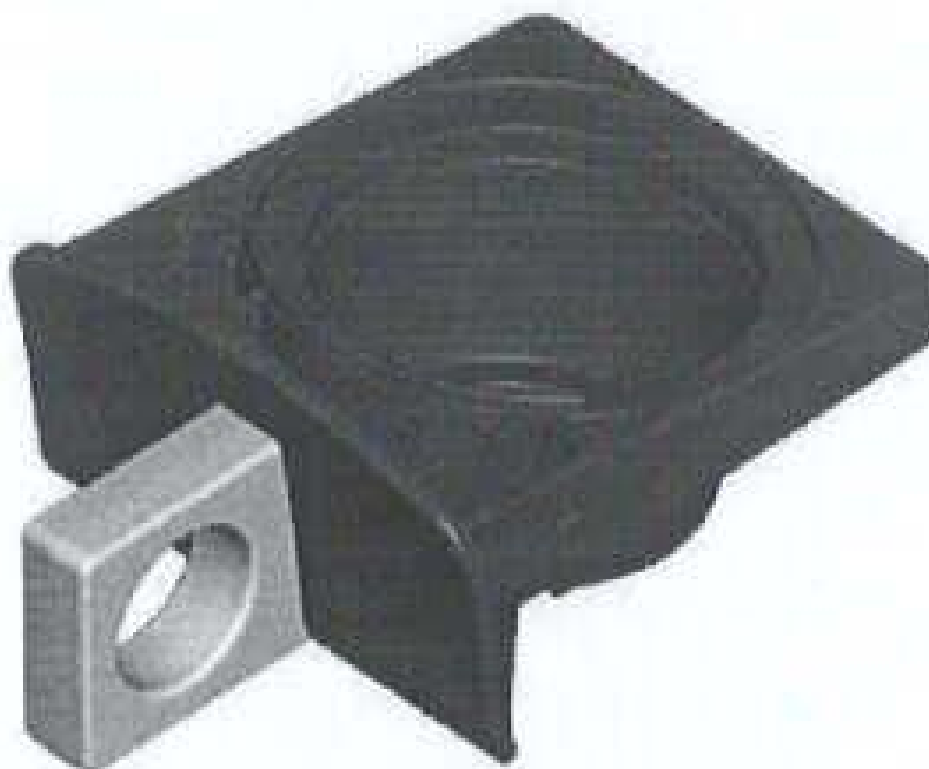
(45) Registration Date: **09 September 2009**

(30) Convention priority data:

(31) Number	(32) Date	(33) Country
136005	06 May 2009	SWITZERLAND

(56) Related Art Documents: **Not Applicable**

(57) Statement of Newness and Distinctiveness: **Nil**



(21) Design Number: **13083/2009**

(22) Date of Filing Application: **14 August 2009**

(24) Date from which industrial property rights may have effect: **14 August 2009**

(54) Product in respect of which the design is registered: **A capsule receiver**

(51) International Design Classification: **07-02L, 31-00**

(71) Name(s) and Address(s) of Applicant(s):

**Societe des Produits Nestle S.A.
1800 Vevey Switzerland**

(72) Name(s) of Designer(s): **Pierre Struzka and Sebastien Dassi**

(45) Registration Date: **09 September 2009**

(30) Convention priority data:

(31) Number	(32) Date	(33) Country
136005	06 May 2009	SWITZERLAND

(56) Related Art Documents: **Not Applicable**

(57) Statement of Newness and Distinctiveness: **Nil**



(21) Design Number: **13084/2009**

(22) Date of Filing Application: **14 August 2009**

(24) Date from which industrial property rights may have effect: **14 August 2009**

(54) Product in respect of which the design is registered: **Container**

(51) International Design Classification: **07-01NES, 09-03NES**

(71) Name(s) and Address(s) of Applicant(s):

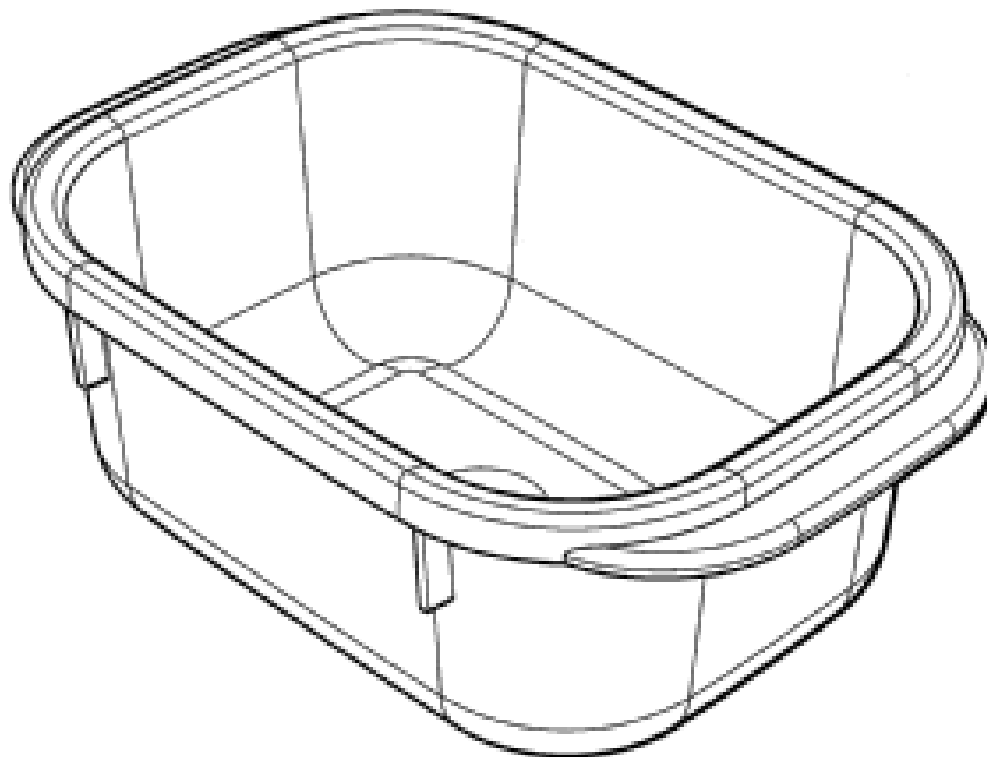
**The Decor Corporation Pty Ltd
1314 Ferntree Gully Road Scoresby Victoria 3179 Australia**

(72) Name(s) of Designer(s): **James Samartgis**

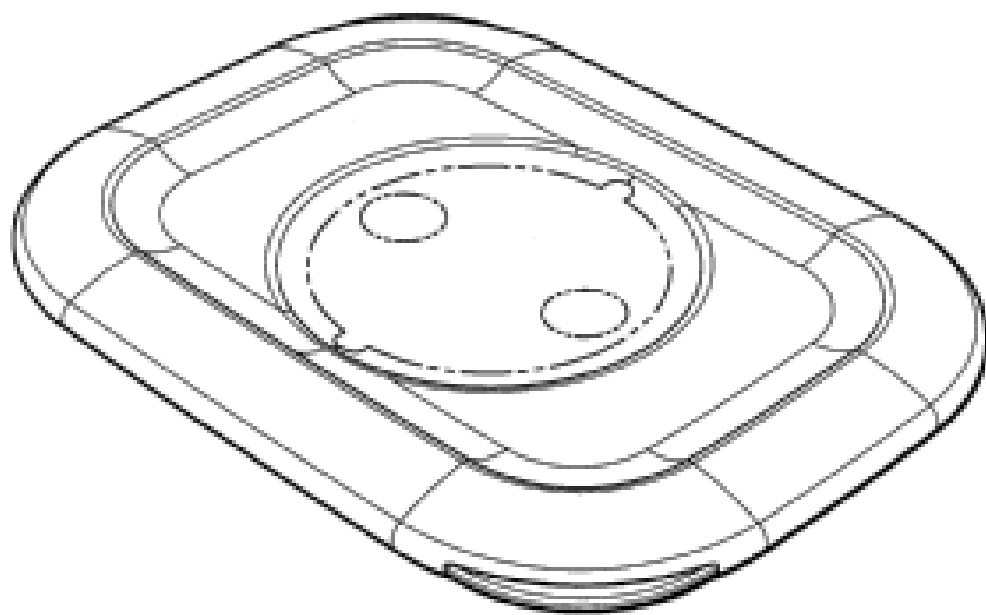
(45) Registration Date: **09 September 2009**

(56) Related Art Documents: **Not Applicable**

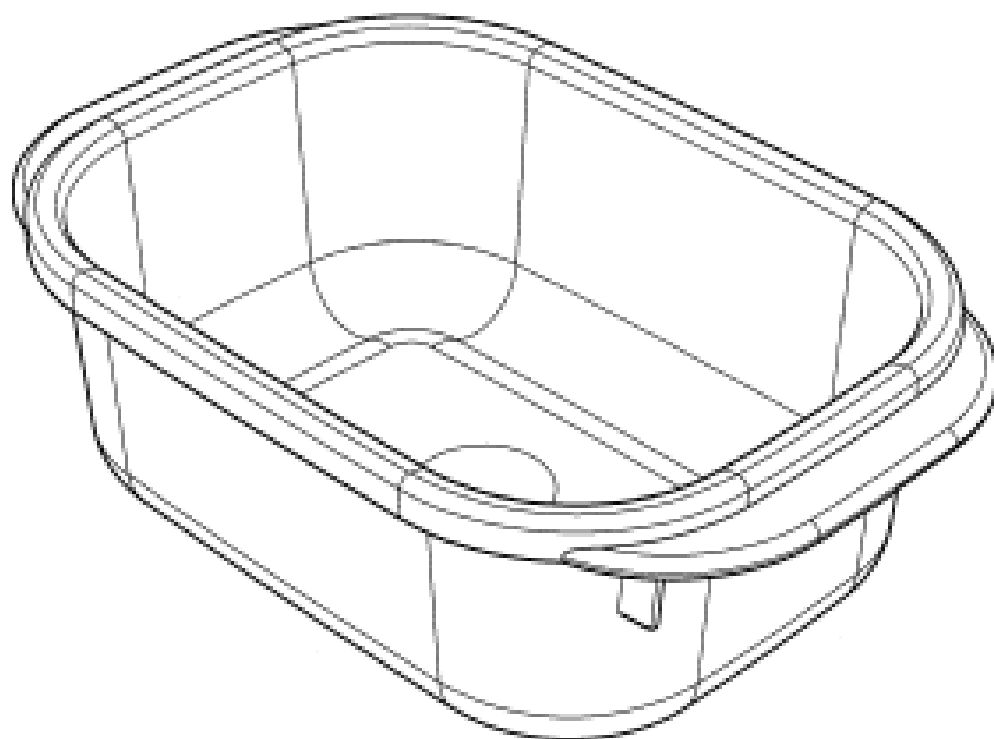
(57) Statement of Newness and Distinctiveness: **Nil**



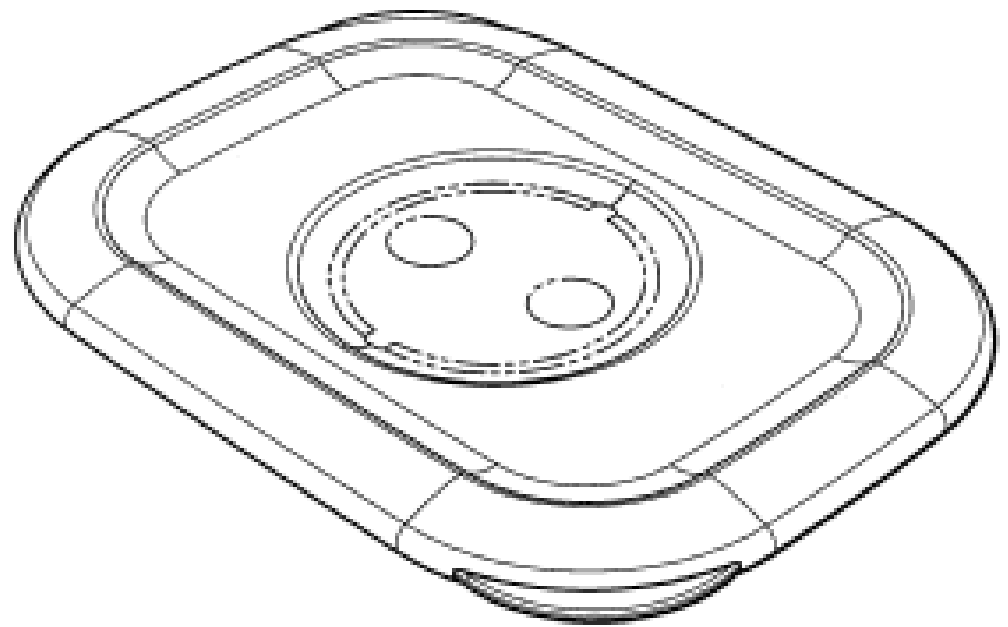
- (21) Design Number: **13085/2009**
(22) Date of Filing Application: **14 August 2009**
(24) Date from which industrial property rights may have effect: **14 August 2009**
(54) Product in respect of which the design is registered: **Lid and seal for container**
(51) International Design Classification: **07-01NES, 09-07C**
(71) Name(s) and Address(s) of Applicant(s):
The Decor Corporation Pty Ltd
1314 Ferntree Gully Road Scoresby Victoria 3179 Australia
(72) Name(s) of Designer(s): **James Samartgis**
(45) Registration Date: **09 September 2009**
(56) Related Art Documents: **Not Applicable**
(57) Statement of Newness and Distinctiveness: **The design resides in the application of the features of shape and configuration to a lid for a container (referred to in the representations as Item 1) and to a seal (referred to in the representations as Item 2) for use with the said lid.**



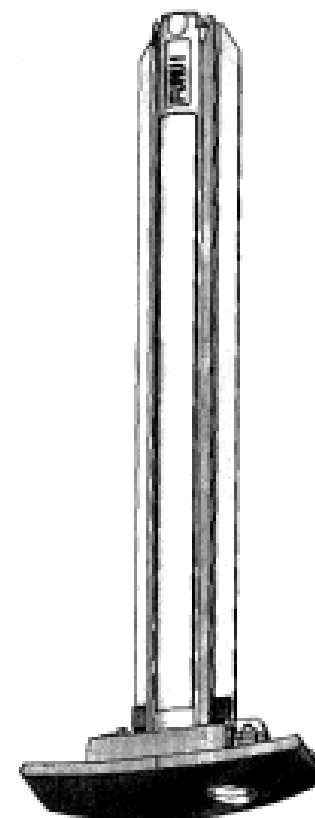
- (21) Design Number: **13086/2009**
(22) Date of Filing Application: **14 August 2009**
(24) Date from which industrial property rights may have effect: **14 August 2009**
(54) Product in respect of which the design is registered: **Container**
(51) International Design Classification: **07-01NES, 09-03NES**
(71) Name(s) and Address(s) of Applicant(s):
The Decor Corporation Pty Ltd
1314 Ferntree Gully Road Scoresby Victoria 3179 Australia
(72) Name(s) of Designer(s): **James Samartgis**
(45) Registration Date: **09 September 2009**
(56) Related Art Documents: **Not Applicable**
(57) Statement of Newness and Distinctiveness: **Nil**



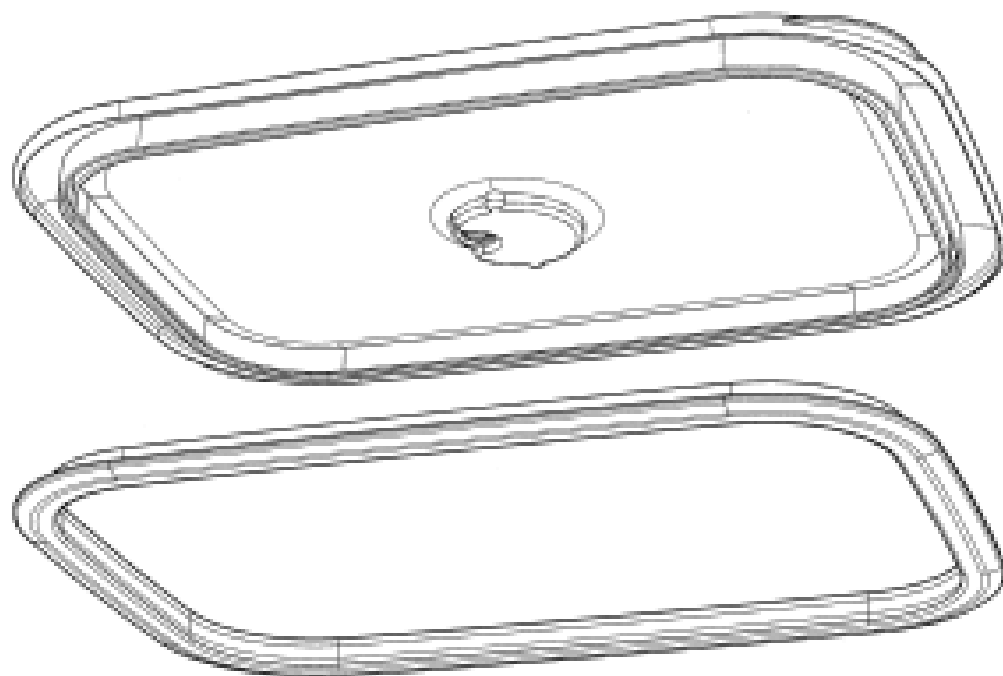
- (21) Design Number: **13087/2009**
(22) Date of Filing Application: **14 August 2009**
(24) Date from which industrial property rights may have effect: **14 August 2009**
(54) Product in respect of which the design is registered: **Lid and seal for container**
(51) International Design Classification: **07-01NES, 09-07C**
(71) Name(s) and Address(s) of Applicant(s):
The Decor Corporation Pty Ltd
1314 Ferntree Gully Road Scoresby Victoria 3179 Australia
(72) Name(s) of Designer(s): **James Samartgis**
(45) Registration Date: **09 September 2009**
(56) Related Art Documents: **Not Applicable**
(57) Statement of Newness and Distinctiveness: **The design resides in the application of the features of shape and configuration to a lid for a container (referred to in the representations as Item 1) and to a seal (referred to in the representations as Item 2) for use with the said lid.**



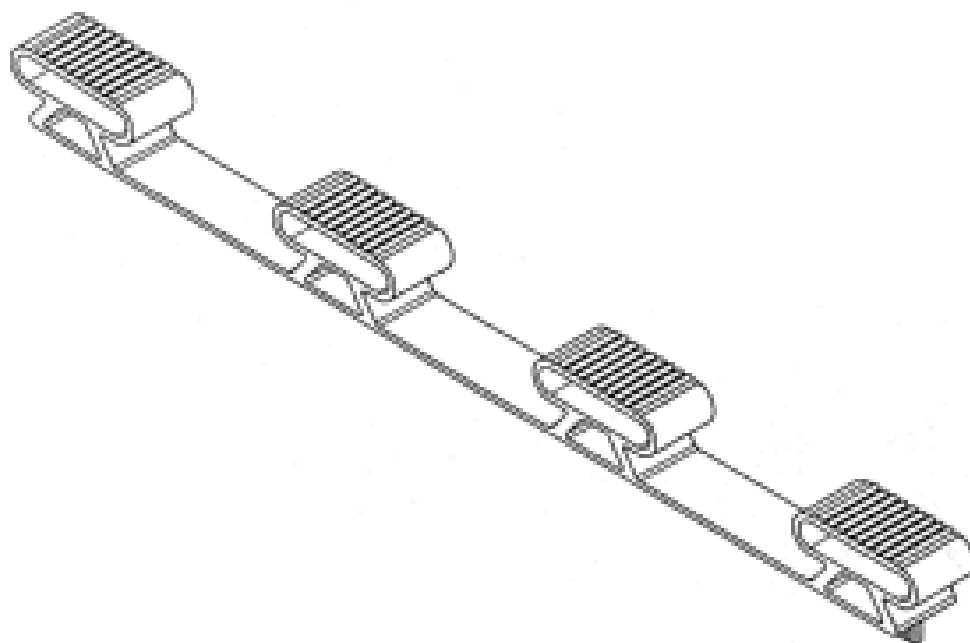
- (21) Design Number: **12268/2009**
(22) Date of Filing Application: **23 June 2009**
(24) Date from which industrial property rights may have effect: **23 June 2009**
(54) Product in respect of which the design is registered: **A pill dispensing unit**
(51) International Design Classification: **09-03NES**
(71) Name(s) and Address(s) of Applicant(s):
Bayer Schering Pharma AG
Mullerstrasse 178 13353 Berlin Germany
(72) Name(s) of Designer(s): **Sabine Leifeld**
(45) Registration Date: **09 September 2009**
(30) Convention priority data:
(31) Number (32) Date (33) Country
001062087-0004 23 Dec 2008 EUROPEAN COMMUNITY
(56) Related Art Documents: **Not Applicable**
(57) Statement of Newness and Distinctiveness: **Nil**



- (21) Design Number: **13095/2009**
(22) Date of Filing Application: **14 August 2009**
(24) Date from which industrial property rights may have effect: **14 August 2009**
(54) Product in respect of which the design is registered: **Lid and seal for container**
(51) International Design Classification: **07-01NES**
(71) Name(s) and Address(s) of Applicant(s):
The Decor Corporation Pty Ltd
1314 Ferntree Gully Road Scoresby Victoria 3179 Australia
(72) Name(s) of Designer(s): **James Samartgis**
(45) Registration Date: **09 September 2009**
(56) Related Art Documents: **Not Applicable**
(57) Statement of Newness and Distinctiveness: **The design resides in the application of the features of shape and configuration to a Lid for a Container (referred to in the representations as Item 1) and to a Seal (referred to in the representations as Item 2) for use with the said Lid.**



- (21) Design Number: **13096/2009**
(22) Date of Filing Application: **14 August 2009**
(24) Date from which industrial property rights may have effect: **14 August 2009**
(54) Product in respect of which the design is registered: **Slat boot**
(51) International Design Classification: **06-06F**
(71) Name(s) and Address(s) of Applicant(s):
David Fealy
20 Fleet Street Somerton Victoria 3062 Australia
(72) Name(s) of Designer(s): **David Fealy**
(45) Registration Date: **09 September 2009**
(56) Related Art Documents: **Not Applicable**
(57) Statement of Newness and Distinctiveness: **Those features of the slat boot depicted in the representations that are new and distinctive are the shape and/or configuration.**



(21) Design Number: 13111/2009

(22) Date of Filing Application: 14 August 2009

(24) Date from which industrial property rights may have effect: 14 August 2009

(54) Product in respect of which the design is registered: **Fitting for sports scoring ring**

(51) International Design Classification: 21-02NES

(71) Name(s) and Address(s) of Applicant(s):

CMO Investments Pty Ltd

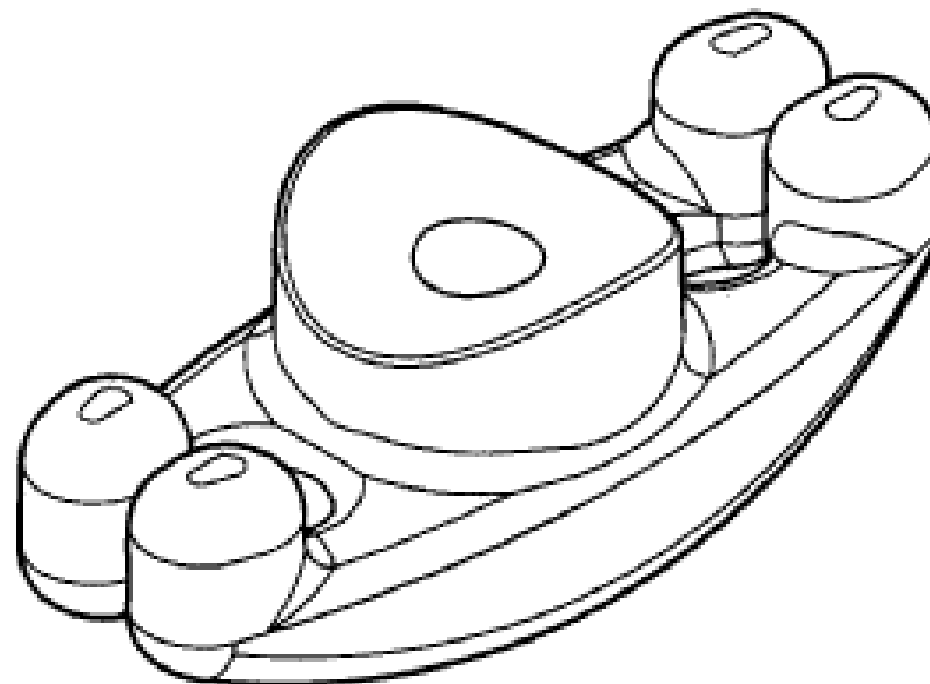
25 Manchester Street Mile End South South Australia 5031 Australia

(72) Name(s) of Designer(s): **Craig Otto**

(45) Registration Date: **09 September 2009**

(56) Related Art Documents: **Not Applicable**

(57) Statement of Newness and Distinctiveness: **Newness and distinctiveness resides in the features of shape and configuration of a fitting for sports scoring ring as shown in the accompanying representations.**



(21) Design Number: 13113/2009

(22) Date of Filing Application: 18 August 2009

(24) Date from which industrial property rights may have effect: 18 August 2009

(54) Product in respect of which the design is registered: **Plush toys**

(51) International Design Classification: 06-09, 21-01A

(71) Name(s) and Address(s) of Applicant(s):

Saabeam Pty Ltd

15/27 Moxon Road Punchbowl New South Wales 2196 Australia

(72) Name(s) of Designer(s): **Yujun Simon Wu**

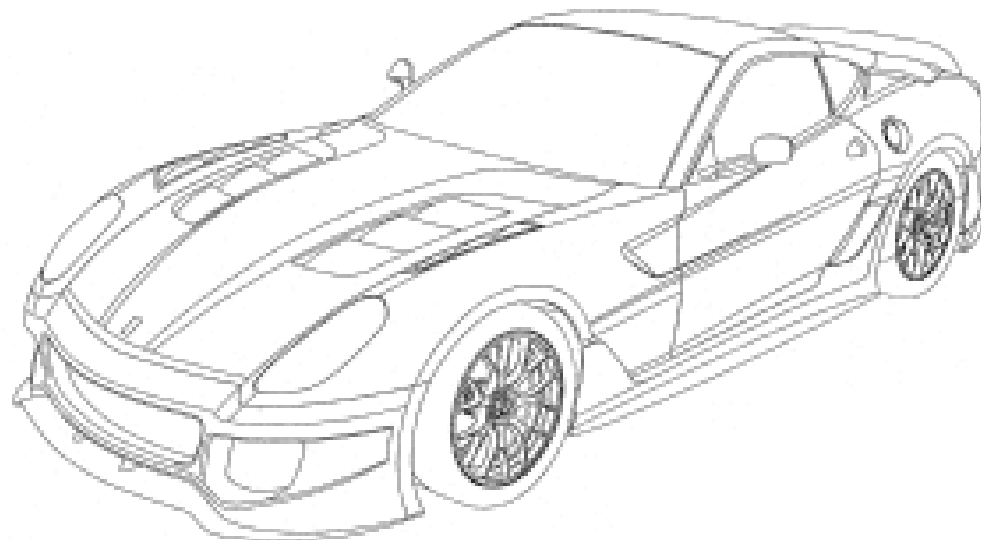
(45) Registration Date: **09 September 2009**

(56) Related Art Documents: **Not Applicable**

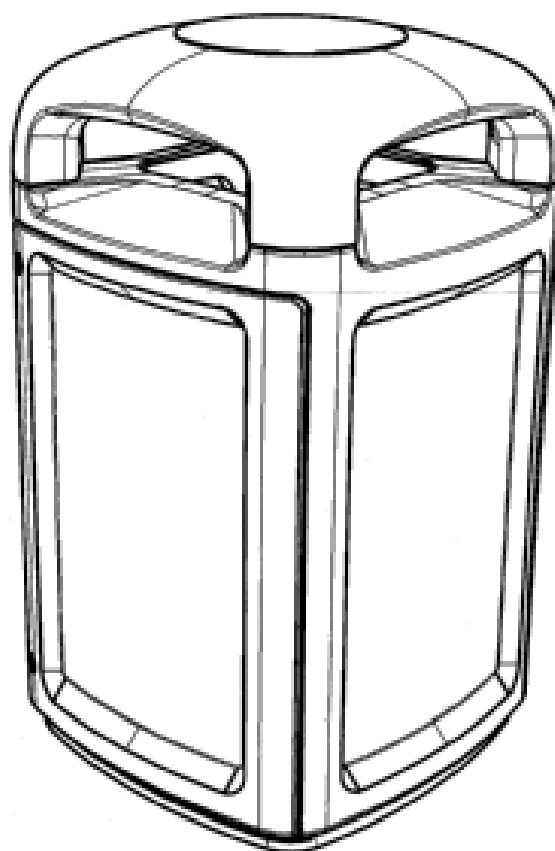
(57) Statement of Newness and Distinctiveness: **Newness and distinctiveness is claim in the shape and configuration of the plush toy neck cushion with koala and kangaroo heads on either side.**



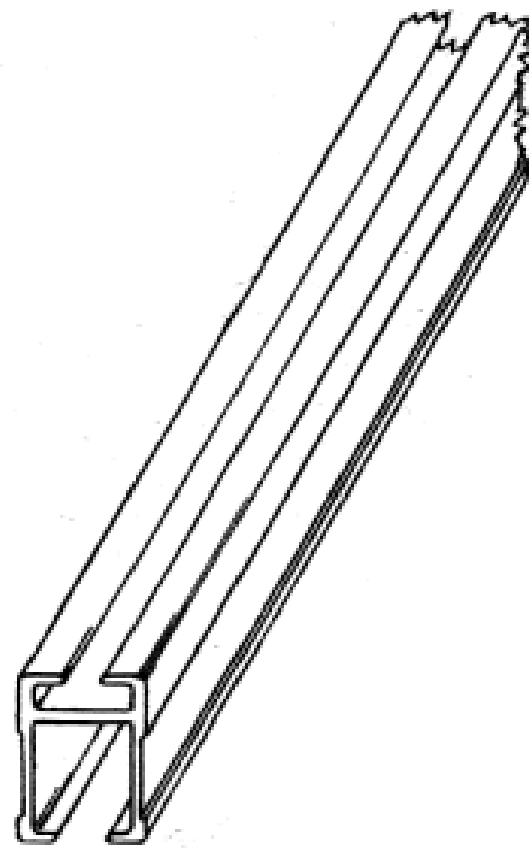
- (21) Design Number: **13114/2009**
(22) Date of Filing Application: **17 August 2009**
(24) Date from which industrial property rights may have effect: **17 August 2009**
(54) Product in respect of which the design is registered: **Car and toy-car**
(51) International Design Classification: **12-08, 21-01C**
(71) Name(s) and Address(s) of Applicant(s):
Ferrari S.p.A.
Via Emilia Est 1163 I-41100 Modena Italy
(72) Name(s) of Designer(s): **Donato Coco**
(45) Registration Date: **09 September 2009**
(30) Convention priority data:
(31) Number (32) Date (33) Country
001095673 26 Feb 2009 EUROPEAN COMMUNITY
(56) Related Art Documents: **Not Applicable**
(57) Statement of Newness and Distinctiveness: **Those features of the car and toy-car depicted in the representations that are new and distinctive are the shape and/or configuration.**



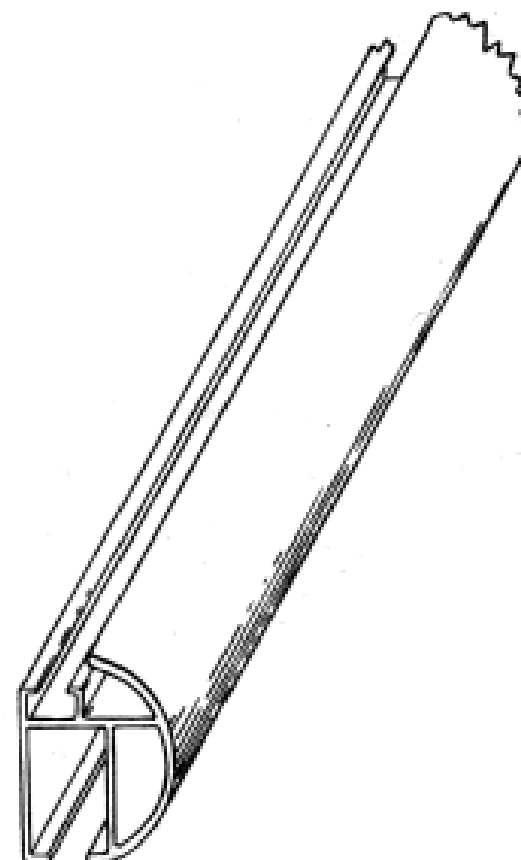
- (21) Design Number: **13115/2009**
(22) Date of Filing Application: **17 August 2009**
(24) Date from which industrial property rights may have effect: **17 August 2009**
(54) Product in respect of which the design is registered: **Litter bin**
(51) International Design Classification: **09-09**
(71) Name(s) and Address(s) of Applicant(s):
Suzanne Maree Perrin
32 Derwent Avenue Helensvale Queensland 4212 Australia
Kimberley Donald Perrin
32 Derwent Avenue Helensvale Queensland 4212 Australia
(72) Name(s) of Designer(s): **Suzanne Maree Perrin and Kimberley Donald Perrin**
(45) Registration Date: **09 September 2009**
(56) Related Art Documents: **Not Applicable**
(57) Statement of Newness and Distinctiveness: **Design is new and distinctive in its physical appearance, including multiple entry points in upper portion and recessed panels in each side face of structure.**



- (21) Design Number: **13164/2009**
(22) Date of Filing Application: **20 August 2009**
(24) Date from which industrial property rights may have effect: **20 August 2009**
(54) Product in respect of which the design is registered: **An extruded metal section of uniform cross-section and indefinite length**
(51) International Design Classification: **25-01K**
(71) Name(s) and Address(s) of Applicant(s):
Excell Decor Hardware Pty. Limited
21 Beringarra Street Malaga Western Australia 6090 Australia
(72) Name(s) of Designer(s): **Ian Gibson**
(45) Registration Date: **09 September 2009**
(56) Related Art Documents: **Not Applicable**
(57) Statement of Newness and Distinctiveness: **The novelty of the design resides in the shape, configuration and visual appearance of the metal section.**



- (21) Design Number: **13165/2009**
(22) Date of Filing Application: **20 August 2009**
(24) Date from which industrial property rights may have effect: **20 August 2009**
(54) Product in respect of which the design is registered: **An extruded metal section of uniform cross-section and indefinite length**
(51) International Design Classification: **25-01K**
(71) Name(s) and Address(s) of Applicant(s):
Excell Decor Hardware Pty. Limited
21 Beringarra Street Malaga Western Australia 6090 Australia
(72) Name(s) of Designer(s): **Ian Gibson**
(45) Registration Date: **09 September 2009**
(56) Related Art Documents: **Not Applicable**
(57) Statement of Newness and Distinctiveness: **The novelty of the design resides in the shape, configuration and visual appearance of the metal section.**



(21) Design Number: **13219/2009**

(22) Date of Filing Application: **20 August 2009**

(24) Date from which industrial property rights may have effect: **20 August 2009**

(54) Product in respect of which the design is registered: **Bottle**

(51) International Design Classification: **09-01H**

(71) Name(s) and Address(s) of Applicant(s):

Heineken Supply Chain B.V.

Burgemeester Smeetsweg 1 2382 PH Zoeterwoude The Netherlands

(72) Name(s) of Designer(s): **Ramses Dingenouts**

(45) Registration Date: **09 September 2009**

(30) Convention priority data:

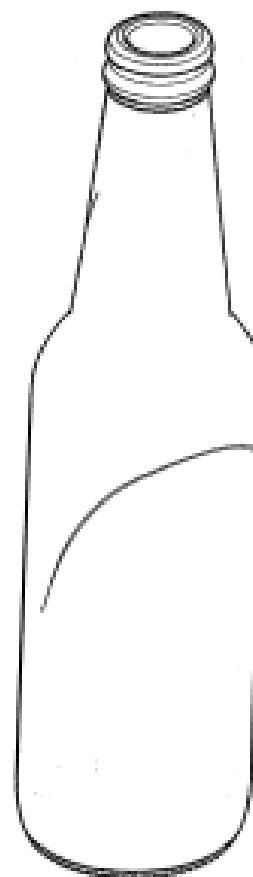
(31) Number
1092738-0001

(32) Date
20 Feb 2009

(33) Country
EUROPEAN COMMUNITY

(56) Related Art Documents: **Not Applicable**

(57) Statement of Newness and Distinctiveness: **Newness and distinctiveness reside in the features of the design as shown in the representations, and in particular in the appearance created by the combination of the discontinuities on the neck and on the body of the bottle.**



(21) Design Number: **13101/2009**

(22) Date of Filing Application: **14 August 2009**

(24) Date from which industrial property rights may have effect: **14 August 2009**

(54) Product in respect of which the design is registered: **Laser comb**

(51) International Design Classification: **28-03NES**

(71) Name(s) and Address(s) of Applicant(s):

Lexington Lasercomb IPAG

Marktplatz 4 9004 St Gallen Switzerland

(72) Name(s) of Designer(s): **David Michaels and Henry Pearl**

(45) Registration Date: **09 September 2009**

(30) Convention priority data:

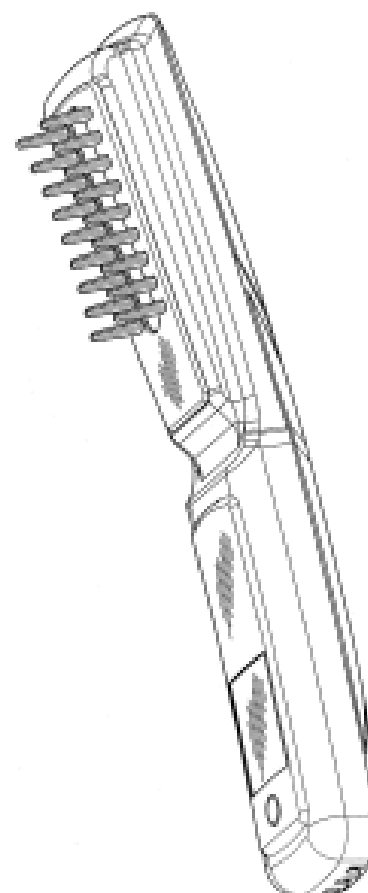
(31) Number
29/332722

(32) Date
24 Feb 2009

(33) Country
UNITED STATES OF AMERICA

(56) Related Art Documents: **Not Applicable**

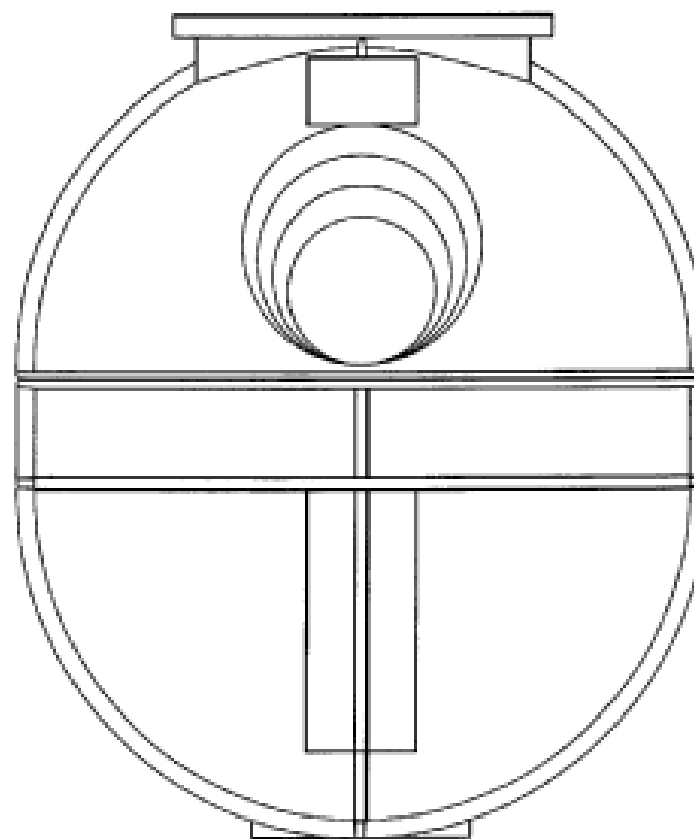
(57) Statement of Newness and Distinctiveness: **Newness and distinctiveness is claimed in the features of shape and/or configuration of laser comb as illustrated in the accompanying representations, apart from the feature of the number of rows of teeth.**



- (21) Design Number: **13102/2009**
(22) Date of Filing Application: **14 August 2009**
(24) Date from which industrial property rights may have effect: **14 August 2009**
(54) Product in respect of which the design is registered: **Handset**
(51) International Design Classification: **14-03E**
(71) Name(s) and Address(s) of Applicant(s):
Nokia Corporation
Keilalahdentie-4 FIN-02150 Espoo Finland
(72) Name(s) of Designer(s): **Fabian van den Brand**
(45) Registration Date: **09 September 2009**
(30) Convention priority data:
(31) Number (32) Date (33) Country
29/336411 04 May 2009 UNITED STATES OF AMERICA
(56) Related Art Documents: **Not Applicable**
(57) Statement of Newness and Distinctiveness: **Newness and distinctiveness is claimed in the features of shape and/or configuration of a handset as illustrated in solid lines in the accompanying representations.**



- (21) Design Number: **13109/2009**
(22) Date of Filing Application: **14 August 2009**
(24) Date from which industrial property rights may have effect: **14 August 2009**
(54) Product in respect of which the design is registered: **Stormwater quality improvement device**
(51) International Design Classification: **23-01G, 23-01E**
(71) Name(s) and Address(s) of Applicant(s):
All Pumps Holdings Pty
83 Fennell Street Parramatta New South Wales 2150 Australia
(72) Name(s) of Designer(s): **John Lovett and Stephen Hales**
(45) Registration Date: **09 September 2009**
(56) Related Art Documents: **Not Applicable**
(57) Statement of Newness and Distinctiveness: **Newness and distinctiveness is claimed in the shape and/or configuration of stormwater quality improvement device as illustrated by the unbroken lines in the accompanying representation/s.**



(19) AU

(21) Design Number: **13110/2009**

(22) Date of Filing Application: **17 August 2009**

(24) Date from which industrial property rights may have effect: **17 August 2009**

(54) Product in respect of which the design is registered: **Watch case**

(51) International Design Classification: **10-07**

(71) Name(s) and Address(s) of Applicant(s):

TAG Heuer SA

Louis-Joseph Chevrolet 6A 2300 La Chaux-de-Fonds Switzerland

(72) Name(s) of Designer(s): **Christoph Behling**

(45) Registration Date: **09 September 2009**

(30) Convention priority data:

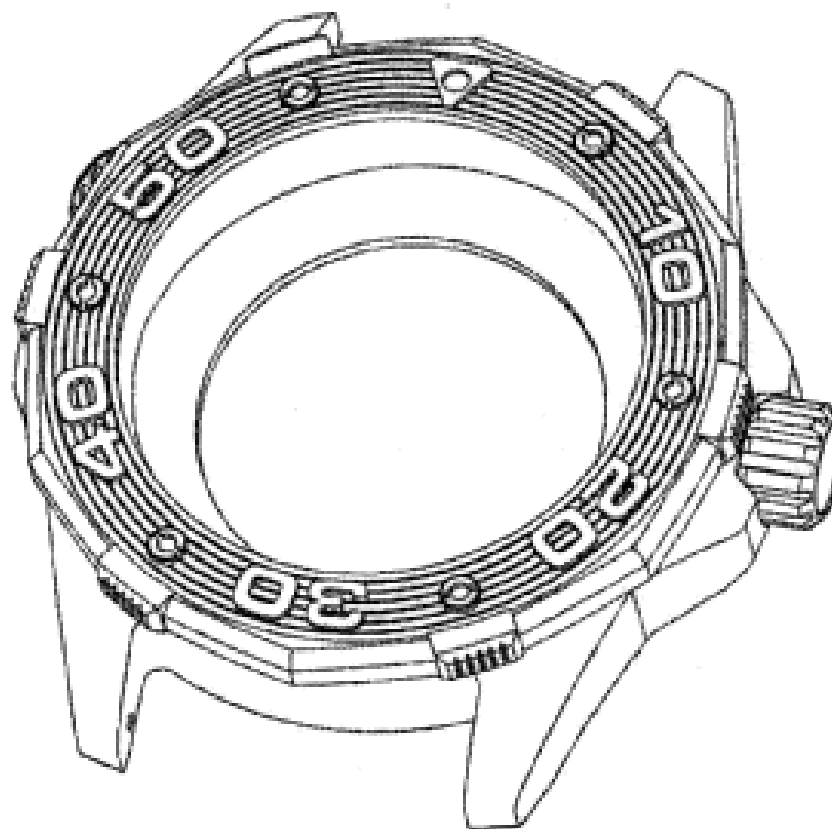
(31) Number
DM/071478

(32) Date
11 Mar 2009

(33) Country
**WORLD INTELLECTUAL
PROPERTY ORGANIZATION
(WIPO)**

(56) Related Art Documents: **Not Applicable**

(57) Statement of Newness and Distinctiveness: **Newness and distinctiveness resides in the visual features of the shape and/or configuration of a watch case as illustrated in the accompanying representations.**



(19) AU

(21) Design Number: **12265/2009**

(22) Date of Filing Application: **23 June 2009**

(24) Date from which industrial property rights may have effect: **23 June 2009**

(54) Product in respect of which the design is registered: **Pill dispenser**

(51) International Design Classification: **09-03NES**

(71) Name(s) and Address(s) of Applicant(s):

Bayer Schering Pharma AG

Mullerstrasse 178 13353 Berlin Germany

(72) Name(s) of Designer(s): **Sabine Leifeld**

(45) Registration Date: **10 September 2009**

(30) Convention priority data:

(31) Number
001062087-0001

(32) Date
23 Dec 2008

(33) Country
EUROPEAN COMMUNITY

(56) Related Art Documents: **Not Applicable**

(57) Statement of Newness and Distinctiveness: **Nil**



(21) Design Number: **12266/2009**
(22) Date of Filing Application: **23 June 2009**
(24) Date from which industrial property rights may have effect: **23 June 2009**
(54) Product in respect of which the design is registered: **Pill dispenser**
(51) International Design Classification: **09-03NES**
(71) Name(s) and Address(s) of Applicant(s):
Bayer Schering Pharma AG
Mullerstrasse 178 13353 Berlin Germany
(72) Name(s) of Designer(s): **Sabine Leifeld**
(45) Registration Date: **10 September 2009**
(30) Convention priority data:
(31) Number (32) Date (33) Country
001062087-0002 23 Dec 2008 EUROPEAN COMMUNITY
(56) Related Art Documents: **Not Applicable**
(57) Statement of Newness and Distinctiveness: **Nil**



(21) Design Number: **12267/2009**
(22) Date of Filing Application: **23 June 2009**
(24) Date from which industrial property rights may have effect: **23 June 2009**
(54) Product in respect of which the design is registered: **A pill dispensing unit**
(51) International Design Classification: **09-03NES**
(71) Name(s) and Address(s) of Applicant(s):
Bayer Schering Pharma AG
Mullerstrasse 178 13353 Berlin Germany
(72) Name(s) of Designer(s): **Sabine Leifeld**
(45) Registration Date: **10 September 2009**
(30) Convention priority data:
(31) Number (32) Date (33) Country
001062087-0003 23 Dec 2008 EUROPEAN COMMUNITY
(56) Related Art Documents: **Not Applicable**
(57) Statement of Newness and Distinctiveness: **Nil**



- (21) Design Number: **12425/2009**
(22) Date of Filing Application: **03 July 2009**
(24) Date from which industrial property rights may have effect: **03 July 2009**
(54) Product in respect of which the design is registered: **Marking and fastening device**
(51) International Design Classification: **08-08NES**
(71) Name(s) and Address(s) of Applicant(s):
EZ-Snap Products Inc.
104-1710 Kosmina Road Vernon British Columbia V1T8T2 Canada
(72) Name(s) of Designer(s): **Raymond J. Waddell and Dean A. Myrfield**
(45) Registration Date: **10 September 2009**
(56) Related Art Documents: **Not Applicable**
(57) Statement of Newness and Distinctiveness: **Nil**

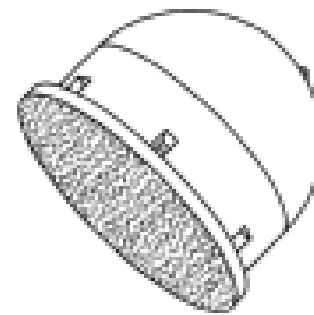


FIG. 4

- (21) Design Number: **13121/2009**
(22) Date of Filing Application: **17 July 2009**
(24) Date from which industrial property rights may have effect: **17 July 2009**
(54) Product in respect of which the design is registered: **Toothbrush**
(51) International Design Classification: **04-02**
(71) Name(s) and Address(s) of Applicant(s):
McNeil-PPC, Inc.
199 Grandview Road Skillman New Jersey 08558 United States of America
(72) Name(s) of Designer(s): **Steve Blanchard and Janette Suh Edelstein and Robert W. Fusi II and Josef Knutzen and Justin McDonough and Yves Behar and Joshua Morenstein and Christopher Hibmacronan and Logan Ray and Lori Dee Kumar**
(45) Registration Date: **10 September 2009**
(62) Divisional of: **327252**
(56) Related Art Documents: **Not Applicable**
(57) Statement of Newness and Distinctiveness: **Newness and distinctiveness resides in the solid line features of shape and/or configuration of a TOOTHBRUSH as illustrated in the accompanying representations.**



(21) Design Number: **13122/2009**

(22) Date of Filing Application: **17 July 2009**

(24) Date from which industrial property rights may have effect: **17 July 2009**

(54) Product in respect of which the design is registered: **Toothbrush**

(51) International Design Classification: **04-02**

(71) Name(s) and Address(s) of Applicant(s):

McNeil-PPC, Inc.

199 Grandview Road Skillman New Jersey 08558 United States of America

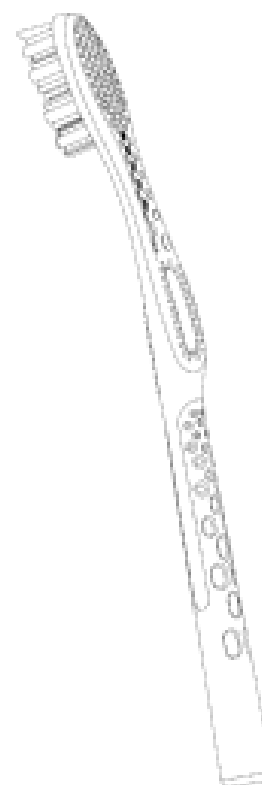
(72) Name(s) of Designer(s): **Steve Blanchard and Janette Suh Edelstein and Robert W. Fusi II and Josef Knutzen and Justin McDonough and Yves Behar and Joshua Morenstein and Christopher Hibmacronan and Logan Ray and Lori Dee Kumar**

(45) Registration Date: **10 September 2009**

(62) Divisional of: **327251**

(56) Related Art Documents: **Not Applicable**

(57) Statement of Newness and Distinctiveness: **Newness and distinctiveness resides in the solid line features of shape and/or configuration of a TOOTHBRUSH as illustrated in the accompanying representations.**



(21) Design Number: **13123/2009**

(22) Date of Filing Application: **17 August 2009**

(24) Date from which industrial property rights may have effect: **17 August 2009**

(54) Product in respect of which the design is registered: **Steel toy boat**

(51) International Design Classification: **21-01C**

(71) Name(s) and Address(s) of Applicant(s):

Teach & Play Pty Ltd

Units 3, 4 & 10 3 Lancaster Street Ingleburn New South Wales 2565 Australia

(72) Name(s) of Designer(s): **Chris Salmon and Glenn Rufford**

(45) Registration Date: **10 September 2009**

(56) Related Art Documents: **Not Applicable**

(57) Statement of Newness and Distinctiveness: **Nil**



(21) Design Number: **13124/2009**

(22) Date of Filing Application: **17 August 2009**

(24) Date from which industrial property rights may have effect: **17 August 2009**

(54) Product in respect of which the design is registered: **Steel toy car**

(51) International Design Classification: **21-01C**

(71) Name(s) and Address(s) of Applicant(s):

Teach & Play Pty Ltd
Units 3, 4 & 10 3 Lancaster Street Ingleburn New South Wales 2565
Australia

(72) Name(s) of Designer(s): **Chris Salmon and Glenn Rufford**

(45) Registration Date: **10 September 2009**

(56) Related Art Documents: **Not Applicable**

(57) Statement of Newness and Distinctiveness: **Nil**



(21) Design Number: **13125/2009**

(22) Date of Filing Application: **17 August 2009**

(24) Date from which industrial property rights may have effect: **17 August 2009**

(54) Product in respect of which the design is registered: **Front light**

(51) International Design Classification: **26-06**

(71) Name(s) and Address(s) of Applicant(s):

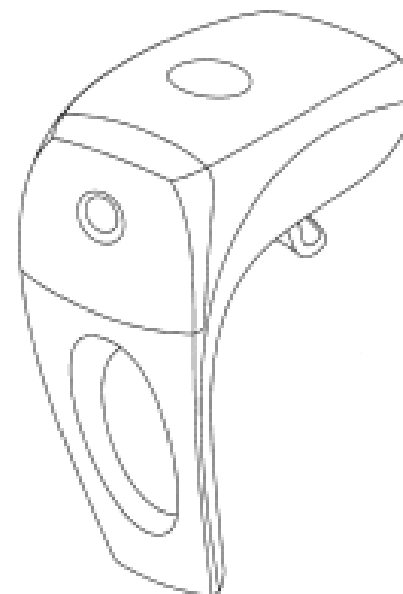
KNOG Pty Ltd
453 Church Street Richmond Victoria 3121 Australia

(72) Name(s) of Designer(s): **Malcolm McKechnie**

(45) Registration Date: **10 September 2009**

(56) Related Art Documents: **Not Applicable**

(57) Statement of Newness and Distinctiveness: **Newness and distinctiveness is claimed in those features of shape and/or configuration of a light as illustrated in the accompanying representation.**



(21) Design Number: **13126/2009**

(22) Date of Filing Application: **17 August 2009**

(24) Date from which industrial property rights may have effect: **17 August 2009**

(54) Product in respect of which the design is registered: **Rear light**

(51) International Design Classification: **26-06**

(71) Name(s) and Address(s) of Applicant(s):

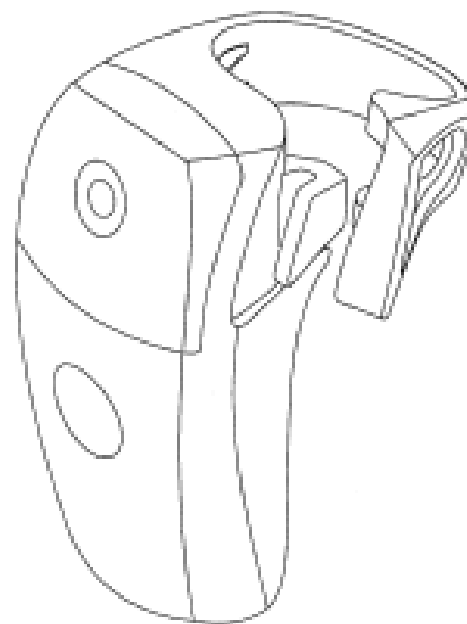
KNOG Pty Ltd
453 Church Street Richmond Victoria 3121 Australia

(72) Name(s) of Designer(s): **Malcolm McKechnie**

(45) Registration Date: **10 September 2009**

(56) Related Art Documents: **Not Applicable**

(57) Statement of Newness and Distinctiveness: **Newness and distinctiveness is claimed in those features of shape and/or configuration of a light as illustrated in the accompanying representation.**



(21) Design Number: **10653/2009**

(22) Date of Filing Application: **03 March 2009**

(24) Date from which industrial property rights may have effect: **03 March 2009**

(54) Product in respect of which the design is registered: **Tool-holding device**

(51) International Design Classification: **06-04NES**

(71) Name(s) and Address(s) of Applicant(s):

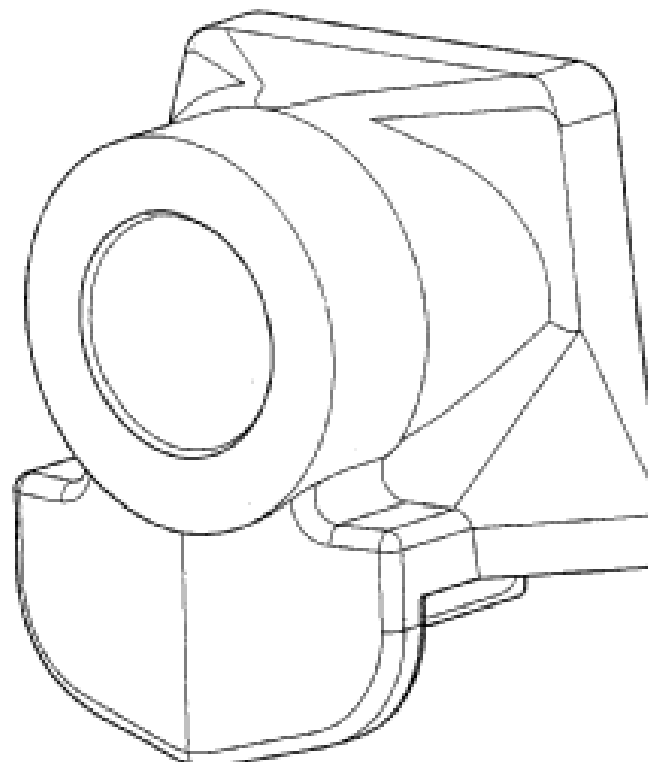
Everpads Co., Ltd
No. 83 32nd Road Taichung Industrial Park Taichung 40768 Taiwan
R.O.C.

(72) Name(s) of Designer(s): **Chun-Li Chiang**

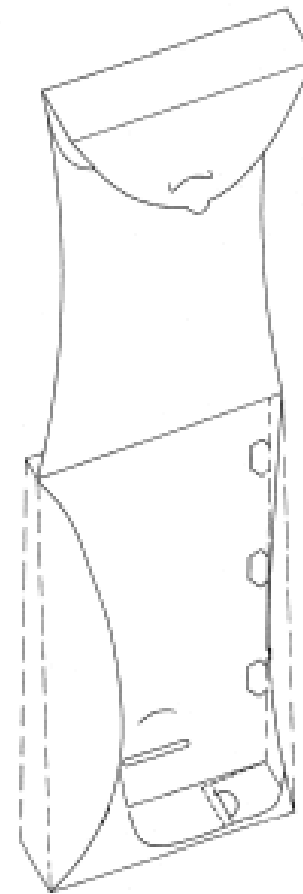
(45) Registration Date: **09 September 2009**

(56) Related Art Documents: **Not Applicable**

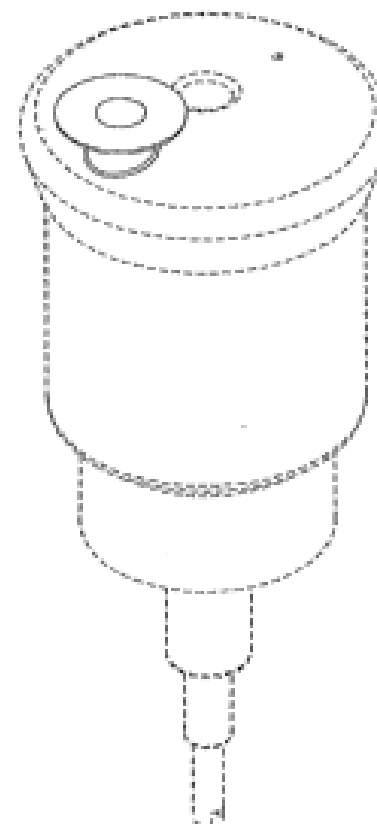
(57) Statement of Newness and Distinctiveness: **Visual features of the design which are new and distinctive are the features of shape and configuration of a TOOL-HOLDING DEVICE as illustrated in the representations.**



- (21) Design Number: **12736/2009**
(22) Date of Filing Application: **24 July 2009**
(24) Date from which industrial property rights may have effect: **24 July 2009**
(54) Product in respect of which the design is registered: **Packaging**
(51) International Design Classification: **09-03NES**
(71) Name(s) and Address(s) of Applicant(s):
Sea to Summit Pty Ltd
6-8 Brown Street East Perth Western Australia 6004 Australia
(72) Name(s) of Designer(s): **David Matthew Thompson and Roland Wesley Tyson and Paramjeet Singh**
(45) Registration Date: **09 September 2009**
(56) Related Art Documents: **Not Applicable**
(57) Statement of Newness and Distinctiveness: **Rights are claimed in the shape and configuration of the packaging as shown in the accompanying drawings. Elements of the packaging shown in broken lines are not considered to be part of the design.**



- (21) Design Number: **12976/2009**
(22) Date of Filing Application: **10 August 2009**
(24) Date from which industrial property rights may have effect: **10 August 2009**
(54) Product in respect of which the design is registered: **Measuring dispenser**
(51) International Design Classification: **24-02, 10-04**
(71) Name(s) and Address(s) of Applicant(s):
Simcro Tech Limited
6-8 Latham Court Hamilton New Zealand
(72) Name(s) of Designer(s): **Rodney Gordon Walker**
(45) Registration Date: **09 September 2009**
(30) Convention priority data:
(31) Number (32) Date (33) Country
411889 11 Feb 2009 NEW ZEALAND
(56) Related Art Documents: **Not Applicable**
(57) Statement of Newness and Distinctiveness: **The shape and configuration of the parts of the product not shown in broken lines in the representations are new and distinctive.**



(21) Design Number: **12920/2009**

(22) Date of Filing Application: **06 August 2009**

(24) Date from which industrial property rights may have effect: **06 August 2009**

(54) Product in respect of which the design is registered: **Dress**

(51) International Design Classification: **02-02C**

(71) Name(s) and Address(s) of Applicant(s):

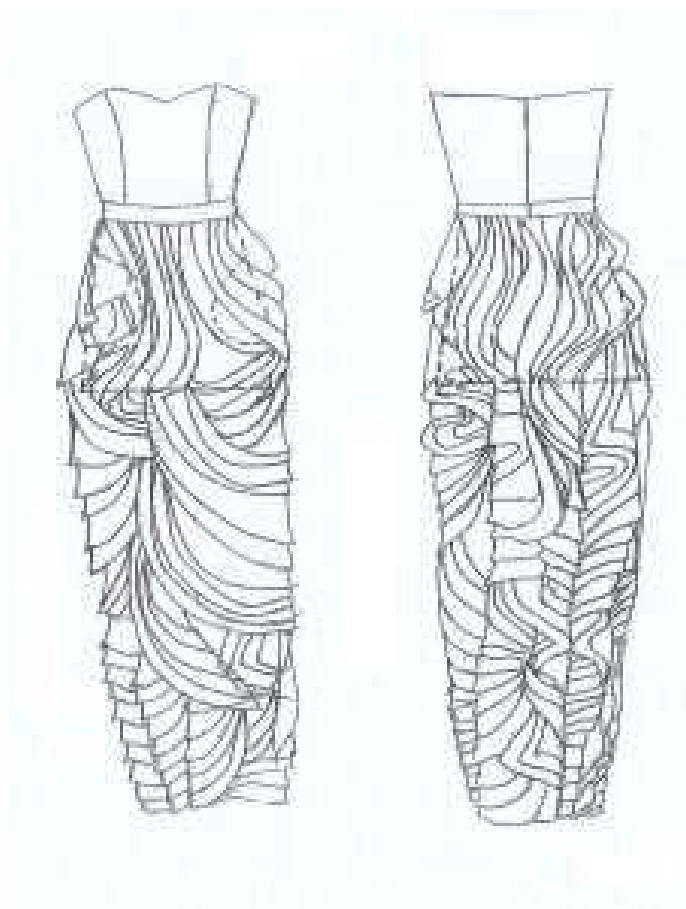
**Ruth Tarvydas International Pty Ltd
5/47 Forrest Avenue East Perth Western Australia 6004 Australia**

(72) Name(s) of Designer(s): **Ruth Tarvydas**

(45) Registration Date: **09 September 2009**

(56) Related Art Documents: **Not Applicable**

(57) Statement of Newness and Distinctiveness: **The features of this dress being the tiered ruffled organza panels on the skirt.**



(21) Design Number: **12921/2009**

(22) Date of Filing Application: **06 August 2009**

(24) Date from which industrial property rights may have effect: **06 August 2009**

(54) Product in respect of which the design is registered: **Dress**

(51) International Design Classification: **02-02C**

(71) Name(s) and Address(s) of Applicant(s):

**Ruth Tarvydas International Pty Ltd
5/47 Forrest Avenue East Perth Western Australia 6004 Australia**

(72) Name(s) of Designer(s): **Ruth Tarvydas**

(45) Registration Date: **09 September 2009**

(56) Related Art Documents: **Not Applicable**

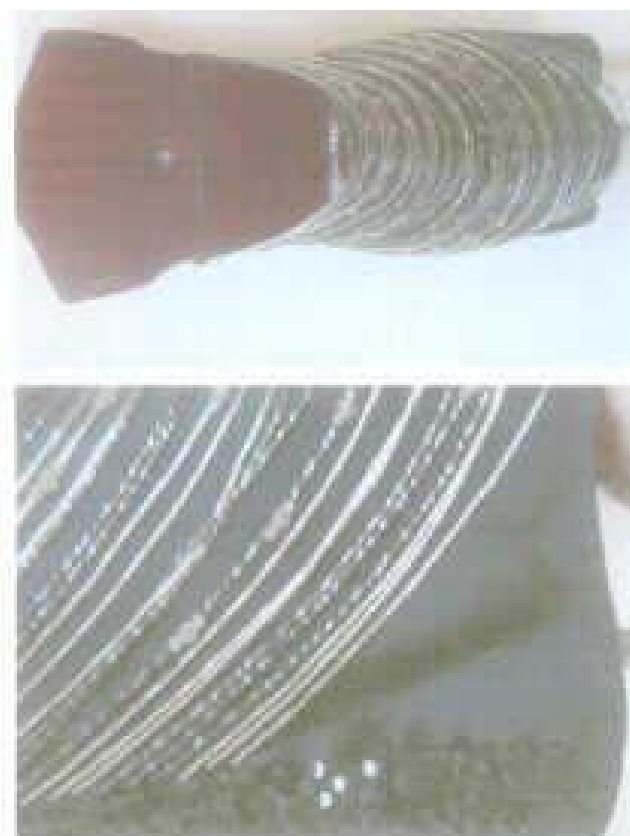
(57) Statement of Newness and Distinctiveness: **The features of this dress being the distinctly shaped beaded panels on bodice and bust of the dress.**



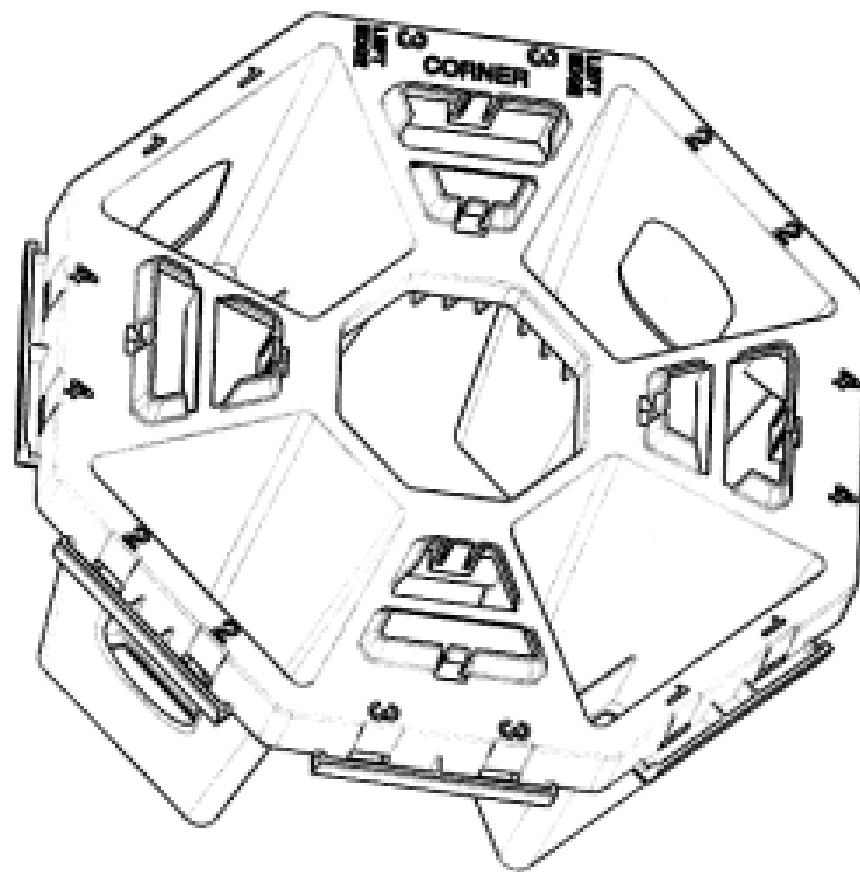
- (21) Design Number: **12922/2009**
- (22) Date of Filing Application: **06 August 2009**
- (24) Date from which industrial property rights may have effect: **06 August 2009**
- (54) Product in respect of which the design is registered: **Dress**
- (51) International Design Classification: **02-02C**
- (71) Name(s) and Address(s) of Applicant(s):
Ruth Tarvydas International Pty Ltd
5/47 Forrest Avenue East Perth Western Australia 6004 Australia
- (72) Name(s) of Designer(s): **Ruth Tarvydas**
- (45) Registration Date: **09 September 2009**
- (56) Related Art Documents: **Not Applicable**
- (57) Statement of Newness and Distinctiveness: **The feature of this dress being the diamond shape bead motif throughout the dress.**



- (21) Design Number: **12923/2009**
- (22) Date of Filing Application: **06 August 2009**
- (24) Date from which industrial property rights may have effect: **06 August 2009**
- (54) Product in respect of which the design is registered: **Dress**
- (51) International Design Classification: **02-02C**
- (71) Name(s) and Address(s) of Applicant(s):
Ruth Tarvydas International Pty Ltd
5/47 Forrest Avenue East Perth Western Australia 6004 Australia
- (72) Name(s) of Designer(s): **Ruth Tarvydas**
- (45) Registration Date: **09 September 2009**
- (56) Related Art Documents: **Not Applicable**
- (57) Statement of Newness and Distinctiveness: **The feature of this dress being the beaded strands that drape down the back of the dress.**



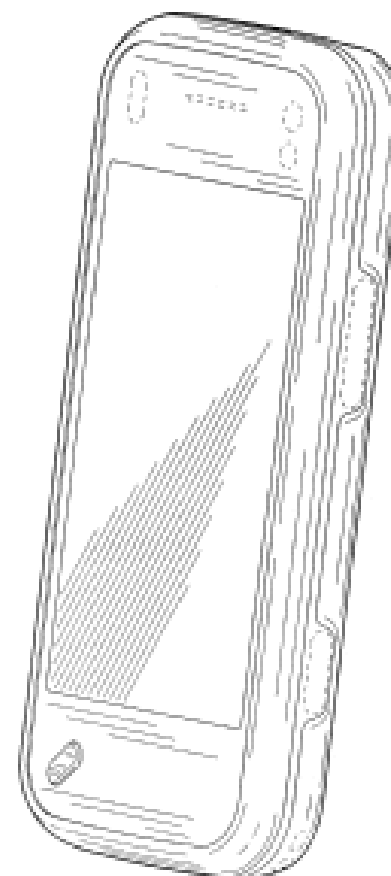
- (21) Design Number: **13062/2009**
(22) Date of Filing Application: **14 August 2009**
(24) Date from which industrial property rights may have effect: **14 August 2009**
(54) Product in respect of which the design is registered: **A root and soil structure support cell**
(51) International Design Classification: **08-08NES, 25-01NES**
(71) Name(s) and Address(s) of Applicant(s):
Ben Gooden
PO Box 3133 Singleton DC New South Wales 2330 Australia
Rebecca Gooden
PO Box 3133 Singleton DC New South Wales 2330 Australia
(72) Name(s) of Designer(s): **Ben Gooden**
(45) Registration Date: **09 September 2009**
(56) Related Art Documents: **Not Applicable**
(57) Statement of Newness and Distinctiveness: **Nil**



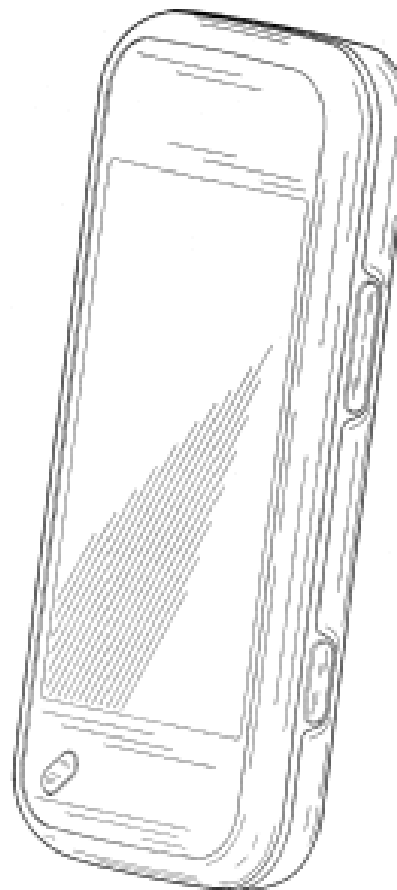
- (21) Design Number: **13103/2009**
(22) Date of Filing Application: **14 August 2009**
(24) Date from which industrial property rights may have effect: **14 August 2009**
(54) Product in respect of which the design is registered: **Handset**
(51) International Design Classification: **14-03E**
(71) Name(s) and Address(s) of Applicant(s):
Nokia Corporation
Keilalahdentie-4 FIN-02150 Espoo Finland
(72) Name(s) of Designer(s): **Nicolas Lylyk**
(45) Registration Date: **09 September 2009**
(30) Convention priority data:

(31) Number	(32) Date	(33) Country
29/340114	14 Jul 2009	UNITED STATES OF AMERICA

(56) Related Art Documents: **Not Applicable**
(57) Statement of Newness and Distinctiveness: **Newness and distinctiveness is claimed in the features of shape and/or configuration of a handset as illustrated in solid lines in the accompanying representations.**



- (21) Design Number: **13104/2009**
(22) Date of Filing Application: **14 August 2009**
(24) Date from which industrial property rights may have effect: **14 August 2009**
(54) Product in respect of which the design is registered: **Handset**
(51) International Design Classification: **14-03E**
(71) Name(s) and Address(s) of Applicant(s):
Nokia Corporation
Keilalahdentie-4 FIN-02150 Espoo Finland
(72) Name(s) of Designer(s): **Nicolas Lylyk**
(45) Registration Date: **09 September 2009**
(30) Convention priority data:
(31) Number (32) Date (33) Country
29/340114 14 Jul 2009 UNITED STATES OF AMERICA
(56) Related Art Documents: **Not Applicable**
(57) Statement of Newness and Distinctiveness: **Newness and distinctiveness is claimed in the features of shape and/or configuration of a handset as illustrated in the accompanying representations.**

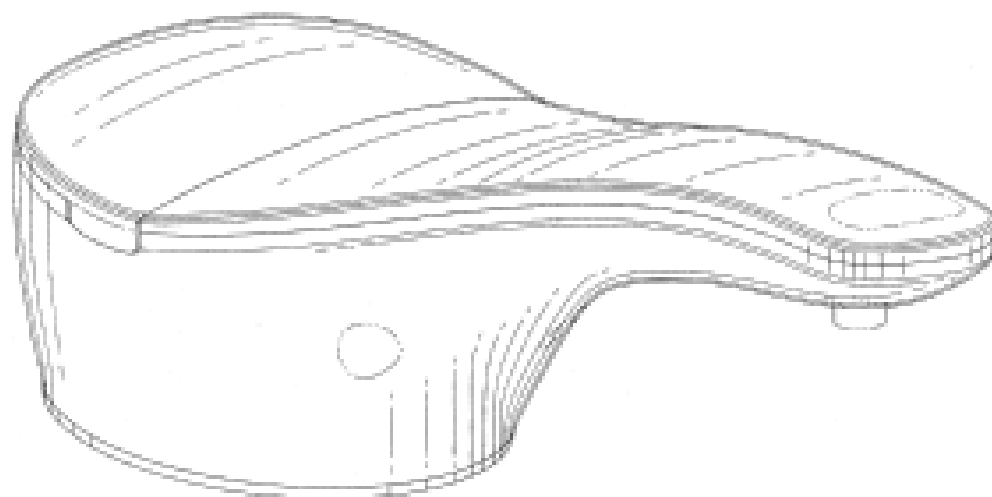


- (21) Design Number: **13105/2009**
(22) Date of Filing Application: **14 August 2009**
(24) Date from which industrial property rights may have effect: **14 August 2009**
(54) Product in respect of which the design is registered: **Handset**
(51) International Design Classification: **14-03E**
(71) Name(s) and Address(s) of Applicant(s):
Nokia Corporation
Keilalahdentie-4 FIN-02150 Espoo Finland
(72) Name(s) of Designer(s): **Mikko Aarras**
(45) Registration Date: **09 September 2009**
(30) Convention priority data:
(31) Number (32) Date (33) Country
29/340232 15 Jul 2009 UNITED STATES OF AMERICA
(56) Related Art Documents: **Not Applicable**
(57) Statement of Newness and Distinctiveness: **Newness and distinctiveness is claimed in the features of shape and/or configuration of a handset as illustrated in solid lines in the accompanying representations.**



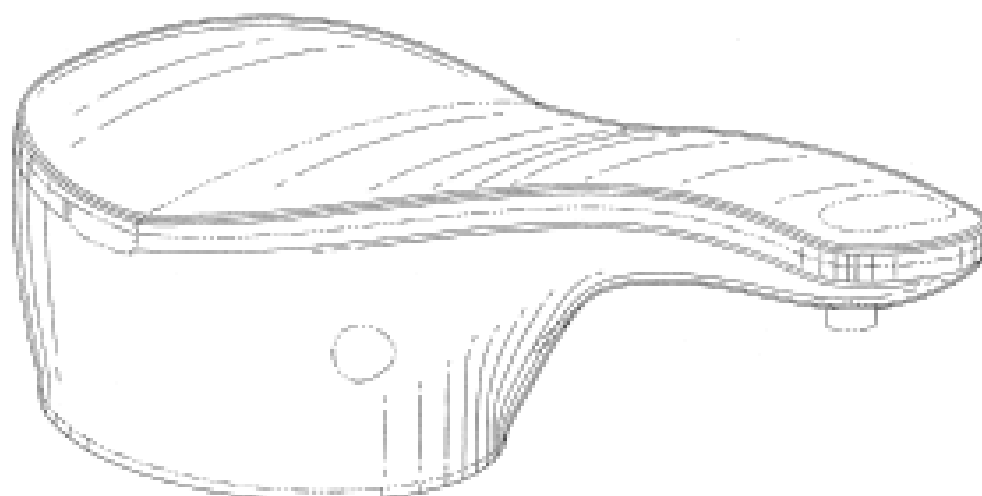
- (21) Design Number: **12817/2009**
- (22) Date of Filing Application: **29 July 2009**
- (24) Date from which industrial property rights may have effect: **29 July 2009**
- (54) Product in respect of which the design is registered: **Dispenser spout**
- (51) International Design Classification: **09-07A**
- (71) Name(s) and Address(s) of Applicant(s):
Bobrick Washroom Equipment, Inc.
11611 Hart Street North Hollywood California 91605-5882 United States of America
- (72) Name(s) of Designer(s): **David Samuel Benavidez and Dan Harden**
- (45) Registration Date: **10 September 2009**
- (30) Convention priority data:

(31) Number	(32) Date	(33) Country
29/331670	29 Jan 2009	UNITED STATES OF AMERICA
- (56) Related Art Documents: **Not Applicable**
- (57) Statement of Newness and Distinctiveness: **Newness and distinctiveness reside in the features of shape and/or configuration of the design shown in solid lines in the representations excluding those features shown in broken lines.**



- (21) Design Number: **13446/2009**
- (22) Date of Filing Application: **29 July 2009**
- (24) Date from which industrial property rights may have effect: **29 July 2009**
- (54) Product in respect of which the design is registered: **Dispenser spout**
- (51) International Design Classification: **09-07A**
- (71) Name(s) and Address(s) of Applicant(s):
Bobrick Washroom Equipment, Inc.
11611 Hart Street North Hollywood California 91605-5882 United States of America
- (72) Name(s) of Designer(s): **David Samuel Benavidez and Dan Harden**
- (45) Registration Date: **10 September 2009**
- (30) Convention priority data:

(31) Number	(32) Date	(33) Country
29/331670	29 Jan 2009	UNITED STATES OF AMERICA
- (56) Related Art Documents: **Not Applicable**
- (57) Statement of Newness and Distinctiveness: **Newness and distinctiveness reside in the features of the design shown in solid lines in the representations excluding those features shown in broken lines.**



(21) Design Number: **13447/2009**

(22) Date of Filing Application: **29 July 2009**

(24) Date from which industrial property rights may have effect: **29 July 2009**

(54) Product in respect of which the design is registered: **Dispenser spout**

(51) International Design Classification: **09-07A**

(71) Name(s) and Address(s) of Applicant(s):

**Bobrick Washroom Equipment, Inc.
11611 Hart Street North Hollywood California 91605-5882 United States of America**

(72) Name(s) of Designer(s): **David Samuel Benavidez and Dan Harden**

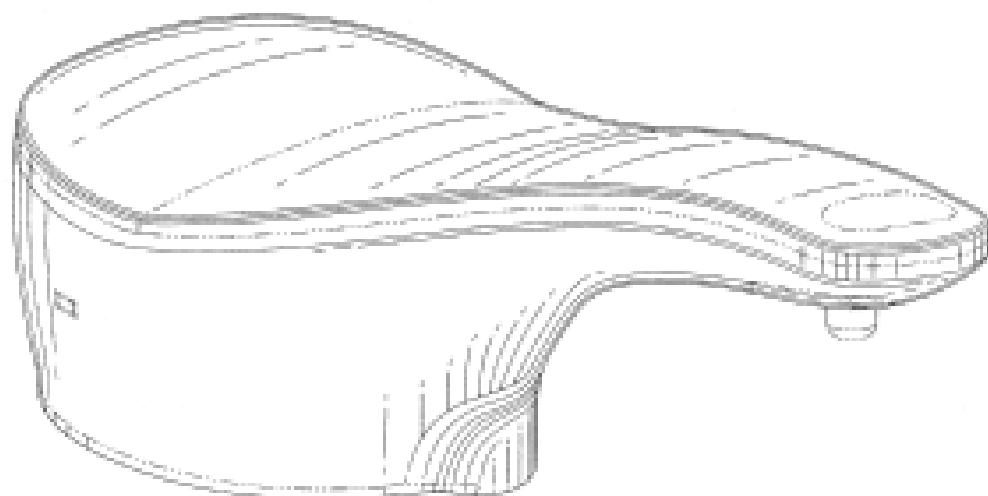
(45) Registration Date: **10 September 2009**

(30) Convention priority data:

(31) Number	(32) Date	(33) Country
29/331670	29 Jan 2009	UNITED STATES OF AMERICA

(56) Related Art Documents: **Not Applicable**

(57) Statement of Newness and Distinctiveness: **Newness and distinctiveness reside in the features of the design shown in solid lines in the representations excluding those features shown in broken lines.**



(21) Design Number: **13127/2009**

(22) Date of Filing Application: **19 August 2009**

(24) Date from which industrial property rights may have effect: **19 August 2009**

(54) Product in respect of which the design is registered: **Eye makeup applicator**

(51) International Design Classification: **28-03NES**

(71) Name(s) and Address(s) of Applicant(s):

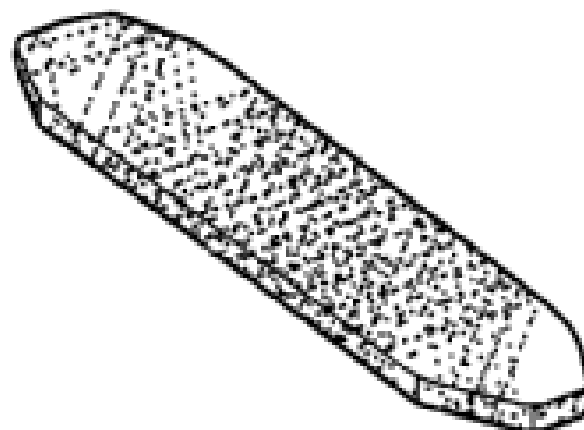
**MSM Global Investments Pty. Ltd.
1724 South Gippsland Highway Cranbourne Victoria 3977 Australia**

(72) Name(s) of Designer(s): **Dominic Mammone**

(45) Registration Date: **15 September 2009**

(56) Related Art Documents: **Not Applicable**

(57) Statement of Newness and Distinctiveness: **Newness and distinctiveness reside in the shape of an eye makeup applicator as shown in the accompanying representations.**



(21) Design Number: **13130/2009**

(22) Date of Filing Application: **18 August 2009**

(24) Date from which industrial property rights may have effect: **18 August 2009**

(54) Product in respect of which the design is registered: **Cap of writing material**

(51) International Design Classification: **19-06**

(71) Name(s) and Address(s) of Applicant(s):

Shachihata Inc
No 69 4-chome Amazuka-cho Nishi-ku Nagoya-shi Aichi 451-0021
Japan

(72) Name(s) of Designer(s): **Takeyuki Kamiyama**

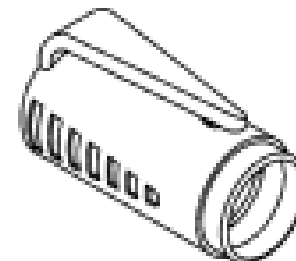
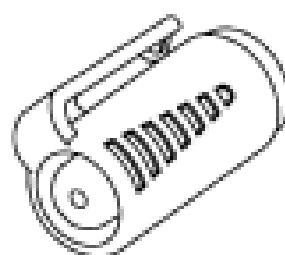
(45) Registration Date: **15 September 2009**

(30) Convention priority data:

(31) Number	(32) Date	(33) Country
2009-007180	30 Mar 2009	JAPAN

(56) Related Art Documents: **Not Applicable**

(57) Statement of Newness and Distinctiveness: **Nil assignment with the designer.**



(21) Design Number: **13061/2009**

(22) Date of Filing Application: **13 August 2009**

(24) Date from which industrial property rights may have effect: **13 August 2009**

(54) Product in respect of which the design is registered: **Vacuum cleaner**

(51) International Design Classification: **15-05**

(71) Name(s) and Address(s) of Applicant(s):

Aktiebolaget Electrolux
S:t Goransgatan 143 SE 105-45 Stockholm Sweden

(72) Name(s) of Designer(s): **Esbjorn Svantesson**

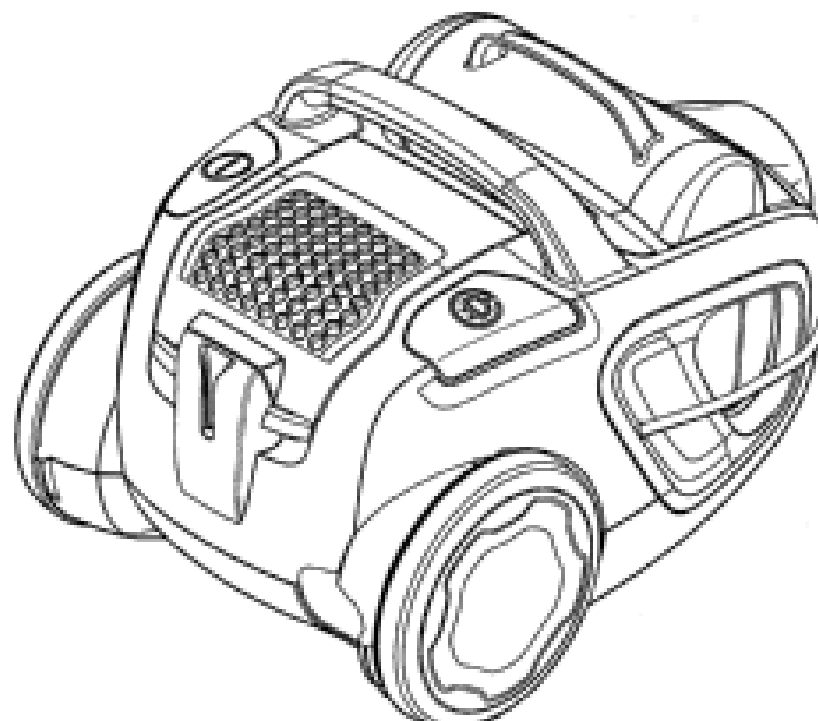
(45) Registration Date: **15 September 2009**

(30) Convention priority data:

(31) Number	(32) Date	(33) Country
001110019	20 Mar 2009	EUROPEAN COMMUNITY

(56) Related Art Documents: **Not Applicable**

(57) Statement of Newness and Distinctiveness: **Newness and distinctiveness is claimed in those visual features depicted in unbroken lines.**



(21) Design Number: **13457/2009**

(22) Date of Filing Application: **13 August 2009**

(24) Date from which industrial property rights may have effect: **13 August 2009**

(54) Product in respect of which the design is registered: **Vacuum cleaner**

(51) International Design Classification: **15-05**

(71) Name(s) and Address(s) of Applicant(s):

**Aktiebolaget Electrolux
S:t Goransgatan 143 SE 105-45 Stockholm Sweden**

(72) Name(s) of Designer(s): **Esbjorn Svantesson**

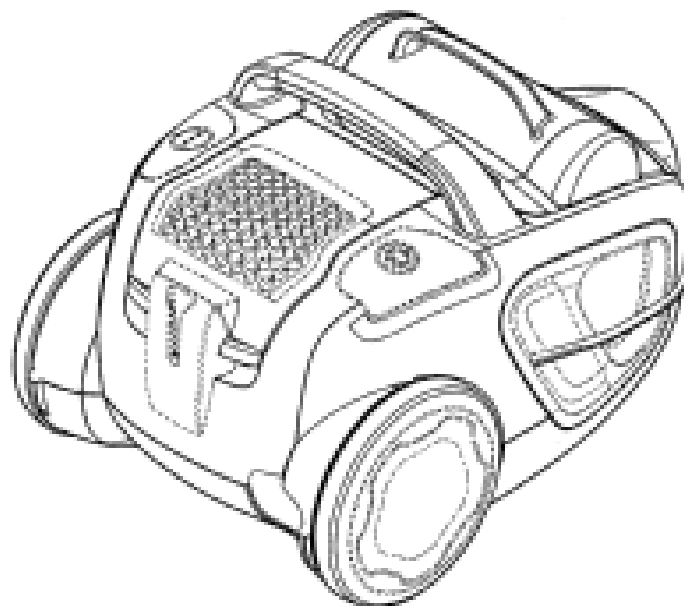
(45) Registration Date: **15 September 2009**

(30) Convention priority data:

(31) Number	(32) Date	(33) Country
001110019	20 Mar 2009	EUROPEAN COMMUNITY

(56) Related Art Documents: **Not Applicable**

(57) Statement of Newness and Distinctiveness: **Newness is and distinctiveness is claimed in those visual features depicted in unbroken lines.**



(21) Design Number: **13063/2009**

(22) Date of Filing Application: **14 August 2009**

(24) Date from which industrial property rights may have effect: **14 August 2009**

(54) Product in respect of which the design is registered: **Grain roller mill**

(51) International Design Classification: **15-03B**

(71) Name(s) and Address(s) of Applicant(s):

**Lance Jenkins
570 Bamawm Road Bamawm Victoria 3561 Australia**

(72) Name(s) of Designer(s): **Not provided**

(45) Registration Date: **11 September 2009**

(56) Related Art Documents: **Not Applicable**

(57) Statement of Newness and Distinctiveness: **Drive system of roller mill - two electric motors and two gearboxes, instead of a common drive with one electric motor only.**

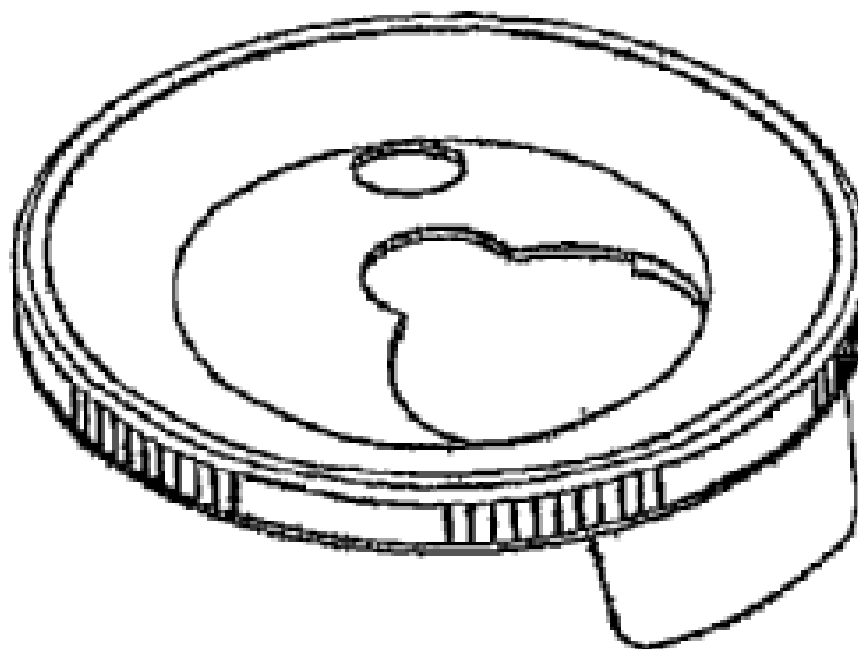


- (21) Design Number: **13136/2009**
- (22) Date of Filing Application: **18 August 2009**
- (24) Date from which industrial property rights may have effect: **18 August 2009**
- (54) Product in respect of which the design is registered: **Air intake snorkel for a vehicle**
- (51) International Design Classification: **12-16NES**
- (71) Name(s) and Address(s) of Applicant(s):
Australian Performance Development Pty Ltd
73 Merrindale Drive South Croydon Victoria 3136 Australia
- (72) Name(s) of Designer(s): **Peter Luxon and Manvir Randhawa**
- (45) Registration Date: **11 September 2009**
- (56) Related Art Documents: **Not Applicable**
- (57) Statement of Newness and Distinctiveness: **Newness and distinctiveness is claimed in the features of shape and/or configuration of an air intake snorkel for a vehicle as illustrated in the accompanying representations.**

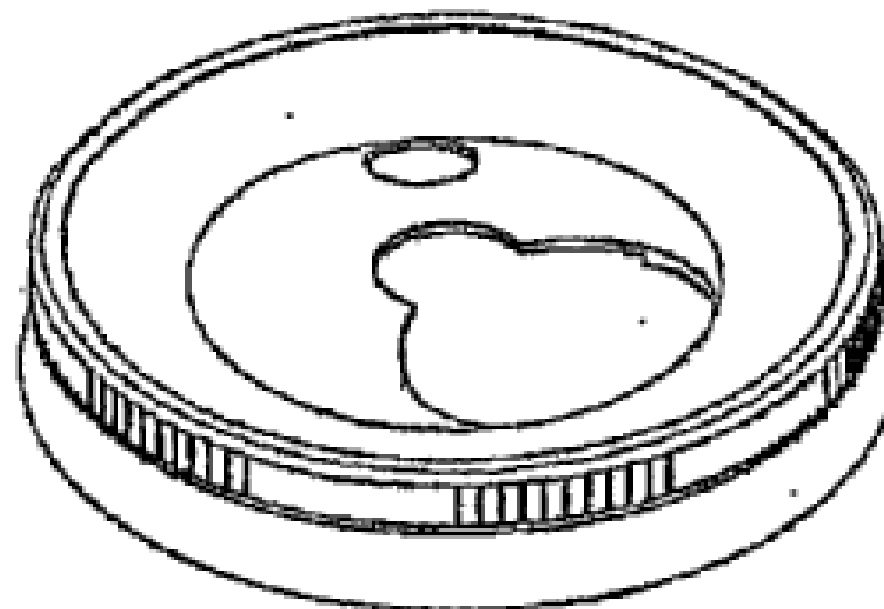


- (21) Design Number: **13161/2009**
- (22) Date of Filing Application: **03 August 2009**
- (24) Date from which industrial property rights may have effect: **03 August 2009**
- (54) Product in respect of which the design is registered: **A can cover**
- (51) International Design Classification: **09-07B**
- (71) Name(s) and Address(s) of Applicant(s):
Graham Stewart Watts
51 Durban Street City and Suburban Johannesburg 2001 South Africa
Natalie Rosemary Callaghan
51 Durban Street City and Suburban Johannesburg 2001 South Africa
- (72) Name(s) of Designer(s): **Graham Stewart Watts and Natalie Rosemary Callaghan**
- (45) Registration Date: **11 September 2009**
- (30) Convention priority data:

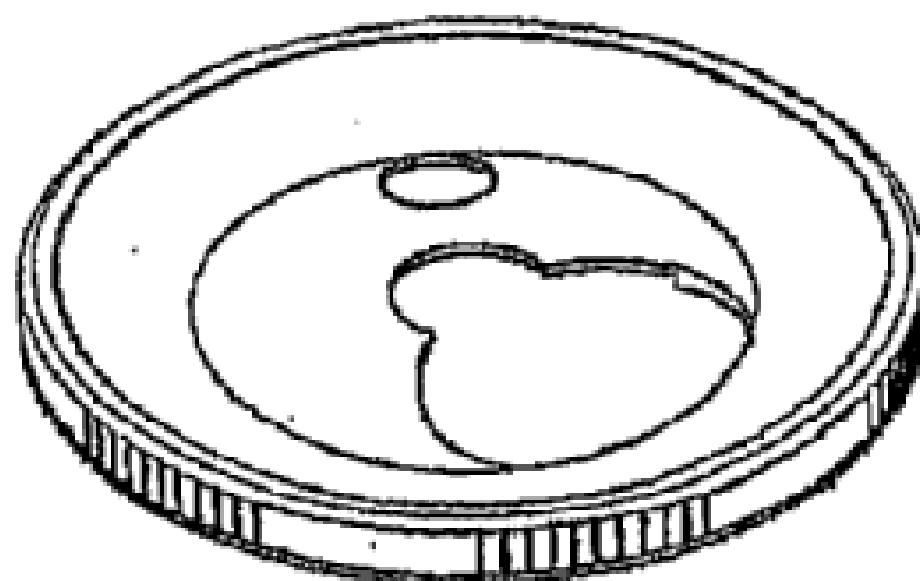
(31) Number	(32) Date	(33) Country
A2009/00137	03 Feb 2009	SOUTH AFRICA
- (56) Related Art Documents: **Not Applicable**
- (57) Statement of Newness and Distinctiveness: **Nil**



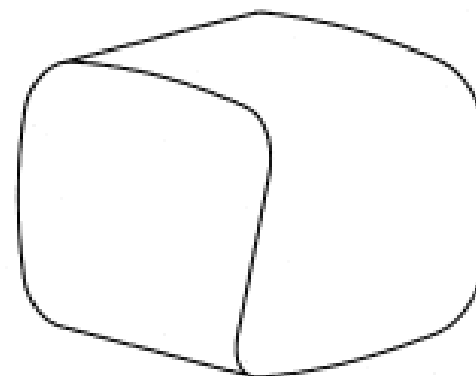
(21) Design Number: **13162/2009**
(22) Date of Filing Application: **03 August 2009**
(24) Date from which industrial property rights may have effect: **03 August 2009**
(54) Product in respect of which the design is registered: **A can cover**
(51) International Design Classification: **09-07B**
(71) Name(s) and Address(s) of Applicant(s):
Graham Stewart Watts
51 Durban Street City and Suburban Johannesburg 2001 South Africa
Natalie Rosemary Callaghan
51 Durban Street City and Suburban Johannesburg 2001 South Africa
(72) Name(s) of Designer(s): **Graham Stewart Watts and Natalie Rosemary Callaghan**
(45) Registration Date: **11 September 2009**
(30) Convention priority data:
(31) Number (32) Date (33) Country
A2009/00138 03 Feb 2009 SOUTH AFRICA
(56) Related Art Documents: **Not Applicable**
(57) Statement of Newness and Distinctiveness: **Nil**



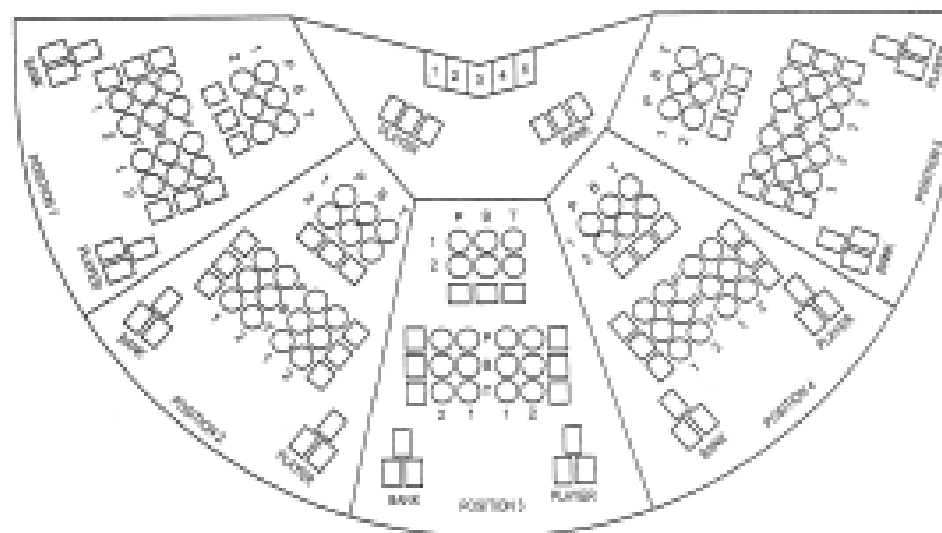
(21) Design Number: **13163/2009**
(22) Date of Filing Application: **03 August 2009**
(24) Date from which industrial property rights may have effect: **03 August 2009**
(54) Product in respect of which the design is registered: **A can cover**
(51) International Design Classification: **09-07B**
(71) Name(s) and Address(s) of Applicant(s):
Graham Stewart Watts
51 Durban Street City and Suburban Johannesburg 2001 South Africa
Natalie Rosemary Callaghan
51 Durban Street City and Suburban Johannesburg 2001 South Africa
(72) Name(s) of Designer(s): **Graham Stewart Watts and Natalie Rosemary Callaghan**
(45) Registration Date: **11 September 2009**
(30) Convention priority data:
(31) Number (32) Date (33) Country
A2009/00139 03 Feb 2009 SOUTH AFRICA
(56) Related Art Documents: **Not Applicable**
(57) Statement of Newness and Distinctiveness: **Nil**



- (21) Design Number: **12308/2009**
- (22) Date of Filing Application: **29 June 2009**
- (24) Date from which industrial property rights may have effect: **29 June 2009**
- (54) Product in respect of which the design is registered: **Stool**
- (51) International Design Classification: **06-01E**
- (71) Name(s) and Address(s) of Applicant(s):
Keith Melbourne
23/34 Smith Street Collingwood Victoria 3066 Australia
- (72) Name(s) of Designer(s): **Keith Melbourne**
- (45) Registration Date: **14 September 2009**
- (56) Related Art Documents: **Not Applicable**
- (57) Statement of Newness and Distinctiveness: **Newness and distinctiveness is claimed in respect of the shape and/or configuration of the stool.**



- (21) Design Number: **12386/2009**
- (22) Date of Filing Application: **01 July 2009**
- (24) Date from which industrial property rights may have effect: **01 July 2009**
- (54) Product in respect of which the design is registered: **Card game table layout**
- (51) International Design Classification: **21-01L**
- (71) Name(s) and Address(s) of Applicant(s):
Marcus A. Katz
7752 Fisher Island Drive Miami Beach FL 33109-0943 United States of America
- (72) Name(s) of Designer(s): **Marcus A. Katz**
- (45) Registration Date: **14 September 2009**
- (56) Related Art Documents: **Not Applicable**
- (57) Statement of Newness and Distinctiveness: **Nil**



(21) Design Number: **12550/2009**

(22) Date of Filing Application: **13 July 2009**

(24) Date from which industrial property rights may have effect: **13 July 2009**

(54) Product in respect of which the design is registered: **Underpants**

(51) International Design Classification: **02-01NES**

(71) Name(s) and Address(s) of Applicant(s):

Equmen Pty Ltd

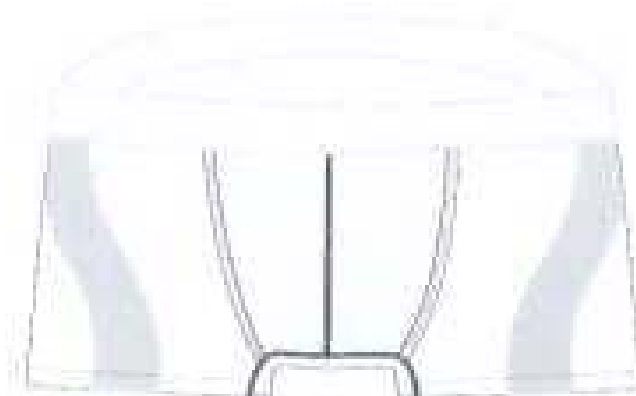
26 & 28 Burton Street Darlinghurst New South Wales 2010 Australia

(72) Name(s) of Designer(s): **Gavin Stuart Jones and Corie Chung**

(45) Registration Date: **14 September 2009**

(56) Related Art Documents: **Not Applicable**

(57) Statement of Newness and Distinctiveness: **The newness and distinctiveness of the design resides in the shape and/or configuration of the underpants as shown in the representations.**



(21) Design Number: **12551/2009**

(22) Date of Filing Application: **13 July 2009**

(24) Date from which industrial property rights may have effect: **13 July 2009**

(54) Product in respect of which the design is registered: **Underpants**

(51) International Design Classification: **02-01NES**

(71) Name(s) and Address(s) of Applicant(s):

Equmen Pty Ltd

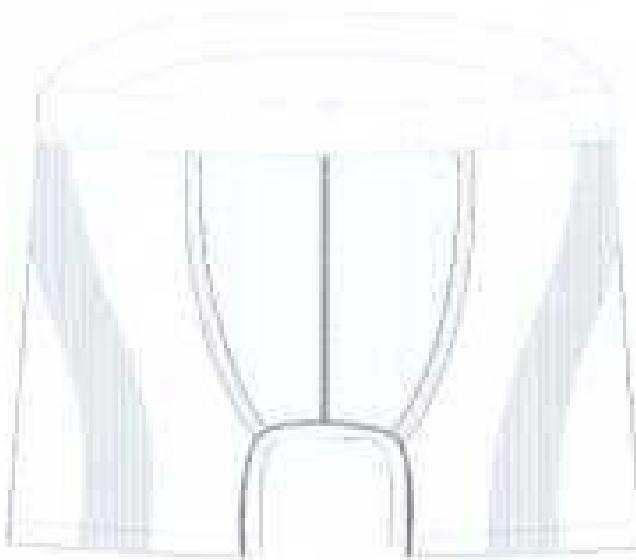
26 & 28 Burton Street Darlinghurst New South Wales 2010 Australia

(72) Name(s) of Designer(s): **Gavin Stuart Jones and Corie Chung**

(45) Registration Date: **14 September 2009**

(56) Related Art Documents: **Not Applicable**

(57) Statement of Newness and Distinctiveness: **The newness and distinctiveness of the design resides in the shape and/or configuration of the underpants as shown in the representations.**



(21) Design Number: **12657/2009**

(22) Date of Filing Application: **21 July 2009**

(24) Date from which industrial property rights may have effect: **21 July 2009**

(54) Product in respect of which the design is registered: **Heating equipment**

(51) International Design Classification: **23-03NES**

(71) Name(s) and Address(s) of Applicant(s):

**Foshan Shunde Everteam Industrial Co., Ltd
No. 27 East Rongqi Dadao Ronggui Shunde District Foshan City
Guangdong Province China**

(72) Name(s) of Designer(s): **Zhiqiang Liang**

(45) Registration Date: **14 September 2009**

(30) Convention priority data:

(31) Number	(32) Date	(33) Country
200930073712.6	15 Apr 2009	CHINA

(56) Related Art Documents: **Not Applicable**

(57) Statement of Newness and Distinctiveness: **Newness and distinctiveness is claimed in the features of shape and/or configuration of a heating equipment as illustrated in the accompanying representations. The bottom view (1.6) does not form part of the design.**

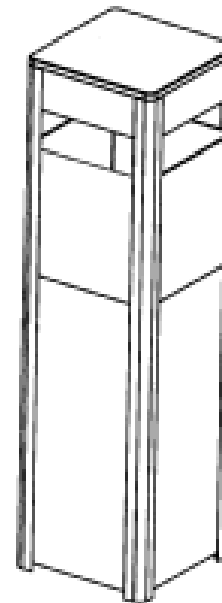


FIG 1.7

(21) Design Number: **12796/2009**

(22) Date of Filing Application: **29 July 2009**

(24) Date from which industrial property rights may have effect: **29 July 2009**

(54) Product in respect of which the design is registered: **Cooker**

(51) International Design Classification: **07-02D, 07-02E**

(71) Name(s) and Address(s) of Applicant(s):

**Hong Phuc Vu
25 Paringa Drive St Albans Victoria 3021 Australia**

(72) Name(s) of Designer(s): **Hong Phuc Vu**

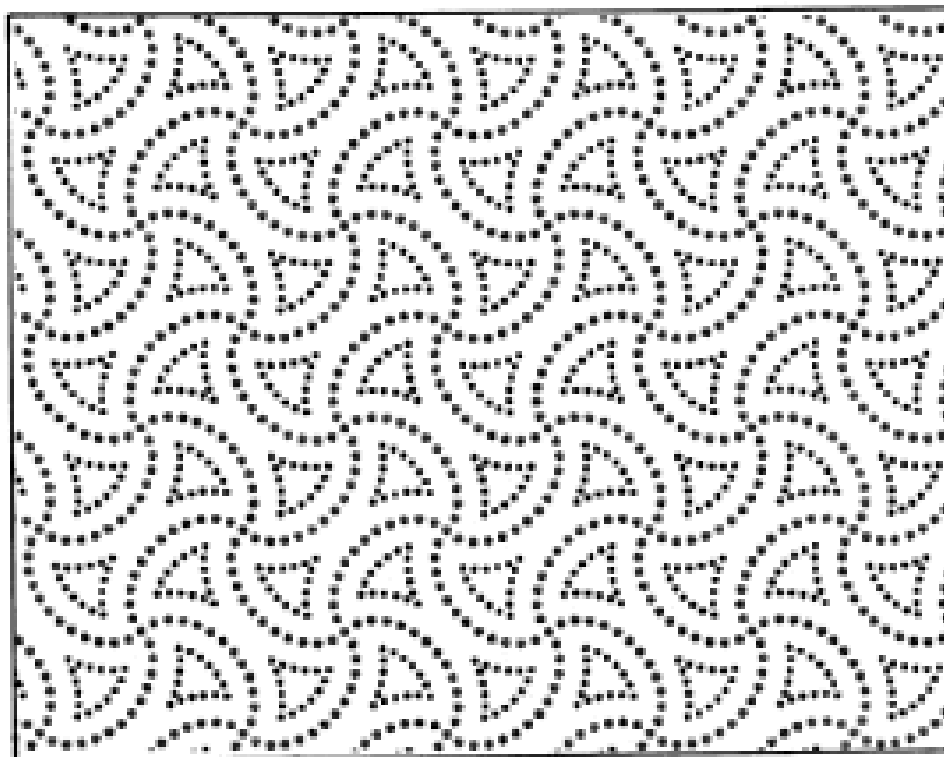
(45) Registration Date: **14 September 2009**

(56) Related Art Documents: **Not Applicable**

(57) Statement of Newness and Distinctiveness: **The THE OZ OUT DOOR COOKER 2009 has distinctive and new features as follow: 1 - A drawer to store spicy containers. 2 - An O ring on the bench top to hold the burner with out a nut which allows the burner to be removed easily by hand for cleaning. (the Rambo burner mode RBC 176 is used for this cooker). 3 - framed three sites with a stainless steel sheet. Half of the sheet (the upper part of the sheet) protects the flame from wind and stops oil splashing when cooking. 4 - generally, there has not been any other out door cooker designed similar to the THE OZ OUT DOOR COOKER 2009. The benefits of the THE OZ OUT DOOR COOKER 2009 are as follow: 1 - helping people cook their meals many time quicker and more delicious. 2 - Cooking out door can prevent a house from the steam of oil, food which follows the movement of air to stick every where and makes the house stinking. 3 - The THE OZ OUT DOOR COOKER 2009 is not only designed for family meals but also for parties tens of people.**



- (21) Design Number: **13117/2009**
(22) Date of Filing Application: **14 August 2009**
(24) Date from which industrial property rights may have effect: **14 August 2009**
(54) Product in respect of which the design is registered: **Embossing design for paper towel**
(51) International Design Classification: **05-06NES**
(71) Name(s) and Address(s) of Applicant(s):
SCA Hygiene Products AB
S-405 03 Goteborg, Sweden
(72) Name(s) of Designer(s): **Cicilie Clarke and Tammi Boerschinger**
(45) Registration Date: **14 September 2009**
(56) Related Art Documents: **Not Applicable**
(57) Statement of Newness and Distinctiveness: **Nil**



- (21) Design Number: **13118/2009**
(22) Date of Filing Application: **14 August 2009**
(24) Date from which industrial property rights may have effect: **14 August 2009**
(54) Product in respect of which the design is registered: **Watch**
(51) International Design Classification: **10-02**
(71) Name(s) and Address(s) of Applicant(s):
Rado Uhren AG (Rado Watch Co Ltd) (Montres Rado SA)
Bielstrasse 45 Lengnau Switzerland
(72) Name(s) of Designer(s): **Alessandra Furetta**
(45) Registration Date: **14 September 2009**
(30) Convention priority data:

(31) Number	(32) Date	(33) Country
DM/071 535	24 Mar 2009	SWITZERLAND

(56) Related Art Documents: **Not Applicable**
(57) Statement of Newness and Distinctiveness: **Nil**



- (21) Design Number: **13119/2009**
(22) Date of Filing Application: **17 July 2009**
(24) Date from which industrial property rights may have effect: **17 July 2009**
(54) Product in respect of which the design is registered: **Toothbrush**
(51) International Design Classification: **04-02**
(71) Name(s) and Address(s) of Applicant(s):
McNeil-PPC, Inc.
199 Grandview Road Skillman New Jersey 08558 United States of America
(72) Name(s) of Designer(s): **Steve Blanchard and Janette Suh Edelstein and Robert W. Fusi II and Josef Knutzen and Justin McDonough and Yves Behar and Joshua Morenstein and Christopher Hibmacronan and Logan Ray and Lori Dee Kumar**
(45) Registration Date: **14 September 2009**
(62) Divisional of: **327252**
(56) Related Art Documents: **Not Applicable**
(57) Statement of Newness and Distinctiveness: **Newness and distinctiveness resides in the solid line features of shape and/or configuration of a toothbrush as illustrated in the accompanying representations.**



- (21) Design Number: **13120/2009**
(22) Date of Filing Application: **17 July 2009**
(24) Date from which industrial property rights may have effect: **17 July 2009**
(54) Product in respect of which the design is registered: **Toothbrush**
(51) International Design Classification: **04-02**
(71) Name(s) and Address(s) of Applicant(s):
McNeil-PPC, Inc.
199 Grandview Road Skillman New Jersey 08558 United States of America
(72) Name(s) of Designer(s): **Steve Blanchard and Janette Suh Edelstein and Robert W. Fusi II and Josef Knutzen and Justin McDonough and Yves Behar and Joshua Morenstein and Christopher Hibmacronan and Logan Ray and Lori Dee Kumar**
(45) Registration Date: **14 September 2009**
(62) Divisional of: **327252**
(56) Related Art Documents: **Not Applicable**
(57) Statement of Newness and Distinctiveness: **Newness and distinctiveness resides in the solid line features of shape and/or configuration of a toothbrush as illustrated in the accompanying representations.**



(21) Design Number: **13143/2009**

(22) Date of Filing Application: **19 August 2009**

(24) Date from which industrial property rights may have effect: **19 August 2009**

(54) Product in respect of which the design is registered: **Heated hair roller**

(51) International Design Classification: **28-03C**

(71) Name(s) and Address(s) of Applicant(s):

Janis Eagle

36 Ebony Street Redlynch Queensland 4870 Australia

(72) Name(s) of Designer(s): **Janis Eagle**

(45) Registration Date: **14 September 2009**

(56) Related Art Documents: **Not Applicable**

(57) Statement of Newness and Distinctiveness: **Stylized heated hair roller with especially designed outer clip.**



(21) Design Number: **13144/2009**

(22) Date of Filing Application: **19 August 2009**

(24) Date from which industrial property rights may have effect: **19 August 2009**

(54) Product in respect of which the design is registered: **Hair clip for heated hair roller**

(51) International Design Classification: **28-03C**

(71) Name(s) and Address(s) of Applicant(s):

Janis Eagle

36 Ebony Street Redlynch Queensland 4870 Australia

(72) Name(s) of Designer(s): **Janis Eagle**

(45) Registration Date: **14 September 2009**

(56) Related Art Documents: **Not Applicable**

(57) Statement of Newness and Distinctiveness: **Especially designed clip for use with stylized heated hair rollers.**



(21) Design Number: **13152/2009**

(22) Date of Filing Application: **18 August 2009**

(24) Date from which industrial property rights may have effect: **18 August 2009**

(54) Product in respect of which the design is registered: **Dynamic dispenser**

(51) International Design Classification: **07-99NES**

(71) Name(s) and Address(s) of Applicant(s):

Reckitt Benckiser Inc.

Morris Corporate Center IV 399 Interpace Parkway Parsippany New Jersey 07054 United States of America

(72) Name(s) of Designer(s): **Christopher Leonard Padain and Thomas Edward Walker and Duncan Alexander Eric Shotton and Craig Ian Wightman**

(45) Registration Date: **14 September 2009**

(30) Convention priority data:

(31) Number

(32) Date

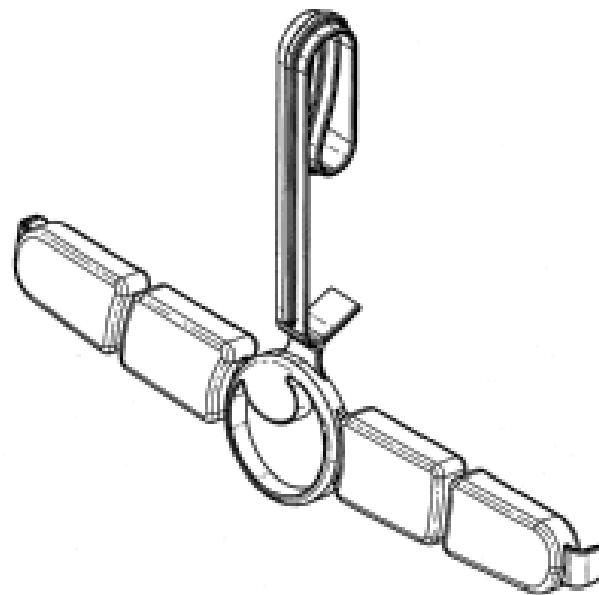
(33) Country

001100655-0001 06 Mar 2009

EUROPEAN COMMUNITY

(56) Related Art Documents: **Not Applicable**

(57) Statement of Newness and Distinctiveness: **Newness and distinctiveness reside in the features of the design as shown in the representations.**



(21) Design Number: **13156/2009**

(22) Date of Filing Application: **20 August 2009**

(24) Date from which industrial property rights may have effect: **20 August 2009**

(54) Product in respect of which the design is registered: **Plastic champagne flute with metallic rim or colour**

(51) International Design Classification: **07-01D**

(71) Name(s) and Address(s) of Applicant(s):

Partyware Pty Ltd

10 University Place Clayton North Victoria 3168 Australia

(72) Name(s) of Designer(s): **Aron Segev**

(45) Registration Date: **14 September 2009**

(56) Related Art Documents: **Not Applicable**

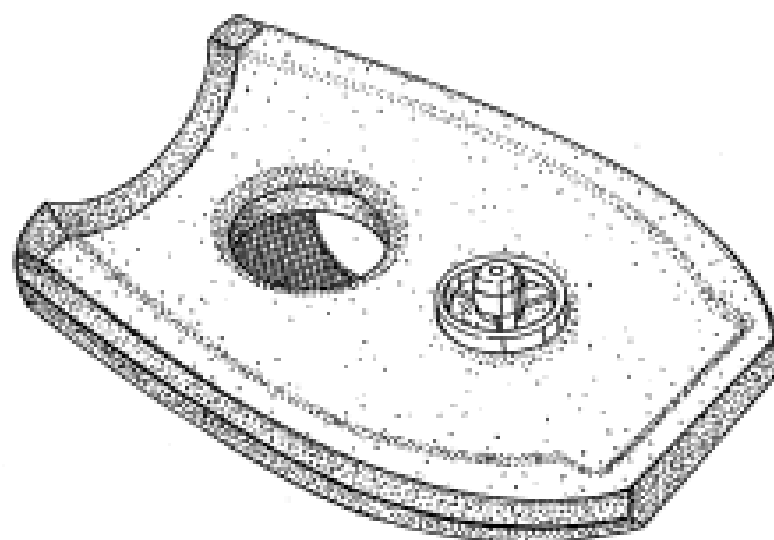
(57) Statement of Newness and Distinctiveness: **Plastic champagne flute with metallic rim or colour.**



(21) Design Number: **13157/2009**
(22) Date of Filing Application: **20 August 2009**
(24) Date from which industrial property rights may have effect: **20 August 2009**
(54) Product in respect of which the design is registered: **Plastic wine glass with metallic/colour rim**
(51) International Design Classification: **07-01D**
(71) Name(s) and Address(s) of Applicant(s):
Partyware Pty Ltd
10 University Place Clayton North Victoria 3168 Australia
(72) Name(s) of Designer(s): **Aron Segev**
(45) Registration Date: **14 September 2009**
(56) Related Art Documents: **Not Applicable**
(57) Statement of Newness and Distinctiveness: **Plastic wine glass with metallic/colour rim.**



(21) Design Number: **13173/2009**
(22) Date of Filing Application: **19 August 2009**
(24) Date from which industrial property rights may have effect: **19 August 2009**
(54) Product in respect of which the design is registered: **Float for an infant or toddler**
(51) International Design Classification: **21-02D**
(71) Name(s) and Address(s) of Applicant(s):
Foti Bros. Hawaii, LLC
521 Ala Moana Boulevard #111 Honolulu Hawaii 96813 United States of America
(72) Name(s) of Designer(s): **James K Foti**
(45) Registration Date: **14 September 2009**
(30) Convention priority data:
(31) Number (32) Date (33) Country
29/313,931 20 Feb 2009 UNITED STATES OF AMERICA
(56) Related Art Documents: **Not Applicable**
(57) Statement of Newness and Distinctiveness: **Nil**



(21) Design Number: **13174/2009**

(22) Date of Filing Application: **19 August 2009**

(24) Date from which industrial property rights may have effect: **19 August 2009**

(54) Product in respect of which the design is registered: **Gutter clip**

(51) International Design Classification: **08-08NES**

(71) Name(s) and Address(s) of Applicant(s):

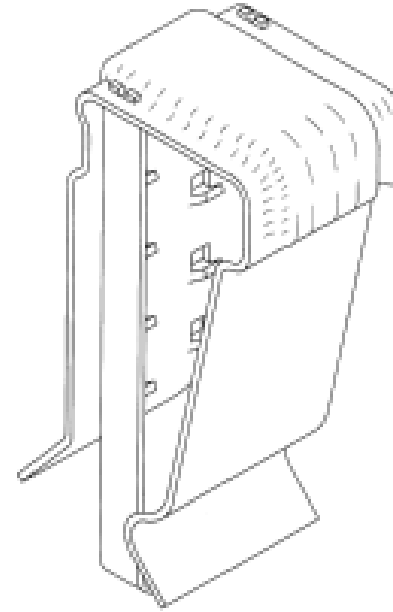
**Bluescope Steel Limited
Level 11 120 Collins Street Melbourne Victoria 3000 Australia**

(72) Name(s) of Designer(s): **Campbell John Seccombe**

(45) Registration Date: **14 September 2009**

(56) Related Art Documents: **Not Applicable**

(57) Statement of Newness and Distinctiveness: **The shape and configuration of a gutter clip as shown in the accompanying drawings is new and distinctive.**



(21) Design Number: **13196/2009**

(22) Date of Filing Application: **20 August 2009**

(24) Date from which industrial property rights may have effect: **20 August 2009**

(54) Product in respect of which the design is registered: **Bermel self serve revaluator dispenser EFT kiosk**

(51) International Design Classification: **14-02**

(71) Name(s) and Address(s) of Applicant(s):

**Bermel Business Systems Pty Ltd
Suite 10 895 Pacific Highway Pymble New South Wales 2073 Australia**

(72) Name(s) of Designer(s): **Karen Heafey and Adrian Liu and Menelaos Polymenopoulos**

(45) Registration Date: **14 September 2009**

(56) Related Art Documents: **Not Applicable**

(57) Statement of Newness and Distinctiveness: **Screen display area allows for distinct dual screen installation and individual access without opening entire kiosk. Distinctive overall design with touch screen encased in a white (colour can be selected) moulding with recessed unattended EFT device. All components are in a single area for ease of use for all users.**



(21) Design Number: **13292/2009**

(22) Date of Filing Application: **26 August 2009**

(24) Date from which industrial property rights may have effect: **26 August 2009**

(54) Product in respect of which the design is registered: **The attached design relates to a baby / toddler sleeping bag and a baby swaddling wrap**

(51) International Design Classification: **06-13B**

(71) Name(s) and Address(s) of Applicant(s):

Kelly Hooker

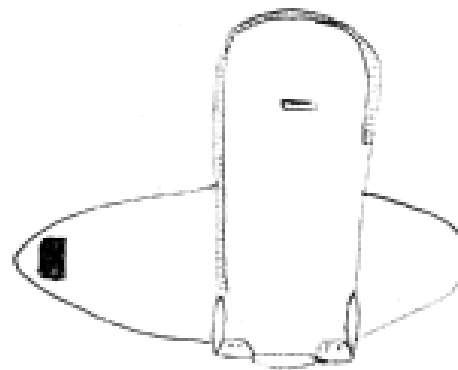
31 Balmoral Avenue Safety Beach Victoria 3936 Australia

(72) Name(s) of Designer(s): **Kelly Hooker**

(45) Registration Date: **14 September 2009**

(56) Related Art Documents: **Not Applicable**

(57) Statement of Newness and Distinctiveness: **This design is new and distinct because it combines a sleeping bag with a wrap. The wrap is attachable / detachable at the back of the wrap and sleeping bag.**



(21) Design Number: **13158/2009**

(22) Date of Filing Application: **19 August 2009**

(24) Date from which industrial property rights may have effect: **19 August 2009**

(54) Product in respect of which the design is registered: **Toaster oven**

(51) International Design Classification: **07-02H**

(71) Name(s) and Address(s) of Applicant(s):

Breville Pty Limited

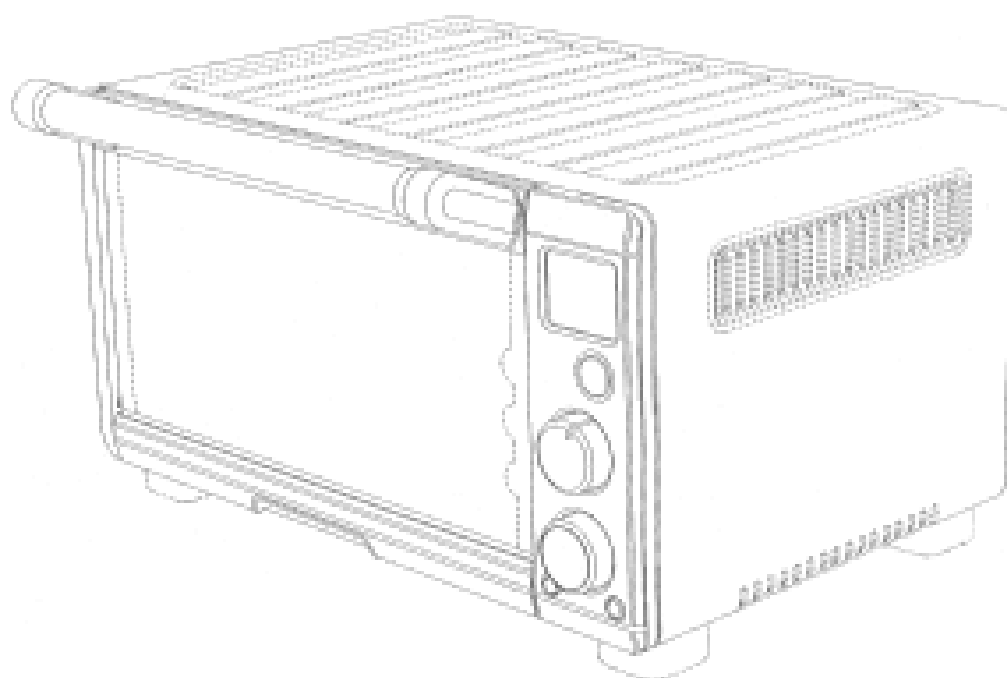
Building 2 Port Air Industrial Estate 1A Hale Street Botany New South Wales 2019 Australia

(72) Name(s) of Designer(s): **Keith James Hensel and Garth Ryan**

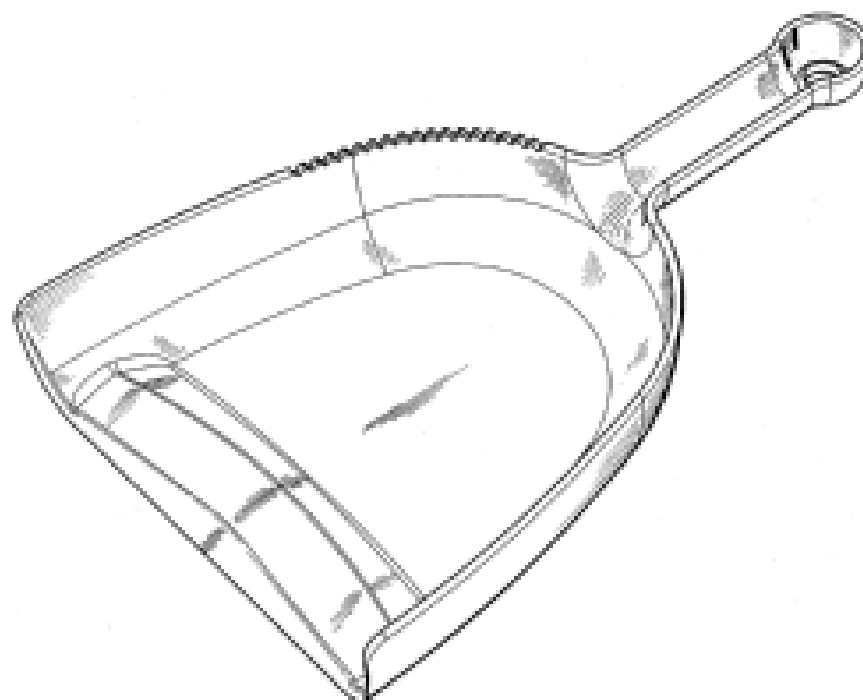
(45) Registration Date: **11 September 2009**

(56) Related Art Documents: **Not Applicable**

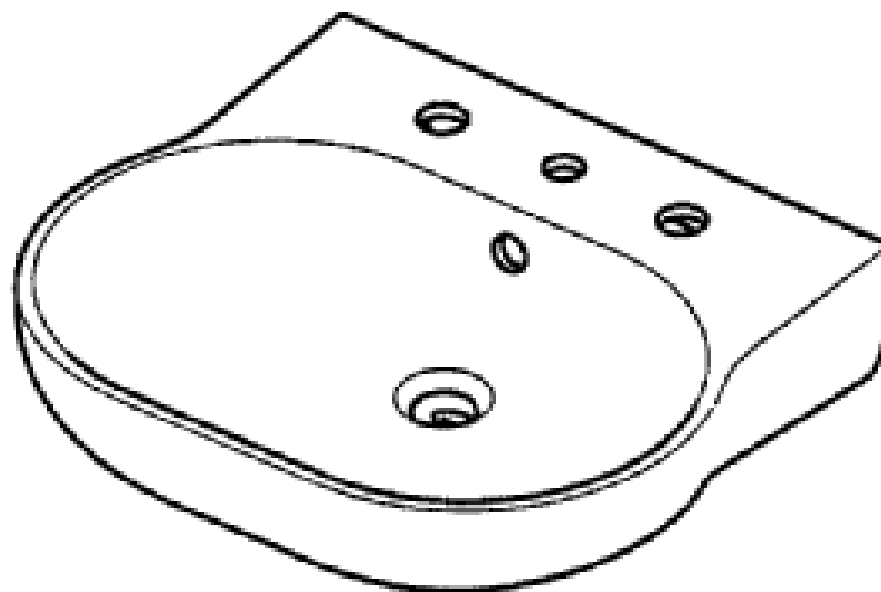
(57) Statement of Newness and Distinctiveness: **Newness is claimed in the features of shape and configuration of the toaster oven as shown in the accompanying representations. Elements shown in dashed lines form no part of the design.**



- (21) Design Number: **12641/2009**
(22) Date of Filing Application: **20 July 2009**
(24) Date from which industrial property rights may have effect: **20 July 2009**
(54) Product in respect of which the design is registered: **Dust pan**
(51) International Design Classification: **07-05E**
(71) Name(s) and Address(s) of Applicant(s):
ED Oates Pty Ltd
Maygar Boulevard Broadmeadows Victoria 3047 Australia
(72) Name(s) of Designer(s): **Karl Radolovic and Brendan Abbenhuys and Paul Charlwood and Andrew Howley**
(45) Registration Date: **14 September 2009**
(56) Related Art Documents: **Not Applicable**
(57) Statement of Newness and Distinctiveness: **Newness and distinctiveness resides in the visual features of shape and/or configuration of dustpan as illustrated in the accompanying representations.**



- (21) Design Number: **13205/2009**
(22) Date of Filing Application: **19 August 2009**
(24) Date from which industrial property rights may have effect: **19 August 2009**
(54) Product in respect of which the design is registered: **A basin**
(51) International Design Classification: **23-02F**
(71) Name(s) and Address(s) of Applicant(s):
Caroma Industries Limited
10 Market Street Brisbane Queensland 4000 Australia
(72) Name(s) of Designer(s): **Stephen John Cummings and Vincent Kai Hong Ho**
(45) Registration Date: **14 September 2009**
(56) Related Art Documents: **Not Applicable**
(57) Statement of Newness and Distinctiveness: **Newness and distinctiveness is claimed in the features of shape and/or configuration of a basin as illustrated in the accompanying representations.**



(21) Design Number: **13206/2009**

(22) Date of Filing Application: **19 August 2009**

(24) Date from which industrial property rights may have effect: **19 August 2009**

(54) Product in respect of which the design is registered: **A basin**

(51) International Design Classification: **23-02F**

(71) Name(s) and Address(s) of Applicant(s):

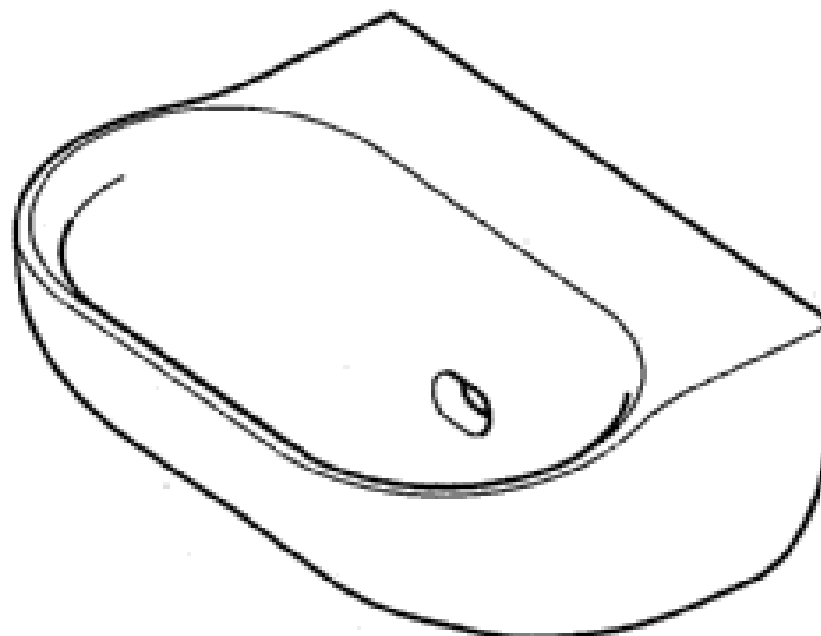
Caroma Industries Limited
10 Market Street Brisbane Queensland 4000 Australia

(72) Name(s) of Designer(s): **Stephen John Cummings and Vincent Kai Hong Ho**

(45) Registration Date: **14 September 2009**

(56) Related Art Documents: **Not Applicable**

(57) Statement of Newness and Distinctiveness: **Newness and distinctiveness is claimed in the features of shape and/or configuration of a basin as illustrated in the accompanying representations.**



(21) Design Number: **13207/2009**

(22) Date of Filing Application: **19 August 2009**

(24) Date from which industrial property rights may have effect: **19 August 2009**

(54) Product in respect of which the design is registered: **A basin**

(51) International Design Classification: **23-02F**

(71) Name(s) and Address(s) of Applicant(s):

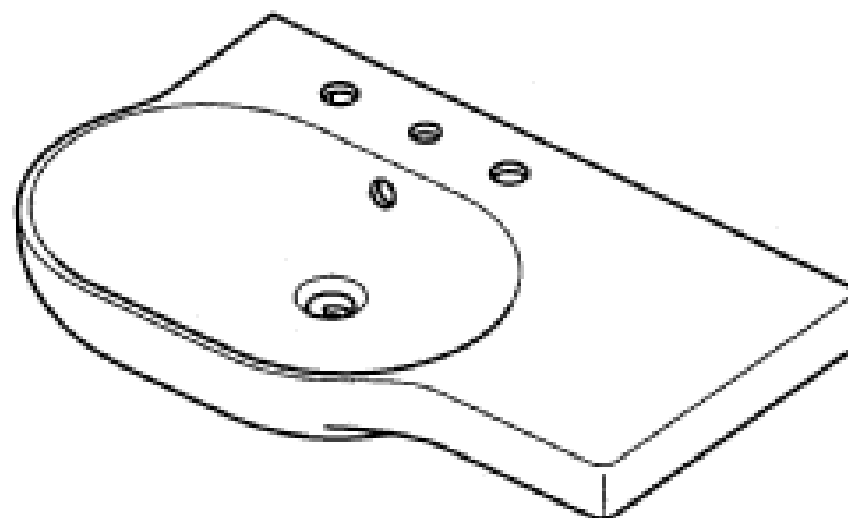
Caroma Industries Limited
10 Market Street Brisbane Queensland 4000 Australia

(72) Name(s) of Designer(s): **Stephen John Cummings and Vincent Kai Hong Ho**

(45) Registration Date: **14 September 2009**

(56) Related Art Documents: **Not Applicable**

(57) Statement of Newness and Distinctiveness: **Newness and distinctiveness is claimed in the features of shape and/or configuration of a basin as illustrated in the accompanying representations.**



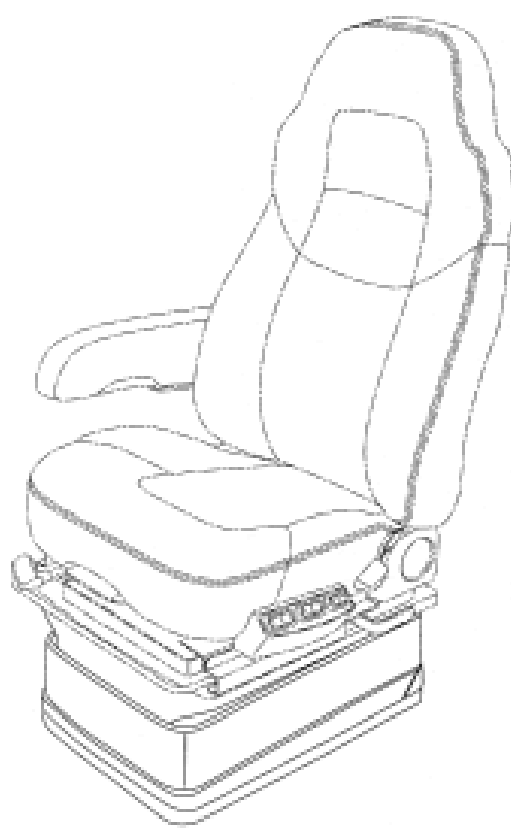
- (21) Design Number: **13209/2009**
- (22) Date of Filing Application: **19 August 2009**
- (24) Date from which industrial property rights may have effect: **19 August 2009**
- (54) Product in respect of which the design is registered: **Vehicle seat**
- (51) International Design Classification: **06-01D**
- (71) Name(s) and Address(s) of Applicant(s):
Bose Corporation
The Mountain Framingham Massachusetts 01701-9168 United States of America
- (72) Name(s) of Designer(s): **Kevin M. Krauss and Michael E. Laude and David H. Pitcher and Edward Stulik**
- (45) Registration Date: **14 September 2009**
- (30) Convention priority data:

(31) Number	(32) Date	(33) Country
29/333655	12 Mar 2009	UNITED STATES OF AMERICA
- (56) Related Art Documents: **Not Applicable**
- (57) Statement of Newness and Distinctiveness: **Those features of the vehicle seat depicted in the representations that are new and distinctive are the shape and/or configuration. The features shown in broken lines are not part of the design and are to be disregarded when considering the overall impression of the design.**



- (21) Design Number: **13210/2009**
- (22) Date of Filing Application: **19 August 2009**
- (24) Date from which industrial property rights may have effect: **19 August 2009**
- (54) Product in respect of which the design is registered: **Vehicle seat base**
- (51) International Design Classification: **06-01D**
- (71) Name(s) and Address(s) of Applicant(s):
Bose Corporation
The Mountain Framingham Massachusetts 01701-9168 United States of America
- (72) Name(s) of Designer(s): **Kevin M. Krauss and Michael E. Laude and David H. Pitcher**
- (45) Registration Date: **14 September 2009**
- (30) Convention priority data:

(31) Number	(32) Date	(33) Country
29/333652	12 Mar 2009	UNITED STATES OF AMERICA
- (56) Related Art Documents: **Not Applicable**
- (57) Statement of Newness and Distinctiveness: **Those features of the vehicle seat base depicted in the representations that are new and distinctive are the shape and/or configuration. The features shown in broken lines are not part of the design and are to be disregarded when considering the overall impression of the design.**



(21) Design Number: **13182/2009**

(22) Date of Filing Application: **20 August 2009**

(24) Date from which industrial property rights may have effect: **20 August 2009**

(54) Product in respect of which the design is registered: **Transformable toy**

(51) International Design Classification: **21-01A**

(71) Name(s) and Address(s) of Applicant(s):

Spin Master Ltd
450 Front Street West Toronto Ontario M5V 1B6 Canada

(72) Name(s) of Designer(s): **Wataru Sato and Kohji Hirose and Richard Keuter**

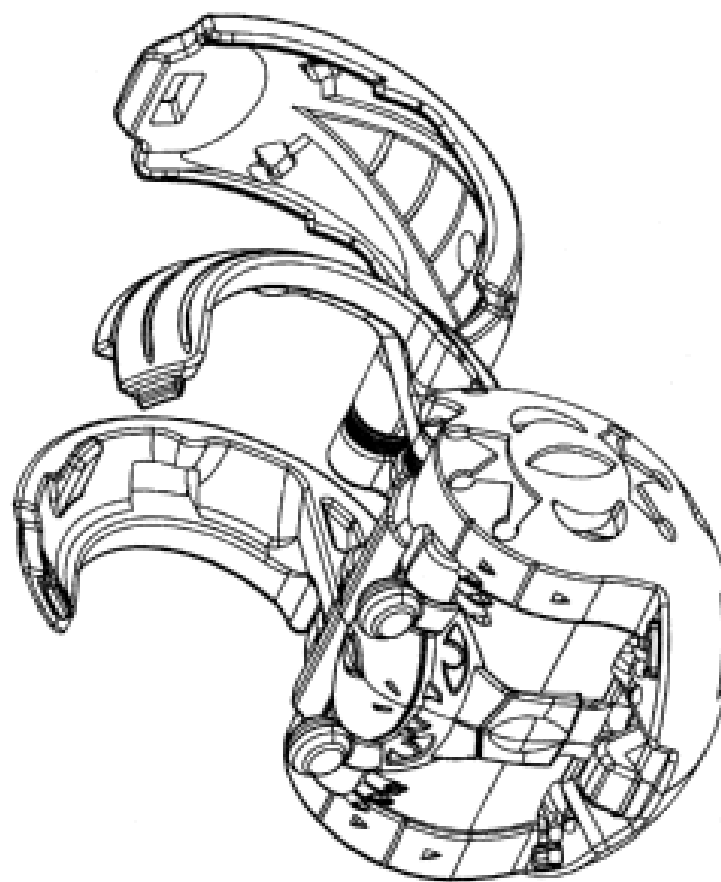
(45) Registration Date: **14 September 2009**

(30) Convention priority data:

(31) Number	(32) Date	(33) Country
129877	06 Mar 2009	CANADA

(56) Related Art Documents: **Not Applicable**

(57) Statement of Newness and Distinctiveness: **The newness and distinctiveness of the design resides in the shape and/or configuration of the transformable toy as shown in the representations.**



(21) Design Number: **13183/2009**

(22) Date of Filing Application: **20 August 2009**

(24) Date from which industrial property rights may have effect: **20 August 2009**

(54) Product in respect of which the design is registered: **Transformable toy**

(51) International Design Classification: **21-01B**

(71) Name(s) and Address(s) of Applicant(s):

Spin Master Ltd
450 Front Street West Toronto Ontario M5V 1B6 Canada

(72) Name(s) of Designer(s): **Wataru Sato and Kohji Hirose and Richard Keuter**

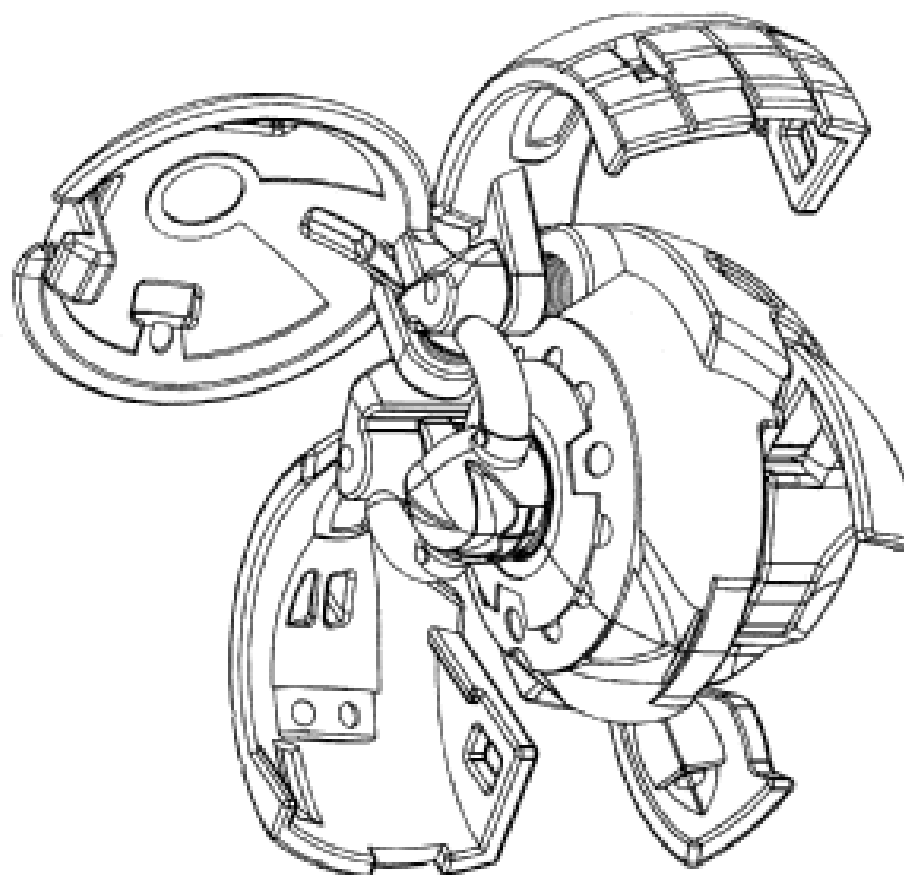
(45) Registration Date: **14 September 2009**

(30) Convention priority data:

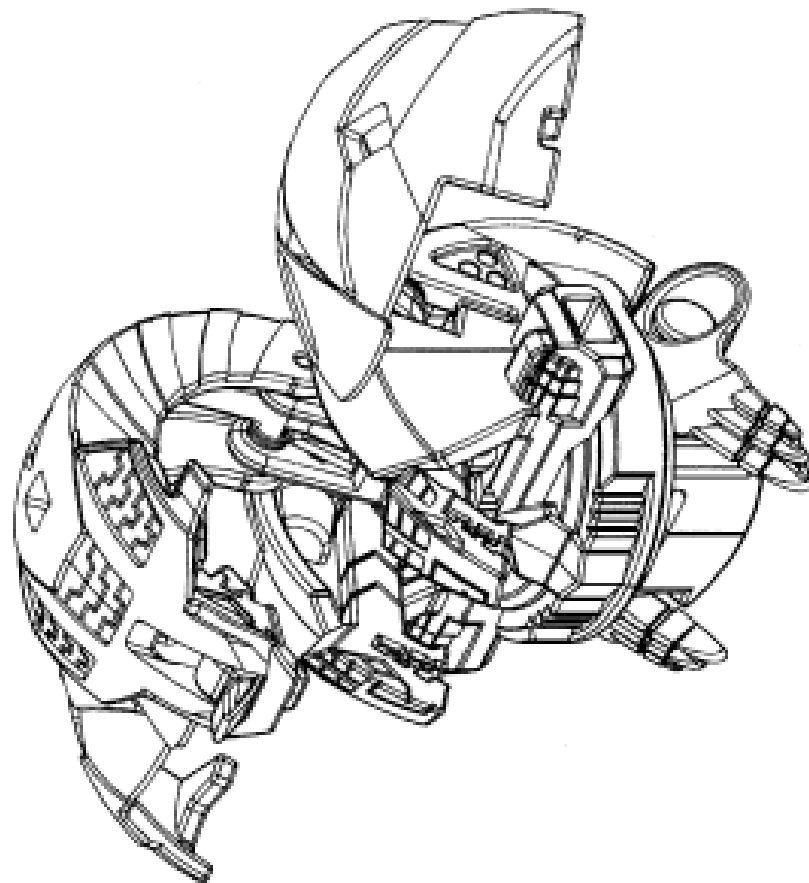
(31) Number	(32) Date	(33) Country
129841	03 Mar 2009	CANADA

(56) Related Art Documents: **Not Applicable**

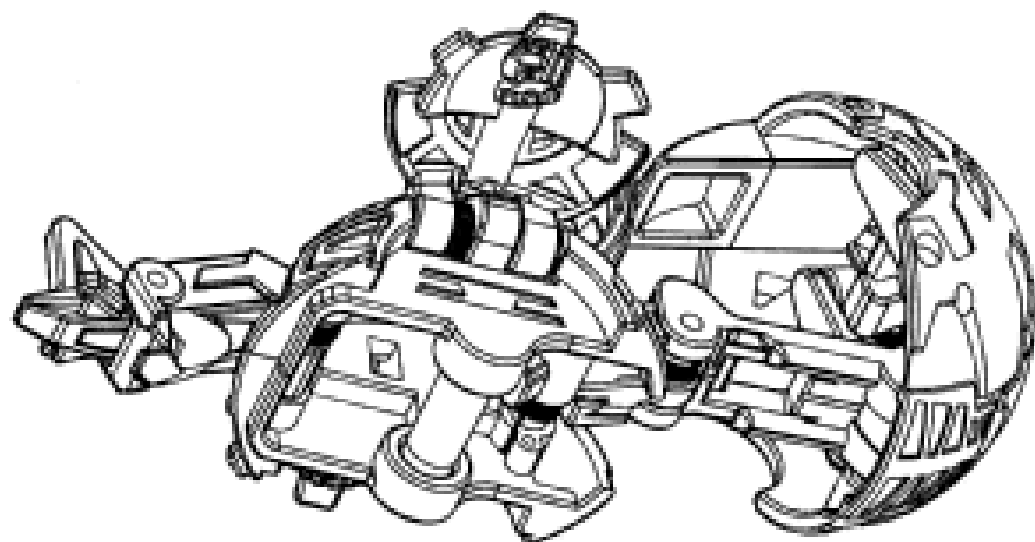
(57) Statement of Newness and Distinctiveness: **The newness and distinctiveness of the design resides in the shape and/or configuration of the transformable toy as shown in the representations.**



- (21) Design Number: **13184/2009**
(22) Date of Filing Application: **20 August 2009**
(24) Date from which industrial property rights may have effect: **20 August 2009**
(54) Product in respect of which the design is registered: **Transformable toy**
(51) International Design Classification: **21-01A**
(71) Name(s) and Address(s) of Applicant(s):
Spin Master Ltd
450 Front Street West Toronto Ontario M5V 1B6 Canada
(72) Name(s) of Designer(s): **Wataru Sato and Kohji Hirose and Richard Keuter**
(45) Registration Date: **14 September 2009**
(30) Convention priority data:
(31) Number (32) Date (33) Country
129878 06 Mar 2009 CANADA
(56) Related Art Documents: **Not Applicable**
(57) Statement of Newness and Distinctiveness: **The newness and distinctiveness of the design resides in the shape and/or configuration of the transformable toy as shown in the representations.**



- (21) Design Number: **13185/2009**
(22) Date of Filing Application: **20 August 2009**
(24) Date from which industrial property rights may have effect: **20 August 2009**
(54) Product in respect of which the design is registered: **Transformable toy**
(51) International Design Classification: **21-01B**
(71) Name(s) and Address(s) of Applicant(s):
Spin Master Ltd
450 Front Street West Toronto Ontario M5V 1B6 Canada
(72) Name(s) of Designer(s): **Wataru Sato and Kohji Hirose and Richard Keuter**
(45) Registration Date: **14 September 2009**
(30) Convention priority data:
(31) Number (32) Date (33) Country
129842 03 Mar 2009 CANADA
(56) Related Art Documents: **Not Applicable**
(57) Statement of Newness and Distinctiveness: **The newness and distinctiveness of the design resides in the shape and/or configuration of the transformable toy as shown in the representations.**



(21) Design Number: **13186/2009**

(22) Date of Filing Application: **20 August 2009**

(24) Date from which industrial property rights may have effect: **20 August 2009**

(54) Product in respect of which the design is registered: **Transformable toy**

(51) International Design Classification: **21-01A**

(71) Name(s) and Address(s) of Applicant(s):

Spin Master Ltd
450 Front Street West Toronto Ontario M5V 1B6 Canada

(72) Name(s) of Designer(s): **Wataru Sato and Kohji Hirose and Richard Keuter**

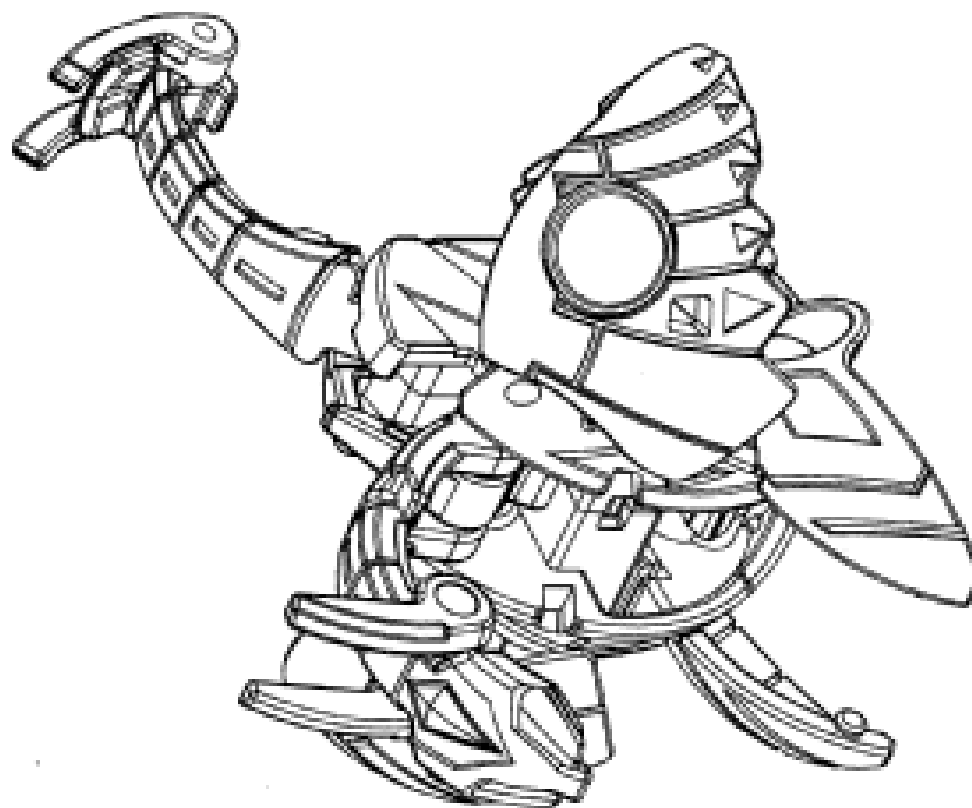
(45) Registration Date: **14 September 2009**

(30) Convention priority data:

(31) Number	(32) Date	(33) Country
129845	04 Mar 2009	CANADA

(56) Related Art Documents: **Not Applicable**

(57) Statement of Newness and Distinctiveness: **The newness and distinctiveness of the design resides in the shape and/or configuration of the transformable toy as shown in the representations.**



(21) Design Number: **13187/2009**

(22) Date of Filing Application: **20 August 2009**

(24) Date from which industrial property rights may have effect: **20 August 2009**

(54) Product in respect of which the design is registered: **Transformable toy**

(51) International Design Classification: **21-01A**

(71) Name(s) and Address(s) of Applicant(s):

Spin Master Ltd
450 Front Street West Toronto Ontario M5V 1B6 Canada

(72) Name(s) of Designer(s): **Wataru Sato and Kohji Hirose and Richard Keuter**

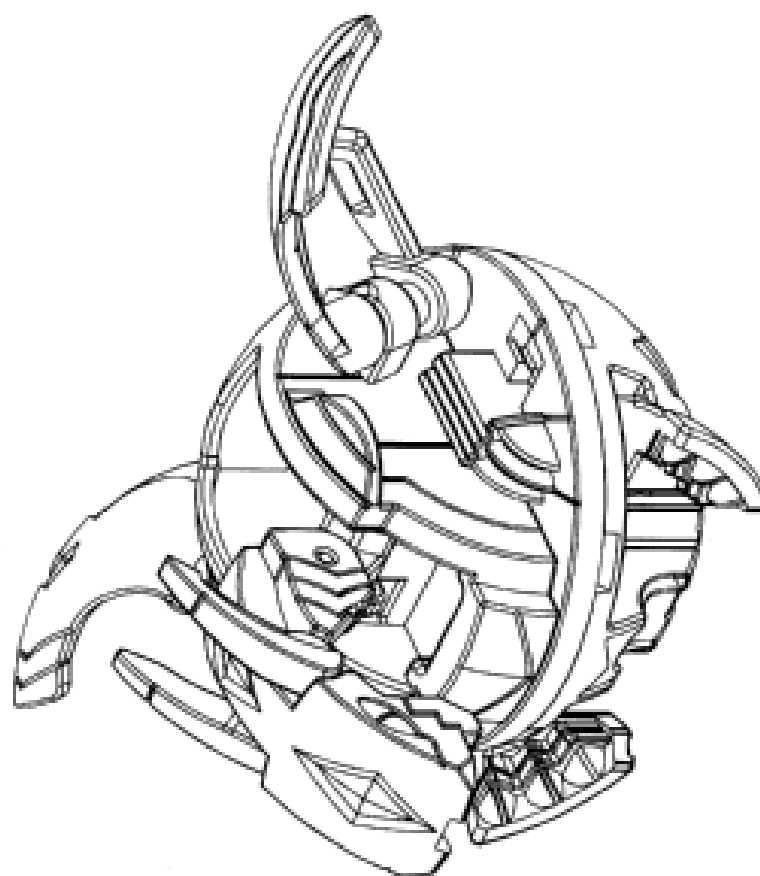
(45) Registration Date: **14 September 2009**

(30) Convention priority data:

(31) Number	(32) Date	(33) Country
129844	04 Mar 2009	CANADA

(56) Related Art Documents: **Not Applicable**

(57) Statement of Newness and Distinctiveness: **The newness and distinctiveness of the design resides in the shape and/or configuration of the transformable toy as shown in the representations.**



(21) Design Number: **13188/2009**

(22) Date of Filing Application: **20 August 2009**

(24) Date from which industrial property rights may have effect: **20 August 2009**

(54) Product in respect of which the design is registered: **Transformable toy**

(51) International Design Classification: **21-01A**

(71) Name(s) and Address(s) of Applicant(s):

Spin Master Ltd

450 Front Street West Toronto Ontario M5V 1B6 Canada

(72) Name(s) of Designer(s): **Wataru Sato and Kohji Hirose and Richard Keuter**

(45) Registration Date: **14 September 2009**

(30) Convention priority data:

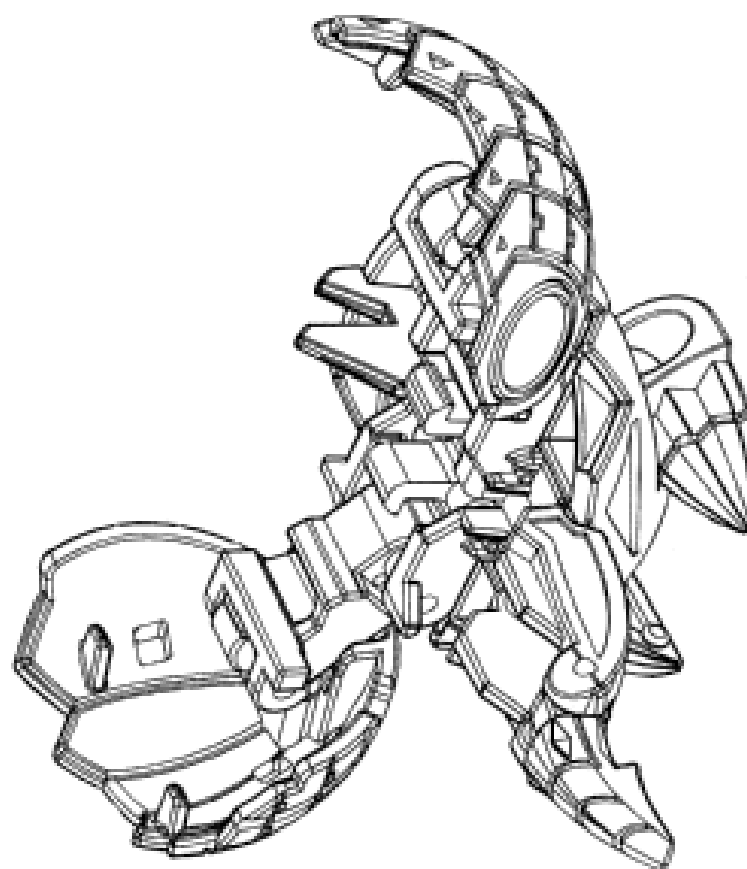
(31) Number
130078

(32) Date
24 Mar 2009

(33) Country
CANADA

(56) Related Art Documents: **Not Applicable**

(57) Statement of Newness and Distinctiveness: **The newness and distinctiveness of the design resides in the shape and/or configuration of the transformable toy as shown in the representations.**



(21) Design Number: **13189/2009**

(22) Date of Filing Application: **20 August 2009**

(24) Date from which industrial property rights may have effect: **20 August 2009**

(54) Product in respect of which the design is registered: **Transformable toy**

(51) International Design Classification: **21-01B**

(71) Name(s) and Address(s) of Applicant(s):

Spin Master Ltd

450 Front Street West Toronto M5V 1B6 Ontario Canada

(72) Name(s) of Designer(s): **Wataru Sato and Kohji Hirose and Richard Keuter**

(45) Registration Date: **14 September 2009**

(30) Convention priority data:

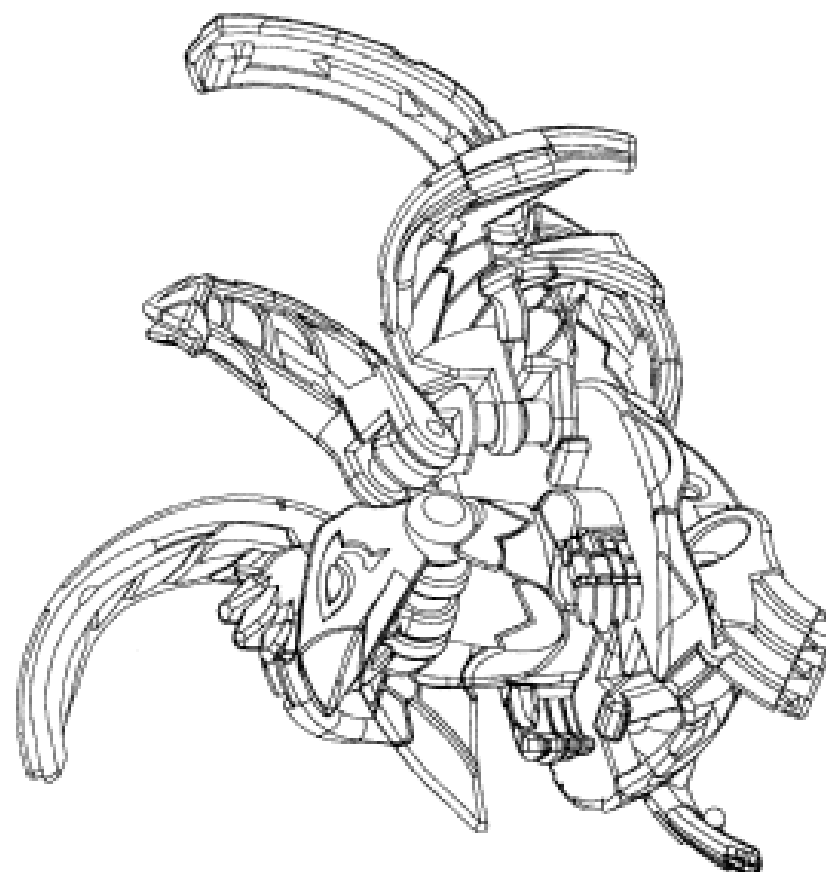
(31) Number
130127

(32) Date
27 Mar 2009

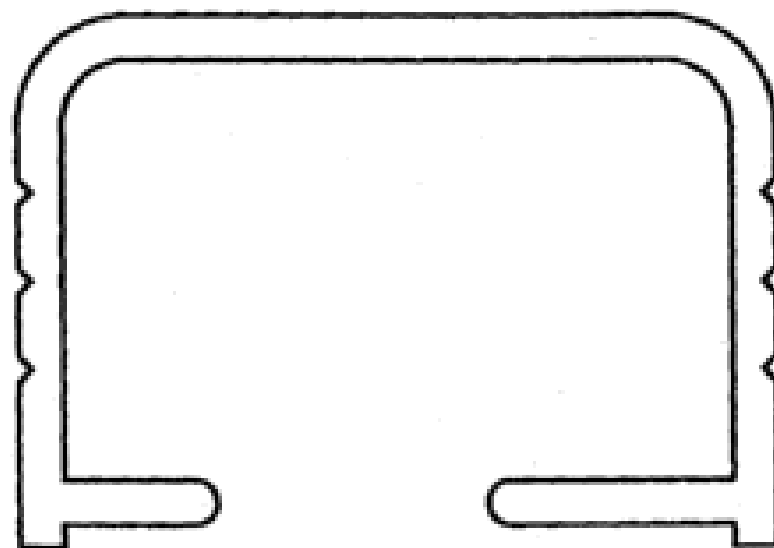
(33) Country
CANADA

(56) Related Art Documents: **Not Applicable**

(57) Statement of Newness and Distinctiveness: **The newness and distinctiveness of the design resides in the shape and/or configuration of the transformable toy as shown in the representations.**



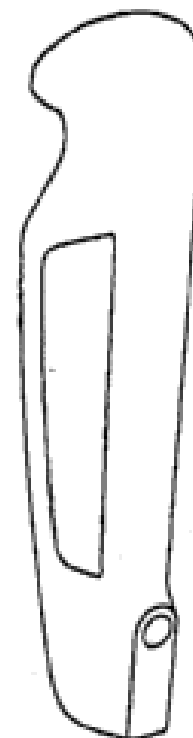
(21) Design Number: **13049/2009**
(22) Date of Filing Application: **12 August 2009**
(24) Date from which industrial property rights may have effect: **12 August 2009**
(54) Product in respect of which the design is registered: **Cable protector**
(51) International Design Classification: **13-03C**
(71) Name(s) and Address(s) of Applicant(s):
J R Scott Pty Ltd
10 Gwandalan Street Eight Mile Plains Queensland 4113 Australia
(72) Name(s) of Designer(s): **John Scott**
(45) Registration Date: **15 September 2009**
(56) Related Art Documents: **Not Applicable**
(57) Statement of Newness and Distinctiveness: **New extrusion design never been produced before.**



(21) Design Number: **13116/2009**
(22) Date of Filing Application: **14 August 2009**
(24) Date from which industrial property rights may have effect: **14 August 2009**
(54) Product in respect of which the design is registered: **Shoe deodorising apparatus**
(51) International Design Classification: **28-03NES**
(71) Name(s) and Address(s) of Applicant(s):
Samar, LLC
70 West Madison Chicago IL 60602 United States of America
(72) Name(s) of Designer(s): **Neil Hirst and Ian MacKinnon and Tanja Langgner**
(45) Registration Date: **15 September 2009**
(30) Convention priority data:

(31) Number	(32) Date	(33) Country
001089692	17 Feb 2009	EUROPEAN COMMUNITY

(56) Related Art Documents: **Not Applicable**
(57) Statement of Newness and Distinctiveness: **Nil**



(21) Design Number: **13193/2009**

(22) Date of Filing Application: **19 August 2009**

(24) Date from which industrial property rights may have effect: **19 August 2009**

(54) Product in respect of which the design is registered: **Rear combination lights**

(51) International Design Classification: **26-06**

(71) Name(s) and Address(s) of Applicant(s):

**Roadvision Pty Ltd
PO Box 2671 Rowville Victoria 3178 Australia**

(72) Name(s) of Designer(s): **Gary Parker**

(45) Registration Date: **15 September 2009**

(56) Related Art Documents: **Not Applicable**

(57) Statement of Newness and Distinctiveness: **Newness and distinctiveness resides in the shape and configuration of the rear combination lights illustrated in the accompanying representations, and in particular 1) the slimline appearance (most evident in the side and end views) and 2) the shape and configuration of the two end mounted lenses being alike; pattern and ornamentation are to be disregarded.**



(21) Design Number: **13194/2009**

(22) Date of Filing Application: **19 August 2009**

(24) Date from which industrial property rights may have effect: **19 August 2009**

(54) Product in respect of which the design is registered: **Rear combination lights**

(51) International Design Classification: **26-06**

(71) Name(s) and Address(s) of Applicant(s):

**Roadvision Pty Ltd
PO Box 2671 Rowville Victoria 3178 Australia**

(72) Name(s) of Designer(s): **Gary Parker**

(45) Registration Date: **15 September 2009**

(56) Related Art Documents: **Not Applicable**

(57) Statement of Newness and Distinctiveness: **Newness and distinctiveness resides in the shape and configuration of the rear combination lights illustrated in the accompanying representations, and in particular 1) the slimline appearance (most evident in the side and end views) and 2) the shape and configuration of the two end mounted lenses being alike; pattern and ornamentation are to be disregarded.**



(21) Design Number: **13216/2009**

(22) Date of Filing Application: **20 August 2009**

(24) Date from which industrial property rights may have effect: **20 August 2009**

(54) Product in respect of which the design is registered: **Bath tub**

(51) International Design Classification: **23-02B**

(71) Name(s) and Address(s) of Applicant(s):

**Artweger GmbH & Co.
Sulzbach 159 A-4820 Bad Ischl Austria**

(72) Name(s) of Designer(s): **Wolfgang Zierler**

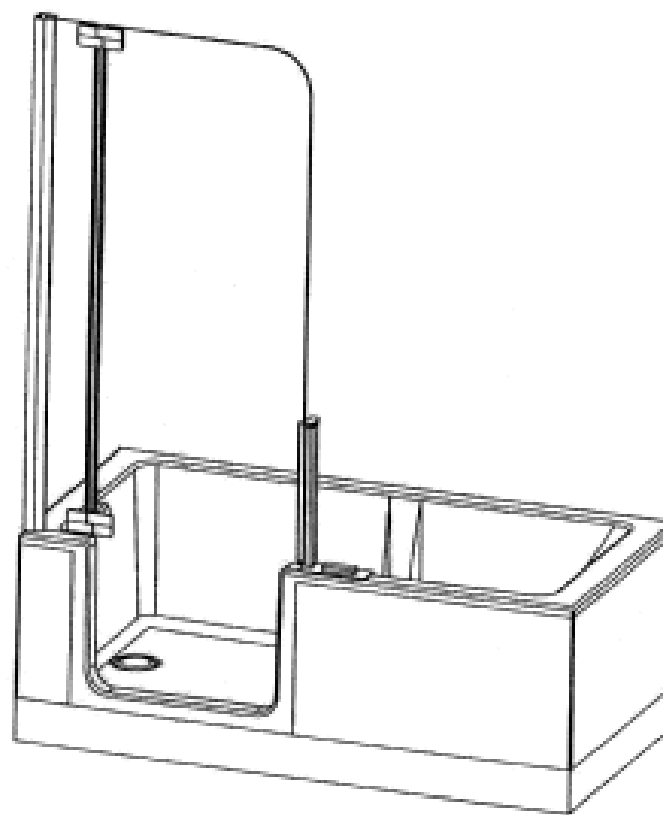
(45) Registration Date: **15 September 2009**

(30) Convention priority data:

(31) Number	(32) Date	(33) Country
001095012	25 Feb 2009	EUROPEAN COMMUNITY
002		

(56) Related Art Documents: **Not Applicable**

(57) Statement of Newness and Distinctiveness: **Newness and distinctiveness reside in the features of the design as shown in the representations.**



(21) Design Number: **13217/2009**

(22) Date of Filing Application: **20 August 2009**

(24) Date from which industrial property rights may have effect: **20 August 2009**

(54) Product in respect of which the design is registered: **Bath tub**

(51) International Design Classification: **23-02B**

(71) Name(s) and Address(s) of Applicant(s):

**Artweger GmbH & Co.
Sulzbach 159 A-4820 Bad Ischl Austria**

(72) Name(s) of Designer(s): **Wolfgang Zierler**

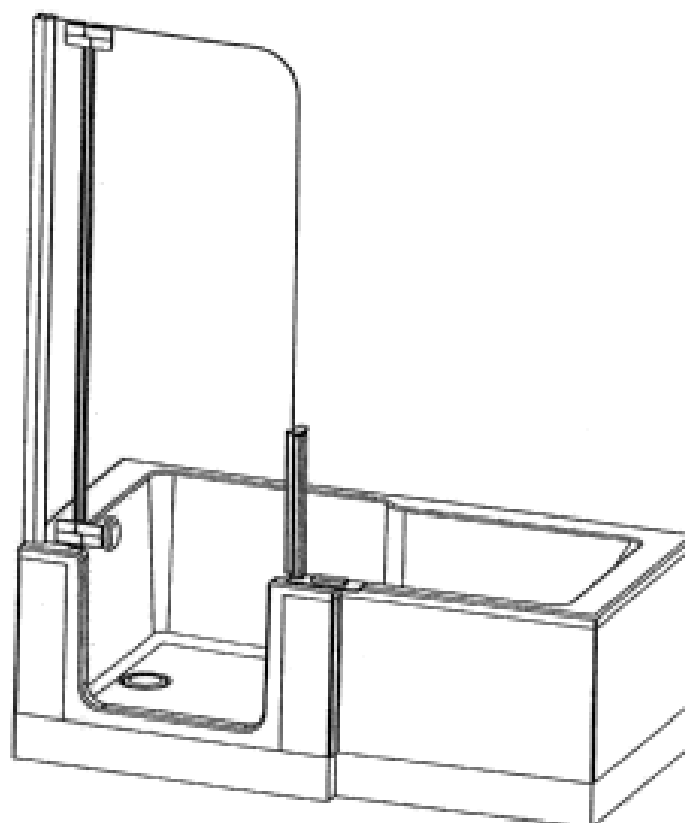
(45) Registration Date: **15 September 2009**

(30) Convention priority data:

(31) Number	(32) Date	(33) Country
001095012	25 Feb 2009	EUROPEAN COMMUNITY
003		

(56) Related Art Documents: **Not Applicable**

(57) Statement of Newness and Distinctiveness: **Newness and distinctiveness reside in the features of the design as shown in the representations.**



(21) Design Number: **13218/2009**

(22) Date of Filing Application: **20 August 2009**

(24) Date from which industrial property rights may have effect: **20 August 2009**

(54) Product in respect of which the design is registered: **Bath tub**

(51) International Design Classification: **23-02B**

(71) Name(s) and Address(s) of Applicant(s):

**Artweger GmbH & Co.
Sulzbach 159 A-4820 Bad Ischl Austria**

(72) Name(s) of Designer(s): **Wolfgang Zierler**

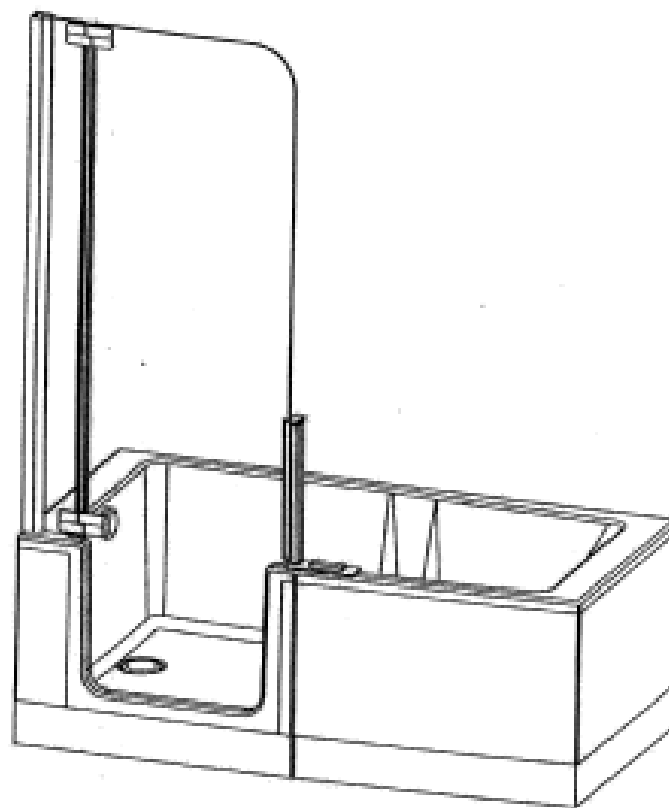
(45) Registration Date: **15 September 2009**

(30) Convention priority data:

(31) Number	(32) Date	(33) Country
001095012 004	25 Feb 2009	EUROPEAN COMMUNITY

(56) Related Art Documents: **Not Applicable**

(57) Statement of Newness and Distinctiveness: **Newness and distinctiveness reside in the features of the design as shown in the representations.**



(21) Design Number: **13302/2009**

(22) Date of Filing Application: **28 August 2009**

(24) Date from which industrial property rights may have effect: **28 August 2009**

(54) Product in respect of which the design is registered: **Alligator clip with probe**

(51) International Design Classification: **08-08C**

(71) Name(s) and Address(s) of Applicant(s):

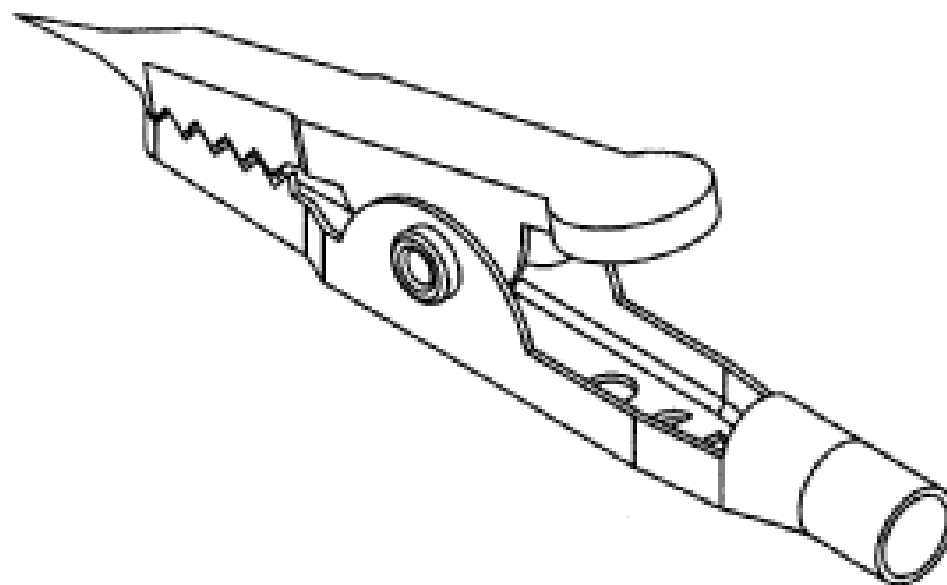
**David Mercuri
100 Bell Street Heidelberg Heights Victoria 3081 Australia**

(72) Name(s) of Designer(s): **David Mercuri**

(45) Registration Date: **15 September 2009**

(56) Related Art Documents: **Not Applicable**

(57) Statement of Newness and Distinctiveness: **The newness and distinctiveness of this design is the pointed probe on the front of the clip.**



(21) Design Number: **13222/2009**

(22) Date of Filing Application: **24 August 2009**

(24) Date from which industrial property rights may have effect: **24 August 2009**

(54) Product in respect of which the design is registered: **Feeding bowl for animals**

(51) International Design Classification: **30-03**

(71) Name(s) and Address(s) of Applicant(s):

**Elite Cat Feeders Ltd
10 Marigold Place Harlow Essex CM17 0BW United Kingdom**

(72) Name(s) of Designer(s): **Hang Lam Man and Hing Kuen Man and Daniel John Foster**

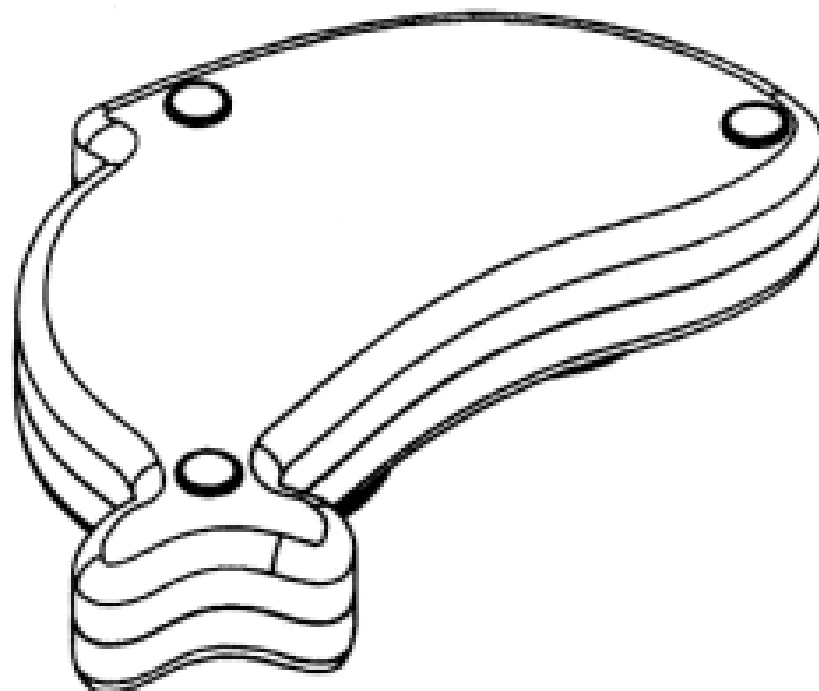
(45) Registration Date: **16 September 2009**

(30) Convention priority data:

(31) Number	(32) Date	(33) Country
001101794-0001	09 Mar 2009	FRANCE

(56) Related Art Documents: **Not Applicable**

(57) Statement of Newness and Distinctiveness: **Newness and distinctiveness resides in the features of shape and configuration of a feeding bowl for animals as shown in the accompanying representations.**



(21) Design Number: **13228/2009**

(22) Date of Filing Application: **24 August 2009**

(24) Date from which industrial property rights may have effect: **24 August 2009**

(54) Product in respect of which the design is registered: **The design of the ripping featured on the denim, jean leggings as photo provided**

(51) International Design Classification: **02-02C**

(71) Name(s) and Address(s) of Applicant(s):

**Usual Suspects Pty Ltd
7 Farr Street Marrickville New South Wales 2204 Australia**

(72) Name(s) of Designer(s): **Athanasios Georgopoulos**

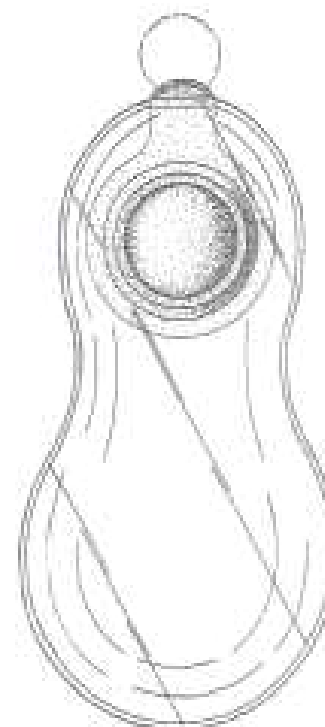
(45) Registration Date: **16 September 2009**

(56) Related Art Documents: **Not Applicable**

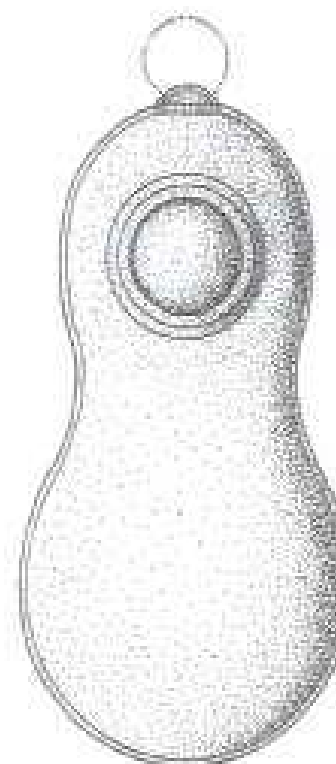
(57) Statement of Newness and Distinctiveness: **The monopoly of newness and distinctiveness is claimed in the shape and configuration pattern and ornamentation of the ripping on the leggings as shown in the accompanying representations.**



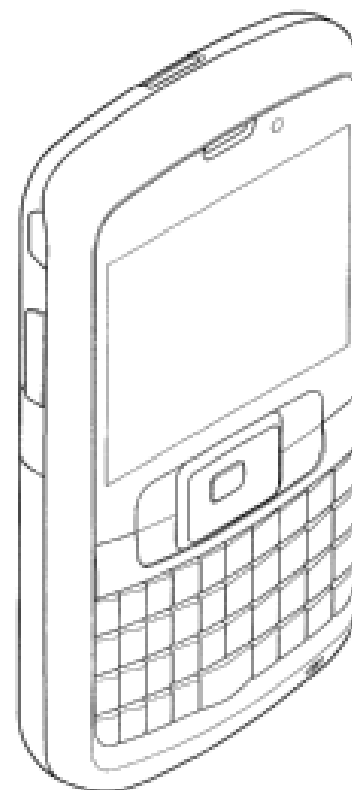
(21) Design Number: **13229/2009**
(22) Date of Filing Application: **24 August 2009**
(24) Date from which industrial property rights may have effect: **24 August 2009**
(54) Product in respect of which the design is registered: **Hand held dispenser**
(51) International Design Classification: **09-03NES**
(71) Name(s) and Address(s) of Applicant(s):
Gojo Industries Inc.
One GOJO Plaza Suite 500 Akron OHIO 44311 United States of America
(72) Name(s) of Designer(s): **Joseph S. Kanfer and Jonathan Sundry and Bryce G. Rutter**
(45) Registration Date: **16 September 2009**
(30) Convention priority data:
(31) Number (32) Date (33) Country
29/332,925 27 Feb 2009 UNITED STATES OF AMERICA
(56) Related Art Documents: **Not Applicable**
(57) Statement of Newness and Distinctiveness: **Nil**



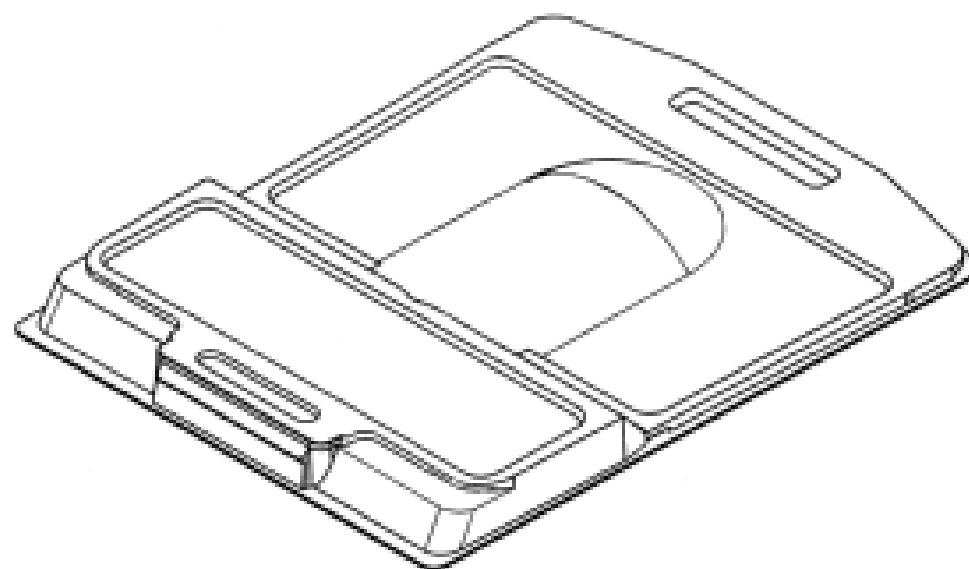
(21) Design Number: **13230/2009**
(22) Date of Filing Application: **24 August 2009**
(24) Date from which industrial property rights may have effect: **24 August 2009**
(54) Product in respect of which the design is registered: **Hand held dispenser**
(51) International Design Classification: **09-03NES**
(71) Name(s) and Address(s) of Applicant(s):
Gojo Industries Inc.
One GOJO Plaza Suite 500 Akron OHIO 44311 United States of America
(72) Name(s) of Designer(s): **Joseph S. Kanfer and Jonathan Sundry and Bryce G. Rutter**
(45) Registration Date: **16 September 2009**
(30) Convention priority data:
(31) Number (32) Date (33) Country
29/332,925 27 Feb 2009 UNITED STATES OF AMERICA
(56) Related Art Documents: **Not Applicable**
(57) Statement of Newness and Distinctiveness: **Nil**



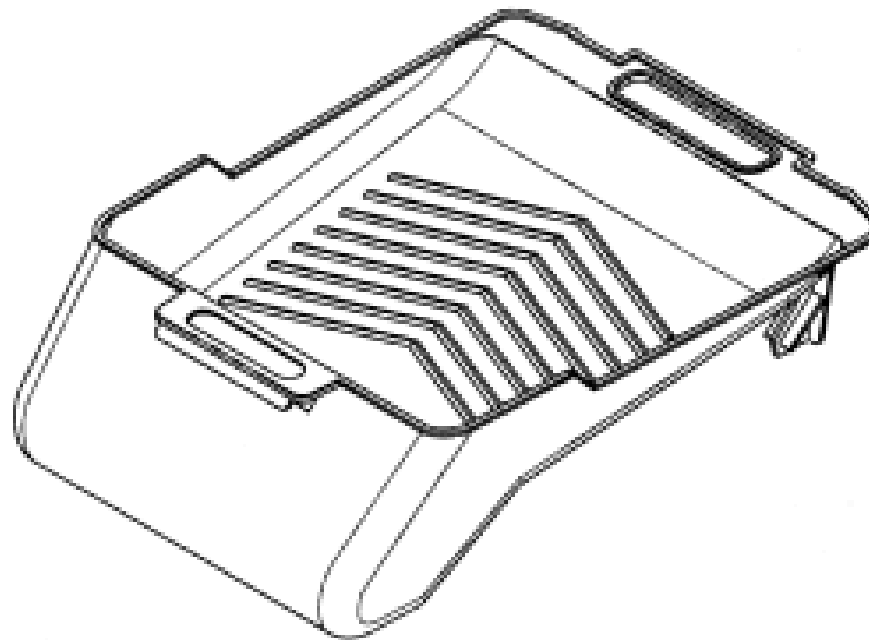
- (21) Design Number: **13233/2009**
(22) Date of Filing Application: **24 August 2009**
(24) Date from which industrial property rights may have effect: **24 August 2009**
(54) Product in respect of which the design is registered: **Mobile phone**
(51) International Design Classification: **14-03E**
(71) Name(s) and Address(s) of Applicant(s):
Samsung Electronics Co., Ltd.
416 Maetan-dong Yeongtong-gu Suwon-si Gyeonggi-do 443-742
Republic of Korea
(72) Name(s) of Designer(s): **Sung-Kwon Kim and Seung-Min Park and**
Seog-Guen Kim
(45) Registration Date: **16 September 2009**
(30) Convention priority data:
(31) Number (32) Date (33) Country
30-2009-0022560 26 May 2009 REPUBLIC OF KOREA
(56) Related Art Documents: **Not Applicable**
(57) Statement of Newness and Distinctiveness: **Nil**



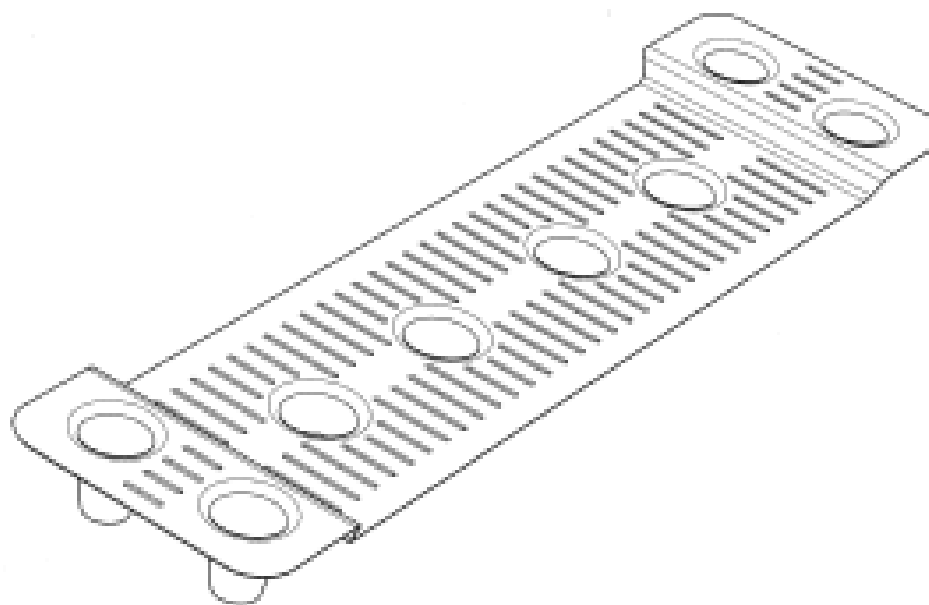
- (21) Design Number: **13235/2009**
(22) Date of Filing Application: **24 August 2009**
(24) Date from which industrial property rights may have effect: **24 August 2009**
(54) Product in respect of which the design is registered: **Paint tray cover**
(51) International Design Classification: **08-05L**
(71) Name(s) and Address(s) of Applicant(s):
Uni-Pro Painting Equipment Pty Ltd
Factory 9 78/80 Bayfield Road Bayswater Victoria 3153 Australia
(72) Name(s) of Designer(s): **Ken Simpson**
(45) Registration Date: **16 September 2009**
(56) Related Art Documents: **Not Applicable**
(57) Statement of Newness and Distinctiveness: **Nil**



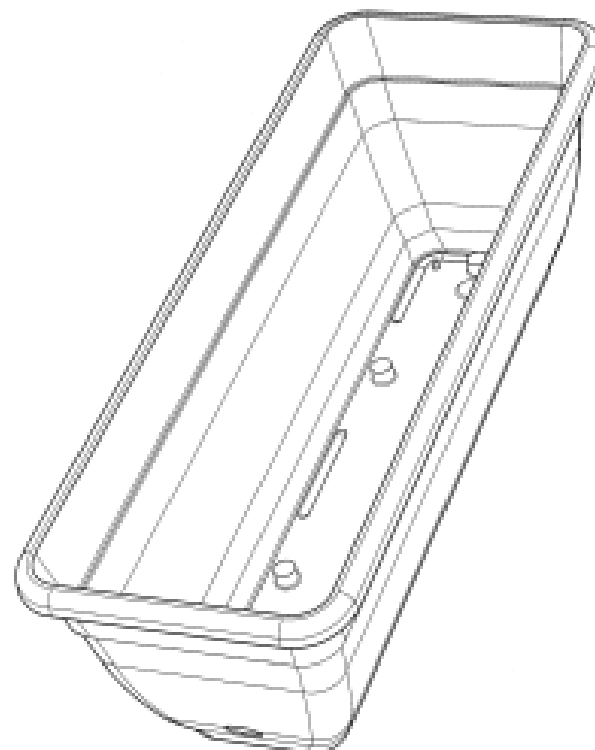
- (21) Design Number: **13236/2009**
(22) Date of Filing Application: **24 August 2009**
(24) Date from which industrial property rights may have effect: **24 August 2009**
(54) Product in respect of which the design is registered: **Paint tray**
(51) International Design Classification: **08-05L**
(71) Name(s) and Address(s) of Applicant(s):
Uni-Pro Painting Equipment Pty Ltd
Factory 9 78/80 Bayfield Road Bayswater Victoria 3153 Australia
(72) Name(s) of Designer(s): **Ken Simpson**
(45) Registration Date: **16 September 2009**
(56) Related Art Documents: **Not Applicable**
(57) Statement of Newness and Distinctiveness: **Nil**



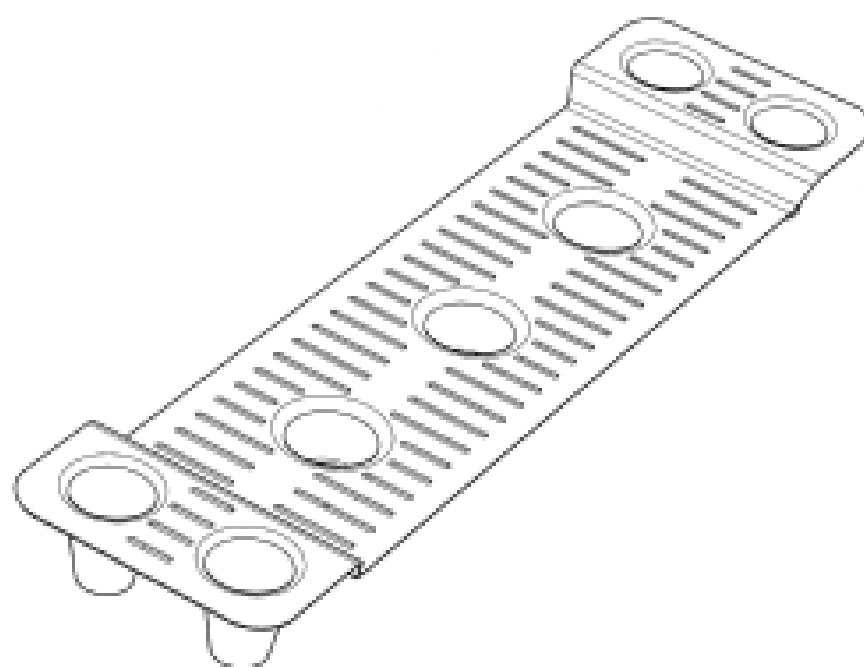
- (21) Design Number: **13237/2009**
(22) Date of Filing Application: **24 August 2009**
(24) Date from which industrial property rights may have effect: **24 August 2009**
(54) Product in respect of which the design is registered: **Plate for planter pot**
(51) International Design Classification: **11-02C**
(71) Name(s) and Address(s) of Applicant(s):
The Decor Corporation Pty Ltd
1314 Ferntree Gully Road Scoresby Victoria 3179 Australia
(72) Name(s) of Designer(s): **Arthur Richard Carlson**
(45) Registration Date: **16 September 2009**
(56) Related Art Documents: **Not Applicable**
(57) Statement of Newness and Distinctiveness: **Nil**



(21) Design Number: **13238/2009**
(22) Date of Filing Application: **24 August 2009**
(24) Date from which industrial property rights may have effect: **24 August 2009**
(54) Product in respect of which the design is registered: **Planter pot**
(51) International Design Classification: **11-02C**
(71) Name(s) and Address(s) of Applicant(s):
The Decor Corporation Pty Ltd
1314 Ferntree Gully Road Scoresby Victoria 3179 Australia
(72) Name(s) of Designer(s): **Arthur Richard Carlson**
(45) Registration Date: **16 September 2009**
(56) Related Art Documents: **Not Applicable**
(57) Statement of Newness and Distinctiveness: **Nil**



(21) Design Number: **13239/2009**
(22) Date of Filing Application: **24 August 2009**
(24) Date from which industrial property rights may have effect: **24 August 2009**
(54) Product in respect of which the design is registered: **Plate for planter pot**
(51) International Design Classification: **11-02C**
(71) Name(s) and Address(s) of Applicant(s):
The Decor Corporation Pty Ltd
1314 Ferntree Gully Road Scoresby Victoria 3179 Australia
(72) Name(s) of Designer(s): **Arthur Richard Carlson**
(45) Registration Date: **16 September 2009**
(56) Related Art Documents: **Not Applicable**
(57) Statement of Newness and Distinctiveness: **Nil**



(21) Design Number: **13180/2009**

(22) Date of Filing Application: **20 August 2009**

(24) Date from which industrial property rights may have effect: **20 August 2009**

(54) Product in respect of which the design is registered: **Transformable toy**

(51) International Design Classification: **21-01B**

(71) Name(s) and Address(s) of Applicant(s):

Spin Master Ltd
450 Front Street West Toronto Ontario M5V 1B6 Canada

(72) Name(s) of Designer(s): **Wataru Sato and Kohji Hirose and Richard Keuter**

(45) Registration Date: **16 September 2009**

(30) Convention priority data:

(31) Number	(32) Date	(33) Country
129746	23 Feb 2009	CANADA

(56) Related Art Documents: **Not Applicable**

(57) Statement of Newness and Distinctiveness: **The newness and distinctiveness of the design resides in the shape and/or configuration of the transformable toy as shown in the representations.**



(21) Design Number: **13181/2009**

(22) Date of Filing Application: **20 August 2009**

(24) Date from which industrial property rights may have effect: **20 August 2009**

(54) Product in respect of which the design is registered: **Transformable toy**

(51) International Design Classification: **21-01B**

(71) Name(s) and Address(s) of Applicant(s):

Spin Master Ltd
450 Front Street West Toronto Ontario M5V 1B6 Canada

(72) Name(s) of Designer(s): **Wataru Sato and Kohji Hirose and Richard Keuter**

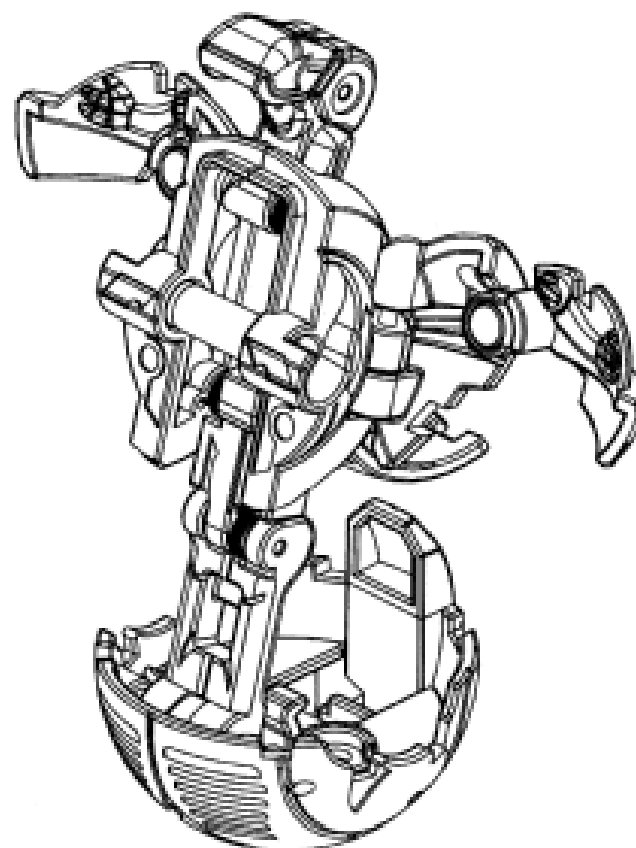
(45) Registration Date: **16 September 2009**

(30) Convention priority data:

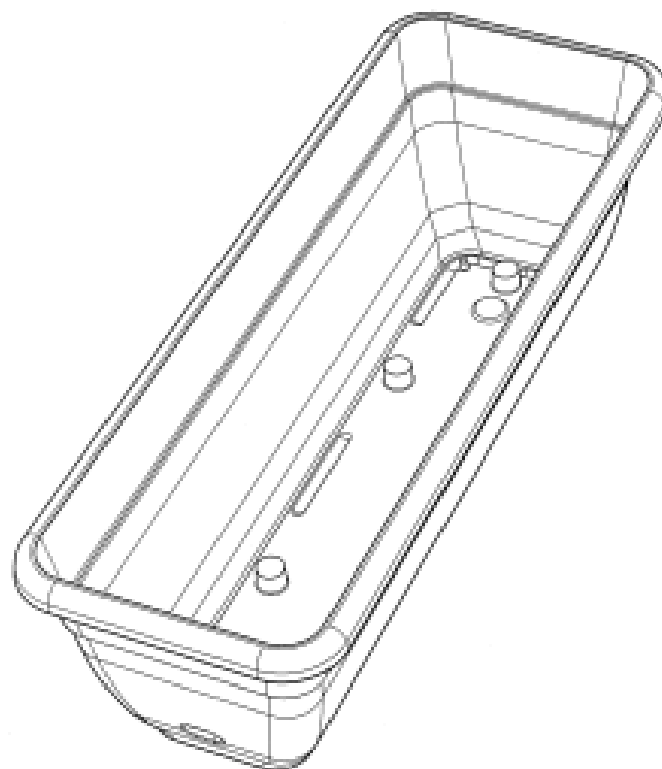
(31) Number	(32) Date	(33) Country
130232	01 Apr 2009	CANADA

(56) Related Art Documents: **Not Applicable**

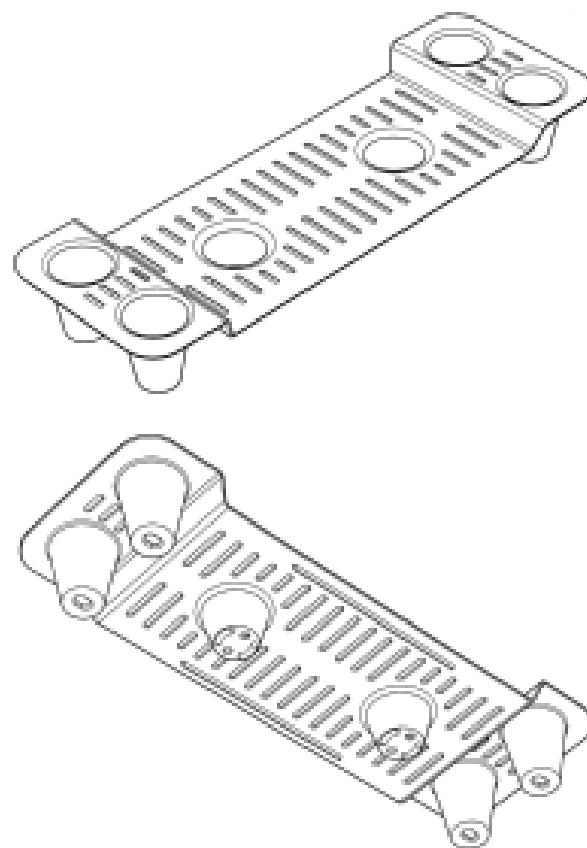
(57) Statement of Newness and Distinctiveness: **The newness and distinctiveness of the design resides in the shape and/or configuration of the transformable toy as shown in the representations.**



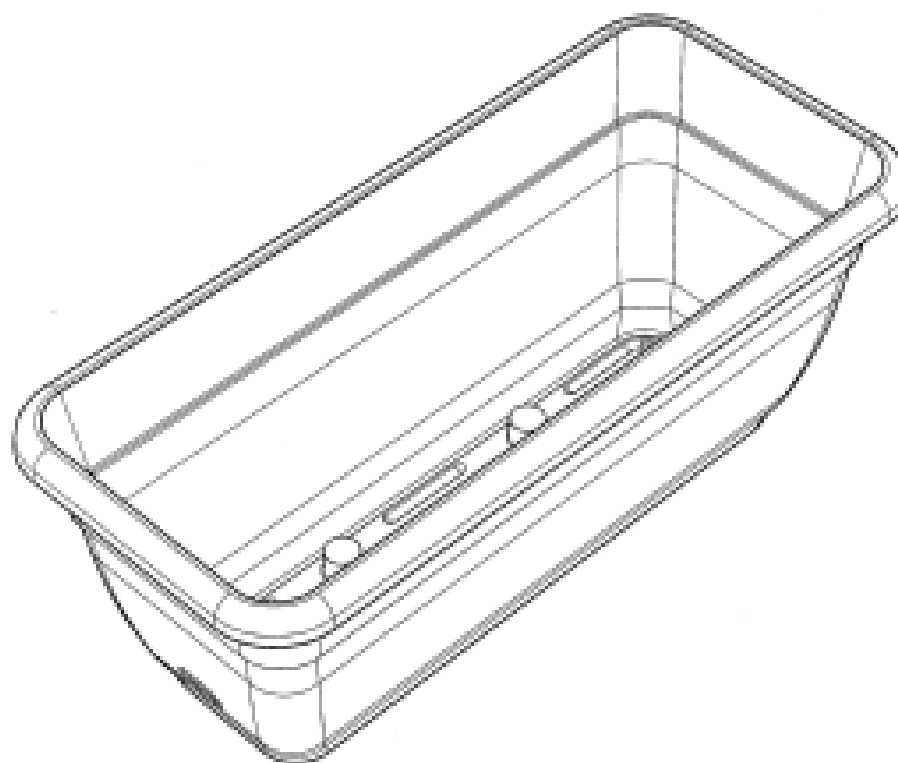
- (21) Design Number: **13240/2009**
(22) Date of Filing Application: **24 August 2009**
(24) Date from which industrial property rights may have effect: **24 August 2009**
(54) Product in respect of which the design is registered: **Planter pot**
(51) International Design Classification: **11-02B**
(71) Name(s) and Address(s) of Applicant(s):
The Decor Corporation Pty Ltd
1314 Ferntree Gully Road Scoresby Victoria 3179 Australia
(72) Name(s) of Designer(s): **Arthur Richard Carlson**
(45) Registration Date: **16 September 2009**
(56) Related Art Documents: **Not Applicable**
(57) Statement of Newness and Distinctiveness: **Nil**



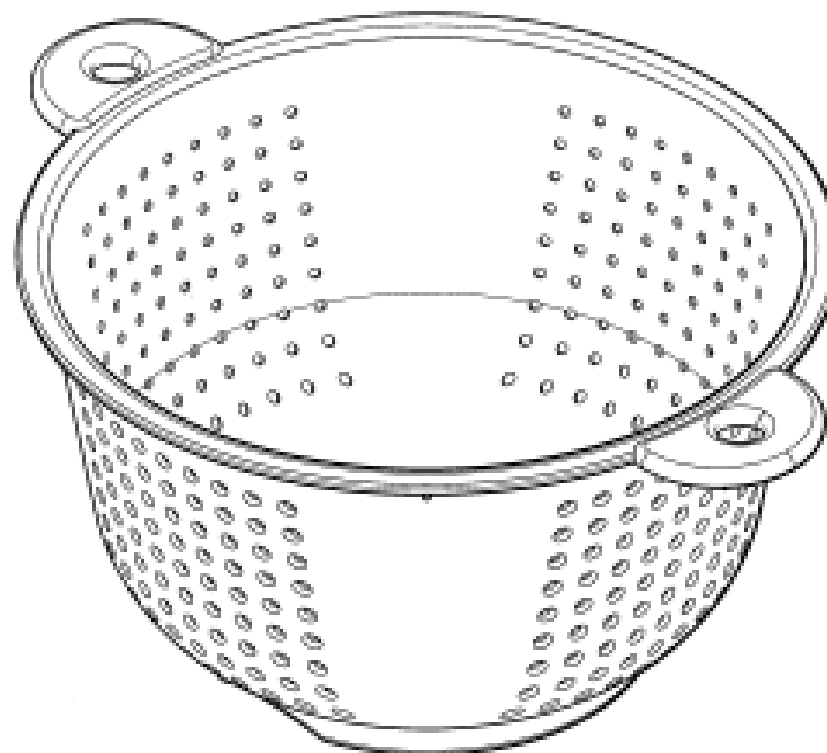
- (21) Design Number: **13241/2009**
(22) Date of Filing Application: **24 August 2009**
(24) Date from which industrial property rights may have effect: **24 August 2009**
(54) Product in respect of which the design is registered: **Plate for planter pot**
(51) International Design Classification: **11-02B**
(71) Name(s) and Address(s) of Applicant(s):
The Decor Corporation Pty Ltd
1314 Ferntree Gully Road Scoresby Victoria 3179 Australia
(72) Name(s) of Designer(s): **Arthur Richard Carlson**
(45) Registration Date: **16 September 2009**
(56) Related Art Documents: **Not Applicable**
(57) Statement of Newness and Distinctiveness: **Nil**



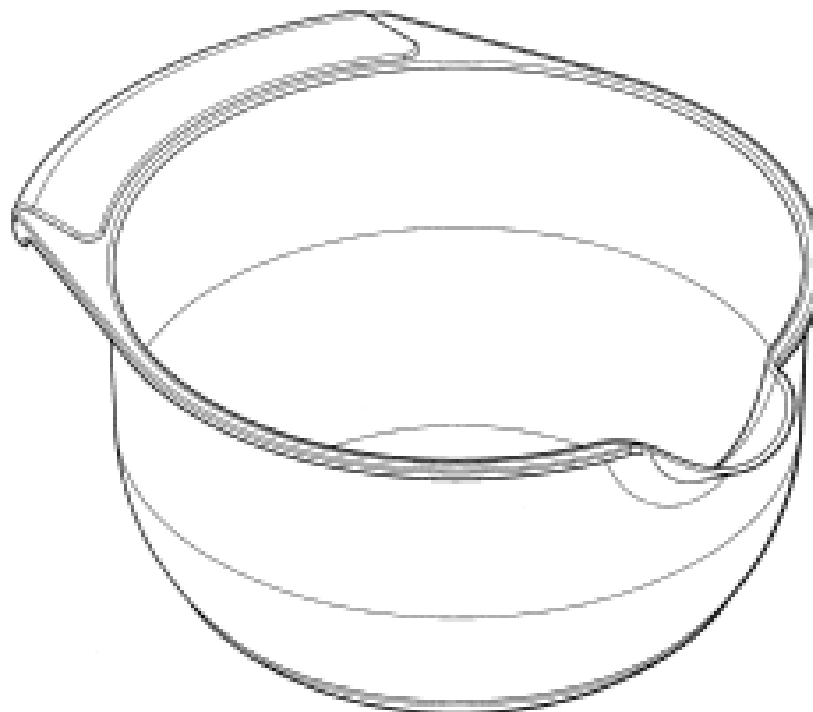
- (21) Design Number: **13242/2009**
(22) Date of Filing Application: **24 August 2009**
(24) Date from which industrial property rights may have effect: **24 August 2009**
(54) Product in respect of which the design is registered: **Planter pot**
(51) International Design Classification: **11-02B**
(71) Name(s) and Address(s) of Applicant(s):
The Decor Corporation Pty Ltd
1314 Ferntree Gully Road Scoresby Victoria 3179 Australia
(72) Name(s) of Designer(s): **Arthur Richard Carlson**
(45) Registration Date: **16 September 2009**
(56) Related Art Documents: **Not Applicable**
(57) Statement of Newness and Distinctiveness: **Nil**



- (21) Design Number: **13243/2009**
(22) Date of Filing Application: **24 August 2009**
(24) Date from which industrial property rights may have effect: **24 August 2009**
(54) Product in respect of which the design is registered: **Colander**
(51) International Design Classification: **07-04**
(71) Name(s) and Address(s) of Applicant(s):
The Decor Corporation Pty Ltd
1314 Ferntree Gully Road Scoresby Victoria 3179 Australia
(72) Name(s) of Designer(s): **Anthony Henry Wolfenden**
(45) Registration Date: **16 September 2009**
(56) Related Art Documents: **Not Applicable**
(57) Statement of Newness and Distinctiveness: **Nil**



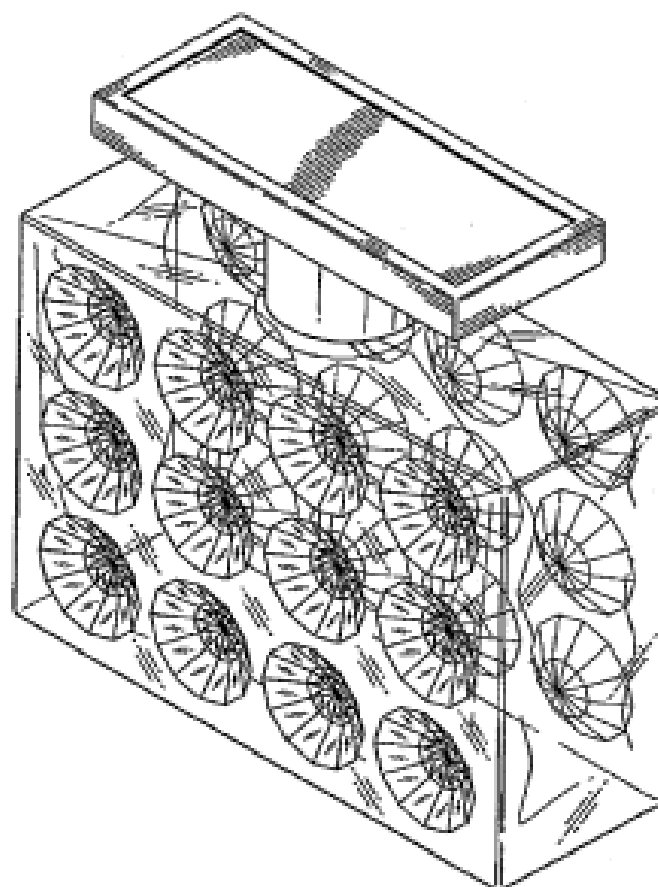
(21) Design Number: **13244/2009**
(22) Date of Filing Application: **24 August 2009**
(24) Date from which industrial property rights may have effect: **24 August 2009**
(54) Product in respect of which the design is registered: **Mixing bowl**
(51) International Design Classification: **07-04**
(71) Name(s) and Address(s) of Applicant(s):
The Decor Corporation Pty Ltd
1314 Ferntree Gully Road Scoresby Victoria 3179 Australia
(72) Name(s) of Designer(s): **Anthony Henry Wolfenden**
(45) Registration Date: **16 September 2009**
(56) Related Art Documents: **Not Applicable**
(57) Statement of Newness and Distinctiveness: **Nil**



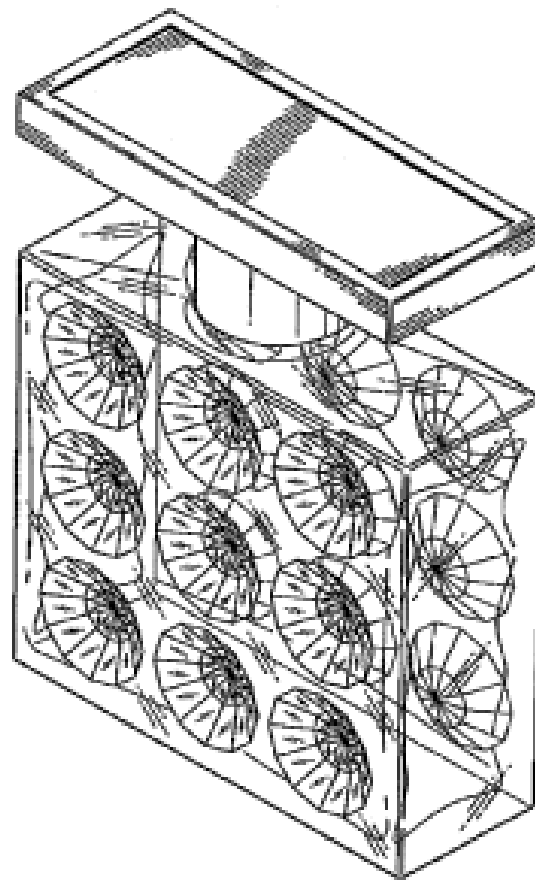
(21) Design Number: **12431/2009**
(22) Date of Filing Application: **03 July 2009**
(24) Date from which industrial property rights may have effect: **03 July 2009**
(54) Product in respect of which the design is registered: **Fragrance bottle**
(51) International Design Classification: **09-01G**
(71) Name(s) and Address(s) of Applicant(s):
Michael Kors, LLC
550 Seventh Avenue New York NY 10018 United States of America
(72) Name(s) of Designer(s): **Richard Lavigne and Elizabeth Bogert**
(45) Registration Date: **16 September 2009**
(30) Convention priority data:

(31) Number	(32) Date	(33) Country
29/337,253	18 May 2009	UNITED STATES OF AMERICA

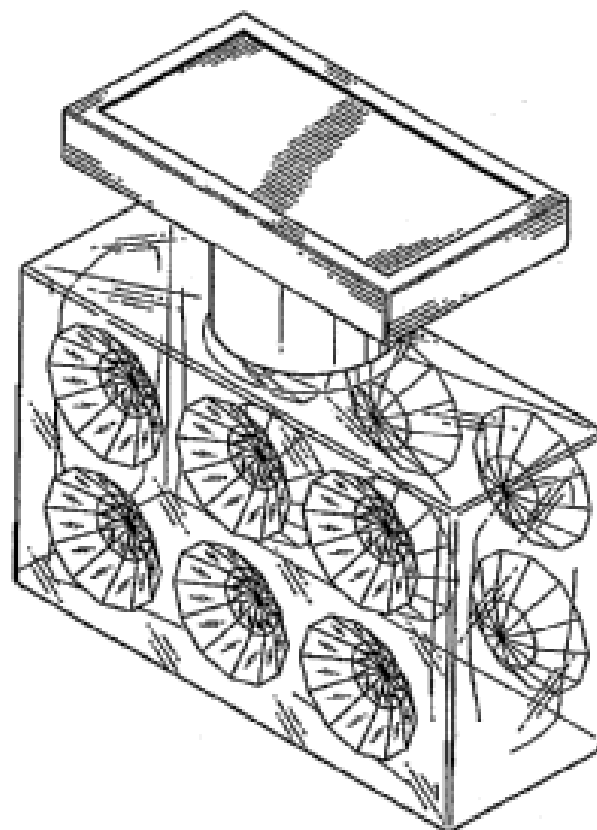
(56) Related Art Documents: **Not Applicable**
(57) Statement of Newness and Distinctiveness: **Nil**



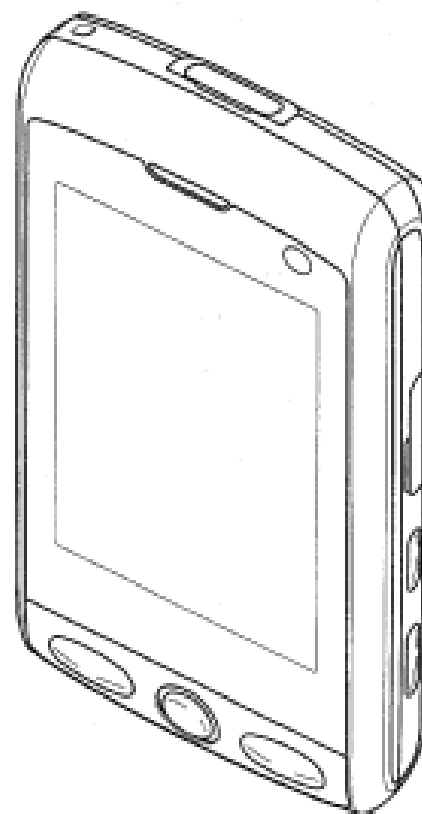
(21) Design Number: **13524/2009**
(22) Date of Filing Application: **03 July 2009**
(24) Date from which industrial property rights may have effect: **03 July 2009**
(54) Product in respect of which the design is registered: **Fragrance bottle**
(51) International Design Classification: **09-01G**
(71) Name(s) and Address(s) of Applicant(s):
Michael Kors, LLC
550 Seventh Avenue New York NY 10018 United States of America
(72) Name(s) of Designer(s): **Richard Lavigne and Elizabeth Bogert**
(45) Registration Date: **16 September 2009**
(30) Convention priority data:
(31) Number (32) Date (33) Country
29/337,253 18 May 2009 UNITED STATES OF AMERICA
(56) Related Art Documents: **Not Applicable**
(57) Statement of Newness and Distinctiveness: **Nil**



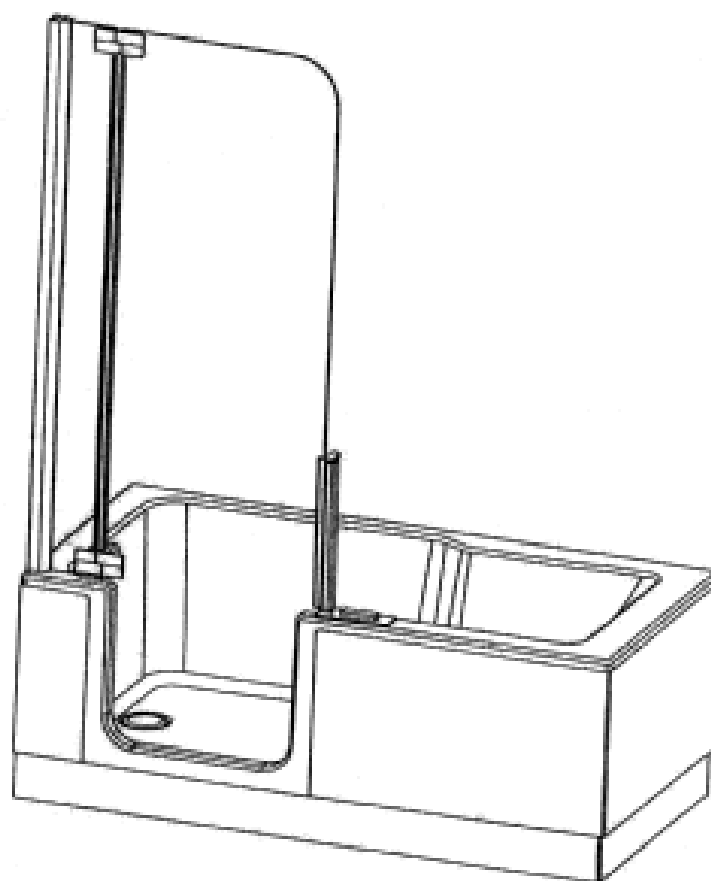
(21) Design Number: **13525/2009**
(22) Date of Filing Application: **03 July 2009**
(24) Date from which industrial property rights may have effect: **03 July 2009**
(54) Product in respect of which the design is registered: **Fragrance bottle**
(51) International Design Classification: **09-01G**
(71) Name(s) and Address(s) of Applicant(s):
Michael Kors, LLC
550 Seventh Avenue New York NY 10018 United States of America
(72) Name(s) of Designer(s): **Richard Lavigne and Elizabeth Bogert**
(45) Registration Date: **16 September 2009**
(30) Convention priority data:
(31) Number (32) Date (33) Country
29/337,253 18 May 2009 UNITED STATES OF AMERICA
(56) Related Art Documents: **Not Applicable**
(57) Statement of Newness and Distinctiveness: **Nil**



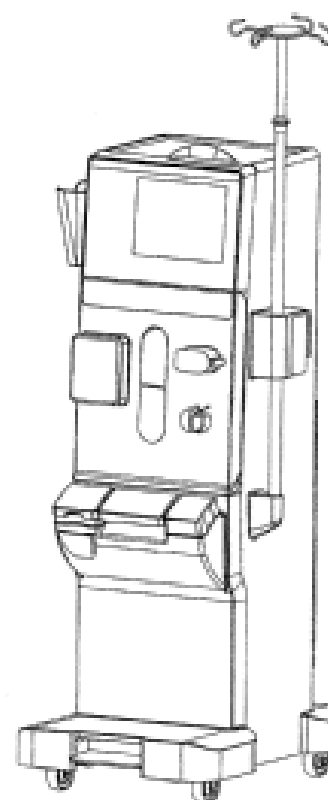
(21) Design Number: **13213/2009**
(22) Date of Filing Application: **21 August 2009**
(24) Date from which industrial property rights may have effect: **21 August 2009**
(54) Product in respect of which the design is registered: **Mobile phone**
(51) International Design Classification: **14-03E**
(71) Name(s) and Address(s) of Applicant(s):
LG Electronics Inc.
20 Yeouido-dong Yeongdeungpo-gu Seoul 150-721 Republic of Korea
(72) Name(s) of Designer(s): **Hyun Woo Yoo**
(45) Registration Date: **16 September 2009**
(30) Convention priority data:
(31) Number (32) Date (33) Country
30-2009-0012110 23 Mar 2009 REPUBLIC OF KOREA
(56) Related Art Documents: **Not Applicable**
(57) Statement of Newness and Distinctiveness: **Nil**



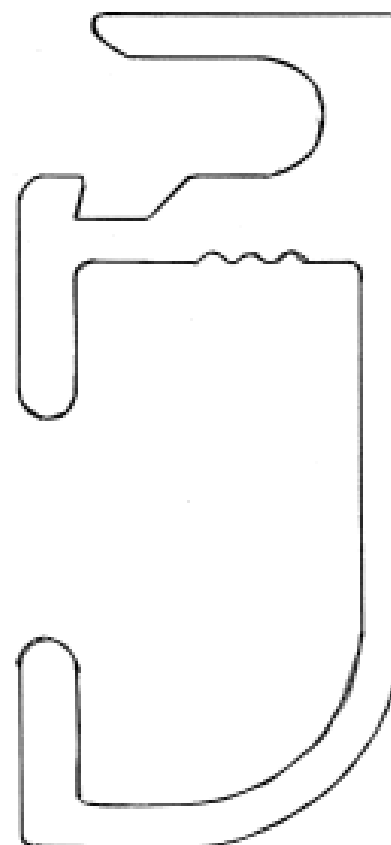
(21) Design Number: **13215/2009**
(22) Date of Filing Application: **20 August 2009**
(24) Date from which industrial property rights may have effect: **20 August 2009**
(54) Product in respect of which the design is registered: **Bath tub**
(51) International Design Classification: **23-02B**
(71) Name(s) and Address(s) of Applicant(s):
Artweger GmbH & Co.
Sulzbach 159 A-4820 Bad Ischl Austria
(72) Name(s) of Designer(s): **Wolfgang Zierler**
(45) Registration Date: **16 September 2009**
(30) Convention priority data:
(31) Number (32) Date (33) Country
001095012 25 Feb 2009 EUROPEAN COMMUNITY 001
(56) Related Art Documents: **Not Applicable**
(57) Statement of Newness and Distinctiveness: **Newness and distinctiveness reside in the features of the design as shown in the representations.**



- (21) Design Number: **13265/2009**
(22) Date of Filing Application: **25 August 2009**
(24) Date from which industrial property rights may have effect: **25 August 2009**
(54) Product in respect of which the design is registered: **Dialysis apparatus**
(51) International Design Classification: **24-01**
(71) Name(s) and Address(s) of Applicant(s):
Fresenius Medical Care Deutschland GmbH
Else-Kroner-Strasse 1 D-61352 Bad Homburg Germany
(72) Name(s) of Designer(s): **Fabio Rezzonico and Michael Lukau and Ilona Eggert and Rainer Schorr**
(45) Registration Date: **17 September 2009**
(30) Convention priority data:
(31) Number (32) Date (33) Country
1 121 909 15 Apr 2009 EUROPEAN COMMUNITY
(56) Related Art Documents: **Not Applicable**
(57) Statement of Newness and Distinctiveness: **Nil**



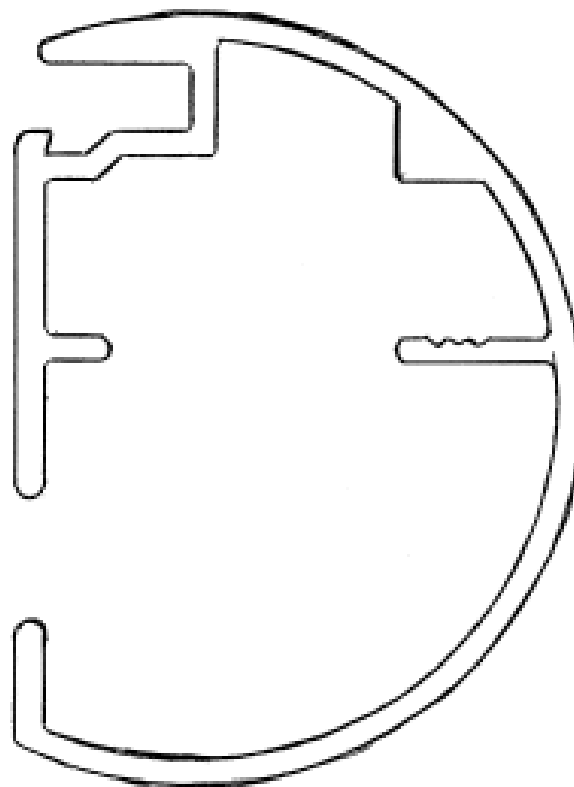
- (21) Design Number: **13417/2009**
(22) Date of Filing Application: **04 September 2009**
(24) Date from which industrial property rights may have effect: **04 September 2009**
(54) Product in respect of which the design is registered: **Curtain track**
(51) International Design Classification: **08-08H, 06-10**
(71) Name(s) and Address(s) of Applicant(s):
Remlap Tracking Pty Ltd
516-518 Grand Junction Road Northfield South Australia 5085
Australia
(72) Name(s) of Designer(s): **Clint Palmer**
(45) Registration Date: **17 September 2009**
(56) Related Art Documents: **Not Applicable**
(57) Statement of Newness and Distinctiveness: **The track section has a tooth with a 15 degree angle to lock onto the bracket to prevent it falling off. The top and bottom of the bracket slot have lead in angles to guide onto the bracket. The top of the track is flat to prevent dust buildup. The track face matches Remlap Trackings current curtain track shape for continuity of design.**



- (21) Design Number: **13418/2009**
- (22) Date of Filing Application: **04 September 2009**
- (24) Date from which industrial property rights may have effect: **04 September 2009**
- (54) Product in respect of which the design is registered: **Curtain track**
- (51) International Design Classification: **08-08H, 06-10**
- (71) Name(s) and Address(s) of Applicant(s):

Remlap Tracking Pty Ltd
516-518 Grand Junction Road Northfield South Australia 5085
Australia

- (72) Name(s) of Designer(s): **Clint Palmer**
- (45) Registration Date: **17 September 2009**
- (56) Related Art Documents: **Not Applicable**
- (57) Statement of Newness and Distinctiveness: **The track section has a tooth with a 15 degree angle to lock onto the bracket to prevent it falling off. The top and bottom of the bracket slot have lead in angles to guide onto the bracket. Internal ribs hold the pulley. The track face matches Remlap Trackings current track shape for continuity of design and supply.**



- (21) Design Number: **13419/2009**
- (22) Date of Filing Application: **04 September 2009**
- (24) Date from which industrial property rights may have effect: **04 September 2009**
- (54) Product in respect of which the design is registered: **Curtain track bracket**
- (51) International Design Classification: **08-08H, 06-10**
- (71) Name(s) and Address(s) of Applicant(s):

Remlap Tracking Pty Ltd
516-518 Grand Junction Road Northfield South Australia 5085
Australia

- (72) Name(s) of Designer(s): **Clint Palmer**
- (45) Registration Date: **17 September 2009**
- (56) Related Art Documents: **Not Applicable**
- (57) Statement of Newness and Distinctiveness: **The bracket has a spring steel clip with an angled tooth to lock onto the track section. The bracket is made of two parts, the bracket body and the spring steel clip. The spring steel clip is very distinctive in its shape, being designed specifically for this bracket and tracking system.**

