



**Australian Government**

---

**IP Australia**

**AUSTRALIAN OFFICIAL JOURNAL**

**OF**

**DESIGNS**

Did you know a searchable version of this journal is now available online?  
It's FREE and EASY to SEARCH.

Find it at

<http://pericles.ipaustralia.gov.au/ols/epublish/content/olsEpublications.jsp>  
or using the "Online Journals" link on the IP Australia home page.

This Page Left Intentionally Blank

**Contents**

**General Information & Notices**

**Proceedings Under the Designs Act 1906 preserved as a result of the provisions of Chapter 12  
Part 2 of the Designs Act 2003**

<b>Extension of Period of Registration of Designs .....</b>	<b>3042</b>
<b>Registrations Ceased .....</b>	<b>3042</b>
<b>Subsequent Owners Registered .....</b>	<b>3042</b>

**Proceedings Under the Designs Act 2003**

<b>Applications Assigned .....</b>	<b>3052</b>
<b>Applications Lapsed .....</b>	<b>3051</b>
<b>Applications Lodged .....</b>	<b>3047</b>
<b>Certificate of Examination .....</b>	<b>3053</b>
<b>Extension of Period of Registration of Design .....</b>	<b>3052</b>
<b>Extension of Time Granted Under Section 137 .....</b>	<b>3052</b>
<b>Publication and Registration Proceedings</b>	
<b>Designs Registered 327623 to 327845.....</b>	<b>3054</b>
<b>Registrations Ceased .....</b>	<b>3052</b>
<b>Subsequent Owners Registered .....</b>	<b>3052</b>

This Page Left Intentionally Blank

For information on the following please see our website [www.ipaustralia.gov.au](http://www.ipaustralia.gov.au) or contact our Customer Service Network on 1300651010

[Editorial enquiries](#)

[Contact information](#)

[Freedom of Information ACT](#)

[Professional Standards Board](#)

[Sales](#)

[Requests for Information under Section 194 \(c\)](#)

[Country Codes](#)

[Trade Mark and Designs Hearing Sessions](#)

[INID \(Internationally agreed Numbers for the Identification of Data\)](#)

## “INID” NUMBERS in use on Australian Design Documents

“INID” is an acronym for “Internationally agreed Numbers for the Identification of Data”.

### (10) Data concerning the registration/renewal

- (11) Serial number of the registration and/or number of the design document
- (12) Plain language designation of the kind of published document
- (19) Identification, using the two-letter code according to WIPO Standard ST.3, of the authority publishing or registering the industrial design

### (20) Data concerning the application

- (21) Serial number of the application
- (22) Date of filing of the application
- (24) Date from which the industrial design right has effect

### (30) Data relating to priority under the Paris Convention

- (31) Serial number assigned to the priority application
- (32) Date of filing of the priority application
- (33) Two-letter code, according to WIPO Standard ST.3, identifying the authority with which the priority application was made

### (40) Date(s) of making information available to the public

- (45) Date of publication of the registered industrial design by printing or similar process, or making it available to the public by any other means

### (50) Miscellaneous Information

- (51) International Classification for Industrial Designs (class and subclass of the Locarno Classification)
- (54) Designation of article(s) or product(s) covered by the industrial design or title of the industrial design
- (55) Reproduction of the industrial design (e.g., drawing, photograph) and explanations relating to the reproduction
- (56) List of prior art documents, if separate from descriptive text
- (57) Description of characteristic features of the industrial design including indication of colours

### (60) References to other legally related application(s) and registration(s)

- (62) Serial number(s) and, if available, filing date(s) of application(s), registration(s) or document(s) related by division
- (66) Serial number(s) of the application, or the registration, of the design(s) which is (are) a variant(s) of the present one

### (70) Identification of parties concerned with the application or registration

- (71) Name(s) and address(es) of the applicant(s)
- (72) Name(s) of the creator(s) if known to be such
- (74) Name(s) and address(es) of the representative(s)

This Page Left Intentionally Blank

**Official Notice****Extension of IP Australia's Customer Service  
call centre hours**

IP Australia is currently transitioning to its new state based lodgement services, IP Lodgement Point. IP Lodgement Point offers customers a secure way to lodge their IP documents through a selected Australia Post outlet in the capital city of each state and territory.

To support customers through the transition to the new IP Lodgement Point and provide assistance to all customers in states where different time zones apply, IP Australia is extending the hours of operation for its customer service call centre.

The new hours of operation for the call centre will be 9am to 8pm Australia Eastern Daylight Time (AEDT). This will be effective as of the commencement of daylight savings on Monday 5 October 2009 until Monday 5 April 2010. During this period customers will be able to receive information and assistance from IP Australia during the core business hours of 9am to 5pm in their given state or territory.

For further information on the transition please visit

[http://www.ipaustralia.gov.au/about/state\\_transition.shtml](http://www.ipaustralia.gov.au/about/state_transition.shtml) or for assistance contact the call centre on 1300 651 010.

**Contact:** IP Australia  
**Phone:** 1300 651 010  
**Fax:** +61 2 6283 7999  
**E-mail:** assist@ipaustralia.gov.au  
**Web:** www.ipaustralia.gov.au

Official Notice**IP Australia's South Australian Sub-Office**

IP Australia is pleased to advise all customers that it has engaged Australia Post to deliver its new state based lodgement service arrangements. These services include the lodgement of documents and payment of fees relating to registered IP rights and new applications.

For the purposes of section 205(2) of the Patents Act 1990, section 199(2) of the Trade Marks Act 1995 and section 125(2) of the Designs Act 2003, effective from 12 October 2009, the South Australia sub-office is:

IP Lodgement Point  
Adelaide GPO  
141 King William Street  
Adelaide SA 5000

From 12 October 2009 the lodgement of documents and payment of official fees in South Australia can only be made at the above address. The filing date and/or payment date will be the date the lodgement and/or payment is made at the Adelaide GPO.

Consistent with existing legislative requirements, this service will be available from 9.00am – 5.00pm Monday to Friday, except for public holidays.

Unfortunately the new arrangements do not allow for Plant Breeder's Rights lodgements with Australia Post. To address this issue IP Australia has developed a comprehensive new range of e-forms which can be found at <http://www.ipaustralia.gov.au/pbr/forms.shtml>.

Plant Breeder's Rights forms, payments or other correspondence can continue to be lodged directly at IP Australia in Canberra to PO Box 200 Woden ACT 2606; or by fax to +61 2 6283 7999.

For further information please visit: [http://www.ipaustralia.gov.au/about/state\\_transition.shtml](http://www.ipaustralia.gov.au/about/state_transition.shtml)

**Contact:** IP Australia  
**Phone:** 1300 651 010  
**Fax:** +61 2 6283 7999  
**E-mail:** [servicetransition@ipaustralia.gov.au](mailto:servicetransition@ipaustralia.gov.au)  
**Web:** [www.ipaustralia.gov.au](http://www.ipaustralia.gov.au)



**Official Notice**

**Surrender of Registration**

**318769**

A request under Section 49 of the *Designs Act 2003* has been made by the registered owner of Design Registration No. 318769 to surrender the registration.

Any interested person may give notice to the Registrar that he or she wishes to be heard in relation to the above offer. This notice must be given within 1 month after 08 October 2009.

Your attention is drawn to Regulation 4.10 and 4.11 of the *Designs Regulations 2004*.

Address for Service: Viking Kayak International P/L 101 Enterprise Street KUNDA PARK QLD 4556

**Queries:** Gary Flint  
Designs Administration Manager  
+ 61 26283 2023

**Contact:** IP Australia  
**Phone:** 1300 651 010  
**Fax:** +61 2 6283 7999  
**E-mail:** [assist@ipaustralia.gov.au](mailto:assist@ipaustralia.gov.au)  
**Web:** [www.ipaustralia.gov.au](http://www.ipaustralia.gov.au)

**Proceedings under the Designs Act 1906 preserved as a result of the provisions of Chapter 12 Part 2 of the Designs Act 2003.**

This Page Left Intentionally Blank

**Applications Lapsed**

There were no Applications Lapsed under this section

**Extension of Period of Registration of Designs**

**2nd Period (Section 27A(12))**

153340	153688	153689
153690	153691	153692
153693	153694	153695
153696	153697	153698
153699	153700	153701
153702	153703	153704
153842	153843	153917
153957	153958	153962
153983	154041	154069
154198	154219	154220
154242	154269	154396
154429	154433	154516
154571	154576	154577
154616	154647	154648
154704	154773	154861
154862	154991	155045
155159	155160	155223
155254	155537	155538
155540	155553	155554
155590	155598	155669
155688	155743	155767
155776	155779	155820
155845	155873	155993
156090	156091	156150
156268	156269	156271
156641	156642	156643
156644	156645	156743
156748	156752	156966
156995	157040	157100
157346	157557	157600
157638	157762	157763
157764	157872	158098
158557	158558	158559
158560	158568	158569
158570		

**3rd Period (Section 27A(13))**

135688	135689	136698
136963	137066	137067
137068	137069	137070
137071	137099	137118
137159	137160	137193
137217	137231	137232
137681	137682	137788
137844	137845	137893
138212	139352	139353
140488		

**Registrations Ceased**

Note: Some of the following Registrations may have been previously advertised as ceased. In this instance, the previous advertisement still prevails.

119377	119807	120015
120045	120053	120064
120118	120148	120149
120150	120228	120229
120241	120242	120267
120268	120269	120360
120541	120542	120636
121018	121075	121076
121514	121641	121712
122543	122645	122646
122647	122660	123734
123735	123958	124232
124233	124729	124976
134796	134956	134957
134958	134959	135298
135557	135558	136214
136674	136781	137189
138264	138721	138824
139213	139214	151290
151344	151406	151407
151408	151409	151410
151413	151414	151415
151476	151478	151479
151521	151647	151648
151649	151650	151824
151825	151826	151827
151828	151829	151924
151925	151926	151927
151949	151962	151964
152032	152033	152034
152035	152036	152037
152041	152042	152070
152071	152072	152140
152141	152142	152143
152144	152145	152146
152147	152148	152149
152150	152152	152202
152430	152431	152432
152448	152449	152467
152533	152790	152798
152806	152826	152827
152828	152830	152936
152937	152985	152986
152987	153152	154257
154352	154546	154606
155137	155220	155604
155605	155606	155646
155673	156761	156802
157054	157244	

**Subsequent Owners Registered**

(The name in parentheses is that of the subsequent owner)

149087	( Parbury Pty Limited ) Robinhood Australia Pty Limited
139956	( Parbury Pty Limited ) Robinhood Australia Pty Limited
139955	( Parbury Pty Limited ) Robinhood Australia Pty Limited
139954	( Parbury Pty Limited ) Robinhood Australia Pty Limited

**Subsequent Owners Registered**

135751	( LRC Products Limited )	Rockbrook Holdings Ltd
157095	( LRC Products Limited )	Freehaven Investments Ltd
157771	( LRC Products Limited )	Freehaven Investments Ltd
156929	( LRC Products Limited )	Freehaven Investments Ltd

This Page Left Intentionally Blank

**Proceedings under the Designs Act 2003.**



This Page Left Intentionally Blank

**Applications Lodged**

Lodgement information is in the following order: **Applicant's Name**; International Classification, Name of Product, Lodgement Date and **Design Number**. If the applicant claims an earlier priority date under an International Convention, the Convention Country and the associated filing date are shown in parentheses before the Lodgement Date. Divisional information will also appear in parentheses before the Lodgement Date.

<b>Aarnoudse, Nicolaas; Willemsen, Adrianus J.M.;</b> 07-01C, Drinking tumbler, (EM, 27 Mar 2009) 25 Sep 2009	<b>13675/2009</b>	<b>Barcky Pty Ltd;</b> 09-03E, Carrier of indefinite length, 22 Sep 2009	<b>13628/2009</b>
<b>Aarnoudse, Nicolaas; Willemsen, Adrianus J.M.;</b> 07-01C, Drinking tumbler, (EM, 10 Sep 2009) 25 Sep 2009	<b>13676/2009</b>	<b>Berntsen, Knut;</b> 03-01B, 19-04, Cardholder, (NO, 06 Apr 2009) 28 Sep 2009	<b>13702/2009</b>
<b>Adjust Design;</b> 08-08L, Post stirrup/anchor, 21 Sep 2009	<b>13621/2009</b>	<b>Blue Line Billboards Pty Ltd;</b> 14-04, Mobile LED screens / billboards - motor vehicle utility based, 29 Sep 2009	<b>13713/2009</b>
<b>Adjust Design;</b> 08-08L, Timber connector/bracing plates, 21 Sep 2009	<b>13622/2009</b>	<b>Bluescope Steel Limited;</b> 08-08NES, Gutter clip, 16 Sep 2009	<b>13565/2009</b>
<b>Adjust Design;</b> 08-08L, L shaped brackets, 21 Sep 2009	<b>13623/2009</b>	<b>Bluescope Steel Limited;</b> 08-08B, 23-01L, Gutter spacer, 16 Sep 2009	<b>13558/2009</b>
<b>Alexander, Ian R. Trading as Curagul Stud; Alexander, Jennifer M.N. Trading as Curagul Stud;</b> 08-03, Trimmer replacement head, 17 Sep 2009	<b>13582/2009</b>	<b>Bluescope Steel Limited;</b> 08-08C, Gutter clip, 16 Sep 2009	<b>13559/2009</b>
<b>Alexander, Jennifer M.N. Trading as Curagul Stud; Alexander, Ian R. Trading as Curagul Stud;</b> 08-03, Trimmer replacement head, 17 Sep 2009	<b>13582/2009</b>	<b>Body Armour Technology Limited;</b> 02-03, Headgear kit comprising a helmet and at least one attachable/detachable bobble., (NZ, 27 Mar 2009) 24 Sep 2009	<b>13659/2009</b>
<b>All Pumps Holdings Pty;</b> 23-01F, Expandable water tank, 14 Aug 2009	<b>13584/2009</b>	<b>Boori International Pty Ltd;</b> 06-02, Reconfigurable furniture, 24 Sep 2009	<b>13673/2009</b>
<b>All Pumps Holdings Pty;</b> 23-01F, Expandable water tank, 14 Aug 2009	<b>13583/2009</b>	<b>Boori International Pty Ltd;</b> 06-04NES, Reconfigurable furniture, 24 Sep 2009	<b>13674/2009</b>
<b>Alltuff Products Pty Ltd;</b> 23-01B, Fitting, 16 Sep 2009	<b>13566/2009</b>	<b>Braun, Corie; Amos, Lee;</b> 08-08D, 08-08NES, Locking clamp/extension spacer bar, 29 Sep 2009	<b>13689/2009</b>
<b>Amos, Lee; Braun, Corie;</b> 08-08D, 08-08NES, Locking clamp/spacer bar, 29 Sep 2009	<b>13688/2009</b>	<b>Braun, Corie; Amos, Lee;</b> 08-08D, 08-08NES, Locking clamp/spacer bar, 29 Sep 2009	<b>13688/2009</b>
<b>Amos, Lee; Braun, Corie;</b> 08-08D, 08-08NES, Locking clamp/extension spacer bar, 29 Sep 2009	<b>13689/2009</b>	<b>Business Enterprises Australia Pty. Ltd.;</b> 06-01G, 1,2,3 seat sofas, single, double, queen and king size beds, coffee tables and bed side tables all using the central, design mechanism., 28 Sep 2009	<b>13717/2009</b>
<b>Anton Gerner Furniture Pty Ltd;</b> 08-06, Stop hinge, 25 Sep 2009	<b>13671/2009</b>	<b>BISSELL Homecare, Inc;</b> 15-05, Vacuum cleaner accessory tool, (US, 19 Mar 2009) 18 Sep 2009	<b>13597/2009</b>
<b>ACTERVIS GmbH;</b> 07-05NES, Washing ball, (EM, 18 Mar 2009) 18 Sep 2009	<b>13586/2009</b>	<b>BISSELL Homecare, Inc;</b> 09-01B, Bottle, (US, 20 Mar 2009) 18 Sep 2009	<b>13615/2009</b>
<b>BabyBjorn AB;</b> 02-03, Sunprotector, (EM, 14 Sep 2009) 23 Sep 2009	<b>13663/2009</b>	<b>BISSELL Homecare, Inc;</b> 15-05, Vacuum cleaner cyclone module, (US, 18 Mar 2009) 18 Sep 2009	<b>13605/2009</b>
<b>Baines Masonary Blocks Pty Ltd;</b> 25-01A, A masonry block, 18 Sep 2009	<b>13585/2009</b>	<b>BISSELL Homecare, Inc;</b> 15-05, Vacuum cleaner upright portion, (US, 19 Mar 2009) 18 Sep 2009	<b>13596/2009</b>
<b>Bang &amp; Olufsen A/S;</b> 14-03B, Television, (DK, 27 Mar 2009) 25 Sep 2009	<b>13685/2009</b>	<b>BISSELL Homecare, Inc;</b> 15-05, Cyclone separation module, (US, 20 Mar 2009) 18 Sep 2009	<b>13594/2009</b>
<b>Barcky Pty Ltd;</b> 09-03E, Carrier, 22 Sep 2009	<b>13627/2009</b>	<b>BISSELL Homecare, Inc;</b> 15-05, Vacuum cleaner base portion, (US, 19 Mar 2009) 18 Sep 2009	<b>13598/2009</b>

<b>BISSELL Homecare, Inc;</b> 15-05, Vacuum cleaner upright portion, (US, 18 Mar 2009) 18 Sep 2009	<b>13603/2009</b>	<b>Colgate-Palmolive Company;</b> 09-01H, Container, (US, 26 Mar 2009) 25 Sep 2009	<b>13696/2009</b>
<b>BISSELL Homecare, Inc;</b> 15-05, Vacuum cleaner base portion, (US, 18 Mar 2009) 18 Sep 2009	<b>13604/2009</b>	<b>Colgate-Palmolive Company;</b> 09-01H, Container, (US, 26 Mar 2009) 25 Sep 2009	<b>13697/2009</b>
<b>BISSELL Homecare, Inc;</b> 09-01B, Bottle, (US, 20 Mar 2009) 18 Sep 2009	<b>13614/2009</b>	<b>Colgate-Palmolive Company;</b> 09-01H, Container, (US, 26 Mar 2009) 25 Sep 2009	<b>13698/2009</b>
<b>BISSELL Homecare, Inc;</b> 15-05, Vacuum cleaner upright portion, (US, 20 Mar 2009) 18 Sep 2009	<b>13606/2009</b>	<b>Colgate-Palmolive Company;</b> 09-01NES, Container, (US, 26 Mar 2009) 25 Sep 2009	<b>13695/2009</b>
<b>BISSELL Homecare, Inc;</b> 09-01NES, Bottle, (US, 23 Mar 2009) 18 Sep 2009	<b>13595/2009</b>	<b>Conrod Motor Sport Pty Limited;</b> 12-16NES, A vehicle cold air induction box, 22 Sep 2009	<b>13637/2009</b>
<b>BISSELL Homecare, Inc;</b> 09-01K, Bottle, (US, 20 Mar 2009) 18 Sep 2009	<b>13602/2009</b>	<b>Conrod Motor Sport Pty Limited;</b> 12-16NES, A vehicle cold air induction box, 22 Sep 2009	<b>13636/2009</b>
<b>BISSELL Homecare, Inc;</b> 09-01K, Bottle, (US, 23 Mar 2009) 18 Sep 2009	<b>13613/2009</b>	<b>Continental Aktiengesellschaft;</b> 12-15B, Tyre, (EM, 23 Jun 2009) 16 Sep 2009	<b>13563/2009</b>
<b>BISSELL Homecare, Inc;</b> 15-05, Vacuum cleaner base portion, (US, 18 Mar 2009) 18 Sep 2009	<b>13607/2009</b>	<b>Continental Aktiengesellschaft;</b> 12-15B, Tyre, (EM, 23 Jun 2009) 31 Aug 2009	<b>13564/2009</b>
<b>BISSELL Homecare, Inc;</b> 15-05, Vacuum cleaner module, (US, 18 Mar 2009) 18 Sep 2009	<b>13608/2009</b>	<b>Croc Tools;</b> 08-05P, Hand swager, 16 Sep 2009	<b>13556/2009</b>
<b>BISSELL Homecare, Inc;</b> 09-01K, Bottle, (US, 20 Mar 2009) 18 Sep 2009	<b>13609/2009</b>	<b>Dean, John Edwin;</b> 12-16D, Vehicle adornment general adornment, 16 Sep 2009	<b>13557/2009</b>
<b>BISSELL Homecare, Inc;</b> 09-01NES, Bottle, (US, 20 Mar 2009) 18 Sep 2009	<b>13599/2009</b>	<b>Dream Property GmbH;</b> 14-03NES, Remote control, (DE, 26 Mar 2009) 23 Sep 2009	<b>13661/2009</b>
<b>BISSELL Homecare, Inc;</b> 15-05, Vacuum cleaner base portion, (US, 19 Mar 2009) 18 Sep 2009	<b>13610/2009</b>	<b>E.D. Oates Pty Ltd;</b> 07-05E, Cleaning implement, 18 Sep 2009	<b>13617/2009</b>
<b>BISSELL Homecare, Inc;</b> 09-01B, Bottle, (US, 20 Mar 2009) 18 Sep 2009	<b>13611/2009</b>	<b>E.D. Oates Pty Ltd;</b> 04-01, Cleaning implement, 28 Sep 2009	<b>13691/2009</b>
<b>BISSELL Homecare, Inc;</b> 09-01K, Bottle, (US, 20 Mar 2009) 18 Sep 2009	<b>13600/2009</b>	<b>Elbowroom (Aust) Pty Ltd;</b> 08-08NES, 26-99, Aisle lighting reflector plate for mobile shelving, 24 Sep 2009	<b>13664/2009</b>
<b>BISSELL Homecare, Inc;</b> 15-05, Vacuum cleaner module, (US, 20 Mar 2009) 18 Sep 2009	<b>13601/2009</b>	<b>Electronic Research Pty Ltd;</b> 26-04, A LED panel, 16 Sep 2009	<b>13567/2009</b>
<b>BISSELL Homecare, Inc;</b> 09-01B, Bottle, (US, 20 Mar 2009) 18 Sep 2009	<b>13612/2009</b>	<b>Enmin Vibratory Equipment Pty Ltd;</b> 15-99, Pneumatic industrial piston vibrators, 22 Sep 2009	<b>13635/2009</b>
<b>Chef'n Corporation;</b> 07-04, Fruit/vegetable huller, (US, 11 Aug 2009) 18 Sep 2009	<b>13588/2009</b>	<b>Espressi, Inc.;</b> 07-02L, Portable espresso maker, (US, 19 Mar 2009) 17 Sep 2009	<b>13581/2009</b>
<b>Chef'n Corporation;</b> 04-01, Hand-held scrub brush, (US, 14 Sep 2009) 21 Sep 2009	<b>13624/2009</b>	<b>Esterhuizen, Andre;</b> 25-02NES, 25-01A, Moulds for the forming of blocks used in building and construction, (ZA, 28 Jul 2009) 23 Sep 2009	<b>13653/2009</b>
<b>Chef'n Corporation;</b> 07-04, Food processor, (US, 26 Mar 2009) 18 Sep 2009	<b>13587/2009</b>	<b>Esterhuizen, Andre;</b> 25-01A, Blocks used in building and construction, (ZA, 13 May 2009) 23 Sep 2009	<b>13652/2009</b>
<b>Chef'n Corporation;</b> 07-04, Salad spinner, (US, 26 Mar 2009) 18 Sep 2009	<b>13589/2009</b>	<b>Exform Industries Pty;</b> 25-01A, Spacer block, 28 Sep 2009	<b>13693/2009</b>
<b>Chef'n Corporation;</b> 07-04, Device for removing corn kernels from a cob, (US, 11 Aug 2009) 18 Sep 2009	<b>13590/2009</b>	<b>Grabba International Pty Ltd;</b> 10-03, Sports timing device, 29 Sep 2009	<b>13692/2009</b>

<b>Gradient Services Pty Ltd;</b> 23-03B, A modulated pressure ring for a furnace, 18 Sep 2009	<b>13593/2009</b>	<b>Lloyd Energy Systems Pty Ltd;</b> 25-01A, 23-03NES, Heat regulating slab, 25 Sep 2009	<b>13679/2009</b>
<b>Grimwood Heating Pty Ltd;</b> 23-03NES, Electric heating elements for bolt on assembly into hot water systems, 17 Sep 2009	<b>13578/2009</b>	<b>Lloyd Energy Systems Pty Ltd;</b> 25-01A, 23-03NES, Heat regulating slab, 25 Sep 2009	<b>13680/2009</b>
<b>Grimwood Heating Pty Ltd;</b> 23-03NES, Machined element assembly flange, 17 Sep 2009	<b>13579/2009</b>	<b>Lolitta Clothing;</b> 02-02C, 02-02NES, , 21 Sep 2009	<b>13618/2009</b>
<b>GWR Pty Ltd, trading as Uniquip Industries;</b> 13-03D, 13-03E, Water resistant switched socket, 18 Sep 2009	<b>13577/2009</b>	<b>Maccan, Christopher;</b> 20-03NES, License indicator sign, 18 Sep 2009	<b>13625/2009</b>
<b>Habode IP Limited;</b> 25-01K, An extrusion of indefinite length, 23 Sep 2009	<b>13660/2009</b>	<b>Max-Inf (Ningbo) Baby Product Co., Ltd.;</b> 06-01D, Car seat, 25 Sep 2009	<b>13700/2009</b>
<b>Hawkins, Prudence;</b> 11-04, 26-01, Wired fabric petals and leaves - joined to form flowers moulded fabric/felt flowers, leaves and cup/candle holders, 21 Sep 2009	<b>13616/2009</b>	<b>McDaid, Andrea T/A Coach House Studio; Siekai, Robyn T/A Coach House Studio;</b> 20-03C, 18th & 21st Birthday signature boards, 28 Sep 2009	<b>13714/2009</b>
<b>Hexcyl Systems Pty Ltd;</b> 08-08C, Attachment clip, 22 Sep 2009	<b>13657/2009</b>	<b>Mort Bay Traders Pty Ltd;</b> 26-05C, Wall art night light, 25 Sep 2009	<b>13690/2009</b>
<b>Imd Concepts Pty Ltd;</b> 08-07, Gate latch with lock, 16 Sep 2009	<b>13569/2009</b>	<b>N.V. Nutricia;</b> 01-03, Milk formula in tablet form, (EM, 27 Mar 2009) 22 Sep 2009	<b>13633/2009</b>
<b>Inventio AG;</b> 13-03NES, Operating/display panel, (CH, 22 Apr 2009) 16 Sep 2009	<b>13561/2009</b>	<b>Nextinct Pty Ltd;</b> 02-02NES, Article of clothing, 22 Sep 2009	<b>13642/2009</b>
<b>Inventio AG;</b> 13-03NES, Operating/display panel, (CH, 22 Apr 2009) 16 Sep 2009	<b>13562/2009</b>	<b>Nextinct Pty Ltd;</b> 02-02NES, Article of clothing, 22 Sep 2009	<b>13643/2009</b>
<b>IAMS Company, The;</b> 99-00, Icons, (EM, 25 Mar 2009) 25 Sep 2009	<b>13684/2009</b>	<b>Nextinct Pty Ltd;</b> 02-02NES, Article of clothing, 22 Sep 2009	<b>13644/2009</b>
<b>JDS Metal Doorframe Manufacture Pty Ltd;</b> 25-01G, Fascia, 25 Sep 2009	<b>13716/2009</b>	<b>Nextinct Pty Ltd;</b> 02-02NES, Article of clothing, 22 Sep 2009	<b>13645/2009</b>
<b>Kikkerland Design, Inc.;</b> 26-05NES, Keylight, (US, 01 Jun 2009) 21 Sep 2009	<b>13626/2009</b>	<b>Nextinct Pty Ltd;</b> 02-02NES, Article of clothing, 22 Sep 2009	<b>13646/2009</b>
<b>Kirkby, Brian Raymond;</b> 16-05, 26-03, Parrallel folding camera/light pole fitted with gas strut assist ram, 22 Sep 2009	<b>13634/2009</b>	<b>Nextinct Pty Ltd;</b> 02-02NES, Article of clothing, 22 Sep 2009	<b>13647/2009</b>
<b>Konami Gaming, Inc.;</b> 11-99, 20-03NES, Decorative topper sign, (US, 17 Sep 2009) 25 Sep 2009	<b>13699/2009</b>	<b>Nextinct Pty Ltd;</b> 02-02NES, Article of clothing, 22 Sep 2009	<b>13648/2009</b>
<b>Koninklijke Philips Electronics N.V.;</b> 07-02K, Water kettle, (EM, 31 Mar 2009) 25 Sep 2009	<b>13694/2009</b>	<b>Nextinct Pty Ltd;</b> 02-02NES, Article of clothing, 22 Sep 2009	<b>13649/2009</b>
<b>Layfield, Stephen;</b> 07-01C, Container and insert, 25 Sep 2009	<b>13686/2009</b>	<b>Nextinct Pty Ltd;</b> 02-02NES, Article of clothing, 22 Sep 2009	<b>13650/2009</b>
<b>Layfield, Stephen;</b> 07-01C, Container and insert, 25 Sep 2009	<b>13687/2009</b>	<b>Nextinct Pty Ltd;</b> 02-02NES, Article of clothing, 22 Sep 2009	<b>13651/2009</b>
<b>Lloyd Energy Systems Pty Ltd;</b> 25-01A, 23-03NES, Heat regulating slab, 25 Sep 2009	<b>13678/2009</b>	<b>Nguyen, Quan Hien;</b> 21-01NES, Baby walker, 28 Sep 2009	<b>13701/2009</b>
<b>Lloyd Energy Systems Pty Ltd;</b> 23-03NES, 25-02NES, Heat regulating slab, 25 Sep 2009	<b>13677/2009</b>	<b>Nichiha Corporation;</b> 25-01D, Building board, (JP, 23 Mar 2009) 22 Sep 2009	<b>13630/2009</b>
		<b>Nichiha Corporation;</b> 25-01D, Building board, (JP, 23 Mar 2009) 22 Sep 2009	<b>13631/2009</b>
		<b>Nichiha Corporation;</b> 25-01D, Building board, (JP, 23 Mar 2009) 22 Sep 2009	<b>13632/2009</b>
		<b>Nohmi Bosai Ltd.;</b> 10-05, Fire detector, (JP, 30 Mar 2009) 21 Sep 2009	<b>13620/2009</b>

<b>Oehlschlager, Jurgen August Robert;</b> 19-99, Flags, ensigns, products, paper goods, stationery, T-shirts, banners, table mats, souvenirs, signs, stickers, transfers,, newspapers, television ads, 21 Sep 2009	<b>13576/2009</b>	<b>Spin Master Ltd;</b> 21-01B, Transformable toy, (CA, 09 Apr 2009) 28 Sep 2009	<b>13710/2009</b>
<b>On Tap LLC;</b> 09-07C, Cap for beverage container, (US, 10 Aug 2009) 22 Sep 2009	<b>13638/2009</b>	<b>Spin Master Ltd;</b> 21-01B, Transformable toy, (CA, 09 Apr 2009) 28 Sep 2009	<b>13711/2009</b>
<b>On Tap LLC;</b> 31-00, Beverage dispenser, (US, 10 Aug 2009) 22 Sep 2009	<b>13639/2009</b>	<b>Spin Master Ltd;</b> 21-01B, Transformable toy, (CA, 15 Apr 2009) 28 Sep 2009	<b>13704/2009</b>
<b>On Tap LLC;</b> 23-01H, Tap handle for beverage dispenser, (US, 10 Aug 2009) 22 Sep 2009	<b>13640/2009</b>	<b>Spin Master Ltd;</b> 21-01B, Transformable toy, (CA, 01 Apr 2009) 28 Sep 2009	<b>13703/2009</b>
<b>On Tap LLC;</b> 31-00, Drip tray for beverage dispenser, (US, 10 Aug 2009) 22 Sep 2009	<b>13641/2009</b>	<b>Spin Master Ltd;</b> 21-01B, Transformable toy, (CA, 08 Apr 2009) 28 Sep 2009	<b>13712/2009</b>
<b>Pacific Market International, LLC;</b> 09-01B, 09-07NES, Beverage container, (US, 27 Jan 2009) (Divisional of 12761/2009) 24 Jul 2009	<b>13670/2009</b>	<b>Spin Master Ltd;</b> 21-01B, Transformable toy, (CA, 15 Apr 2009) 28 Sep 2009	<b>13705/2009</b>
<b>Papamiltiades, Peter;</b> 08-08M, Bracket for holding pipes, 16 Sep 2009	<b>13560/2009</b>	<b>Spin Master Ltd;</b> 21-01B, Transformable toy, (CA, 22 Apr 2009) 28 Sep 2009	<b>13706/2009</b>
<b>Party Hoppers International Limited;</b> 12-10, A vehicle, 23 Sep 2009	<b>13658/2009</b>	<b>Spin Master Ltd;</b> 21-01B, Transformable toy, (CA, 08 Apr 2009) 28 Sep 2009	<b>13707/2009</b>
<b>Product Works Limited;</b> 07-02E, Barbeque grill, (HK, 23 Mar 2009) 23 Sep 2009	<b>13655/2009</b>	<b>Stander Inc.;</b> 06-03NES, Mobility assistance device, (US, 14 Apr 2009) 25 Sep 2009	<b>13682/2009</b>
<b>Quirky Worky;</b> 06-01L, 24-04, Bean bags, meditation chairs, breast feeding support, 28 Sep 2009	<b>13718/2009</b>	<b>Stemtek (Pty) Ltd;</b> 99-00, Stemming Device, 25 Sep 2009	<b>13666/2009</b>
<b>ResMed Ltd;</b> 24-01, Respiratory mask and/or components thereof, (US, 21 Apr 2009) 15 Sep 2009	<b>13568/2009</b>	<b>Team Poly Pty Ltd;</b> 12-16C, Front bumper for a vehicle, 17 Sep 2009	<b>13574/2009</b>
<b>Rhino Rack Australia Pty Limited;</b> 12-16NES, Stowable vehicle awning, 17 Sep 2009	<b>13572/2009</b>	<b>Teamworx Australia Pty. Ltd.;</b> 13-01, Covers for power generators, 18 Sep 2009	<b>13591/2009</b>
<b>Rhino Rack Australia Pty Limited;</b> 12-16NES, Collapsible awning for a vehicle, 17 Sep 2009	<b>13573/2009</b>	<b>Teamworx Australia Pty. Ltd.;</b> 13-01, Covers for power generators, 18 Sep 2009	<b>13592/2009</b>
<b>Riordan, Jade;</b> 02-01A, Brassiere style garment and brief style garment, 23 Sep 2009	<b>13662/2009</b>	<b>Techno Glass Designs Pty Ltd;</b> 25-01K, An extrusion, 31 Aug 2009	<b>13654/2009</b>
<b>S. C. Johnson &amp; Son, Inc.;</b> 09-01A, Aerosol dispenser, (EM, 27 Mar 2009) 25 Sep 2009	<b>13681/2009</b>	<b>The Ostaway Group Pty Ltd;</b> 06-13B, A cover, 16 Sep 2009	<b>13570/2009</b>
<b>Sanford, L.P.;</b> 19-06, Writing instrument, (US, 24 Mar 2009) 22 Sep 2009	<b>13629/2009</b>	<b>Thermos L.L.C.;</b> 09-01K, Bottle, (US, 11 Aug 2009) 25 Sep 2009	<b>13683/2009</b>
<b>Siekai, Robyn T/A Coach House Studio;</b> <b>McDaid, Andrea T/A Coach House Studio;</b> 20-03C, 18th & 21st Birthday signature boards, 28 Sep 2009	<b>13714/2009</b>	<b>Vorpasso, Lucia Trading as Bonzer Book Boxes;</b> 09-03M, 19-04, Box to hold children's books, 24 Sep 2009	<b>13665/2009</b>
<b>Spin Master Ltd;</b> 21-01B, Transformable toy, (CA, 08 Apr 2009) 28 Sep 2009	<b>13708/2009</b>	<b>VIND &amp; SOL s.m.b.a.;</b> 13-01, Wind Turbine, (DK, 30 Mar 2009) 28 Sep 2009	<b>13715/2009</b>
<b>Spin Master Ltd;</b> 21-01B, Transformable toy, (CA, 06 Apr 2009) 28 Sep 2009	<b>13709/2009</b>	<b>Waterson, Christina Mary;</b> 11-01NES, 06-06NES, 07-99NES, 11-02NES, Jewellery, furniture, homeware and ornament, 17 Sep 2009	<b>13580/2009</b>
		<b>Webforge Australia Pty Ltd;</b> 08-08C, Clip, 22 Sep 2009	<b>13656/2009</b>

<b>Weeks Group Pty Ltd;</b> 08-08L, 25-01K, A tile support bracket, 24 Sep 2009	<b>13672/2009</b>	<b>Willemsen, Adrianus J.M.; Aarnoudse, Nicolaas;</b> 07-01C, Drinking tumbler, (EM, 10 Sep 2009) 25 Sep 2009	<b>13676/2009</b>
<b>White, Paul; White, Isabel;</b> 20-02C, Kiosk, 16 Sep 2009	<b>13571/2009</b>	<b>Xemec Oy;</b> 12-05, Conveyor handling system for paint pot, (EM, 30 Mar 2009) 24 Sep 2009	<b>13669/2009</b>
<b>White, Isabel; White, Paul;</b> 20-02C, Kiosk, 16 Sep 2009	<b>13571/2009</b>	<b>Xydias, Harry;</b> 12-05, A winch drum mounting, 25 Sep 2009	<b>13667/2009</b>
<b>Will, Allen Murray; Will, Carolyn Joan;</b> 06-01NES, Seat with umbrella holder and drink holder to fit to the bow rail of a boat, 22 Sep 2009	<b>13619/2009</b>	<b>Young, Reginald;</b> 28-02, 30-99, Dogs hair dryer, 17 Sep 2009	<b>13575/2009</b>
<b>Will, Carolyn Joan; Will, Allen Murray;</b> 06-01NES, Seat with umbrella holder and drink holder to fit to the bow rail of a boat, 22 Sep 2009	<b>13619/2009</b>	<b>Zoomtech Limited;</b> 21-02C, A golf tee, (NZ, 26 Mar 2009) 25 Sep 2009	<b>13668/2009</b>
<b>Willemsen, Adrianus J.M.; Aarnoudse, Nicolaas;</b> 07-01C, Drinking tumbler, (EM, 27 Mar 2009) 25 Sep 2009	<b>13675/2009</b>		

---

**Applications Lapsed**

10772 / 2009 (08-06)	10847 / 2009 (02-02C)
12250 / 2009 (06-09)	12251 / 2009 (06-09)
12252 / 2009 (06-09)	12353 / 2009 (12-16A)
12354 / 2009 (12-16A)	12355 / 2009 (12-16A)
12356 / 2009 (12-16A)	12357 / 2009 (12-16A)
12358 / 2009 (12-16A)	12359 / 2009 (12-16A)
12360 / 2009 (12-16A)	12362 / 2009 (12-16A)
12363 / 2009 (12-16A)	12364 / 2009 (12-16A)
12365 / 2009 (12-16A)	12366 / 2009 (12-16A)
12367 / 2009 (12-16A)	12368 / 2009 (12-16A)
12455 / 2009 (06-01E)	12466 / 2009 (99-00)
12468 / 2009 (09-03M)	12507 / 2009 (06-03C)
12542 / 2009 (19-07)	12543 / 2009 (19-01)
12544 / 2009 (19-07)	12545 / 2009 (19-07)
12546 / 2009 (19-07)	12547 / 2009 (19-07)

**Extension of Period of Registration of Designs**

300119	300431	300432
300433	300434	300435
300436	300437	300438
300439	300440	300441
300442	300443	300444
300445	300446	300447
300448	300449	300450
300770	300785	300818
300819	300820	300911
300951	300998	300999
301022	301023	301046
301088	301091	301123
301134	301138	301139
301140	301142	301151
301173	301174	301201
301202	301203	301208
301209	301213	301221
301222	301229	301230
301237	301246	301247
301248	301256	301295
301298	301307	301311
301348	301349	301350
301383	301386	301387
301388	301424	301591
301678	301765	302168
302216	302243	302281
302282	302283	302284
302285	302367	302386
302387	302491	302493
302503	302511	302584
302585	302641	302642
302857	303242	303244
303245	304433	304874
304875	304876	311724

**Registrations Ceased**

304482                      304483

**Extensions of time granted under Section 137**

Applications lodged under section 137 for extension of time have been granted.

14835/2008 **Insitu Systems Limited**

10267/2009 **Lamberto Bingo Badelles**

**Applications Assigned**

(The name in parentheses is that of the subsequent applicant)

12561/2009    **( ADC GmbH )** ADC Communications (Australia) Pty Limited

**Subsequent Owners Registered**

(The name in parentheses is that of the subsequent owner)

300363	<b>( Parbury Pty Limited )</b> Robinhood Australia Pty Limited
326724	<b>( ADC GmbH )</b> ADC Communications (Australia) Pty Limited
321122	<b>( Parbury Pty Limited )</b> Robinhood Limited
321121	<b>( Parbury Pty Limited )</b> Robinhood Limited
321120	<b>( Parbury Pty Limited )</b> Robinhood Limited
317048	<b>( Parbury Pty Limited )</b> Robinhood Limited
314581	<b>( Parbury Pty Limited )</b> Robinhood Limited
314579	<b>( Parbury Pty Limited )</b> Robinhood Limited
314580	<b>( Parbury Pty Limited )</b> Robinhood Limited
314923	<b>( LRC Products Limited )</b> Rockbrook Holdings Limited
315902	<b>( LRC Products Limited )</b> Rockbrook Holdings Limited
315903	<b>( LRC Products Limited )</b> Rockbrook Holdings Limited
315904	<b>( LRC Products Limited )</b> Rockbrook Holdings Limited
315905	<b>( LRC Products Limited )</b> Rockbrook Holdings Limited

**Certificate(s) of Examination**

Examination of the following Design Registration(s) has been completed. Infringement proceedings may now be commenced.

305839	23-02A	30/09/2009
320101	12-16NES	22/09/2009
322020	09-07NES	23/09/2009
323457	14-02	30/09/2009
323458	14-02	30/09/2009
323459	14-02	30/09/2009
323460	14-02	30/09/2009
323464	14-02	30/09/2009
323466	14-02	30/09/2009
324145	09-03M	28/09/2009
324620	23-01B	22/09/2009
324988	12-15A	28/09/2009
325321	22-05	22/09/2009
325368	23-01H	29/09/2009
325413	14-01	29/09/2009
325414	14-01	29/09/2009
325415	14-01	29/09/2009
325416	14-01	29/09/2009
325461	23-02B	30/09/2009
325873	03-01B	30/09/2009
326000	24-01	29/09/2009
326042	06-03NES	22/09/2009
326162	06-08	29/09/2009
326553	15-05	30/09/2009
326554	15-05	30/09/2009
326726	24-04	28/09/2009
326817	12-15B	29/09/2009
326832	08-03	24/09/2009
326938	08-07	29/09/2009
327006	06-03C	22/09/2009
327007	06-01F	24/09/2009
327054	25-01A	30/09/2009
327055	25-01A	30/09/2009
327056	25-01A	30/09/2009
327057	25-01A	30/09/2009
327069	21-02F	21/09/2009
327075	07-02E	24/09/2009
327127	07-01NES	25/09/2009
327129	09-01B	21/09/2009
327130	04-02	30/09/2009
327131	09-01B	21/09/2009
327132	09-01B	21/09/2009
327133	04-02	30/09/2009
327169	09-01B	21/09/2009
327170	09-01B	21/09/2009
327171	09-01B	21/09/2009



**Publication and Registration Proceedings**

**Designs Registered**

This section provides a concordance between design number and registration number of Designs covered in this journal. It also shows the main class and registration date.

This section covers Registration numbers 327623 to 327845 .

The registration number shown below should be used in all future correspondence.

Design Number	Registration Number	International Classification Code (IDC)	Registration Date	Design Number	Registration Number	International Classification Code (IDC)	Registration Date
14835/2008	327735	24-02	25/09/2009	13142/2009	327639	12-05	21/09/2009
10336/2009	327654	11-05	17/09/2009	13166/2009	327832	08-08H	30/09/2009
10500/2009	327770	20-02C	28/09/2009	13192/2009	327686	15-03NES	22/09/2009
10907/2009	327711	21-02F	23/09/2009	13195/2009	327706	12-10	28/09/2009
10954/2009	327829	08-05NES	30/09/2009	13231/2009	327687	18-01	22/09/2009
10955/2009	327830	08-05NES	30/09/2009	13232/2009	327623	21-02D	18/09/2009
10998/2009	327831	12-15NES	30/09/2009	13245/2009	327783	25-02E	28/09/2009
10999/2009	327760	12-15A	28/09/2009	13246/2009	327784	25-02E	28/09/2009
11000/2009	327757	12-15A	25/09/2009	13247/2009	327785	25-02E	28/09/2009
11071/2009	327758	02-02NES	25/09/2009	13253/2009	327667	06-01F	18/09/2009
11495/2009	327771	07-03	28/09/2009	13254/2009	327668	06-03B	18/09/2009
11496/2009	327772	07-03	28/09/2009	13255/2009	327669	06-01B	18/09/2009
11497/2009	327773	07-03	28/09/2009	13256/2009	327658	07-02E	17/09/2009
11764/2009	327637	23-04	21/09/2009	13257/2009	327659	09-07C	17/09/2009
11946/2009	327801	03-03	29/09/2009	13258/2009	327842	23-01H	30/09/2009
12426/2009	327761	08-08NES	28/09/2009	13259/2009	327838	23-01H	30/09/2009
12505/2009	327837	02-04B	30/09/2009	13260/2009	327839	23-01H	30/09/2009
12561/2009	327759	08-99	25/09/2009	13261/2009	327840	23-01H	30/09/2009
12582/2009	327703	11-01NES	28/09/2009	13272/2009	327828	02-07NES	30/09/2009
12592/2009	327774	22-05	28/09/2009	13273/2009	327681	26-05B	18/09/2009
12594/2009	327775	22-05	28/09/2009	13274/2009	327682	21-02C	18/09/2009
12614/2009	327802	26-04	29/09/2009	13276/2009	327660	11-02NES	17/09/2009
12615/2009	327803	26-04	29/09/2009	13280/2009	327676	15-07	18/09/2009
12659/2009	327804	06-09	29/09/2009	13281/2009	327677	15-07	18/09/2009
12660/2009	327719	22-05	28/09/2009	13282/2009	327678	15-07	18/09/2009
12661/2009	327720	22-05	28/09/2009	13293/2009	327707	14-02	28/09/2009
12662/2009	327776	22-05	28/09/2009	13294/2009	327688	21-01B	22/09/2009
12665/2009	327670	09-02A	18/09/2009	13295/2009	327689	08-08NES	22/09/2009
12725/2009	327793	12-16NES	28/09/2009	13296/2009	327721	06-09	28/09/2009
12761/2009	327799	09-01B	28/09/2009	13297/2009	327690	14-03A	22/09/2009
12795/2009	327657	06-01E	17/09/2009	13298/2009	327691	14-03E	22/09/2009
12800/2009	327797	12-16A	28/09/2009	13300/2009	327692	23-03D	22/09/2009
12801/2009	327798	12-06A	28/09/2009	13303/2009	327683	06-06G	21/09/2009
12868/2009	327671	19-99	18/09/2009	13304/2009	327684	28-03NES	21/09/2009
12869/2009	327672	19-99	18/09/2009	13306/2009	327708	21-02NES	28/09/2009
12870/2009	327673	19-99	18/09/2009	13307/2009	327709	26-05A	28/09/2009
12931/2009	327805	08-09	29/09/2009	13308/2009	327710	02-02NES	28/09/2009
12950/2009	327661	23-01H	18/09/2009	13309/2009	327693	07-01C	22/09/2009
12975/2009	327662	07-04	18/09/2009	13310/2009	327694	07-01C	22/09/2009
12983/2009	327704	09-03M	28/09/2009	13311/2009	327695	07-01C	22/09/2009
12995/2009	327655	11-05	17/09/2009	13312/2009	327696	07-01C	22/09/2009
12996/2009	327656	11-05	17/09/2009	13313/2009	327697	07-01C	22/09/2009
13014/2009	327675	08-03	18/09/2009	13314/2009	327698	06-01D	22/09/2009
13015/2009	327674	08-03	18/09/2009	13315/2009	327699	06-01D	22/09/2009
13030/2009	327685	14-02	22/09/2009	13316/2009	327700	06-01D	22/09/2009
13031/2009	327705	14-02	28/09/2009	13317/2009	327701	06-01D	22/09/2009
13075/2009	327827	06-13B	30/09/2009	13318/2009	327702	06-01D	22/09/2009
13077/2009	327663	15-03C	18/09/2009	13319/2009	327712	12-16NES	23/09/2009
13078/2009	327664	15-03C	18/09/2009	13320/2009	327679	11-02NES	18/09/2009
13079/2009	327665	15-03C	18/09/2009	13322/2009	327713	02-99	23/09/2009
13080/2009	327666	15-03C	18/09/2009	13323/2009	327714	13-99	23/09/2009
13108/2009	327729	23-01F	24/09/2009	13327/2009	327722	22-05	28/09/2009
13141/2009	327638	08-05NES	21/09/2009	13329/2009	327777	08-08NES	28/09/2009

Publication and Registration Proceedings - Designs Registered cont'd

Design Number	Registration Number	International Classification Code (IDC)	Registration Date	Design Number	Registration Number	International Classification Code (IDC)	Registration Date
13330/2009	327715	12-15D	23/09/2009	13406/2009	327734	06-03B	24/09/2009
13333/2009	327716	08-08H	23/09/2009	13407/2009	327806	06-03B	29/09/2009
13334/2009	327717	03-01A	23/09/2009	13408/2009	327807	06-03A	29/09/2009
13335/2009	327718	03-01A	23/09/2009	13409/2009	327808	06-03A	29/09/2009
13336/2009	327736	02-04NES	25/09/2009	13410/2009	327809	06-03A	29/09/2009
13341/2009	327737	08-06	25/09/2009	13411/2009	327810	06-06E	29/09/2009
13342/2009	327738	08-06	25/09/2009	13412/2009	327811	06-06E	29/09/2009
13343/2009	327723	08-06	28/09/2009	13413/2009	327812	06-06E	29/09/2009
13344/2009	327724	08-04	28/09/2009	13414/2009	327813	06-06E	29/09/2009
13345/2009	327725	08-08B	28/09/2009	13415/2009	327778	06-01F	28/09/2009
13346/2009	327726	06-02	28/09/2009	13416/2009	327779	06-03A	28/09/2009
13347/2009	327727	06-02	28/09/2009	13420/2009	327780	21-01A	28/09/2009
13348/2009	327728	06-02	28/09/2009	13421/2009	327781	21-01A	28/09/2009
13353/2009	327752	09-01K	25/09/2009	13422/2009	327782	21-01A	28/09/2009
13354/2009	327753	09-01K	25/09/2009	13423/2009	327762	21-01B	28/09/2009
13355/2009	327754	06-01E	25/09/2009	13424/2009	327763	21-01B	28/09/2009
13356/2009	327755	12-08	25/09/2009	13425/2009	327764	21-01B	28/09/2009
13357/2009	327756	12-08	25/09/2009	13426/2009	327765	21-01B	28/09/2009
13358/2009	327732	12-08	24/09/2009	13427/2009	327766	21-01B	28/09/2009
13360/2009	327640	06-07	21/09/2009	13428/2009	327767	21-01B	28/09/2009
13361/2009	327641	08-09	21/09/2009	13429/2009	327768	21-01B	28/09/2009
13362/2009	327642	08-09	21/09/2009	13431/2009	327824	08-07	29/09/2009
13363/2009	327643	08-08NES	21/09/2009	13432/2009	327825	09-03NES	29/09/2009
13365/2009	327644	21-02C	21/09/2009	13433/2009	327826	07-03	29/09/2009
13377/2009	327739	02-02NES	25/09/2009	13435/2009	327819	12-16NES	29/09/2009
13378/2009	327740	02-02NES	25/09/2009	13436/2009	327820	12-16NES	29/09/2009
13379/2009	327741	02-02NES	25/09/2009	13437/2009	327821	12-16NES	29/09/2009
13380/2009	327742	02-02NES	25/09/2009	13438/2009	327680	06-01E	18/09/2009
13381/2009	327743	02-02NES	25/09/2009	13439/2009	327822	06-01E	29/09/2009
13382/2009	327744	02-02NES	25/09/2009	13440/2009	327823	06-01E	29/09/2009
13383/2009	327745	02-02NES	25/09/2009	13442/2009	327815	06-01E	29/09/2009
13384/2009	327746	02-02NES	25/09/2009	13443/2009	327816	09-09	29/09/2009
13385/2009	327747	23-04	25/09/2009	13444/2009	327817	09-09	29/09/2009
13386/2009	327748	23-04	25/09/2009	13445/2009	327818	23-01E	29/09/2009
13387/2009	327749	24-04	25/09/2009	13449/2009	327844	15-03A	30/09/2009
13388/2009	327750	24-04	25/09/2009	13450/2009	327845	15-03A	30/09/2009
13389/2009	327751	10-03	25/09/2009	13452/2009	327833	02-03	30/09/2009
13392/2009	327843	22-05	30/09/2009	13453/2009	327834	02-03	30/09/2009
13393/2009	327786	15-99	28/09/2009	13455/2009	327835	01-01	30/09/2009
13395/2009	327787	12-16NES	28/09/2009	13456/2009	327836	28-03A	30/09/2009
13396/2009	327788	12-16NES	28/09/2009	13469/2009	327769	12-05	28/09/2009
13397/2009	327789	12-05	28/09/2009	13504/2009	327814	09-07B	29/09/2009
13398/2009	327790	12-05	28/09/2009	13582/2009	327841	08-03	30/09/2009
13400/2009	327792	21-01L	28/09/2009	13583/2009	327730	23-01F	24/09/2009
13401/2009	327791	02-04B	28/09/2009	13584/2009	327731	23-01F	24/09/2009
13402/2009	327794	02-04NES	28/09/2009	13670/2009	327800	09-01B	28/09/2009
13403/2009	327795	02-04NES	28/09/2009				
13404/2009	327796	02-04NES	28/09/2009				
13405/2009	327733	06-03B	24/09/2009				

**Publication and Registration Proceedings**  
**Class Listing of Designs Published or Registered**

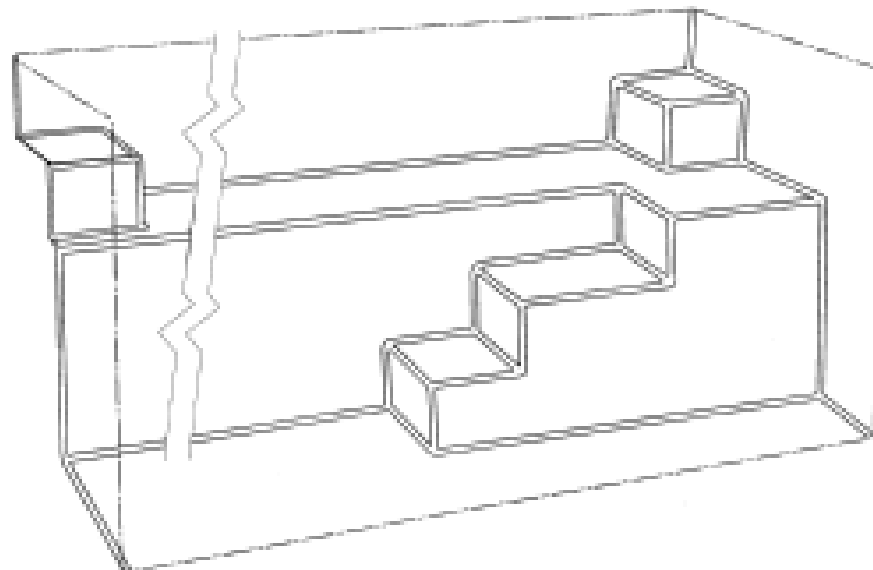
The following section shows an International Classification Code listing of the Registered or Published Designs covered in this supplement.

<b>Classification</b>	<b>Registration Number</b>	<b>Design Number</b>	<b>Classification</b>	<b>Registration Number</b>	<b>Design Number</b>
01-01	327835	13455/2009	06-06 E	327813	13414/2009
02-02 C	327827	13075/2009	06-06 G	327683	13303/2009
02-02 NES	327710	13308/2009	06-07	327640	13360/2009
02-02 NES	327739	13377/2009	06-09	327721	13296/2009
02-02 NES	327740	13378/2009	06-09	327804	12659/2009
02-02 NES	327741	13379/2009	06-10	327716	13333/2009
02-02 NES	327742	13380/2009	06-13 B	327827	13075/2009
02-02 NES	327743	13381/2009	07-01 C	327693	13309/2009
02-02 NES	327744	13382/2009	07-01 C	327694	13310/2009
02-02 NES	327745	13383/2009	07-01 C	327695	13311/2009
02-02 NES	327746	13384/2009	07-01 C	327696	13312/2009
02-02 NES	327758	11071/2009	07-01 C	327697	13313/2009
02-03	327833	13452/2009	07-02 E	327658	13256/2009
02-03	327834	13453/2009	07-03	327771	11495/2009
02-04 B	327791	13401/2009	07-03	327772	11496/2009
02-04 B	327837	12505/2009	07-03	327773	11497/2009
02-04 NES	327736	13336/2009	07-03	327826	13433/2009
02-04 NES	327794	13402/2009	07-04	327662	12975/2009
02-04 NES	327795	13403/2009	08-01	327723	13343/2009
02-04 NES	327796	13404/2009	08-03	327674	13015/2009
02-07 NES	327828	13272/2009	08-03	327675	13014/2009
02-99	327713	13322/2009	08-03	327841	13582/2009
03-01 A	327717	13334/2009	08-04	327724	13344/2009
03-01 A	327718	13335/2009	08-05 NES	327638	13141/2009
03-03	327801	11946/2009	08-05 NES	327829	10954/2009
06-01 B	327669	13255/2009	08-05 NES	327830	10955/2009
06-01 D	327698	13314/2009	08-06	327723	13343/2009
06-01 D	327699	13315/2009	08-06	327737	13341/2009
06-01 D	327700	13316/2009	08-06	327738	13342/2009
06-01 D	327701	13317/2009	08-07	327824	13431/2009
06-01 D	327702	13318/2009	08-08 B	327725	13345/2009
06-01 E	327657	12795/2009	08-08 H	327716	13333/2009
06-01 E	327680	13438/2009	08-08 H	327832	13166/2009
06-01 E	327754	13355/2009	08-08 NES	327640	13360/2009
06-01 E	327815	13442/2009	08-08 NES	327643	13363/2009
06-01 E	327822	13439/2009	08-08 NES	327689	13295/2009
06-01 E	327823	13440/2009	08-08 NES	327761	12426/2009
06-01 F	327667	13253/2009	08-08 NES	327777	13329/2009
06-01 F	327778	13415/2009	08-09	327641	13361/2009
06-01 G	327726	13346/2009	08-09	327642	13362/2009
06-01 G	327727	13347/2009	08-09	327805	12931/2009
06-01 G	327728	13348/2009	08-99	327759	12561/2009
06-02	327726	13346/2009	09-01 B	327799	12761/2009
06-02	327727	13347/2009	09-01 B	327800	13670/2009
06-02	327728	13348/2009	09-01 K	327752	13353/2009
06-03 A	327779	13416/2009	09-01 K	327753	13354/2009
06-03 A	327807	13408/2009	09-02 A	327670	12665/2009
06-03 A	327808	13409/2009	09-03 M	327704	12983/2009
06-03 A	327809	13410/2009	09-03 NES	327825	13432/2009
06-03 B	327668	13254/2009	09-07 B	327814	13504/2009
06-03 B	327733	13405/2009	09-07 C	327659	13257/2009
06-03 B	327734	13406/2009	09-07 NES	327800	13670/2009
06-03 B	327806	13407/2009	09-09	327816	13443/2009
06-06 E	327810	13411/2009	09-09	327817	13444/2009
06-06 E	327811	13412/2009	10-03	327751	13389/2009
06-06 E	327812	13413/2009	11-01 NES	327703	12582/2009

Registration Proceedings - Class Listing of Designs Published or Registered cont'd

Classification	Registration Number	Design Number	Classification	Registration Number	Design Number
11-02 NES	327660	13276/2009	21-01 A	327780	13420/2009
11-02 NES	327679	13320/2009	21-01 A	327781	13421/2009
11-05	327654	10336/2009	21-01 A	327782	13422/2009
11-05	327655	12995/2009	21-01 B	327688	13294/2009
11-05	327656	12996/2009	21-01 B	327762	13423/2009
12-05	327639	13142/2009	21-01 B	327763	13424/2009
12-05	327769	13469/2009	21-01 B	327764	13425/2009
12-05	327789	13397/2009	21-01 B	327765	13426/2009
12-05	327790	13398/2009	21-01 B	327766	13427/2009
12-06 A	327798	12801/2009	21-01 B	327767	13428/2009
12-06 B	327798	12801/2009	21-01 B	327768	13429/2009
12-08	327732	13358/2009	21-01 L	327792	13400/2009
12-08	327755	13356/2009	21-02 C	327644	13365/2009
12-08	327756	13357/2009	21-02 C	327682	13274/2009
12-10	327706	13195/2009	21-02 D	327623	13232/2009
12-15 A	327757	11000/2009	21-02 F	327711	10907/2009
12-15 A	327760	10999/2009	21-02 NES	327708	13306/2009
12-15 D	327715	13330/2009	21-99	327714	13323/2009
12-15 NES	327831	10998/2009	22-05	327719	12660/2009
12-16 A	327797	12800/2009	22-05	327720	12661/2009
12-16 NES	327712	13319/2009	22-05	327722	13327/2009
12-16 NES	327787	13395/2009	22-05	327774	12592/2009
12-16 NES	327788	13396/2009	22-05	327775	12594/2009
12-16 NES	327789	13397/2009	22-05	327776	12662/2009
12-16 NES	327790	13398/2009	22-05	327843	13392/2009
12-16 NES	327793	12725/2009	22-06	327722	13327/2009
12-16 NES	327819	13435/2009	23-01 E	327818	13445/2009
12-16 NES	327820	13436/2009	23-01 F	327729	13108/2009
12-16 NES	327821	13437/2009	23-01 F	327730	13583/2009
13-99	327714	13323/2009	23-01 F	327731	13584/2009
14-02	327685	13030/2009	23-01 H	327661	12950/2009
14-02	327687	13231/2009	23-01 H	327838	13259/2009
14-02	327705	13031/2009	23-01 H	327839	13260/2009
14-02	327707	13293/2009	23-01 H	327840	13261/2009
14-03 A	327690	13297/2009	23-01 H	327842	13258/2009
14-03 E	327691	13298/2009	23-03 D	327692	13300/2009
15-01	327789	13397/2009	23-04	327637	11764/2009
15-01	327790	13398/2009	23-04	327747	13385/2009
15-03 A	327844	13449/2009	23-04	327748	13386/2009
15-03 A	327845	13450/2009	24-02	327735	14835/2008
15-03 C	327663	13077/2009	24-04	327749	13387/2009
15-03 C	327664	13078/2009	24-04	327750	13388/2009
15-03 C	327665	13079/2009	25-01 K	327640	13360/2009
15-03 C	327666	13080/2009	25-01 K	327641	13361/2009
15-03 NES	327686	13192/2009	25-01 K	327642	13362/2009
15-04	327686	13192/2009	25-02 E	327783	13245/2009
15-07	327676	13280/2009	25-02 E	327784	13246/2009
15-07	327677	13281/2009	25-02 E	327785	13247/2009
15-07	327678	13282/2009	26-04	327802	12614/2009
15-99	327786	13393/2009	26-04	327803	12615/2009
18-01	327687	13231/2009	26-05 A	327709	13307/2009
18-02	327687	13231/2009	26-05 B	327681	13273/2009
19-99	327671	12868/2009	28-03 A	327836	13456/2009
19-99	327672	12869/2009	28-03 NES	327684	13304/2009
19-99	327673	12870/2009			
20-01	327770	10500/2009			
20-02 C	327770	10500/2009			

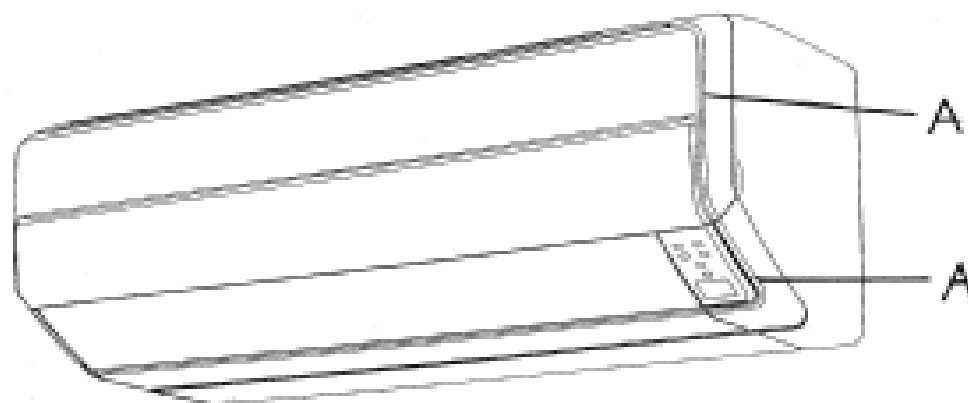
- (21) Design Number: **13232/2009**  
(22) Date of Filing Application: **24 August 2009**  
(24) Date from which industrial property rights may have effect: **24 August 2009**  
(54) Product in respect of which the design is registered: **Step configuration for a swimming pool**  
(51) International Design Classification: **21-02D**  
(71) Name(s) and Address(s) of Applicant(s):  
**Leisure Pools and Spas Manufacturing Pty Ltd**  
**6 Computer Road Yatala Queensland 4207 Australia**  
(72) Name(s) of Designer(s): **Kerry Pain**  
(45) Registration Date: **18 September 2009**  
(56) Related Art Documents: **Not Applicable**  
(57) Statement of Newness and Distinctiveness: **The newness and distinctiveness of the design resides in the shape and/or configuration of the STEP CONFIGURATION FOR A SWIMMING POOL shown in the representations. In considering the scope of the newness and distinctiveness claimed, features shown in outline are to be discounted. Broken lines indicate variability in dimensions therebetween.**



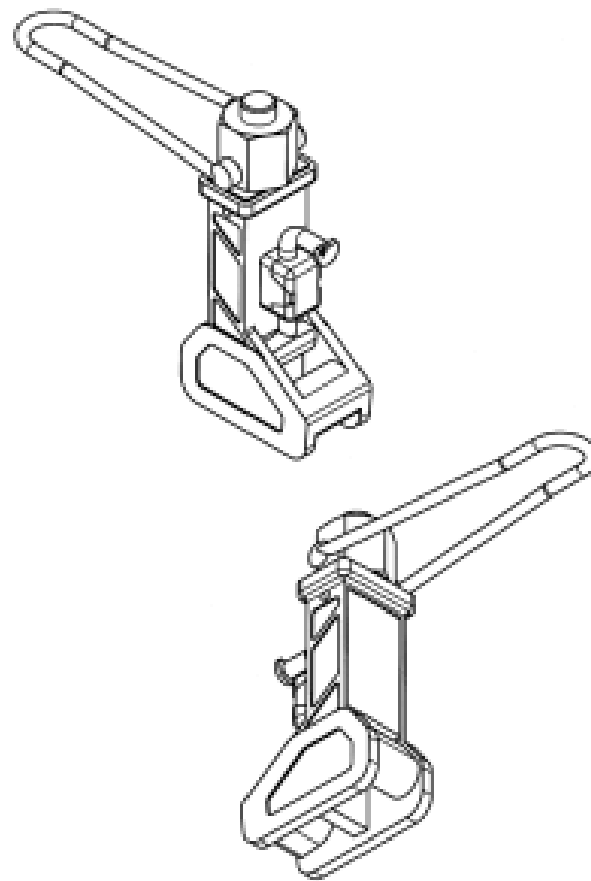
- (21) Design Number: **11764/2009**  
(22) Date of Filing Application: **15 May 2009**  
(24) Date from which industrial property rights may have effect: **15 May 2009**  
(54) Product in respect of which the design is registered: **Air conditioner**  
(51) International Design Classification: **23-04**  
(71) Name(s) and Address(s) of Applicant(s):  
**Fujitsu General Limited**  
**1116 Suenaga Takatsu-Ku Kawasaki-Shi Kanagawa-ken Japan**  
(72) Name(s) of Designer(s): **Hajime Kuge and Shintaro Ueno**  
(45) Registration Date: **21 September 2009**  
(30) Convention priority data:  

(31) Number	(32) Date	(33) Country
<b>2008-029443</b>	<b>17 Nov 2008</b>	<b>JAPAN</b>

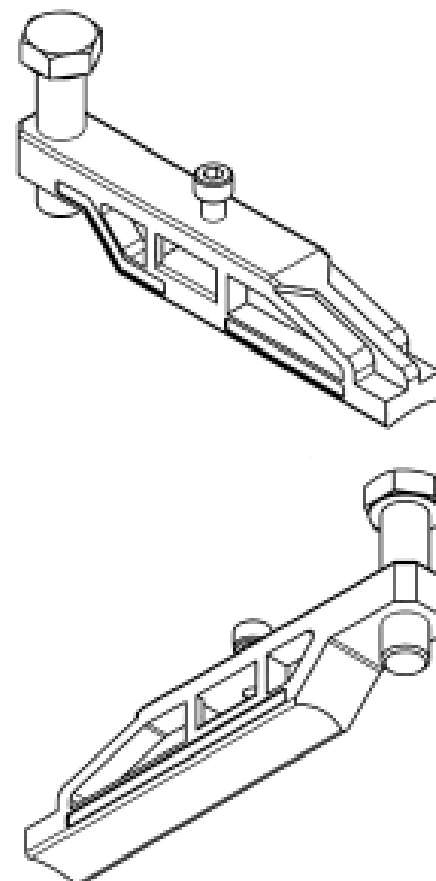
  
(56) Related Art Documents: **Not Applicable**  
(57) Statement of Newness and Distinctiveness: **Newness and distinctiveness is claimed in the features of shape and/or configuration of the following parts of an air conditioner as illustrated and labelled in the accompanying representations. Equally spaced bands around the circumference of the front panels labelled "A".**



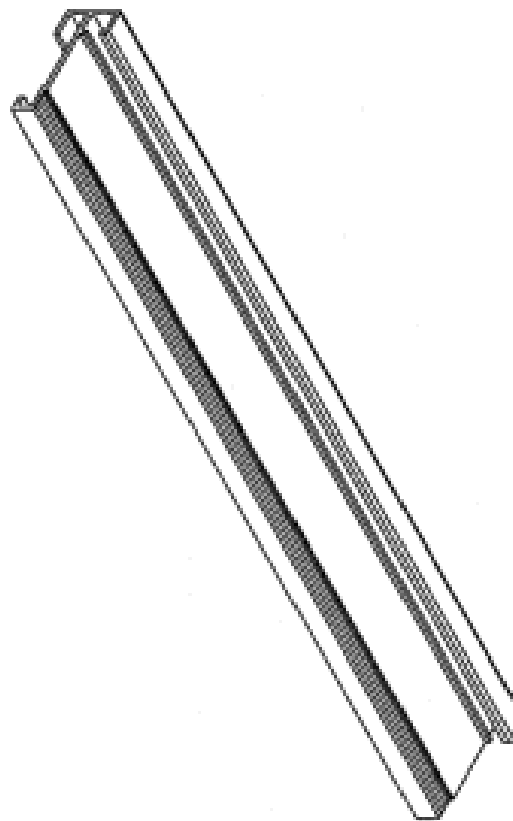
- (21) Design Number: **13141/2009**
- (22) Date of Filing Application: **18 August 2009**
- (24) Date from which industrial property rights may have effect: **18 August 2009**
- (54) Product in respect of which the design is registered: **Chain tension device**
- (51) International Design Classification: **08-05NES**
- (71) Name(s) and Address(s) of Applicant(s):  
**Richard Francis Dower**  
**267 The Esplanade Wynnum Queensland 4178 Australia**
- (72) Name(s) of Designer(s): **Richard Francis Dower and Gordon Haslewood Stuart**
- (45) Registration Date: **21 September 2009**
- (56) Related Art Documents: **Not Applicable**
- (57) Statement of Newness and Distinctiveness: **The new and distinctive features are the shape and configuration of a chain tension device shown in the representations.**



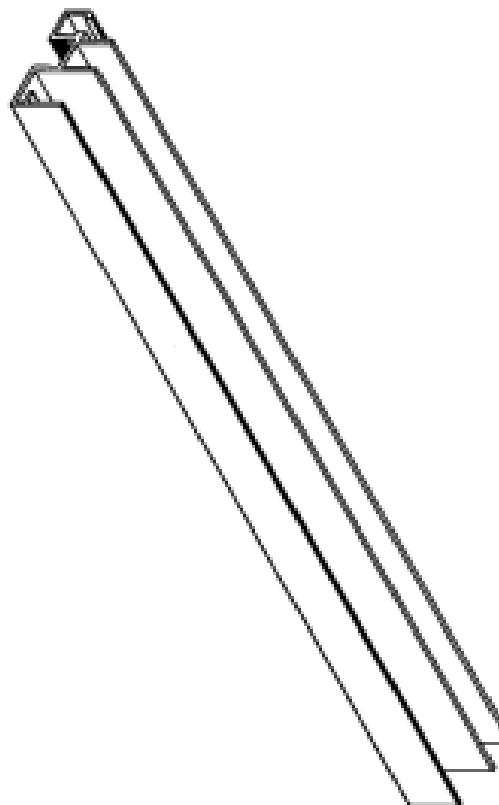
- (21) Design Number: **13142/2009**
- (22) Date of Filing Application: **18 August 2009**
- (24) Date from which industrial property rights may have effect: **18 August 2009**
- (54) Product in respect of which the design is registered: **Jacking bar**
- (51) International Design Classification: **12-05**
- (71) Name(s) and Address(s) of Applicant(s):  
**Richard Francis Dower**  
**267 The Esplanade Wynnum Queensland 4178 Australia**
- (72) Name(s) of Designer(s): **Richard Francis Dower and Gordon Haslewood Stuart**
- (45) Registration Date: **21 September 2009**
- (56) Related Art Documents: **Not Applicable**
- (57) Statement of Newness and Distinctiveness: **The new and innovative feature are the shape and configuration of a jacking bar as shown in the representations.**



- (21) Design Number: **13360/2009**  
(22) Date of Filing Application: **03 September 2009**  
(24) Date from which industrial property rights may have effect: **03 September 2009**  
(54) Product in respect of which the design is registered: **The mirror frame with leg is used to creat a framed mirror**  
(51) International Design Classification: **06-07, 08-08NES, 25-01K**  
(71) Name(s) and Address(s) of Applicant(s):  
**Aluminium Industries of Australia Pty Ltd  
Cnr Carson Ave & Cheltenham Rd Keysborough Victoria 3173  
Australia**  
(72) Name(s) of Designer(s): **Lee Brown**  
(45) Registration Date: **21 September 2009**  
(56) Related Art Documents: **Not Applicable**  
(57) Statement of Newness and Distinctiveness: **Monopoly is claimed in the shape and/or configuration of an extruded mirror frame with leg as illustrated in the representations and which is of indefinite length.**



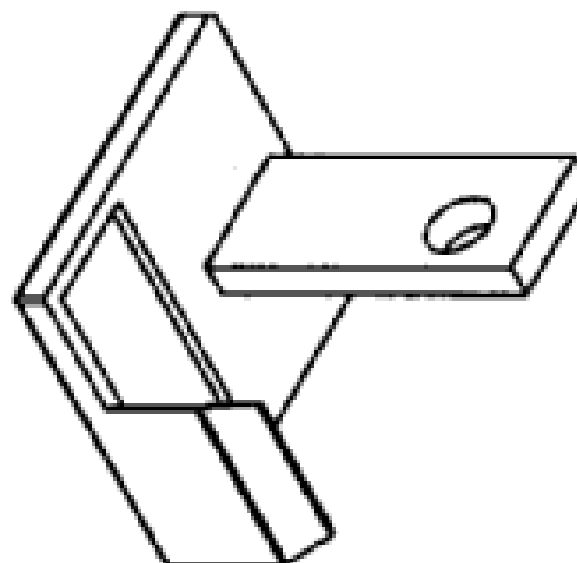
- (21) Design Number: **13361/2009**  
(22) Date of Filing Application: **03 September 2009**  
(24) Date from which industrial property rights may have effect: **03 September 2009**  
(54) Product in respect of which the design is registered: **The wardrobe stile with leg is used to create a sliding mirror wardrobe door for residential applications**  
(51) International Design Classification: **08-09, 25-01K**  
(71) Name(s) and Address(s) of Applicant(s):  
**Aluminium Industries of Australia Pty Ltd  
Cnr Carson Ave & Cheltenham Rd Keysborough Victoria 3173  
Australia**  
(72) Name(s) of Designer(s): **Lee Brown**  
(45) Registration Date: **21 September 2009**  
(56) Related Art Documents: **Not Applicable**  
(57) Statement of Newness and Distinctiveness: **Monopoly is claimed in the shape and/or configuration of an extruded wardrobe stile with leg as illustrated in the representations and which is of indefinite length.**



- (21) Design Number: **13362/2009**  
(22) Date of Filing Application: **03 September 2009**  
(24) Date from which industrial property rights may have effect: **03 September 2009**  
(54) Product in respect of which the design is registered: **The wardrobe rail with leg is used to create a sliding mirror wardrobe door for residential applications**  
(51) International Design Classification: **08-09, 25-01K**  
(71) Name(s) and Address(s) of Applicant(s):  
**Aluminium Industries of Australia Pty Ltd  
Cnr Carson Ave & Cheltenham Rd Keysborough Victoria 3173  
Australia**  
(72) Name(s) of Designer(s): **Lee Brown**  
(45) Registration Date: **21 September 2009**  
(56) Related Art Documents: **Not Applicable**  
(57) Statement of Newness and Distinctiveness: **Monopoly is claimed in the shape and/or configuration of an extruded wardrobe rail with leg as illustrated in the representations and which is of indefinite length.**



- (21) Design Number: **13363/2009**  
(22) Date of Filing Application: **03 September 2009**  
(24) Date from which industrial property rights may have effect: **03 September 2009**  
(54) Product in respect of which the design is registered: **The wardrobe cap is used to create a sliding wardrobe mirror door for residential applications**  
(51) International Design Classification: **08-08NES**  
(71) Name(s) and Address(s) of Applicant(s):  
**Aluminium Industries of Australia Pty Ltd  
Cnr Carson Ave & Cheltenham Rd Keysborough Victoria 3173  
Australia**  
(72) Name(s) of Designer(s): **Lee Brown**  
(45) Registration Date: **21 September 2009**  
(56) Related Art Documents: **Not Applicable**  
(57) Statement of Newness and Distinctiveness: **Monopoly is claimed in the shape and/or configuration of a wardrobe cap as illustrated in the representations.**





(21) Design Number: **13365/2009**

(22) Date of Filing Application: **02 September 2009**

(24) Date from which industrial property rights may have effect: **02 September 2009**

(54) Product in respect of which the design is registered: **Putter head**

(51) International Design Classification: **21-02C**

(71) Name(s) and Address(s) of Applicant(s):

**Sam Parkinson**

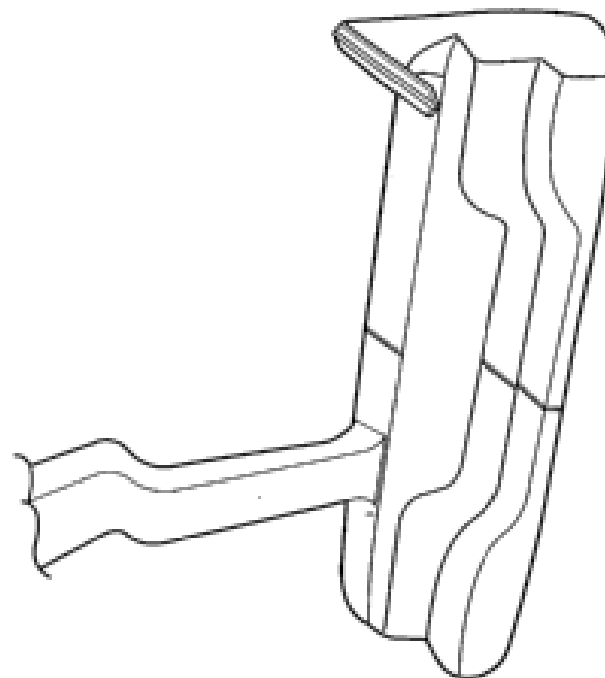
**115 Rundle Street Kent Town South Australia 5067 Australia**

(72) Name(s) of Designer(s): **Sam Parkinson**

(45) Registration Date: **21 September 2009**

(56) Related Art Documents: **Not Applicable**

(57) Statement of Newness and Distinctiveness: **Nil**



(21) Design Number: **10336/2009**

(22) Date of Filing Application: **06 February 2009**

(24) Date from which industrial property rights may have effect: **06 February 2009**

(54) Product in respect of which the design is registered: **Christmas crackers**

(51) International Design Classification: **11-05**

(71) Name(s) and Address(s) of Applicant(s):

**Colleen Wenn**

**615 Burke Road Hawthorn East Victoria 3123 Australia**

(72) Name(s) of Designer(s): **Colleen Wenn**

(45) Registration Date: **17 September 2009**

(56) Related Art Documents: **Not Applicable**

(57) Statement of Newness and Distinctiveness: **The particular visual features of the design which the applicant hereby identifies as new and distinctive are as follows: Christmas crackers being articles as illustrated in the accompanying drawings.**



(21) Design Number: **12995/2009**

(22) Date of Filing Application: **06 February 2009**

(24) Date from which industrial property rights may have effect: **06 February 2009**

(54) Product in respect of which the design is registered: **Christmas crackers**

(51) International Design Classification: **11-05**

(71) Name(s) and Address(s) of Applicant(s):

**Colleen Wenn**

**615 Burke Road Hawthorn East Victoria 3123 Australia**

(72) Name(s) of Designer(s): **Colleen Wenn**

(45) Registration Date: **17 September 2009**

(56) Related Art Documents: **Not Applicable**

(57) Statement of Newness and Distinctiveness: **The particular visual features of the design which the applicant hereby identifies as new and distinctive are as follows: Christmas crackers being articles as illustrated in the accompanying drawings.**



(21) Design Number: **12996/2009**

(22) Date of Filing Application: **06 February 2009**

(24) Date from which industrial property rights may have effect: **06 February 2009**

(54) Product in respect of which the design is registered: **Christmas crackers**

(51) International Design Classification: **11-05**

(71) Name(s) and Address(s) of Applicant(s):

**Colleen Wenn**

**615 Burke Road Hawthorn East Victoria 3123 Australia**

(72) Name(s) of Designer(s): **Colleen Wenn**

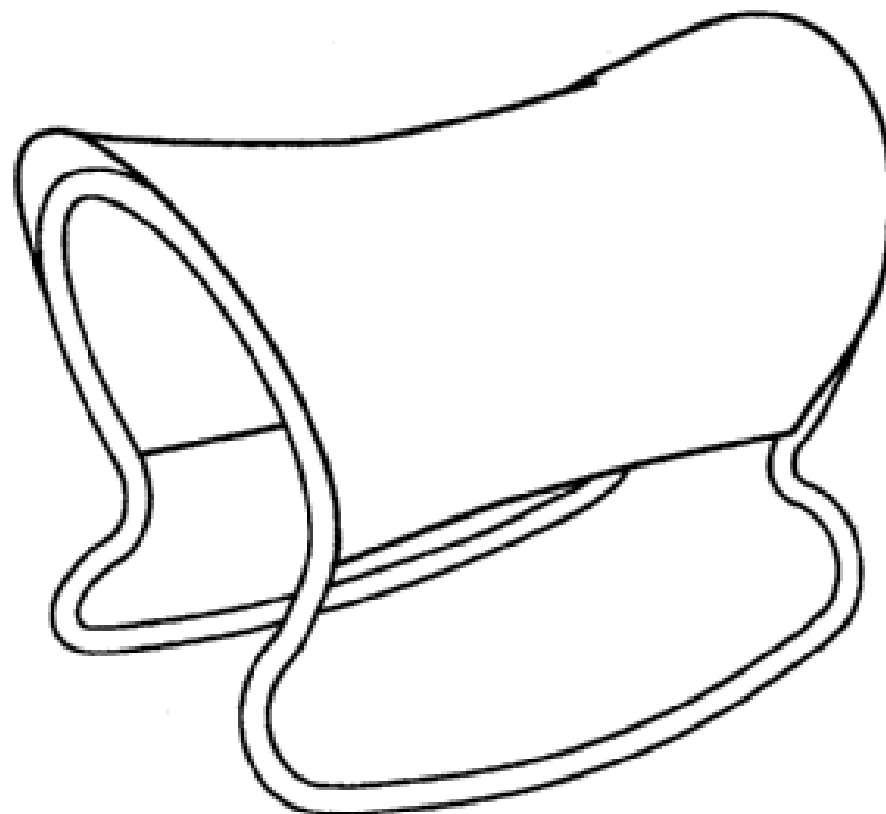
(45) Registration Date: **17 September 2009**

(56) Related Art Documents: **Not Applicable**

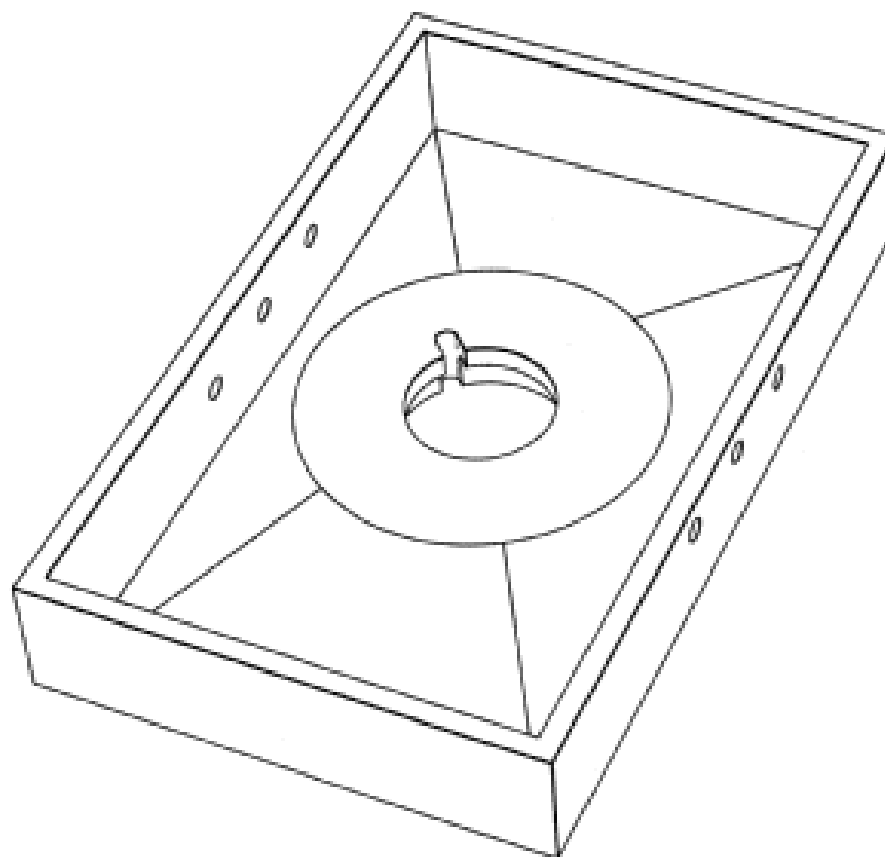
(57) Statement of Newness and Distinctiveness: **The particular visual features of the design which the applicant hereby identifies as new and distinctive are as follows: Christmas crackers being articles as illustrated in the accompanying drawings.**



(21) Design Number: **12795/2009**  
(22) Date of Filing Application: **29 July 2009**  
(24) Date from which industrial property rights may have effect: **29 July 2009**  
(54) Product in respect of which the design is registered: **A stool**  
(51) International Design Classification: **06-01E**  
(71) Name(s) and Address(s) of Applicant(s):  
**Nicholas Dunand**  
**10 River Avenue Ascot Vale Melbourne Victoria 3032 Australia**  
(72) Name(s) of Designer(s): **Nicholas Dunand**  
(45) Registration Date: **17 September 2009**  
(56) Related Art Documents: **Not Applicable**  
(57) Statement of Newness and Distinctiveness: **Nil**



(21) Design Number: **13256/2009**  
(22) Date of Filing Application: **25 August 2009**  
(24) Date from which industrial property rights may have effect: **25 August 2009**  
(54) Product in respect of which the design is registered: **A base for a grill/barbeque**  
(51) International Design Classification: **07-02E**  
(71) Name(s) and Address(s) of Applicant(s):  
**Active Food Systems Limited**  
**Millbrook Farmhouse Blewbury Oxon OX11 9ED United Kingdom**  
(72) Name(s) of Designer(s): **Justin Cadbury**  
(45) Registration Date: **17 September 2009**  
(30) Convention priority data:  
(31) Number      (32) Date      (33) Country  
**001097489-0001    25 Feb 2009      EUROPEAN COMMUNITY**  
(56) Related Art Documents: **Not Applicable**  
(57) Statement of Newness and Distinctiveness: **Nil**



(21) Design Number: **13257/2009**

(22) Date of Filing Application: **25 August 2009**

(24) Date from which industrial property rights may have effect: **25 August 2009**

(54) Product in respect of which the design is registered: **A bottle closure component**

(51) International Design Classification: **09-07C**

(71) Name(s) and Address(s) of Applicant(s):

**Zork Pty Ltd**

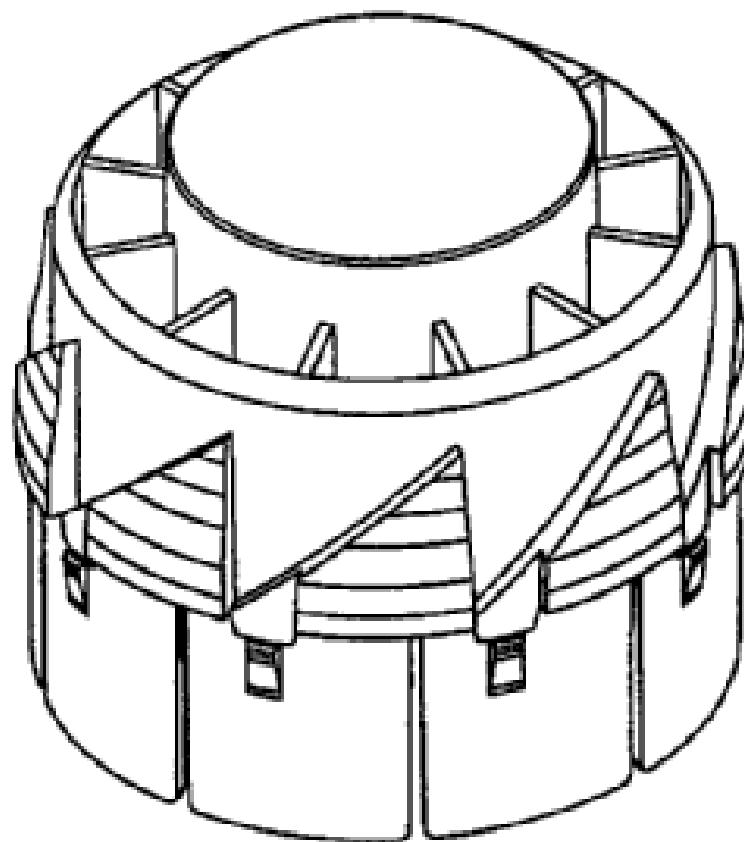
**7 Hackney Road Hackney South Australia 5069 Australia**

(72) Name(s) of Designer(s): **John Brooks**

(45) Registration Date: **17 September 2009**

(56) Related Art Documents: **Not Applicable**

(57) Statement of Newness and Distinctiveness: **Newness and distinctiveness is claimed in the features of shape and/or configuration of the raised external generally triangular foundations of a bottle closure component as illustrated in the accompanying representations.**



(21) Design Number: **13276/2009**

(22) Date of Filing Application: **26 August 2009**

(24) Date from which industrial property rights may have effect: **26 August 2009**

(54) Product in respect of which the design is registered: **Ornament**

(51) International Design Classification: **11-02NES**

(71) Name(s) and Address(s) of Applicant(s):

**Christina Mary Waterson**

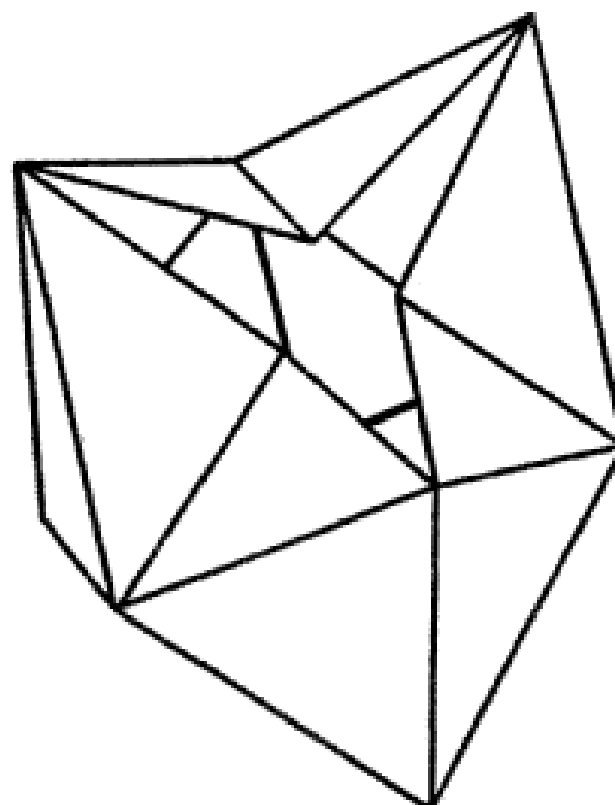
**Unit 12E 182 Dornoch Terrace Highgate Hill Queensland 4101  
Australia**

(72) Name(s) of Designer(s): **Christina Mary Waterson**

(45) Registration Date: **17 September 2009**

(56) Related Art Documents: **Not Applicable**

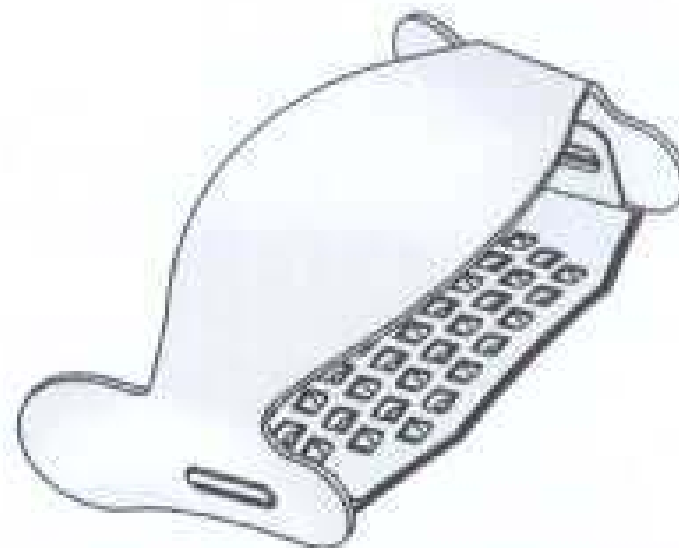
(57) Statement of Newness and Distinctiveness: **Nil**



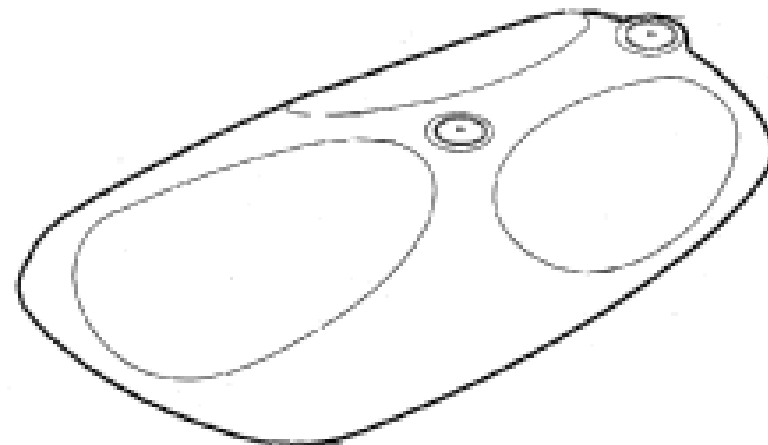
(21) Design Number: **12950/2009**  
(22) Date of Filing Application: **06 August 2009**  
(24) Date from which industrial property rights may have effect: **06 August 2009**  
(54) Product in respect of which the design is registered: **Mixing Tap**  
(51) International Design Classification: **23-01H**  
(71) Name(s) and Address(s) of Applicant(s):  
**Hansa Metallwerke AG**  
**Sigmaringer Str. 107 D-70567 Stuttgart Germany**  
(72) Name(s) of Designer(s): **Reinhard Zetsche and Bruno Sacco**  
(45) Registration Date: **18 September 2009**  
(30) Convention priority data:  
(31) Number (32) Date (33) Country  
**001087522 12 Feb 2009 EUROPEAN COMMUNITY**  
(56) Related Art Documents: **Not Applicable**  
(57) Statement of Newness and Distinctiveness: **Nil**



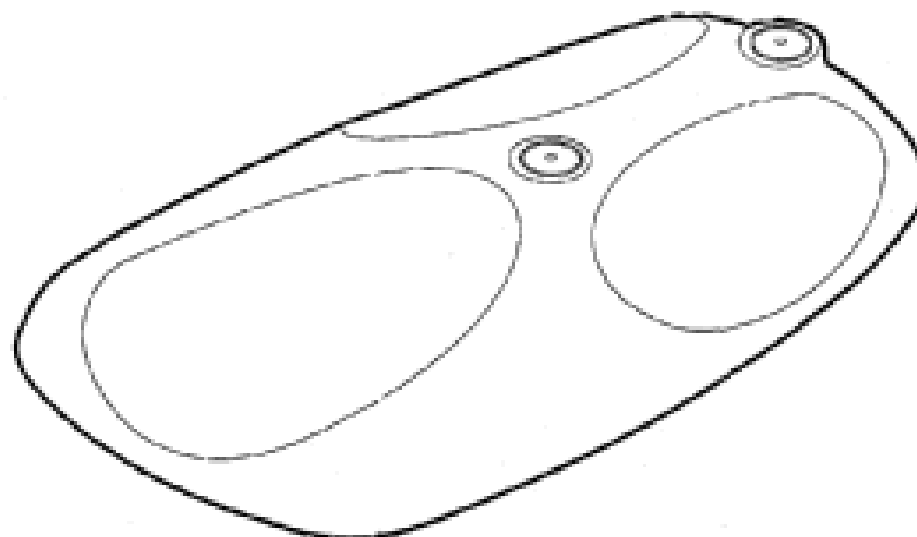
(21) Design Number: **12975/2009**  
(22) Date of Filing Application: **14 May 2009**  
(24) Date from which industrial property rights may have effect: **14 May 2009**  
(54) Product in respect of which the design is registered: **Grater**  
(51) International Design Classification: **07-04**  
(71) Name(s) and Address(s) of Applicant(s):  
**Iwan Rasa**  
**Zollhausstrasse 16 CH-8505 PFYN Switzerland**  
(72) Name(s) of Designer(s): **Iwan Rasa**  
(45) Registration Date: **18 September 2009**  
(30) Convention priority data:  
(31) Number (32) Date (33) Country  
**001038830 14 Nov 2008 EUROPEAN COMMUNITY**  
(56) Related Art Documents: **Not Applicable**  
(57) Statement of Newness and Distinctiveness: **Nil**



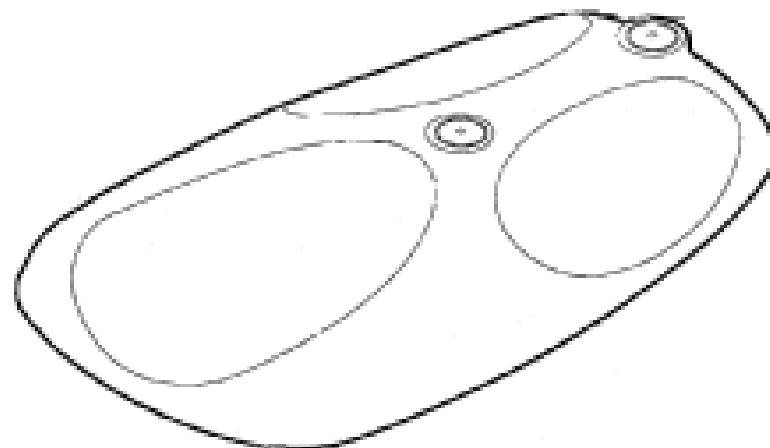
- (21) Design Number: **13077/2009**  
(22) Date of Filing Application: **13 August 2009**  
(24) Date from which industrial property rights may have effect: **13 August 2009**  
(54) Product in respect of which the design is registered: **A moulding for udder spray nozzle mounting**  
(51) International Design Classification: **15-03C**  
(71) Name(s) and Address(s) of Applicant(s):  
**Waikato Milking Systems NZ Limited**  
**119 Maui Street Hamilton New Zealand**  
(72) Name(s) of Designer(s): **James Frederick Pharaoh**  
(45) Registration Date: **18 September 2009**  
(30) Convention priority data:  
(31) Number (32) Date (33) Country  
**411943 19 Feb 2009 NEW ZEALAND**  
(56) Related Art Documents: **Not Applicable**  
(57) Statement of Newness and Distinctiveness: **Application is for a design to be applied to a moulding for udder spray nozzle mounting. The novelty claimed for the design resides in the features of shape and/or configuration all as shown in the representations. No novelty is claimed for the number of spray nozzle locations nor for the views from below.**



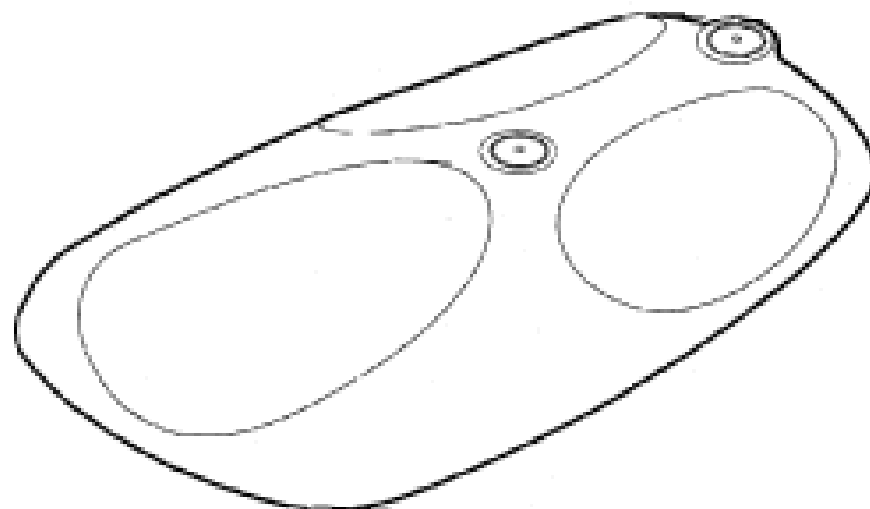
- (21) Design Number: **13078/2009**  
(22) Date of Filing Application: **13 August 2009**  
(24) Date from which industrial property rights may have effect: **13 August 2009**  
(54) Product in respect of which the design is registered: **Udder spraying apparatus**  
(51) International Design Classification: **15-03C**  
(71) Name(s) and Address(s) of Applicant(s):  
**Waikato Milking Systems NZ Limited**  
**119 Maui Street Hamilton New Zealand**  
(72) Name(s) of Designer(s): **James Frederick Pharaoh**  
(45) Registration Date: **18 September 2009**  
(30) Convention priority data:  
(31) Number (32) Date (33) Country  
**411944 19 Feb 2009 NEW ZEALAND**  
(56) Related Art Documents: **Not Applicable**  
(57) Statement of Newness and Distinctiveness: **The novelty claimed for the design resides in the features of shape and/or configuration all as shown in the representations. Novelty is claimed for a leg spreading profile with the spaced spray outlets but not for the exact plan silhouette, not for the scallop-like recesses nor for the views from below.**



- (21) Design Number: **13079/2009**  
(22) Date of Filing Application: **13 August 2009**  
(24) Date from which industrial property rights may have effect: **13 August 2009**  
(54) Product in respect of which the design is registered: **An udder spray housing to house two spray nozzles**  
(51) International Design Classification: **15-03C**  
(71) Name(s) and Address(s) of Applicant(s):  
**Waikato Milking Systems NZ Limited**  
**119 Maui Street Hamilton New Zealand**  
(72) Name(s) of Designer(s): **James Frederick Pharaoh**  
(45) Registration Date: **18 September 2009**  
(30) Convention priority data:  
(31) Number (32) Date (33) Country  
**411945 19 Feb 2009 NEW ZEALAND**  
(56) Related Art Documents: **Not Applicable**  
(57) Statement of Newness and Distinctiveness: **Application is for a design to be applied to an udder spray housing to house two spray nozzles. The novelty claimed for the design resides in the features of shape and/or configuration all as shown in the representations. No novelty is claimed for the views from below.**



- (21) Design Number: **13080/2009**  
(22) Date of Filing Application: **13 August 2009**  
(24) Date from which industrial property rights may have effect: **13 August 2009**  
(54) Product in respect of which the design is registered: **Udder spraying apparatus**  
(51) International Design Classification: **15-03C**  
(71) Name(s) and Address(s) of Applicant(s):  
**Waikato Milking Systems NZ Limited**  
**119 Maui Street Hamilton New Zealand**  
(72) Name(s) of Designer(s): **James Frederick Pharaoh**  
(45) Registration Date: **18 September 2009**  
(30) Convention priority data:  
(31) Number (32) Date (33) Country  
**411946 19 Feb 2009 NEW ZEALAND**  
(56) Related Art Documents: **Not Applicable**  
(57) Statement of Newness and Distinctiveness: **Application is for a design to be applied to an udder spraying apparatus. The novelty claimed for the design resides in the features of shape and/or configuration all as shown in the representations. No novelty is claimed for the views from below.**



(21) Design Number: **13253/2009**

(22) Date of Filing Application: **25 August 2009**

(24) Date from which industrial property rights may have effect: **25 August 2009**

(54) Product in respect of which the design is registered: **Chair**

(51) International Design Classification: **06-01F**

(71) Name(s) and Address(s) of Applicant(s):

**Wilkhahn Wilkening + Hahne GmbH + Co.  
Fritz-Hahne-Str. 8, 31848, Bad Munder, Germany**

(72) Name(s) of Designer(s): **Michael Englisch and Anne-Katrin Sieferer**

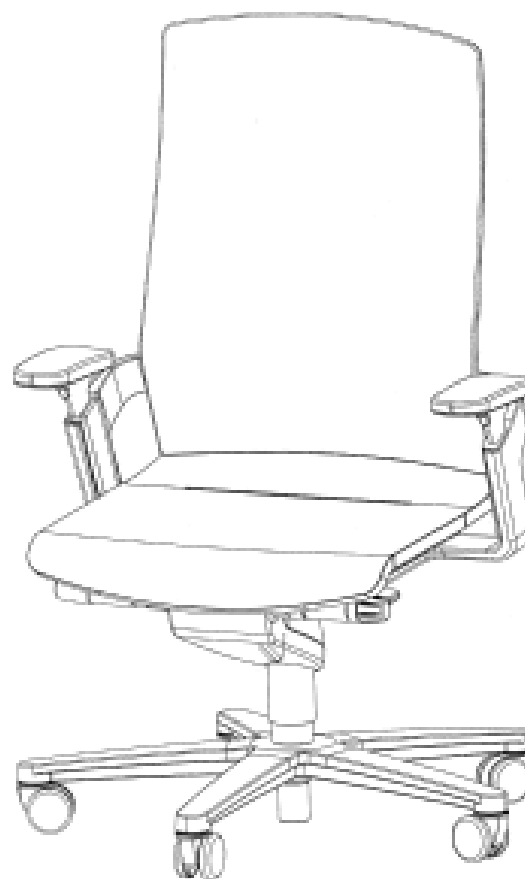
(45) Registration Date: **18 September 2009**

(30) Convention priority data:

(31) Number	(32) Date	(33) Country
<b>001500</b>	<b>01 Apr 2009</b>	<b>EUROPEAN COMMUNITY</b>
<b>307-0001</b>		

(56) Related Art Documents: **Not Applicable**

(57) Statement of Newness and Distinctiveness: **Nil**



(21) Design Number: **13254/2009**

(22) Date of Filing Application: **25 August 2009**

(24) Date from which industrial property rights may have effect: **25 August 2009**

(54) Product in respect of which the design is registered: **Table**

(51) International Design Classification: **06-03B**

(71) Name(s) and Address(s) of Applicant(s):

**Kain Lucas  
1/8 Yardley Street Maidstone Victoria 3012 Australia**

(72) Name(s) of Designer(s): **Kain Lucas**

(45) Registration Date: **18 September 2009**

(56) Related Art Documents: **Not Applicable**

(57) Statement of Newness and Distinctiveness: **Pattern created by the method of manufacture.**





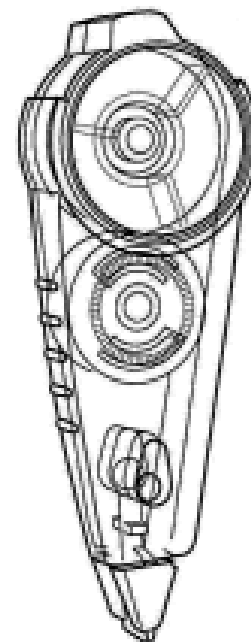
- (21) Design Number: **13255/2009**  
(22) Date of Filing Application: **25 August 2009**  
(24) Date from which industrial property rights may have effect: **25 August 2009**  
(54) Product in respect of which the design is registered: **Chair**  
(51) International Design Classification: **06-01B**  
(71) Name(s) and Address(s) of Applicant(s):  
**Ross Didier**  
**11 Cozens Street Brunswick Victoria 3056 Australia**  
(72) Name(s) of Designer(s): **Ross Didier**  
(45) Registration Date: **18 September 2009**  
(56) Related Art Documents: **Not Applicable**  
(57) Statement of Newness and Distinctiveness: **Nil**



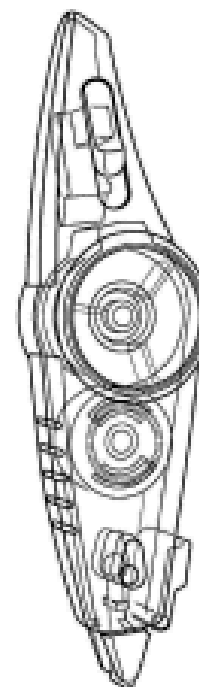
- (21) Design Number: **12665/2009**  
(22) Date of Filing Application: **21 July 2009**  
(24) Date from which industrial property rights may have effect: **21 July 2009**  
(54) Product in respect of which the design is registered: **Worm habitat**  
(51) International Design Classification: **09-02A**  
(71) Name(s) and Address(s) of Applicant(s):  
**Paul Michael Harrey**  
**308 Tanawha Tourist Drive Tanawha Queensland 4556 Australia**  
**Penelope Anne Mitchell**  
**308 Tanawha Tourist Drive Tanawha Queensland 4556 Australia**  
(72) Name(s) of Designer(s): **Paul Harrey and Penelope Mitchell**  
(45) Registration Date: **18 September 2009**  
(56) Related Art Documents: **Not Applicable**  
(57) Statement of Newness and Distinctiveness: **Anti-crawl barrier on inside of bin (shown on sheet 4 of 6) False-floor with supports (shown on page 6 of 6).**



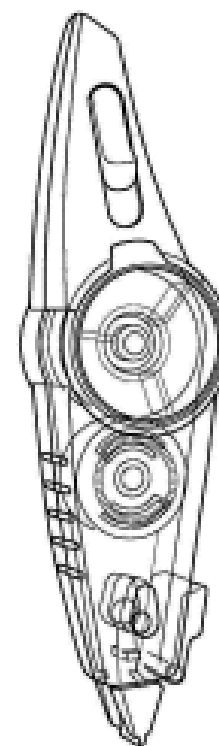
- (21) Design Number: **12868/2009**  
(22) Date of Filing Application: **31 July 2009**  
(24) Date from which industrial property rights may have effect: **31 July 2009**  
(54) Product in respect of which the design is registered: **Dispenser**  
(51) International Design Classification: **19-99**  
(71) Name(s) and Address(s) of Applicant(s):  
**Tombow Pencil Co., Ltd.**  
**6-10-12 Toshima Kita-ku Tokyo 114-8583 Japan**  
(72) Name(s) of Designer(s): **Kazuhiko Suzuki**  
(45) Registration Date: **18 September 2009**  
(30) Convention priority data:  
(31) Number      (32) Date      (33) Country  
**2009-005622      13 Mar 2009      JAPAN**  
(56) Related Art Documents: **Not Applicable**  
(57) Statement of Newness and Distinctiveness: **Nil features shown in solid lines in the representations.**



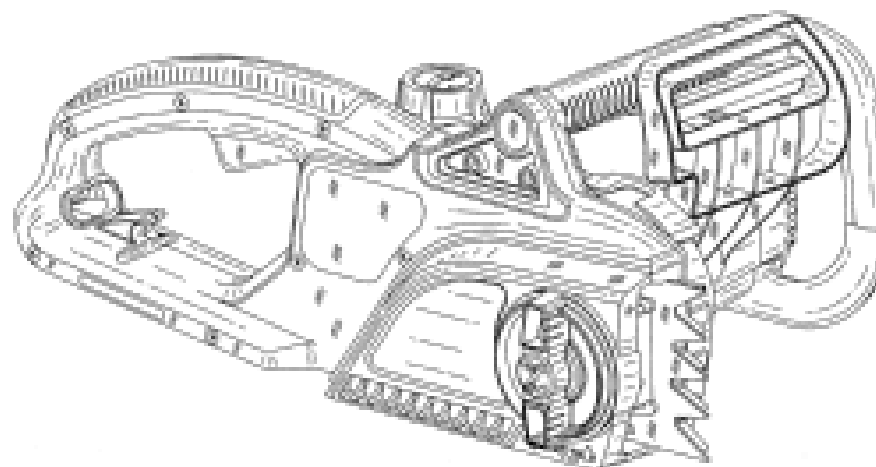
- (21) Design Number: **12869/2009**  
(22) Date of Filing Application: **31 July 2009**  
(24) Date from which industrial property rights may have effect: **31 July 2009**  
(54) Product in respect of which the design is registered: **Dispenser**  
(51) International Design Classification: **19-99**  
(71) Name(s) and Address(s) of Applicant(s):  
**Tombow Pencil Co., Ltd.**  
**6-10-12 Toshima Kita-ku Tokyo 114-8583 Japan**  
(72) Name(s) of Designer(s): **Kazuhiko Suzuki**  
(45) Registration Date: **18 September 2009**  
(30) Convention priority data:  
(31) Number      (32) Date      (33) Country  
**2009-005621      13 Mar 2009      JAPAN**  
(56) Related Art Documents: **Not Applicable**  
(57) Statement of Newness and Distinctiveness: **Nil**



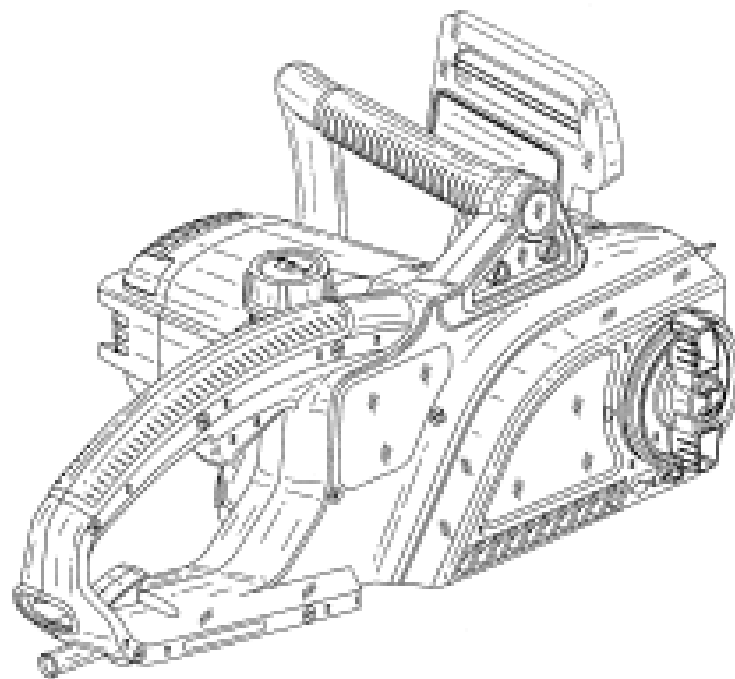
(21) Design Number: **12870/2009**  
(22) Date of Filing Application: **31 July 2009**  
(24) Date from which industrial property rights may have effect: **31 July 2009**  
(54) Product in respect of which the design is registered: **Dispenser**  
(51) International Design Classification: **19-99**  
(71) Name(s) and Address(s) of Applicant(s):  
**Tombow Pencil Co., Ltd.**  
**6-10-12 Toshima Kita-ku Tokyo 114-8583 Japan**  
(72) Name(s) of Designer(s): **Kazuhiko Suzuki**  
(45) Registration Date: **18 September 2009**  
(30) Convention priority data:  
(31) Number      (32) Date      (33) Country  
**2009-005620      13 Mar 2009      JAPAN**  
(56) Related Art Documents: **Not Applicable**  
(57) Statement of Newness and Distinctiveness: **Nil**



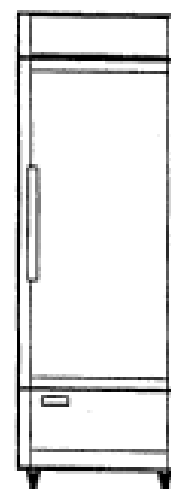
(21) Design Number: **13015/2009**  
(22) Date of Filing Application: **10 August 2009**  
(24) Date from which industrial property rights may have effect: **10 August 2009**  
(54) Product in respect of which the design is registered: **Chain saw**  
(51) International Design Classification: **08-03**  
(71) Name(s) and Address(s) of Applicant(s):  
**Black & Decker, Inc.**  
**1207 Drummond Plaza, Newark, Delaware, 19711, United States of America**  
(72) Name(s) of Designer(s): **Mark Baxter**  
(45) Registration Date: **18 September 2009**  
(30) Convention priority data:  
(31) Number      (32) Date      (33) Country  
**001088249      16 Feb 2009      EUROPEAN COMMUNITY**  
(56) Related Art Documents: **Not Applicable**  
(57) Statement of Newness and Distinctiveness: **Nil**



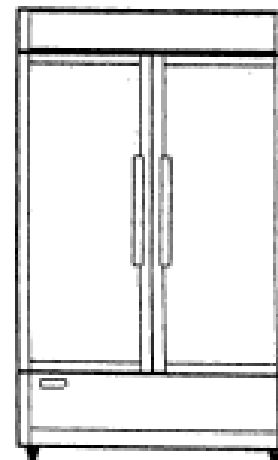
(21) Design Number: **13014/2009**  
(22) Date of Filing Application: **10 August 2009**  
(24) Date from which industrial property rights may have effect: **10 August 2009**  
(54) Product in respect of which the design is registered: **Chain saw**  
(51) International Design Classification: **08-03**  
(71) Name(s) and Address(s) of Applicant(s):  
**Black & Decker, Inc.**  
**1207 Drummond Plaza, Newark, Delaware, 19711, United States of America**  
(72) Name(s) of Designer(s): **Mark Baxter**  
(45) Registration Date: **18 September 2009**  
(30) Convention priority data:  
(31) Number (32) Date (33) Country  
**001088249 16 Feb 2009 EUROPEAN COMMUNITY**  
(56) Related Art Documents: **Not Applicable**  
(57) Statement of Newness and Distinctiveness: **Nil**



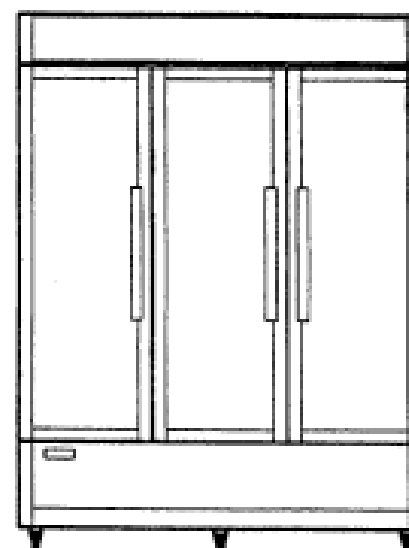
(21) Design Number: **13280/2009**  
(22) Date of Filing Application: **26 August 2009**  
(24) Date from which industrial property rights may have effect: **26 August 2009**  
(54) Product in respect of which the design is registered: **An apparatus for freezing and/or chilling**  
(51) International Design Classification: **15-07**  
(71) Name(s) and Address(s) of Applicant(s):  
**Skope Industries Limited**  
**66 Princess Street Christchurch New Zealand**  
(72) Name(s) of Designer(s): **Barry Newlands**  
(45) Registration Date: **18 September 2009**  
(30) Convention priority data:  
(31) Number (32) Date (33) Country  
**412215 24 Apr 2009 NEW ZEALAND**  
(56) Related Art Documents: **Not Applicable**  
(57) Statement of Newness and Distinctiveness: **The newness and distinctiveness of the design resides in the features of shape and/or configuration of an apparatus for freezing and/or chilling as shown in the accompanying representations.**



- (21) Design Number: **13281/2009**  
(22) Date of Filing Application: **26 August 2009**  
(24) Date from which industrial property rights may have effect: **26 August 2009**  
(54) Product in respect of which the design is registered: **An apparatus for freezing and/or chilling**  
(51) International Design Classification: **15-07**  
(71) Name(s) and Address(s) of Applicant(s):  
**Skope Industries Limited**  
**66 Princess Street Christchurch New Zealand**  
(72) Name(s) of Designer(s): **Barry Newlands**  
(45) Registration Date: **18 September 2009**  
(30) Convention priority data:  
(31) Number (32) Date (33) Country  
**412214 24 Apr 2009 NEW ZEALAND**  
(56) Related Art Documents: **Not Applicable**  
(57) Statement of Newness and Distinctiveness: **The newness and distinctiveness of the design resides in the features of shape and/or configuration of an apparatus for freezing and/or chilling as shown in the accompanying representations.**



- (21) Design Number: **13282/2009**  
(22) Date of Filing Application: **26 August 2009**  
(24) Date from which industrial property rights may have effect: **26 August 2009**  
(54) Product in respect of which the design is registered: **An apparatus for freezing and/or chilling**  
(51) International Design Classification: **15-07**  
(71) Name(s) and Address(s) of Applicant(s):  
**Skope Industries Limited**  
**66 Princess Street Christchurch New Zealand**  
(72) Name(s) of Designer(s): **Barry Newlands**  
(45) Registration Date: **18 September 2009**  
(30) Convention priority data:  
(31) Number (32) Date (33) Country  
**412213 24 Apr 2009 NEW ZEALAND**  
(56) Related Art Documents: **Not Applicable**  
(57) Statement of Newness and Distinctiveness: **The newness and distinctiveness of the design resides in the features of shape and/or configuration of an apparatus for freezing and/or chilling as shown in the accompanying representations.**



(21) Design Number: **13320/2009**

(22) Date of Filing Application: **28 August 2009**

(24) Date from which industrial property rights may have effect: **28 August 2009**

(54) Product in respect of which the design is registered: **Ornament, homeware and jewellery**

(51) International Design Classification: **11-02NES**

(71) Name(s) and Address(s) of Applicant(s):

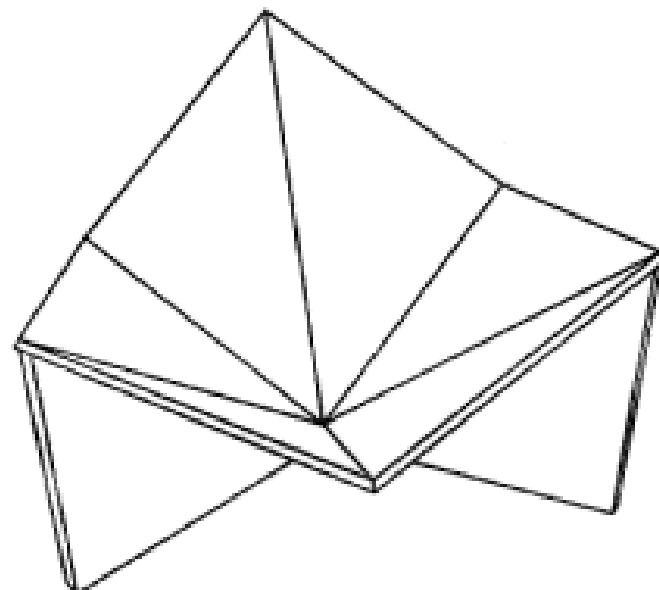
**Christina Mary Waterson  
Unit 12E 182 Dornoch Terrace Highgate Hill Queensland 4101  
Australia**

(72) Name(s) of Designer(s): **Christina Mary Waterson**

(45) Registration Date: **18 September 2009**

(56) Related Art Documents: **Not Applicable**

(57) Statement of Newness and Distinctiveness: **Nil**



(21) Design Number: **13438/2009**

(22) Date of Filing Application: **04 September 2009**

(24) Date from which industrial property rights may have effect: **04 September 2009**

(54) Product in respect of which the design is registered: **Ottoman**

(51) International Design Classification: **06-01E**

(71) Name(s) and Address(s) of Applicant(s):

**Woods Furniture Pty Ltd  
564 Geelong Road Brooklyn Victoria 3012 Australia**

(72) Name(s) of Designer(s): **James Setters**

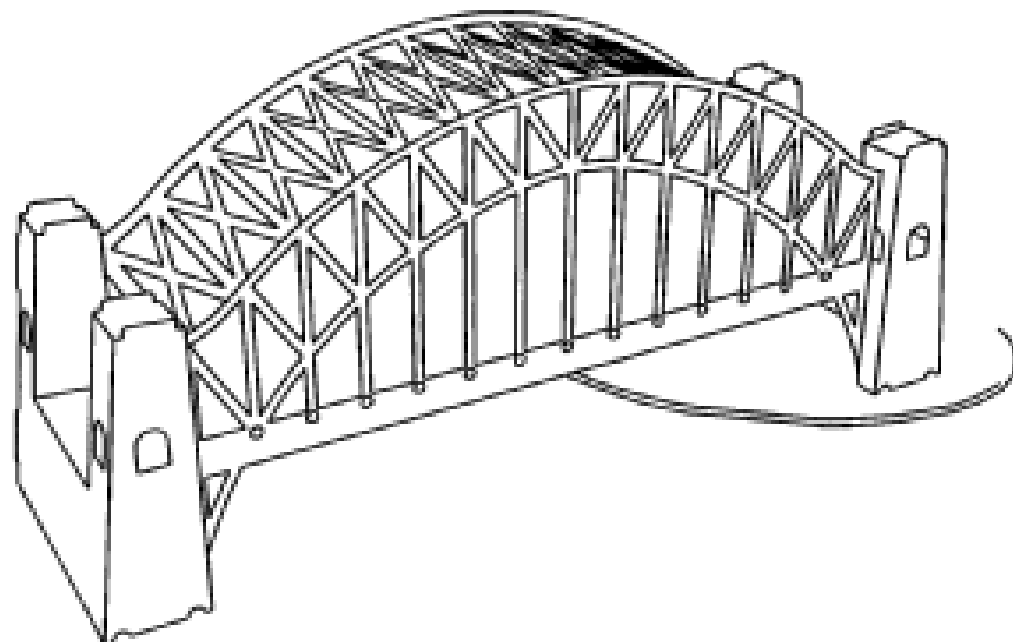
(45) Registration Date: **18 September 2009**

(56) Related Art Documents: **Not Applicable**

(57) Statement of Newness and Distinctiveness: **The shape of the gliders connected to the bottom of the ottoman are excluded from the design.**



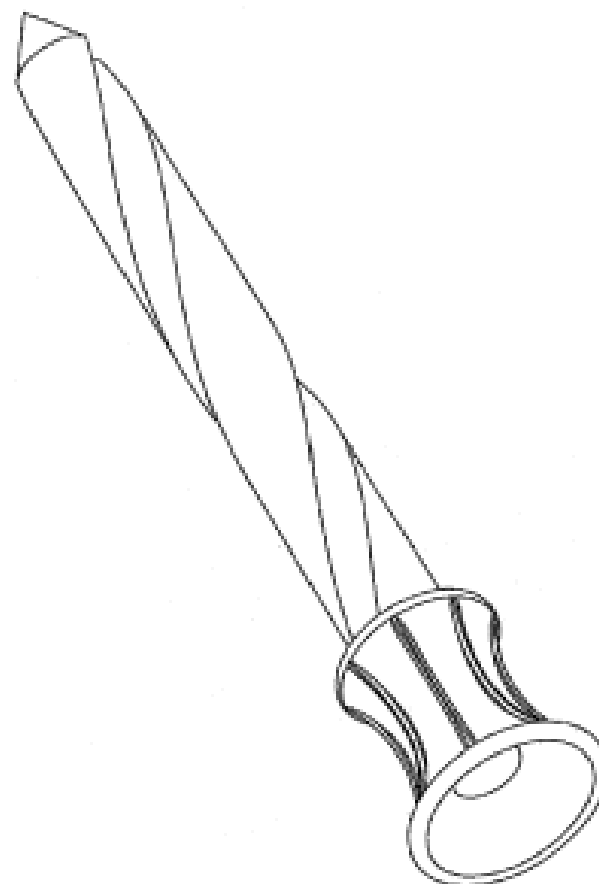
- (21) Design Number: **13273/2009**  
(22) Date of Filing Application: **27 August 2009**  
(24) Date from which industrial property rights may have effect: **27 August 2009**  
(54) Product in respect of which the design is registered: **Design 1 - Sydney Harbour Bridge light**  
(51) International Design Classification: **26-05B**  
(71) Name(s) and Address(s) of Applicant(s):  
**Megara (Australia) Pty Ltd**  
**908-920 Mountain Highway Bayswater Victoria 3153 Australia**  
(72) Name(s) of Designer(s): **Zita Watkin**  
(45) Registration Date: **18 September 2009**  
(56) Related Art Documents: **Not Applicable**  
(57) Statement of Newness and Distinctiveness: **Nil**



- (21) Design Number: **13274/2009**  
(22) Date of Filing Application: **26 August 2009**  
(24) Date from which industrial property rights may have effect: **26 August 2009**  
(54) Product in respect of which the design is registered: **Golf tee**  
(51) International Design Classification: **21-02C**  
(71) Name(s) and Address(s) of Applicant(s):  
**Shane Gordon Kells**  
**33 Sterling Drive Morrinsville New Zealand**  
**Shelley Joanne Kells**  
**33 Sterling Drive Morrinsville New Zealand**  
(72) Name(s) of Designer(s): **Shane Gordon Kells and Shelley Joanne Kells**  
(45) Registration Date: **18 September 2009**  
(30) Convention priority data:  

(31) Number	(32) Date	(33) Country
<b>411966</b>	<b>26 Feb 2009</b>	<b>NEW ZEALAND</b>

  
(56) Related Art Documents: **Not Applicable**  
(57) Statement of Newness and Distinctiveness: **This design is to be applied to a golf tee and the novelty resides in the features of shape and configuration of the article shown in the accompanying representations.**



(21) Design Number: **13303/2009**

(22) Date of Filing Application: **27 August 2009**

(24) Date from which industrial property rights may have effect: **27 August 2009**

(54) Product in respect of which the design is registered: **Back rest**

(51) International Design Classification: **06-06G**

(71) Name(s) and Address(s) of Applicant(s):

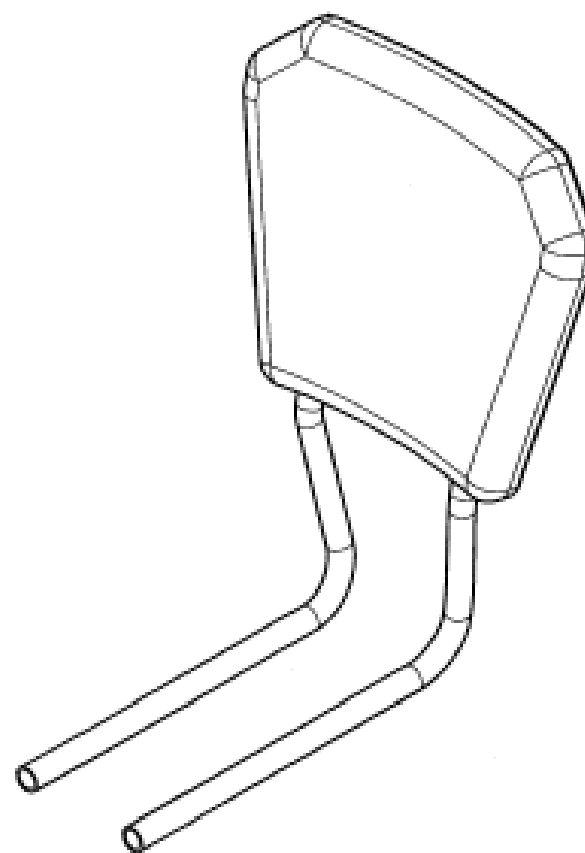
**Hills Industries Limited**  
**944-956 South Road Edwardstown South Australia 5039 Australia**

(72) Name(s) of Designer(s): **Shane Janicki**

(45) Registration Date: **21 September 2009**

(56) Related Art Documents: **Not Applicable**

(57) Statement of Newness and Distinctiveness: **Newness and distinctiveness resides in the features of shape and configuration of a back assembly as shown in the accompanying representations.**



(21) Design Number: **13304/2009**

(22) Date of Filing Application: **27 August 2009**

(24) Date from which industrial property rights may have effect: **27 August 2009**

(54) Product in respect of which the design is registered: **Mask for face pack**

(51) International Design Classification: **28-03NES**

(71) Name(s) and Address(s) of Applicant(s):

**Shiseido Co., Ltd.**  
**5-5 Ginza 7-chome Chuo-ku Tokyo Japan**

(72) Name(s) of Designer(s): **Chieko Yamamoto**

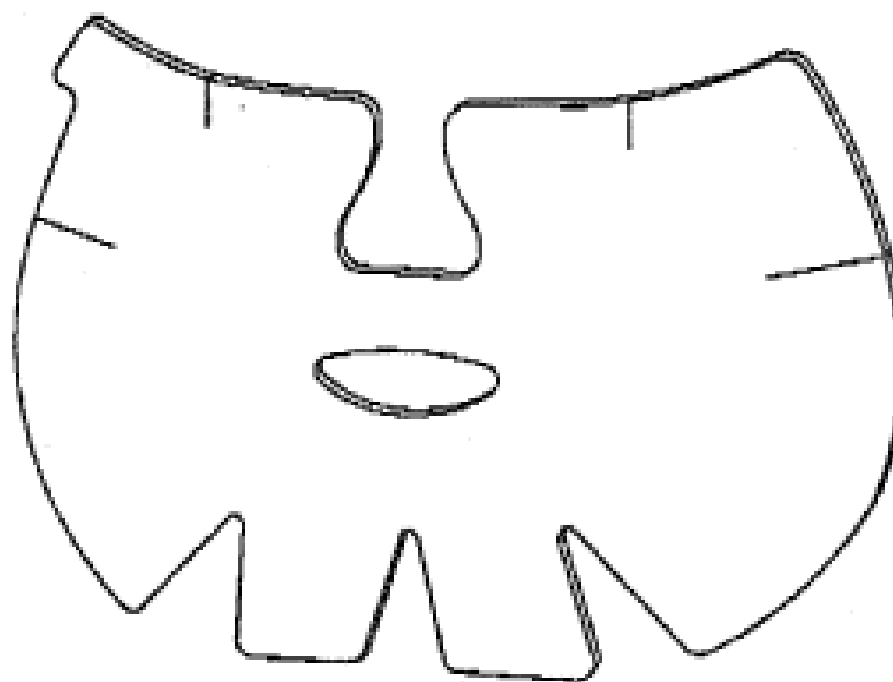
(45) Registration Date: **21 September 2009**

(30) Convention priority data:

(31) Number	(32) Date	(33) Country
<b>D2009-005785</b>	<b>16 Mar 2009</b>	<b>JAPAN</b>

(56) Related Art Documents: **Not Applicable**

(57) Statement of Newness and Distinctiveness: **Newness and distinctiveness resides in the shape and configuration of the outer periphery of the illustrated mask.**





(21) Design Number: **13030/2009**

(22) Date of Filing Application: **11 August 2009**

(24) Date from which industrial property rights may have effect: **11 August 2009**

(54) Product in respect of which the design is registered: **Payment terminal**

(51) International Design Classification: **14-02**

(71) Name(s) and Address(s) of Applicant(s):

**Atos Worldline, Societe Anonyme  
Chaussee de Haecht 1442 Brussels 1130 Belgium**

(72) Name(s) of Designer(s): **Vincent Race**

(45) Registration Date: **22 September 2009**

(30) Convention priority data:

(31) Number  
**DM/071720**

(32) Date  
**23 Feb 2009**

(33) Country  
**WORLD INTELLECTUAL  
PROPERTY ORGANIZATION  
(WIPO)**



(56) Related Art Documents: **Not Applicable**

(57) Statement of Newness and Distinctiveness: **Nil**

(21) Design Number: **13192/2009**

(22) Date of Filing Application: **20 August 2009**

(24) Date from which industrial property rights may have effect: **20 August 2009**

(54) Product in respect of which the design is registered: **Roll out grain bucket**

(51) International Design Classification: **15-03NES, 15-04**

(71) Name(s) and Address(s) of Applicant(s):

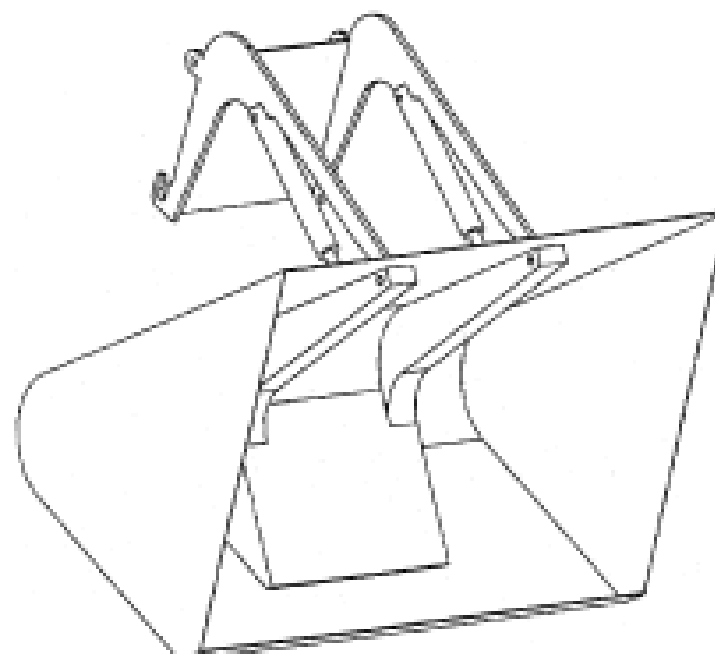
**Andrew Peterson  
9 Grant Street Dalwallinu Western Australia 6609 Australia**

(72) Name(s) of Designer(s): **Andrew John Peterson**

(45) Registration Date: **22 September 2009**

(56) Related Art Documents: **Not Applicable**

(57) Statement of Newness and Distinctiveness: **A steel shell, hydraulically actuated bucket pivoting on a steel fork like subframe. Designed for minimum loss of height when unloading.**



(21) Design Number: **13231/2009**

(22) Date of Filing Application: **24 August 2009**

(24) Date from which industrial property rights may have effect: **24 August 2009**

(54) Product in respect of which the design is registered: **Kiosk Terminal**

(51) International Design Classification: **18-01, 18-02, 14-02**

(71) Name(s) and Address(s) of Applicant(s):

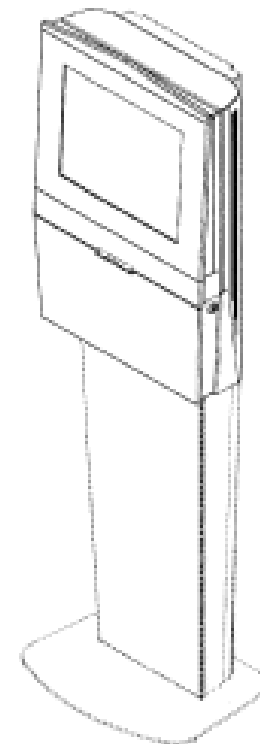
**Touchscreen Solutions Pty Ltd  
Suite 407 West Wing Zhan Building 33 Lexington Drive Bella Vista  
New South Wales 2153 Australia**

(72) Name(s) of Designer(s): **David Hughes**

(45) Registration Date: **22 September 2009**

(56) Related Art Documents: **Not Applicable**

(57) Statement of Newness and Distinctiveness: **Newness and distinctiveness resides in the appearance of a kiosk terminal. Certain features (shown in hashed lines), namely the printer outlet (shown on the front face), the lock (shown on the right side), the wall mounting bracket attachment, the desktop mount attachment and the pedestal stand attachment are all considered optional features which do not form part of the design.**



(21) Design Number: **13294/2009**

(22) Date of Filing Application: **27 August 2009**

(24) Date from which industrial property rights may have effect: **27 August 2009**

(54) Product in respect of which the design is registered: **Toy character**

(51) International Design Classification: **21-01B**

(71) Name(s) and Address(s) of Applicant(s):

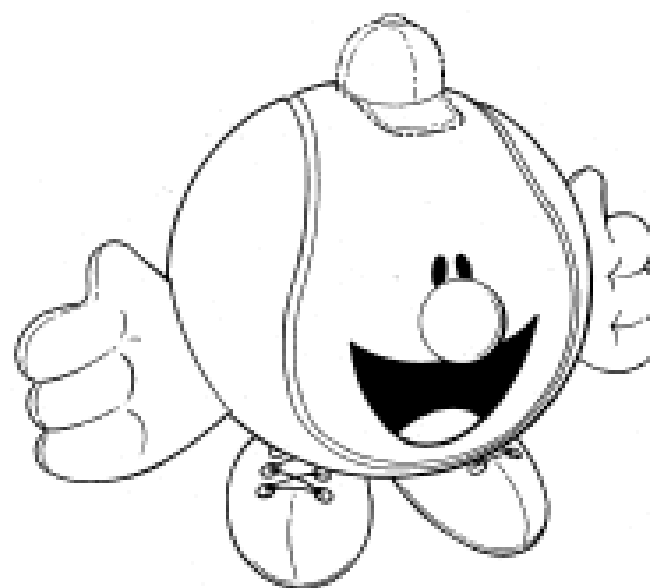
**Smash Enterprises Pty Ltd  
11 Redland Drive Mitcham Victoria 3132 Australia**

(72) Name(s) of Designer(s): **Adam Laracy**

(45) Registration Date: **22 September 2009**

(56) Related Art Documents: **Not Applicable**

(57) Statement of Newness and Distinctiveness: **Newness and distinctiveness resides in the features of shape, configuration, pattern and/or ornamentation of a toy character as shown in solid lines in the accompanying representations.**



(21) Design Number: **13295/2009**

(22) Date of Filing Application: **27 August 2009**

(24) Date from which industrial property rights may have effect: **27 August 2009**

(54) Product in respect of which the design is registered: **Rebar tying machine**

(51) International Design Classification: **08-08NES**

(71) Name(s) and Address(s) of Applicant(s):

**Max Co., Ltd.**

**6-6, Nihonbashi Hakozaeki-cho Chuo-ku Tokyo Japan**

(72) Name(s) of Designer(s): **Takeo Hattori**

(45) Registration Date: **22 September 2009**

(30) Convention priority data:

(31) Number

(32) Date

(33) Country

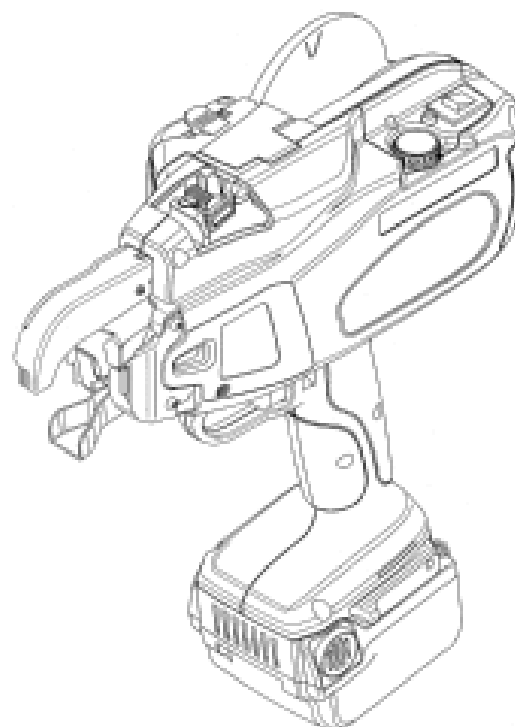
**2009-008501**

**14 Apr 2009**

**JAPAN**

(56) Related Art Documents: **Not Applicable**

(57) Statement of Newness and Distinctiveness: **Newness and distinctiveness is claimed in the features of shape and/or configuration of a rebar tying machine as illustrated in the accompanying representations.**



(21) Design Number: **13297/2009**

(22) Date of Filing Application: **27 August 2009**

(24) Date from which industrial property rights may have effect: **27 August 2009**

(54) Product in respect of which the design is registered: **Cellphone plug adapter**

(51) International Design Classification: **14-03A**

(71) Name(s) and Address(s) of Applicant(s):

**Telebrands Corp.**

**79 Two Bridges Road Fairfield NJ 07004 United States of America**

(72) Name(s) of Designer(s): **Chi Lun Tong and Ka Wah Lai**

(45) Registration Date: **22 September 2009**

(30) Convention priority data:

(31) Number

(32) Date

(33) Country

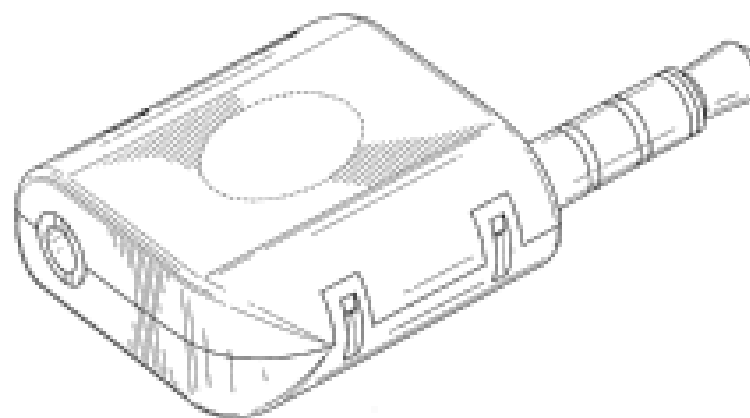
**29/315635**

**13 Jul 2009**

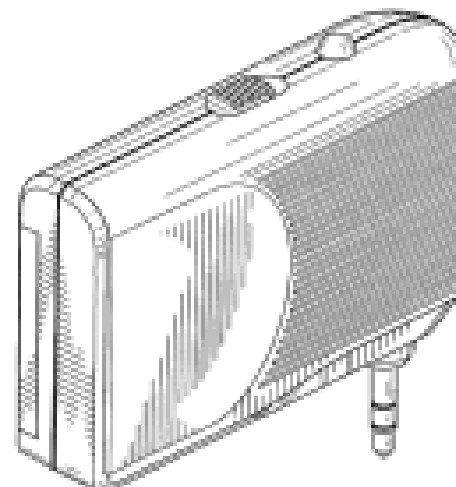
**UNITED STATES OF AMERICA**

(56) Related Art Documents: **Not Applicable**

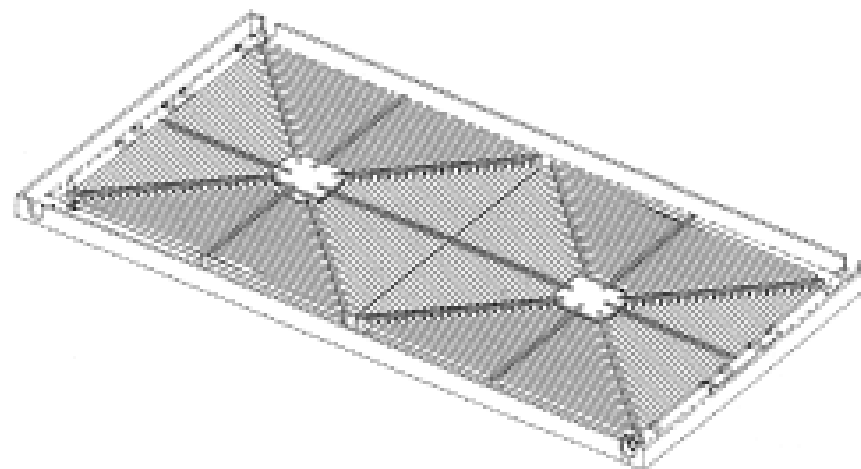
(57) Statement of Newness and Distinctiveness: **When determining whether the design 1 is substantially similar in overall impression to another design, no regard is to be had to those features shown in dotted outline in the accompanying drawings.**



- (21) Design Number: **13298/2009**  
(22) Date of Filing Application: **27 August 2009**  
(24) Date from which industrial property rights may have effect: **27 August 2009**  
(54) Product in respect of which the design is registered: **Handsfree cellphone device**  
(51) International Design Classification: **14-03E**  
(71) Name(s) and Address(s) of Applicant(s):  
**Telebrands Corp.**  
**79 Two Bridges Road Fairfield NJ 07004 United States of America**  
(72) Name(s) of Designer(s): **Chi Lun Tong and Ka Wah Lai**  
(45) Registration Date: **22 September 2009**  
(30) Convention priority data:  
(31) Number      (32) Date      (33) Country  
**29/315645      13 Jul 2009      UNITED STATES OF AMERICA**  
(56) Related Art Documents: **Not Applicable**  
(57) Statement of Newness and Distinctiveness: **Nil**



- (21) Design Number: **13300/2009**  
(22) Date of Filing Application: **28 August 2009**  
(24) Date from which industrial property rights may have effect: **28 August 2009**  
(54) Product in respect of which the design is registered: **Solar panel**  
(51) International Design Classification: **23-03D**  
(71) Name(s) and Address(s) of Applicant(s):  
**Solartherm International Pty Ltd**  
**Unit 2 5 Taree Street Burleigh Heads Queensland 4220 Australia**  
(72) Name(s) of Designer(s): **Jeffrey Chan**  
(45) Registration Date: **22 September 2009**  
(56) Related Art Documents: **Not Applicable**  
(57) Statement of Newness and Distinctiveness: **The newness and distinctiveness of the design resides in the features of shape and/or configuration of a solar panel as shown in the accompanying representations.**



(21) Design Number: **13309/2009**

(22) Date of Filing Application: **28 August 2009**

(24) Date from which industrial property rights may have effect: **28 August 2009**

(54) Product in respect of which the design is registered: **Champagne glass**

(51) International Design Classification: **07-01C**

(71) Name(s) and Address(s) of Applicant(s):

**Pi-Design AG**  
**Kantonsstrasse 100 6234 Triengen Switzerland**

(72) Name(s) of Designer(s): **Knud Holscher**

(45) Registration Date: **22 September 2009**

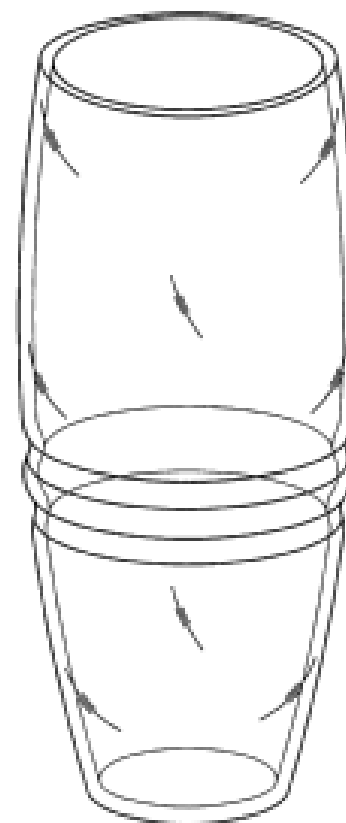
(30) Convention priority data:

(31) Number (32) Date  
**DM/071 448 10 Mar 2009**

(33) Country  
**WORLD INTELLECTUAL  
PROPERTY ORGANIZATION  
(WIPO)**

(56) Related Art Documents: **Not Applicable**

(57) Statement of Newness and Distinctiveness: **Nil**



(21) Design Number: **13310/2009**

(22) Date of Filing Application: **28 August 2009**

(24) Date from which industrial property rights may have effect: **28 August 2009**

(54) Product in respect of which the design is registered: **Port wine glass**

(51) International Design Classification: **07-01C**

(71) Name(s) and Address(s) of Applicant(s):

**Pi-Design AG**  
**Kantonsstrasse 100 6234 Triengen Switzerland**

(72) Name(s) of Designer(s): **Knud Holscher**

(45) Registration Date: **22 September 2009**

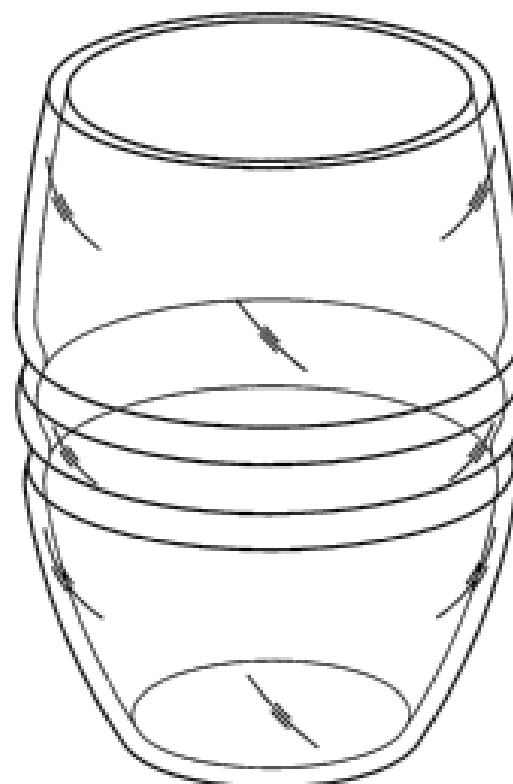
(30) Convention priority data:

(31) Number (32) Date  
**DM/071 448 10 Mar 2009**

(33) Country  
**WORLD INTELLECTUAL  
PROPERTY ORGANIZATION  
(WIPO)**

(56) Related Art Documents: **Not Applicable**

(57) Statement of Newness and Distinctiveness: **Nil**



(21) Design Number: **13311/2009**

(22) Date of Filing Application: **28 August 2009**

(24) Date from which industrial property rights may have effect: **28 August 2009**

(54) Product in respect of which the design is registered: **White wine glass**

(51) International Design Classification: **07-01C**

(71) Name(s) and Address(s) of Applicant(s):

**Pi-Design AG**

**Kantonsstrasse 100 6234 Triengen Switzerland**

(72) Name(s) of Designer(s): **Knud Holscher**

(45) Registration Date: **22 September 2009**

(30) Convention priority data:

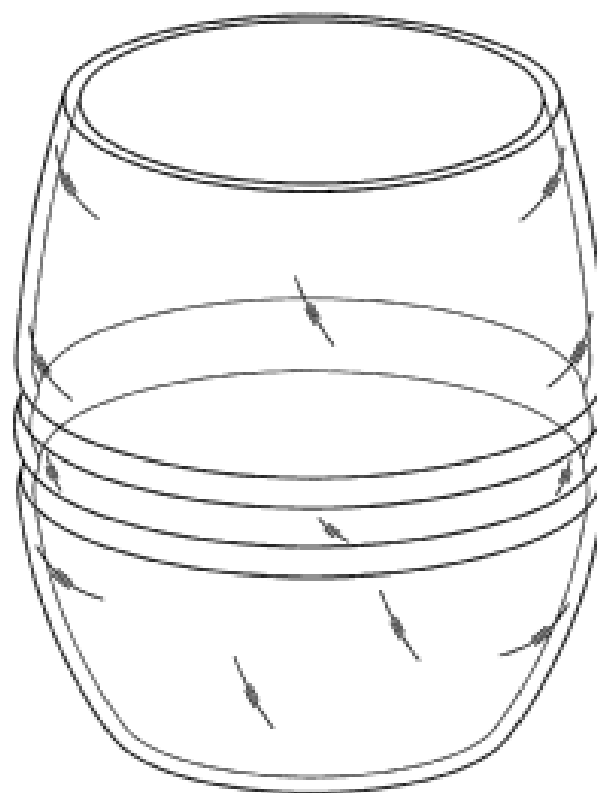
(31) Number  
**DM/071 448**

(32) Date  
**10 Mar 2009**

(33) Country  
**WORLD INTELLECTUAL  
PROPERTY ORGANIZATION  
(WIPO)**

(56) Related Art Documents: **Not Applicable**

(57) Statement of Newness and Distinctiveness: **Nil**



(21) Design Number: **13312/2009**

(22) Date of Filing Application: **28 August 2009**

(24) Date from which industrial property rights may have effect: **28 August 2009**

(54) Product in respect of which the design is registered: **Water glass**

(51) International Design Classification: **07-01C**

(71) Name(s) and Address(s) of Applicant(s):

**Pi-Design AG**

**Kantonsstrasse 100 6234 Triengen Switzerland**

(72) Name(s) of Designer(s): **Knud Holscher**

(45) Registration Date: **22 September 2009**

(30) Convention priority data:

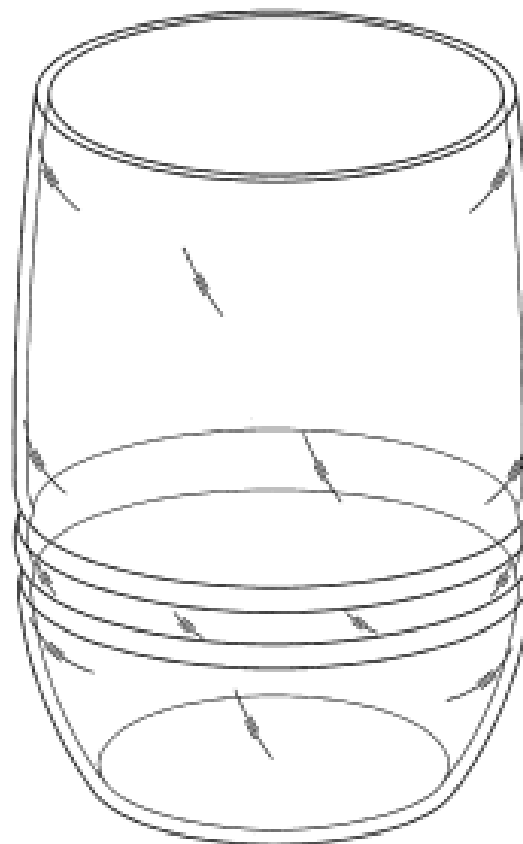
(31) Number  
**DM/071 448**

(32) Date  
**10 Mar 2009**

(33) Country  
**WORLD INTELLECTUAL  
PROPERTY ORGANIZATION  
(WIPO)**

(56) Related Art Documents: **Not Applicable**

(57) Statement of Newness and Distinctiveness: **Nil**



(21) Design Number: **13313/2009**  
(22) Date of Filing Application: **28 August 2009**  
(24) Date from which industrial property rights may have effect: **28 August 2009**  
(54) Product in respect of which the design is registered: **Red wine glass**  
(51) International Design Classification: **07-01C**  
(71) Name(s) and Address(s) of Applicant(s):

**Pi-Design AG**  
**Kantonsstrasse 100 6234 Triengen Switzerland**

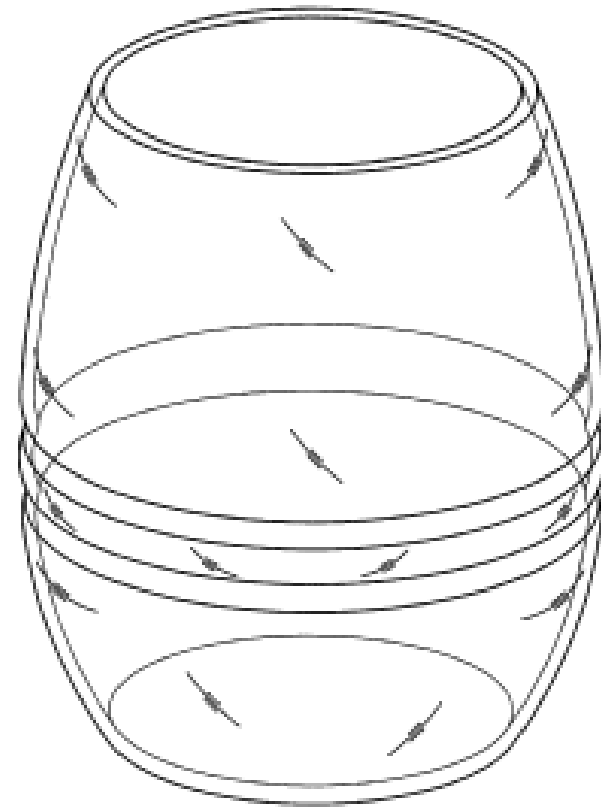
(72) Name(s) of Designer(s): **Knud Holscher**  
(45) Registration Date: **22 September 2009**

(30) Convention priority data:

(31) Number (32) Date  
**DM/071 448 10 Mar 2009**

(33) Country  
**WORLD INTELLECTUAL  
PROPERTY ORGANIZATION  
(WIPO)**

(56) Related Art Documents: **Not Applicable**  
(57) Statement of Newness and Distinctiveness: **Nil**



(21) Design Number: **13314/2009**  
(22) Date of Filing Application: **28 August 2009**  
(24) Date from which industrial property rights may have effect: **28 August 2009**  
(54) Product in respect of which the design is registered: **Car seat**  
(51) International Design Classification: **06-01D**  
(71) Name(s) and Address(s) of Applicant(s):

**Max-Inf (Ningbo) Baby Product Co., Ltd.**  
**No. 188 West Jinhui Road Yinzhou Investment & Business Incubation  
of Ningbo Zhejiang Province China**

(72) Name(s) of Designer(s): **Lihong Xu**

(45) Registration Date: **22 September 2009**

(56) Related Art Documents: **Not Applicable**

(57) Statement of Newness and Distinctiveness: **Newness and distinctiveness  
resides in the shape and/or configuration of a car seat as illustrated in  
the accompanying representations.**



(21) Design Number: **13315/2009**

(22) Date of Filing Application: **28 August 2009**

(24) Date from which industrial property rights may have effect: **28 August 2009**

(54) Product in respect of which the design is registered: **Car Seat**

(51) International Design Classification: **06-01D**

(71) Name(s) and Address(s) of Applicant(s):

**Max-Inf (Ningbo) Baby Product Co., Ltd.  
No. 188 West Jinhui Road Yinzhou Investment & Business Incubation  
of Ningbo Zhejiang Province China**

(72) Name(s) of Designer(s): **Lihong Xu**

(45) Registration Date: **22 September 2009**

(56) Related Art Documents: **Not Applicable**

(57) Statement of Newness and Distinctiveness: **Newness and distinctiveness resides in the shape and/or configuration of a car seat as illustrated in the accompanying representations.**



(21) Design Number: **13316/2009**

(22) Date of Filing Application: **28 August 2009**

(24) Date from which industrial property rights may have effect: **28 August 2009**

(54) Product in respect of which the design is registered: **Car seat**

(51) International Design Classification: **06-01D**

(71) Name(s) and Address(s) of Applicant(s):

**Max-Inf (Ningbo) Baby Product Co., Ltd.  
No. 188 West Jinhui Road Yinzhou Investment & Business Incubation  
of Ningbo Zhejiang Province China**

(72) Name(s) of Designer(s): **Lihong Xu**

(45) Registration Date: **22 September 2009**

(56) Related Art Documents: **Not Applicable**

(57) Statement of Newness and Distinctiveness: **Newness and distinctiveness resides in the shape and/or configuration of a car seat as illustrated in the accompanying representations.**





(21) Design Number: **13317/2009**

(22) Date of Filing Application: **28 August 2009**

(24) Date from which industrial property rights may have effect: **28 August 2009**

(54) Product in respect of which the design is registered: **Car seat**

(51) International Design Classification: **06-01D**

(71) Name(s) and Address(s) of Applicant(s):

**Max-Inf (Ningbo) Baby Product Co., Ltd.  
No. 188 West Jinhui Road Yinzhou Investment & Business Incubation  
of Ningbo Zhejiang Province China**

(72) Name(s) of Designer(s): **Lihong Xu**

(45) Registration Date: **22 September 2009**

(56) Related Art Documents: **Not Applicable**

(57) Statement of Newness and Distinctiveness: **Newness and distinctiveness resides in the shape and/or configuration of a car seat as illustrated in the accompanying representations.**



(21) Design Number: **13318/2009**

(22) Date of Filing Application: **28 August 2009**

(24) Date from which industrial property rights may have effect: **28 August 2009**

(54) Product in respect of which the design is registered: **Car seat**

(51) International Design Classification: **06-01D**

(71) Name(s) and Address(s) of Applicant(s):

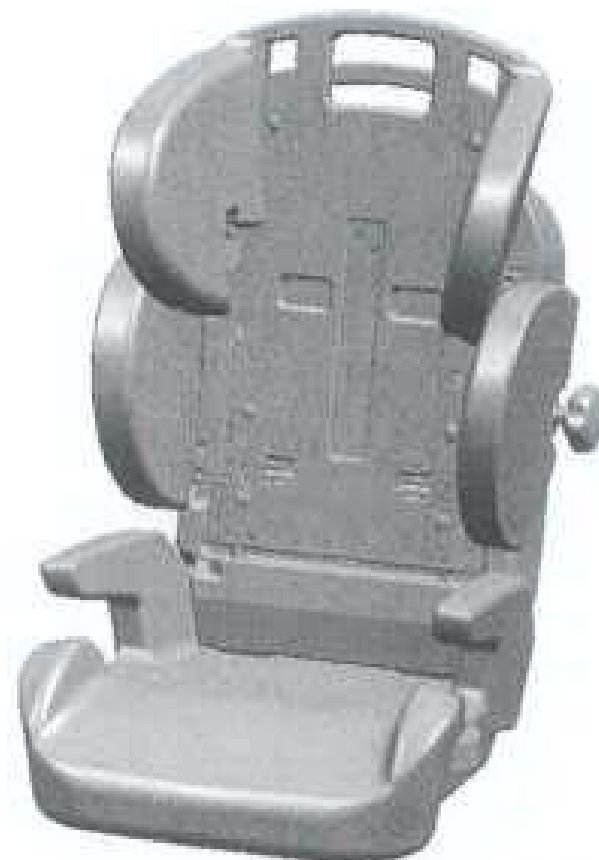
**Max-Inf (Ningbo) Baby Product Co., Ltd.  
No. 188 West Jinhui Road Yinzhou Investment & Business Incubation  
of Ningbo Zhejiang Province China**

(72) Name(s) of Designer(s): **Lihong Xu**

(45) Registration Date: **22 September 2009**

(56) Related Art Documents: **Not Applicable**

(57) Statement of Newness and Distinctiveness: **Newness and distinctiveness resides in the shape and/or configuration of a car seat as illustrated in the accompanying representations.**



- (21) Design Number: **12582/2009**  
(22) Date of Filing Application: **16 July 2009**  
(24) Date from which industrial property rights may have effect: **16 July 2009**  
(54) Product in respect of which the design is registered: **Jewellery**  
(51) International Design Classification: **11-01NES**  
(71) Name(s) and Address(s) of Applicant(s):  
**European Cervical Cancer Association**  
**121 rue Jourdan Brussels 1060 Belgium**  
(72) Name(s) of Designer(s): **Tim Gomersall**  
(45) Registration Date: **28 September 2009**  
(30) Convention priority data:  
(31) Number (32) Date (33) Country  
**001071138-0001 16 Jan 2009 EUROPEAN COMMUNITY**  
(56) Related Art Documents: **Not Applicable**  
(57) Statement of Newness and Distinctiveness: **Newness and distinctiveness is claimed in the features of shape and configuration applied to jewellery, as illustrated in the representations.**



- (21) Design Number: **12983/2009**  
(22) Date of Filing Application: **07 August 2009**  
(24) Date from which industrial property rights may have effect: **07 August 2009**  
(54) Product in respect of which the design is registered: **Container**  
(51) International Design Classification: **09-03M**  
(71) Name(s) and Address(s) of Applicant(s):  
**Oceanic Agencies Pty Ltd**  
**6 Lombok Street Parrearra Queensland 4575 Australia**  
(72) Name(s) of Designer(s): **Tania Schwede**  
(45) Registration Date: **28 September 2009**  
(56) Related Art Documents: **Not Applicable**  
(57) Statement of Newness and Distinctiveness: **Nil**



(21) Design Number: **13031/2009**

(22) Date of Filing Application: **11 August 2009**

(24) Date from which industrial property rights may have effect: **11 August 2009**

(54) Product in respect of which the design is registered: **Payment terminal**

(51) International Design Classification: **14-02**

(71) Name(s) and Address(s) of Applicant(s):

**Atos Worldline, Societe Anonyme  
Chaussee de Haecht 1442 Brussels 1130 Belgium**

(72) Name(s) of Designer(s): **Vincent Race**

(45) Registration Date: **28 September 2009**

(30) Convention priority data:

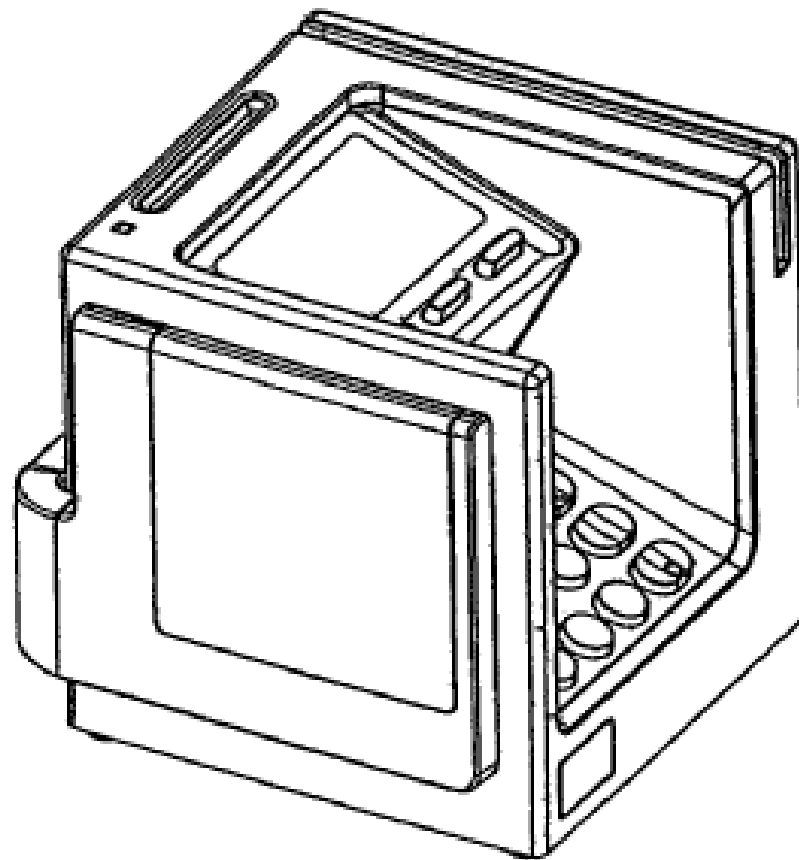
(31) Number  
**DM/071720**

(32) Date  
**23 Feb 2009**

(33) Country  
**WORLD INTELLECTUAL  
PROPERTY ORGANIZATION  
(WIPO)**

(56) Related Art Documents: **Not Applicable**

(57) Statement of Newness and Distinctiveness: **Nil**



(21) Design Number: **13195/2009**

(22) Date of Filing Application: **21 August 2009**

(24) Date from which industrial property rights may have effect: **21 August 2009**

(54) Product in respect of which the design is registered: **Caravan, camper van**

(51) International Design Classification: **12-10**

(71) Name(s) and Address(s) of Applicant(s):

**Bolwell Corporation Pty Ltd  
37 Wells Road Mordialloc Victoria 3195 Australia**

(72) Name(s) of Designer(s): **Vaughan Edward Bolwell**

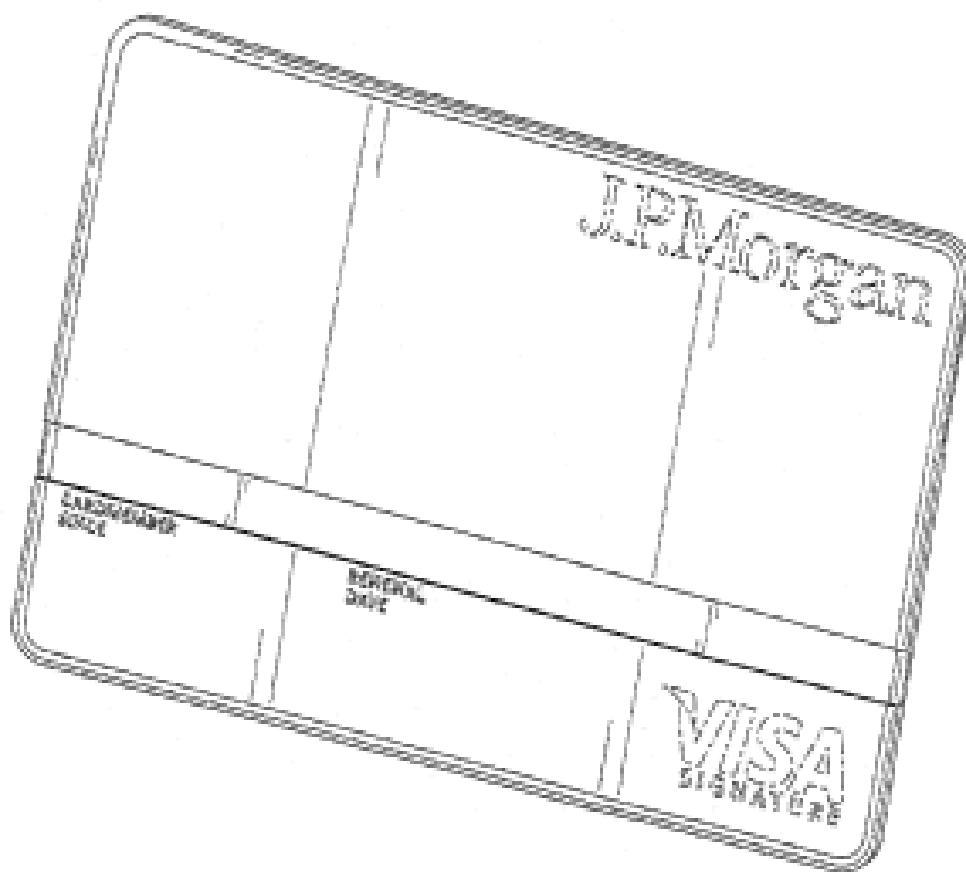
(45) Registration Date: **28 September 2009**

(56) Related Art Documents: **Not Applicable**

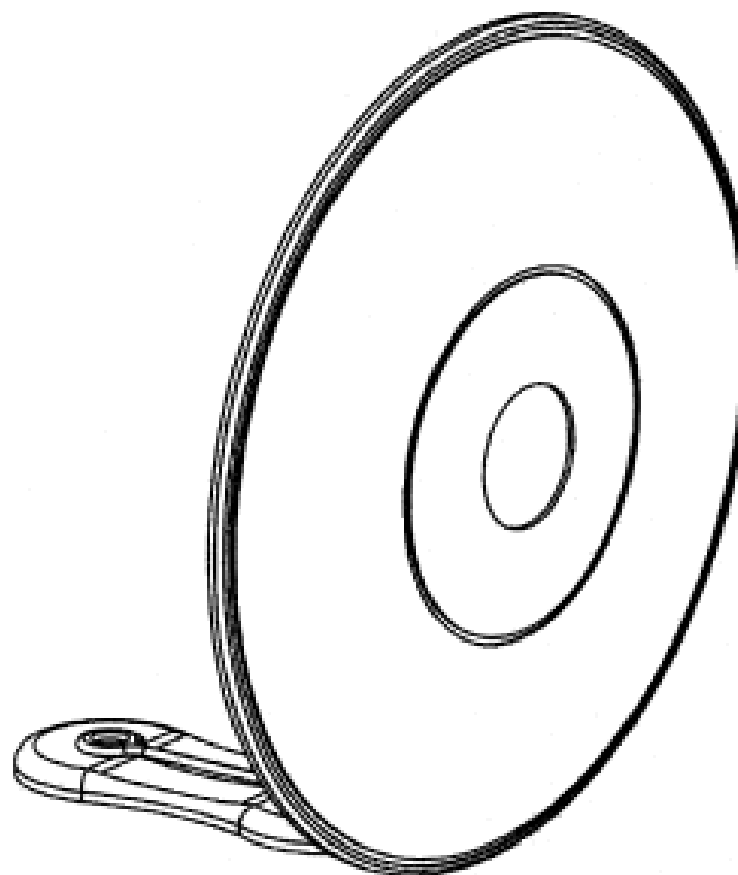
(57) Statement of Newness and Distinctiveness: **Monopoly is claimed in the shape and/or configuration of a trailer/camper/caravan as illustrated in the accompanying pictures. In considering the scope of monopoly, the underside, the hitch, the particular wheels, the spare wheel, the hinges, the locks, the latches, the vents, the handles and the gas-struts should be disregarded.**



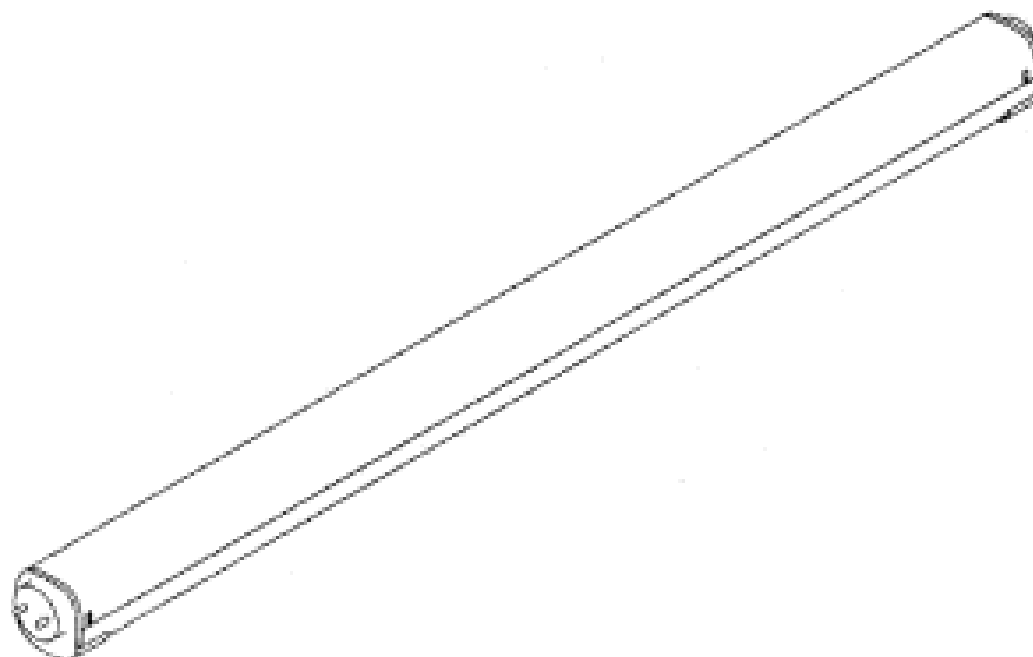
- (21) Design Number: **13293/2009**  
(22) Date of Filing Application: **31 August 2009**  
(24) Date from which industrial property rights may have effect: **31 August 2009**  
(54) Product in respect of which the design is registered: **Metal transaction device**  
(51) International Design Classification: **14-02**  
(71) Name(s) and Address(s) of Applicant(s):  
**JPMorgan Chase Bank, N.A.**  
**270 Park Avenue New York New York 10036 United States of America**  
(72) Name(s) of Designer(s): **Dori K. Skelding and David Porter**  
(45) Registration Date: **28 September 2009**  
(30) Convention priority data:  
(31) Number (32) Date (33) Country  
**29/333,314 06 Mar 2009 UNITED STATES OF AMERICA**  
(56) Related Art Documents: **Not Applicable**  
(57) Statement of Newness and Distinctiveness: **Newness and distinctiveness reside in the features of shape and/or configuration of the metal transaction device, as shown in the representations. Newness and distinctiveness are not claimed in relation to the features shown in broken lines in the representations.**



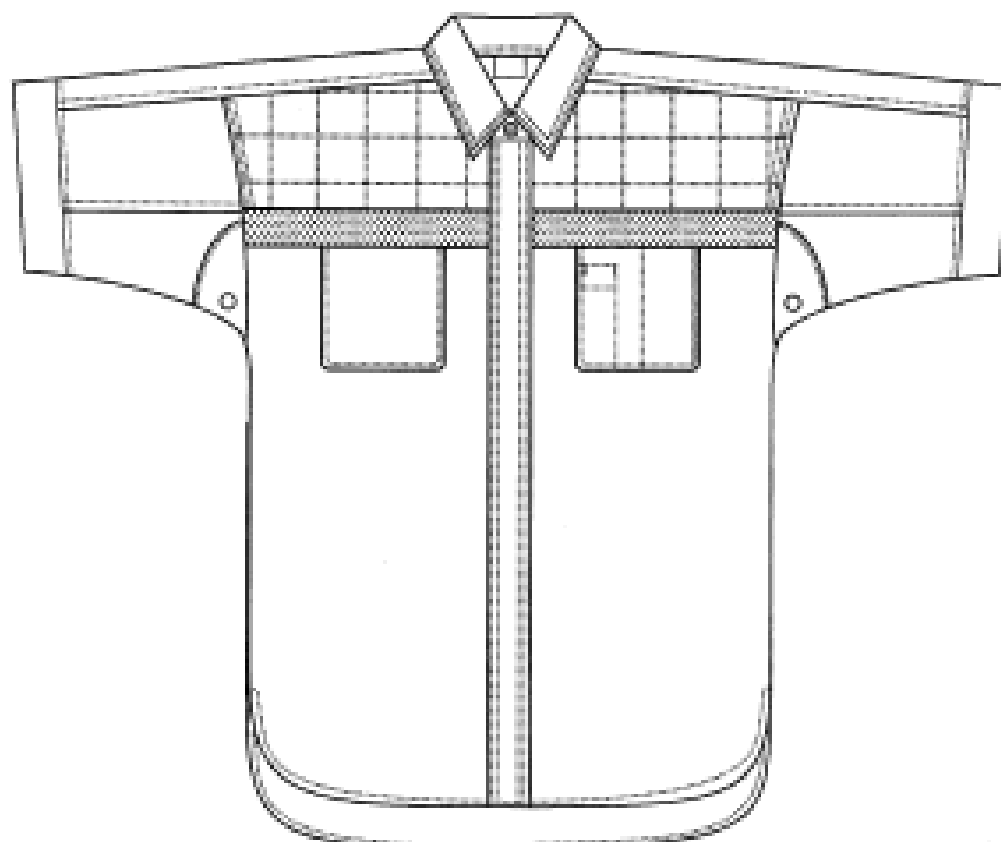
- (21) Design Number: **13306/2009**  
(22) Date of Filing Application: **28 August 2009**  
(24) Date from which industrial property rights may have effect: **28 August 2009**  
(54) Product in respect of which the design is registered: **Lawn bowls practice jack**  
(51) International Design Classification: **21-02NES**  
(71) Name(s) and Address(s) of Applicant(s):  
**John Maher**  
**18 Duncan Street Ballarat Victoria 3350 Australia**  
(72) Name(s) of Designer(s): **John Maher**  
(45) Registration Date: **28 September 2009**  
(56) Related Art Documents: **Not Applicable**  
(57) Statement of Newness and Distinctiveness: **Nil**



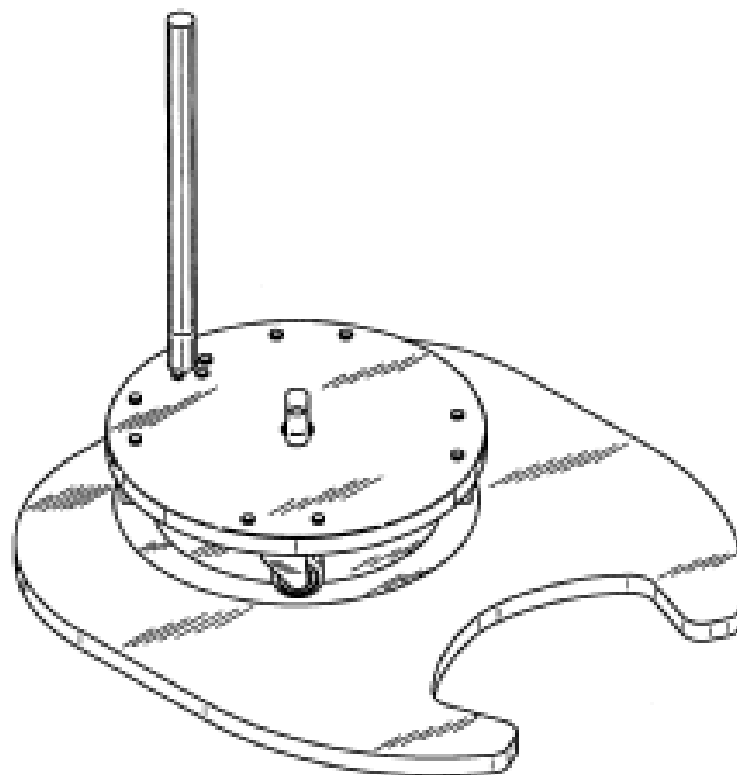
- (21) Design Number: **13307/2009**  
(22) Date of Filing Application: **28 August 2009**  
(24) Date from which industrial property rights may have effect: **28 August 2009**  
(54) Product in respect of which the design is registered: **Lamp tube**  
(51) International Design Classification: **26-05A**  
(71) Name(s) and Address(s) of Applicant(s):  
**Optrom, Inc.**  
**27 Aza-Matsubara Kami Ayashi Aoba-ku Sendai-shi Miyagi 989-3124**  
**Japan**  
**Great Top Technology Co., Ltd**  
**No. 21 Anlin 3rd Street Yanchao Township Kaohsiung Country 824**  
**Taiwan**  
**Optrom (Hong Kong) International Ltd**  
**Room 2005 20/F. Rightful Centre 12 Tak Hing Street Jordan Kowloon**  
**Hong Kong China**  
(72) Name(s) of Designer(s): **Yu-Chen Lin and Eric Tsai**  
(45) Registration Date: **28 September 2009**  
(30) Convention priority data:  
(31) Number      (32) Date      (33) Country  
**2009-008728      16 Apr 2009      JAPAN**  
(56) Related Art Documents: **Not Applicable**  
(57) Statement of Newness and Distinctiveness: **Newness and distinctiveness is claimed in the features of shape and configuration as applied to a lamp tube as illustrated in the representations.**



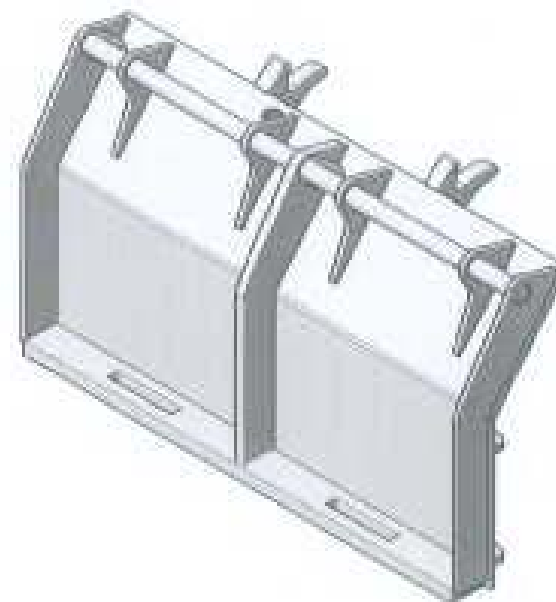
- (21) Design Number: **13308/2009**  
(22) Date of Filing Application: **28 August 2009**  
(24) Date from which industrial property rights may have effect: **28 August 2009**  
(54) Product in respect of which the design is registered: **Shirt**  
(51) International Design Classification: **02-02NES**  
(71) Name(s) and Address(s) of Applicant(s):  
**Mike Treloar Investments Pty Ltd**  
**57 Mills Road Braeside Victoria 3195 Australia**  
(72) Name(s) of Designer(s): **Michael C. Treloar**  
(45) Registration Date: **28 September 2009**  
(56) Related Art Documents: **Not Applicable**  
(57) Statement of Newness and Distinctiveness: **Newness and distinctiveness resides in the features of shape, configuration, pattern and/or ornamentation of a shirt as shown in the accompanying representations. When considering whether the design is new and distinctive when compared to the prior art base, particular regard is to be given to the arched rear styling of the shirt along with the underarm and rear horizontal air-vents flow system.**



- (21) Design Number: **10907/2009**  
(22) Date of Filing Application: **20 March 2009**  
(24) Date from which industrial property rights may have effect: **20 March 2009**  
(54) Product in respect of which the design is registered: **Exercising device**  
(51) International Design Classification: **21-02F**  
(71) Name(s) and Address(s) of Applicant(s):  
**Goldscott Pty Ltd**  
**15/2 Geraldton Drive Varsity Lakes Queensland 4227 Australia**  
(72) Name(s) of Designer(s): **Daniel Frank Paxton**  
(45) Registration Date: **23 September 2009**  
(56) Related Art Documents: **Not Applicable**  
(57) Statement of Newness and Distinctiveness: **Newness and distinctiveness are claimed in the shape and configuration of an EXERCISING DEVICE as illustrated in the accompanying representations.**



- (21) Design Number: **13319/2009**  
(22) Date of Filing Application: **28 August 2009**  
(24) Date from which industrial property rights may have effect: **28 August 2009**  
(54) Product in respect of which the design is registered: **Adapter for a vehicle**  
(51) International Design Classification: **12-16NES**  
(71) Name(s) and Address(s) of Applicant(s):  
**Tony Andrew Hutchinson**  
**Shed 1 3b David Muir Street Slade Point Queensland 4740 Australia**  
**Shayne David Ritchings**  
**Shed 1 3b David Muir Street Slade Point Queensland 4740 Australia**  
(72) Name(s) of Designer(s): **Shayne David Ritchings and Tony Andrew Hutchinson**  
(45) Registration Date: **23 September 2009**  
(56) Related Art Documents: **Not Applicable**  
(57) Statement of Newness and Distinctiveness: **Newness and distinctiveness is claimed in the features of shape and/or configuration of an adapter as illustrated in the accompanying representations.**



(21) Design Number: **13322/2009**

(22) Date of Filing Application: **28 August 2009**

(24) Date from which industrial property rights may have effect: **28 August 2009**

(54) Product in respect of which the design is registered: **A multipurpose garment**

(51) International Design Classification: **02-99**

(71) Name(s) and Address(s) of Applicant(s):

**Angela Arena**

**31 Currawong Street Bayview Heights Queensland 4868 Australia**

(72) Name(s) of Designer(s): **Angela Arena**

(45) Registration Date: **23 September 2009**

(56) Related Art Documents: **Not Applicable**

(57) Statement of Newness and Distinctiveness: **Newness and distinctiveness resides in the shape and configuration of a garment adapted to assume alternative configurations, the garment being illustrated in the representations. The garment may be of any length as indicated by the broken line.**



(21) Design Number: **13323/2009**

(22) Date of Filing Application: **31 August 2009**

(24) Date from which industrial property rights may have effect: **31 August 2009**

(54) Product in respect of which the design is registered: **A solar powered mobile charging unit for portable golf GPS units**

(51) International Design Classification: **13-99, 21-99**

(71) Name(s) and Address(s) of Applicant(s):

**Solar Golf Pty Ltd**

**16 Hoskins Close McDowall Queensland 4053 Australia**

(72) Name(s) of Designer(s): **Wayne Matthew Valent**

(45) Registration Date: **23 September 2009**

(56) Related Art Documents: **Not Applicable**

(57) Statement of Newness and Distinctiveness: **The design is a complete unit providing a cradle for the GPS unit which automatically connects the GPS to a solar power source which is integrated into the unit housing.**



(21) Design Number: **13330/2009**

(22) Date of Filing Application: **29 June 2009**

(24) Date from which industrial property rights may have effect: **29 June 2009**

(54) Product in respect of which the design is registered: **Wheel for a stroller**

(51) International Design Classification: **12-15D**

(71) Name(s) and Address(s) of Applicant(s):

**Nuna International B.V.**

**Paasheuvelweg 26 NL-1105 BJ Amsterdam Zuidoost The Netherlands**

(72) Name(s) of Designer(s): **Therese Johansson and Eric Biermann**

(45) Registration Date: **23 September 2009**

(62) Divisional of: **327489**

(56) Related Art Documents: **Not Applicable**

(57) Statement of Newness and Distinctiveness: **Newness and distinctiveness resides in the features of shape and/or configuration of a WHEEL FOR A STROLLER as illustrated in the accompanying representations.**



(21) Design Number: **13333/2009**

(22) Date of Filing Application: **31 August 2009**

(24) Date from which industrial property rights may have effect: **31 August 2009**

(54) Product in respect of which the design is registered: **Curtain rod bracket**

(51) International Design Classification: **08-08H, 06-10**

(71) Name(s) and Address(s) of Applicant(s):

**Ernest Iles**

**16 Thistlewood Place Cranbourne East Victoria 3977 Australia**

**Petra Iles**

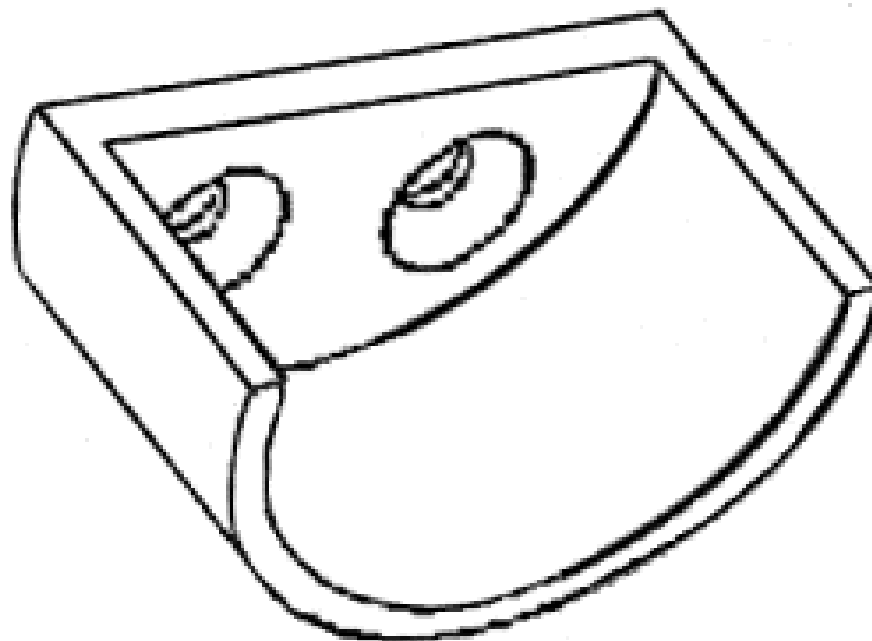
**16 Thistlewood Place Cranbourne East Victoria 3977 Australia**

(72) Name(s) of Designer(s): **Ernest Iles and Petra Iles**

(45) Registration Date: **23 September 2009**

(56) Related Art Documents: **Not Applicable**

(57) Statement of Newness and Distinctiveness: **Stylized curtain rod bracket with especially designed interface.**





(21) Design Number: **13334/2009**

(22) Date of Filing Application: **31 August 2009**

(24) Date from which industrial property rights may have effect: **31 August 2009**

(54) Product in respect of which the design is registered: **Luggage case**

(51) International Design Classification: **03-01A**

(71) Name(s) and Address(s) of Applicant(s):

**Thomas Wagner GmbH  
Grube 27 82377 Penzberg Germany**

(72) Name(s) of Designer(s): **Lili Turella-Yuan and Ralf Scheel**

(45) Registration Date: **23 September 2009**

(30) Convention priority data:

(31) Number	(32) Date	(33) Country
<b>DM/071 593</b>	<b>10 Mar 2009</b>	<b>GERMANY</b>

(56) Related Art Documents: **Not Applicable**

(57) Statement of Newness and Distinctiveness: **Visual features of the design which are new and distinctive are the features of shape and configuration of LUGGAGE CASE as illustrated in the representations. The word "TITAN" appearing in some of the representations does not form part of the design and is to be disregarded.**



(21) Design Number: **13335/2009**

(22) Date of Filing Application: **31 August 2009**

(24) Date from which industrial property rights may have effect: **31 August 2009**

(54) Product in respect of which the design is registered: **Luggage case**

(51) International Design Classification: **03-01A**

(71) Name(s) and Address(s) of Applicant(s):

**Thomas Wagner GmbH  
Grube 27 82377 Penzberg Germany**

(72) Name(s) of Designer(s): **Lili Turella-Yuan and Ralf Scheel**

(45) Registration Date: **23 September 2009**

(30) Convention priority data:

(31) Number	(32) Date	(33) Country
<b>DM/071 593</b>	<b>10 Mar 2009</b>	<b>GERMANY</b>

(56) Related Art Documents: **Not Applicable**

(57) Statement of Newness and Distinctiveness: **Visual features of the design which are new and distinctive are the features of shape and configuration of LUGGAGE CASE as illustrated in the representations. The word "TITAN" appearing in some of the representations does not form part of the design and is to be disregarded.**



(21) Design Number: **12660/2009**

(22) Date of Filing Application: **21 July 2009**

(24) Date from which industrial property rights may have effect: **21 July 2009**

(54) Product in respect of which the design is registered: **Fishing tackle**

(51) International Design Classification: **22-05**

(71) Name(s) and Address(s) of Applicant(s):

**Rapala VMC Oyj**  
**Tehtaantie 2 FIN-17200 Vaaksy Finland**

(72) Name(s) of Designer(s): **Jukka Sairanen**

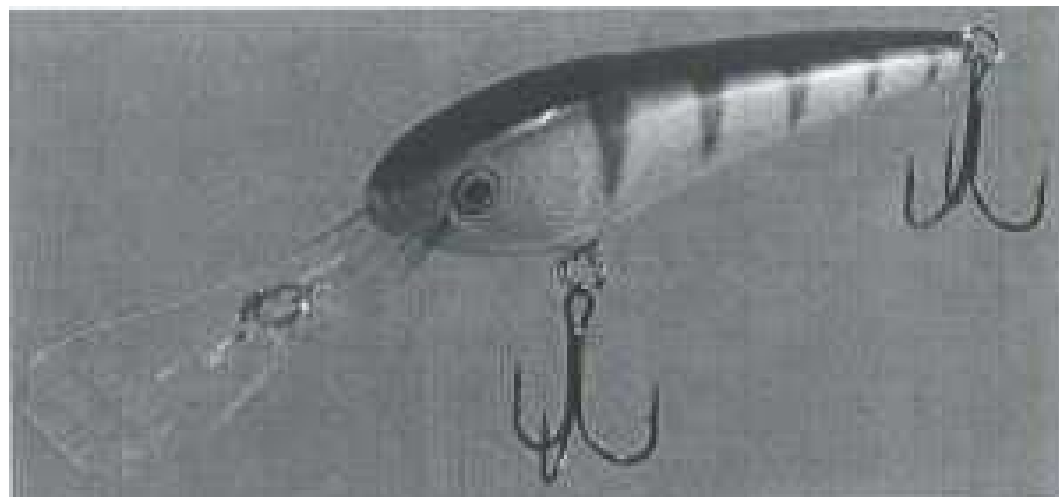
(45) Registration Date: **28 September 2009**

(30) Convention priority data:

(31) Number	(32) Date	(33) Country
<b>001580291</b>	<b>13 Jul 2009</b>	<b>EUROPEAN COMMUNITY</b>

(56) Related Art Documents: **Not Applicable**

(57) Statement of Newness and Distinctiveness: **Newness and distinctiveness is claimed in the visual features of shape, configuration, pattern and ornamentation of the Fishing Tackle illustrated in the accompanying representations, particularly considering the flattened sides feature thereof.**



(21) Design Number: **12661/2009**

(22) Date of Filing Application: **21 July 2009**

(24) Date from which industrial property rights may have effect: **21 July 2009**

(54) Product in respect of which the design is registered: **Fishing tackle**

(51) International Design Classification: **22-05**

(71) Name(s) and Address(s) of Applicant(s):

**Rapala VMC Oyj**  
**Tehtaantie 2 FIN-17200 Vaaksy Finland**

(72) Name(s) of Designer(s): **Jukka Sairanen**

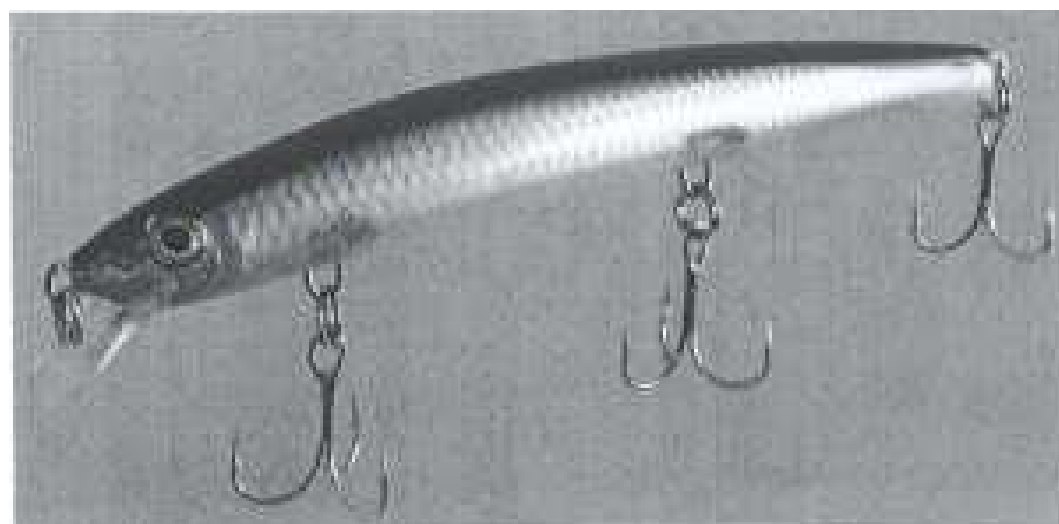
(45) Registration Date: **28 September 2009**

(30) Convention priority data:

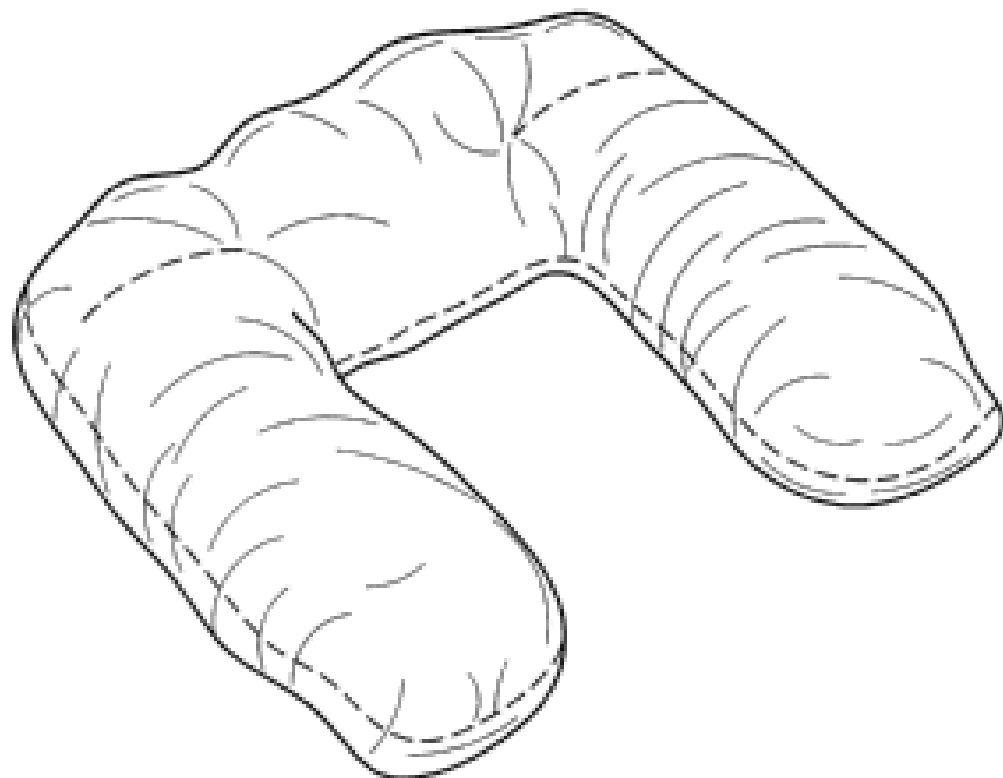
(31) Number	(32) Date	(33) Country
<b>001580291</b>	<b>13 Jul 2009</b>	<b>EUROPEAN COMMUNITY</b>

(56) Related Art Documents: **Not Applicable**

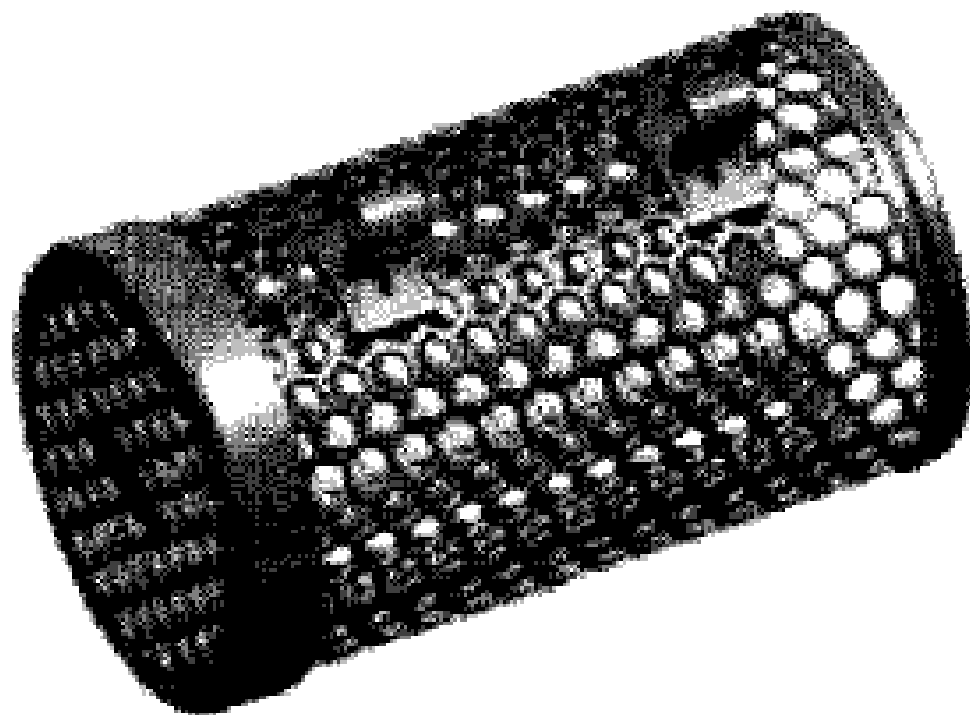
(57) Statement of Newness and Distinctiveness: **Newness and distinctiveness is claimed in the visual features of shape, configuration, pattern and ornamentation of the Fishing Tackle illustrated in the accompanying representations, particularly considering the graved scales feature thereof.**



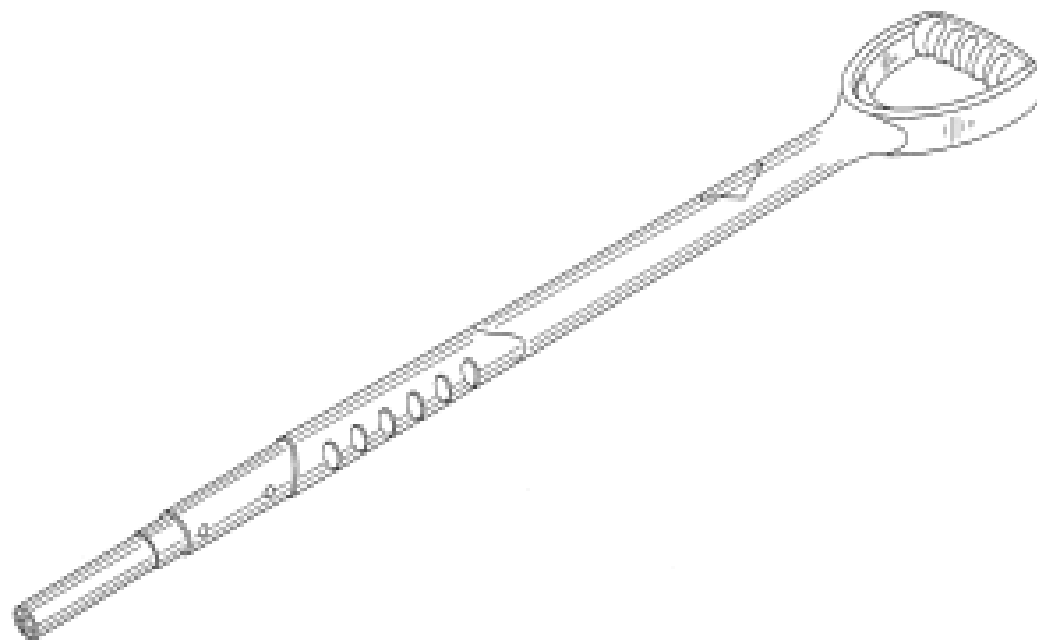
- (21) Design Number: **13296/2009**  
(22) Date of Filing Application: **28 August 2009**  
(24) Date from which industrial property rights may have effect: **28 August 2009**  
(54) Product in respect of which the design is registered: **Pillow**  
(51) International Design Classification: **06-09**  
(71) Name(s) and Address(s) of Applicant(s):  
**Parnham & Associates Pty Ltd**  
**6 Menzies Avenue Brighton Victoria 3186 Australia**  
**Kelly Christina West**  
**15 Onslow Street Latham ACT 2615 Australia**  
(72) Name(s) of Designer(s): **Leon Parnham and Kelly Christina West**  
(45) Registration Date: **28 September 2009**  
(56) Related Art Documents: **Not Applicable**  
(57) Statement of Newness and Distinctiveness: **The shape and configuration of the reinforcing rib as indicated in the reference view A and the shape and configuration of the recess as indicated in reference view B are new and distinctive. The broken lines on the pillow indicate seam lines.**



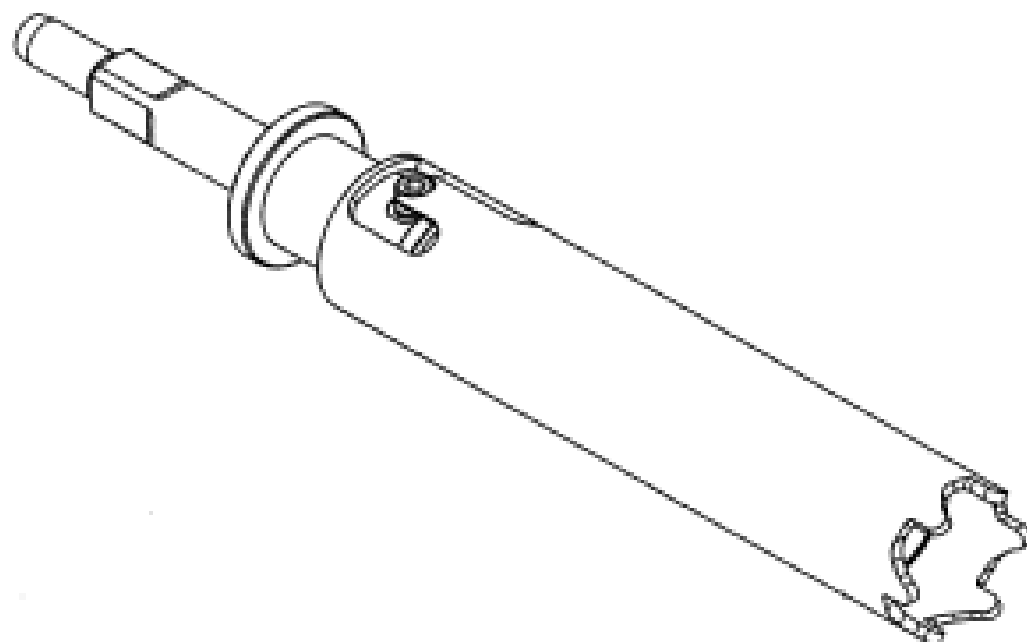
- (21) Design Number: **13327/2009**  
(22) Date of Filing Application: **31 August 2009**  
(24) Date from which industrial property rights may have effect: **31 August 2009**  
(54) Product in respect of which the design is registered: **Crab trap bait holder**  
(51) International Design Classification: **22-05, 22-06**  
(71) Name(s) and Address(s) of Applicant(s):  
**John Paul Quinn**  
**5/30 School Street Kincumber New South Wales 2251 Australia**  
(72) Name(s) of Designer(s): **John Paul Quinn**  
(45) Registration Date: **28 September 2009**  
(56) Related Art Documents: **Not Applicable**  
(57) Statement of Newness and Distinctiveness: **Cylinder shaped, Plastic Mesh, Hanging Hook each end, Open/Close Cap each end.**



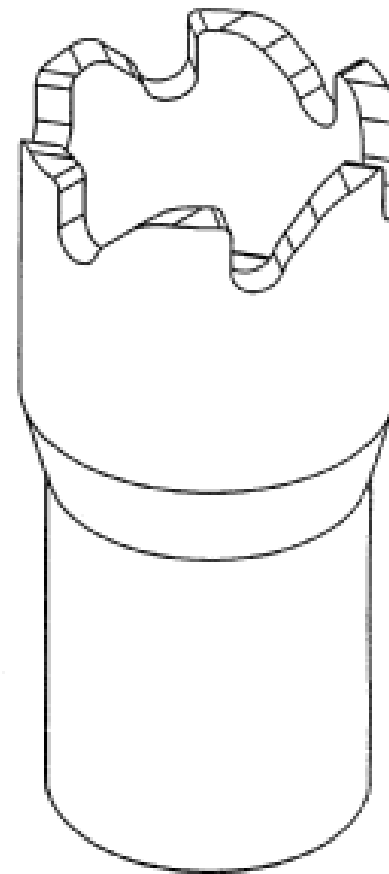
- (21) Design Number: **13343/2009**  
(22) Date of Filing Application: **01 September 2009**  
(24) Date from which industrial property rights may have effect: **01 September 2009**  
(54) Product in respect of which the design is registered: **"D" handle for shovel**  
(51) International Design Classification: **08-06, 08-01**  
(71) Name(s) and Address(s) of Applicant(s):  
**Ames True Temper, Inc.**  
**465 Railroad Avenue Camp Hill PA 17011 United States of America**  
(72) Name(s) of Designer(s): **David Boies and Maureen Elizabeth Carroll**  
(45) Registration Date: **28 September 2009**  
(30) Convention priority data:  
(31) Number (32) Date (33) Country  
**29/333,706 13 Mar 2009 UNITED STATES OF AMERICA**  
(56) Related Art Documents: **Not Applicable**  
(57) Statement of Newness and Distinctiveness: **Nil**



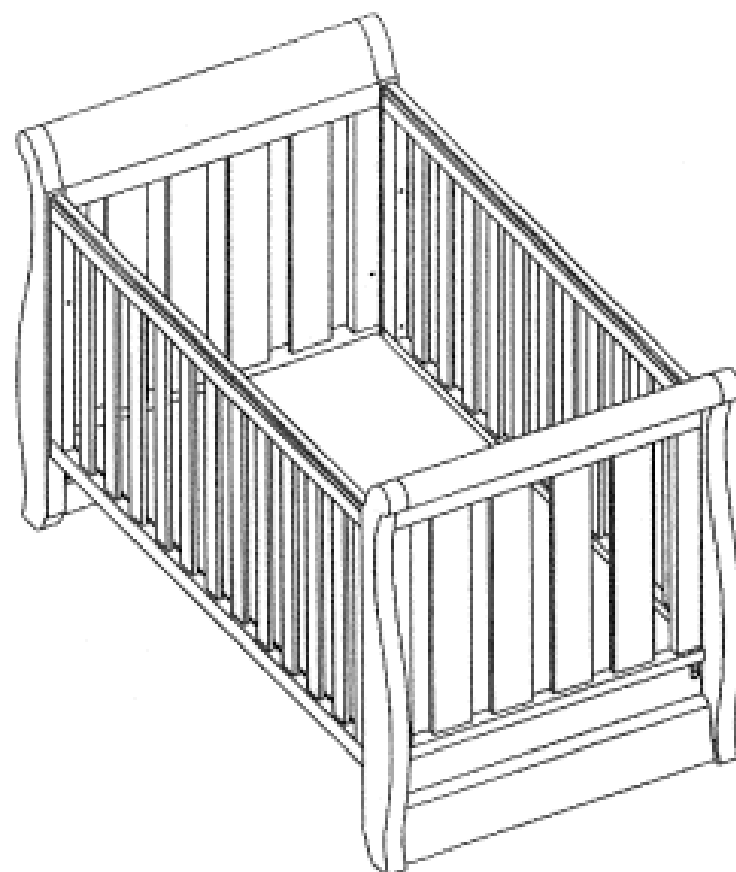
- (21) Design Number: **13344/2009**  
(22) Date of Filing Application: **01 September 2009**  
(24) Date from which industrial property rights may have effect: **01 September 2009**  
(54) Product in respect of which the design is registered: **Profiled driver**  
(51) International Design Classification: **08-04**  
(71) Name(s) and Address(s) of Applicant(s):  
**Jennmar Corporation**  
**P.O. Box 111253 258 Kappa Drive Pittsburgh PA 15238 United States of America**  
(72) Name(s) of Designer(s): **Harold Gregory Hinton and Timothy Joseph Gaudry and Jeremy Ross Arnot and Bernard Farrington and Kevin Quirk**  
(45) Registration Date: **28 September 2009**  
(56) Related Art Documents: **Not Applicable**  
(57) Statement of Newness and Distinctiveness: **Particular regard should be had to the end profile "P" of the product for the purposes of assessing newness and distinctiveness. The other features shown in the representations are for illustrative purposes only.**



- (21) Design Number: **13345/2009**  
(22) Date of Filing Application: **01 September 2009**  
(24) Date from which industrial property rights may have effect: **01 September 2009**  
(54) Product in respect of which the design is registered: **Profiled nut**  
(51) International Design Classification: **08-08B**  
(71) Name(s) and Address(s) of Applicant(s):  
**Jenmar Corporation**  
**P.O. Box 111253 258 Kappa Drive Pittsburgh PA 15238 United States of America**  
(72) Name(s) of Designer(s): **Harold Gregory Hinton and Timothy Joseph Gaudry and Jeremy Ross Arnot and Bernard Farrington and Kevin Quirk**  
(45) Registration Date: **28 September 2009**  
(56) Related Art Documents: **Not Applicable**  
(57) Statement of Newness and Distinctiveness: **Particular regard should be had to the end profile "P" of the product for the purposes of assessing newness and distinctiveness. The other features shown in the representations are for illustrative purposes only.**



- (21) Design Number: **13346/2009**  
(22) Date of Filing Application: **01 September 2009**  
(24) Date from which industrial property rights may have effect: **01 September 2009**  
(54) Product in respect of which the design is registered: **Reconfigurable furniture**  
(51) International Design Classification: **06-02, 06-01G**  
(71) Name(s) and Address(s) of Applicant(s):  
**Boori International Pty Ltd**  
**27-37 Vallance Street St Marys New South Wales 2760 Australia**  
(72) Name(s) of Designer(s): **Justin Chui**  
(45) Registration Date: **28 September 2009**  
(56) Related Art Documents: **Not Applicable**  
(57) Statement of Newness and Distinctiveness: **Nil**



(21) Design Number: **13347/2009**

(22) Date of Filing Application: **01 September 2009**

(24) Date from which industrial property rights may have effect: **01 September 2009**

(54) Product in respect of which the design is registered: **Reconfigurable furniture**

(51) International Design Classification: **06-02, 06-01G**

(71) Name(s) and Address(s) of Applicant(s):

**Boori International Pty Ltd**

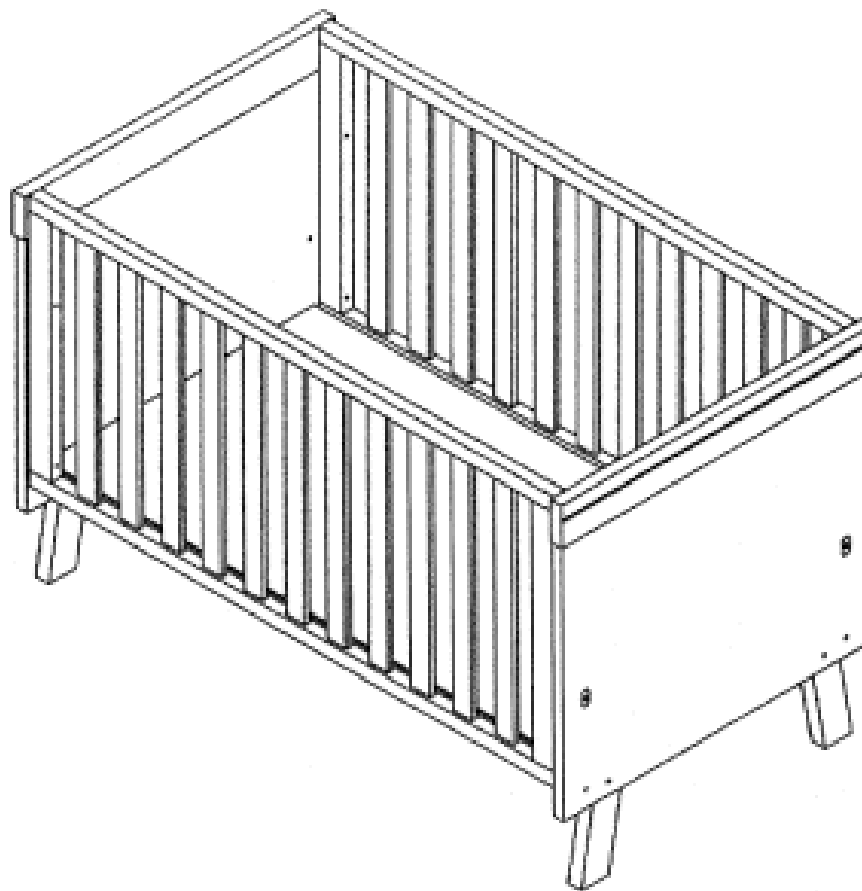
**27-37 Vallance Street St Marys New South Wales 2760 Australia**

(72) Name(s) of Designer(s): **Justin Chui**

(45) Registration Date: **28 September 2009**

(56) Related Art Documents: **Not Applicable**

(57) Statement of Newness and Distinctiveness: **Nil**



(21) Design Number: **13348/2009**

(22) Date of Filing Application: **01 September 2009**

(24) Date from which industrial property rights may have effect: **01 September 2009**

(54) Product in respect of which the design is registered: **Reconfigurable furniture**

(51) International Design Classification: **06-02, 06-01G**

(71) Name(s) and Address(s) of Applicant(s):

**Boori International Pty Ltd**

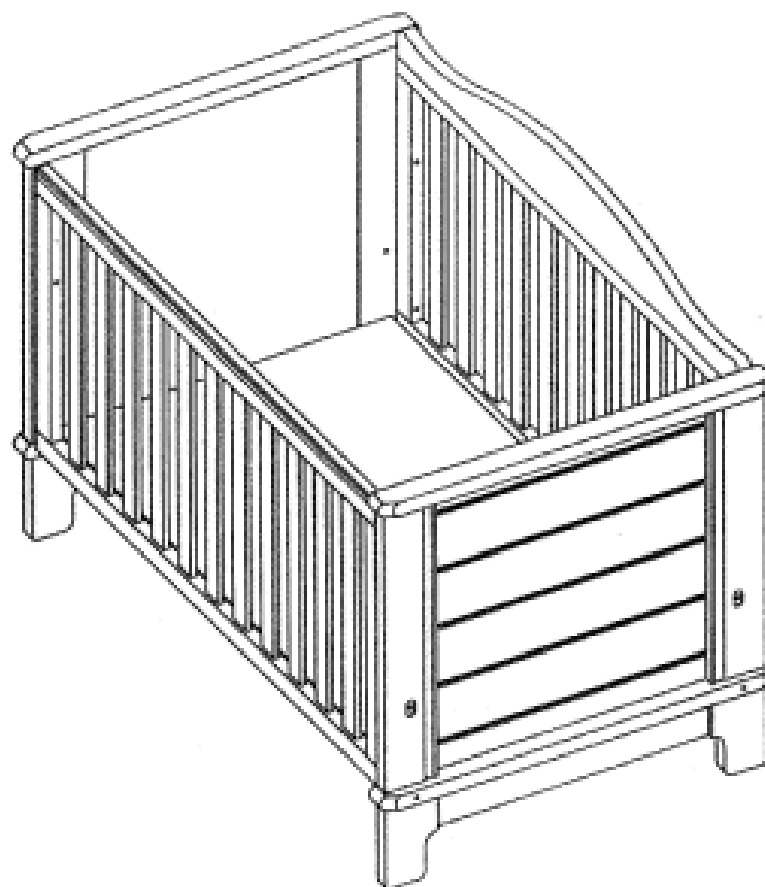
**27-37 Vallance Street St Marys New South Wales 2760 Australia**

(72) Name(s) of Designer(s): **Justin Chui**

(45) Registration Date: **28 September 2009**

(56) Related Art Documents: **Not Applicable**

(57) Statement of Newness and Distinctiveness: **Nil**



(21) Design Number: **13108/2009**

(22) Date of Filing Application: **14 August 2009**

(24) Date from which industrial property rights may have effect: **14 August 2009**

(54) Product in respect of which the design is registered: **Expandable water tank**

(51) International Design Classification: **23-01F**

(71) Name(s) and Address(s) of Applicant(s):

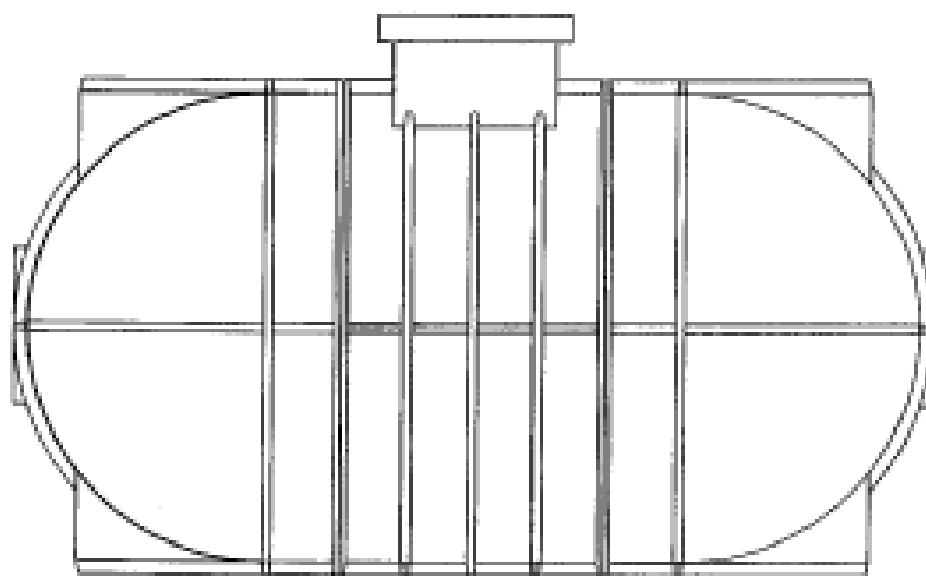
**All Pumps Holdings Pty**  
**83 Fennell Street Parramatta New South Wales 2150 Australia**

(72) Name(s) of Designer(s): **John Lovett and Stephen Hales**

(45) Registration Date: **24 September 2009**

(56) Related Art Documents: **Not Applicable**

(57) Statement of Newness and Distinctiveness: **Newness and distinctiveness is claimed in the shape and/or configuration of expandable water tank as illustrated by the unbroken lines in the accompanying representation/s.**



(21) Design Number: **13583/2009**

(22) Date of Filing Application: **14 August 2009**

(24) Date from which industrial property rights may have effect: **14 August 2009**

(54) Product in respect of which the design is registered: **Expandable water tank**

(51) International Design Classification: **23-01F**

(71) Name(s) and Address(s) of Applicant(s):

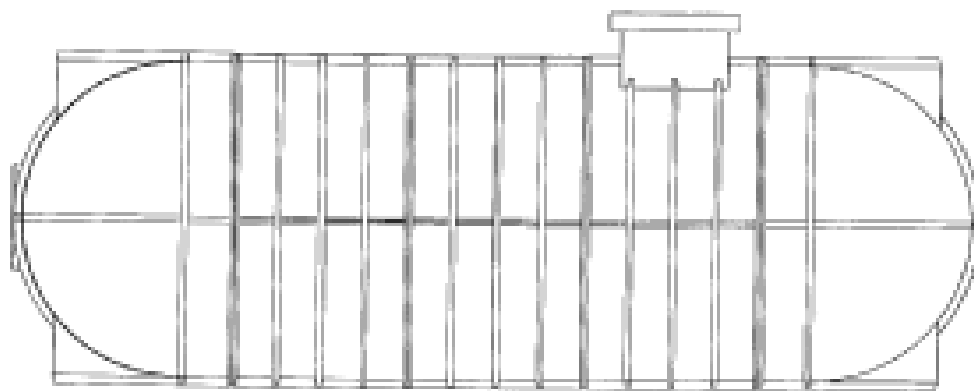
**All Pumps Holdings Pty**  
**83 Fennell Street Parramatta New South Wales 2150 Australia**

(72) Name(s) of Designer(s): **John Lovett and Stephen Hales**

(45) Registration Date: **24 September 2009**

(56) Related Art Documents: **Not Applicable**

(57) Statement of Newness and Distinctiveness: **Newness and distinctiveness is claimed in the shape and/or configuration of expandable water tank as illustrated by the unbroken lines in the accompanying representation/s.**



(21) Design Number: **13584/2009**

(22) Date of Filing Application: **14 August 2009**

(24) Date from which industrial property rights may have effect: **14 August 2009**

(54) Product in respect of which the design is registered: **Expandable water tank**

(51) International Design Classification: **23-01F**

(71) Name(s) and Address(s) of Applicant(s):

**All Pumps Holdings Pty  
83 Fennell Street Parramatta New South Wales 2150 Australia**

(72) Name(s) of Designer(s): **John Lovett and Stephen Hales**

(45) Registration Date: **24 September 2009**

(56) Related Art Documents: **Not Applicable**

(57) Statement of Newness and Distinctiveness: **Newness and distinctiveness is claimed in the shape and/or configuration of expandable water tank as illustrated by the unbroken lines in the accompanying representation/s.**



(21) Design Number: **13358/2009**

(22) Date of Filing Application: **01 September 2009**

(24) Date from which industrial property rights may have effect: **01 September 2009**

(54) Product in respect of which the design is registered: **Electric vehicle**

(51) International Design Classification: **12-08**

(71) Name(s) and Address(s) of Applicant(s):

**Suzhou Eagle Electric Vehicle Manufacturing Co., Ltd.  
No. 699 TongYuan Road Suzhou Industrial Park Suzhou City China**

(72) Name(s) of Designer(s): **Xueqing Zhang**

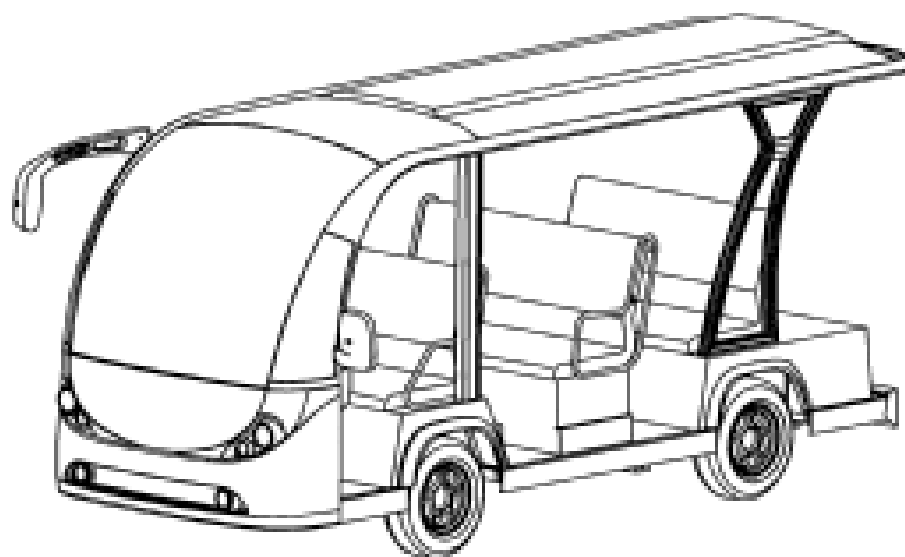
(45) Registration Date: **24 September 2009**

(30) Convention priority data:

(31) Number	(32) Date	(33) Country
<b>200930185400.4</b>	<b>02 May 2009</b>	<b>CHINA</b>

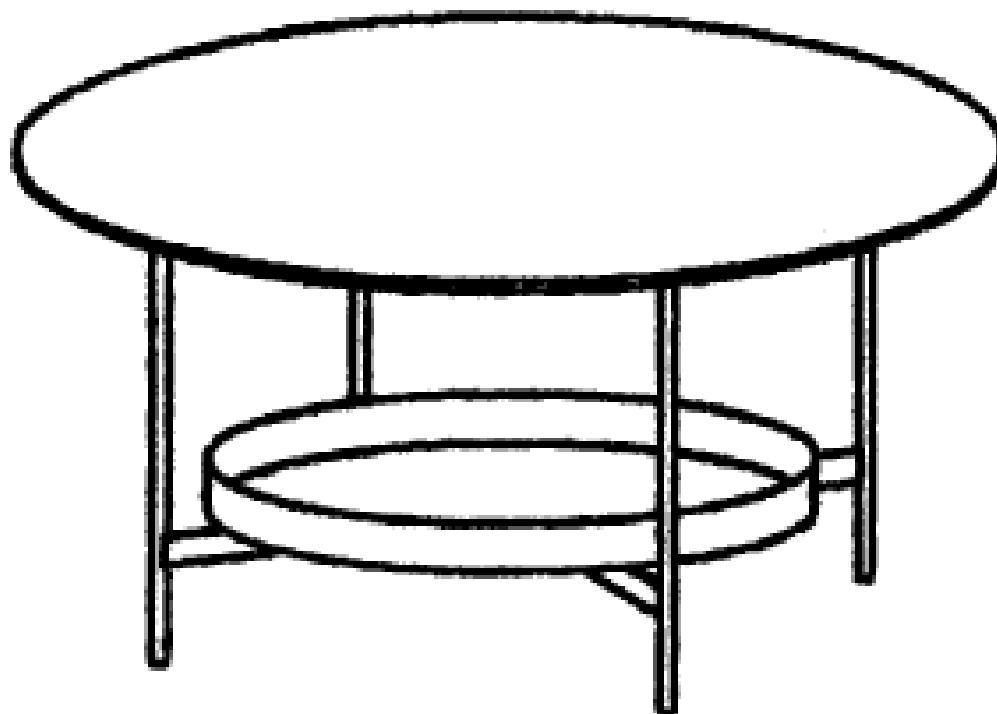
(56) Related Art Documents: **Not Applicable**

(57) Statement of Newness and Distinctiveness: **Newness and distinctiveness resides in the shape and/or configuration of an electric vehicle as illustrated in the accompanying representations.**

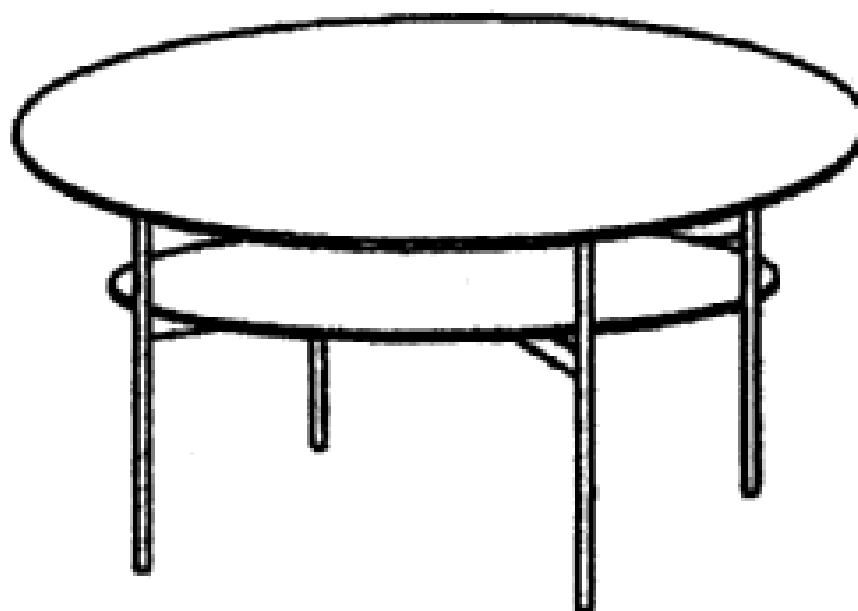




- (21) Design Number: **13405/2009**  
(22) Date of Filing Application: **02 September 2009**  
(24) Date from which industrial property rights may have effect: **02 September 2009**  
(54) Product in respect of which the design is registered: **A table**  
(51) International Design Classification: **06-03B**  
(71) Name(s) and Address(s) of Applicant(s):  
**King Furniture (Australia) Pty Ltd**  
**123 Turrella Street Turrella New South Wales 2205 Australia**  
(72) Name(s) of Designer(s): **David Russell King and Steven Leonard Higgs**  
(45) Registration Date: **24 September 2009**  
(56) Related Art Documents: **Not Applicable**  
(57) Statement of Newness and Distinctiveness: **Newness and distinctiveness reside in the features of the design as shown in the representations.**



- (21) Design Number: **13406/2009**  
(22) Date of Filing Application: **02 September 2009**  
(24) Date from which industrial property rights may have effect: **02 September 2009**  
(54) Product in respect of which the design is registered: **A table**  
(51) International Design Classification: **06-03B**  
(71) Name(s) and Address(s) of Applicant(s):  
**King Furniture (Australia) Pty Ltd**  
**123 Turrella Street Turrella New South Wales 2205 Australia**  
(72) Name(s) of Designer(s): **David Russell King and Steven Leonard Higgs**  
(45) Registration Date: **24 September 2009**  
(56) Related Art Documents: **Not Applicable**  
(57) Statement of Newness and Distinctiveness: **Newness and distinctiveness reside in the features of the design as shown in the representations.**



(21) Design Number: **14835/2008**  
(22) Date of Filing Application: **03 October 2008**  
(24) Date from which industrial property rights may have effect: **03 October 2008**  
(54) Product in respect of which the design is registered: **A surgical manipulator**  
(51) International Design Classification: **24-02**  
(71) Name(s) and Address(s) of Applicant(s):

**Insitu Systems Limited**  
**26 Dakota Crescent Sockburn Christchurch New Zealand**

(72) Name(s) of Designer(s): **Michael Charles East**

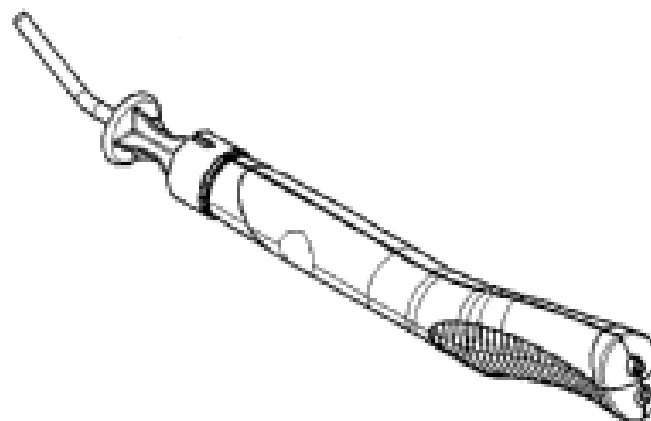
(45) Registration Date: **25 September 2009**

(30) Convention priority data:

(31) Number	(32) Date	(33) Country
<b>410663</b>	<b>08 Apr 2008</b>	<b>NEW ZEALAND</b>

(56) Related Art Documents: **Not Applicable**

(57) Statement of Newness and Distinctiveness: **The novelty claimed for the design resides in the features of shape and/or configuration all as shown in the representations. No novelty is claimed in respect of the form of any pneumoperitoneum supporting skirt associable with, or deployable from, the apparatus as shown.**



(21) Design Number: **13336/2009**  
(22) Date of Filing Application: **31 August 2009**  
(24) Date from which industrial property rights may have effect: **31 August 2009**  
(54) Product in respect of which the design is registered: **Footwear cover**  
(51) International Design Classification: **02-04NES**  
(71) Name(s) and Address(s) of Applicant(s):

**Cleatskins, Inc.**  
**132 N. El Camino Real Suite #287 Encinitas California 92024 United States of America**

(72) Name(s) of Designer(s): **Marianne Kay and Richard Kay**

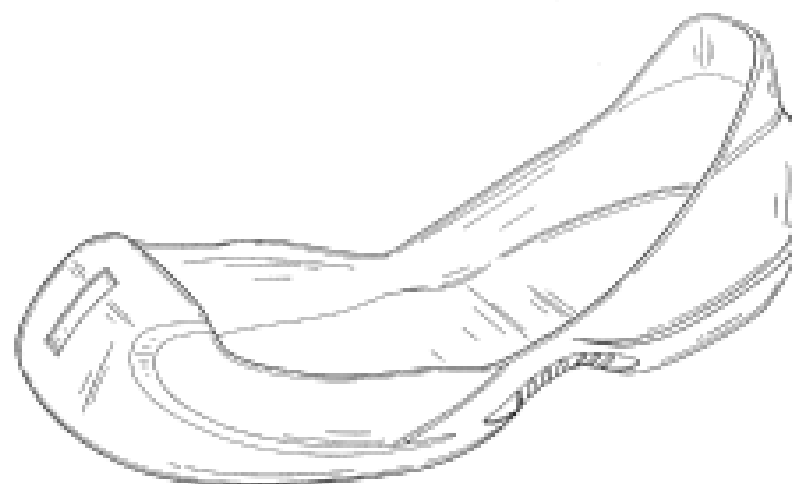
(45) Registration Date: **25 September 2009**

(30) Convention priority data:

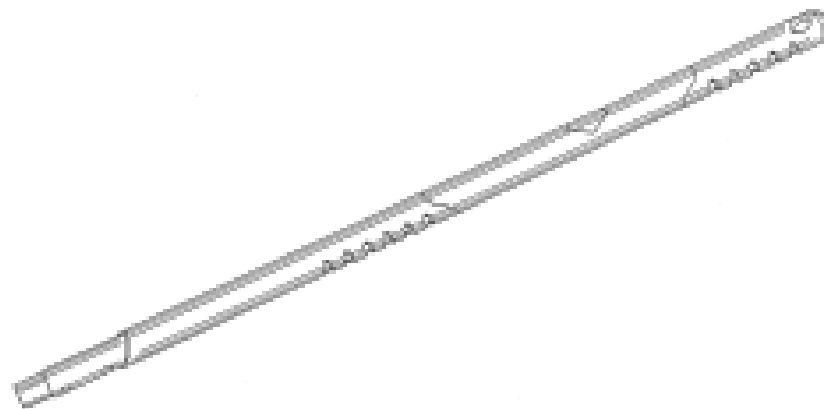
(31) Number	(32) Date	(33) Country
<b>29/333,090</b>	<b>03 Mar 2009</b>	<b>UNITED STATES OF AMERICA</b>

(56) Related Art Documents: **Not Applicable**

(57) Statement of Newness and Distinctiveness: **Nil**



- (21) Design Number: **13341/2009**  
(22) Date of Filing Application: **31 August 2009**  
(24) Date from which industrial property rights may have effect: **31 August 2009**  
(54) Product in respect of which the design is registered: **Handle for a garden tool**  
(51) International Design Classification: **08-06**  
(71) Name(s) and Address(s) of Applicant(s):  
**Ames True Temper, Inc.**  
**465 Railroad Avenue Camp Hill PA 17011 United States of America**  
(72) Name(s) of Designer(s): **Maureen Elizabeth Carroll and David Boies**  
(45) Registration Date: **25 September 2009**  
(30) Convention priority data:  
(31) Number (32) Date (33) Country  
**29/333,702 13 Mar 2009 UNITED STATES OF AMERICA**  
(56) Related Art Documents: **Not Applicable**  
(57) Statement of Newness and Distinctiveness: **Nil**



- (21) Design Number: **13342/2009**  
(22) Date of Filing Application: **31 August 2009**  
(24) Date from which industrial property rights may have effect: **31 August 2009**  
(54) Product in respect of which the design is registered: **Handle for a garden tool**  
(51) International Design Classification: **08-06**  
(71) Name(s) and Address(s) of Applicant(s):  
**Ames True Temper, Inc.**  
**465 Railroad Avenue Camp Hill PA 17011 United States of America**  
(72) Name(s) of Designer(s): **Maureen Elizabeth Carroll and David Boies and Shane Byler**  
(45) Registration Date: **25 September 2009**  
(30) Convention priority data:  
(31) Number (32) Date (33) Country  
**29/333,696 13 Mar 2009 UNITED STATES OF AMERICA**  
(56) Related Art Documents: **Not Applicable**  
(57) Statement of Newness and Distinctiveness: **The newness and distinctiveness of the design resides in the features of pattern and/or ornamentation OR shape and/or configuration shown in unbroken lines in the accompanying representations. (if required, see Convention document).**



(21) Design Number: **13377/2009**

(22) Date of Filing Application: **01 September 2009**

(24) Date from which industrial property rights may have effect: **01 September 2009**

(54) Product in respect of which the design is registered: **Article of clothing**

(51) International Design Classification: **02-02NES**

(71) Name(s) and Address(s) of Applicant(s):

**Nextinct Pty Ltd**

**56A Goodard Street Lathlain Western Australia 6100 Australia**

(72) Name(s) of Designer(s): **John Emery**

(45) Registration Date: **25 September 2009**

(56) Related Art Documents: **Not Applicable**

(57) Statement of Newness and Distinctiveness: **The newness and distinctiveness of the article of clothing resides in the pattern and/or ornamentation as shown in the accompanying representations, irrespective of the shape of the article of clothing.**



(21) Design Number: **13378/2009**

(22) Date of Filing Application: **01 September 2009**

(24) Date from which industrial property rights may have effect: **01 September 2009**

(54) Product in respect of which the design is registered: **Article of clothing**

(51) International Design Classification: **02-02NES**

(71) Name(s) and Address(s) of Applicant(s):

**Nextinct Pty Ltd**

**56A Goodard Street Lathlain Western Australia 6100 Australia**

(72) Name(s) of Designer(s): **John Emery**

(45) Registration Date: **25 September 2009**

(56) Related Art Documents: **Not Applicable**

(57) Statement of Newness and Distinctiveness: **The newness and distinctiveness of the article of clothing resides in the pattern and/or ornamentation as shown in the accompanying representations, irrespective of the shape of the article of clothing.**



(21) Design Number: 13379/2009

(22) Date of Filing Application: 01 September 2009

(24) Date from which industrial property rights may have effect: 01 September 2009

(54) Product in respect of which the design is registered: Article of clothing

(51) International Design Classification: 02-02NES

(71) Name(s) and Address(s) of Applicant(s):

**Nextinct Pty Ltd**

**56A Goodard Street Lathlain Western Australia 6100 Australia**

(72) Name(s) of Designer(s): John Emery

(45) Registration Date: 25 September 2009

(56) Related Art Documents: Not Applicable

(57) Statement of Newness and Distinctiveness: The newness and distinctiveness of the article of clothing resides in the pattern and/or ornamentation as shown in the accompanying representations, irrespective of the shape of the article of clothing.



(21) Design Number: 13380/2009

(22) Date of Filing Application: 01 September 2009

(24) Date from which industrial property rights may have effect: 01 September 2009

(54) Product in respect of which the design is registered: Article of clothing

(51) International Design Classification: 02-02NES

(71) Name(s) and Address(s) of Applicant(s):

**Nextinct Pty Ltd**

**56A Goodard Street Lathlain Western Australia 6100 Australia**

(72) Name(s) of Designer(s): John Emery

(45) Registration Date: 25 September 2009

(56) Related Art Documents: Not Applicable

(57) Statement of Newness and Distinctiveness: The newness and distinctiveness of the article of clothing resides in the pattern and/or ornamentation as shown in the accompanying representations, irrespective of the shape of the article of clothing.



- (21) Design Number: **13381/2009**
- (22) Date of Filing Application: **01 September 2009**
- (24) Date from which industrial property rights may have effect: **01 September 2009**
- (54) Product in respect of which the design is registered: **Article of clothing**
- (51) International Design Classification: **02-02NES**
- (71) Name(s) and Address(s) of Applicant(s):  
**Nextinct Pty Ltd**  
**56A Goodard Street Lathlain Western Australia 6100 Australia**
- (72) Name(s) of Designer(s): **John Emery**
- (45) Registration Date: **25 September 2009**
- (56) Related Art Documents: **Not Applicable**
- (57) Statement of Newness and Distinctiveness: **The newness and distinctiveness of the article of clothing resides in the pattern and/or ornamentation as shown in the accompanying representations, irrespective of the shape of the article of clothing.**



- (21) Design Number: **13382/2009**
- (22) Date of Filing Application: **01 September 2009**
- (24) Date from which industrial property rights may have effect: **01 September 2009**
- (54) Product in respect of which the design is registered: **Article of clothing**
- (51) International Design Classification: **02-02NES**
- (71) Name(s) and Address(s) of Applicant(s):  
**Nextinct Pty Ltd**  
**56A Goodard Street Lathlain Western Australia 6100 Australia**
- (72) Name(s) of Designer(s): **John Emery**
- (45) Registration Date: **25 September 2009**
- (56) Related Art Documents: **Not Applicable**
- (57) Statement of Newness and Distinctiveness: **The newness and distinctiveness of the article of clothing resides in the pattern and/or ornamentation as shown in the accompanying representations, irrespective of the shape of the article of clothing.**



- (21) Design Number: **13383/2009**  
(22) Date of Filing Application: **01 September 2009**  
(24) Date from which industrial property rights may have effect: **01 September 2009**  
(54) Product in respect of which the design is registered: **Article of clothing**  
(51) International Design Classification: **02-02NES**  
(71) Name(s) and Address(s) of Applicant(s):  
**Nextinct Pty Ltd**  
**56A Goodard Street Lathlain Western Australia 6100 Australia**  
(72) Name(s) of Designer(s): **John Emery**  
(45) Registration Date: **25 September 2009**  
(56) Related Art Documents: **Not Applicable**  
(57) Statement of Newness and Distinctiveness: **The newness and distinctiveness of the article of clothing resides in the pattern and/or ornamentation as shown in the accompanying representations, irrespective of the shape of the article of clothing.**



- (21) Design Number: **13384/2009**  
(22) Date of Filing Application: **01 September 2009**  
(24) Date from which industrial property rights may have effect: **01 September 2009**  
(54) Product in respect of which the design is registered: **Article of clothing**  
(51) International Design Classification: **02-02NES**  
(71) Name(s) and Address(s) of Applicant(s):  
**Nextinct Pty Ltd**  
**56A Goodard Street Lathlain Western Australia 6100 Australia**  
(72) Name(s) of Designer(s): **John Emery**  
(45) Registration Date: **25 September 2009**  
(56) Related Art Documents: **Not Applicable**  
(57) Statement of Newness and Distinctiveness: **The newness and distinctiveness of the article of clothing resides in the pattern and/or ornamentation as shown in the accompanying representations, irrespective of the shape of the article of clothing.**



(21) Design Number: **13385/2009**  
(22) Date of Filing Application: **01 September 2009**  
(24) Date from which industrial property rights may have effect: **01 September 2009**  
(54) Product in respect of which the design is registered: **Air-conditioner**  
(51) International Design Classification: **23-04**  
(71) Name(s) and Address(s) of Applicant(s):

**Daikin Industries Ltd.**  
**Umeda Center Building 4-12 Nakazaki-Nishi 2-chome Kita-Ku**  
**Osaka-shi Osaka-fu Japan**

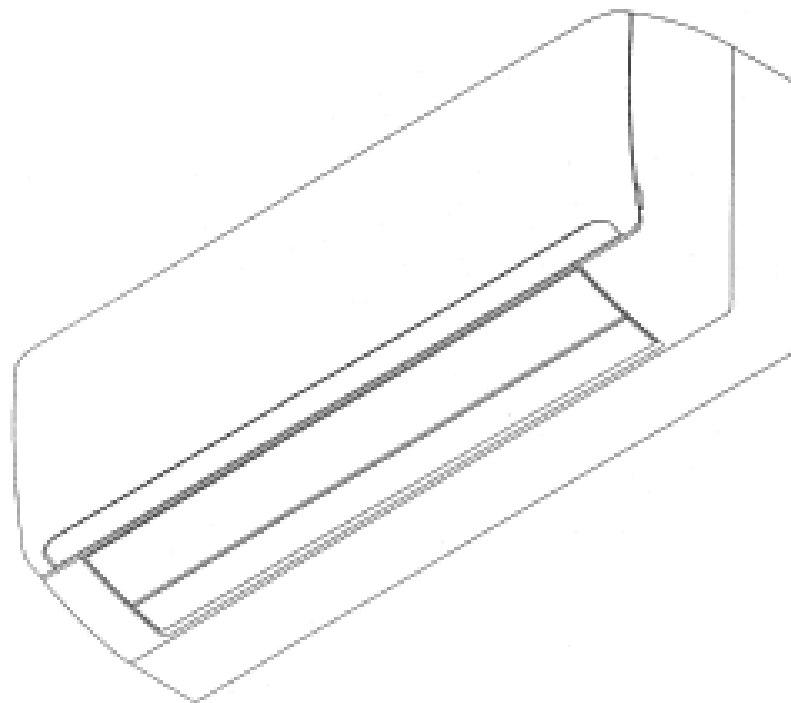
(72) Name(s) of Designer(s): **Yumi Ohta**  
(45) Registration Date: **25 September 2009**

(30) Convention priority data:

(31) Number	(32) Date	(33) Country
<b>D2009-009641</b>	<b>24 Apr 2009</b>	<b>JAPAN</b>

(56) Related Art Documents: **Not Applicable**

(57) Statement of Newness and Distinctiveness: **Nil**



(21) Design Number: **13386/2009**  
(22) Date of Filing Application: **01 September 2009**  
(24) Date from which industrial property rights may have effect: **01 September 2009**  
(54) Product in respect of which the design is registered: **Air-conditioner**  
(51) International Design Classification: **23-04**  
(71) Name(s) and Address(s) of Applicant(s):

**Daikin Industries Ltd.**  
**Umeda Center Building 4-12 Nakazaki-Nishi 2-chome Kita-Ku**  
**Osaka-shi Osaka-fu Japan**

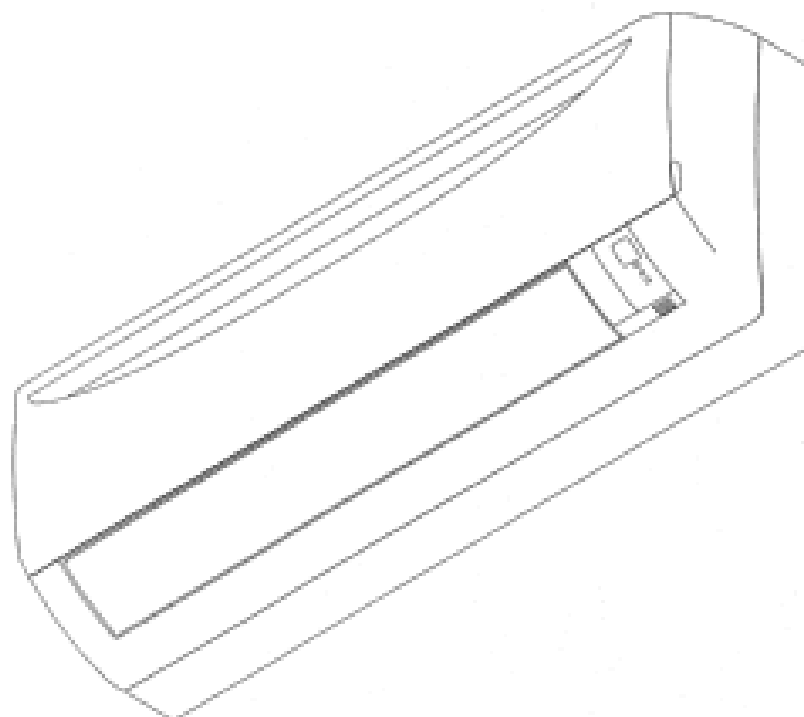
(72) Name(s) of Designer(s): **Mana Yamashita**  
(45) Registration Date: **25 September 2009**

(30) Convention priority data:

(31) Number	(32) Date	(33) Country
<b>D2009-009644</b>	<b>24 Apr 2009</b>	<b>JAPAN</b>

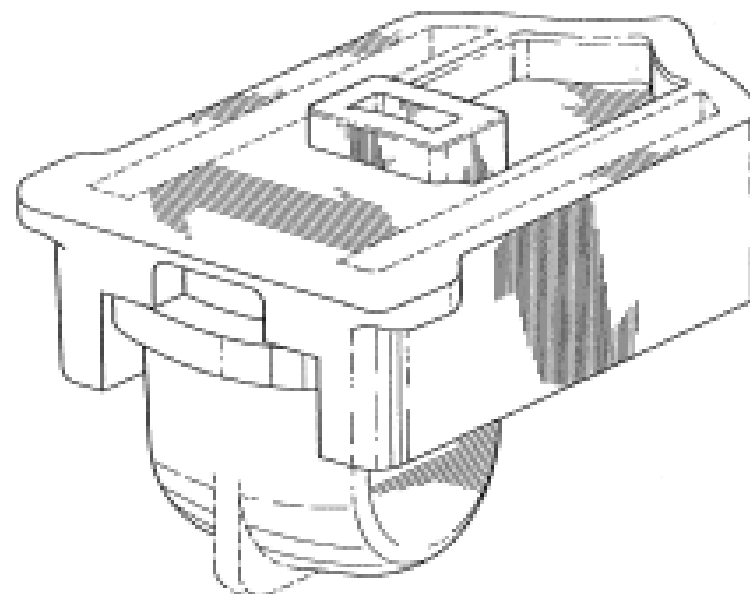
(56) Related Art Documents: **Not Applicable**

(57) Statement of Newness and Distinctiveness: **Nil**

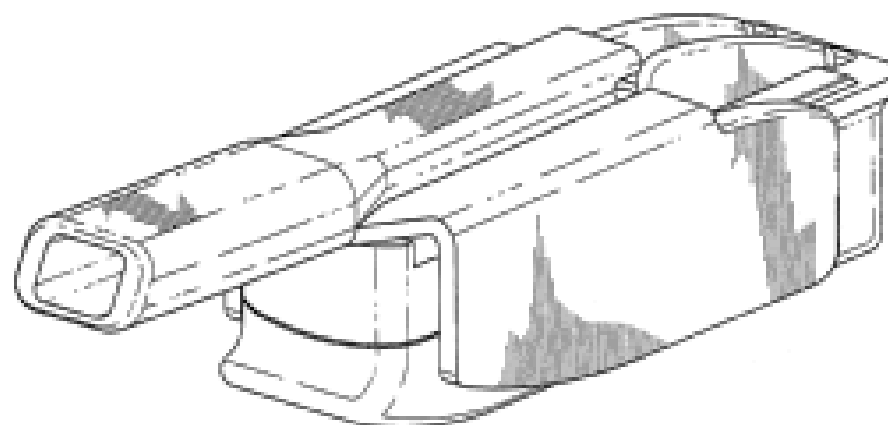




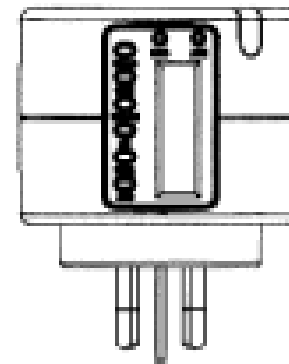
(21) Design Number: **13387/2009**  
(22) Date of Filing Application: **02 September 2009**  
(24) Date from which industrial property rights may have effect: **02 September 2009**  
(54) Product in respect of which the design is registered: **Cartridge for a dry powder inhaler**  
(51) International Design Classification: **24-04**  
(71) Name(s) and Address(s) of Applicant(s):  
**MannKind Corporation**  
**28903 North Avenue Paine Valencia CA 91355 United States of America**  
(72) Name(s) of Designer(s): **Chad C. Smutney and John M. Polidoro and Benoit Adamo and P. Spencer Kinsey**  
(45) Registration Date: **25 September 2009**  
(30) Convention priority data:  
(31) Number (32) Date (33) Country  
**29/333,230 04 Mar 2009 UNITED STATES OF AMERICA**  
(56) Related Art Documents: **Not Applicable**  
(57) Statement of Newness and Distinctiveness: **Nil**



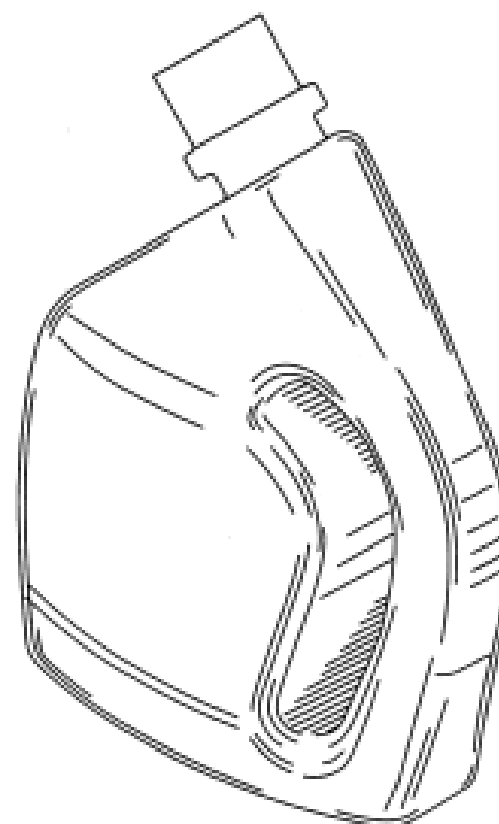
(21) Design Number: **13388/2009**  
(22) Date of Filing Application: **02 September 2009**  
(24) Date from which industrial property rights may have effect: **02 September 2009**  
(54) Product in respect of which the design is registered: **Dry powder inhaler**  
(51) International Design Classification: **24-04**  
(71) Name(s) and Address(s) of Applicant(s):  
**MannKind Corporation**  
**28903 North Avenue Paine Valencia CA 91355 United States of America**  
(72) Name(s) of Designer(s): **Chad C. Smutney and John M. Polidoro and P. Spencer Kinsey and Benoit Adamo**  
(45) Registration Date: **25 September 2009**  
(30) Convention priority data:  
(31) Number (32) Date (33) Country  
**29/333,232 04 Mar 2009 UNITED STATES OF AMERICA**  
(56) Related Art Documents: **Not Applicable**  
(57) Statement of Newness and Distinctiveness: **Nil**



- (21) Design Number: **13389/2009**
- (22) Date of Filing Application: **02 September 2009**
- (24) Date from which industrial property rights may have effect: **02 September 2009**
- (54) Product in respect of which the design is registered: **Timer**
- (51) International Design Classification: **10-03**
- (71) Name(s) and Address(s) of Applicant(s):  
**Arlec Australia Pty Ltd**  
**272-274 Maroondah Highway Chrinside Park Victoria 3116 Australia**
- (72) Name(s) of Designer(s): **Michael Nimmervoll**
- (45) Registration Date: **25 September 2009**
- (56) Related Art Documents: **Not Applicable**
- (57) Statement of Newness and Distinctiveness: **Nil**



- (21) Design Number: **13353/2009**
- (22) Date of Filing Application: **02 September 2009**
- (24) Date from which industrial property rights may have effect: **02 September 2009**
- (54) Product in respect of which the design is registered: **Bottle**
- (51) International Design Classification: **09-01K**
- (71) Name(s) and Address(s) of Applicant(s):  
**David Penaluna**  
**PO Box 229 Carlton South Victoria 3053 Australia**
- (72) Name(s) of Designer(s): **David Penaluna**
- (45) Registration Date: **25 September 2009**
- (56) Related Art Documents: **Not Applicable**
- (57) Statement of Newness and Distinctiveness: **The shape and configuration of those parts of the design other than the recessed panel for a label are new and distinctive.**



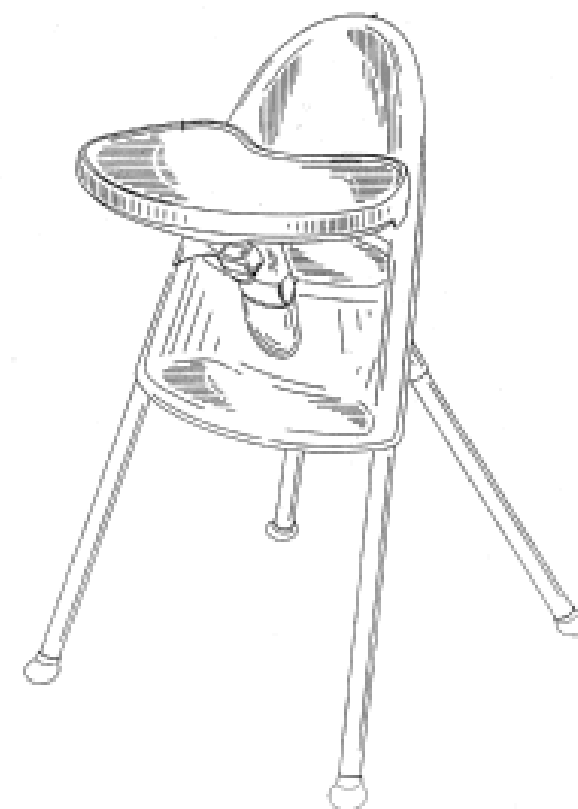
- (21) Design Number: **13354/2009**  
(22) Date of Filing Application: **02 September 2009**  
(24) Date from which industrial property rights may have effect: **02 September 2009**  
(54) Product in respect of which the design is registered: **Bottle**  
(51) International Design Classification: **09-01K**  
(71) Name(s) and Address(s) of Applicant(s):  
**David Penaluna**  
**PO Box 229 Carlton South Victoria 3053 Australia**  
(72) Name(s) of Designer(s): **David Penaluna**  
(45) Registration Date: **25 September 2009**  
(56) Related Art Documents: **Not Applicable**  
(57) Statement of Newness and Distinctiveness: **The shape and configuration of those parts of the design other than the recessed panel for a label are new and distinctive.**



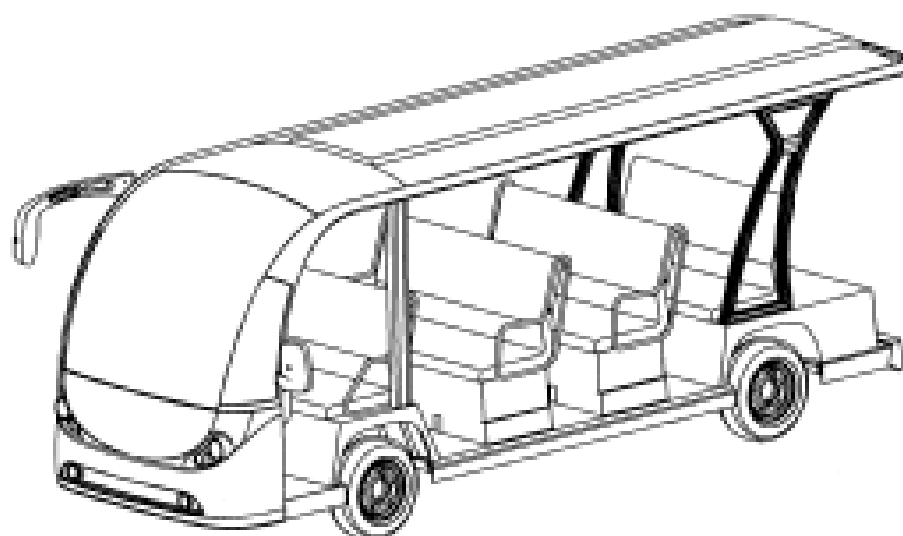
- (21) Design Number: **13355/2009**  
(22) Date of Filing Application: **02 September 2009**  
(24) Date from which industrial property rights may have effect: **02 September 2009**  
(54) Product in respect of which the design is registered: **High baby chair**  
(51) International Design Classification: **06-01E**  
(71) Name(s) and Address(s) of Applicant(s):  
**BabyBjorn AB**  
**Satraangsvagen 8 S-182 15 Danderyd Sweden**  
(72) Name(s) of Designer(s): **Hakan Bergkvist**  
(45) Registration Date: **25 September 2009**  
(30) Convention priority data:  

(31) Number	(32) Date	(33) Country
<b>001113658</b>	<b>30 Mar 2009</b>	<b>EUROPEAN COMMUNITY</b>

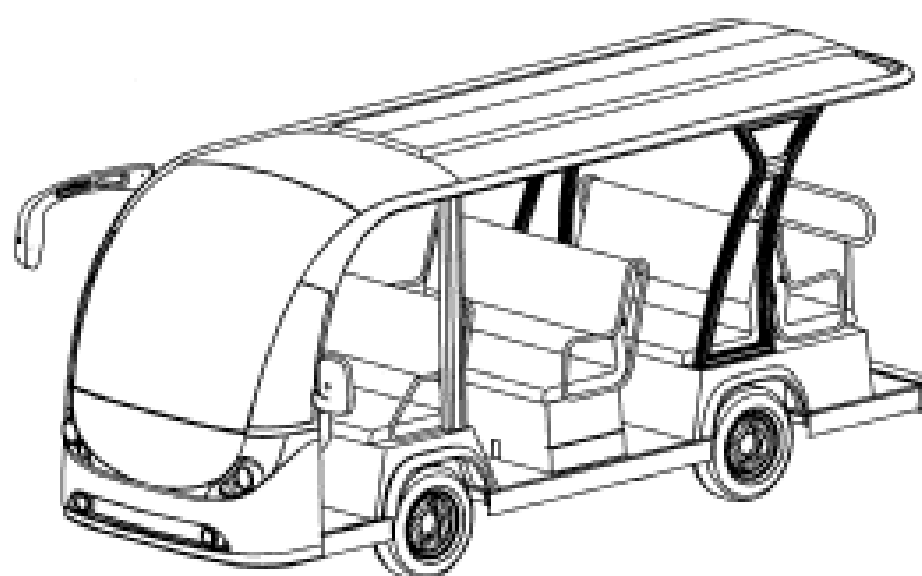
  
(56) Related Art Documents: **Not Applicable**  
(57) Statement of Newness and Distinctiveness: **Newness and distinctiveness is claimed in the features of shape and/or configuration of the following parts of a high baby chair as illustrated and labelled in the accompanying representations: table labelled "A", top part of the chair labelled "B", part which folds the chair labelled "C" and part which folds the table labelled "D"**



- (21) Design Number: **13356/2009**  
(22) Date of Filing Application: **01 September 2009**  
(24) Date from which industrial property rights may have effect: **01 September 2009**  
(54) Product in respect of which the design is registered: **Electric vehicle**  
(51) International Design Classification: **12-08**  
(71) Name(s) and Address(s) of Applicant(s):  
**Suzhou Eagle Electric Vehicle Manufacturing Co., Ltd.**  
**No. 699 TongYuan Road Suzhou Industrial Park Suzhou City China**  
(72) Name(s) of Designer(s): **Xueqing Zhang**  
(45) Registration Date: **25 September 2009**  
(30) Convention priority data:  
(31) Number (32) Date (33) Country  
**200930187502.X 02 May 2009 CHINA**  
(56) Related Art Documents: **Not Applicable**  
(57) Statement of Newness and Distinctiveness: **Newness and distinctiveness resides in the shape and/or configuration of an electric vehicle as illustrated in the accompanying representations.**



- (21) Design Number: **13357/2009**  
(22) Date of Filing Application: **01 September 2009**  
(24) Date from which industrial property rights may have effect: **01 September 2009**  
(54) Product in respect of which the design is registered: **Electric vehicle**  
(51) International Design Classification: **12-08**  
(71) Name(s) and Address(s) of Applicant(s):  
**Suzhou Eagle Electric Vehicle Manufacturing Co., Ltd.**  
**No. 699 TongYuan Road Suzhou Industrial Park Suzhou City China**  
(72) Name(s) of Designer(s): **Xueqing Zhang**  
(45) Registration Date: **25 September 2009**  
(30) Convention priority data:  
(31) Number (32) Date (33) Country  
**200930187501.5 02 May 2009 CHINA**  
(56) Related Art Documents: **Not Applicable**  
(57) Statement of Newness and Distinctiveness: **Newness and distinctiveness resides in the shape and/or configuration of an electric vehicle as illustrated in the accompanying representations.**



(21) Design Number: **11000/2009**

(22) Date of Filing Application: **24 March 2009**

(24) Date from which industrial property rights may have effect: **24 March 2009**

(54) Product in respect of which the design is registered: **Automobile tyre**

(51) International Design Classification: **12-15A**

(71) Name(s) and Address(s) of Applicant(s):

**Bridgestone Corporation**

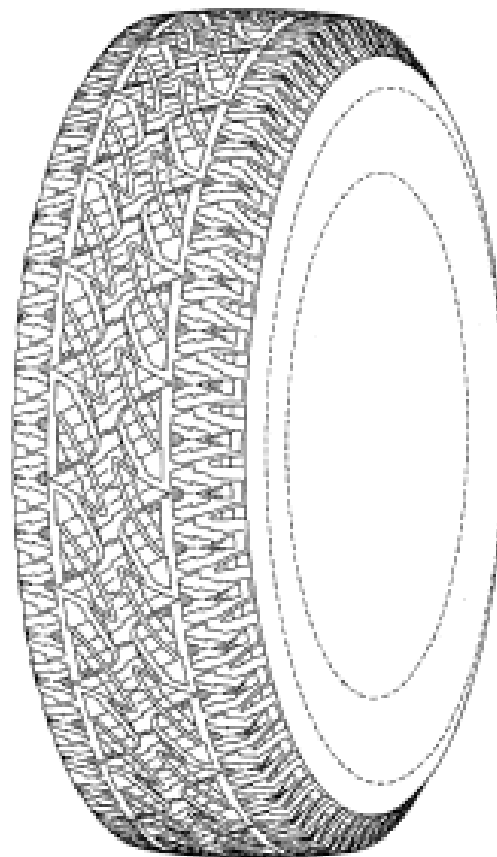
**10-1 Kyobashi 1-Chome Chuo-ku Tokyo 104-8340 Japan**

(72) Name(s) of Designer(s): **Naoya Ochi**

(45) Registration Date: **25 September 2009**

(56) Related Art Documents: **Not Applicable**

(57) Statement of Newness and Distinctiveness: **The shape, configuration and pattern of the tread portion of the tyre is new and distinctive.**



(21) Design Number: **11071/2009**

(22) Date of Filing Application: **31 March 2009**

(24) Date from which industrial property rights may have effect: **31 March 2009**

(54) Product in respect of which the design is registered: **Top**

(51) International Design Classification: **02-02NES**

(71) Name(s) and Address(s) of Applicant(s):

**Grant Olver Investments Pty Ltd trading as Pilgrim Clothing**

**2 Vale Street St Kilda Victoria 3182 Australia**

(72) Name(s) of Designer(s): **Grant N. Olver**

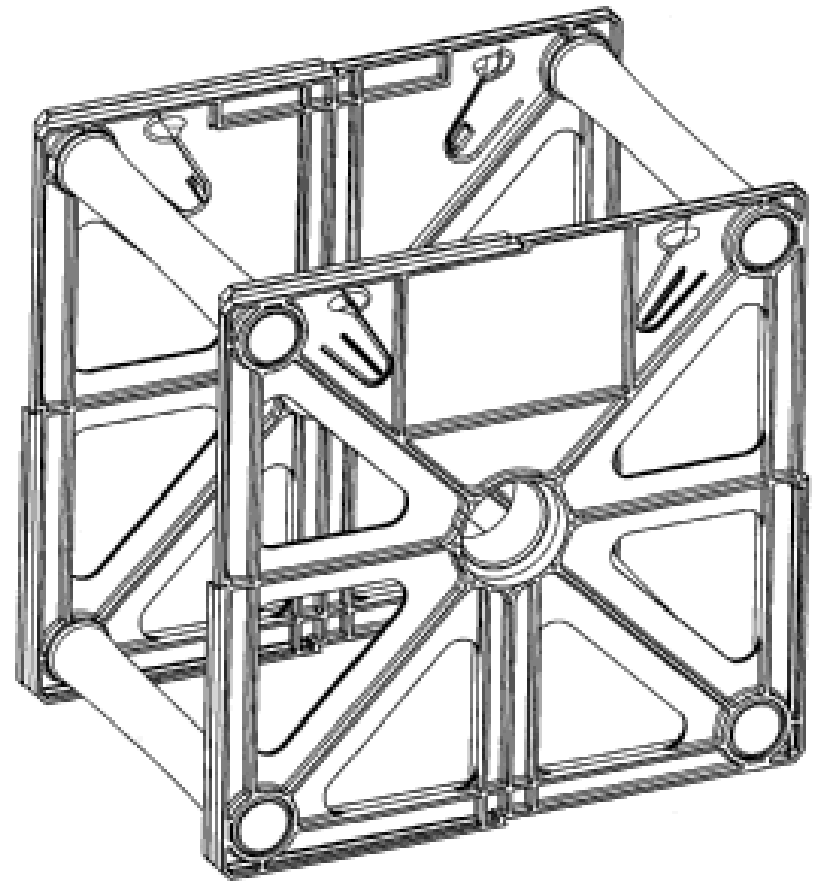
(45) Registration Date: **25 September 2009**

(56) Related Art Documents: **Not Applicable**

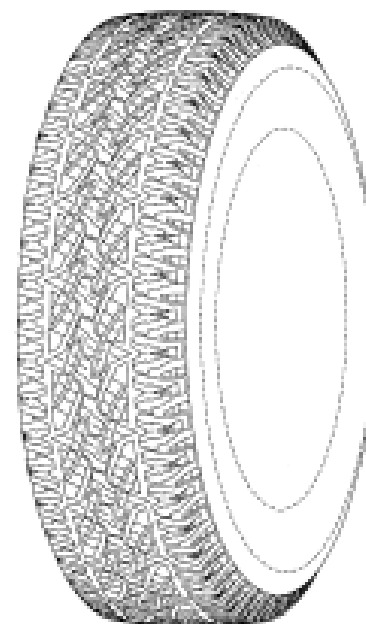
(57) Statement of Newness and Distinctiveness: **Nil**



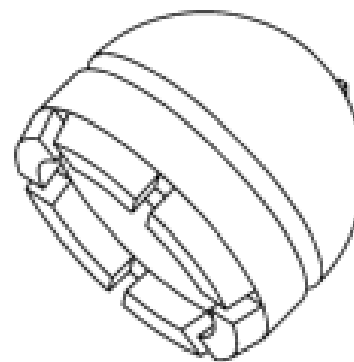
- (21) Design Number: **12561/2009**  
(22) Date of Filing Application: **15 July 2009**  
(24) Date from which industrial property rights may have effect: **15 July 2009**  
(54) Product in respect of which the design is registered: **Reel assembly**  
(51) International Design Classification: **08-99**  
(71) Name(s) and Address(s) of Applicant(s):  
**ADC GmbH**  
**Beeskowdamm 3-11 Berlin D-14167 Germany**  
(72) Name(s) of Designer(s): **Brent David Allwood**  
(45) Registration Date: **25 September 2009**  
(56) Related Art Documents: **Not Applicable**  
(57) Statement of Newness and Distinctiveness: **The features of shape and configuration of the reel assembly shown in the accompanying representations are considered to be new and distinctive.**



- (21) Design Number: **10999/2009**  
(22) Date of Filing Application: **24 March 2009**  
(24) Date from which industrial property rights may have effect: **24 March 2009**  
(54) Product in respect of which the design is registered: **Automobile tyre**  
(51) International Design Classification: **12-15A**  
(71) Name(s) and Address(s) of Applicant(s):  
**Bridgestone Corporation**  
**10-1 Kyobashi 1-Chome Chuo-ku Tokyo 104-8340 Japan**  
(72) Name(s) of Designer(s): **Naoya Ochi**  
(45) Registration Date: **28 September 2009**  
(56) Related Art Documents: **Not Applicable**  
(57) Statement of Newness and Distinctiveness: **The shape, configuration and pattern of the tread portion of the tyre is new and distinctive.**



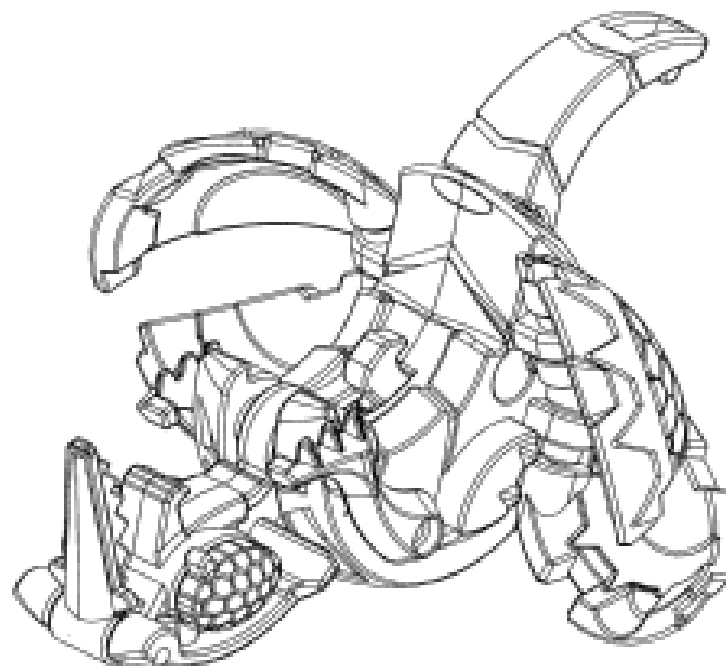
- (21) Design Number: **12426/2009**  
(22) Date of Filing Application: **03 July 2009**  
(24) Date from which industrial property rights may have effect: **03 July 2009**  
(54) Product in respect of which the design is registered: **Marking and fastening device**  
(51) International Design Classification: **08-08NES**  
(71) Name(s) and Address(s) of Applicant(s):  
**EZ-Snap Products Inc.**  
**104-1710 Kosmina Road Vernon British Columbia V1T8T2 Canada**  
(72) Name(s) of Designer(s): **Raymond J. Waddell and Dean A. Myrfield**  
(45) Registration Date: **28 September 2009**  
(56) Related Art Documents: **Not Applicable**  
(57) Statement of Newness and Distinctiveness: **Nil**



- (21) Design Number: **13423/2009**  
(22) Date of Filing Application: **03 September 2009**  
(24) Date from which industrial property rights may have effect: **03 September 2009**  
(54) Product in respect of which the design is registered: **Transformable toy**  
(51) International Design Classification: **21-01B**  
(71) Name(s) and Address(s) of Applicant(s):  
**Spin Master Ltd**  
**450 Front Street West Toronto M5V 1B6 Ontario Canada**  
(72) Name(s) of Designer(s): **Wataru Sato and Kohji Hirose and Richard Keuter**  
(45) Registration Date: **28 September 2009**  
(30) Convention priority data:  

(31) Number	(32) Date	(33) Country
<b>130100</b>	<b>26 Mar 2009</b>	<b>CANADA</b>

  
(56) Related Art Documents: **Not Applicable**  
(57) Statement of Newness and Distinctiveness: **Newness and distinctiveness resides in the features of shape and/or configuration of a transformable toy as shown in the accompanying representations.**



- (21) Design Number: **13424/2009**  
(22) Date of Filing Application: **03 September 2009**  
(24) Date from which industrial property rights may have effect: **03 September 2009**  
(54) Product in respect of which the design is registered: **Transformable toy**  
(51) International Design Classification: **21-01B**  
(71) Name(s) and Address(s) of Applicant(s):

**Spin Master Ltd**  
**450 Front Street West Toronto M5V 1B6 Ontario Canada**

- (72) Name(s) of Designer(s): **Wataru Sato and Kohji Hirose and Richard Keuter**

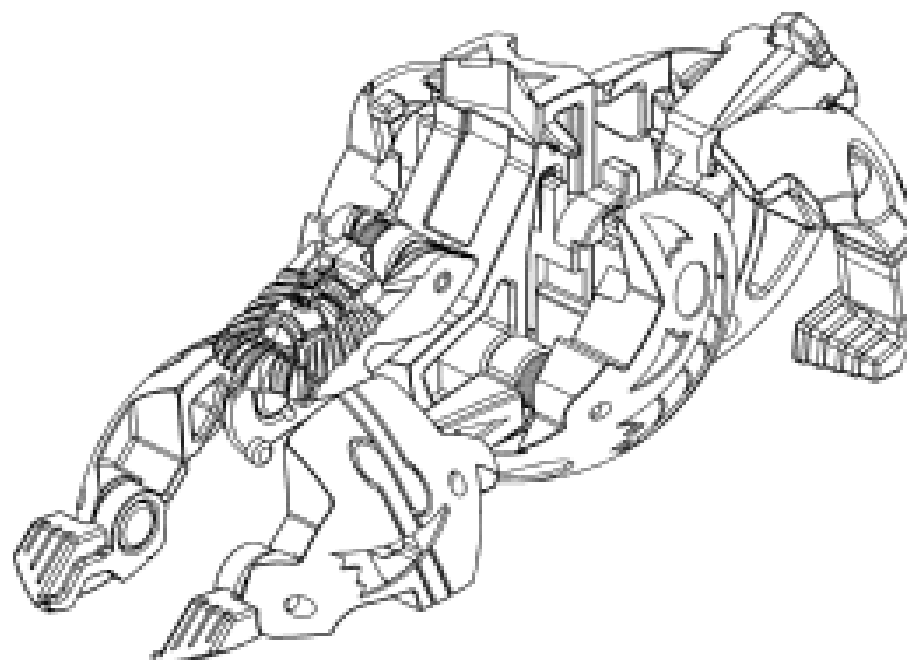
- (45) Registration Date: **28 September 2009**

- (30) Convention priority data:

(31) Number	(32) Date	(33) Country
<b>130102</b>	<b>26 Mar 2009</b>	<b>CANADA</b>

- (56) Related Art Documents: **Not Applicable**

- (57) Statement of Newness and Distinctiveness: **Newness and distinctiveness resides in the features of shape and/or configuration of a transformable toy as shown in the accompanying representations.**



- (21) Design Number: **13425/2009**  
(22) Date of Filing Application: **03 September 2009**  
(24) Date from which industrial property rights may have effect: **03 September 2009**  
(54) Product in respect of which the design is registered: **Transformable toy**  
(51) International Design Classification: **21-01B**  
(71) Name(s) and Address(s) of Applicant(s):

**Spin Master Ltd**  
**450 Front Street West Toronto M5V 1B6 Ontario Canada**

- (72) Name(s) of Designer(s): **Wataru Sato and Kohji Hirose and Richard Keuter**

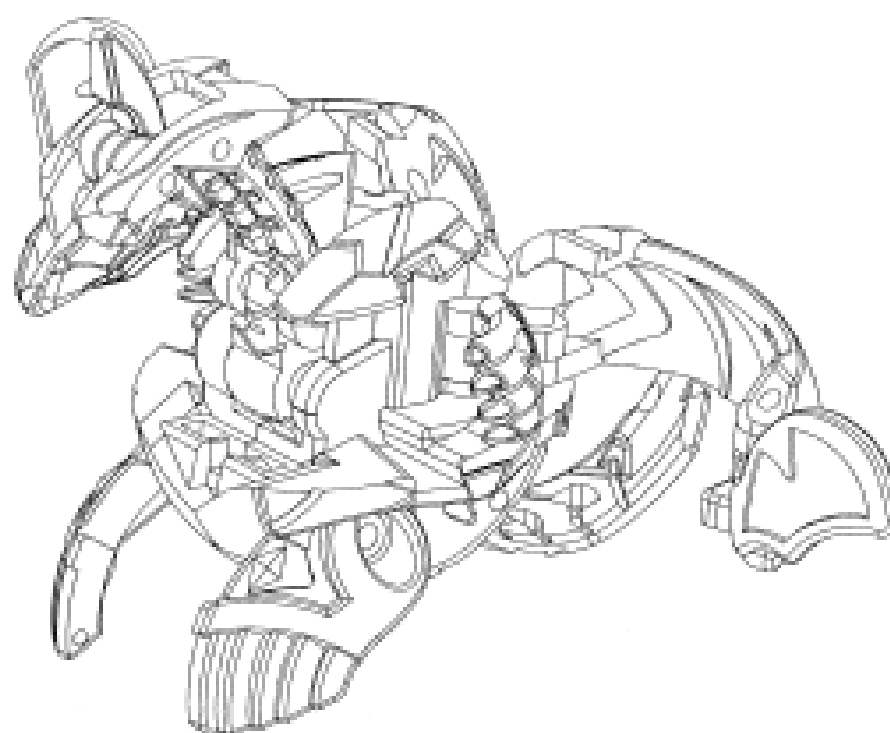
- (45) Registration Date: **28 September 2009**

- (30) Convention priority data:

(31) Number	(32) Date	(33) Country
<b>130126</b>	<b>27 Mar 2009</b>	<b>CANADA</b>

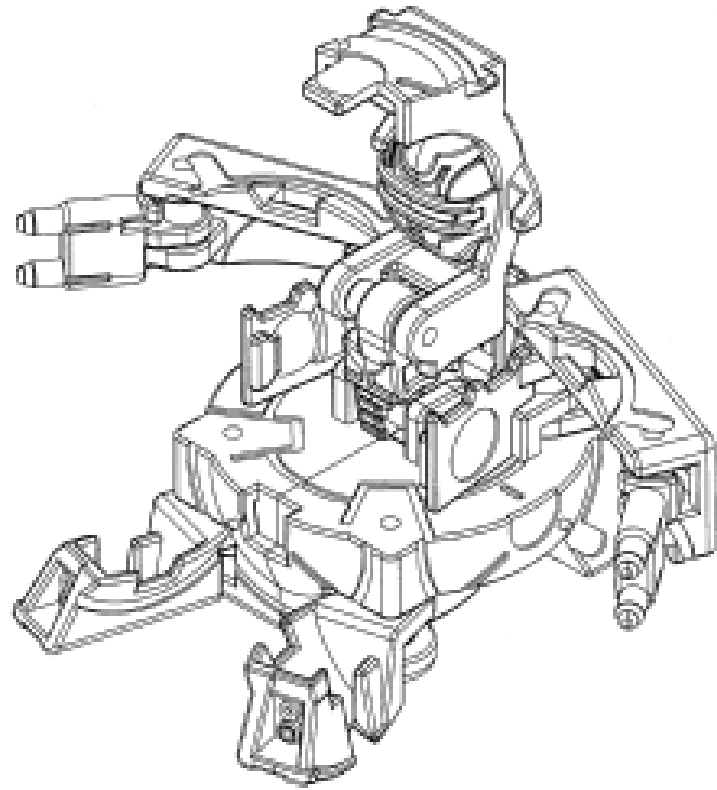
- (56) Related Art Documents: **Not Applicable**

- (57) Statement of Newness and Distinctiveness: **Newness and distinctiveness resides in the features of shape and/or configuration of a transformable toy as shown in the accompanying representations.**

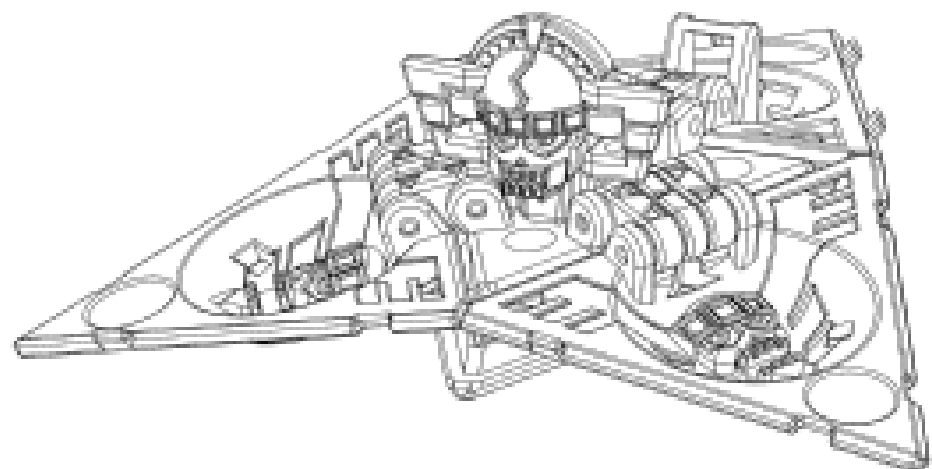




- (21) Design Number: **13426/2009**  
(22) Date of Filing Application: **03 September 2009**  
(24) Date from which industrial property rights may have effect: **03 September 2009**  
(54) Product in respect of which the design is registered: **Transformable toy**  
(51) International Design Classification: **21-01B**  
(71) Name(s) and Address(s) of Applicant(s):  
**Spin Master Ltd**  
**450 Front Street West Toronto M5V 1B6 Ontario Canada**  
(72) Name(s) of Designer(s): **Wataru Sato and Kohji Hirose and Richard Keuter**  
(45) Registration Date: **28 September 2009**  
(30) Convention priority data:  
(31) Number (32) Date (33) Country  
**130233 01 Apr 2009 CANADA**  
(56) Related Art Documents: **Not Applicable**  
(57) Statement of Newness and Distinctiveness: **Newness and distinctiveness resides in the features of shape and/or configuration of a transformable toy as shown in the accompanying representations.**



- (21) Design Number: **13427/2009**  
(22) Date of Filing Application: **03 September 2009**  
(24) Date from which industrial property rights may have effect: **03 September 2009**  
(54) Product in respect of which the design is registered: **Transformable toy**  
(51) International Design Classification: **21-01B**  
(71) Name(s) and Address(s) of Applicant(s):  
**Spin Master Ltd**  
**450 Front Street West Toronto M5V 1B6 Ontario Canada**  
(72) Name(s) of Designer(s): **Wataru Sato and Kohji Hirose and Richard Keuter**  
(45) Registration Date: **28 September 2009**  
(30) Convention priority data:  
(31) Number (32) Date (33) Country  
**130234 01 Apr 2009 CANADA**  
(56) Related Art Documents: **Not Applicable**  
(57) Statement of Newness and Distinctiveness: **Newness and distinctiveness resides in the features of shape and/or configuration of a transformable toy as shown in the accompanying representations.**



- (21) Design Number: **13428/2009**  
(22) Date of Filing Application: **03 September 2009**  
(24) Date from which industrial property rights may have effect: **03 September 2009**  
(54) Product in respect of which the design is registered: **Transformable toy**  
(51) International Design Classification: **21-01B**  
(71) Name(s) and Address(s) of Applicant(s):

**Spin Master Ltd**  
**450 Front Street West Toronto M5V 1B6 Ontario Canada**

- (72) Name(s) of Designer(s): **Wataru Sato and Kohji Hirose and Richard Keuter**

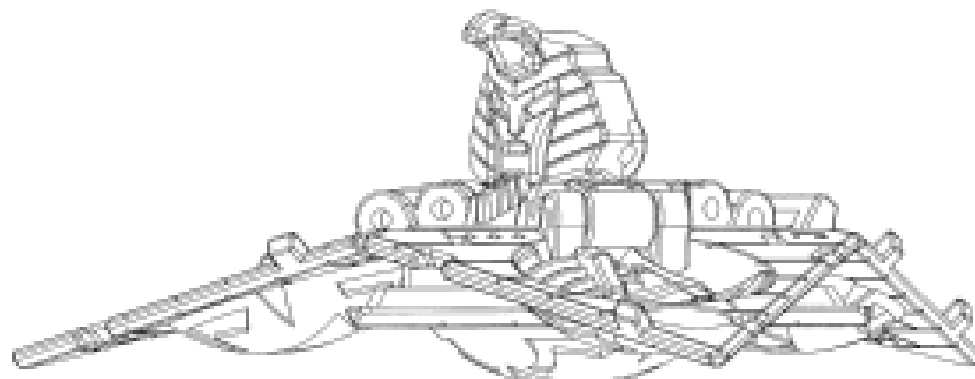
- (45) Registration Date: **28 September 2009**

- (30) Convention priority data:

(31) Number	(32) Date	(33) Country
<b>130235</b>	<b>01 Apr 2009</b>	<b>CANADA</b>

- (56) Related Art Documents: **Not Applicable**

- (57) Statement of Newness and Distinctiveness: **Newness and distinctiveness resides in the features of shape and/or configuration of a transformable toy as shown in the accompanying representations.**



- (21) Design Number: **13429/2009**  
(22) Date of Filing Application: **03 September 2009**  
(24) Date from which industrial property rights may have effect: **03 September 2009**  
(54) Product in respect of which the design is registered: **Transformable toy**  
(51) International Design Classification: **21-01B**  
(71) Name(s) and Address(s) of Applicant(s):

**Spin Master Ltd**  
**450 Front Street West Toronto M5V 1B6 Ontario Canada**

- (72) Name(s) of Designer(s): **Wataru Sato and Kohji Hirose and Richard Keuter**

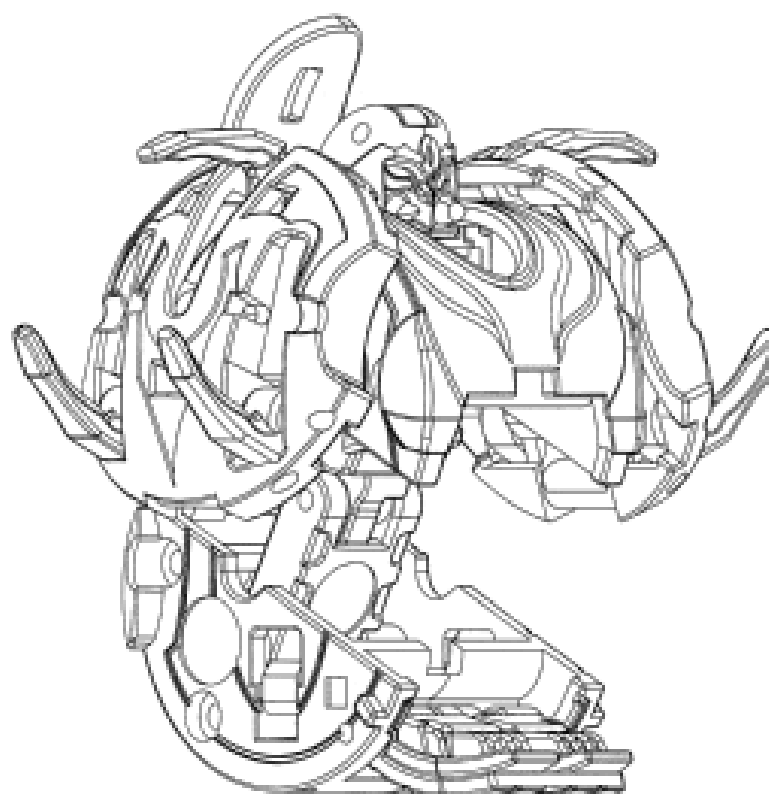
- (45) Registration Date: **28 September 2009**

- (30) Convention priority data:

(31) Number	(32) Date	(33) Country
<b>130236</b>	<b>01 Apr 2009</b>	<b>CANADA</b>

- (56) Related Art Documents: **Not Applicable**

- (57) Statement of Newness and Distinctiveness: **Newness and distinctiveness resides in the features of shape and/or configuration of a transformable toy as shown in the accompanying representations.**



(21) Design Number: **13469/2009**

(22) Date of Filing Application: **04 September 2009**

(24) Date from which industrial property rights may have effect: **04 September 2009**

(54) Product in respect of which the design is registered: **Adjustable pedestal**

(51) International Design Classification: **12-05**

(71) Name(s) and Address(s) of Applicant(s):

**Alan Sian Ghee Lee**

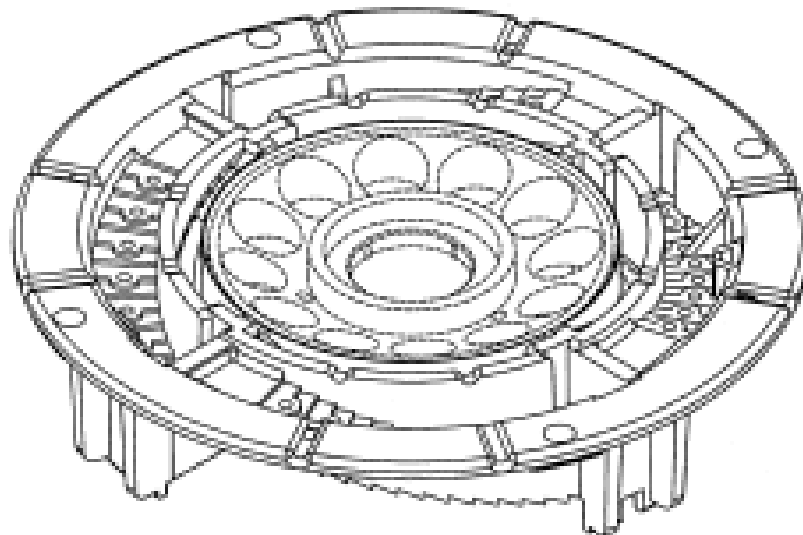
**15 Joan Road Singapore 298899 Singapore**

(72) Name(s) of Designer(s): **Alan Sian Ghee Lee and Henry Greaves**

(45) Registration Date: **28 September 2009**

(56) Related Art Documents: **Not Applicable**

(57) Statement of Newness and Distinctiveness: **Newness and distinctiveness reside in the features of the design shown in solid lines in the representations excluding those features shown in broken lines.**



(21) Design Number: **10500/2009**

(22) Date of Filing Application: **18 February 2009**

(24) Date from which industrial property rights may have effect: **18 February 2009**

(54) Product in respect of which the design is registered: **Merchandise dispensing apparatus**

(51) International Design Classification: **20-02C, 20-01**

(71) Name(s) and Address(s) of Applicant(s):

**P.O.S.M. (Point of Sale Material) Pty Ltd**

**8 McIntyre Way Bomaderry New South Wales 2541 Australia**

(72) Name(s) of Designer(s): **Mike James and Ross Thorne**

(45) Registration Date: **28 September 2009**

(56) Related Art Documents: **Not Applicable**

(57) Statement of Newness and Distinctiveness: **Newness and distinctiveness reside in the visual features of shape and/or configuration of a merchandise dispensing apparatus as illustrated in the accompanying representations.**



(21) Design Number: 11495/2009

(22) Date of Filing Application: 28 April 2009

(24) Date from which industrial property rights may have effect: 28 April 2009

(54) Product in respect of which the design is registered: A fork

(51) International Design Classification: 07-03

(71) Name(s) and Address(s) of Applicant(s):

**Joshua Turco**  
**Suite 3/50 Stanley Street Darlinghurst New South Wales 2010**  
**Australia**

(72) Name(s) of Designer(s): Joshua Turco

(45) Registration Date: 28 September 2009

(56) Related Art Documents: Not Applicable

(57) Statement of Newness and Distinctiveness: **Improved Cutlery Design The holistic design and purpose of The LessMess cutlery invention was to increase hygiene and minimise mess. The design of lessmess is so that the mouthpiece of a Fork, Spoon, Tea or Table or cutting blade of a Knife do not touch the surface of the table when placed down (back down). This is achieved by incorporating a curvature or kink into the length of the cutlery close to the head of of the cutlery where used to, spoon, fork or cut food and or rest on surface. The invention of Less Mess cutlery was designed for three reasons: 1. A much more hygienic way of eating 2. Cleaner way of presenting cutlery and using cutlery 3. Minimise mess (stains) With this new improved design, you will be able to sit your spoon or fork back on the table without concern of any residue on the mouthpiece staining the tablecloth, or picking up bacteria off the table and using again. Prior to eating, the piece of mind that the mouthpiece of the cutlery suspended from a dirty or clean surface, providing for a more comfortable culinary experience. Asiatic people have for centuries used small blocks to suspend the ends of chopsticks of the eating surface. Designed to create a more hygienic way of eating and a less messy one. The LessMess improved cutlery design, is preferably made of a resilient metal which is both safe to use and long lasting. The LessMess design is an advancement on current cutlery design, and feel is a unique design and inventive step, for what it provides and overcomes.**



(21) Design Number: 11496/2009

(22) Date of Filing Application: 28 April 2009

(24) Date from which industrial property rights may have effect: 28 April 2009

(54) Product in respect of which the design is registered: A spoon

(51) International Design Classification: 07-03

(71) Name(s) and Address(s) of Applicant(s):

**Joshua Turco**  
**Suite 3/50 Stanley Street Darlinghurst New South Wales 2010**  
**Australia**

(72) Name(s) of Designer(s): Joshua Turco

(45) Registration Date: 28 September 2009

(56) Related Art Documents: Not Applicable

(57) Statement of Newness and Distinctiveness: **Improved Cutlery Design The holistic design and purpose of The LessMess cutlery invention was to increase hygiene and minimise mess. The design of lessmess is so that the mouthpiece of a Fork, Spoon, Tea or Table or cutting blade of a Knife do not touch the surface of the table when placed down (back down). This is achieved by incorporating a curvature or kink into the length of the cutlery close to the head of of the cutlery where used to, spoon, fork or cut food and or rest on surface. The invention of Less Mess cutlery was designed for three reasons: 1. A much more hygienic way of eating 2. Cleaner way of presenting cutlery and using cutlery 3. Minimise mess (stains) With this new improved design, you will be able to sit your spoon or fork back on the table without concern of any residue on the mouthpiece staining the tablecloth, or picking up bacteria off the table and using again. Prior to eating, the piece of mind that the mouthpiece of the cutlery suspended from a dirty or clean surface, providing for a more comfortable culinary experience. Asiatic people have for centuries used small blocks to suspend the ends of chopsticks of the eating surface. Designed to create a more hygienic way of eating and a less messy one. The LessMess improved cutlery design, is preferably made of a resilient metal which is both safe to use and long lasting. The LessMess design is an advancement on current cutlery design, and feel is a unique design and inventive step, for what it provides and overcomes.**



- (21) Design Number: **11497/2009**  
(22) Date of Filing Application: **28 April 2009**  
(24) Date from which industrial property rights may have effect: **28 April 2009**  
(54) Product in respect of which the design is registered: **A knife**  
(51) International Design Classification: **07-03**  
(71) Name(s) and Address(s) of Applicant(s):

**Joshua Turco**  
**Suite 3/50 Stanley Street Darlinghurst New South Wales 2010**  
**Australia**

(72) Name(s) of Designer(s): **Joshua Turco**

(45) Registration Date: **28 September 2009**

(56) Related Art Documents: **Not Applicable**

(57) Statement of Newness and Distinctiveness: **Improved Cutlery Design** The holistic design and purpose of The LessMess cutlery invention was to increase hygiene and minimise mess. The design of lessmess is so that the mouthpiece of a Fork, Spoon, Tea or Table or cutting blade of a Knife do not touch the surface of the table when placed down (back down). This is achieved by incorporating a curvature or kink into the length of the cutlery close to the head of of the cutlery where used to, spoon, fork or cut food and or rest on surface. The invention of Less Mess cutlery was designed for three reasons: 1. A much more hygienic way of eating 2. Cleaner way of presenting cutlery and using cutlery 3. Minimise mess (stains) With this new improved design, you will be able to sit your spoon or fork back on the table without concern of any residue on the mouthpiece staining the tablecloth, or picking up bacteria off the table and using again. Prior to eating, the piece of mind that the mouthpiece of the cutlery suspended from a dirty or clean surface, providing for a more comfortable culinary experience. Asiatic people have for centuries used small blocks to suspend the ends of chopsticks of the eating surface. Designed to create a more hygienic way of eating and a less messy one. The LessMess improved cutlery design, is preferably made of a resilient metal which is both safe to use and long lasting. The LessMess design is an advancement on current cutlery design, and feel is a unique design and inventive step, for what it provides and overcomes.



- (21) Design Number: **12592/2009**  
(22) Date of Filing Application: **16 July 2009**  
(24) Date from which industrial property rights may have effect: **16 July 2009**  
(54) Product in respect of which the design is registered: **Fishing tackle**  
(51) International Design Classification: **22-05**  
(71) Name(s) and Address(s) of Applicant(s):

**Rapala VMC Oyj**  
**Tehtaantie 2 FIN-17200 Vaaksy Finland**

(72) Name(s) of Designer(s): **Jari Kokkonen**

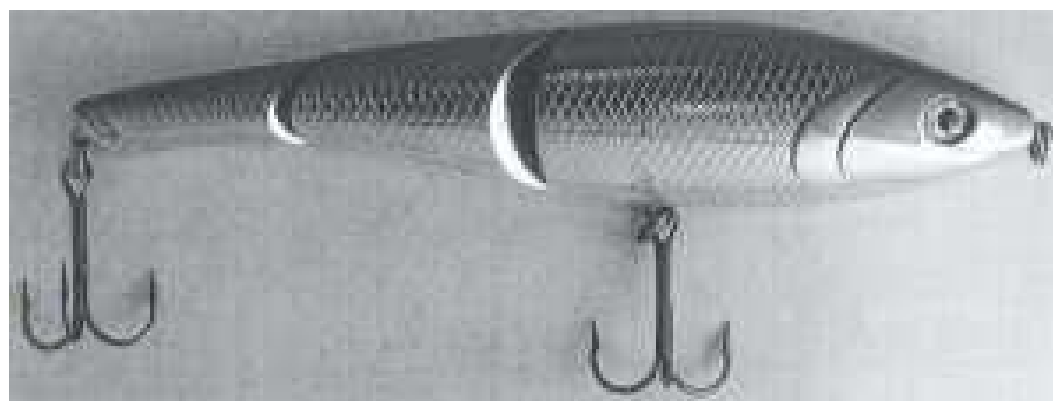
(45) Registration Date: **28 September 2009**

(30) Convention priority data:

(31) Number	(32) Date	(33) Country
<b>001580291</b>	<b>13 Jul 2009</b>	<b>EUROPEAN COMMUNITY</b>

(56) Related Art Documents: **Not Applicable**

(57) Statement of Newness and Distinctiveness: **Nil**



(21) Design Number: **12594/2009**

(22) Date of Filing Application: **16 July 2009**

(24) Date from which industrial property rights may have effect: **16 July 2009**

(54) Product in respect of which the design is registered: **Fishing tackle**

(51) International Design Classification: **22-05**

(71) Name(s) and Address(s) of Applicant(s):

**Rapala VMC Oyj**  
**Tehtaantie 2 FIN-17200 Vaaksy Finland**

(72) Name(s) of Designer(s): **Jari Kokkonen**

(45) Registration Date: **28 September 2009**

(30) Convention priority data:

(31) Number	(32) Date	(33) Country
<b>001580291</b>	<b>13 Jul 2009</b>	<b>EUROPEAN COMMUNITY</b>

(56) Related Art Documents: **Not Applicable**

(57) Statement of Newness and Distinctiveness: **Newness and Distinctiveness is claimed in the visual features of shape, configuration, pattern and ornamentation of the Fishing Tackle, and particularly the multi-segmented feature thereof.**



(21) Design Number: **12662/2009**

(22) Date of Filing Application: **21 July 2009**

(24) Date from which industrial property rights may have effect: **21 July 2009**

(54) Product in respect of which the design is registered: **Fishing tackle**

(51) International Design Classification: **22-05**

(71) Name(s) and Address(s) of Applicant(s):

**Rapala VMC Oyj**  
**Tehtaantie 2 FIN-17200 Vaaksy Finland**

(72) Name(s) of Designer(s): **Jukka Sairanen**

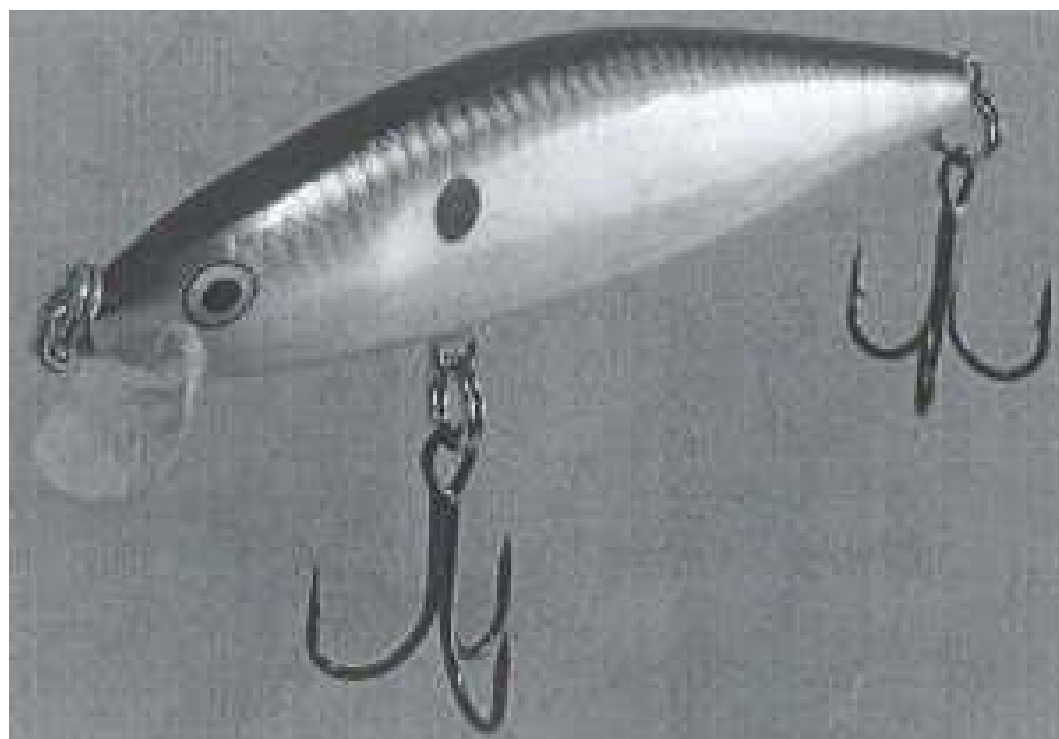
(45) Registration Date: **28 September 2009**

(30) Convention priority data:

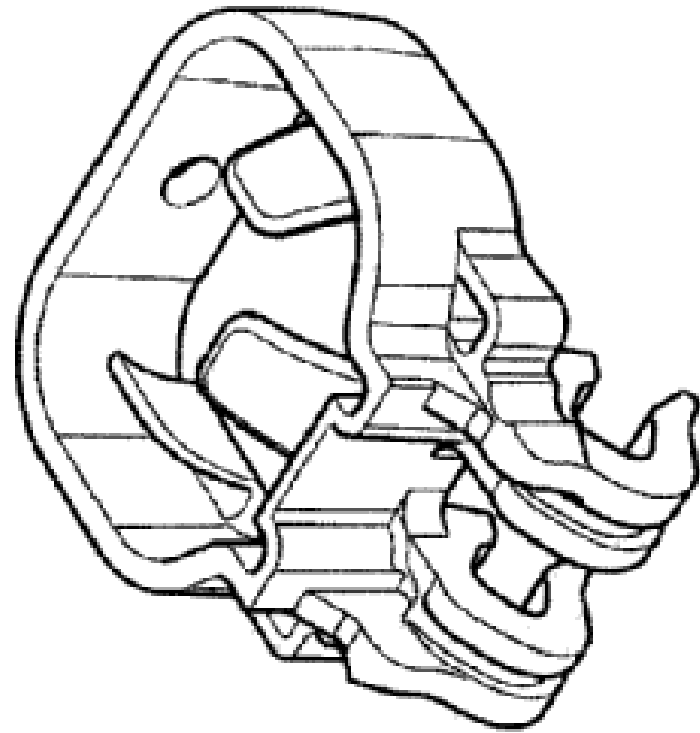
(31) Number	(32) Date	(33) Country
<b>001580291</b>	<b>13 Jul 2009</b>	<b>EUROPEAN COMMUNITY</b>

(56) Related Art Documents: **Not Applicable**

(57) Statement of Newness and Distinctiveness: **Newness and Distinctiveness is claimed in the visual features of shape, configuration, pattern and ornamentation of the Fishing Tackle illustrated in the accompanying representations, particularly considering the flattened sides and the triangular lip features thereof.**



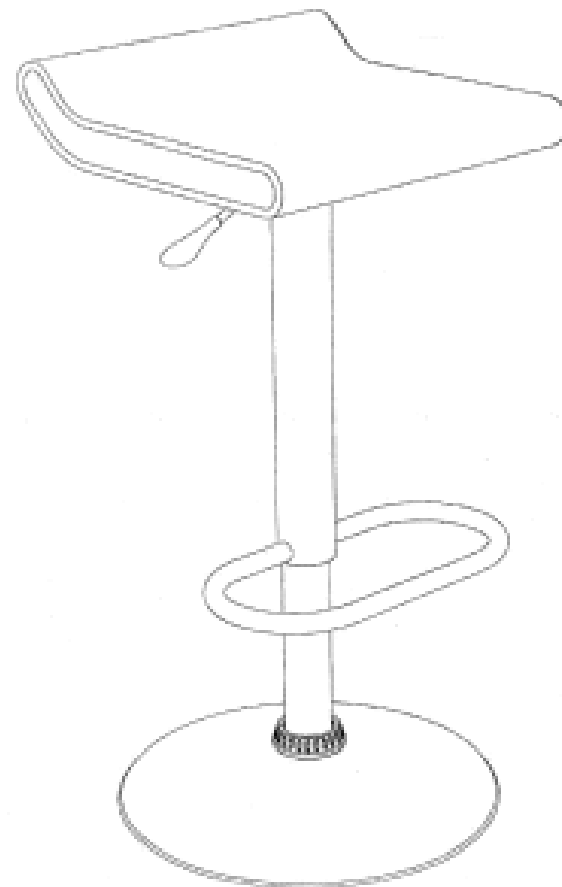
- (21) Design Number: **13329/2009**  
(22) Date of Filing Application: **31 August 2009**  
(24) Date from which industrial property rights may have effect: **31 August 2009**  
(54) Product in respect of which the design is registered: **Attachment clip adaptor**  
(51) International Design Classification: **08-08NES**  
(71) Name(s) and Address(s) of Applicant(s):  
**Hexcyl Systems Pty Ltd**  
**59 Bergmann Drive Ceduna South Australia 5690 Australia**  
(72) Name(s) of Designer(s): **Ian Pendergrast and Garry Seidl**  
(45) Registration Date: **28 September 2009**  
(56) Related Art Documents: **Not Applicable**  
(57) Statement of Newness and Distinctiveness: **Nil**



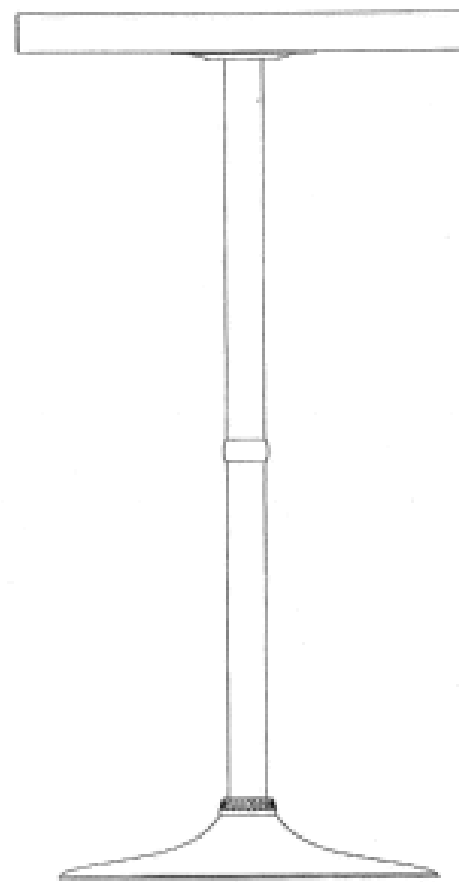
- (21) Design Number: **13415/2009**  
(22) Date of Filing Application: **02 September 2009**  
(24) Date from which industrial property rights may have effect: **02 September 2009**  
(54) Product in respect of which the design is registered: **Bar stool**  
(51) International Design Classification: **06-01F**  
(71) Name(s) and Address(s) of Applicant(s):  
**Hangzhou China Arts Economic & Trading Corp. Ltd**  
**Building 25 Jindu New City 326 Wenyuan Road Hangzhou City**  
**Zhejiang Province 310012 China**  
(72) Name(s) of Designer(s): **Ren Li**  
(45) Registration Date: **28 September 2009**  
(30) Convention priority data:  

(31) Number	(32) Date	(33) Country
<b>200930137432.7</b>	<b>23 Apr 2009</b>	<b>CHINA</b>

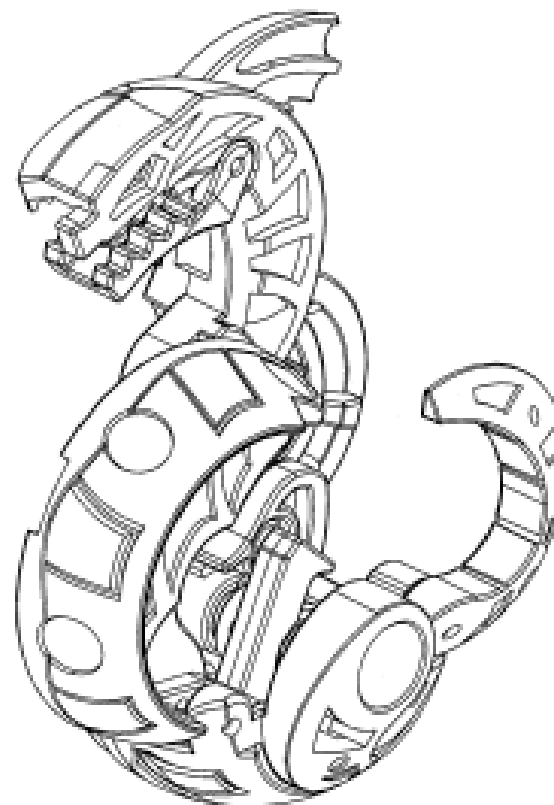
  
(56) Related Art Documents: **Not Applicable**  
(57) Statement of Newness and Distinctiveness: **Each feature of the design considered separately or in combination with any other feature or features. The scope of the design is not restricted to the colours appearing in the accompanying representations.**



- (21) Design Number: **13416/2009**  
(22) Date of Filing Application: **02 September 2009**  
(24) Date from which industrial property rights may have effect: **02 September 2009**  
(54) Product in respect of which the design is registered: **Bar table**  
(51) International Design Classification: **06-03A**  
(71) Name(s) and Address(s) of Applicant(s):  
**Hangzhou China Arts Economic & Trading Corp. Ltd**  
**Building 25 Jindu New City 326 Wenyuan Road Hangzhou City**  
**Zhejiang Province 310012 China**  
(72) Name(s) of Designer(s): **Ren Li**  
(45) Registration Date: **28 September 2009**  
(30) Convention priority data:  
(31) Number      (32) Date      (33) Country  
**200930137433.1    23 Apr 2009      CHINA**  
(56) Related Art Documents: **Not Applicable**  
(57) Statement of Newness and Distinctiveness: **Each feature of the design considered separately or in combination with any other feature or features. The scope of the design is not restricted to the colours appearing in the accompanying representations.**



- (21) Design Number: **13420/2009**  
(22) Date of Filing Application: **03 September 2009**  
(24) Date from which industrial property rights may have effect: **03 September 2009**  
(54) Product in respect of which the design is registered: **Transformable toy**  
(51) International Design Classification: **21-01A**  
(71) Name(s) and Address(s) of Applicant(s):  
**Spin Master Ltd**  
**450 Front Street West Toronto M5V 1B6 Ontario Canada**  
(72) Name(s) of Designer(s): **Wataru Sato and Kohji Hirose and Richard Keuter**  
(45) Registration Date: **28 September 2009**  
(30) Convention priority data:  
(31) Number      (32) Date      (33) Country  
**129874            04 Mar 2009      CANADA**  
(56) Related Art Documents: **Not Applicable**  
(57) Statement of Newness and Distinctiveness: **Newness and distinctiveness resides in the features of shape and/or configuration of a transformable toy as shown in the accompanying representations.**





(21) Design Number: **13421/2009**  
 (22) Date of Filing Application: **03 September 2009**  
 (24) Date from which industrial property rights may have effect: **03 September 2009**  
 (54) Product in respect of which the design is registered: **Transformable toy**  
 (51) International Design Classification: **21-01A**  
 (71) Name(s) and Address(s) of Applicant(s):  
**Spin Master Ltd**  
**450 Front Street West Toronto M5V 1B6 Ontario Canada**  
 (72) Name(s) of Designer(s): **Wataru Sato and Kohji Hirose and Richard Keuter**  
 (45) Registration Date: **28 September 2009**  
 (30) Convention priority data:  

(31) Number	(32) Date	(33) Country
<b>130101</b>	<b>26 Mar 2009</b>	<b>CANADA</b>

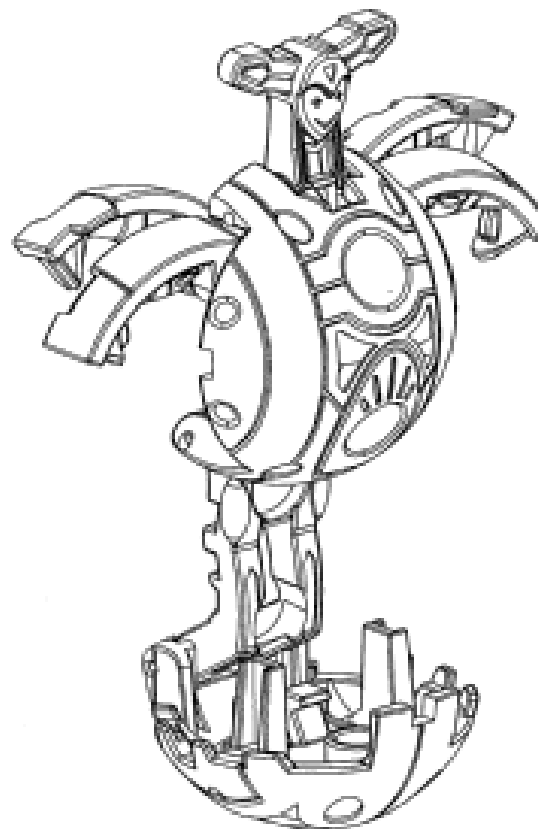
 (56) Related Art Documents: **Not Applicable**  
 (57) Statement of Newness and Distinctiveness: **Newness and distinctiveness resides in the features of shape and/or configuration of a transformable toy as shown in the accompanying representations.**



(21) Design Number: **13422/2009**  
 (22) Date of Filing Application: **03 September 2009**  
 (24) Date from which industrial property rights may have effect: **03 September 2009**  
 (54) Product in respect of which the design is registered: **Transformable toy**  
 (51) International Design Classification: **21-01A**  
 (71) Name(s) and Address(s) of Applicant(s):  
**Spin Master Ltd**  
**450 Front Street West Toronto M5V 1B6 Ontario Canada**  
 (72) Name(s) of Designer(s): **Wataru Sato and Kohji Hirose and Richard Keuter**  
 (45) Registration Date: **28 September 2009**  
 (30) Convention priority data:  

(31) Number	(32) Date	(33) Country
<b>130125</b>	<b>27 Mar 2009</b>	<b>CANADA</b>

 (56) Related Art Documents: **Not Applicable**  
 (57) Statement of Newness and Distinctiveness: **Newness and distinctiveness resides in the features of shape and/or configuration of a transformable toy as shown in the accompanying representations.**



(21) Design Number: **13245/2009**

(22) Date of Filing Application: **24 August 2009**

(24) Date from which industrial property rights may have effect: **24 August 2009**

(54) Product in respect of which the design is registered: **Plaster cornice**

(51) International Design Classification: **25-02E**

(71) Name(s) and Address(s) of Applicant(s):

**Ceiling Panels (Qld) Pty Ltd  
Unit 16 229 Junction Road Morningside Queensland 4170 Australia**

(72) Name(s) of Designer(s): **Travis Dobie**

(45) Registration Date: **28 September 2009**

(56) Related Art Documents: **Not Applicable**

(57) Statement of Newness and Distinctiveness: **Monopoly resides in the features of shape, configuration, pattern or ornamentation of a plaster cornice of indefinite length as illustrated in the accompanying representations.**



(21) Design Number: **13246/2009**

(22) Date of Filing Application: **24 August 2009**

(24) Date from which industrial property rights may have effect: **24 August 2009**

(54) Product in respect of which the design is registered: **Plaster cornice**

(51) International Design Classification: **25-02E**

(71) Name(s) and Address(s) of Applicant(s):

**Ceiling Panels (Qld) Pty Ltd  
Unit 16 229 Junction Road Morningside Queensland 4170 Australia**

(72) Name(s) of Designer(s): **Travis Dobie**

(45) Registration Date: **28 September 2009**

(56) Related Art Documents: **Not Applicable**

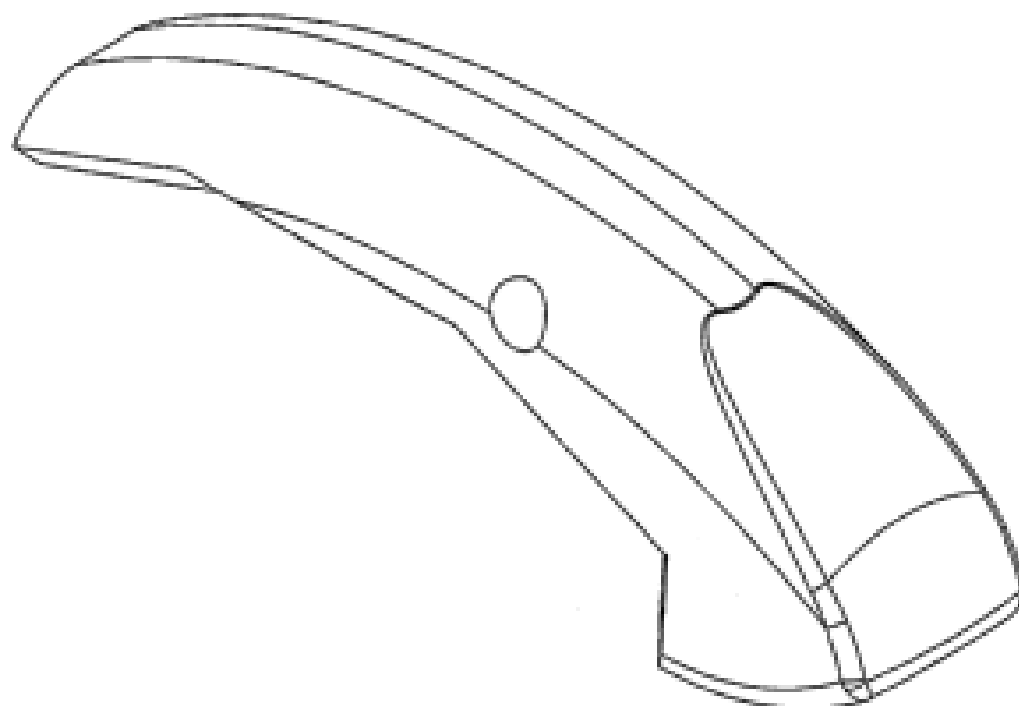
(57) Statement of Newness and Distinctiveness: **Monopoly resides in the features of shape, configuration, pattern or ornamentation of a plaster cornice of indefinite length as illustrated in the accompanying representations.**



- (21) Design Number: **13247/2009**  
(22) Date of Filing Application: **24 August 2009**  
(24) Date from which industrial property rights may have effect: **24 August 2009**  
(54) Product in respect of which the design is registered: **Plaster cornice**  
(51) International Design Classification: **25-02E**  
(71) Name(s) and Address(s) of Applicant(s):  
**Ceiling Panels (Qld) Pty Ltd**  
**Unit 16 229 Junction Road Morningside Queensland 4170 Australia**  
(72) Name(s) of Designer(s): **Travis Dobie**  
(45) Registration Date: **28 September 2009**  
(56) Related Art Documents: **Not Applicable**  
(57) Statement of Newness and Distinctiveness: **Monopoly resides in the features of shape, configuration, pattern or ornamentation of a plaster cornice of indefinite length as illustrated in the accompanying representations.**



- (21) Design Number: **13393/2009**  
(22) Date of Filing Application: **03 September 2009**  
(24) Date from which industrial property rights may have effect: **03 September 2009**  
(54) Product in respect of which the design is registered: **Mineral breaker tooth**  
(51) International Design Classification: **15-99**  
(71) Name(s) and Address(s) of Applicant(s):  
**MMD Design & Consultancy Ltd**  
**Cotes Park Lane Cotes Park Industrial Estate Somercotes Derbyshire**  
**DE55 4NJ United Kingdom**  
(72) Name(s) of Designer(s): **Richard Barber**  
(45) Registration Date: **28 September 2009**  
(30) Convention priority data:  
(31) Number (32) Date (33) Country  
**020090052575 28 May 2009 BRAZIL**  
(56) Related Art Documents: **Not Applicable**  
(57) Statement of Newness and Distinctiveness: **Nil**



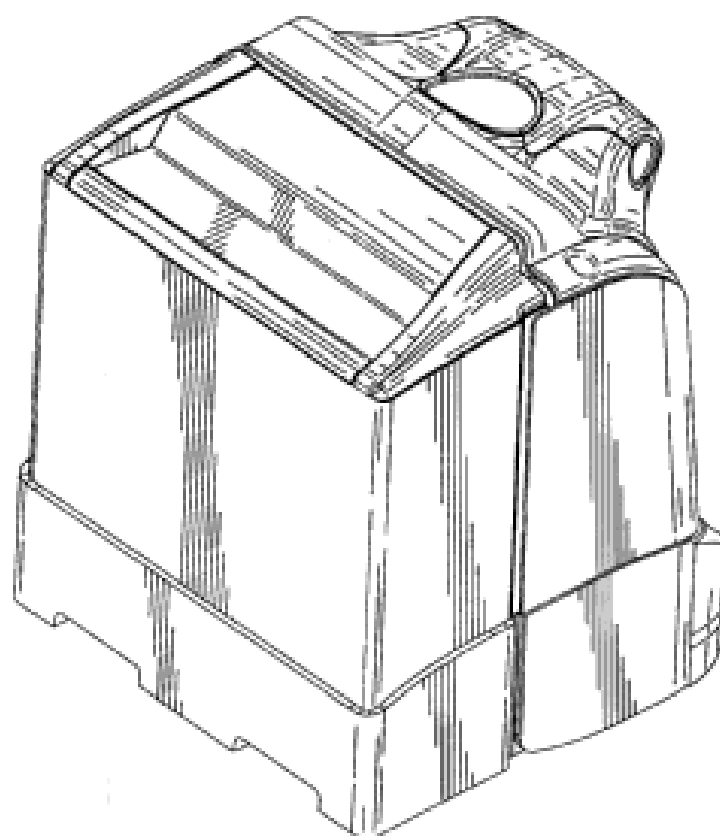
- (21) Design Number: **13395/2009**  
(22) Date of Filing Application: **03 September 2009**  
(24) Date from which industrial property rights may have effect: **03 September 2009**  
(54) Product in respect of which the design is registered: **Air intake snorkel for a vehicle**  
(51) International Design Classification: **12-16NES**  
(71) Name(s) and Address(s) of Applicant(s):  
**Australian Performance Development Pty Ltd**  
**73 Merrindale Drive South Croydon Victoria 3136 Australia**  
(72) Name(s) of Designer(s): **Peter Luxon and Manvir Randhawa**  
(45) Registration Date: **28 September 2009**  
(56) Related Art Documents: **Not Applicable**  
(57) Statement of Newness and Distinctiveness: **Newness and distinctiveness is claimed in the features of shape and/or configuration of an air intake snorkel for a vehicle as illustrated in the accompanying representations.**



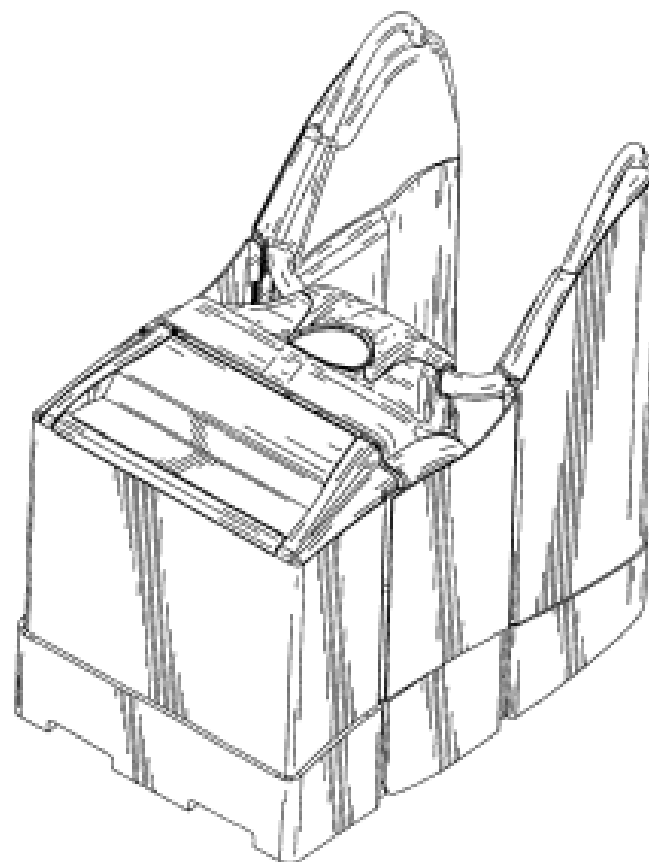
- (21) Design Number: **13396/2009**  
(22) Date of Filing Application: **03 September 2009**  
(24) Date from which industrial property rights may have effect: **03 September 2009**  
(54) Product in respect of which the design is registered: **Air intake snorkel for a vehicle**  
(51) International Design Classification: **12-16NES**  
(71) Name(s) and Address(s) of Applicant(s):  
**Australian Performance Development Pty Ltd**  
**73 Merrindale Drive South Croydon Victoria 3136 Australia**  
(72) Name(s) of Designer(s): **Peter Luxon and Manvir Randhawa**  
(45) Registration Date: **28 September 2009**  
(56) Related Art Documents: **Not Applicable**  
(57) Statement of Newness and Distinctiveness: **Newness and distinctiveness is claimed in the features of shape and/or configuration of an air intake snorkel for a vehicle as illustrated in the accompanying representations.**



- (21) Design Number: **13397/2009**  
(22) Date of Filing Application: **03 September 2009**  
(24) Date from which industrial property rights may have effect: **03 September 2009**  
(54) Product in respect of which the design is registered: **Power unit for a pallet truck**  
(51) International Design Classification: **12-05, 12-16NES, 15-01**  
(71) Name(s) and Address(s) of Applicant(s):  
**Crown Equipment Corporation**  
**40 South Washington Street New Bremen OH 45869 United States of America**  
(72) Name(s) of Designer(s): **Ryan R. Berger and Markus Graf and James V. Kraimer and Thornton K. Lothrop and Rainer B. Teufel**  
(45) Registration Date: **28 September 2009**  
(30) Convention priority data:  
(31) Number (32) Date (33) Country  
**29/333719 13 Mar 2009 UNITED STATES OF AMERICA**  
(56) Related Art Documents: **Not Applicable**  
(57) Statement of Newness and Distinctiveness: **The shape and configuration of the product, which is depicted with solid lines in the representations, are new and distinctive.**



- (21) Design Number: **13398/2009**  
(22) Date of Filing Application: **03 September 2009**  
(24) Date from which industrial property rights may have effect: **03 September 2009**  
(54) Product in respect of which the design is registered: **Power unit for a pallet truck**  
(51) International Design Classification: **12-05, 12-16NES, 15-01**  
(71) Name(s) and Address(s) of Applicant(s):  
**Crown Equipment Corporation**  
**40 South Washington Street New Bremen OH 45869 United States of America**  
(72) Name(s) of Designer(s): **Ryan R. Berger and Markus Graf and James V. Kraimer and Thornton K. Lothrop and Rainer B. Teufel**  
(45) Registration Date: **28 September 2009**  
(30) Convention priority data:  
(31) Number (32) Date (33) Country  
**29/333700 13 Mar 2009 UNITED STATES OF AMERICA**  
(56) Related Art Documents: **Not Applicable**  
(57) Statement of Newness and Distinctiveness: **The shape and configuration of the product, which is depicted with solid lines in the representations, are new and distinctive.**



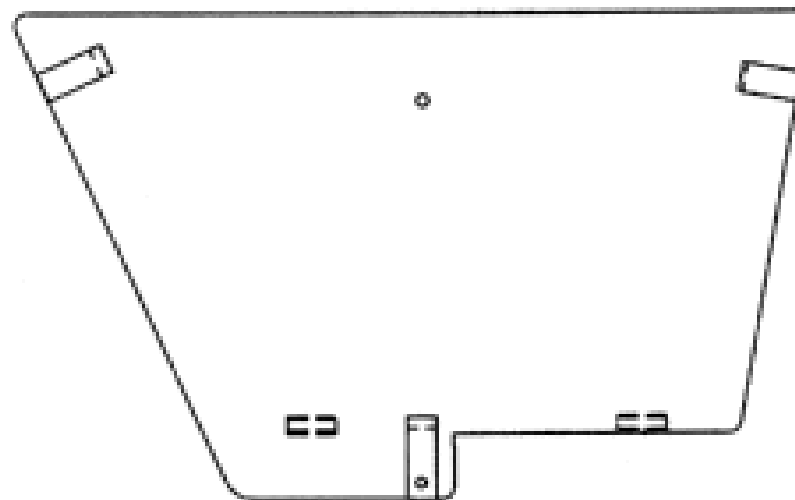
(21) Design Number: **13401/2009**  
(22) Date of Filing Application: **02 September 2009**  
(24) Date from which industrial property rights may have effect: **02 September 2009**  
(54) Product in respect of which the design is registered: **Sole for footwear**  
(51) International Design Classification: **02-04B**  
(71) Name(s) and Address(s) of Applicant(s):  
**Vibram S.P.A.**  
**Via Cristoforo Colombo 5 I-21041 Albizzate (Varese) Italy**  
(72) Name(s) of Designer(s): **Marco Bramani**  
(45) Registration Date: **28 September 2009**  
(30) Convention priority data:  
(31) Number (32) Date (33) Country  
**001101927 09 Mar 2009 EUROPEAN COMMUNITY**  
(56) Related Art Documents: **Not Applicable**  
(57) Statement of Newness and Distinctiveness: **Newness and distinctiveness reside in the features of the design as shown in the representations.**



(21) Design Number: **13400/2009**  
(22) Date of Filing Application: **03 September 2009**  
(24) Date from which industrial property rights may have effect: **03 September 2009**  
(54) Product in respect of which the design is registered: **Board game**  
(51) International Design Classification: **21-01L**  
(71) Name(s) and Address(s) of Applicant(s):  
**Anne Watson**  
**19 Karina Crescent Florida Gardens Queensland 4218 Australia**  
(72) Name(s) of Designer(s): **Andrew Watson**  
(45) Registration Date: **28 September 2009**  
(56) Related Art Documents: **Not Applicable**  
(57) Statement of Newness and Distinctiveness: **Nil**



(21) Design Number: **12725/2009**  
(22) Date of Filing Application: **23 July 2009**  
(24) Date from which industrial property rights may have effect: **23 July 2009**  
(54) Product in respect of which the design is registered: **Holder for use with vehicles**  
(51) International Design Classification: **12-16NES**  
(71) Name(s) and Address(s) of Applicant(s):  
**Charles Steven Lea**  
**Buckland Road Cambridge New Zealand**  
(72) Name(s) of Designer(s): **Charles Steven Lea**  
(45) Registration Date: **28 September 2009**  
(30) Convention priority data:  
(31) Number (32) Date (33) Country  
**411909 09 Feb 2009 NEW ZEALAND**  
(56) Related Art Documents: **Not Applicable**  
(57) Statement of Newness and Distinctiveness: **Nil**



(21) Design Number: **13402/2009**  
(22) Date of Filing Application: **02 September 2009**  
(24) Date from which industrial property rights may have effect: **02 September 2009**  
(54) Product in respect of which the design is registered: **Footwear**  
(51) International Design Classification: **02-04NES**  
(71) Name(s) and Address(s) of Applicant(s):  
**Vibram S.P.A.**  
**Via Cristoforo Colombo 5 I-21041 Albizzate (Varese) Italy**  
(72) Name(s) of Designer(s): **Marco Bramani**  
(45) Registration Date: **28 September 2009**  
(30) Convention priority data:  
(31) Number (32) Date (33) Country  
**001101927 09 Mar 2009 EUROPEAN COMMUNITY**  
(56) Related Art Documents: **Not Applicable**  
(57) Statement of Newness and Distinctiveness: **Newness and distinctiveness reside in the features of the design as shown in the representations.**



- (21) Design Number: **13403/2009**  
(22) Date of Filing Application: **02 September 2009**  
(24) Date from which industrial property rights may have effect: **02 September 2009**  
(54) Product in respect of which the design is registered: **Footwear**  
(51) International Design Classification: **02-04NES**  
(71) Name(s) and Address(s) of Applicant(s):  
**Vibram S.P.A.**  
**Via Cristoforo Colombo 5 I-21041 Albizzate (Varese) Italy**  
(72) Name(s) of Designer(s): **Marco Bramani**  
(45) Registration Date: **28 September 2009**  
(30) Convention priority data:  
(31) Number      (32) Date      (33) Country  
**001101927      09 Mar 2009      EUROPEAN COMMUNITY**  
(56) Related Art Documents: **Not Applicable**  
(57) Statement of Newness and Distinctiveness: **Newness and distinctiveness reside in the features of the design as shown in the representations.**



- (21) Design Number: **13404/2009**  
(22) Date of Filing Application: **02 September 2009**  
(24) Date from which industrial property rights may have effect: **02 September 2009**  
(54) Product in respect of which the design is registered: **Footwear**  
(51) International Design Classification: **02-04NES**  
(71) Name(s) and Address(s) of Applicant(s):  
**Vibram S.P.A.**  
**Via Cristoforo Colombo 5 I-21041 Albizzate (Varese) Italy**  
(72) Name(s) of Designer(s): **Marco Bramani**  
(45) Registration Date: **28 September 2009**  
(30) Convention priority data:  
(31) Number      (32) Date      (33) Country  
**001101927      09 Mar 2009      EUROPEAN COMMUNITY**  
(56) Related Art Documents: **Not Applicable**  
(57) Statement of Newness and Distinctiveness: **Newness and distinctiveness reside in the features of the design as shown in the representations.**

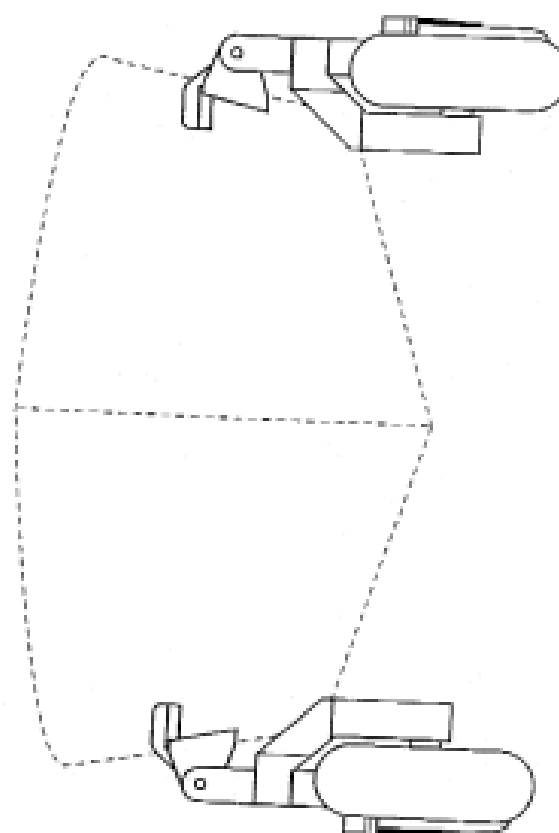




(19) AU

- (21) Design Number: **12800/2009**
- (22) Date of Filing Application: **21 July 2009**
- (24) Date from which industrial property rights may have effect: **21 July 2009**
- (54) Product in respect of which the design is registered: **A pair of wheel assemblies for attachment to a hull**
- (51) International Design Classification: **12-16A**
- (71) Name(s) and Address(s) of Applicant(s):  
**Thomas Felix Ashton**  
**115 Ridge Road RD2 Warkworth New Zealand**  
**Hugh Edward Harvey**  
**30 Grange Street RD2 Warkworth New Zealand**
- (72) Name(s) of Designer(s): **Thomas Felix Ashton and Hugh Edward Harvey**
- (45) Registration Date: **28 September 2009**
- (30) Convention priority data:  

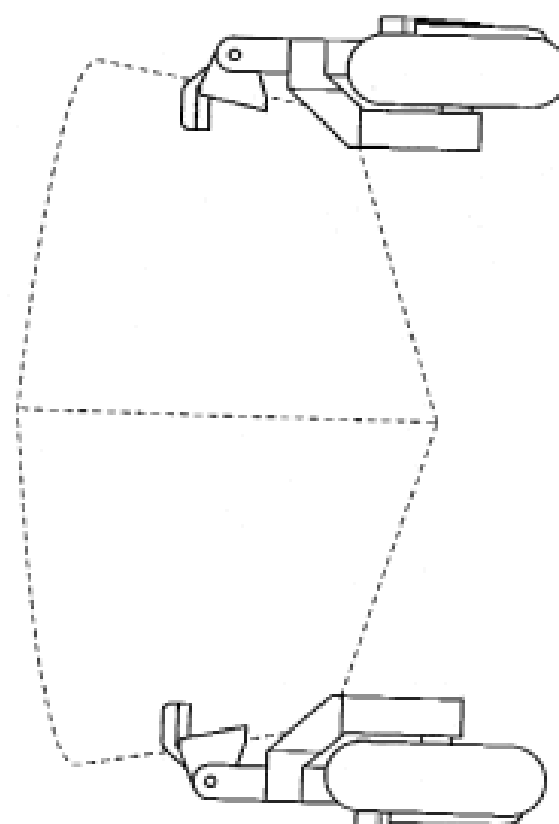
(31) Number	(32) Date	(33) Country
<b>411829</b>	<b>23 Jan 2009</b>	<b>NEW ZEALAND</b>
- (56) Related Art Documents: **Not Applicable**
- (57) Statement of Newness and Distinctiveness: **No novelty is claimed in the hull form of the vehicle shown in broken outlines. The novelty resides in the features of shape and/or configuration of the reconfigurable wheel assemblies shown, when attached to a hull as shown in broken outlines.**



(19) AU

- (21) Design Number: **12801/2009**
- (22) Date of Filing Application: **21 July 2009**
- (24) Date from which industrial property rights may have effect: **21 July 2009**
- (54) Product in respect of which the design is registered: **A reconfigurable vehicle (being a hull of any shape with matching wheel assemblies able to be raised and lowered)**
- (51) International Design Classification: **12-06A, 12-06B**
- (71) Name(s) and Address(s) of Applicant(s):  
**Thomas Felix Ashton**  
**115 Ridge Road RD2 Warkworth New Zealand**  
**Hugh Edward Harvey**  
**30 Grange Street RD2 Warkworth New Zealand**
- (72) Name(s) of Designer(s): **Thomas Felix Ashton and Hugh Edward Harvey**
- (45) Registration Date: **28 September 2009**
- (30) Convention priority data:  

(31) Number	(32) Date	(33) Country
<b>411828</b>	<b>22 Jan 2009</b>	<b>NEW ZEALAND</b>
- (56) Related Art Documents: **Not Applicable**
- (57) Statement of Newness and Distinctiveness: **No novelty is claimed in the hull form of the vehicle shown in broken outlines. The novelty resides in the features of shape and/or configuration of the reconfigurable wheel assemblies shown, when attached to a hull as shown in broken outlines.**



(21) Design Number: 12761/2009

(22) Date of Filing Application: 24 July 2009

(24) Date from which industrial property rights may have effect: 24 July 2009

(54) Product in respect of which the design is registered: Beverage container

(51) International Design Classification: 09-01B

(71) Name(s) and Address(s) of Applicant(s):

**Pacific Market International, LLC  
2401 Elliott Avenue Fourth Floor Seattle WA 98121 United States of America**

(72) Name(s) of Designer(s): Sarah Danger George and Jared Randall

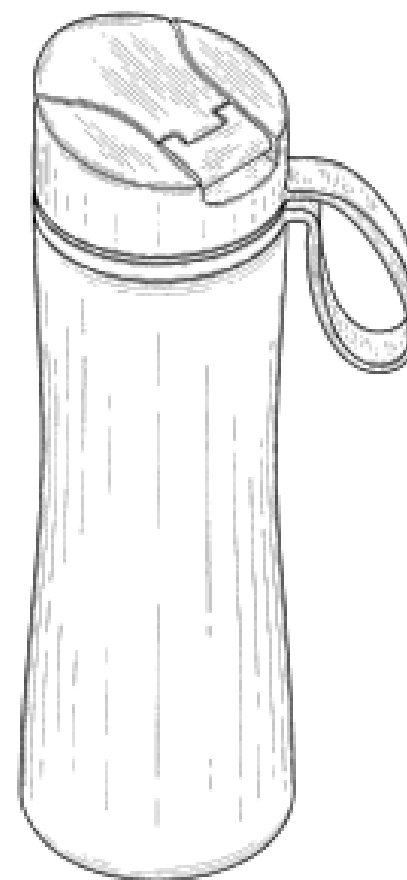
(45) Registration Date: 28 September 2009

(30) Convention priority data:

(31) Number	(32) Date	(33) Country
29/331,526	27 Jan 2009	UNITED STATES OF AMERICA

(56) Related Art Documents: Not Applicable

(57) Statement of Newness and Distinctiveness: **The shape and configuration of those parts of the design shown by means of solid lines in the representations are new and distinctive.**



(21) Design Number: 13670/2009

(22) Date of Filing Application: 24 July 2009

(24) Date from which industrial property rights may have effect: 24 July 2009

(54) Product in respect of which the design is registered: Beverage container

(51) International Design Classification: 09-01B, 09-07NES

(71) Name(s) and Address(s) of Applicant(s):

**Pacific Market International, LLC  
2401 Elliott Avenue Fourth Floor Seattle WA 98121 United States of America**

(72) Name(s) of Designer(s): Sarah Danger George and Jared Randall

(45) Registration Date: 28 September 2009

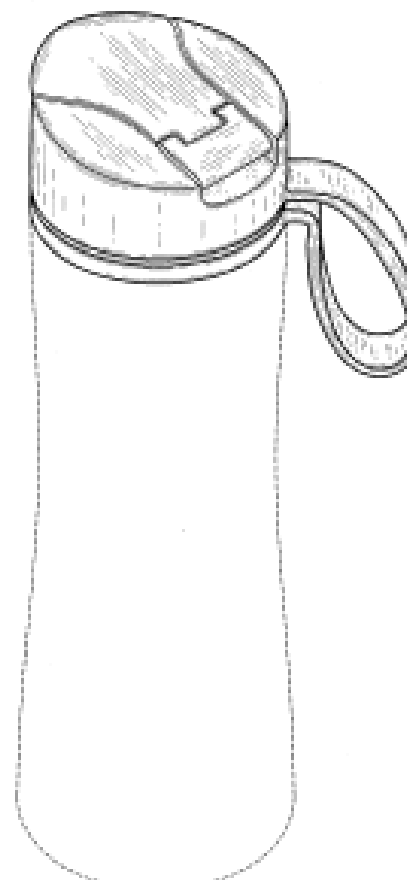
(30) Convention priority data:

(31) Number	(32) Date	(33) Country
29/331,526	27 Jan 2009	UNITED STATES OF AMERICA

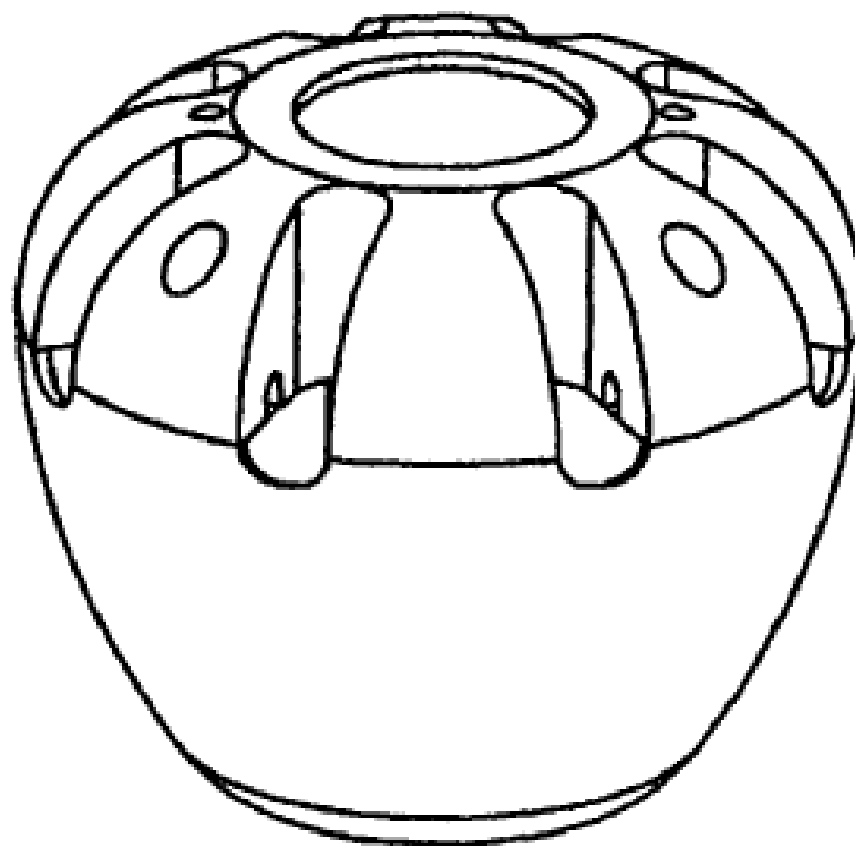
(62) Divisional of: 327799

(56) Related Art Documents: Not Applicable

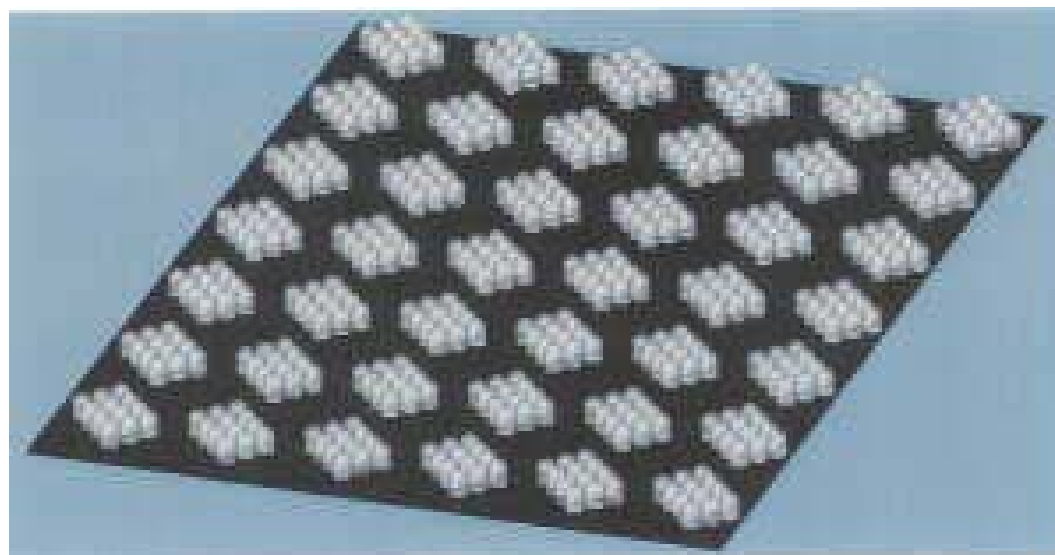
(57) Statement of Newness and Distinctiveness: **The shape and configuration of those parts of the design shown by means of solid lines in the representations are new and distinctive.**



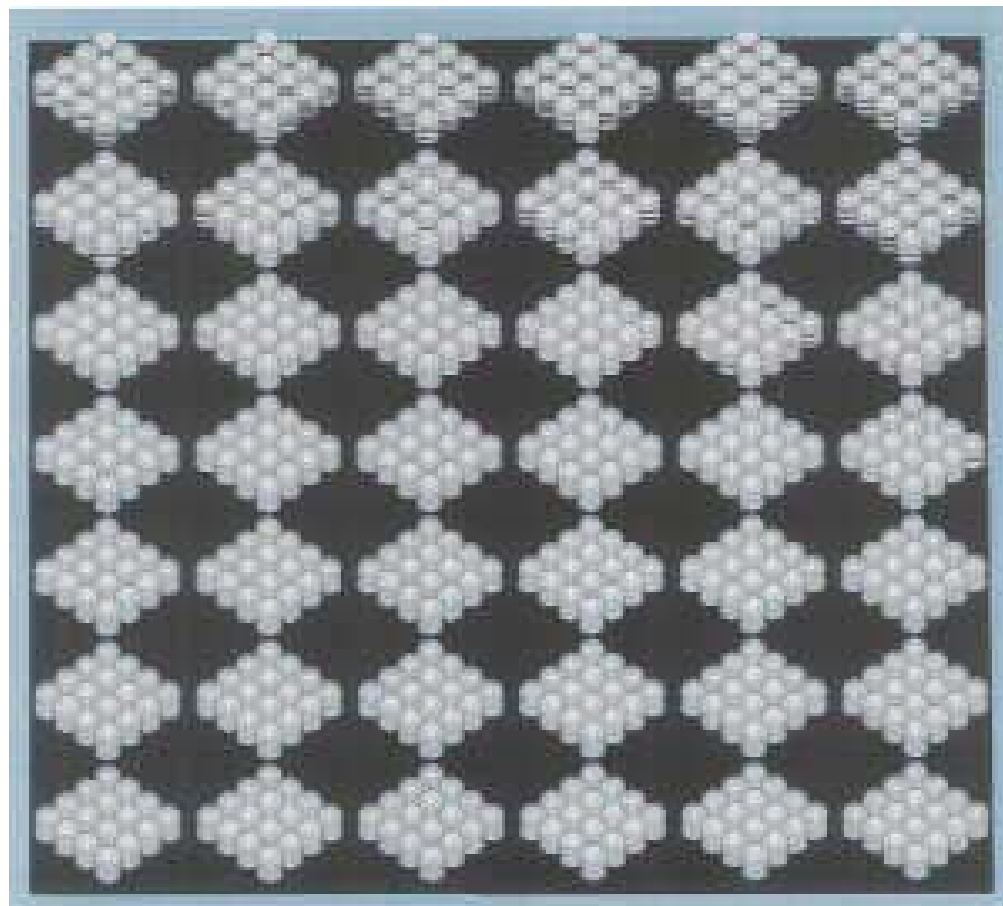
(21) Design Number: **11946/2009**  
(22) Date of Filing Application: **27 May 2009**  
(24) Date from which industrial property rights may have effect: **27 May 2009**  
(54) Product in respect of which the design is registered: **Umbrella frame set**  
(51) International Design Classification: **03-03**  
(71) Name(s) and Address(s) of Applicant(s):  
**Zhejiang Zhengte Group Co., Ltd**  
**No. 811 Oriental Avenue Linhai Zhejiang China**  
(72) Name(s) of Designer(s): **JianFeng He**  
(45) Registration Date: **29 September 2009**  
(30) Convention priority data:  
(31) Number (32) Date (33) Country  
**200930132978.3 05 Mar 2009 CHINA**  
(56) Related Art Documents: **Not Applicable**  
(57) Statement of Newness and Distinctiveness: **Nil**



(21) Design Number: **12614/2009**  
(22) Date of Filing Application: **17 July 2009**  
(24) Date from which industrial property rights may have effect: **17 July 2009**  
(54) Product in respect of which the design is registered: **A LED module for an illuminated sign**  
(51) International Design Classification: **26-04**  
(71) Name(s) and Address(s) of Applicant(s):  
**Bartco Traffic Equipment Pty. Ltd.**  
**28 Gordon Street Ararat Victoria 3377 Australia**  
(72) Name(s) of Designer(s): **Troy Wollard**  
(45) Registration Date: **29 September 2009**  
(56) Related Art Documents: **Not Applicable**  
(57) Statement of Newness and Distinctiveness: **Newness and distinctiveness is claimed in the shape and configuration of the respective LED arrays but not the angular orientation of the array within the row, and not the number of rows or the number of arrays within the row.**



- (21) Design Number: **12615/2009**  
(22) Date of Filing Application: **17 July 2009**  
(24) Date from which industrial property rights may have effect: **17 July 2009**  
(54) Product in respect of which the design is registered: **A LED module for an illuminated sign**  
(51) International Design Classification: **26-04**  
(71) Name(s) and Address(s) of Applicant(s):  
**Bartco Traffic Equipment Pty. Ltd.**  
**28 Gordon Street Ararat Victoria 3377 Australia**  
(72) Name(s) of Designer(s): **Troy Wollard**  
(45) Registration Date: **29 September 2009**  
(56) Related Art Documents: **Not Applicable**  
(57) Statement of Newness and Distinctiveness: **Newness and distinctiveness is claimed in the shape and configuration of the respective LED arrays but not the angular orientation of the array within the row, and not the number of rows or the number of arrays within the row.**



- (21) Design Number: **12659/2009**  
(22) Date of Filing Application: **21 July 2009**  
(24) Date from which industrial property rights may have effect: **21 July 2009**  
(54) Product in respect of which the design is registered: **Mattress**  
(51) International Design Classification: **06-09**  
(71) Name(s) and Address(s) of Applicant(s):  
**Wenatex DAS Schlafsystem GmbH**  
**Munchner Bundesstrasse 140 A-5020 Salsburg Austria**  
(72) Name(s) of Designer(s): **Hans-Gerd Wernicke**  
(45) Registration Date: **29 September 2009**  
(30) Convention priority data:  
(31) Number      (32) Date      (33) Country  
**001133946      29 Apr 2009      EUROPEAN COMMUNITY**  
(56) Related Art Documents: **Not Applicable**  
(57) Statement of Newness and Distinctiveness: **Nil**

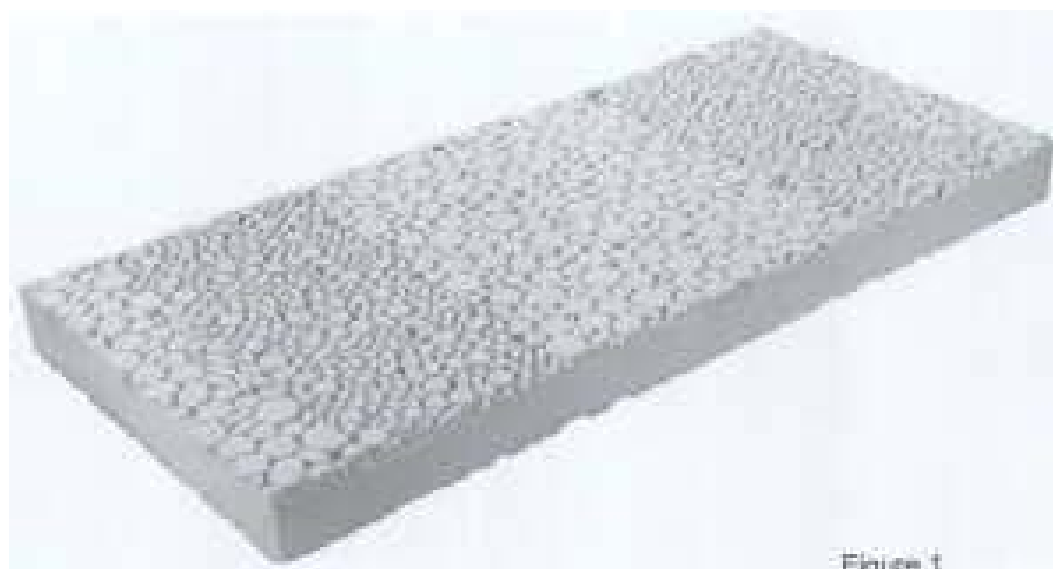


Figure 1

(21) Design Number: **12931/2009**

(22) Date of Filing Application: **06 August 2009**

(24) Date from which industrial property rights may have effect: **06 August 2009**

(54) Product in respect of which the design is registered: **Window installation jig**

(51) International Design Classification: **08-09**

(71) Name(s) and Address(s) of Applicant(s):

**Steve Mark Rigter**

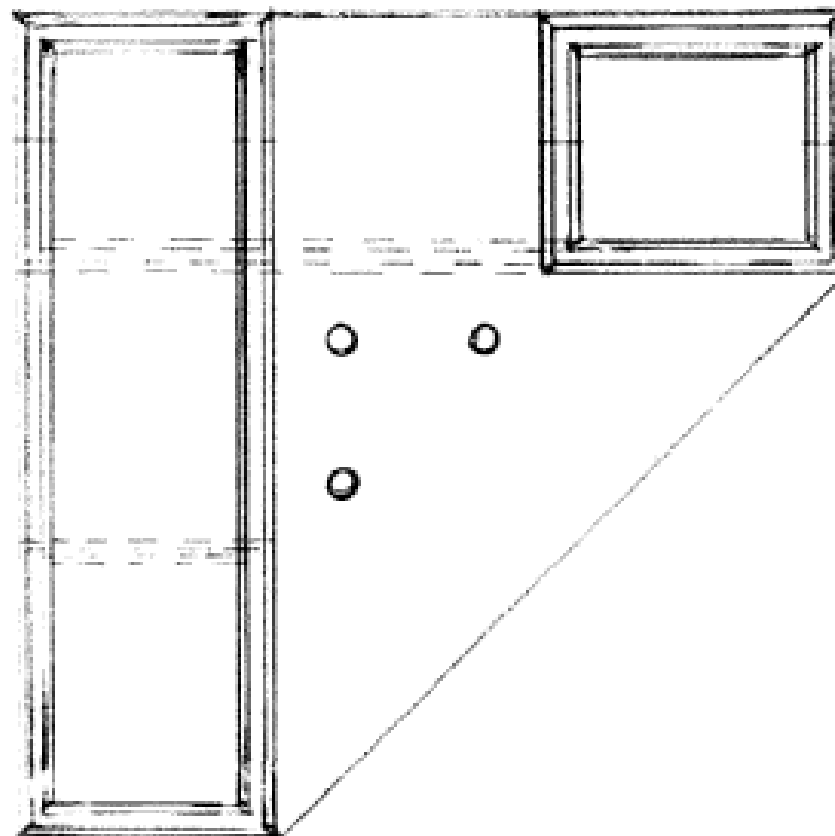
**17 Penguin Parade Burleigh Waters Queensland 4220 Australia**

(72) Name(s) of Designer(s): **Steve Mark Rigter**

(45) Registration Date: **29 September 2009**

(56) Related Art Documents: **Not Applicable**

(57) Statement of Newness and Distinctiveness: **Nil**



(21) Design Number: **13407/2009**

(22) Date of Filing Application: **02 September 2009**

(24) Date from which industrial property rights may have effect: **02 September 2009**

(54) Product in respect of which the design is registered: **A table**

(51) International Design Classification: **06-03B**

(71) Name(s) and Address(s) of Applicant(s):

**King Furniture (Australia) Pty Ltd**

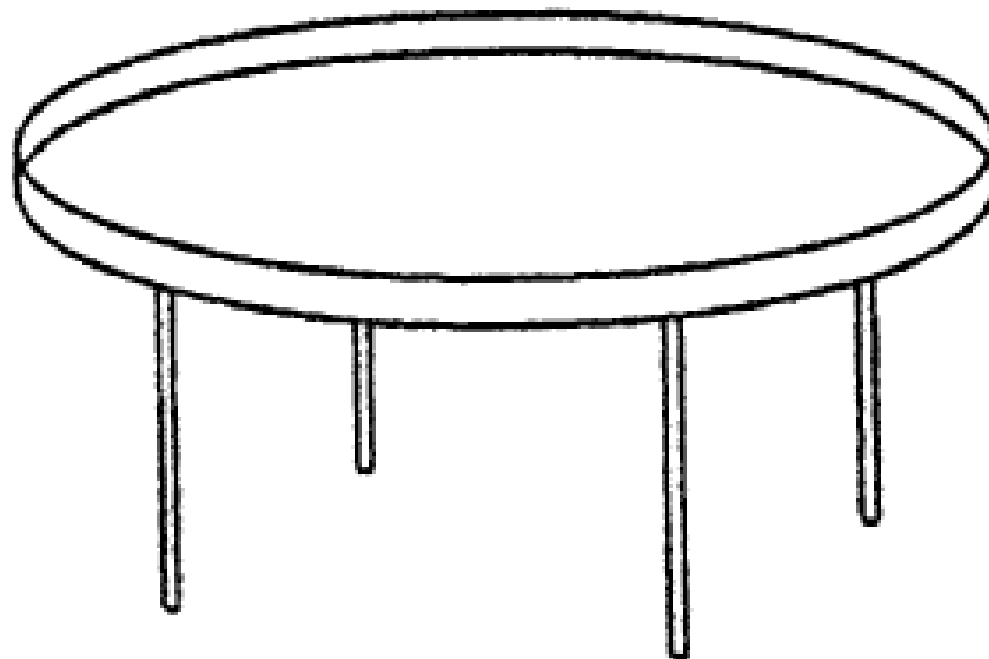
**123 Turrella Street Turrella New South Wales 2205 Australia**

(72) Name(s) of Designer(s): **David Russell King and Steven Leonard Higgs**

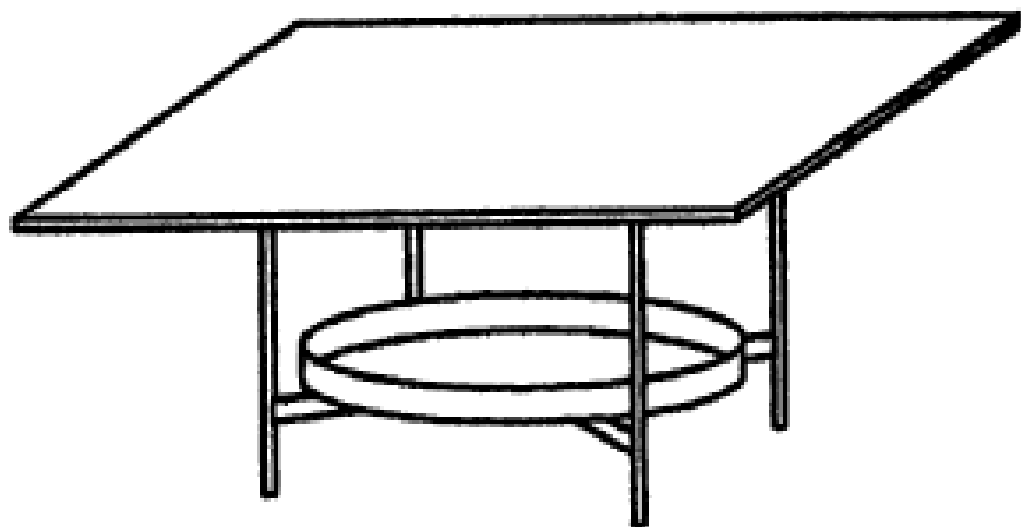
(45) Registration Date: **29 September 2009**

(56) Related Art Documents: **Not Applicable**

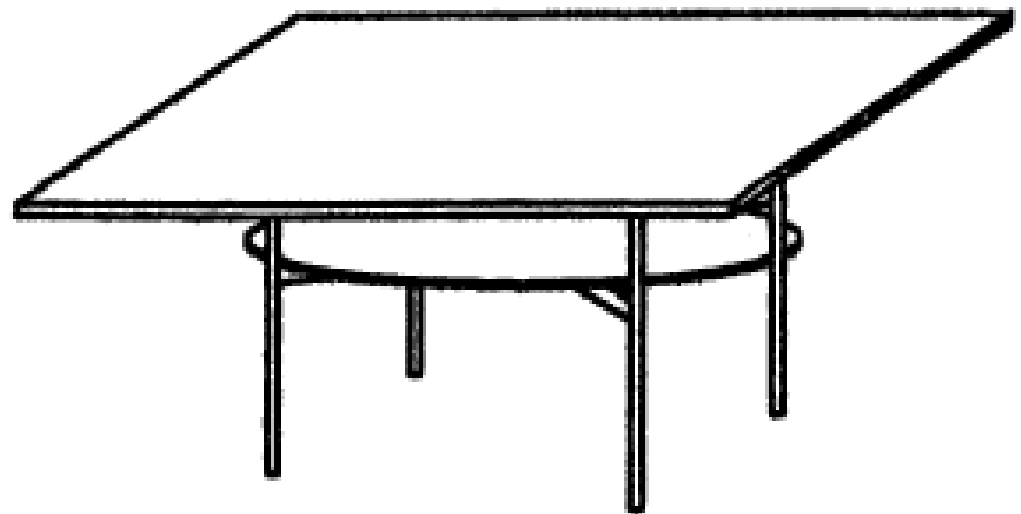
(57) Statement of Newness and Distinctiveness: **Newness and distinctiveness reside in the features of the design as shown in the representations.**



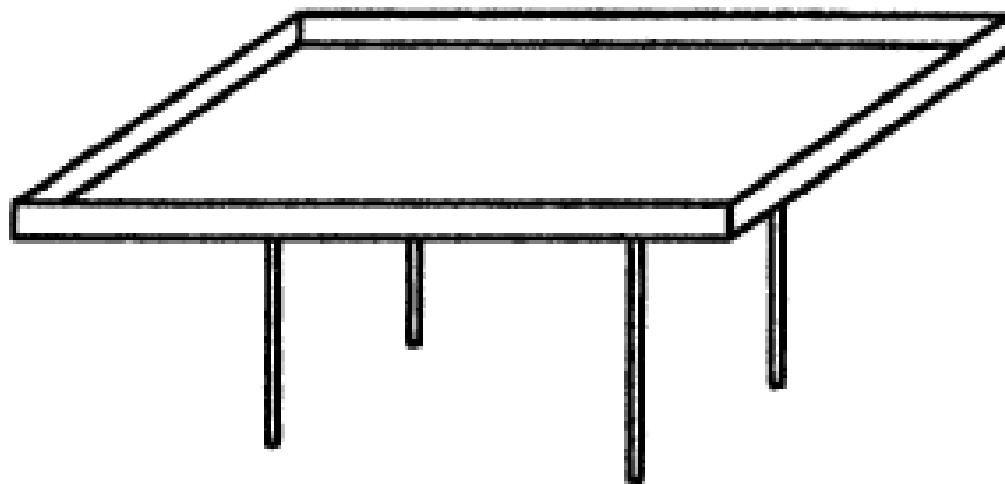
(21) Design Number: **13408/2009**  
(22) Date of Filing Application: **02 September 2009**  
(24) Date from which industrial property rights may have effect: **02 September 2009**  
(54) Product in respect of which the design is registered: **A table**  
(51) International Design Classification: **06-03A**  
(71) Name(s) and Address(s) of Applicant(s):  
**King Furniture (Australia) Pty Ltd**  
**123 Turrella Street Turrella New South Wales 2205 Australia**  
(72) Name(s) of Designer(s): **David Russell King and Steven Leonard Higgs**  
(45) Registration Date: **29 September 2009**  
(56) Related Art Documents: **Not Applicable**  
(57) Statement of Newness and Distinctiveness: **Newness and distinctiveness reside in the features of the design as shown in the representations.**



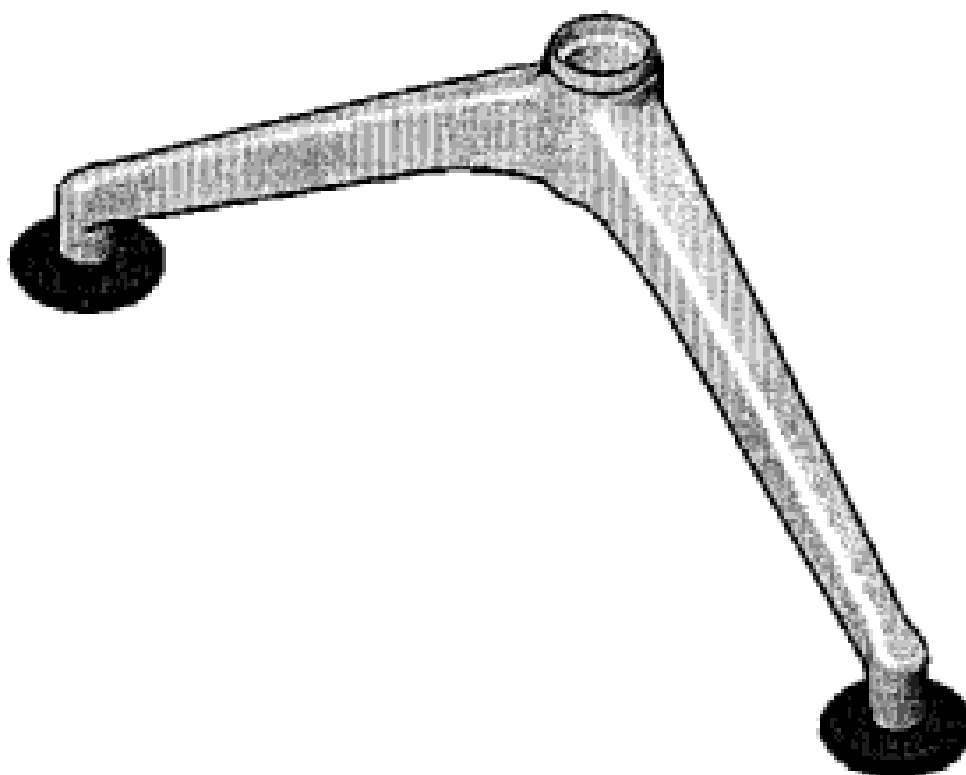
(21) Design Number: **13409/2009**  
(22) Date of Filing Application: **02 September 2009**  
(24) Date from which industrial property rights may have effect: **02 September 2009**  
(54) Product in respect of which the design is registered: **A table**  
(51) International Design Classification: **06-03A**  
(71) Name(s) and Address(s) of Applicant(s):  
**King Furniture (Australia) Pty Ltd**  
**123 Turrella Street Turrella New South Wales 2205 Australia**  
(72) Name(s) of Designer(s): **David Russell King and Steven Leonard Higgs**  
(45) Registration Date: **29 September 2009**  
(56) Related Art Documents: **Not Applicable**  
(57) Statement of Newness and Distinctiveness: **Newness and distinctiveness reside in the features of the design as shown in the representations.**



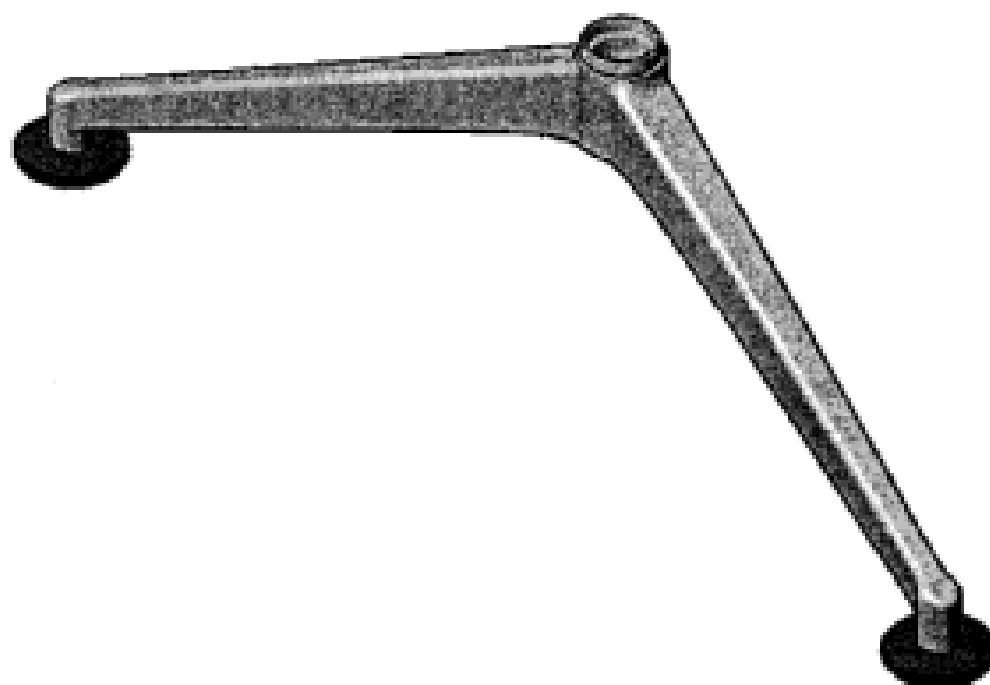
- (21) Design Number: **13410/2009**  
(22) Date of Filing Application: **02 September 2009**  
(24) Date from which industrial property rights may have effect: **02 September 2009**  
(54) Product in respect of which the design is registered: **A table**  
(51) International Design Classification: **06-03A**  
(71) Name(s) and Address(s) of Applicant(s):  
**King Furniture (Australia) Pty Ltd**  
**123 Turrella Street Turrella New South Wales 2205 Australia**  
(72) Name(s) of Designer(s): **David Russell King and Steven Leonard Higgs**  
(45) Registration Date: **29 September 2009**  
(56) Related Art Documents: **Not Applicable**  
(57) Statement of Newness and Distinctiveness: **Newness and distinctiveness reside in the features of the design as shown in the representations.**



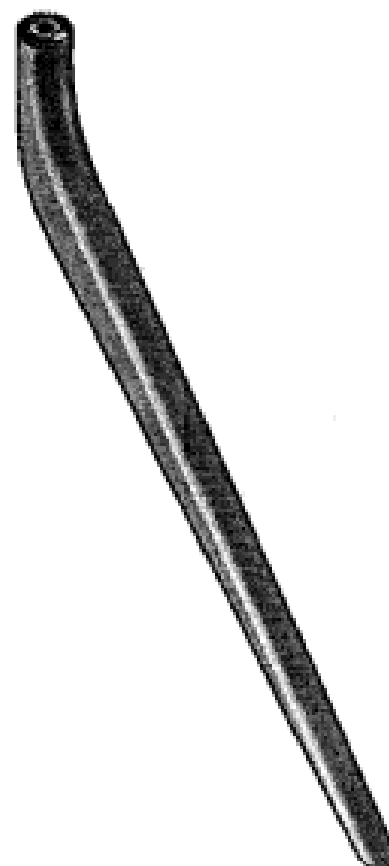
- (21) Design Number: **13411/2009**  
(22) Date of Filing Application: **02 September 2009**  
(24) Date from which industrial property rights may have effect: **02 September 2009**  
(54) Product in respect of which the design is registered: **A furniture leg**  
(51) International Design Classification: **06-06E**  
(71) Name(s) and Address(s) of Applicant(s):  
**Thinking Ergonomix Pty Limited**  
**6A Childs Road Chipping Norton New South Wales 2170 Australia**  
(72) Name(s) of Designer(s): **Warren Hayden Asquith**  
(45) Registration Date: **29 September 2009**  
(56) Related Art Documents: **Not Applicable**  
(57) Statement of Newness and Distinctiveness: **Newness and distinctiveness is claimed in the features of shape and/or configuration of a furniture leg as illustrated in the accompanying representations.**



- (21) Design Number: **13412/2009**  
(22) Date of Filing Application: **02 September 2009**  
(24) Date from which industrial property rights may have effect: **02 September 2009**  
(54) Product in respect of which the design is registered: **A furniture leg**  
(51) International Design Classification: **06-06E**  
(71) Name(s) and Address(s) of Applicant(s):  
**Thinking Ergonomix Pty Limited**  
**6A Childs Road Chipping Norton New South Wales 2170 Australia**  
(72) Name(s) of Designer(s): **Warren Hayden Asquith**  
(45) Registration Date: **29 September 2009**  
(56) Related Art Documents: **Not Applicable**  
(57) Statement of Newness and Distinctiveness: **Newness and distinctiveness is claimed in the features of shape and/or configuration of a furniture leg as illustrated in the accompanying representations.**

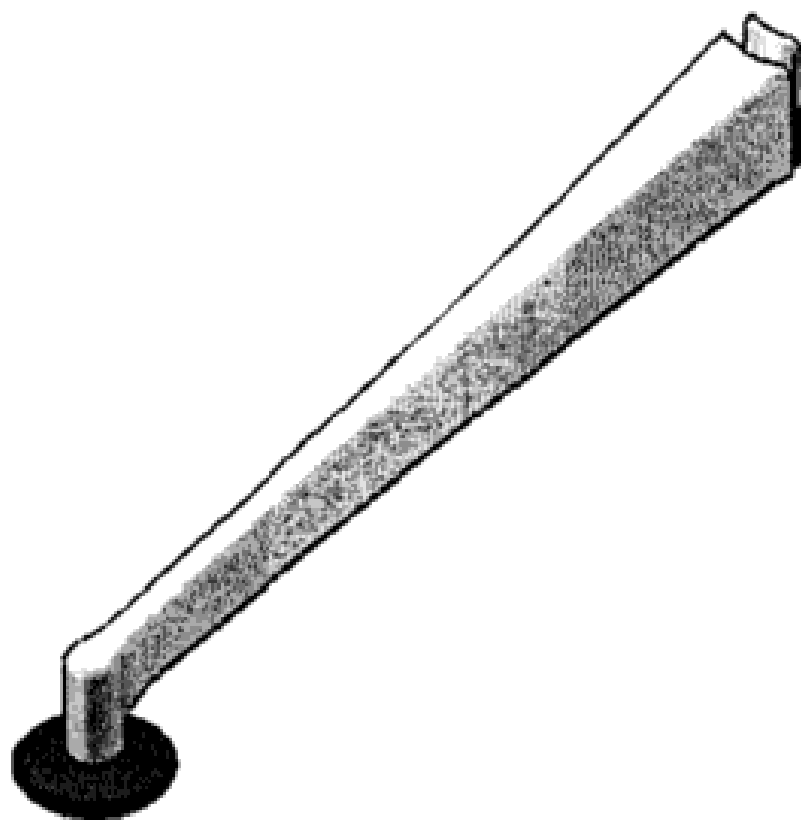


- (21) Design Number: **13413/2009**  
(22) Date of Filing Application: **02 September 2009**  
(24) Date from which industrial property rights may have effect: **02 September 2009**  
(54) Product in respect of which the design is registered: **A furniture leg**  
(51) International Design Classification: **06-06E**  
(71) Name(s) and Address(s) of Applicant(s):  
**Thinking Ergonomix Pty Limited**  
**6A Childs Road Chipping Norton New South Wales 2170 Australia**  
(72) Name(s) of Designer(s): **Matthew Thomas Cramsie**  
(45) Registration Date: **29 September 2009**  
(56) Related Art Documents: **Not Applicable**  
(57) Statement of Newness and Distinctiveness: **Newness and distinctiveness is claimed in the features of shape and/or configuration of a furniture leg as illustrated in the accompanying representations.**

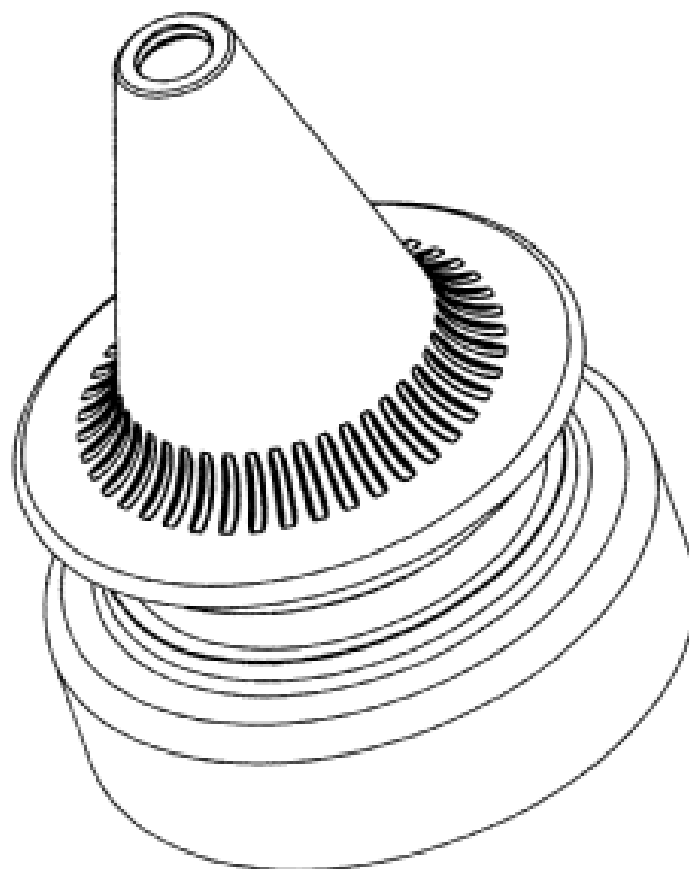




- (21) Design Number: **13414/2009**  
(22) Date of Filing Application: **02 September 2009**  
(24) Date from which industrial property rights may have effect: **02 September 2009**  
(54) Product in respect of which the design is registered: **A furniture leg**  
(51) International Design Classification: **06-06E**  
(71) Name(s) and Address(s) of Applicant(s):  
**Thinking Ergonomix Pty Limited**  
**6A Childs Road Chipping Norton New South Wales 2170 Australia**  
(72) Name(s) of Designer(s): **Matthew Thomas Cramsie**  
(45) Registration Date: **29 September 2009**  
(56) Related Art Documents: **Not Applicable**  
(57) Statement of Newness and Distinctiveness: **Newness and distinctiveness is claimed in the features of shape and/or configuration of a furniture leg as illustrated in the accompanying representations.**



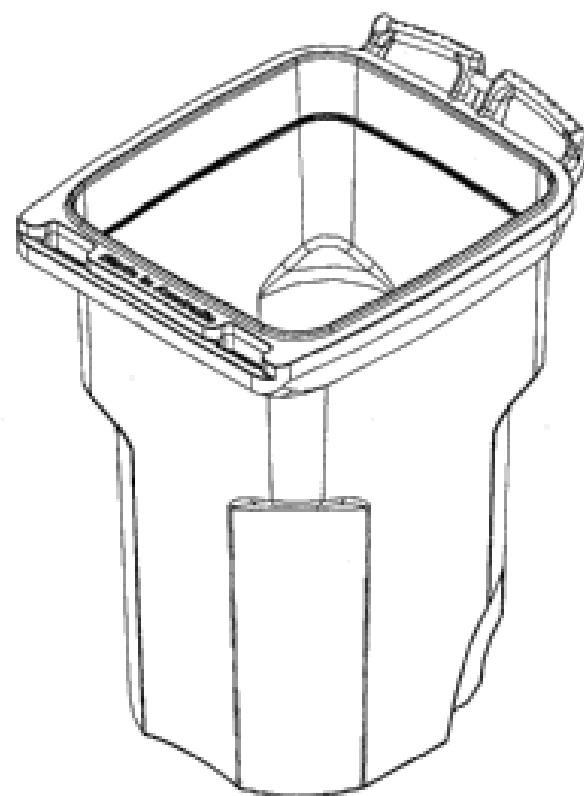
- (21) Design Number: **13504/2009**  
(22) Date of Filing Application: **10 September 2009**  
(24) Date from which industrial property rights may have effect: **10 September 2009**  
(54) Product in respect of which the design is registered: **Container closure**  
(51) International Design Classification: **09-07B**  
(71) Name(s) and Address(s) of Applicant(s):  
**Tim Bird**  
**22/16-22 Lyall Street Leichhardt New South Wales 2040 Australia**  
(72) Name(s) of Designer(s): **Tim Bird**  
(45) Registration Date: **29 September 2009**  
(56) Related Art Documents: **Not Applicable**  
(57) Statement of Newness and Distinctiveness: **Nil**



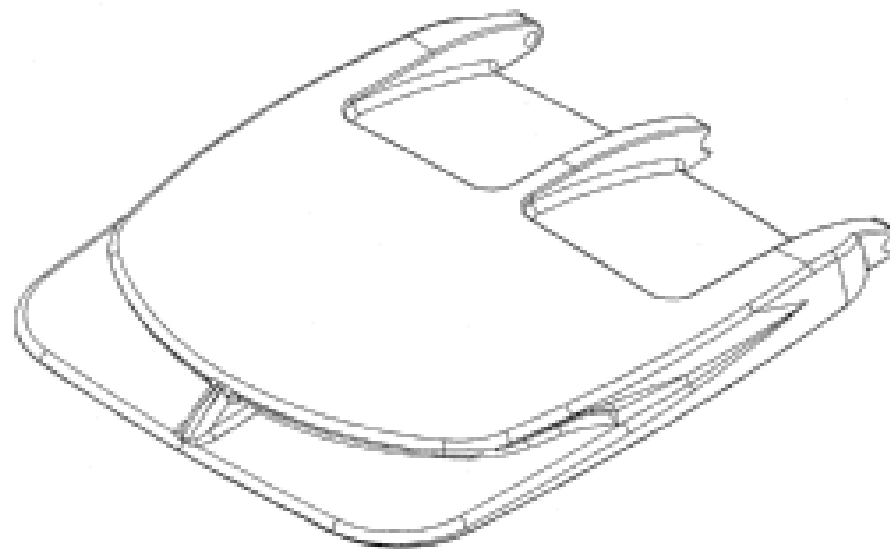
- (21) Design Number: **13442/2009**  
(22) Date of Filing Application: **04 September 2009**  
(24) Date from which industrial property rights may have effect: **04 September 2009**  
(54) Product in respect of which the design is registered: **Ottoman**  
(51) International Design Classification: **06-01E**  
(71) Name(s) and Address(s) of Applicant(s):  
**Woods Furniture Pty Ltd**  
**564 Geelong Road Brooklyn Victoria 3012 Australia**  
(72) Name(s) of Designer(s): **Arthur Rodney Massey**  
(45) Registration Date: **29 September 2009**  
(56) Related Art Documents: **Not Applicable**  
(57) Statement of Newness and Distinctiveness: **The shape of the gliders connected to the bottom of the ottoman are excluded from the design.**



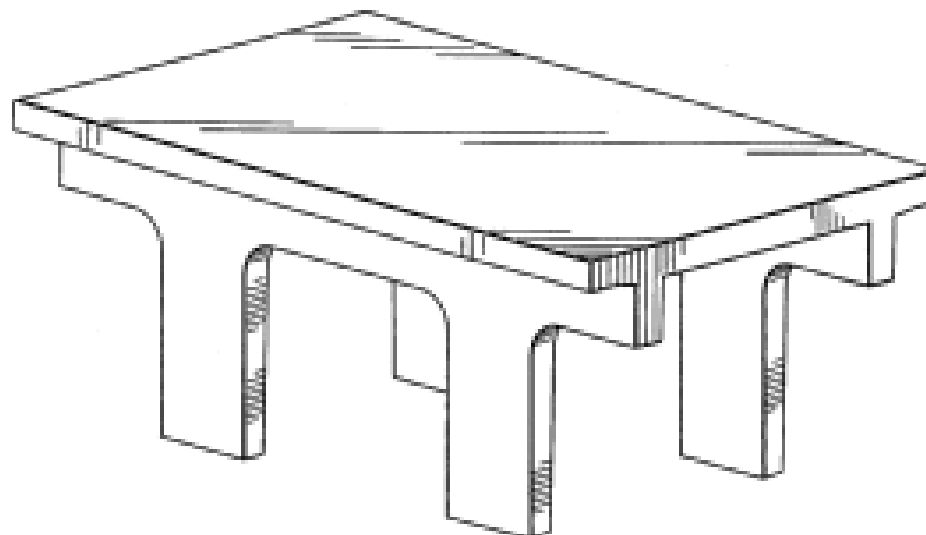
- (21) Design Number: **13443/2009**  
(22) Date of Filing Application: **04 September 2009**  
(24) Date from which industrial property rights may have effect: **04 September 2009**  
(54) Product in respect of which the design is registered: **Container body**  
(51) International Design Classification: **09-09**  
(71) Name(s) and Address(s) of Applicant(s):  
**SULO MGB Australia Pty Ltd**  
**123 Wisemans Ferry Road Somersby New South Wales 2250 Australia**  
(72) Name(s) of Designer(s): **Thorsten Voss and Michael Huston and Jon Pryor and Vienna Spence**  
(45) Registration Date: **29 September 2009**  
(56) Related Art Documents: **Not Applicable**  
(57) Statement of Newness and Distinctiveness: **Nil**



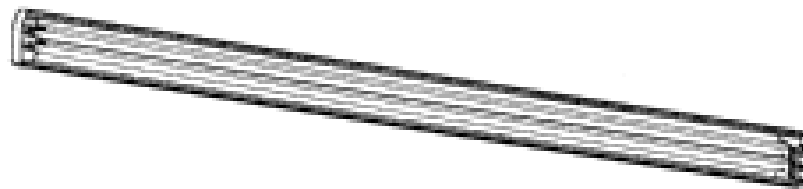
- (21) Design Number: **13444/2009**  
(22) Date of Filing Application: **04 September 2009**  
(24) Date from which industrial property rights may have effect: **04 September 2009**  
(54) Product in respect of which the design is registered: **Container lid**  
(51) International Design Classification: **09-09**  
(71) Name(s) and Address(s) of Applicant(s):  
**SULO MGB Australia Pty Ltd**  
**123 Wisemans Ferry Road Somersby New South Wales 2250 Australia**  
(72) Name(s) of Designer(s): **Thorsten Voss and Michael Huston and Jon Pryor and Vienna Spence**  
(45) Registration Date: **29 September 2009**  
(56) Related Art Documents: **Not Applicable**  
(57) Statement of Newness and Distinctiveness: **Nil**



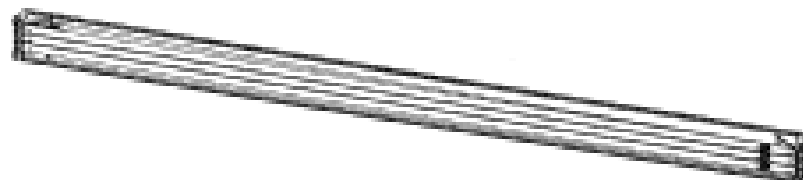
- (21) Design Number: **13445/2009**  
(22) Date of Filing Application: **03 September 2009**  
(24) Date from which industrial property rights may have effect: **03 September 2009**  
(54) Product in respect of which the design is registered: **Module for an underground assembly for storm water retention or detention**  
(51) International Design Classification: **23-01E**  
(71) Name(s) and Address(s) of Applicant(s):  
**Storm Trap LLC**  
**2495 W. Bungalow Road Morris Illinois 60450 United States of America**  
(72) Name(s) of Designer(s): **Justin Ivan May**  
(45) Registration Date: **29 September 2009**  
(30) Convention priority data:  
(31) Number (32) Date (33) Country  
**29/333248 05 Mar 2009 UNITED STATES OF AMERICA**  
(56) Related Art Documents: **Not Applicable**  
(57) Statement of Newness and Distinctiveness: **Newness and distinctiveness reside in the features of the design as shown in the representations.**



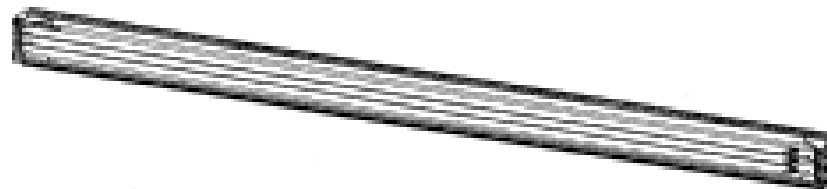
- (21) Design Number: **13435/2009**  
(22) Date of Filing Application: **04 September 2009**  
(24) Date from which industrial property rights may have effect: **04 September 2009**  
(54) Product in respect of which the design is registered: **Collapsible vehicle awning**  
(51) International Design Classification: **12-16NES**  
(71) Name(s) and Address(s) of Applicant(s):  
**Rhino Rack Australia Pty Limited**  
**3 Pike Street Rydalmere New South Wales 2116 Australia**  
(72) Name(s) of Designer(s): **Richard Cropley**  
(45) Registration Date: **29 September 2009**  
(56) Related Art Documents: **Not Applicable**  
(57) Statement of Newness and Distinctiveness: **Newness and distinctiveness is claimed in those features of shape and/or configuration of a collapsible vehicle awning as illustrated in continuous lines in the accompanying representations.**



- (21) Design Number: **13436/2009**  
(22) Date of Filing Application: **04 September 2009**  
(24) Date from which industrial property rights may have effect: **04 September 2009**  
(54) Product in respect of which the design is registered: **Collapsible awning for a vehicle**  
(51) International Design Classification: **12-16NES**  
(71) Name(s) and Address(s) of Applicant(s):  
**Rhino Rack Australia Pty Limited**  
**3 Pike Street Rydalmere New South Wales 2116 Australia**  
(72) Name(s) of Designer(s): **Richard Cropley**  
(45) Registration Date: **29 September 2009**  
(56) Related Art Documents: **Not Applicable**  
(57) Statement of Newness and Distinctiveness: **Newness and distinctiveness is claimed in those features of shape and/or configuration of a collapsible awning for a vehicle as illustrated in continuous lines in the accompanying representations.**



- (21) Design Number: **13437/2009**  
(22) Date of Filing Application: **04 September 2009**  
(24) Date from which industrial property rights may have effect: **04 September 2009**  
(54) Product in respect of which the design is registered: **Stowable vehicle awning**  
(51) International Design Classification: **12-16NES**  
(71) Name(s) and Address(s) of Applicant(s):  
**Rhino Rack Australia Pty Limited**  
**3 Pike Street Rydalmere New South Wales 2116 Australia**  
(72) Name(s) of Designer(s): **Richard Cropley**  
(45) Registration Date: **29 September 2009**  
(56) Related Art Documents: **Not Applicable**  
(57) Statement of Newness and Distinctiveness: **Newness and distinctiveness is claimed in those features of shape and/or configuration of a stowable vehicle awning as illustrated in continuous lines in the accompanying representations.**



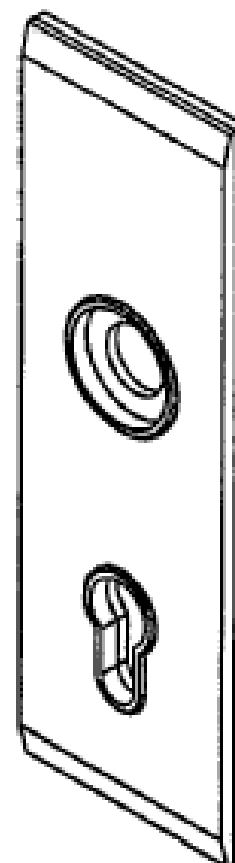
- (21) Design Number: **13439/2009**  
(22) Date of Filing Application: **04 September 2009**  
(24) Date from which industrial property rights may have effect: **04 September 2009**  
(54) Product in respect of which the design is registered: **Ottoman**  
(51) International Design Classification: **06-01E**  
(71) Name(s) and Address(s) of Applicant(s):  
**Woods Furniture Pty Ltd**  
**564 Geelong Road Brooklyn Victoria 3012 Australia**  
(72) Name(s) of Designer(s): **James Setters**  
(45) Registration Date: **29 September 2009**  
(56) Related Art Documents: **Not Applicable**  
(57) Statement of Newness and Distinctiveness: **No monopoly is claimed in the colour scheme of the ottoman as shown in the representations. The shape of the gliders connected to the bottom of the ottoman are also excluded from the design.**



- (21) Design Number: **13440/2009**  
(22) Date of Filing Application: **04 September 2009**  
(24) Date from which industrial property rights may have effect: **04 September 2009**  
(54) Product in respect of which the design is registered: **Ottoman**  
(51) International Design Classification: **06-01E**  
(71) Name(s) and Address(s) of Applicant(s):  
**Woods Furniture Pty Ltd**  
**564 Geelong Road Brooklyn Victoria 3012 Australia**  
(72) Name(s) of Designer(s): **James Setters**  
(45) Registration Date: **29 September 2009**  
(56) Related Art Documents: **Not Applicable**  
(57) Statement of Newness and Distinctiveness: **The shape of the gliders connected to the bottom of the ottoman are excluded from the design.**



- (21) Design Number: **13431/2009**  
(22) Date of Filing Application: **03 September 2009**  
(24) Date from which industrial property rights may have effect: **03 September 2009**  
(54) Product in respect of which the design is registered: **An escutcheon assembly**  
(51) International Design Classification: **08-07**  
(71) Name(s) and Address(s) of Applicant(s):  
**Gainsborough Hardware Industries Limited**  
**31-33 Alfred Street Blackburn Victoria 3130 Australia**  
(72) Name(s) of Designer(s): **Geoff Williamson**  
(45) Registration Date: **29 September 2009**  
(56) Related Art Documents: **Not Applicable**  
(57) Statement of Newness and Distinctiveness: **Newness and distinctiveness is claimed in the features of the front cover, the handle dress ring and the key cylinder dress ring of an escutcheon assembly as illustrated in the accompanying representations.**



- (21) Design Number: **13432/2009**
- (22) Date of Filing Application: **04 September 2009**
- (24) Date from which industrial property rights may have effect: **04 September 2009**
- (54) Product in respect of which the design is registered: **Container**
- (51) International Design Classification: **09-03NES**
- (71) Name(s) and Address(s) of Applicant(s):

**Dart Industries Inc**  
**14901 S. Orange Blossom Trail Orlando Florida 32837 United States of America**

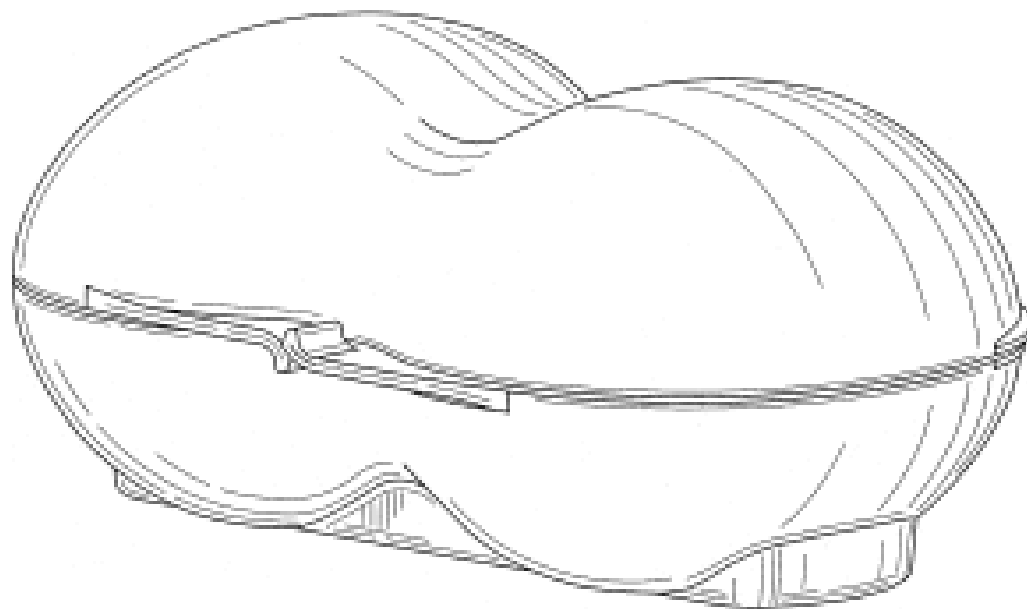
- (72) Name(s) of Designer(s): **Anthony M. De Leo**
- (45) Registration Date: **29 September 2009**

(30) Convention priority data:

(31) Number	(32) Date	(33) Country
<b>29/314,436</b>	<b>31 Mar 2009</b>	<b>UNITED STATES OF AMERICA</b>

(56) Related Art Documents: **Not Applicable**

(57) Statement of Newness and Distinctiveness: **Those features of the container depicted in the representations that are new and distinctive are the shape and/or configuration.**



- (21) Design Number: **13433/2009**
- (22) Date of Filing Application: **04 September 2009**
- (24) Date from which industrial property rights may have effect: **04 September 2009**
- (54) Product in respect of which the design is registered: **Utensil combining fork, spoon and knife**
- (51) International Design Classification: **07-03**
- (71) Name(s) and Address(s) of Applicant(s):

**Dart Industries Inc**  
**14901 S. Orange Blossom Trail Orlando Florida 32837 United States of America**

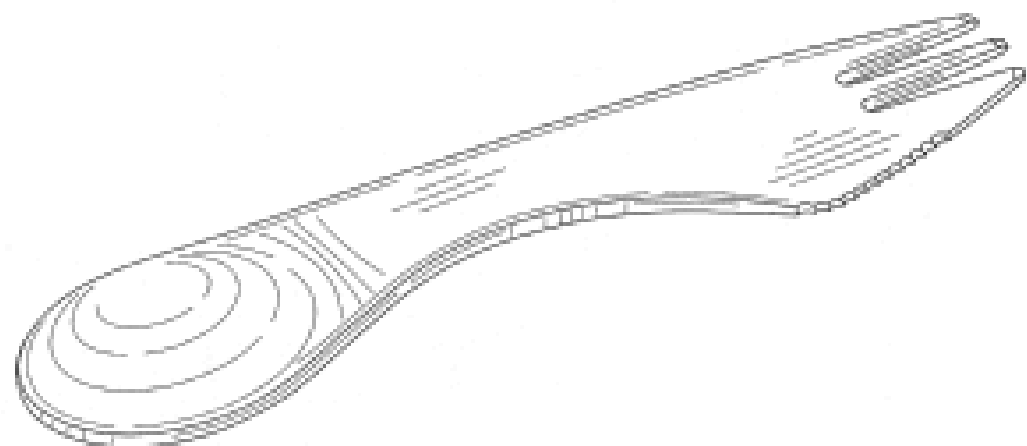
- (72) Name(s) of Designer(s): **Simone Pallotto**
- (45) Registration Date: **29 September 2009**

(30) Convention priority data:

(31) Number	(32) Date	(33) Country
<b>29/314,437</b>	<b>31 Mar 2009</b>	<b>UNITED STATES OF AMERICA</b>

(56) Related Art Documents: **Not Applicable**

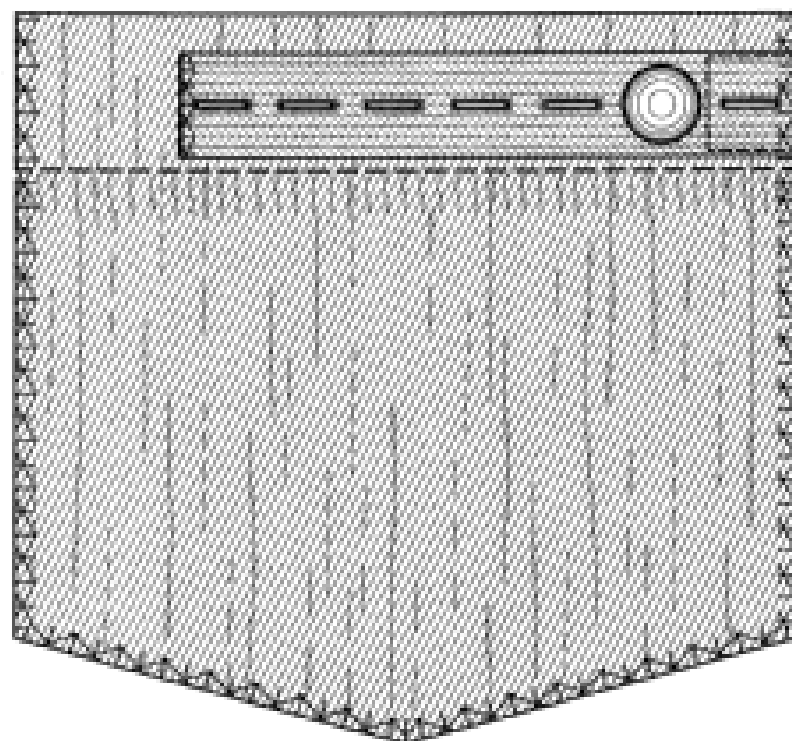
(57) Statement of Newness and Distinctiveness: **Those features of the utensil combining fork, spoon and knife depicted in the representations that are new and distinctive are the shape and/or configuration.**



- (21) Design Number: **13075/2009**  
(22) Date of Filing Application: **17 August 2009**  
(24) Date from which industrial property rights may have effect: **17 August 2009**  
(54) Product in respect of which the design is registered: **Baby wrap, clothing, blanket**  
(51) International Design Classification: **06-13B, 02-02C**  
(71) Name(s) and Address(s) of Applicant(s):  
**Victoria R. Harpur-Fikus**  
**17 Ripley Street Mt Waverley Victoria 3149 Australia**  
(72) Name(s) of Designer(s): **Victoria R. Harpur-Fikus**  
(45) Registration Date: **30 September 2009**  
(56) Related Art Documents: **Not Applicable**  
(57) Statement of Newness and Distinctiveness: **Monopoly is claimed in the shape and configuration of the baby wrap, clothing, blanket as shown in the representations.**

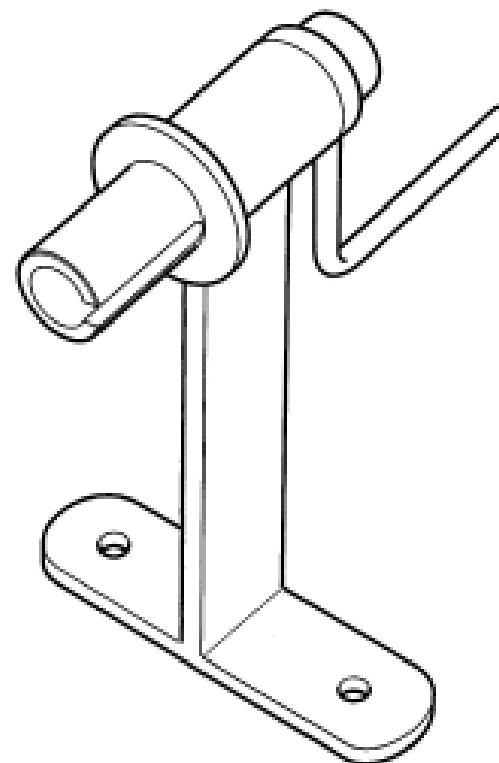


- (21) Design Number: **13272/2009**  
(22) Date of Filing Application: **26 August 2009**  
(24) Date from which industrial property rights may have effect: **26 August 2009**  
(54) Product in respect of which the design is registered: **Clothing extension means**  
(51) International Design Classification: **02-07NES**  
(71) Name(s) and Address(s) of Applicant(s):  
**Fertile Mind Pty Ltd**  
**Unit 12 84 Old Pittwater Road Brookvale New South Wales 2100 Australia**  
(72) Name(s) of Designer(s): **Peter Hooker and Christine Kininmonth**  
(45) Registration Date: **30 September 2009**  
(56) Related Art Documents: **Not Applicable**  
(57) Statement of Newness and Distinctiveness: **Newness and distinctiveness reside in the features of the design shown in solid lines in the representations excluding those features shown in broken lines.**

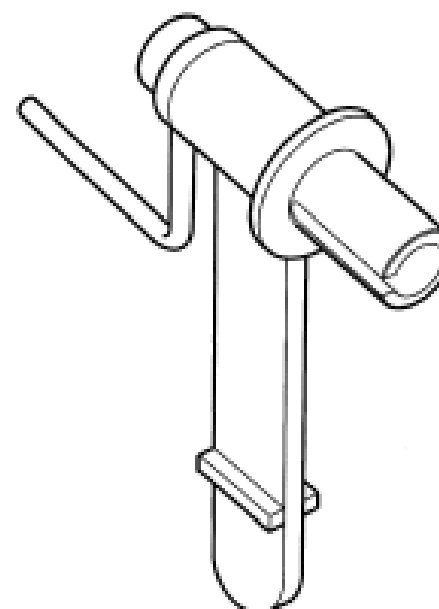




(21) Design Number: **10954/2009**  
(22) Date of Filing Application: **24 March 2009**  
(24) Date from which industrial property rights may have effect: **24 March 2009**  
(54) Product in respect of which the design is registered: **Strapping winder**  
(51) International Design Classification: **08-05NES**  
(71) Name(s) and Address(s) of Applicant(s):  
**Robert Howson McKail**  
**7 Christina Street Hazelmere Western Australia 6055 Australia**  
(72) Name(s) of Designer(s): **Robert Howson McKail**  
(45) Registration Date: **30 September 2009**  
(56) Related Art Documents: **Not Applicable**  
(57) Statement of Newness and Distinctiveness: **Nil**



(21) Design Number: **10955/2009**  
(22) Date of Filing Application: **24 March 2009**  
(24) Date from which industrial property rights may have effect: **24 March 2009**  
(54) Product in respect of which the design is registered: **Strapping winder**  
(51) International Design Classification: **08-05NES**  
(71) Name(s) and Address(s) of Applicant(s):  
**Robert Howson McKail**  
**7 Christina Street Hazelmere Western Australia 6055 Australia**  
(72) Name(s) of Designer(s): **Robert Howson McKail**  
(45) Registration Date: **30 September 2009**  
(56) Related Art Documents: **Not Applicable**  
(57) Statement of Newness and Distinctiveness: **Nil**



(21) Design Number: **10998/2009**

(22) Date of Filing Application: **24 March 2009**

(24) Date from which industrial property rights may have effect: **24 March 2009**

(54) Product in respect of which the design is registered: **Automobile tyre**

(51) International Design Classification: **12-15NES**

(71) Name(s) and Address(s) of Applicant(s):

**Bridgestone Corporation**

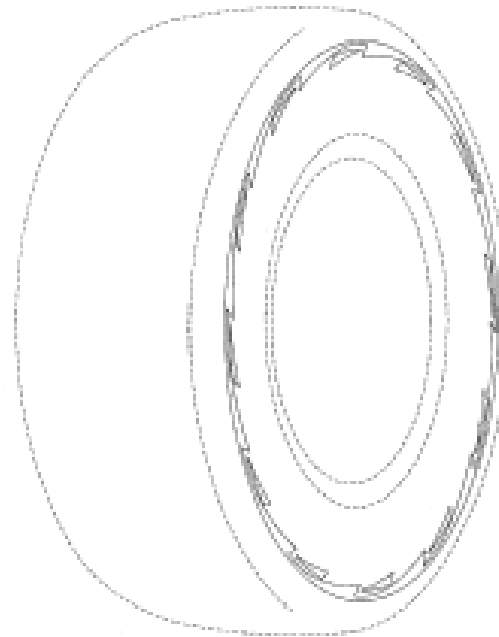
**10-1 Kyobashi 1-chome Chuo-ku Tokyo 104-8340 Japan**

(72) Name(s) of Designer(s): **Shungo Fujita**

(45) Registration Date: **30 September 2009**

(56) Related Art Documents: **Not Applicable**

(57) Statement of Newness and Distinctiveness: **The shape, configuration and pattern of the sidewall portion of the tyre is new and distinctive.**



(21) Design Number: **13166/2009**

(22) Date of Filing Application: **20 August 2009**

(24) Date from which industrial property rights may have effect: **20 August 2009**

(54) Product in respect of which the design is registered: **Left and right hand master carrier for centre close curtains**

(51) International Design Classification: **08-08H**

(71) Name(s) and Address(s) of Applicant(s):

**Excell Decor Hardware Pty. Limited**

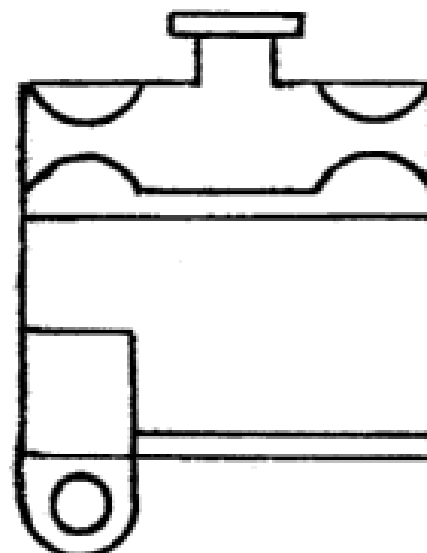
**21 Beringarra Street Malaga Western Australia 6090 Australia**

(72) Name(s) of Designer(s): **Ian Gibson**

(45) Registration Date: **30 September 2009**

(56) Related Art Documents: **Not Applicable**

(57) Statement of Newness and Distinctiveness: **The novelty of the design resides in the shape and configuration of the Master Carrier**



(21) Design Number: **13452/2009**

(22) Date of Filing Application: **07 September 2009**

(24) Date from which industrial property rights may have effect: **07 September 2009**

(54) Product in respect of which the design is registered: **A safety helmet**

(51) International Design Classification: **02-03**

(71) Name(s) and Address(s) of Applicant(s):

**Lee Ngai Mun**

**No. 62 Jalan CH 1 Cheras Hartamas 43200 Selangor Darul Ehsan  
Malaysia**

(72) Name(s) of Designer(s): **Lee Ngai Mun**

(45) Registration Date: **30 September 2009**

(56) Related Art Documents: **Not Applicable**

(57) Statement of Newness and Distinctiveness: **Nil**



(21) Design Number: **13453/2009**

(22) Date of Filing Application: **07 September 2009**

(24) Date from which industrial property rights may have effect: **07 September 2009**

(54) Product in respect of which the design is registered: **Safety helmet**

(51) International Design Classification: **02-03**

(71) Name(s) and Address(s) of Applicant(s):

**Lee Ngai Mun**

**No. 62 Jalan CH 1 Cheras Hartamas 43200 Selangor Darul Ehsan  
Malaysia**

(72) Name(s) of Designer(s): **Lee Ngai Mun**

(45) Registration Date: **30 September 2009**

(56) Related Art Documents: **Not Applicable**

(57) Statement of Newness and Distinctiveness: **Nil**



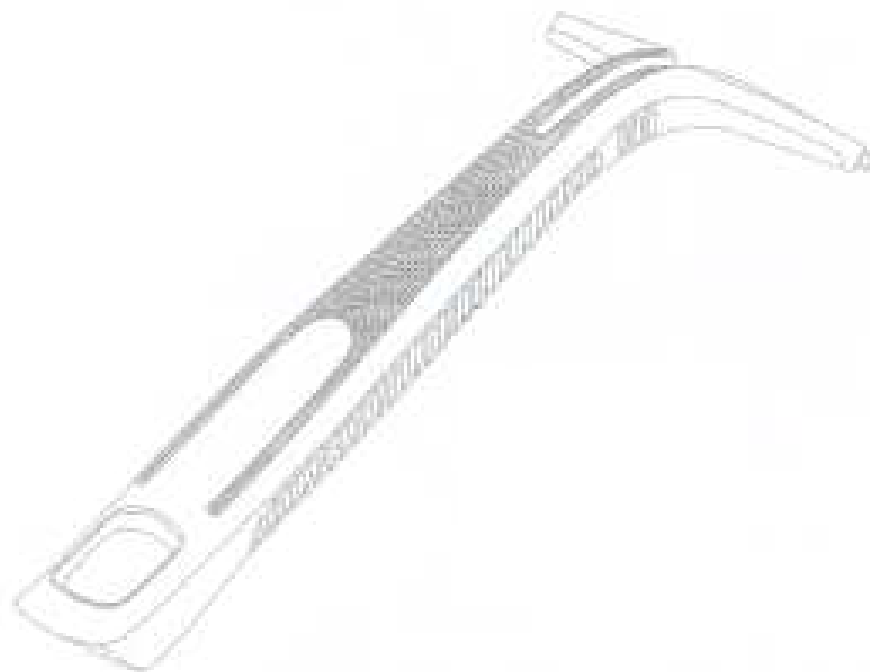
- (21) Design Number: **13455/2009**  
(22) Date of Filing Application: **07 September 2009**  
(24) Date from which industrial property rights may have effect: **07 September 2009**  
(54) Product in respect of which the design is registered: **A bread roll**  
(51) International Design Classification: **01-01**  
(71) Name(s) and Address(s) of Applicant(s):  
**Lawrence John Ryan**  
**219 Middle Street Cleveland Queensland 4163 Australia**  
(72) Name(s) of Designer(s): **Lawrence John Ryan**  
(45) Registration Date: **30 September 2009**  
(56) Related Art Documents: **Not Applicable**  
(57) Statement of Newness and Distinctiveness: **The newness and distinctiveness of the design resides in the shape and/or configuration of the BREAD ROLL shown in the representations.**



- (21) Design Number: **13456/2009**  
(22) Date of Filing Application: **07 September 2009**  
(24) Date from which industrial property rights may have effect: **07 September 2009**  
(54) Product in respect of which the design is registered: **Handle suitable for a shaving razor**  
(51) International Design Classification: **28-03A**  
(71) Name(s) and Address(s) of Applicant(s):  
**The Gillette Company**  
**Prudential Tower Building Boston Massachusetts 02199 United States of America**  
(72) Name(s) of Designer(s): **Matthew Corey Cataudella**  
(45) Registration Date: **30 September 2009**  
(30) Convention priority data:  

(31) Number	(32) Date	(33) Country
<b>29/333,423</b>	<b>09 Mar 2009</b>	<b>UNITED STATES OF AMERICA</b>

  
(56) Related Art Documents: **Not Applicable**  
(57) Statement of Newness and Distinctiveness: **Those features of the handle suitable for a shaving razor depicted in the representations that are new and distinctive are the shape and/or configuration and/or pattern and/or ornamentation. The features shown in broken lines are not part of the design and are to be disregarded when considering the overall impression of the design.**



- (21) Design Number: **12505/2009**  
(22) Date of Filing Application: **09 July 2009**  
(24) Date from which industrial property rights may have effect: **09 July 2009**  
(54) Product in respect of which the design is registered: **Footwear sole**  
(51) International Design Classification: **02-04B**  
(71) Name(s) and Address(s) of Applicant(s):  
**O & S Holdings (Vic) Pty Ltd**  
**Cnr Prest & Humffray Streets Ballarat Victoria 3350 Australia**  
(72) Name(s) of Designer(s): **Andrew Oliver**  
(45) Registration Date: **30 September 2009**  
(56) Related Art Documents: **Not Applicable**  
(57) Statement of Newness and Distinctiveness: **Those features of the footwear sole depicted in the representations that are new and distinctive are the shape and/or configuration.**



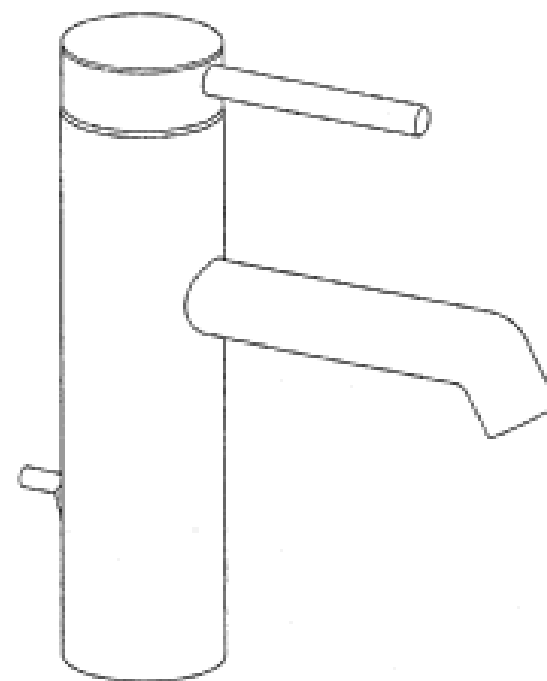
- (21) Design Number: **13259/2009**  
(22) Date of Filing Application: **25 August 2009**  
(24) Date from which industrial property rights may have effect: **25 August 2009**  
(54) Product in respect of which the design is registered: **Part of a mixing tap**  
(51) International Design Classification: **23-01H**  
(71) Name(s) and Address(s) of Applicant(s):  
**Hansa Metallwerke AG**  
**Sigmaringer Str. 107 D-70567 Stuttgart Germany**  
(72) Name(s) of Designer(s): **Michael Zeisel and Michael Lammel**  
(45) Registration Date: **30 September 2009**  
(30) Convention priority data:  
(31) Number      (32) Date      (33) Country  
**001101471-0006 09 Mar 2009      EUROPEAN COMMUNITY**  
(56) Related Art Documents: **Not Applicable**  
(57) Statement of Newness and Distinctiveness: **Nil**



(21) Design Number: **13260/2009**  
(22) Date of Filing Application: **25 August 2009**  
(24) Date from which industrial property rights may have effect: **25 August 2009**  
(54) Product in respect of which the design is registered: **Mixing tap**  
(51) International Design Classification: **23-01H**  
(71) Name(s) and Address(s) of Applicant(s):  
**Hansa Metallwerke AG**  
**Sigmaringer Str. 107 D-70567 Stuttgart Germany**  
(72) Name(s) of Designer(s): **Michael Zeisel and Michael Lammel**  
(45) Registration Date: **30 September 2009**  
(30) Convention priority data:  
(31) Number (32) Date (33) Country  
**001099030-0003 06 Mar 2009 EUROPEAN COMMUNITY**  
(56) Related Art Documents: **Not Applicable**  
(57) Statement of Newness and Distinctiveness: **Nil**



(21) Design Number: **13261/2009**  
(22) Date of Filing Application: **25 August 2009**  
(24) Date from which industrial property rights may have effect: **25 August 2009**  
(54) Product in respect of which the design is registered: **Tap**  
(51) International Design Classification: **23-01H**  
(71) Name(s) and Address(s) of Applicant(s):  
**Hansa Metallwerke AG**  
**Sigmaringer Str. 107 D-70567 Stuttgart Germany**  
(72) Name(s) of Designer(s): **Michael Zeisel and Michael Lammel**  
(45) Registration Date: **30 September 2009**  
(30) Convention priority data:  
(31) Number (32) Date (33) Country  
**001099014-0001 06 Mar 2009 EUROPEAN COMMUNITY**  
(56) Related Art Documents: **Not Applicable**  
(57) Statement of Newness and Distinctiveness: **Nil**



- (21) Design Number: **13582/2009**  
(22) Date of Filing Application: **17 September 2009**  
(24) Date from which industrial property rights may have effect: **17 September 2009**  
(54) Product in respect of which the design is registered: **Trimmer replacement head**  
(51) International Design Classification: **08-03**  
(71) Name(s) and Address(s) of Applicant(s):  
**Ian R. Alexander Trading as Curagul Stud**  
**1 Kayley Place Glenhaven New South Wales 2156 Australia**  
**Jennifer M.N. Alexander Trading as Curagul Stud**  
**1 Kayley Place Glenhaven New South Wales 2156 Australia**  
(72) Name(s) of Designer(s): **Ian R. Alexander**  
(45) Registration Date: **30 September 2009**  
(56) Related Art Documents: **Not Applicable**  
(57) Statement of Newness and Distinctiveness: **The Turbo II replacement trimmer head is a compact 2 piece design comprised of the base (housing) & the cutting cylinder (spigot). This design eliminates all moving parts. The cutting cylinder (spigot) is highly engineered, it has a coarse right hand thread cut on its outside wall and the wall is pierced with four (4) vertical line slots 3.6mm wide. The slots are designed to accomodate two (2) cutting lines. The four (4) leading edges of the line slots are rounded to relieve any cutting pressure on the line and to prolong cutting cycles. The two pieces of 3.0mm the line are inserted through the line slots and extended equally to give 4 cutters. Externally 4 release holes are provided - 2 on the lower section of the base (housing) & 2 on the upper section of the cutting cylinder (spigot) - these are to facilitate "unlocking" for line reloading. Heavy diamond pattern knurling has been applied to the lower edge of the cutting cylinder (spigot) and the upper edge of the base (housing) to further facilitate "unlocking" for line reloading. A 3.0mm diameter pilot hole is provided in the bottom of the base (housing). It is intended on delivery to a client the Turbo II will be "custom threaded" to match the attachment thread of the client's trimmer.**



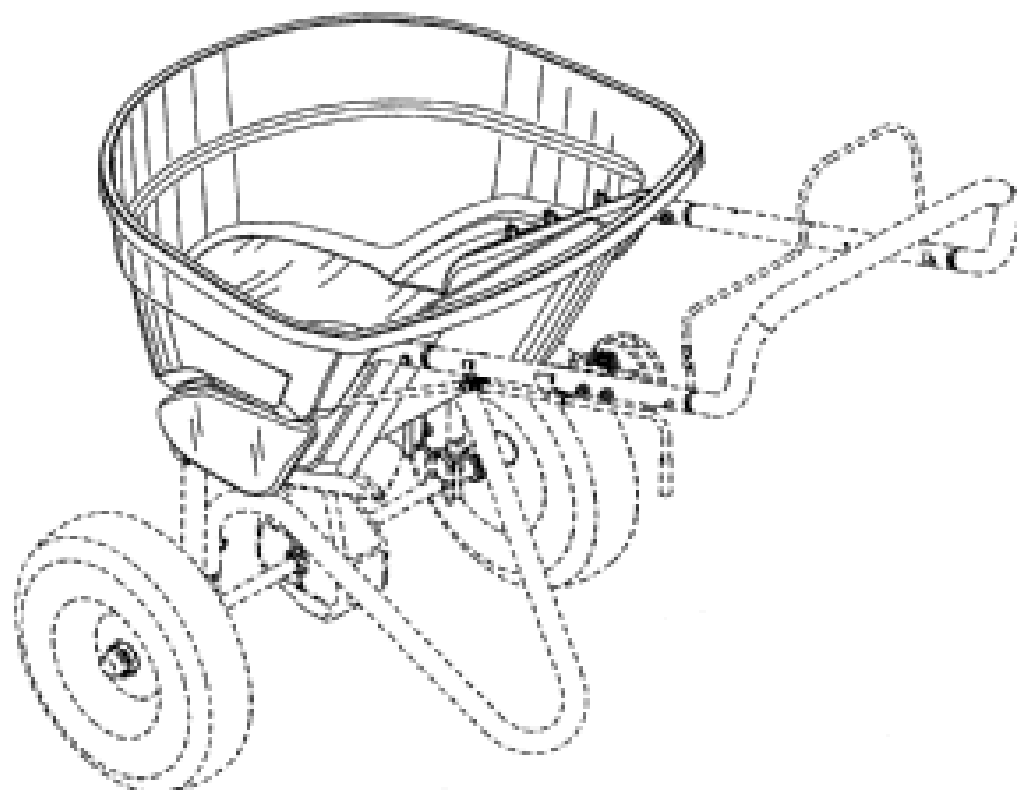
- (21) Design Number: **13258/2009**  
(22) Date of Filing Application: **25 August 2009**  
(24) Date from which industrial property rights may have effect: **25 August 2009**  
(54) Product in respect of which the design is registered: **Mixing tap**  
(51) International Design Classification: **23-01H**  
(71) Name(s) and Address(s) of Applicant(s):  
**Hansa Metallwerke AG**  
**Sigmaringer Str. 107 D-70567 Stuttgart Germany**  
(72) Name(s) of Designer(s): **Michael Zeisel and Michael Lammel**  
(45) Registration Date: **30 September 2009**  
(30) Convention priority data:  
(31) Number (32) Date (33) Country  
**001101471-0004 09 Mar 2009 EUROPEAN COMMUNITY**  
(56) Related Art Documents: **Not Applicable**  
(57) Statement of Newness and Distinctiveness: **Nil**



- (21) Design Number: **13392/2009**  
(22) Date of Filing Application: **03 September 2009**  
(24) Date from which industrial property rights may have effect: **03 September 2009**  
(54) Product in respect of which the design is registered: **A bucket with an attached hinged cutting board with an attached knife holder**  
(51) International Design Classification: **22-05**  
(71) Name(s) and Address(s) of Applicant(s):  
**Wayne Douglas Mitchell**  
**Unit 27/97 Broadway Gardens Chelsea Victoria 3196 Australia**  
**Yvonne Maree Mitchell**  
**Unit 27/97 Broadway Gardens Chelsea Victoria 3196 Australia**  
(72) Name(s) of Designer(s): **Wayne Douglas Mitchell and Yvonne Maree Mitchell**  
(45) Registration Date: **30 September 2009**  
(56) Related Art Documents: **Not Applicable**  
(57) Statement of Newness and Distinctiveness: **Bucket with an attached hinged cutting board with an attached knife holder. Reflective strip or paint around outside of bucket as to be seen at night.**



- (21) Design Number: **13449/2009**  
(22) Date of Filing Application: **07 September 2009**  
(24) Date from which industrial property rights may have effect: **07 September 2009**  
(54) Product in respect of which the design is registered: **Push broadcast spreader**  
(51) International Design Classification: **15-03A**  
(71) Name(s) and Address(s) of Applicant(s):  
**Agri-Fab, Inc.**  
**303 West Raymond Street Sullivan Illinois 61951 United States of America**  
(72) Name(s) of Designer(s): **Charles Y. Choi and Mark R. Pavel**  
(45) Registration Date: **30 September 2009**  
(30) Convention priority data:  
(31) Number (32) Date (33) Country  
**29/333,478 10 Mar 2009 UNITED STATES OF AMERICA**  
(56) Related Art Documents: **Not Applicable**  
(57) Statement of Newness and Distinctiveness: **The newness and distinctiveness are provided by the shape and/or configuration of the design shown in the representations. The features shown in broken lines in the representations are for illustrative purposes only and should not be considered when construing visual features of the design.**





(19) AU

(21) Design Number: **13450/2009**

(22) Date of Filing Application: **07 September 2009**

(24) Date from which industrial property rights may have effect: **07 September 2009**

(54) Product in respect of which the design is registered: **Tow broadcast spreader**

(51) International Design Classification: **15-03A**

(71) Name(s) and Address(s) of Applicant(s):

**Agri-Fab, Inc.**

**303 West Raymond Street Sullivan Illinois 61951 United States of America**

(72) Name(s) of Designer(s): **Charles Y. Choi and Mark R. Pavel**

(45) Registration Date: **30 September 2009**

(30) Convention priority data:

(31) Number  
**29/333,475**

(32) Date  
**10 Mar 2009**

(33) Country  
**UNITED STATES OF AMERICA**

(56) Related Art Documents: **Not Applicable**

(57) Statement of Newness and Distinctiveness: **The newness and distinctiveness are provided by the shape and/or configuration of the design shown in the representations. The features shown in broken lines in the representations are for illustrative purposes only and should not be considered when construing visual features of the design.**

