



Australian Government

IP Australia

AUSTRALIAN OFFICIAL JOURNAL

OF

DESIGNS

Did you know a searchable version of this journal is now available online?
It's FREE and EASY to SEARCH.

Find it at

<http://pericles.ipaustralia.gov.au/ols/epublish/content/olsEpublications.jsp>
or using the "Online Journals" link on the IP Australia home page.

This Page Left Intentionally Blank

Contents

General Information & Notices

Proceedings Under the Designs Act 1906 preserved as a result of the provisions of Chapter 12 Part 2 of the Designs Act 2003

Extension of Period of Registration of Designs	3160
Mortgages Registered	3161
Names Registered - Alterations and Amendments	3161
Registrations Ceased	3160
Subsequent Owners Registered	3160

Proceedings Under the Designs Act 2003

Applications Lapsed	3170
Applications Lodged	3165
Certificate of Examination	3173
Discharge of Mortgages	3171
Extension of Period of Registration of Design	3171
Extension of Time Granted Under Section 137	3171
Names Registered - Alterations and Amendments	3172
Publication and Registration Proceedings	
Designs Registered 327846 to 327986.....	3174
Registrations Ceased	3171
Subsequent Owners Registered	3171

This Page Left Intentionally Blank

For information on the following please see our website www.ipaustralia.gov.au or contact our Customer Service Network on 1300651010

[Editorial enquiries](#)

[Contact information](#)

[Freedom of Information ACT](#)

[Professional Standards Board](#)

[Sales](#)

[Requests for Information under Section 194 \(c\)](#)

[Country Codes](#)

[Trade Mark and Designs Hearing Sessions](#)

[INID \(Internationally agreed Numbers for the Identification of Data\)](#)

“INID” NUMBERS in use on Australian Design Documents

“INID” is an acronym for “Internationally agreed Numbers for the Identification of Data”.

(10) Data concerning the registration/renewal

- (11) Serial number of the registration and/or number of the design document
- (12) Plain language designation of the kind of published document
- (19) Identification, using the two-letter code according to WIPO Standard ST.3, of the authority publishing or registering the industrial design

(20) Data concerning the application

- (21) Serial number of the application
- (22) Date of filing of the application
- (24) Date from which the industrial design right has effect

(30) Data relating to priority under the Paris Convention

- (31) Serial number assigned to the priority application
- (32) Date of filing of the priority application
- (33) Two-letter code, according to WIPO Standard ST.3, identifying the authority with which the priority application was made

(40) Date(s) of making information available to the public

- (45) Date of publication of the registered industrial design by printing or similar process, or making it available to the public by any other means

(50) Miscellaneous Information

- (51) International Classification for Industrial Designs (class and subclass of the Locarno Classification)
- (54) Designation of article(s) or product(s) covered by the industrial design or title of the industrial design
- (55) Reproduction of the industrial design (e.g., drawing, photograph) and explanations relating to the reproduction
- (56) List of prior art documents, if separate from descriptive text
- (57) Description of characteristic features of the industrial design including indication of colours

(60) References to other legally related application(s) and registration(s)

- (62) Serial number(s) and, if available, filing date(s) of application(s), registration(s) or document(s) related by division
- (66) Serial number(s) of the application, or the registration, of the design(s) which is (are) a variant(s) of the present one

(70) Identification of parties concerned with the application or registration

- (71) Name(s) and address(es) of the applicant(s)
- (72) Name(s) of the creator(s) if known to be such
- (74) Name(s) and address(es) of the representative(s)

This Page Left Intentionally Blank

Official Notice**IP Australia's New South Wales Sub-Office**

IP Australia is pleased to advise all customers that it has engaged Australia Post to deliver its new state based lodgement service arrangements. These services include the lodgement of documents and payment of fees relating to registered IP rights and new applications.

For the purposes of section 205(2) of the Patents Act 1990, section 199(2) of the Trade Marks Act 1995 and section 125(2) of the Designs Act 2003, effective from 2 November 2009, the New South Wales sub-office is:

IP Lodgement Point
Australia Post Retail Outlet
44 Market Street
Sydney NSW 2000

From 2 November 2009 the lodgement of documents and payment of official fees in New South Wales can only be made at the above address. The filing date and/or payment date will be the date the lodgement and/or payment is made at the location as stated above.

Consistent with existing legislative requirements, this service will be available from 9.00am – 5.00pm Monday to Friday, except for public holidays.

Unfortunately the new arrangements do not allow for Plant Breeder's Rights lodgements with Australia Post. To address this issue IP Australia has developed a comprehensive new range of e-forms which can be found at <http://www.ipaustralia.gov.au/pbr/forms.shtml>.

Plant Breeder's Rights forms, payments or other correspondence can continue to be lodged directly at IP Australia in Canberra to PO Box 200 Woden ACT 2606; or by fax to +61 2 6283 7999.

For further information please visit:
http://www.ipaustralia.gov.au/about/state_transition.shtml

Contact: IP Australia
Phone: 1300 651 010
Fax: +61 2 6283 7999
E-mail: servicetransition@ipaustralia.gov.au
Web: www.ipaustralia.gov.au

Proceedings under the Designs Act 1906 preserved as a result of the provisions of Chapter 12 Part 2 of the Designs Act 2003.

This Page Left Intentionally Blank

Applications Lapsed

There were no Applications Lapsed under this section

Extension of Period of Registration of Designs

2nd Period (Section 27A(12))

153066	153279	153280
153320	153884	153955
153956	154043	154096
154142	154236	154237
154241	154274	154363
154573	154595	154598
154720	154721	154846
154863	154879	154921
154933	154934	155090
155139	155238	155282
155283	155314	155315
155316	155317	155433
155434	155653	155674
155675	155676	155799
155915	156055	156152
156255	156485	156503
156593	156626	156727
156728	156803	157384
157513	157535	157536
157537	157540	157541
157588	157599	157795
157838	157843	157932
157994	158505	

3rd Period (Section 27A(13))

134941	134942	136360
136834	136835	136836
137022	137054	137055
137119	137123	137154
137236	137263	137476
137597	137617	137618
137619	137638	137819
137847	137956	137957
137958	138279	138376
138377	138378	138379
138598	138599	139507
139637	139855	140206
141034	141287	141288
141845	141922	146124
146125		

Registrations Ceased

Note: Some of the following Registrations may have been previously advertised as ceased. In this instance, the previous advertisement still prevails.

118548	118708	120020
120021	120022	120029
120030	120032	120035
120036	120065	120132
120133	120134	120144
120157	120158	120160

120171	120172	120173
120174	120289	120317
120318	120319	120320
120327	120416	120477
120537	120538	120679
120934	121047	121073
121270	121567	121878
121879	121897	122044
122045	122046	122108
122109	122152	122153
122154	122155	123813
124115	124307	124454
124513	124776	128513
134277	134393	135061
135071	135134	135299
135659	135683	135865
136101	136518	139471
139791	139792	139835
151480	151481	151989
151990	152043	152048
152074	152236	152273
152349	152411	152416
152465	152487	152535
152558	152592	152593
152594	152643	152693
152847	152848	152874
152876	152896	153242
153424	153448	153607
153608	153609	153846
154226	154353	154479
155151	156162	156369
156446	156723	

Subsequent Owners Registered

(The name in parentheses is that of the subsequent owner)

120311	(Panasonic Corporation) Matsushita Electronics Corporation
120312	(Panasonic Corporation) Matsushita Electronics Corporation
136015	(Stella Manoliadis) Kandle Kup Pty Ltd
138839	(Sleepyhead Manufacturing Company Limited) Design Mobel NZ Limited
139242	(Sleepyhead Manufacturing Company Limited) Design Mobel NZ Ltd
140530	(Sleepyhead Manufacturing Company Limited) Design Mobel NZ Limited
154659	(Sleepyhead Manufacturing Company Limited) Design Mobel NZ Limited
154701	(Sleepyhead Manufacturing Company Limited) Design Mobel NZ Limited
154637	(Sleepyhead Manufacturing Company Limited) Design Mobel NZ Limited
154699	(Sleepyhead Manufacturing Company Limited) Design Mobel NZ Limited
154696	(Sleepyhead Manufacturing Company Limited) Design Mobel NZ Limited
154636	(Sleepyhead Manufacturing Company Limited)

Subsequent Owners Registered

	Design Mobil NZ Limited
155377	(Sleepyhead Manufacturing Company Limited) Design Mobil NZ Limited
140529	(Sleepyhead Manufacturing Company Limited) Design Mobil NZ Limited
154700	(Sleepyhead Manufacturing Company Limited) Design Mobil NZ Limited
154660	(Sleepyhead Manufacturing Company Limited) Design Mobil NZ Limited
154697	(Sleepyhead Manufacturing Company Limited) Design Mobil NZ Limited
154698	(Sleepyhead Manufacturing Company Limited) Design Mobil NZ Limited
151270	(HoMedics Group Canada Co) Integral Orthopedics Inc.
158163	(Ultimate Products Limited) Intempo UK Limited
152654	(Talar Made Limited) Talar Made Orthotics Ltd
153277	(Talar Made Limited) Talar Made Orthotics Ltd
122672	(Systagenix Wound Management IP Co. B.V.) Johnson & Johnson Medical Inc.
122673	(Systagenix Wound Management IP Co. B.V.) Johnson & Johnson Medical Inc.
140025	(Systagenix Wound Management IP Co. B.V.) Johnson & Johnson Medical Limited

Names Registered - Alterations and Amendments

(The name in parentheses is the new name of the proprietor)

157365	(SAVERGLASS) Societe Autonome de Verreries
--------	---

Mortgages Registered

152279	A mortgage has been granted to The United States Department of the Treasury
152699	A mortgage has been granted to The United States Department of the Treasury

This Page Left Intentionally Blank

Proceedings under the Designs Act 2003.

This Page Left Intentionally Blank

Applications Lodged

Lodgement information is in the following order: **Applicant's Name**; International Classification, Name of Product, Lodgement Date and **Design Number**. If the applicant claims an earlier priority date under an International Convention, the Convention Country and the associated filing date are shown in parentheses before the Lodgement Date. Divisional information will also appear in parentheses before the Lodgement Date.

de Jong, Peter Anthony; 12-06A, A boat hull, 08 Oct 2009	13853/2009	Boobytrap! Ltd; 02-01A, Sportsbra, (GB, 17 Apr 2009) 07 Oct 2009	13878/2009
sanofi-aventis, Societe anonyme; 28-01, Tablet, (FR, 08 Apr 2009) 07 Oct 2009	13875/2009	Botting, J.R.; 23-01G, Pyramid ball valve filter, 09 Oct 2009	13882/2009
Alemite Lubrequip Pty Ltd; 08-05G, 660AN, 06 Oct 2009	13874/2009	Caron Laboratories Pty Ltd; 28-03A, Ring insert, 13 Oct 2009	13957/2009
Ali, Terry; Ali, Christopher; Ali, Frank; 08-05N, Finger sander, (US, 14 May 2009) 13 Oct 2009	13948/2009	Caron Laboratories Pty Ltd; 28-03A, Ring insert, 12 Oct 2009	13940/2009
Ali, Christopher; Ali, Terry; Ali, Frank; 08-05N, Finger sander, (US, 14 May 2009) 13 Oct 2009	13948/2009	Caron Laboratories Pty Ltd; 28-03A, Wax warming pot, 12 Oct 2009	13941/2009
Ali, Frank; Ali, Terry; Ali, Christopher; 08-05N, Finger sander, (US, 14 May 2009) 13 Oct 2009	13948/2009	Caron Laboratories Pty Ltd; 28-03A, Wax warming pot, 13 Oct 2009	13956/2009
Alver Pty Ltd; 23-03A, Heater, 30 Sep 2009	13773/2009	Ceolin, Tim; Rossiter, Mark; 08-10, Bicycle rack, 12 Oct 2009	13898/2009
Alver Pty Ltd; 23-03A, Heater, 30 Sep 2009	13774/2009	Clipsal Australia Pty Ltd; 13-03B, Cable management frame, 30 Sep 2009	13749/2009
Alver Pty Ltd; 23-03A, Heater, 30 Sep 2009	13771/2009	Colgate-Palmolive Company; 09-01NES, Container, (US, 20 Apr 2009) 01 Oct 2009	13801/2009
Alver Pty Ltd; 23-03A, Heater, 30 Sep 2009	13772/2009	Colgate-Palmolive Company; 09-01NES, Container, (US, 26 Mar 2009) 30 Sep 2009	13797/2009
Ames True Temper, Inc.; 08-99, Hose reel, (US, 13 Apr 2009) 06 Oct 2009	13831/2009	Cooper Tools GmbH; 13-03NES, Controlling apparatus for soldering iron, (EM, 24 Jun 2009) 02 Oct 2009	13817/2009
Ames True Temper, Inc.; 08-99, Hose reel, (US, 13 Jul 2009) 08 Oct 2009	13884/2009	Cooper Tools GmbH; 13-03NES, Controlling apparatus for soldering iron, (EM, 24 Jun 2009) 02 Oct 2009	13818/2009
Ansell Healthcare Products LLC; 02-06, Glove, (US, 09 Apr 2009) 08 Oct 2009	13887/2009	Crinum IP Pty Ltd; 12-05, Pulley tyre, 29 Sep 2009	13729/2009
Art Plastics Pty Ltd; 23-02NES, Reversible tile grate, 01 Oct 2009	13799/2009	Custom Coaches (Sales) Pty Ltd; 12-08, Bus, 30 Sep 2009	13763/2009
Bailey, James; 08-08L, A bracket, 02 Oct 2009	13816/2009	Custom Coaches (Sales) Pty Ltd; 12-16B, Front door modesty for bus, 30 Sep 2009	13767/2009
Barden, Wayne; 25-01B, Reinforcing cage, 13 Oct 2009	13947/2009	Custom Coaches (Sales) Pty Ltd; 12-16B, Air grill for bus, 30 Sep 2009	13765/2009
Beaulieu Group, LLC; 20-02NES, Display device, (US, 30 Apr 2009) 12 Oct 2009	13934/2009	Custom Coaches (Sales) Pty Ltd; 12-16B, Rear door front modesty for bus, 30 Sep 2009	13768/2009
Bedwell, Joanne Evans; 02-02NES, Design 01 - Female uniform tunic, 06 Oct 2009	13893/2009	Custom Coaches (Sales) Pty Ltd; 12-16B, Small modesty for bus, 30 Sep 2009	13769/2009
Bedwell, Joanne Evans; 02-02NES, Design 02 - Male/unisex uniform shirt, 06 Oct 2009	13894/2009	Custom Coaches (Sales) Pty Ltd; 12-16NES, 25-01K, Extrusion for interior of bus, 30 Sep 2009	13770/2009
Berger, Jacqueline; Julian, Jeffrey; 12-08, Automobile, 06 Oct 2009	13832/2009	Custom Coaches (Sales) Pty Ltd; 12-16B, Driver's door and partition for bus, 30 Sep 2009	13766/2009

Custom Coaches (Sales) Pty Ltd; 12-16B, Skirt panel for bus, 30 Sep 2009	13764/2009	Eveready Battery Company, Inc.; 28-03A, Safety razor handle, (US, 01 May 2009) 07 Oct 2009	13850/2009
CSR Building Products Limited; 25-01D, Building panel, 08 Oct 2009	13891/2009	Eveready Battery Company, Inc.; 28-03A, Safety razor, (US, 11 May 2009) 07 Oct 2009	13851/2009
CSR Building Products Limited; 25-01D, Building panel, 08 Oct 2009	13892/2009	Ewing, Iain; 23-01H, Tap handle, 07 Oct 2009	13885/2009
CSR Building Products Limited; 25-01D, Building panel, 08 Oct 2009	13888/2009	Faulkner, Reginald Leigh; Faulkner, Edith Eweyi; 12-10, Trailers, 02 Oct 2009	13776/2009
CSR Building Products Limited; 25-01D, Building panel, 08 Oct 2009	13889/2009	Faulkner, Edith Eweyi; Faulkner, Reginald Leigh; 12-10, Trailers, 02 Oct 2009	13776/2009
CSR Building Products Limited; 25-01D, Building panel, 08 Oct 2009	13890/2009	Feel Felt Found; 07-99NES, Knife block, 01 Oct 2009	13806/2009
D & J Technology Pty Ltd; 21-01M, Option strategy cube, 29 Sep 2009	13742/2009	Feel Felt Found; 07-99NES, Knife block, 01 Oct 2009	13805/2009
Daikin Industries Ltd.; 14-03NES, Remote control for air-conditioner, (JP, 27 Jul 2009) 06 Oct 2009	13835/2009	Fitness Brands Inc; 21-02F, Exercise machine, (NZ, 03 Sep 2009) 02 Oct 2009	13775/2009
Daikin Industries Ltd.; 23-04, Air conditioner, (JP, 07 Aug 2009) 06 Oct 2009	13833/2009	Fulton, Hugh Charles; 12-06A, Aquatic vessel, 30 Sep 2009	13781/2009
Daikin Industries Ltd.; 14-03NES, Remote control for air-conditioner, (JP, 27 Jul 2009) 06 Oct 2009	13836/2009	Grant Olver Investments Pty Ltd, Trading as Pilgrim Clothing; 02-02C, 02-02NES, Ladies garments, 02 Oct 2009	13800/2009
Daikin Industries Ltd.; 14-03NES, Remote control for air-conditioner, (JP, 27 Jul 2009) 06 Oct 2009	13834/2009	Hadlauer, Martin; 23-03D, Solar collector, (EM, 31 Mar 2009) 30 Sep 2009	13812/2009
Daikin Industries Ltd.; 23-04, Air-conditioner, (JP, 27 Jul 2009) 06 Oct 2009	13840/2009	Hadlauer, Martin; 23-03D, Solar collector, (EM, 31 Mar 2009) 30 Sep 2009	13813/2009
Daikin Industries Ltd.; 14-03NES, Remote control for air-conditioner, (JP, 27 Jul 2009) 06 Oct 2009	13837/2009	Hatzis Holdings Pty Ltd; 02-02C, 02-02NES, Ladies garments, 30 Sep 2009	13735/2009
Daikin Industries Ltd.; 23-04, Air-conditioner, (JP, 27 Jul 2009) 06 Oct 2009	13838/2009	Healey, Graeme; Wilkie, Peter; 12-06A, 12-06NES, Personal water craft (PWC) BIMMINI, 09 Oct 2009	13900/2009
Daikin Industries Ltd.; 23-04, Air-conditioner, (JP, 27 Jul 2009) 06 Oct 2009	13839/2009	Healley, Stewart Norman; 20-03NES, Swing sign, 09 Oct 2009	13916/2009
Dart Industries Inc; 07-01NES, 09-07NES, Cover, (US, 13 May 2009) 05 Oct 2009	13815/2009	Hearthill Pty Ltd; 13-03B, Insulator cable bracket, 01 Oct 2009	13811/2009
Dart Industries Inc; 07-02P, Cutter, (US, 05 Jun 2009) 13 Oct 2009	13949/2009	Hunter Pacific International Pty Ltd; 23-04, Ceiling fan blades, 30 Sep 2009	13750/2009
Dart Industries Inc.; 07-02P, Cutter, (US, 05 Jun 2009) 13 Oct 2009	13950/2009	Hunter Pacific International Pty Ltd; 23-04, Ceiling fan hub, 30 Sep 2009	13751/2009
Dart Industries Inc.; 07-02P, Cutter, (US, 05 Jun 2009) 13 Oct 2009	13951/2009	Hunter Pacific International Pty Ltd; 23-04, Ceiling fan blades, 30 Sep 2009	13752/2009
Dart Industries Inc.; 07-02P, Cutter, (US, 05 Jun 2009) 13 Oct 2009	13952/2009	Hunter Pacific International Pty Ltd; 23-04, Ceiling fan hub, 30 Sep 2009	13753/2009
Ekornes ASA; 06-03B, Table, (NO, 15 Sep 2009) 13 Oct 2009	13954/2009	In Time Promotions Pty Ltd; 09-07B, Keg cap, 06 Oct 2009	13849/2009
Electrolux Home Products Corporation N.V.; 07-02C, Control panel for an oven, (EM, 26 Feb 2009) (Divisional of 13208/2009) 19 Aug 2009	13855/2009	IPH International Pty Ltd; 25-01K, 08-06, Hinge extrusion, 09 Oct 2009	13922/2009
Electrolux Home Products Corporation N.V.; 07-02A, Oven, (EM, 26 Feb 2009) (Divisional of 13208/2009) 19 Aug 2009	13856/2009	IPH International Pty Ltd; 25-01K, Bi-fold door extrusion, 09 Oct 2009	13923/2009

IPH International Pty Ltd; 25-01K, Clamp extrusion, 09 Oct 2009	13924/2009	Master Distributors Pty Ltd; 10-05, Smoke alarm with LED escape light, 08 Oct 2009	13933/2009
IPH International Pty Ltd; 25-01K, Cover extrusion, 09 Oct 2009	13925/2009	Materazzo, Robyn; 19-01, Non tearable expanding envelope, 12 Oct 2009	13936/2009
IPH International Pty Ltd; 25-01K, Bi-fold frame extrusion, 09 Oct 2009	13921/2009	Materazzo, Robyn; 19-01, Non tearable expanding envelope, 12 Oct 2009	13935/2009
IPH International Pty Ltd; 25-01K, 08-06, Hinge frame extrusion, 09 Oct 2009	13920/2009	MedWatchDoc GmbH & Co., KG; 21-01A, Stuffed toy animals, (EM, 23 Sep 2009) 07 Oct 2009	13852/2009
IPH International Pty Ltd; 25-01K, Door frame extrusion, 09 Oct 2009	13926/2009	Moses, James; 08-10, Public bicycle system incorporating a bike, rack and pay station, 29 Sep 2009	13732/2009
Japan Cash Machine Co., Ltd.; 14-02, Document validator, (JP, 02 Apr 2009) 01 Oct 2009	13810/2009	Moses, James; 14-02, Public bicycle system incorporating a bike, rack and pay station, 29 Sep 2009	13733/2009
Jones, Neville Bryson; 06-01C, 25-03, Kit construction spectator grandstand for permanent or temporary application - refer attached notes and images, 25 Sep 2009	13726/2009	Moses, James; 12-11, Public bicycle system incorporating a bike, rack and pay station, 29 Sep 2009	13734/2009
Julian, Jeffrey; Berger, Jacqueline; 12-08, Automobile, 06 Oct 2009	13832/2009	Mountain H2o Pty Ltd; 09-01K, Ice house spring water products, 12 Oct 2009	13906/2009
JJ Fraser Engineering Limited; 29-01, A support for breathing apparatus, 08 Oct 2009	13877/2009	Mountain H2o Pty Ltd; 09-01H, Mountain H2o produced spring water products, 12 Oct 2009	13911/2009
Kuhne, Mandy Aileen; 19-04, A barrier book (TM) to be used for education, auditory training and language habilitation, 13 Oct 2009	13946/2009	Mountain H2o Pty Ltd; 09-01H, Mountain H2o produced spring water products, 12 Oct 2009	13912/2009
Lang, Keith John; 21-01L, Both fig 1 and fig 2 are part of a reading program. Both figs 1 and 2 are board games, 28 Sep 2009	13747/2009	Mountain H2o Pty Ltd; 09-01H, Mountain H2o produced spring water products, 12 Oct 2009	13913/2009
Lang, Keith John; 21-01L, Both fig 1 and fig 2 are part of a reading program. Both figs 1 and 2 are board games., 28 Sep 2009	13748/2009	Mountain H2o Pty Ltd; 09-01K, Ice house spring water products, 12 Oct 2009	13908/2009
Lemm, Daniel; 08-07, Jig for locks, 02 Oct 2009	13807/2009	Mountain H2o Pty Ltd; 09-01K, Ice house spring water products, 12 Oct 2009	13909/2009
Lifetime Toys Pty Ltd; 21-02D, 21-02E, Skim disk board, 12 Oct 2009	13931/2009	Mountain H2o Pty Ltd; 09-01H, Mountain H2o produced spring water products, 12 Oct 2009	13910/2009
Lisus Technology Pte Ltd; 08-08L, 25-02C, Support bracket for glass fencing, 09 Oct 2009	13914/2009	Mountain H2o Pty Ltd; 09-01K, Ice house spring water products, 12 Oct 2009	13907/2009
LO & BM Deutscher Pty Ltd; Zulu Custom Auto; 26-06, 11-99, Automotive and decorative lighting, 07 Oct 2009	13895/2009	Nokia Corporation; 14-03A, Handset, 08 Oct 2009	13883/2009
M.D.I. Australia Pty Ltd; 26-05NES, Lighting apparatus, 01 Oct 2009	13803/2009	Nose Cone Australia Pty Limited; 12-10, A trailer, 08 Oct 2009	13879/2009
M.D.I. Australia Pty Ltd; 26-05NES, Lighting apparatus, 01 Oct 2009	13804/2009	NYS Collection LLC; 20-02C, Sunglass/eyewear display, (US, 18 Oct 2004) 28 Sep 2009	13744/2009
Macken, Peter Leo; 24-02, 16-06, Eye marker for eye surgery, 09 Oct 2009	13915/2009	NYS Collection LLC; 20-02C, Sunglass/eyewear display, 28 Sep 2009	13746/2009
Master Distributors Pty Ltd; 10-05, Smoke alarm with LED escape light, 08 Oct 2009	13932/2009	NYS Collection LLC; 20-02C, Sunglass/eyewear display, (US, 29 Dec 2006) 28 Sep 2009	13745/2009

Owens-Brockway Glass Container Inc.; 09-01H, Container, (US, 01 Apr 2009) 01 Oct 2009	13782/2009	Research In Motion Limited; 14-03E, Handheld electronic device, (US, 01 May 2009) 06 Oct 2009	13848/2009
Owens-Brockway Glass Container Inc.; 09-01H, Container, (US, 01 Apr 2009) 01 Oct 2009	13784/2009	Research In Motion Limited; 14-03E, Handheld electronic device, (US, 01 May 2009) 06 Oct 2009	13845/2009
Owens-Brockway Glass Container Inc.; 09-01K, Container, (US, 01 Apr 2009) 01 Oct 2009	13783/2009	Research In Motion Limited; 14-03E, Handheld electronic device, (US, 28 Apr 2009) 06 Oct 2009	13846/2009
Owens-Brockway Glass Container Inc.; 09-01H, Container, (US, 01 Apr 2009) 01 Oct 2009	13785/2009	Research In Motion Limited; 14-03E, Handheld electronic device, (US, 28 Apr 2009) 06 Oct 2009	13847/2009
Pacific Market International, LLC; 09-01B, Beverage container, (US, 16 Apr 2009) 09 Oct 2009	13901/2009	Research In Motion Limited; 14-02, Handheld electronic device, (US, 28 Apr 2009) 06 Oct 2009	13842/2009
Perfect Pushup, LLC; 21-02F, Exercise device, (US, 25 Aug 2009) 06 Oct 2009	13829/2009	Research In Motion Limited; 14-02, Handheld electronic device, (US, 28 Apr 2009) 06 Oct 2009	13843/2009
Perfect Pushup, LLC; 21-02F, Exercise device, (US, 25 Aug 2009) 06 Oct 2009	13830/2009	Research In Motion Limited; 14-03E, Handheld electronic device, (US, 28 Apr 2009) 06 Oct 2009	13844/2009
Perusahaan Otomobil Nasional Sdn. Bhd.; 26-06, Front combination lamp for an automobile, (MY, 13 Apr 2009) 09 Oct 2009	13927/2009	Rinnai Corporation; 23-03A, Air heater, (JP, 31 Mar 2009) 29 Sep 2009	13740/2009
Perusahaan Otomobil Nasional Sdn. Bhd.; 12-16C, Front bumper for an automobile, (MY, 13 Apr 2009) 09 Oct 2009	13928/2009	Rinnai Corporation; 23-03A, Air heater, (JP, 31 Mar 2009) 29 Sep 2009	13741/2009
Perusahaan Otomobil Nasional Sdn. Bhd.; 26-06, Rear combination lamp for an automobile, (MY, 13 Apr 2009) 09 Oct 2009	13929/2009	Rinnai Corporation; 23-03A, Air heater, 29 Sep 2009	13736/2009
Perusahaan Otomobil Nasional Sdn. Bhd.; 12-16C, Rear bumper for an automobile, (MY, 13 Apr 2009) 09 Oct 2009	13930/2009	Rinnai Corporation; 23-03A, Air heater, (JP, 31 Mar 2009) 29 Sep 2009	13738/2009
Plastic Glasses Pty Ltd; 07-01F, Euro jug, 08 Oct 2009	13881/2009	Rinnai Corporation; 23-03A, Air heater, 29 Sep 2009	13739/2009
Plastic Glasses Pty Ltd; 07-01C, Resort Range Glasses - 230ml/285ml/355ml/425ml/570ml, 09 Oct 2009	13880/2009	Rinnai Corporation; 23-03A, Air heater, 29 Sep 2009	13737/2009
Poolrite Research Pty Ltd; 23-01G, Filter housing and support cabinet, 30 Sep 2009	13786/2009	Roadwatch Australia Pty Ltd; 10-06, Portable speed hump, 02 Oct 2009	13802/2009
Poolrite Research Pty Ltd; 23-01G, Filter housing, support cabinet and valve, 30 Sep 2009	13787/2009	Rossiter, Mark; Ceolin, Tim; 08-10, Bicycle rack, 12 Oct 2009	13898/2009
Pty Investments Pty Ltd; 11-01A, Ring, 30 Sep 2009	13754/2009	Ryan, Gary; 08-08L, A roof bracket arrangement for supporting a rooftop utility, 29 Sep 2009	13743/2009
Rafiq Industries Pty Ltd; 08-08G, 08-08K, Plastic hook that installs onto fence, 06 Oct 2009	13841/2009	S & B Systems B.V.; 08-08NES, Support arm, (EM, 10 Apr 2009) 09 Oct 2009	13899/2009
Redlands Developments Pty Ltd; 23-01L, Gutter outlet without cutout, 01 Oct 2009	13780/2009	Saeco Strategic Services Limited; 07-02L, Drip coffee machine, (EM, 10 Apr 2009) 09 Oct 2009	13919/2009
Redlands Developments Pty Ltd; 23-01L, Gutter outlet with cutout, 01 Oct 2009	13779/2009	Salter, Bronwyn; 02-02C, Fashion women's dresses, 02 Oct 2009	13823/2009
Remlap Tracking Pty Ltd; 08-08H, Curtain track, 06 Oct 2009	13896/2009	Salter, Bronwyn; 02-02C, Fashion women's dresses, 02 Oct 2009	13824/2009
		Salter, Bronwyn; 02-02C, Fashion women's dresses, 02 Oct 2009	13825/2009

Salter, Bronwyn; 02-02C, Fashion women's dresses, 02 Oct 2009	13826/2009	Tom Tom International B.V.; 14-02, 14-03NES, Casing for electronic device, (EM, 27 Aug 2009) 29 Sep 2009	13722/2009
Salter, Bronwyn; 02-02C, Fashion women's dresses, 02 Oct 2009	13827/2009	Tom Tom International B.V.; 14-02, Electronic device, (EM, 27 Aug 2009) 29 Sep 2009	13723/2009
Salter, Bronwyn; 02-02C, Fashion women's dresses, 02 Oct 2009	13828/2009	Tom Tom International B.V.; 08-08NES, 14-03NES, 14-99, Mount for an electronic device, 29 Sep 2009	13724/2009
Salton (Aust) Pty Ltd; 07-02K, 23-01H, Kettle and water dispenser, 08 Oct 2009	13886/2009	Tom Tom International B.V.; 14-02, 14-99, Electronic device with mount, (EM, 27 Aug 2009) 29 Sep 2009	13725/2009
Sandvik Intellectual Property AB; 08-08NES, 15-99, An upper part of a support carrier for a vibration screen, (EM, 09 Apr 2009) 09 Oct 2009	13939/2009	Unilever PLC; 09-01K, Bottle, (US, 13 Apr 2009) 29 Sep 2009	13727/2009
Sandvik Intellectual Property AB; 12-05, 15-99, A support carrier for a vibration screen, (EM, 09 Apr 2009) 09 Oct 2009	13937/2009	Unilever PLC; 09-01K, Bottle, (US, 13 Apr 2009) 29 Sep 2009	13728/2009
Sandvik Intellectual Property AB; 12-05, A lower part of a support carrier for a vibration screen, (EM, 09 Apr 2009) 09 Oct 2009	13938/2009	UESST S.c.a.r.l.; 09-01H, Beverage container, (EM, 01 Apr 2009) 30 Sep 2009	13790/2009
Samar, LLC; 02-04A, Insole, (EM, 03 Jun 2009) 07 Oct 2009	13876/2009	UESST S.c.a.r.l.; 09-01H, Beverage container, (EM, 01 Apr 2009) 30 Sep 2009	13796/2009
Scania CV AB; 12-16B, Grill panel, (SE, 29 Apr 2009) 06 Oct 2009	13854/2009	UESST S.c.a.r.l.; 09-01H, Beverage container, (EM, 01 Apr 2009) 30 Sep 2009	13791/2009
Scania CV AB; 12-16B, Grille panel, (SE, 29 Apr 2009) 29 Sep 2009	13721/2009	UESST S.c.a.r.l.; 09-01H, Beverage container, (EM, 01 Apr 2009) 30 Sep 2009	13795/2009
Scott, Stephen John; 22-05, Fishing rods in open boats, 30 Sep 2009	13798/2009	UESST S.c.a.r.l.; 09-01H, Beverage container, (EM, 01 Apr 2009) 30 Sep 2009	13794/2009
Shuttleworth, Kym; 06-13B, Waterproof pillowcase, 29 Sep 2009	13720/2009	UESST S.c.a.r.l.; 09-01H, Beverage container, (EM, 01 Apr 2009) 30 Sep 2009	13792/2009
Steel With Appeal Pty Ltd; 08-08NES, Friction bolt, 29 Sep 2009	13730/2009	UESST S.c.a.r.l.; 09-01H, Beverage container, (EM, 01 Apr 2009) 30 Sep 2009	13789/2009
Steel With Appeal Pty Ltd; 08-08NES, Friction bolt, 29 Sep 2009	13731/2009	Velox Products Pty Ltd; 25-03, Extendable letter box, 30 Sep 2009	13788/2009
SAVERGLASS; 09-01H, Bottle, (EM, 03 Apr 2009) 02 Oct 2009	13819/2009	VIP Plastic Packaging Pty Ltd; 09-02B, Container, 02 Oct 2009	13808/2009
SAVERGLASS; 09-01H, Bottle, (EM, 03 Apr 2009) 02 Oct 2009	13820/2009	VIP Plastic Packaging Pty Ltd; 09-02B, Container, 02 Oct 2009	13809/2009
SAVERGLASS; 09-01NES, Flask, (EM, 03 Apr 2009) 02 Oct 2009	13821/2009	Weir Minerals Netherlands B.V.; 15-02, Fluid operated pump, (EM, 19 May 2009) 02 Oct 2009	13814/2009
Telebrands Corp.; 09-07C, Beverage container closure, (US, 11 Sep 2009) 09 Oct 2009	13897/2009	Who-Rae Pty Ltd; 08-07, Anti-theft lock device, 30 Sep 2009	13755/2009
The Garage Organisers Pty Ltd; 25-01D, A panel, 13 Oct 2009	13955/2009	Who-Rae Pty Ltd; 08-99, Cable reel for anti-theft lock device, 30 Sep 2009	13756/2009
Thomas, Andrew; 25-03, Fire refuge shelter, 09 Oct 2009	13917/2009	Wilkie, Peter; Healey, Graeme; 12-06A, 12-06NES, Personal water craft (PWC) BIMMINI, 09 Oct 2009	13900/2009
Thomas, Andrew; 25-03, Fire refuge shelter, 09 Oct 2009	13918/2009		
Tom Tom International B.V.; 14-99, 08-08NES, Mounting device, (EM, 20 Apr 2009) 13 Oct 2009	13953/2009		

Wolverine World Wide, Inc.; 02-04B, Footwear sole, (US, 07 May 2009) 30 Sep 2009	13778/2009	Wolverine World Wide, Inc.; 02-04NES, Footwear upper, (US, 07 May 2009) 07 Oct 2009	13865/2009
Wolverine World Wide, Inc.; 02-04NES, Footwear upper, (US, 07 May 2009) 07 Oct 2009	13857/2009	Wolverine World Wide, Inc.; 02-04NES, Footwear upper, (US, 07 May 2009) 07 Oct 2009	13866/2009
Wolverine World Wide, Inc.; 02-04NES, Footwear upper portion, (US, 07 May 2009) 07 Oct 2009	13858/2009	Wolverine World Wide, Inc.; 02-04B, Footwear sole, (US, 07 May 2009) 07 Oct 2009	13873/2009
Wolverine World Wide, Inc.; 02-04NES, Footwear upper, (US, 07 May 2009) 07 Oct 2009	13859/2009	Wolverine World Wide, Inc.; 02-04B, Footwear sole, (US, 07 May 2009) 07 Oct 2009	13867/2009
Wolverine World Wide, Inc.; 02-04B, Footwear sole, (US, 07 May 2009) 07 Oct 2009	13868/2009	Wolverine World Wide, Inc.; 02-04B, Footwear sole, (US, 07 May 2009) 30 Sep 2009	13777/2009
Wolverine World Wide, Inc.; 02-04NES, Footwear upper, (US, 07 May 2009) 07 Oct 2009	13860/2009	Wong, Allen; 03-01B, Wallet, 02 Oct 2009	13822/2009
Wolverine World Wide, Inc.; 02-04NES, Footwear upper, (US, 07 May 2009) 07 Oct 2009	13861/2009	Woodform Architectural Unit Trust; 25-01K, For use at corner junctions in wall cladding and screens, 28 Sep 2009	13719/2009
Wolverine World Wide, Inc.; 02-04NES, Footwear upper, (US, 07 May 2009) 07 Oct 2009	13862/2009	Zulu Custom Auto; LO & BM Deutscher Pty Ltd; 26-06, 11-99, Automotive and decorative lighting, 07 Oct 2009	13895/2009
Wolverine World Wide, Inc.; 02-04B, Footwear sole, (US, 07 May 2009) 07 Oct 2009	13869/2009	Zumtobel Lighting GmbH; 26-05A, Light fixture, (EM, 30 Mar 2009) 30 Sep 2009	13762/2009
Wolverine World Wide, Inc.; 02-04NES, Footwear upper, (US, 07 May 2009) 07 Oct 2009	13863/2009	Zumtobel Lighting GmbH; 26-05C, Light fixture, (EM, 30 Mar 2009) 30 Sep 2009	13757/2009
Wolverine World Wide, Inc.; 02-04B, Footwear sole, (US, 07 May 2009) 07 Oct 2009	13870/2009	Zumtobel Lighting GmbH; 26-05C, Light fixture, (EM, 30 Mar 2009) 30 Sep 2009	13758/2009
Wolverine World Wide, Inc.; 02-04NES, Footwear upper, (US, 07 May 2009) 07 Oct 2009	13864/2009	Zumtobel Lighting GmbH; 26-05C, Light fixture, (EM, 30 Mar 2009) 30 Sep 2009	13759/2009
Wolverine World Wide, Inc.; 02-04B, Footwear sole, (US, 07 May 2009) 07 Oct 2009	13871/2009	Zumtobel Lighting GmbH; 26-05A, Light fixture, (EM, 30 Mar 2009) 30 Sep 2009	13760/2009
Wolverine World Wide, Inc.; 02-04B, Footwear sole, (US, 07 May 2009) 07 Oct 2009	13872/2009	Zumtobel Lighting GmbH; 26-05A, Light fixture, (EM, 30 Mar 2009) 30 Sep 2009	13761/2009

Applications Lapsed

10974 / 2009 (08-08NES)	11041 / 2009 (06-01F)	13391 / 2009 (25-02NES)
11474 / 2009 (99-00)	11475 / 2009 (99-00)	
11476 / 2009 (99-00)	11477 / 2009 (99-00)	
11829 / 2009 (19-01)	12239 / 2009 (25-02NES)	
12264 / 2009 (07-02E)	12564 / 2009 (23-01E)	
12613 / 2009 (23-01B)	12620 / 2009 (23-02C)	
12621 / 2009 (23-02C)	12643 / 2009 (20-03NES)	
12672 / 2009 (99-00)	12737 / 2009 (07-06NES)	
12766 / 2009 (23-04)	12789 / 2009 (29-01)	
12834 / 2009 (03-01B)	12875 / 2009 (12-16M)	
12876 / 2009 (12-16M)	12877 / 2009 (12-16M)	
12878 / 2009 (12-16M)	12879 / 2009 (12-16M)	

Extension of Period of Registration of Designs

300747	300829	300930
301085	301115	301116
301117	301141	301153
301185	301215	301216
301217	301220	301236
301249	301271	301281
301316	301331	301334
301336	301339	301341
301356	301357	301358
301359	301360	301370
301389	301397	301398
301399	301400	301409
301410	301427	301428
301429	301430	301431
301432	301433	301434
301442	301443	301444
301450	301465	301466
301472	301473	301537
301538	301553	301554
301672	301674	301675
301763	301821	301829
301835	302251	302374
302380	302488	302494
302512	302521	302522
302523	302524	302662
302800	303193	304159
304160	304241	304705
315303		

Registrations Ceased

316427

Extensions of time granted under Section 137

Applications lodged under section 137 for extension of time have been granted.

10772/2009 **E.D. Oates Pty Ltd**

11041/2009 **Bang Design Pty Limited**

12017/2009 **F F Seeley Nominees Pty Ltd**

12353/2009 **Xinhua Wheel Products Australia Pty Ltd**

12354/2009 **Xinhua Wheel Products Australia Pty Ltd**

12355/2009 **Xinhua Wheel Products Australia Pty Ltd**

12356/2009 **Xinhua Wheel Products Australia Pty Ltd**

12357/2009 **Xinhua Wheel Products Australia Pty Ltd**

12358/2009 **Xinhua Wheel Products Australia Pty Ltd**

12359/2009 **Xinhua Wheel Products Australia Pty Ltd**

12360/2009 **Xinhua Wheel Products Australia Pty Ltd**

12362/2009 **Xinhua Wheel Products Australia Pty Ltd**

12363/2009 **Xinhua Wheel Products Australia Pty Ltd**

12364/2009 **Xinhua Wheel Products Australia Pty Ltd**

12365/2009 **Xinhua Wheel Products Australia Pty Ltd**

12366/2009 **Xinhua Wheel Products Australia Pty Ltd**

12367/2009 **Xinhua Wheel Products Australia Pty Ltd**

12368/2009 **Xinhua Wheel Products Australia Pty Ltd**

12438/2009 **David John Croucher**

12708/2009 **Stuart Weitzman IP, LLC**

Discharge of Mortgages

310697 The mortgage to **The United States Department of the Treasury** has been discharged.

310698 The mortgage to **The United States Department of the Treasury** has been discharged.

Subsequent Owners Registered

(The name in parentheses is that of the subsequent owner)

325329 (**Stella Manoliadis**) Kandle Kup Pty Ltd

326761 (**Cedar Ridge Nominees Pty Ltd**) Australian Defibrillators Pty. Ltd.

326769 (**Cedar Ridge Nominees Pty Ltd**) Australian Defibrillators Pty. Ltd.

326771 (**Cedar Ridge Nominees Pty Ltd**) Australian Defibrillators Pty. Ltd.

327236 (**Cedar Ridge Nominees Pty Ltd**) Australian Defibrillators Pty. Ltd.

308203 (**Gray Roofing Solutions Pty Ltd**) Michael John

	Winbank
308204	(Gray Roofing Solutions Pty Ltd) Michael John Winbank
308244	(Gray Roofing Solutions Pty Ltd) Michael John Winbank
308245	(Gray Roofing Solutions Pty Ltd) Michael John Winbank
307231	(Sleepyhead Manufacturing Company Limited) Design Mobil NZ Limited
311911	(Sleepyhead Manufacturing Company Limited) Design Mobil NZ Limited
311912	(Sleepyhead Manufacturing Company Limited) Design Mobil NZ Limited
311913	(Sleepyhead Manufacturing Company Limited) Design Mobil NZ Limited
311914	(Sleepyhead Manufacturing Company Limited) Design Mobil NZ Limited
311997	(Sleepyhead Manufacturing Company Limited) Design Mobil NZ Limited
311998	(Sleepyhead Manufacturing Company Limited) Design Mobil NZ Limited
312050	(Sleepyhead Manufacturing Company Limited) Design Mobil NZ Limited
312117	(Sleepyhead Manufacturing Company Limited) Design Mobil NZ Limited
323144	(Sleepyhead Manufacturing Company Limited) Design Mobil NZ Limited
323145	(Sleepyhead Manufacturing Company Limited) Design Mobil NZ Limited
323146	(Sleepyhead Manufacturing Company Limited) Design Mobil NZ Limited
323147	(Sleepyhead Manufacturing Company Limited) Design Mobil NZ Limited
323149	(Sleepyhead Manufacturing Company Limited) Design Mobil NZ Limited
324606	(ADC GmbH) ADC Communications (Australia) Pty Limited
301184	(Thales Security Solutions & Services SAS) Thales E-Transactions CGA SA
314391	(Systagenix Wound Management IP Co. B.V.) Ethicon, Inc.
314392	(Systagenix Wound Management IP Co. B.V.) Ethicon, Inc.

Names Registered - Alterations and Amendments

(The name in parentheses is that of the subsequent applicant)

326712	(Hexcyl Systems Pty Ltd) Aquatech Systems Australia Pty Ltd
323712	(Hexcyl Systems Pty Ltd) Aquatech Systems Australia Pty Ltd
325200	(Hexcyl Systems Pty Ltd) Aquatech Systems Australia Pty Ltd
323713	(Hexcyl Systems Pty Ltd) Aquatech Systems Australia Pty Ltd
301472	(SAVERGLASS) Societe Autonome de Verreries
301473	(SAVERGLASS) Societe Autonome de Verreries

Certificate(s) of Examination

Examination of the following Design Registration(s) has been completed. Infringement proceedings may now be commenced.

309147	02-02C	15/10/2009
312961	08-07	01/10/2009
323461	14-02	06/10/2009
323462	14-02	06/10/2009
323463	14-02	06/10/2009
323465	14-02	06/10/2009
323467	14-02	06/10/2009
325376	28-03NES	07/10/2009
325488	12-02	09/10/2009
325757	26-01	13/10/2009
325834	14-01	13/10/2009
325955	26-05D	01/10/2009
325956	26-05D	01/10/2009
326263	12-16NES	13/10/2009
326268	26-05NES	12/10/2009
326485	12-15D	15/10/2009
326884	14-01	06/10/2009
326885	14-01	06/10/2009

Publication and Registration Proceedings

Designs Registered

This section provides a concordance between design number and registration number of Designs covered in this journal. It also shows the main class and registration date.

This section covers Registration numbers 327846 to 327986 .

The registration number shown below should be used in all future correspondence.

Design Number	Registration Number	International Classification Code (IDC)	Registration Date	Design Number	Registration Number	International Classification Code (IDC)	Registration Date
10189/2009	327846	07-06A	01/10/2009	13467/2009	327850	21-02F	01/10/2009
10539/2009	327911	02-02NES	12/10/2009	13468/2009	327851	12-15A	01/10/2009
12353/2009	327957	12-16A	14/10/2009	13470/2009	327868	24-02	02/10/2009
12354/2009	327958	12-16A	14/10/2009	13473/2009	327864	21-01NES	02/10/2009
12355/2009	327959	12-16A	14/10/2009	13475/2009	327865	07-02P	02/10/2009
12356/2009	327960	12-16A	14/10/2009	13476/2009	327866	07-02P	02/10/2009
12357/2009	327961	12-16A	14/10/2009	13478/2009	327867	12-15C	02/10/2009
12358/2009	327962	12-16A	14/10/2009	13479/2009	327870	12-15B	02/10/2009
12359/2009	327963	12-16A	14/10/2009	13480/2009	327869	22-05	02/10/2009
12360/2009	327964	12-16A	14/10/2009	13481/2009	327871	21-02D	02/10/2009
12362/2009	327965	12-16A	14/10/2009	13482/2009	327872	23-01E	02/10/2009
12363/2009	327966	12-16A	14/10/2009	13483/2009	327985	06-13B	14/10/2009
12364/2009	327967	12-16A	14/10/2009	13491/2009	327898	18-01	09/10/2009
12365/2009	327968	12-16A	14/10/2009	13492/2009	327899	14-02	09/10/2009
12366/2009	327969	12-16A	14/10/2009	13493/2009	327900	06-06NES	09/10/2009
12367/2009	327970	12-16A	14/10/2009	13494/2009	327901	06-06NES	09/10/2009
12368/2009	327971	12-16A	14/10/2009	13498/2009	327873	23-01A	06/10/2009
12438/2009	327917	25-01K	12/10/2009	13499/2009	327874	23-01A	06/10/2009
12658/2009	327861	23-03NES	02/10/2009	13500/2009	327875	23-01B	06/10/2009
12831/2009	327920	12-16A	12/10/2009	13501/2009	327876	12-12	06/10/2009
12933/2009	327894	24-01	09/10/2009	13503/2009	327877	12-02	06/10/2009
12936/2009	327895	06-04NES	09/10/2009	13505/2009	327878	07-06D	06/10/2009
13001/2009	327921	07-01NES	12/10/2009	13506/2009	327879	07-04	06/10/2009
13025/2009	327937	12-16K	13/10/2009	13508/2009	327885	08-08B	08/10/2009
13028/2009	327905	09-03NES	12/10/2009	13510/2009	327924	08-08NES	12/10/2009
13106/2009	327922	14-03NES	12/10/2009	13512/2009	327886	24-04	08/10/2009
13107/2009	327923	26-05C	12/10/2009	13513/2009	327887	09-03M	08/10/2009
13112/2009	327847	21-01N	01/10/2009	13514/2009	327888	09-07NES	08/10/2009
13138/2009	327932	25-03	13/10/2009	13517/2009	327889	11-01E	08/10/2009
13159/2009	327862	25-02NES	02/10/2009	13530/2009	327890	21-01L	08/10/2009
13160/2009	327863	25-02NES	02/10/2009	13531/2009	327891	25-01C	08/10/2009
13208/2009	327918	07-02A	12/10/2009	13532/2009	327892	23-01NES	08/10/2009
13211/2009	327925	08-08C	12/10/2009	13533/2009	327893	12-15B	08/10/2009
13223/2009	327912	02-02B	12/10/2009	13535/2009	327881	08-01	08/10/2009
13224/2009	327913	02-02B	12/10/2009	13537/2009	327902	25-01K	09/10/2009
13225/2009	327914	02-02B	12/10/2009	13538/2009	327919	11-01E	12/10/2009
13226/2009	327915	02-02B	12/10/2009	13539/2009	327882	07-02B	08/10/2009
13227/2009	327916	02-02B	12/10/2009	13540/2009	327883	02-01B	08/10/2009
13262/2009	327852	23-01H	02/10/2009	13541/2009	327884	02-04B	08/10/2009
13264/2009	327853	23-02B	02/10/2009	13544/2009	327926	12-11	12/10/2009
13299/2009	327896	16-99	09/10/2009	13545/2009	327927	12-11	12/10/2009
13324/2009	327854	07-05D	02/10/2009	13546/2009	327938	20-02C	13/10/2009
13325/2009	327897	07-04	09/10/2009	13547/2009	327939	24-02	13/10/2009
13326/2009	327855	22-05	02/10/2009	13549/2009	327906	15-01	12/10/2009
13349/2009	327982	23-01H	14/10/2009	13551/2009	327907	29-01	12/10/2009
13350/2009	327983	23-01H	14/10/2009	13552/2009	327940	20-02C	13/10/2009
13351/2009	327984	21-02F	14/10/2009	13553/2009	327904	26-06	12/10/2009
13441/2009	327933	06-01E	13/10/2009	13554/2009	327934	26-06	13/10/2009
13448/2009	327848	11-02B	01/10/2009	13555/2009	327935	12-11	13/10/2009
13463/2009	327856	08-08NES	02/10/2009	13557/2009	327931	12-16D	12/10/2009
13464/2009	327857	08-08G	02/10/2009	13558/2009	327928	08-08B	12/10/2009
13465/2009	327858	12-16NES	02/10/2009	13559/2009	327929	08-08C	12/10/2009
13466/2009	327849	08-08K	01/10/2009	13560/2009	327930	08-08M	12/10/2009

Publication and Registration Proceedings - Designs Registered cont'd

Design Number	Registration Number	International Classification Code (IDC)	Registration Date	Design Number	Registration Number	International Classification Code (IDC)	Registration Date
13561/2009	327941	13-03NES	13/10/2009	13598/2009	327977	15-05	14/10/2009
13562/2009	327942	13-03NES	13/10/2009	13607/2009	327948	15-05	14/10/2009
13563/2009	327943	12-15B	13/10/2009	13608/2009	327949	15-05	14/10/2009
13564/2009	327944	12-15B	13/10/2009	13609/2009	327950	09-01K	14/10/2009
13565/2009	327945	08-08NES	13/10/2009	13610/2009	327951	15-05	14/10/2009
13566/2009	327946	23-01B	13/10/2009	13611/2009	327952	09-01B	14/10/2009
13572/2009	327978	12-16NES	14/10/2009	13612/2009	327953	09-01B	14/10/2009
13573/2009	327979	12-16NES	14/10/2009	13613/2009	327954	09-01K	14/10/2009
13574/2009	327980	12-16C	14/10/2009	13614/2009	327955	09-01B	14/10/2009
13575/2009	327859	28-02	02/10/2009	13615/2009	327956	09-01B	14/10/2009
13577/2009	327936	13-03D	13/10/2009	13619/2009	327860	06-01NES	02/10/2009
13581/2009	327947	07-02L	13/10/2009	13621/2009	327908	08-08L	12/10/2009
13585/2009	327981	25-01A	14/10/2009	13622/2009	327909	08-08L	12/10/2009
13593/2009	327972	23-03B	14/10/2009	13623/2009	327910	08-08L	12/10/2009
13594/2009	327973	15-05	14/10/2009	13634/2009	327880	16-05	06/10/2009
13595/2009	327974	09-01NES	14/10/2009	13665/2009	327903	09-03M	09/10/2009
13596/2009	327975	15-05	14/10/2009	13718/2009	327986	06-01L	14/10/2009
13597/2009	327976	15-05	14/10/2009				

Publication and Registration Proceedings
Class Listing of Designs Published or Registered

The following section shows an International Classification Code listing of the Registered or Published Designs covered in this supplement.

Classification	Registration Number	Design Number	Classification	Registration Number	Design Number
02-01 B	327883	13540/2009	11-01 E	327919	13538/2009
02-02 B	327912	13223/2009	11-02 B	327848	13448/2009
02-02 B	327913	13224/2009	12-02	327877	13503/2009
02-02 B	327914	13225/2009	12-10	327905	13028/2009
02-02 B	327915	13226/2009	12-11	327926	13544/2009
02-02 B	327916	13227/2009	12-11	327927	13545/2009
02-02 NES	327911	10539/2009	12-11	327935	13555/2009
02-03	327914	13225/2009	12-12	327876	13501/2009
02-04 B	327884	13541/2009	12-15 A	327851	13468/2009
06-01 E	327933	13441/2009	12-15 B	327870	13479/2009
06-01 L	327986	13718/2009	12-15 B	327893	13533/2009
06-01 NES	327860	13619/2009	12-15 B	327943	13563/2009
06-04 NES	327895	12936/2009	12-15 B	327944	13564/2009
06-06 NES	327900	13493/2009	12-15 C	327867	13478/2009
06-06 NES	327901	13494/2009	12-16 A	327920	12831/2009
06-13 B	327985	13483/2009	12-16 A	327957	12353/2009
07-01 NES	327921	13001/2009	12-16 A	327958	12354/2009
07-02 A	327918	13208/2009	12-16 A	327959	12355/2009
07-02 B	327882	13539/2009	12-16 A	327960	12356/2009
07-02 L	327947	13581/2009	12-16 A	327961	12357/2009
07-02 P	327865	13475/2009	12-16 A	327962	12358/2009
07-02 P	327866	13476/2009	12-16 A	327963	12359/2009
07-04	327879	13506/2009	12-16 A	327964	12360/2009
07-04	327897	13325/2009	12-16 A	327965	12362/2009
07-05 D	327854	13324/2009	12-16 A	327966	12363/2009
07-06 A	327846	10189/2009	12-16 A	327967	12364/2009
07-06 D	327878	13505/2009	12-16 A	327968	12365/2009
08-01	327881	13535/2009	12-16 A	327969	12366/2009
08-07	327925	13211/2009	12-16 A	327970	12367/2009
08-08 B	327885	13508/2009	12-16 A	327971	12368/2009
08-08 B	327928	13558/2009	12-16 C	327926	13544/2009
08-08 C	327925	13211/2009	12-16 C	327927	13545/2009
08-08 C	327929	13559/2009	12-16 C	327980	13574/2009
08-08 G	327857	13464/2009	12-16 D	327931	13557/2009
08-08 H	327917	12438/2009	12-16 K	327937	13025/2009
08-08 K	327849	13466/2009	12-16 NES	327856	13463/2009
08-08 L	327908	13621/2009	12-16 NES	327858	13465/2009
08-08 L	327909	13622/2009	12-16 NES	327978	13572/2009
08-08 L	327910	13623/2009	12-16 NES	327979	13573/2009
08-08 M	327930	13560/2009	13-03 D	327936	13577/2009
08-08 NES	327856	13463/2009	13-03 E	327936	13577/2009
08-08 NES	327924	13510/2009	13-03 NES	327941	13561/2009
08-08 NES	327945	13565/2009	13-03 NES	327942	13562/2009
09-01 B	327952	13611/2009	13-99	327902	13537/2009
09-01 B	327953	13612/2009	14-02	327899	13492/2009
09-01 B	327955	13614/2009	14-03 NES	327922	13106/2009
09-01 B	327956	13615/2009	15-01	327906	13549/2009
09-01 K	327950	13609/2009	15-05	327948	13607/2009
09-01 K	327954	13613/2009	15-05	327949	13608/2009
09-01 NES	327974	13595/2009	15-05	327951	13610/2009
09-03 M	327887	13513/2009	15-05	327973	13594/2009
09-03 M	327903	13665/2009	15-05	327975	13596/2009
09-03 NES	327905	13028/2009	15-05	327976	13597/2009
09-07 C	327921	13001/2009	15-05	327977	13598/2009
09-07 NES	327888	13514/2009	16-05	327880	13634/2009
11-01 E	327889	13517/2009	16-99	327896	13299/2009

Registration Proceedings - Class Listing of Designs Published or Registered cont'd

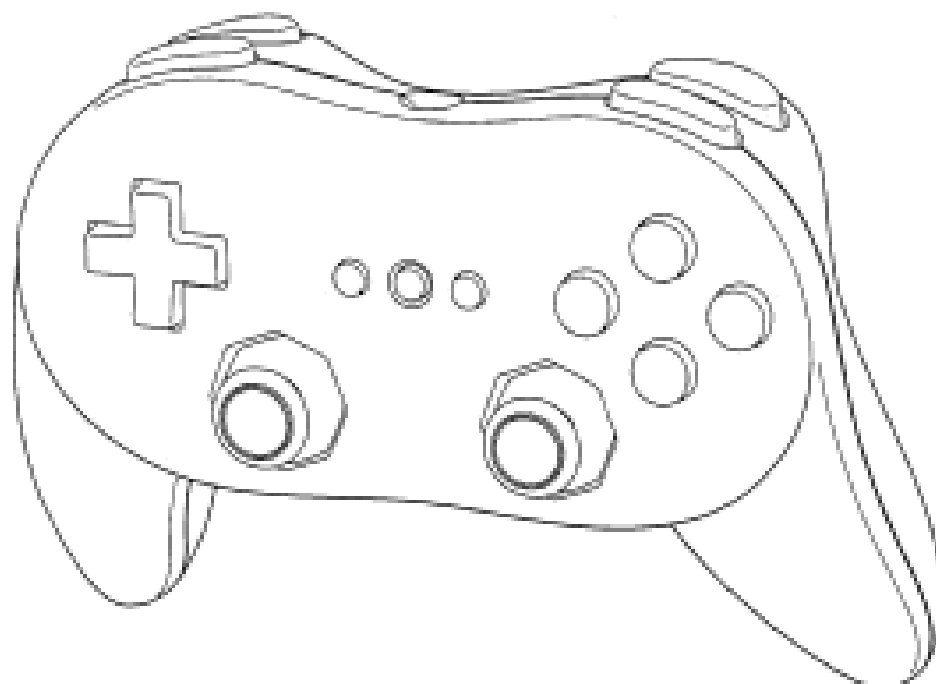
Classification	Registration Number	Design Number	Classification	Registration Number	Design Number
18-01	327898	13491/2009	23-02 B	327853	13264/2009
19-04	327903	13665/2009	23-03 B	327972	13593/2009
20-02 C	327938	13546/2009	23-03 NES	327861	12658/2009
20-02 C	327940	13552/2009	24-01	327894	12933/2009
21-01 L	327890	13530/2009	24-02	327868	13470/2009
21-01 N	327847	13112/2009	24-02	327939	13547/2009
21-01 NES	327864	13473/2009	24-04	327886	13512/2009
21-02 D	327871	13481/2009	24-04	327986	13718/2009
21-02 F	327850	13467/2009	25-01 A	327981	13585/2009
21-02 F	327984	13351/2009	25-01 C	327891	13531/2009
21-99	327864	13473/2009	25-01 G	327924	13510/2009
22-05	327855	13326/2009	25-01 K	327902	13537/2009
22-05	327869	13480/2009	25-01 K	327917	12438/2009
22-06	327855	13326/2009	25-02 NES	327862	13159/2009
23-01 A	327873	13498/2009	25-02 NES	327863	13160/2009
23-01 A	327874	13499/2009	25-03	327932	13138/2009
23-01 B	327875	13500/2009	26-03	327880	13634/2009
23-01 B	327946	13566/2009	26-05 C	327923	13107/2009
23-01 C	327848	13448/2009	26-06	327904	13553/2009
23-01 E	327872	13482/2009	26-06	327934	13554/2009
23-01 H	327852	13262/2009	28-02	327859	13575/2009
23-01 H	327982	13349/2009	29-01	327907	13551/2009
23-01 H	327983	13350/2009	30-99	327859	13575/2009
23-01 L	327928	13558/2009			
23-01 NES	327892	13532/2009			

- (21) Design Number: **10189/2009**
- (22) Date of Filing Application: **23 January 2009**
- (24) Date from which industrial property rights may have effect: **23 January 2009**
- (54) Product in respect of which the design is registered: **Holder for a drink dispenser**
- (51) International Design Classification: **07-06A**
- (71) Name(s) and Address(s) of Applicant(s):
Beverage Gun Holster Pty Ltd
10/16 Aquatic Drive Frenchs Forest New South Wales 2086 Australia
- (72) Name(s) of Designer(s): **Luke Mallam**
- (45) Registration Date: **01 October 2009**
- (56) Related Art Documents: **Not Applicable**
- (57) Statement of Newness and Distinctiveness: **Newness and distinctiveness resides in the angled shape of the mounting plate and the curved front surface of the bracket of the Holder for a drink dispenser as shown in the representations.**

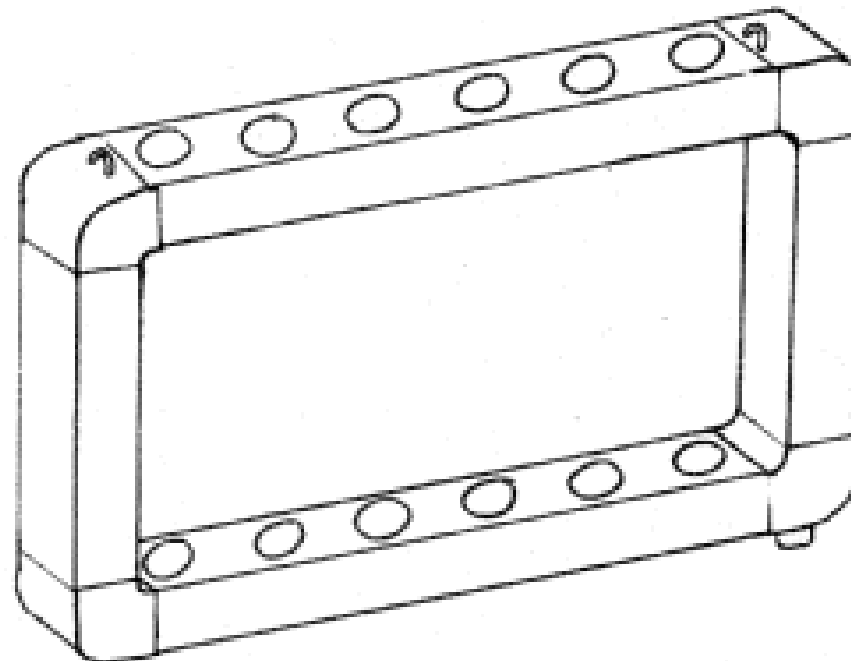


- (21) Design Number: **13112/2009**
- (22) Date of Filing Application: **14 August 2009**
- (24) Date from which industrial property rights may have effect: **14 August 2009**
- (54) Product in respect of which the design is registered: **Controller for electronic game machine**
- (51) International Design Classification: **21-01N**
- (71) Name(s) and Address(s) of Applicant(s):
Nintendo Co., Ltd.
11-1 Hokotate-cho Kamitoba Minami-ku Kyoto-shi Kyoto Japan
- (72) Name(s) of Designer(s): **Fumiyoshi Suetake and Masato Ibuki and Daisuke Kumazaki and Kenichiro Ashida and Yasuhira Kitano and Shinji Yamamoto and Akiko Suga**
- (45) Registration Date: **01 October 2009**
- (30) Convention priority data:

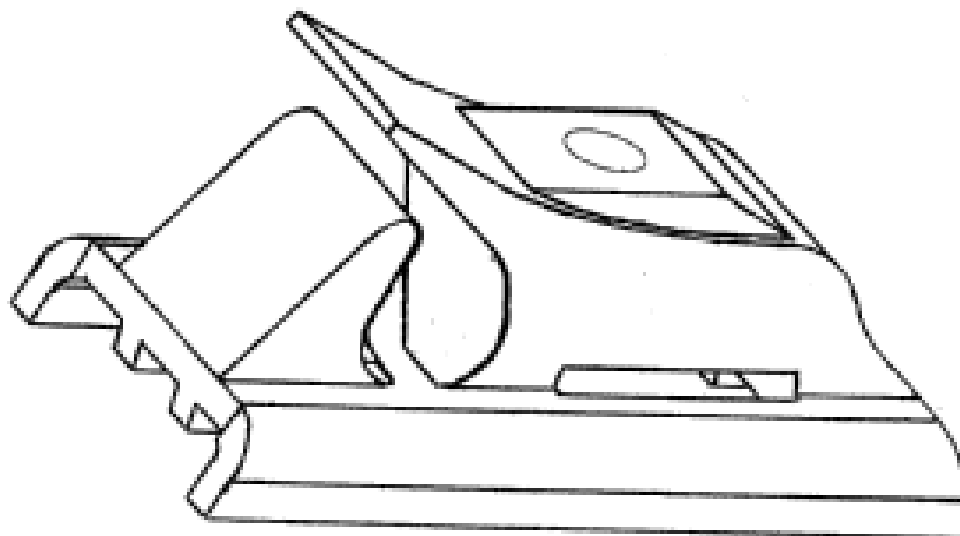
(31) Number	(32) Date	(33) Country
2009-003682	23 Feb 2009	JAPAN
- (56) Related Art Documents: **Not Applicable**
- (57) Statement of Newness and Distinctiveness: **Nil**



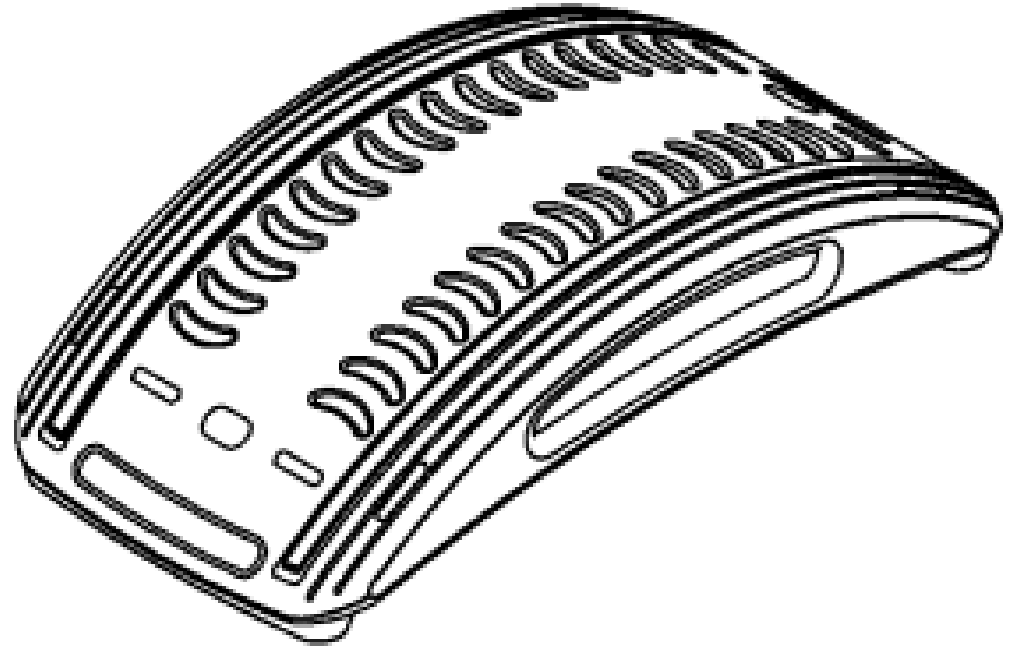
- (21) Design Number: **13448/2009**
(22) Date of Filing Application: **07 September 2009**
(24) Date from which industrial property rights may have effect: **07 September 2009**
(54) Product in respect of which the design is registered: **A domestic hydroponics system**
(51) International Design Classification: **11-02B, 23-01C**
(71) Name(s) and Address(s) of Applicant(s):
Joshua Augustus James Engwerda
9 Cooba Street Canterbury Victoria 3126 Australia
(72) Name(s) of Designer(s): **Joshua Augustus James Engwerda**
(45) Registration Date: **01 October 2009**
(56) Related Art Documents: **Not Applicable**
(57) Statement of Newness and Distinctiveness: **A hydroponics system with an unbroken length of hydroponic channel in the shape of a trapezoid or rectangle.**



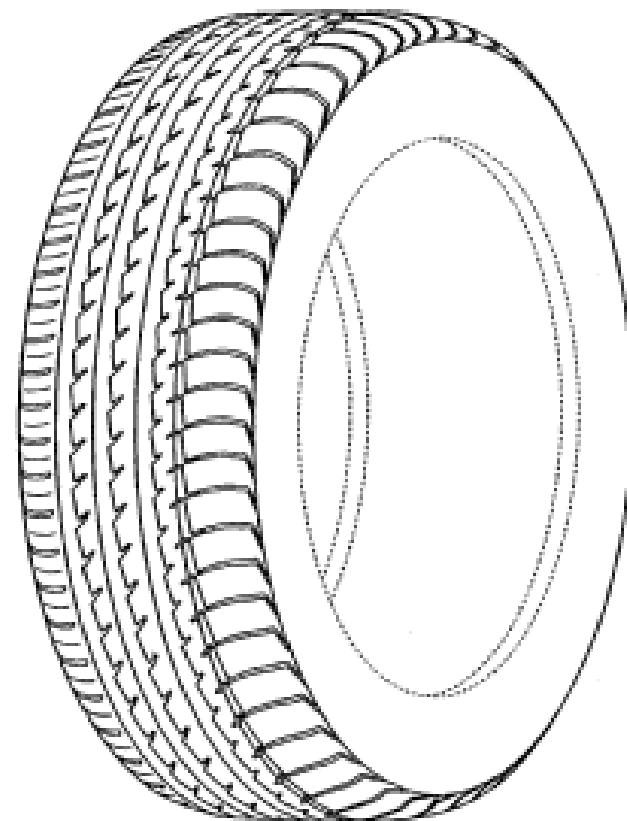
- (21) Design Number: **13466/2009**
(22) Date of Filing Application: **08 September 2009**
(24) Date from which industrial property rights may have effect: **08 September 2009**
(54) Product in respect of which the design is registered: **A fence clip**
(51) International Design Classification: **08-08K**
(71) Name(s) and Address(s) of Applicant(s):
Travis Grant Neame
136 Morgans Road RD 3 Blenheim 7273 New Zealand
MacDonald Neame
136 Morgans Road RD 3 Blenheim 7273 New Zealand
(72) Name(s) of Designer(s): **Travis Grant Neame**
(45) Registration Date: **01 October 2009**
(56) Related Art Documents: **Not Applicable**
(57) Statement of Newness and Distinctiveness: **Newness and distinctiveness reside in the features of shape and/or configuration of the fence clip as shown in the representations.**



- (21) Design Number: **13467/2009**
(22) Date of Filing Application: **07 September 2009**
(24) Date from which industrial property rights may have effect: **07 September 2009**
(54) Product in respect of which the design is registered: **Body exercise device**
(51) International Design Classification: **21-02F**
(71) Name(s) and Address(s) of Applicant(s):
 Ki-Soo Kim
 206-1203 Yangbeol-ri 2cha Ssangyong Apt 362 Yangbeol-ri Opo-eup
 Gwangju-si Gyeonggi-Do Republic Of Korea
 Young-Sook Kim
 201 Cheonggu Apt Store 1343 Jangseong-dong Buk-gu Pohang-si
 Gyeongsangbuk-do Republic of Korea
(72) Name(s) of Designer(s): **Ki-Soo Kim and Young-Sook Kim**
(45) Registration Date: **01 October 2009**
(30) Convention priority data:
 (31) Number (32) Date (33) Country
 30-2009-0009781 06 Mar 2009 REPUBLIC OF KOREA
(56) Related Art Documents: **Not Applicable**
(57) Statement of Newness and Distinctiveness: **Newness and distinctiveness is claimed in the features of shape and/or configuration of a body exercise device as illustrated in the accompanying representations.**



- (21) Design Number: **13468/2009**
(22) Date of Filing Application: **08 September 2009**
(24) Date from which industrial property rights may have effect: **08 September 2009**
(54) Product in respect of which the design is registered: **Automobile tyre**
(51) International Design Classification: **12-15A**
(71) Name(s) and Address(s) of Applicant(s):
 The Yokohama Rubber Co., Ltd.
 36-11 Shimbashi 5-chome Minato-ku 105-8685 Japan
(72) Name(s) of Designer(s): **Masaya Mita and Koji Watanabe and Kenichiro Endo and Izumi Kuramochi**
(45) Registration Date: **01 October 2009**
(30) Convention priority data:
 (31) Number (32) Date (33) Country
 2009-005801 16 Mar 2009 JAPAN
(56) Related Art Documents: **Not Applicable**
(57) Statement of Newness and Distinctiveness: **Newness and distinctiveness reside in the features of the design shown in solid lines in the representations excluding those features shown in broken lines.**



(21) Design Number: **13262/2009**

(22) Date of Filing Application: **25 August 2009**

(24) Date from which industrial property rights may have effect: **25 August 2009**

(54) Product in respect of which the design is registered: **Tap**

(51) International Design Classification: **23-01H**

(71) Name(s) and Address(s) of Applicant(s):

Hansa Metallwerke AG
Sigmaringer Str. 107 D-70567 Stuttgart Germany

(72) Name(s) of Designer(s): **Michael Zeisel and Michael Lammel**

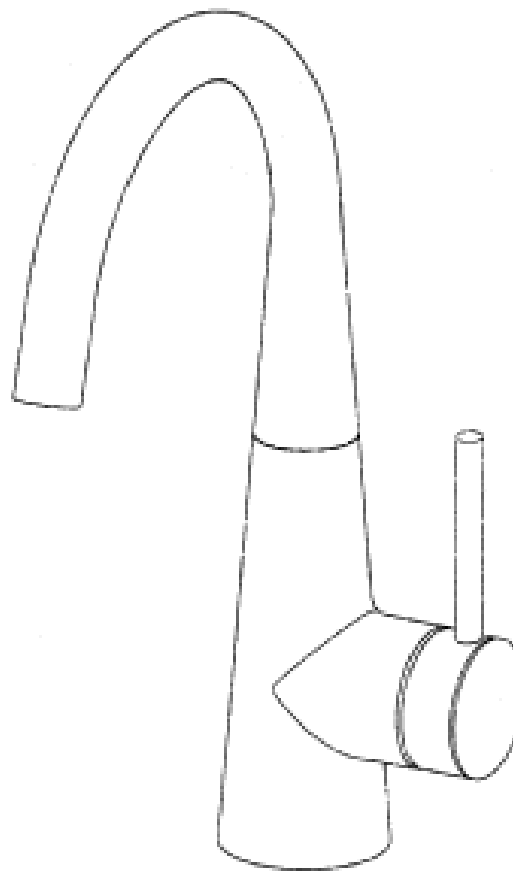
(45) Registration Date: **02 October 2009**

(30) Convention priority data:

(31) Number	(32) Date	(33) Country
001099048-0001	06 Mar 2009	EUROPEAN COMMUNITY

(56) Related Art Documents: **Not Applicable**

(57) Statement of Newness and Distinctiveness: **Nil**



(21) Design Number: **13264/2009**

(22) Date of Filing Application: **25 August 2009**

(24) Date from which industrial property rights may have effect: **25 August 2009**

(54) Product in respect of which the design is registered: **Shower fitting**

(51) International Design Classification: **23-02B**

(71) Name(s) and Address(s) of Applicant(s):

Hansa Metallwerke AG
Sigmaringer Str. 107 D-70567 Stuttgart Germany

(72) Name(s) of Designer(s): **Reinhard Zetsche and Bruno Sacco**

(45) Registration Date: **02 October 2009**

(30) Convention priority data:

(31) Number	(32) Date	(33) Country
001100820-0003	06 Mar 2009	EUROPEAN COMMUNITY

(56) Related Art Documents: **Not Applicable**

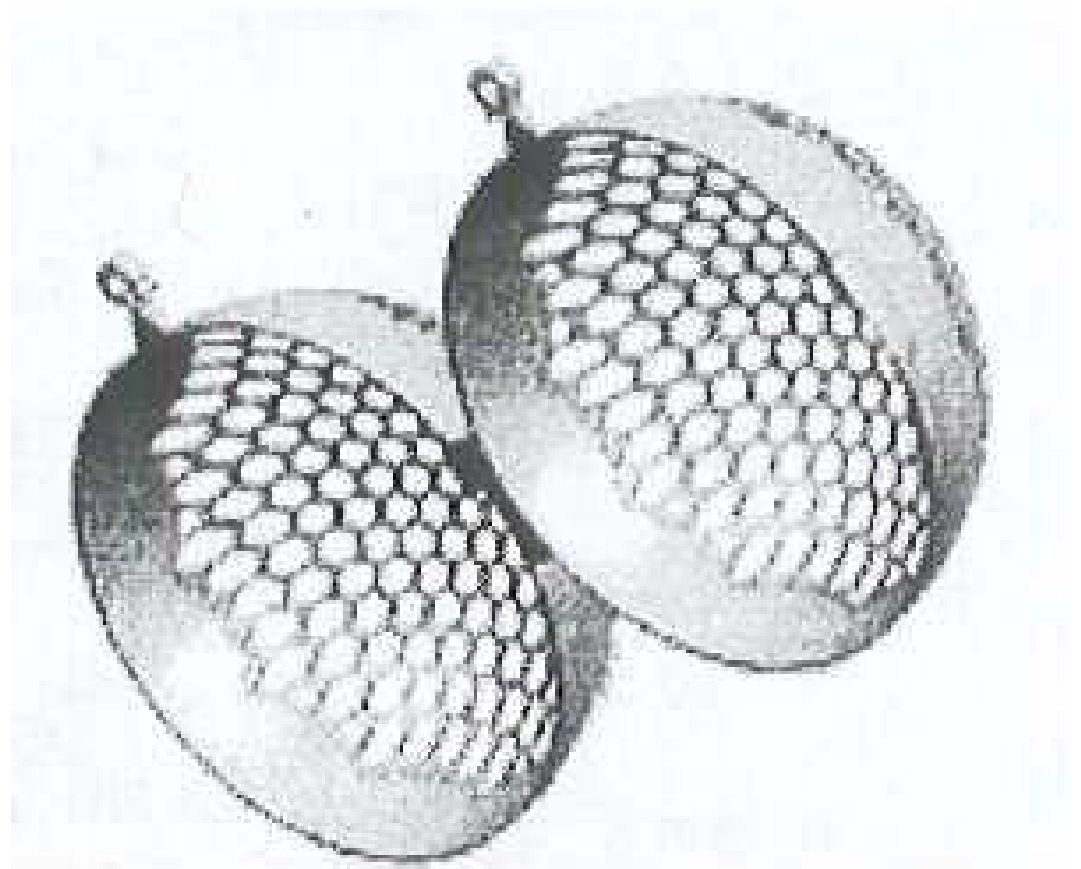
(57) Statement of Newness and Distinctiveness: **Nil**



- (21) Design Number: **13324/2009**
(22) Date of Filing Application: **31 August 2009**
(24) Date from which industrial property rights may have effect: **31 August 2009**
(54) Product in respect of which the design is registered: **Clothes airer**
(51) International Design Classification: **07-05D**
(71) Name(s) and Address(s) of Applicant(s):
Outerspace Design Group Pty Ltd
16 Harvey Street Richmond Victoria 3121 Australia
(72) Name(s) of Designer(s): **Troy Nyssen and Sergei Plishka**
(45) Registration Date: **02 October 2009**
(56) Related Art Documents: **Not Applicable**
(57) Statement of Newness and Distinctiveness: **The air dryer is new and distinctive in its shape and configuration in; the way the screen ecloses the structure and forms rounded vertical corners, the folding structural frame and the way it incorporates the wheels and handles, the removable lid.**



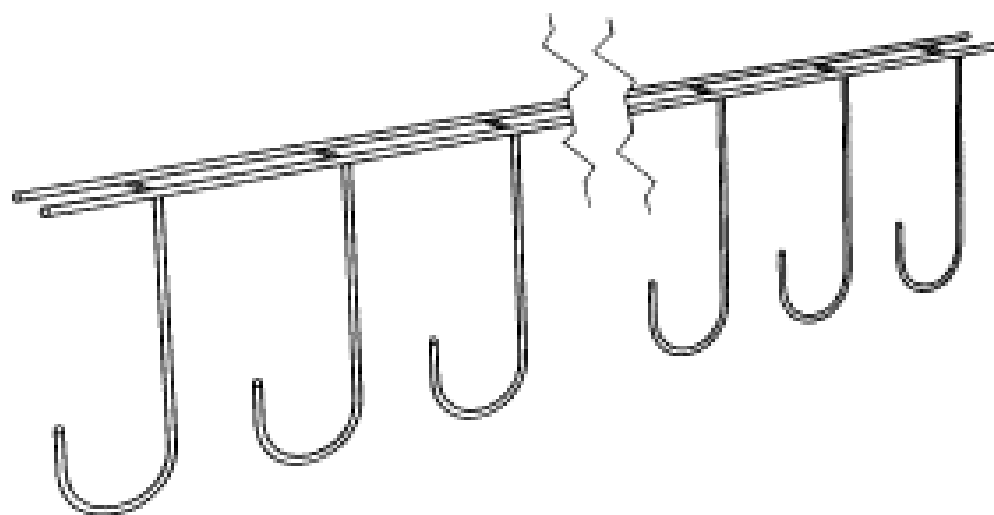
- (21) Design Number: **13326/2009**
(22) Date of Filing Application: **31 August 2009**
(24) Date from which industrial property rights may have effect: **31 August 2009**
(54) Product in respect of which the design is registered: **Crab trap bait holder**
(51) International Design Classification: **22-05, 22-06**
(71) Name(s) and Address(s) of Applicant(s):
John Paul Quinn
5/30 School Street Kincumber New South Wales 2251 Australia
(72) Name(s) of Designer(s): **John Paul Quinn**
(45) Registration Date: **02 October 2009**
(56) Related Art Documents: **Not Applicable**
(57) Statement of Newness and Distinctiveness: **1 half ball shaped Plastic framed / mesh, joined by JHQ hinge, to another half ball shaped plastic framed/mesh piece each half ball shape has a complimentary to each section, open/close fitting, each half section has a complimentary joining hook, each section has a centred rectangular plate.**



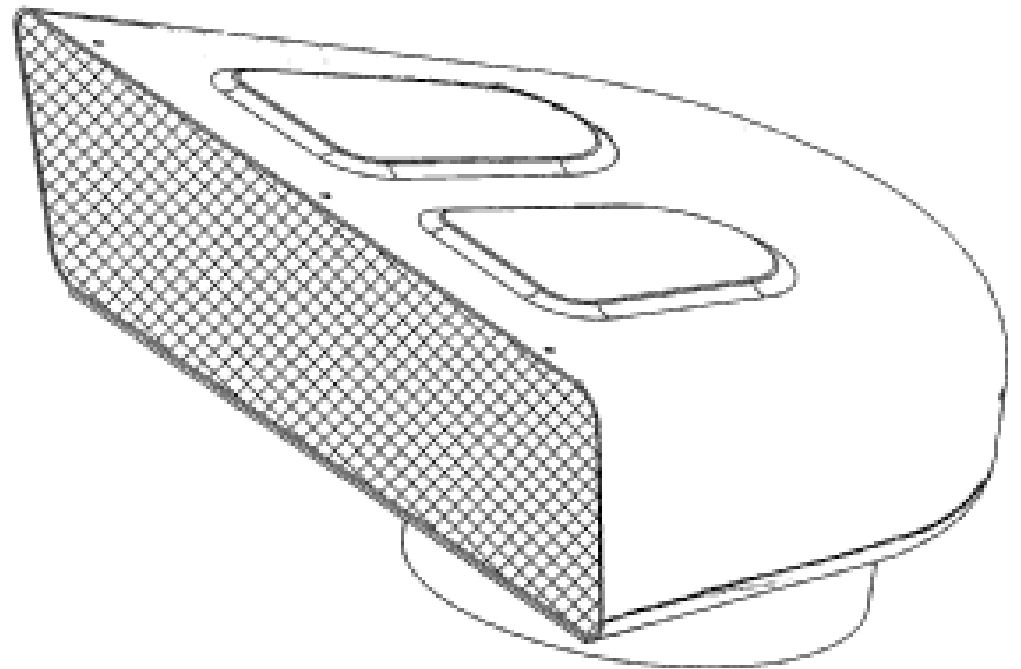
- (21) Design Number: **13463/2009**
(22) Date of Filing Application: **08 September 2009**
(24) Date from which industrial property rights may have effect: **08 September 2009**
(54) Product in respect of which the design is registered: **Skateboard truck hanger**
(51) International Design Classification: **08-08NES, 12-16NES**
(71) Name(s) and Address(s) of Applicant(s):
Titanium Truck Technologies Pty Ltd
411 Macaulay Road Kensington Victoria 3031 Australia
(72) Name(s) of Designer(s): **Chris Northwood**
(45) Registration Date: **02 October 2009**
(56) Related Art Documents: **Not Applicable**
(57) Statement of Newness and Distinctiveness: **Monopoly is claimed in the features of shape and configuration of the skateboard truck hanger as illustrated in the representations. Any words, letters, logos or numbers appearing in the representations are excluded from the design. The triangular logo/device which appears on the top and rear of the skateboard truck is also excluded from the design.**



- (21) Design Number: **13464/2009**
(22) Date of Filing Application: **08 September 2009**
(24) Date from which industrial property rights may have effect: **08 September 2009**
(54) Product in respect of which the design is registered: **Utility hooks**
(51) International Design Classification: **08-08G**
(71) Name(s) and Address(s) of Applicant(s):
Brisbane Metal Products Pty Ltd
2/84 Ingleston Road Wakerley Queensland 4154 Australia
(72) Name(s) of Designer(s): **Barry James Rowe**
(45) Registration Date: **02 October 2009**
(56) Related Art Documents: **Not Applicable**
(57) Statement of Newness and Distinctiveness: **The newness and distinctiveness of the design resides in the shape and/or configuration of the UTILITY HOOKS shown in the representations.**



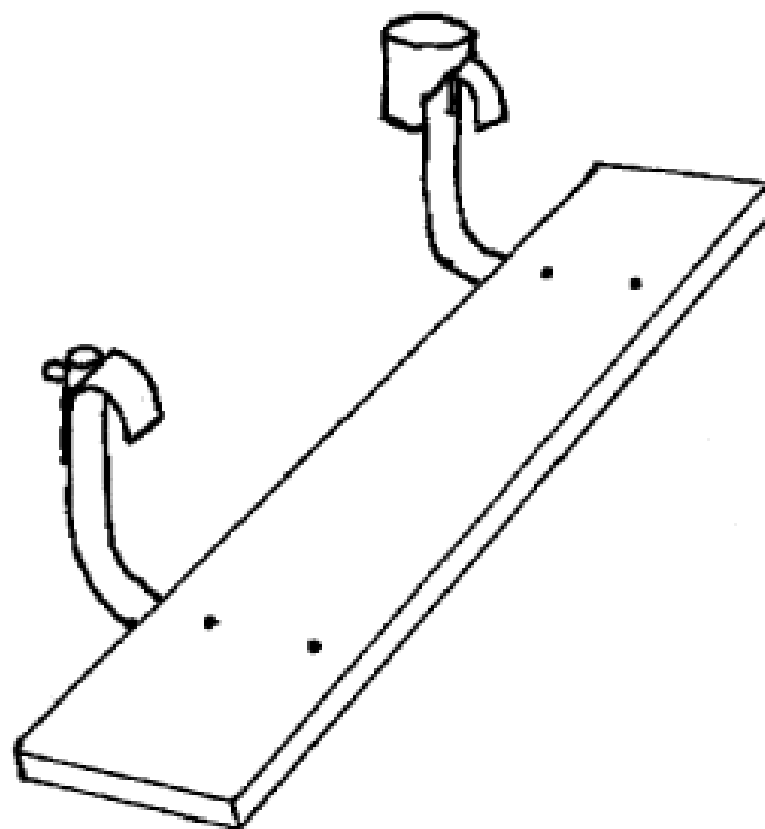
- (21) Design Number: **13465/2009**
(22) Date of Filing Application: **08 September 2009**
(24) Date from which industrial property rights may have effect: **08 September 2009**
(54) Product in respect of which the design is registered: **Air ram for vehicles**
(51) International Design Classification: **12-16NES**
(71) Name(s) and Address(s) of Applicant(s):
Tieco International (Aust) Pty Ltd
4 Tampe Road Rowville Victoria 3178 Australia
(72) Name(s) of Designer(s): **John Howard Smith and Trevor Warren Smith**
(45) Registration Date: **02 October 2009**
(56) Related Art Documents: **Not Applicable**
(57) Statement of Newness and Distinctiveness: **No monopoly is claimed in the pattern or weave of the mesh grill.**



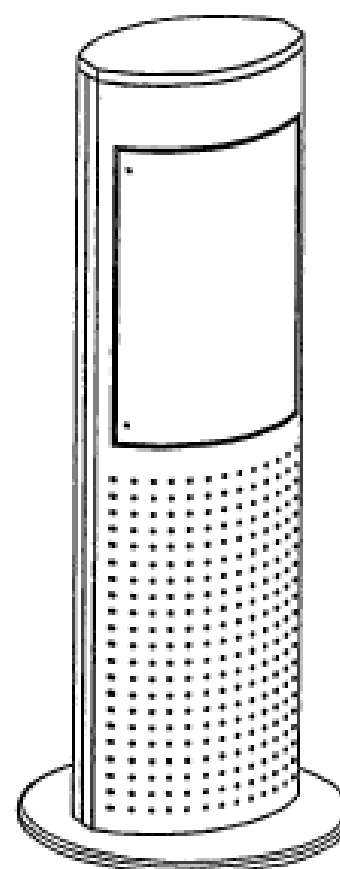
- (21) Design Number: **13575/2009**
(22) Date of Filing Application: **17 September 2009**
(24) Date from which industrial property rights may have effect: **17 September 2009**
(54) Product in respect of which the design is registered: **Dogs hair dryer**
(51) International Design Classification: **28-02, 30-99**
(71) Name(s) and Address(s) of Applicant(s):
Reginald Young
4/121 Old Pittwater Road Brookvale New South Wales 2100 Australia
(72) Name(s) of Designer(s): **Reginald Young**
(45) Registration Date: **02 October 2009**
(56) Related Art Documents: **Not Applicable**
(57) Statement of Newness and Distinctiveness: **Mounted on legs to stand vertically and metal trunk holds its position where placed.**



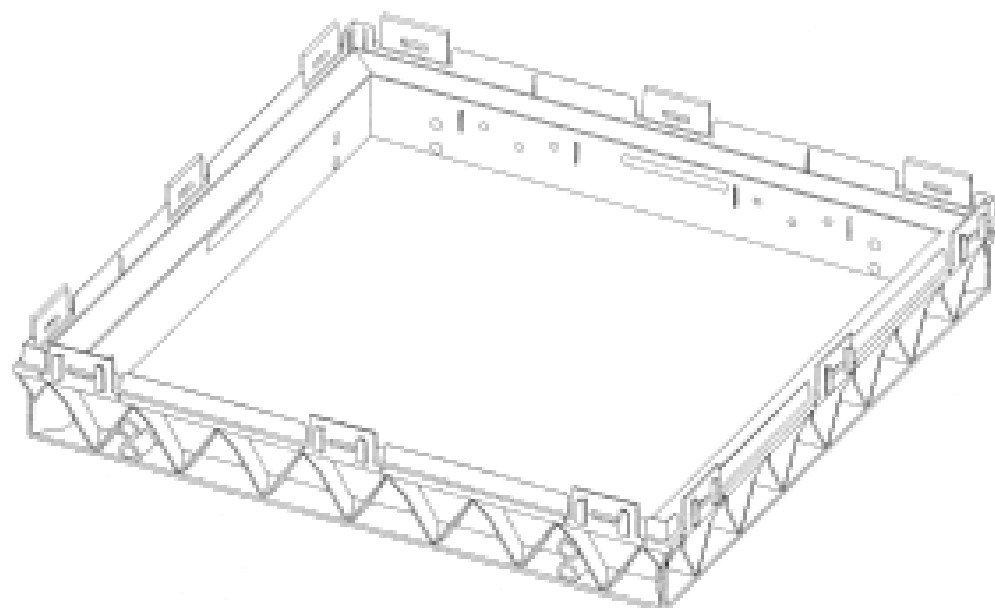
- (21) Design Number: **13619/2009**
(22) Date of Filing Application: **22 September 2009**
(24) Date from which industrial property rights may have effect: **22 September 2009**
(54) Product in respect of which the design is registered: **Seat with umbrella holder and drink holder to fit to the bow rail of a boat**
(51) International Design Classification: **06-01NES**
(71) Name(s) and Address(s) of Applicant(s):
Allen Murray Will
14/14 Little Norman Street Southport Queensland 4215 Australia
Carolyn Joan Will
14/14 Little Norman Street Southport Queensland 4215 Australia
(72) Name(s) of Designer(s): **Allen Murray Will**
(45) Registration Date: **02 October 2009**
(56) Related Art Documents: **Not Applicable**
(57) Statement of Newness and Distinctiveness: **The bow rail seat matches all boats EI polished stainless steel and white colour base.**



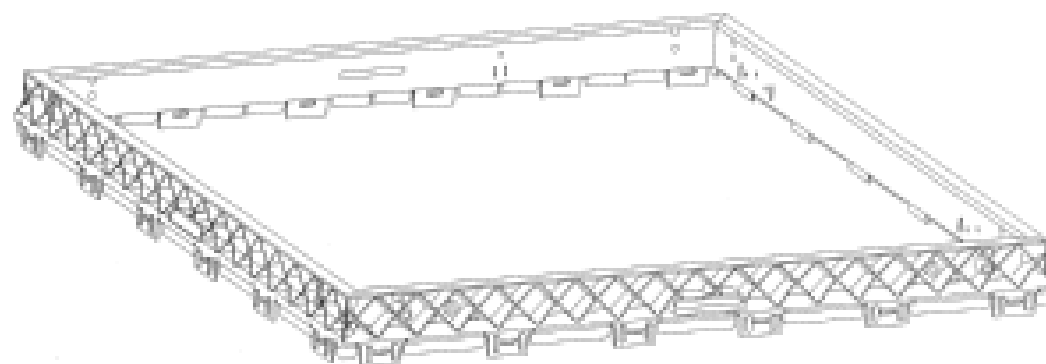
- (21) Design Number: **12658/2009**
(22) Date of Filing Application: **21 July 2009**
(24) Date from which industrial property rights may have effect: **21 July 2009**
(54) Product in respect of which the design is registered: **Heating equipment**
(51) International Design Classification: **23-03NES**
(71) Name(s) and Address(s) of Applicant(s):
Foshan Shunde Everteam Industrial Co., Ltd
No. 27 East Rongqi Dadao Ronggui Shunde District Foshan City
Guangdong Province China
(72) Name(s) of Designer(s): **Zhiqiang Liang**
(45) Registration Date: **02 October 2009**
(30) Convention priority data:
(31) Number (32) Date (33) Country
200930073711.1 15 Apr 2009 CHINA
(56) Related Art Documents: **Not Applicable**
(57) Statement of Newness and Distinctiveness: **Newness and distinctiveness is claimed in the features of shape and/or configuration of a heating equipment as illustrated in the accompanying representations. The bottom view (2.6) does not form part of the design.**



- (21) Design Number: **13159/2009**
(22) Date of Filing Application: **19 August 2009**
(24) Date from which industrial property rights may have effect: **19 August 2009**
(54) Product in respect of which the design is registered: **Frame for access panel opening**
(51) International Design Classification: **25-02NES**
(71) Name(s) and Address(s) of Applicant(s):
ASA (Qld) Pty Ltd
80 Chetwynd Street Loganholme Queensland 4129 Australia
(72) Name(s) of Designer(s): **Ray Rouw**
(45) Registration Date: **02 October 2009**
(56) Related Art Documents: **Not Applicable**
(57) Statement of Newness and Distinctiveness: **Newness and distinctiveness resides in the shape and configuration of a frame for access panel openings as illustrated in Figs. 1.1 to 1.8 wherein: Fig. 1.1 is a perspective view of the frame from above and forward of one corner; Fig. 1.2 is a perspective view of the frame from below and rearward of the opposite corner; Fig. 1.3 is a top plan of the frame; Fig. 1.4 is a bottom plan of the frame; Fig. 1.5 is a front elevation of the frame; Fig. 1.6 is a rear elevation of the frame; Fig. 1.7 is one side elevation of the frame; and Fig. 1.8 is the opposite side elevation of the frame.**



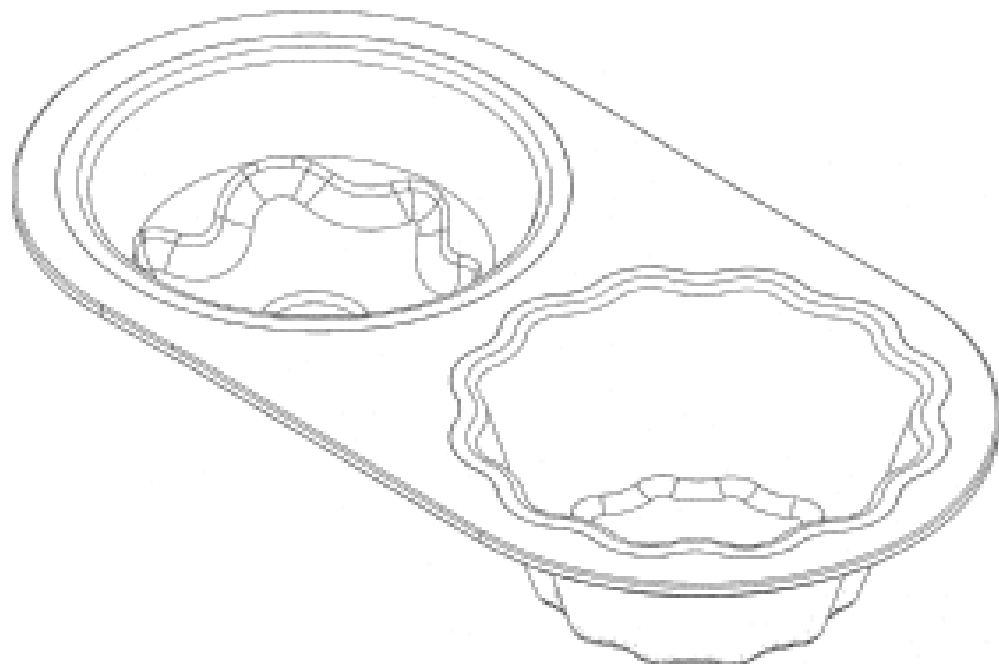
- (21) Design Number: **13160/2009**
(22) Date of Filing Application: **19 August 2009**
(24) Date from which industrial property rights may have effect: **19 August 2009**
(54) Product in respect of which the design is registered: **Frame for access panel opening**
(51) International Design Classification: **25-02NES**
(71) Name(s) and Address(s) of Applicant(s):
ASA (Qld) Pty Ltd
80 Chetwynd Street Loganholme Queensland 4129 Australia
(72) Name(s) of Designer(s): **Ray Rouw**
(45) Registration Date: **02 October 2009**
(56) Related Art Documents: **Not Applicable**
(57) Statement of Newness and Distinctiveness: **Newness and distinctiveness resides in the shape and configuration of a frame for access panel openings as illustrated in Figs. 2.1 to 2.8 wherein: Fig. 2.1 is a perspective view of the frame from above and forward of one corner; Fig. 2.2 is a perspective view of the frame from below and rearward of the opposite corner; Fig. 2.3 is a top plan of the frame; Fig. 2.4 is a bottom plan of the frame; Fig. 2.5 is a front elevation of the frame; Fig. 2.6 is a rear elevation of the frame; Fig. 2.7 is one side elevation of the frame; and Fig. 2.8 is the opposite side elevation of the frame.**



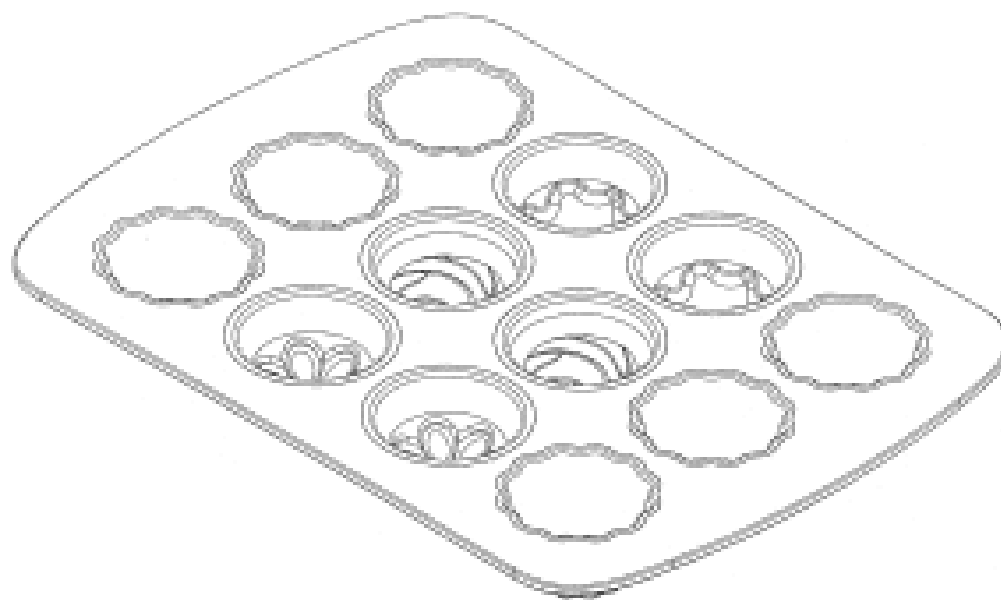
- (21) Design Number: **13473/2009**
(22) Date of Filing Application: **08 September 2009**
(24) Date from which industrial property rights may have effect: **08 September 2009**
(54) Product in respect of which the design is registered: **Play equipment**
(51) International Design Classification: **21-01NES, 21-99**
(71) Name(s) and Address(s) of Applicant(s):
Rhino Play Pty Ltd
Factory 3 Building 5 75 Mary Street St Peters New South Wales 2044
Australia
(72) Name(s) of Designer(s): **Douglas Nash**
(45) Registration Date: **02 October 2009**
(56) Related Art Documents: **Not Applicable**
(57) Statement of Newness and Distinctiveness: **Those features of the play equipment depicted in the representations that are new and distinctive are the shape and/or configuration. The cover panel marked "A" is not part of the design and is to be disregarded when considering the overall impression of the design.**



- (21) Design Number: **13475/2009**
(22) Date of Filing Application: **08 September 2009**
(24) Date from which industrial property rights may have effect: **08 September 2009**
(54) Product in respect of which the design is registered: **Cake pan**
(51) International Design Classification: **07-02P**
(71) Name(s) and Address(s) of Applicant(s):
McPherson's Limited
5 Dunlop Road Mulgrave Victoria 3170 Australia
(72) Name(s) of Designer(s): **Clive Solari**
(45) Registration Date: **02 October 2009**
(56) Related Art Documents: **Not Applicable**
(57) Statement of Newness and Distinctiveness: **Those features of the cake pan depicted in the representations that are new and distinctive are the shape and/or configuration.**

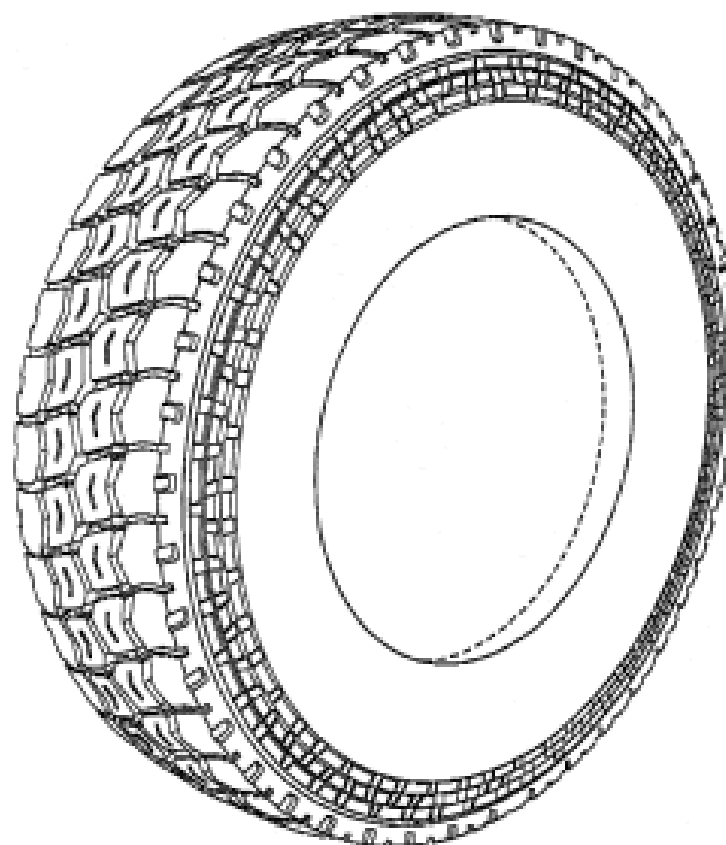


- (21) Design Number: **13476/2009**
- (22) Date of Filing Application: **08 September 2009**
- (24) Date from which industrial property rights may have effect: **08 September 2009**
- (54) Product in respect of which the design is registered: **Cake pan**
- (51) International Design Classification: **07-02P**
- (71) Name(s) and Address(s) of Applicant(s):
McPherson's Limited
5 Dunlop Road Mulgrave Victoria 3170 Australia
- (72) Name(s) of Designer(s): **Clive Solari**
- (45) Registration Date: **02 October 2009**
- (56) Related Art Documents: **Not Applicable**
- (57) Statement of Newness and Distinctiveness: **Those features of the cake pan depicted in the representations that are new and distinctive are the shape and/or configuration.**



- (21) Design Number: **13478/2009**
- (22) Date of Filing Application: **09 September 2009**
- (24) Date from which industrial property rights may have effect: **09 September 2009**
- (54) Product in respect of which the design is registered: **A tyre**
- (51) International Design Classification: **12-15C**
- (71) Name(s) and Address(s) of Applicant(s):
Societe De Technologie Michelin
23 rue Breschet F-63000 Clermont-Ferrand Cedex France
Michelin Recherche et Technique S.A.
Route Louis Braille 10 et 12 CH-1763 Granges-Paccot Switzerland
- (72) Name(s) of Designer(s): **John R. Davidson and Joseph A. Stain and Robert C. Radulescu**
- (45) Registration Date: **02 October 2009**
- (30) Convention priority data:

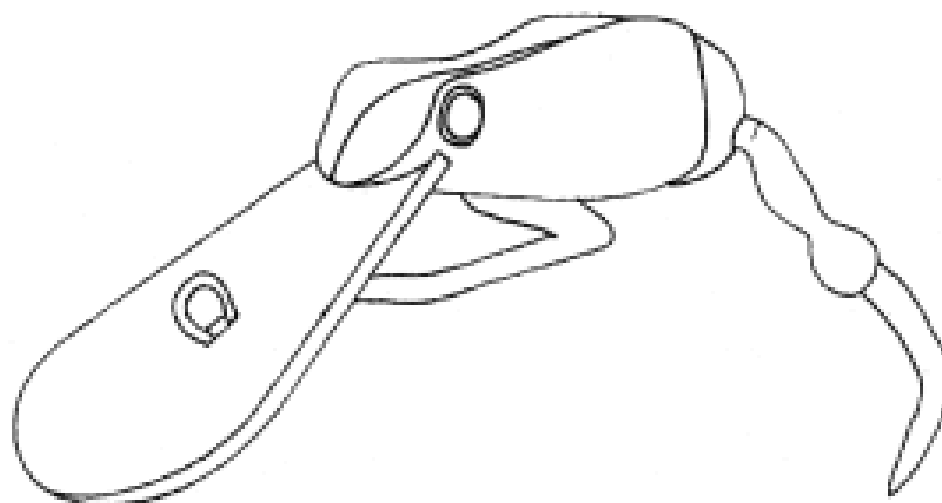
(31) Number	(32) Date	(33) Country
29/334,472	27 Mar 2009	UNITED STATES OF AMERICA
- (56) Related Art Documents: **Not Applicable**
- (57) Statement of Newness and Distinctiveness: **Newness and distinctiveness lies in the appearance of the tread of the tyre. The remainder of the tyre forms no part of the design.**



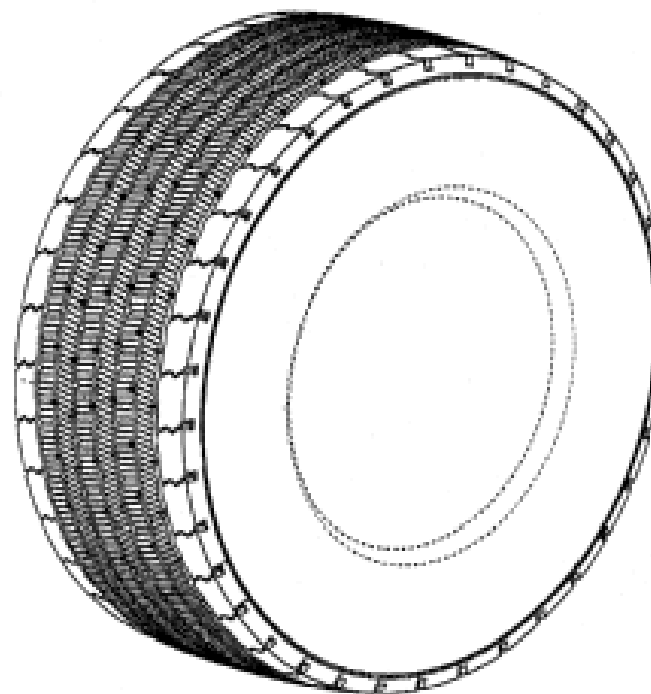
- (21) Design Number: **13470/2009**
(22) Date of Filing Application: **04 September 2009**
(24) Date from which industrial property rights may have effect: **04 September 2009**
(54) Product in respect of which the design is registered: **Collection container**
(51) International Design Classification: **24-02**
(71) Name(s) and Address(s) of Applicant(s):
Becton, Dickinson and Company
1 Becton Drive Franklin Lakes New Jersey 07417 United States of America
(72) Name(s) of Designer(s): **Bradley M. Wilkinson**
(45) Registration Date: **02 October 2009**
(30) Convention priority data:
(31) Number (32) Date (33) Country
12/398628 05 Mar 2009 UNITED STATES OF AMERICA
(56) Related Art Documents: **Not Applicable**
(57) Statement of Newness and Distinctiveness: **Newness and distinctiveness reside in the features of the design shown in solid lines in the representations excluding those features shown in broken lines.**



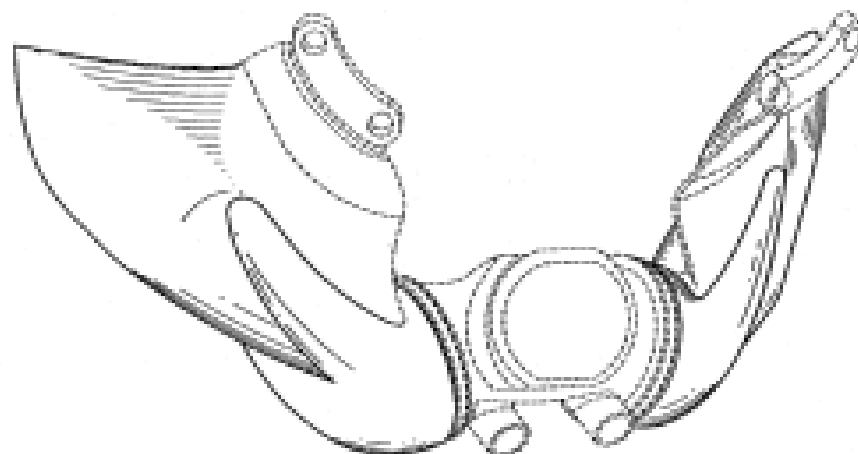
- (21) Design Number: **13480/2009**
(22) Date of Filing Application: **09 September 2009**
(24) Date from which industrial property rights may have effect: **09 September 2009**
(54) Product in respect of which the design is registered: **Fishing lure**
(51) International Design Classification: **22-05**
(71) Name(s) and Address(s) of Applicant(s):
Paul Alexander Nicel
675 Creek Junction Road Strathbogie Victoria 3666 Australia
(72) Name(s) of Designer(s): **Paul Alexander Nicel**
(45) Registration Date: **02 October 2009**
(56) Related Art Documents: **Not Applicable**
(57) Statement of Newness and Distinctiveness: **Newness and distinctiveness resides in the features of shape and configuration of the fishing lure illustrated in the accompanying representations. The hook shown in broken lines does not form part of the design.**



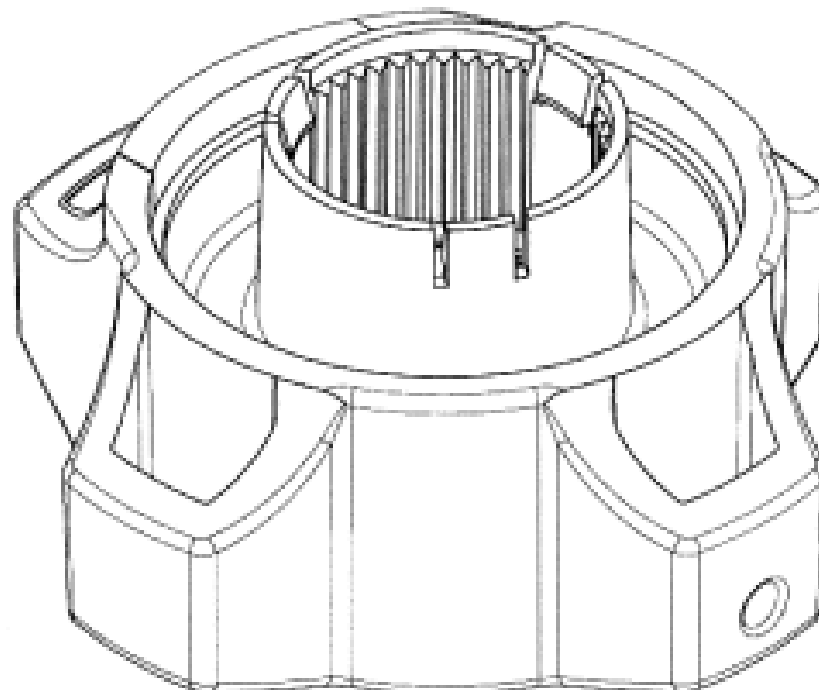
- (21) Design Number: **13479/2009**
(22) Date of Filing Application: **09 September 2009**
(24) Date from which industrial property rights may have effect: **09 September 2009**
(54) Product in respect of which the design is registered: **A tyre**
(51) International Design Classification: **12-15B**
(71) Name(s) and Address(s) of Applicant(s):
Societe De Technologie Michelin
23 rue Breschet F-63000 Clermont-Ferrand Cedex France
Michelin Recherche et Technique S.A.
Route Louis Braille 10 et 12 CH-1763 Granges-Paccot Switzerland
(72) Name(s) of Designer(s): **Lawrence O. Williamson and Lee A. Montgomery and Daniel McEachern Hicks**
(45) Registration Date: **02 October 2009**
(30) Convention priority data:
(31) Number (32) Date (33) Country
29/334,198 23 Mar 2009 UNITED STATES OF AMERICA
(56) Related Art Documents: **Not Applicable**
(57) Statement of Newness and Distinctiveness: **Newness and distinctiveness resides in the appearance of the tread region of the tyre, the remainder of the tyre not forming part of the design.**



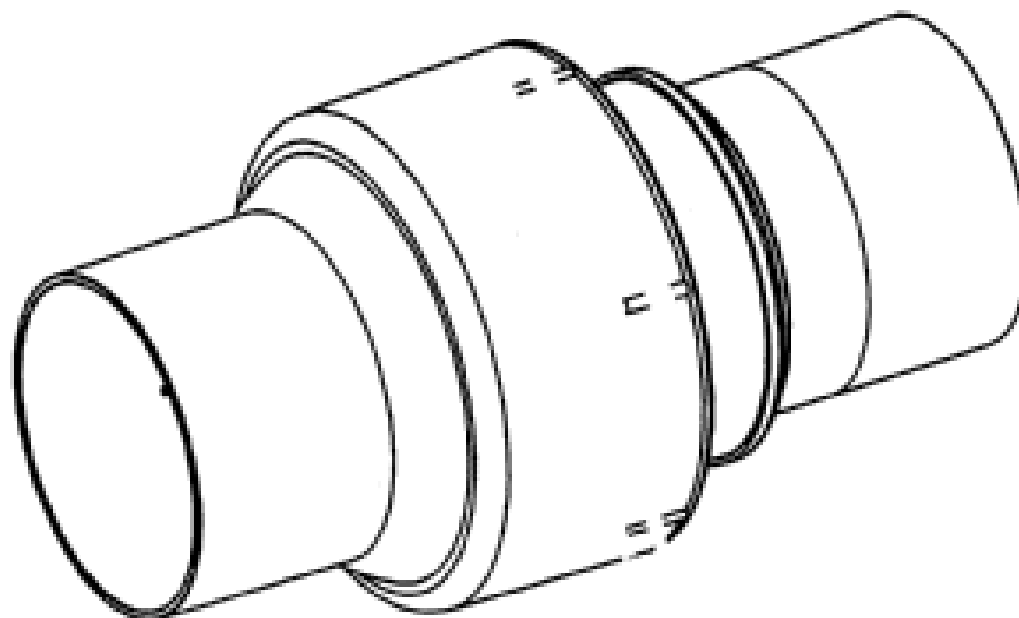
- (21) Design Number: **13481/2009**
(22) Date of Filing Application: **09 September 2009**
(24) Date from which industrial property rights may have effect: **09 September 2009**
(54) Product in respect of which the design is registered: **Bubble diverter**
(51) International Design Classification: **21-02D**
(71) Name(s) and Address(s) of Applicant(s):
Kirby Morgan Dive Systems Inc.
1430 Jason Way Santa Maria California 93455 United States of America
(72) Name(s) of Designer(s): **William Morgan and Connie Morgan and Trent Schultz and Pete Ryan**
(45) Registration Date: **02 October 2009**
(30) Convention priority data:
(31) Number (32) Date (33) Country
29/314,183 11 Mar 2009 UNITED STATES OF AMERICA
(56) Related Art Documents: **Not Applicable**
(57) Statement of Newness and Distinctiveness: **Newness and distinctiveness resides in the features of shape and configuration of a bubble diverter as shown in the accompanying representations. The features shown in broken outline do not form part of the design.**



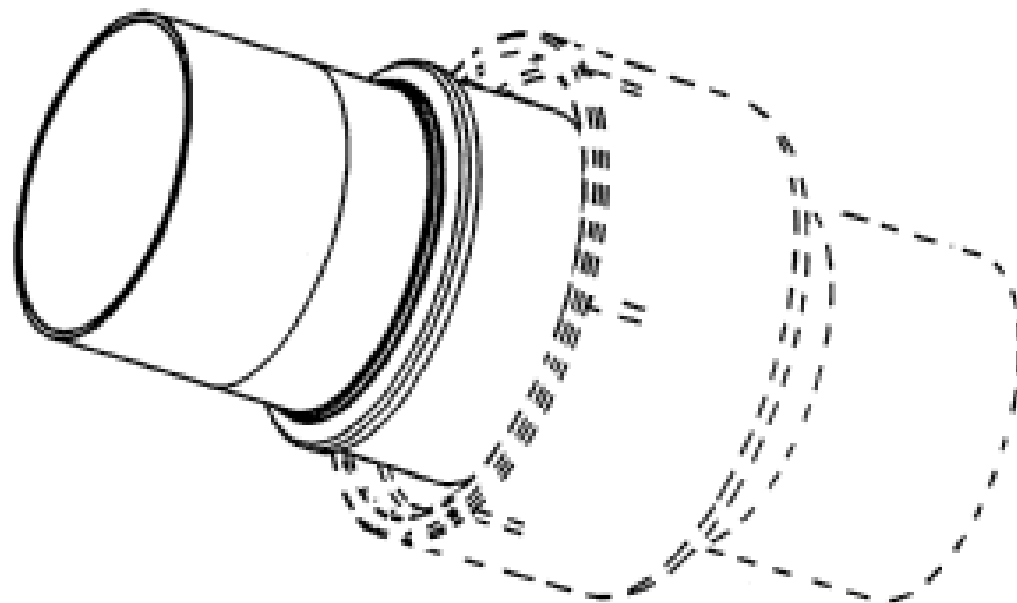
- (21) Design Number: **13482/2009**
(22) Date of Filing Application: **10 September 2009**
(24) Date from which industrial property rights may have effect: **10 September 2009**
(54) Product in respect of which the design is registered: **Valve handle**
(51) International Design Classification: **23-01E**
(71) Name(s) and Address(s) of Applicant(s):
Tour & Andersson A.B.
Svardlangsvagen 46 S-524 80 Ljung Sweden
(72) Name(s) of Designer(s): **Bjorn Holmgren**
(45) Registration Date: **02 October 2009**
(30) Convention priority data:
(31) Number (32) Date (33) Country
1113369-0001 27 Mar 2009 EUROPEAN COMMUNITY
(56) Related Art Documents: **Not Applicable**
(57) Statement of Newness and Distinctiveness: **The particular visual features of the design which are new and distinctive are shape OR configuration.**



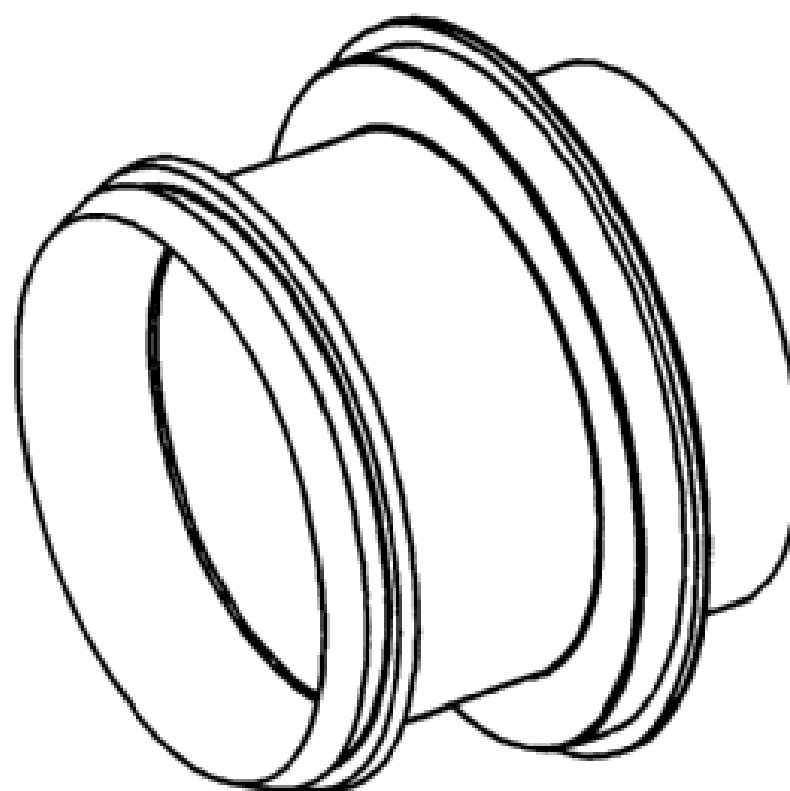
- (21) Design Number: **13498/2009**
(22) Date of Filing Application: **10 September 2009**
(24) Date from which industrial property rights may have effect: **10 September 2009**
(54) Product in respect of which the design is registered: **A pipe joint**
(51) International Design Classification: **23-01A**
(71) Name(s) and Address(s) of Applicant(s):
Plastec Australia Pty Ltd
2 Enterprise Street Caloundra Queensland 4551 Australia
(72) Name(s) of Designer(s): **Andrew Hobbs**
(45) Registration Date: **06 October 2009**
(56) Related Art Documents: **Not Applicable**
(57) Statement of Newness and Distinctiveness: **The newness and distinctiveness of the design resides in the features of shape and/or configuration of a pipe joint as shown in the accompanying representations.**



- (21) Design Number: **13499/2009**
(22) Date of Filing Application: **10 September 2009**
(24) Date from which industrial property rights may have effect: **10 September 2009**
(54) Product in respect of which the design is registered: **A pipe joint**
(51) International Design Classification: **23-01A**
(71) Name(s) and Address(s) of Applicant(s):
Plastec Australia Pty Ltd
2 Enterprise Street Caloundra Queensland 4551 Australia
(72) Name(s) of Designer(s): **Andrew Hobbs**
(45) Registration Date: **06 October 2009**
(56) Related Art Documents: **Not Applicable**
(57) Statement of Newness and Distinctiveness: **The newness and distinctiveness of the design resides in the features of shape and/or configuration of a pipe joint as shown in the accompanying representations.**



- (21) Design Number: **13500/2009**
(22) Date of Filing Application: **10 September 2009**
(24) Date from which industrial property rights may have effect: **10 September 2009**
(54) Product in respect of which the design is registered: **A pipe fitting**
(51) International Design Classification: **23-01B**
(71) Name(s) and Address(s) of Applicant(s):
Plastec Australia Pty Ltd
2 Enterprise Street Caloundra Queensland 4551 Australia
(72) Name(s) of Designer(s): **Andrew Hobbs**
(45) Registration Date: **06 October 2009**
(56) Related Art Documents: **Not Applicable**
(57) Statement of Newness and Distinctiveness: **The newness and distinctiveness of the design resides in the features of shape and/or configuration of a pipe fitting as shown in the accompanying representations.**



(21) Design Number: **13501/2009**

(22) Date of Filing Application: **10 September 2009**

(24) Date from which industrial property rights may have effect: **10 September 2009**

(54) Product in respect of which the design is registered: **Combination pushchair frame**

(51) International Design Classification: **12-12**

(71) Name(s) and Address(s) of Applicant(s):

Unique Product & Design Co., Ltd.

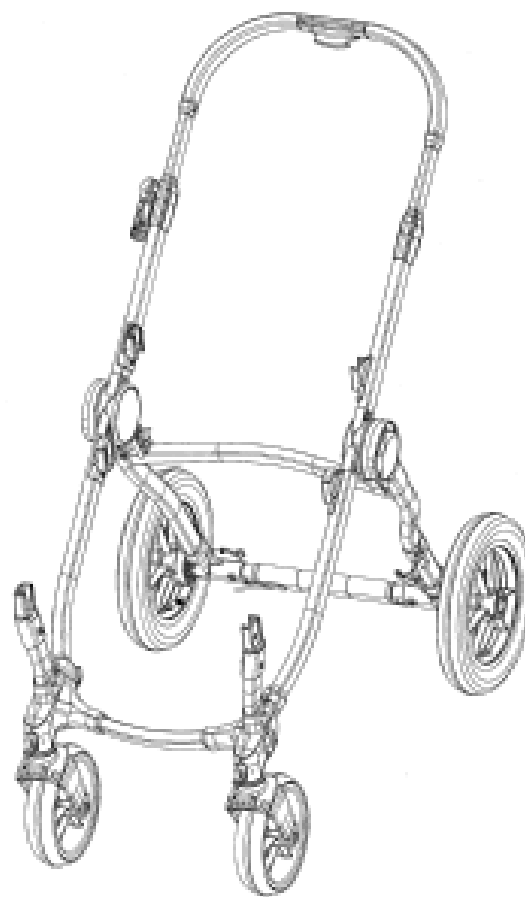
No.5, Ming Dong Road Yung Kang City Tainan Hsien Taiwan

(72) Name(s) of Designer(s): **Gordon Liao**

(45) Registration Date: **06 October 2009**

(56) Related Art Documents: **Not Applicable**

(57) Statement of Newness and Distinctiveness: **Nil**



(21) Design Number: **13503/2009**

(22) Date of Filing Application: **10 September 2009**

(24) Date from which industrial property rights may have effect: **10 September 2009**

(54) Product in respect of which the design is registered: **Especially designed foldable trolley**

(51) International Design Classification: **12-02**

(71) Name(s) and Address(s) of Applicant(s):

Ezypot Pty Ltd

3 York Road Buderim Queensland 4556 Australia

(72) Name(s) of Designer(s): **Bruno Paoletto**

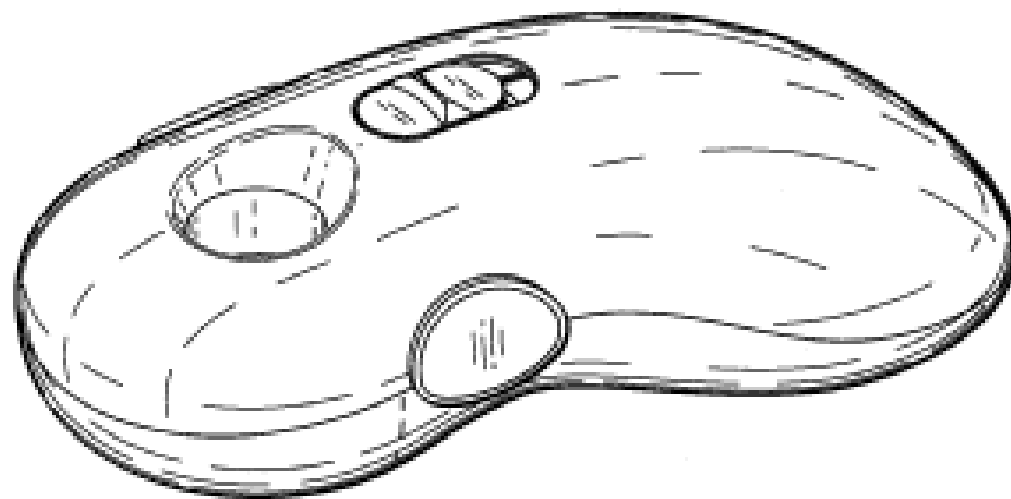
(45) Registration Date: **06 October 2009**

(56) Related Art Documents: **Not Applicable**

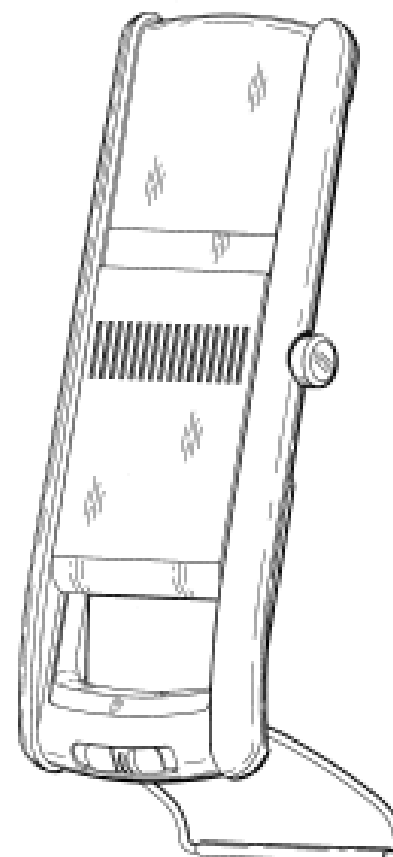
(57) Statement of Newness and Distinctiveness: **Foldable trolley especially designed for moving plant pots.**



(21) Design Number: **13505/2009**
 (22) Date of Filing Application: **11 September 2009**
 (24) Date from which industrial property rights may have effect: **11 September 2009**
 (54) Product in respect of which the design is registered: **Bottle opener and closer**
 (51) International Design Classification: **07-06D**
 (71) Name(s) and Address(s) of Applicant(s):
Daka Research Inc.
P.O. Box 957 Offshore Incorporations Centre Road Town Tortola
British Virgin Islands
 (72) Name(s) of Designer(s): **Pat Y. Mah and Alexander Joseph Kalogroulis and K.K. Tung and Michael Ng**
 (45) Registration Date: **06 October 2009**
 (30) Convention priority data:
 (31) Number (32) Date (33) Country
29/314670 17 Apr 2009 UNITED STATES OF AMERICA
 (56) Related Art Documents: **Not Applicable**
 (57) Statement of Newness and Distinctiveness: **Nil**



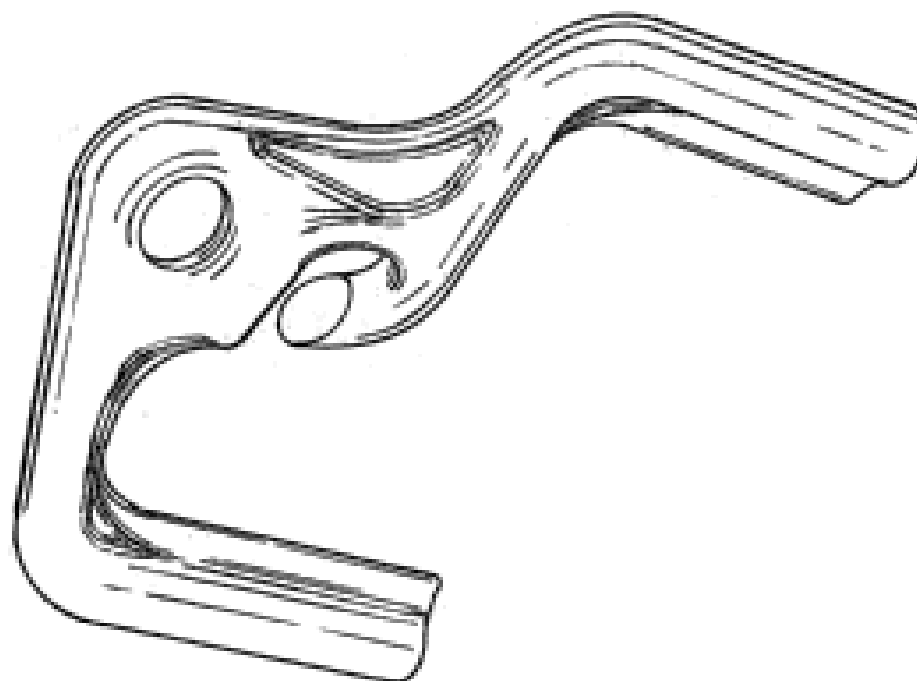
(21) Design Number: **13506/2009**
 (22) Date of Filing Application: **11 September 2009**
 (24) Date from which industrial property rights may have effect: **11 September 2009**
 (54) Product in respect of which the design is registered: **Mandolin slicer**
 (51) International Design Classification: **07-04**
 (71) Name(s) and Address(s) of Applicant(s):
Daka Research Inc.
P.O. Box 957 Offshore Incorporations Centre Road Town Tortola
British Virgin Islands
 (72) Name(s) of Designer(s): **Pat Y. Mah and Alexander Joseph Kalogroulis and K.K. Tung and Michael Ng**
 (45) Registration Date: **06 October 2009**
 (30) Convention priority data:
 (31) Number (32) Date (33) Country
29/314670 17 Apr 2009 UNITED STATES OF AMERICA
 (56) Related Art Documents: **Not Applicable**
 (57) Statement of Newness and Distinctiveness: **Nil**



- (21) Design Number: **13634/2009**
(22) Date of Filing Application: **22 September 2009**
(24) Date from which industrial property rights may have effect: **22 September 2009**
(54) Product in respect of which the design is registered: **Parallel folding camera/light pole fitted with gas strut assist ram**
(51) International Design Classification: **16-05, 26-03**
(71) Name(s) and Address(s) of Applicant(s):
Brian Raymond Kirkby
8 Apsley Street Wellington Point Queensland 4160 Australia
(72) Name(s) of Designer(s): **Brian Raymond Kirkby**
(45) Registration Date: **06 October 2009**
(56) Related Art Documents: **Not Applicable**
(57) Statement of Newness and Distinctiveness: **(1) Pole folds with top section non tilting. (2) Side brackets fold and lock pole upright. (3) Base section is fixed i.e. non folding.**



- (21) Design Number: **13535/2009**
(22) Date of Filing Application: **11 September 2009**
(24) Date from which industrial property rights may have effect: **11 September 2009**
(54) Product in respect of which the design is registered: **Agricultural tillage implement**
(51) International Design Classification: **08-01**
(71) Name(s) and Address(s) of Applicant(s):
Kentyn Paterson
Lot 10 Mona Road Bute South Australia 5560 Australia
(72) Name(s) of Designer(s): **Kentyn Paterson**
(45) Registration Date: **08 October 2009**
(56) Related Art Documents: **Not Applicable**
(57) Statement of Newness and Distinctiveness: **The features of shape and configuration of the agricultural tillage implement shown in the accompanying representations are the features considered to be new and distinctive.**



(21) Design Number: **13539/2009**

(22) Date of Filing Application: **14 September 2009**

(24) Date from which industrial property rights may have effect: **14 September 2009**

(54) Product in respect of which the design is registered: **Electric oven**

(51) International Design Classification: **07-02B**

(71) Name(s) and Address(s) of Applicant(s):

I-Cheng Huang

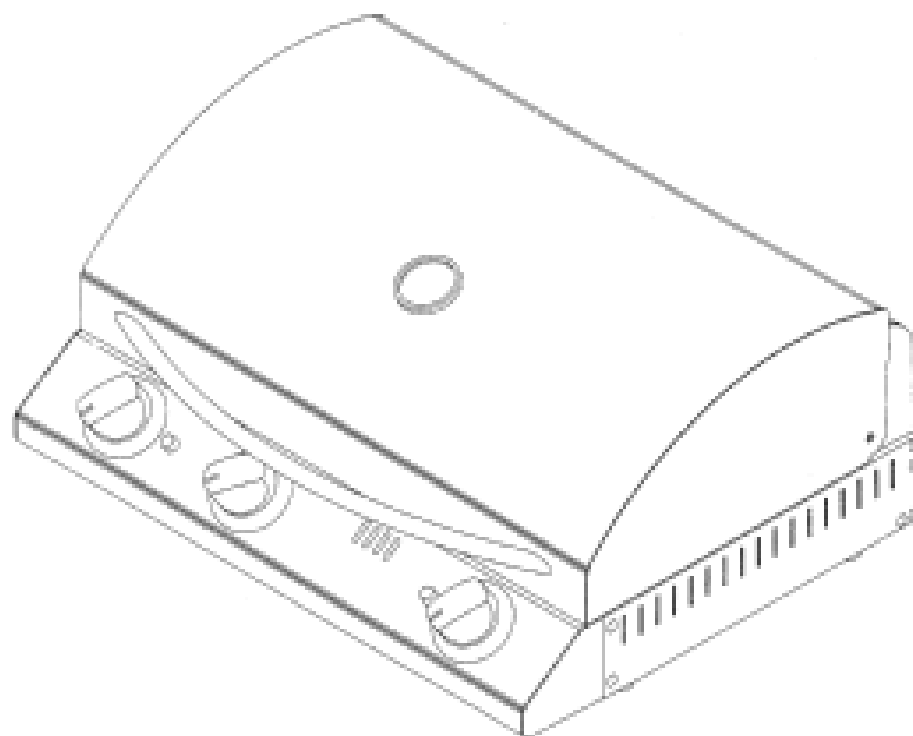
**11F No 15 Ln. 232 Wenzhong Street Fengshan City Kaohsiung County
Taiwan**

(72) Name(s) of Designer(s): **I-Cheng Huang**

(45) Registration Date: **08 October 2009**

(56) Related Art Documents: **Not Applicable**

(57) Statement of Newness and Distinctiveness: **Nil**



(21) Design Number: **13540/2009**

(22) Date of Filing Application: **14 September 2009**

(24) Date from which industrial property rights may have effect: **14 September 2009**

(54) Product in respect of which the design is registered: **Re-useable nappy**

(51) International Design Classification: **02-01B**

(71) Name(s) and Address(s) of Applicant(s):

Kristy Haley

3/29 Barrett Drive Lennox Head New South Wales 2478 Australia

(72) Name(s) of Designer(s): **Kristy Haley**

(45) Registration Date: **08 October 2009**

(56) Related Art Documents: **Not Applicable**

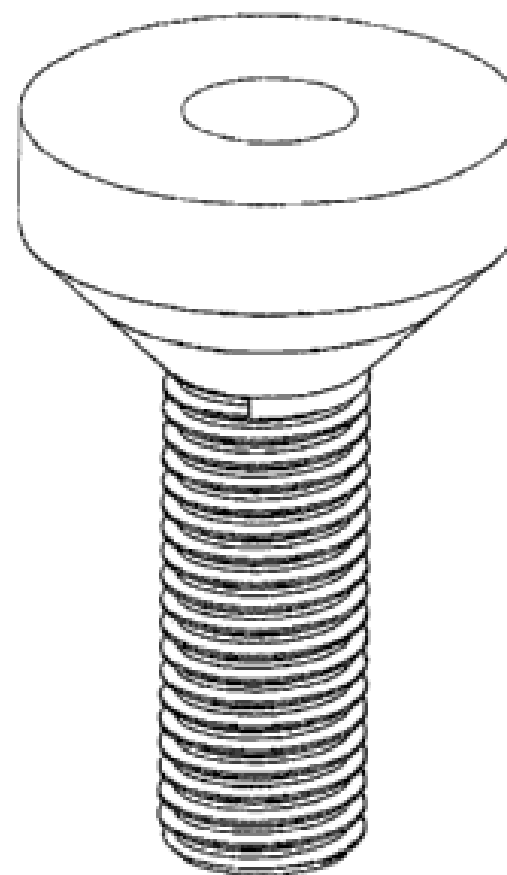
(57) Statement of Newness and Distinctiveness: **The newness and distinctiveness of the design resides in the features of shape and configuration of the re-useable nappy shown in the accompanying representations. No monopoly is claimed in the visual features of pattern and/or ornamentation of the fabric used.**



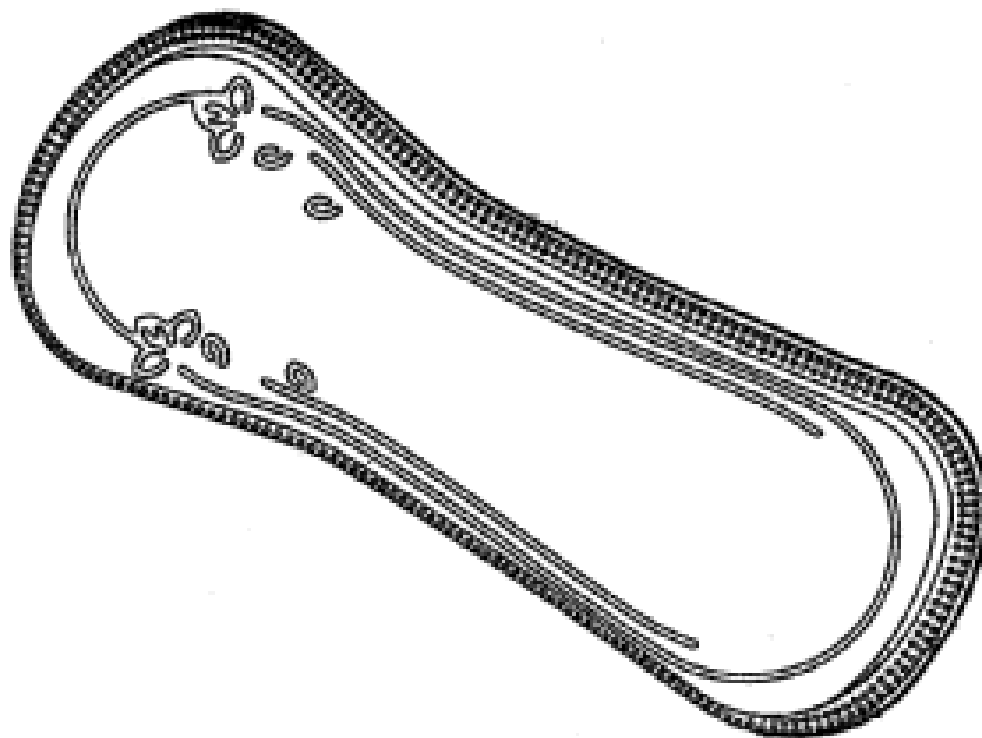
- (21) Design Number: **13541/2009**
(22) Date of Filing Application: **14 September 2009**
(24) Date from which industrial property rights may have effect: **14 September 2009**
(54) Product in respect of which the design is registered: **Footwear sole**
(51) International Design Classification: **02-04B**
(71) Name(s) and Address(s) of Applicant(s):
O & S Holdings (Vic) Pty Ltd
Cnr Prest & Humffray Streets Ballarat Victoria 3350 Australia
(72) Name(s) of Designer(s): **Andrew Oliver**
(45) Registration Date: **08 October 2009**
(56) Related Art Documents: **Not Applicable**
(57) Statement of Newness and Distinctiveness: **Those features of the footwear sole depicted in the representations that are new and distinctive are the shape and/or configuration.**



- (21) Design Number: **13508/2009**
(22) Date of Filing Application: **10 September 2009**
(24) Date from which industrial property rights may have effect: **10 September 2009**
(54) Product in respect of which the design is registered: **Bolt**
(51) International Design Classification: **08-08B**
(71) Name(s) and Address(s) of Applicant(s):
Bradken Resources Pty Limited
2 Maud Street Mayfield West New South Wales 2304 Australia
(72) Name(s) of Designer(s): **Wayne Motteram**
(45) Registration Date: **08 October 2009**
(56) Related Art Documents: **Not Applicable**
(57) Statement of Newness and Distinctiveness: **Newness and distinctiveness resides in the shape and configuration of a bolt having an extended head, the form of the drive aperture within the bolt head not contributing to the newness and distinctiveness and the length of the threaded shank being indeterminate.**



(21) Design Number: **13512/2009**
(22) Date of Filing Application: **11 September 2009**
(24) Date from which industrial property rights may have effect: **11 September 2009**
(54) Product in respect of which the design is registered: **Sanitary napkin**
(51) International Design Classification: **24-04**
(71) Name(s) and Address(s) of Applicant(s):
SCA Hygiene Products AB
S-405 03 Goteborg Sweden
(72) Name(s) of Designer(s): **Maria Gustin Bergstrom and Anita Haraldsson Hedbratt**
(45) Registration Date: **08 October 2009**
(30) Convention priority data:
(31) Number (32) Date (33) Country
001131106 03 Apr 2009 EUROPEAN COMMUNITY
(56) Related Art Documents: **Not Applicable**
(57) Statement of Newness and Distinctiveness: **Nil**



(21) Design Number: **13513/2009**
(22) Date of Filing Application: **11 September 2009**
(24) Date from which industrial property rights may have effect: **11 September 2009**
(54) Product in respect of which the design is registered: **Box**
(51) International Design Classification: **09-03M**
(71) Name(s) and Address(s) of Applicant(s):
Wittner's Australia Pty Ltd
127-129 Cremorne Street Richmond Victoria 3121 Australia
(72) Name(s) of Designer(s): **Michael Wittner**
(45) Registration Date: **08 October 2009**
(56) Related Art Documents: **Not Applicable**
(57) Statement of Newness and Distinctiveness: **The newness and distinctiveness of the design resides in the visual features of shape and configuration of the box shown in the accompanying representations, excluding any colour, symbols or words on the box.**



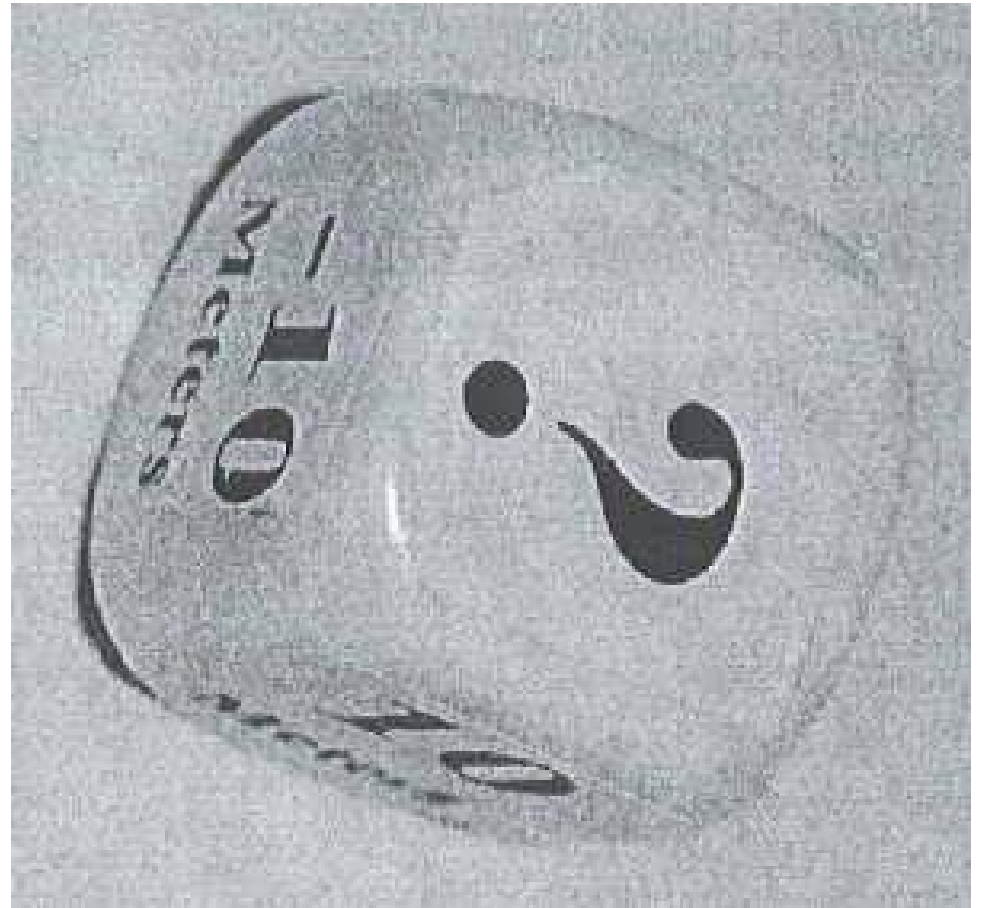
- (21) Design Number: **13514/2009**
(22) Date of Filing Application: **11 September 2009**
(24) Date from which industrial property rights may have effect: **11 September 2009**
(54) Product in respect of which the design is registered: **Box lid**
(51) International Design Classification: **09-07NES**
(71) Name(s) and Address(s) of Applicant(s):
Wittner's Australia Pty Ltd
127-129 Cremorne Street Richmond Victoria 3121 Australia
(72) Name(s) of Designer(s): **Michael Wittner**
(45) Registration Date: **08 October 2009**
(56) Related Art Documents: **Not Applicable**
(57) Statement of Newness and Distinctiveness: **The newness and distinctiveness of the design resides in the visual features of shape and configuration of the box lid shown in the accompanying representations, excluding any colour, symbols or words on the box lid.**



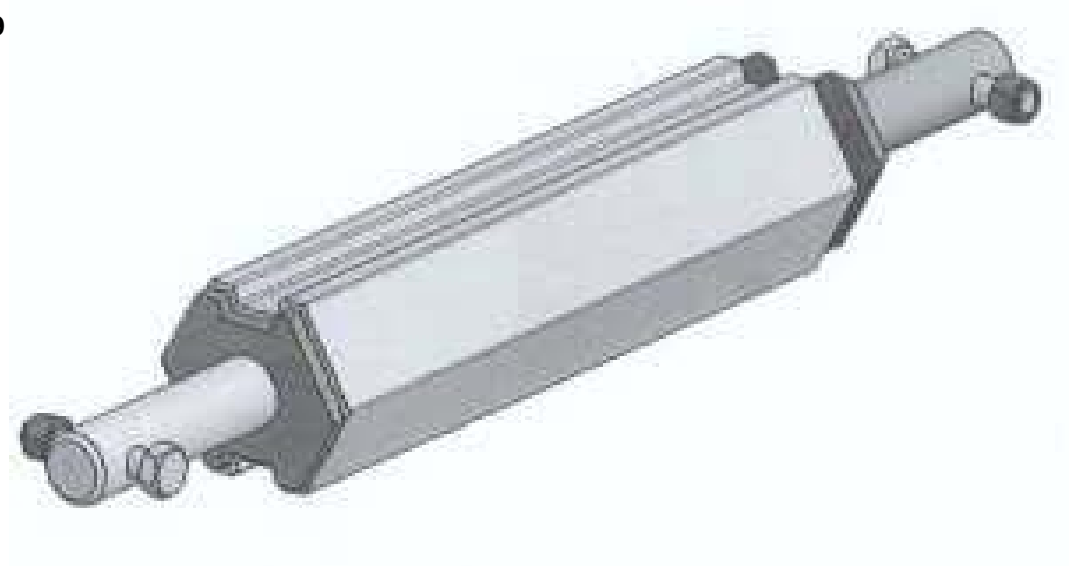
- (21) Design Number: **13517/2009**
(22) Date of Filing Application: **11 September 2009**
(24) Date from which industrial property rights may have effect: **11 September 2009**
(54) Product in respect of which the design is registered: **Pendant**
(51) International Design Classification: **11-01E**
(71) Name(s) and Address(s) of Applicant(s):
Georgini Holdings Pty Ltd
5 Owen Street Kyeemagh New South Wales 2216 Australia
(72) Name(s) of Designer(s): **Gina Kougias**
(45) Registration Date: **08 October 2009**
(56) Related Art Documents: **Not Applicable**
(57) Statement of Newness and Distinctiveness: **When determining whether the design is substantially similar in overall impression to another design, no regard is to be had to those features shown in the dotted outline in the accompanying drawings.**



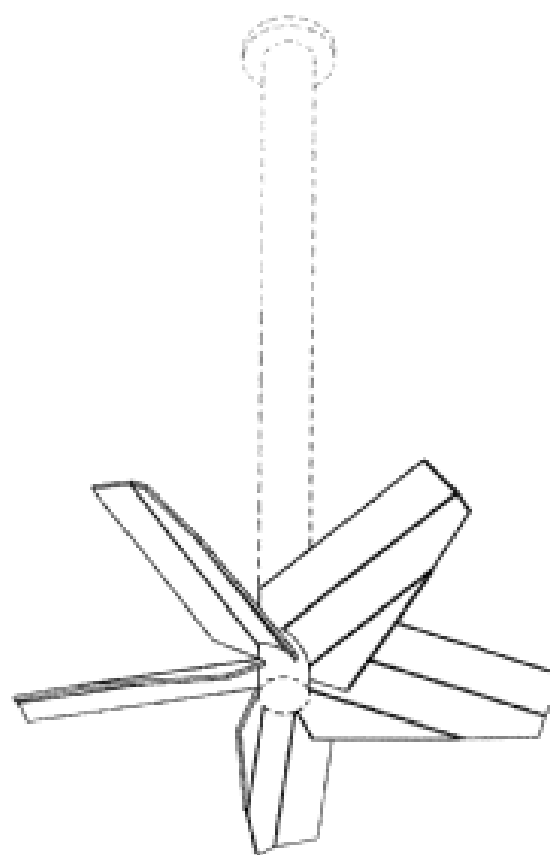
- (21) Design Number: **13530/2009**
(22) Date of Filing Application: **11 September 2009**
(24) Date from which industrial property rights may have effect: **11 September 2009**
(54) Product in respect of which the design is registered: **Dice**
(51) International Design Classification: **21-01L**
(71) Name(s) and Address(s) of Applicant(s):
Ian Noel Tennant
6 Coolac Close Charlestown New South Wales 2290 Australia
(72) Name(s) of Designer(s): **Ian Noel Tennant**
(45) Registration Date: **08 October 2009**
(56) Related Art Documents: **Not Applicable**
(57) Statement of Newness and Distinctiveness: **Newness and distinctiveness is claimed in the features of pattern and/or ornamentation of a dice as illustrated in the accompanying representations.**



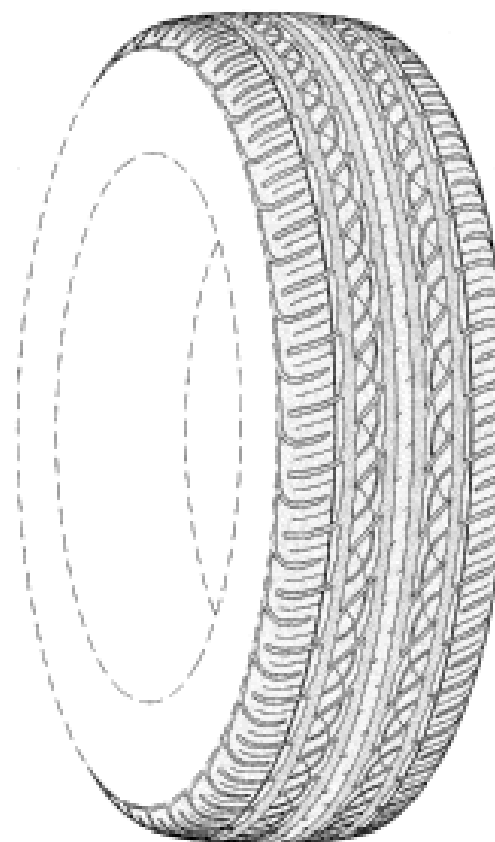
- (21) Design Number: **13531/2009**
(22) Date of Filing Application: **11 September 2009**
(24) Date from which industrial property rights may have effect: **11 September 2009**
(54) Product in respect of which the design is registered: **Especially designed device for wall propping and maintenance**
(51) International Design Classification: **25-01C**
(71) Name(s) and Address(s) of Applicant(s):
Robert George Atkinson
259 Central Road Kyneton Victoria 3444 Australia
(72) Name(s) of Designer(s): **Robert George Atkinson**
(45) Registration Date: **08 October 2009**
(56) Related Art Documents: **Not Applicable**
(57) Statement of Newness and Distinctiveness: **Nil**



- (21) Design Number: **13532/2009**
(22) Date of Filing Application: **10 September 2009**
(24) Date from which industrial property rights may have effect: **10 September 2009**
(54) Product in respect of which the design is registered: **Mixer**
(51) International Design Classification: **23-01NES**
(71) Name(s) and Address(s) of Applicant(s):
Outotec Oyj
Riihitontuntie 7 Espoo FI-02200 Finland
(72) Name(s) of Designer(s): **Jouko Peraaho and Launo Lilja and Jari Tiihonen and Bror Nyman and Tuomas Hirsi and Jussi Vaarno**
(45) Registration Date: **08 October 2009**
(30) Convention priority data:
(31) Number (32) Date (33) Country
001103311 11 Mar 2009 EUROPEAN COMMUNITY
(56) Related Art Documents: **Not Applicable**
(57) Statement of Newness and Distinctiveness: **The shape and configuration of those parts of the design shown by means of solid lines in the representations are new and distinctive.**



- (21) Design Number: **13533/2009**
(22) Date of Filing Application: **10 September 2009**
(24) Date from which industrial property rights may have effect: **10 September 2009**
(54) Product in respect of which the design is registered: **Automobile tyre**
(51) International Design Classification: **12-15B**
(71) Name(s) and Address(s) of Applicant(s):
Bridgestone Corporation
10-1 Kyobashi 1-Chome Chuo-ku Tokyo 104-8340 Japan
(72) Name(s) of Designer(s): **Daita Itoi**
(45) Registration Date: **08 October 2009**
(30) Convention priority data:
(31) Number (32) Date (33) Country
2009-005377 11 Mar 2009 JAPAN
(56) Related Art Documents: **Not Applicable**
(57) Statement of Newness and Distinctiveness: **The shape and configuration of the tread portion of the tyre is new and distinctive.**



(21) Design Number: **12933/2009**

(22) Date of Filing Application: **05 August 2009**

(24) Date from which industrial property rights may have effect: **05 August 2009**

(54) Product in respect of which the design is registered: **Cuvette**

(51) International Design Classification: **24-01**

(71) Name(s) and Address(s) of Applicant(s):

Pocared Diagnostics Ltd
Omer Industrial Park Building 3b 1st Floor PO Box 3042 Omer 84965
Israel

(72) Name(s) of Designer(s): **John S. Laudo and Gal Ingber and William G. Atterbury and Thomas A. Klausung and Dave Holley and John Tallarico**

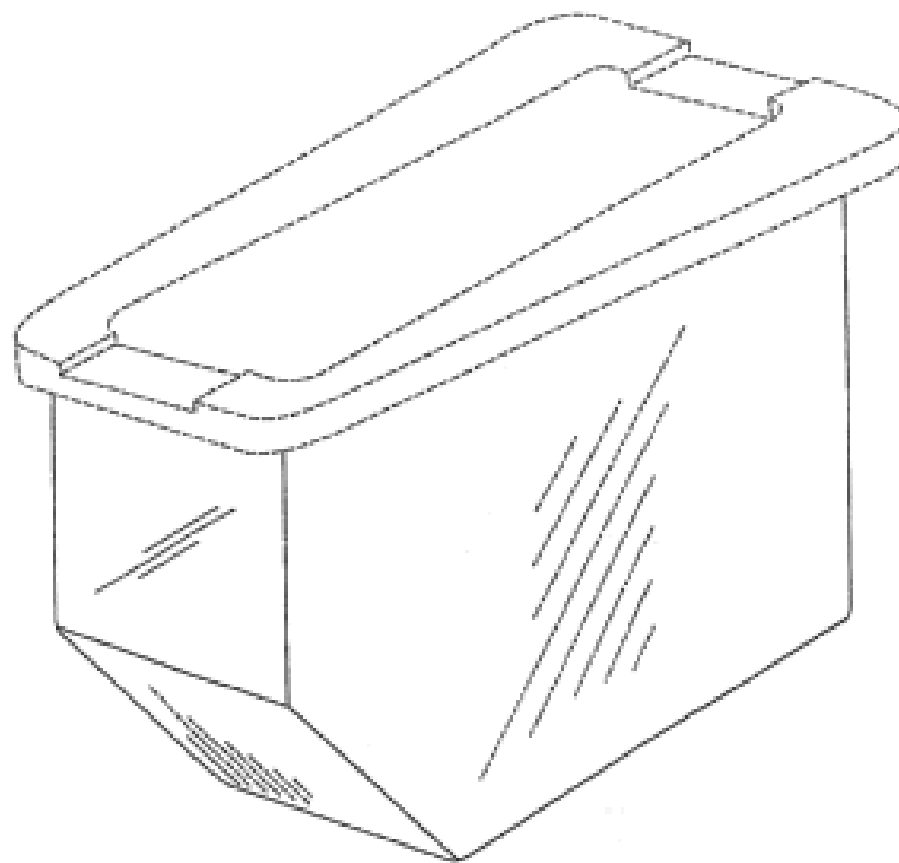
(45) Registration Date: **09 October 2009**

(30) Convention priority data:

(31) Number	(32) Date	(33) Country
29/331946	05 Feb 2009	UNITED STATES OF AMERICA

(56) Related Art Documents: **Not Applicable**

(57) Statement of Newness and Distinctiveness: **When determining whether the design 1 is substantially similar in overall impression to another design, it should be noted that the broken line representations in the figures are for the purpose of illustration only, and form no part of the design.**



(21) Design Number: **12936/2009**

(22) Date of Filing Application: **06 August 2009**

(24) Date from which industrial property rights may have effect: **06 August 2009**

(54) Product in respect of which the design is registered: **CD and DVD rack**

(51) International Design Classification: **06-04NES**

(71) Name(s) and Address(s) of Applicant(s):

Kenneth Douglas Parsons
8 Reynolds Court Orrvale Victoria 3631 Australia

(72) Name(s) of Designer(s): **Ken Parsons**

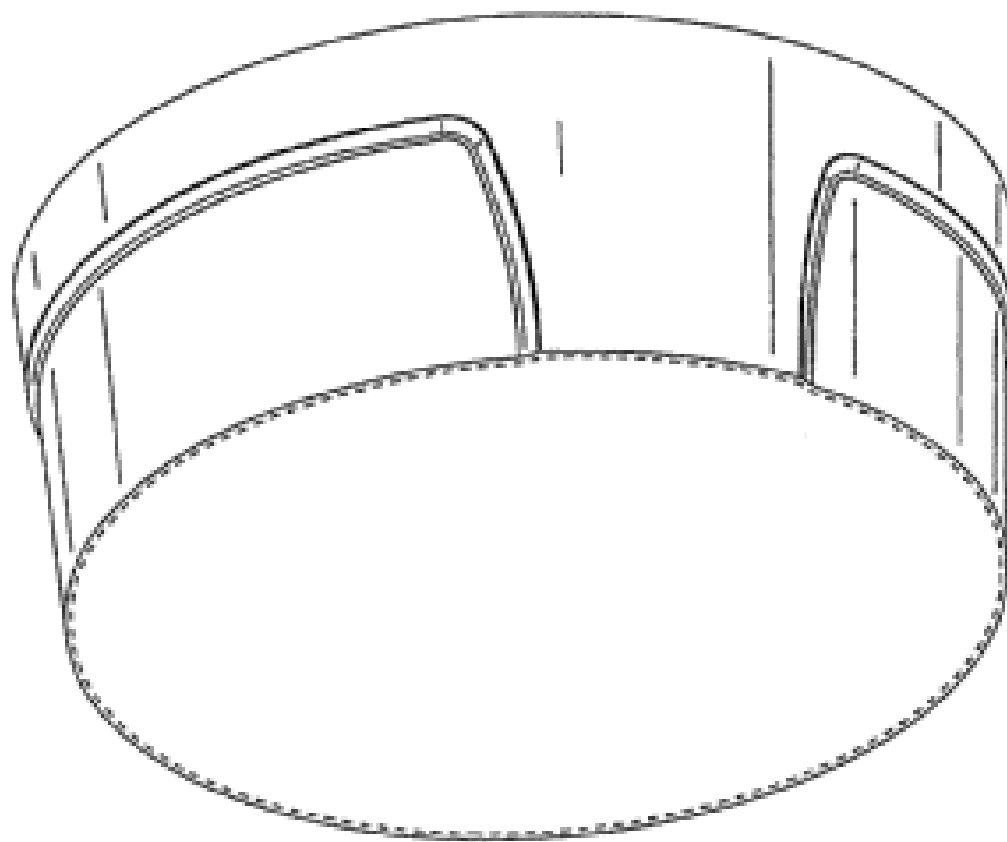
(45) Registration Date: **09 October 2009**

(56) Related Art Documents: **Not Applicable**

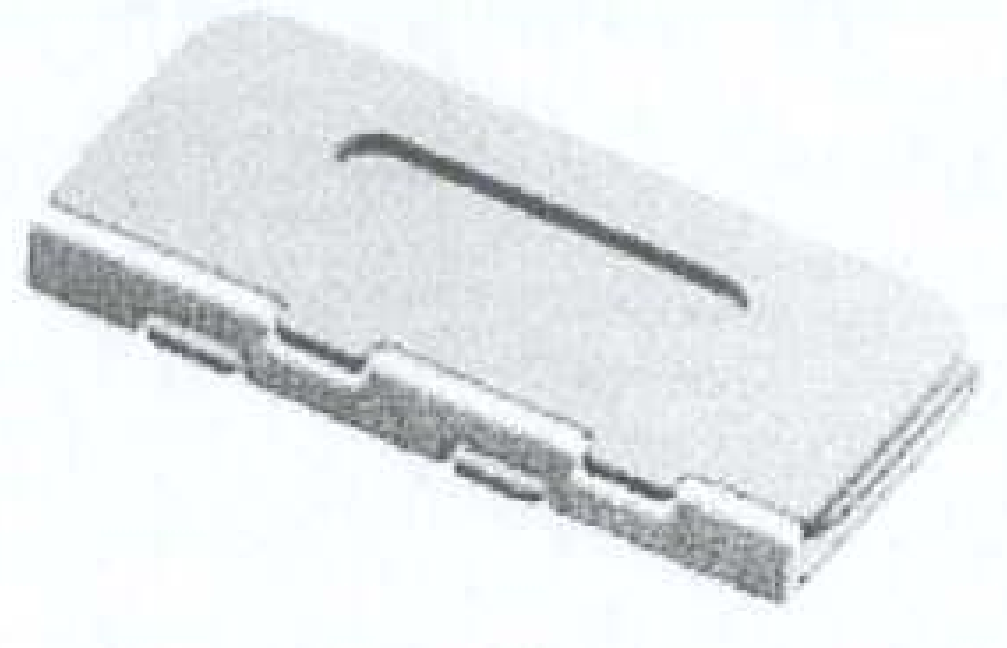
(57) Statement of Newness and Distinctiveness: **Unit clips together because of sprung legs without the need for fasteners. Top designed to hold both CD's and DVD's.**



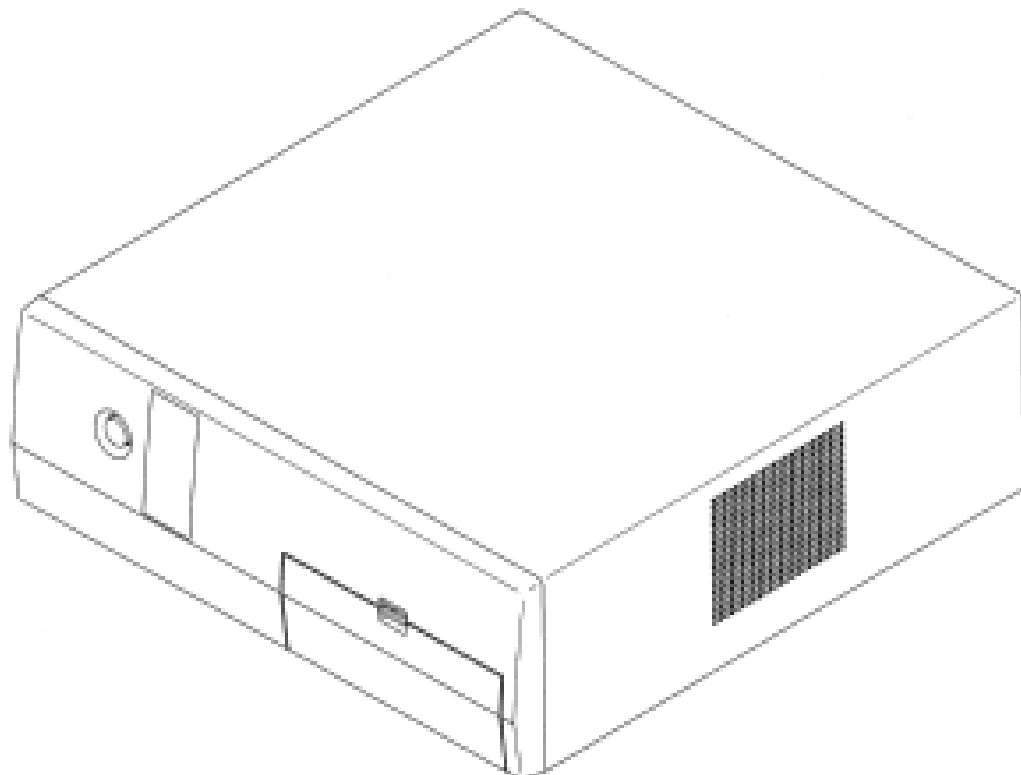
- (21) Design Number: **13299/2009**
(22) Date of Filing Application: **27 August 2009**
(24) Date from which industrial property rights may have effect: **27 August 2009**
(54) Product in respect of which the design is registered: **Camera Trim Ring**
(51) International Design Classification: **16-99**
(71) Name(s) and Address(s) of Applicant(s):
Pelco, Inc.
3500 Pelco Way Clovis California 93612 United States of America
(72) Name(s) of Designer(s): **James F. Arbuckle and Richard Todd Boswell and Craig N. Andrews and Kevin S. Saldanha**
(45) Registration Date: **09 October 2009**
(30) Convention priority data:
(31) Number (32) Date (33) Country
29/334,621 30 Mar 2009 UNITED STATES OF AMERICA
(56) Related Art Documents: **Not Applicable**
(57) Statement of Newness and Distinctiveness: **Those features of the camera trim ring depicted in the representations that are new and distinctive are the shape and/or configuration. The features of the portioning shown in broken line are not part of the design and are to be disregarded when considering the overall impression of the design.**



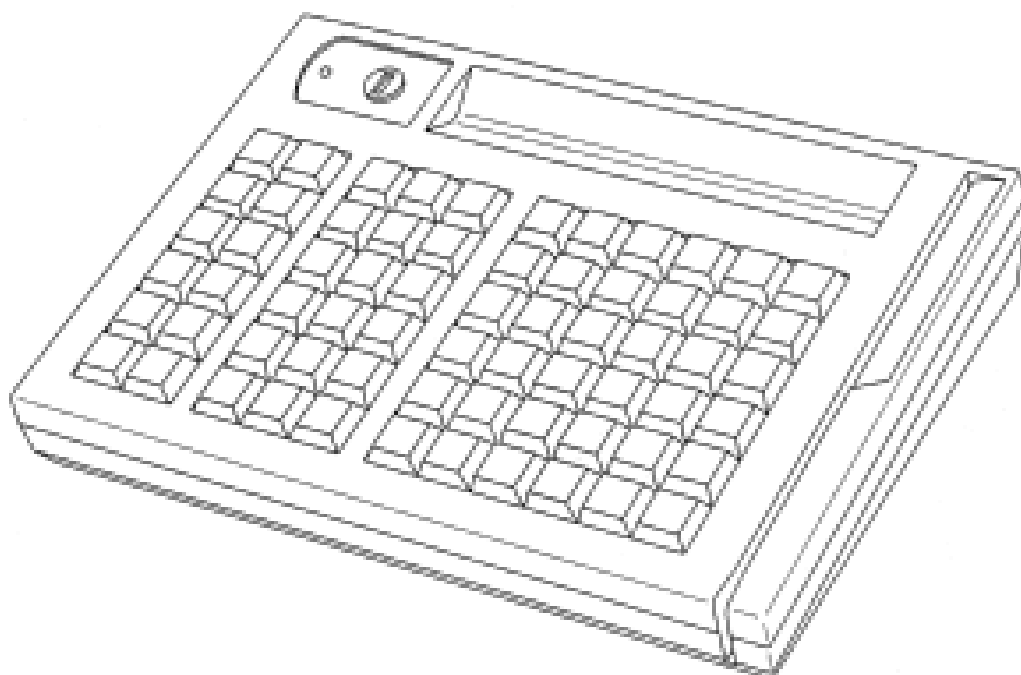
- (21) Design Number: **13325/2009**
(22) Date of Filing Application: **31 August 2009**
(24) Date from which industrial property rights may have effect: **31 August 2009**
(54) Product in respect of which the design is registered: **Fold up/extendable, cutting board**
(51) International Design Classification: **07-04**
(71) Name(s) and Address(s) of Applicant(s):
John Paul Quinn
5/30 School Street Kincumber New South Wales 2251 Australia
(72) Name(s) of Designer(s): **John Paul Quinn**
(45) Registration Date: **09 October 2009**
(56) Related Art Documents: **Not Applicable**
(57) Statement of Newness and Distinctiveness: **PE Plastic, Hinged, 3 sections, Indented Measuring rule marked, cutting board.**



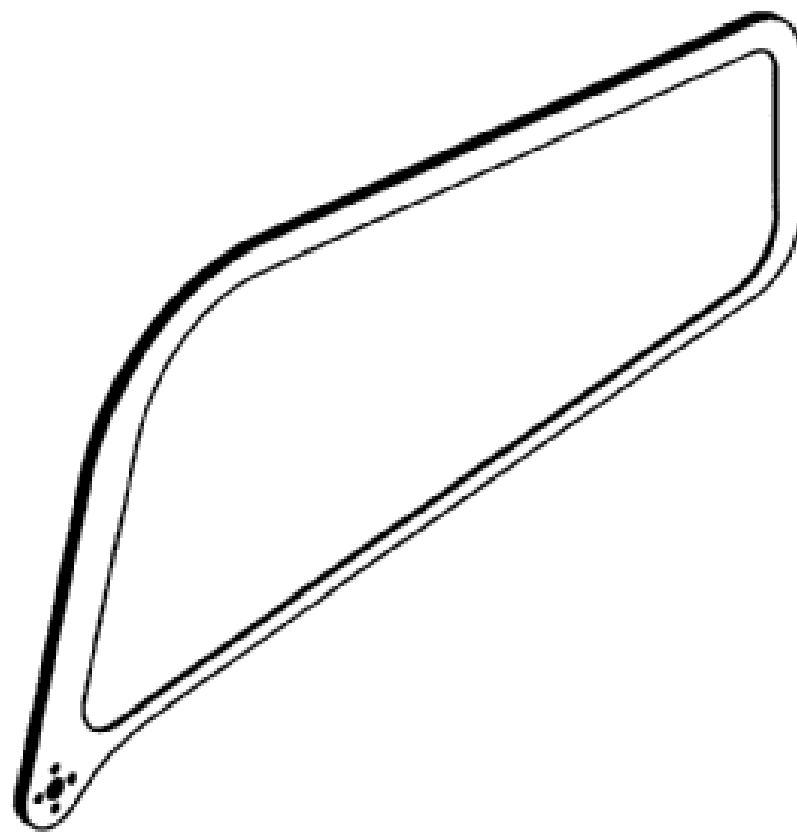
- (21) Design Number: **13491/2009**
(22) Date of Filing Application: **09 September 2009**
(24) Date from which industrial property rights may have effect: **09 September 2009**
(54) Product in respect of which the design is registered: **Controller of a cash register for a point of sales terminal**
(51) International Design Classification: **18-01**
(71) Name(s) and Address(s) of Applicant(s):
Toshiba Tec Kabushiki Kaisha
2-17-2 Higashigotanda Shinagawa-ku Tokyo Japan
(72) Name(s) of Designer(s): **Naoto Yoshizawa**
(45) Registration Date: **09 October 2009**
(30) Convention priority data:
(31) Number (32) Date (33) Country
2009-019071 20 Aug 2009 JAPAN
(56) Related Art Documents: **Not Applicable**
(57) Statement of Newness and Distinctiveness: **Newness and distinctiveness is claimed in the features of shape and/or configuration of a controller of a cash register for a point of sales terminal as illustrated in the accompanying representations.**



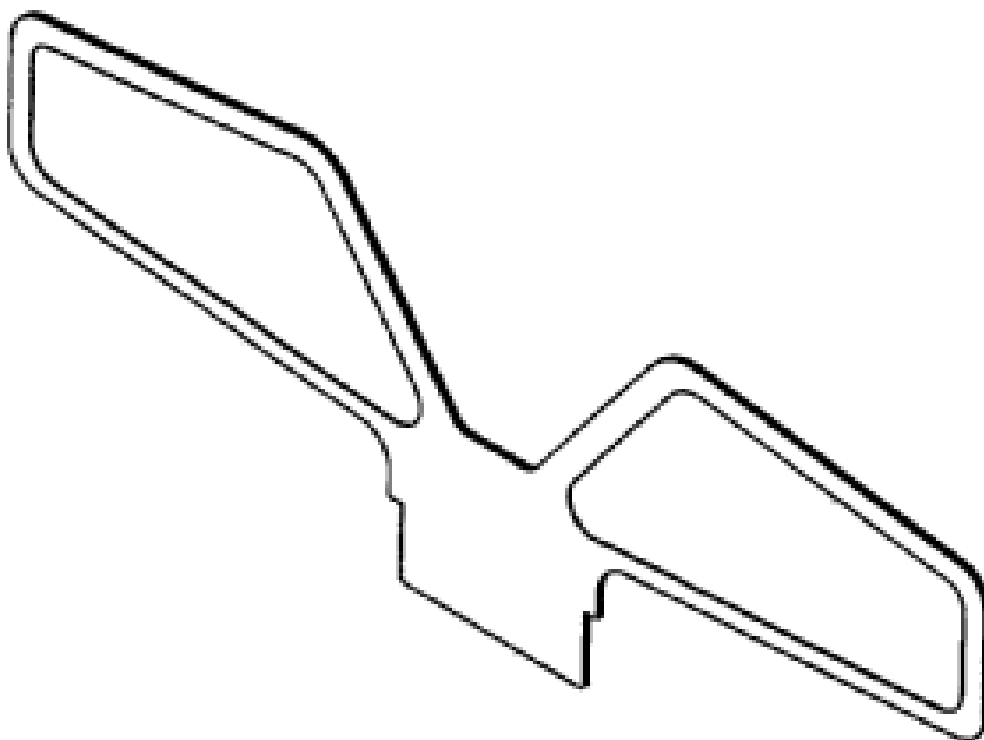
- (21) Design Number: **13492/2009**
(22) Date of Filing Application: **09 September 2009**
(24) Date from which industrial property rights may have effect: **09 September 2009**
(54) Product in respect of which the design is registered: **Keyboard with a magnetic card reader for a cash register**
(51) International Design Classification: **14-02**
(71) Name(s) and Address(s) of Applicant(s):
Toshiba Tec Kabushiki Kaisha
2-17-2 Higashigotanda Shinagawa-ku Tokyo Japan
(72) Name(s) of Designer(s): **Shigeru Sato and Katsuhiko Yoshida**
(45) Registration Date: **09 October 2009**
(30) Convention priority data:
(31) Number (32) Date (33) Country
2009-018880 19 Aug 2009 JAPAN
(56) Related Art Documents: **Not Applicable**
(57) Statement of Newness and Distinctiveness: **Newness and distinctiveness is claimed in the features of shape and/or configuration of a keyboard with a magnetic card reader for a cash register as illustrated in the accompanying representations.**



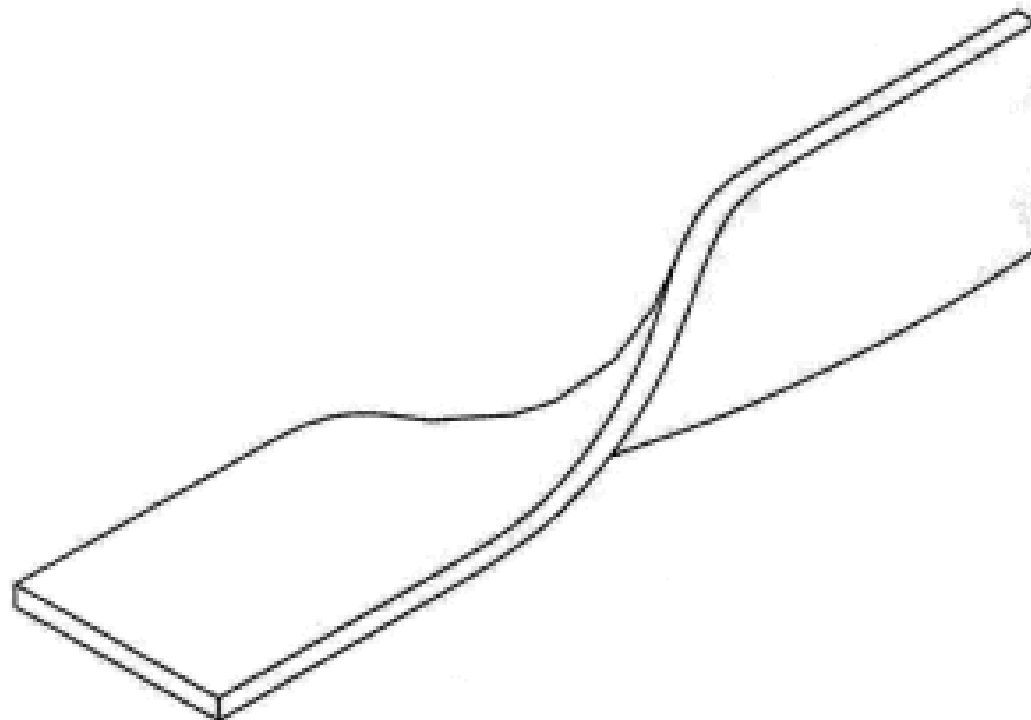
- (21) Design Number: **13493/2009**
(22) Date of Filing Application: **09 September 2009**
(24) Date from which industrial property rights may have effect: **09 September 2009**
(54) Product in respect of which the design is registered: **A barrier**
(51) International Design Classification: **06-06NES**
(71) Name(s) and Address(s) of Applicant(s):
Thinking Ergonomix Pty Limited
6A Childs Road Chipping Norton New South Wales 2170 Australia
(72) Name(s) of Designer(s): **Warren Hayden Asquith**
(45) Registration Date: **09 October 2009**
(56) Related Art Documents: **Not Applicable**
(57) Statement of Newness and Distinctiveness: **Newness and distinctiveness is claimed in the features of shape and/or configuration of a barrier as illustrated in the accompanying representations.**



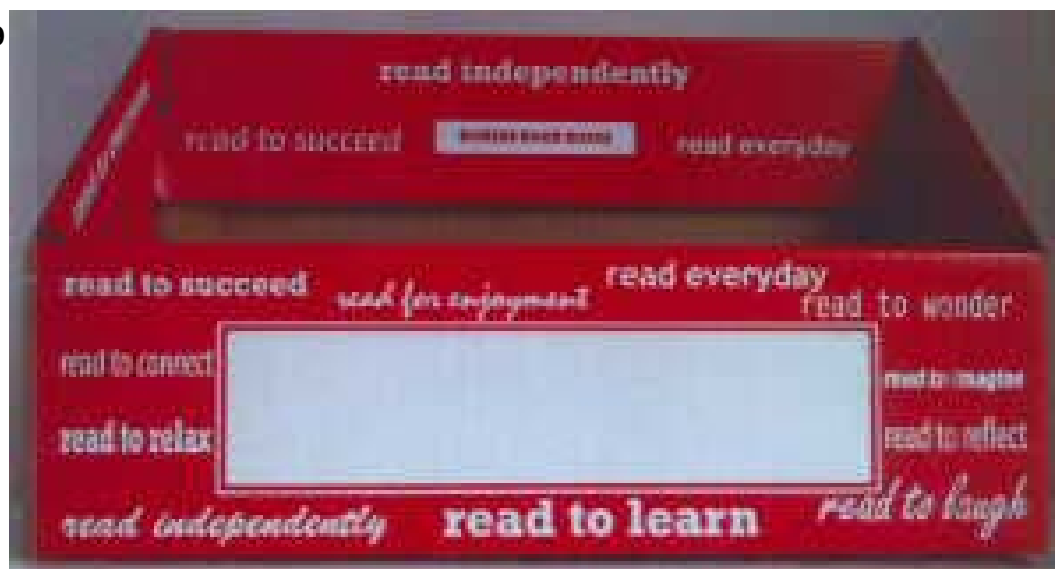
- (21) Design Number: **13494/2009**
(22) Date of Filing Application: **09 September 2009**
(24) Date from which industrial property rights may have effect: **09 September 2009**
(54) Product in respect of which the design is registered: **A barrier**
(51) International Design Classification: **06-06NES**
(71) Name(s) and Address(s) of Applicant(s):
Thinking Ergonomix Pty Limited
6A Childs Road Chipping Norton New South Wales 2170 Australia
(72) Name(s) of Designer(s): **Matthew Thomas Cramsie**
(45) Registration Date: **09 October 2009**
(56) Related Art Documents: **Not Applicable**
(57) Statement of Newness and Distinctiveness: **Newness and distinctiveness is claimed in the features of shape and/or configuration of a barrier as illustrated in the accompanying representations.**



- (21) Design Number: **13537/2009**
(22) Date of Filing Application: **14 September 2009**
(24) Date from which industrial property rights may have effect: **14 September 2009**
(54) Product in respect of which the design is registered: **Twist bar**
(51) International Design Classification: **25-01K, 13-99**
(71) Name(s) and Address(s) of Applicant(s):
Oriental Copper Co., Ltd.
27th Fl. Bangkok Insurance YWCA Bldng 25 South Sathon Rd
Thungmahamek Sathon Bangkok 10120 Thailand
(72) Name(s) of Designer(s): **Umberto Comini**
(45) Registration Date: **09 October 2009**
(30) Convention priority data:
(31) Number (32) Date (33) Country
0902000995 30 Mar 2009 THAILAND
(56) Related Art Documents: **Not Applicable**
(57) Statement of Newness and Distinctiveness: **Nil**



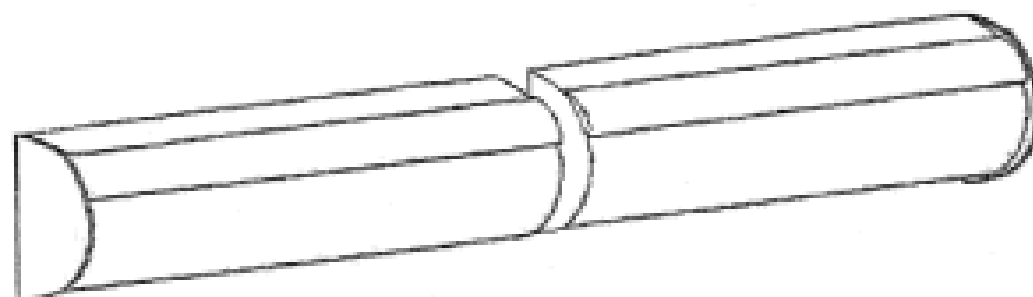
- (21) Design Number: **13665/2009**
(22) Date of Filing Application: **24 September 2009**
(24) Date from which industrial property rights may have effect: **24 September 2009**
(54) Product in respect of which the design is registered: **Box to hold children's books**
(51) International Design Classification: **09-03M, 19-04**
(71) Name(s) and Address(s) of Applicant(s):
Lucia Vorpasso Trading as Bonzer Book Boxes
12 Acacia Grove Pascoe Vale South Victoria 3044 Australia
(72) Name(s) of Designer(s): **Lucia Vorpasso**
(45) Registration Date: **09 October 2009**
(56) Related Art Documents: **Not Applicable**
(57) Statement of Newness and Distinctiveness: **The size and shape of this product makes it distinctive. Children can place their books in the box and still see the front covers which is important for children. The box is wide enough to hold most picture story books. Internal dimensions L320mm W115mm H200mm.**



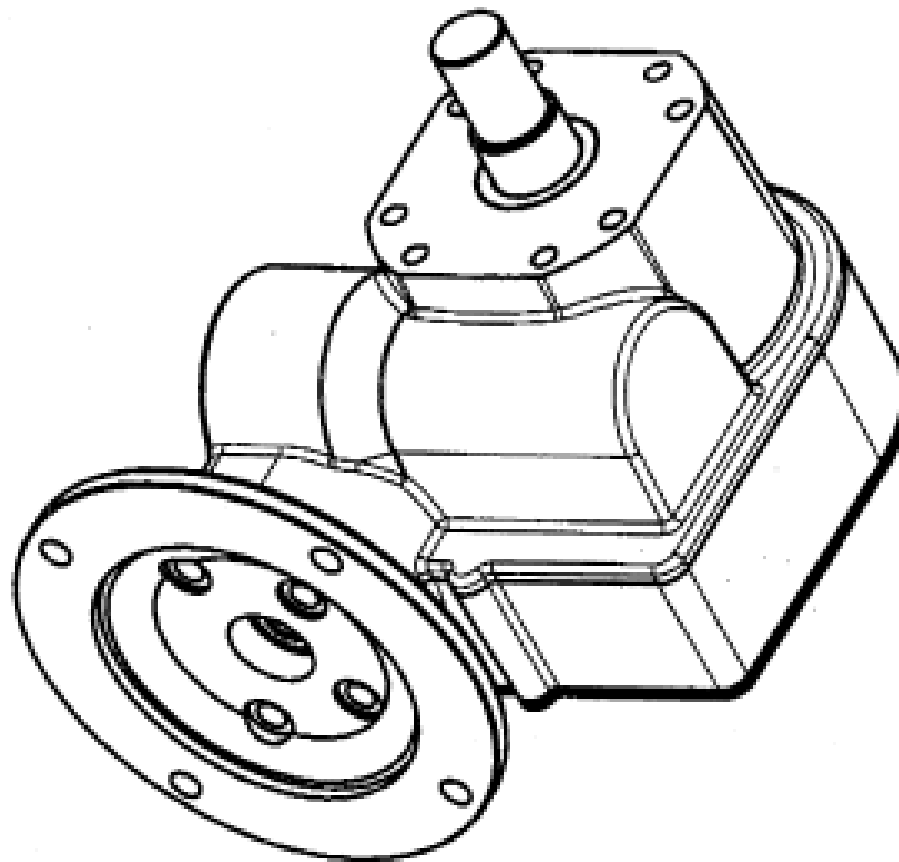
- (21) Design Number: **13553/2009**
(22) Date of Filing Application: **15 September 2009**
(24) Date from which industrial property rights may have effect: **15 September 2009**
(54) Product in respect of which the design is registered: **Tail lamp for motor scooter**
(51) International Design Classification: **26-06**
(71) Name(s) and Address(s) of Applicant(s):
Honda Motor Co., Ltd.
1-1 Minamiaoyama 2-chome Minato-ku Tokyo Japan
(72) Name(s) of Designer(s): **Yoshiyuki Ishiguri and Siwathat Mongkolsupya**
(45) Registration Date: **12 October 2009**
(30) Convention priority data:
(31) Number (32) Date (33) Country
2009-005989 17 Mar 2009 JAPAN
(56) Related Art Documents: **Not Applicable**
(57) Statement of Newness and Distinctiveness: **Newness and distinctiveness is claimed in the features of shape and/or configuration of a tail lamp for motor scooter as illustrated in the accompanying representations.**



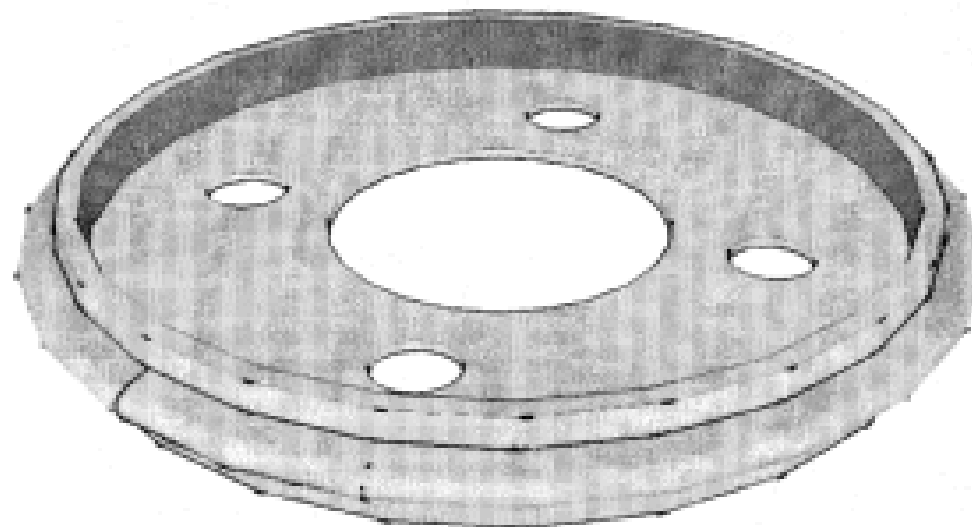
- (21) Design Number: **13028/2009**
(22) Date of Filing Application: **11 August 2009**
(24) Date from which industrial property rights may have effect: **11 August 2009**
(54) Product in respect of which the design is registered: **Aerofoil of indefinite length**
(51) International Design Classification: **09-03NES, 12-10**
(71) Name(s) and Address(s) of Applicant(s):
Rinnon Products Limited
518 Kaikorai Valley Road Kenmure Dunedin 9011 New Zealand
(72) Name(s) of Designer(s): **Ian Marsh**
(45) Registration Date: **12 October 2009**
(56) Related Art Documents: **Not Applicable**
(57) Statement of Newness and Distinctiveness: **Nil**



(21) Design Number: **13549/2009**
(22) Date of Filing Application: **15 September 2009**
(24) Date from which industrial property rights may have effect: **15 September 2009**
(54) Product in respect of which the design is registered: **A transmission unit**
(51) International Design Classification: **15-01**
(71) Name(s) and Address(s) of Applicant(s):
Greenshpon Engineering Works Ltd.
Bar-Lev Industrial Park Misgav 20179 Israel
(72) Name(s) of Designer(s): **Daniel Horovitz**
(45) Registration Date: **12 October 2009**
(30) Convention priority data:
(31) Number (32) Date (33) Country
47425 15 Mar 2009 ISRAEL
(56) Related Art Documents: **Not Applicable**
(57) Statement of Newness and Distinctiveness: **Nil**



(21) Design Number: **13551/2009**
(22) Date of Filing Application: **14 September 2009**
(24) Date from which industrial property rights may have effect: **14 September 2009**
(54) Product in respect of which the design is registered: **A fire hydrant insect seal**
(51) International Design Classification: **29-01**
(71) Name(s) and Address(s) of Applicant(s):
Anthony Richard Humphreys
11 Raftons Road Bangalow New South Wales 2479 Australia
Jeff Kane
23 Rainbow Avenue West Ballina New South Wales 2478 Australia
(72) Name(s) of Designer(s): **Anthony Richard Humphreys and Jeff Kane**
(45) Registration Date: **12 October 2009**
(56) Related Art Documents: **Not Applicable**
(57) Statement of Newness and Distinctiveness: **The shape and configuration of a fire hydrant insect seal as described in the accompanying representations without regard to the number or arrangement of the holes therethrough.**



(21) Design Number: **13621/2009**

(22) Date of Filing Application: **21 September 2009**

(24) Date from which industrial property rights may have effect: **21 September 2009**

(54) Product in respect of which the design is registered: **Post stirrup/anchor**

(51) International Design Classification: **08-08L**

(71) Name(s) and Address(s) of Applicant(s):

Adam Menegazzo

95 Whitegum Drive W heatsheaf Victoria 3461 Australia

(72) Name(s) of Designer(s): **Adam Menegazzo**

(45) Registration Date: **12 October 2009**

(56) Related Art Documents: **Not Applicable**

(57) Statement of Newness and Distinctiveness: **Nil**



(21) Design Number: **13622/2009**

(22) Date of Filing Application: **21 September 2009**

(24) Date from which industrial property rights may have effect: **21 September 2009**

(54) Product in respect of which the design is registered: **Timber connector/bracing plates**

(51) International Design Classification: **08-08L**

(71) Name(s) and Address(s) of Applicant(s):

Adam Menegazzo

95 Whitegum Drive W heatsheaf Victoria 3461 Australia

(72) Name(s) of Designer(s): **Adam Menegazzo**

(45) Registration Date: **12 October 2009**

(56) Related Art Documents: **Not Applicable**

(57) Statement of Newness and Distinctiveness: **Nil**



- (21) Design Number: **13623/2009**
(22) Date of Filing Application: **21 September 2009**
(24) Date from which industrial property rights may have effect: **21 September 2009**
(54) Product in respect of which the design is registered: **L shaped brackets**
(51) International Design Classification: **08-08L**
(71) Name(s) and Address(s) of Applicant(s):
Adam Menegazzo
95 Whitegum Drive W heatsheaf Victoria 3461 Australia
(72) Name(s) of Designer(s): **Adam Menegazzo**
(45) Registration Date: **12 October 2009**
(56) Related Art Documents: **Not Applicable**
(57) Statement of Newness and Distinctiveness: **Nil**



- (21) Design Number: **10539/2009**
(22) Date of Filing Application: **23 February 2009**
(24) Date from which industrial property rights may have effect: **23 February 2009**
(54) Product in respect of which the design is registered: **Children's clothing and costumes**
(51) International Design Classification: **02-02NES**
(71) Name(s) and Address(s) of Applicant(s):
Little Gems Australia Pty Ltd
940A Glenhuntly Road Caulfield South Victoria 3162 Australia
(72) Name(s) of Designer(s): **Iris Wijaya**
(45) Registration Date: **12 October 2009**
(56) Related Art Documents: **Not Applicable**
(57) Statement of Newness and Distinctiveness: **Nil**



(21) Design Number: **13223/2009**

(22) Date of Filing Application: **23 February 2009**

(24) Date from which industrial property rights may have effect: **23 February 2009**

(54) Product in respect of which the design is registered: **Children's clothing and costumes**

(51) International Design Classification: **02-02B**

(71) Name(s) and Address(s) of Applicant(s):

Little Gems Australia Pty Ltd
940A Glenhuntly Road Caulfield South Victoria 3162 Australia

(72) Name(s) of Designer(s): **Iris Wijaya**

(45) Registration Date: **12 October 2009**

(56) Related Art Documents: **Not Applicable**

(57) Statement of Newness and Distinctiveness: **Nil**



(21) Design Number: **13224/2009**

(22) Date of Filing Application: **23 February 2009**

(24) Date from which industrial property rights may have effect: **23 February 2009**

(54) Product in respect of which the design is registered: **Children's clothing and costumes**

(51) International Design Classification: **02-02B**

(71) Name(s) and Address(s) of Applicant(s):

Little Gems Australia Pty Ltd
940A Glenhuntly Road Caulfield South Victoria 3162 Australia

(72) Name(s) of Designer(s): **Iris Wijaya**

(45) Registration Date: **12 October 2009**

(56) Related Art Documents: **Not Applicable**

(57) Statement of Newness and Distinctiveness: **Nil**



(21) Design Number: **13225/2009**

(22) Date of Filing Application: **23 February 2009**

(24) Date from which industrial property rights may have effect: **23 February 2009**

(54) Product in respect of which the design is registered: **Children's clothing and costumes**

(51) International Design Classification: **02-02B, 02-03**

(71) Name(s) and Address(s) of Applicant(s):

**Little Gems Australia Pty Ltd
940A Glenhuntly Road Caulfield South Victoria 3162 Australia**

(72) Name(s) of Designer(s): **Iris Wijaya**

(45) Registration Date: **12 October 2009**

(56) Related Art Documents: **Not Applicable**

(57) Statement of Newness and Distinctiveness: **Nil**



(21) Design Number: **13226/2009**

(22) Date of Filing Application: **23 February 2009**

(24) Date from which industrial property rights may have effect: **23 February 2009**

(54) Product in respect of which the design is registered: **Children's clothing and costumes**

(51) International Design Classification: **02-02B**

(71) Name(s) and Address(s) of Applicant(s):

**Little Gems Australia Pty Ltd
940A Glenhuntly Road Caulfield South Victoria 3162 Australia**

(72) Name(s) of Designer(s): **Iris Wijaya**

(45) Registration Date: **12 October 2009**

(56) Related Art Documents: **Not Applicable**

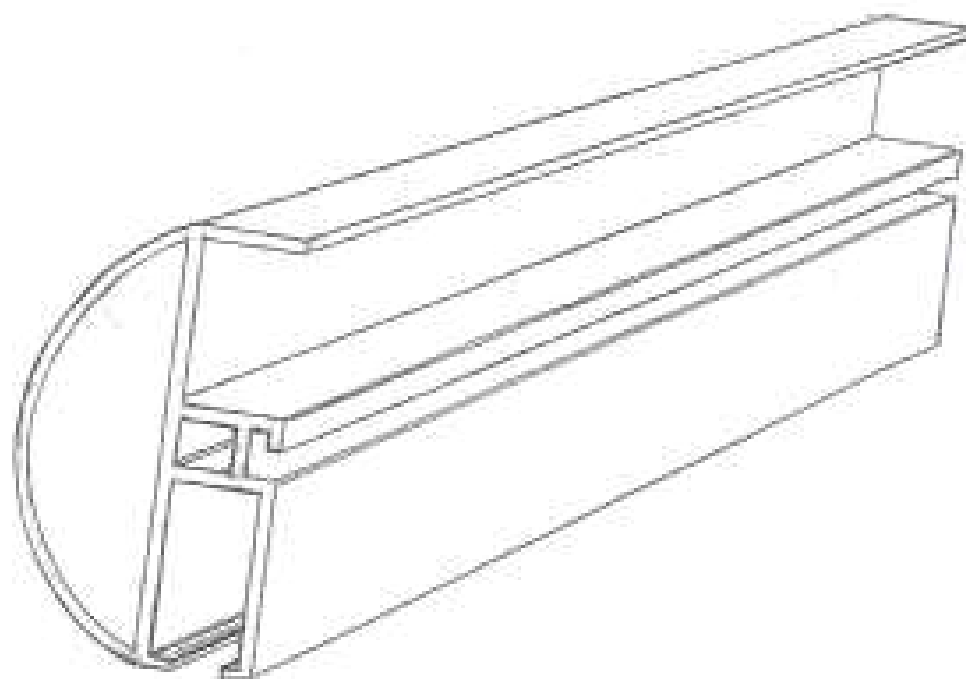
(57) Statement of Newness and Distinctiveness: **Nil**



- (21) Design Number: **13227/2009**
(22) Date of Filing Application: **23 February 2009**
(24) Date from which industrial property rights may have effect: **23 February 2009**
(54) Product in respect of which the design is registered: **Children's clothing and costumes**
(51) International Design Classification: **02-02B**
(71) Name(s) and Address(s) of Applicant(s):
Little Gems Australia Pty Ltd
940A Glenhuntly Road Caulfield South Victoria 3162 Australia
(72) Name(s) of Designer(s): **Iris Wijaya**
(45) Registration Date: **12 October 2009**
(56) Related Art Documents: **Not Applicable**
(57) Statement of Newness and Distinctiveness: **Nil**



- (21) Design Number: **12438/2009**
(22) Date of Filing Application: **07 July 2009**
(24) Date from which industrial property rights may have effect: **07 July 2009**
(54) Product in respect of which the design is registered: **Curtain track**
(51) International Design Classification: **25-01K, 08-08H**
(71) Name(s) and Address(s) of Applicant(s):
David John Croucher
3 Atalanta Rise Ocean Reef Western Australia 6027 Australia
(72) Name(s) of Designer(s): **David John Croucher**
(45) Registration Date: **12 October 2009**
(56) Related Art Documents: **Not Applicable**
(57) Statement of Newness and Distinctiveness: **The design of extrusion has 3 special features. 1. It incorporates our normal curtain track extrusion into a decor pole thereby allowing same component's to be used on both. 2. The design allows for a timber board to be placed on top of curtain brackets to insulate against heat in or out and light in, through windows when curtains closed. 3. The board does not require any screws of extra fittings to be installed.**



(21) Design Number: **13208/2009**

(22) Date of Filing Application: **19 August 2009**

(24) Date from which industrial property rights may have effect: **19 August 2009**

(54) Product in respect of which the design is registered: **Oven**

(51) International Design Classification: **07-02A**

(71) Name(s) and Address(s) of Applicant(s):

**Electrolux Home Products Corporation N.V.
Belgicastraat 17 1930 Zaventem Belgium**

(72) Name(s) of Designer(s): **Michael Knochner**

(45) Registration Date: **12 October 2009**

(30) Convention priority data:

(31) Number	(32) Date	(33) Country
001093660	26 Feb 2009	EUROPEAN COMMUNITY

(56) Related Art Documents: **Not Applicable**

(57) Statement of Newness and Distinctiveness: **Nil**



(21) Design Number: **13538/2009**

(22) Date of Filing Application: **14 September 2009**

(24) Date from which industrial property rights may have effect: **14 September 2009**

(54) Product in respect of which the design is registered: **Unchewed pendant**

(51) International Design Classification: **11-01E**

(71) Name(s) and Address(s) of Applicant(s):

**Vivienne Gibson
337A Smith Street Fitzroy Victoria 3065 Australia**

(72) Name(s) of Designer(s): **Vivienne Gibson**

(45) Registration Date: **12 October 2009**

(56) Related Art Documents: **Not Applicable**

(57) Statement of Newness and Distinctiveness: **The chain passes through the hole at the top of the pendant and comes out through the bottom. But the newness and distinctiveness does not reside in the shape or configuration of the chain.**



(21) Design Number: **12831/2009**

(22) Date of Filing Application: **31 July 2009**

(24) Date from which industrial property rights may have effect: **31 July 2009**

(54) Product in respect of which the design is registered: **Wheel for vehicle**

(51) International Design Classification: **12-16A**

(71) Name(s) and Address(s) of Applicant(s):

YHI (Australia) Pty Limited
Unit 1A James Ruse Business Park 6 Boundary Road Northmead New
South Wales 2152 Australia

(72) Name(s) of Designer(s): **Chen Yin Zhi**

(45) Registration Date: **12 October 2009**

(56) Related Art Documents: **Not Applicable**

(57) Statement of Newness and Distinctiveness: **5 Spoke design with 5 large machined windows between spokes.**



(21) Design Number: **13001/2009**

(22) Date of Filing Application: **10 August 2009**

(24) Date from which industrial property rights may have effect: **10 August 2009**

(54) Product in respect of which the design is registered: **Lid and seal for container**

(51) International Design Classification: **07-01NES, 09-07C**

(71) Name(s) and Address(s) of Applicant(s):

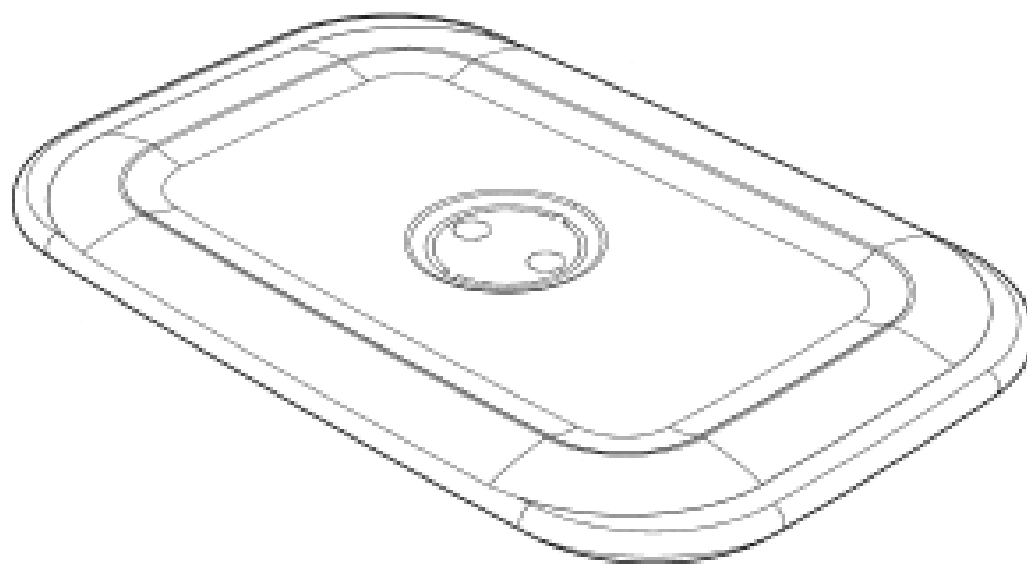
The Decor Corporation Pty Ltd
1314 Ferntree Gully Road Scoresby Victoria 3179 Australia

(72) Name(s) of Designer(s): **James Samartgis**

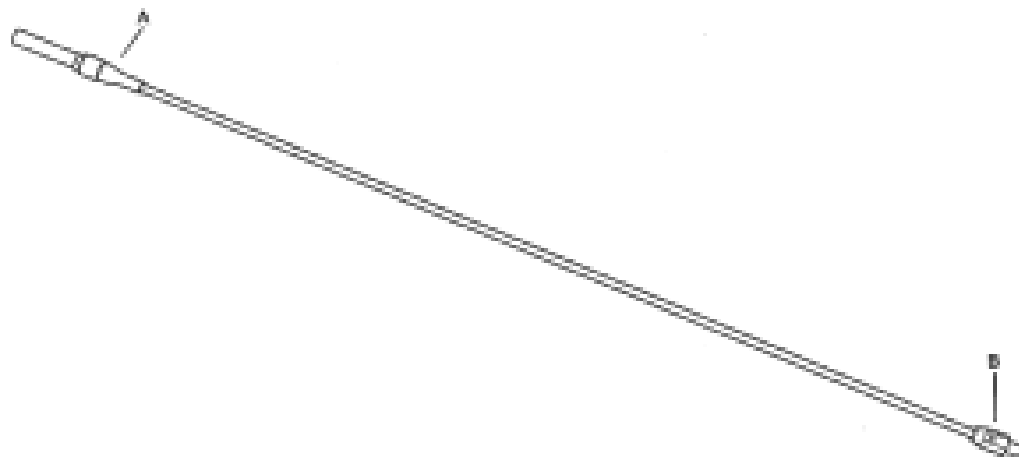
(45) Registration Date: **12 October 2009**

(56) Related Art Documents: **Not Applicable**

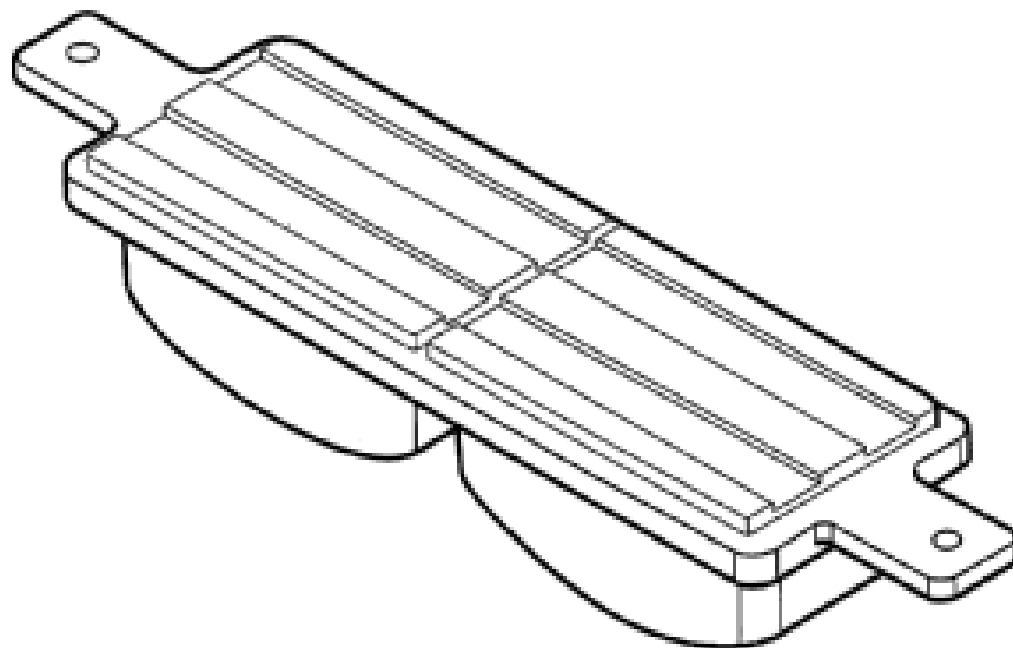
(57) Statement of Newness and Distinctiveness: **The design resides in the application of the features of shape and configuration to a lid for a container (referred to in the representations as Item 1) and to a seal (referred to in the representations as Item 2) for use with the said lid.**



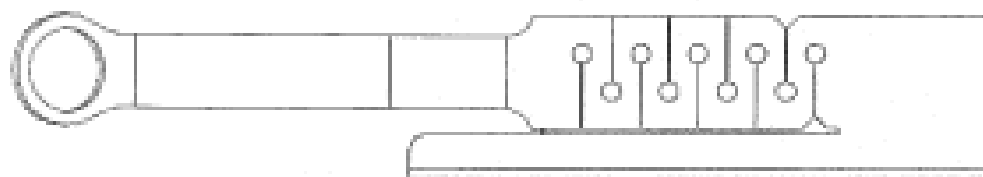
- (21) Design Number: **13106/2009**
- (22) Date of Filing Application: **14 August 2009**
- (24) Date from which industrial property rights may have effect: **14 August 2009**
- (54) Product in respect of which the design is registered: **Aerial**
- (51) International Design Classification: **14-03NES**
- (71) Name(s) and Address(s) of Applicant(s):
Graeme Thomas Baird
PO Box 1221 Bunbury Western Australia 6231 Australia
- (72) Name(s) of Designer(s): **Graeme Thomas Baird**
- (45) Registration Date: **12 October 2009**
- (56) Related Art Documents: **Not Applicable**
- (57) Statement of Newness and Distinctiveness: **Newness and distinctiveness is claimed in each feature of the design considered separately or in combination with any of the aerial as shown in the drawings.**



- (21) Design Number: **13107/2009**
- (22) Date of Filing Application: **14 August 2009**
- (24) Date from which industrial property rights may have effect: **14 August 2009**
- (54) Product in respect of which the design is registered: **Light**
- (51) International Design Classification: **26-05C**
- (71) Name(s) and Address(s) of Applicant(s):
Graeme Thomas Baird
PO Box 1221 Bunbury Western Australia 6231 Australia
- (72) Name(s) of Designer(s): **Graeme Thomas Baird**
- (45) Registration Date: **12 October 2009**
- (56) Related Art Documents: **Not Applicable**
- (57) Statement of Newness and Distinctiveness: **Newness and distinctiveness is claimed in each feature of the design considered separately or in combination with any other feature of the light as shown in the drawings.**



- (21) Design Number: **13510/2009**
(22) Date of Filing Application: **11 September 2009**
(24) Date from which industrial property rights may have effect: **11 September 2009**
(54) Product in respect of which the design is registered: **Fall-arrest roof anchor point**
(51) International Design Classification: **08-08NES, 25-01G**
(71) Name(s) and Address(s) of Applicant(s):
Roland Stephen Voss
C/- 44 Kalman Drive Boronia Victoria 3155 Australia
(72) Name(s) of Designer(s): **Roland Stephen Voss**
(45) Registration Date: **12 October 2009**
(56) Related Art Documents: **Not Applicable**
(57) Statement of Newness and Distinctiveness: **Newness and distinctiveness are claimed in the features of shape and/or configuration of a fall-arrest roof anchor point, as illustrated in the accompanying representations.**



- (21) Design Number: **13211/2009**
(22) Date of Filing Application: **21 August 2009**
(24) Date from which industrial property rights may have effect: **21 August 2009**
(54) Product in respect of which the design is registered: **Spring loaded hook latch**
(51) International Design Classification: **08-08C, 08-07**
(71) Name(s) and Address(s) of Applicant(s):
Ronald George Ovenden
3 Roper Avenue Armidale New South Wales 2350 Australia
David Edward Ovenden
6 O'Conner Road Armidale New South Wales 2350 Australia
(72) Name(s) of Designer(s): **Ronald George Ovenden and David Edward Ovenden**
(45) Registration Date: **12 October 2009**
(56) Related Art Documents: **Not Applicable**
(57) Statement of Newness and Distinctiveness: **Monopoly is claimed in the shape and configuration of the spring loaded hook latch.**



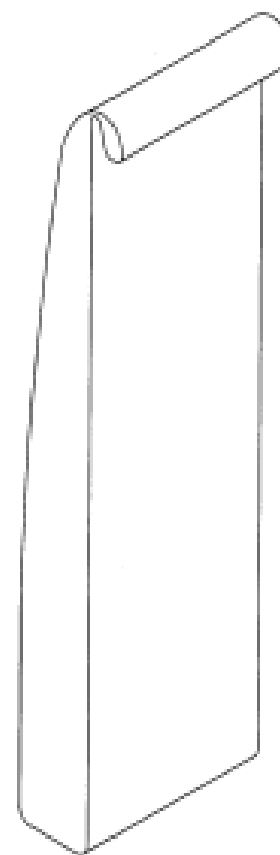
(21) Design Number: **13544/2009**
(22) Date of Filing Application: **15 September 2009**
(24) Date from which industrial property rights may have effect: **15 September 2009**
(54) Product in respect of which the design is registered: **Aluminium handguard complete with protective cover**
(51) International Design Classification: **12-11, 12-16C**
(71) Name(s) and Address(s) of Applicant(s):
Werner Schyns
3 Hammersley Road Grays Point New South Wales 2232 Australia
(72) Name(s) of Designer(s): **Werner Schyns**
(45) Registration Date: **12 October 2009**
(56) Related Art Documents: **Not Applicable**
(57) Statement of Newness and Distinctiveness: **Nil**



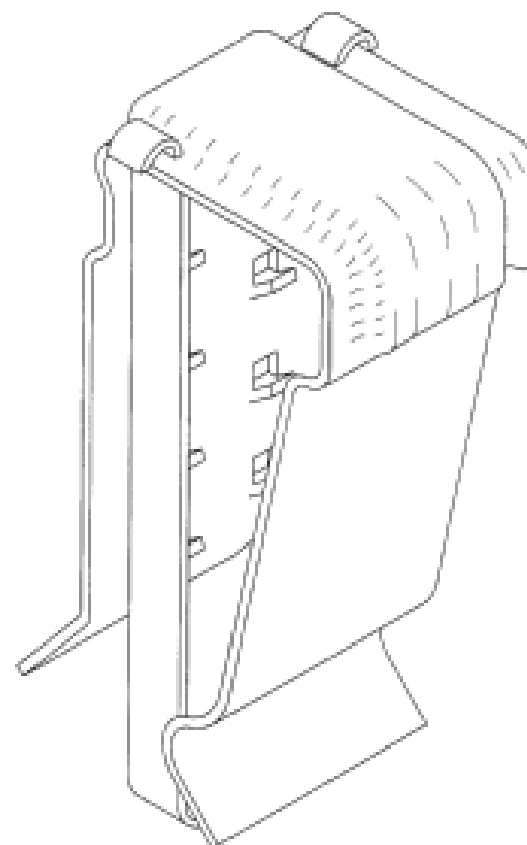
(21) Design Number: **13545/2009**
(22) Date of Filing Application: **15 September 2009**
(24) Date from which industrial property rights may have effect: **15 September 2009**
(54) Product in respect of which the design is registered: **Aluminium handguard complete with protective plastic shell**
(51) International Design Classification: **12-11, 12-16C**
(71) Name(s) and Address(s) of Applicant(s):
Werner Schyns
3 Hammersley Road Grays Point New South Wales 2232 Australia
(72) Name(s) of Designer(s): **Werner Schyns**
(45) Registration Date: **12 October 2009**
(56) Related Art Documents: **Not Applicable**
(57) Statement of Newness and Distinctiveness: **Nil**



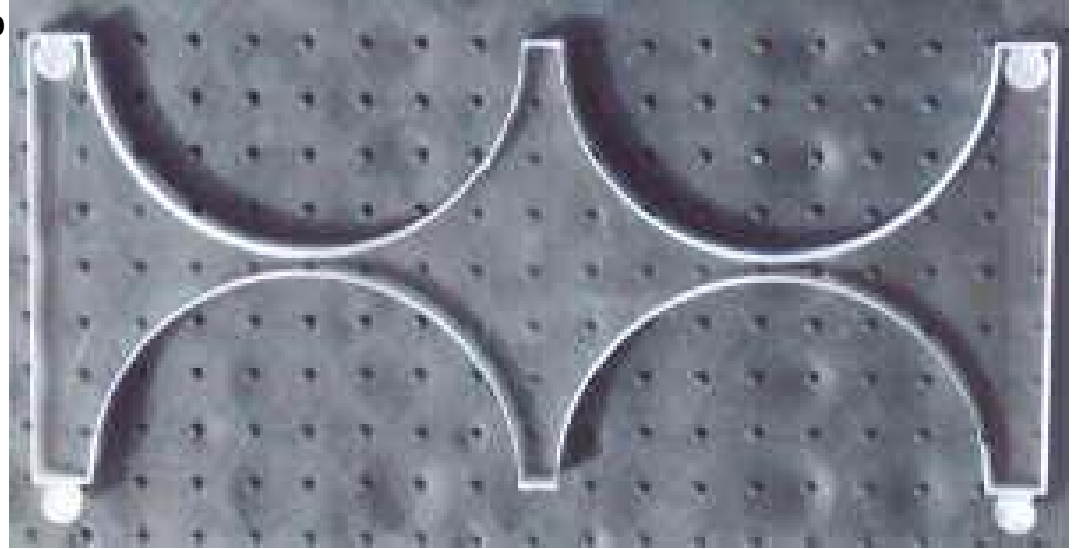
- (21) Design Number: **13558/2009**
(22) Date of Filing Application: **16 September 2009**
(24) Date from which industrial property rights may have effect: **16 September 2009**
(54) Product in respect of which the design is registered: **Gutter spacer**
(51) International Design Classification: **08-08B, 23-01L**
(71) Name(s) and Address(s) of Applicant(s):
Bluescope Steel Limited
Level 11 120 Collins Street Melbourne Victoria 3000 Australia
(72) Name(s) of Designer(s): **Campbell John Seccombe**
(45) Registration Date: **12 October 2009**
(56) Related Art Documents: **Not Applicable**
(57) Statement of Newness and Distinctiveness: **The shape and configuration of a gutter clip as shown in the accompanying drawings is new and distinctive.**



- (21) Design Number: **13559/2009**
(22) Date of Filing Application: **16 September 2009**
(24) Date from which industrial property rights may have effect: **16 September 2009**
(54) Product in respect of which the design is registered: **Gutter clip**
(51) International Design Classification: **08-08C**
(71) Name(s) and Address(s) of Applicant(s):
Bluescope Steel Limited
Level 11 120 Collins Street Melbourne Victoria 3000 Australia
(72) Name(s) of Designer(s): **Campbell John Seccombe**
(45) Registration Date: **12 October 2009**
(56) Related Art Documents: **Not Applicable**
(57) Statement of Newness and Distinctiveness: **The shape and configuration of a gutter clip as shown in the accompanying drawings is new and distinctive.**



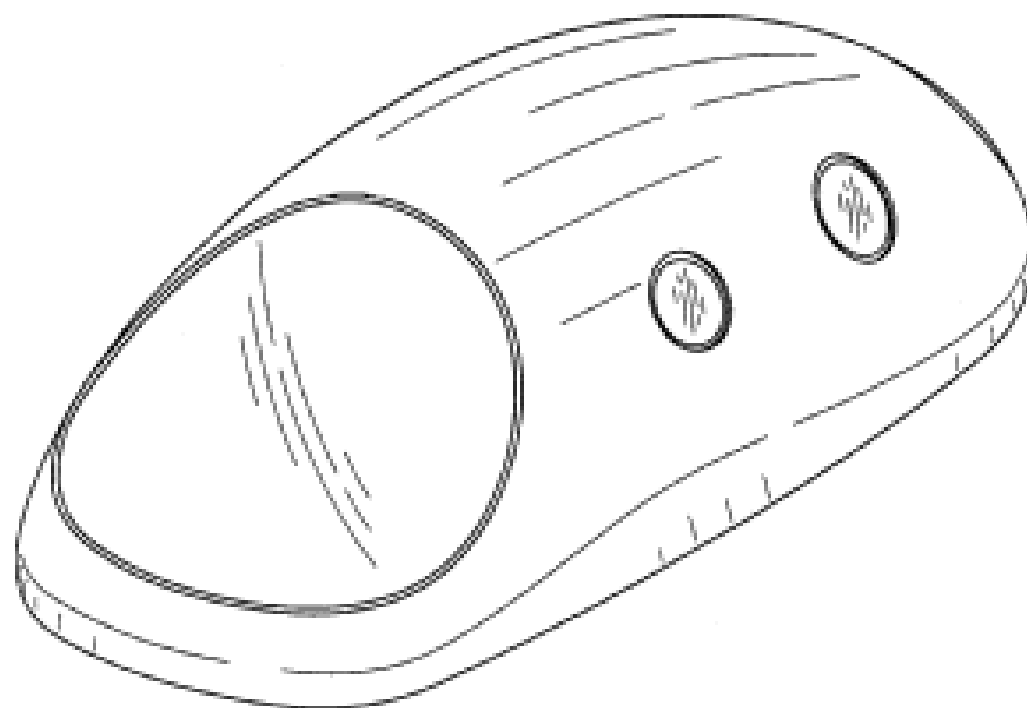
- (21) Design Number: **13560/2009**
(22) Date of Filing Application: **16 September 2009**
(24) Date from which industrial property rights may have effect: **16 September 2009**
(54) Product in respect of which the design is registered: **Bracket for holding pipes**
(51) International Design Classification: **08-08M**
(71) Name(s) and Address(s) of Applicant(s):
Peter Papamiltiades
2 Lightfoot Street Richmond Victoria 3121 Australia
(72) Name(s) of Designer(s): **Peter Papamiltiades**
(45) Registration Date: **12 October 2009**
(56) Related Art Documents: **Not Applicable**
(57) Statement of Newness and Distinctiveness: **Nil**



- (21) Design Number: **13557/2009**
(22) Date of Filing Application: **16 September 2009**
(24) Date from which industrial property rights may have effect: **16 September 2009**
(54) Product in respect of which the design is registered: **A vehicle with ornamentation**
(51) International Design Classification: **12-16D**
(71) Name(s) and Address(s) of Applicant(s):
John Edwin Dean
127 Edinboro Street Joondanna Western Australia 6060 Australia
(72) Name(s) of Designer(s): **John Edwin Dean**
(45) Registration Date: **12 October 2009**
(56) Related Art Documents: **Not Applicable**
(57) Statement of Newness and Distinctiveness: **I have designed the pattern/adornment (photos attached) to be used as stand alone or in conjunction with business signage as the case may be.**



(21) Design Number: **13138/2009**
(22) Date of Filing Application: **18 August 2009**
(24) Date from which industrial property rights may have effect: **18 August 2009**
(54) Product in respect of which the design is registered: **Transportable house module**
(51) International Design Classification: **25-03**
(71) Name(s) and Address(s) of Applicant(s):
Giulio Vanelli Marmi S.r.l.
Via Illice 15 I-54033 Carrara (Massa) Italy
(72) Name(s) of Designer(s): **Arturo Vittori**
(45) Registration Date: **13 October 2009**
(30) Convention priority data:
(31) Number (32) Date (33) Country
001090336 18 Feb 2009 EUROPEAN COMMUNITY
(56) Related Art Documents: **Not Applicable**
(57) Statement of Newness and Distinctiveness: **Nil**



(21) Design Number: **13441/2009**
(22) Date of Filing Application: **04 September 2009**
(24) Date from which industrial property rights may have effect: **04 September 2009**
(54) Product in respect of which the design is registered: **Ottoman**
(51) International Design Classification: **06-01E**
(71) Name(s) and Address(s) of Applicant(s):
Woods Furniture Pty Ltd
564 Geelong Road Brooklyn Victoria 3012 Australia
(72) Name(s) of Designer(s): **Arthur Rodney Massey**
(45) Registration Date: **13 October 2009**
(56) Related Art Documents: **Not Applicable**
(57) Statement of Newness and Distinctiveness: **No monopoly is claimed in the colour scheme of the ottoman as shown in the representations. The shape of the gliders connected to the bottom of the ottoman are also excluded from the design.**



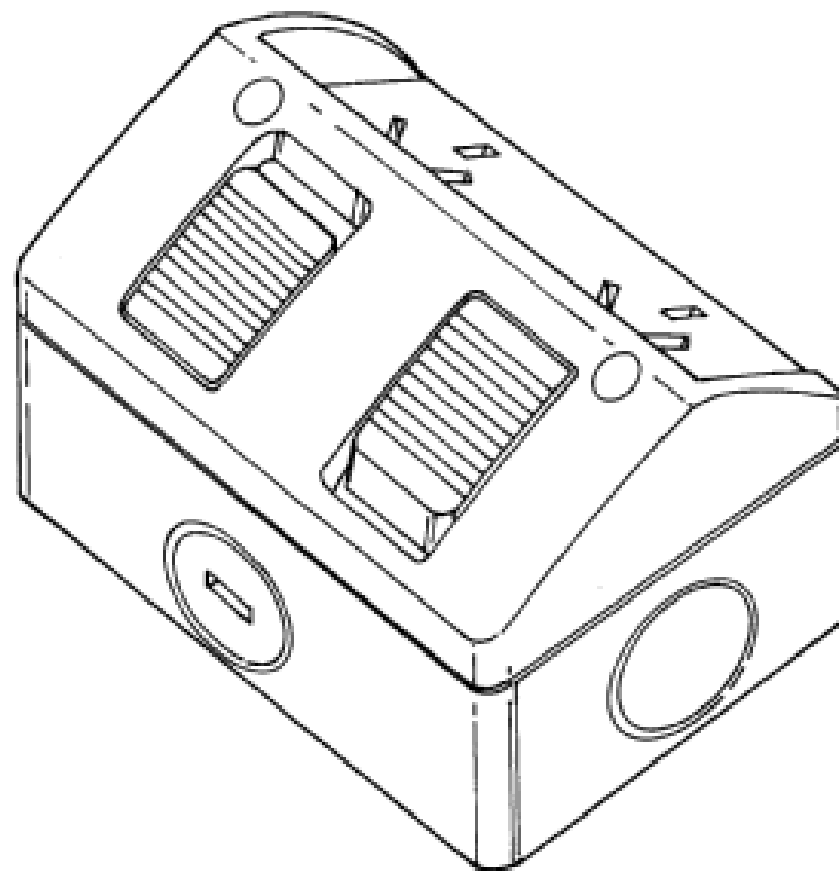
- (21) Design Number: **13554/2009**
(22) Date of Filing Application: **15 September 2009**
(24) Date from which industrial property rights may have effect: **15 September 2009**
(54) Product in respect of which the design is registered: **Front combination lamp for motor scooter**
(51) International Design Classification: **26-06**
(71) Name(s) and Address(s) of Applicant(s):
Honda Motor Co., Ltd.
1-1 Minamiaoyama 2-chome Minato-ku Tokyo Japan
(72) Name(s) of Designer(s): **Yoshiyuki Ishiguri and Siwathat Mongkolsupya**
(45) Registration Date: **13 October 2009**
(30) Convention priority data:
(31) Number (32) Date (33) Country
2009-005988 17 Mar 2009 JAPAN
(56) Related Art Documents: **Not Applicable**
(57) Statement of Newness and Distinctiveness: **Newness and distinctiveness is claimed in the features of shape and/or configuration of a front combination lamp for motor scooter as illustrated in the accompanying representations.**



- (21) Design Number: **13555/2009**
(22) Date of Filing Application: **15 September 2009**
(24) Date from which industrial property rights may have effect: **15 September 2009**
(54) Product in respect of which the design is registered: **Motor scooter**
(51) International Design Classification: **12-11**
(71) Name(s) and Address(s) of Applicant(s):
Honda Motor Co., Ltd.
1-1 Minamiaoyama 2-chome Minato-ku Tokyo Japan
(72) Name(s) of Designer(s): **Yoshiyuki Ishiguri and Siwathat Mongkolsupya**
(45) Registration Date: **13 October 2009**
(30) Convention priority data:
(31) Number (32) Date (33) Country
2009-005987 17 Mar 2009 JAPAN
(56) Related Art Documents: **Not Applicable**
(57) Statement of Newness and Distinctiveness: **Newness and distinctiveness is claimed in the features of shape and/or configuration of a motor scooter as illustrated in the accompanying representations.**

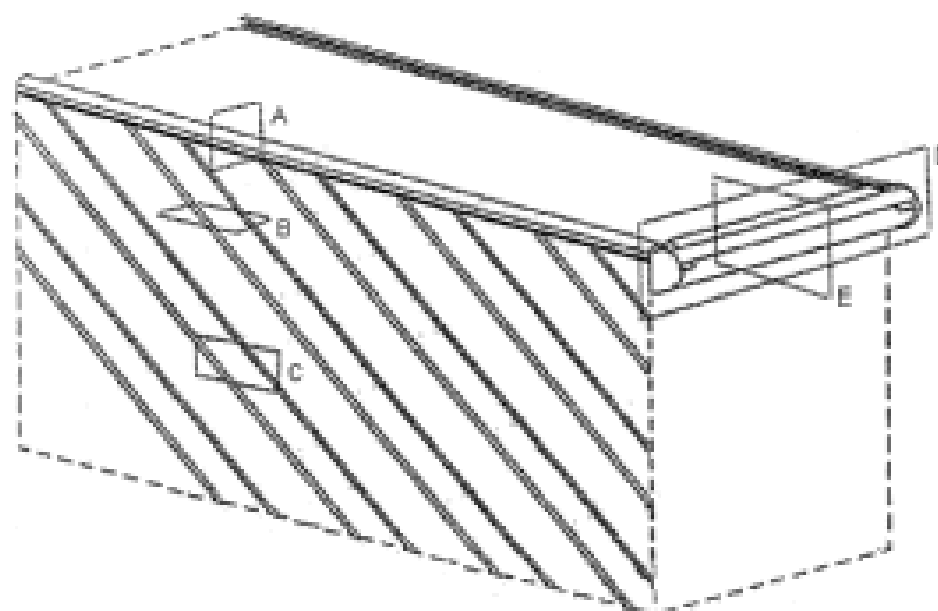


- (21) Design Number: **13577/2009**
- (22) Date of Filing Application: **18 September 2009**
- (24) Date from which industrial property rights may have effect: **18 September 2009**
- (54) Product in respect of which the design is registered: **Water resistant switched socket**
- (51) International Design Classification: **13-03D, 13-03E**
- (71) Name(s) and Address(s) of Applicant(s):
GWR Pty Ltd trading as Uniquip Industries
30 Pickett Street Bayswater Western Australia 6053 Australia
- (72) Name(s) of Designer(s): **Geoffrey William Ruddle**
- (45) Registration Date: **13 October 2009**
- (56) Related Art Documents: **Not Applicable**
- (57) Statement of Newness and Distinctiveness: **The particular visual features of the design which are new and distinctive are shape or configuration.**



- (21) Design Number: **13025/2009**
- (22) Date of Filing Application: **11 August 2009**
- (24) Date from which industrial property rights may have effect: **11 August 2009**
- (54) Product in respect of which the design is registered: **Truck container and trailer container**
- (51) International Design Classification: **12-16K**
- (71) Name(s) and Address(s) of Applicant(s):
Rinnon Products Limited
518 Kaikorai Valley Road Kenmore Dunedin 9011 New Zealand
- (72) Name(s) of Designer(s): **Ian Marsh**
- (45) Registration Date: **13 October 2009**
- (30) Convention priority data:

(31) Number	(32) Date	(33) Country
411899	11 Feb 2009	NEW ZEALAND
- (56) Related Art Documents: **Not Applicable**
- (57) Statement of Newness and Distinctiveness: **When determining whether the design 1 is substantially similar in overall impression to another design, no regard is to be had to those features shown in dotted outline in the accompanying drawings.**



(21) Design Number: **13546/2009**

(22) Date of Filing Application: **27 August 2009**

(24) Date from which industrial property rights may have effect: **27 August 2009**

(54) Product in respect of which the design is registered: **Wood folding display unit**

(51) International Design Classification: **20-02C**

(71) Name(s) and Address(s) of Applicant(s):

Peter Magee

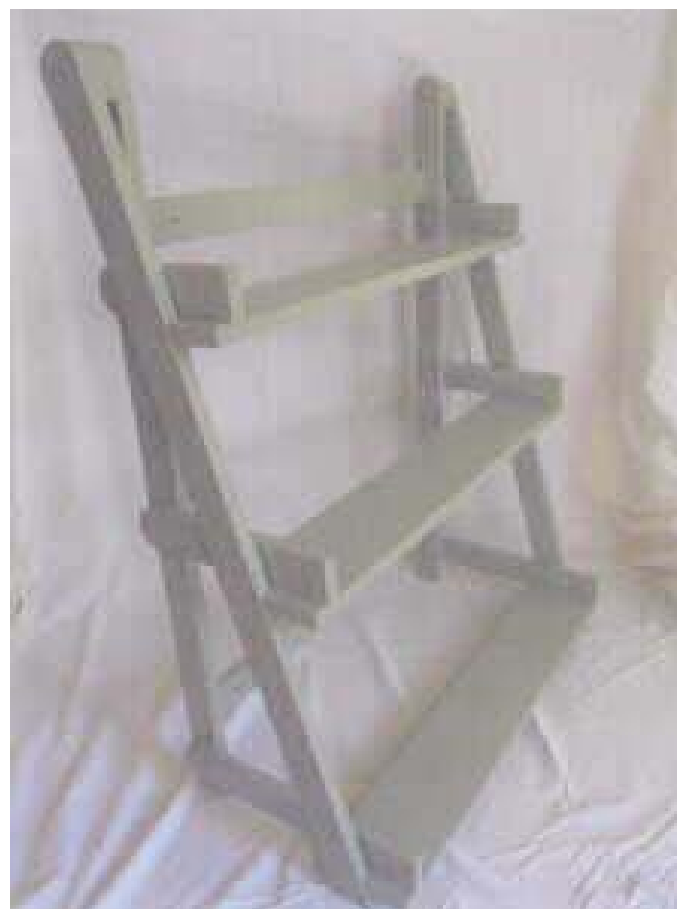
Bellevue SteEulalie D'Eymet 24500 France

(72) Name(s) of Designer(s): **Peter Magee**

(45) Registration Date: **13 October 2009**

(56) Related Art Documents: **Not Applicable**

(57) Statement of Newness and Distinctiveness: **Tiered, staggered wood shelving unit.**



(21) Design Number: **13547/2009**

(22) Date of Filing Application: **14 September 2009**

(24) Date from which industrial property rights may have effect: **14 September 2009**

(54) Product in respect of which the design is registered: **Medical clamp**

(51) International Design Classification: **24-02**

(71) Name(s) and Address(s) of Applicant(s):

Gambro Lundia AB

PO Box 10101 SE-220 10 Lund Sweden

(72) Name(s) of Designer(s): **Eugenio Lombardo and Aldo Calimeri**

(45) Registration Date: **13 October 2009**

(30) Convention priority data:

(31) Number

(32) Date

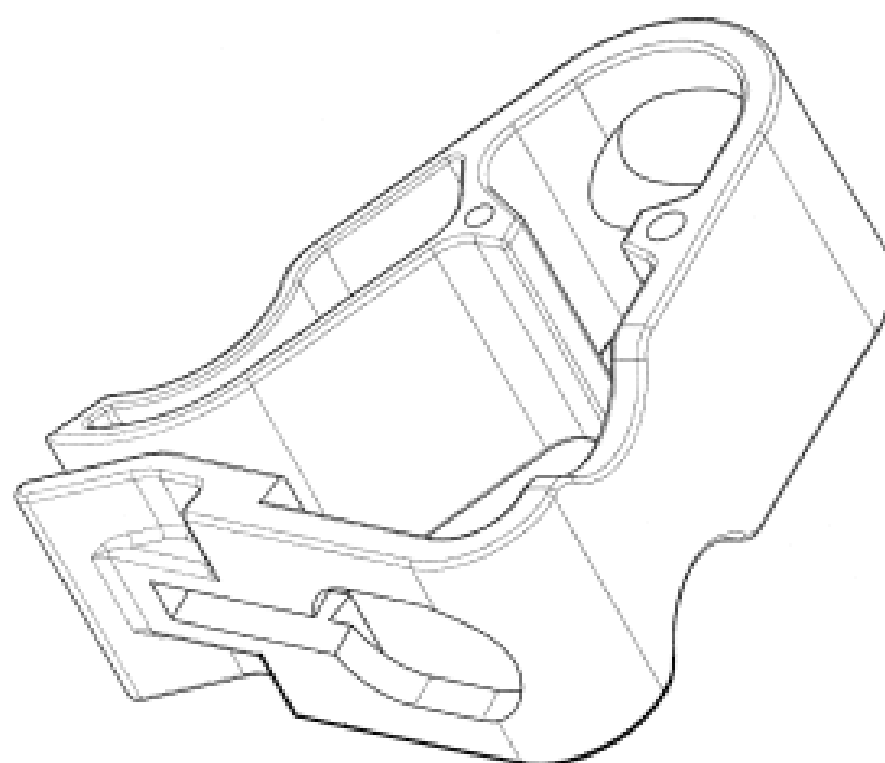
(33) Country

001110779-0001 23 Mar 2009

EUROPEAN COMMUNITY

(56) Related Art Documents: **Not Applicable**

(57) Statement of Newness and Distinctiveness: **Nil**



(21) Design Number: **13552/2009**
(22) Date of Filing Application: **27 August 2009**
(24) Date from which industrial property rights may have effect: **27 August 2009**
(54) Product in respect of which the design is registered: **Metal folding display unit**
(51) International Design Classification: **20-02C**
(71) Name(s) and Address(s) of Applicant(s):
Peter Magee
Bellevue SteEulalie D'Eymet 24500 France
(72) Name(s) of Designer(s): **Peter Magee**
(45) Registration Date: **13 October 2009**
(56) Related Art Documents: **Not Applicable**
(57) Statement of Newness and Distinctiveness: **Tiered, staggered metal shelving unit.**



(21) Design Number: **13561/2009**
(22) Date of Filing Application: **16 September 2009**
(24) Date from which industrial property rights may have effect: **16 September 2009**
(54) Product in respect of which the design is registered: **Operating/display panel**
(51) International Design Classification: **13-03NES**
(71) Name(s) and Address(s) of Applicant(s):
Inventio AG
Postfach 6052 Hergiswil Switzerland
(72) Name(s) of Designer(s): **Philipp Maurer and Martin Hurlimann**
(45) Registration Date: **13 October 2009**
(30) Convention priority data:
(31) Number (32) Date (33) Country
136062 22 Apr 2009 SWITZERLAND
(56) Related Art Documents: **Not Applicable**
(57) Statement of Newness and Distinctiveness: **Newness and distinctiveness resides in the appearance of the operating/display panel; optional inessential features (shown in hashed lines) are not considered forming part of the design.**



- (21) Design Number: **13562/2009**
(22) Date of Filing Application: **16 September 2009**
(24) Date from which industrial property rights may have effect: **16 September 2009**
(54) Product in respect of which the design is registered: **Operating/display panel**
(51) International Design Classification: **13-03NES**
(71) Name(s) and Address(s) of Applicant(s):

Inventio AG
Postfach 6052 Hergiswil Switzerland

- (72) Name(s) of Designer(s): **Philipp Maurer and Martin Hurlimann**

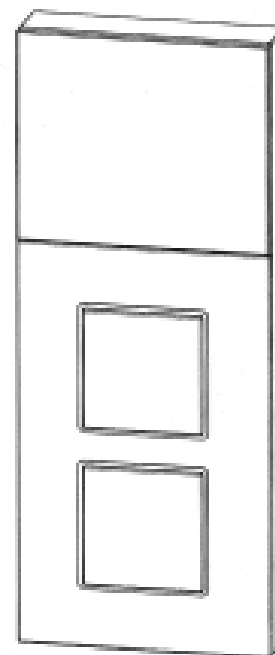
- (45) Registration Date: **13 October 2009**

- (30) Convention priority data:

(31) Number	(32) Date	(33) Country
136062	22 Apr 2009	SWITZERLAND

- (56) Related Art Documents: **Not Applicable**

- (57) Statement of Newness and Distinctiveness: **Newness and distinctiveness resides in the appearance of the operating/display panel; optional inessential features (shown in hashed lines) are not considered forming part of the design.**



- (21) Design Number: **13563/2009**
(22) Date of Filing Application: **16 September 2009**
(24) Date from which industrial property rights may have effect: **16 September 2009**
(54) Product in respect of which the design is registered: **Tyre**
(51) International Design Classification: **12-15B**
(71) Name(s) and Address(s) of Applicant(s):

Continental Aktiengesellschaft
Vahrenwalder Strasse 9 D-30165 Hannover Germany

- (72) Name(s) of Designer(s): **Thomas Buchinger-Barnstorf**

- (45) Registration Date: **13 October 2009**

- (30) Convention priority data:

(31) Number	(32) Date	(33) Country
001558198	23 Jun 2009	EUROPEAN COMMUNITY

- (56) Related Art Documents: **Not Applicable**

- (57) Statement of Newness and Distinctiveness: **The shape and/or configuration of the tread of the tyre as illustrated in the accompanying representations are new and distinctive. The shape and/or configuration of the tread are repeated around the circumference of the tyre.**



(21) Design Number: **13564/2009**

(22) Date of Filing Application: **31 August 2009**

(24) Date from which industrial property rights may have effect: **31 August 2009**

(54) Product in respect of which the design is registered: **Tyre**

(51) International Design Classification: **12-15B**

(71) Name(s) and Address(s) of Applicant(s):

**Continental Aktiengesellschaft
Vahrenwalder Strasse 9 D-30165 Hannover Germany**

(72) Name(s) of Designer(s): **Thomas Buchinger-Barnstorf and Bernd Lange**

(45) Registration Date: **13 October 2009**

(30) Convention priority data:

(31) Number	(32) Date	(33) Country
001558180	23 Jun 2009	EUROPEAN COMMUNITY

(56) Related Art Documents: **Not Applicable**

(57) Statement of Newness and Distinctiveness: **The shape and/or configuration of the tread of the tyre as illustrated in the accompanying representations are new and distinctive. The shape and/or configuration of the tread are repeated around the circumference of the tyre.**



(21) Design Number: **13565/2009**

(22) Date of Filing Application: **16 September 2009**

(24) Date from which industrial property rights may have effect: **16 September 2009**

(54) Product in respect of which the design is registered: **Gutter clip**

(51) International Design Classification: **08-08NES**

(71) Name(s) and Address(s) of Applicant(s):

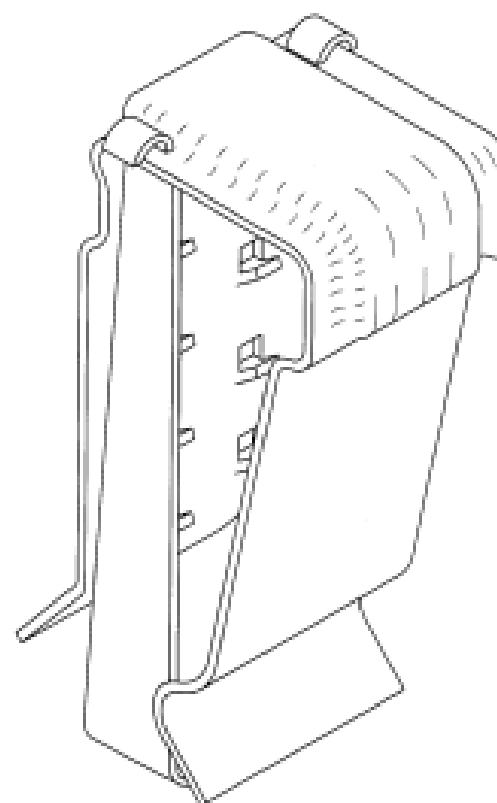
**Bluescope Steel Limited
Level 11 120 Collins Street Melbourne Victoria 3000 Australia**

(72) Name(s) of Designer(s): **Campbell John Seccombe**

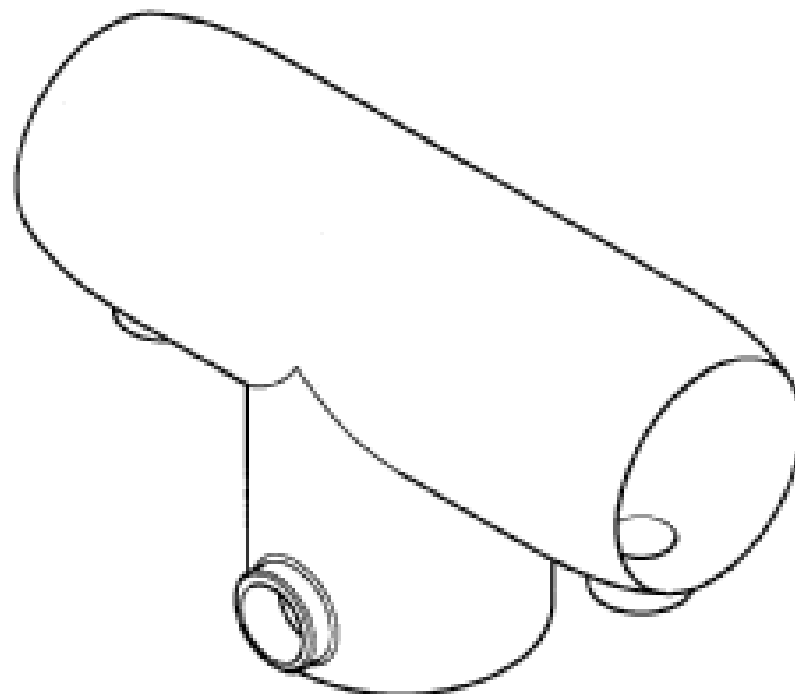
(45) Registration Date: **13 October 2009**

(56) Related Art Documents: **Not Applicable**

(57) Statement of Newness and Distinctiveness: **The shape and configuration of a gutter clip as shown in the accompanying drawings is new and distinctive.**

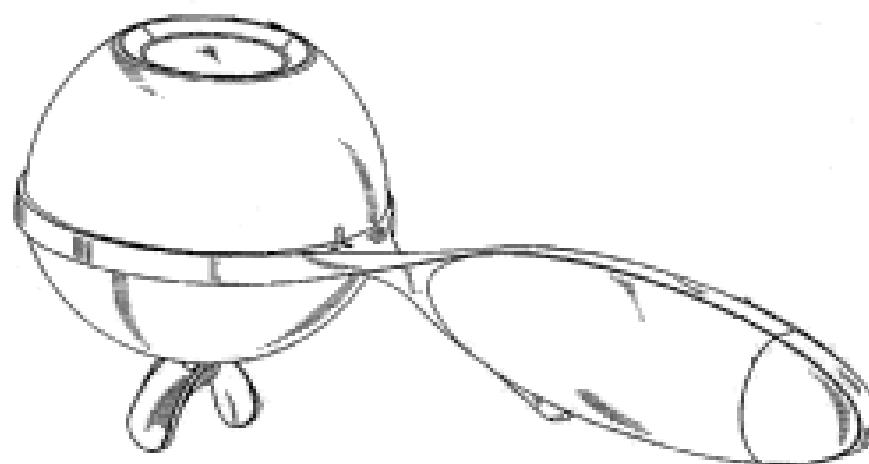


- (21) Design Number: **13566/2009**
- (22) Date of Filing Application: **16 September 2009**
- (24) Date from which industrial property rights may have effect: **16 September 2009**
- (54) Product in respect of which the design is registered: **Fitting**
- (51) International Design Classification: **23-01B**
- (71) Name(s) and Address(s) of Applicant(s):
Alltuff Products Pty Ltd
15 Dixie Road Kelmscott Western Australia 6111 Australia
- (72) Name(s) of Designer(s): **James Arthur Fawkes**
- (45) Registration Date: **13 October 2009**
- (56) Related Art Documents: **Not Applicable**
- (57) Statement of Newness and Distinctiveness: **Newness and distinctiveness is claimed in the features of shape and/or configuration of the fitting for a support rail as illustrated in the accompanying representations.**

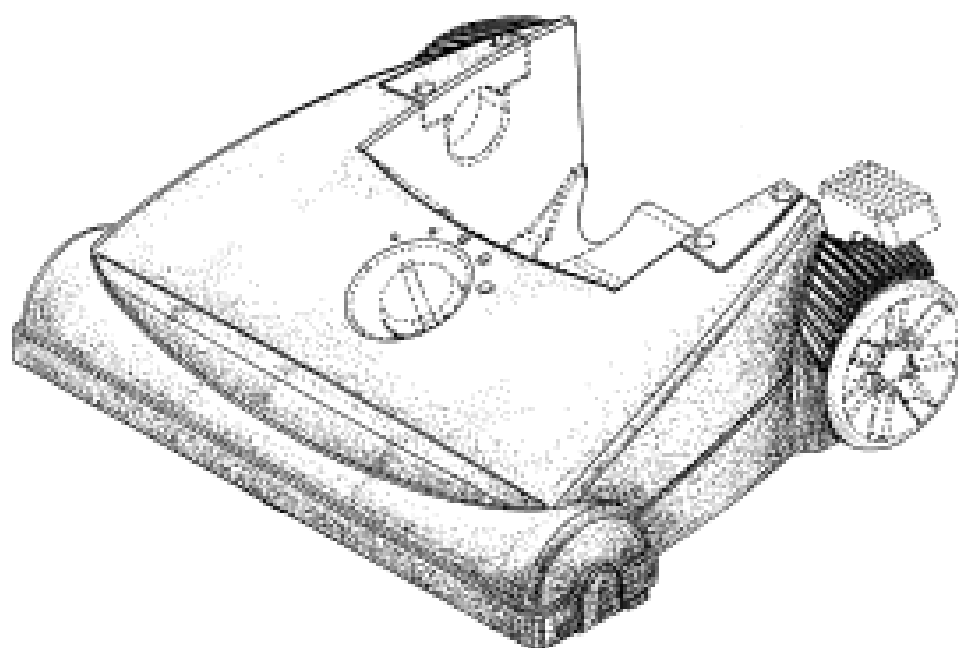


- (21) Design Number: **13581/2009**
- (22) Date of Filing Application: **17 September 2009**
- (24) Date from which industrial property rights may have effect: **17 September 2009**
- (54) Product in respect of which the design is registered: **Portable espresso maker**
- (51) International Design Classification: **07-02L**
- (71) Name(s) and Address(s) of Applicant(s):
Espressi, Inc.
2580 N 1st Street Suite 130 San Jose California 95131 United States of America
- (72) Name(s) of Designer(s): **Yi-Chun Liao and Benjamin Pei-Ming Chia and Stephen Hooper**
- (45) Registration Date: **13 October 2009**
- (30) Convention priority data:

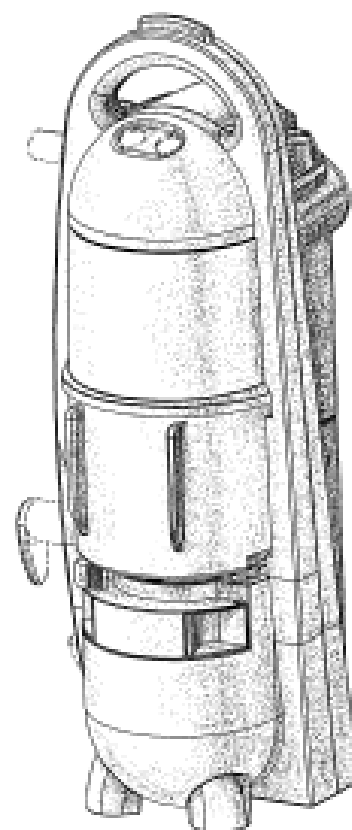
(31) Number	(32) Date	(33) Country
29/334074	19 Mar 2009	UNITED STATES OF AMERICA
- (56) Related Art Documents: **Not Applicable**
- (57) Statement of Newness and Distinctiveness: **Newness and distinctiveness is claimed in the features of shape and/or configuration of a portable espresso maker as illustrated in the accompanying representations, apart from the following parts as labelled in the representations: the top portion labelled 'A'; the spout fitting labelled 'B'; the trigger labelled 'C'; and the line labelled 'D'.**



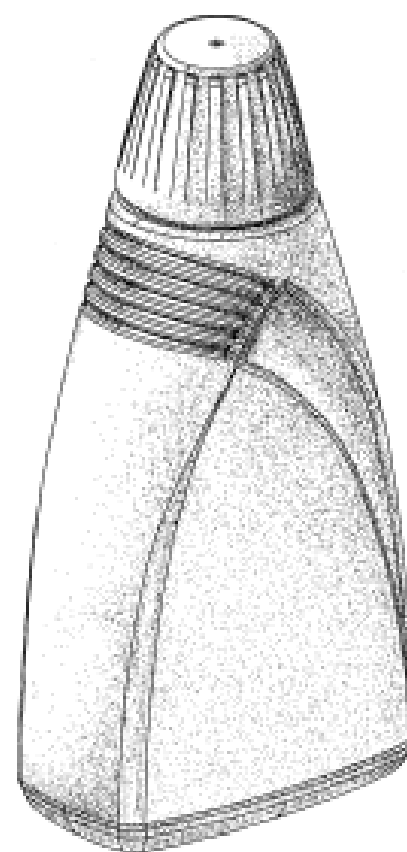
(21) Design Number: **13607/2009**
 (22) Date of Filing Application: **18 September 2009**
 (24) Date from which industrial property rights may have effect: **18 September 2009**
 (54) Product in respect of which the design is registered: **Vacuum cleaner base portion**
 (51) International Design Classification: **15-05**
 (71) Name(s) and Address(s) of Applicant(s):
BISSELL Homecare, Inc
2345 Walker Avenue N.W. Grand Rapids MI 49544 United States of America
 (72) Name(s) of Designer(s): **Ambreese Hill**
 (45) Registration Date: **14 October 2009**
 (30) Convention priority data:
 (31) Number (32) Date (33) Country
29/333,972 18 Mar 2009 UNITED STATES OF AMERICA
 (56) Related Art Documents: **Not Applicable**
 (57) Statement of Newness and Distinctiveness: **The shape and configuration of those parts of the design shown by way of solid lines in the representations are new and distinctive.**



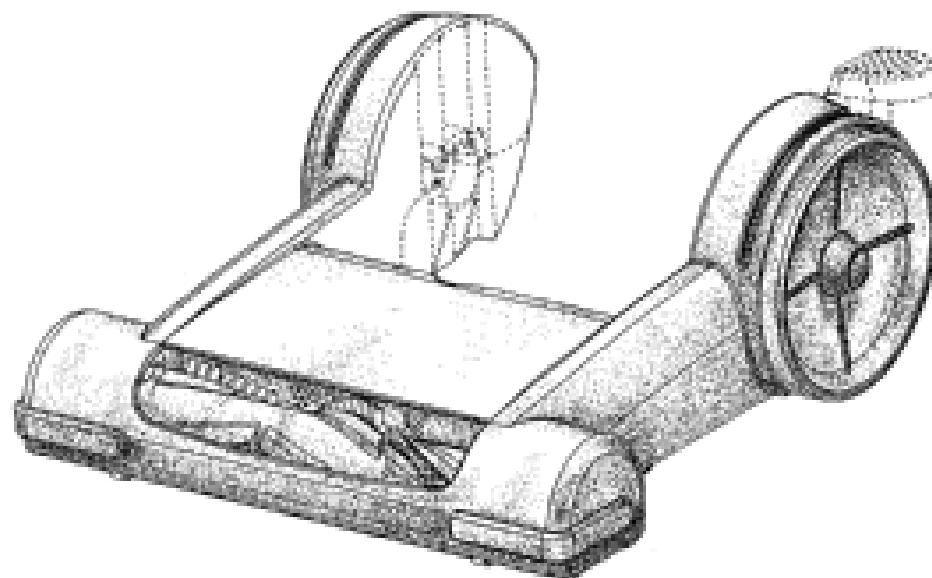
(21) Design Number: **13608/2009**
 (22) Date of Filing Application: **18 September 2009**
 (24) Date from which industrial property rights may have effect: **18 September 2009**
 (54) Product in respect of which the design is registered: **Vacuum cleaner module**
 (51) International Design Classification: **15-05**
 (71) Name(s) and Address(s) of Applicant(s):
BISSELL Homecare, Inc
2345 Walker Avenue N.W. Grand Rapids MI 49544 United States of America
 (72) Name(s) of Designer(s): **Jose Carlito Santiago**
 (45) Registration Date: **14 October 2009**
 (30) Convention priority data:
 (31) Number (32) Date (33) Country
29/333,963 18 Mar 2009 UNITED STATES OF AMERICA
 (56) Related Art Documents: **Not Applicable**
 (57) Statement of Newness and Distinctiveness: **The shape and configuration of those parts of the design shown by way of solid lines in the representations are new and distinctive.**



- (21) Design Number: **13609/2009**
(22) Date of Filing Application: **18 September 2009**
(24) Date from which industrial property rights may have effect: **18 September 2009**
(54) Product in respect of which the design is registered: **Bottle**
(51) International Design Classification: **09-01K**
(71) Name(s) and Address(s) of Applicant(s):
BISSELL Homecare, Inc
2345 Walker Avenue N.W. Grand Rapids MI 49544 United States of America
(72) Name(s) of Designer(s): **Javier Verdura and Jonathan Lee and James E. McCay and James T. Starkey and Douglas J. Medema and Michael Luyckx**
(45) Registration Date: **14 October 2009**
(30) Convention priority data:
(31) Number (32) Date (33) Country
29/334,112 20 Mar 2009 UNITED STATES OF AMERICA
(56) Related Art Documents: **Not Applicable**
(57) Statement of Newness and Distinctiveness: **Nil**

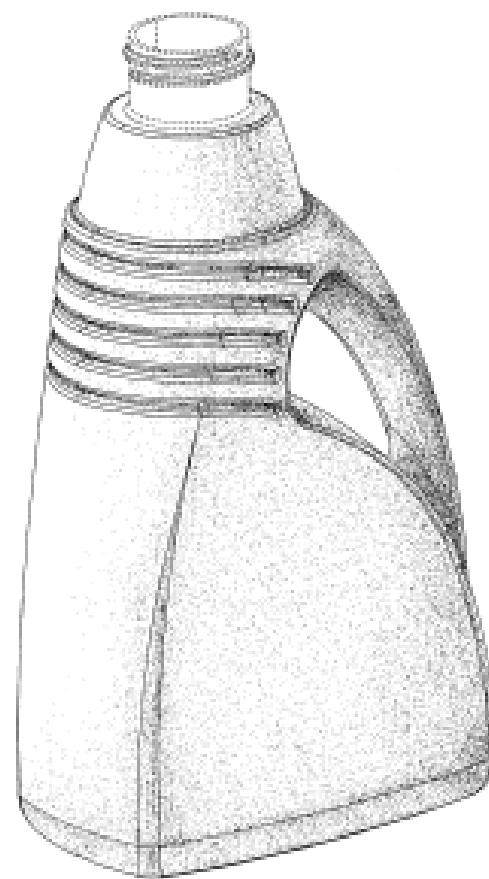


- (21) Design Number: **13610/2009**
(22) Date of Filing Application: **18 September 2009**
(24) Date from which industrial property rights may have effect: **18 September 2009**
(54) Product in respect of which the design is registered: **Vacuum cleaner base portion**
(51) International Design Classification: **15-05**
(71) Name(s) and Address(s) of Applicant(s):
BISSELL Homecare, Inc
2345 Walker Avenue N.W. Grand Rapids MI 49544 United States of America
(72) Name(s) of Designer(s): **Jose Carlito Santiago and Douglas J. Medema**
(45) Registration Date: **14 October 2009**
(30) Convention priority data:
(31) Number (32) Date (33) Country
29/337,055 19 Mar 2009 UNITED STATES OF AMERICA
(56) Related Art Documents: **Not Applicable**
(57) Statement of Newness and Distinctiveness: **The shape and configuration of those parts of the design shown by way of solid lines in the representations are new and distinctive.**



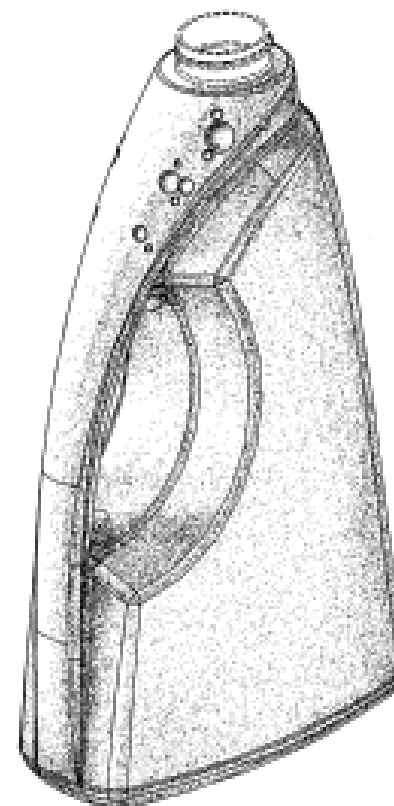
- (21) Design Number: **13611/2009**
- (22) Date of Filing Application: **18 September 2009**
- (24) Date from which industrial property rights may have effect: **18 September 2009**
- (54) Product in respect of which the design is registered: **Bottle**
- (51) International Design Classification: **09-01B**
- (71) Name(s) and Address(s) of Applicant(s):
BISSELL Homecare, Inc
2345 Walker Avenue N.W. Grand Rapids MI 49544 United States of America
- (72) Name(s) of Designer(s): **Jonathan Lee and James E. McCay and Anne E. Nixon and James T. Starkey and Michael Luyckx and Douglas J. Medema**
- (45) Registration Date: **14 October 2009**
- (30) Convention priority data:

(31) Number	(32) Date	(33) Country
29/334,113	20 Mar 2009	UNITED STATES OF AMERICA
- (56) Related Art Documents: **Not Applicable**
- (57) Statement of Newness and Distinctiveness: **The shape and configuration of those parts of the design shown by way of solid lines in the representations are new and distinctive.**

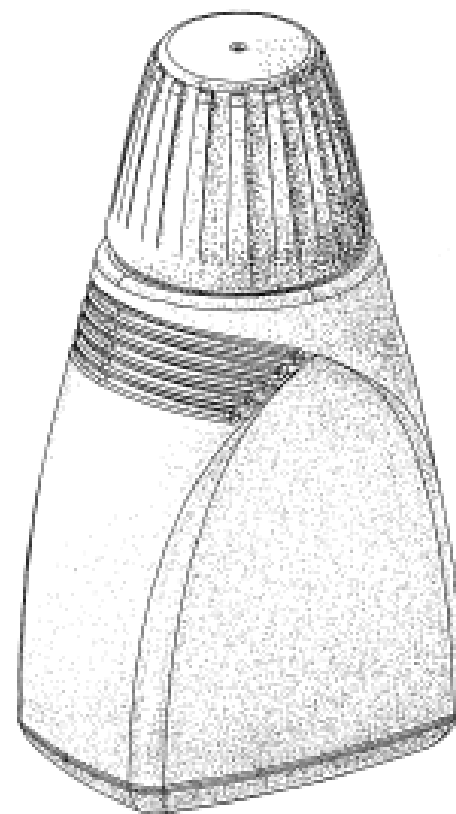


- (21) Design Number: **13612/2009**
- (22) Date of Filing Application: **18 September 2009**
- (24) Date from which industrial property rights may have effect: **18 September 2009**
- (54) Product in respect of which the design is registered: **Bottle**
- (51) International Design Classification: **09-01B**
- (71) Name(s) and Address(s) of Applicant(s):
BISSELL Homecare, Inc
2345 Walker Avenue N.W. Grand Rapids MI 49544 United States of America
- (72) Name(s) of Designer(s): **Jonathan Lee and James E. McCay and Anne E. Nixon and Michael Luyckx and Douglas J. Medema**
- (45) Registration Date: **14 October 2009**
- (30) Convention priority data:

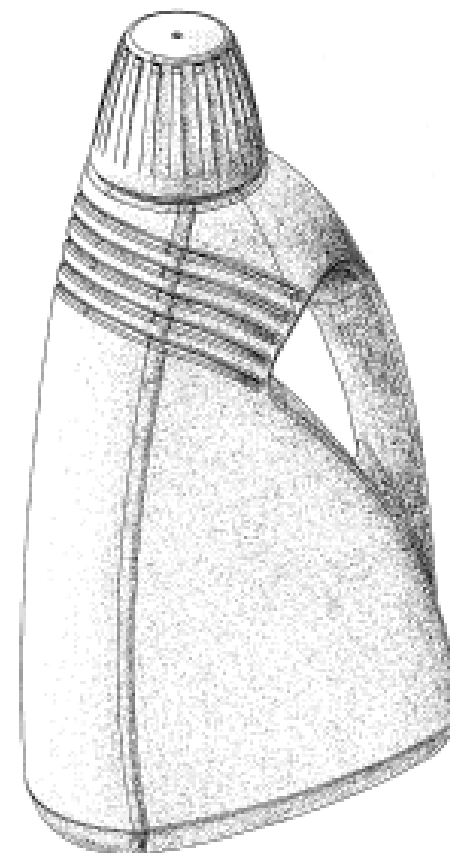
(31) Number	(32) Date	(33) Country
29/334,110	20 Mar 2009	UNITED STATES OF AMERICA
- (56) Related Art Documents: **Not Applicable**
- (57) Statement of Newness and Distinctiveness: **The shape and configuration of those parts of the design shown by way of solid lines in the representations are new and distinctiven.**



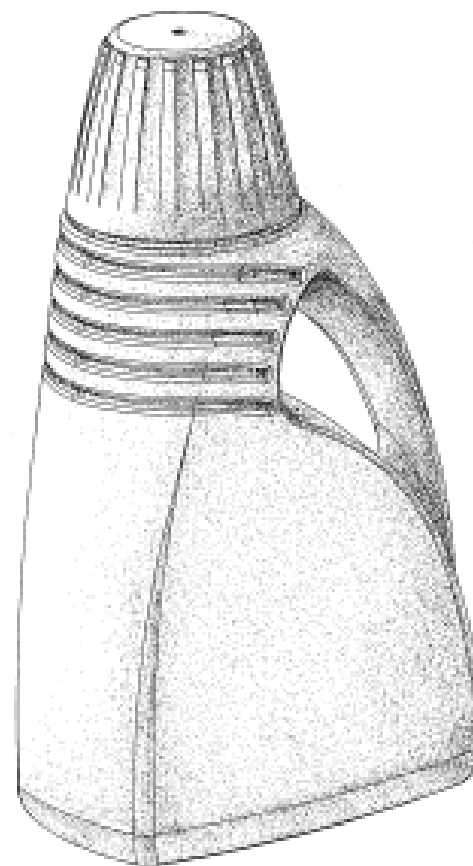
(21) Design Number: **13613/2009**
(22) Date of Filing Application: **18 September 2009**
(24) Date from which industrial property rights may have effect: **18 September 2009**
(54) Product in respect of which the design is registered: **Bottle**
(51) International Design Classification: **09-01K**
(71) Name(s) and Address(s) of Applicant(s):
BISSELL Homecare, Inc
2345 Walker Avenue N.W. Grand Rapids MI 49544 United States of America
(72) Name(s) of Designer(s): **Javier Verdura and Jonathan Lee and James E. McCay and James T. Starkey and Douglas J. Medema and Michael Luyckx**
(45) Registration Date: **14 October 2009**
(30) Convention priority data:
(31) Number (32) Date (33) Country
29/334,103 23 Mar 2009 UNITED STATES OF AMERICA
(56) Related Art Documents: **Not Applicable**
(57) Statement of Newness and Distinctiveness: **Nil**



(21) Design Number: **13614/2009**
(22) Date of Filing Application: **18 September 2009**
(24) Date from which industrial property rights may have effect: **18 September 2009**
(54) Product in respect of which the design is registered: **Bottle**
(51) International Design Classification: **09-01B**
(71) Name(s) and Address(s) of Applicant(s):
BISSELL Homecare, Inc
2345 Walker Avenue N.W. Grand Rapids MI 49544 United States of America
(72) Name(s) of Designer(s): **Jonathan Lee and James E. McCay and Anne E. Nixon and James T. Starkey and Michael Luyckx and Douglas J. Medema**
(45) Registration Date: **14 October 2009**
(30) Convention priority data:
(31) Number (32) Date (33) Country
29/334,113 20 Mar 2009 UNITED STATES OF AMERICA
(56) Related Art Documents: **Not Applicable**
(57) Statement of Newness and Distinctiveness: **Nil**



(21) Design Number: **13615/2009**
(22) Date of Filing Application: **18 September 2009**
(24) Date from which industrial property rights may have effect: **18 September 2009**
(54) Product in respect of which the design is registered: **Bottle**
(51) International Design Classification: **09-01B**
(71) Name(s) and Address(s) of Applicant(s):
BISSELL Homecare, Inc
2345 Walker Avenue N.W. Grand Rapids MI 49544 United States of America
(72) Name(s) of Designer(s): **Jonathan Lee and James E. McCay and Anne E. Nixon and James T. Starkey and Michael Luyckx and Douglas J. Medema**
(45) Registration Date: **14 October 2009**
(30) Convention priority data:
(31) Number (32) Date (33) Country
29/334,113 20 Mar 2009 UNITED STATES OF AMERICA
(56) Related Art Documents: **Not Applicable**
(57) Statement of Newness and Distinctiveness: **Nil**



(21) Design Number: **12353/2009**
(22) Date of Filing Application: **30 June 2009**
(24) Date from which industrial property rights may have effect: **30 June 2009**
(54) Product in respect of which the design is registered: **Alloy wheel**
(51) International Design Classification: **12-16A**
(71) Name(s) and Address(s) of Applicant(s):
Xinhua Wheel Products Australia Pty Ltd
8/14 Childs Road Chipping Norton New South Wales 2170 Australia
(72) Name(s) of Designer(s): **Bao Gang Gong**
(45) Registration Date: **14 October 2009**
(56) Related Art Documents: **Not Applicable**
(57) Statement of Newness and Distinctiveness: **Nil**



(21) Design Number: **12354/2009**

(22) Date of Filing Application: **30 June 2009**

(24) Date from which industrial property rights may have effect: **30 June 2009**

(54) Product in respect of which the design is registered: **Alloy wheel**

(51) International Design Classification: **12-16A**

(71) Name(s) and Address(s) of Applicant(s):

**Xinhua Wheel Products Australia Pty Ltd
8/14 Childs Road Chipping Norton New South Wales 2170 Australia**

(72) Name(s) of Designer(s): **Bao Gang Gong**

(45) Registration Date: **14 October 2009**

(56) Related Art Documents: **Not Applicable**

(57) Statement of Newness and Distinctiveness: **Nil**



(21) Design Number: **12355/2009**

(22) Date of Filing Application: **30 June 2009**

(24) Date from which industrial property rights may have effect: **30 June 2009**

(54) Product in respect of which the design is registered: **Alloy wheel**

(51) International Design Classification: **12-16A**

(71) Name(s) and Address(s) of Applicant(s):

**Xinhua Wheel Products Australia Pty Ltd
8/14 Childs Road Chipping Norton New South Wales 2170 Australia**

(72) Name(s) of Designer(s): **Bao Gang Gong**

(45) Registration Date: **14 October 2009**

(56) Related Art Documents: **Not Applicable**

(57) Statement of Newness and Distinctiveness: **Nil**



(21) Design Number: **12356/2009**

(22) Date of Filing Application: **30 June 2009**

(24) Date from which industrial property rights may have effect: **30 June 2009**

(54) Product in respect of which the design is registered: **Alloy wheel**

(51) International Design Classification: **12-16A**

(71) Name(s) and Address(s) of Applicant(s):

**Xinhua Wheel Products Australia Pty Ltd
8/14 Childs Road Chipping Norton New South Wales 2170 Australia**

(72) Name(s) of Designer(s): **Bao Gang Gong**

(45) Registration Date: **14 October 2009**

(56) Related Art Documents: **Not Applicable**

(57) Statement of Newness and Distinctiveness: **Nil**



(21) Design Number: **12357/2009**

(22) Date of Filing Application: **30 June 2009**

(24) Date from which industrial property rights may have effect: **30 June 2009**

(54) Product in respect of which the design is registered: **Alloy wheel**

(51) International Design Classification: **12-16A**

(71) Name(s) and Address(s) of Applicant(s):

**Xinhua Wheel Products Australia Pty Ltd
8/14 Childs Road Chipping Norton New South Wales 2170 Australia**

(72) Name(s) of Designer(s): **Bao Gang Gong**

(45) Registration Date: **14 October 2009**

(56) Related Art Documents: **Not Applicable**

(57) Statement of Newness and Distinctiveness: **Nil**



(21) Design Number: **12358/2009**

(22) Date of Filing Application: **30 June 2009**

(24) Date from which industrial property rights may have effect: **30 June 2009**

(54) Product in respect of which the design is registered: **Alloy wheel**

(51) International Design Classification: **12-16A**

(71) Name(s) and Address(s) of Applicant(s):

Xinhua Wheel Products Australia Pty Ltd
8/14 Childs Road Chipping Norton New South Wales 2170 Australia

(72) Name(s) of Designer(s): **Bao Gang Gong**

(45) Registration Date: **14 October 2009**

(56) Related Art Documents: **Not Applicable**

(57) Statement of Newness and Distinctiveness: **Nil**



(21) Design Number: **12359/2009**

(22) Date of Filing Application: **30 June 2009**

(24) Date from which industrial property rights may have effect: **30 June 2009**

(54) Product in respect of which the design is registered: **Alloy wheel**

(51) International Design Classification: **12-16A**

(71) Name(s) and Address(s) of Applicant(s):

Xinhua Wheel Products Australia Pty Ltd
8/14 Childs Road Chipping Norton New South Wales 2170 Australia

(72) Name(s) of Designer(s): **Bao Gang Gong**

(45) Registration Date: **14 October 2009**

(56) Related Art Documents: **Not Applicable**

(57) Statement of Newness and Distinctiveness: **Nil**



(21) Design Number: **12360/2009**

(22) Date of Filing Application: **30 June 2009**

(24) Date from which industrial property rights may have effect: **30 June 2009**

(54) Product in respect of which the design is registered: **Alloy wheel**

(51) International Design Classification: **12-16A**

(71) Name(s) and Address(s) of Applicant(s):

**Xinhua Wheel Products Australia Pty Ltd
8/14 Childs Road Chipping Norton New South Wales 2170 Australia**

(72) Name(s) of Designer(s): **Bao Gang Gong**

(45) Registration Date: **14 October 2009**

(56) Related Art Documents: **Not Applicable**

(57) Statement of Newness and Distinctiveness: **Nil**



(21) Design Number: **12362/2009**

(22) Date of Filing Application: **30 June 2009**

(24) Date from which industrial property rights may have effect: **30 June 2009**

(54) Product in respect of which the design is registered: **Alloy wheel**

(51) International Design Classification: **12-16A**

(71) Name(s) and Address(s) of Applicant(s):

**Xinhua Wheel Products Australia Pty Ltd
8/14 Childs Road Chipping Norton New South Wales 2170 Australia**

(72) Name(s) of Designer(s): **Bao Gang Gong**

(45) Registration Date: **14 October 2009**

(56) Related Art Documents: **Not Applicable**

(57) Statement of Newness and Distinctiveness: **Nil**



(21) Design Number: **12363/2009**

(22) Date of Filing Application: **30 June 2009**

(24) Date from which industrial property rights may have effect: **30 June 2009**

(54) Product in respect of which the design is registered: **Alloy wheel**

(51) International Design Classification: **12-16A**

(71) Name(s) and Address(s) of Applicant(s):

**Xinhua Wheel Products Australia Pty Ltd
8/14 Childs Road Chipping Norton New South Wales 2170 Australia**

(72) Name(s) of Designer(s): **Bao Gang Gong**

(45) Registration Date: **14 October 2009**

(56) Related Art Documents: **Not Applicable**

(57) Statement of Newness and Distinctiveness: **Nil**



(21) Design Number: **12364/2009**

(22) Date of Filing Application: **30 June 2009**

(24) Date from which industrial property rights may have effect: **30 June 2009**

(54) Product in respect of which the design is registered: **Alloy wheel**

(51) International Design Classification: **12-16A**

(71) Name(s) and Address(s) of Applicant(s):

**Xinhua Wheel Products Australia Pty Ltd
8/14 Childs Road Chipping Norton New South Wales 2170 Australia**

(72) Name(s) of Designer(s): **Bao Gang Gong**

(45) Registration Date: **14 October 2009**

(56) Related Art Documents: **Not Applicable**

(57) Statement of Newness and Distinctiveness: **Nil**



(21) Design Number: **12365/2009**

(22) Date of Filing Application: **30 June 2009**

(24) Date from which industrial property rights may have effect: **30 June 2009**

(54) Product in respect of which the design is registered: **Alloy wheel**

(51) International Design Classification: **12-16A**

(71) Name(s) and Address(s) of Applicant(s):

**Xinhua Wheel Products Australia Pty Ltd
8/14 Childs Road Chipping Norton New South Wales 2170 Australia**

(72) Name(s) of Designer(s): **Bao Gang Gong**

(45) Registration Date: **14 October 2009**

(56) Related Art Documents: **Not Applicable**

(57) Statement of Newness and Distinctiveness: **Nil**



(21) Design Number: **12366/2009**

(22) Date of Filing Application: **30 June 2009**

(24) Date from which industrial property rights may have effect: **30 June 2009**

(54) Product in respect of which the design is registered: **Alloy wheel**

(51) International Design Classification: **12-16A**

(71) Name(s) and Address(s) of Applicant(s):

**Xinhua Wheel Products Australia Pty Ltd
8/14 Childs Road Chipping Norton New South Wales 2170 Australia**

(72) Name(s) of Designer(s): **Bao Gang Gong**

(45) Registration Date: **14 October 2009**

(56) Related Art Documents: **Not Applicable**

(57) Statement of Newness and Distinctiveness: **Nil**



(21) Design Number: **12367/2009**

(22) Date of Filing Application: **30 June 2009**

(24) Date from which industrial property rights may have effect: **30 June 2009**

(54) Product in respect of which the design is registered: **Wheel centre cap with logo**

(51) International Design Classification: **12-16A**

(71) Name(s) and Address(s) of Applicant(s):

**Xinhua Wheel Products Australia Pty Ltd
8/14 Childs Road Chipping Norton New South Wales 2170 Australia**

(72) Name(s) of Designer(s): **Bao Gang Gong**

(45) Registration Date: **14 October 2009**

(56) Related Art Documents: **Not Applicable**

(57) Statement of Newness and Distinctiveness: **Nil**



(21) Design Number: **12368/2009**

(22) Date of Filing Application: **30 June 2009**

(24) Date from which industrial property rights may have effect: **30 June 2009**

(54) Product in respect of which the design is registered: **Alloy wheel**

(51) International Design Classification: **12-16A**

(71) Name(s) and Address(s) of Applicant(s):

**Xinhua Wheel Products Australia Pty Ltd
8/14 Childs Road Chipping Norton New South Wales 2170 Australia**

(72) Name(s) of Designer(s): **Bao Gang Gong**

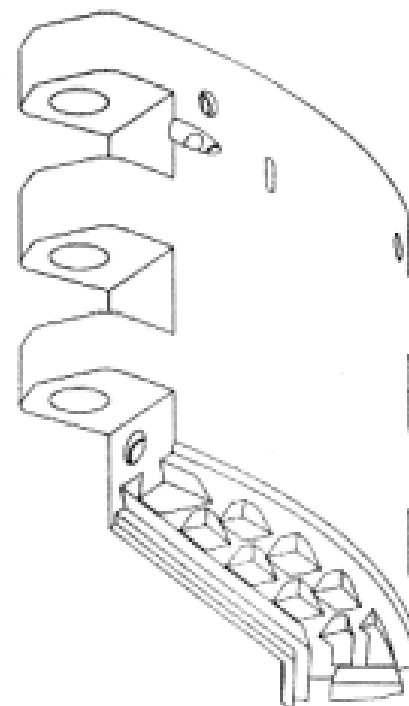
(45) Registration Date: **14 October 2009**

(56) Related Art Documents: **Not Applicable**

(57) Statement of Newness and Distinctiveness: **Nil**



- (21) Design Number: **13593/2009**
- (22) Date of Filing Application: **18 September 2009**
- (24) Date from which industrial property rights may have effect: **18 September 2009**
- (54) Product in respect of which the design is registered: **A modulated pressure ring for a furnace**
- (51) International Design Classification: **23-03B**
- (71) Name(s) and Address(s) of Applicant(s):
Gradient Services Pty Ltd
167A Waverley Road Malvern East Victoria 3145 Australia
- (72) Name(s) of Designer(s): **Graham Liddell**
- (45) Registration Date: **14 October 2009**
- (56) Related Art Documents: **Not Applicable**
- (57) Statement of Newness and Distinctiveness: **Nil**



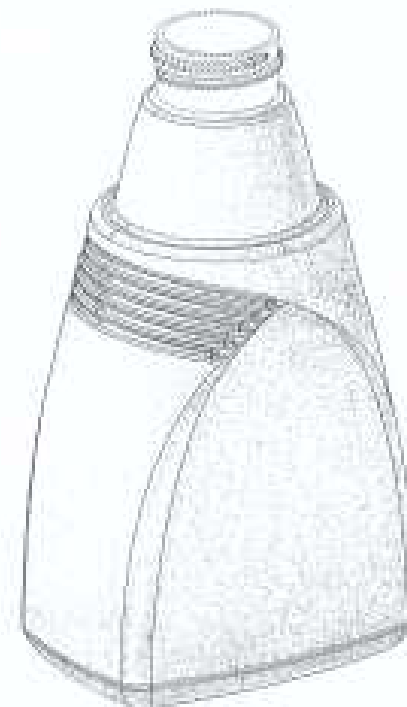
- (21) Design Number: **13594/2009**
- (22) Date of Filing Application: **18 September 2009**
- (24) Date from which industrial property rights may have effect: **18 September 2009**
- (54) Product in respect of which the design is registered: **Cyclone separation module**
- (51) International Design Classification: **15-05**
- (71) Name(s) and Address(s) of Applicant(s):
BISSELL Homecare, Inc
2345 Walker Avenue N.W. Grand Rapids MI 49544 United States of America
- (72) Name(s) of Designer(s): **Jose Carlito Santiago and Douglas J. Medema**
- (45) Registration Date: **14 October 2009**
- (30) Convention priority data:

(31) Number	(32) Date	(33) Country
29/334,082	20 Mar 2009	UNITED STATES OF AMERICA
- (56) Related Art Documents: **Not Applicable**
- (57) Statement of Newness and Distinctiveness: **The shape and configuration of those parts of the design shown by way of solid lines in the representations are new and distinctive.**



- (21) Design Number: **13595/2009**
- (22) Date of Filing Application: **18 September 2009**
- (24) Date from which industrial property rights may have effect: **18 September 2009**
- (54) Product in respect of which the design is registered: **Bottle**
- (51) International Design Classification: **09-01NES**
- (71) Name(s) and Address(s) of Applicant(s):
BISSELL Homecare, Inc
2345 Walker Avenue N.W. Grand Rapids MI 49544 United States of America
- (72) Name(s) of Designer(s): **Javier Verdura and Jonathan Lee and James E. McCay and James T. Starkey and Douglas J. Medema and Michael Luyckx**
- (45) Registration Date: **14 October 2009**
- (30) Convention priority data:

(31) Number	(32) Date	(33) Country
29/334,103	23 Mar 2009	UNITED STATES OF AMERICA
- (56) Related Art Documents: **Not Applicable**
- (57) Statement of Newness and Distinctiveness: **The shape and configuration of those parts of the design shown by way of solid lines in the representations are new and distinctive.**

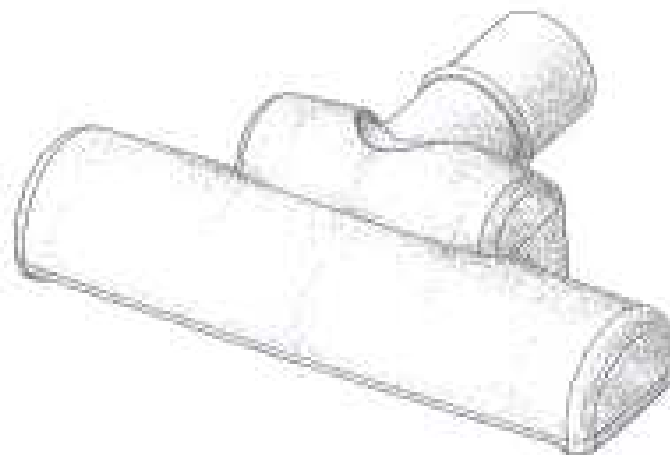


- (21) Design Number: **13596/2009**
- (22) Date of Filing Application: **18 September 2009**
- (24) Date from which industrial property rights may have effect: **18 September 2009**
- (54) Product in respect of which the design is registered: **Vacuum cleaner upright portion**
- (51) International Design Classification: **15-05**
- (71) Name(s) and Address(s) of Applicant(s):
BISSELL Homecare, Inc
2345 Walker Avenue N.W. Grand Rapids MI 49544 United States of America
- (72) Name(s) of Designer(s): **Ambreese Hill**
- (45) Registration Date: **14 October 2009**
- (30) Convention priority data:

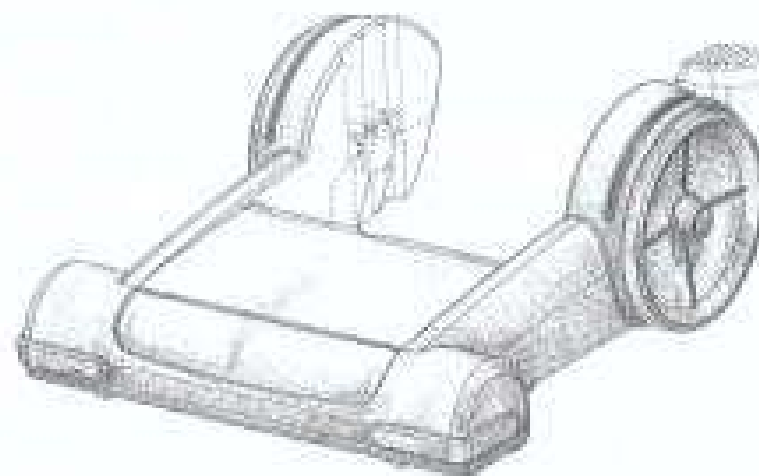
(31) Number	(32) Date	(33) Country
29/334,056	19 Mar 2009	UNITED STATES OF AMERICA
- (56) Related Art Documents: **Not Applicable**
- (57) Statement of Newness and Distinctiveness: **The shape and configuration of those parts of the design shown by way of solid lines in the representations are new and distinctive.**



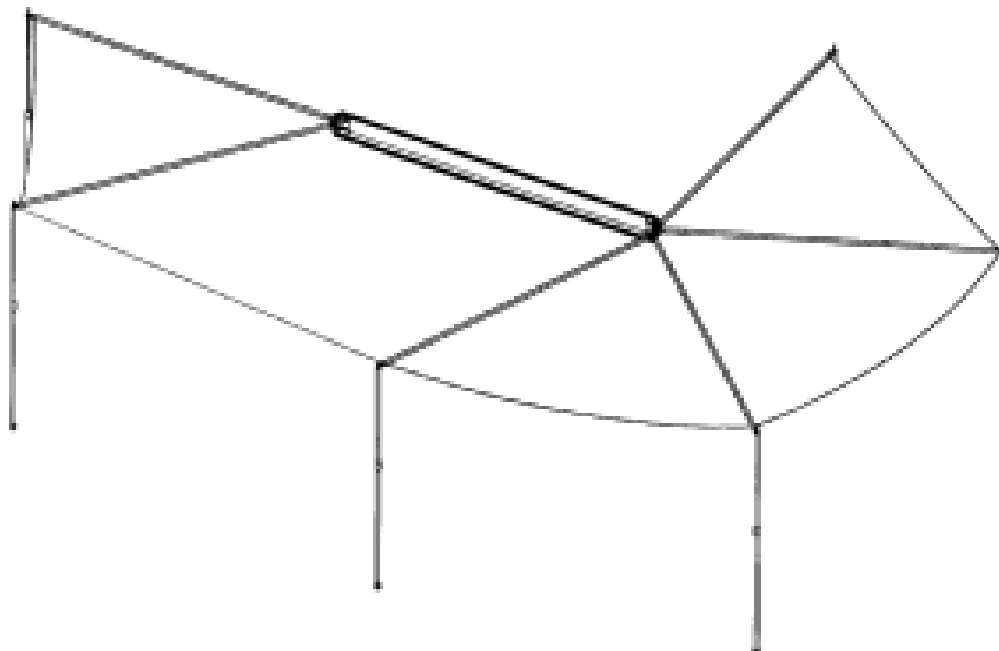
(21) Design Number: **13597/2009**
(22) Date of Filing Application: **18 September 2009**
(24) Date from which industrial property rights may have effect: **18 September 2009**
(54) Product in respect of which the design is registered: **Vacuum cleaner accessory tool**
(51) International Design Classification: **15-05**
(71) Name(s) and Address(s) of Applicant(s):
BISSELL Homecare, Inc
2345 Walker Avenue N.W. Grand Rapids MI 49544 United States of America
(72) Name(s) of Designer(s): **Jose Carlito Santiago**
(45) Registration Date: **14 October 2009**
(30) Convention priority data:
(31) Number (32) Date (33) Country
29/334,028 19 Mar 2009 UNITED STATES OF AMERICA
(56) Related Art Documents: **Not Applicable**
(57) Statement of Newness and Distinctiveness: **The shape and configuration of those parts of the design shown by way of solid lines in the representations are new and distinctive.**



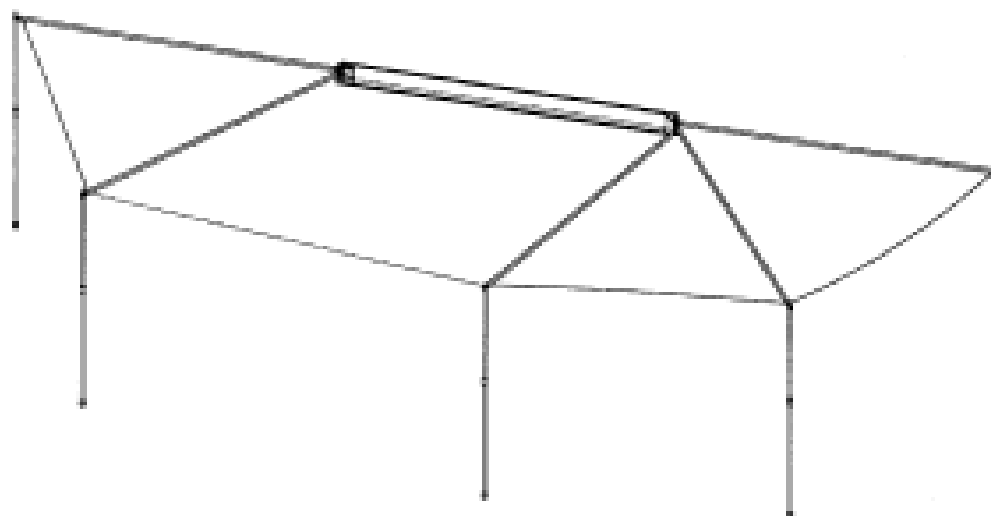
(21) Design Number: **13598/2009**
(22) Date of Filing Application: **18 September 2009**
(24) Date from which industrial property rights may have effect: **18 September 2009**
(54) Product in respect of which the design is registered: **Vacuum cleaner base portion**
(51) International Design Classification: **15-05**
(71) Name(s) and Address(s) of Applicant(s):
BISSELL Homecare, Inc
2345 Walker Avenue N.W. Grand Rapids MI 49544 United States of America
(72) Name(s) of Designer(s): **Jose Carlito Santiago and Douglas J. Medema**
(45) Registration Date: **14 October 2009**
(30) Convention priority data:
(31) Number (32) Date (33) Country
29/334,055 19 Mar 2009 UNITED STATES OF AMERICA
(56) Related Art Documents: **Not Applicable**
(57) Statement of Newness and Distinctiveness: **The shape and configuration of those parts of the design shown by way of solid lines in the representations are new and distinctive.**



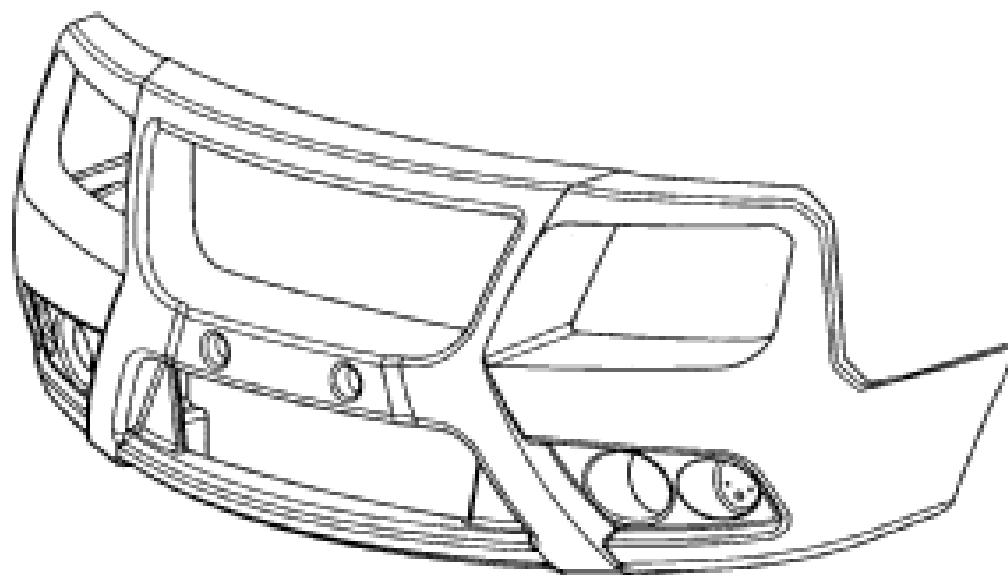
- (21) Design Number: **13572/2009**
- (22) Date of Filing Application: **17 September 2009**
- (24) Date from which industrial property rights may have effect: **17 September 2009**
- (54) Product in respect of which the design is registered: **Stowable vehicle awning**
- (51) International Design Classification: **12-16NES**
- (71) Name(s) and Address(s) of Applicant(s):
Rhino Rack Australia Pty Limited
3 Pike Street Rydalmere New South Wales 2116 Australia
- (72) Name(s) of Designer(s): **Richard Cropley**
- (45) Registration Date: **14 October 2009**
- (56) Related Art Documents: **Not Applicable**
- (57) Statement of Newness and Distinctiveness: **Newness and distinctiveness is claimed in those features of shape and/or configuration of a stowable vehicle awning as illustrated in continuous lines in the accompanying representations.**



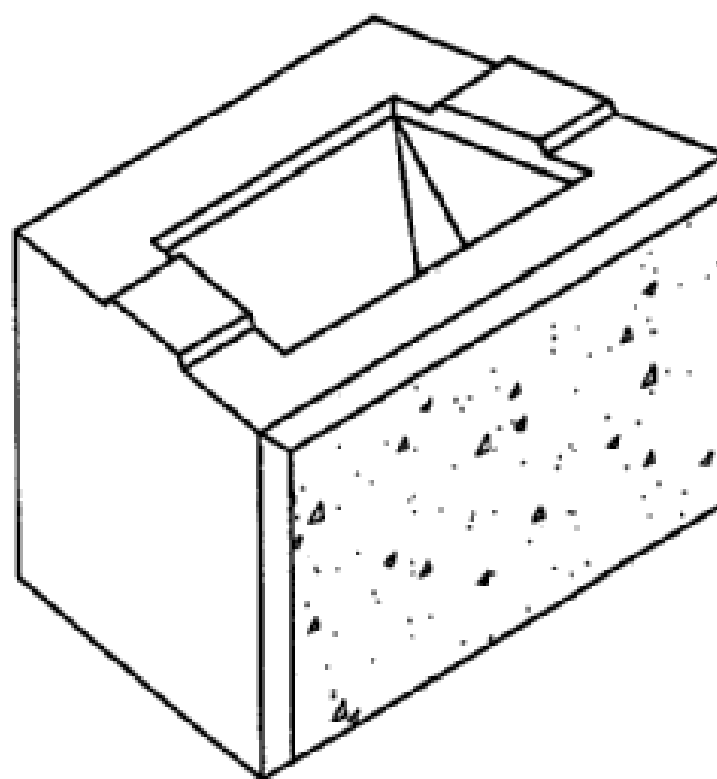
- (21) Design Number: **13573/2009**
- (22) Date of Filing Application: **17 September 2009**
- (24) Date from which industrial property rights may have effect: **17 September 2009**
- (54) Product in respect of which the design is registered: **Collapsible awning for a vehicle**
- (51) International Design Classification: **12-16NES**
- (71) Name(s) and Address(s) of Applicant(s):
Rhino Rack Australia Pty Limited
3 Pike Street Rydalmere New South Wales 2116 Australia
- (72) Name(s) of Designer(s): **Richard Cropley**
- (45) Registration Date: **14 October 2009**
- (56) Related Art Documents: **Not Applicable**
- (57) Statement of Newness and Distinctiveness: **Newness and distinctiveness is claimed in those features of shape and/or configuration of a collapsible awning for a vehicle as illustrated in continuous lines in the accompanying representations.**



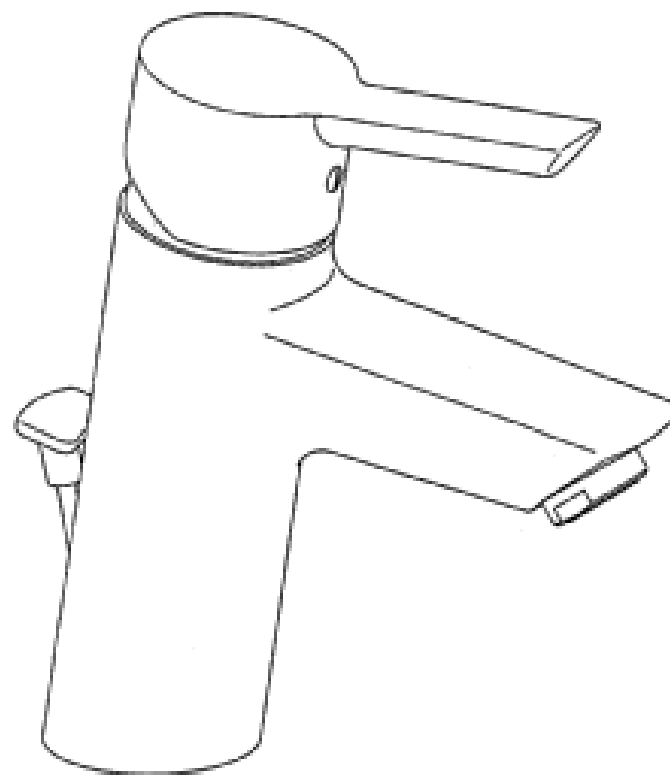
- (21) Design Number: **13574/2009**
(22) Date of Filing Application: **17 September 2009**
(24) Date from which industrial property rights may have effect: **17 September 2009**
(54) Product in respect of which the design is registered: **Front bumper for a vehicle**
(51) International Design Classification: **12-16C**
(71) Name(s) and Address(s) of Applicant(s):
Team Poly Pty Ltd
36 Waddikee Road Lonsdale South Australia 5160 Australia
(72) Name(s) of Designer(s): **Kieran Michael Jenkins**
(45) Registration Date: **14 October 2009**
(56) Related Art Documents: **Not Applicable**
(57) Statement of Newness and Distinctiveness: **Newness and distinctiveness is claimed in the features of shape and/or configuration of a front bumper for a vehicle as illustrated in the accompanying representations.**



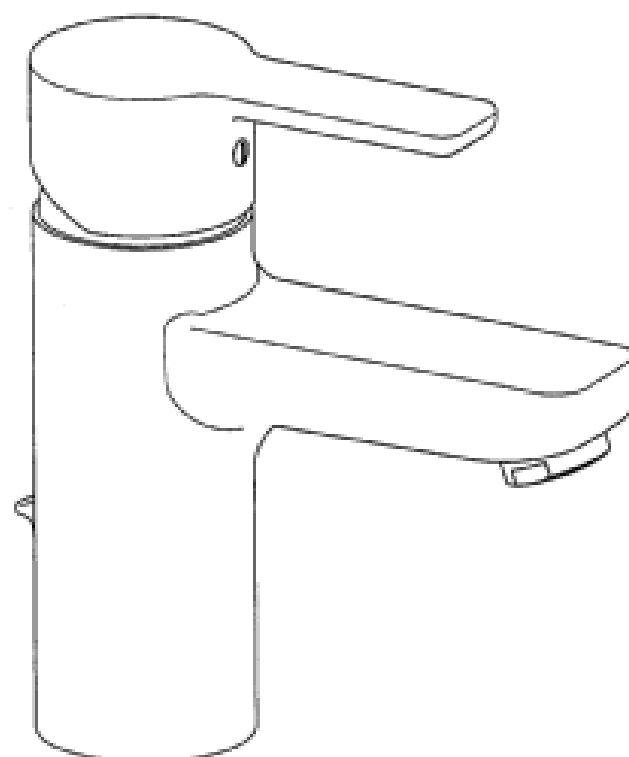
- (21) Design Number: **13585/2009**
(22) Date of Filing Application: **18 September 2009**
(24) Date from which industrial property rights may have effect: **18 September 2009**
(54) Product in respect of which the design is registered: **A masonry block**
(51) International Design Classification: **25-01A**
(71) Name(s) and Address(s) of Applicant(s):
Baines Masonry Blocks Pty Ltd
900 Wilton Road Appin New South Wales 2560 Australia
(72) Name(s) of Designer(s): **Tim McGoldrick**
(45) Registration Date: **14 October 2009**
(56) Related Art Documents: **Not Applicable**
(57) Statement of Newness and Distinctiveness: **Newness and distinctiveness is claimed in the features of a masonry block as illustrated in the accompanying representations, apart from the front face.**



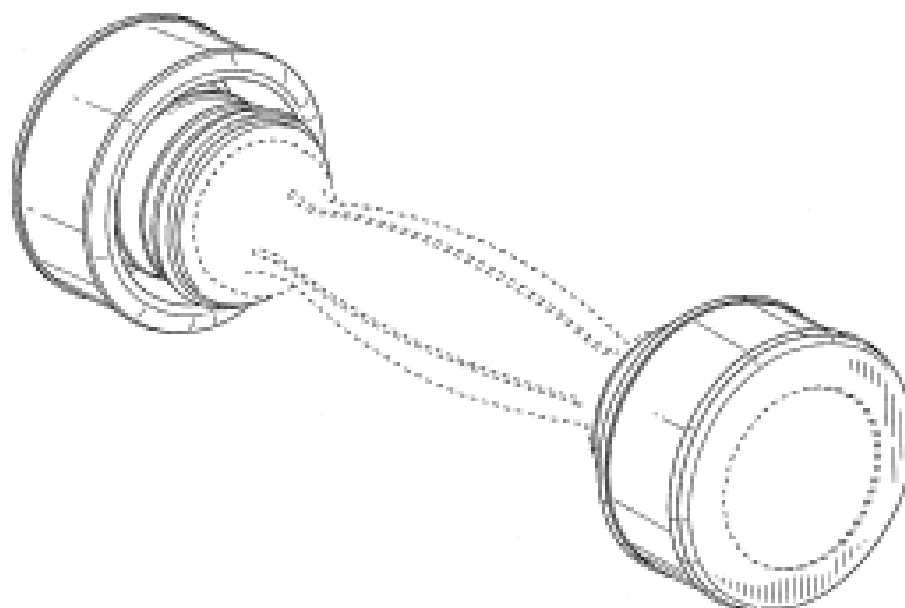
(21) Design Number: **13349/2009**
(22) Date of Filing Application: **31 August 2009**
(24) Date from which industrial property rights may have effect: **31 August 2009**
(54) Product in respect of which the design is registered: **Mixing tap**
(51) International Design Classification: **23-01H**
(71) Name(s) and Address(s) of Applicant(s):
Hansa Metallwerke AG
Sigmaringer Str. 107 D-70567 Stuttgart Germany
(72) Name(s) of Designer(s): **Michael Zeisel and Michael Lammel**
(45) Registration Date: **14 October 2009**
(30) Convention priority data:
(31) Number (32) Date (33) Country
001118061-0001 06 Apr 2009 EUROPEAN COMMUNITY
(56) Related Art Documents: **Not Applicable**
(57) Statement of Newness and Distinctiveness: **Nil**



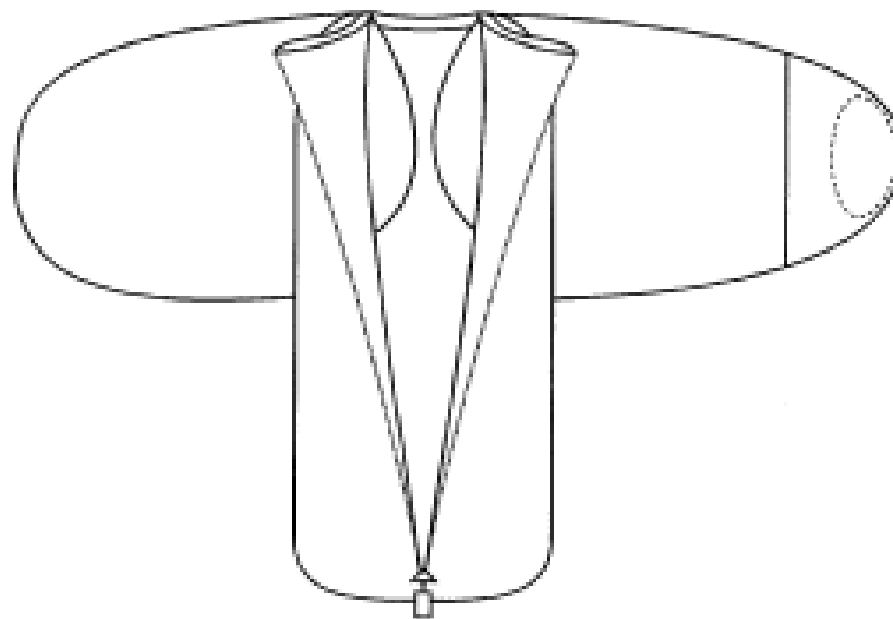
(21) Design Number: **13350/2009**
(22) Date of Filing Application: **31 August 2009**
(24) Date from which industrial property rights may have effect: **31 August 2009**
(54) Product in respect of which the design is registered: **Mixing tap**
(51) International Design Classification: **23-01H**
(71) Name(s) and Address(s) of Applicant(s):
Hansa Metallwerke AG
Sigmaringer Str. 107 D-70567 Stuttgart Germany
(72) Name(s) of Designer(s): **Michael Zeisel and Michael Lammel**
(45) Registration Date: **14 October 2009**
(30) Convention priority data:
(31) Number (32) Date (33) Country
001118061-0005 06 Apr 2009 EUROPEAN COMMUNITY
(56) Related Art Documents: **Not Applicable**
(57) Statement of Newness and Distinctiveness: **Nil**



(21) Design Number: **13351/2009**
(22) Date of Filing Application: **31 August 2009**
(24) Date from which industrial property rights may have effect: **31 August 2009**
(54) Product in respect of which the design is registered: **Exercise device**
(51) International Design Classification: **21-02F**
(71) Name(s) and Address(s) of Applicant(s):
Johann B. Verheem
3021 Camino Serbal Carlsbad California 92009 United States of America
(72) Name(s) of Designer(s): **Johann B. Verheem**
(45) Registration Date: **14 October 2009**
(30) Convention priority data:
(31) Number (32) Date (33) Country
12/508921 24 Jul 2009 UNITED STATES OF AMERICA
(56) Related Art Documents: **Not Applicable**
(57) Statement of Newness and Distinctiveness: **Newness and distinctiveness is claimed in the visual features shown in solid lines in the representations.**



(21) Design Number: **13483/2009**
(22) Date of Filing Application: **09 September 2009**
(24) Date from which industrial property rights may have effect: **09 September 2009**
(54) Product in respect of which the design is registered: **Baby wrap**
(51) International Design Classification: **06-13B**
(71) Name(s) and Address(s) of Applicant(s):
Mum 2 Mum Ltd
46 Graham Road R D 1 Hamilton 3281 New Zealand
(72) Name(s) of Designer(s): **Joanne Kim Keall and Joanne Alice Bond**
(45) Registration Date: **14 October 2009**
(30) Convention priority data:
(31) Number (32) Date (33) Country
412386 12 Jun 2009 NEW ZEALAND
(56) Related Art Documents: **Not Applicable**
(57) Statement of Newness and Distinctiveness: **This design is to be applied to a Baby Wrap and the novelty resides in the features of shape and configuration of the article shown in the accompanying representations, with the exception of the baby.**



(21) Design Number: **13718/2009**

(22) Date of Filing Application: **28 September 2009**

(24) Date from which industrial property rights may have effect: **28 September 2009**

(54) Product in respect of which the design is registered: **Bean bags, meditation chairs, breast feeding support**

(51) International Design Classification: **06-01L, 24-04**

(71) Name(s) and Address(s) of Applicant(s):

Angela Mary Magdalene Toohey

38 Appleyard Crescent Coopers Plains Queensland 4108 Australia

(72) Name(s) of Designer(s): **Angela Mary Magdalene Toohey**

(45) Registration Date: **14 October 2009**

(56) Related Art Documents: **Not Applicable**

(57) Statement of Newness and Distinctiveness: **The design is in two pieces. The two pieces can be attached together with ties or remain separate depending on which position the product is being used in. The main/larger piece has circular cavity allowing the product to be used in many positions. The design has a structured gusset (a series of panels on the inside of the cavity that provide structure, support and shape). The design has a high structured back and a low front, this also allows the product to be used in many positions.**

