



Australian Government

IP Australia

AUSTRALIAN OFFICIAL JOURNAL

OF

DESIGNS

Did you know a searchable version of this journal is now available online?

It's FREE and EASY to SEARCH.

Find it at

<http://pericles.ipaustralia.gov.au/ols/epublish/content/olsEpublications.jsp>
or using the "Online Journals" link on the IP Australia home page.

This Page Left Intentionally Blank

Contents

General Information & Notices

Proceedings Under the Designs Act 1906 preserved as a result of the provisions of Chapter 12 Part 2 of the Designs Act 2003

Applications for Extension of Time	3250
Extension of Period of Registration of Designs	3250
Registrations Ceased	3250

Proceedings Under the Designs Act 2003

Applications Assigned	3265
Applications Lapsed	3260
Applications Lodged	3255
Certificate of Examination	3266
Discharge of Mortgages	3261
Extension of Period of Registration of Design	3261
Extension of Time Granted Under Section 137	3261
Names Registered - Alterations and Amendments	3265
Publication and Registration Proceedings	
Designs Registered 327987 to 328191.....	3267
Revocation of Design Registrations	3261

This Page Left Intentionally Blank

For information on the following please see our website www.ipaustralia.gov.au or contact our Customer Service Network on 1300651010

[Editorial enquiries](#)

[Contact information](#)

[Freedom of Information ACT](#)

[Professional Standards Board](#)

[Sales](#)

[Requests for Information under Section 194 \(c\)](#)

[Country Codes](#)

[Trade Mark and Designs Hearing Sessions](#)

[INID \(Internationally agreed Numbers for the Identification of Data\)](#)

“INID” NUMBERS in use on Australian Design Documents

“INID” is an acronym for “Internationally agreed Numbers for the Identification of Data”.

(10) Data concerning the registration/renewal

- (11) Serial number of the registration and/or number of the design document
- (12) Plain language designation of the kind of published document
- (19) Identification, using the two-letter code according to WIPO Standard ST.3, of the authority publishing or registering the industrial design

(20) Data concerning the application

- (21) Serial number of the application
- (22) Date of filing of the application
- (24) Date from which the industrial design right has effect

(30) Data relating to priority under the Paris Convention

- (31) Serial number assigned to the priority application
- (32) Date of filing of the priority application
- (33) Two-letter code, according to WIPO Standard ST.3, identifying the authority with which the priority application was made

(40) Date(s) of making information available to the public

- (45) Date of publication of the registered industrial design by printing or similar process, or making it available to the public by any other means

(50) Miscellaneous Information

- (51) International Classification for Industrial Designs (class and subclass of the Locarno Classification)
- (54) Designation of article(s) or product(s) covered by the industrial design or title of the industrial design
- (55) Reproduction of the industrial design (e.g., drawing, photograph) and explanations relating to the reproduction
- (56) List of prior art documents, if separate from descriptive text
- (57) Description of characteristic features of the industrial design including indication of colours

(60) References to other legally related application(s) and registration(s)

- (62) Serial number(s) and, if available, filing date(s) of application(s), registration(s) or document(s) related by division
- (66) Serial number(s) of the application, or the registration, of the design(s) which is (are) a variant(s) of the present one

(70) Identification of parties concerned with the application or registration

- (71) Name(s) and address(es) of the applicant(s)
- (72) Name(s) of the creator(s) if known to be such
- (74) Name(s) and address(es) of the representative(s)

This Page Left Intentionally Blank

Official Notice**IP Australia's Victorian Sub-Office**

IP Australia is pleased to advise all customers that it has engaged Australia Post to deliver its new state based lodgement service arrangements. These services include the lodgement of documents and payment of fees relating to registered IP rights and new applications.

For the purposes of section 205(2) of the Patents Act 1990, section 199(2) of the Trade Marks Act 1995 and section 125(2) of the Designs Act 2003, effective from 16 November 2009, the Victorian sub-office is:

IP Lodgement Point
Melbourne GPO
250 Elizabeth Street
Melbourne VIC 3000

From 16 November 2009 the lodgement of documents and payment of official fees in Victoria can only be made at the above address. The filing date and/or payment date will be the date the lodgement and/or payment is made at the location as stated above.

Consistent with existing legislative requirements, this service will be available from 9.00am – 5.00pm Monday to Friday, except for public holidays.

Unfortunately the new arrangements do not allow for Plant Breeder's Rights lodgements with Australia Post. To address this issue IP Australia has developed a comprehensive new range of e-forms which can be found at <http://www.ipaustralia.gov.au/pbr/forms.shtml>.

Plant Breeder's Rights forms, payments or other correspondence can continue to be lodged directly at IP Australia in Canberra to PO Box 200 Woden ACT 2606; or by fax to +61 2 6283 7999.

For further information please visit:
http://www.ipaustralia.gov.au/about/state_transition.shtml

Contact: IP Australia
Phone: 1300 651 010
Fax: +61 2 6283 7999
E-mail: servicetransition@ipaustralia.gov.au
Web: www.ipaustralia.gov.au

Official Notice**IP Australia introduces Northern Territory Sub-Office**

IP Australia is pleased to advise all customers that it has engaged Australia Post to deliver its new state based lodgement service arrangements. As part of these new arrangements, a lodgement service will be available to customers in the Northern Territory for the first time. These services include the lodgement of documents and payment of fees relating to registered IP rights and new applications.

For the purposes of section 205(2) of the Patents Act 1990, section 199(2) of the Trade Marks Act 1995 and section 125(2) of the Designs Act 2003, effective from 6 November 2009, a Northern Territory sub-office will be located at:

IP Lodgement Point
Darwin GPO
48 Cavenagh Street
Darwin Northern Territory

From 6 November 2009 the lodgement of documents and payment of official fees in Northern Territory can be made at the above address. The filing date and/or payment date will be the date the lodgement and/or payment is made at the Darwin GPO.

Consistent with existing legislative requirements, this service will be available from 9.00am – 5.00pm Monday to Friday, except for public holidays.

Unfortunately the new arrangements do not allow for Plant Breeder's Rights lodgements with Australia Post. To address this issue IP Australia has developed a comprehensive new range of e-forms which can be found at <http://www.ipaustralia.gov.au/pbr/forms.shtml>.

Plant Breeder's Rights forms, payments or other correspondence can continue to be lodged directly at IP Australia in Canberra to PO Box 200 Woden ACT 2606; or by fax to +61 2 6283 7999.

For further information please visit:
http://www.ipaustralia.gov.au/about/state_transition.shtml

Contact: IP Australia
Phone: 1300 651 010
Fax: +61 2 6283 7999
E-mail: servicetransition@ipaustralia.gov.au
Web: www.ipaustralia.gov.au

Official Notice**Declaration of Public Holidays for 2010****Declaration of the days in 2010 when the Designs Office, the Patent, the PBR Office and the Trade Marks Office and their sub-offices are taken not to be open for business**

The close-down provisions in the designs, Olympic insignia protection, patents, plant breeder's rights and trade marks legislation provide for the effect of Designs Office, the Patent Office, the Trade Marks Office ('the Canberra offices') or any of their sub-offices in the State capitals not being open for business.

On 23 October 2009, the Director General of IP Australia declared under the close-down provisions the days when the Canberra offices and the sub-offices will not be open for business for the 2010 Calendar year. A copy of the declaration is attached. The Declaration covers the period from 6 November 2009 to 1 January 2011. The Northern Territory Office will now have a sub-office for the first time which is opening on the 6 November 2009.

The Canberra offices and the sub-offices will not be open for business on the following days in the period **6 November 2009 to 1 January 2011.**

All the Canberra offices and the Sub-offices:

The following are the days in 2010 when Canberra Offices and all sub-offices will not be open for business.

All Saturdays and Sundays in the period.

Friday 25 December 2009 to Friday 1 January 2010 Christmas to New Year close down

Tuesday 26 January 2010	Australia Day
Friday, 2 April 2010	Good Friday
Monday, 5 April 2010	Easter Monday
Monday 27 December 2010	Christmas Day
Tuesday 28 December 2010	Boxing Day
Wednesday 29 December 2010	Public Service Day
Thursday 30 December 2010	Close Down
Friday 31 December 2010	Close Down

The following are additional days in 2010-2011 when the Canberra offices or particular sub-offices will not be open for business.

The Canberra Office

Monday 8 March 2010	Canberra Day
Monday, 26 April 2010	Anzac Day;
Monday 14 June 2010	Queen's Birthday holiday
Monday 27 September 2010	Family and Community Day
Monday 4 October 2010	Labour Day

The New South Wales sub-office

Monday 26 April 2010	Anzac Day
Monday 14 June 2010	Queen's Birthday holiday
Monday 4th October 2010	Labour Day

The Queensland sub-office

Monday 3 May 2010	Labour Day
Monday 14 June 2010	Queen's Birthday holiday
Wednesday 11 August 2010	Royal Queensland Show Day

The South Australian sub-office

Monday 8 March 2010	Adelaide Cup Day
Monday 14 June 2010	Queen's Birthday holiday
Monday 4 October 2010	Labour Day

The Tasmanian sub-office

Monday 8 February 2010	Royal Hobart Regatta holiday
Monday 8 March 2010	Eight Hours Day
Tuesday 6 April 2010	Easter Tuesday
Monday 14 June 2010	Queen's Birthday
Thursday 21 October 2010	Hobart Show Day

The Victorian sub-office

Monday 8 March 2010	Labour Day
Monday 14 June 2010	Queen's Birthday holiday
Tuesday 2 November 2010	Melbourne Cup Day

The Western Australian sub-office

Monday 1 March 2010	Labour Day
Monday 26 April 2010	Anzac Day
Monday 7 June 2010	Foundation Day
Monday 27 September 2010	Queen's Birthday holiday

The Northern Territory sub-office

Monday 26 April 2010	Anzac Day
Monday 3 May 2010	May Day
Monday 14 June 2010	Queens' Birthday
Monday 2 August	Picnic Day

For more information on the effect of the close-down provisions, please see the Official Notices of 23 March 2007 titled *Intellectual Property Legislation Amendment Regulations 2007 (No. 1)* and *The new close-down provisions in the trade marks legislation* available on IP Australia's website through the page www.ipaustralia.gov.au/resources/officialnotices.shtml.

Queries: Contact: Anna Loran
Section Customer Service Delivery and Support
+61 2 62832411

Contact: IP Australia
Phone: 1300 651 010
Fax: +61 2 6283 7999
E-mail: assist@ipaustralia.gov.au
Web: www.ipaustralia.gov.au

Director General of IP Australia

Declaration of the days when the Designs Office, the Patent Office, the PBR Office and the Trade Marks Office and their sub-offices are taken not to be open for business

With effect from 6 November 2009, section 136A of the *Designs Act 2003*, section 14A of the *Olympic Insignia Protection Act 1987*, section 222A of the *Patents Act 1990*, section 76A of the *Plant Breeder's Rights Act 1994* and section 223A of the *Trade Marks Act 1995* provide for the effect of the Designs Office, the Patent Office, the PBR Office and the Trade Marks Office ('the Offices') or any of their sub-offices not being open for business.

The Director General of IP Australia ('Director General') is the person prescribed under paragraph 2(b) of each of those sections. This means that the Director General can declare in writing a day or days on which the Offices or any of their sub-offices is taken not to be open for business for the purposes of those sections. Paragraph (4) (a) of each of those sections provides that such a declaration may be made before, on or after the day on which the Offices or any of their sub-offices is to be taken not to be open for business.

I, Philip Joseph Noonan, as the person currently employed as the Director General of IP Australia, declare the days in the period from 6 November 2009 to 1 January 2011 when the Offices and their sub-offices are taken not to be open for business for the purpose of the sections mentioned above, as specified in the attached Schedule, Parts 1 to 8.



Director General of IP Australia
23 October 2009

Declaration of the days in the period 6 November 2009 to 1 January 2011 when the Designs Office, the Patent Office, the PBR Office and the Trade Marks Office and their sub-offices are taken not to be open for business

AUTHORITY

Director General of IP Australia

REFERENCES

**Section 136A of the *Designs Act 2003*,
Section 14A of the *Olympic Insignia Protection Act 1987*,
Section 222A of the *Patents Act 1990*,
Section 76A of the *Plant Breeder's Rights Act 1994* and
Section 223A of the *Trade Marks Act 1999***

Part 1 Days when the Designs Office, the Patent Office, the PBR office and the Trade Marks Office—all located in the Australian Capital Territory—are taken not to be open for business

All Saturdays and Sundays in the period 6 November 2009 to 1 January 2011;

Friday 25 December 2009 to Friday 1 January 2010 Christmas to New Year close-down

Tuesday 26 January 2010—Australia Day

Monday 8 March 2010—Canberra Day

Friday 2 April 2010—Good Friday

Monday 5 April 2010—Easter Monday

Monday 26 April 2010—Anzac Day

Monday 14 June 2010—Queen's Birthday

Monday 27 September 2010—Family & Community Day

Monday 4 October 2010—Labour Day

Monday 27 December 2010 to Friday 31 December 2010 Christmas to New Year close-down

Part 2 Days when the New South Wales sub-offices of the Designs Office, the Patent Office and the Trade Marks Office are taken not to be open for business

All Saturdays and Sundays in the period 6 November 2009 to 1 January 2011

Friday 25 December 2009 to Friday 1 January 2010 Christmas to New Year close-down

Tuesday 26 January 2010—Australia Day

Friday 2 April 2010— Good Friday

Monday 5 April 2010—Easter Monday

Monday 26 April 2010—Anzac Day

Monday 14 June 2010—Queen's Birthday

Monday 4 October 2010—Labour Day

Monday 27 December 2010 to Friday 31 December 2010 Christmas to New Year close-down

Part 3 Days when the Queensland sub-offices of the Designs Office, the Patent Office and the Trade Marks Office are taken not to be open for business:

All Saturdays and Sundays in the period 6 November 2009 to 1 January 2011

Friday 25 December 2009 to Friday 1 January 2010 Christmas to New Year close-down

Tuesday 26 January 2010—Australia Day

Friday 2 April 2010—Easter Friday

Monday 5 April 2010—Easter Monday

Monday 26 April 2010—Anzac Day

Monday 3 May 2010—Labour Day

Monday 14 June 2010—Queen's Birthday holiday

Wednesday 11 August 2010— Royal Queensland Show Day

Monday 27 December 2010 to Friday 31 December 2010 Christmas to New Year close-down

Part 4 Days when the **South Australian** sub-offices of the Designs Office, the Patent Office and the Trade Marks Office are taken not to be open for business:

All Saturdays and Sundays in the period 6 November 2009 to 1 January 2011;

Friday 25 December 2009 to Friday 1 January 2010 Christmas to New Year close-down

Tuesday 26 January 2010—Australia Day

Monday 8 March 2010—Adelaide Cup Day

Friday 2 April 2010—Good Friday

Monday 5 April 2010—Easter Monday

Monday 26 April 2010—Anzac Day

Monday 14 June 2010—Queen's Birthday holiday-

Monday 4 October 2010—Labour Day

Monday 27 December 2010 to Friday 31 December 2010 Christmas to New Year close-down

Part 5 Days when the **Tasmanian** sub-offices of the Designs Office, the Patent Office and the Trade Marks Office are taken not to be open for business

All Saturdays and Sundays in the period 6 November 2009 to 1 January 2011;

Friday 25 December 2009 to Friday 1 January 2010 Christmas to New Year close-down

Tuesday 26 January 2010—Australia Day

Monday 8 February 2010—Royal Hobart Regatta holiday

Monday 8 March 2010—Eight Hours Day

Friday 2 April 2010—Good Friday

Monday 5 April 2010—Easter Monday

Tuesday 6 April—Easter Tuesday

Monday 14 June 2010—Queen's Birthday

Thursday 21 October 2010—Hobart Show Day

Monday 27 December 2010 to Friday 31 December 2010 Christmas to New Year close-down

Part 6 Days when the Victorian sub-offices of the Designs Office, the Patent Office and the Trade Marks Office are taken not to be open for business

All Saturdays and Sundays in the period 6 November 2009 to 1 January 2011;

Friday 25 December 2009 to Friday 1 January 2010 Christmas to New Year close-down

Tuesday 26 January 2010—Australia Day

Monday 8 March 2010—Labour Day

Friday 2 April 2010—Good Friday

Monday 5 April 2010—Easter Monday

Monday 26 April 2010—Anzac Day

Monday 14 June 2010—Queen's Birthday holiday

Tuesday 2 November 2010—Melbourne Cup Day

Monday 27 December 2010 to Friday 31 December 2010 Christmas to New Year close-down

Part 7 Days when the Western Australian sub-office of the Designs Office, the Patent Office and the Trade Marks Office are taken not to be open for business

All Saturdays and Sundays in the period 6 November 2009 to 1 January 2011

Friday 25 December 2009 to Friday 1 January 2010 Christmas to New Year close-down

Tuesday 26 January 2010 Australia Day

Monday 1 March 2010—Labour Day

Friday 2 April 2010—Good Friday

Monday 5 April 2010—Easter Monday

Monday 26 April 2010—Anzac Day

Monday 7 June 2010—Foundation Day

Monday 27 September 2010—Queen's Birthday holiday

Monday 27 December 2010 to Friday 31 December 2010 Christmas to New Year close-down

Part 8 Days when the ***Northern Territory*** sub-offices of the Designs Office, the Patent Office and the Trade Marks Office are taken not to be open for business for period 6 November 2009 to 1 January 2011

All Saturdays and Sundays in the period 6 November 2009 to 1 January 2011

Friday 25 December 2009 to Friday 1 January 2010 Christmas to New Year close-down

Tuesday 26 January 2010—Australia Day

Friday 2 April 2010—Easter Friday

Monday 5 April 2010—Easter Monday

Monday 26 April 2010—Anzac Day

Monday 3 May 2010—May Day

Monday 14 June 2010—Queen's Birthday

Monday 2 August—Picnic Day

Monday 27 December 2010 to Friday 31 December 2010 Christmas to New Year close-down

Proceedings under the Designs Act 1906 preserved as a result of the provisions of Chapter 12 Part 2 of the Designs Act 2003.

This Page Left Intentionally Blank

Applications Lapsed

There were no Applications Lapsed under this section

Extension of Period of Registration of Designs

2nd Period (Section 27A(12))

153602	154355	154366
154392	154393	154394
154395	154434	154435
154436	154632	154650
154662	154663	154664
154665	154666	154667
154668	154669	154670
154671	154672	154673
154674	154675	154676
154677	154678	154679
154680	154681	154691
154722	154723	154724
154725	154726	154729
154772	154774	154806
154807	154847	154865
154866	154867	154869
154905	154935	154968
155087	155208	155211
155213	155309	155346
155535	155689	155781
155842	155929	155972
155995	155998	156279
156372	156410	156425
156426	156427	156428
156429	156480	157201
157202	157203	157331
157354	157639	157640
157902	157943	158128
158129	158130	158497
158498		

3rd Period (Section 27A(13))

135322	136299	136815
137375	137377	137601
137602	137739	137900
137901	137927	138238
138529	138600	138821
139897	140069	140462
140468	140554	140573
140634	140914	141920
141921	142258	142259

Registrations Ceased

Note: Some of the following Registrations may have been previously advertised as ceased. In this instance, the previous advertisement still prevails.

119636	120311	120312
120315	120332	120336
120367	120614	120615
120685	120715	120746
120890	121072	121318

121745	121885	121947
122516	122517	122518
122588	122643	122797
122880	123566	124435
124514	124535	126491
135101	135138	135153
135533	135716	135774
135775	136058	136250
137224	137225	138322
138655	139062	139063
139215	139216	151812
152075	152076	152077
152079	152080	152081
152082	152112	152113
152114	152157	152171
152203	152274	152350
152386	152433	152466
152468	152490	152491
152492	152536	152538
152559	152611	152612
152651	152652	152653
152764	152792	152832
152877	152898	153061
153116	153123	153124
153125	154131	154550
154687	154688	154689
155061	155119	155965
156061	156181	156501
156861	156862	158330
158331		

Applications for Extension of time

Applications for extension of time have been lodged. Objections must be lodged within 1 month from the date of this journal.

152013 **Erblan Surgical Inc.** Extension of time to extend a registration. Address for Service: Griffith Hack GPO Box 4164 SYDNEY NSW 2001

This Page Left Intentionally Blank

Proceedings under the Designs Act 2003.

This Page Left Intentionally Blank

Applications Lodged

Lodgement information is in the following order: **Applicant's Name**; International Classification, Name of Product, Lodgement Date and **Design Number**. If the applicant claims an earlier priority date under an International Convention, the Convention Country and the associated filing date are shown in parentheses before the Lodgement Date. Divisional information will also appear in parentheses before the Lodgement Date.

fly BABY Apparel; 02-02C, Infant medical garment, 22 Oct 2009	14088/2009	AB Electrolux; 07-01B, A bowl, (EM, 12 Mar 2009) (Divisional of 13529/2009) 11 Sep 2009	14129/2009
Alto Packaging Limited; 09-02A, A drum, (NZ, 11 Mar 2009) 19 Oct 2009	14022/2009	ADC Communications (Australia) Pty Limited; 08-05NES, 14-03NES, Apparatus for mechanically splicing optic fibres, 21 Oct 2009	14079/2009
Apollo Energy Pty Ltd; 25-01K, Mounting beam, 23 Oct 2009	14124/2009	ADC Communications (Australia) Pty Limited; 08-05NES, 14-03NES, Apparatus for mechanically splicing optic fibres, 21 Oct 2009	14082/2009
Apple Inc.; 14-02, Mouse, 19 Oct 2009	14016/2009	AFI Branding Solutions Pty Ltd; 25-01K, Double sided reframe - new profile, 22 Oct 2009	14090/2009
Apple Inc.; 14-02, Mouse, 19 Oct 2009	14017/2009	AFI Branding Solutions Pty Ltd; 25-01K, Reframe cube profile, 22 Oct 2009	14091/2009
Apple Inc.; 14-02, Mouse, 19 Oct 2009	14018/2009	AFI Branding Solutions Pty Ltd; 25-01K, Reframe cube - corner piece, 22 Oct 2009	14092/2009
Apple Inc.; 14-02, Mouse, 19 Oct 2009	14019/2009	BabyBjorn AB; 03-99, Belt carrier, (EM, 24 Apr 2009) 21 Oct 2009	14075/2009
Arrow Fastener Co., Inc.; 19-02, Stapler, (US, 14 May 2009) 22 Oct 2009	14071/2009	BabyBjorn AB; 03-99, Belt carrier, (EM, 24 Apr 2009) 21 Oct 2009	14076/2009
Arrow Fastener Co., Inc.; 19-02, Stapler, (US, 14 May 2009) 22 Oct 2009	14070/2009	Barker, Philip Leslie; 25-01K, Section of indeterminate length, 19 Oct 2009	14048/2009
Australian Performance Development Pty Ltd; 12-16NES, Air intake snorkel for a vehicle, 23 Oct 2009	14122/2009	Big Hit Enterprises Pty Ltd; 25-01D, A wall panel - case 4, 23 Oct 2009	14114/2009
Australian Performance Development Pty Ltd; 12-16NES, Air intake snorkel for a vehicle, 23 Oct 2009	14123/2009	Big Hit Enterprises Pty Ltd; 25-01D, A wall panel - case 5, 23 Oct 2009	14115/2009
Australian Performance Development Pty Ltd; 12-16NES, Air intake snorkel for a vehicle, 16 Oct 2009	13999/2009	Big Hit Enterprises Pty Ltd; 25-01D, A wall panel - case 6, 23 Oct 2009	14116/2009
Australian Performance Development Pty Ltd; 12-16NES, Air intake filter connector for a vehicle snorkel, 20 Oct 2009	14061/2009	Big Hit Enterprises Pty Ltd; 25-01D, A wall panel - case 7, 23 Oct 2009	14117/2009
Australian Performance Development Pty Ltd; 12-16NES, Air intake snorkel for a vehicle, 26 Oct 2009	14132/2009	Big Hit Enterprises Pty Ltd; 25-01D, A wall panel - Case 1, 23 Oct 2009	14112/2009
AB Electrolux; 07-04, A mixer, (EM, 12 Mar 2009) (Divisional of 13529/2009) 11 Sep 2009	14130/2009	Big Hit Enterprises Pty Ltd; 25-01D, A wall panel - case 3, 23 Oct 2009	14113/2009
AB Electrolux; 07-04, A mixer, (EM, 12 Mar 2009) (Divisional of 13529/2009) 11 Sep 2009	14126/2009	Bivowacky Enterprises Limited; 21-04, Temporary shelter, 16 Oct 2009	14062/2009
AB Electrolux; 31-00, A holder, (EM, 12 Mar 2009) (Divisional of 13529/2009) 11 Sep 2009	14127/2009	Bradken Resources Pty Limited; 12-03, Railway wagon coupling, 14 Oct 2009	13958/2009
AB Electrolux; 07-01D, A cup, (EM, 12 Mar 2009) (Divisional of 13529/2009) 11 Sep 2009	14128/2009	Brown & Watson International Pty Ltd; 12-16E, Light fitting, 22 Oct 2009	14098/2009
		Brown & Watson International Pty Ltd; 26-06, Light fitting, 22 Oct 2009	14096/2009

Brown & Watson International Pty Ltd; 26-06, Light fitting, 22 Oct 2009	14097/2009	Dezinal Pty Ltd; 25-01K, 20mm Single glazed heavy duty female mullion, 21 Oct 2009	14069/2009
Brown & Watson International Pty Ltd; 12-16E, Light fitting, 22 Oct 2009	14099/2009	Diener, Rudy; Rose, Danny Earle; Milner, Wayne; 08-08K, Fence or railing connector, 21 Oct 2009	14078/2009
Brown & Watson International Pty Ltd; 12-16E, Light fitting, 22 Oct 2009	14100/2009	Diener, Rudy; Rose, Danny Earle; Milner, Wayne; 08-08K, Fence or railing connector, 21 Oct 2009	14077/2009
Brown & Watson International Pty Ltd; 12-16E, Light fitting, 22 Oct 2009	14101/2009	Dillenbeck, Timothy; 12-10, Slide on tray top camper, 23 Oct 2009	14118/2009
Callaway Golf Company; 21-02C, Golf club head, (US, 24 Apr 2009) 20 Oct 2009	14063/2009	Domaine Des Broix SAS; 09-01D, Matrioshka bottle, (FR, 14 Apr 2009) 14 Oct 2009	13973/2009
Cato, Nicolette Louise; 12-06C, Cover for racing shells - rowing, 18 Oct 2009	14046/2009	DRAX Industries Pty Ltd; 07-02P, Fruit/vegetable shaping mould, 23 Oct 2009	14131/2009
Chatsworth Products, Inc.; 14-02, Cover for electronic equipment cabinet, (US, 20 Apr 2009) 19 Oct 2009	14010/2009	Electrolux Home Products Pty Limited; 07-02A, A cooktop, (CN, 20 Apr 2009) 15 Oct 2009	13957/2009
Chatsworth Products, Inc.; 14-02, Cover for electronic equipment cabinet, (US, 20 Apr 2009) 19 Oct 2009	14011/2009	Electrolux Home Products Pty Limited; 07-02C, A cooking hob, (CN, 20 Apr 2009) 15 Oct 2009	13956/2009
Chatsworth Products, Inc.; 14-02, Cover for electronic equipment cabinet, (US, 20 Apr 2009) 19 Oct 2009	14009/2009	Eveready Battery Company, Inc.; 26-02, A lighting device, (US, 27 May 2009) 22 Oct 2009	14120/2009
Cook, David George; 25-01K, Extrusion, 21 Oct 2009	14072/2009	Eveready Battery Company, Inc.; 26-02, A lighting device, (US, 02 Jun 2009) 22 Oct 2009	14119/2009
Cordina Chicken Farms Pty Ltd; 07-02NES, Skewer stick, 16 Oct 2009	13993/2009	Evergreen Packaging, Inc.; 09-03NES, Hourglass carton, (US, 07 May 2009) 21 Oct 2009	14094/2009
Credo Technology Corporation; 08-01, Auger bit with reamer and nail hit capability, (US, 25 Aug 2009) 15 Oct 2009	13904/2009	FKA Distributing Co., doing business as HoMedics, Inc.; 28-03NES, Neck massager, (US, 09 Jun 2009) 23 Oct 2009	14144/2009
Dahlberg Design & Services Pty Ltd; 06-01E, Bar stool, 23 Oct 2009	14140/2009	FKA Distributing Co., doing business as HoMedics, Inc.; 28-03NES, Dual foot massager, (US, 05 May 2009) 23 Oct 2009	14145/2009
Dahlberg Design & Services Pty Ltd; 06-03B, Table, 23 Oct 2009	14141/2009	Green, Michelle Leanne; Heaven, Caitlin Louise; 09-03M, Container, 26 Oct 2009	14147/2009
Dahlberg Design & Services Pty Ltd; 06-01F, Dining chair, 23 Oct 2009	14139/2009	Greenfield Mowers Pty Ltd; 12-05, Pulley, 23 Oct 2009	14142/2009
Daikin Industries Ltd.; 23-04, Air conditioner, (JP, 24 Jul 2009) 21 Oct 2009	14084/2009	Habode IP Limited; 25-03, A portable building, 19 Oct 2009	14028/2009
Daikin Industries Ltd.; 23-04, Air conditioner, 21 Oct 2009	14085/2009	Habode IP Limited; 25-03, A portable building, 19 Oct 2009	14027/2009
Daikin Industries Ltd.; 23-04, Air conditioner, 21 Oct 2009	14086/2009	Habode IP Limited; 25-03, A portable building, 19 Oct 2009	14029/2009
Danfoss Low Power Drives; Pentair Water Pool and Spa, Inc.; 15-02, Pump control pad, (US, 17 Apr 2009) 19 Oct 2009	14026/2009	Hannikainen, Kauko; 09-08, A pallet, 16 Oct 2009	14006/2009
Danfoss Low Power Drives; Pentair Water Pool and Spa, Inc.; 15-02, Pump control pad, (US, 17 Apr 2009) 19 Oct 2009	14025/2009	Hannikainen, Kauko; 09-08, A pallet, 16 Oct 2009	14000/2009
De Luca, Kenneth Allan; 12-08, 12-16D, The design relates to automobiles and their headlight area design, 26 Oct 2009	14143/2009		
Delta Shelving Systems Pty Ltd; 08-08N, Bracket, 15 Oct 2009	13986/2009		

Hannikainen, Kauko; 09-08, A pallet, 16 Oct 2009	14001/2009	Iriver Limited; 14-01, MP4 player, (KR, 08 Jul 2009) 19 Oct 2009	14023/2009
Hannikainen, Kauko; 09-08, A pallet, 16 Oct 2009	14002/2009	Iriver Limited; 14-01, Portable network multimedia player, (KR, 08 Jul 2009) 19 Oct 2009	14024/2009
Hannikainen, Kauko; 09-08, A pallet, 16 Oct 2009	14004/2009	Jonker, John; 12-05, 12-13, Mobile lighting apparatus, 22 Oct 2009	14087/2009
Hannikainen, Kauko; 09-08, A pallet, 16 Oct 2009	14005/2009	K. Hartwall Oy Ab; 09-04, Transportation and display crate, 19 Oct 2009	14049/2009
Hannikainen, Kauko; 09-08, A pallet, 16 Oct 2009	14003/2009	Karsten Manufacturing Corporation; 21-02C, Golf club head, (US, 17 Aug 2009) 14 Oct 2009	13979/2009
Harrow, Martin; 13-99, Hydrogen cell, 21 Oct 2009	14067/2009	Kells, James; 03-01NES, iphone case, iphone wallet, 20 Oct 2009	14047/2009
Harrow, Martin; 13-99, Hydrogen cell, 21 Oct 2009	14068/2009	Kent, Hamish; Smith, Laura; 02-02NES, Clothing - T-shirts, 15 Oct 2009	13995/2009
Haskell, Kevin; 12-10, 12-16NES, Camper trailer design having doors on 3 sides which when opened are linked horizontally to form a verandah optional, drop down flexible walls. It can also be used as a slide on for tray vehicles, 13 Oct 2009	14083/2009	Kent, Hamish; Smith, Laura; 02-02NES, Clothing - T-shirts, 15 Oct 2009	13994/2009
Heaven, Caitlin Louise; Green, Michelle Leanne; 09-03M, Container, 26 Oct 2009	14147/2009	Koninklijke Philips Electronics N.V.; 26-03, Luminaire for road lighting, (EM, 22 Apr 2009) 19 Oct 2009	14015/2009
Homely Manufacturing Limited; 03-04, Fan, (HK, 23 Apr 2009) 19 Oct 2009	14021/2009	Koninklijke Philips Electronics N.V.; 26-05C, Luminaire, (EM, 29 Apr 2009) 23 Oct 2009	14135/2009
Horsfall, Sue-Ellen; Horsfall, Harvey David; 06-03NES, 12-05, Low profile scissor lift table, 14 Oct 2009	13970/2009	Koninklijke Philips Electronics N.V.; 26-05C, Luminaire, (EM, 29 Apr 2009) 23 Oct 2009	14136/2009
Horsfall, Harvey David; Horsfall, Sue-Ellen; 06-03NES, 12-05, Low profile scissor lift table, 14 Oct 2009	13970/2009	Koninklijke Philips Electronics N.V.; 26-05D, Luminaire, (EM, 29 Apr 2009) 23 Oct 2009	14137/2009
Inflatable Image Technologies Pty Limited; 21-01NES, Crowd pleaser inflatable image system - yellow (main colour) shape inflatable with blower(s) and unique -, design dancing "sock" able to be reproduced in any colour combination, 20 Oct 2009	14031/2009	Koninklijke Philips Electronics N.V.; 26-05D, Luminaire, (EM, 29 Apr 2009) 23 Oct 2009	14138/2009
Inflatable Image Technologies Pty Limited; 21-03, Crowd pleaser inflatable image system brownish (main colour) made inflatable with blower(s) and unique design dancing, "sock" able to be reproduced in any colour combination, 20 Oct 2009	14059/2009	Lamiflex S.p.A.; 21-02F, Stationary training bicycle, (IT, 24 Apr 2009) 19 Oct 2009	14013/2009
Inflatable Image Technologies Pty Limited; 21-03, Crowd pleaser inflatable image system multi-coloured caricature shape with blower(s) and unique design dancing, "sock" able to be reproduced in any colour combination, 20 Oct 2009	14060/2009	Le Cherche Midi; 24-01, Spill-proof aerator for low volatile compound solutions, (US, 20 Apr 2009) 19 Oct 2009	14020/2009
Intelligent Electric Motor Solutions Pty Ltd; 13-01, Modulated pole piece for the stator of an electric machine, 20 Oct 2009	14051/2009	Lindsay Tasker Limited; 13-03E, A connector, (NZ, 27 Apr 2009) 20 Oct 2009	14014/2009
Intelligent Electric Motor Solutions Pty Ltd; 13-01, Modulated pole piece for the stator of an electric machine, 20 Oct 2009	14052/2009	Listen Technologies Corporation; 14-02, Control unit, (US, 15 Apr 2009) 14 Oct 2009	13996/2009
Intelligent Electric Motor Solutions Pty Ltd; 13-01, Mocused pole piece for the stator of an electric machine, 20 Oct 2009	14053/2009	Listen Technologies Corporation; 14-01, Microphone, (US, 15 Apr 2009) 14 Oct 2009	13997/2009
		Luo, Wan Wen; Luo, Bo Wen; 21-01L, Chess, (NZ, 11 May 2009) 22 Oct 2009	14095/2009
		Luo, Bo Wen; Luo, Wan Wen; 21-01L, Chess, (NZ, 11 May 2009) 22 Oct 2009	14095/2009

Medela Holding AG; 07-01E, Teat unit for a feeding bottle, (WO, 24 Apr 2009) 23 Oct 2009	14105/2009	Nextinct Pty Ltd; 02-02NES, Article of clothing, 20 Oct 2009	14045/2009
Medela Holding AG; 07-01E, Teat for a feeding bottle, (WO, 24 Apr 2009) 23 Oct 2009	14106/2009	Ngo, Hoang Gia; 19-01, Koalas pop up card, 15 Oct 2009	13990/2009
Medela Holding AG; 07-01E, Teat unit for a feeding bottle, (WO, 24 Apr 2009) 23 Oct 2009	14104/2009	Ngo, Hoang Gia; 19-01, 3 koalas on tree pop up cards, 15 Oct 2009	13989/2009
Medela Holding AG; 07-01E, Part of a teat unit of a feeding bottle, (WO, 24 Apr 2009) 23 Oct 2009	14107/2009	Ngo, Hoang Gia; 19-01, Sydney Harbour bridge pop up card, 15 Oct 2009	13988/2009
Metlam Australia Pty. Limited; 08-06, A door hinge, 22 Oct 2009	14109/2009	Ngo, Hoang Gia; 19-01, Luna Park Melbourne pop up card, 15 Oct 2009	13991/2009
Milner, Wayne; Diener, Rudy; Rose, Danny Earle; 08-08K, Fence or railing connector, 21 Oct 2009	14077/2009	Nichols, John Alexander; 21-04, Collapsible shelter - case b, 21 Oct 2009	14073/2009
Milner, Wayne; Diener, Rudy; Rose, Danny Earle; 08-08K, Fence or railing connector, 21 Oct 2009	14078/2009	Nichols, John Alexander; 21-04, Collapsible shelter - case a, 21 Oct 2009	14074/2009
Mitsubishi Electric Corporation; 14-03NES, Remote controller for air-conditioner, (JP, 10 Jul 2009) 13 Oct 2009	13944/2009	Nique Enterprises Pty Ltd; 06-01F, EMO lounge open weave chair, 16 Oct 2009	14007/2009
Monro, Gordon Alexander; 25-01A, Paver, 14 Oct 2009	13905/2009	Nique Enterprises Pty Ltd; 06-01F, EMO lounge closed weave chair, 16 Oct 2009	14008/2009
Nelson, Paula Catherine; 11-01B, Decorative element, 26 Oct 2009	14146/2009	Nufarm Australia Limited; 09-03K, Container, 23 Oct 2009	14125/2009
Nextinct Pty Ltd; 02-02NES, Article of clothing, 20 Oct 2009	14032/2009	Omega SA (Omega AG) (Omega Ltd); 10-02, Wristwatch, (CH, 25 May 2009) 22 Oct 2009	14089/2009
Nextinct Pty Ltd; 02-02NES, Article of clothing, 20 Oct 2009	14033/2009	Pacific Market International, LLC; 07-01C, Beverage container, (US, 06 May 2009) 21 Oct 2009	14064/2009
Nextinct Pty Ltd; 02-02NES, Article of clothing, 20 Oct 2009	14034/2009	Pacific Market International, LLC; 07-01NES, Beverage container, (US, 06 May 2009) 21 Oct 2009	14065/2009
Nextinct Pty Ltd; 02-02NES, Article of clothing, 20 Oct 2009	14035/2009	Pacific Market International, LLC; 07-01C, Beverage container, (US, 11 May 2009) 21 Oct 2009	14066/2009
Nextinct Pty Ltd; 02-02NES, Article of clothing, 20 Oct 2009	14036/2009	Pacific Polymers Pty Ltd; 13-03B, Clamp insulator, 23 Oct 2009	14103/2009
Nextinct Pty Ltd; 02-02NES, Article of clothing, 20 Oct 2009	14037/2009	Papamiltiades, Peter; 23-01F, Water tank, 15 Oct 2009	13983/2009
Nextinct Pty Ltd; 02-02NES, Article of clothing, 20 Oct 2009	14038/2009	Papamiltiades, Peter; 23-01F, Water tank, 15 Oct 2009	13984/2009
Nextinct Pty Ltd; 02-02NES, Article of clothing, 20 Oct 2009	14039/2009	Papamiltiades, Peter; 23-01F, Water tank, 15 Oct 2009	13985/2009
Nextinct Pty Ltd; 02-02NES, Article of clothing, 20 Oct 2009	14040/2009	Pentair Water Pool and Spa, Inc.; Danfoss Low Power Drives; 15-02, Pump control pad, (US, 17 Apr 2009) 19 Oct 2009	14025/2009
Nextinct Pty Ltd; 02-02NES, Article of clothing, 20 Oct 2009	14041/2009	Pentair Water Pool and Spa, Inc.; Danfoss Low Power Drives; 15-02, Pump control pad, (US, 17 Apr 2009) 19 Oct 2009	14026/2009
Nextinct Pty Ltd; 02-02NES, Article of clothing, 20 Oct 2009	14042/2009	Phoenix Industries Pty Ltd; 23-01H, Shower mixer, 15 Oct 2009	13982/2009
Nextinct Pty Ltd; 02-02NES, Article of clothing, 20 Oct 2009	14043/2009	Phoenix Industries Pty Ltd; 23-01H, Basin mixer, 15 Oct 2009	13981/2009

Pi-Design AG; 07-02K, Electric water kettle, (WO, 29 May 2009) 15 Oct 2009	13902/2009	Spin Master Ltd.; 21-01B, Transformable toy, (CA, 16 Jun 2009) 14 Oct 2009	13963/2009
Rinnai Australia Pty. Ltd.; 23-03B, A log set for a gas log fire heater, 15 Oct 2009	13980/2009	Spin Master Ltd.; 21-01B, Transformable toy, (CA, 15 Apr 2009) 14 Oct 2009	13964/2009
Rose, Danny Earle; Diener, Rudy; Milner, Wayne; 08-08K, Fence or railing connector, 21 Oct 2009	14077/2009	Spin Master Ltd.; 21-01B, Transformable toy, (CA, 12 May 2009) 14 Oct 2009	13965/2009
Rose, Danny Earle; Diener, Rudy; Milner, Wayne; 08-08K, Fence or railing connector, 21 Oct 2009	14078/2009	Spin Master Ltd.; 21-01B, Transformable toy, (CA, 15 Apr 2009) 14 Oct 2009	13960/2009
Samar, LLC; 28-03NES, Air deodorising apparatus, (EM, 14 May 2009) 19 Oct 2009	14012/2009	Spin Master Ltd.; 21-01B, Transformable toy, (CA, 18 Jun 2009) 14 Oct 2009	13959/2009
Scania CV AB; 12-16B, Shielding net, (SE, 29 Apr 2009) 21 Oct 2009	14080/2009	Tal, Shani; Weinstein, Micky; 02-07A, Belt buckles, (IL, 23 Apr 2009) 23 Oct 2009	14121/2009
Scania CV AB; 12-16B, Shielding net, (SE, 29 Apr 2009) 21 Oct 2009	14081/2009	Taypia Pty Ltd; 23-01K, Spray valve, 16 Oct 2009	13998/2009
Scania CV AB; 12-16B, Shielding net, (SE, 29 Apr 2009) 20 Oct 2009	14030/2009	The Garage Organisers Pty Ltd; 08-08L, A bracket, 13 Oct 2009	13942/2009
Smith, Laura; Kent, Hamish; 02-02NES, Clothing - T-shirts, 15 Oct 2009	13994/2009	The Gillette Company; 28-03A, Gripping member suitable for a razor, (US, 23 Apr 2009) 22 Oct 2009	14102/2009
Smith, Laura; Kent, Hamish; 02-02NES, Clothing - T-shirts, 15 Oct 2009	13995/2009	The Procter & Gamble Company; 01-01, A snack food item, such as a wafer, (US, 16 Apr 2009) 14 Oct 2009	13974/2009
Smith, Samantha; 03-01B, This product is a local hand made designer neck accessory using organic fabric that enables you to contain your, everyday personal items in the one "funk-tional" place, 14 Oct 2009	13943/2009	The Procter & Gamble Company; 01-01, A snack food item, such as a wafer, (US, 16 Apr 2009) 14 Oct 2009	13975/2009
Sparsi, Christopher; 13-99, Portable solar power generator, 15 Oct 2009	13903/2009	The Procter & Gamble Company; 01-01, A snack food item, (US, 14 Apr 2009) 14 Oct 2009	13976/2009
Sparsi, Christopher; 13-99, Portable solar power generator, 26 Oct 2009	14110/2009	The Procter & Gamble Company; 01-01, A snack food item, (US, 14 Apr 2009) 14 Oct 2009	13977/2009
Spin Master Ltd.; 21-01B, Transformable toy, (CA, 06 May 2009) 14 Oct 2009	13966/2009	The Procter & Gamble Company; 01-01, A snack food item, (US, 14 Apr 2009) 14 Oct 2009	13978/2009
Spin Master Ltd.; 21-01B, Transformable toy, (CA, 06 May 2009) 14 Oct 2009	13967/2009	Thoo, Christine; 02-02NES, An article of clothing, 19 Oct 2009	13992/2009
Spin Master Ltd.; 21-01B, Transformable toy, (CA, 24 Apr 2009) 14 Oct 2009	13968/2009	Turner, Michael; 06-04NES, Shelving systems, 23 Oct 2009	14108/2009
Spin Master Ltd.; 21-01B, Transformable toy, (CA, 15 Apr 2009) 14 Oct 2009	13961/2009	Unique Product & Design Co., Ltd.; 21-02C, 12-02, Golf cart, 20 Oct 2009	14050/2009
Spin Master Ltd.; 21-01B, Transformable toy, (CA, 15 Jun 2009) 14 Oct 2009	13962/2009	Vater, Lance Malcolm; 08-08L, An improved bracket, 20 Oct 2009	14054/2009
		Vater, Lance Malcolm; 08-08L, An improved bracket, 20 Oct 2009	14055/2009
		Vater, Lance Malcolm; 08-08L, An improved bracket, 20 Oct 2009	14056/2009
		Vater, Lance Malcolm; 08-08L, An improved bracket, 20 Oct 2009	14057/2009
		Vater, Lance Malcolm; 08-08L, An improved bracket, 20 Oct 2009	14058/2009

Weinstein, Micky; Tal, Shani; 02-07A, Belt buckles, (IL, 23 Apr 2009) 23 Oct 2009	14121/2009	Yamamoto Kogaku Co., Ltd.; 16-06, Sunglasses, (JP, 28 Apr 2009) 23 Oct 2009	14134/2009
Wilson, Sharon; 99-00, Gelato, sorbet and frozen yogurt, 09 Oct 2009	13969/2009	Yanmar Co., Ltd.; 22-05, Float, (JP, 24 Apr 2009) 13 Oct 2009	13945/2009
WATERPOD; 06-01L, 23-01F, Waterpod water tank chair, 14 Oct 2009	13972/2009	Yeomans, Allan James; 15-03A, Tip for cultivation tool, 14 Oct 2009	13971/2009
Yamamoto Kogaku Co., Ltd.; 16-06, Sunglasses, (JP, 28 Apr 2009) 23 Oct 2009	14133/2009	Yokohama Rubber Co., Ltd, The; 12-15B, Automobile tire, 20 Oct 2009	14093/2009

Applications Lapsed

11254 / 2009 (02-02C)	11255 / 2009 (02-02C)
11355 / 2009 (02-02NES)	12283 / 2009 (03-01B)
12982 / 2009 (14-02)	13026 / 2009 (06-01E)
13027 / 2009 (08-05L)	13167 / 2009 (11-01NES)

Extension of Period of Registration of Designs

300101	300533	300534
300701	300710	301186
301279	301330	301391
301425	301477	301478
301479	301480	301481
301482	301483	301508
301509	301510	301511
301512	301513	301514
301515	301516	301517
301518	301519	301520
301521	301522	301523
301524	301525	301526
301527	301528	301529
301535	301549	301604
301605	301650	301651
301656	301658	301734
301736	301737	301739
301740	301741	301761
301792	301892	301946
301949	301950	301951
301952	301953	302050
302051	302058	302059
302060	302061	302169
302207	302208	302209
302257	302258	302259
302260	302261	302262
302263	302279	302306
302322	302379	302495
302520	302551	302552
302553	302554	302555
302556	302558	302559
302563	302564	302567
302568	302569	302570
302767	303175	303176
303259	303260	303261
303349	303589	304276
304353	304717	304782
305141	305409	305443
306536	307179	

Revocation of Design Registrations

The following Design Registration(s) have been revoked and are taken never to have been registered:

300877 10-05

Extensions of time granted under Section 137

Applications lodged under section 137 for extension of time have been granted.

317363 Eaton Corporation

12675/2008	Somfy SAS
12424/2009	Damien Scott Hipwell
12542/2009	Christopher Fowler
12543/2009	Christopher Fowler
12544/2009	Christopher Fowler
12545/2009	Christopher Fowler
12546/2009	Christopher Fowler
12547/2009	Christopher Fowler
12643/2009	Wow Display Media Pty Ltd
12766/2009	F F Seeley Nominees Pty Ltd
12799/2009	F F Seeley Nominees Pty Ltd
12875/2009	FMP Group (Australia) Pty Limited
12876/2009	FMP Group (Australia) Pty Limited
12877/2009	FMP Group (Australia) Pty Limited
12878/2009	FMP Group (Australia) Pty Limited
12879/2009	FMP Group (Australia) Pty Limited
13797/2009	Colgate-Palmolive Company

Discharge of Mortgages

301161	The mortgage to The United States Department of the Treasury has been discharged.
301164	The mortgage to The United States Department of the Treasury has been discharged.
301663	The mortgage to The United States Department of the Treasury has been discharged.
301664	The mortgage to The United States Department of the Treasury has been discharged.
301665	The mortgage to The United States Department of the Treasury has been discharged.
301666	The mortgage to The United States Department of the Treasury has been discharged.
301667	The mortgage to The United States Department of the Treasury has been discharged.
301668	The mortgage to The United States Department of the Treasury has been discharged.
301669	The mortgage to The United States Department of the Treasury has been discharged.
301670	The mortgage to The United States Department of the Treasury has been discharged.
301671	The mortgage to The United States Department of the Treasury has been discharged.
301672	The mortgage to The United States Department of the Treasury has been discharged.
301673	The mortgage to The United States Department of the Treasury has been discharged.
301674	The mortgage to The United States Department of the Treasury has been discharged.
301675	The mortgage to The United States Department of the Treasury has been discharged.
301676	The mortgage to The United States Department of

311328 The mortgage to **The United States Department of the Treasury** has been discharged.

311332 The mortgage to **The United States Department of the Treasury** has been discharged.

311333 The mortgage to **The United States Department of the Treasury** has been discharged.

311334 The mortgage to **The United States Department of the Treasury** has been discharged.

311335 The mortgage to **The United States Department of the Treasury** has been discharged.

311356 The mortgage to **The United States Department of the Treasury** has been discharged.

311357 The mortgage to **The United States Department of the Treasury** has been discharged.

311358 The mortgage to **The United States Department of the Treasury** has been discharged.

311359 The mortgage to **The United States Department of the Treasury** has been discharged.

311378 The mortgage to **The United States Department of the Treasury** has been discharged.

311403 The mortgage to **The United States Department of the Treasury** has been discharged.

311404 The mortgage to **The United States Department of the Treasury** has been discharged.

311405 The mortgage to **The United States Department of the Treasury** has been discharged.

311406 The mortgage to **The United States Department of the Treasury** has been discharged.

311407 The mortgage to **The United States Department of the Treasury** has been discharged.

311408 The mortgage to **The United States Department of the Treasury** has been discharged.

311409 The mortgage to **The United States Department of the Treasury** has been discharged.

311410 The mortgage to **The United States Department of the Treasury** has been discharged.

311411 The mortgage to **The United States Department of the Treasury** has been discharged.

311412 The mortgage to **The United States Department of the Treasury** has been discharged.

311413 The mortgage to **The United States Department of the Treasury** has been discharged.

311414 The mortgage to **The United States Department of the Treasury** has been discharged.

323172 The mortgage to **The United States Department of the Treasury** has been discharged.

323874 The mortgage to **The United States Department of the Treasury** has been discharged.

323875 The mortgage to **The United States Department of the Treasury** has been discharged.

323876 The mortgage to **The United States Department of the Treasury** has been discharged.

310699 The mortgage to **The United States Department of the Treasury** has been discharged.

13654/2009 (**A.A.R.A. Pty Ltd**) Techno Glass Designs Pty Ltd

Names Registered - Alterations and Amendments

(The name in parentheses is that of the subsequent applicant)

326936 (**PowerMat USA, LLC**) HPNA LLC

300467 (**SAVERGLASS**) Societe Autonome de Verreries

303202 (**SAVERGLASS**) Societe Autonome de Verreries

303968 (**SAVERGLASS**) Societe Autonome de Verreries

304137 (**SAVERGLASS**) Societe Autonome de Verreries

304138 (**SAVERGLASS**) Societe Autonome de Verreries

304139 (**SAVERGLASS**) Societe Autonome de Verreries

304140 (**SAVERGLASS**) Societe Autonome de Verreries

304141 (**SAVERGLASS**) Societe Autonome de Verreries

304163 (**SAVERGLASS**) Societe Autonome de Verreries

306016 (**SAVERGLASS**) Societe Autonome de Verreries

306019 (**SAVERGLASS**) Societe Autonome de Verreries

306020 (**SAVERGLASS**) Societe Autonome de Verreries

306279 (**SAVERGLASS**) Societe Autonome de Verreries

306857 (**SAVERGLASS**) Societe Autonome de Verreries

306888 (**SAVERGLASS**) Societe Autonome de Verreries

306940 (**SAVERGLASS**) Societe Autonome de Verreries

306955 (**SAVERGLASS**) Societe Autonome de Verreries

308338 (**SAVERGLASS**) Societe Autonome de Verreries

308339 (**SAVERGLASS**) Societe Autonome de Verreries

309276 (**SAVERGLASS**) Societe Autonome de Verreries

311697 (**SAVERGLASS**) Societe Autonome de Verreries

311827 (**SAVERGLASS**) Societe Autonome de Verreries

311828 (**SAVERGLASS**) Societe Autonome de Verreries

311829 (**SAVERGLASS**) Societe Autonome de Verreries

311830 (**SAVERGLASS**) Societe Autonome de Verreries

311831 (**SAVERGLASS**) Societe Autonome de Verreries

311832 (**SAVERGLASS**) Societe Autonome de Verreries

311833 (**SAVERGLASS**) Societe Autonome de Verreries

311922 (**SAVERGLASS**) Societe Autonome de Verreries

Applications Assigned

(The name in parentheses is that of the subsequent applicant)

13328/2009 (**A.A.R.A. Pty Ltd**) Techno Glass Designs Pty Ltd

Certificate(s) of Examination

Examination of the following Design Registration(s) has been completed. Infringement proceedings may now be commenced.

324941	08-07	16/10/2009
324942	08-07	16/10/2009
326187	08-08NES	28/10/2009
326188	08-08NES	28/10/2009
326486	12-15D	19/10/2009
326648	02-02B	16/10/2009
326742	06-09	26/10/2009
326758	25-03	19/10/2009
326996	20-03C	26/10/2009
327008	14-03A	28/10/2009
327215	12-05	28/10/2009
327240	10-04	27/10/2009
327269	14-01	26/10/2009

Publication and Registration Proceedings

Designs Registered

This section provides a concordance between design number and registration number of Designs covered in this journal. It also shows the main class and registration date.

This section covers Registration numbers 327987 to 328191 .

The registration number shown below should be used in all future correspondence.

Design Number	Registration Number	International Classification Code (IDC)	Registration Date	Design Number	Registration Number	International Classification Code (IDC)	Registration Date
10267/2009	328026	06-04NES	19/10/2009	13599/2009	327989	09-01NES	15/10/2009
10772/2009	328001	08-06	15/10/2009	13600/2009	327990	09-01K	15/10/2009
10804/2009	328088	21-01L	22/10/2009	13601/2009	327991	15-05	15/10/2009
11064/2009	328005	23-01B	21/10/2009	13602/2009	327992	09-01K	15/10/2009
11065/2009	328006	23-01B	21/10/2009	13603/2009	327993	15-05	15/10/2009
11066/2009	328007	23-01B	21/10/2009	13604/2009	327994	15-05	15/10/2009
11067/2009	328008	23-01B	21/10/2009	13605/2009	327995	15-05	15/10/2009
11068/2009	328009	23-01B	21/10/2009	13606/2009	327996	15-05	15/10/2009
11069/2009	328010	23-01B	21/10/2009	13620/2009	327998	10-05	15/10/2009
12017/2009	327997	23-03A	15/10/2009	13625/2009	327999	20-03NES	15/10/2009
12339/2009	328055	06-04D	20/10/2009	13626/2009	328000	26-05NES	15/10/2009
12344/2009	328056	06-04D	20/10/2009	13627/2009	328018	09-03E	16/10/2009
12345/2009	328057	06-04D	20/10/2009	13628/2009	328019	09-03E	16/10/2009
12487/2009	328089	08-10	22/10/2009	13630/2009	328020	25-01D	16/10/2009
12688/2009	327987	12-08	15/10/2009	13631/2009	328021	25-01D	16/10/2009
12741/2009	328011	04-02	21/10/2009	13632/2009	328022	25-01D	16/10/2009
12865/2009	327988	03-01B	15/10/2009	13633/2009	328023	01-03	16/10/2009
12875/2009	328119	12-16M	23/10/2009	13636/2009	328024	12-16NES	16/10/2009
12876/2009	328120	12-16M	23/10/2009	13637/2009	328032	12-16NES	19/10/2009
12877/2009	328121	12-16M	23/10/2009	13638/2009	328033	09-07C	19/10/2009
12878/2009	328122	12-16M	23/10/2009	13639/2009	328034	31-00	19/10/2009
12879/2009	328123	12-16M	23/10/2009	13640/2009	328035	07-07A	19/10/2009
12893/2009	328027	09-07B	19/10/2009	13641/2009	328036	07-99A	19/10/2009
12981/2009	328002	07-07B	15/10/2009	13642/2009	328040	02-02NES	19/10/2009
13016/2009	328013	20-03NES	16/10/2009	13643/2009	328041	02-02NES	19/10/2009
13044/2009	328070	13-02	21/10/2009	13644/2009	328042	02-02NES	19/10/2009
13066/2009	328028	07-01NES	19/10/2009	13645/2009	328043	02-02NES	19/10/2009
13128/2009	328054	07-06D	20/10/2009	13646/2009	328044	02-02NES	19/10/2009
13248/2009	328071	08-06	21/10/2009	13647/2009	328045	02-02NES	19/10/2009
13249/2009	328072	08-06	21/10/2009	13648/2009	328046	02-02NES	19/10/2009
13250/2009	328073	08-06	21/10/2009	13649/2009	328047	02-02NES	19/10/2009
13251/2009	328074	08-06	21/10/2009	13650/2009	328048	02-02NES	19/10/2009
13252/2009	328075	08-06	21/10/2009	13651/2009	328049	02-02NES	19/10/2009
13263/2009	328063	23-01H	21/10/2009	13654/2009	328030	25-01K	19/10/2009
13277/2009	328014	07-01C	16/10/2009	13656/2009	328052	08-08C	19/10/2009
13328/2009	328029	25-01K	19/10/2009	13657/2009	328053	08-08C	19/10/2009
13399/2009	328012	13-02	21/10/2009	13659/2009	328050	02-03	19/10/2009
13434/2009	328015	23-04	16/10/2009	13660/2009	328051	25-01K	19/10/2009
13461/2009	328016	09-01NES	16/10/2009	13661/2009	328037	14-03NES	19/10/2009
13462/2009	328017	09-01K	16/10/2009	13663/2009	328038	02-03	19/10/2009
13509/2009	328156	15-99	27/10/2009	13664/2009	328039	08-08NES	19/10/2009
13516/2009	328164	08-99	27/10/2009	13667/2009	328090	12-05	22/10/2009
13518/2009	328165	10-04	27/10/2009	13668/2009	328061	21-02C	20/10/2009
13527/2009	328125	07-04	23/10/2009	13669/2009	328062	12-05	20/10/2009
13528/2009	328124	07-04	23/10/2009	13671/2009	328058	08-06	20/10/2009
13534/2009	328128	10-04	26/10/2009	13672/2009	328059	08-08L	20/10/2009
13550/2009	328064	02-02A	21/10/2009	13674/2009	328060	06-04NES	20/10/2009
13567/2009	328166	26-04	27/10/2009	13677/2009	328076	23-03NES	21/10/2009
13570/2009	328031	06-13B	19/10/2009	13678/2009	328077	25-01A	21/10/2009
13587/2009	328157	07-04	27/10/2009	13679/2009	328078	25-01A	21/10/2009
13588/2009	328158	07-04	27/10/2009	13680/2009	328079	25-01A	21/10/2009
13589/2009	328159	07-04	27/10/2009	13681/2009	328065	09-01A	21/10/2009
13590/2009	328160	07-04	27/10/2009	13682/2009	328066	06-03NES	21/10/2009

Publication and Registration Proceedings - Designs Registered cont'd

Design Number	Registration Number	International Classification Code (IDC)	Registration Date	Design Number	Registration Number	International Classification Code (IDC)	Registration Date
13683/2009	328067	09-01K	21/10/2009	13759/2009	328145	26-05C	26/10/2009
13685/2009	328091	14-03B	22/10/2009	13760/2009	328146	26-05A	26/10/2009
13686/2009	328092	07-01C	22/10/2009	13761/2009	328147	26-05A	26/10/2009
13687/2009	328093	07-01C	22/10/2009	13762/2009	328151	26-05A	26/10/2009
13688/2009	328105	08-08D	22/10/2009	13771/2009	328152	23-03A	26/10/2009
13689/2009	328106	08-08D	22/10/2009	13772/2009	328153	23-03A	26/10/2009
13690/2009	328107	26-05C	22/10/2009	13773/2009	328154	23-03A	26/10/2009
13693/2009	328108	25-01A	22/10/2009	13774/2009	328155	23-03A	26/10/2009
13694/2009	328109	07-02K	22/10/2009	13779/2009	328129	23-01L	26/10/2009
13695/2009	328110	09-01NES	22/10/2009	13780/2009	328130	23-01L	26/10/2009
13696/2009	328094	09-01H	22/10/2009	13781/2009	328131	12-06A	26/10/2009
13697/2009	328095	09-01H	22/10/2009	13782/2009	328132	09-01H	26/10/2009
13698/2009	328096	09-01H	22/10/2009	13783/2009	328133	09-01K	26/10/2009
13699/2009	328097	11-99	22/10/2009	13784/2009	328134	09-01H	26/10/2009
13700/2009	328098	06-01D	22/10/2009	13785/2009	328135	09-01H	26/10/2009
13701/2009	328099	21-01NES	22/10/2009	13786/2009	328136	23-01G	26/10/2009
13703/2009	328100	21-01B	22/10/2009	13787/2009	328137	23-01G	26/10/2009
13704/2009	328080	21-01B	22/10/2009	13788/2009	328138	25-03	26/10/2009
13705/2009	328081	21-01B	22/10/2009	13789/2009	328167	09-01H	27/10/2009
13706/2009	328082	21-01B	22/10/2009	13790/2009	328168	09-01H	27/10/2009
13707/2009	328083	21-01B	22/10/2009	13791/2009	328169	09-01H	27/10/2009
13708/2009	328084	21-01B	22/10/2009	13792/2009	328170	09-01H	27/10/2009
13709/2009	328085	21-01B	22/10/2009	13793/2009	328171	09-01H	27/10/2009
13710/2009	328086	21-01B	22/10/2009	13794/2009	328172	09-01H	27/10/2009
13711/2009	328087	21-01B	22/10/2009	13795/2009	328173	09-01H	27/10/2009
13712/2009	328101	21-01B	22/10/2009	13796/2009	328174	09-01H	27/10/2009
13715/2009	328102	13-01	22/10/2009	13797/2009	328139	09-01NES	26/10/2009
13716/2009	328103	25-01G	22/10/2009	13799/2009	328175	23-02NES	27/10/2009
13717/2009	328104	06-01G	22/10/2009	13801/2009	328176	09-01NES	27/10/2009
13719/2009	328161	25-01K	27/10/2009	13802/2009	328177	10-06	27/10/2009
13721/2009	328162	12-16B	27/10/2009	13803/2009	328178	26-05NES	27/10/2009
13722/2009	328126	14-02	23/10/2009	13804/2009	328179	26-05NES	27/10/2009
13723/2009	328127	14-02	23/10/2009	13807/2009	328180	08-07	27/10/2009
13724/2009	328003	08-08NES	15/10/2009	13810/2009	328181	14-02	27/10/2009
13725/2009	328004	14-02	15/10/2009	13812/2009	328182	23-03D	27/10/2009
13729/2009	328148	12-05	26/10/2009	13813/2009	328183	23-03D	27/10/2009
13730/2009	328149	08-08NES	26/10/2009	13814/2009	328184	15-02	28/10/2009
13731/2009	328150	08-08NES	26/10/2009	13815/2009	328185	07-01NES	28/10/2009
13736/2009	328111	23-03A	23/10/2009	13816/2009	328186	08-08L	28/10/2009
13737/2009	328112	23-03A	23/10/2009	13817/2009	328187	13-03NES	28/10/2009
13738/2009	328113	23-03A	23/10/2009	13818/2009	328188	13-03NES	28/10/2009
13739/2009	328114	23-03A	23/10/2009	13819/2009	328189	09-01H	28/10/2009
13740/2009	328115	23-03A	23/10/2009	13820/2009	328190	09-01H	28/10/2009
13741/2009	328116	23-03A	23/10/2009	13821/2009	328191	09-01NES	28/10/2009
13742/2009	328117	21-01M	23/10/2009	13822/2009	328025	03-01B	16/10/2009
13743/2009	328118	08-08L	23/10/2009	13874/2009	328068	08-05G	21/10/2009
13754/2009	328140	11-01A	26/10/2009	13896/2009	328069	08-08H	21/10/2009
13755/2009	328141	08-07	26/10/2009	13905/2009	328163	25-01A	27/10/2009
13756/2009	328142	08-99	26/10/2009				
13757/2009	328143	26-05C	26/10/2009				
13758/2009	328144	26-05C	26/10/2009				

Publication and Registration Proceedings
Class Listing of Designs Published or Registered

The following section shows an International Classification Code listing of the Registered or Published Designs covered in this supplement.

Classification	Registration Number	Design Number	Classification	Registration Number	Design Number
01-03	328023	13633/2009	08-06	328075	13252/2009
02-02 A	328064	13550/2009	08-07	328141	13755/2009
02-02 NES	328040	13642/2009	08-07	328180	13807/2009
02-02 NES	328041	13643/2009	08-08 C	328052	13656/2009
02-02 NES	328042	13644/2009	08-08 C	328053	13657/2009
02-02 NES	328043	13645/2009	08-08 D	328105	13688/2009
02-02 NES	328044	13646/2009	08-08 D	328106	13689/2009
02-02 NES	328045	13647/2009	08-08 H	328069	13896/2009
02-02 NES	328046	13648/2009	08-08 L	328059	13672/2009
02-02 NES	328047	13649/2009	08-08 L	328118	13743/2009
02-02 NES	328048	13650/2009	08-08 L	328186	13816/2009
02-02 NES	328049	13651/2009	08-08 NES	328003	13724/2009
02-03	328038	13663/2009	08-08 NES	328039	13664/2009
02-03	328050	13659/2009	08-08 NES	328105	13688/2009
03-01 B	327988	12865/2009	08-08 NES	328106	13689/2009
03-01 B	328025	13822/2009	08-08 NES	328149	13730/2009
04-01	328001	10772/2009	08-08 NES	328150	13731/2009
04-02	328011	12741/2009	08-10	328089	12487/2009
06-01 D	328098	13700/2009	08-99	328142	13756/2009
06-01 F	328026	10267/2009	08-99	328164	13516/2009
06-01 G	328104	13717/2009	09-01 A	328065	13681/2009
06-03 NES	328066	13682/2009	09-01 H	328094	13696/2009
06-04 D	328055	12339/2009	09-01 H	328095	13697/2009
06-04 D	328056	12344/2009	09-01 H	328096	13698/2009
06-04 D	328057	12345/2009	09-01 H	328132	13782/2009
06-04 F	328055	12339/2009	09-01 H	328134	13784/2009
06-04 F	328056	12344/2009	09-01 H	328135	13785/2009
06-04 F	328057	12345/2009	09-01 H	328167	13789/2009
06-04 NES	328026	10267/2009	09-01 H	328168	13790/2009
06-04 NES	328060	13674/2009	09-01 H	328169	13791/2009
06-13 B	328031	13570/2009	09-01 H	328170	13792/2009
07-01 C	328014	13277/2009	09-01 H	328171	13793/2009
07-01 C	328092	13686/2009	09-01 H	328172	13794/2009
07-01 C	328093	13687/2009	09-01 H	328173	13795/2009
07-01 NES	328028	13066/2009	09-01 H	328174	13796/2009
07-01 NES	328185	13815/2009	09-01 H	328189	13819/2009
07-02 K	328109	13694/2009	09-01 H	328190	13820/2009
07-04	328124	13528/2009	09-01 K	327990	13600/2009
07-04	328125	13527/2009	09-01 K	327992	13602/2009
07-04	328157	13587/2009	09-01 K	328017	13462/2009
07-04	328158	13588/2009	09-01 K	328067	13683/2009
07-04	328159	13589/2009	09-01 K	328133	13783/2009
07-04	328160	13590/2009	09-01 NES	327989	13599/2009
07-06 D	328054	13128/2009	09-01 NES	328014	13277/2009
07-07 A	328034	13639/2009	09-01 NES	328016	13461/2009
07-07 A	328035	13640/2009	09-01 NES	328110	13695/2009
07-07 A	328036	13641/2009	09-01 NES	328139	13797/2009
07-07 B	328002	12981/2009	09-01 NES	328176	13801/2009
07-99 A	328036	13641/2009	09-01 NES	328191	13821/2009
08-05 G	328068	13874/2009	09-03 E	328018	13627/2009
08-06	328001	10772/2009	09-03 E	328019	13628/2009
08-06	328058	13671/2009	09-03 L	328014	13277/2009
08-06	328071	13248/2009	09-07 A	328035	13640/2009
08-06	328072	13249/2009	09-07 B	328027	12893/2009
08-06	328073	13250/2009	09-07 C	328033	13638/2009
08-06	328074	13251/2009	09-07 NES	328185	13815/2009

Registration Proceedings - Class Listing of Designs Published or Registered cont'd

Classification	Registration Number	Design Number	Classification	Registration Number	Design Number
10-04	328128	13534/2009	23-01 B	328008	11067/2009
10-04	328165	13518/2009	23-01 B	328009	11068/2009
10-05	327998	13620/2009	23-01 B	328010	11069/2009
10-06	328177	13802/2009	23-01 G	328136	13786/2009
11-01 A	328140	13754/2009	23-01 G	328137	13787/2009
11-99	328097	13699/2009	23-01 H	328063	13263/2009
12-05	328062	13669/2009	23-01 L	328129	13779/2009
12-05	328090	13667/2009	23-01 L	328130	13780/2009
12-05	328148	13729/2009	23-02 NES	328175	13799/2009
12-06 A	328131	13781/2009	23-03 A	327997	12017/2009
12-08	327987	12688/2009	23-03 A	328111	13736/2009
12-16 B	328162	13721/2009	23-03 A	328112	13737/2009
12-16 M	328119	12875/2009	23-03 A	328113	13738/2009
12-16 M	328120	12876/2009	23-03 A	328114	13739/2009
12-16 M	328121	12877/2009	23-03 A	328115	13740/2009
12-16 M	328122	12878/2009	23-03 A	328116	13741/2009
12-16 M	328123	12879/2009	23-03 A	328152	13771/2009
12-16 NES	328024	13636/2009	23-03 A	328153	13772/2009
12-16 NES	328032	13637/2009	23-03 A	328154	13773/2009
13-01	328102	13715/2009	23-03 A	328155	13774/2009
13-02	328012	13399/2009	23-03 D	328182	13812/2009
13-02	328070	13044/2009	23-03 D	328183	13813/2009
13-03 NES	328187	13817/2009	23-03 NES	328076	13677/2009
13-03 NES	328188	13818/2009	23-03 NES	328077	13678/2009
14-02	328004	13725/2009	23-03 NES	328078	13679/2009
14-02	328126	13722/2009	23-03 NES	328079	13680/2009
14-02	328127	13723/2009	23-04	328015	13434/2009
14-02	328181	13810/2009	25-01 A	328077	13678/2009
14-03 B	328091	13685/2009	25-01 A	328078	13679/2009
14-03 NES	328003	13724/2009	25-01 A	328079	13680/2009
14-03 NES	328037	13661/2009	25-01 A	328108	13693/2009
14-03 NES	328126	13722/2009	25-01 A	328163	13905/2009
14-99	328003	13724/2009	25-01 D	328020	13630/2009
14-99	328004	13725/2009	25-01 D	328021	13631/2009
15-02	328184	13814/2009	25-01 D	328022	13632/2009
15-05	327991	13601/2009	25-01 G	328103	13716/2009
15-05	327993	13603/2009	25-01 K	328029	13328/2009
15-05	327994	13604/2009	25-01 K	328030	13654/2009
15-05	327995	13605/2009	25-01 K	328051	13660/2009
15-05	327996	13606/2009	25-01 K	328059	13672/2009
15-99	328156	13509/2009	25-01 K	328161	13719/2009
20-03 NES	327999	13625/2009	25-02 NES	328076	13677/2009
20-03 NES	328013	13016/2009	25-02 NES	328128	13534/2009
20-03 NES	328097	13699/2009	25-03	328138	13788/2009
21-01 B	328080	13704/2009	26-04	328166	13567/2009
21-01 B	328081	13705/2009	26-05 A	328146	13760/2009
21-01 B	328082	13706/2009	26-05 A	328147	13761/2009
21-01 B	328083	13707/2009	26-05 A	328151	13762/2009
21-01 B	328084	13708/2009	26-05 C	328107	13690/2009
21-01 B	328085	13709/2009	26-05 C	328143	13757/2009
21-01 B	328086	13710/2009	26-05 C	328144	13758/2009
21-01 B	328087	13711/2009	26-05 C	328145	13759/2009
21-01 B	328100	13703/2009	26-05 NES	328000	13626/2009
21-01 B	328101	13712/2009	26-05 NES	328178	13803/2009
21-01 L	328088	10804/2009	26-05 NES	328179	13804/2009
21-01 M	328117	13742/2009	26-99	328039	13664/2009
21-01 NES	328099	13701/2009	31-00	328034	13639/2009
21-02 C	328061	13668/2009			
23-01 B	328005	11064/2009			
23-01 B	328006	11065/2009			
23-01 B	328007	11066/2009			

Registration Proceedings - Class Listing of Designs Published or Registered cont'd

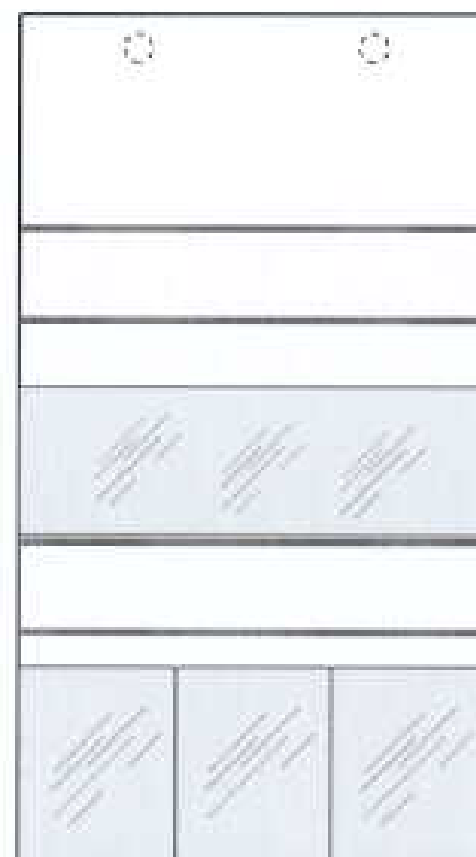
(21) Design Number: **12688/2009**
 (22) Date of Filing Application: **22 July 2009**
 (24) Date from which industrial property rights may have effect: **22 July 2009**
 (54) Product in respect of which the design is registered: **Automobile**
 (51) International Design Classification: **12-08**
 (71) Name(s) and Address(s) of Applicant(s):
Nissan Jidosha Kabushiki Kaisha
No. 2 Takaracho Kanagawa-ku Yokohama-shi Kanagawa-Ken Japan
 (72) Name(s) of Designer(s): **Kenji Yamamoto and Tooru Odagiri and Yuusuke Kojima**
 (45) Registration Date: **15 October 2009**
 (30) Convention priority data:

(31) Number	(32) Date	(33) Country
2009-005033	06 Mar 2009	JAPAN

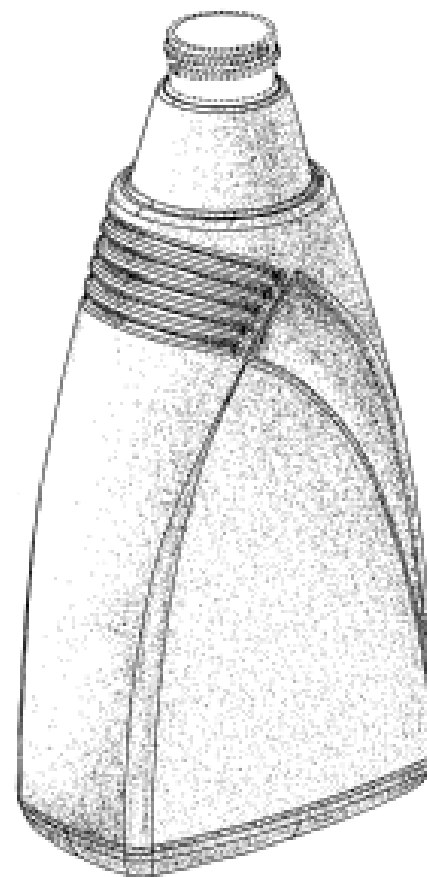
 (56) Related Art Documents: **Not Applicable**
 (57) Statement of Newness and Distinctiveness: **Nil**



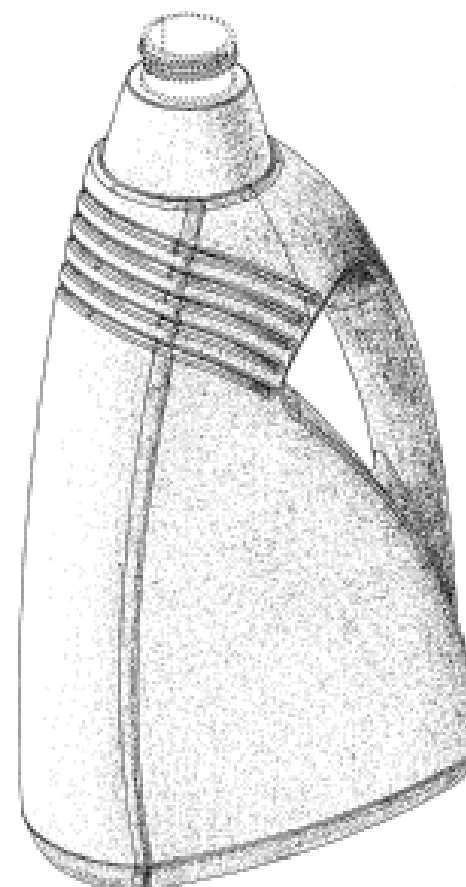
(21) Design Number: **12865/2009**
 (22) Date of Filing Application: **03 August 2009**
 (24) Date from which industrial property rights may have effect: **03 August 2009**
 (54) Product in respect of which the design is registered: **Visor wallet for the motor vehicle**
 (51) International Design Classification: **03-01B**
 (71) Name(s) and Address(s) of Applicant(s):
James Dow
12 Noah Close Mornington Victoria 3931 Australia
 (72) Name(s) of Designer(s): **James Dow**
 (45) Registration Date: **15 October 2009**
 (56) Related Art Documents: **Not Applicable**
 (57) Statement of Newness and Distinctiveness: **The visor wallet has three main functions. 1. Fold out reflective silver sunshade which attaches between the magnetic plates to provide protection to the driver cabin area. 2. Visor extension for extra shade protection (ie side exposure) 3. Wallet contents not visible. It has three separate pockets for items. The Visor Wallet is manufactured with the use of PVC outer with 0.5mm PVC sleeves inside the panels. Inside the bottom panel is the magnetic receiver plate, the top panel contains magnetic closure buttons. Using this process the wallet is adjustable for various visor sizes.**



- (21) Design Number: **13599/2009**
(22) Date of Filing Application: **18 September 2009**
(24) Date from which industrial property rights may have effect: **18 September 2009**
(54) Product in respect of which the design is registered: **Bottle**
(51) International Design Classification: **09-01NES**
(71) Name(s) and Address(s) of Applicant(s):
BISSELL Homecare, Inc
2345 Walker Avenue N.W. Grand Rapids MI 49544 United States of America
(72) Name(s) of Designer(s): **Javier Verdura and Jonathan Lee and James E. McCay and James T. Starkey and Douglas J. Medema and Michael Luyckx**
(45) Registration Date: **15 October 2009**
(30) Convention priority data:
(31) Number (32) Date (33) Country
29/334,112 20 Mar 2009 UNITED STATES OF AMERICA
(56) Related Art Documents: **Not Applicable**
(57) Statement of Newness and Distinctiveness: **The shape and configuration of those parts of the design shown by way of solid lines in the representations are new and distinctive.**



- (21) Design Number: **13600/2009**
(22) Date of Filing Application: **18 September 2009**
(24) Date from which industrial property rights may have effect: **18 September 2009**
(54) Product in respect of which the design is registered: **Bottle**
(51) International Design Classification: **09-01K**
(71) Name(s) and Address(s) of Applicant(s):
BISSELL Homecare, Inc
2345 Walker Avenue N.W. Grand Rapids MI 49544 United States of America
(72) Name(s) of Designer(s): **Jonathan Lee and James E. McCay and Anne E. Nixon and James T. Starkey and Michael Luyckx and Douglas J. Medema**
(45) Registration Date: **15 October 2009**
(30) Convention priority data:
(31) Number (32) Date (33) Country
29/334,113 20 Mar 2009 UNITED STATES OF AMERICA
(56) Related Art Documents: **Not Applicable**
(57) Statement of Newness and Distinctiveness: **The shape and configuration of those parts of the design shown by way of solid lines in the representations are new and distinctive.**



- (21) Design Number: **13601/2009**
- (22) Date of Filing Application: **18 September 2009**
- (24) Date from which industrial property rights may have effect: **18 September 2009**
- (54) Product in respect of which the design is registered: **Vacuum cleaner module**
- (51) International Design Classification: **15-05**
- (71) Name(s) and Address(s) of Applicant(s):

BISSELL Homecare, Inc
2345 Walker Avenue N.W. Grand Rapids MI 49544 United States of America

(72) Name(s) of Designer(s): **Jose Carlito Santiago**

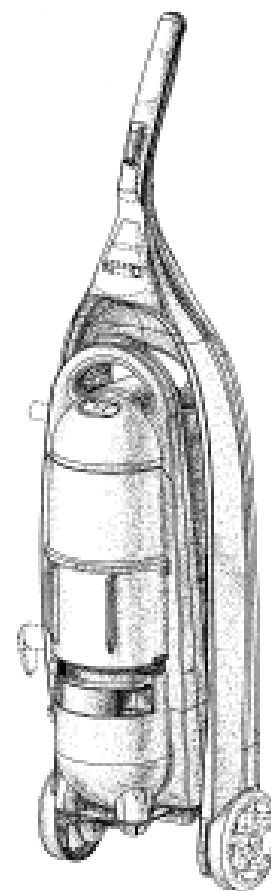
(45) Registration Date: **15 October 2009**

(30) Convention priority data:

(31) Number	(32) Date	(33) Country
29/334,084	20 Mar 2009	UNITED STATES OF AMERICA

(56) Related Art Documents: **Not Applicable**

(57) Statement of Newness and Distinctiveness: **The shape and configuration of those parts of the design shown by way of solid lines in the representations are new and distinctive.**



- (21) Design Number: **13602/2009**
- (22) Date of Filing Application: **18 September 2009**
- (24) Date from which industrial property rights may have effect: **18 September 2009**
- (54) Product in respect of which the design is registered: **Bottle**
- (51) International Design Classification: **09-01K**
- (71) Name(s) and Address(s) of Applicant(s):

BISSELL Homecare, Inc
2345 Walker Avenue N.W. Grand Rapids MI 49544 United States of America

(72) Name(s) of Designer(s): **Jonathan Lee and James E. McCay and Anne E. Nixon and Michael Luyckx and Douglas J. Medema**

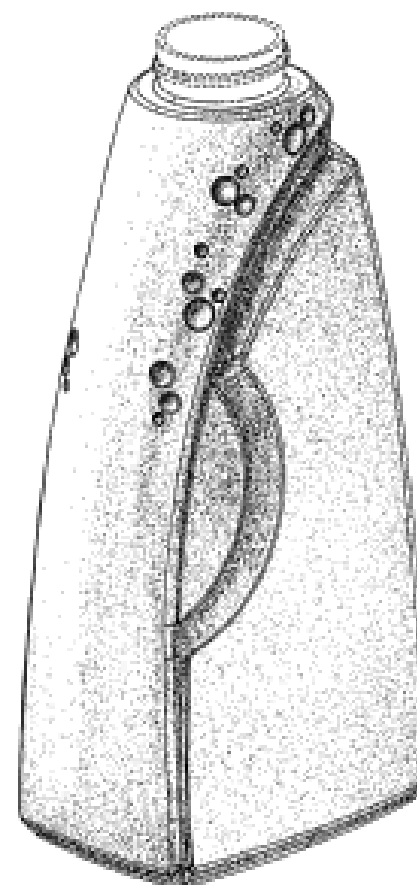
(45) Registration Date: **15 October 2009**

(30) Convention priority data:

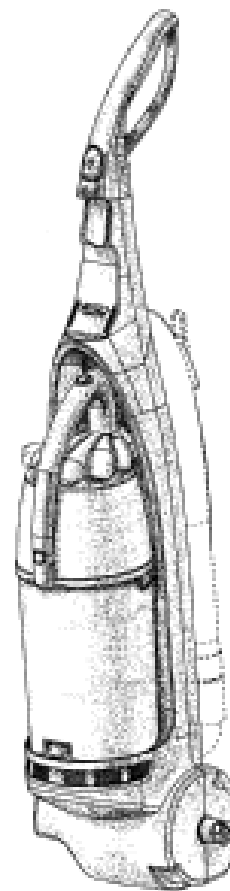
(31) Number	(32) Date	(33) Country
29/334,110	20 Mar 2009	UNITED STATES OF AMERICA

(56) Related Art Documents: **Not Applicable**

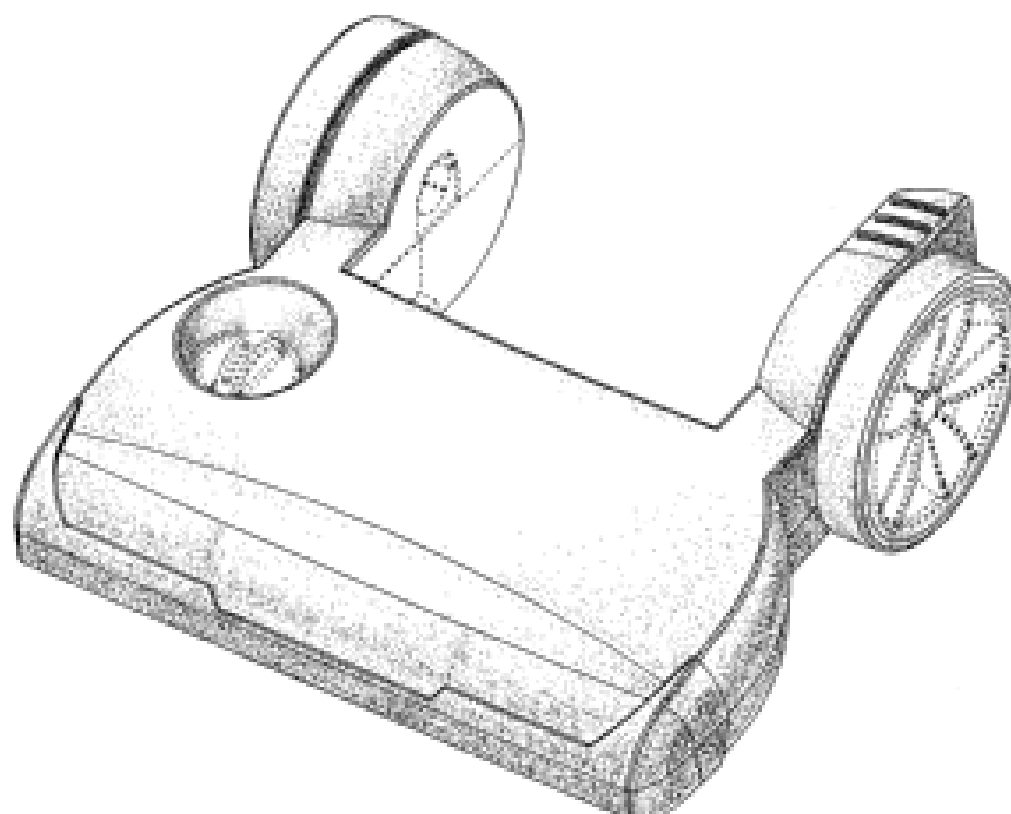
(57) Statement of Newness and Distinctiveness: **The shape and configuration of those parts of the design shown by way of solid lines in the representations are new and distinctive.**



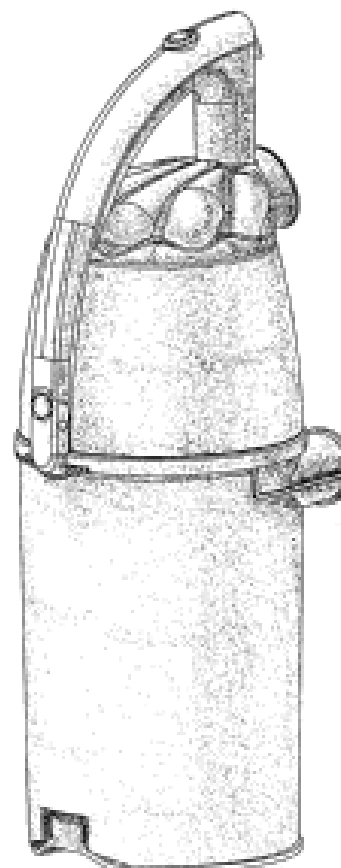
(21) Design Number: **13603/2009**
(22) Date of Filing Application: **18 September 2009**
(24) Date from which industrial property rights may have effect: **18 September 2009**
(54) Product in respect of which the design is registered: **Vacuum cleaner upright portion**
(51) International Design Classification: **15-05**
(71) Name(s) and Address(s) of Applicant(s):
BISSELL Homecare, Inc
2345 Walker Avenue N.W. Grand Rapids MI 49544 United States of America
(72) Name(s) of Designer(s): **Ambreese Hill and Douglas J. Medema**
(45) Registration Date: **15 October 2009**
(30) Convention priority data:
(31) Number (32) Date (33) Country
29/333,966 18 Mar 2009 UNITED STATES OF AMERICA
(56) Related Art Documents: **Not Applicable**
(57) Statement of Newness and Distinctiveness: **The shape and configuration of those parts of the design shown by way of solid lines in the representations are new and distinctive.**



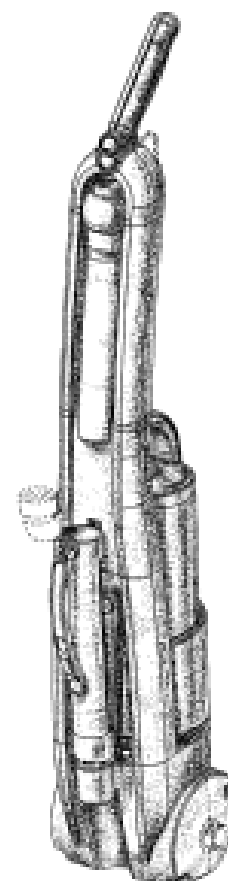
(21) Design Number: **13604/2009**
(22) Date of Filing Application: **18 September 2009**
(24) Date from which industrial property rights may have effect: **18 September 2009**
(54) Product in respect of which the design is registered: **Vacuum cleaner base portion**
(51) International Design Classification: **15-05**
(71) Name(s) and Address(s) of Applicant(s):
BISSELL Homecare, Inc
2345 Walker Avenue N.W. Grand Rapids MI 49544 United States of America
(72) Name(s) of Designer(s): **Ambreese Hill and Douglas J. Medema**
(45) Registration Date: **15 October 2009**
(30) Convention priority data:
(31) Number (32) Date (33) Country
29/333,969 18 Mar 2009 UNITED STATES OF AMERICA
(56) Related Art Documents: **Not Applicable**
(57) Statement of Newness and Distinctiveness: **The shape and configuration of those parts of the design shown by way of solid lines in the representations are new and distinctive.**



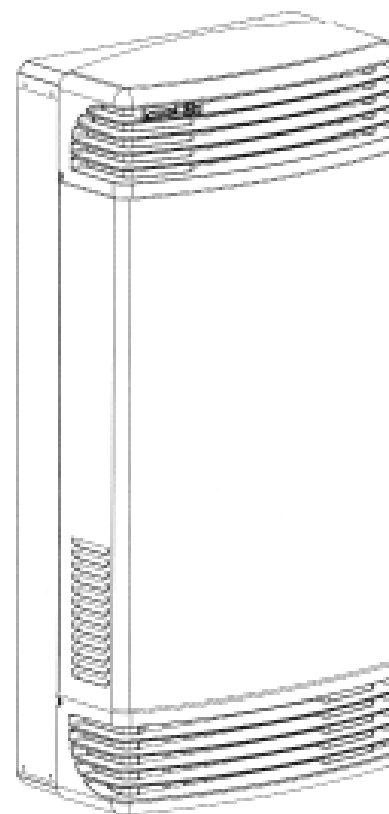
(21) Design Number: **13605/2009**
 (22) Date of Filing Application: **18 September 2009**
 (24) Date from which industrial property rights may have effect: **18 September 2009**
 (54) Product in respect of which the design is registered: **Vacuum cleaner cyclone module**
 (51) International Design Classification: **15-05**
 (71) Name(s) and Address(s) of Applicant(s):
BISSELL Homecare, Inc
2345 Walker Avenue N.W. Grand Rapids MI 49544 United States of America
 (72) Name(s) of Designer(s): **Ambreese Hill and Douglas J. Medema**
 (45) Registration Date: **15 October 2009**
 (30) Convention priority data:
 (31) Number (32) Date (33) Country
29/333,968 18 Mar 2009 UNITED STATES OF AMERICA
 (56) Related Art Documents: **Not Applicable**
 (57) Statement of Newness and Distinctiveness: **The shape and configuration of those parts of the design shown by way of solid lines in the representations are new and distinctive.**



(21) Design Number: **13606/2009**
 (22) Date of Filing Application: **18 September 2009**
 (24) Date from which industrial property rights may have effect: **18 September 2009**
 (54) Product in respect of which the design is registered: **Vacuum cleaner upright portion**
 (51) International Design Classification: **15-05**
 (71) Name(s) and Address(s) of Applicant(s):
BISSELL Homecare, Inc
2345 Walker Avenue N.W. Grand Rapids MI 49544 United States of America
 (72) Name(s) of Designer(s): **Jose Carlito Santiago and Douglas J. Medema**
 (45) Registration Date: **15 October 2009**
 (30) Convention priority data:
 (31) Number (32) Date (33) Country
29/334,081 20 Mar 2009 UNITED STATES OF AMERICA
 (56) Related Art Documents: **Not Applicable**
 (57) Statement of Newness and Distinctiveness: **The shape and configuration of those parts of the design shown by way of solid lines in the representations are new and distinctive.**



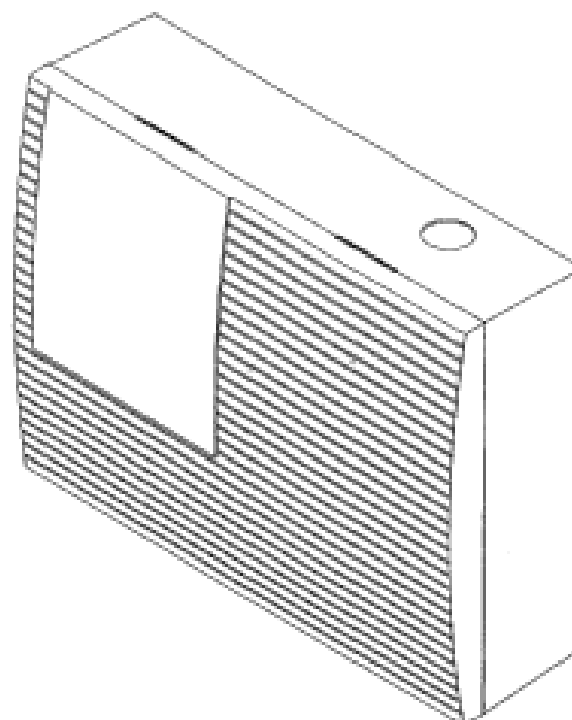
- (21) Design Number: **12017/2009**
(22) Date of Filing Application: **28 May 2009**
(24) Date from which industrial property rights may have effect: **28 May 2009**
(54) Product in respect of which the design is registered: **Space heater cabinet - console style**
(51) International Design Classification: **23-03A**
(71) Name(s) and Address(s) of Applicant(s):
F F Seeley Nominees Pty Ltd
1-11 Rothesay Avenue Saint Marys South Australia 5042 Australia
(72) Name(s) of Designer(s): **Mark de Koeyer**
(45) Registration Date: **15 October 2009**
(56) Related Art Documents: **Not Applicable**
(57) Statement of Newness and Distinctiveness: **Nil**



- (21) Design Number: **13620/2009**
(22) Date of Filing Application: **21 September 2009**
(24) Date from which industrial property rights may have effect: **21 September 2009**
(54) Product in respect of which the design is registered: **Fire detector**
(51) International Design Classification: **10-05**
(71) Name(s) and Address(s) of Applicant(s):
Nohmi Bosai Ltd.
7-3 Kudan Minami 4-chome Chiyoda-Ku Tokyo Japan
(72) Name(s) of Designer(s): **Kenichi Kato**
(45) Registration Date: **15 October 2009**
(30) Convention priority data:

(31) Number	(32) Date	(33) Country
2009-007249	30 Mar 2009	JAPAN

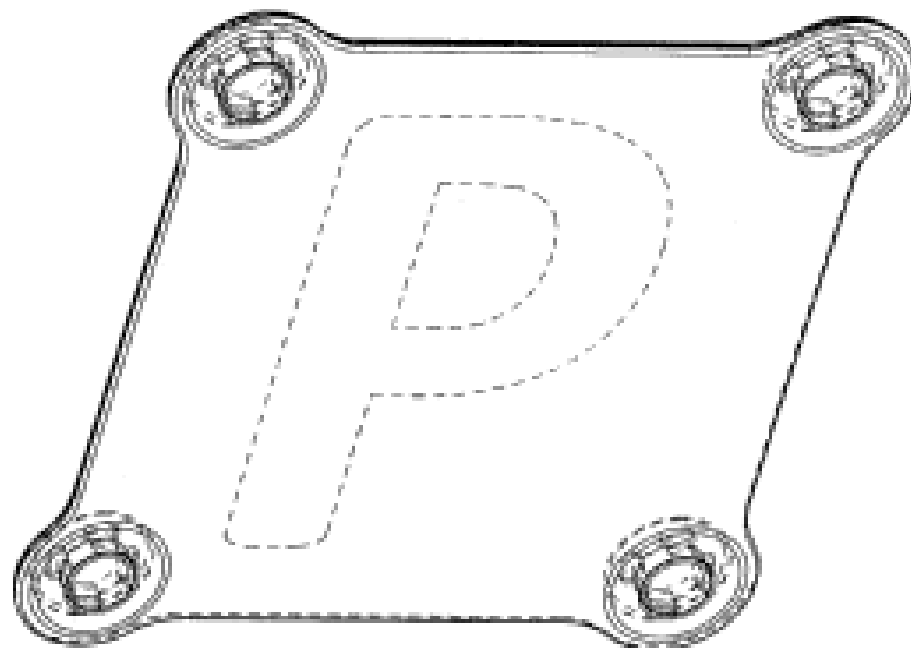
(56) Related Art Documents: **Not Applicable**
(57) Statement of Newness and Distinctiveness: **Nil**



- (21) Design Number: **13625/2009**
- (22) Date of Filing Application: **18 September 2009**
- (24) Date from which industrial property rights may have effect: **18 September 2009**
- (54) Product in respect of which the design is registered: **License indicator sign**
- (51) International Design Classification: **20-03NES**
- (71) Name(s) and Address(s) of Applicant(s):

Christopher Maccan
5/138 Church Street Hawthorn Victoria 3122 Australia

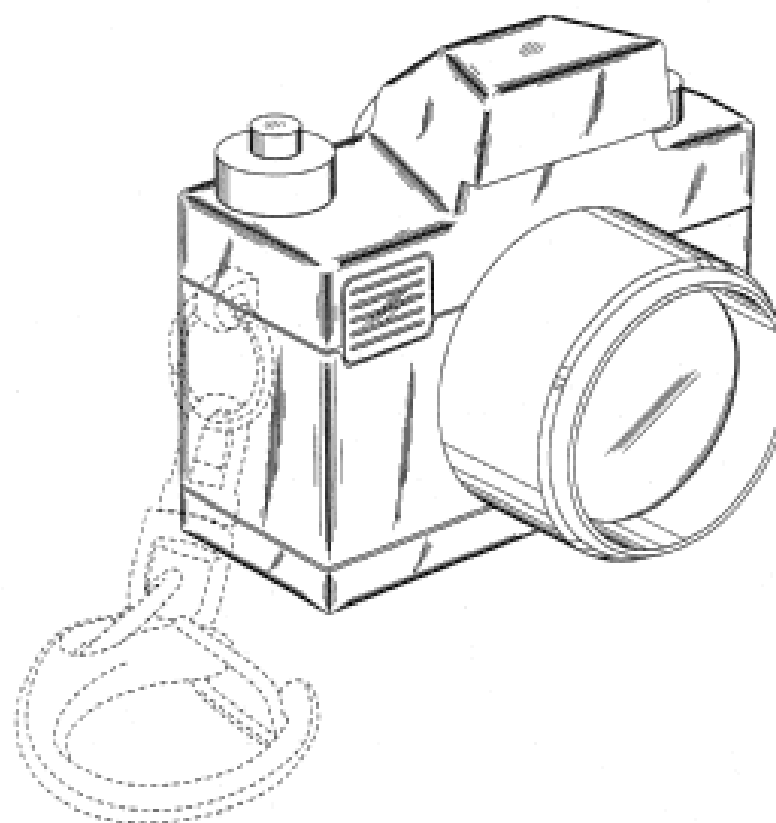
- (72) Name(s) of Designer(s): **Marc Fraser**
- (45) Registration Date: **15 October 2009**
- (56) Related Art Documents: **Not Applicable**
- (57) Statement of Newness and Distinctiveness: **Those features of the license indicator sign depicted in the representations that are new and distinctive are the shape and/or configuration. The features shown in broken lines are not part of the design and are to be disregarded when considering the overall impression of the design.**



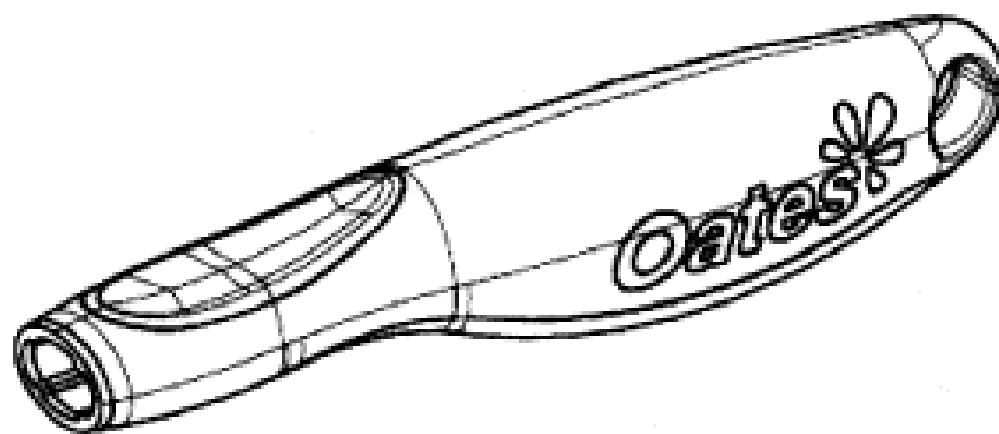
- (21) Design Number: **13626/2009**
- (22) Date of Filing Application: **21 September 2009**
- (24) Date from which industrial property rights may have effect: **21 September 2009**
- (54) Product in respect of which the design is registered: **Keylight**
- (51) International Design Classification: **26-05NES**
- (71) Name(s) and Address(s) of Applicant(s):

Kikkerland Design, Inc.
423-427 West 127th Street New York New York 10027 United States of America

- (72) Name(s) of Designer(s): **Jan van der Lande**
- (45) Registration Date: **15 October 2009**
- (30) Convention priority data:
 - (31) Number (32) Date (33) Country
 - 29/315,177 01 Jun 2009 UNITED STATES OF AMERICA**
- (56) Related Art Documents: **Not Applicable**
- (57) Statement of Newness and Distinctiveness: **The keychain where shown in broken lines in the representations is for illustration purposes only and forms no part of the claimed design.**



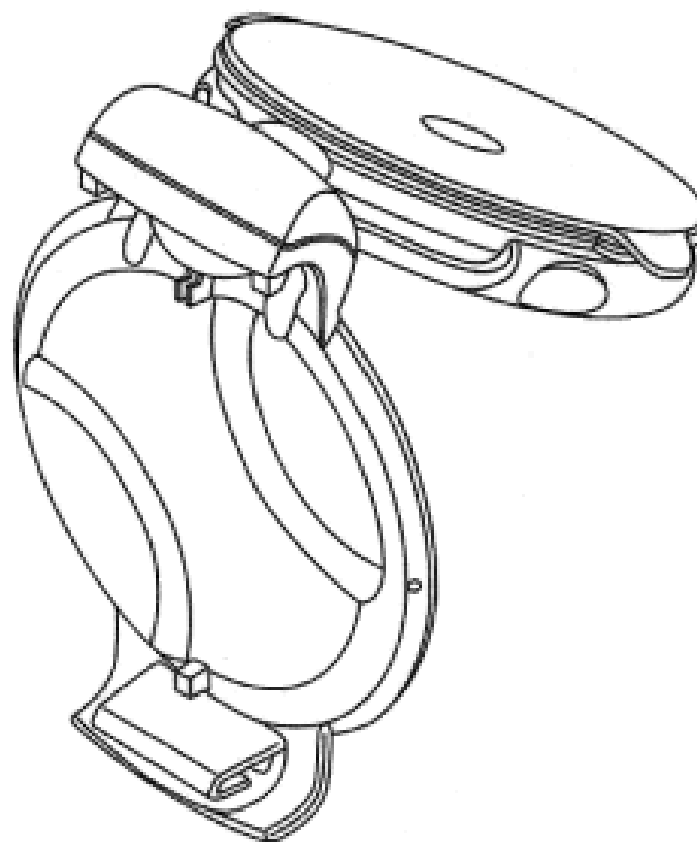
- (21) Design Number: **10772/2009**
(22) Date of Filing Application: **11 March 2009**
(24) Date from which industrial property rights may have effect: **11 March 2009**
(54) Product in respect of which the design is registered: **Handle**
(51) International Design Classification: **08-06, 04-01**
(71) Name(s) and Address(s) of Applicant(s):
 E.D. Oates Pty Ltd
 PO Box 158 Campbellfield Victoria 3061 Australia
(72) Name(s) of Designer(s): **Sonya Sing Lee and Andrew Howley and Paul**
 Charlwood and Nick Butselaar
(45) Registration Date: **15 October 2009**
(56) Related Art Documents: **Not Applicable**
(57) Statement of Newness and Distinctiveness: **Newness and distinctiveness**
 resides in the visual features of shape and/or configuration of a handle
 as illustrated in the accompanying representations. The logo shown on
 the surface of the handle does not form part of the design and is to be
 disregarded when considering whether the design is identical or
 substantially similar in overall impression to another design.



- (21) Design Number: **12981/2009**
(22) Date of Filing Application: **07 August 2009**
(24) Date from which industrial property rights may have effect: **07 August 2009**
(54) Product in respect of which the design is registered: **Bucket**
(51) International Design Classification: **07-07B**
(71) Name(s) and Address(s) of Applicant(s):
 Sabco Australia Pty Ltd
 9-13 Link Way Laverton North Victoria 3026 Australia
(72) Name(s) of Designer(s): **Emily Townsing**
(45) Registration Date: **15 October 2009**
(30) Convention priority data:
 (31) Number (32) Date (33) Country
 29/337986 03 Jun 2009 UNITED STATES OF AMERICA
(56) Related Art Documents: **Not Applicable**
(57) Statement of Newness and Distinctiveness: **Newness and distinctiveness**
 reside in the shape and/or configuration of the agitation formations at
 the base of the bucket and/or the wringer, as illustrated by solid lines in
 the accompanying representations. The surface ornamentation and
 indicia appearing on the bucket are for illustrative purposes only and do
 not form part of the design.

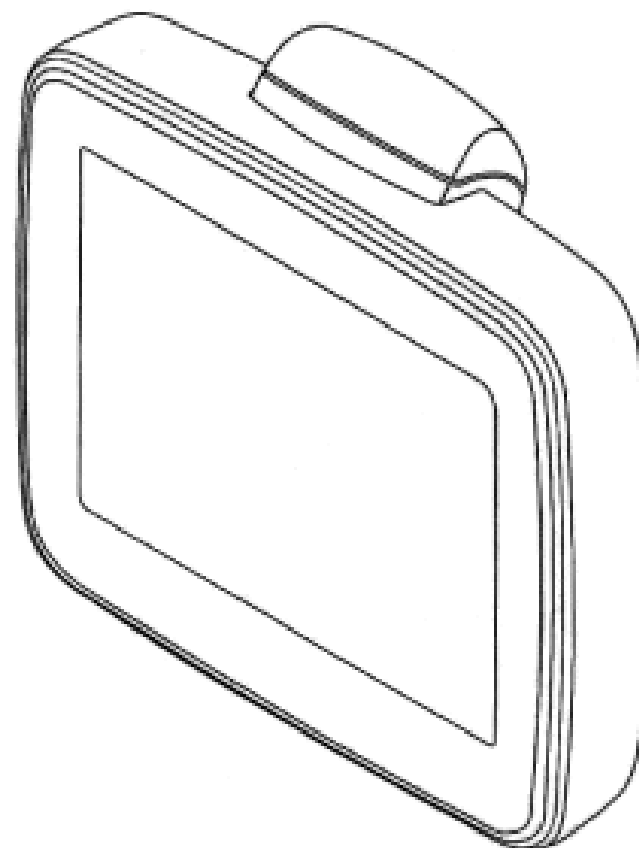


- (21) Design Number: **13724/2009**
- (22) Date of Filing Application: **29 September 2009**
- (24) Date from which industrial property rights may have effect: **29 September 2009**
- (54) Product in respect of which the design is registered: **Mount for an electronic device**
- (51) International Design Classification: **08-08NES, 14-03NES, 14-99**
- (71) Name(s) and Address(s) of Applicant(s):
Tom Tom International B.V.
Rembrandtplein 35 1017 CT Amsterdam Netherlands
- (72) Name(s) of Designer(s): **Ken McAlpine and Martin Riddiford**
- (45) Registration Date: **15 October 2009**
- (56) Related Art Documents: **Not Applicable**
- (57) Statement of Newness and Distinctiveness: **Those features of the mount for an electronic device depicted in the representations that are new and distinctive are the shape and/or configuration and pattern and/or ornamentation.**



- (21) Design Number: **13725/2009**
- (22) Date of Filing Application: **29 September 2009**
- (24) Date from which industrial property rights may have effect: **29 September 2009**
- (54) Product in respect of which the design is registered: **Electronic device with mount**
- (51) International Design Classification: **14-02, 14-99**
- (71) Name(s) and Address(s) of Applicant(s):
Tom Tom International B.V.
Rembrandtplein 35 1017 CT Amsterdam Netherlands
- (72) Name(s) of Designer(s): **Ken McAlpine and Martin Riddiford**
- (45) Registration Date: **15 October 2009**
- (30) Convention priority data:

(31) Number	(32) Date	(33) Country
1605 007	27 Aug 2009	EUROPEAN COMMUNITY
- (56) Related Art Documents: **Not Applicable**
- (57) Statement of Newness and Distinctiveness: **Those features of the electronic device with mount depicted in the representations that are new and distinctive are the shape and/or configuration.**



(21) Design Number: **11064/2009**

(22) Date of Filing Application: **27 March 2009**

(24) Date from which industrial property rights may have effect: **27 March 2009**

(54) Product in respect of which the design is registered: **Tube connector**

(51) International Design Classification: **23-01B**

(71) Name(s) and Address(s) of Applicant(s):

David George Cook

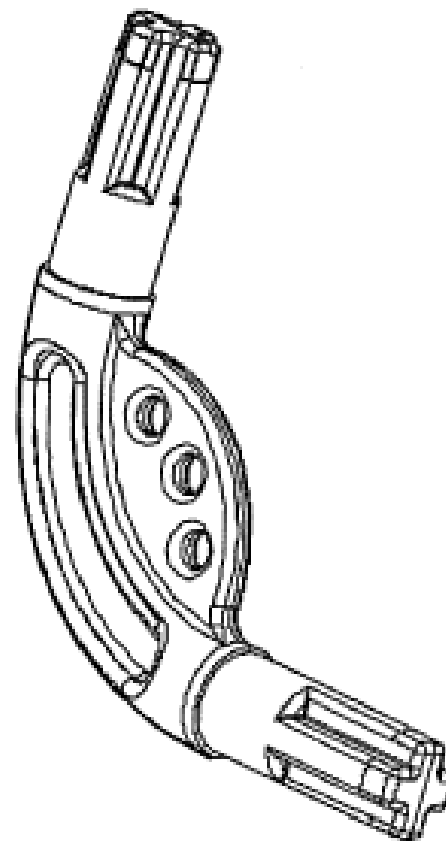
14 Binary Street Yatala Queensland 4207 Australia

(72) Name(s) of Designer(s): **David George Cook**

(45) Registration Date: **21 October 2009**

(56) Related Art Documents: **Not Applicable**

(57) Statement of Newness and Distinctiveness: **Newness and distinctiveness reside in the features of shape and configuration of a tube connector as shown in the accompanying representations.**



(21) Design Number: **11065/2009**

(22) Date of Filing Application: **27 March 2009**

(24) Date from which industrial property rights may have effect: **27 March 2009**

(54) Product in respect of which the design is registered: **Tube connector**

(51) International Design Classification: **23-01B**

(71) Name(s) and Address(s) of Applicant(s):

David George Cook

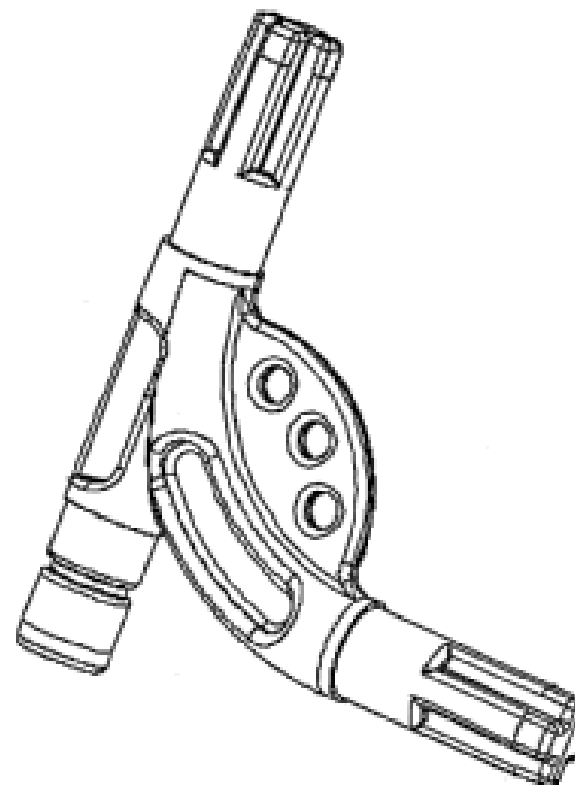
14 Binary Street Yatala Queensland 4207 Australia

(72) Name(s) of Designer(s): **David George Cook**

(45) Registration Date: **21 October 2009**

(56) Related Art Documents: **Not Applicable**

(57) Statement of Newness and Distinctiveness: **Newness and distinctiveness reside in the features of shape and configuration of a tube connector as shown in the accompanying representations.**



(21) Design Number: **11066/2009**

(22) Date of Filing Application: **27 March 2009**

(24) Date from which industrial property rights may have effect: **27 March 2009**

(54) Product in respect of which the design is registered: **Tube connector**

(51) International Design Classification: **23-01B**

(71) Name(s) and Address(s) of Applicant(s):

David George Cook

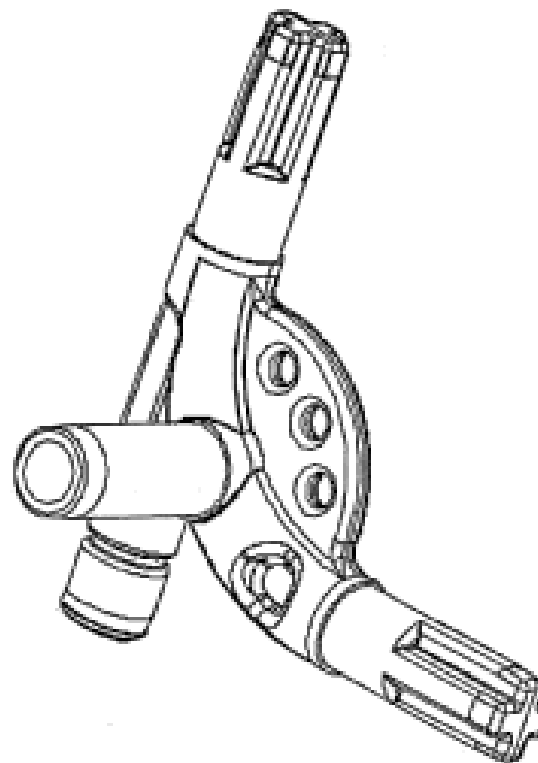
14 Binary Street Yatala Queensland 4207 Australia

(72) Name(s) of Designer(s): **David George Cook**

(45) Registration Date: **21 October 2009**

(56) Related Art Documents: **Not Applicable**

(57) Statement of Newness and Distinctiveness: **Newness and distinctiveness reside in the features of shape and configuration of a tube connector as shown in the accompanying representations.**



(21) Design Number: **11067/2009**

(22) Date of Filing Application: **27 March 2009**

(24) Date from which industrial property rights may have effect: **27 March 2009**

(54) Product in respect of which the design is registered: **Tube connector**

(51) International Design Classification: **23-01B**

(71) Name(s) and Address(s) of Applicant(s):

David George Cook

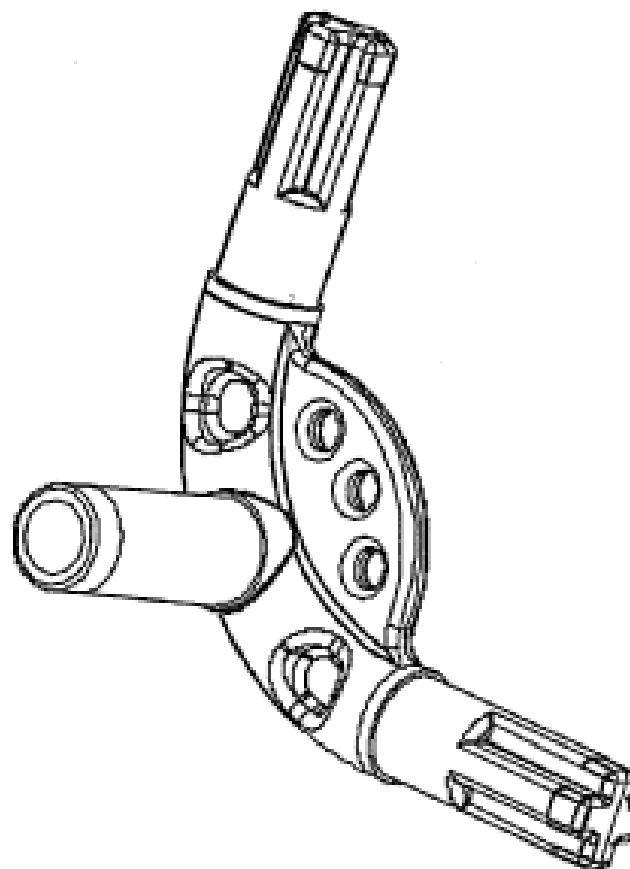
14 Binary Street Yatala Queensland 4207 Australia

(72) Name(s) of Designer(s): **David George Cook**

(45) Registration Date: **21 October 2009**

(56) Related Art Documents: **Not Applicable**

(57) Statement of Newness and Distinctiveness: **Newness and distinctiveness reside in the features of shape and configuration of a tube connector as shown in the accompanying representations.**



(21) Design Number: **11068/2009**

(22) Date of Filing Application: **27 March 2009**

(24) Date from which industrial property rights may have effect: **27 March 2009**

(54) Product in respect of which the design is registered: **Tube connector**

(51) International Design Classification: **23-01B**

(71) Name(s) and Address(s) of Applicant(s):

David George Cook

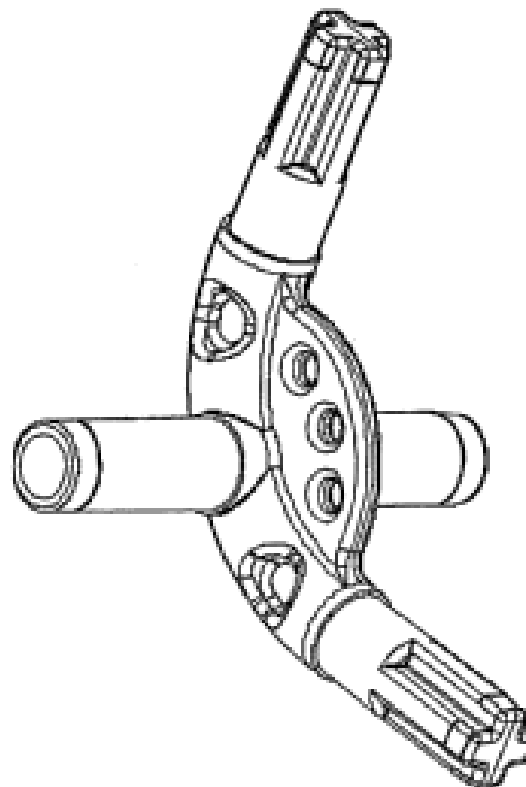
14 Binary Street Yatala Queensland 4207 Australia

(72) Name(s) of Designer(s): **David George Cook**

(45) Registration Date: **21 October 2009**

(56) Related Art Documents: **Not Applicable**

(57) Statement of Newness and Distinctiveness: **Newness and distinctiveness reside in the features of shape and configuration of a tube connector as shown in the accompanying representations.**



(21) Design Number: **11069/2009**

(22) Date of Filing Application: **27 March 2009**

(24) Date from which industrial property rights may have effect: **27 March 2009**

(54) Product in respect of which the design is registered: **Tube connector**

(51) International Design Classification: **23-01B**

(71) Name(s) and Address(s) of Applicant(s):

David George Cook

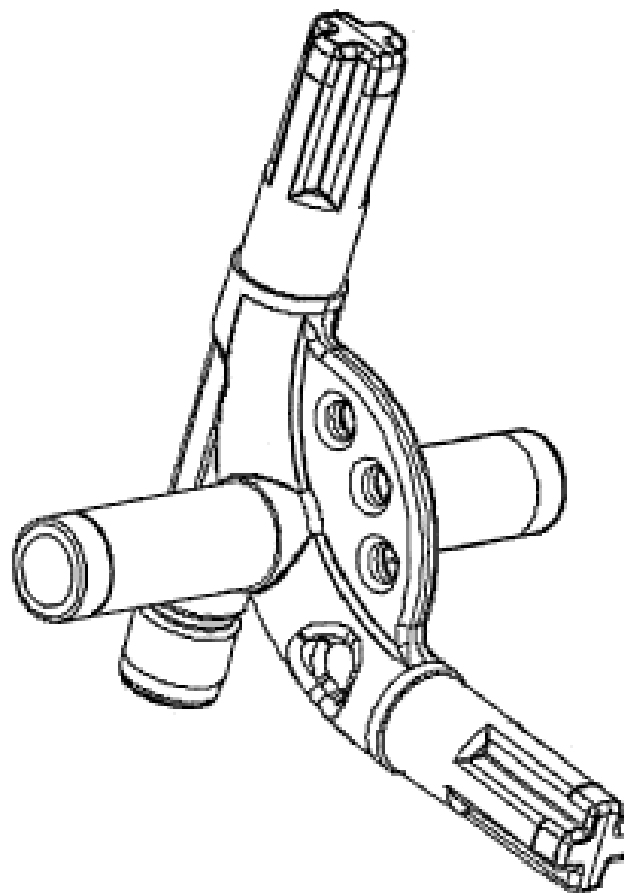
14 Binary Street Yatala Queensland 4207 Australia

(72) Name(s) of Designer(s): **David George Cook**

(45) Registration Date: **21 October 2009**

(56) Related Art Documents: **Not Applicable**

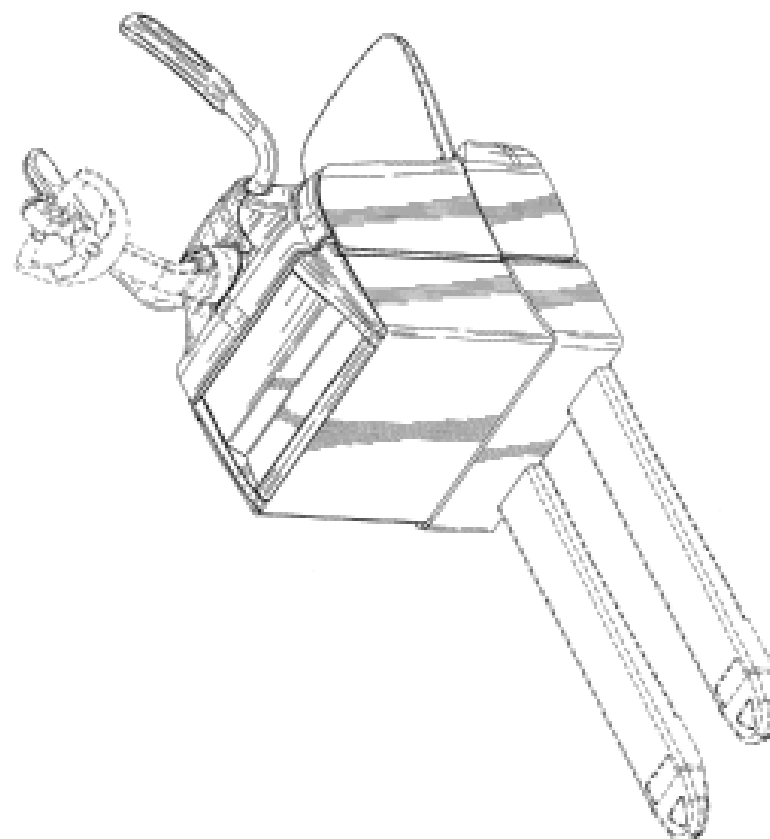
(57) Statement of Newness and Distinctiveness: **Newness and distinctiveness reside in the features of shape and configuration of a tube connector as shown in the accompanying representations.**



- (21) Design Number: **12741/2009**
(22) Date of Filing Application: **23 July 2009**
(24) Date from which industrial property rights may have effect: **23 July 2009**
(54) Product in respect of which the design is registered: **Toothbrush**
(51) International Design Classification: **04-02**
(71) Name(s) and Address(s) of Applicant(s):
Graduate Group SDN. BHD.
No 103 Persiaran Cempaka Sari 9 Taman Cempaka 31400 Ipoh Perak
Malaysia
(72) Name(s) of Designer(s): **Liew Hon Seong**
(45) Registration Date: **21 October 2009**
(56) Related Art Documents: **Not Applicable**
(57) Statement of Newness and Distinctiveness: **Nil**



- (21) Design Number: **13399/2009**
(22) Date of Filing Application: **03 September 2009**
(24) Date from which industrial property rights may have effect: **03 September 2009**
(54) Product in respect of which the design is registered: **Power unit for pallet truck**
(51) International Design Classification: **13-02**
(71) Name(s) and Address(s) of Applicant(s):
Crown Equipment Corporation
40 South Washington Street New Bremen OH 45869 United States of
America
(72) Name(s) of Designer(s): **Ryan R. Berger and Markus Graf and James V. Kraimer and Thornton K. Lothrop and Rainer B. Teufel**
(45) Registration Date: **21 October 2009**
(30) Convention priority data:
(31) Number (32) Date (33) Country
29/333716 13 Mar 2009 UNITED STATES OF AMERICA
(56) Related Art Documents: **Not Applicable**
(57) Statement of Newness and Distinctiveness: **The shape and configuration of the product, which is depicted with solid lines in the representations, are new and distinctive.**



(21) Design Number: **13016/2009**

(22) Date of Filing Application: **12 August 2009**

(24) Date from which industrial property rights may have effect: **12 August 2009**

(54) Product in respect of which the design is registered: **Uni-directional cross**

(51) International Design Classification: **20-03NES**

(71) Name(s) and Address(s) of Applicant(s):

Sarah Savage

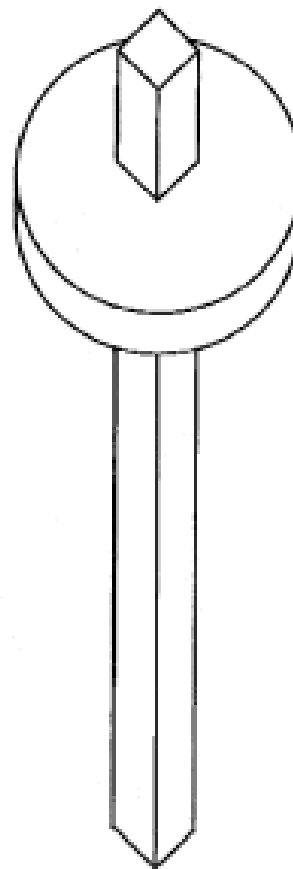
16 Purdom Road Wembley Downs Western Australia 6019 Australia

(72) Name(s) of Designer(s): **Sarah Clement Savage**

(45) Registration Date: **16 October 2009**

(56) Related Art Documents: **Not Applicable**

(57) Statement of Newness and Distinctiveness: **This will appear as a cross from whatever direction it is viewed.**



(21) Design Number: **13277/2009**

(22) Date of Filing Application: **26 August 2009**

(24) Date from which industrial property rights may have effect: **26 August 2009**

(54) Product in respect of which the design is registered: **Beverage container**

(51) International Design Classification: **07-01C, 09-01NES, 09-03L**

(71) Name(s) and Address(s) of Applicant(s):

Pacific Market International, LLC

2401 Elliott Avenue Fourth Floor Seattle WA 98121 United States of America

(72) Name(s) of Designer(s): **Sarah Danger George**

(45) Registration Date: **16 October 2009**

(30) Convention priority data:

(31) Number

(32) Date

(33) Country

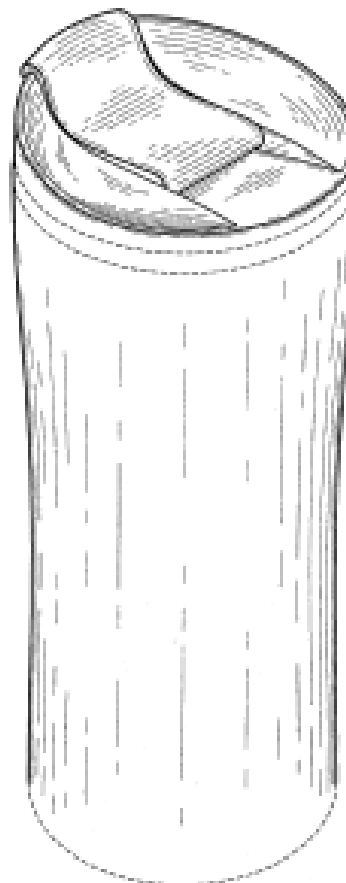
29/333186

04 Mar 2009

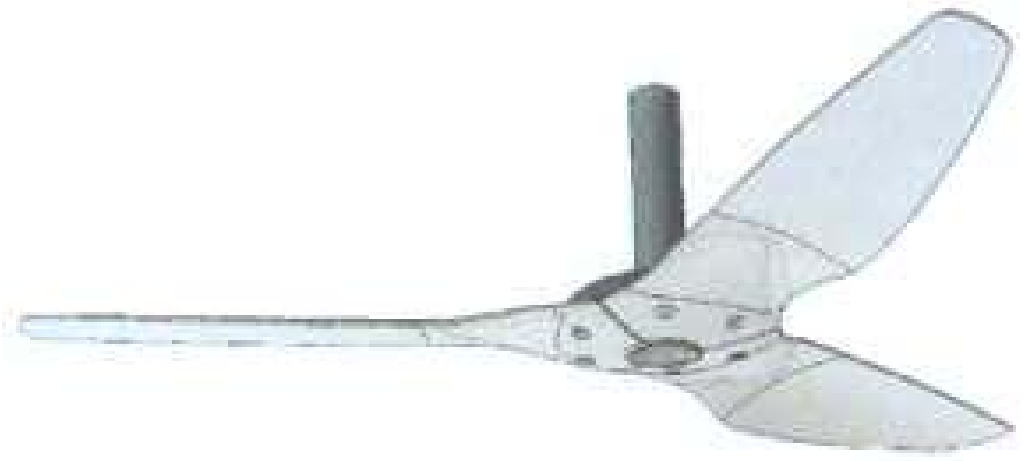
UNITED STATES OF AMERICA

(56) Related Art Documents: **Not Applicable**

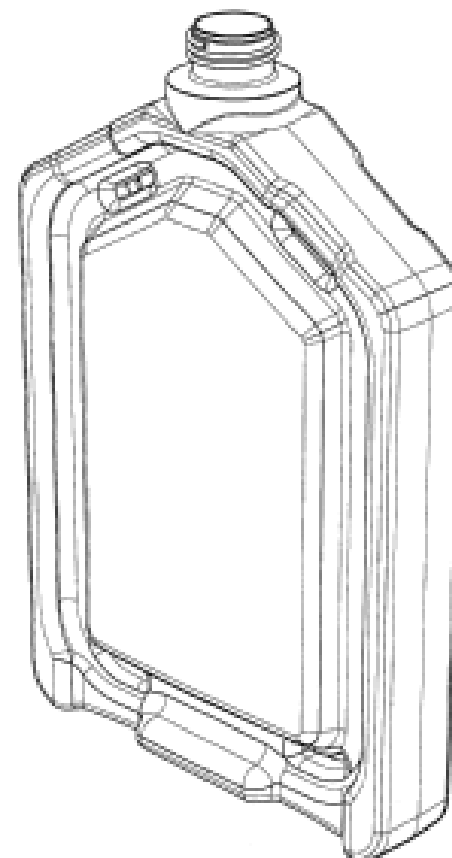
(57) Statement of Newness and Distinctiveness: **The shape and configuration of those parts of the design shown by means of solid lines in the representations are new and distinctive.**



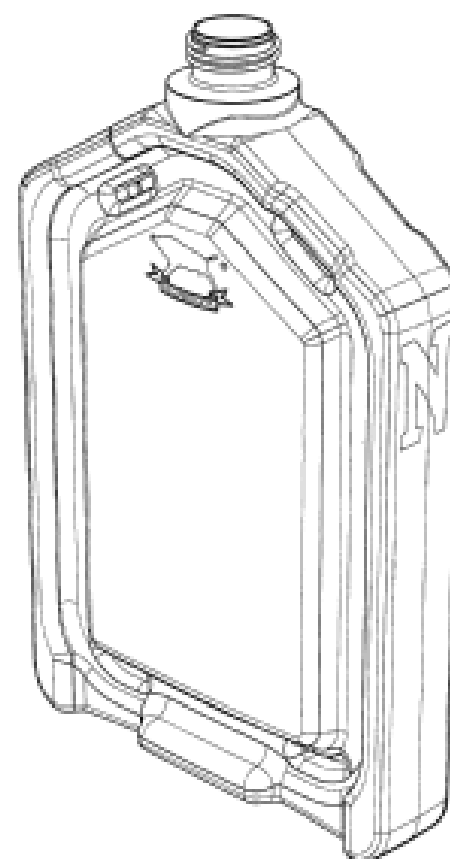
(21) Design Number: **13434/2009**
(22) Date of Filing Application: **04 September 2009**
(24) Date from which industrial property rights may have effect: **04 September 2009**
(54) Product in respect of which the design is registered: **A fan**
(51) International Design Classification: **23-04**
(71) Name(s) and Address(s) of Applicant(s):
Haiku Design Sdn. Bhd.
B607 6th Floor Block B Kelana Sq (Dataran Usahawan Kelana) 17
Jalan SS 7/26 Kelana Jaya PJ Selangor 47301 Malaysia
(72) Name(s) of Designer(s): **Ernest John Noble**
(45) Registration Date: **16 October 2009**
(30) Convention priority data:
(31) Number (32) Date (33) Country
D2009/235/G 17 Mar 2009 SINGAPORE
(56) Related Art Documents: **Not Applicable**
(57) Statement of Newness and Distinctiveness: **Nil**



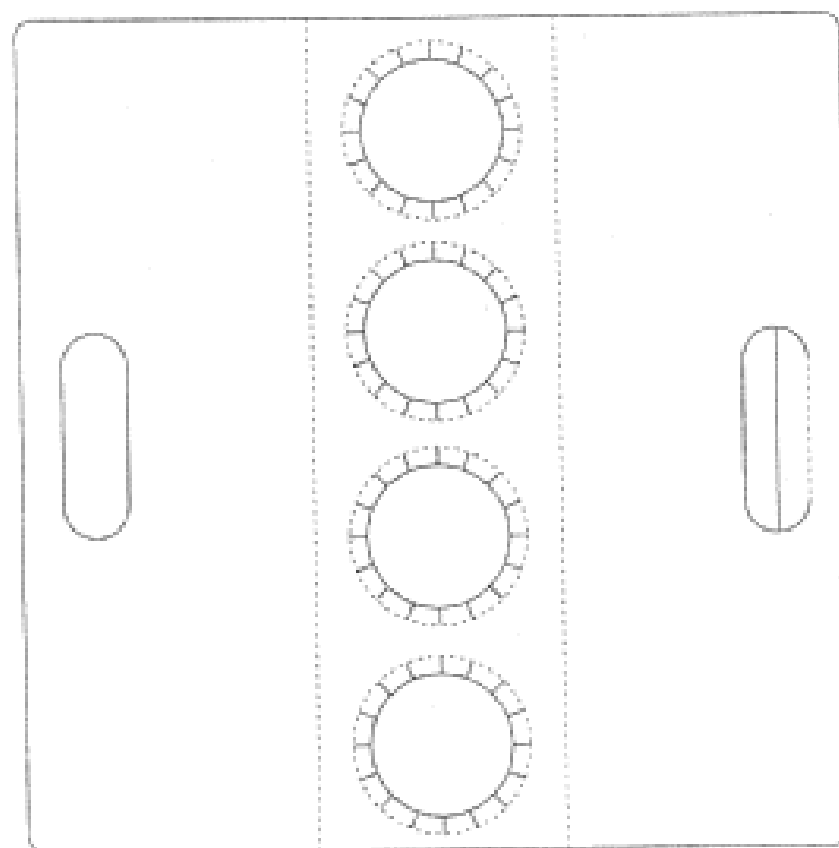
(21) Design Number: **13461/2009**
(22) Date of Filing Application: **08 September 2009**
(24) Date from which industrial property rights may have effect: **08 September 2009**
(54) Product in respect of which the design is registered: **Container**
(51) International Design Classification: **09-01NES**
(71) Name(s) and Address(s) of Applicant(s):
Norbrook Laboratories Limited
105 Armagh Road Newry County Down Northern Ireland BT35 6PU
United Kingdom
(72) Name(s) of Designer(s): **Roderick Campbell**
(45) Registration Date: **16 October 2009**
(30) Convention priority data:
(31) Number (32) Date (33) Country
001155808-01-2 24 Jul 2009 EUROPEAN COMMUNITY
(56) Related Art Documents: **Not Applicable**
(57) Statement of Newness and Distinctiveness: **Nil**



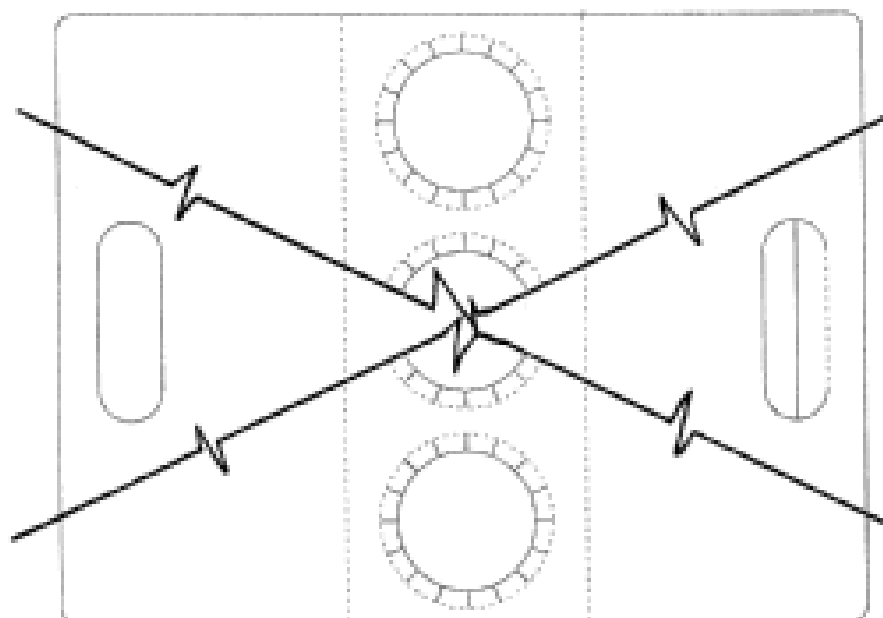
- (21) Design Number: **13462/2009**
(22) Date of Filing Application: **08 September 2009**
(24) Date from which industrial property rights may have effect: **08 September 2009**
(54) Product in respect of which the design is registered: **Container**
(51) International Design Classification: **09-01K**
(71) Name(s) and Address(s) of Applicant(s):
Norbrook Laboratories Limited
105 Armagh Road Newry County Down Northern Ireland BT35 6PU
United Kingdom
(72) Name(s) of Designer(s): **Roderick Campbell**
(45) Registration Date: **16 October 2009**
(30) Convention priority data:
(31) Number (32) Date (33) Country
001155808-01-2 24 Jul 2009 EUROPEAN COMMUNITY
(56) Related Art Documents: **Not Applicable**
(57) Statement of Newness and Distinctiveness: **Nil**



- (21) Design Number: **13627/2009**
(22) Date of Filing Application: **22 September 2009**
(24) Date from which industrial property rights may have effect: **22 September 2009**
(54) Product in respect of which the design is registered: **Carrier**
(51) International Design Classification: **09-03E**
(71) Name(s) and Address(s) of Applicant(s):
Barcky Pty Ltd
403/7-9 Abbott Street Cammeray New South Wales 2062 Australia
(72) Name(s) of Designer(s): **Peter Brack**
(45) Registration Date: **16 October 2009**
(56) Related Art Documents: **Not Applicable**
(57) Statement of Newness and Distinctiveness: **Newness and distinctiveness resides in the feature of the plurality of tabs projecting inwardly from the perimeter of the apertures that are arranged in the central portion of the carrier; this does not imply that other visual features of the design lack newness or distinctiveness.**

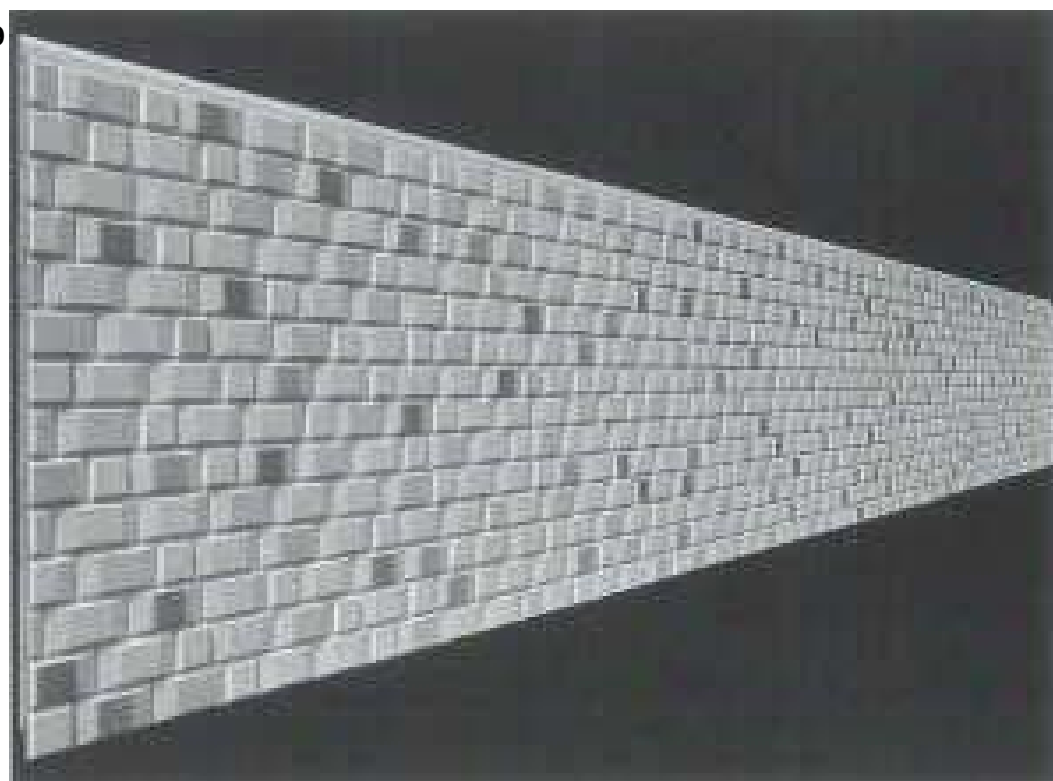


- (21) Design Number: **13628/2009**
- (22) Date of Filing Application: **22 September 2009**
- (24) Date from which industrial property rights may have effect: **22 September 2009**
- (54) Product in respect of which the design is registered: **Carrier of indefinite length**
- (51) International Design Classification: **09-03E**
- (71) Name(s) and Address(s) of Applicant(s):
Barcky Pty Ltd
403/7-9 Abbott Street Cammeray New South Wales 2062 Australia
- (72) Name(s) of Designer(s): **Peter Brack**
- (45) Registration Date: **16 October 2009**
- (56) Related Art Documents: **Not Applicable**
- (57) Statement of Newness and Distinctiveness: **When determining whether the design is substantially similar in overall impression to another design, it should be understood that the carrier is of indefinite length and, depending on the length, can have two or more apertures provided in the central region thereof. Newness and distinctiveness resides in the feature of the plurality of tabs projecting inwardly from the perimeter of the apertures that are arranged in the central portion of the carrier; this does not imply that other visual features of the design lack newness or distinctiveness.**

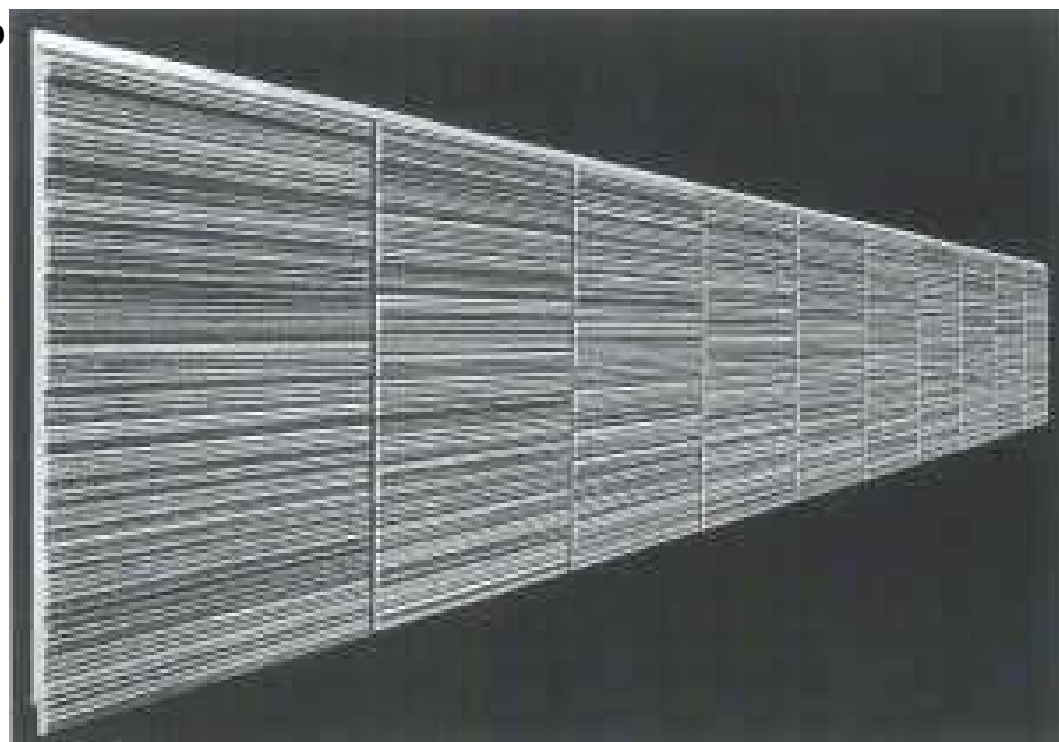


- (21) Design Number: **13630/2009**
- (22) Date of Filing Application: **22 September 2009**
- (24) Date from which industrial property rights may have effect: **22 September 2009**
- (54) Product in respect of which the design is registered: **Building board**
- (51) International Design Classification: **25-01D**
- (71) Name(s) and Address(s) of Applicant(s):
Nichiha Corporation
12 Shiodome-cho Minato-ku Nagoya-shi Aichi 455-8550 Japan
- (72) Name(s) of Designer(s): **Kentarou Yoshimura**
- (45) Registration Date: **16 October 2009**
- (30) Convention priority data:

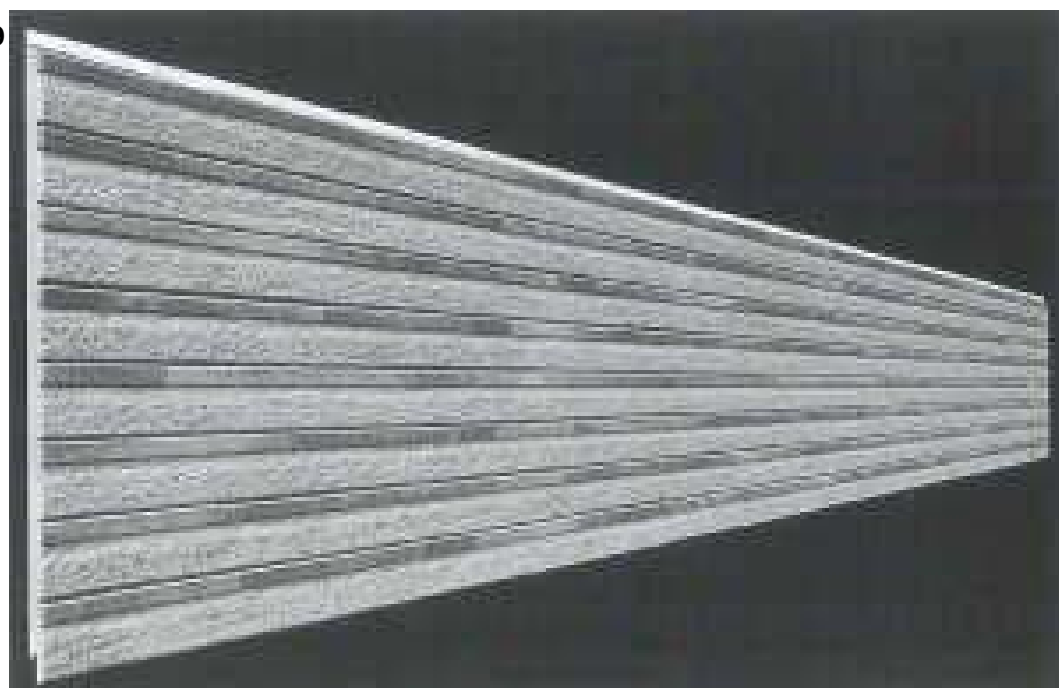
(31) Number	(32) Date	(33) Country
2009-006311	23 Mar 2009	JAPAN
- (56) Related Art Documents: **Not Applicable**
- (57) Statement of Newness and Distinctiveness: **The newness and distinctiveness of the design resides in the features of shape and/or configuration of the building board of indefinite length shown in the accompanying representations.**



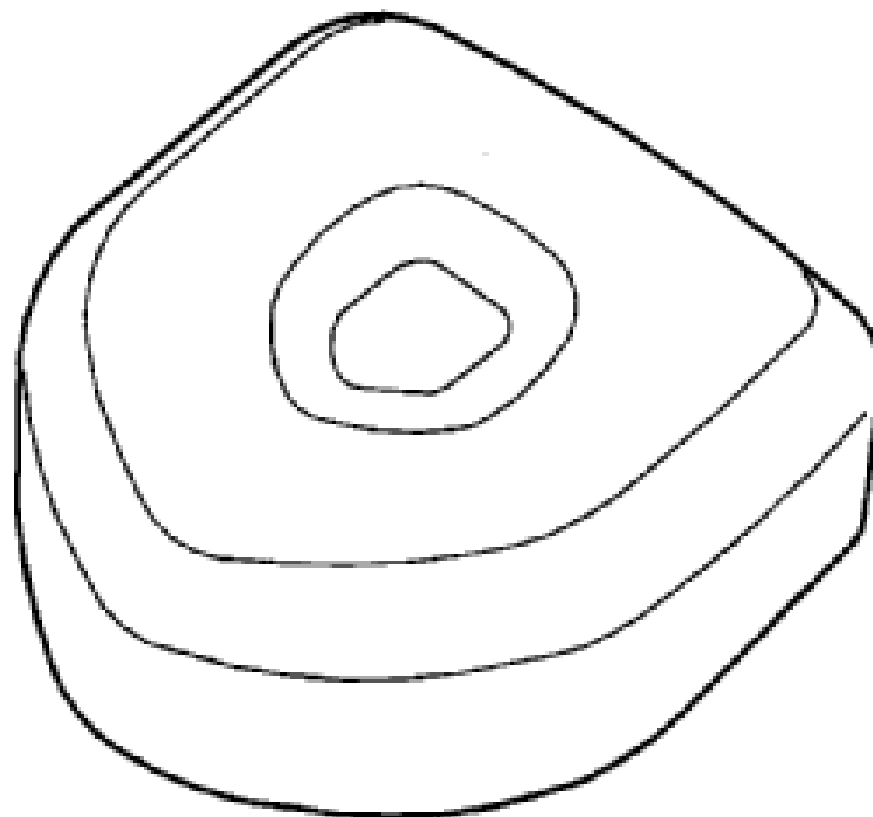
- (21) Design Number: **13631/2009**
(22) Date of Filing Application: **22 September 2009**
(24) Date from which industrial property rights may have effect: **22 September 2009**
(54) Product in respect of which the design is registered: **Building board**
(51) International Design Classification: **25-01D**
(71) Name(s) and Address(s) of Applicant(s):
Nichiha Corporation
12 Shiodome-cho Minato-ku Nagoya-shi Aichi 455-8550 Japan
(72) Name(s) of Designer(s): **Kentarou Kitamura**
(45) Registration Date: **16 October 2009**
(30) Convention priority data:
(31) Number (32) Date (33) Country
2009-006312 23 Mar 2009 JAPAN
(56) Related Art Documents: **Not Applicable**
(57) Statement of Newness and Distinctiveness: **The newness and distinctiveness of the design resides in the features of shape and/or configuration of the building board of indefinite length shown in the accompanying representations.**



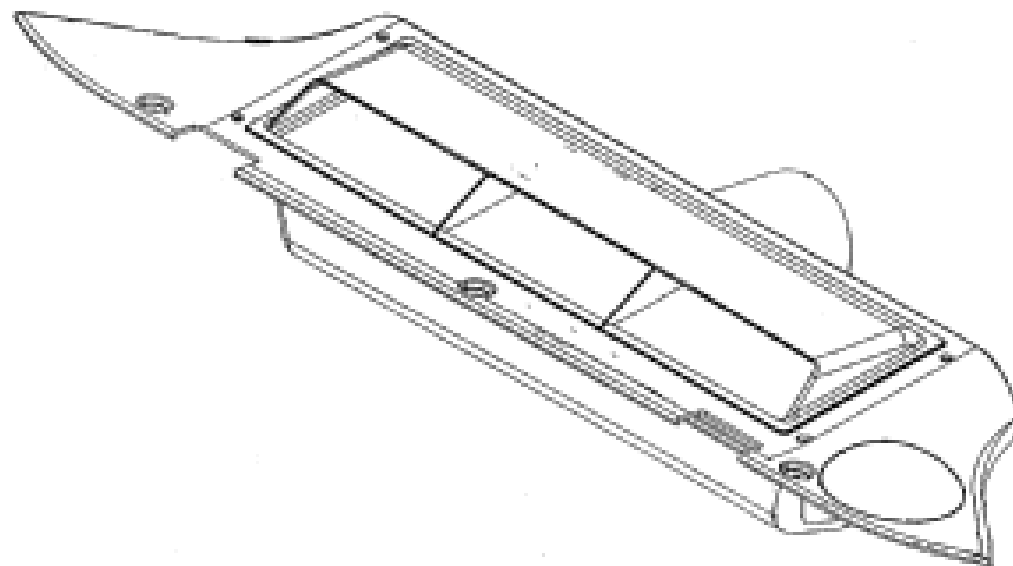
- (21) Design Number: **13632/2009**
(22) Date of Filing Application: **22 September 2009**
(24) Date from which industrial property rights may have effect: **22 September 2009**
(54) Product in respect of which the design is registered: **Building board**
(51) International Design Classification: **25-01D**
(71) Name(s) and Address(s) of Applicant(s):
Nichiha Corporation
12 Shiodome-cho Minato-ku Nagoya-shi Aichi 455-8550 Japan
(72) Name(s) of Designer(s): **Kentarou Yoshimura**
(45) Registration Date: **16 October 2009**
(30) Convention priority data:
(31) Number (32) Date (33) Country
2009-006313 23 Mar 2009 JAPAN
(56) Related Art Documents: **Not Applicable**
(57) Statement of Newness and Distinctiveness: **The newness and distinctiveness of the design resides in the features of shape and/or configuration of the building board of indefinite length shown in the accompanying representations.**



- (21) Design Number: **13633/2009**
(22) Date of Filing Application: **22 September 2009**
(24) Date from which industrial property rights may have effect: **22 September 2009**
(54) Product in respect of which the design is registered: **Milk formula in tablet form**
(51) International Design Classification: **01-03**
(71) Name(s) and Address(s) of Applicant(s):
N.V. Nutricia
Eerste Stationsstraat 186 2712 HM Zoetermeer The Netherlands
(72) Name(s) of Designer(s): **Bastiaan van der Does**
(45) Registration Date: **16 October 2009**
(30) Convention priority data:
(31) Number (32) Date (33) Country
015000336-0001 27 Mar 2009 EUROPEAN COMMUNITY
(56) Related Art Documents: **Not Applicable**
(57) Statement of Newness and Distinctiveness: **Newness and distinctiveness resides in the features of shape and/or configuration of a milk formula in tablet form as illustrated in the accompanying representations.**



- (21) Design Number: **13636/2009**
(22) Date of Filing Application: **22 September 2009**
(24) Date from which industrial property rights may have effect: **22 September 2009**
(54) Product in respect of which the design is registered: **A vehicle cold air induction box**
(51) International Design Classification: **12-16NES**
(71) Name(s) and Address(s) of Applicant(s):
Conrod Motor Sport Pty Limited
115 Stella Street Fairfield West New South Wales 2165 Australia
(72) Name(s) of Designer(s): **Carmine Zoccoli**
(45) Registration Date: **16 October 2009**
(56) Related Art Documents: **Not Applicable**
(57) Statement of Newness and Distinctiveness: **Newness and distinctiveness is claimed in the features of shape and/or configuration of a vehicle cold air induction box as illustrated in the accompanying representations.**



(21) Design Number: **13822/2009**

(22) Date of Filing Application: **02 October 2009**

(24) Date from which industrial property rights may have effect: **02 October 2009**

(54) Product in respect of which the design is registered: **Wallet**

(51) International Design Classification: **03-01B**

(71) Name(s) and Address(s) of Applicant(s):

Allen Wong

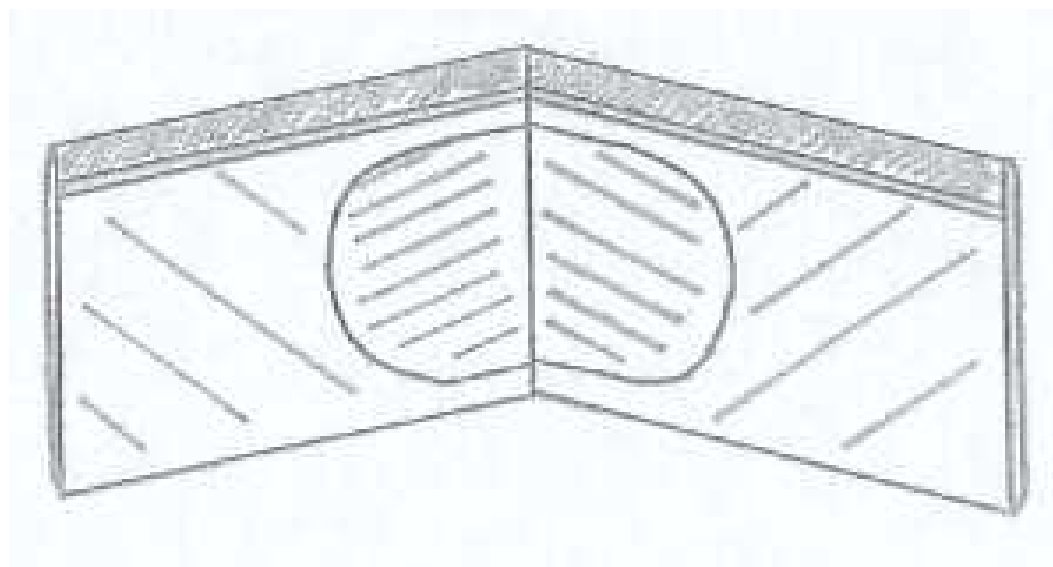
97 Bent Street Chester Hill New South Wales 2162 Australia

(72) Name(s) of Designer(s): **Allen Wong**

(45) Registration Date: **16 October 2009**

(56) Related Art Documents: **Not Applicable**

(57) Statement of Newness and Distinctiveness: **Wallet is to be made out of Tyvek material (1 sheet), folded and glued together. It has 2 internal pockets for credit cards, 2 large top compartments for notes, and 2 side pockets. Credit card pockets are made by cutting out an oval-shaped hole on the Tyvek material.**



(21) Design Number: **10267/2009**

(22) Date of Filing Application: **29 January 2009**

(24) Date from which industrial property rights may have effect: **29 January 2009**

(54) Product in respect of which the design is registered: **Seat**

(51) International Design Classification: **06-04NES, 06-01F**

(71) Name(s) and Address(s) of Applicant(s):

Lamberto Bingo Badelles

12 Leonardo Circuit Coombabah Queensland 4216 Australia

(72) Name(s) of Designer(s): **Lamberto Bingo Badelles**

(45) Registration Date: **19 October 2009**

(56) Related Art Documents: **Not Applicable**

(57) Statement of Newness and Distinctiveness: **A low angled seat that has wheels. Design for use mainly for floor tiling and other floor trades to relieve back and sore knees. It has an open compartment to carry trade tools. The colour of the representations are not indicative of the design. It is in no way a factor of the design.**



(21) Design Number: 12893/2009

(22) Date of Filing Application: 04 August 2009

(24) Date from which industrial property rights may have effect: 04 August 2009

(54) Product in respect of which the design is registered: A beverage container lid

(51) International Design Classification: 09-07B

(71) Name(s) and Address(s) of Applicant(s):

**Pacific Market International, LLC
2401 Elliott Avenue Fourth Floor Seattle WA 98121 United States of America**

(72) Name(s) of Designer(s): Sarah Danger George

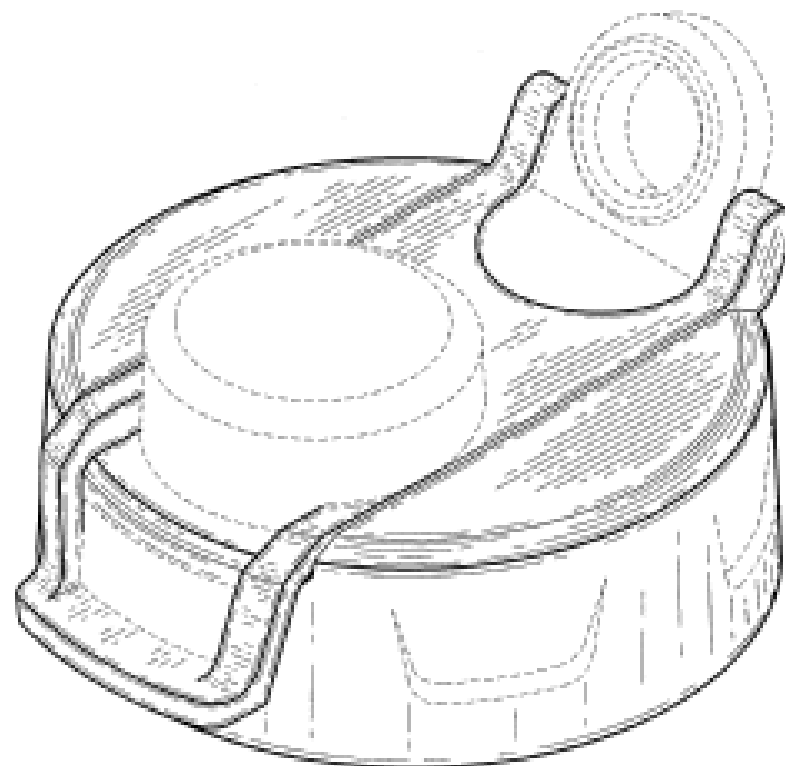
(45) Registration Date: 19 October 2009

(30) Convention priority data:

(31) Number	(32) Date	(33) Country
29/331,925	05 Feb 2009	UNITED STATES OF AMERICA

(56) Related Art Documents: Not Applicable

(57) Statement of Newness and Distinctiveness: **The shape and configuration of those parts of the design shown by means of solid lines in the representations are new and distinctive.**



(21) Design Number: 13066/2009

(22) Date of Filing Application: 13 August 2009

(24) Date from which industrial property rights may have effect: 13 August 2009

(54) Product in respect of which the design is registered: A food container

(51) International Design Classification: 07-01NES

(71) Name(s) and Address(s) of Applicant(s):

**Pacific Market International, LLC
2401 Elliott Avenue Fourth Floor Seattle WA 98121 United States of America**

(72) Name(s) of Designer(s): Benjamin R. Watkins

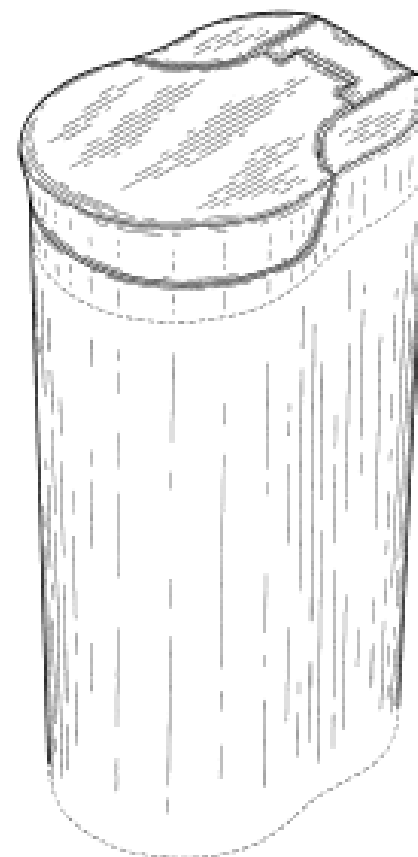
(45) Registration Date: 19 October 2009

(30) Convention priority data:

(31) Number	(32) Date	(33) Country
29/333,296	05 Mar 2009	UNITED STATES OF AMERICA

(56) Related Art Documents: Not Applicable

(57) Statement of Newness and Distinctiveness: **The shape and configuration of those parts of the design shown by means of solid lines in the representations are new and distinctive.**



(21) Design Number: **13328/2009**

(22) Date of Filing Application: **31 August 2009**

(24) Date from which industrial property rights may have effect: **31 August 2009**

(54) Product in respect of which the design is registered: **An extrusion**

(51) International Design Classification: **25-01K**

(71) Name(s) and Address(s) of Applicant(s):

A.A.R.A. Pty Ltd

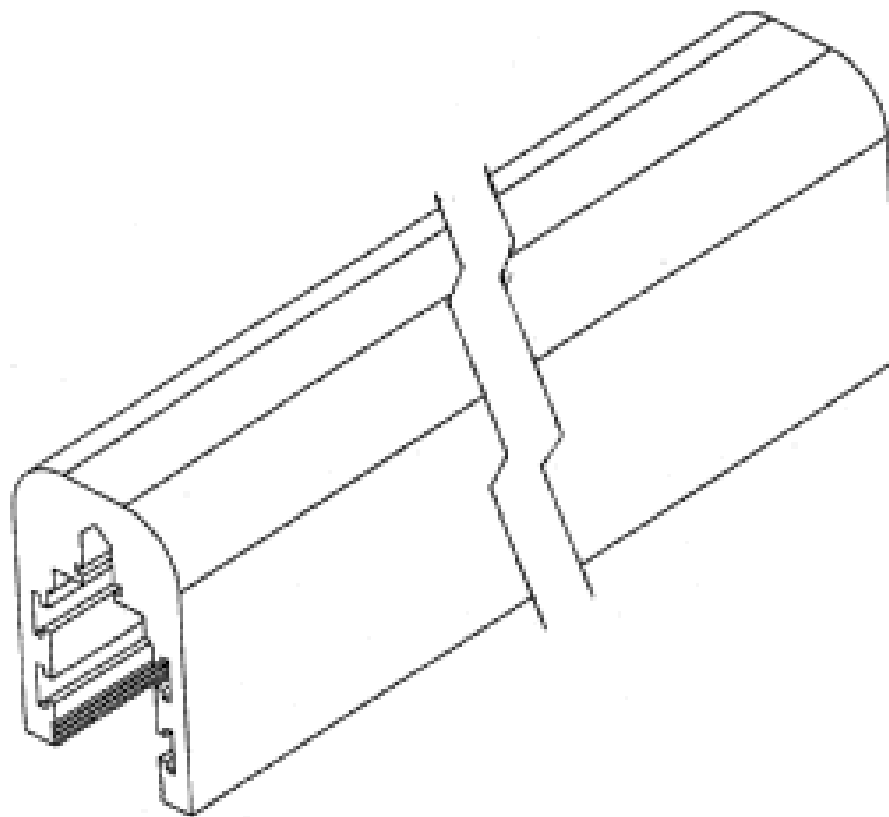
43 Kупpa Road Ryde New South Wales 2112 Australia

(72) Name(s) of Designer(s): **Eli Minassian**

(45) Registration Date: **19 October 2009**

(56) Related Art Documents: **Not Applicable**

(57) Statement of Newness and Distinctiveness: **Newness and distinctiveness lies in the shape and/or configuration of an extrusion of indefinite length as shown in the attached representations.**



(21) Design Number: **13654/2009**

(22) Date of Filing Application: **31 August 2009**

(24) Date from which industrial property rights may have effect: **31 August 2009**

(54) Product in respect of which the design is registered: **An extrusion**

(51) International Design Classification: **25-01K**

(71) Name(s) and Address(s) of Applicant(s):

A.A.R.A. Pty Ltd

43 Kупpa Road Ryde New South Wales 2112 Australia

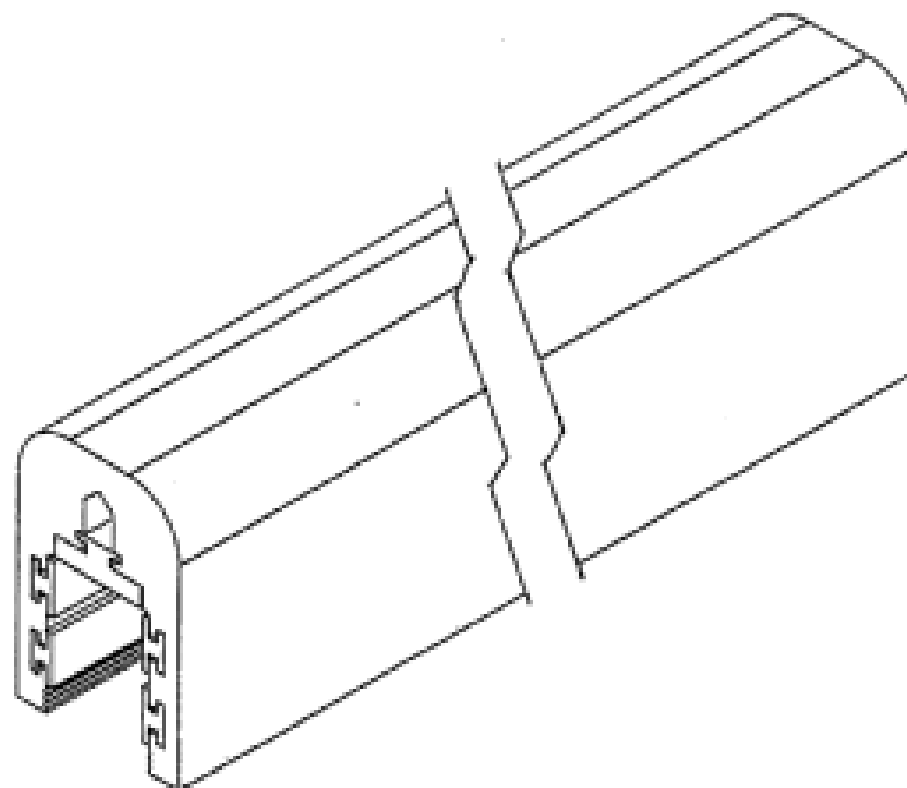
(72) Name(s) of Designer(s): **Eli Minassian**

(45) Registration Date: **19 October 2009**

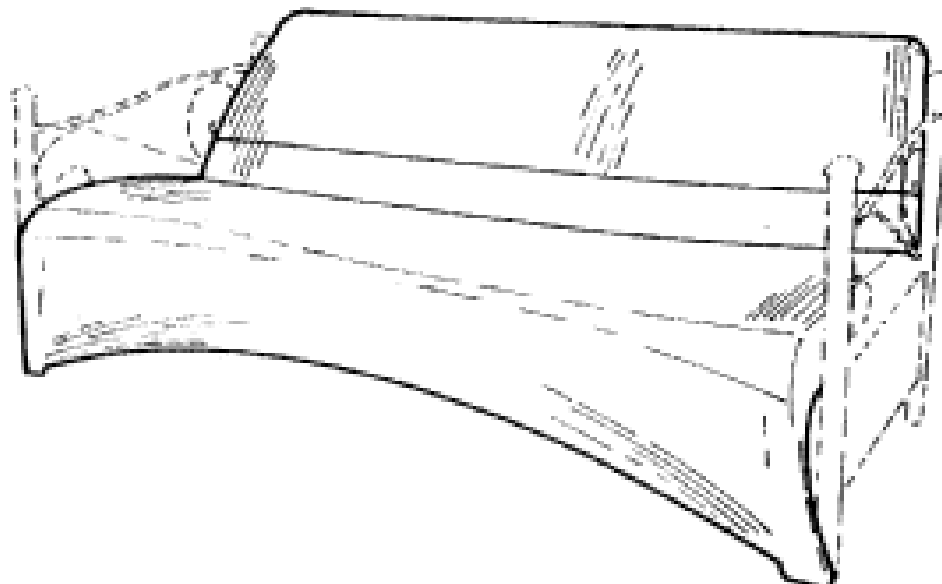
(62) Divisional of: **328029**

(56) Related Art Documents: **Not Applicable**

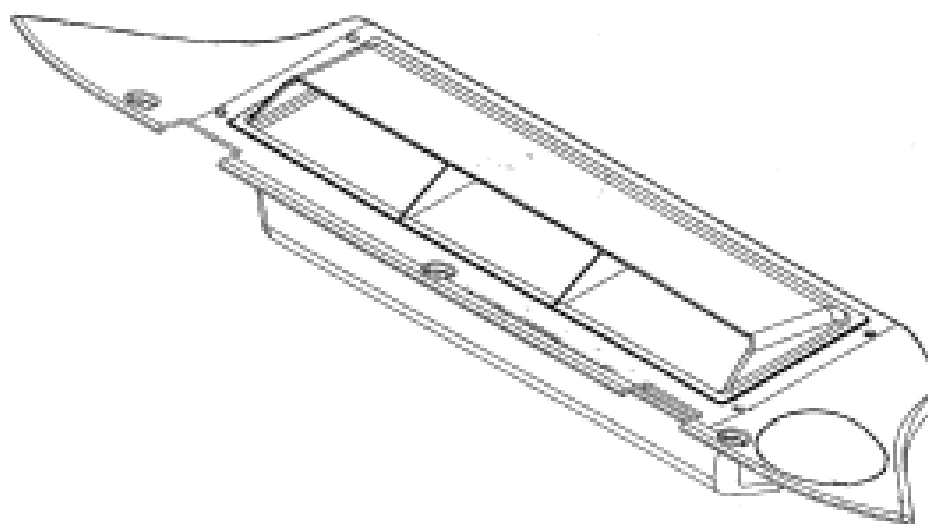
(57) Statement of Newness and Distinctiveness: **Newness and distinctiveness lies in the shape and/or configuration of an extrusion of indefinite length as shown in the attached representations.**



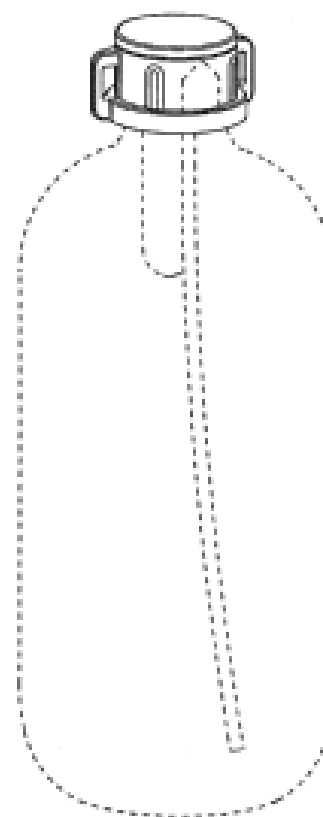
- (21) Design Number: **13570/2009**
(22) Date of Filing Application: **16 September 2009**
(24) Date from which industrial property rights may have effect: **16 September 2009**
(54) Product in respect of which the design is registered: **A cover**
(51) International Design Classification: **06-13B**
(71) Name(s) and Address(s) of Applicant(s):
The Ostaway Group Pty Ltd
42 Somerset Drive North Dandenong Victoria 3175 Australia
(72) Name(s) of Designer(s): **Traezi Sonnett-Laida**
(45) Registration Date: **19 October 2009**
(56) Related Art Documents: **Not Applicable**
(57) Statement of Newness and Distinctiveness: **Newness and distinctiveness is claimed in the shape and/or configuration of a cover as illustrated in the accompanying representations. The features shown in broken lines are to be disregarded.**



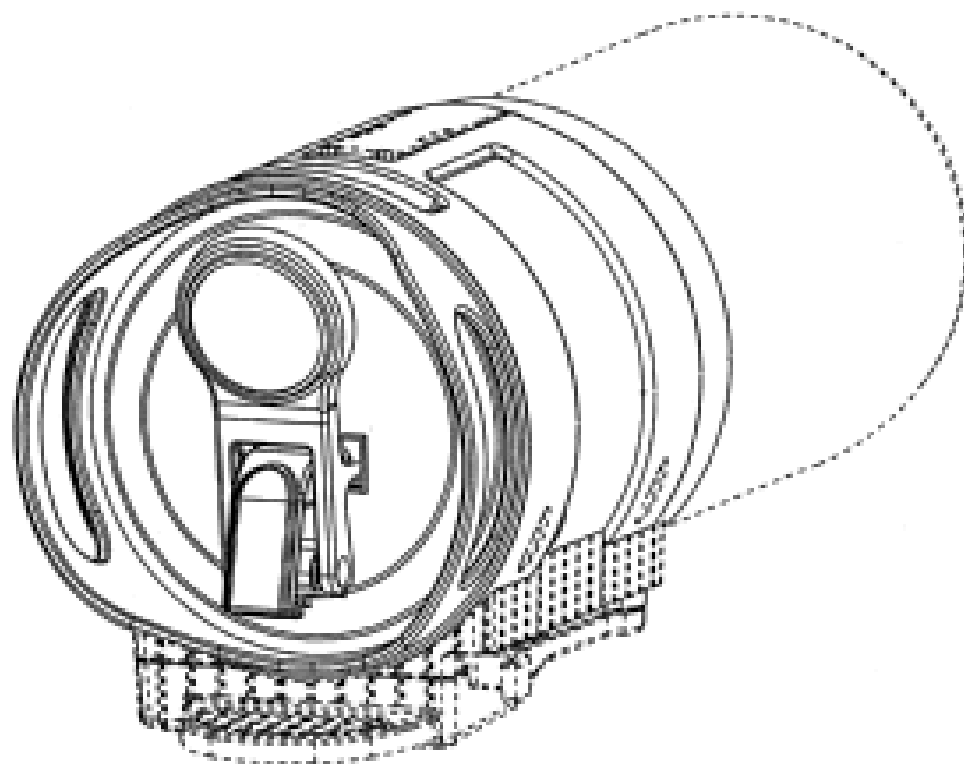
- (21) Design Number: **13637/2009**
(22) Date of Filing Application: **22 September 2009**
(24) Date from which industrial property rights may have effect: **22 September 2009**
(54) Product in respect of which the design is registered: **A vehicle cold air induction box**
(51) International Design Classification: **12-16NES**
(71) Name(s) and Address(s) of Applicant(s):
Conrod Motor Sport Pty Limited
115 Stella Street Fairfield West New South Wales 2165 Australia
(72) Name(s) of Designer(s): **Carmine Zoccoli**
(45) Registration Date: **19 October 2009**
(56) Related Art Documents: **Not Applicable**
(57) Statement of Newness and Distinctiveness: **Newness and distinctiveness is claimed in the features of shape and/or configuration of a vehicle cold air induction box as illustrated in the accompanying representations.**



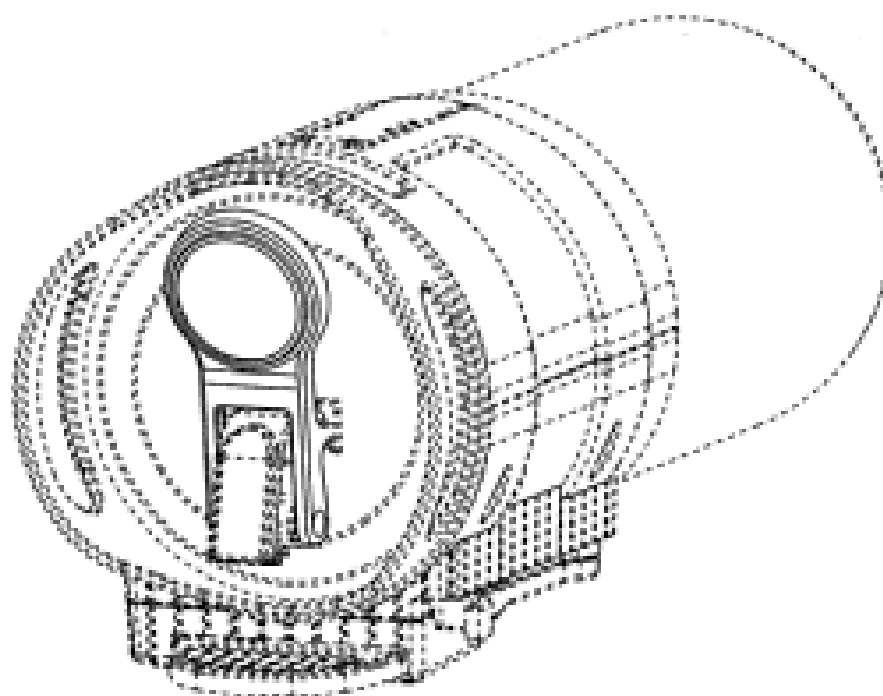
(21) Design Number: **13638/2009**
 (22) Date of Filing Application: **22 September 2009**
 (24) Date from which industrial property rights may have effect: **22 September 2009**
 (54) Product in respect of which the design is registered: **Cap for beverage container**
 (51) International Design Classification: **09-07C**
 (71) Name(s) and Address(s) of Applicant(s):
On Tap LLC
6231 PGA Boulevard Suite 104 #378 Palm Beach Gardens Florida
33418 United States of America
 (72) Name(s) of Designer(s): **Jeffrey S. Taggart and Marc L. Vitantonio and William E. Rabbit and John W. Nottingham and Jay Tapper and Patrick W. Brown**
 (45) Registration Date: **19 October 2009**
 (30) Convention priority data:
 (31) Number (32) Date (33) Country
29/341635 10 Aug 2009 UNITED STATES OF AMERICA
 (56) Related Art Documents: **Not Applicable**
 (57) Statement of Newness and Distinctiveness: **Newness and distinctiveness is claimed in the features of shape and/or configuration of a cap for beverage container as illustrated in continuous lines in the accompanying representations.**



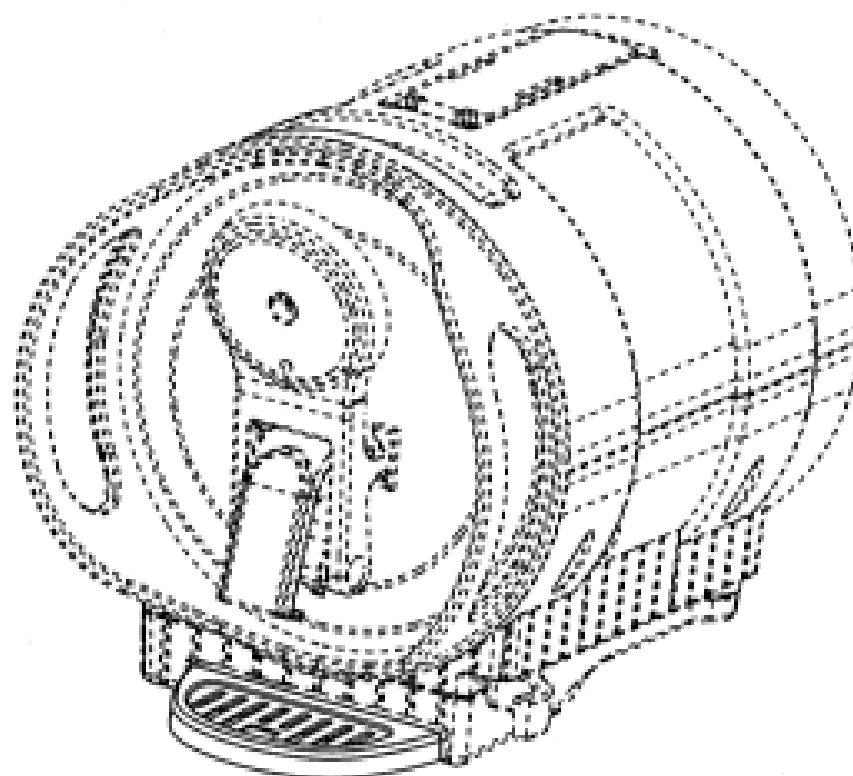
(21) Design Number: **13639/2009**
 (22) Date of Filing Application: **22 September 2009**
 (24) Date from which industrial property rights may have effect: **22 September 2009**
 (54) Product in respect of which the design is registered: **Beverage dispenser**
 (51) International Design Classification: **31-00, 07-07A**
 (71) Name(s) and Address(s) of Applicant(s):
On Tap LLC
6231 PGA Boulevard Suite 104 #378 Palm Beach Gardens Florida
33418 United States of America
 (72) Name(s) of Designer(s): **Jeffrey S. Taggart and Marc L. Vitantonio and William E. Rabbit and John W. Nottingham and Jay Tapper and Patrick W. Brown**
 (45) Registration Date: **19 October 2009**
 (30) Convention priority data:
 (31) Number (32) Date (33) Country
29/341632 10 Aug 2009 UNITED STATES OF AMERICA
 (56) Related Art Documents: **Not Applicable**
 (57) Statement of Newness and Distinctiveness: **Newness and distinctiveness is claimed in the features of shape and/or configuration of a beverage dispenser illustrated in continuous lines in the accompanying representations.**



- (21) Design Number: **13640/2009**
(22) Date of Filing Application: **22 September 2009**
(24) Date from which industrial property rights may have effect: **22 September 2009**
(54) Product in respect of which the design is registered: **Tap handle for beverage dispenser**
(51) International Design Classification: **07-07A, 09-07A**
(71) Name(s) and Address(s) of Applicant(s):
On Tap LLC
6231 PGA Boulevard Suite 104 #378 Palm Beach Gardens Florida
33418 United States of America
(72) Name(s) of Designer(s): **Jeffrey S. Taggart and Marc L. Vitantonio and William E. Rabbit and John W. Nottingham and Jay Tapper and Patrick W. Brown**
(45) Registration Date: **19 October 2009**
(30) Convention priority data:
(31) Number (32) Date (33) Country
29/341641 10 Aug 2009 UNITED STATES OF AMERICA
(56) Related Art Documents: **Not Applicable**
(57) Statement of Newness and Distinctiveness: **Newness and distinctiveness is claimed in the features of shape and/or configuration of a tap handle for beverage dispenser as illustrated in continuous lines in the accompanying representations.**



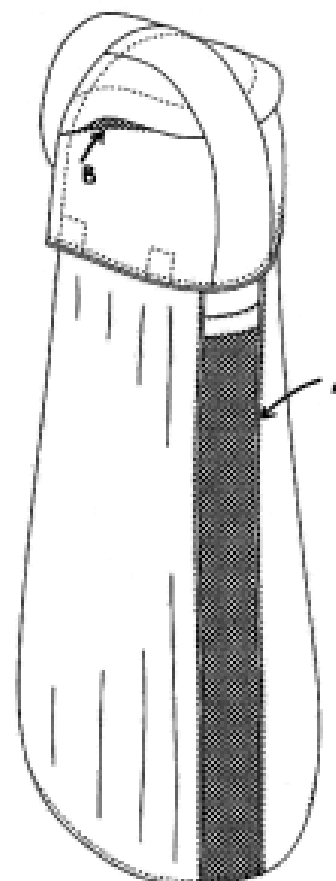
- (21) Design Number: **13641/2009**
(22) Date of Filing Application: **22 September 2009**
(24) Date from which industrial property rights may have effect: **22 September 2009**
(54) Product in respect of which the design is registered: **Drip tray for beverage dispenser**
(51) International Design Classification: **07-99A, 07-07A**
(71) Name(s) and Address(s) of Applicant(s):
On Tap LLC
6231 PGA Boulevard Suite 104 #378 Palm Beach Gardens Florida
33418 United States of America
(72) Name(s) of Designer(s): **Jeffrey S. Taggart and Marc L. Vitantonio and William E. Rabbit and John W. Nottingham and Jay Tapper and Patrick W. Brown**
(45) Registration Date: **19 October 2009**
(30) Convention priority data:
(31) Number (32) Date (33) Country
29/341637 10 Aug 2009 UNITED STATES OF AMERICA
(56) Related Art Documents: **Not Applicable**
(57) Statement of Newness and Distinctiveness: **Newness and distinctiveness is claimed in the features of shape and/or configuration of a drip tray for a beverage container as illustrated in continuous lines in the accompanying representations.**



(21) Design Number: **13661/2009**
(22) Date of Filing Application: **23 September 2009**
(24) Date from which industrial property rights may have effect: **23 September 2009**
(54) Product in respect of which the design is registered: **Remote control**
(51) International Design Classification: **14-03NES**
(71) Name(s) and Address(s) of Applicant(s):
Dream Property GmbH
Pierbusch 26 44536 Lunen Germany
(72) Name(s) of Designer(s): **Hans-Peter Constin and Aleksei Eisenach**
(45) Registration Date: **19 October 2009**
(30) Convention priority data:
(31) Number (32) Date (33) Country
40 26 Mar 2009 GERMANY
2009001518.8
(56) Related Art Documents: **Not Applicable**
(57) Statement of Newness and Distinctiveness: **Nil**



(21) Design Number: **13663/2009**
(22) Date of Filing Application: **23 September 2009**
(24) Date from which industrial property rights may have effect: **23 September 2009**
(54) Product in respect of which the design is registered: **Sunprotector**
(51) International Design Classification: **02-03**
(71) Name(s) and Address(s) of Applicant(s):
BabyBjorn AB
Satraangsvagen 8 S-182 15 Danderyd Sweden
(72) Name(s) of Designer(s): **Lisen Elmberg and Kim De Bruin Lyckman and Sofia Jacobsson Warfaa**
(45) Registration Date: **19 October 2009**
(30) Convention priority data:
(31) Number (32) Date (33) Country
001610973 14 Sep 2009 EUROPEAN COMMUNITY
(56) Related Art Documents: **Not Applicable**
(57) Statement of Newness and Distinctiveness: **Newness and distinctiveness is claimed in the features of shape and/or configuration of the following parts of a sunprotector as illustrated in the accompanying representations: a) the ventilation strip labelled 'A' and b) the ventilation pockets labelled 'B'**



(21) Design Number: **13664/2009**

(22) Date of Filing Application: **24 September 2009**

(24) Date from which industrial property rights may have effect: **24 September 2009**

(54) Product in respect of which the design is registered: **Aisle lighting reflector plate for mobile shelving**

(51) International Design Classification: **08-08NES, 26-99**

(71) Name(s) and Address(s) of Applicant(s):

Elbowroom (Aust) Pty Ltd

2/31 Archimedes Place Murarrie Queensland 4172 Australia

(72) Name(s) of Designer(s): **Mark W. Althaus**

(45) Registration Date: **19 October 2009**

(56) Related Art Documents: **Not Applicable**

(57) Statement of Newness and Distinctiveness: **The new/distinctive features of the design are its angled shape and its universal attachment to all mobile shelving.**



(21) Design Number: **13642/2009**

(22) Date of Filing Application: **22 September 2009**

(24) Date from which industrial property rights may have effect: **22 September 2009**

(54) Product in respect of which the design is registered: **Article of clothing**

(51) International Design Classification: **02-02NES**

(71) Name(s) and Address(s) of Applicant(s):

Nextinct Pty Ltd

56A Goodard Street Lathlain Western Australia 6100 Australia

(72) Name(s) of Designer(s): **John Emery**

(45) Registration Date: **19 October 2009**

(56) Related Art Documents: **Not Applicable**

(57) Statement of Newness and Distinctiveness: **The newness and distinctiveness of the article of clothing resides in the pattern and/or ornamentation as shown in the accompanying representations, irrespective of the shape of the article of clothing.**



- (21) Design Number: **13643/2009**
(22) Date of Filing Application: **22 September 2009**
(24) Date from which industrial property rights may have effect: **22 September 2009**
(54) Product in respect of which the design is registered: **Article of clothing**
(51) International Design Classification: **02-02NES**
(71) Name(s) and Address(s) of Applicant(s):
Nextinct Pty Ltd
56A Goodard Street Lathlain Western Australia 6100 Australia
(72) Name(s) of Designer(s): **John Emery**
(45) Registration Date: **19 October 2009**
(56) Related Art Documents: **Not Applicable**
(57) Statement of Newness and Distinctiveness: **The newness and distinctiveness of the article of clothing resides in the pattern and/or ornamentation as shown in the accompanying representations, irrespective of the shape of the article of clothing.**



- (21) Design Number: **13644/2009**
(22) Date of Filing Application: **22 September 2009**
(24) Date from which industrial property rights may have effect: **22 September 2009**
(54) Product in respect of which the design is registered: **Article of clothing**
(51) International Design Classification: **02-02NES**
(71) Name(s) and Address(s) of Applicant(s):
Nextinct Pty Ltd
56A Goodard Street Lathlain Western Australia 6100 Australia
(72) Name(s) of Designer(s): **John Emery**
(45) Registration Date: **19 October 2009**
(56) Related Art Documents: **Not Applicable**
(57) Statement of Newness and Distinctiveness: **The newness and distinctiveness of the article of clothing resides in the pattern and/or ornamentation as shown in the accompanying representations, irrespective of the shape of the article of clothing.**



- (21) Design Number: **13645/2009**
(22) Date of Filing Application: **22 September 2009**
(24) Date from which industrial property rights may have effect: **22 September 2009**
(54) Product in respect of which the design is registered: **Article of clothing**
(51) International Design Classification: **02-02NES**
(71) Name(s) and Address(s) of Applicant(s):
Nextinct Pty Ltd
56A Goodard Street Lathlain Western Australia 6100 Australia
(72) Name(s) of Designer(s): **John Emery**
(45) Registration Date: **19 October 2009**
(56) Related Art Documents: **Not Applicable**
(57) Statement of Newness and Distinctiveness: **The newness and distinctiveness of the article of clothing resides in the pattern and/or ornamentation as shown in the accompanying representations, irrespective of the shape of the article of clothing.**



- (21) Design Number: **13646/2009**
(22) Date of Filing Application: **22 September 2009**
(24) Date from which industrial property rights may have effect: **22 September 2009**
(54) Product in respect of which the design is registered: **Article of clothing**
(51) International Design Classification: **02-02NES**
(71) Name(s) and Address(s) of Applicant(s):
Nextinct Pty Ltd
56A Goodard Street Lathlain Western Australia 6100 Australia
(72) Name(s) of Designer(s): **John Emery**
(45) Registration Date: **19 October 2009**
(56) Related Art Documents: **Not Applicable**
(57) Statement of Newness and Distinctiveness: **The newness and distinctiveness of the article of clothing resides in the pattern and/or ornamentation as shown in the accompanying representations, irrespective of the shape of the article of clothing.**



- (21) Design Number: **13647/2009**
(22) Date of Filing Application: **22 September 2009**
(24) Date from which industrial property rights may have effect: **22 September 2009**
(54) Product in respect of which the design is registered: **Article of clothing**
(51) International Design Classification: **02-02NES**
(71) Name(s) and Address(s) of Applicant(s):
Nextinct Pty Ltd
56A Goodard Street Lathlain Western Australia 6100 Australia
(72) Name(s) of Designer(s): **John Emery**
(45) Registration Date: **19 October 2009**
(56) Related Art Documents: **Not Applicable**
(57) Statement of Newness and Distinctiveness: **The newness and distinctiveness of the article of clothing resides in the pattern and/or ornamentation as shown in the accompanying representations, irrespective of the shape of the article of clothing.**



- (21) Design Number: **13648/2009**
(22) Date of Filing Application: **22 September 2009**
(24) Date from which industrial property rights may have effect: **22 September 2009**
(54) Product in respect of which the design is registered: **Article of clothing**
(51) International Design Classification: **02-02NES**
(71) Name(s) and Address(s) of Applicant(s):
Nextinct Pty Ltd
56A Goodard Street Lathlain Western Australia 6100 Australia
(72) Name(s) of Designer(s): **John Emery**
(45) Registration Date: **19 October 2009**
(56) Related Art Documents: **Not Applicable**
(57) Statement of Newness and Distinctiveness: **The newness and distinctiveness of the article of clothing resides in the pattern and/or ornamentation as shown in the accompanying representations, irrespective of the shape of the article of clothing.**



- (21) Design Number: **13649/2009**
(22) Date of Filing Application: **22 September 2009**
(24) Date from which industrial property rights may have effect: **22 September 2009**
(54) Product in respect of which the design is registered: **Article of clothing**
(51) International Design Classification: **02-02NES**
(71) Name(s) and Address(s) of Applicant(s):
Nextinct Pty Ltd
56A Goodard Street Lathlain Western Australia 6100 Australia
(72) Name(s) of Designer(s): **John Emery**
(45) Registration Date: **19 October 2009**
(56) Related Art Documents: **Not Applicable**
(57) Statement of Newness and Distinctiveness: **The newness and distinctiveness of the article of clothing resides in the pattern and/or ornamentation as shown in the accompanying representations, irrespective of the shape of the article of clothing.**



- (21) Design Number: **13650/2009**
(22) Date of Filing Application: **22 September 2009**
(24) Date from which industrial property rights may have effect: **22 September 2009**
(54) Product in respect of which the design is registered: **Article of clothing**
(51) International Design Classification: **02-02NES**
(71) Name(s) and Address(s) of Applicant(s):
Nextinct Pty Ltd
56A Goodard Street Lathlain Western Australia 6100 Australia
(72) Name(s) of Designer(s): **John Emery**
(45) Registration Date: **19 October 2009**
(56) Related Art Documents: **Not Applicable**
(57) Statement of Newness and Distinctiveness: **The newness and distinctiveness of the article of clothing resides in the pattern and/or ornamentation as shown in the accompanying representations, irrespective of the shape of the article of clothing.**



- (21) Design Number: **13651/2009**
(22) Date of Filing Application: **22 September 2009**
(24) Date from which industrial property rights may have effect: **22 September 2009**
(54) Product in respect of which the design is registered: **Article of clothing**
(51) International Design Classification: **02-02NES**
(71) Name(s) and Address(s) of Applicant(s):
Nextinct Pty Ltd
56A Goodard Street Lathlain Western Australia 6100 Australia
(72) Name(s) of Designer(s): **John Emery**
(45) Registration Date: **19 October 2009**
(56) Related Art Documents: **Not Applicable**
(57) Statement of Newness and Distinctiveness: **The newness and distinctiveness of the article of clothing resides in the pattern and/or ornamentation as shown in the accompanying representations, irrespective of the shape of the article of clothing.**



- (21) Design Number: **13659/2009**
(22) Date of Filing Application: **24 September 2009**
(24) Date from which industrial property rights may have effect: **24 September 2009**
(54) Product in respect of which the design is registered: **Headgear kit comprising a helmet and at least one attachable/detachable bobble.**
(51) International Design Classification: **02-03**
(71) Name(s) and Address(s) of Applicant(s):
Body Armour Technology Limited
Level 1 14 Penrose Road Penrose Auckland New Zealand
(72) Name(s) of Designer(s): **Bruce Lloyd Armstrong**
(45) Registration Date: **19 October 2009**
(30) Convention priority data:

(31) Number	(32) Date	(33) Country
412120	27 Mar 2009	NEW ZEALAND

(56) Related Art Documents: **Not Applicable**
(57) Statement of Newness and Distinctiveness: **Newness and distinctiveness reside in the shape and/or configuration of the headgear kit as shown in the representations. In considering the scope of the design, the size, shape or exact location of any attached bobble is to be disregarded.**



(21) Design Number: **13660/2009**

(22) Date of Filing Application: **23 September 2009**

(24) Date from which industrial property rights may have effect: **23 September 2009**

(54) Product in respect of which the design is registered: **An extrusion of indefinite length**

(51) International Design Classification: **25-01K**

(71) Name(s) and Address(s) of Applicant(s):

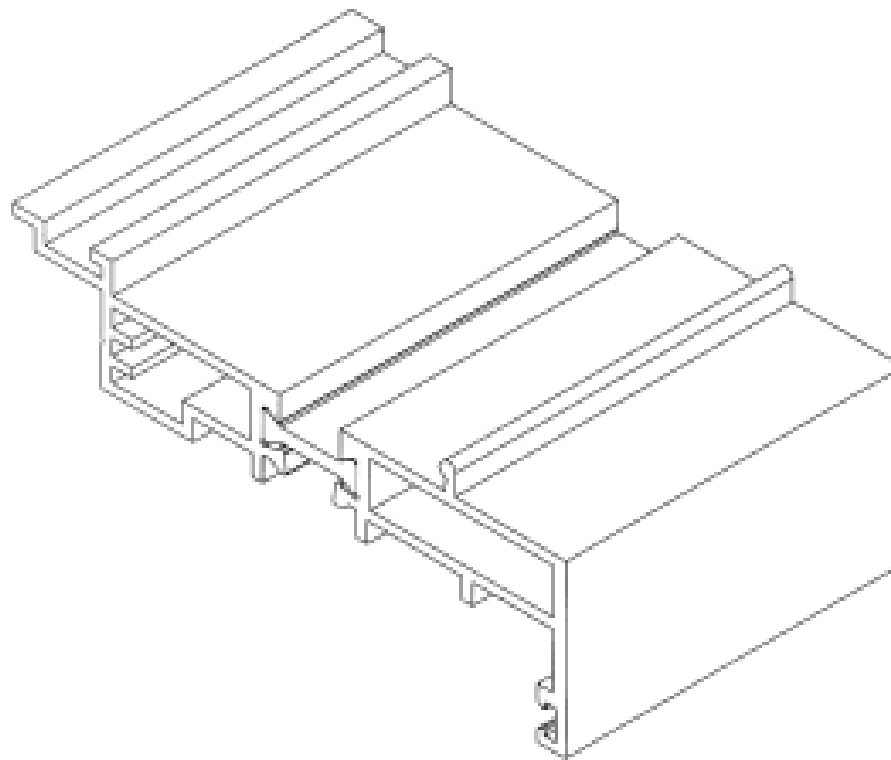
Habode IP Limited
c/- the offices of Kendons Chartered Accountants 69 Rutherford
Street Lower Hutt New Zealand 5010

(72) Name(s) of Designer(s): **Rodney Mark Gibson**

(45) Registration Date: **19 October 2009**

(56) Related Art Documents: **Not Applicable**

(57) Statement of Newness and Distinctiveness: **Novelty resides in the features of shape as shown in the accompanying representations.**



(21) Design Number: **13656/2009**

(22) Date of Filing Application: **22 September 2009**

(24) Date from which industrial property rights may have effect: **22 September 2009**

(54) Product in respect of which the design is registered: **Clip**

(51) International Design Classification: **08-08C**

(71) Name(s) and Address(s) of Applicant(s):

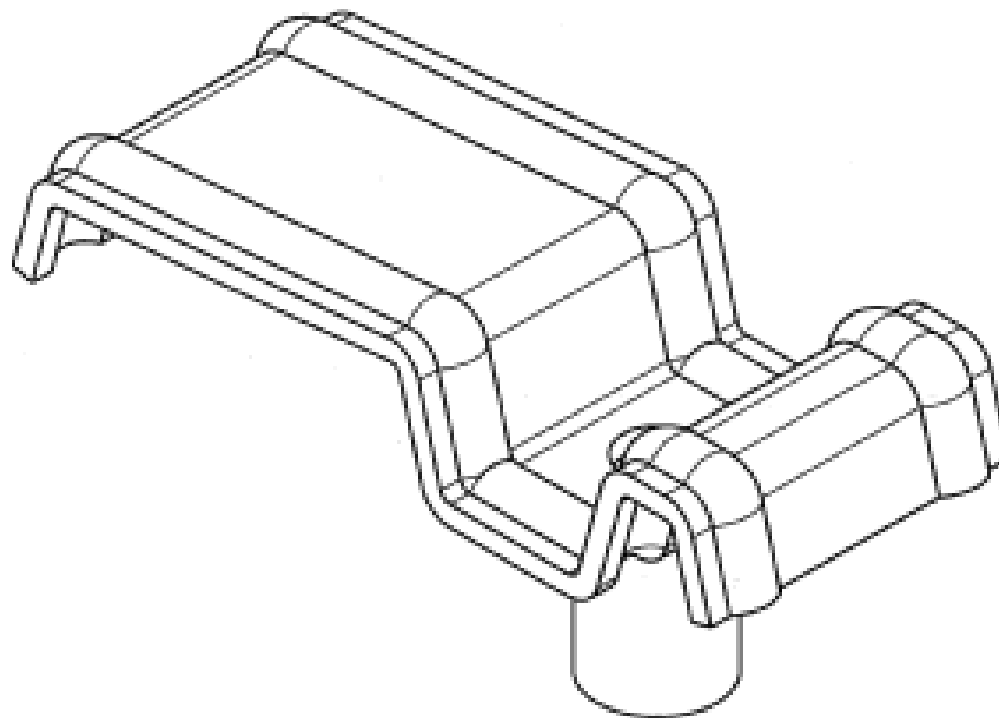
Webforge Australia Pty Ltd
142-146 Fairbank Road Clayton Victoria 3169 Australia

(72) Name(s) of Designer(s): **Jeffrey Eric Newton**

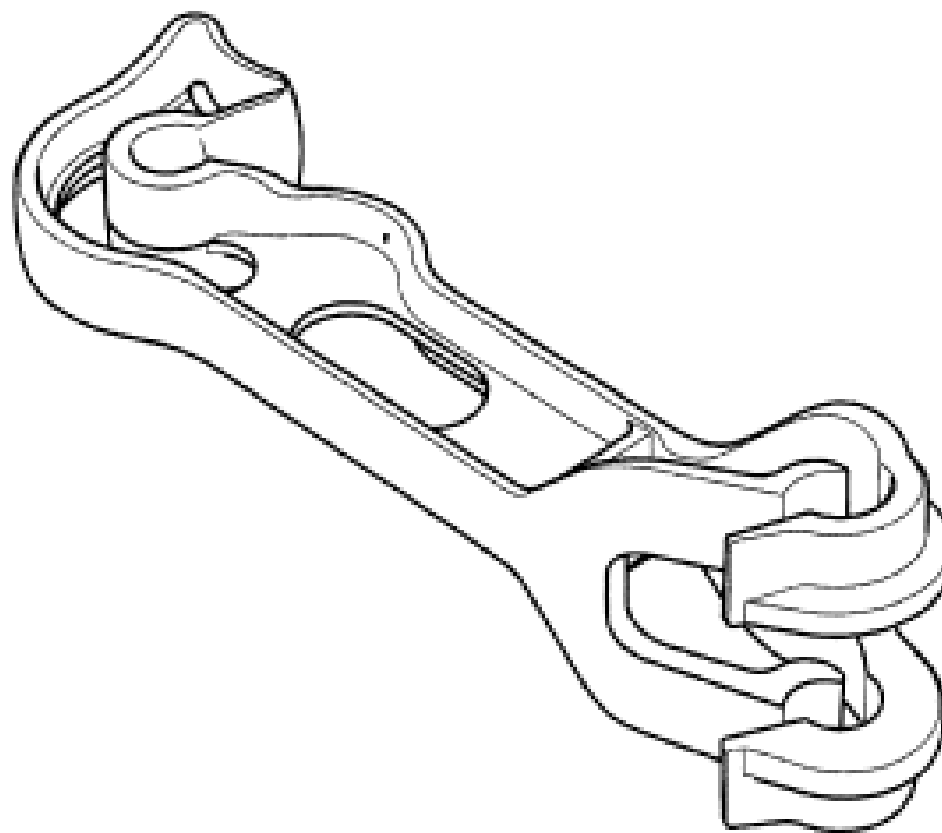
(45) Registration Date: **19 October 2009**

(56) Related Art Documents: **Not Applicable**

(57) Statement of Newness and Distinctiveness: **Those features of the clip depicted in the representations that are new and distinctive are the shape and/or configuration.**



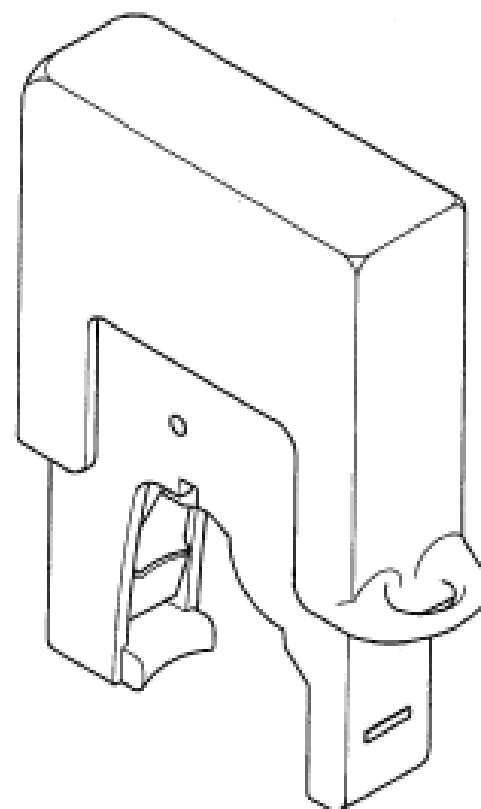
(21) Design Number: **13657/2009**
(22) Date of Filing Application: **22 September 2009**
(24) Date from which industrial property rights may have effect: **22 September 2009**
(54) Product in respect of which the design is registered: **Attachment clip**
(51) International Design Classification: **08-08C**
(71) Name(s) and Address(s) of Applicant(s):
Hexcyl Systems Pty Ltd
59 Bergmann Drive Ceduna South Australia 5690 Australia
(72) Name(s) of Designer(s): **Ian Howard Pendergrast and Garry Bruno Seidl**
(45) Registration Date: **19 October 2009**
(56) Related Art Documents: **Not Applicable**
(57) Statement of Newness and Distinctiveness: **Nil**



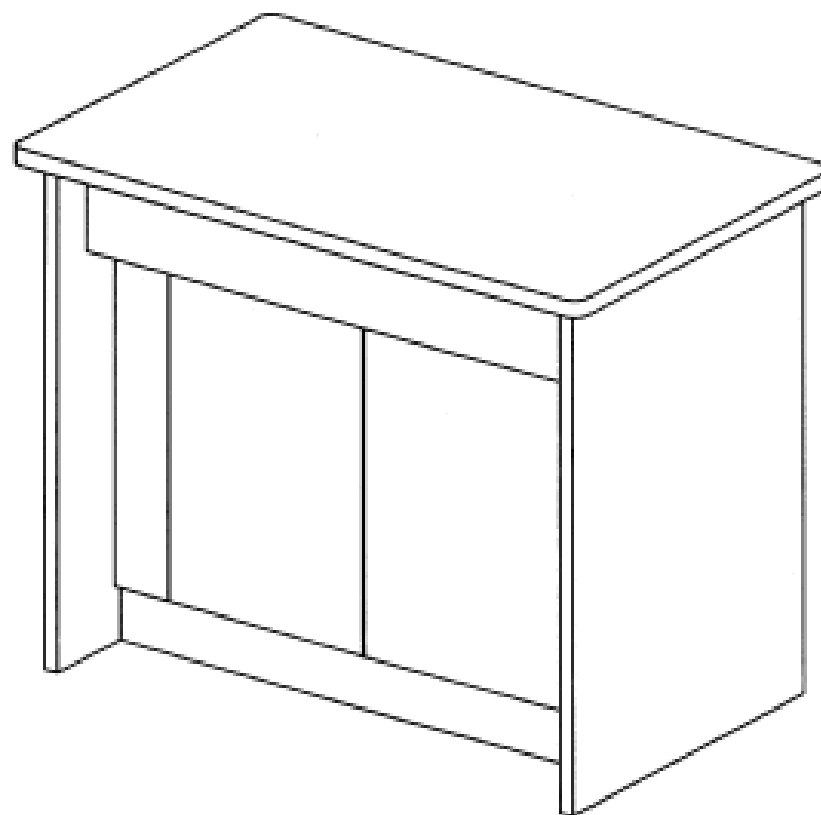
(21) Design Number: **13128/2009**
(22) Date of Filing Application: **18 August 2009**
(24) Date from which industrial property rights may have effect: **18 August 2009**
(54) Product in respect of which the design is registered: **Bottle opener**
(51) International Design Classification: **07-06D**
(71) Name(s) and Address(s) of Applicant(s):
Yoshiritsu Kabushiki Kaisha
1563 Koshibe Oyodo-cho Yoshino-gun Nara Japan
(72) Name(s) of Designer(s): **Hiroshi Kichijo**
(45) Registration Date: **20 October 2009**
(30) Convention priority data:

(31) Number	(32) Date	(33) Country
2009-008286	10 Apr 2009	JAPAN

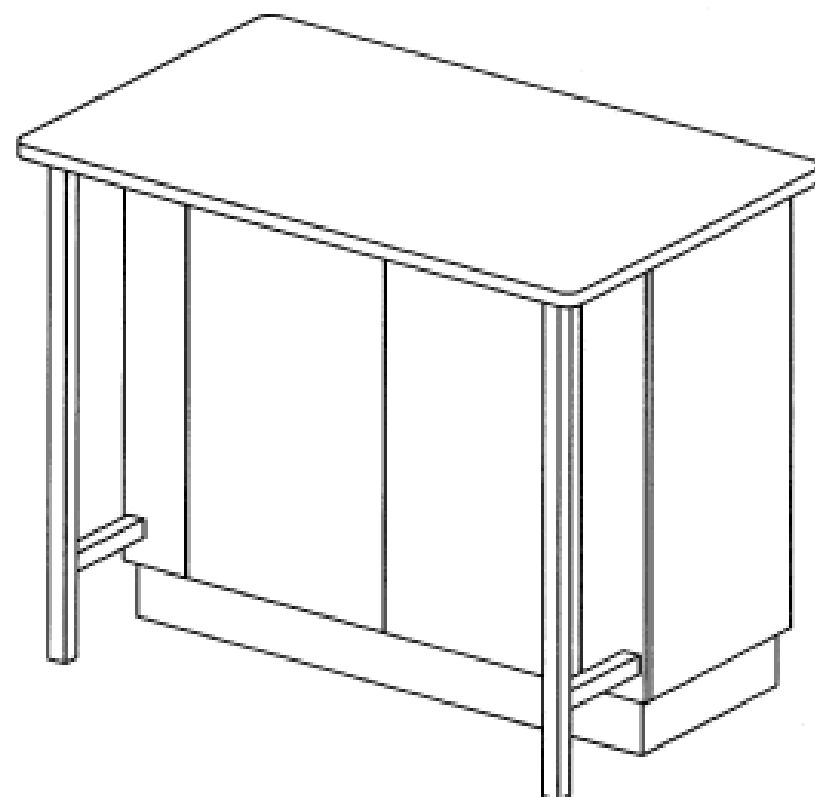
(56) Related Art Documents: **Not Applicable**
(57) Statement of Newness and Distinctiveness: **Nil**



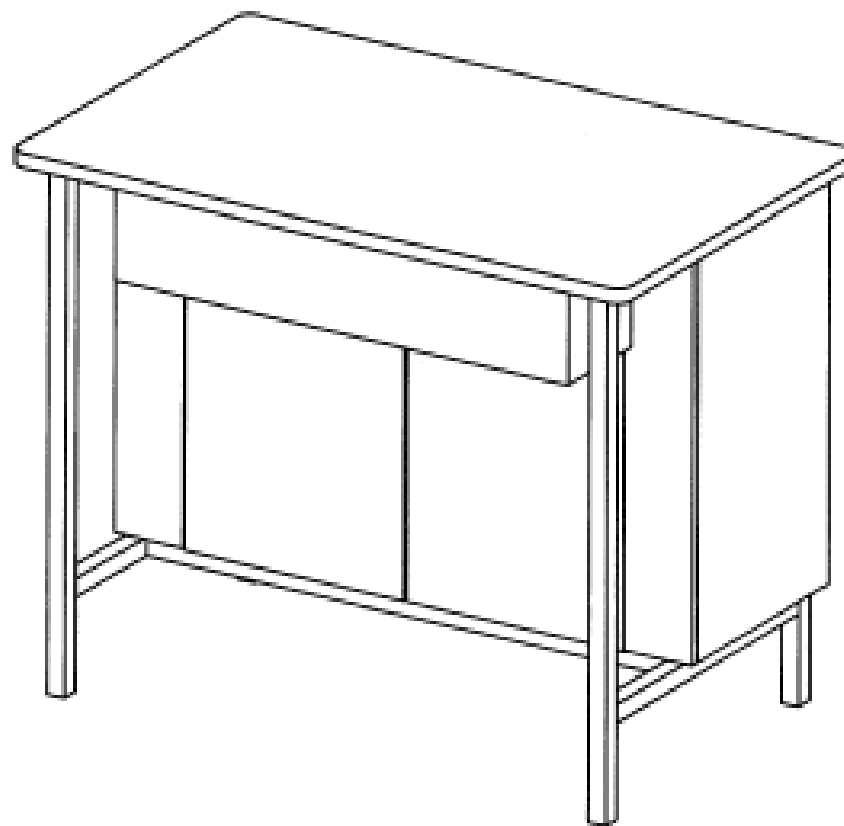
- (21) Design Number: **12339/2009**
(22) Date of Filing Application: **26 June 2009**
(24) Date from which industrial property rights may have effect: **26 June 2009**
(54) Product in respect of which the design is registered: **Cabinet 1**
(51) International Design Classification: **06-04D, 06-04F**
(71) Name(s) and Address(s) of Applicant(s):
 Paul White
 77 Thirteenth Avenue Tauranga 3112 New Zealand
 Isabel White
 77 Thirteenth Avenue Tauranga 3112 New Zealand
(72) Name(s) of Designer(s): **Paul White**
(45) Registration Date: **20 October 2009**
(30) Convention priority data:
 (31) Number (32) Date (33) Country
 412436 22 Jun 2009 NEW ZEALAND
(56) Related Art Documents: **Not Applicable**
(57) Statement of Newness and Distinctiveness: **The design is to be applied to a self check cabinet and the newness resides in the features of shape and configuration as shown in accompanying drawings.**



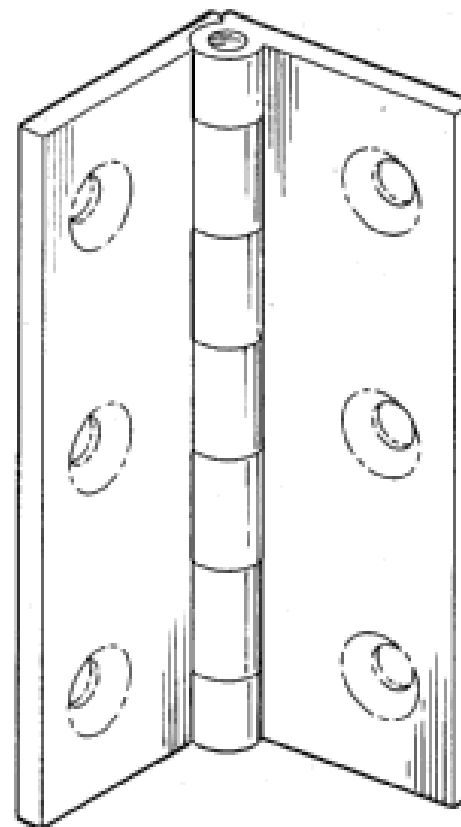
- (21) Design Number: **12344/2009**
(22) Date of Filing Application: **26 June 2009**
(24) Date from which industrial property rights may have effect: **26 June 2009**
(54) Product in respect of which the design is registered: **Cabinet 2**
(51) International Design Classification: **06-04D, 06-04F**
(71) Name(s) and Address(s) of Applicant(s):
 Paul White
 77 Thirteenth Avenue Tauranga 3112 New Zealand
 Isabel White
 77 Thirteenth Avenue Tauranga 3112 New Zealand
(72) Name(s) of Designer(s): **Paul White**
(45) Registration Date: **20 October 2009**
(30) Convention priority data:
 (31) Number (32) Date (33) Country
 412437 22 Jun 2009 NEW ZEALAND
(56) Related Art Documents: **Not Applicable**
(57) Statement of Newness and Distinctiveness: **The design is to be applied to a self check cabinet and the newness resides in the features of shape and configuration as shown in accompanying drawings.**



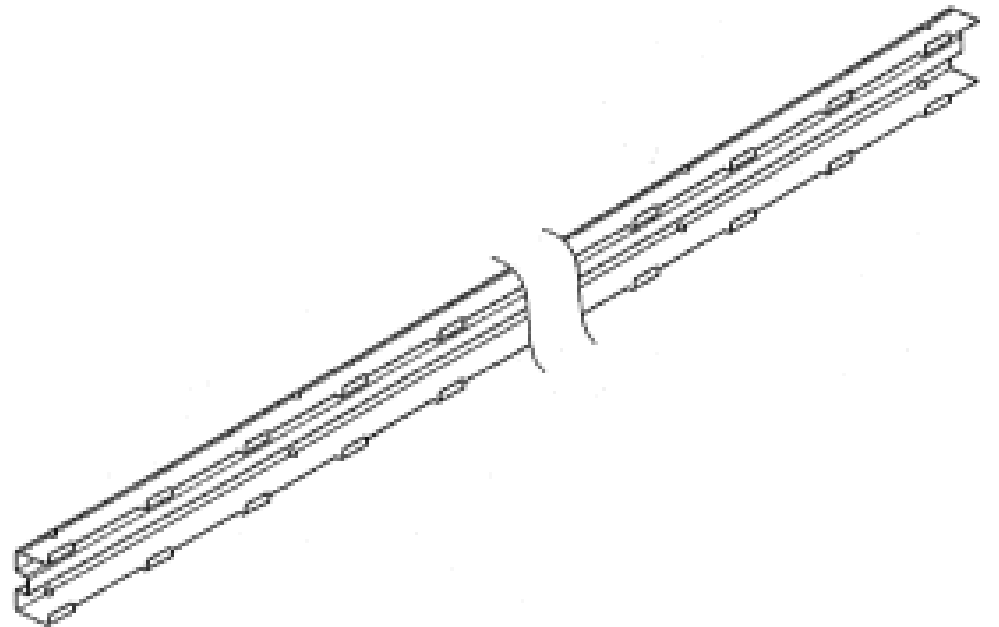
- (21) Design Number: **12345/2009**
(22) Date of Filing Application: **26 June 2009**
(24) Date from which industrial property rights may have effect: **26 June 2009**
(54) Product in respect of which the design is registered: **Cabinet 3**
(51) International Design Classification: **06-04D, 06-04F**
(71) Name(s) and Address(s) of Applicant(s):
Paul White
77 Thirteenth Avenue Tauranga 3112 New Zealand
Isabel White
77 Thirteenth Avenue Tauranga 3112 New Zealand
(72) Name(s) of Designer(s): **Paul White**
(45) Registration Date: **20 October 2009**
(30) Convention priority data:
(31) Number (32) Date (33) Country
412438 22 Jun 2009 NEW ZEALAND
(56) Related Art Documents: **Not Applicable**
(57) Statement of Newness and Distinctiveness: **The design is to be applied to a self check cabinet and the newness resides in the features of shape and configuration as shown in accompanying drawings.**



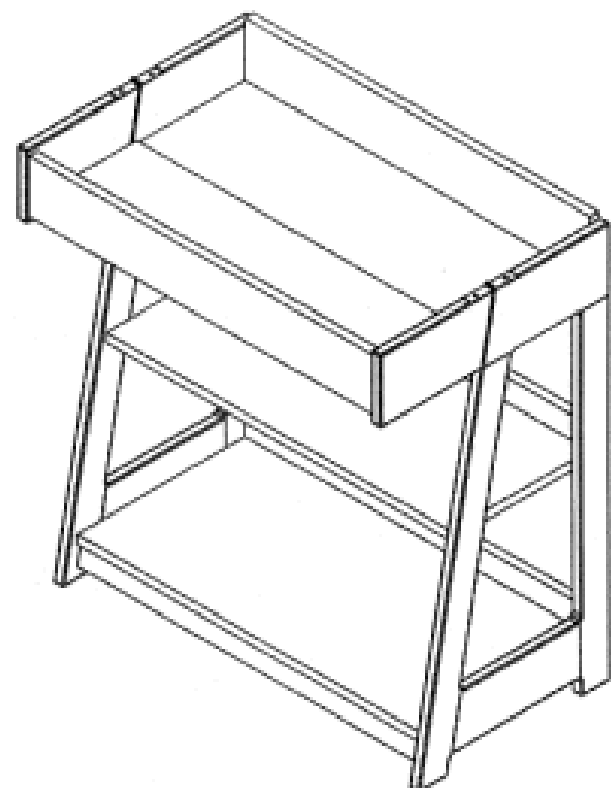
- (21) Design Number: **13671/2009**
(22) Date of Filing Application: **25 September 2009**
(24) Date from which industrial property rights may have effect: **25 September 2009**
(54) Product in respect of which the design is registered: **Stop hinge**
(51) International Design Classification: **08-06**
(71) Name(s) and Address(s) of Applicant(s):
Anton Gerner Furniture Pty Ltd
24 Victoria Road East Hawthorn Victoria 3123 Australia
(72) Name(s) of Designer(s): **Anton Gerner**
(45) Registration Date: **20 October 2009**
(56) Related Art Documents: **Not Applicable**
(57) Statement of Newness and Distinctiveness: **Newness and distinctiveness is claimed in the pivoting region of the stop hinge including the rear stop portion of each hinge leaf. The shape and size of the forward portion of each hinge leaf is to be disregarded.**



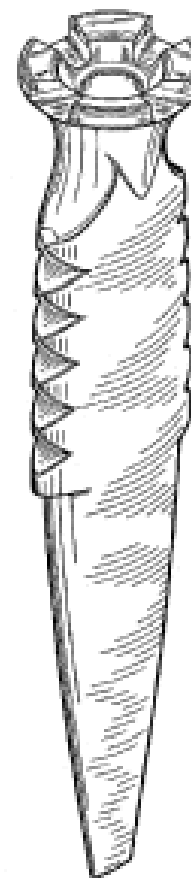
- (21) Design Number: **13672/2009**
(22) Date of Filing Application: **24 September 2009**
(24) Date from which industrial property rights may have effect: **24 September 2009**
(54) Product in respect of which the design is registered: **A tile support bracket**
(51) International Design Classification: **08-08L, 25-01K**
(71) Name(s) and Address(s) of Applicant(s):
Weeks Group Pty Ltd
40 Barfield Crescent Elizabeth West South Australia 5113 Australia
(72) Name(s) of Designer(s): **Craig Nagel**
(45) Registration Date: **20 October 2009**
(56) Related Art Documents: **Not Applicable**
(57) Statement of Newness and Distinctiveness: **Nil**



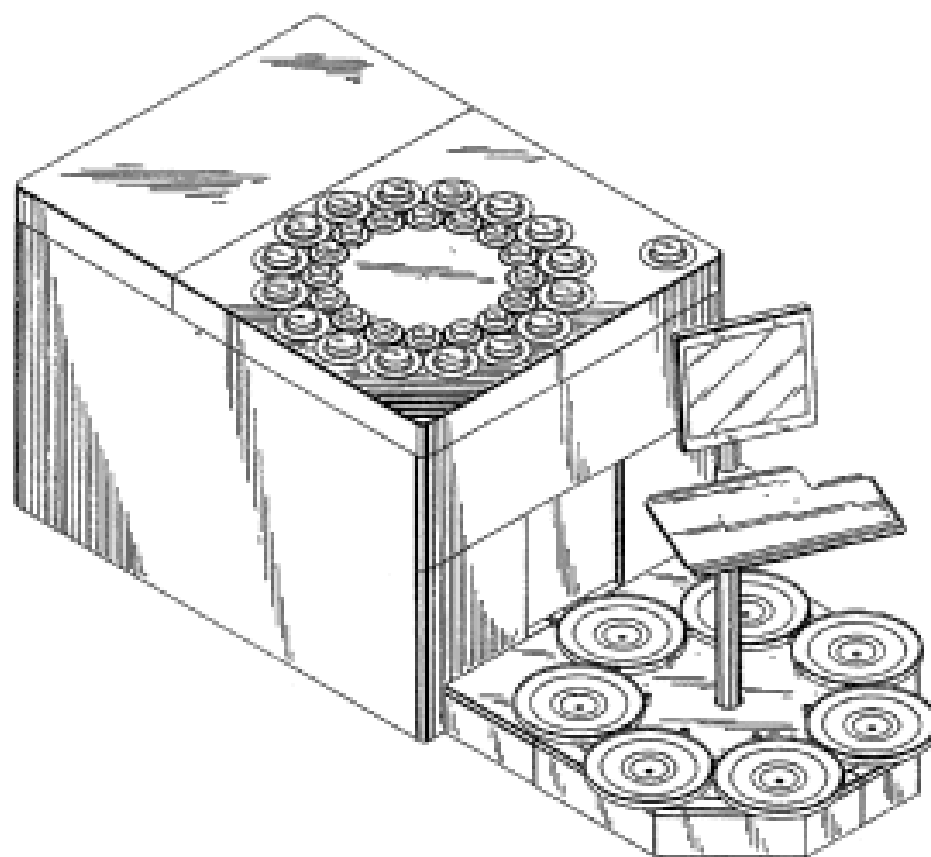
- (21) Design Number: **13674/2009**
(22) Date of Filing Application: **24 September 2009**
(24) Date from which industrial property rights may have effect: **24 September 2009**
(54) Product in respect of which the design is registered: **Reconfigurable furniture**
(51) International Design Classification: **06-04NES**
(71) Name(s) and Address(s) of Applicant(s):
Boori International Pty Ltd
27-37 Vallance Street St Marys New South Wales 2760 Australia
(72) Name(s) of Designer(s): **Justin Chui**
(45) Registration Date: **20 October 2009**
(56) Related Art Documents: **Not Applicable**
(57) Statement of Newness and Distinctiveness: **Nil**



- (21) Design Number: **13668/2009**
(22) Date of Filing Application: **25 September 2009**
(24) Date from which industrial property rights may have effect: **25 September 2009**
(54) Product in respect of which the design is registered: **A golf tee**
(51) International Design Classification: **21-02C**
(71) Name(s) and Address(s) of Applicant(s):
Zoomtech Limited
8 Carroll Street Dunedin New Zealand
(72) Name(s) of Designer(s): **Richard Andrew Cathro**
(45) Registration Date: **20 October 2009**
(30) Convention priority data:
(31) Number (32) Date (33) Country
412103 26 Mar 2009 NEW ZEALAND
(56) Related Art Documents: **Not Applicable**
(57) Statement of Newness and Distinctiveness: **Newness and distinctiveness reside in the features of shape and/or configuration of the golf tee as shown in the representations.**



- (21) Design Number: **13669/2009**
(22) Date of Filing Application: **24 September 2009**
(24) Date from which industrial property rights may have effect: **24 September 2009**
(54) Product in respect of which the design is registered: **Conveyor handling system for paint pot**
(51) International Design Classification: **12-05**
(71) Name(s) and Address(s) of Applicant(s):
Xemec Oy
Lumilinnantie 4 Oulo FI-90630 Finland
(72) Name(s) of Designer(s): **Pentti Airaksinen**
(45) Registration Date: **20 October 2009**
(30) Convention priority data:
(31) Number (32) Date (33) Country
001120661-0001 30 Mar 2009 EUROPEAN COMMUNITY
(56) Related Art Documents: **Not Applicable**
(57) Statement of Newness and Distinctiveness: **Nil**



(21) Design Number: **13263/2009**
(22) Date of Filing Application: **25 August 2009**
(24) Date from which industrial property rights may have effect: **25 August 2009**
(54) Product in respect of which the design is registered: **Tap and spout set**
(51) International Design Classification: **23-01H**
(71) Name(s) and Address(s) of Applicant(s):

Hansa Metallwerke AG
Sigmaringer Str. 107 D-70567 Stuttgart Germany

(72) Name(s) of Designer(s): **Michael Zeisel and Michael Lammel**

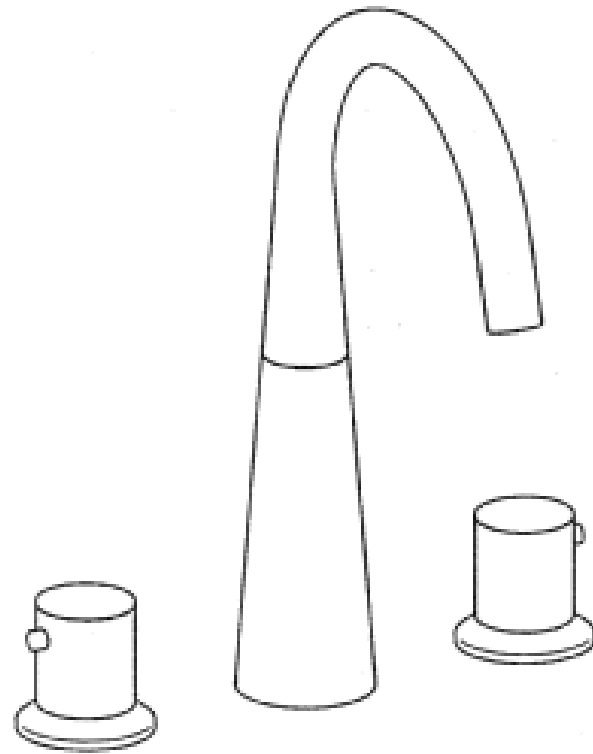
(45) Registration Date: **21 October 2009**

(30) Convention priority data:

(31) Number	(32) Date	(33) Country
001099048-0002	06 Mar 2009	EUROPEAN COMMUNITY

(56) Related Art Documents: **Not Applicable**

(57) Statement of Newness and Distinctiveness: **Nil**



(21) Design Number: **13550/2009**
(22) Date of Filing Application: **16 September 2009**
(24) Date from which industrial property rights may have effect: **16 September 2009**
(54) Product in respect of which the design is registered: **Swimwear, underwear, clothing**

(51) International Design Classification: **02-02A**

(71) Name(s) and Address(s) of Applicant(s):

Body Works Pty Ltd
254 Warrandyte Road Langwarrin Victoria 3910 Australia

(72) Name(s) of Designer(s): **Hayley Hatzivagiannis and Gregory Hatzivagiannis**

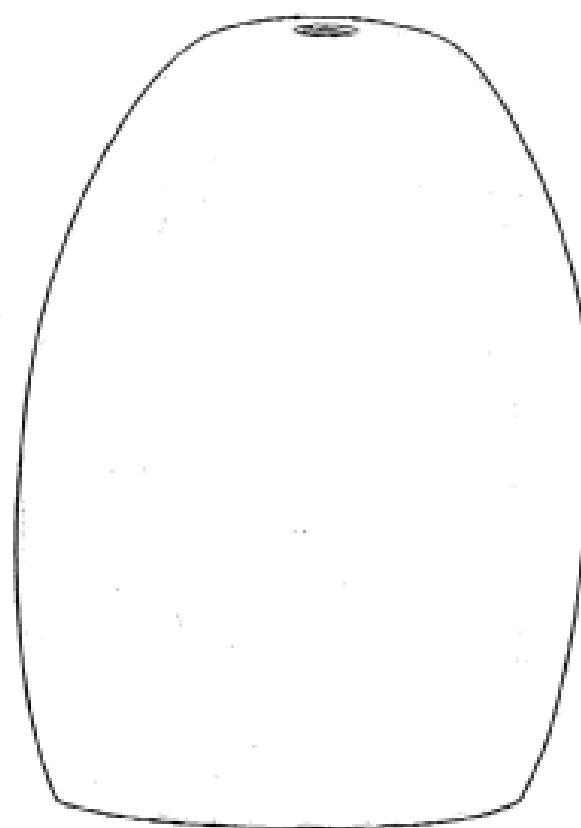
(45) Registration Date: **21 October 2009**

(56) Related Art Documents: **Not Applicable**

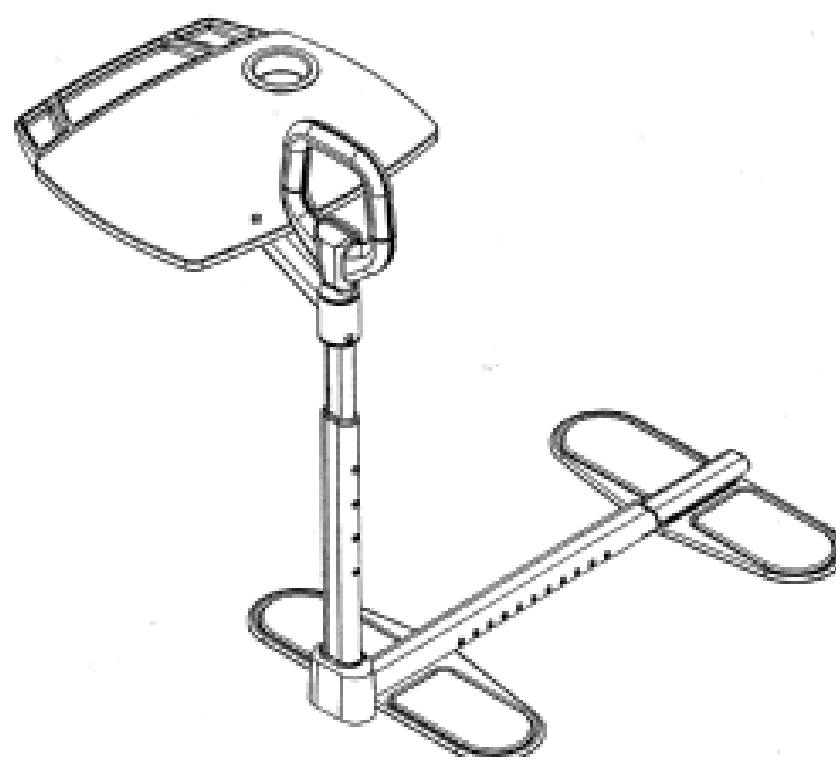
(57) Statement of Newness and Distinctiveness: **Halter top with attached ring located at back with adjustable straps.**



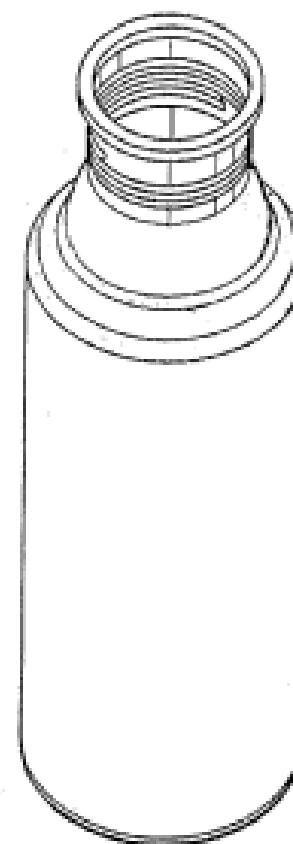
- (21) Design Number: **13681/2009**
(22) Date of Filing Application: **25 September 2009**
(24) Date from which industrial property rights may have effect: **25 September 2009**
(54) Product in respect of which the design is registered: **Aerosol dispenser**
(51) International Design Classification: **09-01A**
(71) Name(s) and Address(s) of Applicant(s):
S. C. Johnson & Son, Inc.
1525 Howe Street Racine Wisconsin 53403-2236 United States of America
(72) Name(s) of Designer(s): **Nathan Westphal**
(45) Registration Date: **21 October 2009**
(30) Convention priority data:
(31) Number (32) Date (33) Country
001113310 27 Mar 2009 EUROPEAN COMMUNITY
(56) Related Art Documents: **Not Applicable**
(57) Statement of Newness and Distinctiveness: **Newness and distinctiveness is claimed in the features of shape and/or configuration of an aerosol dispenser as illustrated in the accompanying representations.**



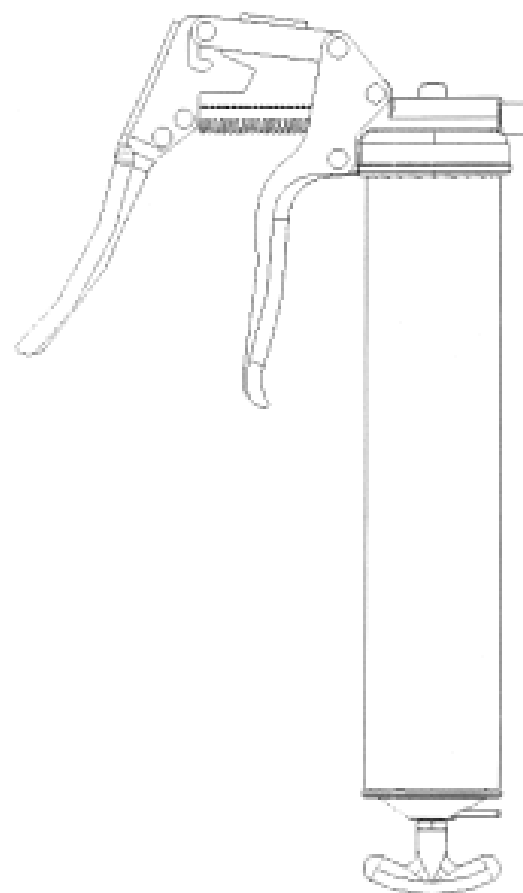
- (21) Design Number: **13682/2009**
(22) Date of Filing Application: **25 September 2009**
(24) Date from which industrial property rights may have effect: **25 September 2009**
(54) Product in respect of which the design is registered: **Mobility assistance device**
(51) International Design Classification: **06-03NES**
(71) Name(s) and Address(s) of Applicant(s):
Stander Inc.
74 Canterbury Circle Logan Utah 84321 United States of America
(72) Name(s) of Designer(s): **F. Troy Miller**
(45) Registration Date: **21 October 2009**
(30) Convention priority data:
(31) Number (32) Date (33) Country
29/335369 14 Apr 2009 UNITED STATES OF AMERICA
(56) Related Art Documents: **Not Applicable**
(57) Statement of Newness and Distinctiveness: **Newness and distinctiveness is claimed in the features of shape and/or configuration of the upper portion a mobility assistance device as illustrated in the accompanying representations and labelled 'A' in the front elevation view.**



- (21) Design Number: **13683/2009**
(22) Date of Filing Application: **25 September 2009**
(24) Date from which industrial property rights may have effect: **25 September 2009**
(54) Product in respect of which the design is registered: **Bottle**
(51) International Design Classification: **09-01K**
(71) Name(s) and Address(s) of Applicant(s):
Thermos L.L.C.
2550 West Golf Road Suite 800 Rolling Meadows Illinois 60008 United States of America
(72) Name(s) of Designer(s): **Marvin Lane and Dwayne Boroski and Shawn Young**
(45) Registration Date: **21 October 2009**
(30) Convention priority data:
(31) Number (32) Date (33) Country
29/341692 11 Aug 2009 UNITED STATES OF AMERICA
(56) Related Art Documents: **Not Applicable**
(57) Statement of Newness and Distinctiveness: **Newness and distinctiveness is claimed in the features of shape and/or configuration of a bottle as illustrated in the accompanying representations.**



- (21) Design Number: **13874/2009**
(22) Date of Filing Application: **06 October 2009**
(24) Date from which industrial property rights may have effect: **06 October 2009**
(54) Product in respect of which the design is registered: **Trigger action grease gun**
(51) International Design Classification: **08-05G**
(71) Name(s) and Address(s) of Applicant(s):
Alemite Lubrequip Pty Ltd
22 Green Street Brookvale New South Wales 2100 Australia
(72) Name(s) of Designer(s): **Herman Ulrichskotter**
(45) Registration Date: **21 October 2009**
(56) Related Art Documents: **Not Applicable**
(57) Statement of Newness and Distinctiveness: **Newness and distinctiveness is directed towards the shape and configuration of the Trigger Gun portion (as opposed to the cartridge portion) of the grease gun.**



(21) Design Number: **13896/2009**

(22) Date of Filing Application: **06 October 2009**

(24) Date from which industrial property rights may have effect: **06 October 2009**

(54) Product in respect of which the design is registered: **Curtain track**

(51) International Design Classification: **08-08H**

(71) Name(s) and Address(s) of Applicant(s):

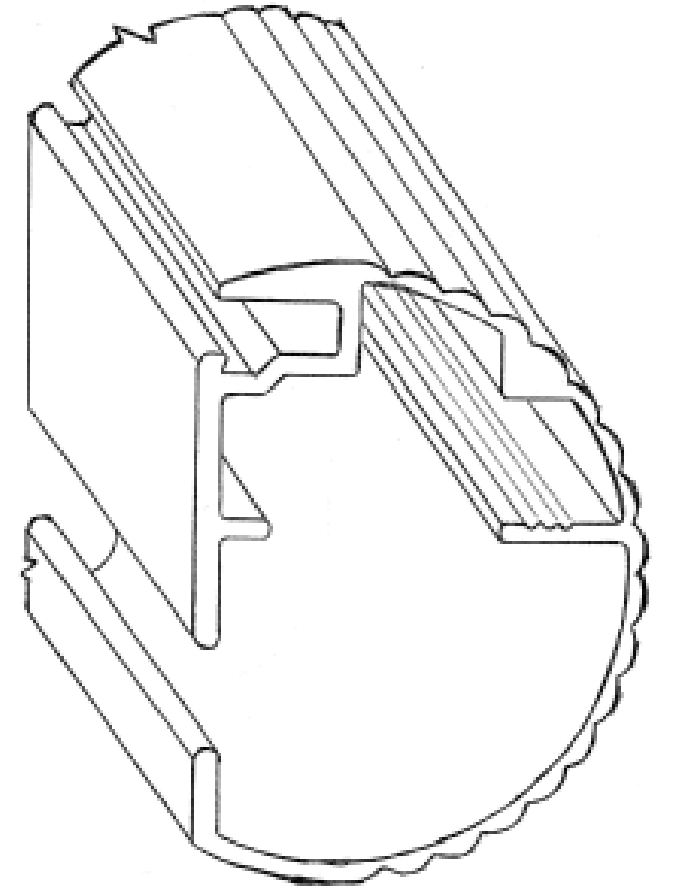
Remlap Tracking Pty Ltd
516-518 Grand Junction Road Northfield South Australia 5085
Australia

(72) Name(s) of Designer(s): **Clint Palmer**

(45) Registration Date: **21 October 2009**

(56) Related Art Documents: **Not Applicable**

(57) Statement of Newness and Distinctiveness: **All dimensions and features are identical to our plain decorator track (Des.No. 327652) but the face has a reeded effect which is ideal for painting in grooved sections.**



(21) Design Number: **13044/2009**

(22) Date of Filing Application: **11 August 2009**

(24) Date from which industrial property rights may have effect: **11 August 2009**

(54) Product in respect of which the design is registered: **A charger**

(51) International Design Classification: **13-02**

(71) Name(s) and Address(s) of Applicant(s):

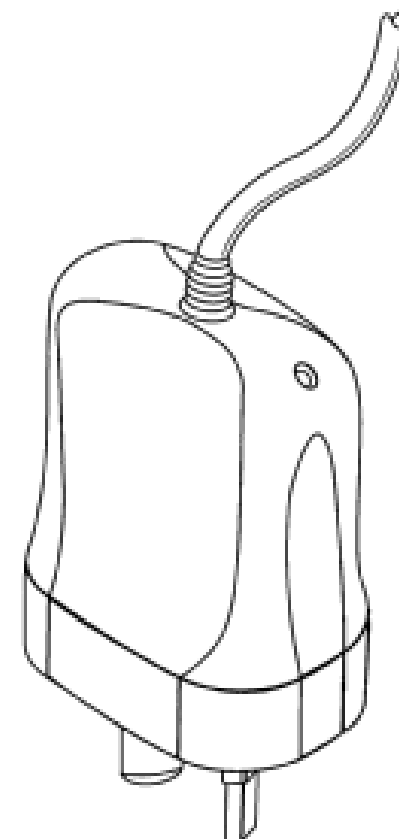
Cellnet Group Limited
59-61 Qantas Drive Eagle Farm Queensland 4009 Australia

(72) Name(s) of Designer(s): **Simon Woodward**

(45) Registration Date: **21 October 2009**

(56) Related Art Documents: **Not Applicable**

(57) Statement of Newness and Distinctiveness: **The newness and distinctiveness of the design resides in the shape and/or configuration of a charger as shown in the representations.**



(21) Design Number: **13248/2009**

(22) Date of Filing Application: **24 August 2009**

(24) Date from which industrial property rights may have effect: **24 August 2009**

(54) Product in respect of which the design is registered: **Cabinet knob**

(51) International Design Classification: **08-06**

(71) Name(s) and Address(s) of Applicant(s):

**Designer Doorware Pty Ltd
14 Adams Court Sunshine Victoria 3020 Australia**

(72) Name(s) of Designer(s): **Joseph Di Benedetto**

(45) Registration Date: **21 October 2009**

(56) Related Art Documents: **Not Applicable**

(57) Statement of Newness and Distinctiveness: **Monopoly is claimed in the shape and configuration of the cabinet knob for use with cabinets and doors as illustrated in the accompanying representations.**



(21) Design Number: **13249/2009**

(22) Date of Filing Application: **24 August 2009**

(24) Date from which industrial property rights may have effect: **24 August 2009**

(54) Product in respect of which the design is registered: **Adaptor kit assembly**

(51) International Design Classification: **08-06**

(71) Name(s) and Address(s) of Applicant(s):

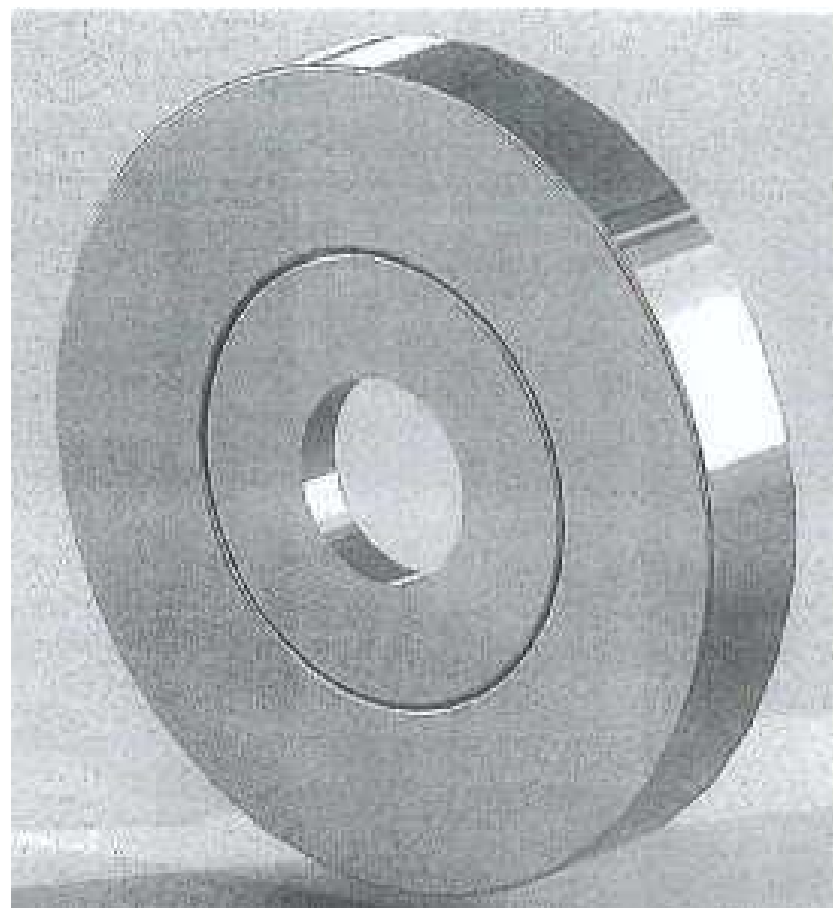
**Designer Doorware Pty Ltd
14 Adams Court Sunshine Victoria 3020 Australia**

(72) Name(s) of Designer(s): **Joseph Di Benedetto**

(45) Registration Date: **21 October 2009**

(56) Related Art Documents: **Not Applicable**

(57) Statement of Newness and Distinctiveness: **Monopoly is claimed in the shape and configuration of the product for use with cabinets and doors as illustrated in the accompanying representations.**



(21) Design Number: **13250/2009**

(22) Date of Filing Application: **24 August 2009**

(24) Date from which industrial property rights may have effect: **24 August 2009**

(54) Product in respect of which the design is registered: **Adaptor kit assembly**

(51) International Design Classification: **08-06**

(71) Name(s) and Address(s) of Applicant(s):

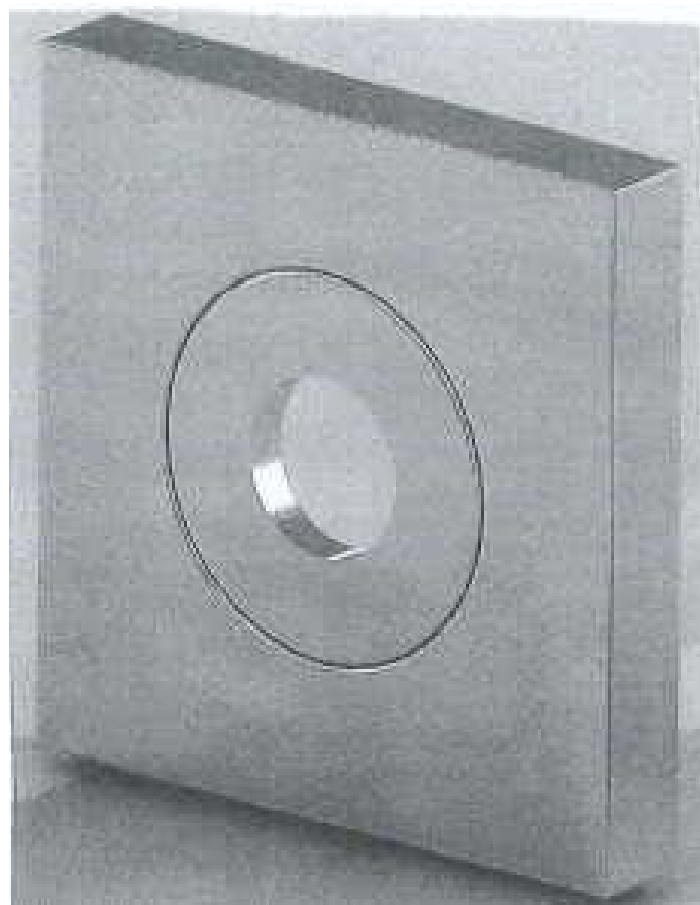
**Designer Doorware Pty Ltd
14 Adams Court Sunshine Victoria 3020 Australia**

(72) Name(s) of Designer(s): **Joseph Di Benedetto**

(45) Registration Date: **21 October 2009**

(56) Related Art Documents: **Not Applicable**

(57) Statement of Newness and Distinctiveness: **Monopoly is claimed in the shape and configuration of the product for use with cabinets and doors as illustrated in the accompanying representations.**



(21) Design Number: **13251/2009**

(22) Date of Filing Application: **24 August 2009**

(24) Date from which industrial property rights may have effect: **24 August 2009**

(54) Product in respect of which the design is registered: **Pair entrance handle**

(51) International Design Classification: **08-06**

(71) Name(s) and Address(s) of Applicant(s):

**Designer Doorware Pty Ltd
14 Adams Court Sunshine Victoria 3020 Australia**

(72) Name(s) of Designer(s): **Joseph Di Benedetto**

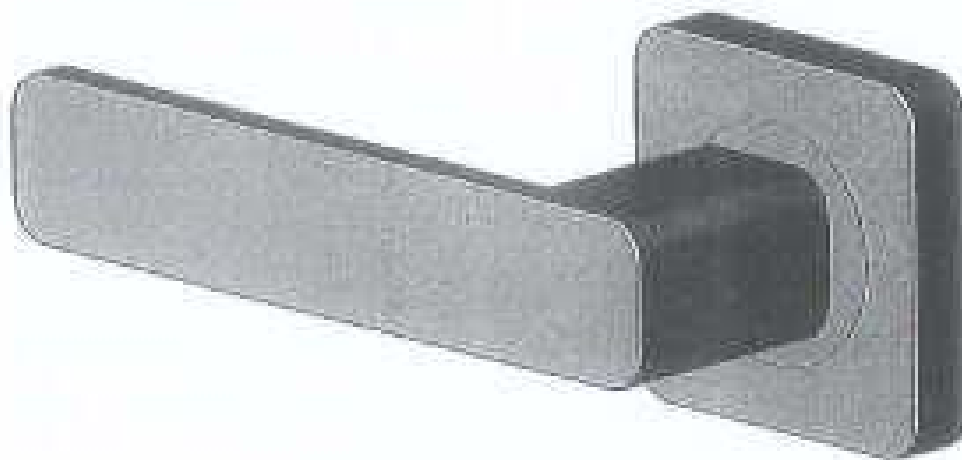
(45) Registration Date: **21 October 2009**

(56) Related Art Documents: **Not Applicable**

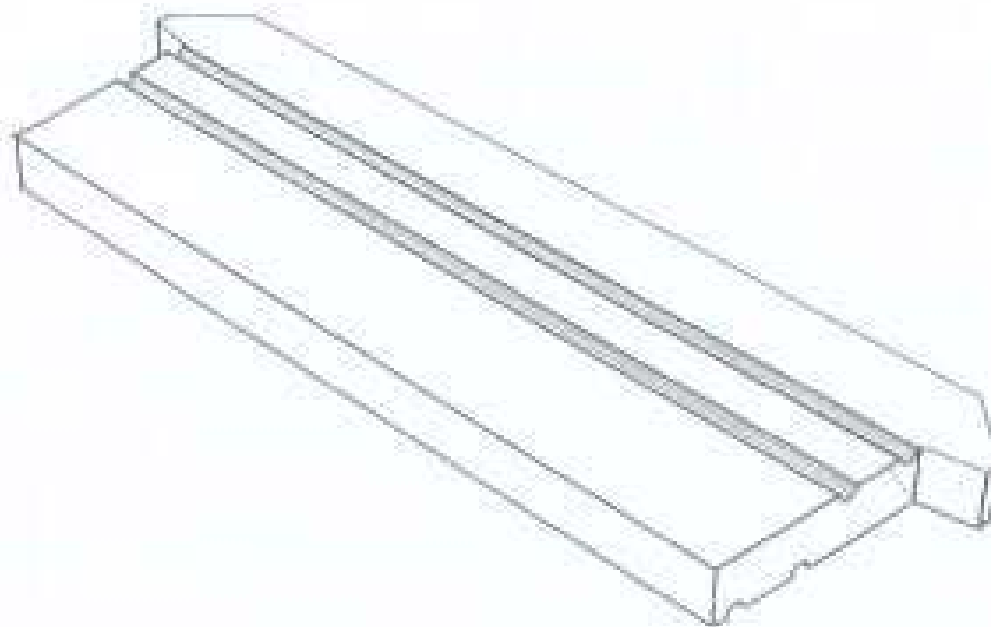
(57) Statement of Newness and Distinctiveness: **Monopoly is claimed in the shape and configuration of the product for use with cabinets and doors as illustrated in the accompanying representations.**



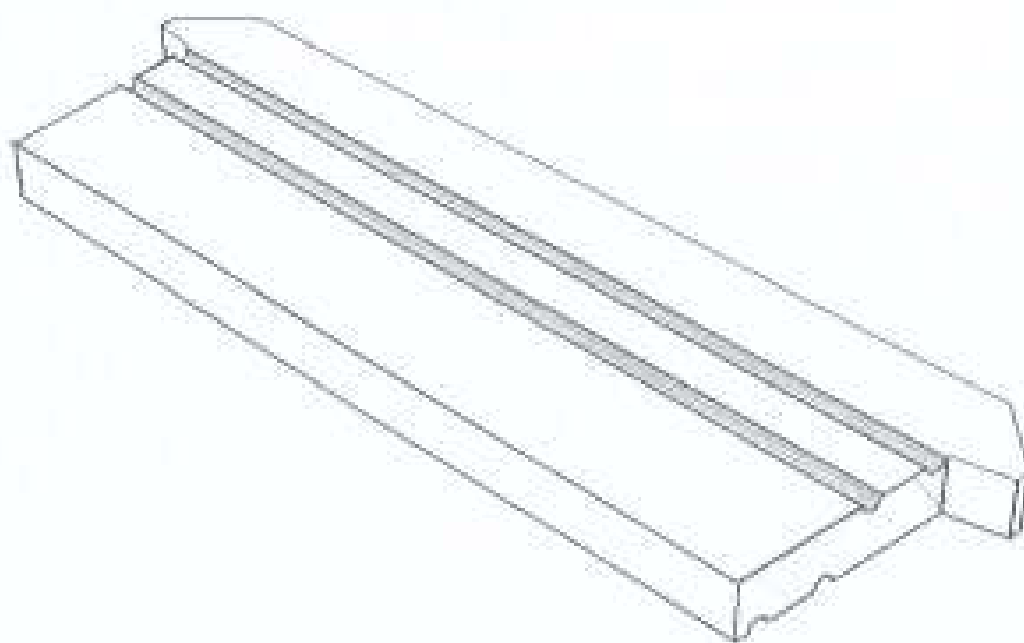
- (21) Design Number: **13252/2009**
(22) Date of Filing Application: **24 August 2009**
(24) Date from which industrial property rights may have effect: **24 August 2009**
(54) Product in respect of which the design is registered: **Door handle, right hand**
(51) International Design Classification: **08-06**
(71) Name(s) and Address(s) of Applicant(s):
Designer Doorware Pty Ltd
14 Adams Court Sunshine Victoria 3020 Australia
(72) Name(s) of Designer(s): **Joseph Di Benedetto**
(45) Registration Date: **21 October 2009**
(56) Related Art Documents: **Not Applicable**
(57) Statement of Newness and Distinctiveness: **Monopoly is claimed in the shape and configuration of the product for use with cabinets and doors as illustrated in the accompanying representations.**



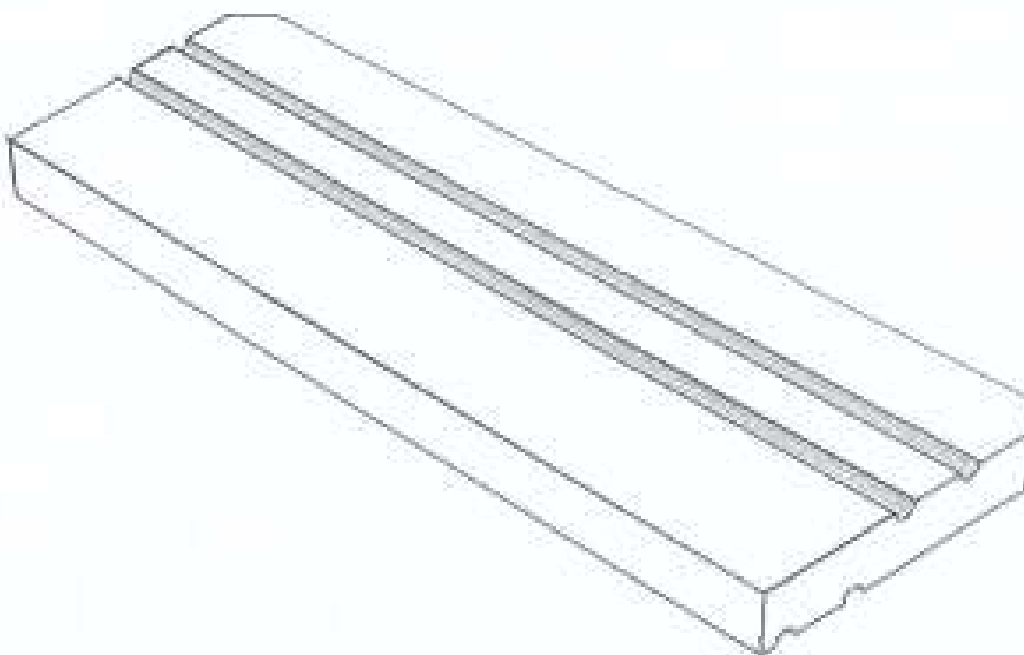
- (21) Design Number: **13677/2009**
(22) Date of Filing Application: **25 September 2009**
(24) Date from which industrial property rights may have effect: **25 September 2009**
(54) Product in respect of which the design is registered: **Heat regulating slab**
(51) International Design Classification: **23-03NES, 25-02NES**
(71) Name(s) and Address(s) of Applicant(s):
Lloyd Energy Systems Pty Ltd
Suite 1 Level 10 2-10 Loftus Street Sydney New South Wales 2000 Australia
(72) Name(s) of Designer(s): **Stephen Hollis and Richard Howard Gentle**
(45) Registration Date: **21 October 2009**
(56) Related Art Documents: **Not Applicable**
(57) Statement of Newness and Distinctiveness: **Newness and distinctiveness is claimed in the features of shape and/or configuration of a heat regulating slab as illustrated in continuous lines in the accompanying representations.**



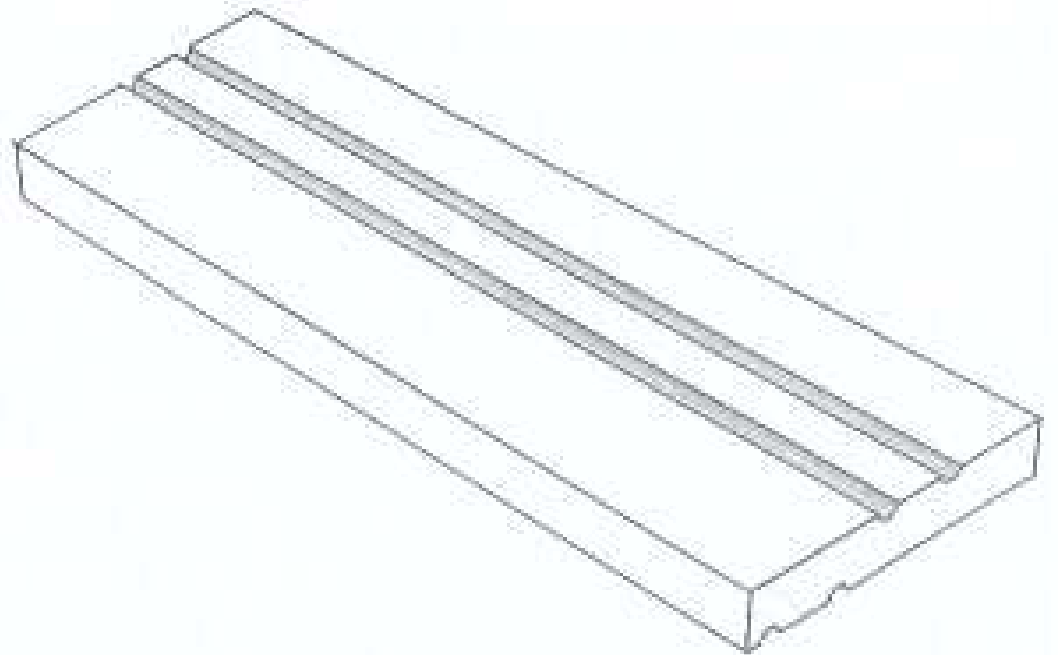
- (21) Design Number: **13678/2009**
(22) Date of Filing Application: **25 September 2009**
(24) Date from which industrial property rights may have effect: **25 September 2009**
(54) Product in respect of which the design is registered: **Heat regulating slab**
(51) International Design Classification: **25-01A, 23-03NES**
(71) Name(s) and Address(s) of Applicant(s):
Lloyd Energy Systems Pty Ltd
Suite 1 Level 10 2-10 Loftus Street Sydney New South Wales 2000
Australia
(72) Name(s) of Designer(s): **Stephen Hollis and Richard Howard Gentle**
(45) Registration Date: **21 October 2009**
(56) Related Art Documents: **Not Applicable**
(57) Statement of Newness and Distinctiveness: **Newness and distinctiveness is claimed in the features of shape and/or configuration of a heat regulating slab as illustrated in continuous lines in the accompanying representations.**



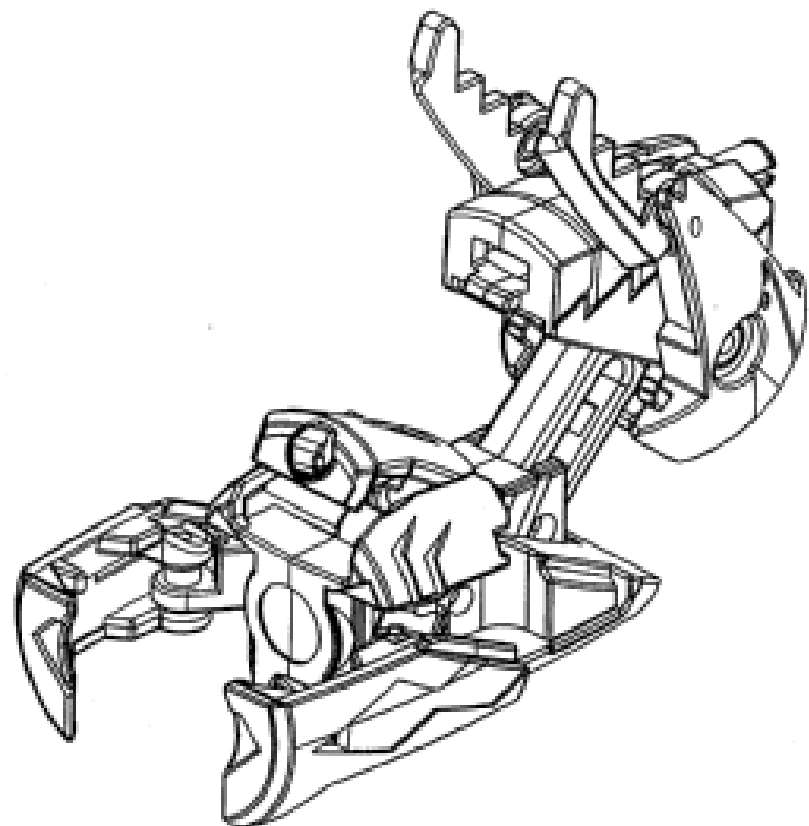
- (21) Design Number: **13679/2009**
(22) Date of Filing Application: **25 September 2009**
(24) Date from which industrial property rights may have effect: **25 September 2009**
(54) Product in respect of which the design is registered: **Heat regulating slab**
(51) International Design Classification: **25-01A, 23-03NES**
(71) Name(s) and Address(s) of Applicant(s):
Lloyd Energy Systems Pty Ltd
Suite 1 Level 10 2-10 Loftus Street Sydney New South Wales 2000
Australia
(72) Name(s) of Designer(s): **Stephen Hollis and Richard Howard Gentle**
(45) Registration Date: **21 October 2009**
(56) Related Art Documents: **Not Applicable**
(57) Statement of Newness and Distinctiveness: **Newness and distinctiveness is claimed in the features of shape and/or configuration of a heat regulating slab as illustrated in continuous lines in the accompanying representations.**



- (21) Design Number: **13680/2009**
(22) Date of Filing Application: **25 September 2009**
(24) Date from which industrial property rights may have effect: **25 September 2009**
(54) Product in respect of which the design is registered: **Heat regulating slab**
(51) International Design Classification: **25-01A, 23-03NES**
(71) Name(s) and Address(s) of Applicant(s):
Lloyd Energy Systems Pty Ltd
Suite 1 Level 10 2-10 Loftus Street Sydney New South Wales 2000
Australia
(72) Name(s) of Designer(s): **Stephen Hollis and Richard Howard Gentle**
(45) Registration Date: **21 October 2009**
(56) Related Art Documents: **Not Applicable**
(57) Statement of Newness and Distinctiveness: **Newness and distinctiveness is claimed in the features of shape and/or configuration of a heat regulating slab as illustrated in continuous lines in the accompanying representations.**



- (21) Design Number: **13704/2009**
(22) Date of Filing Application: **28 September 2009**
(24) Date from which industrial property rights may have effect: **28 September 2009**
(54) Product in respect of which the design is registered: **Transformable toy**
(51) International Design Classification: **21-01B**
(71) Name(s) and Address(s) of Applicant(s):
Spin Master Ltd
450 Front Street West Toronto M5V 1B6 Ontario Canada
(72) Name(s) of Designer(s): **Wataru Sato and Kohji Hirose and Richard Keuter**
(45) Registration Date: **22 October 2009**
(30) Convention priority data:
(31) Number (32) Date (33) Country
130368 15 Apr 2009 CANADA
(56) Related Art Documents: **Not Applicable**
(57) Statement of Newness and Distinctiveness: **The newness and distinctiveness of the design resides in the shape and/or configuration of the TRANSFORMABLE TOY shown in the representations.**



- (21) Design Number: **13705/2009**
(22) Date of Filing Application: **28 September 2009**
(24) Date from which industrial property rights may have effect: **28 September 2009**
(54) Product in respect of which the design is registered: **Transformable toy**
(51) International Design Classification: **21-01B**
(71) Name(s) and Address(s) of Applicant(s):

Spin Master Ltd
450 Front Street West Toronto M5V 1B6 Ontario Canada

- (72) Name(s) of Designer(s): **Wataru Sato and Kohji Hirose and Richard Keuter**

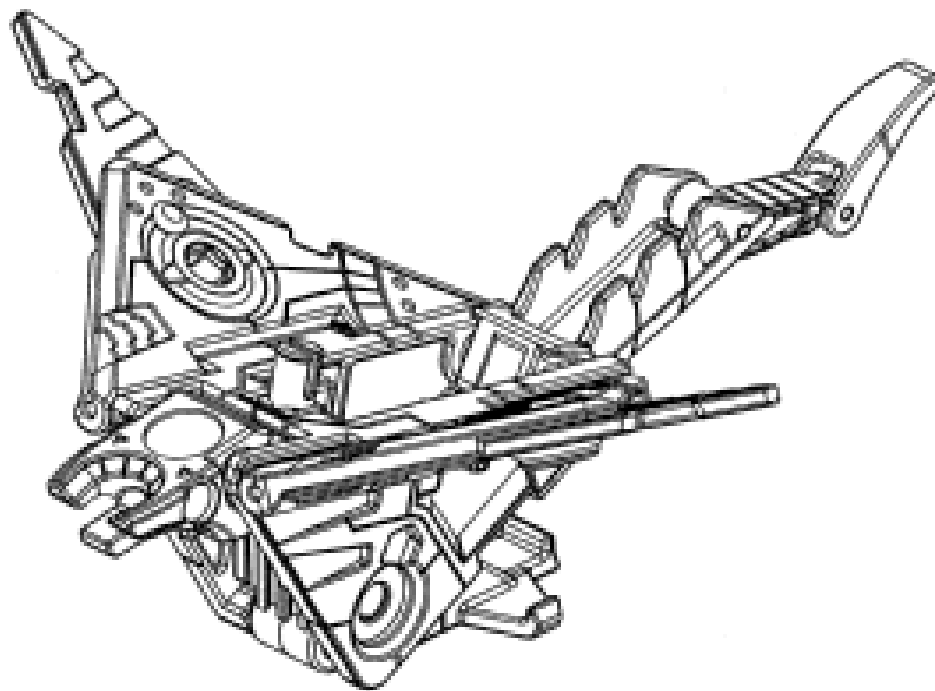
- (45) Registration Date: **22 October 2009**

- (30) Convention priority data:

(31) Number	(32) Date	(33) Country
130367	15 Apr 2009	CANADA

- (56) Related Art Documents: **Not Applicable**

- (57) Statement of Newness and Distinctiveness: **The newness and distinctiveness of the design resides in the shape and/or configuration of the TRANSFORMABLE TOY shown in the representations.**



- (21) Design Number: **13706/2009**
(22) Date of Filing Application: **28 September 2009**
(24) Date from which industrial property rights may have effect: **28 September 2009**
(54) Product in respect of which the design is registered: **Transformable toy**
(51) International Design Classification: **21-01B**
(71) Name(s) and Address(s) of Applicant(s):

Spin Master Ltd
450 Front Street West Toronto M5V 1B6 Ontario Canada

- (72) Name(s) of Designer(s): **Wataru Sato and Kohji Hirose and Richard Keuter**

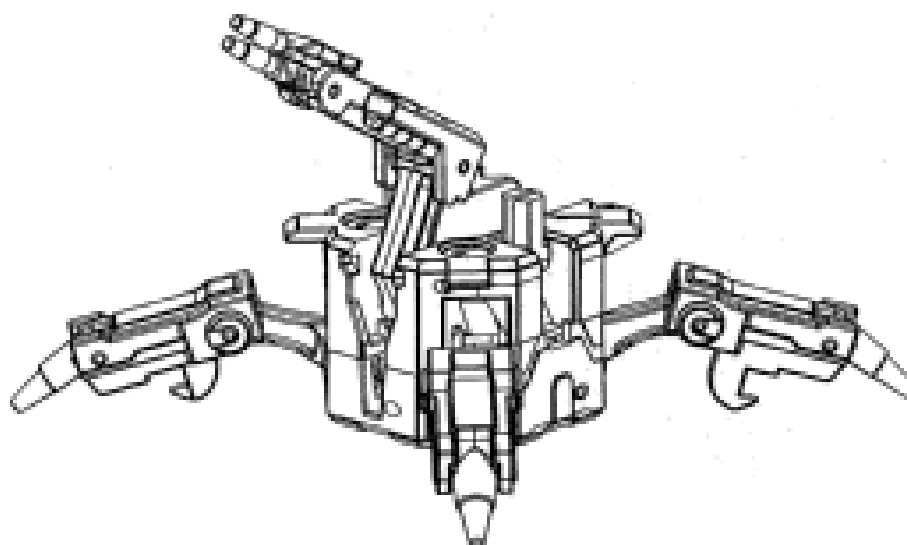
- (45) Registration Date: **22 October 2009**

- (30) Convention priority data:

(31) Number	(32) Date	(33) Country
130441	22 Apr 2009	CANADA

- (56) Related Art Documents: **Not Applicable**

- (57) Statement of Newness and Distinctiveness: **The newness and distinctiveness of the design resides in the shape and/or configuration of the TRANSFORMABLE TOY shown in the representations.**



- (21) Design Number: **13707/2009**
(22) Date of Filing Application: **28 September 2009**
(24) Date from which industrial property rights may have effect: **28 September 2009**
(54) Product in respect of which the design is registered: **Transformable toy**
(51) International Design Classification: **21-01B**
(71) Name(s) and Address(s) of Applicant(s):
Spin Master Ltd
450 Front Street West Toronto M5V 1B6 Ontario Canada
(72) Name(s) of Designer(s): **Wataru Sato and Kohji Hirose and Richard Keuter**
(45) Registration Date: **22 October 2009**
(30) Convention priority data:
(31) Number (32) Date (33) Country
130272 08 Apr 2009 CANADA
(56) Related Art Documents: **Not Applicable**
(57) Statement of Newness and Distinctiveness: **The newness and distinctiveness of the design resides in the shape and/or configuration of the TRANSFORMABLE TOY shown in the representations.**



- (21) Design Number: **13708/2009**
(22) Date of Filing Application: **28 September 2009**
(24) Date from which industrial property rights may have effect: **28 September 2009**
(54) Product in respect of which the design is registered: **Transformable toy**
(51) International Design Classification: **21-01B**
(71) Name(s) and Address(s) of Applicant(s):
Spin Master Ltd
450 Front Street West Toronto M5V 1B6 Ontario Canada
(72) Name(s) of Designer(s): **Wataru Sato and Kohji Hirose and Richard Keuter**
(45) Registration Date: **22 October 2009**
(30) Convention priority data:
(31) Number (32) Date (33) Country
130273 08 Apr 2009 CANADA
(56) Related Art Documents: **Not Applicable**
(57) Statement of Newness and Distinctiveness: **The newness and distinctiveness of the design resides in the shape and/or configuration of the TRANSFORMABLE TOY shown in the representations.**



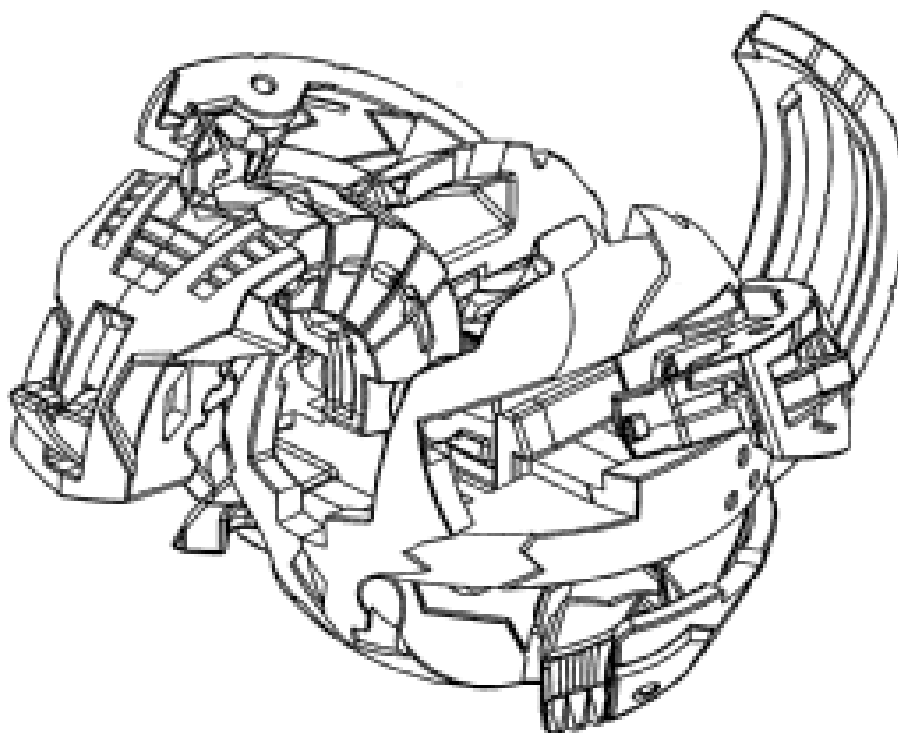
(21) Design Number: **13709/2009**
 (22) Date of Filing Application: **28 September 2009**
 (24) Date from which industrial property rights may have effect: **28 September 2009**
 (54) Product in respect of which the design is registered: **Transformable toy**
 (51) International Design Classification: **21-01B**
 (71) Name(s) and Address(s) of Applicant(s):

Spin Master Ltd
450 Front Street West Toronto M5V 1B6 Ontario Canada

(72) Name(s) of Designer(s): **Wataru Sato and Kohji Hirose and Richard Keuter**
 (45) Registration Date: **22 October 2009**
 (30) Convention priority data:

(31) Number	(32) Date	(33) Country
130285	06 Apr 2009	CANADA

(56) Related Art Documents: **Not Applicable**
 (57) Statement of Newness and Distinctiveness: **The newness and distinctiveness of the design resides in the shape and/or configuration of the TRANSFORMABLE TOY shown in the representations.**



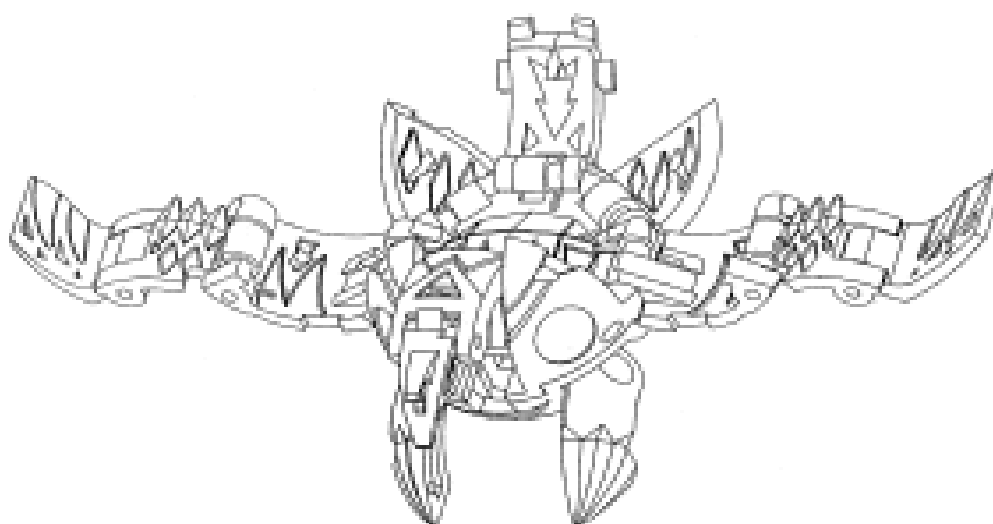
(21) Design Number: **13710/2009**
 (22) Date of Filing Application: **28 September 2009**
 (24) Date from which industrial property rights may have effect: **28 September 2009**
 (54) Product in respect of which the design is registered: **Transformable toy**
 (51) International Design Classification: **21-01B**
 (71) Name(s) and Address(s) of Applicant(s):

Spin Master Ltd
450 Front Street West Toronto M5V 1B6 Ontario Canada

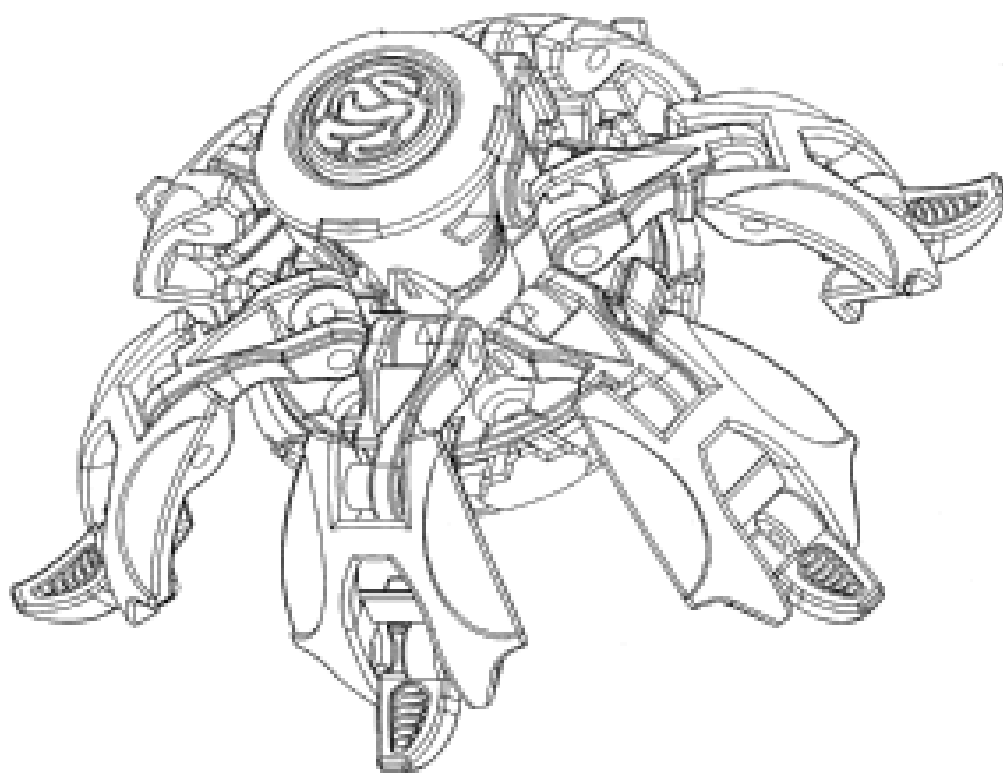
(72) Name(s) of Designer(s): **Wataru Sato and Kohji Hirose and Richard Keuter**
 (45) Registration Date: **22 October 2009**
 (30) Convention priority data:

(31) Number	(32) Date	(33) Country
130353	09 Apr 2009	CANADA

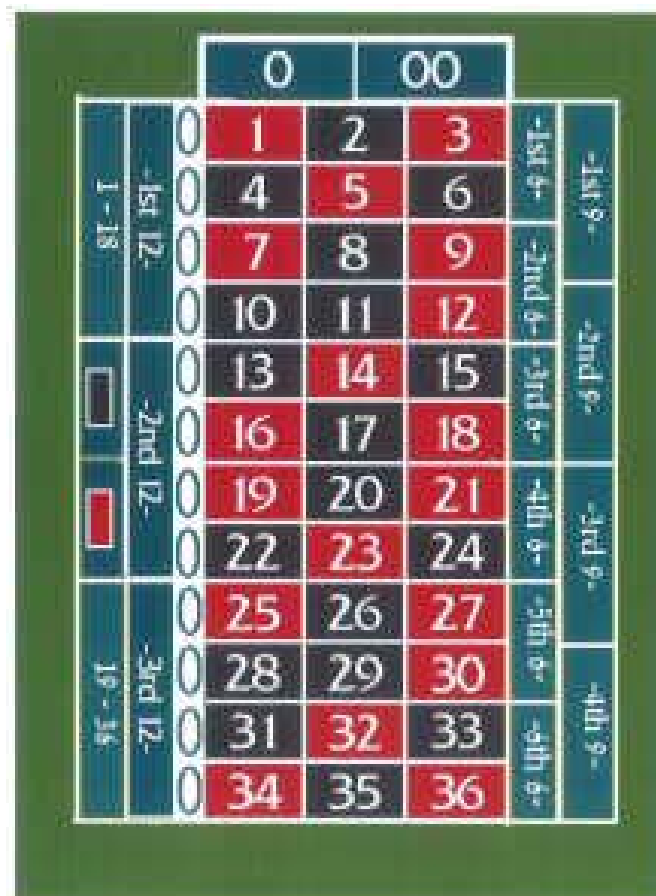
(56) Related Art Documents: **Not Applicable**
 (57) Statement of Newness and Distinctiveness: **The newness and distinctiveness of the design resides in the shape and/or configuration of the TRANSFORMABLE TOY shown in the representations.**



- (21) Design Number: **13711/2009**
(22) Date of Filing Application: **28 September 2009**
(24) Date from which industrial property rights may have effect: **28 September 2009**
(54) Product in respect of which the design is registered: **Transformable toy**
(51) International Design Classification: **21-01B**
(71) Name(s) and Address(s) of Applicant(s):
Spin Master Ltd
450 Front Street West Toronto M5V 1B6 Ontario Canada
(72) Name(s) of Designer(s): **Wataru Sato and Kohji Hirose and Richard Keuter**
(45) Registration Date: **22 October 2009**
(30) Convention priority data:
(31) Number (32) Date (33) Country
130352 09 Apr 2009 CANADA
(56) Related Art Documents: **Not Applicable**
(57) Statement of Newness and Distinctiveness: **The newness and distinctiveness of the design resides in the shape and/or configuration of the TRANSFORMABLE TOY shown in the representations.**



- (21) Design Number: **10804/2009**
(22) Date of Filing Application: **12 March 2009**
(24) Date from which industrial property rights may have effect: **12 March 2009**
(54) Product in respect of which the design is registered: **Board for game of chance**
(51) International Design Classification: **21-01L**
(71) Name(s) and Address(s) of Applicant(s):
Avi Bennaim
14 Nehemia Street 65604 Tel Aviv Israel
(72) Name(s) of Designer(s): **Avi Bennaim**
(45) Registration Date: **22 October 2009**
(56) Related Art Documents: **Not Applicable**
(57) Statement of Newness and Distinctiveness: **Nil**



(21) Design Number: **12487/2009**
(22) Date of Filing Application: **08 July 2009**
(24) Date from which industrial property rights may have effect: **08 July 2009**
(54) Product in respect of which the design is registered: **Bicycle locker**
(51) International Design Classification: **08-10**
(71) Name(s) and Address(s) of Applicant(s):

Huada Luo
Unit 11/104 Joynton Avenue Zetland Sydney New South Wales 2017
Australia

(72) Name(s) of Designer(s): **Huada Luo**

(45) Registration Date: **22 October 2009**

(30) Convention priority data:

(31) Number	(32) Date	(33) Country
200930194249.0	06 Jul 2009	CHINA

(56) Related Art Documents: **Not Applicable**

(57) Statement of Newness and Distinctiveness: **Nil**



(21) Design Number: **13667/2009**
(22) Date of Filing Application: **25 September 2009**
(24) Date from which industrial property rights may have effect: **25 September 2009**
(54) Product in respect of which the design is registered: **A winch drum mounting**
(51) International Design Classification: **12-05**
(71) Name(s) and Address(s) of Applicant(s):

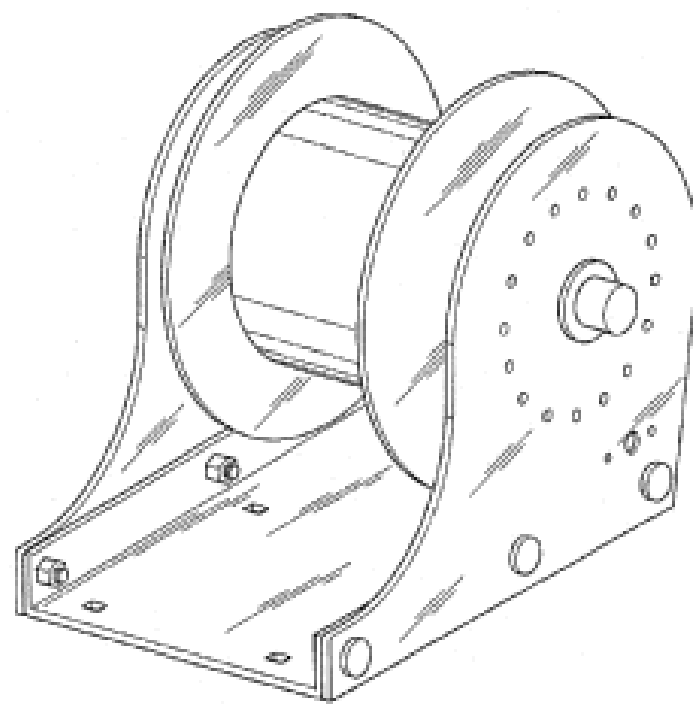
Harry Xydias
14 Birkalla Terrace Plympton South Australia 5038 Australia

(72) Name(s) of Designer(s): **Harry Xydias**

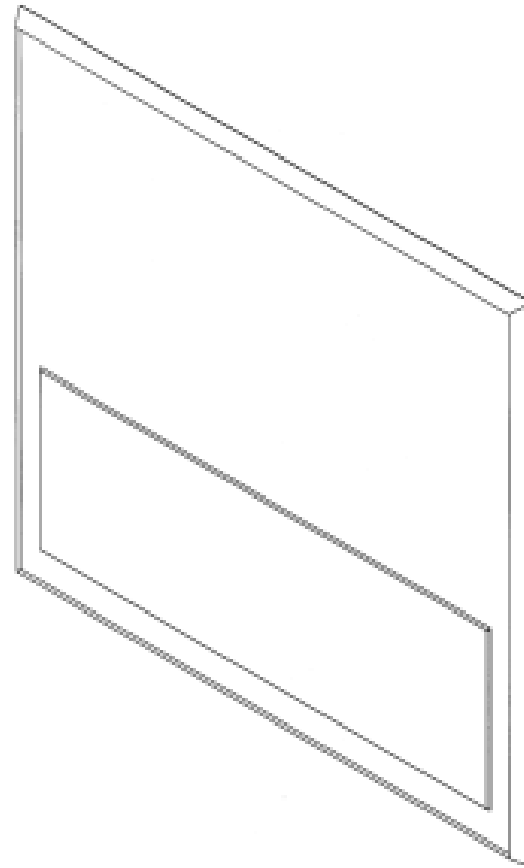
(45) Registration Date: **22 October 2009**

(56) Related Art Documents: **Not Applicable**

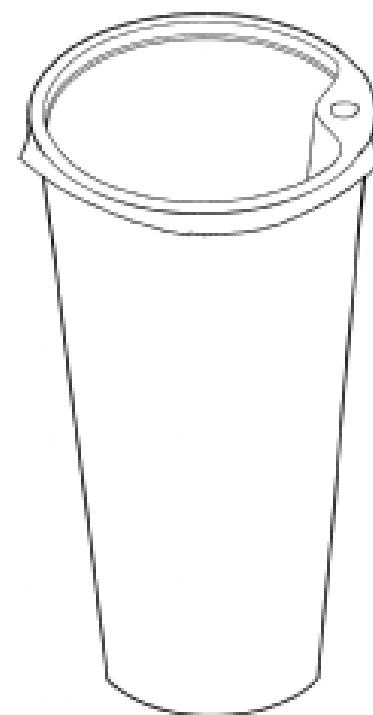
(57) Statement of Newness and Distinctiveness: **Nil**



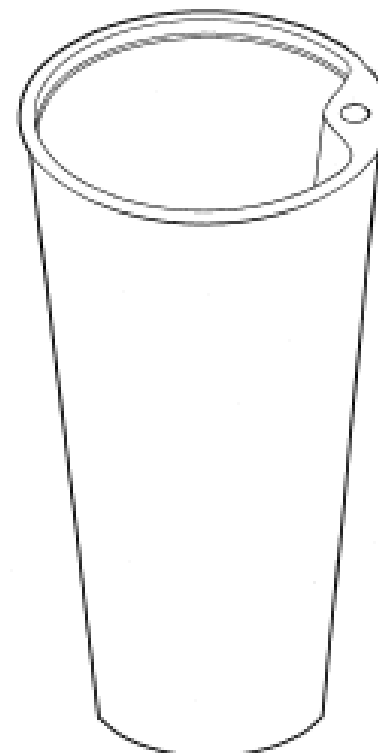
(21) Design Number: **13685/2009**
(22) Date of Filing Application: **25 September 2009**
(24) Date from which industrial property rights may have effect: **25 September 2009**
(54) Product in respect of which the design is registered: **Television**
(51) International Design Classification: **14-03B**
(71) Name(s) and Address(s) of Applicant(s):
Bang & Olufsen A/S
Peter Bangs Vej 15 Postboks 40 7600 Struer Denmark
(72) Name(s) of Designer(s): **David Lewis**
(45) Registration Date: **22 October 2009**
(30) Convention priority data:
(31) Number (32) Date (33) Country
DA 2009 27 Mar 2009 DENMARK
00046
(56) Related Art Documents: **Not Applicable**
(57) Statement of Newness and Distinctiveness: **Nil**



(21) Design Number: **13686/2009**
(22) Date of Filing Application: **25 September 2009**
(24) Date from which industrial property rights may have effect: **25 September 2009**
(54) Product in respect of which the design is registered: **Container and insert**
(51) International Design Classification: **07-01C**
(71) Name(s) and Address(s) of Applicant(s):
Stephen Layfield
Level 3 230 Clarence Street Sydney New South Wales 2000 Australia
(72) Name(s) of Designer(s): **Stephen Layfield**
(45) Registration Date: **22 October 2009**
(56) Related Art Documents: **Not Applicable**
(57) Statement of Newness and Distinctiveness: **Nil**



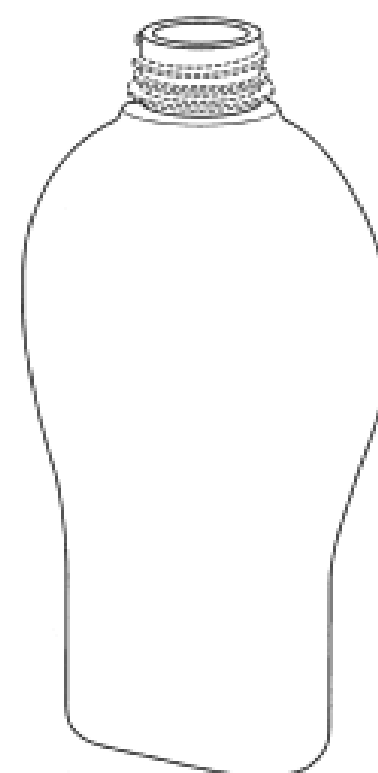
- (21) Design Number: **13687/2009**
(22) Date of Filing Application: **25 September 2009**
(24) Date from which industrial property rights may have effect: **25 September 2009**
(54) Product in respect of which the design is registered: **Container and insert**
(51) International Design Classification: **07-01C**
(71) Name(s) and Address(s) of Applicant(s):
Stephen Layfield
Level 3 230 Clarence Street Sydney New South Wales 2000 Australia
(72) Name(s) of Designer(s): **Stephen Layfield**
(45) Registration Date: **22 October 2009**
(56) Related Art Documents: **Not Applicable**
(57) Statement of Newness and Distinctiveness: **Nil**



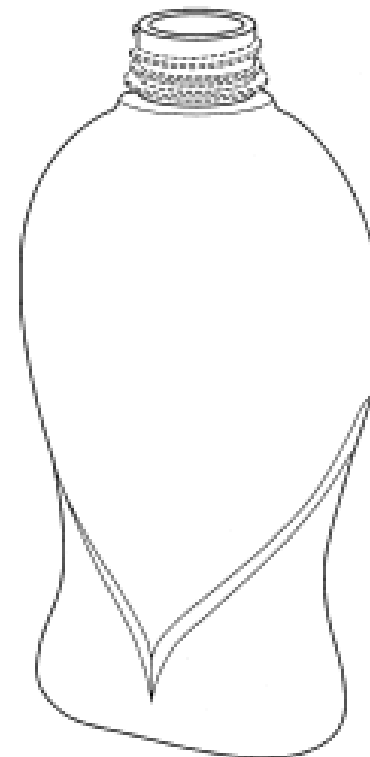
- (21) Design Number: **13696/2009**
(22) Date of Filing Application: **25 September 2009**
(24) Date from which industrial property rights may have effect: **25 September 2009**
(54) Product in respect of which the design is registered: **Container**
(51) International Design Classification: **09-01H**
(71) Name(s) and Address(s) of Applicant(s):
Colgate-Palmolive Company
300 Park Avenue New York New York 10022 United States of America
(72) Name(s) of Designer(s): **Kiat Cheong Toh**
(45) Registration Date: **22 October 2009**
(30) Convention priority data:

(31) Number	(32) Date	(33) Country
29/334431	26 Mar 2009	UNITED STATES OF AMERICA

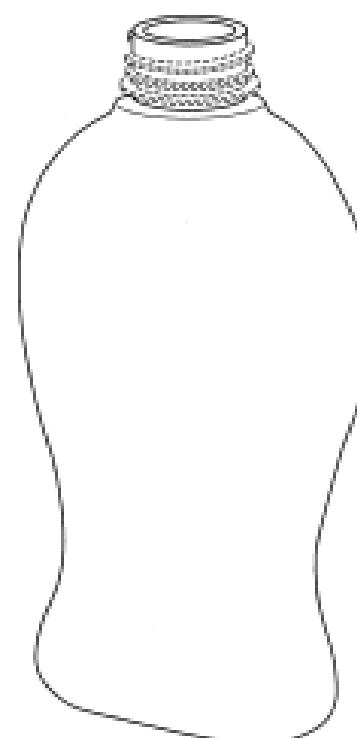
(56) Related Art Documents: **Not Applicable**
(57) Statement of Newness and Distinctiveness: **Newness and distinctiveness reside in the features of shape and/or configuration of the design shown in solid lines in the representations excluding those features shown in broken lines.**



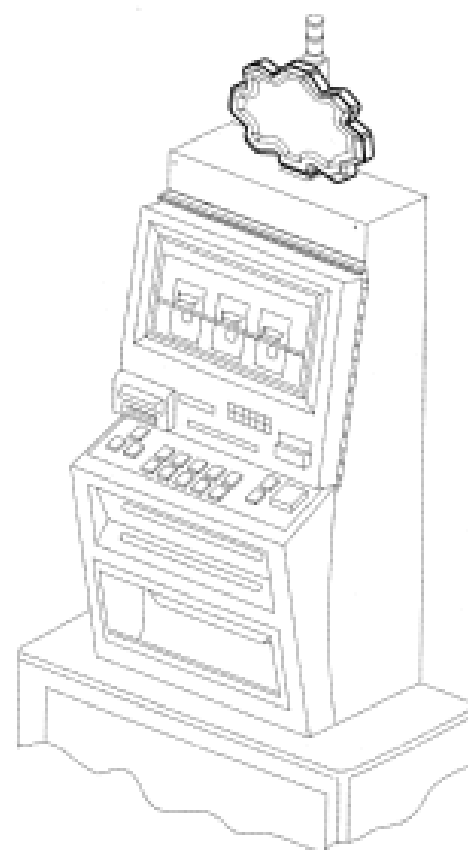
- (21) Design Number: **13697/2009**
(22) Date of Filing Application: **25 September 2009**
(24) Date from which industrial property rights may have effect: **25 September 2009**
(54) Product in respect of which the design is registered: **Container**
(51) International Design Classification: **09-01H**
(71) Name(s) and Address(s) of Applicant(s):
Colgate-Palmolive Company
300 Park Avenue New York New York 10022 United States of America
(72) Name(s) of Designer(s): **Kiat Cheong Toh and Sergio Gedanke and Ravi Varma**
(45) Registration Date: **22 October 2009**
(30) Convention priority data:
(31) Number (32) Date (33) Country
29/334428 26 Mar 2009 UNITED STATES OF AMERICA
(56) Related Art Documents: **Not Applicable**
(57) Statement of Newness and Distinctiveness: **Newness and distinctiveness reside in the features of shape and/or configuration of the design shown in solid lines in the representations excluding those features shown in broken lines.**



- (21) Design Number: **13698/2009**
(22) Date of Filing Application: **25 September 2009**
(24) Date from which industrial property rights may have effect: **25 September 2009**
(54) Product in respect of which the design is registered: **Container**
(51) International Design Classification: **09-01H**
(71) Name(s) and Address(s) of Applicant(s):
Colgate-Palmolive Company
300 Park Avenue New York New York 10022 United States of America
(72) Name(s) of Designer(s): **Kiat Cheong Toh and Sergio Gedanke and Ravi Varma**
(45) Registration Date: **22 October 2009**
(30) Convention priority data:
(31) Number (32) Date (33) Country
29/334423 26 Mar 2009 UNITED STATES OF AMERICA
(56) Related Art Documents: **Not Applicable**
(57) Statement of Newness and Distinctiveness: **Newness and distinctiveness reside in the features of shape and/or configuration of the design shown in solid lines in the representations excluding those features shown in broken lines.**



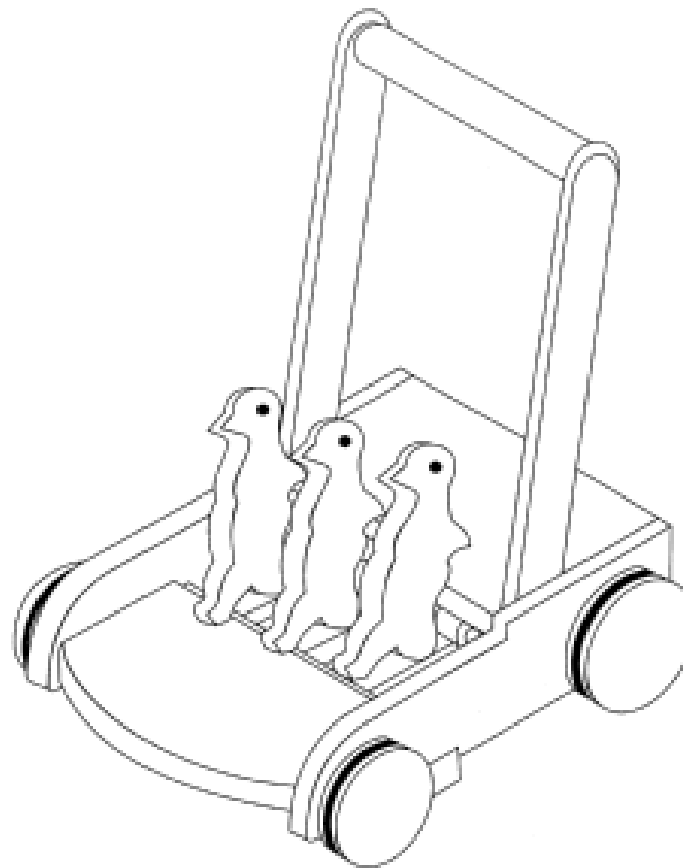
- (21) Design Number: **13699/2009**
(22) Date of Filing Application: **25 September 2009**
(24) Date from which industrial property rights may have effect: **25 September 2009**
(54) Product in respect of which the design is registered: **Decorative topper sign**
(51) International Design Classification: **11-99, 20-03NES**
(71) Name(s) and Address(s) of Applicant(s):
Konami Gaming, Inc.
585 Trade Center Drive LAS VEGAS 89119 Nevada United States of America
(72) Name(s) of Designer(s): **Richard Johnson and Yuji Taniguchi and Norio Tone**
(45) Registration Date: **22 October 2009**
(30) Convention priority data:
(31) Number (32) Date (33) Country
29/343637 17 Sep 2009 UNITED STATES OF AMERICA
(56) Related Art Documents: **Not Applicable**
(57) Statement of Newness and Distinctiveness: **The newness and distinctiveness of the design resides in the shape and/or configuration of the DECORATIVE TOPPER SIGN shown in the representations.**



- (21) Design Number: **13700/2009**
(22) Date of Filing Application: **25 September 2009**
(24) Date from which industrial property rights may have effect: **25 September 2009**
(54) Product in respect of which the design is registered: **Car seat**
(51) International Design Classification: **06-01D**
(71) Name(s) and Address(s) of Applicant(s):
Max-Inf (Ningbo) Baby Product Co., Ltd.
No. 188 West Jinhui Road Yinzhou Investment & Business Incubation of Ningbo Zhejiang Province China
(72) Name(s) of Designer(s): **Lihong Xu**
(45) Registration Date: **22 October 2009**
(56) Related Art Documents: **Not Applicable**
(57) Statement of Newness and Distinctiveness: **Newness and distinctiveness resides in the shape and/or configuration of a car seat as illustrated in the accompanying representations.**



- (21) Design Number: **13701/2009**
(22) Date of Filing Application: **28 September 2009**
(24) Date from which industrial property rights may have effect: **28 September 2009**
(54) Product in respect of which the design is registered: **Baby walker**
(51) International Design Classification: **21-01NES**
(71) Name(s) and Address(s) of Applicant(s):
Quan Hien Nguyen
95 Wright Street Sunshine Victoria 3020 Australia
(72) Name(s) of Designer(s): **Quan Hien Nguyen**
(45) Registration Date: **22 October 2009**
(56) Related Art Documents: **Not Applicable**
(57) Statement of Newness and Distinctiveness: **The design is to be applied to a baby walker and the distinctiveness and newness reside in the features of the design as shown in solid lines in representation No.1, excluding those features shown in broken lines.**



- (21) Design Number: **13703/2009**
(22) Date of Filing Application: **28 September 2009**
(24) Date from which industrial property rights may have effect: **28 September 2009**
(54) Product in respect of which the design is registered: **Transformable toy**
(51) International Design Classification: **21-01B**
(71) Name(s) and Address(s) of Applicant(s):
Spin Master Ltd
450 Front Street West Toronto Ontario M5V 1B6 Canada
(72) Name(s) of Designer(s): **Wataru Sato and Kohji Hirose and Richard Keuter**
(45) Registration Date: **22 October 2009**
(30) Convention priority data:
(31) Number (32) Date (33) Country
130238 01 Apr 2009 CANADA
(56) Related Art Documents: **Not Applicable**
(57) Statement of Newness and Distinctiveness: **The newness and distinctiveness of the design resides in the shape and/or configuration of the TRANSFORMABLE TOY shown in the representations.**



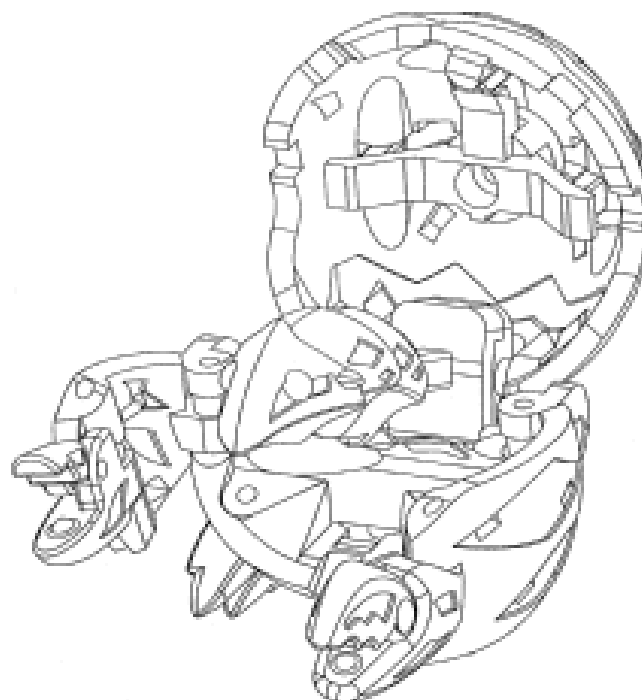
- (21) Design Number: **13712/2009**
(22) Date of Filing Application: **28 September 2009**
(24) Date from which industrial property rights may have effect: **28 September 2009**
(54) Product in respect of which the design is registered: **Transformable toy**
(51) International Design Classification: **21-01B**
(71) Name(s) and Address(s) of Applicant(s):

Spin Master Ltd
450 Front Street West Toronto M5V 1B6 Ontario Canada

- (72) Name(s) of Designer(s): **Wataru Sato and Kohji Hirose and Richard Keuter**
(45) Registration Date: **22 October 2009**
(30) Convention priority data:

(31) Number	(32) Date	(33) Country
130274	08 Apr 2009	CANADA

- (56) Related Art Documents: **Not Applicable**
(57) Statement of Newness and Distinctiveness: **The newness and distinctiveness of the design resides in the shape and/or configuration of the TRANSFORMABLE TOY shown in the representations.**



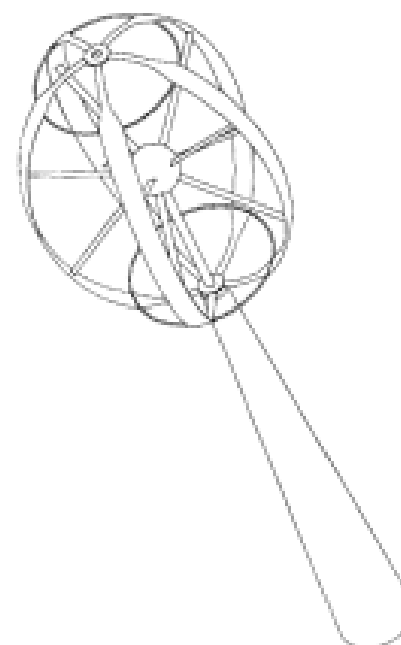
- (21) Design Number: **13715/2009**
(22) Date of Filing Application: **28 September 2009**
(24) Date from which industrial property rights may have effect: **28 September 2009**
(54) Product in respect of which the design is registered: **Wind Turbine**
(51) International Design Classification: **13-01**
(71) Name(s) and Address(s) of Applicant(s):

VIND & SOL s.m.b.a.
Kirkeballevvej 6 5970 Aeroeskoebing Denmark

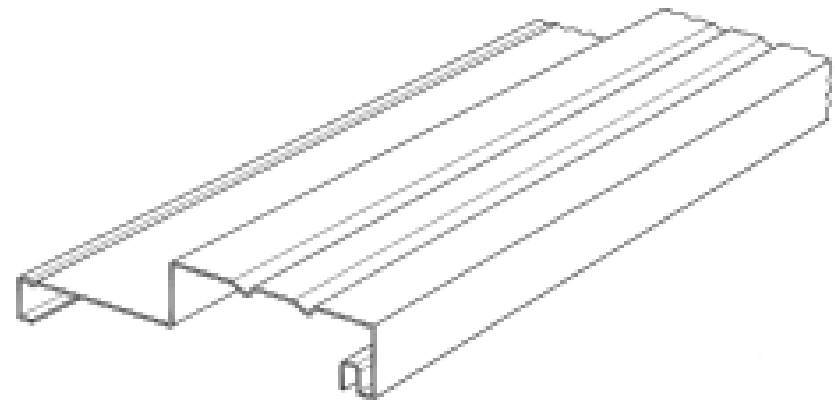
- (72) Name(s) of Designer(s): **Hans Sonne**
(45) Registration Date: **22 October 2009**

- (30) Convention priority data:
- | | | |
|------------------|--------------------|----------------|
| (31) Number | (32) Date | (33) Country |
| 200900053 | 30 Mar 2009 | DENMARK |

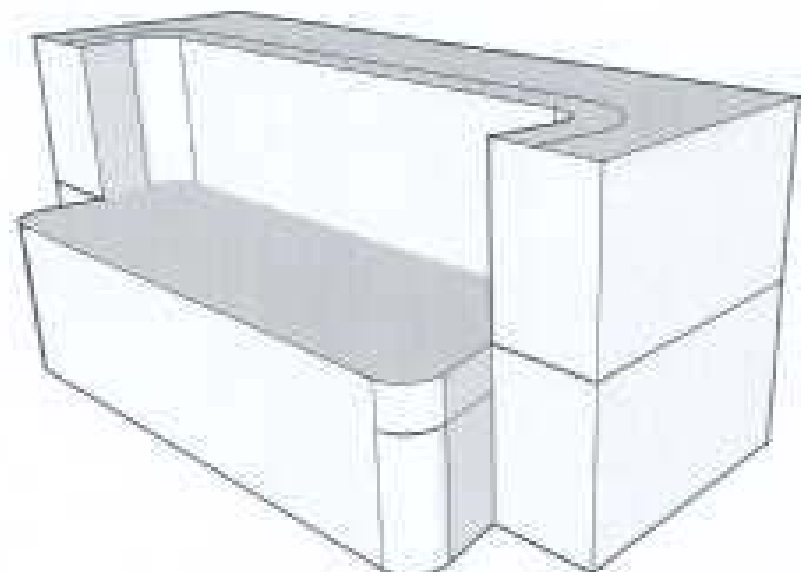
- (56) Related Art Documents: **Not Applicable**
(57) Statement of Newness and Distinctiveness: **Nil**



- (21) Design Number: **13716/2009**
(22) Date of Filing Application: **25 September 2009**
(24) Date from which industrial property rights may have effect: **25 September 2009**
(54) Product in respect of which the design is registered: **Fascia**
(51) International Design Classification: **25-01G**
(71) Name(s) and Address(s) of Applicant(s):
JDS Metal Doorframe Manufacture Pty Ltd
21 Alloa Road Maddington Western Australia 6109 Australia
(72) Name(s) of Designer(s): **Chun-Ming Chen**
(45) Registration Date: **22 October 2009**
(56) Related Art Documents: **Not Applicable**
(57) Statement of Newness and Distinctiveness: **Newness and distinctiveness is claimed in the shape and/or configuration of a fascia of indefinite length as illustrated in the accompanying representations.**



- (21) Design Number: **13717/2009**
(22) Date of Filing Application: **28 September 2009**
(24) Date from which industrial property rights may have effect: **28 September 2009**
(54) Product in respect of which the design is registered: **1,2,3 seat sofas, single, double, queen and king size beds, all using the central design mechanism.**
(51) International Design Classification: **06-01G**
(71) Name(s) and Address(s) of Applicant(s):
Business Enterprises Australia Pty. Ltd.
Level 1 92 Railway Street South Altona Victoria 3018 Australia
(72) Name(s) of Designer(s): **Philip Rigoli and Amjad Humayoun**
(45) Registration Date: **22 October 2009**
(56) Related Art Documents: **Not Applicable**
(57) Statement of Newness and Distinctiveness: **The common design mechanism throughout our product range is the folding system whereby the sofa or chair can convert into a table or bed by rotating the sofa /chair pieces at the hinge point. We have searched the online database for registered designs and are unable to find a similar design. We wish to have this common design mechanism in our product range to be covered by the registered design. Our product range of chairs, sofa, tables and beds all have different dimensions and are made from different materials but the design mechanism is all the same.**



- (21) Design Number: **13688/2009**
(22) Date of Filing Application: **29 September 2009**
(24) Date from which industrial property rights may have effect: **29 September 2009**
(54) Product in respect of which the design is registered: **Locking clamp/spacer bar**
(51) International Design Classification: **08-08D, 08-08NES**
(71) Name(s) and Address(s) of Applicant(s):
 Lee Amos
 10-12 Sandstone Road Greenbank Queensland 4124 Australia
 Corie Braun
 10-12 Sandstone Road Greenbank Queensland 4124 Australia
(72) Name(s) of Designer(s): **Lee Amos and Corie Braun**
(45) Registration Date: **22 October 2009**
(56) Related Art Documents: **Not Applicable**
(57) Statement of Newness and Distinctiveness: **The spacer bar has extra holes on each end of the bar and ears for more versatility to cover a wider range of applications.**



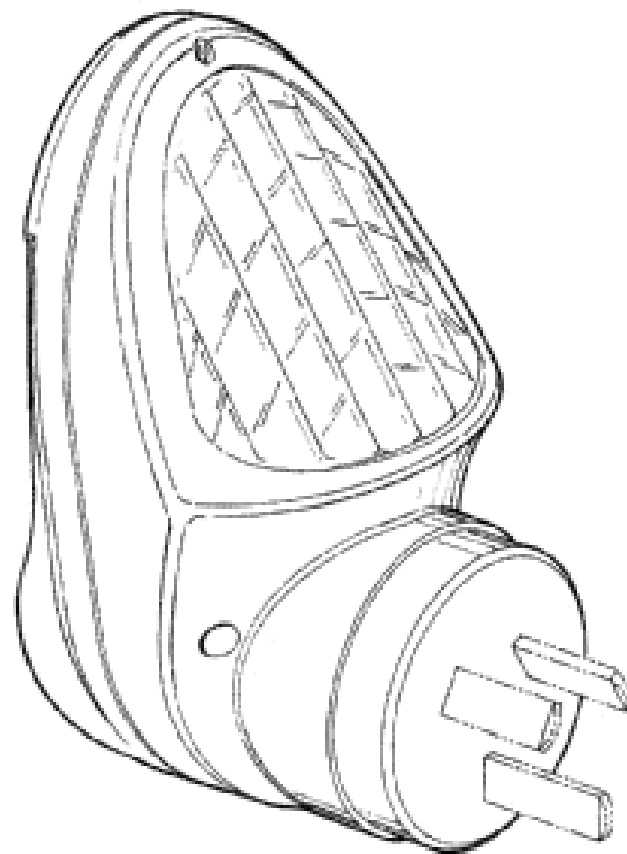
- (21) Design Number: **13689/2009**
(22) Date of Filing Application: **29 September 2009**
(24) Date from which industrial property rights may have effect: **29 September 2009**
(54) Product in respect of which the design is registered: **Locking clamp/extension spacer bar**
(51) International Design Classification: **08-08D, 08-08NES**
(71) Name(s) and Address(s) of Applicant(s):
 Lee Amos
 10-12 Sandstone Road Greenbank Queensland 4124 Australia
 Corie Braun
 10-12 Sandstone Road Greenbank Queensland 4124 Australia
(72) Name(s) of Designer(s): **Lee Amos and Corie Braun**
(45) Registration Date: **22 October 2009**
(56) Related Art Documents: **Not Applicable**
(57) Statement of Newness and Distinctiveness: **The extension spacer bar has extra holes at each end of the bar and ears. The bar extends and retracts for more versatility to cover a wider range of applications.**



- (21) Design Number: **13690/2009**
- (22) Date of Filing Application: **25 September 2009**
- (24) Date from which industrial property rights may have effect: **25 September 2009**
- (54) Product in respect of which the design is registered: **Wall art night light**
- (51) International Design Classification: **26-05C**
- (71) Name(s) and Address(s) of Applicant(s):

Mort Bay Traders Pty Ltd
191 Darling Street Balmain New South Wales 2041 Australia

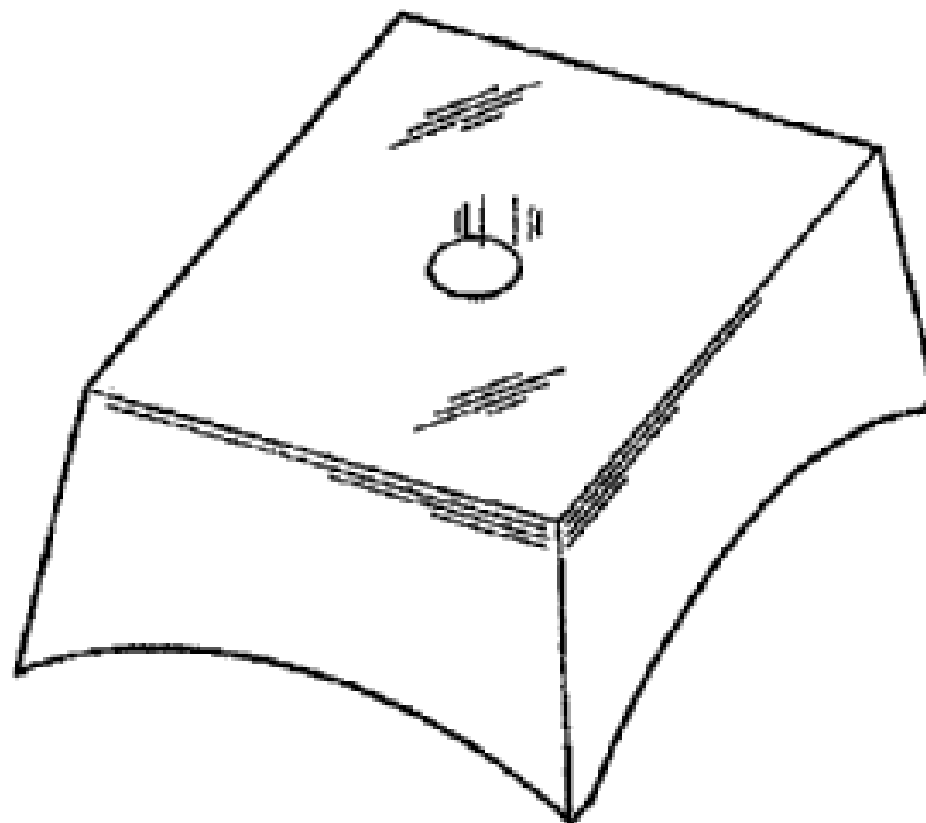
- (72) Name(s) of Designer(s): **Simon Grigg**
- (45) Registration Date: **22 October 2009**
- (56) Related Art Documents: **Not Applicable**
- (57) Statement of Newness and Distinctiveness: **Newness and distinctiveness reside in the features of the design as shown in solid lines in the representations excluding those features shown in broken lines. Particular attention is drawn to the shape and configuration of the faceted lens having a reflector.**



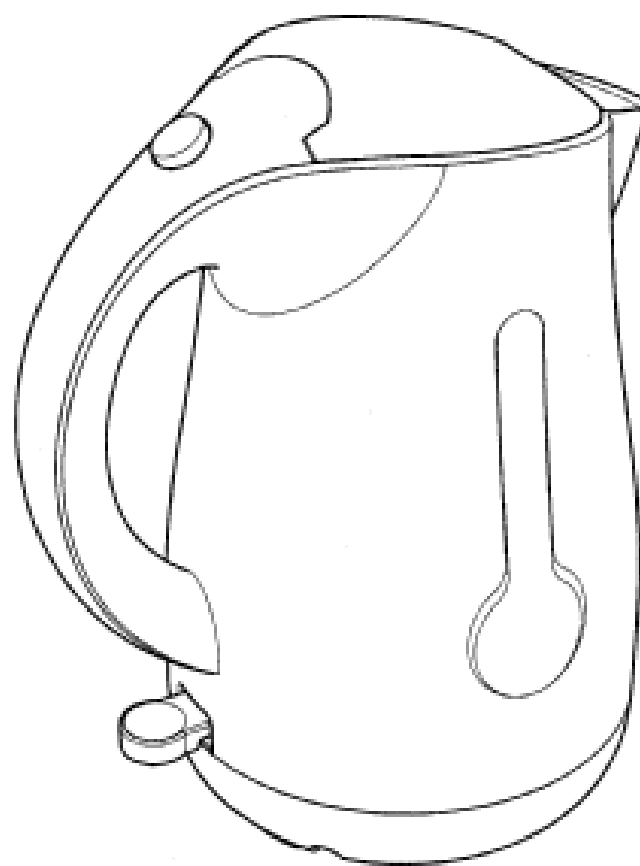
- (21) Design Number: **13693/2009**
- (22) Date of Filing Application: **28 September 2009**
- (24) Date from which industrial property rights may have effect: **28 September 2009**
- (54) Product in respect of which the design is registered: **Spacer block**
- (51) International Design Classification: **25-01A**
- (71) Name(s) and Address(s) of Applicant(s):

Exform Industries Pty
PO Box 209 King Meadows Tasmania 7249 Australia

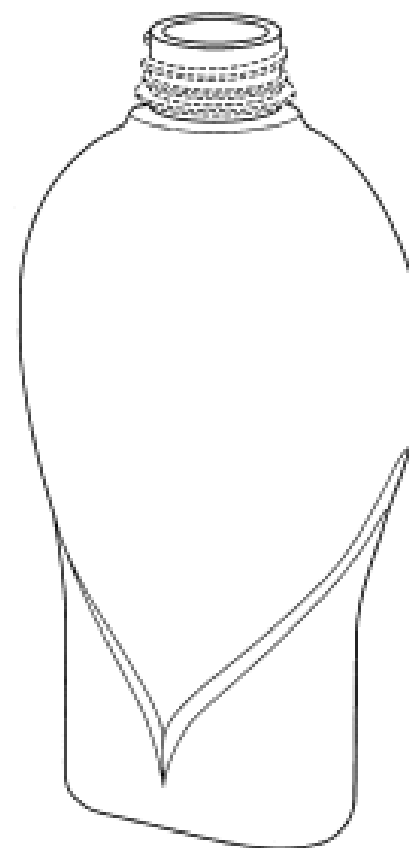
- (72) Name(s) of Designer(s): **Alistair Knight**
- (45) Registration Date: **22 October 2009**
- (56) Related Art Documents: **Not Applicable**
- (57) Statement of Newness and Distinctiveness: **Newness and distinctiveness resides in the shape and/or configuration of the spacer block as shown in the accompanying representations.**



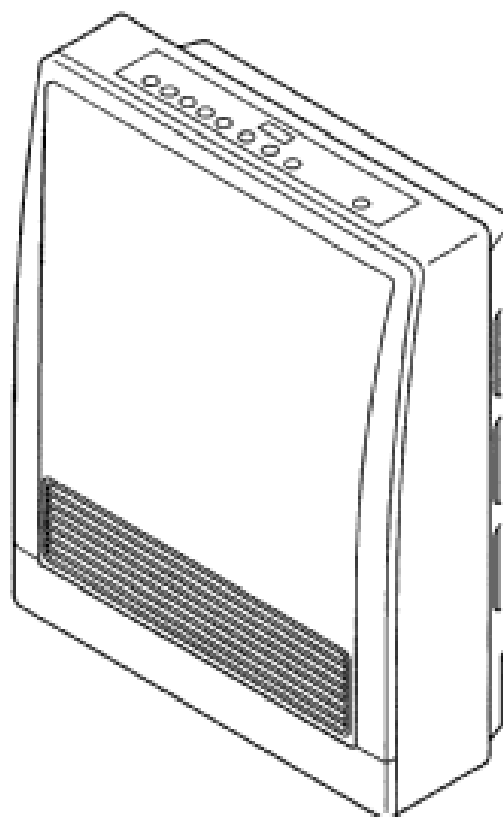
- (21) Design Number: **13694/2009**
(22) Date of Filing Application: **25 September 2009**
(24) Date from which industrial property rights may have effect: **25 September 2009**
(54) Product in respect of which the design is registered: **Water kettle**
(51) International Design Classification: **07-02K**
(71) Name(s) and Address(s) of Applicant(s):
Koninklijke Philips Electronics N.V.
Groenewoudseweg 1 5621 BA Eindhoven The Netherlands
(72) Name(s) of Designer(s): **Elodie Jeanne Claudine**
(45) Registration Date: **22 October 2009**
(30) Convention priority data:
(31) Number (32) Date (33) Country
001115190 31 Mar 2009 EUROPEAN COMMUNITY
(56) Related Art Documents: **Not Applicable**
(57) Statement of Newness and Distinctiveness: **Newness and distinctiveness reside in the features of the design as shown in the representations.**



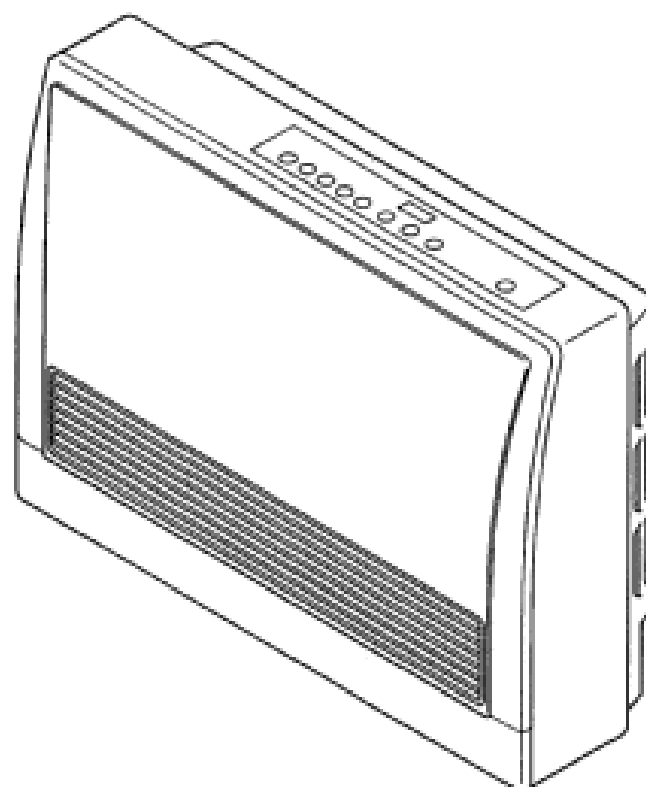
- (21) Design Number: **13695/2009**
(22) Date of Filing Application: **25 September 2009**
(24) Date from which industrial property rights may have effect: **25 September 2009**
(54) Product in respect of which the design is registered: **Container**
(51) International Design Classification: **09-01NES**
(71) Name(s) and Address(s) of Applicant(s):
Colgate-Palmolive Company
300 Park Avenue New York New York 10022 United States of America
(72) Name(s) of Designer(s): **Kiat Cheong Toh**
(45) Registration Date: **22 October 2009**
(30) Convention priority data:
(31) Number (32) Date (33) Country
29/334427 26 Mar 2009 UNITED STATES OF AMERICA
(56) Related Art Documents: **Not Applicable**
(57) Statement of Newness and Distinctiveness: **Newness and distinctiveness reside in the features of shape and/or configuration of the design shown in solid lines in the representations excluding those features shown in broken lines.**



- (21) Design Number: **13736/2009**
(22) Date of Filing Application: **29 September 2009**
(24) Date from which industrial property rights may have effect: **29 September 2009**
(54) Product in respect of which the design is registered: **Air heater**
(51) International Design Classification: **23-03A**
(71) Name(s) and Address(s) of Applicant(s):
Rinnai Corporation
2-26 Fukuzumi-cho Nakagawa-ku Nagoya-shi Aichi-ken 454-0802
Japan
(72) Name(s) of Designer(s): **Katsunori Maegawa and Tetsuya Higuchi and Hiroaki Higashijima and Yoshikazu Kubo**
(45) Registration Date: **23 October 2009**
(56) Related Art Documents: **Not Applicable**
(57) Statement of Newness and Distinctiveness: **Newness and distinctiveness is claimed in the features of shape and/or configuration of an air heater as illustrated in the accompanying representations.**



- (21) Design Number: **13737/2009**
(22) Date of Filing Application: **29 September 2009**
(24) Date from which industrial property rights may have effect: **29 September 2009**
(54) Product in respect of which the design is registered: **Air heater**
(51) International Design Classification: **23-03A**
(71) Name(s) and Address(s) of Applicant(s):
Rinnai Corporation
2-26 Fukuzumi-cho Nakagawa-ku Nagoya-shi Aichi-ken 454-0802
Japan
(72) Name(s) of Designer(s): **Katsunori Maegawa and Tetsuya Higuchi and Hiroaki Higashijima and Yoshikazu Kubo**
(45) Registration Date: **23 October 2009**
(56) Related Art Documents: **Not Applicable**
(57) Statement of Newness and Distinctiveness: **Newness and distinctiveness is claimed in the features of shape and/or configuration of an air heater as illustrated in the accompanying representations.**



- (21) Design Number: **13738/2009**
(22) Date of Filing Application: **29 September 2009**
(24) Date from which industrial property rights may have effect: **29 September 2009**
(54) Product in respect of which the design is registered: **Air heater**
(51) International Design Classification: **23-03A**
(71) Name(s) and Address(s) of Applicant(s):

Rinnai Corporation
2-26 Fukuzumi-cho Nakagawa-ku Nagoya-shi Aichi-ken 454-0802
Japan

- (72) Name(s) of Designer(s): **Katsunori Maegawa and Tetsuya Higuchi and Hiroaki Higashijima and Yoshikazu Kubo**

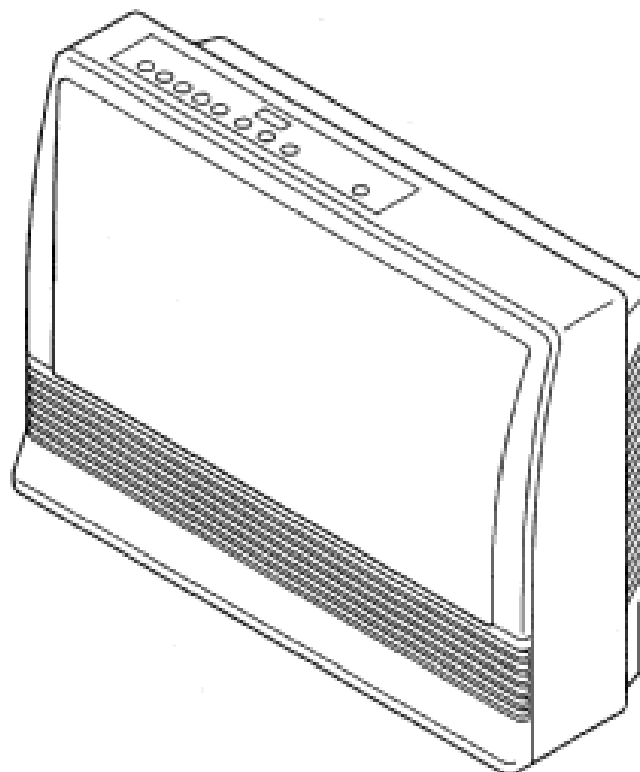
(45) Registration Date: **23 October 2009**

(30) Convention priority data:

(31) Number	(32) Date	(33) Country
2009-7473	31 Mar 2009	JAPAN

(56) Related Art Documents: **Not Applicable**

(57) Statement of Newness and Distinctiveness: **Newness and distinctiveness is claimed in the features of shape and/or configuration of an air heater as illustrated in the accompanying representations.**



- (21) Design Number: **13739/2009**
(22) Date of Filing Application: **29 September 2009**
(24) Date from which industrial property rights may have effect: **29 September 2009**
(54) Product in respect of which the design is registered: **Air heater**
(51) International Design Classification: **23-03A**
(71) Name(s) and Address(s) of Applicant(s):

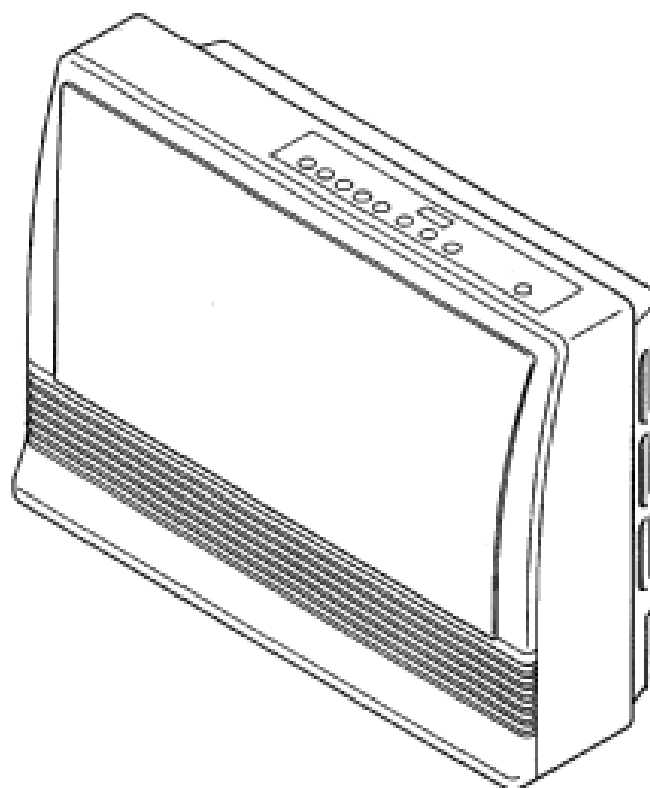
Rinnai Corporation
2-26 Fukuzumi-cho Nakagawa-ku Nagoya-shi Aichi-ken 454-0802
Japan

- (72) Name(s) of Designer(s): **Katsunori Maegawa and Tetsuya Higuchi and Hiroaki Higashijima and Yoshikazu Kubo**

(45) Registration Date: **23 October 2009**

(56) Related Art Documents: **Not Applicable**

(57) Statement of Newness and Distinctiveness: **Newness and distinctiveness is claimed in the features of shape and/or configuration of an air heater as illustrated in the accompanying representations.**



- (21) Design Number: **13740/2009**
(22) Date of Filing Application: **29 September 2009**
(24) Date from which industrial property rights may have effect: **29 September 2009**
(54) Product in respect of which the design is registered: **Air heater**
(51) International Design Classification: **23-03A**
(71) Name(s) and Address(s) of Applicant(s):

Rinnai Corporation
2-26 Fukuzumi-cho Nakagawa-ku Nagoya-shi Aichi-ken 454-0802
Japan

- (72) Name(s) of Designer(s): **Katsunori Maegawa and Tetsuya Higuchi and Hiroaki Higashijima and Yoshikazu Kubo**

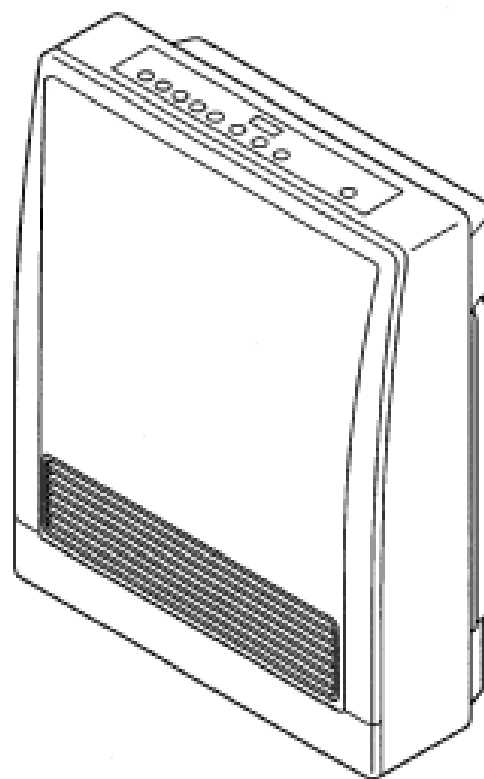
(45) Registration Date: **23 October 2009**

(30) Convention priority data:

(31) Number	(32) Date	(33) Country
2009-7468	31 Mar 2009	JAPAN

(56) Related Art Documents: **Not Applicable**

(57) Statement of Newness and Distinctiveness: **Newness and distinctiveness is claimed in the features of shape and/or configuration of an air heater as illustrated in the accompanying representations.**



- (21) Design Number: **13741/2009**
(22) Date of Filing Application: **29 September 2009**
(24) Date from which industrial property rights may have effect: **29 September 2009**
(54) Product in respect of which the design is registered: **Air heater**
(51) International Design Classification: **23-03A**
(71) Name(s) and Address(s) of Applicant(s):

Rinnai Corporation
2-26 Fukuzumi-cho Nakagawa-ku Nagoya-shi Aichi-ken 454-0802
Japan

- (72) Name(s) of Designer(s): **Katsunori Maegawa and Tetsuya Higuchi and Hiroaki Higashijima and Yoshikazu Kubo**

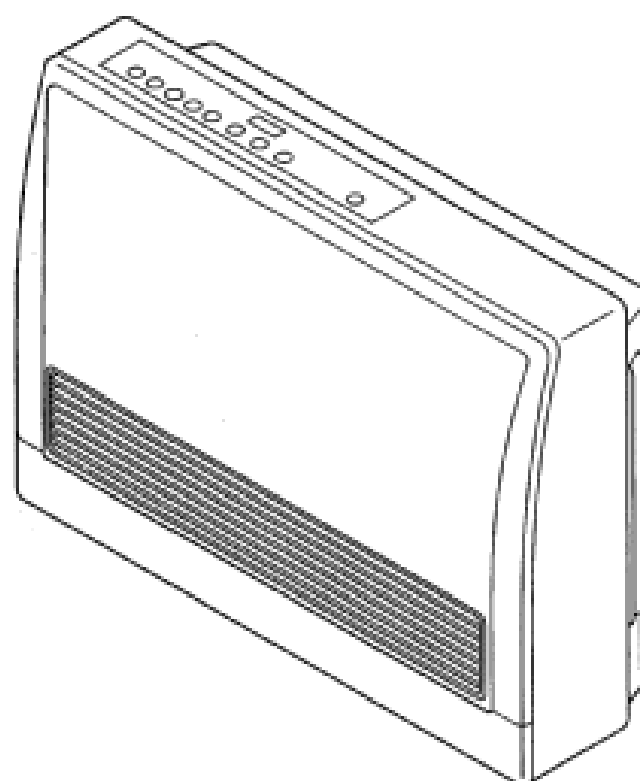
(45) Registration Date: **23 October 2009**

(30) Convention priority data:

(31) Number	(32) Date	(33) Country
2009-7472	31 Mar 2009	JAPAN

(56) Related Art Documents: **Not Applicable**

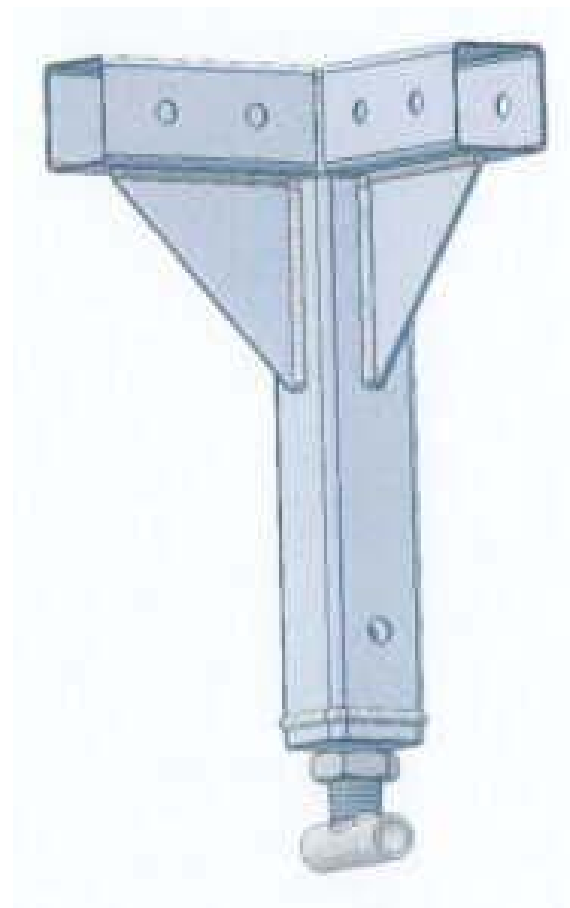
(57) Statement of Newness and Distinctiveness: **Newness and distinctiveness is claimed in the features of shape and/or configuration of an air heater as illustrated in the accompanying representations.**



- (21) Design Number: **13742/2009**
- (22) Date of Filing Application: **29 September 2009**
- (24) Date from which industrial property rights may have effect: **29 September 2009**
- (54) Product in respect of which the design is registered: **Option strategy cube**
- (51) International Design Classification: **21-01M**
- (71) Name(s) and Address(s) of Applicant(s):
D & J Technology Pty Ltd
803/265 Exhibition Street Melbourne Victoria 3000 Australia
- (72) Name(s) of Designer(s): **Ruoxia Wu and Shirlin Wu**
- (45) Registration Date: **23 October 2009**
- (56) Related Art Documents: **Not Applicable**
- (57) Statement of Newness and Distinctiveness: **Nil**



- (21) Design Number: **13743/2009**
- (22) Date of Filing Application: **29 September 2009**
- (24) Date from which industrial property rights may have effect: **29 September 2009**
- (54) Product in respect of which the design is registered: **A roof bracket arrangement for supporting a rooftop utility**
- (51) International Design Classification: **08-08L**
- (71) Name(s) and Address(s) of Applicant(s):
Gary Ryan
5 St Vincent Close Hallett Cove South Australia 5158 Australia
- (72) Name(s) of Designer(s): **Gary Ryan**
- (45) Registration Date: **23 October 2009**
- (56) Related Art Documents: **Not Applicable**
- (57) Statement of Newness and Distinctiveness: **Nil**



(21) Design Number: **12875/2009**

(22) Date of Filing Application: **04 August 2009**

(24) Date from which industrial property rights may have effect: **04 August 2009**

(54) Product in respect of which the design is registered: **Brake pad friction material 1819**

(51) International Design Classification: **12-16M**

(71) Name(s) and Address(s) of Applicant(s):

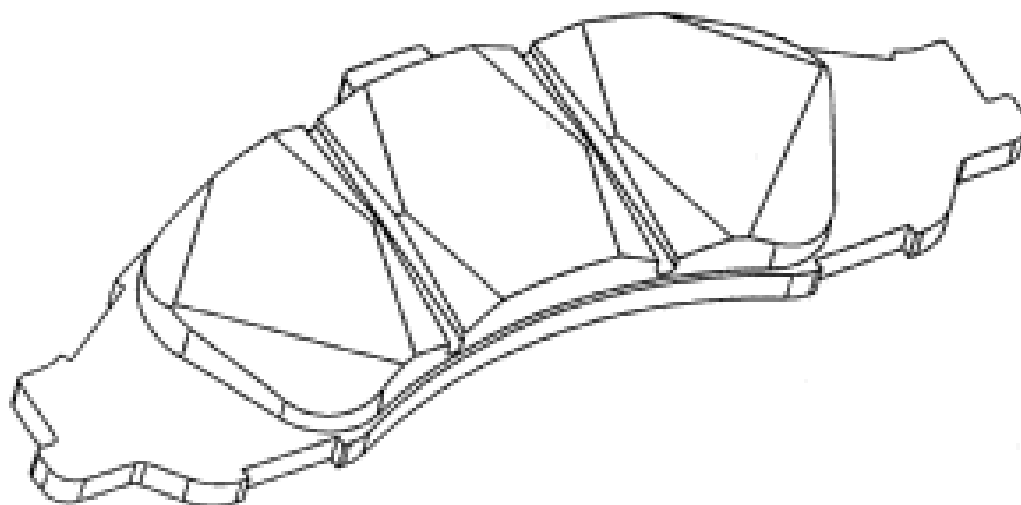
**FMP Group (Australia) Pty Limited
Ground Floor 38 Gilby Road Mount Waverley Victoria 3149 Australia**

(72) Name(s) of Designer(s): **Tim Paton**

(45) Registration Date: **23 October 2009**

(56) Related Art Documents: **Not Applicable**

(57) Statement of Newness and Distinctiveness: **Each feature of the shape and configuration of the friction material as applied to the brake pad backing plate. The backing plate and any holding clips are to be disregarded.**



(21) Design Number: **12876/2009**

(22) Date of Filing Application: **04 August 2009**

(24) Date from which industrial property rights may have effect: **04 August 2009**

(54) Product in respect of which the design is registered: **Brake pad friction material 1820**

(51) International Design Classification: **12-16M**

(71) Name(s) and Address(s) of Applicant(s):

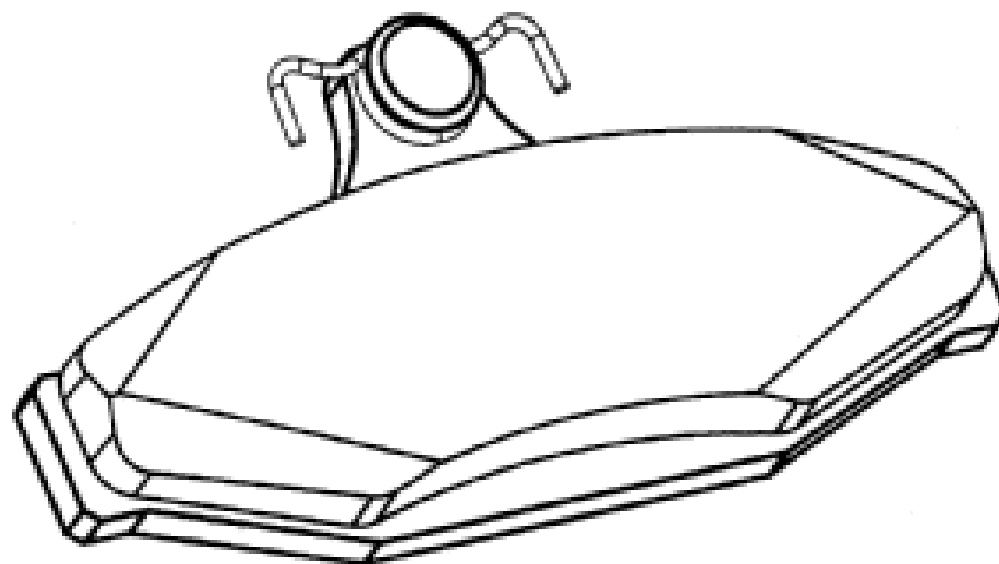
**FMP Group (Australia) Pty Limited
Ground Floor 38 Gilby Road Mount Waverley Victoria 3149 Australia**

(72) Name(s) of Designer(s): **Tim Paton**

(45) Registration Date: **23 October 2009**

(56) Related Art Documents: **Not Applicable**

(57) Statement of Newness and Distinctiveness: **Each feature of the shape and configuration of the friction material as applied to the brake pad backing plate. The backing plate and any holding clips are to be disregarded.**



(21) Design Number: **12877/2009**

(22) Date of Filing Application: **04 August 2009**

(24) Date from which industrial property rights may have effect: **04 August 2009**

(54) Product in respect of which the design is registered: **Brake pad friction material 1821**

(51) International Design Classification: **12-16M**

(71) Name(s) and Address(s) of Applicant(s):

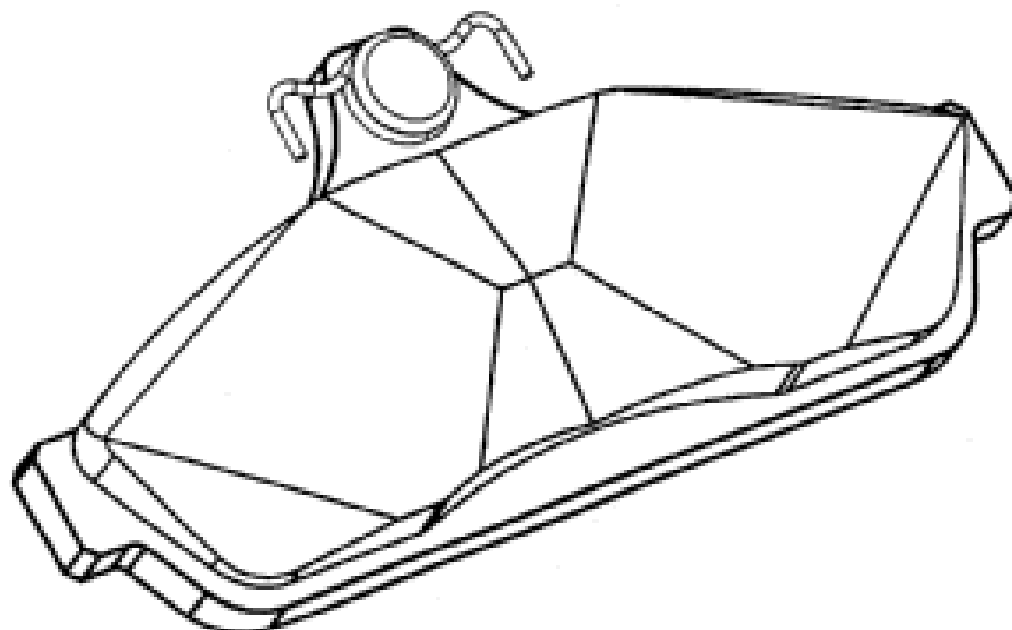
**FMP Group (Australia) Pty Limited
Ground Floor 38 Gilby Road Mount Waverley Victoria 3149 Australia**

(72) Name(s) of Designer(s): **Tim Paton**

(45) Registration Date: **23 October 2009**

(56) Related Art Documents: **Not Applicable**

(57) Statement of Newness and Distinctiveness: **Each feature of the shape and configuration of the friction material as applied to the brake pad backing plate. The backing plate and any holding clips are to be disregarded.**



(21) Design Number: **12878/2009**

(22) Date of Filing Application: **04 August 2009**

(24) Date from which industrial property rights may have effect: **04 August 2009**

(54) Product in respect of which the design is registered: **Brake pad friction material 1822**

(51) International Design Classification: **12-16M**

(71) Name(s) and Address(s) of Applicant(s):

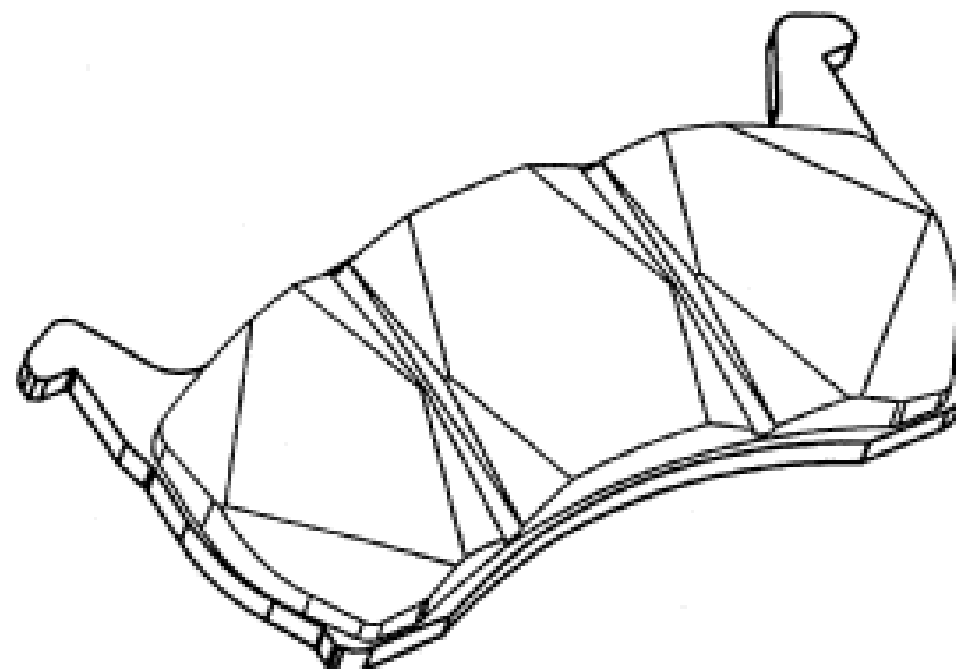
**FMP Group (Australia) Pty Limited
Ground Floor 38 Gilby Road Mount Waverley Victoria 3149 Australia**

(72) Name(s) of Designer(s): **Tim Paton**

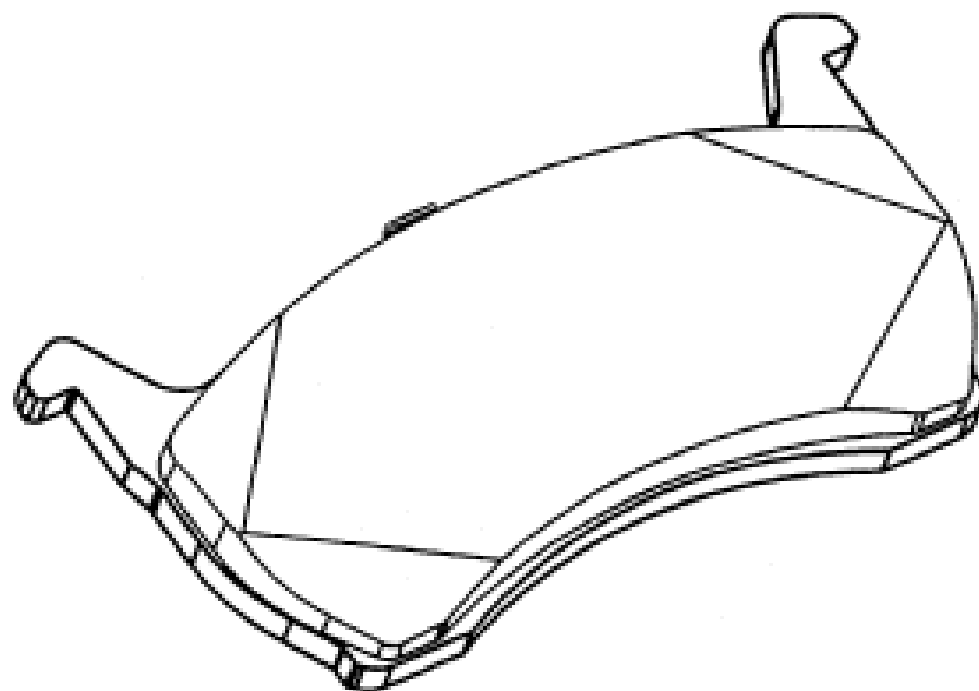
(45) Registration Date: **23 October 2009**

(56) Related Art Documents: **Not Applicable**

(57) Statement of Newness and Distinctiveness: **Each feature of the shape and configuration of the friction material as applied to the brake pad backing plate. The backing plate and any holding clips are to be disregarded.**

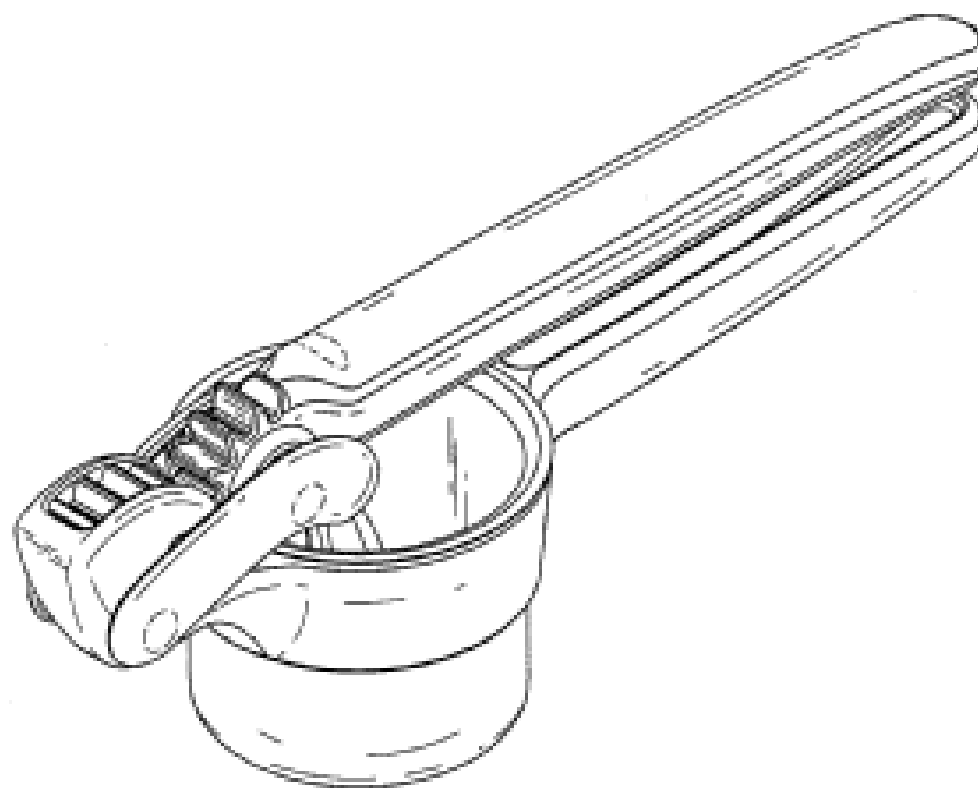


- (21) Design Number: **12879/2009**
- (22) Date of Filing Application: **04 August 2009**
- (24) Date from which industrial property rights may have effect: **04 August 2009**
- (54) Product in respect of which the design is registered: **Brake pad friction material 1823**
- (51) International Design Classification: **12-16M**
- (71) Name(s) and Address(s) of Applicant(s):
FMP Group (Australia) Pty Limited
Ground Floor 38 Gilby Road Mount Waverley Victoria 3149 Australia
- (72) Name(s) of Designer(s): **Tim Paton**
- (45) Registration Date: **23 October 2009**
- (56) Related Art Documents: **Not Applicable**
- (57) Statement of Newness and Distinctiveness: **Each feature of the shape and configuration of the friction material as applied to the brake pad backing plate. The backing plate and any holding clips are to be disregarded.**



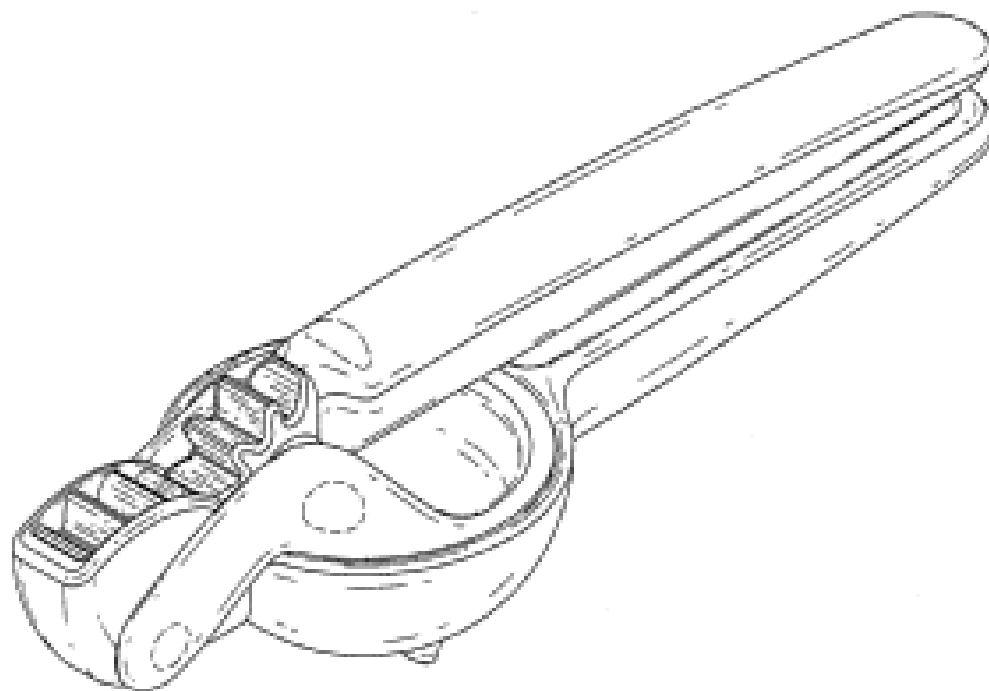
- (21) Design Number: **13528/2009**
- (22) Date of Filing Application: **11 September 2009**
- (24) Date from which industrial property rights may have effect: **11 September 2009**
- (54) Product in respect of which the design is registered: **Ricer**
- (51) International Design Classification: **07-04**
- (71) Name(s) and Address(s) of Applicant(s):
Chef'n Corporation
1520 4th Avenue 3rd Floor Seattle Washington 98101 United States of America
- (72) Name(s) of Designer(s): **Jonah S. Griffith**
- (45) Registration Date: **23 October 2009**
- (30) Convention priority data:

(31) Number	(32) Date	(33) Country
29/334064	19 Mar 2009	UNITED STATES OF AMERICA
- (56) Related Art Documents: **Not Applicable**
- (57) Statement of Newness and Distinctiveness: **Newness and distinctiveness is claimed in the visual features shown in solid lines in the representations.**



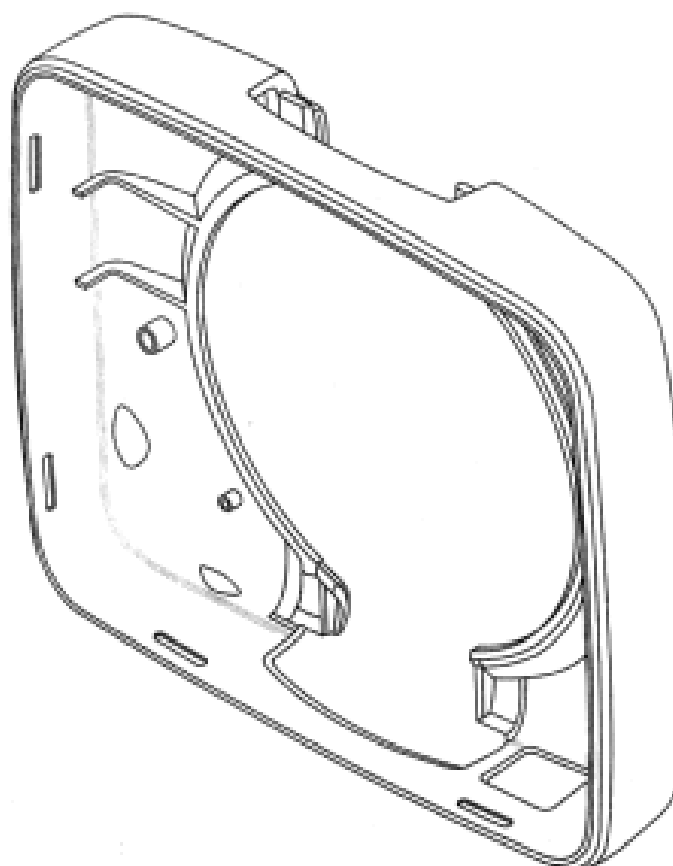
- (21) Design Number: **13527/2009**
- (22) Date of Filing Application: **11 September 2009**
- (24) Date from which industrial property rights may have effect: **11 September 2009**
- (54) Product in respect of which the design is registered: **Juicer**
- (51) International Design Classification: **07-04**
- (71) Name(s) and Address(s) of Applicant(s):
Chef'n Corporation
1520 4th Avenue 3rd Floor Seattle Washington 98101 United States of America
- (72) Name(s) of Designer(s): **Jonah S. Griffith**
- (45) Registration Date: **23 October 2009**
- (30) Convention priority data:

(31) Number	(32) Date	(33) Country
29/334067	19 Mar 2009	UNITED STATES OF AMERICA
- (56) Related Art Documents: **Not Applicable**
- (57) Statement of Newness and Distinctiveness: **Newness and distinctiveness is claimed in the visual features shown in solid lines in the representations.**

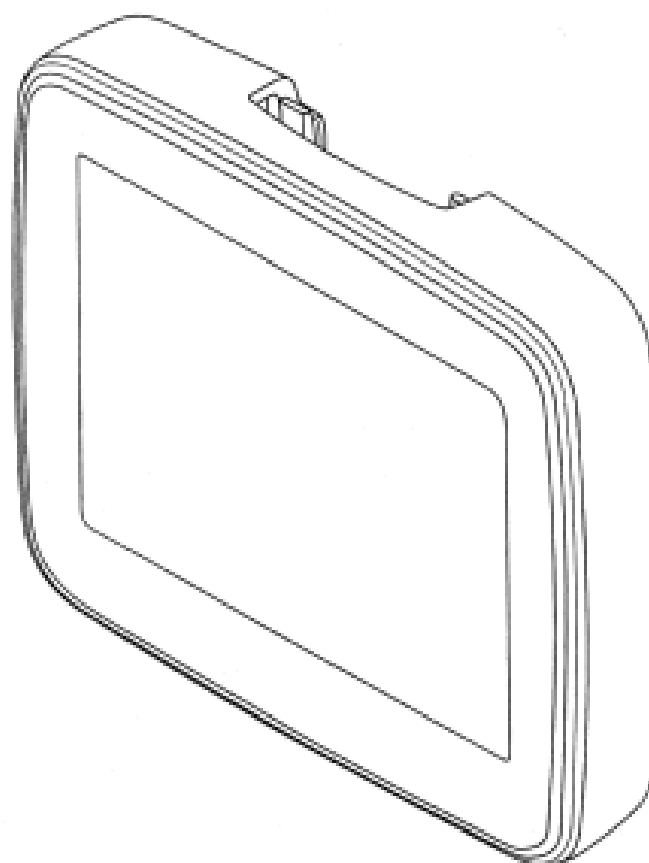


- (21) Design Number: **13722/2009**
- (22) Date of Filing Application: **29 September 2009**
- (24) Date from which industrial property rights may have effect: **29 September 2009**
- (54) Product in respect of which the design is registered: **Casing for electronic device**
- (51) International Design Classification: **14-02, 14-03NES**
- (71) Name(s) and Address(s) of Applicant(s):
Tom Tom International B.V.
Rembrandtplein 35 1017 CT Amsterdam Netherlands
- (72) Name(s) of Designer(s): **Ken McAlpine and Martin Riddiford**
- (45) Registration Date: **23 October 2009**
- (30) Convention priority data:

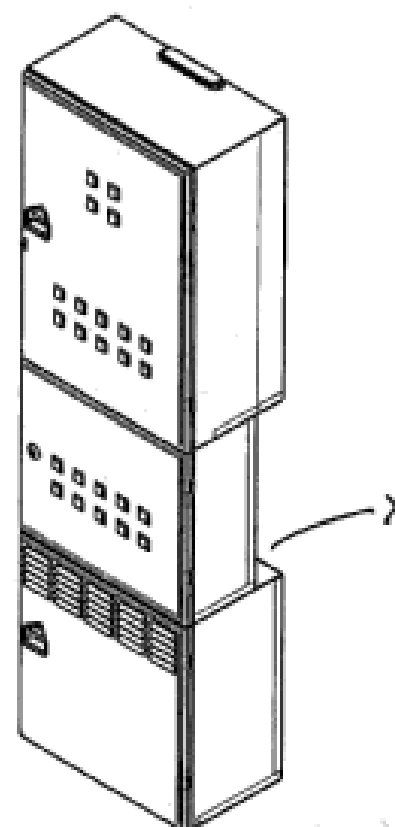
(31) Number	(32) Date	(33) Country
1605 007	27 Aug 2009	EUROPEAN COMMUNITY
- (56) Related Art Documents: **Not Applicable**
- (57) Statement of Newness and Distinctiveness: **Those features of the casing for electronic device depicted in the representations that are new and distinctive are the shape and/or configuration.**



- (21) Design Number: **13723/2009**
(22) Date of Filing Application: **29 September 2009**
(24) Date from which industrial property rights may have effect: **29 September 2009**
(54) Product in respect of which the design is registered: **Electronic device**
(51) International Design Classification: **14-02**
(71) Name(s) and Address(s) of Applicant(s):
Tom Tom International B.V.
Rembrandtplein 35 1017 CT Amsterdam Netherlands
(72) Name(s) of Designer(s): **Ken McAlpine and Martin Riddiford**
(45) Registration Date: **23 October 2009**
(30) Convention priority data:
(31) Number (32) Date (33) Country
1605 007 27 Aug 2009 EUROPEAN COMMUNITY
(56) Related Art Documents: **Not Applicable**
(57) Statement of Newness and Distinctiveness: **Those features of the electronic device depicted in the representations that are new and distinctive are the shape and/or configuration.**



- (21) Design Number: **13534/2009**
(22) Date of Filing Application: **11 September 2009**
(24) Date from which industrial property rights may have effect: **11 September 2009**
(54) Product in respect of which the design is registered: **Combined services meter box**
(51) International Design Classification: **10-04, 25-02NES**
(71) Name(s) and Address(s) of Applicant(s):
B&R Enclosures Pty Ltd
Brisbane South Industrial Park 51 Stradbroke Street Heathwood Queensland 4110 Australia
(72) Name(s) of Designer(s): **Barry Thomas Walker**
(45) Registration Date: **26 October 2009**
(56) Related Art Documents: **Not Applicable**
(57) Statement of Newness and Distinctiveness: **The features of shape and configuration of the combined services enclosure shown in the accompanying representations are the features considered to be new and distinctive, particularly the set-back (X) at the rear of the middle component of the enclosure. In considering the scope of the registration, the number, shape and location of the handles (A), the apertures (B) and the raised portions (C) are to be disregarded.**



(21) Design Number: **13779/2009**

(22) Date of Filing Application: **01 October 2009**

(24) Date from which industrial property rights may have effect: **01 October 2009**

(54) Product in respect of which the design is registered: **Gutter outlet with cutout**

(51) International Design Classification: **23-01L**

(71) Name(s) and Address(s) of Applicant(s):

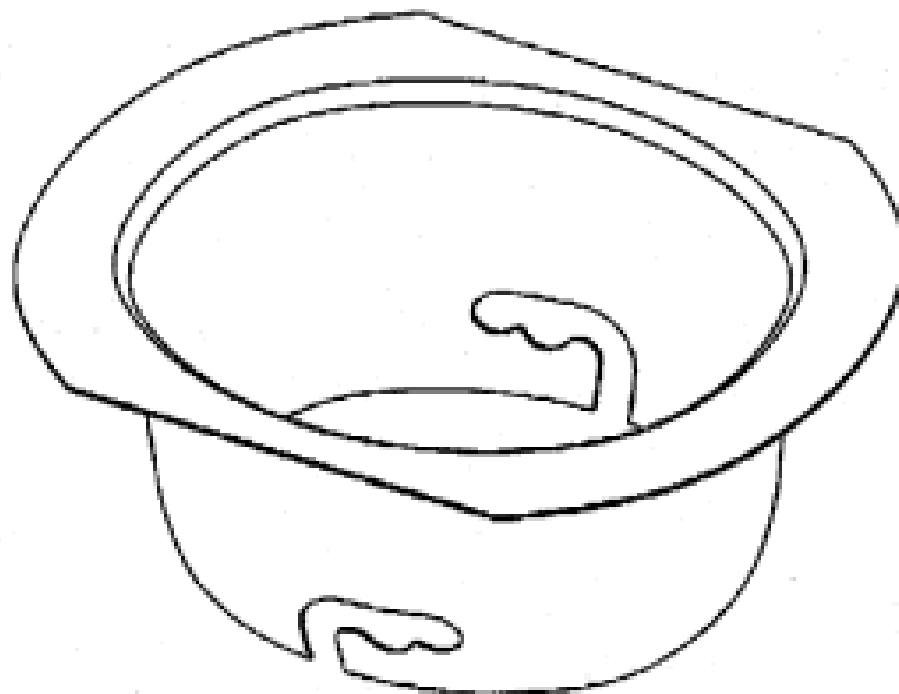
Redlands Developments Pty Ltd
3 Poplar Street Fern Tree Park Capalaba Queensland 4157 Australia

(72) Name(s) of Designer(s): **Willem Lindeman**

(45) Registration Date: **26 October 2009**

(56) Related Art Documents: **Not Applicable**

(57) Statement of Newness and Distinctiveness: **Monopoly is claimed in the shape and configuration of a gutter outlet as illustrated in the accompanying representations.**



(21) Design Number: **13780/2009**

(22) Date of Filing Application: **01 October 2009**

(24) Date from which industrial property rights may have effect: **01 October 2009**

(54) Product in respect of which the design is registered: **Gutter outlet without cutout**

(51) International Design Classification: **23-01L**

(71) Name(s) and Address(s) of Applicant(s):

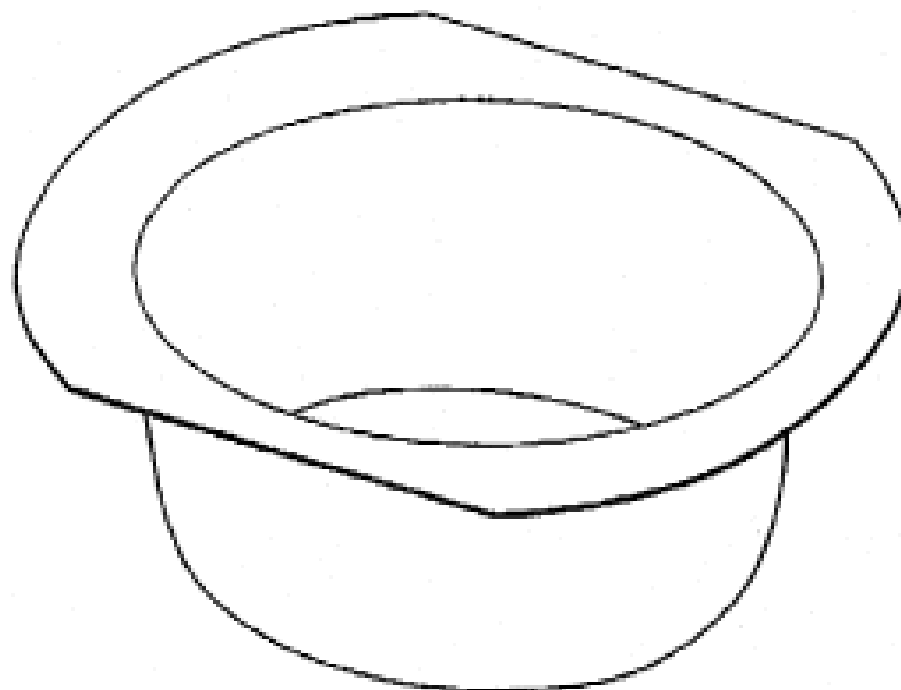
Redlands Developments Pty Ltd
3 Poplar Street Fern Tree Park Capalaba Queensland 4157 Australia

(72) Name(s) of Designer(s): **Willem Lindeman**

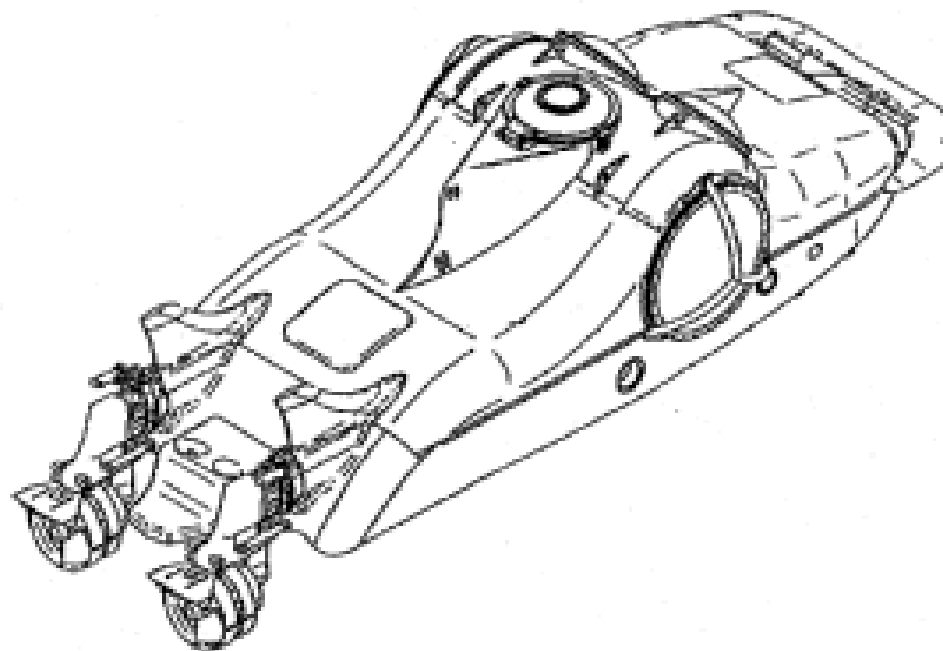
(45) Registration Date: **26 October 2009**

(56) Related Art Documents: **Not Applicable**

(57) Statement of Newness and Distinctiveness: **Monopoly is claimed in the shape and configuration of a gutter outlet as illustrated in the accompanying representations.**

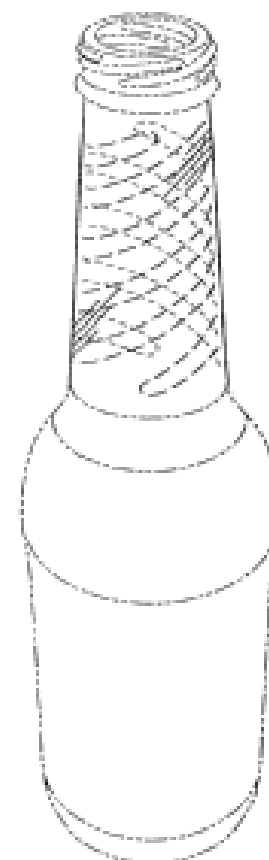


- (21) Design Number: **13781/2009**
- (22) Date of Filing Application: **30 September 2009**
- (24) Date from which industrial property rights may have effect: **30 September 2009**
- (54) Product in respect of which the design is registered: **Aquatic vessel**
- (51) International Design Classification: **12-06A**
- (71) Name(s) and Address(s) of Applicant(s):
Hugh Charles Fulton
40 Ranui Road Remuera Auckland 1050 New Zealand
- (72) Name(s) of Designer(s): **Hugh Charles Fulton**
- (45) Registration Date: **26 October 2009**
- (56) Related Art Documents: **Not Applicable**
- (57) Statement of Newness and Distinctiveness: **Nil**



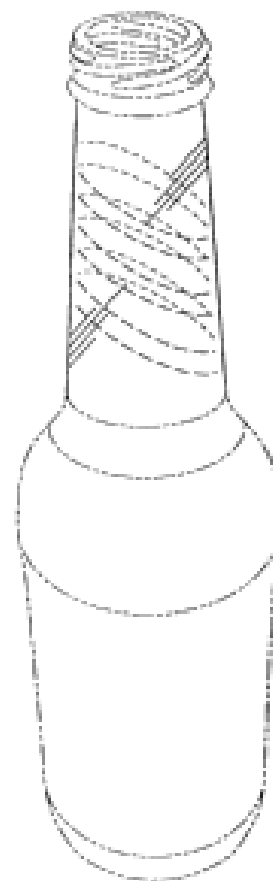
- (21) Design Number: **13782/2009**
- (22) Date of Filing Application: **01 October 2009**
- (24) Date from which industrial property rights may have effect: **01 October 2009**
- (54) Product in respect of which the design is registered: **Container**
- (51) International Design Classification: **09-01H**
- (71) Name(s) and Address(s) of Applicant(s):
Owens-Brockway Glass Container Inc.
One Michael Owens Way Perrysburg Ohio 43551 United States of America
- (72) Name(s) of Designer(s): **Michael J. Lonsway and Bruce A. Becker and Vincent J. Bailey**
- (45) Registration Date: **26 October 2009**
- (30) Convention priority data:

(31) Number	(32) Date	(33) Country
29/334,771	01 Apr 2009	UNITED STATES OF AMERICA
- (56) Related Art Documents: **Not Applicable**
- (57) Statement of Newness and Distinctiveness: **Newness and distinctiveness resides in the shape and configuration of the ribs on the inside surface of the container neck. The body of the container and the top of the container neck shown in dotted / dashed line form no part of the design.**



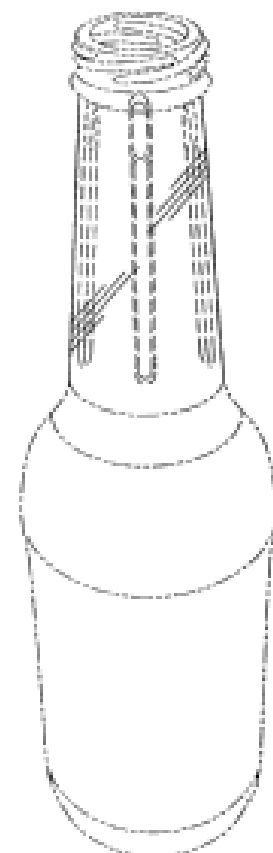
- (21) Design Number: **13783/2009**
- (22) Date of Filing Application: **01 October 2009**
- (24) Date from which industrial property rights may have effect: **01 October 2009**
- (54) Product in respect of which the design is registered: **Container**
- (51) International Design Classification: **09-01K**
- (71) Name(s) and Address(s) of Applicant(s):
Owens-Brockway Glass Container Inc.
One Michael Owens Way Perrysburg Ohio 43551 United States of America
- (72) Name(s) of Designer(s): **Michael J. Lonsway and Bruce A. Becker and Vincent J. Bailey**
- (45) Registration Date: **26 October 2009**
- (30) Convention priority data:

(31) Number	(32) Date	(33) Country
29/334,771	01 Apr 2009	UNITED STATES OF AMERICA
- (56) Related Art Documents: **Not Applicable**
- (57) Statement of Newness and Distinctiveness: **Newness and distinctiveness resides in the shape and configuration of the ribs on the inside surface of the container neck. The body of the container and the top of the container neck shown in dotted / dashed line form no part of the design.**



- (21) Design Number: **13784/2009**
- (22) Date of Filing Application: **01 October 2009**
- (24) Date from which industrial property rights may have effect: **01 October 2009**
- (54) Product in respect of which the design is registered: **Container**
- (51) International Design Classification: **09-01H**
- (71) Name(s) and Address(s) of Applicant(s):
Owens-Brockway Glass Container Inc.
One Michael Owens Way Perrysburg Ohio 43551 United States of America
- (72) Name(s) of Designer(s): **Michael J. Lonsway and Bruce A. Becker and Vincent J. Bailey**
- (45) Registration Date: **26 October 2009**
- (30) Convention priority data:

(31) Number	(32) Date	(33) Country
29/334,771	01 Apr 2009	UNITED STATES OF AMERICA
- (56) Related Art Documents: **Not Applicable**
- (57) Statement of Newness and Distinctiveness: **Newness and distinctiveness resides in the shape and configuration of the ribs on the inside surface of the container neck. The body of the container and the top of the container neck shown in dotted / dashed line form no part of the design.**



(21) Design Number: **13785/2009**

(22) Date of Filing Application: **01 October 2009**

(24) Date from which industrial property rights may have effect: **01 October 2009**

(54) Product in respect of which the design is registered: **Container**

(51) International Design Classification: **09-01H**

(71) Name(s) and Address(s) of Applicant(s):

**Owens-Brockway Glass Container Inc.
One Michael Owens Way Perrysburg Ohio 43551 United States of America**

(72) Name(s) of Designer(s): **Michael J. Lonsway and Bruce A. Becker and Vincent J. Bailey**

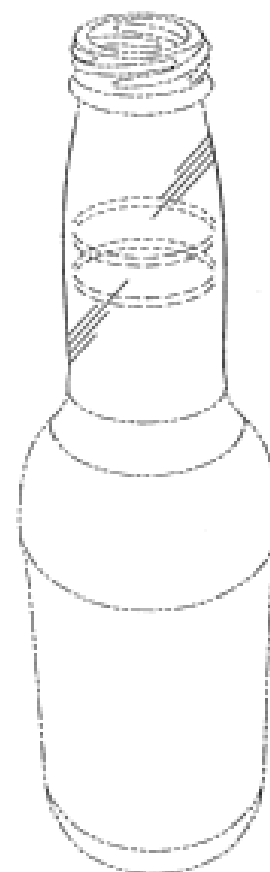
(45) Registration Date: **26 October 2009**

(30) Convention priority data:

(31) Number	(32) Date	(33) Country
29/334,771	01 Apr 2009	UNITED STATES OF AMERICA

(56) Related Art Documents: **Not Applicable**

(57) Statement of Newness and Distinctiveness: **Newness and distinctiveness resides in the shape and configuration of the ribs on the inside surface of the container neck. The body of the container and the top of the container neck shown in dotted / dashed line form no part of the design.**



(21) Design Number: **13786/2009**

(22) Date of Filing Application: **30 September 2009**

(24) Date from which industrial property rights may have effect: **30 September 2009**

(54) Product in respect of which the design is registered: **Filter housing and support cabinet**

(51) International Design Classification: **23-01G**

(71) Name(s) and Address(s) of Applicant(s):

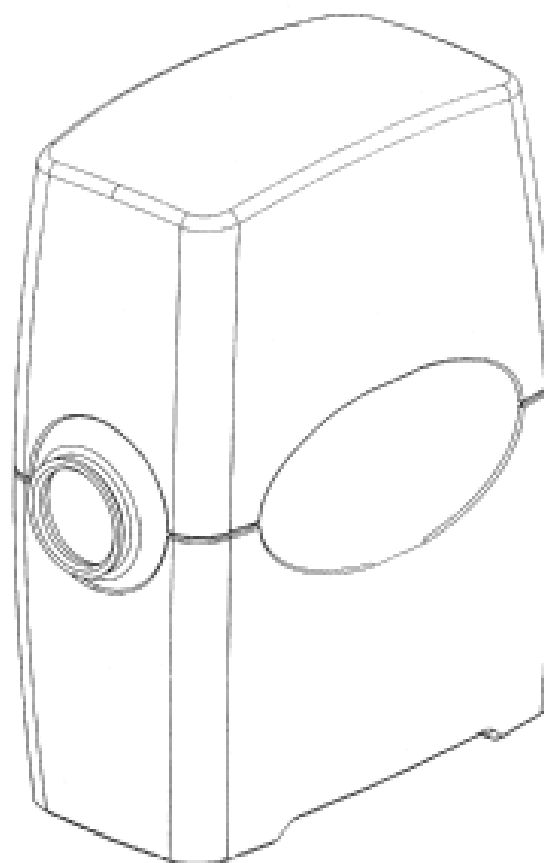
**Poolrite Research Pty Ltd
415 Creek Road Mt Gravatt Queensland 4122 Australia**

(72) Name(s) of Designer(s): **Ross Leslie Palmer and Christopher Townsend**

(45) Registration Date: **26 October 2009**

(56) Related Art Documents: **Not Applicable**

(57) Statement of Newness and Distinctiveness: **The newness and distinctiveness of the design resides in the shape and/or configuration of the filter housing and support cabinet shown in the representations.**



(21) Design Number: **13787/2009**

(22) Date of Filing Application: **30 September 2009**

(24) Date from which industrial property rights may have effect: **30 September 2009**

(54) Product in respect of which the design is registered: **Filter housing, support cabinet and valve**

(51) International Design Classification: **23-01G**

(71) Name(s) and Address(s) of Applicant(s):

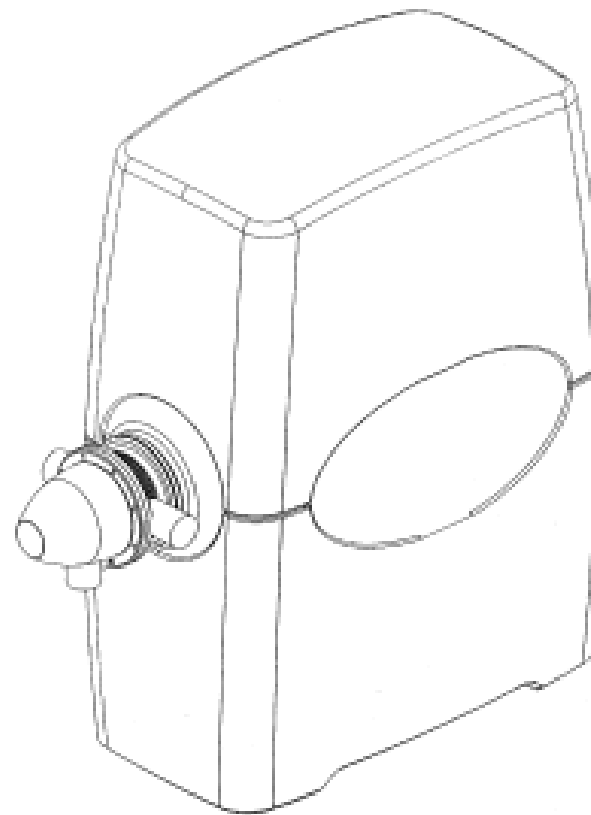
**Poolrite Research Pty Ltd
415 Creek Road Mt Gravatt Queensland 4122 Australia**

(72) Name(s) of Designer(s): **Ross Leslie Palmer and Christopher Townsend**

(45) Registration Date: **26 October 2009**

(56) Related Art Documents: **Not Applicable**

(57) Statement of Newness and Distinctiveness: **The newness and distinctiveness of the design resides in the shape and/or configuration of the filter housing, support cabinet and valve shown in the representations.**



(21) Design Number: **13788/2009**

(22) Date of Filing Application: **30 September 2009**

(24) Date from which industrial property rights may have effect: **30 September 2009**

(54) Product in respect of which the design is registered: **Extendable letter box**

(51) International Design Classification: **25-03**

(71) Name(s) and Address(s) of Applicant(s):

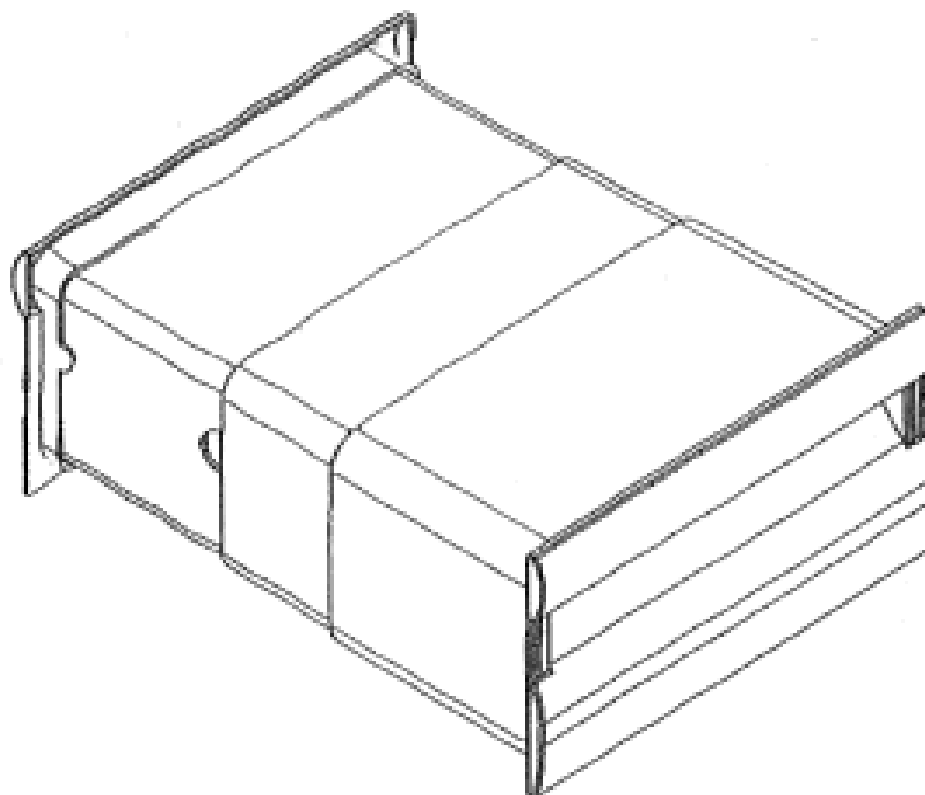
**Velox Products Pty Ltd
48 Waratah Street Kirrawee New South Wales 2232 Australia**

(72) Name(s) of Designer(s): **Edward John Bazzano**

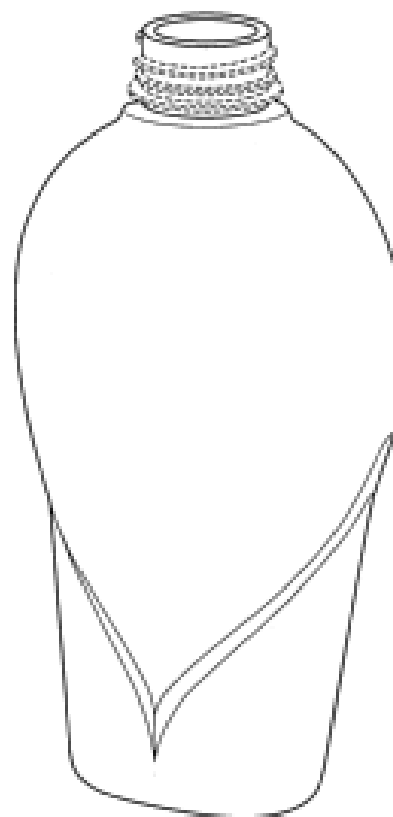
(45) Registration Date: **26 October 2009**

(56) Related Art Documents: **Not Applicable**

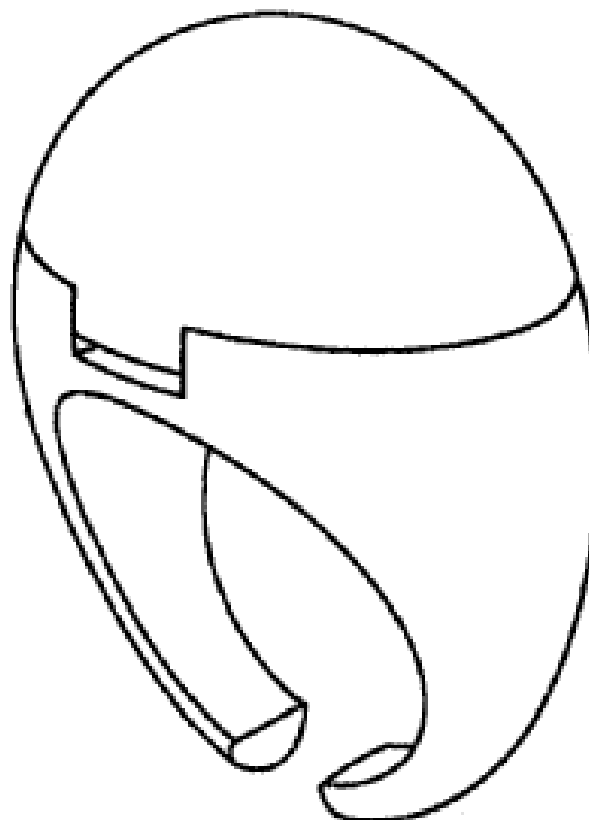
(57) Statement of Newness and Distinctiveness: **Newness and distinctiveness reside in the shape and configuration of the product as shown in the representations and in particular in the appearance of the cut outs in the end sleeve and the semi-circular projections in the middle sleeve and rear end.**



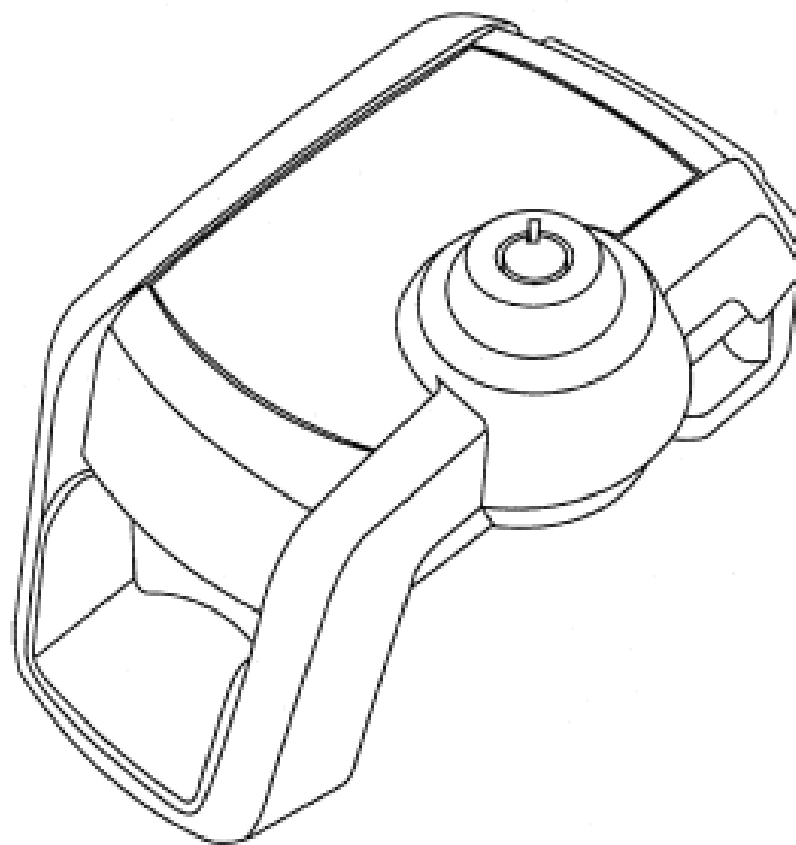
(21) Design Number: **13797/2009**
(22) Date of Filing Application: **30 September 2009**
(24) Date from which industrial property rights may have effect: **30 September 2009**
(54) Product in respect of which the design is registered: **Container**
(51) International Design Classification: **09-01NES**
(71) Name(s) and Address(s) of Applicant(s):
Colgate-Palmolive Company
300 Park Avenue New York New York 1022 United States of America
(72) Name(s) of Designer(s): **Kiat Cheong Toh**
(45) Registration Date: **26 October 2009**
(30) Convention priority data:
(31) Number (32) Date (33) Country
29/334433 26 Mar 2009 UNITED STATES OF AMERICA
(56) Related Art Documents: **Not Applicable**
(57) Statement of Newness and Distinctiveness: **Newness and distinctiveness reside in the features of the design shown in solid lines in the representations excluding those features shown in broken lines.**



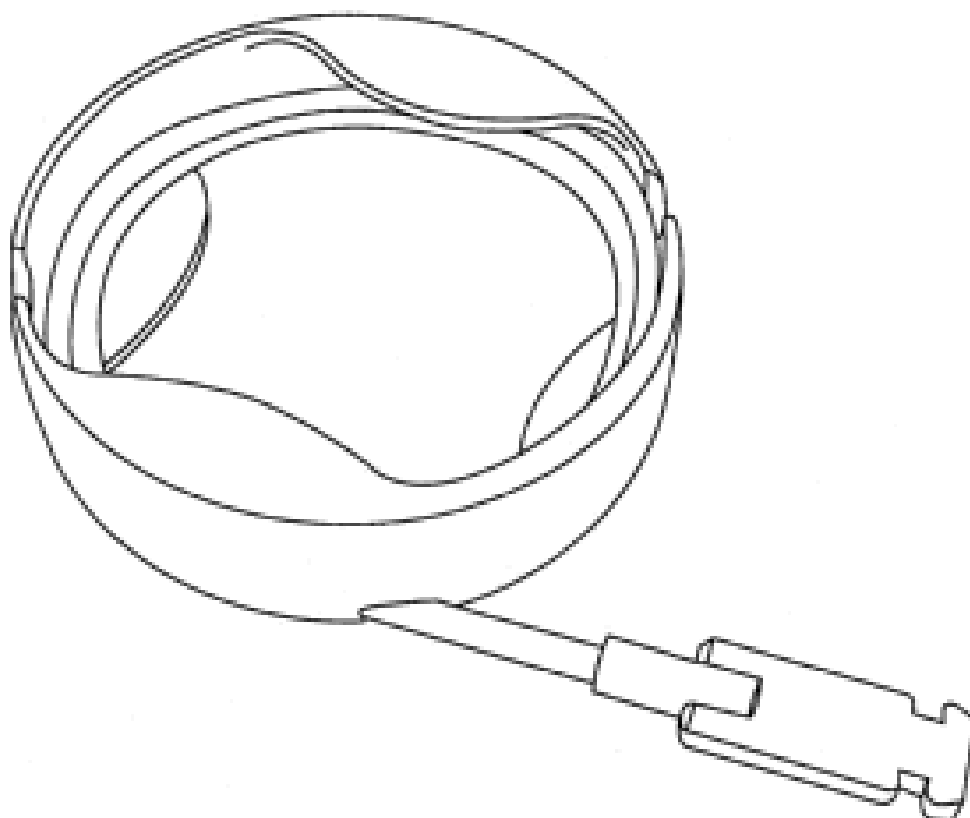
(21) Design Number: **13754/2009**
(22) Date of Filing Application: **30 September 2009**
(24) Date from which industrial property rights may have effect: **30 September 2009**
(54) Product in respect of which the design is registered: **Ring**
(51) International Design Classification: **11-01A**
(71) Name(s) and Address(s) of Applicant(s):
Pty Investments Pty Ltd
2/25 Brigantine Street Byron Bay New South Wales 2481 Australia
(72) Name(s) of Designer(s): **Georgia Morgan**
(45) Registration Date: **26 October 2009**
(56) Related Art Documents: **Not Applicable**
(57) Statement of Newness and Distinctiveness: **Nil**



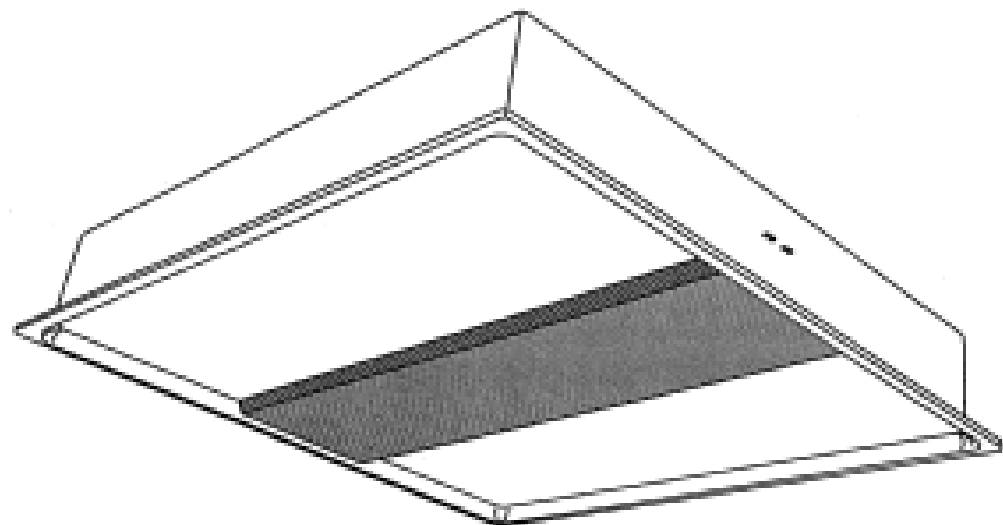
- (21) Design Number: **13755/2009**
(22) Date of Filing Application: **30 September 2009**
(24) Date from which industrial property rights may have effect: **30 September 2009**
(54) Product in respect of which the design is registered: **Anti-theft lock device**
(51) International Design Classification: **08-07**
(71) Name(s) and Address(s) of Applicant(s):
Who-Rae Pty Ltd
Level 1 185 Bank Street South Melbourne Victoria 3205 Australia
(72) Name(s) of Designer(s): **Steven Martinuzzo and Simon Andresen**
(45) Registration Date: **26 October 2009**
(56) Related Art Documents: **Not Applicable**
(57) Statement of Newness and Distinctiveness: **Nil**



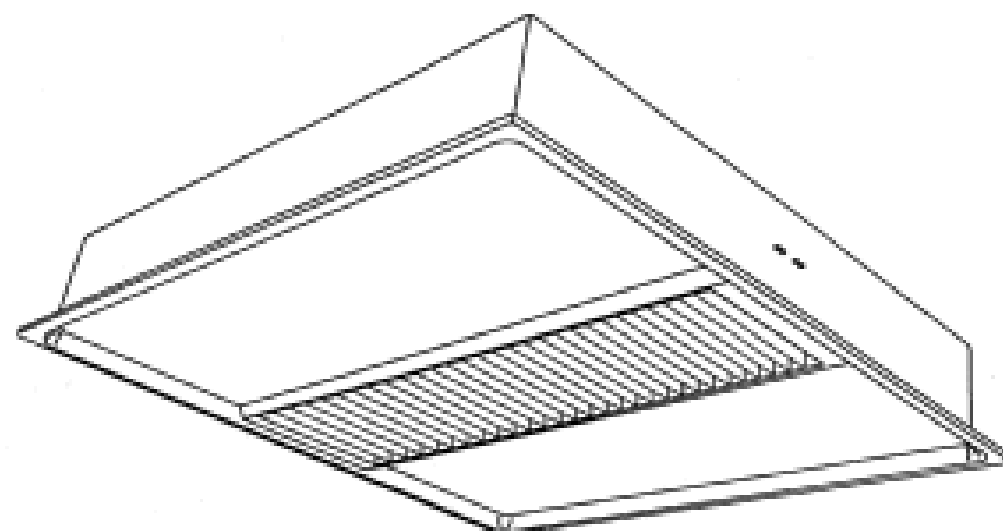
- (21) Design Number: **13756/2009**
(22) Date of Filing Application: **30 September 2009**
(24) Date from which industrial property rights may have effect: **30 September 2009**
(54) Product in respect of which the design is registered: **Cable reel for anti-theft lock device**
(51) International Design Classification: **08-99**
(71) Name(s) and Address(s) of Applicant(s):
Who-Rae Pty Ltd
Level 1 185 Bank Street South Melbourne Victoria 3205 Australia
(72) Name(s) of Designer(s): **Simon Andresen and Steven Martinuzzo**
(45) Registration Date: **26 October 2009**
(56) Related Art Documents: **Not Applicable**
(57) Statement of Newness and Distinctiveness: **Nil**



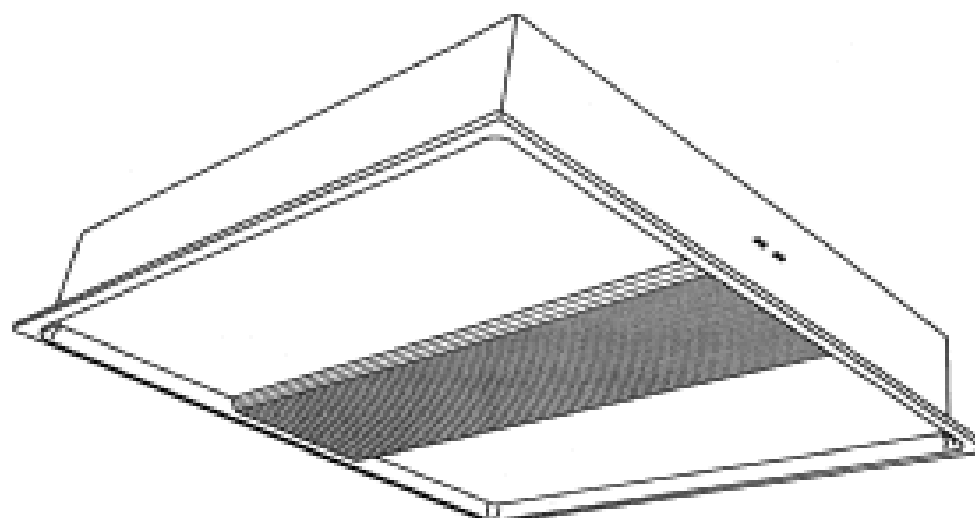
(21) Design Number: **13757/2009**
(22) Date of Filing Application: **30 September 2009**
(24) Date from which industrial property rights may have effect: **30 September 2009**
(54) Product in respect of which the design is registered: **Light fixture**
(51) International Design Classification: **26-05C**
(71) Name(s) and Address(s) of Applicant(s):
Zumtobel Lighting GmbH
Schweizer Strasse 30 6850 Dornbirn Austria
(72) Name(s) of Designer(s): **James Irvine**
(45) Registration Date: **26 October 2009**
(30) Convention priority data:
(31) Number (32) Date (33) Country
001 115 30 Mar 2009 EUROPEAN COMMUNITY
1090001
(56) Related Art Documents: **Not Applicable**
(57) Statement of Newness and Distinctiveness: **Newness and distinctiveness is claimed in the features of shape and/or configuration of a light fixture as illustrated in the accompanying representations.**



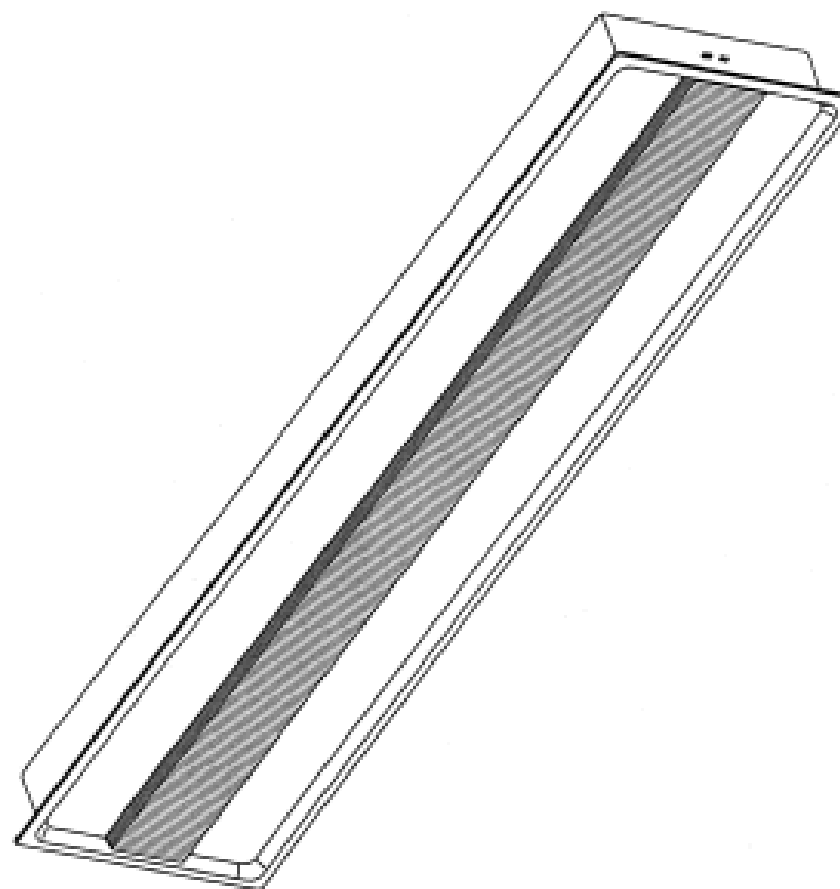
(21) Design Number: **13758/2009**
(22) Date of Filing Application: **30 September 2009**
(24) Date from which industrial property rights may have effect: **30 September 2009**
(54) Product in respect of which the design is registered: **Light fixture**
(51) International Design Classification: **26-05C**
(71) Name(s) and Address(s) of Applicant(s):
Zumtobel Lighting GmbH
Schweizer Strasse 30 6850 Dornbirn Austria
(72) Name(s) of Designer(s): **James Irvine**
(45) Registration Date: **26 October 2009**
(30) Convention priority data:
(31) Number (32) Date (33) Country
001 115 30 Mar 2009 EUROPEAN COMMUNITY
1090002
(56) Related Art Documents: **Not Applicable**
(57) Statement of Newness and Distinctiveness: **Newness and distinctiveness is claimed in the features of shape and/or configuration of a light fixture as illustrated in the accompanying representations.**



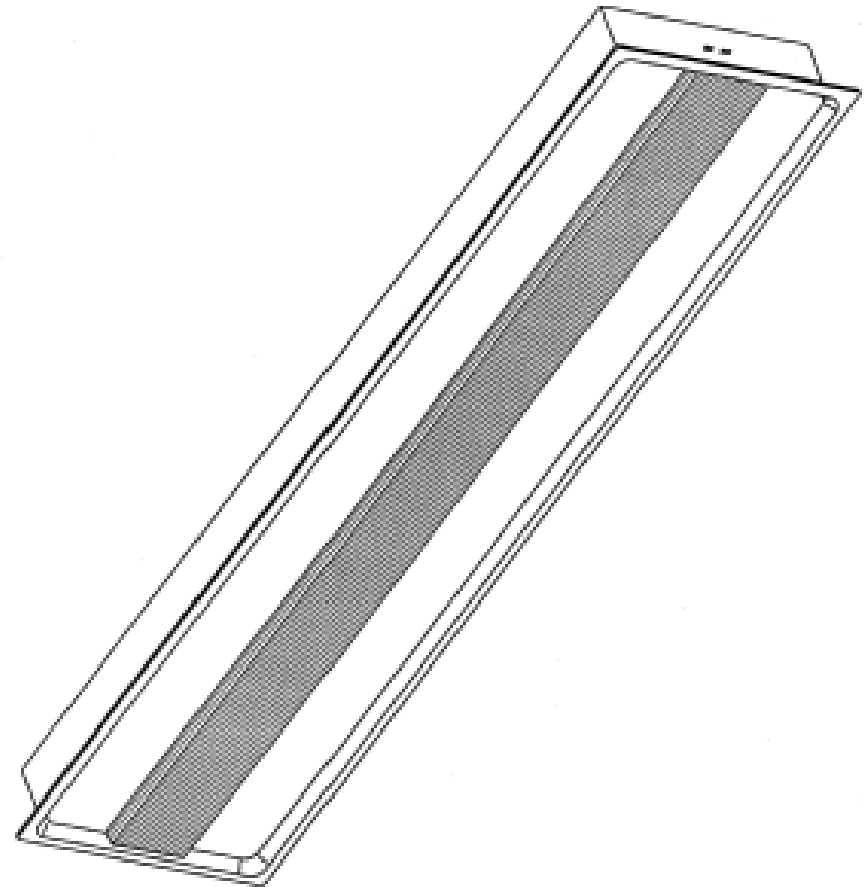
(21) Design Number: **13759/2009**
(22) Date of Filing Application: **30 September 2009**
(24) Date from which industrial property rights may have effect: **30 September 2009**
(54) Product in respect of which the design is registered: **Light fixture**
(51) International Design Classification: **26-05C**
(71) Name(s) and Address(s) of Applicant(s):
Zumtobel Lighting GmbH
Schweizer Strasse 30 6850 Dornbirn Austria
(72) Name(s) of Designer(s): **James Irvine**
(45) Registration Date: **26 October 2009**
(30) Convention priority data:
(31) Number (32) Date (33) Country
001 115 30 Mar 2009 EUROPEAN COMMUNITY
1090003
(56) Related Art Documents: **Not Applicable**
(57) Statement of Newness and Distinctiveness: **Newness and distinctiveness is claimed in the features of shape and/or configuration of a light fixture as illustrated in the accompanying representations.**



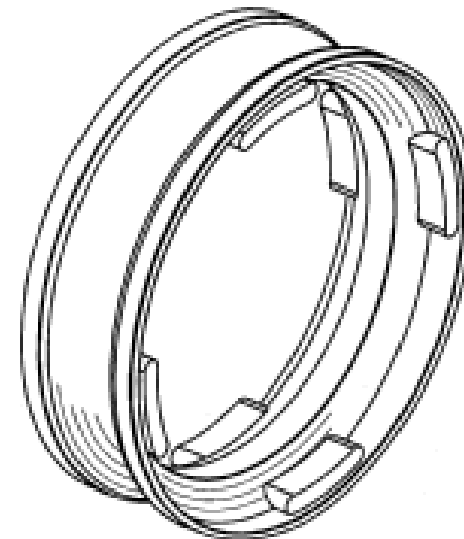
(21) Design Number: **13760/2009**
(22) Date of Filing Application: **30 September 2009**
(24) Date from which industrial property rights may have effect: **30 September 2009**
(54) Product in respect of which the design is registered: **Light fixture**
(51) International Design Classification: **26-05A**
(71) Name(s) and Address(s) of Applicant(s):
Zumtobel Lighting GmbH
Schweizer Strasse 30 6850 Dornbirn Austria
(72) Name(s) of Designer(s): **James Irvine**
(45) Registration Date: **26 October 2009**
(30) Convention priority data:
(31) Number (32) Date (33) Country
001 115 30 Mar 2009 EUROPEAN COMMUNITY
1090004
(56) Related Art Documents: **Not Applicable**
(57) Statement of Newness and Distinctiveness: **Newness and distinctiveness is claimed in the features of shape and/or configuration of a light fixture as illustrated in the accompanying representations.**



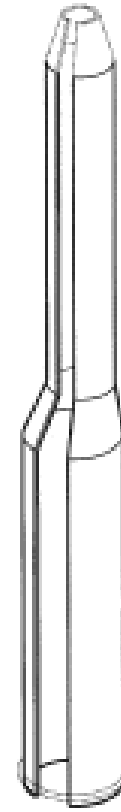
- (21) Design Number: **13761/2009**
(22) Date of Filing Application: **30 September 2009**
(24) Date from which industrial property rights may have effect: **30 September 2009**
(54) Product in respect of which the design is registered: **Light fixture**
(51) International Design Classification: **26-05A**
(71) Name(s) and Address(s) of Applicant(s):
Zumtobel Lighting GmbH
Schweizer Strasse 30 6850 Dornbirn Austria
(72) Name(s) of Designer(s): **James Irvine**
(45) Registration Date: **26 October 2009**
(30) Convention priority data:
(31) Number (32) Date (33) Country
001 115 30 Mar 2009 EUROPEAN COMMUNITY
1090005
(56) Related Art Documents: **Not Applicable**
(57) Statement of Newness and Distinctiveness: **Newness and distinctiveness is claimed in the features of shape and/or configuration of a light fixture as illustrated in the accompanying representations.**



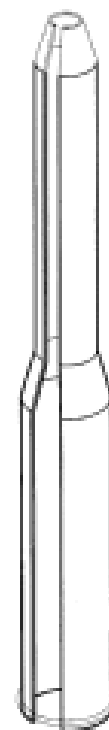
- (21) Design Number: **13729/2009**
(22) Date of Filing Application: **29 September 2009**
(24) Date from which industrial property rights may have effect: **29 September 2009**
(54) Product in respect of which the design is registered: **Pulley tyre**
(51) International Design Classification: **12-05**
(71) Name(s) and Address(s) of Applicant(s):
Crinum IP Pty Ltd
3 Bronze Street Sumner Park Queensland 4074 Australia
(72) Name(s) of Designer(s): **Michael Martin**
(45) Registration Date: **26 October 2009**
(56) Related Art Documents: **Not Applicable**
(57) Statement of Newness and Distinctiveness: **The newness and distinctiveness of the design resides in the shape and/or configuration of the PULLEY TYRE DESIGN shown in the representations.**



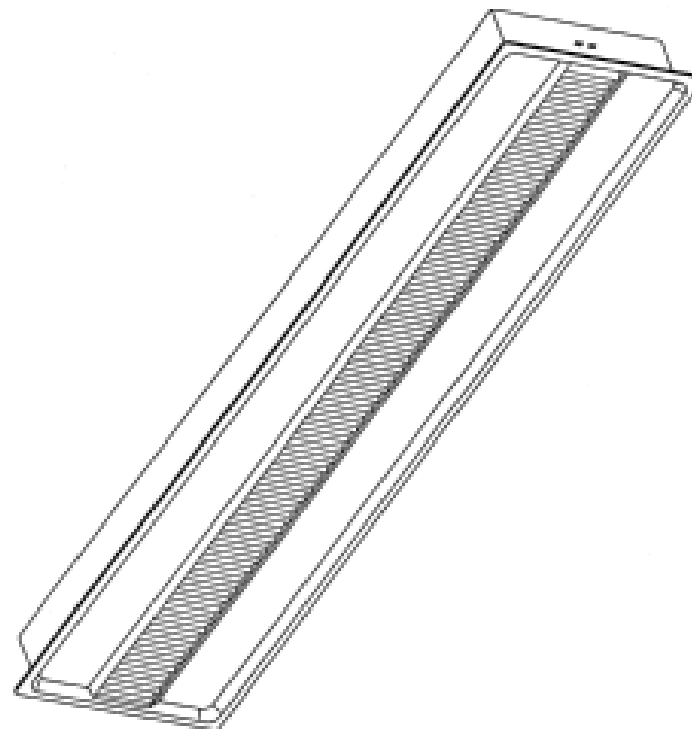
- (21) Design Number: **13730/2009**
(22) Date of Filing Application: **29 September 2009**
(24) Date from which industrial property rights may have effect: **29 September 2009**
(54) Product in respect of which the design is registered: **Friction bolt**
(51) International Design Classification: **08-08NES**
(71) Name(s) and Address(s) of Applicant(s):
Steel With Appeal Pty Ltd
5 Hempel Street Wodonga Victoria 3690 Australia
(72) Name(s) of Designer(s): **Geoff Woolston**
(45) Registration Date: **26 October 2009**
(56) Related Art Documents: **Not Applicable**
(57) Statement of Newness and Distinctiveness: **Newness and distinctiveness resides in the features of shape and/or configuration of a friction bolt as shown in the accompanying representations.**



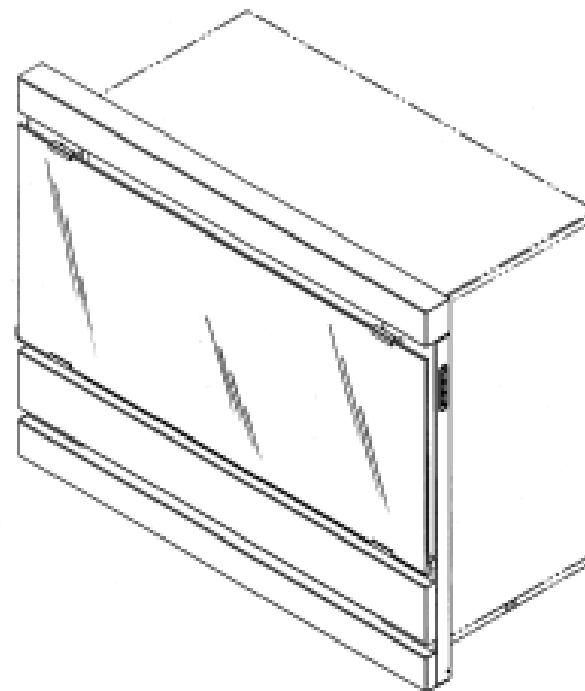
- (21) Design Number: **13731/2009**
(22) Date of Filing Application: **29 September 2009**
(24) Date from which industrial property rights may have effect: **29 September 2009**
(54) Product in respect of which the design is registered: **Friction bolt**
(51) International Design Classification: **08-08NES**
(71) Name(s) and Address(s) of Applicant(s):
Steel With Appeal Pty Ltd
5 Hempel Street Wodonga Victoria 3690 Australia
(72) Name(s) of Designer(s): **Geoff Woolston**
(45) Registration Date: **26 October 2009**
(56) Related Art Documents: **Not Applicable**
(57) Statement of Newness and Distinctiveness: **Newness and distinctiveness resides in the features of shape and/or configuration of a friction bolt as shown in the accompanying representations.**



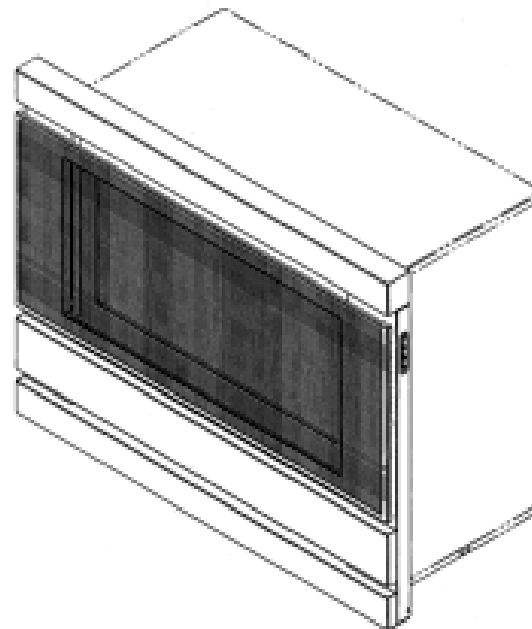
- (21) Design Number: **13762/2009**
(22) Date of Filing Application: **30 September 2009**
(24) Date from which industrial property rights may have effect: **30 September 2009**
(54) Product in respect of which the design is registered: **Light fixture**
(51) International Design Classification: **26-05A**
(71) Name(s) and Address(s) of Applicant(s):
Zumtobel Lighting GmbH
Schweizer Strasse 30 6850 Dornbirn Austria
(72) Name(s) of Designer(s): **James Irvine**
(45) Registration Date: **26 October 2009**
(30) Convention priority data:
(31) Number (32) Date (33) Country
001 30 Mar 2009 EUROPEAN COMMUNITY
115109-0006
(56) Related Art Documents: **Not Applicable**
(57) Statement of Newness and Distinctiveness: **Newness and distinctiveness is claimed in the features of shape and/or configuration of a light fixture as illustrated in the accompanying representations.**



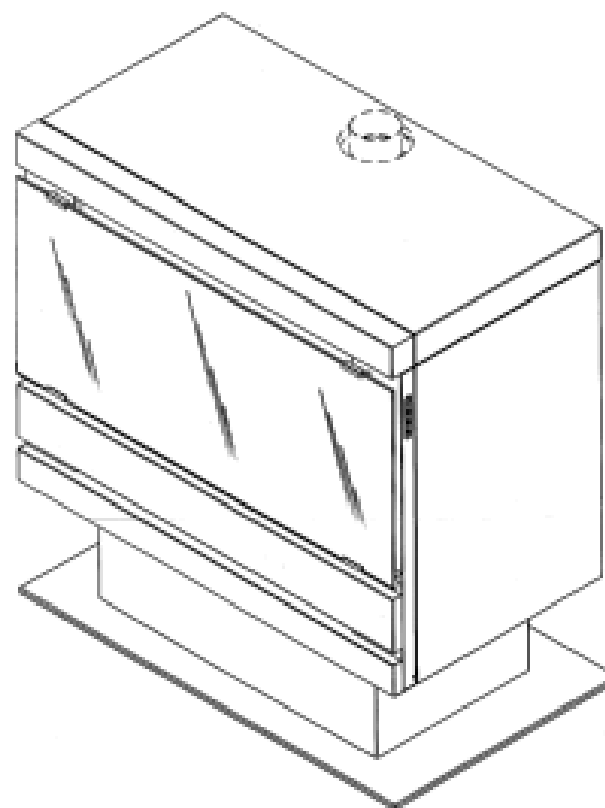
- (21) Design Number: **13771/2009**
(22) Date of Filing Application: **30 September 2009**
(24) Date from which industrial property rights may have effect: **30 September 2009**
(54) Product in respect of which the design is registered: **Heater**
(51) International Design Classification: **23-03A**
(71) Name(s) and Address(s) of Applicant(s):
Alver Pty Ltd
Wood Street East Geelong Victoria 3219 Australia
(72) Name(s) of Designer(s): **Glen Sherwood and George Topolcsanyi and Paul Iversen and Lisa Edlund-Tjernberg and Alexander Knott**
(45) Registration Date: **26 October 2009**
(56) Related Art Documents: **Not Applicable**
(57) Statement of Newness and Distinctiveness: **Those features of the heater depicted in the representations that are new and distinctive are the shape and/or configuration. The features shown in broken line are not part of the design and are to be disregarded when considering the overall impression of the design.**



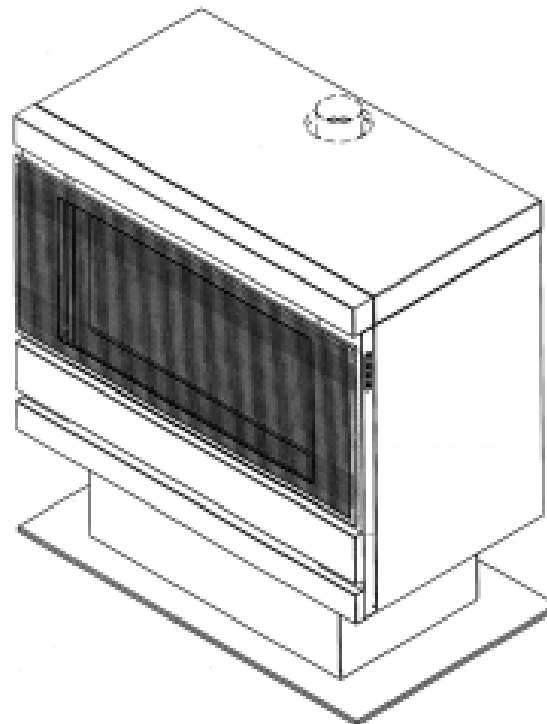
- (21) Design Number: **13772/2009**
(22) Date of Filing Application: **30 September 2009**
(24) Date from which industrial property rights may have effect: **30 September 2009**
(54) Product in respect of which the design is registered: **Heater**
(51) International Design Classification: **23-03A**
(71) Name(s) and Address(s) of Applicant(s):
Alver Pty Ltd
Wood Street East Geelong Victoria 3219 Australia
(72) Name(s) of Designer(s): **Glen Sherwood and George Topolcsanyi and Paul Iversen and Lisa Edlund-Tjernberg and Alexander Knott**
(45) Registration Date: **26 October 2009**
(56) Related Art Documents: **Not Applicable**
(57) Statement of Newness and Distinctiveness: **Those features of the heater depicted in the representations that are new and distinctive are the shape and/or configuration. The features shown in broken line are not part of the design and are to be disregarded when considering the overall impression of the design.**



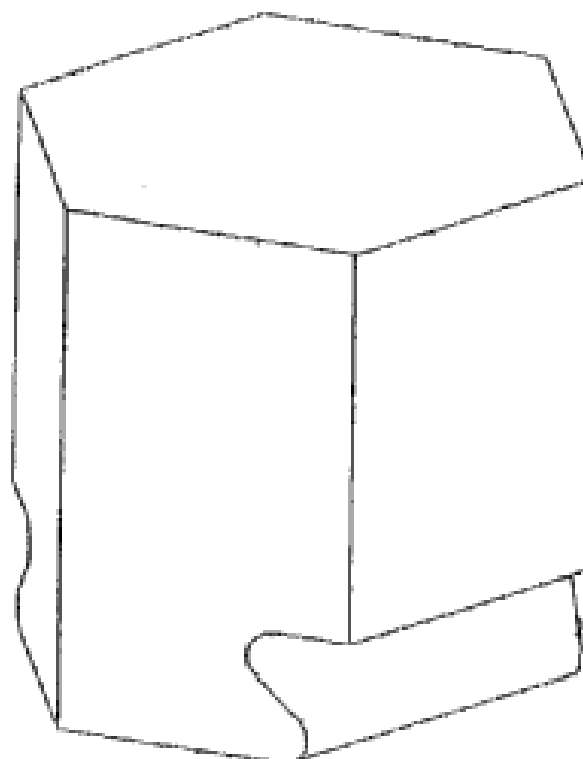
- (21) Design Number: **13773/2009**
(22) Date of Filing Application: **30 September 2009**
(24) Date from which industrial property rights may have effect: **30 September 2009**
(54) Product in respect of which the design is registered: **Heater**
(51) International Design Classification: **23-03A**
(71) Name(s) and Address(s) of Applicant(s):
Alver Pty Ltd
Wood Street East Geelong Victoria 3219 Australia
(72) Name(s) of Designer(s): **Glen Sherwood and George Topolcsanyi and Paul Iversen and Lisa Edlund-Tjernberg and Alexander Knott**
(45) Registration Date: **26 October 2009**
(56) Related Art Documents: **Not Applicable**
(57) Statement of Newness and Distinctiveness: **Those features of the heater depicted in the representations that are new and distinctive are the shape and/or configuration. The features shown in broken line are not part of the design and are to be disregarded when considering the overall impression of the design.**



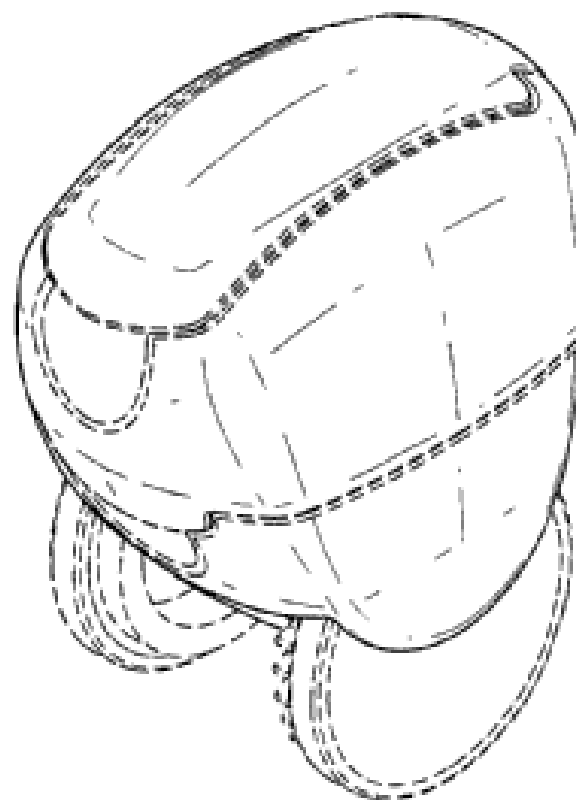
- (21) Design Number: **13774/2009**
(22) Date of Filing Application: **30 September 2009**
(24) Date from which industrial property rights may have effect: **30 September 2009**
(54) Product in respect of which the design is registered: **Heater**
(51) International Design Classification: **23-03A**
(71) Name(s) and Address(s) of Applicant(s):
Alver Pty Ltd
Wood Street East Geelong Victoria 3219 Australia
(72) Name(s) of Designer(s): **Glen Sherwood and George Topolcsanyi and Paul Iversen and Lisa Edlund-Tjernberg and Alexander Knott**
(45) Registration Date: **26 October 2009**
(56) Related Art Documents: **Not Applicable**
(57) Statement of Newness and Distinctiveness: **Those features of the heater depicted in the representations that are new and distinctive are the shape and/or configuration. The features shown in broken line are not part of the design and are to be disregarded when considering the overall impression of the design.**



- (21) Design Number: **13509/2009**
(22) Date of Filing Application: **10 September 2009**
(24) Date from which industrial property rights may have effect: **10 September 2009**
(54) Product in respect of which the design is registered: **Wear resistant block for use in lining mineral processing equipment**
(51) International Design Classification: **15-99**
(71) Name(s) and Address(s) of Applicant(s):
Bradken Resources Pty Limited
2 Maud Street Mayfield West New South Wales 2304 Australia
(72) Name(s) of Designer(s): **Douglas Campbell and Kyron Holland**
(45) Registration Date: **27 October 2009**
(56) Related Art Documents: **Not Applicable**
(57) Statement of Newness and Distinctiveness: **The shape and configuration of the block are new and distinctive.**



(21) Design Number: **13587/2009**
 (22) Date of Filing Application: **18 September 2009**
 (24) Date from which industrial property rights may have effect: **18 September 2009**
 (54) Product in respect of which the design is registered: **Food processor**
 (51) International Design Classification: **07-04**
 (71) Name(s) and Address(s) of Applicant(s):
Chef'n Corporation
1520 4th Avenue 3rd Floor Seattle Washington 98101 United States of America
 (72) Name(s) of Designer(s): **David Hull and Adam A. Jossem and David A. Holcomb**
 (45) Registration Date: **27 October 2009**
 (30) Convention priority data:
 (31) Number (32) Date (33) Country
29/334448 26 Mar 2009 UNITED STATES OF AMERICA
 (56) Related Art Documents: **Not Applicable**
 (57) Statement of Newness and Distinctiveness: **Newness and distinctiveness is claimed in the visual features shown in solid lines in the representations.**



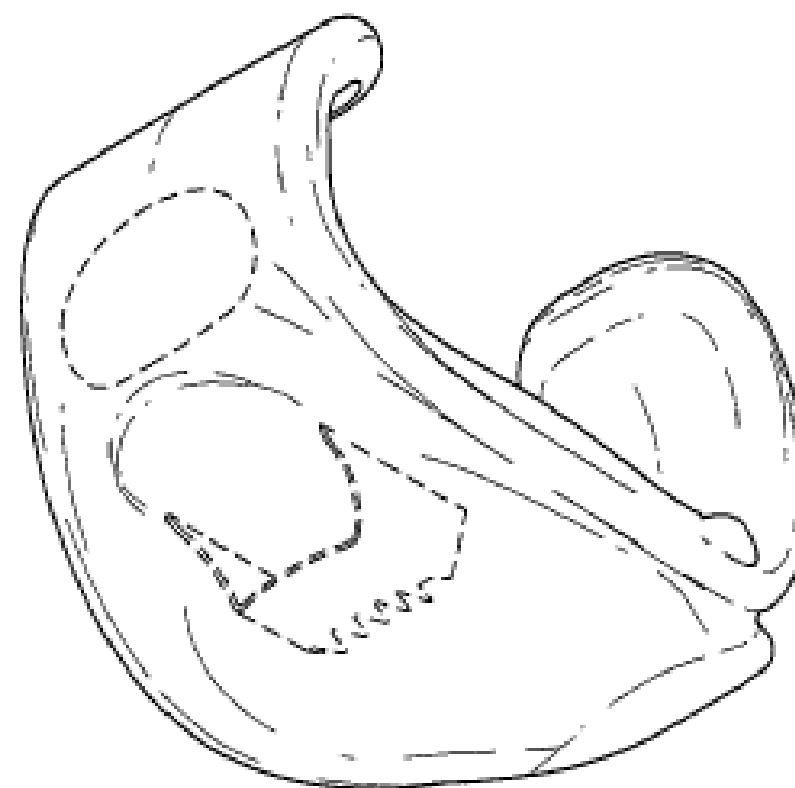
(21) Design Number: **13588/2009**
 (22) Date of Filing Application: **18 September 2009**
 (24) Date from which industrial property rights may have effect: **18 September 2009**
 (54) Product in respect of which the design is registered: **Fruit/vegetable huller**
 (51) International Design Classification: **07-04**
 (71) Name(s) and Address(s) of Applicant(s):
Chef'n Corporation
1520 4th Avenue 3rd Floor Seattle Washington 98101 United States of America
 (72) Name(s) of Designer(s): **David Hull and Jonah S. Griffith**
 (45) Registration Date: **27 October 2009**
 (30) Convention priority data:
 (31) Number (32) Date (33) Country
29/341726 11 Aug 2009 UNITED STATES OF AMERICA
 (56) Related Art Documents: **Not Applicable**
 (57) Statement of Newness and Distinctiveness: **Newness and distinctiveness is claimed in the visual features shown in solid lines in the representations.**



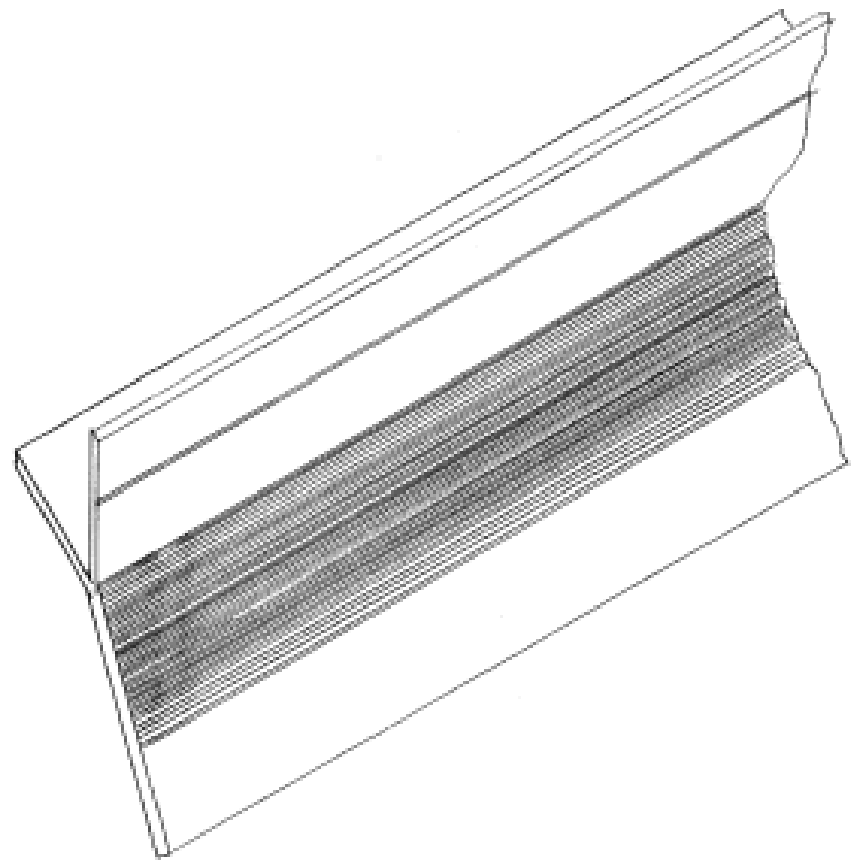
(21) Design Number: **13589/2009**
(22) Date of Filing Application: **18 September 2009**
(24) Date from which industrial property rights may have effect: **18 September 2009**
(54) Product in respect of which the design is registered: **Salad spinner**
(51) International Design Classification: **07-04**
(71) Name(s) and Address(s) of Applicant(s):
Chef'n Corporation
1520 4th Avenue 3rd Floor Seattle Washington 98101 United States of America
(72) Name(s) of Designer(s): **Joe Grey and David A. Holcomb and Adam A. Jossem**
(45) Registration Date: **27 October 2009**
(30) Convention priority data:
(31) Number (32) Date (33) Country
29/334449 26 Mar 2009 UNITED STATES OF AMERICA
(56) Related Art Documents: **Not Applicable**
(57) Statement of Newness and Distinctiveness: **Newness and distinctiveness is claimed in the visual features shown in solid lines in the representations.**



(21) Design Number: **13590/2009**
(22) Date of Filing Application: **18 September 2009**
(24) Date from which industrial property rights may have effect: **18 September 2009**
(54) Product in respect of which the design is registered: **Device for removing corn kernels from a cob**
(51) International Design Classification: **07-04**
(71) Name(s) and Address(s) of Applicant(s):
Chef'n Corporation
1520 4th Avenue 3rd Floor Seattle Washington 98101 United States of America
(72) Name(s) of Designer(s): **Adam A. Jossem and David A. Holcomb**
(45) Registration Date: **27 October 2009**
(30) Convention priority data:
(31) Number (32) Date (33) Country
29/341728 11 Aug 2009 UNITED STATES OF AMERICA
(56) Related Art Documents: **Not Applicable**
(57) Statement of Newness and Distinctiveness: **Newness and distinctiveness is claimed in the visual features shown in solid lines in the representations.**



- (21) Design Number: **13719/2009**
(22) Date of Filing Application: **28 September 2009**
(24) Date from which industrial property rights may have effect: **28 September 2009**
(54) Product in respect of which the design is registered: **Cornerstop extrusion**
(51) International Design Classification: **25-01K**
(71) Name(s) and Address(s) of Applicant(s):
Jeremy Napier
9 Gray Street Golden Square Vistoria 3555 Australia
(72) Name(s) of Designer(s): **Jeremy Napier**
(45) Registration Date: **27 October 2009**
(56) Related Art Documents: **Not Applicable**
(57) Statement of Newness and Distinctiveness: **Nil**



- (21) Design Number: **13721/2009**
(22) Date of Filing Application: **29 September 2009**
(24) Date from which industrial property rights may have effect: **29 September 2009**
(54) Product in respect of which the design is registered: **Grille panel**
(51) International Design Classification: **12-16B**
(71) Name(s) and Address(s) of Applicant(s):
Scania CV AB
Sodertalje SE-151 87 Sweden
(72) Name(s) of Designer(s): **Kjell Fagerstrom and David Skoog and Kristofer Hansen and Christian Henriksen**
(45) Registration Date: **27 October 2009**
(30) Convention priority data:

(31) Number	(32) Date	(33) Country
2009/0217	29 Apr 2009	SWEDEN

(56) Related Art Documents: **Not Applicable**
(57) Statement of Newness and Distinctiveness: **Nil**



(21) Design Number: **13905/2009**

(22) Date of Filing Application: **14 October 2009**

(24) Date from which industrial property rights may have effect: **14 October 2009**

(54) Product in respect of which the design is registered: **Paver**

(51) International Design Classification: **25-01A**

(71) Name(s) and Address(s) of Applicant(s):

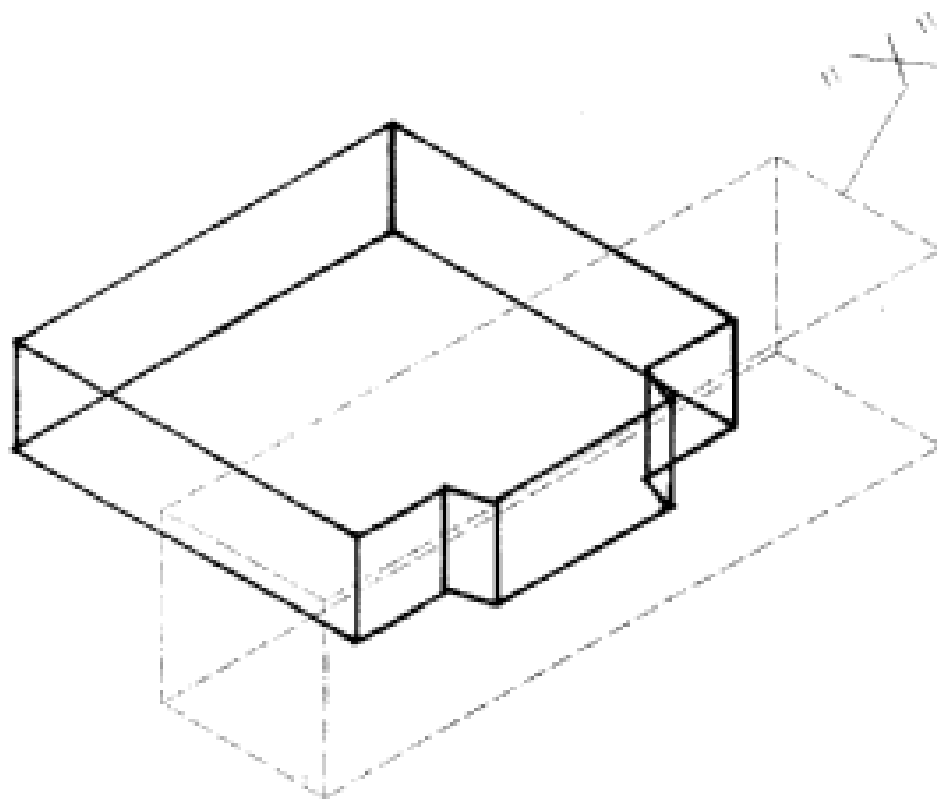
Gordon Alexander Monro
11 Hoipo Road Somersby New South Wales 2250 Australia

(72) Name(s) of Designer(s): **Gordon Alexander Monro**

(45) Registration Date: **27 October 2009**

(56) Related Art Documents: **Not Applicable**

(57) Statement of Newness and Distinctiveness: **Monopoly is claimed in the features of shape and/or configuration of the portions marked "X" in the accompanying representations within the area of broken lines. The configuration allows interlocking of the paver.**



(21) Design Number: **13516/2009**

(22) Date of Filing Application: **11 September 2009**

(24) Date from which industrial property rights may have effect: **11 September 2009**

(54) Product in respect of which the design is registered: **Tool for the disassembly of inter-fitting components**

(51) International Design Classification: **08-99**

(71) Name(s) and Address(s) of Applicant(s):

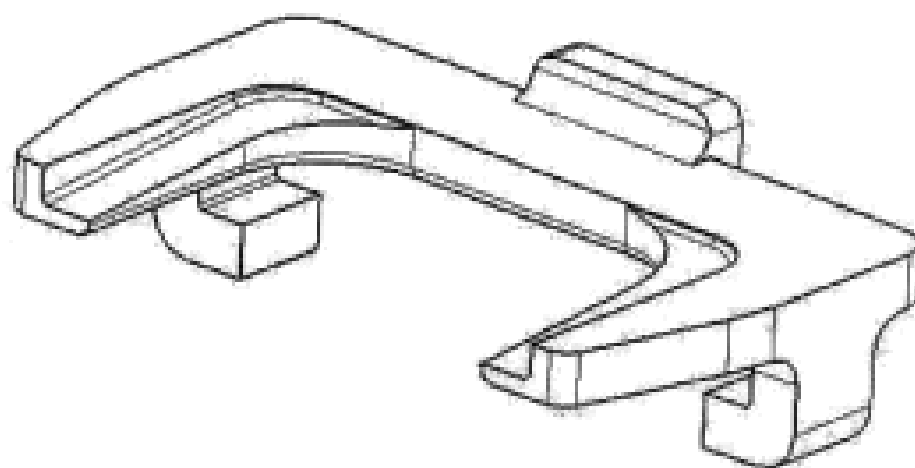
Bradken Resources Pty Limited
2 Maud Street Mayfield West New South Wales 2304 Australia

(72) Name(s) of Designer(s): **Mitchell Brian Charlton**

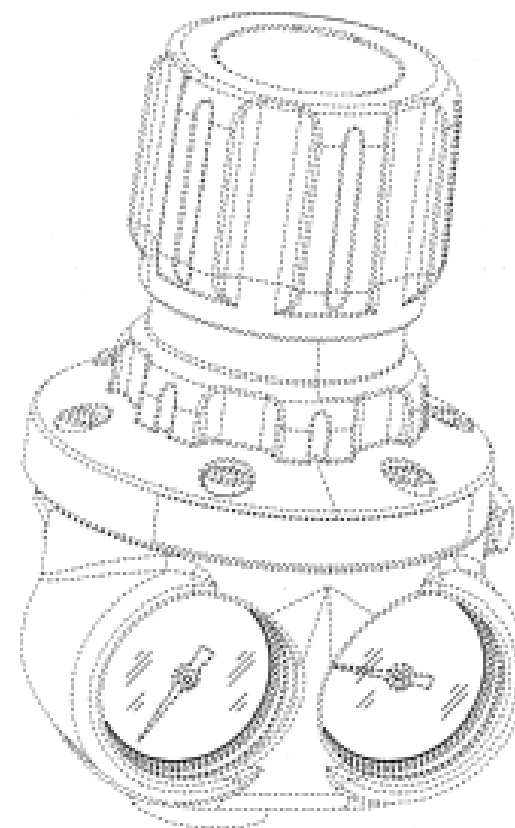
(45) Registration Date: **27 October 2009**

(56) Related Art Documents: **Not Applicable**

(57) Statement of Newness and Distinctiveness: **Newness and distinctiveness resides in the shape and configuration of a tool for disassembly of components.**



(21) Design Number: **13518/2009**
(22) Date of Filing Application: **10 September 2009**
(24) Date from which industrial property rights may have effect: **10 September 2009**
(54) Product in respect of which the design is registered: **Gas pressure regulator**
(51) International Design Classification: **10-04**
(71) Name(s) and Address(s) of Applicant(s):
Victor Equipment Company
2800 Airport Road Denton Texas 76027 United States of America
(72) Name(s) of Designer(s): **Robert A. Boyer**
(45) Registration Date: **27 October 2009**
(30) Convention priority data:
(31) Number (32) Date (33) Country
29/333532 11 Mar 2009 UNITED STATES OF AMERICA
(56) Related Art Documents: **Not Applicable**
(57) Statement of Newness and Distinctiveness: **Newness and distinctiveness is claimed in the configuration of the vertical or stacked arrangement of pressure indicators on a gas pressure regulator shown in solid lines in the representations.**



(21) Design Number: **13567/2009**
(22) Date of Filing Application: **16 September 2009**
(24) Date from which industrial property rights may have effect: **16 September 2009**
(54) Product in respect of which the design is registered: **A LED panel**
(51) International Design Classification: **26-04**
(71) Name(s) and Address(s) of Applicant(s):
Electronic Research Pty Ltd
19/25-29 Stoddart Road Prospect New South Wales 2148 Australia
(72) Name(s) of Designer(s): **Michael Sick Cheong Tsang**
(45) Registration Date: **27 October 2009**
(56) Related Art Documents: **Not Applicable**
(57) Statement of Newness and Distinctiveness: **Nil**



- (21) Design Number: **13789/2009**
(22) Date of Filing Application: **30 September 2009**
(24) Date from which industrial property rights may have effect: **30 September 2009**
(54) Product in respect of which the design is registered: **Beverage container**
(51) International Design Classification: **09-01H**
(71) Name(s) and Address(s) of Applicant(s):
UESST S.c.a.r.l.
Via Sommacampagna 63-H/A I-37137 Verona Italy
(72) Name(s) of Designer(s): **Massimiliano Righi and Giovanni Morandini**
(45) Registration Date: **27 October 2009**
(30) Convention priority data:
(31) Number (32) Date (33) Country
001117287 01 Apr 2009 EUROPEAN COMMUNITY
(56) Related Art Documents: **Not Applicable**
(57) Statement of Newness and Distinctiveness: **Newness and distinctiveness reside in the features of the design as shown in the representations.**



- (21) Design Number: **13790/2009**
(22) Date of Filing Application: **30 September 2009**
(24) Date from which industrial property rights may have effect: **30 September 2009**
(54) Product in respect of which the design is registered: **Beverage container**
(51) International Design Classification: **09-01H**
(71) Name(s) and Address(s) of Applicant(s):
UESST S.c.a.r.l.
Via Sommacampagna 63-H/A I-37137 Verona Italy
(72) Name(s) of Designer(s): **Massimiliano Righi and Giovanni Morandini**
(45) Registration Date: **27 October 2009**
(30) Convention priority data:
(31) Number (32) Date (33) Country
001117287 01 Apr 2009 EUROPEAN COMMUNITY
(56) Related Art Documents: **Not Applicable**
(57) Statement of Newness and Distinctiveness: **Newness and distinctiveness reside in the features of the design as shown in the representations.**



- (21) Design Number: **13791/2009**
(22) Date of Filing Application: **30 September 2009**
(24) Date from which industrial property rights may have effect: **30 September 2009**
(54) Product in respect of which the design is registered: **Beverage container**
(51) International Design Classification: **09-01H**
(71) Name(s) and Address(s) of Applicant(s):
UESST S.c.a.r.l.
Via Sommacampagna 63-H/A I-37137 Verona Italy
(72) Name(s) of Designer(s): **Massimiliano Righi and Giovanni Morandini**
(45) Registration Date: **27 October 2009**
(30) Convention priority data:
(31) Number (32) Date (33) Country
001117287 01 Apr 2009 EUROPEAN COMMUNITY
(56) Related Art Documents: **Not Applicable**
(57) Statement of Newness and Distinctiveness: **Newness and distinctiveness reside in the features of the design as shown in the representations.**



- (21) Design Number: **13792/2009**
(22) Date of Filing Application: **30 September 2009**
(24) Date from which industrial property rights may have effect: **30 September 2009**
(54) Product in respect of which the design is registered: **Beverage container**
(51) International Design Classification: **09-01H**
(71) Name(s) and Address(s) of Applicant(s):
UESST S.c.a.r.l.
Via Sommacampagna 63-H/A I-37137 Verona Italy
(72) Name(s) of Designer(s): **Massimiliano Righi and Giovanni Morandini**
(45) Registration Date: **27 October 2009**
(30) Convention priority data:
(31) Number (32) Date (33) Country
001117287 01 Apr 2009 EUROPEAN COMMUNITY
(56) Related Art Documents: **Not Applicable**
(57) Statement of Newness and Distinctiveness: **Newness and distinctiveness reside in the features of the design as shown in the representations.**



- (21) Design Number: **13793/2009**
(22) Date of Filing Application: **30 September 2009**
(24) Date from which industrial property rights may have effect: **30 September 2009**
(54) Product in respect of which the design is registered: **Beverage container**
(51) International Design Classification: **09-01H**
(71) Name(s) and Address(s) of Applicant(s):
UESST S.c.a.r.l.
Via Sommacampagna 63-H/A I-37137 Verona Italy
(72) Name(s) of Designer(s): **Massimiliano Righi and Giovanni Morandini**
(45) Registration Date: **27 October 2009**
(30) Convention priority data:
(31) Number (32) Date (33) Country
001117287 01 Apr 2009 EUROPEAN COMMUNITY
(56) Related Art Documents: **Not Applicable**
(57) Statement of Newness and Distinctiveness: **Newness and distinctiveness reside in the features of the design as shown in the representations.**



- (21) Design Number: **13794/2009**
(22) Date of Filing Application: **30 September 2009**
(24) Date from which industrial property rights may have effect: **30 September 2009**
(54) Product in respect of which the design is registered: **Beverage container**
(51) International Design Classification: **09-01H**
(71) Name(s) and Address(s) of Applicant(s):
UESST S.c.a.r.l.
Via Sommacampagna 63-H/A I-37137 Verona Italy
(72) Name(s) of Designer(s): **Massimiliano Righi and Giovanni Morandini**
(45) Registration Date: **27 October 2009**
(30) Convention priority data:
(31) Number (32) Date (33) Country
001117287 01 Apr 2009 EUROPEAN COMMUNITY
(56) Related Art Documents: **Not Applicable**
(57) Statement of Newness and Distinctiveness: **Newness and distinctiveness reside in the features of the design as shown in the representations.**



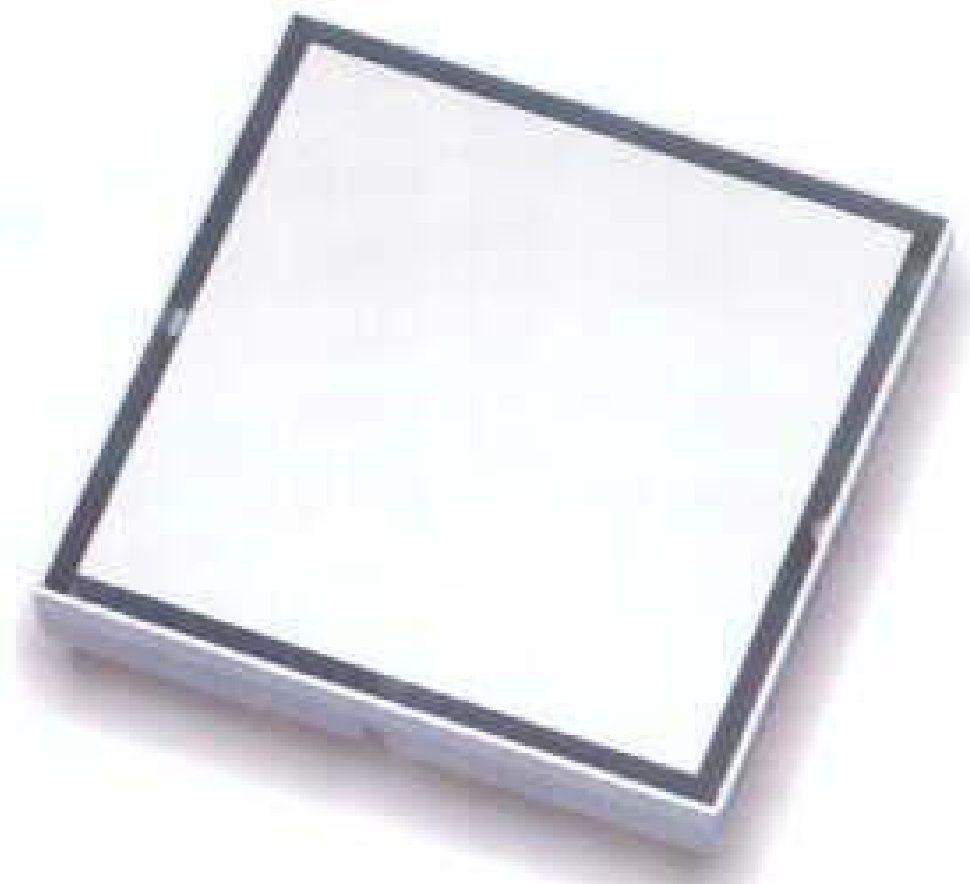
- (21) Design Number: **13795/2009**
(22) Date of Filing Application: **30 September 2009**
(24) Date from which industrial property rights may have effect: **30 September 2009**
(54) Product in respect of which the design is registered: **Beverage container**
(51) International Design Classification: **09-01H**
(71) Name(s) and Address(s) of Applicant(s):
UESST S.c.a.r.l.
Via Sommacampagna 63-H/A I-37137 Verona Italy
(72) Name(s) of Designer(s): **Massimiliano Righi and Giovanni Morandini**
(45) Registration Date: **27 October 2009**
(30) Convention priority data:
(31) Number (32) Date (33) Country
001117287 01 Apr 2009 EUROPEAN COMMUNITY
(56) Related Art Documents: **Not Applicable**
(57) Statement of Newness and Distinctiveness: **Newness and distinctiveness reside in the features of the design as shown in the representations.**



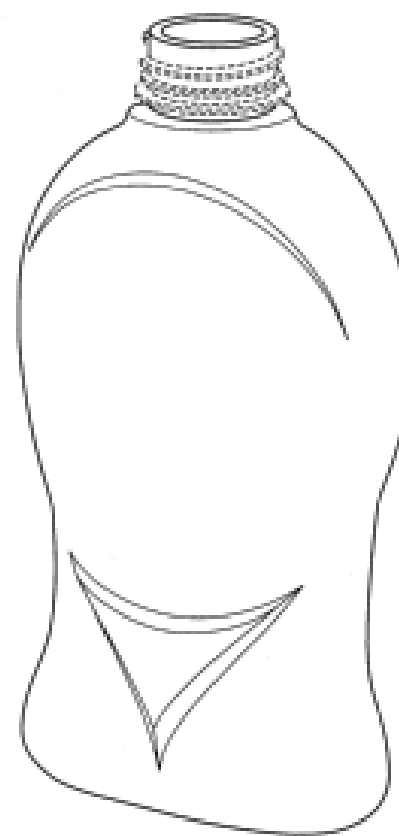
- (21) Design Number: **13796/2009**
(22) Date of Filing Application: **30 September 2009**
(24) Date from which industrial property rights may have effect: **30 September 2009**
(54) Product in respect of which the design is registered: **Beverage container**
(51) International Design Classification: **09-01H**
(71) Name(s) and Address(s) of Applicant(s):
UESST S.c.a.r.l.
Via Sommacampagna 63-H/A I-37137 Verona Italy
(72) Name(s) of Designer(s): **Massimiliano Righi and Giovanni Morandini**
(45) Registration Date: **27 October 2009**
(30) Convention priority data:
(31) Number (32) Date (33) Country
001117287 01 Apr 2009 EUROPEAN COMMUNITY
(56) Related Art Documents: **Not Applicable**
(57) Statement of Newness and Distinctiveness: **Newness and distinctiveness reside in the features of the design as shown in the representations.**



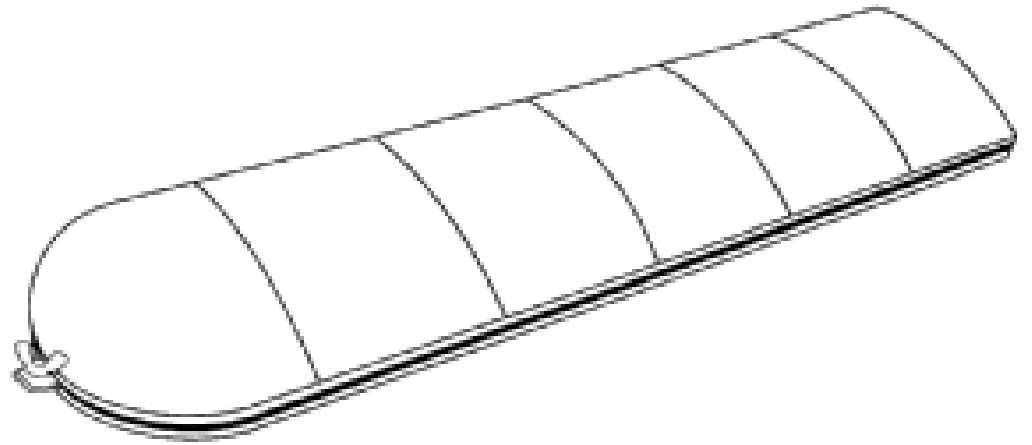
- (21) Design Number: **13799/2009**
(22) Date of Filing Application: **01 October 2009**
(24) Date from which industrial property rights may have effect: **01 October 2009**
(54) Product in respect of which the design is registered: **Reversible tile grate**
(51) International Design Classification: **23-02NES**
(71) Name(s) and Address(s) of Applicant(s):
Art Plastics Pty Ltd
14 White Street Bayswater Western Australia 6053 Australia
(72) Name(s) of Designer(s): **Tim Lucas**
(45) Registration Date: **27 October 2009**
(56) Related Art Documents: **Not Applicable**
(57) Statement of Newness and Distinctiveness: **The floor grate is reversible and can be used either with a tile insert in the centre or as a metal face.**



- (21) Design Number: **13801/2009**
(22) Date of Filing Application: **01 October 2009**
(24) Date from which industrial property rights may have effect: **01 October 2009**
(54) Product in respect of which the design is registered: **Container**
(51) International Design Classification: **09-01NES**
(71) Name(s) and Address(s) of Applicant(s):
Colgate-Palmolive Company
300 Park Avenue New York New York 10022 United States of America
(72) Name(s) of Designer(s): **Kiat Cheong Toh and Sergio Gedanke and Ravi Varma**
(45) Registration Date: **27 October 2009**
(30) Convention priority data:
(31) Number (32) Date (33) Country
29/334438 20 Apr 2009 UNITED STATES OF AMERICA
(56) Related Art Documents: **Not Applicable**
(57) Statement of Newness and Distinctiveness: **Newness and distinctiveness reside in the features of the design shown in solid lines in the representations excluding those features shown in broken lines.**



- (21) Design Number: **13802/2009**
(22) Date of Filing Application: **02 October 2009**
(24) Date from which industrial property rights may have effect: **02 October 2009**
(54) Product in respect of which the design is registered: **Portable speed hump**
(51) International Design Classification: **10-06**
(71) Name(s) and Address(s) of Applicant(s):
Roadwatch Australia Pty Ltd
3 Toorongo Court Warragul Victoria 3820 Australia
(72) Name(s) of Designer(s): **Murray Bloye**
(45) Registration Date: **27 October 2009**
(56) Related Art Documents: **Not Applicable**
(57) Statement of Newness and Distinctiveness: **Newness and distinctiveness are claimed in the features of shape and/or configuration of a portable speed hump, as illustrated in the accompanying representations.**



- (21) Design Number: **13803/2009**
(22) Date of Filing Application: **01 October 2009**
(24) Date from which industrial property rights may have effect: **01 October 2009**
(54) Product in respect of which the design is registered: **Lighting apparatus**
(51) International Design Classification: **26-05NES**
(71) Name(s) and Address(s) of Applicant(s):
M.D.I. Australia Pty Ltd
680 Boundary Road Richlands Queensland 4077 Australia
(72) Name(s) of Designer(s): **Rachel S. Yang**
(45) Registration Date: **27 October 2009**
(56) Related Art Documents: **Not Applicable**
(57) Statement of Newness and Distinctiveness: **Newness and distinctiveness is claimed in the feature of shape and/or configuration of a wall light apparatus incorporating the Child Buddha figurine light shade.**



(21) Design Number: **13804/2009**

(22) Date of Filing Application: **01 October 2009**

(24) Date from which industrial property rights may have effect: **01 October 2009**

(54) Product in respect of which the design is registered: **Lighting apparatus**

(51) International Design Classification: **26-05NES**

(71) Name(s) and Address(s) of Applicant(s):

M.D.I. Australia Pty Ltd
680 Boundary Road Richlands Queensland 4077 Australia

(72) Name(s) of Designer(s): **Rachel S. Yang**

(45) Registration Date: **27 October 2009**

(56) Related Art Documents: **Not Applicable**

(57) Statement of Newness and Distinctiveness: **Newness and distinctiveness is claimed in the feature of shape and/or configuration of a wall light apparatus incorporating the Cherub figurine light shade.**



(21) Design Number: **13807/2009**

(22) Date of Filing Application: **02 October 2009**

(24) Date from which industrial property rights may have effect: **02 October 2009**

(54) Product in respect of which the design is registered: **Jig for locks**

(51) International Design Classification: **08-07**

(71) Name(s) and Address(s) of Applicant(s):

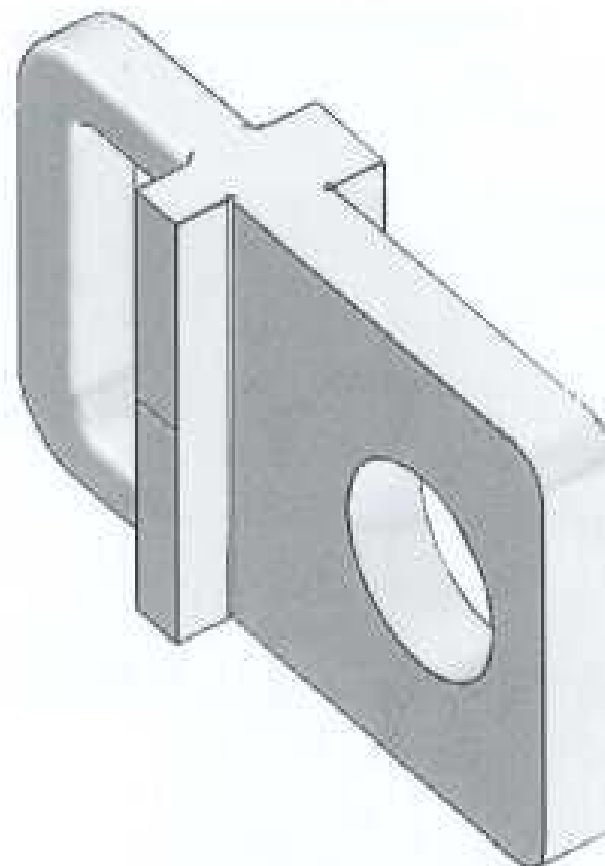
Daniel Lemm
2/53 Diana Drive Blackburn North Victoria 3130 Australia

(72) Name(s) of Designer(s): **Daniel Lemm**

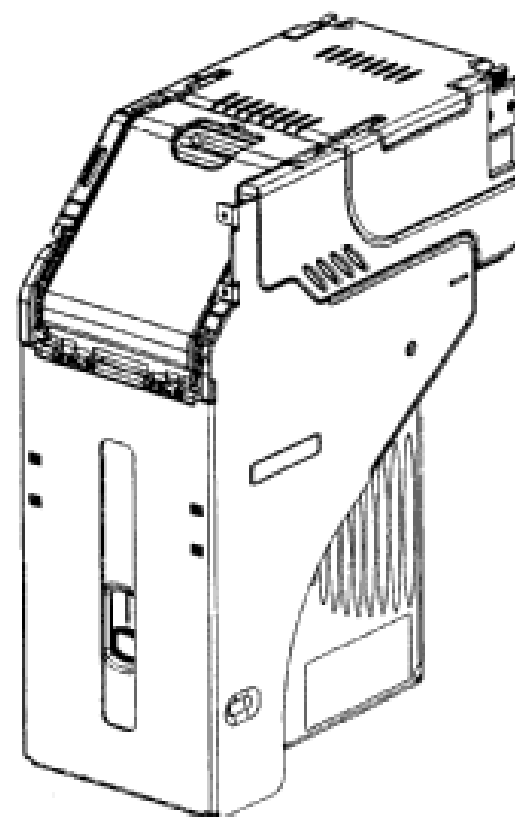
(45) Registration Date: **27 October 2009**

(56) Related Art Documents: **Not Applicable**

(57) Statement of Newness and Distinctiveness: **Nil**



- (21) Design Number: **13810/2009**
(22) Date of Filing Application: **01 October 2009**
(24) Date from which industrial property rights may have effect: **01 October 2009**
(54) Product in respect of which the design is registered: **Document validator**
(51) International Design Classification: **14-02**
(71) Name(s) and Address(s) of Applicant(s):
Japan Cash Machine Co., Ltd.
3-15 Nishiwaki 2-chome Hirano-ku Osaka-shi Osaka 5470035 Japan
(72) Name(s) of Designer(s): **Fumio Hagiwara and Toru Seki and Shinya Izawa
and Kazuya Nishimura and Takahiro Morioka**
(45) Registration Date: **27 October 2009**
(30) Convention priority data:
(31) Number (32) Date (33) Country
2009-7705 02 Apr 2009 JAPAN
(56) Related Art Documents: **Not Applicable**
(57) Statement of Newness and Distinctiveness: **Nil**



- (21) Design Number: **13812/2009**
(22) Date of Filing Application: **30 September 2009**
(24) Date from which industrial property rights may have effect: **30 September 2009**
(54) Product in respect of which the design is registered: **Solar collector**
(51) International Design Classification: **23-03D**
(71) Name(s) and Address(s) of Applicant(s):
Martin Hadlauer
Proleber Str. 58 Leoben 8700 Austria
(72) Name(s) of Designer(s): **Martin Hadlauer**
(45) Registration Date: **27 October 2009**
(30) Convention priority data:
(31) Number (32) Date (33) Country
001115786 31 Mar 2009 EUROPEAN COMMUNITY
(56) Related Art Documents: **Not Applicable**
(57) Statement of Newness and Distinctiveness: **I wish to submit a Statement of
Newness and Distinctiveness (set out below) in respect of particular
visual features of "the design", but in so doing do not imply that other
visual features of the design lack newness or distinctiveness. Statement
of Newness and Distinctiveness The shape and configuration of those
parts of the design shown within the broken lines in the representations
are new and distinctive.**



(21) Design Number: **13813/2009**
(22) Date of Filing Application: **30 September 2009**
(24) Date from which industrial property rights may have effect: **30 September 2009**
(54) Product in respect of which the design is registered: **Solar collector**
(51) International Design Classification: **23-03D**
(71) Name(s) and Address(s) of Applicant(s):

Martin Hadlauer
Proleber Str. 58 Leoben 8700 Austria

(72) Name(s) of Designer(s): **Martin Hadlauer**

(45) Registration Date: **27 October 2009**

(30) Convention priority data:

(31) Number	(32) Date	(33) Country
001115786	31 Mar 2009	EUROPEAN COMMUNITY

(56) Related Art Documents: **Not Applicable**

(57) Statement of Newness and Distinctiveness: **I wish to submit a Statement of Newness and Distinctiveness (set out below) in respect of particular visual features of "the design", but in so doing do not imply that other visual features of the design lack newness or distinctiveness. Statement of Newness and Distinctiveness The shape and configuration of those parts of the design shown within the broken lines in the representations are new and distinctive.**



(21) Design Number: **13814/2009**
(22) Date of Filing Application: **02 October 2009**
(24) Date from which industrial property rights may have effect: **02 October 2009**
(54) Product in respect of which the design is registered: **Fluid operated pump**
(51) International Design Classification: **15-02**
(71) Name(s) and Address(s) of Applicant(s):

Weir Minerals Netherlands B.V.
Egtenrayseweg 9 PH Venlo 5928 Netherlands

(72) Name(s) of Designer(s): **Jan Stroeken and Ger van Rijswick**

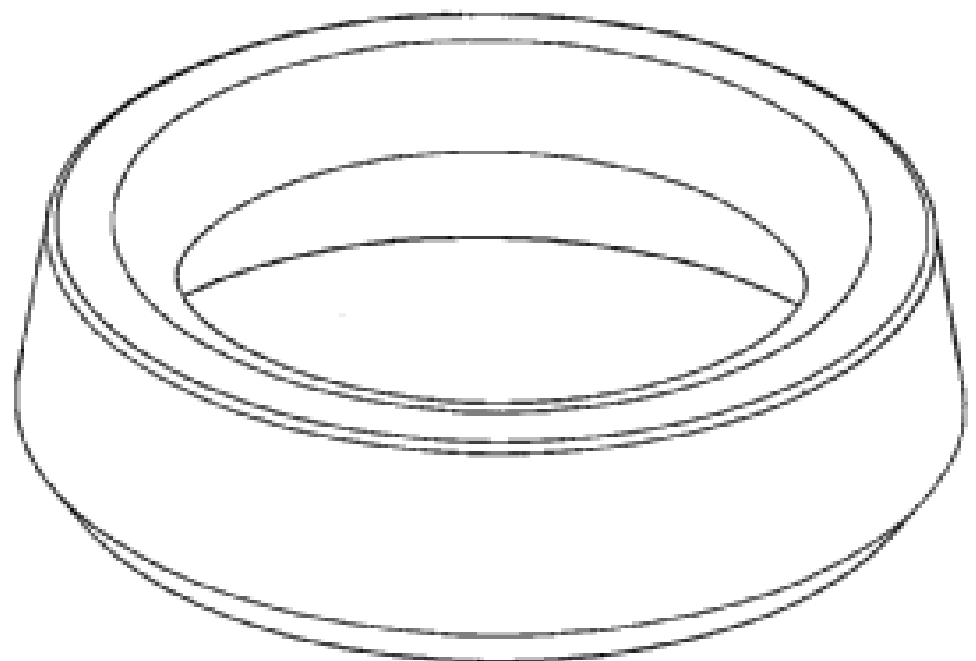
(45) Registration Date: **28 October 2009**

(30) Convention priority data:

(31) Number	(32) Date	(33) Country
001517822	19 May 2009	EUROPEAN COMMUNITY

(56) Related Art Documents: **Not Applicable**

(57) Statement of Newness and Distinctiveness: **Nil**



(21) Design Number: **13815/2009**

(22) Date of Filing Application: **05 October 2009**

(24) Date from which industrial property rights may have effect: **05 October 2009**

(54) Product in respect of which the design is registered: **Cover**

(51) International Design Classification: **07-01NES, 09-07NES**

(71) Name(s) and Address(s) of Applicant(s):

Dart Industries Inc
14901 S. Orange Blossom Trail Orlando Florida 32837 United States of America

(72) Name(s) of Designer(s): **Adam A. Jossem and David A. Holcomb**

(45) Registration Date: **28 October 2009**

(30) Convention priority data:

(31) Number	(32) Date	(33) Country
29/314,963	13 May 2009	UNITED STATES OF AMERICA

(56) Related Art Documents: **Not Applicable**

(57) Statement of Newness and Distinctiveness: **Those features of the cover depicted in the representations that are new and distinctive are the shape and/or configuration. The features shown in broken lines are not part of the design and are to be disregarded when considering the overall impression of the design.**



(21) Design Number: **13816/2009**

(22) Date of Filing Application: **02 October 2009**

(24) Date from which industrial property rights may have effect: **02 October 2009**

(54) Product in respect of which the design is registered: **A bracket**

(51) International Design Classification: **08-08L**

(71) Name(s) and Address(s) of Applicant(s):

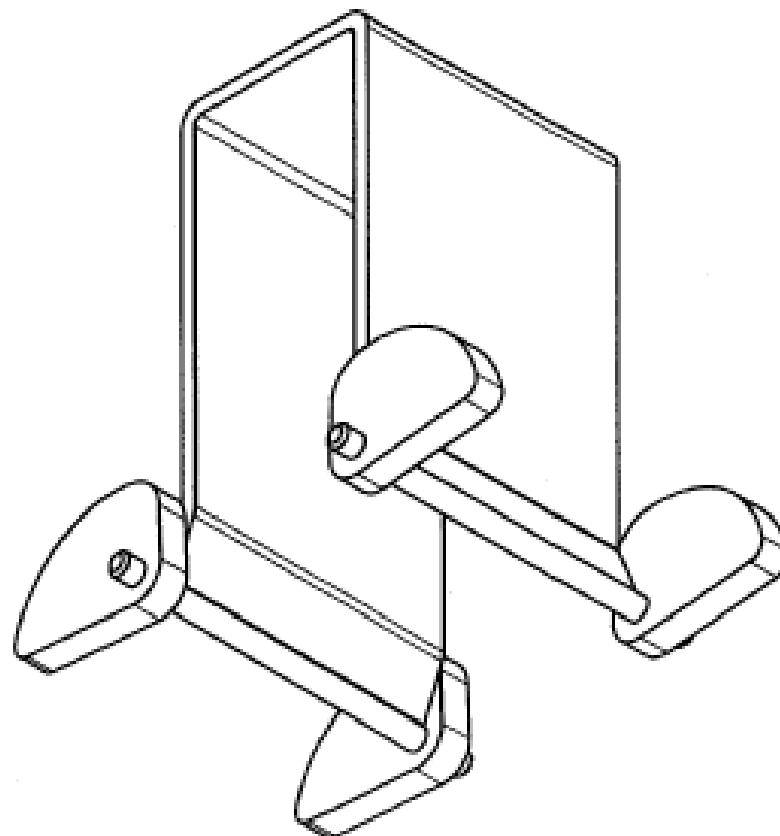
James Bailey
30 St Elmo Avenue Blackheath New South Wales 2785 Australia

(72) Name(s) of Designer(s): **James Bailey**

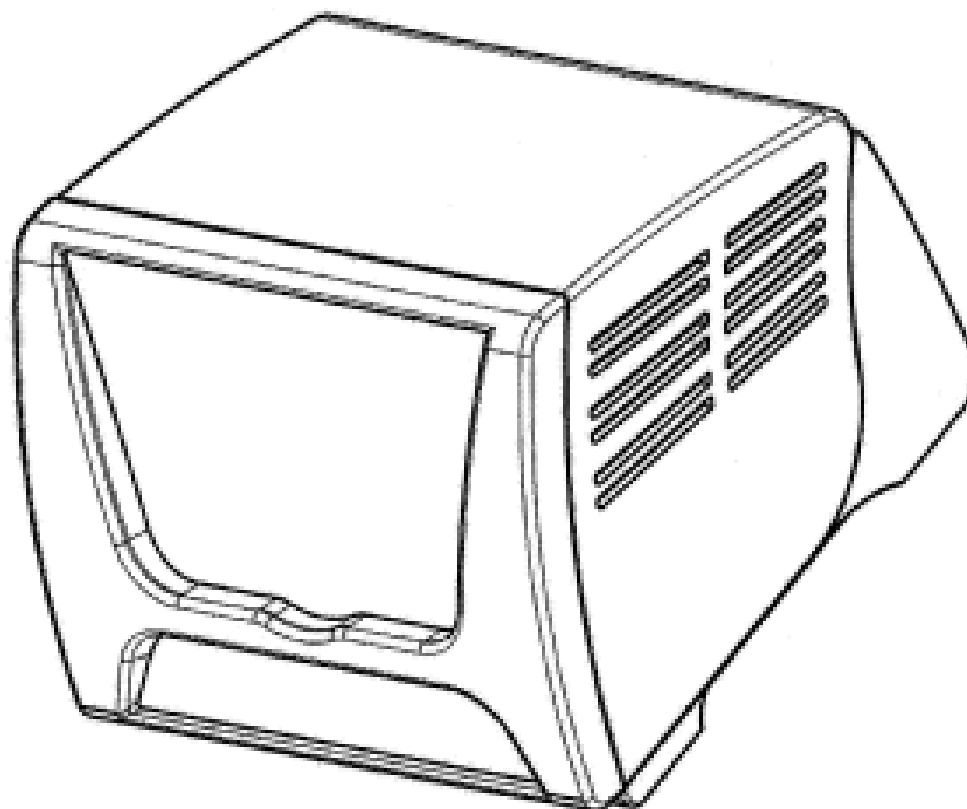
(45) Registration Date: **28 October 2009**

(56) Related Art Documents: **Not Applicable**

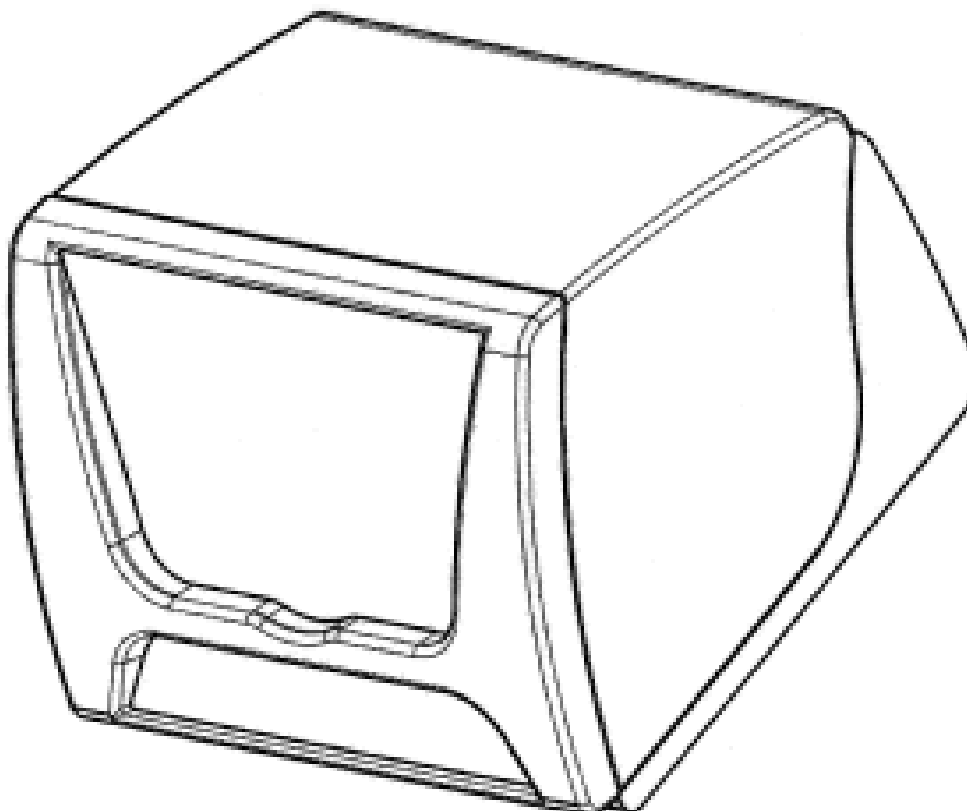
(57) Statement of Newness and Distinctiveness: **Newness and distinctiveness is claimed in the features of shape and/or configuration of a bracket as illustrated in the accompanying representations.**



- (21) Design Number: **13817/2009**
(22) Date of Filing Application: **02 October 2009**
(24) Date from which industrial property rights may have effect: **02 October 2009**
(54) Product in respect of which the design is registered: **Controlling apparatus for soldering iron**
(51) International Design Classification: **13-03NES**
(71) Name(s) and Address(s) of Applicant(s):
Cooper Tools GmbH
Carl-Benz-Str. 2 74354 Besigheim Germany
(72) Name(s) of Designer(s): **Gert Mittmann and Thomas Fischer**
(45) Registration Date: **28 October 2009**
(30) Convention priority data:
(31) Number (32) Date (33) Country
001560046 24 Jun 2009 EUROPEAN COMMUNITY
(56) Related Art Documents: **Not Applicable**
(57) Statement of Newness and Distinctiveness: **Newness and distinctiveness is claimed in the features of shape and/or configuration of a controlling apparatus for soldering iron as illustrated in the accompanying representations.**



- (21) Design Number: **13818/2009**
(22) Date of Filing Application: **02 October 2009**
(24) Date from which industrial property rights may have effect: **02 October 2009**
(54) Product in respect of which the design is registered: **Controlling apparatus for soldering iron**
(51) International Design Classification: **13-03NES**
(71) Name(s) and Address(s) of Applicant(s):
Cooper Tools GmbH
Carl-Benz-Str. 2 74354 Besigheim Germany
(72) Name(s) of Designer(s): **Gert Mittmann and Thomas Fischer**
(45) Registration Date: **28 October 2009**
(30) Convention priority data:
(31) Number (32) Date (33) Country
001560046 24 Jun 2009 EUROPEAN COMMUNITY
(56) Related Art Documents: **Not Applicable**
(57) Statement of Newness and Distinctiveness: **Newness and distinctiveness is claimed in the features of shape and /or configuration of a controlling apparatus for soldering iron as illustrated in the accompanying representations.**



- (21) Design Number: **13819/2009**
(22) Date of Filing Application: **02 October 2009**
(24) Date from which industrial property rights may have effect: **02 October 2009**
(54) Product in respect of which the design is registered: **Bottle**
(51) International Design Classification: **09-01H**
(71) Name(s) and Address(s) of Applicant(s):

SAVERGLASS
3 rue de la Gare 60960 Feuquieres France

(72) Name(s) of Designer(s): **Didier Rica**

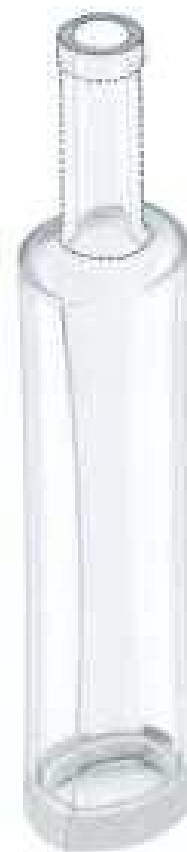
(45) Registration Date: **28 October 2009**

(30) Convention priority data:

(31) Number	(32) Date	(33) Country
001117758-0001	03 Apr 2009	EUROPEAN COMMUNITY

(56) Related Art Documents: **Not Applicable**

(57) Statement of Newness and Distinctiveness: **Newness and distinctiveness reside in the shape and configuration of the bottle as shown in the representations and, in particular, in the oval body shape and the cylindrical neck, in the sharp and wavy edges created by the combination of the sharp shoulder and a twisted oval section, and in the thick base. The shape of the neck shown in dashed lines may be varied and finished with either a screw cap finish or a plate finish for a cork.**



- (21) Design Number: **13820/2009**
(22) Date of Filing Application: **02 October 2009**
(24) Date from which industrial property rights may have effect: **02 October 2009**
(54) Product in respect of which the design is registered: **Bottle**
(51) International Design Classification: **09-01H**
(71) Name(s) and Address(s) of Applicant(s):

SAVERGLASS
3 rue de la Gare 60960 Feuquieres France

(72) Name(s) of Designer(s): **Didier Rica**

(45) Registration Date: **28 October 2009**

(30) Convention priority data:

(31) Number	(32) Date	(33) Country
001117758-0001	03 Apr 2009	EUROPEAN COMMUNITY

(56) Related Art Documents: **Not Applicable**

(57) Statement of Newness and Distinctiveness: **Newness and distinctiveness reside in the shape and configuration of the bottle as shown in the representations and, in particular in the slight inward curve of the sides of the oval body in combination with wavy edges caused by the twisted oval section, best seen in the side view. The shape of the neck shown in dashed lines may be varied and finished with either a screw cap finish or a plate finish for a cork.**



(21) Design Number: **13821/2009**

(22) Date of Filing Application: **02 October 2009**

(24) Date from which industrial property rights may have effect: **02 October 2009**

(54) Product in respect of which the design is registered: **Flask**

(51) International Design Classification: **09-01NES**

(71) Name(s) and Address(s) of Applicant(s):

SAVERGLASS

3 rue de la Gare 60960 Feuquieres France

(72) Name(s) of Designer(s): **Didier Rica**

(45) Registration Date: **28 October 2009**

(30) Convention priority data:

(31) Number

(32) Date

(33) Country

001117758-0001 03 Apr 2009

EUROPEAN COMMUNITY

(56) Related Art Documents: **Not Applicable**

(57) Statement of Newness and Distinctiveness: **Newness and distinctiveness reside in the shape and configuration of the bottle as shown in the representations and, in particular in the inward curve of the sides of the oval body in combination with wavy edges caused by the twisted oval section, best seen in the side view, and in the very thick glass plate base.**

