



Australian Government

IP Australia

AUSTRALIAN OFFICIAL JOURNAL

OF

DESIGNS

Did you know a searchable version of this journal is now available online?

It's FREE and EASY to SEARCH.

Find it at

<http://pericles.ipaustralia.gov.au/ols/epublish/content/olsEpublications.jsp>
or using the "Online Journals" link on the IP Australia home page.

This Page Left Intentionally Blank

Contents

General Information & Notices

Proceedings Under the Designs Act 1906 preserved as a result of the provisions of Chapter 12 Part 2 of the Designs Act 2003

Extension of Period of Registration of Designs	3376
Extensions of Time Granted	3376
Names Registered - Alterations and Amendments	3376
Registrations Ceased	3376

Proceedings Under the Designs Act 2003

Applications Lapsed	3385
Applications Lodged	3381
Certificate of Examination	3387
Extension of Period of Registration of Design	3386
Extension of Time Granted Under Section 137	3386
Names Registered - Alterations and Amendments	3386
Publication and Registration Proceedings	
Designs Registered 328192 to 328380.....	3388
Registrations Ceased	3386
Subsequent Owners Registered	3386

This Page Left Intentionally Blank

For information on the following please see our website www.ipaustralia.gov.au or contact our Customer Service Network on 1300651010

[Editorial enquiries](#)

[Contact information](#)

[Freedom of Information ACT](#)

[Professional Standards Board](#)

[Sales](#)

[Requests for Information under Section 194 \(c\)](#)

[Country Codes](#)

[Trade Mark and Designs Hearing Sessions](#)

[INID \(Internationally agreed Numbers for the Identification of Data\)](#)

“INID” NUMBERS in use on Australian Design Documents

“INID” is an acronym for “Internationally agreed Numbers for the Identification of Data”.

(10) Data concerning the registration/renewal

- (11) Serial number of the registration and/or number of the design document
- (12) Plain language designation of the kind of published document
- (19) Identification, using the two-letter code according to WIPO Standard ST.3, of the authority publishing or registering the industrial design

(20) Data concerning the application

- (21) Serial number of the application
- (22) Date of filing of the application
- (24) Date from which the industrial design right has effect

(30) Data relating to priority under the Paris Convention

- (31) Serial number assigned to the priority application
- (32) Date of filing of the priority application
- (33) Two-letter code, according to WIPO Standard ST.3, identifying the authority with which the priority application was made

(40) Date(s) of making information available to the public

- (45) Date of publication of the registered industrial design by printing or similar process, or making it available to the public by any other means

(50) Miscellaneous Information

- (51) International Classification for Industrial Designs (class and subclass of the Locarno Classification)
- (54) Designation of article(s) or product(s) covered by the industrial design or title of the industrial design
- (55) Reproduction of the industrial design (e.g., drawing, photograph) and explanations relating to the reproduction
- (56) List of prior art documents, if separate from descriptive text
- (57) Description of characteristic features of the industrial design including indication of colours

(60) References to other legally related application(s) and registration(s)

- (62) Serial number(s) and, if available, filing date(s) of application(s), registration(s) or document(s) related by division
- (66) Serial number(s) of the application, or the registration, of the design(s) which is (are) a variant(s) of the present one

(70) Identification of parties concerned with the application or registration

- (71) Name(s) and address(es) of the applicant(s)
- (72) Name(s) of the creator(s) if known to be such
- (74) Name(s) and address(es) of the representative(s)

This Page Left Intentionally Blank

Official Notice**Designs Act 2003
Amendments to Registered Designs at Examination**

The following amendments have been made to details previously published in the Australian Official Journal of Designs during the Examination process:

Registration Numbers	Amendment type	New details
326268	Classification	26-05Z
326485	Classification	12-15D

Contact: IP Australia
Phone: 1300 651 010
Fax: +61 2 6283 7999
E-mail: assist@ipaustrialia.gov.au
Web: www.ipaustrialia.gov.au

**Proceedings under the Designs Act 1906 preserved as a
result of the provisions of Chapter 12 Part 2 of the Designs
Act 2003.**

This Page Left Intentionally Blank

Applications Lapsed

There were no Applications Lapsed under this section

Extension of Period of Registration of Designs

2nd Period (Section 27A(12))

153199	153349	153464
154499	154500	154539
154690	154697	154776
154855	154856	154868
154906	155048	155086
155104	155105	155106
155123	155124	155125
155126	155127	155241
155308	155555	155678
155800	155804	155822
155918	155919	155926
156147	156148	156291
156331	156411	156635
156636	156904	156953
157039	157421	157544
157545	157546	157547
157548	157549	157550
157551	157552	157553
157554	157660	157686
157796	157933	158113
158114	158151	158152
158338		

3rd Period (Section 27A(13))

136014	136475	136831
137256	137329	137341
137345	137346	137388
137446	137447	137461
137522	137523	137524
137525	137526	137527
137994	137995	138050
138072	138086	138087
138088	138091	138092
138093	138094	138095
138096	138097	138137
138138	138293	138294
138295	138296	138381
139109	139143	139186
139264	139265	139266
139431	139476	139484
140739	141122	141144
141182	141328	141687

Registrations Ceased

Note: Some of the following Registrations may have been previously advertised as ceased. In this instance, the previous advertisement still prevails.

120339	120356	120371
120389	120411	120412
120540	120625	120640
120796	120994	120995

121198	121263	121292
121642	121717	122883
123097	123378	123651
123759	135176	135177
135187	135209	135303
135867	135980	136048
138992	139159	139218
139543	139544	139545
141028	141030	151889
151890	151910	152158
152159	152160	152162
152163	152166	152167
152169	152209	152242
152244	152335	152352
152360	152361	152362
152493	152541	152542
152543	152544	152560
152561	152562	152563
152656	152694	152695
152696	152697	152808
152834	152849	152990
153001	153187	153188
153230	153231	153232
153233	153234	153235
153236	153441	153467
153514	153768	153769
153926	153960	153969
153971	153972	154066
154067	154132	154423
154506	155062	155063
155295	155455	155531
155548	155649	155650
155684	155740	155793
155941	156145	156302
156345	156622	157443
157466	157673	157674
157675	157676	157677
157788	157826	157827
157828	157829	

Extensions of time granted

Applications lodged for extension of time have been granted.

153464 **Mark Carpinelli** An Extension of time to extend a registration has been granted to 31/08/2009

Names Registered - Alterations and Amendments

(The name in parentheses is the new name of the proprietor)

154539	(Panasonic Corporation) Matsushita Electric Industrial Co. Ltd
140211	(Abbott Medical Optics Inc.) Advanced Medical Optics Inc.
139993	(Advanced Medical Optics Inc.) Abbott Medical Optics Inc.
139993	(Abbott Medical Optics Inc.) Advanced Medical Optics Inc.

This Page Left Intentionally Blank

Proceedings under the Designs Act 2003.

This Page Left Intentionally Blank

Applications Lodged

Lodgement information is in the following order: **Applicant's Name**; International Classification, Name of Product, Lodgement Date and **Design Number**. If the applicant claims an earlier priority date under an International Convention, the Convention Country and the associated filing date are shown in parentheses before the Lodgement Date. Divisional information will also appear in parentheses before the Lodgement Date.

Abuzz Solutions Pty Ltd; 14-02, 14-04, Interactive kiosk, 22 Oct 2009	14175/2009	Bradley, Damon; 22-05, Fishing rod storage rack, 03 Nov 2009	14290/2009
Aesthetic Holdings Pty Ltd; 19-06, 19-07, 19-08, Drawing template, 29 Oct 2009	14201/2009	Campos, Jorge; 06-01G, Armchair, 29 Oct 2009	14202/2009
Anderson, Roslyn; 02-02C, Sport skirt, 27 Oct 2009	14160/2009	Campos, Jorge; 06-01G, Lounge chair, 29 Oct 2009	14203/2009
Antzpantz Creative Pty Ltd; 21-01B, Toy character, 03 Nov 2009	14281/2009	Chilewich Sultan LLC; 05-05NES, Covering, 28 Oct 2009	14211/2009
Antzpantz Creative Pty Ltd; 21-01B, Toy character, 03 Nov 2009	14282/2009	Chilewich Sultan LLC; 05-05D, Covering, 28 Oct 2009	14212/2009
Architectural Window Systems Pty Limited; 25-01K, 25-02H, An extrusion, 05 Nov 2009	14311/2009	Columbia Sportswear North America, Inc.; 05-99, Patterned heat reflective material, (US, 07 May 2009) 03 Nov 2009	14275/2009
Architectural Window Systems Pty Limited; 25-01K, 25-02H, An extrusion, 05 Nov 2009	14312/2009	Comptoir Nouveau de la Parfumerie; 09-01G, Bottle, (WO, 20 May 2009) 27 Oct 2009	14157/2009
Astral Property Pty Limited; 23-01F, Underground tank small plate, 23 Oct 2009	14199/2009	Conair Corporation; 28-03B, Hair dryer, (US, 06 Oct 2009) 06 Nov 2009	14336/2009
Australian Natural Energy Pty Ltd; 25-01K, The maximount roof mounting system for photovoltaic solar panels., 28 Oct 2009	14164/2009	Conair Corporation; 28-03B, Hair dryer, (US, 06 Oct 2009) 06 Nov 2009	14335/2009
Australian Performance Development Pty Ltd; 12-16NES, Air intake filter connector for a vehicle snorkel, 27 Oct 2009	14148/2009	Connell, Megan Jennifer; 19-04, Books and electronic media sets, 30 Oct 2009	14220/2009
Bayer Aktiengesellschaft; 09-01NES, A bottle with a cap, (DE, 18 Aug 2009) 29 Oct 2009	14254/2009	Cook, David George; 25-01K, Extrusion, 30 Oct 2009	14249/2009
Becton, Dickinson and Company; 09-07C, Pierceable collection container cap and assembly, (Divisional of 13471/2009) 04 Sep 2009	14189/2009	Dart Industries Inc.; 07-01NES, Cover, (US, 11 Jun 2009) 05 Nov 2009	14303/2009
Bioaction Pty Ltd; 23-01G, Portable filter apparatus, 03 Nov 2009	14280/2009	Dart Industries Inc.; 07-01NES, Container, (US, 11 Jun 2009) 05 Nov 2009	14304/2009
Body Armour Technology Limited; 02-03, Head gear, (EM, 05 May 2009) 02 Nov 2009	14259/2009	Dart Industries Inc.; 07-01NES, Covers, (US, 11 Jun 2009) 05 Nov 2009	14305/2009
Boost Pty Ltd; 21-02C, Greenmaster Pro - training aid in sport of golf, 04 Nov 2009	14269/2009	Dias Aluminium Products Pty. Ltd.; 25-01K, Wardrobe door grip stile, 27 Oct 2009	14161/2009
Bradley, Damon; 22-05, Fishing rod holder, 03 Nov 2009	14285/2009	Envirocycle Systems Inc.; 09-03G, Composter barrel, (CA, 08 May 2009) 06 Nov 2009	14337/2009
Bradley, Damon; 22-05, Fishing rod holder - car, 03 Nov 2009	14286/2009	EZI Concepts Limited; 09-03E, Cup holder, (NZ, 27 Oct 2009) 04 Nov 2009	14314/2009
Bradley, Damon; 22-05, Fishing rod holder, 03 Nov 2009	14287/2009	EZI Concepts Limited; 09-03E, Cup holder, (NZ, 27 Oct 2009) 04 Nov 2009	14298/2009
Bradley, Damon; 22-05, Fishing rod and drink holder, 03 Nov 2009	14288/2009	Fallis, Alexander William; 08-08L, Builder's sheeting - tie down assist, 29 Oct 2009	14190/2009
Bradley, Damon; 22-05, Fishing rod holder for car, 03 Nov 2009	14289/2009		

Faulkner, Reginald Leigh; Faulkner, Edith Eweyi; 12-10, Trailers, 02 Oct 2009	14176/2009	Interphase Engineering P/L; 08-05G, 12-99, Applicator assembly to apply lubricating grease to rail track at flange or top of rail contact points, 30 Oct 2009	14234/2009
Faulkner, Edith Eweyi; Faulkner, Reginald Leigh; 12-10, Trailers, 02 Oct 2009	14176/2009	Itter, Pavlina; 09-01G, Cosmetics, 04 Nov 2009	14274/2009
Ferrari S.p.A.; 12-08, 21-01C, Car and toy-car, (EM, 13 May 2009) 04 Nov 2009	14293/2009	IGT (Australia) Pty Ltd; 21-03, Display panel for a gaming machine, 28 Oct 2009	14192/2009
Fifty-Fourth Rischell Pty Ltd; 02-02C, 02-02NES, Men's clothing, 27 Oct 2009	14173/2009	IGT (Australia) Pty Ltd; 21-03, Display panel for a gaming machine, 28 Oct 2009	14193/2009
Forever New Clothing Pty Ltd; 03-01B, Handbag, 28 Oct 2009	14182/2009	IGT (Australia) Pty Ltd; 21-03, Display panel for a gaming machine, 28 Oct 2009	14194/2009
G and W Imports Ltd; 23-03G, Food oven, (NZ, 01 Sep 2009) 30 Oct 2009	14250/2009	IGT (Australia) Pty Ltd; 21-03, Display panel for a gaming machine, 28 Oct 2009	14195/2009
Garmond Australia Pty. Limited; 08-06, Hinge, 27 Oct 2009	14204/2009	Jaafar, Kyra; Martin, Tina; Hill, Kristy; Martin, Fiona; 03-01NES, Lunch bag, 30 Oct 2009	14219/2009
General Mills Marketing, Inc.; 01-01, Shaped tortilla, (US, 18 Sep 2009) 04 Nov 2009	14292/2009	Jackel International Limited; 07-01E, Drinking cup, (EM, 12 Oct 2009) 29 Oct 2009	14222/2009
General Mills Marketing, Inc.; 01-01, Shaped tortilla, (US, 18 Sep 2009) 04 Nov 2009	14294/2009	Jackel International Limited; 07-01C, Drinking cup, (EM, 12 Oct 2009) 29 Oct 2009	14223/2009
General Mills Marketing, Inc.; 01-01, Shaped tortilla, (US, 18 Sep 2009) 04 Nov 2009	14295/2009	Jackel International Limited; 07-01D, Drinking cup, (EM, 12 Oct 2009) 29 Oct 2009	14224/2009
General Mills Marketing, Inc.; 01-01, Shaped tortilla, (US, 18 Sep 2009) 04 Nov 2009	14296/2009	Jackel International Limited; 07-01C, Drinking cup, (EM, 12 Oct 2009) 29 Oct 2009	14225/2009
General Mills Marketing, Inc.; 01-01, Shaped tortilla, (US, 18 Sep 2009) 04 Nov 2009	14297/2009	Jackel International Limited; 07-01C, Drinking cup, (EM, 12 Oct 2009) 29 Oct 2009	14226/2009
Georgetown Rail Equipment Company; 23-01E, Ballast gate, (US, 29 Apr 2009) 29 Oct 2009	14253/2009	Jackel International Limited; 07-01C, Drinking cup, (EM, 12 Oct 2009) 29 Oct 2009	14227/2009
Hammar, Lars; 20-03C, 20-03NES, Sign support, (EM, 04 May 2009) 30 Oct 2009	14248/2009	Jackel International Limited; 07-01NES, Retainer for a drinking cup, (EM, 12 Oct 2009) 29 Oct 2009	14228/2009
Hill, Kristy; Martin, Tina; Jaafar, Kyra; Martin, Fiona; 03-01NES, Lunch bag, 30 Oct 2009	14219/2009	Jackel International Limited; 07-01NES, Retainer for a drinking cup, (EM, 12 Oct 2009) 29 Oct 2009	14229/2009
Honda Motor Co., Ltd.; 12-16B, Front bumper for automobile, (JP, 30 Apr 2009) 28 Oct 2009	14187/2009	Jackel International Limited; 07-01NES, Valve for a drinking cup, (EM, 12 Oct 2009) 29 Oct 2009	14230/2009
Huang, Chi-Tao; 08-08B, Concrete screw, 04 Nov 2009	14273/2009	Jackel International Limited; 07-01NES, Valve for a drinking cup, (EM, 12 Oct 2009) 29 Oct 2009	14231/2009
Ingersoll-Rand Architectural Hardware Limited; 08-06, Lever, (NZ, 18 Sep 2009) 29 Oct 2009	14196/2009	Jackel International Limited; 07-01C, Drinking cup, (EM, 12 Oct 2009) 29 Oct 2009	14232/2009
Ingersoll-Rand Architectural Hardware Limited; 08-06, Lever, (NZ, 18 Sep 2009) 29 Oct 2009	14181/2009	Johnson & Johnson Consumer Companies, Inc.; 09-01K, Package and feature thereof, (US, 27 Apr 2009) 27 Oct 2009	14200/2009
Interphase Engineering P/L; 08-05G, 12-99, Reservoir to hold lubricating grease for use on rail track flange and rail top lubrication, 30 Oct 2009	14233/2009		

Johnson & Johnson Ind. E Com. Ltda; 24-04, Sanitary napkin, (US, 29 Apr 2009) 28 Oct 2009	14213/2009	Li, Zhen Hui; 08-99, A bending blade for a metal bending brake, 06 Nov 2009	14332/2009
Johnson & Johnson Ind. E Com. Ltda; 24-04, Sanitary napkin, (US, 29 Apr 2009) 28 Oct 2009	14214/2009	Li, Zhen Hui; 08-99, A bending blade for a metal bending brake, 06 Nov 2009	14331/2009
Johnson & Johnson Ind. E Com. Ltda; 24-04, Sanitary napkin, (US, 29 Apr 2009) 28 Oct 2009	14215/2009	Licciardi Di Stefano, Carmelo Joseph; 12-05, An idler disc, 27 Oct 2009	14153/2009
Johnson & Johnson Ind. E Com. Ltda; 24-04, Sanitary napkin, (US, 29 Apr 2009) 28 Oct 2009	14216/2009	Lighting Science Group Corporation; 26-05NES, Luminaire, (US, 04 May 2009) 03 Nov 2009	14272/2009
Johnson & Johnson Ind. E Com. Ltda; 24-04, Sanitary napkin, (US, 29 Apr 2009) 28 Oct 2009	14217/2009	Linak A/S; 15-99, A linear actuator, (DK, 09 May 2009) 06 Nov 2009	14326/2009
Johnson & Johnson Ind. E Com. Ltda; 24-04, Sanitary napkin, (US, 29 Apr 2009) 28 Oct 2009	14218/2009	Little Lighting; 08-08C, Lighting clip, 04 Nov 2009	14327/2009
JohnsonDiversey, Inc.; 28-03NES, Fluid dispenser, (US, 06 May 2009) 27 Oct 2009	14149/2009	Living Holmes Design; 11-02B, Mini vertical garden kit, 29 Oct 2009	14180/2009
JohnsonDiversey, Inc.; 28-03NES, Fluid dispenser, (US, 06 May 2009) 27 Oct 2009	14150/2009	Lucidity Enterprise Co., Ltd.; 26-06, Vehicle lamp, 02 Nov 2009	14270/2009
Jorgenson-Watts Pty Ltd; 25-02B, Door, 29 Oct 2009	14198/2009	LG Electronics Inc.; 15-05, Laundry dryer, (KR, 01 Jun 2009) 06 Nov 2009	14315/2009
JPMorgan Chase Bank, N.A.; 14-02, Vertically-oriented coloured transaction device, (US, 30 Apr 2009) 30 Oct 2009	14251/2009	LG Electronics Inc.; 15-05, Washing machine, (KR, 01 Jun 2009) 06 Nov 2009	14316/2009
JPMorgan Chase Bank, N.A.; 14-02, Vertically-oriented transaction device, (US, 30 Apr 2009) 30 Oct 2009	14252/2009	Martin, Tina; Jaafar, Kyra; Hill, Kristy; Martin, Fiona; 03-01NES, Lunch bag, 30 Oct 2009	14219/2009
Kapitzke, Ian Ross; 25-01A, A ridge block, 05 Nov 2009	14308/2009	Martin, Fiona; Martin, Tina; Jaafar, Kyra; Hill, Kristy; 03-01NES, Lunch bag, 30 Oct 2009	14219/2009
Kapitzke, Ian Ross; 23-01NES, A baffle, 05 Nov 2009	14309/2009	Master Lock Company LLC; 08-07, Lock, (US, 19 May 2009) 06 Nov 2009	14321/2009
Katz, Stanley Michael; 09-03F, Coffee, Coffee cups and containers, beverages, beverage cups and containers, food, snacks, 06 Nov 2009	14306/2009	Master Lock Company LLC; 08-07, Lock, (US, 19 May 2009) 06 Nov 2009	14322/2009
Kenwood Limited; 31-00, Food processors, (EM, 28 Apr 2009) 27 Oct 2009	14156/2009	Master Lock Company LLC; 08-07, Lock, (US, 19 May 2009) 06 Nov 2009	14323/2009
Koninklijke Philips Electronics N.V.; 26-04, Solid state lighting spot, (EM, 04 May 2009) 30 Oct 2009	14255/2009	Master Lock Company LLC; 08-07, Lock, (US, 05 Jun 2009) 06 Nov 2009	14324/2009
KordTech Pty Ltd; 14-02, Data input and control device, 29 Oct 2009	14206/2009	Master Lock Company LLC; 08-07, Lock, (US, 05 Jun 2009) 06 Nov 2009	14325/2009
Kyzen Pty Ltd; 15-04, 09-02C, A mixing barrel, 30 Oct 2009	14258/2009	Master Lock Company LLC; 08-07, Lock, (US, 19 May 2009) 06 Nov 2009	14318/2009
L.P.G. Conversions Pty. Ltd.; 12-16NES, Holden VE wagon toroidal bracket, 29 Oct 2009	14179/2009	Master Lock Company LLC; 08-07, Lock, (US, 19 May 2009) 06 Nov 2009	14319/2009
Lee, Bong-gu; Park, Zoong-ho; Yoo, Jun-mo; 01-01, Skewered potato chip assembly, (KR, 29 Apr 2009) 28 Oct 2009	14185/2009	Master Lock Company LLC; 08-07, Lock, (US, 19 May 2009) 06 Nov 2009	14320/2009
		Melro Distributors Pty Ltd; 02-02C, 02-02NES, Ladies clothing, 27 Oct 2009	14152/2009
		Melrose, David Murray; 09-01K, A container, (NZ, 03 Jun 2009) 04 Nov 2009	14291/2009
		Memake Pty Limited; 26-05D, Lighting: light shade/lamp, 28 Oct 2009	14197/2009

Michelin Recherche et Technique S.A.; Societe De Technologie Michelin; 12-15A, A tyre, (FR, 02 Jun 2009) 05 Nov 2009	14313/2009	Rieke Corporation; 09-07B, Closure with retaining ring for a container, (US, 07 May 2009) 28 Oct 2009	14183/2009
Monty Haul Gaming; 06-03D, Tribute series tables 8 seater, 6 seater, 4 seater, 05 Nov 2009	14300/2009	Schitech Pty Ltd; 13-03NES, Electrical Power Module, 27 Oct 2009	14165/2009
MIMOS Berhad; 14-02, Collector mote, 06 Nov 2009	14330/2009	Schitech Pty Ltd; 13-03NES, Installation Coupler, 27 Oct 2009	14170/2009
MIMOS Berhad; 13-03C, Enclosure for electrical and electronic components, 06 Nov 2009	14328/2009	Schitech Pty Ltd; 13-03NES, Installation Coupler, 27 Oct 2009	14171/2009
MIMOS Berhad; 14-02, Sensor mote, 06 Nov 2009	14329/2009	Schitech Pty Ltd; 13-03NES, Installation Coupler, 27 Oct 2009	14172/2009
O'Connor-Cowley, Elizabeth Ann; 02-05, Children's bib, 26 Oct 2009	14205/2009	Schitech Pty Ltd; 13-03NES, Electrical Power Module, 27 Oct 2009	14166/2009
Oztent Australia Pty. Limited; 06-06G, Ajustable lumbar support for a chair, 27 Oct 2009	14151/2009	Schitech Pty Ltd; 13-03NES, Installation Coupler, 27 Oct 2009	14167/2009
Pactiv Corporation; 07-01NES, 09-99, Transition region for a convertible container and plate, (US, 04 May 2009) 04 Nov 2009	14299/2009	Schitech Pty Ltd; 13-03NES, Installation Coupler, 27 Oct 2009	14168/2009
Park, Zoong-ho; Lee, Bong-gu; Yoo, Jun-mo; 01-01, Skewered potato chip assembly, (KR, 29 Apr 2009) 28 Oct 2009	14185/2009	Schitech Pty Ltd; 13-03NES, Installation Coupler, 27 Oct 2009	14169/2009
Parmalat Australia Ltd; 09-01NES, Bottle, 28 Oct 2009	14191/2009	Schlegel, Robert F.; 12-16L, Motor vehicle towbar, 30 Oct 2009	14256/2009
Penny Farthings Pushbike Parking Pty Ltd; 08-10, Public art styled bicycle rack, 27 Oct 2009	14174/2009	Schreder S.A.; 26-05B, Lighting device, (EM, 30 Apr 2009) 30 Oct 2009	14257/2009
Perfect Pushup, LLC; 21-02F, Push-up exercise device, (US, 24 Aug 2009) 05 Nov 2009	14302/2009	Sierra Wireless, Inc.; 13-03D, USB adaptor, (CA, 05 May 2009) 02 Nov 2009	14271/2009
Pi-Design AG; 07-04, Garlic press, (WO, 15 May 2009) 27 Oct 2009	14158/2009	Slavin, Michael; 21-02NES, Arena for a combat sport, 29 Oct 2009	14238/2009
Pi-Design AG; 07-02R, Kitchen gadget handle, (WO, 15 May 2009) 27 Oct 2009	14159/2009	Societe De Technologie Michelin; Michelin Recherche et Technique S.A.; 12-15A, A tyre, (FR, 02 Jun 2009) 05 Nov 2009	14313/2009
Powersource Investments Pty Ltd; 07-07A, 21-01C, Remote control cooler, 02 Nov 2009	14276/2009	Somogyi, Peter; 22-05, Fishing lure, 29 Oct 2009	14241/2009
Pragma Design Pty Ltd; 20-03NES, Sign, 04 Nov 2009	14268/2009	Somogyi, Peter; 22-05, Fishing lure, 29 Oct 2009	14242/2009
PC Locs Pty Ltd; 06-04B, Storage locker unit, 29 Oct 2009	14221/2009	Somogyi, Peter; 22-05, Fishing lure, 29 Oct 2009	14243/2009
Rain Bird Corporation; 10-05, 23-01E, Sensor for irrigation control, (US, 04 May 2009) 03 Nov 2009	14279/2009	Somogyi, Peter; 22-05, Fishing lure, 29 Oct 2009	14244/2009
Reckitt Benckiser Inc.; 23-02A, Lavatory dispensing device, (US, 12 Jun 2009) 27 Oct 2009	14188/2009	Somogyi, Peter; 22-05, Fishing lure, 29 Oct 2009	14245/2009
Rieke Corporation; 09-07B, Closure with retaining ring for a container as installed, (US, 07 May 2009) 28 Oct 2009	14184/2009	Somogyi, Peter; 22-05, Fishing lure, 29 Oct 2009	14246/2009
		Somogyi, Peter; 22-05, Plug for a fishing lure, 29 Oct 2009	14247/2009
		Souter, Ian K.; 08-99, Folding saw horse, 04 Nov 2009	14283/2009
		Spence, Diane; 02-03, Protective headwear / headwear, 30 Oct 2009	14235/2009
		Spence, Diane; 02-03, Headwear, 30 Oct 2009	14236/2009

Splane, Robson; 21-02F, Abdominal exercise device, (US, 11 Sep 2009) 06 Nov 2009	14317/2009	Toyota Jidosha Kabushiki Kaisha; 12-08, Automobile, 29 Oct 2009	14209/2009
Stansfield, Anthony; 25-01K, An extrusion, 05 Nov 2009	14310/2009	Toyota Jidosha Kabushiki Kaisha; 12-16C, Front bumper for an automobile, 29 Oct 2009	14210/2009
Stargames Corporation Pty Limited; 21-03, Push button, 02 Nov 2009	14277/2009	Uptime Truck & Trailer Services Pty Ltd; 12-16NES, 10-04, Engine air intake testing device, 30 Oct 2009	14260/2009
Stargames Corporation Pty Limited; 21-03, Push button, 02 Nov 2009	14278/2009	Uptime Truck & Trailer Services Pty Ltd; 12-16NES, 10-04, Engine air intake testing device, 30 Oct 2009	14261/2009
Stuart Weitzman IP, LLC; 20-02C, 20-02E, Free standing display shelf, (EM, 22 Oct 2008) 22 Jul 2009	14239/2009	Uptime Truck & Trailer Services Pty Ltd; 12-16NES, 10-04, Engine air intake testing device, 30 Oct 2009	14262/2009
Stuart Weitzman IP, LLC; 20-02C, 20-02E, Display stools, (EM, 22 Oct 2008) 22 Jul 2009	14240/2009	Uptime Truck & Trailer Services Pty Ltd; 12-16NES, 10-04, Engine air intake testing device, 30 Oct 2009	14263/2009
Sunbeam Corporation Limited; 07-02H, Grill, 29 Oct 2009	14264/2009	Von Horning, John; 20-03NES, Magnetic advertising sign for car roofs suitable to use while driving or parking, 04 Nov 2009	14284/2009
Sunbeam Corporation Limited; 07-02H, Grill, 29 Oct 2009	14265/2009	Wa, Vincent Chan Kun; 14-02, Laptop stand, 29 Oct 2009	14237/2009
Surf Composites Pty Ltd; 21-02D, Right side power base fin with flanged base for detachable fin attachment, 25 Aug 2009	14177/2009	Wilson, Martyn S.; 08-10, Bicycle hitching rail, 30 Oct 2009	14266/2009
Surf Composites Pty Ltd; 21-02D, Centre power base fin with flanged base for detachable fin attachment, 25 Aug 2009	14178/2009	Wilson, Charles; 07-99NES, Bootjack, 29 Oct 2009	14267/2009
The Austral Brick Company Pty Ltd; 25-01A, Brick, 27 Oct 2009	14154/2009	Wm. Wrigley Jr. Company; 09-03M, Comestible package, (US, 28 Apr 2009) 28 Oct 2009	14186/2009
The Austral Brick Company Pty Ltd; 25-01A, Brick, 27 Oct 2009	14155/2009	Yokohama Rubber Co., Ltd., The; 12-15NES, Automobile tire, (JP, 08 May 2009) 05 Nov 2009	14307/2009
Thermos L.L.C.; 09-01H, Bottle, (US, 07 Aug 2009) 06 Nov 2009	14333/2009	Yoo, Jun-mo; Lee, Bong-gu; Park, Zoong-ho; 01-01, Skewered potato chip assembly, (KR, 29 Apr 2009) 28 Oct 2009	14185/2009
Thermos L.L.C.; 09-01H, Bottle, (US, 07 Aug 2009) 06 Nov 2009	14334/2009	Zhejiang CFMOTO Power Co., Ltd; 12-08, All terrain vehicle, (CN, 14 Sep 2009) 26 Oct 2009	14162/2009
Tobin, Edward; 22-06, Bee hive beetle trap, 28 Oct 2009	14163/2009		
Toyota Jidosha Kabushiki Kaisha; 26-06, Front combination lamp for an automobile, 29 Oct 2009	14207/2009		
Toyota Jidosha Kabushiki Kaisha; 26-06, Rear combination lamp for an automobile, 29 Oct 2009	14208/2009		

Applications Lapsed

11381 / 2009 (25-02A)	11382 / 2009 (08-08K)
11399 / 2009 (06-01F)	11420 / 2009 (02-02NES)
12689 / 2009 (08-05K)	12895 / 2009 (26-06)
12896 / 2009 (26-06)	12897 / 2009 (26-06)
13131 / 2009 (08-10)	13155 / 2009 (08-08B)
13275 / 2009 (12-16NES)	13301 / 2009 (23-02B)
13305 / 2009 (06-13B)	

Extension of Period of Registration of Designs

300779	300917	300918
300919	300920	301184
301426	301440	301455
301456	301468	301469
301470	301471	301484
301486	301504	301505
301506	301507	301532
301536	301544	301545
301547	301548	301550
301551	301597	301598
301609	301617	301619
301620	301645	301646
301648	301649	301652
301653	301654	301655
301657	301735	301738
301745	301746	301758
301766	301772	301779
301780	301796	301876
301882	301884	301888
301889	301890	301894
301895	301916	301929
301936	301937	301938
301939	301940	301941
301942	301943	301944
301945	301961	301966
301967	301968	301969
301970	301971	301972
301973	301974	302214
302249	302254	302265
302271	302497	302571
302572	302573	302574
302575	302675	302762
302763	302764	302765
302781	302804	302824
302825	302845	303469
303470	303471	303472
303473	303474	303616
303698	304033	304034
304612	304628	304629

Registrations Ceased

317389	317390	317391
317392	317393	

Extensions of time granted under Section 137

Applications lodged under section 137 for extension of time have been granted.

12239/2009 **Weld-Spec Pty Ltd**

12689/2009 **Mathew Norton**

13391/2009 **Weld-Spec Pty Ltd**

14022/2009 **Alto Packaging Limited**

Subsequent Owners Registered

(The name in parentheses is that of the subsequent owner)

323470 (**Jarrold Sierocki trading as Allboard Tool Box Trolleys**) Allboard Pty Ltd

Names Registered - Alterations and Amendments

(The name in parentheses is that of the subsequent applicant)

300215	(SAVERGLASS) Societe Autonome de Verreries
300468	(SAVERGLASS) Societe Autonome de Verreries
300709	(SAVERGLASS) Societe Autonome de Verreries
306017	(SAVERGLASS) Societe Autonome de Verreries
306018	(SAVERGLASS) Societe Autonome de Verreries
306916	(SAVERGLASS) Societe Autonome de Verreries
306917	(SAVERGLASS) Societe Autonome de Verreries
306954	(SAVERGLASS) Societe Autonome de Verreries
311975	(SAVERGLASS) Societe Autonome de Verreries
321978	(Bridgestone Americas Tire Operations, LLC) Bridgestone Firestone North American Tire, LLC
321980	(Bridgestone Americas Tire Operations, LLC) Bridgestone Firestone North American Tire, LLC
324167	(Bridgestone Americas Tire Operations, LLC) Bridgestone Firestone North American Tire, LLC
324579	(Bridgestone Americas Tire Operations, LLC) Bridgestone Firestone North American Tire, LLC

Certificate(s) of Examination

Examination of the following Design Registration(s) has been completed. Infringement proceedings may now be commenced.

309274	06-03A	05/11/2009
309570	08-06	09/11/2009
315677	12-16NES	05/11/2009
318539	23-04	30/10/2009
318540	23-04	30/10/2009
321504	15-01	02/11/2009
322475	15-99	29/10/2009
322824	14-01	09/11/2009
322825	14-01	09/11/2009
324325	06-06NES	04/11/2009
324571	09-07A	29/10/2009
324572	09-01A	29/10/2009
326236	03-01A	29/10/2009
326966	19-04	29/10/2009
326970	19-04	29/10/2009
327103	09-03F	05/11/2009
327143	25-02NES	30/10/2009
327144	25-02E	30/10/2009
327176	25-03	02/11/2009
327226	25-01C	30/10/2009
327227	25-01C	30/10/2009
327237	09-01K	30/10/2009
327279	07-02E	29/10/2009
327280	07-02E	29/10/2009
327307	11-04	05/11/2009

Publication and Registration Proceedings

Designs Registered

This section provides a concordance between design number and registration number of Designs covered in this journal. It also shows the main class and registration date.

This section covers Registration numbers 328192 to 328380 .

The registration number shown below should be used in all future correspondence.

Design Number	Registration Number	International Classification Code (IDC)	Registration Date	Design Number	Registration Number	International Classification Code (IDC)	Registration Date
11567/2009	328375	07-05A	10/11/2009	13586/2009	328311	07-05NES	06/11/2009
11568/2009	328376	07-05A	10/11/2009	13591/2009	328260	13-01	04/11/2009
11569/2009	328377	07-05A	10/11/2009	13592/2009	328261	13-01	04/11/2009
11570/2009	328378	07-05A	10/11/2009	13624/2009	328214	04-01	30/10/2009
11975/2009	328284	06-06NES	05/11/2009	13720/2009	328198	06-13B	29/10/2009
11976/2009	328285	06-06NES	05/11/2009	13763/2009	328262	12-08	04/11/2009
11977/2009	328286	06-06NES	05/11/2009	13764/2009	328263	12-16B	04/11/2009
11978/2009	328287	06-06NES	05/11/2009	13765/2009	328264	12-16B	04/11/2009
12193/2009	328320	06-03A	10/11/2009	13766/2009	328265	12-16B	04/11/2009
12239/2009	328346	25-02NES	09/11/2009	13767/2009	328266	12-16B	04/11/2009
12689/2009	328240	08-05K	04/11/2009	13768/2009	328267	12-16B	04/11/2009
12709/2009	328241	08-05K	04/11/2009	13769/2009	328268	12-16B	04/11/2009
12755/2009	328321	23-01A	10/11/2009	13770/2009	328269	12-16NES	04/11/2009
12756/2009	328322	23-01A	10/11/2009	13808/2009	328258	09-02B	04/11/2009
13064/2009	328197	02-01NES	29/10/2009	13809/2009	328259	09-02B	04/11/2009
13132/2009	328323	29-02	10/11/2009	13823/2009	328250	02-02C	04/11/2009
13197/2009	328206	25-02H	30/10/2009	13824/2009	328251	02-02C	04/11/2009
13198/2009	328207	25-02H	30/10/2009	13825/2009	328252	02-02C	04/11/2009
13199/2009	328208	25-02H	30/10/2009	13826/2009	328253	02-02C	04/11/2009
13200/2009	328209	25-02H	30/10/2009	13827/2009	328254	02-02C	04/11/2009
13201/2009	328210	25-02K	30/10/2009	13828/2009	328255	02-02C	04/11/2009
13202/2009	328211	25-02K	30/10/2009	13829/2009	328199	21-02F	29/10/2009
13203/2009	328212	25-02K	30/10/2009	13830/2009	328200	21-02F	29/10/2009
13204/2009	328213	25-02K	30/10/2009	13831/2009	328201	08-99	29/10/2009
13234/2009	328324	02-02NES	10/11/2009	13832/2009	328202	12-08	29/10/2009
13278/2009	328300	24-01	05/11/2009	13833/2009	328203	23-04	29/10/2009
13279/2009	328301	24-01	05/11/2009	13834/2009	328204	14-03NES	29/10/2009
13290/2009	328337	25-02K	10/11/2009	13835/2009	328205	14-03NES	29/10/2009
13321/2009	328325	06-01NES	10/11/2009	13836/2009	328215	14-03NES	30/10/2009
13338/2009	328302	09-07NES	05/11/2009	13837/2009	328216	14-03NES	30/10/2009
13339/2009	328326	21-01C	10/11/2009	13838/2009	328217	23-04	30/10/2009
13340/2009	328327	21-01C	10/11/2009	13839/2009	328218	23-04	30/10/2009
13367/2009	328338	19-08	10/11/2009	13840/2009	328219	23-04	30/10/2009
13368/2009	328222	09-01H	05/11/2009	13842/2009	328220	14-02	30/10/2009
13369/2009	328339	19-08	10/11/2009	13843/2009	328221	14-02	30/10/2009
13370/2009	328223	09-01H	05/11/2009	13844/2009	328192	14-03E	29/10/2009
13371/2009	328340	19-08	10/11/2009	13845/2009	328193	14-03E	29/10/2009
13372/2009	328224	09-01H	05/11/2009	13846/2009	328194	14-03E	29/10/2009
13373/2009	328225	09-01H	05/11/2009	13847/2009	328195	14-03E	29/10/2009
13374/2009	328226	09-01H	05/11/2009	13848/2009	328196	14-03E	29/10/2009
13375/2009	328227	09-01H	05/11/2009	13850/2009	328243	28-03A	04/11/2009
13376/2009	328228	09-01NES	05/11/2009	13851/2009	328244	28-03A	04/11/2009
13390/2009	328328	06-01NES	10/11/2009	13852/2009	328245	21-01A	04/11/2009
13391/2009	328347	25-02NES	09/11/2009	13853/2009	328246	12-06A	04/11/2009
13394/2009	328348	30-02	09/11/2009	13855/2009	328247	07-02C	04/11/2009
13454/2009	328329	31-00	10/11/2009	13856/2009	328248	07-02A	04/11/2009
13486/2009	328229	25-03	05/11/2009	13876/2009	328313	02-04A	09/11/2009
13496/2009	328349	28-03B	09/11/2009	13877/2009	328231	29-01	05/11/2009
13497/2009	328305	14-02	06/11/2009	13878/2009	328270	02-01A	04/11/2009
13515/2009	328230	11-01NES	05/11/2009	13879/2009	328271	12-10	04/11/2009
13526/2009	328306	03-01C	06/11/2009	13880/2009	328272	07-01C	04/11/2009
13529/2009	328242	31-00	04/11/2009	13881/2009	328273	07-01F	04/11/2009
13543/2009	328379	07-06A	10/11/2009	13883/2009	328274	14-03A	04/11/2009

Publication and Registration Proceedings - Designs Registered cont'd

Design Number	Registration Number	International Classification Code (IDC)	Registration Date	Design Number	Registration Number	International Classification Code (IDC)	Registration Date
13884/2009	328275	08-99	04/11/2009	13945/2009	328352	22-05	09/11/2009
13885/2009	328276	23-01H	04/11/2009	13947/2009	328330	25-01B	10/11/2009
13887/2009	328277	02-06	04/11/2009	13948/2009	328331	08-05N	10/11/2009
13888/2009	328288	25-01D	05/11/2009	13949/2009	328332	07-02P	10/11/2009
13889/2009	328289	25-01D	05/11/2009	13950/2009	328341	07-02P	10/11/2009
13890/2009	328290	25-01D	05/11/2009	13951/2009	328342	07-02P	10/11/2009
13891/2009	328291	25-01D	05/11/2009	13952/2009	328343	07-02P	10/11/2009
13892/2009	328292	25-01D	05/11/2009	13953/2009	328234	14-99	05/11/2009
13893/2009	328293	02-02NES	05/11/2009	13954/2009	328344	06-03B	10/11/2009
13894/2009	328294	02-02NES	05/11/2009	13955/2009	328345	25-01D	10/11/2009
13897/2009	328256	09-07C	04/11/2009	13958/2009	328353	12-03	09/11/2009
13899/2009	328380	08-08NES	10/11/2009	13959/2009	328354	21-01B	09/11/2009
13900/2009	328310	12-06NES	06/11/2009	13960/2009	328315	21-01B	09/11/2009
13902/2009	328257	07-02K	04/11/2009	13961/2009	328316	21-01B	09/11/2009
13903/2009	328249	13-99	04/11/2009	13962/2009	328317	21-01B	09/11/2009
13916/2009	328314	20-03NES	09/11/2009	13963/2009	328318	21-01B	09/11/2009
13920/2009	328295	25-01K	05/11/2009	13964/2009	328319	21-01B	09/11/2009
13921/2009	328296	25-01K	05/11/2009	13965/2009	328333	21-01B	10/11/2009
13922/2009	328297	25-01K	05/11/2009	13966/2009	328334	21-01B	10/11/2009
13923/2009	328298	25-01K	05/11/2009	13967/2009	328335	21-01B	10/11/2009
13924/2009	328299	25-01K	05/11/2009	13968/2009	328336	21-01B	10/11/2009
13925/2009	328278	25-01K	04/11/2009	13974/2009	328370	01-01	10/11/2009
13926/2009	328279	25-01K	04/11/2009	13975/2009	328371	01-01	10/11/2009
13927/2009	328280	26-06	04/11/2009	13976/2009	328372	01-01	10/11/2009
13928/2009	328281	12-16C	04/11/2009	13977/2009	328373	01-01	10/11/2009
13929/2009	328282	26-06	04/11/2009	13978/2009	328374	01-01	10/11/2009
13930/2009	328283	12-16C	04/11/2009	13987/2009	328235	19-01	05/11/2009
13935/2009	328232	19-01	05/11/2009	13988/2009	328236	19-01	05/11/2009
13936/2009	328233	19-01	05/11/2009	13989/2009	328237	19-01	05/11/2009
13937/2009	328303	12-05	05/11/2009	13990/2009	328238	19-01	05/11/2009
13938/2009	328304	12-05	05/11/2009	13991/2009	328239	19-01	05/11/2009
13939/2009	328307	08-08NES	06/11/2009	14031/2009	328312	21-01NES	06/11/2009
13940/2009	328308	28-03A	06/11/2009	14204/2009	328355	08-06	09/11/2009
13941/2009	328309	28-03A	06/11/2009				
13942/2009	328350	08-08L	09/11/2009				
13944/2009	328351	14-03NES	09/11/2009				

Publication and Registration Proceedings
Class Listing of Designs Published or Registered

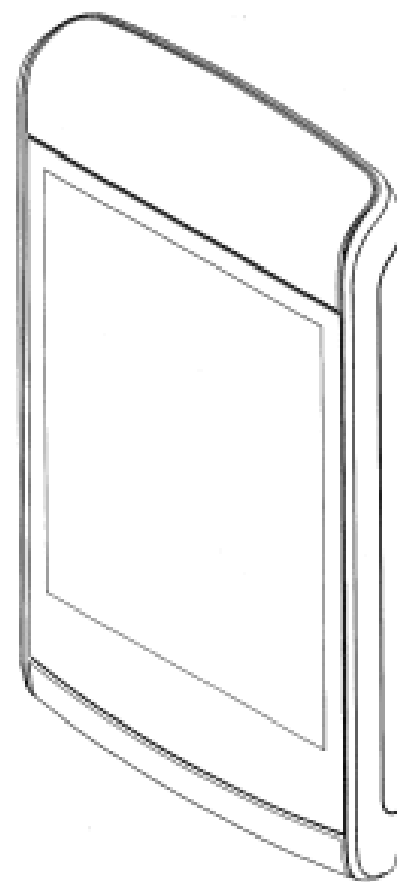
The following section shows an International Classification Code listing of the Registered or Published Designs covered in this supplement.

Classification	Registration Number	Design Number	Classification	Registration Number	Design Number
01-01	328370	13974/2009	08-05 N	328331	13948/2009
01-01	328371	13975/2009	08-06	328295	13920/2009
01-01	328372	13976/2009	08-06	328297	13922/2009
01-01	328373	13977/2009	08-06	328355	14204/2009
01-01	328374	13978/2009	08-08 L	328350	13942/2009
02-01 A	328270	13878/2009	08-08 NES	328234	13953/2009
02-01 NES	328197	13064/2009	08-08 NES	328307	13939/2009
02-02 C	328250	13823/2009	08-08 NES	328380	13899/2009
02-02 C	328251	13824/2009	08-99	328201	13831/2009
02-02 C	328252	13825/2009	08-99	328275	13884/2009
02-02 C	328253	13826/2009	09-01 H	328222	13368/2009
02-02 C	328254	13827/2009	09-01 H	328223	13370/2009
02-02 C	328255	13828/2009	09-01 H	328224	13372/2009
02-02 NES	328293	13893/2009	09-01 H	328225	13373/2009
02-02 NES	328294	13894/2009	09-01 H	328226	13374/2009
02-02 NES	328324	13234/2009	09-01 H	328227	13375/2009
02-04 A	328313	13876/2009	09-01 NES	328228	13376/2009
02-06	328277	13887/2009	09-02 B	328258	13808/2009
03-01 C	328306	13526/2009	09-02 B	328259	13809/2009
04-01	328214	13624/2009	09-07 C	328256	13897/2009
06-01 NES	328325	13321/2009	09-07 NES	328302	13338/2009
06-01 NES	328328	13390/2009	11-01 NES	328230	13515/2009
06-03 A	328320	12193/2009	12-03	328353	13958/2009
06-03 B	328344	13954/2009	12-05	328303	13937/2009
06-06 NES	328206	13197/2009	12-05	328304	13938/2009
06-06 NES	328207	13198/2009	12-06 A	328246	13853/2009
06-06 NES	328208	13199/2009	12-06 NES	328310	13900/2009
06-06 NES	328209	13200/2009	12-08	328202	13832/2009
06-06 NES	328210	13201/2009	12-08	328262	13763/2009
06-06 NES	328211	13202/2009	12-10	328271	13879/2009
06-06 NES	328212	13203/2009	12-16 B	328263	13764/2009
06-06 NES	328213	13204/2009	12-16 B	328264	13765/2009
06-06 NES	328284	11975/2009	12-16 B	328265	13766/2009
06-06 NES	328285	11976/2009	12-16 B	328266	13767/2009
06-06 NES	328286	11977/2009	12-16 B	328267	13768/2009
06-06 NES	328287	11978/2009	12-16 B	328268	13769/2009
06-09	328328	13390/2009	12-16 C	328281	13928/2009
06-13 B	328198	13720/2009	12-16 C	328283	13930/2009
07-01 C	328272	13880/2009	12-16 NES	328269	13770/2009
07-01 F	328273	13881/2009	13-01	328260	13591/2009
07-02 A	328248	13856/2009	13-01	328261	13592/2009
07-02 C	328247	13855/2009	13-99	328249	13903/2009
07-02 K	328257	13902/2009	14-02	328220	13842/2009
07-02 P	328332	13949/2009	14-02	328221	13843/2009
07-02 P	328341	13950/2009	14-02	328305	13497/2009
07-02 P	328342	13951/2009	14-03 A	328274	13883/2009
07-02 P	328343	13952/2009	14-03 E	328192	13844/2009
07-05 A	328375	11567/2009	14-03 E	328193	13845/2009
07-05 A	328376	11568/2009	14-03 E	328194	13846/2009
07-05 A	328377	11569/2009	14-03 E	328195	13847/2009
07-05 A	328378	11570/2009	14-03 E	328196	13848/2009
07-05 NES	328311	13586/2009	14-03 NES	328204	13834/2009
07-06 A	328379	13543/2009	14-03 NES	328205	13835/2009
08-05 C	328329	13454/2009	14-03 NES	328215	13836/2009
08-05 K	328240	12689/2009	14-03 NES	328216	13837/2009
08-05 K	328241	12709/2009	14-03 NES	328351	13944/2009

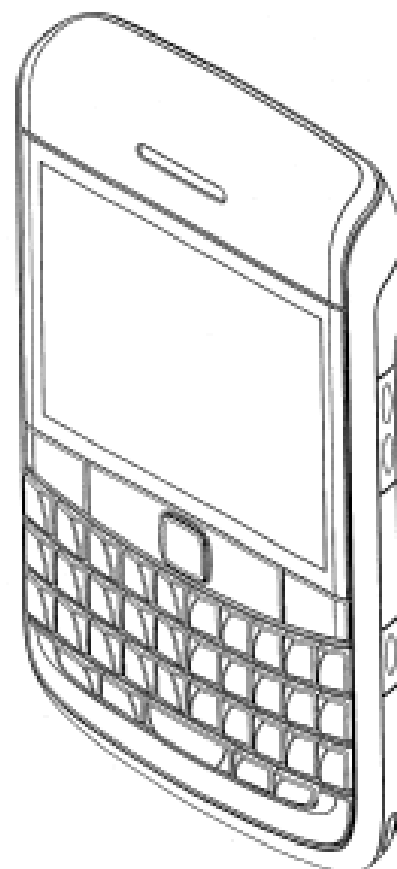
Registration Proceedings - Class Listing of Designs Published or Registered cont'd

Classification	Registration Number	Design Number	Classification	Registration Number	Design Number
14-99	328234	13953/2009	25-01 D	328292	13892/2009
15-99	328303	13937/2009	25-01 D	328345	13955/2009
15-99	328307	13939/2009	25-01 K	328206	13197/2009
19-01	328232	13935/2009	25-01 K	328207	13198/2009
19-01	328233	13936/2009	25-01 K	328208	13199/2009
19-01	328235	13987/2009	25-01 K	328209	13200/2009
19-01	328236	13988/2009	25-01 K	328210	13201/2009
19-01	328237	13989/2009	25-01 K	328211	13202/2009
19-01	328238	13990/2009	25-01 K	328212	13203/2009
19-01	328239	13991/2009	25-01 K	328213	13204/2009
19-08	328338	13367/2009	25-01 K	328269	13770/2009
19-08	328339	13369/2009	25-01 K	328278	13925/2009
19-08	328340	13371/2009	25-01 K	328279	13926/2009
20-03 NES	328314	13916/2009	25-01 K	328295	13920/2009
21-01 A	328245	13852/2009	25-01 K	328296	13921/2009
21-01 B	328315	13960/2009	25-01 K	328297	13922/2009
21-01 B	328316	13961/2009	25-01 K	328298	13923/2009
21-01 B	328317	13962/2009	25-01 K	328299	13924/2009
21-01 B	328318	13963/2009	25-02 H	328206	13197/2009
21-01 B	328319	13964/2009	25-02 H	328207	13198/2009
21-01 B	328333	13965/2009	25-02 H	328208	13199/2009
21-01 B	328334	13966/2009	25-02 H	328209	13200/2009
21-01 B	328335	13967/2009	25-02 K	328210	13201/2009
21-01 B	328336	13968/2009	25-02 K	328211	13202/2009
21-01 B	328354	13959/2009	25-02 K	328212	13203/2009
21-01 C	328326	13339/2009	25-02 K	328213	13204/2009
21-01 C	328327	13340/2009	25-02 K	328337	13290/2009
21-01 NES	328312	14031/2009	25-02 NES	328346	12239/2009
21-02 F	328199	13829/2009	25-02 NES	328347	13391/2009
21-02 F	328200	13830/2009	25-03	328229	13486/2009
22-05	328352	13945/2009	26-06	328280	13927/2009
23-01 A	328321	12755/2009	26-06	328282	13929/2009
23-01 A	328322	12756/2009	28-03 A	328243	13850/2009
23-01 H	328276	13885/2009	28-03 A	328244	13851/2009
23-04	328203	13833/2009	28-03 A	328308	13940/2009
23-04	328217	13838/2009	28-03 A	328309	13941/2009
23-04	328218	13839/2009	28-03 B	328349	13496/2009
23-04	328219	13840/2009	29-01	328231	13877/2009
24-01	328300	13278/2009	29-02	328323	13132/2009
24-01	328301	13279/2009	30-02	328348	13394/2009
25-01 B	328330	13947/2009	31-00	328242	13529/2009
25-01 D	328288	13888/2009	31-00	328329	13454/2009
25-01 D	328289	13889/2009			
25-01 D	328290	13890/2009			
25-01 D	328291	13891/2009			

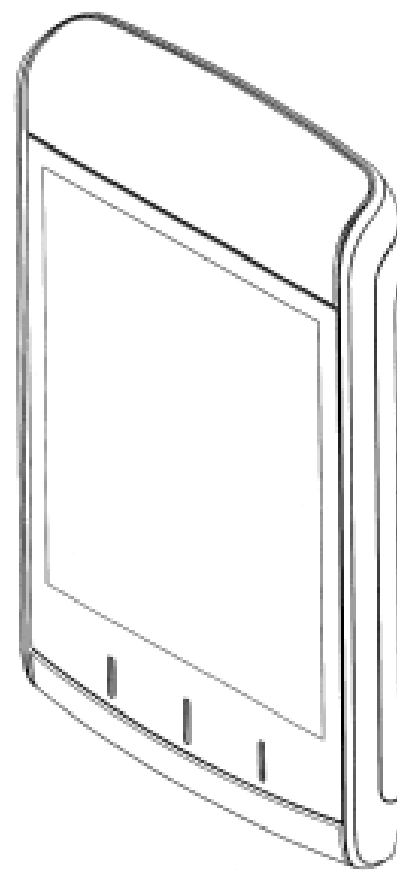
- (21) Design Number: **13844/2009**
(22) Date of Filing Application: **06 October 2009**
(24) Date from which industrial property rights may have effect: **06 October 2009**
(54) Product in respect of which the design is registered: **Handheld electronic device**
(51) International Design Classification: **14-03E**
(71) Name(s) and Address(s) of Applicant(s):
Research in Motion Limited
295 Phillip Street Waterloo Ontario N2L 3WB Canada
(72) Name(s) of Designer(s): **Todd Andrew Wood and Cortez Corley and Roman Peter Rak**
(45) Registration Date: **29 October 2009**
(30) Convention priority data:
(31) Number (32) Date (33) Country
29/336061 28 Apr 2009 UNITED STATES OF AMERICA
(56) Related Art Documents: **Not Applicable**
(57) Statement of Newness and Distinctiveness: **Newness and distinctiveness is claimed in the features of shape and/or configuration of a handheld electronic device as illustrated in the accompanying representations.**



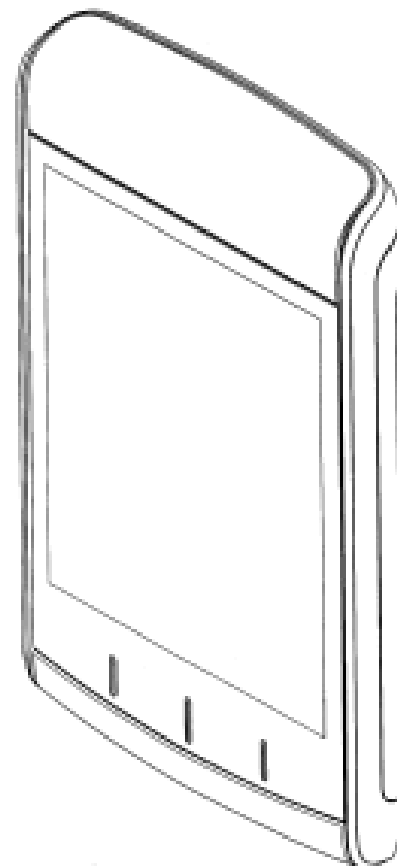
- (21) Design Number: **13845/2009**
(22) Date of Filing Application: **06 October 2009**
(24) Date from which industrial property rights may have effect: **06 October 2009**
(54) Product in respect of which the design is registered: **Handheld electronic device**
(51) International Design Classification: **14-03E**
(71) Name(s) and Address(s) of Applicant(s):
Research in Motion Limited
295 Phillip Street Waterloo Ontario N2L 3WB Canada
(72) Name(s) of Designer(s): **Todd Andrew Wood and Archer Chi Kwong Wun and Roman Peter Rak**
(45) Registration Date: **29 October 2009**
(30) Convention priority data:
(31) Number (32) Date (33) Country
29/336379 01 May 2009 UNITED STATES OF AMERICA
(56) Related Art Documents: **Not Applicable**
(57) Statement of Newness and Distinctiveness: **Newness and distinctiveness is claimed in the features of shape and/or configuration of a handheld electronic device as illustrated in the accompanying representations.**



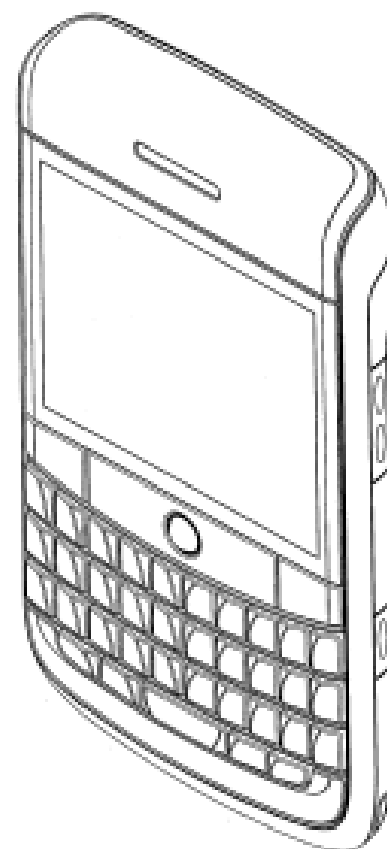
- (21) Design Number: **13846/2009**
(22) Date of Filing Application: **06 October 2009**
(24) Date from which industrial property rights may have effect: **06 October 2009**
(54) Product in respect of which the design is registered: **Handheld electronic device**
(51) International Design Classification: **14-03E**
(71) Name(s) and Address(s) of Applicant(s):
Research in Motion Limited
295 Phillip Street Waterloo Ontario N2L 3WB Canada
(72) Name(s) of Designer(s): **Todd Andrew Wood and Cortez Corley and Roman Peter Rak**
(45) Registration Date: **29 October 2009**
(30) Convention priority data:
(31) Number (32) Date (33) Country
29/336061 28 Apr 2009 UNITED STATES OF AMERICA
(56) Related Art Documents: **Not Applicable**
(57) Statement of Newness and Distinctiveness: **Newness and distinctiveness is claimed in the features of shape and/or configuration of a handheld electronic device as illustrated in the accompanying representations.**



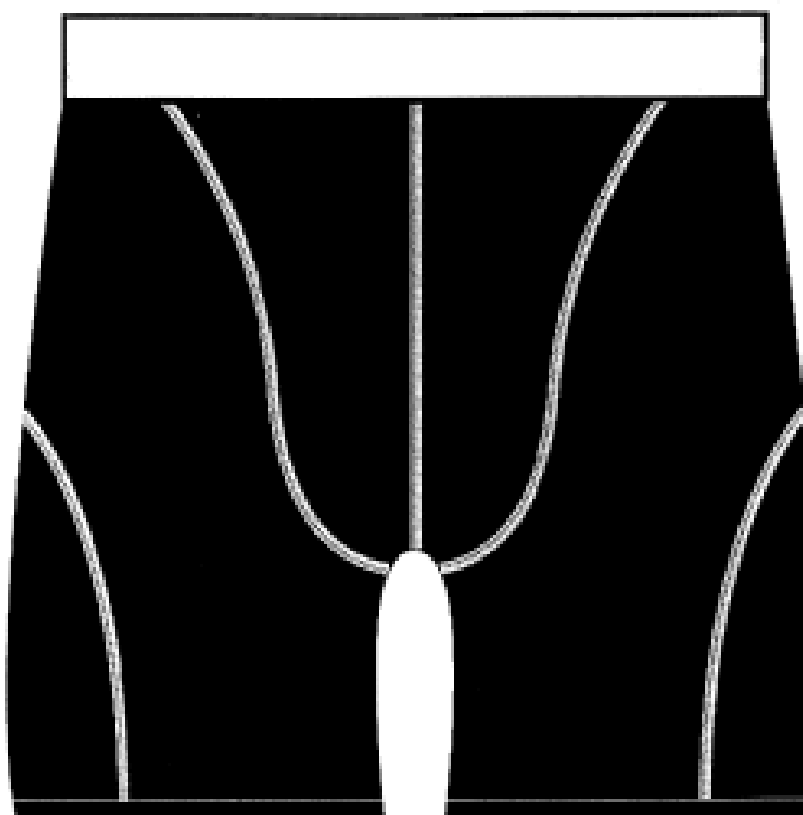
- (21) Design Number: **13847/2009**
(22) Date of Filing Application: **06 October 2009**
(24) Date from which industrial property rights may have effect: **06 October 2009**
(54) Product in respect of which the design is registered: **Handheld electronic device**
(51) International Design Classification: **14-03E**
(71) Name(s) and Address(s) of Applicant(s):
Research in Motion Limited
295 Phillip Street Waterloo Ontario N2L 3WB Canada
(72) Name(s) of Designer(s): **Todd Andrew Wood and Cortez Corley and Roman Peter Rak**
(45) Registration Date: **29 October 2009**
(30) Convention priority data:
(31) Number (32) Date (33) Country
29/336061 28 Apr 2009 UNITED STATES OF AMERICA
(56) Related Art Documents: **Not Applicable**
(57) Statement of Newness and Distinctiveness: **Newness and distinctiveness is claimed in the features of shape and/or configuration of a handheld electronic device as illustrated in the accompanying representations.**



- (21) Design Number: **13848/2009**
(22) Date of Filing Application: **06 October 2009**
(24) Date from which industrial property rights may have effect: **06 October 2009**
(54) Product in respect of which the design is registered: **Handheld electronic device**
(51) International Design Classification: **14-03E**
(71) Name(s) and Address(s) of Applicant(s):
Research in Motion Limited
295 Phillip Street Waterloo Ontario N2L 3WB Canada
(72) Name(s) of Designer(s): **Todd Andrew Wood and Archer Chi Kwong Wun and Roman Peter Rak**
(45) Registration Date: **29 October 2009**
(30) Convention priority data:
(31) Number (32) Date (33) Country
29/336379 01 May 2009 UNITED STATES OF AMERICA
(56) Related Art Documents: **Not Applicable**
(57) Statement of Newness and Distinctiveness: **Newness and distinctiveness is claimed in the features of shape and/or configuration of a handheld electronic device as illustrated in the accompanying representations.**



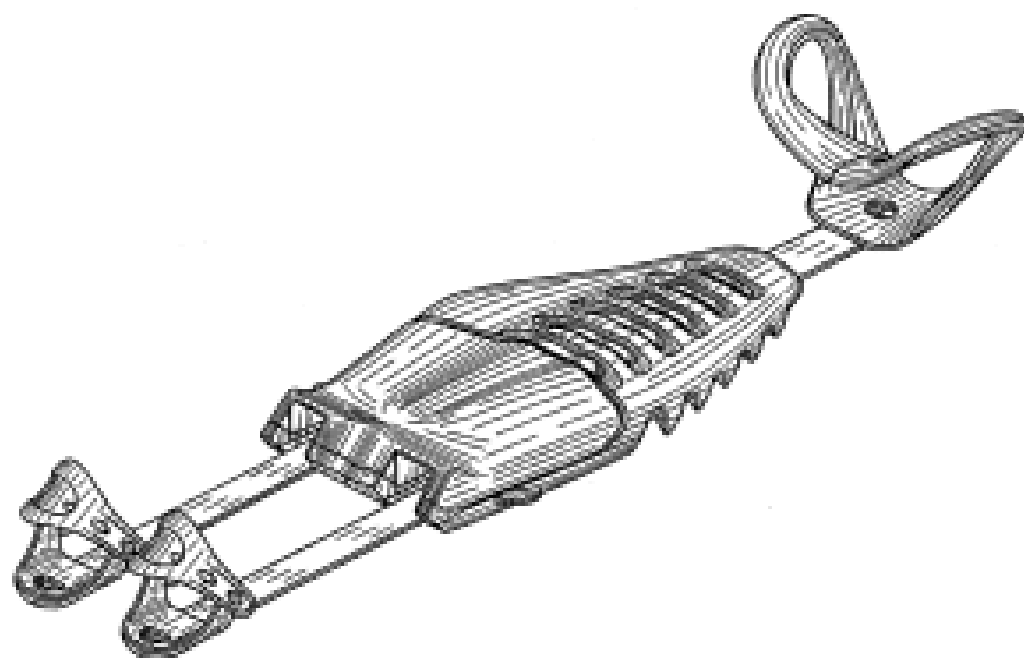
- (21) Design Number: **13064/2009**
(22) Date of Filing Application: **13 August 2009**
(24) Date from which industrial property rights may have effect: **13 August 2009**
(54) Product in respect of which the design is registered: **Undergarment**
(51) International Design Classification: **02-01NES**
(71) Name(s) and Address(s) of Applicant(s):
Grundies Pty Ltd
36 Balmoral Avenue Strathmore Victoria 3041 Australia
(72) Name(s) of Designer(s): **Tony Vass**
(45) Registration Date: **29 October 2009**
(56) Related Art Documents: **Not Applicable**
(57) Statement of Newness and Distinctiveness: **The particular visual features of the design which the applicant hereby identifies as new and distinctiveness are as follows: The shape of the undergarment and the pattern of the stitching within the undergarment are new and distinctive.**



- (21) Design Number: **13720/2009**
(22) Date of Filing Application: **29 September 2009**
(24) Date from which industrial property rights may have effect: **29 September 2009**
(54) Product in respect of which the design is registered: **Waterproof pillowcase**
(51) International Design Classification: **06-13B**
(71) Name(s) and Address(s) of Applicant(s):
Kym Shuttleworth
PO Box 4258 Loganholme DC Queensland 4129 Australia
(72) Name(s) of Designer(s): **Kym Shuttleworth**
(45) Registration Date: **29 October 2009**
(56) Related Art Documents: **Not Applicable**
(57) Statement of Newness and Distinctiveness: **A unique concept in pillow cases by incorporating the case with a waterproof, anti-asthmatic, hypo-allergenic, dust mite and mould resistant lining in one. All is held together by placing the pillow onto the open case, folding over and then zipping the other sides to encapsulate the pillow and therefore ensuring complete protective coverage.**



- (21) Design Number: **13829/2009**
(22) Date of Filing Application: **06 October 2009**
(24) Date from which industrial property rights may have effect: **06 October 2009**
(54) Product in respect of which the design is registered: **Exercise device**
(51) International Design Classification: **21-02F**
(71) Name(s) and Address(s) of Applicant(s):
Perfect Pushup, LLC
2 Belvedere Place Suite 330 Mill Valley California 94941 United States of America
(72) Name(s) of Designer(s): **Alden Morriss Mills and John G. Holland and Kevan Hollenback and Mark Eastwood and Jeff W. Sand and Ian C. MacColl**
(45) Registration Date: **29 October 2009**
(30) Convention priority data:
(31) Number (32) Date (33) Country
29/342,414 25 Aug 2009 UNITED STATES OF AMERICA
(56) Related Art Documents: **Not Applicable**
(57) Statement of Newness and Distinctiveness: **Nil**



(21) Design Number: 13830/2009

(22) Date of Filing Application: 06 October 2009

(24) Date from which industrial property rights may have effect: 06 October 2009

(54) Product in respect of which the design is registered: Exercise device

(51) International Design Classification: 21-02F

(71) Name(s) and Address(s) of Applicant(s):

Perfect Pushup, LLC
2 Belvedere Place Suite 330 Mill Valley California 94941 United States of America

(72) Name(s) of Designer(s): Alden Morriss Mills and John G. Holland and Kevan Hollenback and Mark Eastwood and Jeff W. Sand and Ian C. MacColl

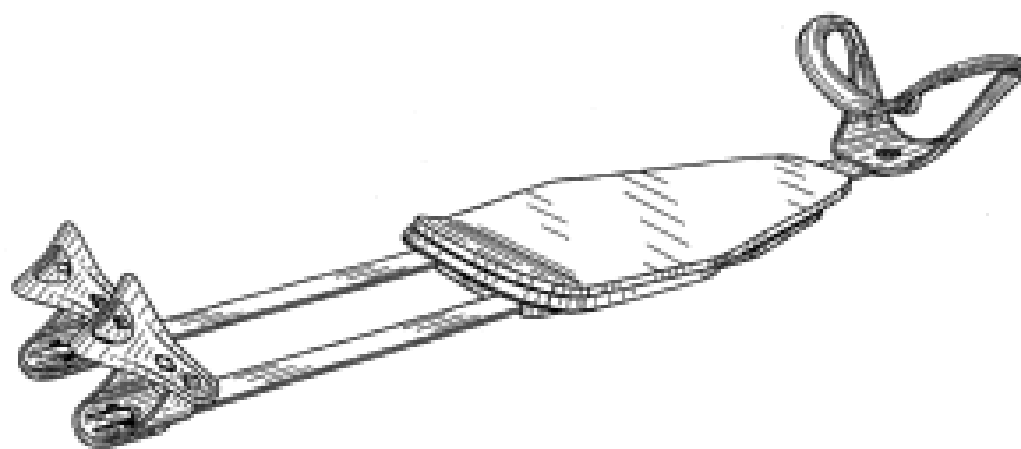
(45) Registration Date: 29 October 2009

(30) Convention priority data:

(31) Number	(32) Date	(33) Country
29/342,415	25 Aug 2009	UNITED STATES OF AMERICA

(56) Related Art Documents: Not Applicable

(57) Statement of Newness and Distinctiveness: Nil



(21) Design Number: 13831/2009

(22) Date of Filing Application: 06 October 2009

(24) Date from which industrial property rights may have effect: 06 October 2009

(54) Product in respect of which the design is registered: Hose reel

(51) International Design Classification: 08-99

(71) Name(s) and Address(s) of Applicant(s):

Ames True Temper, Inc.
465 Railroad Avenue Camp Hill PA 17011 United States of America

(72) Name(s) of Designer(s): Greg Blaszcak and Peter Arcati and Karen S. Richwine

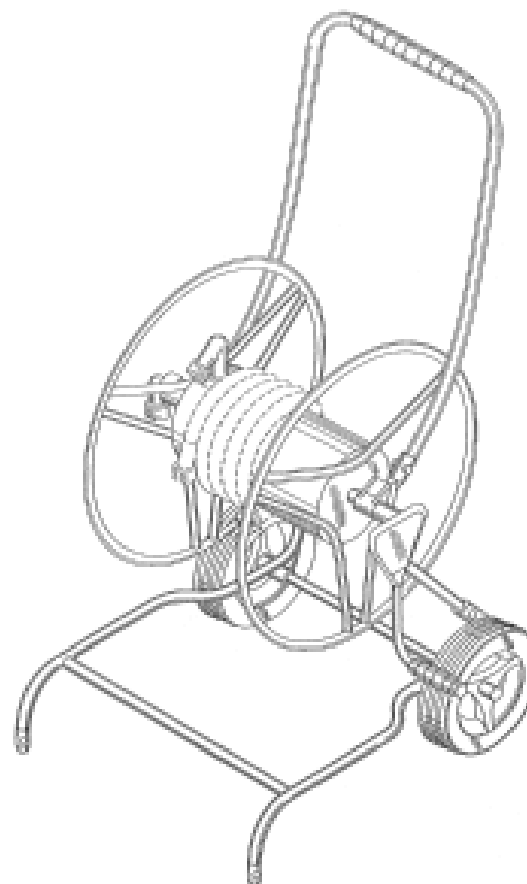
(45) Registration Date: 29 October 2009

(30) Convention priority data:

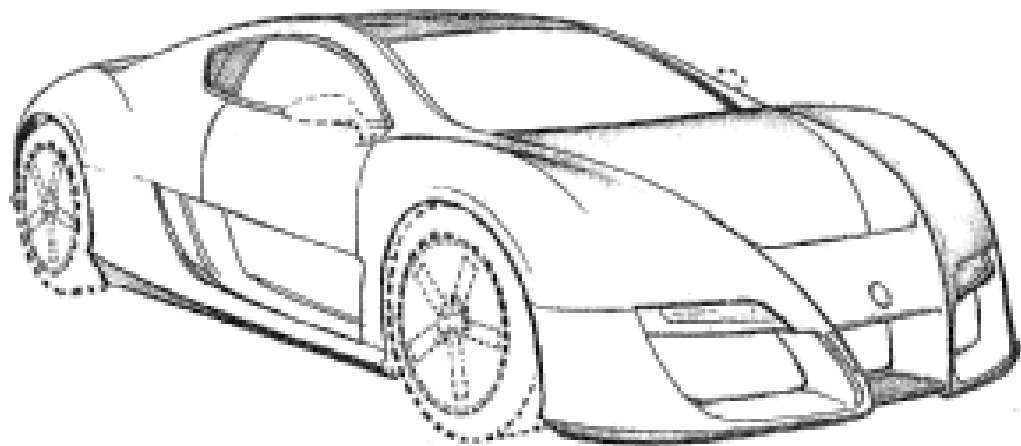
(31) Number	(32) Date	(33) Country
29/335,283	13 Apr 2009	UNITED STATES OF AMERICA

(56) Related Art Documents: Not Applicable

(57) Statement of Newness and Distinctiveness: Nil



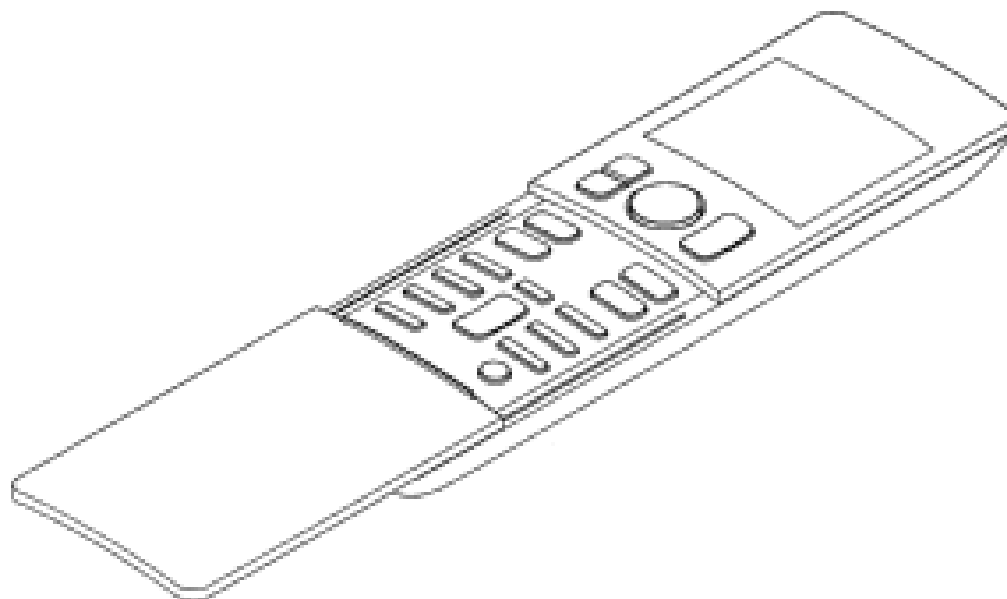
- (21) Design Number: **13832/2009**
(22) Date of Filing Application: **06 October 2009**
(24) Date from which industrial property rights may have effect: **06 October 2009**
(54) Product in respect of which the design is registered: **Automobile**
(51) International Design Classification: **12-08**
(71) Name(s) and Address(s) of Applicant(s):
Jeffrey Julian
9 Hovea Place Redhead New South Wales 2290 Australia
Jacqueline Berger
9 Hovea Place Redhead New South Wales 2290 Australia
(72) Name(s) of Designer(s): **Jeffrey Julian and Jacqueline Berger**
(45) Registration Date: **29 October 2009**
(56) Related Art Documents: **Not Applicable**
(57) Statement of Newness and Distinctiveness: **The shape and configuration of those parts of the product shown other than by means of dashed, dotted or broken lines in the representations are new and distinctive.**



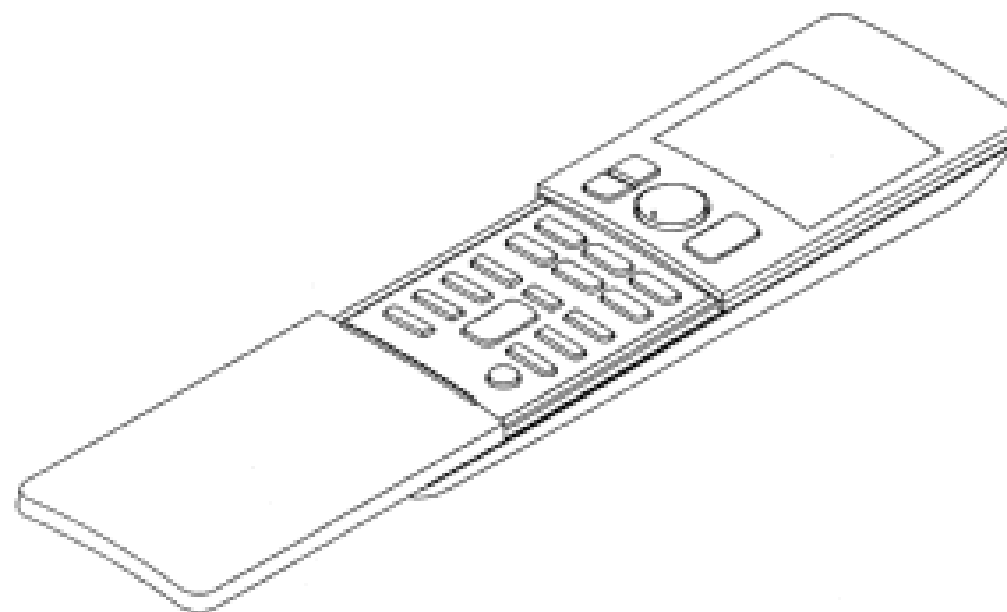
- (21) Design Number: **13833/2009**
(22) Date of Filing Application: **06 October 2009**
(24) Date from which industrial property rights may have effect: **06 October 2009**
(54) Product in respect of which the design is registered: **Air conditioner**
(51) International Design Classification: **23-04**
(71) Name(s) and Address(s) of Applicant(s):
Daikin Industries Ltd.
Umeda Center Building 4-12 Nakazaki-Nishi 2-chome Kita-Ku
Osaka-shi Osaka-fu Japan
(72) Name(s) of Designer(s): **Yumi Ohta**
(45) Registration Date: **29 October 2009**
(30) Convention priority data:
(31) Number (32) Date (33) Country
2009-018171 07 Aug 2009 JAPAN
(56) Related Art Documents: **Not Applicable**
(57) Statement of Newness and Distinctiveness: **Nil**



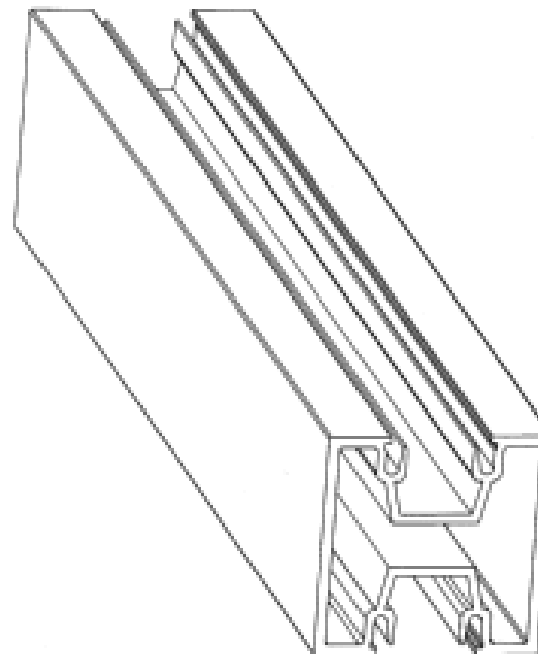
- (21) Design Number: **13834/2009**
(22) Date of Filing Application: **06 October 2009**
(24) Date from which industrial property rights may have effect: **06 October 2009**
(54) Product in respect of which the design is registered: **Remote control for air-conditioner**
(51) International Design Classification: **14-03NES**
(71) Name(s) and Address(s) of Applicant(s):
Daikin Industries Ltd.
Umeda Center Building 4-12 Nakazaki-Nishi 2-chome Kita-ku
Osaka-shi Osaka-fu Japan
(72) Name(s) of Designer(s): **Till Kobes and Wolfgang Wagner**
(45) Registration Date: **29 October 2009**
(30) Convention priority data:
(31) Number (32) Date (33) Country
2009-017055 27 Jul 2009 JAPAN
(56) Related Art Documents: **Not Applicable**
(57) Statement of Newness and Distinctiveness: **When considering the newness and distinctiveness of the articles, particular attention is drawn to the arrangement and shape of the liquid crystal display and operating buttons on the upper part of the front panel.**



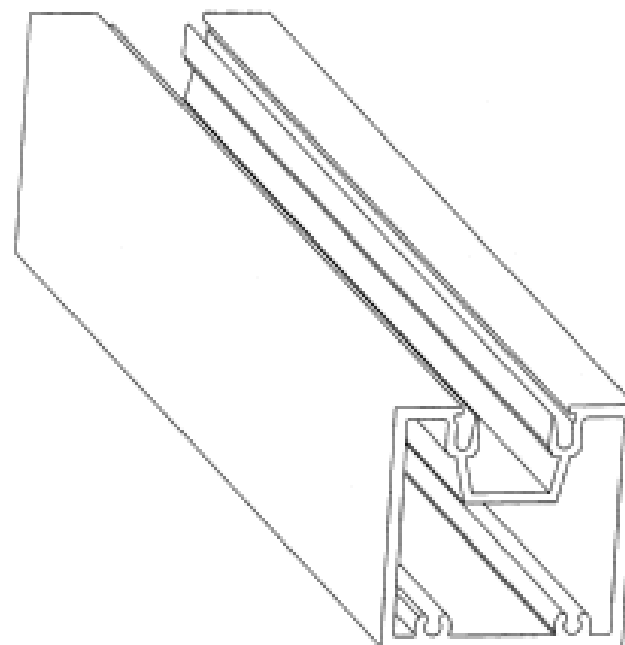
- (21) Design Number: **13835/2009**
(22) Date of Filing Application: **06 October 2009**
(24) Date from which industrial property rights may have effect: **06 October 2009**
(54) Product in respect of which the design is registered: **Remote control for air-conditioner**
(51) International Design Classification: **14-03NES**
(71) Name(s) and Address(s) of Applicant(s):
Daikin Industries Ltd.
Umeda Center Building 4-12 Nakazaki-Nishi 2-chome Kita-ku
Osaka-shi Osaka-fu Japan
(72) Name(s) of Designer(s): **Masahiko Chouji and Till Kobes and Wolfgang Wagner**
(45) Registration Date: **29 October 2009**
(30) Convention priority data:
(31) Number (32) Date (33) Country
2009-017056 27 Jul 2009 JAPAN
(56) Related Art Documents: **Not Applicable**
(57) Statement of Newness and Distinctiveness: **When considering the newness and distinctiveness of the articles, particular attention is drawn to the arrangement and shape of the liquid crystal display and operating buttons on the upper part of the front panel.**



- (21) Design Number: **13197/2009**
(22) Date of Filing Application: **20 August 2009**
(24) Date from which industrial property rights may have effect: **20 August 2009**
(54) Product in respect of which the design is registered: **Double glazing frame extrusion for privacy screen**
(51) International Design Classification: **25-02H, 06-06NES, 25-01K**
(71) Name(s) and Address(s) of Applicant(s):
Zhi Jun Ke
340/9 Crofts Avenue Hurstville New South Wales 2220 Australia
(72) Name(s) of Designer(s): **Zhi Jun Ke**
(45) Registration Date: **30 October 2009**
(56) Related Art Documents: **Not Applicable**
(57) Statement of Newness and Distinctiveness: **Nil**



- (21) Design Number: **13198/2009**
(22) Date of Filing Application: **20 August 2009**
(24) Date from which industrial property rights may have effect: **20 August 2009**
(54) Product in respect of which the design is registered: **Single glazing frame extrusion for privacy screen**
(51) International Design Classification: **25-02H, 06-06NES, 25-01K**
(71) Name(s) and Address(s) of Applicant(s):
Zhi Jun Ke
340/9 Crofts Avenue Hurstville New South Wales 2220 Australia
(72) Name(s) of Designer(s): **Zhi Jun Ke**
(45) Registration Date: **30 October 2009**
(56) Related Art Documents: **Not Applicable**
(57) Statement of Newness and Distinctiveness: **Nil**



(21) Design Number: **13199/2009**

(22) Date of Filing Application: **20 August 2009**

(24) Date from which industrial property rights may have effect: **20 August 2009**

(54) Product in respect of which the design is registered: **Glazing sill extrusion for privacy screen**

(51) International Design Classification: **25-02H, 06-06NES, 25-01K**

(71) Name(s) and Address(s) of Applicant(s):

Zhi Jun Ke

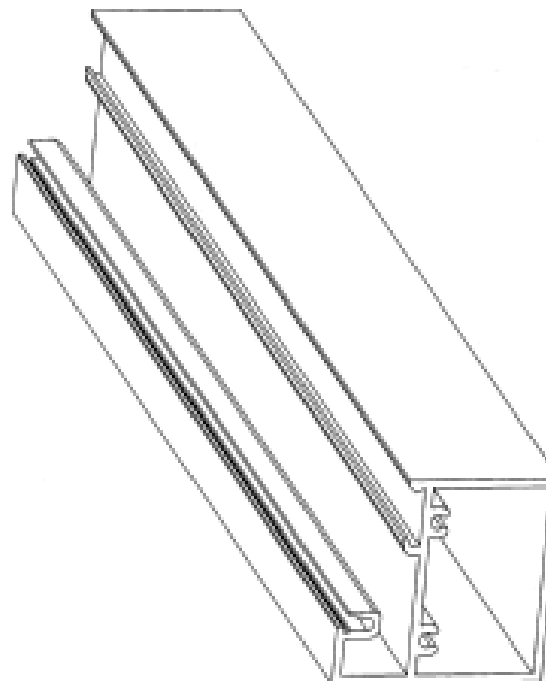
340/9 Crofts Avenue Hurstville New South Wales 2220 Australia

(72) Name(s) of Designer(s): **Zhi Jun Ke**

(45) Registration Date: **30 October 2009**

(56) Related Art Documents: **Not Applicable**

(57) Statement of Newness and Distinctiveness: **Nil**



(21) Design Number: **13200/2009**

(22) Date of Filing Application: **20 August 2009**

(24) Date from which industrial property rights may have effect: **20 August 2009**

(54) Product in respect of which the design is registered: **Sill bead extrusion for privacy screen**

(51) International Design Classification: **25-02H, 06-06NES, 25-01K**

(71) Name(s) and Address(s) of Applicant(s):

Zhi Jun Ke

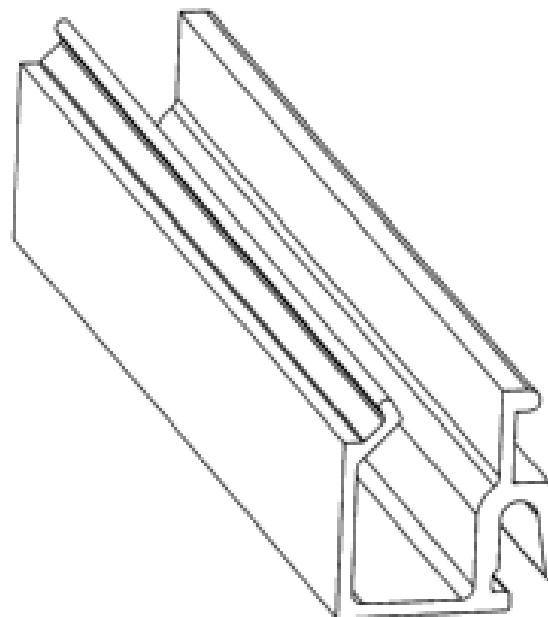
340/9 Crofts Avenue Hurstville New South Wales 2220 Australia

(72) Name(s) of Designer(s): **Zhi Jun Ke**

(45) Registration Date: **30 October 2009**

(56) Related Art Documents: **Not Applicable**

(57) Statement of Newness and Distinctiveness: **Nil**



(21) Design Number: **13201/2009**

(22) Date of Filing Application: **20 August 2009**

(24) Date from which industrial property rights may have effect: **20 August 2009**

(54) Product in respect of which the design is registered: **Top hanging track extrusion for sliding louvre system**

(51) International Design Classification: **25-02K, 06-06NES, 25-01K**

(71) Name(s) and Address(s) of Applicant(s):

Zhi Jun Ke

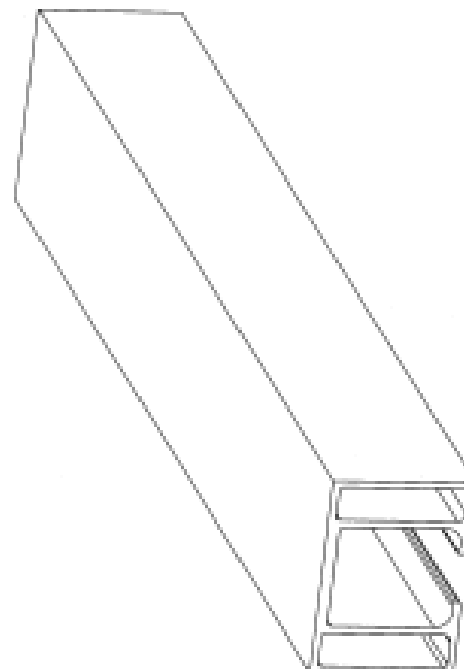
340/9 Crofts Avenue Hurstville New South Wales 2220 Australia

(72) Name(s) of Designer(s): **Zhi Jun Ke**

(45) Registration Date: **30 October 2009**

(56) Related Art Documents: **Not Applicable**

(57) Statement of Newness and Distinctiveness: **Nil**



(21) Design Number: **13202/2009**

(22) Date of Filing Application: **20 August 2009**

(24) Date from which industrial property rights may have effect: **20 August 2009**

(54) Product in respect of which the design is registered: **Top and bottom track extrusion for sliding louvre system**

(51) International Design Classification: **25-02K, 06-06NES, 25-01K**

(71) Name(s) and Address(s) of Applicant(s):

Zhi Jun Ke

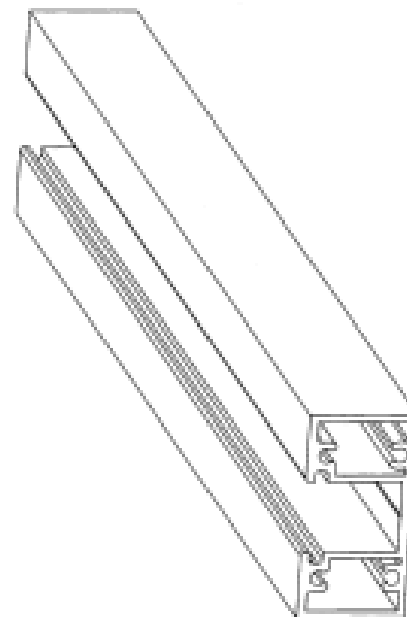
340/9 Crofts Avenue Hurstville New South Wales 2220 Australia

(72) Name(s) of Designer(s): **Zhi Jun Ke**

(45) Registration Date: **30 October 2009**

(56) Related Art Documents: **Not Applicable**

(57) Statement of Newness and Distinctiveness: **Nil**



(21) Design Number: **13203/2009**

(22) Date of Filing Application: **20 August 2009**

(24) Date from which industrial property rights may have effect: **20 August 2009**

(54) Product in respect of which the design is registered: **Side frame extrusion for louvre system**

(51) International Design Classification: **25-02K, 06-06NES, 25-01K**

(71) Name(s) and Address(s) of Applicant(s):

Zhi Jun Ke

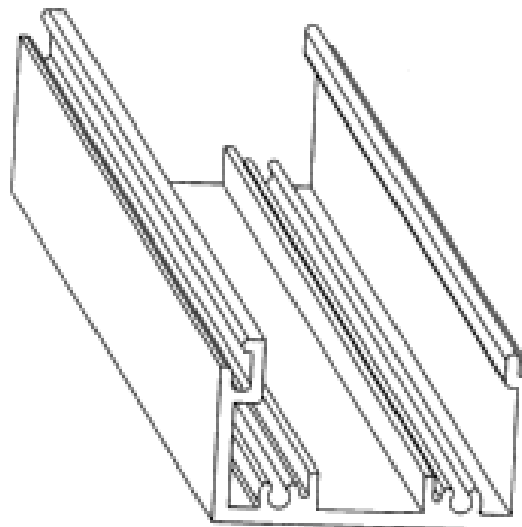
340/9 Crofts Avenue Hurstville New South Wales 2220 Australia

(72) Name(s) of Designer(s): **Zhi Jun Ke**

(45) Registration Date: **30 October 2009**

(56) Related Art Documents: **Not Applicable**

(57) Statement of Newness and Distinctiveness: **Nil**



(21) Design Number: **13204/2009**

(22) Date of Filing Application: **20 August 2009**

(24) Date from which industrial property rights may have effect: **20 August 2009**

(54) Product in respect of which the design is registered: **Infill extrusion for top and bottom track**

(51) International Design Classification: **25-02K, 06-06NES, 25-01K**

(71) Name(s) and Address(s) of Applicant(s):

Zhi Jun Ke

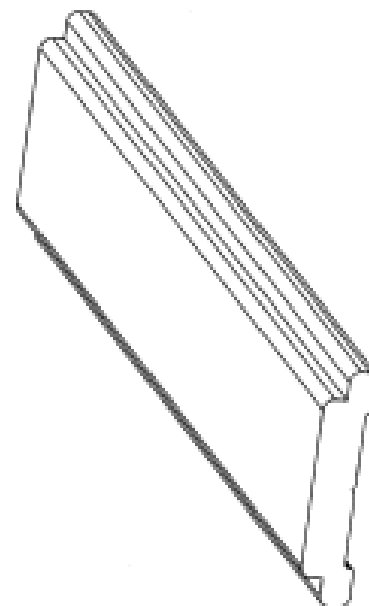
340/9 Crofts Avenue Hurstville New South Wales 2220 Australia

(72) Name(s) of Designer(s): **Zhi Jun Ke**

(45) Registration Date: **30 October 2009**

(56) Related Art Documents: **Not Applicable**

(57) Statement of Newness and Distinctiveness: **Nil**



(21) Design Number: **13624/2009**

(22) Date of Filing Application: **21 September 2009**

(24) Date from which industrial property rights may have effect: **21 September 2009**

(54) Product in respect of which the design is registered: **Hand-held scrub brush**

(51) International Design Classification: **04-01**

(71) Name(s) and Address(s) of Applicant(s):

Chef'n Corporation

1520 4th Avenue 3rd Floor Seattle Washington 98101 United States of America

(72) Name(s) of Designer(s): **Adam A. Jossem**

(45) Registration Date: **30 October 2009**

(30) Convention priority data:

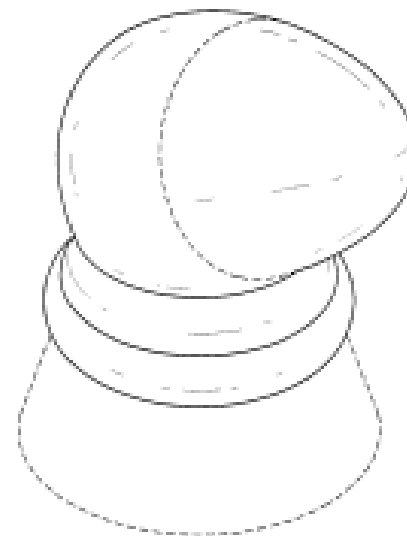
(31) Number
29/343510

(32) Date
14 Sep 2009

(33) Country
UNITED STATES OF AMERICA

(56) Related Art Documents: **Not Applicable**

(57) Statement of Newness and Distinctiveness: **Newness and distinctiveness is claimed in the visual features shown in solid lines in the representations.**



(21) Design Number: **13836/2009**

(22) Date of Filing Application: **06 October 2009**

(24) Date from which industrial property rights may have effect: **06 October 2009**

(54) Product in respect of which the design is registered: **Remote control for air-conditioner**

(51) International Design Classification: **14-03NES**

(71) Name(s) and Address(s) of Applicant(s):

Daikin Industries Ltd.

Umeda Center Building, 4-12 Nakazaki-Nishi 2-chome, Kita-Ku, Osaka-shi, Osaka-fu, Japan

(72) Name(s) of Designer(s): **Fabrizio Giugiaro**

(45) Registration Date: **30 October 2009**

(30) Convention priority data:

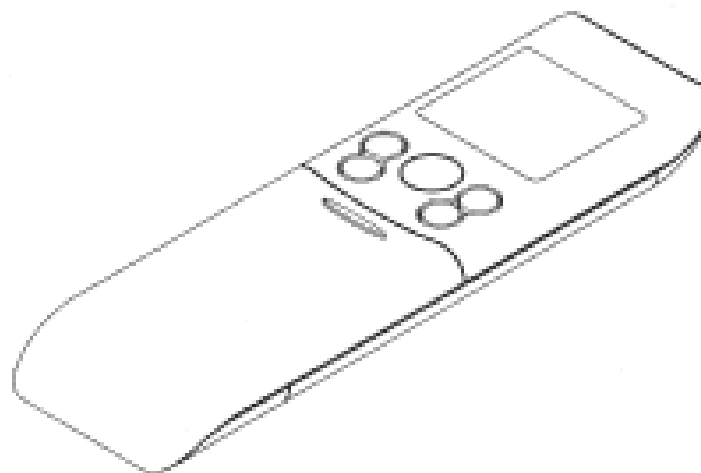
(31) Number
2009-017060

(32) Date
27 Jul 2009

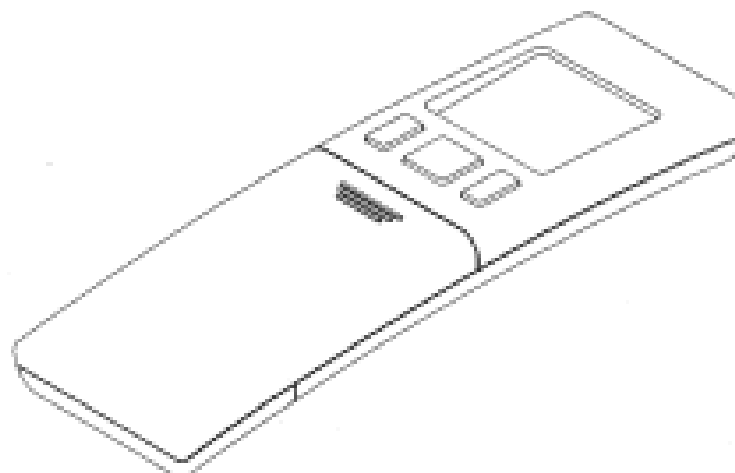
(33) Country
JAPAN

(56) Related Art Documents: **Not Applicable**

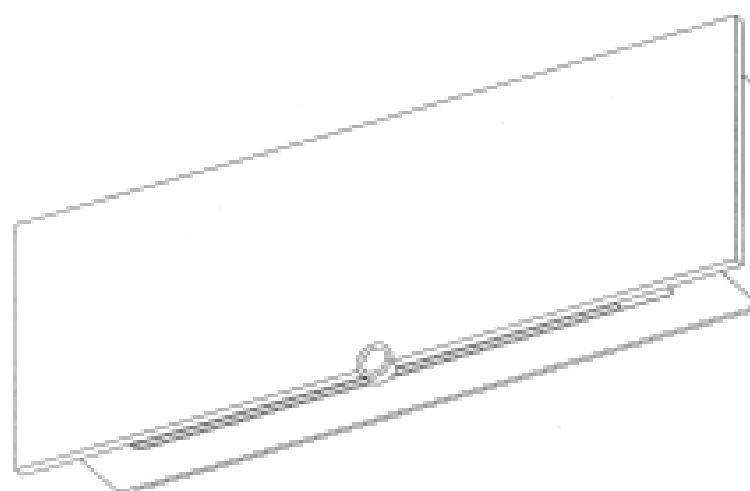
(57) Statement of Newness and Distinctiveness: **When considering the newness and distinctiveness of the article, particular attention is drawn to the curved nature of the lower side of the front panel and upper side of the back panel.**



- (21) Design Number: **13837/2009**
(22) Date of Filing Application: **06 October 2009**
(24) Date from which industrial property rights may have effect: **06 October 2009**
(54) Product in respect of which the design is registered: **Remote control for air-conditioner**
(51) International Design Classification: **14-03NES**
(71) Name(s) and Address(s) of Applicant(s):
Daikin Industries Ltd.
Umeda Center Building, 4-12 Nakazaki-Nishi 2-chome, Kita-Ku,
Osaka-shi, Osaka-fu, Japan
(72) Name(s) of Designer(s): **Fabrizio Giugiaro**
(45) Registration Date: **30 October 2009**
(30) Convention priority data:
(31) Number (32) Date (33) Country
2009-017061 27 Jul 2009 JAPAN
(56) Related Art Documents: **Not Applicable**
(57) Statement of Newness and Distinctiveness: **When considering the newness and distinctiveness of the article, particular attention is drawn to the overall curved shape of the article.**



- (21) Design Number: **13838/2009**
(22) Date of Filing Application: **06 October 2009**
(24) Date from which industrial property rights may have effect: **06 October 2009**
(54) Product in respect of which the design is registered: **Air-conditioner**
(51) International Design Classification: **23-04**
(71) Name(s) and Address(s) of Applicant(s):
Daikin Industries Ltd.
Umeda Center Building, 4-12 Nakazaki-Nishi 2-chome, Kita-Ku,
Osaka-shi, Osaka-fu, Japan
(72) Name(s) of Designer(s): **Michael Kuepper and Alexander Schlag**
(45) Registration Date: **30 October 2009**
(30) Convention priority data:
(31) Number (32) Date (33) Country
2009-017057 27 Jul 2009 JAPAN
(56) Related Art Documents: **Not Applicable**
(57) Statement of Newness and Distinctiveness: **When considering the newness and distinctiveness attention is drawn to the shape of the housing, particularly the rectangular shape of the front panel, it being larger in size to the main body and a small round decorative part on the lower centre of the front panel.**



(21) Design Number: 13839/2009

(22) Date of Filing Application: 06 October 2009

(24) Date from which industrial property rights may have effect: 06 October 2009

(54) Product in respect of which the design is registered: Air-conditioner

(51) International Design Classification: 23-04

(71) Name(s) and Address(s) of Applicant(s):

Daikin Industries Ltd.
Umeda Center Building, 4-12 Nakazaki-Nishi 2-chome, Kita-Ku,
Osaka-shi, Osaka-fu, Japan

(72) Name(s) of Designer(s): **Alexander Schlag and Kyoko Tanaka and Michael Mueller and Andrea Zimmermann**

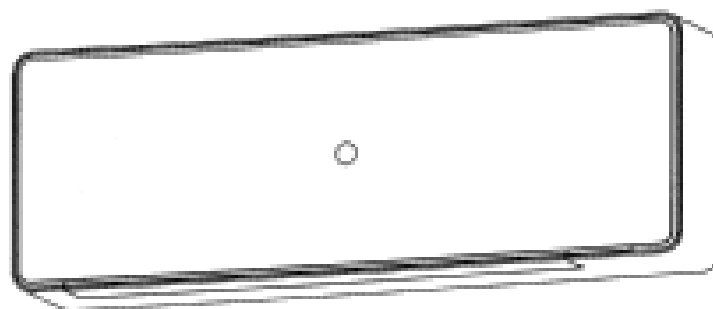
(45) Registration Date: 30 October 2009

(30) Convention priority data:

(31) Number	(32) Date	(33) Country
2009-017058	27 Jul 2009	JAPAN

(56) Related Art Documents: **Not Applicable**

(57) Statement of Newness and Distinctiveness: **When considering the newness and distinctiveness attention is drawn to the shape of the housing, particularly the rectangular shape of the front panel having rounded corners, the front panel being smaller than the main body and the small rounded decorative part on the centre of the front panel.**



(21) Design Number: 13840/2009

(22) Date of Filing Application: 06 October 2009

(24) Date from which industrial property rights may have effect: 06 October 2009

(54) Product in respect of which the design is registered: Air-conditioner

(51) International Design Classification: 23-04

(71) Name(s) and Address(s) of Applicant(s):

Daikin Industries Ltd.
Umeda Center Building, 4-12 Nakazaki-Nishi 2-chome, Kita-Ku,
Osaka-shi, Osaka-fu, Japan

(72) Name(s) of Designer(s): **Michael Mueller and Alexander Schlag**

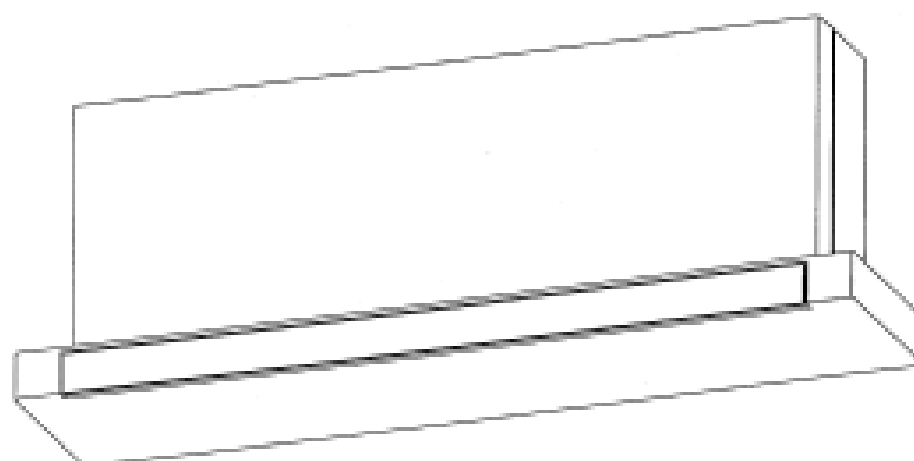
(45) Registration Date: 30 October 2009

(30) Convention priority data:

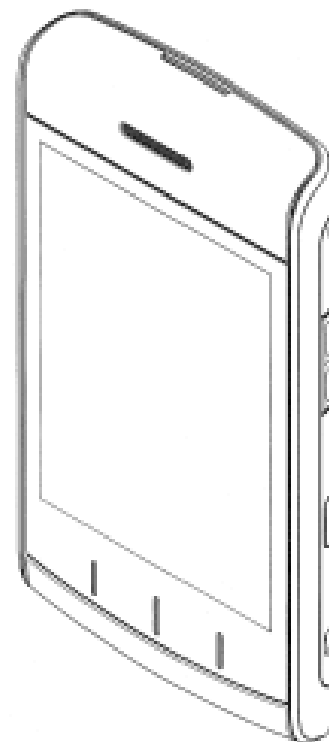
(31) Number	(32) Date	(33) Country
2009-017059	27 Jul 2009	JAPAN

(56) Related Art Documents: **Not Applicable**

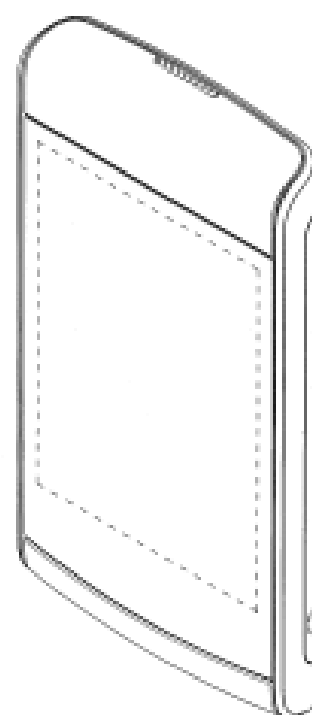
(57) Statement of Newness and Distinctiveness: **When considering the newness and distinctiveness attention is drawn to the shape of the housing, particularly the upper housing being in the shape of a rectangular parallelepiped on its long side and the lower housing in the shape of a thin rectangular parallelepiped.**



- (21) Design Number: **13842/2009**
(22) Date of Filing Application: **06 October 2009**
(24) Date from which industrial property rights may have effect: **06 October 2009**
(54) Product in respect of which the design is registered: **Handheld electronic device**
(51) International Design Classification: **14-02**
(71) Name(s) and Address(s) of Applicant(s):
Research in Motion Limited
295 Phillip Street Waterloo Ontario N2L 3WB Canada
(72) Name(s) of Designer(s): **Todd Andrew Wood and Cortez Corley and Roman Peter Rak**
(45) Registration Date: **30 October 2009**
(30) Convention priority data:
(31) Number (32) Date (33) Country
29/336062 28 Apr 2009 UNITED STATES OF AMERICA
(56) Related Art Documents: **Not Applicable**
(57) Statement of Newness and Distinctiveness: **Newness and distinctiveness is claimed in the features of shape and/or configuration of a handheld electronic device as illustrated in the accompanying representations.**



- (21) Design Number: **13843/2009**
(22) Date of Filing Application: **06 October 2009**
(24) Date from which industrial property rights may have effect: **06 October 2009**
(54) Product in respect of which the design is registered: **Handheld electronic device**
(51) International Design Classification: **14-02**
(71) Name(s) and Address(s) of Applicant(s):
Research in Motion Limited
295 Phillip Street Waterloo Ontario N2L 3WB Canada
(72) Name(s) of Designer(s): **Todd Andrew Wood and Cortez Corley and Roman Peter Rak**
(45) Registration Date: **30 October 2009**
(30) Convention priority data:
(31) Number (32) Date (33) Country
29/336059 28 Apr 2009 UNITED STATES OF AMERICA
(56) Related Art Documents: **Not Applicable**
(57) Statement of Newness and Distinctiveness: **Newness and distinctiveness is claimed in the features of shape and/or configuration of a handheld electronic device as illustrated in the accompanying representations.**



- (21) Design Number: **13368/2009**
(22) Date of Filing Application: **01 September 2009**
(24) Date from which industrial property rights may have effect: **01 September 2009**
(54) Product in respect of which the design is registered: **Container**
(51) International Design Classification: **09-01H**
(71) Name(s) and Address(s) of Applicant(s):

The Procter & Gamble Company
One Procter & Gamble Plaza Cincinnati Ohio 45202 United States of America

- (72) Name(s) of Designer(s): **Martin Jay Marotti and Andrea Marie Subler**

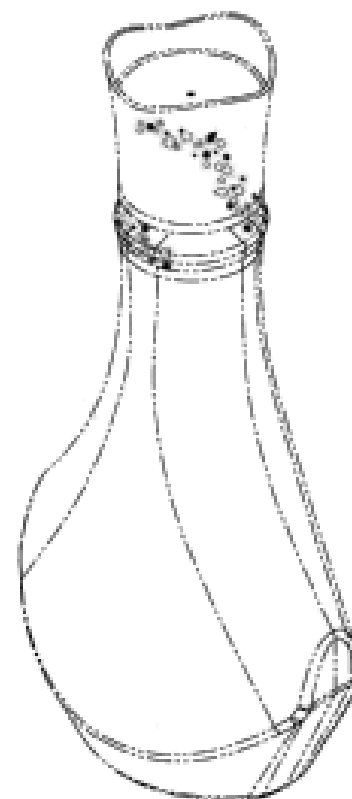
- (45) Registration Date: **05 November 2009**

- (30) Convention priority data:

(31) Number	(32) Date	(33) Country
29/333,036	02 Mar 2009	UNITED STATES OF AMERICA

- (56) Related Art Documents: **Not Applicable**

- (57) Statement of Newness and Distinctiveness: **Those features of the container depicted in the representations that are new and distinctive are the pattern and/or ornamentation. The pattern and/or ornamentation may be in any combination of colours. The features shown in broken line are not part of the design and are to be disregarded when considering the overall impression of the design.**



- (21) Design Number: **13370/2009**
(22) Date of Filing Application: **01 September 2009**
(24) Date from which industrial property rights may have effect: **01 September 2009**
(54) Product in respect of which the design is registered: **Container**
(51) International Design Classification: **09-01H**
(71) Name(s) and Address(s) of Applicant(s):

The Procter & Gamble Company
One Procter & Gamble Plaza Cincinnati Ohio 45202 United States of America

- (72) Name(s) of Designer(s): **Martin Jay Marotti and Andrea Marie Subler**

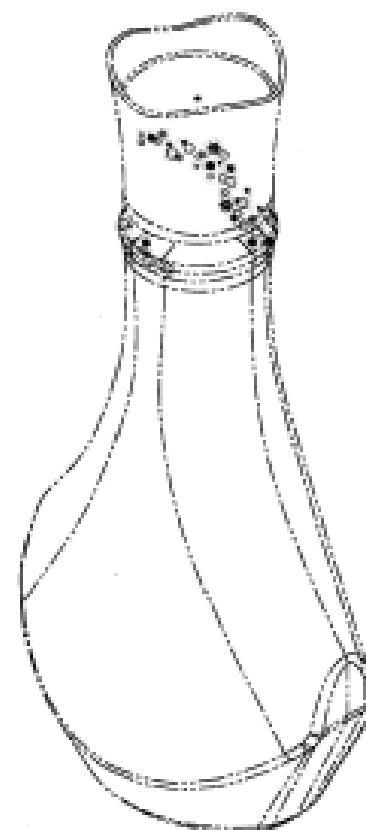
- (45) Registration Date: **05 November 2009**

- (30) Convention priority data:

(31) Number	(32) Date	(33) Country
29/333,036	02 Mar 2009	UNITED STATES OF AMERICA

- (56) Related Art Documents: **Not Applicable**

- (57) Statement of Newness and Distinctiveness: **Those features of the container depicted in the representations that are new and distinctive are the pattern and/or ornamentation. The pattern and/or ornamentation may be in any combination of colours. The features shown in broken line are not part of the design and are to be disregarded when considering the overall impression of the design.**



- (21) Design Number: **13372/2009**
- (22) Date of Filing Application: **01 September 2009**
- (24) Date from which industrial property rights may have effect: **01 September 2009**
- (54) Product in respect of which the design is registered: **Container**
- (51) International Design Classification: **09-01H**
- (71) Name(s) and Address(s) of Applicant(s):

The Procter & Gamble Company
One Procter & Gamble Plaza Cincinnati Ohio 45202 United States of America

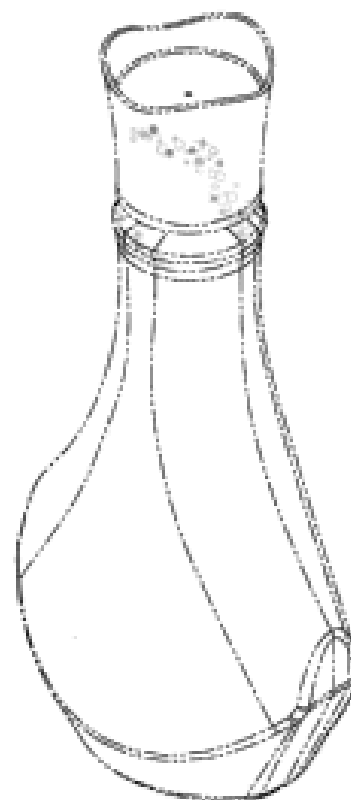
- (72) Name(s) of Designer(s): **Martin Jay Marotti and Andrea Marie Subler**
- (45) Registration Date: **05 November 2009**

(30) Convention priority data:

(31) Number	(32) Date	(33) Country
29/333,036	02 Mar 2009	UNITED STATES OF AMERICA

(56) Related Art Documents: **Not Applicable**

(57) Statement of Newness and Distinctiveness: **Those features of the container depicted in the representations that are new and distinctive are the pattern and/or ornamentation. The pattern and/or ornamentation may be in any combination of colours. The features shown in broken line are not part of the design and are to be disregarded when considering the overall impression of the design.**



- (21) Design Number: **13373/2009**
- (22) Date of Filing Application: **01 September 2009**
- (24) Date from which industrial property rights may have effect: **01 September 2009**
- (54) Product in respect of which the design is registered: **Container**
- (51) International Design Classification: **09-01H**
- (71) Name(s) and Address(s) of Applicant(s):

The Procter & Gamble Company
One Procter & Gamble Plaza Cincinnati Ohio 45202 United States of America

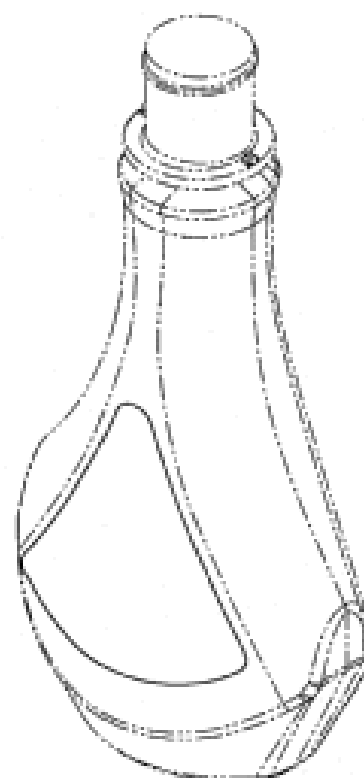
- (72) Name(s) of Designer(s): **Martin Jay Marotti**
- (45) Registration Date: **05 November 2009**

(30) Convention priority data:

(31) Number	(32) Date	(33) Country
29/333,042	02 Mar 2009	UNITED STATES OF AMERICA

(56) Related Art Documents: **Not Applicable**

(57) Statement of Newness and Distinctiveness: **Those features of the container depicted in the representations that are new and distinctive are the shape and/or configuration of a label portion of the container. The features shown in broken line are not part of the design and are to be disregarded when considering the overall impression of the design.**



- (21) Design Number: **13374/2009**
(22) Date of Filing Application: **01 September 2009**
(24) Date from which industrial property rights may have effect: **01 September 2009**
(54) Product in respect of which the design is registered: **Container**
(51) International Design Classification: **09-01H**
(71) Name(s) and Address(s) of Applicant(s):

The Procter & Gamble Company
One Procter & Gamble Plaza Cincinnati Ohio 45202 United States of America

- (72) Name(s) of Designer(s): **Martin Jay Marotti and Stacy Alycia Thomas and Philip Edwin Hague**

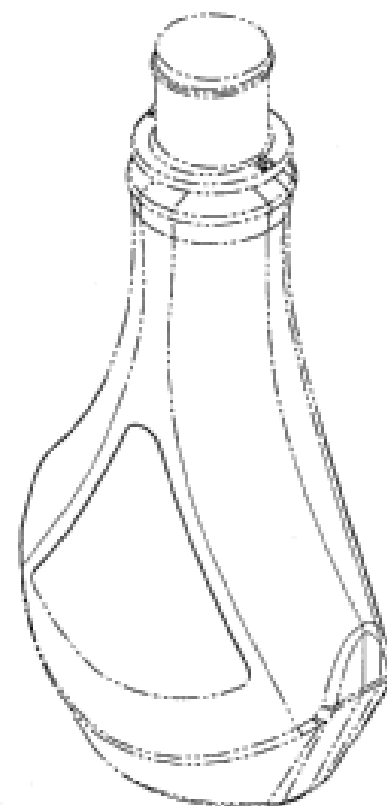
- (45) Registration Date: **05 November 2009**

- (30) Convention priority data:

(31) Number	(32) Date	(33) Country
29/333,045	02 Mar 2009	UNITED STATES OF AMERICA

- (56) Related Art Documents: **Not Applicable**

- (57) Statement of Newness and Distinctiveness: **Those features of the container that are new and distinctive are the shape and/or configuration of the portions shown in continuous lines. The features shown in broken lines are not part of the design and are to be disregarded when considering the overall impression of the design.**



- (21) Design Number: **13375/2009**
(22) Date of Filing Application: **01 September 2009**
(24) Date from which industrial property rights may have effect: **01 September 2009**
(54) Product in respect of which the design is registered: **Container**
(51) International Design Classification: **09-01H**
(71) Name(s) and Address(s) of Applicant(s):

The Procter & Gamble Company
One Procter & Gamble Plaza Cincinnati Ohio 45202 United States of America

- (72) Name(s) of Designer(s): **Martin Jay Marotti and Stacy Alycia Thomas and Philip Edwin Hague**

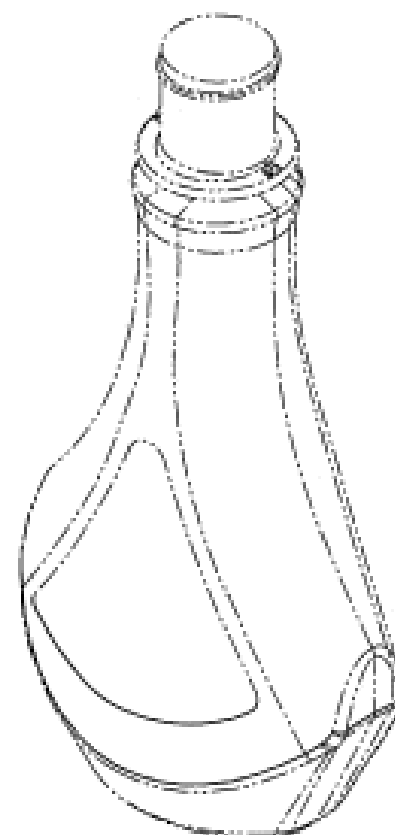
- (45) Registration Date: **05 November 2009**

- (30) Convention priority data:

(31) Number	(32) Date	(33) Country
29/333,046	02 Mar 2009	UNITED STATES OF AMERICA

- (56) Related Art Documents: **Not Applicable**

- (57) Statement of Newness and Distinctiveness: **Those features of the container depicted in the representations that are new and distinctive are the shape and/or configuration of a portion of the container. The features shown in broken line are not part of the design and are to be disregarded when considering the overall impression of the design.**



- (21) Design Number: **13376/2009**
(22) Date of Filing Application: **01 September 2009**
(24) Date from which industrial property rights may have effect: **01 September 2009**
(54) Product in respect of which the design is registered: **Container**
(51) International Design Classification: **09-01NES**
(71) Name(s) and Address(s) of Applicant(s):

The Procter & Gamble Company
One Procter & Gamble Plaza Cincinnati Ohio 45202 United States of America

(72) Name(s) of Designer(s): **Martin Jay Marotti**

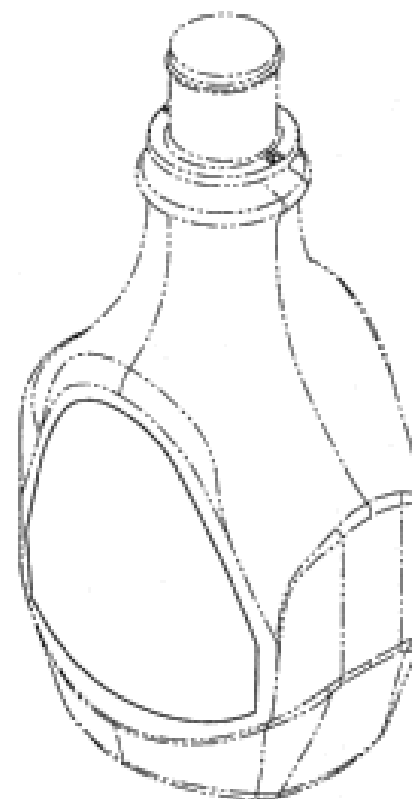
(45) Registration Date: **05 November 2009**

(30) Convention priority data:

(31) Number	(32) Date	(33) Country
29/333,043	02 Mar 2009	UNITED STATES OF AMERICA

(56) Related Art Documents: **Not Applicable**

(57) Statement of Newness and Distinctiveness: **Those features of the container depicted in the representations that are new and distinctive are the shape and/or configuration of a label portion of the container. The features shown in broken line are not part of the design and are to be disregarded when considering the overall impression of the design.**



- (21) Design Number: **13486/2009**
(22) Date of Filing Application: **09 September 2009**
(24) Date from which industrial property rights may have effect: **09 September 2009**
(54) Product in respect of which the design is registered: **Multi function centre**
(51) International Design Classification: **25-03**
(71) Name(s) and Address(s) of Applicant(s):

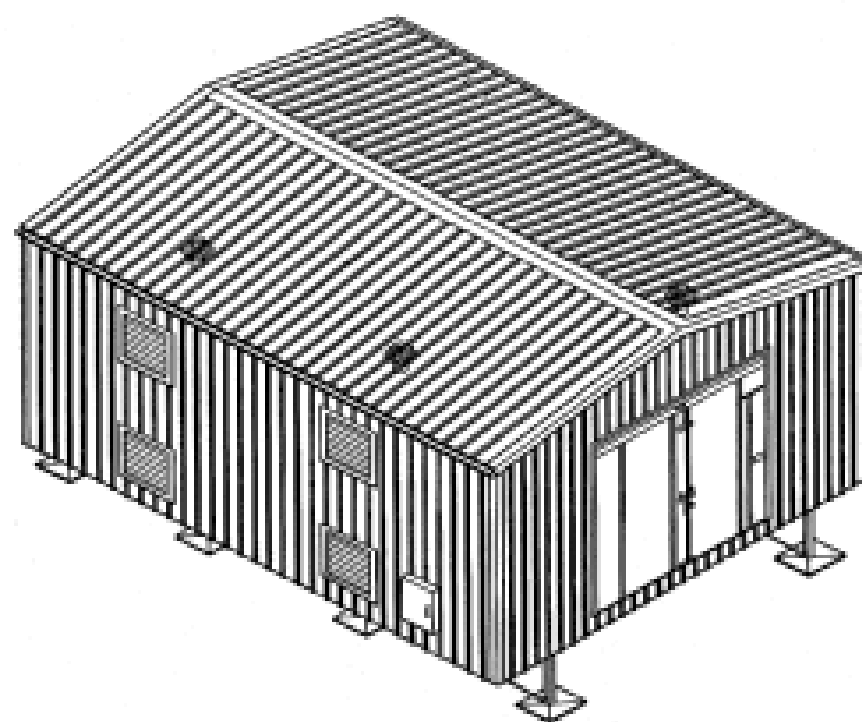
e-pargreen Pty Limited
Suite 2 110-118 Belford Street Broadmeadow New South Wales 2292 Australia

(72) Name(s) of Designer(s): **Lee Baines and Terry John Muir**

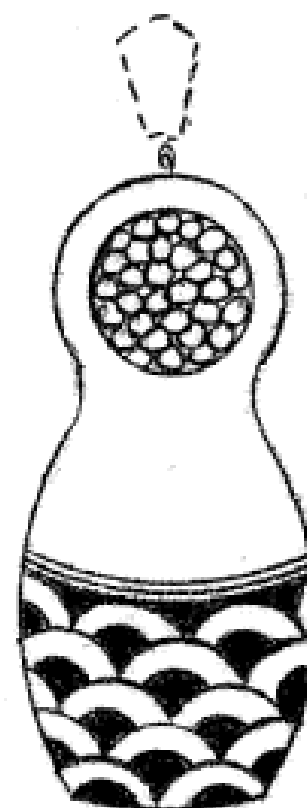
(45) Registration Date: **05 November 2009**

(56) Related Art Documents: **Not Applicable**

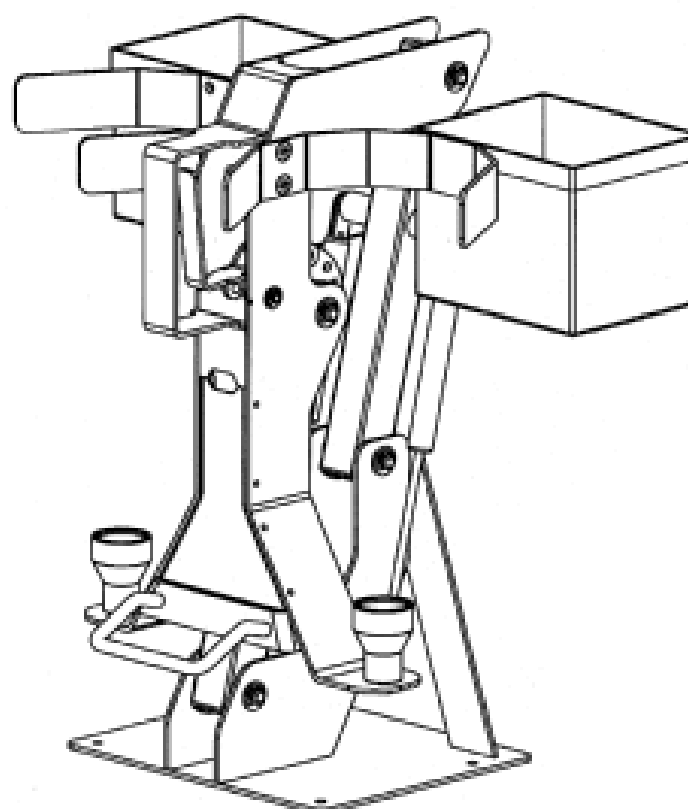
(57) Statement of Newness and Distinctiveness: **Nil**



- (21) Design Number: **13515/2009**
(22) Date of Filing Application: **11 September 2009**
(24) Date from which industrial property rights may have effect: **11 September 2009**
(54) Product in respect of which the design is registered: **Pendant**
(51) International Design Classification: **11-01NES**
(71) Name(s) and Address(s) of Applicant(s):
Georgini Holdings Pty Ltd
5 Owen Street Kyeemagh New South Wales 2216 Australia
(72) Name(s) of Designer(s): **Gina Kougias**
(45) Registration Date: **05 November 2009**
(56) Related Art Documents: **Not Applicable**
(57) Statement of Newness and Distinctiveness: **When determining whether the design is substantially similar in overall impression to another design, no regard is to be had to those features shown in the dotted outline in the accompanying drawings.**



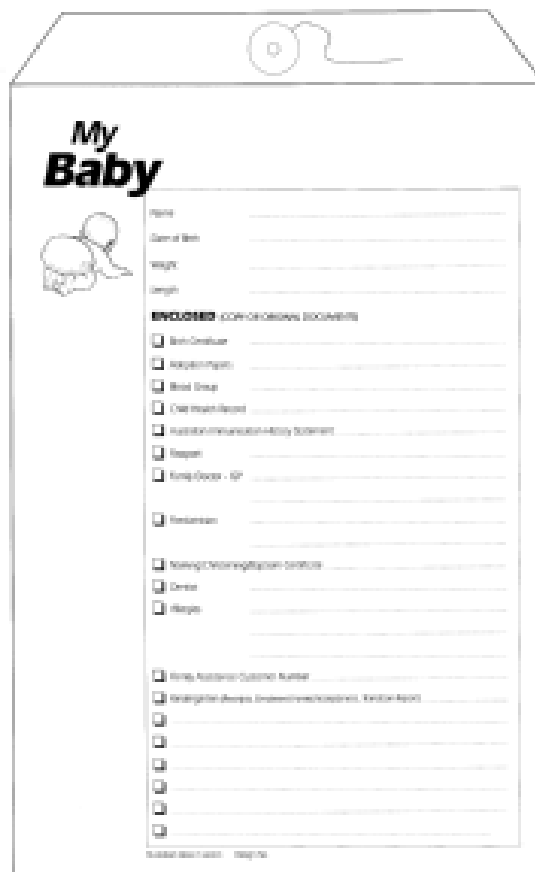
- (21) Design Number: **13877/2009**
(22) Date of Filing Application: **08 October 2009**
(24) Date from which industrial property rights may have effect: **08 October 2009**
(54) Product in respect of which the design is registered: **A support for breathing apparatus**
(51) International Design Classification: **29-01**
(71) Name(s) and Address(s) of Applicant(s):
JJ Fraser Engineering Limited
18 Peterkin Street Wingate Lower Hutt New Zealand
(72) Name(s) of Designer(s): **Martin Simpson and John James Fraser**
(45) Registration Date: **05 November 2009**
(56) Related Art Documents: **Not Applicable**
(57) Statement of Newness and Distinctiveness: **Newness and distinctiveness reside in the features of shape and/or configuration of the support for breathing apparatus as shown in the representations.**



- (21) Design Number: **13935/2009**
- (22) Date of Filing Application: **12 October 2009**
- (24) Date from which industrial property rights may have effect: **12 October 2009**
- (54) Product in respect of which the design is registered: **Non tearable expanding envelope**
- (51) International Design Classification: **19-01**
- (71) Name(s) and Address(s) of Applicant(s):
Robyn Materazzo
182 Wattle Valley Road Camberwell Victoria 3124 Australia
- (72) Name(s) of Designer(s): **Robyn Materazzo**
- (45) Registration Date: **05 November 2009**
- (56) Related Art Documents: **Not Applicable**
- (57) Statement of Newness and Distinctiveness: **Design for families particulars.**



- (21) Design Number: **13936/2009**
- (22) Date of Filing Application: **12 October 2009**
- (24) Date from which industrial property rights may have effect: **12 October 2009**
- (54) Product in respect of which the design is registered: **Non tearable expanding envelope**
- (51) International Design Classification: **19-01**
- (71) Name(s) and Address(s) of Applicant(s):
Robyn Materazzo
182 Wattle Valley Road Camberwell Victoria 3124 Australia
- (72) Name(s) of Designer(s): **Robyn Materazzo**
- (45) Registration Date: **05 November 2009**
- (56) Related Art Documents: **Not Applicable**
- (57) Statement of Newness and Distinctiveness: **Design for babies particulars.**



(21) Design Number: **13953/2009**

(22) Date of Filing Application: **13 October 2009**

(24) Date from which industrial property rights may have effect: **13 October 2009**

(54) Product in respect of which the design is registered: **Mounting device**

(51) International Design Classification: **14-99, 08-08NES**

(71) Name(s) and Address(s) of Applicant(s):

**Tom Tom International B.V.
Rembrandtplein 35 1017 CT Amsterdam Netherlands**

(72) Name(s) of Designer(s): **Ken McAlpine and Rachel Roberts and Martin Riddiford**

(45) Registration Date: **05 November 2009**

(30) Convention priority data:

(31) Number	(32) Date	(33) Country
1124085	20 Apr 2009	EUROPEAN COMMUNITY

(56) Related Art Documents: **Not Applicable**

(57) Statement of Newness and Distinctiveness: **Those features of the mounting device depicted in the representations that are new and distinctive are the shape and/or configuration.**



(21) Design Number: **13987/2009**

(22) Date of Filing Application: **15 October 2009**

(24) Date from which industrial property rights may have effect: **15 October 2009**

(54) Product in respect of which the design is registered: **Etihad stadium pop up card**

(51) International Design Classification: **19-01**

(71) Name(s) and Address(s) of Applicant(s):

**Hoang Gia Ngo
29 Showers Street Braybrook Victoria 3019 Australia**

(72) Name(s) of Designer(s): **Hoang Gia Ngo and Pham Trung Dung and Pham Van Phong**

(45) Registration Date: **05 November 2009**

(56) Related Art Documents: **Not Applicable**

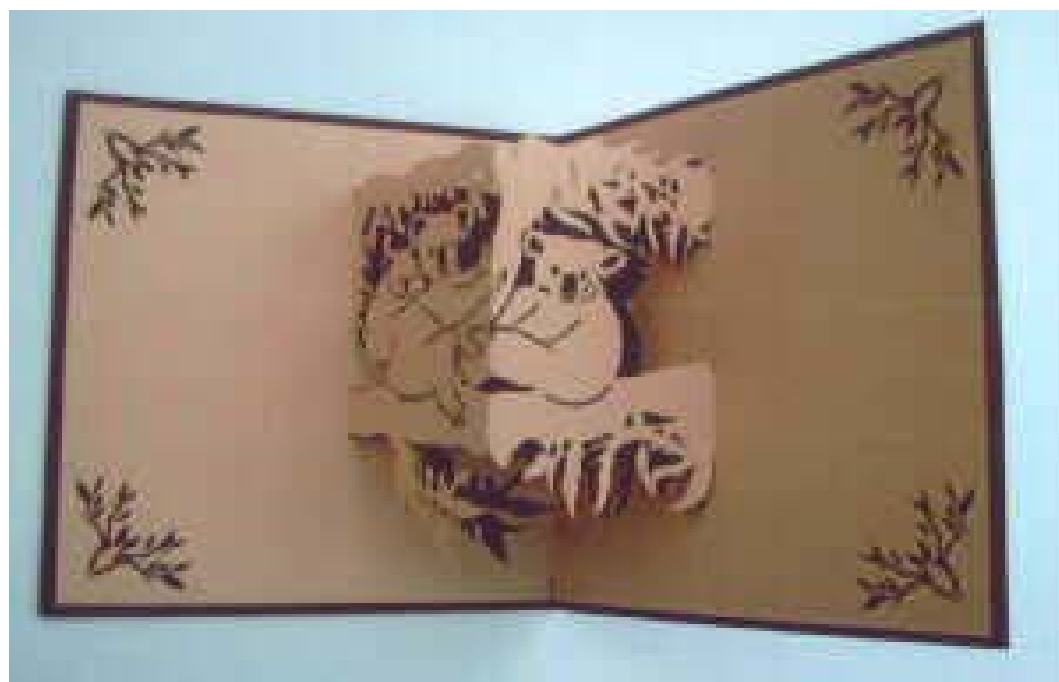
(57) Statement of Newness and Distinctiveness: **Nil**



- (21) Design Number: **13988/2009**
(22) Date of Filing Application: **15 October 2009**
(24) Date from which industrial property rights may have effect: **15 October 2009**
(54) Product in respect of which the design is registered: **Sydney Harbour bridge pop up card**
(51) International Design Classification: **19-01**
(71) Name(s) and Address(s) of Applicant(s):
Hoang Gia Ngo
29 Showers Street Braybrook Victoria 3019 Australia
(72) Name(s) of Designer(s): **Hoang Gia Ngo and Pham Trung Dung and Pham Van Phong**
(45) Registration Date: **05 November 2009**
(56) Related Art Documents: **Not Applicable**
(57) Statement of Newness and Distinctiveness: **Nil**



- (21) Design Number: **13989/2009**
(22) Date of Filing Application: **15 October 2009**
(24) Date from which industrial property rights may have effect: **15 October 2009**
(54) Product in respect of which the design is registered: **3 koalas on tree pop up cards**
(51) International Design Classification: **19-01**
(71) Name(s) and Address(s) of Applicant(s):
Hoang Gia Ngo
29 Showers Street Braybrook Victoria 3019 Australia
(72) Name(s) of Designer(s): **Hoang Gia Ngo and Pham Trung Dung and Pham Van Phong**
(45) Registration Date: **05 November 2009**
(56) Related Art Documents: **Not Applicable**
(57) Statement of Newness and Distinctiveness: **Nil**



(21) Design Number: **13990/2009**

(22) Date of Filing Application: **15 October 2009**

(24) Date from which industrial property rights may have effect: **15 October 2009**

(54) Product in respect of which the design is registered: **Koalas pop up card**

(51) International Design Classification: **19-01**

(71) Name(s) and Address(s) of Applicant(s):

Hoang Gia Ngo

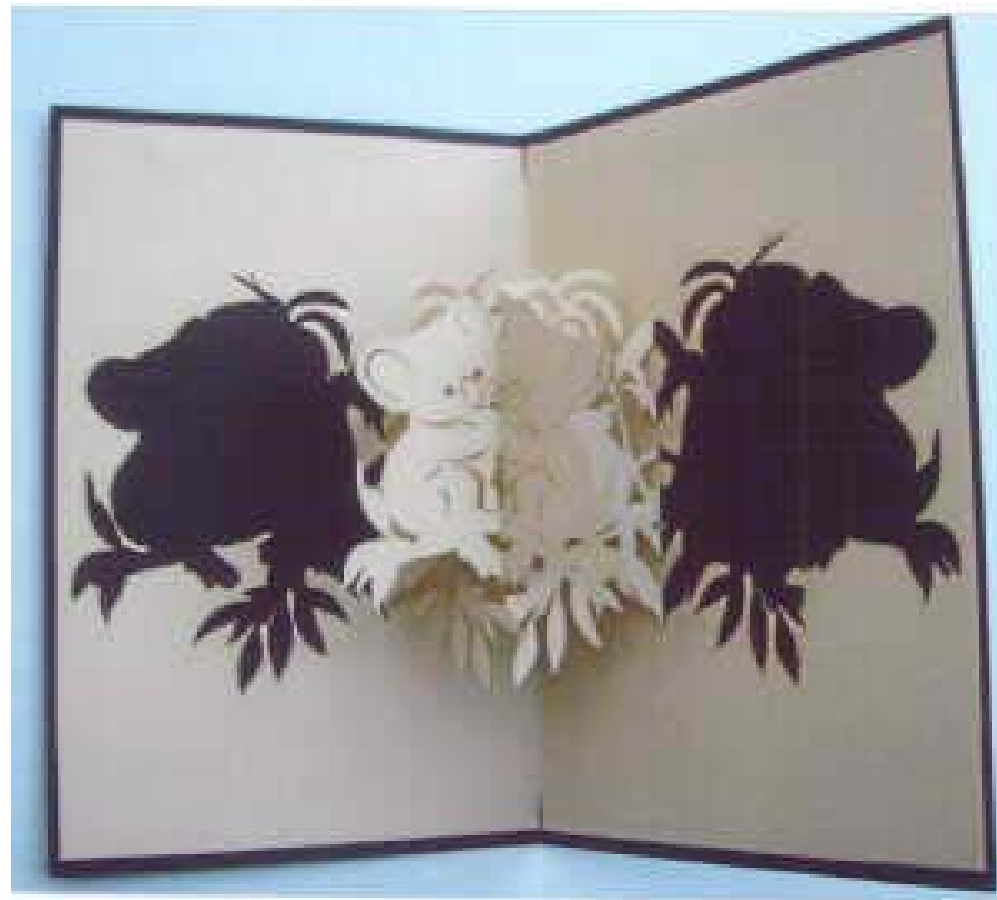
29 Showers Street Braybrook Victoria 3019 Australia

(72) Name(s) of Designer(s): **Hoang Gia Ngo and Pham Trung Dung and Pham Van Phong**

(45) Registration Date: **05 November 2009**

(56) Related Art Documents: **Not Applicable**

(57) Statement of Newness and Distinctiveness: **Nil**



(21) Design Number: **13991/2009**

(22) Date of Filing Application: **15 October 2009**

(24) Date from which industrial property rights may have effect: **15 October 2009**

(54) Product in respect of which the design is registered: **Luna Park Melbourne pop up card**

(51) International Design Classification: **19-01**

(71) Name(s) and Address(s) of Applicant(s):

Hoang Gia Ngo

29 Showers Street Braybrook Victoria 3019 Australia

(72) Name(s) of Designer(s): **Hoang Gia Ngo and Pham Trung Dung and Pham Van Phong**

(45) Registration Date: **05 November 2009**

(56) Related Art Documents: **Not Applicable**

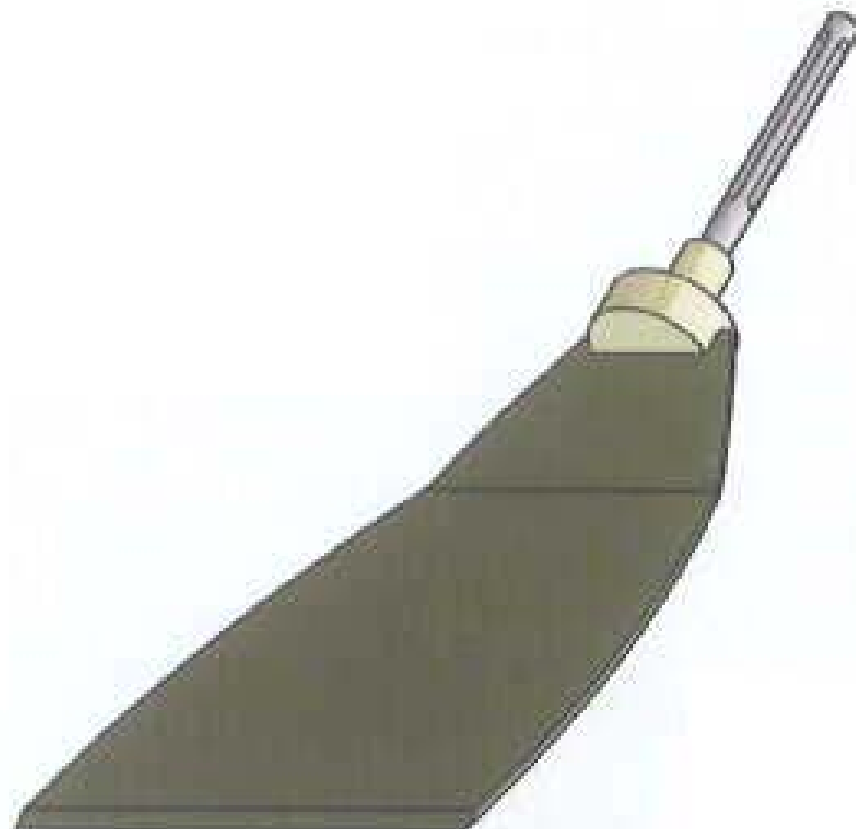
(57) Statement of Newness and Distinctiveness: **Nil**



- (21) Design Number: **12689/2009**
(22) Date of Filing Application: **22 July 2009**
(24) Date from which industrial property rights may have effect: **22 July 2009**
(54) Product in respect of which the design is registered: **Two hand, handle wall tile removal tool**
(51) International Design Classification: **08-05K**
(71) Name(s) and Address(s) of Applicant(s):
Mathew Norton
24 Dapper Street Sunnybank Hills Queensland 4109 Australia
(72) Name(s) of Designer(s): **Mathew Norton**
(45) Registration Date: **04 November 2009**
(56) Related Art Documents: **Not Applicable**
(57) Statement of Newness and Distinctiveness: **Monopoly is claimed in the shape and configuration of the two hand, handle wall tile removal tool.**



- (21) Design Number: **12709/2009**
(22) Date of Filing Application: **22 July 2009**
(24) Date from which industrial property rights may have effect: **22 July 2009**
(54) Product in respect of which the design is registered: **The SDS jackhammer, wall tile removal tool**
(51) International Design Classification: **08-05K**
(71) Name(s) and Address(s) of Applicant(s):
Mathew Norton
24 Dapper Street Sunnybank Hills Queensland 4109 Australia
(72) Name(s) of Designer(s): **Mathew Norton**
(45) Registration Date: **04 November 2009**
(56) Related Art Documents: **Not Applicable**
(57) Statement of Newness and Distinctiveness: **Monopoly is claimed in the shape and configuration of the SDS jackhammer wall tile removal tool.**



(21) Design Number: **13529/2009**
(22) Date of Filing Application: **11 September 2009**
(24) Date from which industrial property rights may have effect: **11 September 2009**
(54) Product in respect of which the design is registered: **A mixer**
(51) International Design Classification: **31-00**
(71) Name(s) and Address(s) of Applicant(s):

**AB Electrolux
Stockholm 105 45 Sweden**

(72) Name(s) of Designer(s): **Joachim Nordwall**

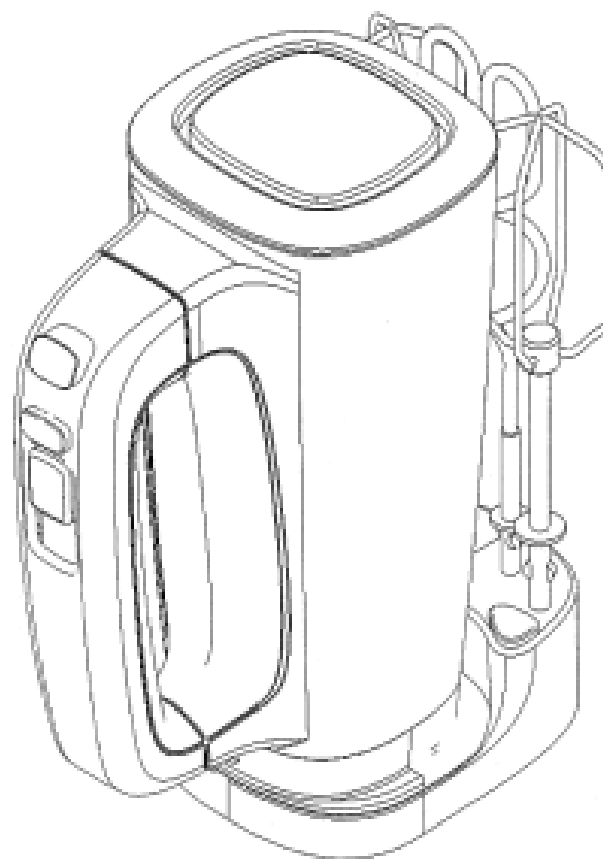
(45) Registration Date: **04 November 2009**

(30) Convention priority data:

(31) Number	(32) Date	(33) Country
001104137	12 Mar 2009	EUROPEAN COMMUNITY

(56) Related Art Documents: **Not Applicable**

(57) Statement of Newness and Distinctiveness: **Nil**



(21) Design Number: **13850/2009**
(22) Date of Filing Application: **07 October 2009**
(24) Date from which industrial property rights may have effect: **07 October 2009**
(54) Product in respect of which the design is registered: **Safety razor handle**
(51) International Design Classification: **28-03A**
(71) Name(s) and Address(s) of Applicant(s):

**Eveready Battery Company, Inc.
533 Maryville University Drive St Louis Missouri 63141 United States
of America**

(72) Name(s) of Designer(s): **Gregg A. Micinilio**

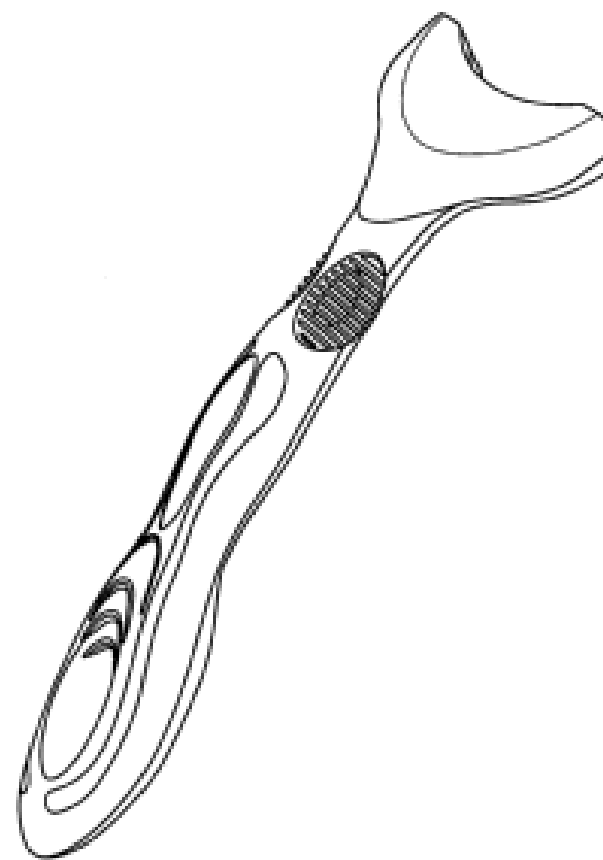
(45) Registration Date: **04 November 2009**

(30) Convention priority data:

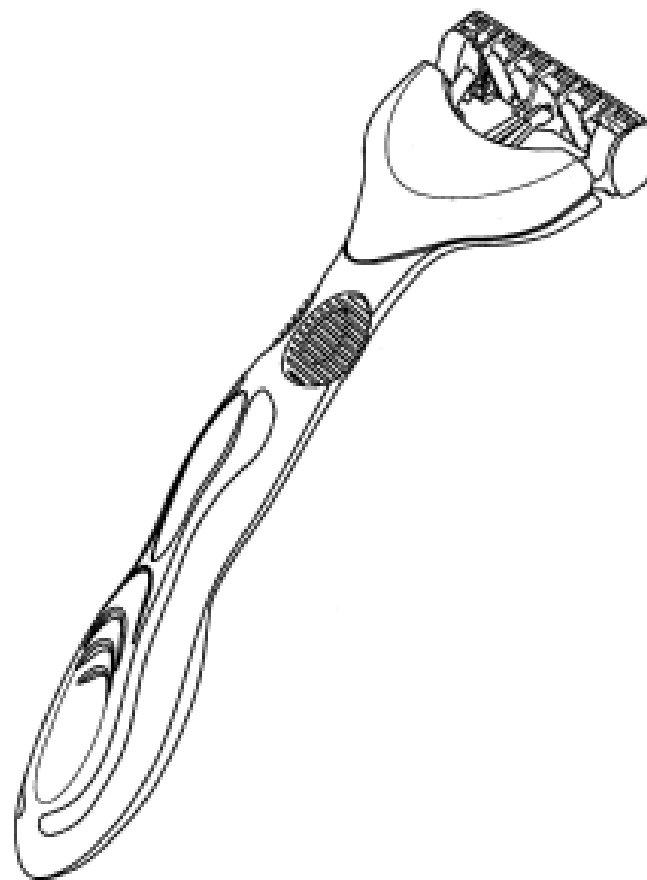
(31) Number	(32) Date	(33) Country
29/336351	01 May 2009	UNITED STATES OF AMERICA

(56) Related Art Documents: **Not Applicable**

(57) Statement of Newness and Distinctiveness: **Nil**



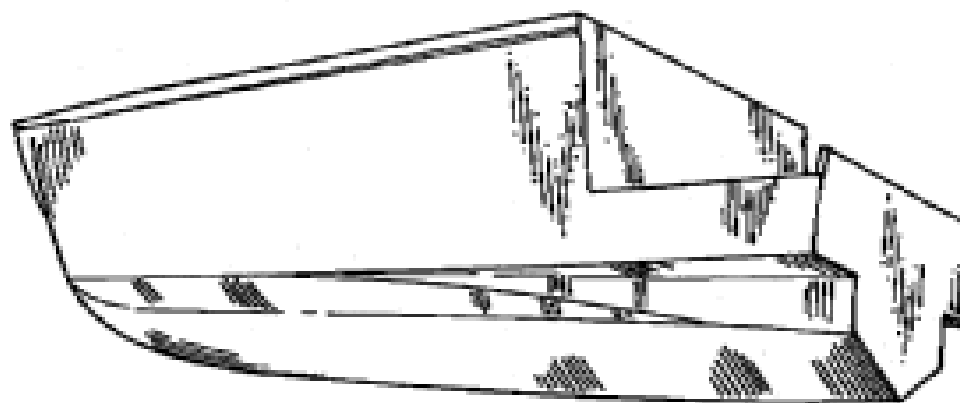
(21) Design Number: **13851/2009**
(22) Date of Filing Application: **07 October 2009**
(24) Date from which industrial property rights may have effect: **07 October 2009**
(54) Product in respect of which the design is registered: **Safety razor**
(51) International Design Classification: **28-03A**
(71) Name(s) and Address(s) of Applicant(s):
Eveready Battery Company, Inc.
533 Maryville University Drive St Louis Missouri 63141 United States of America
(72) Name(s) of Designer(s): **Gregg A. Micinilio**
(45) Registration Date: **04 November 2009**
(30) Convention priority data:
(31) Number (32) Date (33) Country
29/336346 11 May 2009 UNITED STATES OF AMERICA
(56) Related Art Documents: **Not Applicable**
(57) Statement of Newness and Distinctiveness: **Nil**



(21) Design Number: **13852/2009**
(22) Date of Filing Application: **07 October 2009**
(24) Date from which industrial property rights may have effect: **07 October 2009**
(54) Product in respect of which the design is registered: **Stuffed toy animals**
(51) International Design Classification: **21-01A**
(71) Name(s) and Address(s) of Applicant(s):
MedWatchDoc GmbH & Co., KG
Zeppelininstr. 21 21337 Luneburg Germany
(72) Name(s) of Designer(s): **Fred J.M. Slot**
(45) Registration Date: **04 November 2009**
(30) Convention priority data:
(31) Number (32) Date (33) Country
001614967 23 Sep 2009 EUROPEAN COMMUNITY
(56) Related Art Documents: **Not Applicable**
(57) Statement of Newness and Distinctiveness: **The particular visual features of the design which are new and distinctive are shape or configuration.**



(21) Design Number: **13853/2009**
(22) Date of Filing Application: **08 October 2009**
(24) Date from which industrial property rights may have effect: **08 October 2009**
(54) Product in respect of which the design is registered: **A boat hull**
(51) International Design Classification: **12-06A**
(71) Name(s) and Address(s) of Applicant(s):
Peter Anthony de Jong
71 Gordon Street Bowen Queensland 4805 Australia
(72) Name(s) of Designer(s): **Peter Anthony de Jong**
(45) Registration Date: **04 November 2009**
(56) Related Art Documents: **Not Applicable**
(57) Statement of Newness and Distinctiveness: **Nil**



(21) Design Number: **13855/2009**
(22) Date of Filing Application: **19 August 2009**
(24) Date from which industrial property rights may have effect: **19 August 2009**
(54) Product in respect of which the design is registered: **Control panel for an oven**
(51) International Design Classification: **07-02C**
(71) Name(s) and Address(s) of Applicant(s):
Electrolux Home Products Corporation N.V.
Belgicastraat 17 1930 Zaventem Belgium
(72) Name(s) of Designer(s): **Michael Knochner**
(45) Registration Date: **04 November 2009**
(30) Convention priority data:
(31) Number (32) Date (33) Country
001093660 26 Feb 2009 EUROPEAN COMMUNITY
(62) Divisional of: **327918**
(56) Related Art Documents: **Not Applicable**
(57) Statement of Newness and Distinctiveness: **Nil**



(21) Design Number: **13856/2009**
(22) Date of Filing Application: **19 August 2009**
(24) Date from which industrial property rights may have effect: **19 August 2009**
(54) Product in respect of which the design is registered: **Oven**
(51) International Design Classification: **07-02A**
(71) Name(s) and Address(s) of Applicant(s):
Electrolux Home Products Corporation N.V.
Belgicastraat 17 1930 Zaventem Belgium
(72) Name(s) of Designer(s): **Michael Knochner**
(45) Registration Date: **04 November 2009**
(30) Convention priority data:
(31) Number (32) Date (33) Country
001093660 26 Feb 2009 EUROPEAN COMMUNITY
(62) Divisional of: **327918**
(56) Related Art Documents: **Not Applicable**
(57) Statement of Newness and Distinctiveness: **Nil**



(21) Design Number: **13903/2009**
(22) Date of Filing Application: **15 October 2009**
(24) Date from which industrial property rights may have effect: **15 October 2009**
(54) Product in respect of which the design is registered: **Portable solar power generator**
(51) International Design Classification: **13-99**
(71) Name(s) and Address(s) of Applicant(s):
Christopher Sparsi
2 Hutchison Street Rivervale Western Australia 6103 Australia
(72) Name(s) of Designer(s): **Christopher Sparsi**
(45) Registration Date: **04 November 2009**
(56) Related Art Documents: **Not Applicable**
(57) Statement of Newness and Distinctiveness: **Nil**



(21) Design Number: **13823/2009**

(22) Date of Filing Application: **02 October 2009**

(24) Date from which industrial property rights may have effect: **02 October 2009**

(54) Product in respect of which the design is registered: **Fashion women's dresses**

(51) International Design Classification: **02-02C**

(71) Name(s) and Address(s) of Applicant(s):

Bronwyn Salter

17 Butson Street Hilton Western Australia 6163 Australia

(72) Name(s) of Designer(s): **Bronwyn Salter**

(45) Registration Date: **04 November 2009**

(56) Related Art Documents: **Not Applicable**

(57) Statement of Newness and Distinctiveness: **Individual layers designed as separate dresses but put together so that they can be worn as one. Each layer is made out of different material to create a unique effect which is striking to the eye.**



(21) Design Number: **13824/2009**

(22) Date of Filing Application: **02 October 2009**

(24) Date from which industrial property rights may have effect: **02 October 2009**

(54) Product in respect of which the design is registered: **Fashion women's dresses**

(51) International Design Classification: **02-02C**

(71) Name(s) and Address(s) of Applicant(s):

Bronwyn Salter

17 Butson Street Hilton Western Australia 6163 Australia

(72) Name(s) of Designer(s): **Bronwyn Salter**

(45) Registration Date: **04 November 2009**

(56) Related Art Documents: **Not Applicable**

(57) Statement of Newness and Distinctiveness: **The dress is a deep green and the unique and distinctive feature of the dress is the black and white patterned material which has been made into the design shape of an apron scalloped around the bottom and worn around the waist of the dress.**



- (21) Design Number: **13825/2009**
(22) Date of Filing Application: **02 October 2009**
(24) Date from which industrial property rights may have effect: **02 October 2009**
(54) Product in respect of which the design is registered: **Fashion women's dresses**
(51) International Design Classification: **02-02C**
(71) Name(s) and Address(s) of Applicant(s):
Bronwyn Salter
17 Butson Street Hilton Western Australia 6163 Australia
(72) Name(s) of Designer(s): **Bronwyn Salter**
(45) Registration Date: **04 November 2009**
(56) Related Art Documents: **Not Applicable**
(57) Statement of Newness and Distinctiveness: **The unique feature of this dress is it has been designed in two parts with the top layer of the dress having a crossover halter neck strap design with layers of artificial orchids sewn onto the straps.**



- (21) Design Number: **13826/2009**
(22) Date of Filing Application: **02 October 2009**
(24) Date from which industrial property rights may have effect: **02 October 2009**
(54) Product in respect of which the design is registered: **Fashion women's dresses**
(51) International Design Classification: **02-02C**
(71) Name(s) and Address(s) of Applicant(s):
Bronwyn Salter
17 Butson Street Hilton Western Australia 6163 Australia
(72) Name(s) of Designer(s): **Bronwyn Salter**
(45) Registration Date: **04 November 2009**
(56) Related Art Documents: **Not Applicable**
(57) Statement of Newness and Distinctiveness: **Two different colours of material are used in design with a long high neck panel down the middle in a panel featuring feathers and brooches and green leaf material sewn onto the panel.**



(21) Design Number: **13827/2009**

(22) Date of Filing Application: **02 October 2009**

(24) Date from which industrial property rights may have effect: **02 October 2009**

(54) Product in respect of which the design is registered: **Fashion women's dresses**

(51) International Design Classification: **02-02C**

(71) Name(s) and Address(s) of Applicant(s):

Bronwyn Salter

17 Butson Street Hilton Western Australia 6163 Australia

(72) Name(s) of Designer(s): **Bronwyn Salter**

(45) Registration Date: **04 November 2009**

(56) Related Art Documents: **Not Applicable**

(57) Statement of Newness and Distinctiveness: **The dress has been hand painted material designed, the material being painted by the designer (Bronwyn Salter) and used to design the dress which has been made from the material.**



(21) Design Number: **13828/2009**

(22) Date of Filing Application: **02 October 2009**

(24) Date from which industrial property rights may have effect: **02 October 2009**

(54) Product in respect of which the design is registered: **Fashion women's dresses**

(51) International Design Classification: **02-02C**

(71) Name(s) and Address(s) of Applicant(s):

Bronwyn Salter

17 Butson Street Hilton Western Australia 6163 Australia

(72) Name(s) of Designer(s): **Bronwyn Salter**

(45) Registration Date: **04 November 2009**

(56) Related Art Documents: **Not Applicable**

(57) Statement of Newness and Distinctiveness: **The dress has a unique feature where the back and front of the dress, top section, crossover neck design is the same.**



(19) AU

(21) Design Number: **13897/2009**

(22) Date of Filing Application: **09 October 2009**

(24) Date from which industrial property rights may have effect: **09 October 2009**

(54) Product in respect of which the design is registered: **Beverage container closure**

(51) International Design Classification: **09-07C**

(71) Name(s) and Address(s) of Applicant(s):

Telebrands Corp.

79 Two Bridges Road Fairfield NJ 07004 United States of America

(72) Name(s) of Designer(s): **Ajit Khubani**

(45) Registration Date: **04 November 2009**

(30) Convention priority data:

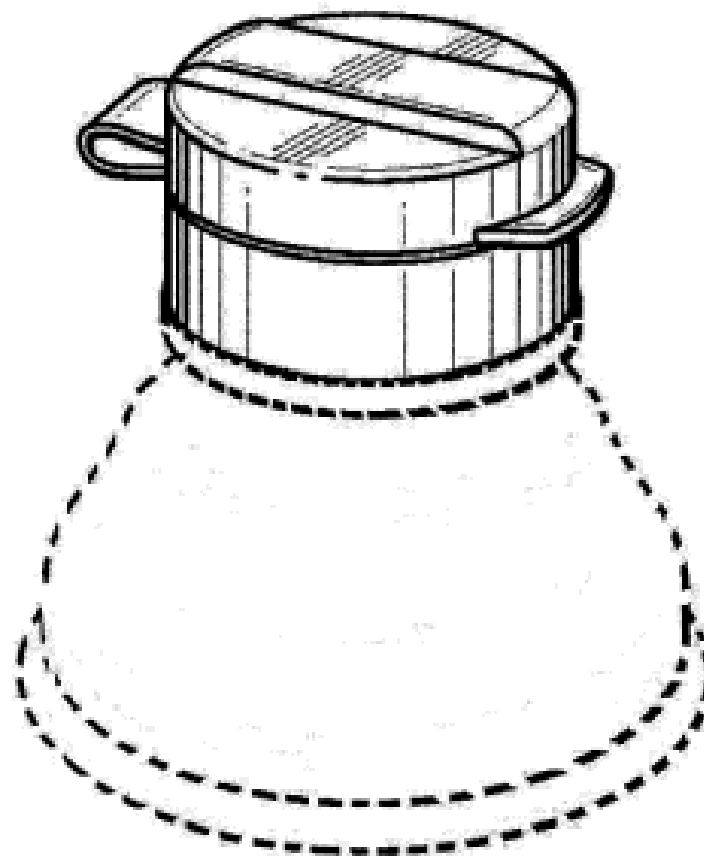
(31) Number
29/316302

(32) Date
11 Sep 2009

(33) Country
UNITED STATES OF AMERICA

(56) Related Art Documents: **Not Applicable**

(57) Statement of Newness and Distinctiveness: **When determining whether the design 1 is substantially similar in overall impression to another design, no regard is to be had to those features shown in dotted outline in the accompanying drawings.**



(19) AU

(21) Design Number: **13902/2009**

(22) Date of Filing Application: **15 October 2009**

(24) Date from which industrial property rights may have effect: **15 October 2009**

(54) Product in respect of which the design is registered: **Electric water kettle**

(51) International Design Classification: **07-02K**

(71) Name(s) and Address(s) of Applicant(s):

Pi-Design AG

Kantonsstrasse 100 Postfach 463 Ch-6234 Triengen Switzerland

(72) Name(s) of Designer(s): **Jorgen Bodum**

(45) Registration Date: **04 November 2009**

(30) Convention priority data:

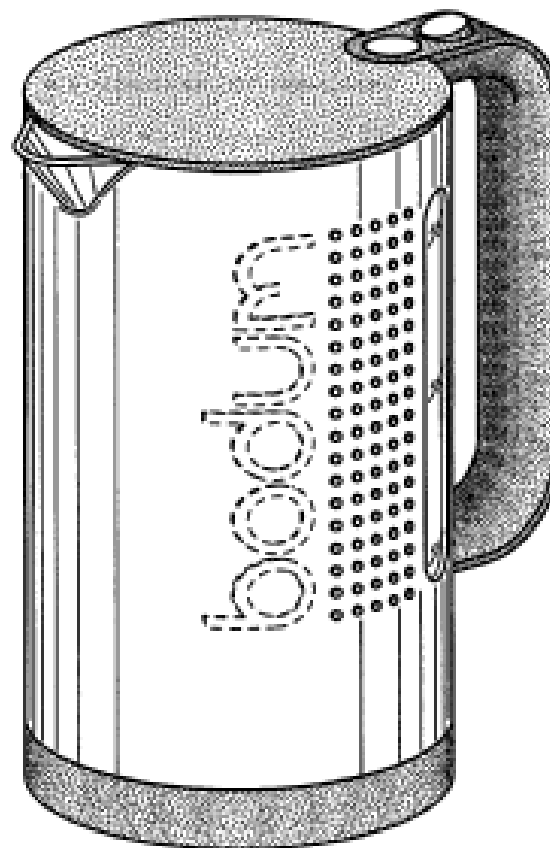
(31) Number
DM/071 857

(32) Date
29 May 2009

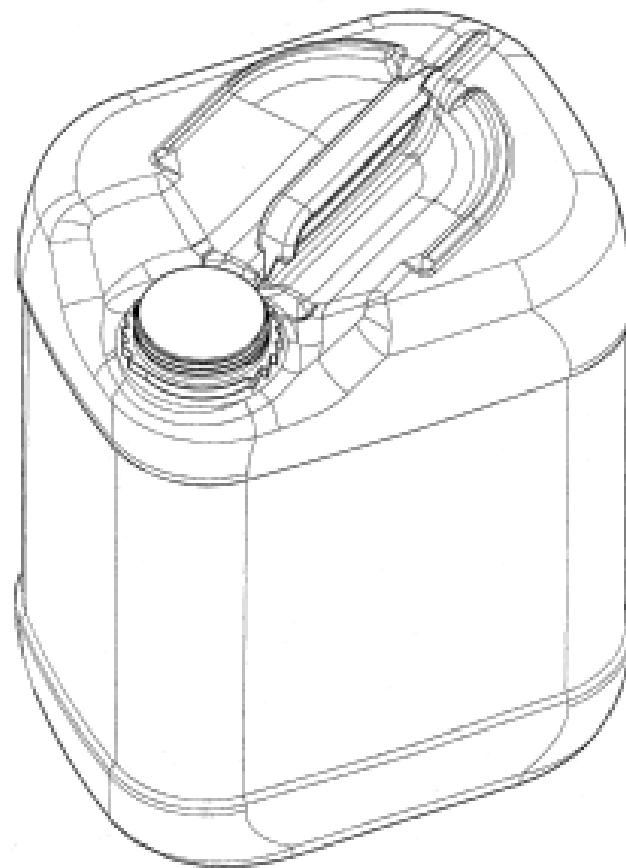
(33) Country
**WORLD INTELLECTUAL
PROPERTY ORGANIZATION
(WIPO)**

(56) Related Art Documents: **Not Applicable**

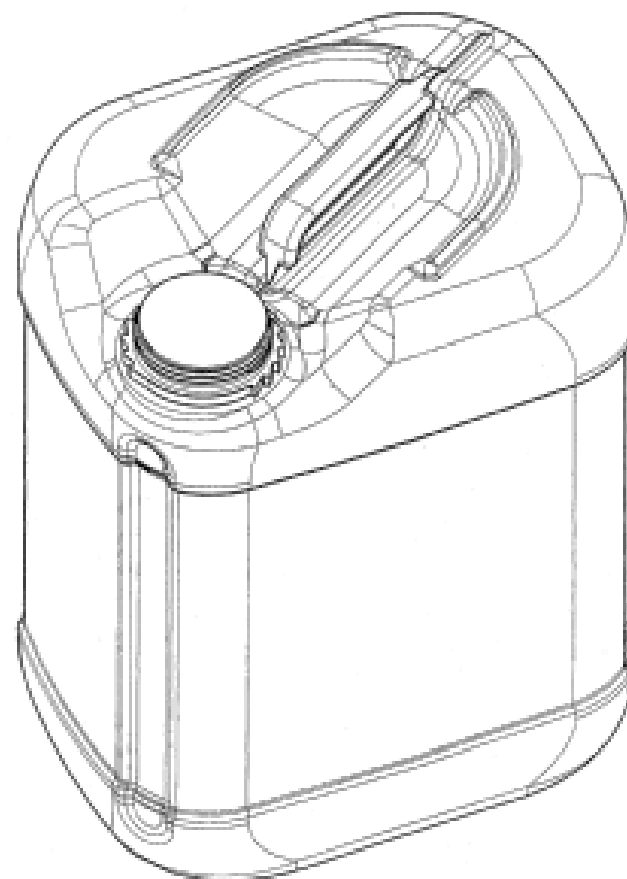
(57) Statement of Newness and Distinctiveness: **Nil**



- (21) Design Number: **13808/2009**
- (22) Date of Filing Application: **02 October 2009**
- (24) Date from which industrial property rights may have effect: **02 October 2009**
- (54) Product in respect of which the design is registered: **Container**
- (51) International Design Classification: **09-02B**
- (71) Name(s) and Address(s) of Applicant(s):
VIP Plastic Packaging Pty Ltd
Level 17 644 Chapel Street South Yarra Victoria 3141 Australia
- (72) Name(s) of Designer(s): **Daryl Ross Black**
- (45) Registration Date: **04 November 2009**
- (56) Related Art Documents: **Not Applicable**
- (57) Statement of Newness and Distinctiveness: **Nil**



- (21) Design Number: **13809/2009**
- (22) Date of Filing Application: **02 October 2009**
- (24) Date from which industrial property rights may have effect: **02 October 2009**
- (54) Product in respect of which the design is registered: **Container**
- (51) International Design Classification: **09-02B**
- (71) Name(s) and Address(s) of Applicant(s):
VIP Plastic Packaging Pty Ltd
Level 17 644 Chapel Street South Yarra Victoria 3141 Australia
- (72) Name(s) of Designer(s): **Daryl Ross Black**
- (45) Registration Date: **04 November 2009**
- (56) Related Art Documents: **Not Applicable**
- (57) Statement of Newness and Distinctiveness: **Nil**



(21) Design Number: **13591/2009**

(22) Date of Filing Application: **18 September 2009**

(24) Date from which industrial property rights may have effect: **18 September 2009**

(54) Product in respect of which the design is registered: **Covers for power generators**

(51) International Design Classification: **13-01**

(71) Name(s) and Address(s) of Applicant(s):

Teamworx Australia Pty. Ltd.

110/12 Cato Street Hawthorn East Victoria 3123 Australia

(72) Name(s) of Designer(s): **Stephen Briggs**

(45) Registration Date: **04 November 2009**

(56) Related Art Documents: **Not Applicable**

(57) Statement of Newness and Distinctiveness: **Transparent tool/manual pocket.**



(21) Design Number: **13592/2009**

(22) Date of Filing Application: **18 September 2009**

(24) Date from which industrial property rights may have effect: **18 September 2009**

(54) Product in respect of which the design is registered: **Covers for power generators**

(51) International Design Classification: **13-01**

(71) Name(s) and Address(s) of Applicant(s):

Teamworx Australia Pty. Ltd.

110/12 Cato Street Hawthorn East Victoria 3123 Australia

(72) Name(s) of Designer(s): **Stephen Briggs**

(45) Registration Date: **04 November 2009**

(56) Related Art Documents: **Not Applicable**

(57) Statement of Newness and Distinctiveness: **Transparent tool/manual pocket.**



- (21) Design Number: **13763/2009**
(22) Date of Filing Application: **30 September 2009**
(24) Date from which industrial property rights may have effect: **30 September 2009**
(54) Product in respect of which the design is registered: **Bus**
(51) International Design Classification: **12-08**
(71) Name(s) and Address(s) of Applicant(s):
Custom Coaches (Sales) Pty Ltd
31-39 Sturt Street Smithfield New South Wales 2164 Australia
(72) Name(s) of Designer(s): **Luke Hardy and Adam Stevens**
(45) Registration Date: **04 November 2009**
(56) Related Art Documents: **Not Applicable**
(57) Statement of Newness and Distinctiveness: **The shape and/or configuration of the bus is new and distinctive. From the front of the bus, all panelling including lighting panelling is new and distinctive, as is the protruding housing for the front destination sign. Incorporated into the design is new and distinctive rear panelling, rear door, rear bumper bars and rear side mounted air grill. The text and words shown on the bus are to be disregarded and should not be considered when construing visual features of the design. Any interior features of the bus are to be disregarded when considering the overall impression of the design.**



- (21) Design Number: **13764/2009**
(22) Date of Filing Application: **30 September 2009**
(24) Date from which industrial property rights may have effect: **30 September 2009**
(54) Product in respect of which the design is registered: **Skirt panel for bus**
(51) International Design Classification: **12-16B**
(71) Name(s) and Address(s) of Applicant(s):
Custom Coaches (Sales) Pty Ltd
31-39 Sturt Street Smithfield New South Wales 2164 Australia
(72) Name(s) of Designer(s): **Luke Hardy and Adam Stevens**
(45) Registration Date: **04 November 2009**
(56) Related Art Documents: **Not Applicable**
(57) Statement of Newness and Distinctiveness: **The shape and/or configuration of the design is new and distinctive.**



- (21) Design Number: **13765/2009**
(22) Date of Filing Application: **30 September 2009**
(24) Date from which industrial property rights may have effect: **30 September 2009**
(54) Product in respect of which the design is registered: **Air grill for bus**
(51) International Design Classification: **12-16B**
(71) Name(s) and Address(s) of Applicant(s):
Custom Coaches (Sales) Pty Ltd
31-39 Sturt Street Smithfield New South Wales 2164 Australia
(72) Name(s) of Designer(s): **Luke Hardy and Adam Stevens**
(45) Registration Date: **04 November 2009**
(56) Related Art Documents: **Not Applicable**
(57) Statement of Newness and Distinctiveness: **The shape and/or configuration of the design is new and distinctive.**



- (21) Design Number: **13766/2009**
(22) Date of Filing Application: **30 September 2009**
(24) Date from which industrial property rights may have effect: **30 September 2009**
(54) Product in respect of which the design is registered: **Driver's door and partition for bus**
(51) International Design Classification: **12-16B**
(71) Name(s) and Address(s) of Applicant(s):
Custom Coaches (Sales) Pty Ltd
31-39 Sturt Street Smithfield New South Wales 2164 Australia
(72) Name(s) of Designer(s): **Luke Hardy and Adam Stevens**
(45) Registration Date: **04 November 2009**
(56) Related Art Documents: **Not Applicable**
(57) Statement of Newness and Distinctiveness: **The shape and/or configuration of the design is new and distinctive.**



- (21) Design Number: **13767/2009**
- (22) Date of Filing Application: **30 September 2009**
- (24) Date from which industrial property rights may have effect: **30 September 2009**
- (54) Product in respect of which the design is registered: **Front door modesty for bus**
- (51) International Design Classification: **12-16B**
- (71) Name(s) and Address(s) of Applicant(s):
Custom Coaches (Sales) Pty Ltd
31-39 Sturt Street Smithfield New South Wales 2164 Australia
- (72) Name(s) of Designer(s): **Luke Hardy and Adam Stevens**
- (45) Registration Date: **04 November 2009**
- (56) Related Art Documents: **Not Applicable**
- (57) Statement of Newness and Distinctiveness: **The shape and/or configuration of the design is new and distinctive.**



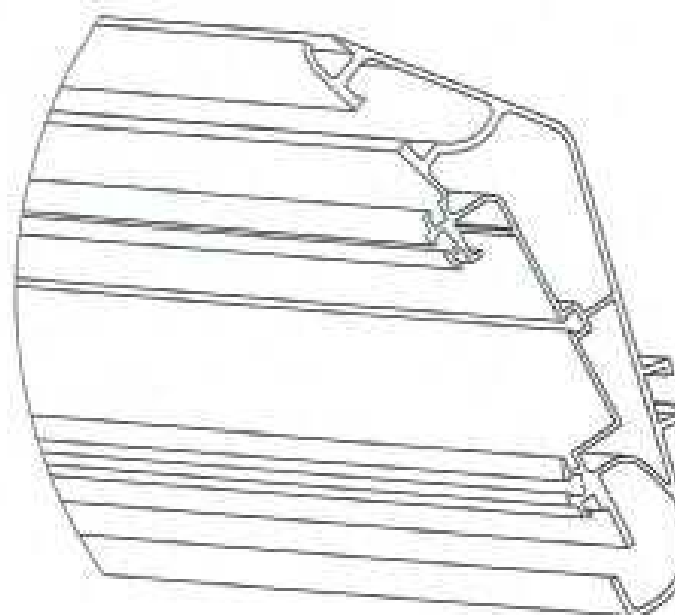
- (21) Design Number: **13768/2009**
- (22) Date of Filing Application: **30 September 2009**
- (24) Date from which industrial property rights may have effect: **30 September 2009**
- (54) Product in respect of which the design is registered: **Rear door front modesty for bus**
- (51) International Design Classification: **12-16B**
- (71) Name(s) and Address(s) of Applicant(s):
Custom Coaches (Sales) Pty Ltd
31-39 Sturt Street Smithfield New South Wales 2164 Australia
- (72) Name(s) of Designer(s): **Luke Hardy and Adam Stevens**
- (45) Registration Date: **04 November 2009**
- (56) Related Art Documents: **Not Applicable**
- (57) Statement of Newness and Distinctiveness: **The shape and/or configuration of the design is new and distinctive.**



- (21) Design Number: **13769/2009**
(22) Date of Filing Application: **30 September 2009**
(24) Date from which industrial property rights may have effect: **30 September 2009**
(54) Product in respect of which the design is registered: **Small modesty for bus**
(51) International Design Classification: **12-16B**
(71) Name(s) and Address(s) of Applicant(s):
Custom Coaches (Sales) Pty Ltd
31-39 Sturt Street Smithfield New South Wales 2164 Australia
(72) Name(s) of Designer(s): **Luke Hardy and Adam Stevens**
(45) Registration Date: **04 November 2009**
(56) Related Art Documents: **Not Applicable**
(57) Statement of Newness and Distinctiveness: **The shape and/or configuration of the design is new and distinctive.**



- (21) Design Number: **13770/2009**
(22) Date of Filing Application: **30 September 2009**
(24) Date from which industrial property rights may have effect: **30 September 2009**
(54) Product in respect of which the design is registered: **Extrusion for interior of bus**
(51) International Design Classification: **12-16NES, 25-01K**
(71) Name(s) and Address(s) of Applicant(s):
Custom Coaches (Sales) Pty Ltd
31-39 Sturt Street Smithfield New South Wales 2164 Australia
(72) Name(s) of Designer(s): **Luke Hardy and Adam Stevens**
(45) Registration Date: **04 November 2009**
(56) Related Art Documents: **Not Applicable**
(57) Statement of Newness and Distinctiveness: **The shape and/or configuration of the design is new and distinctive.**



(21) Design Number: **13878/2009**

(22) Date of Filing Application: **07 October 2009**

(24) Date from which industrial property rights may have effect: **07 October 2009**

(54) Product in respect of which the design is registered: **Sportsbra**

(51) International Design Classification: **02-01A**

(71) Name(s) and Address(s) of Applicant(s):

Boobytrap! Ltd
C/- Lily Business Solutions 28 Sutherland Close Bordon Hampshire
GU35 9RF United Kingdom

(72) Name(s) of Designer(s): **Lisa Kay Moore**

(45) Registration Date: **04 November 2009**

(30) Convention priority data:

(31) Number	(32) Date	(33) Country
4010861	17 Apr 2009	UNITED KINGDOM

(56) Related Art Documents: **Not Applicable**

(57) Statement of Newness and Distinctiveness: **Heart rate monitor clips contained within the design of a sportsbra.**



(21) Design Number: **13879/2009**

(22) Date of Filing Application: **08 October 2009**

(24) Date from which industrial property rights may have effect: **08 October 2009**

(54) Product in respect of which the design is registered: **A trailer**

(51) International Design Classification: **12-10**

(71) Name(s) and Address(s) of Applicant(s):

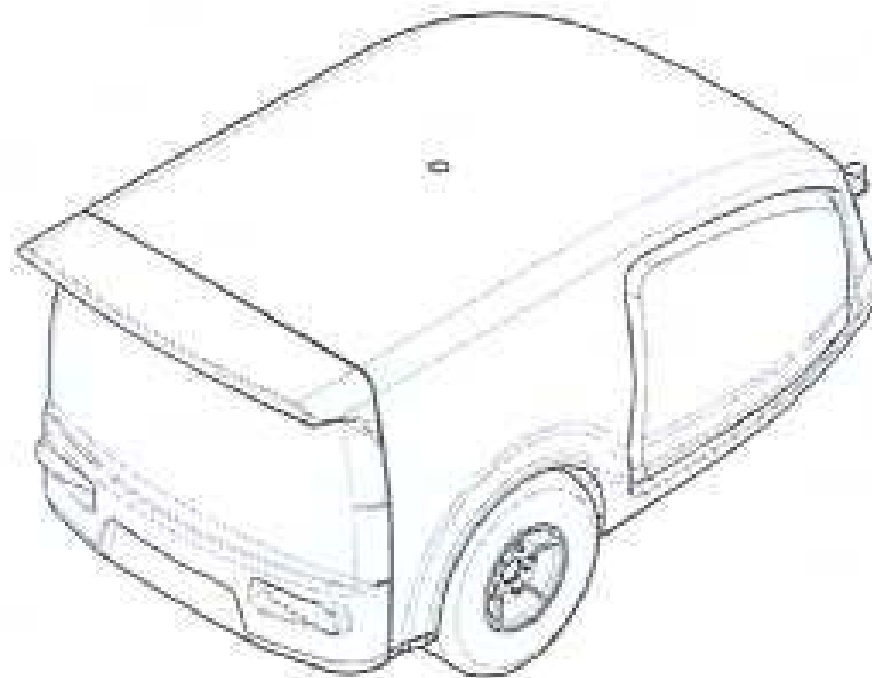
Nose Cone Australia Pty Limited
12 Donald Street Old Guildford New South Wales 2161 Australia

(72) Name(s) of Designer(s): **Roberto Pereira**

(45) Registration Date: **04 November 2009**

(56) Related Art Documents: **Not Applicable**

(57) Statement of Newness and Distinctiveness: **Newness and distinctiveness is claimed in respect of the shape and/or configuration of the product illustrated in the accompanying representations.**



(21) Design Number: **13880/2009**

(22) Date of Filing Application: **09 October 2009**

(24) Date from which industrial property rights may have effect: **09 October 2009**

(54) Product in respect of which the design is registered: **Resort Range Glasses - 230ml/285ml/355ml/425ml/570ml**

(51) International Design Classification: **07-01C**

(71) Name(s) and Address(s) of Applicant(s):

**Plastic Glasses Pty Ltd
40 Aster Avenue Carrum Downs Victoria 3201 Australia**

(72) Name(s) of Designer(s): **Sean Carew**

(45) Registration Date: **04 November 2009**

(56) Related Art Documents: **Not Applicable**

(57) Statement of Newness and Distinctiveness: **New inner ring to prevent scratching and mould when stacked.**



(21) Design Number: **13881/2009**

(22) Date of Filing Application: **08 October 2009**

(24) Date from which industrial property rights may have effect: **08 October 2009**

(54) Product in respect of which the design is registered: **Euro jug**

(51) International Design Classification: **07-01F**

(71) Name(s) and Address(s) of Applicant(s):

**Plastic Glasses Pty Ltd
40 Aster Avenue Carrum Downs Victoria 3201 Australia**

(72) Name(s) of Designer(s): **Sean Carew**

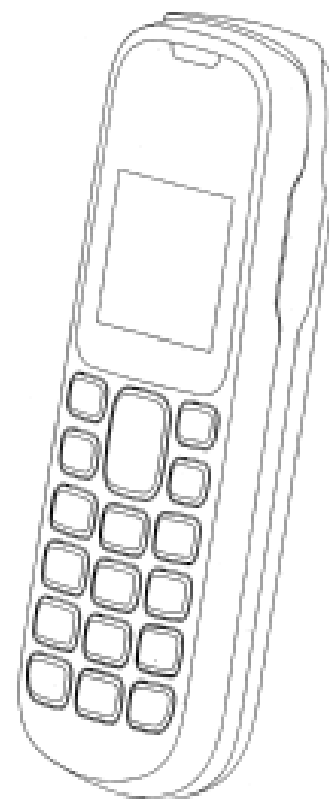
(45) Registration Date: **04 November 2009**

(56) Related Art Documents: **Not Applicable**

(57) Statement of Newness and Distinctiveness: **New shape for beer jug.**

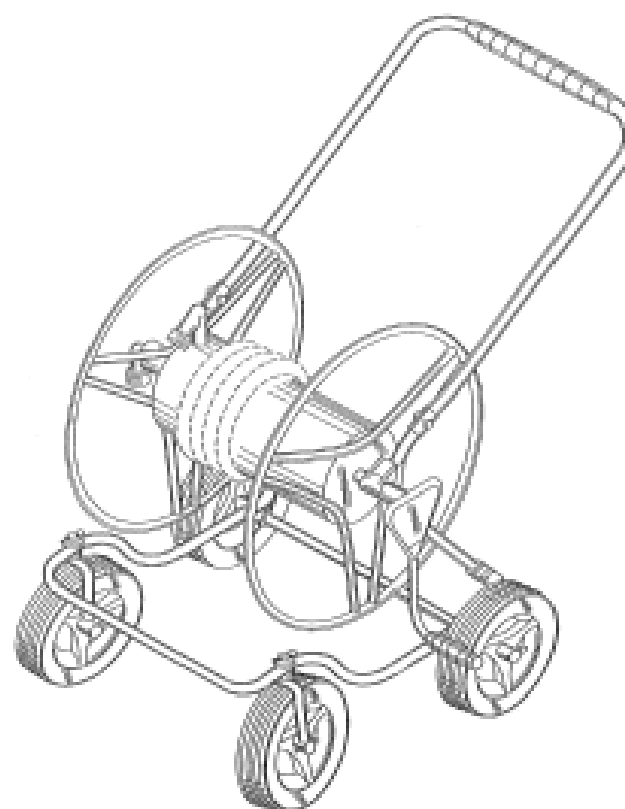


- (21) Design Number: **13883/2009**
- (22) Date of Filing Application: **08 October 2009**
- (24) Date from which industrial property rights may have effect: **08 October 2009**
- (54) Product in respect of which the design is registered: **Handset**
- (51) International Design Classification: **14-03A**
- (71) Name(s) and Address(s) of Applicant(s):
Nokia Corporation
Keilalahdentie 4 FIN-02150 Espoo Finland
- (72) Name(s) of Designer(s): **Hang Liu and Jing-Jackie Wang**
- (45) Registration Date: **04 November 2009**
- (56) Related Art Documents: **Not Applicable**
- (57) Statement of Newness and Distinctiveness: **Newness and distinctiveness is claimed in the features of shape and/or configuration of a handset as illustrated in the accompanying representations.**

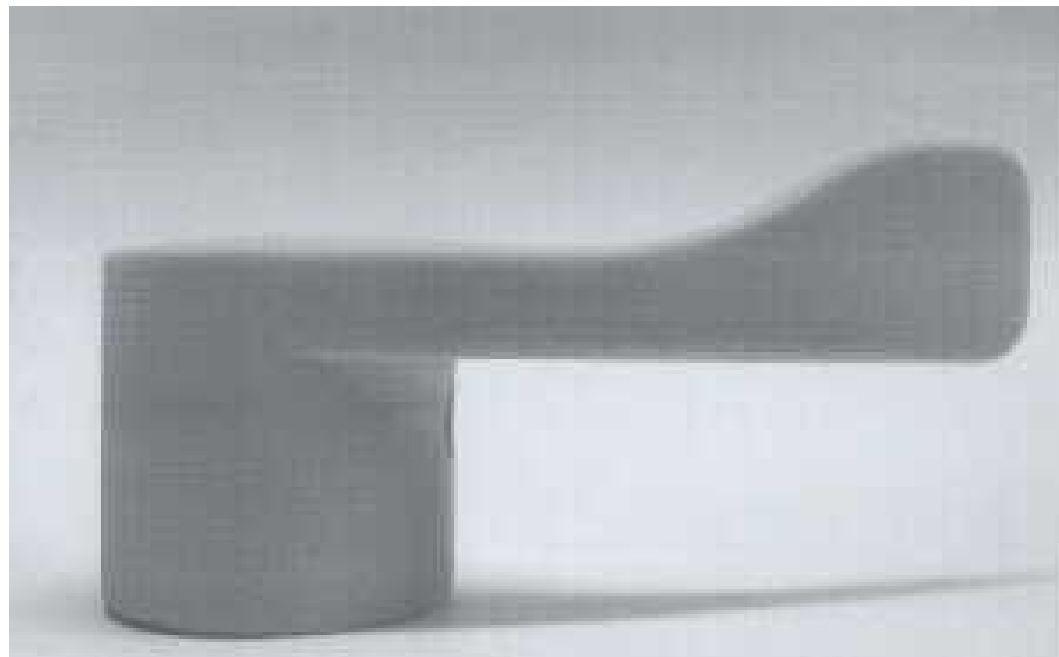


- (21) Design Number: **13884/2009**
- (22) Date of Filing Application: **08 October 2009**
- (24) Date from which industrial property rights may have effect: **08 October 2009**
- (54) Product in respect of which the design is registered: **Hose reel**
- (51) International Design Classification: **08-99**
- (71) Name(s) and Address(s) of Applicant(s):
Ames True Temper, Inc.
465 Railroad Avenue Camp Hill PA 17011 United States of America
- (72) Name(s) of Designer(s): **Karen S. Richwine and Peter Arcati and Greg Blaszcak**
- (45) Registration Date: **04 November 2009**
- (30) Convention priority data:

(31) Number	(32) Date	(33) Country
29/340,004	13 Jul 2009	UNITED STATES OF AMERICA
- (56) Related Art Documents: **Not Applicable**
- (57) Statement of Newness and Distinctiveness: **Nil**

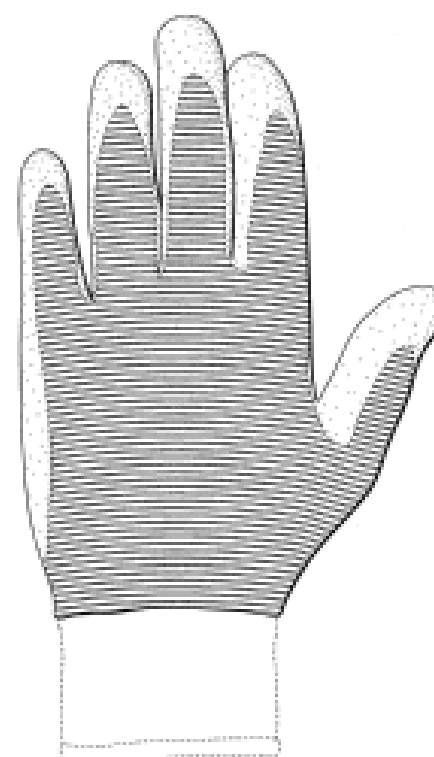


- (21) Design Number: **13885/2009**
- (22) Date of Filing Application: **07 October 2009**
- (24) Date from which industrial property rights may have effect: **07 October 2009**
- (54) Product in respect of which the design is registered: **Tap handle**
- (51) International Design Classification: **23-01H**
- (71) Name(s) and Address(s) of Applicant(s):
Iain Ewing
4/24 Deakin Street Brendale Queensland 4500 Australia
- (72) Name(s) of Designer(s): **Iain Ewing**
- (45) Registration Date: **04 November 2009**
- (56) Related Art Documents: **Not Applicable**
- (57) Statement of Newness and Distinctiveness: **Newness and distinctiveness are claimed in the shape and configuration of the tap handle depicted in the accompanying representations.**

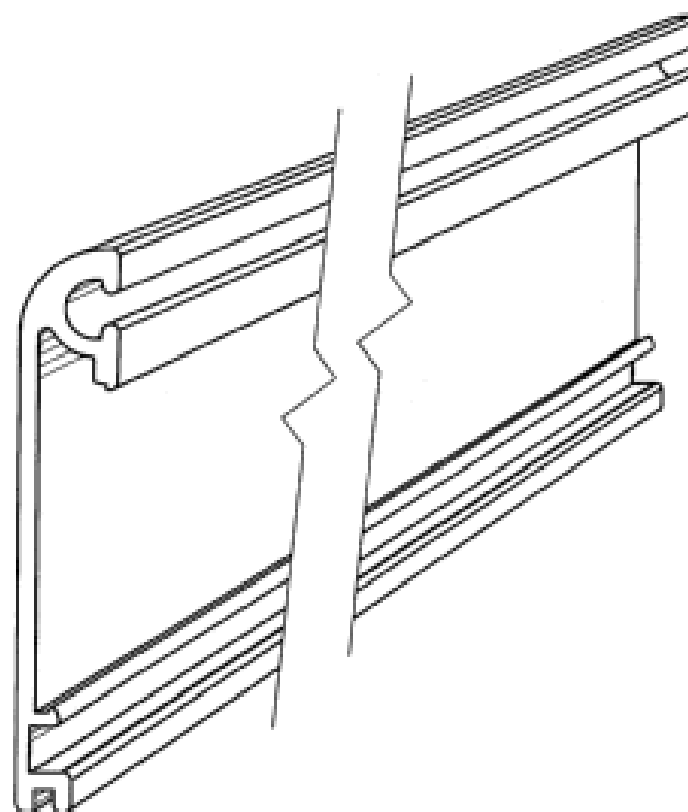


- (21) Design Number: **13887/2009**
- (22) Date of Filing Application: **08 October 2009**
- (24) Date from which industrial property rights may have effect: **08 October 2009**
- (54) Product in respect of which the design is registered: **Glove**
- (51) International Design Classification: **02-06**
- (71) Name(s) and Address(s) of Applicant(s):
Ansell Healthcare Products LLC
200 Schulz Drive Red Bank NJ 07701 United States of America
- (72) Name(s) of Designer(s): **Eric Thompson and Jeffrey C. Moreland and Gerardo Rodriguez Garay and Norberto Hector Perales Solis**
- (45) Registration Date: **04 November 2009**
- (30) Convention priority data:

(31) Number	(32) Date	(33) Country
29/335,138	09 Apr 2009	UNITED STATES OF AMERICA
- (56) Related Art Documents: **Not Applicable**
- (57) Statement of Newness and Distinctiveness: **Nil**

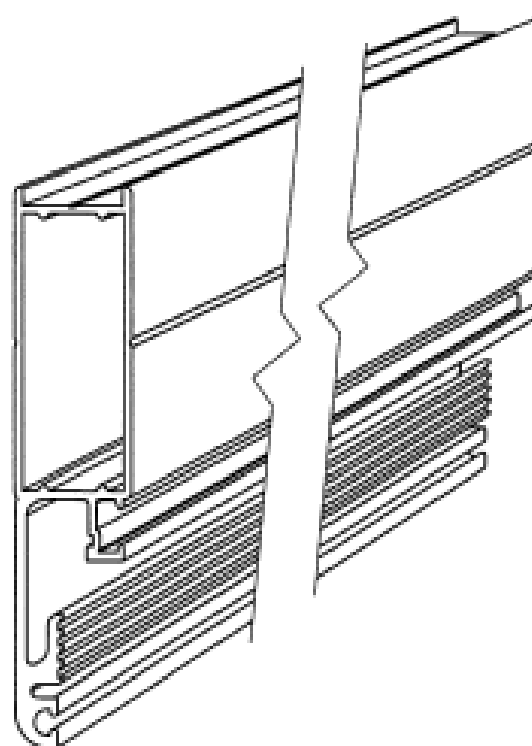


- (21) Design Number: **13925/2009**
(22) Date of Filing Application: **09 October 2009**
(24) Date from which industrial property rights may have effect: **09 October 2009**
(54) Product in respect of which the design is registered: **Cover extrusion**
(51) International Design Classification: **25-01K**
(71) Name(s) and Address(s) of Applicant(s):
IPH International Pty Ltd
1 Blanck Street Ormeau Queensland 4208 Australia
(72) Name(s) of Designer(s): **Steven Brabeck and Ramesh Ramachandran**
(45) Registration Date: **04 November 2009**
(56) Related Art Documents: **Not Applicable**
(57) Statement of Newness and Distinctiveness: **The newness and distinctiveness of the design resides in the shape and/or configuration of the COVER EXTRUSION of indefinite length shown in the representations.**



- (21) Design Number: **13926/2009**
(22) Date of Filing Application: **09 October 2009**
(24) Date from which industrial property rights may have effect: **09 October 2009**
(54) Product in respect of which the design is registered: **Door frame extrusion**
(51) International Design Classification: **25-01K**
(71) Name(s) and Address(s) of Applicant(s):
IPH International Pty Ltd
1 Blanck Street Ormeau Queensland 4208 Australia
(72) Name(s) of Designer(s): **Steven Brabeck and Ramesh Ramachandran**
(45) Registration Date: **04 November 2009**
(56) Related Art Documents: **Not Applicable**
(57) Statement of Newness and Distinctiveness: **The newness and distinctiveness of the design resides in the shape and/or configuration of the DOOR FRAME EXTRUSION of indefinite length shown in the representations.**

END VIEW



- (21) Design Number: **13927/2009**
(22) Date of Filing Application: **09 October 2009**
(24) Date from which industrial property rights may have effect: **09 October 2009**
(54) Product in respect of which the design is registered: **Front combination lamp for an automobile**
(51) International Design Classification: **26-06**
(71) Name(s) and Address(s) of Applicant(s):
Perusahaan Otomobil Nasional Sdn. Bhd.
Centre of Excellence Complex KM33.8 Westbound Shah Alam
Expressway Subang Jaya Selangor 47600 Malaysia
(72) Name(s) of Designer(s): **Effendi Bin Sahar**
(45) Registration Date: **04 November 2009**
(30) Convention priority data:
(31) Number (32) Date (33) Country
09003180101 13 Apr 2009 MALAYSIA
(56) Related Art Documents: **Not Applicable**
(57) Statement of Newness and Distinctiveness: **Newness and distinctiveness reside in the features of shape and configuration of the front combination lamp apparent from a face view, as illustrated in the accompanying representations.**



- (21) Design Number: **13928/2009**
(22) Date of Filing Application: **09 October 2009**
(24) Date from which industrial property rights may have effect: **09 October 2009**
(54) Product in respect of which the design is registered: **Front bumper for an automobile**
(51) International Design Classification: **12-16C**
(71) Name(s) and Address(s) of Applicant(s):
Perusahaan Otomobil Nasional Sdn. Bhd.
Centre of Excellence Complex KM33.8 Westbound Shah Alam
Expressway Subang Jaya Selangor 47600 Malaysia
(72) Name(s) of Designer(s): **Effendi Bin Sahar**
(45) Registration Date: **04 November 2009**
(30) Convention priority data:
(31) Number (32) Date (33) Country
09003160101 13 Apr 2009 MALAYSIA
(56) Related Art Documents: **Not Applicable**
(57) Statement of Newness and Distinctiveness: **Newness and distinctiveness reside in the features of shape and configuration of the front bumper apparent from a face view, as illustrated in the accompanying representations.**



(19) AU

(21) Design Number: **13929/2009**

(22) Date of Filing Application: **09 October 2009**

(24) Date from which industrial property rights may have effect: **09 October 2009**

(54) Product in respect of which the design is registered: **Rear combination lamp for an automobile**

(51) International Design Classification: **26-06**

(71) Name(s) and Address(s) of Applicant(s):

**Perusahaan Otomobil Nasional Sdn. Bhd.
Centre of Excellence Complex KM33.8 Westbound Shah Alam
Expressway Subang Jaya Selangor 47600 Malaysia**

(72) Name(s) of Designer(s): **Effendi Bin Sahar**

(45) Registration Date: **04 November 2009**

(30) Convention priority data:

(31) Number	(32) Date	(33) Country
09003190101	13 Apr 2009	MALAYSIA

(56) Related Art Documents: **Not Applicable**

(57) Statement of Newness and Distinctiveness: **Newness and distinctiveness reside in the features of shape and configuration of the rear combination lamp apparent from a face view, as illustrated in the accompanying representations.**



(19) AU

(21) Design Number: **13930/2009**

(22) Date of Filing Application: **09 October 2009**

(24) Date from which industrial property rights may have effect: **09 October 2009**

(54) Product in respect of which the design is registered: **Rear bumper for an automobile**

(51) International Design Classification: **12-16C**

(71) Name(s) and Address(s) of Applicant(s):

**Perusahaan Otomobil Nasional Sdn. Bhd.
Centre of Excellence Complex KM33.8 Westbound Shah Alam
Expressway Subang Jaya Selangor 47600 Malaysia**

(72) Name(s) of Designer(s): **Effendi Bin Sahar**

(45) Registration Date: **04 November 2009**

(30) Convention priority data:

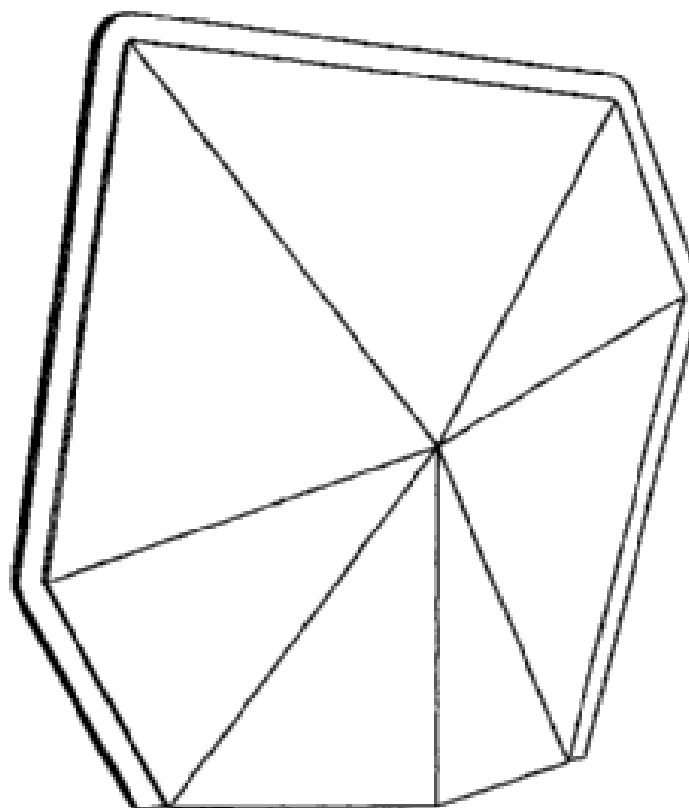
(31) Number	(32) Date	(33) Country
09003170101	13 Apr 2009	MALAYSIA

(56) Related Art Documents: **Not Applicable**

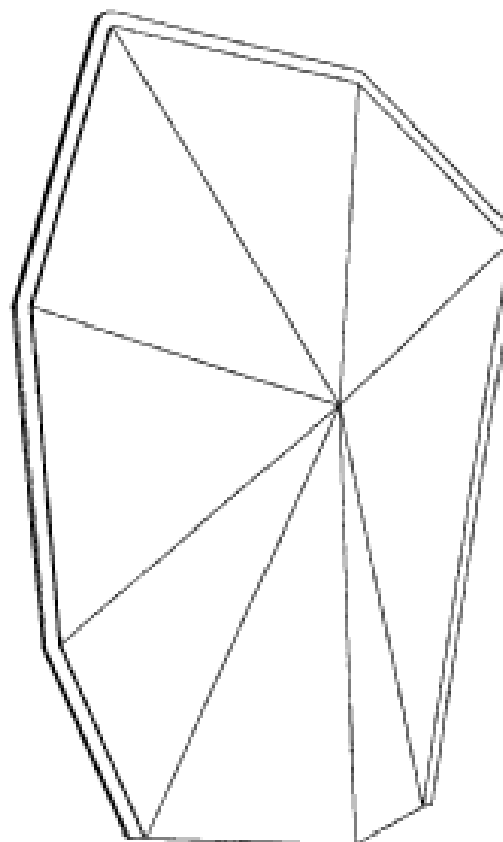
(57) Statement of Newness and Distinctiveness: **Newness and distinctiveness reside in the features of shape and configuration of the front bumper apparent from a face view, as illustrated in the accompanying representations.**



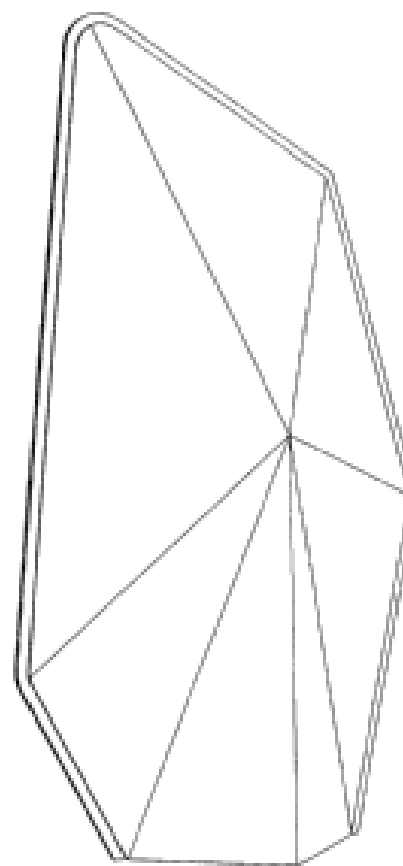
- (21) Design Number: **11975/2009**
(22) Date of Filing Application: **28 May 2009**
(24) Date from which industrial property rights may have effect: **28 May 2009**
(54) Product in respect of which the design is registered: **Room divider**
(51) International Design Classification: **06-06NES**
(71) Name(s) and Address(s) of Applicant(s):
Schiavello (Vic) Pty Ltd
1 Sharps Road Tullamarine Victoria 3043 Australia
(72) Name(s) of Designer(s): **Oliver Field**
(45) Registration Date: **05 November 2009**
(56) Related Art Documents: **Not Applicable**
(57) Statement of Newness and Distinctiveness: **Newness and distinctiveness resides in the features of shape and configuration of the room divider as shown in the representations.**



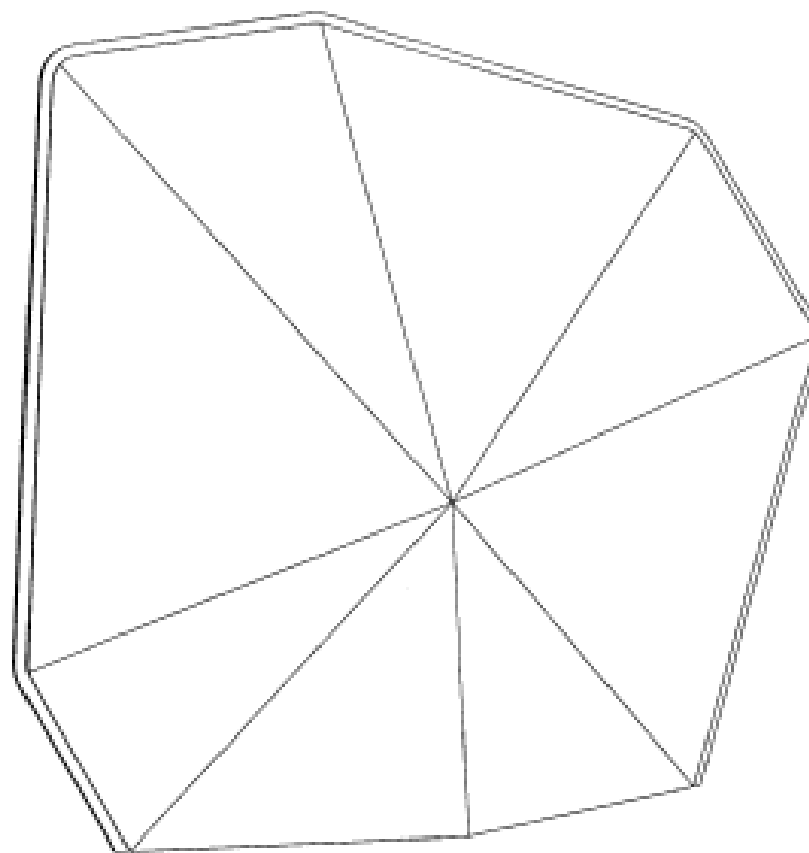
- (21) Design Number: **11976/2009**
(22) Date of Filing Application: **28 May 2009**
(24) Date from which industrial property rights may have effect: **28 May 2009**
(54) Product in respect of which the design is registered: **Room divider**
(51) International Design Classification: **06-06NES**
(71) Name(s) and Address(s) of Applicant(s):
Schiavello (Vic) Pty Ltd
1 Sharps Road Tullamarine Victoria 3043 Australia
(72) Name(s) of Designer(s): **Oliver Field**
(45) Registration Date: **05 November 2009**
(56) Related Art Documents: **Not Applicable**
(57) Statement of Newness and Distinctiveness: **Newness and distinctiveness resides in the features of shape and configuration of the room divider as shown in the representations.**



- (21) Design Number: **11977/2009**
- (22) Date of Filing Application: **28 May 2009**
- (24) Date from which industrial property rights may have effect: **28 May 2009**
- (54) Product in respect of which the design is registered: **Room divider**
- (51) International Design Classification: **06-06NES**
- (71) Name(s) and Address(s) of Applicant(s):
Schiavello (Vic) Pty Ltd
1 Sharps Road Tullamarine Victoria 3043 Australia
- (72) Name(s) of Designer(s): **Oliver Field**
- (45) Registration Date: **05 November 2009**
- (56) Related Art Documents: **Not Applicable**
- (57) Statement of Newness and Distinctiveness: **Newness and distinctiveness resides in the features of shape and configuration of the room divider as shown in the representations.**



- (21) Design Number: **11978/2009**
- (22) Date of Filing Application: **28 May 2009**
- (24) Date from which industrial property rights may have effect: **28 May 2009**
- (54) Product in respect of which the design is registered: **Room divider**
- (51) International Design Classification: **06-06NES**
- (71) Name(s) and Address(s) of Applicant(s):
Schiavello (Vic) Pty Ltd
1 Sharps Road Tullamarine Victoria 3043 Australia
- (72) Name(s) of Designer(s): **Oliver Field**
- (45) Registration Date: **05 November 2009**
- (56) Related Art Documents: **Not Applicable**
- (57) Statement of Newness and Distinctiveness: **Newness and distinctiveness resides in the features of shape and configuration of the room divider as shown in the representations.**



(21) Design Number: **13888/2009**

(22) Date of Filing Application: **08 October 2009**

(24) Date from which industrial property rights may have effect: **08 October 2009**

(54) Product in respect of which the design is registered: **Building panel**

(51) International Design Classification: **25-01D**

(71) Name(s) and Address(s) of Applicant(s):

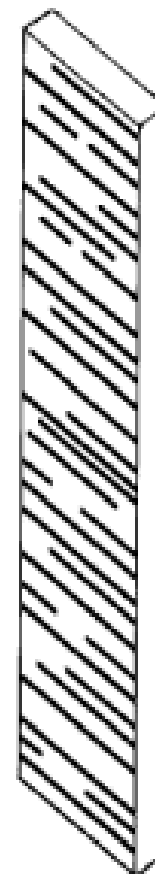
CSR Building Products Limited
Level 4 9 Help Street Chatswood New South Wales 2067 Australia

(72) Name(s) of Designer(s): **Andrew Cliffe**

(45) Registration Date: **05 November 2009**

(56) Related Art Documents: **Not Applicable**

(57) Statement of Newness and Distinctiveness: **Newness and Distinctiveness is claimed in the features of shape and/or configuration of a building panel as illustrated in the accompanying representations.**



(21) Design Number: **13889/2009**

(22) Date of Filing Application: **08 October 2009**

(24) Date from which industrial property rights may have effect: **08 October 2009**

(54) Product in respect of which the design is registered: **Building panel**

(51) International Design Classification: **25-01D**

(71) Name(s) and Address(s) of Applicant(s):

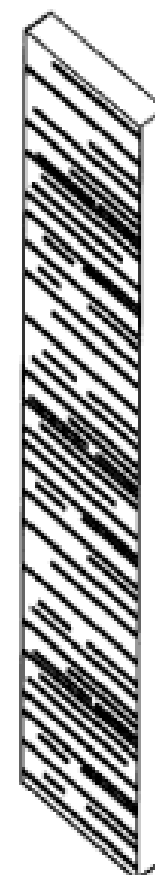
CSR Building Products Limited
Level 4 9 Help Street Chatswood New South Wales 2067 Australia

(72) Name(s) of Designer(s): **Andrew Cliffe**

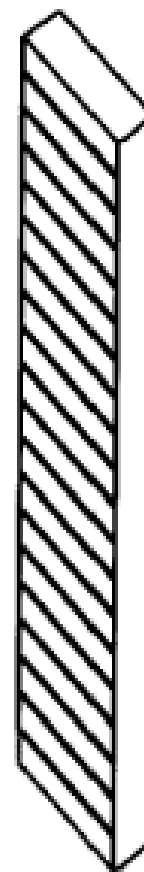
(45) Registration Date: **05 November 2009**

(56) Related Art Documents: **Not Applicable**

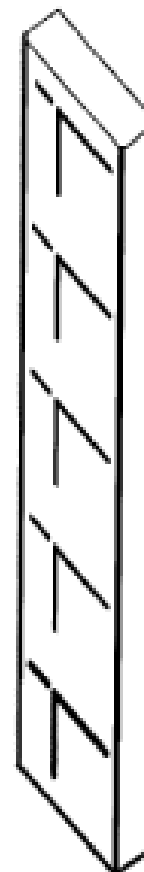
(57) Statement of Newness and Distinctiveness: **Newness and Distinctiveness is claimed in the features of shape and/or configuration of a building panel as illustrated in the accompanying representations.**



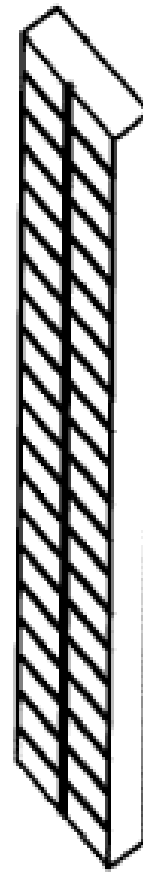
- (21) Design Number: **13890/2009**
(22) Date of Filing Application: **08 October 2009**
(24) Date from which industrial property rights may have effect: **08 October 2009**
(54) Product in respect of which the design is registered: **Building panel**
(51) International Design Classification: **25-01D**
(71) Name(s) and Address(s) of Applicant(s):
CSR Building Products Limited
Level 4 9 Help Street Chatswood New South Wales 2067 Australia
(72) Name(s) of Designer(s): **Andrew Cliffe**
(45) Registration Date: **05 November 2009**
(56) Related Art Documents: **Not Applicable**
(57) Statement of Newness and Distinctiveness: **Newness and Distinctiveness is claimed in the features of shape and/or configuration of a building panel as illustrated in the accompanying representations.**



- (21) Design Number: **13891/2009**
(22) Date of Filing Application: **08 October 2009**
(24) Date from which industrial property rights may have effect: **08 October 2009**
(54) Product in respect of which the design is registered: **Building panel**
(51) International Design Classification: **25-01D**
(71) Name(s) and Address(s) of Applicant(s):
CSR Building Products Limited
Level 4 9 Help Street Chatswood New South Wales 2067 Australia
(72) Name(s) of Designer(s): **Andrew Cliffe**
(45) Registration Date: **05 November 2009**
(56) Related Art Documents: **Not Applicable**
(57) Statement of Newness and Distinctiveness: **Newness and Distinctiveness is claimed in the features of shape and/or configuration of a building panel as illustrated in the accompanying representations.**



- (21) Design Number: **13892/2009**
(22) Date of Filing Application: **08 October 2009**
(24) Date from which industrial property rights may have effect: **08 October 2009**
(54) Product in respect of which the design is registered: **Building panel**
(51) International Design Classification: **25-01D**
(71) Name(s) and Address(s) of Applicant(s):
CSR Building Products Limited
Level 4 9 Help Street Chatswood New South Wales 2067 Australia
(72) Name(s) of Designer(s): **Andrew Cliffe**
(45) Registration Date: **05 November 2009**
(56) Related Art Documents: **Not Applicable**
(57) Statement of Newness and Distinctiveness: **Newness and Distinctiveness is claimed in the features of shape and/or configuration of a building panel as illustrated in the accompanying representations.**



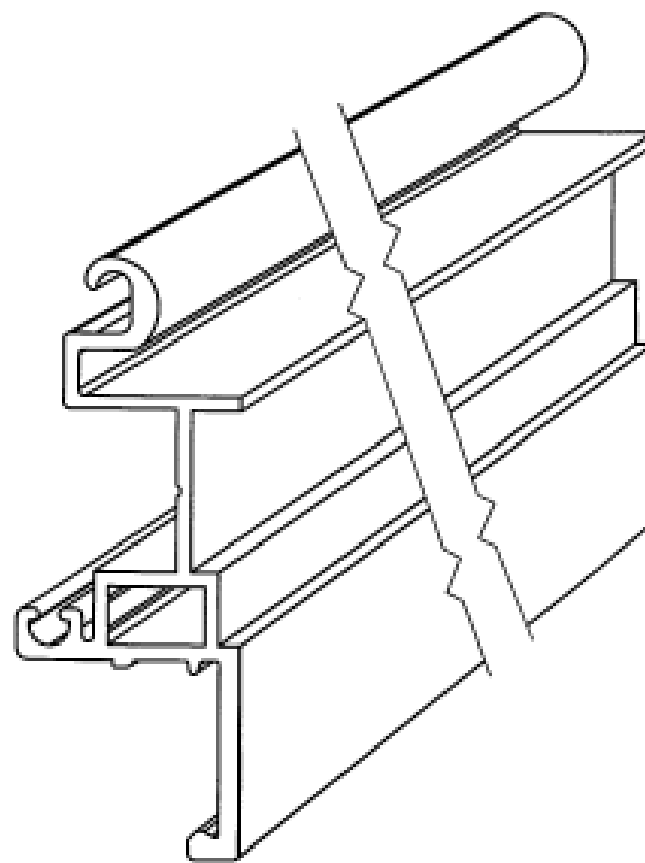
- (21) Design Number: **13893/2009**
(22) Date of Filing Application: **06 October 2009**
(24) Date from which industrial property rights may have effect: **06 October 2009**
(54) Product in respect of which the design is registered: **Design 01 - Female uniform tunic**
(51) International Design Classification: **02-02NES**
(71) Name(s) and Address(s) of Applicant(s):
Joanne Evans Bedwell
7 Cassia Street Holloways Beach Queensland 4878 Australia
(72) Name(s) of Designer(s): **Joanne Evans Bedwell**
(45) Registration Date: **05 November 2009**
(56) Related Art Documents: **Not Applicable**
(57) Statement of Newness and Distinctiveness: **Design 01 - Female Uniform. Simple, stylish, comfortable, professional and adjustable solution for the active worker. Figure/Sheet2; Zip at back. Velcro integrated, adjustable belt at back for tailored appearance and will encompass a range of sizes. Therefore: No interruption to design at front, ability to be more tailored and flattering to most sizes. No interruption to work i.e. no material flaying around getting in the way of work or movement. Figure/Sheet 3; Tailored neckline and arm sleeve enables room to move whilst still maintaining professional, stylish and conservative appearance. Figure/Sheet 1; Splits in bottom sides of garment for ease of movement. Hidden minute pocket in belt inside garment for wedding rings, crystal or key to store whilst working.**



- (21) Design Number: **13894/2009**
(22) Date of Filing Application: **06 October 2009**
(24) Date from which industrial property rights may have effect: **06 October 2009**
(54) Product in respect of which the design is registered: **Design 02 - Male/unisex uniform shirt**
(51) International Design Classification: **02-02NES**
(71) Name(s) and Address(s) of Applicant(s):
Joanne Evans Bedwell
7 Cassia Street Holloways Beach Queensland 4878 Australia
(72) Name(s) of Designer(s): **Joanne Evans Bedwell**
(45) Registration Date: **05 November 2009**
(56) Related Art Documents: **Not Applicable**
(57) Statement of Newness and Distinctiveness: **Design 02 - Male Uniform. Simple, stylish, comfortable, professional and adjustable solution for the active worker. Figure/Sheet 2; Splits in sleeves and bottom sides of garment for ease of movement. Figure/Sheet 1; Velcro and press stud on right shoulder for dressing and undressing to maintain integrity and structure of tailored neckline. Hidden minute pocket at base of collar inside garment for wedding rings, crystal or key to store whilst working. Figure/Sheet 3; Action back to assist in moveability.**



- (21) Design Number: **13920/2009**
(22) Date of Filing Application: **09 October 2009**
(24) Date from which industrial property rights may have effect: **09 October 2009**
(54) Product in respect of which the design is registered: **Hinge frame extrusion**
(51) International Design Classification: **25-01K, 08-06**
(71) Name(s) and Address(s) of Applicant(s):
IPH International Pty Ltd
1 Blanck Street Ormeau Queensland 4208 Australia
(72) Name(s) of Designer(s): **Steven Brabeck and Ramesh Ramachandran**
(45) Registration Date: **05 November 2009**
(56) Related Art Documents: **Not Applicable**
(57) Statement of Newness and Distinctiveness: **The newness and distinctiveness of the design resides in the shape and/or configuration of the HINGE FRAME EXTRUSION of indefinite length shown in the representations.**



(21) Design Number: **13921/2009**

(22) Date of Filing Application: **09 October 2009**

(24) Date from which industrial property rights may have effect: **09 October 2009**

(54) Product in respect of which the design is registered: **Bi-fold frame extrusion**

(51) International Design Classification: **25-01K**

(71) Name(s) and Address(s) of Applicant(s):

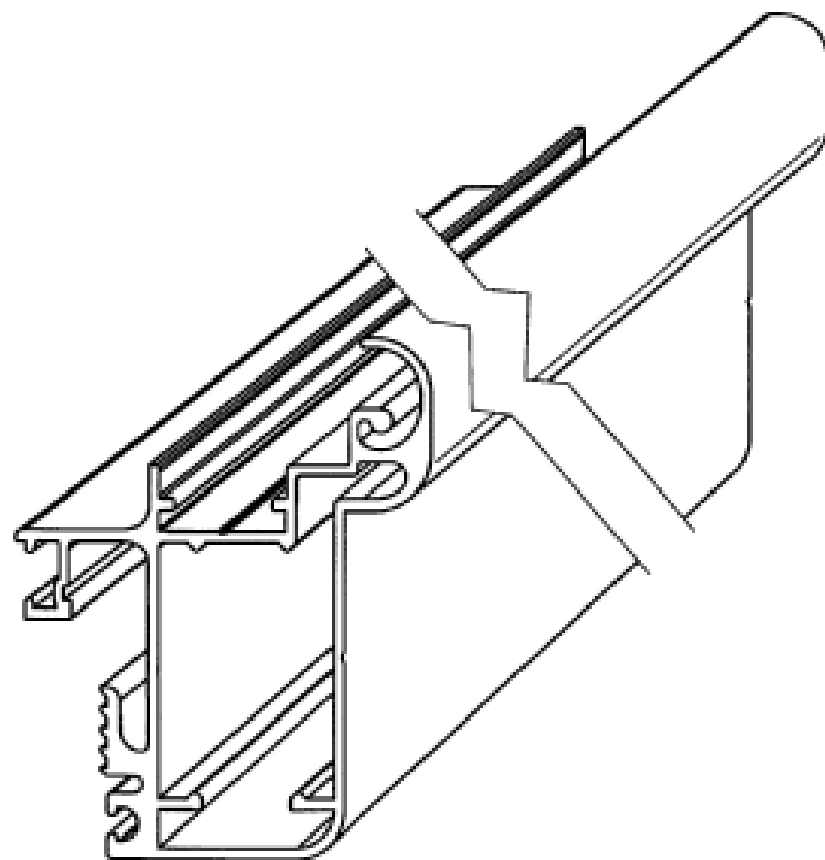
**IPH International Pty Ltd
1 Blanck Street Ormeau Queensland 4208 Australia**

(72) Name(s) of Designer(s): **Steven Brabeck and Ramesh Ramachandran**

(45) Registration Date: **05 November 2009**

(56) Related Art Documents: **Not Applicable**

(57) Statement of Newness and Distinctiveness: **The newness and distinctiveness of the design resides in the shape and/or configuration of the BI-FOLD FRAME EXTRUSION of indefinite length shown in the representations.**



(21) Design Number: **13922/2009**

(22) Date of Filing Application: **09 October 2009**

(24) Date from which industrial property rights may have effect: **09 October 2009**

(54) Product in respect of which the design is registered: **Hinge extrusion**

(51) International Design Classification: **25-01K, 08-06**

(71) Name(s) and Address(s) of Applicant(s):

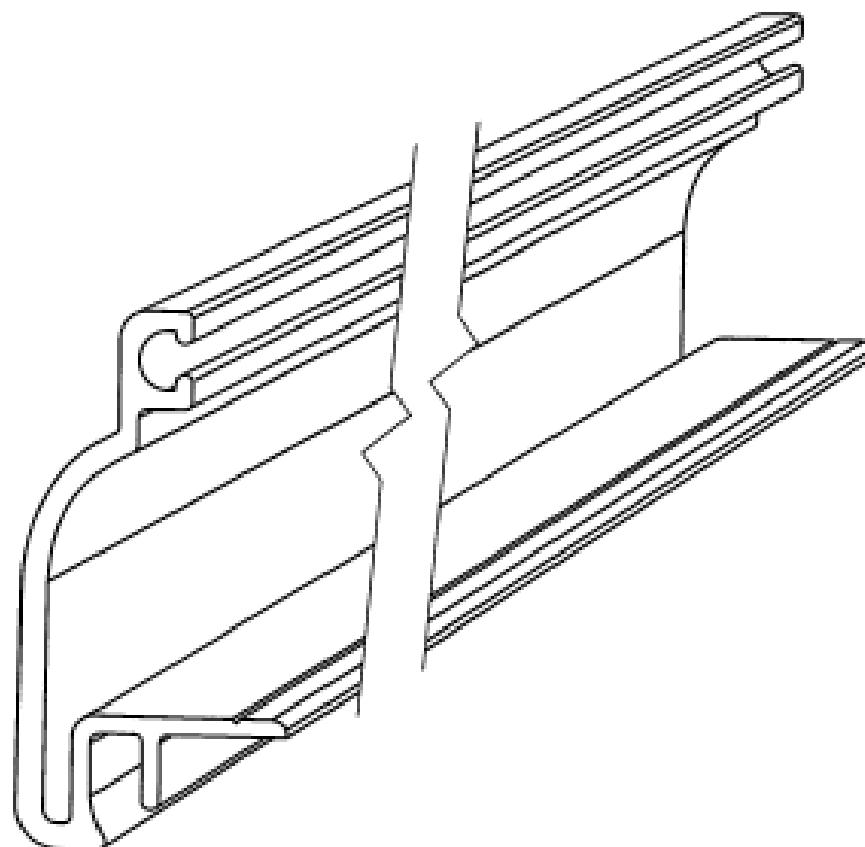
**IPH International Pty Ltd
1 Blanck Street Ormeau Queensland 4208 Australia**

(72) Name(s) of Designer(s): **Steven Brabeck and Ramesh Ramachandran**

(45) Registration Date: **05 November 2009**

(56) Related Art Documents: **Not Applicable**

(57) Statement of Newness and Distinctiveness: **The newness and distinctiveness of the design resides in the shape and/or configuration of the HINGE EXTRUSION of indefinite length shown in the representations.**



(21) Design Number: **13923/2009**

(22) Date of Filing Application: **09 October 2009**

(24) Date from which industrial property rights may have effect: **09 October 2009**

(54) Product in respect of which the design is registered: **Bi-fold door extrusion**

(51) International Design Classification: **25-01K**

(71) Name(s) and Address(s) of Applicant(s):

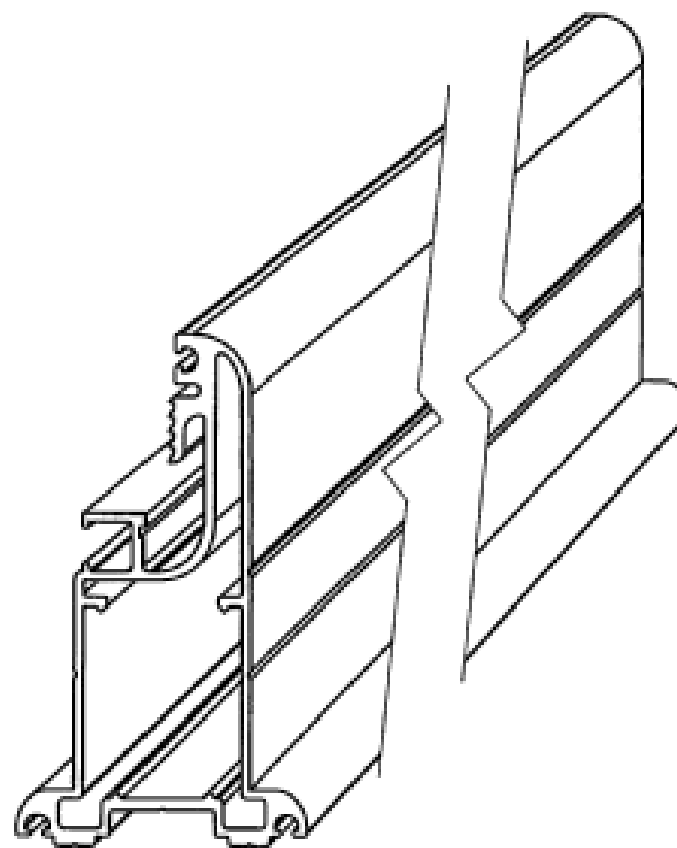
**IPH International Pty Ltd
1 Blanck Street Ormeau Queensland 4208 Australia**

(72) Name(s) of Designer(s): **Steven Brabeck and Ramesh Ramachandran**

(45) Registration Date: **05 November 2009**

(56) Related Art Documents: **Not Applicable**

(57) Statement of Newness and Distinctiveness: **The newness and distinctiveness of the design resides in the shape and/or configuration of the BI-FOLD DOOR EXTRUSION of indefinite length shown in the representations.**



(21) Design Number: **13924/2009**

(22) Date of Filing Application: **09 October 2009**

(24) Date from which industrial property rights may have effect: **09 October 2009**

(54) Product in respect of which the design is registered: **Clamp extrusion**

(51) International Design Classification: **25-01K**

(71) Name(s) and Address(s) of Applicant(s):

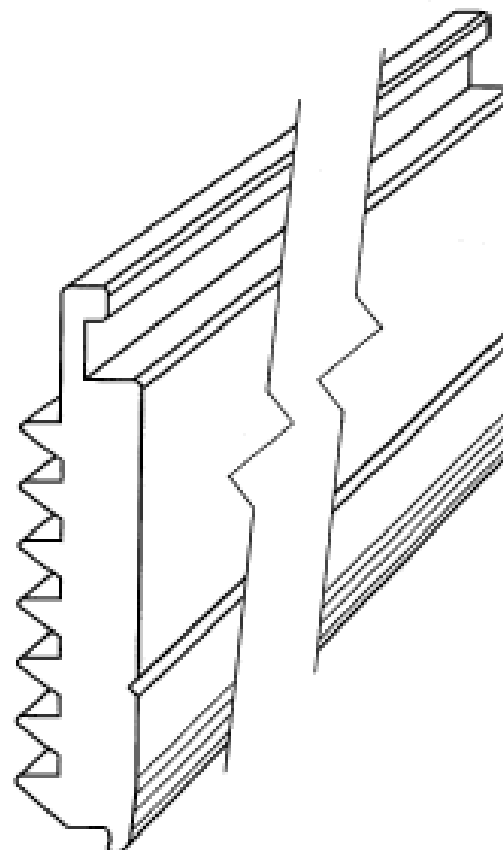
**IPH International Pty Ltd
1 Blanck Street Ormeau Queensland 4208 Australia**

(72) Name(s) of Designer(s): **Steven Brabeck and Ramesh Ramachandran**

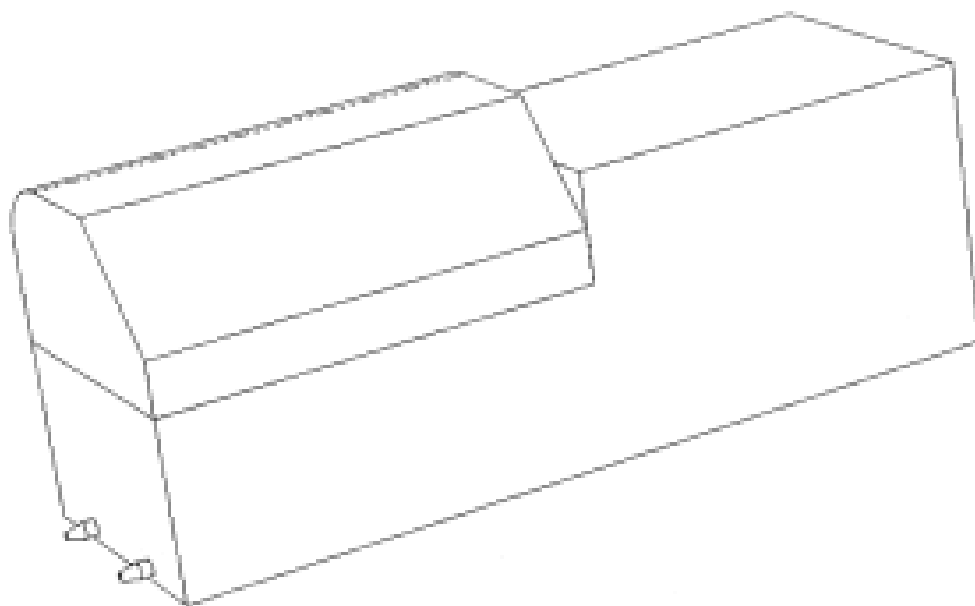
(45) Registration Date: **05 November 2009**

(56) Related Art Documents: **Not Applicable**

(57) Statement of Newness and Distinctiveness: **The newness and distinctiveness of the design resides in the shape and/or configuration of the CLAMP EXTRUSION of indefinite length shown in the representations.**



(21) Design Number: **13278/2009**
(22) Date of Filing Application: **26 August 2009**
(24) Date from which industrial property rights may have effect: **26 August 2009**
(54) Product in respect of which the design is registered: **Neonatal transport system footprint**
(51) International Design Classification: **24-01**
(71) Name(s) and Address(s) of Applicant(s):
**Royal Alexandra Hospital for Children
Corner Hawkesbury Road and Hainsworth Street Westmead New
South Wales 2145 Australia**
(72) Name(s) of Designer(s): **Colin Williams**
(45) Registration Date: **05 November 2009**
(56) Related Art Documents: **Not Applicable**
(57) Statement of Newness and Distinctiveness: **Nil**



(21) Design Number: **13279/2009**
(22) Date of Filing Application: **26 August 2009**
(24) Date from which industrial property rights may have effect: **26 August 2009**
(54) Product in respect of which the design is registered: **Patient transport harness**
(51) International Design Classification: **24-01**
(71) Name(s) and Address(s) of Applicant(s):
**Royal Alexandra Hospital for Children
Corner Hawkesbury Road and Hainsworth Street Westmead New
South Wales 2145 Australia**
(72) Name(s) of Designer(s): **Colin Williams**
(45) Registration Date: **05 November 2009**
(56) Related Art Documents: **Not Applicable**
(57) Statement of Newness and Distinctiveness: **Nil**



(21) Design Number: **13338/2009**

(22) Date of Filing Application: **31 August 2009**

(24) Date from which industrial property rights may have effect: **31 August 2009**

(54) Product in respect of which the design is registered: **Paint can pouring lip**

(51) International Design Classification: **09-07NES**

(71) Name(s) and Address(s) of Applicant(s):

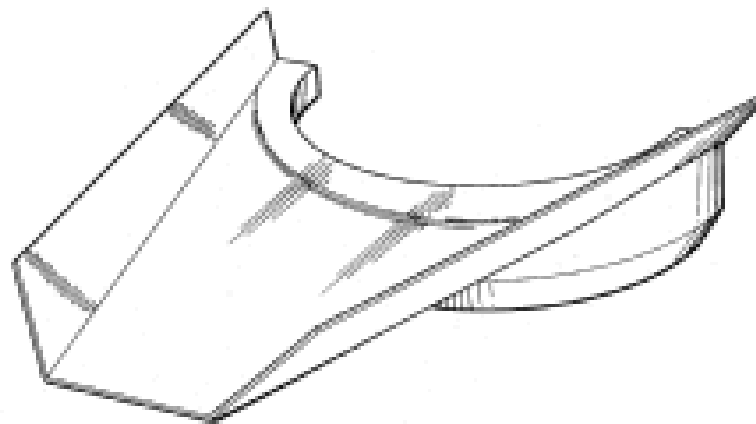
Kiro Jorgandziewski
5 Grovedale Circle Cairnlea Victoria 3023 Australia

(72) Name(s) of Designer(s): **Kiro Jorgandziewski**

(45) Registration Date: **05 November 2009**

(56) Related Art Documents: **Not Applicable**

(57) Statement of Newness and Distinctiveness: **Newness and distinctiveness is claimed in all the features of the paint can pourer as shown in the representations.**



(21) Design Number: **13937/2009**

(22) Date of Filing Application: **09 October 2009**

(24) Date from which industrial property rights may have effect: **09 October 2009**

(54) Product in respect of which the design is registered: **A support carrier for a vibration screen**

(51) International Design Classification: **12-05, 15-99**

(71) Name(s) and Address(s) of Applicant(s):

Sandvik Intellectual Property AB
Sandviken SE-811 81 Sweden

(72) Name(s) of Designer(s): **Mats Malmberg**

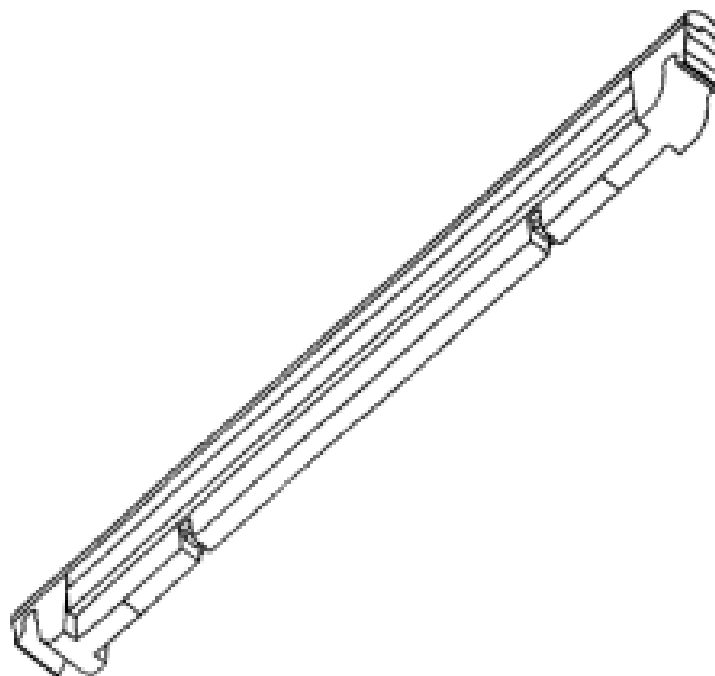
(45) Registration Date: **05 November 2009**

(30) Convention priority data:

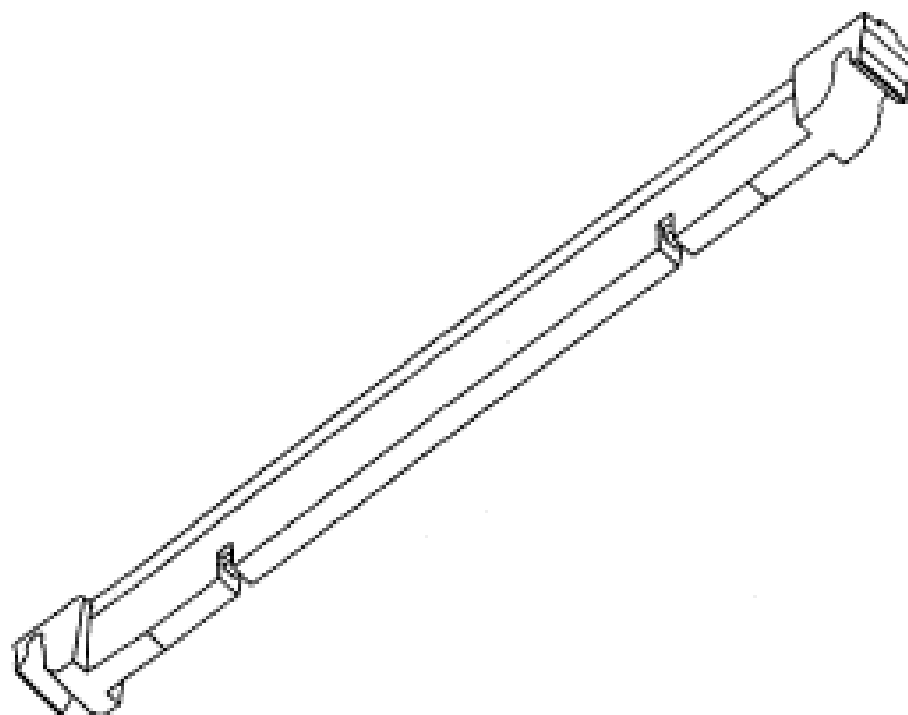
(31) Number	(32) Date	(33) Country
001120398	09 Apr 2009	EUROPEAN COMMUNITY

(56) Related Art Documents: **Not Applicable**

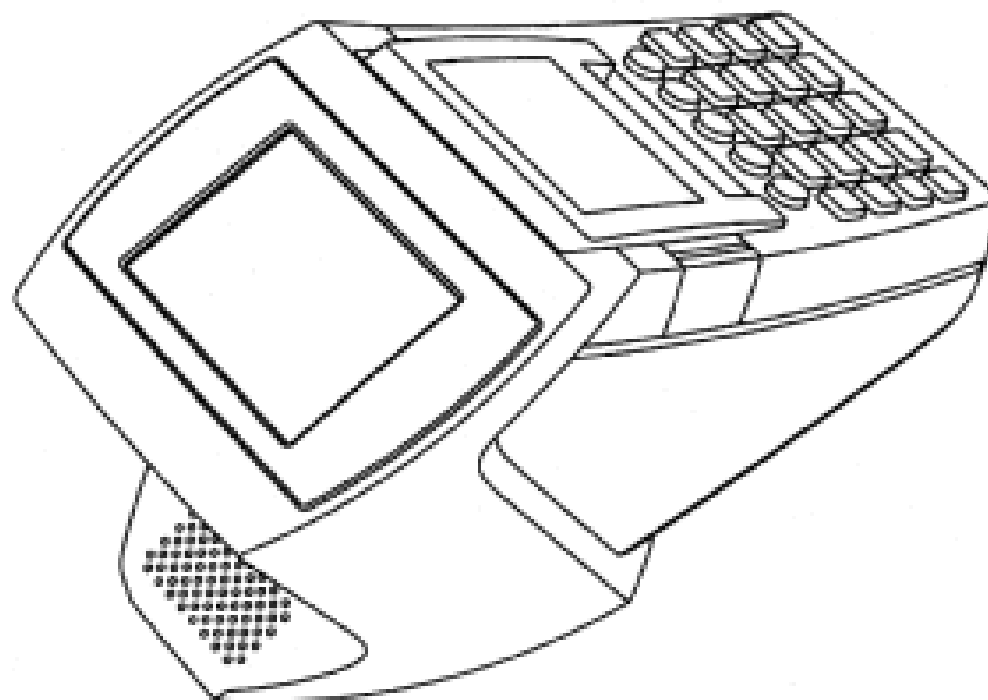
(57) Statement of Newness and Distinctiveness: **Nil**



(21) Design Number: **13938/2009**
(22) Date of Filing Application: **09 October 2009**
(24) Date from which industrial property rights may have effect: **09 October 2009**
(54) Product in respect of which the design is registered: **A lower part of a support carrier for a vibration screen**
(51) International Design Classification: **12-05**
(71) Name(s) and Address(s) of Applicant(s):
Sandvik Intellectual Property AB
Sandviken SE-811 81 Sweden
(72) Name(s) of Designer(s): **Mats Malmberg**
(45) Registration Date: **05 November 2009**
(30) Convention priority data:
(31) Number (32) Date (33) Country
001120398 09 Apr 2009 EUROPEAN COMMUNITY
(56) Related Art Documents: **Not Applicable**
(57) Statement of Newness and Distinctiveness: **Nil**



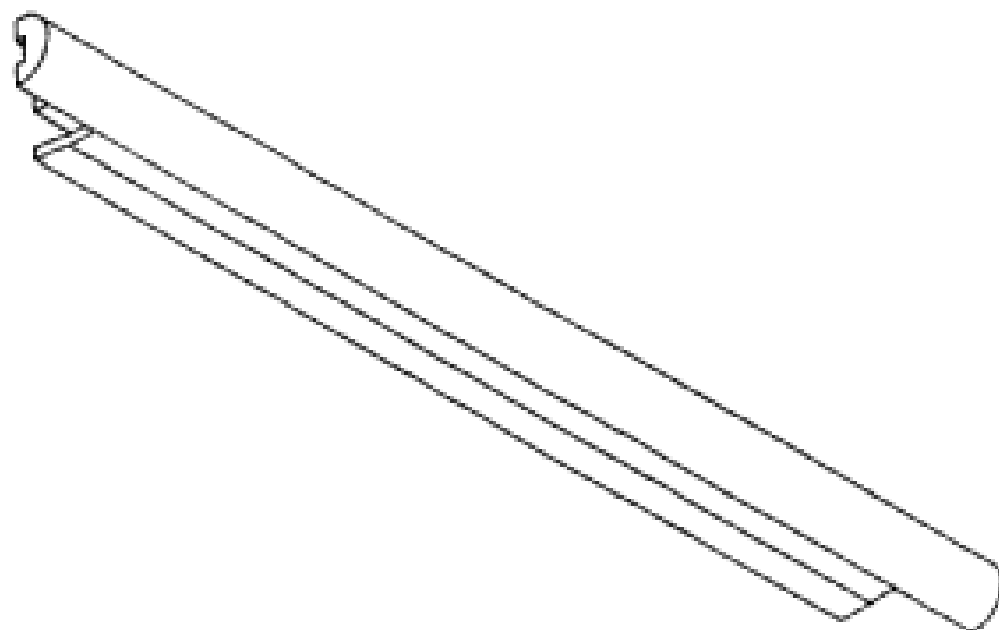
(21) Design Number: **13497/2009**
(22) Date of Filing Application: **10 September 2009**
(24) Date from which industrial property rights may have effect: **10 September 2009**
(54) Product in respect of which the design is registered: **Information terminal device**
(51) International Design Classification: **14-02**
(71) Name(s) and Address(s) of Applicant(s):
NEC Corporation
7-1 Shiba 5-chome Minato-ku Tokyo Japan
(72) Name(s) of Designer(s): **Dai Kinno and Kenichiro Matsushita**
(45) Registration Date: **06 November 2009**
(30) Convention priority data:
(31) Number (32) Date (33) Country
2009-010265 07 May 2009 JAPAN
(56) Related Art Documents: **Not Applicable**
(57) Statement of Newness and Distinctiveness: **Newness and distinctiveness is claimed in the features of standard shape and configuration of an information terminal device as illustrated in the accompanying representations.**



- (21) Design Number: **13526/2009**
(22) Date of Filing Application: **11 September 2009**
(24) Date from which industrial property rights may have effect: **11 September 2009**
(54) Product in respect of which the design is registered: **Pad cover**
(51) International Design Classification: **03-01C**
(71) Name(s) and Address(s) of Applicant(s):
Clads4Pads Pty Ltd
C/- Clarendon Lawyers Pty Ltd Rialto North Tower Level 17 525
Collins Street Melbourne Victoria 3000 Australia
(72) Name(s) of Designer(s): **Neil David Croft**
(45) Registration Date: **06 November 2009**
(56) Related Art Documents: **Not Applicable**
(57) Statement of Newness and Distinctiveness: **Newness and distinctiveness is claimed in the visual features of shape and configuration of a cricket pad cover shown in the representations, but not in the seams labelled "A" or the straps of the cricket pad.**



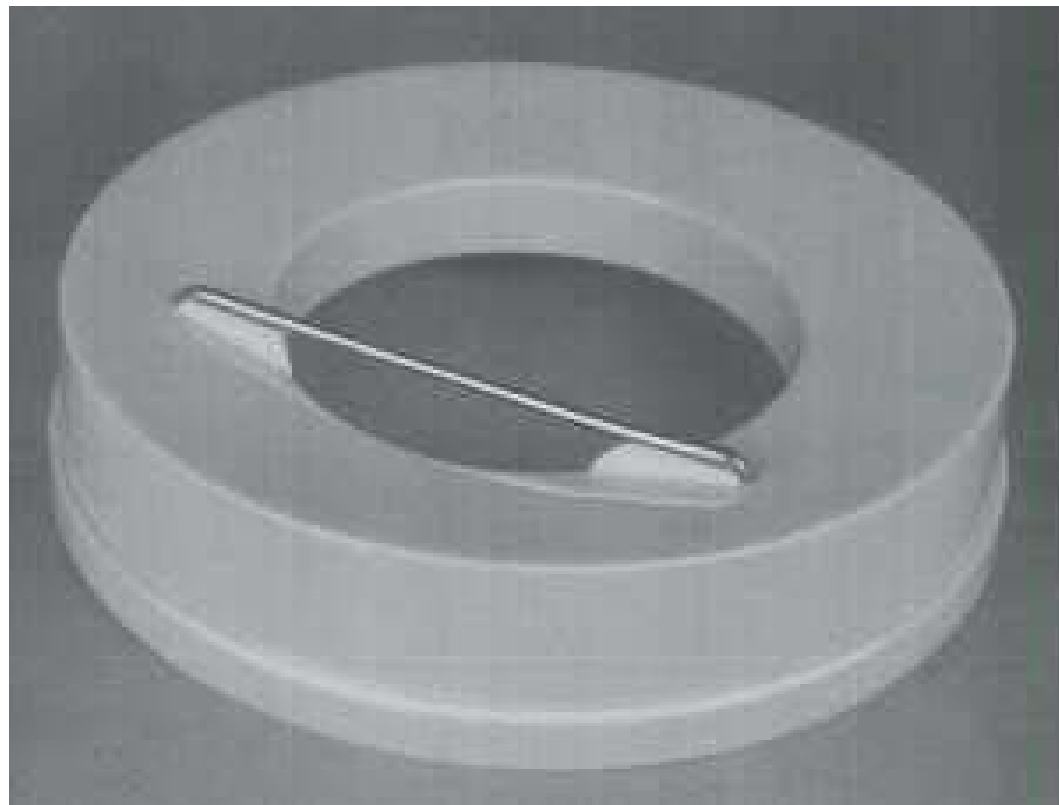
- (21) Design Number: **13939/2009**
(22) Date of Filing Application: **09 October 2009**
(24) Date from which industrial property rights may have effect: **09 October 2009**
(54) Product in respect of which the design is registered: **An upper part of a support carrier for a vibration screen**
(51) International Design Classification: **08-08NES, 15-99**
(71) Name(s) and Address(s) of Applicant(s):
Sandvik Intellectual Property AB
Sandviken SE-811 81 Sweden
(72) Name(s) of Designer(s): **Mats Malmberg**
(45) Registration Date: **06 November 2009**
(30) Convention priority data:
(31) Number (32) Date (33) Country
001120398 09 Apr 2009 EUROPEAN COMMUNITY
(56) Related Art Documents: **Not Applicable**
(57) Statement of Newness and Distinctiveness: **Nil**



- (21) Design Number: **13940/2009**
- (22) Date of Filing Application: **12 October 2009**
- (24) Date from which industrial property rights may have effect: **12 October 2009**
- (54) Product in respect of which the design is registered: **Ring insert**
- (51) International Design Classification: **28-03A**
- (71) Name(s) and Address(s) of Applicant(s):

Caron Laboratories Pty Ltd
55-57 Autumn Street Geelong West Victoria 3218 Australia

- (72) Name(s) of Designer(s): **John Neilsen**
- (45) Registration Date: **06 November 2009**
- (56) Related Art Documents: **Not Applicable**
- (57) Statement of Newness and Distinctiveness: **Newness and distinctiveness reside in the features of the shape and/or configuration of the ring insert for a wax warming pot as shown in the solid lines in the representations. Newness and distinctiveness are not claimed for the portions of the wax warming pot shown in broken lines in the representations which form no part of the design.**



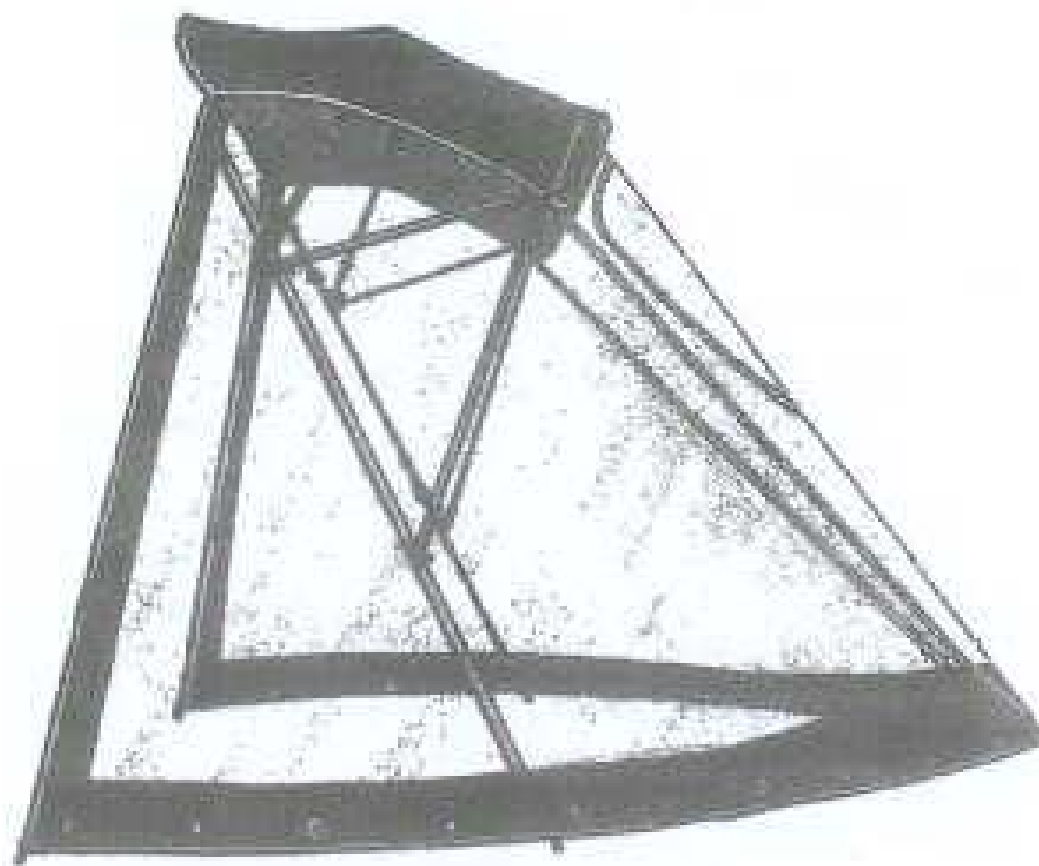
- (21) Design Number: **13941/2009**
- (22) Date of Filing Application: **12 October 2009**
- (24) Date from which industrial property rights may have effect: **12 October 2009**
- (54) Product in respect of which the design is registered: **Wax warming pot**
- (51) International Design Classification: **28-03A**
- (71) Name(s) and Address(s) of Applicant(s):

Caron Laboratories Pty Ltd
55-57 Autumn Street Geelong West Victoria 3218 Australia

- (72) Name(s) of Designer(s): **John Neilsen**
- (45) Registration Date: **06 November 2009**
- (56) Related Art Documents: **Not Applicable**
- (57) Statement of Newness and Distinctiveness: **Newness and distinctiveness is claimed in the shape and/or configuration of the depilatory wax warming pot having a lid and body as illustrated in the accompanying representations.**



- (21) Design Number: **13900/2009**
(22) Date of Filing Application: **09 October 2009**
(24) Date from which industrial property rights may have effect: **09 October 2009**
(54) Product in respect of which the design is registered: **Bimini cover for watercraft**
(51) International Design Classification: **12-06NES**
(71) Name(s) and Address(s) of Applicant(s):
Graeme Healey
100 Sanctuary Road Loch Sport Victoria 3851 Australia
Peter Wilkie
21 Kookaburra Street Loch Sport Victoria 3851 Australia
(72) Name(s) of Designer(s): **Graeme Healey and Peter Wilkie**
(45) Registration Date: **06 November 2009**
(56) Related Art Documents: **Not Applicable**
(57) Statement of Newness and Distinctiveness: **The bubble cover is made up with four parts the frame, the hood, the front shield with window, and the side shields.**



- (21) Design Number: **13586/2009**
(22) Date of Filing Application: **18 September 2009**
(24) Date from which industrial property rights may have effect: **18 September 2009**
(54) Product in respect of which the design is registered: **Washing ball**
(51) International Design Classification: **07-05NES**
(71) Name(s) and Address(s) of Applicant(s):
ACTERVIS GmbH
c/o PRV Provides Treuhandgesellschaft Lindenhof Dorfstrasse 38
CH-6341 Baar Zug Switzerland
(72) Name(s) of Designer(s): **Juan Ramon Torres Martin**
(45) Registration Date: **06 November 2009**
(30) Convention priority data:
(31) Number (32) Date (33) Country
001108203 18 Mar 2009 EUROPEAN COMMUNITY
(56) Related Art Documents: **Not Applicable**
(57) Statement of Newness and Distinctiveness: **Newness and distinctiveness is claimed in the features of shape and/or configuration of a washing ball as illustrated in the accompanying representations.**



- (21) Design Number: **14031/2009**
- (22) Date of Filing Application: **20 October 2009**
- (24) Date from which industrial property rights may have effect: **20 October 2009**
- (54) Product in respect of which the design is registered: **Inflatable image system: inflatable shape inflated by blower(s)**
- (51) International Design Classification: **21-01NES**
- (71) Name(s) and Address(s) of Applicant(s):
Inflatable Image Technologies Pty Limited
2/11 Hume Road Smithfield New South Wales 2164 Australia
- (72) Name(s) of Designer(s): **Chris Miller**
- (45) Registration Date: **06 November 2009**
- (56) Related Art Documents: **Not Applicable**
- (57) Statement of Newness and Distinctiveness: **Inflatable moving shape inflated by forced air under pressure using 1 or more blowers. Unique dog shape.**

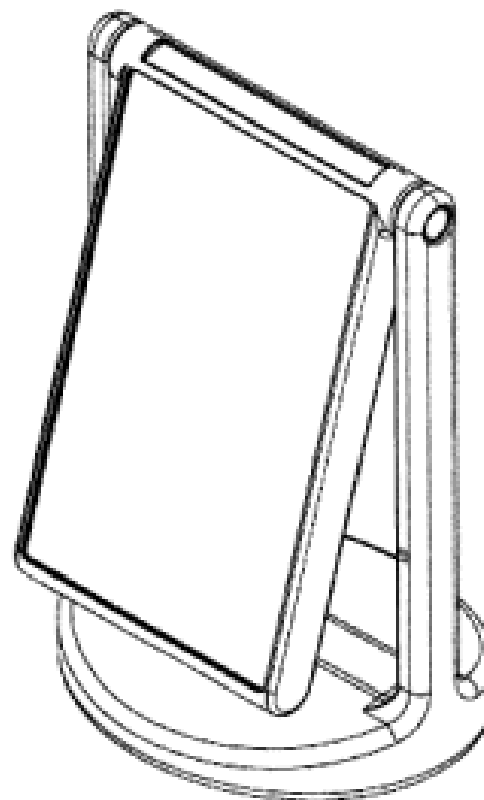


- (21) Design Number: **13876/2009**
- (22) Date of Filing Application: **07 October 2009**
- (24) Date from which industrial property rights may have effect: **07 October 2009**
- (54) Product in respect of which the design is registered: **Insole**
- (51) International Design Classification: **02-04A**
- (71) Name(s) and Address(s) of Applicant(s):
Samar, LLC
70 West Madison Chicago IL 60602 United States of America
- (72) Name(s) of Designer(s): **Joost van Haasteren**
- (45) Registration Date: **09 November 2009**
- (30) Convention priority data:

(31) Number	(32) Date	(33) Country
001142764-0001	03 Jun 2009	EUROPEAN COMMUNITY
- (56) Related Art Documents: **Not Applicable**
- (57) Statement of Newness and Distinctiveness: **Nil**

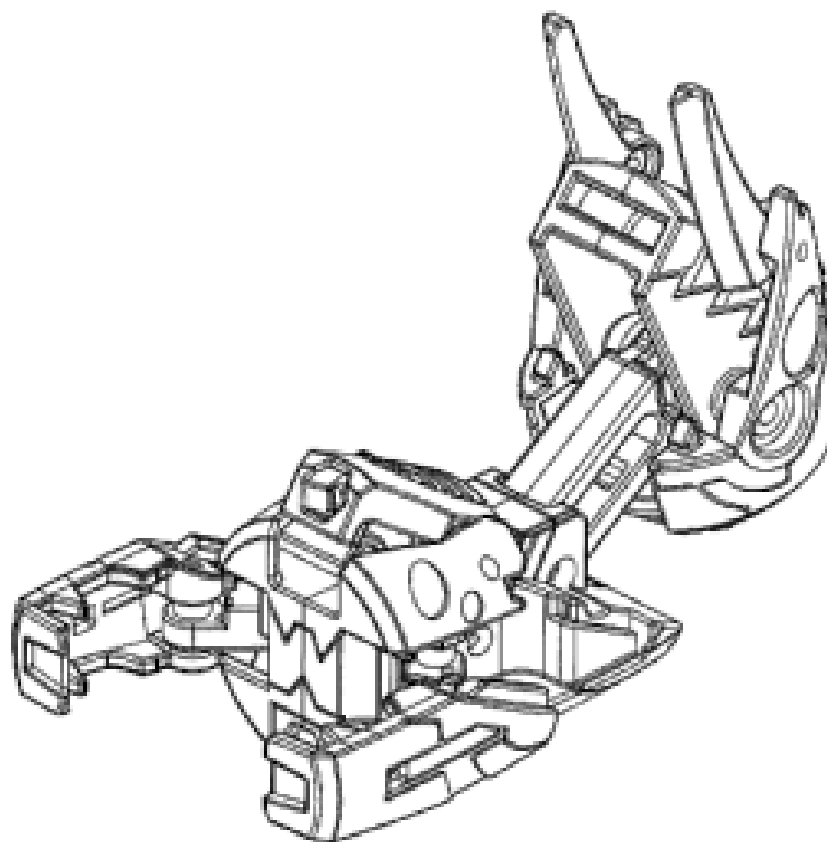


- (21) Design Number: **13916/2009**
- (22) Date of Filing Application: **09 October 2009**
- (24) Date from which industrial property rights may have effect: **09 October 2009**
- (54) Product in respect of which the design is registered: **Swing sign**
- (51) International Design Classification: **20-03NES**
- (71) Name(s) and Address(s) of Applicant(s):
Stewart Norman Healley
65 Canopus Crescent Giralang ACT 2617 Australia
- (72) Name(s) of Designer(s): **Sebastian Braat and Stewart Norman Healley**
- (45) Registration Date: **09 November 2009**
- (56) Related Art Documents: **Not Applicable**
- (57) Statement of Newness and Distinctiveness: **Nil**



- (21) Design Number: **13960/2009**
- (22) Date of Filing Application: **14 October 2009**
- (24) Date from which industrial property rights may have effect: **14 October 2009**
- (54) Product in respect of which the design is registered: **Transformable toy**
- (51) International Design Classification: **21-01B**
- (71) Name(s) and Address(s) of Applicant(s):
Spin Master Ltd.
450 Front Street West Toronto Ontario M5V 1B6 Canada
- (72) Name(s) of Designer(s): **Wataru Sato and Kohji Hirose and Richard Keuter**
- (45) Registration Date: **09 November 2009**
- (30) Convention priority data:

(31) Number	(32) Date	(33) Country
130369	15 Apr 2009	CANADA
- (56) Related Art Documents: **Not Applicable**
- (57) Statement of Newness and Distinctiveness: **Nil**



(21) Design Number: **13961/2009**

(22) Date of Filing Application: **14 October 2009**

(24) Date from which industrial property rights may have effect: **14 October 2009**

(54) Product in respect of which the design is registered: **Transformable toy**

(51) International Design Classification: **21-01B**

(71) Name(s) and Address(s) of Applicant(s):

Spin Master Ltd.

450 Front Street West Toronto Ontario M5V 1B6 Canada

(72) Name(s) of Designer(s): **Wataru Sato and Kohji Hirose and Richard Keuter**

(45) Registration Date: **09 November 2009**

(30) Convention priority data:

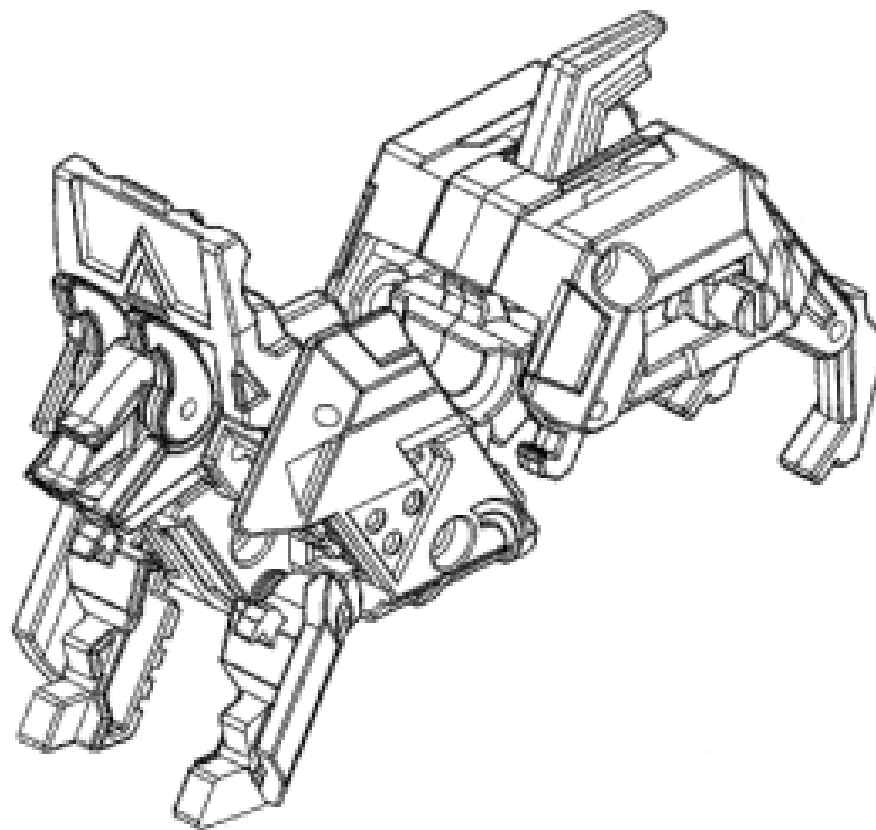
(31) Number
130370

(32) Date
15 Apr 2009

(33) Country
CANADA

(56) Related Art Documents: **Not Applicable**

(57) Statement of Newness and Distinctiveness: **Nil**



(21) Design Number: **13962/2009**

(22) Date of Filing Application: **14 October 2009**

(24) Date from which industrial property rights may have effect: **14 October 2009**

(54) Product in respect of which the design is registered: **Transformable toy**

(51) International Design Classification: **21-01B**

(71) Name(s) and Address(s) of Applicant(s):

Spin Master Ltd.

450 Front Street West Toronto Ontario M5V 1B6 Canada

(72) Name(s) of Designer(s): **Wataru Sato and Kohji Hirose and Richard Keuter**

(45) Registration Date: **09 November 2009**

(30) Convention priority data:

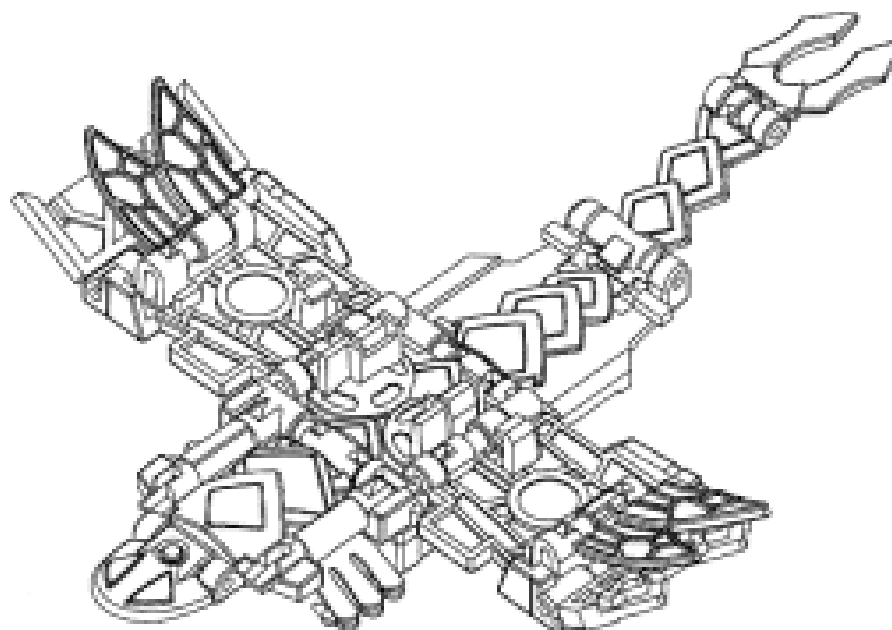
(31) Number
131069

(32) Date
15 Jun 2009

(33) Country
CANADA

(56) Related Art Documents: **Not Applicable**

(57) Statement of Newness and Distinctiveness: **Nil**



(21) Design Number: **13963/2009**

(22) Date of Filing Application: **14 October 2009**

(24) Date from which industrial property rights may have effect: **14 October 2009**

(54) Product in respect of which the design is registered: **Transformable toy**

(51) International Design Classification: **21-01B**

(71) Name(s) and Address(s) of Applicant(s):

Spin Master Ltd.

450 Front Street West Toronto Ontario M5V 1B6 Canada

(72) Name(s) of Designer(s): **Wataru Sato and Kohji Hirose and Richard Keuter**

(45) Registration Date: **09 November 2009**

(30) Convention priority data:

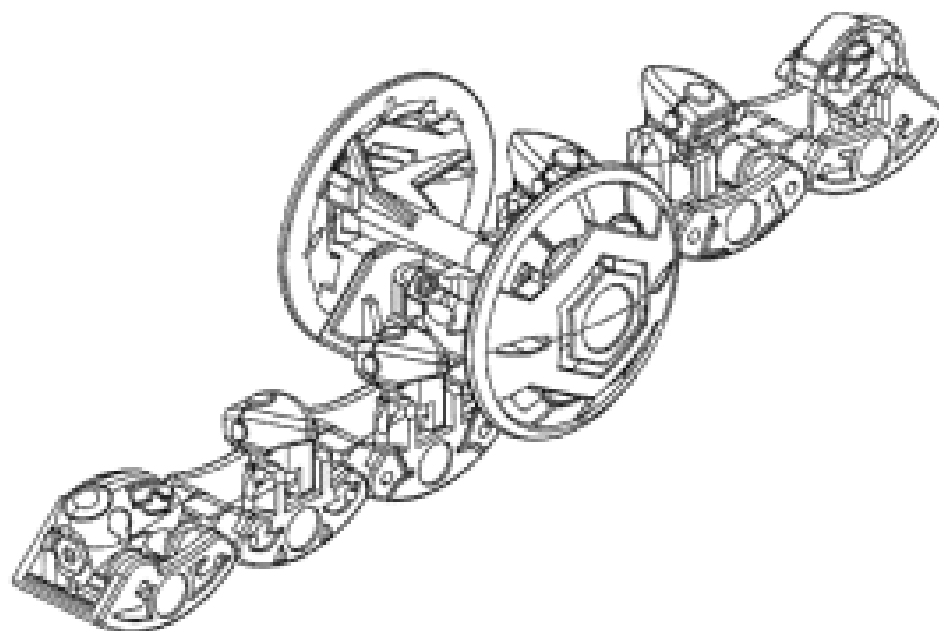
(31) Number
131070

(32) Date
16 Jun 2009

(33) Country
CANADA

(56) Related Art Documents: **Not Applicable**

(57) Statement of Newness and Distinctiveness: **Nil**



(21) Design Number: **13964/2009**

(22) Date of Filing Application: **14 October 2009**

(24) Date from which industrial property rights may have effect: **14 October 2009**

(54) Product in respect of which the design is registered: **Transformable toy**

(51) International Design Classification: **21-01B**

(71) Name(s) and Address(s) of Applicant(s):

Spin Master Ltd.

450 Front Street West Toronto Ontario M5V 1B6 Canada

(72) Name(s) of Designer(s): **Wataru Sato and Kohji Hirose and Richard Keuter**

(45) Registration Date: **09 November 2009**

(30) Convention priority data:

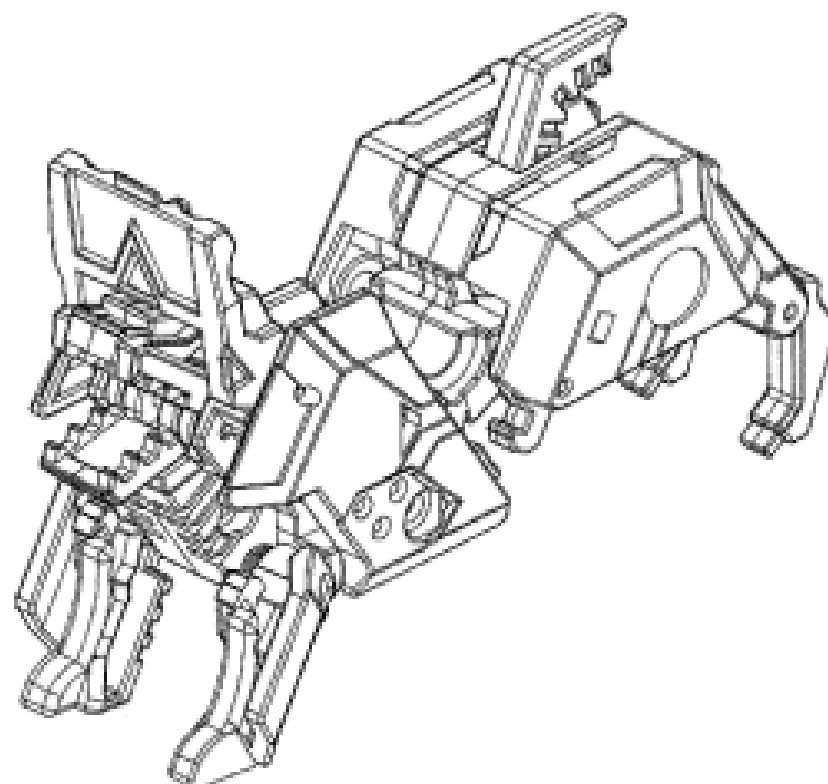
(31) Number
130371

(32) Date
15 Apr 2009

(33) Country
CANADA

(56) Related Art Documents: **Not Applicable**

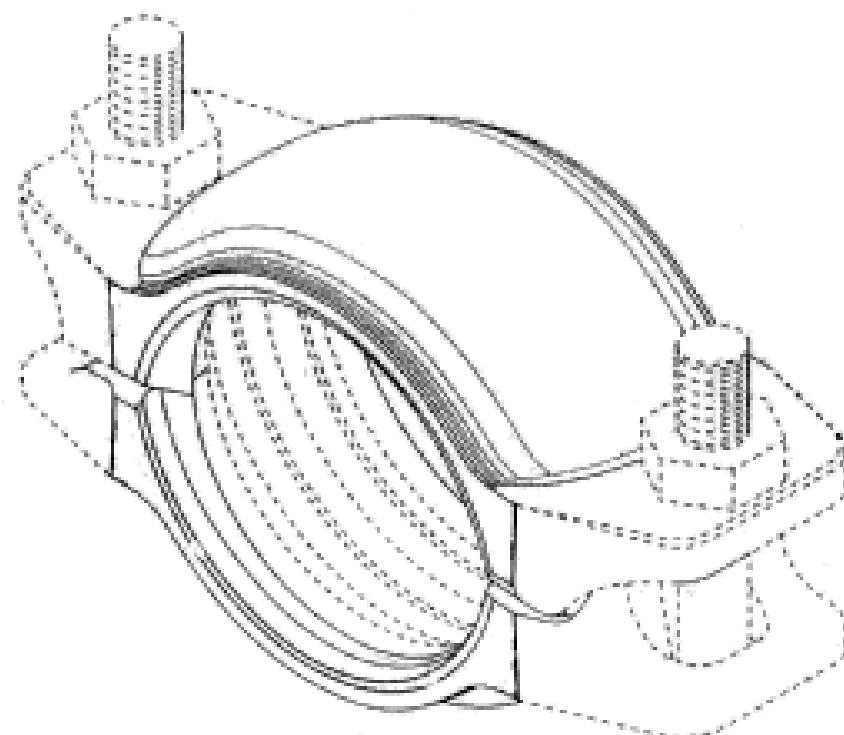
(57) Statement of Newness and Distinctiveness: **Nil**



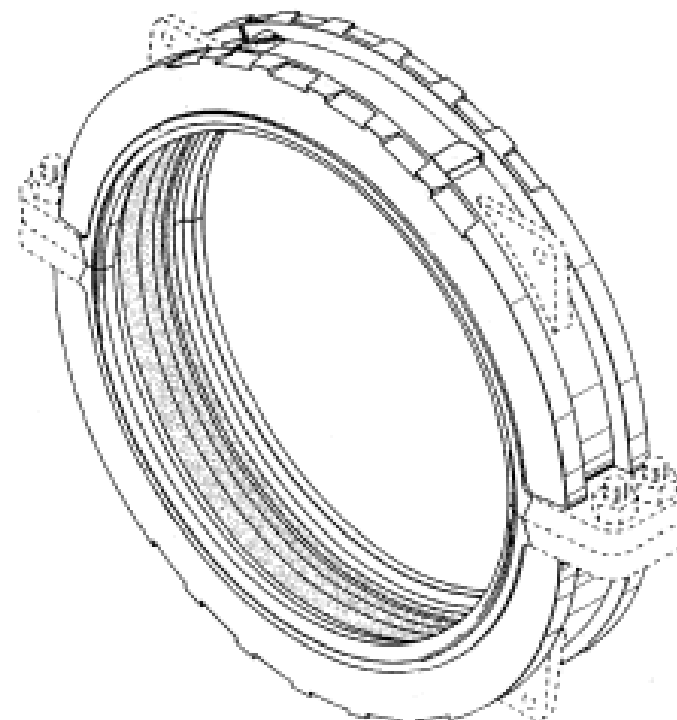
- (21) Design Number: **12193/2009**
(22) Date of Filing Application: **17 June 2009**
(24) Date from which industrial property rights may have effect: **17 June 2009**
(54) Product in respect of which the design is registered: **Flat pack table**
(51) International Design Classification: **06-03A**
(71) Name(s) and Address(s) of Applicant(s):
Wei Shun Lee
139 Fifth Avenue Balmoral Queensland 4171 Australia
Kieron Gait
139 Fifth Avenue Balmoral Queensland 4171 Australia
(72) Name(s) of Designer(s): **Wei Shun Lee and Kieron Gait**
(45) Registration Date: **10 November 2009**
(56) Related Art Documents: **Not Applicable**
(57) Statement of Newness and Distinctiveness: **The table is designed to be flat packed and assembled with no mechanical fixings. A sleeved joint provides the connection between the top and the legs. The angled legs and weight of top ensures a solid and sturdy table.**



- (21) Design Number: **12755/2009**
(22) Date of Filing Application: **24 July 2009**
(24) Date from which industrial property rights may have effect: **24 July 2009**
(54) Product in respect of which the design is registered: **Reversed v-interface coupling**
(51) International Design Classification: **23-01A**
(71) Name(s) and Address(s) of Applicant(s):
Victaulic Company
4901 Kesslersville Road Easton Pennsylvania 18040 United States of America
(72) Name(s) of Designer(s): **Michael V. Porter and Torrey G. Sipos and William A. Nagle**
(45) Registration Date: **10 November 2009**
(30) Convention priority data:
(31) Number (32) Date (33) Country
29/331497 27 Jan 2009 UNITED STATES OF AMERICA
(56) Related Art Documents: **Not Applicable**
(57) Statement of Newness and Distinctiveness: **Newness and distinctiveness is claimed in those features of shape and/or configuration of a reversed v-interface coupling illustrated in continuous lines in the accompanying representations.**



(21) Design Number: **12756/2009**
(22) Date of Filing Application: **24 July 2009**
(24) Date from which industrial property rights may have effect: **24 July 2009**
(54) Product in respect of which the design is registered: **Pipe coupling**
(51) International Design Classification: **23-01A**
(71) Name(s) and Address(s) of Applicant(s):
Victaulic Company
4901 Kesslersville Road Easton Pennsylvania 18040 United States of America
(72) Name(s) of Designer(s): **Amit R. Shah and Douglas R. Dole and John W. Pierce and Scott D. Madara**
(45) Registration Date: **10 November 2009**
(30) Convention priority data:
(31) Number (32) Date (33) Country
29/331485 27 Jan 2009 UNITED STATES OF AMERICA
(56) Related Art Documents: **Not Applicable**
(57) Statement of Newness and Distinctiveness: **Newness and distinctiveness is claimed in those features of shape and/or configuration of a pipe coupling illustrated in continuous lines in the accompanying representations.**



(21) Design Number: **13132/2009**
(22) Date of Filing Application: **14 August 2009**
(24) Date from which industrial property rights may have effect: **14 August 2009**
(54) Product in respect of which the design is registered: **The fly visor - a mask to protect equids and other large animals from flies and biting insects**
(51) International Design Classification: **29-02**
(71) Name(s) and Address(s) of Applicant(s):
About Tack Limited
Whittingehame Mains Cottage Whittingehame Haddington East Lothian EH41 4OA Scotland
(72) Name(s) of Designer(s): **Brenda Keiner**
(45) Registration Date: **10 November 2009**
(30) Convention priority data:
(31) Number (32) Date (33) Country
001088710-0001 16 Feb 2009 EUROPEAN COMMUNITY
(56) Related Art Documents: **Not Applicable**
(57) Statement of Newness and Distinctiveness: **The dart-free visor shaped design in particular is new and distinctive. As is the shaping of the mesh under the jaw of the horse.**



(21) Design Number: **13234/2009**

(22) Date of Filing Application: **24 August 2009**

(24) Date from which industrial property rights may have effect: **24 August 2009**

(54) Product in respect of which the design is registered: **A uniform garment**

(51) International Design Classification: **02-02NES**

(71) Name(s) and Address(s) of Applicant(s):

Moana Pty Ltd
127 Belgrave-Gembrook Road Selby Victoria 3159 Australia

(72) Name(s) of Designer(s): **Graeme Bulte and Ethne Moller**

(45) Registration Date: **10 November 2009**

(56) Related Art Documents: **Not Applicable**

(57) Statement of Newness and Distinctiveness: **The following parts of the design are new and distinctive: The shape and configuration of the collar, placket and underarm gusset; the sky blue colour of the sleeves and upper torso portion; and the navy blue colour of the lower torso portion.**



(21) Design Number: **13321/2009**

(22) Date of Filing Application: **28 August 2009**

(24) Date from which industrial property rights may have effect: **28 August 2009**

(54) Product in respect of which the design is registered: **Seat**

(51) International Design Classification: **06-01NES**

(71) Name(s) and Address(s) of Applicant(s):

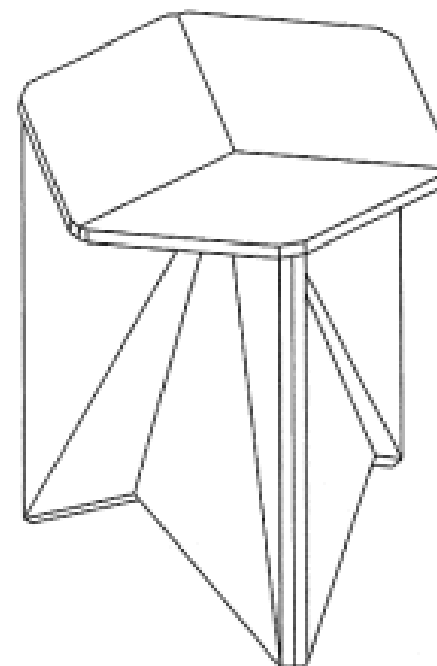
Christina Mary Waterson
Unit 12E 182 Dornoch Terrace Highgate Hill Queensland 4101
Australia

(72) Name(s) of Designer(s): **Christina Mary Waterson**

(45) Registration Date: **10 November 2009**

(56) Related Art Documents: **Not Applicable**

(57) Statement of Newness and Distinctiveness: **Nil**



(21) Design Number: **13339/2009**

(22) Date of Filing Application: **31 August 2009**

(24) Date from which industrial property rights may have effect: **31 August 2009**

(54) Product in respect of which the design is registered: **A wooden airplane toy**

(51) International Design Classification: **21-01C**

(71) Name(s) and Address(s) of Applicant(s):

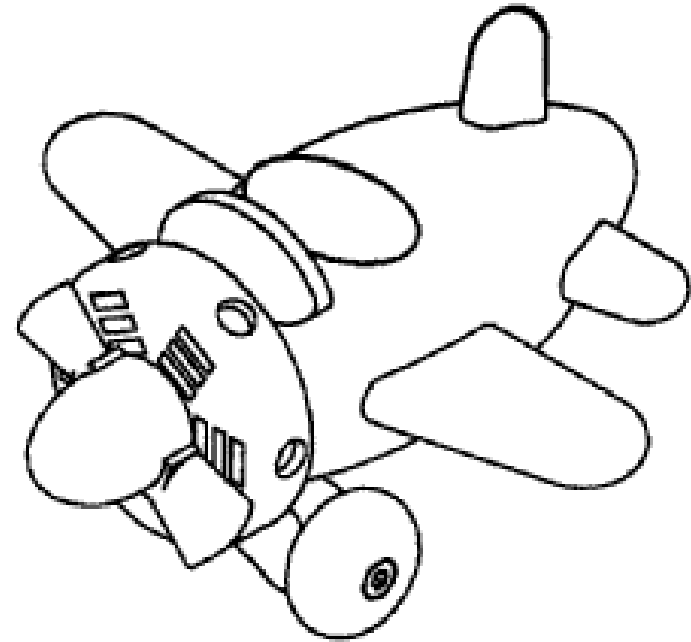
**Quins Group Pty Ltd
95 Wright Street Sunshine Victoria 3020 Australia**

(72) Name(s) of Designer(s): **Liam Kelly and Cathy Dang**

(45) Registration Date: **10 November 2009**

(56) Related Art Documents: **Not Applicable**

(57) Statement of Newness and Distinctiveness: **Newness and distinction are claimed in the shape and/or configuration of this wooden airplane toy. No regard is to be taken of the size.**



(21) Design Number: **13340/2009**

(22) Date of Filing Application: **31 August 2009**

(24) Date from which industrial property rights may have effect: **31 August 2009**

(54) Product in respect of which the design is registered: **A wooden school bus toy**

(51) International Design Classification: **21-01C**

(71) Name(s) and Address(s) of Applicant(s):

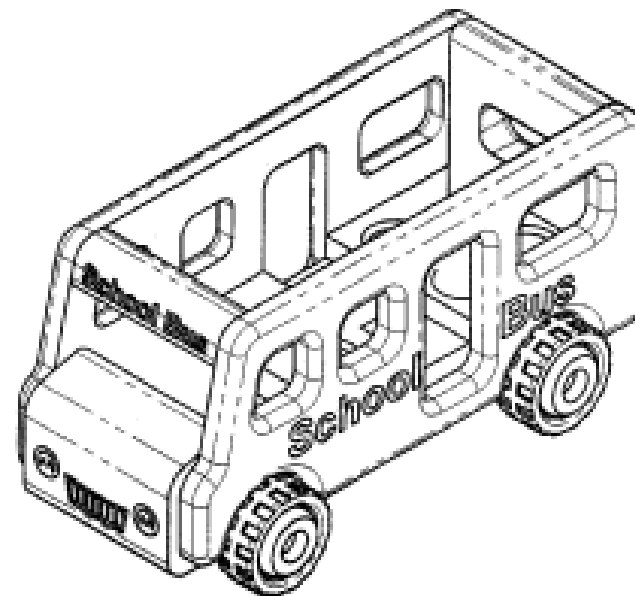
**Quins Group Pty Ltd
95 Wright Street Sunshine Victoria 3020 Australia**

(72) Name(s) of Designer(s): **Liam Kelly**

(45) Registration Date: **10 November 2009**

(56) Related Art Documents: **Not Applicable**

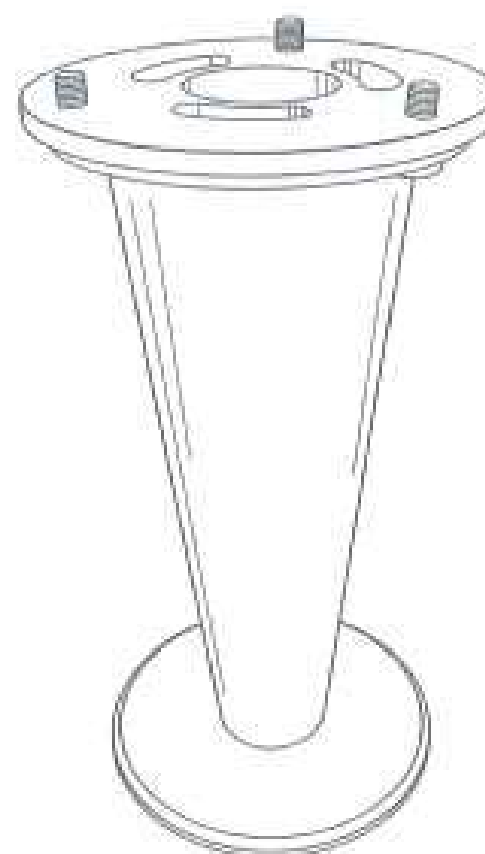
(57) Statement of Newness and Distinctiveness: **Newness and distinction are claimed in the shape and/or configuration of this wooden school bus toy. No regard is to be taken of the size.**



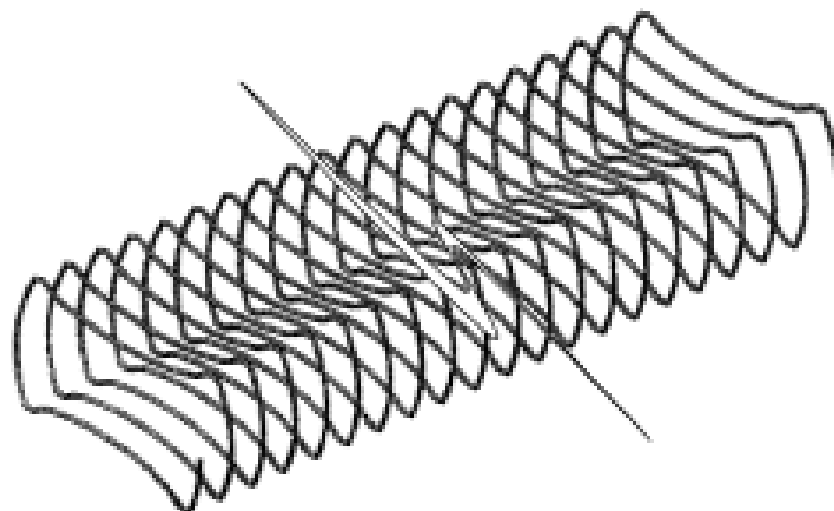
- (21) Design Number: **13390/2009**
- (22) Date of Filing Application: **03 September 2009**
- (24) Date from which industrial property rights may have effect: **03 September 2009**
- (54) Product in respect of which the design is registered: **Infant feeding/sitting support**
- (51) International Design Classification: **06-01NES, 06-09**
- (71) Name(s) and Address(s) of Applicant(s):
Philip Barber
24 Farrel Street Ashgrove Queensland 4060 Australia
- (72) Name(s) of Designer(s): **Philip Barber**
- (45) Registration Date: **10 November 2009**
- (56) Related Art Documents: **Not Applicable**
- (57) Statement of Newness and Distinctiveness: **Nil**



- (21) Design Number: **13454/2009**
- (22) Date of Filing Application: **07 September 2009**
- (24) Date from which industrial property rights may have effect: **07 September 2009**
- (54) Product in respect of which the design is registered: **Male and female components of a mould for bread preparation**
- (51) International Design Classification: **31-00, 08-05C**
- (71) Name(s) and Address(s) of Applicant(s):
Lawrence John Ryan
219 Middle Street Cleveland Queensland 4163 Australia
- (72) Name(s) of Designer(s): **Lawrence John Ryan**
- (45) Registration Date: **10 November 2009**
- (56) Related Art Documents: **Not Applicable**
- (57) Statement of Newness and Distinctiveness: **The newness and distinctiveness of the design resides in the shape and/or configuration of the MALE AND FEMALE COMPONENTS OF A MOULD FOR BREAD PREPARATION shown in the representations.**



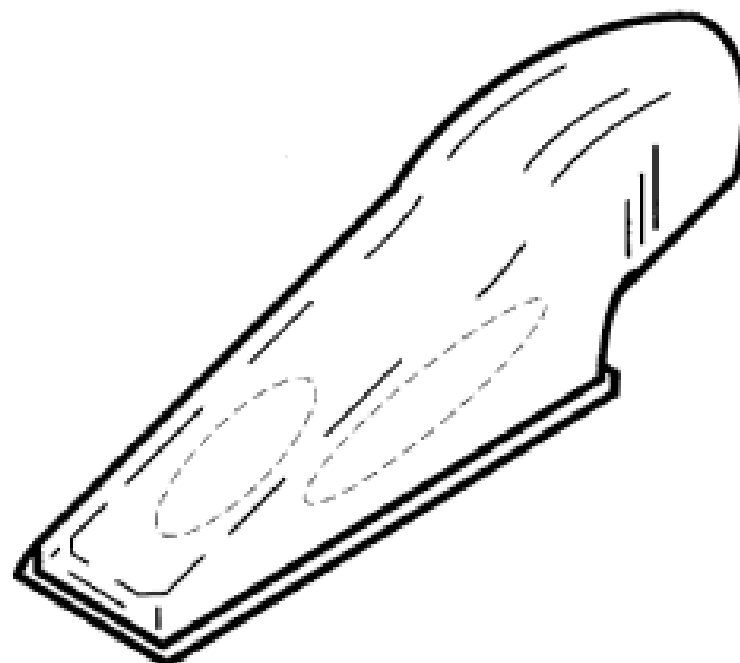
(21) Design Number: **13947/2009**
 (22) Date of Filing Application: **13 October 2009**
 (24) Date from which industrial property rights may have effect: **13 October 2009**
 (54) Product in respect of which the design is registered: **Reinforcing cage**
 (51) International Design Classification: **25-01B**
 (71) Name(s) and Address(s) of Applicant(s):
Wayne Barden
65 Rotary Park Road Alberton Queensland 4207 Australia
 (72) Name(s) of Designer(s): **Wayne Barden**
 (45) Registration Date: **10 November 2009**
 (56) Related Art Documents: **Not Applicable**
 (57) Statement of Newness and Distinctiveness: **Newness and distinctiveness is claimed in the shape and/or configuration of the reinforcing cage as shown in the accompanying representation. The reinforcing cage may be of any length as indicated by the broken line in the representation.**



(21) Design Number: **13948/2009**
 (22) Date of Filing Application: **13 October 2009**
 (24) Date from which industrial property rights may have effect: **13 October 2009**
 (54) Product in respect of which the design is registered: **Finger sander**
 (51) International Design Classification: **08-05N**
 (71) Name(s) and Address(s) of Applicant(s):
Terry Ali
1671 Grand Portage Trail Xenia 45385 OH United States of America
Christopher Ali
204 EarlsGate Road Beavercreek OH United States of America
Frank Ali
1619 Grand Portage Trail Xenia 45385 OH United States of America
 (72) Name(s) of Designer(s): **Terry Ali and Christopher Ali and Frank Ali**
 (45) Registration Date: **10 November 2009**
 (30) Convention priority data:

(31) Number	(32) Date	(33) Country
29/337040	14 May 2009	UNITED STATES OF AMERICA

 (56) Related Art Documents: **Not Applicable**
 (57) Statement of Newness and Distinctiveness: **Nil**



(21) Design Number: **13949/2009**

(22) Date of Filing Application: **13 October 2009**

(24) Date from which industrial property rights may have effect: **13 October 2009**

(54) Product in respect of which the design is registered: **Cutter**

(51) International Design Classification: **07-02P**

(71) Name(s) and Address(s) of Applicant(s):

Dart Industries Inc
14901 S. Orange Blossom Trail Orlando Florida 32837 United States of America

(72) Name(s) of Designer(s): **Famia E. Ablo**

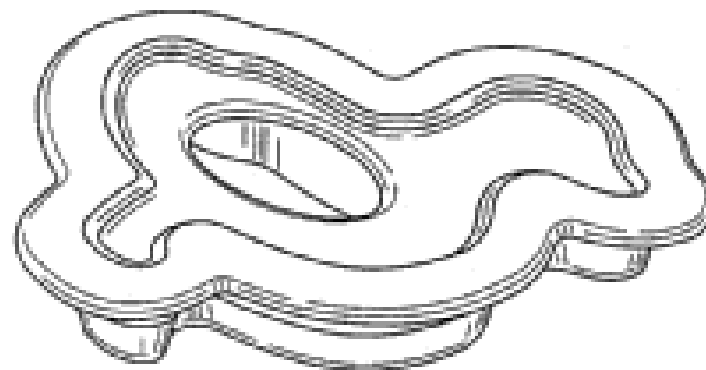
(45) Registration Date: **10 November 2009**

(30) Convention priority data:

(31) Number	(32) Date	(33) Country
29/315,226	05 Jun 2009	UNITED STATES OF AMERICA

(56) Related Art Documents: **Not Applicable**

(57) Statement of Newness and Distinctiveness: **Those features of the cutter depicted in the representations that are new and distinctive are the shape and/or configuration.**



(21) Design Number: **13965/2009**

(22) Date of Filing Application: **14 October 2009**

(24) Date from which industrial property rights may have effect: **14 October 2009**

(54) Product in respect of which the design is registered: **Transformable toy**

(51) International Design Classification: **21-01B**

(71) Name(s) and Address(s) of Applicant(s):

Spin Master Ltd.
450 Front Street West Toronto Ontario M5V 1B6 Canada

(72) Name(s) of Designer(s): **Wataru Sato and Kohji Hirose and Richard Keuter**

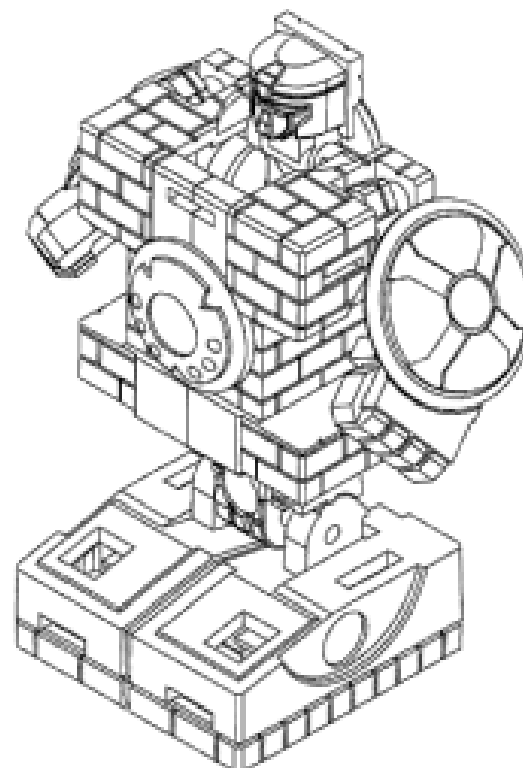
(45) Registration Date: **10 November 2009**

(30) Convention priority data:

(31) Number	(32) Date	(33) Country
130687	12 May 2009	CANADA

(56) Related Art Documents: **Not Applicable**

(57) Statement of Newness and Distinctiveness: **Nil**



(21) Design Number: **13966/2009**

(22) Date of Filing Application: **14 October 2009**

(24) Date from which industrial property rights may have effect: **14 October 2009**

(54) Product in respect of which the design is registered: **Transformable toy**

(51) International Design Classification: **21-01B**

(71) Name(s) and Address(s) of Applicant(s):

Spin Master Ltd.

450 Front Street West Toronto Ontario M5V 1B6 Canada

(72) Name(s) of Designer(s): **Wataru Sato and Kohji Hirose and Richard Keuter**

(45) Registration Date: **10 November 2009**

(30) Convention priority data:

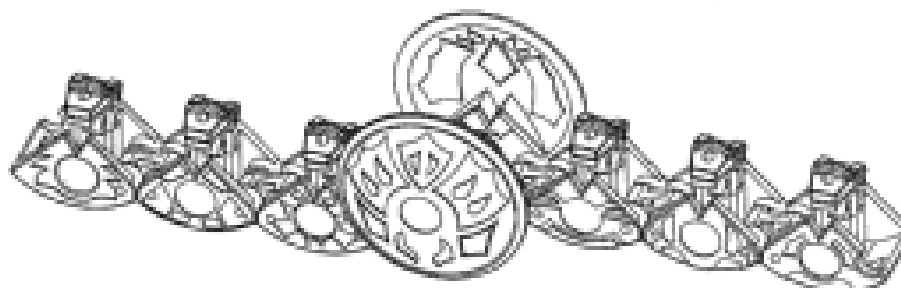
(31) Number
130720

(32) Date
06 May 2009

(33) Country
CANADA

(56) Related Art Documents: **Not Applicable**

(57) Statement of Newness and Distinctiveness: **Nil**



(21) Design Number: **13967/2009**

(22) Date of Filing Application: **14 October 2009**

(24) Date from which industrial property rights may have effect: **14 October 2009**

(54) Product in respect of which the design is registered: **Transformable toy**

(51) International Design Classification: **21-01B**

(71) Name(s) and Address(s) of Applicant(s):

Spin Master Ltd.

450 Front Street West Toronto Ontario M5V 1B6 Canada

(72) Name(s) of Designer(s): **Wataru Sato and Kohji Hirose and Richard Keuter**

(45) Registration Date: **10 November 2009**

(30) Convention priority data:

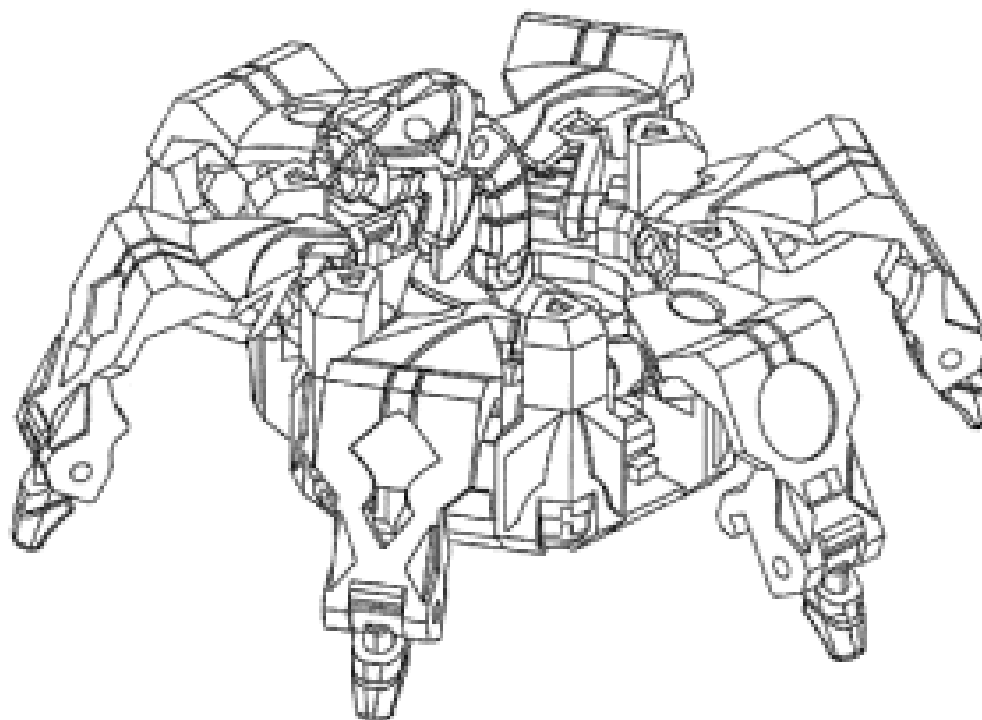
(31) Number
130721

(32) Date
06 May 2009

(33) Country
CANADA

(56) Related Art Documents: **Not Applicable**

(57) Statement of Newness and Distinctiveness: **Nil**



(21) Design Number: **13968/2009**

(22) Date of Filing Application: **14 October 2009**

(24) Date from which industrial property rights may have effect: **14 October 2009**

(54) Product in respect of which the design is registered: **Transformable toy**

(51) International Design Classification: **21-01B**

(71) Name(s) and Address(s) of Applicant(s):

Spin Master Ltd.

450 Front Street West Toronto Ontario M5V 1B6 Canada

(72) Name(s) of Designer(s): **Wataru Sato and Kohji Hirose and Richard Keuter**

(45) Registration Date: **10 November 2009**

(30) Convention priority data:

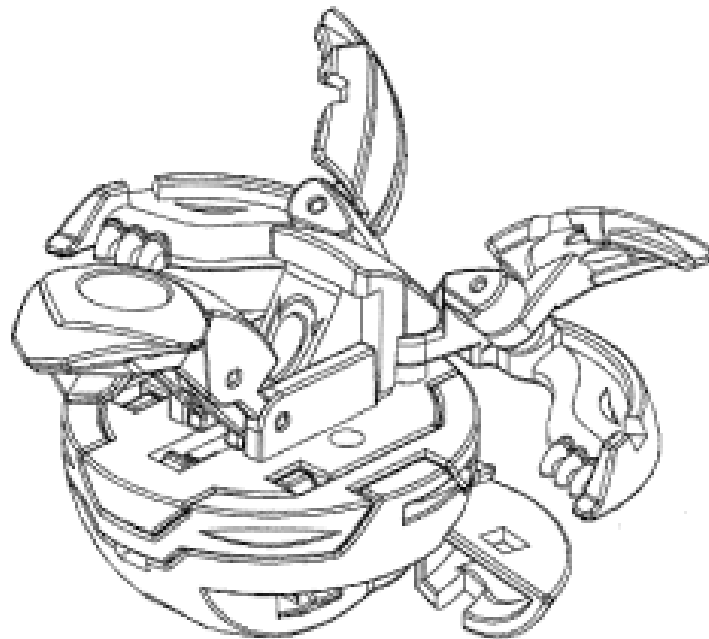
(31) Number
130475

(32) Date
24 Apr 2009

(33) Country
CANADA

(56) Related Art Documents: **Not Applicable**

(57) Statement of Newness and Distinctiveness: **Nil**



(21) Design Number: **13290/2009**

(22) Date of Filing Application: **26 August 2009**

(24) Date from which industrial property rights may have effect: **26 August 2009**

(54) Product in respect of which the design is registered: **A louvre**

(51) International Design Classification: **25-02K**

(71) Name(s) and Address(s) of Applicant(s):

Martin Cocks

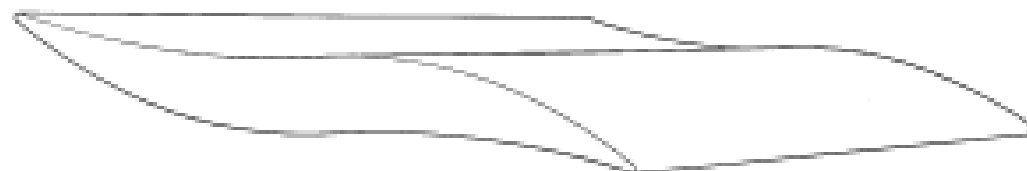
**C/- ADA Louvre Systems Pty Ltd 3 Erudina Street Edwardstown South
Australia 5039 Australia**

(72) Name(s) of Designer(s): **Martin Cocks**

(45) Registration Date: **10 November 2009**

(56) Related Art Documents: **Not Applicable**

(57) Statement of Newness and Distinctiveness: **Newness and distinctiveness
resides in the shape and/or configuration of the louvre blade as shown;
the length and width of which is to be disregarded.**



(19) AU

- (21) Design Number: **13367/2009**
(22) Date of Filing Application: **01 September 2009**
(24) Date from which industrial property rights may have effect: **01 September 2009**
(54) Product in respect of which the design is registered: **Label**
(51) International Design Classification: **19-08**
(71) Name(s) and Address(s) of Applicant(s):

The Procter & Gamble Company
One Procter & Gamble Plaza Cincinnati Ohio 45202 United States of America

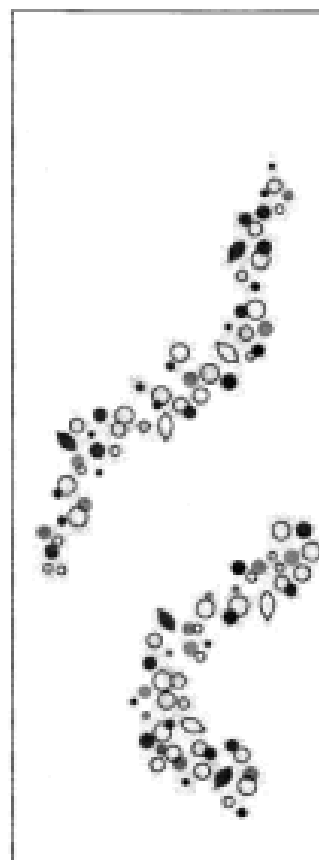
- (72) Name(s) of Designer(s): **Martin Jay Marotti and Andrea Marie Subler**
(45) Registration Date: **10 November 2009**

(30) Convention priority data:

(31) Number	(32) Date	(33) Country
29/333,036	02 Mar 2009	UNITED STATES OF AMERICA

(56) Related Art Documents: **Not Applicable**

(57) Statement of Newness and Distinctiveness: **Those features of the label depicted in the representations that are new and distinctive are the pattern and/or ornamentation. The pattern and/or ornamentation may be in any combination of colours. The features shown in broken line are not part of the design and are to be disregarded when considering the overall impression of the design.**



(19) AU

- (21) Design Number: **13369/2009**
(22) Date of Filing Application: **01 September 2009**
(24) Date from which industrial property rights may have effect: **01 September 2009**
(54) Product in respect of which the design is registered: **Label**
(51) International Design Classification: **19-08**
(71) Name(s) and Address(s) of Applicant(s):

The Procter & Gamble Company
One Procter & Gamble Plaza Cincinnati Ohio 45202 United States of America

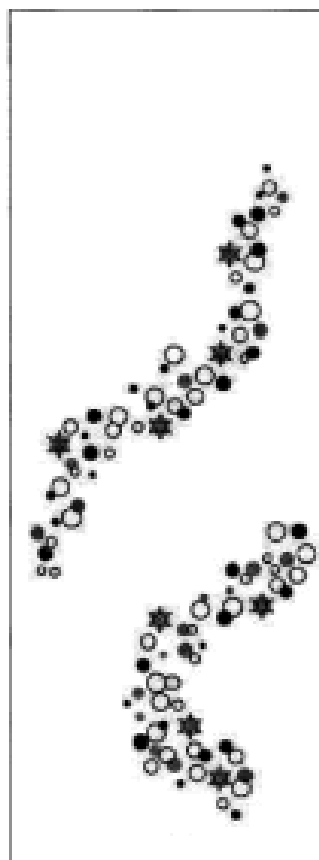
- (72) Name(s) of Designer(s): **Martin Jay Marotti and Andrea Marie Subler**
(45) Registration Date: **10 November 2009**

(30) Convention priority data:

(31) Number	(32) Date	(33) Country
29/333,036	02 Mar 2009	UNITED STATES OF AMERICA

(56) Related Art Documents: **Not Applicable**

(57) Statement of Newness and Distinctiveness: **Those features of the label depicted in the representations that are new and distinctive are the pattern and/or ornamentation. The pattern and/or ornamentation may be in any combination of colours. The features shown in broken line are not part of the design and are to be disregarded when considering the overall impression of the design.**



(19) AU

- (21) Design Number: **13371/2009**
- (22) Date of Filing Application: **01 September 2009**
- (24) Date from which industrial property rights may have effect: **01 September 2009**
- (54) Product in respect of which the design is registered: **Label**
- (51) International Design Classification: **19-08**
- (71) Name(s) and Address(s) of Applicant(s):

The Procter & Gamble Company
One Procter & Gamble Plaza Cincinnati Ohio 45202 United States of America

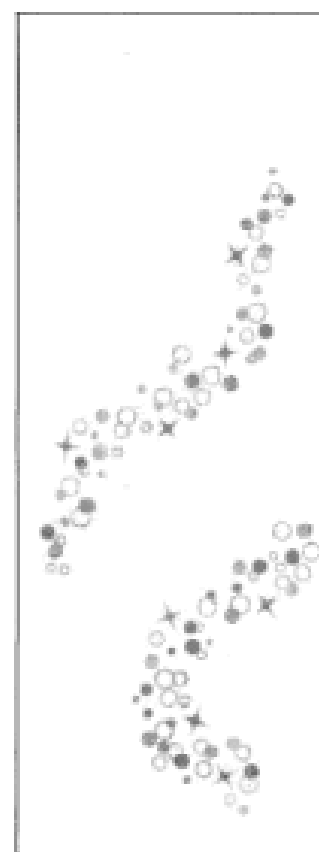
- (72) Name(s) of Designer(s): **Martin Jay Marotti and Andrea Marie Subler**
- (45) Registration Date: **10 November 2009**

(30) Convention priority data:

(31) Number	(32) Date	(33) Country
29/333,036	02 Mar 2009	UNITED STATES OF AMERICA

(56) Related Art Documents: **Not Applicable**

(57) Statement of Newness and Distinctiveness: **Those features of the label depicted in the representations that are new and distinctive are the pattern and/or ornamentation. The pattern and/or ornamentation may be in any combination of colours. The features shown in broken line are not part of the design and are to be disregarded when considering the overall impression of the design.**



(19) AU

- (21) Design Number: **13950/2009**
- (22) Date of Filing Application: **13 October 2009**
- (24) Date from which industrial property rights may have effect: **13 October 2009**
- (54) Product in respect of which the design is registered: **Cutter**
- (51) International Design Classification: **07-02P**
- (71) Name(s) and Address(s) of Applicant(s):

Dart Industries Inc.
14901 S. Orange Blossom Trail Orlando Florida 32837 United States of America

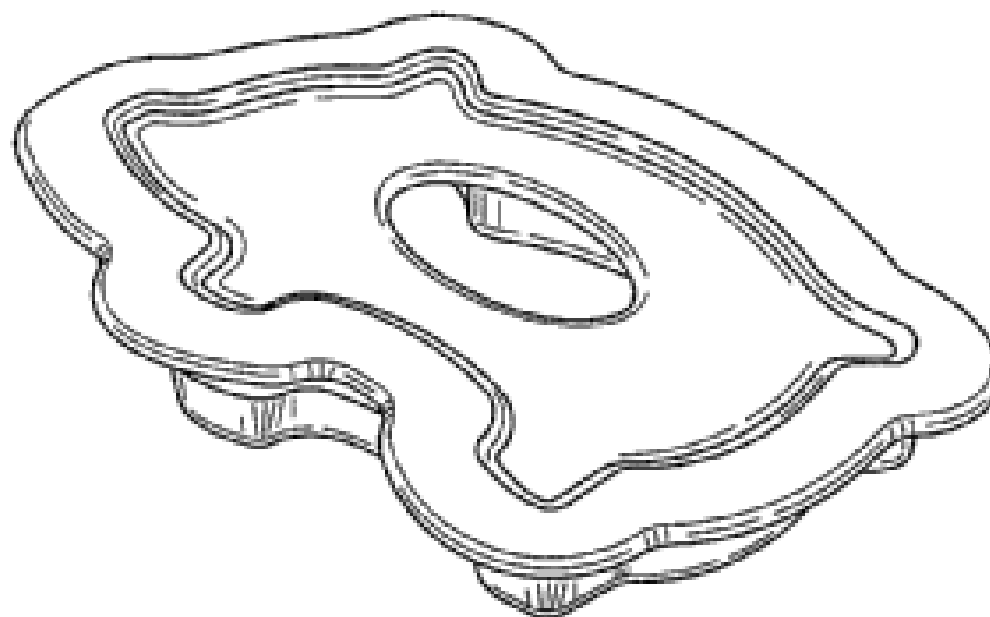
- (72) Name(s) of Designer(s): **Famia E. Ablo**
- (45) Registration Date: **10 November 2009**

(30) Convention priority data:

(31) Number	(32) Date	(33) Country
29/315,225	05 Jun 2009	UNITED STATES OF AMERICA

(56) Related Art Documents: **Not Applicable**

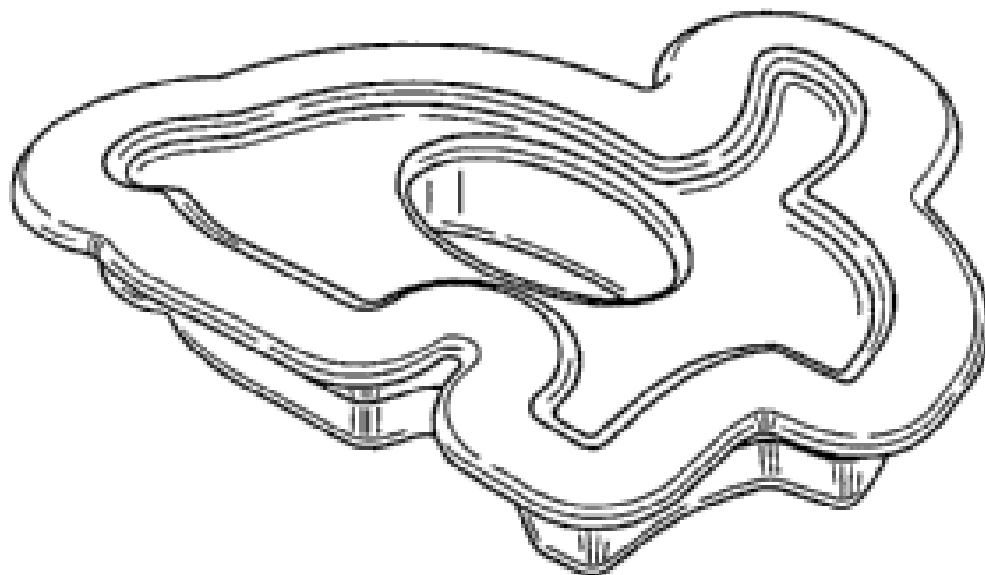
(57) Statement of Newness and Distinctiveness: **Those features of the cutter depicted in the representations that are new and distinctive are the shape and/or configuration.**



(21) Design Number: **13951/2009**
 (22) Date of Filing Application: **13 October 2009**
 (24) Date from which industrial property rights may have effect: **13 October 2009**
 (54) Product in respect of which the design is registered: **Cutter**
 (51) International Design Classification: **07-02P**
 (71) Name(s) and Address(s) of Applicant(s):
Dart Industries Inc.
14901 S. Orange Blossom Trail Orlando Florida 32837 United States of America
 (72) Name(s) of Designer(s): **Famia E. Ablo**
 (45) Registration Date: **10 November 2009**
 (30) Convention priority data:

(31) Number	(32) Date	(33) Country
29/315,228	05 Jun 2009	UNITED STATES OF AMERICA

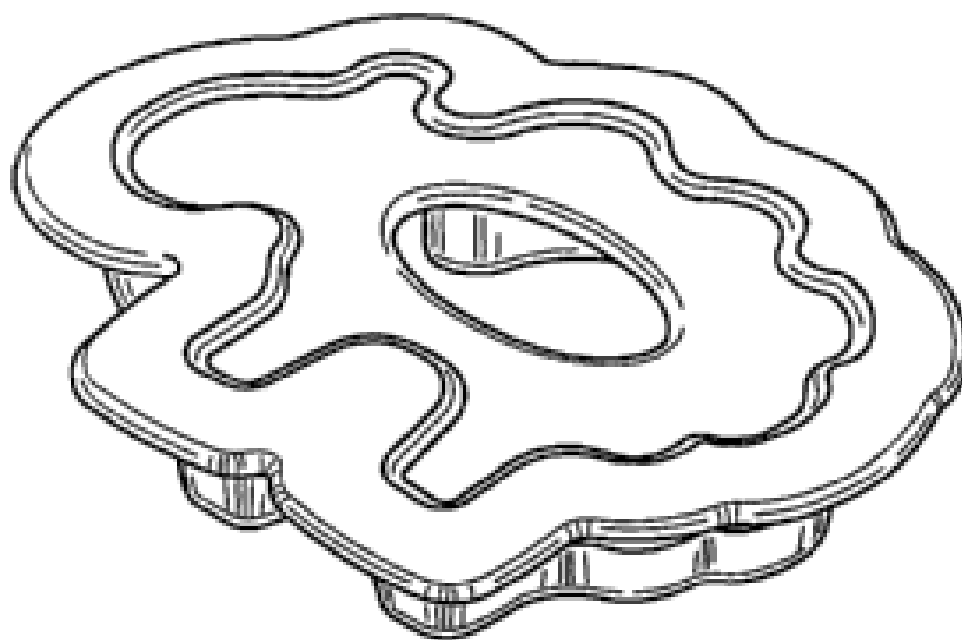
 (56) Related Art Documents: **Not Applicable**
 (57) Statement of Newness and Distinctiveness: **Those features of the cutter depicted in the representations that are new and distinctive are the shape and/or configuration.**



(21) Design Number: **13952/2009**
 (22) Date of Filing Application: **13 October 2009**
 (24) Date from which industrial property rights may have effect: **13 October 2009**
 (54) Product in respect of which the design is registered: **Cutter**
 (51) International Design Classification: **07-02P**
 (71) Name(s) and Address(s) of Applicant(s):
Dart Industries Inc.
14901 S. Orange Blossom Trail Orlando Florida 32837 United States of America
 (72) Name(s) of Designer(s): **Famia E. Ablo**
 (45) Registration Date: **10 November 2009**
 (30) Convention priority data:

(31) Number	(32) Date	(33) Country
29/315,216	05 Jun 2009	UNITED STATES OF AMERICA

 (56) Related Art Documents: **Not Applicable**
 (57) Statement of Newness and Distinctiveness: **Those features of the cutter depicted in the representations that are new and distinctive are the shape and/or configuration.**



- (21) Design Number: **13954/2009**
(22) Date of Filing Application: **13 October 2009**
(24) Date from which industrial property rights may have effect: **13 October 2009**
(54) Product in respect of which the design is registered: **Table**
(51) International Design Classification: **06-03B**
(71) Name(s) and Address(s) of Applicant(s):

Ekornes ASA
6222 Ikkornnes Norway

(72) Name(s) of Designer(s): **Marianne Saelid**

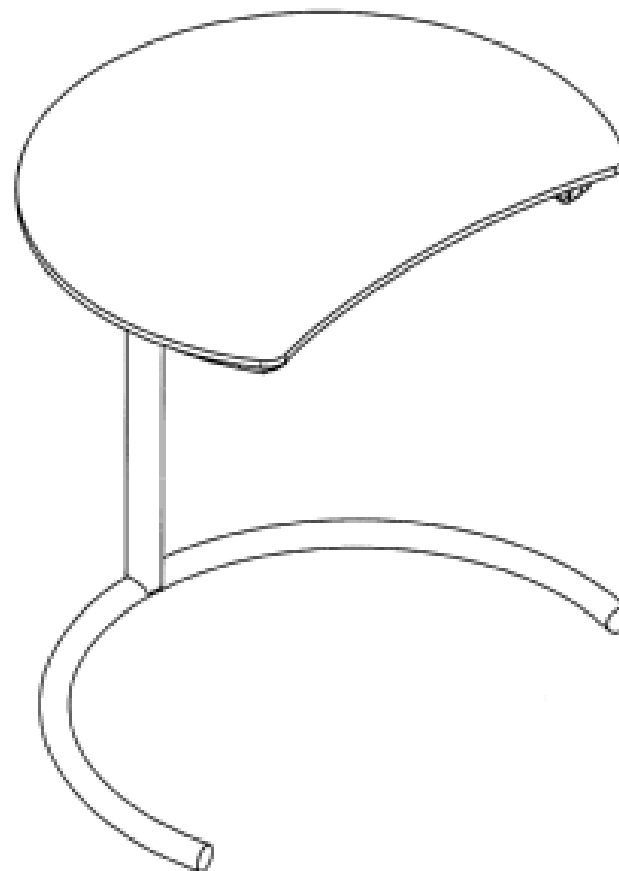
(45) Registration Date: **10 November 2009**

(30) Convention priority data:

(31) Number	(32) Date	(33) Country
20090463	15 Sep 2009	NORWAY

(56) Related Art Documents: **Not Applicable**

(57) Statement of Newness and Distinctiveness: **Newness and distinctiveness resides in the features of shape and/or configuration of a TABLE as illustrated in the accompanying representations.**



- (21) Design Number: **13955/2009**
(22) Date of Filing Application: **13 October 2009**
(24) Date from which industrial property rights may have effect: **13 October 2009**
(54) Product in respect of which the design is registered: **A panel**
(51) International Design Classification: **25-01D**
(71) Name(s) and Address(s) of Applicant(s):

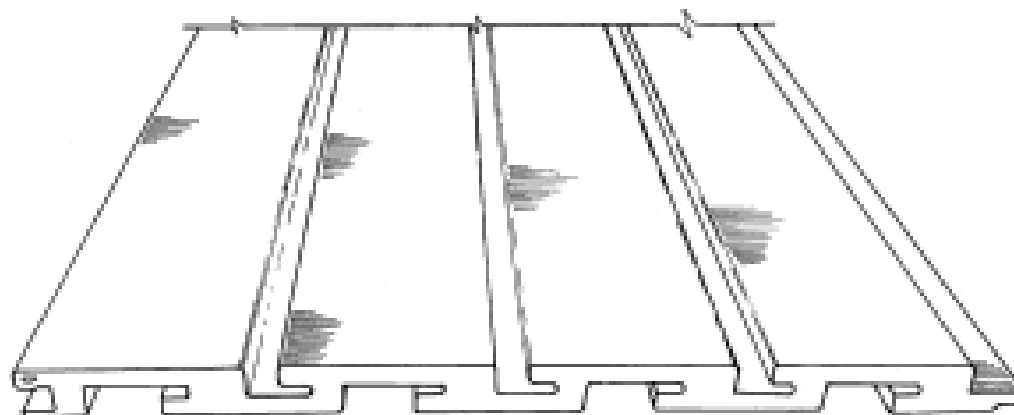
The Garage Organisers Pty Ltd
Unit 9/70 Redland Bay Road Capalaba Queensland 4157 Australia

(72) Name(s) of Designer(s): **Lance Patrick Convey**

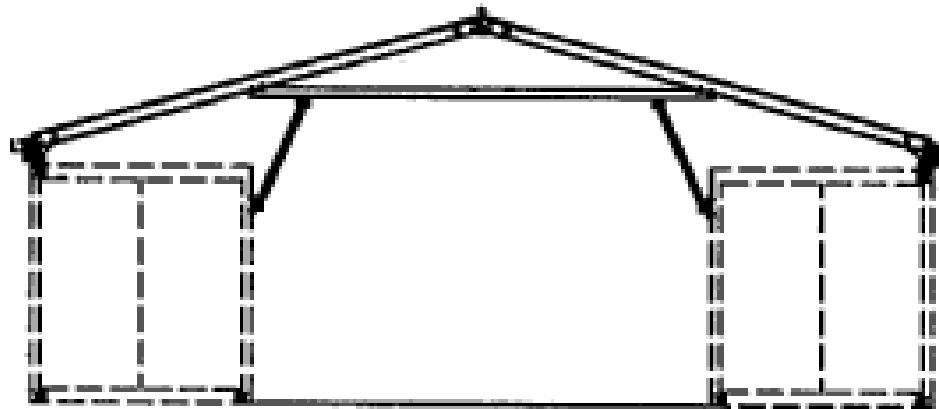
(45) Registration Date: **10 November 2009**

(56) Related Art Documents: **Not Applicable**

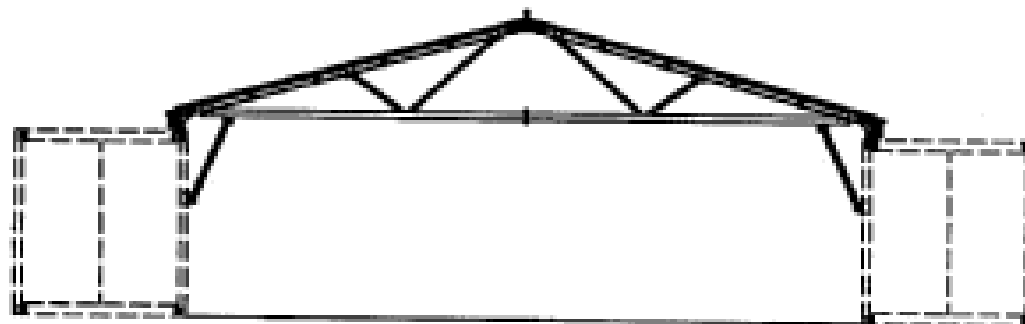
(57) Statement of Newness and Distinctiveness: **Nil**



- (21) Design Number: **12239/2009**
- (22) Date of Filing Application: **18 June 2009**
- (24) Date from which industrial property rights may have effect: **18 June 2009**
- (54) Product in respect of which the design is registered: **Modular roof design for containers**
- (51) International Design Classification: **25-02NES**
- (71) Name(s) and Address(s) of Applicant(s):
Weld-Spec Pty Ltd
260 Boundary Road Dromana Victoria 3936 Australia
- (72) Name(s) of Designer(s): **Anthony Traynor**
- (45) Registration Date: **09 November 2009**
- (56) Related Art Documents: **Not Applicable**
- (57) Statement of Newness and Distinctiveness: **Nil**



- (21) Design Number: **13391/2009**
- (22) Date of Filing Application: **18 June 2009**
- (24) Date from which industrial property rights may have effect: **18 June 2009**
- (54) Product in respect of which the design is registered: **Modular roof design for containers**
- (51) International Design Classification: **25-02NES**
- (71) Name(s) and Address(s) of Applicant(s):
Weld-Spec Pty Ltd
260 Boundary Road Dromana Victoria 3936 Australia
- (72) Name(s) of Designer(s): **Anthony Traynor**
- (45) Registration Date: **09 November 2009**
- (56) Related Art Documents: **Not Applicable**
- (57) Statement of Newness and Distinctiveness: **Nil**



- (21) Design Number: **13394/2009**
(22) Date of Filing Application: **04 September 2009**
(24) Date from which industrial property rights may have effect: **04 September 2009**
(54) Product in respect of which the design is registered: **Fiberglass whelping/breeding box**
(51) International Design Classification: **30-02**
(71) Name(s) and Address(s) of Applicant(s):
Nigel Kennett
98 Stroud Street North Cheltenham South Australia 5014 Australia
(72) Name(s) of Designer(s): **Nigel Kennett**
(45) Registration Date: **09 November 2009**
(56) Related Art Documents: **Not Applicable**
(57) Statement of Newness and Distinctiveness: **The new and distinctive features are the rounded corners of the whelping box and safety shelf and having our safety shelf and door sit on a recess without fasteners for ease of removal.**



- (21) Design Number: **13496/2009**
(22) Date of Filing Application: **10 September 2009**
(24) Date from which industrial property rights may have effect: **10 September 2009**
(54) Product in respect of which the design is registered: **A hairtool holder designed to hold heated hairtools ie. hairdryers, hair straighteners. Also designed to hold**
(51) International Design Classification: **28-03B**
(71) Name(s) and Address(s) of Applicant(s):
Andrew Jawan Mirza
29 Spurgeon Road Bournemouth Dorset BH7 6LZ United Kingdom
(72) Name(s) of Designer(s): **Andrew Jawan Mirza**
(45) Registration Date: **09 November 2009**
(56) Related Art Documents: **Not Applicable**
(57) Statement of Newness and Distinctiveness: **It has a detachable front cover held in place by plastic pins. It has two apertures. It has two curved indentations on the sides and an indentation to the base.**



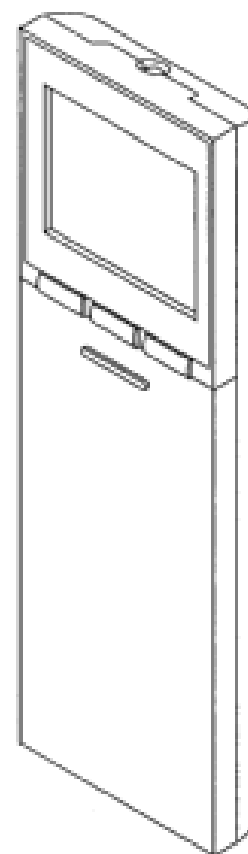
- (21) Design Number: **13942/2009**
(22) Date of Filing Application: **13 October 2009**
(24) Date from which industrial property rights may have effect: **13 October 2009**
(54) Product in respect of which the design is registered: **A bracket**
(51) International Design Classification: **08-08L**
(71) Name(s) and Address(s) of Applicant(s):
The Garage Organisers Pty Ltd
Unit 9/70 Redland Bay Road Capalaba Queensland 4157 Australia
(72) Name(s) of Designer(s): **Lance Patrick Convey**
(45) Registration Date: **09 November 2009**
(56) Related Art Documents: **Not Applicable**
(57) Statement of Newness and Distinctiveness: **Nil**



- (21) Design Number: **13944/2009**
(22) Date of Filing Application: **13 October 2009**
(24) Date from which industrial property rights may have effect: **13 October 2009**
(54) Product in respect of which the design is registered: **Remote controller for air-conditioner**
(51) International Design Classification: **14-03NES**
(71) Name(s) and Address(s) of Applicant(s):
Mitsubishi Electric Corporation
7-3 Marunouchi 2-chome Chiyoda-ku Tokyo 100-8310 Japan
(72) Name(s) of Designer(s): **So Nakai**
(45) Registration Date: **09 November 2009**
(30) Convention priority data:

(31) Number	(32) Date	(33) Country
2009-015812	10 Jul 2009	JAPAN

(56) Related Art Documents: **Not Applicable**
(57) Statement of Newness and Distinctiveness: **Nil**



(21) Design Number: **13945/2009**
(22) Date of Filing Application: **13 October 2009**
(24) Date from which industrial property rights may have effect: **13 October 2009**
(54) Product in respect of which the design is registered: **Float**
(51) International Design Classification: **22-05**
(71) Name(s) and Address(s) of Applicant(s):

Yanmar Co., Ltd
1-32 Chayamachi Kita-ku Osaka-shi Osaka 530-0013 Japan

(72) Name(s) of Designer(s): **Hideo Yakushiji**

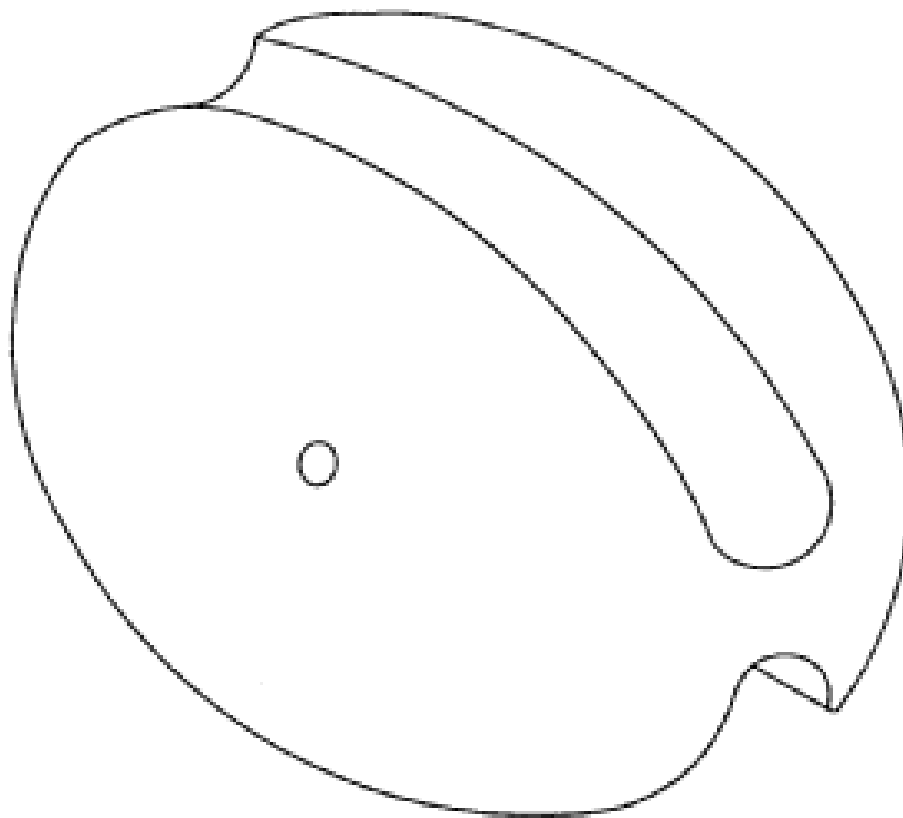
(45) Registration Date: **09 November 2009**

(30) Convention priority data:

(31) Number	(32) Date	(33) Country
2009-009608	24 Apr 2009	JAPAN

(56) Related Art Documents: **Not Applicable**

(57) Statement of Newness and Distinctiveness: **Nil**



(21) Design Number: **13958/2009**
(22) Date of Filing Application: **14 October 2009**
(24) Date from which industrial property rights may have effect: **14 October 2009**
(54) Product in respect of which the design is registered: **Railway wagon coupling**
(51) International Design Classification: **12-03**
(71) Name(s) and Address(s) of Applicant(s):

Bradken Resources Pty Limited
2 Maud Street Mayfield West New South Wales 2304 Australia

(72) Name(s) of Designer(s): **Troy Bruce Ware**

(45) Registration Date: **09 November 2009**

(56) Related Art Documents: **Not Applicable**

(57) Statement of Newness and Distinctiveness: **The shape and configuration of the product is new and distinctive.**



(21) Design Number: **13959/2009**

(22) Date of Filing Application: **14 October 2009**

(24) Date from which industrial property rights may have effect: **14 October 2009**

(54) Product in respect of which the design is registered: **Transformable toy**

(51) International Design Classification: **21-01B**

(71) Name(s) and Address(s) of Applicant(s):

Spin Master Ltd.

450 Front Street West Toronto Ontario M5V 1B6 Canada

(72) Name(s) of Designer(s): **Wataru Sato and Kohji Hirose and Richard Keuter**

(45) Registration Date: **09 November 2009**

(30) Convention priority data:

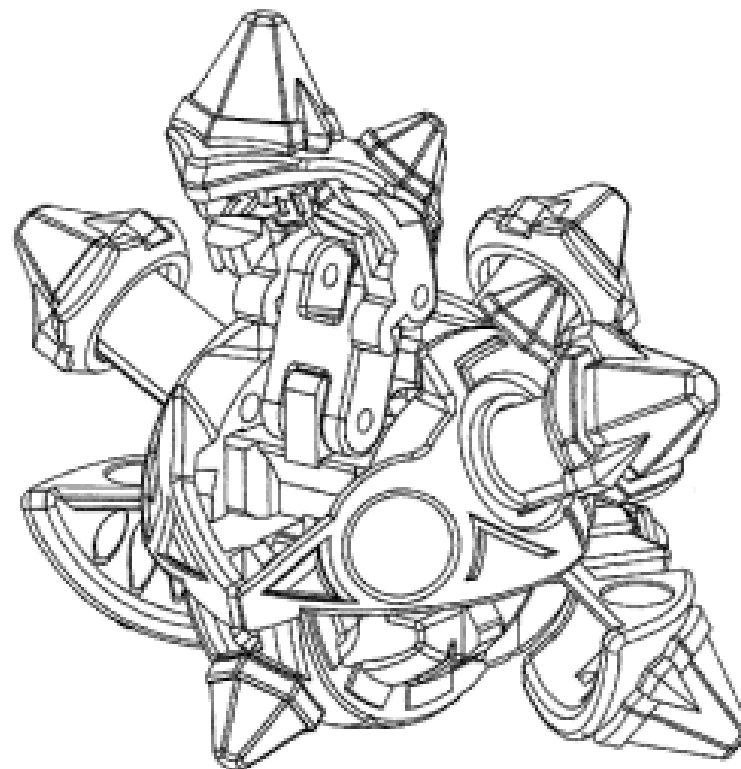
(31) Number
131124

(32) Date
18 Jun 2009

(33) Country
CANADA

(56) Related Art Documents: **Not Applicable**

(57) Statement of Newness and Distinctiveness: **Nil**



(21) Design Number: **14204/2009**

(22) Date of Filing Application: **27 October 2009**

(24) Date from which industrial property rights may have effect: **27 October 2009**

(54) Product in respect of which the design is registered: **Hinge**

(51) International Design Classification: **08-06**

(71) Name(s) and Address(s) of Applicant(s):

Garmond Australia Pty. Limited

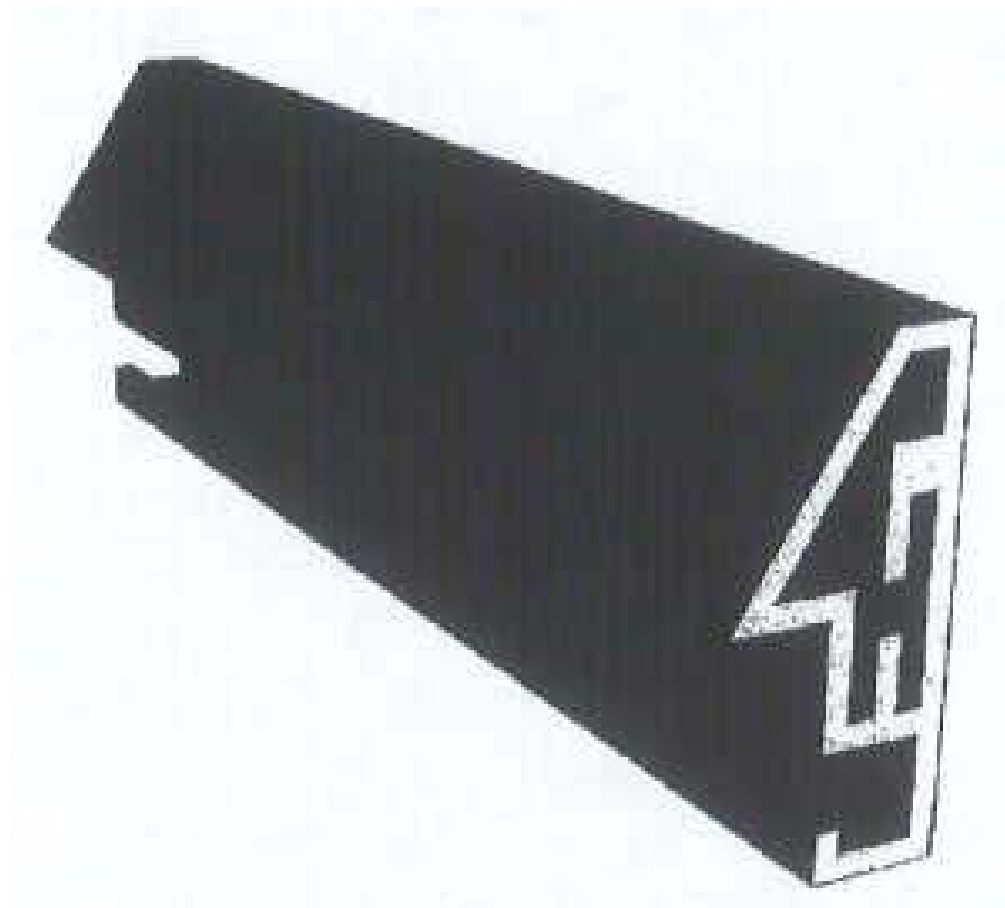
5/34 Carrick Drive Tullamarine Victoria 3043 Australia

(72) Name(s) of Designer(s): **Gary Skinner**

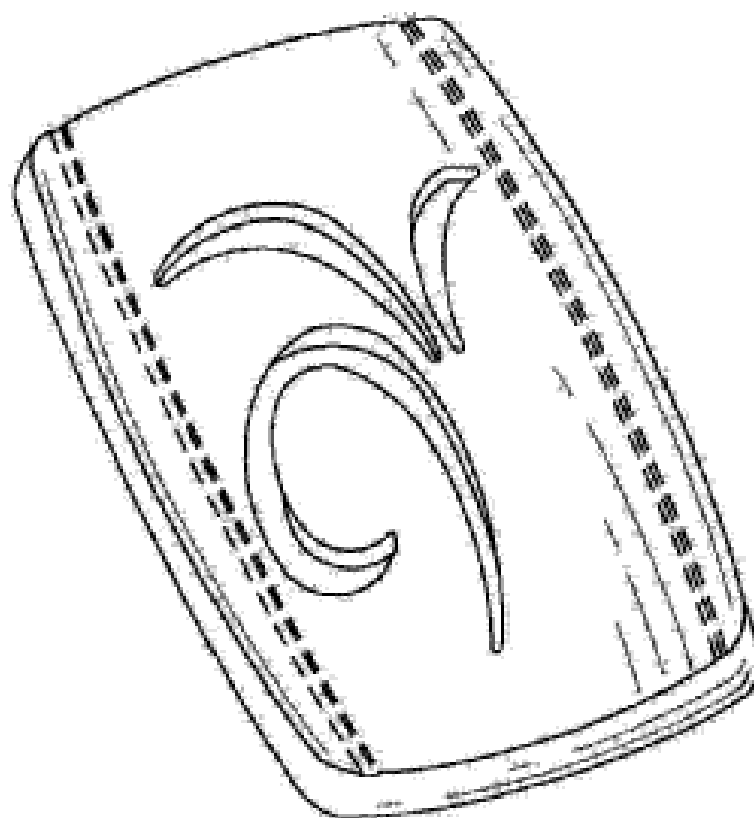
(45) Registration Date: **09 November 2009**

(56) Related Art Documents: **Not Applicable**

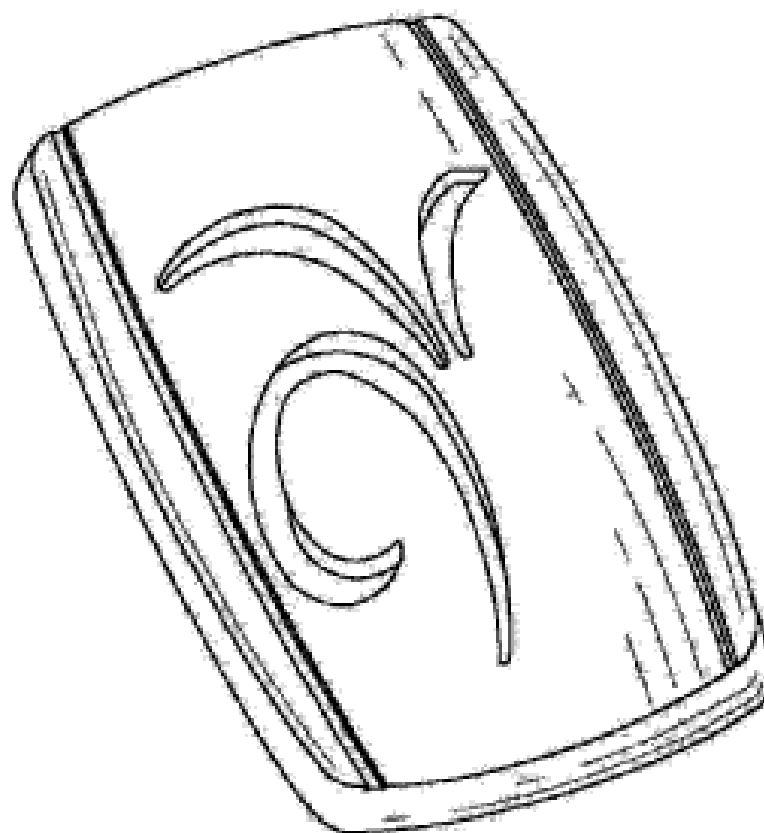
(57) Statement of Newness and Distinctiveness: **Nil**



- (21) Design Number: **13974/2009**
(22) Date of Filing Application: **14 October 2009**
(24) Date from which industrial property rights may have effect: **14 October 2009**
(54) Product in respect of which the design is registered: **A snack food item, such as a wafer**
(51) International Design Classification: **01-01**
(71) Name(s) and Address(s) of Applicant(s):
The Procter & Gamble Company
One Procter & Gamble Plaza Cincinnati Ohio 45202 United States of America
(72) Name(s) of Designer(s): **Jessica Lynn Haigh**
(45) Registration Date: **10 November 2009**
(30) Convention priority data:
(31) Number (32) Date (33) Country
29/335,472 16 Apr 2009 UNITED STATES OF AMERICA
(56) Related Art Documents: **Not Applicable**
(57) Statement of Newness and Distinctiveness: **Newness and distinctiveness is claimed in the shape and/or configuration and/or pattern and/or ornamentation of a snack food item, such as a wafer as shown in the accompanying representations. The feature shown in broken lines is not part of the design and should be disregarded when considering the overall impression of the design.**



- (21) Design Number: **13975/2009**
(22) Date of Filing Application: **14 October 2009**
(24) Date from which industrial property rights may have effect: **14 October 2009**
(54) Product in respect of which the design is registered: **A snack food item, such as a wafer**
(51) International Design Classification: **01-01**
(71) Name(s) and Address(s) of Applicant(s):
The Procter & Gamble Company
One Procter & Gamble Plaza Cincinnati Ohio 45202 United States of America
(72) Name(s) of Designer(s): **Jessica Lynn Haigh**
(45) Registration Date: **10 November 2009**
(30) Convention priority data:
(31) Number (32) Date (33) Country
29/335,472 16 Apr 2009 UNITED STATES OF AMERICA
(56) Related Art Documents: **Not Applicable**
(57) Statement of Newness and Distinctiveness: **Newness and distinctiveness is claimed in the shape and/or configuration and/or pattern and/or ornamentation of a snack food item, such as a wafer as shown in the accompanying representations.**



(21) Design Number: **13976/2009**

(22) Date of Filing Application: **14 October 2009**

(24) Date from which industrial property rights may have effect: **14 October 2009**

(54) Product in respect of which the design is registered: **A snack food item**

(51) International Design Classification: **01-01**

(71) Name(s) and Address(s) of Applicant(s):

The Procter & Gamble Company
One Procter & Gamble Plaza Cincinnati Ohio 45202 United States of America

(72) Name(s) of Designer(s): **Gary James Dechert**

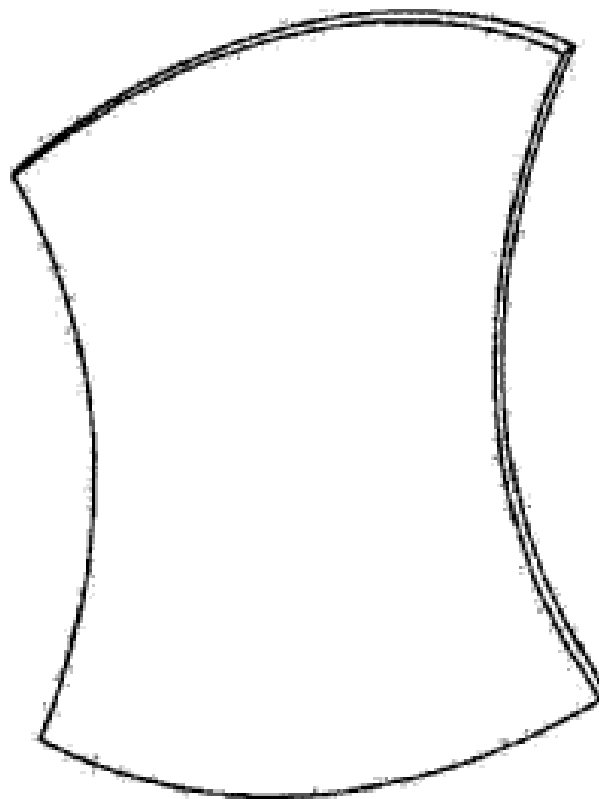
(45) Registration Date: **10 November 2009**

(30) Convention priority data:

(31) Number	(32) Date	(33) Country
29/335,329	14 Apr 2009	UNITED STATES OF AMERICA

(56) Related Art Documents: **Not Applicable**

(57) Statement of Newness and Distinctiveness: **Newness and distinctiveness is claimed in the shape and/or configuration of a snack food item as shown in the accompanying representations.**



(21) Design Number: **13977/2009**

(22) Date of Filing Application: **14 October 2009**

(24) Date from which industrial property rights may have effect: **14 October 2009**

(54) Product in respect of which the design is registered: **A snack food item**

(51) International Design Classification: **01-01**

(71) Name(s) and Address(s) of Applicant(s):

The Procter & Gamble Company
One Procter & Gamble Plaza Cincinnati Ohio 45202 United States of America

(72) Name(s) of Designer(s): **Gary James Dechert**

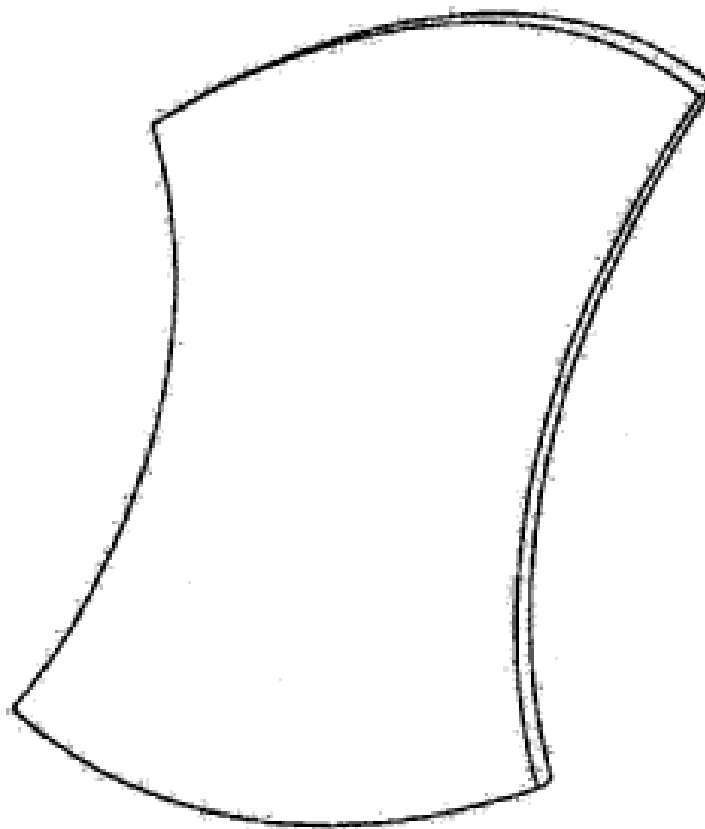
(45) Registration Date: **10 November 2009**

(30) Convention priority data:

(31) Number	(32) Date	(33) Country
29/335,329	14 Apr 2009	UNITED STATES OF AMERICA

(56) Related Art Documents: **Not Applicable**

(57) Statement of Newness and Distinctiveness: **Newness and distinctiveness is claimed in the shape and/or configuration of a snack food item as shown in the accompanying representations.**



(21) Design Number: **13978/2009**

(22) Date of Filing Application: **14 October 2009**

(24) Date from which industrial property rights may have effect: **14 October 2009**

(54) Product in respect of which the design is registered: **A snack food item**

(51) International Design Classification: **01-01**

(71) Name(s) and Address(s) of Applicant(s):

The Procter & Gamble Company
One Procter & Gamble Plaza Cincinnati Ohio 45202 United States of America

(72) Name(s) of Designer(s): **Gary James Dechert**

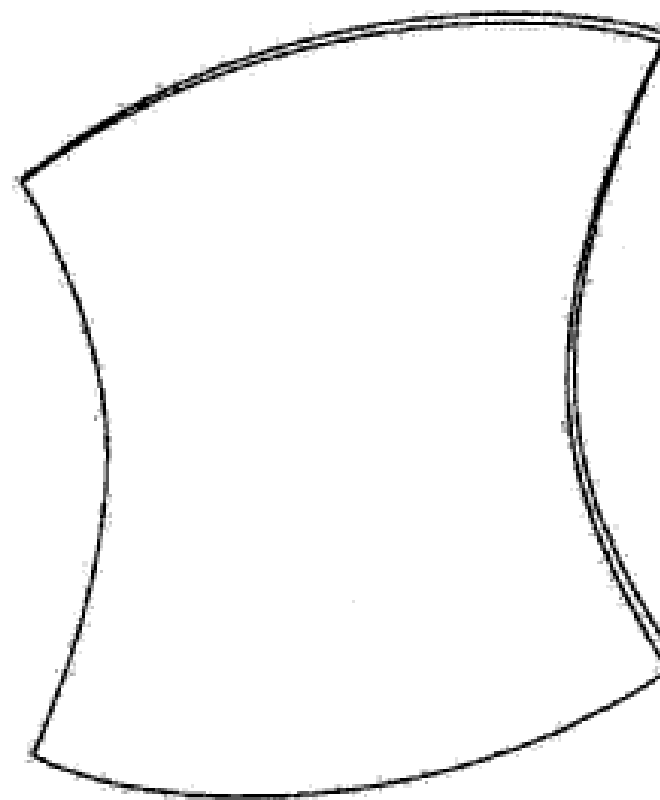
(45) Registration Date: **10 November 2009**

(30) Convention priority data:

(31) Number	(32) Date	(33) Country
29/335,329	14 Apr 2009	UNITED STATES OF AMERICA

(56) Related Art Documents: **Not Applicable**

(57) Statement of Newness and Distinctiveness: **Newness and distinctiveness is claimed in the shape and/or configuration of a snack food item as shown in the accompanying representations.**



(21) Design Number: **11567/2009**

(22) Date of Filing Application: **05 May 2009**

(24) Date from which industrial property rights may have effect: **05 May 2009**

(54) Product in respect of which the design is registered: **Iron**

(51) International Design Classification: **07-05A**

(71) Name(s) and Address(s) of Applicant(s):

Sunbeam Corporation Limited
Units 5 & 6 13 Lord Street Botany New South Wales 2019 Australia

(72) Name(s) of Designer(s): **David Knott**

(45) Registration Date: **10 November 2009**

(56) Related Art Documents: **Not Applicable**

(57) Statement of Newness and Distinctiveness: **Newness and distinctiveness is claimed in the shape and/or configuration of the soleplate of an iron as shown in the accompanying representations.**



(21) Design Number: **11568/2009**

(22) Date of Filing Application: **05 May 2009**

(24) Date from which industrial property rights may have effect: **05 May 2009**

(54) Product in respect of which the design is registered: **Iron**

(51) International Design Classification: **07-05A**

(71) Name(s) and Address(s) of Applicant(s):

Sunbeam Corporation Limited
Units 5 & 6 13 Lord Street Botany New South Wales 2019 Australia

(72) Name(s) of Designer(s): **Phil Rose**

(45) Registration Date: **10 November 2009**

(56) Related Art Documents: **Not Applicable**

(57) Statement of Newness and Distinctiveness: **Newness and distinctiveness is claimed in the shape and/or configuration of the soleplate of an iron as shown in the accompanying representations.**



(21) Design Number: **11569/2009**

(22) Date of Filing Application: **05 May 2009**

(24) Date from which industrial property rights may have effect: **05 May 2009**

(54) Product in respect of which the design is registered: **Iron**

(51) International Design Classification: **07-05A**

(71) Name(s) and Address(s) of Applicant(s):

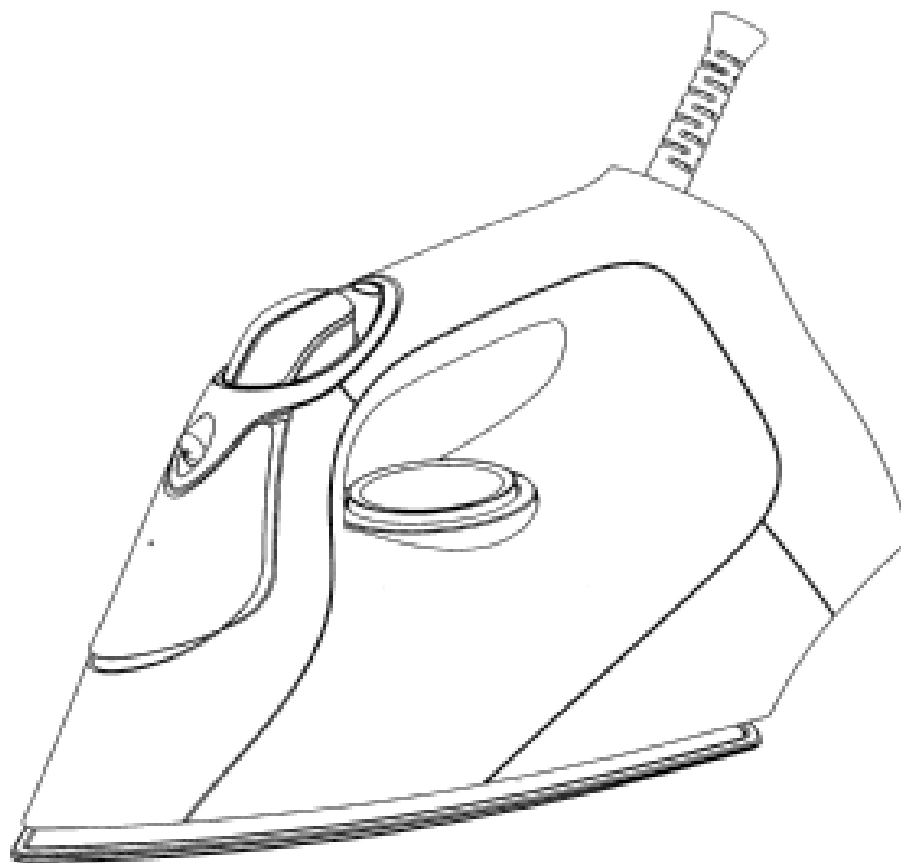
Sunbeam Corporation Limited
Units 5 & 6 13 Lord Street Botany New South Wales 2019 Australia

(72) Name(s) of Designer(s): **David Knott**

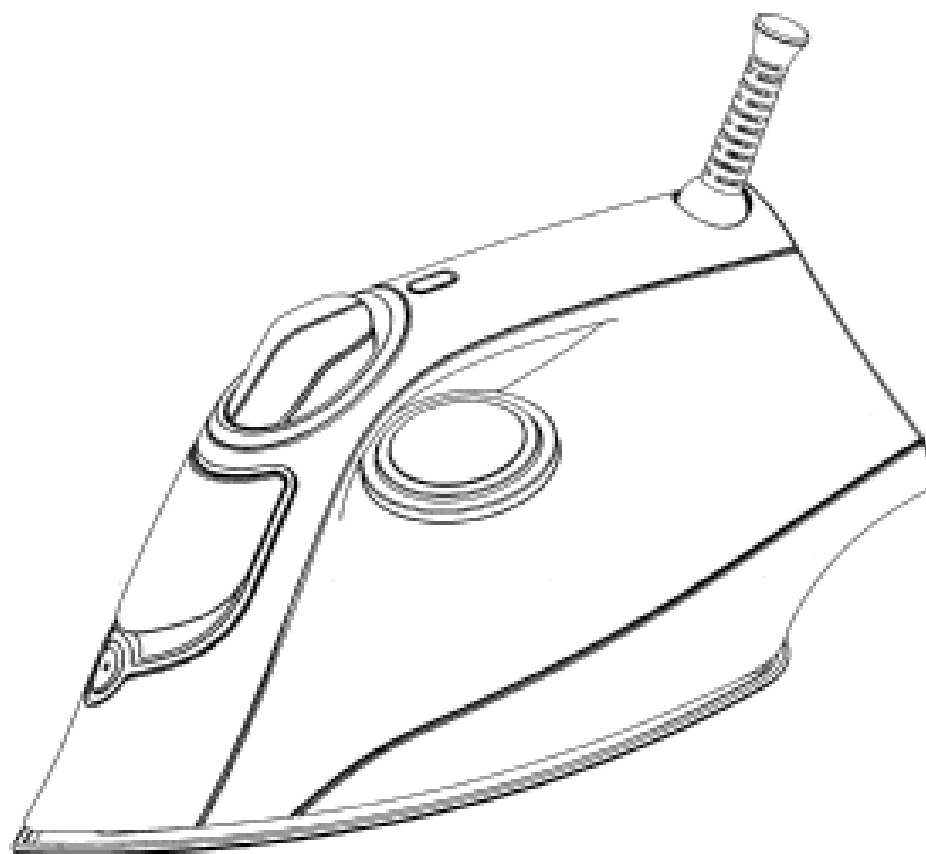
(45) Registration Date: **10 November 2009**

(56) Related Art Documents: **Not Applicable**

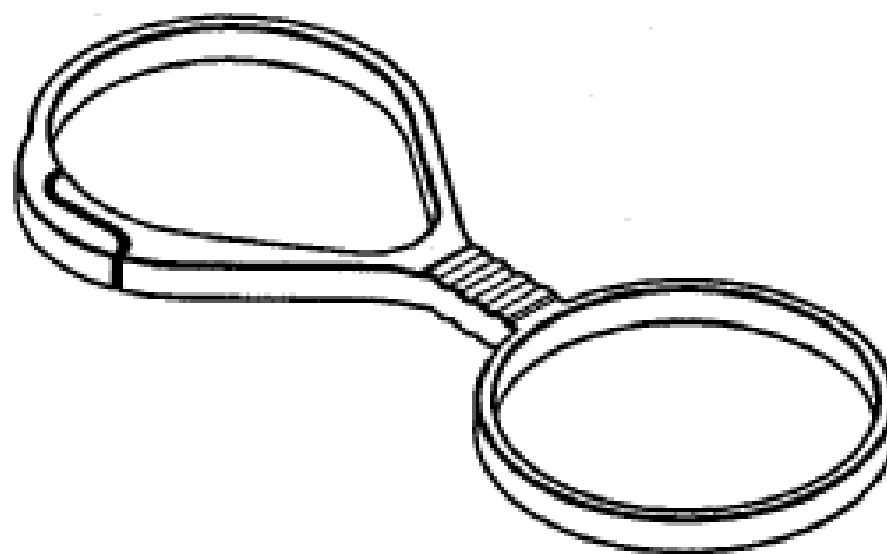
(57) Statement of Newness and Distinctiveness: **Newness and distinctiveness is claimed in the shape and/or configuration of an iron, excluding the iron soleplate, as shown in the accompanying representations.**



- (21) Design Number: **11570/2009**
(22) Date of Filing Application: **05 May 2009**
(24) Date from which industrial property rights may have effect: **05 May 2009**
(54) Product in respect of which the design is registered: **Iron**
(51) International Design Classification: **07-05A**
(71) Name(s) and Address(s) of Applicant(s):
Sunbeam Corporation Limited
Units 5 & 6 13 Lord Street Botany New South Wales 2019 Australia
(72) Name(s) of Designer(s): **Phil Rose**
(45) Registration Date: **10 November 2009**
(56) Related Art Documents: **Not Applicable**
(57) Statement of Newness and Distinctiveness: **Newness and distinctiveness is claimed in the shape and/or configuration of an iron, excluding the iron soleplate, as shown in the accompanying representations.**



- (21) Design Number: **13543/2009**
(22) Date of Filing Application: **15 September 2009**
(24) Date from which industrial property rights may have effect: **15 September 2009**
(54) Product in respect of which the design is registered: **Bottle carrying device**
(51) International Design Classification: **07-06A**
(71) Name(s) and Address(s) of Applicant(s):
Peter Alexander Popenko
4 Krause Street Deception Bay Queensland 4508 Australia
(72) Name(s) of Designer(s): **Peter Alexander Popenko**
(45) Registration Date: **10 November 2009**
(56) Related Art Documents: **Not Applicable**
(57) Statement of Newness and Distinctiveness: **Newness and distinctiveness resides in the shape and configuration of a bottle carrying device as shown in the accompanying representations.**



- (21) Design Number: **13899/2009**
(22) Date of Filing Application: **09 October 2009**
(24) Date from which industrial property rights may have effect: **09 October 2009**
(54) Product in respect of which the design is registered: **Support arm**
(51) International Design Classification: **08-08NES**
(71) Name(s) and Address(s) of Applicant(s):
 S & B Systems B.V.
 Eemweg 31-1 3755 LC Eemnes Netherlands
(72) Name(s) of Designer(s): **Dirk-Jan Stoelinga**
(45) Registration Date: **10 November 2009**
(30) Convention priority data:
 (31) Number (32) Date (33) Country
 001120760-0001 10 Apr 2009 EUROPEAN COMMUNITY
(56) Related Art Documents: **Not Applicable**
(57) Statement of Newness and Distinctiveness: **Nil**

