



Australian Government

IP Australia

AUSTRALIAN OFFICIAL JOURNAL

OF

DESIGNS

Did you know a searchable version of this journal is now available online?

It's FREE and EASY to SEARCH.

Find it at

<http://pericles.ipaustralia.gov.au/ols/epublish/content/olsEpublications.jsp>
or using the "Online Journals" link on the IP Australia home page.

This Page Left Intentionally Blank

Contents

General Information & Notices

Proceedings Under the Designs Act 1906 preserved as a result of the provisions of Chapter 12 Part 2 of the Designs Act 2003

Applications for Extension of Time	3482
Extension of Period of Registration of Designs	3482
Extensions of Time Granted	3482
Names Registered - Alterations and Amendments	3483
Registrations Ceased	3482
Subsequent Owners Registered	3482

Proceedings Under the Designs Act 2003

Applications Lapsed	3493
Applications Lodged	3487
Applications Withdrawn	3492
Certificate of Examination	3496
Extension of Period of Registration of Design	3494
Extension of Time Granted Under Section 137	3494
Names Registered - Alterations and Amendments	3494
Publication and Registration Proceedings	
Designs Registered 328356 to 328605.....	3497
Registrations Ceased	3494
Subsequent Owners Registered	3494

This Page Left Intentionally Blank

For information on the following please see our website www.ipaustralia.gov.au or contact our Customer Service Network on 1300651010

[Editorial enquiries](#)

[Contact information](#)

[Freedom of Information ACT](#)

[Professional Standards Board](#)

[Sales](#)

[Requests for Information under Section 194 \(c\)](#)

[Country Codes](#)

[Trade Mark and Designs Hearing Sessions](#)

[INID \(Internationally agreed Numbers for the Identification of Data\)](#)

“INID” NUMBERS in use on Australian Design Documents

“INID” is an acronym for “Internationally agreed Numbers for the Identification of Data”.

(10) Data concerning the registration/renewal

- (11) Serial number of the registration and/or number of the design document
- (12) Plain language designation of the kind of published document
- (19) Identification, using the two-letter code according to WIPO Standard ST.3, of the authority publishing or registering the industrial design

(20) Data concerning the application

- (21) Serial number of the application
- (22) Date of filing of the application
- (24) Date from which the industrial design right has effect

(30) Data relating to priority under the Paris Convention

- (31) Serial number assigned to the priority application
- (32) Date of filing of the priority application
- (33) Two-letter code, according to WIPO Standard ST.3, identifying the authority with which the priority application was made

(40) Date(s) of making information available to the public

- (45) Date of publication of the registered industrial design by printing or similar process, or making it available to the public by any other means

(50) Miscellaneous Information

- (51) International Classification for Industrial Designs (class and subclass of the Locarno Classification)
- (54) Designation of article(s) or product(s) covered by the industrial design or title of the industrial design
- (55) Reproduction of the industrial design (e.g., drawing, photograph) and explanations relating to the reproduction
- (56) List of prior art documents, if separate from descriptive text
- (57) Description of characteristic features of the industrial design including indication of colours

(60) References to other legally related application(s) and registration(s)

- (62) Serial number(s) and, if available, filing date(s) of application(s), registration(s) or document(s) related by division
- (66) Serial number(s) of the application, or the registration, of the design(s) which is (are) a variant(s) of the present one

(70) Identification of parties concerned with the application or registration

- (71) Name(s) and address(es) of the applicant(s)
- (72) Name(s) of the creator(s) if known to be such
- (74) Name(s) and address(es) of the representative(s)

This Page Left Intentionally Blank

Official Notice**Close-down periods for the Patent, Trade Marks, Designs Offices and the sub-offices**

The close-down provisions in the Patents, Trade Marks and Designs legislation provide for the effect of the Patent Office, the Trade Marks Office and the Designs Office in Canberra or any of their sub-offices in the State capitals not being open for business.

On 23 October 2009, IP Australia's Director General declared under the close-down provisions the days when the Patent, Trade Marks and Designs Offices and their sub-offices would not be open for business. This covers the period from 6 November 2009 to 1 January 2011.

Authorised Australia Post outlets, "IP Lodgement Points", in Hobart, Perth, Adelaide, Sydney, Darwin and Melbourne are sub-offices for the purposes of the Patents, Trade Marks and Designs legislation. These Australia Post outlets may be physically open to the general public for other services provided by Australia Post during the close-down period. However, as declared by the Director General, they are taken not to be open for business for the purposes of lodging IP documents and/or making IP-related payments from Friday 25 December 2009 until Friday 1 January 2010.

If the last day for doing an act is a day when a sub-office is not open for business, section 222A(1) of the Patents Act, section 223A(1) of the Trade Marks Act and section 136A(1) of the Designs Act allow for the act to be done on the next day when the sub-office is open for business. This means that customers will not be disadvantaged by the closure of the sub-offices for the period between Christmas Day and the New Year's Day holiday.

Contact: IP Australia
Phone: 1300 651 010
Fax: +61 2 6283 7999
E-mail: assist@ipaustrialia.gov.au
Web: www.ipaustrialia.gov.au

Proceedings under the Designs Act 1906 preserved as a result of the provisions of Chapter 12 Part 2 of the Designs Act 2003.

This Page Left Intentionally Blank

Applications Lapsed

There were no Applications Lapsed under this section

Extension of Period of Registration of Designs

2nd Period (Section 27A(12))

152455	154101	154320
154361	154418	154419
154480	154501	154580
154636	154637	154659
154660	154696	154698
154699	154700	154701
154840	154936	155091
155129	155170	155198
155201	155202	155226
155311	155344	155345
155356	155358	155377
155560	155746	155747
155748	155749	155768
155769	155826	155858
155880	155903	156167
156240	156352	156761
156802	156842	156944
156945	156979	157031
157032	157113	157839
157903	157904	157905
157913	157917	157984
158112	158115	

3rd Period (Section 27A(13))

136297	136547	136830
137444	137537	137558
137822	137823	137824
137999	138753	140638
140653	141939	142027
142310	142311	142492
142493	142494	

Registrations Ceased

Note: Some of the following Registrations may have been previously advertised as ceased. In this instance, the previous advertisement still prevails.

120480	120482	120485
120486	120512	120513
120522	120565	120566
120591	120868	120869
121305	121808	121809
121810	121889	122004
122827	122999	123561
124658	129094	134238
135212	135230	135232
135233	135234	135235
135326	135327	135328
135330	135426	135427
135428	135462	135744
135830	135924	136395
136556	136883	136884

137010	151950	152369
152391	152392	152393
152394	152436	152473
152474	152475	152476
152499	152500	152501
152508	152564	152565
152619	152620	152766
152767	152768	152769
152810	152837	152879
152907	152908	152909
152910	152911	152939
152940	152966	152967
152968	153006	153071
153153	153291	153293
153368	153714	153770
153771	153899	154288
154860	154973	155549
155685	155794	155795
155839	155910	155966
155967	155984	155985
156163	156164	156165
156183	156184	156202
156203	156267	156284
156323	156601	157285
157950		

Applications for Extension of time

Applications for extension of time have been lodged. Objections must be lodged within 1 month from the date of this journal.

152349 **Barbara Valerie Hatten** Extension of time to extend a registration. Address for Service: Freehills Patent & Trade Mark Level 43 101 Collins Street MELBOURNE VIC 3000

Extensions of time granted

Applications lodged for extension of time have been granted.

156761 **Sirpa Marjatta Cole** An Extension of time to extend a registration has been granted to 20/11/2009

Subsequent Owners Registered

(The name in parentheses is that of the subsequent owner)

135628	(New Phase Pty Ltd) Timothy John Staudinger
135629	(New Phase Pty Ltd) Timothy John Staudinger
149030	(Vision Safe Pty Ltd) Far Out Ventures Pty Ltd
152385	(Vision Safe Pty Ltd) Jan Lewis
138352	(Key Ovation, LLC) ACESO Inc.
156790	(Jillian Jolly) Michael Peter Jolly
156962	(Jillian Jolly) Michael Peter Jolly
127306	(Pyropanel Developments Pty Limited) Pyropanel Technologies Pty Ltd
127307	(Pyropanel Developments Pty Limited) Pyropanel Technologies Pty Ltd

Subsequent Owners Registered

- 129618 (**Pyropanel Developments Pty Limited**) Pyropanel Technologies Pty Ltd
- 129617 (**Pyropanel Developments Pty Limited**) Pyropanel Technologies Pty Ltd
- 136033 (**Jem Trading Corp. Pty Ltd**) E.B. Hollaway Pty Ltd
- 146341 (**Jem Trading Corp. Pty Ltd**) E.B. Hollaway Pty Ltd
- 127937 (**Jem Trading Corp. Pty Ltd**) E.B. Hollaway Pty Ltd
- 127938 (**Jem Trading Corp. Pty Ltd**) E.B. Hollaway Pty Ltd
- 132156 (**Jem Trading Corp. Pty Ltd**) E.B. Hollaway Pty Ltd
- 132180 (**Jem Trading Corp. Pty Ltd**) E.B. Hollaway Pty Ltd
- 132965 (**Jem Trading Corp. Pty Ltd**) E.B. Hollaway Pty Ltd
- 135374 (**Jem Trading Corp. Pty Ltd**) E.B. Hollaway Pty Ltd
- 140314 (**Jem Trading Corp. Pty Ltd**) E.B. Hollaway Pty Ltd
- 151054 (**Brandbrew S.A.**) InBev S.A.
- 139507 (**Denis Hargreaves**) Denis Hargreaves; Lynette Hargreaves

Names Registered - Alterations and Amendments

(The name in parentheses is the new name of the proprietor)

- 156042 (**Exhibition Studios Pty Ltd**) Karl Meyer
- 134574 (**Cadbury UK Limited**) Cadbury Limited
- 154216 (**Cadbury UK Limited**) Cadbury Limited
- 155301 (**Cadbury UK Limited**) Cadbury Limited
- 153251 (**Cadbury UK Limited**) Cadbury Limited
- 146043 (**EZIADZ Pty Ltd**) ADZE Pty Limited
- 146044 (**EZIADZ Pty Ltd**) ADZE Pty Limited
- 148401 (**EZIADZ Pty Ltd**) ADZE Pty Limited
- 150412 (**EZIADZ Pty Ltd**) ADZE Pty Limited
- 150411 (**EZIADZ Pty Ltd**) ADZE Pty Limited
- 150410 (**EZIADZ Pty Ltd**) ADZE Pty Limited
- 149565 (**EZIADZ Pty Ltd**) ADZE Pty Limited
- 150413 (**EZIADZ Pty Ltd**) ADZE Pty Limited
- 155397 (**Panasonic Corporation**) Matsushita Electric Industrial Co. Ltd

This Page Left Intentionally Blank

Proceedings under the Designs Act 2003.

This Page Left Intentionally Blank

Applications Lodged

Lodgement information is in the following order: **Applicant's Name**; International Classification, Name of Product, Lodgement Date and **Design Number**. If the applicant claims an earlier priority date under an International Convention, the Convention Country and the associated filing date are shown in parentheses before the Lodgement Date. Divisional information will also appear in parentheses before the Lodgement Date.

dt saddlery GmbH; 30-04, Saddle, (DE, 25 May 2009) 11 Nov 2009	14435/2009	Barden, Wayne; 25-01B, Reinforcing cage, 17 Nov 2009	14486/2009
dt saddlery GmbH; 30-04, Martingale, (DE, 27 May 2009) 17 Nov 2009	14460/2009	Barwick, Kenneth Wayne; Scheer, Peter; 25-01D, Panel, 13 Nov 2009	14453/2009
dt saddlery GmbH; 30-04, Saddle, (DE, 25 May 2009) 11 Nov 2009	14436/2009	Barwick, Kenneth Wayne; Scheer, Peter; 25-01D, Panel, 13 Nov 2009	14452/2009
dt saddlery GmbH; 30-04, Saddle, (DE, 25 May 2009) 11 Nov 2009	14437/2009	Bathox Australia Pty Ltd; 09-01NES, Bottle, 13 Nov 2009	14465/2009
dt saddlery GmbH; 30-04, Snaffle bridle, (DE, 27 May 2009) 11 Nov 2009	14438/2009	Beerling, Mark William; 12-11, A bicycle, 13 Nov 2009	14406/2009
dt saddlery GmbH; 30-04, Stirrup strap, (DE, 27 May 2009) 11 Nov 2009	14432/2009	Berntsen, Knut; 03-01B, 19-04, Cardholder, (Divisional of 13702/2009) 28 Sep 2009	14458/2009
dt saddlery GmbH; 30-04, Snaffle bridle, (DE, 27 May 2009) 11 Nov 2009	14439/2009	Black & Decker, Inc.; 08-03, Powered shearing tool, (EM, 18 May 2009) 17 Nov 2009	14494/2009
dt saddlery GmbH; 30-04, Halter, (DE, 10 Jun 2009) 11 Nov 2009	14433/2009	Black & Decker, Inc.; 08-03, Powered shrubbing tool, (EM, 18 May 2009) 17 Nov 2009	14495/2009
dt saddlery GmbH; 30-04, Snaffle bridle, (DE, 27 May 2009) 11 Nov 2009	14440/2009	Brand Factory Pty Ltd, The; 26-02, Handheld LED device, 09 Nov 2009	14356/2009
dt saddlery GmbH; 02-04C, Chaps, (DE, 04 Sep 2009) 11 Nov 2009	14434/2009	Campos, Jorge; 06-01E, See attached photographs, 17 Nov 2009	14469/2009
Abuzz Solutions Pty Ltd; 20-03NES, 14-02, Touch screen kiosk, 18 Jun 2009	14338/2009	Cash's (Australia) Pty Ltd; 23-01K, 08-08L, Bar tap bracket, 19 Nov 2009	14533/2009
Alan Nuttall Limited; 06-03NES, Food cabinet, (EM, 16 Oct 2009) 20 Nov 2009	14554/2009	Chilewich Sultan LLC; 06-11, Covering, 17 Nov 2009	14488/2009
Asahi Breweries, Ltd; 09-01K, Bottle, 11 Nov 2009	14386/2009	Clarkson, Ryan; 25-04, Ladder stabilising and anchoring device with multiple functionality and application. The product has variable, and interchangeable anchor connections and mounts for ladders and roof types, 10 Nov 2009	14412/2009
Ashden Industries Pty Ltd; 20-02NES, 12-16NES, "L" and "P" plate display holder, 18 Nov 2009	14509/2009	Clarkson, Ryan; 25-04, Ladder stabilising and anchoring device with multiple functionality and application. The product has variable, and interchangeable anchor connections and mounts for ladders and roof types, 10 Nov 2009	14427/2009
ASSA ABLOY Australia Pty Limited; 08-08M, Furniture plate, 19 Nov 2009	14534/2009	Clarkson, Ryan; 25-04, Ladder stabilising and anchoring device with multiple functionality and application. The product has variable, and interchangeable anchor connections and mounts for ladders and roof types, 10 Nov 2009	14428/2009
ASSA ABLOY Australia Pty Limited; 08-08M, Furniture plate, 19 Nov 2009	14535/2009	Clarkson, Ryan; 25-04, Ladder stabilising and anchoring device with multiple functionality and application. The product has variable, and interchangeable anchor connections and mounts for ladders and roof types, 10 Nov 2009	14429/2009
ASSA ABLOY Australia Pty Limited; 08-09, Furniture rose, 19 Nov 2009	14536/2009		
A1 Asset Maintenance Services Pty Ltd; 99-00, , 20 Nov 2009	14555/2009		
B & D International Pty Ltd; 08-07, Self storage lock, 19 Nov 2009	14532/2009		
Barden, Wayne; 25-01B, Reinforcing cage, 17 Nov 2009	14487/2009		

Clarkson, Ryan; 25-04, Ladder stabilising and anchoring device with multiple functionality and application. The product has variable, and interchangeable anchor connections and mounts for ladders and roof types, 10 Nov 2009	14430/2009	Clarkson, Ryan; 25-04, Ladder stabilising and anchoring device with multiple functionality and application. The product has variable, and interchangeable anchor connections and mounts for ladders and roof types, 10 Nov 2009	14422/2009
Clarkson, Ryan; 25-04, Ladder stabilising and anchoring device with multiple functionality and application. The product has variable, and interchangeable anchor connections and mounts for ladders and roof types, 10 Nov 2009	14413/2009	Clarkson, Ryan; 25-04, Ladder stabilising and anchoring device with multiple functionality and application. The product has variable, and interchangeable anchor connections and mounts for ladders and roof types, 10 Nov 2009	14423/2009
Clarkson, Ryan; 25-04, Ladder stabilising and anchoring device with multiple functionality and application. The product has variable, and interchangle anchor connections and mounts for ladders and roof types, 10 Nov 2009	14414/2009	Clarkson, Ryan; 25-04, Ladder stabilising and anchoring device with multiple functionality and application. The product has variable, and interchangeable anchor connections and mounts for ladders and roof types, 10 Nov 2009	14424/2009
Clarkson, Ryan; 25-04, Ladder stabilising and anchoring device with multiple functionality and application. The product has variable, and interchangeable anchor connections and mounts to ladders and roof types, 10 Nov 2009	14415/2009	Clarkson, Ryan; 25-04, Ladder stabilising and anchoring device with multiple functionality and application. The product has variable, and interchangeable anchor connections and mounts for ladders and roof types, 10 Nov 2009	14425/2009
Clarkson, Ryan; 25-04, Ladder stabilising and anchoring device with multiple functionality and application. The product has variable, and interchangeable anchor connections and mounts for ladders and roof types, 10 Nov 2009	14416/2009	Clarkson, Ryan; 25-04, Ladder stabilising and anchoring device with multiple functionality and application. The product has variable, and interchangeable anchor connections and mounts for ladders and roof types, 10 Nov 2009	14426/2009
Clarkson, Ryan; 25-04, Ladder stabilising device and anchoring device with multiple functionality and application. The product has variable, and interchangeable anchor connections and mounts for ladders and roof types, 10 Nov 2009	14417/2009	Clayden, James; 25-01F, Tile, 11 Nov 2009	14392/2009
Clarkson, Ryan; 25-04, Ladder stabilising device and anchoring device with multiple functionality and application. The product has variable, and interchangeable anchor connections and mounts for ladders and roof types, 10 Nov 2009	14418/2009	Colgate-Palmolive Company; 04-02, Toothbrush, (US, 14 May 2009) 13 Nov 2009	14449/2009
Clarkson, Ryan; 25-04, Ladder stabilising device and anchoring device with multiple functionality and application. The product has variable, and interchangeable anchor connections and mounts for ladders and roof types, 10 Nov 2009	14419/2009	Colgate-Palmolive Company; 04-02, Toothbrush, (US, 14 May 2009) 13 Nov 2009	14450/2009
Clarkson, Ryan; 25-04, Ladder stabilising and anchoring device with multiple functionality and application. The product has variable, and interchangeable anchor connections and mounts for ladders and roof types, 10 Nov 2009	14420/2009	Colgate-Palmolive Company; 04-02, Toothbrush, (US, 14 May 2009) 13 Nov 2009	14451/2009
Clarkson, Ryan; 25-04, Ladder stabilising and anchoring device with multiple functionality and application. The product has variable, and interchangeable anchor connections and mounts for ladders and roof types, 10 Nov 2009	14421/2009	Container Pty Ltd; 09-01H, Plastic bottle, 13 Nov 2009	14410/2009
		Cooee Brands Pty Ltd; 21-01A, Kango, 18 Nov 2009	14500/2009
		Dalton Group Limited; 30-99, Animal identification tag, (EM, 22 May 2009) 19 Nov 2009	14527/2009
		Dalton Group Limited; 30-99, Animal identification tag, (EM, 22 May 2009) 19 Nov 2009	14528/2009
		Daya Design; Richardson, Elaine; 23-02A, Design 2 : Baroque shower caddy, 10 Nov 2009	14369/2009
		Daya Design; Richardson, Elaine; 23-02A, Design 1 : Zero shower caddy, 10 Nov 2009	14368/2009
		Doug Dick & Co Pty Ltd; 20-03C, Memorial, 09 Nov 2009	14352/2009
		Doug Dick & Co Pty Ltd; 20-03C, Memorial, 09 Nov 2009	14351/2009

E. Mishan & Sons, Inc.; 07-02H, Slider plate, 10 Nov 2009	14379/2009	H & H Asia Pty Ltd; 06-04B, Filing cabinet, 16 Nov 2009	14459/2009
Eaton Corporation; 21-02C, Golf grip, (US, 15 May 2009) 12 Nov 2009	14431/2009	Hort, Robin L; 02-01B, Underwear, 10 Aug 2009	14395/2009
Ellison Educational Equipment, Inc.; 15-09, Hand operated embossing machine, (US, 27 May 2009) 18 Nov 2009	14501/2009	Hort, Robin L; 02-01B, Underwear, 10 Aug 2009	14396/2009
Envirocycle Systems Inc.; 09-09, Garbage can, (CA, 19 Jun 2009) 10 Nov 2009	14380/2009	Hunt, Dave; 23-01F, Water tank garden, 09 Nov 2009	14354/2009
Evergreen Packaging, Inc.; 09-03NES, Hourglass carton, (Divisional of 14094/2009) 21 Oct 2009	14496/2009	Icon Plastics Pty Ltd; 13-03NES, Electrode edge strip of indefinite length, 13 Nov 2009	14466/2009
Forever New Clothing Pty Ltd; 02-02C, 02-02NES, Dress, 16 Nov 2009	14471/2009	In-Ceiling Technologies Pty Limited; 26-05C, Downlight cover, 20 Nov 2009	14526/2009
Frigrite Limited; 08-06, Handle, 20 Nov 2009	14551/2009	Industrial Galvanizers Corporation Pty Ltd; 13-03C, A Component, 13 Nov 2009	14462/2009
Gambro Lundia AB; 24-01, Cassette for dialysis, (EM, 22 May 2009) 19 Nov 2009	14525/2009	Industrial Galvanizers Corporation Pty Ltd; 25-01K, A Metal section, 13 Nov 2009	14463/2009
Georgini Holdings Pty Ltd; 11-01D, Earring, 20 Nov 2009	14538/2009	Interseal; 23-01A, Domehead assembly unit wiper gland, 16 Nov 2009	14456/2009
Georgini Holdings Pty Ltd; 11-01NES, Pendant, 20 Nov 2009	14540/2009	James Hardie Technology Limited; 25-01K, 23-01A, Drain chute of indefinite length, 17 Nov 2009	14489/2009
Georgini Holdings Pty Ltd; 11-01D, Earring, 20 Nov 2009	14541/2009	Johnson & Johnson do Brasil Ind. Com. Prod. Para Saude Ltd.; McNeil-PPC, Inc.; Johnson & Johnson KK; 04-02, Toothbrush handle for a toothbrush, (US, 27 May 2009) 20 Nov 2009	14557/2009
Georgini Holdings Pty Ltd; 11-01A, Ring, 20 Nov 2009	14542/2009	Johnson & Johnson KK; McNeil-PPC, Inc.; Johnson & Johnson do Brasil Ind. Com. Prod. Para Saude Ltd.; 04-02, Toothbrush handle for a toothbrush, (US, 27 May 2009) 20 Nov 2009	14557/2009
Georgini Holdings Pty Ltd; 11-01NES, Pendant, 20 Nov 2009	14543/2009	Kelly, James; 08-05F, Hand held adjustable guide and square for hand held circular power saw, 17 Nov 2009	14470/2009
Georgini Holdings Pty Ltd; 11-01NES, Pendant, 20 Nov 2009	14544/2009	Koninklijke Philips Electronics N.V.; 07-05A, Electric steam iron, (EM, 26 May 2009) 17 Nov 2009	14497/2009
Georgini Holdings Pty Ltd; 11-01NES, Pendant, 20 Nov 2009	14545/2009	Kurmis, Manfred Imand; 09-07C, Sealing member for a closure, 12 Nov 2009	14411/2009
Georgini Holdings Pty Ltd; 11-01NES, Pendant, 20 Nov 2009	14539/2009	Lawless, Peter; Wissing, Stuart; 21-02D, A surfboard, 16 Nov 2009	14464/2009
Gillette Company, The; 28-03A, Hand piece, (US, 12 May 2009) 10 Nov 2009	14385/2009	Lead Innovations Ltd; 30-04, Choke collar, lead and harness, (EM, 15 May 2009) 11 Nov 2009	14389/2009
Gillette Company, The; 28-03A, Hand piece, (US, 12 May 2009) 10 Nov 2009	14384/2009	Leggett, Sandy John; 12-14, Metal detector tow coil sled, 20 Nov 2009	14531/2009
Glatz AG; 03-03, Parts of a standing umbrella, (EM, 05 Aug 2009) 17 Nov 2009	14498/2009	Legrand Australia Pty Ltd; 13-03D, Wall mountable power outlet, 09 Nov 2009	14382/2009
GlaxoSmithKline Consumer Healthcare GmbH & Co. KG; 04-02, Toothbrush head, (GB, 20 May 2009) 18 Nov 2009	14508/2009	Legrand Australia Pty Ltd; 13-03D, Power board, 17 Nov 2009	14485/2009
Grant, Andrew; 23-01D, 23-01F, Plant and tree watering and feeding device, 12 Nov 2009	14393/2009	Legrand Australia Pty Ltd; 13-03D, Electrical plug, 17 Nov 2009	14474/2009
Grant Olver Investments Pty Ltd trading as Pilgrim Clothing; 02-02C, 02-02NES, Ladies garments, 23 Nov 2009	14552/2009		

Legrand Australia Pty Ltd; 13-03D, Switch actuating dolly cover, 17 Nov 2009	14475/2009	McCormick & Company, Incorporated; 09-01H, Bottle for liquids, (US, 02 Jul 2009) 09 Nov 2009	14367/2009
Legrand Australia Pty Ltd; 13-03D, Power board, 17 Nov 2009	14490/2009	McNeil-PPC, Inc.; 24-04, Panty liner, (US, 04 Jun 2009) 20 Nov 2009	14556/2009
Legrand Australia Pty Ltd; 13-03D, Power board, 17 Nov 2009	14491/2009	McNeil-PPC, Inc.; Johnson & Johnson KK; Johnson & Johnson do Brasil Ind. Com. Prod. Para Saude Ltd.; 04-02, Toothbrush handle for a toothbrush, (US, 27 May 2009) 20 Nov 2009	14557/2009
Legrand Australia Pty Ltd; 13-03D, Wall mountable power outlet, 09 Nov 2009	14381/2009	Mechanical Plating; 08-08B, Bolts, screws, and fasteners, 04 Nov 2009	14377/2009
Liang, Li; 02-05, Scarf, 11 Nov 2009	14391/2009	Mechanical Plating Pty Ltd; 08-08B, Mechanical fasteners, screws, and roofing screws, 04 Nov 2009	14376/2009
Lolitta Clothing; 99-00, , 20 Nov 2009	14553/2009	Melrose, David Murray; 09-01K, A container, (NZ, 11 Jun 2009) 11 Nov 2009	14390/2009
Maclaurin, Daniel; Maclaurin, Kathryn; 06-01NES, Stool, 19 Nov 2009	14529/2009	Meyers, Malcolm Frederick; 22-05, A fishing rod hook holder attachment, 16 Nov 2009	14499/2009
Maclaurin, Kathryn; Maclaurin, Daniel; 06-01NES, Stool, 19 Nov 2009	14529/2009	MARZ Family Business Pty Ltd; 09-03M, Carton blank, 12 Nov 2009	14402/2009
Maclaurin, Daniel; Maclaurin, Kathryn; 06-01NES, Stool, 19 Nov 2009	14530/2009	Nicholetts, Elisabeth Anne; Nicholetts, Jonathan Barry; 12-16K, Dual cab ute sliding tray, 20 Nov 2009	14547/2009
Maclaurin, Kathryn; Maclaurin, Daniel; 06-01NES, Stool, 19 Nov 2009	14530/2009	Nicholetts, Jonathan Barry; Nicholetts, Elisabeth Anne; 12-16K, Dual cab ute sliding tray, 20 Nov 2009	14547/2009
Macpherson, Cherri; 02-04C, Hosiery/Stockings, 13 Nov 2009	14446/2009	Notice Board Systems Pty Ltd; 19-06, 20-03NES, Notice board, 19 Nov 2009	14548/2009
Mamone, Gaetano; 14-02, USB memory unit, (EM, 08 Jun 2009) 16 Nov 2009	14454/2009	Notice Board Systems Pty Ltd; 20-03C, Notice board, 12 Nov 2009	14397/2009
Martin, Tina; 03-01NES, Chair tidy, 09 Nov 2009	14349/2009	Notice Board Systems Pty Ltd; 20-03C, Notice board, 12 Nov 2009	14398/2009
Master Lock Company LLC; 08-07, Lock, (US, 19 May 2009) 12 Nov 2009	14399/2009	NYS Collection LLC; 09-03NES, NONE SPECIFIED, 16 Nov 2009	14447/2009
Master Lock Company LLC; 08-07, Lock, (US, 19 May 2009) 12 Nov 2009	14400/2009	O & S Holdings (Vic) Pty Ltd; 02-04NES, Footwear, 11 Nov 2009	14394/2009
Mayan Legacy; 06-06H, Mexican hammock frame, 13 Nov 2009	14405/2009	O'Connor-Cowley, Elizabeth Ann; 02-02B, The design is for use on clothing in any format, 10 Nov 2009	14383/2009
McCormick & Company, Incorporated; 09-05, Seasoning package, (US, 07 May 2009) 09 Nov 2009	14360/2009	Odell, James; 14-01, Speaker casing, 19 Nov 2009	14546/2009
McCormick & Company, Incorporated; 20-02NES, 07-01B, A food bowl display container, (US, 19 May 2009) 09 Nov 2009	14361/2009	Orica Australia Pty Ltd; 08-05A, Watering can, 09 Nov 2009	14372/2009
McCormick & Company, Incorporated; 09-01H, Bottle for liquids, (US, 02 Jul 2009) 09 Nov 2009	14362/2009	Pacific Market International, LLC; 07-07A, Insulated container, (US, 21 May 2009) 09 Nov 2009	14353/2009
McCormick & Company, Incorporated; 09-05, Seasoning package, (US, 07 May 2009) 09 Nov 2009	14363/2009	Papamiltiades, Peter; 08-08NES, Bracket for holding pipes, 09 Nov 2009	14371/2009
McCormick & Company, Incorporated; 09-03M, A carton for a food bowl display container, (US, 19 May 2009) 09 Nov 2009	14364/2009	Portola Packaging, Inc.; 09-07A, Dispensing closure for a container, (US, 01 Oct 2009) 11 Nov 2009	14388/2009
McCormick & Company, Incorporated; 09-03NES, A blank for a food bowl display container, (US, 19 May 2009) 09 Nov 2009	14365/2009		
McCormick & Company, Incorporated; 09-03NES, A blank for a food bowl display container, (US, 19 May 2009) 09 Nov 2009	14366/2009		

Progressive International Corporation; 07-04, Salad spinner, (US, 14 May 2009) 16 Nov 2009	14476/2009	Societe des Produits Nestle S.A.; 07-02L, A capsule holder, (CH, 23 Jun 2009) 20 Nov 2009	14550/2009
Rain Bird Corporation; 23-01E, Irrigation controller control panel, (US, 19 May 2009) 12 Nov 2009	14403/2009	Societe des Produits Nestle S.A.; 09-03F, A container, (CH, 16 Jul 2009) 12 Nov 2009	14468/2009
Redmond, Colin; 12-99, 21-01F, Skoot - a single hubless wheel scooter, 10 Nov 2009	14378/2009	Spin Master Ltd; 21-01B, Transformable toy, (CA, 29 Jun 2009) 18 Nov 2009	14516/2009
Research in Motion Limited; 14-02, Handheld electronic device, (US, 15 May 2009) 13 Nov 2009	14441/2009	Spin Master Ltd; 21-01B, Transformable toy, (CA, 29 Jun 2009) 18 Nov 2009	14517/2009
Reynolds, Donovan; 21-02F, The product is intended to be applied to a stand boxing bag, 04 Nov 2009	14375/2009	Spin Master Ltd; 21-01B, Transformable toy, (CA, 17 Aug 2009) 18 Nov 2009	14518/2009
Reynolds, Donovan; 21-02F, The product is intended to be applied to a stand boxing bag, 04 Nov 2009	14374/2009	Spin Master Ltd; 21-01B, Transformable toy, (CA, 17 Aug 2009) 18 Nov 2009	14519/2009
Richardson, Elaine; Daya Design; 23-02A, Design 1 : Zero shower caddy, 10 Nov 2009	14368/2009	Spin Master Ltd; 21-01B, Transformable toy, (CA, 18 Jun 2009) 18 Nov 2009	14520/2009
Richardson, Elaine; Daya Design; 23-02A, Design 2 : Baroque shower caddy, 10 Nov 2009	14369/2009	Spin Master Ltd; 21-01B, Transformable toy, (CA, 03 Jul 2009) 18 Nov 2009	14521/2009
Rondo Building Services Pty Limited; 25-01NES, Metal section, 18 Nov 2009	14502/2009	Spin Master Ltd; 21-01B, Transformable toy, (CA, 03 Jul 2009) 18 Nov 2009	14522/2009
Rondo Building Services Pty Limited; 25-01NES, Metal section, 18 Nov 2009	14503/2009	Spin Master Ltd; 21-01B, Transformable toy, (CA, 08 Jul 2009) 18 Nov 2009	14523/2009
Rondo Building Services Pty Limited; 25-01NES, Metal section, 18 Nov 2009	14504/2009	Spin Master Ltd; 21-01B, Transformable toy, (CA, 03 Jul 2009) 18 Nov 2009	14514/2009
Rondo Building Services Pty Limited; 25-01NES, Metal section, 18 Nov 2009	14505/2009	Spin Master Ltd; 21-01B, Transformable toy, (CA, 29 Jun 2009) 18 Nov 2009	14515/2009
Rondo Building Services Pty Limited; 25-01NES, Metal section, 18 Nov 2009	14506/2009	Sport Fisherman Marine; 12-06A, Fibreglass speed boat hull and deck joined only, 09 Nov 2009	14370/2009
Rondo Building Services Pty Limited; 25-01NES, Metal section, 18 Nov 2009	14507/2009	Swedish Match Lighters B.V.; 27-05, Utility lighter with flexible tube, (BX, 13 May 2009) 09 Nov 2009	14350/2009
Roth, Donna; Roth, Henry; 09-01NES, Container with insert, (US, 20 Apr 2009) 11 Sep 2009	14473/2009	Sylence Pty Ltd; 29-99, Vandal cover, 09 Nov 2009	14357/2009
Roth, Henry; Roth, Donna; 09-01NES, Container with insert, (US, 20 Apr 2009) 11 Sep 2009	14473/2009	Sylence Pty Ltd; 29-99, Vandal cover, 09 Nov 2009	14358/2009
Samu, Christopher A.; 17-99, 08-08G, Guitar hanger, 12 Nov 2009	14404/2009	Sylence Pty Ltd; 29-99, Vandal cover, 09 Nov 2009	14359/2009
Schaefer, Murray McRae; 30-08, Livestock headbar system, 12 Nov 2009	14401/2009	SCA Hygiene Products AB; 23-02A, Tissue dispenser, (EM, 30 Jun 2009) 17 Nov 2009	14477/2009
Scheer, Peter; Barwick, Kenneth Wayne; 25-01D, Panel, 13 Nov 2009	14452/2009	SCA Hygiene Products AB; 23-02A, Tissue dispenser, (EM, 30 Jun 2009) 17 Nov 2009	14478/2009
Scheer, Peter; Barwick, Kenneth Wayne; 25-01D, Panel, 13 Nov 2009	14453/2009	SCA Hygiene Products AB; 23-02A, Tissue dispenser, (EM, 30 Jun 2009) 17 Nov 2009	14479/2009
Societe des Produits Nestle S.A.; 09-03F, A container, (CH, 16 Jul 2009) 12 Nov 2009	14467/2009		
Societe des Produits Nestle S.A.; 07-02K, 07-02L, A beverage machine, (CH, 23 Jun 2009) 20 Nov 2009	14549/2009		

SCA Hygiene Products AB; 23-02A, Tissue dispenser, (EM, 30 Jun 2009) 17 Nov 2009	14480/2009	The Yokohama Rubber Co., Ltd.; 12-15A, A tyre, (JP, 11 May 2009) 09 Nov 2009	14373/2009
SCA Hygiene Products AB; 23-02A, Tissue dispenser, (EM, 30 Jun 2009) 17 Nov 2009	14481/2009	Tohara, Hirotaka; 24-04, Nasal plug, (JP, 12 Jun 2009) 17 Nov 2009	14483/2009
SCA Hygiene Products AB; 23-02A, Tissue dispenser, (EM, 30 Jun 2009) 17 Nov 2009	14482/2009	Ton & Ton Designs; 02-02NES, Beach wrap, 13 Nov 2009	14448/2009
SCA Hygiene Products AB; 23-02A, Tissue dispenser, (EM, 30 Jun 2009) 17 Nov 2009	14407/2009	UNI-PRO Painting Equipment Pty Ltd; 08-05L, Paint tray liner, 16 Nov 2009	14484/2009
SCA Hygiene Products AB; 24-04, Tampon, (EM, 29 Jun 2009) 12 Nov 2009	14472/2009	Williams, Eric Charles; 27-03, Buttsonly butt out bin, 16 Nov 2009	14457/2009
SEPA Pty. Ltd.; 15-99, 23-01F, 23-01G, Oil separator tank, 19 Nov 2009	14472/2009	Williams, Andrew C.; 02-02C, Bifurcated garments, 11 Nov 2009	14387/2009
SMA Solar Technology AG; 13-02, Inverter, (EM, 27 May 2009) 13 Nov 2009	14461/2009	Wissing, Stuart; Lawless, Peter; 21-02D, A surfboard, 16 Nov 2009	14464/2009
SOF Surfaces Inc.; 25-01F, Tile, (CA, 05 Jun 2009) 25 Aug 2009	14301/2009	Wm. Wrigley Jr. Company; 01-01, Comestible, (US, 14 May 2009) 13 Nov 2009	14443/2009
Tenmat Limited; 26-99, Cover for lighting apparatus, 16 Nov 2009	14455/2009	Wm. Wrigley Jr. Company; 01-01, Comestible, (US, 14 May 2009) 13 Nov 2009	14444/2009
The Decor Corporation Pty Ltd; 09-07NES, Reheat plate cover, 09 Nov 2009	14339/2009	Wm. Wrigley Jr. Company; 09-05, Comestible package, (US, 14 May 2009) 13 Nov 2009	14445/2009
The Decor Corporation Pty Ltd; 07-02NES, Spaghetti lifter, 09 Nov 2009	14340/2009	Wm. Wrigley Jr. Company; 01-01, Comestible, (US, 14 May 2009) 13 Nov 2009	14442/2009
The Decor Corporation Pty Ltd; 07-02NES, Egg lifter, 09 Nov 2009	14341/2009	Xmas-Mil Display Products Pty Ltd; 23-03D, Live or artificial Christmas trees - a solar powered tree top 'star' segmented, 09 Nov 2009	14355/2009
The Decor Corporation Pty Ltd; 07-02R, Soft handle, 09 Nov 2009	14342/2009	3M Innovative Properties Company; 24-04, Earplug stem, (US, 27 May 2009) 18 Nov 2009	14510/2009
The Decor Corporation Pty Ltd; 09-07NES, Square glass lid, 09 Nov 2009	14343/2009	3M Innovative Properties Company; 24-04, Earplug stem, (US, 27 May 2009) 18 Nov 2009	14511/2009
The Decor Corporation Pty Ltd; 09-07NES, Square glass lid, 09 Nov 2009	14344/2009	3M Innovative Properties Company; 24-04, Earplug, (US, 27 May 2009) 18 Nov 2009	14512/2009
The Decor Corporation Pty Ltd; 09-07NES, Square glass lid, 09 Nov 2009	14345/2009	3M Innovative Properties Company; 24-04, Earplug tip, (US, 27 May 2009) 18 Nov 2009	14513/2009
The Decor Corporation Pty Ltd; 09-07NES, Lid for container, 09 Nov 2009	14346/2009	600 Main Road Stoke Limited Trading as McCashins Brewery; 09-01H, A set of bottles, (NZ, 23 Jun 2009) 17 Nov 2009	14492/2009
The Decor Corporation Pty Ltd; 09-07NES, Lid for container, 09 Nov 2009	14347/2009	600 Main Road Stoke Limited Trading as McCashins Brewery; 09-01H, A bottle, (NZ, 23 Jun 2009) 17 Nov 2009	14493/2009
The Decor Corporation Pty Ltd; 09-07NES, Lid for container, 09 Nov 2009	14348/2009		
The Gillette Company; 28-03A, Shaving aid strip, (US, 19 May 2009) 19 Nov 2009	14537/2009		
The Gillette Company; 28-03A, Handle suitable for a shaving razor, (US, 14 May 2009) 12 Nov 2009	14408/2009		
The Gillette Company; 28-03A, Handle suitable for a shaving razor, (US, 14 May 2009) 12 Nov 2009	14409/2009		

Applications Withdrawn

12319 / 2009 (25-01E)

Applications Lapsed

11592 / 2009 (02-02C)

13067 / 2009 (26-06)

13069 / 2009 (26-06)

13071 / 2009 (26-06)

13073 / 2009 (26-06)

13460 / 2009 (07-01F)

13487 / 2009 (13-03E)

11598 / 2009 (07-02D)

13068 / 2009 (26-06)

13070 / 2009 (26-06)

13072 / 2009 (26-06)

13291 / 2009 (02-02C)

13472 / 2009 (30-03)

Extension of Period of Registration of Designs

301226	301540	301594
301595	301596	301618
301733	301742	301762
301788	301809	301839
301840	301878	301879
301880	301954	302003
302016	302018	302019
302020	302177	302180
302181	302182	302183
302184	302185	302186
302201	302221	302226
302227	302229	302290
302664	302761	302772
303050	303115	303361
303822	303823	304983
304999	305000	305139
305929	306246	306247
306248	306249	306250
306251	306252	306253
306597	307131	307132
307133	307134	307135
307136	307318	

Registrations Ceased

312442	312713	312736
312737	321164	323150

Extensions of time granted under Section 137

Applications lodged under section 137 for extension of time have been granted.

- 322400 **HoMedics Group Ltd.**
- 324212 **Ekornes ASA**
- 324213 **Ekornes ASA**
- 12322/2009 **Vaughn Cameron Emery**
- 12708/2009 **Stuart Weitzman IP, LLC**
- 13275/2009 **Philip A. Masterson**

Subsequent Owners Registered

(The name in parentheses is that of the subsequent owner)

- 316656 (**T-Clip Pty Ltd**) IPH International Pty Ltd
- 316655 (**T-Clip Pty Ltd**) IPH International Pty Ltd
- 303462 (**IPS Patent AG**) Intelligent Packaging Systems Group S.A.
- 303463 (**IPS Patent AG**) Intelligent Packaging Systems Group S.A.
- 303566 (**IPS Patent AG**) Intelligent Packaging Systems Group S.A.
- 303567 (**IPS Patent AG**) Intelligent Packaging Systems Group S.A.
- 303464 (**IPS Patent AG**) Intelligent Packaging Systems Group S.A.
- 323032 (**IPHC Pty Ltd**) Jemcats Investments Pty Ltd
- 323033 (**IPHC Pty Ltd**) Jemcats Investments Pty Ltd
- 323034 (**IPHC Pty Ltd**) Jemcats Investments Pty Ltd
- 323035 (**IPHC Pty Ltd**) Jemcats Investments Pty Ltd
- 323036 (**IPHC Pty Ltd**) Jemcats Investments Pty Ltd
- 313746 (**Tobi Products, Inc.**) Ninth Tentacle, Inc.
- 300533 (**Jaldan Buderdene;Zorig Ariunbold;Zorig Ulziibat**) Jaldan Bud-Erdene;Bazardorj Tuvshintur
- 300534 (**Jaldan Buderdene;Zorig Ariunbold;Zorig Ulziibat**) Jaldan Bud-Erdene;Bazardorj Tuvshintur
- 300535 (**Jaldan Buderdene;Zorig Ariunbold;Zorig Ulziibat**) Jaldan Bud-Erdene;Bazardorj Tuvshintur
- 300536 (**Jaldan Buderdene;Zorig Ariunbold;Zorig Ulziibat**) Jaldan Bud-Erdene;Bazardorj Tuvshintur
- 300537 (**Jaldan Buderdene;Zorig Ariunbold;Zorig Ulziibat**) Jaldan Bud-Erdene;Bazardorj Tuvshintur
- 300538 (**Jaldan Buderdene;Zorig Ariunbold;Zorig Ulziibat**) Jaldan Bud-Erdene;Bazardorj Tuvshintur
- 314981 (**Marine Protection Systems Pty Ltd**) Marina Protection Systems Pty Ltd

Names Registered - Alterations and Amendments

(The name in parentheses is that of the subsequent applicant)

310562	(EZIADZ Pty Ltd) ADZE Pty Limited
317446	(EZIADZ Pty Ltd) Adze Pty Limited
326420	(Cleatskins, Inc.) Cleatskins
326688	(Cleatskins, Inc.) Cleatskins

Certificate(s) of Examination

Examination of the following Design Registration(s) has been completed. Infringement proceedings may now be commenced.

327142	25-03	13/11/2009
327177	25-01K	24/11/2009
327308	11-04	11/11/2009
327310	07-01F	19/11/2009
327312	12-08	20/11/2009
327352	14-01	16/11/2009
327385	04-02	24/11/2009
327386	04-02	24/11/2009
327387	04-02	24/11/2009
327388	04-02	24/11/2009
327389	04-02	24/11/2009
327398	09-07A	19/11/2009
327402	04-02	24/11/2009
327403	04-02	24/11/2009
327404	04-02	24/11/2009
327405	04-02	24/11/2009
327406	14-01	16/11/2009
327411	14-01	16/11/2009
328404	02-05	24/11/2009

Publication and Registration Proceedings

Designs Registered

This section provides a concordance between design number and registration number of Designs covered in this journal. It also shows the main class and registration date.

This section covers Registration numbers 328356 to 328605 .

The registration number shown below should be used in all future correspondence.

Design Number	Registration Number	International Classification Code (IDC)	Registration Date	Design Number	Registration Number	International Classification Code (IDC)	Registration Date
10618/2009	328381	08-07	13/11/2009	13728/2009	328575	09-01K	24/11/2009
10619/2009	328382	08-07	13/11/2009	13775/2009	328400	21-02F	11/11/2009
10620/2009	328383	08-07	13/11/2009	13776/2009	328562	12-10	20/11/2009
11579/2009	328438	25-01K	13/11/2009	13777/2009	328589	02-04B	24/11/2009
11619/2009	328475	09-03NES	17/11/2009	13778/2009	328590	02-04B	24/11/2009
11625/2009	328473	09-03NES	17/11/2009	13854/2009	328551	12-16B	19/11/2009
11626/2009	328527	07-01NES	18/11/2009	13857/2009	328552	02-04NES	19/11/2009
11646/2009	328471	09-03H	17/11/2009	13858/2009	328553	02-04NES	19/11/2009
11769/2009	328476	09-03NES	17/11/2009	13859/2009	328591	02-04NES	24/11/2009
11770/2009	328490	07-01NES	17/11/2009	13860/2009	328592	02-04NES	24/11/2009
11771/2009	328491	07-01NES	17/11/2009	13861/2009	328593	02-04NES	24/11/2009
11786/2009	328474	09-03NES	17/11/2009	13862/2009	328594	02-04NES	24/11/2009
11788/2009	328472	09-03NES	17/11/2009	13863/2009	328595	02-04NES	24/11/2009
12232/2009	328477	09-03NES	17/11/2009	13864/2009	328596	02-04NES	24/11/2009
12238/2009	328467	20-03NES	17/11/2009	13865/2009	328597	02-04NES	24/11/2009
12322/2009	328431	30-03	13/11/2009	13866/2009	328598	02-04NES	24/11/2009
12643/2009	328399	20-03NES	11/11/2009	13867/2009	328599	02-04B	24/11/2009
12816/2009	328484	25-02C	17/11/2009	13868/2009	328545	02-04B	19/11/2009
12971/2009	328543	12-08	19/11/2009	13869/2009	328546	02-04B	19/11/2009
12972/2009	328544	12-16B	19/11/2009	13870/2009	328547	02-04B	19/11/2009
13076/2009	328384	19-06	13/11/2009	13871/2009	328548	02-04B	19/11/2009
13129/2009	328385	09-03C	13/11/2009	13872/2009	328549	02-04B	19/11/2009
13176/2009	328386	02-02C	13/11/2009	13873/2009	328550	02-04B	19/11/2009
13177/2009	328387	02-02C	13/11/2009	13919/2009	328600	07-02L	24/11/2009
13178/2009	328388	02-02C	13/11/2009	13931/2009	328361	21-02D	11/11/2009
13179/2009	328389	02-02C	13/11/2009	13934/2009	328520	20-02NES	18/11/2009
13266/2009	328405	25-01F	12/11/2009	13956/2009	328401	07-02C	11/11/2009
13267/2009	328407	21-02D	12/11/2009	13957/2009	328402	07-02A	11/11/2009
13430/2009	328447	15-05	13/11/2009	13970/2009	328494	06-03NES	17/11/2009
13458/2009	328468	20-03NES	17/11/2009	13980/2009	328363	23-03B	11/11/2009
13459/2009	328469	20-03NES	17/11/2009	13981/2009	328364	23-01H	11/11/2009
13471/2009	328356	09-07C	11/11/2009	13982/2009	328365	23-01H	11/11/2009
13485/2009	328485	13-03C	17/11/2009	13983/2009	328366	23-01F	11/11/2009
13488/2009	328410	02-02B	12/11/2009	13984/2009	328367	23-01F	11/11/2009
13489/2009	328518	09-02A	18/11/2009	13985/2009	328368	23-01F	11/11/2009
13490/2009	328519	09-02A	18/11/2009	13986/2009	328390	08-08N	11/11/2009
13502/2009	328533	07-06C	19/11/2009	13993/2009	328403	07-02NES	11/11/2009
13507/2009	328588	10-01	24/11/2009	13996/2009	328416	14-02	13/11/2009
13519/2009	328534	02-05	19/11/2009	13997/2009	328417	14-01	13/11/2009
13520/2009	328357	16-01	11/11/2009	13998/2009	328362	23-01K	11/11/2009
13521/2009	328358	21-01N	11/11/2009	13999/2009	328449	12-16NES	13/11/2009
13522/2009	328359	21-01N	11/11/2009	14000/2009	328450	09-08	13/11/2009
13523/2009	328360	21-01N	11/11/2009	14001/2009	328451	09-08	13/11/2009
13542/2009	328511	07-02C	18/11/2009	14002/2009	328452	09-08	13/11/2009
13548/2009	328566	28-03NES	23/11/2009	14003/2009	328391	09-08	11/11/2009
13578/2009	328432	23-03NES	13/11/2009	14004/2009	328392	09-08	11/11/2009
13579/2009	328535	23-03NES	19/11/2009	14005/2009	328393	09-08	11/11/2009
13580/2009	328512	06-01L	18/11/2009	14006/2009	328394	09-08	11/11/2009
13635/2009	328492	15-99	17/11/2009	14007/2009	328395	06-01F	11/11/2009
13652/2009	328433	25-01A	13/11/2009	14008/2009	328396	06-01F	11/11/2009
13655/2009	328493	07-02E	17/11/2009	14009/2009	328418	14-02	13/11/2009
13658/2009	328448	12-10	13/11/2009	14010/2009	328419	14-02	13/11/2009
13727/2009	328574	09-01K	24/11/2009	14011/2009	328420	14-02	13/11/2009

Publication and Registration Proceedings - Designs Registered cont'd

Design Number	Registration Number	International Classification Code (IDC)	Registration Date	Design Number	Registration Number	International Classification Code (IDC)	Registration Date
14014/2009	328421	13-03E	13/11/2009	14090/2009	328529	25-01K	18/11/2009
14015/2009	328422	26-03	13/11/2009	14091/2009	328530	25-01K	18/11/2009
14016/2009	328453	14-02	13/11/2009	14092/2009	328521	25-01K	18/11/2009
14017/2009	328454	14-02	13/11/2009	14093/2009	328522	12-15B	18/11/2009
14018/2009	328455	14-02	13/11/2009	14094/2009	328576	09-03NES	24/11/2009
14019/2009	328456	14-02	13/11/2009	14096/2009	328523	26-06	18/11/2009
14021/2009	328457	03-04	13/11/2009	14097/2009	328524	26-06	18/11/2009
14022/2009	328369	09-02A	11/11/2009	14098/2009	328513	12-16E	18/11/2009
14025/2009	328411	15-02	12/11/2009	14099/2009	328514	12-16E	18/11/2009
14026/2009	328412	15-02	12/11/2009	14100/2009	328515	12-16E	18/11/2009
14027/2009	328413	25-03	12/11/2009	14101/2009	328516	12-16E	18/11/2009
14028/2009	328414	25-03	12/11/2009	14102/2009	328517	28-03A	18/11/2009
14029/2009	328415	25-03	12/11/2009	14103/2009	328554	13-03B	19/11/2009
14032/2009	328495	02-02NES	17/11/2009	14104/2009	328555	07-01E	19/11/2009
14033/2009	328496	02-02NES	17/11/2009	14105/2009	328556	07-01E	19/11/2009
14034/2009	328497	02-02NES	17/11/2009	14106/2009	328557	07-01E	19/11/2009
14035/2009	328498	02-02NES	17/11/2009	14107/2009	328558	07-01E	19/11/2009
14036/2009	328499	02-02NES	17/11/2009	14108/2009	328559	06-04NES	19/11/2009
14037/2009	328500	02-02NES	17/11/2009	14109/2009	328560	08-06	19/11/2009
14038/2009	328501	02-02NES	17/11/2009	14110/2009	328561	13-99	19/11/2009
14039/2009	328502	02-02NES	17/11/2009	14118/2009	328577	12-10	24/11/2009
14040/2009	328503	02-02NES	17/11/2009	14119/2009	328578	26-02	24/11/2009
14041/2009	328504	02-02NES	17/11/2009	14122/2009	328536	12-16NES	19/11/2009
14042/2009	328458	02-02NES	13/11/2009	14123/2009	328537	12-16NES	19/11/2009
14043/2009	328459	02-02NES	13/11/2009	14124/2009	328538	25-01K	19/11/2009
14044/2009	328460	02-02NES	13/11/2009	14125/2009	328539	09-03K	19/11/2009
14045/2009	328461	02-02NES	13/11/2009	14126/2009	328542	07-04	19/11/2009
14048/2009	328462	25-01K	13/11/2009	14129/2009	328540	07-01B	19/11/2009
14049/2009	328463	09-04	13/11/2009	14130/2009	328541	07-04	19/11/2009
14050/2009	328464	21-02C	13/11/2009	14132/2009	328567	12-16NES	23/11/2009
14051/2009	328465	13-01	13/11/2009	14133/2009	328568	16-06	23/11/2009
14052/2009	328466	13-01	13/11/2009	14134/2009	328569	16-06	23/11/2009
14053/2009	328439	13-01	13/11/2009	14135/2009	328570	26-05C	23/11/2009
14054/2009	328440	08-08L	13/11/2009	14136/2009	328571	26-05C	23/11/2009
14055/2009	328441	08-08L	13/11/2009	14137/2009	328572	26-05D	23/11/2009
14056/2009	328442	08-08L	13/11/2009	14138/2009	328573	26-05D	23/11/2009
14057/2009	328443	08-08L	13/11/2009	14143/2009	328509	12-08	17/11/2009
14058/2009	328486	08-08L	17/11/2009	14144/2009	328564	28-03NES	20/11/2009
14059/2009	328397	21-03	11/11/2009	14145/2009	328565	28-03NES	20/11/2009
14060/2009	328398	21-03	11/11/2009	14153/2009	328579	12-05	24/11/2009
14061/2009	328444	12-16NES	13/11/2009	14156/2009	328580	31-00	24/11/2009
14062/2009	328445	21-04	13/11/2009	14158/2009	328581	07-04	24/11/2009
14063/2009	328446	21-02C	13/11/2009	14159/2009	328582	07-02R	24/11/2009
14067/2009	328505	13-99	17/11/2009	14160/2009	328583	02-02C	24/11/2009
14068/2009	328506	13-99	17/11/2009	14161/2009	328584	25-01K	24/11/2009
14069/2009	328510	25-01K	18/11/2009	14162/2009	328585	12-08	24/11/2009
14070/2009	328507	19-02	17/11/2009	14165/2009	328423	13-03NES	13/11/2009
14071/2009	328508	19-02	17/11/2009	14166/2009	328424	13-03NES	13/11/2009
14073/2009	328478	21-04	17/11/2009	14167/2009	328425	13-03NES	13/11/2009
14074/2009	328479	21-04	17/11/2009	14168/2009	328426	13-03NES	13/11/2009
14075/2009	328480	03-99	17/11/2009	14169/2009	328427	13-03NES	13/11/2009
14076/2009	328481	03-99	17/11/2009	14170/2009	328428	13-03NES	13/11/2009
14077/2009	328482	08-08K	17/11/2009	14171/2009	328429	13-03NES	13/11/2009
14078/2009	328483	08-08K	17/11/2009	14172/2009	328430	13-03NES	13/11/2009
14084/2009	328487	23-04	17/11/2009	14176/2009	328563	12-10	20/11/2009
14085/2009	328488	23-04	17/11/2009	14177/2009	328408	21-02D	12/11/2009
14086/2009	328489	23-04	17/11/2009	14178/2009	328409	21-02D	12/11/2009
14089/2009	328528	10-02	18/11/2009	14180/2009	328601	11-02B	24/11/2009

Publication and Registration Proceedings - Designs Registered cont'd

Design Number	Registration Number	International Classification Code (IDC)	Registration Date	Design Number	Registration Number	International Classification Code (IDC)	Registration Date
14183/2009	328602	09-07B	24/11/2009	14296/2009	328436	01-01	13/11/2009
14184/2009	328603	09-07B	24/11/2009	14297/2009	328437	01-01	13/11/2009
14185/2009	328604	01-01	24/11/2009	14301/2009	328406	25-01F	12/11/2009
14187/2009	328605	12-16B	24/11/2009	14308/2009	328586	25-01A	24/11/2009
14205/2009	328404	02-05	11/11/2009	14309/2009	328587	23-01NES	24/11/2009
14235/2009	328525	02-03	18/11/2009	14338/2009	328470	20-03NES	17/11/2009
14236/2009	328526	02-03	18/11/2009	14381/2009	328531	13-03D	18/11/2009
14294/2009	328434	01-01	13/11/2009	14382/2009	328532	13-03D	18/11/2009
14295/2009	328435	01-01	13/11/2009				

Publication and Registration Proceedings
Class Listing of Designs Published or Registered

The following section shows an International Classification Code listing of the Registered or Published Designs covered in this supplement.

Classification	Registration Number	Design Number	Classification	Registration Number	Design Number
01-01	328434	14294/2009	06-04 NES	328519	13490/2009
01-01	328435	14295/2009	06-04 NES	328559	14108/2009
01-01	328436	14296/2009	07-01 B	328512	13580/2009
01-01	328437	14297/2009	07-01 B	328540	14129/2009
01-01	328604	14185/2009	07-01 E	328555	14104/2009
02-02 B	328410	13488/2009	07-01 E	328556	14105/2009
02-02 C	328386	13176/2009	07-01 E	328557	14106/2009
02-02 C	328387	13177/2009	07-01 E	328558	14107/2009
02-02 C	328388	13178/2009	07-01 NES	328490	11770/2009
02-02 C	328389	13179/2009	07-01 NES	328491	11771/2009
02-02 C	328583	14160/2009	07-01 NES	328527	11626/2009
02-02 NES	328458	14042/2009	07-02 A	328402	13957/2009
02-02 NES	328459	14043/2009	07-02 C	328401	13956/2009
02-02 NES	328460	14044/2009	07-02 C	328511	13542/2009
02-02 NES	328461	14045/2009	07-02 E	328493	13655/2009
02-02 NES	328495	14032/2009	07-02 L	328600	13919/2009
02-02 NES	328496	14033/2009	07-02 NES	328403	13993/2009
02-02 NES	328497	14034/2009	07-02 R	328582	14159/2009
02-02 NES	328498	14035/2009	07-04	328541	14130/2009
02-02 NES	328499	14036/2009	07-04	328542	14126/2009
02-02 NES	328500	14037/2009	07-04	328581	14158/2009
02-02 NES	328501	14038/2009	07-06 C	328533	13502/2009
02-02 NES	328502	14039/2009	07-06 NES	328384	13076/2009
02-02 NES	328503	14040/2009	08-06	328560	14109/2009
02-02 NES	328504	14041/2009	08-07	328381	10618/2009
02-03	328525	14235/2009	08-07	328382	10619/2009
02-03	328526	14236/2009	08-07	328383	10620/2009
02-04 B	328545	13868/2009	08-08 K	328482	14077/2009
02-04 B	328546	13869/2009	08-08 K	328483	14078/2009
02-04 B	328547	13870/2009	08-08 L	328440	14054/2009
02-04 B	328548	13871/2009	08-08 L	328441	14055/2009
02-04 B	328549	13872/2009	08-08 L	328442	14056/2009
02-04 B	328550	13873/2009	08-08 L	328443	14057/2009
02-04 B	328589	13777/2009	08-08 L	328486	14058/2009
02-04 B	328590	13778/2009	08-08 N	328390	13986/2009
02-04 B	328599	13867/2009	09-01 K	328574	13727/2009
02-04 NES	328552	13857/2009	09-01 K	328575	13728/2009
02-04 NES	328553	13858/2009	09-02 A	328369	14022/2009
02-04 NES	328591	13859/2009	09-02 A	328518	13489/2009
02-04 NES	328592	13860/2009	09-02 A	328519	13490/2009
02-04 NES	328593	13861/2009	09-03 C	328385	13129/2009
02-04 NES	328594	13862/2009	09-03 H	328471	11646/2009
02-04 NES	328595	13863/2009	09-03 K	328539	14125/2009
02-04 NES	328596	13864/2009	09-03 NES	328472	11788/2009
02-04 NES	328597	13865/2009	09-03 NES	328473	11625/2009
02-04 NES	328598	13866/2009	09-03 NES	328474	11786/2009
02-05	328404	14205/2009	09-03 NES	328475	11619/2009
02-05	328534	13519/2009	09-03 NES	328476	11769/2009
03-04	328457	14021/2009	09-03 NES	328477	12232/2009
03-99	328480	14075/2009	09-03 NES	328576	14094/2009
03-99	328481	14076/2009	09-04	328463	14049/2009
06-01 F	328395	14007/2009	09-07 B	328602	14183/2009
06-01 F	328396	14008/2009	09-07 B	328603	14184/2009
06-01 L	328512	13580/2009	09-07 C	328356	13471/2009
06-03 B	328512	13580/2009	09-08	328391	14003/2009
06-03 NES	328494	13970/2009	09-08	328392	14004/2009

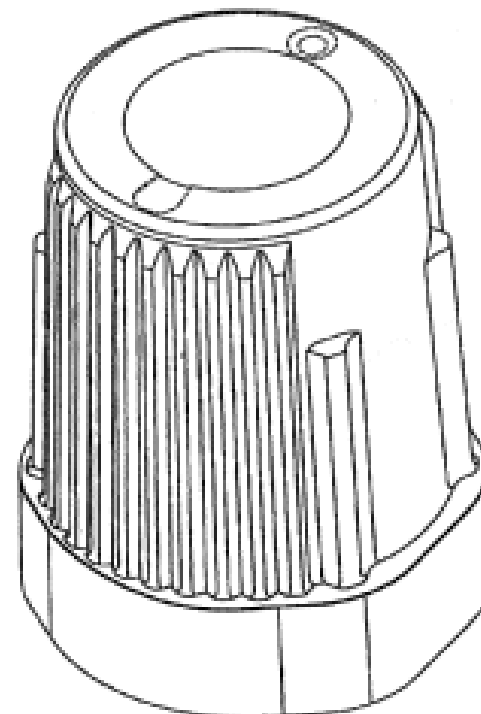
Registration Proceedings - Class Listing of Designs Published or Registered cont'd

Classification	Registration Number	Design Number	Classification	Registration Number	Design Number
09-08	328393	14005/2009	14-02	328419	14010/2009
09-08	328394	14006/2009	14-02	328420	14011/2009
09-08	328450	14000/2009	14-02	328453	14016/2009
09-08	328451	14001/2009	14-02	328454	14017/2009
09-08	328452	14002/2009	14-02	328455	14018/2009
10-01	328588	13507/2009	14-02	328456	14019/2009
10-02	328528	14089/2009	14-02	328467	12238/2009
11-01 C	328512	13580/2009	14-02	328468	13458/2009
11-01 E	328512	13580/2009	14-02	328469	13459/2009
11-02 B	328601	14180/2009	14-02	328470	14338/2009
11-02 NES	328512	13580/2009	15-02	328411	14025/2009
11-99	328588	13507/2009	15-02	328412	14026/2009
12-02	328464	14050/2009	15-05	328447	13430/2009
12-05	328494	13970/2009	15-99	328492	13635/2009
12-05	328579	14153/2009	16-01	328357	13520/2009
12-08	328509	14143/2009	16-06	328568	14133/2009
12-08	328543	12971/2009	16-06	328569	14134/2009
12-08	328585	14162/2009	19-02	328507	14070/2009
12-10	328448	13658/2009	19-02	328508	14071/2009
12-10	328562	13776/2009	19-06	328384	13076/2009
12-10	328563	14176/2009	20-02 NES	328520	13934/2009
12-10	328577	14118/2009	20-03 NES	328399	12643/2009
12-15 B	328522	14093/2009	20-03 NES	328467	12238/2009
12-16 B	328544	12972/2009	20-03 NES	328468	13458/2009
12-16 B	328551	13854/2009	20-03 NES	328469	13459/2009
12-16 B	328605	14187/2009	20-03 NES	328470	14338/2009
12-16 D	328509	14143/2009	21-01 N	328358	13521/2009
12-16 E	328513	14098/2009	21-01 N	328359	13522/2009
12-16 E	328514	14099/2009	21-01 N	328360	13523/2009
12-16 E	328515	14100/2009	21-02 C	328446	14063/2009
12-16 E	328516	14101/2009	21-02 C	328464	14050/2009
12-16 NES	328444	14061/2009	21-02 D	328361	13931/2009
12-16 NES	328449	13999/2009	21-02 D	328407	13267/2009
12-16 NES	328484	12816/2009	21-02 D	328408	14177/2009
12-16 NES	328536	14122/2009	21-02 D	328409	14178/2009
12-16 NES	328537	14123/2009	21-02 E	328361	13931/2009
12-16 NES	328567	14132/2009	21-02 F	328400	13775/2009
13-01	328439	14053/2009	21-03	328397	14059/2009
13-01	328465	14051/2009	21-03	328398	14060/2009
13-01	328466	14052/2009	21-04	328445	14062/2009
13-03 B	328554	14103/2009	21-04	328478	14073/2009
13-03 C	328485	13485/2009	21-04	328479	14074/2009
13-03 D	328531	14381/2009	23-01 F	328366	13983/2009
13-03 D	328532	14382/2009	23-01 F	328367	13984/2009
13-03 E	328421	14014/2009	23-01 F	328368	13985/2009
13-03 NES	328423	14165/2009	23-01 H	328364	13981/2009
13-03 NES	328424	14166/2009	23-01 H	328365	13982/2009
13-03 NES	328425	14167/2009	23-01 K	328362	13998/2009
13-03 NES	328426	14168/2009	23-01 NES	328587	14309/2009
13-03 NES	328427	14169/2009	23-03 B	328363	13980/2009
13-03 NES	328428	14170/2009	23-03 NES	328432	13578/2009
13-03 NES	328429	14171/2009	23-03 NES	328535	13579/2009
13-03 NES	328430	14172/2009	23-04	328487	14084/2009
13-99	328505	14067/2009	23-04	328488	14085/2009
13-99	328506	14068/2009	23-04	328489	14086/2009
13-99	328561	14110/2009	25-01 A	328433	13652/2009
14-01	328417	13997/2009	25-01 A	328586	14308/2009
14-02	328416	13996/2009	25-01 F	328405	13266/2009
14-02	328418	14009/2009	25-01 F	328406	14301/2009

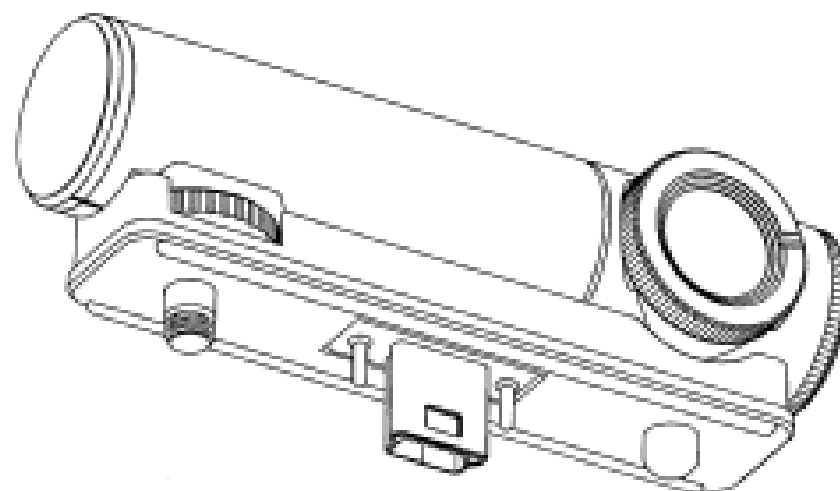
Registration Proceedings - Class Listing of Designs Published or Registered cont'd

Classification	Registration Number	Design Number	Classification	Registration Number	Design Number
25-01 K	328438	11579/2009	26-05 C	328570	14135/2009
25-01 K	328462	14048/2009	26-05 C	328571	14136/2009
25-01 K	328510	14069/2009	26-05 D	328572	14137/2009
25-01 K	328521	14092/2009	26-05 D	328573	14138/2009
25-01 K	328529	14090/2009	26-06	328523	14096/2009
25-01 K	328530	14091/2009	26-06	328524	14097/2009
25-01 K	328538	14124/2009	28-03 A	328517	14102/2009
25-01 K	328584	14161/2009	28-03 NES	328564	14144/2009
25-02 C	328484	12816/2009	28-03 NES	328565	14145/2009
25-03	328413	14027/2009	28-03 NES	328566	13548/2009
25-03	328414	14028/2009	30-03	328431	12322/2009
25-03	328415	14029/2009	31-00	328580	14156/2009
26-02	328578	14119/2009			
26-03	328422	14015/2009			

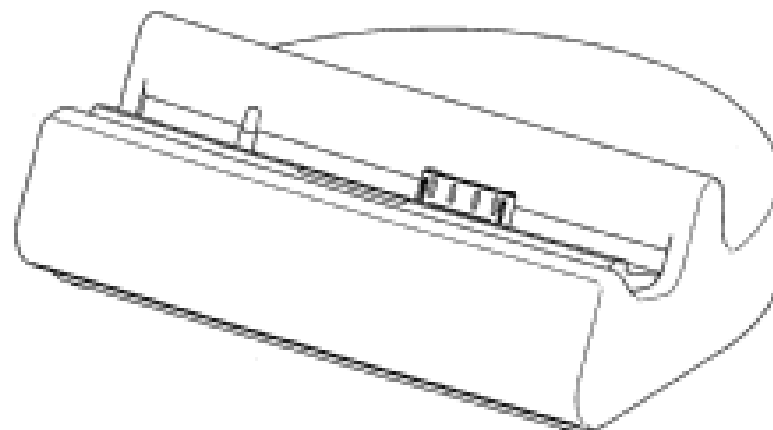
(21) Design Number: **13471/2009**
(22) Date of Filing Application: **04 September 2009**
(24) Date from which industrial property rights may have effect: **04 September 2009**
(54) Product in respect of which the design is registered: **Pierceable collection container cap and assembly**
(51) International Design Classification: **09-07C**
(71) Name(s) and Address(s) of Applicant(s):
Becton, Dickinson and Company
1 Becton Drive Franklin Lakes New Jersey 07417 United States of America
(72) Name(s) of Designer(s): **Bradley M. Wilkinson**
(45) Registration Date: **11 November 2009**
(30) Convention priority data:
(31) Number (32) Date (33) Country
12/398628 05 Mar 2009 UNITED STATES OF AMERICA
(56) Related Art Documents: **Not Applicable**
(57) Statement of Newness and Distinctiveness: **Newness and distinctiveness resides in at least the arrangement and shape of the ribs positioned on the exterior surface of the cap and the arrangement of the exterior contours of the cap itself.**



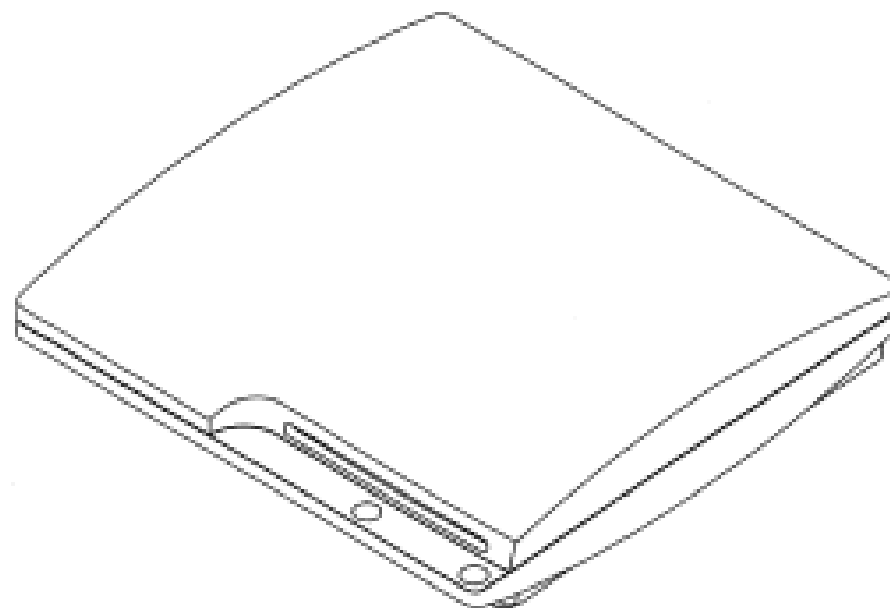
(21) Design Number: **13520/2009**
(22) Date of Filing Application: **10 September 2009**
(24) Date from which industrial property rights may have effect: **10 September 2009**
(54) Product in respect of which the design is registered: **Camera**
(51) International Design Classification: **16-01**
(71) Name(s) and Address(s) of Applicant(s):
Sony Computer Entertainment Inc.
2-6-21 Minami-Aoyama Minato-ku Tokyo Japan
(72) Name(s) of Designer(s): **Yuya Imaeda**
(45) Registration Date: **11 November 2009**
(30) Convention priority data:
(31) Number (32) Date (33) Country
2009-009920 30 Apr 2009 JAPAN
(56) Related Art Documents: **Not Applicable**
(57) Statement of Newness and Distinctiveness: **Newness and distinctiveness resides in the features of shape and configuration of a camera as illustrated in the accompanying representations.**



- (21) Design Number: **13521/2009**
(22) Date of Filing Application: **10 September 2009**
(24) Date from which industrial property rights may have effect: **10 September 2009**
(54) Product in respect of which the design is registered: **Supporting base for a portable electronic device**
(51) International Design Classification: **21-01N**
(71) Name(s) and Address(s) of Applicant(s):
Sony Computer Entertainment Inc.
2-6-21 Minami-Aoyama Minato-ku Tokyo Japan
(72) Name(s) of Designer(s): **Ken Yano**
(45) Registration Date: **11 November 2009**
(30) Convention priority data:
(31) Number (32) Date (33) Country
2009-011444 22 May 2009 JAPAN
(56) Related Art Documents: **Not Applicable**
(57) Statement of Newness and Distinctiveness: **Newness and distinctiveness resides in the features of shape and configuration of a supporting base for a portable electronic device as illustrated in the accompanying representations.**

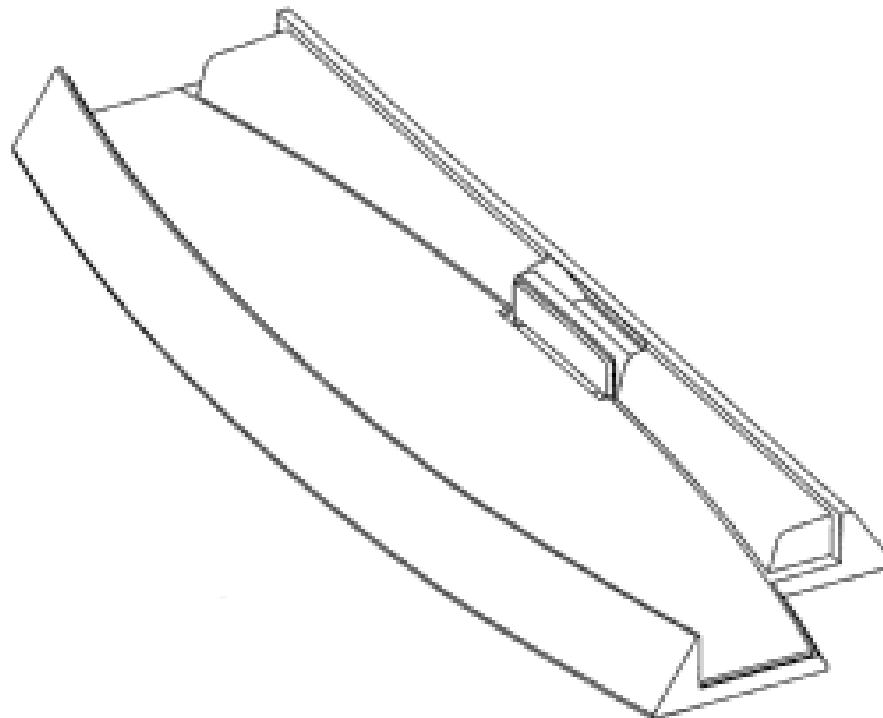


- (21) Design Number: **13522/2009**
(22) Date of Filing Application: **10 September 2009**
(24) Date from which industrial property rights may have effect: **10 September 2009**
(54) Product in respect of which the design is registered: **Arithmetic and control unit**
(51) International Design Classification: **21-01N**
(71) Name(s) and Address(s) of Applicant(s):
Sony Computer Entertainment Inc.
2-6-21 Minami-Aoyama Minato-ku Tokyo Japan
(72) Name(s) of Designer(s): **Takashi Sogabe**
(45) Registration Date: **11 November 2009**
(30) Convention priority data:
(31) Number (32) Date (33) Country
2009-012409 02 Jun 2009 JAPAN
(56) Related Art Documents: **Not Applicable**
(57) Statement of Newness and Distinctiveness: **Newness and distinctiveness resides in the features of shape and configuration of an arithmetic and control unit as illustrated in the accompanying representations.**

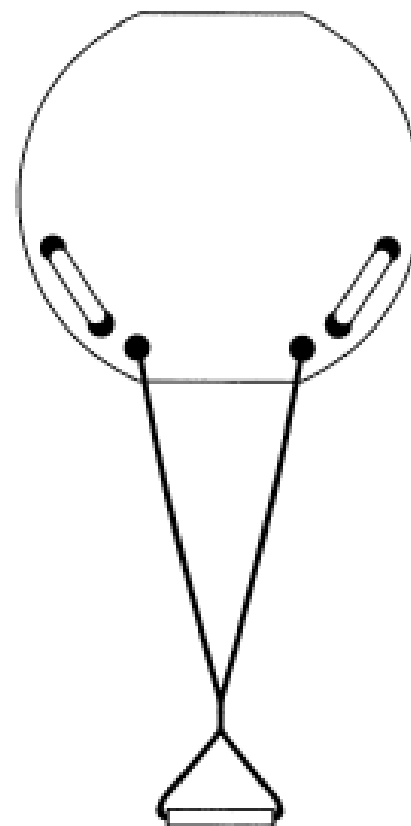


- (21) Design Number: **13523/2009**
- (22) Date of Filing Application: **10 September 2009**
- (24) Date from which industrial property rights may have effect: **10 September 2009**
- (54) Product in respect of which the design is registered: **Supporting base**
- (51) International Design Classification: **21-01N**
- (71) Name(s) and Address(s) of Applicant(s):
Sony Computer Entertainment Inc.
2-6-21 Minami-Aoyama Minato-ku Tokyo Japan
- (72) Name(s) of Designer(s): **Takashi Sogabe**
- (45) Registration Date: **11 November 2009**
- (30) Convention priority data:

(31) Number	(32) Date	(33) Country
2009-014094	22 Jun 2009	JAPAN
- (56) Related Art Documents: **Not Applicable**
- (57) Statement of Newness and Distinctiveness: **Newness and distinctiveness resides in the features of shape and configuration of a supporting base as illustrated in the accompanying representations.**



- (21) Design Number: **13931/2009**
- (22) Date of Filing Application: **12 October 2009**
- (24) Date from which industrial property rights may have effect: **12 October 2009**
- (54) Product in respect of which the design is registered: **Sporting board for skiing on various surfaces**
- (51) International Design Classification: **21-02D, 21-02E**
- (71) Name(s) and Address(s) of Applicant(s):
Lifetime Toys Pty Ltd
37 Montevideo Drive Clear Island Waters Queensland 4226 Australia
- (72) Name(s) of Designer(s): **Glenn Checkley**
- (45) Registration Date: **11 November 2009**
- (56) Related Art Documents: **Not Applicable**
- (57) Statement of Newness and Distinctiveness: **The shape of board is distinctive due to flat ends (top view). The tow rope system is new and allows riders to be towed. (top view) The board is curved to allow aquaplaning without digging into sand. This is a new design. (front & side view)**



(21) Design Number: **13998/2009**

(22) Date of Filing Application: **16 October 2009**

(24) Date from which industrial property rights may have effect: **16 October 2009**

(54) Product in respect of which the design is registered: **Spray valve**

(51) International Design Classification: **23-01K**

(71) Name(s) and Address(s) of Applicant(s):

Taypia Pty Ltd

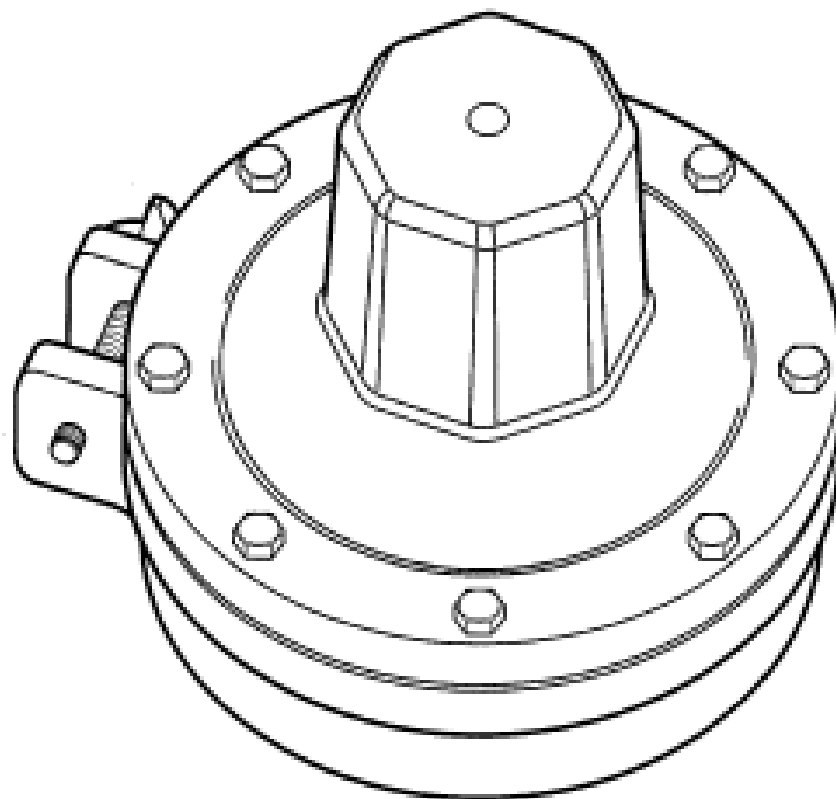
8 Baleine Court Sorrento Western Australia 6020 Australia

(72) Name(s) of Designer(s): **Stephen Jeffrey Conway**

(45) Registration Date: **11 November 2009**

(56) Related Art Documents: **Not Applicable**

(57) Statement of Newness and Distinctiveness: **Nil**



(21) Design Number: **13980/2009**

(22) Date of Filing Application: **15 October 2009**

(24) Date from which industrial property rights may have effect: **15 October 2009**

(54) Product in respect of which the design is registered: **A log set for a gas log fire heater**

(51) International Design Classification: **23-03B**

(71) Name(s) and Address(s) of Applicant(s):

Rinnai Australia Pty. Ltd.

10-11 Walker Street Braeside Victoria 3195 Australia

(72) Name(s) of Designer(s): **Ben Hawkins**

(45) Registration Date: **11 November 2009**

(56) Related Art Documents: **Not Applicable**

(57) Statement of Newness and Distinctiveness: **The shape and configuration of the logs within the log set are new and distinctive.**



(21) Design Number: **13981/2009**

(22) Date of Filing Application: **15 October 2009**

(24) Date from which industrial property rights may have effect: **15 October 2009**

(54) Product in respect of which the design is registered: **Basin mixer**

(51) International Design Classification: **23-01H**

(71) Name(s) and Address(s) of Applicant(s):

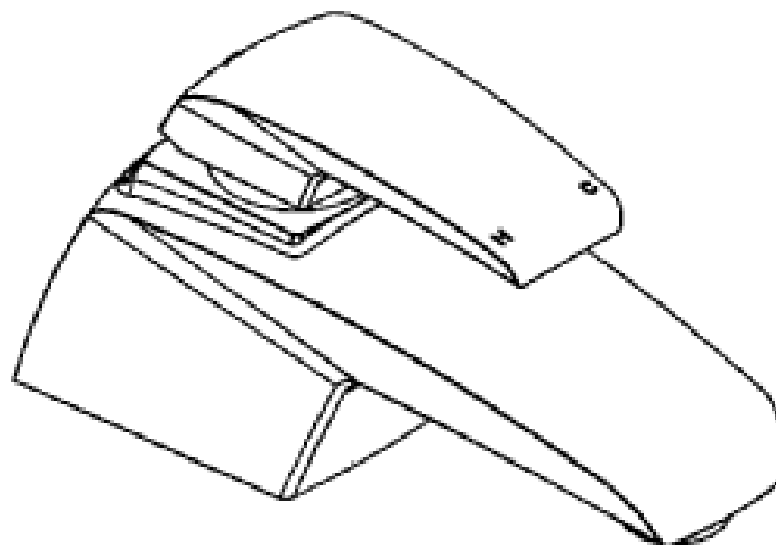
Phoenix Industries Pty Ltd
31 Gilbert Park Drive Knoxfield Victoria 3180 Australia

(72) Name(s) of Designer(s): **Andrew Cocks**

(45) Registration Date: **11 November 2009**

(56) Related Art Documents: **Not Applicable**

(57) Statement of Newness and Distinctiveness: **Nil**



(21) Design Number: **13982/2009**

(22) Date of Filing Application: **15 October 2009**

(24) Date from which industrial property rights may have effect: **15 October 2009**

(54) Product in respect of which the design is registered: **Shower mixer**

(51) International Design Classification: **23-01H**

(71) Name(s) and Address(s) of Applicant(s):

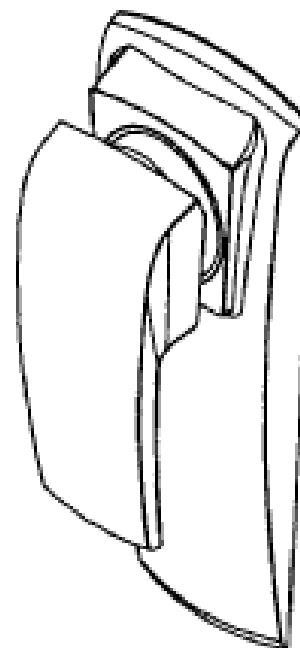
Phoenix Industries Pty Ltd
31 Gilbert Park Drive Knoxfield Victoria 3180 Australia

(72) Name(s) of Designer(s): **Andrew Cocks**

(45) Registration Date: **11 November 2009**

(56) Related Art Documents: **Not Applicable**

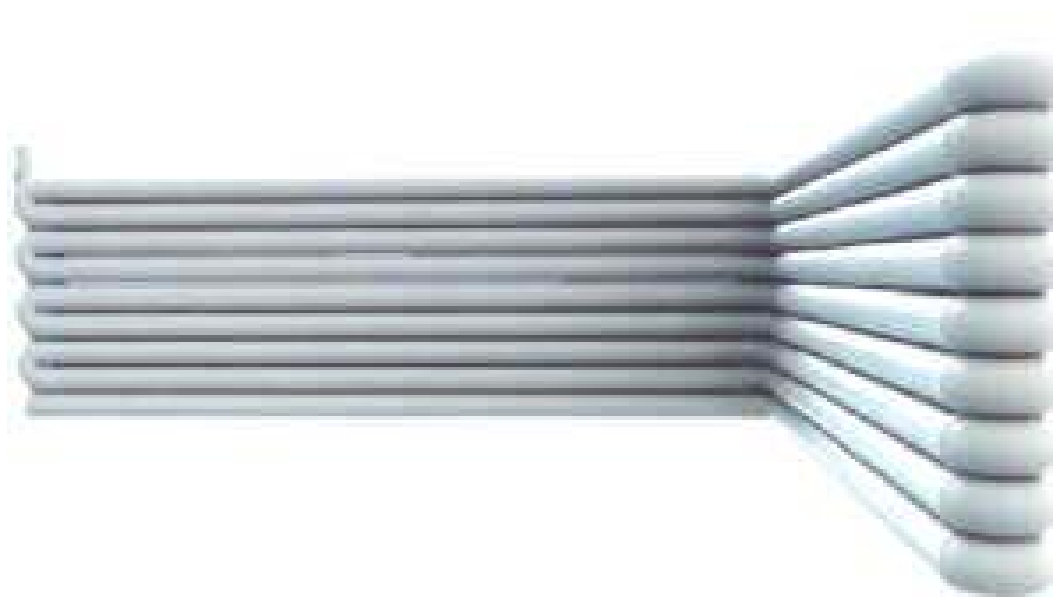
(57) Statement of Newness and Distinctiveness: **Nil**



(21) Design Number: **13983/2009**
(22) Date of Filing Application: **15 October 2009**
(24) Date from which industrial property rights may have effect: **15 October 2009**
(54) Product in respect of which the design is registered: **Water tank**
(51) International Design Classification: **23-01F**
(71) Name(s) and Address(s) of Applicant(s):
Peter Papamiliades
2 Lightfoot Street Richmond Victoria 3121 Australia
(72) Name(s) of Designer(s): **Peter Papamiliades**
(45) Registration Date: **11 November 2009**
(56) Related Art Documents: **Not Applicable**
(57) Statement of Newness and Distinctiveness: **Nil**



(21) Design Number: **13984/2009**
(22) Date of Filing Application: **15 October 2009**
(24) Date from which industrial property rights may have effect: **15 October 2009**
(54) Product in respect of which the design is registered: **Water tank**
(51) International Design Classification: **23-01F**
(71) Name(s) and Address(s) of Applicant(s):
Peter Papamiliades
2 Lightfoot Street Richmond Victoria 3121 Australia
(72) Name(s) of Designer(s): **Peter Papamiliades**
(45) Registration Date: **11 November 2009**
(56) Related Art Documents: **Not Applicable**
(57) Statement of Newness and Distinctiveness: **Nil**



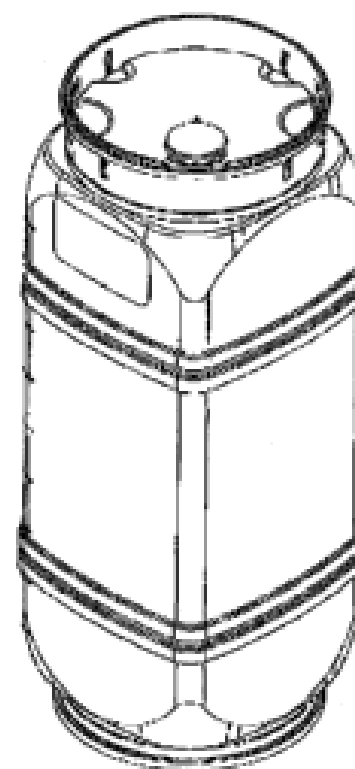
- (21) Design Number: **13985/2009**
(22) Date of Filing Application: **15 October 2009**
(24) Date from which industrial property rights may have effect: **15 October 2009**
(54) Product in respect of which the design is registered: **Water tank**
(51) International Design Classification: **23-01F**
(71) Name(s) and Address(s) of Applicant(s):
Peter Papamiltiades
2 Lightfoot Street Richmond Victoria 3121 Australia
(72) Name(s) of Designer(s): **Peter Papamiltiades**
(45) Registration Date: **11 November 2009**
(56) Related Art Documents: **Not Applicable**
(57) Statement of Newness and Distinctiveness: **Nil**



- (21) Design Number: **14022/2009**
(22) Date of Filing Application: **19 October 2009**
(24) Date from which industrial property rights may have effect: **19 October 2009**
(54) Product in respect of which the design is registered: **A drum**
(51) International Design Classification: **09-02A**
(71) Name(s) and Address(s) of Applicant(s):
Alto Packaging Limited
Level 6 57 Symonds Street Grafton Auckland 1010 New Zealand
(72) Name(s) of Designer(s): **Lance John Knighton**
(45) Registration Date: **11 November 2009**
(30) Convention priority data:

(31) Number	(32) Date	(33) Country
412014	11 Mar 2009	NEW ZEALAND

(56) Related Art Documents: **Not Applicable**
(57) Statement of Newness and Distinctiveness: **Monopoly is claimed in the features of shape and/or configuration of a drum of indefinite height as shown in the representations.**



(21) Design Number: **10618/2009**

(22) Date of Filing Application: **26 February 2009**

(24) Date from which industrial property rights may have effect: **26 February 2009**

(54) Product in respect of which the design is registered: **Mini window bolt**

(51) International Design Classification: **08-07**

(71) Name(s) and Address(s) of Applicant(s):

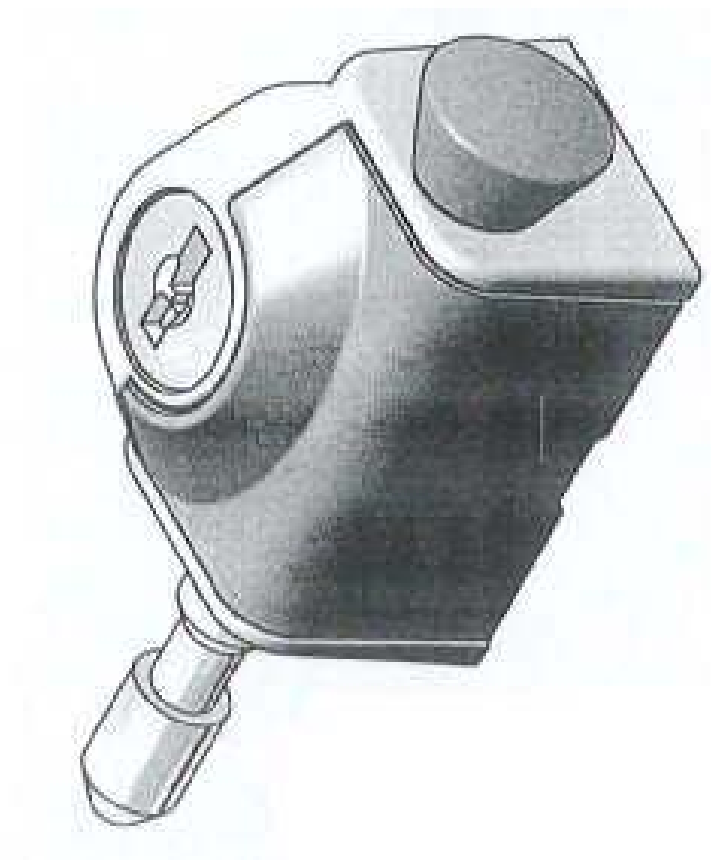
TNBT Holdings Pty Limited
PO Box 841 Moorebank New South Wales 1875 Australia

(72) Name(s) of Designer(s): **Daniel Mascia and Simon Butt**

(45) Registration Date: **13 November 2009**

(56) Related Art Documents: **Not Applicable**

(57) Statement of Newness and Distinctiveness: **The monopoly is claimed on the shape and configuration of the mini bolt as illustrated in the representations. The bolt & cylinder is not an essential feature of the design & may be changed or omitted.**



(21) Design Number: **10619/2009**

(22) Date of Filing Application: **26 February 2009**

(24) Date from which industrial property rights may have effect: **26 February 2009**

(54) Product in respect of which the design is registered: **Mini window bolt component**

(51) International Design Classification: **08-07**

(71) Name(s) and Address(s) of Applicant(s):

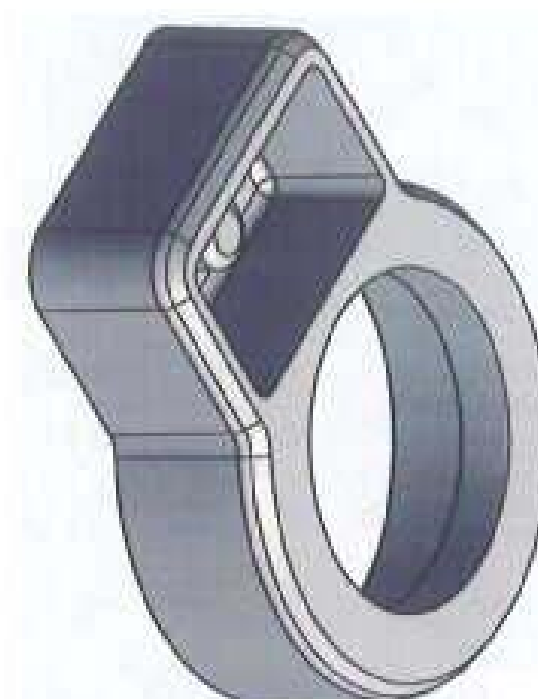
TNBT Holdings Pty Limited
PO Box 841 Moorebank New South Wales 1875 Australia

(72) Name(s) of Designer(s): **Daniel Mascia and Simon Butt**

(45) Registration Date: **13 November 2009**

(56) Related Art Documents: **Not Applicable**

(57) Statement of Newness and Distinctiveness: **The monopoly is claimed in the shape and or configuration of the accompanying representations.**



(21) Design Number: **10620/2009**

(22) Date of Filing Application: **26 February 2009**

(24) Date from which industrial property rights may have effect: **26 February 2009**

(54) Product in respect of which the design is registered: **Mini window bolt component**

(51) International Design Classification: **08-07**

(71) Name(s) and Address(s) of Applicant(s):

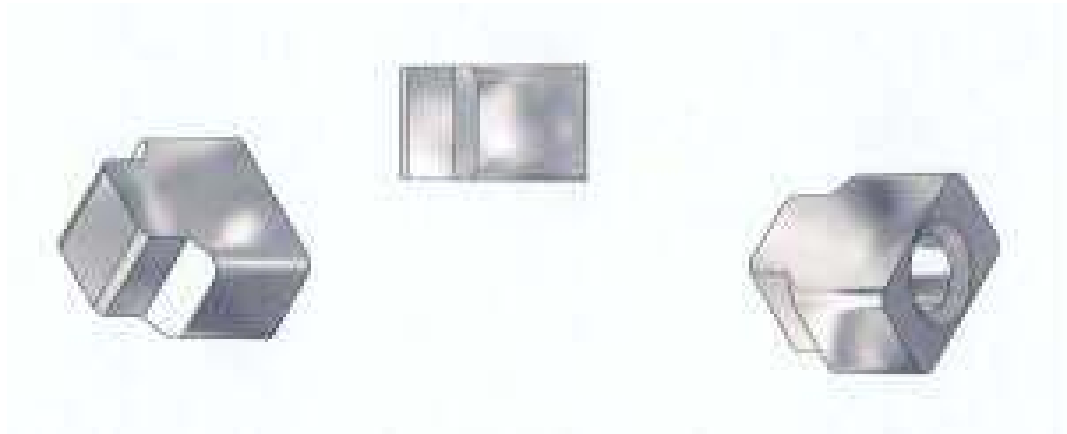
**TNBT Holdings Pty Limited
PO Box 841 Moorebank New South Wales 1875 Australia**

(72) Name(s) of Designer(s): **Daniel Mascia and Simon Butt**

(45) Registration Date: **13 November 2009**

(56) Related Art Documents: **Not Applicable**

(57) Statement of Newness and Distinctiveness: **The monopoly is claimed in the shape and or configuration of the accompanying representations.**



(21) Design Number: **13076/2009**

(22) Date of Filing Application: **17 August 2009**

(24) Date from which industrial property rights may have effect: **17 August 2009**

(54) Product in respect of which the design is registered: **A cooler/holder template for bottles or cans containing liquids**

(51) International Design Classification: **19-06, 07-06NES**

(71) Name(s) and Address(s) of Applicant(s):

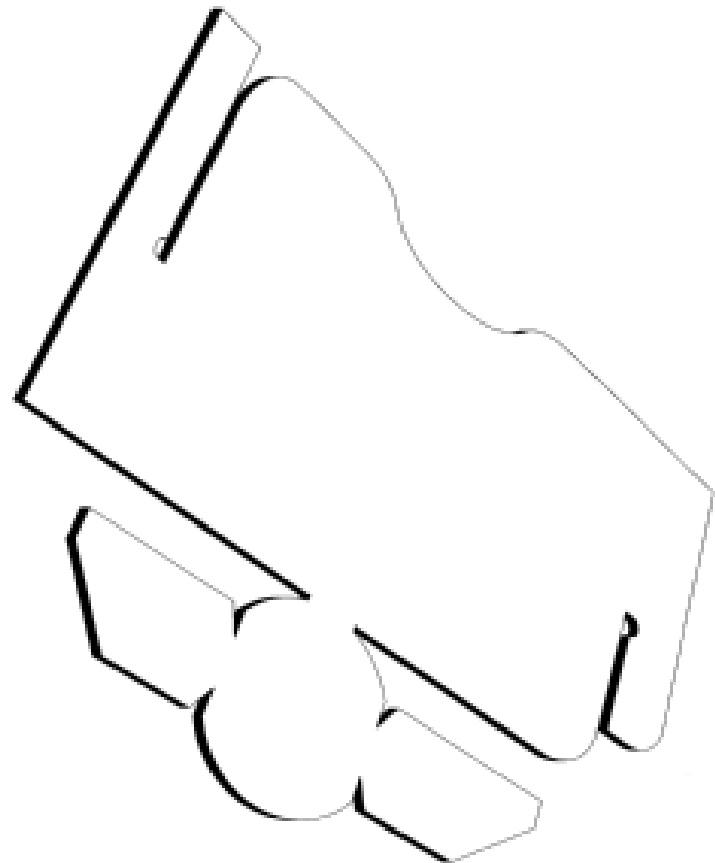
**Matthew Philip Berry-Smith
92 Merino Vale Drive Wamboin New South Wales 2620 Australia**

(72) Name(s) of Designer(s): **Matthew Philip Berry-Smith**

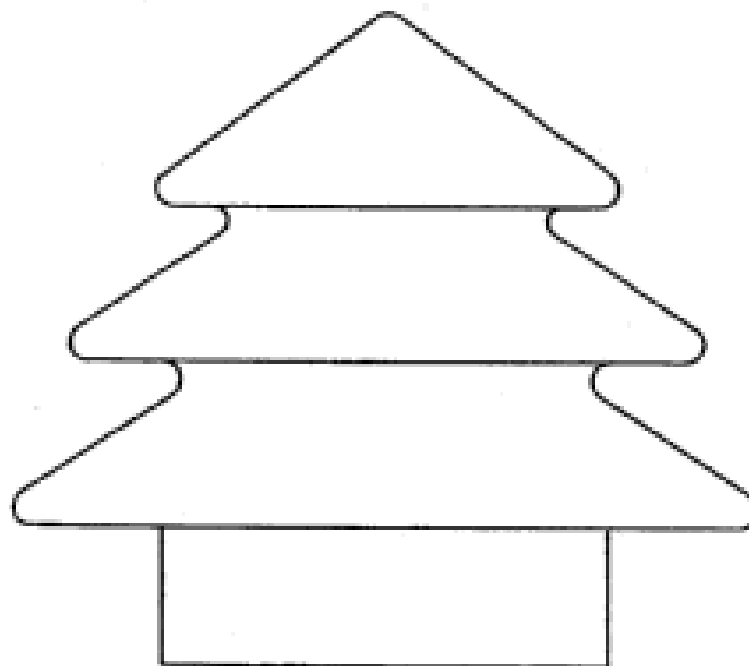
(45) Registration Date: **13 November 2009**

(56) Related Art Documents: **Not Applicable**

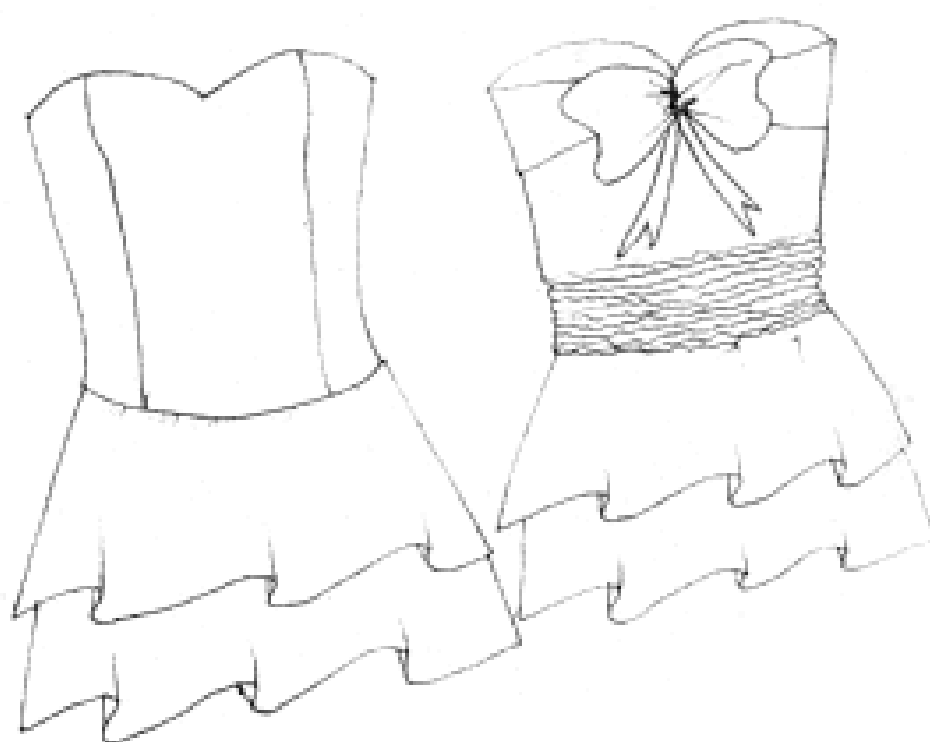
(57) Statement of Newness and Distinctiveness: **Nil**



- (21) Design Number: **13129/2009**
(22) Date of Filing Application: **18 August 2009**
(24) Date from which industrial property rights may have effect: **18 August 2009**
(54) Product in respect of which the design is registered: **Plastic box (container) in the shape of Christmas tree**
(51) International Design Classification: **09-03C**
(71) Name(s) and Address(s) of Applicant(s):
Nadco Foods
8/283 Spring Street Melbourne Victoria 3000 Australia
(72) Name(s) of Designer(s): **Bahram Naderi**
(45) Registration Date: **13 November 2009**
(56) Related Art Documents: **Not Applicable**
(57) Statement of Newness and Distinctiveness: **This design is new and has been tooled for moulding in such a way that will hold its shape and looks exactly like a Christmas tree.**



- (21) Design Number: **13176/2009**
(22) Date of Filing Application: **20 August 2009**
(24) Date from which industrial property rights may have effect: **20 August 2009**
(54) Product in respect of which the design is registered: **Clothing - dress**
(51) International Design Classification: **02-02C**
(71) Name(s) and Address(s) of Applicant(s):
Sun Ngar Lee Australia Pty. Ltd.
Suite 67 8-24 Kippax Street Surry Hills New South Wales 2010 Australia
(72) Name(s) of Designer(s): **Kelly Hunt**
(45) Registration Date: **13 November 2009**
(56) Related Art Documents: **Not Applicable**
(57) Statement of Newness and Distinctiveness: **Strapless sweetheart neckline dress with boned bodice, double layered full gathered skirt, open tie back with fitted shirring panel at back waist.**



(21) Design Number: **13177/2009**

(22) Date of Filing Application: **20 August 2009**

(24) Date from which industrial property rights may have effect: **20 August 2009**

(54) Product in respect of which the design is registered: **Clothing - dress**

(51) International Design Classification: **02-02C**

(71) Name(s) and Address(s) of Applicant(s):

**Sun Ngar Lee Australia Pty. Ltd.
Suite 67 8-24 Kippax Street Surry Hills New South Wales 2010
Australia**

(72) Name(s) of Designer(s): **Kelly Hunt**

(45) Registration Date: **13 November 2009**

(56) Related Art Documents: **Not Applicable**

(57) Statement of Newness and Distinctiveness: **Sweetheart neckline dress with fitted bodice and full tiered tutu style skirt. Thin eyelet detail straps and body detail. Straps crossover at back. Side zipper.**



(21) Design Number: **13178/2009**

(22) Date of Filing Application: **20 August 2009**

(24) Date from which industrial property rights may have effect: **20 August 2009**

(54) Product in respect of which the design is registered: **Clothing - dress**

(51) International Design Classification: **02-02C**

(71) Name(s) and Address(s) of Applicant(s):

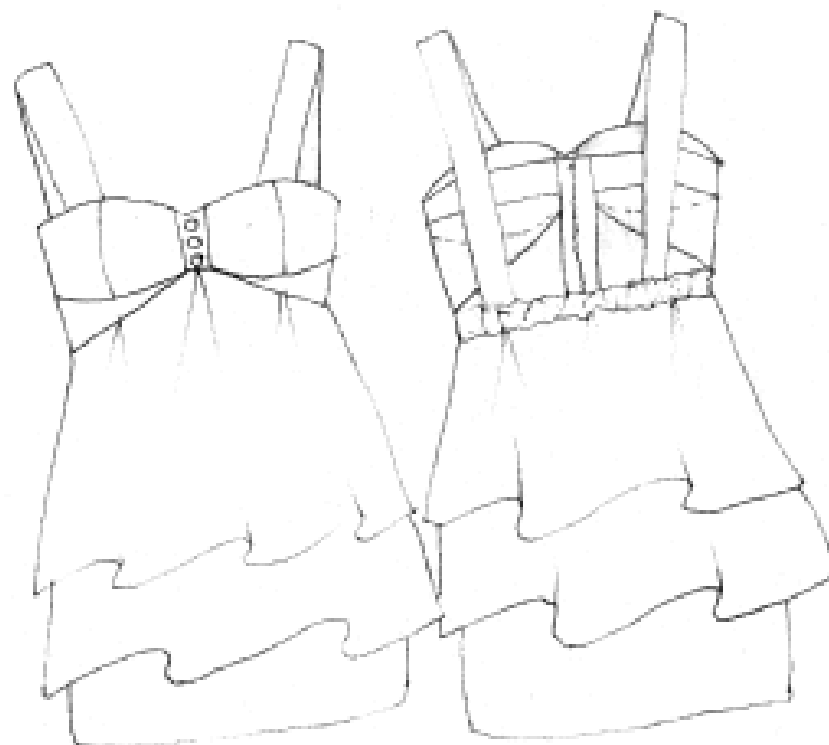
**Sun Ngar Lee Australia Pty. Ltd.
Suite 67 8-24 Kippax Street Surry Hills New South Wales 2010
Australia**

(72) Name(s) of Designer(s): **Kelly Hunt**

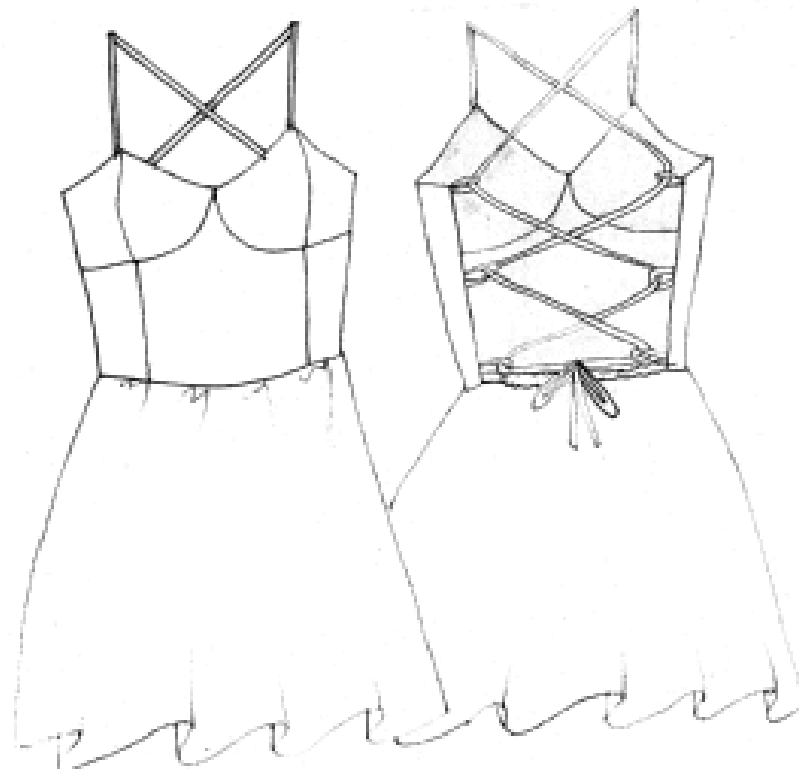
(45) Registration Date: **13 November 2009**

(56) Related Art Documents: **Not Applicable**

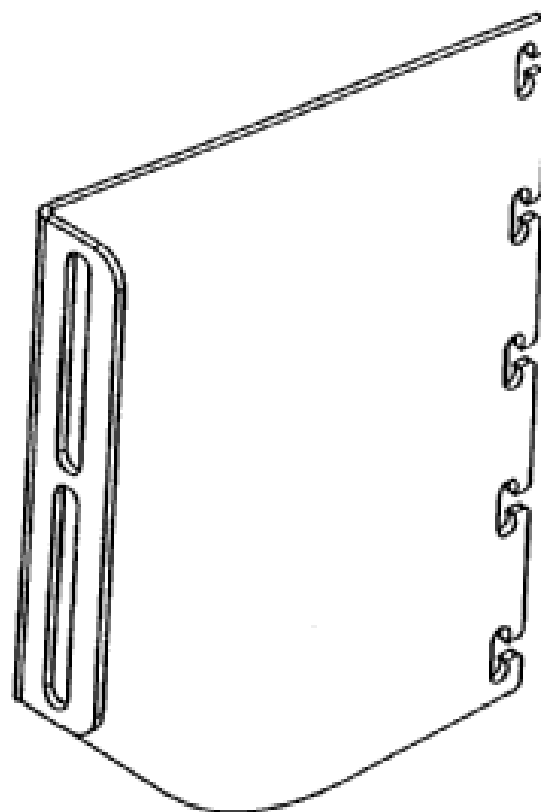
(57) Statement of Newness and Distinctiveness: **Sweetheart neckline, double tiered peplum skirt. Covered buttons at bust, thick straps, open cage back, with centre back zipper.**



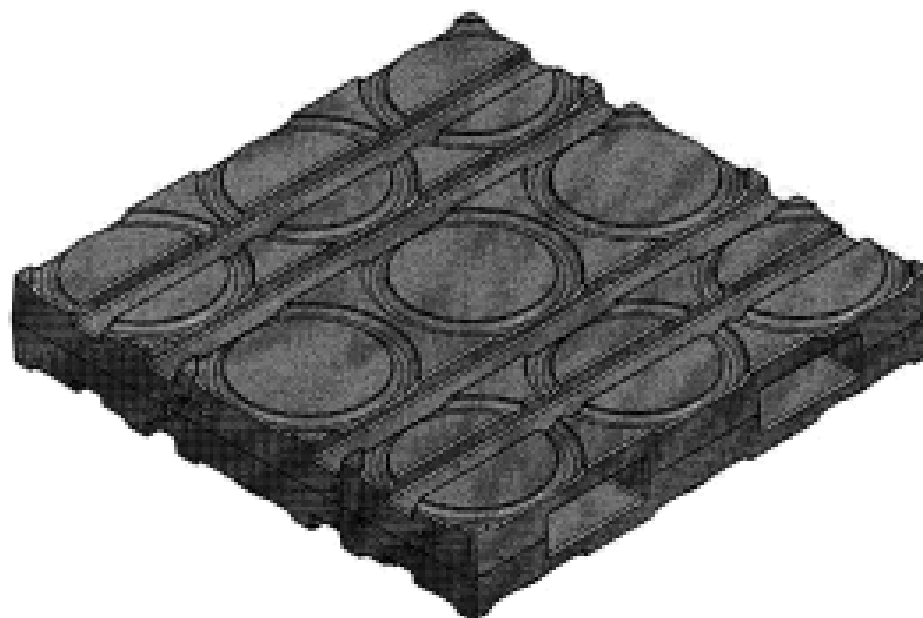
- (21) Design Number: **13179/2009**
(22) Date of Filing Application: **20 August 2009**
(24) Date from which industrial property rights may have effect: **20 August 2009**
(54) Product in respect of which the design is registered: **Clothing - dress**
(51) International Design Classification: **02-02C**
(71) Name(s) and Address(s) of Applicant(s):
Sun Ngar Lee Australia Pty. Ltd.
Suite 67 8-24 Kippax Street Surry Hills New South Wales 2010
Australia
(72) Name(s) of Designer(s): **Kelly Hunt**
(45) Registration Date: **13 November 2009**
(56) Related Art Documents: **Not Applicable**
(57) Statement of Newness and Distinctiveness: **Sweetheart neckline dress with fitted bodice, full gathered skirt, thin strapped cross back (lace up) straps, elastic back waist band.**



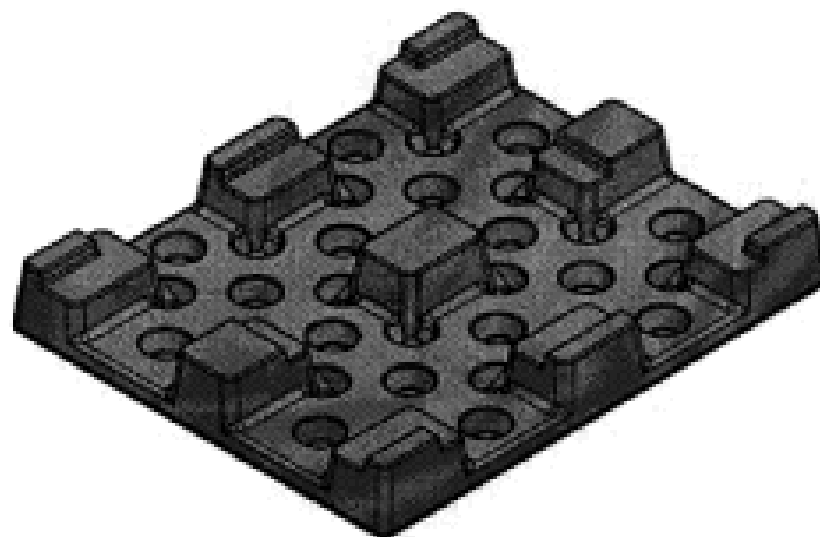
- (21) Design Number: **13986/2009**
(22) Date of Filing Application: **15 October 2009**
(24) Date from which industrial property rights may have effect: **15 October 2009**
(54) Product in respect of which the design is registered: **Bracket**
(51) International Design Classification: **08-08N**
(71) Name(s) and Address(s) of Applicant(s):
Delta Shelving Systems Pty Ltd
32 Regent Crescent Moorebank New South Wales 2170 Australia
(72) Name(s) of Designer(s): **Stephen John Eddowes**
(45) Registration Date: **11 November 2009**
(56) Related Art Documents: **Not Applicable**
(57) Statement of Newness and Distinctiveness: **Newness and distinctiveness reside in the features of the design as shown in the representations.**



- (21) Design Number: **14003/2009**
(22) Date of Filing Application: **16 October 2009**
(24) Date from which industrial property rights may have effect: **16 October 2009**
(54) Product in respect of which the design is registered: **A pallet**
(51) International Design Classification: **09-08**
(71) Name(s) and Address(s) of Applicant(s):
Kauko Hannikainen
19 Swanson Place Mudgeeraba Queensland 4213 Australia
(72) Name(s) of Designer(s): **Kauko Hannikainen**
(45) Registration Date: **11 November 2009**
(56) Related Art Documents: **Not Applicable**
(57) Statement of Newness and Distinctiveness: **Newness and distinctiveness are claimed in the shape and configuration of the pallet as depicted in the accompanying illustrations.**



- (21) Design Number: **14004/2009**
(22) Date of Filing Application: **16 October 2009**
(24) Date from which industrial property rights may have effect: **16 October 2009**
(54) Product in respect of which the design is registered: **A pallet**
(51) International Design Classification: **09-08**
(71) Name(s) and Address(s) of Applicant(s):
Kauko Hannikainen
19 Swanson Place Mudgeeraba Queensland 4213 Australia
(72) Name(s) of Designer(s): **Kauko Hannikainen**
(45) Registration Date: **11 November 2009**
(56) Related Art Documents: **Not Applicable**
(57) Statement of Newness and Distinctiveness: **Newness and distinctiveness is claimed in the shape and configuration of the pallet as depicted in the accompanying illustrations.**



(21) Design Number: **14005/2009**

(22) Date of Filing Application: **16 October 2009**

(24) Date from which industrial property rights may have effect: **16 October 2009**

(54) Product in respect of which the design is registered: **A pallet**

(51) International Design Classification: **09-08**

(71) Name(s) and Address(s) of Applicant(s):

Kauko Hannikainen

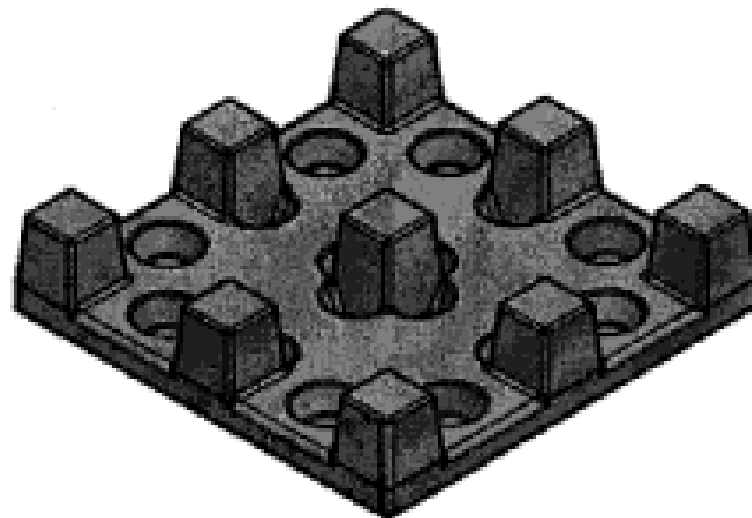
19 Swanson Place Mudgeeraba Queensland 4213 Australia

(72) Name(s) of Designer(s): **Kauko Hannikainen**

(45) Registration Date: **11 November 2009**

(56) Related Art Documents: **Not Applicable**

(57) Statement of Newness and Distinctiveness: **Newness and distinctiveness is claimed in the shape and configuration of the pallet as depicted in the accompanying illustrations.**



(21) Design Number: **14006/2009**

(22) Date of Filing Application: **16 October 2009**

(24) Date from which industrial property rights may have effect: **16 October 2009**

(54) Product in respect of which the design is registered: **A pallet**

(51) International Design Classification: **09-08**

(71) Name(s) and Address(s) of Applicant(s):

Kauko Hannikainen

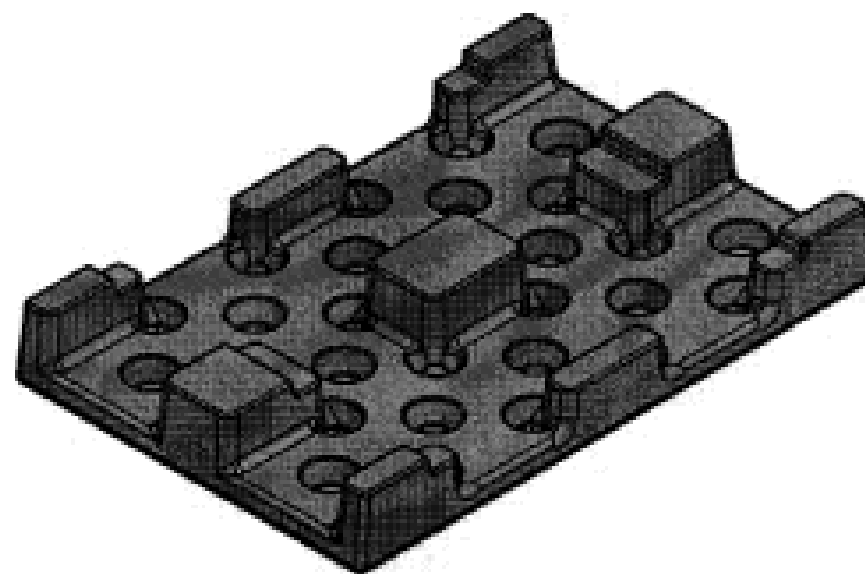
19 Swanson Place Mudgeeraba Queensland 4213 Australia

(72) Name(s) of Designer(s): **Kauko Hannikainen**

(45) Registration Date: **11 November 2009**

(56) Related Art Documents: **Not Applicable**

(57) Statement of Newness and Distinctiveness: **Newness and distinctiveness is claimed in the shape and configuration of the pallet, as depicted in the accompanying illustrations.**



(21) Design Number: **14007/2009**

(22) Date of Filing Application: **16 October 2009**

(24) Date from which industrial property rights may have effect: **16 October 2009**

(54) Product in respect of which the design is registered: **EMO lounge open weave chair**

(51) International Design Classification: **06-01F**

(71) Name(s) and Address(s) of Applicant(s):

Nique Enterprises Pty Ltd

2-4 Ainslie Close Somersby New South Wales 2250 Australia

(72) Name(s) of Designer(s): **Tom Bihari**

(45) Registration Date: **11 November 2009**

(56) Related Art Documents: **Not Applicable**

(57) Statement of Newness and Distinctiveness: **Nil**



(21) Design Number: **14008/2009**

(22) Date of Filing Application: **16 October 2009**

(24) Date from which industrial property rights may have effect: **16 October 2009**

(54) Product in respect of which the design is registered: **EMO lounge closed weave chair**

(51) International Design Classification: **06-01F**

(71) Name(s) and Address(s) of Applicant(s):

Nique Enterprises Pty Ltd

2-4 Ainslie Close Somersby New South Wales 2250 Australia

(72) Name(s) of Designer(s): **Tom Bihari**

(45) Registration Date: **11 November 2009**

(56) Related Art Documents: **Not Applicable**

(57) Statement of Newness and Distinctiveness: **Nil**



(21) Design Number: **14059/2009**

(22) Date of Filing Application: **20 October 2009**

(24) Date from which industrial property rights may have effect: **20 October 2009**

(54) Product in respect of which the design is registered: **Inflatable image system: inflatable shape inflated by blower(s)**

(51) International Design Classification: **21-03**

(71) Name(s) and Address(s) of Applicant(s):

**Inflatable Image Technologies Pty Limited
2/11 Hume Road Smithfield New South Wales 2164 Australia**

(72) Name(s) of Designer(s): **Chris Miller**

(45) Registration Date: **11 November 2009**

(56) Related Art Documents: **Not Applicable**

(57) Statement of Newness and Distinctiveness: **Inflatable moving shape inflated by forced air under pressure using 1 or more blowers. Unique dog shape.**



(21) Design Number: **14060/2009**

(22) Date of Filing Application: **20 October 2009**

(24) Date from which industrial property rights may have effect: **20 October 2009**

(54) Product in respect of which the design is registered: **Inflatable image system: inflatable shape inflated by blower(s)**

(51) International Design Classification: **21-03**

(71) Name(s) and Address(s) of Applicant(s):

**Inflatable Image Technologies Pty Limited
2/11 Hume Road Smithfield New South Wales 2164 Australia**

(72) Name(s) of Designer(s): **Chris Miller**

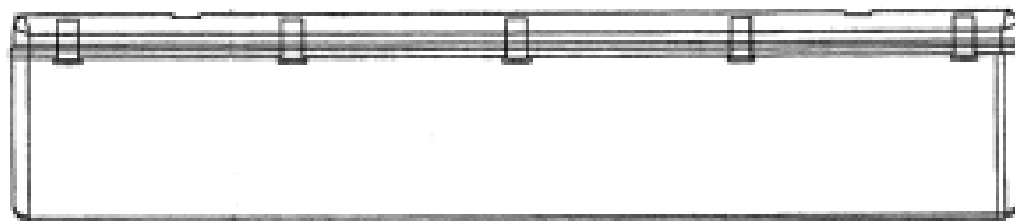
(45) Registration Date: **11 November 2009**

(56) Related Art Documents: **Not Applicable**

(57) Statement of Newness and Distinctiveness: **Inflatable moving shape inflated by forced air under pressure using 1 or more blowers. Unique design and patterning.**



(21) Design Number: **12643/2009**
(22) Date of Filing Application: **20 July 2009**
(24) Date from which industrial property rights may have effect: **20 July 2009**
(54) Product in respect of which the design is registered: **LUCI Advertising Lightbox**
(51) International Design Classification: **20-03NES**
(71) Name(s) and Address(s) of Applicant(s):
Wow Display Media Pty Ltd
616-618 Warrigal Road Malvern East Victoria 3145 Australia
(72) Name(s) of Designer(s): **Prem Reghunath**
(45) Registration Date: **11 November 2009**
(56) Related Art Documents: **Not Applicable**
(57) Statement of Newness and Distinctiveness: **Nil**



(21) Design Number: **13775/2009**
(22) Date of Filing Application: **02 October 2009**
(24) Date from which industrial property rights may have effect: **02 October 2009**
(54) Product in respect of which the design is registered: **Exercise machine**
(51) International Design Classification: **21-02F**
(71) Name(s) and Address(s) of Applicant(s):
Fitness Brands Inc
7850 Ruffner Avenue Van Nuys California 91406 United States of America
(72) Name(s) of Designer(s): **Michael Casey**
(45) Registration Date: **11 November 2009**
(30) Convention priority data:
(31) Number (32) Date (33) Country
412655 03 Sep 2009 NEW ZEALAND
(56) Related Art Documents: **Not Applicable**
(57) Statement of Newness and Distinctiveness: **Nil**



- (21) Design Number: **13956/2009**
(22) Date of Filing Application: **15 October 2009**
(24) Date from which industrial property rights may have effect: **15 October 2009**
(54) Product in respect of which the design is registered: **A cooking hob**
(51) International Design Classification: **07-02C**
(71) Name(s) and Address(s) of Applicant(s):

Electrolux Home Products Pty Limited
163 O'Riordan Street Mascot New South Wales 2020 Australia

- (72) Name(s) of Designer(s): **Scott King and Alex Gray and Carlo Rossi**

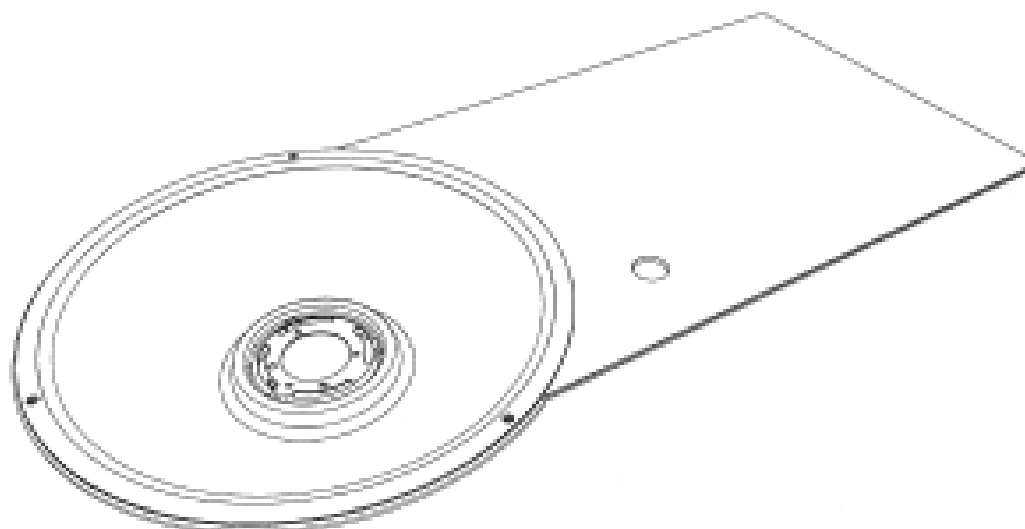
- (45) Registration Date: **11 November 2009**

- (30) Convention priority data:

(31) Number	(32) Date	(33) Country
200930184261.3	20 Apr 2009	CHINA

- (56) Related Art Documents: **Not Applicable**

- (57) Statement of Newness and Distinctiveness: **Newness and distinctiveness is claimed in those features of shape and or configuration of a cooking hob having in plan view a generally keyhole shape, that is, one end is at least part circular and another end is at least part rectangular, as depicted in the accompanying representations.**



- (21) Design Number: **13957/2009**
(22) Date of Filing Application: **15 October 2009**
(24) Date from which industrial property rights may have effect: **15 October 2009**
(54) Product in respect of which the design is registered: **A cooktop**
(51) International Design Classification: **07-02A**
(71) Name(s) and Address(s) of Applicant(s):

Electrolux Home Products Pty Limited
163 O'Riordan Street Mascot New South Wales 2020 Australia

- (72) Name(s) of Designer(s): **Scott King and Alex Gray and Carlo Rossi**

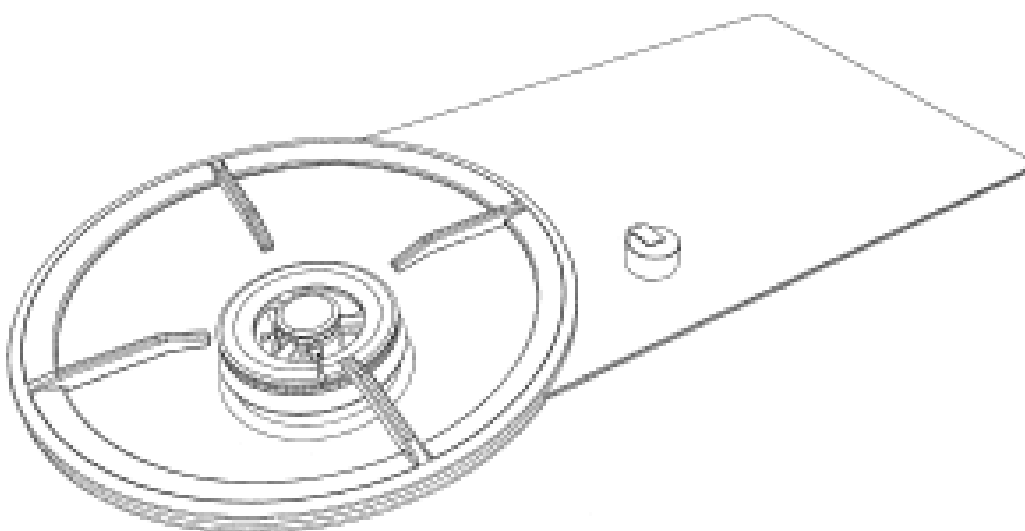
- (45) Registration Date: **11 November 2009**

- (30) Convention priority data:

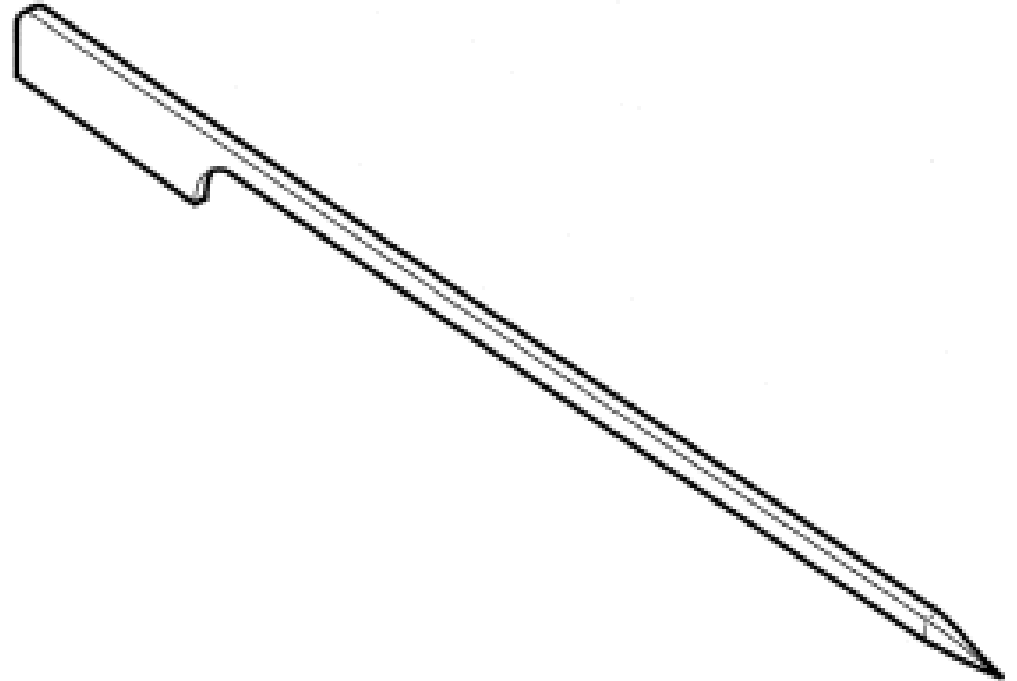
(31) Number	(32) Date	(33) Country
200930184261.3	20 Apr 2009	CHINA

- (56) Related Art Documents: **Not Applicable**

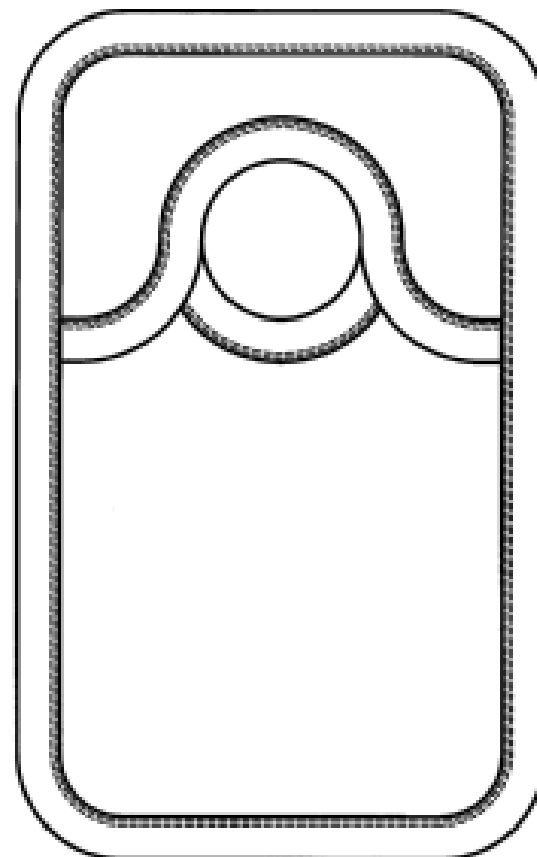
- (57) Statement of Newness and Distinctiveness: **Newness and distinctiveness is claimed in those features of shape and or configuration of a cooktop having in plan view a generally keyhole shape, that is, one end is at least part circular and another end is at least part rectangular, as depicted in the accompanying representations.**



- (21) Design Number: **13993/2009**
(22) Date of Filing Application: **16 October 2009**
(24) Date from which industrial property rights may have effect: **16 October 2009**
(54) Product in respect of which the design is registered: **Skewer stick**
(51) International Design Classification: **07-02NES**
(71) Name(s) and Address(s) of Applicant(s):
Cordina Chicken Farms Pty Ltd
55 Mandon Road Girraween New South Wales 2145 Australia
(72) Name(s) of Designer(s): **Mario Camilleri**
(45) Registration Date: **11 November 2009**
(56) Related Art Documents: **Not Applicable**
(57) Statement of Newness and Distinctiveness: **Newness and distinctiveness is claimed in the features of shape and/or configuration of a skewer stick as illustrated in the accompanying representations.**



- (21) Design Number: **14205/2009**
(22) Date of Filing Application: **26 October 2009**
(24) Date from which industrial property rights may have effect: **26 October 2009**
(54) Product in respect of which the design is registered: **Children's bib**
(51) International Design Classification: **02-05**
(71) Name(s) and Address(s) of Applicant(s):
Elizabeth Ann O'Connor-Cowley
PO Box 2244 Milton Queensland 4064 Australia
(72) Name(s) of Designer(s): **Elizabeth Ann O'Connor-Cowley**
(45) Registration Date: **11 November 2009**
(56) Related Art Documents: **Not Applicable**
(57) Statement of Newness and Distinctiveness: **This children's bib is distinct due to the new way in which the opening of the bib (the part that goes over the head of child) is designed and looks. The neckline opening consists of two diametrically opposed semi-circular individual pieces (as in the same curved shape, but opposite to each other), which together form an expandable circular opening to go over the head, and then naturally retracts to fit neatly around the neck of a child.**



(21) Design Number: **13266/2009**
(22) Date of Filing Application: **25 August 2009**
(24) Date from which industrial property rights may have effect: **25 August 2009**
(54) Product in respect of which the design is registered: **Tile**
(51) International Design Classification: **25-01F**
(71) Name(s) and Address(s) of Applicant(s):

SOF Surfaces Inc.
PO Box 239 4393 Discovery Lane Petrolia Ontario N0N 1R0 Canada

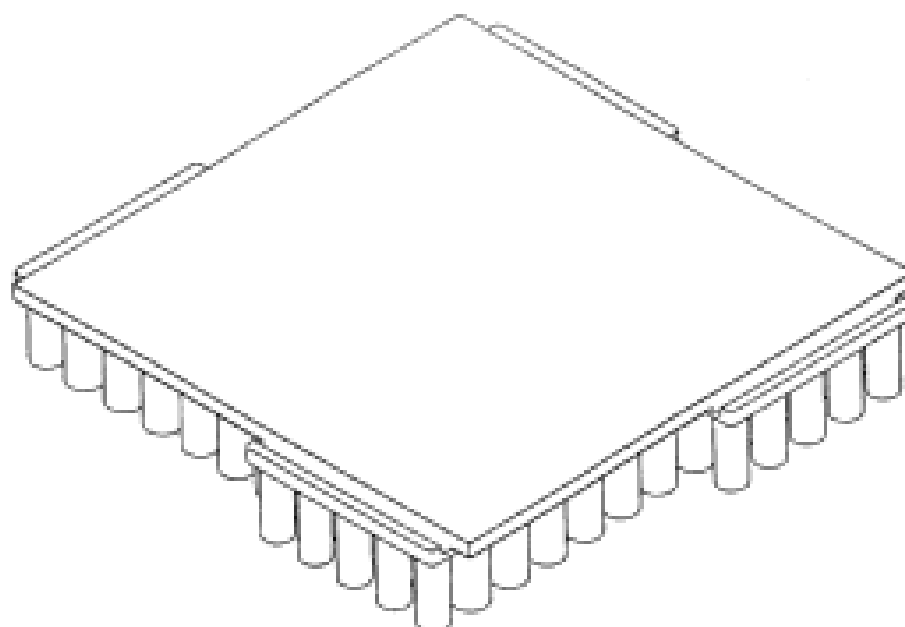
(72) Name(s) of Designer(s): **John Prins**
(45) Registration Date: **12 November 2009**

(30) Convention priority data:

(31) Number	(32) Date	(33) Country
130998	05 Jun 2009	CANADA

(56) Related Art Documents: **Not Applicable**

(57) Statement of Newness and Distinctiveness: **Nil**



(21) Design Number: **14301/2009**
(22) Date of Filing Application: **25 August 2009**
(24) Date from which industrial property rights may have effect: **25 August 2009**
(54) Product in respect of which the design is registered: **Tile**
(51) International Design Classification: **25-01F**
(71) Name(s) and Address(s) of Applicant(s):

SOF Surfaces Inc.
PO Box 239 4393 Discovery Lane Petrolia Ontario N0N 1R0 Canada

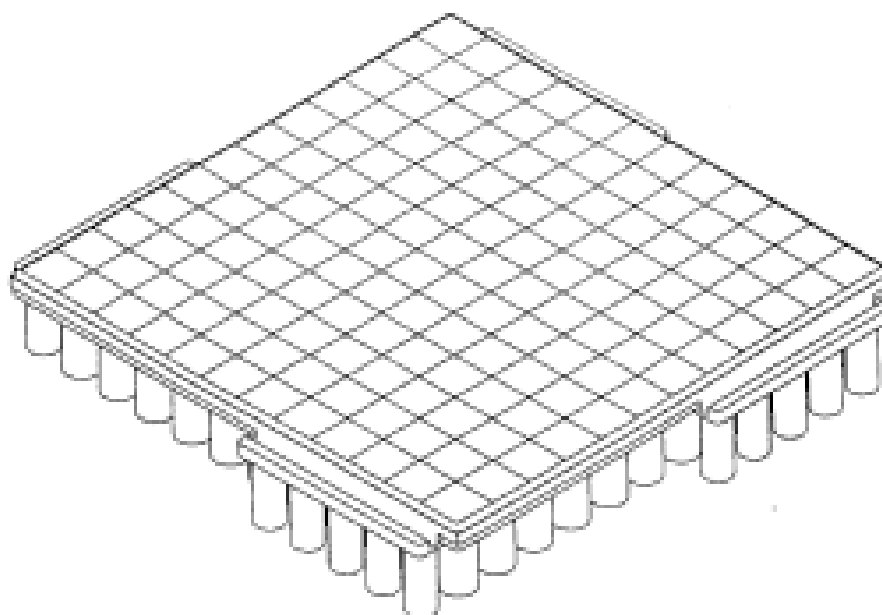
(72) Name(s) of Designer(s): **John Prins**
(45) Registration Date: **12 November 2009**

(30) Convention priority data:

(31) Number	(32) Date	(33) Country
130998	05 Jun 2009	CANADA

(56) Related Art Documents: **Not Applicable**

(57) Statement of Newness and Distinctiveness: **Nil**



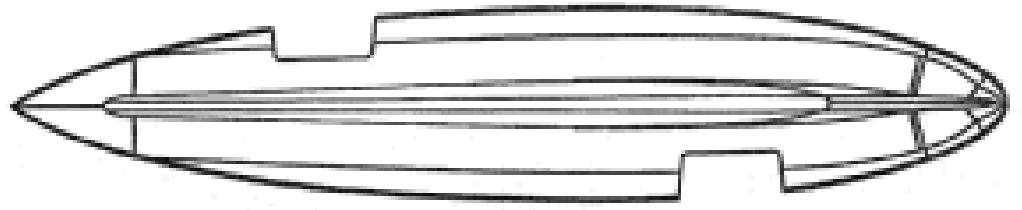
- (21) Design Number: **13267/2009**
(22) Date of Filing Application: **25 August 2009**
(24) Date from which industrial property rights may have effect: **25 August 2009**
(54) Product in respect of which the design is registered: **Left side power base fin with flanged base for detachable fin attachment**
(51) International Design Classification: **21-02D**
(71) Name(s) and Address(s) of Applicant(s):
Surf Composites Pty Ltd
13 Paradise Avenue Mount Pleasant New South Wales 2519 Australia
(72) Name(s) of Designer(s): **David Byrne**
(45) Registration Date: **12 November 2009**
(56) Related Art Documents: **Not Applicable**
(57) Statement of Newness and Distinctiveness: **A flanged base fin with a unique angular undercut design that when secured by a screw applied with downward pressure, secures the fin to the bottom of the surfboard. Adaptable to multiple fin shapes and systems.**



- (21) Design Number: **14177/2009**
(22) Date of Filing Application: **25 August 2009**
(24) Date from which industrial property rights may have effect: **25 August 2009**
(54) Product in respect of which the design is registered: **Right side power base fin with flanged base for detachable fin attachment**
(51) International Design Classification: **21-02D**
(71) Name(s) and Address(s) of Applicant(s):
Surf Composites Pty Ltd
13 Paradise Avenue Mount Pleasant New South Wales 2519 Australia
(72) Name(s) of Designer(s): **David Byrne**
(45) Registration Date: **12 November 2009**
(56) Related Art Documents: **Not Applicable**
(57) Statement of Newness and Distinctiveness: **A flanged base fin with a unique angular undercut design that when secured by a screw applied with downward pressure, secures the fin to the bottom of the surfboard. Adaptable to multiple fin shapes and systems.**



- (21) Design Number: **14178/2009**
(22) Date of Filing Application: **25 August 2009**
(24) Date from which industrial property rights may have effect: **25 August 2009**
(54) Product in respect of which the design is registered: **Centre power base fin with flanged base for detachable fin attachment**
(51) International Design Classification: **21-02D**
(71) Name(s) and Address(s) of Applicant(s):
Surf Composites Pty Ltd
13 Paradise Avenue Mount Pleasant New South Wales 2519 Australia
(72) Name(s) of Designer(s): **David Byrne**
(45) Registration Date: **12 November 2009**
(56) Related Art Documents: **Not Applicable**
(57) Statement of Newness and Distinctiveness: **A flanged base fin with a unique angular undercut design that when secured by a screw applying downward pressure secures the fin to the bottom surface of the surfboard. Adaptable to multiple fin shapes and systems.**



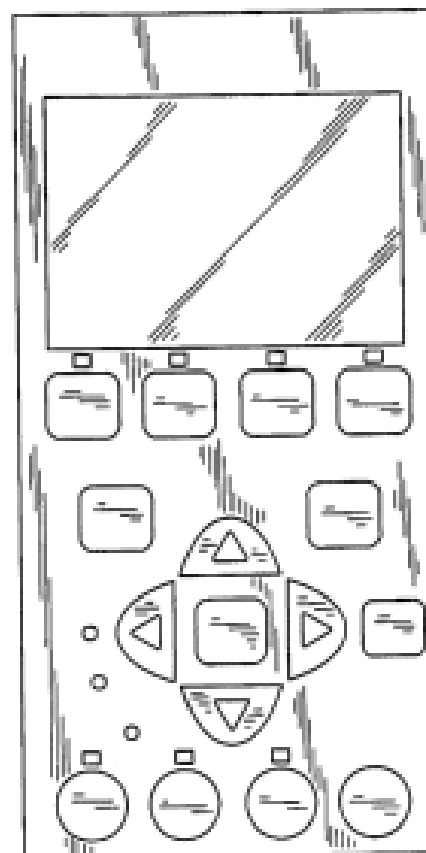
- (21) Design Number: **13488/2009**
(22) Date of Filing Application: **08 September 2009**
(24) Date from which industrial property rights may have effect: **08 September 2009**
(54) Product in respect of which the design is registered: **An armour vest**
(51) International Design Classification: **02-02B**
(71) Name(s) and Address(s) of Applicant(s):
Moana Pty Ltd
127 Belgrave-Gembrook Road Selby Victoria 3159 Australia
(72) Name(s) of Designer(s): **Graeme Bulte and Tim O'Brien**
(45) Registration Date: **12 November 2009**
(56) Related Art Documents: **Not Applicable**
(57) Statement of Newness and Distinctiveness: **The shape and configuration of the following features of the product are new and distinctive: - the woven webbing panels on the front panels, - the window pouch on the upper region of the front right panel, and - the left and right front panels.**



(19) AU

- (21) Design Number: **14025/2009**
- (22) Date of Filing Application: **19 October 2009**
- (24) Date from which industrial property rights may have effect: **19 October 2009**
- (54) Product in respect of which the design is registered: **Pump control pad**
- (51) International Design Classification: **15-02**
- (71) Name(s) and Address(s) of Applicant(s):
Pentair Water Pool and Spa, Inc.
1620 Hawkins Avenue Sanford North Carolina 27330 United States of America
Danfoss Low Power Drives
Ulsnaes 1 DK-6300 Graasten Denmark
- (72) Name(s) of Designer(s): **Robert W. Stiles Jr and Lars Hoffmann Berthelsen and Gert Kjaer and Arne Fink Hansen**
- (45) Registration Date: **12 November 2009**
- (30) Convention priority data:

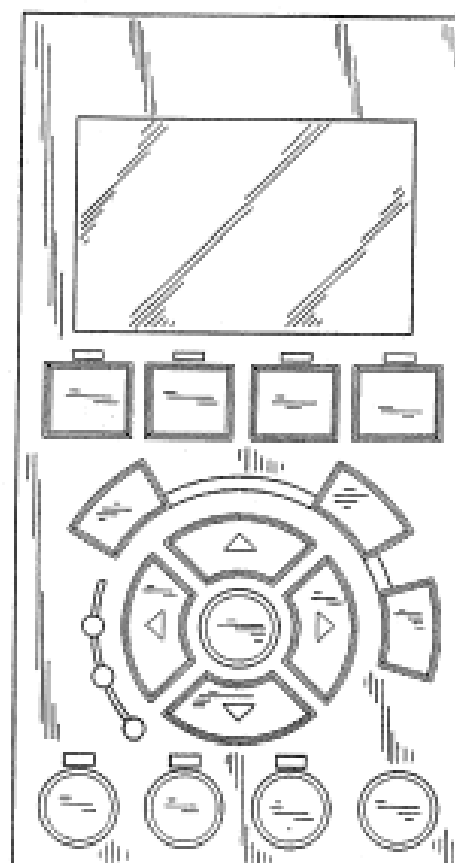
(31) Number	(32) Date	(33) Country
29/335590	17 Apr 2009	UNITED STATES OF AMERICA
- (56) Related Art Documents: **Not Applicable**
- (57) Statement of Newness and Distinctiveness: **Newness and distinctiveness is claimed in the features of shape and/or configuration of a pump control pad as illustrated in the accompanying representations.**



(19) AU

- (21) Design Number: **14026/2009**
- (22) Date of Filing Application: **19 October 2009**
- (24) Date from which industrial property rights may have effect: **19 October 2009**
- (54) Product in respect of which the design is registered: **Pump control pad**
- (51) International Design Classification: **15-02**
- (71) Name(s) and Address(s) of Applicant(s):
Pentair Water Pool and Spa, Inc.
1620 Hawkins Avenue Sanford North Carolina 27330 United States of America
Danfoss Low Power Drives
Ulsnaes 1 DK-6300 Graasten Denmark
- (72) Name(s) of Designer(s): **Robert W. Stiles Jr and Lars Hoffmann Berthelsen and Gert Kjaer and Arne Fink Hansen**
- (45) Registration Date: **12 November 2009**
- (30) Convention priority data:

(31) Number	(32) Date	(33) Country
29/335589	17 Apr 2009	UNITED STATES OF AMERICA
- (56) Related Art Documents: **Not Applicable**
- (57) Statement of Newness and Distinctiveness: **Newness and distinctiveness is claimed in the features of shape and/or configuration of a pump control pad as illustrated in the accompanying representations.**



(21) Design Number: **14027/2009**

(22) Date of Filing Application: **19 October 2009**

(24) Date from which industrial property rights may have effect: **19 October 2009**

(54) Product in respect of which the design is registered: **A portable building**

(51) International Design Classification: **25-03**

(71) Name(s) and Address(s) of Applicant(s):

Habode IP Limited

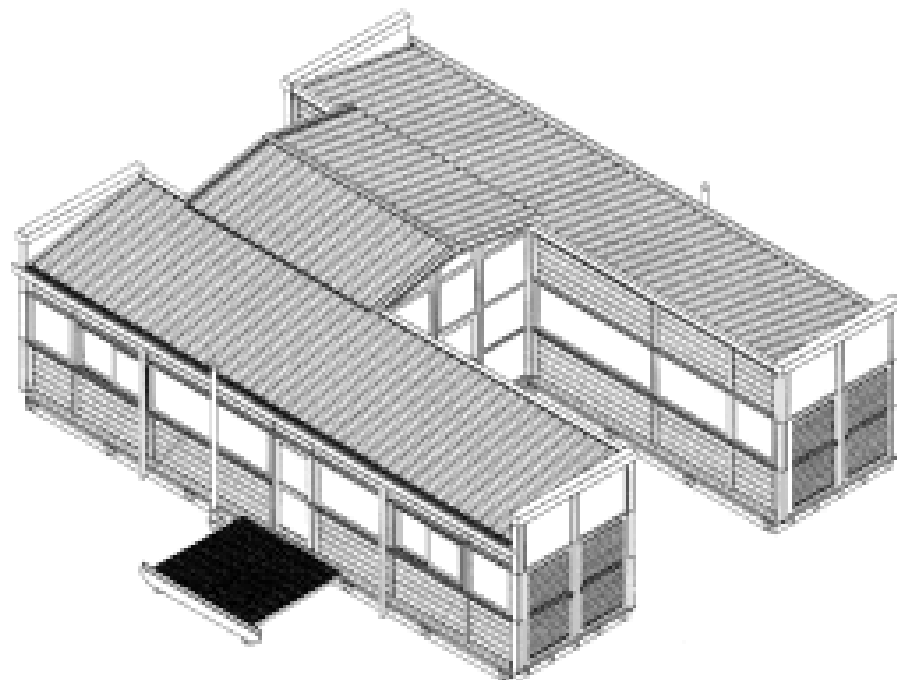
**c/- the offices of Kendons Chartered Accountants 69 Rutherford
Street Lower Hutt New Zealand 5010**

(72) Name(s) of Designer(s): **Rodney Mark Gibson**

(45) Registration Date: **12 November 2009**

(56) Related Art Documents: **Not Applicable**

(57) Statement of Newness and Distinctiveness: **Novelty resides in the features
of shape as shown in the accompanying representations.**



(21) Design Number: **14028/2009**

(22) Date of Filing Application: **19 October 2009**

(24) Date from which industrial property rights may have effect: **19 October 2009**

(54) Product in respect of which the design is registered: **A portable building**

(51) International Design Classification: **25-03**

(71) Name(s) and Address(s) of Applicant(s):

Habode IP Limited

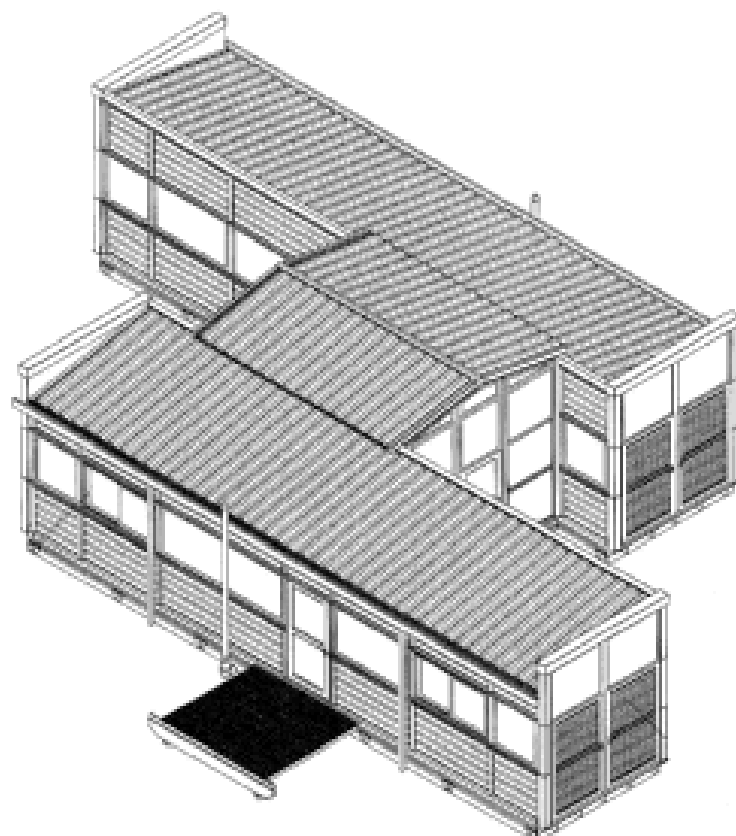
**c/- the offices of Kendons Chartered Accountants 69 Rutherford
Street Lower Hutt New Zealand 5010**

(72) Name(s) of Designer(s): **Rodney Mark Gibson**

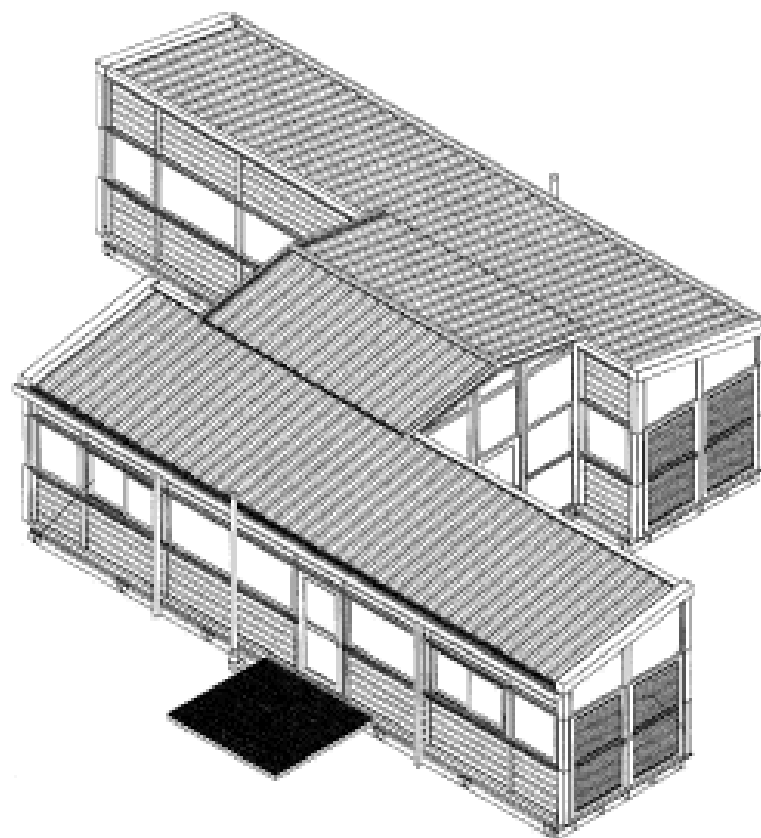
(45) Registration Date: **12 November 2009**

(56) Related Art Documents: **Not Applicable**

(57) Statement of Newness and Distinctiveness: **Novelty resides in the features
of shape as shown in the accompanying representations.**

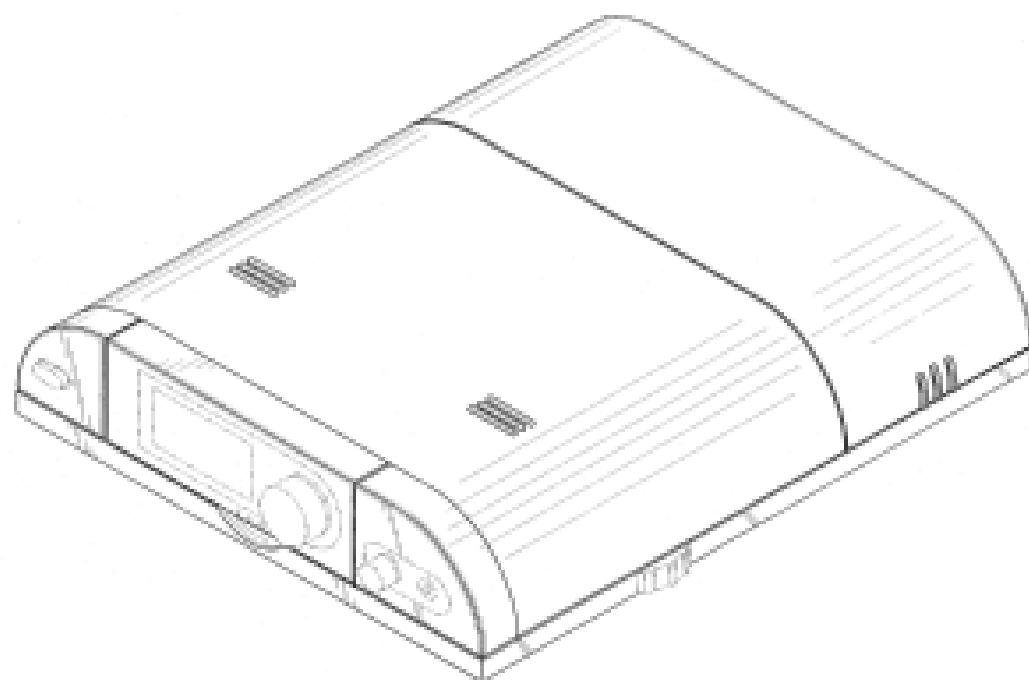


- (21) Design Number: **14029/2009**
- (22) Date of Filing Application: **19 October 2009**
- (24) Date from which industrial property rights may have effect: **19 October 2009**
- (54) Product in respect of which the design is registered: **A portable building**
- (51) International Design Classification: **25-03**
- (71) Name(s) and Address(s) of Applicant(s):
Habode IP Limited
c/- the offices of Kendons Chartered Accountants 69 Rutherford
Street Lower Hutt New Zealand 5010
- (72) Name(s) of Designer(s): **Rodney Mark Gibson**
- (45) Registration Date: **12 November 2009**
- (56) Related Art Documents: **Not Applicable**
- (57) Statement of Newness and Distinctiveness: **Novelty resides in the features of shape as shown in the accompanying representations.**

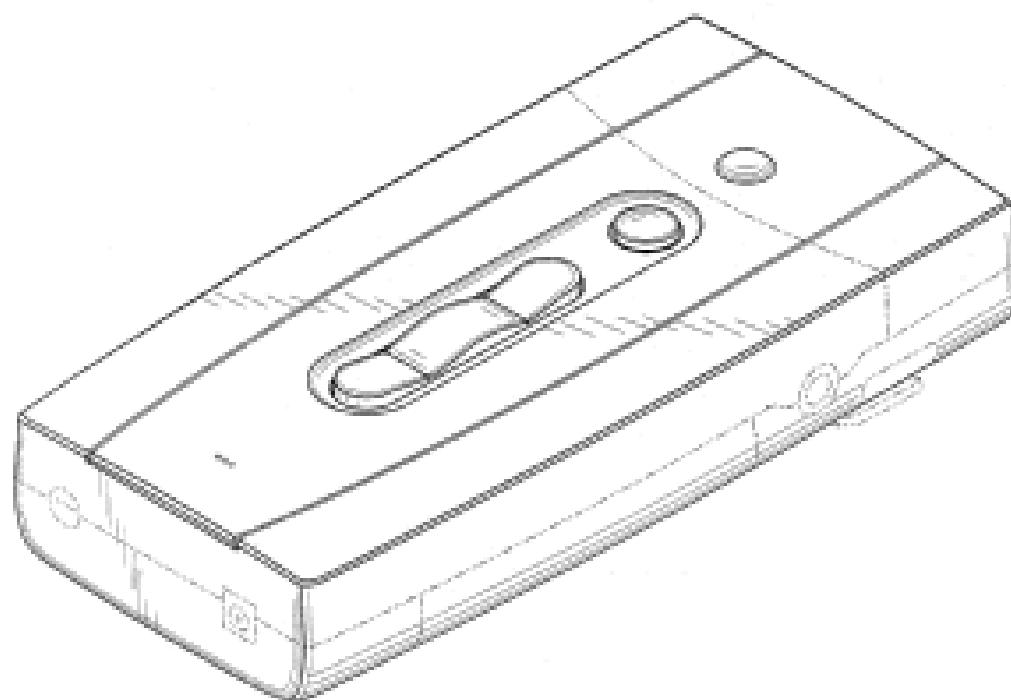


- (21) Design Number: **13996/2009**
- (22) Date of Filing Application: **14 October 2009**
- (24) Date from which industrial property rights may have effect: **14 October 2009**
- (54) Product in respect of which the design is registered: **Control unit**
- (51) International Design Classification: **14-02**
- (71) Name(s) and Address(s) of Applicant(s):
Listen Technologies Corporation
14912 Heritagecrest Way Bluffdale UT 84065-4818 United States of
America
- (72) Name(s) of Designer(s): **Russell Gentner and Corina R. Schaeffer and**
Keldon A. Paxman and Peter Schmidt
- (45) Registration Date: **13 November 2009**
- (30) Convention priority data:

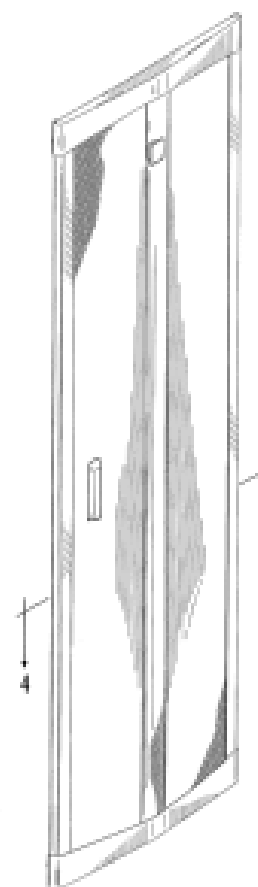
(31) Number	(32) Date	(33) Country
29/335,436	15 Apr 2009	UNITED STATES OF AMERICA
- (56) Related Art Documents: **Not Applicable**
- (57) Statement of Newness and Distinctiveness: **Visual features of the design which are new and distinctive are the features of shape and configuration of control unit as illustrated in the representations. The elements shown in broken lines do not form part of the design and are to be disregarded.**



- (21) Design Number: **13997/2009**
(22) Date of Filing Application: **14 October 2009**
(24) Date from which industrial property rights may have effect: **14 October 2009**
(54) Product in respect of which the design is registered: **Microphone**
(51) International Design Classification: **14-01**
(71) Name(s) and Address(s) of Applicant(s):
Listen Technologies Corporation
14912 Heritagecrest Way Bluffdale UT 84065-4818 United States of America
(72) Name(s) of Designer(s): **Russell Gentner and Corina R. Schaeffer and Keldon A. Paxman and Peter Schmidt**
(45) Registration Date: **13 November 2009**
(30) Convention priority data:
(31) Number (32) Date (33) Country
29/335,434 15 Apr 2009 UNITED STATES OF AMERICA
(56) Related Art Documents: **Not Applicable**
(57) Statement of Newness and Distinctiveness: **Visual features of the design which are new and distinctive are the features of shape and configuration of microphone as illustrated in the representations. The elements shown in broken line are not part of the design and are to be disregarded.**

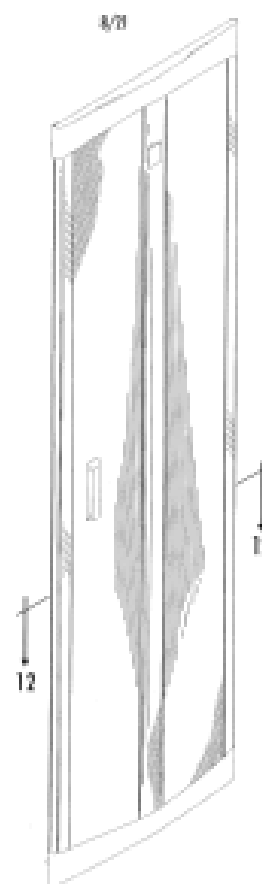


- (21) Design Number: **14009/2009**
(22) Date of Filing Application: **19 October 2009**
(24) Date from which industrial property rights may have effect: **19 October 2009**
(54) Product in respect of which the design is registered: **Cover for electronic equipment cabinet**
(51) International Design Classification: **14-02**
(71) Name(s) and Address(s) of Applicant(s):
Chatsworth Products, Inc.
31425 Agoura Road Westlake Village CA 91361-4614 United States of America
(72) Name(s) of Designer(s): **D. Brian Donowho and James I. Lawrence and Scott Alexander Smith**
(45) Registration Date: **13 November 2009**
(30) Convention priority data:
(31) Number (32) Date (33) Country
29/335697 20 Apr 2009 UNITED STATES OF AMERICA
(56) Related Art Documents: **Not Applicable**
(57) Statement of Newness and Distinctiveness: **When determining whether the embodiments 2 and 3 are substantially similar in overall impression to another design, no regard is to be had to those features shown in dotted outline in the accompanying drawings.**



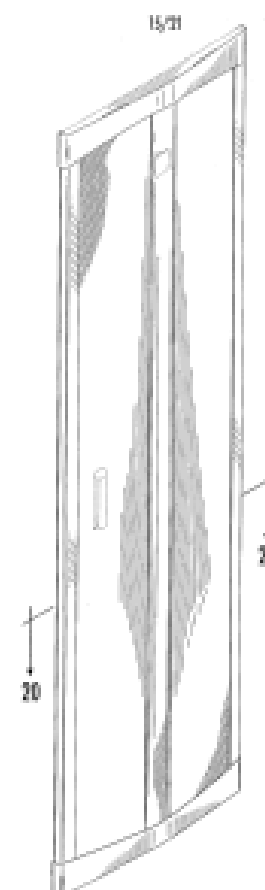
- (21) Design Number: **14010/2009**
- (22) Date of Filing Application: **19 October 2009**
- (24) Date from which industrial property rights may have effect: **19 October 2009**
- (54) Product in respect of which the design is registered: **Cover for electronic equipment cabinet**
- (51) International Design Classification: **14-02**
- (71) Name(s) and Address(s) of Applicant(s):
Chatsworth Products, Inc.
31425 Agoura Road Westlake Village CA 91361-4614 United States of America
- (72) Name(s) of Designer(s): **D. Brian Donowho and James I. Lawrence and Scott Alexander Smith**
- (45) Registration Date: **13 November 2009**
- (30) Convention priority data:

(31) Number	(32) Date	(33) Country
29/335697	20 Apr 2009	UNITED STATES OF AMERICA
- (56) Related Art Documents: **Not Applicable**
- (57) Statement of Newness and Distinctiveness: **When determining whether the embodiments 2 and 3 are substantially similar in overall impression to another design, no regard is to be had to those features shown in dotted outline in the accompanying drawings.**

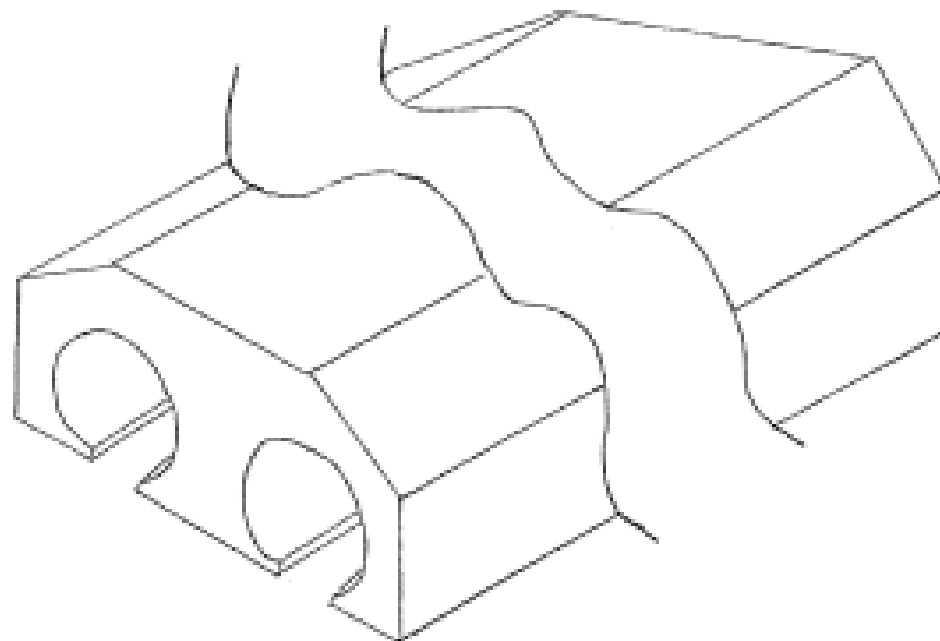


- (21) Design Number: **14011/2009**
- (22) Date of Filing Application: **19 October 2009**
- (24) Date from which industrial property rights may have effect: **19 October 2009**
- (54) Product in respect of which the design is registered: **Cover for electronic equipment cabinet**
- (51) International Design Classification: **14-02**
- (71) Name(s) and Address(s) of Applicant(s):
Chatsworth Products, Inc.
31425 Agoura Road Westlake Village CA 91361-4614 United States of America
- (72) Name(s) of Designer(s): **D. Brian Donowho and James I. Lawrence and Scott Alexander Smith**
- (45) Registration Date: **13 November 2009**
- (30) Convention priority data:

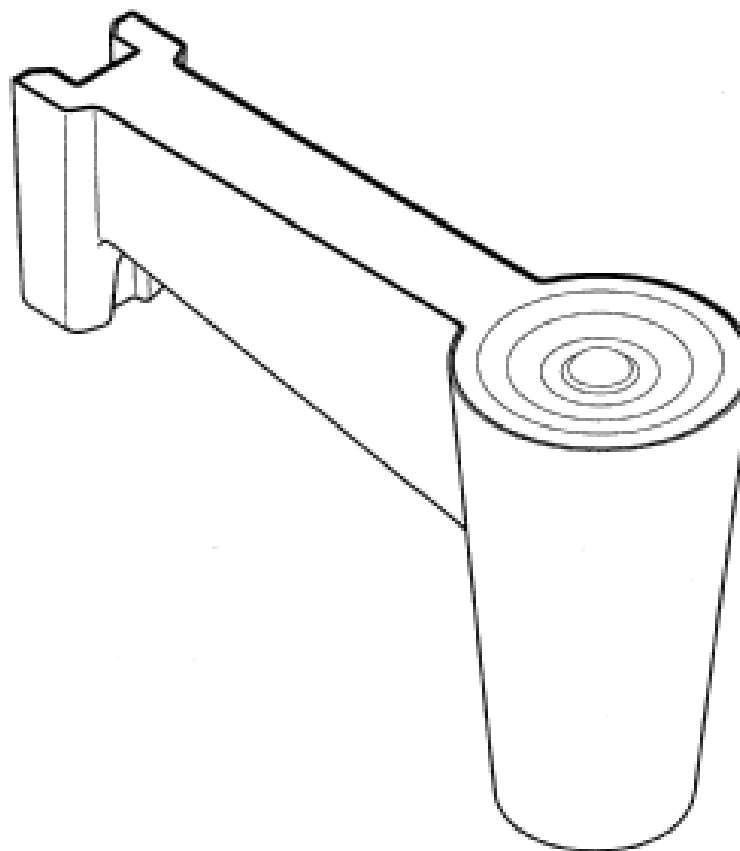
(31) Number	(32) Date	(33) Country
29/335697	20 Apr 2009	UNITED STATES OF AMERICA
- (56) Related Art Documents: **Not Applicable**
- (57) Statement of Newness and Distinctiveness: **When determining whether the embodiments 2 and 3 are substantially similar in overall impression to another design, no regard is to be had to those features shown in dotted outline in the accompanying drawings.**



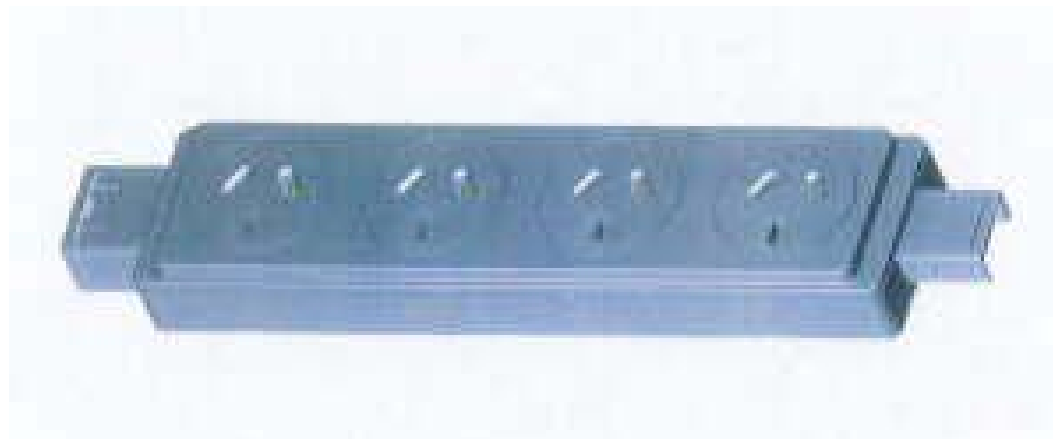
- (21) Design Number: **14014/2009**
(22) Date of Filing Application: **20 October 2009**
(24) Date from which industrial property rights may have effect: **20 October 2009**
(54) Product in respect of which the design is registered: **A connector**
(51) International Design Classification: **13-03E**
(71) Name(s) and Address(s) of Applicant(s):
Lindsay Tasker Limited
Abacus Administration Limited 53-61 Whitaker Street Te Aroha New Zealand
(72) Name(s) of Designer(s): **Lindsay John Tasker**
(45) Registration Date: **13 November 2009**
(30) Convention priority data:
(31) Number (32) Date (33) Country
412221 27 Apr 2009 NEW ZEALAND
(56) Related Art Documents: **Not Applicable**
(57) Statement of Newness and Distinctiveness: **The newness of the design resides in the features of shape and configuration all as shown in the accompanying representations. The design has indefinite length.**



- (21) Design Number: **14015/2009**
(22) Date of Filing Application: **19 October 2009**
(24) Date from which industrial property rights may have effect: **19 October 2009**
(54) Product in respect of which the design is registered: **Luminaire for road lighting**
(51) International Design Classification: **26-03**
(71) Name(s) and Address(s) of Applicant(s):
Koninklijke Philips Electronics N.V.
Groenewoudseweg 1 5621 BA Eindhoven The Netherlands
(72) Name(s) of Designer(s): **Guillaume Leroux**
(45) Registration Date: **13 November 2009**
(30) Convention priority data:
(31) Number (32) Date (33) Country
001503194 22 Apr 2009 EUROPEAN COMMUNITY
(56) Related Art Documents: **Not Applicable**
(57) Statement of Newness and Distinctiveness: **Newness and distinctiveness reside in the features of shape and/or configuration of the design as shown in the representations.**



(21) Design Number: **14165/2009**
(22) Date of Filing Application: **27 October 2009**
(24) Date from which industrial property rights may have effect: **27 October 2009**
(54) Product in respect of which the design is registered: **Electrical Power Module**
(51) International Design Classification: **13-03NES**
(71) Name(s) and Address(s) of Applicant(s):
Schitech Pty Ltd
1 Sharps Road Tullamarine Victoria 3043 Australia
(72) Name(s) of Designer(s): **Tony Schiavello**
(45) Registration Date: **13 November 2009**
(56) Related Art Documents: **Not Applicable**
(57) Statement of Newness and Distinctiveness: **Nil**



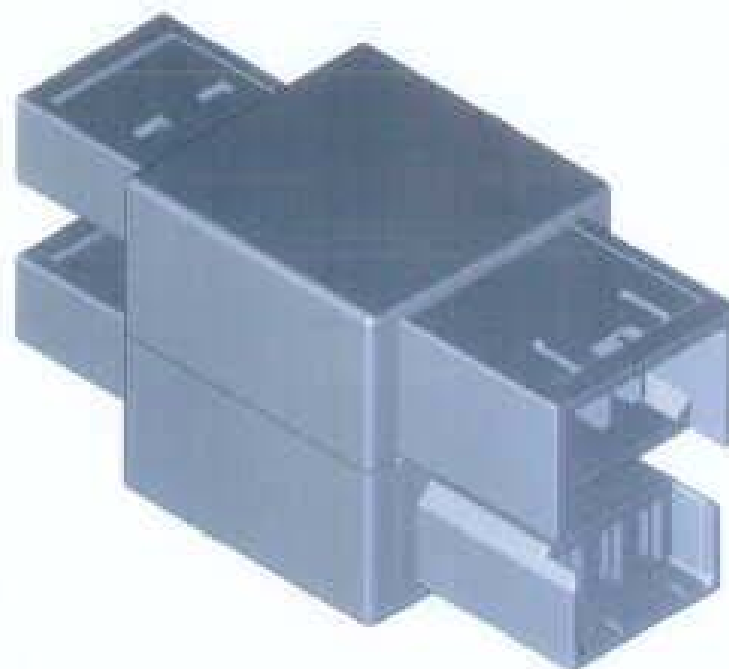
(21) Design Number: **14166/2009**
(22) Date of Filing Application: **27 October 2009**
(24) Date from which industrial property rights may have effect: **27 October 2009**
(54) Product in respect of which the design is registered: **Electrical Power Module**
(51) International Design Classification: **13-03NES**
(71) Name(s) and Address(s) of Applicant(s):
Schitech Pty Ltd
1 Sharps Road Tullamarine Victoria 3043 Australia
(72) Name(s) of Designer(s): **Tony Schiavello**
(45) Registration Date: **13 November 2009**
(56) Related Art Documents: **Not Applicable**
(57) Statement of Newness and Distinctiveness: **Nil**



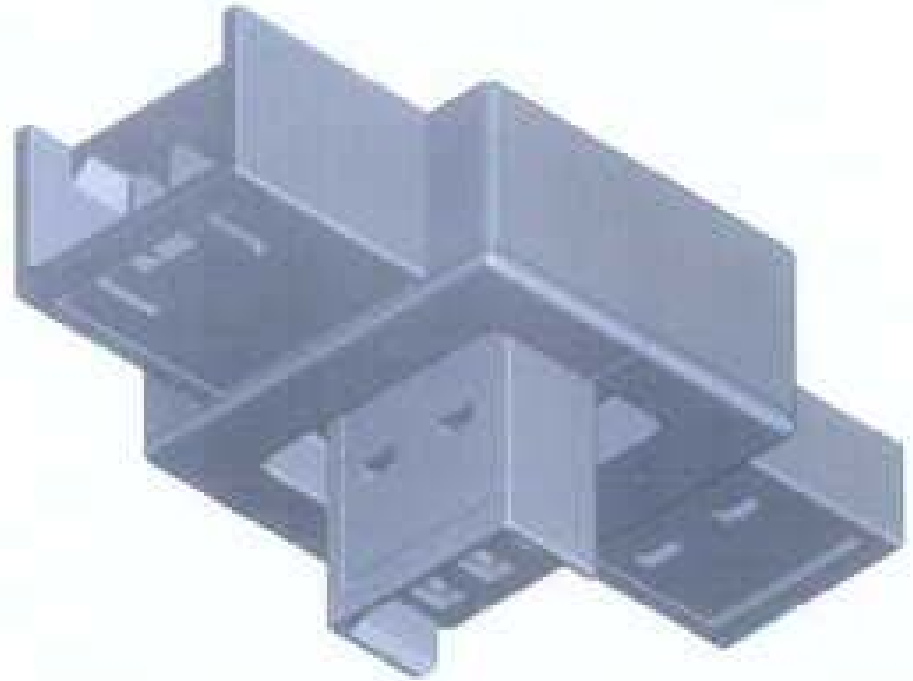
(21) Design Number: **14167/2009**
(22) Date of Filing Application: **27 October 2009**
(24) Date from which industrial property rights may have effect: **27 October 2009**
(54) Product in respect of which the design is registered: **Installation Coupler**
(51) International Design Classification: **13-03NES**
(71) Name(s) and Address(s) of Applicant(s):
Schitech Pty Ltd
1 Sharps Road Tullamarine Victoria 3043 Australia
(72) Name(s) of Designer(s): **Tony Schiavello**
(45) Registration Date: **13 November 2009**
(56) Related Art Documents: **Not Applicable**
(57) Statement of Newness and Distinctiveness: **Nil**



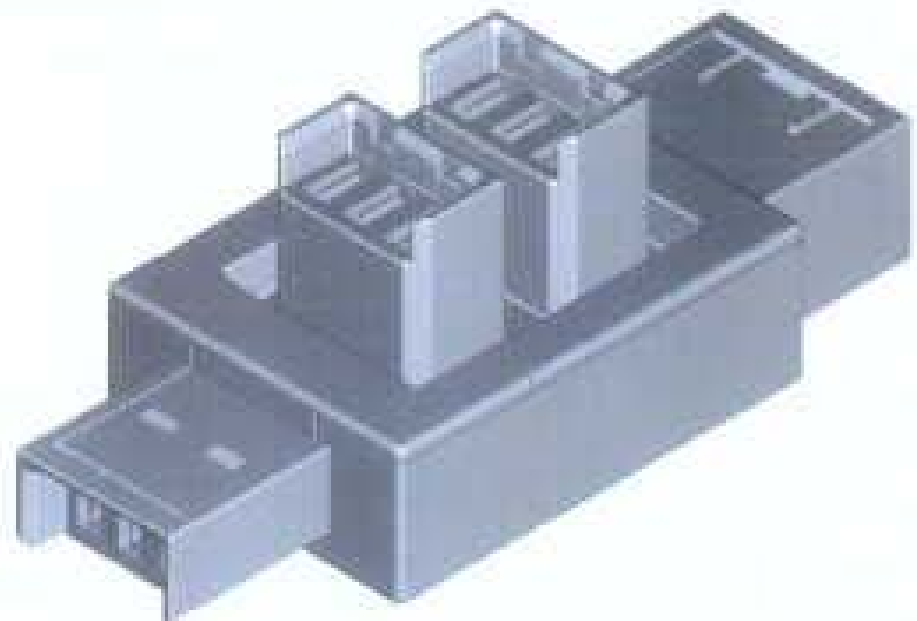
(21) Design Number: **14168/2009**
(22) Date of Filing Application: **27 October 2009**
(24) Date from which industrial property rights may have effect: **27 October 2009**
(54) Product in respect of which the design is registered: **Installation Coupler**
(51) International Design Classification: **13-03NES**
(71) Name(s) and Address(s) of Applicant(s):
Schitech Pty Ltd
1 Sharps Road Tullamarine Victoria 3043 Australia
(72) Name(s) of Designer(s): **Tony Schiavello**
(45) Registration Date: **13 November 2009**
(56) Related Art Documents: **Not Applicable**
(57) Statement of Newness and Distinctiveness: **Nil**



(21) Design Number: **14169/2009**
(22) Date of Filing Application: **27 October 2009**
(24) Date from which industrial property rights may have effect: **27 October 2009**
(54) Product in respect of which the design is registered: **Installation Coupler**
(51) International Design Classification: **13-03NES**
(71) Name(s) and Address(s) of Applicant(s):
Schitech Pty Ltd
1 Sharps Road Tullamarine Victoria 3043 Australia
(72) Name(s) of Designer(s): **Tony Schiavello**
(45) Registration Date: **13 November 2009**
(56) Related Art Documents: **Not Applicable**
(57) Statement of Newness and Distinctiveness: **Nil**



(21) Design Number: **14170/2009**
(22) Date of Filing Application: **27 October 2009**
(24) Date from which industrial property rights may have effect: **27 October 2009**
(54) Product in respect of which the design is registered: **Installation Coupler**
(51) International Design Classification: **13-03NES**
(71) Name(s) and Address(s) of Applicant(s):
Schitech Pty Ltd
1 Sharps Road Tullamarine Victoria 3043 Australia
(72) Name(s) of Designer(s): **Tony Schiavello**
(45) Registration Date: **13 November 2009**
(56) Related Art Documents: **Not Applicable**
(57) Statement of Newness and Distinctiveness: **Nil**



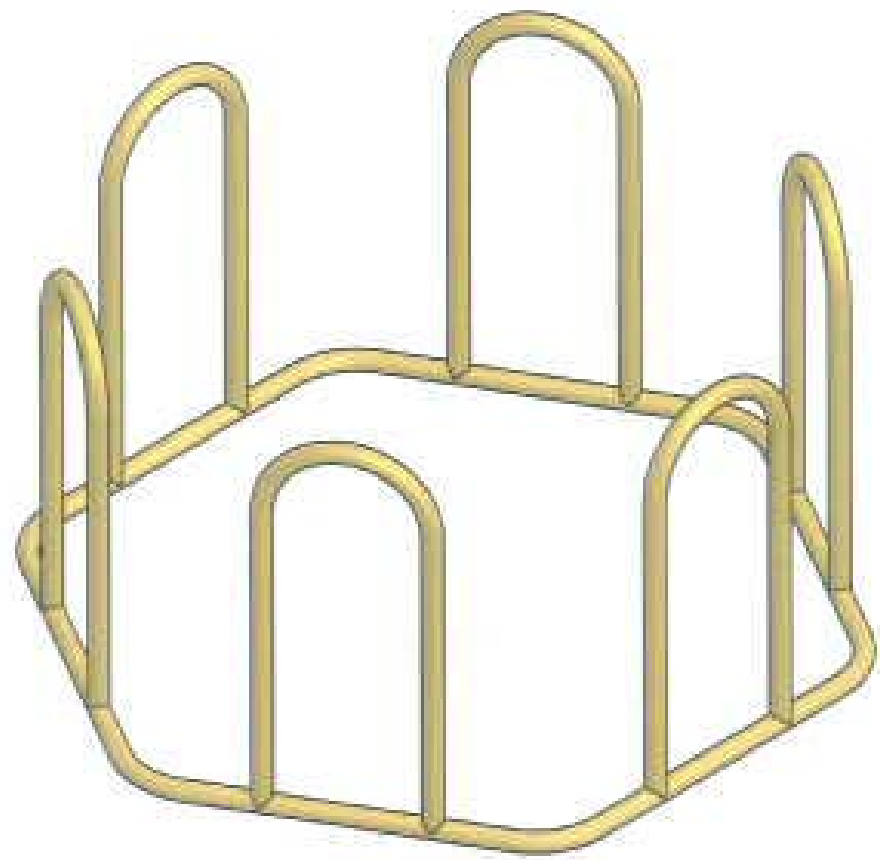
(21) Design Number: **14171/2009**
(22) Date of Filing Application: **27 October 2009**
(24) Date from which industrial property rights may have effect: **27 October 2009**
(54) Product in respect of which the design is registered: **Installation Coupler**
(51) International Design Classification: **13-03NES**
(71) Name(s) and Address(s) of Applicant(s):
Schitech Pty Ltd
1 Sharps Road Tullamarine Victoria 3043 Australia
(72) Name(s) of Designer(s): **Tony Schiavello**
(45) Registration Date: **13 November 2009**
(56) Related Art Documents: **Not Applicable**
(57) Statement of Newness and Distinctiveness: **Nil**



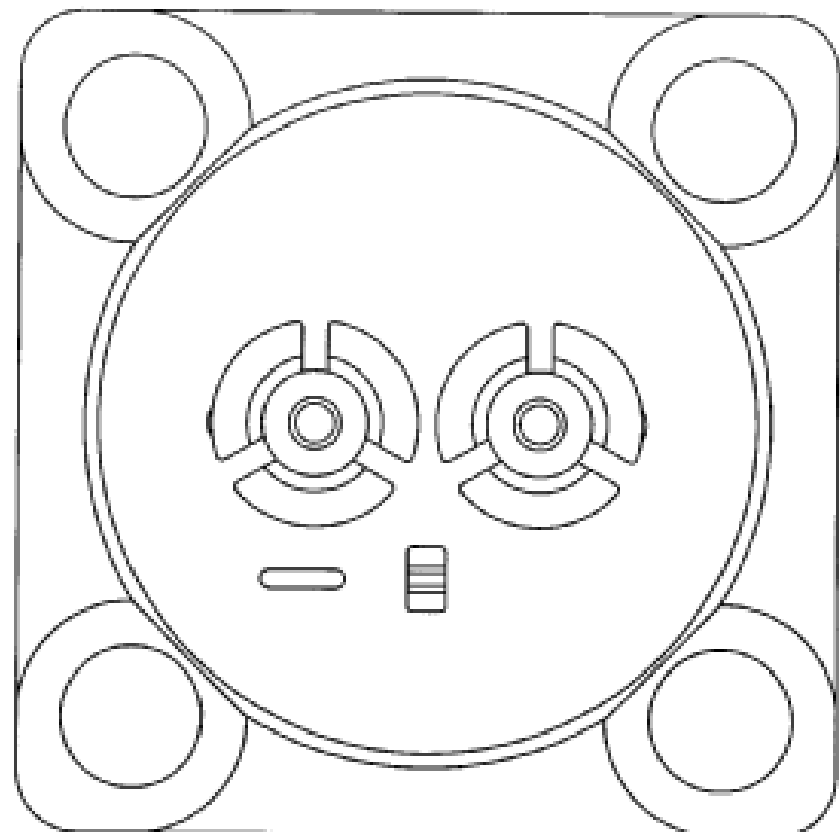
(21) Design Number: **14172/2009**
(22) Date of Filing Application: **27 October 2009**
(24) Date from which industrial property rights may have effect: **27 October 2009**
(54) Product in respect of which the design is registered: **Installation Coupler**
(51) International Design Classification: **13-03NES**
(71) Name(s) and Address(s) of Applicant(s):
Schitech Pty Ltd
1 Sharps Road Tullamarine Victoria 3043 Australia
(72) Name(s) of Designer(s): **Tony Schiavello**
(45) Registration Date: **13 November 2009**
(56) Related Art Documents: **Not Applicable**
(57) Statement of Newness and Distinctiveness: **Nil**



- (21) Design Number: **12322/2009**
- (22) Date of Filing Application: **25 June 2009**
- (24) Date from which industrial property rights may have effect: **25 June 2009**
- (54) Product in respect of which the design is registered: **Stock feeder / hay feeder**
- (51) International Design Classification: **30-03**
- (71) Name(s) and Address(s) of Applicant(s):
Vaughn Cameron Emery
James Park Binda Road Crookwell New South Wales 2583 Australia
- (72) Name(s) of Designer(s): **Vaughn Emery**
- (45) Registration Date: **13 November 2009**
- (56) Related Art Documents: **Not Applicable**
- (57) Statement of Newness and Distinctiveness: **Nil**



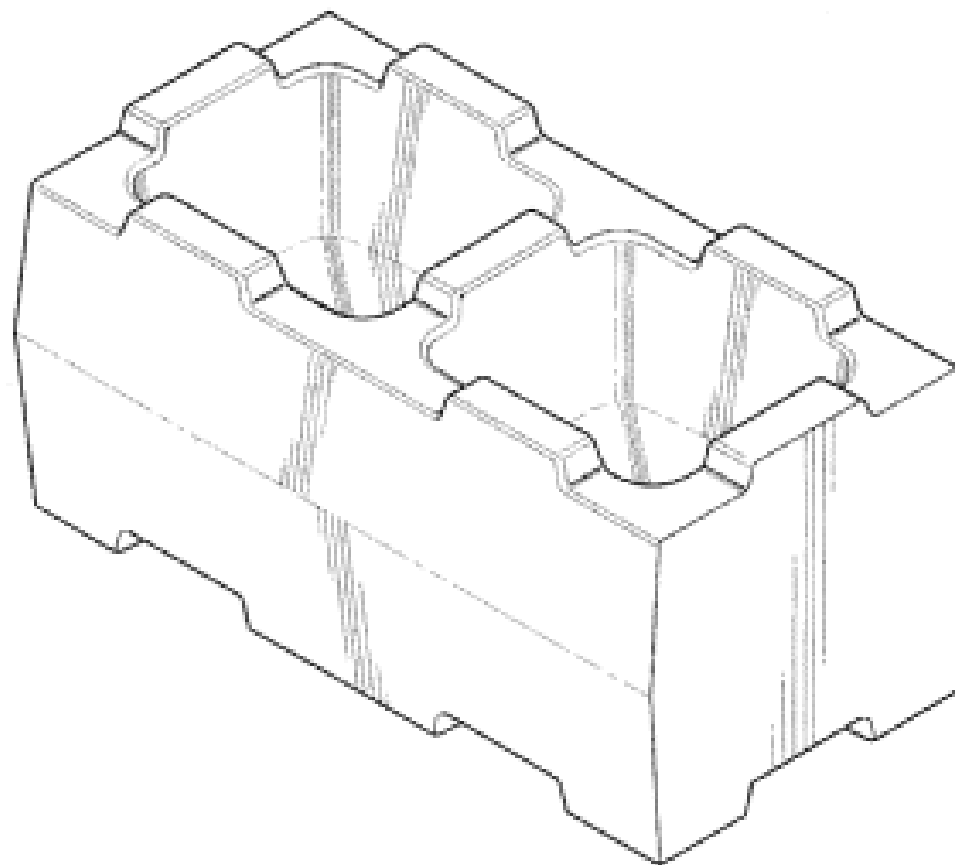
- (21) Design Number: **13578/2009**
- (22) Date of Filing Application: **17 September 2009**
- (24) Date from which industrial property rights may have effect: **17 September 2009**
- (54) Product in respect of which the design is registered: **Electric heating elements for bolt on assembly into hot water systems**
- (51) International Design Classification: **23-03NES**
- (71) Name(s) and Address(s) of Applicant(s):
Grimwood Heating Pty Ltd
74-76 Biloela Street Villawood New South Wales 2163 Australia
- (72) Name(s) of Designer(s): **Brian Walkington**
- (45) Registration Date: **13 November 2009**
- (56) Related Art Documents: **Not Applicable**
- (57) Statement of Newness and Distinctiveness: **The new feature of this design is the moulded assembly stops about each bolt hole, incorporated into the plastic moulded flange arrangement, preventing over / inconsistent tightening of the assembly bolts, resulting in over or inconsistent compression of the sealing gasket.**



(21) Design Number: **13652/2009**
 (22) Date of Filing Application: **23 September 2009**
 (24) Date from which industrial property rights may have effect: **23 September 2009**
 (54) Product in respect of which the design is registered: **Blocks used in building and construction and moulds for forming said blocks**
 (51) International Design Classification: **25-01A**
 (71) Name(s) and Address(s) of Applicant(s):
Andre Esterhuizen
23 Bay Hill Terrace Sunset Links Milnerton 7441 Republic of South Africa
 (72) Name(s) of Designer(s): **Andre Esterhuizen**
 (45) Registration Date: **13 November 2009**
 (30) Convention priority data:

(31) Number	(32) Date	(33) Country
F2009/00720	13 May 2009	SOUTH AFRICA

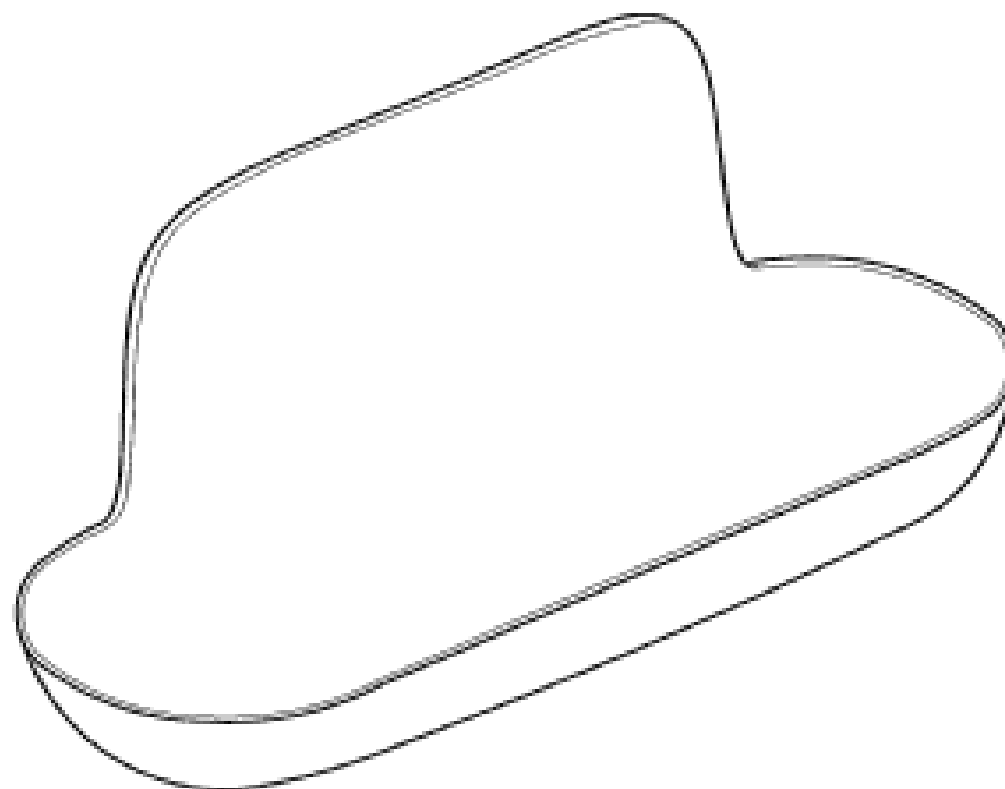
 (56) Related Art Documents: **Not Applicable**
 (57) Statement of Newness and Distinctiveness: **Nil**



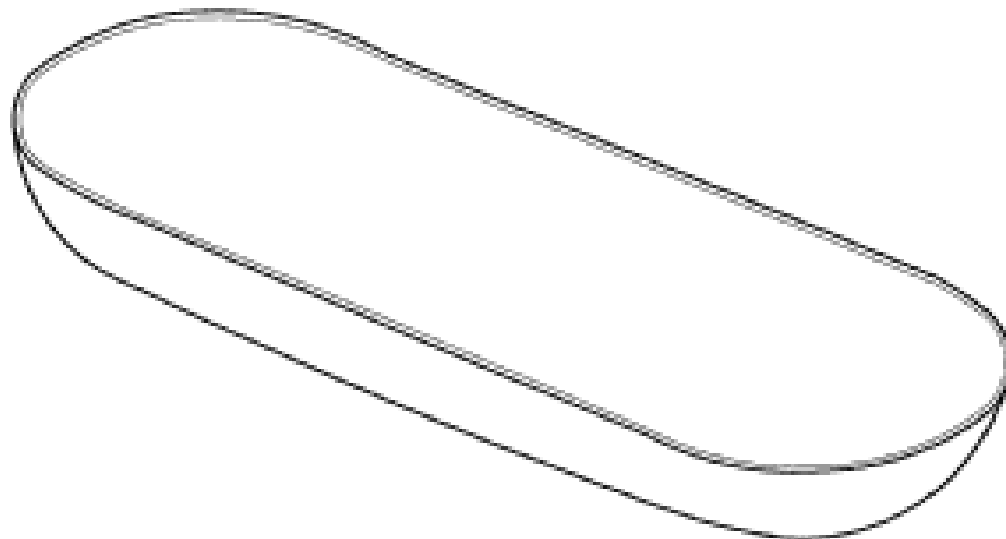
(21) Design Number: **14294/2009**
 (22) Date of Filing Application: **04 November 2009**
 (24) Date from which industrial property rights may have effect: **04 November 2009**
 (54) Product in respect of which the design is registered: **Shaped tortilla**
 (51) International Design Classification: **01-01**
 (71) Name(s) and Address(s) of Applicant(s):
General Mills Marketing, Inc.
Number One General Mills Boulevard PO Box 1113 Minneapolis 55440
United States of America
 (72) Name(s) of Designer(s): **Jonathan M. Griebel**
 (45) Registration Date: **13 November 2009**
 (30) Convention priority data:

(31) Number	(32) Date	(33) Country
29/343,765	18 Sep 2009	UNITED STATES OF AMERICA

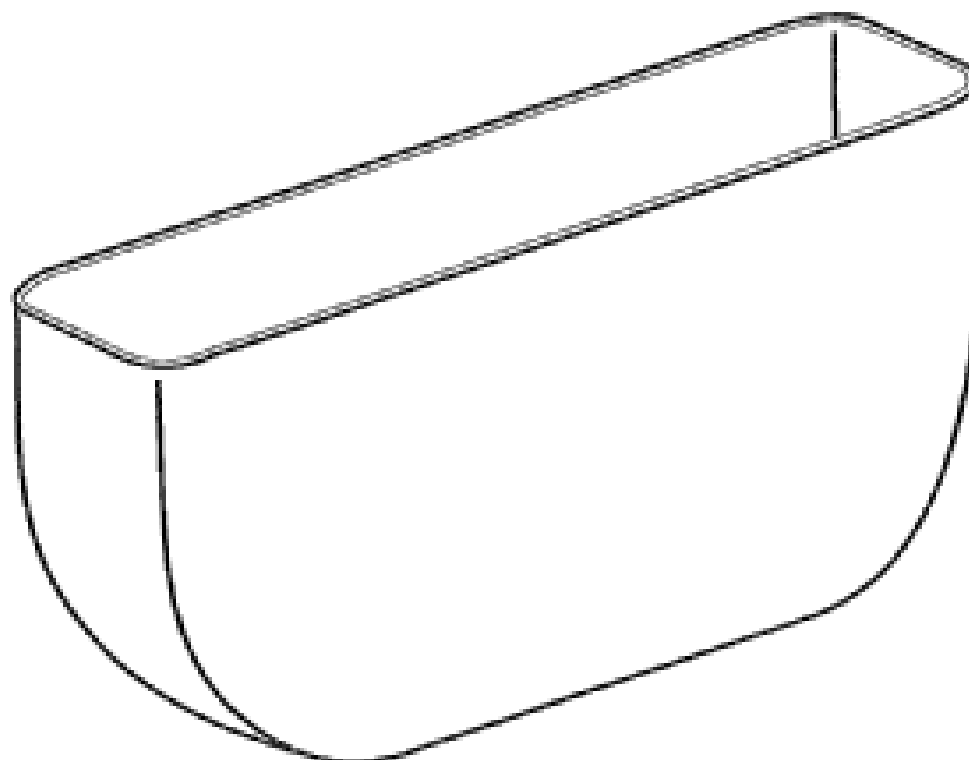
 (56) Related Art Documents: **Not Applicable**
 (57) Statement of Newness and Distinctiveness: **Newness and distinctiveness resides in the shape and configuration of the shaped tortilla.**



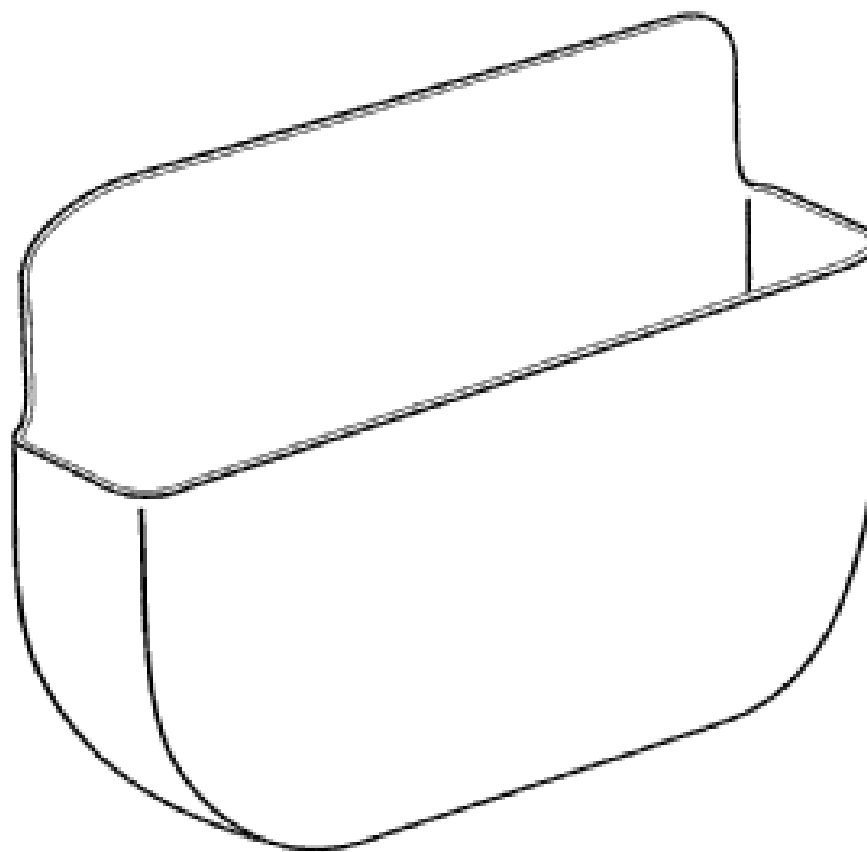
(21) Design Number: **14295/2009**
(22) Date of Filing Application: **04 November 2009**
(24) Date from which industrial property rights may have effect: **04 November 2009**
(54) Product in respect of which the design is registered: **Shaped tortilla**
(51) International Design Classification: **01-01**
(71) Name(s) and Address(s) of Applicant(s):
General Mills Marketing, Inc.
Number One General Mills Boulevard PO Box 1113 Minneapolis 55440
United States of America
(72) Name(s) of Designer(s): **Jonathan M. Griebel**
(45) Registration Date: **13 November 2009**
(30) Convention priority data:
(31) Number (32) Date (33) Country
29/343,778 18 Sep 2009 UNITED STATES OF AMERICA
(56) Related Art Documents: **Not Applicable**
(57) Statement of Newness and Distinctiveness: **Newness and distinctiveness resides in the shape and configuration of the shaped tortilla.**



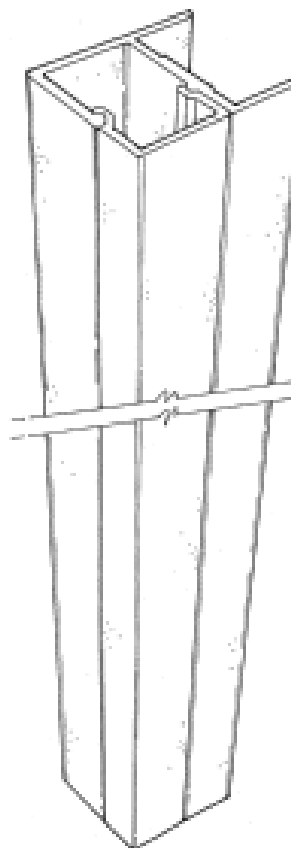
(21) Design Number: **14296/2009**
(22) Date of Filing Application: **04 November 2009**
(24) Date from which industrial property rights may have effect: **04 November 2009**
(54) Product in respect of which the design is registered: **Shaped tortilla**
(51) International Design Classification: **01-01**
(71) Name(s) and Address(s) of Applicant(s):
General Mills Marketing, Inc.
Number One General Mills Boulevard PO Box 1113 Minneapolis 55440
United States of America
(72) Name(s) of Designer(s): **Jonathan M. Griebel**
(45) Registration Date: **13 November 2009**
(30) Convention priority data:
(31) Number (32) Date (33) Country
29/343,770 18 Sep 2009 UNITED STATES OF AMERICA
(56) Related Art Documents: **Not Applicable**
(57) Statement of Newness and Distinctiveness: **Newness and distinctiveness resides in the shape and configuration of the shaped tortilla.**



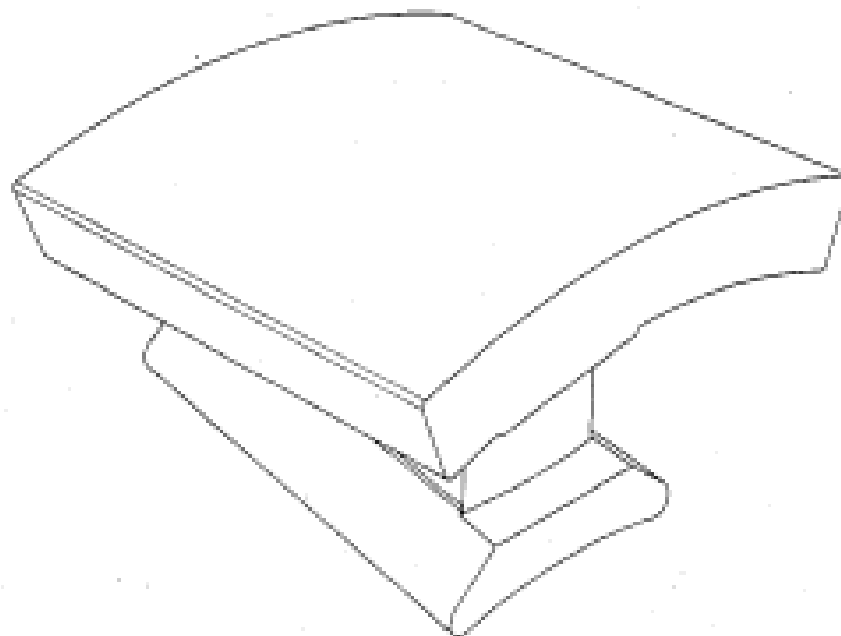
(21) Design Number: **14297/2009**
(22) Date of Filing Application: **04 November 2009**
(24) Date from which industrial property rights may have effect: **04 November 2009**
(54) Product in respect of which the design is registered: **Shaped tortilla**
(51) International Design Classification: **01-01**
(71) Name(s) and Address(s) of Applicant(s):
General Mills Marketing, Inc.
Number One General Mills Boulevard PO Box 1113 Minneapolis 55440
United States of America
(72) Name(s) of Designer(s): **Jonathan M. Griebel**
(45) Registration Date: **13 November 2009**
(30) Convention priority data:
(31) Number (32) Date (33) Country
29/343,770 18 Sep 2009 UNITED STATES OF AMERICA
(56) Related Art Documents: **Not Applicable**
(57) Statement of Newness and Distinctiveness: **Newness and distinctiveness resides in the shape and configuration of the shaped tortilla.**



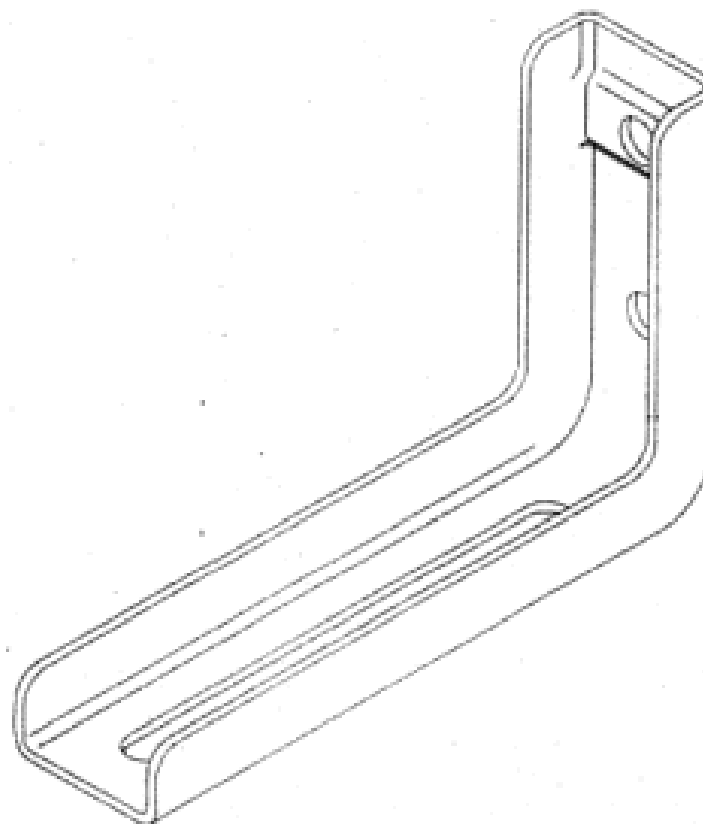
(21) Design Number: **11579/2009**
(22) Date of Filing Application: **05 May 2009**
(24) Date from which industrial property rights may have effect: **05 May 2009**
(54) Product in respect of which the design is registered: **A door or window face fit installation**
(51) International Design Classification: **25-01K**
(71) Name(s) and Address(s) of Applicant(s):
Norma Beatrice Carmen Bond
504 Kingsway Road Landsdale Western Australia 6065 Australia
(72) Name(s) of Designer(s): **Brian Bond**
(45) Registration Date: **13 November 2009**
(56) Related Art Documents: **Not Applicable**
(57) Statement of Newness and Distinctiveness: **The particular visual features of the design which are new and distinctive are shape OR configuration.**



- (21) Design Number: **14053/2009**
(22) Date of Filing Application: **20 October 2009**
(24) Date from which industrial property rights may have effect: **20 October 2009**
(54) Product in respect of which the design is registered: **Moculated pole piece for the stator of an electric machine**
(51) International Design Classification: **13-01**
(71) Name(s) and Address(s) of Applicant(s):
Intelligent Electric Motor Solutions Pty Ltd
11 Manton Street Hindmarsh South Australia 5007 Australia
(72) Name(s) of Designer(s): **David Gehlert and Matthew Smith and Nesimi Ertugrul**
(45) Registration Date: **13 November 2009**
(56) Related Art Documents: **Not Applicable**
(57) Statement of Newness and Distinctiveness: **Nil**



- (21) Design Number: **14054/2009**
(22) Date of Filing Application: **20 October 2009**
(24) Date from which industrial property rights may have effect: **20 October 2009**
(54) Product in respect of which the design is registered: **An improved bracket**
(51) International Design Classification: **08-08L**
(71) Name(s) and Address(s) of Applicant(s):
Lance Malcolm Vater
Unit 7 538 Portrush Road St Georges South Australia 5064 Australia
(72) Name(s) of Designer(s): **Lance Malcolm Vater**
(45) Registration Date: **13 November 2009**
(56) Related Art Documents: **Not Applicable**
(57) Statement of Newness and Distinctiveness: **Nil**



(21) Design Number: **14055/2009**

(22) Date of Filing Application: **20 October 2009**

(24) Date from which industrial property rights may have effect: **20 October 2009**

(54) Product in respect of which the design is registered: **An improved bracket**

(51) International Design Classification: **08-08L**

(71) Name(s) and Address(s) of Applicant(s):

Lance Malcolm Vater

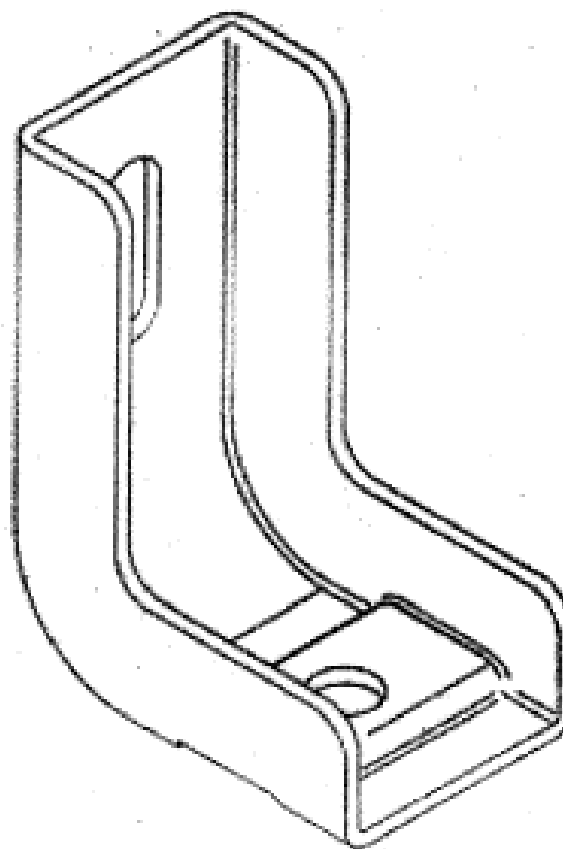
Unit 7 538 Portrush Road St Georges South Australia 5064 Australia

(72) Name(s) of Designer(s): **Lance Malcolm Vater**

(45) Registration Date: **13 November 2009**

(56) Related Art Documents: **Not Applicable**

(57) Statement of Newness and Distinctiveness: **Nil**



(21) Design Number: **14056/2009**

(22) Date of Filing Application: **20 October 2009**

(24) Date from which industrial property rights may have effect: **20 October 2009**

(54) Product in respect of which the design is registered: **An improved bracket**

(51) International Design Classification: **08-08L**

(71) Name(s) and Address(s) of Applicant(s):

Lance Malcolm Vater

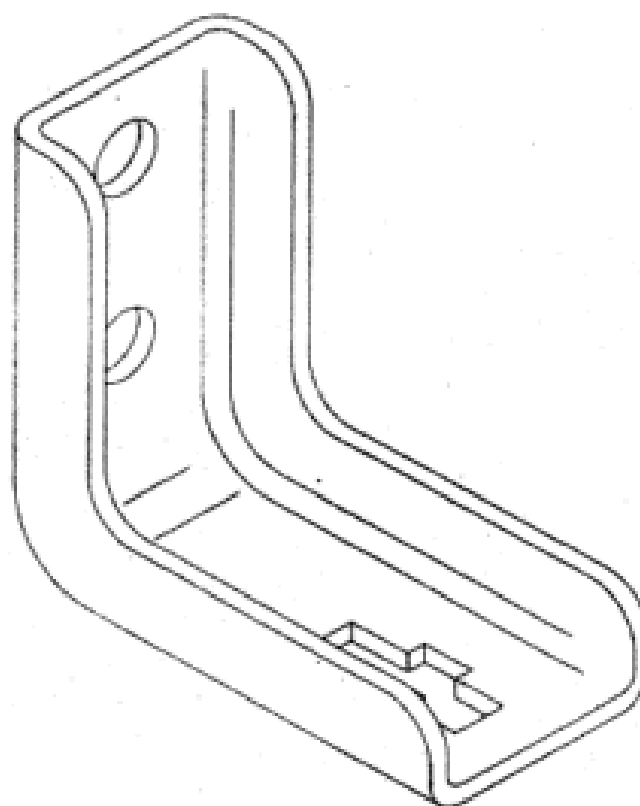
Unit 7 538 Portrush Road St Georges South Australia 5064 Australia

(72) Name(s) of Designer(s): **Lance Malcolm Vater**

(45) Registration Date: **13 November 2009**

(56) Related Art Documents: **Not Applicable**

(57) Statement of Newness and Distinctiveness: **Nil**



(21) Design Number: **14057/2009**

(22) Date of Filing Application: **20 October 2009**

(24) Date from which industrial property rights may have effect: **20 October 2009**

(54) Product in respect of which the design is registered: **An improved bracket**

(51) International Design Classification: **08-08L**

(71) Name(s) and Address(s) of Applicant(s):

Lance Malcolm Vater

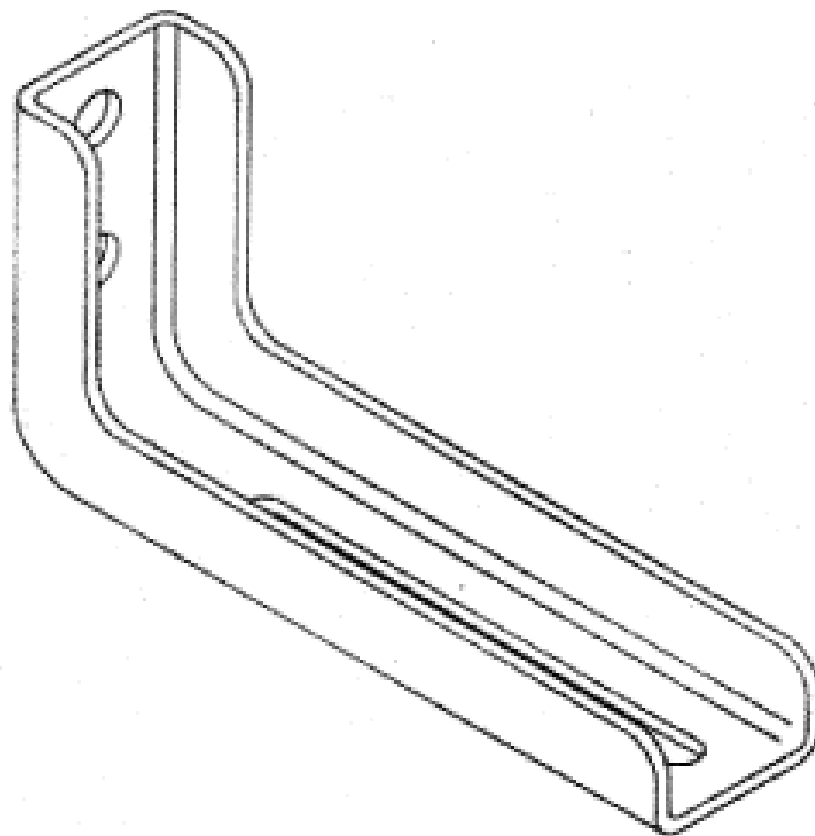
Unit 7 538 Portrush Road St Georges South Australia 5064 Australia

(72) Name(s) of Designer(s): **Lance Malcolm Vater**

(45) Registration Date: **13 November 2009**

(56) Related Art Documents: **Not Applicable**

(57) Statement of Newness and Distinctiveness: **Nil**



(21) Design Number: **14061/2009**

(22) Date of Filing Application: **20 October 2009**

(24) Date from which industrial property rights may have effect: **20 October 2009**

(54) Product in respect of which the design is registered: **Air intake filter connector for a vehicle snorkel**

(51) International Design Classification: **12-16NES**

(71) Name(s) and Address(s) of Applicant(s):

Australian Performance Development Pty Ltd

73 Merrindale Drive South Croydon Victoria 3136 Australia

(72) Name(s) of Designer(s): **Peter Luxon and Manvir Randhawa**

(45) Registration Date: **13 November 2009**

(56) Related Art Documents: **Not Applicable**

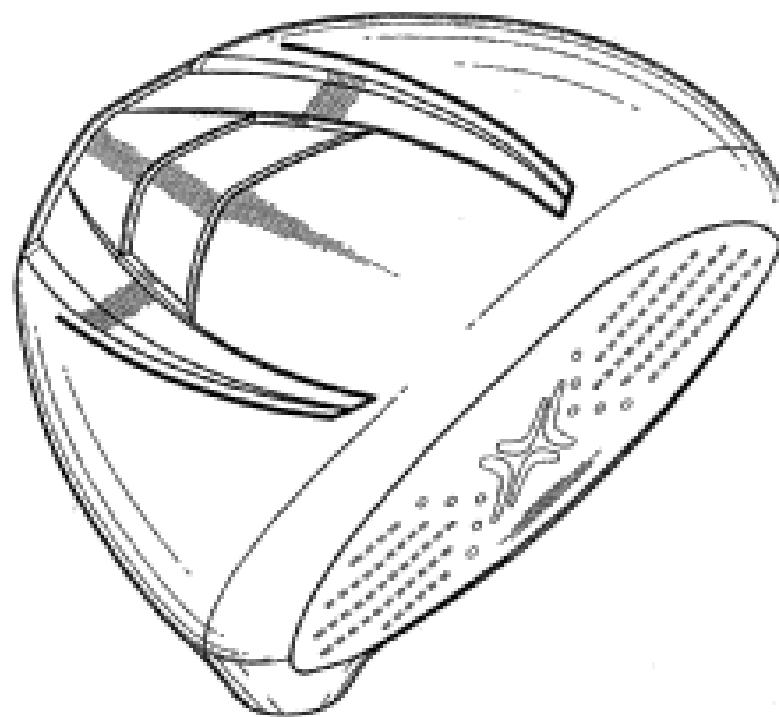
(57) Statement of Newness and Distinctiveness: **Newness and Distinctiveness is claimed in the features of shape and/or configuration of an air intake filter connector for a vehicle snorkel as illustrated in the accompanying representations.**



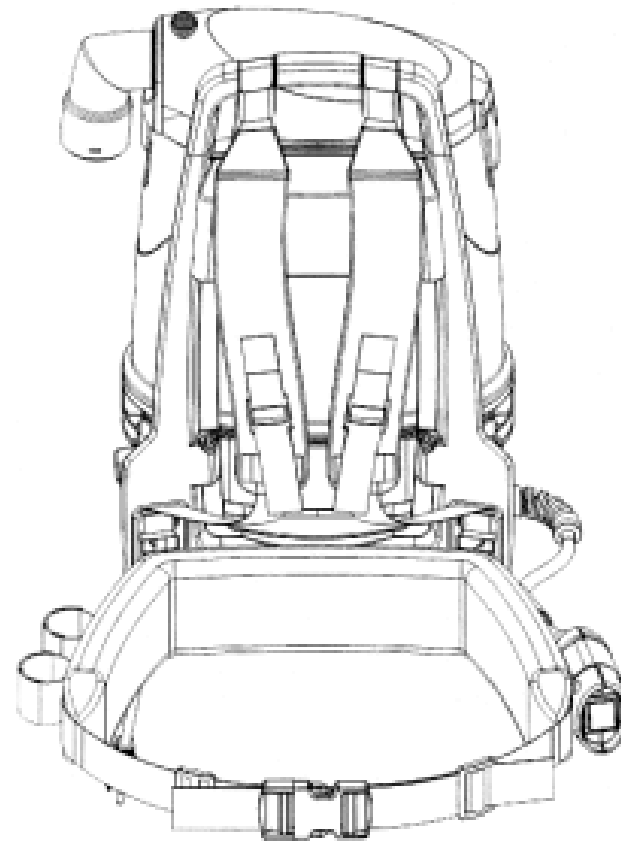
- (21) Design Number: **14062/2009**
(22) Date of Filing Application: **16 October 2009**
(24) Date from which industrial property rights may have effect: **16 October 2009**
(54) Product in respect of which the design is registered: **Temporary shelter**
(51) International Design Classification: **21-04**
(71) Name(s) and Address(s) of Applicant(s):
Bivowacky Enterprises Limited
44 Sailsbury Road Birkdale North Shore City 0626 New Zealand
(72) Name(s) of Designer(s): **Morgan Colmore-Williams**
(45) Registration Date: **13 November 2009**
(56) Related Art Documents: **Not Applicable**
(57) Statement of Newness and Distinctiveness: **This is a portable free standing beach shelter comprising a flat rectangular canopy supported by four leg poles. This structure also includes two moveable curtains and in addition four sand spikes with retractable foot stands.**



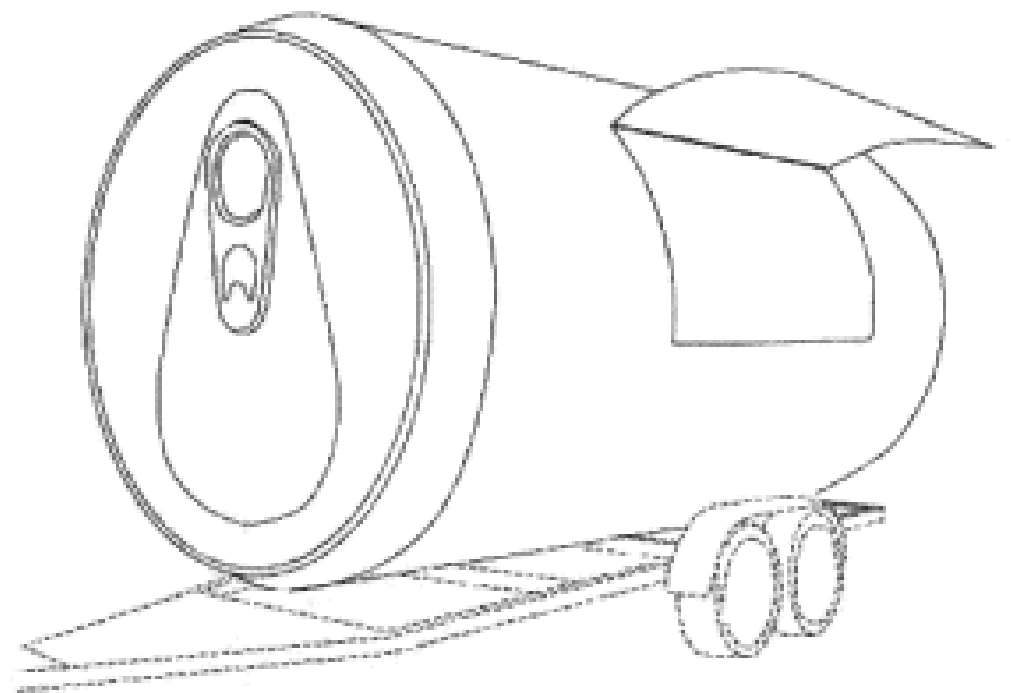
- (21) Design Number: **14063/2009**
(22) Date of Filing Application: **20 October 2009**
(24) Date from which industrial property rights may have effect: **20 October 2009**
(54) Product in respect of which the design is registered: **Golf club head**
(51) International Design Classification: **21-02C**
(71) Name(s) and Address(s) of Applicant(s):
Callaway Golf Company
2180 Rutherford Road Carlsbad California 92008-7328 United States of America
(72) Name(s) of Designer(s): **Kevin Weejoung Kim and Homer E. Aguinaldo and Evan D. Gibbs**
(45) Registration Date: **13 November 2009**
(30) Convention priority data:
(31) Number (32) Date (33) Country
29/335930 24 Apr 2009 UNITED STATES OF AMERICA
(56) Related Art Documents: **Not Applicable**
(57) Statement of Newness and Distinctiveness: **Newness and distinctiveness is claimed in those features of shape and/or configuration of a golf club head illustrated in continuous lines in the accompanying representations.**



- (21) Design Number: **13430/2009**
- (22) Date of Filing Application: **03 September 2009**
- (24) Date from which industrial property rights may have effect: **03 September 2009**
- (54) Product in respect of which the design is registered: **Vacuum cleaner**
- (51) International Design Classification: **15-05**
- (71) Name(s) and Address(s) of Applicant(s):
Hako Australia Pty Ltd
6 Pike Street Rydalmere New South Wales 2116 Australia
- (72) Name(s) of Designer(s): **Tibor Frei**
- (45) Registration Date: **13 November 2009**
- (56) Related Art Documents: **Not Applicable**
- (57) Statement of Newness and Distinctiveness: **Newness and distinctiveness is claimed in the visual features of shape and configuration shown in the representations. In considering the extent of the Newness and Distinctiveness, the powercord, vacuum hose piece, vacuum handle portion, straps and suction head should be disregarded.**



- (21) Design Number: **13658/2009**
- (22) Date of Filing Application: **23 September 2009**
- (24) Date from which industrial property rights may have effect: **23 September 2009**
- (54) Product in respect of which the design is registered: **A vehicle**
- (51) International Design Classification: **12-10**
- (71) Name(s) and Address(s) of Applicant(s):
Party Hoppers International Limited
15 Jacobsens Place Lincoln Christchurch New Zealand
- (72) Name(s) of Designer(s): **Phillip Fletcher**
- (45) Registration Date: **13 November 2009**
- (56) Related Art Documents: **Not Applicable**
- (57) Statement of Newness and Distinctiveness: **Those features of the vehicle depicted in the representations that are new and distinctive are the shape and/or configuration. The portions of the vehicle shown in broken lines form no part of the design and are hereby disclaimed.**



(21) Design Number: **13999/2009**

(22) Date of Filing Application: **16 October 2009**

(24) Date from which industrial property rights may have effect: **16 October 2009**

(54) Product in respect of which the design is registered: **Air intake snorkel for a vehicle**

(51) International Design Classification: **12-16NES**

(71) Name(s) and Address(s) of Applicant(s):

**Australian Performance Development Pty Ltd
73 Merrindale Drive South Croydon Victoria 3136 Australia**

(72) Name(s) of Designer(s): **Peter Luxon and Manvir Randhawa**

(45) Registration Date: **13 November 2009**

(56) Related Art Documents: **Not Applicable**

(57) Statement of Newness and Distinctiveness: **Newness and distinctiveness is claimed in the features of shape and/or configuration of an air intake snorkel for a vehicle as illustrated in the accompanying representations.**



(21) Design Number: **14000/2009**

(22) Date of Filing Application: **16 October 2009**

(24) Date from which industrial property rights may have effect: **16 October 2009**

(54) Product in respect of which the design is registered: **A pallet**

(51) International Design Classification: **09-08**

(71) Name(s) and Address(s) of Applicant(s):

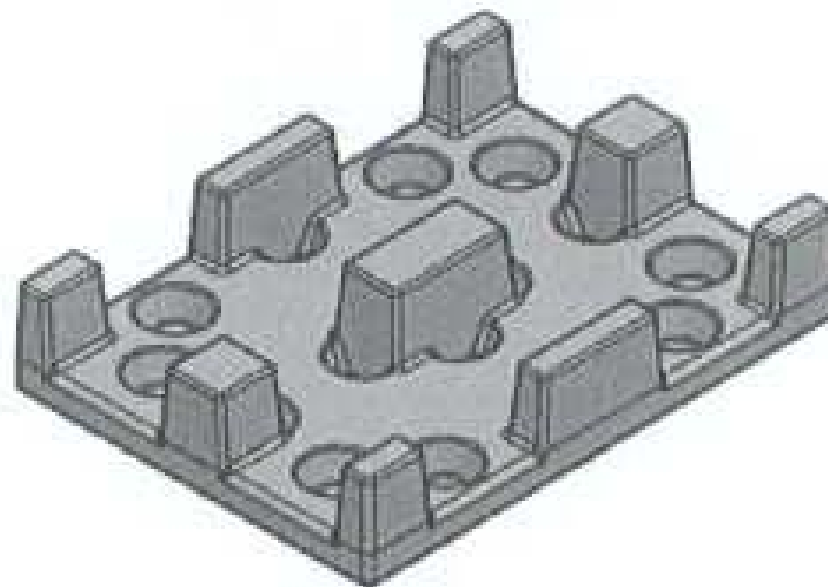
**Kauko Hannikainen
19 Swanson Place Mudgeeraba Queensland 4213 Australia**

(72) Name(s) of Designer(s): **Kauko Hannikainen**

(45) Registration Date: **13 November 2009**

(56) Related Art Documents: **Not Applicable**

(57) Statement of Newness and Distinctiveness: **Newness and distinctiveness is claimed in the shape and configuration of the pallet as depicted in the accompanying illustrations.**



(21) Design Number: **14001/2009**

(22) Date of Filing Application: **16 October 2009**

(24) Date from which industrial property rights may have effect: **16 October 2009**

(54) Product in respect of which the design is registered: **A pallet**

(51) International Design Classification: **09-08**

(71) Name(s) and Address(s) of Applicant(s):

Kauko Hannikainen

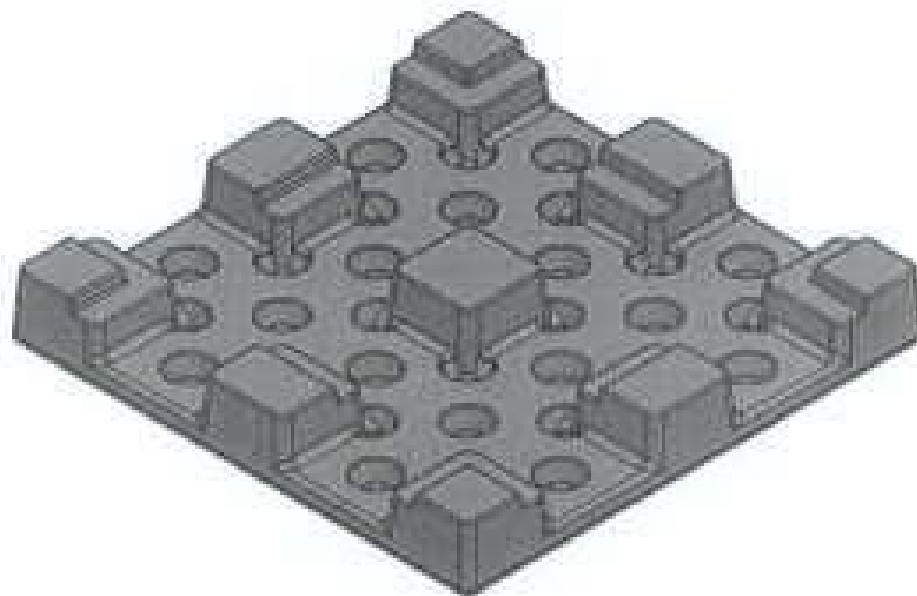
19 Swanson Place Mudgeeraba Queensland 4213 Australia

(72) Name(s) of Designer(s): **Kauko Hannikainen**

(45) Registration Date: **13 November 2009**

(56) Related Art Documents: **Not Applicable**

(57) Statement of Newness and Distinctiveness: **Newness and distinctiveness is claimed in the shape and configuration of the pallet as depicted in the accompanying illustrations.**



(21) Design Number: **14002/2009**

(22) Date of Filing Application: **16 October 2009**

(24) Date from which industrial property rights may have effect: **16 October 2009**

(54) Product in respect of which the design is registered: **A pallet**

(51) International Design Classification: **09-08**

(71) Name(s) and Address(s) of Applicant(s):

Kauko Hannikainen

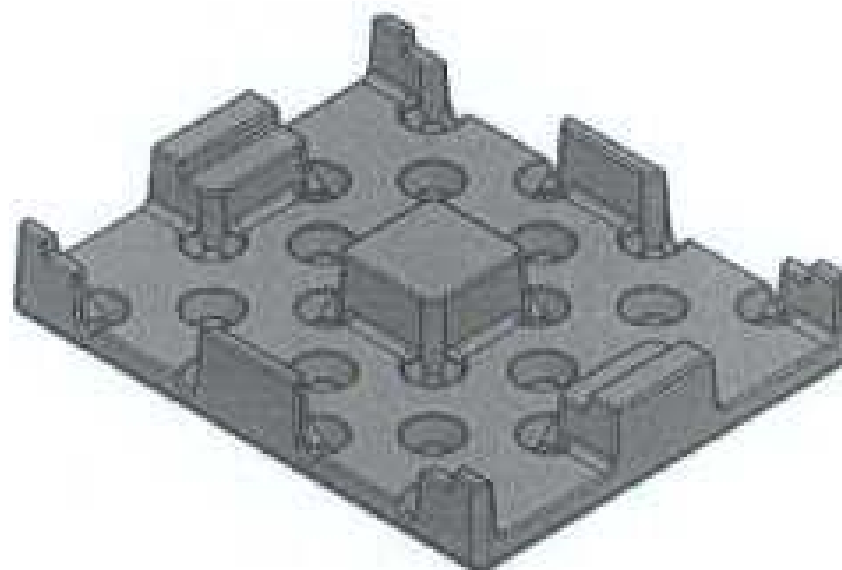
19 Swanson Place Mudgeeraba Queensland 4213 Australia

(72) Name(s) of Designer(s): **Kauko Hannikainen**

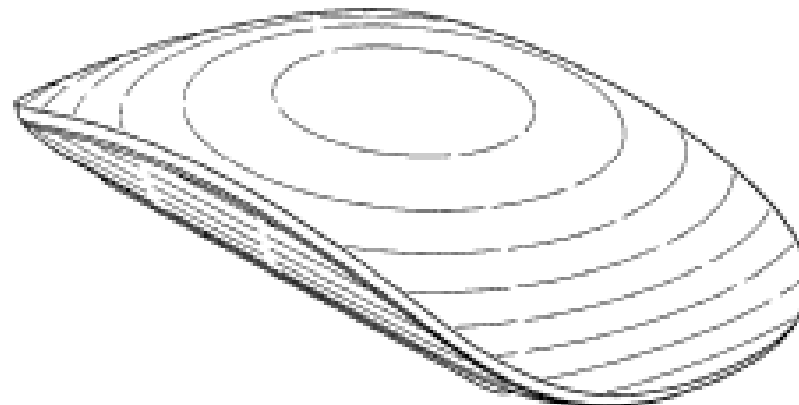
(45) Registration Date: **13 November 2009**

(56) Related Art Documents: **Not Applicable**

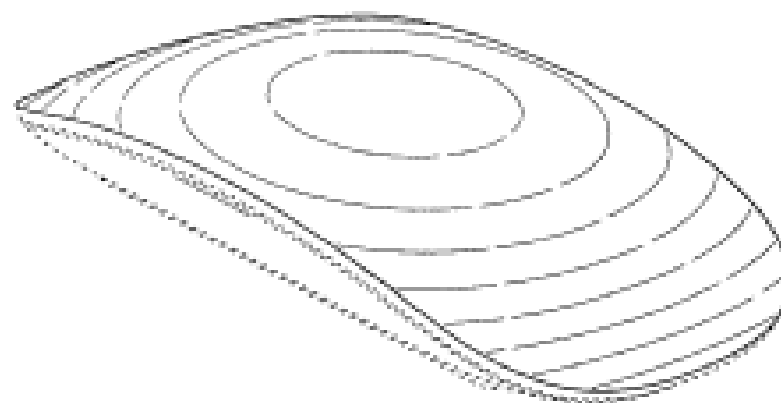
(57) Statement of Newness and Distinctiveness: **Newness and distinctiveness is claimed in the shape and configuration of the pallet as depicted in the accompanying illustrations.**



- (21) Design Number: **14016/2009**
(22) Date of Filing Application: **19 October 2009**
(24) Date from which industrial property rights may have effect: **19 October 2009**
(54) Product in respect of which the design is registered: **Mouse**
(51) International Design Classification: **14-02**
(71) Name(s) and Address(s) of Applicant(s):
Apple Inc.
1 Infinite Loop Cupertino California 95014 United States of America
(72) Name(s) of Designer(s): **Bartley K. Andre and Daniel J. Coster and Daniele De Iuliis and Evans Hankey and Richard P. Howarth and Jonathan P. Ive and Steve Jobs and Duncan Robert Kerr and Shin Nishibori and Matthew Dean Rohrbach and Peter Russell-Clarke and Douglas B. Satzger and Christopher J. Stringer and Eugene Antony Whang and Rico Zorkendorfer**
(45) Registration Date: **13 November 2009**
(56) Related Art Documents: **Not Applicable**
(57) Statement of Newness and Distinctiveness: **Newness and distinctiveness resides in the features of shape and configuration of the mouse as shown in solid and contour lines in the accompanying representations.**



- (21) Design Number: **14017/2009**
(22) Date of Filing Application: **19 October 2009**
(24) Date from which industrial property rights may have effect: **19 October 2009**
(54) Product in respect of which the design is registered: **Mouse**
(51) International Design Classification: **14-02**
(71) Name(s) and Address(s) of Applicant(s):
Apple Inc.
1 Infinite Loop Cupertino California 95014 United States of America
(72) Name(s) of Designer(s): **Bartley K. Andre and Daniel J. Coster and Daniele De Iuliis and Evans Hankey and Richard P. Howarth and Jonathan P. Ive and Steve Jobs and Duncan Robert Kerr and Shin Nishibori and Matthew Dean Rohrbach and Peter Russell-Clarke and Douglas B. Satzger and Christopher J. Stringer and Eugene Antony Whang and Rico Zorkendorfer**
(45) Registration Date: **13 November 2009**
(56) Related Art Documents: **Not Applicable**
(57) Statement of Newness and Distinctiveness: **Newness and distinctiveness resides in the features of shape and configuration of the mouse as shown in solid and contour lines in the accompanying representations.**



(21) Design Number: **14018/2009**

(22) Date of Filing Application: **19 October 2009**

(24) Date from which industrial property rights may have effect: **19 October 2009**

(54) Product in respect of which the design is registered: **Mouse**

(51) International Design Classification: **14-02**

(71) Name(s) and Address(s) of Applicant(s):

Apple Inc.

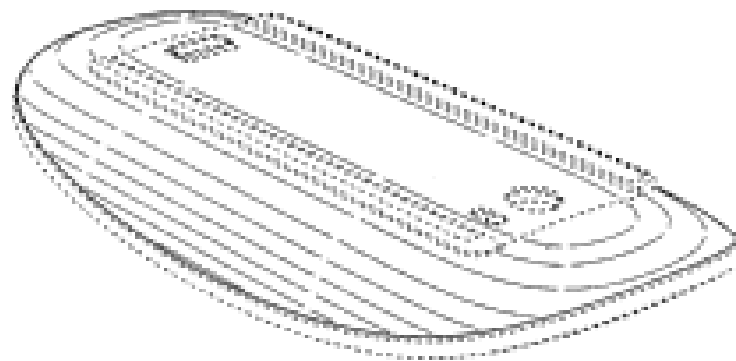
1 Infinite Loop Cupertino California 95014 United States of America

(72) Name(s) of Designer(s): **Bartley K. Andre and Daniel J. Coster and Daniele De Iuliis and Evans Hankey and Richard P. Howarth and Jonathan P. Ive and Steve Jobs and Duncan Robert Kerr and Shin Nishibori and Matthew Dean Rohrbach and Peter Russell-Clarke and Douglas B. Satzger and Christopher J. Stringer and Eugene Antony Whang and Rico Zorkendorfer**

(45) Registration Date: **13 November 2009**

(56) Related Art Documents: **Not Applicable**

(57) Statement of Newness and Distinctiveness: **Newness and distinctiveness resides in the features of shape and configuration of the mouse as shown in solid and contour lines in the accompanying representations.**



(21) Design Number: **14019/2009**

(22) Date of Filing Application: **19 October 2009**

(24) Date from which industrial property rights may have effect: **19 October 2009**

(54) Product in respect of which the design is registered: **Mouse**

(51) International Design Classification: **14-02**

(71) Name(s) and Address(s) of Applicant(s):

Apple Inc.

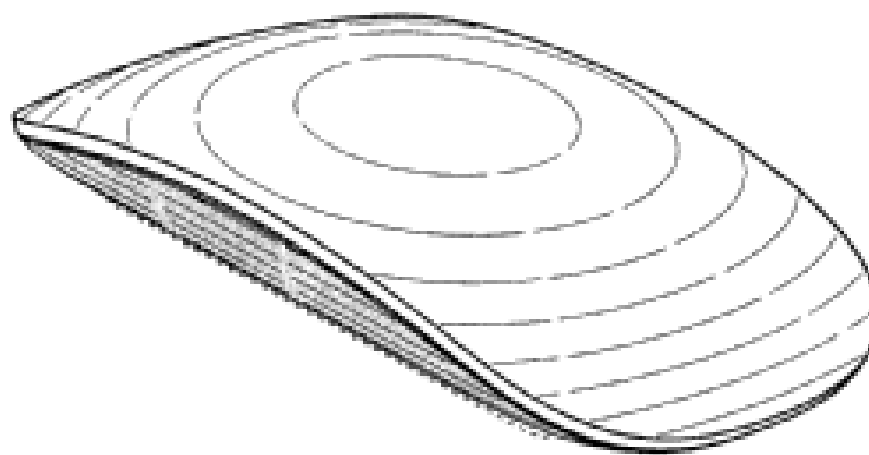
1 Infinite Loop Cupertino California 95014 United States of America

(72) Name(s) of Designer(s): **Bartley K. Andre and Daniel J. Coster and Daniele De Iuliis and Evans Hankey and Richard P. Howarth and Jonathan P. Ive and Steve Jobs and Duncan Robert Kerr and Shin Nishibori and Matthew Dean Rohrbach and Peter Russell-Clarke and Douglas B. Satzger and Christopher J. Stringer and Eugene Antony Whang and Rico Zorkendorfer**

(45) Registration Date: **13 November 2009**

(56) Related Art Documents: **Not Applicable**

(57) Statement of Newness and Distinctiveness: **Newness and distinctiveness resides in the mouse having: 1) a shape and configuration as shown in solid and contour lines in the accompanying representations; and 2) a metallic finish, the gray shading in the accompanying representations representing portions with the metallic finish.**



(21) Design Number: **14021/2009**

(22) Date of Filing Application: **19 October 2009**

(24) Date from which industrial property rights may have effect: **19 October 2009**

(54) Product in respect of which the design is registered: **Fan**

(51) International Design Classification: **03-04**

(71) Name(s) and Address(s) of Applicant(s):

Homely Manufacturing Limited
Flat 1509A 15th Floor Cable TV Tower 9 Hoi Shing Road Tsuen Wan
New Territories Hong Kong

(72) Name(s) of Designer(s): **Kui Wong Yeung**

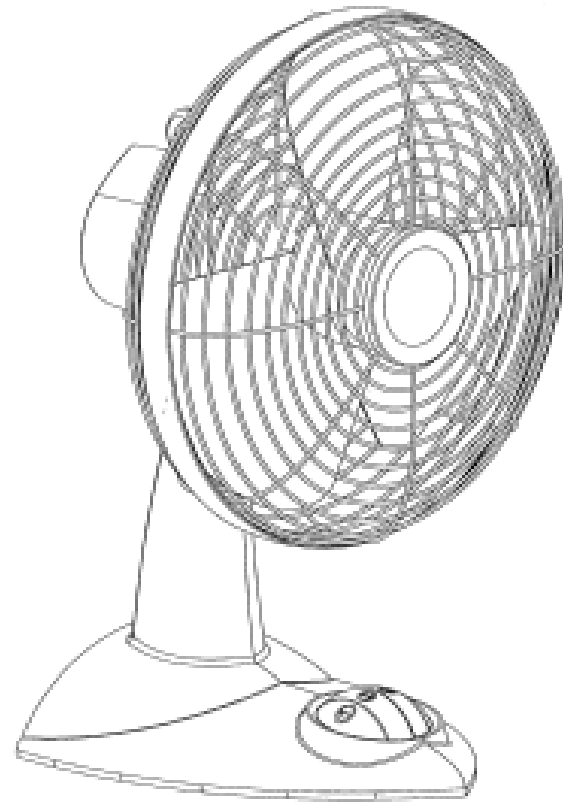
(45) Registration Date: **13 November 2009**

(30) Convention priority data:

(31) Number	(32) Date	(33) Country
0900654.5	23 Apr 2009	HONG KONG

(56) Related Art Documents: **Not Applicable**

(57) Statement of Newness and Distinctiveness: **Newness and distinctiveness resides in the shape and configuration of the Fan as a whole. The lettering "HL" on the rear view and the numbers on the switch on the side views and the perspective views are specifically disclaimed and form no part of the design.**



(21) Design Number: **14042/2009**

(22) Date of Filing Application: **20 October 2009**

(24) Date from which industrial property rights may have effect: **20 October 2009**

(54) Product in respect of which the design is registered: **Article of clothing**

(51) International Design Classification: **02-02NES**

(71) Name(s) and Address(s) of Applicant(s):

Nextinct Pty Ltd
56A Goddard Street Lathlain Western Australia 6100 Australia

(72) Name(s) of Designer(s): **John Emery**

(45) Registration Date: **13 November 2009**

(56) Related Art Documents: **Not Applicable**

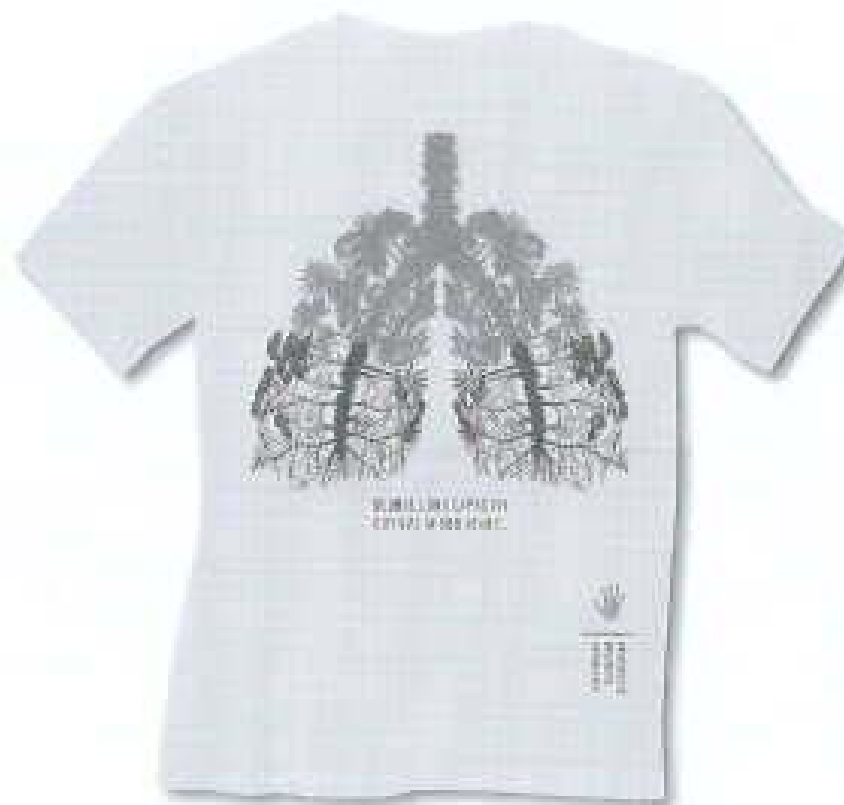
(57) Statement of Newness and Distinctiveness: **The newness and distinctiveness of the article of clothing resides in the pattern and/or ornamentation as shown in the accompanying representations, irrespective of the shape of the article of clothing.**



- (21) Design Number: **14043/2009**
(22) Date of Filing Application: **20 October 2009**
(24) Date from which industrial property rights may have effect: **20 October 2009**
(54) Product in respect of which the design is registered: **Article of clothing**
(51) International Design Classification: **02-02NES**
(71) Name(s) and Address(s) of Applicant(s):
Nextinct Pty Ltd
56A Goddard Street Lathlain Western Australia 6100 Australia
(72) Name(s) of Designer(s): **John Emery**
(45) Registration Date: **13 November 2009**
(56) Related Art Documents: **Not Applicable**
(57) Statement of Newness and Distinctiveness: **The newness and distinctiveness of the article of clothing resides in the pattern and/or ornamentation as shown in the accompanying representations, irrespective of the shape of the article of clothing.**



- (21) Design Number: **14044/2009**
(22) Date of Filing Application: **20 October 2009**
(24) Date from which industrial property rights may have effect: **20 October 2009**
(54) Product in respect of which the design is registered: **Article of clothing**
(51) International Design Classification: **02-02NES**
(71) Name(s) and Address(s) of Applicant(s):
Nextinct Pty Ltd
56A Goddard Street Lathlain Western Australia 6100 Australia
(72) Name(s) of Designer(s): **John Emery**
(45) Registration Date: **13 November 2009**
(56) Related Art Documents: **Not Applicable**
(57) Statement of Newness and Distinctiveness: **The newness and distinctiveness of the article of clothing resides in the pattern and/or ornamentation as shown in the accompanying representations, irrespective of the shape of the article of clothing.**



(21) Design Number: **14045/2009**

(22) Date of Filing Application: **20 October 2009**

(24) Date from which industrial property rights may have effect: **20 October 2009**

(54) Product in respect of which the design is registered: **Article of clothing**

(51) International Design Classification: **02-02NES**

(71) Name(s) and Address(s) of Applicant(s):

Nextinct Pty Ltd

56A Goddard Street Lathlain Western Australia 6100 Australia

(72) Name(s) of Designer(s): **John Emery**

(45) Registration Date: **13 November 2009**

(56) Related Art Documents: **Not Applicable**

(57) Statement of Newness and Distinctiveness: **The newness and distinctiveness of the article of clothing resides in the pattern and/or ornamentation as shown in the accompanying representations, irrespective of the shape of the article of clothing.**



(21) Design Number: **14048/2009**

(22) Date of Filing Application: **19 October 2009**

(24) Date from which industrial property rights may have effect: **19 October 2009**

(54) Product in respect of which the design is registered: **Section of indeterminate length**

(51) International Design Classification: **25-01K**

(71) Name(s) and Address(s) of Applicant(s):

Philip Leslie Barker

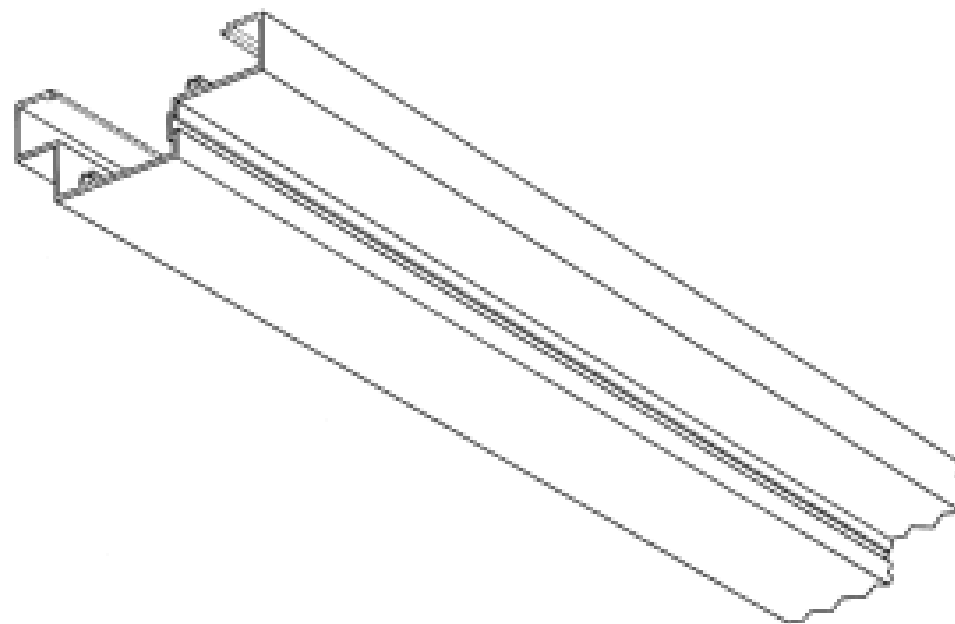
51 Stonefield Crescent Dardanup Western Australia 6236 Australia

(72) Name(s) of Designer(s): **Philip Leslie Barker**

(45) Registration Date: **13 November 2009**

(56) Related Art Documents: **Not Applicable**

(57) Statement of Newness and Distinctiveness: **Each feature of the design considered separately or in combination with any other feature or features. In considering the scope of the monopoly of the portions of the design which are shown in broken lines are to be disregarded.**



(21) Design Number: **14049/2009**

(22) Date of Filing Application: **19 October 2009**

(24) Date from which industrial property rights may have effect: **19 October 2009**

(54) Product in respect of which the design is registered: **Transportation and display crate**

(51) International Design Classification: **09-04**

(71) Name(s) and Address(s) of Applicant(s):

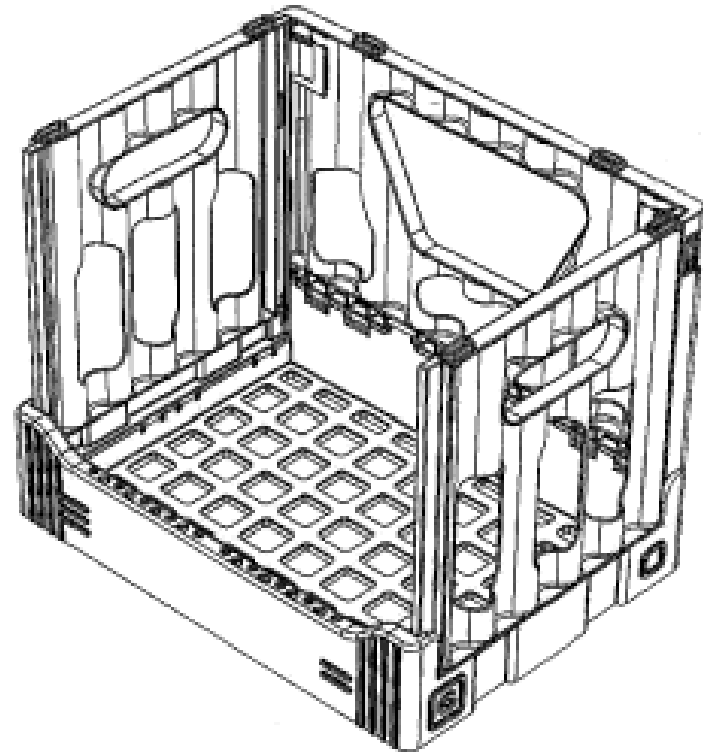
**K. Hartwall Oy Ab
FIN-01150 Soderkulla Finland**

(72) Name(s) of Designer(s): **Herrick Ramberg and Johan Lindstrom**

(45) Registration Date: **13 November 2009**

(56) Related Art Documents: **Not Applicable**

(57) Statement of Newness and Distinctiveness: **Nil**



(21) Design Number: **14050/2009**

(22) Date of Filing Application: **20 October 2009**

(24) Date from which industrial property rights may have effect: **20 October 2009**

(54) Product in respect of which the design is registered: **Golf cart**

(51) International Design Classification: **21-02C, 12-02**

(71) Name(s) and Address(s) of Applicant(s):

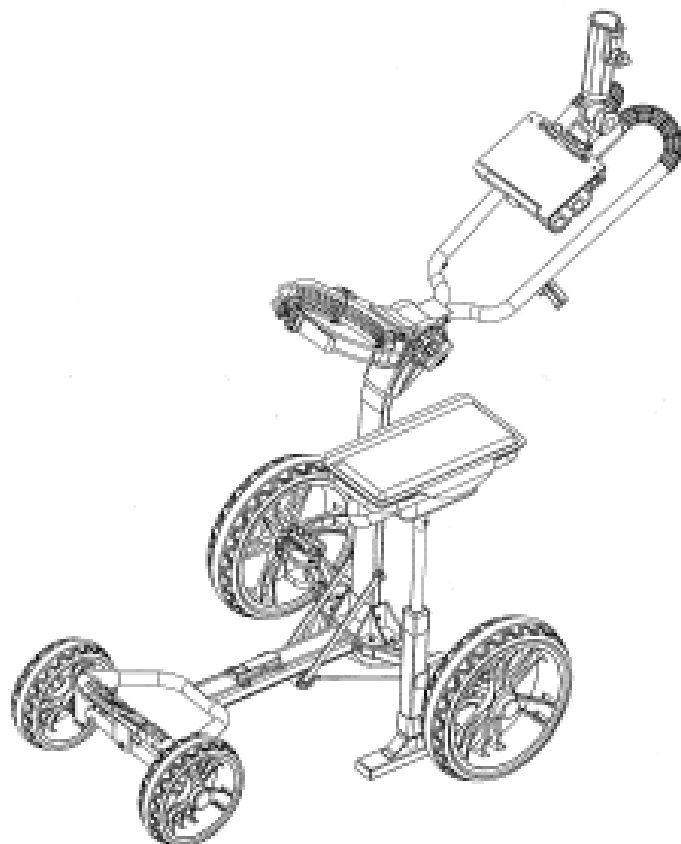
**Unique Product & Design Co., Ltd.
No. 5 Ming Dong Road Yung Kang City Tainan Hsien Taiwan**

(72) Name(s) of Designer(s): **Gordon Liao**

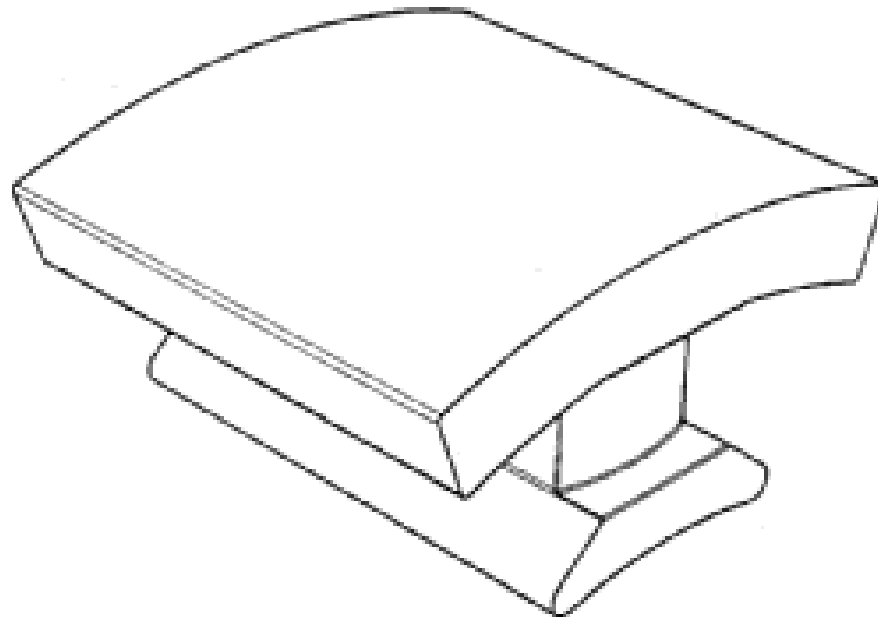
(45) Registration Date: **13 November 2009**

(56) Related Art Documents: **Not Applicable**

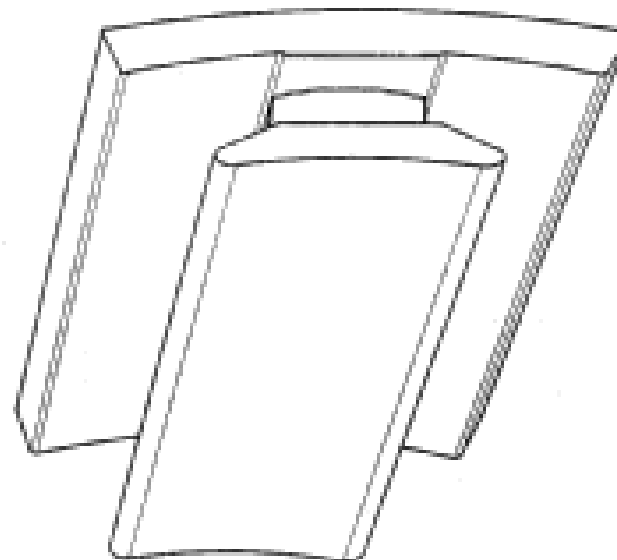
(57) Statement of Newness and Distinctiveness: **Nil**



- (21) Design Number: **14051/2009**
(22) Date of Filing Application: **20 October 2009**
(24) Date from which industrial property rights may have effect: **20 October 2009**
(54) Product in respect of which the design is registered: **Modulated pole piece for the stator of an electric machine**
(51) International Design Classification: **13-01**
(71) Name(s) and Address(s) of Applicant(s):
Intelligent Electric Motor Solutions Pty Ltd
11 Manton Street Hindmarsh South Australia 5007 Australia
(72) Name(s) of Designer(s): **Matthew Smith and Nesimi Ertugrul and David Gehlert**
(45) Registration Date: **13 November 2009**
(56) Related Art Documents: **Not Applicable**
(57) Statement of Newness and Distinctiveness: **Nil**



- (21) Design Number: **14052/2009**
(22) Date of Filing Application: **20 October 2009**
(24) Date from which industrial property rights may have effect: **20 October 2009**
(54) Product in respect of which the design is registered: **Modulated pole piece for the stator of an electric machine**
(51) International Design Classification: **13-01**
(71) Name(s) and Address(s) of Applicant(s):
Intelligent Electric Motor Solutions Pty Ltd
11 Manton Street Hindmarsh South Australia 5007 Australia
(72) Name(s) of Designer(s): **Matthew Smith and Nesimi Ertugrul and David Gehlert**
(45) Registration Date: **13 November 2009**
(56) Related Art Documents: **Not Applicable**
(57) Statement of Newness and Distinctiveness: **Nil**



(21) Design Number: **12238/2009**

(22) Date of Filing Application: **18 June 2009**

(24) Date from which industrial property rights may have effect: **18 June 2009**

(54) Product in respect of which the design is registered: **Touch screen kiosk**

(51) International Design Classification: **20-03NES, 14-02**

(71) Name(s) and Address(s) of Applicant(s):

Abuzz Solutions Pty Ltd

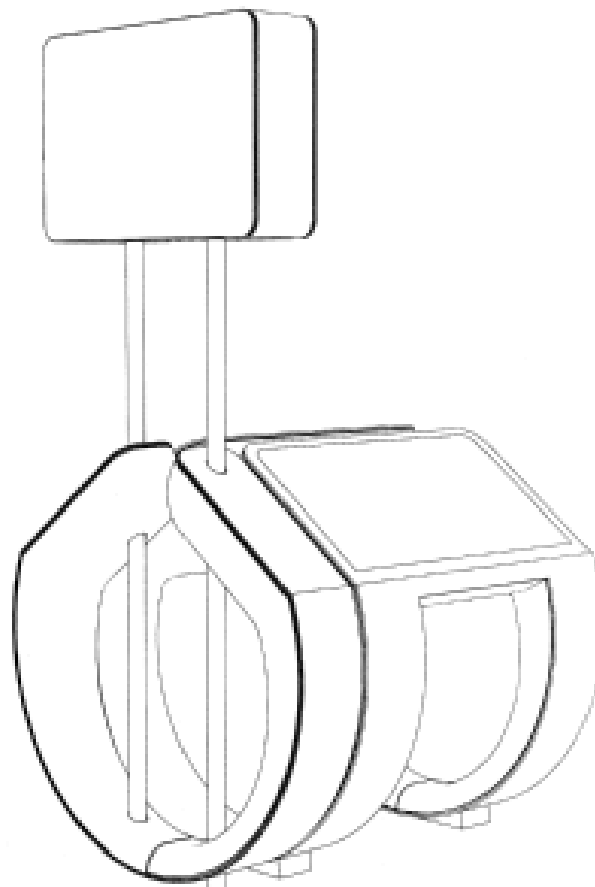
267 Abercrombie Street Darlington New South Wales 2008 Australia

(72) Name(s) of Designer(s): **Alison Howard**

(45) Registration Date: **17 November 2009**

(56) Related Art Documents: **Not Applicable**

(57) Statement of Newness and Distinctiveness: **Nil**



(21) Design Number: **13458/2009**

(22) Date of Filing Application: **18 June 2009**

(24) Date from which industrial property rights may have effect: **18 June 2009**

(54) Product in respect of which the design is registered: **Touch screen kiosk**

(51) International Design Classification: **20-03NES, 14-02**

(71) Name(s) and Address(s) of Applicant(s):

Abuzz Solutions Pty Ltd

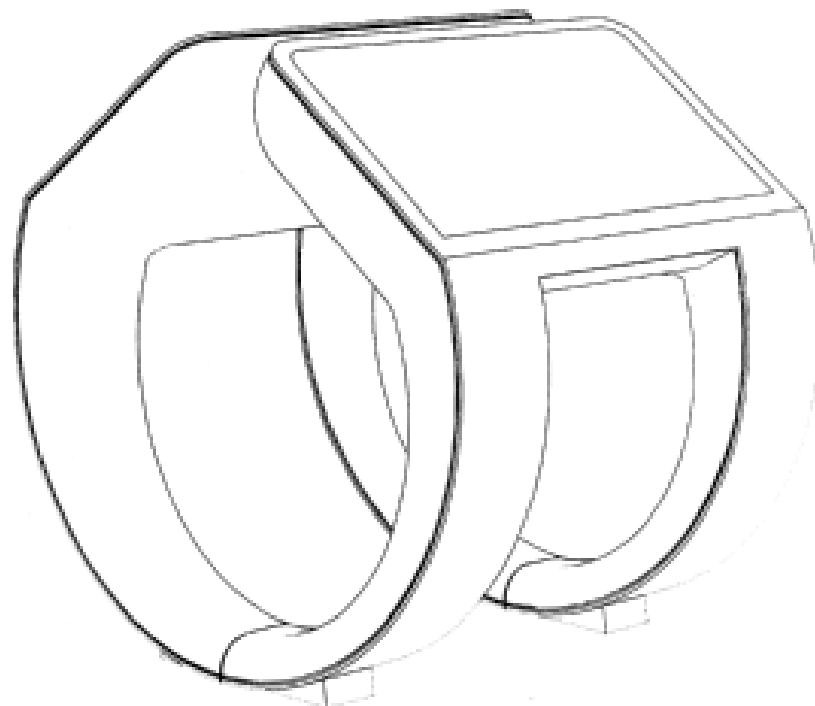
267 Abercrombie Street Darlington New South Wales 2008 Australia

(72) Name(s) of Designer(s): **Alison Howard**

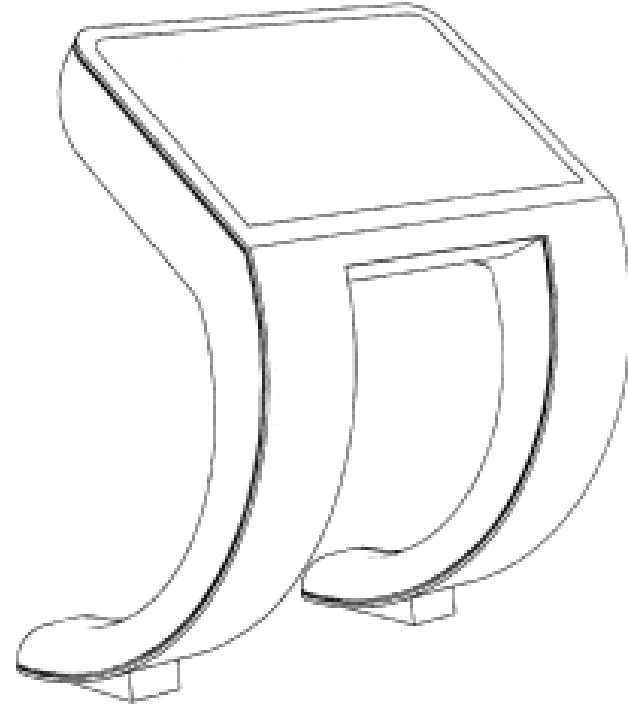
(45) Registration Date: **17 November 2009**

(56) Related Art Documents: **Not Applicable**

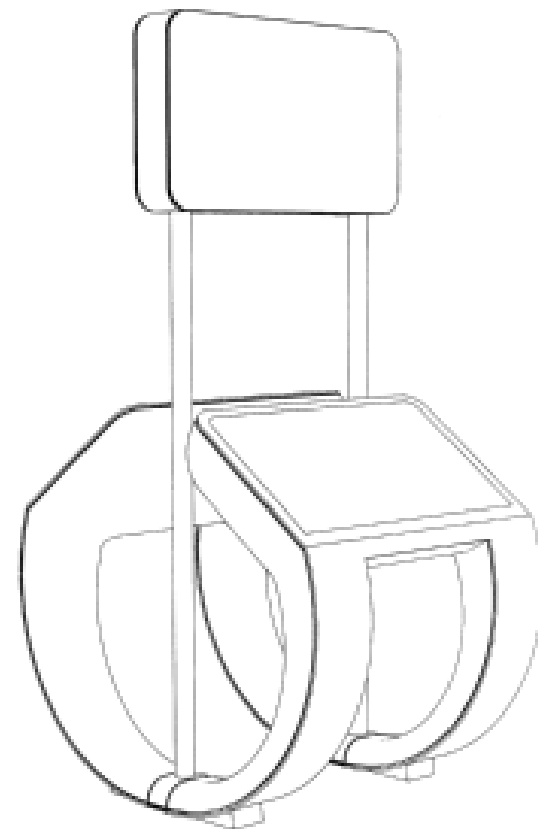
(57) Statement of Newness and Distinctiveness: **Nil**



(21) Design Number: **13459/2009**
(22) Date of Filing Application: **18 June 2009**
(24) Date from which industrial property rights may have effect: **18 June 2009**
(54) Product in respect of which the design is registered: **Touch screen kiosk**
(51) International Design Classification: **20-03NES, 14-02**
(71) Name(s) and Address(s) of Applicant(s):
Abuzz Solutions Pty Ltd
267 Abercrombie Street Darlington New South Wales 2008 Australia
(72) Name(s) of Designer(s): **Alison Howard**
(45) Registration Date: **17 November 2009**
(56) Related Art Documents: **Not Applicable**
(57) Statement of Newness and Distinctiveness: **Nil**



(21) Design Number: **14338/2009**
(22) Date of Filing Application: **18 June 2009**
(24) Date from which industrial property rights may have effect: **18 June 2009**
(54) Product in respect of which the design is registered: **Touch screen kiosk**
(51) International Design Classification: **20-03NES, 14-02**
(71) Name(s) and Address(s) of Applicant(s):
Abuzz Solutions Pty Ltd
267 Abercrombie Street Darlington New South Wales 2008 Australia
(72) Name(s) of Designer(s): **Alison Howard**
(45) Registration Date: **17 November 2009**
(56) Related Art Documents: **Not Applicable**
(57) Statement of Newness and Distinctiveness: **Nil**



- (21) Design Number: **11646/2009**
(22) Date of Filing Application: **07 May 2009**
(24) Date from which industrial property rights may have effect: **07 May 2009**
(54) Product in respect of which the design is registered: **Container base**
(51) International Design Classification: **09-03H**
(71) Name(s) and Address(s) of Applicant(s):

Huhtamaki Australia Pty Ltd
225 Wellington Road Mulgrave Victoria 3170 Australia

- (72) Name(s) of Designer(s): **Ian Janetzki and Paul Daffurn**
(45) Registration Date: **17 November 2009**
(56) Related Art Documents: **Not Applicable**
(57) Statement of Newness and Distinctiveness: **Newness and distinctiveness is claimed in the shape and/or configuration of a container base as illustrated in the accompanying representations. In considering the scope of the registration the lid as shown is to be disregarded.**



- (21) Design Number: **11788/2009**
(22) Date of Filing Application: **15 May 2009**
(24) Date from which industrial property rights may have effect: **15 May 2009**
(54) Product in respect of which the design is registered: **Container base**
(51) International Design Classification: **09-03NES**
(71) Name(s) and Address(s) of Applicant(s):

Huhtamaki Australia Pty Limited
225 Wellington Road Mulgrave Victoria 3170 Australia

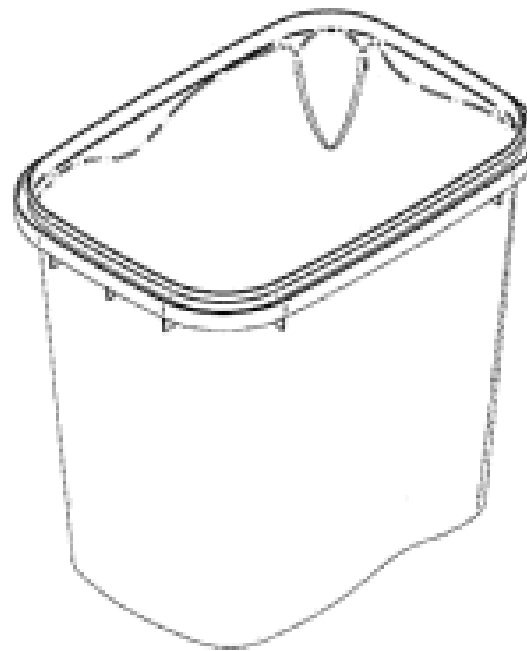
- (72) Name(s) of Designer(s): **Ian Janetzki and Paul Daffurn**
(45) Registration Date: **17 November 2009**
(56) Related Art Documents: **Not Applicable**
(57) Statement of Newness and Distinctiveness: **Newness and distinctiveness is claimed in features of shape and/or configuration of a container base as illustrated in the accompanying representations. In considering the scope of the registration the lid as shown is to be disregarded.**



- (21) Design Number: **11625/2009**
- (22) Date of Filing Application: **07 May 2009**
- (24) Date from which industrial property rights may have effect: **07 May 2009**
- (54) Product in respect of which the design is registered: **Container base**
- (51) International Design Classification: **09-03NES**
- (71) Name(s) and Address(s) of Applicant(s):

Huhtamaki Australia Pty Ltd
225 Wellington Road Mulgrave Victoria 3170 Australia

- (72) Name(s) of Designer(s): **Ian Janetzki and Paul Daffurn**
- (45) Registration Date: **17 November 2009**
- (56) Related Art Documents: **Not Applicable**
- (57) Statement of Newness and Distinctiveness: **Newness and distinctiveness is claimed in features of shape and/or configuration of a container base as illustrated in the accompanying representations. In considering the scope of the registration the lid as shown is to be disregarded.**



- (21) Design Number: **11786/2009**
- (22) Date of Filing Application: **15 May 2009**
- (24) Date from which industrial property rights may have effect: **15 May 2009**
- (54) Product in respect of which the design is registered: **Container base**
- (51) International Design Classification: **09-03NES**
- (71) Name(s) and Address(s) of Applicant(s):

Huhtamaki Australia Pty Limited
225 Wellington Road Mulgrave Victoria 3170 Australia

- (72) Name(s) of Designer(s): **Ian Janetzki and Paul Daffurn**
- (45) Registration Date: **17 November 2009**
- (56) Related Art Documents: **Not Applicable**
- (57) Statement of Newness and Distinctiveness: **Newness and distinctiveness is claimed in features of shape and/or configuration of a container base as illustrated in the accompanying representations. In considering the scope of the registration the lid as shown is to be disregarded.**



- (21) Design Number: **11619/2009**
- (22) Date of Filing Application: **07 May 2009**
- (24) Date from which industrial property rights may have effect: **07 May 2009**
- (54) Product in respect of which the design is registered: **Container base**
- (51) International Design Classification: **09-03NES**
- (71) Name(s) and Address(s) of Applicant(s):

Huhtamaki Australia Pty Ltd
225 Wellington Road Mulgrave Victoria 3170 Australia

- (72) Name(s) of Designer(s): **Ian Janetzki and Paul Daffurn**
- (45) Registration Date: **17 November 2009**
- (56) Related Art Documents: **Not Applicable**
- (57) Statement of Newness and Distinctiveness: **Newness and distinctiveness is claimed in features of shape and/or configuration of a container base as illustrated in the accompanying representations. In considering the scope of the registration the lid as shown is to be disregarded.**



- (21) Design Number: **11769/2009**
- (22) Date of Filing Application: **15 May 2009**
- (24) Date from which industrial property rights may have effect: **15 May 2009**
- (54) Product in respect of which the design is registered: **Container base**
- (51) International Design Classification: **09-03NES**
- (71) Name(s) and Address(s) of Applicant(s):

Huhtamaki Australia Pty Limited
225 Wellington Road Mulgrave Victoria 3170 Australia

- (72) Name(s) of Designer(s): **Ian Janetzki and Paul Daffurn**
- (45) Registration Date: **17 November 2009**
- (56) Related Art Documents: **Not Applicable**
- (57) Statement of Newness and Distinctiveness: **Newness and distinctiveness is claimed in features of shape and/or configuration of a container base as illustrated in the accompanying representations. In considering the scope of the registration the lid as shown is to be disregarded.**



(21) Design Number: **12232/2009**

(22) Date of Filing Application: **19 June 2009**

(24) Date from which industrial property rights may have effect: **19 June 2009**

(54) Product in respect of which the design is registered: **Container base**

(51) International Design Classification: **09-03NES**

(71) Name(s) and Address(s) of Applicant(s):

Huhtamaki Australia Pty Limited
225 Wellington Road Mulgrave Victoria 3170 Australia

(72) Name(s) of Designer(s): **Ian Janetzki and Paul Daffurn**

(45) Registration Date: **17 November 2009**

(56) Related Art Documents: **Not Applicable**

(57) Statement of Newness and Distinctiveness: **Newness and distinctiveness is claimed in features of shape and/or configuration of a container base as illustrated in the accompanying representations. In considering the scope of the registration the lid as shown is to be disregarded.**



(21) Design Number: **14073/2009**

(22) Date of Filing Application: **21 October 2009**

(24) Date from which industrial property rights may have effect: **21 October 2009**

(54) Product in respect of which the design is registered: **Collapsible shelter - case b**

(51) International Design Classification: **21-04**

(71) Name(s) and Address(s) of Applicant(s):

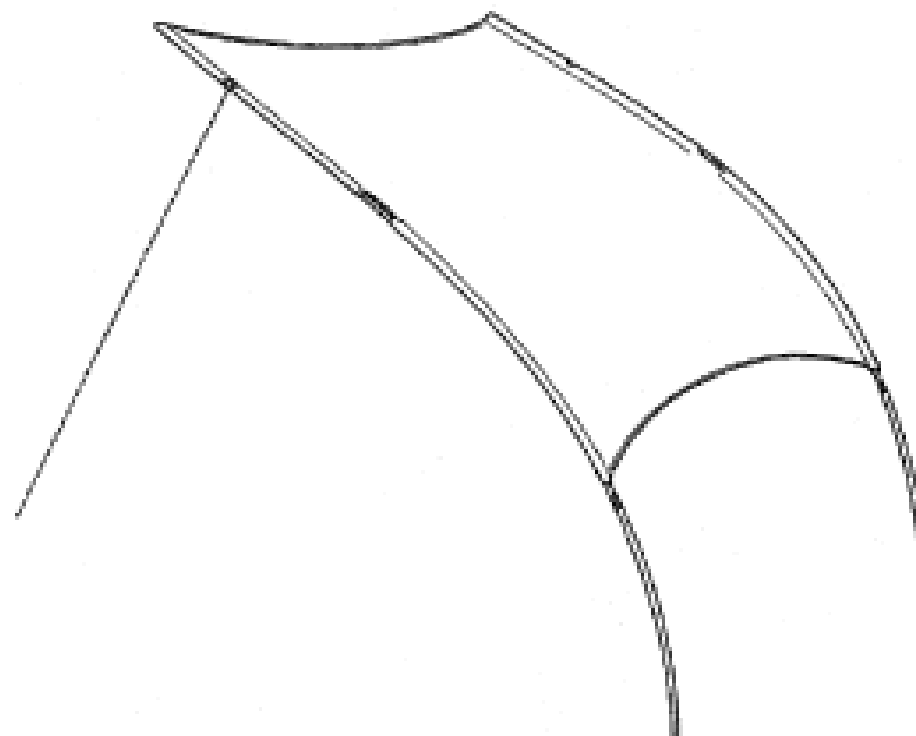
John Alexander Nichols
18 Banksia Terrace South Perth Western Australia Australia

(72) Name(s) of Designer(s): **John Alexander Nichols**

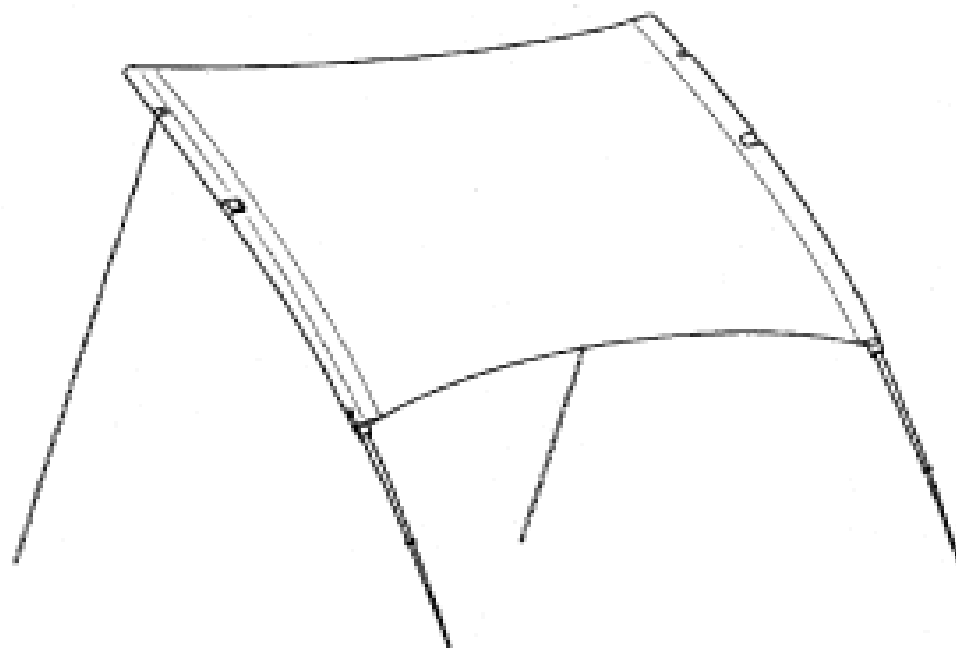
(45) Registration Date: **17 November 2009**

(56) Related Art Documents: **Not Applicable**

(57) Statement of Newness and Distinctiveness: **Each feature of the design considered separately or in combination with any other feature or features. The elements which are shown in broken lines are to be disregarded and do form a part of the design.**



- (21) Design Number: **14074/2009**
(22) Date of Filing Application: **21 October 2009**
(24) Date from which industrial property rights may have effect: **21 October 2009**
(54) Product in respect of which the design is registered: **Collapsible shelter - case a**
(51) International Design Classification: **21-04**
(71) Name(s) and Address(s) of Applicant(s):
John Alexander Nichols
18 Banksia Terrace South Perth Western Australia Australia
(72) Name(s) of Designer(s): **John Alexander Nichols**
(45) Registration Date: **17 November 2009**
(56) Related Art Documents: **Not Applicable**
(57) Statement of Newness and Distinctiveness: **Each feature of the design considered separately or in combination with any other feature or features. The elements which are shown in broken lines are to be disregarded and do form a part of the design.**



- (21) Design Number: **14075/2009**
(22) Date of Filing Application: **21 October 2009**
(24) Date from which industrial property rights may have effect: **21 October 2009**
(54) Product in respect of which the design is registered: **Belt carrier**
(51) International Design Classification: **03-99**
(71) Name(s) and Address(s) of Applicant(s):
BabyBjorn AB
Box 913 170 09 Solna Sweden
(72) Name(s) of Designer(s): **Filip Sauer and Lisen Elmberg and Hakan Bergkvist**
(45) Registration Date: **17 November 2009**
(30) Convention priority data:
(31) Number (32) Date (33) Country
001127658 24 Apr 2009 EUROPEAN COMMUNITY
(56) Related Art Documents: **Not Applicable**
(57) Statement of Newness and Distinctiveness: **Newness and distinctiveness is claimed in the following features of shape and/or configuration of a belt carrier as illustrated in the accompanying representations: foldable supporting seat portion marked 'A'; waist belt portion marked 'B'; supporting waist bands marked 'C'; and flexible pouch straps marked 'D'.**



(21) Design Number: **14076/2009**

(22) Date of Filing Application: **21 October 2009**

(24) Date from which industrial property rights may have effect: **21 October 2009**

(54) Product in respect of which the design is registered: **Belt carrier**

(51) International Design Classification: **03-99**

(71) Name(s) and Address(s) of Applicant(s):

BabyBjorn AB
Box 913 170 09 Solna Sweden

(72) Name(s) of Designer(s): **Filip Sauer and Lisen Elmberg and Hakan Bergkvist**

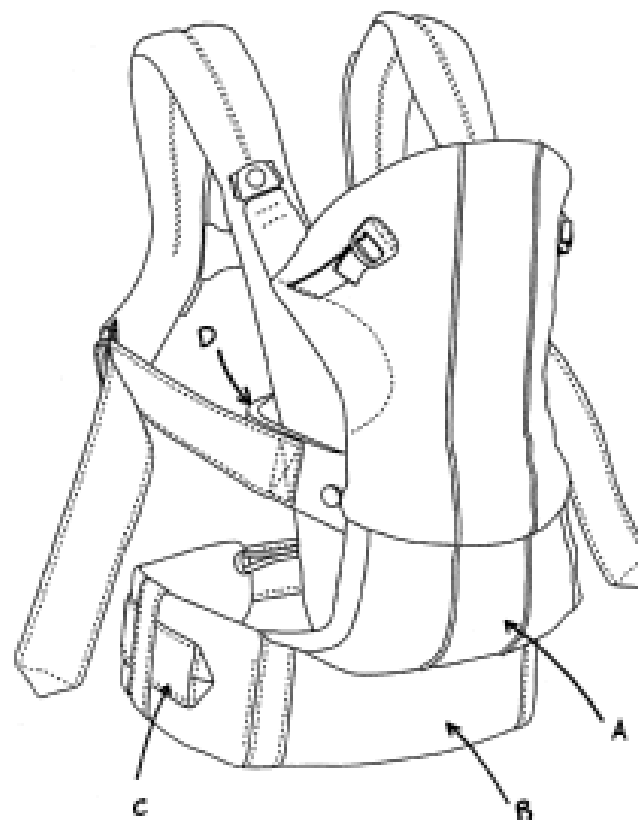
(45) Registration Date: **17 November 2009**

(30) Convention priority data:

(31) Number	(32) Date	(33) Country
001127658	24 Apr 2009	EUROPEAN COMMUNITY

(56) Related Art Documents: **Not Applicable**

(57) Statement of Newness and Distinctiveness: **Newness and distinctiveness is claimed in the following features of shape and/or configuration of a belt carrier as illustrated in the accompanying representations: supporting seat portion marked 'A'; waist belt portion marked 'B'; supporting waist bands marked 'C'; and flexible pouch straps marked 'D'.**



(21) Design Number: **14077/2009**

(22) Date of Filing Application: **21 October 2009**

(24) Date from which industrial property rights may have effect: **21 October 2009**

(54) Product in respect of which the design is registered: **Fence or railing connector**

(51) International Design Classification: **08-08K**

(71) Name(s) and Address(s) of Applicant(s):

Rudy Diener
2 Myall Street Doonside New South Wales 2767 Australia

Danny Earle Rose
105 Jackaranda Road North St. Marys New South Wales 2760 Australia

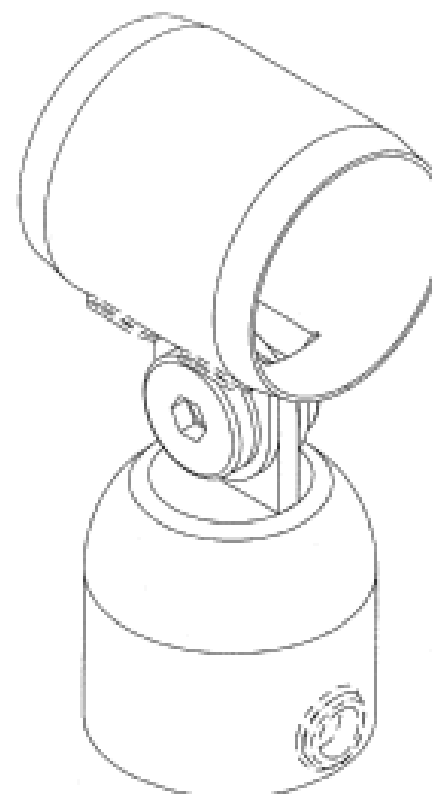
Wayne Milner
15 Ryans Court Burnside Heights Victoria 3023 Australia

(72) Name(s) of Designer(s): **Wayne Milner**

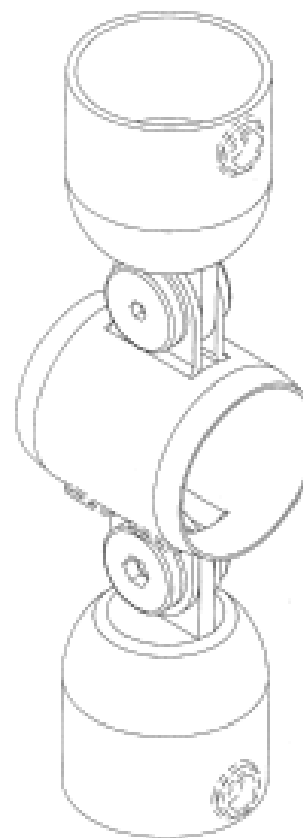
(45) Registration Date: **17 November 2009**

(56) Related Art Documents: **Not Applicable**

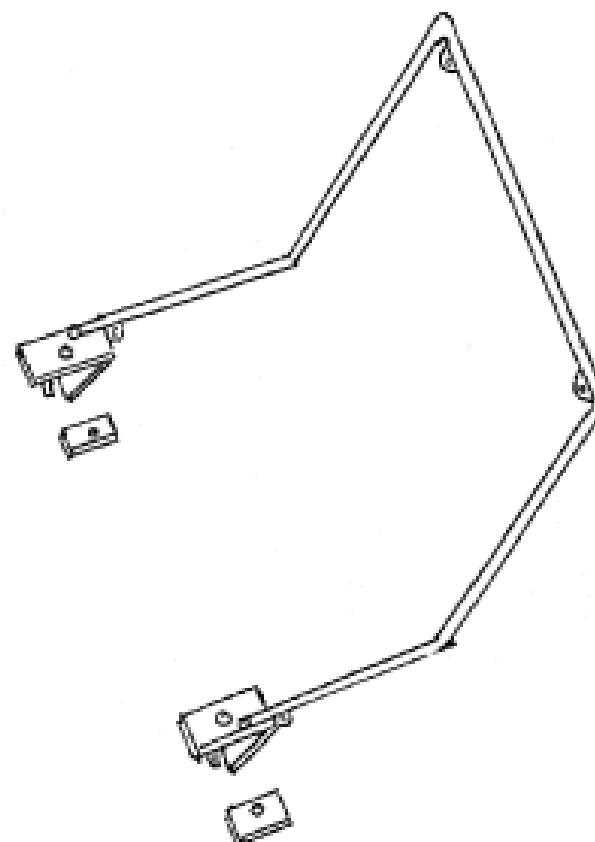
(57) Statement of Newness and Distinctiveness: **Those features of the fence or railing connector depicted in the representations that are new and distinctive are the shape and/or configuration. The features shown in broken lines are not part of the design and are to be disregarded when considering the overall impression of the design.**



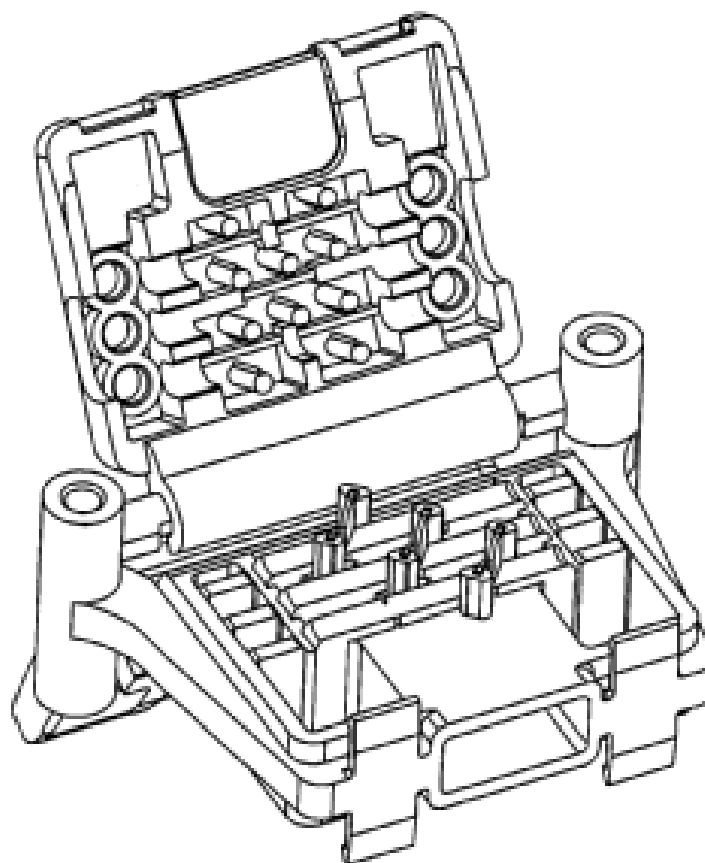
- (21) Design Number: **14078/2009**
(22) Date of Filing Application: **21 October 2009**
(24) Date from which industrial property rights may have effect: **21 October 2009**
(54) Product in respect of which the design is registered: **Fence or railing connector**
(51) International Design Classification: **08-08K**
(71) Name(s) and Address(s) of Applicant(s):
Rudy Diener
2 Myall Street Doonside New South Wales 2767 Australia
Danny Earle Rose
105 Jackaranda Road North St. Marys New South Wales 2760 Australia
Wayne Milner
15 Ryans Court Burnside Heights Victoria 3023 Australia
(72) Name(s) of Designer(s): **Wayne Milner**
(45) Registration Date: **17 November 2009**
(56) Related Art Documents: **Not Applicable**
(57) Statement of Newness and Distinctiveness: **Those features of the fence or railing connector depicted in the representations that are new and distinctive are the shape and/or configuration. The features shown in broken lines are not part of the design and are to be disregarded when considering the overall impression of the design.**



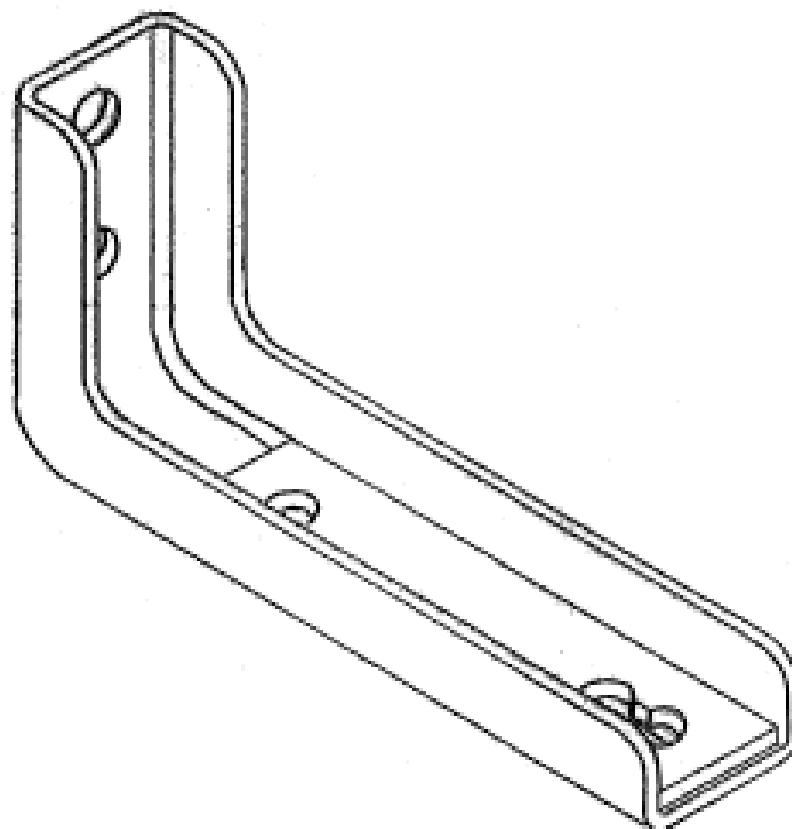
- (21) Design Number: **12816/2009**
(22) Date of Filing Application: **30 July 2009**
(24) Date from which industrial property rights may have effect: **30 July 2009**
(54) Product in respect of which the design is registered: **BoatHoist safety rail**
(51) International Design Classification: **25-02C, 12-16NES**
(71) Name(s) and Address(s) of Applicant(s):
Stephen John Scott
1 Kurrajong Court East Ballina New South Wales 2478 Australia
(72) Name(s) of Designer(s): **Stephen John Scott**
(45) Registration Date: **17 November 2009**
(56) Related Art Documents: **Not Applicable**
(57) Statement of Newness and Distinctiveness: **The Boathoist Safety Rail attaches to the external edge of an open boat and provides a stable hand hold for persons within the boat.**



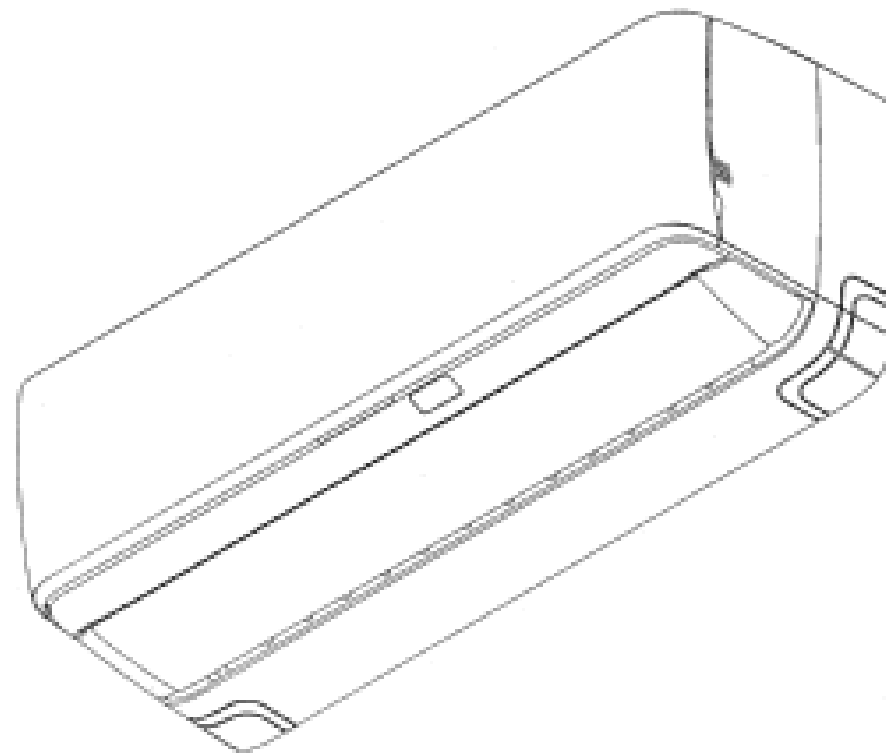
- (21) Design Number: **13485/2009**
(22) Date of Filing Application: **09 September 2009**
(24) Date from which industrial property rights may have effect: **09 September 2009**
(54) Product in respect of which the design is registered: **Junction box**
(51) International Design Classification: **13-03C**
(71) Name(s) and Address(s) of Applicant(s):
ADC Communications (Australia) Pty Limited
2 Hereford Street Berkeley Vale New South Wales 2261 Australia
(72) Name(s) of Designer(s): **Wayne William Dennes and Malcolm Bruce Brear**
(45) Registration Date: **17 November 2009**
(56) Related Art Documents: **Not Applicable**
(57) Statement of Newness and Distinctiveness: **The features of shape and configuration of the junction box shown in the accompanying representations are considered to be new and distinctive.**



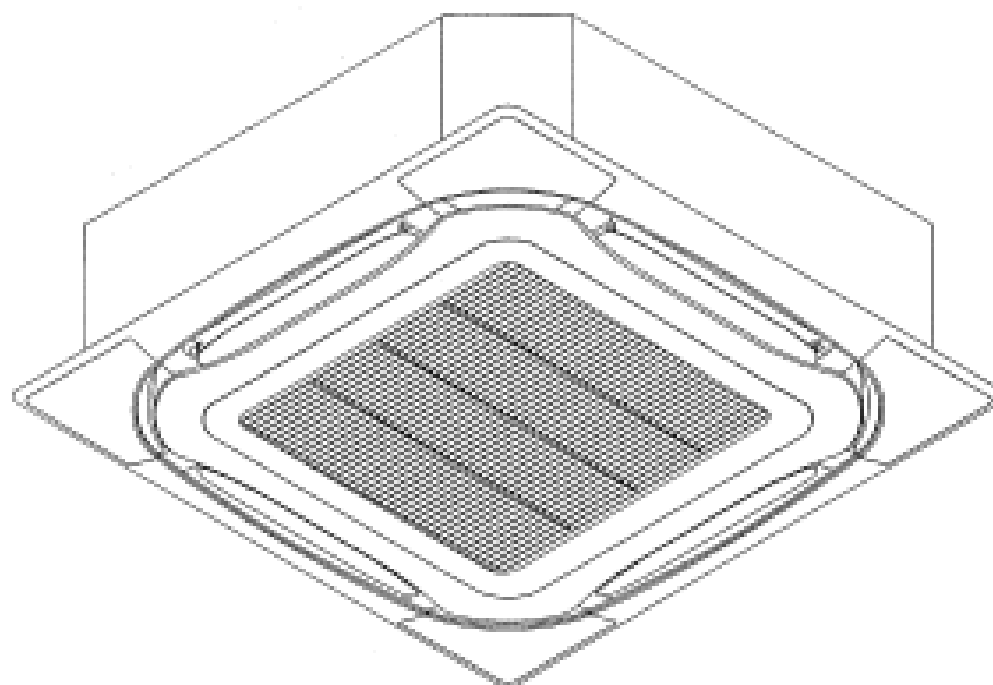
- (21) Design Number: **14058/2009**
(22) Date of Filing Application: **20 October 2009**
(24) Date from which industrial property rights may have effect: **20 October 2009**
(54) Product in respect of which the design is registered: **An improved bracket**
(51) International Design Classification: **08-08L**
(71) Name(s) and Address(s) of Applicant(s):
Lance Malcolm Vater
Unit 7 538 Portrush Road St Georges South Australia 5064 Australia
(72) Name(s) of Designer(s): **Lance Malcolm Vater**
(45) Registration Date: **17 November 2009**
(56) Related Art Documents: **Not Applicable**
(57) Statement of Newness and Distinctiveness: **Nil**



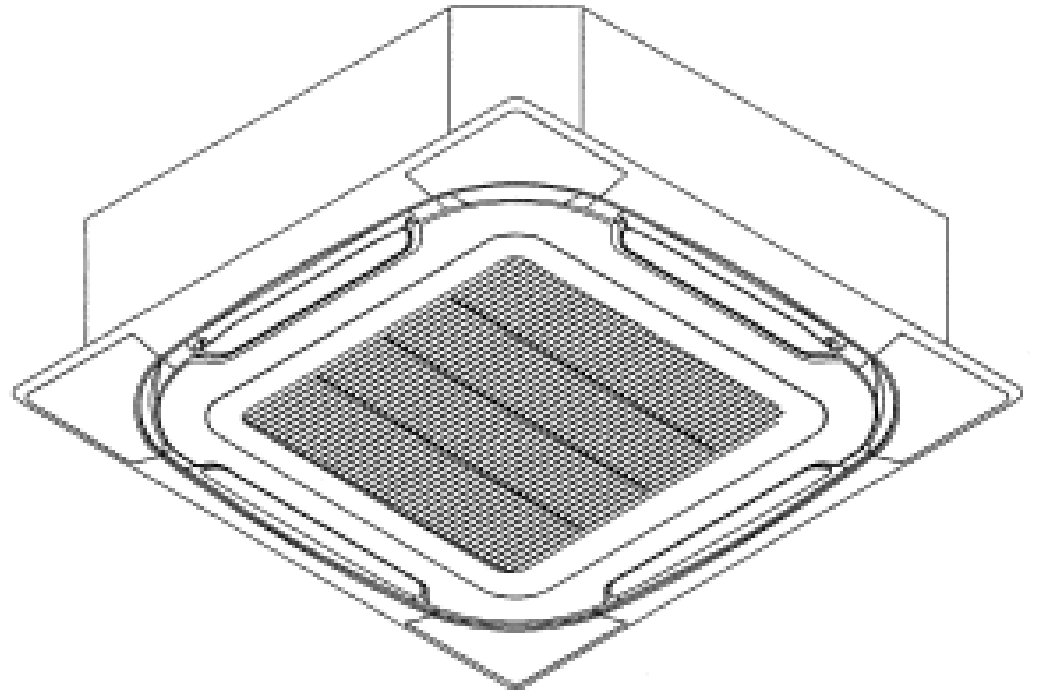
(21) Design Number: **14084/2009**
(22) Date of Filing Application: **21 October 2009**
(24) Date from which industrial property rights may have effect: **21 October 2009**
(54) Product in respect of which the design is registered: **Air conditioner**
(51) International Design Classification: **23-04**
(71) Name(s) and Address(s) of Applicant(s):
Daikin Industries Ltd.
Umeda Center Building 4-12 Nakazaki-Nishi 2-chome Kita-ku
Osaka-shi Osaka-fu Japan
(72) Name(s) of Designer(s): **Junji Nakamura and Kouichirou Seki**
(45) Registration Date: **17 November 2009**
(30) Convention priority data:
(31) Number (32) Date (33) Country
2009-016905 24 Jul 2009 JAPAN
(56) Related Art Documents: **Not Applicable**
(57) Statement of Newness and Distinctiveness: **Nil**



(21) Design Number: **14085/2009**
(22) Date of Filing Application: **21 October 2009**
(24) Date from which industrial property rights may have effect: **21 October 2009**
(54) Product in respect of which the design is registered: **Air conditioner**
(51) International Design Classification: **23-04**
(71) Name(s) and Address(s) of Applicant(s):
Daikin Industries Ltd.
Umeda Center Building 4-12 Nakazaki-Nishi 2-chome Kita-ku
Osaka-shi Osaka-fu Japan
(72) Name(s) of Designer(s): **Kaichi Tsuji**
(45) Registration Date: **17 November 2009**
(56) Related Art Documents: **Not Applicable**
(57) Statement of Newness and Distinctiveness: **Nil**



- (21) Design Number: **14086/2009**
(22) Date of Filing Application: **21 October 2009**
(24) Date from which industrial property rights may have effect: **21 October 2009**
(54) Product in respect of which the design is registered: **Air conditioner**
(51) International Design Classification: **23-04**
(71) Name(s) and Address(s) of Applicant(s):
Daikin Industries Ltd.
Umeda Center Building 4-12 Nakazaki-Nishi 2-chome Kita-ku
Osaka-shi Osaka-fu Japan
(72) Name(s) of Designer(s): **Kaichi Tsuji**
(45) Registration Date: **17 November 2009**
(56) Related Art Documents: **Not Applicable**
(57) Statement of Newness and Distinctiveness: **Nil**



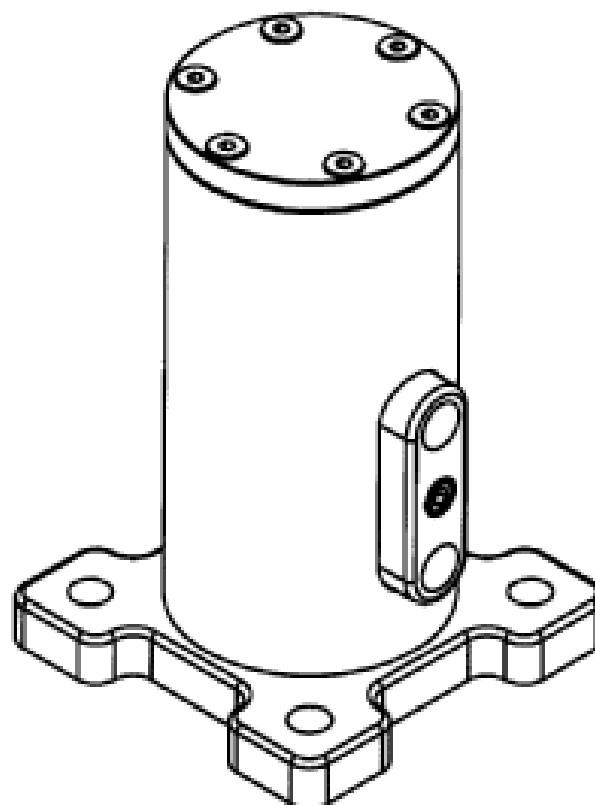
- (21) Design Number: **11770/2009**
(22) Date of Filing Application: **15 May 2009**
(24) Date from which industrial property rights may have effect: **15 May 2009**
(54) Product in respect of which the design is registered: **Container**
(51) International Design Classification: **07-01NES**
(71) Name(s) and Address(s) of Applicant(s):
Huhtamaki Australia Pty Limited
225 Wellington Road Mulgrave Victoria 3170 Australia
(72) Name(s) of Designer(s): **Ian Janetzki and Paul Daffurn**
(45) Registration Date: **17 November 2009**
(56) Related Art Documents: **Not Applicable**
(57) Statement of Newness and Distinctiveness: **Newness and distinctiveness is claimed in features of shape and/or configuration of a container base as illustrated in the accompanying representations. In considering the scope of the registration the lid as shown is to be disregarded.**



- (21) Design Number: **11771/2009**
(22) Date of Filing Application: **15 May 2009**
(24) Date from which industrial property rights may have effect: **15 May 2009**
(54) Product in respect of which the design is registered: **Container**
(51) International Design Classification: **07-01NES**
(71) Name(s) and Address(s) of Applicant(s):
Huhtamaki Australia Pty Limited
225 Wellington Road Mulgrave Victoria 3170 Australia
(72) Name(s) of Designer(s): **Ian Janetzki and Paul Daffurn**
(45) Registration Date: **17 November 2009**
(56) Related Art Documents: **Not Applicable**
(57) Statement of Newness and Distinctiveness: **Newness and distinctiveness is claimed in features of shape and/or configuration of a container base as illustrated in the accompanying representations. In considering the scope of the registration the lid as shown is to be disregarded.**



- (21) Design Number: **13635/2009**
(22) Date of Filing Application: **22 September 2009**
(24) Date from which industrial property rights may have effect: **22 September 2009**
(54) Product in respect of which the design is registered: **Pneumatic industrial piston vibrators**
(51) International Design Classification: **15-99**
(71) Name(s) and Address(s) of Applicant(s):
Enmin Vibratory Equipment Pty Ltd
6 Wadhurst Drive Boronia Victoria 3155 Australia
(72) Name(s) of Designer(s): **James K. Gallaher**
(45) Registration Date: **17 November 2009**
(56) Related Art Documents: **Not Applicable**
(57) Statement of Newness and Distinctiveness: **Development of Pneumatic Industrial Piston Vibrators Background: Traditionally all pneumatic piston vibrators have incorporated a metal casting to accommodate the operation of the piston, the fitting of the inlet and exhaust ports and provide a base for mounting the unit. The problem this presents is in the weight of the unit, the difficulty in accurate machining and quality assurance. Attempts have been made to overcome this issue with fabricated designs with limited success. New Design Criteria To produce an industrial pneumatic piston vibrator range that will offer: 1 Simple accurate machining 2 Be light weight 3 Will be acceptable for all aspects of industry 4 Will offer interchangeable components 5 Can be produced economically in a variety of materials Proposed Design: To overcome the fore mentioned problems the proposed new design will use standard hollow bar to minimize the wall thickness of the cylinder. The proposed design will incorporate an accurately machined slot to accept an external manifold that will be of sufficient thickness to permit the correct machining of the threaded ports for external connection of the inlet and exhaust ports for compressed air services. The external manifold will be a sliding fit into the body of the cylinder and fixed by a single bolt which will be sealed with an agent to prevent the external manifold vibrating loose but can be released by subjecting the cylinder assembly to an increase in temperature where servicing is required. The base mounting plate for the assembly will be a separate component which can be modified to suit a variety of bolt hole patterns and dimensions not possible in a casting component. The sealing cap will be machined from standard round bar. Both the sealing cap and the base mounting plate will be fixed to the cylinder using a series of bolts. The external manifold**

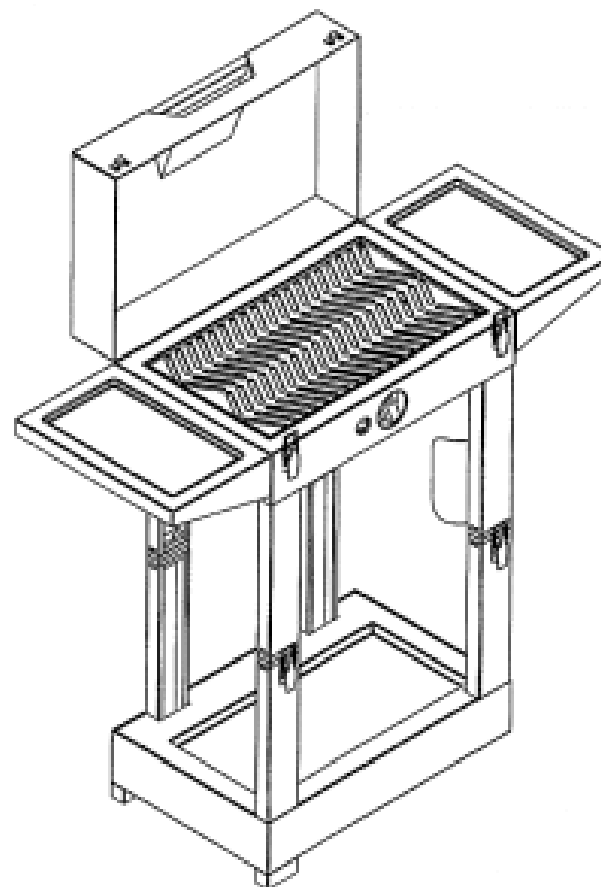


design therefore permits the wall thickness of the cylinder to be of a minimum value thus significantly reducing the weight of the component and saving in machining costs and materials. Advantages of the Proposed Design: By incorporating the external manifold the wall thickness of the cylinder is reduced to a minimal value thus saving on weight and materials. The cylinder can be concepts.

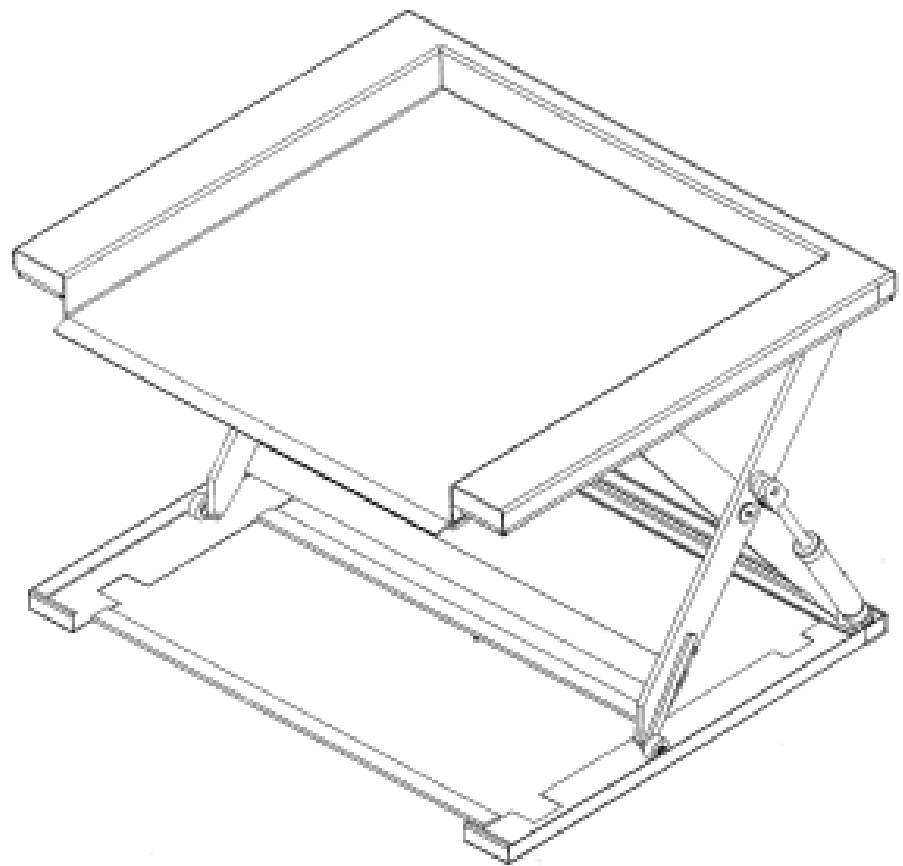
(12) AUSTRALIAN REGISTERED DESIGN
(19) AU

(11) AU-S- 328493

-
- (21) Design Number: **13655/2009**
(22) Date of Filing Application: **23 September 2009**
(24) Date from which industrial property rights may have effect: **23 September 2009**
(54) Product in respect of which the design is registered: **Barbeque grill**
(51) International Design Classification: **07-02E**
(71) Name(s) and Address(s) of Applicant(s):
Product Works Limited
10th Floor Fu Fai Commercial Centre 27 Hillier Street Sheung Wan
Hong Kong
(72) Name(s) of Designer(s): **Brendan Dunne and Erwin Petrus Boes and Tom**
Trebert
(45) Registration Date: **17 November 2009**
(30) Convention priority data:
(31) Number (32) Date (33) Country
0900460.3 23 Mar 2009 HONG KONG
(56) Related Art Documents: **Not Applicable**
(57) Statement of Newness and Distinctiveness: **Nil**



- (21) Design Number: **13970/2009**
(22) Date of Filing Application: **14 October 2009**
(24) Date from which industrial property rights may have effect: **14 October 2009**
(54) Product in respect of which the design is registered: **Low profile scissor lift table**
(51) International Design Classification: **06-03NES, 12-05**
(71) Name(s) and Address(s) of Applicant(s):
Harvey David Horsfall
35 Muntenpen Street Leeton New South Wales 2705 Australia
Sue-Ellen Horsfall
35 Muntenpen Street Leeton New South Wales 2705 Australia
(72) Name(s) of Designer(s): **Harvey David Horsfall**
(45) Registration Date: **17 November 2009**
(56) Related Art Documents: **Not Applicable**
(57) Statement of Newness and Distinctiveness: **We claim monopoly on the shape and configuration of the low profile scissor lift table with a recessed table top as shown in the representations.**



- (21) Design Number: **14032/2009**
(22) Date of Filing Application: **20 October 2009**
(24) Date from which industrial property rights may have effect: **20 October 2009**
(54) Product in respect of which the design is registered: **Article of clothing**
(51) International Design Classification: **02-02NES**
(71) Name(s) and Address(s) of Applicant(s):
Nextinct Pty Ltd
56A Goddard Street Lathlain Western Australia 6100 Australia
(72) Name(s) of Designer(s): **John Emery**
(45) Registration Date: **17 November 2009**
(56) Related Art Documents: **Not Applicable**
(57) Statement of Newness and Distinctiveness: **The newness and distinctiveness of the article of clothing resides in the pattern and/or ornamentation as shown in the accompanying representations, irrespective of the shape of the article of clothing.**



- (21) Design Number: **14033/2009**
(22) Date of Filing Application: **20 October 2009**
(24) Date from which industrial property rights may have effect: **20 October 2009**
(54) Product in respect of which the design is registered: **Article of clothing**
(51) International Design Classification: **02-02NES**
(71) Name(s) and Address(s) of Applicant(s):
Nextinct Pty Ltd
56A Goddard Street Lathlain Western Australia 6100 Australia
(72) Name(s) of Designer(s): **John Emery**
(45) Registration Date: **17 November 2009**
(56) Related Art Documents: **Not Applicable**
(57) Statement of Newness and Distinctiveness: **The newness and distinctiveness of the article of clothing resides in the pattern and/or ornamentation as shown in the accompanying representations, irrespective of the shape of the article of clothing.**



- (21) Design Number: **14034/2009**
(22) Date of Filing Application: **20 October 2009**
(24) Date from which industrial property rights may have effect: **20 October 2009**
(54) Product in respect of which the design is registered: **Article of clothing**
(51) International Design Classification: **02-02NES**
(71) Name(s) and Address(s) of Applicant(s):
Nextinct Pty Ltd
56A Goddard Street Lathlain Western Australia 6100 Australia
(72) Name(s) of Designer(s): **John Emery**
(45) Registration Date: **17 November 2009**
(56) Related Art Documents: **Not Applicable**
(57) Statement of Newness and Distinctiveness: **The newness and distinctiveness of the article of clothing resides in the pattern and/or ornamentation as shown in the accompanying representations, irrespective of the shape of the article of clothing.**



(21) Design Number: **14035/2009**

(22) Date of Filing Application: **20 October 2009**

(24) Date from which industrial property rights may have effect: **20 October 2009**

(54) Product in respect of which the design is registered: **Article of clothing**

(51) International Design Classification: **02-02NES**

(71) Name(s) and Address(s) of Applicant(s):

Nextinct Pty Ltd

56A Goddard Street Lathlain Western Australia 6100 Australia

(72) Name(s) of Designer(s): **John Emery**

(45) Registration Date: **17 November 2009**

(56) Related Art Documents: **Not Applicable**

(57) Statement of Newness and Distinctiveness: **The newness and distinctiveness of the article of clothing resides in the pattern and/or ornamentation as shown in the accompanying representations, irrespective of the shape of the article of clothing.**



(21) Design Number: **14036/2009**

(22) Date of Filing Application: **20 October 2009**

(24) Date from which industrial property rights may have effect: **20 October 2009**

(54) Product in respect of which the design is registered: **Article of clothing**

(51) International Design Classification: **02-02NES**

(71) Name(s) and Address(s) of Applicant(s):

Nextinct Pty Ltd

56A Goddard Street Lathlain Western Australia 6100 Australia

(72) Name(s) of Designer(s): **John Emery**

(45) Registration Date: **17 November 2009**

(56) Related Art Documents: **Not Applicable**

(57) Statement of Newness and Distinctiveness: **The newness and distinctiveness of the article of clothing resides in the pattern and/or ornamentation as shown in the accompanying representations, irrespective of the shape of the article of clothing.**



(21) Design Number: **14037/2009**

(22) Date of Filing Application: **20 October 2009**

(24) Date from which industrial property rights may have effect: **20 October 2009**

(54) Product in respect of which the design is registered: **Article of clothing**

(51) International Design Classification: **02-02NES**

(71) Name(s) and Address(s) of Applicant(s):

Nextinct Pty Ltd

56A Goddard Street Lathlain Western Australia 6100 Australia

(72) Name(s) of Designer(s): **John Emery**

(45) Registration Date: **17 November 2009**

(56) Related Art Documents: **Not Applicable**

(57) Statement of Newness and Distinctiveness: **The newness and distinctiveness of the article of clothing resides in the pattern and/or ornamentation as shown in the accompanying representations, irrespective of the shape of the article of clothing.**



(21) Design Number: **14038/2009**

(22) Date of Filing Application: **20 October 2009**

(24) Date from which industrial property rights may have effect: **20 October 2009**

(54) Product in respect of which the design is registered: **Article of clothing**

(51) International Design Classification: **02-02NES**

(71) Name(s) and Address(s) of Applicant(s):

Nextinct Pty Ltd

56A Goddard Street Lathlain Western Australia 6100 Australia

(72) Name(s) of Designer(s): **John Emery**

(45) Registration Date: **17 November 2009**

(56) Related Art Documents: **Not Applicable**

(57) Statement of Newness and Distinctiveness: **The newness and distinctiveness of the article of clothing resides in the pattern and/or ornamentation as shown in the accompanying representations, irrespective of the shape of the article of clothing.**



- (21) Design Number: **14039/2009**
(22) Date of Filing Application: **20 October 2009**
(24) Date from which industrial property rights may have effect: **20 October 2009**
(54) Product in respect of which the design is registered: **Article of clothing**
(51) International Design Classification: **02-02NES**
(71) Name(s) and Address(s) of Applicant(s):
Nextinct Pty Ltd
56A Goddard Street Lathlain Western Australia 6100 Australia
(72) Name(s) of Designer(s): **John Emery**
(45) Registration Date: **17 November 2009**
(56) Related Art Documents: **Not Applicable**
(57) Statement of Newness and Distinctiveness: **The newness and distinctiveness of the article of clothing resides in the pattern and/or ornamentation as shown in the accompanying representations, irrespective of the shape of the article of clothing.**



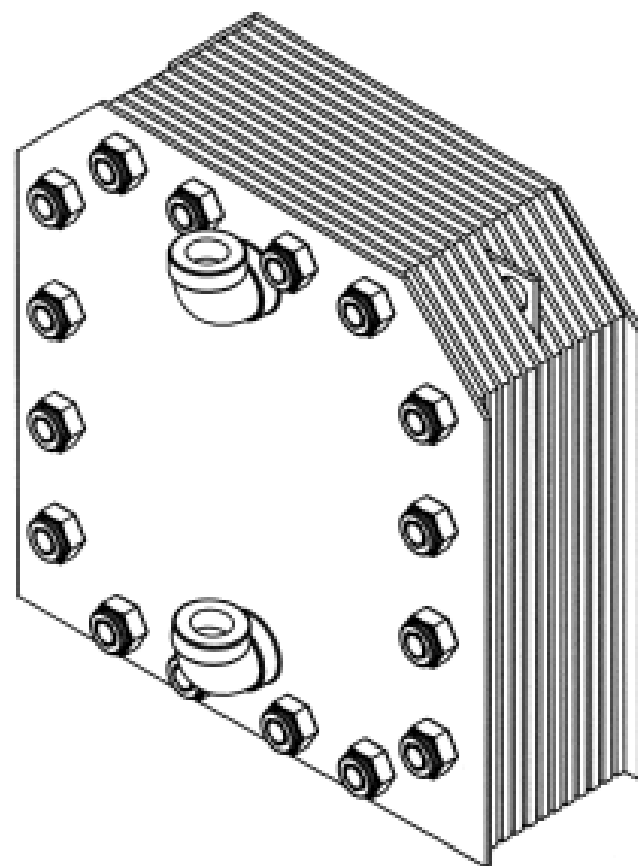
- (21) Design Number: **14040/2009**
(22) Date of Filing Application: **20 October 2009**
(24) Date from which industrial property rights may have effect: **20 October 2009**
(54) Product in respect of which the design is registered: **Article of clothing**
(51) International Design Classification: **02-02NES**
(71) Name(s) and Address(s) of Applicant(s):
Nextinct Pty Ltd
56A Goddard Street Lathlain Western Australia 6100 Australia
(72) Name(s) of Designer(s): **John Emery**
(45) Registration Date: **17 November 2009**
(56) Related Art Documents: **Not Applicable**
(57) Statement of Newness and Distinctiveness: **The newness and distinctiveness of the article of clothing resides in the pattern and/or ornamentation as shown in the accompanying representations, irrespective of the shape of the article of clothing.**



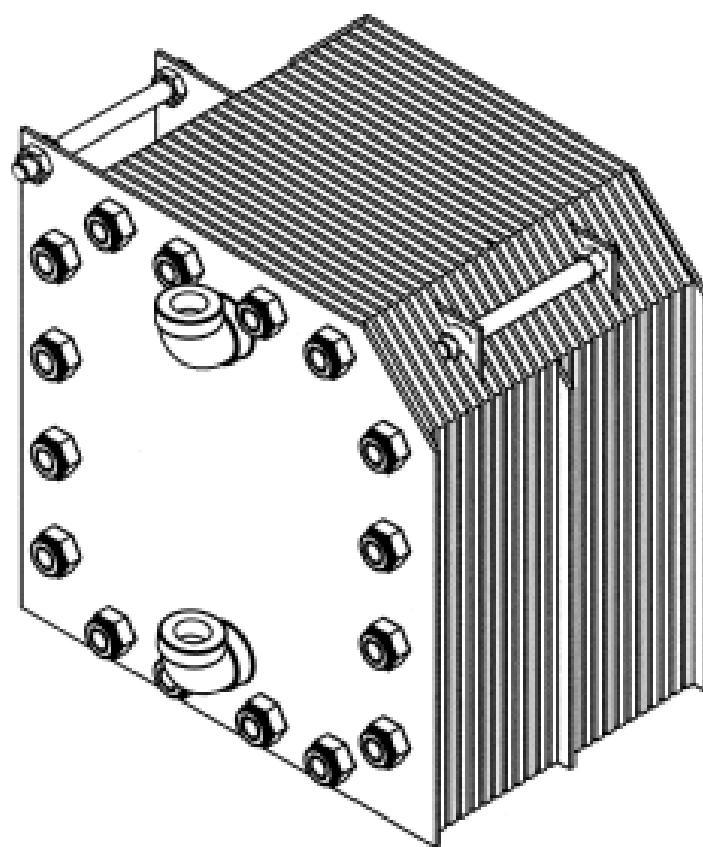
- (21) Design Number: **14041/2009**
(22) Date of Filing Application: **20 October 2009**
(24) Date from which industrial property rights may have effect: **20 October 2009**
(54) Product in respect of which the design is registered: **Article of clothing**
(51) International Design Classification: **02-02NES**
(71) Name(s) and Address(s) of Applicant(s):
Nextinct Pty Ltd
56A Goddard Street Lathlain Western Australia 6100 Australia
(72) Name(s) of Designer(s): **John Emery**
(45) Registration Date: **17 November 2009**
(56) Related Art Documents: **Not Applicable**
(57) Statement of Newness and Distinctiveness: **The newness and distinctiveness of the article of clothing resides in the pattern and/or ornamentation as shown in the accompanying representations, irrespective of the shape of the article of clothing.**



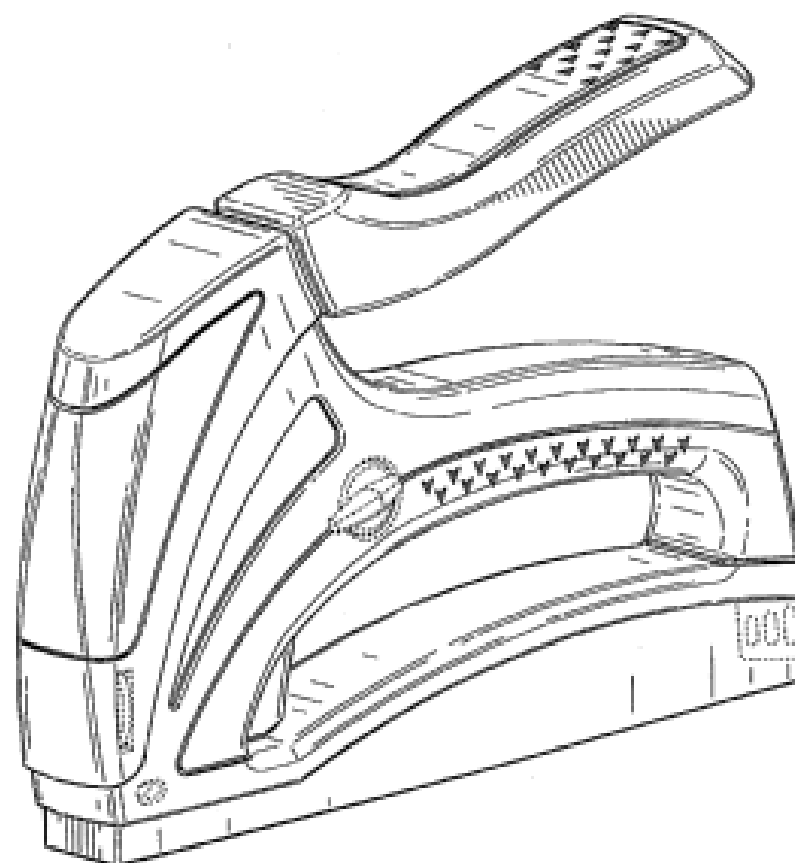
- (21) Design Number: **14067/2009**
(22) Date of Filing Application: **21 October 2009**
(24) Date from which industrial property rights may have effect: **21 October 2009**
(54) Product in respect of which the design is registered: **Hydrogen cell**
(51) International Design Classification: **13-99**
(71) Name(s) and Address(s) of Applicant(s):
Martin Harrow
745 Ocean Drive Grants Beach New South Wales 2445 Australia
(72) Name(s) of Designer(s): **Martin Harrow**
(45) Registration Date: **17 November 2009**
(56) Related Art Documents: **Not Applicable**
(57) Statement of Newness and Distinctiveness: **Nil**



(21) Design Number: **14068/2009**
 (22) Date of Filing Application: **21 October 2009**
 (24) Date from which industrial property rights may have effect: **21 October 2009**
 (54) Product in respect of which the design is registered: **Hydrogen cell**
 (51) International Design Classification: **13-99**
 (71) Name(s) and Address(s) of Applicant(s):
Martin Harrow
745 Ocean Drive Grants Beach New South Wales 2445 Australia
 (72) Name(s) of Designer(s): **Martin Harrow**
 (45) Registration Date: **17 November 2009**
 (56) Related Art Documents: **Not Applicable**
 (57) Statement of Newness and Distinctiveness: **Nil**

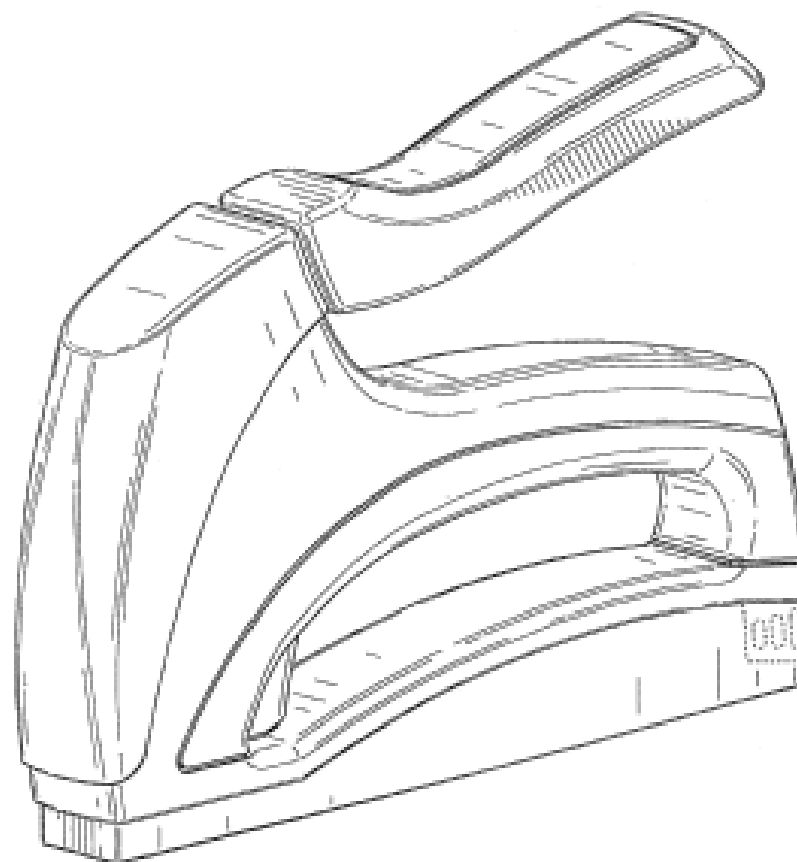


(21) Design Number: **14070/2009**
 (22) Date of Filing Application: **22 October 2009**
 (24) Date from which industrial property rights may have effect: **22 October 2009**
 (54) Product in respect of which the design is registered: **Stapler**
 (51) International Design Classification: **19-02**
 (71) Name(s) and Address(s) of Applicant(s):
Arrow Fastener Co., Inc.
271 Mayhill Street Saddle Brook New Jersey 07663 United States of America
 (72) Name(s) of Designer(s): **Sheldon Betsalel and Steven J. Mandel and John Joseph Pelosi II and John Laverack**
 (45) Registration Date: **17 November 2009**
 (30) Convention priority data:
 (31) Number (32) Date (33) Country
29/337,039 14 May 2009 UNITED STATES OF AMERICA
 (56) Related Art Documents: **Not Applicable**
 (57) Statement of Newness and Distinctiveness: **Newness and distinctiveness resides in the shape and configuration of the stapler excluding those portions shown in dashed line.**



- (21) Design Number: **14071/2009**
- (22) Date of Filing Application: **22 October 2009**
- (24) Date from which industrial property rights may have effect: **22 October 2009**
- (54) Product in respect of which the design is registered: **Stapler**
- (51) International Design Classification: **19-02**
- (71) Name(s) and Address(s) of Applicant(s):
Arrow Fastener Co., Inc.
271 Mayhill Street Saddle Brook New Jersey 07663 United States of America
- (72) Name(s) of Designer(s): **Sheldon Betsalel and Steven J. Mandel and John Joseph Pelosi II and John Laverack**
- (45) Registration Date: **17 November 2009**
- (30) Convention priority data:

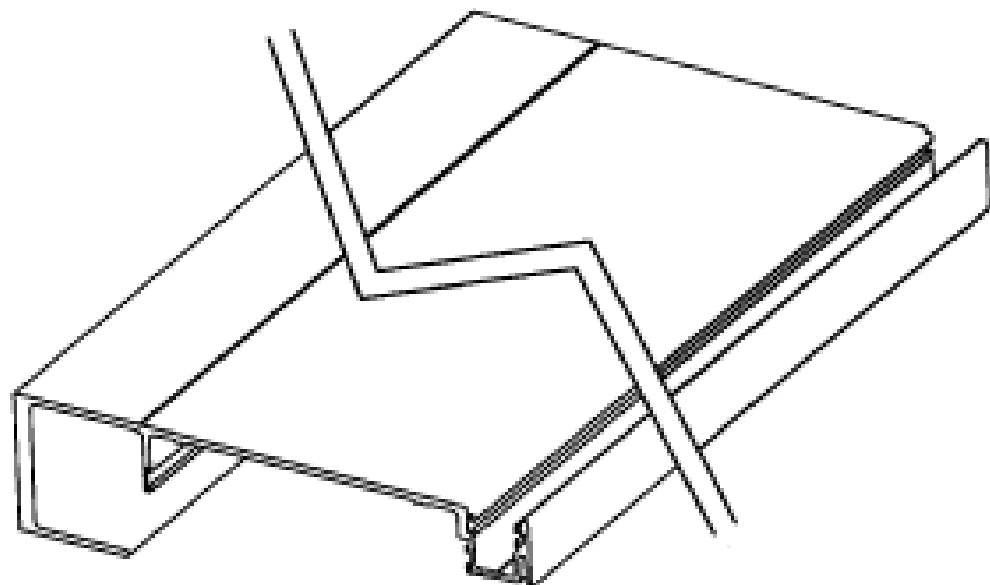
(31) Number	(32) Date	(33) Country
29/337,038	14 May 2009	UNITED STATES OF AMERICA
- (56) Related Art Documents: **Not Applicable**
- (57) Statement of Newness and Distinctiveness: **Newness and distinctiveness resides in the shape and configuration of the stapler excluding those portions shown in dashed line.**



- (21) Design Number: **14143/2009**
- (22) Date of Filing Application: **26 October 2009**
- (24) Date from which industrial property rights may have effect: **26 October 2009**
- (54) Product in respect of which the design is registered: **The design relates to automobiles and their headlight area design**
- (51) International Design Classification: **12-08, 12-16D**
- (71) Name(s) and Address(s) of Applicant(s):
Kenneth Allan De Luca
231 John Allan Road Kyabram Victoria 3620 Australia
- (72) Name(s) of Designer(s): **Kenneth Allan De Luca**
- (45) Registration Date: **17 November 2009**
- (56) Related Art Documents: **Not Applicable**
- (57) Statement of Newness and Distinctiveness: **The new and distinctive feature is how the body color of the car intrudes deep into the centre of the headlight. That body or paint color of the car can be any color. This design effect can be achieved either by the bodywork surrounding the headlight intruding into the headlight or the center of the headlight colored to match the body.**

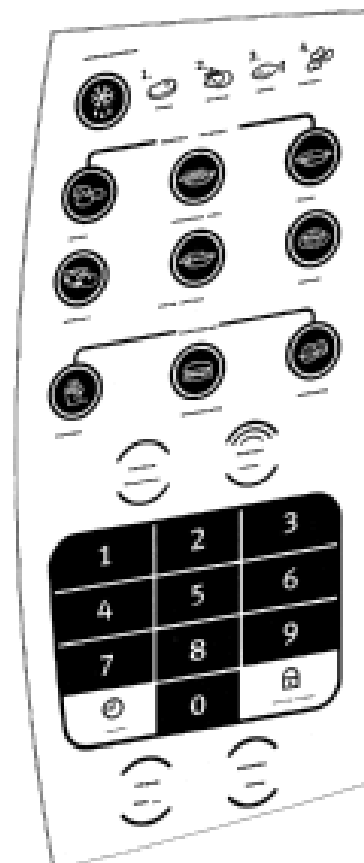


- (21) Design Number: **14069/2009**
- (22) Date of Filing Application: **21 October 2009**
- (24) Date from which industrial property rights may have effect: **21 October 2009**
- (54) Product in respect of which the design is registered: **20mm Single glazed heavy duty female mullion**
- (51) International Design Classification: **25-01K**
- (71) Name(s) and Address(s) of Applicant(s):
Dezinal Pty Ltd
C/- GCY Accountants Suites 1 & 2 Level 1 67 Lytton Road East
Brisbane Queensland 4169 Australia
- (72) Name(s) of Designer(s): **Ronald Maxwell**
- (45) Registration Date: **18 November 2009**
- (56) Related Art Documents: **Not Applicable**
- (57) Statement of Newness and Distinctiveness: **Nil**

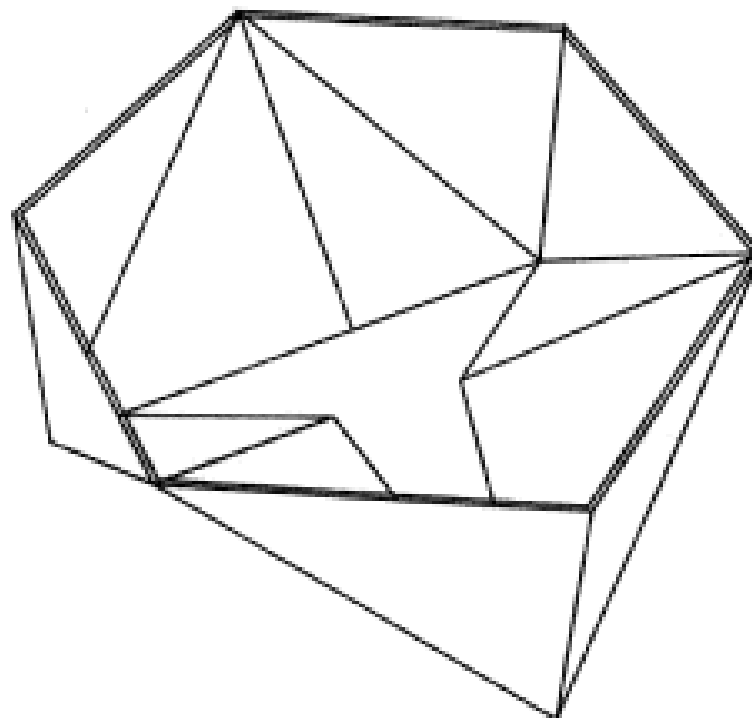


- (21) Design Number: **13542/2009**
- (22) Date of Filing Application: **15 September 2009**
- (24) Date from which industrial property rights may have effect: **15 September 2009**
- (54) Product in respect of which the design is registered: **Control panel for a microwave oven**
- (51) International Design Classification: **07-02C**
- (71) Name(s) and Address(s) of Applicant(s):
Electrolux do Brasil SA
R Ministro Gabriel Passos 360 Guabirota Curitiba PR 8152 Brazil
- (72) Name(s) of Designer(s): **Mario Gnypek Filho and Gustavo Eugenio Monteiro Sindaux and Alexandre Cahuffaille Drummond and Franceline de Fatima Luzzi**
- (45) Registration Date: **18 November 2009**
- (30) Convention priority data:

(31) Number	(32) Date	(33) Country
DI 6900725-0	16 Mar 2009	BRAZIL
- (56) Related Art Documents: **Not Applicable**
- (57) Statement of Newness and Distinctiveness: **Newness and distinctiveness resides in the features of shape and/or configuration of a control panel for a microwave oven as shown in solid lines in the accompanying representations.**



- (21) Design Number: **13580/2009**
(22) Date of Filing Application: **17 September 2009**
(24) Date from which industrial property rights may have effect: **17 September 2009**
(54) Product in respect of which the design is registered: **Bracelet/necklace link, bowl, seat, table and ornament**
(51) International Design Classification: **06-01L, 06-03B, 07-01B, 11-01C, 11-01E, 11-02NES**
(71) Name(s) and Address(s) of Applicant(s):
Christina Mary Waterson
Unit 12E 182 Dornoch Terrace Highgate Hill Queensland 4101
Australia
(72) Name(s) of Designer(s): **Christina Mary Waterson**
(45) Registration Date: **18 November 2009**
(56) Related Art Documents: **Not Applicable**
(57) Statement of Newness and Distinctiveness: **New and distinctive features are the features of shape and configuration as shown in the representations.**



- (21) Design Number: **14098/2009**
(22) Date of Filing Application: **22 October 2009**
(24) Date from which industrial property rights may have effect: **22 October 2009**
(54) Product in respect of which the design is registered: **Light fitting**
(51) International Design Classification: **12-16E**
(71) Name(s) and Address(s) of Applicant(s):
Brown & Watson International Pty Ltd
3 Millennium Court Knoxfield Victoria 3179 Australia
(72) Name(s) of Designer(s): **Jerry You and Paul Davies**
(45) Registration Date: **18 November 2009**
(56) Related Art Documents: **Not Applicable**
(57) Statement of Newness and Distinctiveness: **Those features of the light fitting depicted in the representations that are new and distinctive are the shape and/or configuration. The textual matter shown in the representations is to be disregarded when considering the overall impression of the design.**



(21) Design Number: **14099/2009**

(22) Date of Filing Application: **22 October 2009**

(24) Date from which industrial property rights may have effect: **22 October 2009**

(54) Product in respect of which the design is registered: **Light fitting**

(51) International Design Classification: **12-16E**

(71) Name(s) and Address(s) of Applicant(s):

**Brown & Watson International Pty Ltd
3 Millennium Court Knoxfield Victoria 3179 Australia**

(72) Name(s) of Designer(s): **Jerry You and Paul Davies**

(45) Registration Date: **18 November 2009**

(56) Related Art Documents: **Not Applicable**

(57) Statement of Newness and Distinctiveness: **Those features of the light fitting depicted in the representations that are new and distinctive are the shape and/or configuration. The textual matter shown in the representations is to be disregarded when considering the overall impression of the design.**



(21) Design Number: **14100/2009**

(22) Date of Filing Application: **22 October 2009**

(24) Date from which industrial property rights may have effect: **22 October 2009**

(54) Product in respect of which the design is registered: **Light fitting**

(51) International Design Classification: **12-16E**

(71) Name(s) and Address(s) of Applicant(s):

**Brown & Watson International Pty Ltd
3 Millennium Court Knoxfield Victoria 3179 Australia**

(72) Name(s) of Designer(s): **Jerry You and Paul Davies**

(45) Registration Date: **18 November 2009**

(56) Related Art Documents: **Not Applicable**

(57) Statement of Newness and Distinctiveness: **Those features of the light fitting depicted in the representations that are new and distinctive are the shape and/or configuration. The textual matter shown in the representations is to be disregarded when considering the overall impression of the design.**

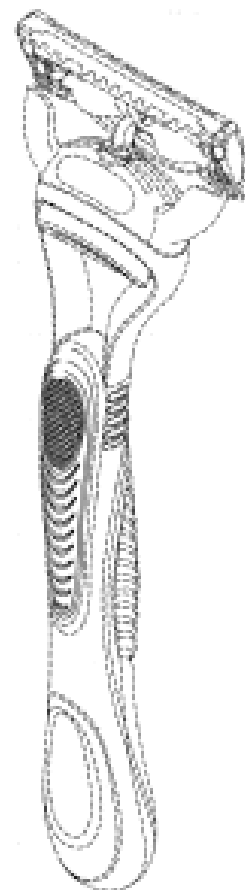


- (21) Design Number: **14101/2009**
- (22) Date of Filing Application: **22 October 2009**
- (24) Date from which industrial property rights may have effect: **22 October 2009**
- (54) Product in respect of which the design is registered: **Light fitting**
- (51) International Design Classification: **12-16E**
- (71) Name(s) and Address(s) of Applicant(s):
Brown & Watson International Pty Ltd
3 Millennium Court Knoxfield Victoria 3179 Australia
- (72) Name(s) of Designer(s): **Jerry You and Paul Davies**
- (45) Registration Date: **18 November 2009**
- (56) Related Art Documents: **Not Applicable**
- (57) Statement of Newness and Distinctiveness: **Those features of the light fitting depicted in the representations that are new and distinctive are the shape and/or configuration. The textual matter shown in the representations is to be disregarded when considering the overall impression of the design.**

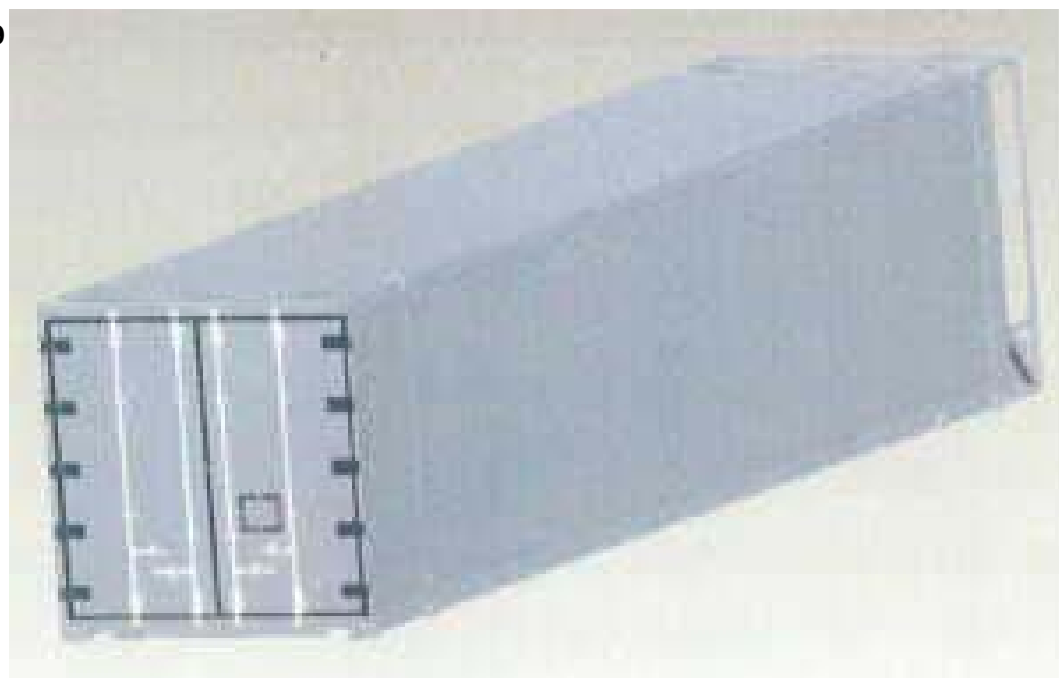


- (21) Design Number: **14102/2009**
- (22) Date of Filing Application: **22 October 2009**
- (24) Date from which industrial property rights may have effect: **22 October 2009**
- (54) Product in respect of which the design is registered: **Gripping member suitable for a razor**
- (51) International Design Classification: **28-03A**
- (71) Name(s) and Address(s) of Applicant(s):
The Gillette Company
Prudential Tower Building Boston Massachusetts 02199 United States of America
- (72) Name(s) of Designer(s): **Christopher Ramm and Kristopher William Schulz**
- (45) Registration Date: **18 November 2009**
- (30) Convention priority data:

(31) Number	(32) Date	(33) Country
29/335,890	23 Apr 2009	UNITED STATES OF AMERICA
- (56) Related Art Documents: **Not Applicable**
- (57) Statement of Newness and Distinctiveness: **Newness and distinctiveness is claimed in the shape and/or configuration of a gripping member suitable for a razor as shown in the accompanying representations. The features shown in broken lines are not part of the design and should be disregarded when considering the overall impression of the design.**



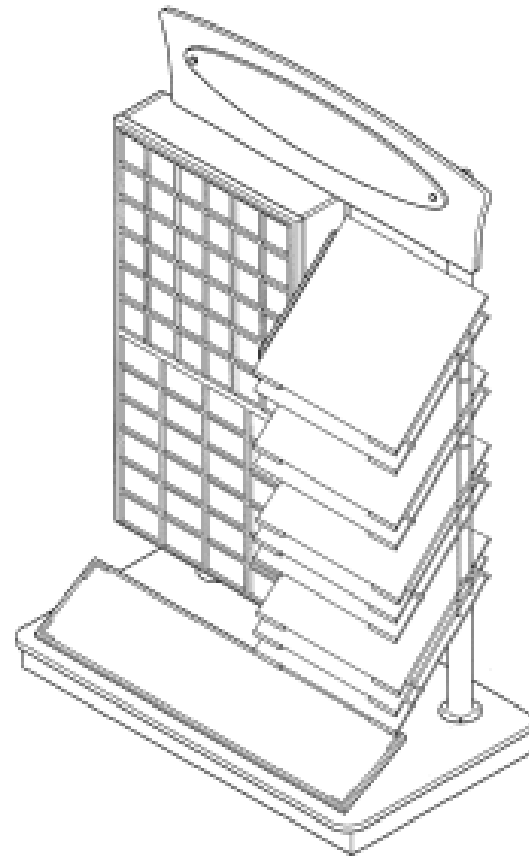
- (21) Design Number: **13489/2009**
(22) Date of Filing Application: **09 September 2009**
(24) Date from which industrial property rights may have effect: **09 September 2009**
(54) Product in respect of which the design is registered: **Aluminium Australian domestic refrigerated container**
(51) International Design Classification: **09-02A**
(71) Name(s) and Address(s) of Applicant(s):
Freightquip Australia Pty Ltd
6 Translink Drive Keilor Park Victoria 3042 Australia
(72) Name(s) of Designer(s): **Tony Brundle**
(45) Registration Date: **18 November 2009**
(56) Related Art Documents: **Not Applicable**
(57) Statement of Newness and Distinctiveness: **Australian domestic refrigerated intermodal/shipping ISO container constructed using aluminium custom made extrusions and aluminium insulated sheet panels suitable for use in Australia and transportable via sea, road and rail.**



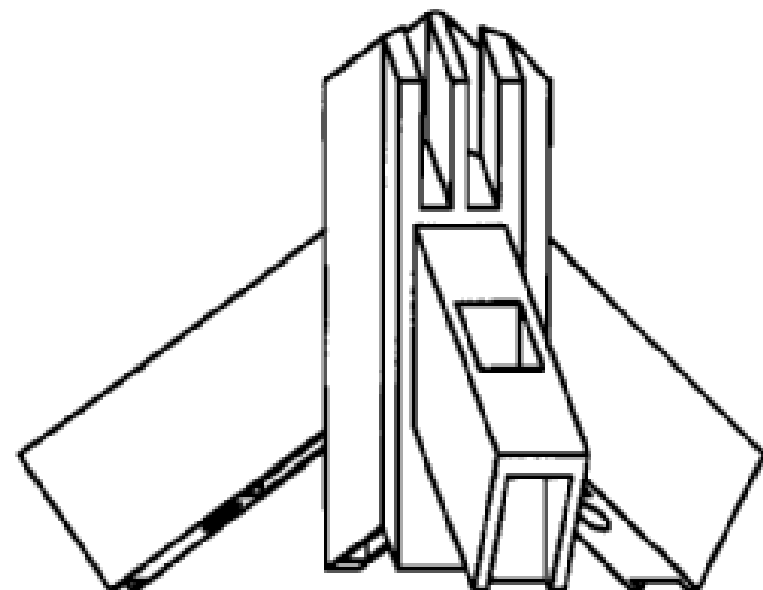
- (21) Design Number: **13490/2009**
(22) Date of Filing Application: **09 September 2009**
(24) Date from which industrial property rights may have effect: **09 September 2009**
(54) Product in respect of which the design is registered: **Multi level load support racking system for Australian domestic intermodal container**
(51) International Design Classification: **09-02A, 06-04NES**
(71) Name(s) and Address(s) of Applicant(s):
Freightquip Australia Pty Ltd
6 Translink Drive Keilor Park Victoria 3042 Australia
(72) Name(s) of Designer(s): **Tony Brundle**
(45) Registration Date: **18 November 2009**
(56) Related Art Documents: **Not Applicable**
(57) Statement of Newness and Distinctiveness: **Ceiling mounted articulated arm with multi level support for load bearing support bars to provide multi level pallet stacking on 2nd and 3rd tiers of racking which allows variable pallet heights to be stacked above lower pallets.**



- (21) Design Number: **13934/2009**
(22) Date of Filing Application: **12 October 2009**
(24) Date from which industrial property rights may have effect: **12 October 2009**
(54) Product in respect of which the design is registered: **Display device**
(51) International Design Classification: **20-02NES**
(71) Name(s) and Address(s) of Applicant(s):
Beaulieu Group, LLC
1502 Coronet Drive Dalton Georgia 30720 United States of America
(72) Name(s) of Designer(s): **Danny S. Wade and Johannes Bakker**
(45) Registration Date: **18 November 2009**
(30) Convention priority data:
(31) Number (32) Date (33) Country
29/336,250 30 Apr 2009 UNITED STATES OF AMERICA
(56) Related Art Documents: **Not Applicable**
(57) Statement of Newness and Distinctiveness: **Those features of the display device depicted in the representations that are new and distinctive are the shape and/or configuration.**



- (21) Design Number: **14092/2009**
(22) Date of Filing Application: **22 October 2009**
(24) Date from which industrial property rights may have effect: **22 October 2009**
(54) Product in respect of which the design is registered: **Reframe cube - corner piece**
(51) International Design Classification: **25-01K**
(71) Name(s) and Address(s) of Applicant(s):
AFI Branding Solutions Pty Ltd
55 Lakewood Boulevard Carrum Downs Victoria 3201 Australia
(72) Name(s) of Designer(s): **Glenn Watson**
(45) Registration Date: **18 November 2009**
(56) Related Art Documents: **Not Applicable**
(57) Statement of Newness and Distinctiveness: **Allows for seamless appearance - no frame viewable when fabric inserted.**



(21) Design Number: **14093/2009**

(22) Date of Filing Application: **20 October 2009**

(24) Date from which industrial property rights may have effect: **20 October 2009**

(54) Product in respect of which the design is registered: **Automobile tire**

(51) International Design Classification: **12-15B**

(71) Name(s) and Address(s) of Applicant(s):

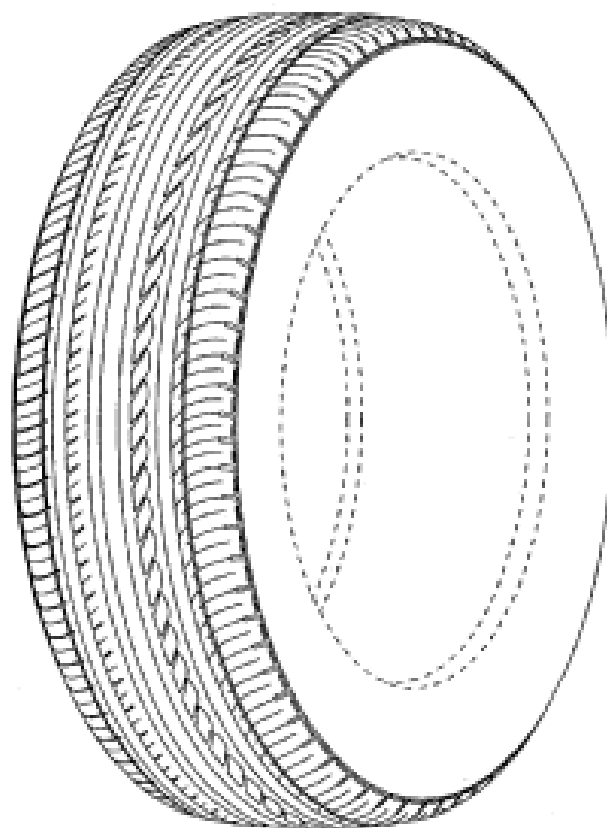
**The Yokohama Rubber Co., Ltd
36-11 Shimbashi 5-chome Minato-ku 105-8685 Japan**

(72) Name(s) of Designer(s): **Hiroshi Tokizaki and Noriyoshi Watanabe**

(45) Registration Date: **18 November 2009**

(56) Related Art Documents: **Not Applicable**

(57) Statement of Newness and Distinctiveness: **Newness and distinctiveness reside in the features of the design shown in solid lines in the representations excluding those features shown in broken lines which represent the boundaries only for distinguishing between the features of the design and disclaimed features.**



(21) Design Number: **14096/2009**

(22) Date of Filing Application: **22 October 2009**

(24) Date from which industrial property rights may have effect: **22 October 2009**

(54) Product in respect of which the design is registered: **Light fitting**

(51) International Design Classification: **26-06**

(71) Name(s) and Address(s) of Applicant(s):

**Brown & Watson International Pty Ltd
3 Millennium Court Knoxfield Victoria 3179 Australia**

(72) Name(s) of Designer(s): **Jerry You and Paul Davies**

(45) Registration Date: **18 November 2009**

(56) Related Art Documents: **Not Applicable**

(57) Statement of Newness and Distinctiveness: **Those features of the light fitting depicted in the representations that are new and distinctive are the shape and/or configuration. The textual matter shown in the representations is to be disregarded when considering the overall impression of the design.**



(21) Design Number: **14097/2009**

(22) Date of Filing Application: **22 October 2009**

(24) Date from which industrial property rights may have effect: **22 October 2009**

(54) Product in respect of which the design is registered: **Light fitting**

(51) International Design Classification: **26-06**

(71) Name(s) and Address(s) of Applicant(s):

**Brown & Watson International Pty Ltd
3 Millennium Court Knoxfield Victoria 3179 Australia**

(72) Name(s) of Designer(s): **Jerry You and Paul Davies**

(45) Registration Date: **18 November 2009**

(56) Related Art Documents: **Not Applicable**

(57) Statement of Newness and Distinctiveness: **Those features of the light fitting depicted in the representations that are new and distinctive are the shape and/or configuration. The textual matter shown in the representations is to be disregarded when considering the overall impression of the design.**



(21) Design Number: **14235/2009**

(22) Date of Filing Application: **30 October 2009**

(24) Date from which industrial property rights may have effect: **30 October 2009**

(54) Product in respect of which the design is registered: **Protective headwear / headwear**

(51) International Design Classification: **02-03**

(71) Name(s) and Address(s) of Applicant(s):

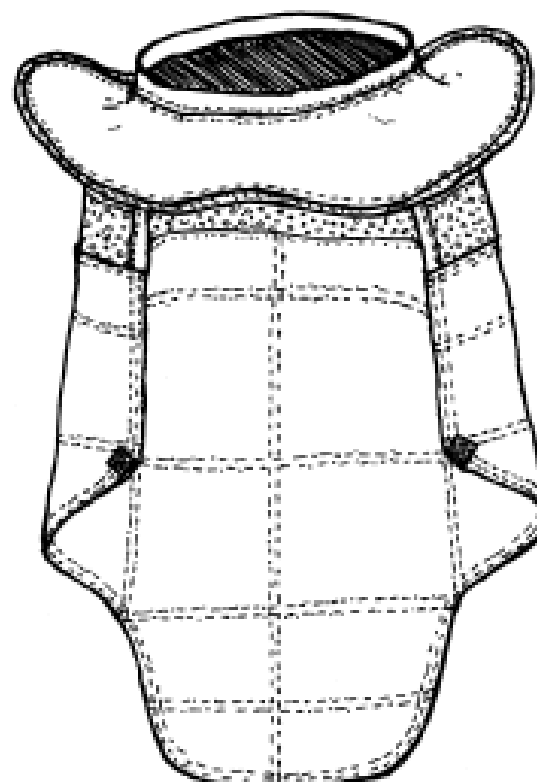
**Diane Spence
16a Murraba Crescent Tweed Heads New South Wales 2485 Australia**

(72) Name(s) of Designer(s): **Diane Spence**

(45) Registration Date: **18 November 2009**

(56) Related Art Documents: **Not Applicable**

(57) Statement of Newness and Distinctiveness: **I wish to provide a statement of newness and distinctiveness in regard to the particular features of design one as shown in view three, figure one detailing the adjustable wire rubber enclosed outer brim edge and the features in view four, figures one, two and four detailing the containment of water retaining material and aerated gusset.**



(21) Design Number: **14236/2009**

(22) Date of Filing Application: **30 October 2009**

(24) Date from which industrial property rights may have effect: **30 October 2009**

(54) Product in respect of which the design is registered: **Headwear**

(51) International Design Classification: **02-03**

(71) Name(s) and Address(s) of Applicant(s):

Diane Spence

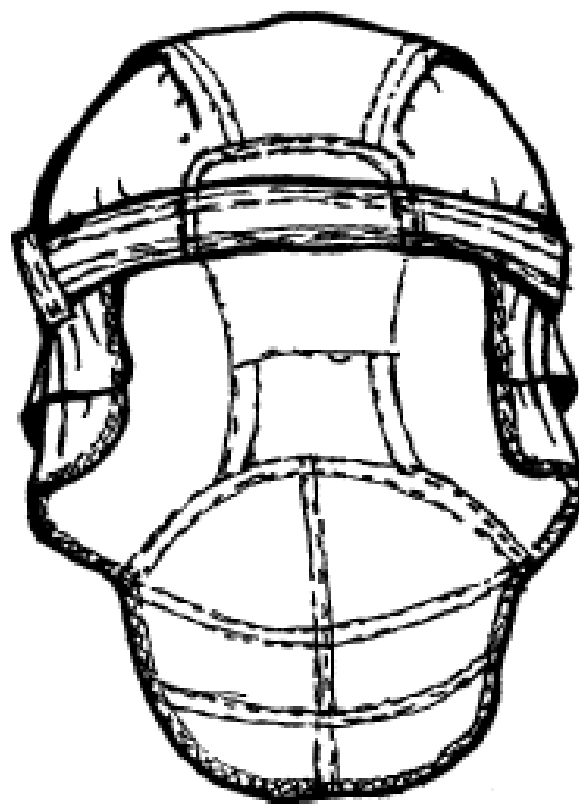
16a Murraba Crescent Tweed Heads New South Wales 2485 Australia

(72) Name(s) of Designer(s): **Diane Spence**

(45) Registration Date: **18 November 2009**

(56) Related Art Documents: **Not Applicable**

(57) Statement of Newness and Distinctiveness: **I wish to provide a statement of newness and distinctiveness in regard to the particular features of design two as shown in all views in regard to the encasement stitching for the containment of cooling material.**



(21) Design Number: **11626/2009**

(22) Date of Filing Application: **07 May 2009**

(24) Date from which industrial property rights may have effect: **07 May 2009**

(54) Product in respect of which the design is registered: **Container**

(51) International Design Classification: **07-01NES**

(71) Name(s) and Address(s) of Applicant(s):

Huhtamaki Australia Pty Ltd

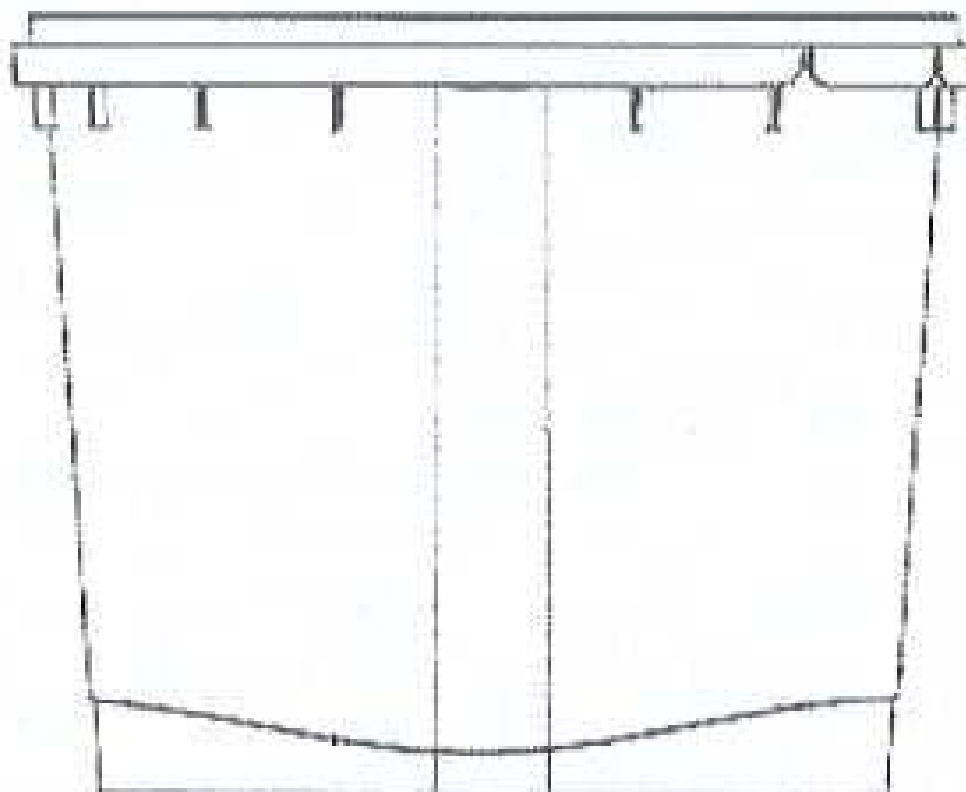
225 Wellington Road Mulgrave Victoria 3170 Australia

(72) Name(s) of Designer(s): **Ian Janetzki and Paul Daffurn**

(45) Registration Date: **18 November 2009**

(56) Related Art Documents: **Not Applicable**

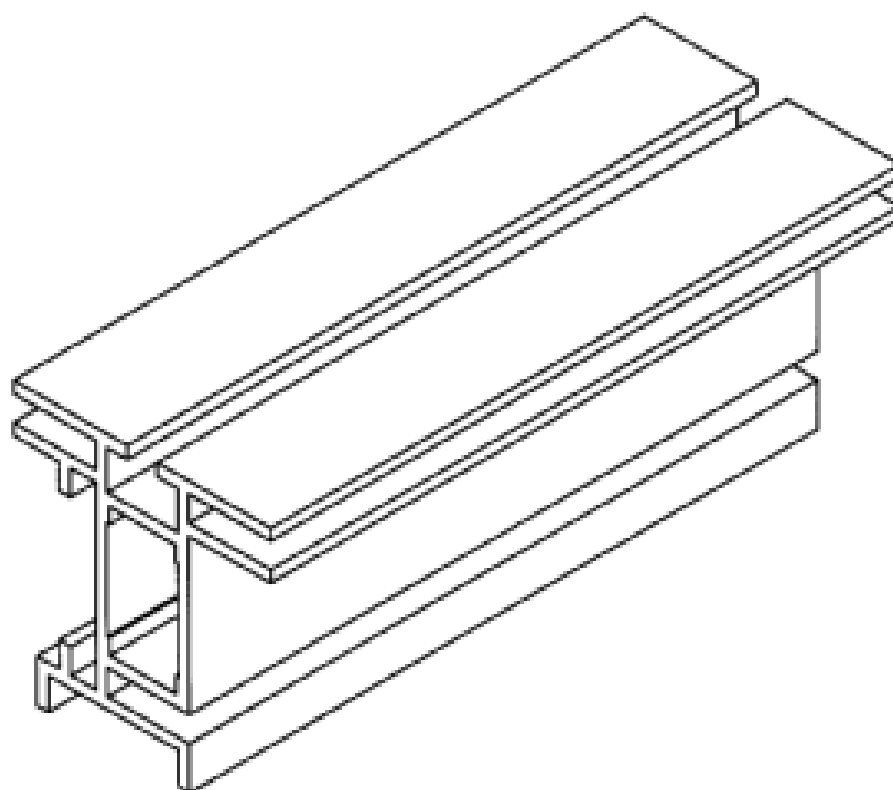
(57) Statement of Newness and Distinctiveness: **Newness and distinctiveness is claimed in features of shape and/or configuration of a container base as illustrated in the accompanying representations. In considering the scope of the registration the lid as shown is to be disregarded.**



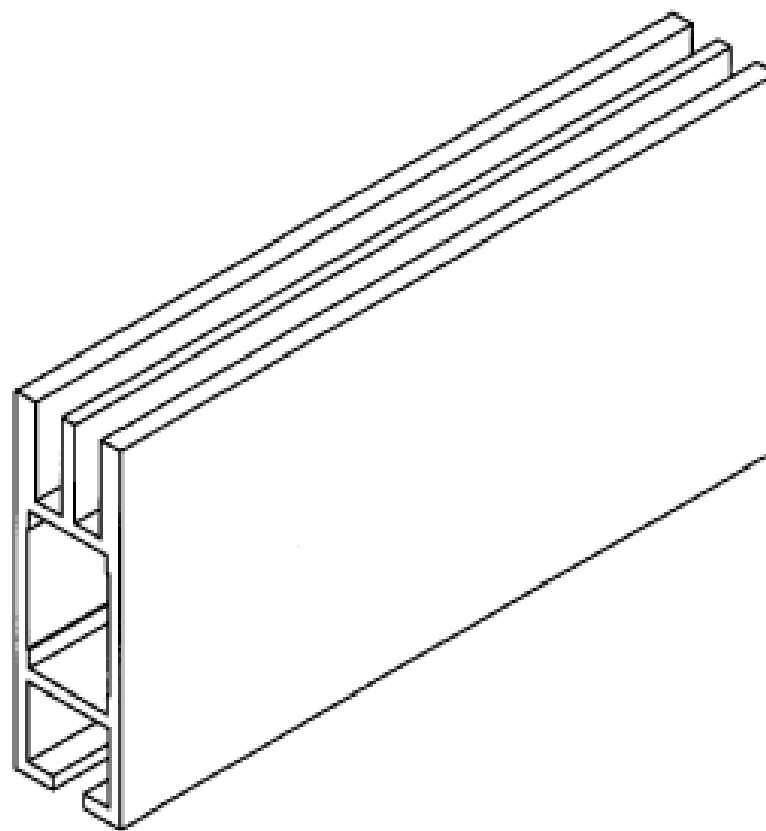
- (21) Design Number: **14089/2009**
(22) Date of Filing Application: **22 October 2009**
(24) Date from which industrial property rights may have effect: **22 October 2009**
(54) Product in respect of which the design is registered: **Wristwatch**
(51) International Design Classification: **10-02**
(71) Name(s) and Address(s) of Applicant(s):
Omega SA (Omega AG) (Omega Ltd)
Jakob-Staempfli-Strasse 96 2502 Biel/Bienne Switzerland
(72) Name(s) of Designer(s): **Jean-Claude Monachon**
(45) Registration Date: **18 November 2009**
(30) Convention priority data:
(31) Number (32) Date (33) Country
DM/071847 25 May 2009 SWITZERLAND
(56) Related Art Documents: **Not Applicable**
(57) Statement of Newness and Distinctiveness: **Nil**



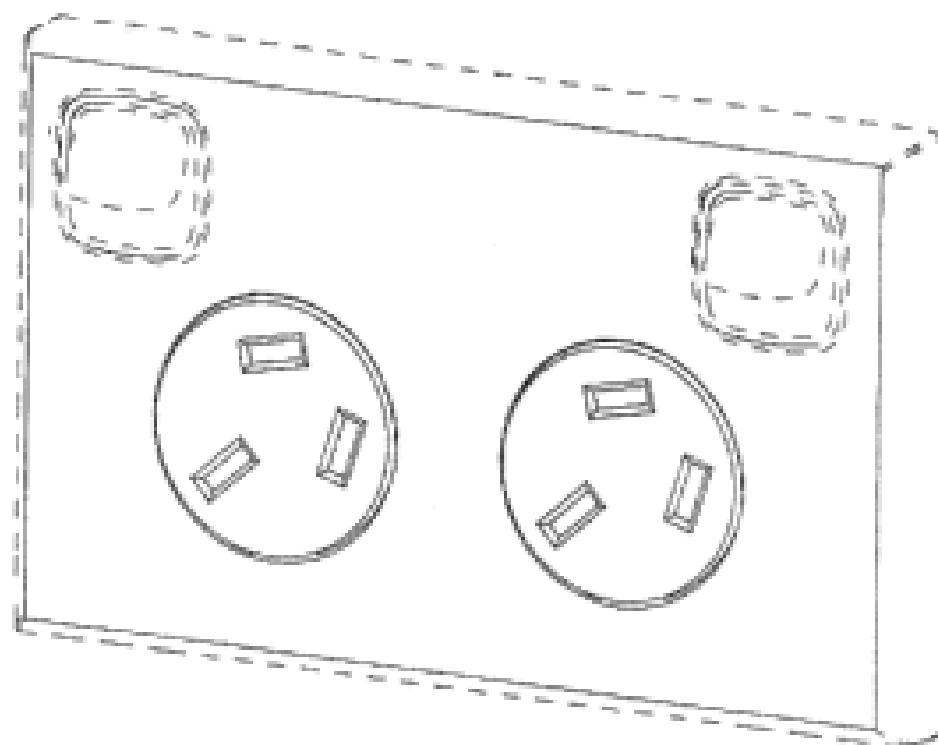
- (21) Design Number: **14090/2009**
(22) Date of Filing Application: **22 October 2009**
(24) Date from which industrial property rights may have effect: **22 October 2009**
(54) Product in respect of which the design is registered: **Double sided reframe - new profile**
(51) International Design Classification: **25-01K**
(71) Name(s) and Address(s) of Applicant(s):
AFI Branding Solutions Pty Ltd
55 Lakewood Boulevard Carrum Downs Victoria 3201 Australia
(72) Name(s) of Designer(s): **Glenn Watson**
(45) Registration Date: **18 November 2009**
(56) Related Art Documents: **Not Applicable**
(57) Statement of Newness and Distinctiveness: **Space to allow for 20mm RHS bracing incorporated plus groove to allow fixing or hanging using hammerhead screws.**



- (21) Design Number: **14091/2009**
(22) Date of Filing Application: **22 October 2009**
(24) Date from which industrial property rights may have effect: **22 October 2009**
(54) Product in respect of which the design is registered: **Reframe cube profile**
(51) International Design Classification: **25-01K**
(71) Name(s) and Address(s) of Applicant(s):
AFI Branding Solutions Pty Ltd
55 Lakewood Boulevard Carrum Downs Victoria 3201 Australia
(72) Name(s) of Designer(s): **Glenn Watson**
(45) Registration Date: **18 November 2009**
(56) Related Art Documents: **Not Applicable**
(57) Statement of Newness and Distinctiveness: **Allows for seamless appearance - no frame veiwable when fabric inserted.**



- (21) Design Number: **14381/2009**
(22) Date of Filing Application: **09 November 2009**
(24) Date from which industrial property rights may have effect: **09 November 2009**
(54) Product in respect of which the design is registered: **Wall mountable power outlet**
(51) International Design Classification: **13-03D**
(71) Name(s) and Address(s) of Applicant(s):
Legrand Australia Pty Ltd
Unit 99 79-99 St Hilliers Road Auburn New South Wales 2144 Australia
(72) Name(s) of Designer(s): **Matthew Gooden and Anthony Demol**
(45) Registration Date: **18 November 2009**
(56) Related Art Documents: **Not Applicable**
(57) Statement of Newness and Distinctiveness: **When assessing newness and distinctiveness, particular regard should be had to the shape and configuration of the features shown in solid line in the accompanying drawings.**



(21) Design Number: **14382/2009**

(22) Date of Filing Application: **09 November 2009**

(24) Date from which industrial property rights may have effect: **09 November 2009**

(54) Product in respect of which the design is registered: **Wall mountable power outlet**

(51) International Design Classification: **13-03D**

(71) Name(s) and Address(s) of Applicant(s):

Legrand Australia Pty Ltd

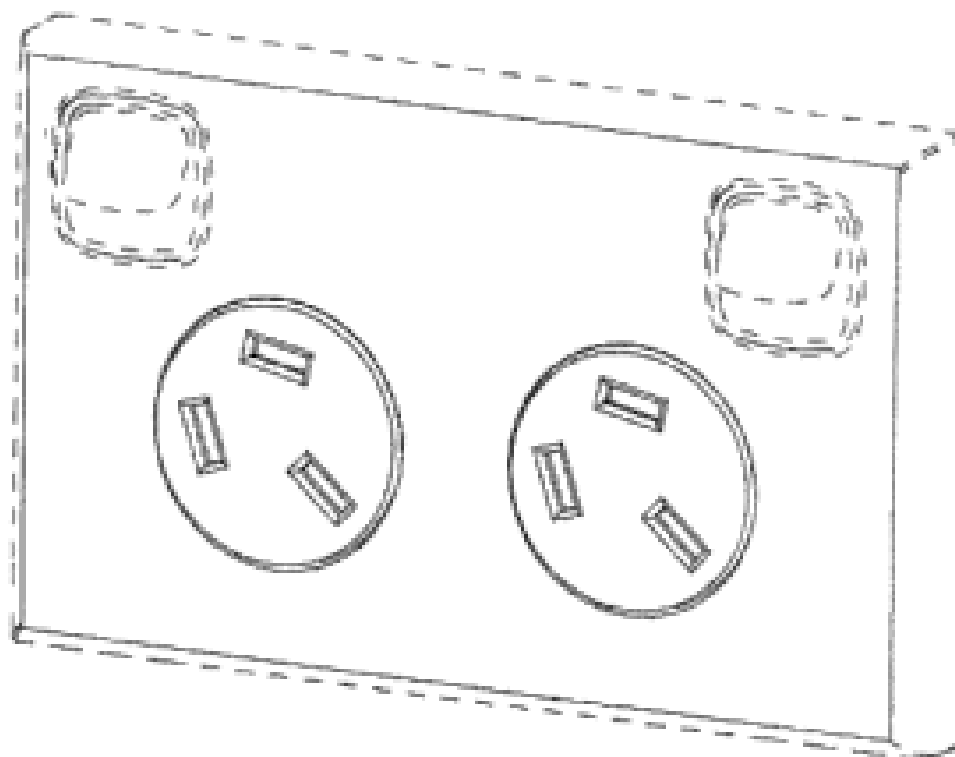
Unit 99 79-99 St Hilliers Road Auburn New South Wales 2144 Australia

(72) Name(s) of Designer(s): **Matthew Gooden and Anthony Demol**

(45) Registration Date: **18 November 2009**

(56) Related Art Documents: **Not Applicable**

(57) Statement of Newness and Distinctiveness: **When assessing newness and distinctiveness, particular regard should be had to the shape and configuration of the features shown in solid line in the accompanying drawings.**



(21) Design Number: **13502/2009**

(22) Date of Filing Application: **09 September 2009**

(24) Date from which industrial property rights may have effect: **09 September 2009**

(54) Product in respect of which the design is registered: **Condiment grinder**

(51) International Design Classification: **07-06C**

(71) Name(s) and Address(s) of Applicant(s):

DKB Household UK Limited

**Bridge House Eelmoor Road Farnborough Hampshire GU14 7UE
United Kingdom**

(72) Name(s) of Designer(s): **Andrew John Thornton**

(45) Registration Date: **19 November 2009**

(30) Convention priority data:

(31) Number

(32) Date

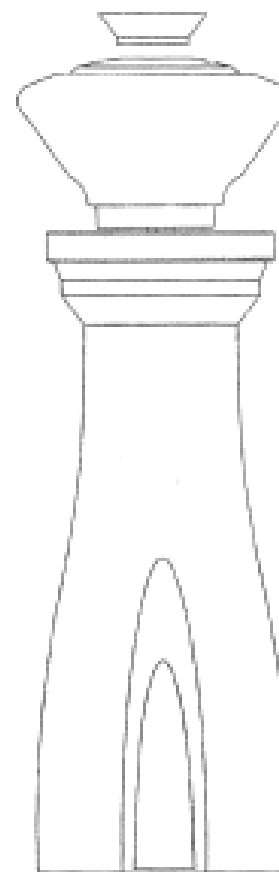
(33) Country

001150650-0001 06 Jul 2009

EUROPEAN COMMUNITY

(56) Related Art Documents: **Not Applicable**

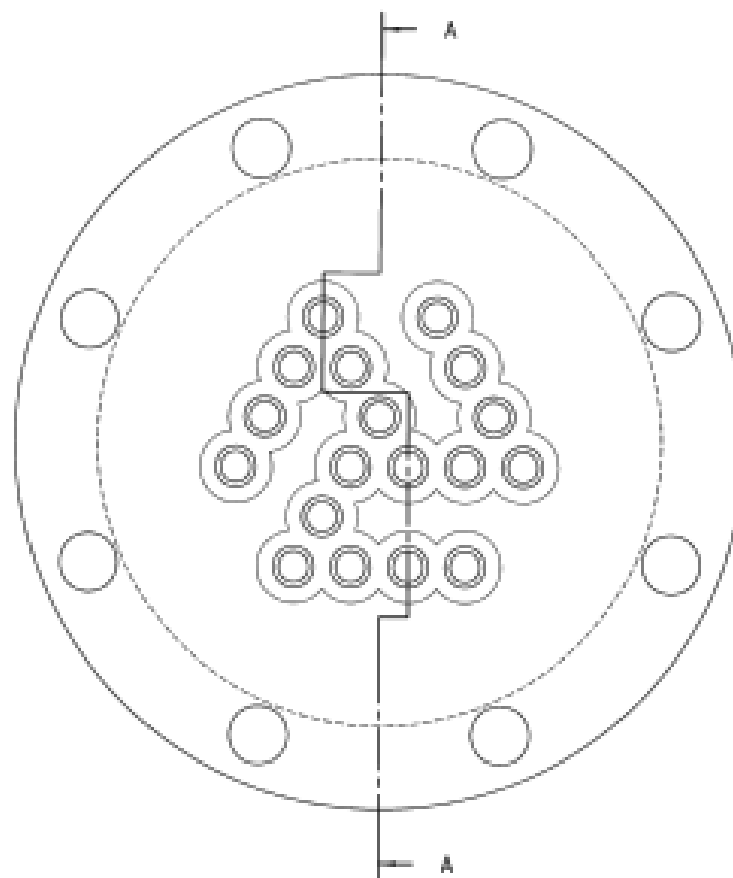
(57) Statement of Newness and Distinctiveness: **Newness and distinctiveness resides in the features of shape and configuration of a condiment grinder as shown in the accompanying representations.**



- (21) Design Number: **13519/2009**
- (22) Date of Filing Application: **11 September 2009**
- (24) Date from which industrial property rights may have effect: **11 September 2009**
- (54) Product in respect of which the design is registered: **Fold-up pocket baby bib**
- (51) International Design Classification: **02-05**
- (71) Name(s) and Address(s) of Applicant(s):
Sarah McCabe
88 Sieben Drive Orange New South Wales 2800 Australia
- (72) Name(s) of Designer(s): **Sarah McCabe**
- (45) Registration Date: **19 November 2009**
- (56) Related Art Documents: **Not Applicable**
- (57) Statement of Newness and Distinctiveness: **The sides of the bib design flare outwards rather than being straight. The bottom edge is curved. Four snap buttons are strategically placed to form pocket.**



- (21) Design Number: **13579/2009**
- (22) Date of Filing Application: **17 September 2009**
- (24) Date from which industrial property rights may have effect: **17 September 2009**
- (54) Product in respect of which the design is registered: **Machined element assembly flange**
- (51) International Design Classification: **23-03NES**
- (71) Name(s) and Address(s) of Applicant(s):
Grimwood Heating Pty Ltd
74-76 Biloela Street Villawood New South Wales 2163 Australia
- (72) Name(s) of Designer(s): **Brian Walkington**
- (45) Registration Date: **19 November 2009**
- (56) Related Art Documents: **Not Applicable**
- (57) Statement of Newness and Distinctiveness: **Standard ANSI flanges are machined for the assembly of Electric Heating Elements. The new feature of our drilled flange is that we then machine about the drilled hole pattern leaving a small section of the flange as a spigot which enables heating and flame brazing of our elements directly into the flange.**



- (21) Design Number: **14122/2009**
- (22) Date of Filing Application: **23 October 2009**
- (24) Date from which industrial property rights may have effect: **23 October 2009**
- (54) Product in respect of which the design is registered: **Air intake snorkel for a vehicle**
- (51) International Design Classification: **12-16NES**
- (71) Name(s) and Address(s) of Applicant(s):
Australian Performance Development Pty Ltd
73 Merrindale Drive South Croydon Victoria 3136 Australia
- (72) Name(s) of Designer(s): **Peter Luxon and Manvir Randhawa**
- (45) Registration Date: **19 November 2009**
- (56) Related Art Documents: **Not Applicable**
- (57) Statement of Newness and Distinctiveness: **Newness and Distinctiveness is claimed in the features of shape and/or configuration of an air intake snorkel for a vehicle as illustrated in the accompanying representations.**



- (21) Design Number: **14123/2009**
- (22) Date of Filing Application: **23 October 2009**
- (24) Date from which industrial property rights may have effect: **23 October 2009**
- (54) Product in respect of which the design is registered: **Air intake snorkel for a vehicle**
- (51) International Design Classification: **12-16NES**
- (71) Name(s) and Address(s) of Applicant(s):
Australian Performance Development Pty Ltd
73 Merrindale Drive South Croydon Victoria 3136 Australia
- (72) Name(s) of Designer(s): **Peter Luxon and Manvir Randhawa**
- (45) Registration Date: **19 November 2009**
- (56) Related Art Documents: **Not Applicable**
- (57) Statement of Newness and Distinctiveness: **Newness and Distinctiveness is claimed in the features of shape and/or configuration of an air intake snorkel for a vehicle as illustrated in the accompanying representations.**



(21) Design Number: **14124/2009**

(22) Date of Filing Application: **23 October 2009**

(24) Date from which industrial property rights may have effect: **23 October 2009**

(54) Product in respect of which the design is registered: **Mounting beam**

(51) International Design Classification: **25-01K**

(71) Name(s) and Address(s) of Applicant(s):

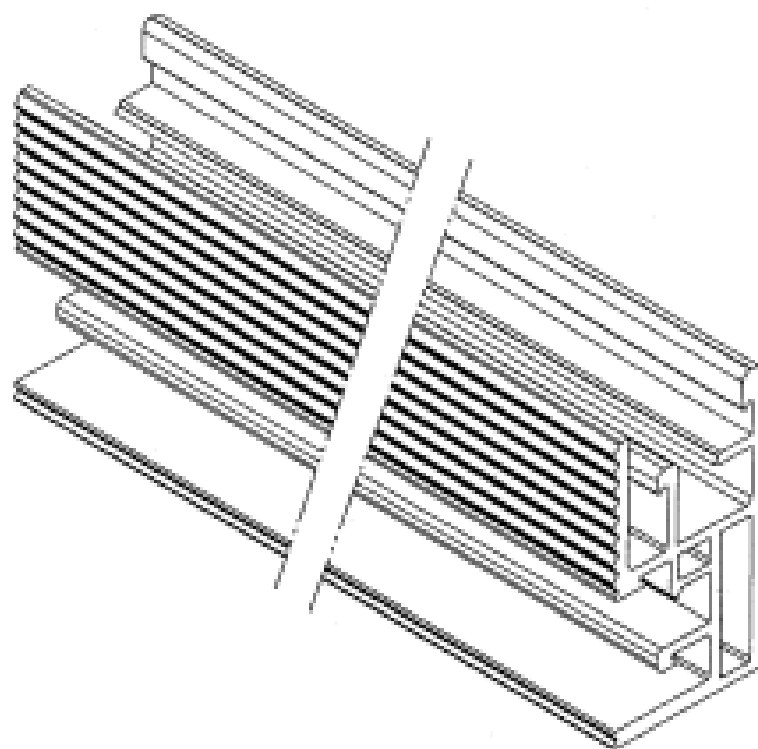
Apollo Energy Pty Ltd
63-68 Market Street South Melbourne Victoria 3205 Australia

(72) Name(s) of Designer(s): **Vincent Do**

(45) Registration Date: **19 November 2009**

(56) Related Art Documents: **Not Applicable**

(57) Statement of Newness and Distinctiveness: **Those features of the mounting beam depicted in the representations that are new and distinctive are the shape and/or configuration. The mounting beam is of indefinite length.**



(21) Design Number: **14125/2009**

(22) Date of Filing Application: **23 October 2009**

(24) Date from which industrial property rights may have effect: **23 October 2009**

(54) Product in respect of which the design is registered: **Container**

(51) International Design Classification: **09-03K**

(71) Name(s) and Address(s) of Applicant(s):

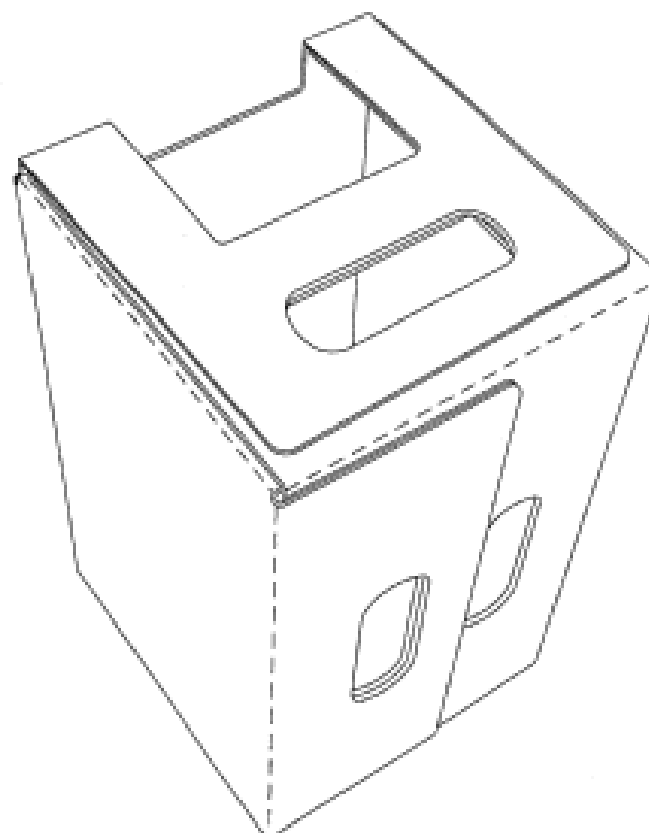
Nufarm Australia Limited
103-105 Pipe Road Laverton North Victoria 3026 Australia

(72) Name(s) of Designer(s): **Regan White and Ross Brownscombe and Jodie Kerr**

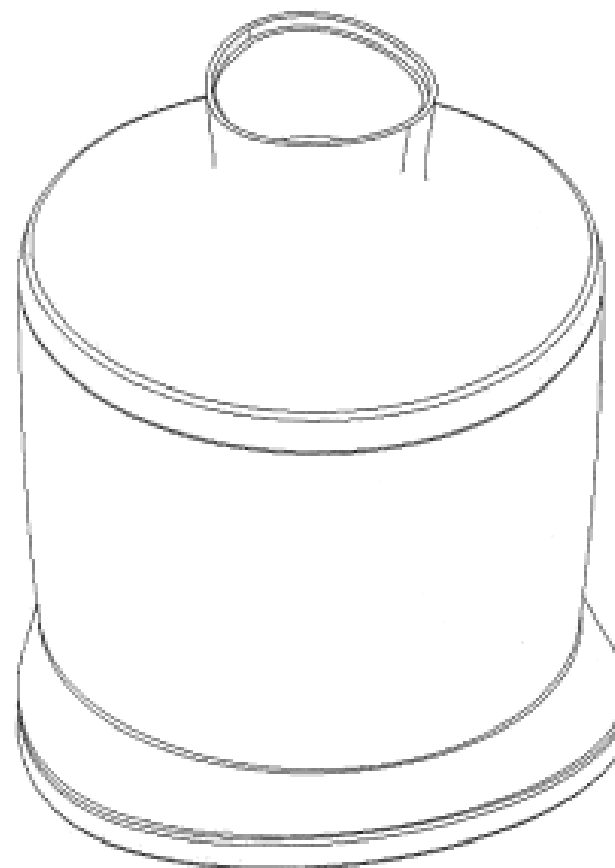
(45) Registration Date: **19 November 2009**

(56) Related Art Documents: **Not Applicable**

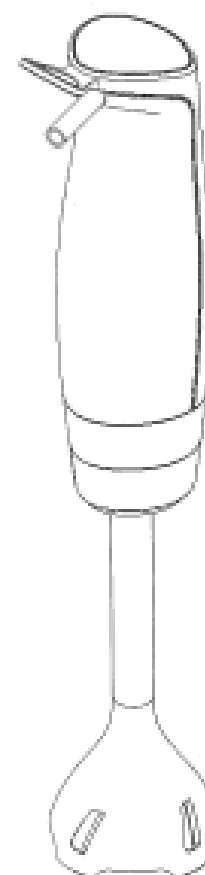
(57) Statement of Newness and Distinctiveness: **Those features of the container depicted in the representations that are new and distinctive are the shape and/or configuration.**



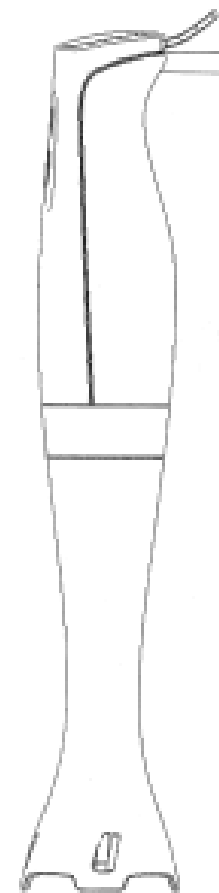
(21) Design Number: **14129/2009**
(22) Date of Filing Application: **11 September 2009**
(24) Date from which industrial property rights may have effect: **11 September 2009**
(54) Product in respect of which the design is registered: **A bowl**
(51) International Design Classification: **07-01B**
(71) Name(s) and Address(s) of Applicant(s):
AB Electrolux
Stockholm 105 45 Sweden
(72) Name(s) of Designer(s): **Joachim Nordwall**
(45) Registration Date: **19 November 2009**
(30) Convention priority data:
(31) Number (32) Date (33) Country
001104137 12 Mar 2009 EUROPEAN COMMUNITY
(62) Divisional of: **328242**
(56) Related Art Documents: **Not Applicable**
(57) Statement of Newness and Distinctiveness: **Nil**



(21) Design Number: **14130/2009**
(22) Date of Filing Application: **11 September 2009**
(24) Date from which industrial property rights may have effect: **11 September 2009**
(54) Product in respect of which the design is registered: **A mixer**
(51) International Design Classification: **07-04**
(71) Name(s) and Address(s) of Applicant(s):
AB Electrolux
Stockholm 105 45 Sweden
(72) Name(s) of Designer(s): **Joachim Nordwall**
(45) Registration Date: **19 November 2009**
(30) Convention priority data:
(31) Number (32) Date (33) Country
001104137 12 Mar 2009 EUROPEAN COMMUNITY
(62) Divisional of: **328242**
(56) Related Art Documents: **Not Applicable**
(57) Statement of Newness and Distinctiveness: **Nil**



(21) Design Number: **14126/2009**
(22) Date of Filing Application: **11 September 2009**
(24) Date from which industrial property rights may have effect: **11 September 2009**
(54) Product in respect of which the design is registered: **A mixer**
(51) International Design Classification: **07-04**
(71) Name(s) and Address(s) of Applicant(s):
AB Electrolux
Stockholm 105 45 Sweden
(72) Name(s) of Designer(s): **Joachim Nordwall**
(45) Registration Date: **19 November 2009**
(30) Convention priority data:
(31) Number (32) Date (33) Country
001104137 12 Mar 2009 EUROPEAN COMMUNITY
(62) Divisional of: **328242**
(56) Related Art Documents: **Not Applicable**
(57) Statement of Newness and Distinctiveness: **Nil**



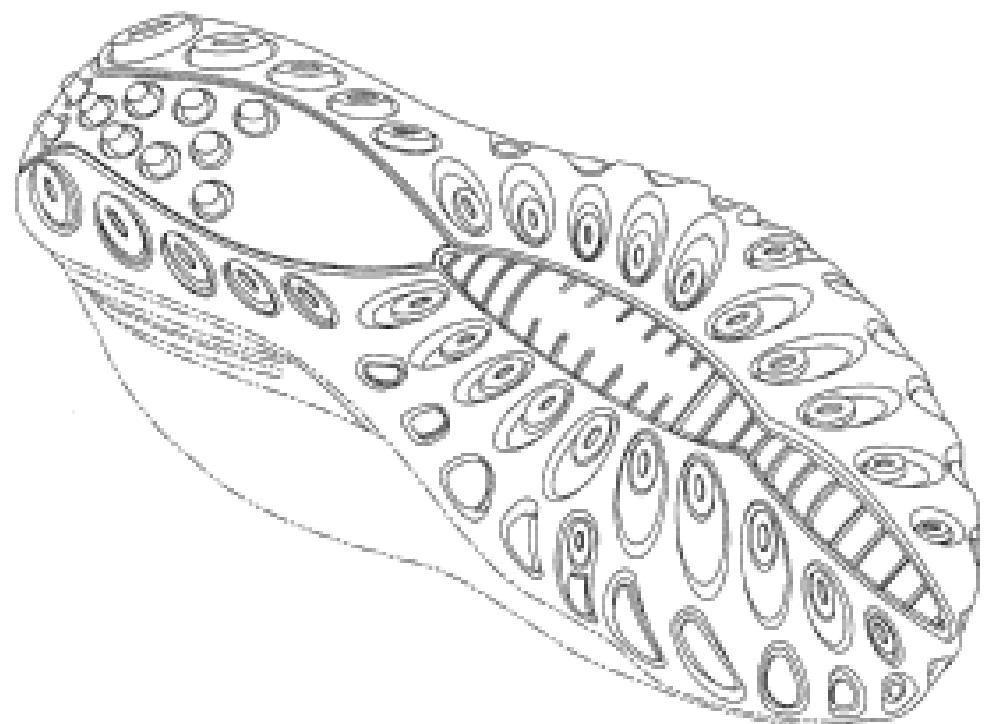
(21) Design Number: **12971/2009**
(22) Date of Filing Application: **06 August 2009**
(24) Date from which industrial property rights may have effect: **06 August 2009**
(54) Product in respect of which the design is registered: **Automobile**
(51) International Design Classification: **12-08**
(71) Name(s) and Address(s) of Applicant(s):
Toyota Jidosha Kabushiki Kaisha
1 Toyota-cho Toyota-shi Aichi-ken 471-8571 Japan
(72) Name(s) of Designer(s): **Manabu Hirokawa**
(45) Registration Date: **19 November 2009**
(56) Related Art Documents: **Not Applicable**
(57) Statement of Newness and Distinctiveness: **Those features of the automobile depicted in the representations that are new and distinctive are the shape and/or configuration. The features on the inside of the automobile are not part of the design and are to be disregarded when considering the overall impression of the design.**



- (21) Design Number: **12972/2009**
(22) Date of Filing Application: **06 August 2009**
(24) Date from which industrial property rights may have effect: **06 August 2009**
(54) Product in respect of which the design is registered: **Vehicle front assembly**
(51) International Design Classification: **12-16B**
(71) Name(s) and Address(s) of Applicant(s):
Toyota Jidosha Kabushiki Kaisha
1 Toyota-cho Toyota-shi Aichi-ken 471-8571 Japan
(72) Name(s) of Designer(s): **Manabu Hirokawa**
(45) Registration Date: **19 November 2009**
(56) Related Art Documents: **Not Applicable**
(57) Statement of Newness and Distinctiveness: **Those features of the vehicle front assembly depicted in the representations that are new and distinctive are the shape and/or configuration. The features shown in faint rendering are not part of the design and are to be disregarded when considering the overall impression of the design.**



- (21) Design Number: **13868/2009**
(22) Date of Filing Application: **07 October 2009**
(24) Date from which industrial property rights may have effect: **07 October 2009**
(54) Product in respect of which the design is registered: **Footwear sole**
(51) International Design Classification: **02-04B**
(71) Name(s) and Address(s) of Applicant(s):
Wolverine World Wide, Inc.
9341 Courtland Drive NE Rockford Michigan 49351 United States of America
(72) Name(s) of Designer(s): **Deborah H. Andersen and Martin W.F. Dean and Grant A. Urie**
(45) Registration Date: **19 November 2009**
(30) Convention priority data:
(31) Number (32) Date (33) Country
29/336656 07 May 2009 UNITED STATES OF AMERICA
(56) Related Art Documents: **Not Applicable**
(57) Statement of Newness and Distinctiveness: **Newness and distinctiveness is claimed in the visual features shown in the representations except for those shown in phantom lines.**



(21) Design Number: 13869/2009

(22) Date of Filing Application: 07 October 2009

(24) Date from which industrial property rights may have effect: 07 October 2009

(54) Product in respect of which the design is registered: Footwear sole

(51) International Design Classification: 02-04B

(71) Name(s) and Address(s) of Applicant(s):

Wolverine World Wide, Inc.
9341 Courtland Drive NE Rockford Michigan 49351 United States of America

(72) Name(s) of Designer(s): Deborah H. Andersen and Martin W.F. Dean and Grant A. Urie

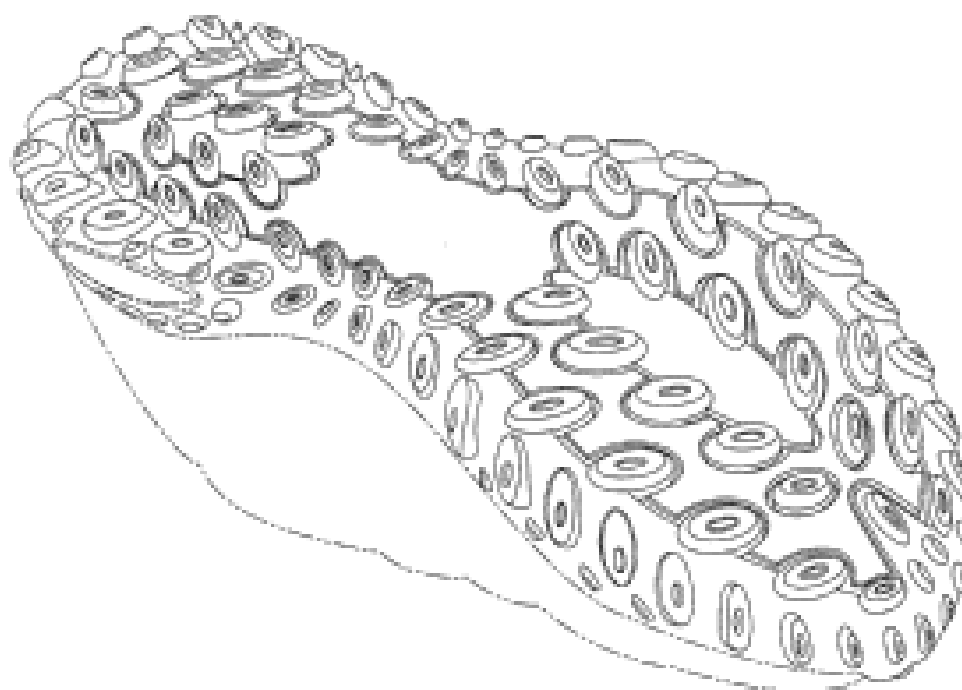
(45) Registration Date: 19 November 2009

(30) Convention priority data:

(31) Number	(32) Date	(33) Country
29/336657	07 May 2009	UNITED STATES OF AMERICA

(56) Related Art Documents: Not Applicable

(57) Statement of Newness and Distinctiveness: Newness and distinctiveness is claimed in the visual features shown in the representations except for those shown in phantom lines.



(21) Design Number: 13870/2009

(22) Date of Filing Application: 07 October 2009

(24) Date from which industrial property rights may have effect: 07 October 2009

(54) Product in respect of which the design is registered: Footwear sole

(51) International Design Classification: 02-04B

(71) Name(s) and Address(s) of Applicant(s):

Wolverine World Wide, Inc.
9341 Courtland Drive NE Rockford Michigan 49351 United States of America

(72) Name(s) of Designer(s): Deborah H. Andersen and Martin W.F. Dean and Grant A. Urie

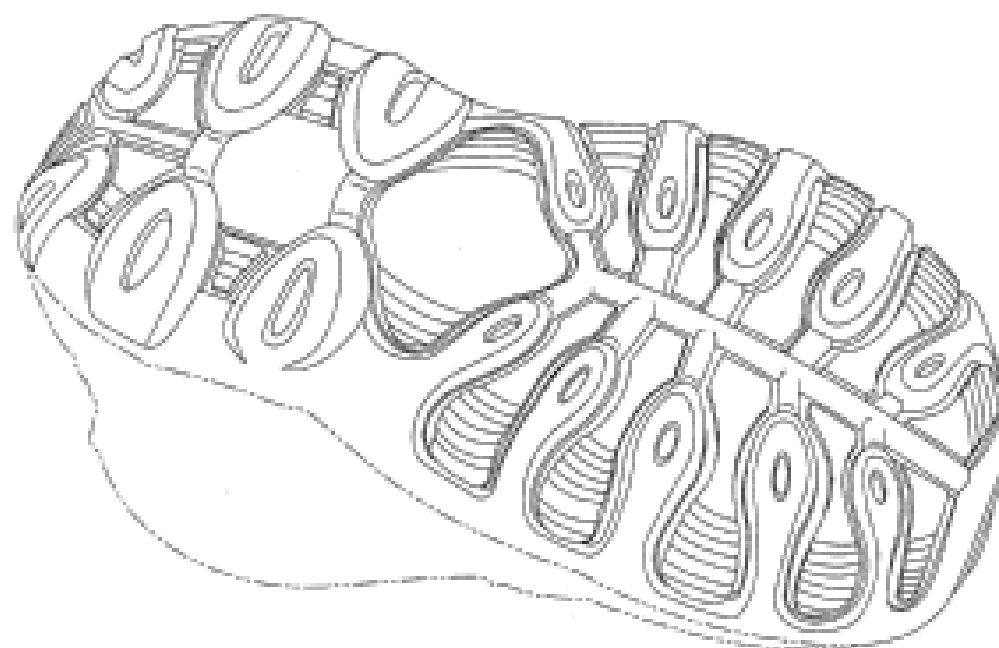
(45) Registration Date: 19 November 2009

(30) Convention priority data:

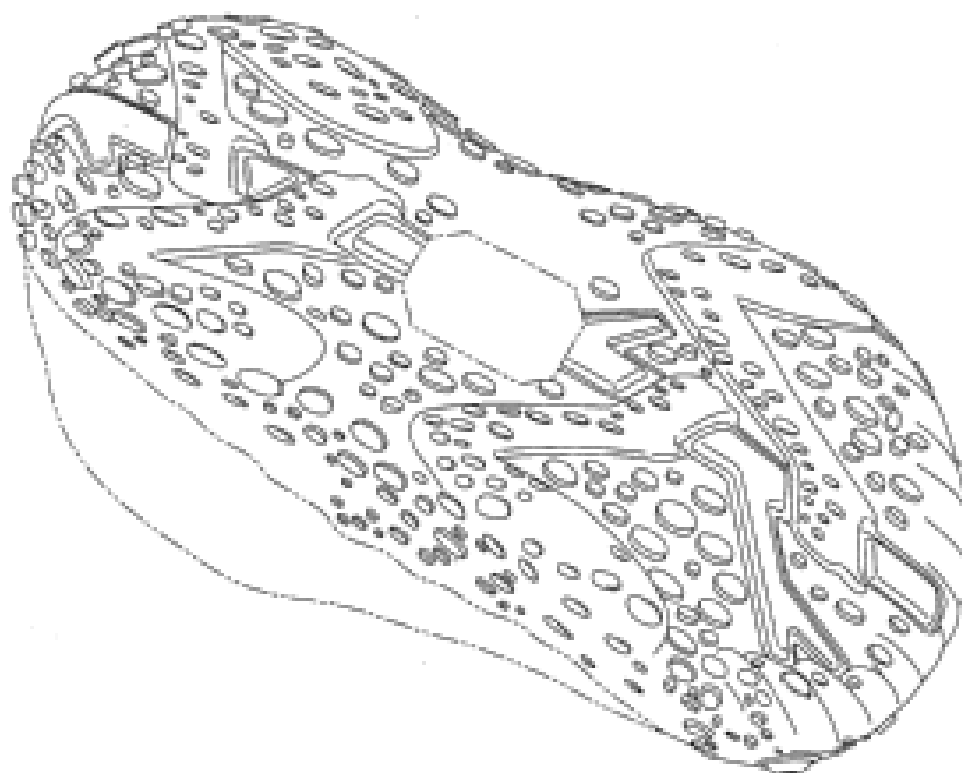
(31) Number	(32) Date	(33) Country
29/336655	07 May 2009	UNITED STATES OF AMERICA

(56) Related Art Documents: Not Applicable

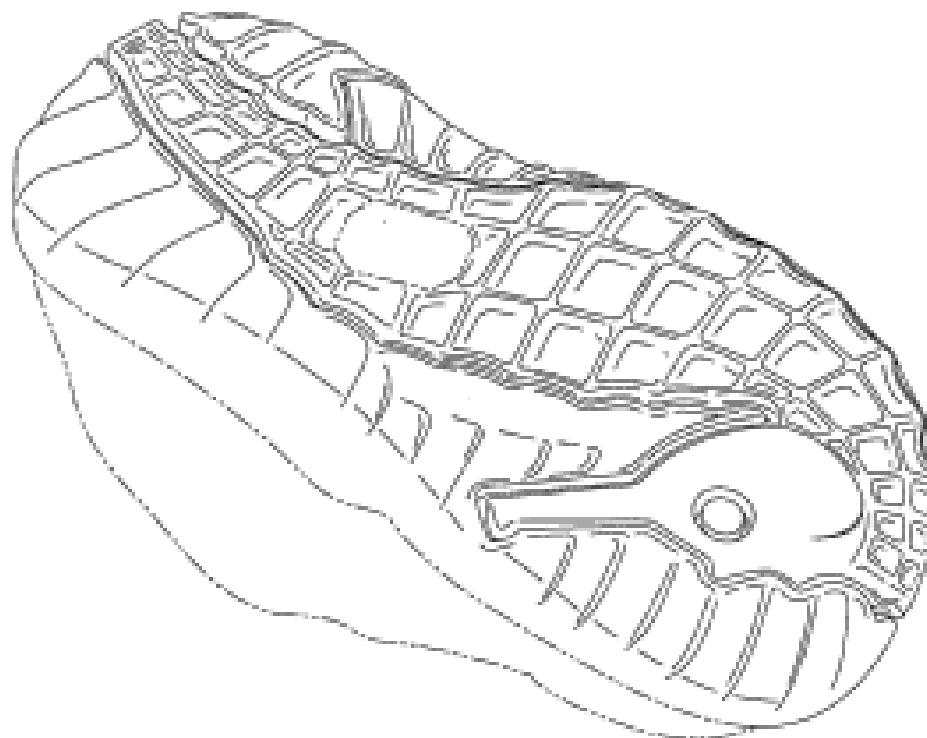
(57) Statement of Newness and Distinctiveness: Newness and distinctiveness is claimed in the visual features shown in the representations except for those shown in phantom lines.



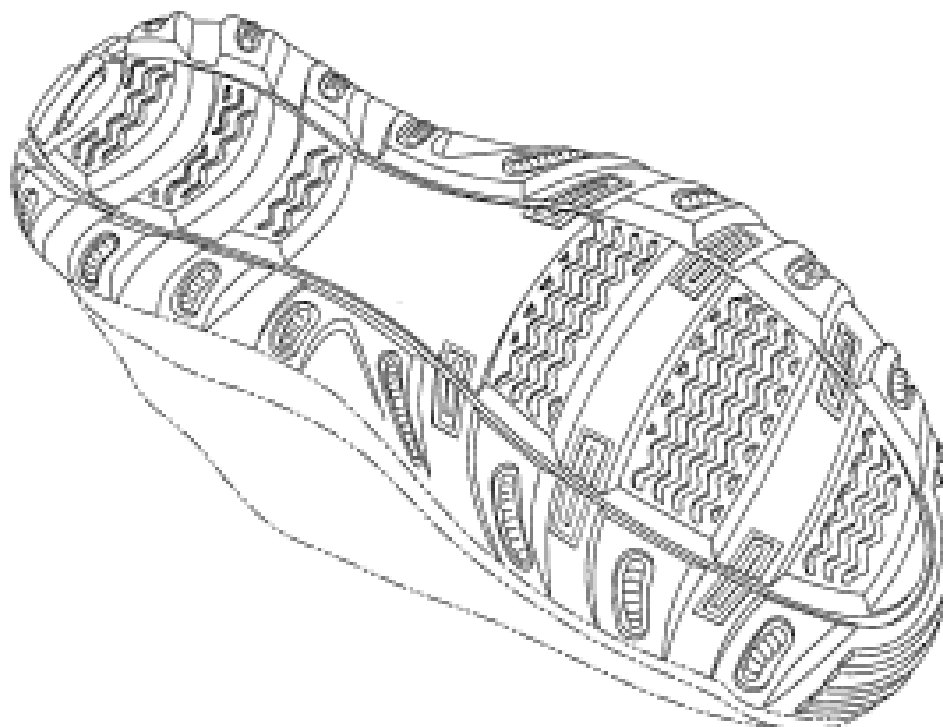
(21) Design Number: **13871/2009**
 (22) Date of Filing Application: **07 October 2009**
 (24) Date from which industrial property rights may have effect: **07 October 2009**
 (54) Product in respect of which the design is registered: **Footwear sole**
 (51) International Design Classification: **02-04B**
 (71) Name(s) and Address(s) of Applicant(s):
Wolverine World Wide, Inc.
9341 Courtland Drive NE Rockford Michigan 49351 United States of America
 (72) Name(s) of Designer(s): **Deborah H. Andersen and Martin W.F. Dean and Grant A. Urie**
 (45) Registration Date: **19 November 2009**
 (30) Convention priority data:
 (31) Number (32) Date (33) Country
29/336654 07 May 2009 UNITED STATES OF AMERICA
 (56) Related Art Documents: **Not Applicable**
 (57) Statement of Newness and Distinctiveness: **Newness and distinctiveness is claimed in the visual features shown in the representations except for those shown in phantom lines.**



(21) Design Number: **13872/2009**
 (22) Date of Filing Application: **07 October 2009**
 (24) Date from which industrial property rights may have effect: **07 October 2009**
 (54) Product in respect of which the design is registered: **Footwear sole**
 (51) International Design Classification: **02-04B**
 (71) Name(s) and Address(s) of Applicant(s):
Wolverine World Wide, Inc.
9341 Courtland Drive NE Rockford Michigan 49351 United States of America
 (72) Name(s) of Designer(s): **Deborah H. Andersen and Martin W.F. Dean and Grant A. Urie**
 (45) Registration Date: **19 November 2009**
 (30) Convention priority data:
 (31) Number (32) Date (33) Country
29/336653 07 May 2009 UNITED STATES OF AMERICA
 (56) Related Art Documents: **Not Applicable**
 (57) Statement of Newness and Distinctiveness: **Newness and distinctiveness is claimed in the visual features shown in the representations except for those shown in phantom lines.**



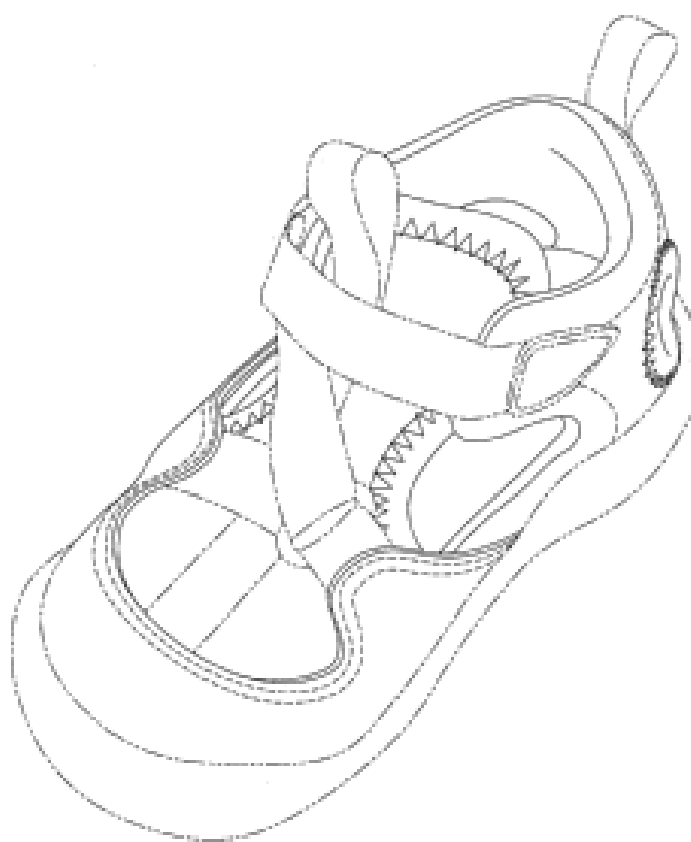
- (21) Design Number: **13873/2009**
(22) Date of Filing Application: **07 October 2009**
(24) Date from which industrial property rights may have effect: **07 October 2009**
(54) Product in respect of which the design is registered: **Footwear sole**
(51) International Design Classification: **02-04B**
(71) Name(s) and Address(s) of Applicant(s):
Wolverine World Wide, Inc.
9341 Courtland Drive NE Rockford Michigan 49351 United States of America
(72) Name(s) of Designer(s): **Deborah H. Andersen and Martin W.F. Dean and Grant A. Urie**
(45) Registration Date: **19 November 2009**
(30) Convention priority data:
(31) Number (32) Date (33) Country
29/336658 07 May 2009 UNITED STATES OF AMERICA
(56) Related Art Documents: **Not Applicable**
(57) Statement of Newness and Distinctiveness: **Newness and distinctiveness is claimed in the visual features shown in the representations except for those shown in phantom lines.**



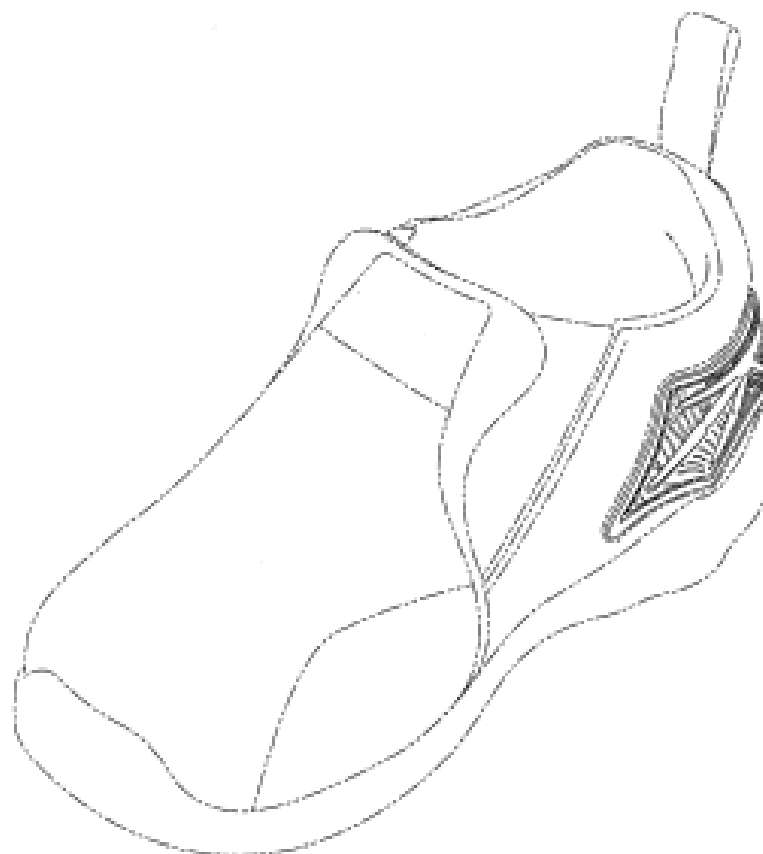
- (21) Design Number: **13854/2009**
(22) Date of Filing Application: **06 October 2009**
(24) Date from which industrial property rights may have effect: **06 October 2009**
(54) Product in respect of which the design is registered: **Grill panel**
(51) International Design Classification: **12-16B**
(71) Name(s) and Address(s) of Applicant(s):
Scania CV AB
Sodertalje SE-151 87 Sweden
(72) Name(s) of Designer(s): **Kjell Fagerstrom and David Skoog and Kristofer Hansen and Christian Henriksen**
(45) Registration Date: **19 November 2009**
(30) Convention priority data:
(31) Number (32) Date (33) Country
2009/0221 29 Apr 2009 SWEDEN
(56) Related Art Documents: **Not Applicable**
(57) Statement of Newness and Distinctiveness: **Nil**



- (21) Design Number: **13857/2009**
(22) Date of Filing Application: **07 October 2009**
(24) Date from which industrial property rights may have effect: **07 October 2009**
(54) Product in respect of which the design is registered: **Footwear upper**
(51) International Design Classification: **02-04NES**
(71) Name(s) and Address(s) of Applicant(s):
Wolverine World Wide, Inc.
9341 Courtland Drive NE Rockford Michigan 49351 United States of America
(72) Name(s) of Designer(s): **Deborah H. Andersen and Martin W.F. Dean and Grant A. Urie**
(45) Registration Date: **19 November 2009**
(30) Convention priority data:
(31) Number (32) Date (33) Country
29/336660 07 May 2009 UNITED STATES OF AMERICA
(56) Related Art Documents: **Not Applicable**
(57) Statement of Newness and Distinctiveness: **Newness and distinctiveness is claimed in the visual features shown in the representations except for those shown in phantom lines.**



- (21) Design Number: **13858/2009**
(22) Date of Filing Application: **07 October 2009**
(24) Date from which industrial property rights may have effect: **07 October 2009**
(54) Product in respect of which the design is registered: **Footwear upper portion**
(51) International Design Classification: **02-04NES**
(71) Name(s) and Address(s) of Applicant(s):
Wolverine World Wide, Inc.
9341 Courtland Drive NE Rockford Michigan 49351 United States of America
(72) Name(s) of Designer(s): **Deborah H. Andersen and Martin W.F. Dean and Grant A. Urie**
(45) Registration Date: **19 November 2009**
(30) Convention priority data:
(31) Number (32) Date (33) Country
29/336661 07 May 2009 UNITED STATES OF AMERICA
(56) Related Art Documents: **Not Applicable**
(57) Statement of Newness and Distinctiveness: **Newness and distinctiveness is claimed in the visual features shown in the representations except for those shown in phantom lines.**



(21) Design Number: **14103/2009**

(22) Date of Filing Application: **23 October 2009**

(24) Date from which industrial property rights may have effect: **23 October 2009**

(54) Product in respect of which the design is registered: **Clamp insulator**

(51) International Design Classification: **13-03B**

(71) Name(s) and Address(s) of Applicant(s):

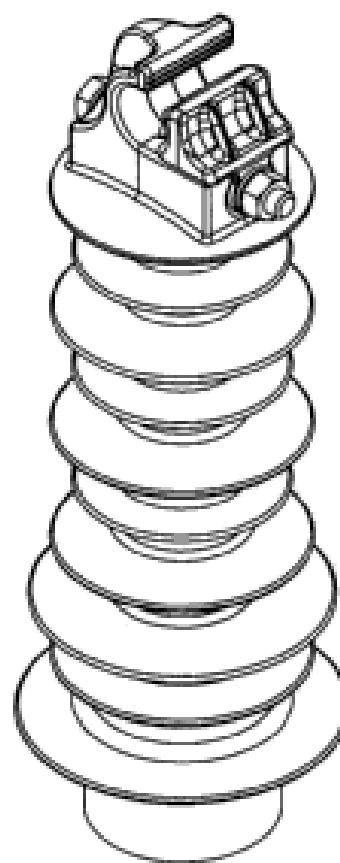
Pacific Polymers Pty Ltd
C/- Burton Partners 217 Lonsdale Street Dandenong South Victoria
3175 Australia

(72) Name(s) of Designer(s): **Gordon Chessum**

(45) Registration Date: **19 November 2009**

(56) Related Art Documents: **Not Applicable**

(57) Statement of Newness and Distinctiveness: **Newness and distinctiveness resides in the clamp portion of the integrated conductor clamp, the clamp portion being that portion situated on the topmost flange. The features of the insulator body including the flanges are to be disregarded for the purposes of consideration of newness and distinctiveness.**



(21) Design Number: **14104/2009**

(22) Date of Filing Application: **23 October 2009**

(24) Date from which industrial property rights may have effect: **23 October 2009**

(54) Product in respect of which the design is registered: **Teat unit for a feeding bottle**

(51) International Design Classification: **07-01E**

(71) Name(s) and Address(s) of Applicant(s):

Medela Holding AG
Lattichstrasse 4b CH-6340 Baar Switzerland

(72) Name(s) of Designer(s): **Britta Pukall and Therese Naef and Mario Rigert and Erich Pfenniger and Timothy D. Killinger**

(45) Registration Date: **19 November 2009**

(30) Convention priority data:

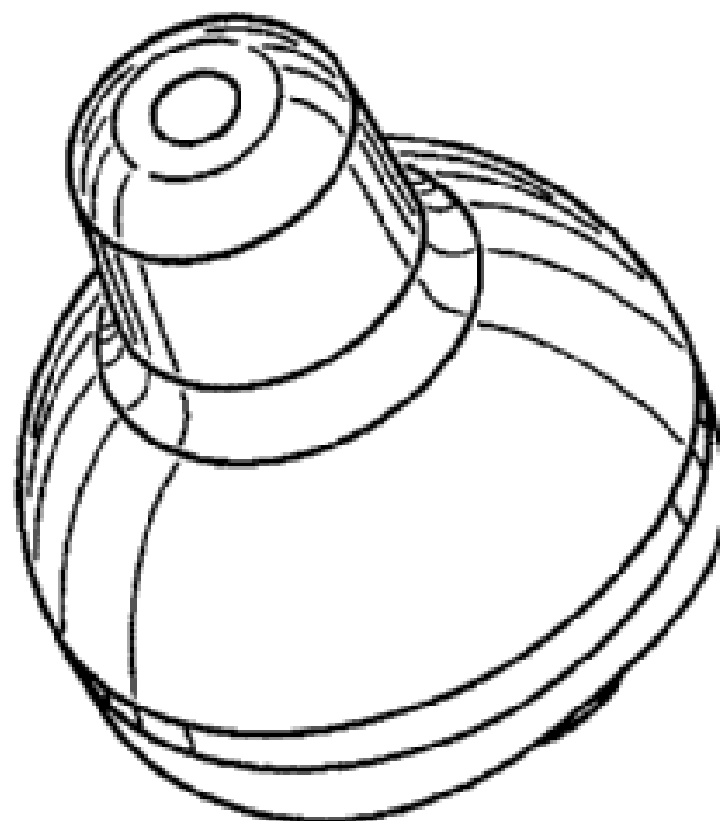
(31) Number
DM/071 748

(32) Date
24 Apr 2009

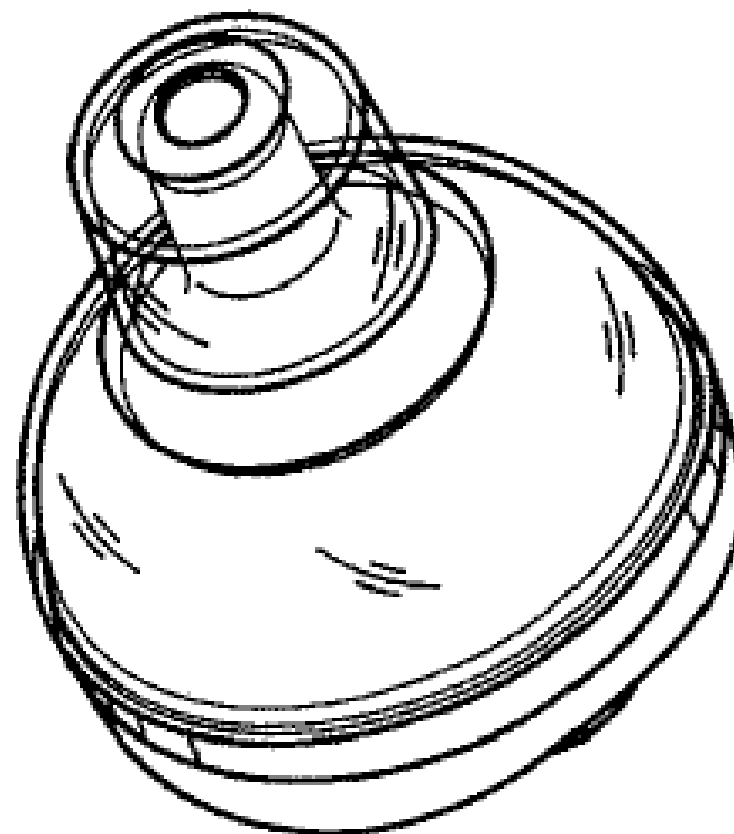
(33) Country
**WORLD INTELLECTUAL
PROPERTY ORGANIZATION
(WIPO)**

(56) Related Art Documents: **Not Applicable**

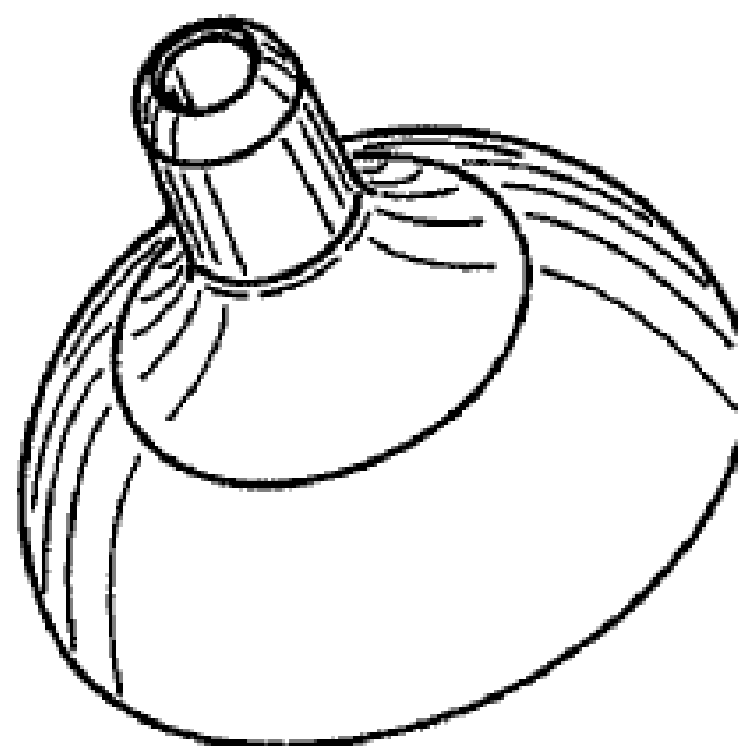
(57) Statement of Newness and Distinctiveness: **Nil**



(21) Design Number: **14105/2009**
(22) Date of Filing Application: **23 October 2009**
(24) Date from which industrial property rights may have effect: **23 October 2009**
(54) Product in respect of which the design is registered: **Teat unit for a feeding bottle**
(51) International Design Classification: **07-01E**
(71) Name(s) and Address(s) of Applicant(s):
Medela Holding AG
Lattichstrasse 4b CH-6340 Baar Switzerland
(72) Name(s) of Designer(s): **Britta Pukall and Therese Naef and Mario Rigert and Erich Pfenniger and Timothy D. Killinger**
(45) Registration Date: **19 November 2009**
(30) Convention priority data:
(31) Number (32) Date (33) Country
DM/071 748 24 Apr 2009 WORLD INTELLECTUAL PROPERTY ORGANIZATION (WIPO)
(56) Related Art Documents: **Not Applicable**
(57) Statement of Newness and Distinctiveness: **Nil**



(21) Design Number: **14106/2009**
(22) Date of Filing Application: **23 October 2009**
(24) Date from which industrial property rights may have effect: **23 October 2009**
(54) Product in respect of which the design is registered: **Teat for a feeding bottle**
(51) International Design Classification: **07-01E**
(71) Name(s) and Address(s) of Applicant(s):
Medela Holding AG
Lattichstrasse 4b CH-6340 Baar Switzerland
(72) Name(s) of Designer(s): **Britta Pukall and Therese Naef and Mario Rigert and Timothy D. Killinger and Erich Pfenniger**
(45) Registration Date: **19 November 2009**
(30) Convention priority data:
(31) Number (32) Date (33) Country
DM/071 748 24 Apr 2009 WORLD INTELLECTUAL PROPERTY ORGANIZATION (WIPO)
(56) Related Art Documents: **Not Applicable**
(57) Statement of Newness and Distinctiveness: **Nil**



(21) Design Number: **14107/2009**

(22) Date of Filing Application: **23 October 2009**

(24) Date from which industrial property rights may have effect: **23 October 2009**

(54) Product in respect of which the design is registered: **Part of a teat unit of a feeding bottle**

(51) International Design Classification: **07-01E**

(71) Name(s) and Address(s) of Applicant(s):

Medela Holding AG
Lattichstrasse 4b CH-6340 Baar Switzerland

(72) Name(s) of Designer(s): **Britta Pukall and Therese Naef and Mario Rigert and Erich Pfenniger and Timothy D. Killinger**

(45) Registration Date: **19 November 2009**

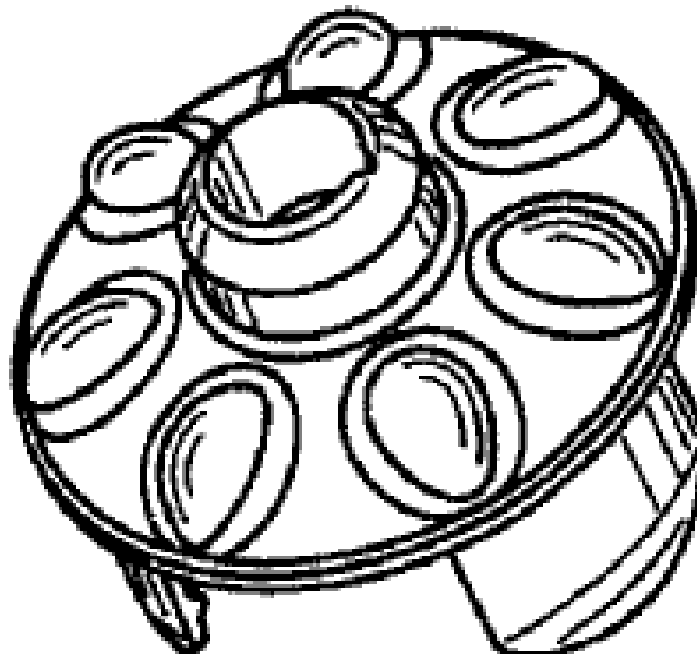
(30) Convention priority data:

(31) Number (32) Date
DM/071 748 24 Apr 2009

(33) Country
**WORLD INTELLECTUAL
PROPERTY ORGANIZATION
(WIPO)**

(56) Related Art Documents: **Not Applicable**

(57) Statement of Newness and Distinctiveness: **Nil**



(21) Design Number: **14108/2009**

(22) Date of Filing Application: **23 October 2009**

(24) Date from which industrial property rights may have effect: **23 October 2009**

(54) Product in respect of which the design is registered: **Shelving systems**

(51) International Design Classification: **06-04NES**

(71) Name(s) and Address(s) of Applicant(s):

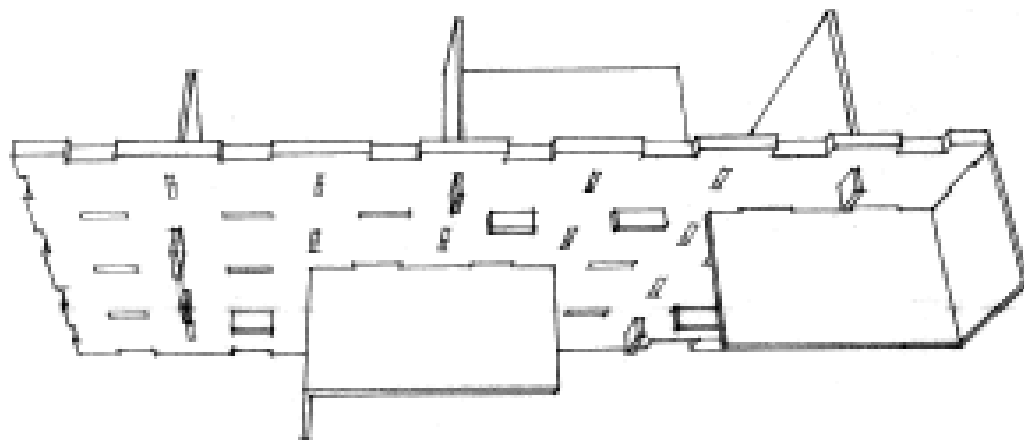
Michael Turner
10/12 Tusculum Street Potts Point New South Wales 2011 Australia

(72) Name(s) of Designer(s): **Michael Turner**

(45) Registration Date: **19 November 2009**

(56) Related Art Documents: **Not Applicable**

(57) Statement of Newness and Distinctiveness: **The shelving system consists of a back board with slots cut into it. The shelves have tabs that fit into these slots allowing endless combinations of shelf configurations. Can be 2 sided.**



(21) Design Number: **14109/2009**

(22) Date of Filing Application: **22 October 2009**

(24) Date from which industrial property rights may have effect: **22 October 2009**

(54) Product in respect of which the design is registered: **A door hinge**

(51) International Design Classification: **08-06**

(71) Name(s) and Address(s) of Applicant(s):

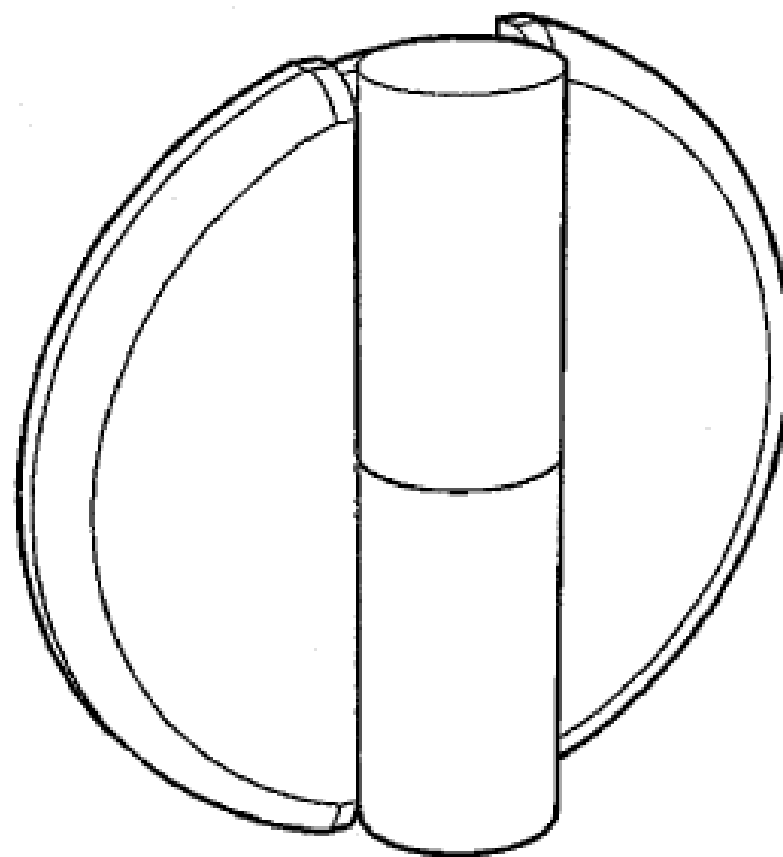
Metlam Australia Pty. Limited
17 Parker Road New Gisborne Victoria 3438 Australia

(72) Name(s) of Designer(s): **Brian Bishop**

(45) Registration Date: **19 November 2009**

(56) Related Art Documents: **Not Applicable**

(57) Statement of Newness and Distinctiveness: **The shape and configuration of the hinge shown in the accompanying drawings.**



(21) Design Number: **14110/2009**

(22) Date of Filing Application: **26 October 2009**

(24) Date from which industrial property rights may have effect: **26 October 2009**

(54) Product in respect of which the design is registered: **Portable solar power generator**

(51) International Design Classification: **13-99**

(71) Name(s) and Address(s) of Applicant(s):

Christopher Sparsi
2 Hutchison Street Rivervale Western Australia 6103 Australia

(72) Name(s) of Designer(s): **Christopher Sparsi**

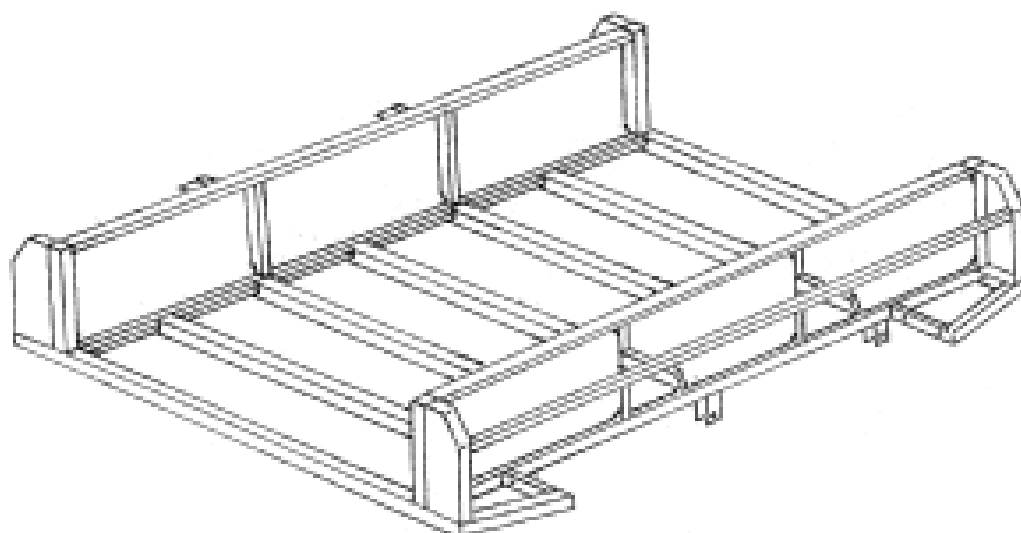
(45) Registration Date: **19 November 2009**

(56) Related Art Documents: **Not Applicable**

(57) Statement of Newness and Distinctiveness: **Portable solar power generator.**

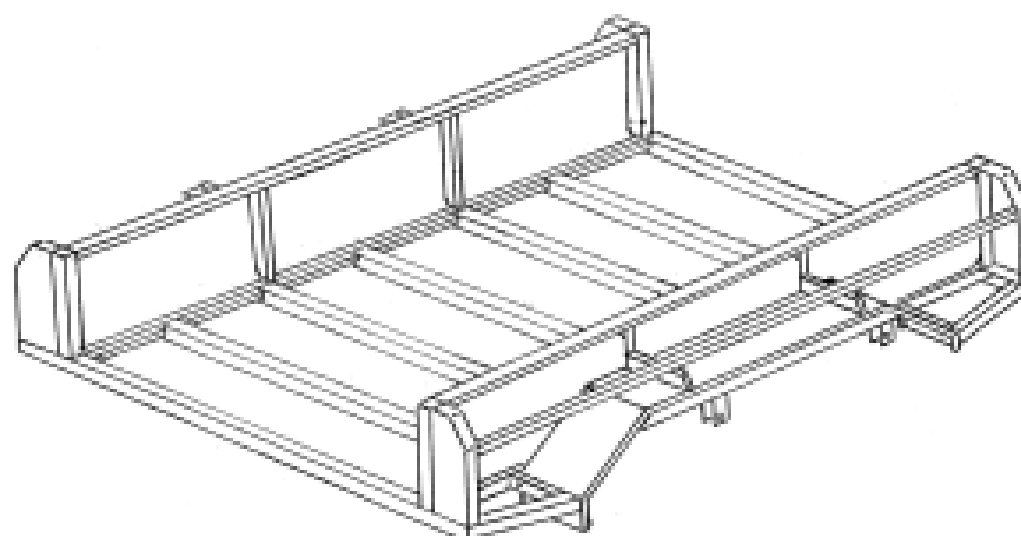


- (21) Design Number: 13776/2009
- (22) Date of Filing Application: 02 October 2009
- (24) Date from which industrial property rights may have effect: 02 October 2009
- (54) Product in respect of which the design is registered: Trailers
- (51) International Design Classification: 12-10
- (71) Name(s) and Address(s) of Applicant(s):
Reginald Leigh Faulkner
 2035 Albany Highway Maddington Western Australia 6109 Australia
Edith Eweyi Faulkner
 2035 Albany Highway Maddington Western Australia 6109 Australia
- (72) Name(s) of Designer(s): **Reginald Leigh Faulkner and Edith Eweyi Faulkner**
- (45) Registration Date: 20 November 2009
- (56) Related Art Documents: **Not Applicable**



(57) Statement of Newness and Distinctiveness: **The new features of the design are: The pattern, shape and configuration of the sides of a trailer. Statement of features. This design relates to the side view and construction appearance of a trailer. The trailer design not being of a kind that is used for heavy haulage truck type, but specifically of a categorie class and kind of equipment and being the type of light box trailer that is generally towed with a family size motor vehicle. This design relates to this common type of light metal box trailer and specifically the view aspect of the sides of the trailer. The sides of the trailer are fixed by welding or bolts and not of a kind that the sides can be lowered down. This design is such that the sides of the trailer consists of a frame that is constructed of tubular metal or angular metal and into which two or more panels are welded or bolted into position on each side. These sheet metal panels have folds or bends press formed into them or they can be flat. The visual aspect of the side of the trailer is that of having more than one panel. The visual aspect of the side of the trailer is that of having a hot dipped galvanized or a painted or metal appearance finish. The panels are partitioned within the 'frame'. Usually, the partitions are 'vertical' but can be made to other angles. Metal 'brackets or struts' of angle or tube, are welded or bolted to the 'vertical partitions of the frame that divides the panels. These metal brackets/struts, are welded or bolted on at 90 degrees (or some other angle), to the verticals of the frame. The square 'tie rail' is attached to the uppermost 'brackets/struts'. The mudguard is positioned underneath the uppermost 'brackets/struts' and in between the lower brackets. The mudguard is attached with bolts or welding. To sum up this design: A light trailer or a domestic trailer or tradesman trailer or a farmers trailer or light work trailer types, with the visual aspect of having more than one panel in the sides of the trailer and the panels being partitioned within a frame to form the side and such a trailer from which brackets/struts are joined to the frame and the tie rail and mudguard are joined to these brackets/struts. A design of a trailer side as according to or similar to that side of the trailer.**

- (21) Design Number: 14176/2009
- (22) Date of Filing Application: 02 October 2009
- (24) Date from which industrial property rights may have effect: 02 October 2009
- (54) Product in respect of which the design is registered: Trailers
- (51) International Design Classification: 12-10
- (71) Name(s) and Address(s) of Applicant(s):
Reginald Leigh Faulkner
 2035 Albany Highway Maddington Western Australia 6109 Australia
Edith Eweyi Faulkner
 2035 Albany Highway Maddington Western Australia 6109 Australia
- (72) Name(s) of Designer(s): **Reginald Leigh Faulkner and Edith Eweyi Faulkner**
- (45) Registration Date: 20 November 2009
- (56) Related Art Documents: **Not Applicable**



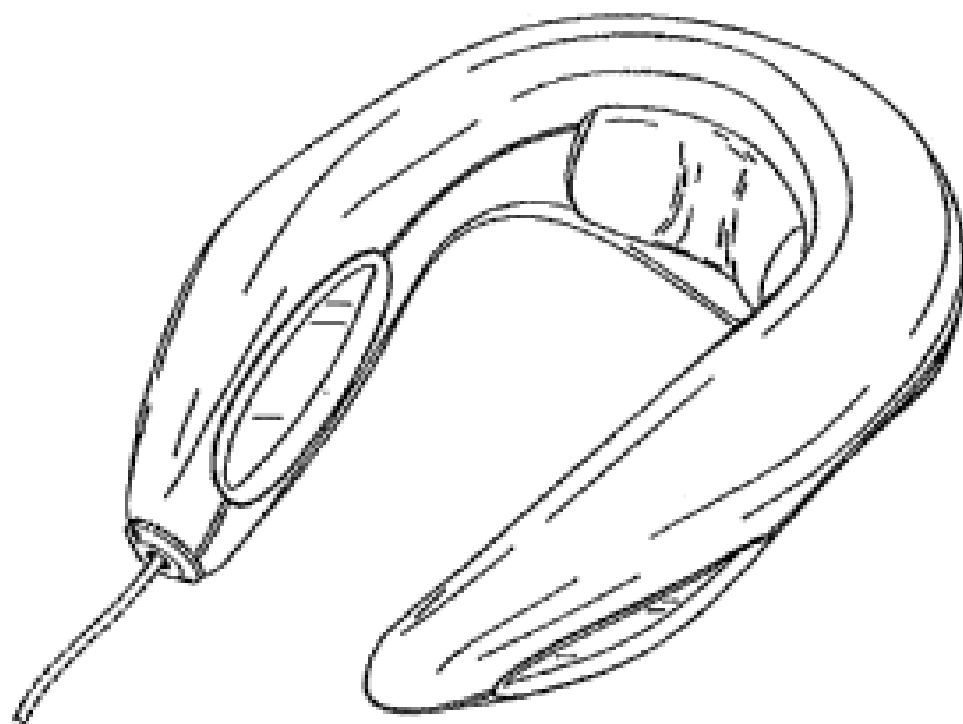
(57) Statement of Newness and Distinctiveness: **The new features of the design are: The pattern shape and configuration of the sides of a trailer. Statement of features. This design relates to the side view and construction appearance of a trailer. The trailer design not being of a kind that is used for heavy haulage truck type, but specifically of a categorie class and kind of equipment and being the type of light box trailer that is generally towed with a family size motor vehicle. This design relates to this common type of light metal box trailer and specifically the view aspect of the sides of the trailer. The sides of the trailer are fixed by welding or bolts and not of a kind that the sides can be lowered down. This design is such that the sides of the trailer consists of a frame that is constructed of tubular metal or angular metal and onto or into which one or more panels are welded or bolted into position on each side. These sheet metal panels have folds or bends**

press formed into them or they can be flat. The visual aspect of the side of the trailer is that of having more than one panel. The visual aspect of the side of the trailer is that of having a hot dipped galvanized or a painted or metal appearance finish. The panel or panels are positioned against or within the 'frame'. Usually, the partitions are 'vertical' but can be made to other angles. Metal 'brackets or struts' of angle or tube, are welded or bolted to the 'vertical partitions of the frame that divides the panels. These metal brackets/struts, are welded or bolted on at 90 degrees (or some other angle), to the verticals of the frame. The square 'tie rail' is attached to the uppermost 'brackets/struts'. The mudguard is positioned underneath the uppermost 'brackets/struts' and in between the lower brackets. The mudguard is attached with bolts or welding. To sum up this design: A light trailer or a domestic trailer or tradesman trailer or a farmers trailer or light work trailer types, with the visual aspect of having more than one panel in the sides of the trailer and the panels being partitioned against or within a frame to form the side and such a trailer from which brackets/struts are joined to the frame and the tie rail and mudguard are joined to these brackets/struts. A design of a trailer side as according with the mudguard removed.

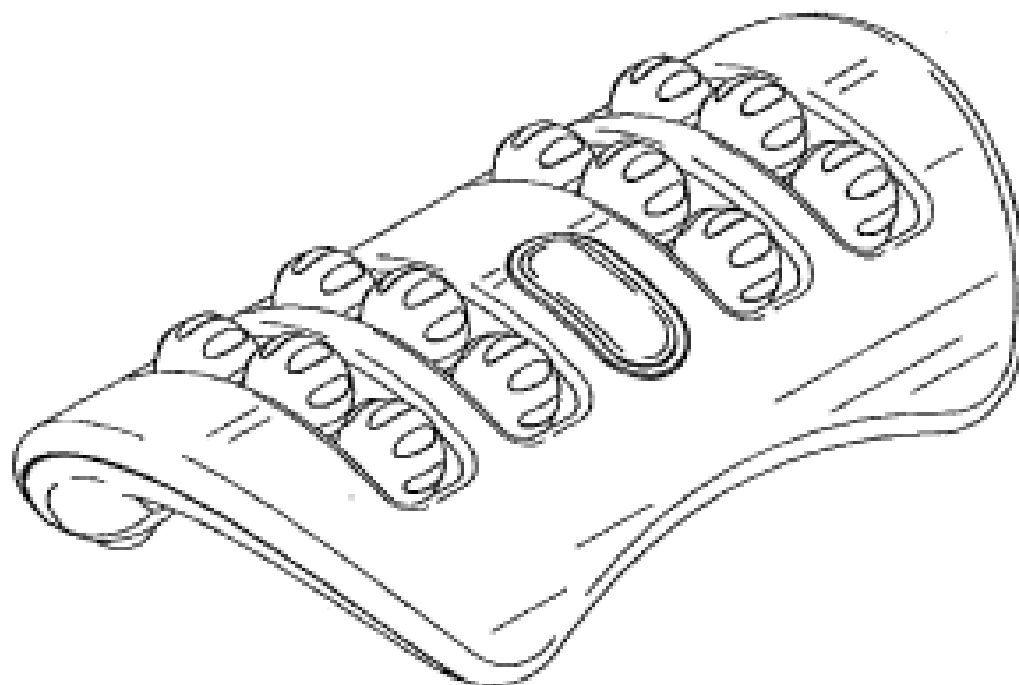
(12) AUSTRALIAN REGISTERED DESIGN
(19) AU

(11) AU-S- 328564

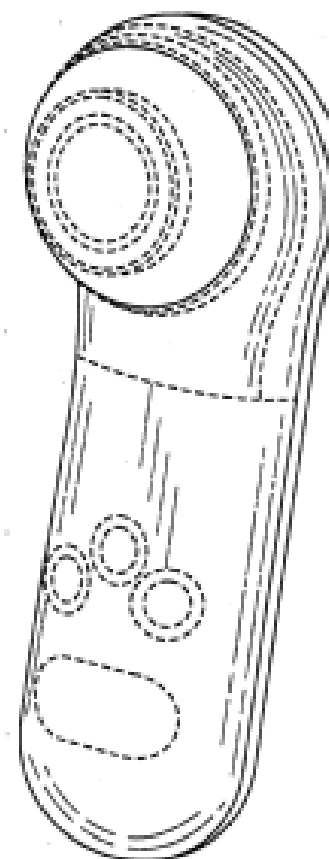
-
- (21) Design Number: **14144/2009**
(22) Date of Filing Application: **23 October 2009**
(24) Date from which industrial property rights may have effect: **23 October 2009**
(54) Product in respect of which the design is registered: **Neck massager**
(51) International Design Classification: **28-03NES**
(71) Name(s) and Address(s) of Applicant(s):
FKA Distributing Co. doing business as HoMedics, Inc.
3000 Pontiac Trail Commerce Township Michigan 48390 United States of America
(72) Name(s) of Designer(s): **Ron Tsang and Mordechai Lev and Roman S. Ferber**
(45) Registration Date: **20 November 2009**
(30) Convention priority data:
(31) Number (32) Date (33) Country
29/338304 09 Jun 2009 UNITED STATES OF AMERICA
(56) Related Art Documents: **Not Applicable**
(57) Statement of Newness and Distinctiveness: **Newness and distinctiveness resides in the features of shape and/or configuration of a neck massager shown in solid lines as illustrated in the accompanying representations.**



(21) Design Number: **14145/2009**
 (22) Date of Filing Application: **23 October 2009**
 (24) Date from which industrial property rights may have effect: **23 October 2009**
 (54) Product in respect of which the design is registered: **Dual foot massager**
 (51) International Design Classification: **28-03NES**
 (71) Name(s) and Address(s) of Applicant(s):
FKA Distributing Co. doing business as HoMedics, Inc.
3000 Pontiac Trail Commerce Township Michigan 48390 United States of America
 (72) Name(s) of Designer(s): **Ron Tsang and Mordechai Lev and Roman S. Ferber**
 (45) Registration Date: **20 November 2009**
 (30) Convention priority data:
 (31) Number (32) Date (33) Country
29/336531 05 May 2009 UNITED STATES OF AMERICA
 (56) Related Art Documents: **Not Applicable**
 (57) Statement of Newness and Distinctiveness: **Newness and distinctiveness resides in the features of shape and/or configuration of a dual foot massager shown in solid lines as illustrated in the accompanying representations.**



(21) Design Number: **13548/2009**
 (22) Date of Filing Application: **15 September 2009**
 (24) Date from which industrial property rights may have effect: **15 September 2009**
 (54) Product in respect of which the design is registered: **Skin care device**
 (51) International Design Classification: **28-03NES**
 (71) Name(s) and Address(s) of Applicant(s):
Kate Somerville Skin Care LLC
8428 Melrose Place Suite C Los Angeles California 90069 United States of America
 (72) Name(s) of Designer(s): **Chris Bradley and Kate Somerville and Jeffrey Tilley**
 (45) Registration Date: **23 November 2009**
 (56) Related Art Documents: **Not Applicable**
 (57) Statement of Newness and Distinctiveness: **Newness and distinctiveness is claimed in the features of shape and configuration of a skin care device as depicted by the solid lines in the accompanying representations. The broken line depictions are for illustrative purposes only and form no part of the claimed design.**



- (21) Design Number: **14132/2009**
(22) Date of Filing Application: **26 October 2009**
(24) Date from which industrial property rights may have effect: **26 October 2009**
(54) Product in respect of which the design is registered: **Air intake snorkel for a vehicle**
(51) International Design Classification: **12-16NES**
(71) Name(s) and Address(s) of Applicant(s):
Australian Performance Development Pty Ltd
73 Merrindale Drive South Croydon Victoria 3136 Australia
(72) Name(s) of Designer(s): **Peter Luxon and Manvir Randhawa**
(45) Registration Date: **23 November 2009**
(56) Related Art Documents: **Not Applicable**
(57) Statement of Newness and Distinctiveness: **Newness and Distinctiveness is claimed in the features of shape and/or configuration of an air intake snorkel for a vehicle as illustrated in the accompanying representations.**



- (21) Design Number: **14133/2009**
(22) Date of Filing Application: **23 October 2009**
(24) Date from which industrial property rights may have effect: **23 October 2009**
(54) Product in respect of which the design is registered: **Sunglasses**
(51) International Design Classification: **16-06**
(71) Name(s) and Address(s) of Applicant(s):
Yamamoto Kogaku Co., Ltd.
25-8 Chodo 3-chome Higashiosaka-shi Osaka Japan
(72) Name(s) of Designer(s): **Rintaro Inui and Takeshi Kamimera and Shinichi Hadehara**
(45) Registration Date: **23 November 2009**
(30) Convention priority data:

(31) Number	(32) Date	(33) Country
2009/009809	28 Apr 2009	JAPAN

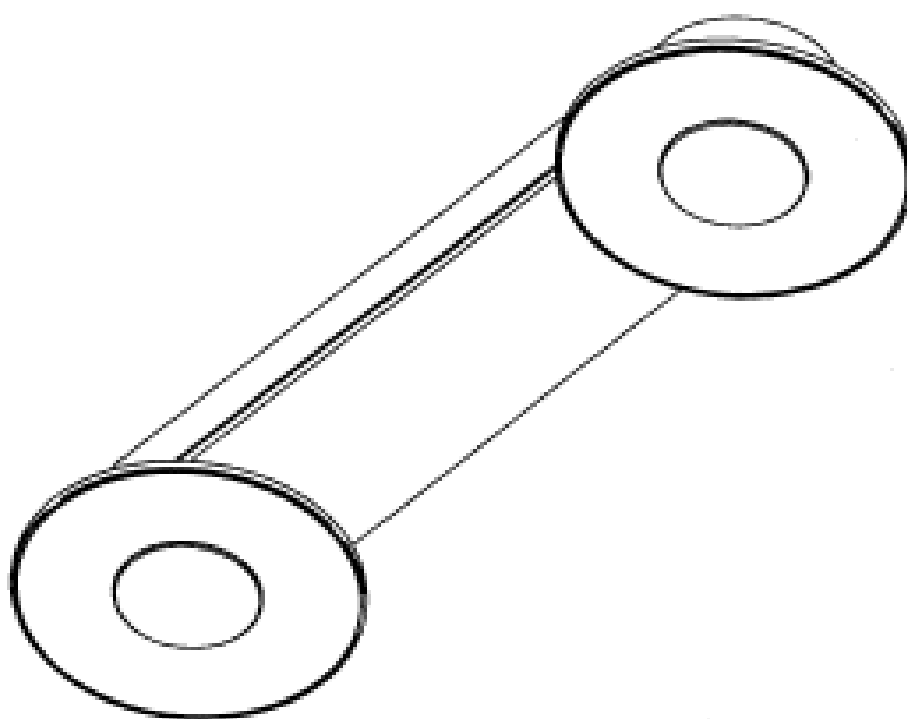
(56) Related Art Documents: **Not Applicable**
(57) Statement of Newness and Distinctiveness: **Newness and distinctiveness reside in the features of the design as shown in the representations.**



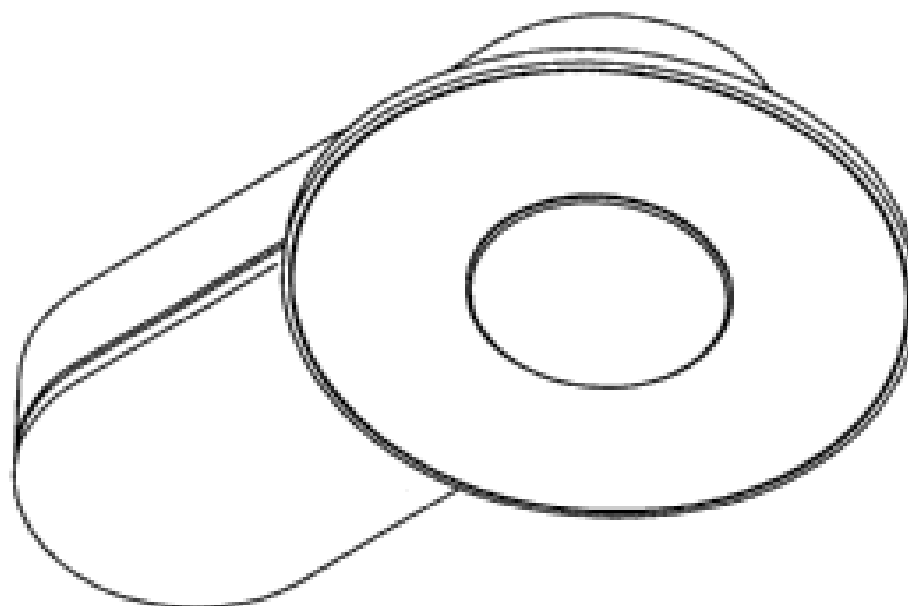
- (21) Design Number: **14134/2009**
(22) Date of Filing Application: **23 October 2009**
(24) Date from which industrial property rights may have effect: **23 October 2009**
(54) Product in respect of which the design is registered: **Sunglasses**
(51) International Design Classification: **16-06**
(71) Name(s) and Address(s) of Applicant(s):
Yamamoto Kogaku Co., Ltd.
25-8 Chodo 3-chome Higashiosaka-shi Osaka Japan
(72) Name(s) of Designer(s): **Masataka Asada and Takeshi Kamimera and Rintaro Inui**
(45) Registration Date: **23 November 2009**
(30) Convention priority data:
(31) Number (32) Date (33) Country
2009-009808 28 Apr 2009 JAPAN
(56) Related Art Documents: **Not Applicable**
(57) Statement of Newness and Distinctiveness: **Newness and distinctiveness reside in the features of the design as shown in the representations.**



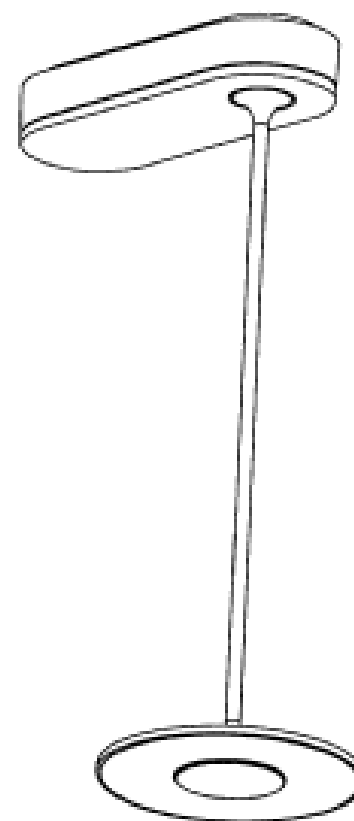
- (21) Design Number: **14135/2009**
(22) Date of Filing Application: **23 October 2009**
(24) Date from which industrial property rights may have effect: **23 October 2009**
(54) Product in respect of which the design is registered: **Luminaire**
(51) International Design Classification: **26-05C**
(71) Name(s) and Address(s) of Applicant(s):
Koninklijke Philips Electronics N.V.
Groenewoudseweg 1 5621 BA Eindhoven The Netherlands
(72) Name(s) of Designer(s): **Thomas Duster**
(45) Registration Date: **23 November 2009**
(30) Convention priority data:
(31) Number (32) Date (33) Country
001504622-0001 29 Apr 2009 EUROPEAN COMMUNITY
(56) Related Art Documents: **Not Applicable**
(57) Statement of Newness and Distinctiveness: **Newness and distinctiveness reside in the features of the design as shown in the representations.**



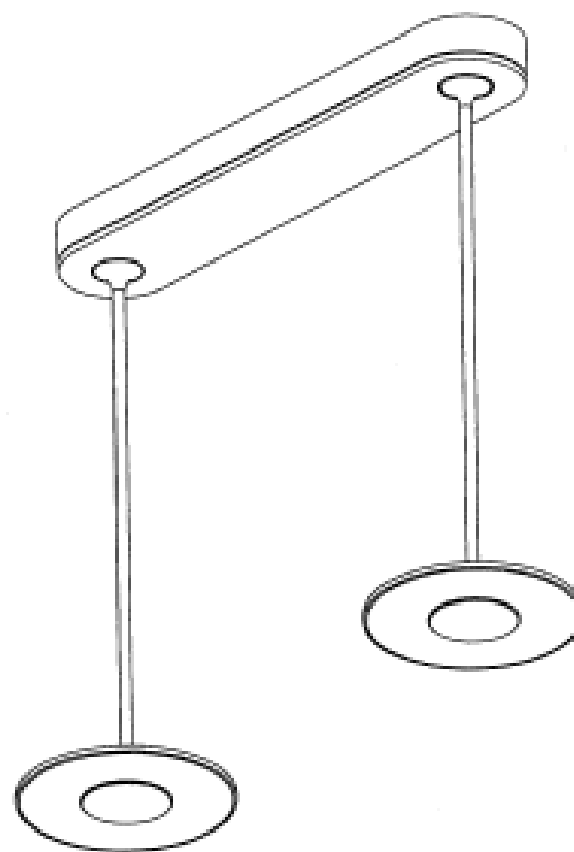
- (21) Design Number: **14136/2009**
(22) Date of Filing Application: **23 October 2009**
(24) Date from which industrial property rights may have effect: **23 October 2009**
(54) Product in respect of which the design is registered: **Luminaire**
(51) International Design Classification: **26-05C**
(71) Name(s) and Address(s) of Applicant(s):
Koninklijke Philips Electronics N.V.
Groenewoudseweg 1 5621 BA Eindhoven The Netherlands
(72) Name(s) of Designer(s): **Thomas Duster**
(45) Registration Date: **23 November 2009**
(30) Convention priority data:
(31) Number (32) Date (33) Country
001504622-0002 29 Apr 2009 EUROPEAN COMMUNITY
(56) Related Art Documents: **Not Applicable**
(57) Statement of Newness and Distinctiveness: **Newness and distinctiveness reside in the features of the design as shown in the representations.**



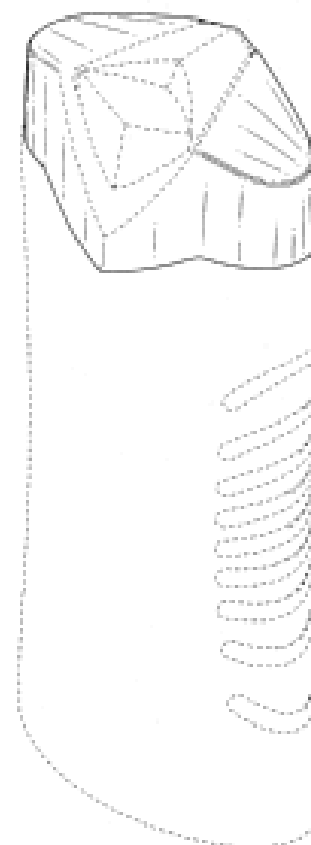
- (21) Design Number: **14137/2009**
(22) Date of Filing Application: **23 October 2009**
(24) Date from which industrial property rights may have effect: **23 October 2009**
(54) Product in respect of which the design is registered: **Luminaire**
(51) International Design Classification: **26-05D**
(71) Name(s) and Address(s) of Applicant(s):
Koninklijke Philips Electronics N.V.
Groenewoudseweg 1 5621 BA Eindhoven The Netherlands
(72) Name(s) of Designer(s): **Thomas Duster**
(45) Registration Date: **23 November 2009**
(30) Convention priority data:
(31) Number (32) Date (33) Country
001504622-0003 29 Apr 2009 EUROPEAN COMMUNITY
(56) Related Art Documents: **Not Applicable**
(57) Statement of Newness and Distinctiveness: **Newness and distinctiveness reside in the features of the design as shown in the representations.**



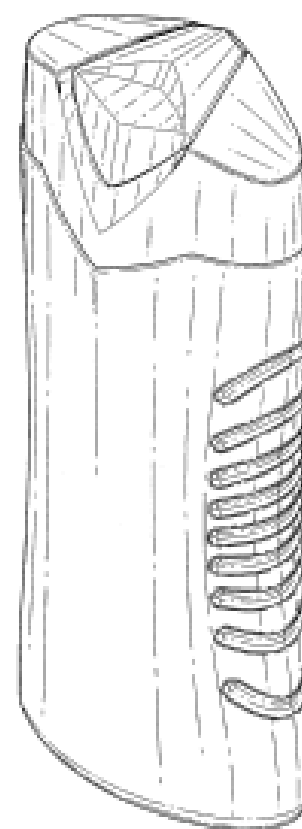
(21) Design Number: **14138/2009**
(22) Date of Filing Application: **23 October 2009**
(24) Date from which industrial property rights may have effect: **23 October 2009**
(54) Product in respect of which the design is registered: **Luminaire**
(51) International Design Classification: **26-05D**
(71) Name(s) and Address(s) of Applicant(s):
Koninklijke Philips Electronics N.V.
Groenewoudseweg 1 5621 BA Eindhoven The Netherlands
(72) Name(s) of Designer(s): **Thomas Duster**
(45) Registration Date: **23 November 2009**
(30) Convention priority data:
(31) Number (32) Date (33) Country
001504622-0004 29 Apr 2009 EUROPEAN COMMUNITY
(56) Related Art Documents: **Not Applicable**
(57) Statement of Newness and Distinctiveness: **Newness and distinctiveness reside in the features of the design as shown in the representations.**



(21) Design Number: **13727/2009**
(22) Date of Filing Application: **29 September 2009**
(24) Date from which industrial property rights may have effect: **29 September 2009**
(54) Product in respect of which the design is registered: **Bottle**
(51) International Design Classification: **09-01K**
(71) Name(s) and Address(s) of Applicant(s):
Unilever PLC
Unilever House 100 Victoria Embankment London EC4Y ODY United Kingdom
(72) Name(s) of Designer(s): **Julie Kathryn Zaniewski and Mariela Nunez-Ugalde and Michael Lyons and Gareth Frederick Jones and Andrew Richard Capper**
(45) Registration Date: **24 November 2009**
(30) Convention priority data:
(31) Number (32) Date (33) Country
29/314605 13 Apr 2009 UNITED STATES OF AMERICA
(56) Related Art Documents: **Not Applicable**
(57) Statement of Newness and Distinctiveness: **Newness and distinctiveness is claimed in the visual features shown in solid lines in the representations.**



- (21) Design Number: **13728/2009**
(22) Date of Filing Application: **29 September 2009**
(24) Date from which industrial property rights may have effect: **29 September 2009**
(54) Product in respect of which the design is registered: **Bottle**
(51) International Design Classification: **09-01K**
(71) Name(s) and Address(s) of Applicant(s):
Unilever PLC
Unilever House 100 Victoria Embankment London EC4Y ODY United Kingdom
(72) Name(s) of Designer(s): **Julie Kathryn Zaniewski and Mariela Nunez-Ugalde and Michael Lyons and Gareth Frederick Jones and Andrew Richard Capper**
(45) Registration Date: **24 November 2009**
(30) Convention priority data:
(31) Number (32) Date (33) Country
29/314604 13 Apr 2009 UNITED STATES OF AMERICA
(56) Related Art Documents: **Not Applicable**
(57) Statement of Newness and Distinctiveness: **Newness and distinctiveness is claimed in the visual features shown in solid lines in the representations.**



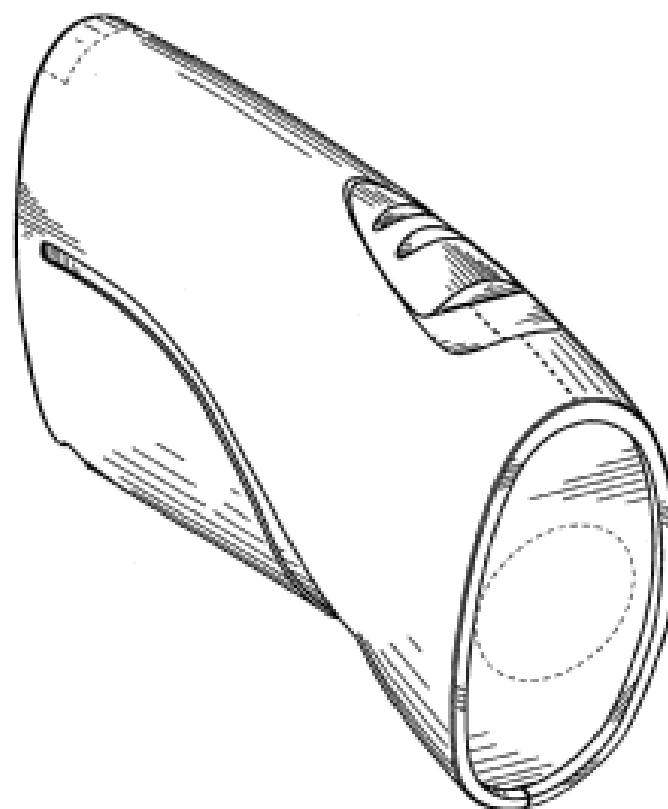
- (21) Design Number: **14094/2009**
(22) Date of Filing Application: **21 October 2009**
(24) Date from which industrial property rights may have effect: **21 October 2009**
(54) Product in respect of which the design is registered: **Hourglass carton**
(51) International Design Classification: **09-03NES**
(71) Name(s) and Address(s) of Applicant(s):
Evergreen Packaging, Inc.
5350 Poplar Avenue Suite 600 Memphis Tennessee 38119 United States of America
(72) Name(s) of Designer(s): **Roderick William Kalberer**
(45) Registration Date: **24 November 2009**
(30) Convention priority data:
(31) Number (32) Date (33) Country
29/336,676 07 May 2009 UNITED STATES OF AMERICA
(56) Related Art Documents: **Not Applicable**
(57) Statement of Newness and Distinctiveness: **Newness and distinctiveness reside in the features of the design shown in solid lines in the representations excluding those features shown in broken lines.**



(21) Design Number: **14118/2009**
 (22) Date of Filing Application: **23 October 2009**
 (24) Date from which industrial property rights may have effect: **23 October 2009**
 (54) Product in respect of which the design is registered: **Slide on tray top camper**
 (51) International Design Classification: **12-10**
 (71) Name(s) and Address(s) of Applicant(s):
Timothy Dillenbeck
34 Nirvana Court Runaway Bay Queensland 4216 Australia
 (72) Name(s) of Designer(s): **Timothy Dillenbeck**
 (45) Registration Date: **24 November 2009**
 (56) Related Art Documents: **Not Applicable**
 (57) Statement of Newness and Distinctiveness: **Monopoly is claimed in the features of shape and configuration of the slide on tray top camper incorporating hinged roof section, full side flat panel doors and a rear overhang with an overhead entry door as shown in the accompanying pictures. The newness and distinctiveness of the design is the interior rear well and accommodation configuration. In considering the scope of monopoly, the transporting vehicle, awning, ladder, gas-stove, plastic drawers, freezer/fridge, hinges, locks, latches, handles, tent poles, gas-struts, furnishings, accessories and stowed items are shown for illustration purposes and should be disregarded.**



(21) Design Number: **14119/2009**
 (22) Date of Filing Application: **22 October 2009**
 (24) Date from which industrial property rights may have effect: **22 October 2009**
 (54) Product in respect of which the design is registered: **A lighting device**
 (51) International Design Classification: **26-02**
 (71) Name(s) and Address(s) of Applicant(s):
Eveready Battery Company, Inc.
533 Maryville University Drive St Louis Missouri 63141 United States of America
 (72) Name(s) of Designer(s): **Lai King Ma**
 (45) Registration Date: **24 November 2009**
 (30) Convention priority data:
 (31) Number (32) Date (33) Country
29/337921 02 Jun 2009 UNITED STATES OF AMERICA
 (56) Related Art Documents: **Not Applicable**
 (57) Statement of Newness and Distinctiveness: **Newness and distinctiveness is claimed in those visual features depicted in unbroken lines.**



(21) Design Number: **14153/2009**

(22) Date of Filing Application: **27 October 2009**

(24) Date from which industrial property rights may have effect: **27 October 2009**

(54) Product in respect of which the design is registered: **An idler disc**

(51) International Design Classification: **12-05**

(71) Name(s) and Address(s) of Applicant(s):

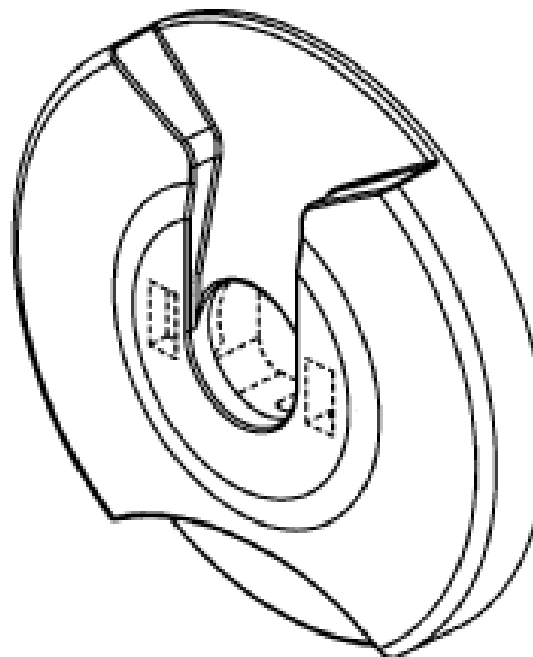
Carmelo Joseph Licciardi Di Stefano
110 Northcorp Boulevard Broadmeadows Victoria 3047 Australia

(72) Name(s) of Designer(s): **Carmelo Joseph Licciardi Di Stefano**

(45) Registration Date: **24 November 2009**

(56) Related Art Documents: **Not Applicable**

(57) Statement of Newness and Distinctiveness: **The following visual features of the design are new and distinctive: The shape and configuration of an idler disc as shown in solid lines in the accompanying drawings. In considering the newness and distinctiveness of the design, no regard is to be had to the visual features depicted by the broken lines.**



(21) Design Number: **14156/2009**

(22) Date of Filing Application: **27 October 2009**

(24) Date from which industrial property rights may have effect: **27 October 2009**

(54) Product in respect of which the design is registered: **Food processors**

(51) International Design Classification: **31-00**

(71) Name(s) and Address(s) of Applicant(s):

Kenwood Limited
New Lane Havant Hampshire PO9 2NH England

(72) Name(s) of Designer(s): **Robin Ferraby**

(45) Registration Date: **24 November 2009**

(30) Convention priority data:

(31) Number	(32) Date	(33) Country
001129506	28 Apr 2009	EUROPEAN COMMUNITY

(56) Related Art Documents: **Not Applicable**

(57) Statement of Newness and Distinctiveness: **Nil**



(21) Design Number: **14158/2009**

(22) Date of Filing Application: **27 October 2009**

(24) Date from which industrial property rights may have effect: **27 October 2009**

(54) Product in respect of which the design is registered: **Garlic press**

(51) International Design Classification: **07-04**

(71) Name(s) and Address(s) of Applicant(s):

Pi-Design AG

Kantonsstrasse 100 Postfach 463 Ch-6234 Triengen Switzerland

(72) Name(s) of Designer(s): **Jorgen Bodum**

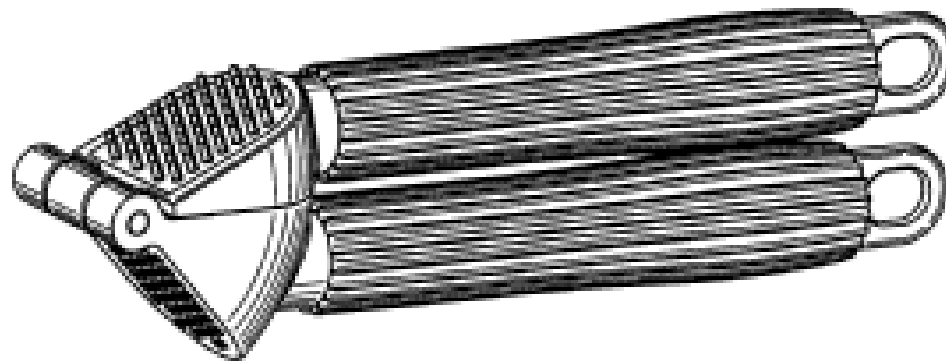
(45) Registration Date: **24 November 2009**

(30) Convention priority data:

(31) Number
DM/071 811

(32) Date
15 May 2009

(33) Country
**WORLD INTELLECTUAL
PROPERTY ORGANIZATION
(WIPO)**



(56) Related Art Documents: **Not Applicable**

(57) Statement of Newness and Distinctiveness: **Nil**

(21) Design Number: **14159/2009**

(22) Date of Filing Application: **27 October 2009**

(24) Date from which industrial property rights may have effect: **27 October 2009**

(54) Product in respect of which the design is registered: **Kitchen gadget handle**

(51) International Design Classification: **07-02R**

(71) Name(s) and Address(s) of Applicant(s):

Pi-Design AG

Kantonsstrasse 100 Postfach 463 Ch-6234 Triengen Switzerland

(72) Name(s) of Designer(s): **Jorgen Bodum**

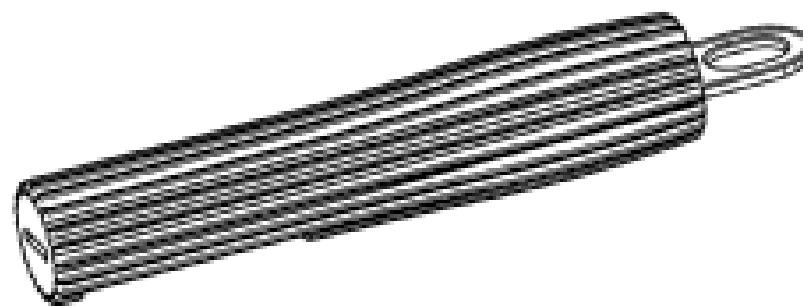
(45) Registration Date: **24 November 2009**

(30) Convention priority data:

(31) Number
DM/071 811

(32) Date
15 May 2009

(33) Country
**WORLD INTELLECTUAL
PROPERTY ORGANIZATION
(WIPO)**



(56) Related Art Documents: **Not Applicable**

(57) Statement of Newness and Distinctiveness: **Nil**

(21) Design Number: **14160/2009**

(22) Date of Filing Application: **27 October 2009**

(24) Date from which industrial property rights may have effect: **27 October 2009**

(54) Product in respect of which the design is registered: **Sport skirt**

(51) International Design Classification: **02-02C**

(71) Name(s) and Address(s) of Applicant(s):

Roslyn Anderson

53 Silver Street Eltham Victoria 3095 Australia

(72) Name(s) of Designer(s): **Roslyn Anderson**

(45) Registration Date: **24 November 2009**

(56) Related Art Documents: **Not Applicable**

(57) Statement of Newness and Distinctiveness: **The full flared skirt, as opposed to pleated or straight, is new and distinctive; The top panel of the skirt with curved fitted yolk, as opposed to a straight yolk is new and distinctive; These elements shown in a pants/skirt item are both new and distinct.**



(21) Design Number: **14161/2009**

(22) Date of Filing Application: **27 October 2009**

(24) Date from which industrial property rights may have effect: **27 October 2009**

(54) Product in respect of which the design is registered: **Wardrobe door grip stile**

(51) International Design Classification: **25-01K**

(71) Name(s) and Address(s) of Applicant(s):

Dias Aluminium Products Pty. Ltd.

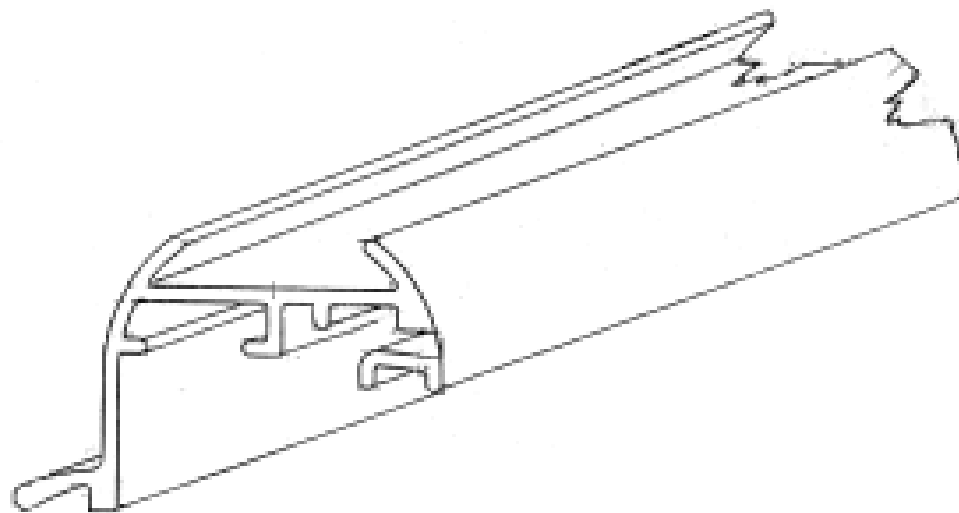
201-205 Browns Road Noble Park Victoria 3174 Australia

(72) Name(s) of Designer(s): **Ian David Paterson**

(45) Registration Date: **24 November 2009**

(56) Related Art Documents: **Not Applicable**

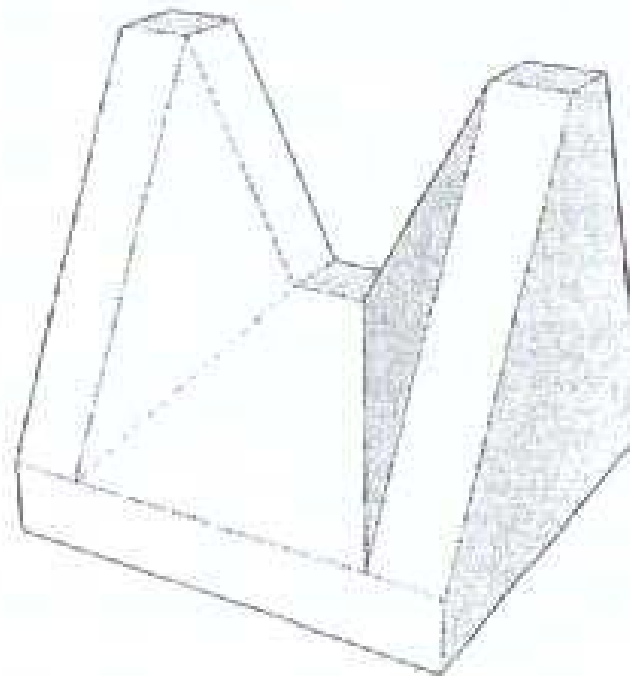
(57) Statement of Newness and Distinctiveness: **Nil**



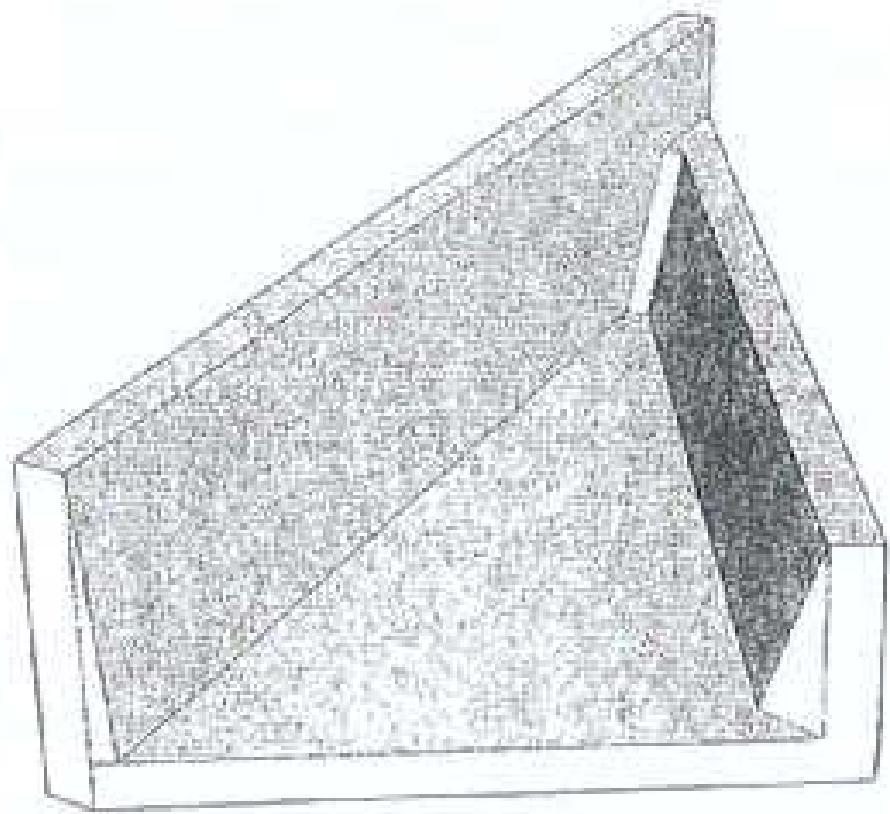
- (21) Design Number: **14162/2009**
(22) Date of Filing Application: **26 October 2009**
(24) Date from which industrial property rights may have effect: **26 October 2009**
(54) Product in respect of which the design is registered: **All terrain vehicle**
(51) International Design Classification: **12-08**
(71) Name(s) and Address(s) of Applicant(s):
Zhejiang CFMOTO Power Co., Ltd
No. 116 Wuzhou Road Yuhang Economic Development Zone
Hangzhou Zhejiang Province 311100 China
(72) Name(s) of Designer(s): **Guogui Lai and Yongzhou Zhao and Zhangping Yuan and Jinpin Zheng and Jun Zhao**
(45) Registration Date: **24 November 2009**
(30) Convention priority data:
(31) Number (32) Date (33) Country
200930244316.5 14 Sep 2009 CHINA
(56) Related Art Documents: **Not Applicable**
(57) Statement of Newness and Distinctiveness: **Newness and distinctiveness resides in the shape and/or configuration of an all terrain vehicle as shown in the accompanying representations.**



- (21) Design Number: **14308/2009**
(22) Date of Filing Application: **05 November 2009**
(24) Date from which industrial property rights may have effect: **05 November 2009**
(54) Product in respect of which the design is registered: **A ridge block**
(51) International Design Classification: **25-01A**
(71) Name(s) and Address(s) of Applicant(s):
Ian Ross Kapitzke
20 Maraket Street Toowong Queensland 4066 Australia
(72) Name(s) of Designer(s): **Ian Ross Kapitzke**
(45) Registration Date: **24 November 2009**
(56) Related Art Documents: **Not Applicable**
(57) Statement of Newness and Distinctiveness: **Newness and distinctiveness is claimed in the shape and configuration of a ridge block for use in the construction of a fishway, as shown in the accompanying representations.**



- (21) Design Number: **14309/2009**
(22) Date of Filing Application: **05 November 2009**
(24) Date from which industrial property rights may have effect: **05 November 2009**
(54) Product in respect of which the design is registered: **A baffle**
(51) International Design Classification: **23-01NES**
(71) Name(s) and Address(s) of Applicant(s):
Ian Ross Kapitzke
20 Maraket Street Toowong Queensland 4066 Australia
(72) Name(s) of Designer(s): **Ian Ross Kapitzke**
(45) Registration Date: **24 November 2009**
(56) Related Art Documents: **Not Applicable**
(57) Statement of Newness and Distinctiveness: **Newness and distinctiveness is claimed in the shape and configuration of a baffle for use in the construction of a fishway, as shown in the accompanying representations.**

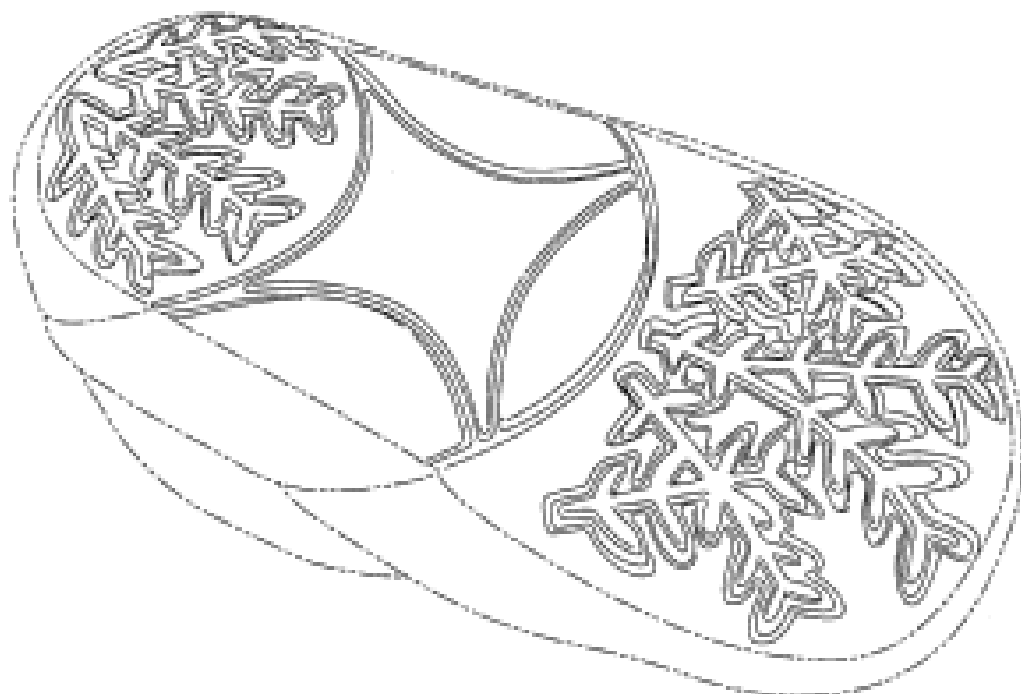


- (21) Design Number: **13507/2009**
(22) Date of Filing Application: **10 September 2009**
(24) Date from which industrial property rights may have effect: **10 September 2009**
(54) Product in respect of which the design is registered: **Clocks**
(51) International Design Classification: **10-01, 11-99**
(71) Name(s) and Address(s) of Applicant(s):
Darren Alfred Cooper
12 Leigh Crescent Claymore New South Wales 2559 Australia
(72) Name(s) of Designer(s): **Darren Alfred Cooper**
(45) Registration Date: **24 November 2009**
(56) Related Art Documents: **Not Applicable**
(57) Statement of Newness and Distinctiveness: **The shape of this clock is part of the unique concept of the dreamtime spirituality and art form.**



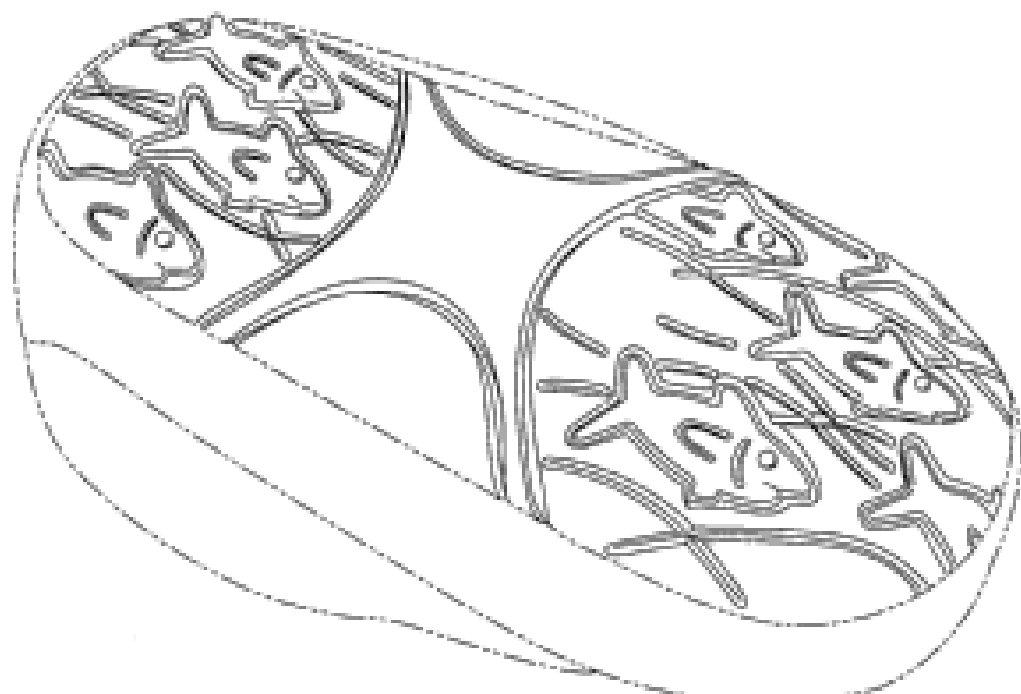
- (21) Design Number: **13777/2009**
- (22) Date of Filing Application: **30 September 2009**
- (24) Date from which industrial property rights may have effect: **30 September 2009**
- (54) Product in respect of which the design is registered: **Footwear sole**
- (51) International Design Classification: **02-04B**
- (71) Name(s) and Address(s) of Applicant(s):
Wolverine World Wide, Inc.
9341 Courtland Drive NE Rockford Michigan 49351 United States of America
- (72) Name(s) of Designer(s): **Deborah H. Andersen and Martin W.F. Dean and Grant A. Urie**
- (45) Registration Date: **24 November 2009**
- (30) Convention priority data:

(31) Number	(32) Date	(33) Country
29/336666	07 May 2009	UNITED STATES OF AMERICA
- (56) Related Art Documents: **Not Applicable**
- (57) Statement of Newness and Distinctiveness: **Newness and distinctiveness is claimed in the visual features shown in the representations except for those shown in phantom lines.**



- (21) Design Number: **13778/2009**
- (22) Date of Filing Application: **30 September 2009**
- (24) Date from which industrial property rights may have effect: **30 September 2009**
- (54) Product in respect of which the design is registered: **Footwear sole**
- (51) International Design Classification: **02-04B**
- (71) Name(s) and Address(s) of Applicant(s):
Wolverine World Wide, Inc.
9341 Courtland Drive NE Rockford Michigan 49351 United States of America
- (72) Name(s) of Designer(s): **Deborah H. Andersen and Martin W.F. Dean and Grant A. Urie**
- (45) Registration Date: **24 November 2009**
- (30) Convention priority data:

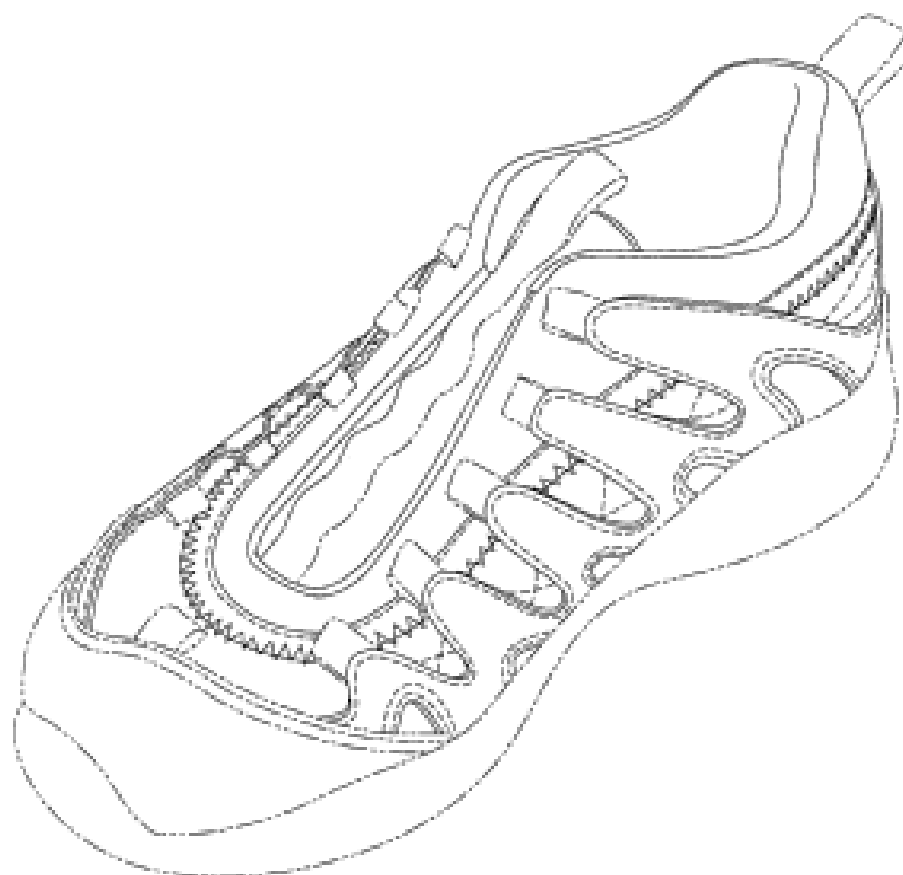
(31) Number	(32) Date	(33) Country
29/336652	07 May 2009	UNITED STATES OF AMERICA
- (56) Related Art Documents: **Not Applicable**
- (57) Statement of Newness and Distinctiveness: **Newness and distinctiveness is claimed in the visual features shown in the representations except for those shown in phantom lines.**



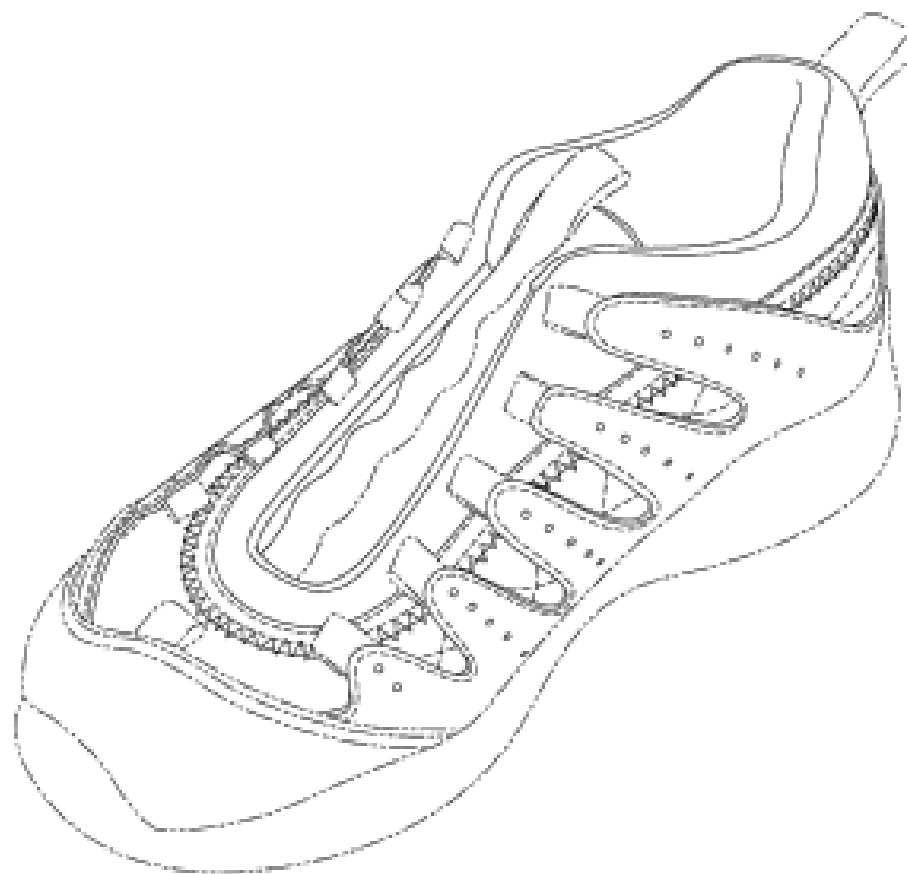
(21) Design Number: **13859/2009**
(22) Date of Filing Application: **07 October 2009**
(24) Date from which industrial property rights may have effect: **07 October 2009**
(54) Product in respect of which the design is registered: **Footwear upper**
(51) International Design Classification: **02-04NES**
(71) Name(s) and Address(s) of Applicant(s):
Wolverine World Wide, Inc.
9341 Courtland Drive NE Rockford Michigan 49351 United States of America
(72) Name(s) of Designer(s): **Deborah H. Andersen and Martin W.F. Dean and Grant A. Urie**
(45) Registration Date: **24 November 2009**
(30) Convention priority data:
(31) Number (32) Date (33) Country
29/336662 07 May 2009 UNITED STATES OF AMERICA
(56) Related Art Documents: **Not Applicable**
(57) Statement of Newness and Distinctiveness: **Newness and distinctiveness is claimed in the visual features shown in the representations except for those shown in phantom lines.**



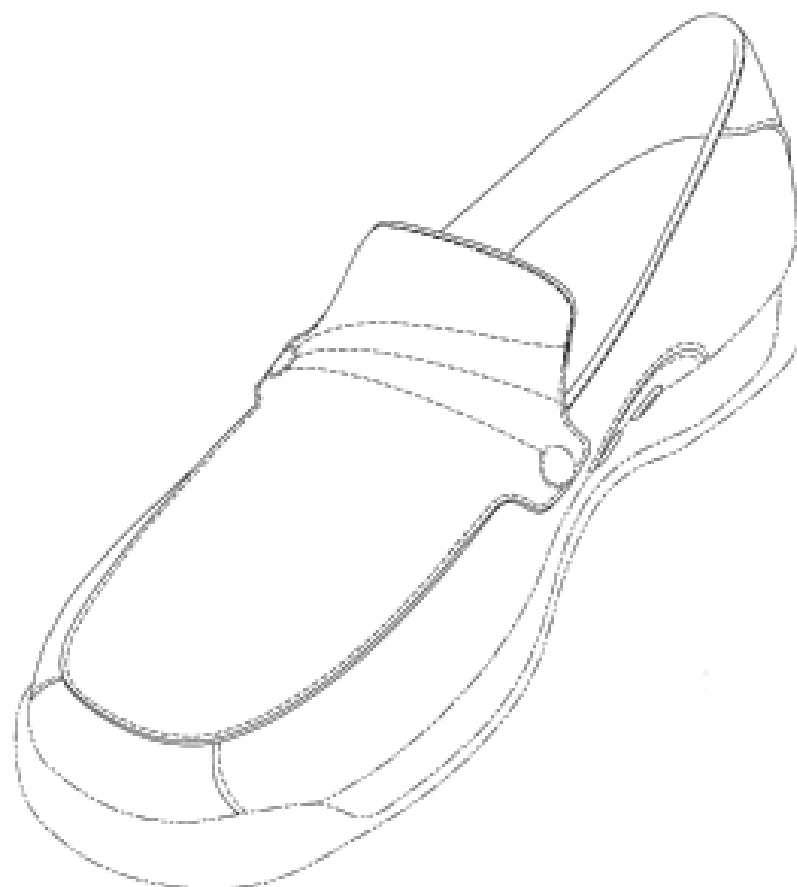
(21) Design Number: **13860/2009**
(22) Date of Filing Application: **07 October 2009**
(24) Date from which industrial property rights may have effect: **07 October 2009**
(54) Product in respect of which the design is registered: **Footwear upper**
(51) International Design Classification: **02-04NES**
(71) Name(s) and Address(s) of Applicant(s):
Wolverine World Wide, Inc.
9341 Courtland Drive NE Rockford Michigan 49351 United States of America
(72) Name(s) of Designer(s): **Deborah H. Andersen and Martin W.F. Dean and Grant A. Urie**
(45) Registration Date: **24 November 2009**
(30) Convention priority data:
(31) Number (32) Date (33) Country
29/336663 07 May 2009 UNITED STATES OF AMERICA
(56) Related Art Documents: **Not Applicable**
(57) Statement of Newness and Distinctiveness: **Newness and distinctiveness is claimed in the visual features shown in the representations except for those shown in phantom lines.**



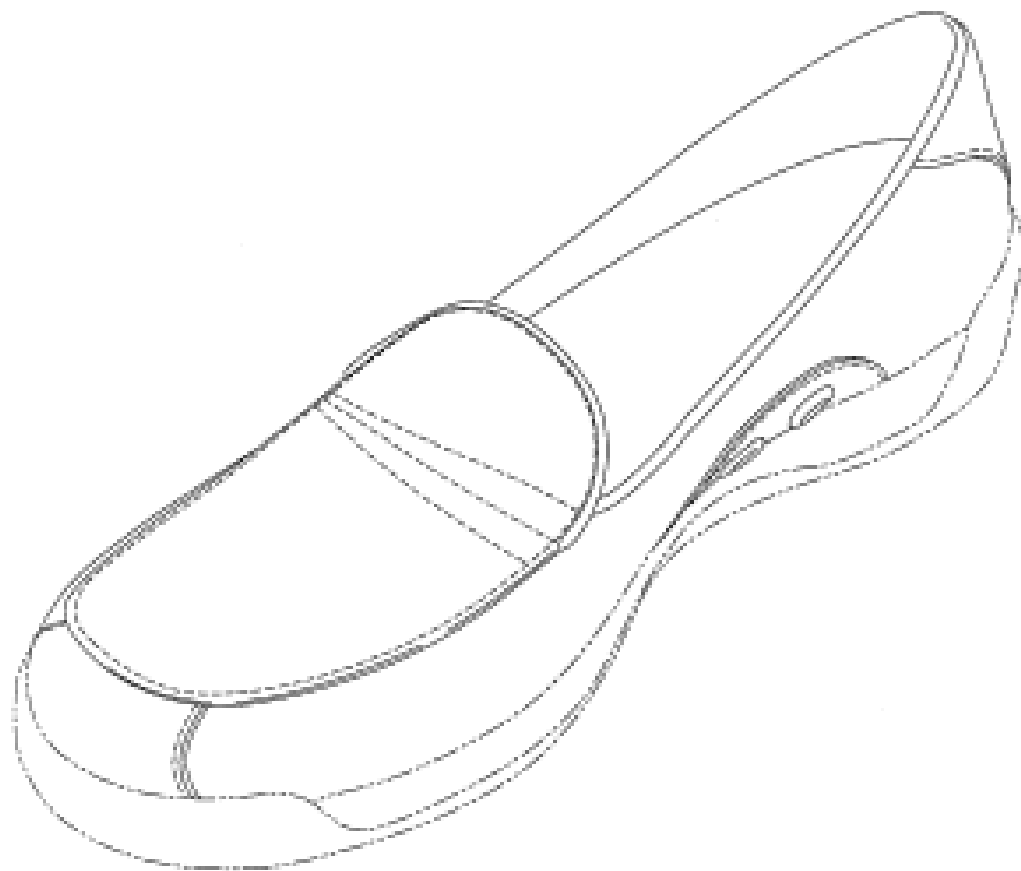
- (21) Design Number: **13861/2009**
(22) Date of Filing Application: **07 October 2009**
(24) Date from which industrial property rights may have effect: **07 October 2009**
(54) Product in respect of which the design is registered: **Footwear upper**
(51) International Design Classification: **02-04NES**
(71) Name(s) and Address(s) of Applicant(s):
Wolverine World Wide, Inc.
9341 Courtland Drive NE Rockford Michigan 49351 United States of America
(72) Name(s) of Designer(s): **Deborah H. Andersen and Martin W.F. Dean and Grant A. Urie**
(45) Registration Date: **24 November 2009**
(30) Convention priority data:
(31) Number (32) Date (33) Country
29/336664 07 May 2009 UNITED STATES OF AMERICA
(56) Related Art Documents: **Not Applicable**
(57) Statement of Newness and Distinctiveness: **Newness and distinctiveness is claimed in the visual features shown in the representations except for those shown in phantom lines.**



- (21) Design Number: **13862/2009**
(22) Date of Filing Application: **07 October 2009**
(24) Date from which industrial property rights may have effect: **07 October 2009**
(54) Product in respect of which the design is registered: **Footwear upper**
(51) International Design Classification: **02-04NES**
(71) Name(s) and Address(s) of Applicant(s):
Wolverine World Wide, Inc.
9341 Courtland Drive NE Rockford Michigan 49351 United States of America
(72) Name(s) of Designer(s): **Flavio Brambilla**
(45) Registration Date: **24 November 2009**
(30) Convention priority data:
(31) Number (32) Date (33) Country
29/336646 07 May 2009 UNITED STATES OF AMERICA
(56) Related Art Documents: **Not Applicable**
(57) Statement of Newness and Distinctiveness: **Newness and distinctiveness is claimed in the visual features shown in the representations except for those shown in phantom lines.**



- (21) Design Number: **13863/2009**
(22) Date of Filing Application: **07 October 2009**
(24) Date from which industrial property rights may have effect: **07 October 2009**
(54) Product in respect of which the design is registered: **Footwear upper**
(51) International Design Classification: **02-04NES**
(71) Name(s) and Address(s) of Applicant(s):
Wolverine World Wide, Inc.
9341 Courtland Drive NE Rockford Michigan 49351 United States of America
(72) Name(s) of Designer(s): **Flavio Brambilla**
(45) Registration Date: **24 November 2009**
(30) Convention priority data:
(31) Number (32) Date (33) Country
29/336647 07 May 2009 UNITED STATES OF AMERICA
(56) Related Art Documents: **Not Applicable**
(57) Statement of Newness and Distinctiveness: **Newness and distinctiveness is claimed in the visual features shown in the representations except for those shown in phantom lines.**



- (21) Design Number: **13864/2009**
(22) Date of Filing Application: **07 October 2009**
(24) Date from which industrial property rights may have effect: **07 October 2009**
(54) Product in respect of which the design is registered: **Footwear upper**
(51) International Design Classification: **02-04NES**
(71) Name(s) and Address(s) of Applicant(s):
Wolverine World Wide, Inc.
9341 Courtland Drive NE Rockford Michigan 49351 United States of America
(72) Name(s) of Designer(s): **Deborah H. Andersen and Martin W.F. Dean and Grant A. Urie**
(45) Registration Date: **24 November 2009**
(30) Convention priority data:
(31) Number (32) Date (33) Country
29/336648 07 May 2009 UNITED STATES OF AMERICA
(56) Related Art Documents: **Not Applicable**
(57) Statement of Newness and Distinctiveness: **Newness and distinctiveness is claimed in the visual features shown in the representations except for those shown in phantom lines.**



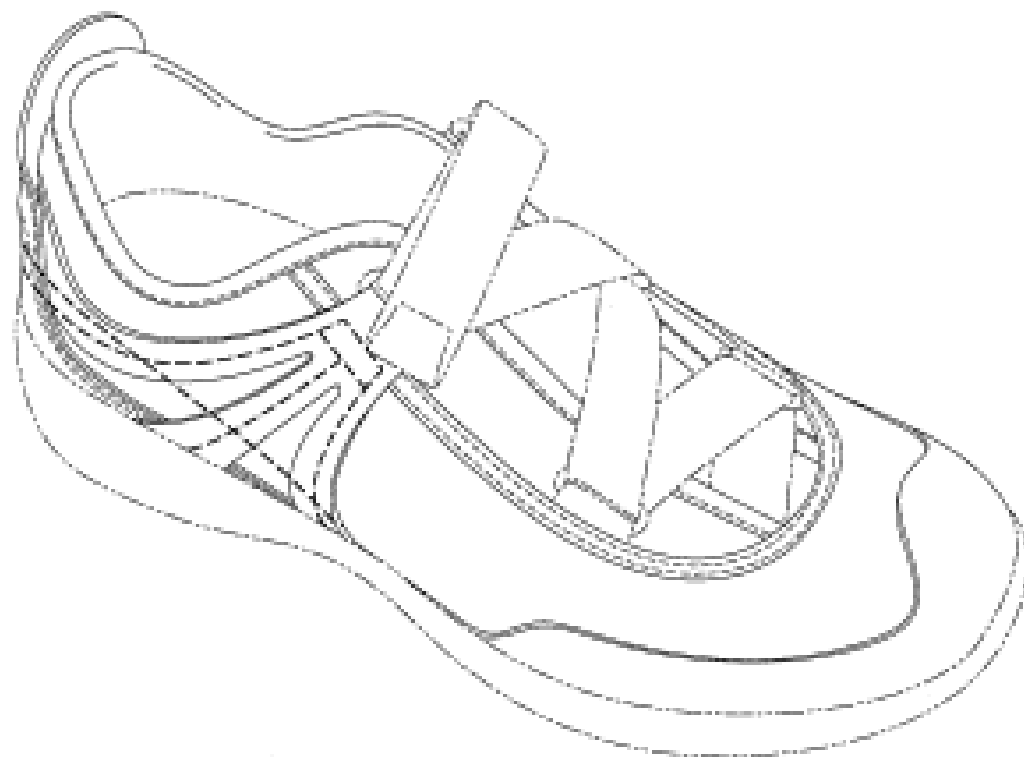
- (21) Design Number: **13865/2009**
- (22) Date of Filing Application: **07 October 2009**
- (24) Date from which industrial property rights may have effect: **07 October 2009**
- (54) Product in respect of which the design is registered: **Footwear upper**
- (51) International Design Classification: **02-04NES**
- (71) Name(s) and Address(s) of Applicant(s):
Wolverine World Wide, Inc.
9341 Courtland Drive NE Rockford Michigan 49351 United States of America
- (72) Name(s) of Designer(s): **Gary J. Banik and Lucio Bandini**
- (45) Registration Date: **24 November 2009**
- (30) Convention priority data:

(31) Number	(32) Date	(33) Country
29/336651	07 May 2009	UNITED STATES OF AMERICA
- (56) Related Art Documents: **Not Applicable**
- (57) Statement of Newness and Distinctiveness: **Newness and distinctiveness is claimed in the visual features shown in the representations except for those shown in phantom lines.**

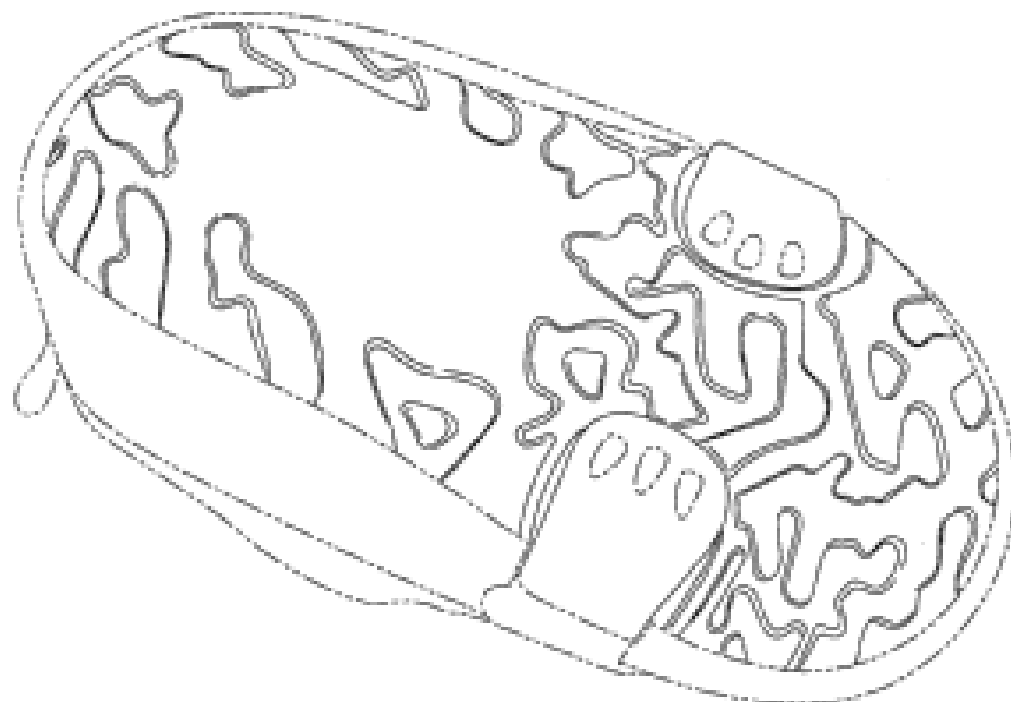


- (21) Design Number: **13866/2009**
- (22) Date of Filing Application: **07 October 2009**
- (24) Date from which industrial property rights may have effect: **07 October 2009**
- (54) Product in respect of which the design is registered: **Footwear upper**
- (51) International Design Classification: **02-04NES**
- (71) Name(s) and Address(s) of Applicant(s):
Wolverine World Wide, Inc.
9341 Courtland Drive NE Rockford Michigan 49351 United States of America
- (72) Name(s) of Designer(s): **Julie St-Louis and Manon Belley**
- (45) Registration Date: **24 November 2009**
- (30) Convention priority data:

(31) Number	(32) Date	(33) Country
29/336650	07 May 2009	UNITED STATES OF AMERICA
- (56) Related Art Documents: **Not Applicable**
- (57) Statement of Newness and Distinctiveness: **Newness and distinctiveness is claimed in the visual features shown in the representations except for those shown in phantom lines.**



(21) Design Number: **13867/2009**
(22) Date of Filing Application: **07 October 2009**
(24) Date from which industrial property rights may have effect: **07 October 2009**
(54) Product in respect of which the design is registered: **Footwear sole**
(51) International Design Classification: **02-04B**
(71) Name(s) and Address(s) of Applicant(s):
Wolverine World Wide, Inc.
9341 Courtland Drive NE Rockford Michigan 49351 United States of America
(72) Name(s) of Designer(s): **Deborah H. Andersen and Martin W.F. Dean and Grant A. Urie**
(45) Registration Date: **24 November 2009**
(30) Convention priority data:
(31) Number (32) Date (33) Country
29/336665 07 May 2009 UNITED STATES OF AMERICA
(56) Related Art Documents: **Not Applicable**
(57) Statement of Newness and Distinctiveness: **Newness and distinctiveness is claimed in the visual features shown in the representations except for those shown in phantom lines.**



(21) Design Number: **13919/2009**
(22) Date of Filing Application: **09 October 2009**
(24) Date from which industrial property rights may have effect: **09 October 2009**
(54) Product in respect of which the design is registered: **Drip coffee machine**
(51) International Design Classification: **07-02L**
(71) Name(s) and Address(s) of Applicant(s):
Saeco Strategic Services Limited
Unit 1E Block 71 Park West Business Park Nangor Road Dublin 12 Ireland
(72) Name(s) of Designer(s): **Dario De Pra**
(45) Registration Date: **24 November 2009**
(30) Convention priority data:
(31) Number (32) Date (33) Country
1120752 10 Apr 2009 EUROPEAN COMMUNITY
(56) Related Art Documents: **Not Applicable**
(57) Statement of Newness and Distinctiveness: **Nil**

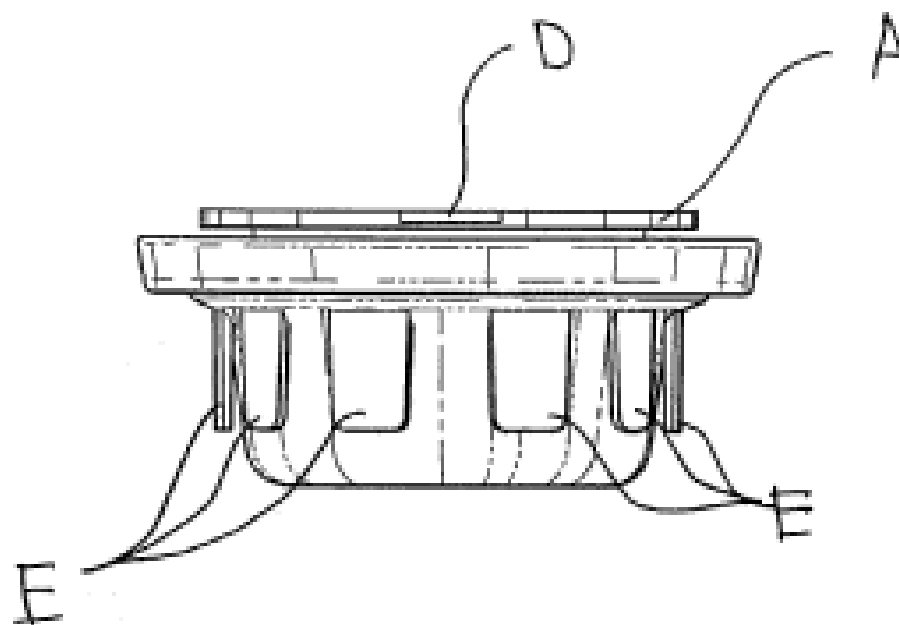


- (21) Design Number: **14180/2009**
- (22) Date of Filing Application: **29 October 2009**
- (24) Date from which industrial property rights may have effect: **29 October 2009**
- (54) Product in respect of which the design is registered: **Vertical planter box**
- (51) International Design Classification: **11-02B**
- (71) Name(s) and Address(s) of Applicant(s):
Joanne Holmes
5 Caledonia Court Berwick Victoria 3806 Australia
Travis Holmes
5 Caledonia Court Berwick Victoria 3806 Australia
- (72) Name(s) of Designer(s): **Travis Holmes**
- (45) Registration Date: **24 November 2009**
- (56) Related Art Documents: **Not Applicable**
- (57) Statement of Newness and Distinctiveness: **This Vertical Garden Kit can be wall or counter top mounted. The face panel is inter-changable allowing colour changes.**



- (21) Design Number: **14183/2009**
- (22) Date of Filing Application: **28 October 2009**
- (24) Date from which industrial property rights may have effect: **28 October 2009**
- (54) Product in respect of which the design is registered: **Closure with retaining ring for a container**
- (51) International Design Classification: **09-07B**
- (71) Name(s) and Address(s) of Applicant(s):
Rieke Corporation
500 West Seventh Street Auburn Indiana 46706 United States of America
- (72) Name(s) of Designer(s): **Gary M. Baughman and Lynn A. Brooks**
- (45) Registration Date: **24 November 2009**
- (30) Convention priority data:

(31) Number	(32) Date	(33) Country
29/336685	07 May 2009	UNITED STATES OF AMERICA
- (56) Related Art Documents: **Not Applicable**
- (57) Statement of Newness and Distinctiveness: **Newness and distinctiveness is claimed in the features of shape and/or configuration of the following parts of a closure with retaining ring for a container as illustrated and labelled in the accompanying representations: closing cap labelled "A" which includes bail handles labelled "B", living hinges labelled "C", and lift tabs labelled "D", and venting ears labelled "E".**



(19) AU

(21) Design Number: 14184/2009

(22) Date of Filing Application: 28 October 2009

(24) Date from which industrial property rights may have effect: 28 October 2009

(54) Product in respect of which the design is registered: Closure with retaining ring for a container as installed

(51) International Design Classification: 09-07B

(71) Name(s) and Address(s) of Applicant(s):

Rieke Corporation
500 West Seventh Street Auburn Indiana 46706 United States of America

(72) Name(s) of Designer(s): Gary M. Baughman and Lynn A. Brooks

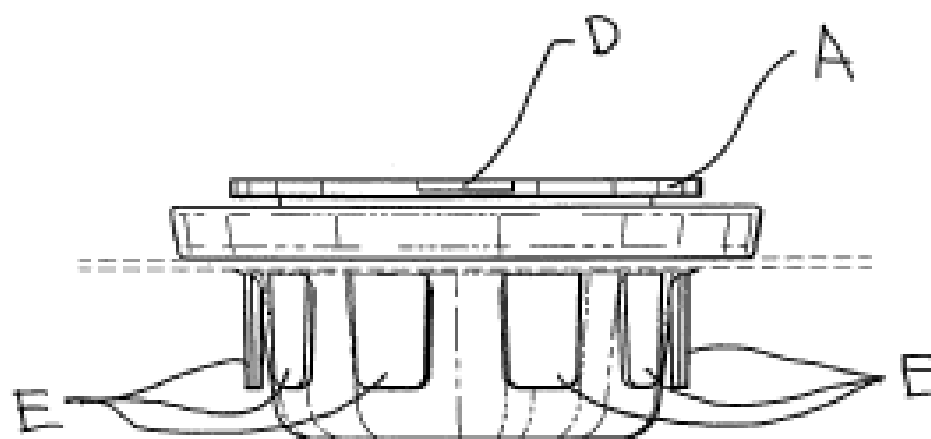
(45) Registration Date: 24 November 2009

(30) Convention priority data:

(31) Number	(32) Date	(33) Country
29/336670	07 May 2009	UNITED STATES OF AMERICA

(56) Related Art Documents: Not Applicable

(57) Statement of Newness and Distinctiveness: Newness and distinctiveness is claimed in the features of shape and/or configuration of the following parts of a closure with retaining ring for a container as installed as illustrated in continuous lines and labelled in the accompanying representations: closing cap labelled "A" which includes bail handles labelled "B", living hinges labelled "C", and lift tabs labelled "D", and venting ears labelled "E".



(19) AU

(21) Design Number: 14185/2009

(22) Date of Filing Application: 28 October 2009

(24) Date from which industrial property rights may have effect: 28 October 2009

(54) Product in respect of which the design is registered: Skewered potato chip assembly

(51) International Design Classification: 01-01

(71) Name(s) and Address(s) of Applicant(s):

Bong-gu Lee
101-1 Dapsimni 1-dong Dongdaemun-gu Seoul 130-031 Republic of Korea

Zoong-ho Park
349-4 Maam-ri Banpo-myeon Gongju-si Chungcheongnam-do 314-922 Republic of Korea

Jun-mo Yoo
198-85 Dapsimni 1-dong Dongdaemun-gu Seoul 130-031 Republic of Korea

(72) Name(s) of Designer(s): Bong-gu Lee and Zoong-ho Park and Jun-mo Yoo

(45) Registration Date: 24 November 2009

(30) Convention priority data:

(31) Number	(32) Date	(33) Country
30-2009-0018512	29 Apr 2009	REPUBLIC OF KOREA

(56) Related Art Documents: Not Applicable

(57) Statement of Newness and Distinctiveness: Newness and distinctiveness is claimed in the features of shape and/or configuration of a skewered potato chip assembly as illustrated in the accompanying representations.



(21) Design Number: **14187/2009**

(22) Date of Filing Application: **28 October 2009**

(24) Date from which industrial property rights may have effect: **28 October 2009**

(54) Product in respect of which the design is registered: **Front bumper for automobile**

(51) International Design Classification: **12-16B**

(71) Name(s) and Address(s) of Applicant(s):

Honda Motor Co., Ltd.

1-1 Minamiaoyama 2-chome Minato-ku Tokyo Japan

(72) Name(s) of Designer(s): **Takuya Miyazawa and Aoi Shoji**

(45) Registration Date: **24 November 2009**

(30) Convention priority data:

(31) Number

(32) Date

(33) Country

2009-009976

30 Apr 2009

JAPAN

(56) Related Art Documents: **Not Applicable**

(57) Statement of Newness and Distinctiveness: **Newness and distinctiveness is claimed in the features of shape and/or configuration of a front bumper for automobile as illustrated in the accompanying representations.**

