



Australian Government

IP Australia

AUSTRALIAN OFFICIAL JOURNAL

OF

DESIGNS

Did you know a searchable version of this journal is now available online?

It's FREE and EASY to SEARCH.

Find it at

<http://pericles.ipaustralia.gov.au/ols/epublish/content/olsEpublications.jsp>
or using the "Online Journals" link on the IP Australia home page.

This Page Left Intentionally Blank

Contents

General Information & Notices

Proceedings Under the Designs Act 1906 preserved as a result of the provisions of Chapter 12 Part 2 of the Designs Act 2003

Extension of Period of Registration of Designs	3626
Extensions of Time Granted	3626
Mortgages Registered	3627
Names Registered - Alterations and Amendments	3626
Registrations Ceased	3626
Subsequent Owners Registered	3626

Proceedings Under the Designs Act 2003

Applications Lapsed	3645
Applications Lodged	3639
Certificate of Examination	3660
Corrigenda	3659
Extension of Period of Registration of Design	3646
Extension of Time Granted Under Section 137	3647
Mortgages Registered	3647
Names Registered - Alterations and Amendments	3658
Publication and Registration Proceedings	
Designs Registered 328606 to 328856.	3661
Registrations Ceased	3647
Revocation of Design Registrations	3646
Subsequent Owners Registered	3658

This Page Left Intentionally Blank

For information on the following please see our website www.ipaustralia.gov.au or contact our Customer Service Network on 1300651010

[Editorial enquiries](#)

[Contact information](#)

[Freedom of Information ACT](#)

[Professional Standards Board](#)

[Sales](#)

[Requests for Information under Section 194 \(c\)](#)

[Country Codes](#)

[Trade Mark and Designs Hearing Sessions](#)

[INID \(Internationally agreed Numbers for the Identification of Data\)](#)

“INID” NUMBERS in use on Australian Design Documents

“INID” is an acronym for “Internationally agreed Numbers for the Identification of Data”.

(10) Data concerning the registration/renewal

- (11) Serial number of the registration and/or number of the design document
- (12) Plain language designation of the kind of published document
- (19) Identification, using the two-letter code according to WIPO Standard ST.3, of the authority publishing or registering the industrial design

(20) Data concerning the application

- (21) Serial number of the application
- (22) Date of filing of the application
- (24) Date from which the industrial design right has effect

(30) Data relating to priority under the Paris Convention

- (31) Serial number assigned to the priority application
- (32) Date of filing of the priority application
- (33) Two-letter code, according to WIPO Standard ST.3, identifying the authority with which the priority application was made

(40) Date(s) of making information available to the public

- (45) Date of publication of the registered industrial design by printing or similar process, or making it available to the public by any other means

(50) Miscellaneous Information

- (51) International Classification for Industrial Designs (class and subclass of the Locarno Classification)
- (54) Designation of article(s) or product(s) covered by the industrial design or title of the industrial design
- (55) Reproduction of the industrial design (e.g., drawing, photograph) and explanations relating to the reproduction
- (56) List of prior art documents, if separate from descriptive text
- (57) Description of characteristic features of the industrial design including indication of colours

(60) References to other legally related application(s) and registration(s)

- (62) Serial number(s) and, if available, filing date(s) of application(s), registration(s) or document(s) related by division
- (66) Serial number(s) of the application, or the registration, of the design(s) which is (are) a variant(s) of the present one

(70) Identification of parties concerned with the application or registration

- (71) Name(s) and address(es) of the applicant(s)
- (72) Name(s) of the creator(s) if known to be such
- (74) Name(s) and address(es) of the representative(s)

This Page Left Intentionally Blank

Official Notice**Close-down periods for the Patent, Trade Marks, Designs Offices and the sub-offices**

The close-down provisions in the Patents, Trade Marks and Designs legislation provide for the effect of the Patent Office, the Trade Marks Office and the Designs Office in Canberra or any of their sub-offices in the State capitals not being open for business.

On 23 October 2009, IP Australia's Director General declared under the close-down provisions the days when the Patent, Trade Marks and Designs Offices and their sub-offices would not be open for business. This covers the period from 6 November 2009 to 1 January 2011.

Authorised Australia Post outlets, "IP Lodgement Points", in Hobart, Perth, Adelaide, Sydney, Darwin and Melbourne are sub-offices for the purposes of the Patents, Trade Marks and Designs legislation. These Australia Post outlets may be physically open to the general public for other services provided by Australia Post during the close-down period. However, as declared by the Director General, they are taken not to be open for business for the purposes of lodging IP documents and/or making IP-related payments from Friday 25 December 2009 until Friday 1 January 2010.

If the last day for doing an act is a day when a sub-office is not open for business, section 222A(1) of the Patents Act, section 223A(1) of the Trade Marks Act and section 136A(1) of the Designs Act allow for the act to be done on the next day when the sub-office is open for business. This means that customers will not be disadvantaged by the closure of the sub-offices for the period between Christmas Day and the New Year's Day holiday.

Contact: IP Australia
Phone: 1300 651 010
Fax: +61 2 6283 7999
E-mail: assist@ipaustrialia.gov.au
Web: www.ipaustrialia.gov.au

Official Notice**Amendment to Designs Regulations 2004**

On 25 November 2009, the Federal Executive Council made the *Intellectual Property Law Amendment Regulations 2009 (No.2)* (the IP Regulations). The IP Regulations have been registered on the Federal Register of Legislative Instruments and copies are available from the ComLaw website (www.comlaw.gov.au).

Amongst other matters, the IP Regulations amended the *Designs Regulations 2004* (the Designs Regulations) to repeal regulation 11.17 which provided for facsimile transmission as a means of filing documents.

Due to the general applicability of the *Electronic Transactions Act 1999*, IP Australia believed that this electronic communication provision was no longer required.

The amendment to the Designs Regulations commenced on 12 December 2009.

Queries: Leo O’Keeffe
Director – Domestic Policy
+61 2 6283 7929

Contact: IP Australia
Phone: 1300 651 010
Fax: +61 2 6283 7999
E-mail: assist@ipaustrialia.gov.au
Web: www.ipaustrialia.gov.au

Proceedings under the Designs Act 1906 preserved as a result of the provisions of Chapter 12 Part 2 of the Designs Act 2003.

This Page Left Intentionally Blank

Applications Lapsed

There were no Applications Lapsed under this section

Extension of Period of Registration of Designs

2nd Period (Section 27A(12))

151964	154227	154228
154229	154230	154369
154370	154705	155061
155109	155161	155162
155163	155199	155229
155230	155237	155258
155259	155301	155341
155365	155366	155367
155368	155398	155400
155417	155457	155581
155582	155607	155655
155712	155750	155751
155782	155805	155806
155807	155859	155881
155920	155921	155922
155941	156302	156303
156304	156305	156315
156336	156381	156382
156389	156464	156507
156534	156744	156745
156756	156786	156787
156788	156906	157184
157741	157935	158073
158093	158365	158378
158576		

3rd Period (Section 27A(13))

135584	136410	137104
137468	137555	137559
137572	137656	137800
138185	138187	138188
138244	138245	138297
138390	138684	138685
139215	139270	139304
139858	140025	140469
142243	144476	151643

Registrations Ceased

Note: Some of the following Registrations may have been previously advertised as ceased. In this instance, the previous advertisement still prevails.

120637	120645	120649
120651	120652	120658
120674	120693	120769
120770	120772	120773
121278	121302	121303
121607	121799	122009
122604	123098	123099
123907	124129	128291
128405	128637	135381
135406	135484	135525

135526	135527	136072
136215	136484	137415
138458	138594	138677
139599	151951	151974
152245	152509	152512
152513	152514	152585
152601	152603	152622
152624	152659	152661
152662	152664	152698
152712	152713	152714
152741	152770	152771
152811	152853	152854
152856	152886	152887
152912	152913	152914
152942	153022	153027
153063	153064	153126
153192	153193	153194
153425	153554	153576
153869	153870	153948
153949	153950	153951
154014	154016	154113
154114	154115	154133
154171	154191	154203
154258	154378	154446
154608	155187	155188
155189	155233	155234
155647	155774	155912
156082	156083	156286
156365	156402	156762
156992	157160	157161
157670	157794	157901
158382		

Extensions of time granted

Applications lodged for extension of time have been granted.

139215 **Mary-Ann Martinek** An Extension of time to extend a registration has been granted to 08/12/2009

151964 **Oliver Clemens Robert Kratzer** An Extension of time to extend a registration has been granted to 14/11/2009

155061 **GMC Worldwide Pty Ltd** An Extension of time to extend a registration has been granted to 07/12/2009

155941 **Rebeck and Ledger Pty Ltd** An Extension of time to extend a registration has been granted to 02/12/2009

156302 **Rebeck and Ledger Pty Ltd** An Extension of time to extend a registration has been granted to 02/12/2009

Subsequent Owners Registered

(The name in parentheses is that of the subsequent owner)

155579 (**EZIADZ Pty Ltd**) Michael Charles Bucknell

156719 (**EZIADZ Pty Ltd**) Michael Charles Bucknell

Names Registered - Alterations and Amendments

(The name in parentheses is the new name of the proprietor)

156450	(Panasonic Corporation) Matsushita Electric Industrial Co. Ltd	138087	A mortgage has been granted to UAW Retiree Medical Benefits Trust
156564	(Panasonic Corporation) Matsushita Electric Industrial Co. Ltd	138088	A mortgage has been granted to UAW Retiree Medical Benefits Trust
156565	(Panasonic Corporation) Matsushita Electric Industrial Co. Ltd	138089	A mortgage has been granted to UAW Retiree Medical Benefits Trust
156566	(Panasonic Corporation) Matsushita Electric Industrial Co. Ltd	138090	A mortgage has been granted to UAW Retiree Medical Benefits Trust
156567	(Panasonic Corporation) Matsushita Electric Industrial Co. Ltd	138091	A mortgage has been granted to UAW Retiree Medical Benefits Trust
156568	(Panasonic Corporation) Matsushita Electric Industrial Co. Ltd	138092	A mortgage has been granted to UAW Retiree Medical Benefits Trust
156569	(Panasonic Corporation) Matsushita Electric Industrial Co. Ltd	138093	A mortgage has been granted to UAW Retiree Medical Benefits Trust
156570	(Panasonic Corporation) Matsushita Electric Industrial Co. Ltd	138094	A mortgage has been granted to UAW Retiree Medical Benefits Trust
155769	(Koninklijke Philips Electronics N.V.) Koninklijke Philips Electronics N.V.	138096	A mortgage has been granted to UAW Retiree Medical Benefits Trust
155858	(Koninklijke Philips Electronics N.V.) Koninklijke Philips Electronics N.V.	138097	A mortgage has been granted to UAW Retiree Medical Benefits Trust

Mortgages Registered

142247	A mortgage has been granted to UAW Retiree Medical Benefits Trust	138137	A mortgage has been granted to UAW Retiree Medical Benefits Trust
152279	A mortgage has been granted to The United States Department of the Treasury	138138	A mortgage has been granted to UAW Retiree Medical Benefits Trust
152279	A mortgage has been granted to UAW Retiree Medical Benefits Trust	138711	A mortgage has been granted to UAW Retiree Medical Benefits Trust
152699	A mortgage has been granted to The United States Department of the Treasury	138712	A mortgage has been granted to UAW Retiree Medical Benefits Trust
152699	A mortgage has been granted to UAW Retiree Medical Benefits Trust	138832	A mortgage has been granted to UAW Retiree Medical Benefits Trust
158212	A mortgage has been granted to UAW Retiree Medical Benefits Trust	138833	A mortgage has been granted to UAW Retiree Medical Benefits Trust
158213	A mortgage has been granted to UAW Retiree Medical Benefits Trust	138996	A mortgage has been granted to UAW Retiree Medical Benefits Trust
131876	A mortgage has been granted to UAW Retiree Medical Benefits Trust	139007	A mortgage has been granted to UAW Retiree Medical Benefits Trust
137737	A mortgage has been granted to UAW Retiree Medical Benefits Trust	139008	A mortgage has been granted to UAW Retiree Medical Benefits Trust
137956	A mortgage has been granted to UAW Retiree Medical Benefits Trust	139009	A mortgage has been granted to UAW Retiree Medical Benefits Trust
137957	A mortgage has been granted to UAW Retiree Medical Benefits Trust	139010	A mortgage has been granted to UAW Retiree Medical Benefits Trust
137958	A mortgage has been granted to UAW Retiree Medical Benefits Trust	139264	A mortgage has been granted to UAW Retiree Medical Benefits Trust
137992	A mortgage has been granted to UAW Retiree Medical Benefits Trust	139265	A mortgage has been granted to UAW Retiree Medical Benefits Trust
137993	A mortgage has been granted to UAW Retiree Medical Benefits Trust	139266	A mortgage has been granted to UAW Retiree Medical Benefits Trust
137994	A mortgage has been granted to UAW Retiree Medical Benefits Trust	139624	A mortgage has been granted to UAW Retiree Medical Benefits Trust
138050	A mortgage has been granted to UAW Retiree Medical Benefits Trust	139625	A mortgage has been granted to UAW Retiree Medical Benefits Trust
138072	A mortgage has been granted to UAW Retiree Medical Benefits Trust	139626	A mortgage has been granted to UAW Retiree Medical Benefits Trust
138086	A mortgage has been granted to UAW Retiree Medical Benefits Trust	140356	A mortgage has been granted to UAW Retiree Medical Benefits Trust
		140545	A mortgage has been granted to UAW Retiree Medical Benefits Trust
		140936	A mortgage has been granted to UAW Retiree Medical Benefits Trust
		140937	A mortgage has been granted to UAW Retiree Medical Benefits Trust

143336	A mortgage has been granted to UAW Retiree Medical Benefits Trust	144351	A mortgage has been granted to UAW Retiree Medical Benefits Trust
143336	A mortgage has been granted to The United States Department of the Treasury	144351	A mortgage has been granted to The United States Department of the Treasury
143337	A mortgage has been granted to UAW Retiree Medical Benefits Trust	144463	A mortgage has been granted to UAW Retiree Medical Benefits Trust
143337	A mortgage has been granted to The United States Department of the Treasury	144463	A mortgage has been granted to The United States Department of the Treasury
143553	A mortgage has been granted to UAW Retiree Medical Benefits Trust	145236	A mortgage has been granted to UAW Retiree Medical Benefits Trust
143553	A mortgage has been granted to The United States Department of the Treasury	145236	A mortgage has been granted to The United States Department of the Treasury
143554	A mortgage has been granted to UAW Retiree Medical Benefits Trust	145237	A mortgage has been granted to UAW Retiree Medical Benefits Trust
143554	A mortgage has been granted to The United States Department of the Treasury	145237	A mortgage has been granted to The United States Department of the Treasury
143555	A mortgage has been granted to UAW Retiree Medical Benefits Trust	145238	A mortgage has been granted to UAW Retiree Medical Benefits Trust
143555	A mortgage has been granted to The United States Department of the Treasury	145238	A mortgage has been granted to The United States Department of the Treasury
143556	A mortgage has been granted to UAW Retiree Medical Benefits Trust	145239	A mortgage has been granted to UAW Retiree Medical Benefits Trust
143556	A mortgage has been granted to The United States Department of the Treasury	145239	A mortgage has been granted to The United States Department of the Treasury
143557	A mortgage has been granted to UAW Retiree Medical Benefits Trust	145240	A mortgage has been granted to UAW Retiree Medical Benefits Trust
143557	A mortgage has been granted to The United States Department of the Treasury	145240	A mortgage has been granted to The United States Department of the Treasury
143558	A mortgage has been granted to UAW Retiree Medical Benefits Trust	145241	A mortgage has been granted to UAW Retiree Medical Benefits Trust
143558	A mortgage has been granted to The United States Department of the Treasury	145241	A mortgage has been granted to The United States Department of the Treasury
142714	A mortgage has been granted to The United States Department of the Treasury	148219	A mortgage has been granted to UAW Retiree Medical Benefits Trust
142714	A mortgage has been granted to UAW Retiree Medical Benefits Trust	148219	A mortgage has been granted to The United States Department of the Treasury
142729	A mortgage has been granted to The United States Department of the Treasury	148789	A mortgage has been granted to UAW Retiree Medical Benefits Trust
142729	A mortgage has been granted to UAW Retiree Medical Benefits Trust	148789	A mortgage has been granted to The United States Department of the Treasury
142910	A mortgage has been granted to The United States Department of the Treasury	148926	A mortgage has been granted to UAW Retiree Medical Benefits Trust
142910	A mortgage has been granted to UAW Retiree Medical Benefits Trust	148926	A mortgage has been granted to The United States Department of the Treasury
143559	A mortgage has been granted to UAW Retiree Medical Benefits Trust	150270	A mortgage has been granted to UAW Retiree Medical Benefits Trust
143559	A mortgage has been granted to The United States Department of the Treasury	150270	A mortgage has been granted to The United States Department of the Treasury
143560	A mortgage has been granted to UAW Retiree Medical Benefits Trust	150880	A mortgage has been granted to UAW Retiree Medical Benefits Trust
143560	A mortgage has been granted to The United States Department of the Treasury	150880	A mortgage has been granted to The United States Department of the Treasury
143561	A mortgage has been granted to UAW Retiree Medical Benefits Trust	150881	A mortgage has been granted to UAW Retiree Medical Benefits Trust
143561	A mortgage has been granted to The United States Department of the Treasury	150881	A mortgage has been granted to The United States Department of the Treasury
143723	A mortgage has been granted to UAW Retiree Medical Benefits Trust	151785	A mortgage has been granted to UAW Retiree Medical Benefits Trust
143723	A mortgage has been granted to The United States Department of the Treasury	151785	A mortgage has been granted to The United States Department of the Treasury

This Page Left Intentionally Blank

Proceedings under the Designs Act 2003.

This Page Left Intentionally Blank

Applications Lodged

Lodgement information is in the following order: **Applicant's Name**; International Classification, Name of Product, Lodgement Date and **Design Number**. If the applicant claims an earlier priority date under an International Convention, the Convention Country and the associated filing date are shown in parentheses before the Lodgement Date. Divisional information will also appear in parentheses before the Lodgement Date.

Abangoa Solar New Technologies, S.A.; 13-99, 25-03, Solar tower, (ES, 08 Jun 2009) 03 Dec 2009	14728/2009	Bang Design Pty Limited; 23-02C, Toilet suite, 24 Nov 2009	14622/2009
Alive Girl Pty Ltd; 02-02NES, Apparel, 23 Nov 2009	14561/2009	Bang Design Pty Limited; 23-02C, Toilet wall-faced, 24 Nov 2009	14623/2009
Alto Packaging Limited; 07-01NES, Container, 24 Nov 2009	14574/2009	Bang Design Pty Limited; 23-02C, Toilet wall-hung, 24 Nov 2009	14624/2009
Alto Packaging Limited; 07-01NES, Container, 24 Nov 2009	14575/2009	Barnett, Michael; 21-02NES, Wickets, 20 Nov 2009	14567/2009
Amcor Limited; 09-03M, A container and blank therefor, 07 Dec 2009	14779/2009	Beloe, Allen; 01-01, Food product, 02 Dec 2009	14703/2009
Amcor Limited; 09-03M, A container and blank therefor, 07 Dec 2009	14778/2009	Boldsen, Peter; Piet, Craig; Pedersen, Torben; Spencer, Ben; Mikulin, Krystal Kay; Or, Raymond; Li, Jeffrey; 08-05E, Inflator and flat tyre repair system, (US, 30 Jun 2009) 24 Nov 2009	14585/2009
Arlec Australia Pty Ltd; 07-02A, Gas oven, 25 Nov 2009	14636/2009	Boldsen, Peter; Piet, Craig; Pedersen, Torben; Spencer, Ben; Mikulin, Krystal Kay; Or, Raymond; Li, Jeffrey; 08-05E, Inflator and flat tyre repair system, (US, 30 Jun 2009) 24 Nov 2009	14586/2009
Arlec Australia Pty Ltd; 07-02A, Gas oven, 25 Nov 2009	14637/2009	Brindley, Greg; VCM Suite Australasia Pty. Ltd.; Pancione, Mario; 23-04, Induction system with integral air filter, 03 Dec 2009	14727/2009
Arlec Australia Pty Ltd; 07-02A, Gas oven, 25 Nov 2009	14638/2009	Brite LED Tech Pty Ltd; 26-06, Auto lamp, 27 Nov 2009	14679/2009
Arlec Australia Pty Ltd; 07-02A, Gas oven, 25 Nov 2009	14640/2009	Built NY, Inc.; 03-01A, Shoulder lunch tote, (US, 12 Nov 2009) 25 Nov 2009	14633/2009
Australian Performance Development Pty Ltd; 12-16NES, Air ram intake for a vehicle, 04 Dec 2009	14731/2009	Cadbury UK Limited; 01-01, Confectionery, (EM, 28 Aug 2009) 27 Nov 2009	14662/2009
Australian Performance Development Pty Ltd; 12-16NES, Air intake snorkel for a vehicle, 04 Dec 2009	14732/2009	Cadbury UK Limited; 01-01, Confectionery, (EM, 28 Aug 2009) 27 Nov 2009	14663/2009
Australian Performance Development Pty Ltd; 12-16NES, Air intake snorkel for a vehicle, 04 Dec 2009	14733/2009	Chapman, Stephen; 09-01H, Bottle, 04 Dec 2009	14758/2009
Australian Performance Development Pty Ltd; 12-16NES, Air intake filter connector for a vehicle snorkel, 04 Dec 2009	14734/2009	Chapman, Stephen; 09-01H, Bottle, 04 Dec 2009	14759/2009
Australian Performance Development Pty Ltd; 12-16NES, Portion of an air ram intake for a vehicle, 04 Dec 2009	14735/2009	Chen, Michael; Chen, Billy; Wei, Wen; 06-01NES, Adjustable chair, (EM, 22 Oct 2009) 27 Nov 2009	14652/2009
Australian Performance Development Pty Ltd; 12-16NES, Air ram intake for a vehicle, 04 Dec 2009	14736/2009	Chen, Billy; Chen, Michael; Wei, Wen; 06-01NES, Adjustable chair, (EM, 22 Oct 2009) 27 Nov 2009	14652/2009
Australian Performance Development Pty Ltd; 12-16NES, Air intake filter connector for a vehicle snorkel, 04 Dec 2009	14737/2009	Chen, Yen-Hsin; Liao, Kuo-An; 15-02, Pump body, 26 Nov 2009	14627/2009
		Claber S.p.A.; 23-01E, Drip irrigator, (EM, 27 May 2009) 25 Nov 2009	14619/2009
		Claude Group Pty Ltd; 25-03, Kiosk, 20 Nov 2009	14558/2009

Cleatskins, Inc.; 02-04A, Cover for cleated shoe, (US, 05 Jun 2009) 04 Dec 2009	14760/2009	Dowell, Andrew Peter; 09-03F, Core tray, 03 Dec 2009	14725/2009
Colgate-Palmolive Company; 09-01NES, Container, (US, 09 Jun 2009) 07 Dec 2009	14780/2009	Dyson Limited; 14-03NES, Remote control, (GB, 24 Jun 2009) 26 Nov 2009	14635/2009
Colgate-Palmolive Company; 09-01NES, Container, (US, 09 Jun 2009) 07 Dec 2009	14781/2009	DM Orthotics Limited; 02-01B, Maternity shorts, (EM, 29 May 2009) 27 Nov 2009	14651/2009
Colgate-Palmolive Company; 09-01NES, Container, (US, 09 Jun 2009) 07 Dec 2009	14782/2009	DM Orthotics Limited; 02-04C, Orthotic sock, (EM, 29 May 2009) 27 Nov 2009	14650/2009
Cook, Linda Ann; 25-04, Adjustable height platform, (NZ, 08 Jun 2009) 01 Dec 2009	14704/2009	DM Orthotics Limited; 02-01B, Maternity shorts, (EM, 29 May 2009) 27 Nov 2009	14649/2009
Cooke Pre-Cast Concrete Pty Ltd; 10-04, Water meter box, 01 Dec 2009	14707/2009	DRAX Industries Pty Ltd; 01-02, A strawberry, 01 Dec 2009	14706/2009
Counselling Help Pty Ltd; 21-02NES, Kicking tee, 24 Nov 2009	14596/2009	Eco Dome International Pty Limited; 25-01D, A panel for a modular building, 25 Nov 2009	14603/2009
Craig, Lyndon; 06-01L, An article of furniture, 27 Nov 2009	14659/2009	Eco Dome International Pty Limited; 25-01D, A panel for a modular building, 25 Nov 2009	14604/2009
Craig, Lyndon; 06-01L, An article of furniture, 27 Nov 2009	14660/2009	Electrolux Home Products Pty Limited; 25-01K, Appliance components, trim members, corner member, extrusions, 23 Nov 2009	14568/2009
Craig, Lyndon; 06-01L, An article of furniture, 27 Nov 2009	14661/2009	Enviro Design Australia Pty Ltd; 09-09, Waste receptacle, 24 Nov 2009	14584/2009
D & J Technology Pty Ltd; 21-01M, Option strategy cube Option Greeks cube, 02 Dec 2009	14715/2009	Escobar, Paula; 02-01B, Baby garment, 24 Nov 2009	14583/2009
D'Olimpio, Lucy Joyce; 03-01B, A bag, 30 Nov 2009	14710/2009	Fillaball Holdings Limited; 12-02, Shopping trolley, (EM, 01 Jun 2009) 30 Nov 2009	14686/2009
Daikin Industries Ltd.; 23-04, Air conditioner, 02 Dec 2009	13898/2009	Fingo Products Pty Ltd; 22-05, Berley bucket mesh with opening/locking door, 27 Nov 2009	14639/2009
Dart Industries Inc.; 07-01NES, Cover, (US, 11 Jun 2009) 23 Nov 2009	14571/2009	Gallagher Group Limited; 25-02C, Portable fence, (NZ, 05 Jun 2009) 04 Dec 2009	14763/2009
Dart Industries Inc.; 07-01NES, Cover, (US, 11 Jun 2009) 23 Nov 2009	14572/2009	Gallegos, Jorge M.; 26-01, Candelabra, 07 Dec 2009	14761/2009
Dart Industries Inc.; 07-01NES, Cover, (US, 11 Jun 2009) 23 Nov 2009	14573/2009	Gebel Industries Pty Ltd; 23-01F, Ballast ring for a storage tank, 23 Nov 2009	14569/2009
Das Werk Pty Ltd; 23-04, Ceiling fans, axial fans, computer fans ventilation, 04 Dec 2009	14773/2009	Gebel Industries Pty Ltd; 09-02C, Storage vessel, 23 Nov 2009	14570/2009
Das Werk Pty Ltd; 23-04, Ceiling fans, axial fans, computer fans, ventilation, 04 Dec 2009	14772/2009	Global Alliance Distributors Pty Ltd; 26-99, Cover for recessed light, 23 Nov 2009	14581/2009
Design Enterprises Pty Ltd; 06-08, Clothes hanger attachment, 27 Nov 2009	14645/2009	Global Sports & Corporate Merchandise Pty Ltd; 09-01NES, Bottle, 25 Nov 2009	14641/2009
Dezinal Pty Ltd; 25-01K, 101.6mm centre to 100mm front glazed adaptor, 30 Nov 2009	14691/2009	Global Sports & Corporate Merchandise Pty Ltd; 09-01NES, Bottle, 25 Nov 2009	14642/2009
Diener, Rudy; Milner, Wayne; Rose, Danny Earle; 25-02C, Fence panel, 02 Dec 2009	14722/2009	Goyen Controls Co. Pty Ltd; 23-01K, Valve diaphragm, 23 Nov 2009	14576/2009
Dowell, Andrew Peter; 08-99, Glove clip, 03 Dec 2009	14724/2009	Goyen Controls Co. Pty Ltd; 23-01K, Valve diaphragm, 23 Nov 2009	14577/2009

Goyen Controls Co. Pty Ltd; 23-01K, Valve diaphragm, 23 Nov 2009	14578/2009	IAMS Company, The; 09-99, Packaging, (EM, 25 Mar 2009) 25 Nov 2009	14615/2009
Gravolin, Dennis Ronald; Gravolin, Sandra Lorraine; 13-03B, Electrical connectors, 26 Nov 2009	14601/2009	IAMS Company, The; 09-99, Packaging, (EM, 25 Mar 2009) 25 Nov 2009	14616/2009
Gravolin, Sandra Lorraine; Gravolin, Dennis Ronald; 13-03B, Electrical connectors, 26 Nov 2009	14601/2009	IAMS Company, The; 09-99, Packaging, (EM, 25 Mar 2009) 25 Nov 2009	14617/2009
Grendene S.A.; 02-04NES, Footwear, (BR, 05 Jun 2009) 26 Nov 2009	14628/2009	IAMS Company, The; 09-99, Packaging, (EM, 25 Mar 2009) 25 Nov 2009	14618/2009
Grendene S.A.; 02-04NES, Footwear, (BR, 05 Jun 2009) 26 Nov 2009	14629/2009	ITI Scotland Limited; 13-03E, 08-08NES, A connector, (EM, 12 Jun 2009) 27 Nov 2009	14664/2009
Grendene S.A.; 02-04NES, Footwear, (BR, 05 Jun 2009) 26 Nov 2009	14630/2009	ITI Scotland Limited; 13-03E, 08-08NES, A connector, (EM, 12 Jun 2009) 27 Nov 2009	14665/2009
Grendene S.A.; 02-04NES, Footwear, (BR, 05 Jun 2009) 26 Nov 2009	14631/2009	ITI Scotland Limited; 13-03E, 08-08NES, A connector, (EM, 12 Jun 2009) 27 Nov 2009	14666/2009
Grendene S.A.; 02-04NES, Footwear, (BR, 05 Jun 2009) 26 Nov 2009	14632/2009	Kenwood Limited; 07-04, Power units for hand-held kitchen appliances, (EM, 28 Oct 2009) 30 Nov 2009	14695/2009
Hadaway, Robert John; 19-99, 20-99, 01-99, A peel-back adhesive tag for beverage bags and the like, 04 Dec 2009	14762/2009	Kenwood Limited; 07-04, Power units for hand-held kitchen appliances, (EM, 28 Oct 2009) 30 Nov 2009	14696/2009
Hansa Metallwerke AG; 23-01H, Mixing tap, (EM, 18 Jun 2009) 25 Nov 2009	14634/2009	Kenwood Limited; 07-04, Power units for hand-held kitchen appliances, (EM, 28 Oct 2009) 30 Nov 2009	14697/2009
Hansen Developments Limited; 23-01B, A saddle fitting, (NZ, 09 Jun 2009) 04 Dec 2009	14776/2009	Kirby Morgan Dive Systems Inc.; 16-06, Diving lens, (US, 08 Jul 2009) 02 Dec 2009	14709/2009
Henry, Emile; 07-01F, Pitcher, (EM, 17 Nov 2009) 20 Nov 2009	14565/2009	Li, Jeffrey; Piet, Craig; Pedersen, Torben; Spencer, Ben; Mikulin, Krystal Kay; Boldsen, Peter; Or, Raymond; 08-05E, Inflator and flat tyre repair system, (US, 30 Jun 2009) 24 Nov 2009	14586/2009
Henry, Emile; 07-01B, Food dish, (EM, 17 Nov 2009) 20 Nov 2009	14566/2009	Li, Jeffrey; Piet, Craig; Pedersen, Torben; Spencer, Ben; Mikulin, Krystal Kay; Boldsen, Peter; Or, Raymond; 08-05E, Inflator and flat tyre repair system, (US, 30 Jun 2009) 24 Nov 2009	14585/2009
Hermans, Ty; 08-08A, Tool, 23 Nov 2009	14564/2009	Liao, Kuo-An; Chen, Yen-Hsin; 15-02, Pump body, 26 Nov 2009	14627/2009
Hermans, Ty; 12-05, Car ramp, 01 Dec 2009	14716/2009	Liu, Yun-Zhao; 26-02, Flashlight, 24 Nov 2009	14590/2009
Hsu, Roger; 03-01NES, Container for ornamental accessories, 24 Nov 2009	14589/2009	Liu, Yun-Zhao; 26-02, Flashlight, 24 Nov 2009	14588/2009
Impact Magnets & Cards Pty Ltd; 08-08NES, An elongate magnetic member, 24 Nov 2009	14592/2009	Macs Engineering Pty Ltd; 08-05E, Wheel nut clamp tool, 02 Dec 2009	14712/2009
Impact Magnets & Cards Pty Ltd; 08-08NES, An elongate magnetic member, 24 Nov 2009	14591/2009	Macs Engineering Pty Ltd; 08-05E, Wheel nut clamp, 02 Dec 2009	14713/2009
IAMS Company, The; 09-99, Packaging, (EM, 25 Mar 2009) 25 Nov 2009	14613/2009	McDonald, Stephen John; 11-02E, Crocodile on motorbike metal art figurine, 08 Dec 2009	14777/2009
IAMS Company, The; 09-99, Packaging, (EM, 25 Mar 2009) 25 Nov 2009	14614/2009	Metroll Queensland Pty Ltd; 25-01K, Purlin, 27 Nov 2009	14654/2009

Metroll Queensland Pty Ltd; 25-01K, Purlin, 27 Nov 2009	14653/2009	Palmer, Christopher; Palmer, Andrea; 06-13C, Towel with velcro pocket for wallet, iPod etc, 26 Nov 2009	14602/2009
Metroll Queensland Pty Ltd; 25-01K, Purlin, 27 Nov 2009	14655/2009	Palmer, Andrea; Palmer, Christopher; 06-13C, Towel with velcro pocket for wallet, iPod etc, 26 Nov 2009	14602/2009
Metroll Queensland Pty Ltd; 25-01K, Purlin, 27 Nov 2009	14656/2009	Pancione, Mario; VCM Suite Australasia Pty. Ltd.; Brindley, Greg; 23-04, Induction system with integral air filter, 03 Dec 2009	14727/2009
Metroll Queensland Pty Ltd; 25-01K, Purlin, 27 Nov 2009	14657/2009	Parnham & Associates Pty Ltd; 06-09, A cushion, 02 Dec 2009	14705/2009
Metroll Queensland Pty Ltd; 25-01K, Purlin, 27 Nov 2009	14658/2009	Pedersen, Torben; Piet, Craig; Spencer, Ben; Mikulin, Krystal Kay; Boldsen, Peter; Or, Raymond; Li, Jeffrey; 08-05E, Inflator and flat tyre repair system, (US, 30 Jun 2009) 24 Nov 2009	14586/2009
Mikulin, Krystal Kay; Piet, Craig; Pedersen, Torben; Spencer, Ben; Boldsen, Peter; Or, Raymond; Li, Jeffrey; 08-05E, Inflator and flat tyre repair system, (US, 30 Jun 2009) 24 Nov 2009	14586/2009	Pedersen, Torben; Piet, Craig; Spencer, Ben; Mikulin, Krystal Kay; Boldsen, Peter; Or, Raymond; Li, Jeffrey; 08-05E, Inflator and flat tyre repair system, (US, 30 Jun 2009) 24 Nov 2009	14586/2009
Mikulin, Krystal Kay; Piet, Craig; Pedersen, Torben; Spencer, Ben; Boldsen, Peter; Or, Raymond; Li, Jeffrey; 08-05E, Inflator and flat tyre repair system, (US, 30 Jun 2009) 24 Nov 2009	14585/2009	Pedersen, Torben; Piet, Craig; Spencer, Ben; Mikulin, Krystal Kay; Boldsen, Peter; Or, Raymond; Li, Jeffrey; 08-05E, Inflator and flat tyre repair system, (US, 30 Jun 2009) 24 Nov 2009	14585/2009
Milner, Wayne; Diener, Rudy; Rose, Danny Earle; 25-02C, Fence panel, 02 Dec 2009	14722/2009	Perusahaan Otomobil Nasional Sdn. Bhd.; 12-16B, Side skirt for an automobile, (MY, 26 May 2009) 25 Nov 2009	14605/2009
New Zealand Tube Mills Limited; 08-08C, 25-01E, A post clip, (NZ, 25 Jun 2009) 04 Dec 2009	14764/2009	Perusahaan Otomobil Nasional Sdn. Bhd.; 12-16N, Exhaust tail pipe for an automobile, (MY, 26 May 2009) 25 Nov 2009	14606/2009
Nexans; 08-99, Spool handle, (CA, 04 Jun 2009) 30 Nov 2009	14693/2009	Perusahaan Otomobil Nasional Sdn. Bhd.; 12-16B, Spoiler for an automobile, (MY, 26 May 2009) 25 Nov 2009	14607/2009
Nintendo Co., Ltd.; 24-02, Sphygmograph, (JP, 26 May 2009) 23 Nov 2009	14562/2009	Perusahaan Otomobil Nasional Sdn. Bhd.; 12-16E, Lamp guard mounting for an automobile, (MY, 26 May 2009) 25 Nov 2009	14608/2009
Nintendo Co., Ltd.; 10-04, Pedometer, (JP, 26 May 2009) 23 Nov 2009	14563/2009	Perusahaan Otomobil Nasional Sdn. Bhd.; 12-16B, Front grille for an automobile, (MY, 26 May 2009) 25 Nov 2009	14609/2009
O'Riordan, Lisa-Marie; 09-03M, Assorted sizes of gift boxes, 26 Nov 2009	14644/2009	Perusahaan Otomobil Nasional Sdn. Bhd.; 12-16B, Rear skirt for an automobile, (MY, 26 May 2009) 25 Nov 2009	14610/2009
Odell, James; 12-06NES, 06-04NES, Wakeboard Rack, 07 Dec 2009	14768/2009	Perusahaan Otomobil Nasional Sdn. Bhd.; 12-16B, Front skirt for an automobile, (MY, 26 May 2009) 25 Nov 2009	14611/2009
Odell, James; 12-06NES, 06-04NES, Wakeboard Rack, 07 Dec 2009	14769/2009	Petrov, Gerard Francis; Petrov, Inga Christine; 12-05, 12-06NES, Outboard motor carrier, 03 Dec 2009	14723/2009
Odell, James; 12-06NES, Wakeboard Tower, 07 Dec 2009	14770/2009	Petrov, Inga Christine; Petrov, Gerard Francis; 12-05, 12-06NES, Outboard motor carrier, 03 Dec 2009	14723/2009
Odell, James; 12-06NES, Wakeboard Tower, 07 Dec 2009	14771/2009	Peyridieu, Philippe; Sanderson, Henry; 09-06, Cord wrap, (EM, 02 Jun 2009) 02 Dec 2009	14720/2009
Or, Raymond; Piet, Craig; Pedersen, Torben; Spencer, Ben; Mikulin, Krystal Kay; Boldsen, Peter; Li, Jeffrey; 08-05E, Inflator and flat tyre repair system, (US, 30 Jun 2009) 24 Nov 2009	14586/2009	Peyridieu, Philippe; Sanderson, Henry; 09-06, Cord wrap, (EM, 02 Jun 2009) 02 Dec 2009	14717/2009
Or, Raymond; Piet, Craig; Pedersen, Torben; Spencer, Ben; Mikulin, Krystal Kay; Boldsen, Peter; Li, Jeffrey; 08-05E, Inflator and flat tyre repair system, (US, 30 Jun 2009) 24 Nov 2009	14585/2009	Peyridieu, Philippe; Sanderson, Henry; 09-06, Cord wrap, (EM, 02 Jun 2009) 02 Dec 2009	14719/2009

Peyridieu, Philippe; Sanderson, Henry; 09-06, Cord wrap, (EM, 02 Jun 2009) 02 Dec 2009	14718/2009	Reckitt & Colman (Overseas) Limited; 09-01NES, Refill bottle, (EM, 10 Jun 2009) 04 Dec 2009	14750/2009
Piet, Craig; Pedersen, Torben; Spencer, Ben; Mikulin, Krystal Kay; Boldsen, Peter; Or, Raymond; Li, Jeffrey; 08-05E, Inflator and flat tyre repair system, (US, 30 Jun 2009) 24 Nov 2009	14585/2009	Reckitt & Colman (Overseas) Limited; 09-01NES, Refill bottle, (EM, 10 Jun 2009) 04 Dec 2009	14751/2009
Piet, Craig; Pedersen, Torben; Spencer, Ben; Mikulin, Krystal Kay; Boldsen, Peter; Or, Raymond; Li, Jeffrey; 08-05E, Inflator and flat tyre repair system, (US, 30 Jun 2009) 24 Nov 2009	14586/2009	Reckitt & Colman (Overseas) Limited; 09-01NES, Refill bottle, (EM, 10 Jun 2009) 04 Dec 2009	14752/2009
Polmex; 12-16NES, 14-03NES, Land rover discovery 2 remote control key, 01 Dec 2009	14689/2009	Reckitt & Colman (Overseas) Limited; 09-01NES, Refill bottle, (EM, 10 Jun 2009) 04 Dec 2009	14754/2009
Razor USA LLC; 21-02E, Skateboard, (US, 02 Sep 2009) 27 Nov 2009	14648/2009	Reckitt & Colman (Overseas) Limited; 09-01NES, Refill bottle, (EM, 10 Jun 2009) 04 Dec 2009	14755/2009
Razor USA LLC; 21-02E, Skateboard, (US, 03 Sep 2009) 27 Nov 2009	14647/2009	Reckitt & Colman (Overseas) Limited; 09-01NES, Refill bottle, (EM, 10 Jun 2009) 04 Dec 2009	14756/2009
Reckitt & Colman (Overseas) Limited; 09-01NES, Refill Bottle, (EM, 10 Jun 2009) 04 Dec 2009	14738/2009	Reckitt & Colman (Overseas) Limited; 09-01NES, Refill bottle, (EM, 10 Jun 2009) 04 Dec 2009	14757/2009
Reckitt & Colman (Overseas) Limited; 09-01NES, Refill bottle, (EM, 10 Jun 2009) 04 Dec 2009	14739/2009	Research In Motion Limited; 14-02, Hand-held electronic device, (US, 07 Jul 2009) 26 Nov 2009	14626/2009
Reckitt & Colman (Overseas) Limited; 09-01NES, Refill bottle, (EM, 10 Jun 2009) 04 Dec 2009	14740/2009	ResMed Ltd; 24-01, Respiratory mask right headgear strap, (US, 21 Apr 2009) 15 Sep 2009	14597/2009
Reckitt & Colman (Overseas) Limited; 09-01NES, Refill bottle, (EM, 10 Jun 2009) 04 Dec 2009	14741/2009	ResMed Ltd; 24-01, Respiratory mask left headgear strap, (US, 21 Apr 2009) 15 Sep 2009	14598/2009
Reckitt & Colman (Overseas) Limited; 09-01NES, Refill bottle, (EM, 10 Jun 2009) 04 Dec 2009	14742/2009	ResMed Ltd; 24-01, Respiratory mask cushion, (US, 21 Apr 2009) 15 Sep 2009	14599/2009
Reckitt & Colman (Overseas) Limited; 09-01NES, Refill bottle, (EM, 10 Jun 2009) 04 Dec 2009	14743/2009	ResMed Ltd; 24-01, Respiratory mask assembly, (US, 21 Apr 2009) 15 Sep 2009	14600/2009
Reckitt & Colman (Overseas) Limited; 09-01NES, Refill bottle, (EM, 10 Jun 2009) 04 Dec 2009	14744/2009	Rideworx Pty Ltd; 08-08D, Mounting clamp set, 30 Nov 2009	14690/2009
Reckitt & Colman (Overseas) Limited; 09-01NES, Refill bottle, (EM, 10 Jun 2009) 04 Dec 2009	14745/2009	Rondo Building Services Pty Limited; 25-01K, Metal section, 27 Nov 2009	14680/2009
Reckitt & Colman (Overseas) Limited; 09-01NES, Refill bottle, (EM, 10 Jun 2009) 04 Dec 2009	14746/2009	Rondo Building Services Pty Limited; 25-01K, Metal section, 27 Nov 2009	14681/2009
Reckitt & Colman (Overseas) Limited; 09-01NES, Refill bottle, (EM, 10 Jun 2009) 04 Dec 2009	14747/2009	Rondo Building Services Pty Limited; 25-01K, Metal section, 27 Nov 2009	14682/2009
Reckitt & Colman (Overseas) Limited; 09-01NES, Refill bottle, (EM, 10 Jun 2009) 04 Dec 2009	14748/2009	Rondo Building Services Pty Limited; 25-01K, Metal section, 27 Nov 2009	14683/2009
Reckitt & Colman (Overseas) Limited; 09-01NES, Refill bottle, (EM, 10 Jun 2009) 04 Dec 2009	14749/2009	Rondo Building Services Pty Limited; 25-01K, Metal section, 27 Nov 2009	14684/2009
Reckitt & Colman (Overseas) Limited; 09-01NES, Refill bottle, (EM, 10 Jun 2009) 04 Dec 2009	14749/2009	Rose, Danny Earle; Diener, Rudy; Milner, Wayne; 25-02C, Fence panel, 02 Dec 2009	14722/2009
		S. T. Corporation; 02-06, Glove, (JP, 02 Jun 2009) 02 Dec 2009	14714/2009

Sabco Australia Pty Ltd; 07-05E, Bucket, (US, 03 Jun 2009) 03 Dec 2009	14726/2009	Sony Computer Entertainment Inc.; 14-03NES, Remote controller, (JP, 28 May 2009) 24 Nov 2009	14594/2009
Sancell Pty Ltd; 21-02D, Stainless steel pool roller - hand wheel, 03 Dec 2009	14729/2009	Spencer, Ben; Piet, Craig; Pedersen, Torben; Mikulin, Krystal Kay; Boldsen, Peter; Or, Raymond; Li, Jeffrey; 08-05E, Inflator and flat tyre repair system, (US, 30 Jun 2009) 24 Nov 2009	14586/2009
Sancell Pty Ltd; 21-02D, Stainless steel pool roller - crank, 03 Dec 2009	14730/2009	Spencer, Ben; Piet, Craig; Pedersen, Torben; Mikulin, Krystal Kay; Boldsen, Peter; Or, Raymond; Li, Jeffrey; 08-05E, Inflator and flat tyre repair system, (US, 30 Jun 2009) 24 Nov 2009	14585/2009
Sanderson, Henry; Peyridieu, Philippe; 09-06, Cord wrap, (EM, 02 Jun 2009) 02 Dec 2009	14718/2009	Sporty Keys Pty Ltd; 08-07, Key Blank, 04 Dec 2009	14766/2009
Sanderson, Henry; Peyridieu, Philippe; 09-06, Cord wrap, (EM, 02 Jun 2009) 02 Dec 2009	14720/2009	Sporty Keys Pty Ltd; 08-07, Key Blank, 04 Dec 2009	14767/2009
Sanderson, Henry; Peyridieu, Philippe; 09-06, Cord wrap, (EM, 02 Jun 2009) 02 Dec 2009	14717/2009	Steelcase S.A.; 06-01E, Chairs, (EM, 27 May 2009) 24 Nov 2009	14595/2009
Sanderson, Henry; Peyridieu, Philippe; 09-06, Cord wrap, (EM, 02 Jun 2009) 02 Dec 2009	14719/2009	Sumitomo Electric Industries, Ltd.; 03-01NES, 24-02, Optical fiber holder, (JP, 05 Jun 2009) 27 Nov 2009	14678/2009
Sanford, L.P.; 19-06, Writing instrument, (US, 24 Mar 2009) 22 Sep 2009	14524/2009	Sumitomo Wiring Systems Ltd; 13-03NES, Housing with conductive plates for a fusible link block, (JP, 17 Jun 2009) 23 Nov 2009	14560/2009
Samar, LLC; 09-01K, Bottle, (EM, 01 Sep 2009) 02 Dec 2009	14708/2009	Sunbeam Corporation Limited; 07-02H, Cooker, 24 Nov 2009	14587/2009
Scania CV AB; 12-16C, Protective structure for a vehicle front end, (SE, 11 Jun 2009) 30 Nov 2009	14694/2009	Sunbeam Corporation Limited; 31-00, Stand mixer, 04 Dec 2009	14765/2009
Schering-Plough Healthcare Products, Inc.; 09-01K, Bottle, (US, 05 Jun 2009) 27 Nov 2009	14669/2009	SAVERGLASS; 09-01H, Bottle, 23 Nov 2009	14559/2009
Schering-Plough Healthcare Products, Inc.; 09-01K, Bottle, (US, 05 Jun 2009) 27 Nov 2009	14670/2009	Tasman Sinkware Pty Ltd; 23-02F, Sink, 27 Nov 2009	14667/2009
Schering-Plough Healthcare Products, Inc.; 09-01K, Bottle, (US, 05 Jun 2009) 27 Nov 2009	14671/2009	Tasman Sinkware Pty Ltd; 23-02F, Sink, 27 Nov 2009	14668/2009
Schering-Plough Healthcare Products, Inc.; 09-01K, Bottle, (US, 05 Jun 2009) 27 Nov 2009	14672/2009	The Bicycle Corporation Pty Ltd; 08-08L, Universal accessory bracket, 27 Nov 2009	14646/2009
Schering-Plough Healthcare Products, Inc.; 09-01K, Bottle, (US, 05 Jun 2009) 27 Nov 2009	14673/2009	The Decor Corporation Pty Ltd; 07-07B, Mop bucket, 01 Dec 2009	14702/2009
Schering-Plough Healthcare Products, Inc.; 09-01K, Bottle, (US, 05 Jun 2009) 27 Nov 2009	14674/2009	The Decor Corporation Pty Ltd; 07-01NES, Cover of cheese storer, 07 Dec 2009	14774/2009
Schering-Plough Healthcare Products, Inc.; 09-01K, Bottle, (US, 05 Jun 2009) 27 Nov 2009	14675/2009	The Decor Corporation Pty Ltd; 07-01NES, Base of cheese storer, 07 Dec 2009	14775/2009
Schering-Plough Healthcare Products, Inc.; 09-01K, Bottle, (US, 05 Jun 2009) 27 Nov 2009	14676/2009	The Decor Corporation Pty Ltd; 07-04, Spatula, 01 Dec 2009	14698/2009
Schering-Plough Healthcare Products, Inc.; 09-01K, Bottle, (US, 05 Jun 2009) 27 Nov 2009	14677/2009	The Decor Corporation Pty Ltd; 07-04, Potato masher, 01 Dec 2009	14699/2009
Schwartz, Jonathan; 15-09, Multipurpose tool for chainsaws, (US, 04 Jun 2009) 01 Dec 2009	14688/2009	The Decor Corporation Pty Ltd; 07-04, Whisk, 01 Dec 2009	14700/2009
Sony Computer Entertainment Inc.; 14-03NES, Remote controller, (JP, 28 Oct 2009) 02 Dec 2009	14721/2009	The Decor Corporation Pty Ltd; 07-02NES, Utensil caddy, 01 Dec 2009	14701/2009
Sony Computer Entertainment Inc.; 14-03NES, Remote controller, (JP, 28 May 2009) 24 Nov 2009	14593/2009	The IAMS Company; 09-99, Packaging, (EM, 25 Mar 2009) 25 Nov 2009	14612/2009

The Stanley Works Israel, Ltd.; 03-01D, Tool box, (US, 28 Jan 2009) 23 Nov 2009	14579/2009	Unilever PLC; 09-01NES, Bottle, (US, 10 Jun 2009) 25 Nov 2009	14621/2009
The Stanley Works Israel, Ltd.; 03-01D, Tool box, (US, 28 Jan 2009) 23 Nov 2009	14580/2009	Vehicle Components Pty Ltd; 12-16M, Handbrake lever, 23 Nov 2009	14582/2009
Treadwell Group Pty Ltd; 25-04, A stair design, 26 Nov 2009	14625/2009	VCM Suite Australasia Pty. Ltd.; Brindley, Greg; Pancione, Mario; 23-04, Induction system with integral air filter, 03 Dec 2009	14727/2009
Trueup Pty Ltd; 03-01A, 03-01B, Bag liner inserts for soft walled carry bag, 30 Nov 2009	14692/2009	Wei, Wen; Chen, Michael; Chen, Billy; 06-01NES, Adjustable chair, (EM, 22 Oct 2009) 27 Nov 2009	14652/2009
Tubing & Electrical Industries Pty Ltd; 13-03D, Waterproof extension cord coupling, 25 Nov 2009	14643/2009	Zumtobel Lighting GmbH; 26-03, Light fixture, (EM, 28 May 2009) 30 Nov 2009	14687/2009
Unilever PLC; 09-01NES, Bottle, (US, 10 Jun 2009) 25 Nov 2009	14620/2009		

Applications Lapsed

15906 / 2008 (06-01G)	11728 / 2009 (02-02C)
11868 / 2009 (10-05)	12536 / 2009 (06-03A)
12537 / 2009 (26-05B)	12538 / 2009 (06-04B)
12539 / 2009 (06-03A)	12845 / 2009 (06-01E)
12860 / 2009 (26-05B)	13477 / 2009 (99-00)
13556 / 2009 (08-05P)	13571 / 2009 (20-02C)
13616 / 2009 (11-04)	13684 / 2009 (99-00)
13726 / 2009 (06-01C)	13744 / 2009 (20-02C)
13745 / 2009 (20-02C)	13746 / 2009 (20-02C)

Extension of Period of Registration of Designs

Revocation of Design Registrations

300009	300150	300151
300372	300391	300392
300393	300394	300395
300396	300397	300398
300399	300993	301244
301457	301459	301460
301769	301770	301785
301883	301891	301906
301962	301963	301964
301965	301980	301981
301982	301984	301985
301986	301993	302010
302017	302028	302036
302037	302040	302042
302043	302065	302076
302077	302089	302090
302094	302095	302096
302102	302103	302104
302105	302106	302107
302108	302109	302110
302111	302112	302113
302114	302118	302138
302139	302144	302146
302147	302148	302149
302188	302189	302198
302199	302202	302203
302276	302286	302287
302288	302289	302291
302292	302324	302325
302326	302328	302329
302330	302331	302332
302333	302334	302335
302336	302461	302477
302478	302479	302480
302481	302482	302501
302707	302708	302709
302710	302771	302777
302778	302779	302780
302814	302864	302865
303269	303270	303271
303272	303273	303274
303454	303476	303511
303512	303513	303514
303515	303516	303517
303518	303519	303520
303521	303522	303523
303550	303590	303591
303592	303593	303717
304382	304602	304625
304626	304627	304873
304956	304957	304958
304959	305018	305019
305532	305533	305661
305903	305904	306231
306580	306901	307211
317532		

The following Design Registration(s) have been revoked and are taken never to have been registered:

- 318769 12-06C
- 323804 09-01G

Registrations Ceased

321539

Extensions of time granted under Section 137

Applications lodged under section 137 for extension of time have been granted.

323528 **Thane Direct Company**

322818 **Apple Inc.**

322819 **Apple Inc.**

322820 **Apple Inc.**

322821 **Apple Inc.**

11598/2009 **Bang Design Pty Limited**

Mortgages Registered

319290 A mortgage has been granted to **UAW Retiree Medical Benefits Trust**

319291 A mortgage has been granted to **UAW Retiree Medical Benefits Trust**

324780 A mortgage has been granted to **UAW Retiree Medical Benefits Trust**

324781 A mortgage has been granted to **UAW Retiree Medical Benefits Trust**

325149 A mortgage has been granted to **UAW Retiree Medical Benefits Trust**

325150 A mortgage has been granted to **UAW Retiree Medical Benefits Trust**

325151 A mortgage has been granted to **UAW Retiree Medical Benefits Trust**

325152 A mortgage has been granted to **UAW Retiree Medical Benefits Trust**

325153 A mortgage has been granted to **UAW Retiree Medical Benefits Trust**

325154 A mortgage has been granted to **UAW Retiree Medical Benefits Trust**

325155 A mortgage has been granted to **UAW Retiree Medical Benefits Trust**

325156 A mortgage has been granted to **UAW Retiree Medical Benefits Trust**

325157 A mortgage has been granted to **UAW Retiree Medical Benefits Trust**

325158 A mortgage has been granted to **UAW Retiree Medical Benefits Trust**

325159 A mortgage has been granted to **UAW Retiree Medical Benefits Trust**

325193 A mortgage has been granted to **UAW Retiree Medical Benefits Trust**

325194 A mortgage has been granted to **UAW Retiree Medical Benefits Trust**

325799 A mortgage has been granted to **UAW Retiree Medical Benefits Trust**

325800 A mortgage has been granted to **UAW Retiree Medical Benefits Trust**

325801 A mortgage has been granted to **UAW Retiree**

310697 A mortgage has been granted to **UAW Retiree Medical Benefits Trust**

310698 A mortgage has been granted to **UAW Retiree Medical Benefits Trust**

310699 A mortgage has been granted to **UAW Retiree Medical Benefits Trust**

310700 A mortgage has been granted to **UAW Retiree Medical Benefits Trust**

310701 A mortgage has been granted to **UAW Retiree Medical Benefits Trust**

310702 A mortgage has been granted to **UAW Retiree Medical Benefits Trust**

310720 A mortgage has been granted to **UAW Retiree Medical Benefits Trust**

310721 A mortgage has been granted to **UAW Retiree Medical Benefits Trust**

310722 A mortgage has been granted to **UAW Retiree Medical Benefits Trust**

310762 A mortgage has been granted to **UAW Retiree Medical Benefits Trust**

310763 A mortgage has been granted to **UAW Retiree Medical Benefits Trust**

310764 A mortgage has been granted to **UAW Retiree Medical Benefits Trust**

310765 A mortgage has been granted to **UAW Retiree Medical Benefits Trust**

310881 A mortgage has been granted to **UAW Retiree Medical Benefits Trust**

311674 A mortgage has been granted to **UAW Retiree Medical Benefits Trust**

311675 A mortgage has been granted to **UAW Retiree Medical Benefits Trust**

312432 A mortgage has been granted to **UAW Retiree Medical Benefits Trust**

312433 A mortgage has been granted to **UAW Retiree Medical Benefits Trust**

312434 A mortgage has been granted to **UAW Retiree Medical Benefits Trust**

312435 A mortgage has been granted to **UAW Retiree Medical Benefits Trust**

312499 A mortgage has been granted to **UAW Retiree Medical Benefits Trust**

312500 A mortgage has been granted to **UAW Retiree Medical Benefits Trust**

312501 A mortgage has been granted to **UAW Retiree Medical Benefits Trust**

312502 A mortgage has been granted to **UAW Retiree Medical Benefits Trust**

314171 A mortgage has been granted to **UAW Retiree Medical Benefits Trust**

312896 A mortgage has been granted to **UAW Retiree Medical Benefits Trust**

314594 A mortgage has been granted to **UAW Retiree Medical Benefits Trust**

314595 A mortgage has been granted to **UAW Retiree Medical Benefits Trust**

314879 A mortgage has been granted to **UAW Retiree Medical Benefits Trust**

307865	A mortgage has been granted to The United States Department of the Treasury	320134	A mortgage has been granted to The United States Department of the Treasury
307897	A mortgage has been granted to UAW Retiree Medical Benefits Trust	320135	A mortgage has been granted to UAW Retiree Medical Benefits Trust
307897	A mortgage has been granted to The United States Department of the Treasury	320135	A mortgage has been granted to The United States Department of the Treasury
310170	A mortgage has been granted to UAW Retiree Medical Benefits Trust	320194	A mortgage has been granted to UAW Retiree Medical Benefits Trust
310170	A mortgage has been granted to United States Gypsum Company	320194	A mortgage has been granted to The United States Department of the Treasury
310171	A mortgage has been granted to UAW Retiree Medical Benefits Trust	320195	A mortgage has been granted to UAW Retiree Medical Benefits Trust
310171	A mortgage has been granted to The United States Department of the Treasury	320195	A mortgage has been granted to The United States Department of the Treasury
310244	A mortgage has been granted to UAW Retiree Medical Benefits Trust	321319	A mortgage has been granted to UAW Retiree Medical Benefits Trust
310244	A mortgage has been granted to The United States Department of the Treasury	321319	A mortgage has been granted to The United States Department of the Treasury
310245	A mortgage has been granted to UAW Retiree Medical Benefits Trust	321320	A mortgage has been granted to UAW Retiree Medical Benefits Trust
310245	A mortgage has been granted to The United States Department of the Treasury	321320	A mortgage has been granted to The United States Department of the Treasury
310263	A mortgage has been granted to UAW Retiree Medical Benefits Trust	321728	A mortgage has been granted to UAW Retiree Medical Benefits Trust
310263	A mortgage has been granted to The United States Department of the Treasury	321728	A mortgage has been granted to The United States Department of the Treasury
310264	A mortgage has been granted to UAW Retiree Medical Benefits Trust	321729	A mortgage has been granted to UAW Retiree Medical Benefits Trust
310264	A mortgage has been granted to The United States Department of the Treasury	321729	A mortgage has been granted to The United States Department of the Treasury
310265	A mortgage has been granted to UAW Retiree Medical Benefits Trust	323172	A mortgage has been granted to UAW Retiree Medical Benefits Trust
310265	A mortgage has been granted to The United States Department of the Treasury	323172	A mortgage has been granted to The United States Department of the Treasury
310266	A mortgage has been granted to UAW Retiree Medical Benefits Trust	323874	A mortgage has been granted to UAW Retiree Medical Benefits Trust
310266	A mortgage has been granted to The United States Department of the Treasury	323874	A mortgage has been granted to The United States Department of the Treasury
310284	A mortgage has been granted to UAW Retiree Medical Benefits Trust	323875	A mortgage has been granted to UAW Retiree Medical Benefits Trust
310284	A mortgage has been granted to The United States Department of the Treasury	323875	A mortgage has been granted to The United States Department of the Treasury
310303	A mortgage has been granted to UAW Retiree Medical Benefits Trust	323876	A mortgage has been granted to UAW Retiree Medical Benefits Trust
310303	A mortgage has been granted to The United States Department of the Treasury	323876	A mortgage has been granted to The United States Department of the Treasury
310304	A mortgage has been granted to UAW Retiree Medical Benefits Trust	310484	A mortgage has been granted to UAW Retiree Medical Benefits Trust
310304	A mortgage has been granted to The United States Department of the Treasury	310484	A mortgage has been granted to The United States Department of the Treasury
310306	A mortgage has been granted to UAW Retiree Medical Benefits Trust	310485	A mortgage has been granted to UAW Retiree Medical Benefits Trust
310306	A mortgage has been granted to The United States Department of the Treasury	310485	A mortgage has been granted to The United States Department of the Treasury
320099	A mortgage has been granted to UAW Retiree Medical Benefits Trust	310486	A mortgage has been granted to UAW Retiree Medical Benefits Trust
320099	A mortgage has been granted to The United States Department of the Treasury	310486	A mortgage has been granted to The United States Department of the Treasury
320134	A mortgage has been granted to UAW Retiree Medical Benefits Trust	310591	A mortgage has been granted to UAW Retiree Medical Benefits Trust

311404	A mortgage has been granted to The United States Department of the Treasury	applicant)	
311405	A mortgage has been granted to UAW Retiree Medical Benefits Trust	305975	(Cadbury UK Limited) Cadbury Limited
311405	A mortgage has been granted to The United States Department of the Treasury	313536	(Koninklijke Philips Electronics N.V.;Anheuser-Busch InBev SA) InBev S.A.;Koninklijke Philips Electronics N.V.
311406	A mortgage has been granted to UAW Retiree Medical Benefits Trust		
311406	A mortgage has been granted to The United States Department of the Treasury		
311407	A mortgage has been granted to UAW Retiree Medical Benefits Trust		
311407	A mortgage has been granted to The United States Department of the Treasury		
311408	A mortgage has been granted to UAW Retiree Medical Benefits Trust		
311408	A mortgage has been granted to The United States Department of the Treasury		
311409	A mortgage has been granted to UAW Retiree Medical Benefits Trust		
311409	A mortgage has been granted to The United States Department of the Treasury		
311410	A mortgage has been granted to UAW Retiree Medical Benefits Trust		
311410	A mortgage has been granted to The United States Department of the Treasury		
311411	A mortgage has been granted to UAW Retiree Medical Benefits Trust		
311411	A mortgage has been granted to The United States Department of the Treasury		
311412	A mortgage has been granted to UAW Retiree Medical Benefits Trust		
311412	A mortgage has been granted to The United States Department of the Treasury		
311413	A mortgage has been granted to UAW Retiree Medical Benefits Trust		
311413	A mortgage has been granted to The United States Department of the Treasury		
311414	A mortgage has been granted to UAW Retiree Medical Benefits Trust		
311414	A mortgage has been granted to The United States Department of the Treasury		

Subsequent Owners Registered

(The name in parentheses is that of the subsequent owner)

327312	(Aero Investments Pty Ltd) Peter Tony Ransom
326856	(Bamm Power Enterprises Pty Ltd) Elbowroom (Aust) Pty Ltd
326857	(Bamm Power Enterprises Pty Ltd) Elbowroom (Aust) Pty Ltd
327074	(Bamm Power Enterprises Pty Ltd) Elbowroom (Aust) Pty Ltd
328039	(Bamm Power Enterprises Pty Ltd) Elbowroom (Aust) Pty Ltd

Names Registered - Alterations and Amendments

(The name in parentheses is that of the subsequent

Corrigenda

Number 328773

In Vol 23 , No 23 , page 3385 under the heading **Applications Lapsed**; Design No. 13131/2009 (08-10) should be deleted..

Certificate(s) of Examination

Examination of the following Design Registration(s) has been completed. Infringement proceedings may now be commenced.

312953	12-16NES	27/11/2009
317621	10-02	27/11/2009
317622	10-02	27/11/2009
318987	08-08M	08/12/2009
319211	14-99	03/12/2009
326469	09-01G	01/12/2009
327135	04-02	30/11/2009
327137	04-02	30/11/2009
327379	10-04	30/11/2009
327500	13-03B	30/11/2009
327539	09-01H	01/12/2009
327578	21-01L	25/11/2009
327582	07-02D	07/12/2009
327595	06-13B	30/11/2009
327601	06-01D	27/11/2009
327602	06-01D	27/11/2009
327676	15-07	27/11/2009
327677	15-07	27/11/2009
327678	15-07	27/11/2009

Publication and Registration Proceedings

Designs Registered

This section provides a concordance between design number and registration number of Designs covered in this journal. It also shows the main class and registration date.

This section covers Registration numbers 328606 to 328856 .

The registration number shown below should be used in all future correspondence.

Design Number	Registration Number	International Classification Code (IDC)	Registration Date	Design Number	Registration Number	International Classification Code (IDC)	Registration Date
11305/2009	328645	06-01F	30/11/2009	13995/2009	328659	02-02NES	30/11/2009
11885/2009	328835	02-02C	10/12/2009	14012/2009	328783	28-03NES	08/12/2009
11886/2009	328836	02-02C	10/12/2009	14013/2009	328663	21-02F	01/12/2009
11887/2009	328837	02-02NES	10/12/2009	14030/2009	328653	12-16B	30/11/2009
11980/2009	328723	07-02F	04/12/2009	14064/2009	328654	07-01C	30/11/2009
12037/2009	328724	13-02	04/12/2009	14065/2009	328655	07-01NES	30/11/2009
12061/2009	328772	12-15B	08/12/2009	14066/2009	328660	07-01C	30/11/2009
12179/2009	328822	07-02P	10/12/2009	14080/2009	328769	12-16B	07/12/2009
12340/2009	328713	06-01L	03/12/2009	14081/2009	328770	12-16B	07/12/2009
12708/2009	328714	20-02C	03/12/2009	14128/2009	328792	07-01D	09/12/2009
12993/2009	328725	02-01B	04/12/2009	14148/2009	328606	12-16NES	26/11/2009
13050/2009	328803	08-08K	09/12/2009	14149/2009	328607	28-03NES	26/11/2009
13051/2009	328804	08-08K	09/12/2009	14150/2009	328608	28-03NES	26/11/2009
13131/2009	328773	08-10	08/12/2009	14151/2009	328609	06-06G	26/11/2009
13145/2009	328763	12-08	07/12/2009	14157/2009	328784	09-01G	08/12/2009
13146/2009	328764	12-16E	07/12/2009	14181/2009	328626	08-06	26/11/2009
13147/2009	328765	12-16E	07/12/2009	14188/2009	328640	23-02A	27/11/2009
13148/2009	328766	12-16C	07/12/2009	14189/2009	328641	09-07C	27/11/2009
13149/2009	328767	12-16B	07/12/2009	14190/2009	328642	08-08L	27/11/2009
13150/2009	328805	12-16NES	09/12/2009	14191/2009	328643	09-01NES	27/11/2009
13151/2009	328806	12-08	09/12/2009	14196/2009	328644	08-06	27/11/2009
13275/2009	328774	12-16NES	08/12/2009	14197/2009	328610	26-05D	26/11/2009
13337/2009	328616	09-07NES	26/11/2009	14199/2009	328611	23-01F	26/11/2009
13511/2009	328776	09-01NES	08/12/2009	14200/2009	328612	09-01K	26/11/2009
13568/2009	328646	24-01	30/11/2009	14201/2009	328613	19-06	26/11/2009
13629/2009	328652	19-06	30/11/2009	14202/2009	328614	06-01G	26/11/2009
13666/2009	328807	22-03	09/12/2009	14203/2009	328615	06-01G	26/11/2009
13673/2009	328617	06-02	26/11/2009	14206/2009	328669	14-02	01/12/2009
13675/2009	328668	07-01C	01/12/2009	14211/2009	328670	05-05NES	01/12/2009
13676/2009	328661	07-01C	01/12/2009	14212/2009	328671	05-05D	01/12/2009
13692/2009	328656	10-03	30/11/2009	14213/2009	328672	24-04	01/12/2009
13702/2009	328717	03-01B	03/12/2009	14214/2009	328673	24-04	01/12/2009
13714/2009	328639	20-03C	27/11/2009	14215/2009	328674	24-04	01/12/2009
13750/2009	328778	23-04	08/12/2009	14216/2009	328675	24-04	01/12/2009
13751/2009	328779	23-04	08/12/2009	14217/2009	328676	24-04	01/12/2009
13752/2009	328780	23-04	08/12/2009	14219/2009	328729	03-01NES	04/12/2009
13753/2009	328781	23-04	08/12/2009	14221/2009	328677	06-04B	01/12/2009
13841/2009	328775	08-08G	08/12/2009	14222/2009	328678	07-01E	01/12/2009
13875/2009	328768	28-01	07/12/2009	14223/2009	328627	07-01C	26/11/2009
13901/2009	328662	09-01B	01/12/2009	14224/2009	328628	07-01D	26/11/2009
13906/2009	328618	09-01K	26/11/2009	14225/2009	328629	07-01C	26/11/2009
13907/2009	328619	09-01K	26/11/2009	14226/2009	328630	07-01C	26/11/2009
13908/2009	328620	09-01K	26/11/2009	14237/2009	328631	14-02	26/11/2009
13909/2009	328621	09-01K	26/11/2009	14239/2009	328715	20-02C	03/12/2009
13910/2009	328622	09-01H	26/11/2009	14240/2009	328716	20-02C	03/12/2009
13911/2009	328623	09-01H	26/11/2009	14241/2009	328785	22-05	08/12/2009
13912/2009	328624	09-01H	26/11/2009	14242/2009	328786	22-05	08/12/2009
13913/2009	328625	09-01H	26/11/2009	14243/2009	328787	22-05	08/12/2009
13914/2009	328718	08-08L	03/12/2009	14244/2009	328788	22-05	08/12/2009
13972/2009	328782	06-01L	08/12/2009	14245/2009	328789	22-05	08/12/2009
13979/2009	328728	21-02C	04/12/2009	14246/2009	328790	22-05	08/12/2009
13992/2009	328657	02-02NES	30/11/2009	14247/2009	328679	22-05	01/12/2009
13994/2009	328658	02-02NES	30/11/2009	14248/2009	328680	20-03C	01/12/2009

Publication and Registration Proceedings - Designs Registered cont'd

Design Number	Registration Number	International Classification Code (IDC)	Registration Date	Design Number	Registration Number	International Classification Code (IDC)	Registration Date
14250/2009	328681	23-03G	01/12/2009	14339/2009	328740	09-07NES	04/12/2009
14251/2009	328682	14-02	01/12/2009	14340/2009	328741	07-02NES	04/12/2009
14252/2009	328683	14-02	01/12/2009	14341/2009	328742	07-02NES	04/12/2009
14253/2009	328684	23-01E	01/12/2009	14342/2009	328743	07-02R	04/12/2009
14254/2009	328808	09-01NES	09/12/2009	14343/2009	328744	09-07NES	04/12/2009
14255/2009	328685	26-04	01/12/2009	14344/2009	328750	09-07NES	04/12/2009
14257/2009	328719	26-05B	03/12/2009	14345/2009	328751	09-07NES	04/12/2009
14258/2009	328632	15-04	26/11/2009	14346/2009	328752	09-07NES	04/12/2009
14259/2009	328633	02-03	26/11/2009	14347/2009	328753	09-07NES	04/12/2009
14260/2009	328634	12-16NES	26/11/2009	14348/2009	328754	09-07NES	04/12/2009
14261/2009	328635	12-16NES	26/11/2009	14350/2009	328745	27-05	04/12/2009
14262/2009	328636	12-16NES	26/11/2009	14351/2009	328746	20-03C	04/12/2009
14263/2009	328637	12-16NES	26/11/2009	14352/2009	328747	20-03C	04/12/2009
14269/2009	328664	21-02C	01/12/2009	14353/2009	328812	07-07A	09/12/2009
14270/2009	328686	26-06	01/12/2009	14356/2009	328748	26-02	04/12/2009
14271/2009	328687	13-03D	01/12/2009	14360/2009	328749	09-05	04/12/2009
14273/2009	328688	08-08B	01/12/2009	14361/2009	328755	20-02NES	04/12/2009
14274/2009	328791	09-01G	08/12/2009	14362/2009	328756	09-01H	04/12/2009
14277/2009	328689	21-03	01/12/2009	14363/2009	328757	09-05	04/12/2009
14278/2009	328690	21-03	01/12/2009	14364/2009	328758	09-03M	04/12/2009
14279/2009	328691	10-05	01/12/2009	14365/2009	328759	09-03NES	04/12/2009
14280/2009	328692	23-01G	01/12/2009	14366/2009	328760	09-03NES	04/12/2009
14282/2009	328693	21-01B	01/12/2009	14367/2009	328761	09-01H	04/12/2009
14283/2009	328701	08-99	02/12/2009	14370/2009	328823	12-06A	10/12/2009
14284/2009	328720	20-03NES	03/12/2009	14371/2009	328762	08-08NES	04/12/2009
14285/2009	328702	22-05	02/12/2009	14378/2009	328793	12-99	09/12/2009
14286/2009	328703	22-05	02/12/2009	14379/2009	328638	07-02H	26/11/2009
14287/2009	328704	22-05	02/12/2009	14380/2009	328771	09-09	07/12/2009
14288/2009	328705	22-05	02/12/2009	14383/2009	328824	02-02B	10/12/2009
14289/2009	328706	22-05	02/12/2009	14384/2009	328813	28-03A	09/12/2009
14290/2009	328707	22-05	02/12/2009	14385/2009	328814	28-03A	09/12/2009
14291/2009	328665	09-01K	01/12/2009	14386/2009	328794	09-01K	09/12/2009
14292/2009	328666	01-01	01/12/2009	14388/2009	328795	09-07A	09/12/2009
14293/2009	328667	12-08	01/12/2009	14390/2009	328796	09-01K	09/12/2009
14298/2009	328694	09-03E	01/12/2009	14391/2009	328797	02-05	09/12/2009
14299/2009	328809	07-01NES	09/12/2009	14392/2009	328815	25-01F	09/12/2009
14302/2009	328708	21-02F	02/12/2009	14393/2009	328816	23-01D	09/12/2009
14303/2009	328709	07-01NES	02/12/2009	14395/2009	328726	02-01B	04/12/2009
14304/2009	328697	07-01NES	02/12/2009	14396/2009	328727	02-01B	04/12/2009
14311/2009	328698	25-01K	02/12/2009	14397/2009	328838	20-03C	10/12/2009
14312/2009	328699	25-01K	02/12/2009	14398/2009	328817	20-03C	09/12/2009
14313/2009	328700	12-15A	02/12/2009	14399/2009	328818	08-07	09/12/2009
14315/2009	328731	15-05	04/12/2009	14400/2009	328819	08-07	09/12/2009
14316/2009	328732	15-05	04/12/2009	14402/2009	328820	09-03M	09/12/2009
14318/2009	328733	08-07	04/12/2009	14403/2009	328821	23-01E	09/12/2009
14319/2009	328734	08-07	04/12/2009	14404/2009	328798	17-99	09/12/2009
14320/2009	328735	08-07	04/12/2009	14405/2009	328825	06-06H	10/12/2009
14321/2009	328736	08-07	04/12/2009	14406/2009	328799	12-11	09/12/2009
14322/2009	328737	08-07	04/12/2009	14408/2009	328826	28-03A	10/12/2009
14324/2009	328738	08-07	04/12/2009	14410/2009	328800	09-01H	09/12/2009
14325/2009	328739	08-07	04/12/2009	14411/2009	328801	09-07C	09/12/2009
14328/2009	328810	13-03C	09/12/2009	14431/2009	328802	21-02C	09/12/2009
14329/2009	328811	14-02	09/12/2009	14441/2009	328827	14-02	10/12/2009
14333/2009	328721	09-01H	03/12/2009	14448/2009	328730	02-02NES	04/12/2009
14334/2009	328722	09-01H	03/12/2009	14449/2009	328828	04-02	10/12/2009
14335/2009	328710	28-03B	02/12/2009	14450/2009	328829	04-02	10/12/2009
14336/2009	328711	28-03B	02/12/2009	14451/2009	328830	04-02	10/12/2009
14337/2009	328712	09-03G	02/12/2009	14454/2009	328831	14-02	10/12/2009

Publication and Registration Proceedings - Designs Registered cont'd

Design Number	Registration Number	International Classification Code (IDC)	Registration Date	Design Number	Registration Number	International Classification Code (IDC)	Registration Date
14458/2009	328839	03-01B	10/12/2009	14671/2009	328843	09-01K	10/12/2009
14464/2009	328840	21-02D	10/12/2009	14672/2009	328844	09-01K	10/12/2009
14466/2009	328832	13-03NES	10/12/2009	14673/2009	328845	09-01K	10/12/2009
14467/2009	328833	09-03F	10/12/2009	14674/2009	328846	09-01K	10/12/2009
14468/2009	328834	09-03F	10/12/2009	14675/2009	328847	09-01K	10/12/2009
14472/2009	328695	15-99	01/12/2009	14676/2009	328848	09-01K	10/12/2009
14473/2009	328777	09-01NES	08/12/2009	14677/2009	328849	09-01K	10/12/2009
14476/2009	328696	07-04	01/12/2009	14680/2009	328850	25-01K	10/12/2009
14524/2009	328651	19-06	30/11/2009	14681/2009	328851	25-01K	10/12/2009
14597/2009	328647	24-01	30/11/2009	14682/2009	328852	25-01K	10/12/2009
14598/2009	328648	24-01	30/11/2009	14683/2009	328853	25-01K	10/12/2009
14599/2009	328649	24-01	30/11/2009	14684/2009	328854	25-01K	10/12/2009
14600/2009	328650	24-01	30/11/2009	14685/2009	328855	25-01K	10/12/2009
14669/2009	328841	09-01K	10/12/2009	14728/2009	328856	13-99	10/12/2009
14670/2009	328842	09-01K	10/12/2009				

Publication and Registration Proceedings
Class Listing of Designs Published or Registered

The following section shows an International Classification Code listing of the Registered or Published Designs covered in this supplement.

Classification	Registration Number	Design Number	Classification	Registration Number	Design Number
01-01	328666	14292/2009	08-07	328733	14318/2009
02-01 B	328725	12993/2009	08-07	328734	14319/2009
02-01 B	328726	14395/2009	08-07	328735	14320/2009
02-01 B	328727	14396/2009	08-07	328736	14321/2009
02-02 B	328824	14383/2009	08-07	328737	14322/2009
02-02 C	328835	11885/2009	08-07	328738	14324/2009
02-02 C	328836	11886/2009	08-07	328739	14325/2009
02-02 NES	328657	13992/2009	08-07	328818	14399/2009
02-02 NES	328658	13994/2009	08-07	328819	14400/2009
02-02 NES	328659	13995/2009	08-08 B	328688	14273/2009
02-02 NES	328730	14448/2009	08-08 G	328775	13841/2009
02-02 NES	328837	11887/2009	08-08 G	328798	14404/2009
02-03	328633	14259/2009	08-08 K	328775	13841/2009
02-05	328797	14391/2009	08-08 K	328803	13050/2009
03-01 B	328717	13702/2009	08-08 K	328804	13051/2009
03-01 B	328839	14458/2009	08-08 L	328642	14190/2009
03-01 NES	328729	14219/2009	08-08 L	328718	13914/2009
04-02	328828	14449/2009	08-08 NES	328762	14371/2009
04-02	328829	14450/2009	08-10	328773	13131/2009
04-02	328830	14451/2009	08-99	328701	14283/2009
05-05 D	328671	14212/2009	09-01 B	328662	13901/2009
05-05 NES	328670	14211/2009	09-01 G	328784	14157/2009
06-01 F	328645	11305/2009	09-01 G	328791	14274/2009
06-01 G	328614	14202/2009	09-01 H	328622	13910/2009
06-01 G	328615	14203/2009	09-01 H	328623	13911/2009
06-01 L	328713	12340/2009	09-01 H	328624	13912/2009
06-01 L	328782	13972/2009	09-01 H	328625	13913/2009
06-02	328617	13673/2009	09-01 H	328721	14333/2009
06-04 B	328677	14221/2009	09-01 H	328722	14334/2009
06-06 G	328609	14151/2009	09-01 H	328756	14362/2009
06-06 H	328825	14405/2009	09-01 H	328761	14367/2009
07-01 B	328755	14361/2009	09-01 H	328800	14410/2009
07-01 C	328627	14223/2009	09-01 K	328612	14200/2009
07-01 C	328629	14225/2009	09-01 K	328618	13906/2009
07-01 C	328630	14226/2009	09-01 K	328619	13907/2009
07-01 C	328654	14064/2009	09-01 K	328620	13908/2009
07-01 C	328660	14066/2009	09-01 K	328621	13909/2009
07-01 C	328661	13676/2009	09-01 K	328665	14291/2009
07-01 C	328668	13675/2009	09-01 K	328794	14386/2009
07-01 D	328628	14224/2009	09-01 K	328796	14390/2009
07-01 D	328792	14128/2009	09-01 K	328841	14669/2009
07-01 E	328678	14222/2009	09-01 K	328842	14670/2009
07-01 NES	328655	14065/2009	09-01 K	328843	14671/2009
07-01 NES	328697	14304/2009	09-01 K	328844	14672/2009
07-01 NES	328709	14303/2009	09-01 K	328845	14673/2009
07-01 NES	328809	14299/2009	09-01 K	328846	14674/2009
07-02 F	328723	11980/2009	09-01 K	328847	14675/2009
07-02 H	328638	14379/2009	09-01 K	328848	14676/2009
07-02 NES	328741	14340/2009	09-01 K	328849	14677/2009
07-02 NES	328742	14341/2009	09-01 NES	328643	14191/2009
07-02 P	328822	12179/2009	09-01 NES	328776	13511/2009
07-02 R	328743	14342/2009	09-01 NES	328777	14473/2009
07-04	328696	14476/2009	09-01 NES	328808	14254/2009
07-07 A	328812	14353/2009	09-02 C	328632	14258/2009
08-06	328626	14181/2009	09-03 E	328694	14298/2009
08-06	328644	14196/2009	09-03 F	328833	14467/2009

Registration Proceedings - Class Listing of Designs Published or Registered cont'd

Classification	Registration Number	Design Number	Classification	Registration Number	Design Number
09-03 F	328834	14468/2009	14-02	328683	14252/2009
09-03 G	328712	14337/2009	14-02	328811	14329/2009
09-03 M	328758	14364/2009	14-02	328827	14441/2009
09-03 M	328820	14402/2009	14-02	328831	14454/2009
09-03 NES	328759	14365/2009	15-04	328632	14258/2009
09-03 NES	328760	14366/2009	15-05	328731	14315/2009
09-05	328749	14360/2009	15-05	328732	14316/2009
09-05	328757	14363/2009	15-99	328695	14472/2009
09-07 A	328795	14388/2009	17-99	328798	14404/2009
09-07 C	328641	14189/2009	19-04	328717	13702/2009
09-07 C	328801	14411/2009	19-04	328839	14458/2009
09-07 NES	328616	13337/2009	19-06	328613	14201/2009
09-07 NES	328740	14339/2009	19-06	328651	14524/2009
09-07 NES	328744	14343/2009	19-06	328652	13629/2009
09-07 NES	328750	14344/2009	19-07	328613	14201/2009
09-07 NES	328751	14345/2009	19-08	328613	14201/2009
09-07 NES	328752	14346/2009	20-02 C	328714	12708/2009
09-07 NES	328753	14347/2009	20-02 C	328715	14239/2009
09-07 NES	328754	14348/2009	20-02 C	328716	14240/2009
09-09	328771	14380/2009	20-02 E	328714	12708/2009
09-99	328809	14299/2009	20-02 E	328715	14239/2009
10-03	328656	13692/2009	20-02 E	328716	14240/2009
10-04	328634	14260/2009	20-02 NES	328755	14361/2009
10-04	328635	14261/2009	20-03 C	328639	13714/2009
10-04	328636	14262/2009	20-03 C	328680	14248/2009
10-04	328637	14263/2009	20-03 C	328746	14351/2009
10-05	328691	14279/2009	20-03 C	328747	14352/2009
12-06 A	328823	14370/2009	20-03 C	328817	14398/2009
12-08	328667	14293/2009	20-03 C	328838	14397/2009
12-08	328763	13145/2009	20-03 NES	328680	14248/2009
12-08	328806	13151/2009	20-03 NES	328720	14284/2009
12-11	328799	14406/2009	21-01 B	328693	14282/2009
12-15 A	328700	14313/2009	21-01 C	328667	14293/2009
12-15 B	328772	12061/2009	21-01 F	328793	14378/2009
12-16 B	328653	14030/2009	21-02 C	328664	14269/2009
12-16 B	328767	13149/2009	21-02 C	328728	13979/2009
12-16 B	328769	14080/2009	21-02 C	328802	14431/2009
12-16 B	328770	14081/2009	21-02 D	328840	14464/2009
12-16 C	328766	13148/2009	21-02 F	328663	14013/2009
12-16 E	328764	13146/2009	21-02 F	328708	14302/2009
12-16 E	328765	13147/2009	21-03	328689	14277/2009
12-16 NES	328606	14148/2009	21-03	328690	14278/2009
12-16 NES	328634	14260/2009	22-03	328807	13666/2009
12-16 NES	328635	14261/2009	22-05	328679	14247/2009
12-16 NES	328636	14262/2009	22-05	328702	14285/2009
12-16 NES	328637	14263/2009	22-05	328703	14286/2009
12-16 NES	328774	13275/2009	22-05	328704	14287/2009
12-16 NES	328805	13150/2009	22-05	328705	14288/2009
12-99	328793	14378/2009	22-05	328706	14289/2009
13-02	328724	12037/2009	22-05	328707	14290/2009
13-03 A	328803	13050/2009	22-05	328785	14241/2009
13-03 A	328804	13051/2009	22-05	328786	14242/2009
13-03 C	328810	14328/2009	22-05	328787	14243/2009
13-03 D	328687	14271/2009	22-05	328788	14244/2009
13-03 NES	328832	14466/2009	22-05	328789	14245/2009
13-99	328856	14728/2009	22-05	328790	14246/2009
14-02	328631	14237/2009	22-99	328807	13666/2009
14-02	328669	14206/2009	23-01 D	328816	14393/2009
14-02	328682	14251/2009	23-01 E	328684	14253/2009

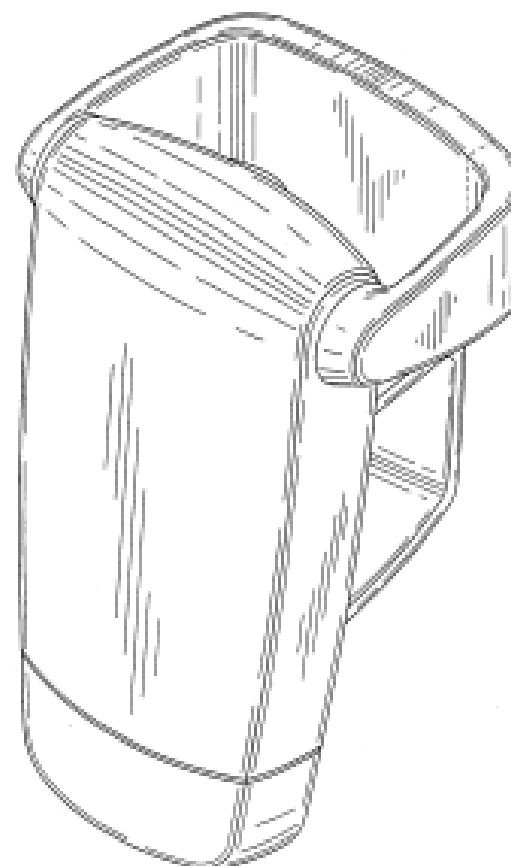
Registration Proceedings - Class Listing of Designs Published or Registered cont'd

Classification	Registration Number	Design Number	Classification	Registration Number	Design Number
23-01 E	328691	14279/2009	25-01 K	328850	14680/2009
23-01 E	328821	14403/2009	25-01 K	328851	14681/2009
23-01 F	328611	14199/2009	25-01 K	328852	14682/2009
23-01 F	328695	14472/2009	25-01 K	328853	14683/2009
23-01 F	328782	13972/2009	25-01 K	328854	14684/2009
23-01 F	328816	14393/2009	25-01 K	328855	14685/2009
23-01 G	328692	14280/2009	25-02 C	328718	13914/2009
23-01 G	328695	14472/2009	25-02 H	328698	14311/2009
23-02 A	328640	14188/2009	25-02 H	328699	14312/2009
23-03 G	328681	14250/2009	25-03	328856	14728/2009
23-04	328778	13750/2009	26-02	328748	14356/2009
23-04	328779	13751/2009	26-04	328685	14255/2009
23-04	328780	13752/2009	26-05 B	328719	14257/2009
23-04	328781	13753/2009	26-05 D	328610	14197/2009
24-01	328646	13568/2009	26-06	328686	14270/2009
24-01	328647	14597/2009	27-05	328745	14350/2009
24-01	328648	14598/2009	28-01	328768	13875/2009
24-01	328649	14599/2009	28-03 A	328813	14384/2009
24-01	328650	14600/2009	28-03 A	328814	14385/2009
24-04	328672	14213/2009	28-03 A	328826	14408/2009
24-04	328673	14214/2009	28-03 B	328710	14335/2009
24-04	328674	14215/2009	28-03 B	328711	14336/2009
24-04	328675	14216/2009	28-03 NES	328607	14149/2009
24-04	328676	14217/2009	28-03 NES	328608	14150/2009
25-01 F	328815	14392/2009	28-03 NES	328783	14012/2009
25-01 K	328698	14311/2009			
25-01 K	328699	14312/2009			

- (21) Design Number: **14148/2009**
(22) Date of Filing Application: **27 October 2009**
(24) Date from which industrial property rights may have effect: **27 October 2009**
(54) Product in respect of which the design is registered: **Air intake filter connector for a vehicle snorkel**
(51) International Design Classification: **12-16NES**
(71) Name(s) and Address(s) of Applicant(s):
Australian Performance Development Pty Ltd
73 Merrindale Drive South Croydon Victoria 3136 Australia
(72) Name(s) of Designer(s): **Peter Luxon and Manvir Randhawa**
(45) Registration Date: **26 November 2009**
(56) Related Art Documents: **Not Applicable**
(57) Statement of Newness and Distinctiveness: **Newness and distinctiveness is claimed in the features of shape and/or configuration of an air intake filter connector for a vehicle snorkel as illustrated in the accompanying representations.**



- (21) Design Number: **14149/2009**
(22) Date of Filing Application: **27 October 2009**
(24) Date from which industrial property rights may have effect: **27 October 2009**
(54) Product in respect of which the design is registered: **Fluid dispenser**
(51) International Design Classification: **28-03NES**
(71) Name(s) and Address(s) of Applicant(s):
JohnsonDiversey, Inc.
8310 16th Street M/S 509 Sturtevant Wisconsin 53177-0902 United States of America
(72) Name(s) of Designer(s): **Lambertus van der Heijden**
(45) Registration Date: **26 November 2009**
(30) Convention priority data:
(31) Number (32) Date (33) Country
29/336642 06 May 2009 UNITED STATES OF AMERICA
(56) Related Art Documents: **Not Applicable**
(57) Statement of Newness and Distinctiveness: **Newness and distinctiveness is claimed in the features of shape and/or configuration of a fluid dispenser as illustrated in continuous lines in the accompanying representations.**



(21) Design Number: **14150/2009**

(22) Date of Filing Application: **27 October 2009**

(24) Date from which industrial property rights may have effect: **27 October 2009**

(54) Product in respect of which the design is registered: **Fluid dispenser**

(51) International Design Classification: **28-03NES**

(71) Name(s) and Address(s) of Applicant(s):

JohnsonDiversey, Inc.
8310 16th Street M/S 509 Sturtevant Wisconsin 53177-0902 United States of America

(72) Name(s) of Designer(s): **Lambertus van der Heijden**

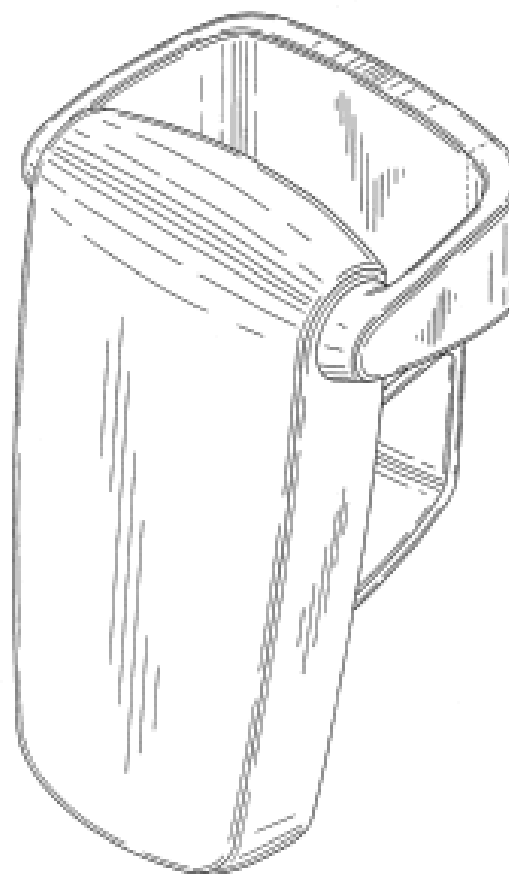
(45) Registration Date: **26 November 2009**

(30) Convention priority data:

(31) Number	(32) Date	(33) Country
29/336642	06 May 2009	UNITED STATES OF AMERICA

(56) Related Art Documents: **Not Applicable**

(57) Statement of Newness and Distinctiveness: **Newness and distinctiveness is claimed in the features of shape and/or configuration of a fluid dispenser as illustrated in continuous lines in the accompanying representations.**



(21) Design Number: **14151/2009**

(22) Date of Filing Application: **27 October 2009**

(24) Date from which industrial property rights may have effect: **27 October 2009**

(54) Product in respect of which the design is registered: **Ajustable lumbar support for a chair**

(51) International Design Classification: **06-06G**

(71) Name(s) and Address(s) of Applicant(s):

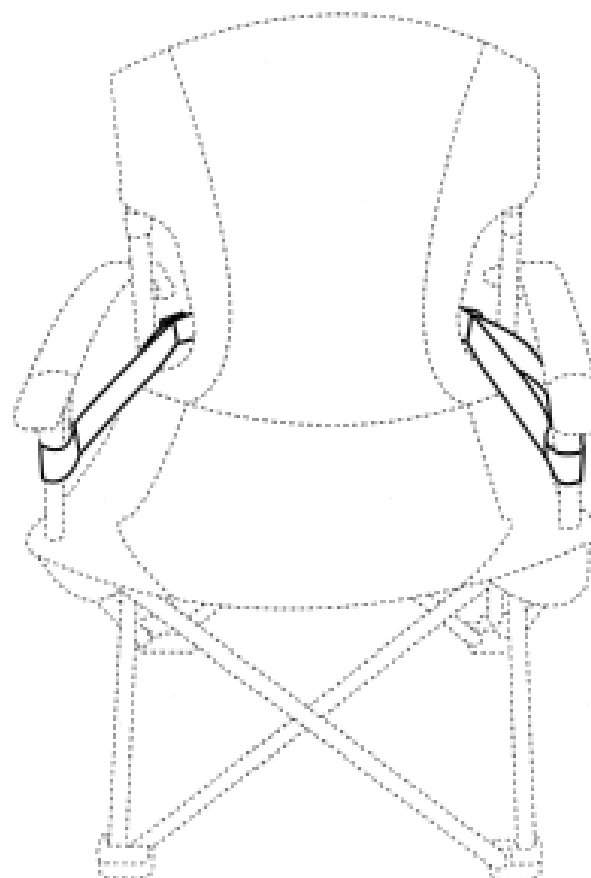
Oztent Australia Pty. Limited
Unit 2 1273 The Horsley Drive Wetherill Park New South Wales 2164 Australia

(72) Name(s) of Designer(s): **Shane Viglione**

(45) Registration Date: **26 November 2009**

(56) Related Art Documents: **Not Applicable**

(57) Statement of Newness and Distinctiveness: **Newness and distinctiveness is claimed in the features of shape and/or configuration of an adjustable lumbar support for a chair as illustrated in continuous lines in the accompanying representations.**



(21) Design Number: **14197/2009**

(22) Date of Filing Application: **28 October 2009**

(24) Date from which industrial property rights may have effect: **28 October 2009**

(54) Product in respect of which the design is registered: **Lighting: light shade/lamp**

(51) International Design Classification: **26-05D**

(71) Name(s) and Address(s) of Applicant(s):

Memake Pty Limited

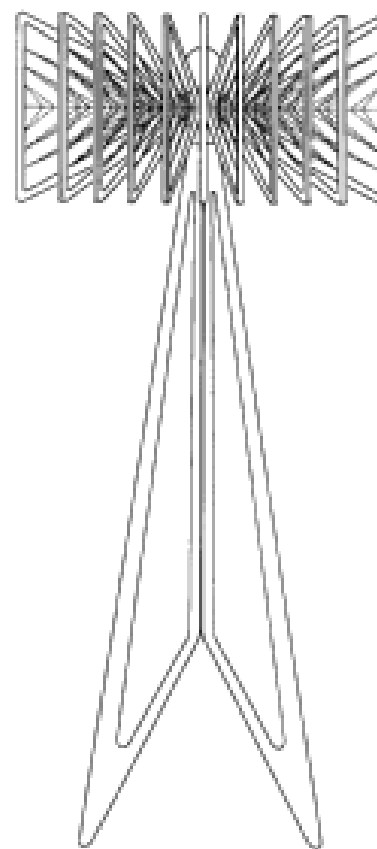
46 Magill Road Norwood South Australia 5067 Australia

(72) Name(s) of Designer(s): **Jaquie Hagan and Madeleine Potter**

(45) Registration Date: **26 November 2009**

(56) Related Art Documents: **Not Applicable**

(57) Statement of Newness and Distinctiveness: **The use of string tensioned within each individual frame and/or the configuration of the light shade and structure as illustrated in the accompanying representations.**



(21) Design Number: **14199/2009**

(22) Date of Filing Application: **23 October 2009**

(24) Date from which industrial property rights may have effect: **23 October 2009**

(54) Product in respect of which the design is registered: **Underground tank small plate**

(51) International Design Classification: **23-01F**

(71) Name(s) and Address(s) of Applicant(s):

Astral Property Pty Limited

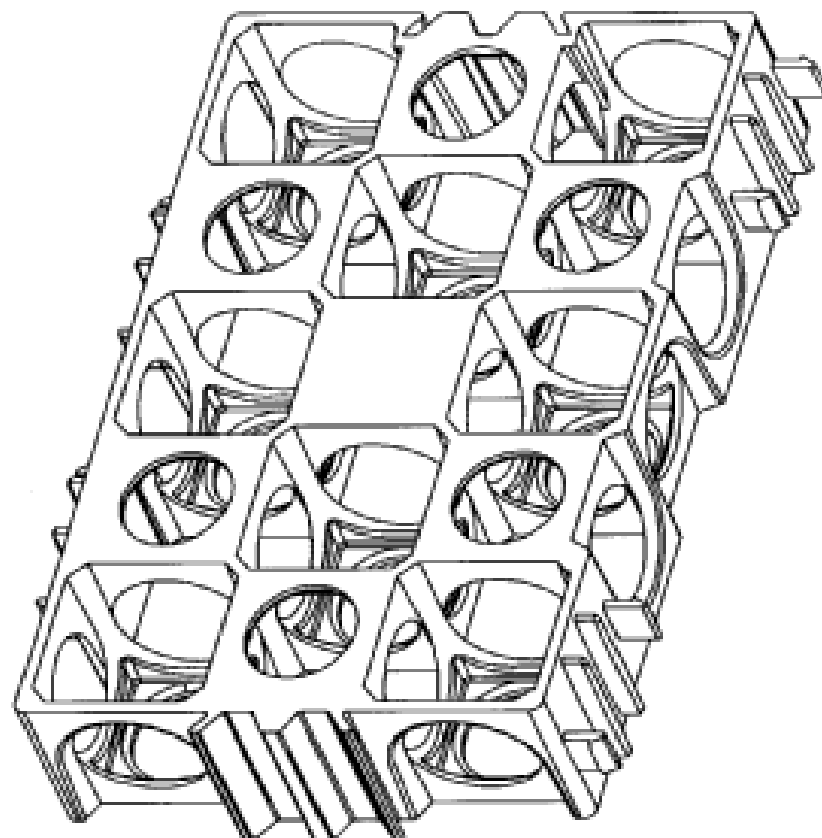
Unit 3 19-21 Gibbes Street Chatswood New South Wales 2067 Australia

(72) Name(s) of Designer(s): **Humberto Urriola**

(45) Registration Date: **26 November 2009**

(56) Related Art Documents: **Not Applicable**

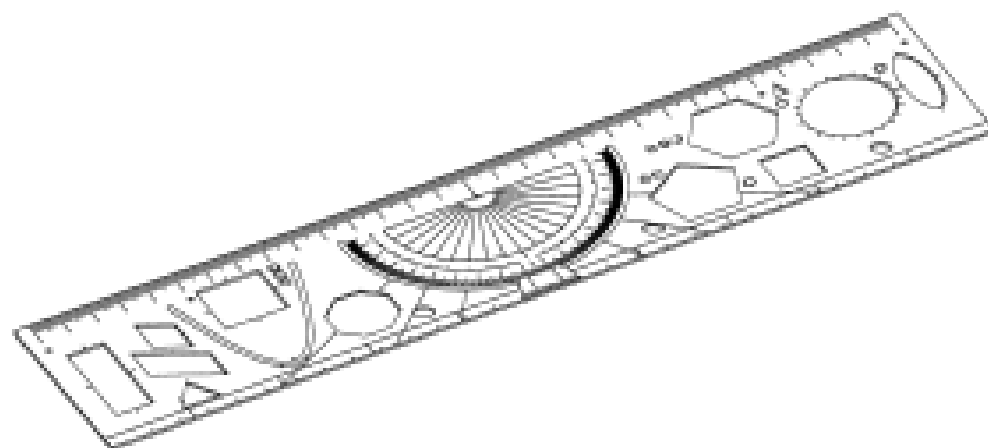
(57) Statement of Newness and Distinctiveness: **The newness and distinctiveness in respect of the design is claimed in the features of shape and configuration of the underground tank small plate, as illustrated in the accompanying representations.**



- (21) Design Number: **14200/2009**
(22) Date of Filing Application: **27 October 2009**
(24) Date from which industrial property rights may have effect: **27 October 2009**
(54) Product in respect of which the design is registered: **Package and feature thereof**
(51) International Design Classification: **09-01K**
(71) Name(s) and Address(s) of Applicant(s):
Johnson & Johnson Consumer Companies, Inc.
Grandview Road Skillman New Jersey 08558 United States of America
(72) Name(s) of Designer(s): **B. Todd True and David Hu**
(45) Registration Date: **26 November 2009**
(30) Convention priority data:
(31) Number (32) Date (33) Country
29/336043 27 Apr 2009 UNITED STATES OF AMERICA
(56) Related Art Documents: **Not Applicable**
(57) Statement of Newness and Distinctiveness: **Newness and distinctiveness reside in the shape and configuration of the side portions of the package including crease lines separating bulging upper and lower side portions and the shape and configuration of those upper and lower side portions.**



- (21) Design Number: **14201/2009**
(22) Date of Filing Application: **29 October 2009**
(24) Date from which industrial property rights may have effect: **29 October 2009**
(54) Product in respect of which the design is registered: **Drawing template**
(51) International Design Classification: **19-06, 19-07, 19-08**
(71) Name(s) and Address(s) of Applicant(s):
Aesthetic Holdings Pty Ltd
7 Wade Close Duncraig Western Australia 6023 Australia
(72) Name(s) of Designer(s): **Kevin Chesson**
(45) Registration Date: **26 November 2009**
(56) Related Art Documents: **Not Applicable**
(57) Statement of Newness and Distinctiveness: **The collection of shapes, the arrangement of shapes and the aspect ratio of the overall shape are all new and distinctive.**



(21) Design Number: **14202/2009**

(22) Date of Filing Application: **29 October 2009**

(24) Date from which industrial property rights may have effect: **29 October 2009**

(54) Product in respect of which the design is registered: **Armchair**

(51) International Design Classification: **06-01G**

(71) Name(s) and Address(s) of Applicant(s):

Jorge Campos

141 Underwood Street Paddington New South Wales 2021 Australia

(72) Name(s) of Designer(s): **Jorge Campos**

(45) Registration Date: **26 November 2009**

(56) Related Art Documents: **Not Applicable**

(57) Statement of Newness and Distinctiveness: **The whole chair including the steel frame.**



(21) Design Number: **14203/2009**

(22) Date of Filing Application: **29 October 2009**

(24) Date from which industrial property rights may have effect: **29 October 2009**

(54) Product in respect of which the design is registered: **Lounge chair**

(51) International Design Classification: **06-01G**

(71) Name(s) and Address(s) of Applicant(s):

Jorge Campos

141 Underwood Street Paddington New South Wales 2021 Australia

(72) Name(s) of Designer(s): **Jorge Campos**

(45) Registration Date: **26 November 2009**

(56) Related Art Documents: **Not Applicable**

(57) Statement of Newness and Distinctiveness: **The gap where the backrest and seat meet. The subtle "wave" effect on the seat.**



(21) Design Number: **13337/2009**

(22) Date of Filing Application: **31 August 2009**

(24) Date from which industrial property rights may have effect: **31 August 2009**

(54) Product in respect of which the design is registered: **Paint can pouring lip**

(51) International Design Classification: **09-07NES**

(71) Name(s) and Address(s) of Applicant(s):

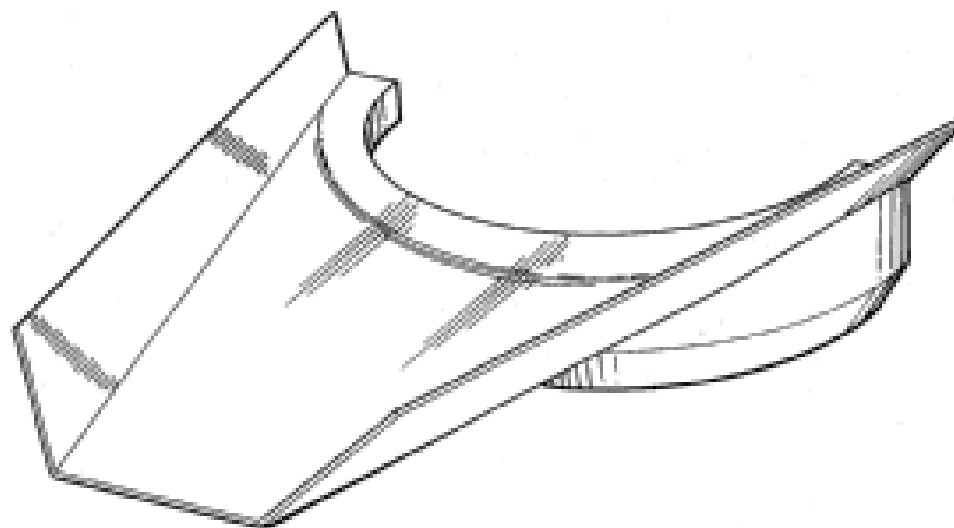
Kiro Jorgandziewski
5 Grovedale Circle Cairnlea Victoria 3023 Australia

(72) Name(s) of Designer(s): **Kiro Jorgandziewski**

(45) Registration Date: **26 November 2009**

(56) Related Art Documents: **Not Applicable**

(57) Statement of Newness and Distinctiveness: **Newness and distinctiveness is claimed in all the features of the paint can pourer as shown in the representations.**



(21) Design Number: **13673/2009**

(22) Date of Filing Application: **24 September 2009**

(24) Date from which industrial property rights may have effect: **24 September 2009**

(54) Product in respect of which the design is registered: **Reconfigurable furniture**

(51) International Design Classification: **06-02**

(71) Name(s) and Address(s) of Applicant(s):

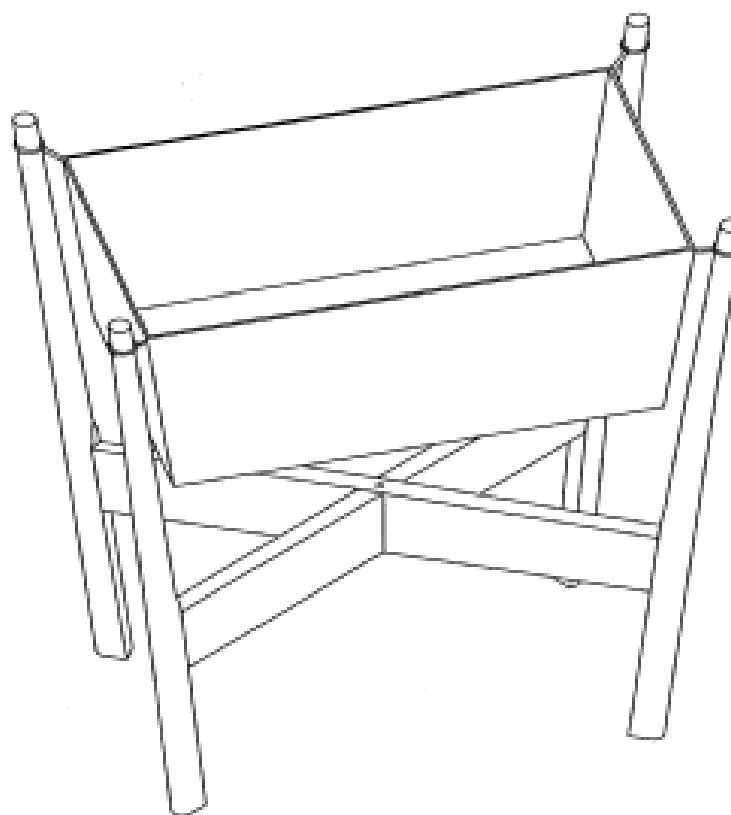
Boori International Pty Ltd
27-37 Vallance Street St Marys New South Wales 2760 Australia

(72) Name(s) of Designer(s): **Justin Chui**

(45) Registration Date: **26 November 2009**

(56) Related Art Documents: **Not Applicable**

(57) Statement of Newness and Distinctiveness: **Nil**



(21) Design Number: **13906/2009**

(22) Date of Filing Application: **12 October 2009**

(24) Date from which industrial property rights may have effect: **12 October 2009**

(54) Product in respect of which the design is registered: **Drink bottle**

(51) International Design Classification: **09-01K**

(71) Name(s) and Address(s) of Applicant(s):

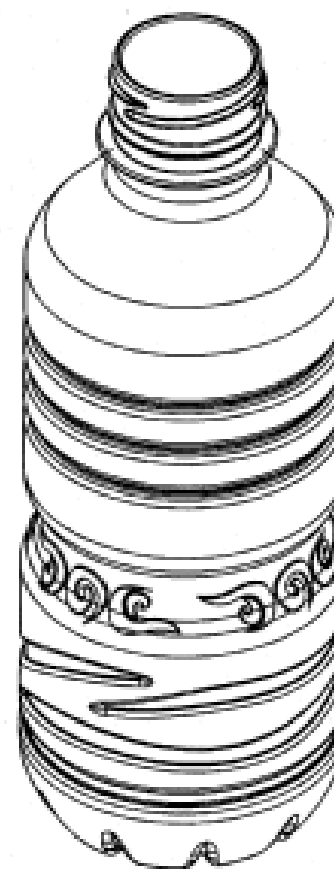
**Mountain H2o Pty Ltd
215 East Street Albury New South Wales 2640 Australia**

(72) Name(s) of Designer(s): **Steven Pitts**

(45) Registration Date: **26 November 2009**

(56) Related Art Documents: **Not Applicable**

(57) Statement of Newness and Distinctiveness: **Swirl and ribbing designs embedded into the bottle.**



(21) Design Number: **13907/2009**

(22) Date of Filing Application: **12 October 2009**

(24) Date from which industrial property rights may have effect: **12 October 2009**

(54) Product in respect of which the design is registered: **Drink bottle**

(51) International Design Classification: **09-01K**

(71) Name(s) and Address(s) of Applicant(s):

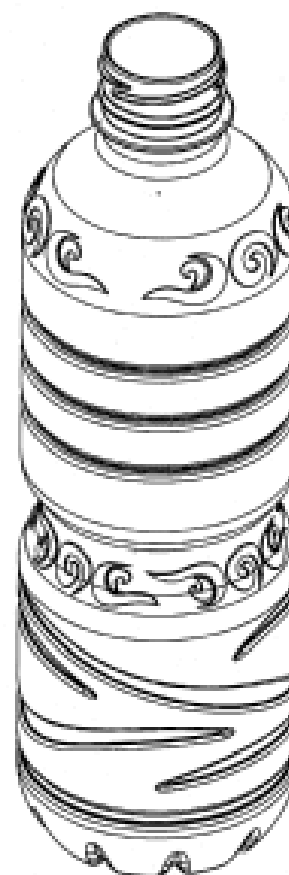
**Mountain H2o Pty Ltd
215 East Street Albury New South Wales 2640 Australia**

(72) Name(s) of Designer(s): **Steven Pitts**

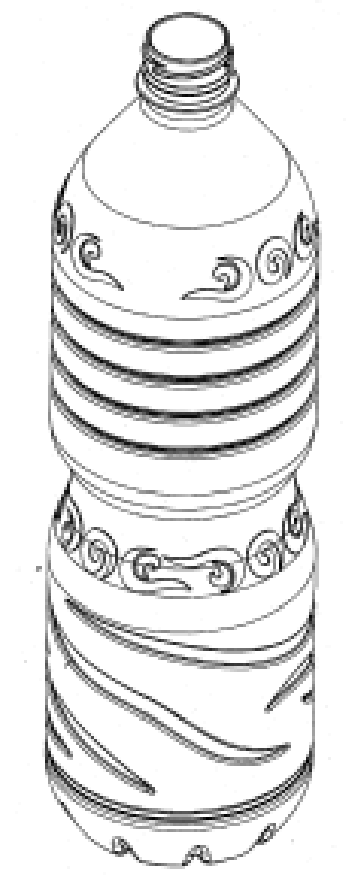
(45) Registration Date: **26 November 2009**

(56) Related Art Documents: **Not Applicable**

(57) Statement of Newness and Distinctiveness: **Swirl and ribbing designs embedded into the bottle.**



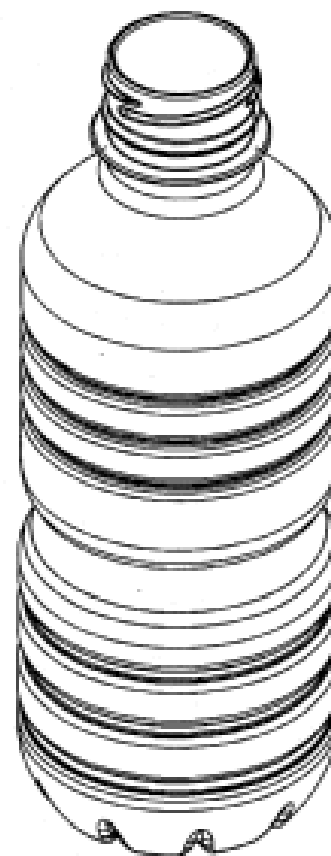
- (21) Design Number: **13908/2009**
(22) Date of Filing Application: **12 October 2009**
(24) Date from which industrial property rights may have effect: **12 October 2009**
(54) Product in respect of which the design is registered: **Drink bottle**
(51) International Design Classification: **09-01K**
(71) Name(s) and Address(s) of Applicant(s):
Mountain H2o Pty Ltd
215 East Street Albury New South Wales 2640 Australia
(72) Name(s) of Designer(s): **Steven Pitts**
(45) Registration Date: **26 November 2009**
(56) Related Art Documents: **Not Applicable**
(57) Statement of Newness and Distinctiveness: **Swirl and ribbing designs embedded into the bottle.**



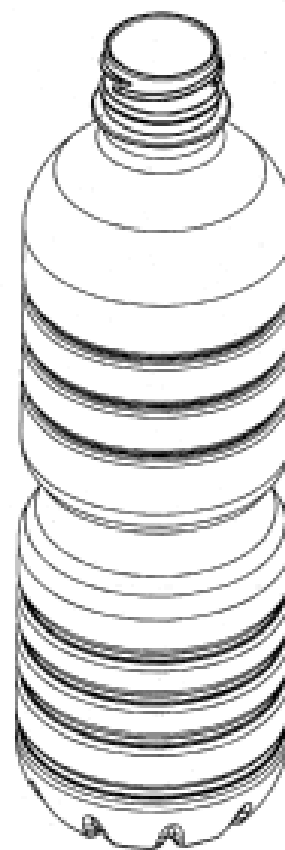
- (21) Design Number: **13909/2009**
(22) Date of Filing Application: **12 October 2009**
(24) Date from which industrial property rights may have effect: **12 October 2009**
(54) Product in respect of which the design is registered: **Drink bottle**
(51) International Design Classification: **09-01K**
(71) Name(s) and Address(s) of Applicant(s):
Mountain H2o Pty Ltd
215 East Street Albury New South Wales 2640 Australia
(72) Name(s) of Designer(s): **Steven Pitts**
(45) Registration Date: **26 November 2009**
(56) Related Art Documents: **Not Applicable**
(57) Statement of Newness and Distinctiveness: **Swirl and ribbing designs embedded into the bottle.**



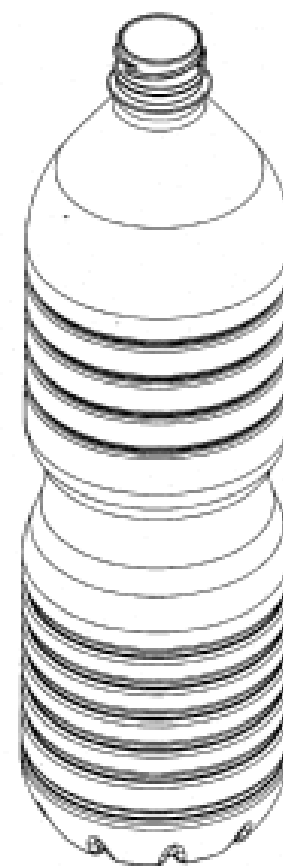
- (21) Design Number: **13910/2009**
- (22) Date of Filing Application: **12 October 2009**
- (24) Date from which industrial property rights may have effect: **12 October 2009**
- (54) Product in respect of which the design is registered: **Drink bottle**
- (51) International Design Classification: **09-01H**
- (71) Name(s) and Address(s) of Applicant(s):
Mountain H2o Pty Ltd
215 East Street Albury New South Wales 2640 Australia
- (72) Name(s) of Designer(s): **Steven Pitts**
- (45) Registration Date: **26 November 2009**
- (56) Related Art Documents: **Not Applicable**
- (57) Statement of Newness and Distinctiveness: **Swirl and ribbing designs embedded into the bottle.**



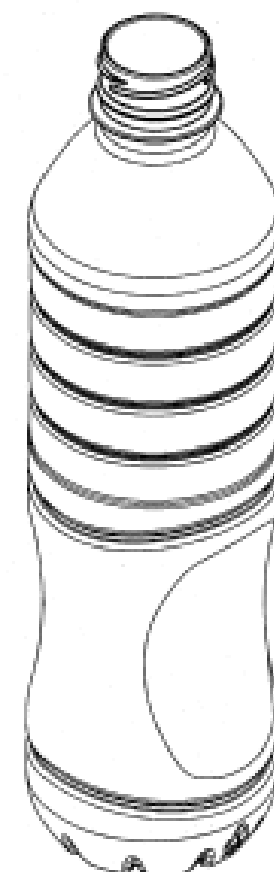
- (21) Design Number: **13911/2009**
- (22) Date of Filing Application: **12 October 2009**
- (24) Date from which industrial property rights may have effect: **12 October 2009**
- (54) Product in respect of which the design is registered: **Drink bottle**
- (51) International Design Classification: **09-01H**
- (71) Name(s) and Address(s) of Applicant(s):
Mountain H2o Pty Ltd
215 East Street Albury New South Wales 2640 Australia
- (72) Name(s) of Designer(s): **Steven Pitts**
- (45) Registration Date: **26 November 2009**
- (56) Related Art Documents: **Not Applicable**
- (57) Statement of Newness and Distinctiveness: **Swirl and ribbing designs embedded into the bottle.**



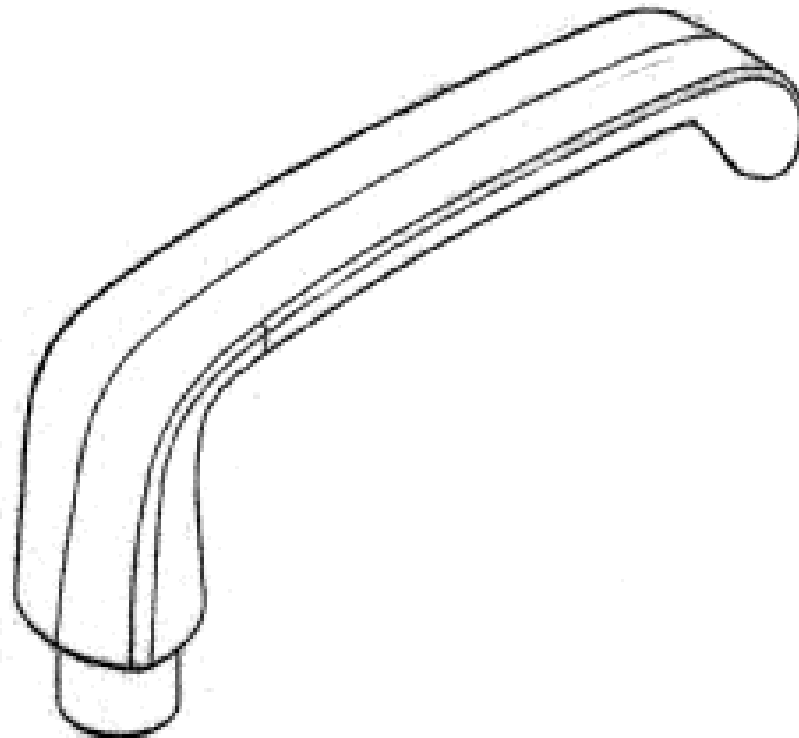
- (21) Design Number: **13912/2009**
- (22) Date of Filing Application: **12 October 2009**
- (24) Date from which industrial property rights may have effect: **12 October 2009**
- (54) Product in respect of which the design is registered: **Drink bottle**
- (51) International Design Classification: **09-01H**
- (71) Name(s) and Address(s) of Applicant(s):
Mountain H2o Pty Ltd
215 East Street Albury New South Wales 2640 Australia
- (72) Name(s) of Designer(s): **Steven Pitts**
- (45) Registration Date: **26 November 2009**
- (56) Related Art Documents: **Not Applicable**
- (57) Statement of Newness and Distinctiveness: **Swirl and ribbing designs embedded into the bottle.**



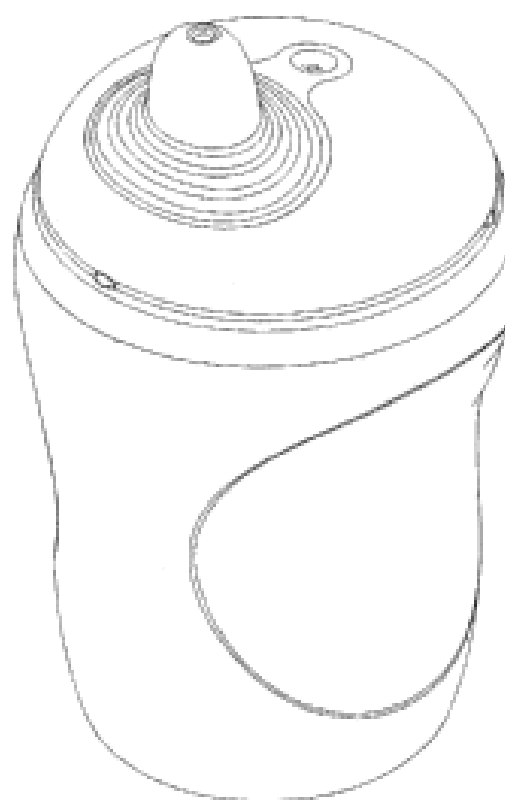
- (21) Design Number: **13913/2009**
- (22) Date of Filing Application: **12 October 2009**
- (24) Date from which industrial property rights may have effect: **12 October 2009**
- (54) Product in respect of which the design is registered: **Drink bottle**
- (51) International Design Classification: **09-01H**
- (71) Name(s) and Address(s) of Applicant(s):
Mountain H2o Pty Ltd
215 East Street Albury New South Wales 2640 Australia
- (72) Name(s) of Designer(s): **Steven Pitts**
- (45) Registration Date: **26 November 2009**
- (56) Related Art Documents: **Not Applicable**
- (57) Statement of Newness and Distinctiveness: **Swirl and ribbing designs embedded into the bottle.**



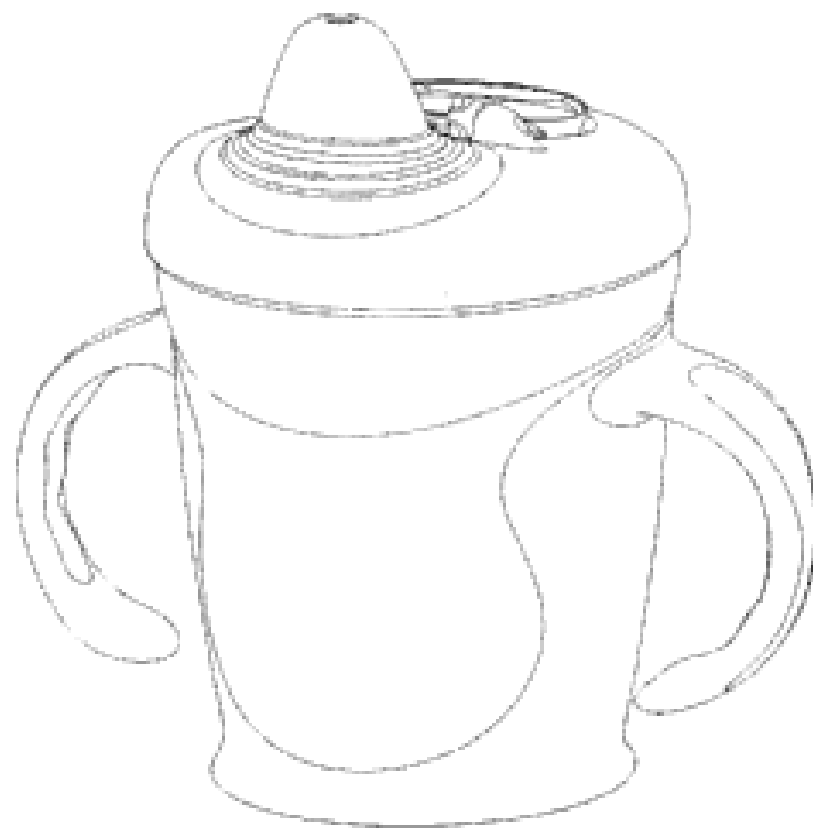
- (21) Design Number: **14181/2009**
(22) Date of Filing Application: **29 October 2009**
(24) Date from which industrial property rights may have effect: **29 October 2009**
(54) Product in respect of which the design is registered: **Lever**
(51) International Design Classification: **08-06**
(71) Name(s) and Address(s) of Applicant(s):
Ingersoll-Rand Architectural Hardware Limited
437 Rosebank Road Avondale Auckland New Zealand
(72) Name(s) of Designer(s): **Douglas Edward Ollivier and Malcolm Shaun Craill and Anthony Michael Ging**
(45) Registration Date: **26 November 2009**
(30) Convention priority data:
(31) Number (32) Date (33) Country
412715 18 Sep 2009 NEW ZEALAND
(56) Related Art Documents: **Not Applicable**
(57) Statement of Newness and Distinctiveness: **Nil**



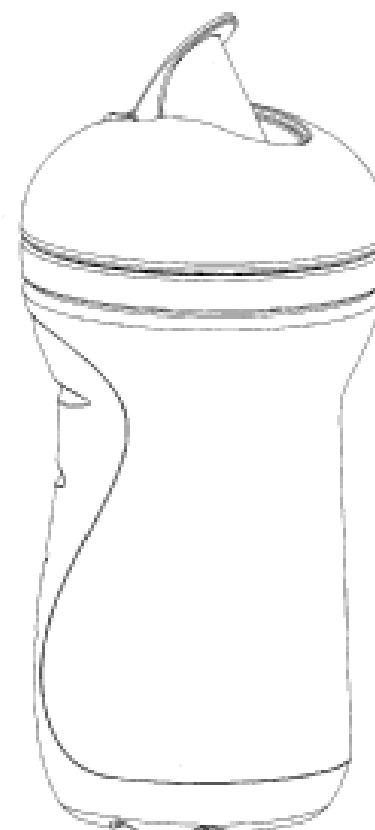
- (21) Design Number: **14223/2009**
(22) Date of Filing Application: **29 October 2009**
(24) Date from which industrial property rights may have effect: **29 October 2009**
(54) Product in respect of which the design is registered: **Drinking cup**
(51) International Design Classification: **07-01C**
(71) Name(s) and Address(s) of Applicant(s):
Jackel International Limited
Dudley Lane Cramlington Northumberland NE23 7RH United Kingdom
(72) Name(s) of Designer(s): **Tom Cotton and Ian Webb and Mark Armstrong and Paul Schofield**
(45) Registration Date: **26 November 2009**
(30) Convention priority data:
(31) Number (32) Date (33) Country
001171391-0005 12 Oct 2009 EUROPEAN COMMUNITY
(56) Related Art Documents: **Not Applicable**
(57) Statement of Newness and Distinctiveness: **Newness and distinctiveness resides in the features of shape and/or configuration of a drinking cup as shown in the accompanying representations.**



(21) Design Number: **14224/2009**
(22) Date of Filing Application: **29 October 2009**
(24) Date from which industrial property rights may have effect: **29 October 2009**
(54) Product in respect of which the design is registered: **Drinking cup**
(51) International Design Classification: **07-01D**
(71) Name(s) and Address(s) of Applicant(s):
Jackel International Limited
Dudley Lane Cramlington Northumberland NE23 7RH United Kingdom
(72) Name(s) of Designer(s): **Tom Cotton and Ian Webb and Mark Armstrong and Paul Schofield**
(45) Registration Date: **26 November 2009**
(30) Convention priority data:
(31) Number (32) Date (33) Country
001171391-0007 12 Oct 2009 EUROPEAN COMMUNITY
(56) Related Art Documents: **Not Applicable**
(57) Statement of Newness and Distinctiveness: **Newness and distinctiveness resides in the features of shape and/or configuration of a drinking cup as shown in the accompanying representations.**



(21) Design Number: **14225/2009**
(22) Date of Filing Application: **29 October 2009**
(24) Date from which industrial property rights may have effect: **29 October 2009**
(54) Product in respect of which the design is registered: **Drinking cup**
(51) International Design Classification: **07-01C**
(71) Name(s) and Address(s) of Applicant(s):
Jackel International Limited
Dudley Lane Cramlington Northumberland NE23 7RH United Kingdom
(72) Name(s) of Designer(s): **Tom Cotton and Ian Webb and Mark Armstrong and Paul Schofield**
(45) Registration Date: **26 November 2009**
(30) Convention priority data:
(31) Number (32) Date (33) Country
001171391-0012 12 Oct 2009 EUROPEAN COMMUNITY
(56) Related Art Documents: **Not Applicable**
(57) Statement of Newness and Distinctiveness: **Newness and distinctiveness resides in the features of shape and/or configuration of a drinking cup as shown in the accompanying representations.**



(21) Design Number: **14226/2009**

(22) Date of Filing Application: **29 October 2009**

(24) Date from which industrial property rights may have effect: **29 October 2009**

(54) Product in respect of which the design is registered: **Drinking cup**

(51) International Design Classification: **07-01C**

(71) Name(s) and Address(s) of Applicant(s):

**Jackel International Limited
Dudley Lane Cramlington Northumberland NE23 7RH United Kingdom**

(72) Name(s) of Designer(s): **Tom Cotton and Ian Webb and Mark Armstrong and Paul Schofield**

(45) Registration Date: **26 November 2009**

(30) Convention priority data:

(31) Number	(32) Date	(33) Country
001171391-0015	12 Oct 2009	EUROPEAN COMMUNITY

(56) Related Art Documents: **Not Applicable**

(57) Statement of Newness and Distinctiveness: **Newness and distinctiveness resides in the features of shape and/or configuration of a drinking cup as shown in the accompanying representations.**



(21) Design Number: **14237/2009**

(22) Date of Filing Application: **29 October 2009**

(24) Date from which industrial property rights may have effect: **29 October 2009**

(54) Product in respect of which the design is registered: **Laptop stand**

(51) International Design Classification: **14-02**

(71) Name(s) and Address(s) of Applicant(s):

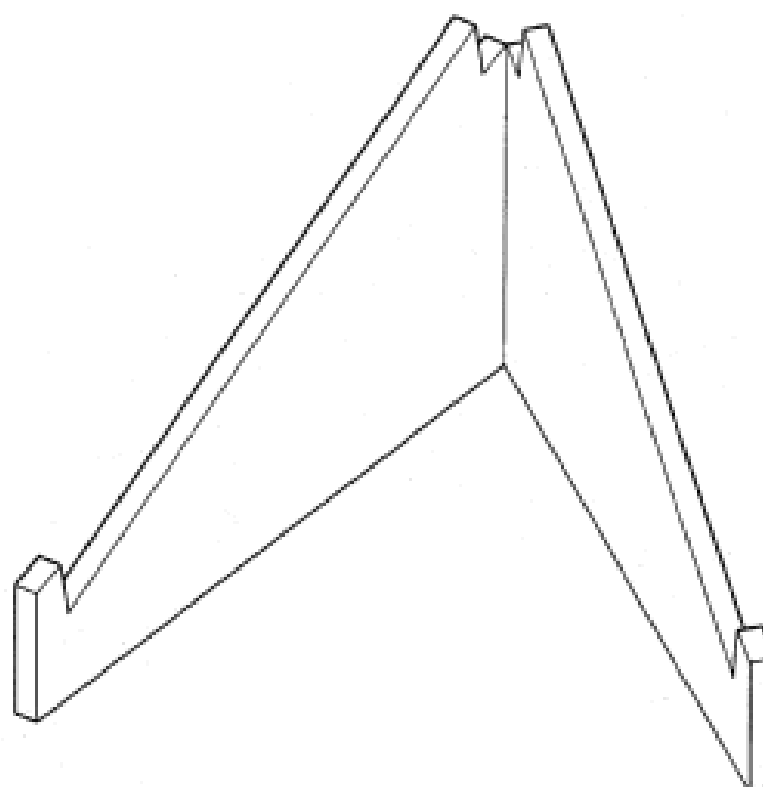
**Vincent Chan Kun Wa
14/30 Russell Street Melbourne Victoria 3000 Australia**

(72) Name(s) of Designer(s): **Vincent Chan Kun Wa**

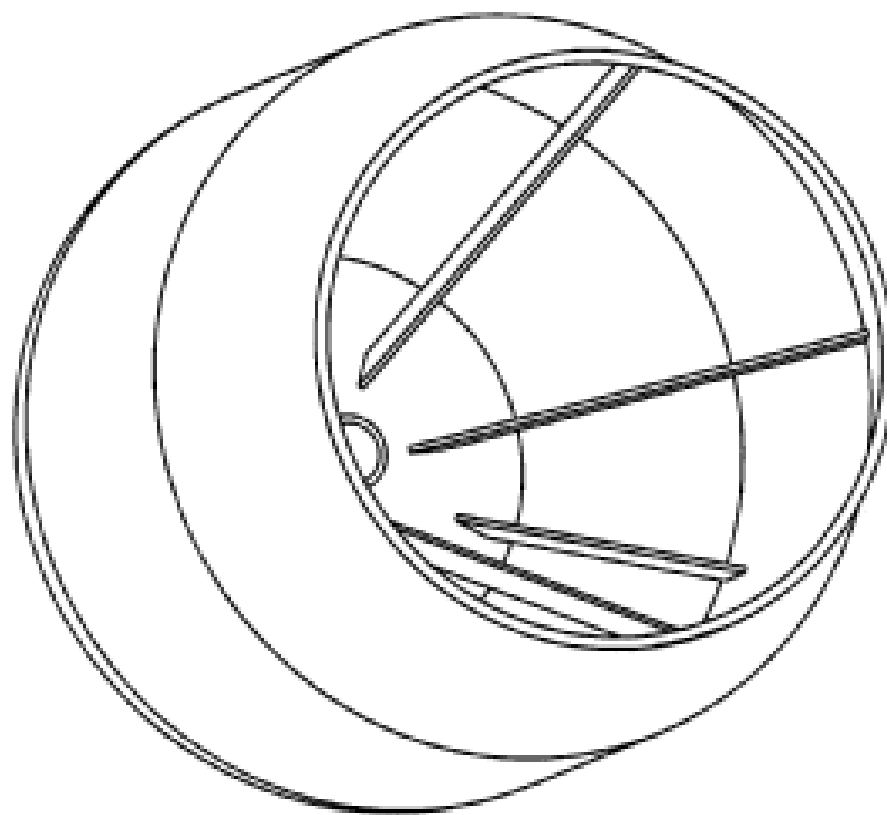
(45) Registration Date: **26 November 2009**

(56) Related Art Documents: **Not Applicable**

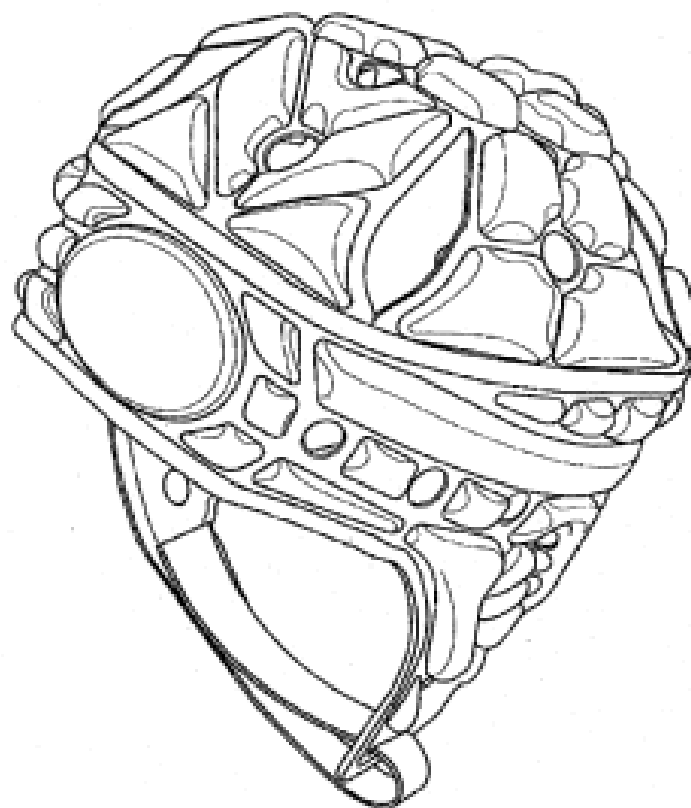
(57) Statement of Newness and Distinctiveness: **The concept of this design is where the object is formed by assembly of two identical shapes. The two shapes are derived from cut-outs of a single rectilinear form leaving no waste.**



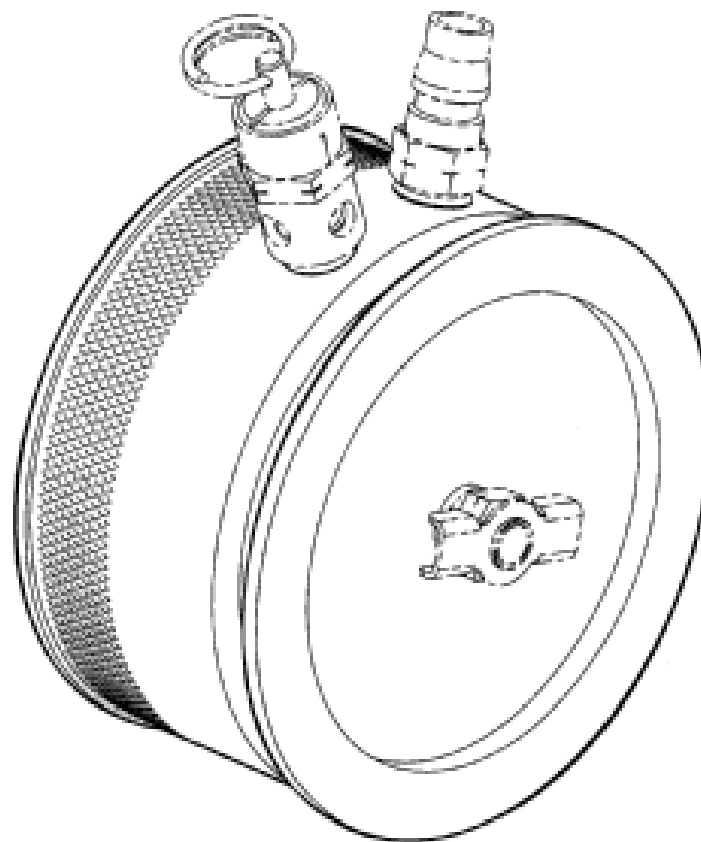
- (21) Design Number: **14258/2009**
(22) Date of Filing Application: **30 October 2009**
(24) Date from which industrial property rights may have effect: **30 October 2009**
(54) Product in respect of which the design is registered: **A mixing barrel**
(51) International Design Classification: **15-04, 09-02C**
(71) Name(s) and Address(s) of Applicant(s):
Kyzen Pty Ltd
52 b Kewdale Road Welshpool Western Australia 6106 Australia
(72) Name(s) of Designer(s): **Aaron James Wardrobe**
(45) Registration Date: **26 November 2009**
(56) Related Art Documents: **Not Applicable**
(57) Statement of Newness and Distinctiveness: **Newness and distinctiveness is claimed in the features of shape and/or configuration of a mixing barrel as illustrated in the accompanying representations.**



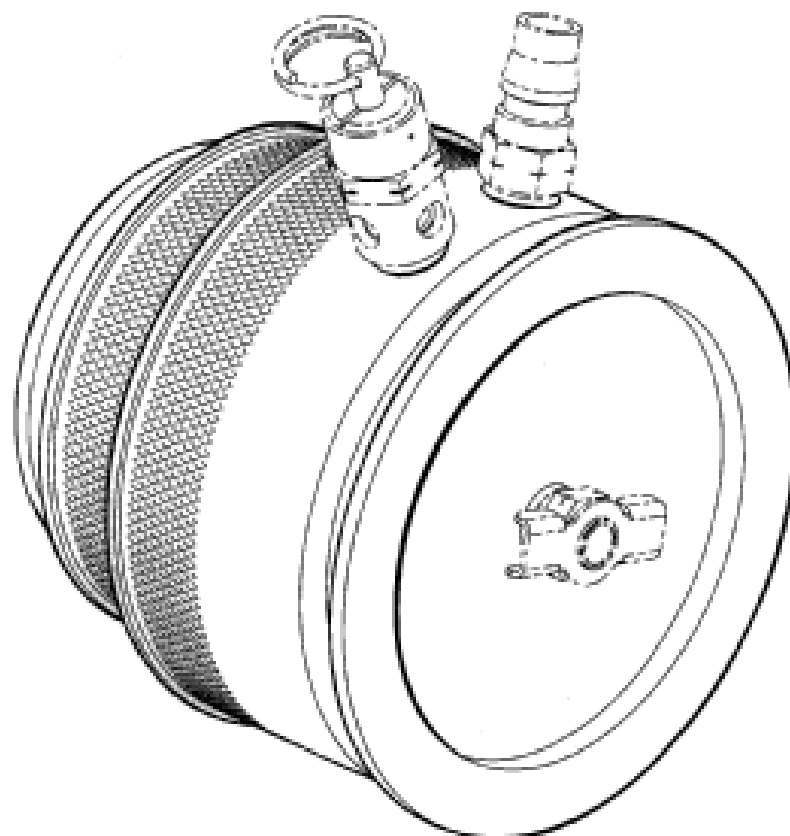
- (21) Design Number: **14259/2009**
(22) Date of Filing Application: **02 November 2009**
(24) Date from which industrial property rights may have effect: **02 November 2009**
(54) Product in respect of which the design is registered: **Head gear**
(51) International Design Classification: **02-03**
(71) Name(s) and Address(s) of Applicant(s):
Body Armour Technology Limited
Level 1 14 Penrose Road Penrose Auckland New Zealand
(72) Name(s) of Designer(s): **Bruce Lloyd Armstrong**
(45) Registration Date: **26 November 2009**
(30) Convention priority data:
(31) Number (32) Date (33) Country
001135594-1/5 05 May 2009 EUROPEAN COMMUNITY
(56) Related Art Documents: **Not Applicable**
(57) Statement of Newness and Distinctiveness: **The novelty claimed for the design resides in the features of shape and/or configuration all as shown in the representations.**



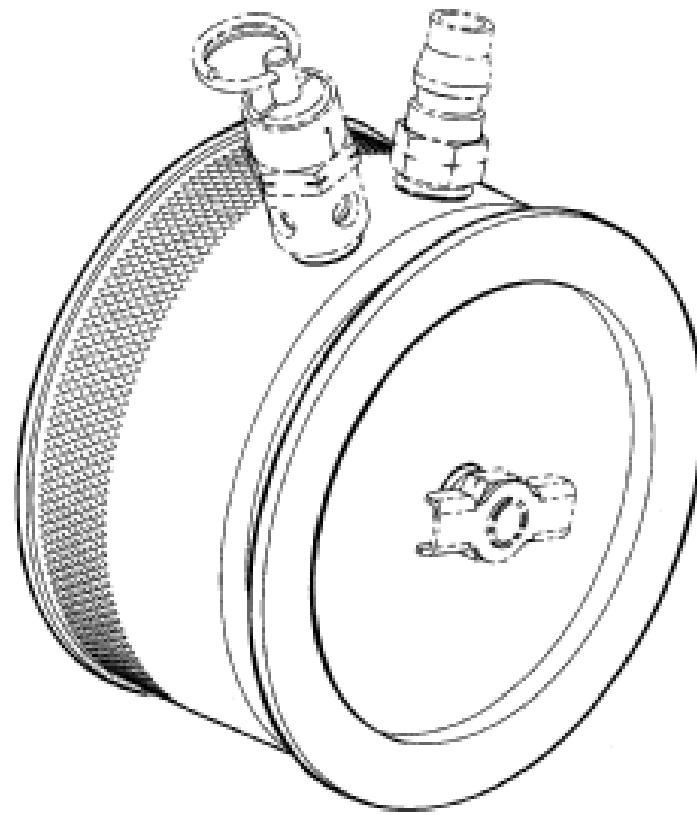
- (21) Design Number: **14260/2009**
(22) Date of Filing Application: **30 October 2009**
(24) Date from which industrial property rights may have effect: **30 October 2009**
(54) Product in respect of which the design is registered: **Engine air intake testing device**
(51) International Design Classification: **12-16NES, 10-04**
(71) Name(s) and Address(s) of Applicant(s):
Uptime Truck & Trailer Services Pty Ltd
12a Taverner Street Maddingley Victoria 3340 Australia
(72) Name(s) of Designer(s): **Rodney Graeme Spargo**
(45) Registration Date: **26 November 2009**
(56) Related Art Documents: **Not Applicable**
(57) Statement of Newness and Distinctiveness: **Newness and distinctiveness resides in the features of shape and/or configuration of an engine air intake testing device as shown in solid lines in the accompanying representations.**



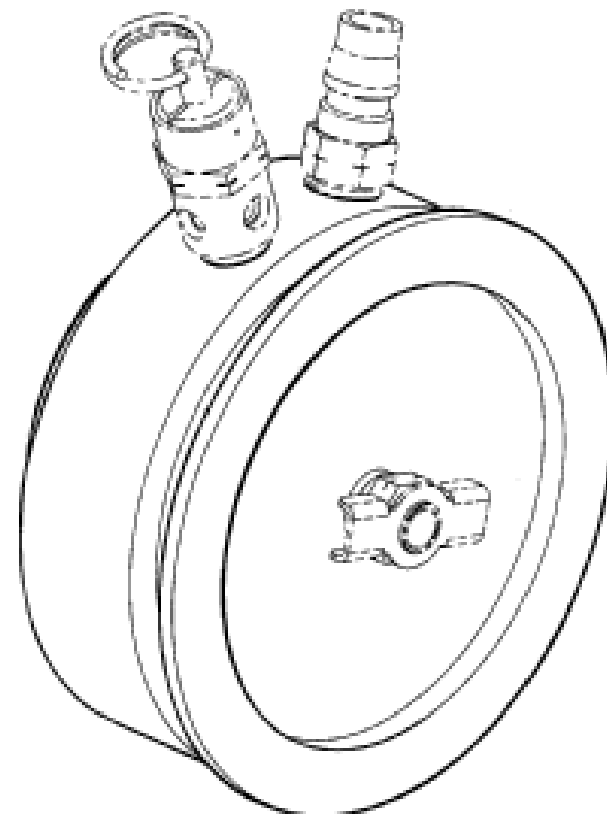
- (21) Design Number: **14261/2009**
(22) Date of Filing Application: **30 October 2009**
(24) Date from which industrial property rights may have effect: **30 October 2009**
(54) Product in respect of which the design is registered: **Engine air intake testing device**
(51) International Design Classification: **12-16NES, 10-04**
(71) Name(s) and Address(s) of Applicant(s):
Uptime Truck & Trailer Services Pty Ltd
12a Taverner Street Maddingley Victoria 3340 Australia
(72) Name(s) of Designer(s): **Rodney Graeme Spargo**
(45) Registration Date: **26 November 2009**
(56) Related Art Documents: **Not Applicable**
(57) Statement of Newness and Distinctiveness: **Newness and distinctiveness resides in the features of shape and/or configuration of an engine air intake testing device as shown in solid lines in the accompanying representations.**



- (21) Design Number: **14262/2009**
- (22) Date of Filing Application: **30 October 2009**
- (24) Date from which industrial property rights may have effect: **30 October 2009**
- (54) Product in respect of which the design is registered: **Engine air intake testing device**
- (51) International Design Classification: **12-16NES, 10-04**
- (71) Name(s) and Address(s) of Applicant(s):
Uptime Truck & Trailer Services Pty Ltd
12a Taverner Street Maddingley Victoria 3340 Australia
- (72) Name(s) of Designer(s): **Rodney Graeme Spargo**
- (45) Registration Date: **26 November 2009**
- (56) Related Art Documents: **Not Applicable**
- (57) Statement of Newness and Distinctiveness: **Newness and distinctiveness resides in the features of shape and/or configuration of an engine air intake testing device as shown in solid lines in the accompanying representations.**



- (21) Design Number: **14263/2009**
- (22) Date of Filing Application: **30 October 2009**
- (24) Date from which industrial property rights may have effect: **30 October 2009**
- (54) Product in respect of which the design is registered: **Engine air intake testing device**
- (51) International Design Classification: **12-16NES, 10-04**
- (71) Name(s) and Address(s) of Applicant(s):
Uptime Truck & Trailer Services Pty Ltd
12a Taverner Street Maddingley Victoria 3340 Australia
- (72) Name(s) of Designer(s): **Rodney Graeme Spargo**
- (45) Registration Date: **26 November 2009**
- (56) Related Art Documents: **Not Applicable**
- (57) Statement of Newness and Distinctiveness: **Newness and distinctiveness resides in the features of shape and/or configuration of an engine air intake testing device as shown in solid lines in the accompanying representations.**



(21) Design Number: **14379/2009**

(22) Date of Filing Application: **10 November 2009**

(24) Date from which industrial property rights may have effect: **10 November 2009**

(54) Product in respect of which the design is registered: **Slider plate**

(51) International Design Classification: **07-02H**

(71) Name(s) and Address(s) of Applicant(s):

E. Mishan & Sons, Inc.

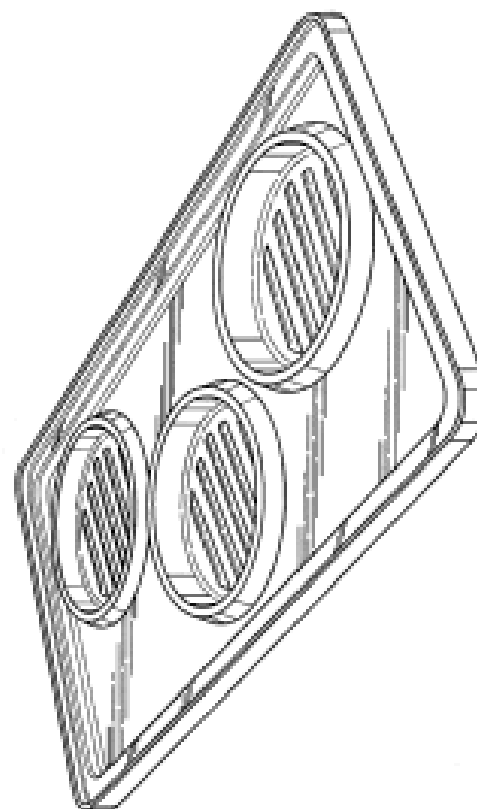
230 Fifth Avenue New York New York 10001 United States Of America

(72) Name(s) of Designer(s): **Steven Mishan**

(45) Registration Date: **26 November 2009**

(56) Related Art Documents: **Not Applicable**

(57) Statement of Newness and Distinctiveness: **Nil**



(21) Design Number: **13714/2009**

(22) Date of Filing Application: **28 September 2009**

(24) Date from which industrial property rights may have effect: **28 September 2009**

(54) Product in respect of which the design is registered: **18th Birthday signature board**

(51) International Design Classification: **20-03C**

(71) Name(s) and Address(s) of Applicant(s):

Robyn Siekai T/A Coach House Studio

7 Energy Crescent Molendinar Queensland 4214 Australia

Andrea McDaid T/A Coach House Studio

7 Energy Crescent Molendinar Queensland 4214 Australia

(72) Name(s) of Designer(s): **Robyn Lesley Siekai and Andrea Louise McDaid**

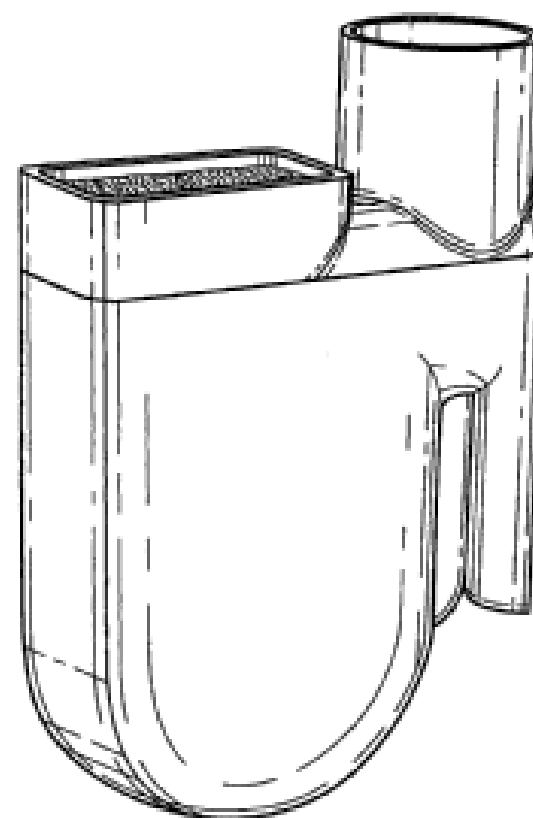
(45) Registration Date: **27 November 2009**

(56) Related Art Documents: **Not Applicable**

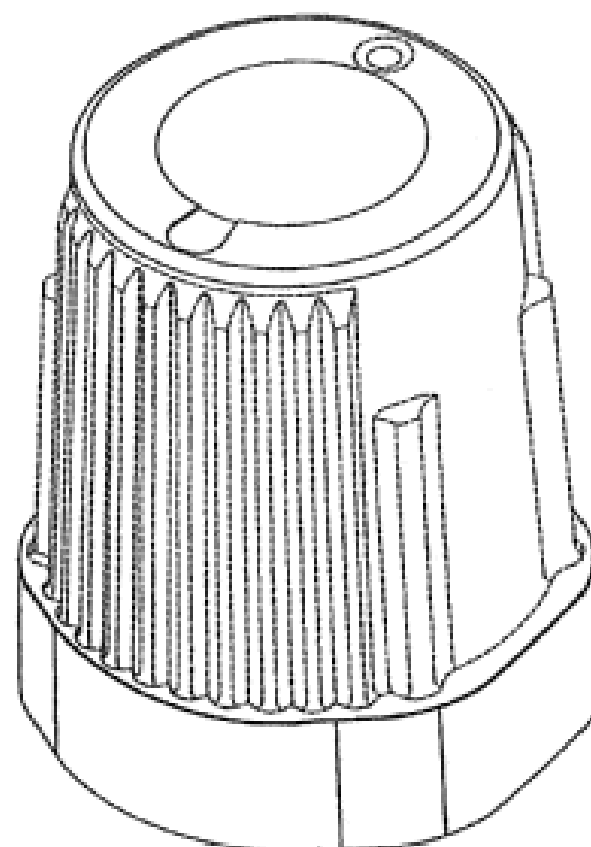
(57) Statement of Newness and Distinctiveness: **18th Birthday signature board designed and laser cut in the shape of the actual number 18.**



- (21) Design Number: **14188/2009**
(22) Date of Filing Application: **27 October 2009**
(24) Date from which industrial property rights may have effect: **27 October 2009**
(54) Product in respect of which the design is registered: **Lavatory dispensing device**
(51) International Design Classification: **23-02A**
(71) Name(s) and Address(s) of Applicant(s):
Reckitt Benckiser Inc.
Morris Corporate Center IV 399 Interpace Parkway Parsippany New Jersey 07054 United States of America
(72) Name(s) of Designer(s): **Diane Joyce Burt and Artur Stanislaw Domanski**
(45) Registration Date: **27 November 2009**
(30) Convention priority data:
(31) Number (32) Date (33) Country
29/338478 12 Jun 2009 UNITED STATES OF AMERICA
(56) Related Art Documents: **Not Applicable**
(57) Statement of Newness and Distinctiveness: **Newness and distinctiveness reside in the features of the design as shown in the representations.**



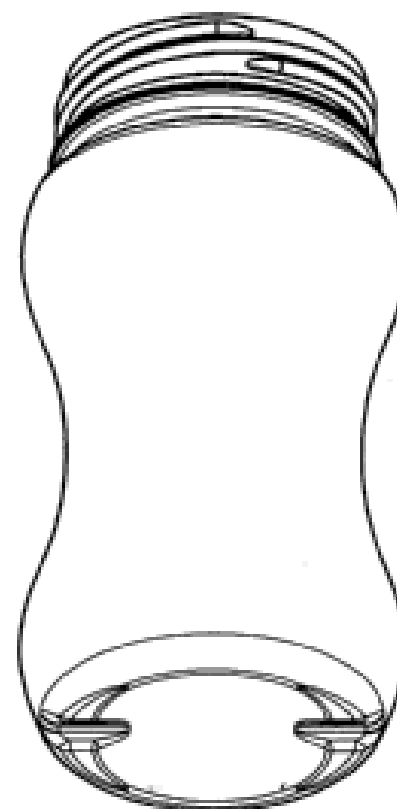
- (21) Design Number: **14189/2009**
(22) Date of Filing Application: **04 September 2009**
(24) Date from which industrial property rights may have effect: **04 September 2009**
(54) Product in respect of which the design is registered: **Pierceable collection container cap and assembly**
(51) International Design Classification: **09-07C**
(71) Name(s) and Address(s) of Applicant(s):
Becton, Dickinson and Company
1 Becton Drive Franklin Lakes New Jersey 07417 United States of America
(72) Name(s) of Designer(s): **Bradley M. Wilkinson**
(45) Registration Date: **27 November 2009**
(62) Divisional of: **328356**
(56) Related Art Documents: **Not Applicable**
(57) Statement of Newness and Distinctiveness: **Newness and distinctiveness resides in at least the arrangement and shape of the channel extending into the recess in the top portion of the cap and the contours thereof.**



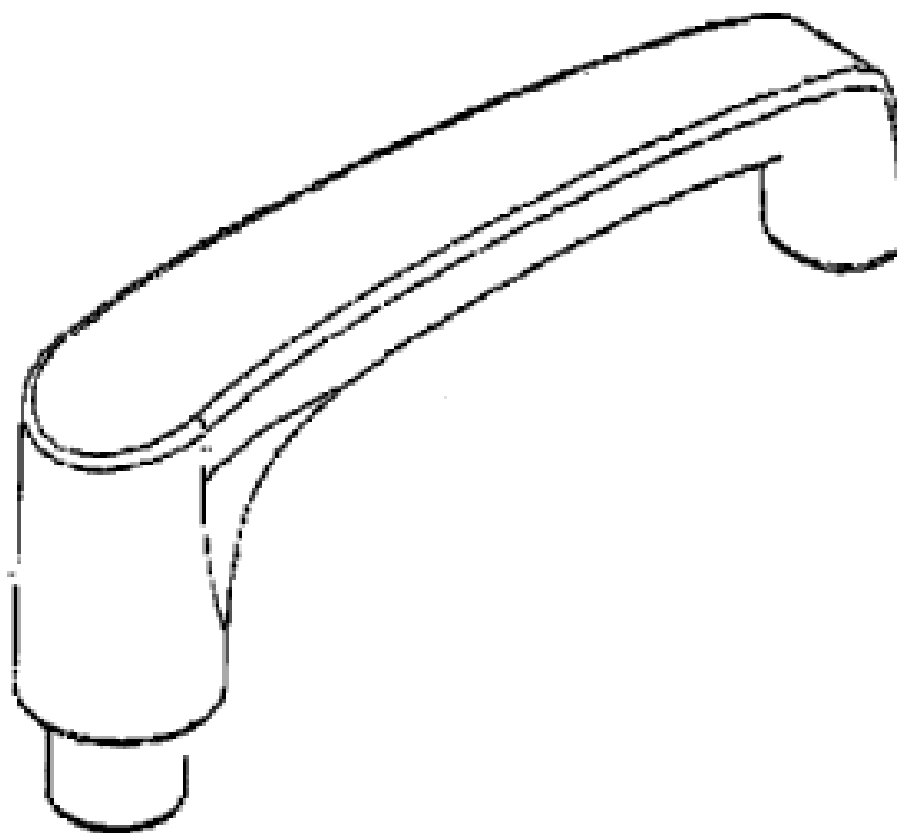
- (21) Design Number: **14190/2009**
(22) Date of Filing Application: **29 October 2009**
(24) Date from which industrial property rights may have effect: **29 October 2009**
(54) Product in respect of which the design is registered: **Builder's sheeting - tie down assist**
(51) International Design Classification: **08-08L**
(71) Name(s) and Address(s) of Applicant(s):
Alexander William Fallis
10 Wimble Street Deacon Queensland 4017 Australia
(72) Name(s) of Designer(s): **Alexander William Fallis**
(45) Registration Date: **27 November 2009**
(56) Related Art Documents: **Not Applicable**
(57) Statement of Newness and Distinctiveness: **The tie down assist prevents damage to builders sheeting such as gyprock. It does this by preventing chipping and scaring of sheet edge.**



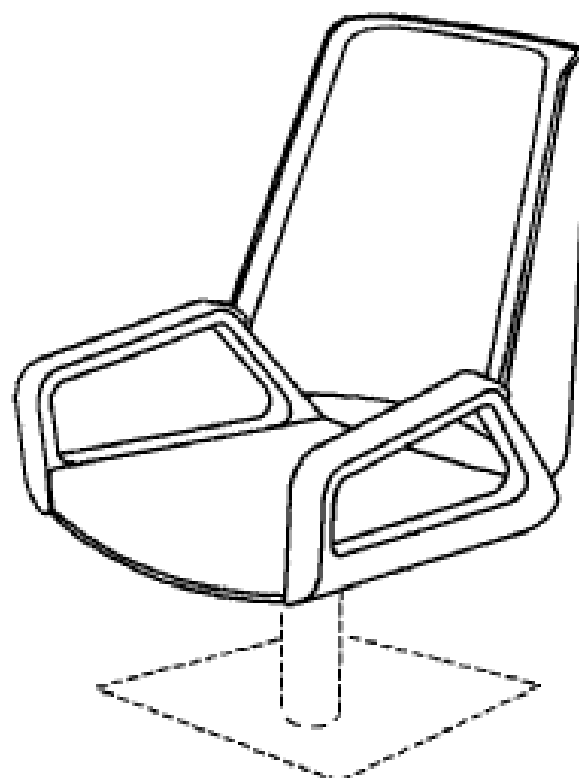
- (21) Design Number: **14191/2009**
(22) Date of Filing Application: **28 October 2009**
(24) Date from which industrial property rights may have effect: **28 October 2009**
(54) Product in respect of which the design is registered: **Bottle**
(51) International Design Classification: **09-01NES**
(71) Name(s) and Address(s) of Applicant(s):
Parmalat Australia Ltd
62 Montague Road South Brisbane Queensland 4101 Australia
(72) Name(s) of Designer(s): **Christina Koeleman**
(45) Registration Date: **27 November 2009**
(56) Related Art Documents: **Not Applicable**
(57) Statement of Newness and Distinctiveness: **The newness and distinctiveness of the design resides in the shape and configuration of the BOTTLE shown in the representations.**



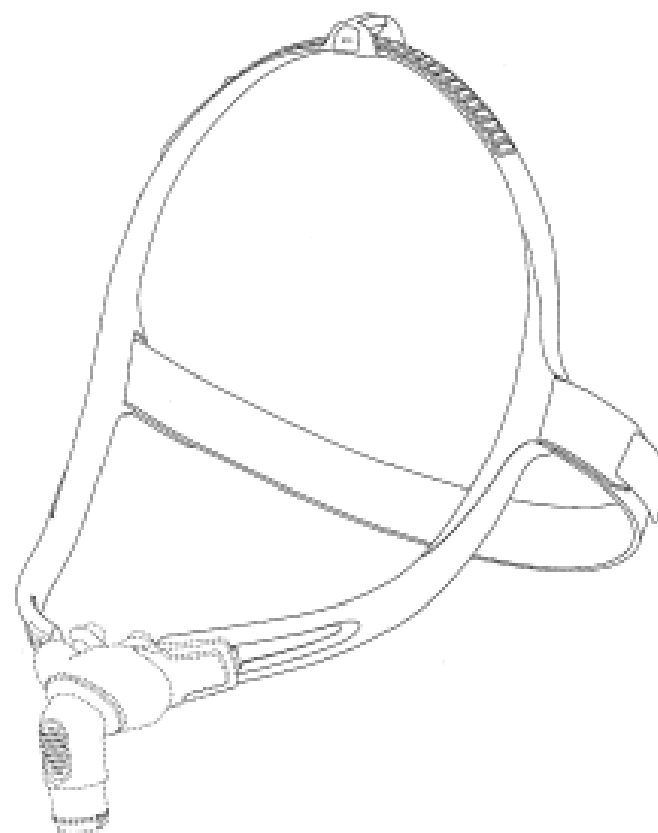
- (21) Design Number: **14196/2009**
(22) Date of Filing Application: **29 October 2009**
(24) Date from which industrial property rights may have effect: **29 October 2009**
(54) Product in respect of which the design is registered: **Lever**
(51) International Design Classification: **08-06**
(71) Name(s) and Address(s) of Applicant(s):
Ingersoll-Rand Architectural Hardware Limited
437 Rosebank Road Avondale Auckland New Zealand
(72) Name(s) of Designer(s): **Douglas Edward Ollivier and Malcolm Shaun Craill and Anthony Michael Ging**
(45) Registration Date: **27 November 2009**
(30) Convention priority data:
(31) Number (32) Date (33) Country
412714 18 Sep 2009 NEW ZEALAND
(56) Related Art Documents: **Not Applicable**
(57) Statement of Newness and Distinctiveness: **Nil**



- (21) Design Number: **11305/2009**
(22) Date of Filing Application: **16 April 2009**
(24) Date from which industrial property rights may have effect: **16 April 2009**
(54) Product in respect of which the design is registered: **Armchair**
(51) International Design Classification: **06-01F**
(71) Name(s) and Address(s) of Applicant(s):
Bang Design Pty Limited
91 Beattie Street Balmain New South Wales 2041 Australia
(72) Name(s) of Designer(s): **Bryan Marshall and Kristian Aus**
(45) Registration Date: **30 November 2009**
(56) Related Art Documents: **Not Applicable**
(57) Statement of Newness and Distinctiveness: **Newness and distinctiveness is claimed in those visual features that are represented in the unbroken lines.**



- (21) Design Number: **13568/2009**
- (22) Date of Filing Application: **15 September 2009**
- (24) Date from which industrial property rights may have effect: **15 September 2009**
- (54) Product in respect of which the design is registered: **Respiratory mask headgear assembly**
- (51) International Design Classification: **24-01**
- (71) Name(s) and Address(s) of Applicant(s):
ResMed Ltd
1 Elizabeth Macarthur Drive Bella Vista New South Wales 2153
Australia
- (72) Name(s) of Designer(s): **Phoebe Katherine Hill and Robert Edward Henry and Gerard Michael Rummery**
- (45) Registration Date: **30 November 2009**
- (30) Convention priority data:
(31) Number (32) Date (33) Country
29/335757 21 Apr 2009 UNITED STATES OF AMERICA
- (56) Related Art Documents: **Not Applicable**
- (57) Statement of Newness and Distinctiveness: **Newness and distinctiveness is claimed in those visual features depicted in unbroken lines.**



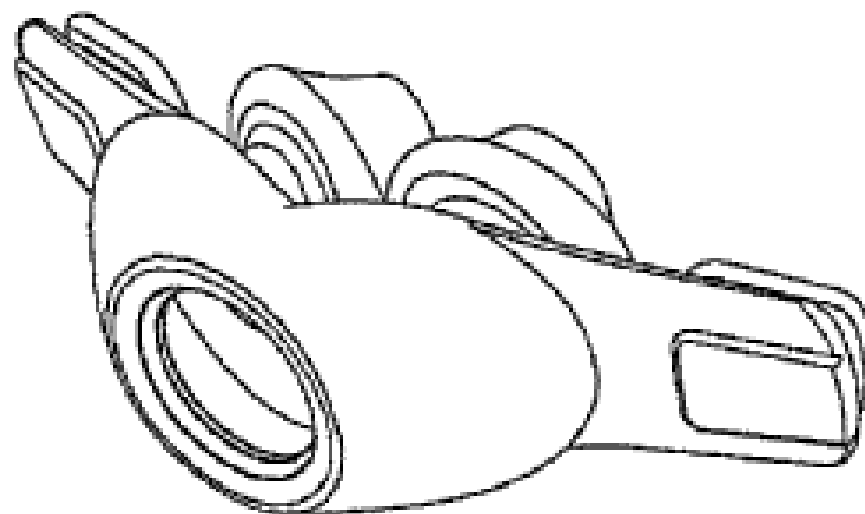
- (21) Design Number: **14597/2009**
- (22) Date of Filing Application: **15 September 2009**
- (24) Date from which industrial property rights may have effect: **15 September 2009**
- (54) Product in respect of which the design is registered: **Respiratory mask right headgear strap**
- (51) International Design Classification: **24-01**
- (71) Name(s) and Address(s) of Applicant(s):
ResMed Ltd
1 Elizabeth Macarthur Drive Bella Vista New South Wales 2153
Australia
- (72) Name(s) of Designer(s): **Phoebe Katherine Hill and Robert Edward Henry and Gerard Michael Rummery**
- (45) Registration Date: **30 November 2009**
- (30) Convention priority data:
(31) Number (32) Date (33) Country
29/335757 21 Apr 2009 UNITED STATES OF AMERICA
- (56) Related Art Documents: **Not Applicable**
- (57) Statement of Newness and Distinctiveness: **Newness and distinctiveness is claimed in those visual features depicted in unbroken lines.**



- (21) Design Number: **14598/2009**
(22) Date of Filing Application: **15 September 2009**
(24) Date from which industrial property rights may have effect: **15 September 2009**
(54) Product in respect of which the design is registered: **Respiratory mask left headgear strap**
(51) International Design Classification: **24-01**
(71) Name(s) and Address(s) of Applicant(s):
ResMed Ltd
1 Elizabeth Macarthur Drive Bella Vista New South Wales 2153
Australia
(72) Name(s) of Designer(s): **Phoebe Katherine Hill and Robert Edward Henry and Gerard Michael Rummery**
(45) Registration Date: **30 November 2009**
(30) Convention priority data:
(31) Number (32) Date (33) Country
29/335757 21 Apr 2009 UNITED STATES OF AMERICA
(56) Related Art Documents: **Not Applicable**
(57) Statement of Newness and Distinctiveness: **Newness and distinctiveness is claimed in those visual features depicted in unbroken lines.**



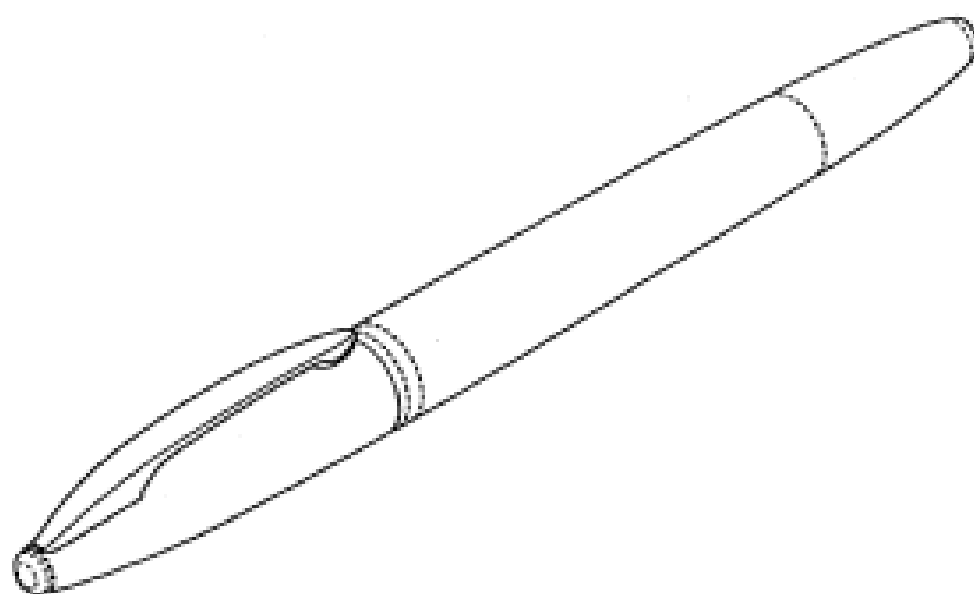
- (21) Design Number: **14599/2009**
(22) Date of Filing Application: **15 September 2009**
(24) Date from which industrial property rights may have effect: **15 September 2009**
(54) Product in respect of which the design is registered: **Respiratory mask cushion**
(51) International Design Classification: **24-01**
(71) Name(s) and Address(s) of Applicant(s):
ResMed Ltd
1 Elizabeth Macarthur Drive Bella Vista New South Wales 2153
Australia
(72) Name(s) of Designer(s): **Phoebe Katherine Hill and Gerard Michael Rummery**
(45) Registration Date: **30 November 2009**
(30) Convention priority data:
(31) Number (32) Date (33) Country
29/335757 21 Apr 2009 UNITED STATES OF AMERICA
(56) Related Art Documents: **Not Applicable**
(57) Statement of Newness and Distinctiveness: **Newness and distinctiveness is claimed in those visual features depicted in unbroken lines.**



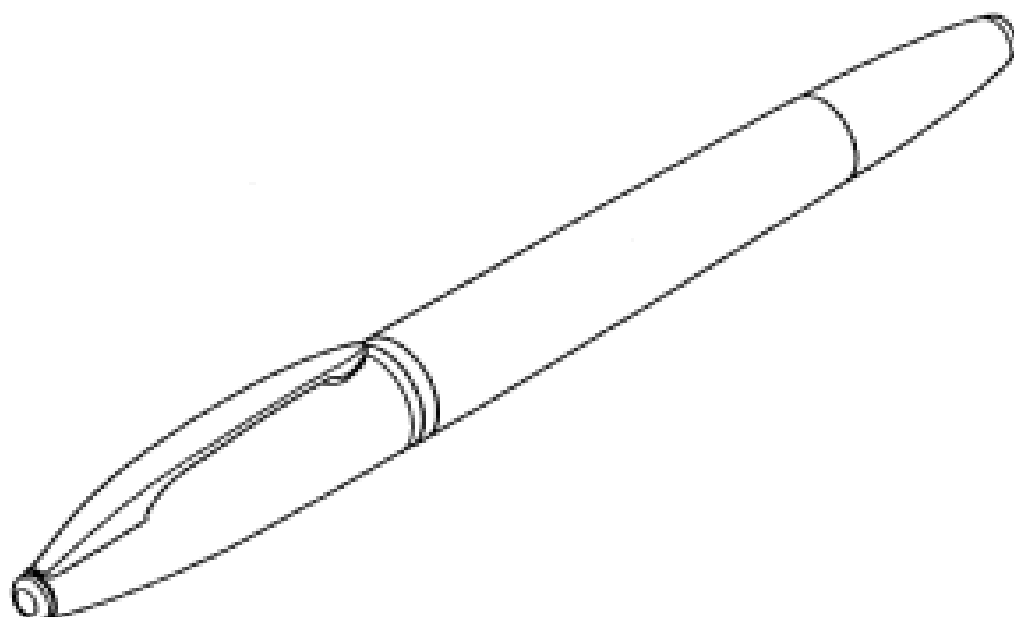
(21) Design Number: **14600/2009**
(22) Date of Filing Application: **15 September 2009**
(24) Date from which industrial property rights may have effect: **15 September 2009**
(54) Product in respect of which the design is registered: **Respiratory mask assembly**
(51) International Design Classification: **24-01**
(71) Name(s) and Address(s) of Applicant(s):
ResMed Ltd
1 Elizabeth Macarthur Drive Bella Vista New South Wales 2153
Australia
(72) Name(s) of Designer(s): **Phoebe Katherine Hill and Robert Edward Henry and Gerard Michael Rummery and Philip Michael Nurse**
(45) Registration Date: **30 November 2009**
(30) Convention priority data:
(31) Number (32) Date (33) Country
29/335757 21 Apr 2009 UNITED STATES OF AMERICA
(56) Related Art Documents: **Not Applicable**
(57) Statement of Newness and Distinctiveness: **Newness and distinctiveness is claimed in those visual features depicted in unbroken lines.**



(21) Design Number: **14524/2009**
(22) Date of Filing Application: **22 September 2009**
(24) Date from which industrial property rights may have effect: **22 September 2009**
(54) Product in respect of which the design is registered: **Writing instrument**
(51) International Design Classification: **19-06**
(71) Name(s) and Address(s) of Applicant(s):
Sanford, L.P.
2707 Butterfield Road Oak Brook IL 60523 United States of America
(72) Name(s) of Designer(s): **Matthew J. Gerules and Carmen Lira-Nunez**
(45) Registration Date: **30 November 2009**
(30) Convention priority data:
(31) Number (32) Date (33) Country
29/334,320 24 Mar 2009 UNITED STATES OF AMERICA
(56) Related Art Documents: **Not Applicable**
(57) Statement of Newness and Distinctiveness: **Nil**



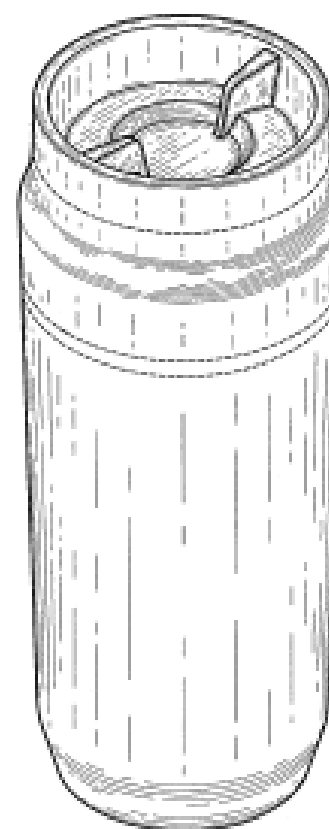
(21) Design Number: **13629/2009**
(22) Date of Filing Application: **22 September 2009**
(24) Date from which industrial property rights may have effect: **22 September 2009**
(54) Product in respect of which the design is registered: **Writing instrument**
(51) International Design Classification: **19-06**
(71) Name(s) and Address(s) of Applicant(s):
Sanford, L.P.
2707 Butterfield Road Oak Brook IL 60523 United States of America
(72) Name(s) of Designer(s): **Matthew J. Gerules and Carmen Lira-Nunez**
(45) Registration Date: **30 November 2009**
(30) Convention priority data:
(31) Number (32) Date (33) Country
29/334,320 24 Mar 2009 UNITED STATES OF AMERICA
(56) Related Art Documents: **Not Applicable**
(57) Statement of Newness and Distinctiveness: **Nil**



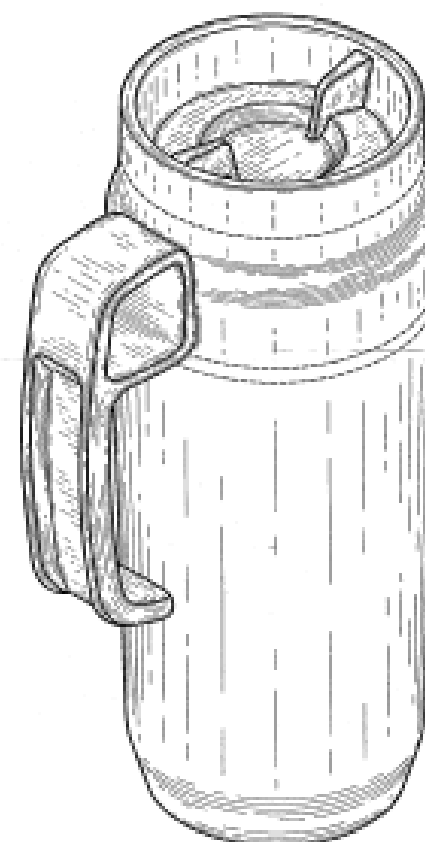
(21) Design Number: **14030/2009**
(22) Date of Filing Application: **20 October 2009**
(24) Date from which industrial property rights may have effect: **20 October 2009**
(54) Product in respect of which the design is registered: **Shielding net**
(51) International Design Classification: **12-16B**
(71) Name(s) and Address(s) of Applicant(s):
Scania CV AB
Sodertalje SE-151 87 Sweden
(72) Name(s) of Designer(s): **Kjell Fagerstrom and David Skoog and Kristofer Hansen and Christian Henriksen**
(45) Registration Date: **30 November 2009**
(30) Convention priority data:
(31) Number (32) Date (33) Country
2009/0220 29 Apr 2009 SWEDEN
(56) Related Art Documents: **Not Applicable**
(57) Statement of Newness and Distinctiveness: **Nil**



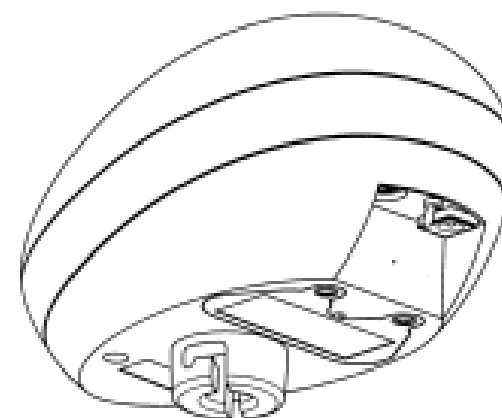
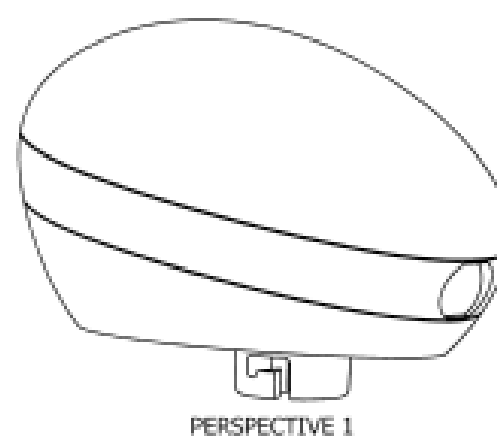
- (21) Design Number: **14064/2009**
(22) Date of Filing Application: **21 October 2009**
(24) Date from which industrial property rights may have effect: **21 October 2009**
(54) Product in respect of which the design is registered: **Beverage container**
(51) International Design Classification: **07-01C**
(71) Name(s) and Address(s) of Applicant(s):
Pacific Market International, LLC
2401 Elliott Avenue Fourth Floor Seattle WA 98121 United States of America
(72) Name(s) of Designer(s): **Andrew C.F. Wahl**
(45) Registration Date: **30 November 2009**
(30) Convention priority data:
(31) Number (32) Date (33) Country
29/336,589 06 May 2009 UNITED STATES OF AMERICA
(56) Related Art Documents: **Not Applicable**
(57) Statement of Newness and Distinctiveness: **The shape and configuration of those parts of the product shown other than by means of broken lines in the representations are new and distinctive.**



- (21) Design Number: **14065/2009**
(22) Date of Filing Application: **21 October 2009**
(24) Date from which industrial property rights may have effect: **21 October 2009**
(54) Product in respect of which the design is registered: **Beverage container**
(51) International Design Classification: **07-01NES**
(71) Name(s) and Address(s) of Applicant(s):
Pacific Market International, LLC
2401 Elliott Avenue Fourth Floor Seattle WA 98121 United States of America
(72) Name(s) of Designer(s): **Andrew C.F. Wahl**
(45) Registration Date: **30 November 2009**
(30) Convention priority data:
(31) Number (32) Date (33) Country
29/336,588 06 May 2009 UNITED STATES OF AMERICA
(56) Related Art Documents: **Not Applicable**
(57) Statement of Newness and Distinctiveness: **The shape and configuration of those parts of the product shown other than by means of broken lines in the representations are new and distinctive.**



- (21) Design Number: **13692/2009**
(22) Date of Filing Application: **29 September 2009**
(24) Date from which industrial property rights may have effect: **29 September 2009**
(54) Product in respect of which the design is registered: **Sports timing device**
(51) International Design Classification: **10-03**
(71) Name(s) and Address(s) of Applicant(s):
Grabba International Pty Ltd
2 Henley Street Coopers Plains Queensland 4108 Australia
(72) Name(s) of Designer(s): **Jerome Alain Boyer and Gordon Haslewood**
Stuart and Murray Adam Hughes
(45) Registration Date: **30 November 2009**
(56) Related Art Documents: **Not Applicable**
(57) Statement of Newness and Distinctiveness: **Nil**



- (21) Design Number: **13992/2009**
(22) Date of Filing Application: **19 October 2009**
(24) Date from which industrial property rights may have effect: **19 October 2009**
(54) Product in respect of which the design is registered: **An article of clothing**
(51) International Design Classification: **02-02NES**
(71) Name(s) and Address(s) of Applicant(s):
Christine Thoo
13/51-55 Upper Pitt Street Kirribilli New South Wales 2061 Australia
(72) Name(s) of Designer(s): **Christine Thoo**
(45) Registration Date: **30 November 2009**
(56) Related Art Documents: **Not Applicable**
(57) Statement of Newness and Distinctiveness: **Newness and distinctiveness of the article of clothing resides in the pattern and/or ornamentation as shown in the accompanying representations. In considering the extent of the monopoly, the shape and configuration of the article of clothing, and the colour of the article of clothing other than as contained in the coloured bars of the TV symbol, should be disregarded and does not form any part of the design.**



- (21) Design Number: **13994/2009**
(22) Date of Filing Application: **15 October 2009**
(24) Date from which industrial property rights may have effect: **15 October 2009**
(54) Product in respect of which the design is registered: **Clothing - T-shirts**
(51) International Design Classification: **02-02NES**
(71) Name(s) and Address(s) of Applicant(s):
Hamish Kent
21 Pine Street Stirling South Australia 5152 Australia
Laura Smith
21 Pine Street Stirling South Australia 5152 Australia
(72) Name(s) of Designer(s): **Hamish Kent and Laura Smith**
(45) Registration Date: **30 November 2009**
(56) Related Art Documents: **Not Applicable**
(57) Statement of Newness and Distinctiveness: **Resides in the shape and configuration of the pattern as applied to the clothing article as shown.**



- (21) Design Number: **13995/2009**
(22) Date of Filing Application: **15 October 2009**
(24) Date from which industrial property rights may have effect: **15 October 2009**
(54) Product in respect of which the design is registered: **Clothing - T-shirts**
(51) International Design Classification: **02-02NES**
(71) Name(s) and Address(s) of Applicant(s):
Hamish Kent
21 Pine Street Stirling South Australia 5152 Australia
Laura Smith
21 Pine Street Stirling South Australia 5152 Australia
(72) Name(s) of Designer(s): **Hamish Kent and Laura Smith**
(45) Registration Date: **30 November 2009**
(56) Related Art Documents: **Not Applicable**
(57) Statement of Newness and Distinctiveness: **Resides in the shape and configuration of the pattern as applied to the clothing article as shown.**



(21) Design Number: **14066/2009**

(22) Date of Filing Application: **21 October 2009**

(24) Date from which industrial property rights may have effect: **21 October 2009**

(54) Product in respect of which the design is registered: **Beverage container**

(51) International Design Classification: **07-01C**

(71) Name(s) and Address(s) of Applicant(s):

Pacific Market International, LLC
2401 Elliott Avenue Fourth Floor Seattle WA 98121 United States of America

(72) Name(s) of Designer(s): **Andrew C.F. Wahl**

(45) Registration Date: **30 November 2009**

(30) Convention priority data:

(31) Number	(32) Date	(33) Country
29/336,882	11 May 2009	UNITED STATES OF AMERICA

(56) Related Art Documents: **Not Applicable**

(57) Statement of Newness and Distinctiveness: **The shape and configuration of those parts of the product shown other than by means of broken lines in the representations are new and distinctive.**



(21) Design Number: **13676/2009**

(22) Date of Filing Application: **25 September 2009**

(24) Date from which industrial property rights may have effect: **25 September 2009**

(54) Product in respect of which the design is registered: **Drinking tumbler**

(51) International Design Classification: **07-01C**

(71) Name(s) and Address(s) of Applicant(s):

Nicolaas Aarnoudse
Boerhavelaan 23 NL-2992 KB Barendrecht The Netherlands
Adrianus J.M. Willemsen
C/- Boerhavelaan 23 NL-2992 KB Barendrecht The Netherlands

(72) Name(s) of Designer(s): **Adrianus J.M. Willemsen**

(45) Registration Date: **01 December 2009**

(30) Convention priority data:

(31) Number	(32) Date	(33) Country
001609934-0001	10 Sep 2009	EUROPEAN COMMUNITY

(56) Related Art Documents: **Not Applicable**

(57) Statement of Newness and Distinctiveness: **Nil**



(21) Design Number: **13901/2009**

(22) Date of Filing Application: **09 October 2009**

(24) Date from which industrial property rights may have effect: **09 October 2009**

(54) Product in respect of which the design is registered: **Beverage container**

(51) International Design Classification: **09-01B**

(71) Name(s) and Address(s) of Applicant(s):

Pacific Market International, LLC
2401 Elliott Avenue Fourth Floor Seattle WA 98121 United States of America

(72) Name(s) of Designer(s): **Sarah Danger George**

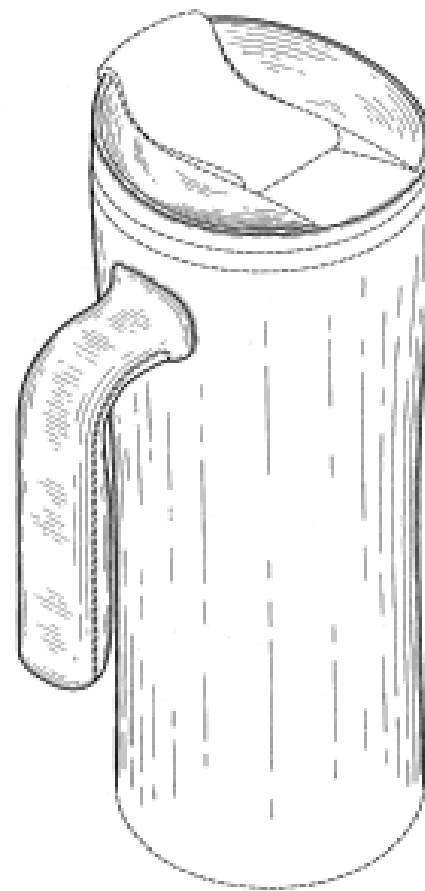
(45) Registration Date: **01 December 2009**

(30) Convention priority data:

(31) Number	(32) Date	(33) Country
29/335,453	16 Apr 2009	UNITED STATES OF AMERICA

(56) Related Art Documents: **Not Applicable**

(57) Statement of Newness and Distinctiveness: **The shape and configuration of those parts of the design shown by means of solid lines in the representations are new and distinctive.**



(21) Design Number: **14013/2009**

(22) Date of Filing Application: **19 October 2009**

(24) Date from which industrial property rights may have effect: **19 October 2009**

(54) Product in respect of which the design is registered: **Stationary training bicycle**

(51) International Design Classification: **21-02F**

(71) Name(s) and Address(s) of Applicant(s):

Lamiflex S.p.A.
Via Ernesto De Angeli 51 24028 Ponte Nossa Italy

(72) Name(s) of Designer(s): **Luca Schieppati**

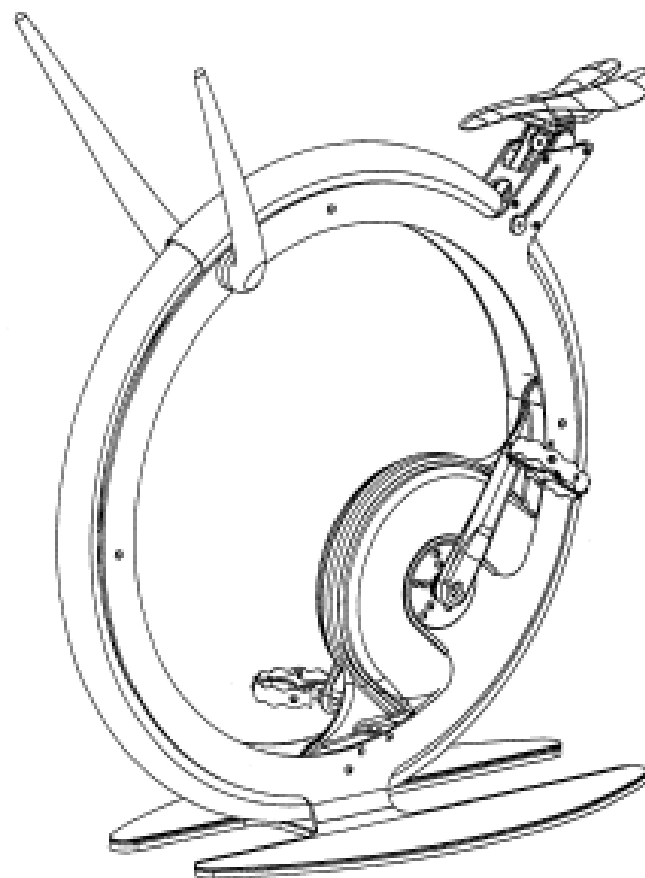
(45) Registration Date: **01 December 2009**

(30) Convention priority data:

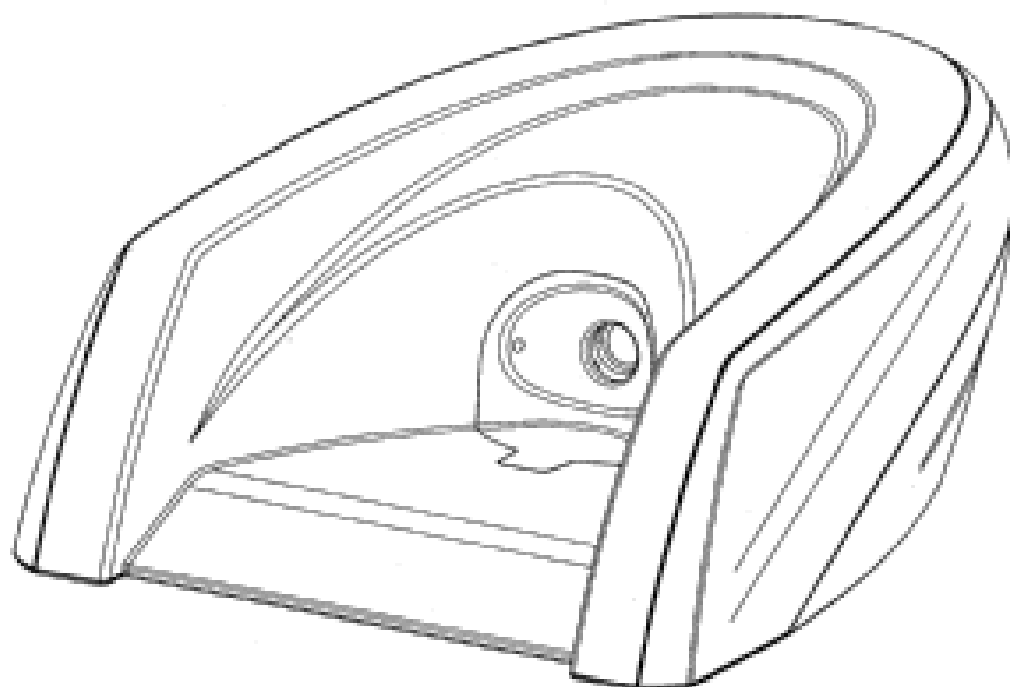
(31) Number	(32) Date	(33) Country
001129134	24 Apr 2009	ITALY

(56) Related Art Documents: **Not Applicable**

(57) Statement of Newness and Distinctiveness: **Nil**



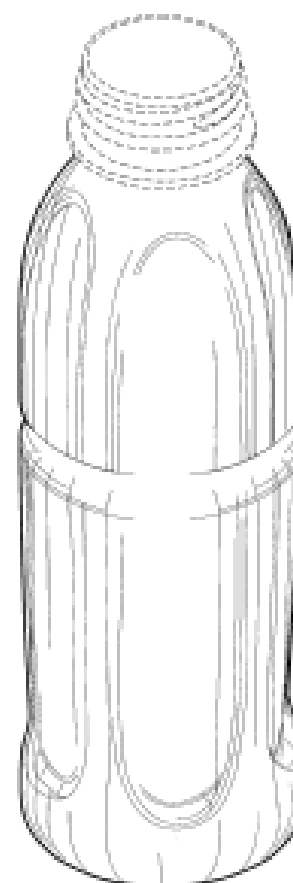
- (21) Design Number: **14269/2009**
(22) Date of Filing Application: **04 November 2009**
(24) Date from which industrial property rights may have effect: **04 November 2009**
(54) Product in respect of which the design is registered: **Greenmaster Pro - training aid in sport of golf**
(51) International Design Classification: **21-02C**
(71) Name(s) and Address(s) of Applicant(s):
Boost Pty Ltd
Level 1 220 Chapel Street Prahran Victoria 3181 Australia
(72) Name(s) of Designer(s): **Marc Fraser and Anthony C. Wong**
(45) Registration Date: **01 December 2009**
(56) Related Art Documents: **Not Applicable**
(57) Statement of Newness and Distinctiveness: **Nil**



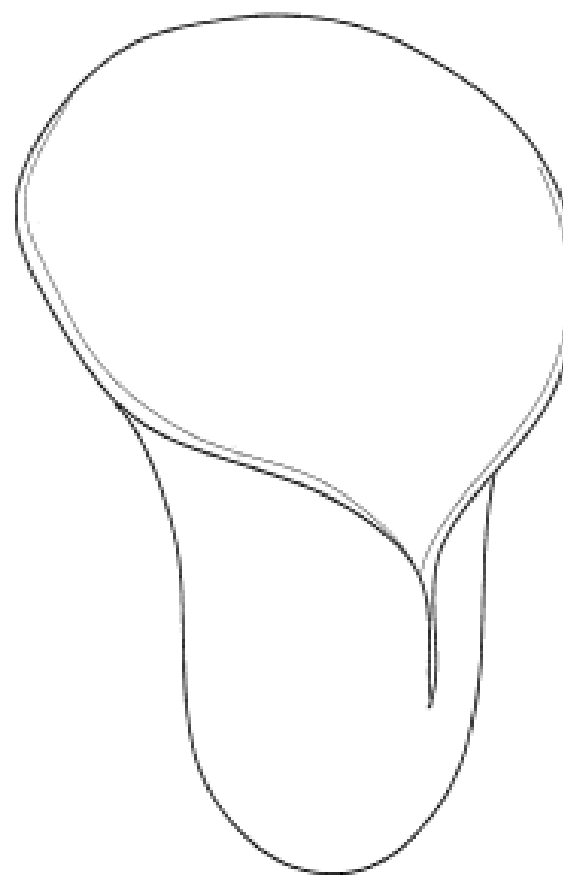
- (21) Design Number: **14291/2009**
(22) Date of Filing Application: **04 November 2009**
(24) Date from which industrial property rights may have effect: **04 November 2009**
(54) Product in respect of which the design is registered: **A container**
(51) International Design Classification: **09-01K**
(71) Name(s) and Address(s) of Applicant(s):
David Murray Melrose
88 Balmoral Road Mount Eden Auckland 1024 New Zealand
(72) Name(s) of Designer(s): **David Murray Melrose and Tania Maria Robinson and Andrew Candy and Campbell Melrose-Allen**
(45) Registration Date: **01 December 2009**
(30) Convention priority data:

(31) Number	(32) Date	(33) Country
412360	03 Jun 2009	NEW ZEALAND

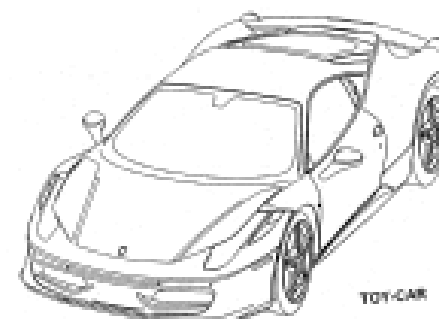
(56) Related Art Documents: **Not Applicable**
(57) Statement of Newness and Distinctiveness: **The novelty of the design is in respect of its shape or configuration excluding any novelty in its neck and base portions.**



(21) Design Number: **14292/2009**
 (22) Date of Filing Application: **04 November 2009**
 (24) Date from which industrial property rights may have effect: **04 November 2009**
 (54) Product in respect of which the design is registered: **Shaped tortilla**
 (51) International Design Classification: **01-01**
 (71) Name(s) and Address(s) of Applicant(s):
General Mills Marketing, Inc.
Number One General Mills Boulevard PO Box 1113 Minneapolis 55440
United States of America
 (72) Name(s) of Designer(s): **Jonathan M. Griebel**
 (45) Registration Date: **01 December 2009**
 (30) Convention priority data:
 (31) Number (32) Date (33) Country
29/343,772 18 Sep 2009 UNITED STATES OF AMERICA
 (56) Related Art Documents: **Not Applicable**
 (57) Statement of Newness and Distinctiveness: **Newness and distinctiveness resides in the shape and configuration of the shaped tortilla.**



(21) Design Number: **14293/2009**
 (22) Date of Filing Application: **04 November 2009**
 (24) Date from which industrial property rights may have effect: **04 November 2009**
 (54) Product in respect of which the design is registered: **Car and toy-car**
 (51) International Design Classification: **12-08, 21-01C**
 (71) Name(s) and Address(s) of Applicant(s):
Ferrari S.p.A.
Via Emilia Est 1163 I-41100 Modena Italy
 (72) Name(s) of Designer(s): **Paolo Beneggi**
 (45) Registration Date: **01 December 2009**
 (30) Convention priority data:
 (31) Number (32) Date (33) Country
001510678 13 May 2009 EUROPEAN COMMUNITY
 (56) Related Art Documents: **Not Applicable**
 (57) Statement of Newness and Distinctiveness: **Those features of the car and toy-car depicted in the representations that are new and distinctive are the shape and/or configuration.**

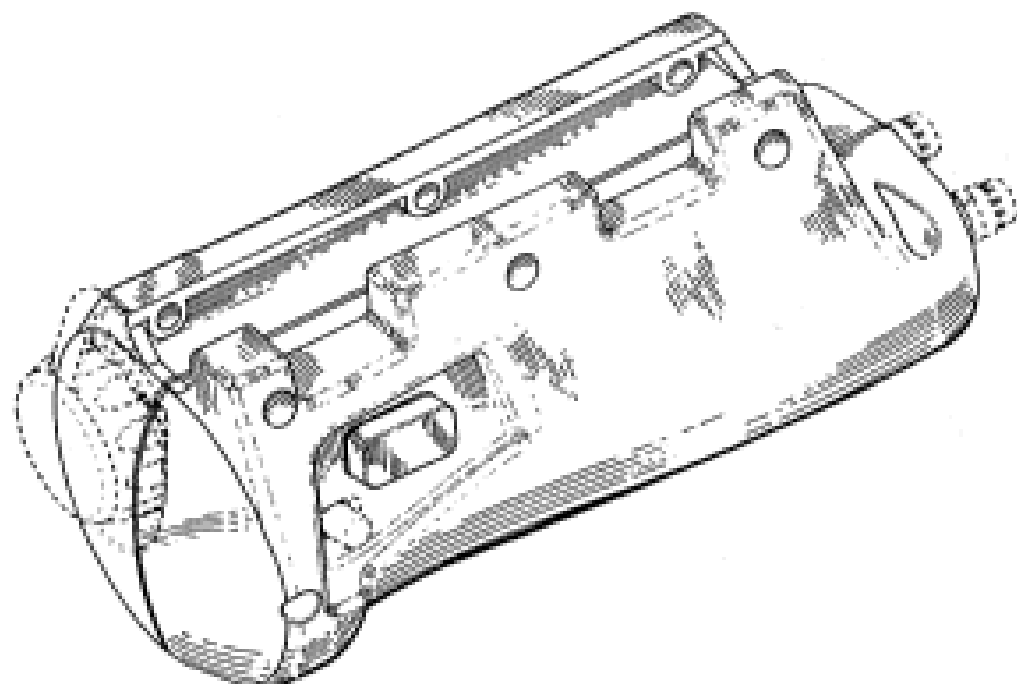


THIS PAGE IS FOR ADVERTISEMENT PURPOSES ONLY

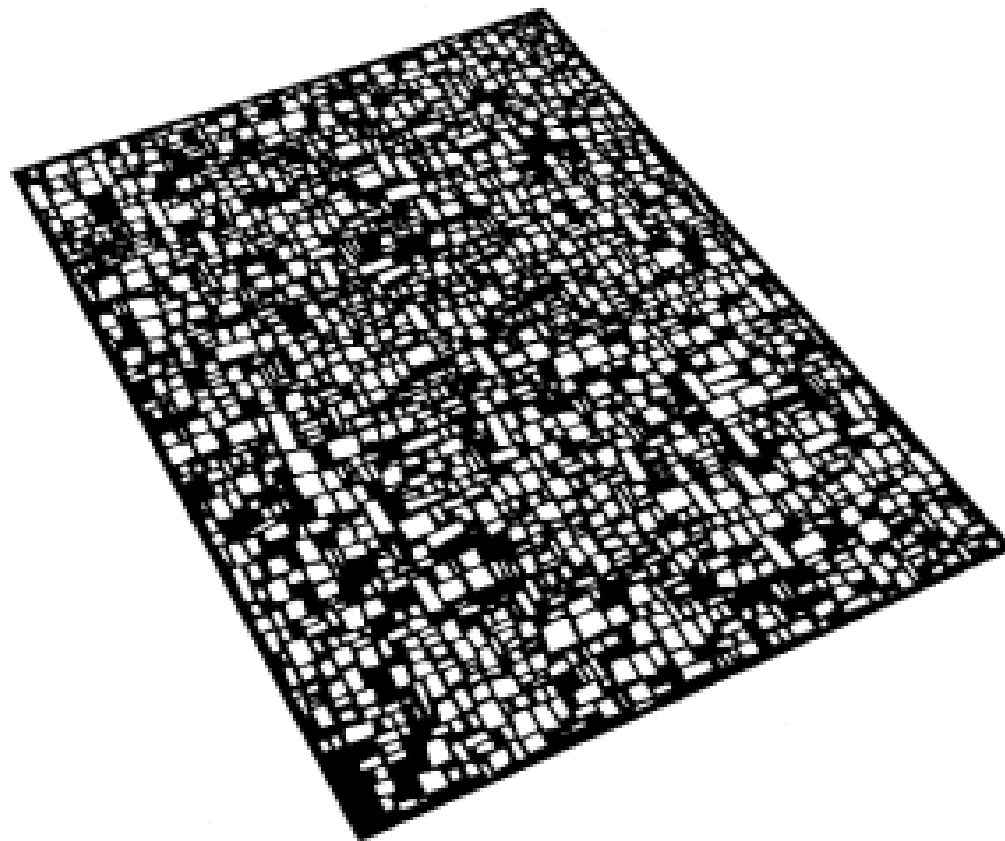
- (21) Design Number: **13675/2009**
(22) Date of Filing Application: **25 September 2009**
(24) Date from which industrial property rights may have effect: **25 September 2009**
(54) Product in respect of which the design is registered: **Drinking tumbler**
(51) International Design Classification: **07-01C**
(71) Name(s) and Address(s) of Applicant(s):
Nicolaas Aarnoudse
Boerhavelaan 23 NL-2992 KB Barendrecht The Netherlands
Adrianus J.M. Willemsen
C/- Boerhavelaan 23 NL-2992 KB Barendrecht The Netherlands
(72) Name(s) of Designer(s): **Adrianus J.M. Willemsen**
(45) Registration Date: **01 December 2009**
(30) Convention priority data:
(31) Number (32) Date (33) Country
001113328-002 27 Mar 2009 EUROPEAN COMMUNITY
(56) Related Art Documents: **Not Applicable**
(57) Statement of Newness and Distinctiveness: **Nil**



- (21) Design Number: **14206/2009**
(22) Date of Filing Application: **29 October 2009**
(24) Date from which industrial property rights may have effect: **29 October 2009**
(54) Product in respect of which the design is registered: **Data input and control device**
(51) International Design Classification: **14-02**
(71) Name(s) and Address(s) of Applicant(s):
KordTech Pty Ltd
2/37 Canberra Avenue Forrest Australian Capital Territory Australia
2603
(72) Name(s) of Designer(s): **Peter John Moran and Bruce William Macdonald and Geoffrey Stephen Woodman and Danny Gasser and Adam Fransen and Robert Tiller and Claudia Bonifer and Michael Hoppe and Joseph Ormond**
(45) Registration Date: **01 December 2009**
(56) Related Art Documents: **Not Applicable**
(57) Statement of Newness and Distinctiveness: **Newness and distinctiveness is claimed in the features of shape and configuration of a data input and control device as illustrated in the accompanying representations.**



- (21) Design Number: **14211/2009**
(22) Date of Filing Application: **28 October 2009**
(24) Date from which industrial property rights may have effect: **28 October 2009**
(54) Product in respect of which the design is registered: **Covering**
(51) International Design Classification: **05-05NES**
(71) Name(s) and Address(s) of Applicant(s):
Chilewich Sultan LLC
44 East 32nd Street New York New York 10016 United States of America
(72) Name(s) of Designer(s): **Sandra Chilewich**
(45) Registration Date: **01 December 2009**
(56) Related Art Documents: **Not Applicable**
(57) Statement of Newness and Distinctiveness: **Newness and distinctiveness resides in the features of pattern and ornamentation of a COVERING of one or more indefinite dimensions as illustrated in the accompanying representations.**



- (21) Design Number: **14212/2009**
(22) Date of Filing Application: **28 October 2009**
(24) Date from which industrial property rights may have effect: **28 October 2009**
(54) Product in respect of which the design is registered: **Covering**
(51) International Design Classification: **05-05D**
(71) Name(s) and Address(s) of Applicant(s):
Chilewich Sultan LLC
44 East 32nd Street New York New York 10016 United States of America
(72) Name(s) of Designer(s): **Sandra Chilewich**
(45) Registration Date: **01 December 2009**
(56) Related Art Documents: **Not Applicable**
(57) Statement of Newness and Distinctiveness: **Newness and distinctiveness resides in the repetitive woven pattern of the design of a COVERING of one or more indefinite dimensions as illustrated in the accompanying representations.**



(21) Design Number: **14213/2009**

(22) Date of Filing Application: **28 October 2009**

(24) Date from which industrial property rights may have effect: **28 October 2009**

(54) Product in respect of which the design is registered: **Sanitary napkin**

(51) International Design Classification: **24-04**

(71) Name(s) and Address(s) of Applicant(s):

Johnson & Johnson Ind. E Com. Ltda
Rodovia Presidente Dutra KM-154 Sao Jose dos Campos CEP
12237-350 Sao Paulo Brazil

(72) Name(s) of Designer(s): **Fernanda Bruzadin and Francisco J. V. Hernandez and Fernanda Wiermann Paques and Jonathan Wohlke**

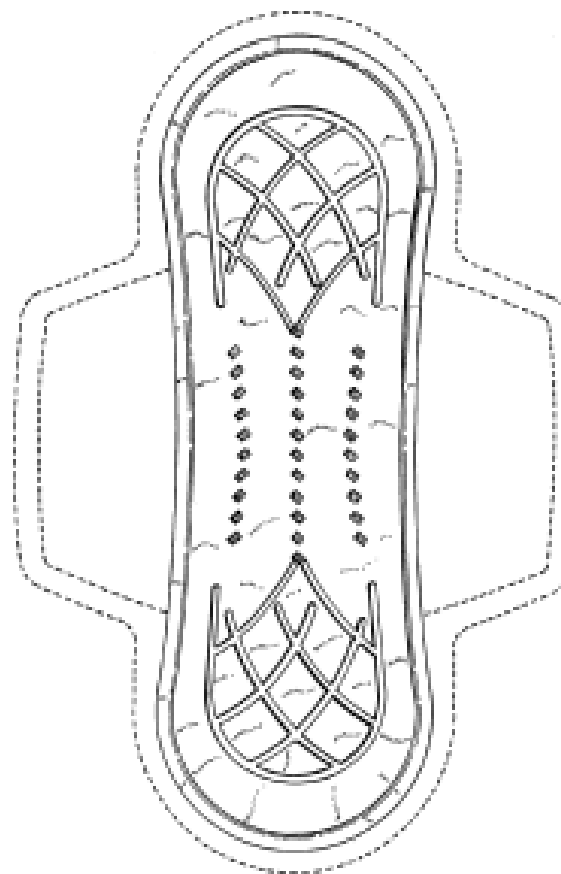
(45) Registration Date: **01 December 2009**

(30) Convention priority data:

(31) Number	(32) Date	(33) Country
29/336110	29 Apr 2009	UNITED STATES OF AMERICA

(56) Related Art Documents: **Not Applicable**

(57) Statement of Newness and Distinctiveness: **Nil**



(21) Design Number: **14214/2009**

(22) Date of Filing Application: **28 October 2009**

(24) Date from which industrial property rights may have effect: **28 October 2009**

(54) Product in respect of which the design is registered: **Sanitary napkin**

(51) International Design Classification: **24-04**

(71) Name(s) and Address(s) of Applicant(s):

Johnson & Johnson Ind. E Com. Ltda
Rodovia Presidente Dutra KM-154 Sao Jose dos Campos CEP
12237-350 Sao Paulo Brazil

(72) Name(s) of Designer(s): **Fernanda Bruzadin and Francisco J. V. Hernandez and Fernanda Wiermann Paques and Jonathan Wohlke**

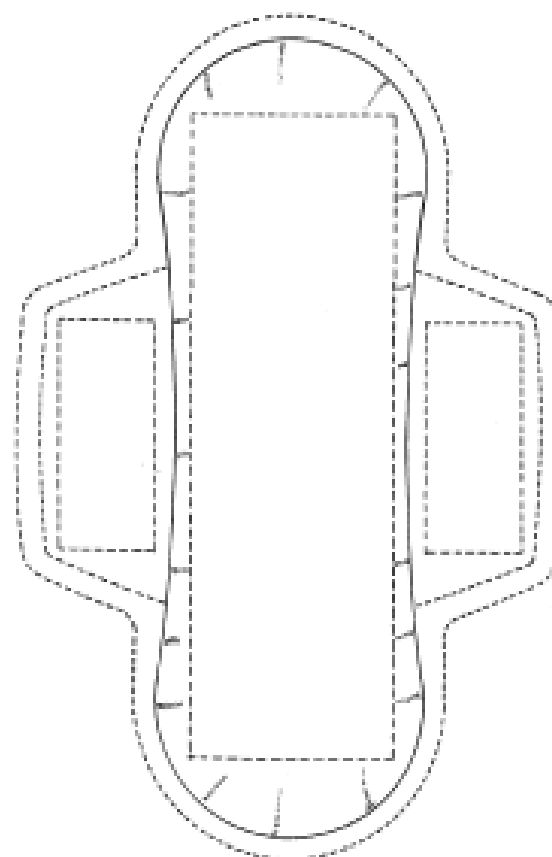
(45) Registration Date: **01 December 2009**

(30) Convention priority data:

(31) Number	(32) Date	(33) Country
29/336110	29 Apr 2009	UNITED STATES OF AMERICA

(56) Related Art Documents: **Not Applicable**

(57) Statement of Newness and Distinctiveness: **Nil**



(21) Design Number: **14215/2009**

(22) Date of Filing Application: **28 October 2009**

(24) Date from which industrial property rights may have effect: **28 October 2009**

(54) Product in respect of which the design is registered: **Sanitary napkin**

(51) International Design Classification: **24-04**

(71) Name(s) and Address(s) of Applicant(s):

Johnson & Johnson Ind. E Com. Ltda
Rodovia Presidente Dutra KM-154 Sao Jose dos Campos CEP
12237-350 Sao Paulo Brazil

(72) Name(s) of Designer(s): **Fernanda Bruzadin and Francisco J. V. Hernandez and Fernanda Wiermann Paques and Jonathan Wohlke**

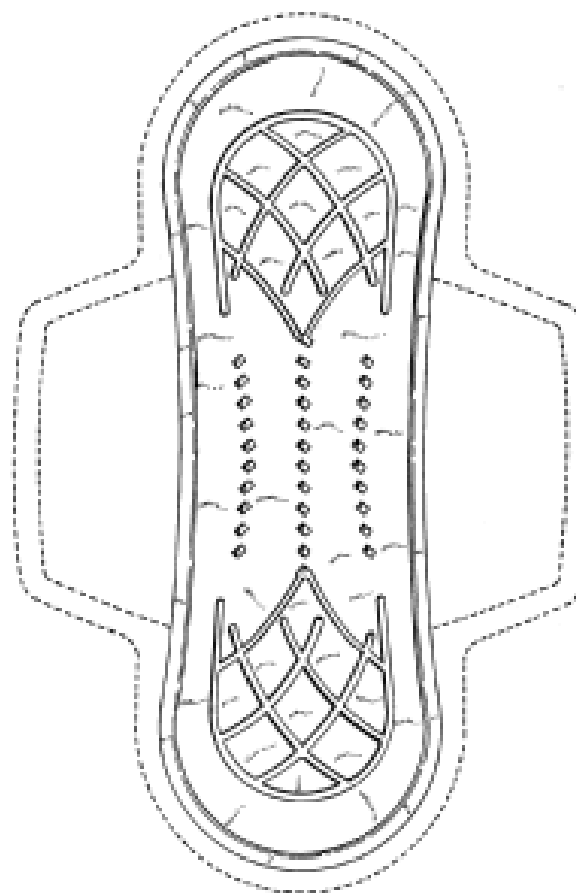
(45) Registration Date: **01 December 2009**

(30) Convention priority data:

(31) Number	(32) Date	(33) Country
29/336110	29 Apr 2009	UNITED STATES OF AMERICA

(56) Related Art Documents: **Not Applicable**

(57) Statement of Newness and Distinctiveness: **Nil**



(21) Design Number: **14216/2009**

(22) Date of Filing Application: **28 October 2009**

(24) Date from which industrial property rights may have effect: **28 October 2009**

(54) Product in respect of which the design is registered: **Sanitary napkin**

(51) International Design Classification: **24-04**

(71) Name(s) and Address(s) of Applicant(s):

Johnson & Johnson Ind. E Com. Ltda
Rodovia Presidente Dutra KM-154 Sao Jose dos Campos CEP
12237-350 Sao Paulo Brazil

(72) Name(s) of Designer(s): **Fernanda Bruzadin and Francisco J. V. Hernandez and Fernanda Wiermann Paques and Jonathan Wohlke**

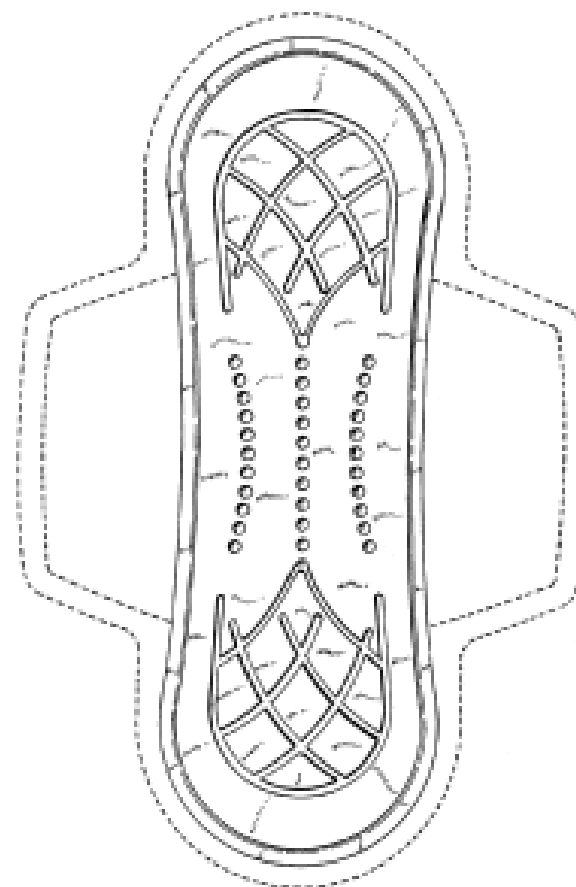
(45) Registration Date: **01 December 2009**

(30) Convention priority data:

(31) Number	(32) Date	(33) Country
29/336110	29 Apr 2009	UNITED STATES OF AMERICA

(56) Related Art Documents: **Not Applicable**

(57) Statement of Newness and Distinctiveness: **Nil**



(21) Design Number: **14217/2009**

(22) Date of Filing Application: **28 October 2009**

(24) Date from which industrial property rights may have effect: **28 October 2009**

(54) Product in respect of which the design is registered: **Sanitary napkin**

(51) International Design Classification: **24-04**

(71) Name(s) and Address(s) of Applicant(s):

Johnson & Johnson Ind. E Com. Ltda
Rodovia Presidente Dutra KM-154 Sao Jose dos Campos CEP
12237-350 Sao Paulo Brazil

(72) Name(s) of Designer(s): **Fernanda Bruzadin and Francisco J. V. Hernandez and Fernanda Wiermann Paques and Jonathan Wohlke**

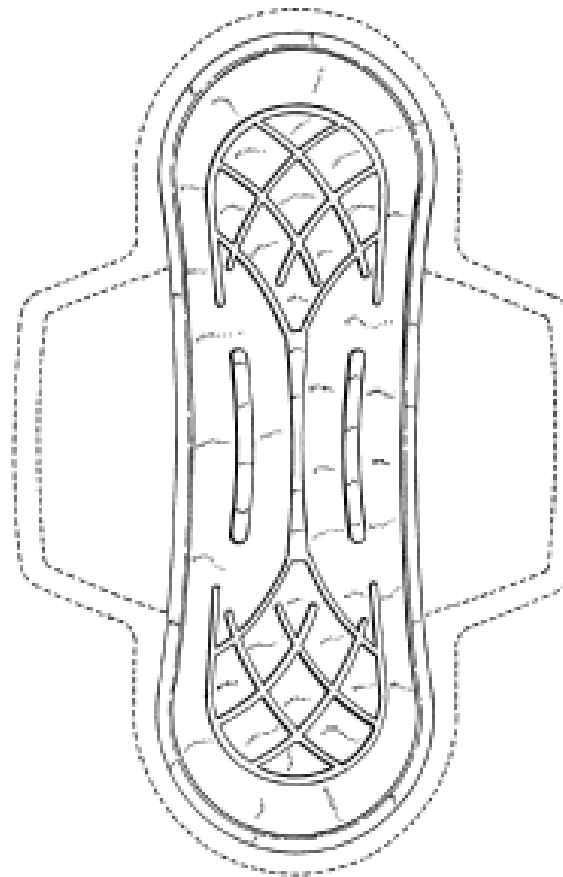
(45) Registration Date: **01 December 2009**

(30) Convention priority data:

(31) Number	(32) Date	(33) Country
29/336110	29 Apr 2009	UNITED STATES OF AMERICA

(56) Related Art Documents: **Not Applicable**

(57) Statement of Newness and Distinctiveness: **Nil**



(21) Design Number: **14221/2009**

(22) Date of Filing Application: **29 October 2009**

(24) Date from which industrial property rights may have effect: **29 October 2009**

(54) Product in respect of which the design is registered: **Storage locker unit**

(51) International Design Classification: **06-04B**

(71) Name(s) and Address(s) of Applicant(s):

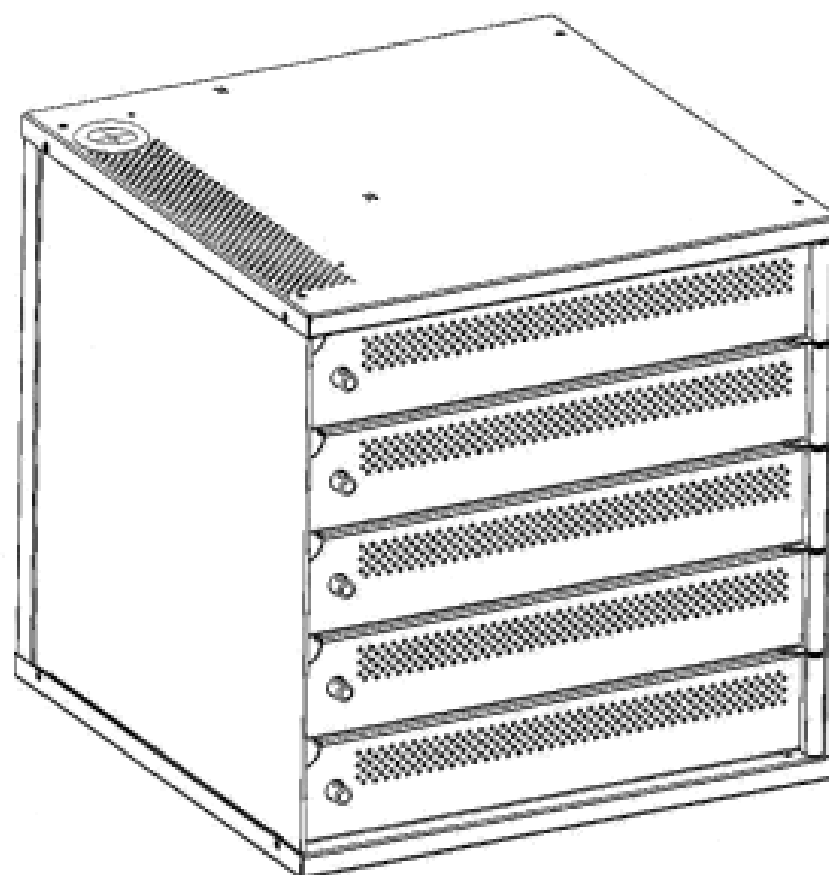
PC Locs Pty Ltd
187 Mulgul Road Malaga Western Australia 6090 Australia

(72) Name(s) of Designer(s): **David Shawcross and Benjamin Stephen Sullivan**

(45) Registration Date: **01 December 2009**

(56) Related Art Documents: **Not Applicable**

(57) Statement of Newness and Distinctiveness: **Newness and distinctive is claimed in the rectangular shape and configuration of the storage locker unit with hinged access doors one side thereof, as shown in the representations. The arrangement and shape of ventilation holes in the storage locker unit can vary. The actual number of hinged access doors can also vary.**



(21) Design Number: **14222/2009**

(22) Date of Filing Application: **29 October 2009**

(24) Date from which industrial property rights may have effect: **29 October 2009**

(54) Product in respect of which the design is registered: **Drinking cup**

(51) International Design Classification: **07-01E**

(71) Name(s) and Address(s) of Applicant(s):

**Jackel International Limited
Dudley Lane Cramlington Northumberland NE23 7RH United Kingdom**

(72) Name(s) of Designer(s): **Tom Cotton and Ian Webb and Mark Armstrong and Paul Schofield**

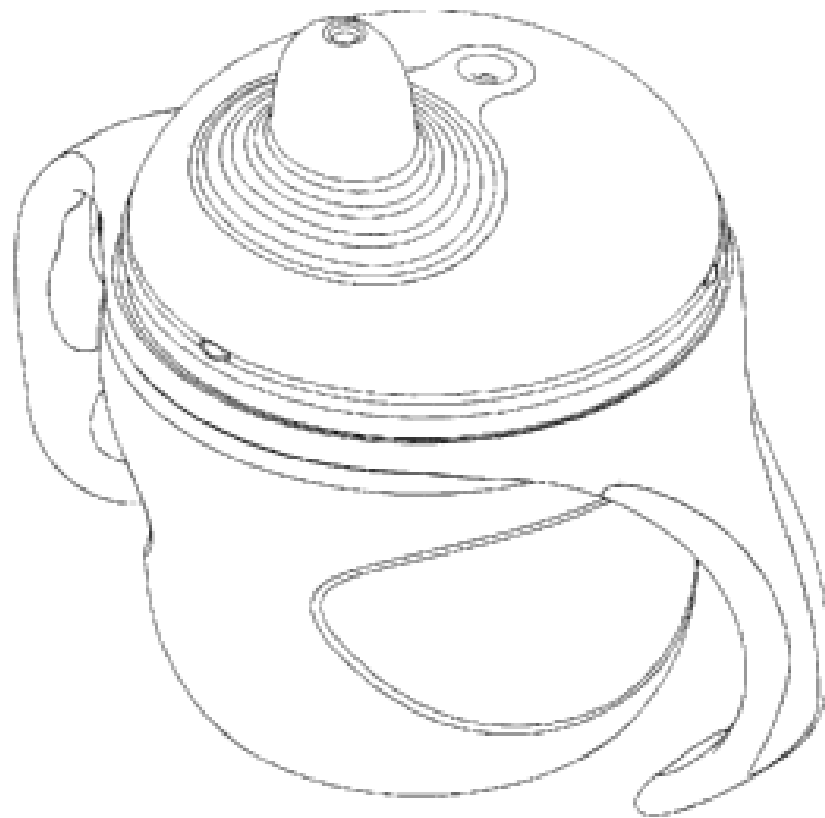
(45) Registration Date: **01 December 2009**

(30) Convention priority data:

(31) Number	(32) Date	(33) Country
001171391-0002	12 Oct 2009	EUROPEAN COMMUNITY

(56) Related Art Documents: **Not Applicable**

(57) Statement of Newness and Distinctiveness: **Newness and distinctiveness resides in the features of shape and/or configuration of a drinking cup as shown in the accompanying representations.**



(21) Design Number: **14247/2009**

(22) Date of Filing Application: **29 October 2009**

(24) Date from which industrial property rights may have effect: **29 October 2009**

(54) Product in respect of which the design is registered: **Plug for a fishing lure**

(51) International Design Classification: **22-05**

(71) Name(s) and Address(s) of Applicant(s):

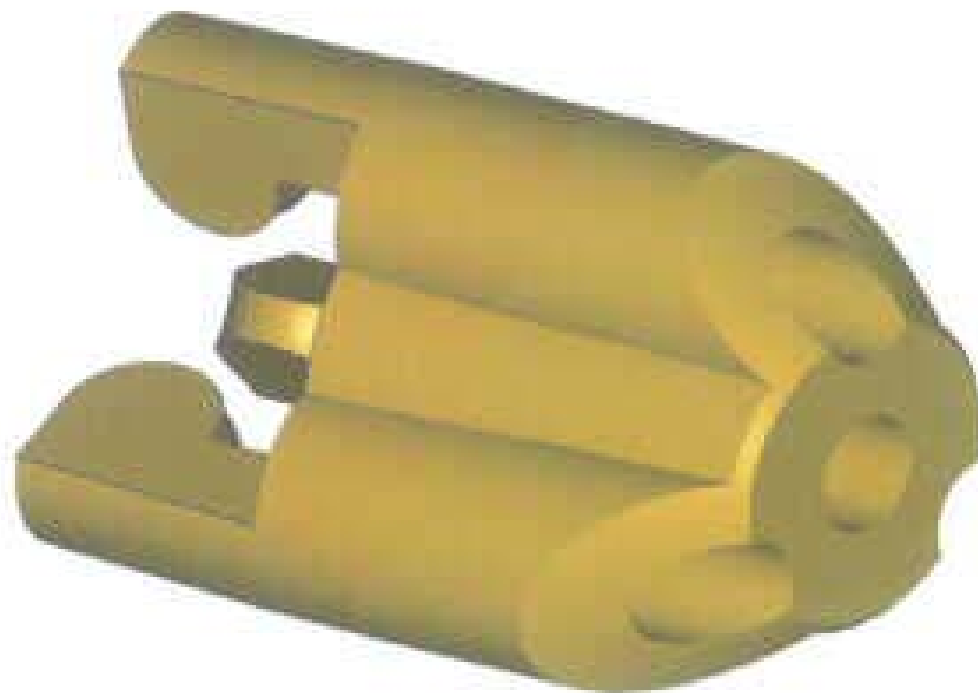
**Peter Somogyi
8 Carlyle Street Enfield New South Wales 2136 Australia**

(72) Name(s) of Designer(s): **Peter Somogyi**

(45) Registration Date: **01 December 2009**

(56) Related Art Documents: **Not Applicable**

(57) Statement of Newness and Distinctiveness: **Nil**



(21) Design Number: **14248/2009**
(22) Date of Filing Application: **30 October 2009**
(24) Date from which industrial property rights may have effect: **30 October 2009**
(54) Product in respect of which the design is registered: **Sign support**
(51) International Design Classification: **20-03C, 20-03NES**
(71) Name(s) and Address(s) of Applicant(s):

Lars Hammar
Box 15 SE-790 21 Bjursas Sweden

(72) Name(s) of Designer(s): **Mats Andersson**

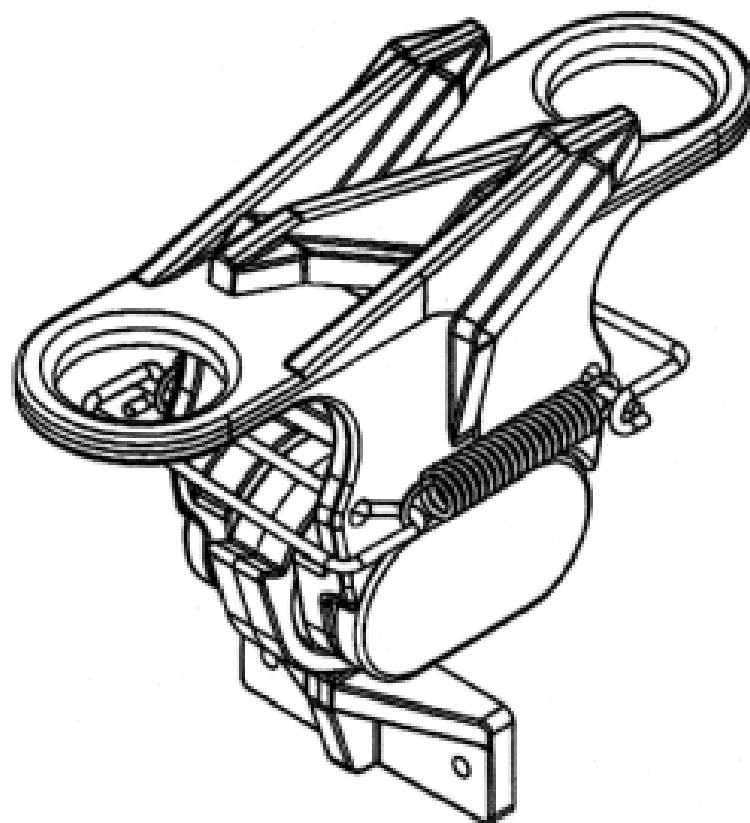
(45) Registration Date: **01 December 2009**

(30) Convention priority data:

(31) Number	(32) Date	(33) Country
001134019-0001	04 May 2009	EUROPEAN COMMUNITY

(56) Related Art Documents: **Not Applicable**

(57) Statement of Newness and Distinctiveness: **Nil**



(21) Design Number: **14250/2009**
(22) Date of Filing Application: **30 October 2009**
(24) Date from which industrial property rights may have effect: **30 October 2009**
(54) Product in respect of which the design is registered: **Food oven**
(51) International Design Classification: **23-03G**
(71) Name(s) and Address(s) of Applicant(s):

G and W Imports Ltd
PO Box 101970 North Shore Mail Centre Auckland 0745 New Zealand

(72) Name(s) of Designer(s): **Wayne Dil**

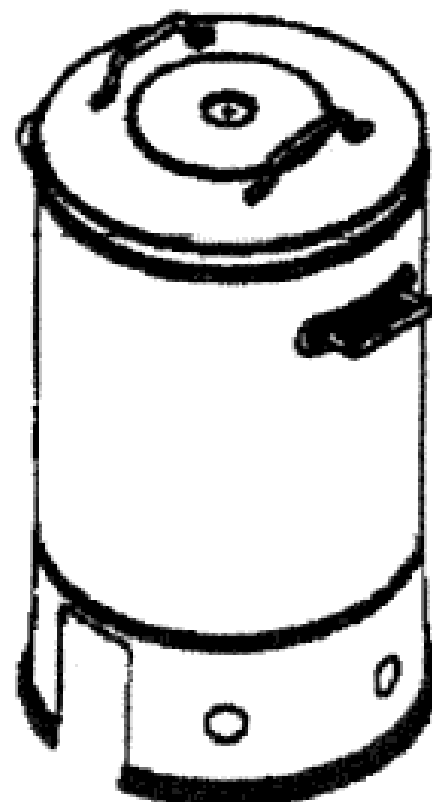
(45) Registration Date: **01 December 2009**

(30) Convention priority data:

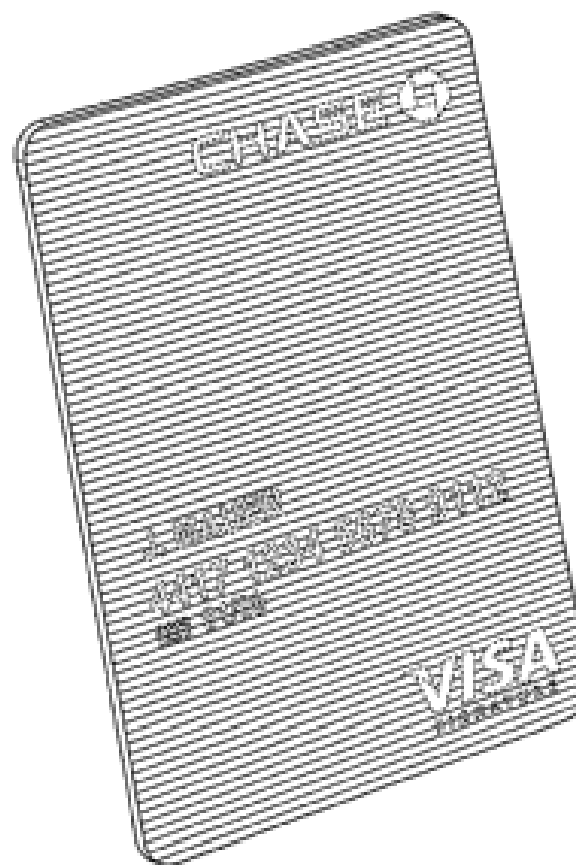
(31) Number	(32) Date	(33) Country
411751	01 Sep 2009	NEW ZEALAND

(56) Related Art Documents: **Not Applicable**

(57) Statement of Newness and Distinctiveness: **The design is applied to a food oven. The novelty resides in the features of shape and configuration of the food oven as detailed in accompanying representations.**



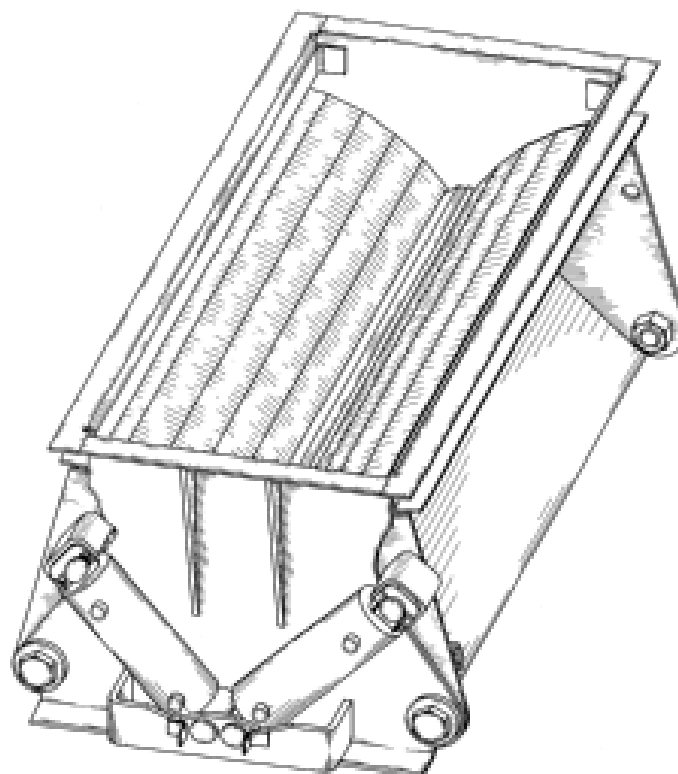
- (21) Design Number: **14251/2009**
(22) Date of Filing Application: **30 October 2009**
(24) Date from which industrial property rights may have effect: **30 October 2009**
(54) Product in respect of which the design is registered: **Vertically-oriented coloured transaction device**
(51) International Design Classification: **14-02**
(71) Name(s) and Address(s) of Applicant(s):
JPMorgan Chase Bank, N.A.
270 Park Avenue New York New York 10036 United States of America
(72) Name(s) of Designer(s): **Kathleen H. Witsil and Dori K. Skelding**
(45) Registration Date: **01 December 2009**
(30) Convention priority data:
(31) Number (32) Date (33) Country
29/336284 30 Apr 2009 UNITED STATES OF AMERICA
(56) Related Art Documents: **Not Applicable**
(57) Statement of Newness and Distinctiveness: **Newness and distinctiveness lies in the vertical orientation of the information displayed on the transaction device such that it appears transverse to the longitudinal axis of the device. No regard is to be had to the visual appearance of the specific information appearing in the design.**



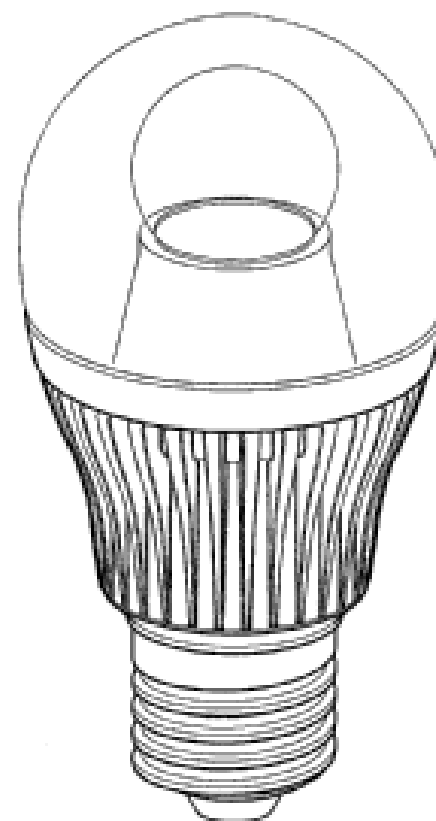
- (21) Design Number: **14252/2009**
(22) Date of Filing Application: **30 October 2009**
(24) Date from which industrial property rights may have effect: **30 October 2009**
(54) Product in respect of which the design is registered: **Vertically-oriented transaction device**
(51) International Design Classification: **14-02**
(71) Name(s) and Address(s) of Applicant(s):
JPMorgan Chase Bank, N.A.
270 Park Avenue New York New York 10036 United States of America
(72) Name(s) of Designer(s): **Kathleen H. Witsil and Dori K. Skelding**
(45) Registration Date: **01 December 2009**
(30) Convention priority data:
(31) Number (32) Date (33) Country
29/336285 30 Apr 2009 UNITED STATES OF AMERICA
(56) Related Art Documents: **Not Applicable**
(57) Statement of Newness and Distinctiveness: **Newness and distinctiveness lies in the vertical orientation of the information displayed on the transaction device such that it appears transverse to the longitudinal axis of the device. No regard is to be had to the visual appearance of the specific information appearing in the design.**



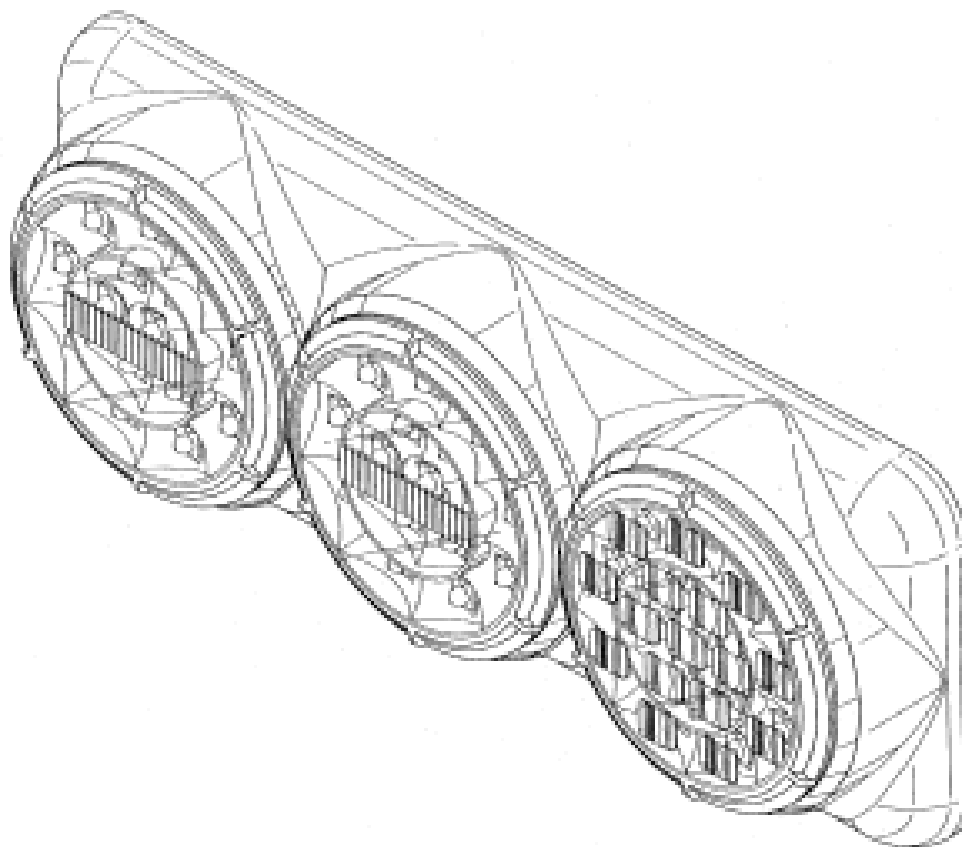
- (21) Design Number: **14253/2009**
(22) Date of Filing Application: **29 October 2009**
(24) Date from which industrial property rights may have effect: **29 October 2009**
(54) Product in respect of which the design is registered: **Ballast gate**
(51) International Design Classification: **23-01E**
(71) Name(s) and Address(s) of Applicant(s):
Georgetown Rail Equipment Company
111 Cooperative Way Suite 100 Georgetown Texas 78626 United States of America
(72) Name(s) of Designer(s): **Charles Wayne Aaron and Christopher M. Villar**
(45) Registration Date: **01 December 2009**
(30) Convention priority data:
(31) Number (32) Date (33) Country
29/336225 29 Apr 2009 UNITED STATES OF AMERICA
(56) Related Art Documents: **Not Applicable**
(57) Statement of Newness and Distinctiveness: **Newness and distinctiveness resides in the features of shape and/or configuration of a BALLAST GATE as illustrated in the accompanying representations.**



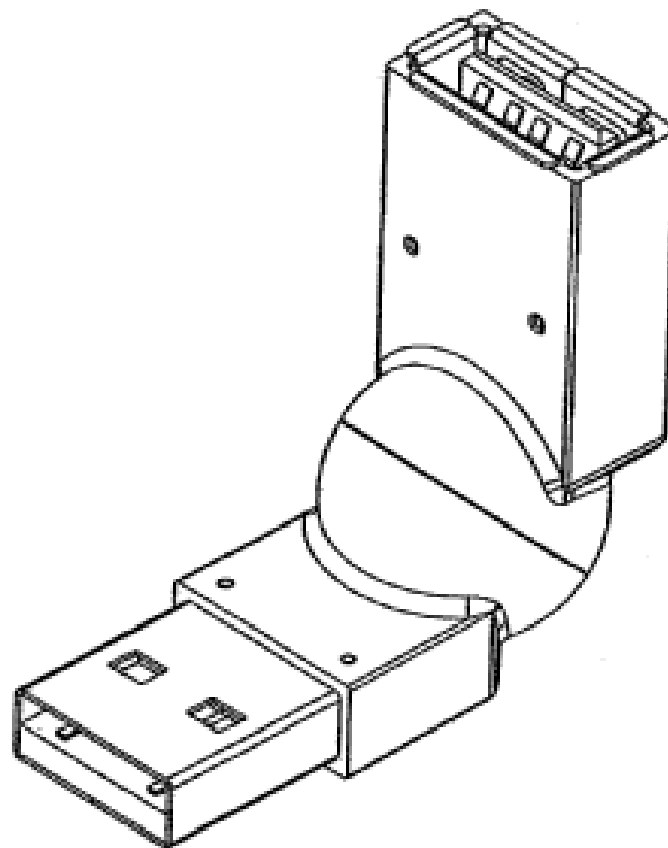
- (21) Design Number: **14255/2009**
(22) Date of Filing Application: **30 October 2009**
(24) Date from which industrial property rights may have effect: **30 October 2009**
(54) Product in respect of which the design is registered: **Solid state lighting spot**
(51) International Design Classification: **26-04**
(71) Name(s) and Address(s) of Applicant(s):
Koninklijke Philips Electronics N.V.
Groenewoudseweg 1 5621 BA Eindhoven The Netherlands
(72) Name(s) of Designer(s): **Jin-Young Song and Xiaoqing Duan and Yongsi Bi and Timothy Rider**
(45) Registration Date: **01 December 2009**
(30) Convention priority data:
(31) Number (32) Date (33) Country
001505223 04 May 2009 EUROPEAN COMMUNITY
(56) Related Art Documents: **Not Applicable**
(57) Statement of Newness and Distinctiveness: **Newness and distinctiveness reside in the features of the design as shown in the representations.**



(21) Design Number: **14270/2009**
(22) Date of Filing Application: **02 November 2009**
(24) Date from which industrial property rights may have effect: **02 November 2009**
(54) Product in respect of which the design is registered: **Vehicle lamp**
(51) International Design Classification: **26-06**
(71) Name(s) and Address(s) of Applicant(s):
Lucidity Enterprise Co., Ltd.
No. 18 Gongye 1st Road Annan Dist. Tainan City Taiwan
(72) Name(s) of Designer(s): **Chih-Pin Shen**
(45) Registration Date: **01 December 2009**
(56) Related Art Documents: **Not Applicable**
(57) Statement of Newness and Distinctiveness: **Nil**



(21) Design Number: **14271/2009**
(22) Date of Filing Application: **02 November 2009**
(24) Date from which industrial property rights may have effect: **02 November 2009**
(54) Product in respect of which the design is registered: **USB adaptor**
(51) International Design Classification: **13-03D**
(71) Name(s) and Address(s) of Applicant(s):
Sierra Wireless, Inc.
13811 Wireless Way Richmond British Columbia V6V 3A4 Canada
(72) Name(s) of Designer(s): **Paul A. Nysen and William A. Gilbert and Mahsa Nakhjiri and Christopher Vincent Fonzo**
(45) Registration Date: **01 December 2009**
(30) Convention priority data:
(31) Number (32) Date (33) Country
130672 05 May 2009 CANADA
(56) Related Art Documents: **Not Applicable**
(57) Statement of Newness and Distinctiveness: **Nil**



(21) Design Number: **14273/2009**

(22) Date of Filing Application: **04 November 2009**

(24) Date from which industrial property rights may have effect: **04 November 2009**

(54) Product in respect of which the design is registered: **Concrete screw**

(51) International Design Classification: **08-08B**

(71) Name(s) and Address(s) of Applicant(s):

Chi-Tao Huang

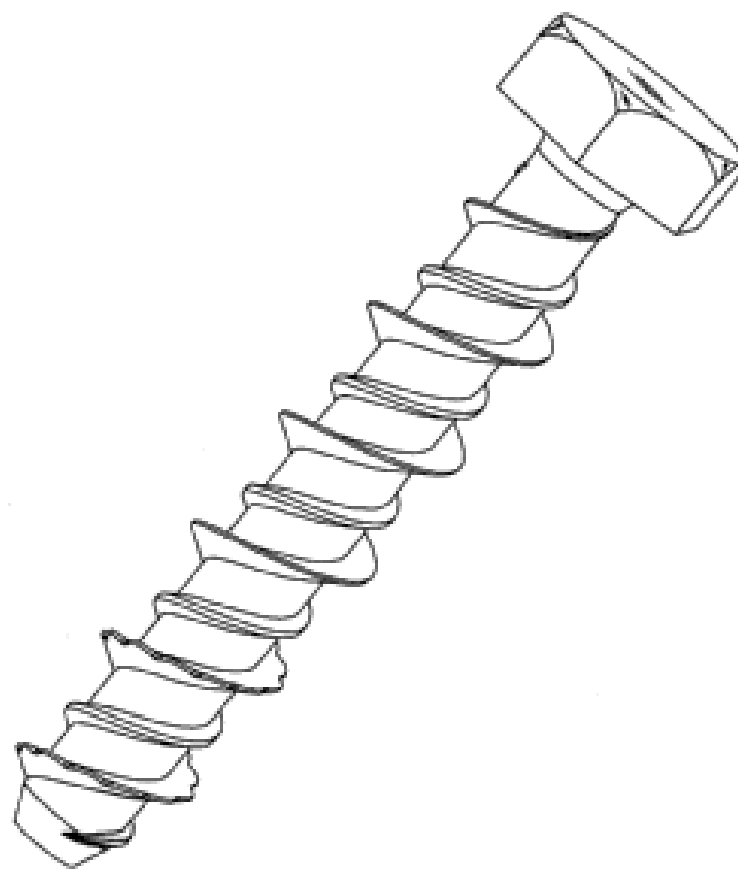
7F-1 No. 388 Sec. 1 Neihu Road Taipei City 114 Taiwan

(72) Name(s) of Designer(s): **Chi-Tao Huang**

(45) Registration Date: **01 December 2009**

(56) Related Art Documents: **Not Applicable**

(57) Statement of Newness and Distinctiveness: **Nil**



(21) Design Number: **14277/2009**

(22) Date of Filing Application: **02 November 2009**

(24) Date from which industrial property rights may have effect: **02 November 2009**

(54) Product in respect of which the design is registered: **Push button**

(51) International Design Classification: **21-03**

(71) Name(s) and Address(s) of Applicant(s):

Stargames Corporation Pty Limited

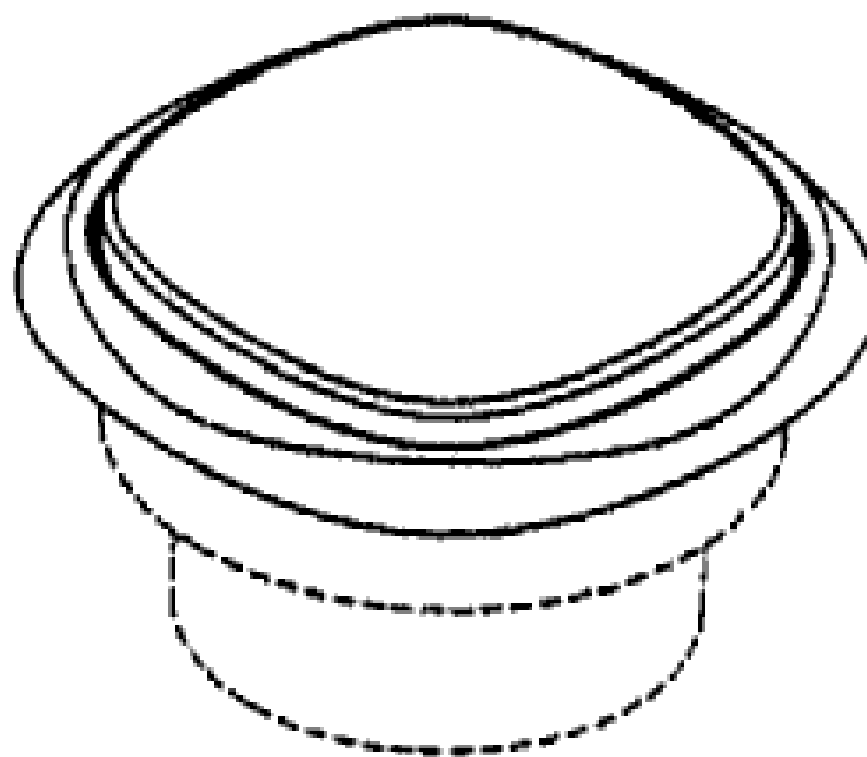
1 Sheridan Close Milperra New South Wales 2214 Australia

(72) Name(s) of Designer(s): **Brian Johnson and Jarod Pulo**

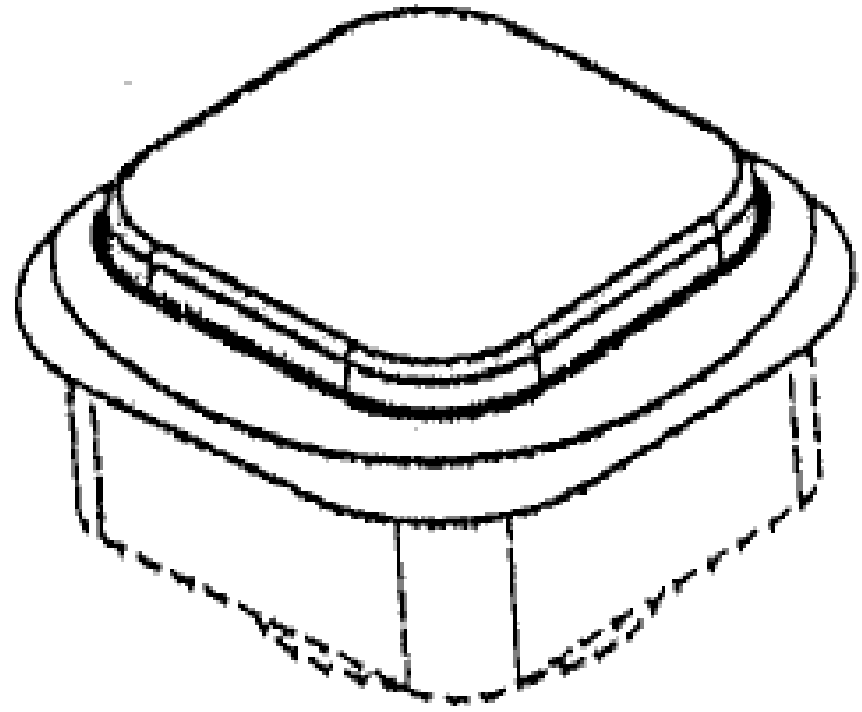
(45) Registration Date: **01 December 2009**

(56) Related Art Documents: **Not Applicable**

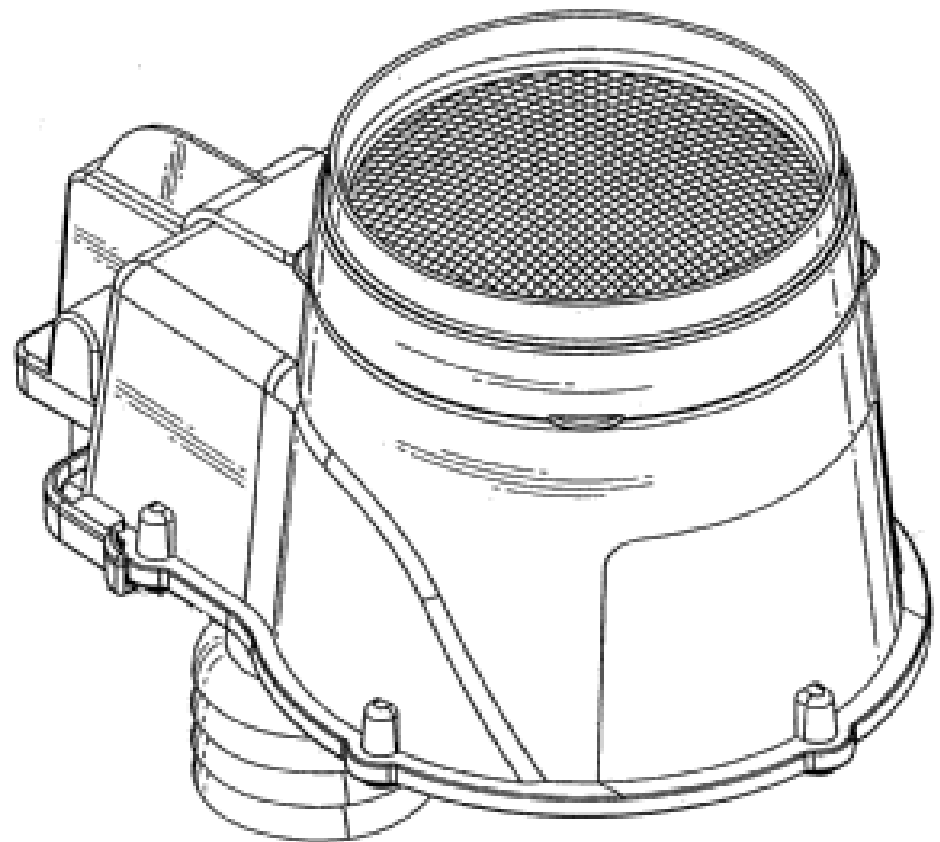
(57) Statement of Newness and Distinctiveness: **Newness and distinctiveness resides in the appearance of the upper portion of a push button. The appearance of the base portion (shown in hashed lines) is considered optional and therefore does not form part of the design.**



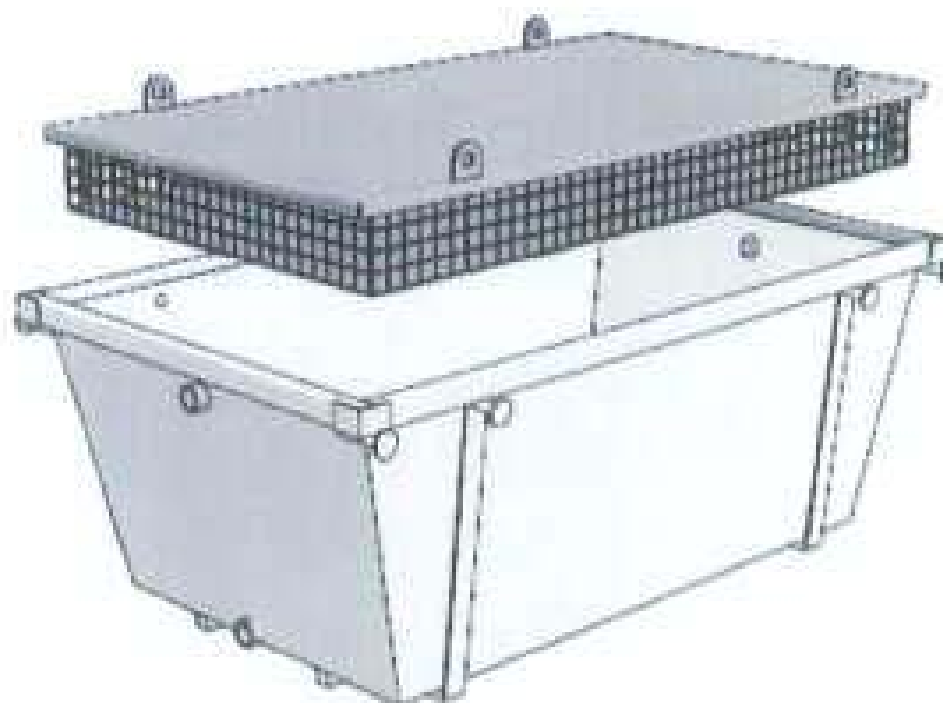
- (21) Design Number: **14278/2009**
(22) Date of Filing Application: **02 November 2009**
(24) Date from which industrial property rights may have effect: **02 November 2009**
(54) Product in respect of which the design is registered: **Push button**
(51) International Design Classification: **21-03**
(71) Name(s) and Address(s) of Applicant(s):
Stargames Corporation Pty Limited
1 Sheridan Close Milperra New South Wales 2214 Australia
(72) Name(s) of Designer(s): **Brian Johnson and Jarod Pulo**
(45) Registration Date: **01 December 2009**
(56) Related Art Documents: **Not Applicable**
(57) Statement of Newness and Distinctiveness: **Newness and distinctiveness resides in the appearance of the upper portion of a push button. The appearance of the base portion (shown in hashed lines) is considered optional and therefore does not form part of the design.**



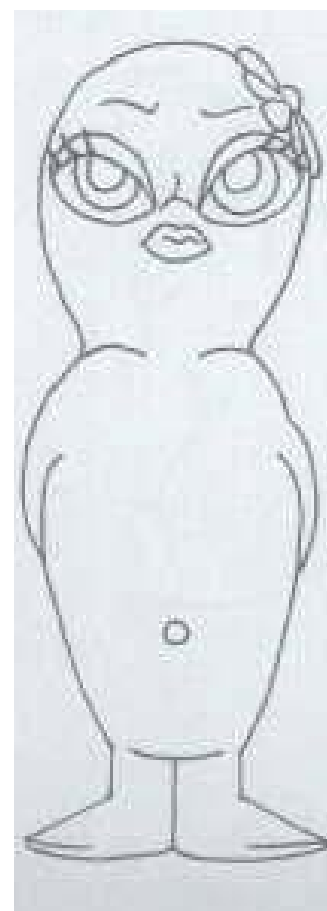
- (21) Design Number: **14279/2009**
(22) Date of Filing Application: **03 November 2009**
(24) Date from which industrial property rights may have effect: **03 November 2009**
(54) Product in respect of which the design is registered: **Sensor for irrigation control**
(51) International Design Classification: **10-05, 23-01E**
(71) Name(s) and Address(s) of Applicant(s):
Rain Bird Corporation
1000 West Sierra Madre Avenue Azusa California 91702 United States of America
(72) Name(s) of Designer(s): **Roger S. Neitzel and Robert Jenkins**
(45) Registration Date: **01 December 2009**
(30) Convention priority data:
(31) Number (32) Date (33) Country
29/336458 04 May 2009 UNITED STATES OF AMERICA
(56) Related Art Documents: **Not Applicable**
(57) Statement of Newness and Distinctiveness: **Newness and distinctiveness is claimed in those features of shape and/or configuration of a sensor for irrigation control illustrated in continuous lines in the accompanying representations, apart from the features of the mesh filter labelled 'A' in the perspective view.**



- (21) Design Number: **14280/2009**
(22) Date of Filing Application: **03 November 2009**
(24) Date from which industrial property rights may have effect: **03 November 2009**
(54) Product in respect of which the design is registered: **Portable filter apparatus**
(51) International Design Classification: **23-01G**
(71) Name(s) and Address(s) of Applicant(s):
Bioaction Pty Ltd
25 Sandra Street Jilliby New South Wales 2259 Australia
(72) Name(s) of Designer(s): **Larry Phillip Botham**
(45) Registration Date: **01 December 2009**
(56) Related Art Documents: **Not Applicable**
(57) Statement of Newness and Distinctiveness: **Newness and distinctiveness reside in the features of the design as shown in the representations.**



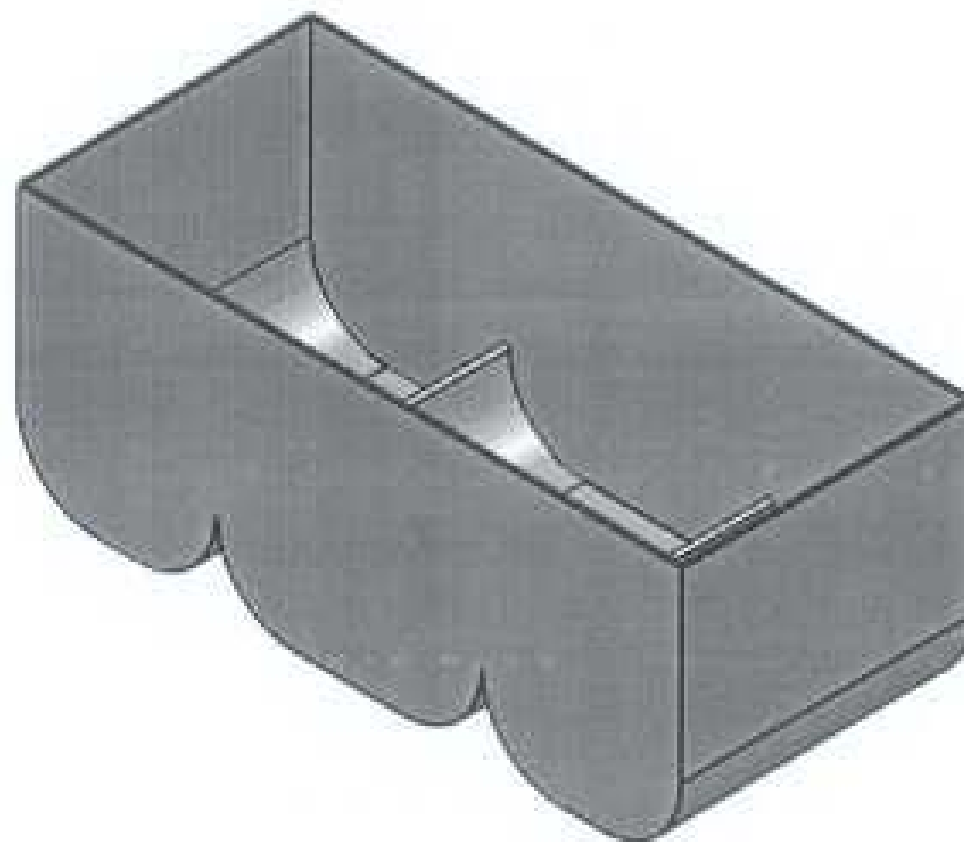
- (21) Design Number: **14282/2009**
(22) Date of Filing Application: **03 November 2009**
(24) Date from which industrial property rights may have effect: **03 November 2009**
(54) Product in respect of which the design is registered: **Toy character**
(51) International Design Classification: **21-01B**
(71) Name(s) and Address(s) of Applicant(s):
Antzpantz Creative Pty Ltd
Surry Partners Level 1 483 Riley Street Surry Hills New South Wales Australia 2010
(72) Name(s) of Designer(s): **Phil Mccann and Anthony Haworth**
(45) Registration Date: **01 December 2009**
(56) Related Art Documents: **Not Applicable**
(57) Statement of Newness and Distinctiveness: **Newness and Distinctiveness resides in the features, shape, configuration, pattern, suggested gender, identifying marks, and ornamentation of the toy character as is shown in solid lines in the accompanying representation.**



- (21) Design Number: **14298/2009**
(22) Date of Filing Application: **04 November 2009**
(24) Date from which industrial property rights may have effect: **04 November 2009**
(54) Product in respect of which the design is registered: **Cup holder**
(51) International Design Classification: **09-03E**
(71) Name(s) and Address(s) of Applicant(s):
EZI Concepts Limited
2/366 Kohimarama Road Auckland 1071 New Zealand
(72) Name(s) of Designer(s): **Graeme Zimmerman**
(45) Registration Date: **01 December 2009**
(30) Convention priority data:
(31) Number (32) Date (33) Country
412862 27 Oct 2009 NEW ZEALAND
(56) Related Art Documents: **Not Applicable**
(57) Statement of Newness and Distinctiveness: **This design is to be applied to a cup holder and novelty resides in features of shape and configuration of the article, all as shown in the accompanying representations. The shape and configuration of the plastic cups as indicated by the dashed lines is not part of the design in which novelty is claimed.**



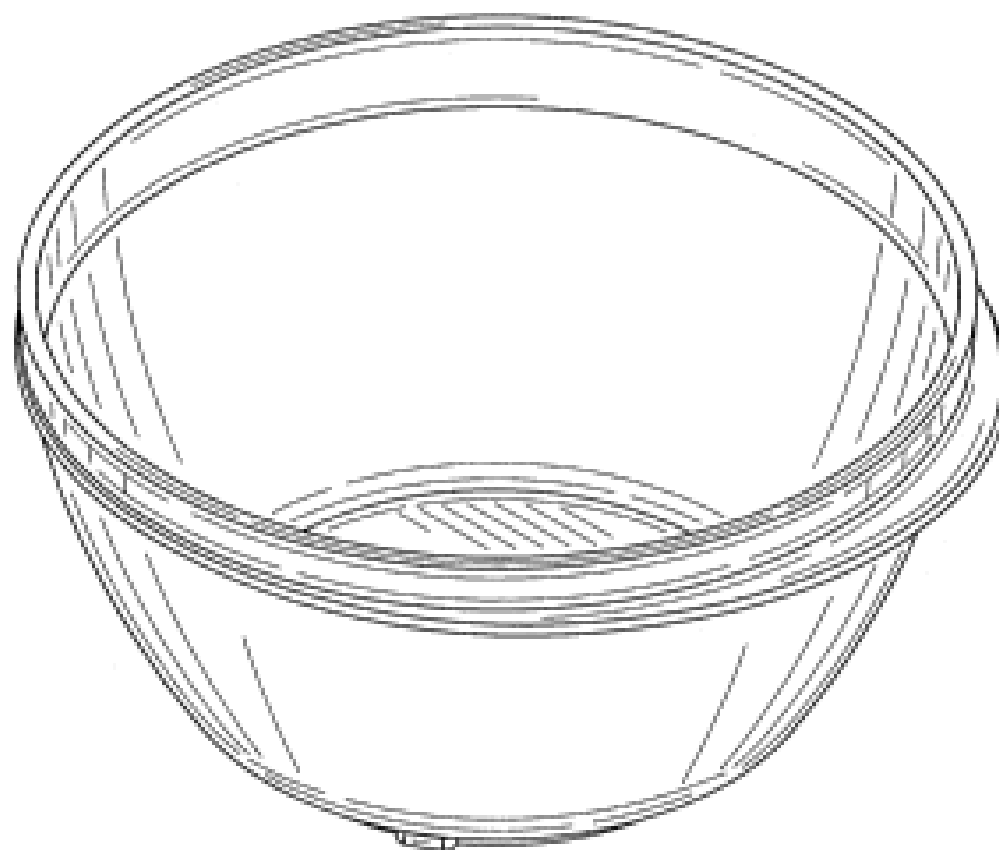
- (21) Design Number: **14472/2009**
(22) Date of Filing Application: **19 November 2009**
(24) Date from which industrial property rights may have effect: **19 November 2009**
(54) Product in respect of which the design is registered: **Oil separator tank**
(51) International Design Classification: **15-99, 23-01F, 23-01G**
(71) Name(s) and Address(s) of Applicant(s):
SEPA Pty. Ltd.
71 Glencoe Street Sutherland New South Wales 2232 Australia
(72) Name(s) of Designer(s): **Roger Andrew Minshull**
(45) Registration Date: **01 December 2009**
(56) Related Art Documents: **Not Applicable**
(57) Statement of Newness and Distinctiveness: **Monopoly is claimed in the shape and configuration of a separation tank with reference to the three lateral curved bottom sections which are distinctive and distinguish this oil separator tank from any other.**



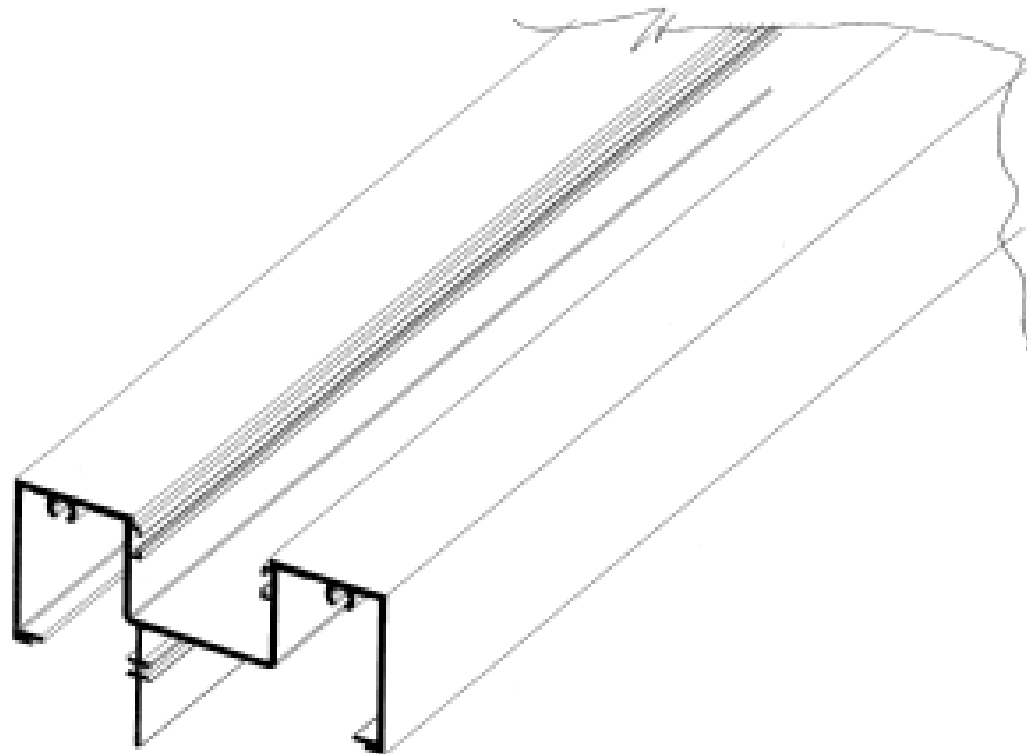
- (21) Design Number: **14476/2009**
(22) Date of Filing Application: **16 November 2009**
(24) Date from which industrial property rights may have effect: **16 November 2009**
(54) Product in respect of which the design is registered: **Salad spinner**
(51) International Design Classification: **07-04**
(71) Name(s) and Address(s) of Applicant(s):
Progressive International Corporation
6111 South 228th Street Kent WA 98032 United States of America
(72) Name(s) of Designer(s): **Lawrence M. Hauser**
(45) Registration Date: **01 December 2009**
(30) Convention priority data:
(31) Number (32) Date (33) Country
29/337,091 14 May 2009 UNITED STATES OF AMERICA
(56) Related Art Documents: **Not Applicable**
(57) Statement of Newness and Distinctiveness: **Newness and distinctiveness is in respect of the shape and configuration of the salad spinner.**



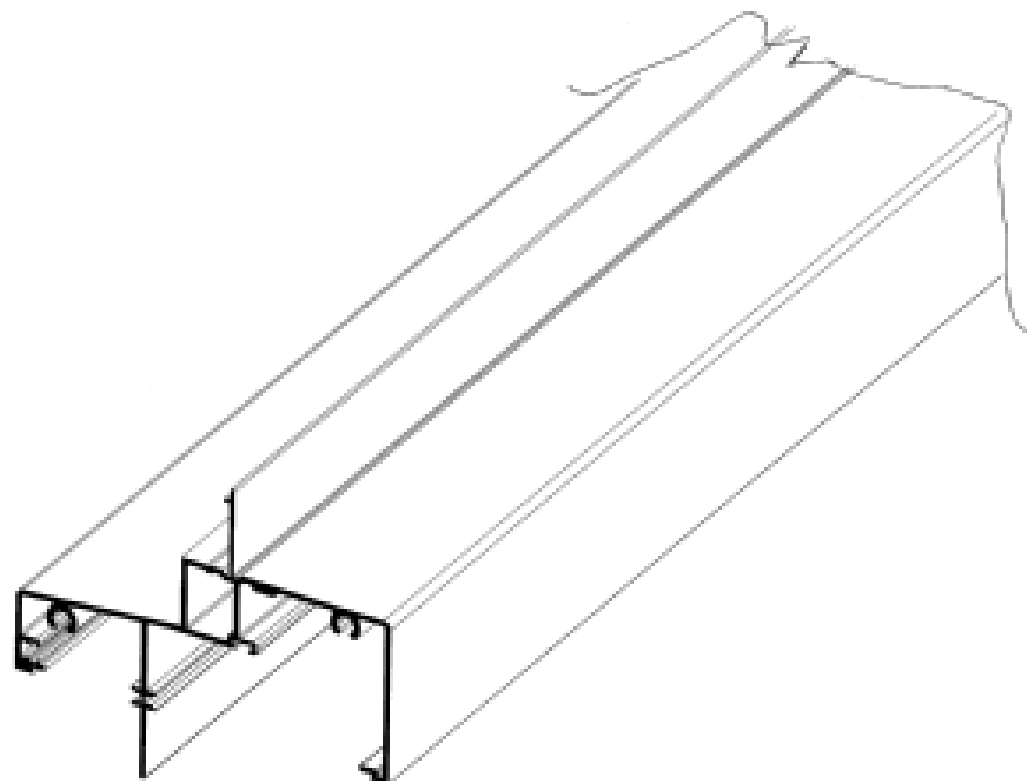
- (21) Design Number: **14304/2009**
(22) Date of Filing Application: **05 November 2009**
(24) Date from which industrial property rights may have effect: **05 November 2009**
(54) Product in respect of which the design is registered: **Container**
(51) International Design Classification: **07-01NES**
(71) Name(s) and Address(s) of Applicant(s):
Dart Industries Inc.
14901 S. Orange Blossom Trail Orlando Florida 32837 United States of America
(72) Name(s) of Designer(s): **Christian Olivari**
(45) Registration Date: **02 December 2009**
(30) Convention priority data:
(31) Number (32) Date (33) Country
29/315,292 11 Jun 2009 UNITED STATES OF AMERICA
(56) Related Art Documents: **Not Applicable**
(57) Statement of Newness and Distinctiveness: **Those features of the container depicted in the representations that are new and distinctive are the shape and/or configuration.**



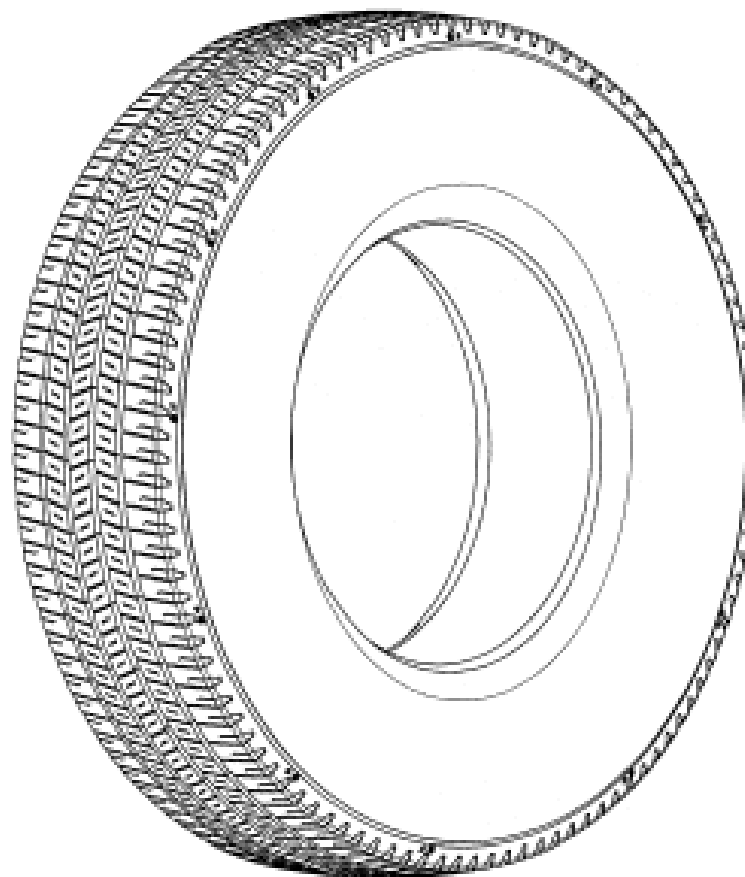
- (21) Design Number: **14311/2009**
(22) Date of Filing Application: **05 November 2009**
(24) Date from which industrial property rights may have effect: **05 November 2009**
(54) Product in respect of which the design is registered: **An extrusion**
(51) International Design Classification: **25-01K, 25-02H**
(71) Name(s) and Address(s) of Applicant(s):
Architectural Window Systems Pty Limited
76-78 Jemma Road Prestons New South Wales 2170 Australia
(72) Name(s) of Designer(s): **David John McCleary**
(45) Registration Date: **02 December 2009**
(56) Related Art Documents: **Not Applicable**
(57) Statement of Newness and Distinctiveness: **Newness and distinctiveness is claimed in the shape and/or configuration of an extrusion as illustrated by the unbroken lines in the accompanying representation/s.**



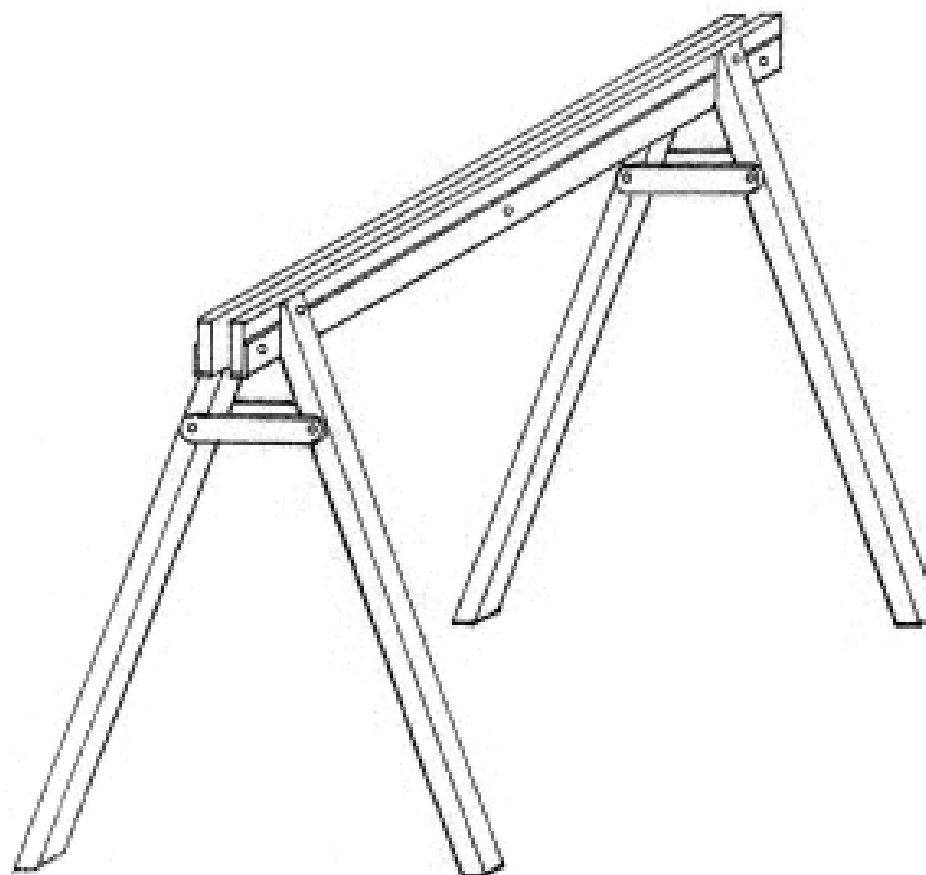
- (21) Design Number: **14312/2009**
(22) Date of Filing Application: **05 November 2009**
(24) Date from which industrial property rights may have effect: **05 November 2009**
(54) Product in respect of which the design is registered: **An extrusion**
(51) International Design Classification: **25-01K, 25-02H**
(71) Name(s) and Address(s) of Applicant(s):
Architectural Window Systems Pty Limited
76-78 Jemma Road Prestons New South Wales 2170 Australia
(72) Name(s) of Designer(s): **David John McCleary**
(45) Registration Date: **02 December 2009**
(56) Related Art Documents: **Not Applicable**
(57) Statement of Newness and Distinctiveness: **Newness and distinctiveness is claimed in the shape and/or configuration of an extrusion as illustrated by the unbroken lines in the accompanying representation/s.**



- (21) Design Number: **14313/2009**
(22) Date of Filing Application: **05 November 2009**
(24) Date from which industrial property rights may have effect: **05 November 2009**
(54) Product in respect of which the design is registered: **A tyre**
(51) International Design Classification: **12-15A**
(71) Name(s) and Address(s) of Applicant(s):
Societe De Technologie Michelin
23 rue Breschet F-63000 Clermont-Ferrand Cedex France
Michelin Recherche et Technique S.A.
Route Louis-Braille 10 et 12 CH-1763 Granges-Paccot Switzerland
(72) Name(s) of Designer(s): **Renaud Durand**
(45) Registration Date: **02 December 2009**
(30) Convention priority data:
(31) Number (32) Date (33) Country
09/2696 02 Jun 2009 FRANCE
(56) Related Art Documents: **Not Applicable**
(57) Statement of Newness and Distinctiveness: **Newness and distinctiveness resides in the shape and configuration of the tread region of the tyre as shown in the illustrations, the remainder of the tyre not forming part of the design.**



- (21) Design Number: **14283/2009**
(22) Date of Filing Application: **04 November 2009**
(24) Date from which industrial property rights may have effect: **04 November 2009**
(54) Product in respect of which the design is registered: **Folding saw horse**
(51) International Design Classification: **08-99**
(71) Name(s) and Address(s) of Applicant(s):
Ian K. Souter
1/3 Hanna Court Toowoomba Queensland 4350 Australia
(72) Name(s) of Designer(s): **Ian K. Souter**
(45) Registration Date: **02 December 2009**
(56) Related Art Documents: **Not Applicable**
(57) Statement of Newness and Distinctiveness: **The top section will hold (clamp) items.**



(21) Design Number: **14285/2009**
(22) Date of Filing Application: **03 November 2009**
(24) Date from which industrial property rights may have effect: **03 November 2009**
(54) Product in respect of which the design is registered: **Fishing rod holder**
(51) International Design Classification: **22-05**
(71) Name(s) and Address(s) of Applicant(s):
Damon Bradley
26 Cutt Street Margate Queensland 4019 Australia
(72) Name(s) of Designer(s): **Damon Bradley**
(45) Registration Date: **02 December 2009**
(56) Related Art Documents: **Not Applicable**
(57) Statement of Newness and Distinctiveness: **Nil**



(21) Design Number: **14286/2009**
(22) Date of Filing Application: **03 November 2009**
(24) Date from which industrial property rights may have effect: **03 November 2009**
(54) Product in respect of which the design is registered: **Fishing rod holder - car**
(51) International Design Classification: **22-05**
(71) Name(s) and Address(s) of Applicant(s):
Damon Bradley
26 Cutt Street Margate Queensland 4019 Australia
(72) Name(s) of Designer(s): **Damon Bradley**
(45) Registration Date: **02 December 2009**
(56) Related Art Documents: **Not Applicable**
(57) Statement of Newness and Distinctiveness: **Nil**



(21) Design Number: **14287/2009**

(22) Date of Filing Application: **03 November 2009**

(24) Date from which industrial property rights may have effect: **03 November 2009**

(54) Product in respect of which the design is registered: **Fishing rod holder**

(51) International Design Classification: **22-05**

(71) Name(s) and Address(s) of Applicant(s):

Damon Bradley

26 Cutt Street Margate Queensland 4019 Australia

(72) Name(s) of Designer(s): **Damon Bradley**

(45) Registration Date: **02 December 2009**

(56) Related Art Documents: **Not Applicable**

(57) Statement of Newness and Distinctiveness: **Nil**



(21) Design Number: **14288/2009**

(22) Date of Filing Application: **03 November 2009**

(24) Date from which industrial property rights may have effect: **03 November 2009**

(54) Product in respect of which the design is registered: **Fishing rod and drink holder**

(51) International Design Classification: **22-05**

(71) Name(s) and Address(s) of Applicant(s):

Damon Bradley

26 Cutt Street Margate Queensland 4019 Australia

(72) Name(s) of Designer(s): **Damon Bradley**

(45) Registration Date: **02 December 2009**

(56) Related Art Documents: **Not Applicable**

(57) Statement of Newness and Distinctiveness: **Nil**



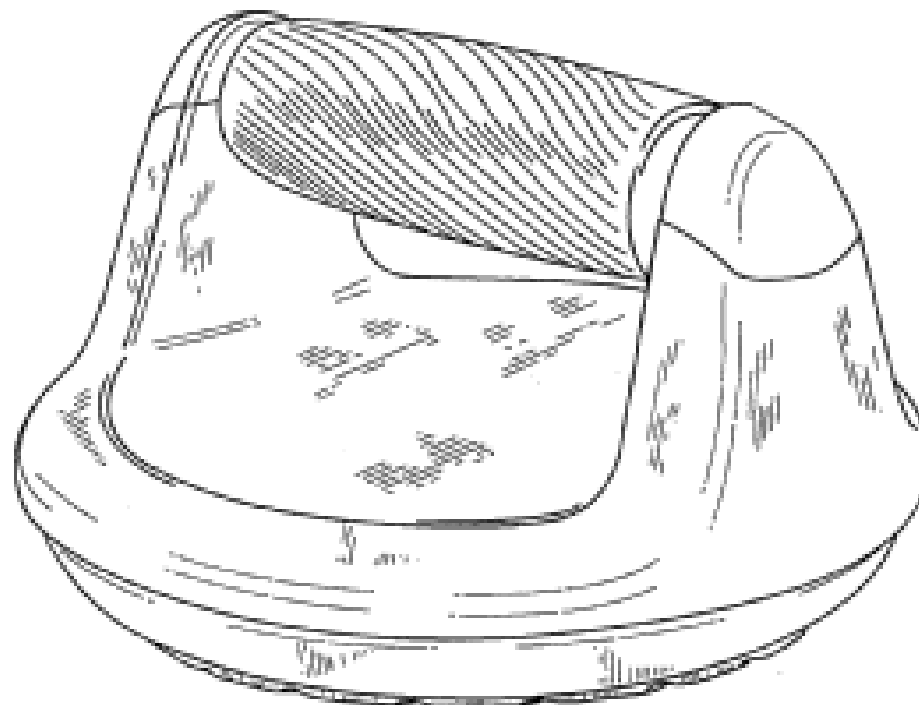
(21) Design Number: **14289/2009**
(22) Date of Filing Application: **03 November 2009**
(24) Date from which industrial property rights may have effect: **03 November 2009**
(54) Product in respect of which the design is registered: **Fishing rod holder for car**
(51) International Design Classification: **22-05**
(71) Name(s) and Address(s) of Applicant(s):
Damon Bradley
26 Cutt Street Margate Queensland 4019 Australia
(72) Name(s) of Designer(s): **Damon Bradley**
(45) Registration Date: **02 December 2009**
(56) Related Art Documents: **Not Applicable**
(57) Statement of Newness and Distinctiveness: **Nil**



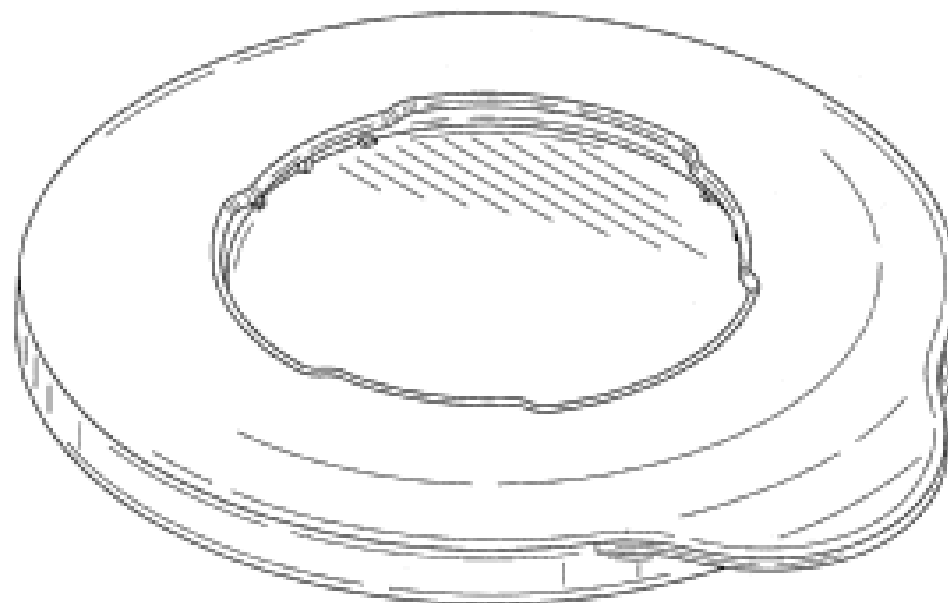
(21) Design Number: **14290/2009**
(22) Date of Filing Application: **03 November 2009**
(24) Date from which industrial property rights may have effect: **03 November 2009**
(54) Product in respect of which the design is registered: **Fishing rod storage rack**
(51) International Design Classification: **22-05**
(71) Name(s) and Address(s) of Applicant(s):
Damon Bradley
26 Cutt Street Margate Queensland 4019 Australia
(72) Name(s) of Designer(s): **Damon Bradley**
(45) Registration Date: **02 December 2009**
(56) Related Art Documents: **Not Applicable**
(57) Statement of Newness and Distinctiveness: **Nil**



(21) Design Number: **14302/2009**
 (22) Date of Filing Application: **05 November 2009**
 (24) Date from which industrial property rights may have effect: **05 November 2009**
 (54) Product in respect of which the design is registered: **Push-up exercise device**
 (51) International Design Classification: **21-02F**
 (71) Name(s) and Address(s) of Applicant(s):
Perfect Pushup, LLC
2 Belvedere Place Suite 330 Mill Valley California 94941 United States of America
 (72) Name(s) of Designer(s): **Mark B. Friedman and Stephen G. Hauser and Alden Morriss Mills and John Holland and Kevan Hollenback**
 (45) Registration Date: **02 December 2009**
 (30) Convention priority data:
 (31) Number (32) Date (33) Country
29/342,348 24 Aug 2009 UNITED STATES OF AMERICA
 (56) Related Art Documents: **Not Applicable**
 (57) Statement of Newness and Distinctiveness: **Nil**



(21) Design Number: **14303/2009**
 (22) Date of Filing Application: **05 November 2009**
 (24) Date from which industrial property rights may have effect: **05 November 2009**
 (54) Product in respect of which the design is registered: **Cover**
 (51) International Design Classification: **07-01NES**
 (71) Name(s) and Address(s) of Applicant(s):
Dart Industries Inc
14901 S. Orange Blossom Trail Orlando Florida 32837 United States of America
 (72) Name(s) of Designer(s): **Christian Olivari**
 (45) Registration Date: **02 December 2009**
 (30) Convention priority data:
 (31) Number (32) Date (33) Country
29/315,287 11 Jun 2009 UNITED STATES OF AMERICA
 (56) Related Art Documents: **Not Applicable**
 (57) Statement of Newness and Distinctiveness: **Those features of the cover depicted in the representations that are new and distinctive are the shape and/or configuration.**



(21) Design Number: 14335/2009

(22) Date of Filing Application: 06 November 2009

(24) Date from which industrial property rights may have effect: 06 November 2009

(54) Product in respect of which the design is registered: Hair dryer

(51) International Design Classification: 28-03B

(71) Name(s) and Address(s) of Applicant(s):

Conair Corporation
One Cummings Point Road Stamford Connecticut 06902 United States of America

(72) Name(s) of Designer(s): Giovanni Americano

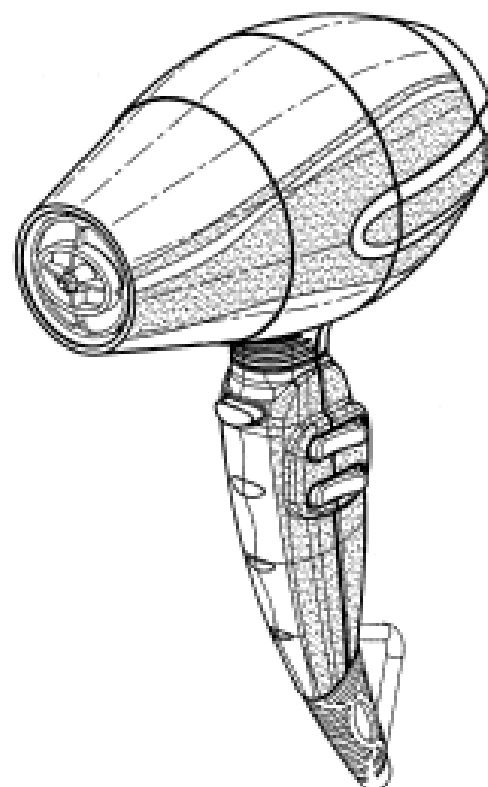
(45) Registration Date: 02 December 2009

(30) Convention priority data:

(31) Number	(32) Date	(33) Country
29/334924	06 Oct 2009	UNITED STATES OF AMERICA

(56) Related Art Documents: Not Applicable

(57) Statement of Newness and Distinctiveness: **Newness and distinctiveness is claimed in those features of shape and/or configuration of a hair dryer as illustrated in continuous lines in the accompanying representations.**



(21) Design Number: 14336/2009

(22) Date of Filing Application: 06 November 2009

(24) Date from which industrial property rights may have effect: 06 November 2009

(54) Product in respect of which the design is registered: Hair dryer

(51) International Design Classification: 28-03B

(71) Name(s) and Address(s) of Applicant(s):

Conair Corporation
One Cummings Point Road Stamford Connecticut 06902 United States of America

(72) Name(s) of Designer(s): Giovanni Americano

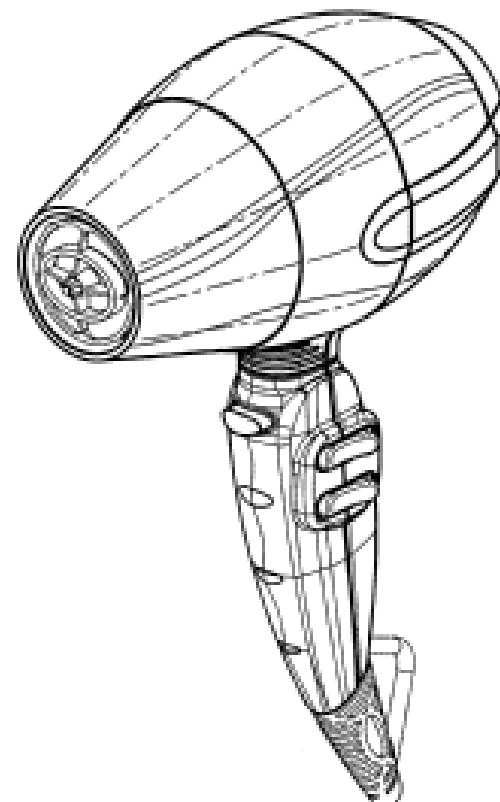
(45) Registration Date: 02 December 2009

(30) Convention priority data:

(31) Number	(32) Date	(33) Country
29/344925	06 Oct 2009	UNITED STATES OF AMERICA

(56) Related Art Documents: Not Applicable

(57) Statement of Newness and Distinctiveness: **Newness and distinctiveness is claimed in those features of shape and/or configuration of a hair dryer as illustrated in continuous lines in the accompanying representations.**



(21) Design Number: **14337/2009**

(22) Date of Filing Application: **06 November 2009**

(24) Date from which industrial property rights may have effect: **06 November 2009**

(54) Product in respect of which the design is registered: **Composter barrel**

(51) International Design Classification: **09-03G**

(71) Name(s) and Address(s) of Applicant(s):

Envirocycle Systems Inc.

1 Place du Commerce Suite 565 Verdun Quebec H3E 1A2 Canada

(72) Name(s) of Designer(s): **Pierre Louis Emond**

(45) Registration Date: **02 December 2009**

(30) Convention priority data:

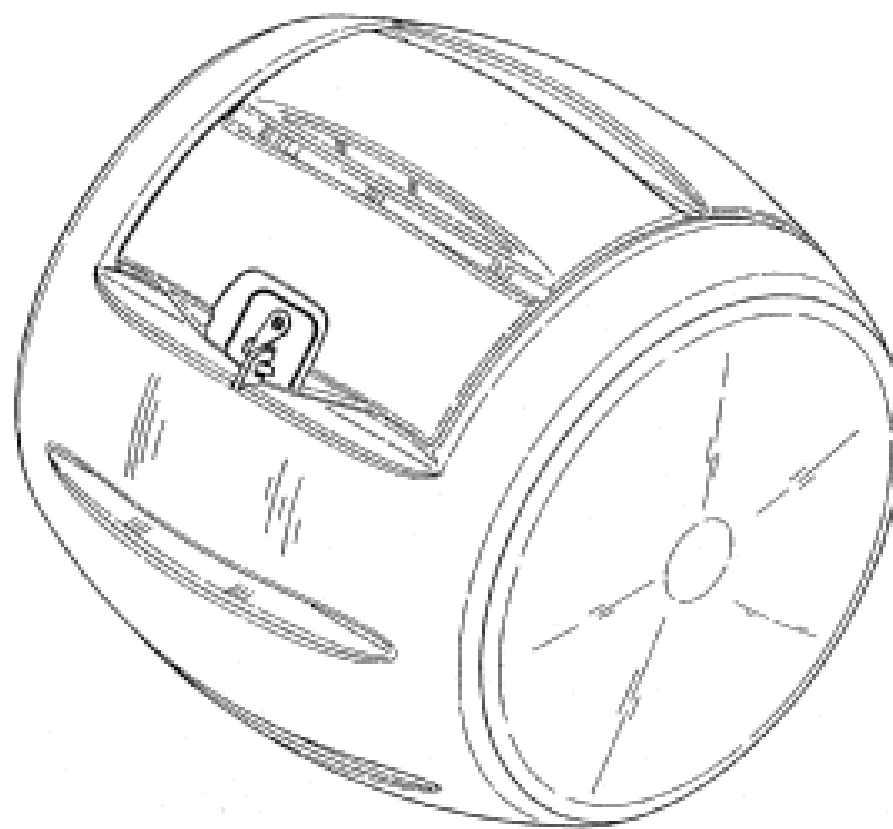
(31) Number
130802

(32) Date
08 May 2009

(33) Country
CANADA

(56) Related Art Documents: **Not Applicable**

(57) Statement of Newness and Distinctiveness: **Newness and distinctiveness is claimed in the features of shape and/or configuration of a composter barrel as illustrated in the accompanying representations.**



(21) Design Number: **12340/2009**

(22) Date of Filing Application: **29 June 2009**

(24) Date from which industrial property rights may have effect: **29 June 2009**

(54) Product in respect of which the design is registered: **Chair 2.1**

(51) International Design Classification: **06-01L**

(71) Name(s) and Address(s) of Applicant(s):

Michael Turner

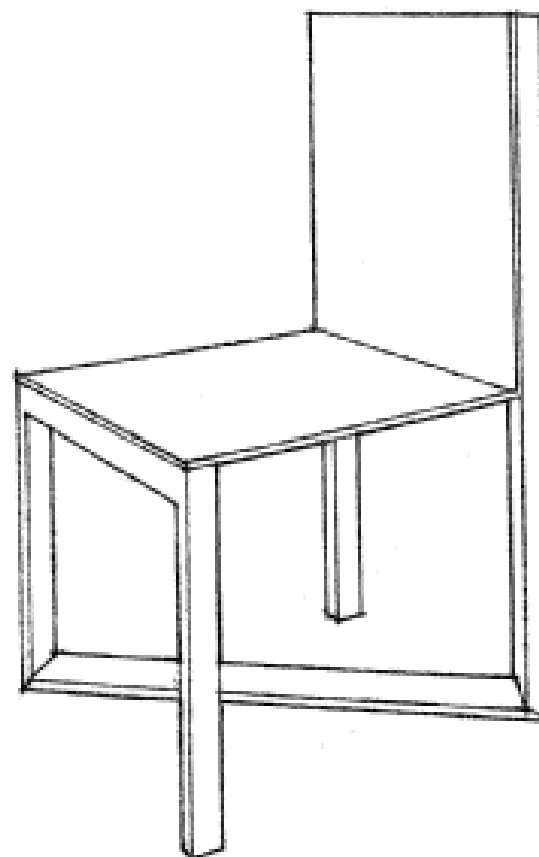
10/12 Tusculum Street Potts Point New South Wales 2011 Australia

(72) Name(s) of Designer(s): **Michael Turner**

(45) Registration Date: **03 December 2009**

(56) Related Art Documents: **Not Applicable**

(57) Statement of Newness and Distinctiveness: **The legs of the chair are connected by a new member, creating a continuous support structure for the seat.**



(21) Design Number: **12708/2009**
(22) Date of Filing Application: **22 July 2009**
(24) Date from which industrial property rights may have effect: **22 July 2009**
(54) Product in respect of which the design is registered: **Wall display shelf**
(51) International Design Classification: **20-02C, 20-02E**
(71) Name(s) and Address(s) of Applicant(s):
Stuart Weitzman IP, LLC
2400 East Commercial Boulevard Suite 506 Florida 33308 United States of America
(72) Name(s) of Designer(s): **Fabio Novembre**
(45) Registration Date: **03 December 2009**
(30) Convention priority data:
(31) Number (32) Date (33) Country
001026140 22 Oct 2008 EUROPEAN COMMUNITY
(56) Related Art Documents: **Not Applicable**
(57) Statement of Newness and Distinctiveness: **Nil**



(21) Design Number: **14239/2009**
(22) Date of Filing Application: **22 July 2009**
(24) Date from which industrial property rights may have effect: **22 July 2009**
(54) Product in respect of which the design is registered: **Free standing display shelf**
(51) International Design Classification: **20-02C, 20-02E**
(71) Name(s) and Address(s) of Applicant(s):
Stuart Weitzman IP, LLC
2400 East Commercial Boulevard Suite 506 Florida 33308 United States of America
(72) Name(s) of Designer(s): **Fabio Novembre**
(45) Registration Date: **03 December 2009**
(30) Convention priority data:
(31) Number (32) Date (33) Country
001026140 22 Oct 2008 EUROPEAN COMMUNITY
(56) Related Art Documents: **Not Applicable**
(57) Statement of Newness and Distinctiveness: **Nil**



(21) Design Number: **14240/2009**

(22) Date of Filing Application: **22 July 2009**

(24) Date from which industrial property rights may have effect: **22 July 2009**

(54) Product in respect of which the design is registered: **Display stools**

(51) International Design Classification: **20-02C, 20-02E**

(71) Name(s) and Address(s) of Applicant(s):

Stuart Weitzman IP, LLC
2400 East Commercial Boulevard Suite 506 Florida 33308 United States of America

(72) Name(s) of Designer(s): **Fabio Novembre**

(45) Registration Date: **03 December 2009**

(30) Convention priority data:

(31) Number	(32) Date	(33) Country
001026140	22 Oct 2008	EUROPEAN COMMUNITY

(56) Related Art Documents: **Not Applicable**

(57) Statement of Newness and Distinctiveness: **Nil**



(21) Design Number: **13702/2009**

(22) Date of Filing Application: **28 September 2009**

(24) Date from which industrial property rights may have effect: **28 September 2009**

(54) Product in respect of which the design is registered: **Cardholder**

(51) International Design Classification: **03-01B, 19-04**

(71) Name(s) and Address(s) of Applicant(s):

Knut Berntsen
Sigurds Vei 9 1473 Lorenskog Norway

(72) Name(s) of Designer(s): **Knut Berntsen**

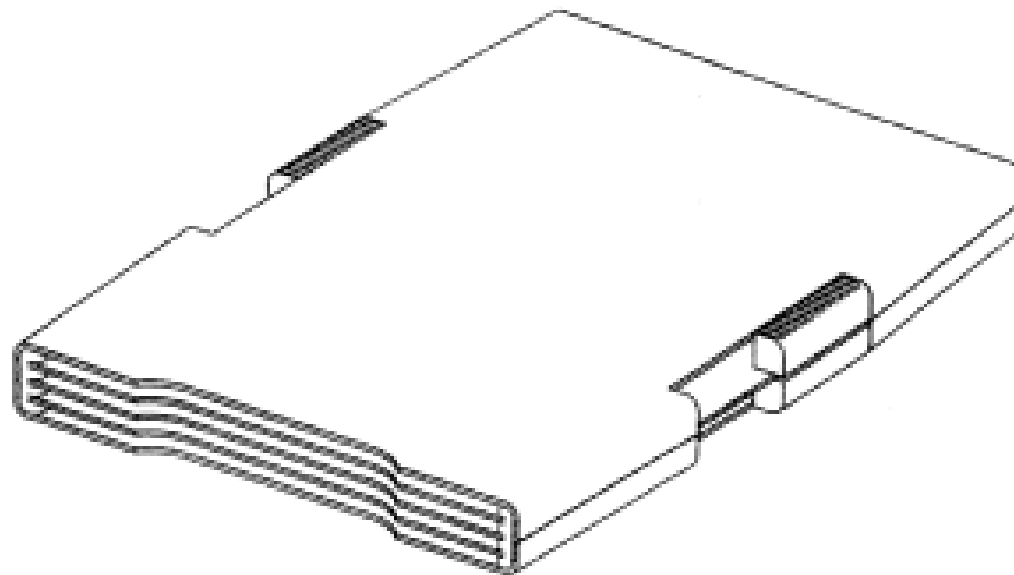
(45) Registration Date: **03 December 2009**

(30) Convention priority data:

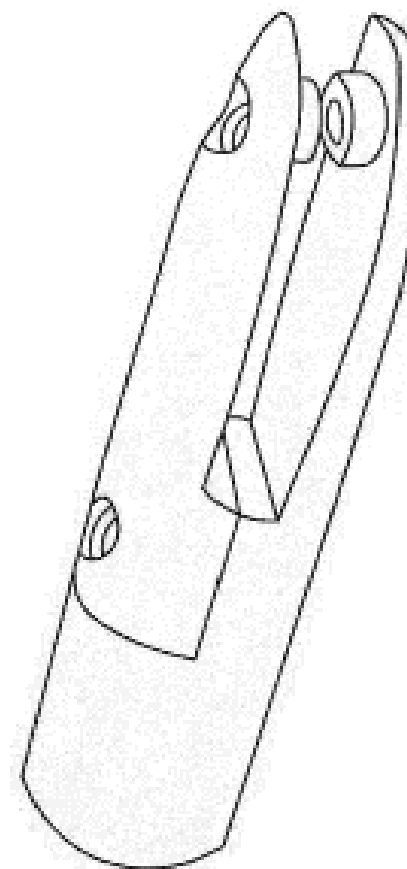
(31) Number	(32) Date	(33) Country
20090186	06 Apr 2009	NORWAY

(56) Related Art Documents: **Not Applicable**

(57) Statement of Newness and Distinctiveness: **Newness and distinctiveness resides in the features of shape and/or configuration of a CARDHOLDER as illustrated in the accompanying representations.**



- (21) Design Number: **13914/2009**
(22) Date of Filing Application: **09 October 2009**
(24) Date from which industrial property rights may have effect: **09 October 2009**
(54) Product in respect of which the design is registered: **Support bracket for glass fencing**
(51) International Design Classification: **08-08L, 25-02C**
(71) Name(s) and Address(s) of Applicant(s):
Lisus Technology Pte Ltd
Block 1090 Lower Delta Road #04-01/02 Singapore 169201
SINGAPORE
(72) Name(s) of Designer(s): **Lawrence Paul**
(45) Registration Date: **03 December 2009**
(56) Related Art Documents: **Not Applicable**
(57) Statement of Newness and Distinctiveness: **Nil**



- (21) Design Number: **14257/2009**
(22) Date of Filing Application: **30 October 2009**
(24) Date from which industrial property rights may have effect: **30 October 2009**
(54) Product in respect of which the design is registered: **Lighting device**
(51) International Design Classification: **26-05B**
(71) Name(s) and Address(s) of Applicant(s):
Schreder S.A.
Rue de Lusambo 67 B-1190 Brussels Belgium
(72) Name(s) of Designer(s): **Riccardo Croce**
(45) Registration Date: **03 December 2009**
(30) Convention priority data:
(31) Number (32) Date (33) Country
001133037-0001 30 Apr 2009 EUROPEAN COMMUNITY
(56) Related Art Documents: **Not Applicable**
(57) Statement of Newness and Distinctiveness: **Those features of the lighting device depicted in the representations that are new and distinctive are the shape and/or configuration.**

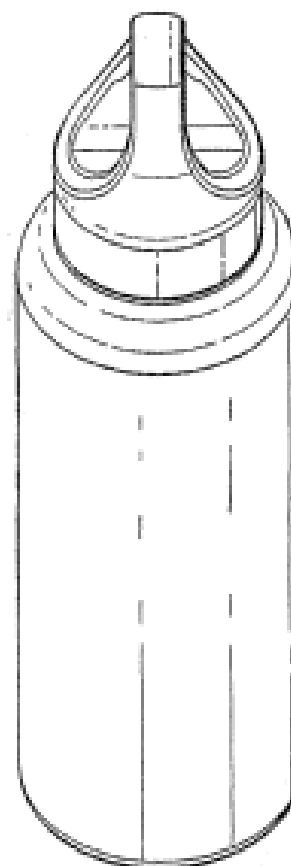


- (21) Design Number: **14284/2009**
- (22) Date of Filing Application: **04 November 2009**
- (24) Date from which industrial property rights may have effect: **04 November 2009**
- (54) Product in respect of which the design is registered: **Magnetic advertising sign for car roofs suitable to use while driving or parking**
- (51) International Design Classification: **20-03NES**
- (71) Name(s) and Address(s) of Applicant(s):
John Von Horning
Unit 27 27 Harbour Road Hamilton Queensland 4007 Australia
- (72) Name(s) of Designer(s): **John Von Horning**
- (45) Registration Date: **03 December 2009**
- (56) Related Art Documents: **Not Applicable**
- (57) Statement of Newness and Distinctiveness: **Nil**

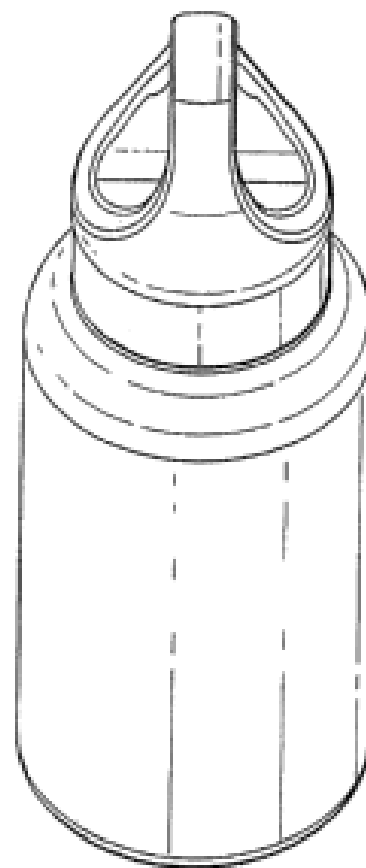


- (21) Design Number: **14333/2009**
- (22) Date of Filing Application: **06 November 2009**
- (24) Date from which industrial property rights may have effect: **06 November 2009**
- (54) Product in respect of which the design is registered: **Bottle**
- (51) International Design Classification: **09-01H**
- (71) Name(s) and Address(s) of Applicant(s):
Thermos L.L.C.
2550 West Golf Road Suite 800 Rolling Meadows Illinois 60008 United States of America
- (72) Name(s) of Designer(s): **Marvin Lane**
- (45) Registration Date: **03 December 2009**
- (30) Convention priority data:

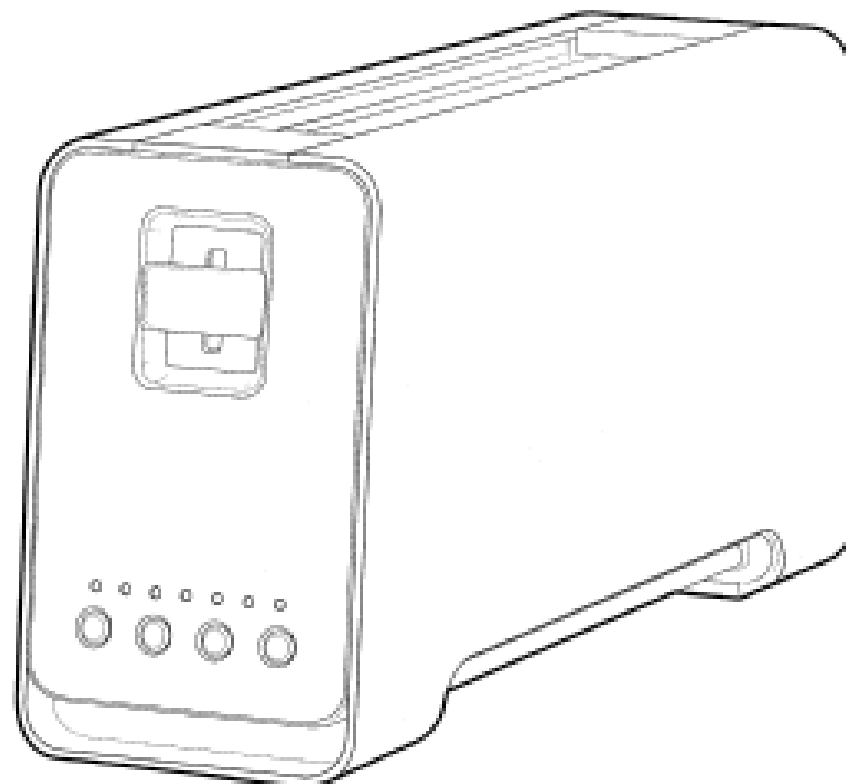
(31) Number	(32) Date	(33) Country
29/341549	07 Aug 2009	UNITED STATES OF AMERICA
- (56) Related Art Documents: **Not Applicable**
- (57) Statement of Newness and Distinctiveness: **Newness and distinctiveness is claimed in the features of shape and/or configuration of a bottle as illustrated in the accompanying representations.**



- (21) Design Number: **14334/2009**
(22) Date of Filing Application: **06 November 2009**
(24) Date from which industrial property rights may have effect: **06 November 2009**
(54) Product in respect of which the design is registered: **Bottle**
(51) International Design Classification: **09-01H**
(71) Name(s) and Address(s) of Applicant(s):
Thermos L.L.C.
2550 West Golf Road Suite 800 Rolling Meadows Illinois 60008 United States of America
(72) Name(s) of Designer(s): **Marvin Lane**
(45) Registration Date: **03 December 2009**
(30) Convention priority data:
(31) Number (32) Date (33) Country
29/341548 07 Aug 2009 UNITED STATES OF AMERICA
(56) Related Art Documents: **Not Applicable**
(57) Statement of Newness and Distinctiveness: **Newness and distinctiveness is claimed in the features of shape and/or configuration of a bottle as illustrated in the accompanying representations.**



- (21) Design Number: **11980/2009**
(22) Date of Filing Application: **28 May 2009**
(24) Date from which industrial property rights may have effect: **28 May 2009**
(54) Product in respect of which the design is registered: **Toaster**
(51) International Design Classification: **07-02F**
(71) Name(s) and Address(s) of Applicant(s):
Sunbeam Corporation Limited
Unit 5 & 6 13 Lord Street Botany New South Wales 2019 Australia
(72) Name(s) of Designer(s): **Andrew Grigor**
(45) Registration Date: **04 December 2009**
(56) Related Art Documents: **Not Applicable**
(57) Statement of Newness and Distinctiveness: **Newness and distinctiveness of the toaster lies in the shape and/or configuration thereof as shown in the accompanying drawings.**



(21) Design Number: **12037/2009**

(22) Date of Filing Application: **03 June 2009**

(24) Date from which industrial property rights may have effect: **03 June 2009**

(54) Product in respect of which the design is registered: **Electric accumulator**

(51) International Design Classification: **13-02**

(71) Name(s) and Address(s) of Applicant(s):

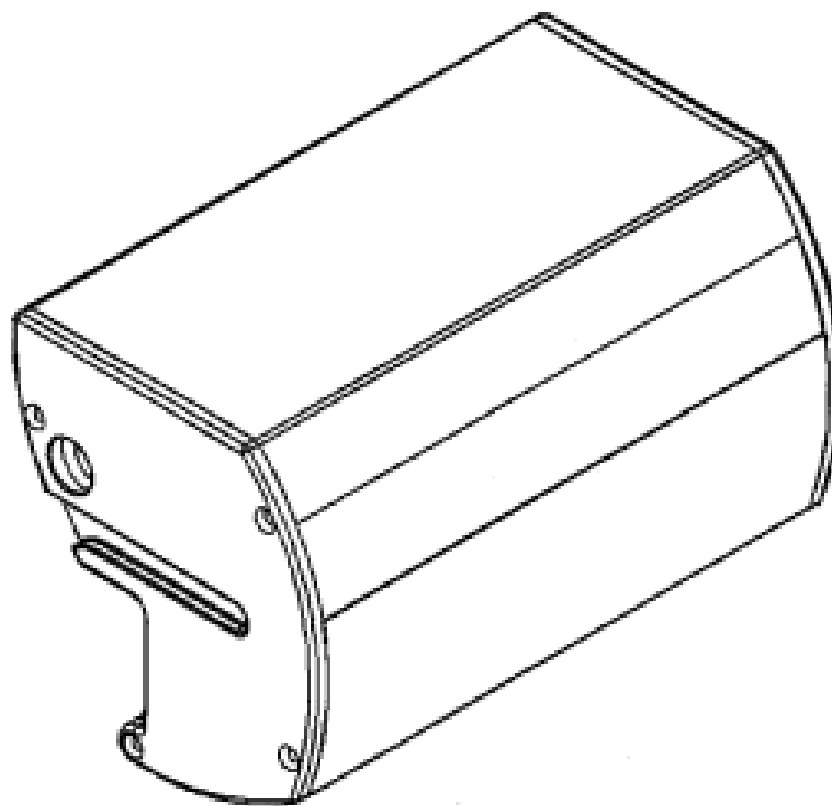
**Olimpia Kerekpargyarto Kft.
Ostorhegy u. 4 H-1164 Budapest Hungary**

(72) Name(s) of Designer(s): **Johanna Tiffe**

(45) Registration Date: **04 December 2009**

(56) Related Art Documents: **Not Applicable**

(57) Statement of Newness and Distinctiveness: **Nil**



(21) Design Number: **12993/2009**

(22) Date of Filing Application: **10 August 2009**

(24) Date from which industrial property rights may have effect: **10 August 2009**

(54) Product in respect of which the design is registered: **Underwear**

(51) International Design Classification: **02-01B**

(71) Name(s) and Address(s) of Applicant(s):

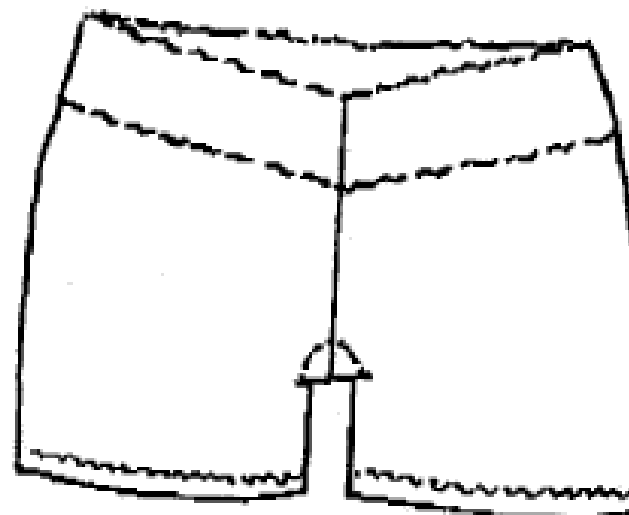
**Robin L Hort
10 Geranium Place Canning Vale Western Australia 6155 Australia**

(72) Name(s) of Designer(s): **Robin L Hort**

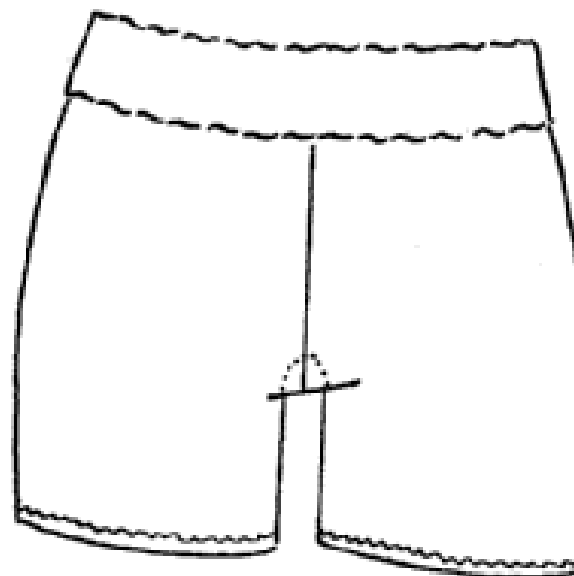
(45) Registration Date: **04 December 2009**

(56) Related Art Documents: **Not Applicable**

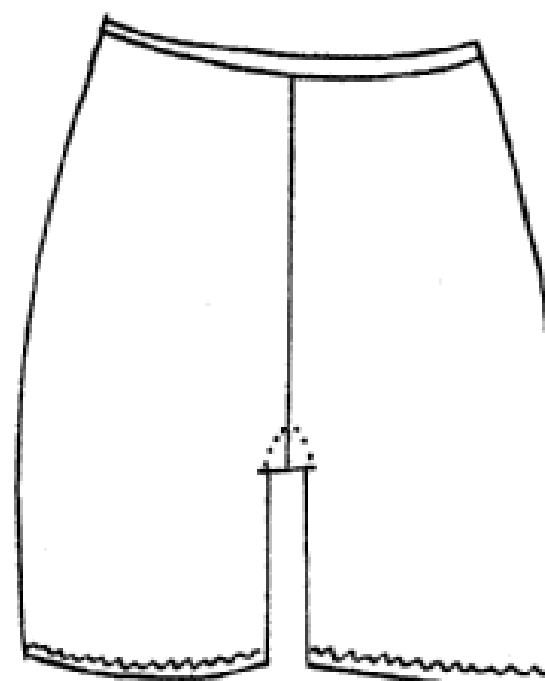
(57) Statement of Newness and Distinctiveness: **Nil**



(21) Design Number: **14395/2009**
(22) Date of Filing Application: **10 August 2009**
(24) Date from which industrial property rights may have effect: **10 August 2009**
(54) Product in respect of which the design is registered: **Underwear**
(51) International Design Classification: **02-01B**
(71) Name(s) and Address(s) of Applicant(s):
Robin L Hort
10 Geranium Place Canning Vale Western Australia 6155 Australia
(72) Name(s) of Designer(s): **Robin L Hort**
(45) Registration Date: **04 December 2009**
(56) Related Art Documents: **Not Applicable**
(57) Statement of Newness and Distinctiveness: **Nil**



(21) Design Number: **14396/2009**
(22) Date of Filing Application: **10 August 2009**
(24) Date from which industrial property rights may have effect: **10 August 2009**
(54) Product in respect of which the design is registered: **Underwear**
(51) International Design Classification: **02-01B**
(71) Name(s) and Address(s) of Applicant(s):
Robin L Hort
10 Geranium Place Canning Vale Western Australia 6155 Australia
(72) Name(s) of Designer(s): **Robin L Hort**
(45) Registration Date: **04 December 2009**
(56) Related Art Documents: **Not Applicable**
(57) Statement of Newness and Distinctiveness: **Nil**



(21) Design Number: **13979/2009**

(22) Date of Filing Application: **14 October 2009**

(24) Date from which industrial property rights may have effect: **14 October 2009**

(54) Product in respect of which the design is registered: **Golf club head**

(51) International Design Classification: **21-02C**

(71) Name(s) and Address(s) of Applicant(s):

**Karsten Manufacturing Corporation
2201 West Desert Cove Phoenix Arizona 85029 United States of
America**

(72) Name(s) of Designer(s): **Marty R. Jertson and Xiaojian Chen**

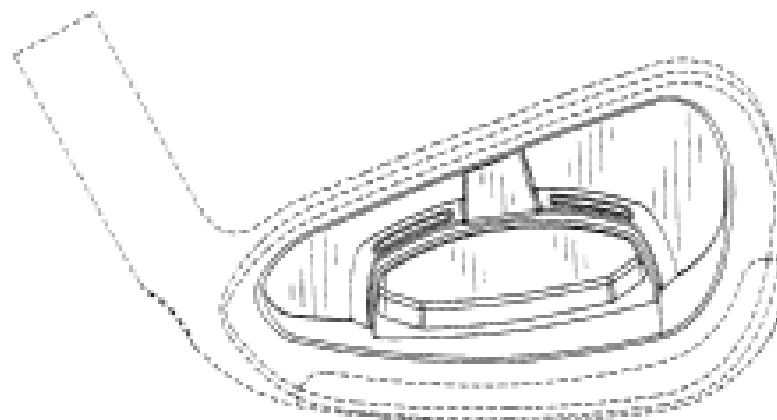
(45) Registration Date: **04 December 2009**

(30) Convention priority data:

(31) Number	(32) Date	(33) Country
29/342029	17 Aug 2009	UNITED STATES OF AMERICA

(56) Related Art Documents: **Not Applicable**

(57) Statement of Newness and Distinctiveness: **Newness and distinctiveness is claimed in the visual features shown in solid lines in the representations.**



(21) Design Number: **14219/2009**

(22) Date of Filing Application: **30 October 2009**

(24) Date from which industrial property rights may have effect: **30 October 2009**

(54) Product in respect of which the design is registered: **Lunch bag**

(51) International Design Classification: **03-01NES**

(71) Name(s) and Address(s) of Applicant(s):

**Tina Martin
34 Station Road Menangle Park New South Wales 2563 Australia**

**Kyra Jaafar
68 Stornoway Avenue St Andrews New South Wales 2566 Australia**

**Kristy Hill
40 Station Road Menangle Park New South Wales 2563 Australia**

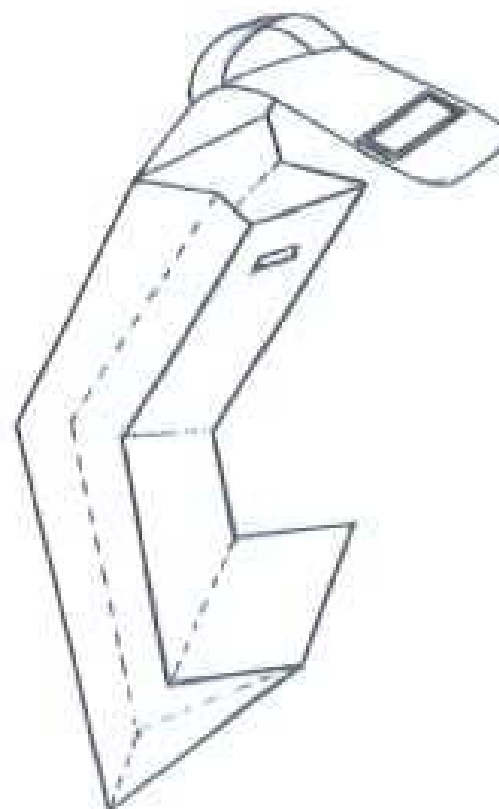
**Fiona Martin
202 Racecourse Avenue Menangle Park New South Wales 2563
Australia**

(72) Name(s) of Designer(s): **Tina Martin and Kyra Jaafar and Kristy Hill and
Fiona Martin**

(45) Registration Date: **04 December 2009**

(56) Related Art Documents: **Not Applicable**

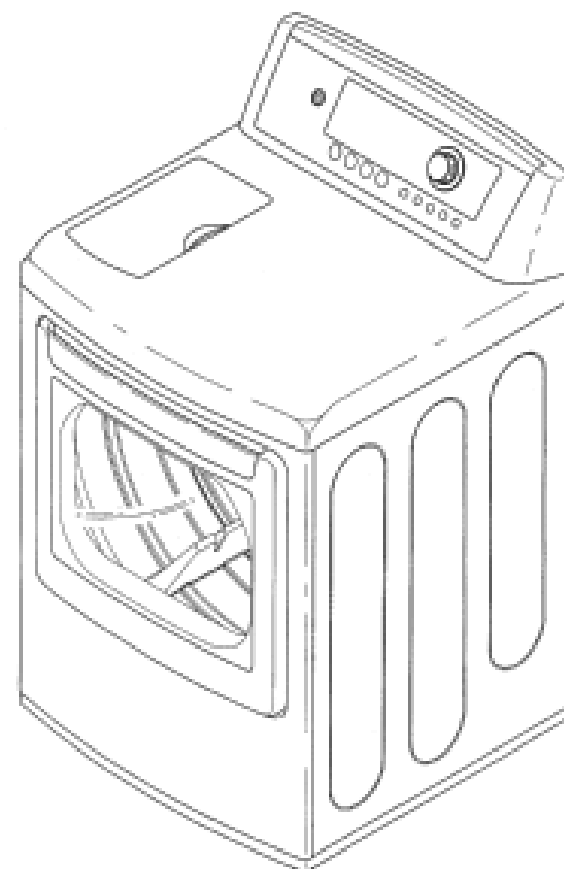
(57) Statement of Newness and Distinctiveness: **The Lunch Bag has 2 clear pockets, one pocket has a zipper and is on the front of the bag. The other is positioned on the top flap of the bag. It folds down into a wallet shape and is secured closed by a fastener. Both pockets are visible when the bag is open & closed. The Lunch Bag is made from a re-usable and/or insulated material.**



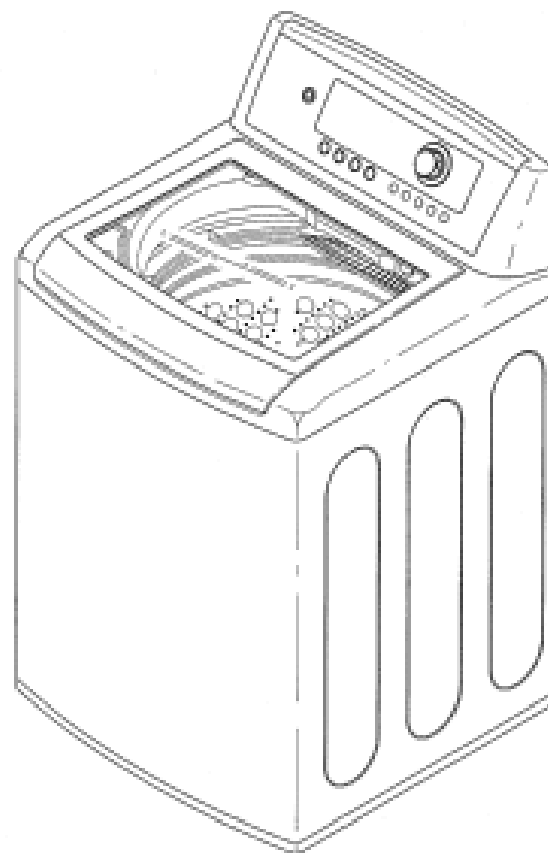
- (21) Design Number: **14448/2009**
(22) Date of Filing Application: **13 November 2009**
(24) Date from which industrial property rights may have effect: **13 November 2009**
(54) Product in respect of which the design is registered: **Beach wrap**
(51) International Design Classification: **02-02NES**
(71) Name(s) and Address(s) of Applicant(s):
Yen Ton
12 Hampshire Place Wakely New South Wales 2176 Australia
(72) Name(s) of Designer(s): **Yen Ton**
(45) Registration Date: **04 December 2009**
(56) Related Art Documents: **Not Applicable**
(57) Statement of Newness and Distinctiveness: **New and distinctive feature of the beach wrap - it is a halter neck style dress cut from a semi-circle.**



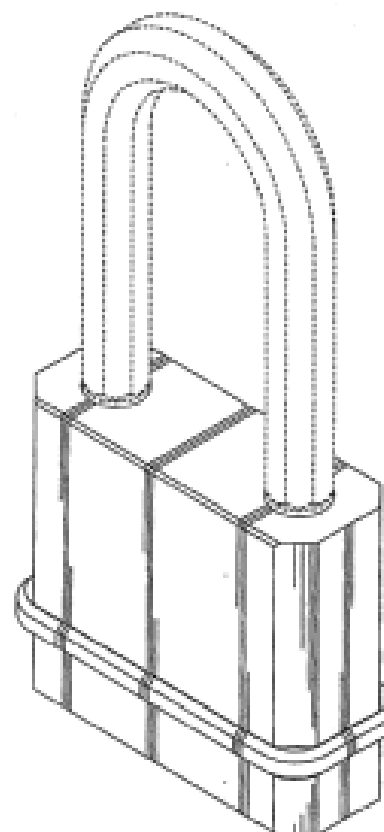
- (21) Design Number: **14315/2009**
(22) Date of Filing Application: **06 November 2009**
(24) Date from which industrial property rights may have effect: **06 November 2009**
(54) Product in respect of which the design is registered: **Laundry dryer**
(51) International Design Classification: **15-05**
(71) Name(s) and Address(s) of Applicant(s):
LG Electronics Inc.
20 Yeouido-dong Yeongdeungpo-gu Seoul 150-721 Republic of Korea
(72) Name(s) of Designer(s): **Seung Hyun Song and Tae Woo Yoo and Ki Hyuk Kim and Min Jung You and Eun Young Jee and Hyoung Won Roh**
(45) Registration Date: **04 December 2009**
(30) Convention priority data:
(31) Number (32) Date (33) Country
30-2009-0023672 01 Jun 2009 REPUBLIC OF KOREA
(56) Related Art Documents: **Not Applicable**
(57) Statement of Newness and Distinctiveness: **Nil**



(21) Design Number: **14316/2009**
(22) Date of Filing Application: **06 November 2009**
(24) Date from which industrial property rights may have effect: **06 November 2009**
(54) Product in respect of which the design is registered: **Washing machine**
(51) International Design Classification: **15-05**
(71) Name(s) and Address(s) of Applicant(s):
LG Electronics Inc.
20 Yeouido-dong Yeongdeungpo-gu Seoul 150-721 Republic of Korea
(72) Name(s) of Designer(s): **Seung Hyun Song and Tae Woo Yoo and Ki Hyuk Kim and Min Jung You and Eun Young Jee and Hyoung Won Roh**
(45) Registration Date: **04 December 2009**
(30) Convention priority data:
(31) Number (32) Date (33) Country
30-2009-0023673 01 Jun 2009 REPUBLIC OF KOREA
(56) Related Art Documents: **Not Applicable**
(57) Statement of Newness and Distinctiveness: **Nil**



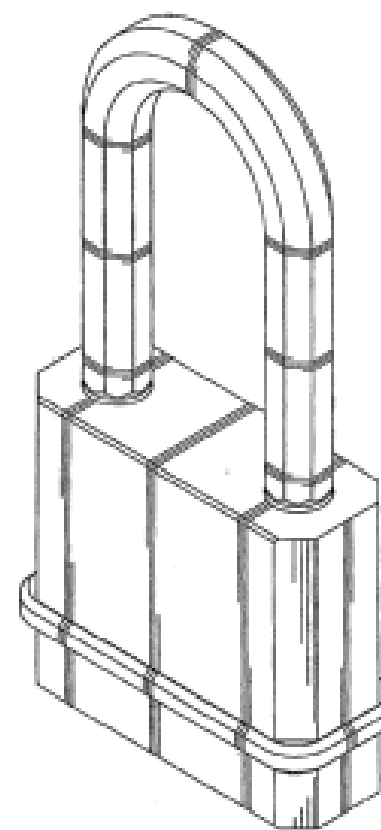
(21) Design Number: **14318/2009**
(22) Date of Filing Application: **06 November 2009**
(24) Date from which industrial property rights may have effect: **06 November 2009**
(54) Product in respect of which the design is registered: **Lock**
(51) International Design Classification: **08-07**
(71) Name(s) and Address(s) of Applicant(s):
Master Lock Company LLC
137 W. Forest Hill Avenue Oak Creek Wisconsin United States of America
(72) Name(s) of Designer(s): **Scott B. Stevens**
(45) Registration Date: **04 December 2009**
(30) Convention priority data:
(31) Number (32) Date (33) Country
29/337,291 19 May 2009 UNITED STATES OF AMERICA
(56) Related Art Documents: **Not Applicable**
(57) Statement of Newness and Distinctiveness: **Newness and distinctiveness are provided by the shape and/or configuration of the design shown in the representations. The features shown in broken lines in the representations are for illustrative purposes only and should not be considered when construing visual features of the design.**



(21) Design Number: **14319/2009**
 (22) Date of Filing Application: **06 November 2009**
 (24) Date from which industrial property rights may have effect: **06 November 2009**
 (54) Product in respect of which the design is registered: **Lock**
 (51) International Design Classification: **08-07**
 (71) Name(s) and Address(s) of Applicant(s):
Master Lock Company LLC
137 W. Forest Hill Avenue Oak Creek Wisconsin United States of America
 (72) Name(s) of Designer(s): **Scott B. Stevens**
 (45) Registration Date: **04 December 2009**
 (30) Convention priority data:

(31) Number	(32) Date	(33) Country
29/337,291	19 May 2009	UNITED STATES OF AMERICA

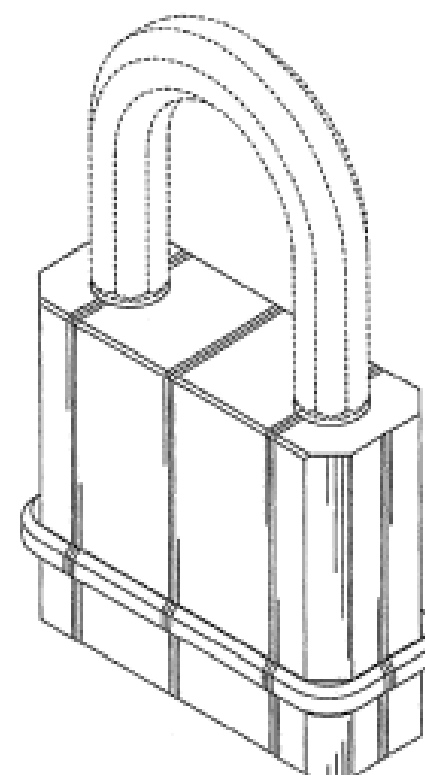
 (56) Related Art Documents: **Not Applicable**
 (57) Statement of Newness and Distinctiveness: **Nil**



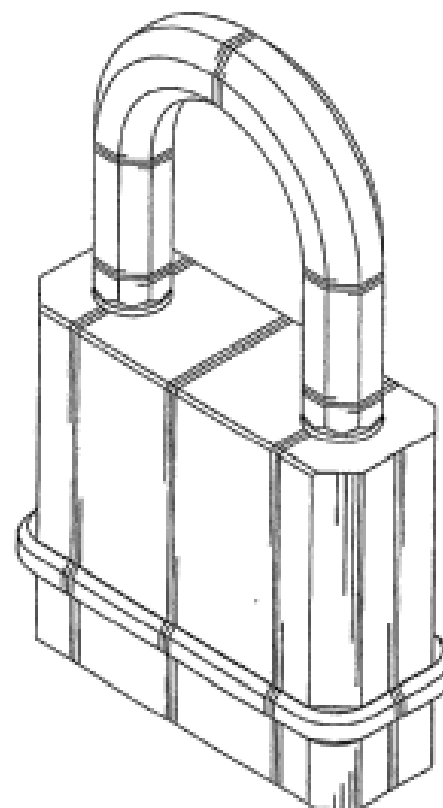
(21) Design Number: **14320/2009**
 (22) Date of Filing Application: **06 November 2009**
 (24) Date from which industrial property rights may have effect: **06 November 2009**
 (54) Product in respect of which the design is registered: **Lock**
 (51) International Design Classification: **08-07**
 (71) Name(s) and Address(s) of Applicant(s):
Master Lock Company LLC
137 W. Forest Hill Avenue Oak Creek Wisconsin United States of America
 (72) Name(s) of Designer(s): **Scott B. Stevens**
 (45) Registration Date: **04 December 2009**
 (30) Convention priority data:

(31) Number	(32) Date	(33) Country
29/337,291	19 May 2009	UNITED STATES OF AMERICA

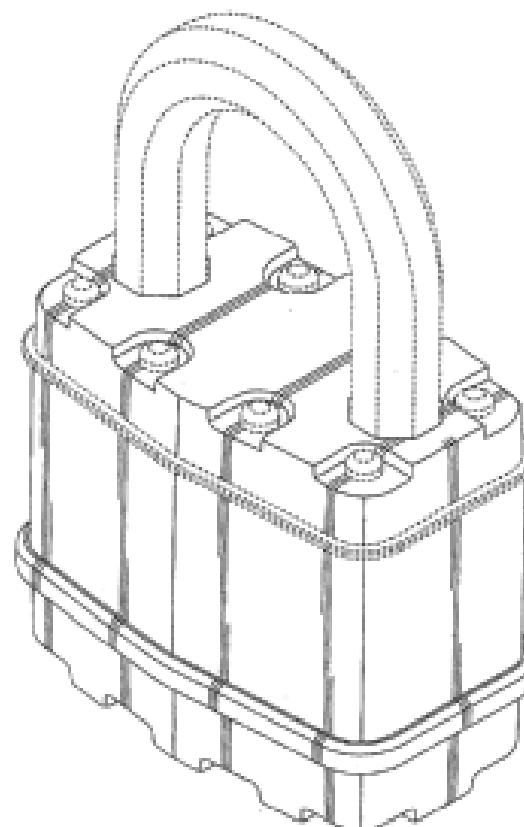
 (56) Related Art Documents: **Not Applicable**
 (57) Statement of Newness and Distinctiveness: **Newness and distinctiveness are provided by the shape and/or configuration of the design shown in the representations. The features shown in broken lines in the representations are for illustrative purposes only and should not be considered when construing visual features of the design.**



(21) Design Number: **14321/2009**
(22) Date of Filing Application: **06 November 2009**
(24) Date from which industrial property rights may have effect: **06 November 2009**
(54) Product in respect of which the design is registered: **Lock**
(51) International Design Classification: **08-07**
(71) Name(s) and Address(s) of Applicant(s):
Master Lock Company LLC
137 W. Forest Hill Avenue Oak Creek Wisconsin United States of America
(72) Name(s) of Designer(s): **Scott B. Stevens**
(45) Registration Date: **04 December 2009**
(30) Convention priority data:
(31) Number (32) Date (33) Country
29/337,291 19 May 2009 UNITED STATES OF AMERICA
(56) Related Art Documents: **Not Applicable**
(57) Statement of Newness and Distinctiveness: **Nil**



(21) Design Number: **14322/2009**
(22) Date of Filing Application: **06 November 2009**
(24) Date from which industrial property rights may have effect: **06 November 2009**
(54) Product in respect of which the design is registered: **Lock**
(51) International Design Classification: **08-07**
(71) Name(s) and Address(s) of Applicant(s):
Master Lock Company LLC
137 W. Forest Hill Avenue Oak Creek Wisconsin United States of America
(72) Name(s) of Designer(s): **Scott B. Stevens and Agnes de Looz Corswarem and Agnes de Corswarem Looz**
(45) Registration Date: **04 December 2009**
(30) Convention priority data:
(31) Number (32) Date (33) Country
29/337,294 19 May 2009 UNITED STATES OF AMERICA
(56) Related Art Documents: **Not Applicable**
(57) Statement of Newness and Distinctiveness: **Newness and distinctiveness are provided by the shape and/or configuration of the design shown in the representations. The features shown in broken lines in the representations are for illustrative purposes only and should not be considered when construing visual features of the design.**



(21) Design Number: **14324/2009**
 (22) Date of Filing Application: **06 November 2009**
 (24) Date from which industrial property rights may have effect: **06 November 2009**
 (54) Product in respect of which the design is registered: **Lock**
 (51) International Design Classification: **08-07**
 (71) Name(s) and Address(s) of Applicant(s):

Master Lock Company LLC
137 W. Forest Hill Avenue Oak Creek Wisconsin United States of America

(72) Name(s) of Designer(s): **Scott B. Stevens**

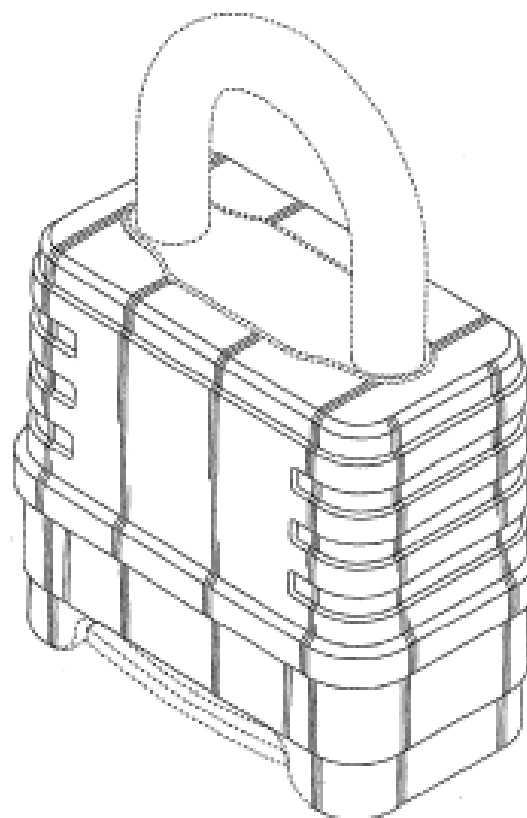
(45) Registration Date: **04 December 2009**

(30) Convention priority data:

(31) Number	(32) Date	(33) Country
29/338,150	05 Jun 2009	UNITED STATES OF AMERICA

(56) Related Art Documents: **Not Applicable**

(57) Statement of Newness and Distinctiveness: **Newness and distinctiveness are provided by the shape and/or configuration of the design shown in the representations. The features shown in broken lines in the representations are for illustrative purposes only and should not be considered when construing visual features of the design.**



(21) Design Number: **14325/2009**
 (22) Date of Filing Application: **06 November 2009**
 (24) Date from which industrial property rights may have effect: **06 November 2009**
 (54) Product in respect of which the design is registered: **Lock**
 (51) International Design Classification: **08-07**
 (71) Name(s) and Address(s) of Applicant(s):

Master Lock Company LLC
137 W. Forest Hill Avenue Oak Creek Wisconsin United States of America

(72) Name(s) of Designer(s): **Scott B. Stevens**

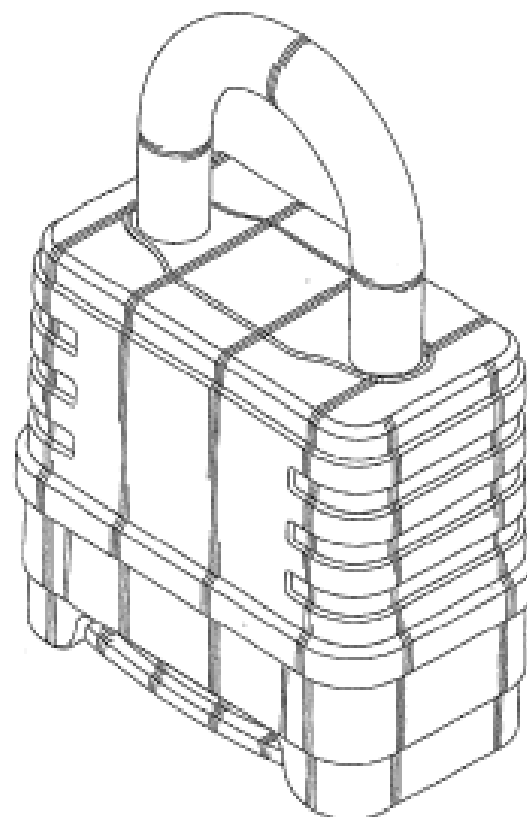
(45) Registration Date: **04 December 2009**

(30) Convention priority data:

(31) Number	(32) Date	(33) Country
29/338,150	05 Jun 2009	UNITED STATES OF AMERICA

(56) Related Art Documents: **Not Applicable**

(57) Statement of Newness and Distinctiveness: **Nil**



(21) Design Number: **14339/2009**

(22) Date of Filing Application: **09 November 2009**

(24) Date from which industrial property rights may have effect: **09 November 2009**

(54) Product in respect of which the design is registered: **Reheat plate cover**

(51) International Design Classification: **09-07NES**

(71) Name(s) and Address(s) of Applicant(s):

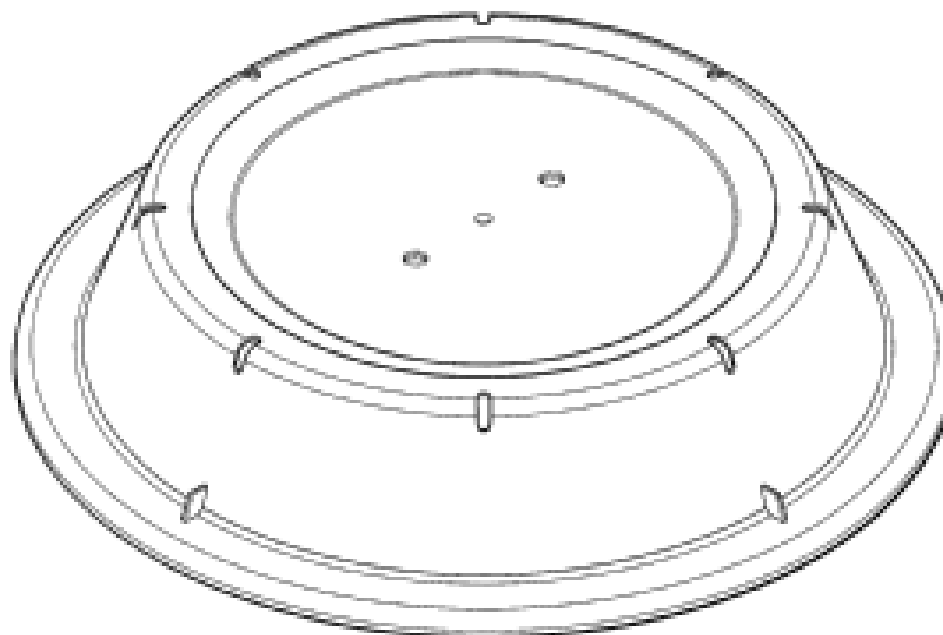
**The Decor Corporation Pty Ltd
1314 Ferntree Gully Road Scoresby Victoria 3179 Australia**

(72) Name(s) of Designer(s): **Arthur Richard Carlson**

(45) Registration Date: **04 December 2009**

(56) Related Art Documents: **Not Applicable**

(57) Statement of Newness and Distinctiveness: **Features shown in phantom lines do not constitute part of the design.**



(21) Design Number: **14340/2009**

(22) Date of Filing Application: **09 November 2009**

(24) Date from which industrial property rights may have effect: **09 November 2009**

(54) Product in respect of which the design is registered: **Spaghetti lifter**

(51) International Design Classification: **07-02NES**

(71) Name(s) and Address(s) of Applicant(s):

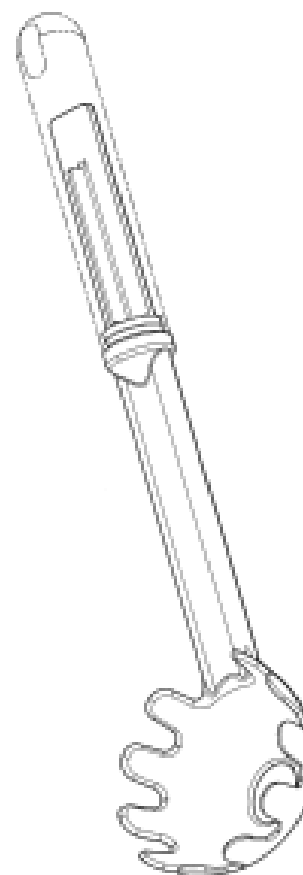
**The Decor Corporation Pty Ltd
1314 Ferntree Gully Road Scoresby Victoria 3179 Australia**

(72) Name(s) of Designer(s): **Anthony Henry Wolfenden**

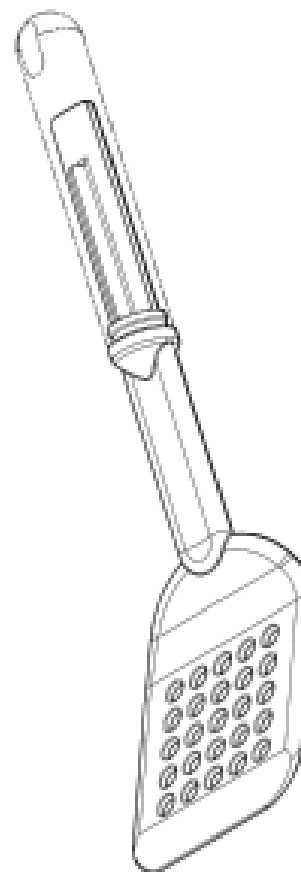
(45) Registration Date: **04 December 2009**

(56) Related Art Documents: **Not Applicable**

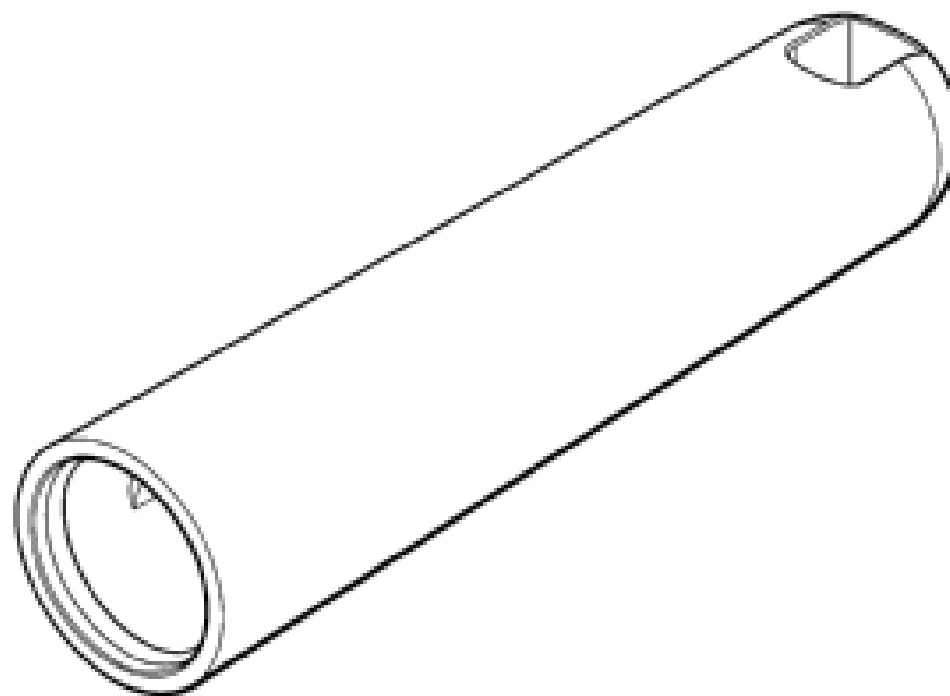
(57) Statement of Newness and Distinctiveness: **Features shown in phantom lines do not constitute part of the design.**



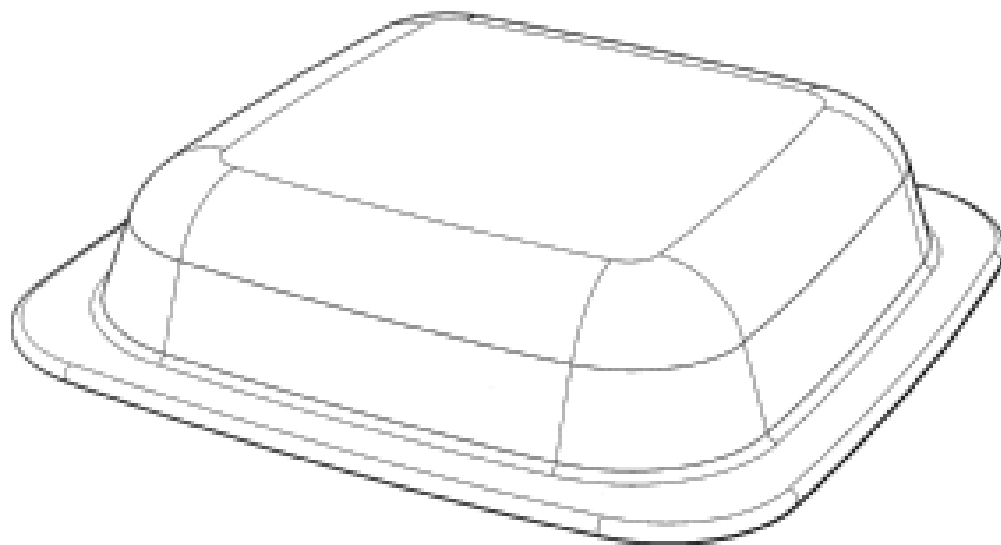
- (21) Design Number: **14341/2009**
(22) Date of Filing Application: **09 November 2009**
(24) Date from which industrial property rights may have effect: **09 November 2009**
(54) Product in respect of which the design is registered: **Egg lifter**
(51) International Design Classification: **07-02NES**
(71) Name(s) and Address(s) of Applicant(s):
The Decor Corporation Pty Ltd
1314 Ferntree Gully Road Scoresby Victoria 3179 Australia
(72) Name(s) of Designer(s): **Anthony Henry Wolfenden**
(45) Registration Date: **04 December 2009**
(56) Related Art Documents: **Not Applicable**
(57) Statement of Newness and Distinctiveness: **Features shown in phantom lines do not constitute part of the design.**



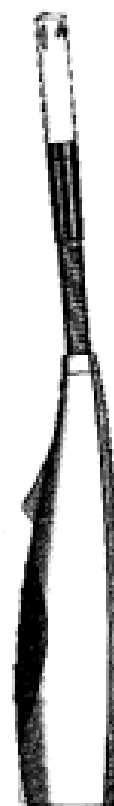
- (21) Design Number: **14342/2009**
(22) Date of Filing Application: **09 November 2009**
(24) Date from which industrial property rights may have effect: **09 November 2009**
(54) Product in respect of which the design is registered: **Soft handle**
(51) International Design Classification: **07-02R**
(71) Name(s) and Address(s) of Applicant(s):
The Decor Corporation Pty Ltd
1314 Ferntree Gully Road Scoresby Victoria 3179 Australia
(72) Name(s) of Designer(s): **Anthony Henry Wolfenden**
(45) Registration Date: **04 December 2009**
(56) Related Art Documents: **Not Applicable**
(57) Statement of Newness and Distinctiveness: **Nil**



- (21) Design Number: **14343/2009**
(22) Date of Filing Application: **09 November 2009**
(24) Date from which industrial property rights may have effect: **09 November 2009**
(54) Product in respect of which the design is registered: **Square glass lid**
(51) International Design Classification: **09-07NES**
(71) Name(s) and Address(s) of Applicant(s):
The Decor Corporation Pty Ltd
1314 Ferntree Gully Road Scoresby Victoria 3179 Australia
(72) Name(s) of Designer(s): **Arthur Richard Carlson**
(45) Registration Date: **04 December 2009**
(56) Related Art Documents: **Not Applicable**
(57) Statement of Newness and Distinctiveness: **Nil**



- (21) Design Number: **14350/2009**
(22) Date of Filing Application: **09 November 2009**
(24) Date from which industrial property rights may have effect: **09 November 2009**
(54) Product in respect of which the design is registered: **Utility lighter with flexible tube**
(51) International Design Classification: **27-05**
(71) Name(s) and Address(s) of Applicant(s):
Swedish Match Lighters B.V.
A.H.G. Fokkerstraat 5 9403 AM Assen The Netherlands
(72) Name(s) of Designer(s): **Florence Galimand**
(45) Registration Date: **04 December 2009**
(30) Convention priority data:
(31) Number (32) Date (33) Country
37920-00 13 May 2009 BENELUX
(56) Related Art Documents: **Not Applicable**
(57) Statement of Newness and Distinctiveness: **Newness and distinctiveness is claimed in the features of shape and/or configuration of a utility lighter with flexible tube as illustrated in the accompanying representations.**



(21) Design Number: **14351/2009**

(22) Date of Filing Application: **09 November 2009**

(24) Date from which industrial property rights may have effect: **09 November 2009**

(54) Product in respect of which the design is registered: **Memorial**

(51) International Design Classification: **20-03C**

(71) Name(s) and Address(s) of Applicant(s):

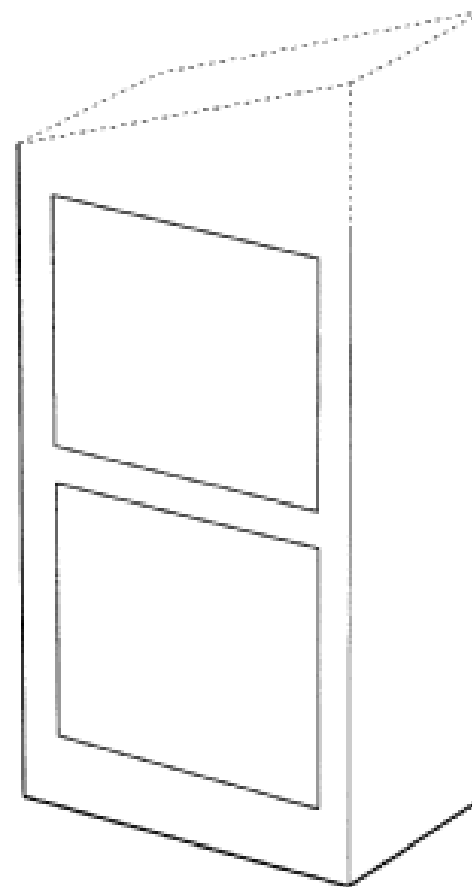
Doug Dick & Co Pty Ltd
313 Unley Road Malvern South Australia 5061 Australia

(72) Name(s) of Designer(s): **Jason Dick**

(45) Registration Date: **04 December 2009**

(56) Related Art Documents: **Not Applicable**

(57) Statement of Newness and Distinctiveness: **Newness and distinctiveness is claimed in the shape and/or configuration of a memorial as depicted in the accompanying drawings. In considering the scope of protection, no regard will be had to the elements shown in dotted lines.**



(21) Design Number: **14352/2009**

(22) Date of Filing Application: **09 November 2009**

(24) Date from which industrial property rights may have effect: **09 November 2009**

(54) Product in respect of which the design is registered: **Memorial**

(51) International Design Classification: **20-03C**

(71) Name(s) and Address(s) of Applicant(s):

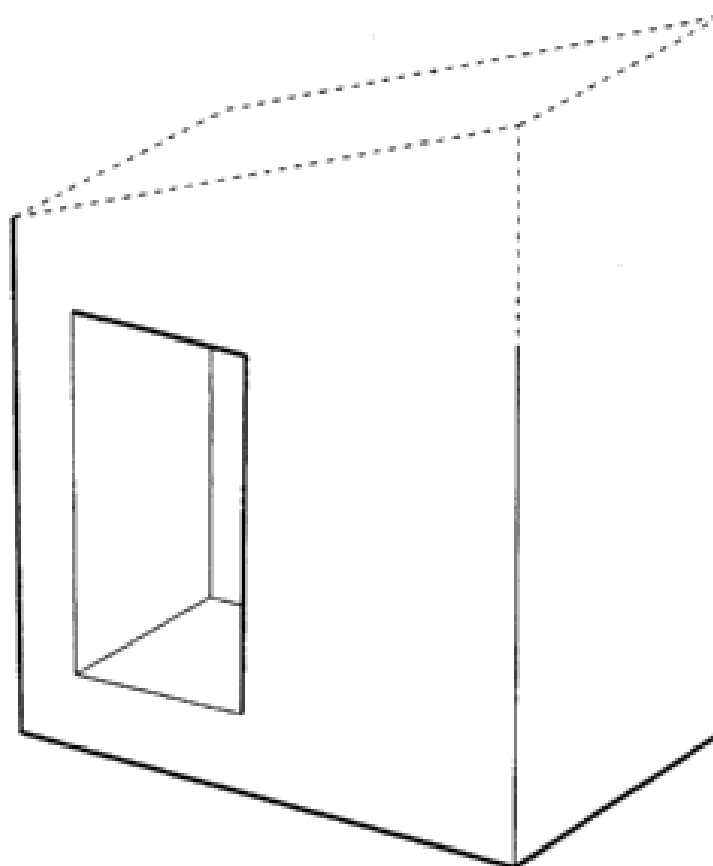
Doug Dick & Co Pty Ltd
313 Unley Road Malvern South Australia 5061 Australia

(72) Name(s) of Designer(s): **Jason Dick**

(45) Registration Date: **04 December 2009**

(56) Related Art Documents: **Not Applicable**

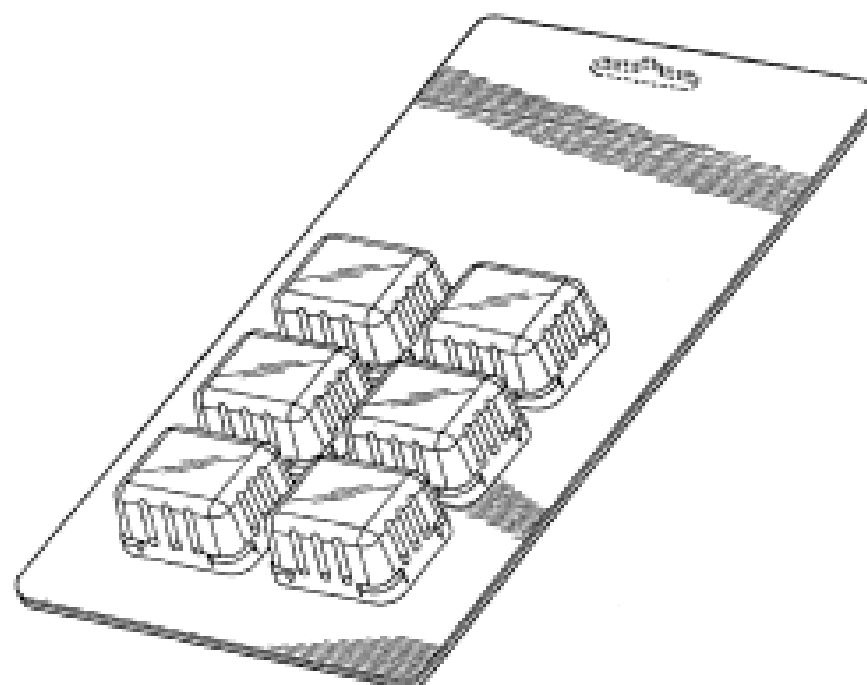
(57) Statement of Newness and Distinctiveness: **Newness and distinctiveness is claimed in the shape and/or configuration of a memorial as depicted in the accompanying drawings. In considering the scope of protection, no regard will be had to the elements shown in dotted lines.**



- (21) Design Number: **14356/2009**
(22) Date of Filing Application: **09 November 2009**
(24) Date from which industrial property rights may have effect: **09 November 2009**
(54) Product in respect of which the design is registered: **Handheld LED device**
(51) International Design Classification: **26-02**
(71) Name(s) and Address(s) of Applicant(s):
The Brand Factory Pty Ltd
Level 2 64 Clarence Street Sydney New South Wales 2000 Australia
(72) Name(s) of Designer(s): **Alex Sisiolas and Robert Jarmyn**
(45) Registration Date: **04 December 2009**
(56) Related Art Documents: **Not Applicable**
(57) Statement of Newness and Distinctiveness: **Nil**



- (21) Design Number: **14360/2009**
(22) Date of Filing Application: **09 November 2009**
(24) Date from which industrial property rights may have effect: **09 November 2009**
(54) Product in respect of which the design is registered: **Seasoning package**
(51) International Design Classification: **09-05**
(71) Name(s) and Address(s) of Applicant(s):
McCormick & Company, Incorporated
18 Loveton Circle Sparks MD 21152-6000 United States of America
(72) Name(s) of Designer(s): **Deborah Stuiber and Lisa Charyszyn**
(45) Registration Date: **04 December 2009**
(30) Convention priority data:
(31) Number (32) Date (33) Country
29/336,710 07 May 2009 UNITED STATES OF AMERICA
(56) Related Art Documents: **Not Applicable**
(57) Statement of Newness and Distinctiveness: **The shape and configuration of the parts of the design shown by way of solid lines in the representations are new and distinctive.**



(21) Design Number: **14344/2009**

(22) Date of Filing Application: **09 November 2009**

(24) Date from which industrial property rights may have effect: **09 November 2009**

(54) Product in respect of which the design is registered: **Square glass lid**

(51) International Design Classification: **09-07NES**

(71) Name(s) and Address(s) of Applicant(s):

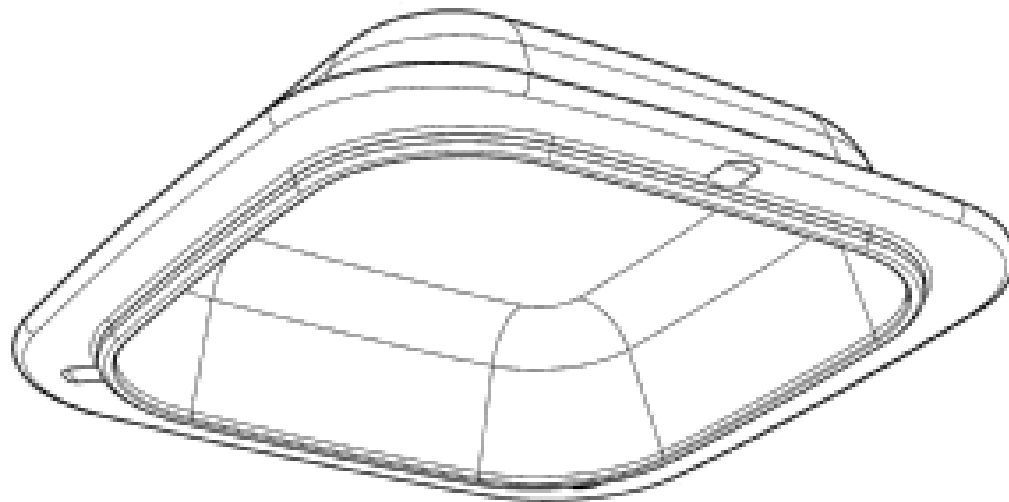
**The Decor Corporation Pty Ltd
1314 Ferntree Gully Road Scoresby Victoria 3179 Australia**

(72) Name(s) of Designer(s): **Arthur Richard Carlson**

(45) Registration Date: **04 December 2009**

(56) Related Art Documents: **Not Applicable**

(57) Statement of Newness and Distinctiveness: **Nil**



(21) Design Number: **14345/2009**

(22) Date of Filing Application: **09 November 2009**

(24) Date from which industrial property rights may have effect: **09 November 2009**

(54) Product in respect of which the design is registered: **Square glass lid**

(51) International Design Classification: **09-07NES**

(71) Name(s) and Address(s) of Applicant(s):

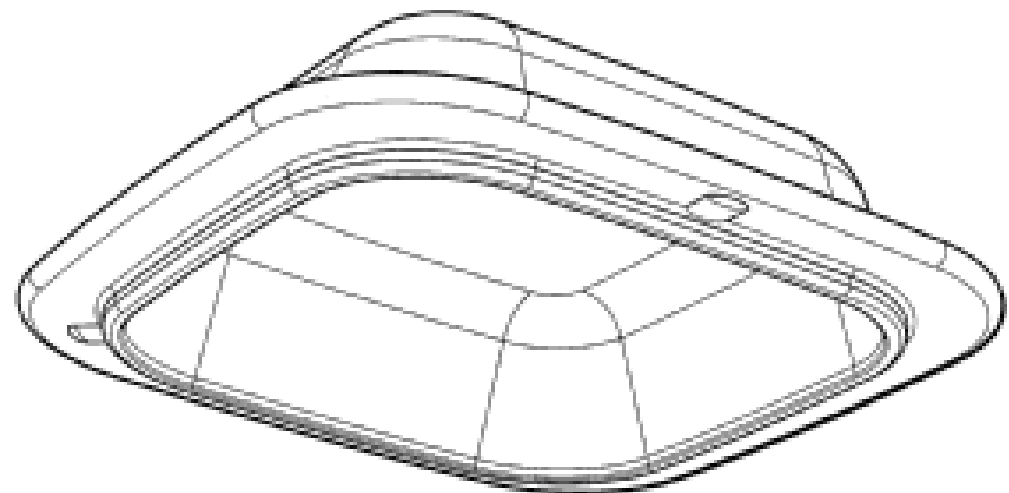
**The Decor Corporation Pty Ltd
1314 Ferntree Gully Road Scoresby Victoria 3179 Australia**

(72) Name(s) of Designer(s): **Arthur Richard Carlson**

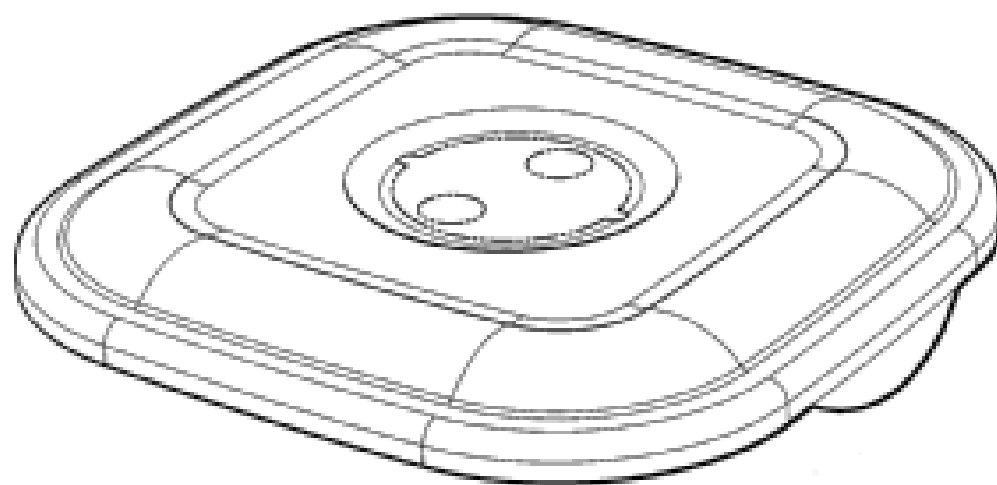
(45) Registration Date: **04 December 2009**

(56) Related Art Documents: **Not Applicable**

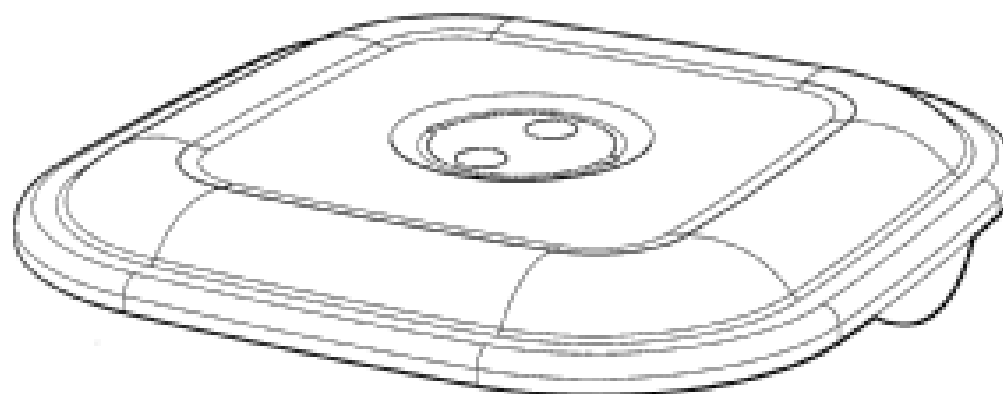
(57) Statement of Newness and Distinctiveness: **Nil**



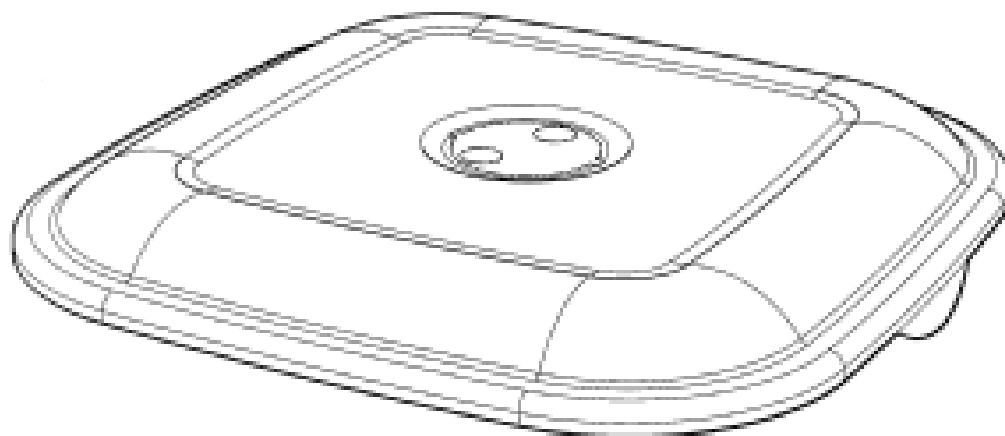
- (21) Design Number: **14346/2009**
(22) Date of Filing Application: **09 November 2009**
(24) Date from which industrial property rights may have effect: **09 November 2009**
(54) Product in respect of which the design is registered: **Lid for container**
(51) International Design Classification: **09-07NES**
(71) Name(s) and Address(s) of Applicant(s):
The Decor Corporation Pty Ltd
1314 Ferntree Gully Road Scoresby Victoria 3179 Australia
(72) Name(s) of Designer(s): **Arthur Richard Carlson**
(45) Registration Date: **04 December 2009**
(56) Related Art Documents: **Not Applicable**
(57) Statement of Newness and Distinctiveness: **Features shown in phantom lines do not constitute part of the design.**



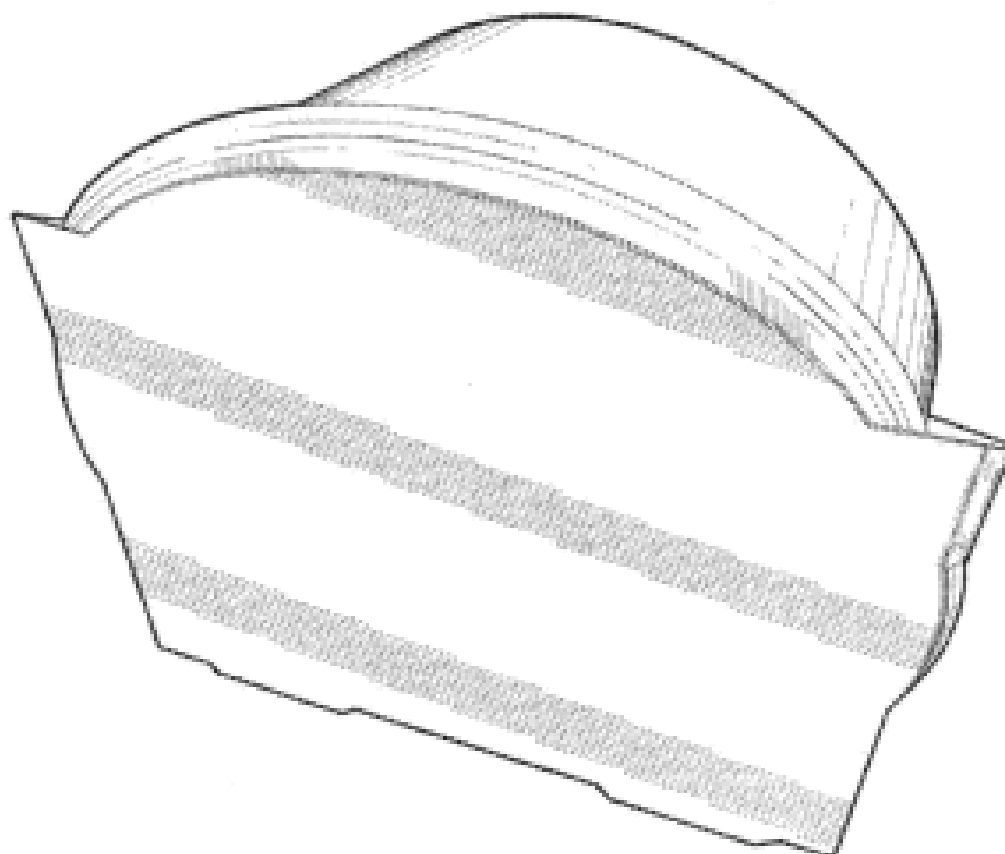
- (21) Design Number: **14347/2009**
(22) Date of Filing Application: **09 November 2009**
(24) Date from which industrial property rights may have effect: **09 November 2009**
(54) Product in respect of which the design is registered: **Lid for container**
(51) International Design Classification: **09-07NES**
(71) Name(s) and Address(s) of Applicant(s):
The Decor Corporation Pty Ltd
1314 Ferntree Gully Road Scoresby Victoria 3179 Australia
(72) Name(s) of Designer(s): **Arthur Richard Carlson**
(45) Registration Date: **04 December 2009**
(56) Related Art Documents: **Not Applicable**
(57) Statement of Newness and Distinctiveness: **Features shown in phantom lines do not constitute part of the design.**



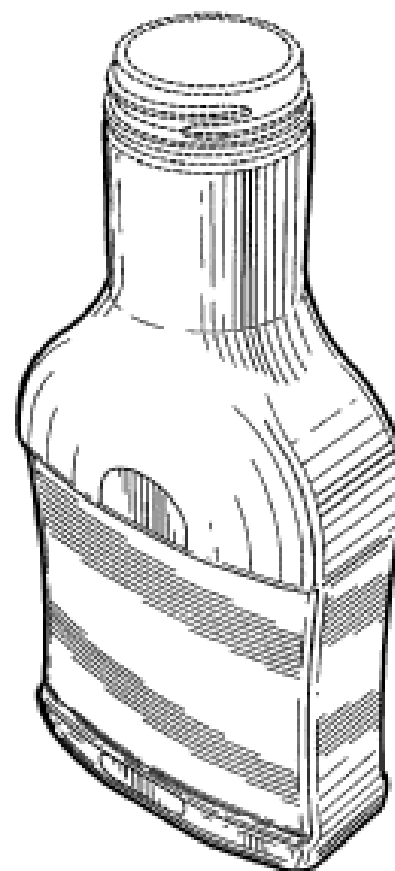
- (21) Design Number: **14348/2009**
(22) Date of Filing Application: **09 November 2009**
(24) Date from which industrial property rights may have effect: **09 November 2009**
(54) Product in respect of which the design is registered: **Lid for container**
(51) International Design Classification: **09-07NES**
(71) Name(s) and Address(s) of Applicant(s):
The Decor Corporation Pty Ltd
1314 Ferntree Gully Road Scoresby Victoria 3179 Australia
(72) Name(s) of Designer(s): **Arthur Richard Carlson**
(45) Registration Date: **04 December 2009**
(56) Related Art Documents: **Not Applicable**
(57) Statement of Newness and Distinctiveness: **Features shown in phantom lines do not constitute part of the design.**



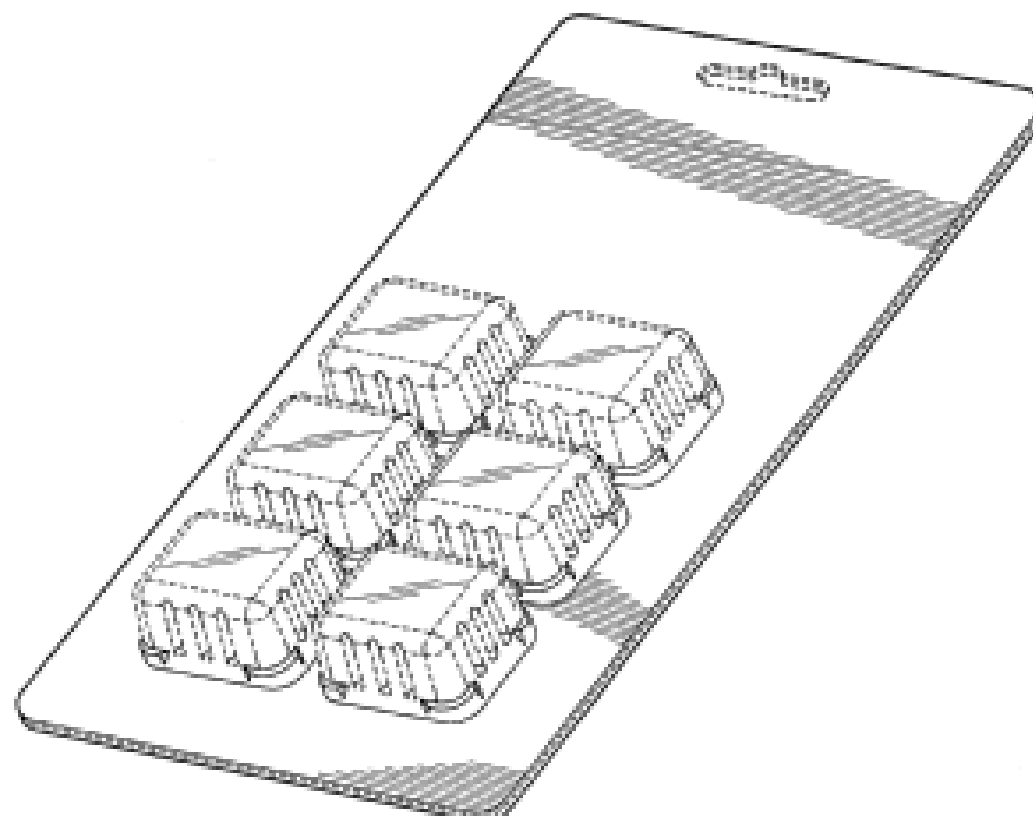
- (21) Design Number: **14361/2009**
(22) Date of Filing Application: **09 November 2009**
(24) Date from which industrial property rights may have effect: **09 November 2009**
(54) Product in respect of which the design is registered: **A food bowl display container**
(51) International Design Classification: **20-02NES, 07-01B**
(71) Name(s) and Address(s) of Applicant(s):
McCormick & Company, Incorporated
18 Loveton Circle Sparks MD 21152-6000 United States of America
(72) Name(s) of Designer(s): **Mark Jenkins**
(45) Registration Date: **04 December 2009**
(30) Convention priority data:
(31) Number (32) Date (33) Country
29/337,282 19 May 2009 UNITED STATES OF AMERICA
(56) Related Art Documents: **Not Applicable**
(57) Statement of Newness and Distinctiveness: **Nil**



- (21) Design Number: **14362/2009**
(22) Date of Filing Application: **09 November 2009**
(24) Date from which industrial property rights may have effect: **09 November 2009**
(54) Product in respect of which the design is registered: **Bottle for liquids**
(51) International Design Classification: **09-01H**
(71) Name(s) and Address(s) of Applicant(s):
McCormick & Company, Incorporated
18 Loveton Circle Sparks MD 21152-6000 United States of America
(72) Name(s) of Designer(s): **Lisa Charyszyn and Porter Gieske and Bjoern Leyser**
(45) Registration Date: **04 December 2009**
(30) Convention priority data:
(31) Number (32) Date (33) Country
29/339,617 02 Jul 2009 UNITED STATES OF AMERICA
(56) Related Art Documents: **Not Applicable**
(57) Statement of Newness and Distinctiveness: **The shape and configuration of the parts of the design shown by way of solid lines in the representations are new and distinctive.**



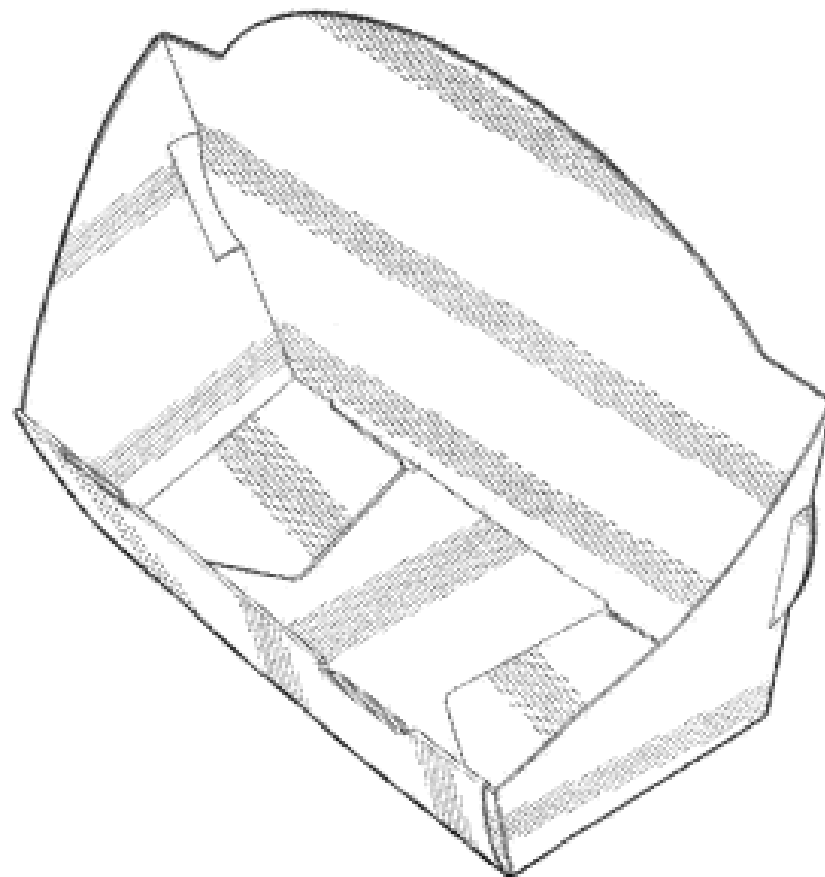
- (21) Design Number: **14363/2009**
(22) Date of Filing Application: **09 November 2009**
(24) Date from which industrial property rights may have effect: **09 November 2009**
(54) Product in respect of which the design is registered: **Seasoning package**
(51) International Design Classification: **09-05**
(71) Name(s) and Address(s) of Applicant(s):
McCormick & Company, Incorporated
18 Loveton Circle Sparks MD 21152-6000 United States of America
(72) Name(s) of Designer(s): **Deborah Stuiber and Lisa Charyszyn**
(45) Registration Date: **04 December 2009**
(30) Convention priority data:
(31) Number (32) Date (33) Country
29/336,710 07 May 2009 UNITED STATES OF AMERICA
(56) Related Art Documents: **Not Applicable**
(57) Statement of Newness and Distinctiveness: **The shape and configuration of the parts of the design shown by way of solid lines in the representations are new and distinctive.**



(21) Design Number: **14364/2009**
 (22) Date of Filing Application: **09 November 2009**
 (24) Date from which industrial property rights may have effect: **09 November 2009**
 (54) Product in respect of which the design is registered: **A carton for a food bowl display container**
 (51) International Design Classification: **09-03M**
 (71) Name(s) and Address(s) of Applicant(s):
McCormick & Company, Incorporated
18 Loveton Circle Sparks MD 21152-6000 United States of America
 (72) Name(s) of Designer(s): **Mark Jenkins**
 (45) Registration Date: **04 December 2009**
 (30) Convention priority data:

(31) Number	(32) Date	(33) Country
29/337,282	19 May 2009	UNITED STATES OF AMERICA

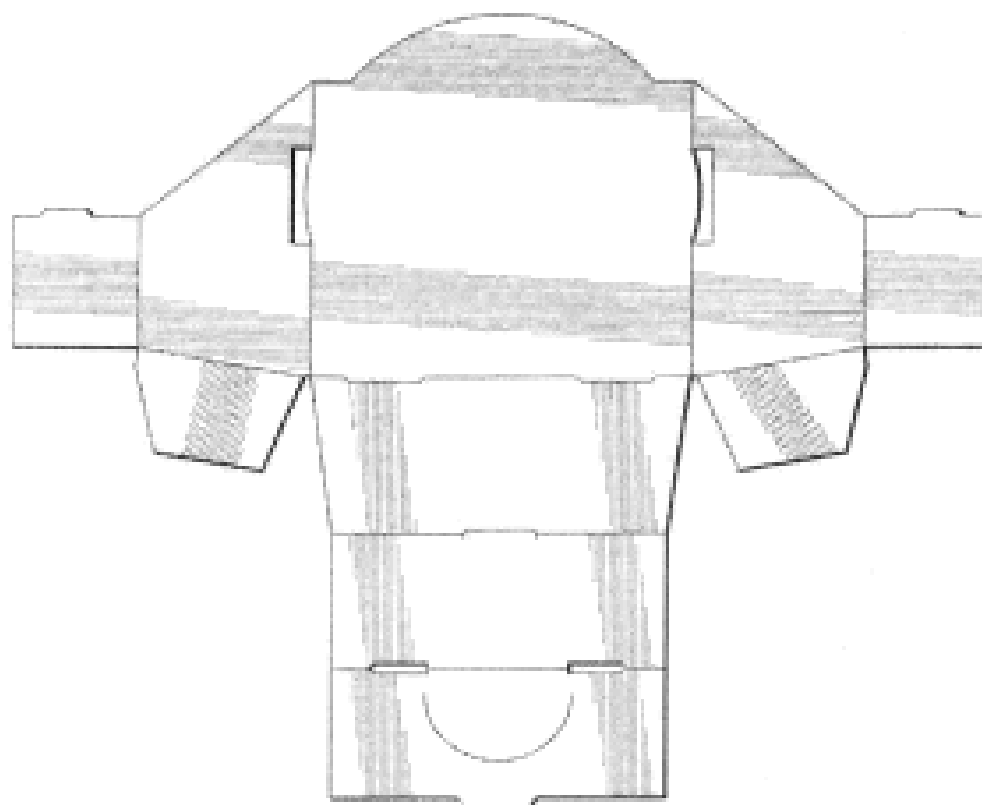
 (56) Related Art Documents: **Not Applicable**
 (57) Statement of Newness and Distinctiveness: **Nil**



(21) Design Number: **14365/2009**
 (22) Date of Filing Application: **09 November 2009**
 (24) Date from which industrial property rights may have effect: **09 November 2009**
 (54) Product in respect of which the design is registered: **A blank for a food bowl display container**
 (51) International Design Classification: **09-03NES**
 (71) Name(s) and Address(s) of Applicant(s):
McCormick & Company, Incorporated
18 Loveton Circle Sparks MD 21152-6000 United States of America
 (72) Name(s) of Designer(s): **Mark Jenkins**
 (45) Registration Date: **04 December 2009**
 (30) Convention priority data:

(31) Number	(32) Date	(33) Country
29/337,282	19 May 2009	UNITED STATES OF AMERICA

 (56) Related Art Documents: **Not Applicable**
 (57) Statement of Newness and Distinctiveness: **Nil**



(19) AU

(21) Design Number: 14366/2009

(22) Date of Filing Application: 09 November 2009

(24) Date from which industrial property rights may have effect: 09 November 2009

(54) Product in respect of which the design is registered: **A blank for a food bowl display container**

(51) International Design Classification: 09-03NES

(71) Name(s) and Address(s) of Applicant(s):

McCormick & Company, Incorporated
18 Loveton Circle Sparks MD 21152-6000 United States of America

(72) Name(s) of Designer(s): **Mark Jenkins**

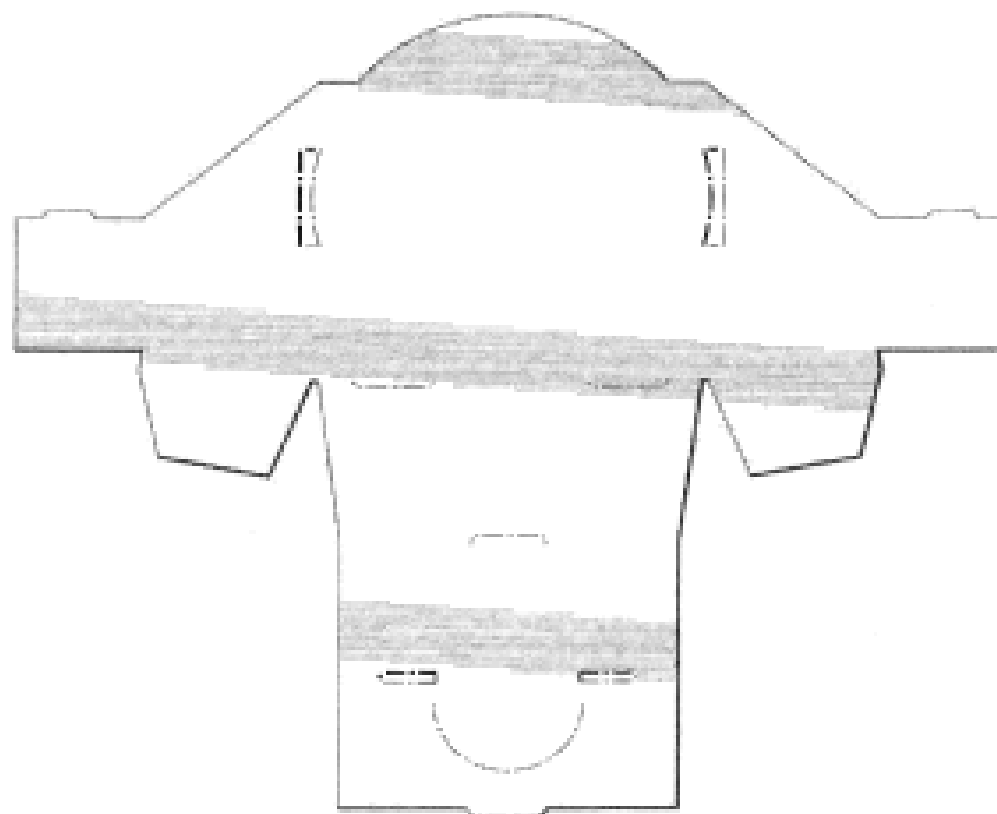
(45) Registration Date: **04 December 2009**

(30) Convention priority data:

(31) Number	(32) Date	(33) Country
29/337,282	19 May 2009	UNITED STATES OF AMERICA

(56) Related Art Documents: **Not Applicable**

(57) Statement of Newness and Distinctiveness: **The shape and configuration of the parts of the design shown by way of solid lines in the representations are new and distinctive.**



(19) AU

(21) Design Number: 14367/2009

(22) Date of Filing Application: 09 November 2009

(24) Date from which industrial property rights may have effect: 09 November 2009

(54) Product in respect of which the design is registered: **Bottle for liquids**

(51) International Design Classification: 09-01H

(71) Name(s) and Address(s) of Applicant(s):

McCormick & Company, Incorporated
18 Loveton Circle Sparks MD 21152-6000 United States of America

(72) Name(s) of Designer(s): **Lisa Charyszyn and Porter Gieske and Bjoern Leyser**

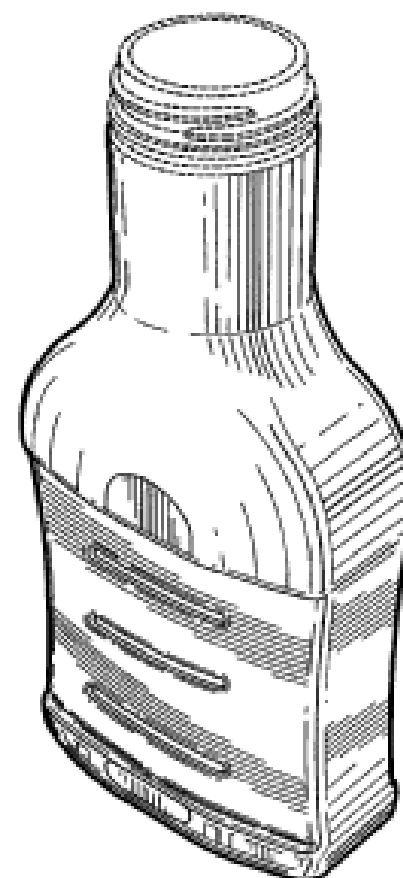
(45) Registration Date: **04 December 2009**

(30) Convention priority data:

(31) Number	(32) Date	(33) Country
29/339,617	02 Jul 2009	UNITED STATES OF AMERICA

(56) Related Art Documents: **Not Applicable**

(57) Statement of Newness and Distinctiveness: **The shape and configuration of the parts of the design shown by way of solid lines in the representations are new and distinctive.**



(21) Design Number: **14371/2009**

(22) Date of Filing Application: **09 November 2009**

(24) Date from which industrial property rights may have effect: **09 November 2009**

(54) Product in respect of which the design is registered: **Bracket for holding pipes**

(51) International Design Classification: **08-08NES**

(71) Name(s) and Address(s) of Applicant(s):

Peter Papamiltiades

2 Lightfoot Street Richmond Victoria 3121 Australia

(72) Name(s) of Designer(s): **Peter Papamiltiades**

(45) Registration Date: **04 December 2009**

(56) Related Art Documents: **Not Applicable**

(57) Statement of Newness and Distinctiveness: **Nil**



(21) Design Number: **13145/2009**

(22) Date of Filing Application: **18 August 2009**

(24) Date from which industrial property rights may have effect: **18 August 2009**

(54) Product in respect of which the design is registered: **Automobile**

(51) International Design Classification: **12-08**

(71) Name(s) and Address(s) of Applicant(s):

Toyota Jidosha Kabushiki Kaisha

1 Toyota-cho Toyota-shi Aichi-ken 471-8571 Japan

(72) Name(s) of Designer(s): **Takanori Ito and Kenji Kido**

(45) Registration Date: **07 December 2009**

(56) Related Art Documents: **Not Applicable**

(57) Statement of Newness and Distinctiveness: **Newness and distinctiveness is claimed in the features of shape and/or configuration of an automobile as illustrated in the accompanying representations.**



(21) Design Number: **13146/2009**

(22) Date of Filing Application: **18 August 2009**

(24) Date from which industrial property rights may have effect: **18 August 2009**

(54) Product in respect of which the design is registered: **Front combination lamp for an automobile**

(51) International Design Classification: **12-16E**

(71) Name(s) and Address(s) of Applicant(s):

**Toyota Jidosha Kabushiki Kaisha
1 Toyota-cho Toyota-shi Aichi-ken 471-8571 Japan**

(72) Name(s) of Designer(s): **Takanori Ito and Yusuke Fukushima**

(45) Registration Date: **07 December 2009**

(56) Related Art Documents: **Not Applicable**

(57) Statement of Newness and Distinctiveness: **Newness and distinctiveness is claimed in the features of shape and/or configuration of a front combination lamp for an automobile as illustrated in the accompanying representations.**



(21) Design Number: **13147/2009**

(22) Date of Filing Application: **18 August 2009**

(24) Date from which industrial property rights may have effect: **18 August 2009**

(54) Product in respect of which the design is registered: **Rear combination lamp for an automobile**

(51) International Design Classification: **12-16E**

(71) Name(s) and Address(s) of Applicant(s):

**Toyota Jidosha Kabushiki Kaisha
1 Toyota-cho Toyota-shi Aichi-ken 471-8571 Japan**

(72) Name(s) of Designer(s): **Hideki Hayashi and Kazuhiro Sato**

(45) Registration Date: **07 December 2009**

(56) Related Art Documents: **Not Applicable**

(57) Statement of Newness and Distinctiveness: **Newness and distinctiveness is claimed in the features of shape and/or configuration of a rear combination lamp for an automobile as illustrated in the accompanying representations.**



(21) Design Number: **13148/2009**

(22) Date of Filing Application: **18 August 2009**

(24) Date from which industrial property rights may have effect: **18 August 2009**

(54) Product in respect of which the design is registered: **Front bumper for an automobile**

(51) International Design Classification: **12-16C**

(71) Name(s) and Address(s) of Applicant(s):

**Toyota Jidosha Kabushiki Kaisha
1 Toyota-cho Toyota-shi Aichi-ken 471-8571 Japan**

(72) Name(s) of Designer(s): **Takanori Ito and Yusuke Fukushima**

(45) Registration Date: **07 December 2009**

(56) Related Art Documents: **Not Applicable**

(57) Statement of Newness and Distinctiveness: **Newness and distinctiveness is claimed in the features of shape and/or configuration of a front bumper for an automobile as illustrated in the accompanying representations.**



(21) Design Number: **13149/2009**

(22) Date of Filing Application: **18 August 2009**

(24) Date from which industrial property rights may have effect: **18 August 2009**

(54) Product in respect of which the design is registered: **Front grille for an automobile**

(51) International Design Classification: **12-16B**

(71) Name(s) and Address(s) of Applicant(s):

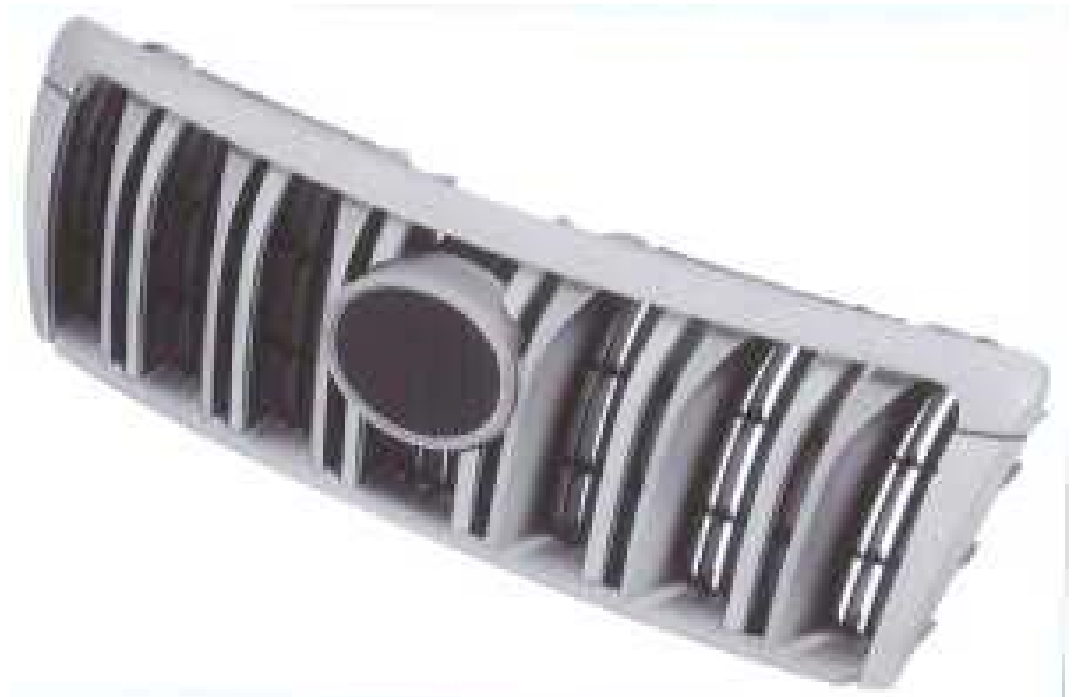
**Toyota Jidosha Kabushiki Kaisha
1 Toyota-cho Toyota-shi Aichi-ken 471-8571 Japan**

(72) Name(s) of Designer(s): **Takanori Ito and Yusuke Fukushima**

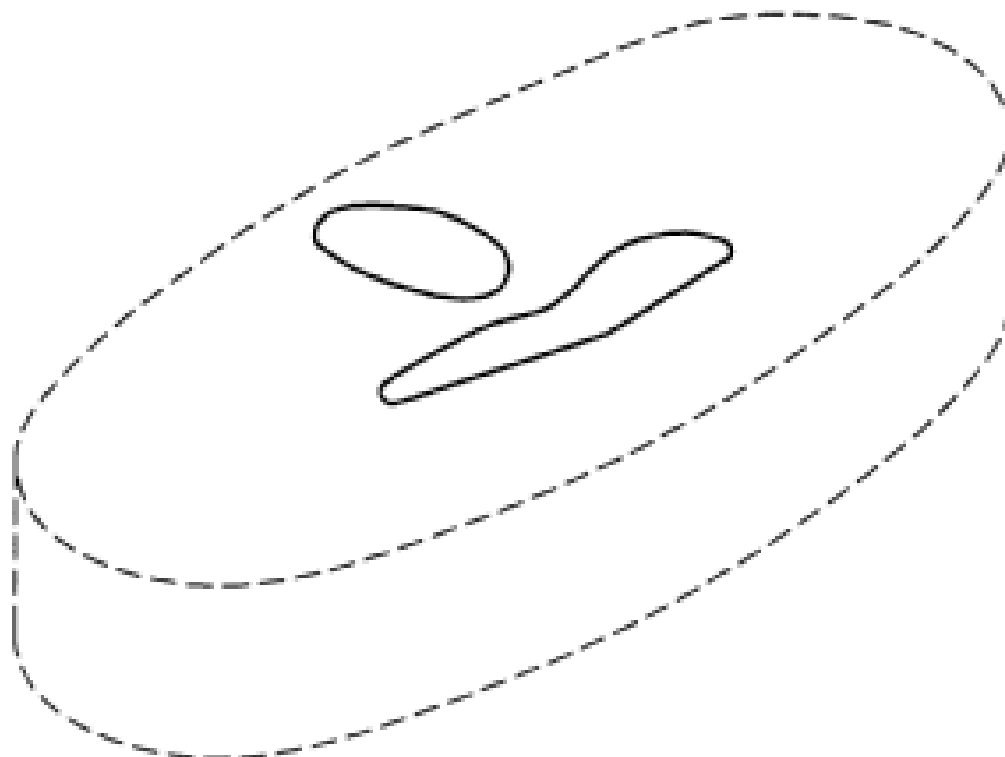
(45) Registration Date: **07 December 2009**

(56) Related Art Documents: **Not Applicable**

(57) Statement of Newness and Distinctiveness: **Newness and distinctiveness is claimed in the features of shape and/or configuration of a front grille for an automobile as illustrated in the accompanying representations.**



- (21) Design Number: **13875/2009**
(22) Date of Filing Application: **07 October 2009**
(24) Date from which industrial property rights may have effect: **07 October 2009**
(54) Product in respect of which the design is registered: **Tablet**
(51) International Design Classification: **28-01**
(71) Name(s) and Address(s) of Applicant(s):
sanofi-aventis, Societe anonyme
174 avenue de France 75013 Paris France
(72) Name(s) of Designer(s): **Daniel Therasse**
(45) Registration Date: **07 December 2009**
(30) Convention priority data:
(31) Number (32) Date (33) Country
09/1765 08 Apr 2009 FRANCE
(56) Related Art Documents: **Not Applicable**
(57) Statement of Newness and Distinctiveness: **Newness and distinctiveness resides in the two-dimensional design shown in solid line as applied to a surface of a TABLET as illustrated in the accompanying representations. The features of shape and/or configuration of the TABLET shown in broked outline do not form part of the design.**



- (21) Design Number: **14080/2009**
(22) Date of Filing Application: **21 October 2009**
(24) Date from which industrial property rights may have effect: **21 October 2009**
(54) Product in respect of which the design is registered: **Shielding net**
(51) International Design Classification: **12-16B**
(71) Name(s) and Address(s) of Applicant(s):
Scania CV AB
Sodertalje SE-151 87 Sweden
(72) Name(s) of Designer(s): **Kjell Fagerstrom and David Skoog and Kristofer Hansen and Christian Henriksen**
(45) Registration Date: **07 December 2009**
(30) Convention priority data:
(31) Number (32) Date (33) Country
2009/0218 29 Apr 2009 SWEDEN
(56) Related Art Documents: **Not Applicable**
(57) Statement of Newness and Distinctiveness: **Nil**



(21) Design Number: **14081/2009**

(22) Date of Filing Application: **21 October 2009**

(24) Date from which industrial property rights may have effect: **21 October 2009**

(54) Product in respect of which the design is registered: **Shielding net**

(51) International Design Classification: **12-16B**

(71) Name(s) and Address(s) of Applicant(s):

**Scania CV AB
Sodertalje SE-151 87 Sweden**

(72) Name(s) of Designer(s): **Kjell Fagerstrom and David Skoog and Kristofer Hansen and Christian Henriksen**

(45) Registration Date: **07 December 2009**

(30) Convention priority data:

(31) Number	(32) Date	(33) Country
2009/0219	29 Apr 2009	SWEDEN

(56) Related Art Documents: **Not Applicable**

(57) Statement of Newness and Distinctiveness: **Nil**



(21) Design Number: **14380/2009**

(22) Date of Filing Application: **10 November 2009**

(24) Date from which industrial property rights may have effect: **10 November 2009**

(54) Product in respect of which the design is registered: **Garbage can**

(51) International Design Classification: **09-09**

(71) Name(s) and Address(s) of Applicant(s):

**Envirocycle Systems Inc.
1 Place du Commerce Suite 565 Verdun Quebec H3E 1A2 Canada**

(72) Name(s) of Designer(s): **Pierre Louis Emond**

(45) Registration Date: **07 December 2009**

(30) Convention priority data:

(31) Number	(32) Date	(33) Country
131147	19 Jun 2009	CANADA

(56) Related Art Documents: **Not Applicable**

(57) Statement of Newness and Distinctiveness: **Newness and distinctiveness is claimed in the features of shape and/or configuration of the domed lid of a garbage can as illustrated in the accompanying representations.**



(21) Design Number: **12061/2009**

(22) Date of Filing Application: **04 June 2009**

(24) Date from which industrial property rights may have effect: **04 June 2009**

(54) Product in respect of which the design is registered: **Automobile tyre**

(51) International Design Classification: **12-15B**

(71) Name(s) and Address(s) of Applicant(s):

Bridgestone Corporation

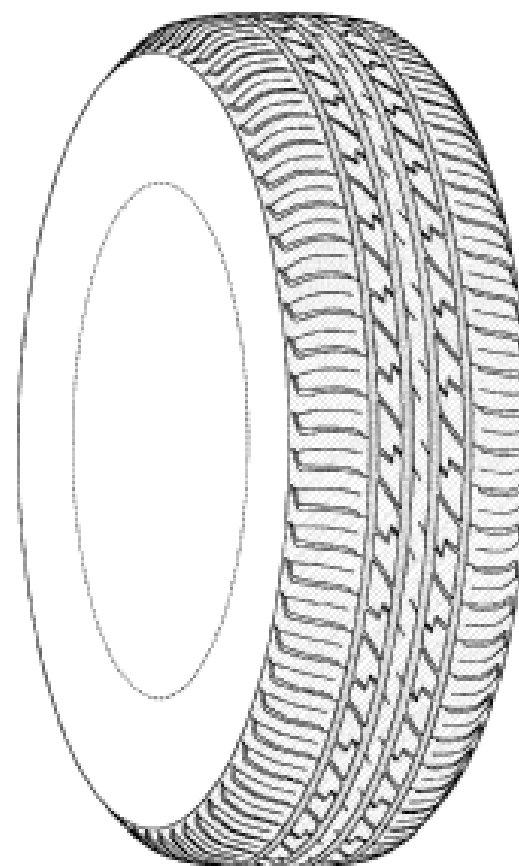
10-1 Kyobashi 1-Chome Chuo-ku Tokyo 104-8340 Japan

(72) Name(s) of Designer(s): **Takamitsu Nakamura**

(45) Registration Date: **08 December 2009**

(56) Related Art Documents: **Not Applicable**

(57) Statement of Newness and Distinctiveness: **The shape and configuration of the tread portion of the tyre is new and distinctive.**



(21) Design Number: **13131/2009**

(22) Date of Filing Application: **19 August 2009**

(24) Date from which industrial property rights may have effect: **19 August 2009**

(54) Product in respect of which the design is registered: **Bicycle rack**

(51) International Design Classification: **08-10**

(71) Name(s) and Address(s) of Applicant(s):

Mark Rossiter

54 Berwick Street Fortitude Valley Queensland 4006 Australia

Tim Ceolin

54 Berwick Street Fortitude Valley Queensland 4006 Australia

(72) Name(s) of Designer(s): **Mark Rossiter and Tim Ceolin**

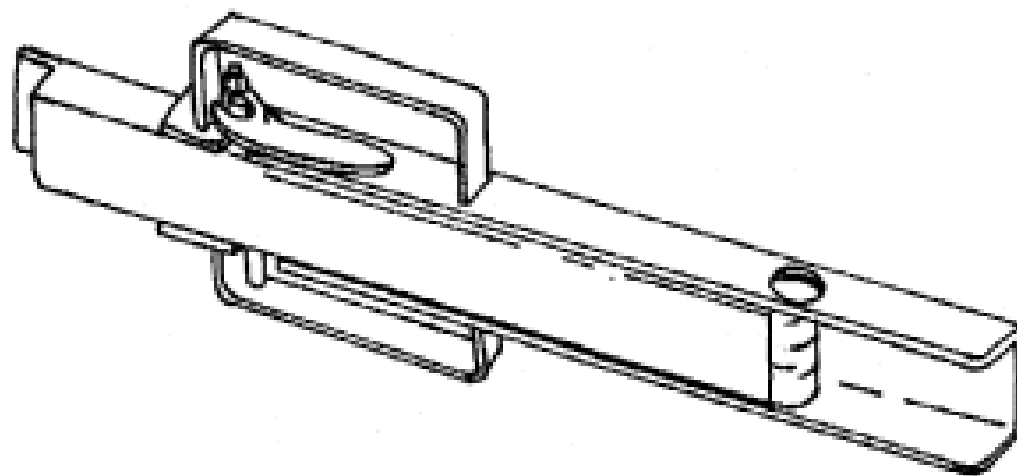
(45) Registration Date: **08 December 2009**

(56) Related Art Documents: **Not Applicable**

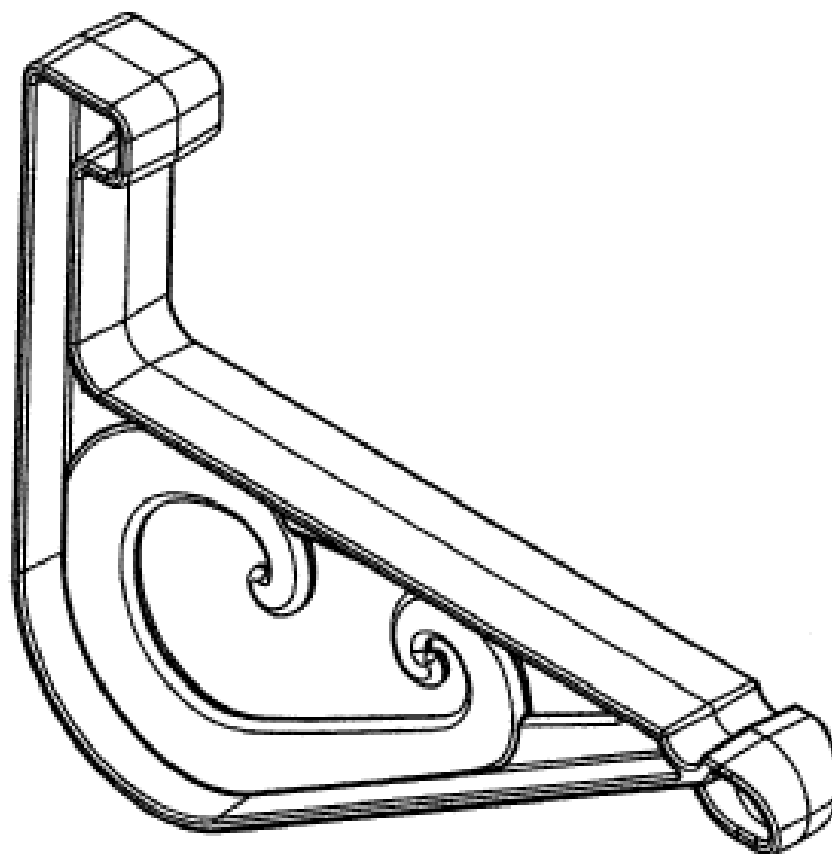
(57) Statement of Newness and Distinctiveness: **Nil**



- (21) Design Number: **13275/2009**
(22) Date of Filing Application: **27 August 2009**
(24) Date from which industrial property rights may have effect: **27 August 2009**
(54) Product in respect of which the design is registered: **Removable roof post for truck bodies or trailers**
(51) International Design Classification: **12-16NES**
(71) Name(s) and Address(s) of Applicant(s):
Philip A. Masterson
4 Royal Street Upper Ferntree Gully Victoria 3156 Australia
(72) Name(s) of Designer(s): **Philip A. Masterson**
(45) Registration Date: **08 December 2009**
(56) Related Art Documents: **Not Applicable**
(57) Statement of Newness and Distinctiveness: **The new feature of this design is when the hinge pin is removed the leg can be rotated to a second position when required on the locking pin which now runs through the leg.**



- (21) Design Number: **13841/2009**
(22) Date of Filing Application: **06 October 2009**
(24) Date from which industrial property rights may have effect: **06 October 2009**
(54) Product in respect of which the design is registered: **Plastic hook that installs onto fence**
(51) International Design Classification: **08-08G, 08-08K**
(71) Name(s) and Address(s) of Applicant(s):
Rafiq Industries Pty Ltd
12 Eyre Street Chifley New South Wales 2036 Australia
(72) Name(s) of Designer(s): **Ahmed Rafiq**
(45) Registration Date: **08 December 2009**
(56) Related Art Documents: **Not Applicable**
(57) Statement of Newness and Distinctiveness: **A plastic hook which is a 1 piece item that hooks onto the capping of a colorbond fence and can hang items from it. Max weight applicable = 10 kgs each. It has UV protection and designed to suit any hanging application.**



- (21) Design Number: **13511/2009**
- (22) Date of Filing Application: **11 September 2009**
- (24) Date from which industrial property rights may have effect: **11 September 2009**
- (54) Product in respect of which the design is registered: **Container**
- (51) International Design Classification: **09-01NES**
- (71) Name(s) and Address(s) of Applicant(s):

Donna Roth
10 Cordage Parh Circle Suite 212 Plymouth MA United States of America

Henry Roth
10 Cordage Parh Circle Suite 212 Plymouth MA United States of America

- (72) Name(s) of Designer(s): **Donna Roth and Henry Roth**

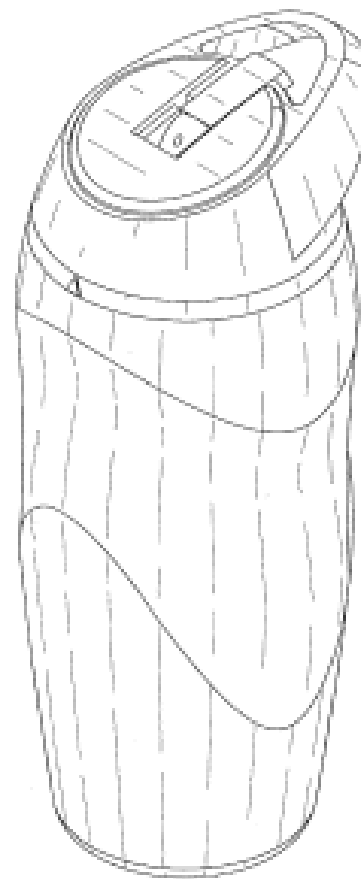
- (45) Registration Date: **08 December 2009**

- (30) Convention priority data:

(31) Number	(32) Date	(33) Country
29/335,720	20 Apr 2009	UNITED STATES OF AMERICA

- (56) Related Art Documents: **Not Applicable**

- (57) Statement of Newness and Distinctiveness: **Newness and distinctiveness are claimed in the features of shape and/or configuration of a container, as illustrated in the accompanying representations.**



- (21) Design Number: **14473/2009**
- (22) Date of Filing Application: **11 September 2009**
- (24) Date from which industrial property rights may have effect: **11 September 2009**
- (54) Product in respect of which the design is registered: **Container with insert**
- (51) International Design Classification: **09-01NES**
- (71) Name(s) and Address(s) of Applicant(s):

Donna Roth
10 Cordage Parh Circle Suite 212 Plymouth MA United States of America

Henry Roth
10 Cordage Parh Circle Suite 212 Plymouth MA United States of America

- (72) Name(s) of Designer(s): **Donna Roth and Henry Roth**

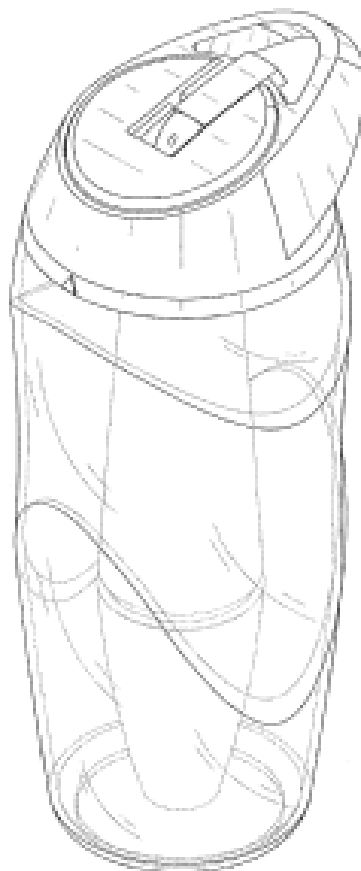
- (45) Registration Date: **08 December 2009**

- (30) Convention priority data:

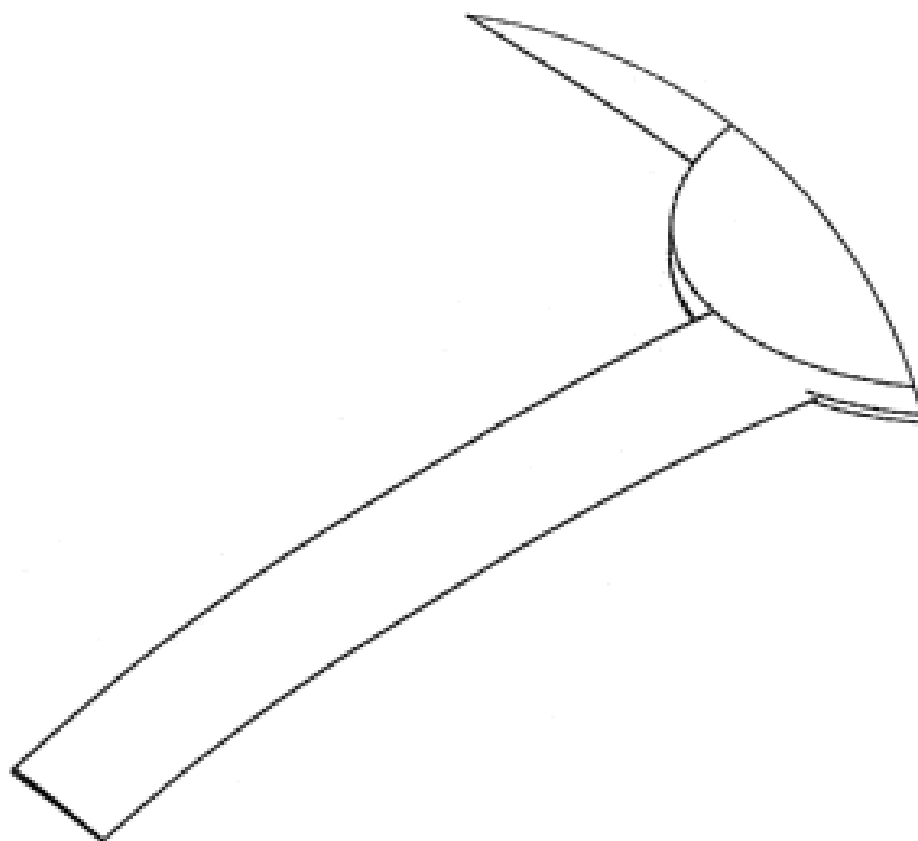
(31) Number	(32) Date	(33) Country
29/335,720	20 Apr 2009	UNITED STATES OF AMERICA

- (56) Related Art Documents: **Not Applicable**

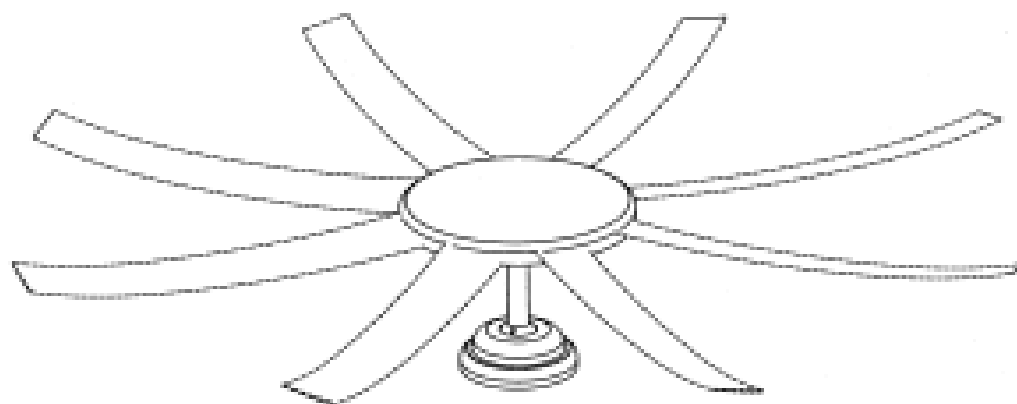
- (57) Statement of Newness and Distinctiveness: **Newness and distinctiveness are claimed in the features of shape and/or configuration of a container with an insert, as illustrated in the accompanying representations with Figures 7 to 12 showing details of the insert in the container body.**



- (21) Design Number: **13750/2009**
(22) Date of Filing Application: **30 September 2009**
(24) Date from which industrial property rights may have effect: **30 September 2009**
(54) Product in respect of which the design is registered: **Ceiling fan blades**
(51) International Design Classification: **23-04**
(71) Name(s) and Address(s) of Applicant(s):
Hunter Pacific International Pty Ltd
Building 8 256 New Line Road Dural New South Wales 2158 Australia
(72) Name(s) of Designer(s): **Liam Keene**
(45) Registration Date: **08 December 2009**
(56) Related Art Documents: **Not Applicable**
(57) Statement of Newness and Distinctiveness: **Newness and distinctiveness is claimed in the shape and configuration of the individual ceiling fan blade as represented in solid lines in the attached drawings. In assessing newness and distinctiveness, no regard should be had of the shape and configuration of the ceiling fan hub in broken lines, nor of the number of fan blades depicted.**



- (21) Design Number: **13751/2009**
(22) Date of Filing Application: **30 September 2009**
(24) Date from which industrial property rights may have effect: **30 September 2009**
(54) Product in respect of which the design is registered: **Ceiling fan hub**
(51) International Design Classification: **23-04**
(71) Name(s) and Address(s) of Applicant(s):
Hunter Pacific International Pty Ltd
Building 8 256 New Line Road Dural New South Wales 2158 Australia
(72) Name(s) of Designer(s): **Philip Allen and Scott Ibbotson**
(45) Registration Date: **08 December 2009**
(56) Related Art Documents: **Not Applicable**
(57) Statement of Newness and Distinctiveness: **Newness and distinctiveness is claimed in the shape and configuration of the hub of the ceiling fan as represented in solid lines in the attached drawings. In assessing newness and distinctiveness, no regard should be had of the shape and configuration of the fan blades as represented in broken lines, nor of the number of fan blades depicted.**



(21) Design Number: **13752/2009**

(22) Date of Filing Application: **30 September 2009**

(24) Date from which industrial property rights may have effect: **30 September 2009**

(54) Product in respect of which the design is registered: **Ceiling fan blades**

(51) International Design Classification: **23-04**

(71) Name(s) and Address(s) of Applicant(s):

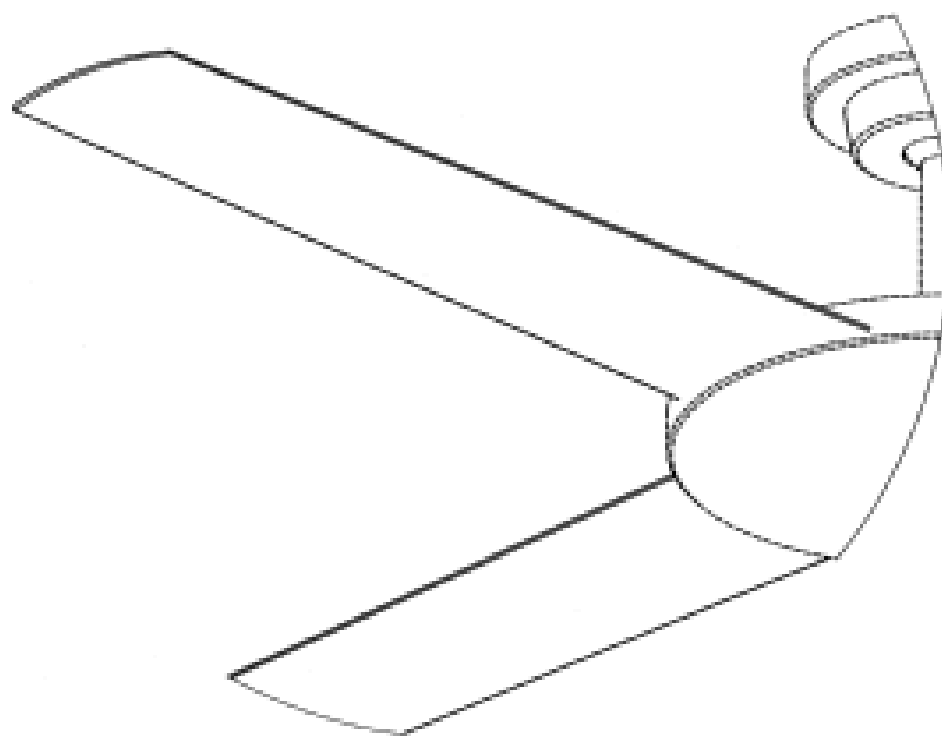
**Hunter Pacific International Pty Ltd
Building 8 256 New Line Road Dural New South Wales 2158 Australia**

(72) Name(s) of Designer(s): **Liam Keene**

(45) Registration Date: **08 December 2009**

(56) Related Art Documents: **Not Applicable**

(57) Statement of Newness and Distinctiveness: **Newness and distinctiveness is claimed in the shape and configuration of the individual ceiling fan blade as represented in solid lines in the attached drawings. In assessing newness and distinctiveness, no regard should be had of the shape and configuration of the ceiling fan hub in broken lines, nor of the number of fan blades depicted.**



(21) Design Number: **13753/2009**

(22) Date of Filing Application: **30 September 2009**

(24) Date from which industrial property rights may have effect: **30 September 2009**

(54) Product in respect of which the design is registered: **Ceiling fan hub**

(51) International Design Classification: **23-04**

(71) Name(s) and Address(s) of Applicant(s):

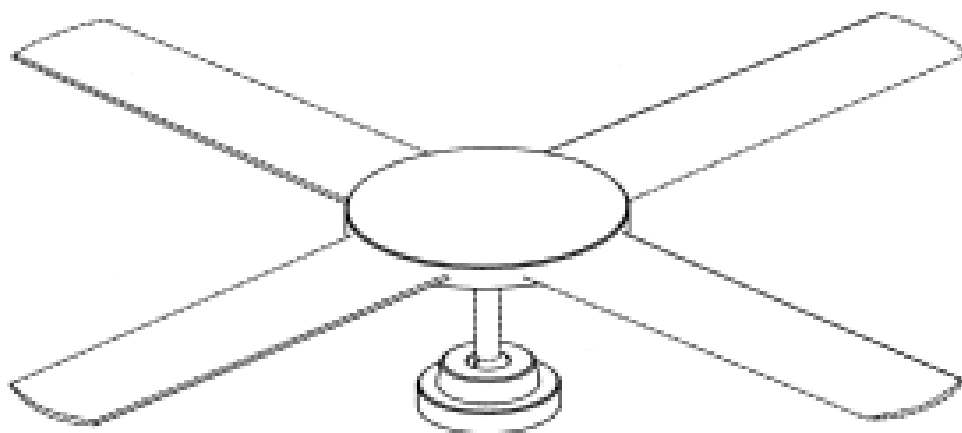
**Hunter Pacific International Pty Ltd
Building 8 256 New Line Road Dural New South Wales 2158 Australia**

(72) Name(s) of Designer(s): **Philip Allen and Scott Ibbotson**

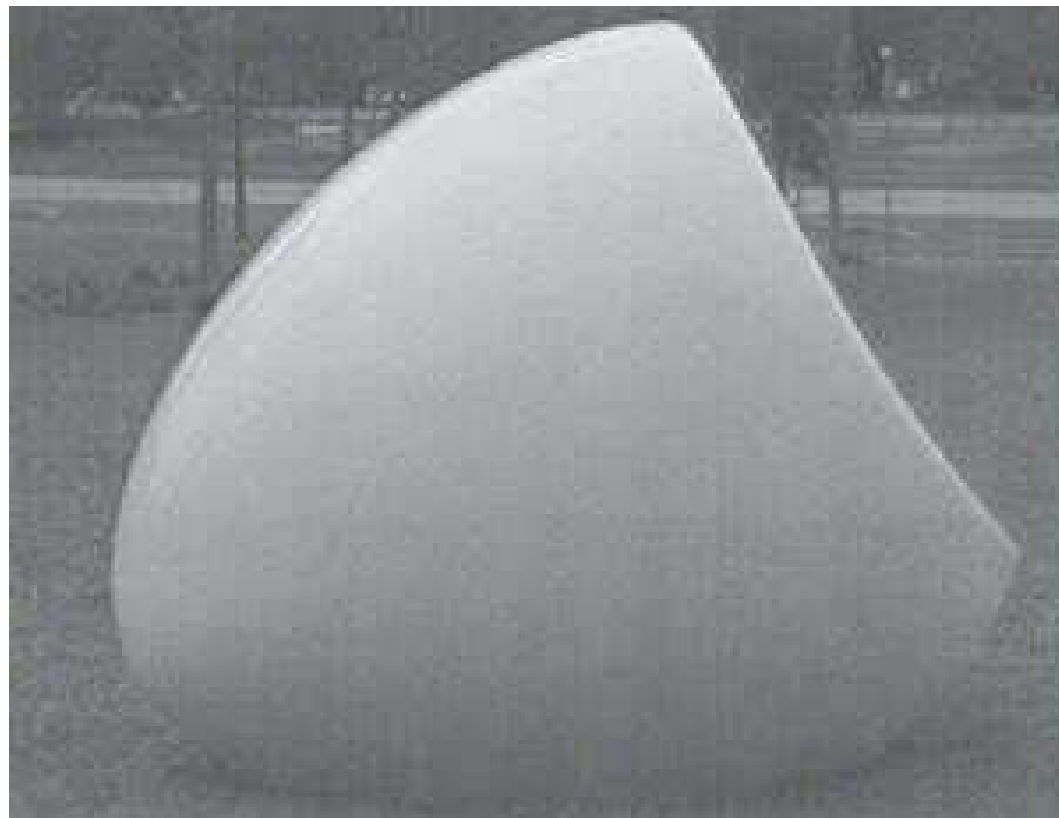
(45) Registration Date: **08 December 2009**

(56) Related Art Documents: **Not Applicable**

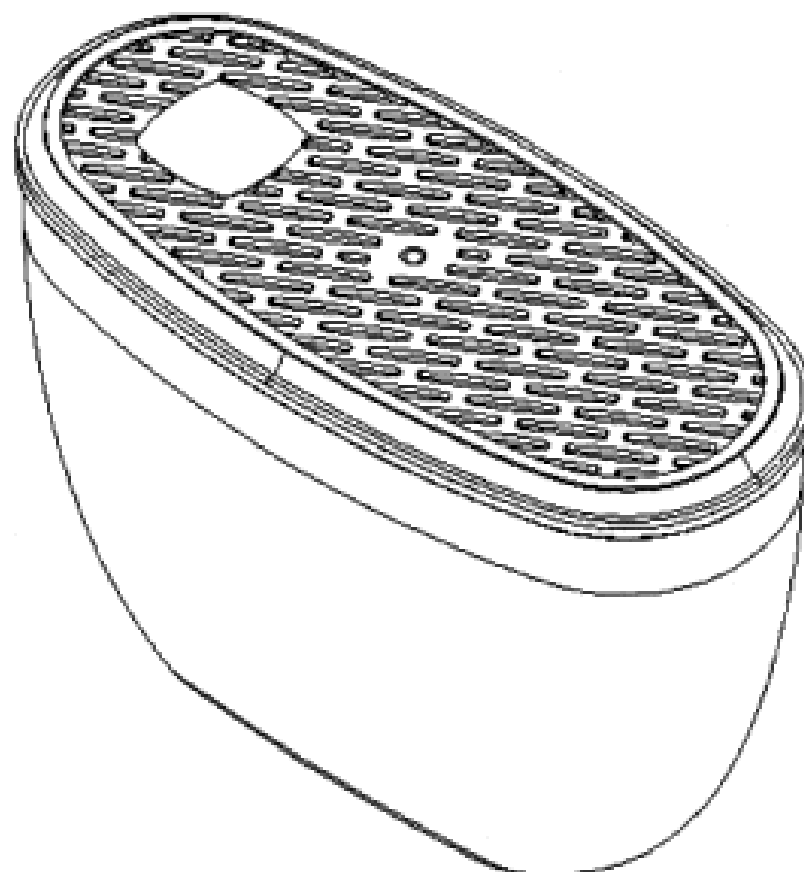
(57) Statement of Newness and Distinctiveness: **Newness and distinctiveness is claimed in the shape and configuration of the hub of the ceiling fan as represented in solid lines in the attached drawings. In assessing newness and distinctiveness, no regard should be had of the shape and configuration of the fan blades as represented in broken lines, nor of the number of fan blades depicted.**



- (21) Design Number: **13972/2009**
(22) Date of Filing Application: **14 October 2009**
(24) Date from which industrial property rights may have effect: **14 October 2009**
(54) Product in respect of which the design is registered: **Waterpod water tank chair**
(51) International Design Classification: **06-01L, 23-01F**
(71) Name(s) and Address(s) of Applicant(s):
Lisa Schmutter
9 Nelson Street Balaclava Victoria 3183 Australia
Martin Palmer
9 Nelson Street Balaclava Victoria_3183 Australia
(72) Name(s) of Designer(s): **Martin Palmer and Lisa Schmutter**
(45) Registration Date: **08 December 2009**
(56) Related Art Documents: **Not Applicable**
(57) Statement of Newness and Distinctiveness: **This is an organic shaped watertank suitable for use as an outdoor chair.**



- (21) Design Number: **14012/2009**
(22) Date of Filing Application: **19 October 2009**
(24) Date from which industrial property rights may have effect: **19 October 2009**
(54) Product in respect of which the design is registered: **Air deodorising apparatus**
(51) International Design Classification: **28-03NES**
(71) Name(s) and Address(s) of Applicant(s):
Samar, LLC
70 West Madison Chicago IL 60602 United States of America
(72) Name(s) of Designer(s): **Foot Kee Siao**
(45) Registration Date: **08 December 2009**
(30) Convention priority data:
(31) Number (32) Date (33) Country
001137574 14 May 2009 EUROPEAN COMMUNITY
(56) Related Art Documents: **Not Applicable**
(57) Statement of Newness and Distinctiveness: **Nil**



(21) Design Number: **14157/2009**

(22) Date of Filing Application: **27 October 2009**

(24) Date from which industrial property rights may have effect: **27 October 2009**

(54) Product in respect of which the design is registered: **Bottle**

(51) International Design Classification: **09-01G**

(71) Name(s) and Address(s) of Applicant(s):

**Comptoir Nouveau de la Parfumerie
23 rue Boissy d'Anglas 75008 Paris**

(72) Name(s) of Designer(s): **Philippe Mouquet**

(45) Registration Date: **08 December 2009**

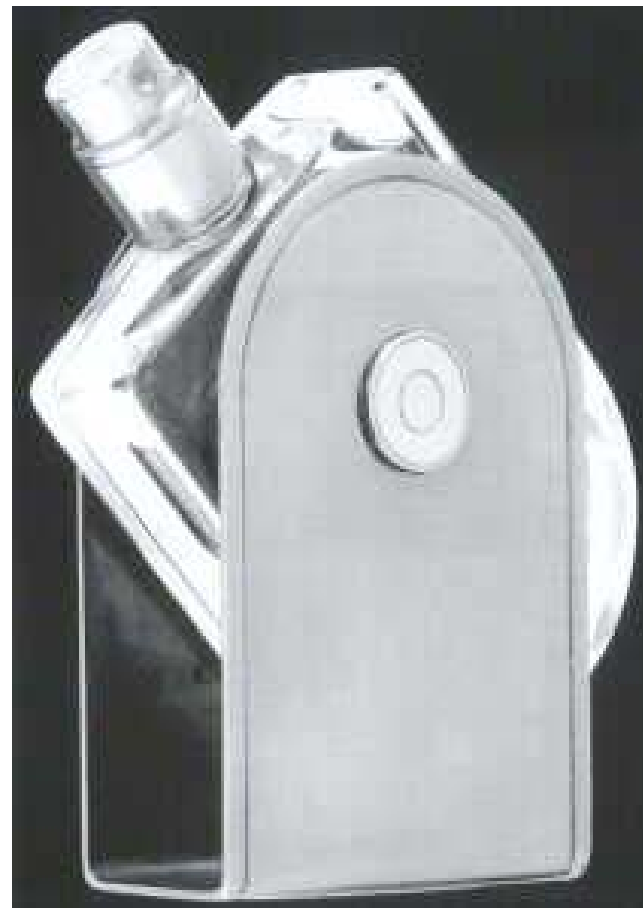
(30) Convention priority data:

(31) Number (32) Date
DM/071844 20 May 2009

(33) Country
**WORLD INTELLECTUAL
PROPERTY ORGANIZATION
(WIPO)**

(56) Related Art Documents: **Not Applicable**

(57) Statement of Newness and Distinctiveness: **Nil**



(21) Design Number: **14241/2009**

(22) Date of Filing Application: **29 October 2009**

(24) Date from which industrial property rights may have effect: **29 October 2009**

(54) Product in respect of which the design is registered: **Fishing lure**

(51) International Design Classification: **22-05**

(71) Name(s) and Address(s) of Applicant(s):

**Peter Somogyi
8 Carlyle Street Enfield New South Wales 2136 Australia**

(72) Name(s) of Designer(s): **Peter Somogyi**

(45) Registration Date: **08 December 2009**

(56) Related Art Documents: **Not Applicable**

(57) Statement of Newness and Distinctiveness: **Nil**



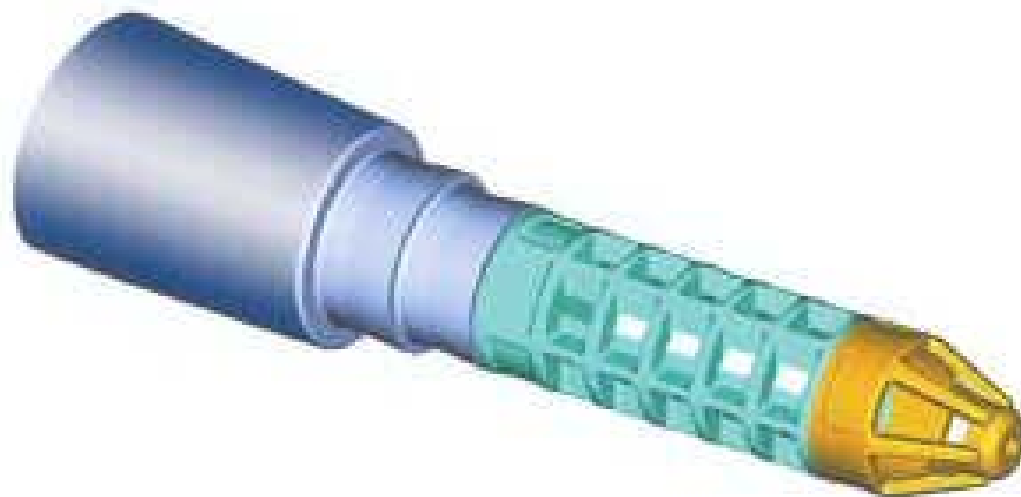
- (21) Design Number: **14242/2009**
- (22) Date of Filing Application: **29 October 2009**
- (24) Date from which industrial property rights may have effect: **29 October 2009**
- (54) Product in respect of which the design is registered: **Fishing lure**
- (51) International Design Classification: **22-05**
- (71) Name(s) and Address(s) of Applicant(s):
Peter Somogyi
8 Carlyle Street Enfield New South Wales 2136 Australia
- (72) Name(s) of Designer(s): **Peter Somogyi**
- (45) Registration Date: **08 December 2009**
- (56) Related Art Documents: **Not Applicable**
- (57) Statement of Newness and Distinctiveness: **Nil**



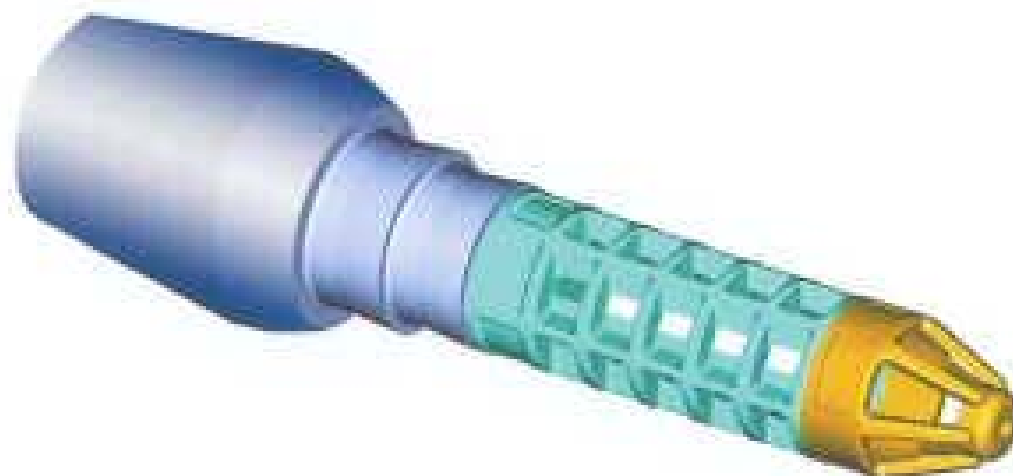
- (21) Design Number: **14243/2009**
- (22) Date of Filing Application: **29 October 2009**
- (24) Date from which industrial property rights may have effect: **29 October 2009**
- (54) Product in respect of which the design is registered: **Fishing lure**
- (51) International Design Classification: **22-05**
- (71) Name(s) and Address(s) of Applicant(s):
Peter Somogyi
8 Carlyle Street Enfield New South Wales 2136 Australia
- (72) Name(s) of Designer(s): **Peter Somogyi**
- (45) Registration Date: **08 December 2009**
- (56) Related Art Documents: **Not Applicable**
- (57) Statement of Newness and Distinctiveness: **Nil**



- (21) Design Number: **14244/2009**
- (22) Date of Filing Application: **29 October 2009**
- (24) Date from which industrial property rights may have effect: **29 October 2009**
- (54) Product in respect of which the design is registered: **Fishing lure**
- (51) International Design Classification: **22-05**
- (71) Name(s) and Address(s) of Applicant(s):
Peter Somogyi
8 Carlyle Street Enfield New South Wales 2136 Australia
- (72) Name(s) of Designer(s): **Peter Somogyi**
- (45) Registration Date: **08 December 2009**
- (56) Related Art Documents: **Not Applicable**
- (57) Statement of Newness and Distinctiveness: **Nil**



- (21) Design Number: **14245/2009**
- (22) Date of Filing Application: **29 October 2009**
- (24) Date from which industrial property rights may have effect: **29 October 2009**
- (54) Product in respect of which the design is registered: **Fishing lure**
- (51) International Design Classification: **22-05**
- (71) Name(s) and Address(s) of Applicant(s):
Peter Somogyi
8 Carlyle Street Enfield New South Wales 2136 Australia
- (72) Name(s) of Designer(s): **Peter Somogyi**
- (45) Registration Date: **08 December 2009**
- (56) Related Art Documents: **Not Applicable**
- (57) Statement of Newness and Distinctiveness: **Nil**



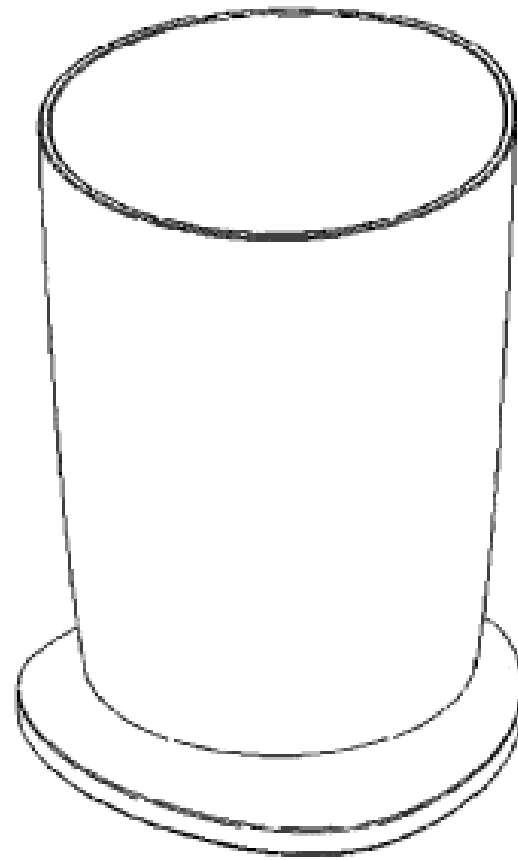
- (21) Design Number: **14246/2009**
(22) Date of Filing Application: **29 October 2009**
(24) Date from which industrial property rights may have effect: **29 October 2009**
(54) Product in respect of which the design is registered: **Fishing lure**
(51) International Design Classification: **22-05**
(71) Name(s) and Address(s) of Applicant(s):
Peter Somogyi
8 Carlyle Street Enfield New South Wales 2136 Australia
(72) Name(s) of Designer(s): **Peter Somogyi**
(45) Registration Date: **08 December 2009**
(56) Related Art Documents: **Not Applicable**
(57) Statement of Newness and Distinctiveness: **Nil**



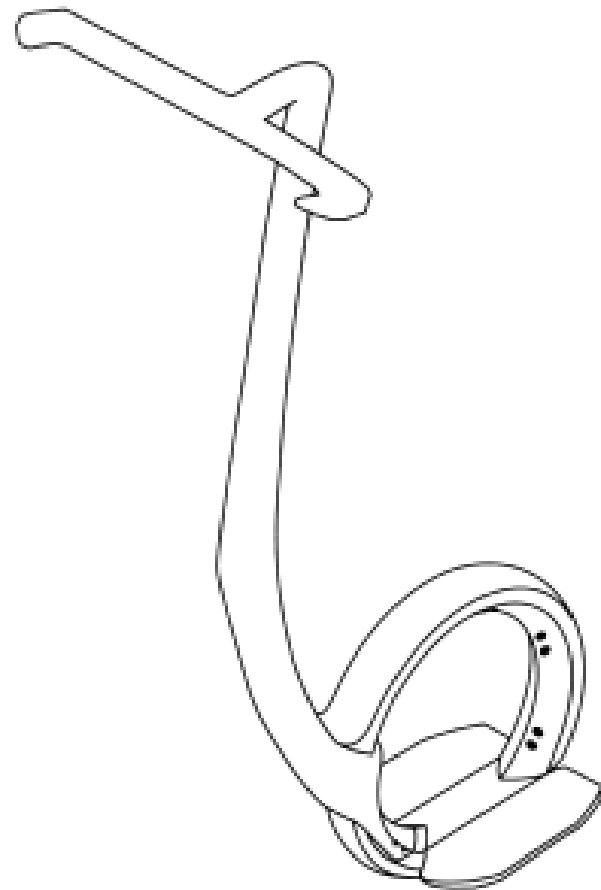
- (21) Design Number: **14274/2009**
(22) Date of Filing Application: **04 November 2009**
(24) Date from which industrial property rights may have effect: **04 November 2009**
(54) Product in respect of which the design is registered: **Cosmetic containers**
(51) International Design Classification: **09-01G**
(71) Name(s) and Address(s) of Applicant(s):
Pavlina Itter
28 Gyton Avenue Glen Waverley Victoria 3150 Australia
(72) Name(s) of Designer(s): **Pavlina Itter**
(45) Registration Date: **08 December 2009**
(56) Related Art Documents: **Not Applicable**
(57) Statement of Newness and Distinctiveness: **The three are shaped to fit together. In the centre of each part inside is placed a magnet which keeps the parts stuck together. See diagram attached.**



(21) Design Number: **14128/2009**
(22) Date of Filing Application: **11 September 2009**
(24) Date from which industrial property rights may have effect: **11 September 2009**
(54) Product in respect of which the design is registered: **A cup**
(51) International Design Classification: **07-01D**
(71) Name(s) and Address(s) of Applicant(s):
AB Electrolux
Stockholm 105 45 Sweden
(72) Name(s) of Designer(s): **Joachim Nordwall**
(45) Registration Date: **09 December 2009**
(30) Convention priority data:
(31) Number (32) Date (33) Country
001104137 12 Mar 2009 EUROPEAN COMMUNITY
(62) Divisional of: **328242**
(56) Related Art Documents: **Not Applicable**
(57) Statement of Newness and Distinctiveness: **Nil**



(21) Design Number: **14378/2009**
(22) Date of Filing Application: **10 November 2009**
(24) Date from which industrial property rights may have effect: **10 November 2009**
(54) Product in respect of which the design is registered: **A single hubless wheel scooter**
(51) International Design Classification: **12-99, 21-01F**
(71) Name(s) and Address(s) of Applicant(s):
Colin Redmond
51 Cardigan Place Albert Park Victoria 3206 Australia
(72) Name(s) of Designer(s): **Colin Redmond**
(45) Registration Date: **09 December 2009**
(56) Related Art Documents: **Not Applicable**
(57) Statement of Newness and Distinctiveness: **Single hubless wheel with hollow centre, tangentially mounted steering arm and foot pedals mounted laterally opposed about the base of the wheel. A plurality of radial spots on the stationary rim.**



(21) Design Number: **14386/2009**

(22) Date of Filing Application: **11 November 2009**

(24) Date from which industrial property rights may have effect: **11 November 2009**

(54) Product in respect of which the design is registered: **Bottle**

(51) International Design Classification: **09-01K**

(71) Name(s) and Address(s) of Applicant(s):

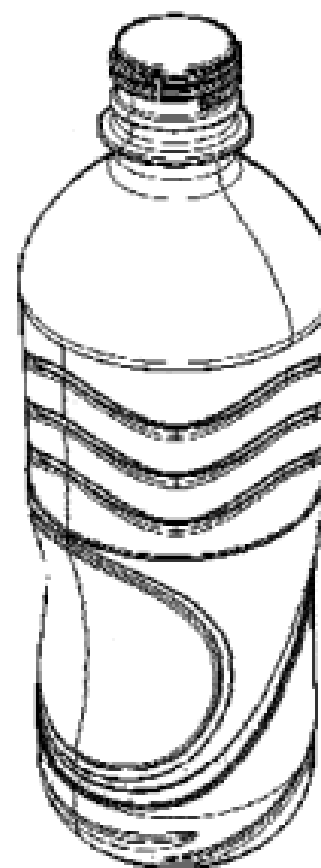
Asahi Breweries, Ltd
23-1 Azumabashi 1-chome Sumida-ku 130-8602 Tokyo Japan

(72) Name(s) of Designer(s): **Andy Purchase**

(45) Registration Date: **09 December 2009**

(56) Related Art Documents: **Not Applicable**

(57) Statement of Newness and Distinctiveness: **Newness and distinctiveness resides in the shape and/or configuration of a bottle as shown in the accompanying representations. The vertical line shown in the front, rear, left and right elevation views and the corresponding lines shown in the perspective view are illustrative of curvature and do not constitute surface ornamentation.**



(21) Design Number: **14388/2009**

(22) Date of Filing Application: **11 November 2009**

(24) Date from which industrial property rights may have effect: **11 November 2009**

(54) Product in respect of which the design is registered: **Dispensing closure for a container**

(51) International Design Classification: **09-07A**

(71) Name(s) and Address(s) of Applicant(s):

Portola Packaging, Inc.
951 Douglas Road Batavia Illinois 60510 United States of America

(72) Name(s) of Designer(s): **Richard D. Lohrman and Mike Xiaoli Ma and Limin Zhang**

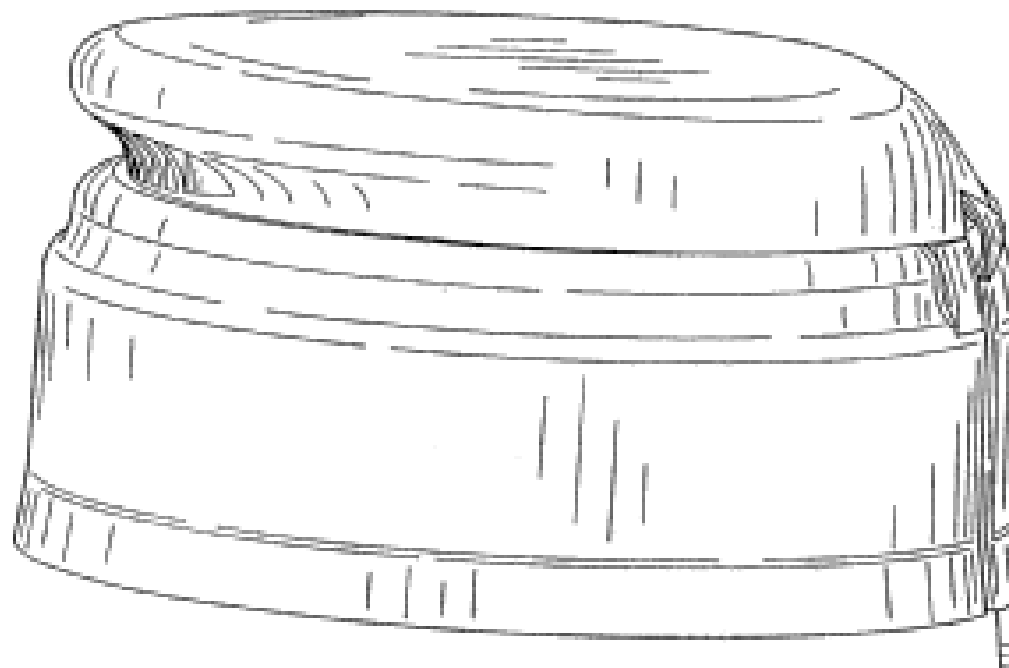
(45) Registration Date: **09 December 2009**

(30) Convention priority data:

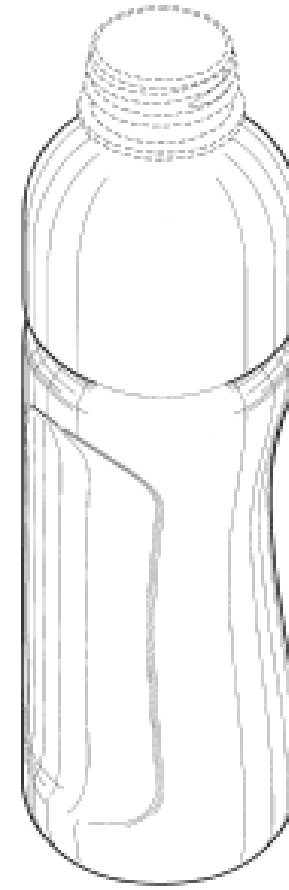
(31) Number	(32) Date	(33) Country
29/344607	01 Oct 2009	UNITED STATES OF AMERICA

(56) Related Art Documents: **Not Applicable**

(57) Statement of Newness and Distinctiveness: **Newness and distinctiveness is claimed in the features of shape and/or configuration of a dispensing closure for a container as illustrated in the accompanying representations.**



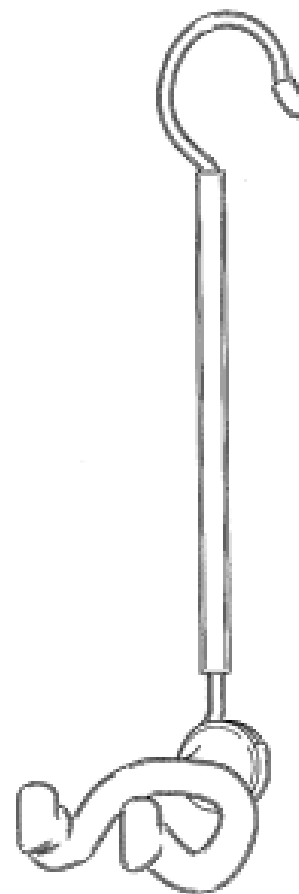
- (21) Design Number: **14390/2009**
(22) Date of Filing Application: **11 November 2009**
(24) Date from which industrial property rights may have effect: **11 November 2009**
(54) Product in respect of which the design is registered: **A container**
(51) International Design Classification: **09-01K**
(71) Name(s) and Address(s) of Applicant(s):
David Murray Melrose
88 Balmoral Road Mt Eden Auckland 1024 New Zealand
(72) Name(s) of Designer(s): **David Murray Melrose and Tania Maria Robinson and Andrew Candy and Campbell Melrose-Allen**
(45) Registration Date: **09 December 2009**
(30) Convention priority data:
(31) Number (32) Date (33) Country
412380 11 Jun 2009 NEW ZEALAND
(56) Related Art Documents: **Not Applicable**
(57) Statement of Newness and Distinctiveness: **Newness and distinctiveness is claimed in the shape and configuration of the container excluding those portions shown in dashed lines.**



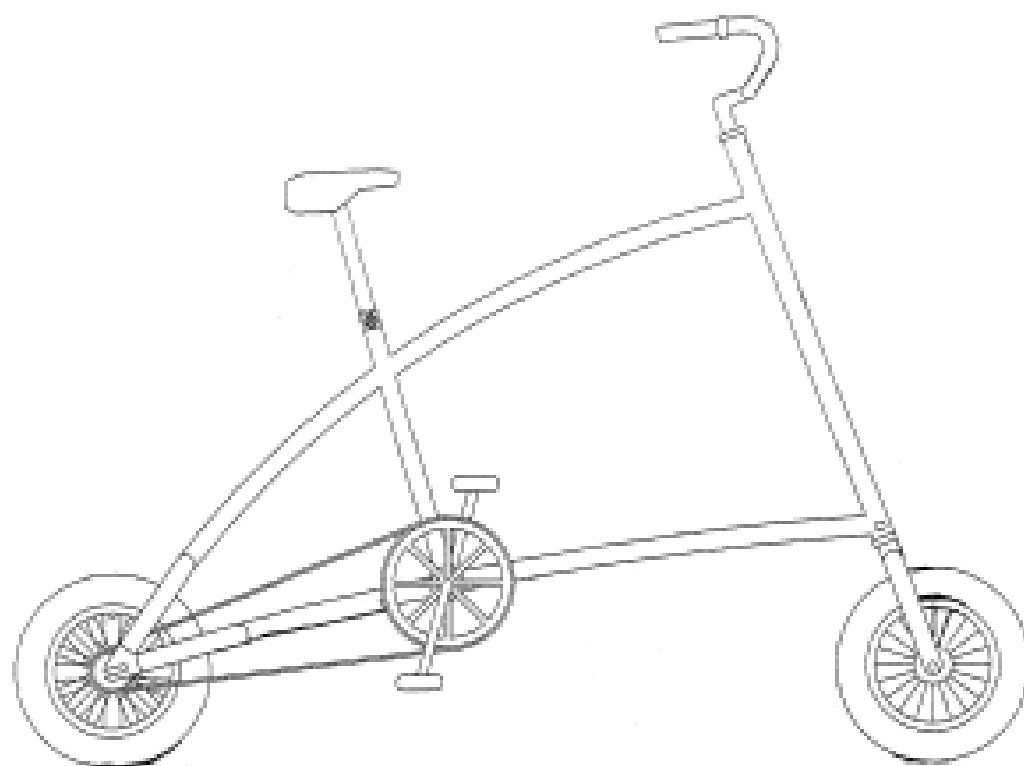
- (21) Design Number: **14391/2009**
(22) Date of Filing Application: **11 November 2009**
(24) Date from which industrial property rights may have effect: **11 November 2009**
(54) Product in respect of which the design is registered: **Scarf**
(51) International Design Classification: **02-05**
(71) Name(s) and Address(s) of Applicant(s):
Li Liang
8/48 Alexandria Road East Fremantle Western Australia 6158 Australia
(72) Name(s) of Designer(s): **Li Liang**
(45) Registration Date: **09 December 2009**
(56) Related Art Documents: **Not Applicable**
(57) Statement of Newness and Distinctiveness: **The particular visual features of the design which are new and distinctive are pattern OR shape OR configuration.**



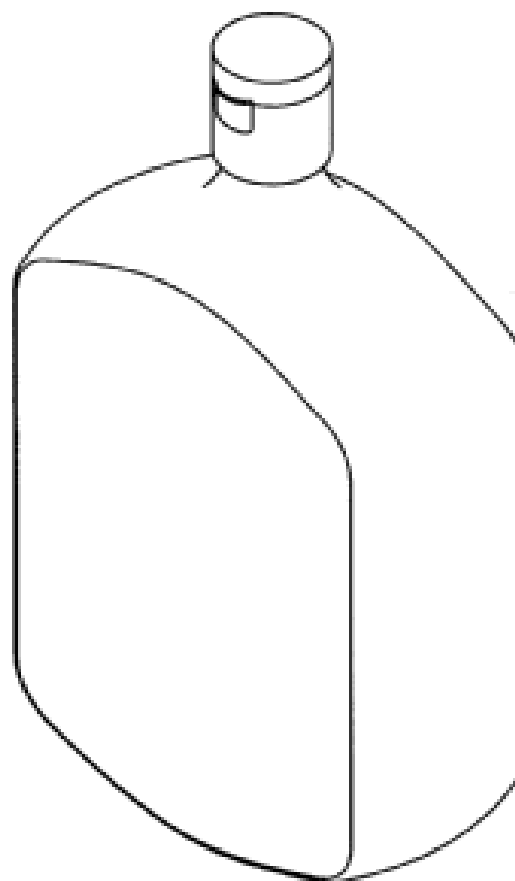
- (21) Design Number: **14404/2009**
(22) Date of Filing Application: **12 November 2009**
(24) Date from which industrial property rights may have effect: **12 November 2009**
(54) Product in respect of which the design is registered: **Guitar hanger**
(51) International Design Classification: **17-99, 08-08G**
(71) Name(s) and Address(s) of Applicant(s):
Christopher A. Samu
1185 Solano Avenue #115 Albany California 94706 United States of America
(72) Name(s) of Designer(s): **Christopher A. Samu**
(45) Registration Date: **09 December 2009**
(56) Related Art Documents: **Not Applicable**
(57) Statement of Newness and Distinctiveness: **Newness and distinctiveness is claimed in the features of shape and/or configuration of a guitar hanger as illustrated in the accompanying representations.**



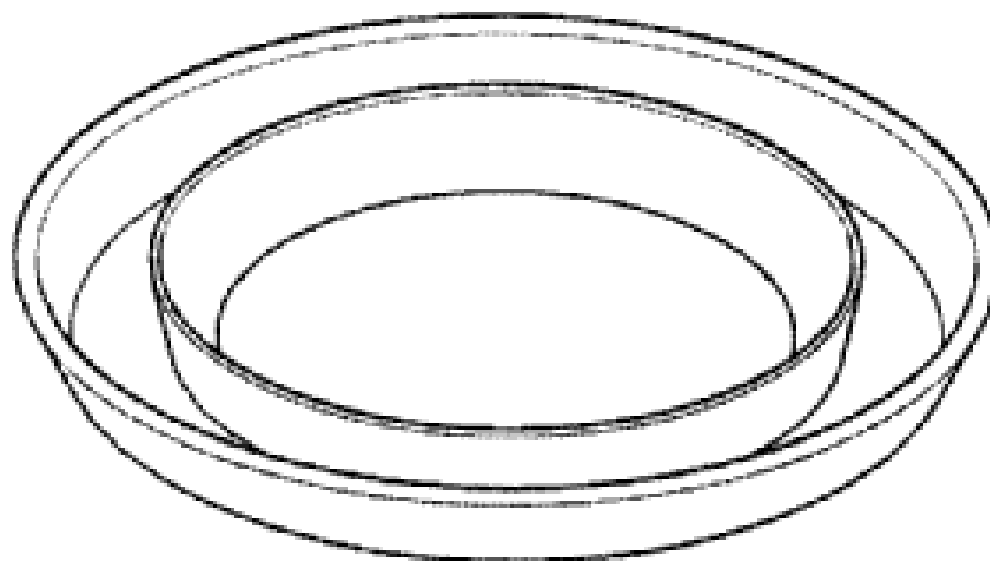
- (21) Design Number: **14406/2009**
(22) Date of Filing Application: **13 November 2009**
(24) Date from which industrial property rights may have effect: **13 November 2009**
(54) Product in respect of which the design is registered: **A bicycle**
(51) International Design Classification: **12-11**
(71) Name(s) and Address(s) of Applicant(s):
Mark William Beerling
9 Gilgai Close Parkinson Queensland 4115 Australia
(72) Name(s) of Designer(s): **Mark William Beerling**
(45) Registration Date: **09 December 2009**
(56) Related Art Documents: **Not Applicable**
(57) Statement of Newness and Distinctiveness: **The newness and distinctiveness of the design resides in the features of shape and/or configuration of the frame of a bicycle as shown in the accompanying representations.**



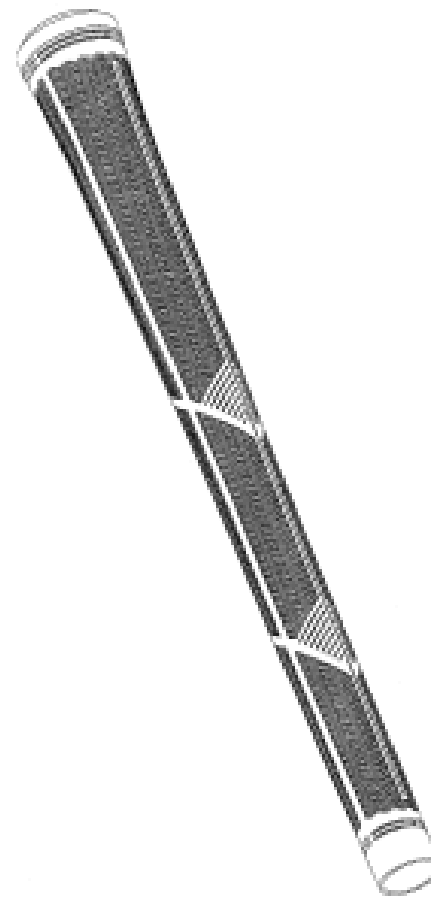
- (21) Design Number: **14410/2009**
(22) Date of Filing Application: **13 November 2009**
(24) Date from which industrial property rights may have effect: **13 November 2009**
(54) Product in respect of which the design is registered: **Plastic bottle**
(51) International Design Classification: **09-01H**
(71) Name(s) and Address(s) of Applicant(s):
Container Pty Ltd
Level 3 255 Riley Street Surry Hills New South Wales 2010 Australia
(72) Name(s) of Designer(s): **Brenan Liston**
(45) Registration Date: **09 December 2009**
(56) Related Art Documents: **Not Applicable**
(57) Statement of Newness and Distinctiveness: **Nil**



- (21) Design Number: **14411/2009**
(22) Date of Filing Application: **12 November 2009**
(24) Date from which industrial property rights may have effect: **12 November 2009**
(54) Product in respect of which the design is registered: **Sealing member for a closure**
(51) International Design Classification: **09-07C**
(71) Name(s) and Address(s) of Applicant(s):
Manfred Imand Kurmis
16 Gulfview Road Blackwood South Australia 5051 Australia
(72) Name(s) of Designer(s): **Manfred Imand Kurmis**
(45) Registration Date: **09 December 2009**
(56) Related Art Documents: **Not Applicable**
(57) Statement of Newness and Distinctiveness: **Newness and distinctiveness is claimed in the shape and/or configuration of a sealing member for a closure as depicted in the accompanying drawings.**



- (21) Design Number: **14431/2009**
(22) Date of Filing Application: **12 November 2009**
(24) Date from which industrial property rights may have effect: **12 November 2009**
(54) Product in respect of which the design is registered: **Golf grip**
(51) International Design Classification: **21-02C**
(71) Name(s) and Address(s) of Applicant(s):
Eaton Corporation
Eaton Center 1111 Superior Avenue Cleveland Ohio 44114-2584
United States of America
(72) Name(s) of Designer(s): **David Keith Gill and Billy Dee Wood and Richard Andrew Black**
(45) Registration Date: **09 December 2009**
(30) Convention priority data:
(31) Number (32) Date (33) Country
29/314989 15 May 2009 UNITED STATES OF AMERICA
(56) Related Art Documents: **Not Applicable**
(57) Statement of Newness and Distinctiveness: **Newness and distinctiveness reside in the features of the design as shown in the representations.**



- (21) Design Number: **13050/2009**
(22) Date of Filing Application: **13 August 2009**
(24) Date from which industrial property rights may have effect: **13 August 2009**
(54) Product in respect of which the design is registered: **A pin lock insulator**
(51) International Design Classification: **08-08K, 13-03A**
(71) Name(s) and Address(s) of Applicant(s):
Robertson Engineering Limited
75 Montgomery Crescent Clouston Park Upper Hutt 5018 New Zealand
(72) Name(s) of Designer(s): **Maurice William Wooster and Brian Edward Collins**
(45) Registration Date: **09 December 2009**
(30) Convention priority data:
(31) Number (32) Date (33) Country
411936 20 Feb 2009 NEW ZEALAND
(56) Related Art Documents: **Not Applicable**
(57) Statement of Newness and Distinctiveness: **Newness and distinctiveness reside in the features of shape and/or configuration of the pin lock insulator all as shown in the representations.**



(21) Design Number: **13051/2009**

(22) Date of Filing Application: **13 August 2009**

(24) Date from which industrial property rights may have effect: **13 August 2009**

(54) Product in respect of which the design is registered: **A claw insulator**

(51) International Design Classification: **08-08K, 13-03A**

(71) Name(s) and Address(s) of Applicant(s):

Robertson Engineering Limited
75 Montgomery Crescent Clouston Park Upper Hutt 5018 New Zealand

(72) Name(s) of Designer(s): **Maurice William Wooster and Brian Edward Collins**

(45) Registration Date: **09 December 2009**

(30) Convention priority data:

(31) Number	(32) Date	(33) Country
411937	20 Feb 2009	NEW ZEALAND

(56) Related Art Documents: **Not Applicable**

(57) Statement of Newness and Distinctiveness: **Newness and distinctiveness reside in the features of shape and/or configuration of the claw insulator all as shown in the representations.**



(21) Design Number: **13150/2009**

(22) Date of Filing Application: **18 August 2009**

(24) Date from which industrial property rights may have effect: **18 August 2009**

(54) Product in respect of which the design is registered: **Instrument panel for an automobile**

(51) International Design Classification: **12-16NES**

(71) Name(s) and Address(s) of Applicant(s):

Toyota Jidosha Kabushiki Kaisha
1 Toyota-cho Toyota-shi Aichi-Ken 471-8571 Japan

(72) Name(s) of Designer(s): **Yoshihiro Yasukawa and Shinsuke Ohmori**

(45) Registration Date: **09 December 2009**

(56) Related Art Documents: **Not Applicable**

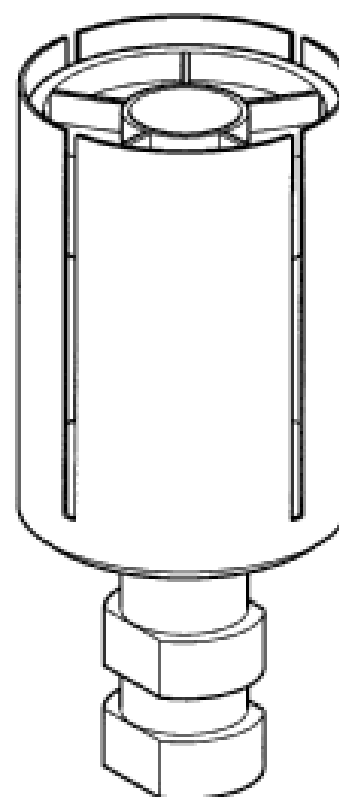
(57) Statement of Newness and Distinctiveness: **Newness and distinctiveness is claimed in the features of shape and/or configuration of an instrument panel for an automobile as illustrated in the accompanying representations.**



- (21) Design Number: **13151/2009**
- (22) Date of Filing Application: **18 August 2009**
- (24) Date from which industrial property rights may have effect: **18 August 2009**
- (54) Product in respect of which the design is registered: **Automobile**
- (51) International Design Classification: **12-08**
- (71) Name(s) and Address(s) of Applicant(s):
Toyota Jidosha Kabushiki Kaisha
1 Toyota-cho Toyota-shi Aichi-Ken 471-8571 Japan
- (72) Name(s) of Designer(s): **Takanori Ito**
- (45) Registration Date: **09 December 2009**
- (56) Related Art Documents: **Not Applicable**
- (57) Statement of Newness and Distinctiveness: **Newness and distinctiveness is claimed in the features of shape and/or configuration of an automobile as illustrated in the accompanying representations.**



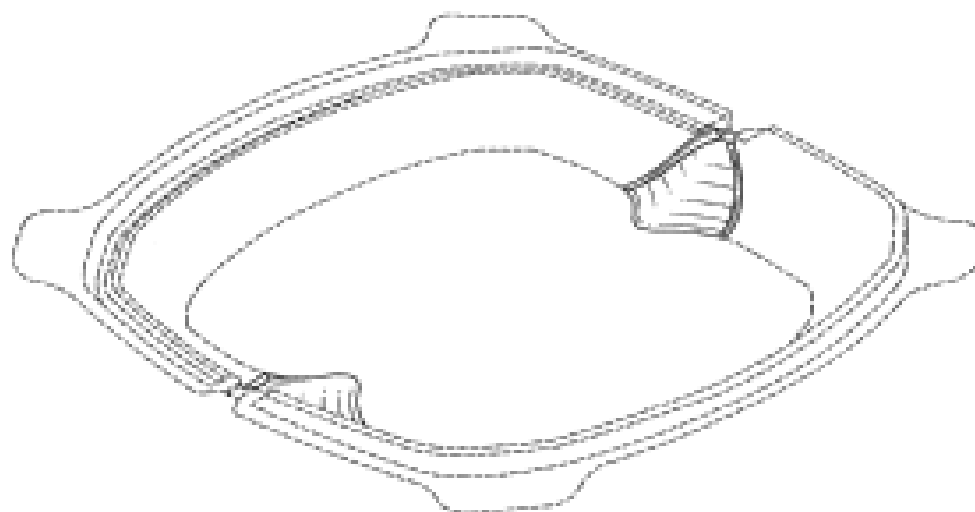
- (21) Design Number: **13666/2009**
- (22) Date of Filing Application: **25 September 2009**
- (24) Date from which industrial property rights may have effect: **25 September 2009**
- (54) Product in respect of which the design is registered: **Stemming device for blasting borehole**
- (51) International Design Classification: **22-03, 22-99**
- (71) Name(s) and Address(s) of Applicant(s):
Stemtek (Pty) Ltd
Plot 88 Blignautrus Walkerville 1876 Republic of South Africa
- (72) Name(s) of Designer(s): **Brian Trevor Bland and Gerrie Petrus Petorius**
- (45) Registration Date: **09 December 2009**
- (56) Related Art Documents: **Not Applicable**
- (57) Statement of Newness and Distinctiveness: **Nil**



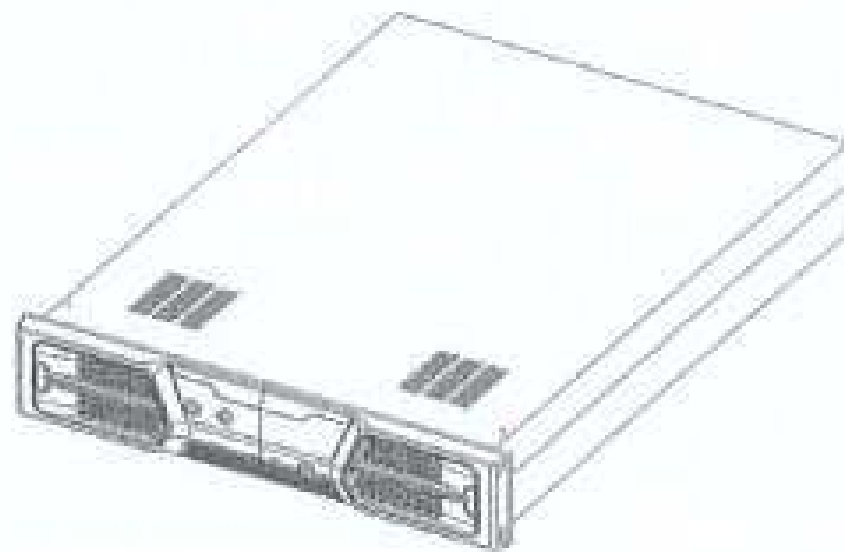
(21) Design Number: **14254/2009**
(22) Date of Filing Application: **29 October 2009**
(24) Date from which industrial property rights may have effect: **29 October 2009**
(54) Product in respect of which the design is registered: **A bottle with a cap**
(51) International Design Classification: **09-01NES**
(71) Name(s) and Address(s) of Applicant(s):
Bayer Aktiengesellschaft
Kaiser-Wilhelm-Allee 51373 Leverkusen Germany
(72) Name(s) of Designer(s): **Greg Boyd**
(45) Registration Date: **09 December 2009**
(30) Convention priority data:
(31) Number (32) Date (33) Country
001601915 18 Aug 2009 GERMANY
(56) Related Art Documents: **Not Applicable**
(57) Statement of Newness and Distinctiveness: **Newness and distinctiveness is claimed in the visual features shown in the representations.**



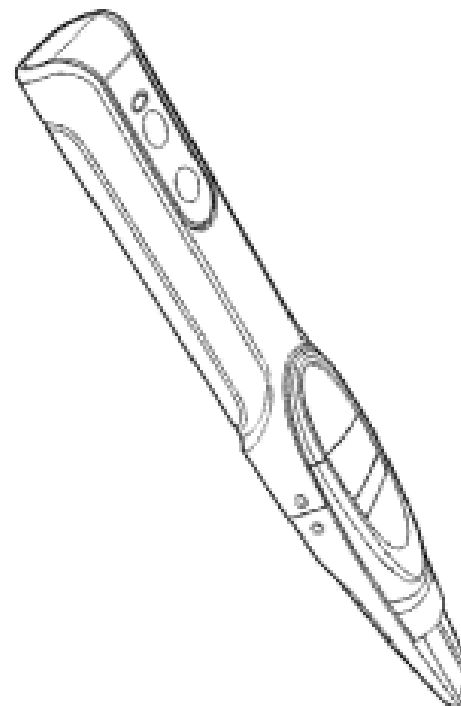
(21) Design Number: **14299/2009**
(22) Date of Filing Application: **04 November 2009**
(24) Date from which industrial property rights may have effect: **04 November 2009**
(54) Product in respect of which the design is registered: **Transition region for a convertible container and plate**
(51) International Design Classification: **07-01NES, 09-99**
(71) Name(s) and Address(s) of Applicant(s):
Pactiv Corporation
1900 West Field Court Lake Forest Illinois 60045 United States of America
(72) Name(s) of Designer(s): **Jeff Hautzinger**
(45) Registration Date: **09 December 2009**
(30) Convention priority data:
(31) Number (32) Date (33) Country
12/435327 04 May 2009 UNITED STATES OF AMERICA
(56) Related Art Documents: **Not Applicable**
(57) Statement of Newness and Distinctiveness: **Newness and distinctiveness is claimed in the visual features shown in solid lines in the representations.**



(21) Design Number: **14328/2009**
(22) Date of Filing Application: **06 November 2009**
(24) Date from which industrial property rights may have effect: **06 November 2009**
(54) Product in respect of which the design is registered: **Enclosure for electrical and electronic components**
(51) International Design Classification: **13-03C**
(71) Name(s) and Address(s) of Applicant(s):
MIMOS Berhad
Technology Park Malaysia 57000 Kuala Lumpur Malaysia
(72) Name(s) of Designer(s): **Wong Seck Jiong and Saharudin Busri**
(45) Registration Date: **09 December 2009**
(30) Convention priority data:
(31) Number (32) Date (33) Country
09-00438-0101 07 May 2009 MALAYSIA
(56) Related Art Documents: **Not Applicable**
(57) Statement of Newness and Distinctiveness: **Nil**



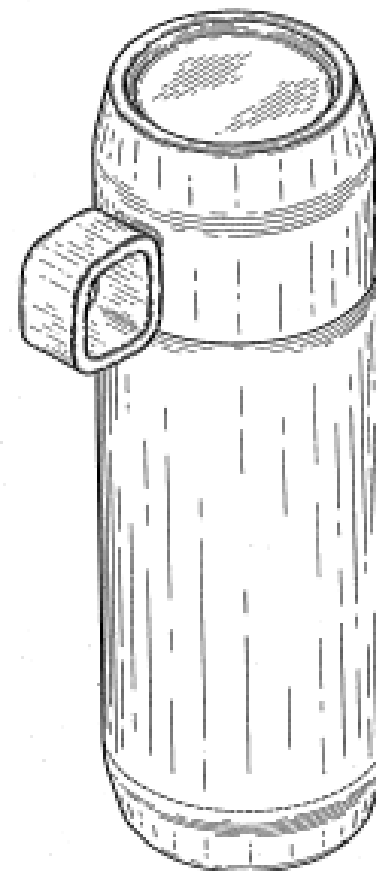
(21) Design Number: **14329/2009**
(22) Date of Filing Application: **06 November 2009**
(24) Date from which industrial property rights may have effect: **06 November 2009**
(54) Product in respect of which the design is registered: **Sensor mote**
(51) International Design Classification: **14-02**
(71) Name(s) and Address(s) of Applicant(s):
MIMOS Berhad
Technology Park Malaysia 57000 Kuala Lumpur Malaysia
(72) Name(s) of Designer(s): **Choong Soo Li and Sheikh M Shahrizal Mohd Rafique and Nuzairi Yasin and Muhamad Ruzi Shuib and Mohamad Fauzi Yahaya and Saharudin Busri**
(45) Registration Date: **09 December 2009**
(30) Convention priority data:
(31) Number (32) Date (33) Country
09-00437-0101 07 May 2009 MALAYSIA
(56) Related Art Documents: **Not Applicable**
(57) Statement of Newness and Distinctiveness: **Nil**



(21) Design Number: **14353/2009**
 (22) Date of Filing Application: **09 November 2009**
 (24) Date from which industrial property rights may have effect: **09 November 2009**
 (54) Product in respect of which the design is registered: **Insulated container**
 (51) International Design Classification: **07-07A**
 (71) Name(s) and Address(s) of Applicant(s):
Pacific Market International, LLC
2401 Elliott Avenue Fourth Floor Seattle WA 98121 United States of America
 (72) Name(s) of Designer(s): **Andrew C.F. Wahl**
 (45) Registration Date: **09 December 2009**
 (30) Convention priority data:

(31) Number	(32) Date	(33) Country
29/337,455	21 May 2009	UNITED STATES OF AMERICA

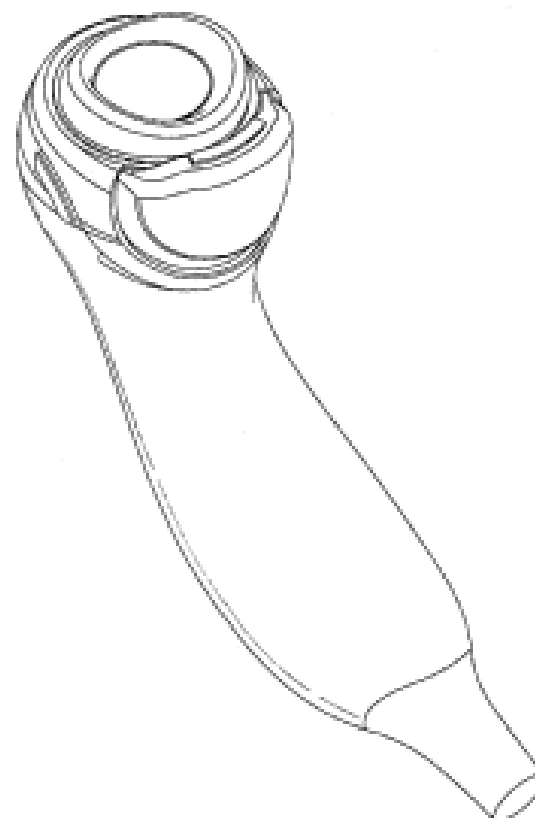
 (56) Related Art Documents: **Not Applicable**
 (57) Statement of Newness and Distinctiveness: **The shape and configuration of those parts of the product shown other than by means of broken lines in the representations are new and distinctive.**



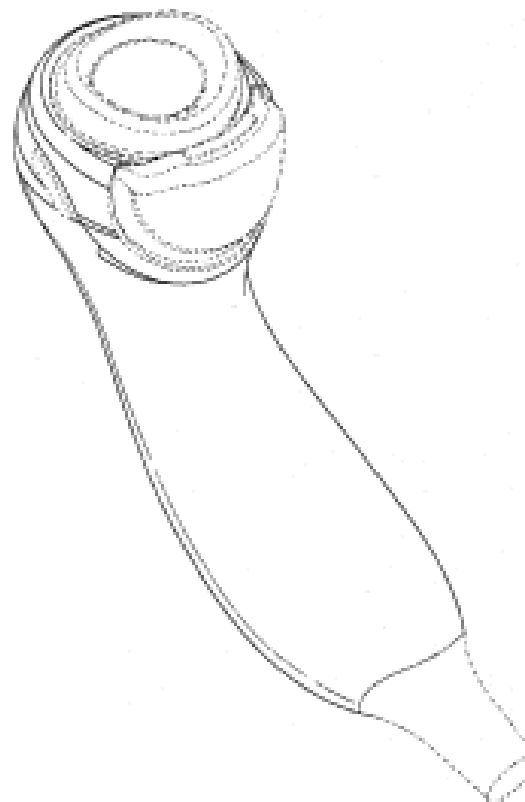
(21) Design Number: **14384/2009**
 (22) Date of Filing Application: **10 November 2009**
 (24) Date from which industrial property rights may have effect: **10 November 2009**
 (54) Product in respect of which the design is registered: **Hand piece**
 (51) International Design Classification: **28-03A**
 (71) Name(s) and Address(s) of Applicant(s):
The Gillette Company
Prudential Tower Building Boston Massachusetts 02119 United States of America
 (72) Name(s) of Designer(s): **Rory Frederick Wellington McGarry and Duy Phong Vu and Michael Joest and Kevin Robert Young and Brian Lee Stonecipher and Christine Marie Ciccone and Jung geun Tak**
 (45) Registration Date: **09 December 2009**
 (30) Convention priority data:

(31) Number	(32) Date	(33) Country
29/336,899	12 May 2009	UNITED STATES OF AMERICA

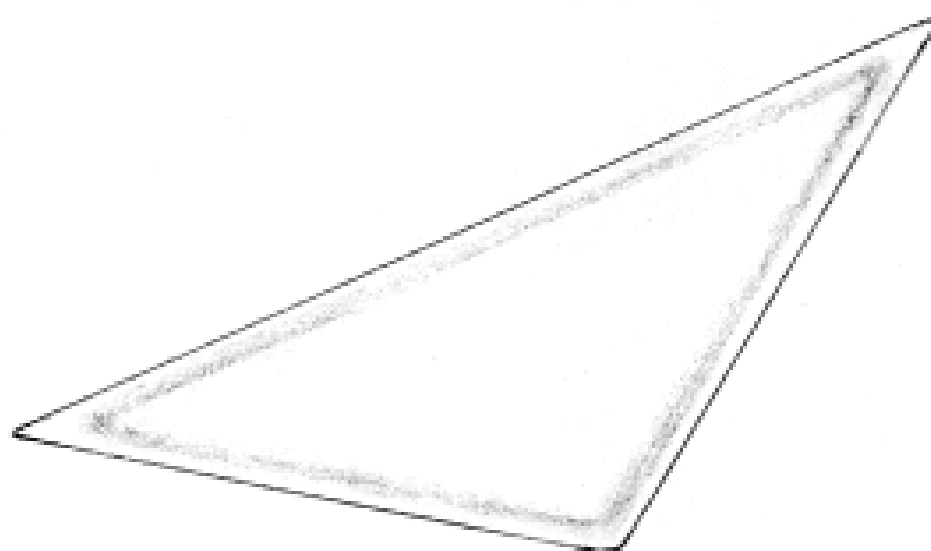
 (56) Related Art Documents: **Not Applicable**
 (57) Statement of Newness and Distinctiveness: **Those features of the hand piece depicted in the representations that are new and distinctive are the shape and/or configuration.**



- (21) Design Number: **14385/2009**
(22) Date of Filing Application: **10 November 2009**
(24) Date from which industrial property rights may have effect: **10 November 2009**
(54) Product in respect of which the design is registered: **Hand piece**
(51) International Design Classification: **28-03A**
(71) Name(s) and Address(s) of Applicant(s):
The Gillette Company
Prudential Tower Building Boston Massachusetts 02119 United States of America
(72) Name(s) of Designer(s): **Rory Frederick Wellington McGarry and Duy Phong Vu and Michael Joest and Kevin Robert Young and Brian Lee Stonecipher and Christine Marie Ciccone and Jung geun Tak**
(45) Registration Date: **09 December 2009**
(30) Convention priority data:
(31) Number (32) Date (33) Country
29/336,901 12 May 2009 UNITED STATES OF AMERICA
(56) Related Art Documents: **Not Applicable**
(57) Statement of Newness and Distinctiveness: **Those features of the hand piece depicted in the representations that are new and distinctive are the shape and/or configuration. The features shown in broken lines are not part of the design and are to be disregarded when considering the overall impression of the design.**



- (21) Design Number: **14392/2009**
(22) Date of Filing Application: **11 November 2009**
(24) Date from which industrial property rights may have effect: **11 November 2009**
(54) Product in respect of which the design is registered: **Tile**
(51) International Design Classification: **25-01F**
(71) Name(s) and Address(s) of Applicant(s):
James Clayden
4/98 Dover Street Cremorne Victoria 3121 Australia
(72) Name(s) of Designer(s): **James Clayden**
(45) Registration Date: **09 December 2009**
(56) Related Art Documents: **Not Applicable**
(57) Statement of Newness and Distinctiveness: **Nil**



(21) Design Number: **14393/2009**

(22) Date of Filing Application: **12 November 2009**

(24) Date from which industrial property rights may have effect: **12 November 2009**

(54) Product in respect of which the design is registered: **Plant and tree watering and feeding device**

(51) International Design Classification: **23-01D, 23-01F**

(71) Name(s) and Address(s) of Applicant(s):

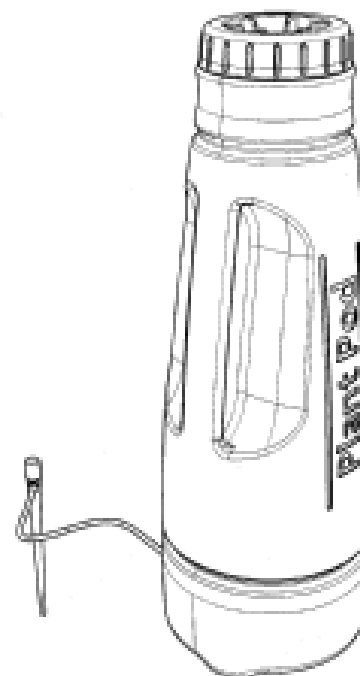
Andrew Grant
165 Humevale Road Humevale Victoria 3757 Australia

(72) Name(s) of Designer(s): **Andrew Grant**

(45) Registration Date: **09 December 2009**

(56) Related Art Documents: **Not Applicable**

(57) Statement of Newness and Distinctiveness: **The plastic moulded body is new and distinctive in that its shape integrated handles and top cap location are visually unique in this product application. The location and provision for the outlet hose is also unique and new.**



(21) Design Number: **14398/2009**

(22) Date of Filing Application: **12 November 2009**

(24) Date from which industrial property rights may have effect: **12 November 2009**

(54) Product in respect of which the design is registered: **Notice board**

(51) International Design Classification: **20-03C**

(71) Name(s) and Address(s) of Applicant(s):

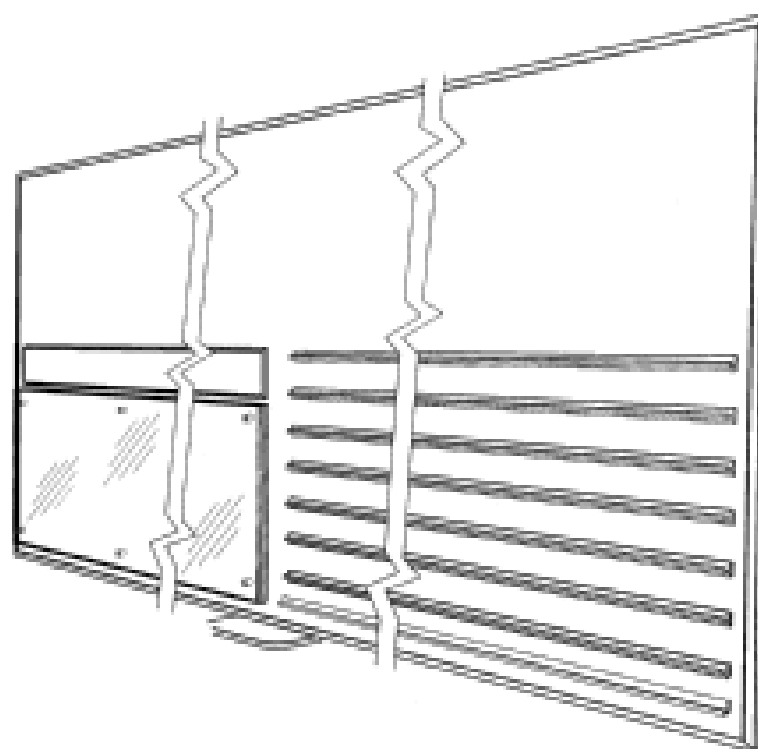
Notice Board Systems Pty Ltd
37 Park Street South Melbourne Victoria 3205 Australia

(72) Name(s) of Designer(s): **Joel Abel**

(45) Registration Date: **09 December 2009**

(56) Related Art Documents: **Not Applicable**

(57) Statement of Newness and Distinctiveness: **The newness and distinctiveness of the design resides in the shape and/or configuration of the NOTICE BOARD shown in the accompanying representations.**



(21) Design Number: **14399/2009**
 (22) Date of Filing Application: **12 November 2009**
 (24) Date from which industrial property rights may have effect: **12 November 2009**
 (54) Product in respect of which the design is registered: **Lock**
 (51) International Design Classification: **08-07**
 (71) Name(s) and Address(s) of Applicant(s):

Master Lock Company LLC
137 W. Forest Hill Avenue Oak Creek Wisconsin 53154 United States of America

(72) Name(s) of Designer(s): **Scott B. Stevens**

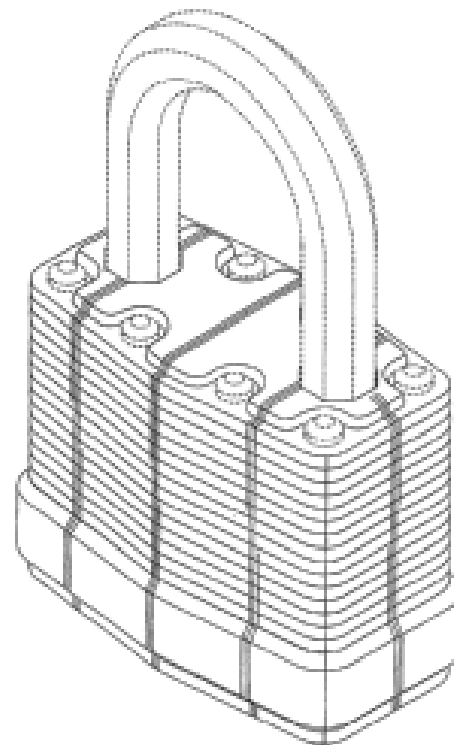
(45) Registration Date: **09 December 2009**

(30) Convention priority data:

(31) Number	(32) Date	(33) Country
29/337,300	19 May 2009	UNITED STATES OF AMERICA

(56) Related Art Documents: **Not Applicable**

(57) Statement of Newness and Distinctiveness: **Newness and distinctiveness are provided by the shape and/or configuration of the design shown in the representations. The features shown in broken lines in the representations are for illustrative purposes only and should not be considered when construing visual features of the design.**



(21) Design Number: **14400/2009**
 (22) Date of Filing Application: **12 November 2009**
 (24) Date from which industrial property rights may have effect: **12 November 2009**
 (54) Product in respect of which the design is registered: **Lock**
 (51) International Design Classification: **08-07**
 (71) Name(s) and Address(s) of Applicant(s):

Master Lock Company LLC
137 W. Forest Hill Avenue Oak Creek Wisconsin 53154 United States of America

(72) Name(s) of Designer(s): **Scott B. Stevens**

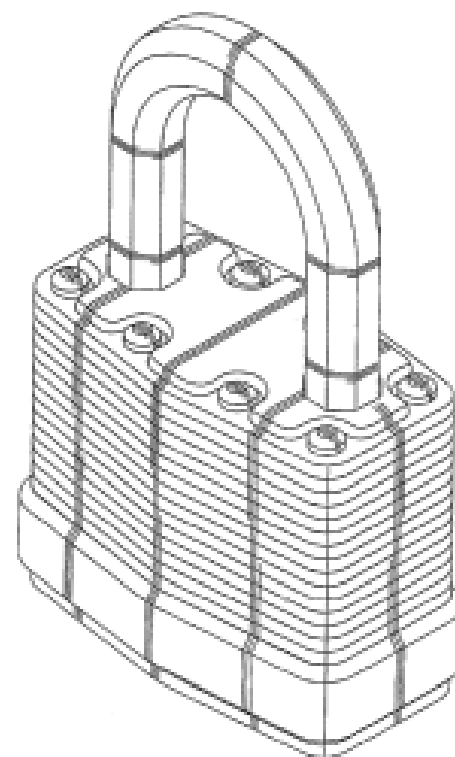
(45) Registration Date: **09 December 2009**

(30) Convention priority data:

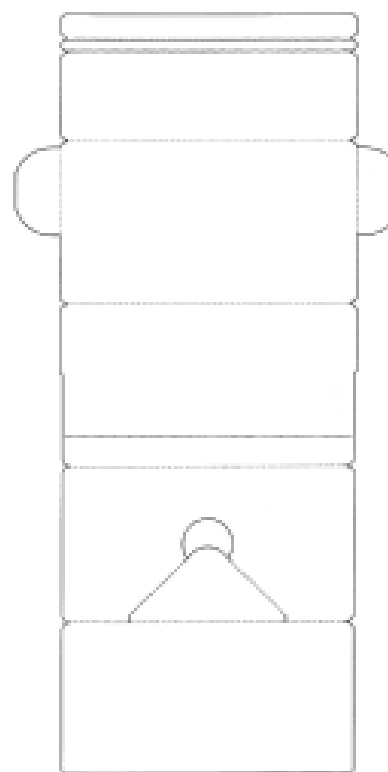
(31) Number	(32) Date	(33) Country
29/337,300	19 May 2009	UNITED STATES OF AMERICA

(56) Related Art Documents: **Not Applicable**

(57) Statement of Newness and Distinctiveness: **Nil**

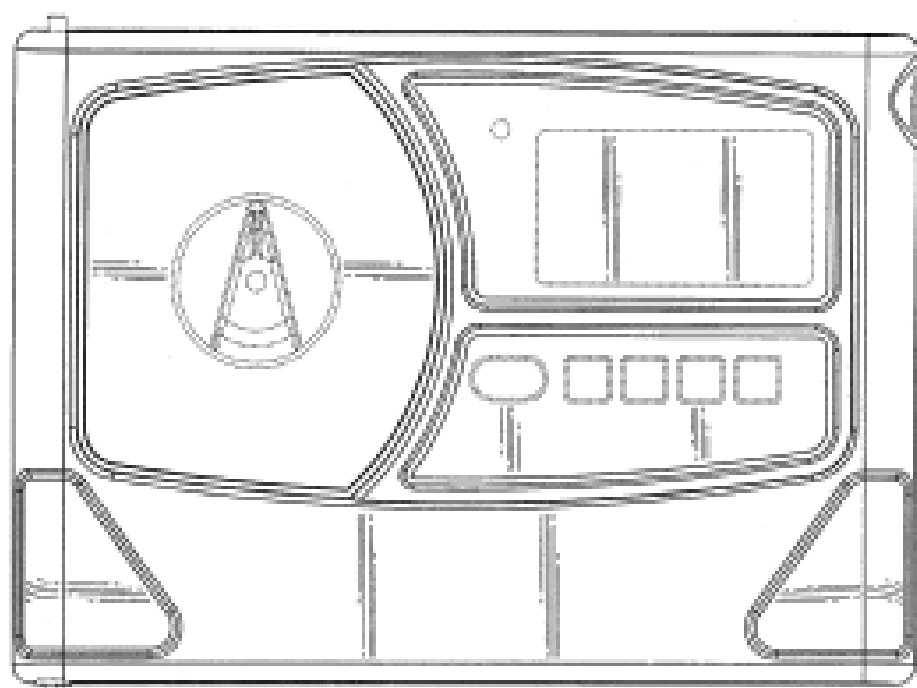


- (21) Design Number: **14402/2009**
- (22) Date of Filing Application: **12 November 2009**
- (24) Date from which industrial property rights may have effect: **12 November 2009**
- (54) Product in respect of which the design is registered: **Carton blank**
- (51) International Design Classification: **09-03M**
- (71) Name(s) and Address(s) of Applicant(s):
MARZ Family Business Pty Ltd
C/- Warnocks Chartered Accountants Level 1 339 Whitehorse Road
Balwyn Victoria 3103 Australia
- (72) Name(s) of Designer(s): **Timothy Gerard Laurie and Anna Louisa Ritman**
- (45) Registration Date: **09 December 2009**
- (56) Related Art Documents: **Not Applicable**
- (57) Statement of Newness and Distinctiveness: **Newness and distinctiveness resides in the features of shape and/or configuration of a carton blank as shown in the accompanying representations.**



- (21) Design Number: **14403/2009**
- (22) Date of Filing Application: **12 November 2009**
- (24) Date from which industrial property rights may have effect: **12 November 2009**
- (54) Product in respect of which the design is registered: **Irrigation controller control panel**
- (51) International Design Classification: **23-01E**
- (71) Name(s) and Address(s) of Applicant(s):
Rain Bird Corporation
1000 West Sierra Madre Avenue Azusa California 91702 United States of America
- (72) Name(s) of Designer(s): **Donald B. Clark and Roger S. Neitzel and Robert Jenkins and Charles Curbbun and Andrew Zoolakis and Bill Leach**
- (45) Registration Date: **09 December 2009**
- (30) Convention priority data:

(31) Number	(32) Date	(33) Country
29/337331	19 May 2009	UNITED STATES OF AMERICA
- (56) Related Art Documents: **Not Applicable**
- (57) Statement of Newness and Distinctiveness: **Newness and distinctiveness is claimed in those features of shape and/or configuration of an irrigation controller control panel illustrated in continuous lines in the accompanying representations.**



(21) Design Number: **12179/2009**

(22) Date of Filing Application: **04 June 2009**

(24) Date from which industrial property rights may have effect: **04 June 2009**

(54) Product in respect of which the design is registered: **Cupcake maker**

(51) International Design Classification: **07-02P**

(71) Name(s) and Address(s) of Applicant(s):

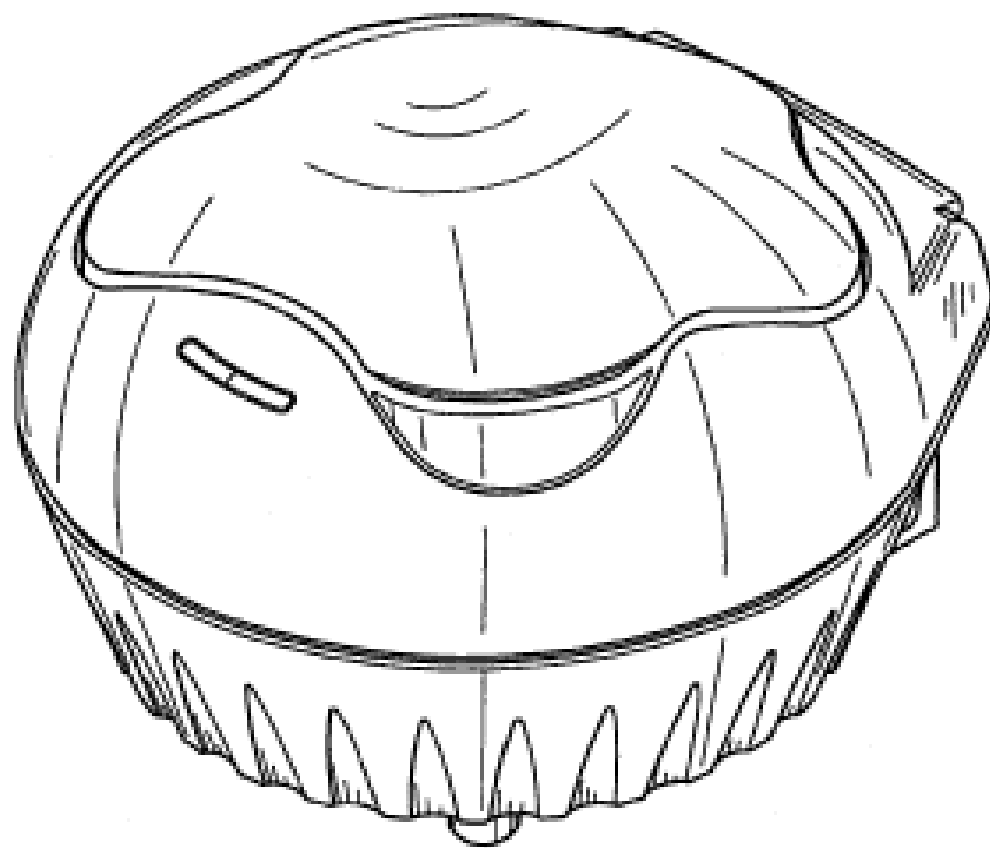
Sunbeam Corporation Limited
Units 5 & 6 13 Lord Street Botany New South Wales 2019 Australia

(72) Name(s) of Designer(s): **Mark Whitcombe**

(45) Registration Date: **10 December 2009**

(56) Related Art Documents: **Not Applicable**

(57) Statement of Newness and Distinctiveness: **Newness and distinctiveness resides in the shape and/or configuration of a cupcake maker as illustrated in the accompanying representations.**



(21) Design Number: **14370/2009**

(22) Date of Filing Application: **09 November 2009**

(24) Date from which industrial property rights may have effect: **09 November 2009**

(54) Product in respect of which the design is registered: **Fibreglass speed boat hull and deck joined only**

(51) International Design Classification: **12-06A**

(71) Name(s) and Address(s) of Applicant(s):

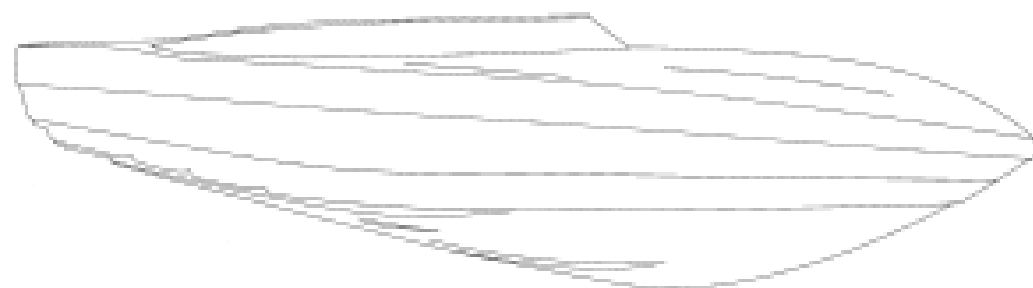
Bruce Grahame Stubbs
58-64 Cook Street Kurnell New South Wales 2231 Australia

(72) Name(s) of Designer(s): **Bruce Stubbs**

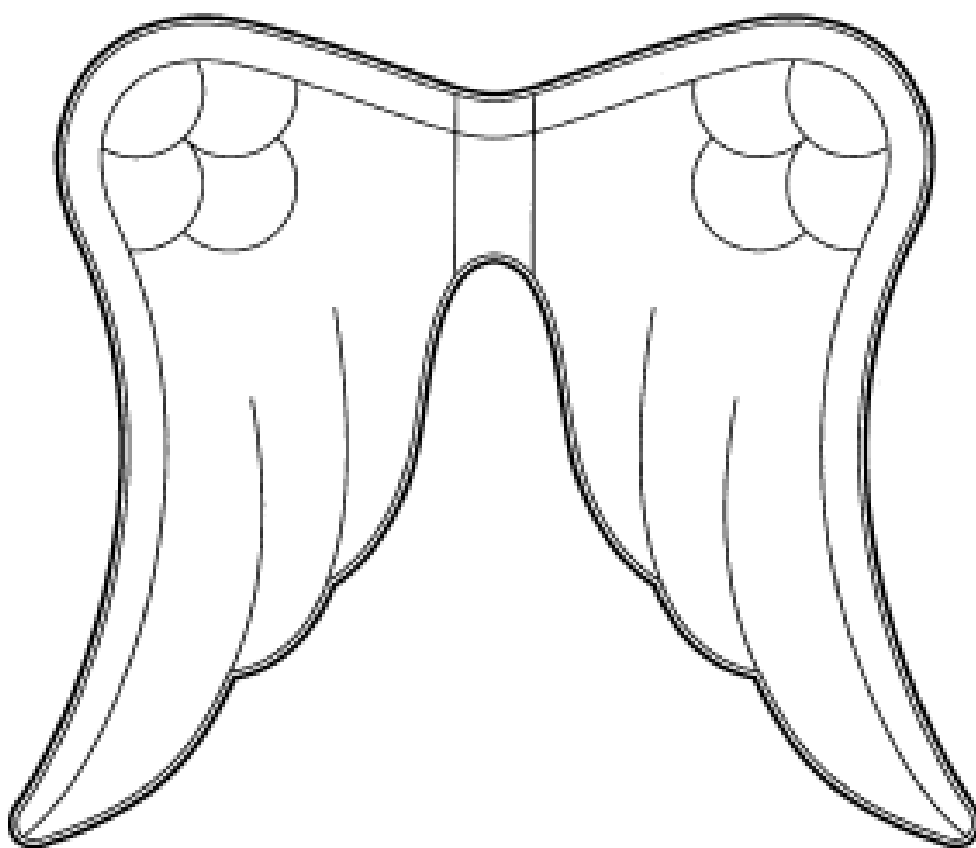
(45) Registration Date: **10 December 2009**

(56) Related Art Documents: **Not Applicable**

(57) Statement of Newness and Distinctiveness: **Size and location of lifting striker, steps and runner pad and overall appearance and shape of boat.**



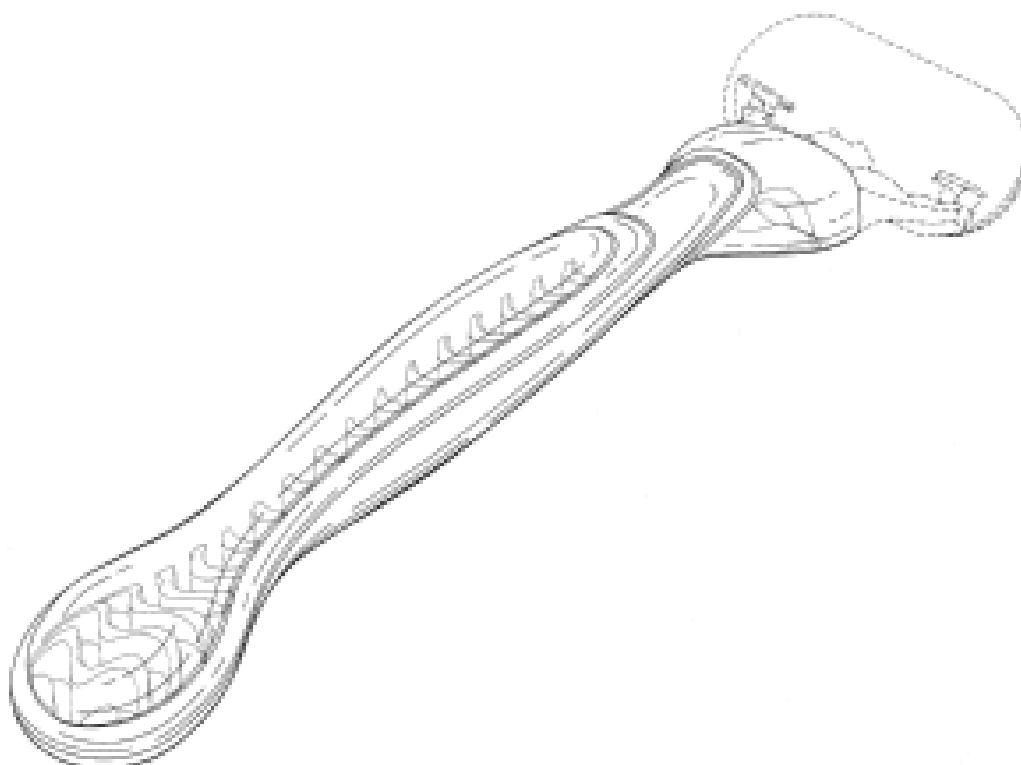
- (21) Design Number: **14383/2009**
(22) Date of Filing Application: **10 November 2009**
(24) Date from which industrial property rights may have effect: **10 November 2009**
(54) Product in respect of which the design is registered: **Angel wings for use on clothing in any format**
(51) International Design Classification: **02-02B**
(71) Name(s) and Address(s) of Applicant(s):
Elizabeth Ann O'Connor-Cowley
PO Box 2244 Milton Queensland 4064 Australia
(72) Name(s) of Designer(s): **Elizabeth Ann O'Connor-Cowley**
(45) Registration Date: **10 December 2009**
(56) Related Art Documents: **Not Applicable**
(57) Statement of Newness and Distinctiveness: **These Angel Wings are distinct due to the overall shape of them, as well as the intricate design detail.**



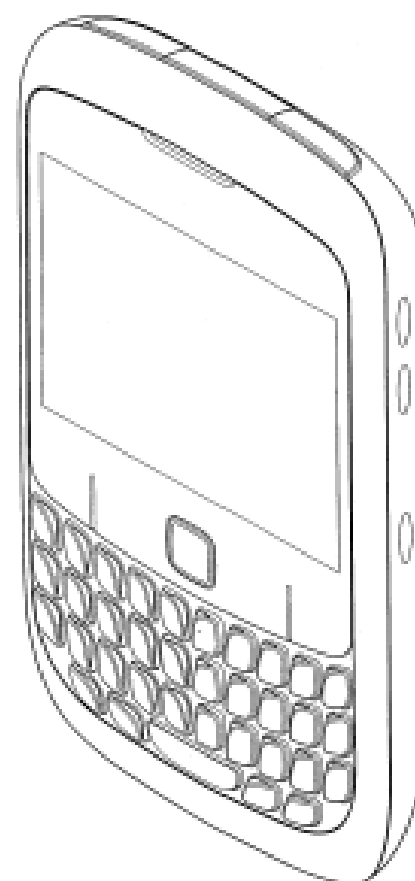
- (21) Design Number: **14405/2009**
(22) Date of Filing Application: **13 November 2009**
(24) Date from which industrial property rights may have effect: **13 November 2009**
(54) Product in respect of which the design is registered: **Mexican hammock frame**
(51) International Design Classification: **06-06H**
(71) Name(s) and Address(s) of Applicant(s):
Maria Alicia Gambley
12 Sanicle Street Bald Hills Queensland 4036 Australia
(72) Name(s) of Designer(s): **Maria Alicia Gambley**
(45) Registration Date: **10 December 2009**
(56) Related Art Documents: **Not Applicable**
(57) Statement of Newness and Distinctiveness: **Our MHF was designed to suit Mexican Hammocks, it is different to other designs. The base has an angle of 90 degrees for the 4 legs which attach to the base and lie flat on the floor, giving extra stability in a tubular shape. The height and length of the frame are also distinct from other hammock frames in the market.**



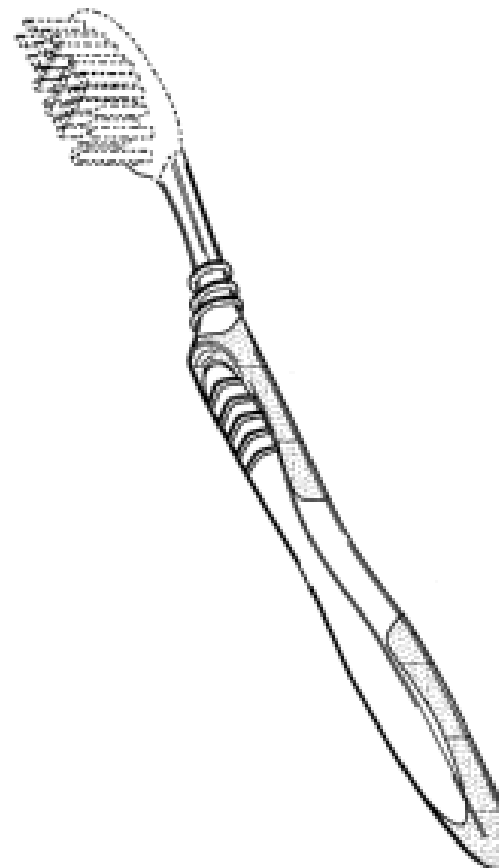
(21) Design Number: **14408/2009**
 (22) Date of Filing Application: **12 November 2009**
 (24) Date from which industrial property rights may have effect: **12 November 2009**
 (54) Product in respect of which the design is registered: **Handle suitable for a shaving razor**
 (51) International Design Classification: **28-03A**
 (71) Name(s) and Address(s) of Applicant(s):
The Gillette Company
Prudential Tower Building Boston Massachusetts 02199 United States of America
 (72) Name(s) of Designer(s): **Vanessa Christie and Christopher Ramm**
 (45) Registration Date: **10 December 2009**
 (30) Convention priority data:
 (31) Number (32) Date (33) Country
29/337,045 14 May 2009 UNITED STATES OF AMERICA
 (56) Related Art Documents: **Not Applicable**
 (57) Statement of Newness and Distinctiveness: **Those features of the handle suitable for a shaving razor depicted in the representations that are new and distinctive are the shape and/or configuration and/or pattern and/or ornamentation. The features shown in broken lines are not part of the design and are to be disregarded when considering the overall impression of the design.**



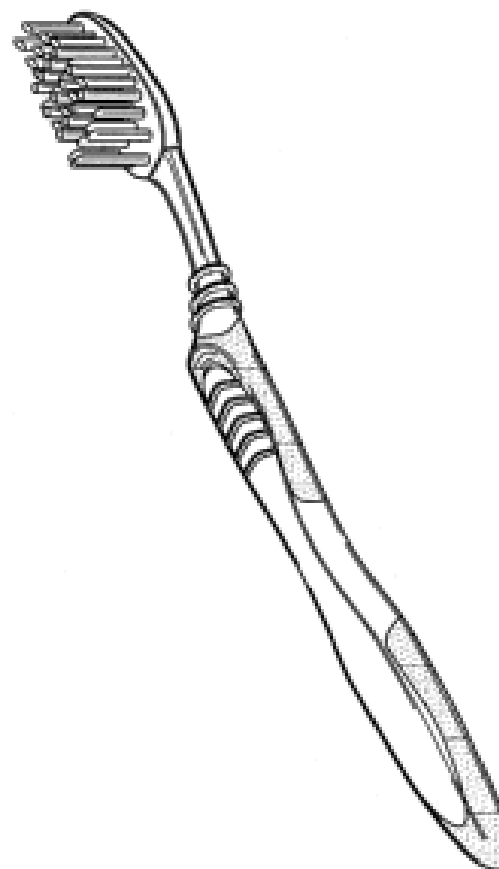
(21) Design Number: **14441/2009**
 (22) Date of Filing Application: **13 November 2009**
 (24) Date from which industrial property rights may have effect: **13 November 2009**
 (54) Product in respect of which the design is registered: **Handheld electronic device**
 (51) International Design Classification: **14-02**
 (71) Name(s) and Address(s) of Applicant(s):
Research in Motion Limited
295 Phillip Street Waterloo Ontario N2L 3WB Canada
 (72) Name(s) of Designer(s): **Marco Sixtus Ferrari and Min Zhu and Roman Peter Rak and David Patrick Townsend and Todd Andrew Wood**
 (45) Registration Date: **10 December 2009**
 (30) Convention priority data:
 (31) Number (32) Date (33) Country
29/337137 15 May 2009 UNITED STATES OF AMERICA
 (56) Related Art Documents: **Not Applicable**
 (57) Statement of Newness and Distinctiveness: **Newness and distinctiveness is claimed in the features of shape and/or configuration of a handheld electronic device as illustrated in the accompanying representations.**



- (21) Design Number: **14449/2009**
(22) Date of Filing Application: **13 November 2009**
(24) Date from which industrial property rights may have effect: **13 November 2009**
(54) Product in respect of which the design is registered: **Toothbrush**
(51) International Design Classification: **04-02**
(71) Name(s) and Address(s) of Applicant(s):
Colgate-Palmolive Company
300 Park Avenue New York New York 10022 United States of America
(72) Name(s) of Designer(s): **Xi Wen Jin**
(45) Registration Date: **10 December 2009**
(30) Convention priority data:
(31) Number (32) Date (33) Country
29/337073 14 May 2009 UNITED STATES OF AMERICA
(56) Related Art Documents: **Not Applicable**
(57) Statement of Newness and Distinctiveness: **Newness and distinctiveness reside in the features of the design shown in solid lines in the representations excluding those features shown in broken lines.**



- (21) Design Number: **14450/2009**
(22) Date of Filing Application: **13 November 2009**
(24) Date from which industrial property rights may have effect: **13 November 2009**
(54) Product in respect of which the design is registered: **Toothbrush**
(51) International Design Classification: **04-02**
(71) Name(s) and Address(s) of Applicant(s):
Colgate-Palmolive Company
300 Park Avenue New York New York 10022 United States of America
(72) Name(s) of Designer(s): **Xi Wen Jin**
(45) Registration Date: **10 December 2009**
(30) Convention priority data:
(31) Number (32) Date (33) Country
29/337076 14 May 2009 UNITED STATES OF AMERICA
(56) Related Art Documents: **Not Applicable**
(57) Statement of Newness and Distinctiveness: **Newness and distinctiveness reside in the features of the design as shown in the representations.**



(21) Design Number: **14451/2009**

(22) Date of Filing Application: **13 November 2009**

(24) Date from which industrial property rights may have effect: **13 November 2009**

(54) Product in respect of which the design is registered: **Toothbrush**

(51) International Design Classification: **04-02**

(71) Name(s) and Address(s) of Applicant(s):

Colgate-Palmolive Company
300 Park Avenue New York New York 10022 United States of America

(72) Name(s) of Designer(s): **Xi Wen Jin**

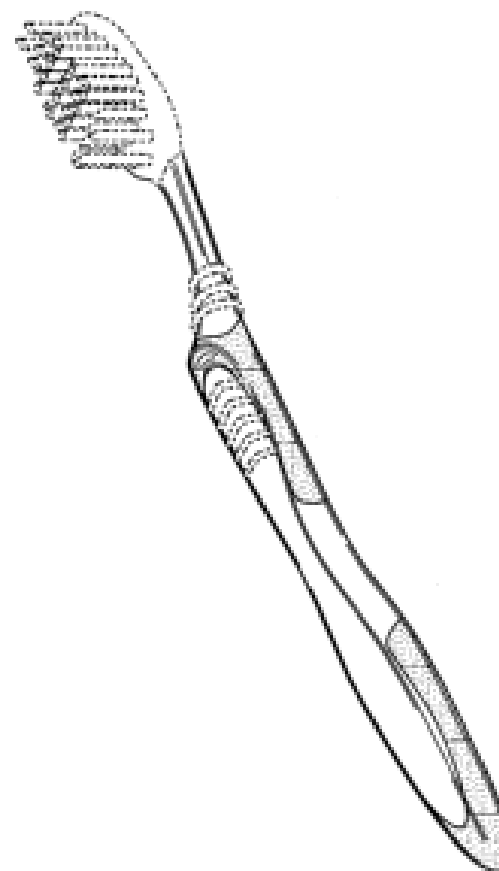
(45) Registration Date: **10 December 2009**

(30) Convention priority data:

(31) Number	(32) Date	(33) Country
29/337070	14 May 2009	UNITED STATES OF AMERICA

(56) Related Art Documents: **Not Applicable**

(57) Statement of Newness and Distinctiveness: **Newness and distinctiveness reside in the features of the design shown in solid lines in the representations excluding those features shown in broken lines.**



(21) Design Number: **14454/2009**

(22) Date of Filing Application: **16 November 2009**

(24) Date from which industrial property rights may have effect: **16 November 2009**

(54) Product in respect of which the design is registered: **USB memory unit**

(51) International Design Classification: **14-02**

(71) Name(s) and Address(s) of Applicant(s):

Gaetano Mamone
Villaggio Badia Traversa VIII 58 25132 Brescia Italy

(72) Name(s) of Designer(s): **Gaetano Mamone**

(45) Registration Date: **10 December 2009**

(30) Convention priority data:

(31) Number	(32) Date	(33) Country
001144240-0001	08 Jun 2009	EUROPEAN COMMUNITY

(56) Related Art Documents: **Not Applicable**

(57) Statement of Newness and Distinctiveness: **Newness and distinctiveness reside in the appearance of the product as shown in the representations, and in particular in the appearance of the numeric display, which is shown with an exemplary time of "12.30" but which clearly will vary and is not limited to those numbers.**



(21) Design Number: **14466/2009**

(22) Date of Filing Application: **13 November 2009**

(24) Date from which industrial property rights may have effect: **13 November 2009**

(54) Product in respect of which the design is registered: **Electrode edge strip of indefinite length**

(51) International Design Classification: **13-03NES**

(71) Name(s) and Address(s) of Applicant(s):

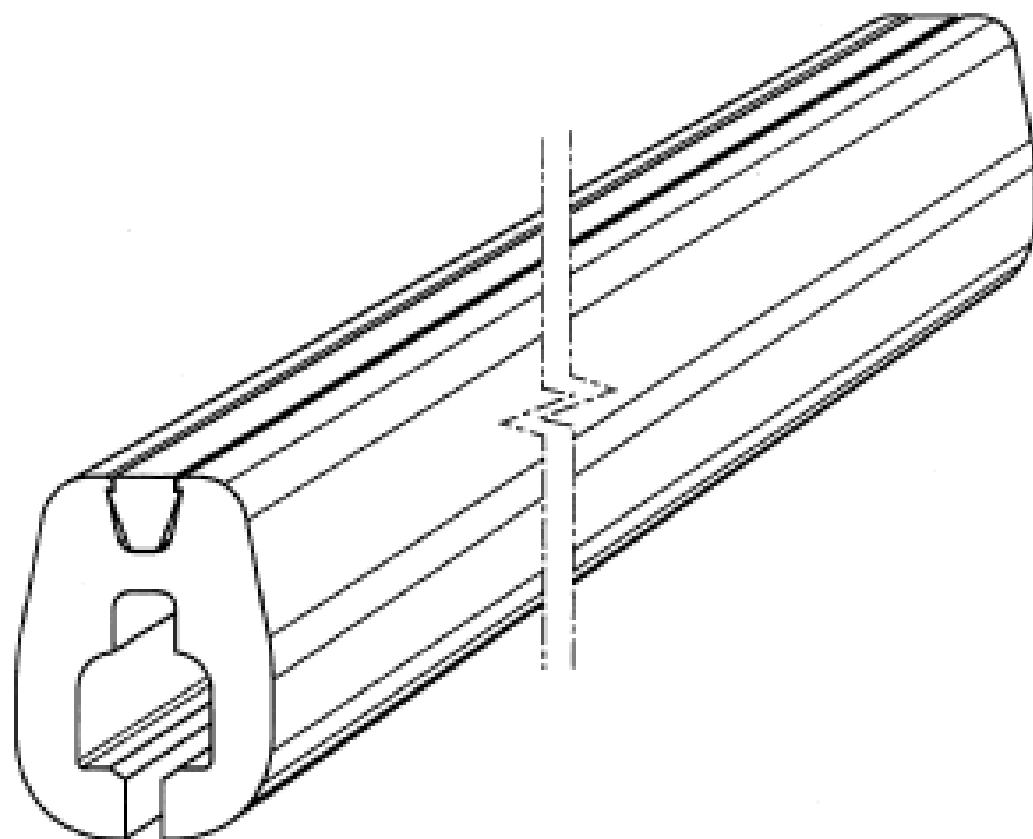
**Icon Plastics Pty Ltd
19 Hallam Road South Hallam Victoria 3803 Australia**

(72) Name(s) of Designer(s): **Owen Perham**

(45) Registration Date: **10 December 2009**

(56) Related Art Documents: **Not Applicable**

(57) Statement of Newness and Distinctiveness: **Novelty resides in the shape and configuration of the internal grooving cross-sectional shape of the edge strip and to the rear face grooving with a complementary locking strip engaged therein, the edge strip being of uniform cross-section and indefinite length.**



(21) Design Number: **14467/2009**

(22) Date of Filing Application: **12 November 2009**

(24) Date from which industrial property rights may have effect: **12 November 2009**

(54) Product in respect of which the design is registered: **A container**

(51) International Design Classification: **09-03F**

(71) Name(s) and Address(s) of Applicant(s):

**Societe des Produits Nestle S.A.
1800 Vevey Switzerland**

(72) Name(s) of Designer(s): **Loic Faulon and Ashley Illingsworth**

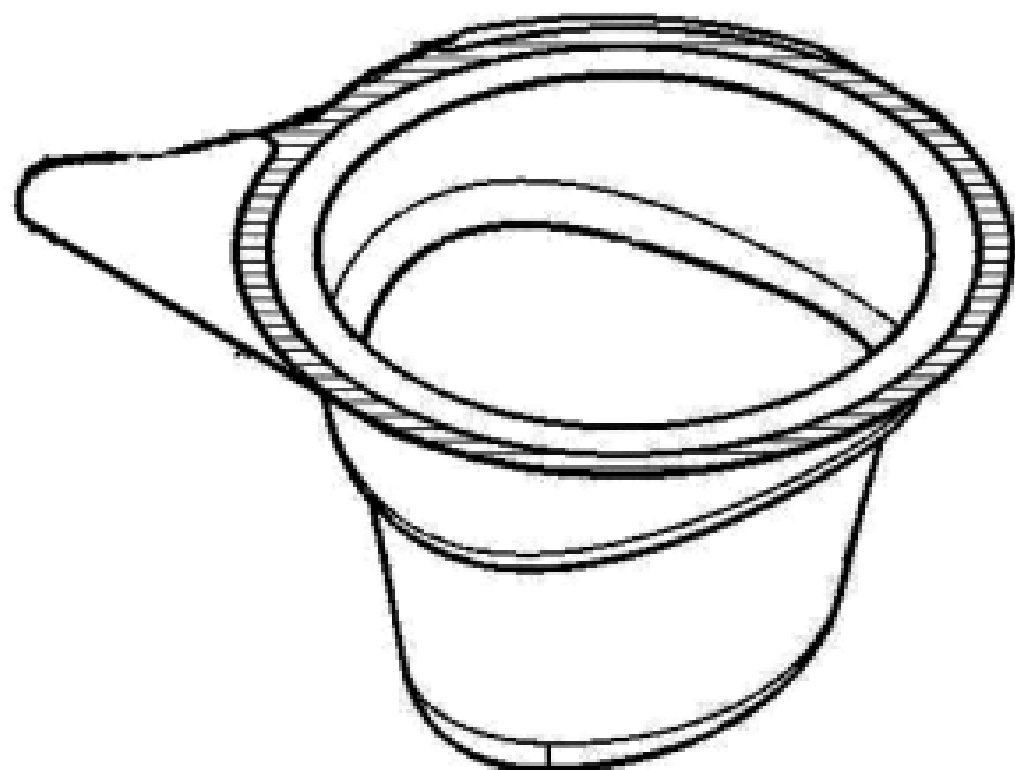
(45) Registration Date: **10 December 2009**

(30) Convention priority data:

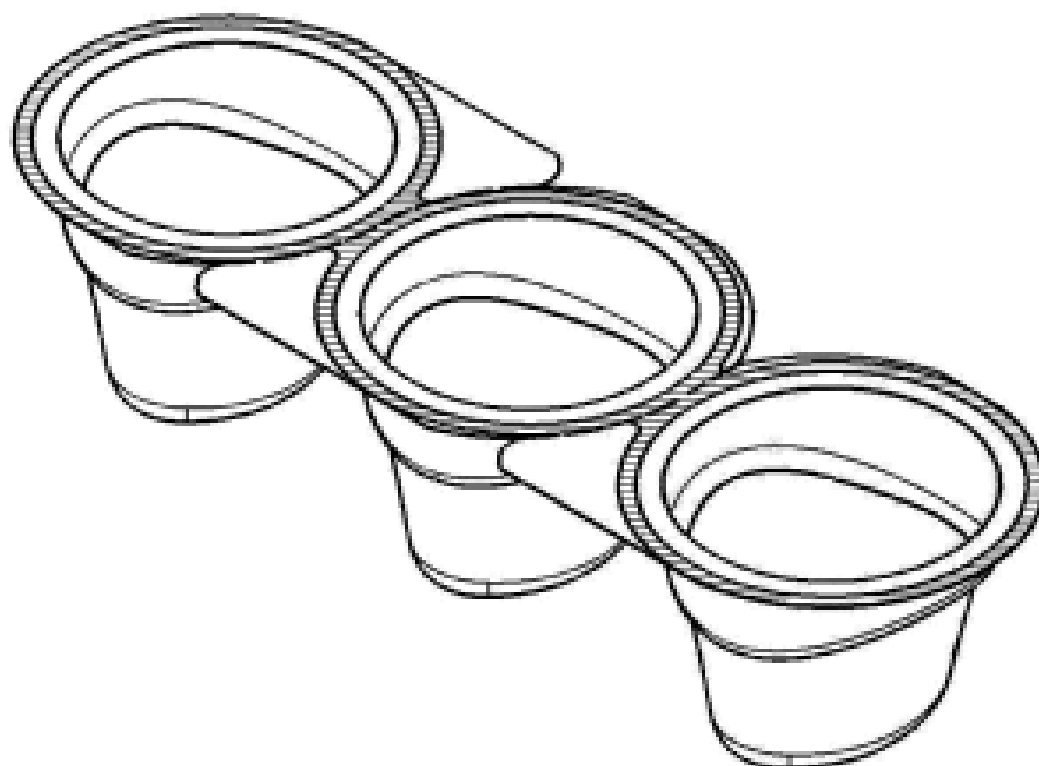
(31) Number	(32) Date	(33) Country
136201	16 Jul 2009	SWITZERLAND

(56) Related Art Documents: **Not Applicable**

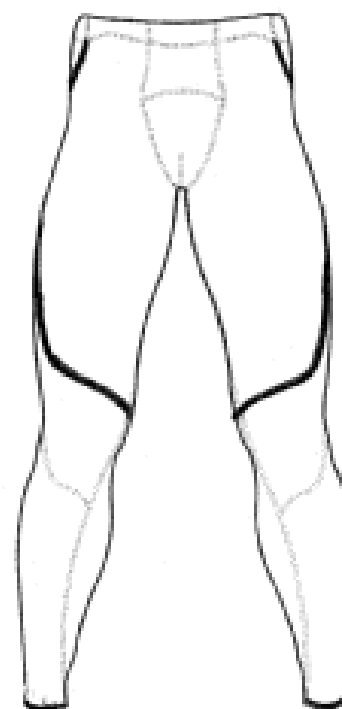
(57) Statement of Newness and Distinctiveness: **Nil**



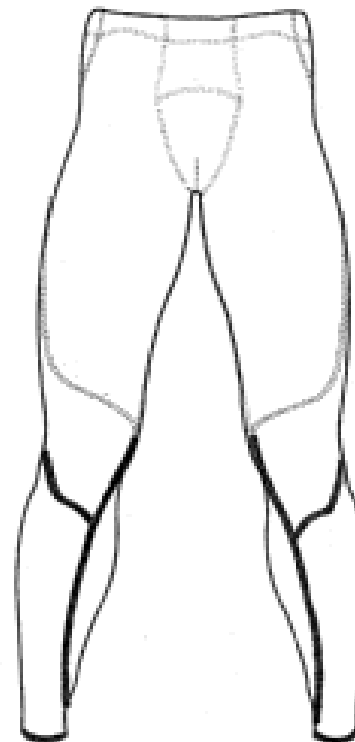
(21) Design Number: **14468/2009**
(22) Date of Filing Application: **12 November 2009**
(24) Date from which industrial property rights may have effect: **12 November 2009**
(54) Product in respect of which the design is registered: **A container**
(51) International Design Classification: **09-03F**
(71) Name(s) and Address(s) of Applicant(s):
Societe des Produits Nestle S.A.
1800 Vevey Switzerland
(72) Name(s) of Designer(s): **Loic Faulon and Ashley Illingsworth**
(45) Registration Date: **10 December 2009**
(30) Convention priority data:
(31) Number (32) Date (33) Country
136201 16 Jul 2009 SWITZERLAND
(56) Related Art Documents: **Not Applicable**
(57) Statement of Newness and Distinctiveness: **Nil**



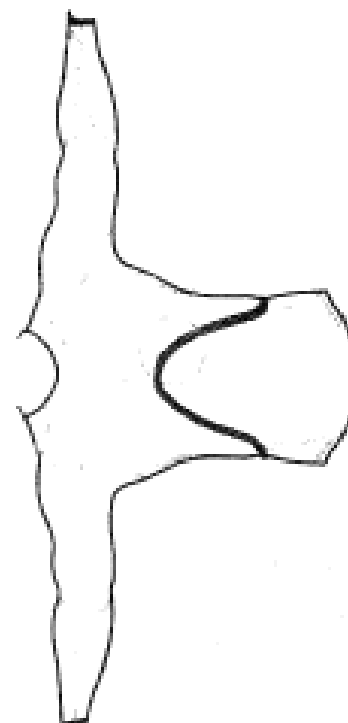
(21) Design Number: **11885/2009**
(22) Date of Filing Application: **21 May 2009**
(24) Date from which industrial property rights may have effect: **21 May 2009**
(54) Product in respect of which the design is registered: **Lower body garment**
(51) International Design Classification: **02-02C**
(71) Name(s) and Address(s) of Applicant(s):
Skins International Trading AG
Lobernstrasse 16c Cham Zug 6330 Switzerland
(72) Name(s) of Designer(s): **Jason Maclaren and Amanda Herrod and Barton Payne**
(45) Registration Date: **10 December 2009**
(56) Related Art Documents: **Not Applicable**
(57) Statement of Newness and Distinctiveness: **The design is applicable to the shape of the stitching lines illustrated on the garment. No monopoly is claimed in respect of the stitching line shown as dashed lines.**



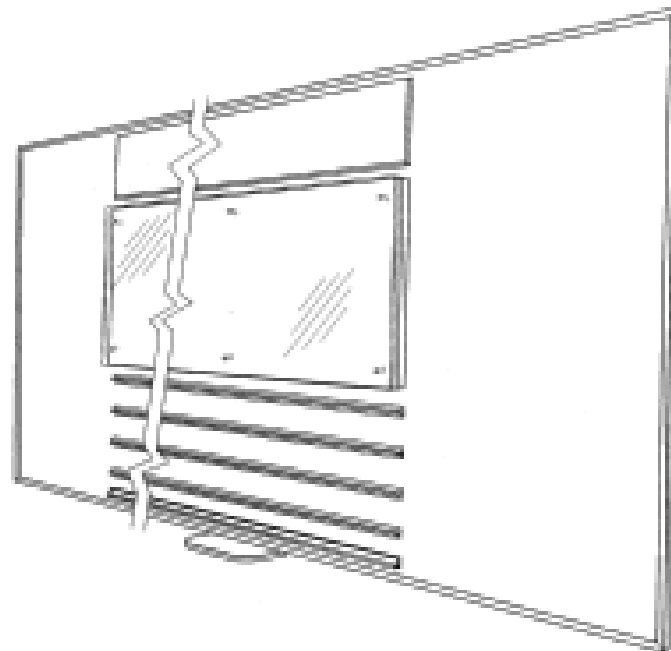
- (21) Design Number: **11886/2009**
(22) Date of Filing Application: **21 May 2009**
(24) Date from which industrial property rights may have effect: **21 May 2009**
(54) Product in respect of which the design is registered: **Lower body garment**
(51) International Design Classification: **02-02C**
(71) Name(s) and Address(s) of Applicant(s):
Skins International Trading AG
Lobernstrasse 16c Cham Zug 6330 Switzerland
(72) Name(s) of Designer(s): **Jason Maclaren and Amanda Herrod and Barton Payne**
(45) Registration Date: **10 December 2009**
(56) Related Art Documents: **Not Applicable**
(57) Statement of Newness and Distinctiveness: **The design is applicable to the shape of the stitching lines illustrated on the garment. No monopoly is claimed in respect of the stitching line shown as dashed lines.**



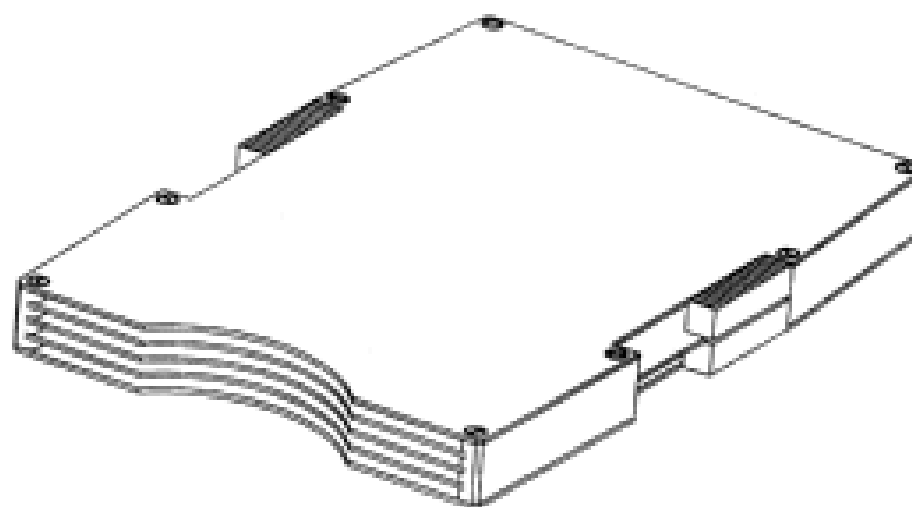
- (21) Design Number: **11887/2009**
(22) Date of Filing Application: **21 May 2009**
(24) Date from which industrial property rights may have effect: **21 May 2009**
(54) Product in respect of which the design is registered: **Upper body garment**
(51) International Design Classification: **02-02NES**
(71) Name(s) and Address(s) of Applicant(s):
Skins International Trading AG
Lobernstrasse 16c Cham Zug 6330 Switzerland
(72) Name(s) of Designer(s): **Jason Maclaren and Amanda Herrod and Barton Payne**
(45) Registration Date: **10 December 2009**
(56) Related Art Documents: **Not Applicable**
(57) Statement of Newness and Distinctiveness: **The design is applicable to the shape of the seam lines illustrated on the garment.**



- (21) Design Number: **14397/2009**
(22) Date of Filing Application: **12 November 2009**
(24) Date from which industrial property rights may have effect: **12 November 2009**
(54) Product in respect of which the design is registered: **Notice board**
(51) International Design Classification: **20-03C**
(71) Name(s) and Address(s) of Applicant(s):
Notice Board Systems Pty Ltd
37 Park Street South Melbourne Victoria 3205 Australia
(72) Name(s) of Designer(s): **Joel Abel**
(45) Registration Date: **10 December 2009**
(56) Related Art Documents: **Not Applicable**
(57) Statement of Newness and Distinctiveness: **The newness and distinctiveness of the design resides in the shape and/or configuration of the NOTICE BOARD shown in the accompanying representations.**



- (21) Design Number: **14458/2009**
(22) Date of Filing Application: **28 September 2009**
(24) Date from which industrial property rights may have effect: **28 September 2009**
(54) Product in respect of which the design is registered: **Cardholder**
(51) International Design Classification: **03-01B, 19-04**
(71) Name(s) and Address(s) of Applicant(s):
Knut Berntsen
Sigurds Vei 9 1473 Lorenskog Norway
(72) Name(s) of Designer(s): **Knut Berntsen**
(45) Registration Date: **10 December 2009**
(62) Divisional of: **328717**
(56) Related Art Documents: **Not Applicable**
(57) Statement of Newness and Distinctiveness: **Newness and distinctiveness resides in the features of shape and/or configuration of a CARDHOLDER as illustrated in the accompanying representations.**



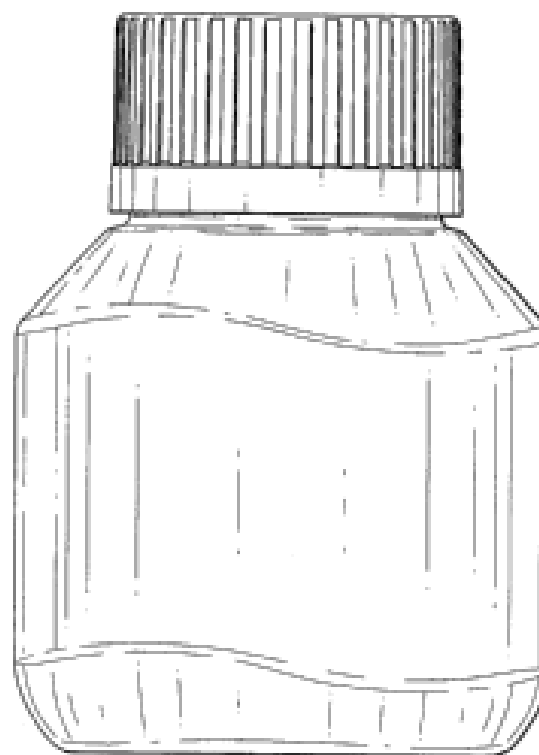
- (21) Design Number: **14464/2009**
(22) Date of Filing Application: **16 November 2009**
(24) Date from which industrial property rights may have effect: **16 November 2009**
(54) Product in respect of which the design is registered: **A surfboard**
(51) International Design Classification: **21-02D**
(71) Name(s) and Address(s) of Applicant(s):
Stuart Wissing
294 Roaring Beach Road Nubeena Tasmania 7184 Australia
Peter Lawless
97 Little North Arm Road Thora New South Wales 2454 Australia
(72) Name(s) of Designer(s): **Stuart Wissing**
(45) Registration Date: **10 December 2009**
(56) Related Art Documents: **Not Applicable**
(57) Statement of Newness and Distinctiveness: **Newness and distinctiveness is claimed in the visual features of the bottom surface shape/configuration shown in the representations. In considering the extent of the design rights, the graphics/logos shown in the representations are to be disregarded and do not form part of the design.**



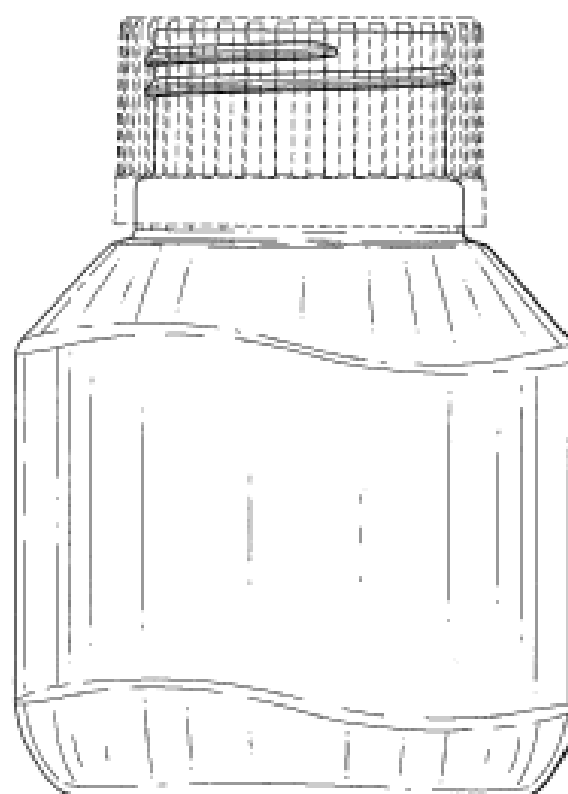
- (21) Design Number: **14669/2009**
(22) Date of Filing Application: **27 November 2009**
(24) Date from which industrial property rights may have effect: **27 November 2009**
(54) Product in respect of which the design is registered: **Bottle**
(51) International Design Classification: **09-01K**
(71) Name(s) and Address(s) of Applicant(s):
Schering-Plough Healthcare Products, Inc.
3030 Jackson Avenue Memphis Tennessee 38151 United States of America
(72) Name(s) of Designer(s): **William Schmertz Jr. and Jonathan Lee and John K. Clay and Javier Verdura and James Troy Starkey**
(45) Registration Date: **10 December 2009**
(30) Convention priority data:
(31) Number (32) Date (33) Country
29/338175 05 Jun 2009 UNITED STATES OF AMERICA
(56) Related Art Documents: **Not Applicable**
(57) Statement of Newness and Distinctiveness: **When determining whether the BOTTLE is substantially similar in overall impression to another design, no regard is to be had to those features shown in the designs with dotted outline, which features are provided for illustrative purposes only.**



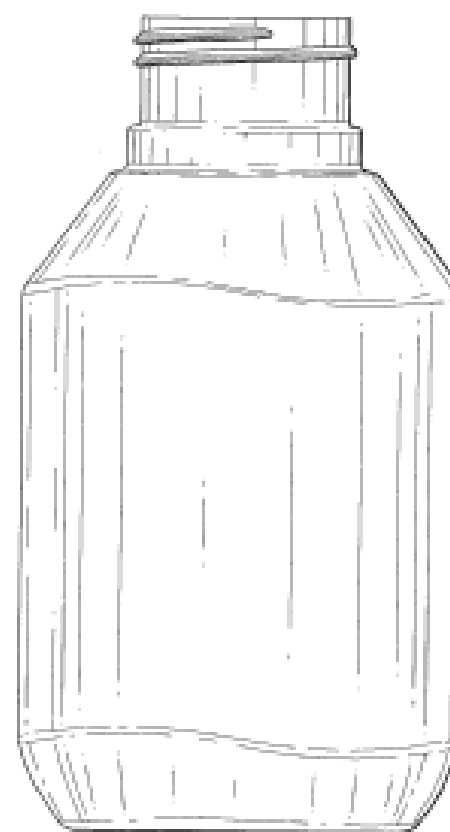
- (21) Design Number: **14670/2009**
(22) Date of Filing Application: **27 November 2009**
(24) Date from which industrial property rights may have effect: **27 November 2009**
(54) Product in respect of which the design is registered: **Bottle**
(51) International Design Classification: **09-01K**
(71) Name(s) and Address(s) of Applicant(s):
Schering-Plough Healthcare Products, Inc.
3030 Jackson Avenue Memphis Tennessee 38151 United States of America
(72) Name(s) of Designer(s): **William Schmertz Jr. and Jonathan Lee and James Troy Starkey and John K. Clay and Javier Verdura**
(45) Registration Date: **10 December 2009**
(30) Convention priority data:
(31) Number (32) Date (33) Country
29/338175 05 Jun 2009 UNITED STATES OF AMERICA
(56) Related Art Documents: **Not Applicable**
(57) Statement of Newness and Distinctiveness: **When determining whether the BOTTLE is substantially similar in overall impression to another design, no regard is to be had to those features shown in the designs with dotted outline, which features are provided for illustrative purposes only.**



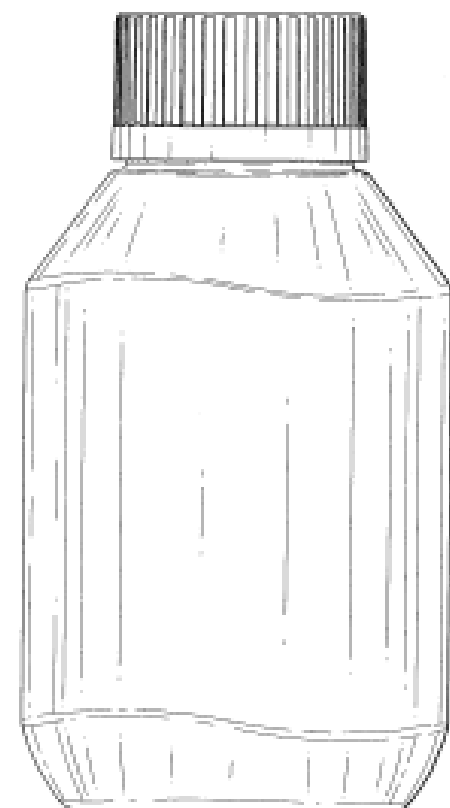
- (21) Design Number: **14671/2009**
(22) Date of Filing Application: **27 November 2009**
(24) Date from which industrial property rights may have effect: **27 November 2009**
(54) Product in respect of which the design is registered: **Bottle**
(51) International Design Classification: **09-01K**
(71) Name(s) and Address(s) of Applicant(s):
Schering-Plough Healthcare Products, Inc.
3030 Jackson Avenue Memphis Tennessee 38151 United States of America
(72) Name(s) of Designer(s): **William Schmertz Jr. and Jonathan Lee and James Troy Starkey and John K. Clay and Javier Verdura**
(45) Registration Date: **10 December 2009**
(30) Convention priority data:
(31) Number (32) Date (33) Country
29/338175 05 Jun 2009 UNITED STATES OF AMERICA
(56) Related Art Documents: **Not Applicable**
(57) Statement of Newness and Distinctiveness: **When determining whether the BOTTLE is substantially similar in overall impression to another design, no regard is to be had to those features shown in the designs with dotted outline, which features are provided for illustrative purposes only.**



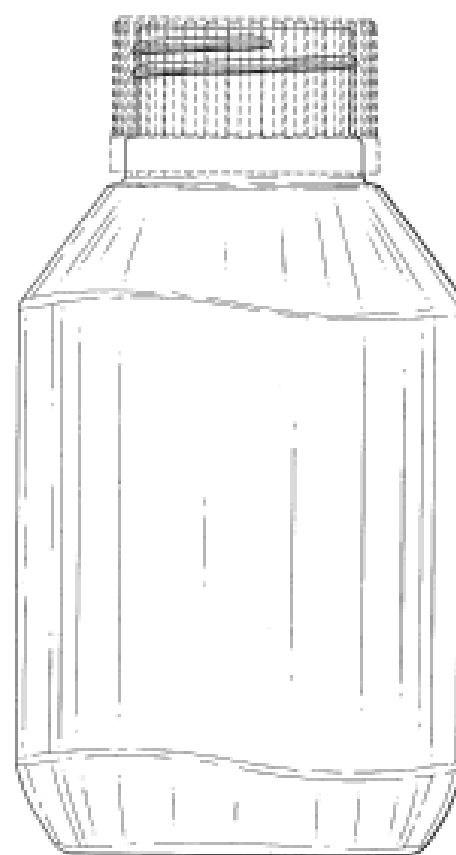
- (21) Design Number: **14672/2009**
(22) Date of Filing Application: **27 November 2009**
(24) Date from which industrial property rights may have effect: **27 November 2009**
(54) Product in respect of which the design is registered: **Bottle**
(51) International Design Classification: **09-01K**
(71) Name(s) and Address(s) of Applicant(s):
Schering-Plough Healthcare Products, Inc.
3030 Jackson Avenue Memphis Tennessee 38151 United States of America
(72) Name(s) of Designer(s): **William Schmertz Jr. and Jonathan Lee and James Troy Starkey and John K. Clay and Javier Verdura**
(45) Registration Date: **10 December 2009**
(30) Convention priority data:
(31) Number (32) Date (33) Country
29/338175 05 Jun 2009 UNITED STATES OF AMERICA
(56) Related Art Documents: **Not Applicable**
(57) Statement of Newness and Distinctiveness: **When determining whether the BOTTLE is substantially similar in overall impression to another design, no regard is to be had to those features shown in the designs with dotted outline, which features are provided for illustrative purposes only.**



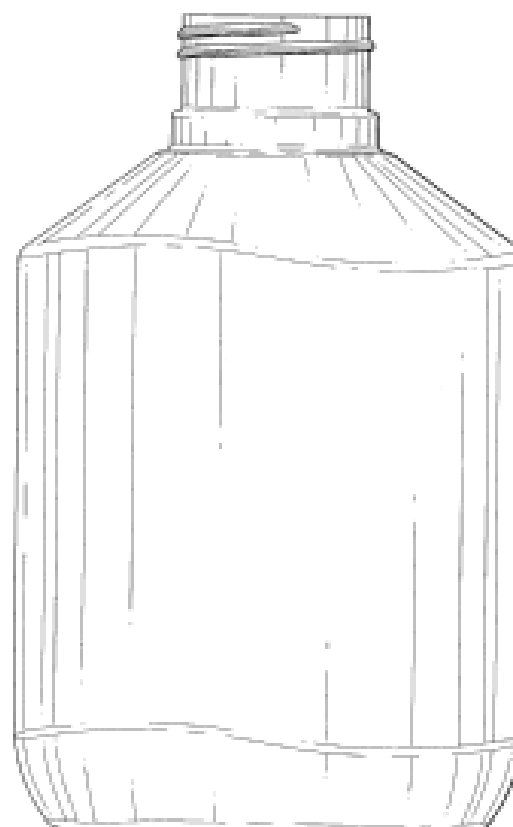
- (21) Design Number: **14673/2009**
(22) Date of Filing Application: **27 November 2009**
(24) Date from which industrial property rights may have effect: **27 November 2009**
(54) Product in respect of which the design is registered: **Bottle**
(51) International Design Classification: **09-01K**
(71) Name(s) and Address(s) of Applicant(s):
Schering-Plough Healthcare Products, Inc.
3030 Jackson Avenue Memphis Tennessee 38151 United States of America
(72) Name(s) of Designer(s): **William Schmertz Jr. and Jonathan Lee and John K. Clay and Javier Verdura and James Troy Starkey**
(45) Registration Date: **10 December 2009**
(30) Convention priority data:
(31) Number (32) Date (33) Country
29/338175 05 Jun 2009 UNITED STATES OF AMERICA
(56) Related Art Documents: **Not Applicable**
(57) Statement of Newness and Distinctiveness: **When determining whether the BOTTLE is substantially similar in overall impression to another design, no regard is to be had to those features shown in the designs with dotted outline, which features are provided for illustrative purposes only.**



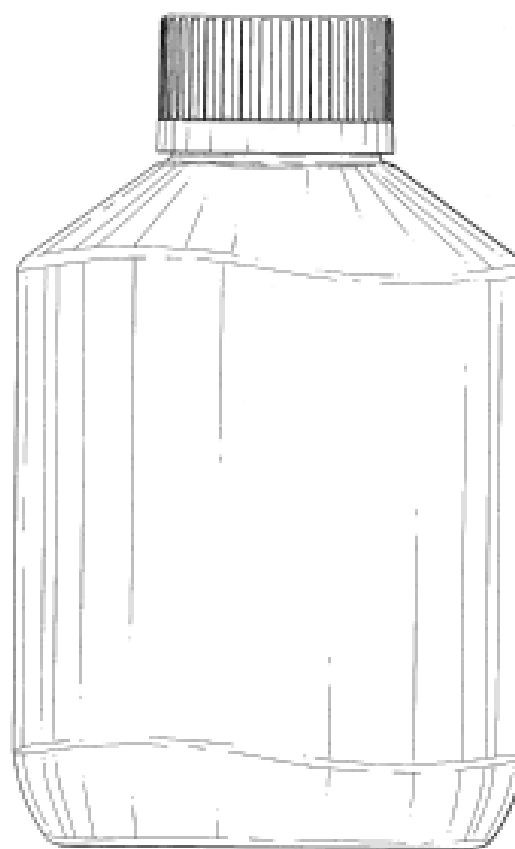
- (21) Design Number: **14674/2009**
(22) Date of Filing Application: **27 November 2009**
(24) Date from which industrial property rights may have effect: **27 November 2009**
(54) Product in respect of which the design is registered: **Bottle**
(51) International Design Classification: **09-01K**
(71) Name(s) and Address(s) of Applicant(s):
Schering-Plough Healthcare Products, Inc.
3030 Jackson Avenue Memphis Tennessee 38151 United States of America
(72) Name(s) of Designer(s): **William Schmertz Jr. and Jonathan Lee and James Troy Starkey and John K. Clay and Javier Verdura**
(45) Registration Date: **10 December 2009**
(30) Convention priority data:
(31) Number (32) Date (33) Country
29/338175 05 Jun 2009 UNITED STATES OF AMERICA
(56) Related Art Documents: **Not Applicable**
(57) Statement of Newness and Distinctiveness: **When determining whether the BOTTLE is substantially similar in overall impression to another design, no regard is to be had to those features shown in the designs with dotted outline, which features are provided for illustrative purposes only.**



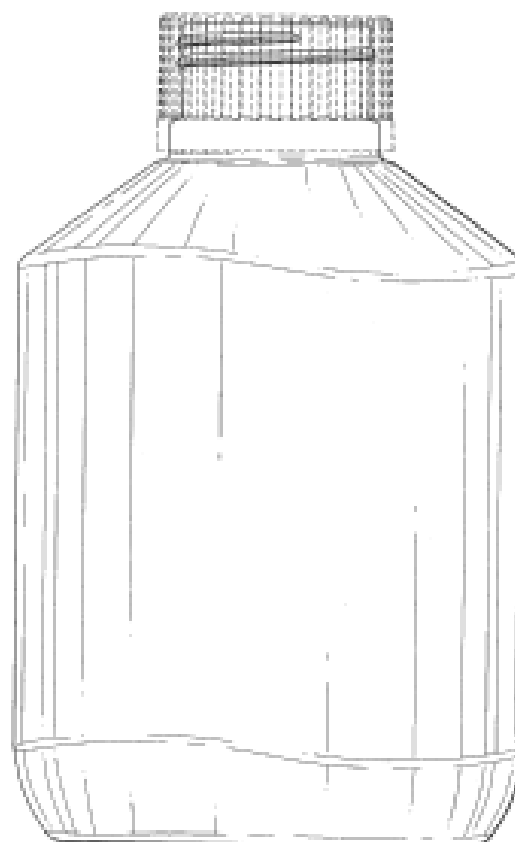
- (21) Design Number: **14675/2009**
(22) Date of Filing Application: **27 November 2009**
(24) Date from which industrial property rights may have effect: **27 November 2009**
(54) Product in respect of which the design is registered: **Bottle**
(51) International Design Classification: **09-01K**
(71) Name(s) and Address(s) of Applicant(s):
Schering-Plough Healthcare Products, Inc.
3030 Jackson Avenue Memphis Tennessee 38151 United States of America
(72) Name(s) of Designer(s): **William Schmertz Jr. and Jonathan Lee and James Troy Starkey and John K. Clay and Javier Verdura**
(45) Registration Date: **10 December 2009**
(30) Convention priority data:
(31) Number (32) Date (33) Country
29/338175 05 Jun 2009 UNITED STATES OF AMERICA
(56) Related Art Documents: **Not Applicable**
(57) Statement of Newness and Distinctiveness: **When determining whether the BOTTLE is substantially similar in overall impression to another design, no regard is to be had to those features shown in the designs with dotted outline, which features are provided for illustrative purposes only.**



- (21) Design Number: **14676/2009**
(22) Date of Filing Application: **27 November 2009**
(24) Date from which industrial property rights may have effect: **27 November 2009**
(54) Product in respect of which the design is registered: **Bottle**
(51) International Design Classification: **09-01K**
(71) Name(s) and Address(s) of Applicant(s):
Schering-Plough Healthcare Products, Inc.
3030 Jackson Avenue Memphis Tennessee 38151 United States of America
(72) Name(s) of Designer(s): **William Schmertz Jr. and Jonathan Lee and James Troy Starkey and John K. Clay and Javier Verdura**
(45) Registration Date: **10 December 2009**
(30) Convention priority data:
(31) Number (32) Date (33) Country
29/338175 05 Jun 2009 UNITED STATES OF AMERICA
(56) Related Art Documents: **Not Applicable**
(57) Statement of Newness and Distinctiveness: **When determining whether the BOTTLE is substantially similar in overall impression to another design, no regard is to be had to those features shown in the designs with dotted outline, which features are provided for illustrative purposes only.**



- (21) Design Number: **14677/2009**
(22) Date of Filing Application: **27 November 2009**
(24) Date from which industrial property rights may have effect: **27 November 2009**
(54) Product in respect of which the design is registered: **Bottle**
(51) International Design Classification: **09-01K**
(71) Name(s) and Address(s) of Applicant(s):
Schering-Plough Healthcare Products, Inc.
3030 Jackson Avenue Memphis Tennessee 38151 United States of America
(72) Name(s) of Designer(s): **William Schmertz Jr. and Jonathan Lee and James Troy Starkey and John K. Clay and Javier Verdura**
(45) Registration Date: **10 December 2009**
(30) Convention priority data:
(31) Number (32) Date (33) Country
29/338175 05 Jun 2009 UNITED STATES OF AMERICA
(56) Related Art Documents: **Not Applicable**
(57) Statement of Newness and Distinctiveness: **When determining whether the BOTTLE is substantially similar in overall impression to another design, no regard is to be had to those features shown in the designs with dotted outline, which features are provided for illustrative purposes only.**



(21) Design Number: **14680/2009**

(22) Date of Filing Application: **27 November 2009**

(24) Date from which industrial property rights may have effect: **27 November 2009**

(54) Product in respect of which the design is registered: **Metal section**

(51) International Design Classification: **25-01K**

(71) Name(s) and Address(s) of Applicant(s):

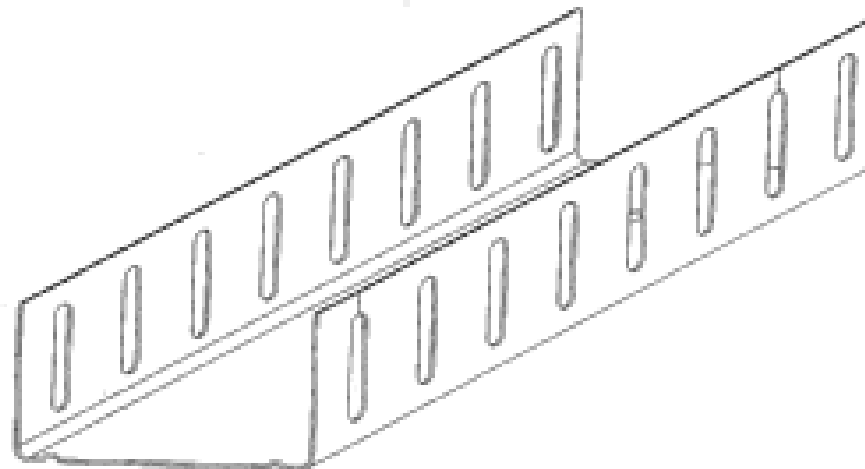
**Rondo Building Services Pty Limited
3-33 Glossop Street St Marys New South Wales 2760 Australia**

(72) Name(s) of Designer(s): **Craig Keen**

(45) Registration Date: **10 December 2009**

(56) Related Art Documents: **Not Applicable**

(57) Statement of Newness and Distinctiveness: **Newness and distinctiveness is claimed in the features of shape and/or configuration of a metal section as illustrated in the accompanying drawings wherein the length is indefinite.**



(21) Design Number: **14681/2009**

(22) Date of Filing Application: **27 November 2009**

(24) Date from which industrial property rights may have effect: **27 November 2009**

(54) Product in respect of which the design is registered: **Metal section**

(51) International Design Classification: **25-01K**

(71) Name(s) and Address(s) of Applicant(s):

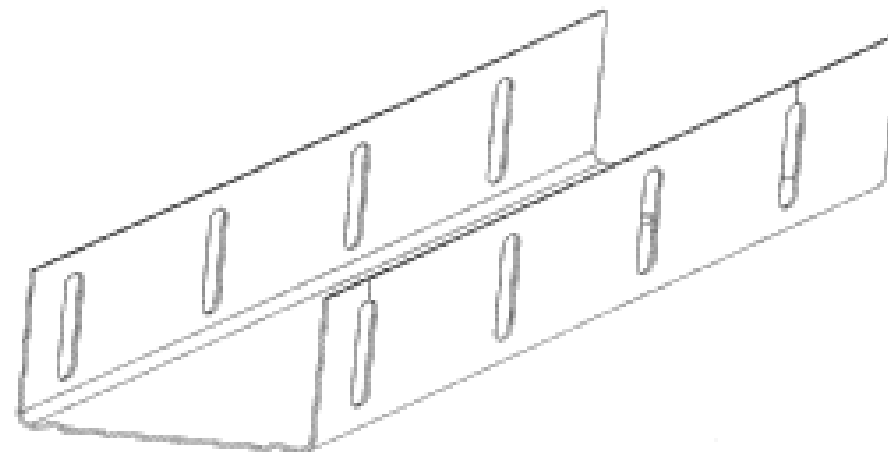
**Rondo Building Services Pty Limited
3-33 Glossop Street St Marys New South Wales 2760 Australia**

(72) Name(s) of Designer(s): **Craig Keen**

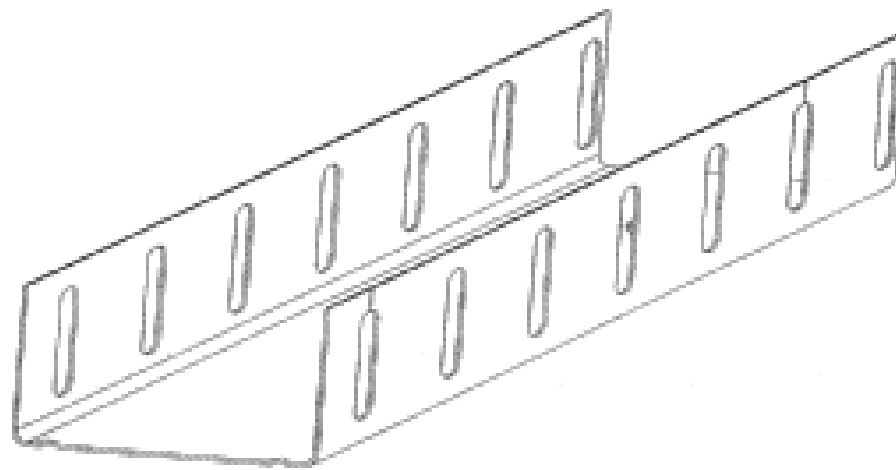
(45) Registration Date: **10 December 2009**

(56) Related Art Documents: **Not Applicable**

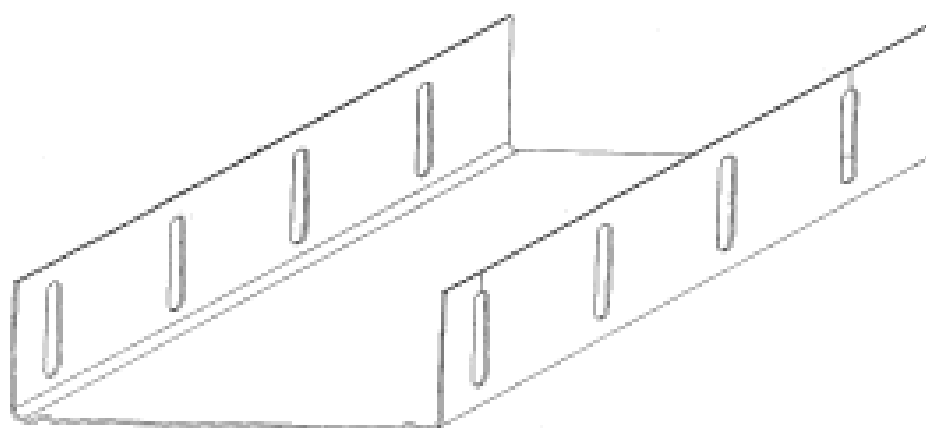
(57) Statement of Newness and Distinctiveness: **Newness and distinctiveness is claimed in the features of shape and/or configuration of a metal section as illustrated in the accompanying drawings wherein the length is indefinite.**



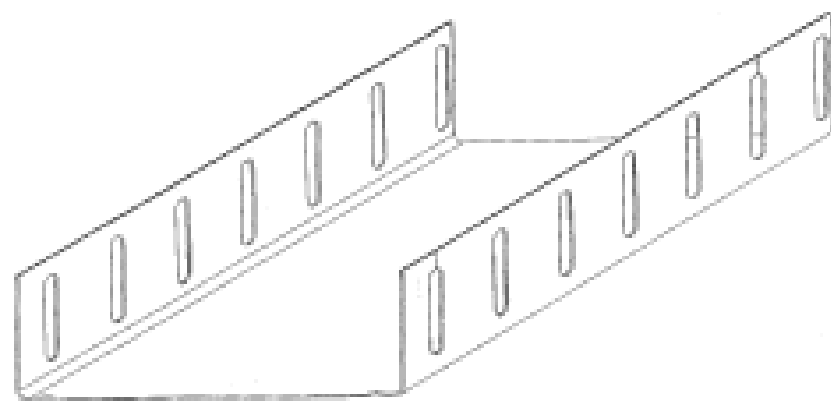
- (21) Design Number: **14682/2009**
(22) Date of Filing Application: **27 November 2009**
(24) Date from which industrial property rights may have effect: **27 November 2009**
(54) Product in respect of which the design is registered: **Metal section**
(51) International Design Classification: **25-01K**
(71) Name(s) and Address(s) of Applicant(s):
Rondo Building Services Pty Limited
3-33 Glossop Street St Marys New South Wales 2760 Australia
(72) Name(s) of Designer(s): **Craig Keen**
(45) Registration Date: **10 December 2009**
(56) Related Art Documents: **Not Applicable**
(57) Statement of Newness and Distinctiveness: **Newness and distinctiveness is claimed in the features of shape and/or configuration of a metal section as illustrated in the accompanying drawings wherein the length is indefinite.**



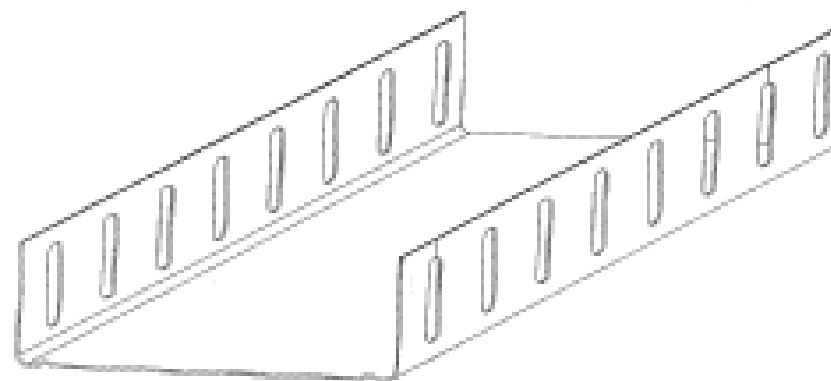
- (21) Design Number: **14683/2009**
(22) Date of Filing Application: **27 November 2009**
(24) Date from which industrial property rights may have effect: **27 November 2009**
(54) Product in respect of which the design is registered: **Metal section**
(51) International Design Classification: **25-01K**
(71) Name(s) and Address(s) of Applicant(s):
Rondo Building Services Pty Limited
3-33 Glossop Street St Marys New South Wales 2760 Australia
(72) Name(s) of Designer(s): **Craig Keen**
(45) Registration Date: **10 December 2009**
(56) Related Art Documents: **Not Applicable**
(57) Statement of Newness and Distinctiveness: **Newness and distinctiveness is claimed in the features of shape and/or configuration of a metal section as illustrated in the accompanying drawings wherein the length is indefinite.**



- (21) Design Number: **14684/2009**
(22) Date of Filing Application: **27 November 2009**
(24) Date from which industrial property rights may have effect: **27 November 2009**
(54) Product in respect of which the design is registered: **Metal section**
(51) International Design Classification: **25-01K**
(71) Name(s) and Address(s) of Applicant(s):
Rondo Building Services Pty Limited
3-33 Glossop Street St Marys New South Wales 2760 Australia
(72) Name(s) of Designer(s): **Craig Keen**
(45) Registration Date: **10 December 2009**
(56) Related Art Documents: **Not Applicable**
(57) Statement of Newness and Distinctiveness: **Newness and distinctiveness is claimed in the features of shape and/or configuration of a metal section as illustrated in the accompanying drawings wherein the length is indefinite.**



- (21) Design Number: **14685/2009**
(22) Date of Filing Application: **27 November 2009**
(24) Date from which industrial property rights may have effect: **27 November 2009**
(54) Product in respect of which the design is registered: **Metal section**
(51) International Design Classification: **25-01K**
(71) Name(s) and Address(s) of Applicant(s):
Rondo Building Services Pty Limited
3-33 Glossop Street St Marys New South Wales 2760 Australia
(72) Name(s) of Designer(s): **Craig Keen**
(45) Registration Date: **10 December 2009**
(56) Related Art Documents: **Not Applicable**
(57) Statement of Newness and Distinctiveness: **Newness and distinctiveness is claimed in the features of shape and/or configuration of a metal section as illustrated in the accompanying drawings wherein the length is indefinite.**



- (21) Design Number: **14728/2009**
(22) Date of Filing Application: **03 December 2009**
(24) Date from which industrial property rights may have effect: **03 December 2009**
(54) Product in respect of which the design is registered: **Solar tower**
(51) International Design Classification: **13-99, 25-03**
(71) Name(s) and Address(s) of Applicant(s):
Abangoa Solar New Technologies, S.A.
Avda. de la Buhaira 2 41018 Sevilla Spain
(72) Name(s) of Designer(s): **Rafael Olavarria and Teodoro Lopez Del Cerro**
and Rafael Osuna Gonzalez-Aguilar
(45) Registration Date: **10 December 2009**
(30) Convention priority data:
(31) Number (32) Date (33) Country
D0507848-2 08 Jun 2009 SPAIN
(56) Related Art Documents: **Not Applicable**
(57) Statement of Newness and Distinctiveness: **Nil**

