



Australian Government

IP Australia

AUSTRALIAN OFFICIAL JOURNAL

OF

DESIGNS

Did you know a searchable version of this journal is now available online?

It's FREE and EASY to SEARCH.

Find it at

<http://pericles.ipaustralia.gov.au/ols/epublish/content/olsEpublications.jsp>
or using the "Online Journals" link on the IP Australia home page.

This Page Left Intentionally Blank

Contents

General Information & Notices

Proceedings Under the Designs Act 1906 preserved as a result of the provisions of Chapter 12 Part 2 of the Designs Act 2003

Applications for Extension of Time	2
Corrigenda	9
Extension of Period of Registration of Designs	2
Extensions of Time Granted	2
Mortgages Registered	2
Names Registered - Alterations and Amendments	2
Registrations Ceased	2
Subsequent Owners Registered	2

Proceedings Under the Designs Act 2003

Applications Lapsed	17
Applications Lodged	13
Applications Withdrawn	17
Certificate of Examination	21
Extension of Period of Registration of Design	19
Extension of Time Granted Under Section 137	19
Mortgages Registered	19
Names Registered - Alterations and Amendments	20
Publication and Registration Proceedings	
Designs Registered 328857 to 329054.....	22
Subsequent Owners Registered	20

This Page Left Intentionally Blank

For information on the following please see our website www.ipaustralia.gov.au or contact our Customer Service Network on 1300651010

[Editorial enquiries](#)

[Contact information](#)

[Freedom of Information ACT](#)

[Professional Standards Board](#)

[Sales](#)

[Requests for Information under Section 194 \(c\)](#)

[Country Codes](#)

[Trade Mark and Designs Hearing Sessions](#)

[INID \(Internationally agreed Numbers for the Identification of Data\)](#)

“INID” NUMBERS in use on Australian Design Documents

“INID” is an acronym for “Internationally agreed Numbers for the Identification of Data”.

(10) Data concerning the registration/renewal

- (11) Serial number of the registration and/or number of the design document
- (12) Plain language designation of the kind of published document
- (19) Identification, using the two-letter code according to WIPO Standard ST.3, of the authority publishing or registering the industrial design

(20) Data concerning the application

- (21) Serial number of the application
- (22) Date of filing of the application
- (24) Date from which the industrial design right has effect

(30) Data relating to priority under the Paris Convention

- (31) Serial number assigned to the priority application
- (32) Date of filing of the priority application
- (33) Two-letter code, according to WIPO Standard ST.3, identifying the authority with which the priority application was made

(40) Date(s) of making information available to the public

- (45) Date of publication of the registered industrial design by printing or similar process, or making it available to the public by any other means

(50) Miscellaneous Information

- (51) International Classification for Industrial Designs (class and subclass of the Locarno Classification)
- (54) Designation of article(s) or product(s) covered by the industrial design or title of the industrial design
- (55) Reproduction of the industrial design (e.g., drawing, photograph) and explanations relating to the reproduction
- (56) List of prior art documents, if separate from descriptive text
- (57) Description of characteristic features of the industrial design including indication of colours

(60) References to other legally related application(s) and registration(s)

- (62) Serial number(s) and, if available, filing date(s) of application(s), registration(s) or document(s) related by division
- (66) Serial number(s) of the application, or the registration, of the design(s) which is (are) a variant(s) of the present one

(70) Identification of parties concerned with the application or registration

- (71) Name(s) and address(es) of the applicant(s)
- (72) Name(s) of the creator(s) if known to be such
- (74) Name(s) and address(es) of the representative(s)

This Page Left Intentionally Blank

Official Notice**Service of documents on the Commissioner of Patents,
the Registrar of Trade Marks or the Registrar of Designs**

Under the provisions of the Patents Act 1990, the Trade Marks Act 1995 and the Designs Act 2003 it is at times necessary to serve on the Commissioner of Patents, the Registrar of Trade Marks or the Registrar of Designs copies of documents which have been filed in court. It is also at times necessary to serve on the Commissioner or on a Registrar copies of subpoenas and other documents issued in court proceedings.

Such documents may also be served by leaving them with:

- the Deputy Commissioner of Patents, Opposition Hearings and Legislation Section,
- the Deputy Registrar of Trade Marks & Designs, Hearings & Opposition Section

Documents for:

- the Registrar of Trade Marks
- the Deputy Registrar of Trade Marks & Designs, Hearings & Opposition Section
- the Registrar of Designs
- the Commissioner of Patents
- the Deputy Commissioner of Patents, Opposition Hearings and Legislation Section

should be served at IP Australia, Discovery House, 47 Bowes Street, Phillip, ACT in person or by post. In urgent cases IP Australia will also endeavour to comply with copies of documents received by facsimile transmission, but it is expected that the originals of such documents would be delivered to the aforementioned physical address without delay. The contact number for facsimile transmission is (02) 6283 7999, and documents should be addressed to the attention of the Deputy Commissioner of Patents, Opposition Hearings and Legislation Section or the Deputy Registrar of Trade Marks & Designs, Hearings & Opposition Section as appropriate.

Due to changes in IP Australia's state office arrangements, subpoenas and other court documents can no longer be left at a state office for the purpose of transporting them to Canberra to effect service.

This notice supersedes the notice published in the *Australian Official Journal of Patents* and the *Australian Official Journal of Trade Marks* on 29 July 1999.

Queries: Blake Knowles
Trade Marks & Designs Hearings & Oppositions
+61 2 6283 2581

Contact: IP Australia
Phone: 1300 651 010
Fax: +61 2 6283 7999
E-mail: assist@ipaustrialia.gov.au
Web: www.ipaustrialia.gov.au

Official Notice**Designs Act 2003
Amendments to Registered Designs at Examination**

The following amendments have been made to details previously published in the Australian Official Journal of Designs during the Examination process:

Registration Numbers	Amendment type	New details
319211	Change to classification	Now 14-99
327127	Add classification code	09-07C

Queries: Gary Flint
Trade Marks and Designs Administration
+61 2 6283 2023

Contact: IP Australia
Phone: 1300 651 010
Fax: +61 2 6283 7999
E-mail: assist@ipaustralia.gov.au
Web: www.ipaustralia.gov.au

Official Notice

Surrender of Registration

325526

A request under Section 49 of the *Designs Act 2003* has been made by the registered owner of Design Registration No. 325526 to surrender the registration.

Any interested person may give notice to the Registrar that he or she wishes to be heard in relation to the above offer. This notice must be given within 1 month after 07 January 2010.

Your attention is drawn to Regulation 4.10 and 4.11 of the *Designs Regulations 2004*.

Address for Service: Griffith Hack GPO Box 1285K MELBOURNE VIC 3001

Contact: IP Australia
Phone: 1300 651 010
Fax: +61 2 6283 7999
E-Mail: assist@ipaustrialia.gov.au
Web: www.ipaustrialia.gov.au

Official Notice

Surrender of Registration

325527

A request under Section 49 of the *Designs Act 2003* has been made by the registered owner of Design Registration No. 325527 to surrender the registration.

Any interested person may give notice to the Registrar that he or she wishes to be heard in relation to the above offer. This notice must be given within 1 month after 07 January 2010.

Your attention is drawn to Regulation 4.10 and 4.11 of the *Designs Regulations 2004*.

Address for Service: Griffith Hack GPO Box 1285K MELBOURNE VIC 3001

Contact: IP Australia
Phone: 1300 651 010
Fax: +61 2 6283 7999
E-Mail: assist@ipaaustralia.gov.au
Web: www.ipaustralia.gov.au

**Proceedings under the Designs Act 1906 preserved as a
result of the provisions of Chapter 12 Part 2 of the Designs
Act 2003.**

This Page Left Intentionally Blank

Applications Lapsed

There were no Applications Lapsed under this section

Extension of Period of Registration of Designs

2nd Period (Section 27A(12))

152013	155131	155228
155270	155271	155272
155330	155331	155332
155333	155348	155397
155419	155437	155438
155439	155440	155680
155783	155784	156195
156208	156232	156466
156763	156793	156857
156958	157140	157820
157892	157944	157965
158047		

3rd Period (Section 27A(13))

137557	137666	137667
137702	137703	137704
137854	138102	138857
139161	140782	141439
141440	141441	141940
142068	144480	145997
146157		

Registrations Ceased

Note: Some of the following Registrations may have been previously advertised as ceased. In this instance, the previous advertisement still prevails.

120384	120705	120711
120767	120845	120937
120938	120959	120961
121020	121021	121022
121023	121024	121046
121159	121269	121286
121457	121560	121675
122490	122972	123726
124308	124538	128783
135598	135599	135625
135666	135757	135873
135874	136034	136559
136885	137184	137816
139366	139367	139368
152247	152248	152515
152683	152684	152685
152701	152720	152723
152772	152793	152813
152814	152815	152857
152915	153065	153067
153195	153196	153197
153272	153294	153295
153296	153297	153372
153515	153772	153850
153851	153900	154376

154467	154748	154873
154990	155026	155064
155262	155263	155532
155587	155648	155741
155796	155901	156045
156084	156188	156189
156226	156366	156404
156405	156406	156407
156522	156581	156582
156602	156701	156725
156934	156951	157162
157931	157937	

Applications for Extension of time

Applications for extension of time have been lodged. Objections must be lodged within 1 month from the date of this journal.

145998 **Coolaroo Originals Pty Ltd** Extension of time to extend a registration. Address for Service: Ahearn Fox GPO Box 1149 BRISBANE QLD 4001

154348 **Kapstar Pty Ltd** Extension of time to extend a registration. Address for Service: J.M. Keogh IP Legal Services Level 4 10 Barrack Street SYDNEY NSW 2000

Extensions of time granted

Applications lodged for extension of time have been granted.

152013 **Erblan Surgical Inc.** An Extension of time to extend a registration has been granted to 20/08/2009

Subsequent Owners Registered

(The name in parentheses is that of the subsequent owner)

128519	(Antons Wire Products Pty Ltd as trustee for A Carnevale Family Trust) Equipment Tech Pty Ltd
157419	(Antons Wire Products Pty Ltd as trustee for A Carnevale Family Trust) Equipment Tech Pty Ltd
142740	(Coralea Australia Pty Ltd) Michael Ray

Names Registered - Alterations and Amendments

(The name in parentheses is the new name of the proprietor)

157965	(FOSTER'S AUSTRALIA LIMITED) Carlton and United Beverages Limited
--------	--

Mortgages Registered

151786	A mortgage has been granted to UAW Retiree Medical Benefits Trust
151786	A mortgage has been granted to The United States Department of the Treasury
151787	A mortgage has been granted to UAW Retiree Medical Benefits Trust
151787	A mortgage has been granted to The United States Department of the Treasury

- 138049 A mortgage has been granted to **The United States Department of the Treasury**
- 138049 A mortgage has been granted to **UAW Retiree Medical Benefits Trust**
- 138095 A mortgage has been granted to **The United States Department of the Treasury**
- 138095 A mortgage has been granted to **UAW Retiree Medical Benefits Trust**
- 140937 A mortgage has been granted to **UAW Retiree Medical Benefits Trust**
- 140937 A mortgage has been granted to **The United States Department of the Treasury**
- 150879 A mortgage has been granted to **UAW Retiree Medical Benefits Trust**
- 150879 A mortgage has been granted to **The United States Department of the Treasury**

Corrigenda

Number

In Vol 23 , No 25 , page 3626 under the heading **Extensions of time granted**; This entry is to be deleted..

This Page Left Intentionally Blank

Proceedings under the Designs Act 2003.

This Page Left Intentionally Blank

Applications Lodged

Lodgement information is in the following order: **Applicant's Name**; International Classification, Name of Product, Lodgement Date and **Design Number**. If the applicant claims an earlier priority date under an International Convention, the Convention Country and the associated filing date are shown in parentheses before the Lodgement Date. Divisional information will also appear in parentheses before the Lodgement Date.

Alive Girl Pty Ltd; 02-02C, 02-02NES, Apparel, 14 Dec 2009	14872/2009	Cardboard Pallet Company Pty Ltd, The; 09-03M, Stackable tray and blank for forming same, 11 Dec 2009	14879/2009
Allergan, Inc.; 24-02, Injection device, (US, 17 Jun 2009) 17 Dec 2009	14910/2009	Carnemolla, Philippa; 11-01NES, Jewellery - meditation disc, 17 Dec 2009	14914/2009
Alto Packaging Limited; 07-01NES, Lid, (NZ, 16 Dec 2009) 18 Dec 2009	14929/2009	Carnemolla, Philippa; 11-01F, Jewellery pendant with geometric design, 17 Dec 2009	14915/2009
Alto Packaging Limited; 09-03F, Container, (NZ, 16 Dec 2009) 18 Dec 2009	14930/2009	Carnemolla, Philippa; 11-01NES, Jewellery pendant, 17 Dec 2009	14916/2009
Amusemints LLC; 09-03C, Confection container, (US, 15 Jun 2009) 15 Dec 2009	14890/2009	Charrin, Philippe; 09-05, 03-01A, Bag (packaging), (EM, 10 Jun 2009) 10 Dec 2009	14830/2009
Arlec Australia Pty Ltd; 13-03D, Wall socket, 08 Dec 2009	14785/2009	Chef'n Corporation; 09-99, 07-02NES, Container, (US, 17 Jun 2009) 09 Dec 2009	14812/2009
Arlec Australia Pty Ltd; 13-03D, Wall socket, 08 Dec 2009	14788/2009	Colgate-Palmolive Company; 09-01K, Container, (US, 09 Jun 2009) 08 Dec 2009	14793/2009
Artcraft Pty Ltd; 19-06, Delineator base, 11 Dec 2009	14857/2009	Cordes, Linda; Sheridan, Michael; 06-02, Articulated bed frame, 17 Dec 2009	14906/2009
B & B Vehicle Ticket Holders; 12-16NES, 20-03NES, Vehicle ticket holder, 14 Dec 2009	14880/2009	Cryogenetics AS; 09-99, Packaging, (NO, 02 Jul 2009) 18 Dec 2009	14955/2009
Baker, Kevin J.; 25-01F, Roof tile ventilators, 09 Dec 2009	14806/2009	Culley, Timothy Breandan; 12-16E, Bus night light, 11 Dec 2009	14891/2009
Baker, Kevin J.; 25-01F, Roof tile ventilators, 09 Dec 2009	14807/2009	Culley, Timothy Breandan; 12-16E, Bus night light, 11 Dec 2009	14892/2009
Baker, Kevin J.; 25-01F, Roof tile ventilators, 09 Dec 2009	14805/2009	CyDen Limited; 26-05NES, 24-01, Light treatment apparatus, (EM, 12 Jun 2009) 11 Dec 2009	14864/2009
Bang Design Pty Limited; 06-01G, Set of furniture articles, 09 Dec 2009	14824/2009	CQMS Pty Ltd; 08-07, A locking pin assembly for an excavator wear member, 11 Dec 2009	14862/2009
Becon Pty Ltd; 02-99, Clothing, 16 Dec 2009	14959/2009	CQMS Pty Ltd; 15-03B, An excavator lip, 11 Dec 2009	14861/2009
Bicycle Corporation Pty Ltd, The; 08-10, Bicycle parking chair, 11 Dec 2009	14865/2009	Daikin Industries Ltd.; 23-04, Air conditioner, (JP, 15 Oct 2009) 08 Dec 2009	14787/2009
Blyth, Linda; 06-13NES, Seat protector mobility aid for entering or exiting cars or vehicles and for turning on static seats., 09 Dec 2009	14825/2009	Dart Industries Inc; 10-04, 07-03, Measuring spoons, (US, 09 Jul 2009) 14 Dec 2009	14867/2009
Brisbane Tray Bodys Pty Ltd; 12-16C, Rollover protection frame, 21 Dec 2009	14991/2009	Decor Corporation Pty Ltd, The; 07-04, Ladle, 14 Dec 2009	14876/2009
Brother Industries, Ltd.; 18-02, 14-99, Tape cartridge for tape printing machine, (JP, 06 Jul 2009) 11 Dec 2009	14908/2009	Decor Corporation Pty Ltd, The; 07-03, Large spoon, 14 Dec 2009	14875/2009
Calderwood, James A.; 15-03A, A ripper boot including a male carrier and a female tooth, 10 Dec 2009	14866/2009	Elite Cat Feeders Ltd; 30-03, Feeding bowl for animals, (EM, 13 Jul 2009) 08 Dec 2009	14804/2009
Callaway Golf Company; 21-02C, Hybrid golf club head, (US, 18 Jun 2009) 14 Dec 2009	14878/2009	Elopak Systems AG; 09-03M, Packaging carton, 16 Dec 2009	14943/2009

Elopak Systems AG; 09-03NES, Packaging carton, 16 Dec 2009	14946/2009	Fifty-Fourth Rischell Pty. Ltd.; 02-02NES, Mens clothing, 06 Jul 2009	14974/2009
Elopak Systems AG; 09-03NES, Packaging carton, 16 Dec 2009	14945/2009	Fifty-Fourth Rischell Pty. Ltd.; 02-02NES, Mens clothing, 06 Jul 2009	14975/2009
Elopak Systems AG; 09-03NES, Packaging carton, 16 Dec 2009	14944/2009	Fifty-Fourth Rischell Pty. Ltd.; 02-02NES, Mens clothing, 06 Jul 2009	14976/2009
Europhane, Thorn; 26-03, Street lighting lantern, (EM, 02 Sep 2009) 08 Dec 2009	14799/2009	Fifty-Fourth Rischell Pty. Ltd.; 02-02NES, Mens clothing, 06 Jul 2009	14977/2009
Europhane, Thorn; 26-03, Street lighting lantern, (EM, 02 Sep 2009) 08 Dec 2009	14800/2009	Filleul, Denys Lloyd Trading as Playground Centre; Filleul, Marcia Ann Trading as Playground Centre; 21-02F, Recreation equipment, (NZ, 16 Jun 2009) 16 Dec 2009	14960/2009
Europhane, Thorn; 26-03, Street lighting lantern, (EM, 02 Sep 2009) 08 Dec 2009	14801/2009	Filleul, Marcia Ann Trading as Playground Centre; Filleul, Denys Lloyd Trading as Playground Centre; 21-02F, Recreation equipment, (NZ, 16 Jun 2009) 16 Dec 2009	14960/2009
Eyston Company Limited; 10-05, Smoke alarm, 09 Dec 2009	14811/2009		
Fast Shack Pty Limited; 25-01K, Extrusion, 09 Dec 2009	14814/2009	Finn, David; 08-05P, Hand swager, 04 Dec 2009	14829/2009
Fast Shack Pty Limited; 25-01K, Extrusion, 09 Dec 2009	14815/2009	French, Cameron John; 12-06NES, Inflatable water craft, 18 Dec 2009	14933/2009
Fast Shack Pty Limited; 25-01K, Extrusion, 09 Dec 2009	14816/2009	Frigrite Limited; 15-07, 20-02C, Temperature controlled display cabinet, 08 Dec 2009	14808/2009
Fast Shack Pty Limited; 25-01K, Extrusion, 09 Dec 2009	14817/2009	Gibson, Vivienne; 11-01NES, Jewellery pendant for a necklace, 16 Dec 2009	14881/2009
Fast Shack Pty Limited; 25-01NES, A building element, 09 Dec 2009	14818/2009		
Ferdinands, David; 22-05, Fishing rod holder, 18 Dec 2009	14948/2009	Grant, Nerez Gwynneth; 02-05, Infant bib, 10 Dec 2009	14844/2009
Fifty-Fourth Rischell Pty Ltd; 02-02C, Men's clothing, 18 Dec 2009	14961/2009	Grant, Nerez Gwynneth; 02-05, Infant bib, 10 Dec 2009	14845/2009
Fifty-Fourth Rischell Pty. Ltd.; 02-02C, Mens clothing, 06 Jul 2009	14962/2009	Guangzhou Gardenart Furniture Co. Ltd; 06-01H, See attached pictures, (EM, 29 Sep 2009) 08 Dec 2009	14834/2009
Fifty-Fourth Rischell Pty. Ltd.; 02-02C, Mens clothing, 06 Jul 2009	14963/2009	Guangzhou Gardenart Furniture Co. Ltd; 06-01H, See attached pictures, (EM, 29 Sep 2009) 08 Dec 2009	14835/2009
Fifty-Fourth Rischell Pty. Ltd.; 02-02C, Mens clothing, 06 Jul 2009	14964/2009	Guangzhou Gardenart Furniture Co. Ltd; 06-01H, See attached pictures, (EM, 29 Sep 2009) 08 Dec 2009	14836/2009
Fifty-Fourth Rischell Pty. Ltd.; 02-02C, Mens clothing, 06 Jul 2009	14965/2009	Guangzhou Gardenart Furniture Co. Ltd; 06-03NES, See attached pictures, (EM, 29 Sep 2009) 08 Dec 2009	14837/2009
Fifty-Fourth Rischell Pty. Ltd.; 02-02C, Mens clothing, 06 Jul 2009	14966/2009	Guangzhou Gardenart Furniture Co. Ltd; 06-01H, See attached pictures, (EM, 29 Sep 2009) 08 Dec 2009	14838/2009
Fifty-Fourth Rischell Pty. Ltd.; 02-02NES, Mens clothing, 06 Jul 2009	14967/2009		
Fifty-Fourth Rischell Pty. Ltd.; 02-02NES, Mens clothing, 06 Jul 2009	14968/2009	Gulf Rubber Australia Pty Limited; 23-01A, A sealing ring, 08 Dec 2009	14802/2009
Fifty-Fourth Rischell Pty. Ltd.; 02-02NES, Mens clothing, 06 Jul 2009	14969/2009	Gwynn, Peter; Gwynn, Debbie; 23-02NES, Toilet weight, 08 Dec 2009	14803/2009
Fifty-Fourth Rischell Pty. Ltd.; 02-02NES, Mens clothing, 06 Jul 2009	14970/2009	Gwynn, Debbie; Gwynn, Peter; 23-02NES, Toilet weight, 08 Dec 2009	14803/2009
Fifty-Fourth Rischell Pty. Ltd.; 02-02NES, Mens clothing, 06 Jul 2009	14971/2009		
Fifty-Fourth Rischell Pty. Ltd.; 02-02NES, Mens clothing, 06 Jul 2009	14972/2009	Heatmax NZ Limited; 06-06NES, A partition, (NZ, 19 Jun 2009) 09 Dec 2009	14847/2009
Fifty-Fourth Rischell Pty. Ltd.; 02-02NES, Mens clothing, 06 Jul 2009	14973/2009		

Heatmax NZ Limited; 06-06NES, A partition, (NZ, 19 Jun 2009) 09 Dec 2009	14848/2009	Lynmarden Pty Ltd; 08-05A, 09-02B, A container for fluid, 18 Dec 2009	14942/2009
Heatmax NZ Limited; 25-02NES, A partition, (NZ, 19 Jun 2009) 09 Dec 2009	14833/2009	Macpherson, Cherri; 02-04C, hosiery / stockings, 10 Dec 2009	14843/2009
Hellier, Simon; 11-02NES, Ornaments, 15 Dec 2009	14899/2009	Magnone, Jean Pierre; 21-02NES, Ball projecting apparatus, (EM, 18 Jun 2009) 11 Dec 2009	14856/2009
Hellier, Simon; 11-02NES, Ornaments, 15 Dec 2009	14900/2009	Maserati S.p.A.; 12-08, 21-01C, Car and toy, (WO, 03 Jul 2009) 17 Dec 2009	14925/2009
Hellier, Simon; 11-02NES, Ornaments, 15 Dec 2009	14901/2009	McClatchy, Hamish; 21-02E, Long board skate board (curvature & shape), 15 Dec 2009	14898/2009
Hellier, Simon; 11-02NES, Ornaments, 15 Dec 2009	14902/2009	Meco Australia Pty Limited; 23-02F, A wash basin overflow cover, 16 Dec 2009	14924/2009
Horrocks, Toby; 06-04NES, Shelf, 10 Dec 2009	14846/2009	Method Products, Inc.; 09-01B, Bottle, (US, 23 Jul 2009) 10 Dec 2009	14831/2009
Humphreys, Anthony Richard; Kane, Jeff; 29-01, Insect or soil seal for a hydrant, 17 Dec 2009	14947/2009	Metlam Australia Pty. Limited; 08-07, Lockset, 14 Dec 2009	14894/2009
Inventress Pty Ltd; 02-02B, 24-04, 29-02, A protective strap, 15 Dec 2009	14903/2009	New Balance Australia Pty Ltd; 02-02A, Sports compression garment, 14 Dec 2009	14873/2009
Inverness Medical Switzerland GmbH; 10-04, Digital test device, (CN, 09 Jul 2009) 09 Dec 2009	14839/2009	New Balance Australia Pty Ltd; 02-02A, Sports compression garment, 14 Dec 2009	14874/2009
Jonker, John; 12-13, 26-03, Mobile lighting apparatus, 21 Dec 2009	14990/2009	Nosworthy, Dennis Michael; 12-16NES, Blended depression axle, (US, 26 Jun 2009) 21 Dec 2009	14941/2009
Jorgenson-Watts Pty Ltd; 08-07, Door lock, 16 Dec 2009	14958/2009	Oxford EME (Aust) Pty. Ltd.; 13-03NES, Name; EasyDrive - electric drive system for health & aged care industry equipment, 09 Dec 2009	14821/2009
Just Sauce Pty Ltd; 12-10, Kitchen trailer, 15 Dec 2009	14877/2009	Papadopoulos, Nick; Talbot, Vicki; 02-04A, Orthotic aid, 04 Dec 2009	14784/2009
Kahler, Scott; 25-01E, Fence cap, 10 Dec 2009	14851/2009	Permaban Limited; 25-01B, Joint systems for concrete slabs, (GB, 12 Jun 2009) 11 Dec 2009	14858/2009
Kane, Jeff; Humphreys, Anthony Richard; 29-01, Insect or soil seal for a hydrant, 17 Dec 2009	14947/2009	Pi-Design AG; 07-01C, Drinking vessel, (WO, 09 Jun 2009) 08 Dec 2009	14795/2009
Karadale Holdings Pty Ltd; 06-11, Broadloom carpet, 08 Dec 2009	14849/2009	Pi-Design AG; 07-02N, Lid for roasting pan, (DK, 25 Jun 2009) 15 Dec 2009	14911/2009
Karadale Holdings Pty Ltd; 06-11, Carpet, 08 Dec 2009	14850/2009	Pi-Design AG; 07-01NES, Cheese dish with cheese slicer, (DK, 02 Jul 2009) 21 Dec 2009	14940/2009
Katz, Stanley Michael; 09-03F, Food and beverage holder, 06 Nov 2009	14826/2009	Pi-Design AG; 07-01C, Drinking vessel, (WO, 09 Jun 2009) 08 Dec 2009	14796/2009
LabelCity Pty Ltd; 19-08, Roll of labels, 18 Dec 2009	14927/2009	Pi-Design AG; 07-01C, Drinking vessel, (WO, 09 Jun 2009) 08 Dec 2009	14794/2009
LabelCity Pty Ltd; 19-08, Roll of labels, 18 Dec 2009	14928/2009	Platt, Alyce Mary; 11-01NES, 16-06, Magnifier, 08 Dec 2009	14786/2009
LabelCity Pty Ltd; 19-08, Roll of labels, 18 Dec 2009	14926/2009	Platt, Alyce Mary; 02-02NES, Garment, 08 Dec 2009	14809/2009
Lacey, Peter; 12-16NES, Awning cover over slideout walls on recreational vehicles, 09 Dec 2009	14813/2009		
Linney-Barber, Mark; 20-03C, Traffic low cost speed advisory sign, 22 Dec 2009	14994/2009		

Post Goods Limited; 14-02, USB hub, 18 Dec 2009	14953/2009	Ruth Tarvydas International Pty Ltd; 02-02NES, Peaked bust dress, 15 Dec 2009	14897/2009
Proform Solutions Pty Ltd; 11-02B, Planter, 18 Dec 2009	14954/2009	S.C. Johnson & Son, Inc.; 28-99, Air freshener, (US, 10 Jun 2009) 08 Dec 2009	14797/2009
Progressive International Corporation; 07-01NES, Collapsible food carrier, (US, 05 Aug 2009) 22 Dec 2009	14995/2009	S.C. Johnson & Son, Inc.; 09-07A, Overcap, (US, 16 Jul 2009) 18 Dec 2009	14949/2009
Proline Sealants Pty Ltd; 23-01E, Nozzle, 11 Dec 2009	14842/2009	S.C. Johnson & Son, Inc.; 09-07A, An overcap, (US, 16 Jul 2009) 18 Dec 2009	14950/2009
R.Evolution Life, SIA; 28-03NES, Massage appliance, (EM, 18 Jun 2009) 15 Dec 2009	14883/2009	S.C. Johnson & Son, Inc.; 09-07A, 09-03L, Container with overcap, (US, 16 Jul 2009) 18 Dec 2009	14951/2009
R.Evolution Life, SIA; 28-03NES, Massage appliance, (EM, 18 Jun 2009) 15 Dec 2009	14884/2009	S.C. Johnson & Son, Inc.; 09-07A, Overcap, (US, 16 Jul 2009) 18 Dec 2009	14952/2009
R.Evolution Life, SIA; 28-03NES, Massage appliance, (EM, 18 Jun 2009) 15 Dec 2009	14885/2009	S.C. Johnson & Son, Inc.; 09-01B, A container, (US, 17 Jun 2009) 17 Dec 2009	14922/2009
Reckitt & Colman (Overseas) Limited; 23-01K, Aerosol valve, (EM, 30 Jun 2009) 09 Dec 2009	14822/2009	S.C. Johnson & Son, Inc.; 28-99, A dispenser, (US, 20 Jul 2009) 17 Dec 2009	14917/2009
Reckitt & Colman (Overseas) Limited; 09-01A, Aerosol container, (EM, 30 Jun 2009) 09 Dec 2009	14823/2009	S.C. Johnson & Son, Inc.; 09-01A, Dispensing device, (US, 17 Jun 2009) 17 Dec 2009	14923/2009
Reckitt & Colman (Overseas) Limited; 09-07A, Cap, (EM, 11 Jun 2009) 08 Dec 2009	14791/2009	S.C. Johnson & Son, Inc.; 28-99, A dispenser, (US, 20 Jul 2009) 17 Dec 2009	14918/2009
Reckitt & Colman (Overseas) Limited; 09-01A, Aerosol canister, (EM, 11 Jun 2009) 08 Dec 2009	14792/2009	S.C. Johnson & Son, Inc.; 09-01B, A carousel for a handheld dispensing device, (US, 17 Jun 2009) 17 Dec 2009	14921/2009
Reckitt & Colman (Overseas) Limited; 22-06, Rodent bait station, (EM, 23 Jun 2009) 08 Dec 2009	14789/2009	Sacha Design Pty Ltd; 06-02, Furniture, 09 Dec 2009	14820/2009
Reckitt & Colman (Overseas) Limited; 22-06, Rodent bait station, (EM, 23 Jun 2009) 08 Dec 2009	14790/2009	Sandvik Intellectual Property AB; 08-01, Drill bit, 11 Dec 2009	14852/2009
Reckitt Benckiser Inc.; 09-07A, Dispensing pump head, (US, 20 Jul 2009) 18 Dec 2009	14957/2009	Sandvik Intellectual Property AB; 08-01, A drill tip, 11 Dec 2009	14853/2009
ResMed Ltd; 24-01, Positive airway pressure delivery device and/or humidifier and/or components thereof, (Divisional of 13060/2009) 19 Dec 2008	14827/2009	Scania CV AB; 12-16C, Protective structure for a vehicle front end, (SE, 30 Jun 2009) 11 Dec 2009	14855/2009
Road Runner Co Pty Ltd; 27-02, Smoking article in class 34 with IP Australia, 12 Dec 2009	14912/2009	Schopf, John Michael; 08-08NES, Collar for use with a clamp, 01 Dec 2009	14828/2009
Road Runner Co Pty Ltd; 27-02, Smoking article in class 34 with IP Australia, 12 Dec 2009	14913/2009	Schwartz, Laurence I.; Skaja, Joseph J.; 02-04A, Shoe insole, 17 Dec 2009	14920/2009
Robert Welch Designs Limited; 08-05H, Hand-held knife sharpener, (EM, 17 Aug 2009) 08 Dec 2009	14832/2009	Schwartz, Laurence I.; Skaja, Joseph J.; 02-04A, Shoe insole, 17 Dec 2009	14919/2009
Rope & Plastic Products Pty. Ltd.; 08-99, A cap, 09 Dec 2009	14810/2009	Scott Cutters UK Limited; 08-03, Cutting device, (EM, 18 Jun 2009) 16 Dec 2009	14905/2009
Ruth Tarvydas International Pty Ltd; 02-02NES, Fluted hem dress, 15 Dec 2009	14895/2009	Sheridan, Michael; Cordes, Linda; 06-02, Articulated bed frame, 17 Dec 2009	14906/2009
Ruth Tarvydas International Pty Ltd; 02-02NES, Fluted bodysuit, 15 Dec 2009	14896/2009	Skaja, Joseph J.; Schwartz, Laurence I.; 02-04A, Shoe insole, 17 Dec 2009	14920/2009
		Skaja, Joseph J.; Schwartz, Laurence I.; 02-04A, Shoe insole, 17 Dec 2009	14919/2009

Smart Trike MNF. PTE. Ltd.; 21-01F, Tricycle, 21 Dec 2009	14993/2009	Thorn Europhane; 26-03, Street lighting lantern, (EM, 02 Sep 2009) 08 Dec 2009	14798/2009
SolarAccess Ltd; 11-02B, MistTree vertical aeroponic plant growing system, 10 Dec 2009	14840/2009	Tong, Wai; 14-02, Firewall device, 21 Dec 2009	14992/2009
Somogyi, Peter; 22-05, Hollow fishing lure with access door, 14 Dec 2009	14882/2009	Toyota Jidosha Kabushiki Kaisha; 12-08, Automobile, 11 Dec 2009	14859/2009
Somogyi, Peter; 22-05, Hollow fishing lure with access door, 14 Dec 2009	14870/2009	Toyota Jidosha Kabushiki Kaisha; 12-08, Automobile, 11 Dec 2009	14860/2009
Sports & Supports Limited; 02-01NES, Corset, (EM, 22 Jun 2009) 18 Dec 2009	14956/2009	Tsai, Yih-Chiou; 24-02, Proctoscope, 16 Dec 2009	14909/2009
Sultana, John; 20-02E, Display panel, 11 Dec 2009	14863/2009	TWH Imports Pty Ltd; 07-02E, Sovereign Alpha BBQ, Sovereign Bravo BBQ, Sovereign Outback Explorer, Sovereign Bushman Explorer, 04 Dec 2009	14783/2009
Swiss Caffè Asia Ltd; 07-02L, Piercing disc for capsules or pods for coffee machines, (EM, 07 Jul 2009) 18 Dec 2009	14931/2009	Unilever PLC; 09-05, A two-compartment food package, (GB, 26 Jun 2009) 14 Dec 2009	14868/2009
Swiss Caffè Asia Ltd; 07-02L, Piercing disc for capsules or pods for coffee machines, (EM, 07 Jul 2009) 18 Dec 2009	14932/2009	Visy R & D Pty Ltd; 09-03M, Container and blank for forming same, 16 Dec 2009	14904/2009
SULO MGB Australia Pty Ltd; 15-03B, Lawn mower display ramp, 11 Dec 2009	14854/2009	Waterhold Pty Ltd; 15-03A, Sows peat into the soil under the root zone of lawn, 15 Dec 2009	14871/2009
S2DIO Pty Ltd; 06-03A, A table, 18 Dec 2009	14934/2009	Whirlpool S.A.; 23-03F, A gas burner, (BR, 19 Jun 2009) 15 Dec 2009	14888/2009
S2DIO Pty Ltd; 06-01G, A lounge chair, 18 Dec 2009	14935/2009	Whirlpool S.A.; 23-03F, A gas burner, (BR, 19 Jun 2009) 15 Dec 2009	14887/2009
S2DIO Pty Ltd; 06-01F, A chair, 18 Dec 2009	14936/2009	Whirlpool S.A.; 23-03F, A gas burner, (BR, 19 Jun 2009) 15 Dec 2009	14886/2009
S2DIO Pty Ltd; 06-01B, A daybed, 18 Dec 2009	14937/2009	Wilton Industries, Inc.; 09-07A, Pour and seal assembly, (US, 19 Jun 2009) 17 Dec 2009	14907/2009
S2DIO Pty Ltd; 06-03A, A table, 18 Dec 2009	14938/2009	Wookang Tech Co., Ltd.; 12-16E, Headlight for heavy equipment, 15 Dec 2009	14889/2009
S2DIO Pty Ltd; 06-01G, A sofa, 18 Dec 2009	14939/2009	Zodiac Pool Care Europe; 15-02, Heat pump for swimming pools, (EM, 11 Aug 2009) 10 Dec 2009	14841/2009
Talbot, Vicki; Papadopoulos, Nick; 02-04A, Orthotic aid, 04 Dec 2009	14784/2009	3M Innovative Properties Company; 08-05NES, Stem for a power tool attachment, (US, 18 Jun 2009) 14 Dec 2009	14869/2009
Teva Pharmaceutical Industries, Ltd.; 24-99, 09-03M, Packaging for medicines, (EM, 10 Jun 2009) 09 Dec 2009	14819/2009		
Thomas, Anthony; 21-02NES, Jump wings, 14 Dec 2009	14893/2009		

Applications Withdrawn

12456 / 2009 (15-04)

14046 / 2009 (12-06C)

Applications Lapsed

12034 / 2009 (23-01A)
13153 / 2009 (14-02)
13733 / 2009 (14-02)
13805 / 2009 (07-99NES)
13895 / 2009 (26-06)

12120 / 2009 (02-02NES)
13732 / 2009 (08-10)
13734 / 2009 (12-11)
13806 / 2009 (07-99NES)

Extension of Period of Registration of Designs

300833	301099	301976
301977	301978	301979
302044	302067	302068
302091	302092	302093
302116	302117	302123
302126	302127	302128
302129	302130	302137
302157	302230	302307
302310	302318	302320
302321	302349	302390
302473	302499	302500
302644	302651	302652
302702	302783	302785
302859	302911	302912
302913	302914	303012
303048	303058	303059
303087	303088	303089
303090	303091	303112
303116	303117	303182
303183	303481	303967
304121	305037	305042
305189	305295	305380
305420		

Extensions of time granted under Section 137

Applications lodged under section 137 for extension of time have been granted.

312493	Juwel Aquarium GmbH & Co. KG
312494	Juwel Aquarium GmbH & Co. KG
312495	Juwel Aquarium GmbH & Co. KG
312096	Juwel Aquarium GmbH & Co. KG
312113	Juwel Aquarium GmbH & Co. KG
312480	Juwel Aquarium GmbH & Co. KG
13882/2009	John Robert Botting

Mortgages Registered

301161	A mortgage has been granted to UAW Retiree Medical Benefits Trust
301161	A mortgage has been granted to The United States Department of the Treasury
301164	A mortgage has been granted to UAW Retiree Medical Benefits Trust
301164	A mortgage has been granted to The United States Department of the Treasury
301663	A mortgage has been granted to UAW Retiree Medical Benefits Trust
301663	A mortgage has been granted to The United States Department of the Treasury
301664	A mortgage has been granted to UAW Retiree

Medical Benefits Trust

301664	A mortgage has been granted to The United States Department of the Treasury
301665	A mortgage has been granted to UAW Retiree Medical Benefits Trust
301665	A mortgage has been granted to The United States Department of the Treasury
301666	A mortgage has been granted to UAW Retiree Medical Benefits Trust
301666	A mortgage has been granted to The United States Department of the Treasury
301667	A mortgage has been granted to UAW Retiree Medical Benefits Trust
301667	A mortgage has been granted to The United States Department of the Treasury
301668	A mortgage has been granted to UAW Retiree Medical Benefits Trust
301668	A mortgage has been granted to The United States Department of the Treasury
301669	A mortgage has been granted to UAW Retiree Medical Benefits Trust
301669	A mortgage has been granted to The United States Department of the Treasury
301670	A mortgage has been granted to UAW Retiree Medical Benefits Trust
301670	A mortgage has been granted to The United States Department of the Treasury
301671	A mortgage has been granted to UAW Retiree Medical Benefits Trust
301671	A mortgage has been granted to The United States Department of the Treasury
301672	A mortgage has been granted to UAW Retiree Medical Benefits Trust
301672	A mortgage has been granted to The United States Department of the Treasury
301673	A mortgage has been granted to UAW Retiree Medical Benefits Trust
301673	A mortgage has been granted to The United States Department of the Treasury
301674	A mortgage has been granted to UAW Retiree Medical Benefits Trust
301674	A mortgage has been granted to The United States Department of the Treasury
301675	A mortgage has been granted to UAW Retiree Medical Benefits Trust
301675	A mortgage has been granted to The United States Department of the Treasury
301676	A mortgage has been granted to UAW Retiree Medical Benefits Trust
301676	A mortgage has been granted to The United States Department of the Treasury
302543	A mortgage has been granted to UAW Retiree Medical Benefits Trust
302543	A mortgage has been granted to The United States Department of the Treasury
302575	A mortgage has been granted to UAW Retiree Medical Benefits Trust
302575	A mortgage has been granted to The United States Department of the Treasury

302662	A mortgage has been granted to UAW Retiree Medical Benefits Trust	328076	(Solfast Pty Ltd) Lloyd Energy Systems Pty Ltd
302662	A mortgage has been granted to The United States Department of the Treasury	328077	(Solfast Pty Ltd) Lloyd Energy Systems Pty Ltd
302758	A mortgage has been granted to UAW Retiree Medical Benefits Trust	328078	(Solfast Pty Ltd) Lloyd Energy Systems Pty Ltd
302758	A mortgage has been granted to The United States Department of the Treasury	328079	(Solfast Pty Ltd) Lloyd Energy Systems Pty Ltd
302800	A mortgage has been granted to UAW Retiree Medical Benefits Trust	305970	(Cadbury Enterprises Pte Limited) MacRobertson Pty Ltd
302800	A mortgage has been granted to The United States Department of the Treasury	321351	(Leisurelife (Aust) Pty Ltd) William Day Pty Ltd
305692	A mortgage has been granted to UAW Retiree Medical Benefits Trust	321352	(Leisurelife (Aust) Pty Ltd) William Day Pty Ltd
305692	A mortgage has been granted to The United States Department of the Treasury	302818	(Antons Wire Products Pty Ltd as trustee for A Carnevale Family Trust) Equipment Tech Pty Ltd
305910	A mortgage has been granted to UAW Retiree Medical Benefits Trust		
305910	A mortgage has been granted to The United States Department of the Treasury		
305911	A mortgage has been granted to UAW Retiree Medical Benefits Trust		
305911	A mortgage has been granted to The United States Department of the Treasury		
306821	A mortgage has been granted to UAW Retiree Medical Benefits Trust		
306821	A mortgage has been granted to The United States Department of the Treasury		
312436	A mortgage has been granted to The United States Department of the Treasury		
312436	A mortgage has been granted to UAW Retiree Medical Benefits Trust		
314905	A mortgage has been granted to The United States Department of the Treasury		
314905	A mortgage has been granted to UAW Retiree Medical Benefits Trust		
310305	A mortgage has been granted to UAW Retiree Medical Benefits Trust		
310305	A mortgage has been granted to The United States Department of the Treasury		
310717	A mortgage has been granted to The United States Department of the Treasury		
310717	A mortgage has been granted to UAW Retiree Medical Benefits Trust		
311306	A mortgage has been granted to The United States Department of the Treasury		
311306	A mortgage has been granted to UAW Retiree Medical Benefits Trust		
311322	A mortgage has been granted to UAW Retiree Medical Benefits Trust		
311322	A mortgage has been granted to The United States Department of the Treasury		

Names Registered - Alterations and Amendments

(The name in parentheses is that of the subsequent applicant)

301733	(IPCORP HOLDINGS LIMITED) Pacific Engine Corporation Limited
310123	(Abuzz Solutions Pty Ltd) Verbena Holdings Pty Limited

Subsequent Owners Registered

(The name in parentheses is that of the subsequent owner)

310123	(Verbena Holdings Pty Limited) Abuzz Technologies Pty Ltd
305104	(Alan Sian Ghee Lee) Elmich (Australia) Pty Ltd

Certificate(s) of Examination

Examination of the following Design Registration(s) has been completed. Infringement proceedings may now be commenced.

309556	08-06	17/12/2009
309993	21-01F	14/12/2009
310001	21-01F	14/12/2009
310004	21-01F	14/12/2009
310005	21-01F	14/12/2009
312112	30-02	21/12/2009
321345	01-01	22/12/2009
322393	11-01NES	21/12/2009
322394	11-01NES	21/12/2009
322818	14-01	21/12/2009
322819	14-01	21/12/2009
322820	14-01	21/12/2009
322821	14-01	21/12/2009
323119	01-01	22/12/2009
323448	03-01NES	10/12/2009
323449	03-01NES	10/12/2009
323450	03-01NES	10/12/2009
324836	09-03M	18/12/2009
324837	09-03M	18/12/2009
324969	09-07C	17/12/2009
324970	09-01K	17/12/2009
326459	30-03	22/12/2009
326460	30-03	22/12/2009
326624	12-10	15/12/2009
326903	24-02	16/12/2009
326904	24-02	16/12/2009
327726	06-02	17/12/2009
327727	06-02	17/12/2009
327728	06-02	17/12/2009

Publication and Registration Proceedings

Designs Registered

This section provides a concordance between design number and registration number of Designs covered in this journal. It also shows the main class and registration date.

This section covers Registration numbers 328857 to 329054 .

The registration number shown below should be used in all future correspondence.

Design Number	Registration Number	International Classification Code (IDC)	Registration Date	Design Number	Registration Number	International Classification Code (IDC)	Registration Date
11041/2009	328914	06-01F	15/12/2009	14480/2009	328931	23-02A	16/12/2009
11062/2009	328919	08-08NES	16/12/2009	14481/2009	328932	23-02A	16/12/2009
11380/2009	328915	08-08B	15/12/2009	14482/2009	328933	23-02A	16/12/2009
11598/2009	328916	07-02D	15/12/2009	14483/2009	328865	24-04	11/12/2009
11894/2009	329007	10-04	22/12/2009	14486/2009	328866	25-01B	11/12/2009
12606/2009	328889	08-07	15/12/2009	14487/2009	328867	25-01B	11/12/2009
12612/2009	328857	08-07	11/12/2009	14488/2009	328868	06-11	11/12/2009
12623/2009	328858	08-07	11/12/2009	14496/2009	328869	09-03NES	11/12/2009
12953/2009	328920	12-16B	16/12/2009	14497/2009	328870	07-05A	11/12/2009
12954/2009	328921	12-08	16/12/2009	14498/2009	328871	03-03	11/12/2009
12955/2009	328922	12-16C	16/12/2009	14499/2009	328934	22-05	16/12/2009
12956/2009	328923	12-08	16/12/2009	14500/2009	328935	21-01A	16/12/2009
12957/2009	328924	12-08	16/12/2009	14501/2009	328942	15-09	16/12/2009
13060/2009	329025	24-01	22/12/2009	14502/2009	328936	25-01NES	16/12/2009
13134/2009	329005	29-02	21/12/2009	14503/2009	328937	25-01NES	16/12/2009
13135/2009	329006	29-02	21/12/2009	14504/2009	328938	25-01NES	16/12/2009
13283/2009	328943	24-02	16/12/2009	14505/2009	328939	25-01NES	16/12/2009
13284/2009	328944	24-02	16/12/2009	14506/2009	328940	25-01NES	16/12/2009
13285/2009	328945	24-02	16/12/2009	14507/2009	328941	25-01NES	16/12/2009
13286/2009	328946	24-02	16/12/2009	14509/2009	328882	20-02NES	16/12/2009
13287/2009	328947	24-02	16/12/2009	14510/2009	328883	24-04	16/12/2009
13288/2009	329026	24-02	22/12/2009	14511/2009	328884	24-04	16/12/2009
13289/2009	329027	24-02	22/12/2009	14512/2009	328885	24-04	16/12/2009
13359/2009	328917	09-03M	15/12/2009	14513/2009	328886	24-04	16/12/2009
13484/2009	328918	13-03C	15/12/2009	14514/2009	328887	21-01B	16/12/2009
13576/2009	328859	19-99	11/12/2009	14515/2009	328888	21-01B	16/12/2009
13849/2009	328862	09-07B	11/12/2009	14516/2009	328872	21-01B	14/12/2009
13882/2009	328925	23-01G	16/12/2009	14517/2009	328873	21-01B	14/12/2009
13917/2009	328863	25-03	11/12/2009	14518/2009	328874	21-01B	14/12/2009
13918/2009	328864	25-03	11/12/2009	14519/2009	328875	21-01B	14/12/2009
14020/2009	328890	24-01	15/12/2009	14520/2009	328876	21-01B	14/12/2009
14023/2009	328860	14-01	11/12/2009	14521/2009	328877	21-01B	14/12/2009
14024/2009	328861	14-01	11/12/2009	14522/2009	328878	21-01B	14/12/2009
14079/2009	329017	08-05NES	22/12/2009	14523/2009	328879	21-01B	14/12/2009
14082/2009	329018	08-05NES	22/12/2009	14525/2009	328948	24-01	18/12/2009
14120/2009	328891	26-02	15/12/2009	14526/2009	328949	26-05C	18/12/2009
14127/2009	329019	31-00	22/12/2009	14527/2009	328950	30-99	18/12/2009
14154/2009	328926	25-01A	16/12/2009	14528/2009	328951	30-99	18/12/2009
14163/2009	328892	22-06	15/12/2009	14529/2009	328952	06-01NES	18/12/2009
14179/2009	328989	12-16NES	21/12/2009	14530/2009	328953	06-01NES	18/12/2009
14186/2009	328990	09-03M	21/12/2009	14531/2009	328954	12-14	18/12/2009
14306/2009	328880	09-03F	14/12/2009	14533/2009	328893	23-01K	15/12/2009
14310/2009	328978	25-01K	17/12/2009	14534/2009	328894	08-08M	15/12/2009
14349/2009	328927	03-01NES	16/12/2009	14535/2009	328895	08-08M	15/12/2009
14355/2009	328991	23-03D	21/12/2009	14536/2009	328896	08-09	15/12/2009
14373/2009	328992	12-15A	21/12/2009	14537/2009	328897	28-03A	15/12/2009
14409/2009	329028	28-03A	22/12/2009	14538/2009	328898	11-01D	15/12/2009
14446/2009	328959	02-04C	17/12/2009	14539/2009	328899	11-01NES	15/12/2009
14457/2009	328960	27-03	17/12/2009	14540/2009	328900	11-01NES	15/12/2009
14461/2009	328961	13-02	17/12/2009	14541/2009	328901	11-01D	15/12/2009
14477/2009	328928	23-02A	16/12/2009	14542/2009	328902	11-01A	15/12/2009
14478/2009	328929	23-02A	16/12/2009	14543/2009	328903	11-01NES	15/12/2009
14479/2009	328930	23-02A	16/12/2009	14544/2009	328904	11-01NES	15/12/2009

Publication and Registration Proceedings - Designs Registered cont'd

Design Number	Registration Number	International Classification Code (IDC)	Registration Date	Design Number	Registration Number	International Classification Code (IDC)	Registration Date
14545/2009	328905	11-01NES	15/12/2009	14622/2009	328910	23-02C	15/12/2009
14546/2009	328906	14-01	15/12/2009	14623/2009	328911	23-02C	15/12/2009
14547/2009	328907	12-16K	15/12/2009	14624/2009	328912	23-02C	15/12/2009
14548/2009	328955	19-06	18/12/2009	14625/2009	329009	25-04	22/12/2009
14549/2009	328956	07-02K	18/12/2009	14626/2009	329010	14-02	22/12/2009
14550/2009	328957	07-02L	18/12/2009	14627/2009	329011	15-02	22/12/2009
14551/2009	328958	08-06	18/12/2009	14628/2009	329012	02-04NES	22/12/2009
14555/2009	328962	06-06E	17/12/2009	14629/2009	329013	02-04NES	22/12/2009
14556/2009	328963	24-04	17/12/2009	14630/2009	329014	02-04NES	22/12/2009
14557/2009	328964	04-02	17/12/2009	14631/2009	329015	02-04NES	22/12/2009
14558/2009	329008	25-03	22/12/2009	14632/2009	329029	02-04NES	22/12/2009
14560/2009	328965	13-03NES	17/12/2009	14633/2009	329030	03-01A	22/12/2009
14565/2009	328966	07-01F	17/12/2009	14635/2009	329031	14-03NES	22/12/2009
14566/2009	328908	07-01B	15/12/2009	14636/2009	329032	07-02A	22/12/2009
14567/2009	328967	21-02NES	17/12/2009	14637/2009	329033	07-02A	22/12/2009
14569/2009	328909	23-01F	15/12/2009	14638/2009	329034	07-02A	22/12/2009
14570/2009	328968	09-02C	17/12/2009	14639/2009	329020	22-05	22/12/2009
14571/2009	328969	07-01NES	17/12/2009	14640/2009	329021	07-02A	22/12/2009
14572/2009	328970	07-01NES	17/12/2009	14641/2009	329022	09-01NES	22/12/2009
14573/2009	328971	07-01NES	17/12/2009	14642/2009	329023	09-01NES	22/12/2009
14574/2009	328972	07-01NES	17/12/2009	14643/2009	329024	13-03D	22/12/2009
14575/2009	328973	07-01NES	17/12/2009	14645/2009	329004	06-08	21/12/2009
14576/2009	328974	23-01K	17/12/2009	14646/2009	329038	08-08L	23/12/2009
14577/2009	328975	23-01K	17/12/2009	14649/2009	329039	02-01B	23/12/2009
14578/2009	328976	23-01K	17/12/2009	14651/2009	329040	02-01B	23/12/2009
14582/2009	328977	12-16M	17/12/2009	14652/2009	329041	06-01NES	23/12/2009
14584/2009	328979	09-09	18/12/2009	14653/2009	329042	25-01K	23/12/2009
14585/2009	328980	08-05E	18/12/2009	14654/2009	329043	25-01K	23/12/2009
14586/2009	328981	08-05E	18/12/2009	14655/2009	329045	25-01K	23/12/2009
14588/2009	328982	26-02	18/12/2009	14656/2009	329046	25-01K	23/12/2009
14589/2009	328983	03-01NES	18/12/2009	14657/2009	329047	25-01K	23/12/2009
14590/2009	328984	26-02	18/12/2009	14658/2009	329048	25-01K	23/12/2009
14591/2009	328985	08-08NES	18/12/2009	14659/2009	329049	06-01L	23/12/2009
14592/2009	328986	08-08NES	18/12/2009	14660/2009	329050	06-01L	23/12/2009
14593/2009	328987	14-03NES	18/12/2009	14661/2009	329051	06-01L	23/12/2009
14594/2009	328988	14-03NES	18/12/2009	14664/2009	329052	13-03E	23/12/2009
14601/2009	328993	13-03B	21/12/2009	14665/2009	329053	13-03E	23/12/2009
14602/2009	329044	06-13C	23/12/2009	14666/2009	329054	13-03E	23/12/2009
14603/2009	328994	25-01D	21/12/2009	14679/2009	328913	26-06	15/12/2009
14604/2009	328995	25-01D	21/12/2009	14689/2009	329035	12-16NES	22/12/2009
14605/2009	328996	12-16B	21/12/2009	14691/2009	329036	25-01K	22/12/2009
14606/2009	328997	12-16N	21/12/2009	14727/2009	329016	23-04	22/12/2009
14607/2009	328998	12-16B	21/12/2009	14764/2009	329037	08-08C	22/12/2009
14608/2009	328999	12-16E	21/12/2009	14826/2009	328881	09-03F	14/12/2009
14609/2009	329000	12-16B	21/12/2009				
14610/2009	329001	12-16B	21/12/2009				
14611/2009	329002	12-16B	21/12/2009				
14619/2009	329003	23-01E	21/12/2009				

Publication and Registration Proceedings
Class Listing of Designs Published or Registered

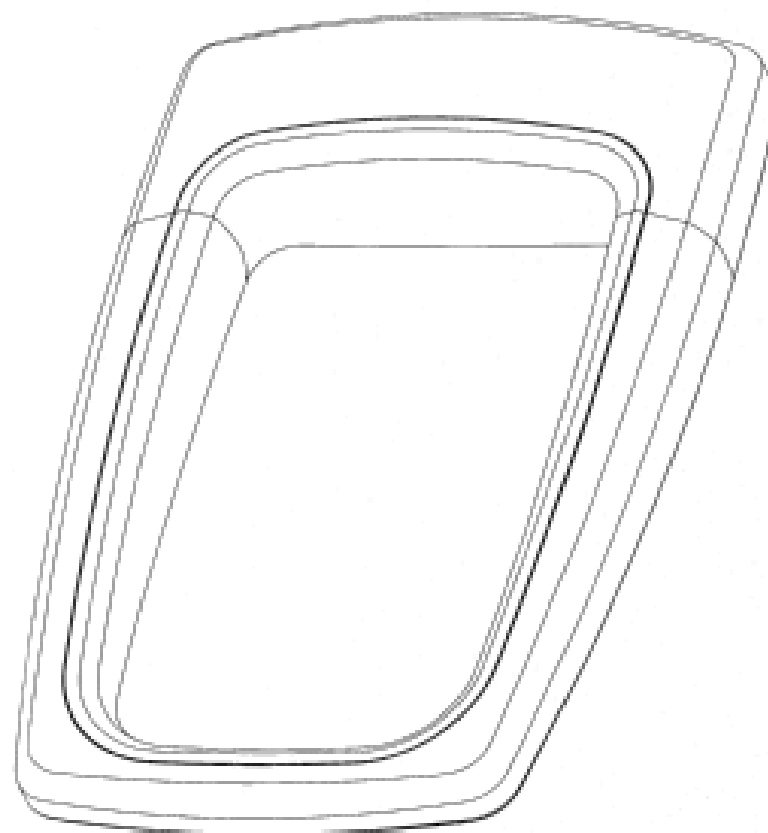
The following section shows an International Classification Code listing of the Registered or Published Designs covered in this supplement.

Classification	Registration Number	Design Number	Classification	Registration Number	Design Number
02-01 B	329039	14649/2009	08-08 NES	328986	14592/2009
02-01 B	329040	14651/2009	08-08 NES	329052	14664/2009
02-04 C	328959	14446/2009	08-08 NES	329053	14665/2009
02-04 NES	329012	14628/2009	08-08 NES	329054	14666/2009
02-04 NES	329013	14629/2009	08-09	328896	14536/2009
02-04 NES	329014	14630/2009	09-01 NES	329022	14641/2009
02-04 NES	329015	14631/2009	09-01 NES	329023	14642/2009
02-04 NES	329029	14632/2009	09-02 C	328968	14570/2009
03-01 A	329030	14633/2009	09-03 F	328880	14306/2009
03-01 NES	328927	14349/2009	09-03 F	328881	14826/2009
03-01 NES	328983	14589/2009	09-03 M	328917	13359/2009
03-03	328871	14498/2009	09-03 M	328990	14186/2009
04-02	328964	14557/2009	09-03 NES	328869	14496/2009
06-01 F	328914	11041/2009	09-07 B	328862	13849/2009
06-01 L	329049	14659/2009	09-09	328979	14584/2009
06-01 L	329050	14660/2009	10-04	329007	11894/2009
06-01 L	329051	14661/2009	11-01 A	328902	14542/2009
06-01 NES	328952	14529/2009	11-01 D	328898	14538/2009
06-01 NES	328953	14530/2009	11-01 D	328901	14541/2009
06-01 NES	329041	14652/2009	11-01 NES	328899	14539/2009
06-06 E	328962	14555/2009	11-01 NES	328900	14540/2009
06-08	329004	14645/2009	11-01 NES	328903	14543/2009
06-11	328868	14488/2009	11-01 NES	328904	14544/2009
06-13 C	329044	14602/2009	11-01 NES	328905	14545/2009
07-01 B	328908	14566/2009	12-08	328921	12954/2009
07-01 F	328966	14565/2009	12-08	328923	12956/2009
07-01 NES	328969	14571/2009	12-08	328924	12957/2009
07-01 NES	328970	14572/2009	12-14	328954	14531/2009
07-01 NES	328971	14573/2009	12-15 A	328992	14373/2009
07-01 NES	328972	14574/2009	12-16 B	328920	12953/2009
07-01 NES	328973	14575/2009	12-16 B	328996	14605/2009
07-02 A	329021	14640/2009	12-16 B	328998	14607/2009
07-02 A	329032	14636/2009	12-16 B	329000	14609/2009
07-02 A	329033	14637/2009	12-16 B	329001	14610/2009
07-02 A	329034	14638/2009	12-16 B	329002	14611/2009
07-02 D	328916	11598/2009	12-16 C	328922	12955/2009
07-02 K	328956	14549/2009	12-16 E	328999	14608/2009
07-02 L	328956	14549/2009	12-16 K	328907	14547/2009
07-02 L	328957	14550/2009	12-16 M	328977	14582/2009
07-05 A	328870	14497/2009	12-16 N	328997	14606/2009
08-05 E	328980	14585/2009	12-16 NES	328882	14509/2009
08-05 E	328981	14586/2009	12-16 NES	328989	14179/2009
08-05 NES	329017	14079/2009	12-16 NES	329035	14689/2009
08-05 NES	329018	14082/2009	13-02	328961	14461/2009
08-06	328958	14551/2009	13-03 B	328993	14601/2009
08-07	328857	12612/2009	13-03 C	328918	13484/2009
08-07	328858	12623/2009	13-03 D	329024	14643/2009
08-07	328889	12606/2009	13-03 E	329052	14664/2009
08-08 B	328915	11380/2009	13-03 E	329053	14665/2009
08-08 C	329037	14764/2009	13-03 E	329054	14666/2009
08-08 L	328893	14533/2009	13-03 NES	328965	14560/2009
08-08 L	329038	14646/2009	14-01	328860	14023/2009
08-08 M	328894	14534/2009	14-01	328861	14024/2009
08-08 M	328895	14535/2009	14-01	328906	14546/2009
08-08 NES	328919	11062/2009	14-02	329010	14626/2009
08-08 NES	328985	14591/2009	14-03 NES	328987	14593/2009

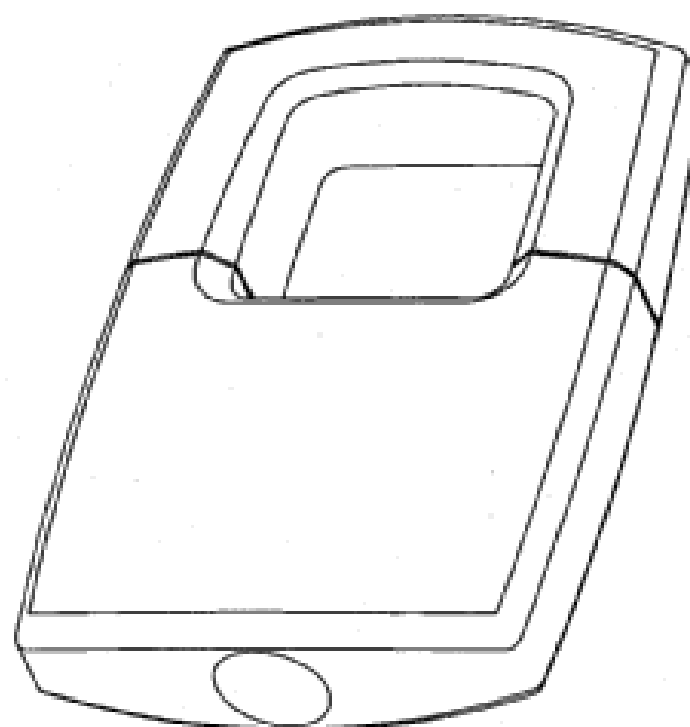
Registration Proceedings - Class Listing of Designs Published or Registered cont'd

Classification	Registration Number	Design Number	Classification	Registration Number	Design Number
14-03 NES	328988	14594/2009	24-02	328946	13286/2009
14-03 NES	329017	14079/2009	24-02	328947	13287/2009
14-03 NES	329018	14082/2009	24-02	329026	13288/2009
14-03 NES	329031	14635/2009	24-02	329027	13289/2009
14-03 NES	329035	14689/2009	24-04	328865	14483/2009
14-99	328857	12612/2009	24-04	328883	14510/2009
15-02	329011	14627/2009	24-04	328884	14511/2009
15-09	328942	14501/2009	24-04	328885	14512/2009
19-06	328955	14548/2009	24-04	328886	14513/2009
19-99	328859	13576/2009	24-04	328963	14556/2009
20-02 NES	328882	14509/2009	25-01 A	328926	14154/2009
20-03 NES	328955	14548/2009	25-01 B	328866	14486/2009
21-01 A	328935	14500/2009	25-01 B	328867	14487/2009
21-01 B	328872	14516/2009	25-01 D	328994	14603/2009
21-01 B	328873	14517/2009	25-01 D	328995	14604/2009
21-01 B	328874	14518/2009	25-01 E	329037	14764/2009
21-01 B	328875	14519/2009	25-01 K	328978	14310/2009
21-01 B	328876	14520/2009	25-01 K	329036	14691/2009
21-01 B	328877	14521/2009	25-01 K	329042	14653/2009
21-01 B	328878	14522/2009	25-01 K	329043	14654/2009
21-01 B	328879	14523/2009	25-01 K	329045	14655/2009
21-01 B	328887	14514/2009	25-01 K	329046	14656/2009
21-01 B	328888	14515/2009	25-01 K	329047	14657/2009
21-02 NES	328967	14567/2009	25-01 K	329048	14658/2009
22-05	328934	14499/2009	25-01 NES	328936	14502/2009
22-05	329020	14639/2009	25-01 NES	328937	14503/2009
22-06	328892	14163/2009	25-01 NES	328938	14504/2009
23-01 E	329003	14619/2009	25-01 NES	328939	14505/2009
23-01 F	328909	14569/2009	25-01 NES	328940	14506/2009
23-01 G	328925	13882/2009	25-01 NES	328941	14507/2009
23-01 K	328893	14533/2009	25-03	328863	13917/2009
23-01 K	328974	14576/2009	25-03	328864	13918/2009
23-01 K	328975	14577/2009	25-03	329008	14558/2009
23-01 K	328976	14578/2009	25-04	329009	14625/2009
23-02 A	328928	14477/2009	26-02	328891	14120/2009
23-02 A	328929	14478/2009	26-02	328982	14588/2009
23-02 A	328930	14479/2009	26-02	328984	14590/2009
23-02 A	328931	14480/2009	26-05 C	328949	14526/2009
23-02 A	328932	14481/2009	26-06	328913	14679/2009
23-02 A	328933	14482/2009	27-03	328960	14457/2009
23-02 C	328910	14622/2009	28-03 A	328897	14537/2009
23-02 C	328911	14623/2009	28-03 A	329028	14409/2009
23-02 C	328912	14624/2009	29-02	329005	13134/2009
23-03 D	328991	14355/2009	29-02	329006	13135/2009
23-04	329016	14727/2009	30-99	328950	14527/2009
24-01	328890	14020/2009	30-99	328951	14528/2009
24-01	328948	14525/2009	31-00	329019	14127/2009
24-01	329025	13060/2009			
24-02	328943	13283/2009			
24-02	328944	13284/2009			
24-02	328945	13285/2009			

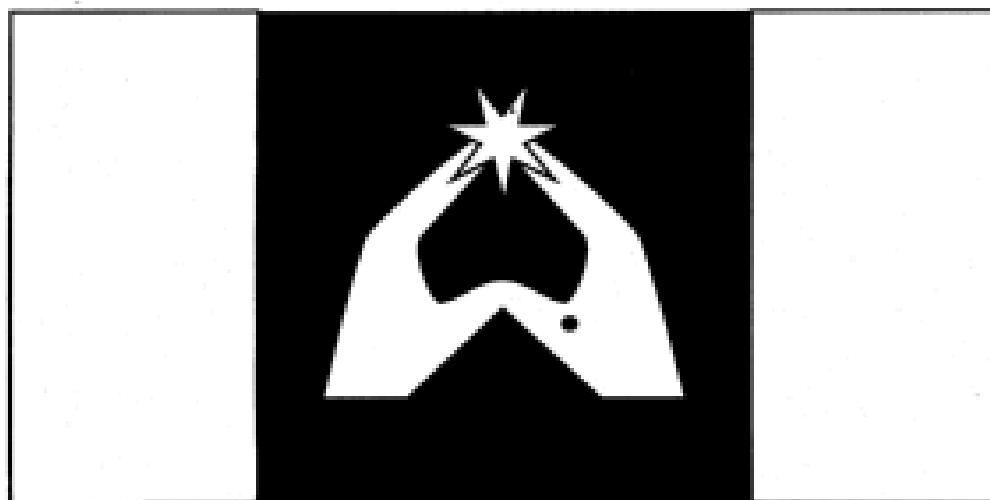
- (21) Design Number: **12612/2009**
(22) Date of Filing Application: **17 July 2009**
(24) Date from which industrial property rights may have effect: **17 July 2009**
(54) Product in respect of which the design is registered: **U shape bicycle lock**
(51) International Design Classification: **08-07, 14-99**
(71) Name(s) and Address(s) of Applicant(s):
Knog Pty Ltd
453 Church Street Richmond Victoria 3121 Australia
(72) Name(s) of Designer(s): **Hugo Davidson and Malcolm McKechnie and Chris Bilanenko and Kynan Taylor and Jonathan Chan**
(45) Registration Date: **11 December 2009**
(56) Related Art Documents: **Not Applicable**
(57) Statement of Newness and Distinctiveness: **Newness and distinctiveness are claimed in the features of shape and/or configuration of a U shape bicycle lock, as illustrated in the accompanying representations.**



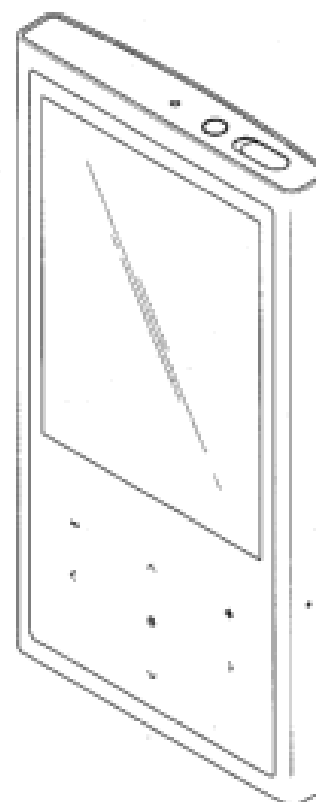
- (21) Design Number: **12623/2009**
(22) Date of Filing Application: **17 July 2009**
(24) Date from which industrial property rights may have effect: **17 July 2009**
(54) Product in respect of which the design is registered: **Padlock**
(51) International Design Classification: **08-07**
(71) Name(s) and Address(s) of Applicant(s):
Knog Pty Ltd
453 Church Street Richmond Victoria 3121 Australia
(72) Name(s) of Designer(s): **Hugh Davidson and Malcolm McKechnie and Chris Bilanenko and Kynan Taylor and Jonathan Chan**
(45) Registration Date: **11 December 2009**
(56) Related Art Documents: **Not Applicable**
(57) Statement of Newness and Distinctiveness: **Newness and Distinctiveness are claimed in the features of shape and/or configuration of a padlock, as illustrated in the accompanying representations.**



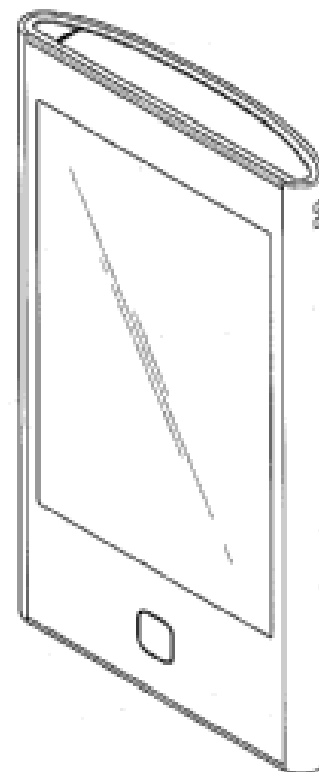
- (21) Design Number: **13576/2009**
(22) Date of Filing Application: **21 September 2009**
(24) Date from which industrial property rights may have effect: **21 September 2009**
(54) Product in respect of which the design is registered: **Flag**
(51) International Design Classification: **19-99**
(71) Name(s) and Address(s) of Applicant(s):
Jurgen August Robert Oehlschlager
64 First Street Gawler South Australia 5118 Australia
(72) Name(s) of Designer(s): **Jurgen August Robert Oehlschlager**
(45) Registration Date: **11 December 2009**
(56) Related Art Documents: **Not Applicable**
(57) Statement of Newness and Distinctiveness: **Two hands forming a stylised map of Australia with a seven pointed star at the index fingers. The map of Tasmania being represented as a beauty spot on the right hand. All on a square dark background. "Australian Hearts And Hands" may accompany the design.**



- (21) Design Number: **14023/2009**
(22) Date of Filing Application: **19 October 2009**
(24) Date from which industrial property rights may have effect: **19 October 2009**
(54) Product in respect of which the design is registered: **MP4 player**
(51) International Design Classification: **14-01**
(71) Name(s) and Address(s) of Applicant(s):
Iriver Limited
Iriver House Bangbae-dong 902-5 Seocho-gu Seoul 137-060 Republic of Korea
(72) Name(s) of Designer(s): **Semin Jun**
(45) Registration Date: **11 December 2009**
(30) Convention priority data:
(31) Number (32) Date (33) Country
30-2009-0030056 08 Jul 2009 REPUBLIC OF KOREA
(56) Related Art Documents: **Not Applicable**
(57) Statement of Newness and Distinctiveness: **Nil**



(21) Design Number: **14024/2009**
(22) Date of Filing Application: **19 October 2009**
(24) Date from which industrial property rights may have effect: **19 October 2009**
(54) Product in respect of which the design is registered: **Portable network multimedia player**
(51) International Design Classification: **14-01**
(71) Name(s) and Address(s) of Applicant(s):
Iriver Limited
Iriver House Bangbae-dong 902-5 Seocho-gu Seoul 137-060 Republic of Korea
(72) Name(s) of Designer(s): **Daehee Kim**
(45) Registration Date: **11 December 2009**
(30) Convention priority data:
(31) Number (32) Date (33) Country
30-2009-0030057 08 Jul 2009 REPUBLIC OF KOREA
(56) Related Art Documents: **Not Applicable**
(57) Statement of Newness and Distinctiveness: **Nil**



(21) Design Number: **13849/2009**
(22) Date of Filing Application: **06 October 2009**
(24) Date from which industrial property rights may have effect: **06 October 2009**
(54) Product in respect of which the design is registered: **Keg cap**
(51) International Design Classification: **09-07B**
(71) Name(s) and Address(s) of Applicant(s):
In Time Promotions Pty Ltd
712 Heidelberg Road Fairfield Victoria 3078 Australia
(72) Name(s) of Designer(s): **Andrew Sladdin**
(45) Registration Date: **11 December 2009**
(56) Related Art Documents: **Not Applicable**
(57) Statement of Newness and Distinctiveness: **Newness and Distinctiveness are claimed in the features of shape and/or configuration of a keg cap, as illustrated in the accompanying representations.**



(21) Design Number: **13917/2009**

(22) Date of Filing Application: **09 October 2009**

(24) Date from which industrial property rights may have effect: **09 October 2009**

(54) Product in respect of which the design is registered: **Fire refuge shelter**

(51) International Design Classification: **25-03**

(71) Name(s) and Address(s) of Applicant(s):

Andrew Thomas

6 Bride Street Malvern Victoria 3144 Australia

(72) Name(s) of Designer(s): **Andrew Thomas**

(45) Registration Date: **11 December 2009**

(56) Related Art Documents: **Not Applicable**

(57) Statement of Newness and Distinctiveness: **In considering newness and distinctiveness of the design, attention is drawn to the shape and configuration of the recessed entryways provided in the front and rear walls of an above-ground fire refuge shelter as shown in the accompanying representations. Features of pattern and ornamentation are to be accorded lesser weight, and in particular the shading/colour scheme shown in the perspective view in the representations is provided for exemplary purposes only.**



(21) Design Number: **13918/2009**

(22) Date of Filing Application: **09 October 2009**

(24) Date from which industrial property rights may have effect: **09 October 2009**

(54) Product in respect of which the design is registered: **Fire refuge shelter**

(51) International Design Classification: **25-03**

(71) Name(s) and Address(s) of Applicant(s):

Andrew Thomas

6 Bride Street Malvern Victoria 3144 Australia

(72) Name(s) of Designer(s): **Andrew Thomas**

(45) Registration Date: **11 December 2009**

(56) Related Art Documents: **Not Applicable**

(57) Statement of Newness and Distinctiveness: **In considering newness and distinctiveness of the design, attention is drawn to the shape and configuration of the recessed entryways provided in the front and rear walls of an above-ground fire refuge shelter as shown in the accompanying representations. Features of pattern and ornamentation are to be accorded lesser weight, and in particular the shading/colour scheme shown in the perspective view in the representations is provided for exemplary purposes only.**



(21) Design Number: **14483/2009**
(22) Date of Filing Application: **17 November 2009**
(24) Date from which industrial property rights may have effect: **17 November 2009**
(54) Product in respect of which the design is registered: **Nasal plug**
(51) International Design Classification: **24-04**
(71) Name(s) and Address(s) of Applicant(s):

Hiroataka Tohara
1-2-6 Imzaike Matsuyama-shi Ehime Japan

(72) Name(s) of Designer(s): **Hiroataka Tohara**

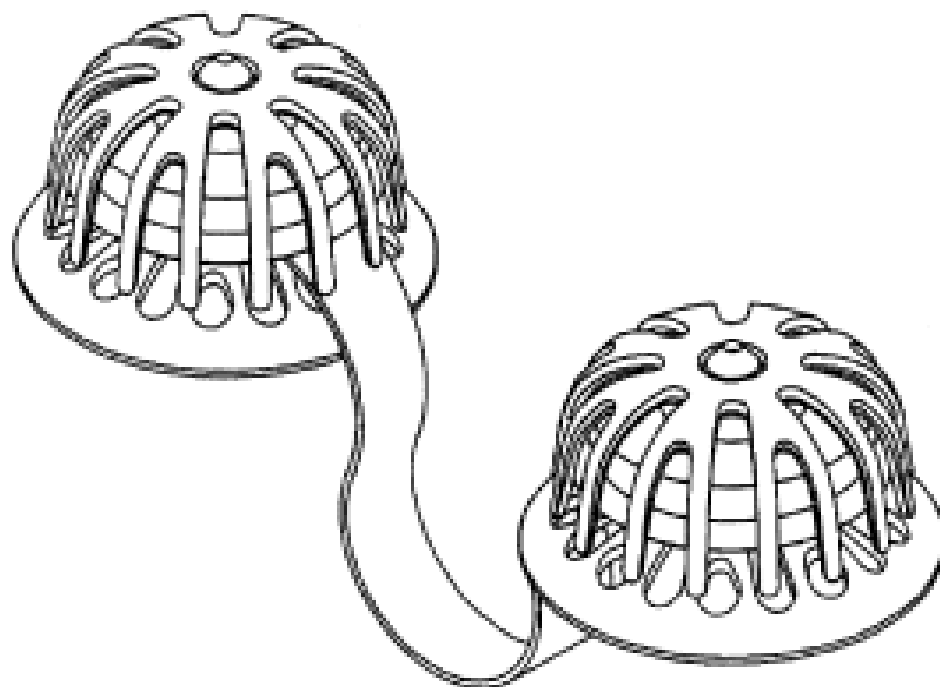
(45) Registration Date: **11 December 2009**

(30) Convention priority data:

(31) Number	(32) Date	(33) Country
2009-013351	12 Jun 2009	JAPAN

(56) Related Art Documents: **Not Applicable**

(57) Statement of Newness and Distinctiveness: **Nil**



(21) Design Number: **14486/2009**
(22) Date of Filing Application: **17 November 2009**
(24) Date from which industrial property rights may have effect: **17 November 2009**
(54) Product in respect of which the design is registered: **Reinforcing cage**
(51) International Design Classification: **25-01B**
(71) Name(s) and Address(s) of Applicant(s):

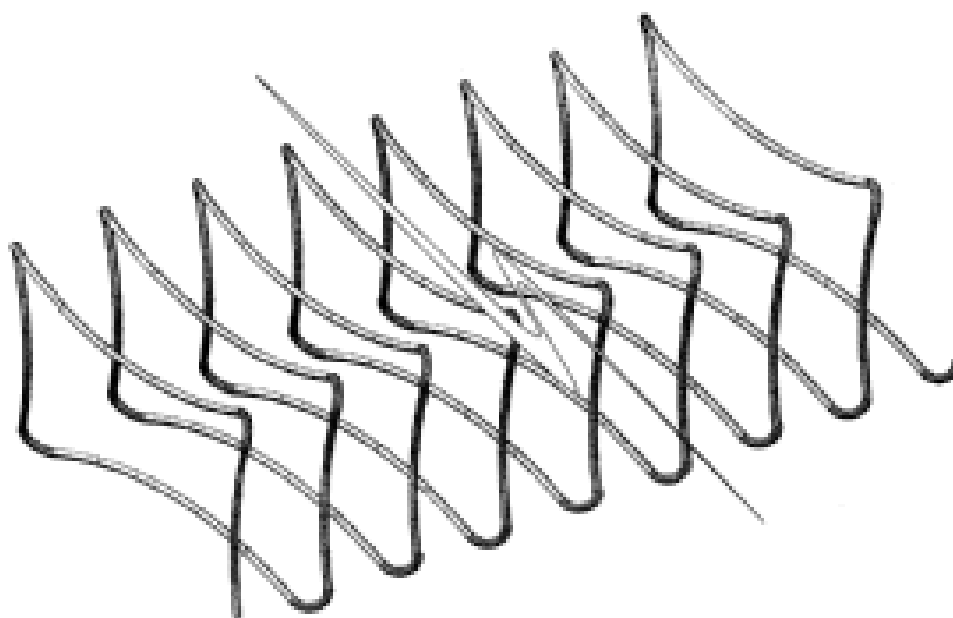
Wayne Barden
65 Rotary Park Road Alberton Queensland 4207 Australia

(72) Name(s) of Designer(s): **Wayne Barden**

(45) Registration Date: **11 December 2009**

(56) Related Art Documents: **Not Applicable**

(57) Statement of Newness and Distinctiveness: **Newness and distinctiveness is claimed in the shape and/or configuration of the reinforcing cage as shown in the accompanying representation. The reinforcing cage may be of any length as indicated by the broken line in the representation.**



(21) Design Number: **14487/2009**

(22) Date of Filing Application: **17 November 2009**

(24) Date from which industrial property rights may have effect: **17 November 2009**

(54) Product in respect of which the design is registered: **Reinforcing cage**

(51) International Design Classification: **25-01B**

(71) Name(s) and Address(s) of Applicant(s):

Wayne Barden

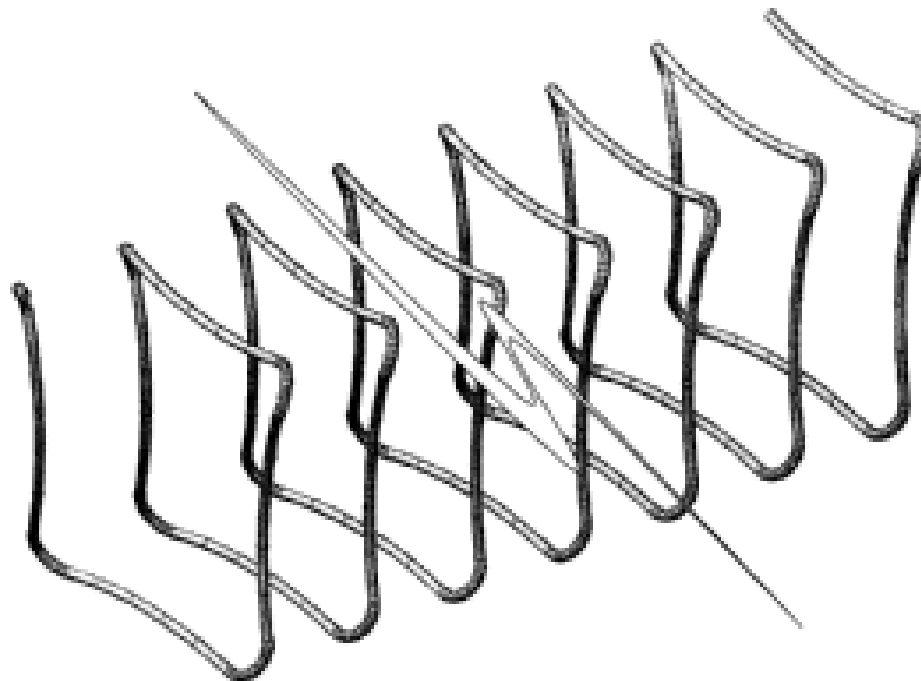
65 Rotary Park Road Alberton Queensland 4207 Australia

(72) Name(s) of Designer(s): **Wayne Barden**

(45) Registration Date: **11 December 2009**

(56) Related Art Documents: **Not Applicable**

(57) Statement of Newness and Distinctiveness: **Newness and distinctiveness is claimed in the shape and/or configuration of the reinforcing cage as shown in the accompanying representation. The reinforcing cage may be of any length as indicated by the broken line in the representation.**



(21) Design Number: **14488/2009**

(22) Date of Filing Application: **17 November 2009**

(24) Date from which industrial property rights may have effect: **17 November 2009**

(54) Product in respect of which the design is registered: **Covering**

(51) International Design Classification: **06-11**

(71) Name(s) and Address(s) of Applicant(s):

Chilewich Sultan LLC

44 East 32nd Street New York New York 10016 United States of America

(72) Name(s) of Designer(s): **Sandra Chilewich and Carol Harkey**

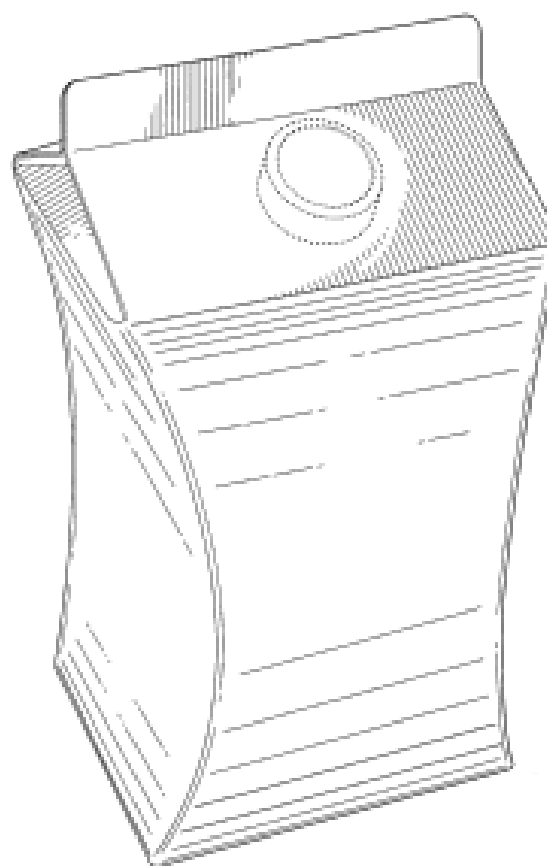
(45) Registration Date: **11 December 2009**

(56) Related Art Documents: **Not Applicable**

(57) Statement of Newness and Distinctiveness: **Newness and distinctiveness resides in the repetitive pattern of the design of a COVERING of one or more indefinite dimensions as illustrated in the accompanying representations.**



- (21) Design Number: **14496/2009**
(22) Date of Filing Application: **21 October 2009**
(24) Date from which industrial property rights may have effect: **21 October 2009**
(54) Product in respect of which the design is registered: **Hourglass carton**
(51) International Design Classification: **09-03NES**
(71) Name(s) and Address(s) of Applicant(s):
Evergreen Packaging, Inc.
5350 Poplar Avenue Suite 600 Memphis Tennessee 38119 United States of America
(72) Name(s) of Designer(s): **Roderick William Kalberer**
(45) Registration Date: **11 December 2009**
(62) Divisional of: **328576**
(56) Related Art Documents: **Not Applicable**
(57) Statement of Newness and Distinctiveness: **Newness and distinctiveness reside in the features of the design as shown in the representations.**



- (21) Design Number: **14497/2009**
(22) Date of Filing Application: **17 November 2009**
(24) Date from which industrial property rights may have effect: **17 November 2009**
(54) Product in respect of which the design is registered: **Electric steam iron**
(51) International Design Classification: **07-05A**
(71) Name(s) and Address(s) of Applicant(s):
Koninklijke Philips Electronics N.V.
Groenewoudseweg 1 5621 BA Eindhoven The Netherlands
(72) Name(s) of Designer(s): **Dennis G. Vetu**
(45) Registration Date: **11 December 2009**
(30) Convention priority data:

(31) Number	(32) Date	(33) Country
001140008	26 May 2009	EUROPEAN COMMUNITY

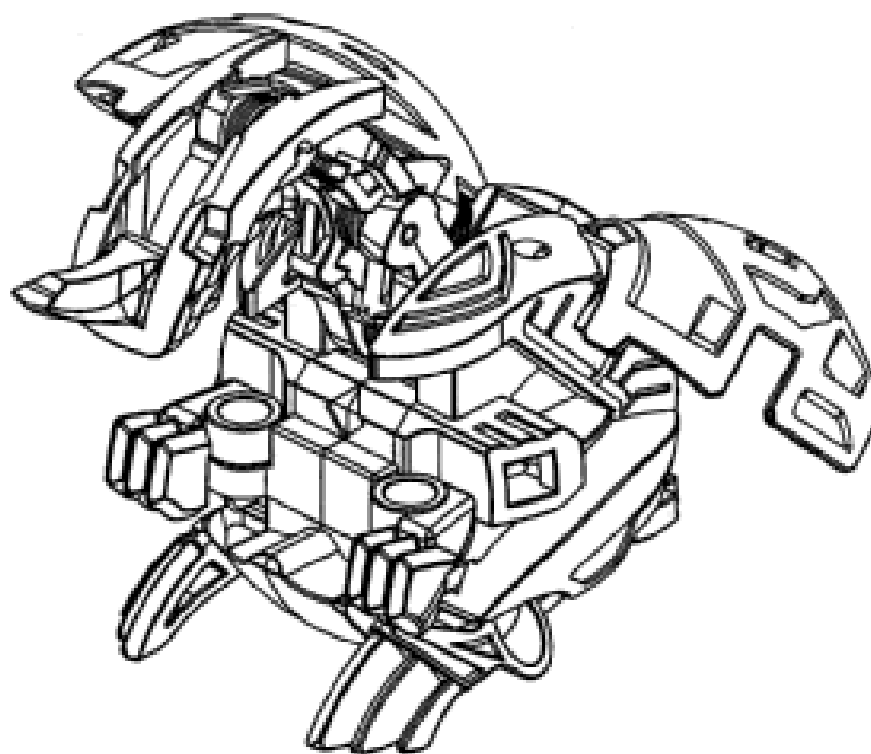
(56) Related Art Documents: **Not Applicable**
(57) Statement of Newness and Distinctiveness: **Newness and distinctiveness reside in the features of the design as shown in the representations.**



- (21) Design Number: **14498/2009**
(22) Date of Filing Application: **17 November 2009**
(24) Date from which industrial property rights may have effect: **17 November 2009**
(54) Product in respect of which the design is registered: **Parts of a standing umbrella**
(51) International Design Classification: **03-03**
(71) Name(s) and Address(s) of Applicant(s):
Glatz AG
Neuhofstrasse 12 CH-8500 Frauenfeld Switzerland
(72) Name(s) of Designer(s): **Peter K. Patzak**
(45) Registration Date: **11 December 2009**
(30) Convention priority data:
(31) Number (32) Date (33) Country
001598103-0001 05 Aug 2009 EUROPEAN COMMUNITY
(56) Related Art Documents: **Not Applicable**
(57) Statement of Newness and Distinctiveness: **Newness and distinctiveness reside in the features of the parts of the design shown in dark grey in the representations, specifically the casting extending around the upright rod and the handle attached to the casting.**



- (21) Design Number: **14516/2009**
(22) Date of Filing Application: **18 November 2009**
(24) Date from which industrial property rights may have effect: **18 November 2009**
(54) Product in respect of which the design is registered: **Transformable toy**
(51) International Design Classification: **21-01B**
(71) Name(s) and Address(s) of Applicant(s):
Spin Master Ltd
450 Front Street West Toronto Ontario M5V 1B6 Canada
(72) Name(s) of Designer(s): **Wataru Sato and Kohji Hirose and Richard Keuter**
(45) Registration Date: **14 December 2009**
(30) Convention priority data:
(31) Number (32) Date (33) Country
131237 29 Jun 2009 CANADA
(56) Related Art Documents: **Not Applicable**
(57) Statement of Newness and Distinctiveness: **The newness and distinctiveness of the design resides in the shape and/or configuration of the TRANSFORMABLE TOY shown in the representations.**



- (21) Design Number: **14517/2009**
(22) Date of Filing Application: **18 November 2009**
(24) Date from which industrial property rights may have effect: **18 November 2009**
(54) Product in respect of which the design is registered: **Transformable toy**
(51) International Design Classification: **21-01B**
(71) Name(s) and Address(s) of Applicant(s):

Spin Master Ltd
450 Front Street West Toronto Ontario M5V 1B6 Canada

- (72) Name(s) of Designer(s): **Wataru Sato and Kohji Hirose and Richard Keuter**

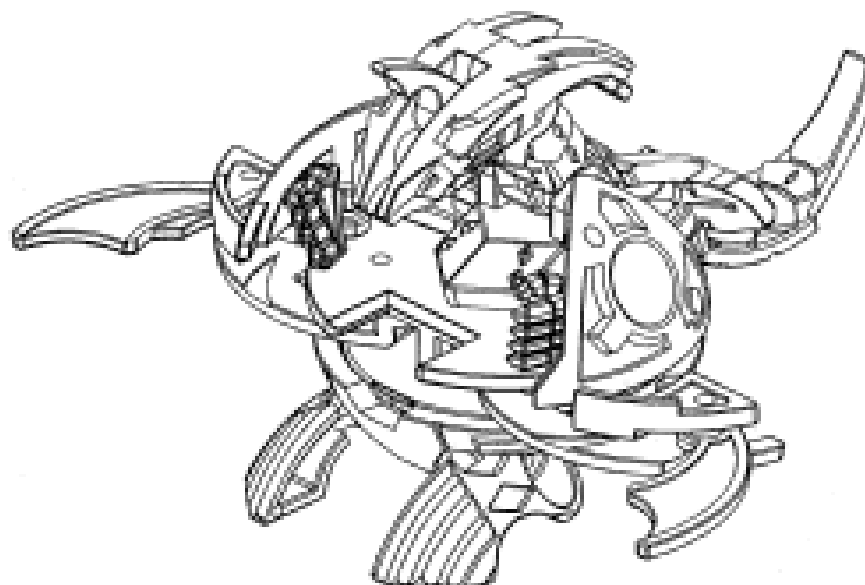
- (45) Registration Date: **14 December 2009**

- (30) Convention priority data:

(31) Number	(32) Date	(33) Country
131238	29 Jun 2009	CANADA

- (56) Related Art Documents: **Not Applicable**

- (57) Statement of Newness and Distinctiveness: **The newness and distinctiveness of the design resides in the shape and/or configuration of the TRANSFORMABLE TOY shown in the representations.**



- (21) Design Number: **14518/2009**
(22) Date of Filing Application: **18 November 2009**
(24) Date from which industrial property rights may have effect: **18 November 2009**
(54) Product in respect of which the design is registered: **Transformable toy**
(51) International Design Classification: **21-01B**
(71) Name(s) and Address(s) of Applicant(s):

Spin Master Ltd
450 Front Street West Toronto Ontario M5V 1B6 Canada

- (72) Name(s) of Designer(s): **Wataru Sato and Kohji Hirose and Richard Keuter**

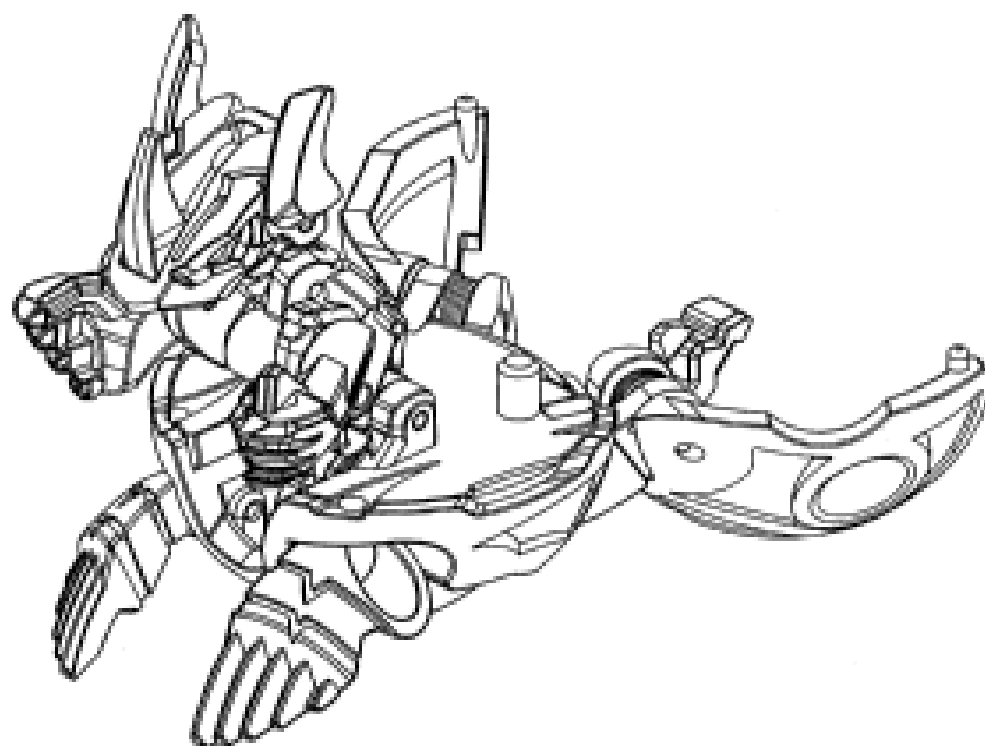
- (45) Registration Date: **14 December 2009**

- (30) Convention priority data:

(31) Number	(32) Date	(33) Country
131867	17 Aug 2009	CANADA

- (56) Related Art Documents: **Not Applicable**

- (57) Statement of Newness and Distinctiveness: **The newness and distinctiveness of the design resides in the shape and/or configuration of the TRANSFORMABLE TOY shown in the representations.**



- (21) Design Number: **14519/2009**
(22) Date of Filing Application: **18 November 2009**
(24) Date from which industrial property rights may have effect: **18 November 2009**
(54) Product in respect of which the design is registered: **Transformable toy**
(51) International Design Classification: **21-01B**
(71) Name(s) and Address(s) of Applicant(s):

Spin Master Ltd
450 Front Street West Toronto Ontario M5V 1B6 Canada

- (72) Name(s) of Designer(s): **Wataru Sato and Kohji Hirose and Richard Keuter**

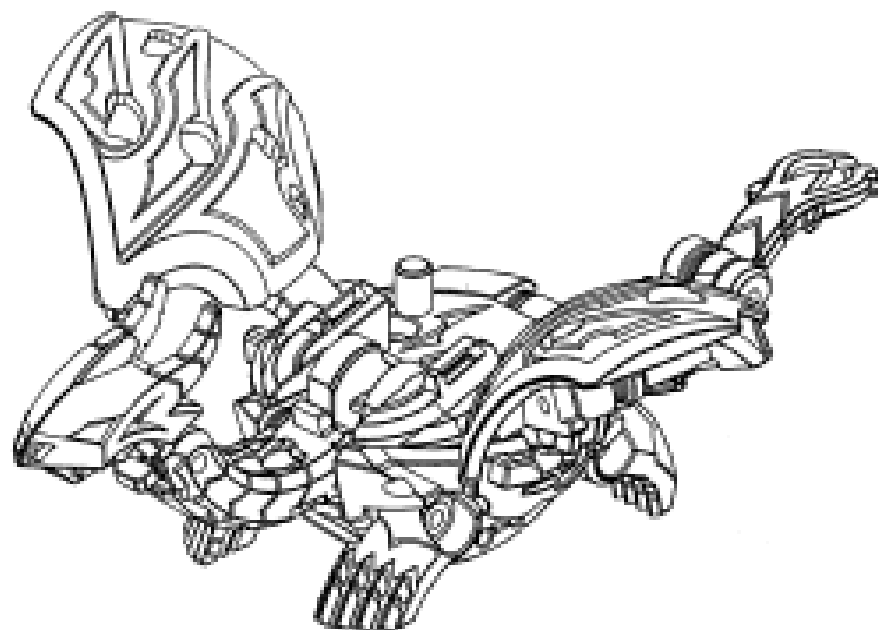
(45) Registration Date: **14 December 2009**

(30) Convention priority data:

(31) Number	(32) Date	(33) Country
131866	17 Aug 2009	CANADA

(56) Related Art Documents: **Not Applicable**

(57) Statement of Newness and Distinctiveness: **The newness and distinctiveness of the design resides in the shape and/or configuration of the TRANSFORMABLE TOY shown in the representations.**



- (21) Design Number: **14520/2009**
(22) Date of Filing Application: **18 November 2009**
(24) Date from which industrial property rights may have effect: **18 November 2009**
(54) Product in respect of which the design is registered: **Transformable toy**
(51) International Design Classification: **21-01B**
(71) Name(s) and Address(s) of Applicant(s):

Spin Master Ltd
450 Front Street West Toronto Ontario M5V 1B6 Canada

- (72) Name(s) of Designer(s): **Wataru Sato and Kohji Hirose and Richard Keuter**

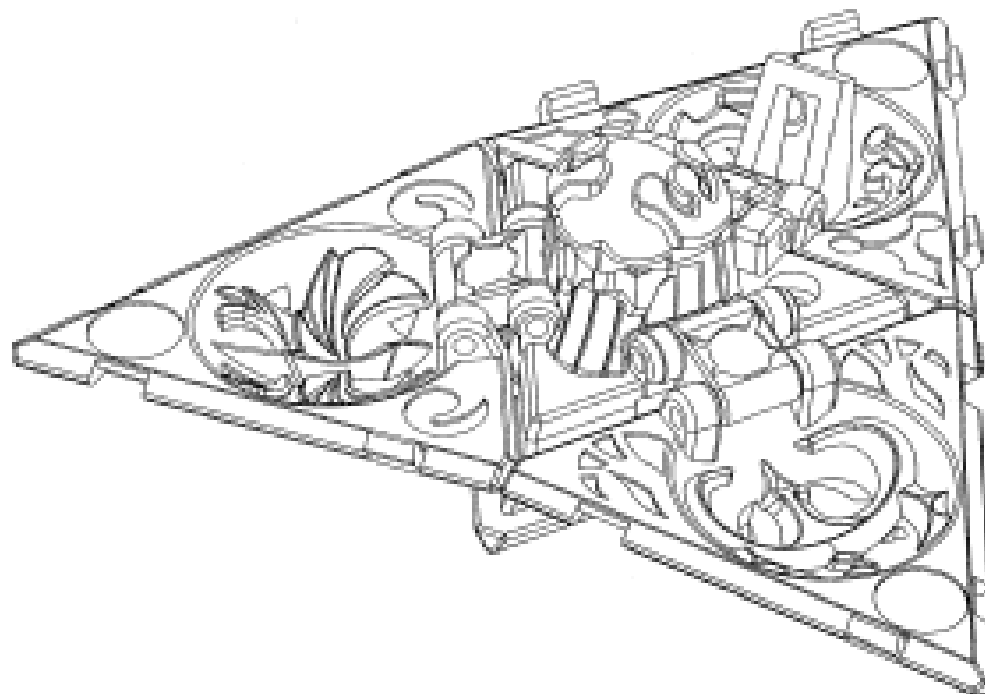
(45) Registration Date: **14 December 2009**

(30) Convention priority data:

(31) Number	(32) Date	(33) Country
131123	18 Jun 2009	CANADA

(56) Related Art Documents: **Not Applicable**

(57) Statement of Newness and Distinctiveness: **The newness and distinctiveness of the design resides in the shape and/or configuration of the TRANSFORMABLE TOY shown in the representations.**



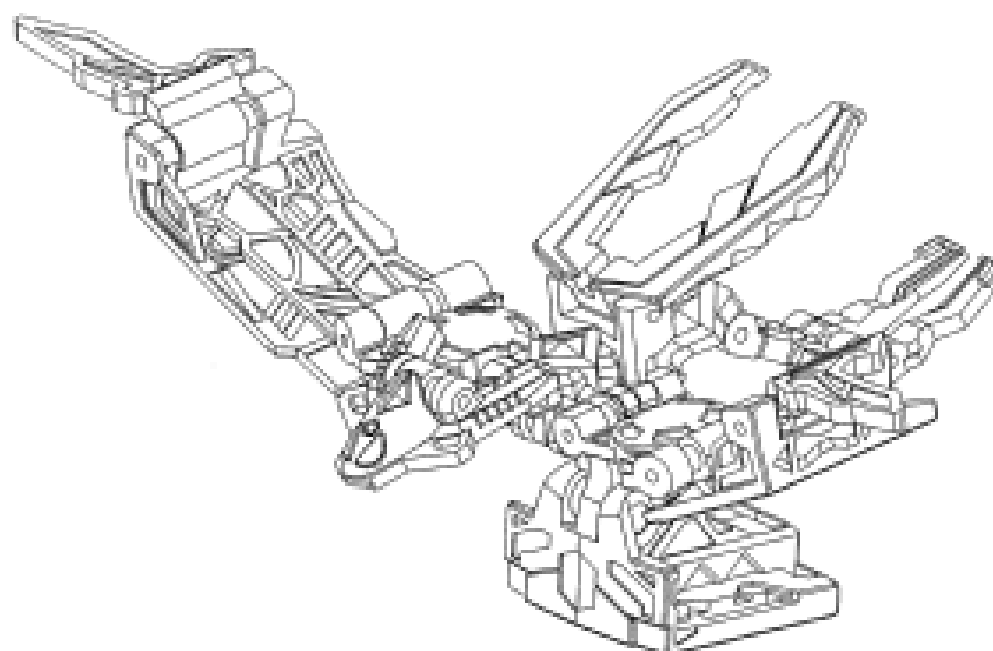
- (21) Design Number: **14521/2009**
- (22) Date of Filing Application: **18 November 2009**
- (24) Date from which industrial property rights may have effect: **18 November 2009**
- (54) Product in respect of which the design is registered: **Transformable toy**
- (51) International Design Classification: **21-01B**
- (71) Name(s) and Address(s) of Applicant(s):

Spin Master Ltd
450 Front Street West Toronto Ontario M5V 1B6 Canada

- (72) Name(s) of Designer(s): **Wataru Sato and Kohji Hirose and Richard Keuter**
- (45) Registration Date: **14 December 2009**
- (30) Convention priority data:

(31) Number	(32) Date	(33) Country
131305	03 Jul 2009	CANADA

- (56) Related Art Documents: **Not Applicable**
- (57) Statement of Newness and Distinctiveness: **The newness and distinctiveness of the design resides in the shape and/or configuration of the TRANSFORMABLE TOY shown in the representations.**



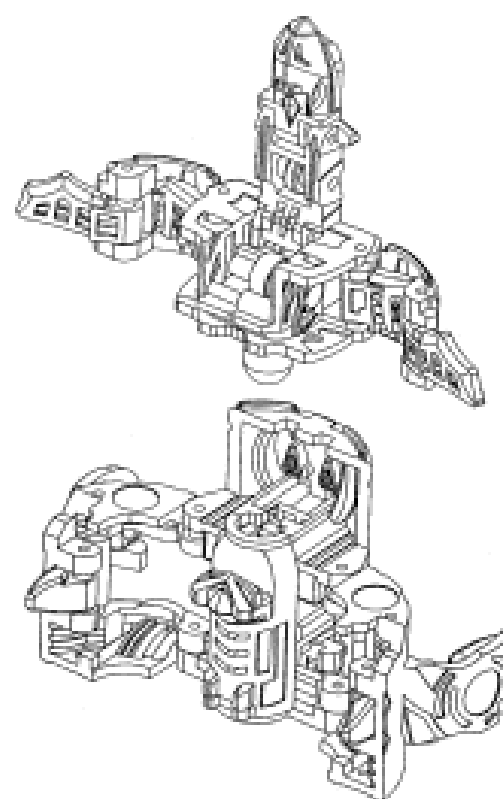
- (21) Design Number: **14522/2009**
- (22) Date of Filing Application: **18 November 2009**
- (24) Date from which industrial property rights may have effect: **18 November 2009**
- (54) Product in respect of which the design is registered: **Transformable toy**
- (51) International Design Classification: **21-01B**
- (71) Name(s) and Address(s) of Applicant(s):

Spin Master Ltd
450 Front Street West Toronto Ontario M5V 1B6 Canada

- (72) Name(s) of Designer(s): **Wataru Sato and Kohji Hirose and Richard Keuter**
- (45) Registration Date: **14 December 2009**
- (30) Convention priority data:

(31) Number	(32) Date	(33) Country
131304	03 Jul 2009	CANADA

- (56) Related Art Documents: **Not Applicable**
- (57) Statement of Newness and Distinctiveness: **The newness and distinctiveness of the design resides in the shape and/or configuration of the TRANSFORMABLE TOY shown in the representations.**



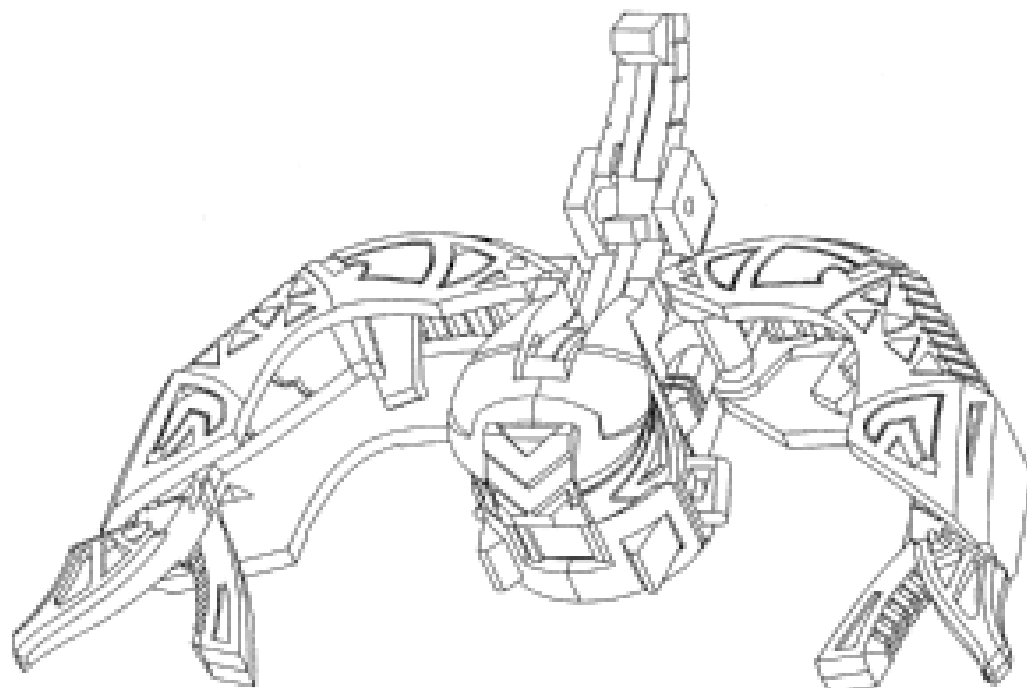
- (21) Design Number: **14523/2009**
(22) Date of Filing Application: **18 November 2009**
(24) Date from which industrial property rights may have effect: **18 November 2009**
(54) Product in respect of which the design is registered: **Transformable toy**
(51) International Design Classification: **21-01B**
(71) Name(s) and Address(s) of Applicant(s):

Spin Master Ltd
450 Front Street West Toronto Ontario M5V 1B6 Canada

- (72) Name(s) of Designer(s): **Wataru Sato and Kohji Hirose and Richard Keuter**
(45) Registration Date: **14 December 2009**
(30) Convention priority data:

(31) Number	(32) Date	(33) Country
131319	08 Jul 2009	CANADA

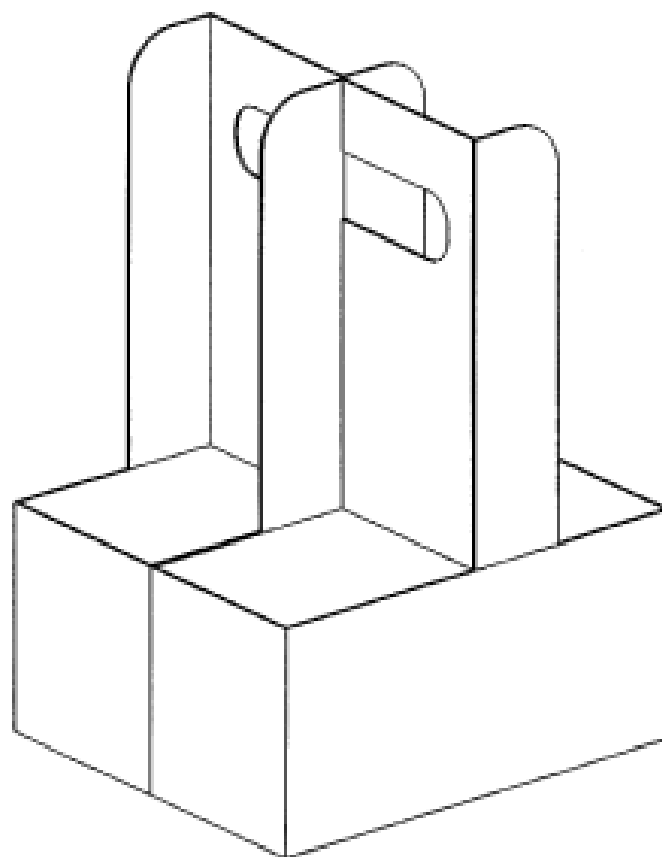
- (56) Related Art Documents: **Not Applicable**
(57) Statement of Newness and Distinctiveness: **The newness and distinctiveness of the design resides in the shape and/or configuration of the TRANSFORMABLE TOY shown in the representations.**



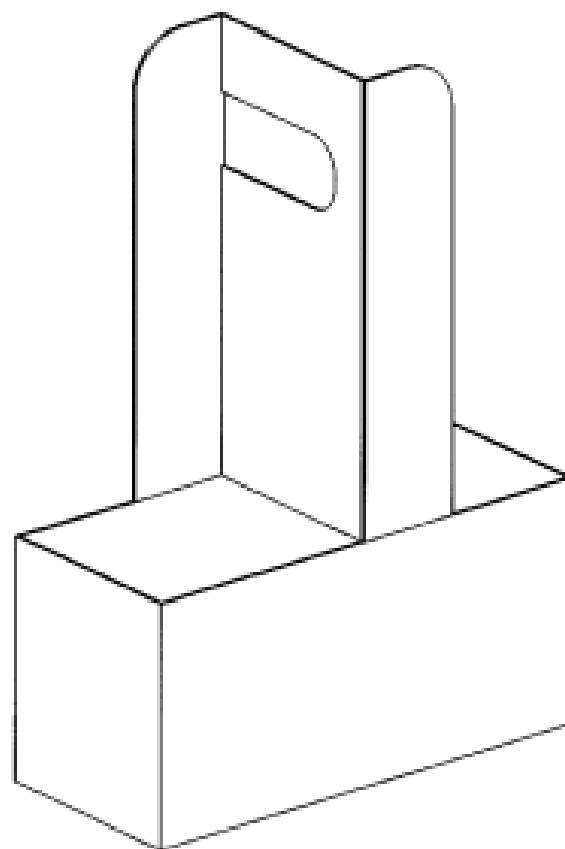
- (21) Design Number: **14306/2009**
(22) Date of Filing Application: **06 November 2009**
(24) Date from which industrial property rights may have effect: **06 November 2009**
(54) Product in respect of which the design is registered: **Food and beverage holder**
(51) International Design Classification: **09-03F**
(71) Name(s) and Address(s) of Applicant(s):

Stanley Michael Katz
16 Scotch Circuit Hawthorn East Victoria 3123 Australia

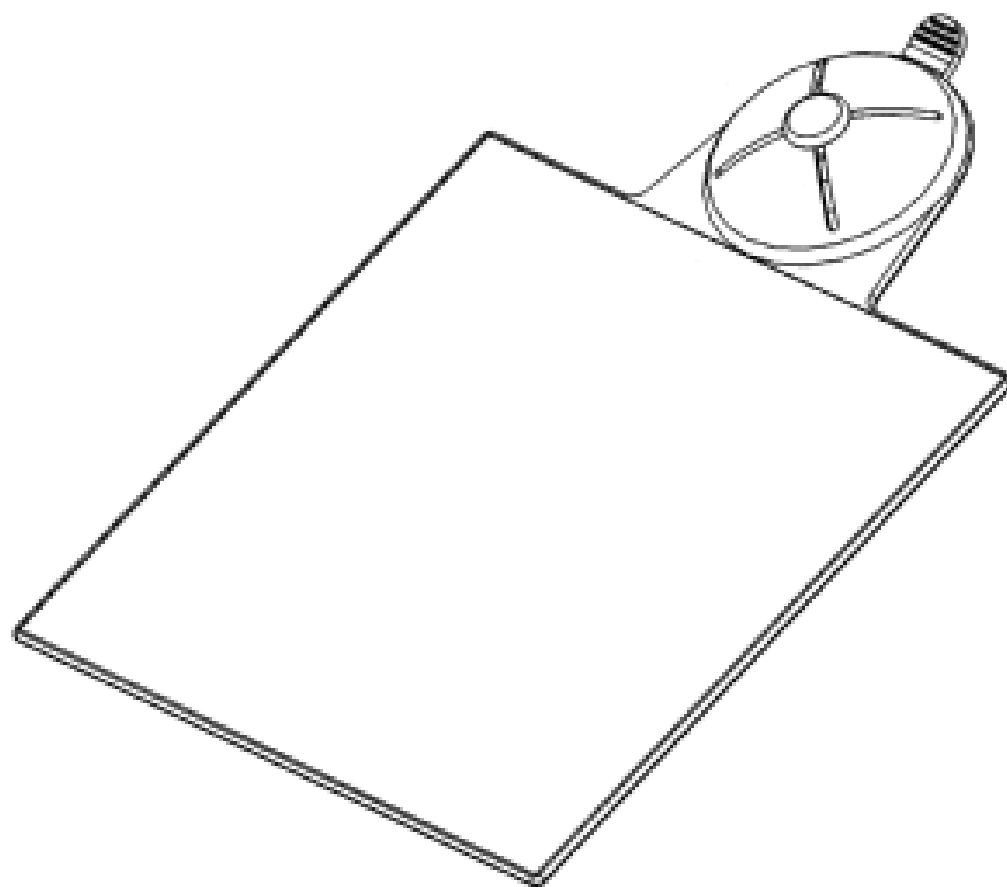
- (72) Name(s) of Designer(s): **Stanley Michael Katz**
(45) Registration Date: **14 December 2009**
(56) Related Art Documents: **Not Applicable**
(57) Statement of Newness and Distinctiveness: **Monopoly is claimed in the features of shape and configuration of the cup and food holder as shown in the attached representations.**



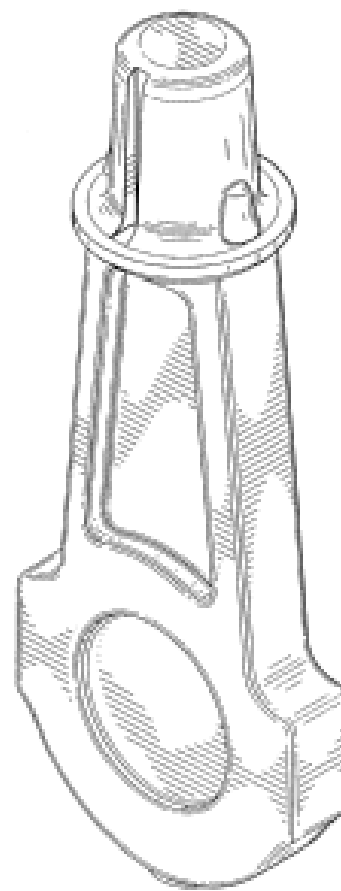
- (21) Design Number: **14826/2009**
(22) Date of Filing Application: **06 November 2009**
(24) Date from which industrial property rights may have effect: **06 November 2009**
(54) Product in respect of which the design is registered: **Food and beverage holder**
(51) International Design Classification: **09-03F**
(71) Name(s) and Address(s) of Applicant(s):
Stanley Michael Katz
16 Scotch Circuit Hawthorn East Victoria 3123 Australia
(72) Name(s) of Designer(s): **Stanley Michael Katz**
(45) Registration Date: **14 December 2009**
(56) Related Art Documents: **Not Applicable**
(57) Statement of Newness and Distinctiveness: **Monopoly is claimed in the features of shape and configuration of the cup and food holder as shown in the attached representations.**



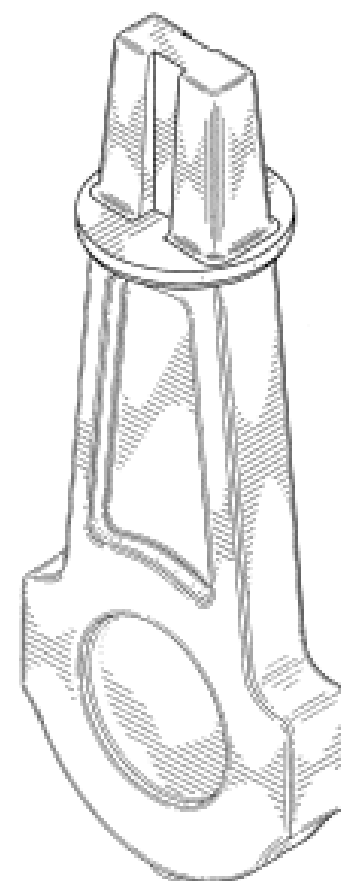
- (21) Design Number: **14509/2009**
(22) Date of Filing Application: **18 November 2009**
(24) Date from which industrial property rights may have effect: **18 November 2009**
(54) Product in respect of which the design is registered: **"L" and "P" plate display holder**
(51) International Design Classification: **20-02NES, 12-16NES**
(71) Name(s) and Address(s) of Applicant(s):
Ashden Industries Pty Ltd
1/13 Deakin Street Brendale Queensland 4500 Australia
(72) Name(s) of Designer(s): **Kevin Richard Hopkinson**
(45) Registration Date: **16 December 2009**
(56) Related Art Documents: **Not Applicable**
(57) Statement of Newness and Distinctiveness: **Nil**



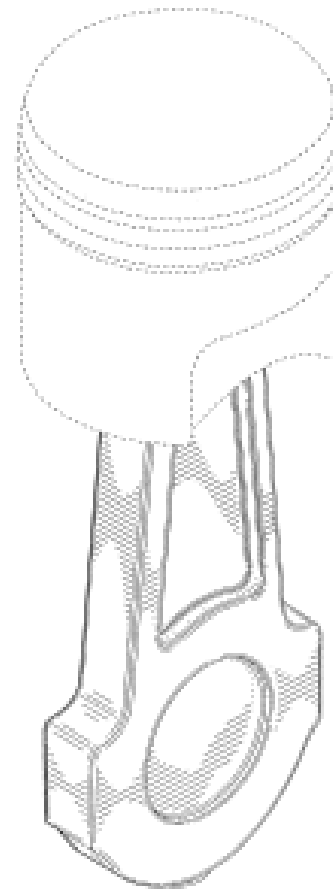
(21) Design Number: **14510/2009**
(22) Date of Filing Application: **18 November 2009**
(24) Date from which industrial property rights may have effect: **18 November 2009**
(54) Product in respect of which the design is registered: **Earplug stem**
(51) International Design Classification: **24-04**
(71) Name(s) and Address(s) of Applicant(s):
3M Innovative Properties Company
3M Center Saint Paul Minnesota 55133-3427 United States of America
(72) Name(s) of Designer(s): **Robert Nicolo Falco**
(45) Registration Date: **16 December 2009**
(30) Convention priority data:
(31) Number (32) Date (33) Country
29/337618 27 May 2009 UNITED STATES OF AMERICA
(56) Related Art Documents: **Not Applicable**
(57) Statement of Newness and Distinctiveness: **Newness and distinctiveness resides in the features of shape and/or configuration of an earplug stem as shown in the accompanying drawings.**



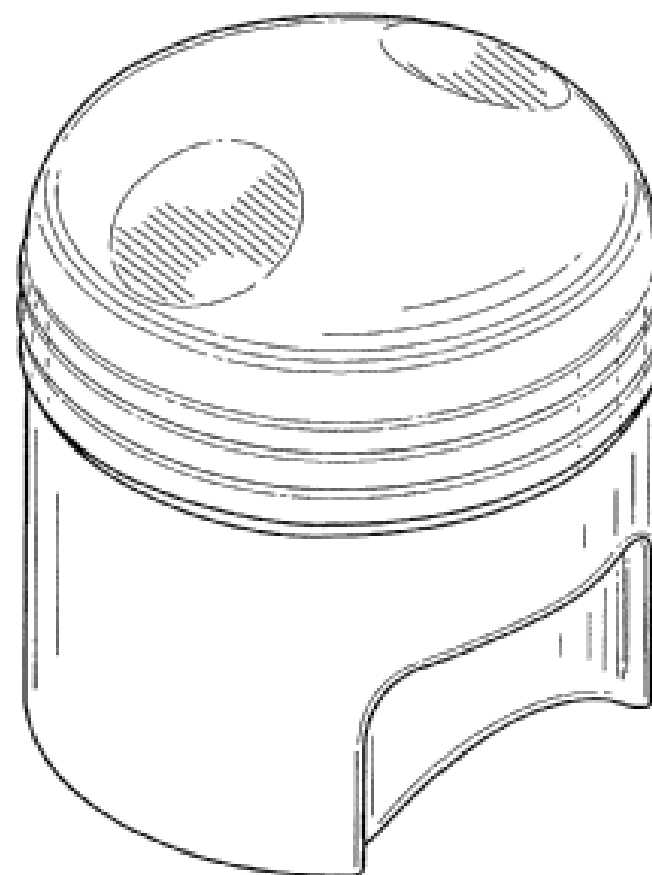
(21) Design Number: **14511/2009**
(22) Date of Filing Application: **18 November 2009**
(24) Date from which industrial property rights may have effect: **18 November 2009**
(54) Product in respect of which the design is registered: **Earplug stem**
(51) International Design Classification: **24-04**
(71) Name(s) and Address(s) of Applicant(s):
3M Innovative Properties Company
3M Center Saint Paul Minnesota 55133-3427 United States of America
(72) Name(s) of Designer(s): **Robert Nicolo Falco**
(45) Registration Date: **16 December 2009**
(30) Convention priority data:
(31) Number (32) Date (33) Country
29/337618 27 May 2009 UNITED STATES OF AMERICA
(56) Related Art Documents: **Not Applicable**
(57) Statement of Newness and Distinctiveness: **Newness and distinctiveness resides in the features of shape and/or configuration of an earplug stem as shown in the accompanying drawings.**



(21) Design Number: **14512/2009**
(22) Date of Filing Application: **18 November 2009**
(24) Date from which industrial property rights may have effect: **18 November 2009**
(54) Product in respect of which the design is registered: **Earplug**
(51) International Design Classification: **24-04**
(71) Name(s) and Address(s) of Applicant(s):
3M Innovative Properties Company
3M Center Saint Paul Minnesota 55133-3427 United States of America
(72) Name(s) of Designer(s): **Robert Nicolo Falco**
(45) Registration Date: **16 December 2009**
(30) Convention priority data:
(31) Number (32) Date (33) Country
29/337614 27 May 2009 UNITED STATES OF AMERICA
(56) Related Art Documents: **Not Applicable**
(57) Statement of Newness and Distinctiveness: **Newness and distinctiveness resides in the features of shape and/or configuration of an earplug as shown in solid outline in the accompanying drawings.**



(21) Design Number: **14513/2009**
(22) Date of Filing Application: **18 November 2009**
(24) Date from which industrial property rights may have effect: **18 November 2009**
(54) Product in respect of which the design is registered: **Earplug tip**
(51) International Design Classification: **24-04**
(71) Name(s) and Address(s) of Applicant(s):
3M Innovative Properties Company
3M Center Saint Paul Minnesota 55133-3427 United States of America
(72) Name(s) of Designer(s): **Robert Nicolo Falco**
(45) Registration Date: **16 December 2009**
(30) Convention priority data:
(31) Number (32) Date (33) Country
29/337625 27 May 2009 UNITED STATES OF AMERICA
(56) Related Art Documents: **Not Applicable**
(57) Statement of Newness and Distinctiveness: **Newness and distinctiveness resides in the features of shape and/or configuration of an earplug tip as shown in solid outline in the accompanying drawings.**



- (21) Design Number: **14514/2009**
- (22) Date of Filing Application: **18 November 2009**
- (24) Date from which industrial property rights may have effect: **18 November 2009**
- (54) Product in respect of which the design is registered: **Transformable toy**
- (51) International Design Classification: **21-01B**
- (71) Name(s) and Address(s) of Applicant(s):

Spin Master Ltd
450 Front Street West Toronto Ontario M5V 1B6 Canada

- (72) Name(s) of Designer(s): **Wataru Sato and Kohji Hirose and Richard Keuter**

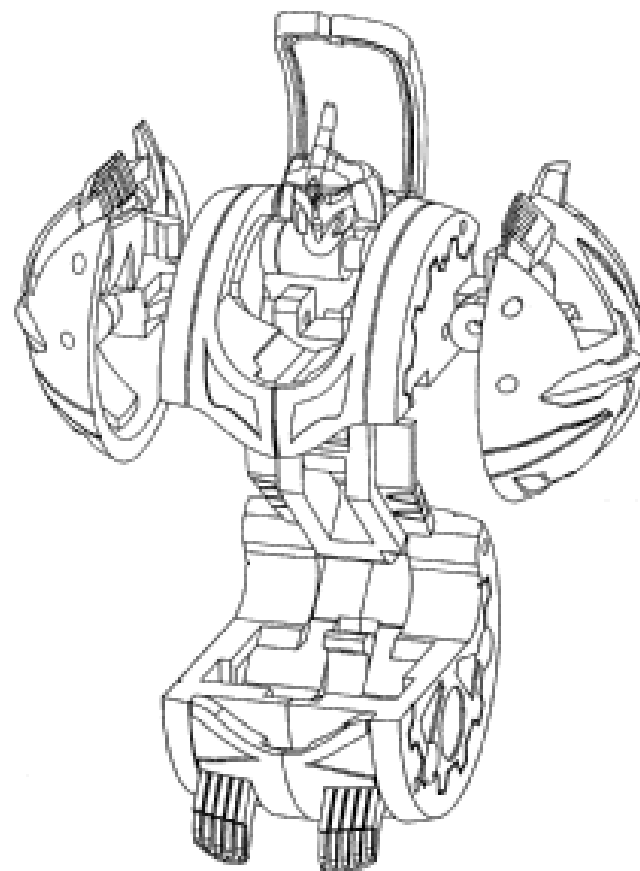
- (45) Registration Date: **16 December 2009**

- (30) Convention priority data:

(31) Number	(32) Date	(33) Country
131290	03 Jul 2009	CANADA

- (56) Related Art Documents: **Not Applicable**

- (57) Statement of Newness and Distinctiveness: **The newness and distinctiveness of the design resides in the shape and/or configuration of the TRANSFORMABLE TOY shown in the representations.**



- (21) Design Number: **14515/2009**
- (22) Date of Filing Application: **18 November 2009**
- (24) Date from which industrial property rights may have effect: **18 November 2009**
- (54) Product in respect of which the design is registered: **Transformable toy**
- (51) International Design Classification: **21-01B**
- (71) Name(s) and Address(s) of Applicant(s):

Spin Master Ltd
450 Front Street West Toronto Ontario M5V 1B6 Canada

- (72) Name(s) of Designer(s): **Wataru Sato and Kohji Hirose and Richard Keuter**

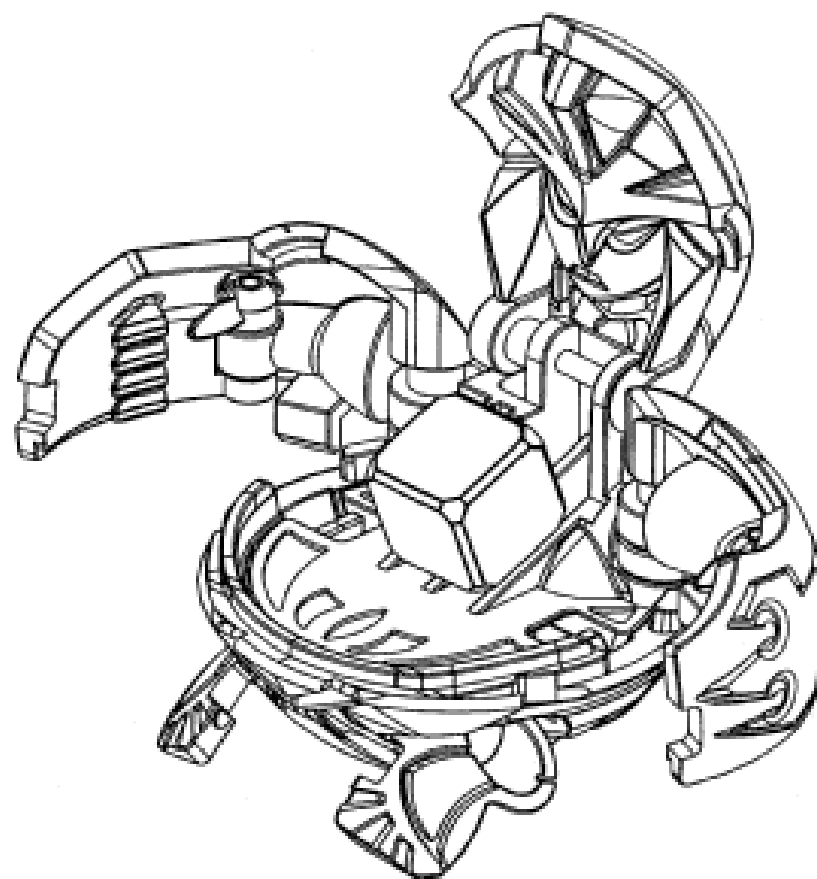
- (45) Registration Date: **16 December 2009**

- (30) Convention priority data:

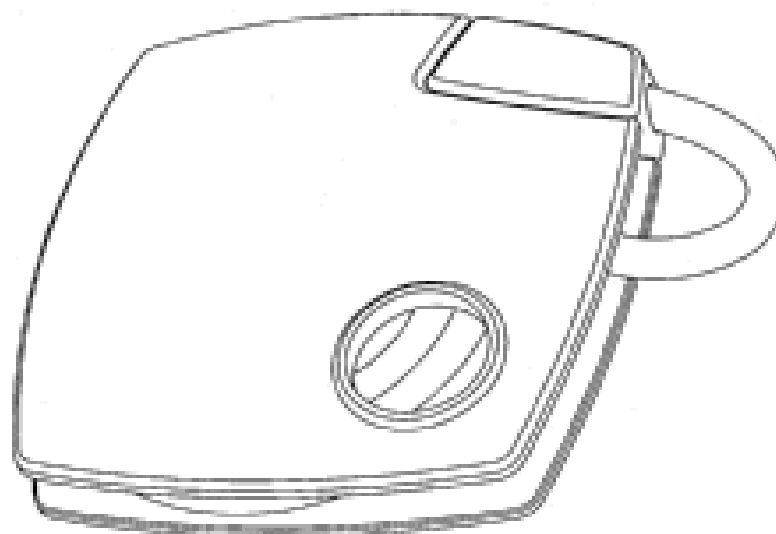
(31) Number	(32) Date	(33) Country
131239	29 Jun 2009	CANADA

- (56) Related Art Documents: **Not Applicable**

- (57) Statement of Newness and Distinctiveness: **The newness and distinctiveness of the design resides in the shape and/or configuration of the TRANSFORMABLE TOY shown in the representations.**



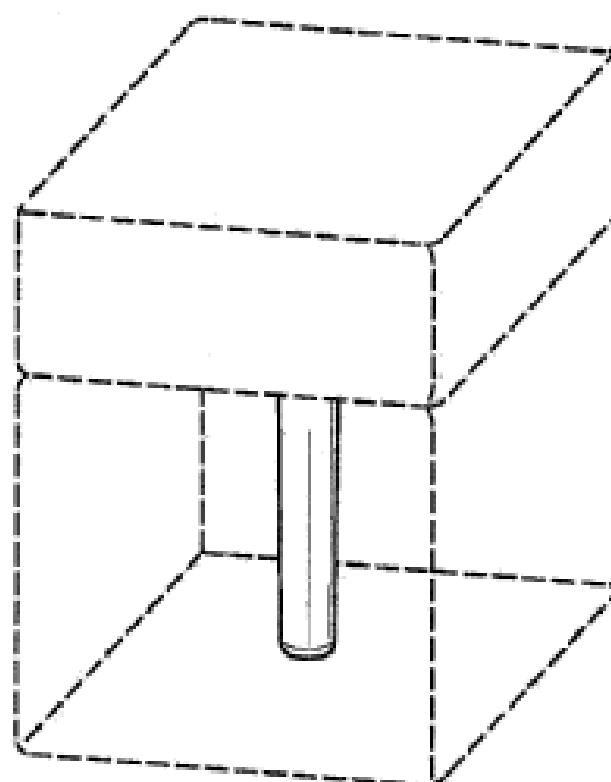
- (21) Design Number: **12606/2009**
(22) Date of Filing Application: **17 July 2009**
(24) Date from which industrial property rights may have effect: **17 July 2009**
(54) Product in respect of which the design is registered: **Bicycle cable lock**
(51) International Design Classification: **08-07**
(71) Name(s) and Address(s) of Applicant(s):
Knog Pty Ltd
453 Church Street Richmond Victoria 3121 Australia
(72) Name(s) of Designer(s): **Jonathan Chan and Hugo Davidson and Malcolm McKechnie and Chris Bilanenko and Kynan Taylor**
(45) Registration Date: **15 December 2009**
(56) Related Art Documents: **Not Applicable**
(57) Statement of Newness and Distinctiveness: **Newness and Distinctiveness are claimed in the features of shape and/or configuration of a Bicycle Cable Lock, as illustrated in the accompanying representations.**



- (21) Design Number: **14020/2009**
(22) Date of Filing Application: **19 October 2009**
(24) Date from which industrial property rights may have effect: **19 October 2009**
(54) Product in respect of which the design is registered: **Spill-proof aerator for low volatile compound solutions**
(51) International Design Classification: **24-01**
(71) Name(s) and Address(s) of Applicant(s):
Le Cherche Midi
4705 Fallswood Place Raleigh North Carolina 27613 United States of America
(72) Name(s) of Designer(s): **Nathan Motylinski and Ali Alexandre Mehfar**
(45) Registration Date: **15 December 2009**
(30) Convention priority data:

(31) Number	(32) Date	(33) Country
29/335691	20 Apr 2009	UNITED STATES OF AMERICA

(56) Related Art Documents: **Not Applicable**
(57) Statement of Newness and Distinctiveness: **Newness and distinctiveness reside in the features of the design shown in solid lines in the representations excluding those features shown in broken lines.**



(21) Design Number: **14120/2009**

(22) Date of Filing Application: **22 October 2009**

(24) Date from which industrial property rights may have effect: **22 October 2009**

(54) Product in respect of which the design is registered: **A lighting device**

(51) International Design Classification: **26-02**

(71) Name(s) and Address(s) of Applicant(s):

Eveready Battery Company, Inc.
533 Maryville University Drive St Louis Missouri 63141 United States of America

(72) Name(s) of Designer(s): **Timothy J. Rugendyke and Michael S. Squires**

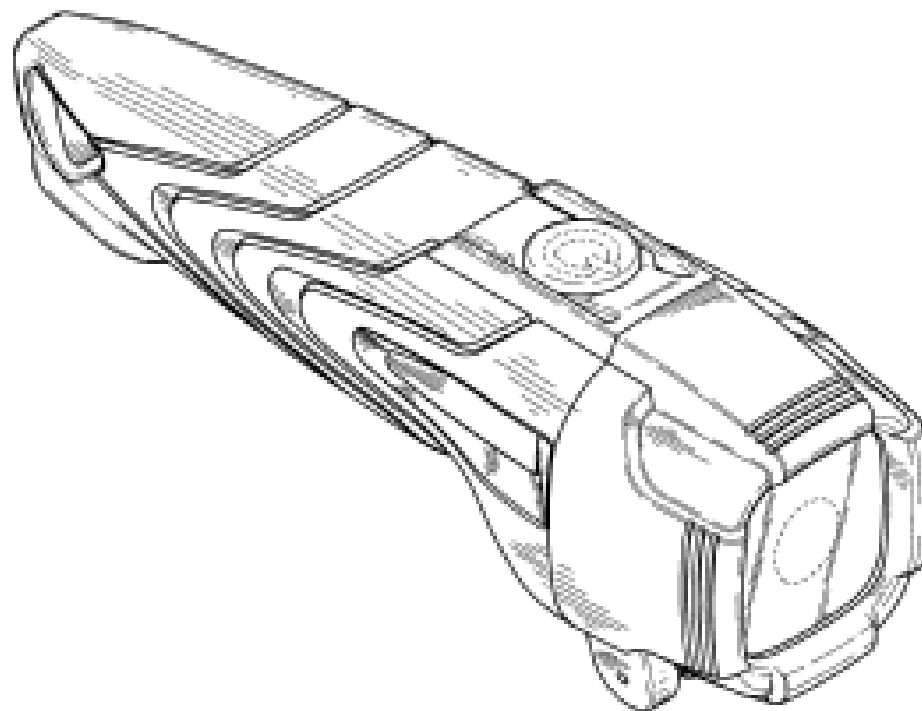
(45) Registration Date: **15 December 2009**

(30) Convention priority data:

(31) Number	(32) Date	(33) Country
29/337616	27 May 2009	UNITED STATES OF AMERICA

(56) Related Art Documents: **Not Applicable**

(57) Statement of Newness and Distinctiveness: **Newness and distinctiveness is claimed in those visual features depicted in unbroken lines.**



(21) Design Number: **14163/2009**

(22) Date of Filing Application: **28 October 2009**

(24) Date from which industrial property rights may have effect: **28 October 2009**

(54) Product in respect of which the design is registered: **Bee hive beetle trap**

(51) International Design Classification: **22-06**

(71) Name(s) and Address(s) of Applicant(s):

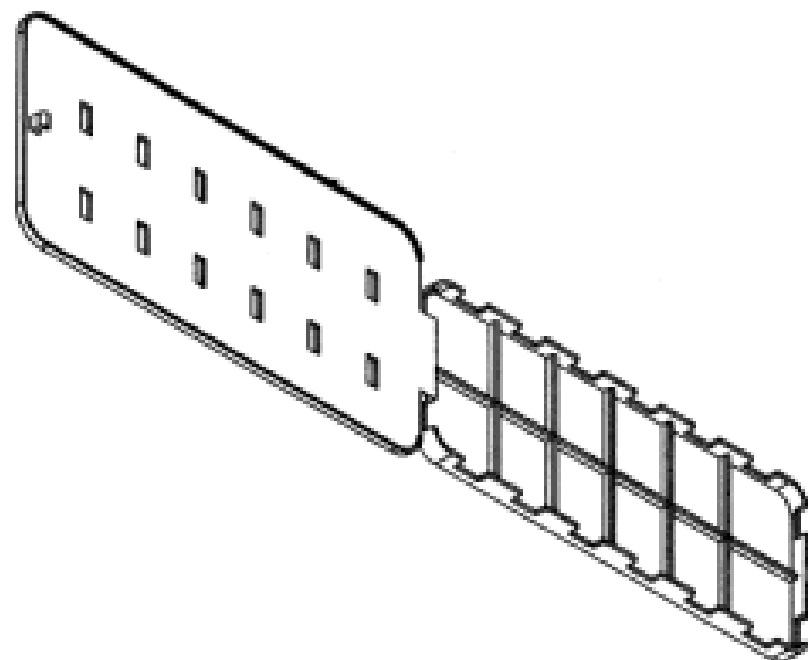
Edward Tobin
43 Christie Street Raglan Bathurst New South Wales 2795 Australia

(72) Name(s) of Designer(s): **Edward Charles Tobin**

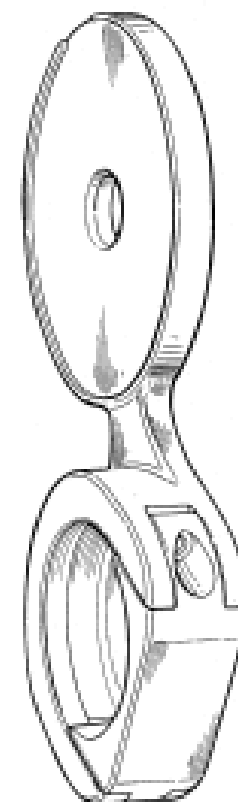
(45) Registration Date: **15 December 2009**

(56) Related Art Documents: **Not Applicable**

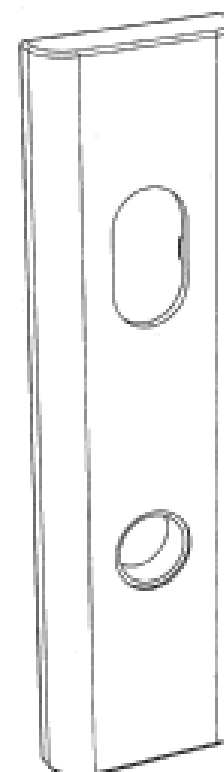
(57) Statement of Newness and Distinctiveness: **The thinness of the trap allows it to be a freestanding device which is easily positioned in bee space. The design allows the trap to be easily removed from the hive, washed and reused.**



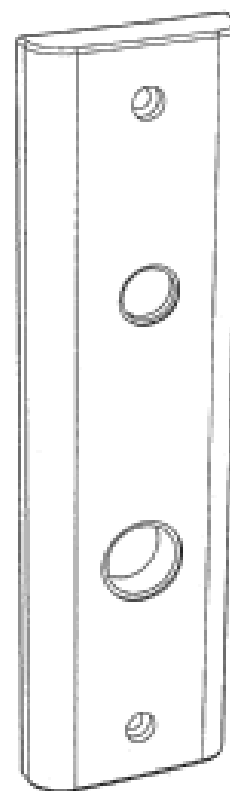
- (21) Design Number: **14533/2009**
(22) Date of Filing Application: **19 November 2009**
(24) Date from which industrial property rights may have effect: **19 November 2009**
(54) Product in respect of which the design is registered: **Bar tap bracket**
(51) International Design Classification: **23-01K, 08-08L**
(71) Name(s) and Address(s) of Applicant(s):
Cash's (Australia) Pty Ltd
10 Rocklea Drive Port Melbourne Victoria 3207 Australia
(72) Name(s) of Designer(s): **Vincent Formosa**
(45) Registration Date: **15 December 2009**
(56) Related Art Documents: **Not Applicable**
(57) Statement of Newness and Distinctiveness: **Nil**



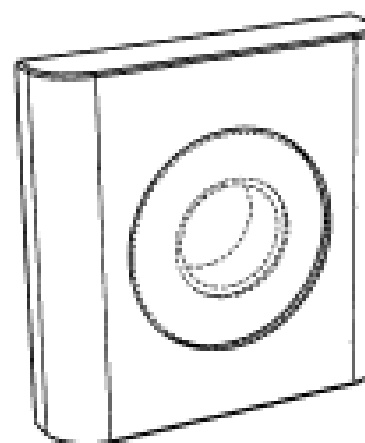
- (21) Design Number: **14534/2009**
(22) Date of Filing Application: **19 November 2009**
(24) Date from which industrial property rights may have effect: **19 November 2009**
(54) Product in respect of which the design is registered: **Furniture plate**
(51) International Design Classification: **08-08M**
(71) Name(s) and Address(s) of Applicant(s):
ASSA ABLOY Australia Pty Limited
235 Huntingdale Road Oakleigh Victoria 3166 Australia
(72) Name(s) of Designer(s): **Craig Anthony Caspersz**
(45) Registration Date: **15 December 2009**
(56) Related Art Documents: **Not Applicable**
(57) Statement of Newness and Distinctiveness: **Those features of the furniture plate depicted in the representations that are new and distinctive are the shape and/or configuration.**



- (21) Design Number: **14535/2009**
(22) Date of Filing Application: **19 November 2009**
(24) Date from which industrial property rights may have effect: **19 November 2009**
(54) Product in respect of which the design is registered: **Furniture plate**
(51) International Design Classification: **08-08M**
(71) Name(s) and Address(s) of Applicant(s):
ASSA ABLOY Australia Pty Limited
235 Huntingdale Road Oakleigh Victoria 3166 Australia
(72) Name(s) of Designer(s): **Craig Anthony Caspersz**
(45) Registration Date: **15 December 2009**
(56) Related Art Documents: **Not Applicable**
(57) Statement of Newness and Distinctiveness: **Those features of the furniture plate depicted in the representations that are new and distinctive are the shape and/or configuration.**



- (21) Design Number: **14536/2009**
(22) Date of Filing Application: **19 November 2009**
(24) Date from which industrial property rights may have effect: **19 November 2009**
(54) Product in respect of which the design is registered: **Furniture rose**
(51) International Design Classification: **08-09**
(71) Name(s) and Address(s) of Applicant(s):
ASSA ABLOY Australia Pty Limited
235 Huntingdale Road Oakleigh Victoria 3166 Australia
(72) Name(s) of Designer(s): **Craig Anthony Caspersz**
(45) Registration Date: **15 December 2009**
(56) Related Art Documents: **Not Applicable**
(57) Statement of Newness and Distinctiveness: **Those features of the furniture rose depicted in the representations that are new and distinctive are the shape and/or configuration. The features shown in broken lines are not part of the design and are to be disregarded when considering the overall impression of the design.**



(21) Design Number: **14537/2009**

(22) Date of Filing Application: **19 November 2009**

(24) Date from which industrial property rights may have effect: **19 November 2009**

(54) Product in respect of which the design is registered: **Shaving aid strip**

(51) International Design Classification: **28-03A**

(71) Name(s) and Address(s) of Applicant(s):

**The Gillette Company
Prudential Tower Building Boston Massachusetts 02199 United States
of America**

(72) Name(s) of Designer(s): **Michael Joseph Kwiecien and Alejandro Carlos Lee**

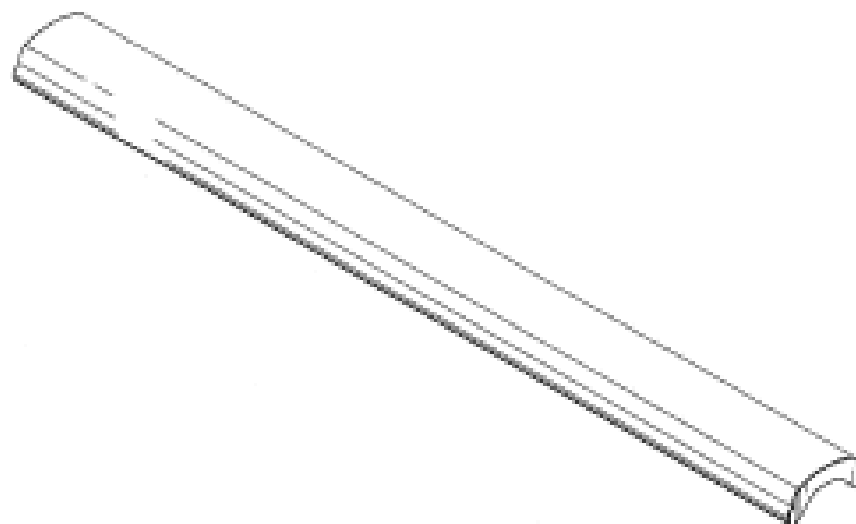
(45) Registration Date: **15 December 2009**

(30) Convention priority data:

(31) Number	(32) Date	(33) Country
29/337,283	19 May 2009	UNITED STATES OF AMERICA

(56) Related Art Documents: **Not Applicable**

(57) Statement of Newness and Distinctiveness: **Those features of the shaving aid strip depicted in the representations that are new and distinctive are the shape and/or configuration. For illustrative purposes only, the shaving aid strip has been shown applied to a razor head. The features shown in broken lines are not part of the design and are to be disregarded when considering the overall impression of the design.**



(21) Design Number: **14538/2009**

(22) Date of Filing Application: **20 November 2009**

(24) Date from which industrial property rights may have effect: **20 November 2009**

(54) Product in respect of which the design is registered: **Earring**

(51) International Design Classification: **11-01D**

(71) Name(s) and Address(s) of Applicant(s):

**Georgini Holdings Pty Ltd
PO Box 7338 Alexandria New South Wales 1435 Australia**

(72) Name(s) of Designer(s): **Gina Kougias**

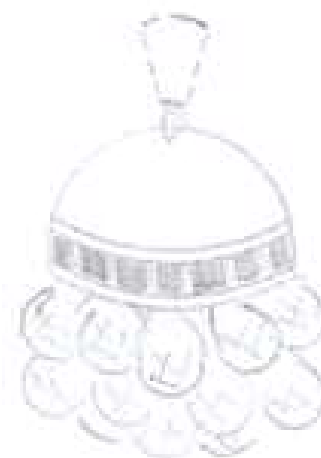
(45) Registration Date: **15 December 2009**

(56) Related Art Documents: **Not Applicable**

(57) Statement of Newness and Distinctiveness: **When determining whether the design is substantially similar in overall impression to another design, no regard is to be had to those features shown in the dotted outline in the accompanying drawings.**



- (21) Design Number: **14539/2009**
(22) Date of Filing Application: **20 November 2009**
(24) Date from which industrial property rights may have effect: **20 November 2009**
(54) Product in respect of which the design is registered: **Pendant**
(51) International Design Classification: **11-01NES**
(71) Name(s) and Address(s) of Applicant(s):
Georgini Holdings Pty Ltd
PO Box 7338 Alexandria New South Wales 1435 Australia
(72) Name(s) of Designer(s): **Gina Kougias**
(45) Registration Date: **15 December 2009**
(56) Related Art Documents: **Not Applicable**
(57) Statement of Newness and Distinctiveness: **When determining whether the design is substantially similar in overall impression to another design, no regard is to be had to those features shown in the dotted outline in the accompanying drawings.**



- (21) Design Number: **14540/2009**
(22) Date of Filing Application: **20 November 2009**
(24) Date from which industrial property rights may have effect: **20 November 2009**
(54) Product in respect of which the design is registered: **Pendant**
(51) International Design Classification: **11-01NES**
(71) Name(s) and Address(s) of Applicant(s):
Georgini Holdings Pty Ltd
PO Box 7338 Alexandria New South Wales 1435 Australia
(72) Name(s) of Designer(s): **Gina Kougias**
(45) Registration Date: **15 December 2009**
(56) Related Art Documents: **Not Applicable**
(57) Statement of Newness and Distinctiveness: **When determining whether the design is substantially similar in overall impression to another design, no regard is to be had to those features shown in the dotted outline in the accompanying drawings.**



(21) Design Number: **14541/2009**

(22) Date of Filing Application: **20 November 2009**

(24) Date from which industrial property rights may have effect: **20 November 2009**

(54) Product in respect of which the design is registered: **Earring**

(51) International Design Classification: **11-01D**

(71) Name(s) and Address(s) of Applicant(s):

Georgini Holdings Pty Ltd
PO Box 7338 Alexandria New South Wales 1435 Australia

(72) Name(s) of Designer(s): **Gina Kougias**

(45) Registration Date: **15 December 2009**

(56) Related Art Documents: **Not Applicable**

(57) Statement of Newness and Distinctiveness: **When determining whether the design is substantially similar in overall impression to another design, no regard is to be had to those features shown in the dotted outline in the accompanying drawings.**



(21) Design Number: **14542/2009**

(22) Date of Filing Application: **20 November 2009**

(24) Date from which industrial property rights may have effect: **20 November 2009**

(54) Product in respect of which the design is registered: **Ring**

(51) International Design Classification: **11-01A**

(71) Name(s) and Address(s) of Applicant(s):

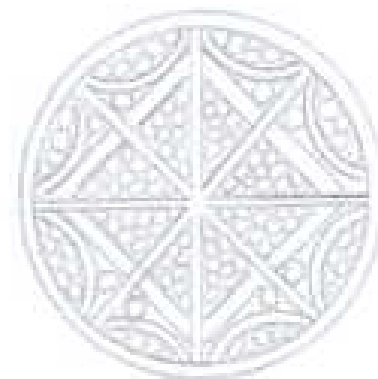
Georgini Holdings Pty Ltd
PO Box 7338 Alexandria New South Wales 1435 Australia

(72) Name(s) of Designer(s): **Gina Kougias**

(45) Registration Date: **15 December 2009**

(56) Related Art Documents: **Not Applicable**

(57) Statement of Newness and Distinctiveness: **Nil**



(21) Design Number: **14543/2009**

(22) Date of Filing Application: **20 November 2009**

(24) Date from which industrial property rights may have effect: **20 November 2009**

(54) Product in respect of which the design is registered: **Pendant**

(51) International Design Classification: **11-01NES**

(71) Name(s) and Address(s) of Applicant(s):

Georgini Holdings Pty Ltd
PO Box 7338 Alexandria New South Wales 1435 Australia

(72) Name(s) of Designer(s): **Gina Kougias**

(45) Registration Date: **15 December 2009**

(56) Related Art Documents: **Not Applicable**

(57) Statement of Newness and Distinctiveness: **Nil**



(21) Design Number: **14544/2009**

(22) Date of Filing Application: **20 November 2009**

(24) Date from which industrial property rights may have effect: **20 November 2009**

(54) Product in respect of which the design is registered: **Pendant**

(51) International Design Classification: **11-01NES**

(71) Name(s) and Address(s) of Applicant(s):

Georgini Holdings Pty Ltd
PO Box 7338 Alexandria New South Wales 1435 Australia

(72) Name(s) of Designer(s): **Gina Kougias**

(45) Registration Date: **15 December 2009**

(56) Related Art Documents: **Not Applicable**

(57) Statement of Newness and Distinctiveness: **Nil**



(21) Design Number: **14545/2009**

(22) Date of Filing Application: **20 November 2009**

(24) Date from which industrial property rights may have effect: **20 November 2009**

(54) Product in respect of which the design is registered: **Pendant**

(51) International Design Classification: **11-01NES**

(71) Name(s) and Address(s) of Applicant(s):

Georgini Holdings Pty Ltd
PO Box 7338 Alexandria New South Wales 1435 Australia

(72) Name(s) of Designer(s): **Gina Kougias**

(45) Registration Date: **15 December 2009**

(56) Related Art Documents: **Not Applicable**

(57) Statement of Newness and Distinctiveness: **Nil**



(21) Design Number: **14546/2009**

(22) Date of Filing Application: **19 November 2009**

(24) Date from which industrial property rights may have effect: **19 November 2009**

(54) Product in respect of which the design is registered: **Speaker casing**

(51) International Design Classification: **14-01**

(71) Name(s) and Address(s) of Applicant(s):

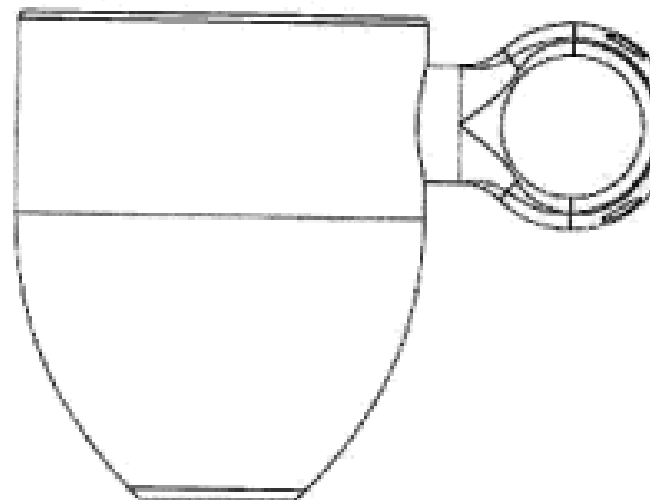
James Odell
6/4 Nolan Place Seven Hills New South Wales 2147 Australia

(72) Name(s) of Designer(s): **James Odell**

(45) Registration Date: **15 December 2009**

(56) Related Art Documents: **Not Applicable**

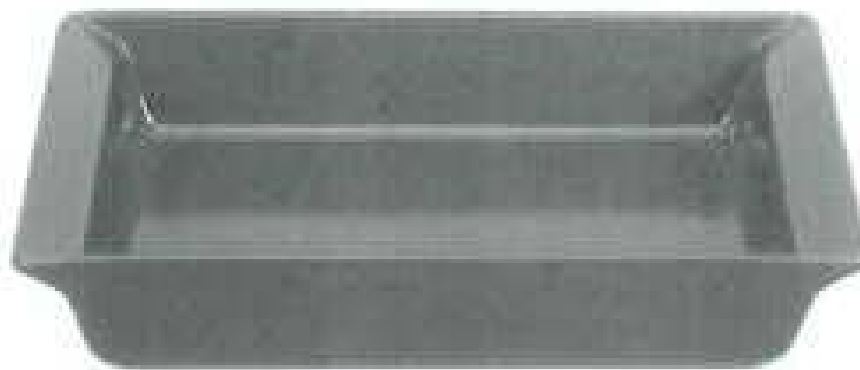
(57) Statement of Newness and Distinctiveness: **Stylized speaker casing.**



- (21) Design Number: **14547/2009**
(22) Date of Filing Application: **20 November 2009**
(24) Date from which industrial property rights may have effect: **20 November 2009**
(54) Product in respect of which the design is registered: **Dual cab ute sliding tray**
(51) International Design Classification: **12-16K**
(71) Name(s) and Address(s) of Applicant(s):
Elisabeth Anne Nicholetts
29 Kindra Avenue Karana Downs Queensland 4306 Australia
Jonathan Barry Nicholetts
29 Kindra Avenue Karana Downs Queensland 4306 Australia
(72) Name(s) of Designer(s): **Elisabeth Anne Nicholetts and Jonathan Barry Nicholetts**
(45) Registration Date: **15 December 2009**
(56) Related Art Documents: **Not Applicable**
(57) Statement of Newness and Distinctiveness: **Nil**



- (21) Design Number: **14566/2009**
(22) Date of Filing Application: **20 November 2009**
(24) Date from which industrial property rights may have effect: **20 November 2009**
(54) Product in respect of which the design is registered: **Food dish**
(51) International Design Classification: **07-01B**
(71) Name(s) and Address(s) of Applicant(s):
Emile Henry
13 rue Georges de Vichy Marcigny 71110 France
(72) Name(s) of Designer(s): **Emile Henry**
(45) Registration Date: **15 December 2009**
(30) Convention priority data:
(31) Number (32) Date (33) Country
001637034 17 Nov 2009 EUROPEAN COMMUNITY
(56) Related Art Documents: **Not Applicable**
(57) Statement of Newness and Distinctiveness: **Newness and distinctiveness resides in the shape and configuration of the Plate, excluding the words and markings shown on the 'bottom view'.**



(21) Design Number: **14569/2009**

(22) Date of Filing Application: **23 November 2009**

(24) Date from which industrial property rights may have effect: **23 November 2009**

(54) Product in respect of which the design is registered: **Ballast ring for a storage tank**

(51) International Design Classification: **23-01F**

(71) Name(s) and Address(s) of Applicant(s):

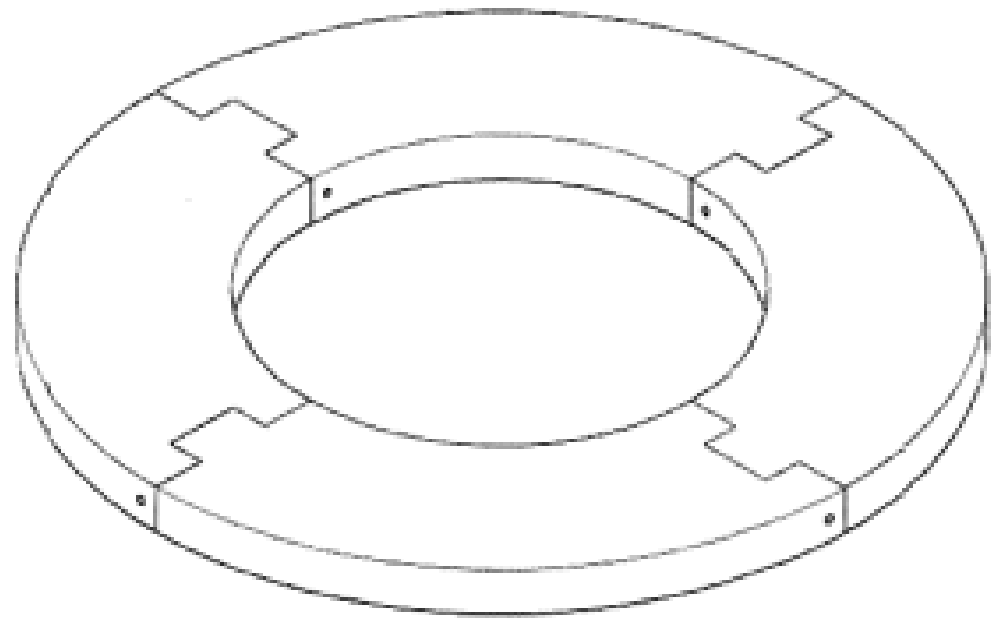
Gebel Industries Pty Ltd
26 Coombes Drive Penrith New South Wales 2750 Australia

(72) Name(s) of Designer(s): **Daniel Pridham**

(45) Registration Date: **15 December 2009**

(56) Related Art Documents: **Not Applicable**

(57) Statement of Newness and Distinctiveness: **Newness and distinctiveness is claimed in the features of shape and/or configuration of a ballast ring as depicted in the accompanying drawings.**



(21) Design Number: **14622/2009**

(22) Date of Filing Application: **24 November 2009**

(24) Date from which industrial property rights may have effect: **24 November 2009**

(54) Product in respect of which the design is registered: **Toilet suite**

(51) International Design Classification: **23-02C**

(71) Name(s) and Address(s) of Applicant(s):

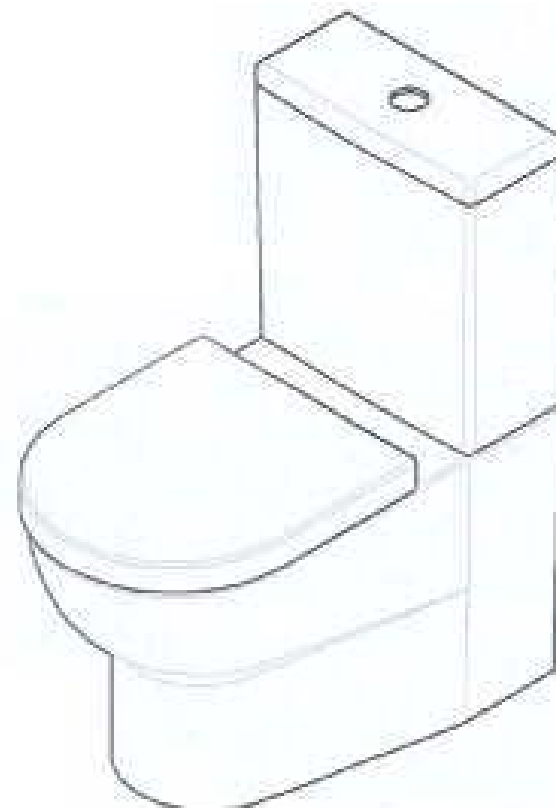
Bang Design Pty Limited
91 Beattie Street Balmain New South Wales 2041 Australia

(72) Name(s) of Designer(s): **Bryan Marshall and Jesse Keith**

(45) Registration Date: **15 December 2009**

(56) Related Art Documents: **Not Applicable**

(57) Statement of Newness and Distinctiveness: **Newness and distinctiveness is claimed in those visual features as shown in the representations.**



(21) Design Number: **14623/2009**

(22) Date of Filing Application: **24 November 2009**

(24) Date from which industrial property rights may have effect: **24 November 2009**

(54) Product in respect of which the design is registered: **Toilet wall-faced**

(51) International Design Classification: **23-02C**

(71) Name(s) and Address(s) of Applicant(s):

Bang Design Pty Limited

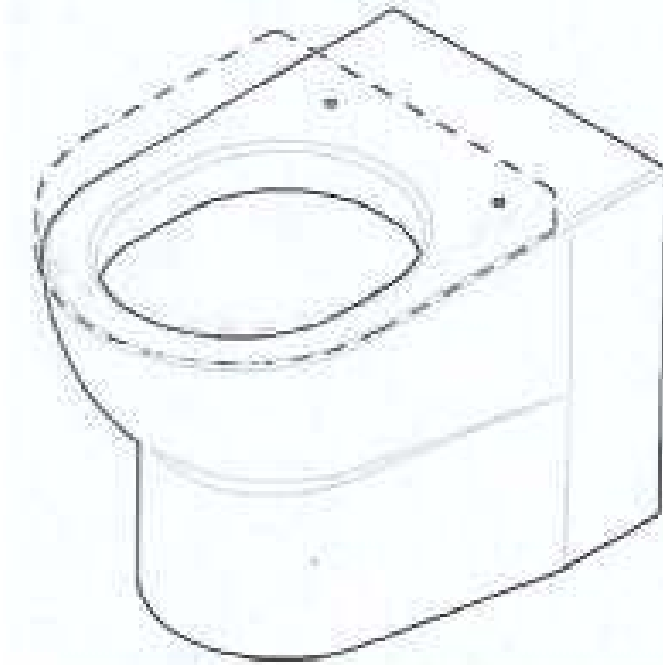
91 Beattie Street Balmain New South Wales 2041 Australia

(72) Name(s) of Designer(s): **Bryan Marshall and Jesse Keith**

(45) Registration Date: **15 December 2009**

(56) Related Art Documents: **Not Applicable**

(57) Statement of Newness and Distinctiveness: **Newness and distinctiveness is claimed in those visual features that are represented in the unbroken lines.**



(21) Design Number: **14624/2009**

(22) Date of Filing Application: **24 November 2009**

(24) Date from which industrial property rights may have effect: **24 November 2009**

(54) Product in respect of which the design is registered: **Toilet wall-hung**

(51) International Design Classification: **23-02C**

(71) Name(s) and Address(s) of Applicant(s):

Bang Design Pty Limited

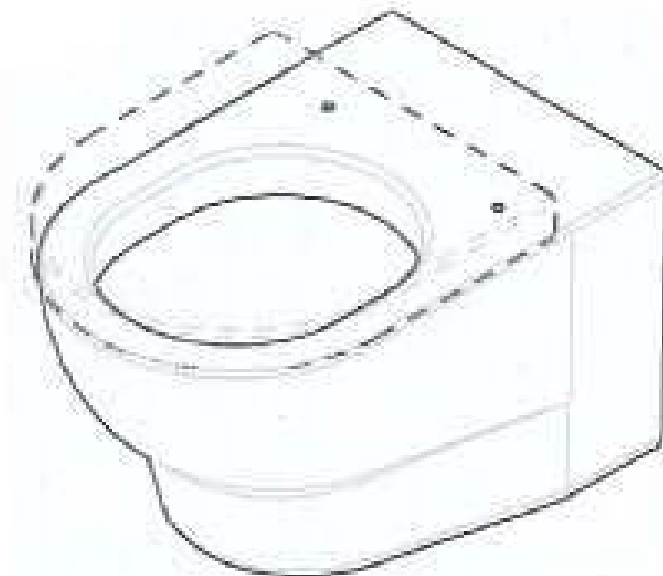
91 Beattie Street Balmain New South Wales 2041 Australia

(72) Name(s) of Designer(s): **Bryan Marshall and Jesse Keith**

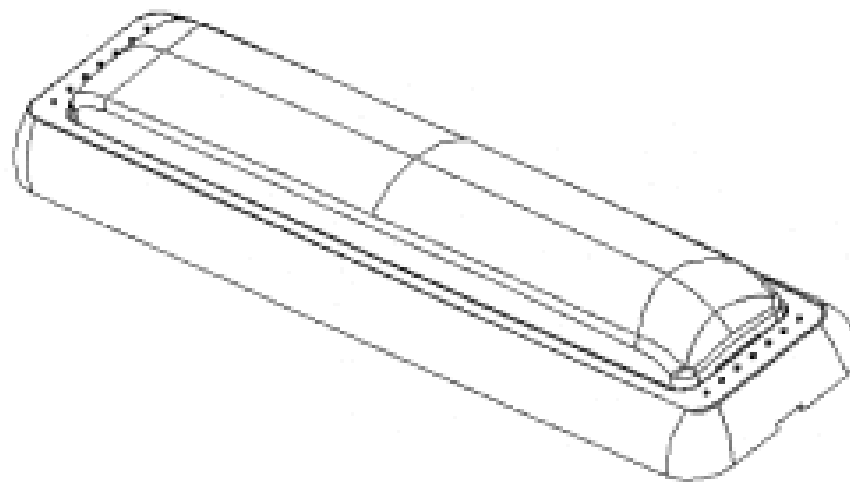
(45) Registration Date: **15 December 2009**

(56) Related Art Documents: **Not Applicable**

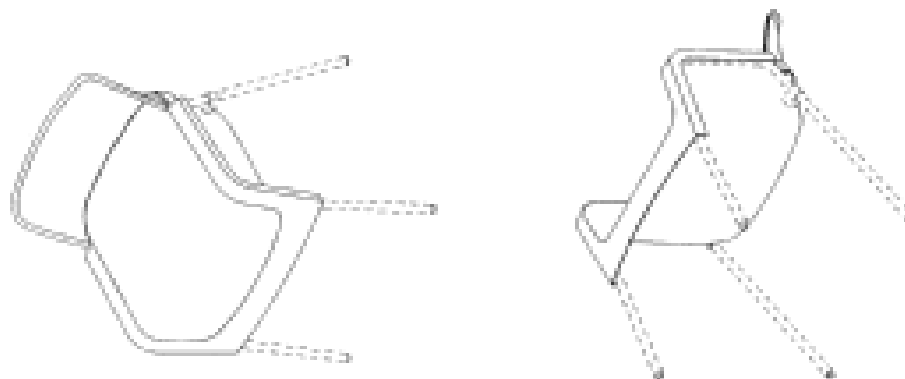
(57) Statement of Newness and Distinctiveness: **Newness and distinctiveness is claimed in those visual features that are represented in the unbroken lines.**



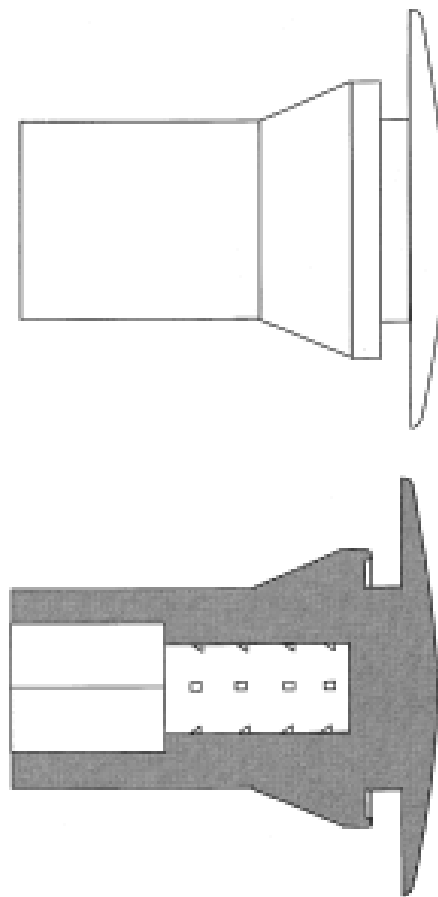
- (21) Design Number: **14679/2009**
- (22) Date of Filing Application: **27 November 2009**
- (24) Date from which industrial property rights may have effect: **27 November 2009**
- (54) Product in respect of which the design is registered: **Auto lamp**
- (51) International Design Classification: **26-06**
- (71) Name(s) and Address(s) of Applicant(s):
Brite LED Tech Pty Ltd
Factory 2/31 Amay Crescent Ferntree Gully Victoria 3156 Australia
- (72) Name(s) of Designer(s): **Paul Sinclair**
- (45) Registration Date: **15 December 2009**
- (56) Related Art Documents: **Not Applicable**
- (57) Statement of Newness and Distinctiveness: **Visual features of the design which are new and distinctive are INTER ALIA the features of shape and/or configuration of the auto lamp shown in the representations.**



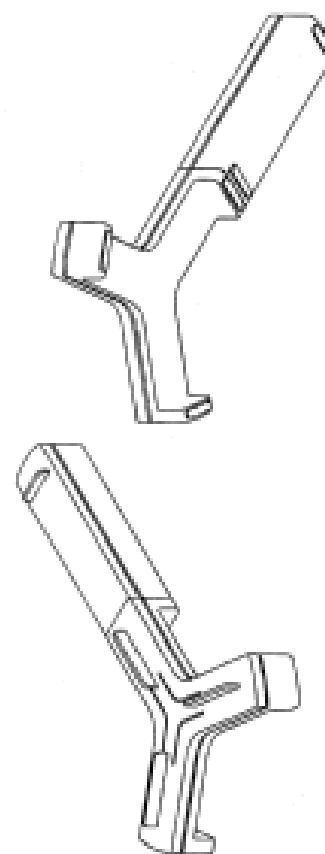
- (21) Design Number: **11041/2009**
- (22) Date of Filing Application: **27 March 2009**
- (24) Date from which industrial property rights may have effect: **27 March 2009**
- (54) Product in respect of which the design is registered: **Chair**
- (51) International Design Classification: **06-01F**
- (71) Name(s) and Address(s) of Applicant(s):
Bang Design Pty Limited
91 Beattie Street Balmain New South Wales 2041 Australia
- (72) Name(s) of Designer(s): **Bryan Marshall and Jesse Keith**
- (45) Registration Date: **15 December 2009**
- (56) Related Art Documents: **Not Applicable**
- (57) Statement of Newness and Distinctiveness: **Newness and distinctiveness is claimed in those visual features that are represented in the unbroken lines.**



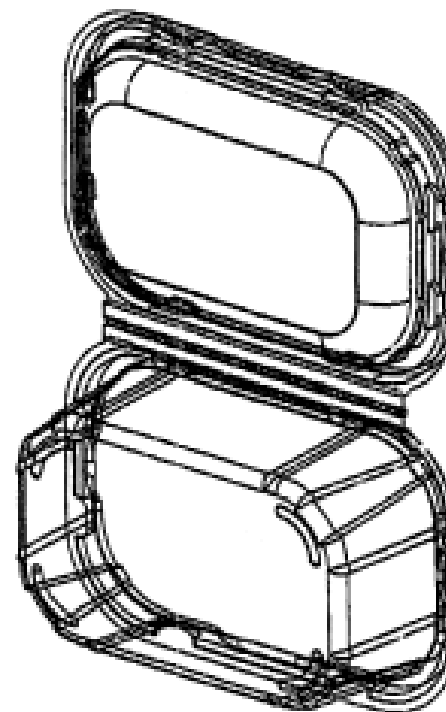
(21) Design Number: **11380/2009**
(22) Date of Filing Application: **23 April 2009**
(24) Date from which industrial property rights may have effect: **23 April 2009**
(54) Product in respect of which the design is registered: **Rock bolt safety cap**
(51) International Design Classification: **08-08B**
(71) Name(s) and Address(s) of Applicant(s):
Paul Seymour
3 Brigantine Place Caves Beach New South Wales 2281 Australia
(72) Name(s) of Designer(s): **Adam Seymour and Paul Seymour**
(45) Registration Date: **15 December 2009**
(56) Related Art Documents: **Not Applicable**
(57) Statement of Newness and Distinctiveness: **Nil**



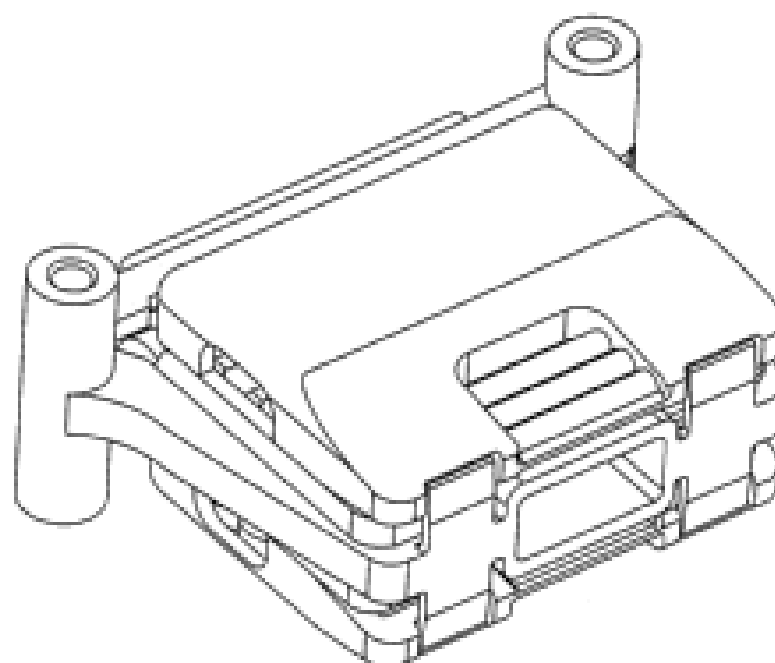
(21) Design Number: **11598/2009**
(22) Date of Filing Application: **05 May 2009**
(24) Date from which industrial property rights may have effect: **05 May 2009**
(54) Product in respect of which the design is registered: **Portable gas cooker**
(51) International Design Classification: **07-02D**
(71) Name(s) and Address(s) of Applicant(s):
Bang Design Pty Limited
91 Beattie Street Balmain New South Wales 2041 Australia
(72) Name(s) of Designer(s): **Bryan Marshall and Jesse Keith**
(45) Registration Date: **15 December 2009**
(56) Related Art Documents: **Not Applicable**
(57) Statement of Newness and Distinctiveness: **Newness and distinctiveness is claimed in those visual features as shown in the representations.**



- (21) Design Number: **13359/2009**
(22) Date of Filing Application: **02 September 2009**
(24) Date from which industrial property rights may have effect: **02 September 2009**
(54) Product in respect of which the design is registered: **Improved produce container**
(51) International Design Classification: **09-03M**
(71) Name(s) and Address(s) of Applicant(s):
Multisteps Pty Ltd
Unit 1 & 2/4 Richmond Road Homebush West New South Wales 2140
Australia
(72) Name(s) of Designer(s): **John Lam**
(45) Registration Date: **15 December 2009**
(56) Related Art Documents: **Not Applicable**
(57) Statement of Newness and Distinctiveness: **Nil**



- (21) Design Number: **13484/2009**
(22) Date of Filing Application: **09 September 2009**
(24) Date from which industrial property rights may have effect: **09 September 2009**
(54) Product in respect of which the design is registered: **Junction box**
(51) International Design Classification: **13-03C**
(71) Name(s) and Address(s) of Applicant(s):
ADC Communications (Australia) Pty Limited
2 Hereford Street Berkeley Vale New South Wales 2261 Australia
(72) Name(s) of Designer(s): **Wayne William Dennes and Malcolm Bruce Brear**
(45) Registration Date: **15 December 2009**
(56) Related Art Documents: **Not Applicable**
(57) Statement of Newness and Distinctiveness: **The features of shape and configuration of the junction box shown in the accompanying representations are considered to be new and distinctive.**



(21) Design Number: **11062/2009**

(22) Date of Filing Application: **27 March 2009**

(24) Date from which industrial property rights may have effect: **27 March 2009**

(54) Product in respect of which the design is registered: **Adjustable support stand and adjustable element therefor**

(51) International Design Classification: **08-08NES**

(71) Name(s) and Address(s) of Applicant(s):

**Linear Systems International Pty Ltd
Suite 6 272 Pacific Highway New South Wales 2065 Australia**

(72) Name(s) of Designer(s): **John Hodges**

(45) Registration Date: **16 December 2009**

(56) Related Art Documents: **Not Applicable**

(57) Statement of Newness and Distinctiveness: **The particular visual features of the design which the applicant hereby identifies as new and distinctive are as follows: Adjustable support stand and adjustable element therefor as illustrated in the accompanying drawings.**



(21) Design Number: **12953/2009**

(22) Date of Filing Application: **06 August 2009**

(24) Date from which industrial property rights may have effect: **06 August 2009**

(54) Product in respect of which the design is registered: **Front grille for automobile**

(51) International Design Classification: **12-16B**

(71) Name(s) and Address(s) of Applicant(s):

**Toyota Jidosha Kabushiki Kaisha
1 Toyota-cho Toyota-shi Aichi-ken 471-8571 Japan**

(72) Name(s) of Designer(s): **Hirofumi Fukui and Hiroya Kitazumi**

(45) Registration Date: **16 December 2009**

(56) Related Art Documents: **Not Applicable**

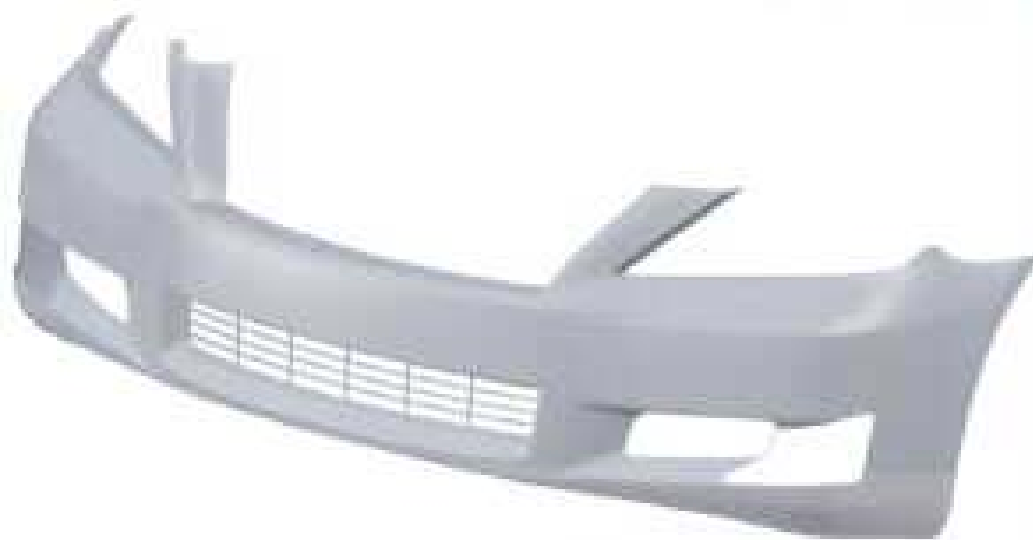
(57) Statement of Newness and Distinctiveness: **Newness and distinctiveness is claimed in the features of shape and/or configuration of a front grille for automobile as illustrated in the accompanying representations.**



- (21) Design Number: **12954/2009**
(22) Date of Filing Application: **06 August 2009**
(24) Date from which industrial property rights may have effect: **06 August 2009**
(54) Product in respect of which the design is registered: **Automobile**
(51) International Design Classification: **12-08**
(71) Name(s) and Address(s) of Applicant(s):
Toyota Jidosha Kabushiki Kaisha
1 Toyota-cho Toyota-shi Aichi-ken 471-8571 Japan
(72) Name(s) of Designer(s): **Takahiro Kanno and Akikazu Hayashi and Shin Miyata**
(45) Registration Date: **16 December 2009**
(56) Related Art Documents: **Not Applicable**
(57) Statement of Newness and Distinctiveness: **Newness and distinctiveness is claimed in the features of shape and/or configuration of an automobile as illustrated in the accompanying representations.**



- (21) Design Number: **12955/2009**
(22) Date of Filing Application: **06 August 2009**
(24) Date from which industrial property rights may have effect: **06 August 2009**
(54) Product in respect of which the design is registered: **Front bumper for automobile**
(51) International Design Classification: **12-16C**
(71) Name(s) and Address(s) of Applicant(s):
Toyota Jidosha Kabushiki Kaisha
1 Toyota-cho Toyota-shi Aichi-ken 471-8571 Japan
(72) Name(s) of Designer(s): **Hirofumi Fukui and Hiroya Kitazumi and Yoshiyasu Neuchi**
(45) Registration Date: **16 December 2009**
(56) Related Art Documents: **Not Applicable**
(57) Statement of Newness and Distinctiveness: **Newness and distinctiveness is claimed in the features of shape and/or configuration of a front bumper for automobile as illustrated in the accompanying representations.**



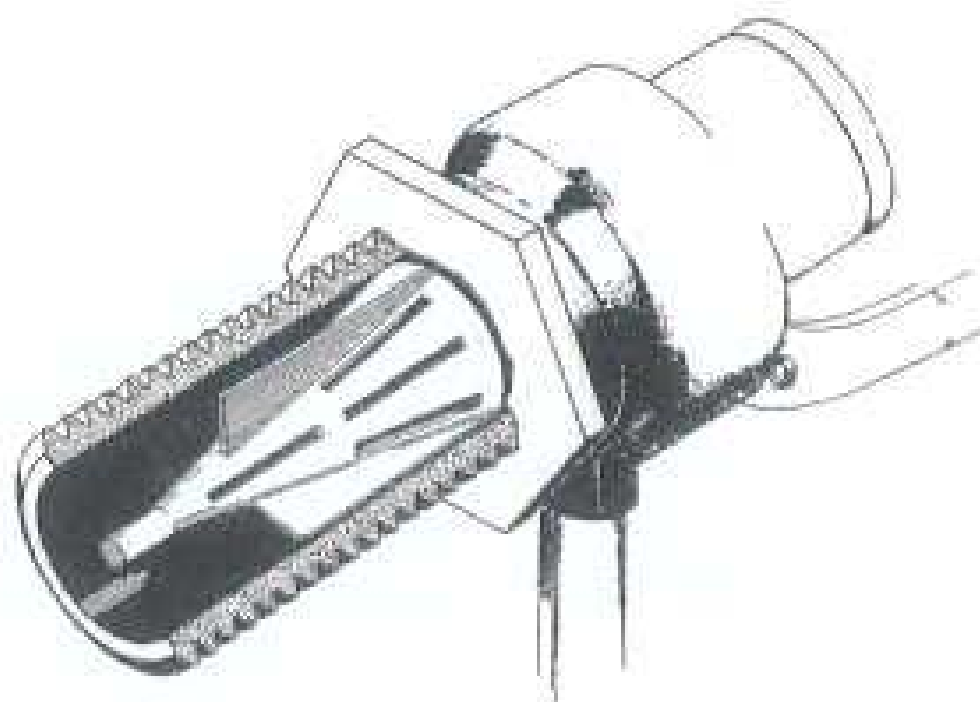
- (21) Design Number: **12956/2009**
(22) Date of Filing Application: **06 August 2009**
(24) Date from which industrial property rights may have effect: **06 August 2009**
(54) Product in respect of which the design is registered: **Automobile**
(51) International Design Classification: **12-08**
(71) Name(s) and Address(s) of Applicant(s):
Toyota Jidosha Kabushiki Kaisha
1 Toyota-cho Toyota-shi Aichi-ken 471-8571 Japan
(72) Name(s) of Designer(s): **Takahiro Kanno and Akikazu Hayashi**
(45) Registration Date: **16 December 2009**
(56) Related Art Documents: **Not Applicable**
(57) Statement of Newness and Distinctiveness: **Newness and distinctiveness is claimed in the features of shape and/or configuration of the front end portion of an automobile as illustrated in the accompanying representations, the front end portion being emphasised in the additional views.**



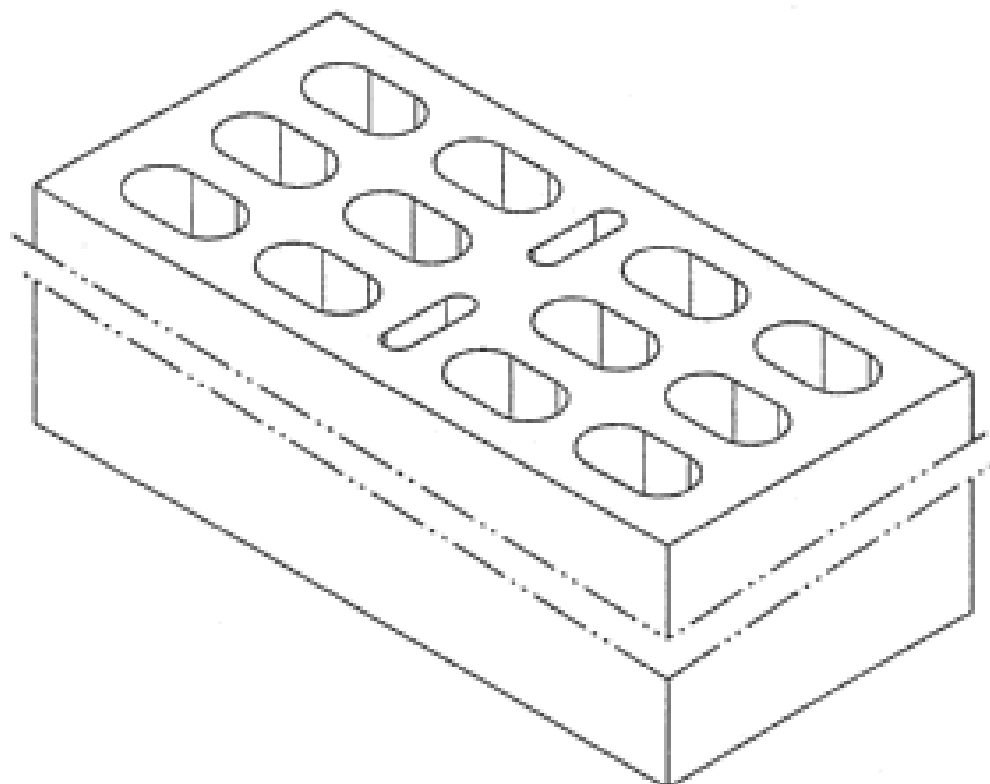
- (21) Design Number: **12957/2009**
(22) Date of Filing Application: **06 August 2009**
(24) Date from which industrial property rights may have effect: **06 August 2009**
(54) Product in respect of which the design is registered: **Automobile**
(51) International Design Classification: **12-08**
(71) Name(s) and Address(s) of Applicant(s):
Toyota Jidosha Kabushiki Kaisha
1 Toyota-cho Toyota-shi Aichi-ken 471-8571 Japan
(72) Name(s) of Designer(s): **Hirofumi Fukui and Hiroya Kitazumi and Yoshiyasu Neuchi**
(45) Registration Date: **16 December 2009**
(56) Related Art Documents: **Not Applicable**
(57) Statement of Newness and Distinctiveness: **Newness and distinctiveness is claimed in the features of shape and/or configuration of the front end portion of an automobile as illustrated in the accompanying representations, the front end portion being emphasised in the additional views.**



- (21) Design Number: **13882/2009**
(22) Date of Filing Application: **09 October 2009**
(24) Date from which industrial property rights may have effect: **09 October 2009**
(54) Product in respect of which the design is registered: **Pyramid ball valve filter**
(51) International Design Classification: **23-01G**
(71) Name(s) and Address(s) of Applicant(s):
John Robert Botting
2 Brooklyn Street Green Island Dunedin Otago 9006 New Zealand
(72) Name(s) of Designer(s): **John Robert Botting and Roy Martin**
(45) Registration Date: **16 December 2009**
(56) Related Art Documents: **Not Applicable**
(57) Statement of Newness and Distinctiveness: **Nil**



- (21) Design Number: **14154/2009**
(22) Date of Filing Application: **27 October 2009**
(24) Date from which industrial property rights may have effect: **27 October 2009**
(54) Product in respect of which the design is registered: **Brick**
(51) International Design Classification: **25-01A**
(71) Name(s) and Address(s) of Applicant(s):
The Austral Brick Company Pty Ltd
738-780 Wallgrove Road Horsley Park New South Wales 2175
Australia
(72) Name(s) of Designer(s): **Jamie Person and Emanuel Vella**
(45) Registration Date: **16 December 2009**
(56) Related Art Documents: **Not Applicable**
(57) Statement of Newness and Distinctiveness: **Those features of the brick depicted in the representations that are new and distinctive are the shape and/or configuration. The brick may be of indefinite depth.**



- (21) Design Number: **14349/2009**
(22) Date of Filing Application: **09 November 2009**
(24) Date from which industrial property rights may have effect: **09 November 2009**
(54) Product in respect of which the design is registered: **Chair tidy**
(51) International Design Classification: **03-01NES**
(71) Name(s) and Address(s) of Applicant(s):

Tina Martin
34 Station Road Menangle Park New South Wales 2563 Australia

Kyra Jaafar
68 Stornoway Avenue St Andrews New South Wales 2566 Australia

Kristy Hill
40 Station Road Menangle Park New South Wales 2563 Australia

Fiona Martin
202 Racecourse Avenue Menangle Park New South Wales 2563 Australia

- (72) Name(s) of Designer(s): **Tina Martin and Kyra Jaafar and Kristy Hill and Fiona Martin**

(45) Registration Date: **16 December 2009**

(56) Related Art Documents: **Not Applicable**

- (57) Statement of Newness and Distinctiveness: **The front of the chair tidy has 2 zippered pockets of different sizes, one has a flat base. It also has a plastic pocket which closes with a fastener. The back of the chair tidy has 2 straps. These straps are secured to each side of the chair tidy by elastic or material with a fastener. It has a netted drink or pencil pocket on the side of the chair tidy.**



- (21) Design Number: **14477/2009**
(22) Date of Filing Application: **17 November 2009**
(24) Date from which industrial property rights may have effect: **17 November 2009**
(54) Product in respect of which the design is registered: **Tissue dispenser**
(51) International Design Classification: **23-02A**
(71) Name(s) and Address(s) of Applicant(s):

SCA Hygiene Products AB
S-405 03 Goteborg Sweden

- (72) Name(s) of Designer(s): **Giovanni Benedetti and Peter Orgna and Joakim Norin**

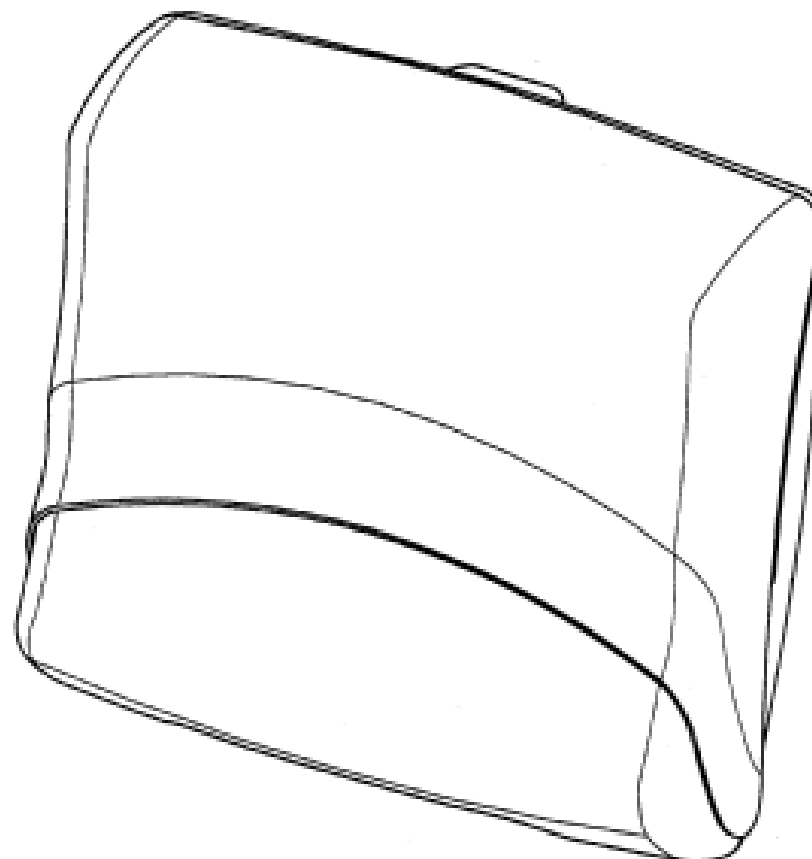
(45) Registration Date: **16 December 2009**

(30) Convention priority data:

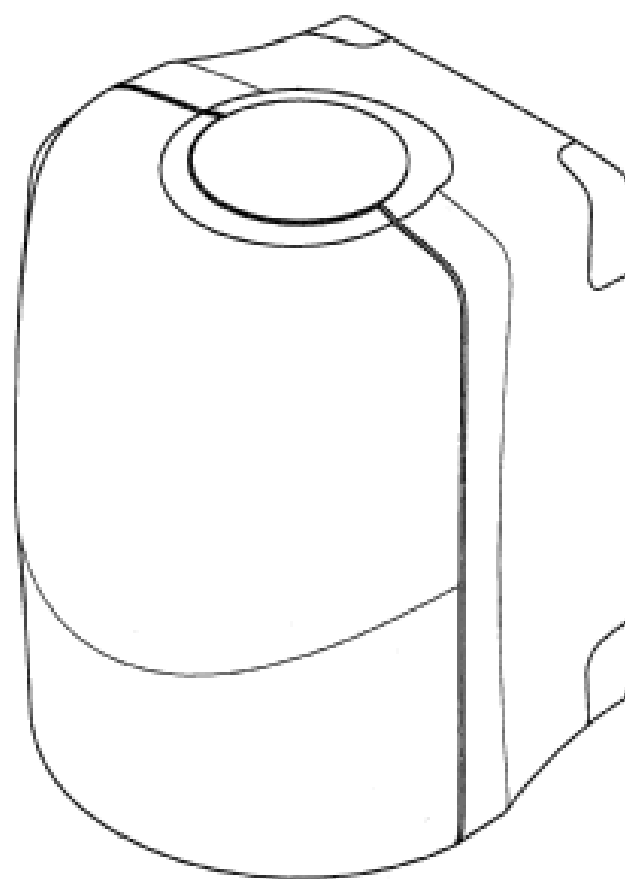
(31) Number	(32) Date	(33) Country
001149447-0001	30 Jun 2009	EUROPEAN COMMUNITY

(56) Related Art Documents: **Not Applicable**

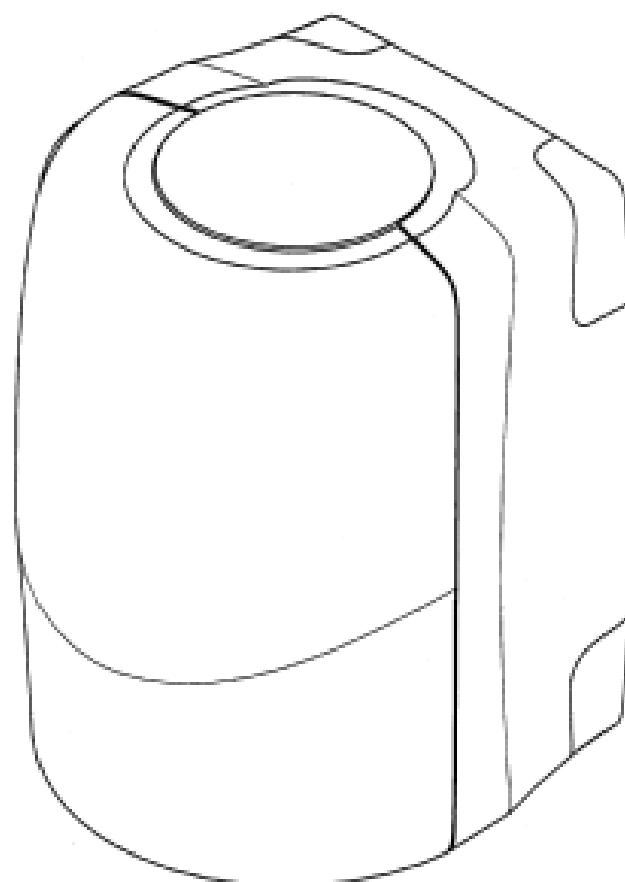
(57) Statement of Newness and Distinctiveness: **Nil**



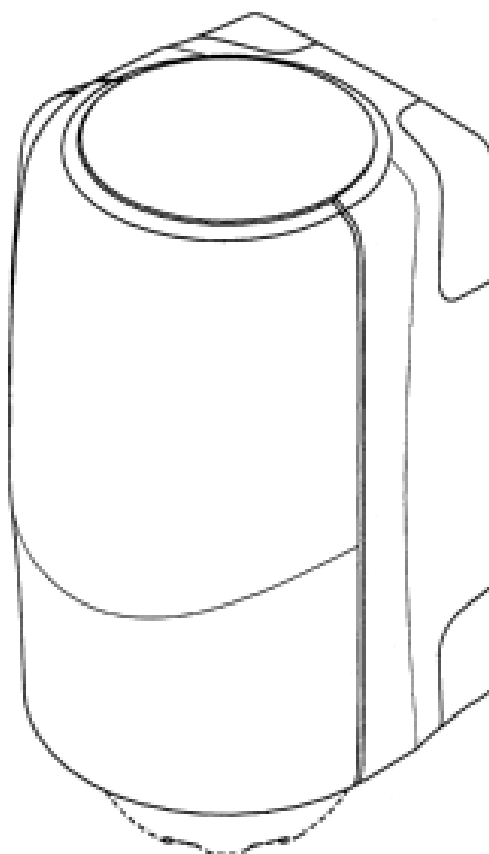
(21) Design Number: **14478/2009**
(22) Date of Filing Application: **17 November 2009**
(24) Date from which industrial property rights may have effect: **17 November 2009**
(54) Product in respect of which the design is registered: **Tissue dispenser**
(51) International Design Classification: **23-02A**
(71) Name(s) and Address(s) of Applicant(s):
SCA Hygiene Products AB
S-405 03 Goteborg Sweden
(72) Name(s) of Designer(s): **Giovanni Benedetti and Peter Orgna and Joakim Norin**
(45) Registration Date: **16 December 2009**
(30) Convention priority data:
(31) Number (32) Date (33) Country
001149447-0003 30 Jun 2009 EUROPEAN COMMUNITY
(56) Related Art Documents: **Not Applicable**
(57) Statement of Newness and Distinctiveness: **Nil**



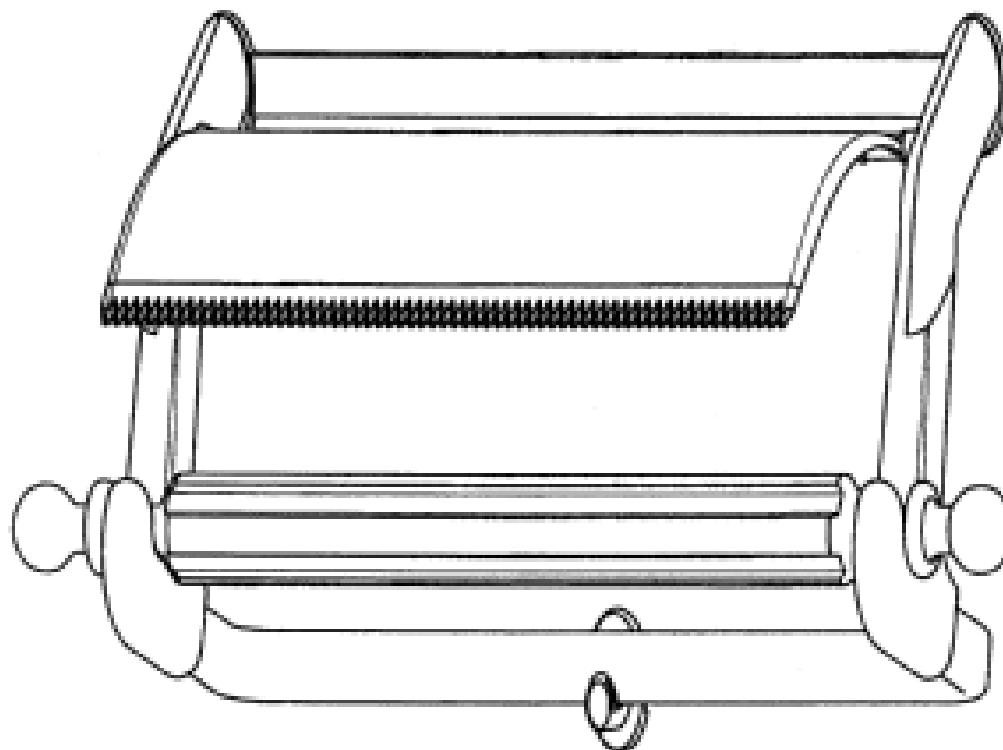
(21) Design Number: **14479/2009**
(22) Date of Filing Application: **17 November 2009**
(24) Date from which industrial property rights may have effect: **17 November 2009**
(54) Product in respect of which the design is registered: **Tissue dispenser**
(51) International Design Classification: **23-02A**
(71) Name(s) and Address(s) of Applicant(s):
SCA Hygiene Products AB
S-405 03 Goteborg Sweden
(72) Name(s) of Designer(s): **Giovanni Benedetti and Peter Orgna and Joakim Norin**
(45) Registration Date: **16 December 2009**
(30) Convention priority data:
(31) Number (32) Date (33) Country
001149447-0005 30 Jun 2009 EUROPEAN COMMUNITY
(56) Related Art Documents: **Not Applicable**
(57) Statement of Newness and Distinctiveness: **Nil**



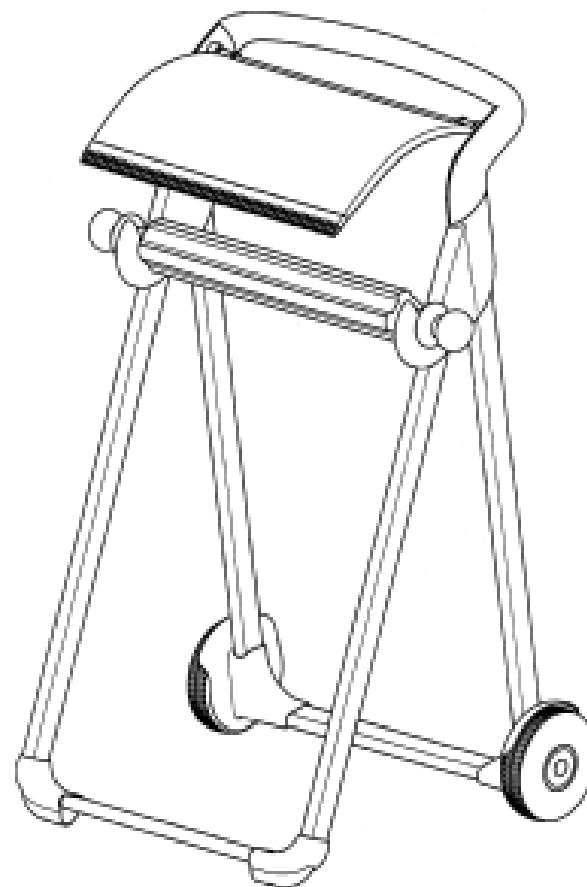
(21) Design Number: **14480/2009**
(22) Date of Filing Application: **17 November 2009**
(24) Date from which industrial property rights may have effect: **17 November 2009**
(54) Product in respect of which the design is registered: **Tissue dispenser**
(51) International Design Classification: **23-02A**
(71) Name(s) and Address(s) of Applicant(s):
SCA Hygiene Products AB
S-405 03 Goteborg Sweden
(72) Name(s) of Designer(s): **Giovanni Benedetti and Peter Orgna and Joakim Norin**
(45) Registration Date: **16 December 2009**
(30) Convention priority data:
(31) Number (32) Date (33) Country
001149447-0007 30 Jun 2009 EUROPEAN COMMUNITY
(56) Related Art Documents: **Not Applicable**
(57) Statement of Newness and Distinctiveness: **Nil**



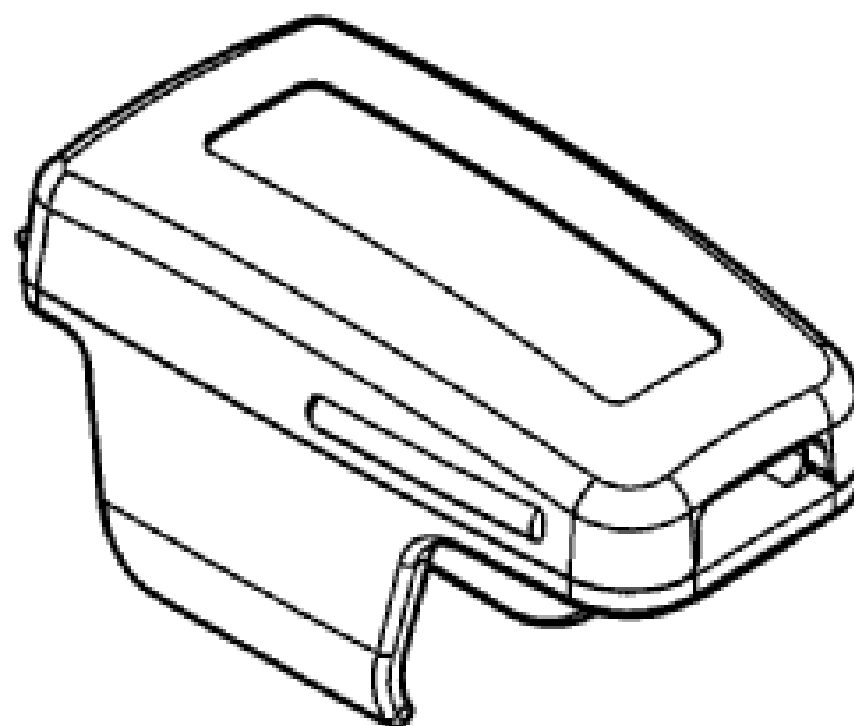
(21) Design Number: **14481/2009**
(22) Date of Filing Application: **17 November 2009**
(24) Date from which industrial property rights may have effect: **17 November 2009**
(54) Product in respect of which the design is registered: **Tissue dispenser**
(51) International Design Classification: **23-02A**
(71) Name(s) and Address(s) of Applicant(s):
SCA Hygiene Products AB
S-405 03 Goteborg Sweden
(72) Name(s) of Designer(s): **Giovanni Benedetti and Peter Orgna and Joakim Norin**
(45) Registration Date: **16 December 2009**
(30) Convention priority data:
(31) Number (32) Date (33) Country
001149447-0009 30 Jun 2009 EUROPEAN COMMUNITY
(56) Related Art Documents: **Not Applicable**
(57) Statement of Newness and Distinctiveness: **Nil**



(21) Design Number: **14482/2009**
(22) Date of Filing Application: **17 November 2009**
(24) Date from which industrial property rights may have effect: **17 November 2009**
(54) Product in respect of which the design is registered: **Tissue dispenser**
(51) International Design Classification: **23-02A**
(71) Name(s) and Address(s) of Applicant(s):
SCA Hygiene Products AB
S-405 03 Goteborg Sweden
(72) Name(s) of Designer(s): **Giovanni Benedetti and Peter Orgna and Joakim Norin**
(45) Registration Date: **16 December 2009**
(30) Convention priority data:
(31) Number (32) Date (33) Country
001149447-0011 30 Jun 2009 EUROPEAN COMMUNITY
(56) Related Art Documents: **Not Applicable**
(57) Statement of Newness and Distinctiveness: **Nil**



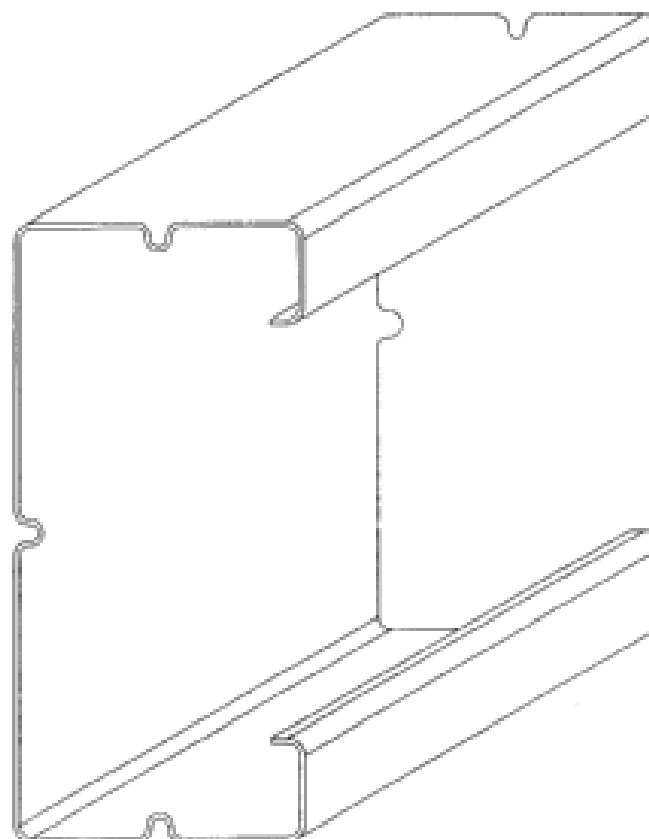
(21) Design Number: **14499/2009**
(22) Date of Filing Application: **16 November 2009**
(24) Date from which industrial property rights may have effect: **16 November 2009**
(54) Product in respect of which the design is registered: **A fishing rod hook holder attachment**
(51) International Design Classification: **22-05**
(71) Name(s) and Address(s) of Applicant(s):
Malcolm Frederick Meyers
Rosedale Port Broughton Road Port Pirie South Australia 5540
Australia
(72) Name(s) of Designer(s): **Malcolm Frederick Meyers**
(45) Registration Date: **16 December 2009**
(56) Related Art Documents: **Not Applicable**
(57) Statement of Newness and Distinctiveness: **Nil**



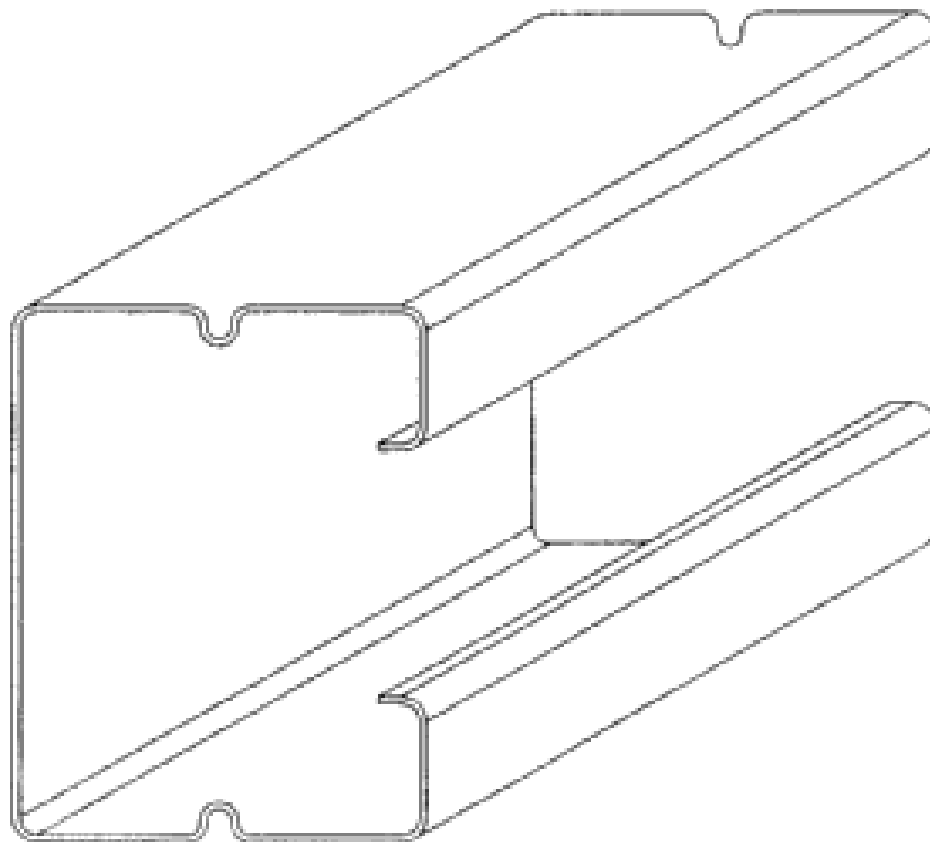
- (21) Design Number: **14500/2009**
(22) Date of Filing Application: **18 November 2009**
(24) Date from which industrial property rights may have effect: **18 November 2009**
(54) Product in respect of which the design is registered: **Soft toy kangaroo**
(51) International Design Classification: **21-01A**
(71) Name(s) and Address(s) of Applicant(s):
Cooee Brands Pty Ltd
Unit 27/6-8 Herbert Street St Leonards New South Wales 2065
Australia
(72) Name(s) of Designer(s): **Neil F. Cope**
(45) Registration Date: **16 December 2009**
(56) Related Art Documents: **Not Applicable**
(57) Statement of Newness and Distinctiveness: **Kango is a soft toy kangaroo characterised by having oversized feet.**



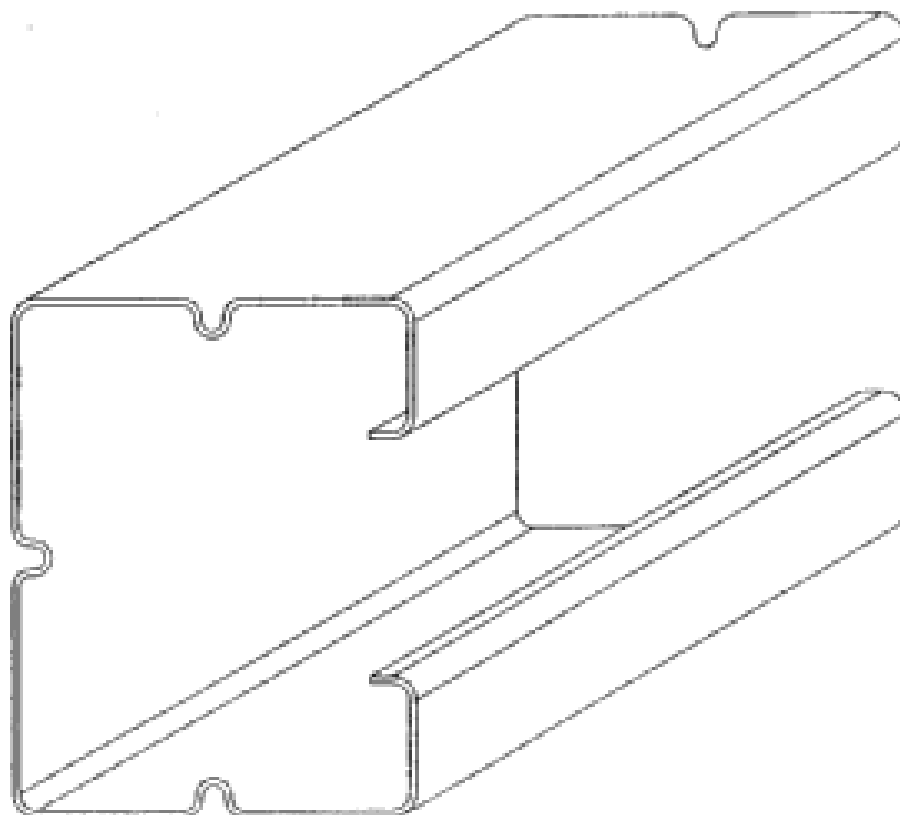
- (21) Design Number: **14502/2009**
(22) Date of Filing Application: **18 November 2009**
(24) Date from which industrial property rights may have effect: **18 November 2009**
(54) Product in respect of which the design is registered: **Metal section**
(51) International Design Classification: **25-01NES**
(71) Name(s) and Address(s) of Applicant(s):
Rondo Building Services Pty Limited
3-33 Glossop Street St Marys New South Wales 2760 Australia
(72) Name(s) of Designer(s): **Craig Keen**
(45) Registration Date: **16 December 2009**
(56) Related Art Documents: **Not Applicable**
(57) Statement of Newness and Distinctiveness: **Newness and distinctiveness is claimed in the features of shape and/or configuration of the cross-section of a metal section as illustrated in the accompanying representations, wherein the cross-section of the metal section is constant along its length.**



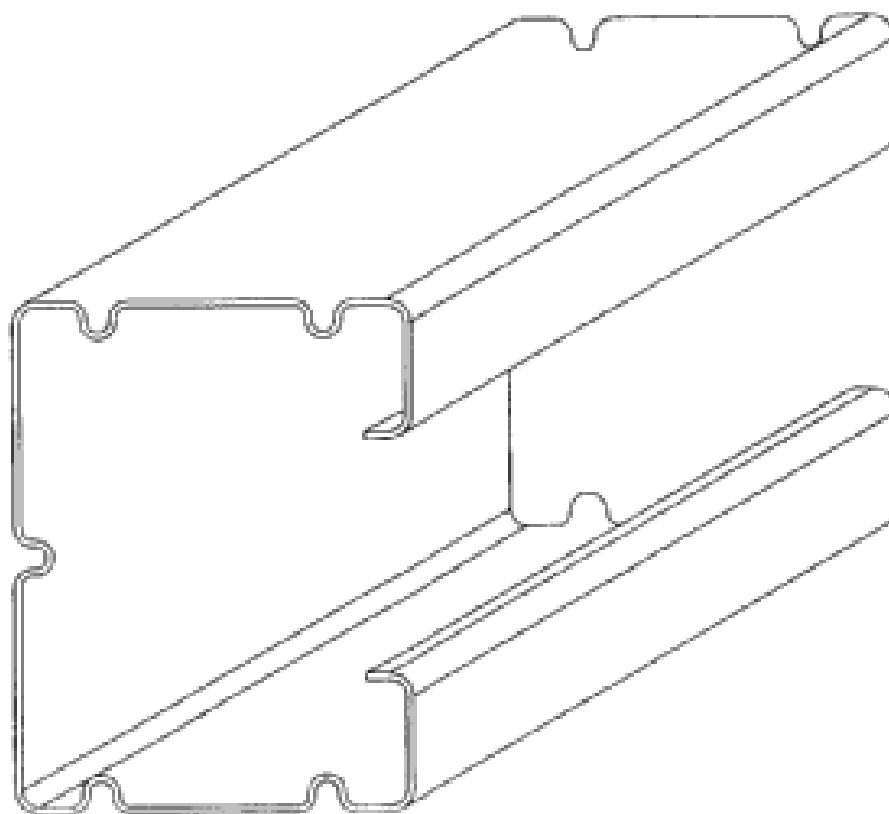
- (21) Design Number: **14503/2009**
(22) Date of Filing Application: **18 November 2009**
(24) Date from which industrial property rights may have effect: **18 November 2009**
(54) Product in respect of which the design is registered: **Metal section**
(51) International Design Classification: **25-01NES**
(71) Name(s) and Address(s) of Applicant(s):
Rondo Building Services Pty Limited
3-33 Glossop Street St Marys New South Wales 2760 Australia
(72) Name(s) of Designer(s): **Craig Keen**
(45) Registration Date: **16 December 2009**
(56) Related Art Documents: **Not Applicable**
(57) Statement of Newness and Distinctiveness: **Newness and distinctiveness is claimed in the features of shape and/or configuration of the cross-section of a metal section as illustrated in the accompanying representations, wherein the cross-section of the metal section is constant along its length.**



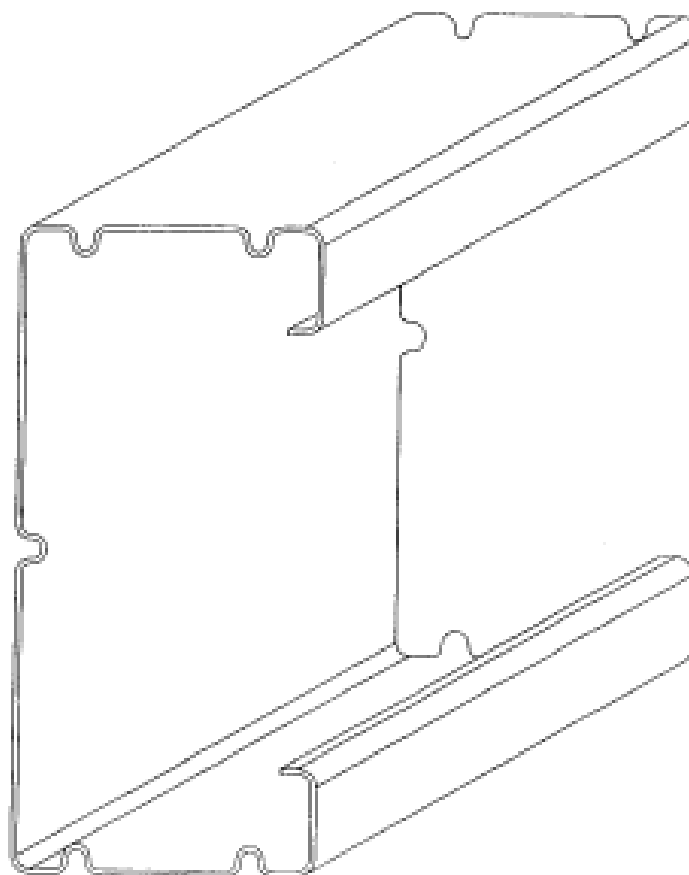
- (21) Design Number: **14504/2009**
(22) Date of Filing Application: **18 November 2009**
(24) Date from which industrial property rights may have effect: **18 November 2009**
(54) Product in respect of which the design is registered: **Metal section**
(51) International Design Classification: **25-01NES**
(71) Name(s) and Address(s) of Applicant(s):
Rondo Building Services Pty Limited
3-33 Glossop Street St Marys New South Wales 2760 Australia
(72) Name(s) of Designer(s): **Craig Keen**
(45) Registration Date: **16 December 2009**
(56) Related Art Documents: **Not Applicable**
(57) Statement of Newness and Distinctiveness: **Newness and distinctiveness is claimed in the features of shape and/or configuration of the cross-section of a metal section as illustrated in the accompanying representations, wherein the cross-section of the metal section is constant along its length.**



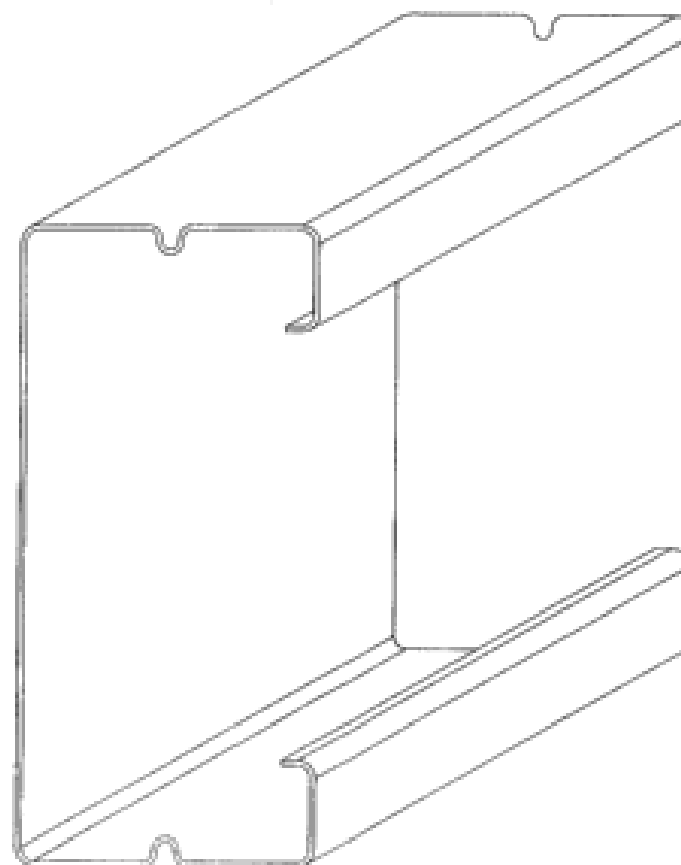
- (21) Design Number: **14505/2009**
(22) Date of Filing Application: **18 November 2009**
(24) Date from which industrial property rights may have effect: **18 November 2009**
(54) Product in respect of which the design is registered: **Metal section**
(51) International Design Classification: **25-01NES**
(71) Name(s) and Address(s) of Applicant(s):
Rondo Building Services Pty Limited
3-33 Glossop Street St Marys New South Wales 2760 Australia
(72) Name(s) of Designer(s): **Craig Keen**
(45) Registration Date: **16 December 2009**
(56) Related Art Documents: **Not Applicable**
(57) Statement of Newness and Distinctiveness: **Newness and distinctiveness is claimed in the features of shape and/or configuration of the cross-section of a metal section as illustrated in the accompanying representations, wherein the cross-section of the metal section is constant along its length.**



- (21) Design Number: **14506/2009**
(22) Date of Filing Application: **18 November 2009**
(24) Date from which industrial property rights may have effect: **18 November 2009**
(54) Product in respect of which the design is registered: **Metal section**
(51) International Design Classification: **25-01NES**
(71) Name(s) and Address(s) of Applicant(s):
Rondo Building Services Pty Limited
3-33 Glossop Street St Marys New South Wales 2760 Australia
(72) Name(s) of Designer(s): **Craig Keen**
(45) Registration Date: **16 December 2009**
(56) Related Art Documents: **Not Applicable**
(57) Statement of Newness and Distinctiveness: **Newness and distinctiveness is claimed in the features of shape and/or configuration of the cross-section of a metal section as illustrated in the accompanying representations, wherein the cross-section of the metal section is constant along its length.**

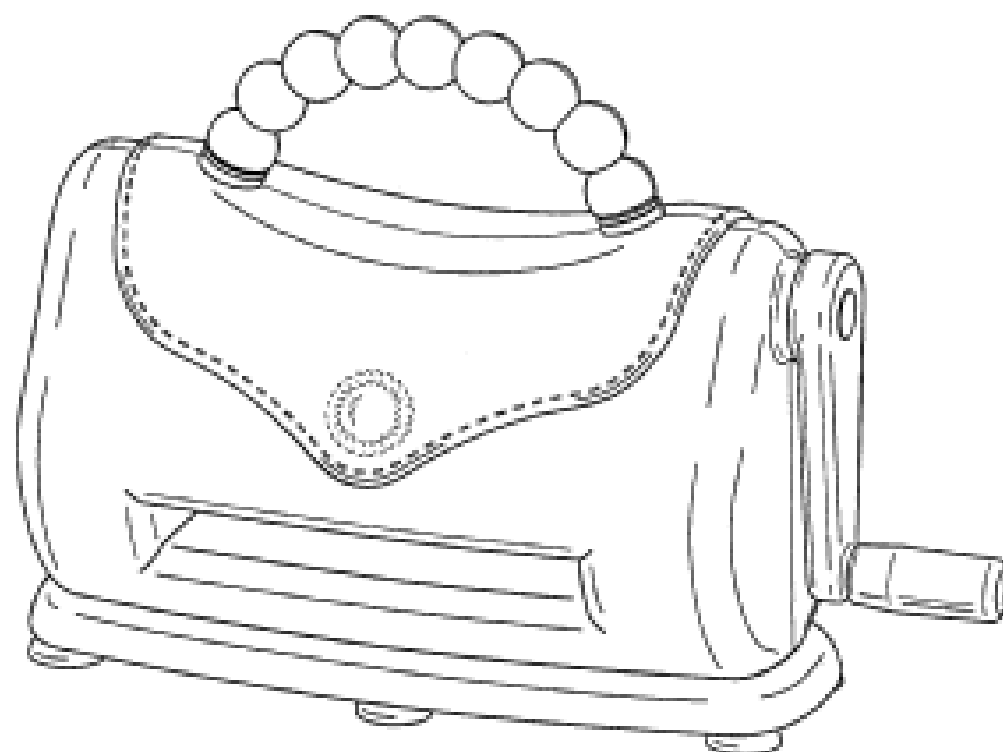


- (21) Design Number: **14507/2009**
- (22) Date of Filing Application: **18 November 2009**
- (24) Date from which industrial property rights may have effect: **18 November 2009**
- (54) Product in respect of which the design is registered: **Metal section**
- (51) International Design Classification: **25-01NES**
- (71) Name(s) and Address(s) of Applicant(s):
Rondo Building Services Pty Limited
3-33 Glossop Street St Marys New South Wales 2760 Australia
- (72) Name(s) of Designer(s): **Craig Keen**
- (45) Registration Date: **16 December 2009**
- (56) Related Art Documents: **Not Applicable**
- (57) Statement of Newness and Distinctiveness: **Newness and distinctiveness is claimed in the features of shape and/or configuration of the cross-section of a metal section as illustrated in the accompanying representations, wherein the cross-section of the metal section is constant along its length.**



- (21) Design Number: **14501/2009**
- (22) Date of Filing Application: **18 November 2009**
- (24) Date from which industrial property rights may have effect: **18 November 2009**
- (54) Product in respect of which the design is registered: **Hand operated embossing machine**
- (51) International Design Classification: **15-09**
- (71) Name(s) and Address(s) of Applicant(s):
Ellison Educational Equipment, Inc.
25862 Commercentre Drive Lake Forest CA 92630 United States of America
- (72) Name(s) of Designer(s): **Kevin L. Corcoran and Robert E. Smathers and Cara Mariano and Beth Reames and Erin Highberg**
- (45) Registration Date: **16 December 2009**
- (30) Convention priority data:

(31) Number	(32) Date	(33) Country
29/315094	27 May 2009	UNITED STATES OF AMERICA
- (56) Related Art Documents: **Not Applicable**
- (57) Statement of Newness and Distinctiveness: **When determining whether the design is substantially similar in overall impression to another design, it should be noted that the small spaced rectangles shown on the drawings of the machine are to be understood to simulate stitching, whereas the medallion shown on the drawings of the machine in broken outline is to be disregarded, is provided for illustrative purposes only and forms no part of the design.**



(21) Design Number: **13283/2009**

(22) Date of Filing Application: **26 August 2009**

(24) Date from which industrial property rights may have effect: **26 August 2009**

(54) Product in respect of which the design is registered: **Diagnostic device**

(51) International Design Classification: **24-02**

(71) Name(s) and Address(s) of Applicant(s):

ZBx Corporation

73 Railside Road Unit 9 Toronto Ontario Canada

(72) Name(s) of Designer(s): **Qinwei Shi and Florian Eckhardt**

(45) Registration Date: **16 December 2009**

(30) Convention priority data:

(31) Number

(32) Date

(33) Country

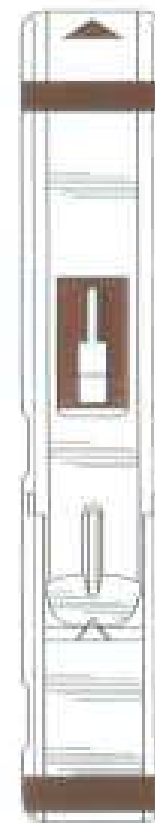
29/315379

19 Jun 2009

UNITED STATES OF AMERICA

(56) Related Art Documents: **Not Applicable**

(57) Statement of Newness and Distinctiveness: **Those features of the diagnostic device depicted in the representations that are new and distinctive are the pattern and/or ornamentation. The brown coloured (Pantone 4705C) markings are depicted on the top of the diagnostic device.**



(21) Design Number: **13284/2009**

(22) Date of Filing Application: **26 August 2009**

(24) Date from which industrial property rights may have effect: **26 August 2009**

(54) Product in respect of which the design is registered: **Diagnostic device**

(51) International Design Classification: **24-02**

(71) Name(s) and Address(s) of Applicant(s):

ZBx Corporation

73 Railside Road Unit 9 Toronto Ontario Canada

(72) Name(s) of Designer(s): **Qinwei Shi and Florian Eckhardt**

(45) Registration Date: **16 December 2009**

(30) Convention priority data:

(31) Number

(32) Date

(33) Country

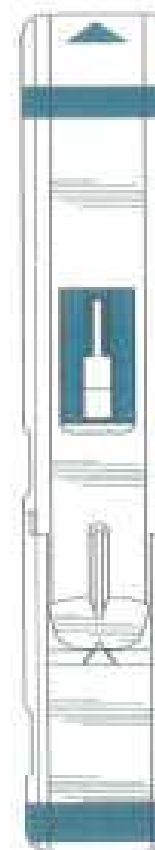
29/315379

19 Jun 2009

UNITED STATES OF AMERICA

(56) Related Art Documents: **Not Applicable**

(57) Statement of Newness and Distinctiveness: **Those features of the diagnostic device depicted in the representations that are new and distinctive are the pattern and/or ornamentation. The teal coloured (Pantone 327C) markings are depicted on the top of the diagnostic device.**



(21) Design Number: **13285/2009**

(22) Date of Filing Application: **26 August 2009**

(24) Date from which industrial property rights may have effect: **26 August 2009**

(54) Product in respect of which the design is registered: **Diagnostic device**

(51) International Design Classification: **24-02**

(71) Name(s) and Address(s) of Applicant(s):

ZBx Corporation

73 Rainside Road Unit 9 Toronto Ontario Canada

(72) Name(s) of Designer(s): **Qinwei Shi and Florian Eckhardt**

(45) Registration Date: **16 December 2009**

(30) Convention priority data:

(31) Number

(32) Date

(33) Country

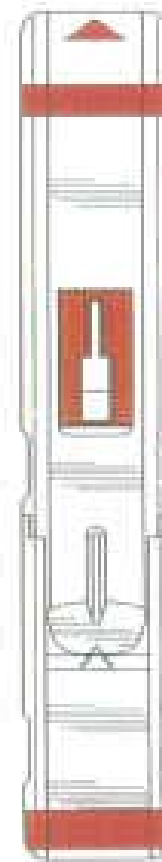
29/315379

19 Jun 2009

UNITED STATES OF AMERICA

(56) Related Art Documents: **Not Applicable**

(57) Statement of Newness and Distinctiveness: **Those features of the diagnostic device depicted in the representations that are new and distinctive are the pattern and/or ornamentation. The orange coloured (Pantone 021C) markings are depicted on the top of the diagnostic device.**



(21) Design Number: **13286/2009**

(22) Date of Filing Application: **26 August 2009**

(24) Date from which industrial property rights may have effect: **26 August 2009**

(54) Product in respect of which the design is registered: **Diagnostic device**

(51) International Design Classification: **24-02**

(71) Name(s) and Address(s) of Applicant(s):

ZBx Corporation

73 Rainside Road Unit 9 Toronto Ontario Canada

(72) Name(s) of Designer(s): **Qinwei Shi and Florian Eckhardt**

(45) Registration Date: **16 December 2009**

(30) Convention priority data:

(31) Number

(32) Date

(33) Country

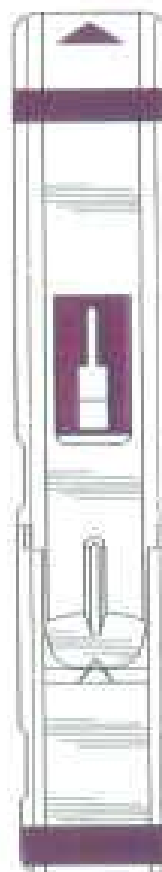
29/315379

19 Jun 2009

UNITED STATES OF AMERICA

(56) Related Art Documents: **Not Applicable**

(57) Statement of Newness and Distinctiveness: **Those features of the diagnostic device depicted in the representations that are new and distinctive are the pattern and/or ornamentation. The violet coloured (Pantone 2592C) markings are depicted on the top of the diagnostic device.**



(21) Design Number: **13287/2009**

(22) Date of Filing Application: **26 August 2009**

(24) Date from which industrial property rights may have effect: **26 August 2009**

(54) Product in respect of which the design is registered: **Diagnostic device**

(51) International Design Classification: **24-02**

(71) Name(s) and Address(s) of Applicant(s):

ZBx Corporation

73 Rainside Road Unit 9 Toronto Ontario Canada

(72) Name(s) of Designer(s): **Qinwei Shi and Florian Eckhardt**

(45) Registration Date: **16 December 2009**

(30) Convention priority data:

(31) Number

(32) Date

(33) Country

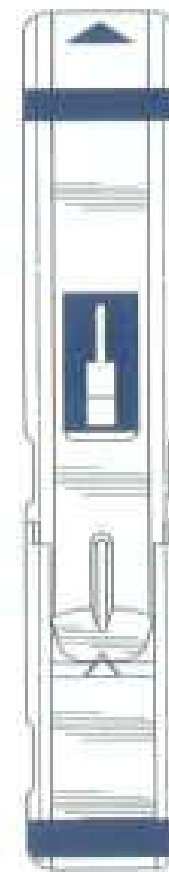
29/315379

19 Jun 2009

UNITED STATES OF AMERICA

(56) Related Art Documents: **Not Applicable**

(57) Statement of Newness and Distinctiveness: **Those features of the diagnostic device depicted in the representations that are new and distinctive are the pattern and/or ornamentation. The blue coloured (Pantone 287C) markings are depicted on the top of the diagnostic device.**



(21) Design Number: **14525/2009**

(22) Date of Filing Application: **19 November 2009**

(24) Date from which industrial property rights may have effect: **19 November 2009**

(54) Product in respect of which the design is registered: **Cassette for dialysis**

(51) International Design Classification: **24-01**

(71) Name(s) and Address(s) of Applicant(s):

Gambro Lundia AB

PO Box 10101 Lund SE-220 10 Sweden

(72) Name(s) of Designer(s): **Luca Caleffi and Giuseppe Franzoni**

(45) Registration Date: **18 December 2009**

(30) Convention priority data:

(31) Number

(32) Date

(33) Country

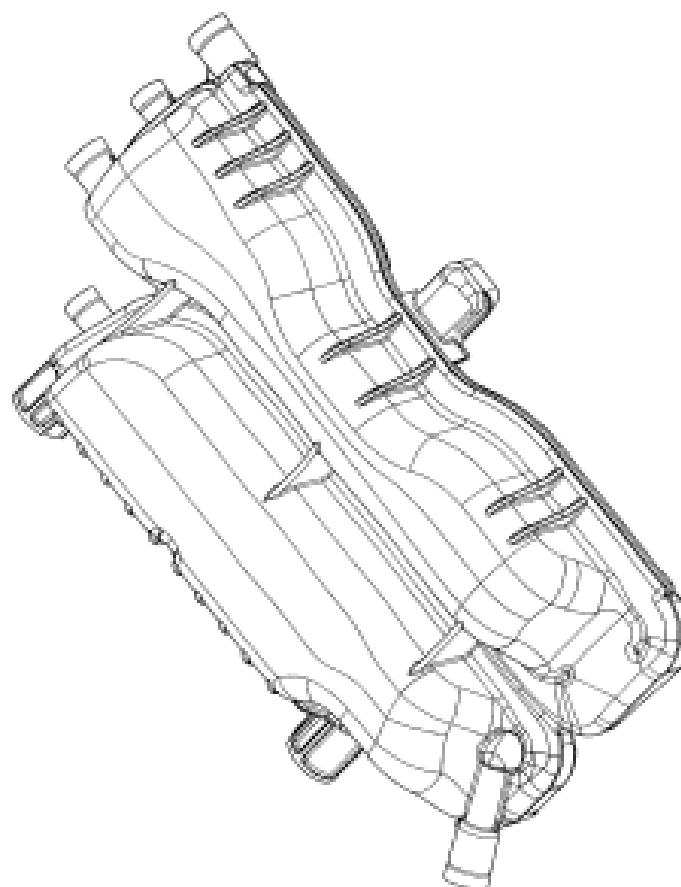
001139216-0001

22 May 2009

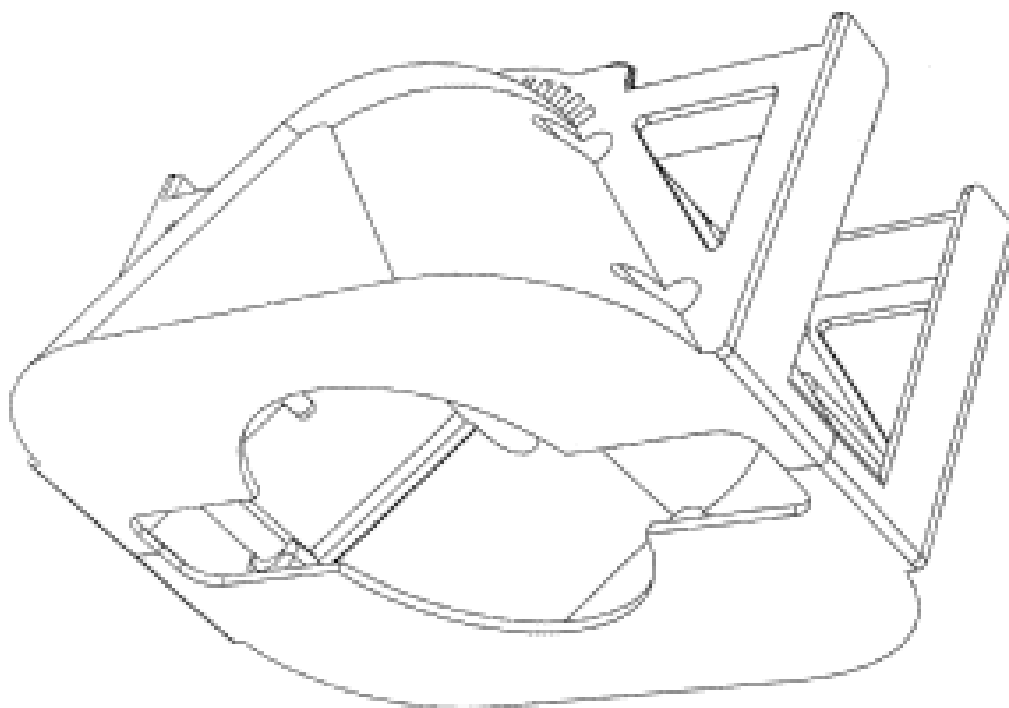
EUROPEAN COMMUNITY

(56) Related Art Documents: **Not Applicable**

(57) Statement of Newness and Distinctiveness: **Nil**



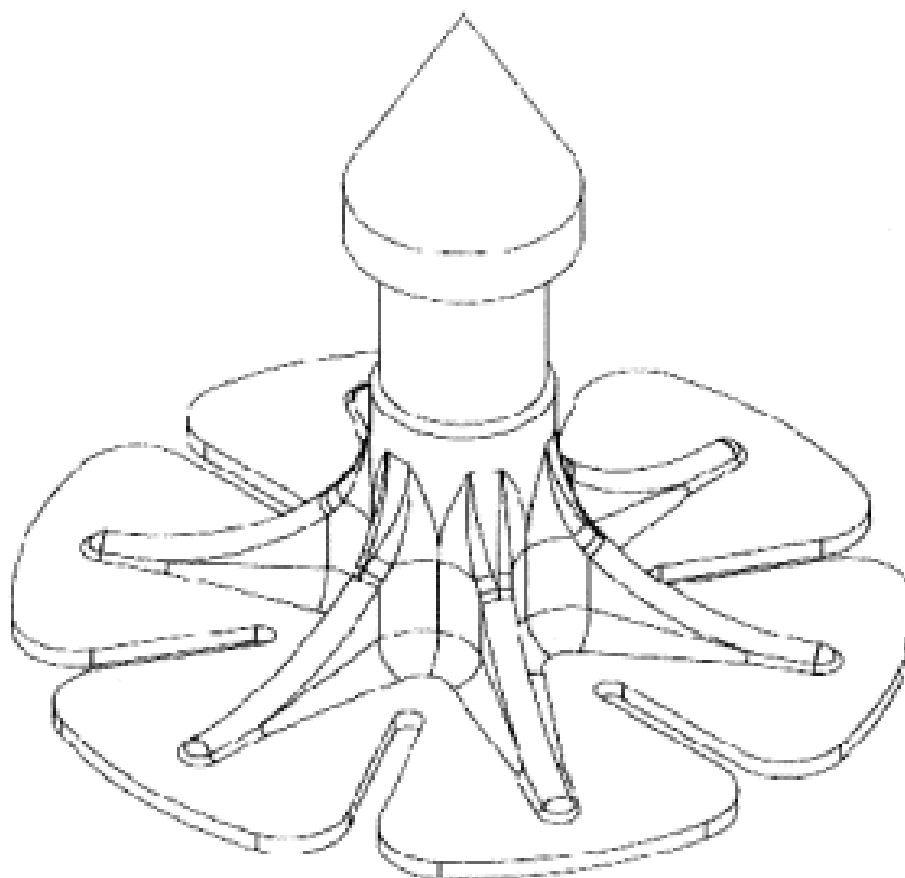
- (21) Design Number: **14526/2009**
(22) Date of Filing Application: **20 November 2009**
(24) Date from which industrial property rights may have effect: **20 November 2009**
(54) Product in respect of which the design is registered: **Downlight cover**
(51) International Design Classification: **26-05C**
(71) Name(s) and Address(s) of Applicant(s):
In-Ceiling Technologies Pty Limited
Unit 2 72-74 Woodfield Boulevard Caringbah New South Wales 2229
Australia
(72) Name(s) of Designer(s): **Gregory Malcolm Hay**
(45) Registration Date: **18 December 2009**
(56) Related Art Documents: **Not Applicable**
(57) Statement of Newness and Distinctiveness: **Newness and distinctiveness is claimed in respect of the shape and/or configuration of the product illustrated in the accompanying representations.**



- (21) Design Number: **14527/2009**
(22) Date of Filing Application: **19 November 2009**
(24) Date from which industrial property rights may have effect: **19 November 2009**
(54) Product in respect of which the design is registered: **Animal identification tag**
(51) International Design Classification: **30-99**
(71) Name(s) and Address(s) of Applicant(s):
Dalton Group Limited
Templar House Don Road St Helier Jersey JE4 8WH Channel Islands
(72) Name(s) of Designer(s): **Daniel K. Brierley**
(45) Registration Date: **18 December 2009**
(30) Convention priority data:

(31) Number	(32) Date	(33) Country
1141469-0001	22 May 2009	EUROPEAN COMMUNITY

(56) Related Art Documents: **Not Applicable**
(57) Statement of Newness and Distinctiveness: **Nil**



(21) Design Number: **14528/2009**

(22) Date of Filing Application: **19 November 2009**

(24) Date from which industrial property rights may have effect: **19 November 2009**

(54) Product in respect of which the design is registered: **Animal identification tag**

(51) International Design Classification: **30-99**

(71) Name(s) and Address(s) of Applicant(s):

Dalton Group Limited
Templar House Don Road St Helier Jersey JE4 8WH Channel Islands

(72) Name(s) of Designer(s): **Daniel K. Brierley**

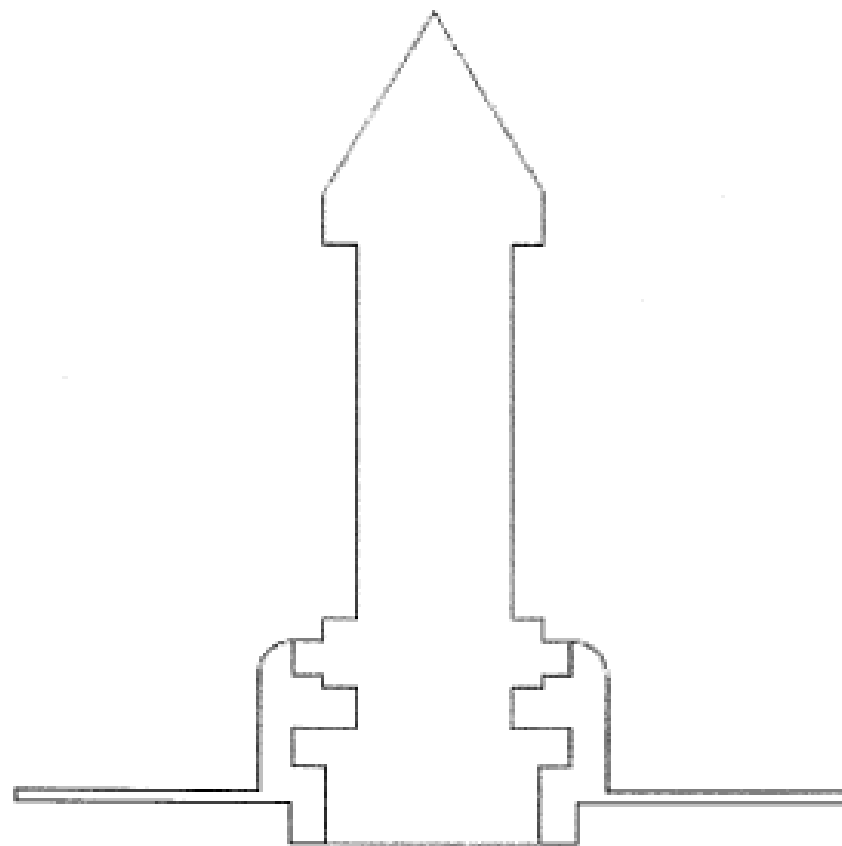
(45) Registration Date: **18 December 2009**

(30) Convention priority data:

(31) Number	(32) Date	(33) Country
1141469-0002	22 May 2009	EUROPEAN COMMUNITY

(56) Related Art Documents: **Not Applicable**

(57) Statement of Newness and Distinctiveness: **Nil**



(21) Design Number: **14529/2009**

(22) Date of Filing Application: **19 November 2009**

(24) Date from which industrial property rights may have effect: **19 November 2009**

(54) Product in respect of which the design is registered: **Stool**

(51) International Design Classification: **06-01NES**

(71) Name(s) and Address(s) of Applicant(s):

Daniel Maclaurin
Factory 1-120 Foster Street Sale Victoria 3850 Australia

Kathryn Maclaurin
Factory 1-120 Foster Street Sale Victoria 3850 Australia

(72) Name(s) of Designer(s): **Daniel Maclaurin and Kathryn Maclaurin**

(45) Registration Date: **18 December 2009**

(56) Related Art Documents: **Not Applicable**

(57) Statement of Newness and Distinctiveness: **Nil**



- (21) Design Number: **14530/2009**
(22) Date of Filing Application: **19 November 2009**
(24) Date from which industrial property rights may have effect: **19 November 2009**
(54) Product in respect of which the design is registered: **Stool**
(51) International Design Classification: **06-01NES**
(71) Name(s) and Address(s) of Applicant(s):
 Daniel Maclaurin
 Factory 1-120 Foster Street Sale Victoria 3850 Australia
 Kathryn Maclaurin
 Factory 1-120 Foster Street Sale Victoria 3850 Australia
(72) Name(s) of Designer(s): **Daniel Maclaurin and Kathryn Maclaurin**
(45) Registration Date: **18 December 2009**
(56) Related Art Documents: **Not Applicable**
(57) Statement of Newness and Distinctiveness: **Nil**



- (21) Design Number: **14531/2009**
(22) Date of Filing Application: **20 November 2009**
(24) Date from which industrial property rights may have effect: **20 November 2009**
(54) Product in respect of which the design is registered: **Metal detector tow coil sled**
(51) International Design Classification: **12-14**
(71) Name(s) and Address(s) of Applicant(s):
 Sandy John Leggett
 12 Parham Road Quinns Rocks Western Australia 6030 Australia
(72) Name(s) of Designer(s): **Sandy John Leggett**
(45) Registration Date: **18 December 2009**
(56) Related Art Documents: **Not Applicable**
(57) Statement of Newness and Distinctiveness: **Metal detector tow coil sled with recess for coil and coil lead section. Turned up edges on front and back for easy manouverability - dragging forward and reverse.**



(21) Design Number: **14548/2009**

(22) Date of Filing Application: **19 November 2009**

(24) Date from which industrial property rights may have effect: **19 November 2009**

(54) Product in respect of which the design is registered: **Notice board**

(51) International Design Classification: **19-06, 20-03NES**

(71) Name(s) and Address(s) of Applicant(s):

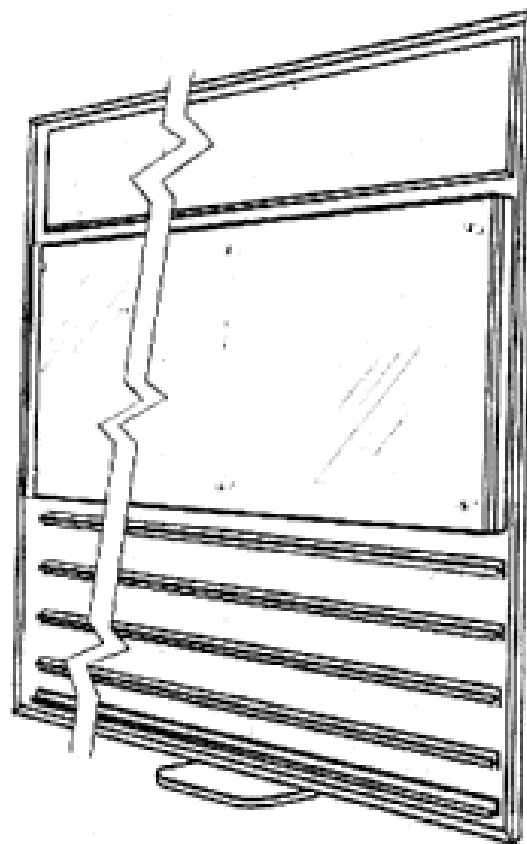
**Notice Board Systems Pty Ltd
37 Park Street South Melbourne Victoria 3205 Australia**

(72) Name(s) of Designer(s): **Joel Abel**

(45) Registration Date: **18 December 2009**

(56) Related Art Documents: **Not Applicable**

(57) Statement of Newness and Distinctiveness: **The newness and distinctiveness of the design resides in the shape and/or configuration of the NOTICE BOARD shown in the accompanying representations.**



(21) Design Number: **14549/2009**

(22) Date of Filing Application: **20 November 2009**

(24) Date from which industrial property rights may have effect: **20 November 2009**

(54) Product in respect of which the design is registered: **A beverage machine**

(51) International Design Classification: **07-02K, 07-02L**

(71) Name(s) and Address(s) of Applicant(s):

**Societe des Produits Nestle S.A.
1800 Vevey Switzerland**

(72) Name(s) of Designer(s): **Remy Jacquet and Damien Regamey**

(45) Registration Date: **18 December 2009**

(30) Convention priority data:

(31) Number	(32) Date	(33) Country
136115	23 Jun 2009	SWITZERLAND

(56) Related Art Documents: **Not Applicable**

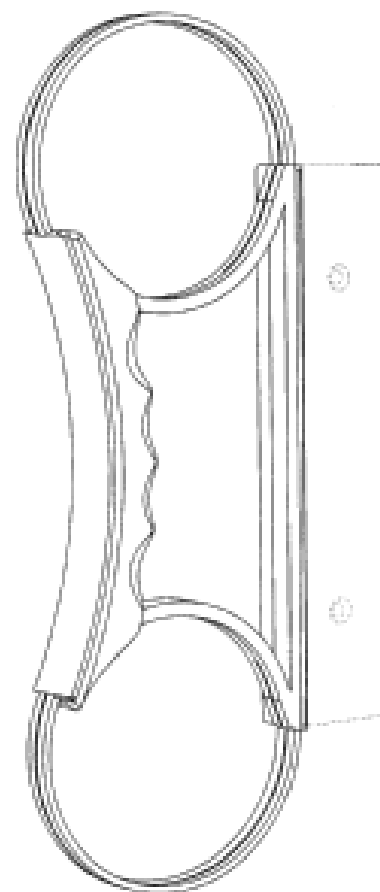
(57) Statement of Newness and Distinctiveness: **Nil**



- (21) Design Number: **14550/2009**
(22) Date of Filing Application: **20 November 2009**
(24) Date from which industrial property rights may have effect: **20 November 2009**
(54) Product in respect of which the design is registered: **A capsule holder**
(51) International Design Classification: **07-02L**
(71) Name(s) and Address(s) of Applicant(s):
Societe des Produits Nestle S.A.
1800 Vevey Switzerland
(72) Name(s) of Designer(s): **Remy Jacquet and Damien Regamey**
(45) Registration Date: **18 December 2009**
(30) Convention priority data:
(31) Number (32) Date (33) Country
136115 23 Jun 2009 SWITZERLAND
(56) Related Art Documents: **Not Applicable**
(57) Statement of Newness and Distinctiveness: **Nil**



- (21) Design Number: **14551/2009**
(22) Date of Filing Application: **20 November 2009**
(24) Date from which industrial property rights may have effect: **20 November 2009**
(54) Product in respect of which the design is registered: **Handle**
(51) International Design Classification: **08-06**
(71) Name(s) and Address(s) of Applicant(s):
Frigrite Limited
27-43 Grange Road Cheltenham Victoria 3192 Australia
(72) Name(s) of Designer(s): **Robert Darroch**
(45) Registration Date: **18 December 2009**
(56) Related Art Documents: **Not Applicable**
(57) Statement of Newness and Distinctiveness: **Newness and distinctiveness is claimed in the visual features shown in solid lines in the representations. In considering the extent of the design rights, the broken lines showing signage panels and a bracket in the representations are for illustrative purposes only and do not form part of the design.**



(21) Design Number: **14446/2009**

(22) Date of Filing Application: **13 November 2009**

(24) Date from which industrial property rights may have effect: **13 November 2009**

(54) Product in respect of which the design is registered: **Hosiery/Stockings**

(51) International Design Classification: **02-04C**

(71) Name(s) and Address(s) of Applicant(s):

Cherri Macpherson

23 Tyers Road Roleystone Western Australia 6111 Australia

(72) Name(s) of Designer(s): **Cherri Macpherson**

(45) Registration Date: **17 December 2009**

(56) Related Art Documents: **Not Applicable**

(57) Statement of Newness and Distinctiveness: **The design involves a division (including a sewn division) in the stocking between the toes. The stocking covers the entirety of all the toes and foot. Uses include enabling the wearer to wear footwear which has a part that separates the big toe from the other toes. The design is not limited to any particular thickness or type or quality of material constituting the stocking.**



(21) Design Number: **14457/2009**

(22) Date of Filing Application: **16 November 2009**

(24) Date from which industrial property rights may have effect: **16 November 2009**

(54) Product in respect of which the design is registered: **Buttsonly butt out bin**

(51) International Design Classification: **27-03**

(71) Name(s) and Address(s) of Applicant(s):

Eric Charles Williams

Unit 2/46-50 Buchanan Road Brooklyn Victoria 3012 Australia

(72) Name(s) of Designer(s): **Eric Charles Williams**

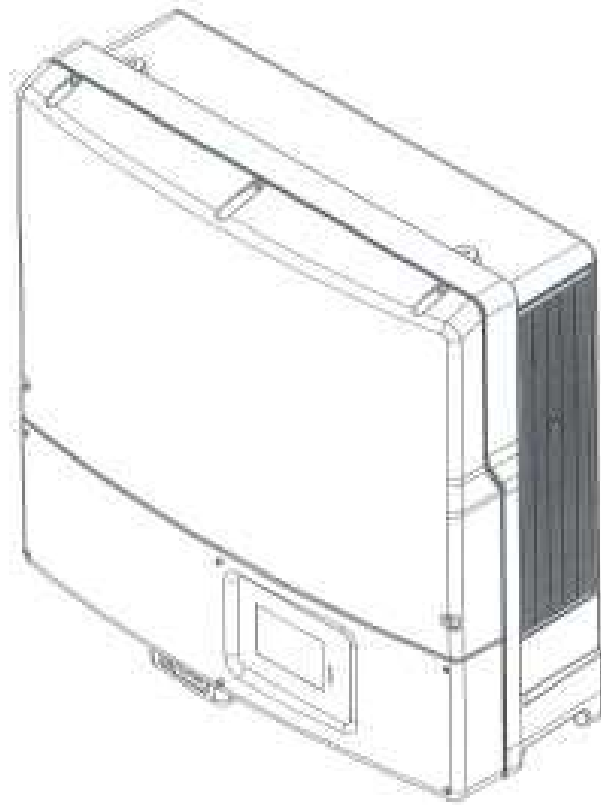
(45) Registration Date: **17 December 2009**

(56) Related Art Documents: **Not Applicable**

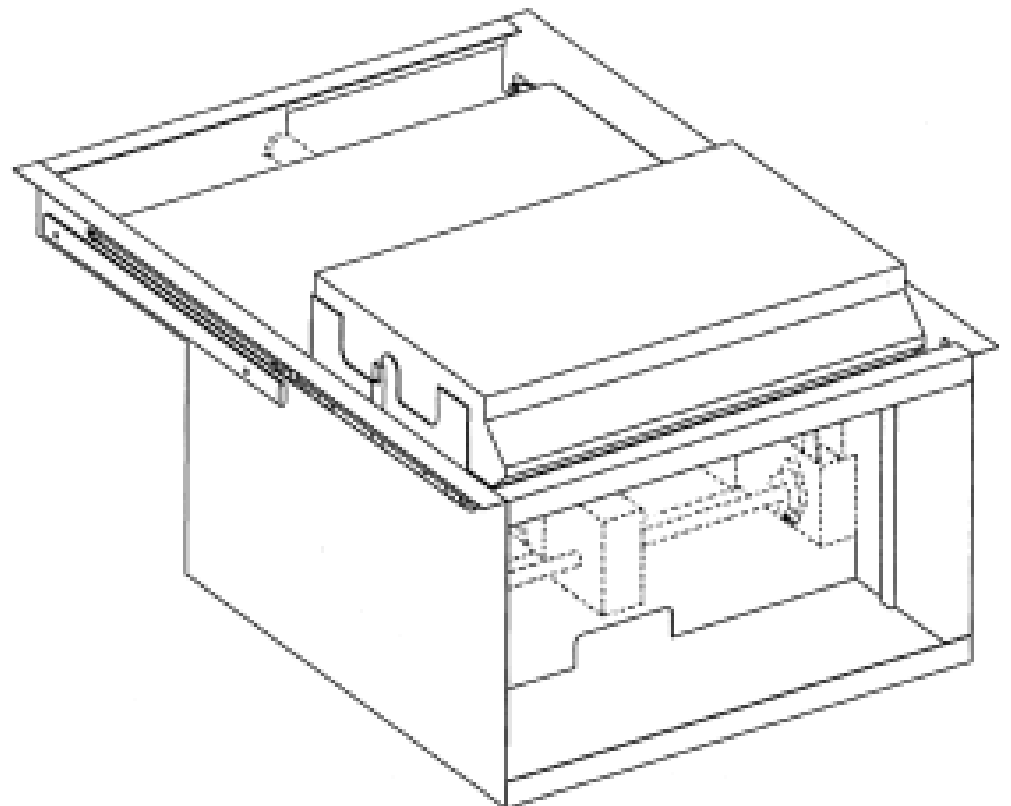
(57) Statement of Newness and Distinctiveness: **Monopoloy is claimed in the features of shape and configuration of the hinged key operated flap opening on the bottom of the ButtsOnly Butt Out Bin as shown in the accompanying representations.**



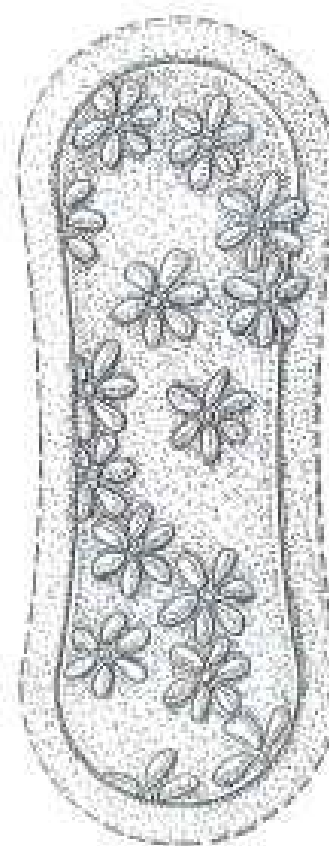
- (21) Design Number: **14461/2009**
(22) Date of Filing Application: **13 November 2009**
(24) Date from which industrial property rights may have effect: **13 November 2009**
(54) Product in respect of which the design is registered: **Inverter**
(51) International Design Classification: **13-02**
(71) Name(s) and Address(s) of Applicant(s):
SMA Solar Technology AG
Sonnenallee 1 Niestetal 34266 Germany
(72) Name(s) of Designer(s): **Andreas Donth**
(45) Registration Date: **17 December 2009**
(30) Convention priority data:
(31) Number (32) Date (33) Country
001141451-0001 27 May 2009 EUROPEAN COMMUNITY
(56) Related Art Documents: **Not Applicable**
(57) Statement of Newness and Distinctiveness: **Nil**



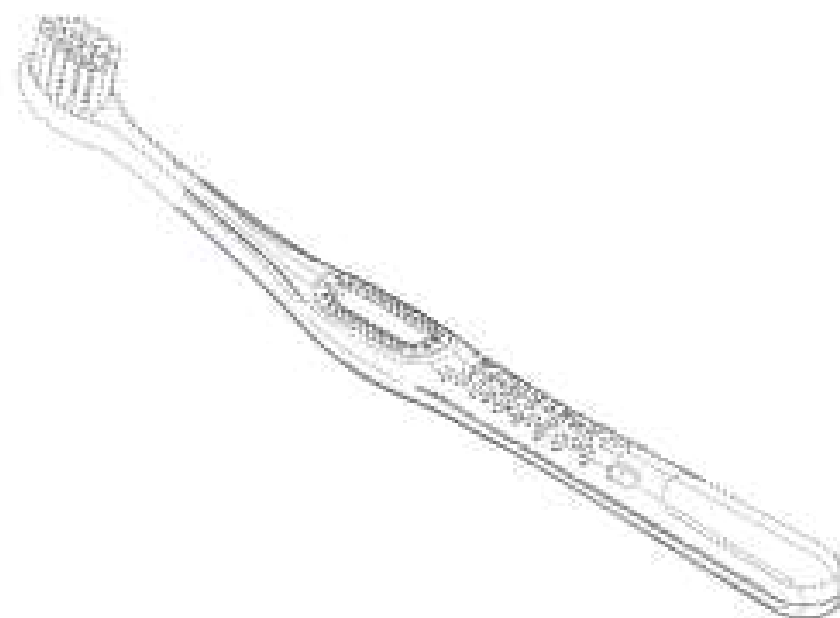
- (21) Design Number: **14555/2009**
(22) Date of Filing Application: **20 November 2009**
(24) Date from which industrial property rights may have effect: **20 November 2009**
(54) Product in respect of which the design is registered: **Bench top housing**
(51) International Design Classification: **06-06E**
(71) Name(s) and Address(s) of Applicant(s):
A1 Asset Maintenance Services Pty Ltd
3 Werona Street Bentleigh Victoria 3204 Australia
(72) Name(s) of Designer(s): **Michael Robert Edmunds**
(45) Registration Date: **17 December 2009**
(56) Related Art Documents: **Not Applicable**
(57) Statement of Newness and Distinctiveness: **No monopoly is claimed in the shape and designs of the motor and drive mechanism as shown with the dotted lines in the representations.**



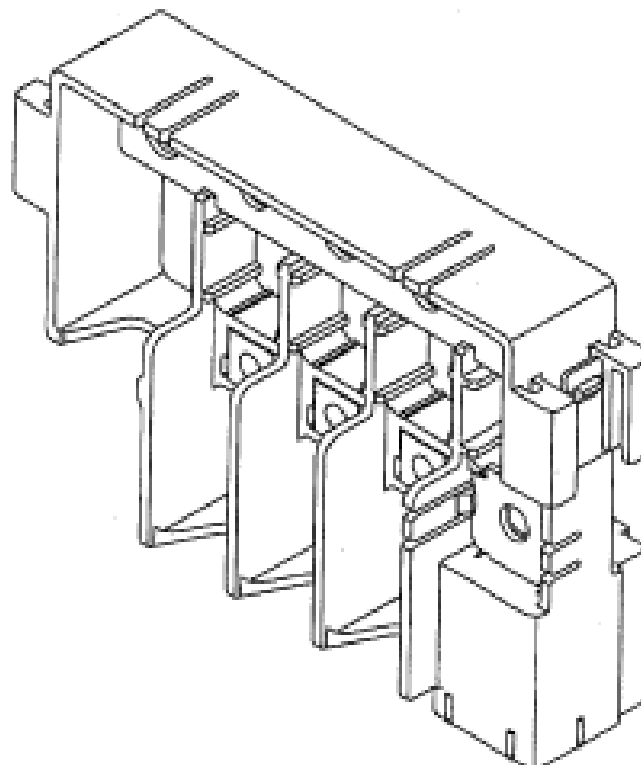
(21) Design Number: **14556/2009**
(22) Date of Filing Application: **20 November 2009**
(24) Date from which industrial property rights may have effect: **20 November 2009**
(54) Product in respect of which the design is registered: **Panty liner**
(51) International Design Classification: **24-04**
(71) Name(s) and Address(s) of Applicant(s):
McNeil-PPC, Inc.
199 Grandview Road Skillman New Jersey 08558 United States of America
(72) Name(s) of Designer(s): **Diane Grohol and Christopher M. Holliday and Aimee Sealfon**
(45) Registration Date: **17 December 2009**
(30) Convention priority data:
(31) Number (32) Date (33) Country
29/338087 04 Jun 2009 UNITED STATES OF AMERICA
(56) Related Art Documents: **Not Applicable**
(57) Statement of Newness and Distinctiveness: **Nil**



(21) Design Number: **14557/2009**
(22) Date of Filing Application: **20 November 2009**
(24) Date from which industrial property rights may have effect: **20 November 2009**
(54) Product in respect of which the design is registered: **Toothbrush handle for a toothbrush**
(51) International Design Classification: **04-02**
(71) Name(s) and Address(s) of Applicant(s):
McNeil-PPC, Inc.
199 Grandview Road Skillman New Jersey 08858 United States of America
Johnson & Johnson KK
5-2 Nishi-kanda 3-chome 101-0065, Japan
Johnson & Johnson do Brasil Ind. Com. Prod. Para Saude Ltd.
Rua Manoel Bosco Ribeiro 1020-Jd Industrias 12241-070 Sao Jose Dos Campos San Paulo Brazil
(72) Name(s) of Designer(s): **Takayuki Watanabe and Janette Suh Edelstein and Robert W. Fusi II and Joseph Knutzen and Emilson Ismael Netto and Karin Taylor**
(45) Registration Date: **17 December 2009**
(30) Convention priority data:
(31) Number (32) Date (33) Country
29/337643 27 May 2009 UNITED STATES OF AMERICA
(56) Related Art Documents: **Not Applicable**
(57) Statement of Newness and Distinctiveness: **Nil**



- (21) Design Number: **14560/2009**
(22) Date of Filing Application: **23 November 2009**
(24) Date from which industrial property rights may have effect: **23 November 2009**
(54) Product in respect of which the design is registered: **Housing with conductive plates for a fusible link block**
(51) International Design Classification: **13-03NES**
(71) Name(s) and Address(s) of Applicant(s):
Sumitomo Wiring Systems Ltd
1-14 Nishisuehiro-cho Yokkaichi-shi MIE-KEN 510-8503 Japan
(72) Name(s) of Designer(s): **Tooru Nakagawa**
(45) Registration Date: **17 December 2009**
(30) Convention priority data:
(31) Number (32) Date (33) Country
2009-013727 17 Jun 2009 JAPAN
(56) Related Art Documents: **Not Applicable**
(57) Statement of Newness and Distinctiveness: **The newness and distinctiveness of the design resides in the shape and/or configuration of the HOUSING WITH CONDUCTIVE PLATES FOR A FUSIBLE LINK BLOCK shown in the representations.**



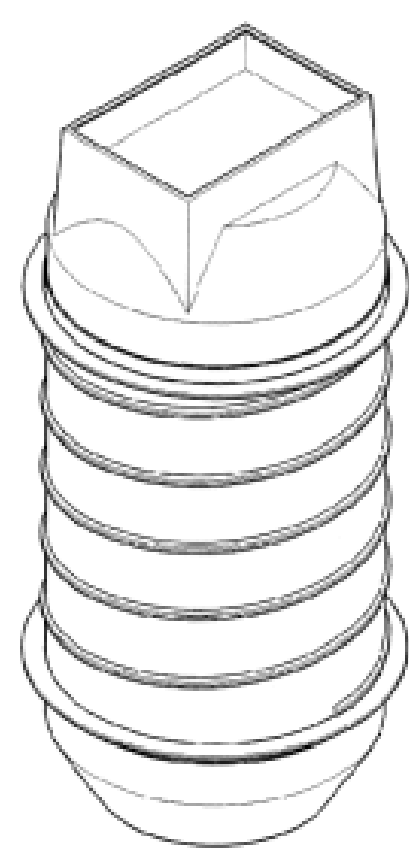
- (21) Design Number: **14565/2009**
(22) Date of Filing Application: **20 November 2009**
(24) Date from which industrial property rights may have effect: **20 November 2009**
(54) Product in respect of which the design is registered: **Pitcher**
(51) International Design Classification: **07-01F**
(71) Name(s) and Address(s) of Applicant(s):
Emile Henry
13 rue Georges de Vichy Marcigny 71110 France
(72) Name(s) of Designer(s): **Jacques Henry**
(45) Registration Date: **17 December 2009**
(30) Convention priority data:
(31) Number (32) Date (33) Country
001637034 17 Nov 2009 EUROPEAN COMMUNITY
(56) Related Art Documents: **Not Applicable**
(57) Statement of Newness and Distinctiveness: **Newness and distinctiveness resides in the shape and configuration of the Pitcher, excluding the words and markings shown on the 'bottom view'.**



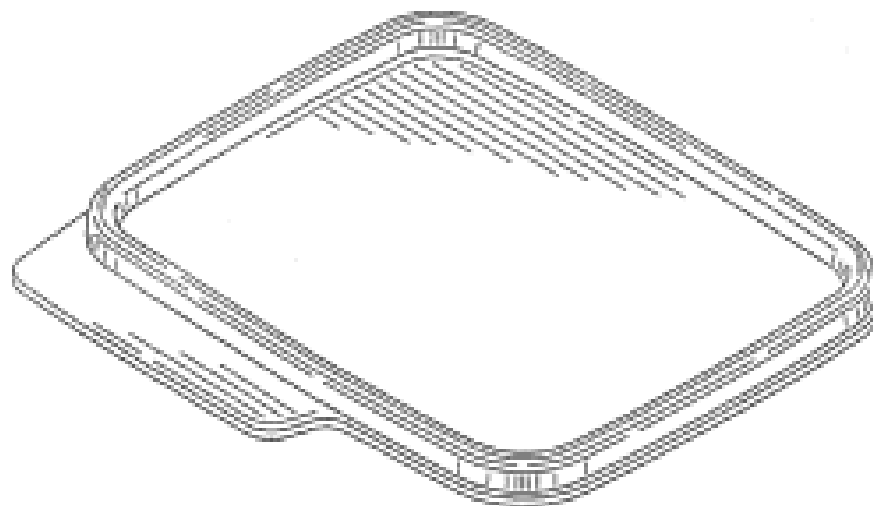
- (21) Design Number: **14567/2009**
(22) Date of Filing Application: **20 November 2009**
(24) Date from which industrial property rights may have effect: **20 November 2009**
(54) Product in respect of which the design is registered: **Wickets**
(51) International Design Classification: **21-02NES**
(71) Name(s) and Address(s) of Applicant(s):
Michael Barnett
18 Kareela Road Woonona New South Wales 2517 Australia
(72) Name(s) of Designer(s): **Michael Barnett**
(45) Registration Date: **17 December 2009**
(56) Related Art Documents: **Not Applicable**
(57) Statement of Newness and Distinctiveness: **Newness and distinctiveness is claimed in the features of shape and/or configuration of wickets as illustrated in the accompanying representations.**



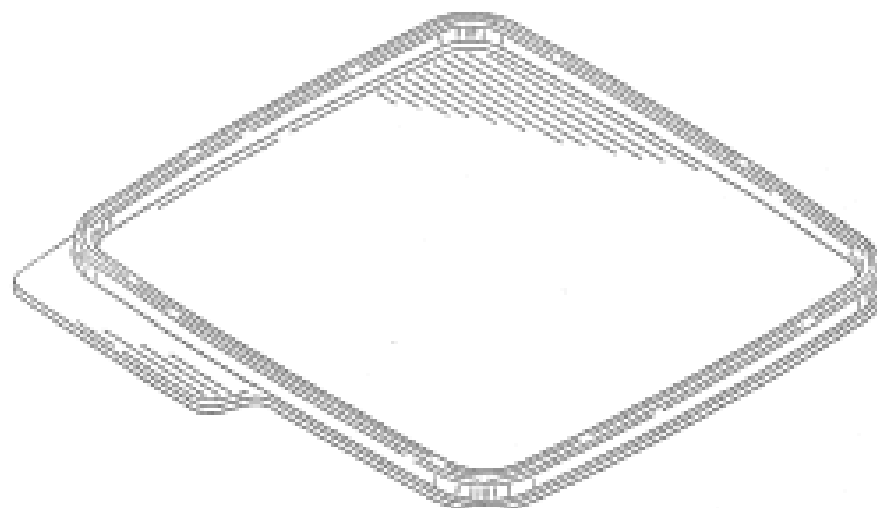
- (21) Design Number: **14570/2009**
(22) Date of Filing Application: **23 November 2009**
(24) Date from which industrial property rights may have effect: **23 November 2009**
(54) Product in respect of which the design is registered: **Storage vessel**
(51) International Design Classification: **09-02C**
(71) Name(s) and Address(s) of Applicant(s):
Gebel Industries Pty Ltd
26 Coombes Drive Penrith New South Wales 2750 Australia
(72) Name(s) of Designer(s): **Daniel Pridham**
(45) Registration Date: **17 December 2009**
(56) Related Art Documents: **Not Applicable**
(57) Statement of Newness and Distinctiveness: **Newness and distinctiveness is claimed in the features of shape and/or configuration of a storage vessel as depicted in the accompanying drawings, and having particular regard to the spiral shaped reinforcing rib labelled "A" in the front view.**



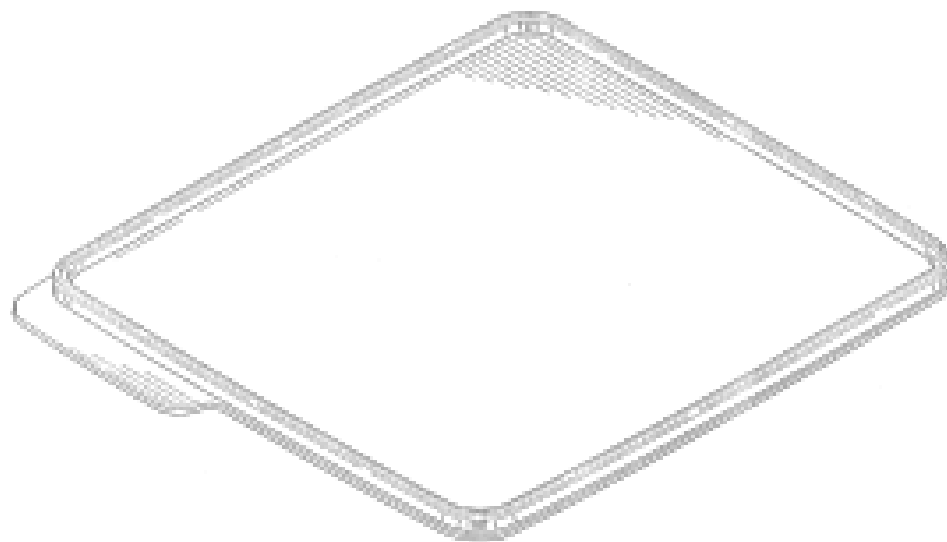
- (21) Design Number: **14571/2009**
(22) Date of Filing Application: **23 November 2009**
(24) Date from which industrial property rights may have effect: **23 November 2009**
(54) Product in respect of which the design is registered: **Cover**
(51) International Design Classification: **07-01NES**
(71) Name(s) and Address(s) of Applicant(s):
Dart Industries Inc
14901 S. Orange Blossom Trail Orlando Florida 32837 United States of America
(72) Name(s) of Designer(s): **Melissa A. Easton**
(45) Registration Date: **17 December 2009**
(30) Convention priority data:
(31) Number (32) Date (33) Country
29/315,293 11 Jun 2009 UNITED STATES OF AMERICA
(56) Related Art Documents: **Not Applicable**
(57) Statement of Newness and Distinctiveness: **Those features of the cover depicted in the representations that are new and distinctive are the shape and/or configuration.**



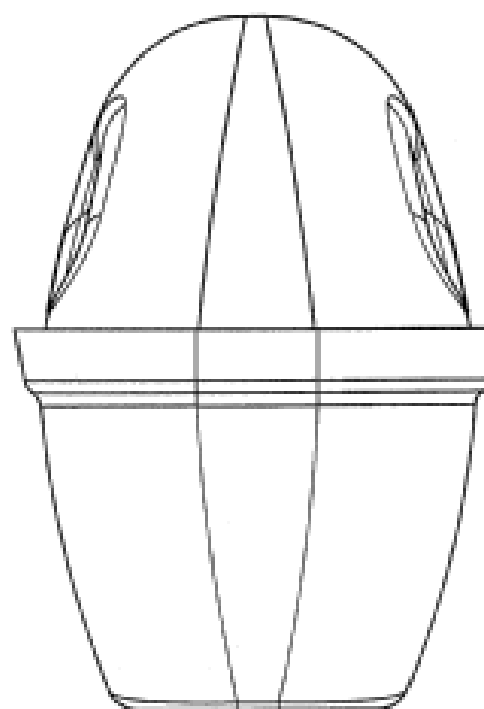
- (21) Design Number: **14572/2009**
(22) Date of Filing Application: **23 November 2009**
(24) Date from which industrial property rights may have effect: **23 November 2009**
(54) Product in respect of which the design is registered: **Cover**
(51) International Design Classification: **07-01NES**
(71) Name(s) and Address(s) of Applicant(s):
Dart Industries Inc
14901 S. Orange Blossom Trail Orlando Florida 32837 United States of America
(72) Name(s) of Designer(s): **Melissa A. Easton**
(45) Registration Date: **17 December 2009**
(30) Convention priority data:
(31) Number (32) Date (33) Country
29/315,293 11 Jun 2009 UNITED STATES OF AMERICA
(56) Related Art Documents: **Not Applicable**
(57) Statement of Newness and Distinctiveness: **Those features of the cover depicted in the representations that are new and distinctive are the shape and/or configuration.**



(21) Design Number: **14573/2009**
(22) Date of Filing Application: **23 November 2009**
(24) Date from which industrial property rights may have effect: **23 November 2009**
(54) Product in respect of which the design is registered: **Cover**
(51) International Design Classification: **07-01NES**
(71) Name(s) and Address(s) of Applicant(s):
Dart Industries Inc
14901 S. Orange Blossom Trail Orlando Florida 32837 United States of America
(72) Name(s) of Designer(s): **Melissa A. Easton**
(45) Registration Date: **17 December 2009**
(30) Convention priority data:
(31) Number (32) Date (33) Country
29/315,293 11 Jun 2009 UNITED STATES OF AMERICA
(56) Related Art Documents: **Not Applicable**
(57) Statement of Newness and Distinctiveness: **Those features of the cover depicted in the representations that are new and distinctive are the shape and/or configuration.**



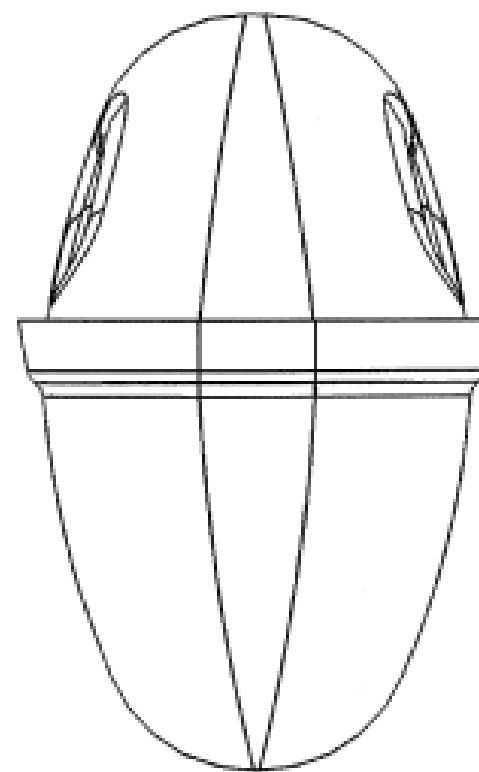
(21) Design Number: **14574/2009**
(22) Date of Filing Application: **24 November 2009**
(24) Date from which industrial property rights may have effect: **24 November 2009**
(54) Product in respect of which the design is registered: **Container**
(51) International Design Classification: **07-01NES**
(71) Name(s) and Address(s) of Applicant(s):
Alto Packaging Limited
Level 6 LJ Hooker House 57-59 Symonds Street Auckland New Zealand
(72) Name(s) of Designer(s): **Matthew Craig Hitchcock**
(45) Registration Date: **17 December 2009**
(56) Related Art Documents: **Not Applicable**
(57) Statement of Newness and Distinctiveness: **Nil**



- (21) Design Number: **14575/2009**
(22) Date of Filing Application: **24 November 2009**
(24) Date from which industrial property rights may have effect: **24 November 2009**
(54) Product in respect of which the design is registered: **Container**
(51) International Design Classification: **07-01NES**
(71) Name(s) and Address(s) of Applicant(s):

Alto Packaging Limited
Level 6 LJ Hooker House 57-59 Symonds Street Auckland New Zealand

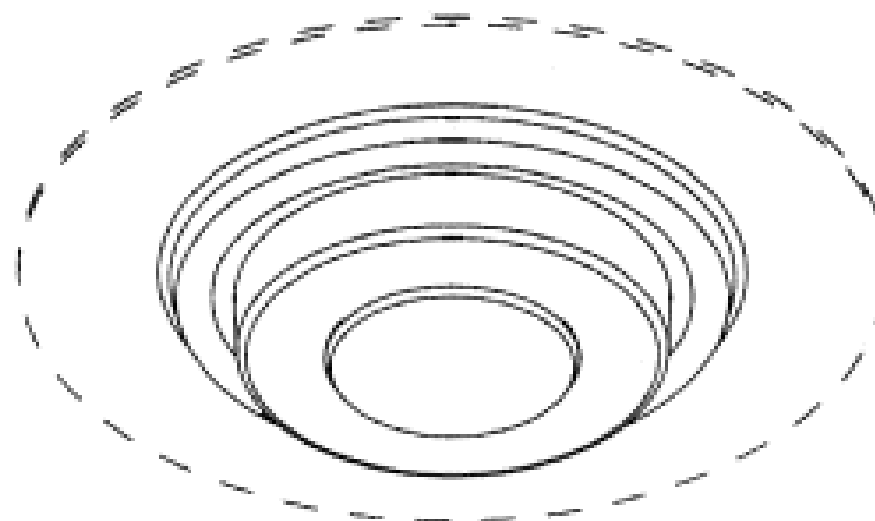
- (72) Name(s) of Designer(s): **Matthew Craig Hitchcock**
(45) Registration Date: **17 December 2009**
(56) Related Art Documents: **Not Applicable**
(57) Statement of Newness and Distinctiveness: **Nil**



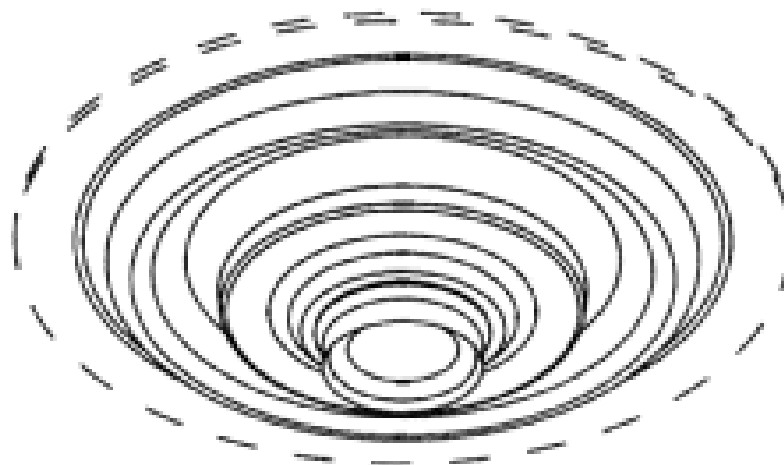
- (21) Design Number: **14576/2009**
(22) Date of Filing Application: **23 November 2009**
(24) Date from which industrial property rights may have effect: **23 November 2009**
(54) Product in respect of which the design is registered: **Valve diaphragm**
(51) International Design Classification: **23-01K**
(71) Name(s) and Address(s) of Applicant(s):

Goyen Controls Co. Pty Ltd
268-292 Milperra Road Milperra New South Wales 2214 Australia

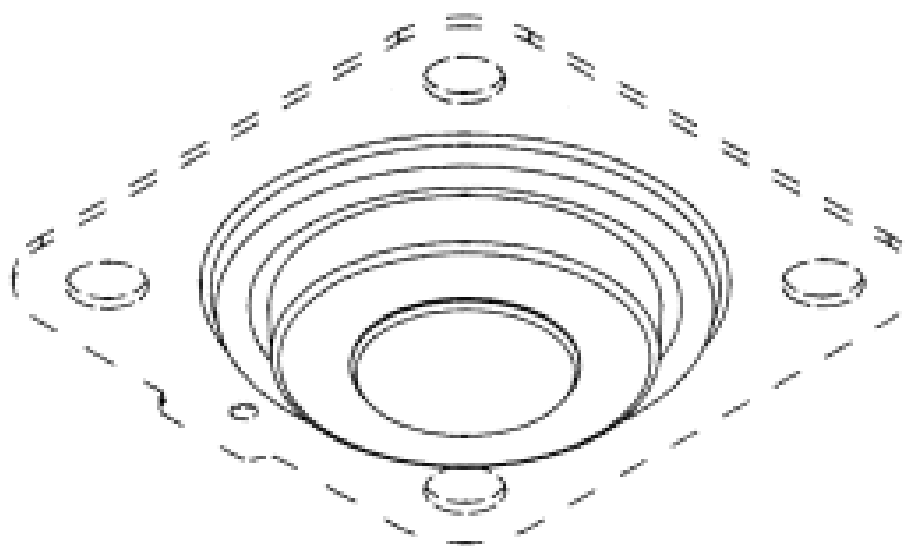
- (72) Name(s) of Designer(s): **Christopher Wilfred Shorey and Georgina Elizabeth Morris**
(45) Registration Date: **17 December 2009**
(56) Related Art Documents: **Not Applicable**
(57) Statement of Newness and Distinctiveness: **Newness and distinctiveness resides in the features of shape and/or configuration of a valve diaphragm as shown in solid outline in the accompanying drawings.**



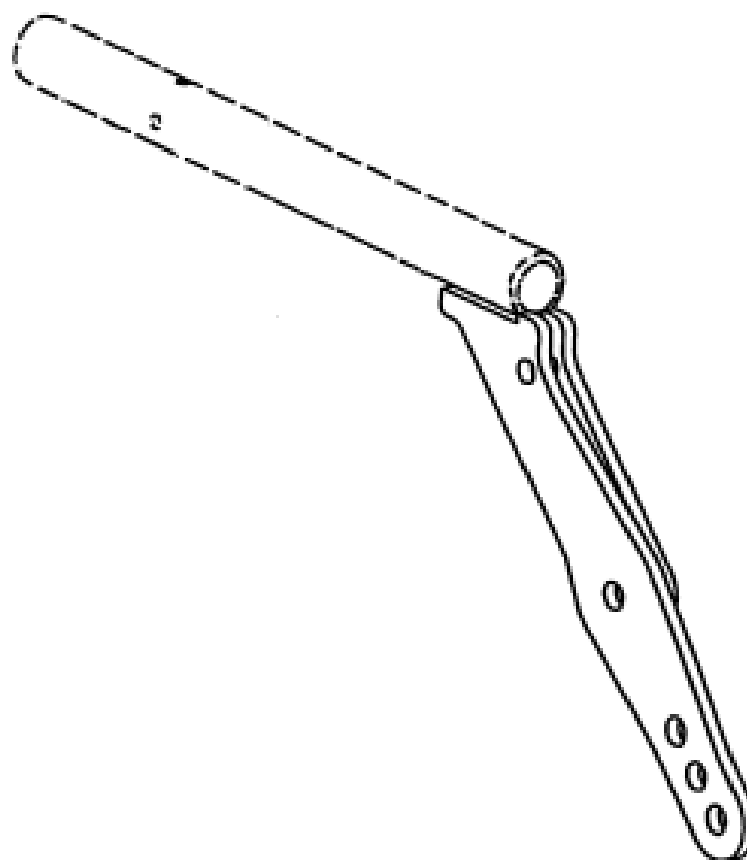
- (21) Design Number: **14577/2009**
(22) Date of Filing Application: **23 November 2009**
(24) Date from which industrial property rights may have effect: **23 November 2009**
(54) Product in respect of which the design is registered: **Valve diaphragm**
(51) International Design Classification: **23-01K**
(71) Name(s) and Address(s) of Applicant(s):
Goyen Controls Co. Pty Ltd
268-292 Milperra Road Milperra New South Wales 2214 Australia
(72) Name(s) of Designer(s): **Christopher Wilfred Shorey and Georgina Elizabeth Morris**
(45) Registration Date: **17 December 2009**
(56) Related Art Documents: **Not Applicable**
(57) Statement of Newness and Distinctiveness: **Newness and distinctiveness resides in the features of shape and/or configuration of a valve diaphragm as shown in solid outline in the accompanying drawings.**



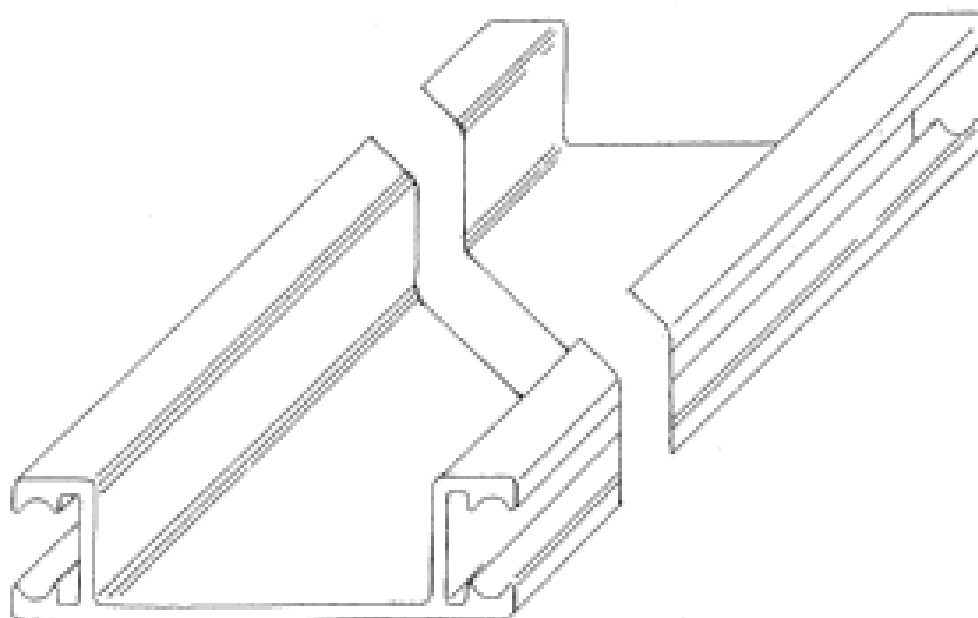
- (21) Design Number: **14578/2009**
(22) Date of Filing Application: **23 November 2009**
(24) Date from which industrial property rights may have effect: **23 November 2009**
(54) Product in respect of which the design is registered: **Valve diaphragm**
(51) International Design Classification: **23-01K**
(71) Name(s) and Address(s) of Applicant(s):
Goyen Controls Co. Pty Ltd
268-292 Milperra Road Milperra New South Wales 2214 Australia
(72) Name(s) of Designer(s): **Christopher Wilfred Shorey and Georgina Elizabeth Morris**
(45) Registration Date: **17 December 2009**
(56) Related Art Documents: **Not Applicable**
(57) Statement of Newness and Distinctiveness: **Newness and distinctiveness resides in the features of shape and/or configuration of a valve diaphragm as shown in solid outline in the accompanying drawings.**



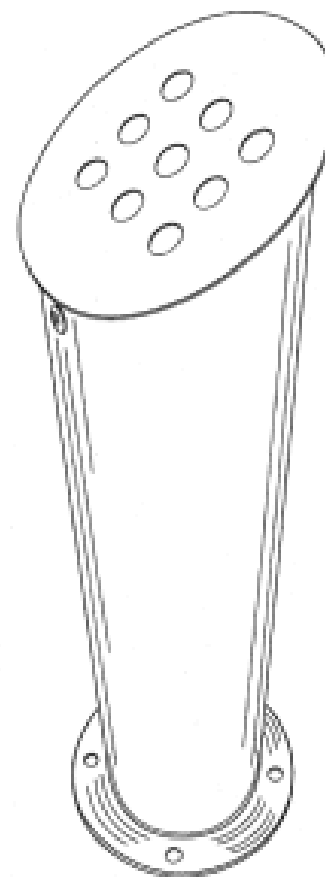
- (21) Design Number: **14582/2009**
(22) Date of Filing Application: **23 November 2009**
(24) Date from which industrial property rights may have effect: **23 November 2009**
(54) Product in respect of which the design is registered: **Handbrake lever**
(51) International Design Classification: **12-16M**
(71) Name(s) and Address(s) of Applicant(s):
Vehicle Components Pty Ltd
352B Bilsen Road Geebung Queensland 4034 Australia
(72) Name(s) of Designer(s): **Arthur Goddard**
(45) Registration Date: **17 December 2009**
(56) Related Art Documents: **Not Applicable**
(57) Statement of Newness and Distinctiveness: **The shape and configuration of those parts of the design shown by means of solid lines in the representations are new and distinctive.**



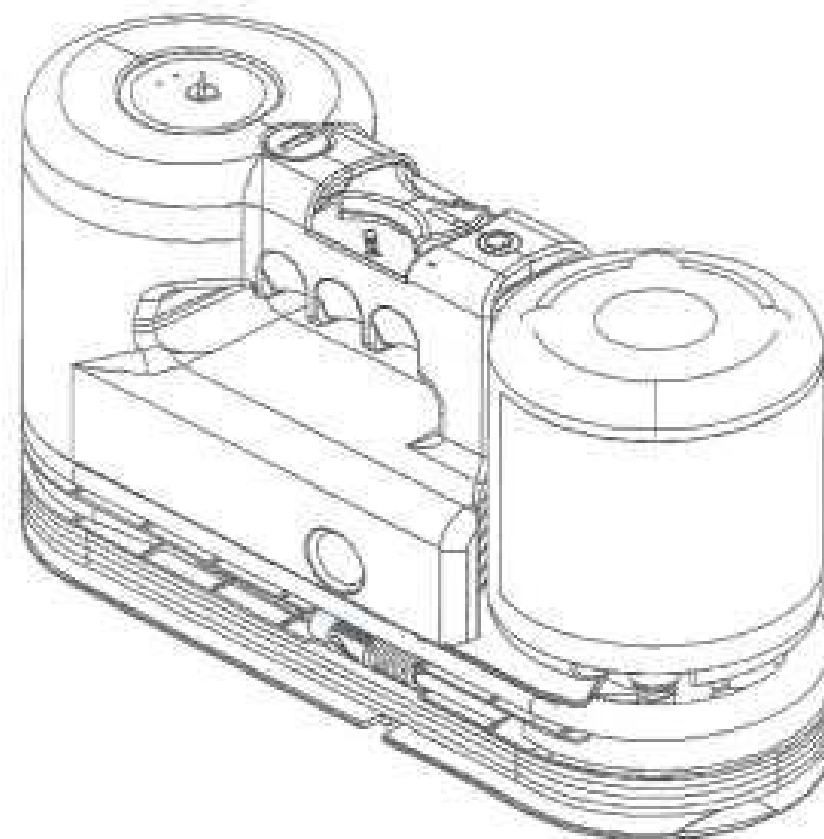
- (21) Design Number: **14310/2009**
(22) Date of Filing Application: **05 November 2009**
(24) Date from which industrial property rights may have effect: **05 November 2009**
(54) Product in respect of which the design is registered: **An extrusion**
(51) International Design Classification: **25-01K**
(71) Name(s) and Address(s) of Applicant(s):
Anthony Stansfield
2 Tourist Road Clevedon RD2 Auckland New Zealand
(72) Name(s) of Designer(s): **Anthony Stansfield**
(45) Registration Date: **17 December 2009**
(56) Related Art Documents: **Not Applicable**
(57) Statement of Newness and Distinctiveness: **Newness and distinctiveness is claimed in the shape and configuration of an extrusion of indefinite length as shown in the accompanying representations.**



- (21) Design Number: **14584/2009**
- (22) Date of Filing Application: **24 November 2009**
- (24) Date from which industrial property rights may have effect: **24 November 2009**
- (54) Product in respect of which the design is registered: **Waste receptacle**
- (51) International Design Classification: **09-09**
- (71) Name(s) and Address(s) of Applicant(s):
Enviro Design Australia Pty Ltd
210 Albert Road Albert Park Victoria 3206 Australia
- (72) Name(s) of Designer(s): **Cameron Fox**
- (45) Registration Date: **18 December 2009**
- (56) Related Art Documents: **Not Applicable**
- (57) Statement of Newness and Distinctiveness: **Newness and distinctiveness resides in the visual features of shape and/or configuration of a waste receptacle as illustrated in the accompanying representations.**



- (21) Design Number: **14585/2009**
- (22) Date of Filing Application: **24 November 2009**
- (24) Date from which industrial property rights may have effect: **24 November 2009**
- (54) Product in respect of which the design is registered: **Inflator and flat tyre repair system**
- (51) International Design Classification: **08-05E**
- (71) Name(s) and Address(s) of Applicant(s):
Craig Piet
1775 West Hamlin Road Rochester Hills Michigan 48309 United States of America
Torben Pedersen
1775 West Hamlin Road Rochester Hills Michigan 48309 United States of America
Ben Spencer
1775 West Hamlin Road Rochester Hills Michigan 48309 United States of America
Krystal Kay Mikulin
1775 West Hamlin Road Rochester Hills Michigan 48309 United States of America
Peter Boldsen
Skolegade 7b 2 8240 Risskov Denmark
Raymond Or
No 23 Kengmei Dongkeng Dongguan City Guangdong China
Jeffrey Li
No 23 Kengmei Dongkeng Dongguan City Guangdong China



- (72) Name(s) of Designer(s): **Craig Piet and Torben Pedersen and Ben Spencer and Krystal Kay Mikulin and Peter Boldsen and Raymond Or and Jeffrey Li**
- (45) Registration Date: **18 December 2009**
- (30) Convention priority data:

(31) Number	(32) Date	(33) Country
29/339438	30 Jun 2009	UNITED STATES OF AMERICA
- (56) Related Art Documents: **Not Applicable**
- (57) Statement of Newness and Distinctiveness: **Newness and distinctiveness of the design resides in the features of shape and configuration of the inflator and flat tyre repair system as shown in the accompanying**

representations.

(12) AUSTRALIAN REGISTERED DESIGN
(19) AU

(11) AU-S- 328981

(21) Design Number: **14586/2009**

(22) Date of Filing Application: **24 November 2009**

(24) Date from which industrial property rights may have effect: **24 November 2009**

(54) Product in respect of which the design is registered: **Inflator and flat tyre repair system**

(51) International Design Classification: **08-05E**

(71) Name(s) and Address(s) of Applicant(s):

Craig Piet

1775 West Hamlin Road Rochester Hills Michigan 48309 United States of America

Torben Pedersen

1775 West Hamlin Road Rochester Hills Michigan 48309 United States of America

Ben Spencer

1775 West Hamlin Road Rochester Hills Michigan 48309 United States of America

Krystal Kay Mikulin

1775 West Hamlin Road Rochester Hills Michigan 48309 United States of America

Peter Boldsen

Skolegade 7b 2 8240 Risskov Denmark

Raymond Or

No 23 Kengmei Dongkeng Dongguan City Guangdong China

Jeffrey Li

No 23 Kengmei Dongkeng Dongguan City Guangdong China

(72) Name(s) of Designer(s): **Craig Piet and Torben Pedersen and Ben Spencer and Krystal Kay Mikulin and Peter Boldsen and Raymond Or and Jeffrey Li**

(45) Registration Date: **18 December 2009**

(30) Convention priority data:

(31) Number

29/315496

(32) Date

30 Jun 2009

(33) Country

UNITED STATES OF AMERICA

(56) Related Art Documents: **Not Applicable**

(57) Statement of Newness and Distinctiveness: **Newness and distinctiveness of the design resides in the features of pattern and ornamentation of the inflator and flat tyre repair system as provided by the combination of**



(12) AUSTRALIAN REGISTERED DESIGN
(19) AU

(11) AU-S- 328982

(21) Design Number: **14588/2009**

(22) Date of Filing Application: **24 November 2009**

(24) Date from which industrial property rights may have effect: **24 November 2009**

(54) Product in respect of which the design is registered: **Flashlight**

(51) International Design Classification: **26-02**

(71) Name(s) and Address(s) of Applicant(s):

Yun-Zhao Liu

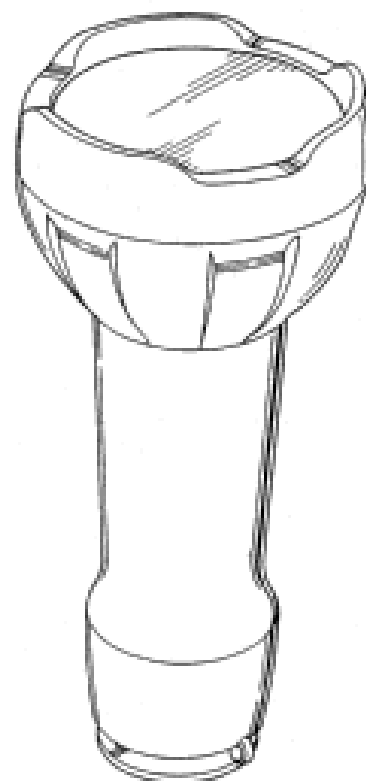
**No. 3 2nd Street Hsinfeng Road Huangpu Township Zhongshan City
Guangdong Province P.R. China**

(72) Name(s) of Designer(s): **Yun-Zhao Liu**

(45) Registration Date: **18 December 2009**

(56) Related Art Documents: **Not Applicable**

(57) Statement of Newness and Distinctiveness: **Nil**



(21) Design Number: **14589/2009**

(22) Date of Filing Application: **24 November 2009**

(24) Date from which industrial property rights may have effect: **24 November 2009**

(54) Product in respect of which the design is registered: **Container for ornamental accessories**

(51) International Design Classification: **03-01NES**

(71) Name(s) and Address(s) of Applicant(s):

Roger Hsu

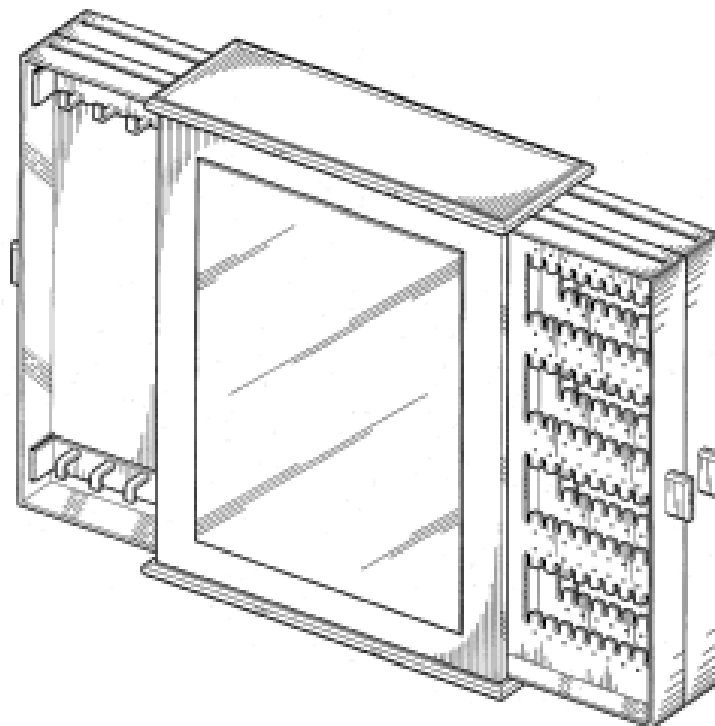
74 Ting Ping Road Rei Fang Industrial Park Taipei 224 Taiwan R.O.C.

(72) Name(s) of Designer(s): **Roger Hsu**

(45) Registration Date: **18 December 2009**

(56) Related Art Documents: **Not Applicable**

(57) Statement of Newness and Distinctiveness: **Nil**



(21) Design Number: **14590/2009**

(22) Date of Filing Application: **24 November 2009**

(24) Date from which industrial property rights may have effect: **24 November 2009**

(54) Product in respect of which the design is registered: **Flashlight**

(51) International Design Classification: **26-02**

(71) Name(s) and Address(s) of Applicant(s):

Yun-Zhao Liu

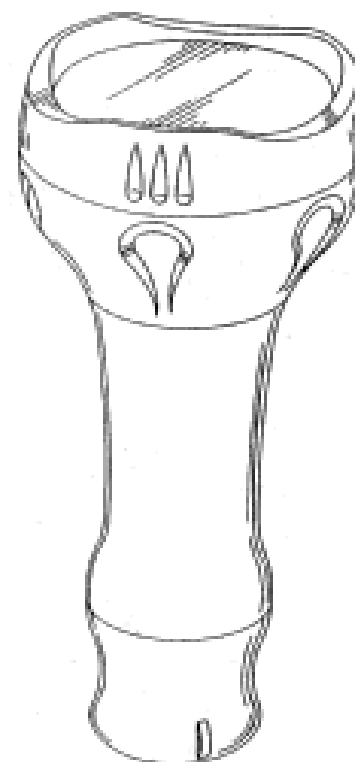
**No. 3 2nd Street Hsinfeng Road Huangpu Township Zhongshan City
Guangdong Province P.R. China**

(72) Name(s) of Designer(s): **Yun-Zhao Liu**

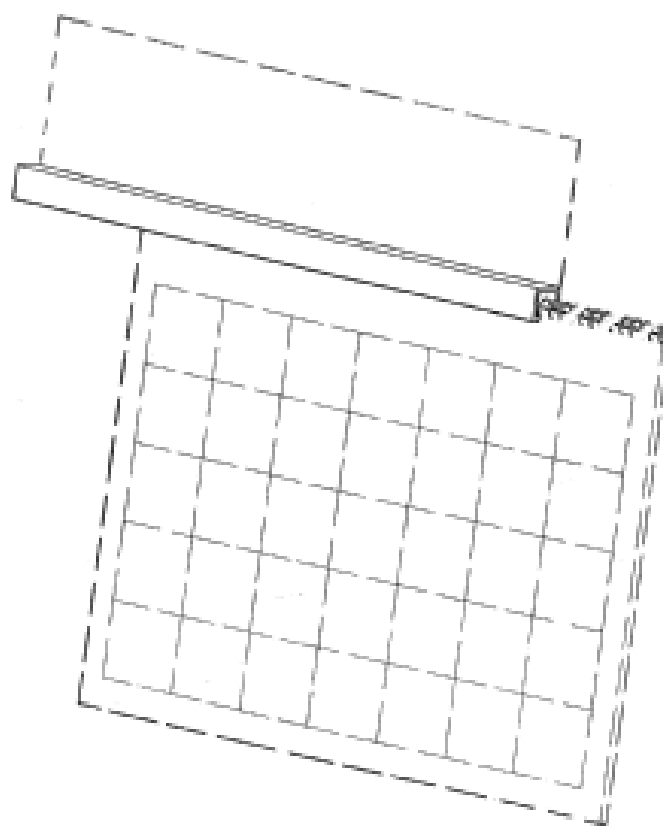
(45) Registration Date: **18 December 2009**

(56) Related Art Documents: **Not Applicable**

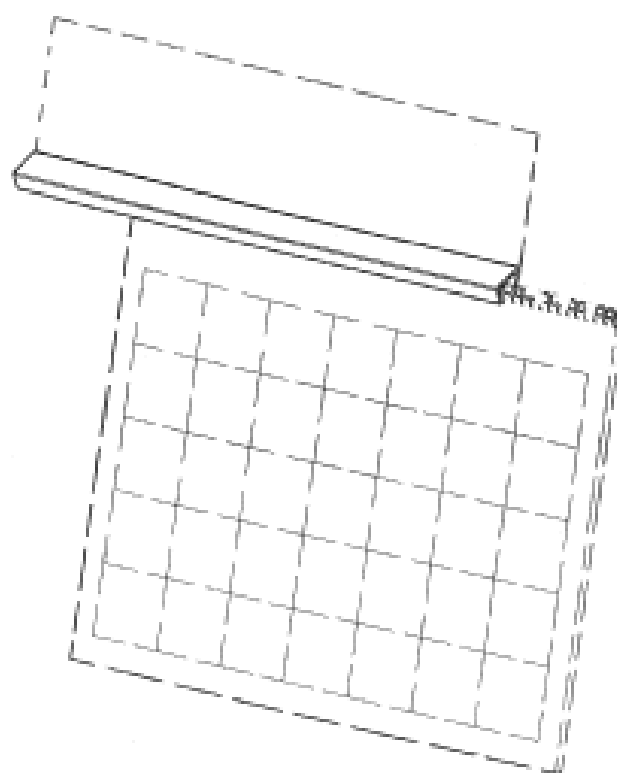
(57) Statement of Newness and Distinctiveness: **Nil**



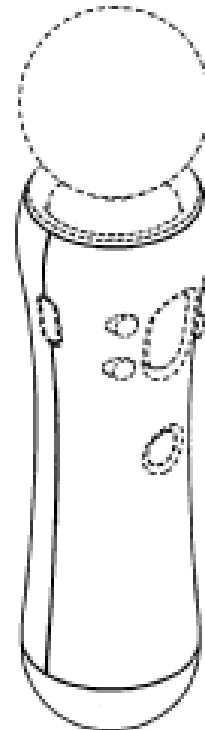
- (21) Design Number: **14591/2009**
(22) Date of Filing Application: **24 November 2009**
(24) Date from which industrial property rights may have effect: **24 November 2009**
(54) Product in respect of which the design is registered: **An elongate magnetic member**
(51) International Design Classification: **08-08NES**
(71) Name(s) and Address(s) of Applicant(s):
Impact Magnets & Cards Pty Ltd
494 The Entrance Road Erina Heights New South Wales 2260
Australia
(72) Name(s) of Designer(s): **Alan Gray**
(45) Registration Date: **18 December 2009**
(56) Related Art Documents: **Not Applicable**
(57) Statement of Newness and Distinctiveness: **Newness and distinctiveness is claimed in those features of shape and/or configuration of an elongate magnetic member as illustrated in continuous lines in the accompanying representations.**



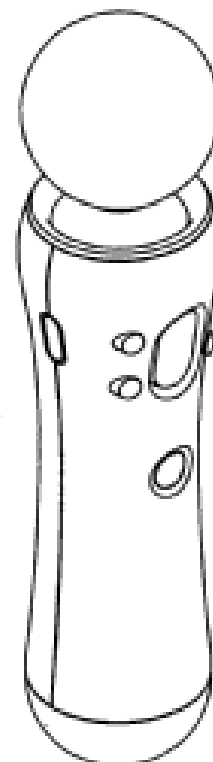
- (21) Design Number: **14592/2009**
(22) Date of Filing Application: **24 November 2009**
(24) Date from which industrial property rights may have effect: **24 November 2009**
(54) Product in respect of which the design is registered: **An elongate magnetic member**
(51) International Design Classification: **08-08NES**
(71) Name(s) and Address(s) of Applicant(s):
Impact Magnets & Cards Pty Ltd
494 The Entrance Road Erina Heights New South Wales 2260
Australia
(72) Name(s) of Designer(s): **Alan Gray**
(45) Registration Date: **18 December 2009**
(56) Related Art Documents: **Not Applicable**
(57) Statement of Newness and Distinctiveness: **Newness and distinctiveness is claimed in those features of shape and/or configuration of an elongate magnetic member as illustrated in continuous lines in the accompanying representations.**



- (21) Design Number: **14593/2009**
(22) Date of Filing Application: **24 November 2009**
(24) Date from which industrial property rights may have effect: **24 November 2009**
(54) Product in respect of which the design is registered: **Remote controller**
(51) International Design Classification: **14-03NES**
(71) Name(s) and Address(s) of Applicant(s):
Sony Computer Entertainment Inc.
2-6-21 Minami-Aoyama Minato-ku Tokyo Japan
(72) Name(s) of Designer(s): **Ken Yano**
(45) Registration Date: **18 December 2009**
(30) Convention priority data:
(31) Number (32) Date (33) Country
2009-11975 28 May 2009 JAPAN
(56) Related Art Documents: **Not Applicable**
(57) Statement of Newness and Distinctiveness: **Newness and distinctiveness reside in the features of shape and/or configuration of a remote controller as shown in solid lines in the accompanying representations.**



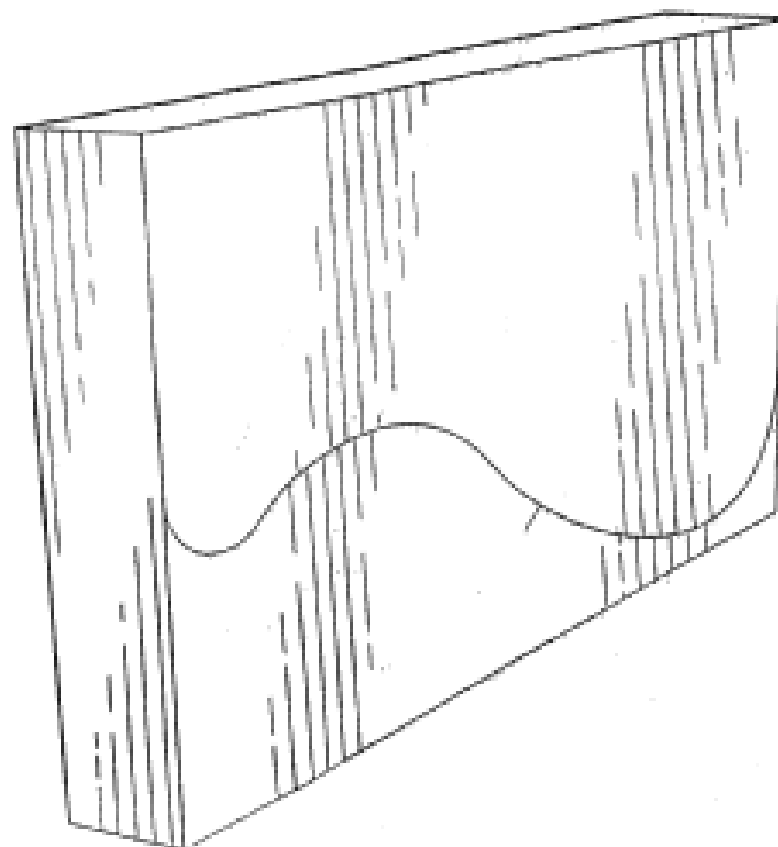
- (21) Design Number: **14594/2009**
(22) Date of Filing Application: **24 November 2009**
(24) Date from which industrial property rights may have effect: **24 November 2009**
(54) Product in respect of which the design is registered: **Remote controller**
(51) International Design Classification: **14-03NES**
(71) Name(s) and Address(s) of Applicant(s):
Sony Computer Entertainment Inc.
2-6-21 Minami-Aoyama Minato-ku Tokyo Japan
(72) Name(s) of Designer(s): **Ken Yano**
(45) Registration Date: **18 December 2009**
(30) Convention priority data:
(31) Number (32) Date (33) Country
2009-11975 28 May 2009 JAPAN
(56) Related Art Documents: **Not Applicable**
(57) Statement of Newness and Distinctiveness: **Nil**



- (21) Design Number: **14179/2009**
(22) Date of Filing Application: **29 October 2009**
(24) Date from which industrial property rights may have effect: **29 October 2009**
(54) Product in respect of which the design is registered: **Holden VE wagon toroidal bracket**
(51) International Design Classification: **12-16NES**
(71) Name(s) and Address(s) of Applicant(s):
L.P.G. Conversions Pty. Ltd.
5-7 Freight Road Tullamarine Victoria 3043 Australia
(72) Name(s) of Designer(s): **Stewart Thompson**
(45) Registration Date: **21 December 2009**
(56) Related Art Documents: **Not Applicable**
(57) Statement of Newness and Distinctiveness: **Nil**



- (21) Design Number: **14186/2009**
(22) Date of Filing Application: **28 October 2009**
(24) Date from which industrial property rights may have effect: **28 October 2009**
(54) Product in respect of which the design is registered: **Comestible package**
(51) International Design Classification: **09-03M**
(71) Name(s) and Address(s) of Applicant(s):
Wm. Wrigley Jr. Company
410 North Michigan Avenue Chicago Illinois 60611 United States of America
(72) Name(s) of Designer(s): **Heather L. Fluegel and Tobias Linnardi and Marius F. Tent**
(45) Registration Date: **21 December 2009**
(30) Convention priority data:
(31) Number (32) Date (33) Country
29/336098 28 Apr 2009 UNITED STATES OF AMERICA
(56) Related Art Documents: **Not Applicable**
(57) Statement of Newness and Distinctiveness: **Newness and distinctiveness is claimed in the features of shape and/or configuration of a comestible package as illustrated in continuous lines in the accompanying representations.**



(21) Design Number: **14355/2009**

(22) Date of Filing Application: **09 November 2009**

(24) Date from which industrial property rights may have effect: **09 November 2009**

(54) Product in respect of which the design is registered: **Solar panelled "star"**

(51) International Design Classification: **23-03D**

(71) Name(s) and Address(s) of Applicant(s):

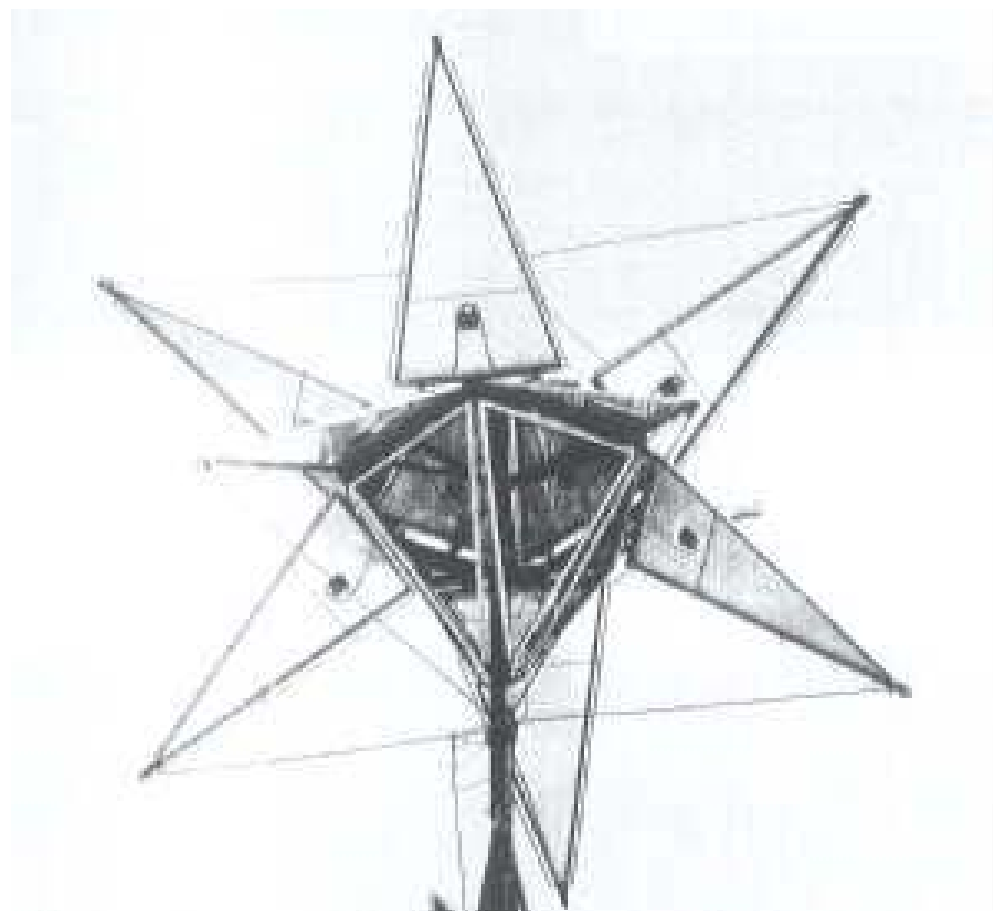
**Xmas-Mil Display Products Pty Ltd
1 Melrich Road Bayswater Victoria 3153 Australia**

(72) Name(s) of Designer(s): **Rodney L. Miller**

(45) Registration Date: **21 December 2009**

(56) Related Art Documents: **Not Applicable**

(57) Statement of Newness and Distinctiveness: **Triangular solar panels in a multi-plane configuration requires no specific northern orientation for collecting sunlight.**



(21) Design Number: **14373/2009**

(22) Date of Filing Application: **09 November 2009**

(24) Date from which industrial property rights may have effect: **09 November 2009**

(54) Product in respect of which the design is registered: **A tyre**

(51) International Design Classification: **12-15A**

(71) Name(s) and Address(s) of Applicant(s):

**The Yokohama Rubber Co., Ltd.
36-11 Shimbashi 5-chome Minato-ku Tokyo 105-8685 Japan**

(72) Name(s) of Designer(s): **Kenichiro Endo and Ryosuke Nukushina**

(45) Registration Date: **21 December 2009**

(30) Convention priority data:

(31) Number	(32) Date	(33) Country
2009-010508	11 May 2009	JAPAN

(56) Related Art Documents: **Not Applicable**

(57) Statement of Newness and Distinctiveness: **Newness and distinctiveness is claimed in the visual features shown in solid lines in the representations.**



(21) Design Number: **14601/2009**

(22) Date of Filing Application: **26 November 2009**

(24) Date from which industrial property rights may have effect: **26 November 2009**

(54) Product in respect of which the design is registered: **Electrical connectors**

(51) International Design Classification: **13-03B**

(71) Name(s) and Address(s) of Applicant(s):

Dennis Ronald Gravalin
271 River Street Maclean New South Wales 2463 Australia

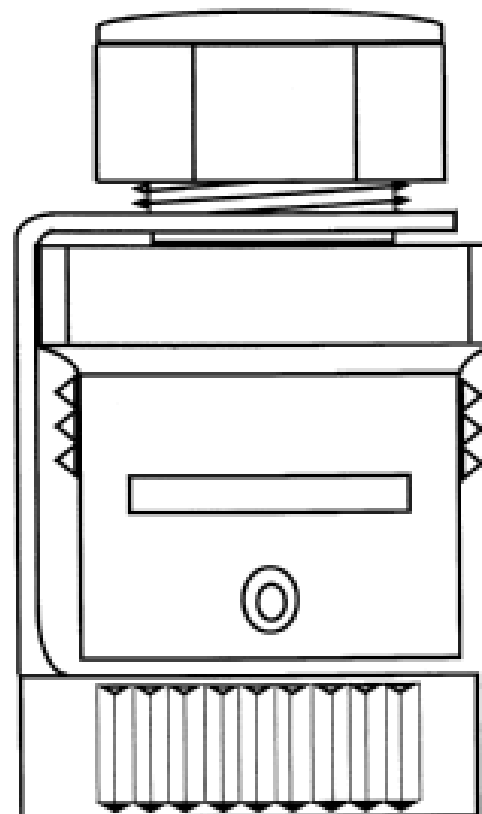
Sandra Lorraine Gravalin
271 River Street Maclean New South Wales 2463 Australia

(72) Name(s) of Designer(s): **Dennis Ronald Gravalin and Sandra Lorraine Gravalin**

(45) Registration Date: **21 December 2009**

(56) Related Art Documents: **Not Applicable**

(57) Statement of Newness and Distinctiveness: **Newness and distinctiveness is claimed in the visual features of the design in the shape and configuration thereof of a electrical housing assembly complete with cover, as illustrated in the accompanying representations shown in solid lines.**



(21) Design Number: **14603/2009**

(22) Date of Filing Application: **25 November 2009**

(24) Date from which industrial property rights may have effect: **25 November 2009**

(54) Product in respect of which the design is registered: **A panel for a modular building**

(51) International Design Classification: **25-01D**

(71) Name(s) and Address(s) of Applicant(s):

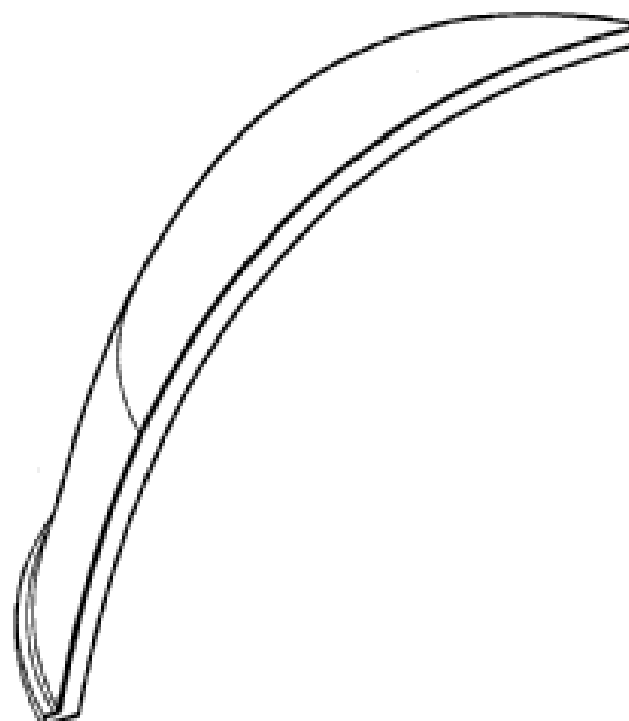
Eco Dome International Pty Limited
Unit 2/47 Newheath Drive Arundel Queensland 4214 Australia

(72) Name(s) of Designer(s): **Steven Woolmer and Michael Beasley**

(45) Registration Date: **21 December 2009**

(56) Related Art Documents: **Not Applicable**

(57) Statement of Newness and Distinctiveness: **The newness and distinctiveness of the design resides in the shape and/or configuration of A PANEL FOR A MODULAR BUILDING shown in the representations.**



(21) Design Number: **14604/2009**

(22) Date of Filing Application: **25 November 2009**

(24) Date from which industrial property rights may have effect: **25 November 2009**

(54) Product in respect of which the design is registered: **A panel for a modular building**

(51) International Design Classification: **25-01D**

(71) Name(s) and Address(s) of Applicant(s):

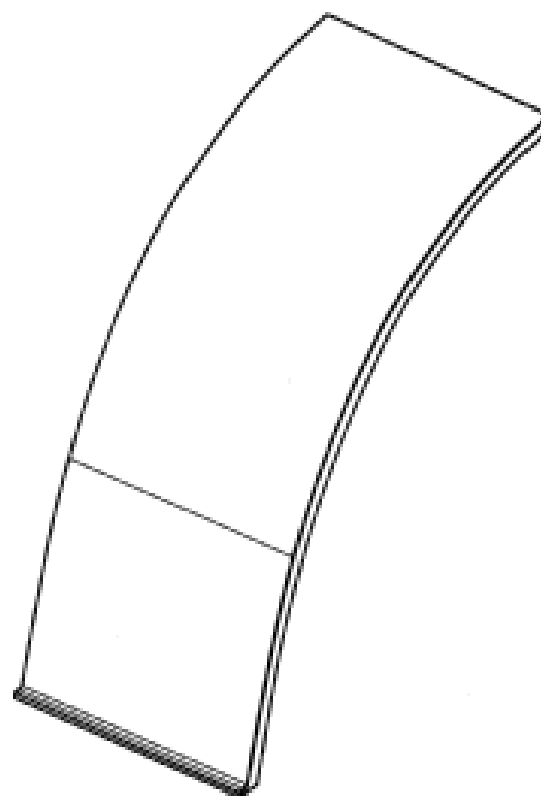
**Eco Dome International Pty Limited
Unit 2/47 Newheath Drive Arundel Queensland 4214 Australia**

(72) Name(s) of Designer(s): **Steven Woolmer and Michael Beasley**

(45) Registration Date: **21 December 2009**

(56) Related Art Documents: **Not Applicable**

(57) Statement of Newness and Distinctiveness: **The newness and distinctiveness of the design resides in the shape and/or configuration of A PANEL FOR A MODULAR BUILDING shown in the representations.**



(21) Design Number: **14605/2009**

(22) Date of Filing Application: **25 November 2009**

(24) Date from which industrial property rights may have effect: **25 November 2009**

(54) Product in respect of which the design is registered: **Side skirt for an automobile**

(51) International Design Classification: **12-16B**

(71) Name(s) and Address(s) of Applicant(s):

**Perusahaan Otomobil Nasional Sdn. Bhd.
Centre of Excellence Complex KM33.8 Westbound Shah Alam
Expressway 47600 Subang Jaya Selangor Darul Ehsan Malaysia**

(72) Name(s) of Designer(s): **Norhelmey Lobb Bin Saad Lobb**

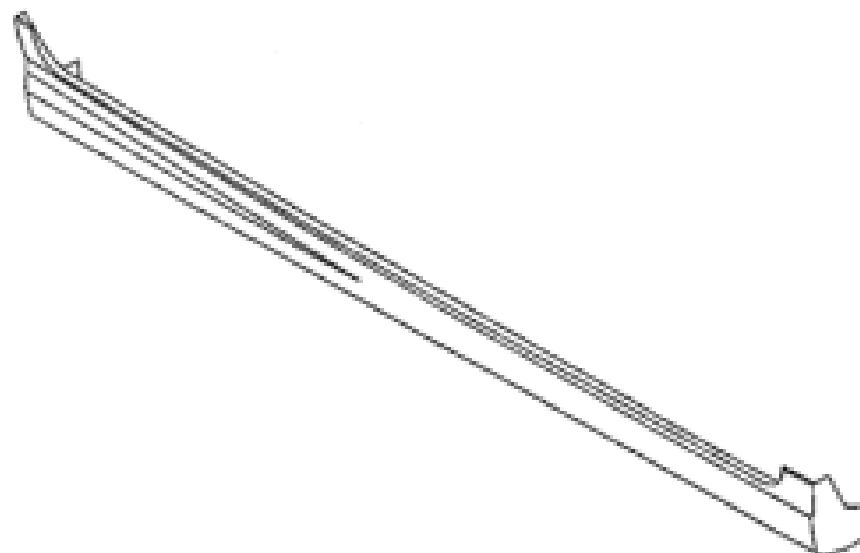
(45) Registration Date: **21 December 2009**

(30) Convention priority data:

(31) Number	(32) Date	(33) Country
09005180101	26 May 2009	MALAYSIA

(56) Related Art Documents: **Not Applicable**

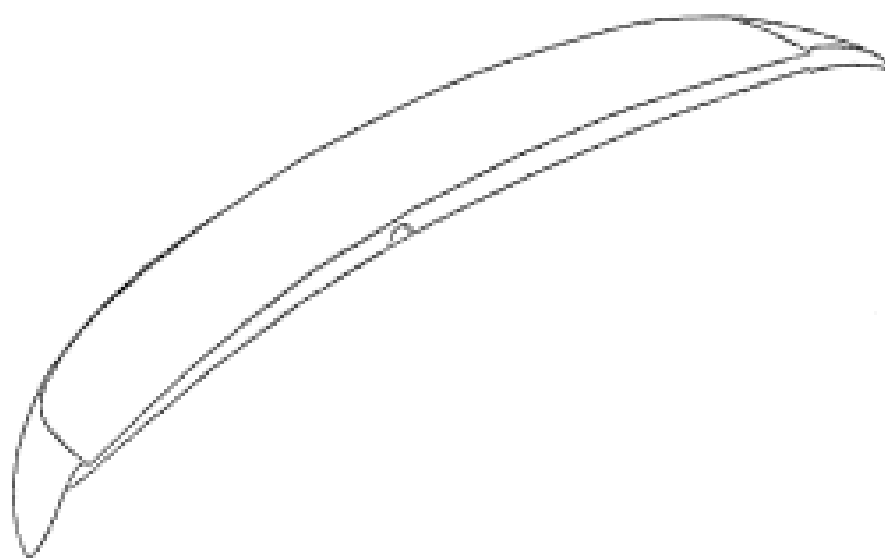
(57) Statement of Newness and Distinctiveness: **Newness and distinctiveness reside in the features of shape and configuration of the side skirt apparent from a face view, as illustrated in the accompanying representations.**



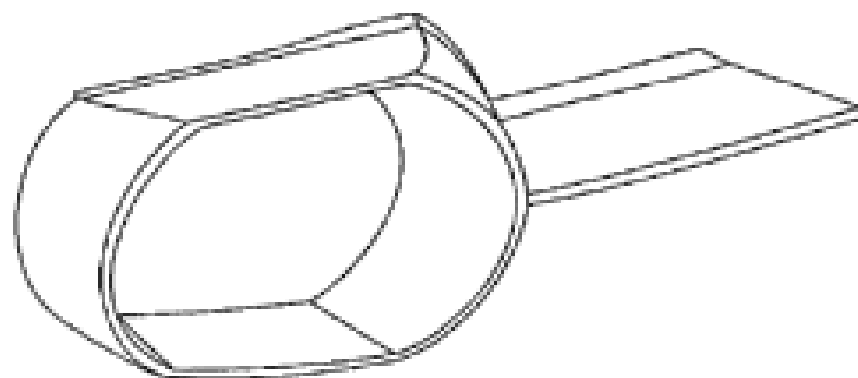
- (21) Design Number: **14606/2009**
(22) Date of Filing Application: **25 November 2009**
(24) Date from which industrial property rights may have effect: **25 November 2009**
(54) Product in respect of which the design is registered: **Exhaust tail pipe for an automobile**
(51) International Design Classification: **12-16N**
(71) Name(s) and Address(s) of Applicant(s):
Perusahaan Otomobil Nasional Sdn. Bhd.
Centre of Excellence Complex KM33.8 Westbound Shah Alam
Expressway 47600 Subang Jaya Selangor Darul Ehsan Malaysia
(72) Name(s) of Designer(s): **Norhelmey Lobb Bin Saad Lobb**
(45) Registration Date: **21 December 2009**
(30) Convention priority data:
(31) Number (32) Date (33) Country
09005170101 26 May 2009 MALAYSIA
(56) Related Art Documents: **Not Applicable**
(57) Statement of Newness and Distinctiveness: **Newness and distinctiveness reside in the features of shape and configuration of the exhaust tail pipe apparent when fitted, as illustrated in the accompanying representations.**



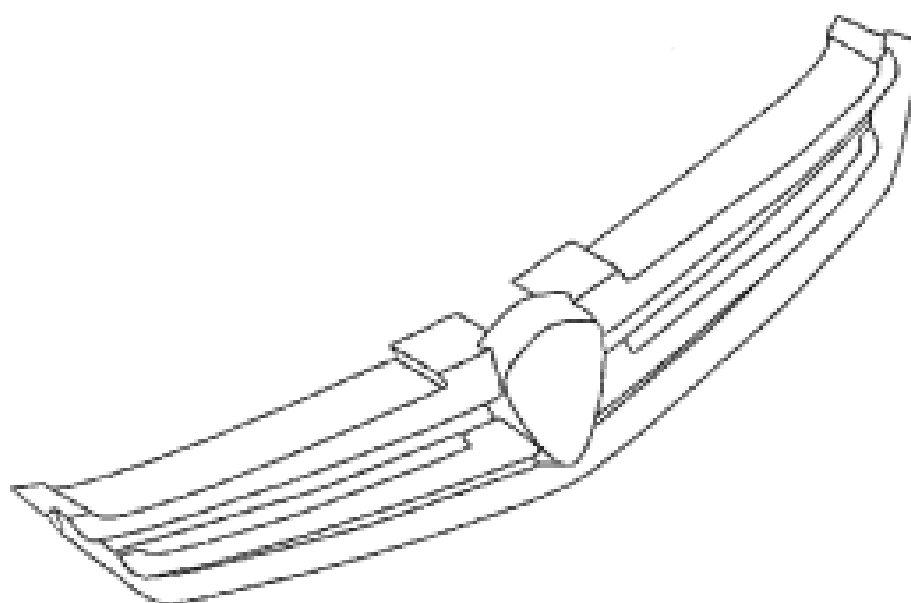
- (21) Design Number: **14607/2009**
(22) Date of Filing Application: **25 November 2009**
(24) Date from which industrial property rights may have effect: **25 November 2009**
(54) Product in respect of which the design is registered: **Spoiler for an automobile**
(51) International Design Classification: **12-16B**
(71) Name(s) and Address(s) of Applicant(s):
Perusahaan Otomobil Nasional Sdn. Bhd.
Centre of Excellence Complex KM33.8 Westbound Shah Alam
Expressway 47600 Subang Jaya Selangor Darul Ehsan Malaysia
(72) Name(s) of Designer(s): **Norhelmey Lobb Bin Saad Lobb**
(45) Registration Date: **21 December 2009**
(30) Convention priority data:
(31) Number (32) Date (33) Country
09005160101 26 May 2009 MALAYSIA
(56) Related Art Documents: **Not Applicable**
(57) Statement of Newness and Distinctiveness: **Newness and distinctiveness reside in the features of shape and configuration of the spoiler apparent from a face view, as illustrated in the accompanying representations.**



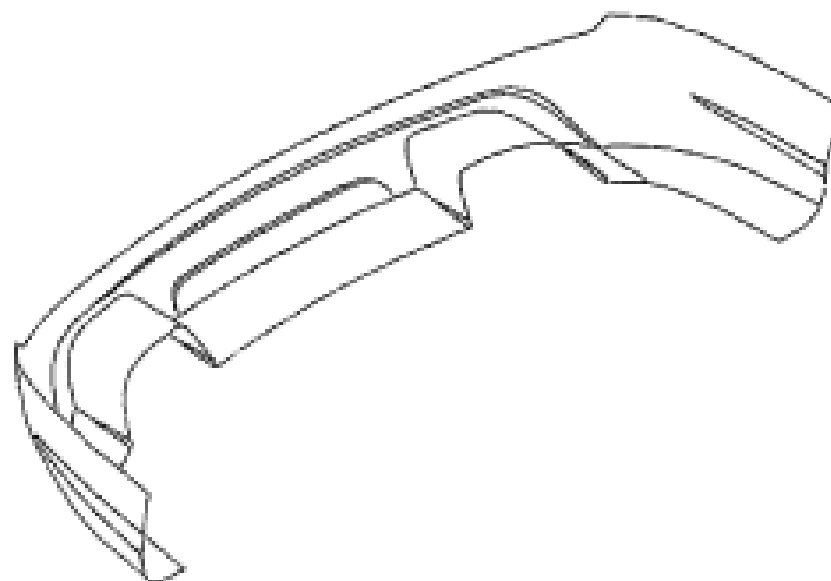
- (21) Design Number: **14608/2009**
(22) Date of Filing Application: **25 November 2009**
(24) Date from which industrial property rights may have effect: **25 November 2009**
(54) Product in respect of which the design is registered: **Lamp guard mounting for an automobile**
(51) International Design Classification: **12-16E**
(71) Name(s) and Address(s) of Applicant(s):
Perusahaan Otomobil Nasional Sdn. Bhd.
Centre of Excellence Complex KM33.8 Westbound Shah Alam
Expressway 47600 Subang Jaya Selangor Darul Ehsan Malaysia
(72) Name(s) of Designer(s): **Norhelmey Lobb Bin Saad Lobb**
(45) Registration Date: **21 December 2009**
(30) Convention priority data:
(31) Number (32) Date (33) Country
09005150101 26 May 2009 MALAYSIA
(56) Related Art Documents: **Not Applicable**
(57) Statement of Newness and Distinctiveness: **Newness and distinctiveness reside in the features of shape and configuration of the lamp guard apparent from a face view, as illustrated in the accompanying representations.**



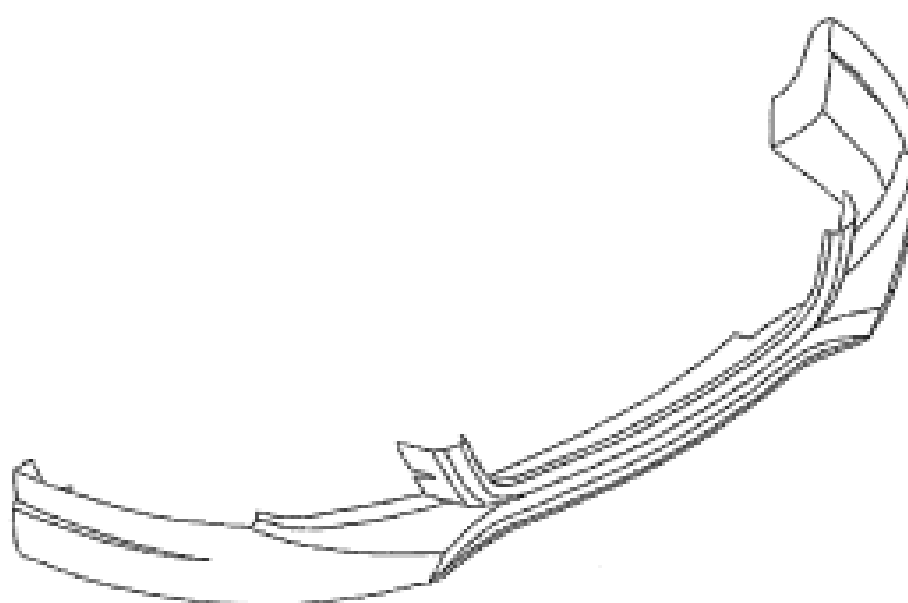
- (21) Design Number: **14609/2009**
(22) Date of Filing Application: **25 November 2009**
(24) Date from which industrial property rights may have effect: **25 November 2009**
(54) Product in respect of which the design is registered: **Front grille for an automobile**
(51) International Design Classification: **12-16B**
(71) Name(s) and Address(s) of Applicant(s):
Perusahaan Otomobil Nasional Sdn. Bhd.
Centre of Excellence Complex KM33.8 Westbound Shah Alam
Expressway 47600 Subang Jaya Selangor Darul Ehsan Malaysia
(72) Name(s) of Designer(s): **Norhelmey Lobb Bin Saad Lobb**
(45) Registration Date: **21 December 2009**
(30) Convention priority data:
(31) Number (32) Date (33) Country
09005140101 26 May 2009 MALAYSIA
(56) Related Art Documents: **Not Applicable**
(57) Statement of Newness and Distinctiveness: **Newness and distinctiveness reside in the features of shape and configuration of the front grille apparent from a face view, as illustrated in the accompanying representations.**



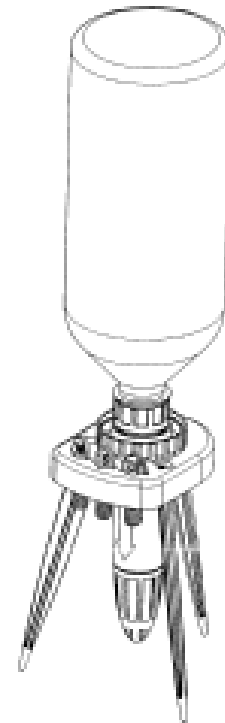
- (21) Design Number: **14610/2009**
(22) Date of Filing Application: **25 November 2009**
(24) Date from which industrial property rights may have effect: **25 November 2009**
(54) Product in respect of which the design is registered: **Rear skirt for an automobile**
(51) International Design Classification: **12-16B**
(71) Name(s) and Address(s) of Applicant(s):
Perusahaan Otomobil Nasional Sdn. Bhd.
Centre of Excellence Complex KM33.8 Westbound Shah Alam
Expressway 47600 Subang Jaya Selangor Darul Ehsan Malaysia
(72) Name(s) of Designer(s): **Norhelmey Lobb Bin Saad Lobb**
(45) Registration Date: **21 December 2009**
(30) Convention priority data:
(31) Number (32) Date (33) Country
09005130101 26 May 2009 MALAYSIA
(56) Related Art Documents: **Not Applicable**
(57) Statement of Newness and Distinctiveness: **Newness and distinctiveness reside in the features of shape and configuration of the rear skirt apparent from a face view, as illustrated in the accompanying representations.**



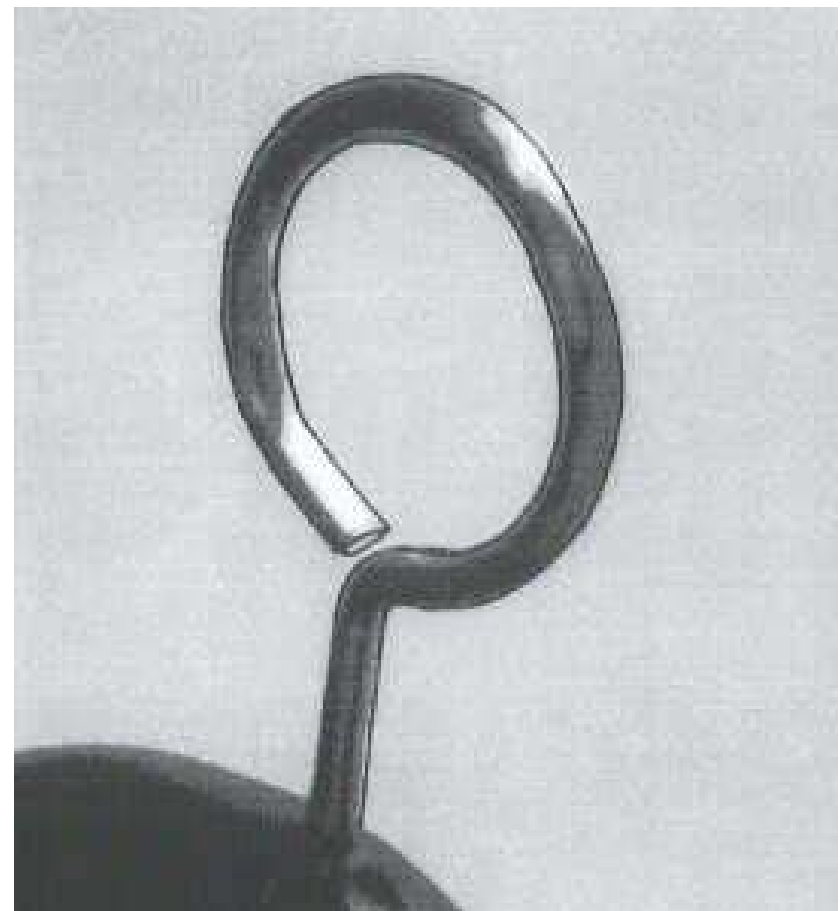
- (21) Design Number: **14611/2009**
(22) Date of Filing Application: **25 November 2009**
(24) Date from which industrial property rights may have effect: **25 November 2009**
(54) Product in respect of which the design is registered: **Front skirt for an automobile**
(51) International Design Classification: **12-16B**
(71) Name(s) and Address(s) of Applicant(s):
Perusahaan Otomobil Nasional Sdn. Bhd.
Centre of Excellence Complex KM33.8 Westbound Shah Alam
Expressway 47600 Subang Jaya Selangor Darul Ehsan Malaysia
(72) Name(s) of Designer(s): **Norhelmey Lobb Bin Saad Lobb**
(45) Registration Date: **21 December 2009**
(30) Convention priority data:
(31) Number (32) Date (33) Country
09005120101 26 May 2009 MALAYSIA
(56) Related Art Documents: **Not Applicable**
(57) Statement of Newness and Distinctiveness: **Newness and distinctiveness reside in the features of shape and configuration of the front skirt apparent from a face view, as illustrated in the accompanying representations.**



- (21) Design Number: **14619/2009**
(22) Date of Filing Application: **25 November 2009**
(24) Date from which industrial property rights may have effect: **25 November 2009**
(54) Product in respect of which the design is registered: **Drip irrigator**
(51) International Design Classification: **23-01E**
(71) Name(s) and Address(s) of Applicant(s):
Claber S.p.A.
Via Pontebbana 22 Fiume Veneto (PN) I-33080 Italy
(72) Name(s) of Designer(s): **Gaetano Franchini**
(45) Registration Date: **21 December 2009**
(30) Convention priority data:
(31) Number (32) Date (33) Country
001140420 27 May 2009 EUROPEAN COMMUNITY
(56) Related Art Documents: **Not Applicable**
(57) Statement of Newness and Distinctiveness: **Nil**



- (21) Design Number: **14645/2009**
(22) Date of Filing Application: **27 November 2009**
(24) Date from which industrial property rights may have effect: **27 November 2009**
(54) Product in respect of which the design is registered: **Clothes hanger attachment**
(51) International Design Classification: **06-08**
(71) Name(s) and Address(s) of Applicant(s):
Design Enterprises Pty Ltd
Suite F7 62 Wellington Parade East Melbourne Victoria 3002 Australia
(72) Name(s) of Designer(s): **Robert Cotterell**
(45) Registration Date: **21 December 2009**
(56) Related Art Documents: **Not Applicable**
(57) Statement of Newness and Distinctiveness: **Visual features of the design which are new and distinctive are the features of shape and/or configuration of the clothes hanger attachment. In determining the scope of this design the shape and configuration of the clothes hanger body marked "C" in the representations is to be disregarded.**



(21) Design Number: 13134/2009

(22) Date of Filing Application: 18 August 2009

(24) Date from which industrial property rights may have effect: 18 August 2009

(54) Product in respect of which the design is registered: Tether strap

(51) International Design Classification: 29-02

(71) Name(s) and Address(s) of Applicant(s):

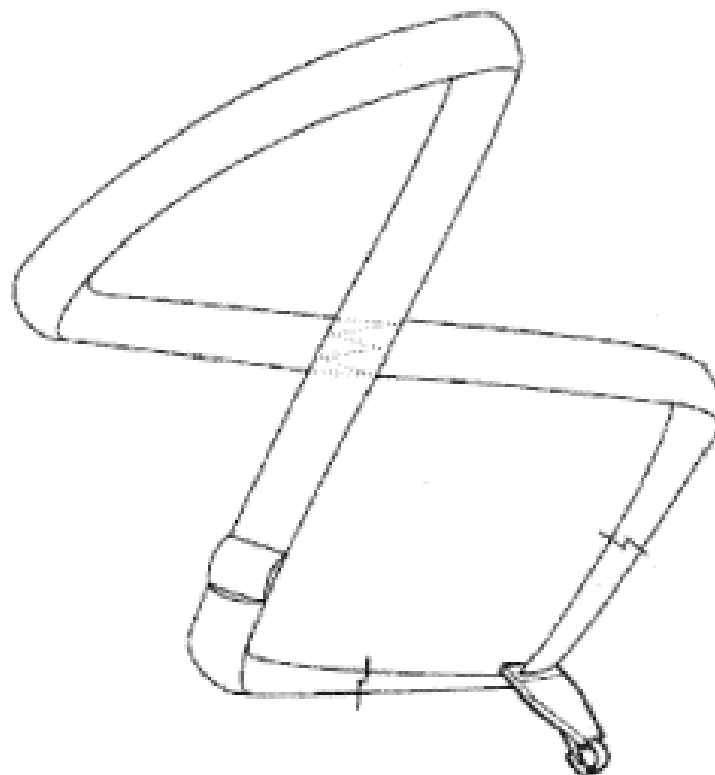
INFA-SECURE Pty Ltd
110-114 Old Bathurst Road Emu Plains New South Wales 2750
Australia

(72) Name(s) of Designer(s): Richard Horsfall

(45) Registration Date: 21 December 2009

(56) Related Art Documents: Not Applicable

(57) Statement of Newness and Distinctiveness: Visual features of the design which are new and distinctive are inter alia the features of shape and/or configuration of the tether strap as illustrated in the accompanying representations. The tether strap is shown both isolated and in use whereby it is attached to a child safety seat. Those features of the design shown with dashed lines are to be disregarded in considering the extent of monopoly protection.



(21) Design Number: 13135/2009

(22) Date of Filing Application: 18 August 2009

(24) Date from which industrial property rights may have effect: 18 August 2009

(54) Product in respect of which the design is registered: Tether strap

(51) International Design Classification: 29-02

(71) Name(s) and Address(s) of Applicant(s):

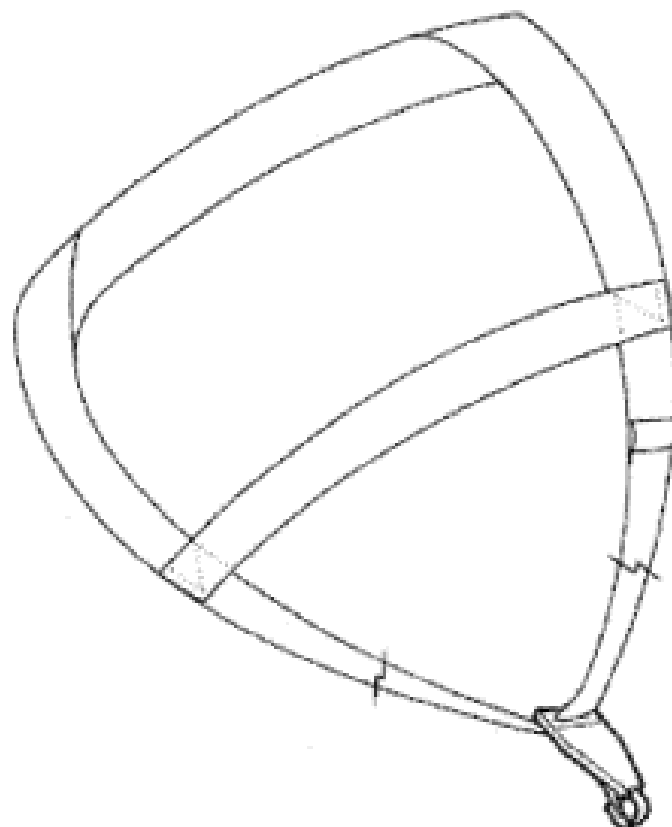
INFA-SECURE Pty Ltd
110-114 Old Bathurst Road Emu Plains New South Wales 2750
Australia

(72) Name(s) of Designer(s): Richard Horsfall

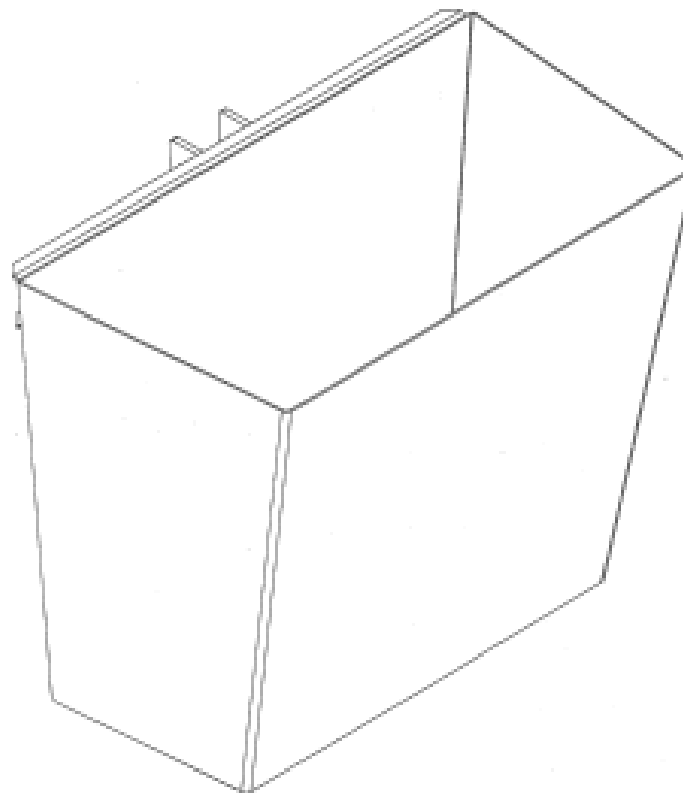
(45) Registration Date: 21 December 2009

(56) Related Art Documents: Not Applicable

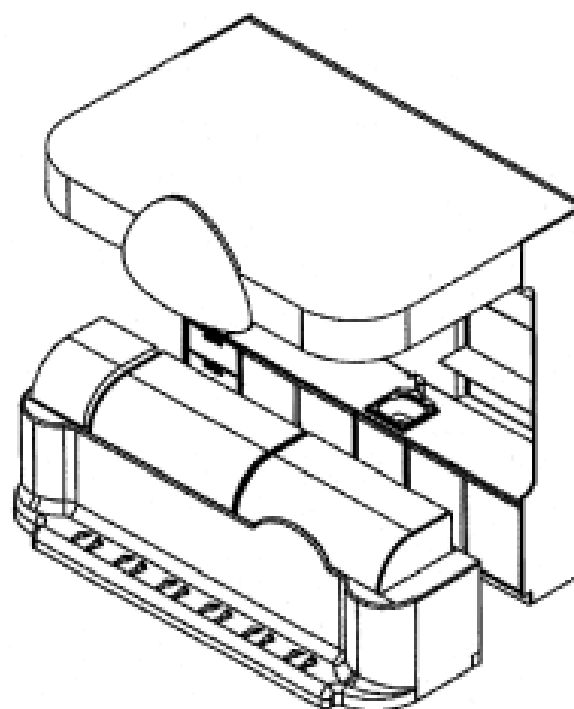
(57) Statement of Newness and Distinctiveness: Visual features of the design which are new and distinctive are inter alia the features of shape and/or configuration of the tether strap as illustrated in the accompanying representations. The tether strap is shown both isolated and in use whereby it is attached to a child safety seat. Those features of the design shown with dashed lines are to be disregarded in considering the extent of monopoly protection.



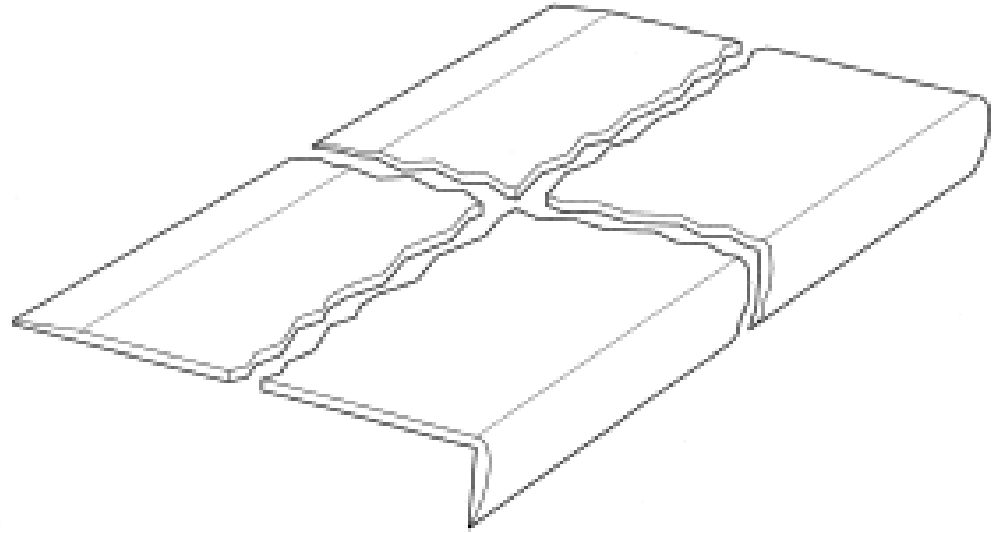
- (21) Design Number: **11894/2009**
(22) Date of Filing Application: **25 May 2009**
(24) Date from which industrial property rights may have effect: **25 May 2009**
(54) Product in respect of which the design is registered: **Counterweight**
(51) International Design Classification: **10-04**
(71) Name(s) and Address(s) of Applicant(s):
Challenge Implements Holdings Pty Limited
Leewood Drive Orange New South Wales 2800 Australia
(72) Name(s) of Designer(s): **Craig Healey and John Healey and Collin O'Shaughnessy and Daniel Webb**
(45) Registration Date: **22 December 2009**
(56) Related Art Documents: **Not Applicable**
(57) Statement of Newness and Distinctiveness: **Nil**



- (21) Design Number: **14558/2009**
(22) Date of Filing Application: **20 November 2009**
(24) Date from which industrial property rights may have effect: **20 November 2009**
(54) Product in respect of which the design is registered: **Kiosk**
(51) International Design Classification: **25-03**
(71) Name(s) and Address(s) of Applicant(s):
Claude Group Pty Ltd
Suite 101 68-72 York Street South Melbourne Victoria 3205 Australia
(72) Name(s) of Designer(s): **Philip MacFadyen and Monica MacFadyen**
(45) Registration Date: **22 December 2009**
(56) Related Art Documents: **Not Applicable**
(57) Statement of Newness and Distinctiveness: **Nil**

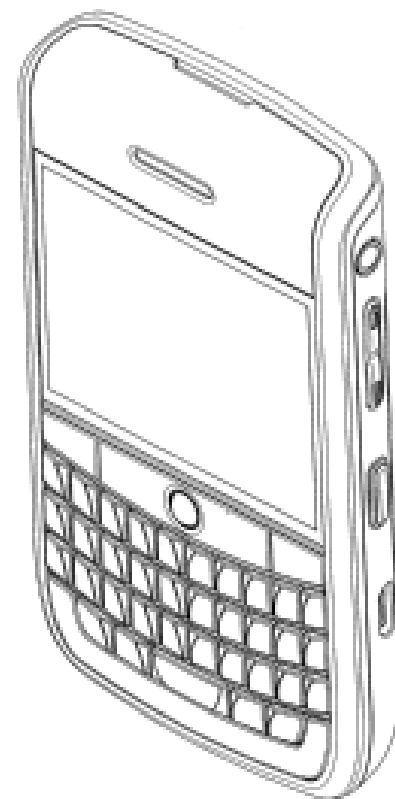


- (21) Design Number: **14625/2009**
- (22) Date of Filing Application: **26 November 2009**
- (24) Date from which industrial property rights may have effect: **26 November 2009**
- (54) Product in respect of which the design is registered: **A stair design**
- (51) International Design Classification: **25-04**
- (71) Name(s) and Address(s) of Applicant(s):
Treadwell Group Pty Ltd
46 Dunorlan Road Edwardstown South Australia 5039 Australia
- (72) Name(s) of Designer(s): **Lachlan John Butcher**
- (45) Registration Date: **22 December 2009**
- (56) Related Art Documents: **Not Applicable**
- (57) Statement of Newness and Distinctiveness: **Newness and distinctiveness are claimed in the shape and configuration of the stair nosing of the indefinite length and width depicted in the accompanying illustrations.**

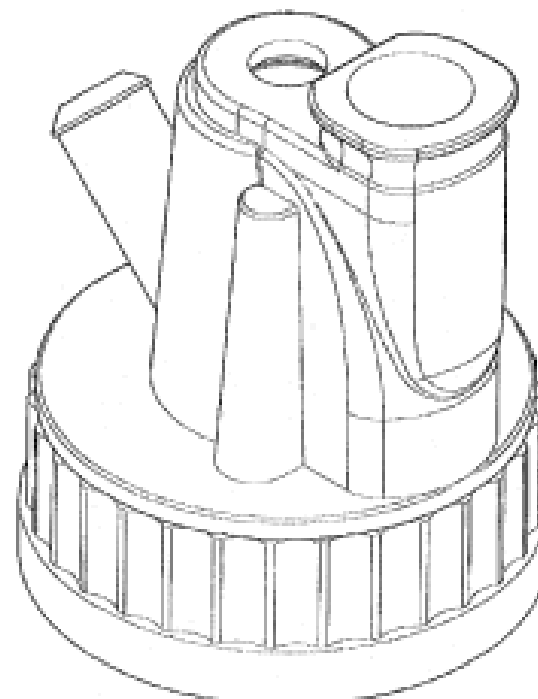


- (21) Design Number: **14626/2009**
- (22) Date of Filing Application: **26 November 2009**
- (24) Date from which industrial property rights may have effect: **26 November 2009**
- (54) Product in respect of which the design is registered: **Hand-held electronic device**
- (51) International Design Classification: **14-02**
- (71) Name(s) and Address(s) of Applicant(s):
Research In Motion Limited
295 Phillip Street Waterloo Ontario N2L 3W8 Canada
- (72) Name(s) of Designer(s): **Marco Sixtus Ferrari and Roman Peter Rak and Todd Andrew Wood**
- (45) Registration Date: **22 December 2009**
- (30) Convention priority data:

(31) Number	(32) Date	(33) Country
29/339760	07 Jul 2009	UNITED STATES OF AMERICA
- (56) Related Art Documents: **Not Applicable**
- (57) Statement of Newness and Distinctiveness: **Newness and distinctiveness is claimed in the features of shape and/or configuration of a hand-held electronic device as illustrated in the accompanying representations.**



- (21) Design Number: **14627/2009**
(22) Date of Filing Application: **26 November 2009**
(24) Date from which industrial property rights may have effect: **26 November 2009**
(54) Product in respect of which the design is registered: **Pump body**
(51) International Design Classification: **15-02**
(71) Name(s) and Address(s) of Applicant(s):
Yen-Hsin Chen
179 Hsing Ho Road Sha Lu Chen Taichung Hsien Taiwan, Republic of China
Kuo-An Liao
1F No. 86 Lane 280 Section 6 Minquan E. Road Neihu District Taipei City 114 Taiwan, Republic of China
(72) Name(s) of Designer(s): **Yen-Hsin Chen and Kuo-An Liao**
(45) Registration Date: **22 December 2009**
(56) Related Art Documents: **Not Applicable**
(57) Statement of Newness and Distinctiveness: **Newness and distinctiveness reside in the features of shape and/or configuration of the pump body, as shown in the representations.**



- (21) Design Number: **14628/2009**
(22) Date of Filing Application: **26 November 2009**
(24) Date from which industrial property rights may have effect: **26 November 2009**
(54) Product in respect of which the design is registered: **Footwear**
(51) International Design Classification: **02-04NES**
(71) Name(s) and Address(s) of Applicant(s):
Grendene S.A.
Av. Pimentel Gomes 214 Expectativa Sobral - CE CEP 6240-050 Brazil
(72) Name(s) of Designer(s): **Volnei Tadeu Dal Margo**
(45) Registration Date: **22 December 2009**
(30) Convention priority data:
(31) Number (32) Date (33) Country
DI 6902042-6 05 Jun 2009 BRAZIL
(56) Related Art Documents: **Not Applicable**
(57) Statement of Newness and Distinctiveness: **Those features of the footwear depicted in the representations that are new and distinctive are the shape, configuration, pattern and ornamentation, and the colour combination.**



- (21) Design Number: **14629/2009**
(22) Date of Filing Application: **26 November 2009**
(24) Date from which industrial property rights may have effect: **26 November 2009**
(54) Product in respect of which the design is registered: **Footwear**
(51) International Design Classification: **02-04NES**
(71) Name(s) and Address(s) of Applicant(s):
Grendene S.A.
Av. Pimentel Gomes 214 Expectativa Sobral - CE CEP 62040-050
Brazil
(72) Name(s) of Designer(s): **Volnei Tadeu Dal Margo**
(45) Registration Date: **22 December 2009**
(30) Convention priority data:
(31) Number (32) Date (33) Country
DI 6902043-4 05 Jun 2009 BRAZIL
(56) Related Art Documents: **Not Applicable**
(57) Statement of Newness and Distinctiveness: **Those features of the footwear depicted in the representations that are new and distinctive are the shape, configuration, pattern and ornamentation, and the colour combination.**



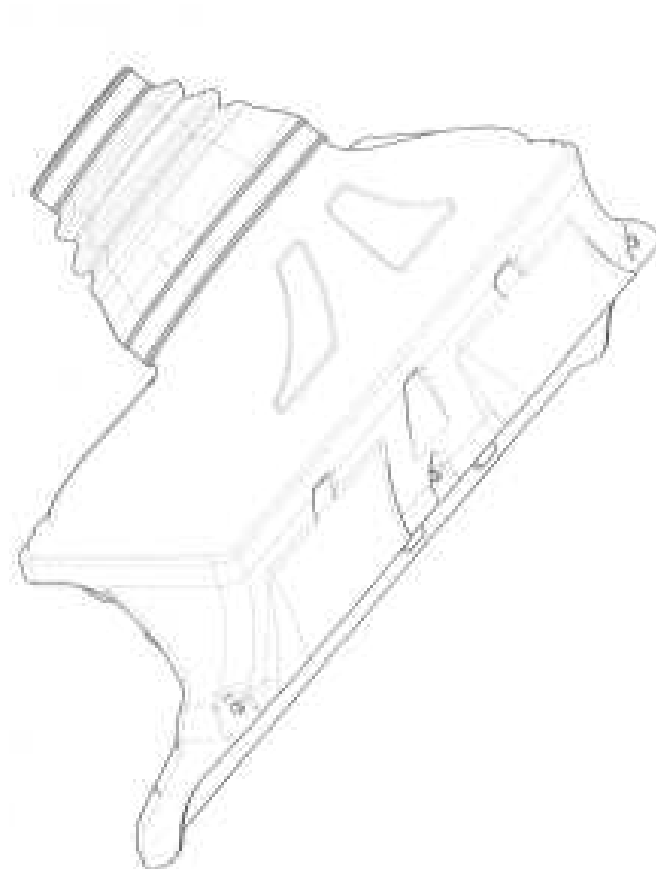
- (21) Design Number: **14630/2009**
(22) Date of Filing Application: **26 November 2009**
(24) Date from which industrial property rights may have effect: **26 November 2009**
(54) Product in respect of which the design is registered: **Footwear**
(51) International Design Classification: **02-04NES**
(71) Name(s) and Address(s) of Applicant(s):
Grendene S.A.
Av. Pimentel Gomes 214 Expectativa Sobral - CE CEP 6240-050 Brazil
(72) Name(s) of Designer(s): **Volnei Tadeu Dal Margo**
(45) Registration Date: **22 December 2009**
(30) Convention priority data:
(31) Number (32) Date (33) Country
DI 6902046-9 05 Jun 2009 BRAZIL
(56) Related Art Documents: **Not Applicable**
(57) Statement of Newness and Distinctiveness: **Those features of the footwear depicted in the representations that are new and distinctive are the shape, configuration, pattern and ornamentation, and the colour combination.**



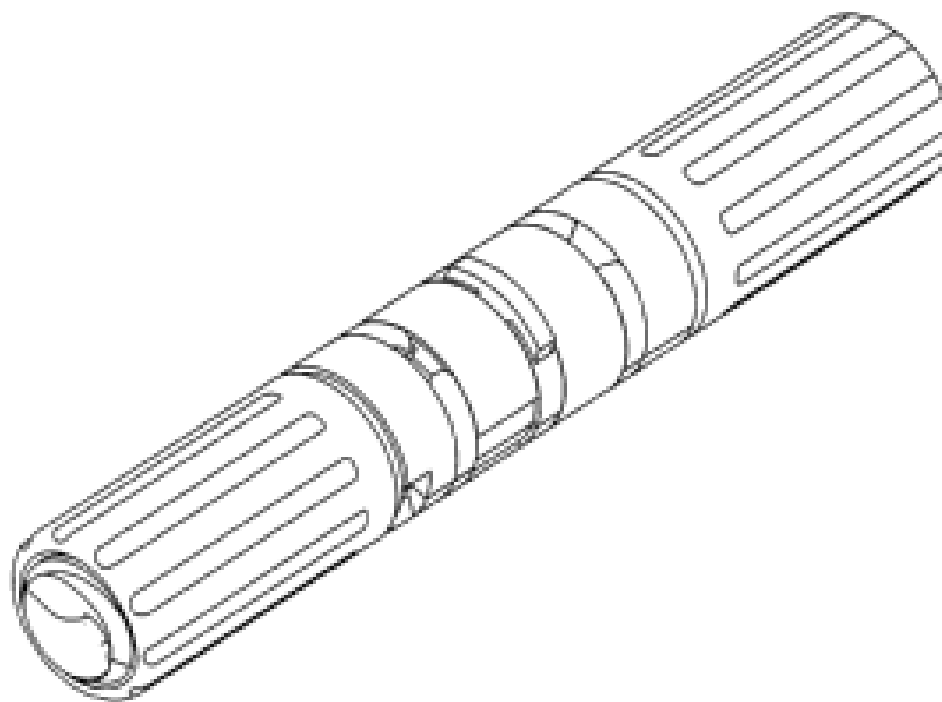
- (21) Design Number: **14631/2009**
(22) Date of Filing Application: **26 November 2009**
(24) Date from which industrial property rights may have effect: **26 November 2009**
(54) Product in respect of which the design is registered: **Footwear**
(51) International Design Classification: **02-04NES**
(71) Name(s) and Address(s) of Applicant(s):
Grendene S.A.
Av. Pimentel Gomes 214 Expectativa Sobral - CE CEP 6240-050 Brazil
(72) Name(s) of Designer(s): **Volnei Tadeu Dal Margo**
(45) Registration Date: **22 December 2009**
(30) Convention priority data:
(31) Number (32) Date (33) Country
DI 6902049-3 05 Jun 2009 BRAZIL
(56) Related Art Documents: **Not Applicable**
(57) Statement of Newness and Distinctiveness: **Those features of the footwear depicted in the representations that are new and distinctive are the shape, configuration, pattern and ornamentation, and the colour combination.**



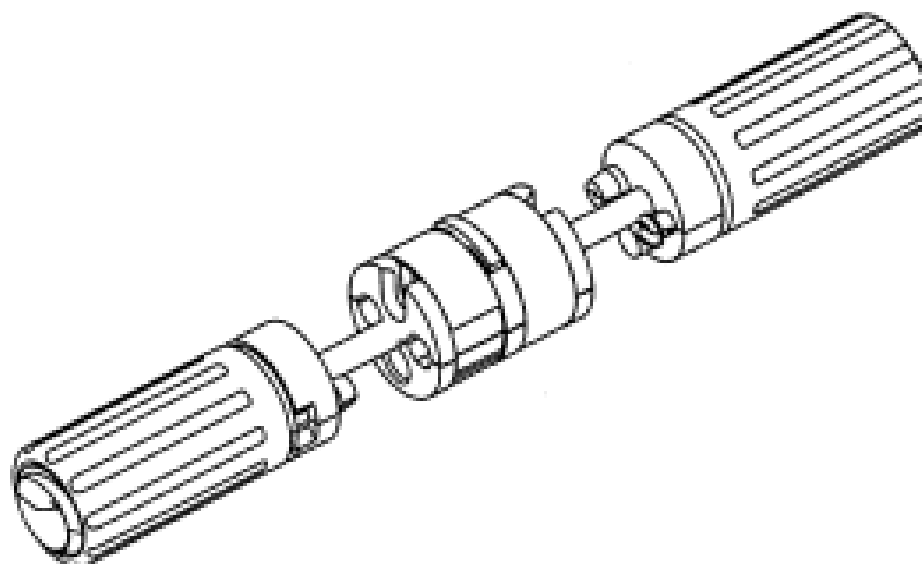
- (21) Design Number: **14727/2009**
(22) Date of Filing Application: **03 December 2009**
(24) Date from which industrial property rights may have effect: **03 December 2009**
(54) Product in respect of which the design is registered: **Induction system with integral air filter**
(51) International Design Classification: **23-04**
(71) Name(s) and Address(s) of Applicant(s):
VCM Suite Australasia Pty. Ltd.
1634 Ferntree Gully Road Knoxfield Victoria 3180 Australia
Greg Brindley
1634 Ferntree Gully Road Knoxfield Victoria 3180 Australia
Mario Pancione
1634 Ferntree Gully Road Knoxfield Victoria 3180 Australia
(72) Name(s) of Designer(s): **Ken L. Nunn**
(45) Registration Date: **22 December 2009**
(56) Related Art Documents: **Not Applicable**
(57) Statement of Newness and Distinctiveness: **Integral "clip-in" large air filter, with auto-activating fluid drain. One-piece high-flow moulding, geometrically shaped by computer generated aerodynamic flow analysis. Pre-radiator cold-air ingress with integral heat deflector.**



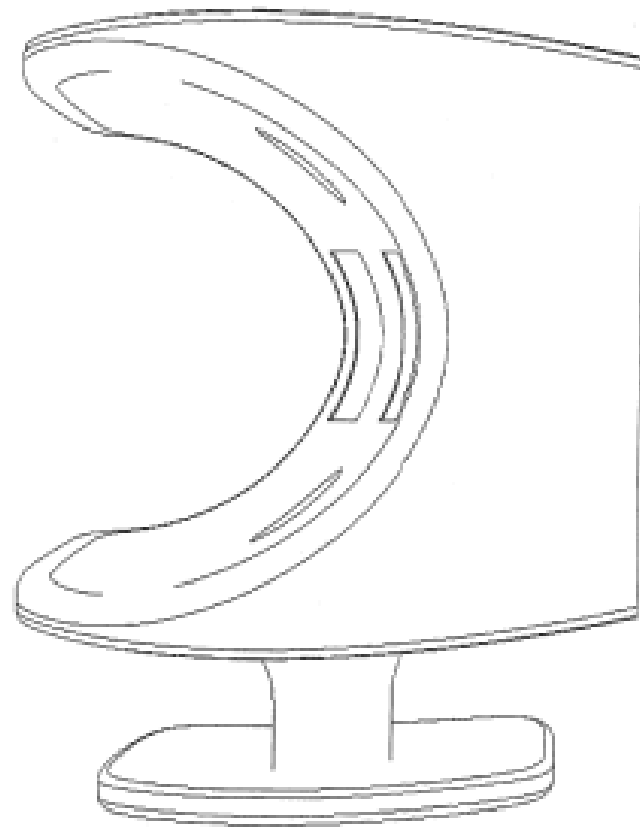
- (21) Design Number: **14079/2009**
(22) Date of Filing Application: **21 October 2009**
(24) Date from which industrial property rights may have effect: **21 October 2009**
(54) Product in respect of which the design is registered: **Apparatus for mechanically splicing optic fibres**
(51) International Design Classification: **08-05NES, 14-03NES**
(71) Name(s) and Address(s) of Applicant(s):
ADC Communications (Australia) Pty Limited
2 Hereford Street Berkeley Vale New South Wales 2261 Australia
(72) Name(s) of Designer(s): **Brett Hoe Slater and Brent David Allwood and Bryce Lindsay Nicholls**
(45) Registration Date: **22 December 2009**
(56) Related Art Documents: **Not Applicable**
(57) Statement of Newness and Distinctiveness: **The features of shape and configuration of the apparatus for mechanically splicing optic fibres shown in the accompanying representations are considered to be new and distinctive.**



- (21) Design Number: **14082/2009**
(22) Date of Filing Application: **21 October 2009**
(24) Date from which industrial property rights may have effect: **21 October 2009**
(54) Product in respect of which the design is registered: **Apparatus for mechanically splicing optic fibres**
(51) International Design Classification: **08-05NES, 14-03NES**
(71) Name(s) and Address(s) of Applicant(s):
ADC Communications (Australia) Pty Limited
2 Hereford Street Berkeley Vale New South Wales 2261 Australia
(72) Name(s) of Designer(s): **Brett Hoe Slater and Brent David Allwood and Bryce Lindsay Nicholls**
(45) Registration Date: **22 December 2009**
(56) Related Art Documents: **Not Applicable**
(57) Statement of Newness and Distinctiveness: **The features of shape and configuration of the apparatus for mechanically splicing optic fibres shown in the accompanying representations are considered to be new and distinctive.**



- (21) Design Number: **14127/2009**
(22) Date of Filing Application: **11 September 2009**
(24) Date from which industrial property rights may have effect: **11 September 2009**
(54) Product in respect of which the design is registered: **A holder**
(51) International Design Classification: **31-00**
(71) Name(s) and Address(s) of Applicant(s):
AB Electrolux
Stockholm 105 45 Sweden
(72) Name(s) of Designer(s): **Joachim Nordwall**
(45) Registration Date: **22 December 2009**
(30) Convention priority data:
(31) Number (32) Date (33) Country
001104137 12 Mar 2009 EUROPEAN COMMUNITY
(62) Divisional of: **328242**
(56) Related Art Documents: **Not Applicable**
(57) Statement of Newness and Distinctiveness: **Nil**



- (21) Design Number: **14639/2009**
(22) Date of Filing Application: **27 November 2009**
(24) Date from which industrial property rights may have effect: **27 November 2009**
(54) Product in respect of which the design is registered: **Berley bucket mesh with opening/locking door**
(51) International Design Classification: **22-05**
(71) Name(s) and Address(s) of Applicant(s):
Fingo Products Pty Ltd
23 Reddie Street Henley Beach South Australia 5022 Australia
(72) Name(s) of Designer(s): **Andrew Kumnick and Andrew Whittaker and Giles McDonald**
(45) Registration Date: **22 December 2009**
(56) Related Art Documents: **Not Applicable**
(57) Statement of Newness and Distinctiveness: **An arrangement of directly opposing hooks along one side of a flat piece of mesh creates a locking detail for a T shaped rail on the other side of the mesh allowing the mesh to be formed into a tube shape so that covering caps can be fitted to each end.**



(21) Design Number: **14640/2009**

(22) Date of Filing Application: **25 November 2009**

(24) Date from which industrial property rights may have effect: **25 November 2009**

(54) Product in respect of which the design is registered: **Gas oven**

(51) International Design Classification: **07-02A**

(71) Name(s) and Address(s) of Applicant(s):

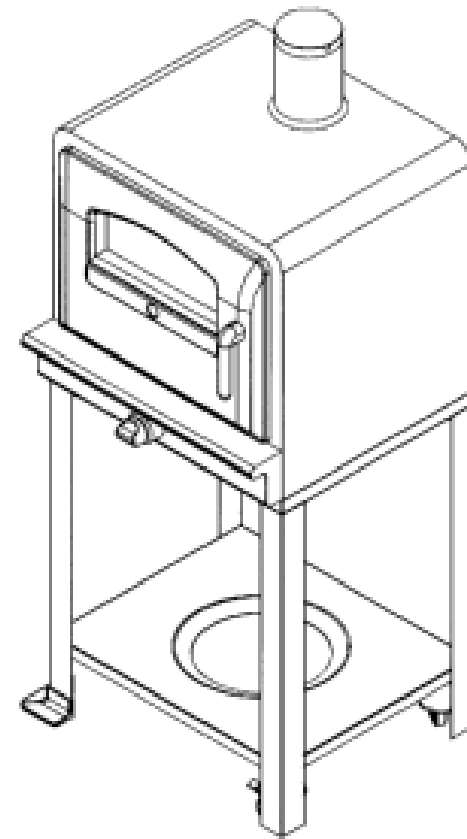
Arlec Australia Pty Ltd
272-274 Maroondah Highway Chrinside Park Victoria 3116 Australia

(72) Name(s) of Designer(s): **Michael Nimmervoll**

(45) Registration Date: **22 December 2009**

(56) Related Art Documents: **Not Applicable**

(57) Statement of Newness and Distinctiveness: **Nil**



(21) Design Number: **14641/2009**

(22) Date of Filing Application: **25 November 2009**

(24) Date from which industrial property rights may have effect: **25 November 2009**

(54) Product in respect of which the design is registered: **Bottle**

(51) International Design Classification: **09-01NES**

(71) Name(s) and Address(s) of Applicant(s):

Global Sports & Corporate Merchandise Pty Ltd
8 Jardine Terrace Bella Vista New South Wales 2153 Australia

(72) Name(s) of Designer(s): **Gordon Grant Thom**

(45) Registration Date: **22 December 2009**

(56) Related Art Documents: **Not Applicable**

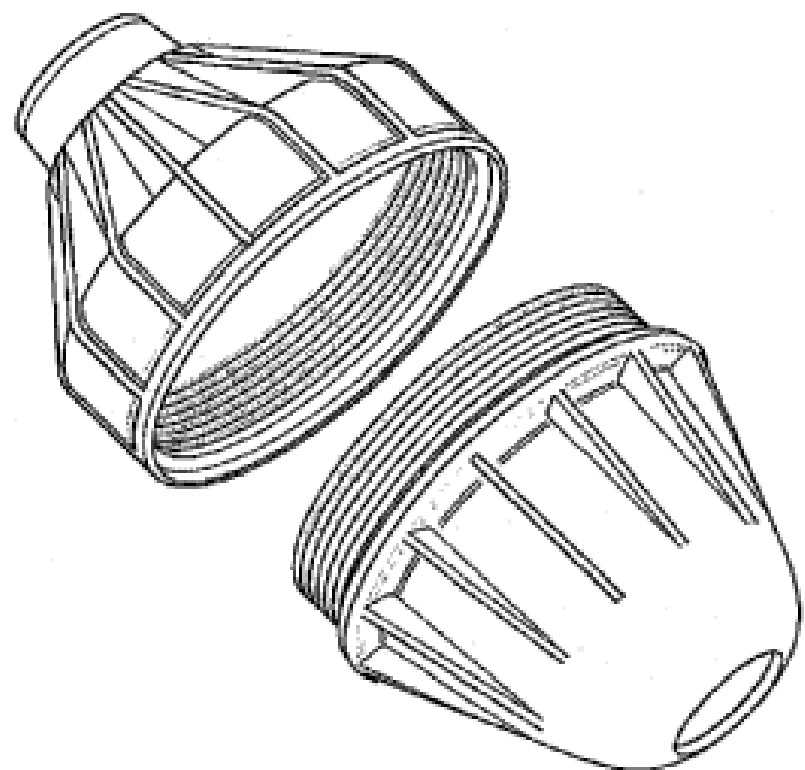
(57) Statement of Newness and Distinctiveness: **Nil**



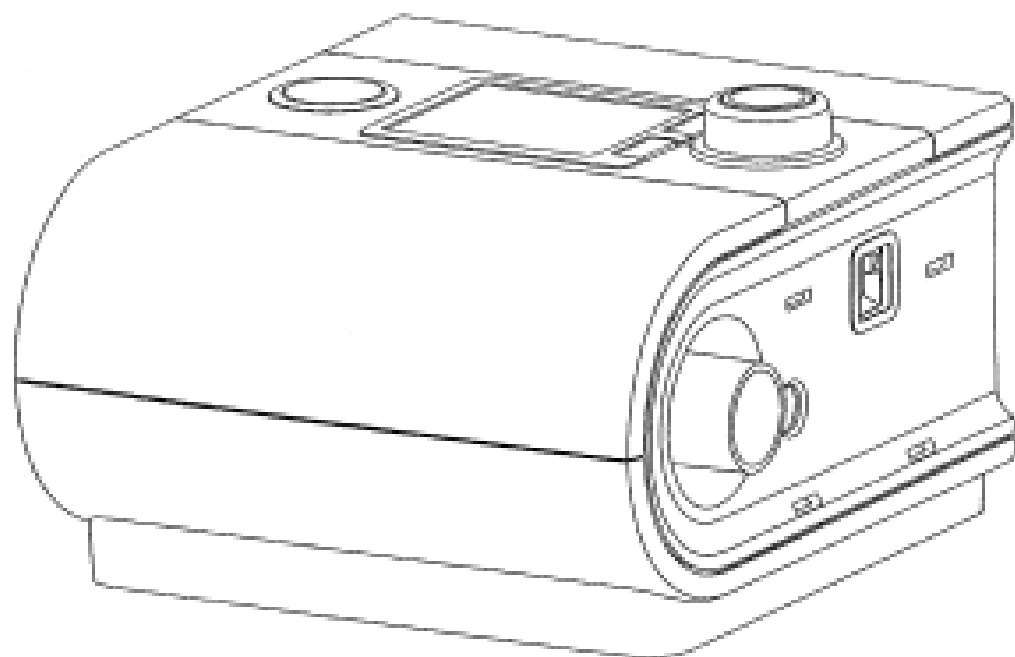
- (21) Design Number: **14642/2009**
(22) Date of Filing Application: **25 November 2009**
(24) Date from which industrial property rights may have effect: **25 November 2009**
(54) Product in respect of which the design is registered: **Bottle**
(51) International Design Classification: **09-01NES**
(71) Name(s) and Address(s) of Applicant(s):
Global Sports & Corporate Merchandise Pty Ltd
8 Jardine Terrace Bella Vista New South Wales 2153 Australia
(72) Name(s) of Designer(s): **Gordon Grant Thom**
(45) Registration Date: **22 December 2009**
(56) Related Art Documents: **Not Applicable**
(57) Statement of Newness and Distinctiveness: **Nil**



- (21) Design Number: **14643/2009**
(22) Date of Filing Application: **25 November 2009**
(24) Date from which industrial property rights may have effect: **25 November 2009**
(54) Product in respect of which the design is registered: **Waterproof extension cord coupling**
(51) International Design Classification: **13-03D**
(71) Name(s) and Address(s) of Applicant(s):
Tubing & Electrical Industries Pty Ltd
6 Manfull Street Melrose Park South Australia 5039 Australia
(72) Name(s) of Designer(s): **David Hutchings**
(45) Registration Date: **22 December 2009**
(56) Related Art Documents: **Not Applicable**
(57) Statement of Newness and Distinctiveness: **Newness and distinctiveness resides in the shape and/or configuration of the Waterproof extension cord coupling as shown in the accompanying representations.**

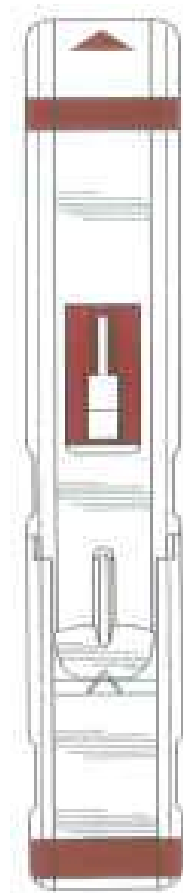


- (21) Design Number: **13060/2009**
- (22) Date of Filing Application: **19 December 2008**
- (24) Date from which industrial property rights may have effect: **19 December 2008**
- (54) Product in respect of which the design is registered: **Positive airway pressure delivery device**
- (51) International Design Classification: **24-01**
- (71) Name(s) and Address(s) of Applicant(s):
ResMed Ltd
1 Elizabeth Macarthur Drive Bella Vista New South Wales 2153
Australia
- (72) Name(s) of Designer(s): **Perry David Lithgow and Phoebe Katherine Hill and Ian Malcolm Smith and Rohan Neil Primrose and Mark Bertinetti and Saad Nasr**
- (45) Registration Date: **22 December 2009**
- (62) Divisional of: **10853/2009**
- (56) Related Art Documents: **Not Applicable**
- (57) Statement of Newness and Distinctiveness: **Nil**

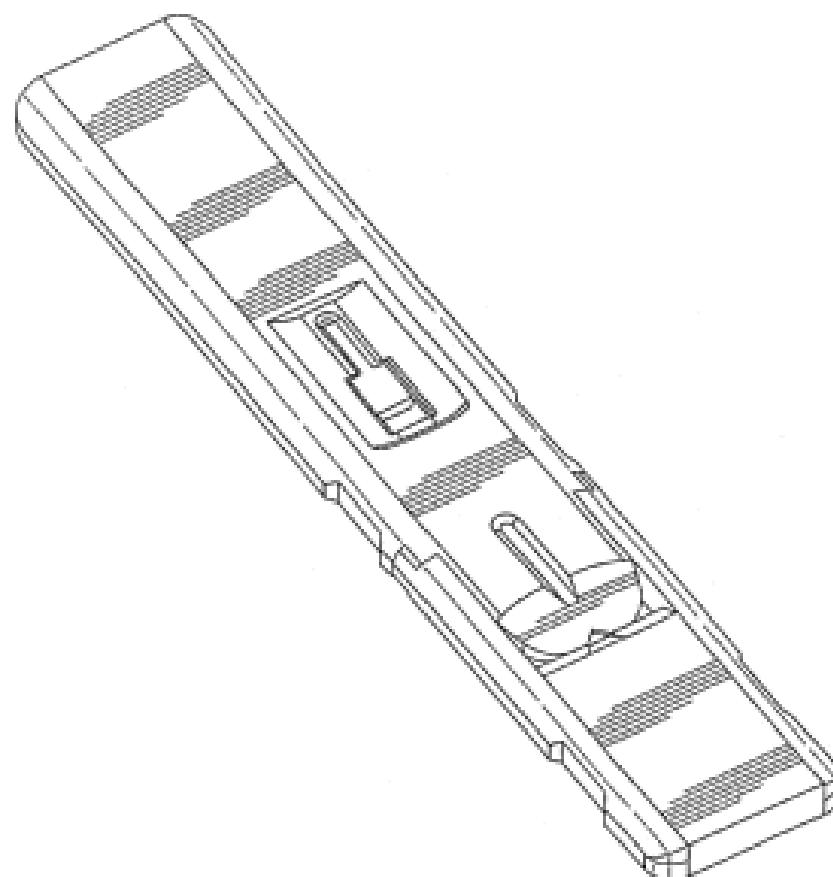


- (21) Design Number: **13288/2009**
- (22) Date of Filing Application: **26 August 2009**
- (24) Date from which industrial property rights may have effect: **26 August 2009**
- (54) Product in respect of which the design is registered: **Diagnostic device**
- (51) International Design Classification: **24-02**
- (71) Name(s) and Address(s) of Applicant(s):
ZBx Corporation
73 Railside Road Unit 9 Toronto Ontario Canada
- (72) Name(s) of Designer(s): **Qinwei Shi and Florian Eckhardt**
- (45) Registration Date: **22 December 2009**
- (30) Convention priority data:

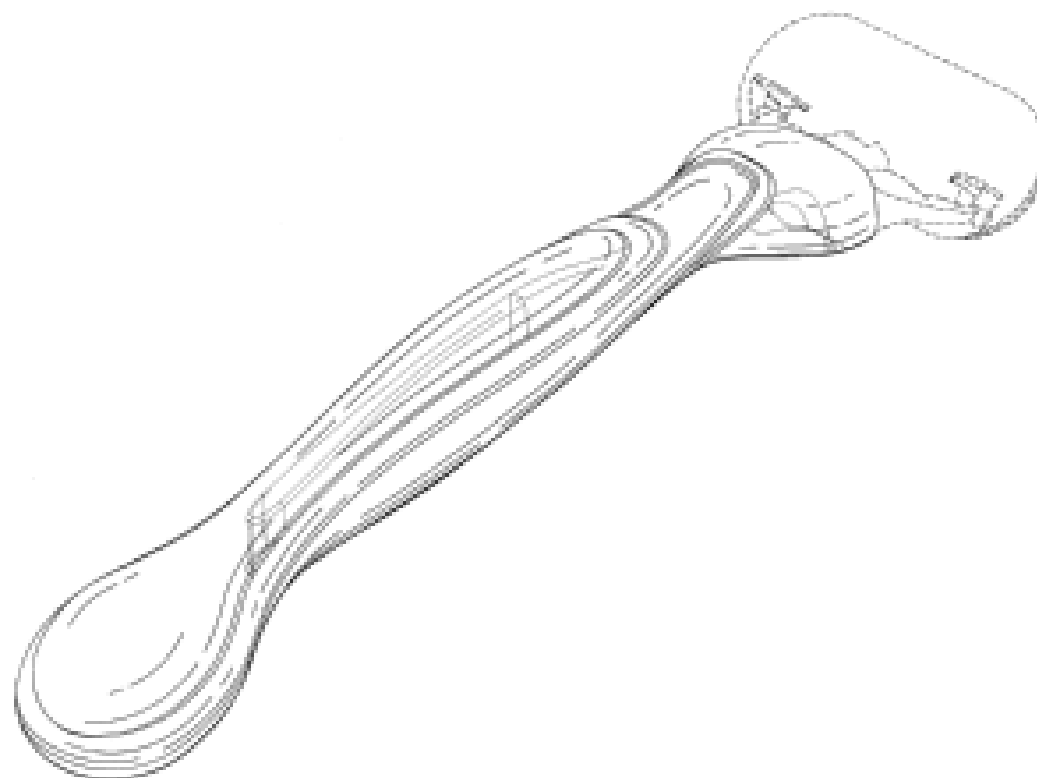
(31) Number	(32) Date	(33) Country
29/315379	19 Jun 2009	UNITED STATES OF AMERICA
- (56) Related Art Documents: **Not Applicable**
- (57) Statement of Newness and Distinctiveness: **Those features of the diagnostic device depicted in the representations that are new and distinctive are the pattern and/or ornamentation. The red coloured (Pantone 1945C) markings are depicted on the top of the diagnostic device.**



- (21) Design Number: **13289/2009**
(22) Date of Filing Application: **26 August 2009**
(24) Date from which industrial property rights may have effect: **26 August 2009**
(54) Product in respect of which the design is registered: **Diagnostic device**
(51) International Design Classification: **24-02**
(71) Name(s) and Address(s) of Applicant(s):
ZBx Corporation
73 Rainside Road Unit 9 Toronto Ontario Canada
(72) Name(s) of Designer(s): **Qinwei Shi and Florian Eckhardt**
(45) Registration Date: **22 December 2009**
(30) Convention priority data:
(31) Number (32) Date (33) Country
29/315379 19 Jun 2009 UNITED STATES OF AMERICA
(56) Related Art Documents: **Not Applicable**
(57) Statement of Newness and Distinctiveness: **Those features of the diagnostic device depicted in the representations that are new and distinctive are the shape and/or configuration.**



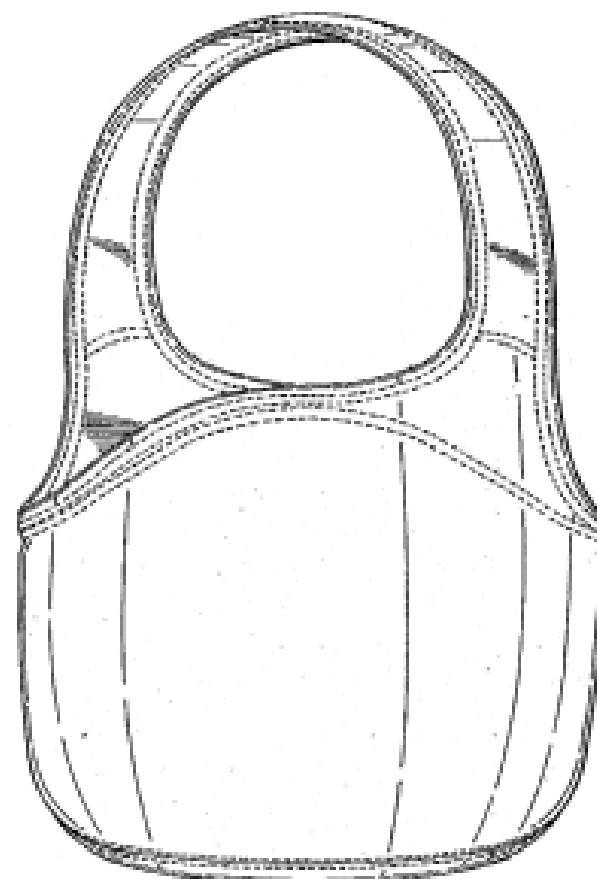
- (21) Design Number: **14409/2009**
(22) Date of Filing Application: **12 November 2009**
(24) Date from which industrial property rights may have effect: **12 November 2009**
(54) Product in respect of which the design is registered: **Handle suitable for a shaving razor**
(51) International Design Classification: **28-03A**
(71) Name(s) and Address(s) of Applicant(s):
The Gillette Company
Prudential Tower Building Boston Massachusetts 02199 United States of America
(72) Name(s) of Designer(s): **Vanessa Christie and Christopher Ramm and Soojung Ham and Brian Patrick Watson**
(45) Registration Date: **22 December 2009**
(30) Convention priority data:
(31) Number (32) Date (33) Country
29/337,058 14 May 2009 UNITED STATES OF AMERICA
(56) Related Art Documents: **Not Applicable**
(57) Statement of Newness and Distinctiveness: **Those features of the handle suitable for shaving razor depicted in the representations that are new and distinctive are the shape and/or configuration and/or pattern and/or ornamentation. The features shown in broken lines are not part of the design and are to be disregarded when considering the overall impression of the design.**



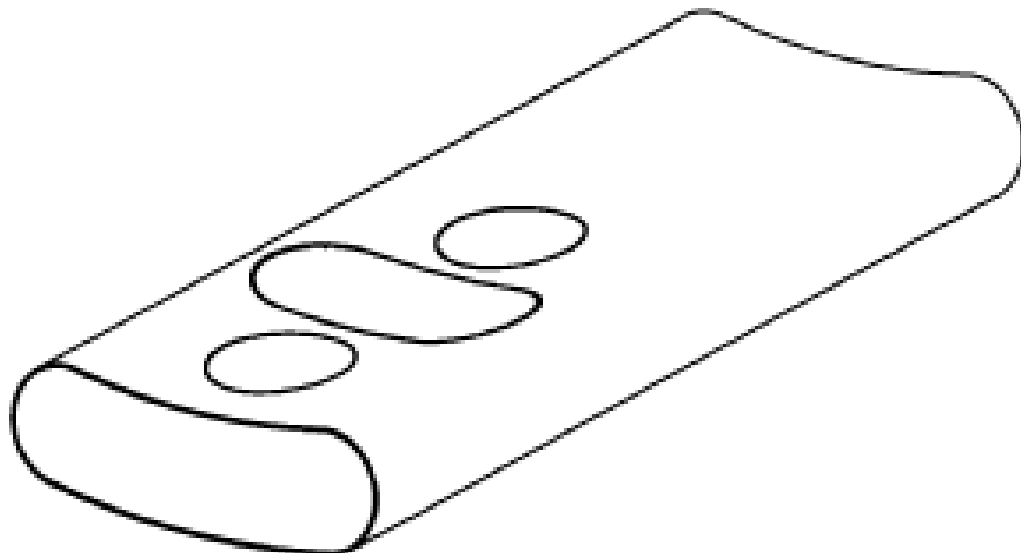
- (21) Design Number: **14632/2009**
(22) Date of Filing Application: **26 November 2009**
(24) Date from which industrial property rights may have effect: **26 November 2009**
(54) Product in respect of which the design is registered: **Footwear**
(51) International Design Classification: **02-04NES**
(71) Name(s) and Address(s) of Applicant(s):
Grendene S.A.
Av. Pimentel Gomes 214 Expectativa Sobral - CE CEP 6240-050 Brazil
(72) Name(s) of Designer(s): **Volnei Tadeu Dal Margo**
(45) Registration Date: **22 December 2009**
(30) Convention priority data:
(31) Number (32) Date (33) Country
DI 6902045-0 05 Jun 2009 BRAZIL
(56) Related Art Documents: **Not Applicable**
(57) Statement of Newness and Distinctiveness: **Those features of the footwear depicted in the representations that are new and distinctive are the shape, configuration, pattern and ornamentation, and the colour combination.**



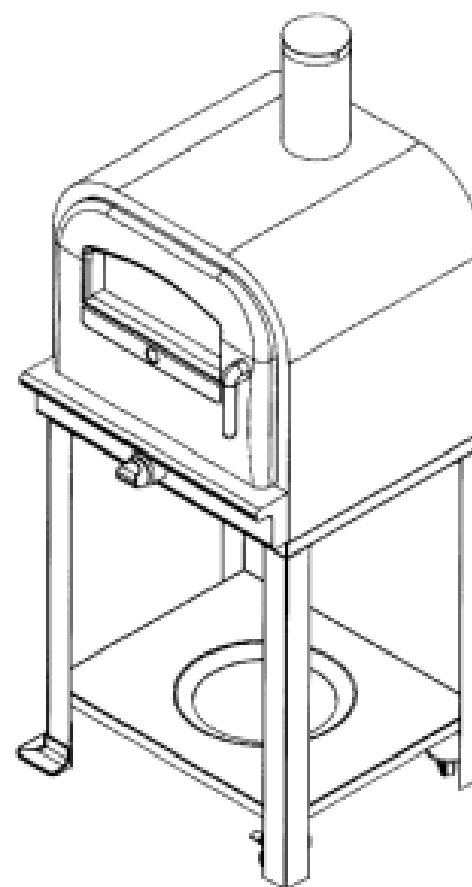
- (21) Design Number: **14633/2009**
(22) Date of Filing Application: **25 November 2009**
(24) Date from which industrial property rights may have effect: **25 November 2009**
(54) Product in respect of which the design is registered: **Shoulder lunch tote**
(51) International Design Classification: **03-01A**
(71) Name(s) and Address(s) of Applicant(s):
Built NY, Inc.
520 Broadway 2nd Floor New York New York 10012 United States of America
(72) Name(s) of Designer(s): **Aaron Lown and John Roscoe Swartz and Sally Rumble**
(45) Registration Date: **22 December 2009**
(30) Convention priority data:
(31) Number (32) Date (33) Country
29/350,163 12 Nov 2009 UNITED STATES OF AMERICA
(56) Related Art Documents: **Not Applicable**
(57) Statement of Newness and Distinctiveness: **Visual features of the design which are new and distinctive are inter alia the features of shape and/or configuration of the shoulder lunch tote as illustrated in the accompanying representations. Those features of the design shown with dashed lines are to be disregarded in considering the extent of monopoly protection.**



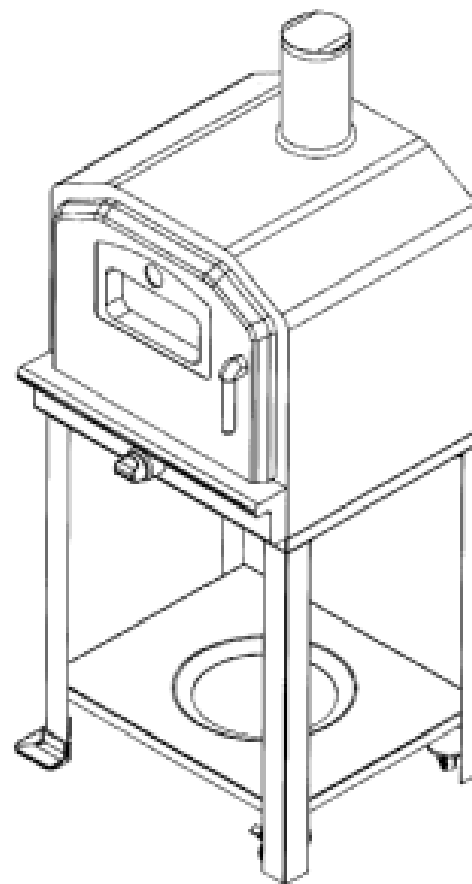
- (21) Design Number: **14635/2009**
(22) Date of Filing Application: **26 November 2009**
(24) Date from which industrial property rights may have effect: **26 November 2009**
(54) Product in respect of which the design is registered: **Remote control**
(51) International Design Classification: **14-03NES**
(71) Name(s) and Address(s) of Applicant(s):
Dyson Limited
Tetbury Hill Malmesbury Wiltshire SN16 0RP United Kingdom
(72) Name(s) of Designer(s): **Ian John Brough and Mon Shy Teyu and Peter David Gammack and James Dyson and Arran George Smith**
(45) Registration Date: **22 December 2009**
(30) Convention priority data:
(31) Number (32) Date (33) Country
4011581 24 Jun 2009 UNITED KINGDOM
(56) Related Art Documents: **Not Applicable**
(57) Statement of Newness and Distinctiveness: **Nil**



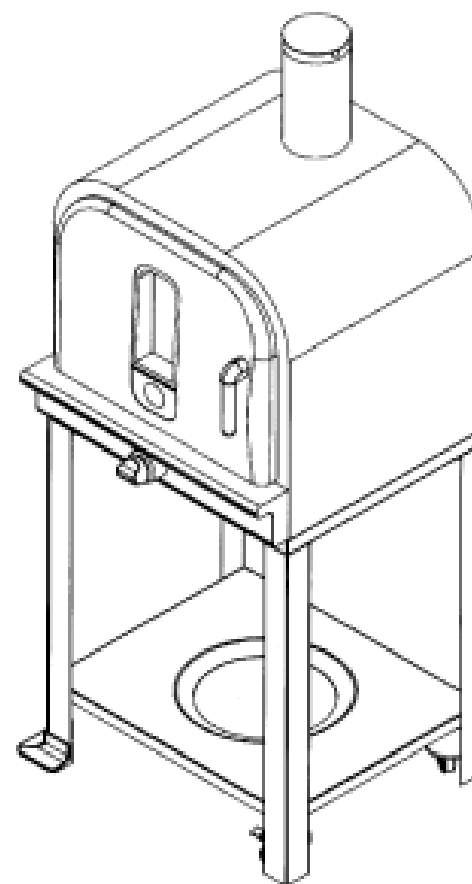
- (21) Design Number: **14636/2009**
(22) Date of Filing Application: **25 November 2009**
(24) Date from which industrial property rights may have effect: **25 November 2009**
(54) Product in respect of which the design is registered: **Gas oven**
(51) International Design Classification: **07-02A**
(71) Name(s) and Address(s) of Applicant(s):
Arlec Australia Pty Ltd
272-274 Maroondah Highway Chirnside Park Victoria 3116 Australia
(72) Name(s) of Designer(s): **Michael Nimmervoll**
(45) Registration Date: **22 December 2009**
(56) Related Art Documents: **Not Applicable**
(57) Statement of Newness and Distinctiveness: **Nil**



- (21) Design Number: **14637/2009**
(22) Date of Filing Application: **25 November 2009**
(24) Date from which industrial property rights may have effect: **25 November 2009**
(54) Product in respect of which the design is registered: **Gas oven**
(51) International Design Classification: **07-02A**
(71) Name(s) and Address(s) of Applicant(s):
Arlec Australia Pty Ltd
272-274 Maroondah Highway Chirnside Park Victoria 3116 Australia
(72) Name(s) of Designer(s): **Michael Nimmervoll**
(45) Registration Date: **22 December 2009**
(56) Related Art Documents: **Not Applicable**
(57) Statement of Newness and Distinctiveness: **Nil**



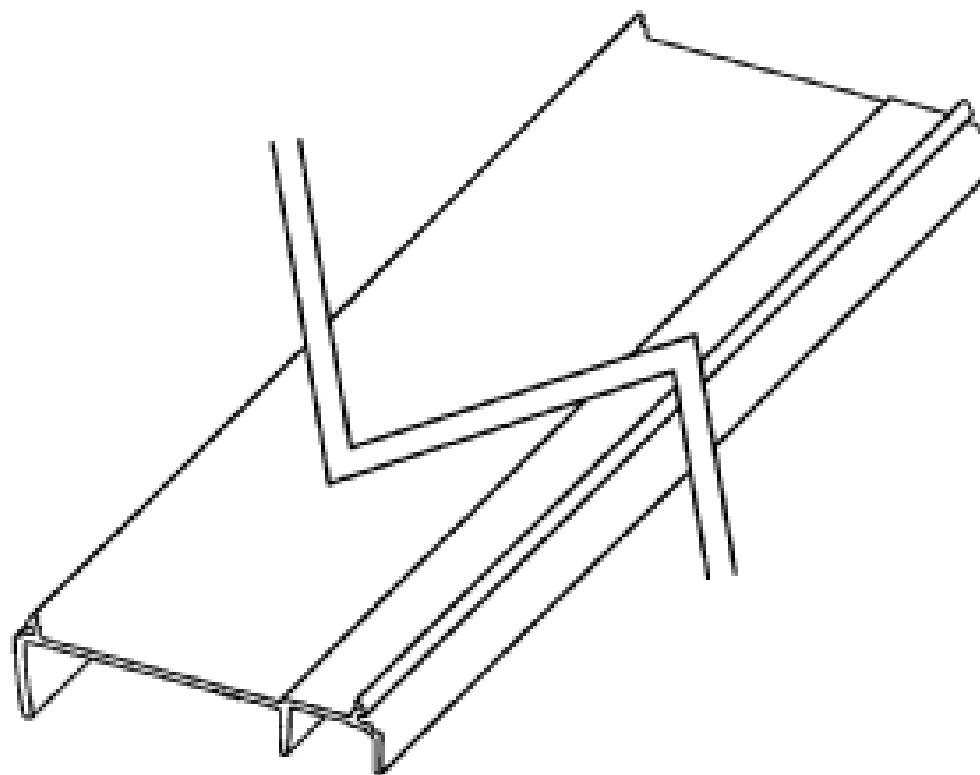
- (21) Design Number: **14638/2009**
(22) Date of Filing Application: **25 November 2009**
(24) Date from which industrial property rights may have effect: **25 November 2009**
(54) Product in respect of which the design is registered: **Gas oven**
(51) International Design Classification: **07-02A**
(71) Name(s) and Address(s) of Applicant(s):
Arlec Australia Pty Ltd
272-274 Maroondah Highway Chirnside Park Victoria 3116 Australia
(72) Name(s) of Designer(s): **Michael Nimmervoll**
(45) Registration Date: **22 December 2009**
(56) Related Art Documents: **Not Applicable**
(57) Statement of Newness and Distinctiveness: **Nil**



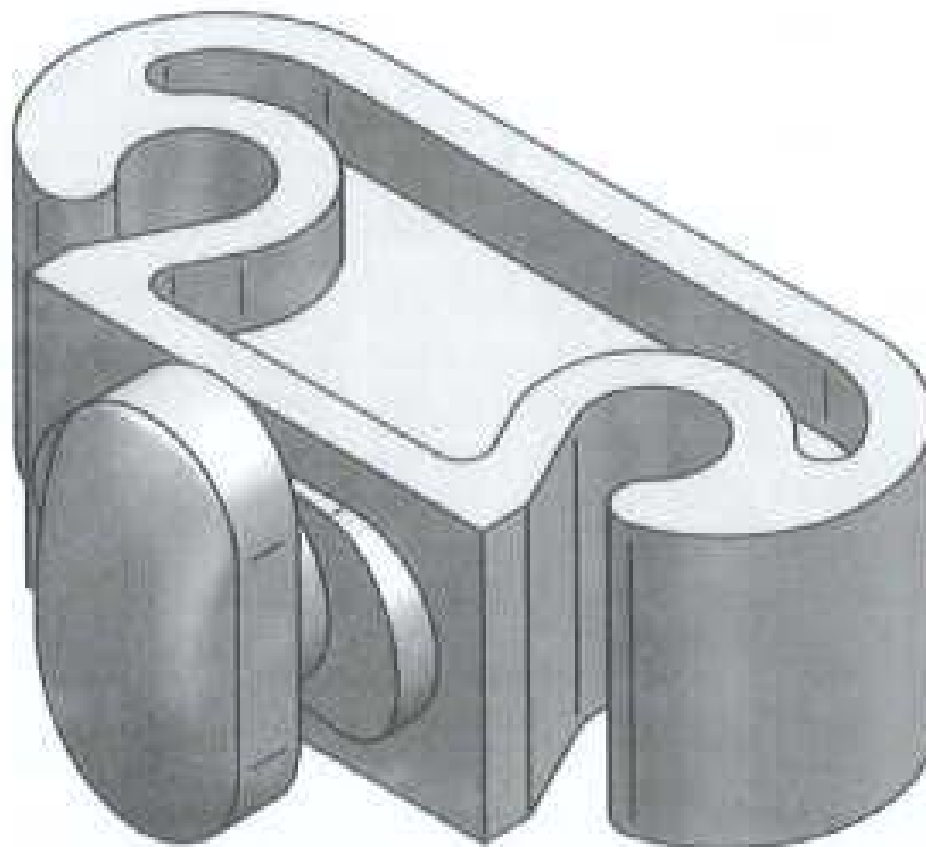
- (21) Design Number: **14689/2009**
(22) Date of Filing Application: **01 December 2009**
(24) Date from which industrial property rights may have effect: **01 December 2009**
(54) Product in respect of which the design is registered: **Land rover discovery 2 remote control key**
(51) International Design Classification: **12-16NES, 14-03NES**
(71) Name(s) and Address(s) of Applicant(s):
Wieslaw Niewiarowski
115 Paramatta Road Doubleview Western Australia 6018 Australia
Irena Niewiarowski
115 Paramatta Road Doubleview Western Australia 6018 Australia
(72) Name(s) of Designer(s): **Wieslaw Niewiarowski**
(45) Registration Date: **22 December 2009**
(56) Related Art Documents: **Not Applicable**
(57) Statement of Newness and Distinctiveness: **Uniquely shaped key pad made from flexible plastic material type like Silicone to be inserted in hard shell of Land Rover discovery 2 remote control key shell instead of worn out existing oval and round shaped buttons.**



- (21) Design Number: **14691/2009**
(22) Date of Filing Application: **30 November 2009**
(24) Date from which industrial property rights may have effect: **30 November 2009**
(54) Product in respect of which the design is registered: **Adaptor to couple shopfront frames together**
(51) International Design Classification: **25-01K**
(71) Name(s) and Address(s) of Applicant(s):
Dezinal Pty Ltd
C/- GCY Accountants Suites 1 & 2 Level 1 67 Lytton Road East
Brisbane Queensland 4169 Australia
(72) Name(s) of Designer(s): **Ronald Maxwell**
(45) Registration Date: **22 December 2009**
(56) Related Art Documents: **Not Applicable**
(57) Statement of Newness and Distinctiveness: **Nil**



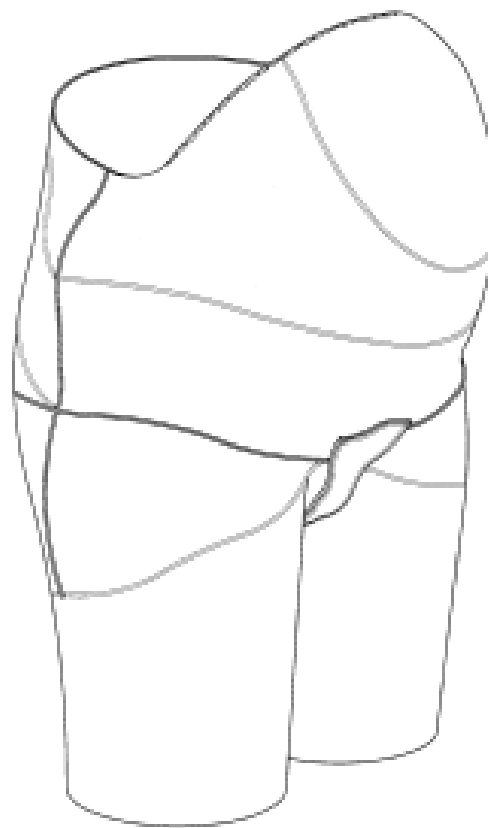
- (21) Design Number: **14764/2009**
(22) Date of Filing Application: **04 December 2009**
(24) Date from which industrial property rights may have effect: **04 December 2009**
(54) Product in respect of which the design is registered: **A post clip**
(51) International Design Classification: **08-08C, 25-01E**
(71) Name(s) and Address(s) of Applicant(s):
New Zealand Tube Mills Limited
2-14 Port Road Seaview Lower Hutt 5010 New Zealand
(72) Name(s) of Designer(s): **Mark Richardson**
(45) Registration Date: **22 December 2009**
(30) Convention priority data:
(31) Number (32) Date (33) Country
412432 25 Jun 2009 NEW ZEALAND
(56) Related Art Documents: **Not Applicable**
(57) Statement of Newness and Distinctiveness: **Newness and distinctiveness reside in the features of shape and/or configuration of the post clip as shown in the representations.**



- (21) Design Number: **14646/2009**
(22) Date of Filing Application: **27 November 2009**
(24) Date from which industrial property rights may have effect: **27 November 2009**
(54) Product in respect of which the design is registered: **Universal accessory bracket**
(51) International Design Classification: **08-08L**
(71) Name(s) and Address(s) of Applicant(s):
The Bicycle Corporation Pty Ltd
9 Villa Road Springvale Victoria 3171 Australia
(72) Name(s) of Designer(s): **David William Lugton**
(45) Registration Date: **23 December 2009**
(56) Related Art Documents: **Not Applicable**
(57) Statement of Newness and Distinctiveness: **The newness and distinctiveness of the design resides in the overall shape. Shape and features are shown in the attached illustrations.**



(21) Design Number: **14649/2009**
 (22) Date of Filing Application: **27 November 2009**
 (24) Date from which industrial property rights may have effect: **27 November 2009**
 (54) Product in respect of which the design is registered: **Maternity shorts**
 (51) International Design Classification: **02-01B**
 (71) Name(s) and Address(s) of Applicant(s):
DM Orthotics Limited
Tescan Units Pool Industrial Estate Redruth Cornwall TR15 3RX
United Kingdom
 (72) Name(s) of Designer(s): **Elaine Winstanley**
 (45) Registration Date: **23 December 2009**
 (30) Convention priority data:
 (31) Number (32) Date (33) Country
001143622-0005 29 May 2009 EUROPEAN COMMUNITY
 (56) Related Art Documents: **Not Applicable**
 (57) Statement of Newness and Distinctiveness: **Newness and distinctiveness resides in the features of shape and/or configuration of the MATERNITY SHORTS as illustrated in the accompanying representations.**



(21) Design Number: **14651/2009**
 (22) Date of Filing Application: **27 November 2009**
 (24) Date from which industrial property rights may have effect: **27 November 2009**
 (54) Product in respect of which the design is registered: **Maternity shorts**
 (51) International Design Classification: **02-01B**
 (71) Name(s) and Address(s) of Applicant(s):
DM Orthotics Limited
Tescan Units Pool Industrial Estate Redruth Cornwall TR15 3RX
United Kingdom
 (72) Name(s) of Designer(s): **Elaine Winstanley**
 (45) Registration Date: **23 December 2009**
 (30) Convention priority data:
 (31) Number (32) Date (33) Country
001143622-0004 29 May 2009 EUROPEAN COMMUNITY
 (56) Related Art Documents: **Not Applicable**
 (57) Statement of Newness and Distinctiveness: **Newness and distinctiveness resides in the features of shape and/or configuration of the MATERNITY SHORTS as illustrated in the accompanying representations.**



- (21) Design Number: **14652/2009**
(22) Date of Filing Application: **27 November 2009**
(24) Date from which industrial property rights may have effect: **27 November 2009**
(54) Product in respect of which the design is registered: **Adjustable chair**
(51) International Design Classification: **06-01NES**
(71) Name(s) and Address(s) of Applicant(s):

Michael Chen
3350 Wilshire Boulevard Suite 1210 Los Angeles California 90010
United States of America

Billy Chen
3350 Wilshire Boulevard Suite 1210 Los Angeles California 90010
United States of America

Wen Wei
3350 Wilshire Boulevard Suite 1210 Los Angeles California 90010
United States of America

- (72) Name(s) of Designer(s): **Michael Chen and Billy Chen and Wen Wei**

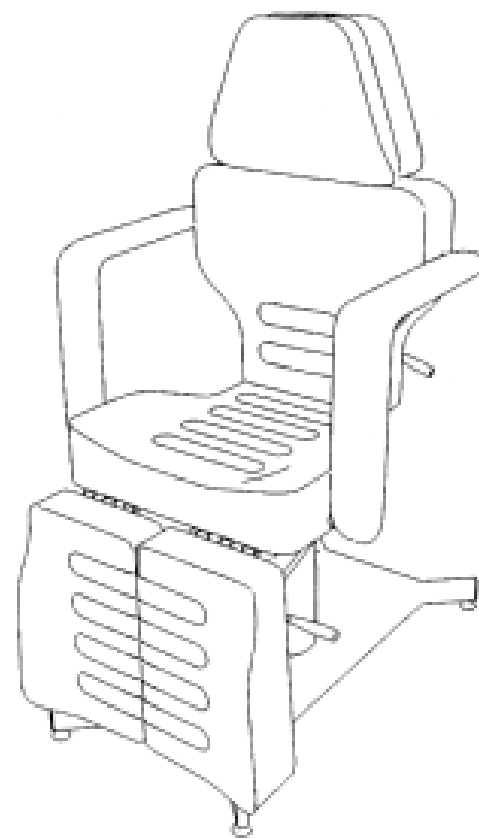
- (45) Registration Date: **23 December 2009**

- (30) Convention priority data:

(31) Number	(32) Date	(33) Country
001626714-0001	22 Oct 2009	EUROPEAN COMMUNITY

- (56) Related Art Documents: **Not Applicable**

- (57) Statement of Newness and Distinctiveness: **Newness and distinctiveness resides in the features of shape and/or configuration of an ADJUSTABLE CHAIR as illustrated in the accompanying representations.**



- (21) Design Number: **14653/2009**
(22) Date of Filing Application: **27 November 2009**
(24) Date from which industrial property rights may have effect: **27 November 2009**
(54) Product in respect of which the design is registered: **Purlin**
(51) International Design Classification: **25-01K**
(71) Name(s) and Address(s) of Applicant(s):

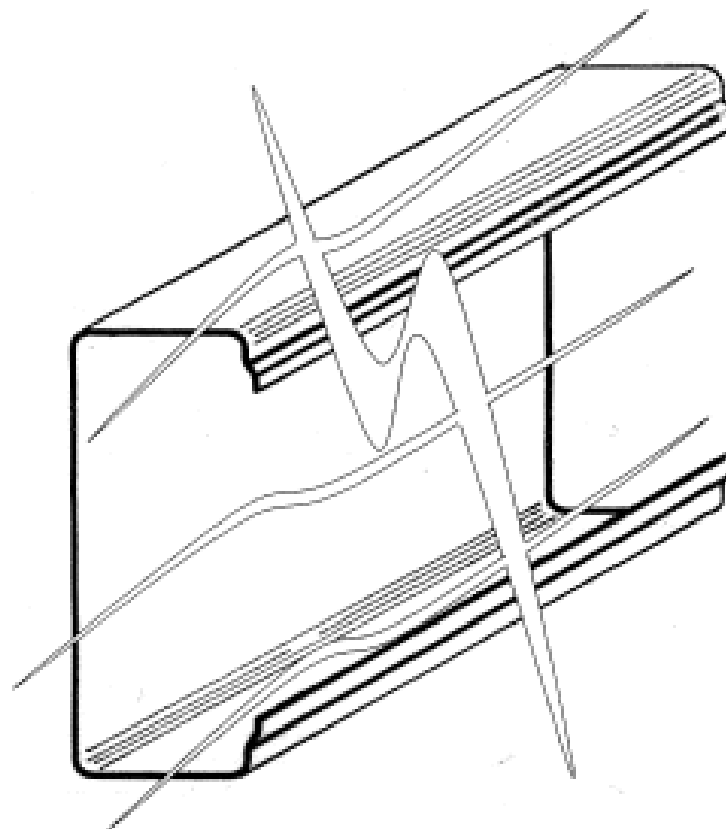
Metroll Queensland Pty Ltd
411 Freeman Road Richlands Queensland 4077 Australia

- (72) Name(s) of Designer(s): **Keith Woolf**

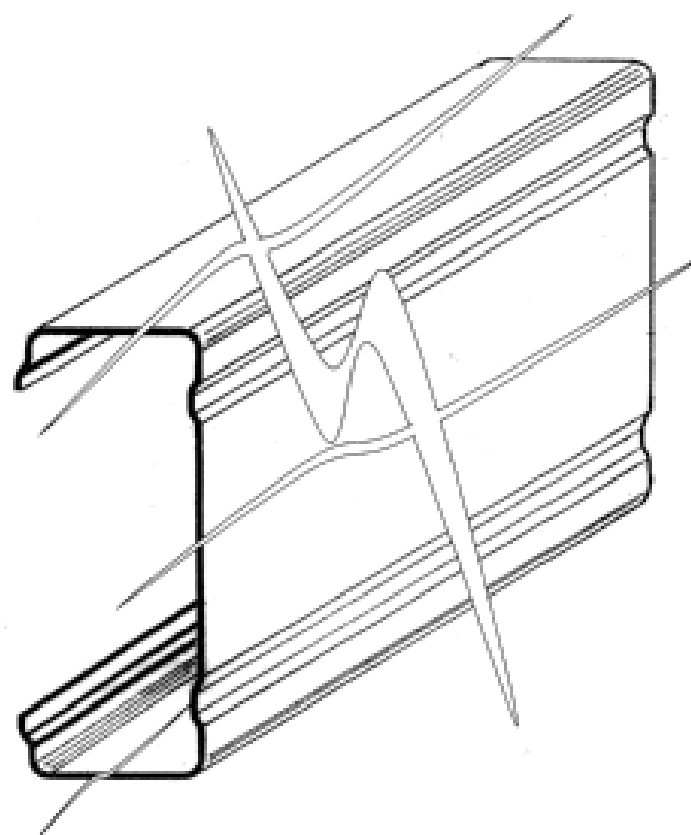
- (45) Registration Date: **23 December 2009**

- (56) Related Art Documents: **Not Applicable**

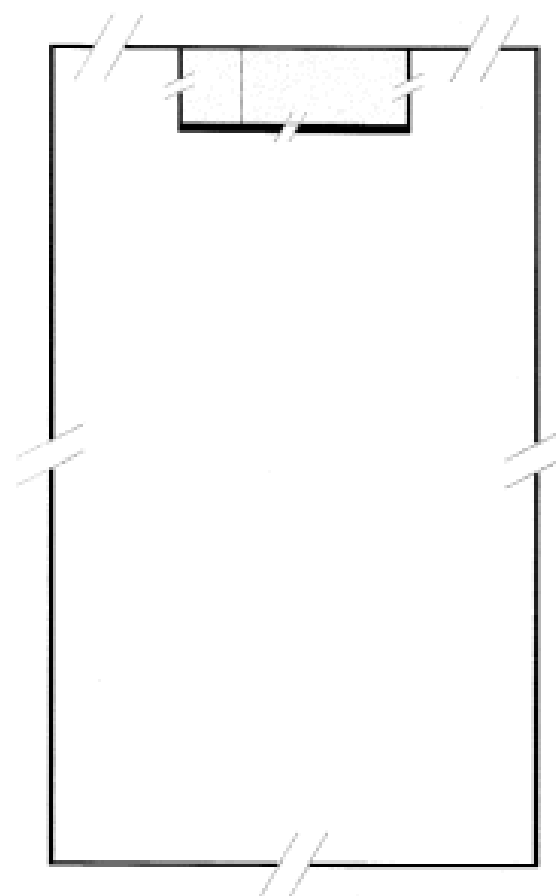
- (57) Statement of Newness and Distinctiveness: **Newness and distinctiveness is claimed in the shape and/or configuration of a purlin as shown in the accompanying representations. The purlin may be of any dimension as indicated by the broken lines in the representations.**



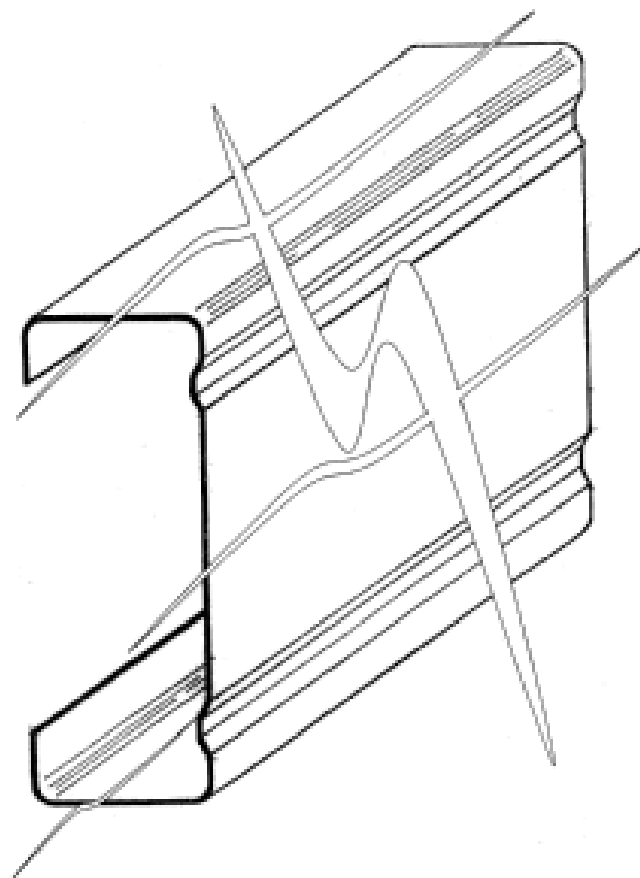
- (21) Design Number: **14654/2009**
(22) Date of Filing Application: **27 November 2009**
(24) Date from which industrial property rights may have effect: **27 November 2009**
(54) Product in respect of which the design is registered: **Purlin**
(51) International Design Classification: **25-01K**
(71) Name(s) and Address(s) of Applicant(s):
Metroll Queensland Pty Ltd
411 Freeman Road Richlands Queensland 4077 Australia
(72) Name(s) of Designer(s): **Keith Woolf**
(45) Registration Date: **23 December 2009**
(56) Related Art Documents: **Not Applicable**
(57) Statement of Newness and Distinctiveness: **Newness and distinctiveness is claimed in the shape and/or configuration of a purlin as shown in the accompanying representations. The purlin may be of any dimension as indicated by the broken lines in the representations.**



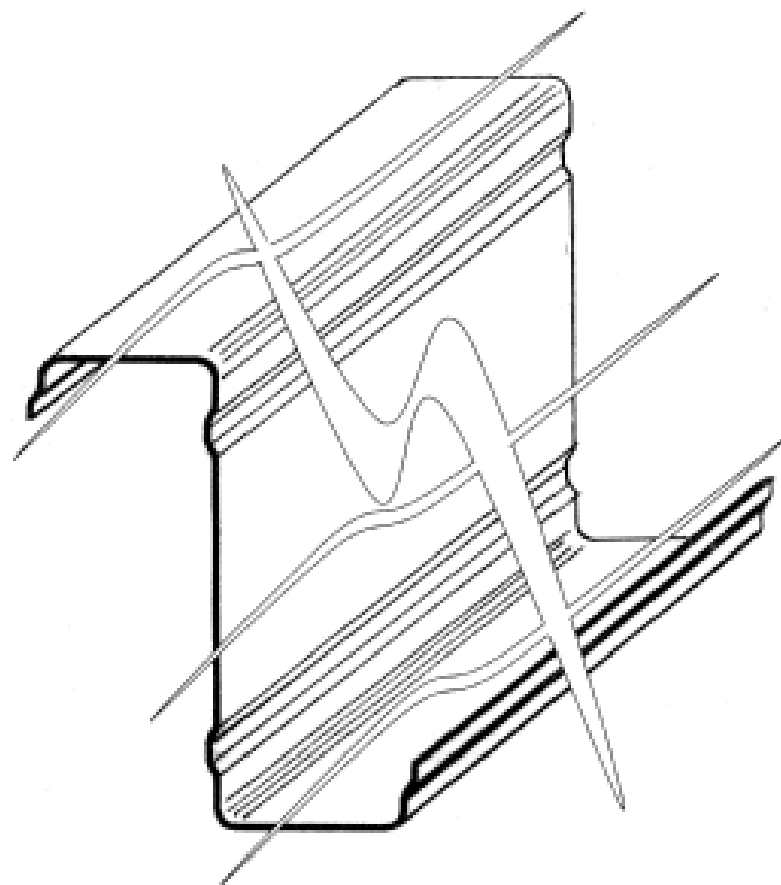
- (21) Design Number: **14602/2009**
(22) Date of Filing Application: **26 November 2009**
(24) Date from which industrial property rights may have effect: **26 November 2009**
(54) Product in respect of which the design is registered: **Towel with velcro pocket for wallet, iPod etc**
(51) International Design Classification: **06-13C**
(71) Name(s) and Address(s) of Applicant(s):
Christopher Palmer
23 Castor Street Clifton Beach Queensland 4879 Australia
Andrea Palmer
23 Castor Street Clifton Beach Queensland 4879 Australia
(72) Name(s) of Designer(s): **Christopher Palmer and Andrea Palmer**
(45) Registration Date: **23 December 2009**
(56) Related Art Documents: **Not Applicable**
(57) Statement of Newness and Distinctiveness: **Nil**



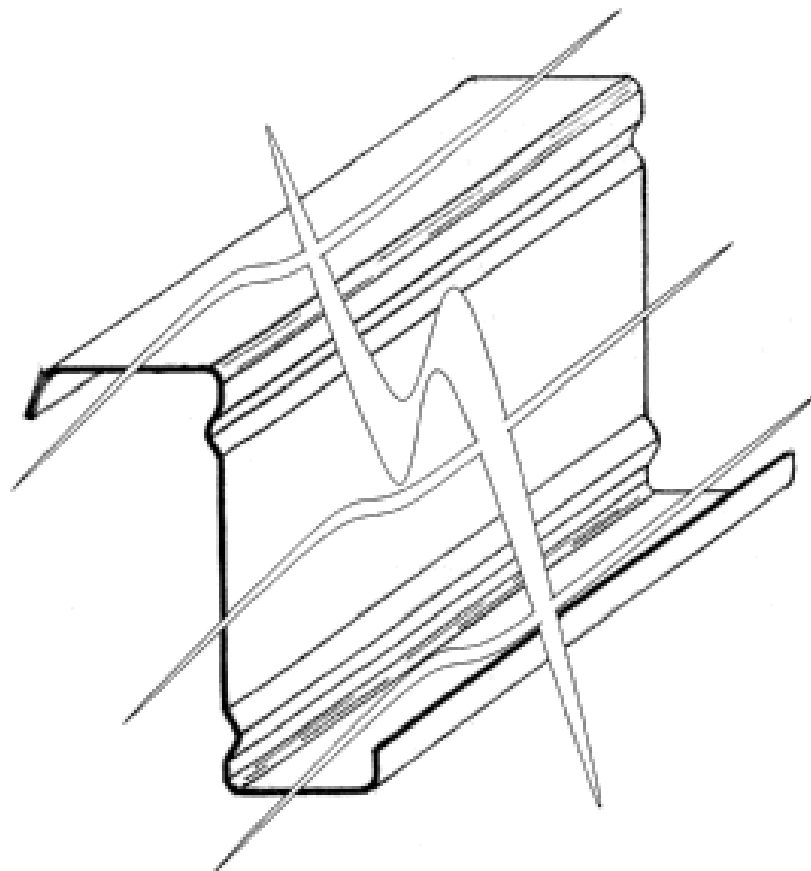
- (21) Design Number: **14655/2009**
(22) Date of Filing Application: **27 November 2009**
(24) Date from which industrial property rights may have effect: **27 November 2009**
(54) Product in respect of which the design is registered: **Purlin**
(51) International Design Classification: **25-01K**
(71) Name(s) and Address(s) of Applicant(s):
Metroll Queensland Pty Ltd
411 Freeman Road Richlands Queensland 4077 Australia
(72) Name(s) of Designer(s): **Keith Woolf**
(45) Registration Date: **23 December 2009**
(56) Related Art Documents: **Not Applicable**
(57) Statement of Newness and Distinctiveness: **Newness and distinctiveness is claimed in the shape and/or configuration of a purlin as shown in the accompanying representations. The purlin may be of any dimension as indicated by the broken lines in the representations.**



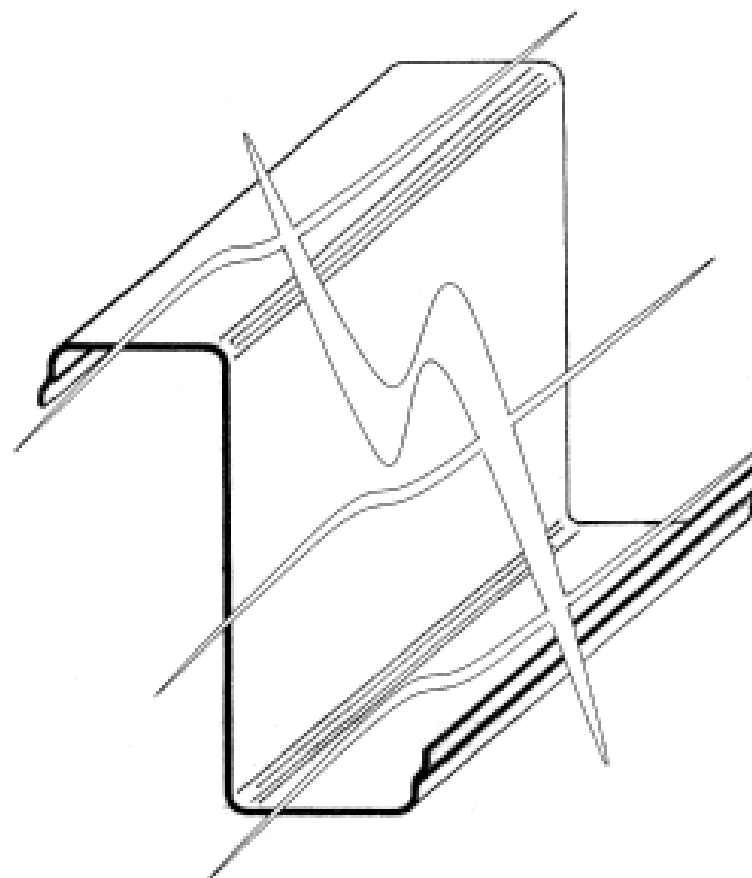
- (21) Design Number: **14656/2009**
(22) Date of Filing Application: **27 November 2009**
(24) Date from which industrial property rights may have effect: **27 November 2009**
(54) Product in respect of which the design is registered: **Purlin**
(51) International Design Classification: **25-01K**
(71) Name(s) and Address(s) of Applicant(s):
Metroll Queensland Pty Ltd
411 Freeman Road Richlands Queensland 4077 Australia
(72) Name(s) of Designer(s): **Keith Woolf**
(45) Registration Date: **23 December 2009**
(56) Related Art Documents: **Not Applicable**
(57) Statement of Newness and Distinctiveness: **Newness and distinctiveness is claimed in the shape and/or configuration of a purlin as shown in the accompanying representations. The purlin may be of any dimension as indicated by the broken lines in the representations.**



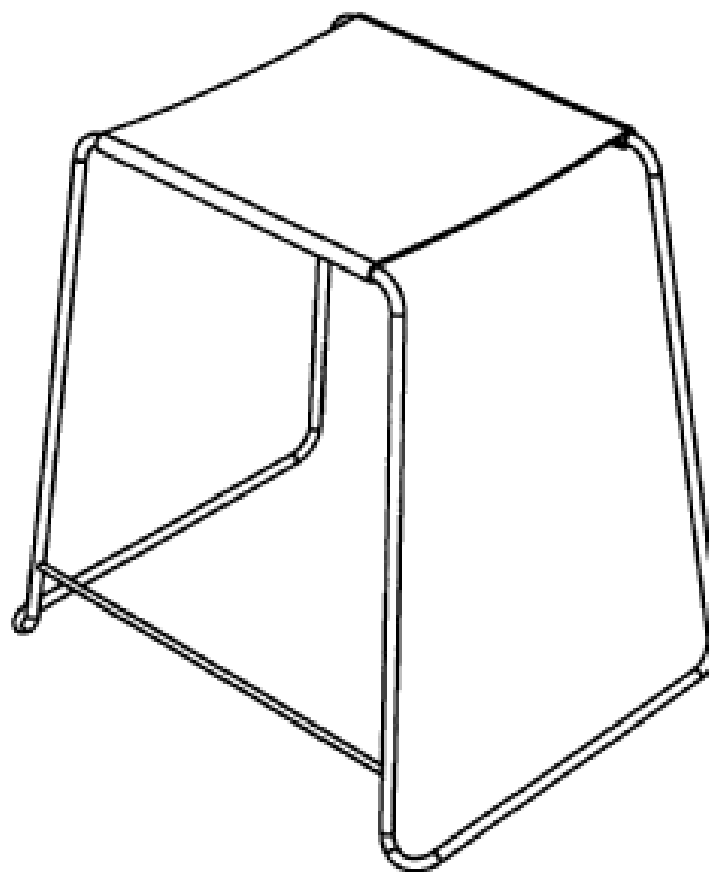
- (21) Design Number: **14657/2009**
(22) Date of Filing Application: **27 November 2009**
(24) Date from which industrial property rights may have effect: **27 November 2009**
(54) Product in respect of which the design is registered: **Purlin**
(51) International Design Classification: **25-01K**
(71) Name(s) and Address(s) of Applicant(s):
Metroll Queensland Pty Ltd
411 Freeman Road Richlands Queensland 4077 Australia
(72) Name(s) of Designer(s): **Keith Woolf**
(45) Registration Date: **23 December 2009**
(56) Related Art Documents: **Not Applicable**
(57) Statement of Newness and Distinctiveness: **Newness and distinctiveness is claimed in the shape and/or configuration of a purlin as shown in the accompanying representations. The purlin may be of any dimension as indicated by the broken lines in the representations.**



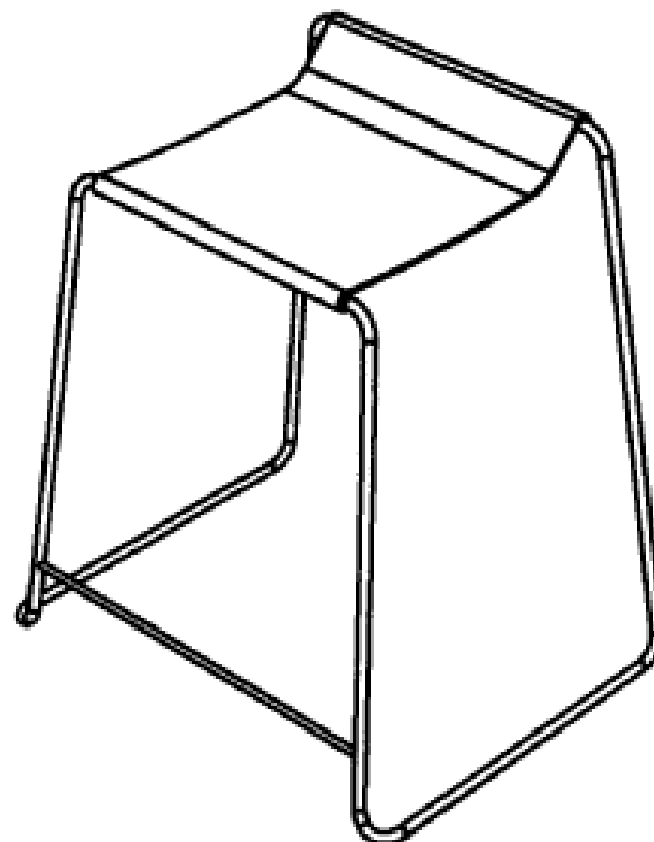
- (21) Design Number: **14658/2009**
(22) Date of Filing Application: **27 November 2009**
(24) Date from which industrial property rights may have effect: **27 November 2009**
(54) Product in respect of which the design is registered: **Purlin**
(51) International Design Classification: **25-01K**
(71) Name(s) and Address(s) of Applicant(s):
Metroll Queensland Pty Ltd
411 Freeman Road Richlands Queensland 4077 Australia
(72) Name(s) of Designer(s): **Keith Woolf**
(45) Registration Date: **23 December 2009**
(56) Related Art Documents: **Not Applicable**
(57) Statement of Newness and Distinctiveness: **Newness and distinctiveness is claimed in the shape and/or configuration of a purlin as shown in the accompanying representations. The purlin may be of any dimension as indicated by the broken lines in the representations.**



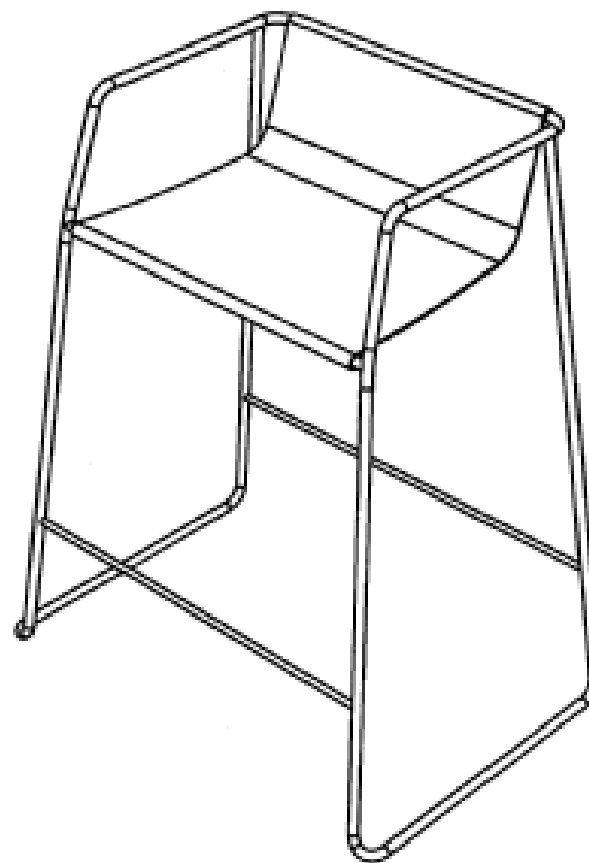
- (21) Design Number: **14659/2009**
(22) Date of Filing Application: **27 November 2009**
(24) Date from which industrial property rights may have effect: **27 November 2009**
(54) Product in respect of which the design is registered: **An article of furniture**
(51) International Design Classification: **06-01L**
(71) Name(s) and Address(s) of Applicant(s):
Lyndon Craig
50108/425 Bourke Street Surry Hills New South Wales 2010 Australia
(72) Name(s) of Designer(s): **Lyndon Craig**
(45) Registration Date: **23 December 2009**
(56) Related Art Documents: **Not Applicable**
(57) Statement of Newness and Distinctiveness: **This design applies to Articles of Furniture with identical design features, manufactured at varying heights and lengths and widths.**



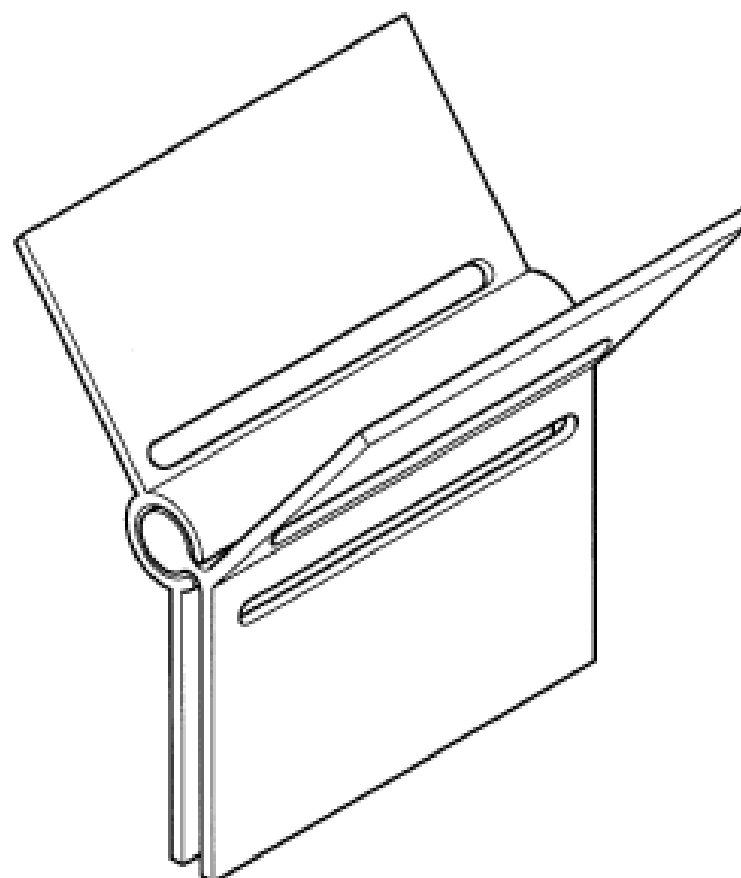
- (21) Design Number: **14660/2009**
(22) Date of Filing Application: **27 November 2009**
(24) Date from which industrial property rights may have effect: **27 November 2009**
(54) Product in respect of which the design is registered: **An article of furniture**
(51) International Design Classification: **06-01L**
(71) Name(s) and Address(s) of Applicant(s):
Lyndon Craig
50108/425 Bourke Street Surry Hills New South Wales 2010 Australia
(72) Name(s) of Designer(s): **Lyndon Craig**
(45) Registration Date: **23 December 2009**
(56) Related Art Documents: **Not Applicable**
(57) Statement of Newness and Distinctiveness: **This design applies to Articles of Furniture with identical design features, manufactured at varying heights and lengths and widths.**



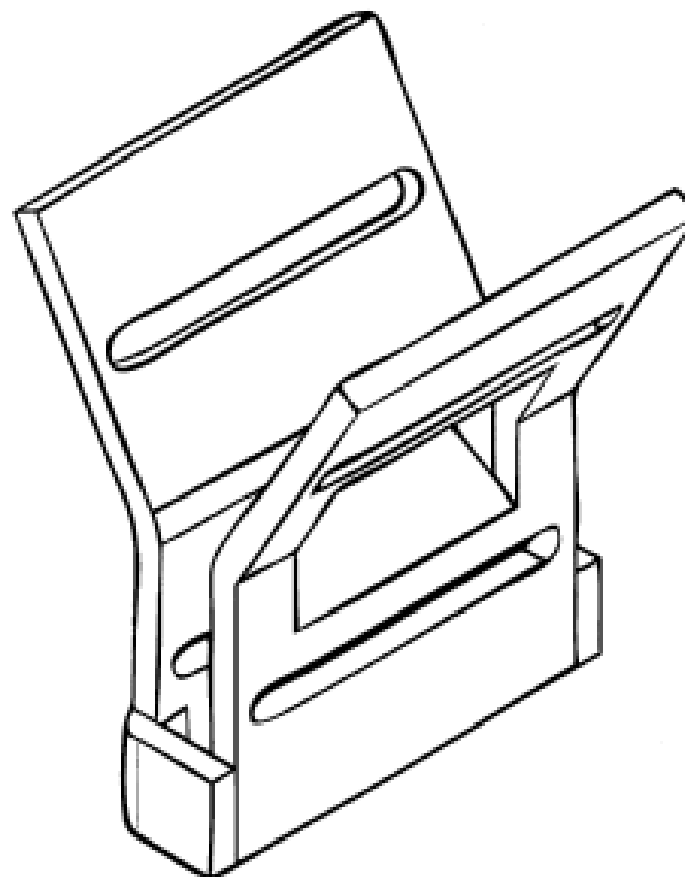
- (21) Design Number: **14661/2009**
(22) Date of Filing Application: **27 November 2009**
(24) Date from which industrial property rights may have effect: **27 November 2009**
(54) Product in respect of which the design is registered: **An article of furniture**
(51) International Design Classification: **06-01L**
(71) Name(s) and Address(s) of Applicant(s):
Lyndon Craig
50108/425 Bourke Street Surry Hills New South Wales 2010 Australia
(72) Name(s) of Designer(s): **Lyndon Craig**
(45) Registration Date: **23 December 2009**
(56) Related Art Documents: **Not Applicable**
(57) Statement of Newness and Distinctiveness: **This design applies to Articles of Furniture with identical design features, manufactured at varying heights and lengths and widths.**



- (21) Design Number: **14664/2009**
(22) Date of Filing Application: **27 November 2009**
(24) Date from which industrial property rights may have effect: **27 November 2009**
(54) Product in respect of which the design is registered: **A connector**
(51) International Design Classification: **13-03E, 08-08NES**
(71) Name(s) and Address(s) of Applicant(s):
ITI Scotland Limited
191 West George Street 5th Floor Glasgow G2 2LB United Kingdom
(72) Name(s) of Designer(s): **Stephen Massie and Seonaid Nimmo and Toby Mottram**
(45) Registration Date: **23 December 2009**
(30) Convention priority data:
(31) Number (32) Date (33) Country
001146393 12 Jun 2009 EUROPEAN COMMUNITY
(56) Related Art Documents: **Not Applicable**
(57) Statement of Newness and Distinctiveness: **Newness and distinctiveness is claimed in the features of shape and/or configuration of a connector shown in solid lines as illustrated in the accompanying representations. The article illustrated with dotted lines in the in-use illustrations is disclaimed from the scope of the design.**



- (21) Design Number: **14665/2009**
(22) Date of Filing Application: **27 November 2009**
(24) Date from which industrial property rights may have effect: **27 November 2009**
(54) Product in respect of which the design is registered: **A connector**
(51) International Design Classification: **13-03E, 08-08NES**
(71) Name(s) and Address(s) of Applicant(s):
ITI Scotland Limited
191 West George Street 5th Floor Glasgow G2 2LB United Kingdom
(72) Name(s) of Designer(s): **Stephen Massie and Seonaid Nimmo and Toby Mottram**
(45) Registration Date: **23 December 2009**
(30) Convention priority data:
(31) Number (32) Date (33) Country
001146393 12 Jun 2009 EUROPEAN COMMUNITY
(56) Related Art Documents: **Not Applicable**
(57) Statement of Newness and Distinctiveness: **Newness and distinctiveness is claimed in the features of shape and/or configuration of a connector shown in solid lines as illustrated in the accompanying representations.**



- (21) Design Number: **14666/2009**
(22) Date of Filing Application: **27 November 2009**
(24) Date from which industrial property rights may have effect: **27 November 2009**
(54) Product in respect of which the design is registered: **A connector**
(51) International Design Classification: **13-03E, 08-08NES**
(71) Name(s) and Address(s) of Applicant(s):
ITI Scotland Limited
191 West George Street 5th Floor Glasgow G2 2LB United Kingdom
(72) Name(s) of Designer(s): **Stephen Massie and Seonaid Nimmo and Toby Mottram**
(45) Registration Date: **23 December 2009**
(30) Convention priority data:
(31) Number (32) Date (33) Country
001146393 12 Jun 2009 EUROPEAN COMMUNITY
(56) Related Art Documents: **Not Applicable**
(57) Statement of Newness and Distinctiveness: **Newness and distinctiveness is claimed in the features of shape and/or configuration of a connector shown in solid lines as illustrated in the accompanying representations.**

