



Australian Government

IP Australia

AUSTRALIAN OFFICIAL JOURNAL

OF

DESIGNS

Did you know a searchable version of this journal is now available online?

It's FREE and EASY to SEARCH.

Find it at

<http://pericles.ipaustralia.gov.au/ols/epublish/content/olsEpublications.jsp>
or using the "Online Journals" link on the IP Australia home page.

This Page Left Intentionally Blank

Contents

General Information & Notices

**Proceedings Under the Designs Act 1906 preserved as a result of the provisions of Chapter 12
Part 2 of the Designs Act 2003**

Extension of Period of Registration of Designs	128
Names Registered - Alterations and Amendments	129
Registrations Ceased	128

Proceedings Under the Designs Act 2003

Applications Lapsed	137
Applications Lodged	133
Certificate of Examination	141
Extension of Period of Registration of Design	139
Extension of Time Granted Under Section 137	139
Names Registered - Alterations and Amendments	139
Publication and Registration Proceedings	
Designs Registered 329055 to 329298.....	142
Registrations Ceased	139

This Page Left Intentionally Blank

For information on the following please see our website www.ipaustralia.gov.au or contact our Customer Service Network on 1300651010

[Editorial enquiries](#)

[Contact information](#)

[Freedom of Information ACT](#)

[Professional Standards Board](#)

[Sales](#)

[Requests for Information under Section 194 \(c\)](#)

[Country Codes](#)

[Trade Mark and Designs Hearing Sessions](#)

[INID \(Internationally agreed Numbers for the Identification of Data\)](#)

“INID” NUMBERS in use on Australian Design Documents

“INID” is an acronym for “Internationally agreed Numbers for the Identification of Data”.

(10) Data concerning the registration/renewal

- (11) Serial number of the registration and/or number of the design document
- (12) Plain language designation of the kind of published document
- (19) Identification, using the two-letter code according to WIPO Standard ST.3, of the authority publishing or registering the industrial design

(20) Data concerning the application

- (21) Serial number of the application
- (22) Date of filing of the application
- (24) Date from which the industrial design right has effect

(30) Data relating to priority under the Paris Convention

- (31) Serial number assigned to the priority application
- (32) Date of filing of the priority application
- (33) Two-letter code, according to WIPO Standard ST.3, identifying the authority with which the priority application was made

(40) Date(s) of making information available to the public

- (45) Date of publication of the registered industrial design by printing or similar process, or making it available to the public by any other means

(50) Miscellaneous Information

- (51) International Classification for Industrial Designs (class and subclass of the Locarno Classification)
- (54) Designation of article(s) or product(s) covered by the industrial design or title of the industrial design
- (55) Reproduction of the industrial design (e.g., drawing, photograph) and explanations relating to the reproduction
- (56) List of prior art documents, if separate from descriptive text
- (57) Description of characteristic features of the industrial design including indication of colours

(60) References to other legally related application(s) and registration(s)

- (62) Serial number(s) and, if available, filing date(s) of application(s), registration(s) or document(s) related by division
- (66) Serial number(s) of the application, or the registration, of the design(s) which is (are) a variant(s) of the present one

(70) Identification of parties concerned with the application or registration

- (71) Name(s) and address(es) of the applicant(s)
- (72) Name(s) of the creator(s) if known to be such
- (74) Name(s) and address(es) of the representative(s)

This Page Left Intentionally Blank

Nil notices for this journal issue.

**Proceedings under the Designs Act 1906 preserved as a
result of the provisions of Chapter 12 Part 2 of the Designs
Act 2003.**

This Page Left Intentionally Blank

Applications Lapsed

There were no Applications Lapsed under this section

Extension of Period of Registration of Designs

previously advertised as ceased. In this instance, the previous advertisement still prevails.

2nd Period (Section 27A(12))

153276	153278	154162
154239	154240	154836
154881	155217	155267
155363	155384	155456
155541	155542	155543
155596	155597	155617
155618	155663	155785
155905	155927	155970
155976	156030	156076
156111	156112	156113
156114	156158	156159
156160	156170	156175
156176	156177	156237
156273	156296	156297
156333	156334	156484
156543	156544	156545
156546	156552	156553
156617	156619	156749
156908	156910	156959
157057	157104	157105
157106	157107	157108
157109	157167	157204
157289	157290	157291
157322	157407	157641
157642	157729	157765
157767	157953	158003
158015	158017	158153
158174	158197	158259
158260	158264	158271
158373		

3rd Period (Section 27A(13))

135628	135629	137487
137670	137671	137672
137697	137726	137727
137728	137808	137809
137979	138001	138002
138015	138308	138337
138394	138475	138546
138678	138679	138680
138681	138683	138690
138756	138764	138766
139489	139794	140740
141329	141791	141792
141905	141906	141907
142877	156939	156940
156996	158376	158393
158449	158450	

Registrations Ceased

Note: Some of the following Registrations may have been

119314	119574	119588
120783	120786	120850
120856	120857	120886
120907	121144	121255
121674	121815	121880
122156	122715	123614
124079	124174	124176
124436	124790	124911
124956	128443	134498
134721	134741	135626
135627	135708	135709
135727	135758	135759
135760	135761	135784
135785	135786	135787
135788	135789	135790
135841	135842	135876
135921	135923	135951
136256	136293	136397
136398	136427	136485
136614	136953	136954
136992	136993	137012
139579	139635	139895
141057	143050	152212
152354	152395	152517
152518	152519	152520
152665	152724	152725
152745	152858	152888
152928	152930	152931
152932	152943	152944
152945	152946	152952
152969	152970	152971
152972	152973	152974
152975	153003	153007
153008	153043	153070
153074	153075	153129
153133	153136	153137
153139	153158	153159
153160	153161	153201
153202	153203	153205
153275	153298	153299
153306	153332	153376
153378	153429	153430
153431	153432	153433
153592	153593	153614
153676	153716	153732
153805	153806	153807
153808	153809	153810
153811	153812	153813
153814	153815	153816
153817	153818	153819
153820	153821	153822
153852	153853	153929
153993	154034	154049
154050	154051	154052
154053	154054	154097
154118	154150	154173

154174	154176	154211
154260	154261	154354
154447	154509	154510
154511	154512	154513
154609	154610	154611
154644	154838	155039
155167	155168	155206
155296	155338	155840
155942	156007	156024
156227	156408	156447
157325	157830	157831
158336	158341	

Names Registered - Alterations and Amendments

(The name in parentheses is the new name of the proprietor)

156375 **(Davey Water Products Pty Ltd)** Davey Products Pty
 Ltd

This Page Left Intentionally Blank

Proceedings under the Designs Act 2003.

This Page Left Intentionally Blank

Applications Lodged

Lodgement information is in the following order: **Applicant's Name**; International Classification, Name of Product, Lodgement Date and **Design Number**. If the applicant claims an earlier priority date under an International Convention, the Convention Country and the associated filing date are shown in parentheses before the Lodgement Date. Divisional information will also appear in parentheses before the Lodgement Date.

van der Velden, Lorinda; 07-06D, Bottle opener, 23 Dec 2009	15035/2009	Braun GmbH; 04-02, Toothbrush head, (EM, 02 Jul 2009) 24 Dec 2009	15051/2009
Abolkheir Group (UK) Ltd; 06-06G, Armrest, (EM, 10 Jul 2009) 08 Jan 2010	10050/2010	Braun GmbH; 04-02, Component for an electric toothbrush arrangement, (EM, 25 Jun 2009) 24 Dec 2009	15045/2009
Archimedes Development Limited; 09-03NES, Child resistant container, (EM, 03 Jul 2009) 24 Dec 2009	15056/2009	Braun GmbH; 04-02, Component for an electric toothbrush arrangement, (EM, 25 Jun 2009) 24 Dec 2009	15046/2009
Archimedes Development Limited; 09-03NES, Child resistant container, (EM, 03 Jul 2009) 24 Dec 2009	15057/2009	Braun GmbH; 04-02, Component for an electric toothbrush arrangement, (EM, 25 Jun 2009) 24 Dec 2009	15047/2009
Arper S.p.A.; 06-01G, Chair, (WO, 17 Jul 2009) 22 Dec 2009	15018/2009	BreezSong LLC.; 14-03NES, Remote control for a portable rehearsal studio, (US, 25 Jun 2009) 22 Dec 2009	15009/2009
Arper S.p.A.; 06-01G, Chair, (WO, 17 Jul 2009) 22 Dec 2009	15019/2009		
Arper S.p.A.; 06-01G, Chair, (WO, 17 Jul 2009) 22 Dec 2009	15020/2009	C.O. White Pty Ltd; 29-02, Buckle assembly, 23 Dec 2009	15034/2009
Arper S.p.A.; 06-03A, Table, (WO, 17 Jul 2009) 22 Dec 2009	15021/2009	Cawsey Menck Pty Ltd; 21-01M, Puzzel wooden fire engine 3 dimensional class 21-01M, 22 Dec 2009	14981/2009
Arper S.p.A.; 06-01G, Sofa, (WO, 17 Jul 2009) 22 Dec 2009	15017/2009	Cawsey Menck Pty Ltd; 21-01M, Puzzle wooden tractor 3 dimensional class 21-01M, 22 Dec 2009	14980/2009
Arper S.p.A.; 06-01E, Stool, (WO, 17 Jul 2009) 22 Dec 2009	15016/2009		
Art Plastics Pty Ltd; 23-02NES, 150mm Bermuda flipper floor grate (100mm base), 22 Dec 2009	14978/2009	Christopher Collins & Associates Pty Ltd; 28-03NES, Adjustable body stimulator, 08 Jan 2010	10026/2010
Art Plastics Pty Ltd; 23-02NES, 150mm Bermuda flipper floor grate (50mm base), 22 Dec 2009	14979/2009	Colgate-Palmolive Company; 09-01K, Bottle, (US, 10 Jul 2009) 07 Jan 2010	10027/2010
ABC Tissue Products Pty Limited; 05-06NES, Embossed tissue, 12 Jan 2010	10082/2010	Colgate-Palmolive Company; 09-01K, Upper portion of bottle, (US, 10 Jul 2009) 07 Jan 2010	10028/2010
Bausch & Lomb Incorporated; 16-06, Contact lens, (US, 02 Jul 2009) 23 Dec 2009	15041/2009	Colgate-Palmolive Company; 09-01K, Lower portion of bottle, (US, 10 Jul 2009) 07 Jan 2010	10029/2010
Bausch & Lomb Incorporated; 16-06, Contact lens, (US, 02 Jul 2009) 23 Dec 2009	15042/2009	Colgate-Palmolive Company; 09-01K, Bottle, (US, 10 Jul 2009) 08 Jan 2010	10051/2010
Beaulieu Group, LLC; 20-02E, Display device, (US, 09 Jul 2009) 24 Dec 2009	15048/2009	Colgate-Palmolive Company; 09-01K, Upper portion of a bottle, (US, 10 Jul 2009) 08 Jan 2010	10052/2010
Black & Decker, Inc.; 13-02, Charger base for a hand-held vacuum cleaner, (EM, 13 Jul 2009) 11 Jan 2010	10063/2010	Colgate-Palmolive Company; 09-01K, Container, (US, 30 Jun 2009) 24 Dec 2009	15072/2009
Braun GmbH; 04-02, Toothbrush, (EM, 02 Jul 2009) 24 Dec 2009	15049/2009	Colgate-Palmolive Company; 09-01K, Container, (US, 30 Jun 2009) 24 Dec 2009	15073/2009
Braun GmbH; 04-02, Toothbrush, (EM, 02 Jul 2009) 24 Dec 2009	15050/2009	Colgate-Palmolive Company; 09-01K, Container, (US, 30 Jun 2009) 24 Dec 2009	15074/2009
		Colgate-Palmolive Company; 09-01K, Container, (US, 30 Jun 2009) 24 Dec 2009	15075/2009

Colgate-Palmolive Company; 09-07C, Cap for a container, (US, 02 Jul 2009) 24 Dec 2009	15076/2009	Dart Industries Inc.; 07-01B, Container, (US, 17 Jul 2009) 23 Dec 2009	15031/2009
Colgate-Palmolive Company; 09-01K, Container, (US, 30 Jun 2009) 24 Dec 2009	15077/2009	Dart Industries Inc.; 07-01NES, Cover, (US, 17 Jul 2009) 23 Dec 2009	15032/2009
Colgate-Palmolive Company; 09-07C, 09-05, Shoulder for a container, (US, 02 Jul 2009) 24 Dec 2009	15078/2009	Dart Industries, Inc.; 07-01B, Container, (US, 17 Jul 2009) 23 Dec 2009	15030/2009
Colgate-Palmolive Company; 09-07C, 09-05, Shoulder for a container, (US, 02 Jul 2009) 24 Dec 2009	15079/2009	Datalogic Mobile S.r.l.; 14-02, Portable terminal, (EM, 27 Nov 2009) 24 Dec 2009	15070/2009
Colgate-Palmolive Company; 04-02, Toothbrush, (US, 10 Jul 2009) 05 Jan 2010	10017/2010	Datalogic Mobile S.r.l.; 14-02, Portable terminal, (EM, 27 Nov 2009) 24 Dec 2009	15071/2009
Colgate-Palmolive Company; 09-01K, Container, (US, 30 Jun 2009) 04 Jan 2010	10004/2010	Ding, Guonan; 02-04B, Footwear sole, 05 Jan 2010	10039/2010
Colgate-Palmolive Company; 09-01K, Container, (US, 30 Jun 2009) 04 Jan 2010	10005/2010	East Hampton Accessories; 20-02C, 20-02E, Acrylic stand - visual design of fashion access display - visual impact, 22 Dec 2009	14982/2009
Colgate-Palmolive Company; 09-01K, Container, (US, 30 Jun 2009) 04 Jan 2010	10006/2010	East Hampton Accessories; 20-02C, 20-02E, Acrylic tube - visual design of fashion accessories, 22 Dec 2009	14983/2009
Colgate-Palmolive Company; 09-01K, Container, (US, 30 Jun 2009) 04 Jan 2010	10007/2010	Esaving Systems Pty Ltd; 14-03NES, Design 1: Esaver GHR-PGB03T Energy saving system, 04 Jan 2010	10078/2010
Colgate-Palmolive Company; 09-07B, Combined shoulder and cap for a container, (US, 02 Jul 2009) 04 Jan 2010	10008/2010	Eveready Battery Company, Inc.; 26-05D, A lighting device and lighting device housing, (US, 03 Aug 2009) 24 Dec 2009	15063/2009
Colgate-Palmolive Company; 09-07B, Combined shoulder and cap for a container, (US, 02 Jul 2009) 04 Jan 2010	10009/2010	Eveready Battery Company, Inc.; 26-02, A lighting device, (US, 04 Aug 2009) 24 Dec 2009	15064/2009
Columbia Insurance Company; 10-04, Measuring cup assembly, (US, 07 Jul 2009) 05 Jan 2010	10013/2010	Everstone International Pty Ltd; 25-01F, A tile, 22 Dec 2009	14997/2009
Columbia Insurance Company; 10-04, Measuring cup assembly, (US, 07 Jul 2009) 05 Jan 2010	10014/2010	Everstone International Pty Ltd; 25-01F, A tile, 22 Dec 2009	14998/2009
Columbia Insurance Company; 07-04, Cookie press, (US, 07 Jul 2009) 24 Dec 2009	15054/2009	Everstone Pty Ltd; 25-01F, Tile, 24 Dec 2009	15066/2009
Couyant, George; 12-16K, Bicycle carrier, 18 Dec 2009	15094/2009	Everstone Pty Ltd; 25-01F, Elongate tile, 24 Dec 2009	15067/2009
Cryovac Australia Pty Ltd; 09-03NES, Sleeved container, 07 Jan 2010	10030/2010	Fielders Australia Pty Ltd; 25-01K, C-section box beam member, 22 Dec 2009	15004/2009
Cryovac Australia Pty Ltd; 09-03H, Container sleeve, 07 Jan 2010	10031/2010	Flewellen, Mark Thomas; Olds, Michael James; 25-01NES, Flashing, 23 Dec 2009	15005/2009
Cryovac Australia Pty Ltd; 09-03M, Container, 07 Jan 2010	10032/2010	FKA Distributing Co. doing business as HoMedics, Inc.; 10-05, Sound machine with a nightlight, (US, 29 Jun 2009) 23 Dec 2009	15023/2009
Dart Industries Inc.; 07-03, 10-04, Measuring spoon, (US, 09 Jul 2009) 14 Dec 2009	10038/2010	FKA Distributing Co. doing business as HoMedics, Inc.; 10-05, Projection alarm clock, (US, 29 Jun 2009) 23 Dec 2009	15024/2009
Dart Industries Inc.; 07-01B, Container, (US, 17 Jul 2009) 23 Dec 2009	15033/2009	Gerard Lighting Pty Ltd; 26-05B, Light housing, 11 Jan 2010	10075/2010

Gerard Lighting Pty Ltd; 26-05NES, Light housing, 11 Jan 2010	10073/2010	Honda Motor Co., Ltd.; 26-06, Rear combination lamp for automobile, (JP, 21 Jul 2009) 22 Dec 2009	15003/2009
Gerard Lighting Pty Ltd; 13-02, Transformer, 11 Jan 2010	10072/2010	Humphreys, Anthony Richard; Kane, Jeff; 29-01, Insect or soil seal for a hydrant, 23 Dec 2009	15008/2009
Gerard Lighting Pty Ltd; 26-05NES, Light housing, 11 Jan 2010	10074/2010	Indice Ecotech Pty Ltd; 26-04, Cold cathode downlight lamp, 21 Dec 2009	15022/2009
Greenfield Mowers Pty Ltd; 15-03B, Seal outer plate, 08 Jan 2010	10054/2010	Johnson, Alan James; 12-06B, Multi-purpose boat : sail, paddle or surf, 21 Dec 2009	14989/2009
Greenfield Mowers Pty Ltd; 15-03B, A wheel assembly, 08 Jan 2010	10053/2010	Julka, Hari Krishan; 09-02NES, Dispensing of liquid gas by weight to a truck, car, mobile machinery/tank/vessel/install the system on mobile machine,, cars, trucks etc., 24 Dec 2009	15091/2009
Greenfield Mowers Pty Ltd; 15-03B, A wheel assembly, 08 Jan 2010	10056/2010	Jura Elektroapparate AG; 07-02L, Frozzing nozzle for cappuccino, (CH, 08 Jul 2009) 24 Dec 2009	15068/2009
Greenfield Mowers Pty Ltd; 15-03B, Seal inner plate, 08 Jan 2010	10055/2010	Kabushiki Kaisha Toshiba, also Trading as Toshiba Corporation; 14-03B, A television receiver, (JP, 31 Aug 2009) 22 Dec 2009	15010/2009
Greenfield Mowers Pty Ltd; 09-07C, A seal cap, 08 Jan 2010	10057/2010	Kane, Jeff; Humphreys, Anthony Richard; 29-01, Insect or soil seal for a hydrant, 23 Dec 2009	15008/2009
GSA Industries (Aust.) Pty Ltd; 23-01A, Tube coupling, 24 Dec 2009	15044/2009	Katz, Marcus A.; 21-01L, Card game table layout, (EM, 01 Jul 2009) 04 Jan 2010	10001/2010
Happy HollyDaisy Limited; 07-01E, Cup and holder, (GB, 26 Jun 2009) 23 Dec 2009	15043/2009	Kellogg Company; 01-01, Biscuit, (EM, 22 Jun 2009) 22 Dec 2009	15015/2009
Hayward Industries, Inc.; 15-05, Pool Cleaner, (US, 01 Jul 2009) 24 Dec 2009	15052/2009	Kellogg Company; 01-01, A cereal piece, 24 Dec 2009	15053/2009
Hayward Industries, Inc.; 15-05, Pool cleaner, (US, 01 Jul 2009) 24 Dec 2009	15061/2009	Kimura Kohki Co., Ltd.; 23-04, Air outlet, (JP, 05 Aug 2009) 11 Jan 2010	10064/2010
Helen of Troy Limited; 28-03NES, Organiser, (US, 24 Aug 2009) 06 Jan 2010	10025/2010	Kimura Kohki Co., Ltd.; 23-04, 26-04, Air outlet, (JP, 05 Aug 2009) 11 Jan 2010	10065/2010
Helen of Troy Limited; 07-01NES, Food container, (US, 19 Aug 2009) 06 Jan 2010	10024/2010	Kimura Kohki Co., Ltd.; 23-04, Air outlet, (JP, 15 Jul 2009) 11 Jan 2010	10066/2010
Honda Motor Co., Ltd.; 26-06, Front combination lamp for automobiles, (JP, 22 Jun 2009) 22 Dec 2009	14999/2009	Kimura Kohki Co., Ltd.; 23-04, Air outlet, (JP, 15 Jul 2009) 11 Jan 2010	10067/2010
Honda Motor Co., Ltd.; 12-08, Automobile, (JP, 22 Jun 2009) 22 Dec 2009	15000/2009	King Furniture (Australia) Pty Ltd; 06-01G, An article of furniture, 22 Dec 2009	15012/2009
Honda Motor Co., Ltd.; 26-06, Rear combination lamp for automobiles, (JP, 22 Jun 2009) 22 Dec 2009	14988/2009	King Furniture (Australia) Pty Ltd; 06-01G, An article of furniture, 22 Dec 2009	15013/2009
Honda Motor Co., Ltd.; 12-08, Automobile, (JP, 21 Jul 2009) 22 Dec 2009	15001/2009	King Furniture (Australia) Pty Ltd; 06-01G, An article of furniture, 22 Dec 2009	15014/2009
Honda Motor Co., Ltd.; 26-06, A rear combination lamp for an automobile, (JP, 13 Aug 2009) 07 Jan 2010	10046/2010	King Furniture (Australia) Pty Ltd; 06-01G, An article of furniture, 22 Dec 2009	15011/2009
Honda Motor Co., Ltd.; 12-08, An automobile, (JP, 13 Aug 2009) 07 Jan 2010	10045/2010	Knopak Limited; 09-03M, Sustainable wine shipper and containment, 05 Jan 2010	10002/2010
Honda Motor Co., Ltd.; 26-06, A front combination lamp for an automobile, (JP, 13 Aug 2009) 07 Jan 2010	10047/2010	Labcon North America; 19-08, 24-01, Container label, (US, 26 Jun 2009) 23 Dec 2009	15039/2009
Honda Motor Co., Ltd.; 26-06, Front combination lamp for automobile, (JP, 21 Jul 2009) 22 Dec 2009	15002/2009		

Labcon North America; 19-08, 24-01, Container label, (US, 26 Jun 2009) 23 Dec 2009	15040/2009	Nissan Jidosha Kabushiki Kaisha; 12-08, Automobile, (JP, 09 Jul 2009) 08 Jan 2010	10060/2010
Labcon North America; 19-08, 24-01, Container label, (US, 26 Jun 2009) 23 Dec 2009	15038/2009	Nokia Corporation; 14-03A, Handset, (US, 30 Sep 2009) 04 Jan 2010	10011/2010
Lexington LaserComb IP AG; 28-03D, 24-02, Laser comb, (US, 10 Aug 2009) 24 Dec 2009	15055/2009	Olds, Michael James; Flewellen, Mark Thomas; 25-01NES, Flashing, 23 Dec 2009	15005/2009
Lifefactory, Inc.; 09-03H, Protective sleeves for a container, (US, 29 Jul 2009) 07 Jan 2010	10034/2010	Outerspace Design Group Pty Ltd; 09-09, Residential waste management system, 24 Dec 2009	15025/2009
Lifefactory, Inc.; 09-03H, 09-01NES, Water bottles and protective sleeve, (US, 29 Jul 2009) 07 Jan 2010	10035/2010	Pan Air Electric Co., Ltd.; 23-04, Ceiling fan, 05 Jan 2010	10015/2010
Lifefactory, Inc.; 07-01F, 09-01NES, Water bottle with lid, (US, 07 Jul 2009) 07 Jan 2010	10037/2010	Parfums Christian Dior; 09-01G, Flask for perfumery products, (EM, 28 Jul 2009) 11 Jan 2010	10077/2010
Lifefactory, Inc.; 09-03H, 09-01NES, Water bottles and protective sleeve, (US, 07 Jul 2009) 07 Jan 2010	10036/2010	Pearson, Darren; 19-08, Cape View Sounds wine label, 21 Dec 2009	15081/2009
Lifefactory, Inc.; 09-03H, Protective sleeves for a container, (US, 07 Jul 2009) 07 Jan 2010	10033/2010	Pearson, Darren; 19-08, Silver Fern Bay wine label, 21 Dec 2009	15080/2009
LG Electronics Inc.; 14-03B, Television receiver, 24 Dec 2009	15092/2009	Performance Flotation Developments (Aust) Pty Ltd; 12-06NES, 12-16A, Retractable wheel for small boats, 18 Dec 2009	14987/2009
LG Electronics Inc.; 14-03B, Television, (KR, 15 Jul 2009) 05 Jan 2010	10016/2010	Powersource Investments Pty Ltd; 07-07NES, Tradesman's lunchbox, 24 Dec 2009	15062/2009
LG Electronics Inc.; 14-01, LCD television receiver, (KR, 17 Jul 2009) 12 Jan 2010	10079/2010	Progressive International Corporation; 07-01NES, Collapsible food carrier, (US, 04 Aug 2009) 22 Dec 2009	14996/2009
LG Electronics Inc.; 14-03B, LCD television receiver, (KR, 21 Jul 2009) 12 Jan 2010	10081/2010	Provo Craft and Novelty, Inc.; 14-04, Electronic controller device, (US, 06 Jul 2009) 04 Jan 2010	10010/2010
LG Electronics Inc.; 14-01, LCD television receiver, (KR, 21 Jul 2009) 12 Jan 2010	10080/2010	Ray, Michael; 12-08, 23-01F, Water tank truck bodies to suit water carts for dust suppression, and locomotion of water, 30 Dec 2009	15082/2009
Matsl Pty Ltd; 08-05L, Paint roller, 05 Jan 2010	10003/2010	Ray, Michael; 12-08, 23-01F, Tanker truck bodies with multiple fuel, oil and lubrication product compartments for on-site servicing of earthmoving, equipment, 30 Dec 2009	15083/2009
Meco Australia Pty Limited; 23-02F, A wash basin, 18 Dec 2009	14986/2009	Reckitt & Colman (Overseas) Limited; 28-99, Air freshener device, (US, 02 Jul 2009) 23 Dec 2009	15028/2009
Miller, William H.; 23-01A, Quick connect coupler, 17 Dec 2009	14984/2009	Reckitt & Colman (Overseas) Limited; 28-99, Air freshener device, (US, 02 Jul 2009) 23 Dec 2009	15029/2009
Mosca, Damian; 09-01G, Perfume bottle, 24 Dec 2009	15058/2009	Reckitt Benckiser N.V.; 09-07B, Lid of detergent dispensing device, (EM, 22 Jul 2009) 11 Jan 2010	10070/2010
Mosca, Damian; 09-01G, Perfume bottle, 24 Dec 2009	15059/2009	Reckitt Benckiser N.V.; 09-07B, Lid of detergent dispensing device, (EM, 22 Jul 2009) 11 Jan 2010	10071/2010
Mosca, Damian; 09-01G, Perfume bottle, 24 Dec 2009	15060/2009	Rella Plastics Pty Ltd; 19-02, Document tray, 24 Dec 2009	15065/2009
Nash, Patricia; 07-99C, Holder for a cleaning implement - open wall, (US, 15 Jul 2009) 06 Jan 2010	10023/2010		
Nash, Patricia; 07-05NES, Holder for a cleaning implement - solid wall, (US, 15 Jul 2009) 06 Jan 2010	10022/2010		

Sanford, L.P.; 19-06, Writing instrument, (US, 31 Aug 2009) 05 Jan 2010	10019/2010	Toyota Jidosha Kabushiki Kaisha; 12-08, 12-16B, Front portion of an automobile, 07 Jan 2010	10043/2010
Scott Health & Safety Ltd; 29-02, Breathing mask, (EP, 24 Jun 2009) 23 Dec 2009	15027/2009	Unilever PLC; 28-03NES, Cleansing article, (US, 09 Jul 2009) 23 Dec 2009	15036/2009
Scott Health & Safety Ltd; 29-02, Breathing mask, (EP, 24 Jun 2009) 23 Dec 2009	15026/2009	Unilever PLC; 28-03NES, Cleansing article, (US, 09 Jul 2009) 23 Dec 2009	15037/2009
Sensormatic Electronics, LLC; 10-05, 02-04A, 08-07, Pinless security device, (US, 29 Jul 2009) 06 Jan 2010	10021/2010	Vertical Leisure Ltd; 21-02F, Base for pole, (EM, 02 Jul 2009) 24 Dec 2009	15084/2009
Sensormatic Electronics, LLC; 10-05, Pinless security device, (US, 29 Jul 2009) 08 Jan 2010	10049/2010	Vertical Leisure Ltd; 21-02F, Base for pole, (EM, 02 Jul 2009) 24 Dec 2009	15085/2009
Sony Ericsson Mobile Communications AB; 14-03A, Headset, (EM, 24 Jun 2009) 23 Dec 2009	15006/2009	Vertical Leisure Ltd; 21-02F, Base for pole, (EM, 02 Jul 2009) 24 Dec 2009	15086/2009
Sony Ericsson Mobile Communications AB; 14-03A, Microphone, (EM, 24 Jun 2009) 23 Dec 2009	15007/2009	Vertical Leisure Ltd; 21-02F, Base for pole, (EM, 02 Jul 2009) 24 Dec 2009	15087/2009
Springfield, Jonathon David; 08-01, Sand augur for sand or snow, 13 Jan 2010	10084/2010	Vertical Leisure Ltd; 21-02F, Base for pole, (EM, 02 Jul 2009) 24 Dec 2009	15088/2009
Stephens, Graham John; 07-06NES, Drink contamination cover attached to a conventional stubby holder, 07 Jan 2010	10059/2010	Vertical Leisure Ltd; 21-02F, Base for pole, (EM, 02 Jul 2009) 24 Dec 2009	15089/2009
Stephens, Graham John; 07-06NES, Drink contamination cover for glasses and open containers of drink, 08 Jan 2010	10058/2010	Volkswagen Aktiengesellschaft; 12-08, Motor vehicle, 06 Jan 2010	10020/2010
Syndicate Concepts Pty Ltd; 07-01C, Beverage container, 08 Jan 2010	10048/2010	Wong, Sharon Yoke Heng; 13-03B, A connector, (EM, 17 Jul 2009) 08 Jan 2010	10069/2010
SAVERGLASS; 09-01NES, Bottle, 05 Jan 2010	10018/2010	Wong, Sharon Yoke Heng; 13-03B, A connector, (EM, 17 Jul 2009) 08 Jan 2010	10061/2010
The Decor Corporation Pty Ltd; 07-04, Draining spoon, 11 Jan 2010	10076/2010	Wong, Sharon Yoke Heng; 13-03B, A connector, (EM, 17 Jul 2009) 08 Jan 2010	10062/2010
The Goodyear Tire & Rubber Company; 12-15A, Tyre, (JP, 28 Jul 2009) 12 Jan 2010	10083/2010	Wong, Sharon Yoke Heng; 13-03B, A connector, (EM, 17 Jul 2009) 08 Jan 2010	10068/2010
Thompson, Samuel Spencer; 09-05, Compact discs (CD): as CD storage device, CD mailer, CD folder, and trimming knives used in commercial printing, of said products, 07 Jan 2010	10040/2010	3M Innovative Properties Company; 16-06, Headgear-earwear assembly, (US, 23 Jun 2009) 21 Dec 2009	14985/2009
Toyota Jidosha Kabushiki Kaisha; 26-06, Rear combination lamp for an automobile, 07 Jan 2010	10041/2010	3M Innovative Properties Company; 07-05C, 08-08NES, Wall mountable peg hanger, (US, 02 Jul 2009) 24 Dec 2009	15069/2009
Toyota Jidosha Kabushiki Kaisha; 12-16C, Front bumper for an automobile, 07 Jan 2010	10042/2010	600 Main Road Stoke Limited Trading as McCashins Brewery; 09-01H, A bottle, (NZ, 23 Jun 2009) 17 Nov 2009	15090/2009
Toyota Jidosha Kabushiki Kaisha; 12-08, Automobile, 07 Jan 2010	10044/2010		

Applications Lapsed

12434 / 2009 (02-02C)

13969 / 2009 (99-00)

14047 / 2009 (03-01NES)

14095 / 2009 (21-01L)

14121 / 2009 (02-07A)
14234 / 2009 (08-05G)
14266 / 2009 (08-10)

14233 / 2009 (08-05G)
14256 / 2009 (12-16L)
14267 / 2009 (07-99NES)

Extension of Period of Registration of Designs

301861	301917	301918
301919	301920	301921
301922	302048	302100
302153	302154	302294
302295	302296	302297
302298	302340	302341
302344	302351	302352
302356	302398	302399
302411	302412	302413
302414	302415	302416
302417	302418	302420
302421	302424	302427
302428	302431	302445
302446	302447	302448
302453	302606	302607
302608	302609	302610
302611	302612	302613
302614	302615	302616
302617	302620	302621
302622	302623	302624
302625	302637	302665
302666	302667	302670
302671	302679	302826
302827	302829	302897
302900	302901	302902
303053	303054	303096
303125	303130	303146
303147	303228	303246
303247	303281	303305
303306	303356	303357
303399	303462	303463
303464	303465	303466
303467	303468	303566
303567	304005	304328
304630	304738	304739
304740	305035	305104
305595	306158	306273
306274	306814	

Registrations Ceased

300000	300001	300007
300008	300012	300013
300014	300015	300016
300017	300079	300080
300110	300148	300149
300152	300153	300154
300155	300163	300188
300189	300190	300191
300192	300193	300199
300200	300201	300203
300204	300205	300216
300229	300241	300242
300243	300244	300246
300247	300248	300249
300250	300254	300257
300258	300271	300288
300331	300334	300411
300416	300417	300418
300419	300420	300831
300832	300891	301411
301621	301622	301623
301624	301625	301846
301847	301848	302158
302159	302747	302748
302749	302750	303307
303309	305071	305683
305684	305685	305686
313626	313627	320042
320139	322171	322293
322388	322389	323126
324064	324273	324435
324783	324854	324855
324856		

Extensions of time granted under Section 137

Applications lodged under section 137 for extension of time have been granted.

325189 **Lincoln Global, Inc.**

12034/2009 **LEAK CONTROL DEVELOPMENT PTY LTD**

13713/2009 **Blue Line Billboards Pty Ltd**

13732/2009 **James Moses**

13733/2009 **James Moses**

13734/2009 **James Moses**

13744/2009 **NYS Collection LLC**

13745/2009 **NYS Collection LLC**

13746/2009 **NYS Collection LLC**

13895/2009 **Zulu Custom Auto**

14275/2009 **Columbia Sportswear North America, Inc.**

Names Registered - Alterations and Amendments

(The name in parentheses is that of the subsequent applicant)

303717	(Davey Water Products Pty Ltd) Davey Products Pty Ltd
313203	(The Nutro Company) Nutro Products, Inc.
313204	(The Nutro Company) Nutro Products, Inc.
313588	(The Nutro Company) Nutro Products, Inc.
314096	(The Nutro Company) Nutro Products, Inc.
314097	(The Nutro Company) Nutro Products, Inc.
314224	(The Nutro Company) Nutro Products, Inc.
314226	(The Nutro Company) Nutro Products, Inc.
317264	(The Nutro Company) Nutro Products, Inc.
313202	(The Nutro Company) Nutro Products, Inc.
313201	(The Nutro Company) Nutro Products, Inc.
309692	(PEMI GROUP, s.r.o.) PEMI Trade, s.r.o

Certificate(s) of Examination

Examination of the following Design Registration(s) has been completed. Infringement proceedings may now be commenced.

314888	15-05	06/01/2010
315157	28-04	23/12/2009
317848	26-05NES	23/12/2009
324213	06-01E	23/12/2009
326073	09-01K	24/12/2009
326685	04-01	23/12/2009

Publication and Registration Proceedings

Designs Registered

This section provides a concordance between design number and registration number of Designs covered in this journal. It also shows the main class and registration date.

This section covers Registration numbers 329055 to 329298 .

The registration number shown below should be used in all future correspondence.

Design Number	Registration Number	International Classification Code (IDC)	Registration Date	Design Number	Registration Number	International Classification Code (IDC)	Registration Date
11491/2009	329088	12-15C	24/12/2009	14699/2009	329100	07-04	05/01/2010
11492/2009	329089	12-15A	24/12/2009	14700/2009	329265	07-04	14/01/2010
11785/2009	329234	02-02C	12/01/2010	14701/2009	329101	07-02NES	05/01/2010
11908/2009	329055	09-03L	24/12/2009	14702/2009	329085	07-07B	24/12/2009
11909/2009	329056	09-03L	24/12/2009	14705/2009	329090	06-09	24/12/2009
12180/2009	329218	23-01L	11/01/2010	14707/2009	329086	10-04	24/12/2009
12490/2009	329215	05-06NES	11/01/2010	14708/2009	329204	09-01K	08/01/2010
12611/2009	329293	08-07	14/01/2010	14709/2009	329087	16-06	24/12/2009
12952/2009	329099	12-08	05/01/2010	14710/2009	329205	03-01B	08/01/2010
13474/2009	329196	07-02P	08/01/2010	14712/2009	329118	08-05E	06/01/2010
13713/2009	329223	14-04	12/01/2010	14713/2009	329119	08-05E	06/01/2010
13749/2009	329091	13-03B	05/01/2010	14714/2009	329120	02-06	06/01/2010
13886/2009	329224	07-02K	12/01/2010	14717/2009	329121	09-06	06/01/2010
13898/2009	329106	23-04	07/01/2010	14718/2009	329122	09-06	06/01/2010
13973/2009	329092	09-01D	05/01/2010	14719/2009	329107	09-06	07/01/2010
14087/2009	329116	12-05	06/01/2010	14720/2009	329108	09-06	07/01/2010
14088/2009	329093	02-02C	05/01/2010	14721/2009	329109	14-03NES	07/01/2010
14131/2009	329186	07-02P	08/01/2010	14722/2009	329110	25-02C	07/01/2010
14146/2009	329197	11-01B	08/01/2010	14724/2009	329266	08-99	14/01/2010
14147/2009	329095	09-03M	05/01/2010	14725/2009	329123	09-03F	06/01/2010
14155/2009	329094	25-01A	05/01/2010	14729/2009	329111	21-02D	07/01/2010
14164/2009	329198	25-01K	08/01/2010	14730/2009	329112	21-02D	07/01/2010
14198/2009	329096	25-02B	05/01/2010	14731/2009	329124	12-16NES	06/01/2010
14218/2009	329225	24-04	12/01/2010	14732/2009	329125	12-16NES	06/01/2010
14227/2009	329235	07-01C	12/01/2010	14733/2009	329126	12-16NES	06/01/2010
14228/2009	329236	07-01NES	12/01/2010	14734/2009	329127	12-16NES	06/01/2010
14230/2009	329237	07-01NES	12/01/2010	14735/2009	329128	12-16NES	06/01/2010
14231/2009	329238	07-01NES	12/01/2010	14736/2009	329129	12-16NES	06/01/2010
14232/2009	329239	07-01C	12/01/2010	14737/2009	329113	12-16NES	07/01/2010
14268/2009	329117	20-01	06/01/2010	14738/2009	329058	09-01NES	24/12/2009
14272/2009	329199	26-05NES	08/01/2010	14739/2009	329059	09-01NES	24/12/2009
14314/2009	329200	07-06A	08/01/2010	14740/2009	329060	09-01NES	24/12/2009
14317/2009	329290	21-02F	14/01/2010	14741/2009	329061	09-01NES	24/12/2009
14323/2009	329226	08-07	12/01/2010	14742/2009	329062	09-01NES	24/12/2009
14326/2009	329227	15-99	12/01/2010	14743/2009	329063	09-01NES	24/12/2009
14330/2009	329240	14-02	12/01/2010	14744/2009	329064	09-01NES	24/12/2009
14331/2009	329241	08-99	12/01/2010	14745/2009	329065	09-01NES	24/12/2009
14332/2009	329242	08-99	12/01/2010	14746/2009	329066	09-01NES	24/12/2009
14354/2009	329057	23-01F	24/12/2009	14747/2009	329067	09-01NES	24/12/2009
14372/2009	329263	08-05A	14/01/2010	14748/2009	329068	09-01NES	24/12/2009
14455/2009	329294	26-99	14/01/2010	14749/2009	329069	09-01NES	24/12/2009
14493/2009	329201	09-01H	08/01/2010	14750/2009	329070	09-01NES	24/12/2009
14494/2009	329202	08-03	08/01/2010	14751/2009	329071	09-01NES	24/12/2009
14495/2009	329203	08-03	08/01/2010	14752/2009	329072	09-01NES	24/12/2009
14508/2009	329187	04-02	08/01/2010	14753/2009	329073	09-01NES	24/12/2009
14686/2009	329078	12-02	24/12/2009	14754/2009	329074	09-01NES	24/12/2009
14687/2009	329079	26-03	24/12/2009	14755/2009	329075	09-01NES	24/12/2009
14690/2009	329080	08-08D	24/12/2009	14756/2009	329076	09-01NES	24/12/2009
14693/2009	329081	08-99	24/12/2009	14757/2009	329077	09-01NES	24/12/2009
14695/2009	329082	07-04	24/12/2009	14758/2009	329102	09-01H	05/01/2010
14696/2009	329083	07-04	24/12/2009	14759/2009	329103	09-01H	05/01/2010
14697/2009	329084	07-04	24/12/2009	14760/2009	329114	02-04A	07/01/2010
14698/2009	329264	07-04	14/01/2010	14763/2009	329115	25-02C	07/01/2010

Publication and Registration Proceedings - Designs Registered cont'd

Design Number	Registration Number	International Classification Code (IDC)	Registration Date	Design Number	Registration Number	International Classification Code (IDC)	Registration Date
14768/2009	329130	12-06NES	07/01/2010	14870/2009	329166	22-05	07/01/2010
14769/2009	329131	12-06NES	07/01/2010	14875/2009	329185	07-03	07/01/2010
14770/2009	329132	12-06NES	07/01/2010	14876/2009	329167	07-04	07/01/2010
14771/2009	329133	12-06NES	07/01/2010	14878/2009	329168	21-02C	07/01/2010
14774/2009	329134	07-01NES	07/01/2010	14881/2009	329206	11-01NES	08/01/2010
14775/2009	329135	07-01NES	07/01/2010	14882/2009	329207	22-05	08/01/2010
14776/2009	329136	23-01B	07/01/2010	14883/2009	329208	28-03NES	08/01/2010
14777/2009	329137	11-02E	07/01/2010	14884/2009	329209	28-03NES	08/01/2010
14778/2009	329138	09-03M	07/01/2010	14885/2009	329210	28-03NES	08/01/2010
14779/2009	329140	09-03M	07/01/2010	14886/2009	329189	23-03F	08/01/2010
14780/2009	329141	09-01NES	07/01/2010	14887/2009	329190	23-03F	08/01/2010
14781/2009	329142	09-01NES	07/01/2010	14888/2009	329191	23-03F	08/01/2010
14782/2009	329143	09-01NES	07/01/2010	14889/2009	329192	12-16E	08/01/2010
14785/2009	329098	13-03D	05/01/2010	14890/2009	329193	09-03C	08/01/2010
14786/2009	329144	11-01NES	07/01/2010	14891/2009	329194	12-16E	08/01/2010
14787/2009	329145	23-04	07/01/2010	14892/2009	329195	12-16E	08/01/2010
14788/2009	329097	13-03D	05/01/2010	14903/2009	329221	02-02B	11/01/2010
14789/2009	329146	22-06	07/01/2010	14904/2009	329222	09-03M	11/01/2010
14790/2009	329147	22-06	07/01/2010	14908/2009	329243	18-02	12/01/2010
14791/2009	329148	09-07A	07/01/2010	14909/2009	329211	24-02	08/01/2010
14792/2009	329149	09-01A	07/01/2010	14911/2009	329248	07-02N	12/01/2010
14793/2009	329150	09-01K	07/01/2010	14912/2009	329104	27-02	05/01/2010
14794/2009	329151	07-01C	07/01/2010	14913/2009	329105	27-02	05/01/2010
14795/2009	329152	07-01C	07/01/2010	14917/2009	329244	28-99	12/01/2010
14796/2009	329153	07-01C	07/01/2010	14918/2009	329245	28-99	12/01/2010
14797/2009	329139	28-99	07/01/2010	14921/2009	329246	09-01B	12/01/2010
14798/2009	329169	26-03	07/01/2010	14922/2009	329247	09-01B	12/01/2010
14799/2009	329170	26-03	07/01/2010	14923/2009	329251	09-01A	12/01/2010
14800/2009	329171	26-03	07/01/2010	14924/2009	329252	23-02F	12/01/2010
14801/2009	329172	26-03	07/01/2010	14925/2009	329253	12-08	12/01/2010
14802/2009	329173	23-01A	07/01/2010	14929/2009	329229	07-01NES	12/01/2010
14804/2009	329174	30-03	07/01/2010	14930/2009	329230	09-03F	12/01/2010
14808/2009	329175	15-07	07/01/2010	14931/2009	329231	07-02L	12/01/2010
14814/2009	329154	25-01K	07/01/2010	14932/2009	329232	07-02L	12/01/2010
14815/2009	329155	25-01K	07/01/2010	14934/2009	329267	06-03A	14/01/2010
14816/2009	329156	25-01K	07/01/2010	14935/2009	329268	06-01G	14/01/2010
14817/2009	329157	25-01K	07/01/2010	14936/2009	329269	06-01F	14/01/2010
14822/2009	329176	23-01K	07/01/2010	14937/2009	329270	06-01B	14/01/2010
14823/2009	329177	09-01A	07/01/2010	14938/2009	329271	06-03A	14/01/2010
14825/2009	329178	06-13NES	07/01/2010	14939/2009	329272	06-01G	14/01/2010
14829/2009	329216	08-05P	11/01/2010	14940/2009	329273	07-01NES	14/01/2010
14830/2009	329179	09-05	07/01/2010	14941/2009	329274	12-16NES	14/01/2010
14831/2009	329180	09-01B	07/01/2010	14943/2009	329254	09-03M	13/01/2010
14832/2009	329181	08-05H	07/01/2010	14944/2009	329255	09-03NES	13/01/2010
14839/2009	329228	10-04	12/01/2010	14945/2009	329256	09-03NES	13/01/2010
14841/2009	329158	15-02	07/01/2010	14946/2009	329257	09-03NES	13/01/2010
14842/2009	329159	23-01E	07/01/2010	14948/2009	329258	22-05	13/01/2010
14846/2009	329160	06-04NES	07/01/2010	14949/2009	329259	09-07A	13/01/2010
14851/2009	329161	25-01E	07/01/2010	14950/2009	329260	09-07A	13/01/2010
14854/2009	329162	15-03B	07/01/2010	14951/2009	329261	09-07A	13/01/2010
14856/2009	329188	21-02NES	08/01/2010	14952/2009	329262	09-07A	13/01/2010
14857/2009	329182	19-06	07/01/2010	14960/2009	329233	21-02F	12/01/2010
14862/2009	329183	08-07	07/01/2010	14978/2009	329291	23-02NES	14/01/2010
14863/2009	329184	20-02E	07/01/2010	14979/2009	329292	23-02NES	14/01/2010
14865/2009	329163	08-10	07/01/2010	14980/2009	329249	21-01M	12/01/2010
14866/2009	329164	15-03A	07/01/2010	14981/2009	329250	21-01M	12/01/2010
14867/2009	329220	10-04	11/01/2010	14984/2009	329295	23-01A	14/01/2010
14869/2009	329165	08-05NES	07/01/2010	14985/2009	329296	16-06	14/01/2010

Publication and Registration Proceedings - Designs Registered cont'd

Design Number	Registration Number	International Classification Code (IDC)	Registration Date	Design Number	Registration Number	International Classification Code (IDC)	Registration Date
14986/2009	329297	23-02F	14/01/2010	14996/2009	329212	07-01NES	08/01/2010
14988/2009	329298	26-06	14/01/2010	14997/2009	329213	25-01F	08/01/2010
14991/2009	329275	12-16C	14/01/2010	14998/2009	329214	25-01F	08/01/2010
14992/2009	329217	14-02	11/01/2010	10038/2010	329219	07-03	11/01/2010
14995/2009	329276	07-01NES	14/01/2010				

Publication and Registration Proceedings
Class Listing of Designs Published or Registered

The following section shows an International Classification Code listing of the Registered or Published Designs covered in this supplement.

Classification	Registration Number	Design Number	Classification	Registration Number	Design Number
02-02 B	329221	14903/2009	08-05 E	329118	14712/2009
02-02 C	329093	14088/2009	08-05 E	329119	14713/2009
02-02 C	329234	11785/2009	08-05 H	329181	14832/2009
02-04 A	329114	14760/2009	08-05 NES	329165	14869/2009
02-06	329120	14714/2009	08-05 P	329216	14829/2009
03-01 A	329179	14830/2009	08-07	329183	14862/2009
03-01 B	329205	14710/2009	08-07	329226	14323/2009
04-02	329187	14508/2009	08-07	329293	12611/2009
05-06 NES	329215	12490/2009	08-08 D	329080	14690/2009
06-01 B	329270	14937/2009	08-10	329163	14865/2009
06-01 F	329269	14936/2009	08-99	329081	14693/2009
06-01 G	329268	14935/2009	08-99	329241	14331/2009
06-01 G	329272	14939/2009	08-99	329242	14332/2009
06-03 A	329267	14934/2009	08-99	329266	14724/2009
06-03 A	329271	14938/2009	09-01 A	329149	14792/2009
06-04 NES	329130	14768/2009	09-01 A	329177	14823/2009
06-04 NES	329131	14769/2009	09-01 A	329251	14923/2009
06-04 NES	329160	14846/2009	09-01 B	329180	14831/2009
06-09	329090	14705/2009	09-01 B	329246	14921/2009
06-13 NES	329178	14825/2009	09-01 B	329247	14922/2009
07-01 C	329151	14794/2009	09-01 D	329092	13973/2009
07-01 C	329152	14795/2009	09-01 H	329102	14758/2009
07-01 C	329153	14796/2009	09-01 H	329103	14759/2009
07-01 C	329235	14227/2009	09-01 H	329201	14493/2009
07-01 C	329239	14232/2009	09-01 K	329150	14793/2009
07-01 NES	329134	14774/2009	09-01 K	329204	14708/2009
07-01 NES	329135	14775/2009	09-01 NES	329058	14738/2009
07-01 NES	329212	14996/2009	09-01 NES	329059	14739/2009
07-01 NES	329229	14929/2009	09-01 NES	329060	14740/2009
07-01 NES	329236	14228/2009	09-01 NES	329061	14741/2009
07-01 NES	329237	14230/2009	09-01 NES	329062	14742/2009
07-01 NES	329238	14231/2009	09-01 NES	329063	14743/2009
07-01 NES	329273	14940/2009	09-01 NES	329064	14744/2009
07-01 NES	329276	14995/2009	09-01 NES	329065	14745/2009
07-02 K	329224	13886/2009	09-01 NES	329066	14746/2009
07-02 L	329231	14931/2009	09-01 NES	329067	14747/2009
07-02 L	329232	14932/2009	09-01 NES	329068	14748/2009
07-02 N	329248	14911/2009	09-01 NES	329069	14749/2009
07-02 NES	329101	14701/2009	09-01 NES	329070	14750/2009
07-02 P	329186	14131/2009	09-01 NES	329071	14751/2009
07-02 P	329196	13474/2009	09-01 NES	329072	14752/2009
07-03	329185	14875/2009	09-01 NES	329073	14753/2009
07-03	329219	10038/2010	09-01 NES	329074	14754/2009
07-03	329220	14867/2009	09-01 NES	329075	14755/2009
07-04	329082	14695/2009	09-01 NES	329076	14756/2009
07-04	329083	14696/2009	09-01 NES	329077	14757/2009
07-04	329084	14697/2009	09-01 NES	329141	14780/2009
07-04	329100	14699/2009	09-01 NES	329142	14781/2009
07-04	329167	14876/2009	09-01 NES	329143	14782/2009
07-04	329264	14698/2009	09-03 C	329193	14890/2009
07-04	329265	14700/2009	09-03 F	329123	14725/2009
07-06 A	329200	14314/2009	09-03 F	329215	12490/2009
07-07 B	329085	14702/2009	09-03 F	329230	14930/2009
08-03	329202	14494/2009	09-03 L	329055	11908/2009
08-03	329203	14495/2009	09-03 L	329056	11909/2009
08-05 A	329263	14372/2009	09-03 L	329261	14951/2009

Registration Proceedings - Class Listing of Designs Published or Registered cont'd

Classification	Registration Number	Design Number	Classification	Registration Number	Design Number
09-03 M	329095	14147/2009	15-03 A	329164	14866/2009
09-03 M	329138	14778/2009	15-03 B	329162	14854/2009
09-03 M	329140	14779/2009	15-07	329175	14808/2009
09-03 M	329222	14904/2009	15-09	329241	14331/2009
09-03 M	329254	14943/2009	15-09	329242	14332/2009
09-03 NES	329255	14944/2009	15-99	329227	14326/2009
09-03 NES	329256	14945/2009	16-06	329087	14709/2009
09-03 NES	329257	14946/2009	16-06	329144	14786/2009
09-05	329179	14830/2009	16-06	329296	14985/2009
09-06	329107	14719/2009	18-02	329243	14908/2009
09-06	329108	14720/2009	19-06	329182	14857/2009
09-06	329121	14717/2009	20-01	329117	14268/2009
09-06	329122	14718/2009	20-02 C	329175	14808/2009
09-07 A	329148	14791/2009	20-02 E	329184	14863/2009
09-07 A	329259	14949/2009	21-01 C	329253	14925/2009
09-07 A	329260	14950/2009	21-01 M	329249	14980/2009
09-07 A	329261	14951/2009	21-01 M	329250	14981/2009
09-07 A	329262	14952/2009	21-02 C	329168	14878/2009
10-04	329086	14707/2009	21-02 D	329111	14729/2009
10-04	329219	10038/2010	21-02 D	329112	14730/2009
10-04	329220	14867/2009	21-02 F	329233	14960/2009
10-04	329228	14839/2009	21-02 F	329290	14317/2009
11-01 B	329197	14146/2009	21-02 NES	329188	14856/2009
11-01 NES	329144	14786/2009	22-05	329166	14870/2009
11-01 NES	329206	14881/2009	22-05	329207	14882/2009
11-02 E	329137	14777/2009	22-05	329258	14948/2009
12-02	329078	14686/2009	22-06	329146	14789/2009
12-05	329116	14087/2009	22-06	329147	14790/2009
12-06 NES	329130	14768/2009	23-01 A	329173	14802/2009
12-06 NES	329131	14769/2009	23-01 A	329295	14984/2009
12-06 NES	329132	14770/2009	23-01 B	329136	14776/2009
12-06 NES	329133	14771/2009	23-01 E	329159	14842/2009
12-08	329099	12952/2009	23-01 F	329057	14354/2009
12-08	329253	14925/2009	23-01 H	329224	13886/2009
12-13	329116	14087/2009	23-01 K	329176	14822/2009
12-15 A	329089	11492/2009	23-01 L	329218	12180/2009
12-15 C	329088	11491/2009	23-02 F	329252	14924/2009
12-16 C	329275	14991/2009	23-02 F	329297	14986/2009
12-16 E	329192	14889/2009	23-02 NES	329291	14978/2009
12-16 E	329194	14891/2009	23-02 NES	329292	14979/2009
12-16 E	329195	14892/2009	23-03 F	329189	14886/2009
12-16 NES	329113	14737/2009	23-03 F	329190	14887/2009
12-16 NES	329124	14731/2009	23-03 F	329191	14888/2009
12-16 NES	329125	14732/2009	23-04	329106	13898/2009
12-16 NES	329126	14733/2009	23-04	329145	14787/2009
12-16 NES	329127	14734/2009	24-02	329211	14909/2009
12-16 NES	329128	14735/2009	24-04	329221	14903/2009
12-16 NES	329129	14736/2009	24-04	329225	14218/2009
12-16 NES	329274	14941/2009	25-01 A	329094	14155/2009
13-03 B	329091	13749/2009	25-01 E	329161	14851/2009
13-03 D	329097	14788/2009	25-01 F	329213	14997/2009
13-03 D	329098	14785/2009	25-01 F	329214	14998/2009
14-02	329217	14992/2009	25-01 K	329154	14814/2009
14-02	329240	14330/2009	25-01 K	329155	14815/2009
14-03 NES	329109	14721/2009	25-01 K	329156	14816/2009
14-04	329223	13713/2009	25-01 K	329157	14817/2009
14-99	329243	14908/2009	25-01 K	329198	14164/2009
14-99	329293	12611/2009	25-02 B	329096	14198/2009
15-02	329158	14841/2009	25-02 C	329110	14722/2009

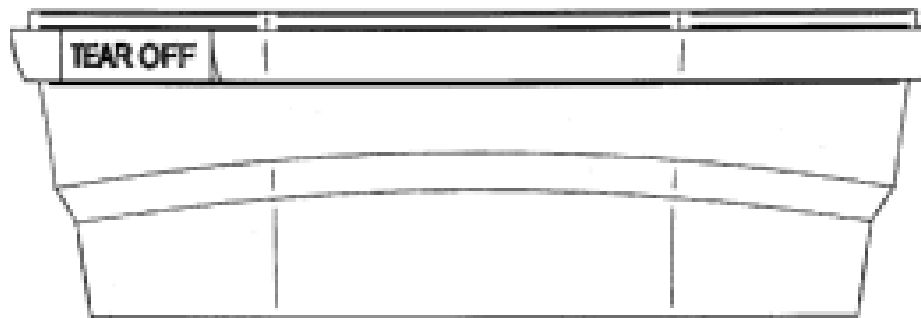
Registration Proceedings - Class Listing of Designs Published or Registered cont'd

Classification	Registration Number	Design Number	Classification	Registration Number	Design Number
25-02 C	329115	14763/2009	27-02	329105	14913/2009
26-03	329079	14687/2009	28-03 NES	329208	14883/2009
26-03	329169	14798/2009	28-03 NES	329209	14884/2009
26-03	329170	14799/2009	28-03 NES	329210	14885/2009
26-03	329171	14800/2009	28-99	329139	14797/2009
26-03	329172	14801/2009	28-99	329244	14917/2009
26-05 NES	329199	14272/2009	28-99	329245	14918/2009
26-06	329298	14988/2009	29-02	329221	14903/2009
26-99	329294	14455/2009	30-03	329174	14804/2009
27-02	329104	14912/2009			

- (21) Design Number: **11908/2009**
(22) Date of Filing Application: **25 May 2009**
(24) Date from which industrial property rights may have effect: **25 May 2009**
(54) Product in respect of which the design is registered: **Container with lid**
(51) International Design Classification: **09-03L**
(71) Name(s) and Address(s) of Applicant(s):

NCI Holdings Pty Ltd
90-92 Chifley Drive Preston Victoria 3072 Australia

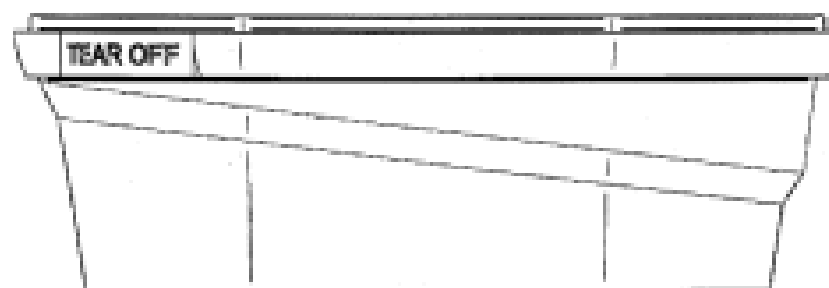
- (72) Name(s) of Designer(s): **Jun Pediongco**
(45) Registration Date: **24 December 2009**
(56) Related Art Documents: **Not Applicable**
(57) Statement of Newness and Distinctiveness: **Newness and distinctiveness resides in the visual features of shape and/or configuration of a container with lid as illustrated in the accompanying representations. The words 'TEAR OFF' do not form part of the design and are to be disregarded when considering whether the design is identical or substantially similar in overall impression to another design.**



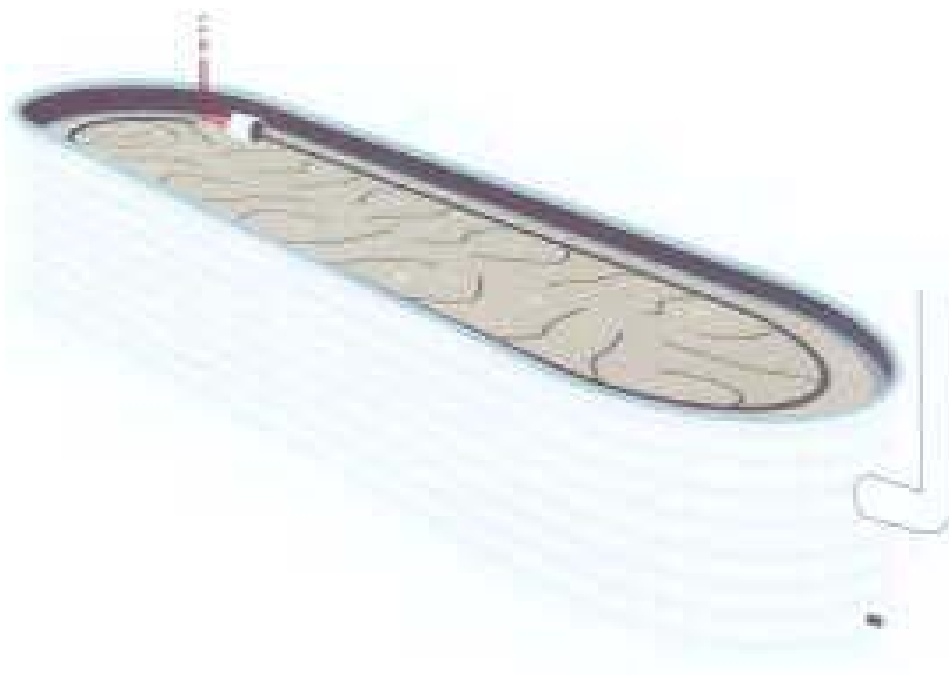
- (21) Design Number: **11909/2009**
(22) Date of Filing Application: **25 May 2009**
(24) Date from which industrial property rights may have effect: **25 May 2009**
(54) Product in respect of which the design is registered: **Container with lid**
(51) International Design Classification: **09-03L**
(71) Name(s) and Address(s) of Applicant(s):

NCI Holdings Pty Ltd
90-92 Chifley Drive Preston Victoria 3072 Australia

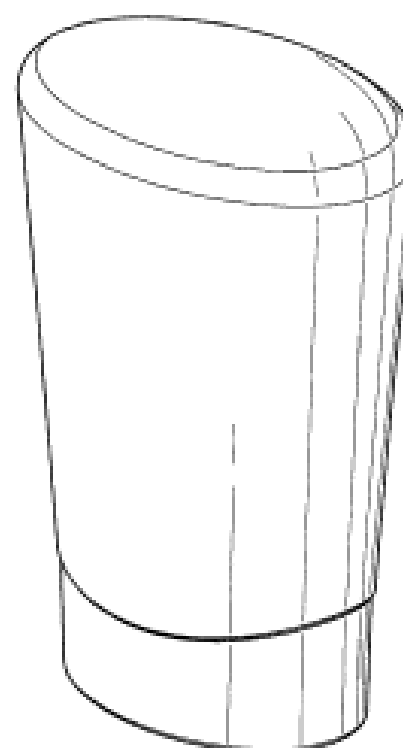
- (72) Name(s) of Designer(s): **Jun Pediongco**
(45) Registration Date: **24 December 2009**
(56) Related Art Documents: **Not Applicable**
(57) Statement of Newness and Distinctiveness: **Newness and distinctiveness resides in the visual features of shape and/or configuration of a container with lid as illustrated in the accompanying representations. The words 'TEAR OFF' do not form part of the design and are to be disregarded when considering whether the design is identical or substantially similar in overall impression to another design.**



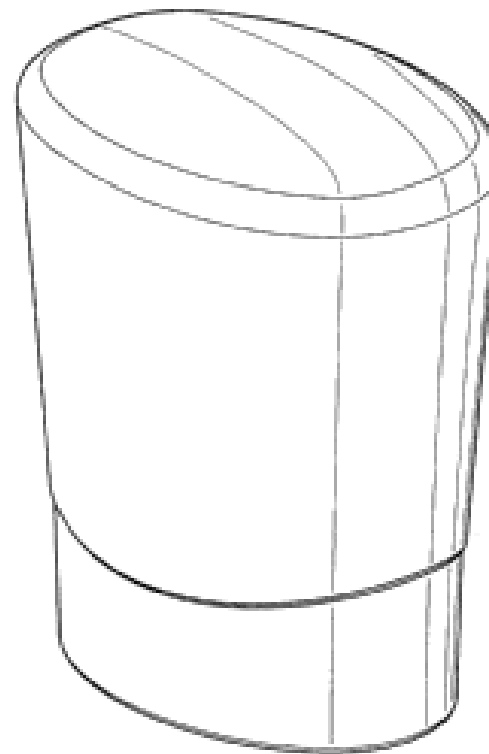
- (21) Design Number: **14354/2009**
(22) Date of Filing Application: **09 November 2009**
(24) Date from which industrial property rights may have effect: **09 November 2009**
(54) Product in respect of which the design is registered: **Water tank garden**
(51) International Design Classification: **23-01F**
(71) Name(s) and Address(s) of Applicant(s):
Dave Hunt
Shop 8/63 St Andrews Drive Tewantin Queensland 4565 Australia
(72) Name(s) of Designer(s): **Dave Hunt**
(45) Registration Date: **24 December 2009**
(56) Related Art Documents: **Not Applicable**
(57) Statement of Newness and Distinctiveness: **Nil**



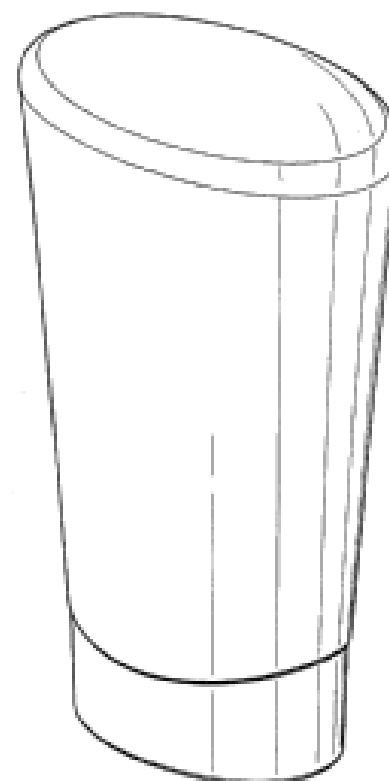
- (21) Design Number: **14738/2009**
(22) Date of Filing Application: **04 December 2009**
(24) Date from which industrial property rights may have effect: **04 December 2009**
(54) Product in respect of which the design is registered: **Refill Bottle**
(51) International Design Classification: **09-01NES**
(71) Name(s) and Address(s) of Applicant(s):
Reckitt & Colman (Overseas) Limited
103-105 Bath Road Slough Berkshire SL1 3UH United Kingdom
(72) Name(s) of Designer(s): **Christopher Leonard Padain and Laurie Howell**
and Thomas Edward Walker
(45) Registration Date: **24 December 2009**
(30) Convention priority data:
(31) Number (32) Date (33) Country
001145189-0001 10 Jun 2009 EUROPEAN COMMUNITY
(56) Related Art Documents: **Not Applicable**
(57) Statement of Newness and Distinctiveness: **Newness and distinctiveness resides in the shape and configuration of the designs.**



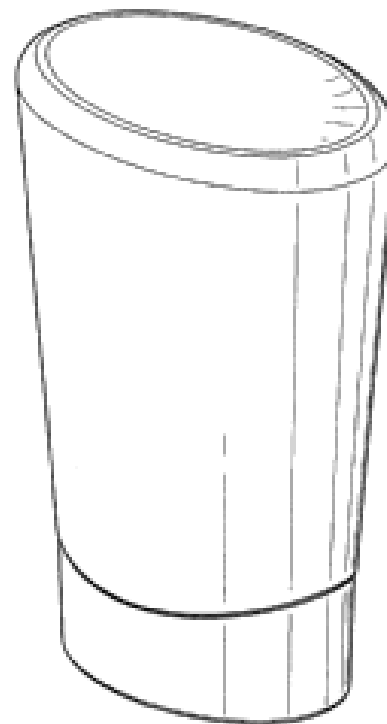
- (21) Design Number: **14739/2009**
(22) Date of Filing Application: **04 December 2009**
(24) Date from which industrial property rights may have effect: **04 December 2009**
(54) Product in respect of which the design is registered: **Refill bottle**
(51) International Design Classification: **09-01NES**
(71) Name(s) and Address(s) of Applicant(s):
Reckitt & Colman (Overseas) Limited
103-105 Bath Road Slough Berkshire SL1 3UH United Kingdom
(72) Name(s) of Designer(s): **Christopher Leonard Padain and Laurie Howell and Thomas Edward Walker**
(45) Registration Date: **24 December 2009**
(30) Convention priority data:
(31) Number (32) Date (33) Country
001145189-0002 10 Jun 2009 EUROPEAN COMMUNITY
(56) Related Art Documents: **Not Applicable**
(57) Statement of Newness and Distinctiveness: **Newness and distinctiveness resides in the shape and configuration of the designs.**



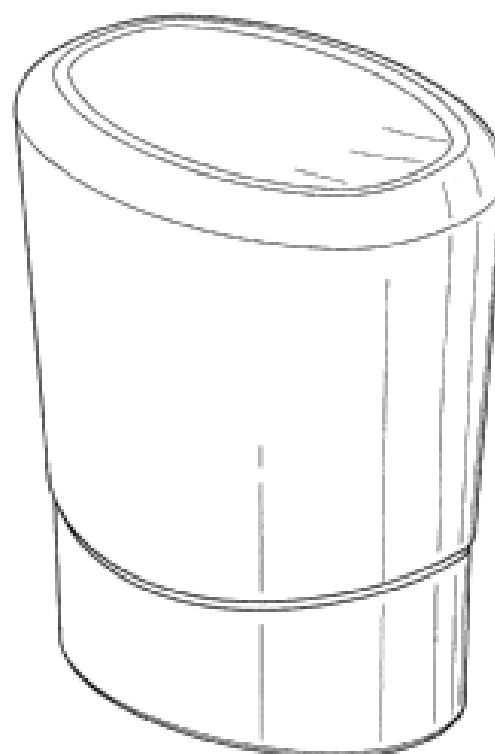
- (21) Design Number: **14740/2009**
(22) Date of Filing Application: **04 December 2009**
(24) Date from which industrial property rights may have effect: **04 December 2009**
(54) Product in respect of which the design is registered: **Refill bottle**
(51) International Design Classification: **09-01NES**
(71) Name(s) and Address(s) of Applicant(s):
Reckitt & Colman (Overseas) Limited
103-105 Bath Road Slough Berkshire SL1 3UH United Kingdom
(72) Name(s) of Designer(s): **Christopher Leonard Padain and Laurie Howell and Thomas Edward Walker**
(45) Registration Date: **24 December 2009**
(30) Convention priority data:
(31) Number (32) Date (33) Country
001145189-0003 10 Jun 2009 EUROPEAN COMMUNITY
(56) Related Art Documents: **Not Applicable**
(57) Statement of Newness and Distinctiveness: **Newness and distinctiveness resides in the shape and configuration of the designs.**



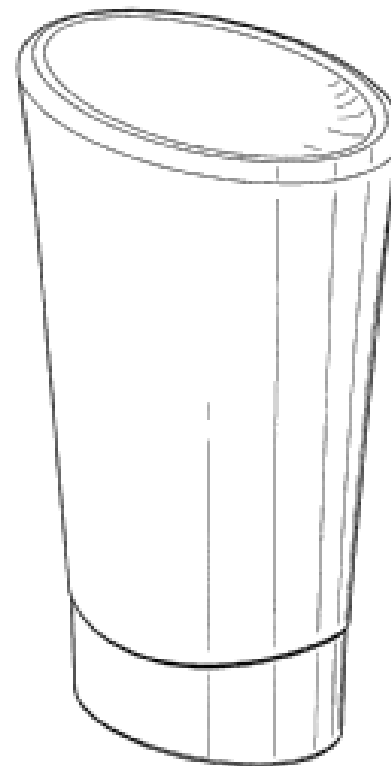
- (21) Design Number: **14741/2009**
(22) Date of Filing Application: **04 December 2009**
(24) Date from which industrial property rights may have effect: **04 December 2009**
(54) Product in respect of which the design is registered: **Refill bottle**
(51) International Design Classification: **09-01NES**
(71) Name(s) and Address(s) of Applicant(s):
Reckitt & Colman (Overseas) Limited
103-105 Bath Road Slough Berkshire SL1 3UH United Kingdom
(72) Name(s) of Designer(s): **Christopher Leonard Padain and Laurie Howell**
and Thomas Edward Walker
(45) Registration Date: **24 December 2009**
(30) Convention priority data:
(31) Number (32) Date (33) Country
001145189-0004 10 Jun 2009 EUROPEAN COMMUNITY
(56) Related Art Documents: **Not Applicable**
(57) Statement of Newness and Distinctiveness: **Newness and distinctiveness**
resides in the shape and configuration of the designs.



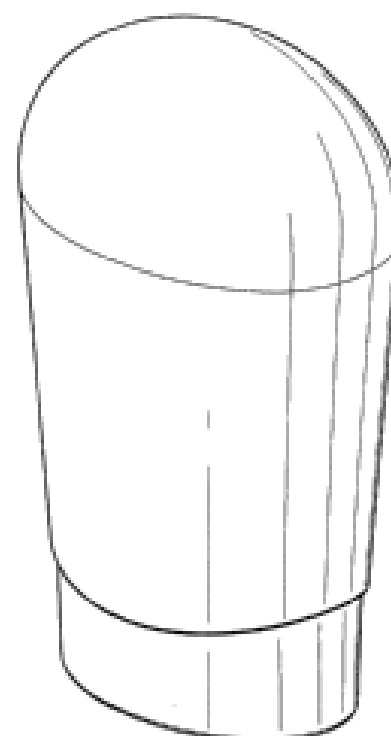
- (21) Design Number: **14742/2009**
(22) Date of Filing Application: **04 December 2009**
(24) Date from which industrial property rights may have effect: **04 December 2009**
(54) Product in respect of which the design is registered: **Refill bottle**
(51) International Design Classification: **09-01NES**
(71) Name(s) and Address(s) of Applicant(s):
Reckitt & Colman (Overseas) Limited
103-105 Bath Road Slough Berkshire SL1 3UH United Kingdom
(72) Name(s) of Designer(s): **Christopher Leonard Padain and Laurie Howell**
and Thomas Edward Walker
(45) Registration Date: **24 December 2009**
(30) Convention priority data:
(31) Number (32) Date (33) Country
001145189-0005 10 Jun 2009 EUROPEAN COMMUNITY
(56) Related Art Documents: **Not Applicable**
(57) Statement of Newness and Distinctiveness: **Newness and distinctiveness**
resides in the shape and configuration of the designs.



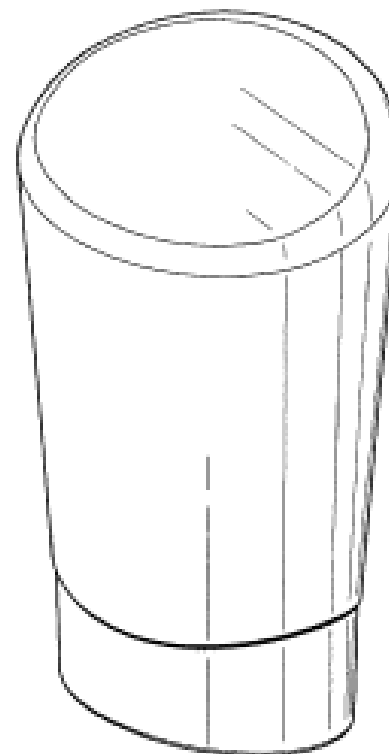
- (21) Design Number: **14743/2009**
(22) Date of Filing Application: **04 December 2009**
(24) Date from which industrial property rights may have effect: **04 December 2009**
(54) Product in respect of which the design is registered: **Refill bottle**
(51) International Design Classification: **09-01NES**
(71) Name(s) and Address(s) of Applicant(s):
Reckitt & Colman (Overseas) Limited
103-105 Bath Road Slough Berkshire SL1 3UH United Kingdom
(72) Name(s) of Designer(s): **Christopher Leonard Padain and Laurie Howell and Thomas Edward Walker**
(45) Registration Date: **24 December 2009**
(30) Convention priority data:
(31) Number (32) Date (33) Country
001145189-0006 10 Jun 2009 EUROPEAN COMMUNITY
(56) Related Art Documents: **Not Applicable**
(57) Statement of Newness and Distinctiveness: **Newness and distinctiveness resides in the shape and configuration of the designs.**



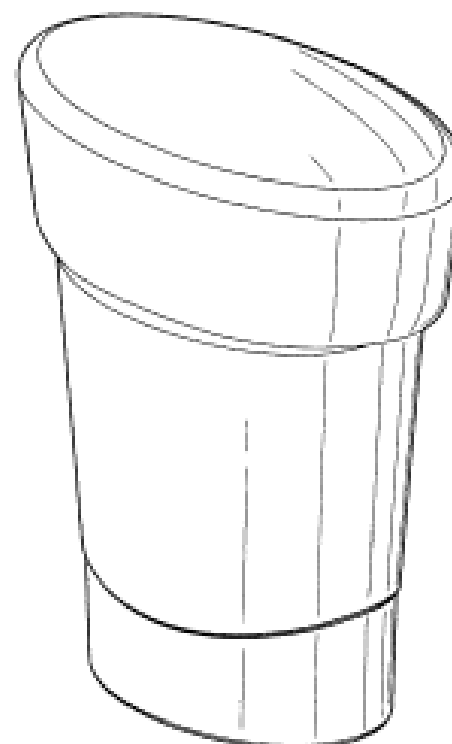
- (21) Design Number: **14744/2009**
(22) Date of Filing Application: **04 December 2009**
(24) Date from which industrial property rights may have effect: **04 December 2009**
(54) Product in respect of which the design is registered: **Refill bottle**
(51) International Design Classification: **09-01NES**
(71) Name(s) and Address(s) of Applicant(s):
Reckitt & Colman (Overseas) Limited
103-105 Bath Road Slough Berkshire SL1 3UH United Kingdom
(72) Name(s) of Designer(s): **Laurie Howell and Thomas Edward Walker**
(45) Registration Date: **24 December 2009**
(30) Convention priority data:
(31) Number (32) Date (33) Country
001145189-0007 10 Jun 2009 EUROPEAN COMMUNITY
(56) Related Art Documents: **Not Applicable**
(57) Statement of Newness and Distinctiveness: **Newness and distinctiveness resides in the shape and configuration of the designs.**



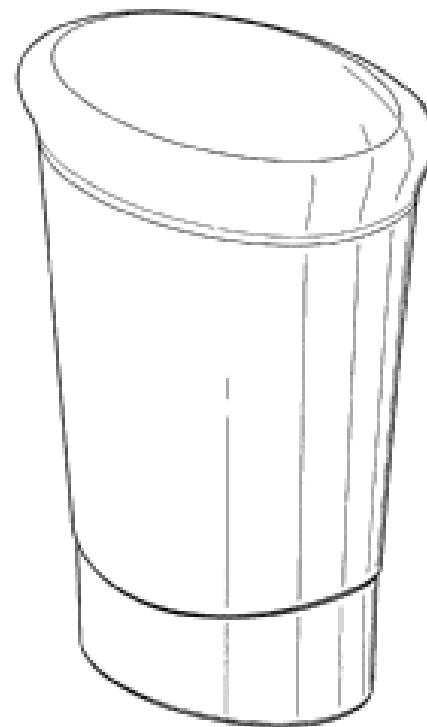
- (21) Design Number: **14745/2009**
(22) Date of Filing Application: **04 December 2009**
(24) Date from which industrial property rights may have effect: **04 December 2009**
(54) Product in respect of which the design is registered: **Refill bottle**
(51) International Design Classification: **09-01NES**
(71) Name(s) and Address(s) of Applicant(s):
Reckitt & Colman (Overseas) Limited
103-105 Bath Road Slough Berkshire SL1 3UH United Kingdom
(72) Name(s) of Designer(s): **Laurie Howell and Thomas Edward Walker**
(45) Registration Date: **24 December 2009**
(30) Convention priority data:
(31) Number (32) Date (33) Country
001145189-0008 10 Jun 2009 EUROPEAN COMMUNITY
(56) Related Art Documents: **Not Applicable**
(57) Statement of Newness and Distinctiveness: **Newness and distinctiveness resides in the shape and configuration of the designs.**



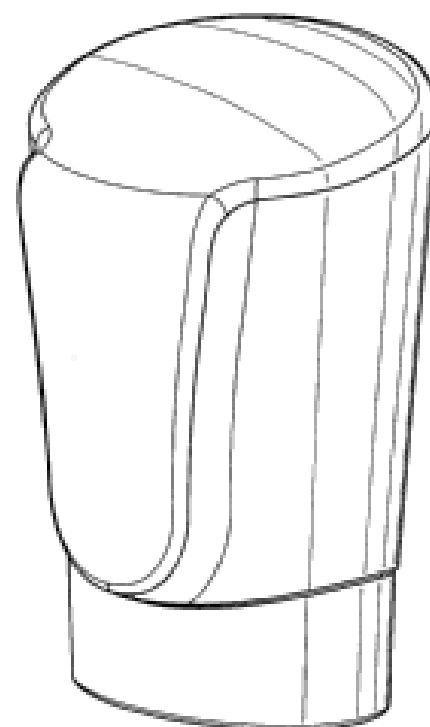
- (21) Design Number: **14746/2009**
(22) Date of Filing Application: **04 December 2009**
(24) Date from which industrial property rights may have effect: **04 December 2009**
(54) Product in respect of which the design is registered: **Refill bottle**
(51) International Design Classification: **09-01NES**
(71) Name(s) and Address(s) of Applicant(s):
Reckitt & Colman (Overseas) Limited
103-105 Bath Road Slough Berkshire SL1 3UH United Kingdom
(72) Name(s) of Designer(s): **Laurie Howell and Thomas Edward Walker**
(45) Registration Date: **24 December 2009**
(30) Convention priority data:
(31) Number (32) Date (33) Country
001145189-0009 10 Jun 2009 EUROPEAN COMMUNITY
(56) Related Art Documents: **Not Applicable**
(57) Statement of Newness and Distinctiveness: **Newness and distinctiveness resides in the shape and configuration of the designs.**



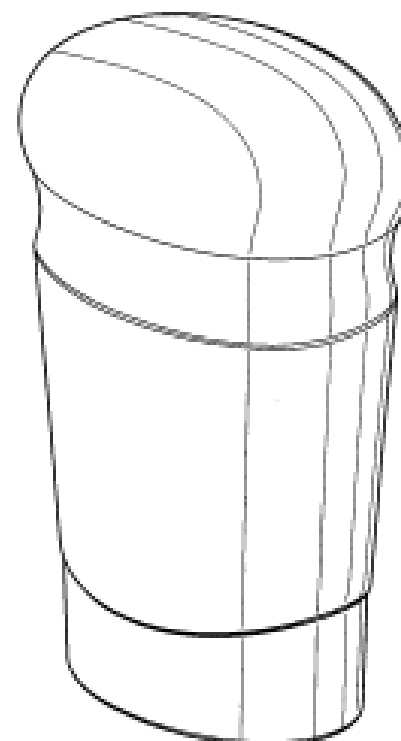
- (21) Design Number: **14747/2009**
(22) Date of Filing Application: **04 December 2009**
(24) Date from which industrial property rights may have effect: **04 December 2009**
(54) Product in respect of which the design is registered: **Refill bottle**
(51) International Design Classification: **09-01NES**
(71) Name(s) and Address(s) of Applicant(s):
Reckitt & Colman (Overseas) Limited
103-105 Bath Road Slough Berkshire SL1 3UH United Kingdom
(72) Name(s) of Designer(s): **Laurie Howell and Thomas Edward Walker**
(45) Registration Date: **24 December 2009**
(30) Convention priority data:
(31) Number (32) Date (33) Country
001145189-0010 10 Jun 2009 EUROPEAN COMMUNITY
(56) Related Art Documents: **Not Applicable**
(57) Statement of Newness and Distinctiveness: **Newness and distinctiveness resides in the shape and configuration of the designs.**



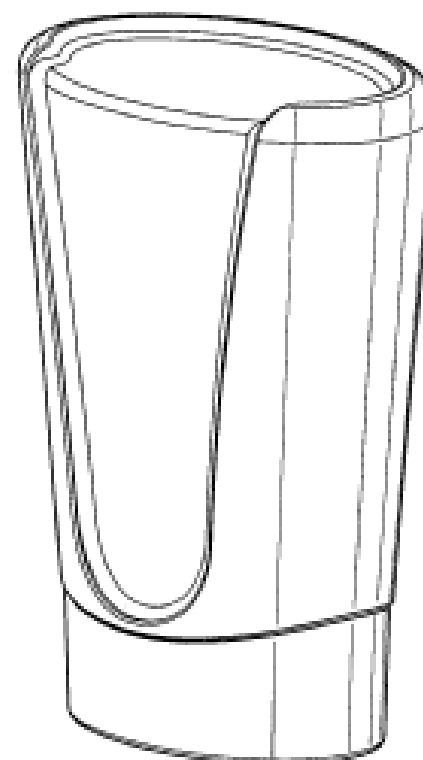
- (21) Design Number: **14748/2009**
(22) Date of Filing Application: **04 December 2009**
(24) Date from which industrial property rights may have effect: **04 December 2009**
(54) Product in respect of which the design is registered: **Refill bottle**
(51) International Design Classification: **09-01NES**
(71) Name(s) and Address(s) of Applicant(s):
Reckitt & Colman (Overseas) Limited
103-105 Bath Road Slough Berkshire SL1 3UH United Kingdom
(72) Name(s) of Designer(s): **Laurie Howell and Thomas Edward Walker**
(45) Registration Date: **24 December 2009**
(30) Convention priority data:
(31) Number (32) Date (33) Country
001145189-0011 10 Jun 2009 EUROPEAN COMMUNITY
(56) Related Art Documents: **Not Applicable**
(57) Statement of Newness and Distinctiveness: **Newness and distinctiveness resides in the shape and configuration of the designs.**



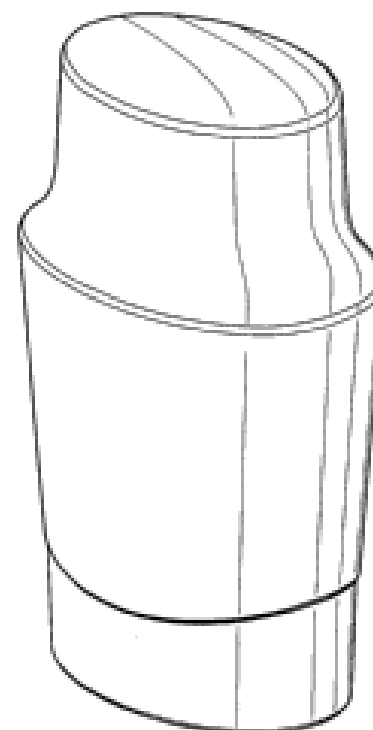
- (21) Design Number: **14749/2009**
(22) Date of Filing Application: **04 December 2009**
(24) Date from which industrial property rights may have effect: **04 December 2009**
(54) Product in respect of which the design is registered: **Refill bottle**
(51) International Design Classification: **09-01NES**
(71) Name(s) and Address(s) of Applicant(s):
Reckitt & Colman (Overseas) Limited
103-105 Bath Road Slough Berkshire SL1 3UH United Kingdom
(72) Name(s) of Designer(s): **Laurie Howell and Thomas Edward Walker**
(45) Registration Date: **24 December 2009**
(30) Convention priority data:
(31) Number (32) Date (33) Country
001145189-0012 10 Jun 2009 EUROPEAN COMMUNITY
(56) Related Art Documents: **Not Applicable**
(57) Statement of Newness and Distinctiveness: **Newness and distinctiveness resides in the shape and configuration of the designs.**



- (21) Design Number: **14750/2009**
(22) Date of Filing Application: **04 December 2009**
(24) Date from which industrial property rights may have effect: **04 December 2009**
(54) Product in respect of which the design is registered: **Refill bottle**
(51) International Design Classification: **09-01NES**
(71) Name(s) and Address(s) of Applicant(s):
Reckitt & Colman (Overseas) Limited
103-105 Bath Road Slough Berkshire SL1 3UH United Kingdom
(72) Name(s) of Designer(s): **Laurie Howell and Thomas Edward Walker**
(45) Registration Date: **24 December 2009**
(30) Convention priority data:
(31) Number (32) Date (33) Country
001145189-0013 10 Jun 2009 EUROPEAN COMMUNITY
(56) Related Art Documents: **Not Applicable**
(57) Statement of Newness and Distinctiveness: **Newness and distinctiveness resides in the shape and configuration of the designs.**



- (21) Design Number: **14751/2009**
(22) Date of Filing Application: **04 December 2009**
(24) Date from which industrial property rights may have effect: **04 December 2009**
(54) Product in respect of which the design is registered: **Refill bottle**
(51) International Design Classification: **09-01NES**
(71) Name(s) and Address(s) of Applicant(s):
Reckitt & Colman (Overseas) Limited
103-105 Bath Road Slough Berkshire SL1 3UH United Kingdom
(72) Name(s) of Designer(s): **Laurie Howell and Thomas Edward Walker**
(45) Registration Date: **24 December 2009**
(30) Convention priority data:
(31) Number (32) Date (33) Country
001145189-0014 10 Jun 2009 EUROPEAN COMMUNITY
(56) Related Art Documents: **Not Applicable**
(57) Statement of Newness and Distinctiveness: **Newness and distinctiveness resides in the shape and configuration of the designs.**



- (21) Design Number: **14752/2009**
(22) Date of Filing Application: **04 December 2009**
(24) Date from which industrial property rights may have effect: **04 December 2009**
(54) Product in respect of which the design is registered: **Refill bottle**
(51) International Design Classification: **09-01NES**
(71) Name(s) and Address(s) of Applicant(s):
Reckitt & Colman (Overseas) Limited
103-105 Bath Road Slough Berkshire SL1 3UH United Kingdom
(72) Name(s) of Designer(s): **Laurie Howell and Thomas Edward Walker**
(45) Registration Date: **24 December 2009**
(30) Convention priority data:
(31) Number (32) Date (33) Country
001145189-0015 10 Jun 2009 EUROPEAN COMMUNITY
(56) Related Art Documents: **Not Applicable**
(57) Statement of Newness and Distinctiveness: **Newness and distinctiveness resides in the shape and configuration of the designs.**



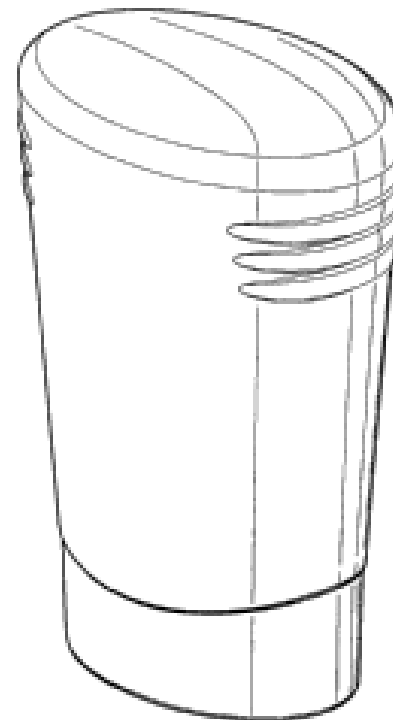
- (21) Design Number: **14753/2009**
(22) Date of Filing Application: **04 December 2009**
(24) Date from which industrial property rights may have effect: **04 December 2009**
(54) Product in respect of which the design is registered: **Refill bottle**
(51) International Design Classification: **09-01NES**
(71) Name(s) and Address(s) of Applicant(s):
Reckitt & Colman (Overseas) Limited
103-105 Bath Road Slough Berkshire SL1 3UH United Kingdom
(72) Name(s) of Designer(s): **Laurie Howell and Thomas Edward Walker**
(45) Registration Date: **24 December 2009**
(30) Convention priority data:
(31) Number (32) Date (33) Country
001145189-0016 10 Jun 2009 EUROPEAN COMMUNITY
(56) Related Art Documents: **Not Applicable**
(57) Statement of Newness and Distinctiveness: **Newness and distinctiveness resides in the shape and configuration of the designs.**



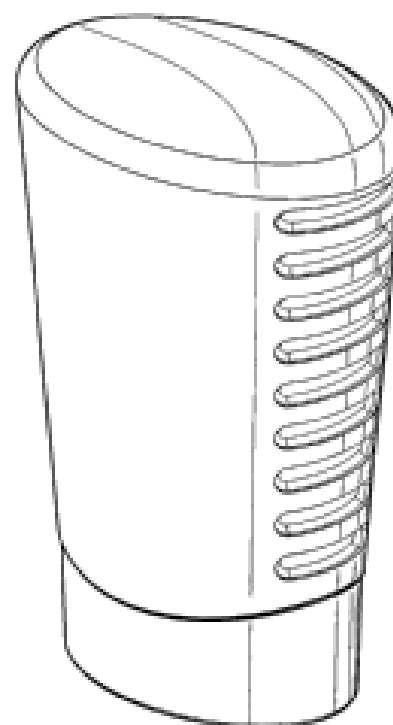
- (21) Design Number: **14754/2009**
(22) Date of Filing Application: **04 December 2009**
(24) Date from which industrial property rights may have effect: **04 December 2009**
(54) Product in respect of which the design is registered: **Refill bottle**
(51) International Design Classification: **09-01NES**
(71) Name(s) and Address(s) of Applicant(s):
Reckitt & Colman (Overseas) Limited
103-105 Bath Road Slough Berkshire SL1 3UH United Kingdom
(72) Name(s) of Designer(s): **Laurie Howell and Thomas Edward Walker**
(45) Registration Date: **24 December 2009**
(30) Convention priority data:
(31) Number (32) Date (33) Country
001145189-0017 10 Jun 2009 EUROPEAN COMMUNITY
(56) Related Art Documents: **Not Applicable**
(57) Statement of Newness and Distinctiveness: **Newness and distinctiveness resides in the shape and configuration of the designs.**



(21) Design Number: **14755/2009**
(22) Date of Filing Application: **04 December 2009**
(24) Date from which industrial property rights may have effect: **04 December 2009**
(54) Product in respect of which the design is registered: **Refill bottle**
(51) International Design Classification: **09-01NES**
(71) Name(s) and Address(s) of Applicant(s):
Reckitt & Colman (Overseas) Limited
103-105 Bath Road Slough Berkshire SL1 3UH United Kingdom
(72) Name(s) of Designer(s): **Laurie Howell and Thomas Edward Walker**
(45) Registration Date: **24 December 2009**
(30) Convention priority data:
(31) Number (32) Date (33) Country
001145189-0018 10 Jun 2009 EUROPEAN COMMUNITY
(56) Related Art Documents: **Not Applicable**
(57) Statement of Newness and Distinctiveness: **Newness and distinctiveness resides in the shape and configuration of the designs.**



(21) Design Number: **14756/2009**
(22) Date of Filing Application: **04 December 2009**
(24) Date from which industrial property rights may have effect: **04 December 2009**
(54) Product in respect of which the design is registered: **Refill bottle**
(51) International Design Classification: **09-01NES**
(71) Name(s) and Address(s) of Applicant(s):
Reckitt & Colman (Overseas) Limited
103-105 Bath Road Slough Berkshire SL1 3UH United Kingdom
(72) Name(s) of Designer(s): **Laurie Howell and Thomas Edward Walker**
(45) Registration Date: **24 December 2009**
(30) Convention priority data:
(31) Number (32) Date (33) Country
001145189-0019 10 Jun 2009 EUROPEAN COMMUNITY
(56) Related Art Documents: **Not Applicable**
(57) Statement of Newness and Distinctiveness: **Newness and distinctiveness resides in the shape and configuration of the designs.**



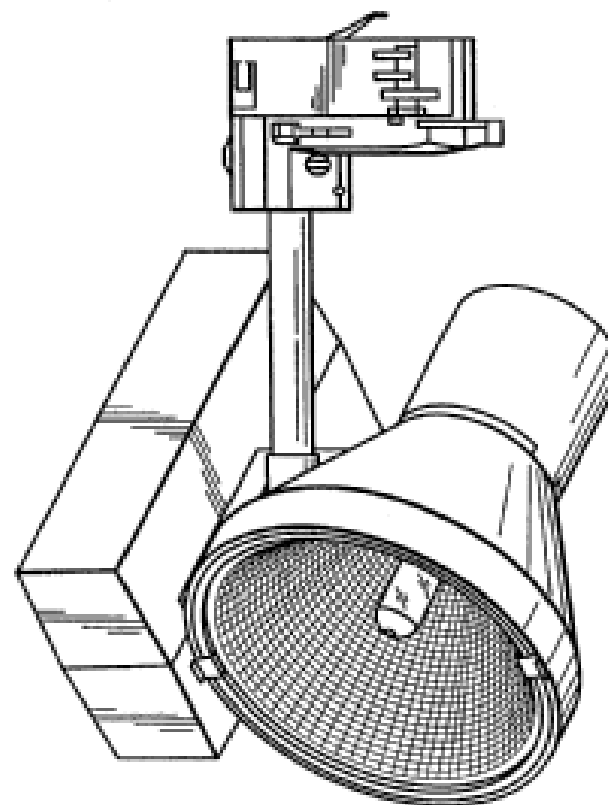
- (21) Design Number: **14757/2009**
(22) Date of Filing Application: **04 December 2009**
(24) Date from which industrial property rights may have effect: **04 December 2009**
(54) Product in respect of which the design is registered: **Refill bottle**
(51) International Design Classification: **09-01NES**
(71) Name(s) and Address(s) of Applicant(s):
Reckitt & Colman (Overseas) Limited
103-105 Bath Road Slough Berkshire SL1 3UH United Kingdom
(72) Name(s) of Designer(s): **Laurie Howell and Thomas Edward Walker**
(45) Registration Date: **24 December 2009**
(30) Convention priority data:
(31) Number (32) Date (33) Country
001145189-0020 10 Jun 2009 EUROPEAN COMMUNITY
(56) Related Art Documents: **Not Applicable**
(57) Statement of Newness and Distinctiveness: **Newness and distinctiveness resides in the shape and configuration of the designs.**



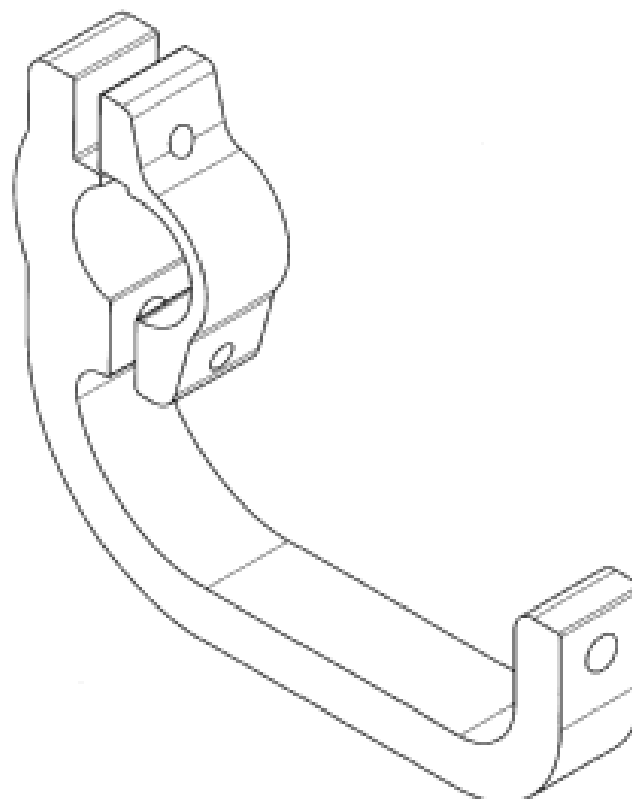
- (21) Design Number: **14686/2009**
(22) Date of Filing Application: **30 November 2009**
(24) Date from which industrial property rights may have effect: **30 November 2009**
(54) Product in respect of which the design is registered: **Shopping trolley**
(51) International Design Classification: **12-02**
(71) Name(s) and Address(s) of Applicant(s):
Fillaball Holdings Limited
New Luckhurst Farm Bethersden Road Smarden Kent TN27 8QT
United Kingdom
(72) Name(s) of Designer(s): **Martin Philip Riddiford**
(45) Registration Date: **24 December 2009**
(30) Convention priority data:
(31) Number (32) Date (33) Country
001143739-0002 01 Jun 2009 EUROPEAN COMMUNITY
(56) Related Art Documents: **Not Applicable**
(57) Statement of Newness and Distinctiveness: **Nil**



- (21) Design Number: **14687/2009**
(22) Date of Filing Application: **30 November 2009**
(24) Date from which industrial property rights may have effect: **30 November 2009**
(54) Product in respect of which the design is registered: **Light fixture**
(51) International Design Classification: **26-03**
(71) Name(s) and Address(s) of Applicant(s):
Zumtobel Lighting GmbH
Grevenmarschstrasse 74-78 32657 Lemgo Germany
(72) Name(s) of Designer(s): **Martin Bergmann and Harald Grundl and Gernot Bohmann**
(45) Registration Date: **24 December 2009**
(30) Convention priority data:
(31) Number (32) Date (33) Country
001 28 May 2009 EUROPEAN COMMUNITY
140883-0001
(56) Related Art Documents: **Not Applicable**
(57) Statement of Newness and Distinctiveness: **Newness and distinctiveness is claimed in the features of shape and/or configuration of a light fixture as illustrated in the accompanying representations.**



- (21) Design Number: **14690/2009**
(22) Date of Filing Application: **30 November 2009**
(24) Date from which industrial property rights may have effect: **30 November 2009**
(54) Product in respect of which the design is registered: **Mounting clamp set**
(51) International Design Classification: **08-08D**
(71) Name(s) and Address(s) of Applicant(s):
Rideworx Pty Ltd
3/7 Luso Drive Unanderra New South Wales 2526 Australia
(72) Name(s) of Designer(s): **Matthew Phillipott**
(45) Registration Date: **24 December 2009**
(56) Related Art Documents: **Not Applicable**
(57) Statement of Newness and Distinctiveness: **New and distinctive features in this design are in the shape and configuration of the clamp as shown in the accompanying representations.**



- (21) Design Number: **14693/2009**
(22) Date of Filing Application: **30 November 2009**
(24) Date from which industrial property rights may have effect: **30 November 2009**
(54) Product in respect of which the design is registered: **Spool handle**
(51) International Design Classification: **08-99**
(71) Name(s) and Address(s) of Applicant(s):

Nexans
8 rue du General Foy 75008 Paris France

(72) Name(s) of Designer(s): **Sidney Wierstra**

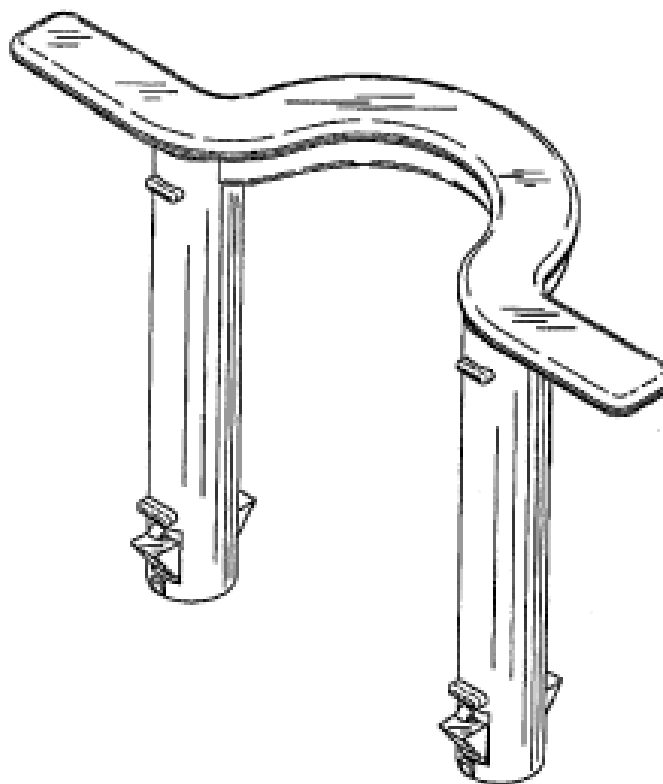
(45) Registration Date: **24 December 2009**

(30) Convention priority data:

(31) Number	(32) Date	(33) Country
130948	04 Jun 2009	CANADA

(56) Related Art Documents: **Not Applicable**

(57) Statement of Newness and Distinctiveness: **Newness and distinctiveness is claimed in those features of shape and or configuration of a Spool Handle as depicted in the representations in unbroken lines. The representations use broken lines, contour lines and shading to assist in the illustration of features of shape and or configuration. Such broken lines, contour lines and shading do not form part of the design.**



- (21) Design Number: **14695/2009**
(22) Date of Filing Application: **30 November 2009**
(24) Date from which industrial property rights may have effect: **30 November 2009**
(54) Product in respect of which the design is registered: **Power units for hand-held kitchen appliances**
(51) International Design Classification: **07-04**
(71) Name(s) and Address(s) of Applicant(s):

Kenwood Limited
New Lane Havant Hampshire PO9 2NH England

(72) Name(s) of Designer(s): **Robin Ferraby**

(45) Registration Date: **24 December 2009**

(30) Convention priority data:

(31) Number	(32) Date	(33) Country
001173884-0002	28 Oct 2009	EUROPEAN COMMUNITY

(56) Related Art Documents: **Not Applicable**

(57) Statement of Newness and Distinctiveness: **Nil**



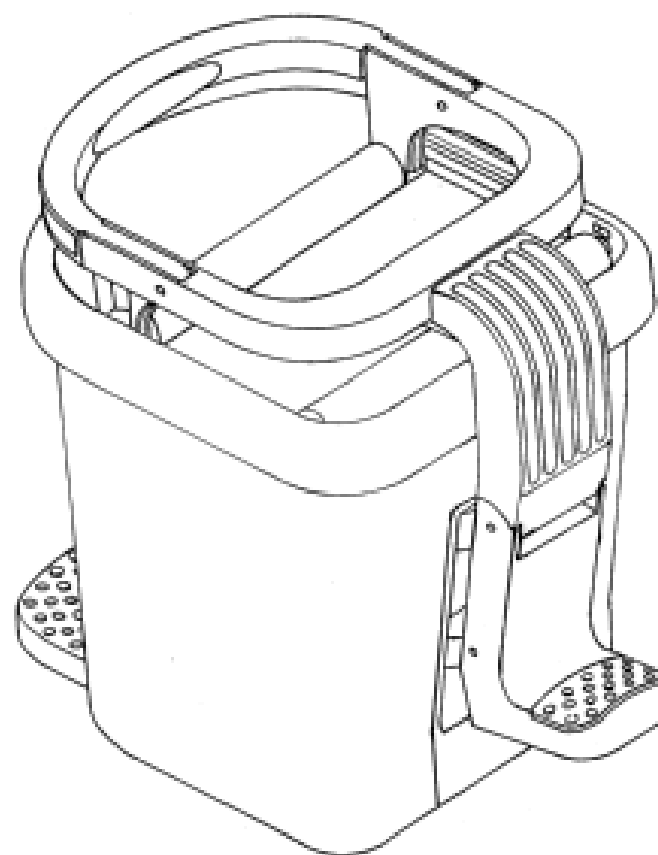
(21) Design Number: **14696/2009**
(22) Date of Filing Application: **30 November 2009**
(24) Date from which industrial property rights may have effect: **30 November 2009**
(54) Product in respect of which the design is registered: **Power units for hand-held kitchen appliances**
(51) International Design Classification: **07-04**
(71) Name(s) and Address(s) of Applicant(s):
Kenwood Limited
New Lane Havant Hampshire PO9 2NH England
(72) Name(s) of Designer(s): **Robin Ferraby**
(45) Registration Date: **24 December 2009**
(30) Convention priority data:
(31) Number (32) Date (33) Country
001173884-0001 28 Oct 2009 EUROPEAN COMMUNITY
(56) Related Art Documents: **Not Applicable**
(57) Statement of Newness and Distinctiveness: **Nil**



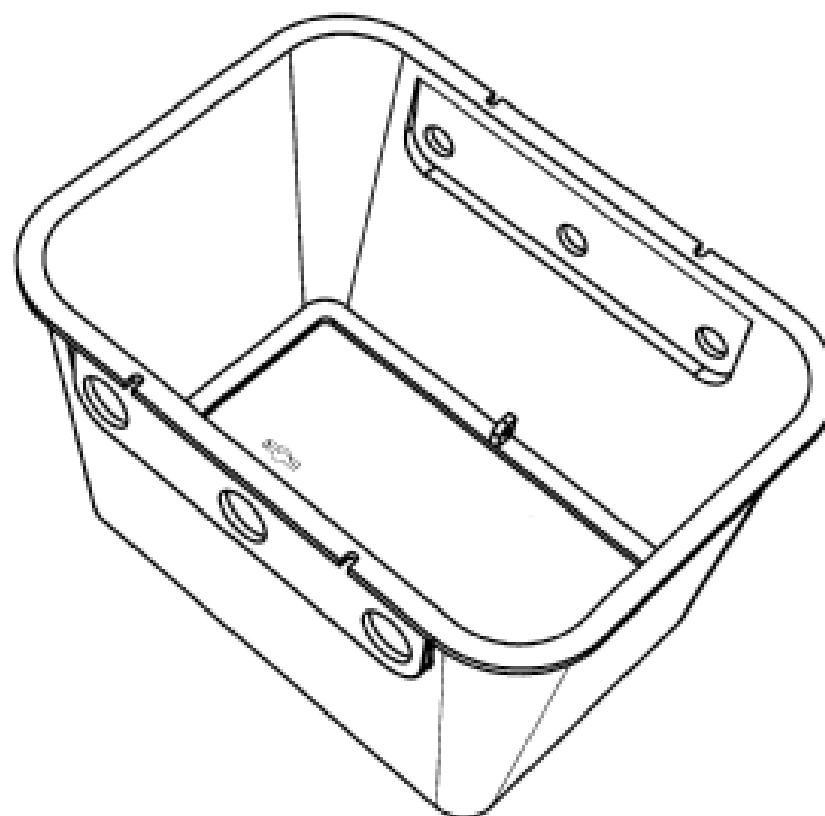
(21) Design Number: **14697/2009**
(22) Date of Filing Application: **30 November 2009**
(24) Date from which industrial property rights may have effect: **30 November 2009**
(54) Product in respect of which the design is registered: **Power units for hand-held kitchen appliances**
(51) International Design Classification: **07-04**
(71) Name(s) and Address(s) of Applicant(s):
Kenwood Limited
New Lane Havant Hampshire PO9 2NH England
(72) Name(s) of Designer(s): **Robin Ferraby**
(45) Registration Date: **24 December 2009**
(30) Convention priority data:
(31) Number (32) Date (33) Country
001174023-0001 28 Oct 2009 EUROPEAN COMMUNITY
(56) Related Art Documents: **Not Applicable**
(57) Statement of Newness and Distinctiveness: **Nil**



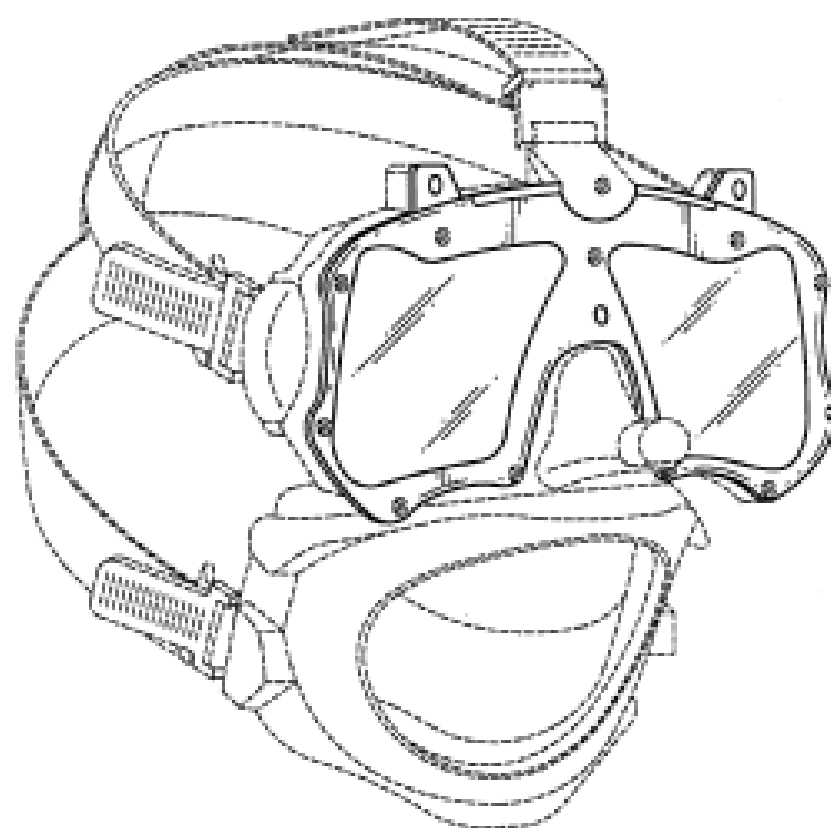
- (21) Design Number: **14702/2009**
(22) Date of Filing Application: **01 December 2009**
(24) Date from which industrial property rights may have effect: **01 December 2009**
(54) Product in respect of which the design is registered: **Mop bucket**
(51) International Design Classification: **07-07B**
(71) Name(s) and Address(s) of Applicant(s):
The Decor Corporation Pty Ltd
1314 Ferntree Gully Road Scoresby Victoria 3179 Australia
(72) Name(s) of Designer(s): **Jim Samartgis**
(45) Registration Date: **24 December 2009**
(56) Related Art Documents: **Not Applicable**
(57) Statement of Newness and Distinctiveness: **Newness and distinctiveness resides in the features of the shape and configuration of the mop bucket shown in the representations.**



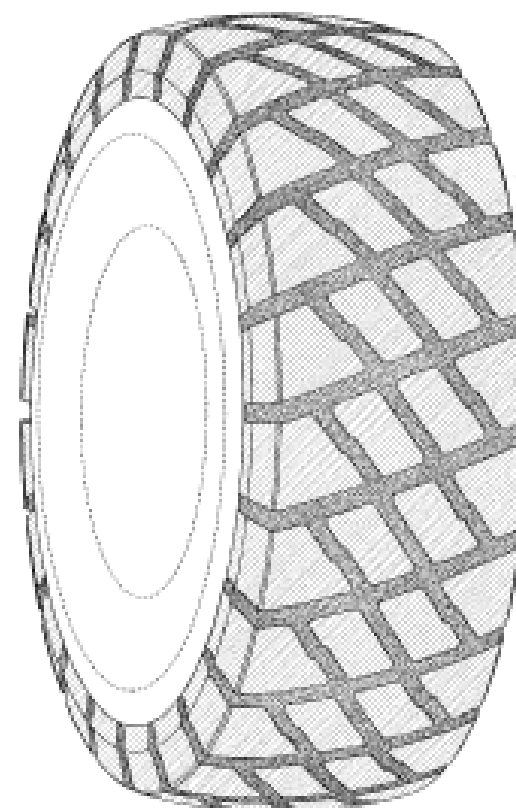
- (21) Design Number: **14707/2009**
(22) Date of Filing Application: **01 December 2009**
(24) Date from which industrial property rights may have effect: **01 December 2009**
(54) Product in respect of which the design is registered: **Water meter box**
(51) International Design Classification: **10-04**
(71) Name(s) and Address(s) of Applicant(s):
Cooke Pre-Cast Concrete Pty Ltd
Cnr Bellchambers & Peachey Rd Elizabeth West South Australia 5113 Australia
(72) Name(s) of Designer(s): **Harley Cooke**
(45) Registration Date: **24 December 2009**
(56) Related Art Documents: **Not Applicable**
(57) Statement of Newness and Distinctiveness: **Nil**



- (21) Design Number: **14709/2009**
(22) Date of Filing Application: **02 December 2009**
(24) Date from which industrial property rights may have effect: **02 December 2009**
(54) Product in respect of which the design is registered: **Diving lens**
(51) International Design Classification: **16-06**
(71) Name(s) and Address(s) of Applicant(s):
Kirby Morgan Dive Systems Inc.
1430 Jason Way Santa Maria California 93455 United States of America
(72) Name(s) of Designer(s): **William Morgan and Connie Morgan and Trent Schultz and Pete Ryan**
(45) Registration Date: **24 December 2009**
(30) Convention priority data:
(31) Number (32) Date (33) Country
29/339,845 08 Jul 2009 UNITED STATES OF AMERICA
(56) Related Art Documents: **Not Applicable**
(57) Statement of Newness and Distinctiveness: **Newness and distinctiveness resides in the features of shape and configuration of a diving lens as shown in the accompanying representations. The features shown in broken outline do not form part of the design.**



- (21) Design Number: **11491/2009**
(22) Date of Filing Application: **29 April 2009**
(24) Date from which industrial property rights may have effect: **29 April 2009**
(54) Product in respect of which the design is registered: **Automobile tyre**
(51) International Design Classification: **12-15C**
(71) Name(s) and Address(s) of Applicant(s):
Bridgestone Corporation
10-1 Kyobashi 1-Chome Chuo-ku Tokyo 104-8340 Japan
(72) Name(s) of Designer(s): **Masaharu Fukushima**
(45) Registration Date: **24 December 2009**
(56) Related Art Documents: **Not Applicable**
(57) Statement of Newness and Distinctiveness: **The shape, configuration and pattern of those parts of the design shown by means of solid lines are new and distinctive.**



(21) Design Number: **11492/2009**

(22) Date of Filing Application: **29 April 2009**

(24) Date from which industrial property rights may have effect: **29 April 2009**

(54) Product in respect of which the design is registered: **Automobile tyre**

(51) International Design Classification: **12-15A**

(71) Name(s) and Address(s) of Applicant(s):

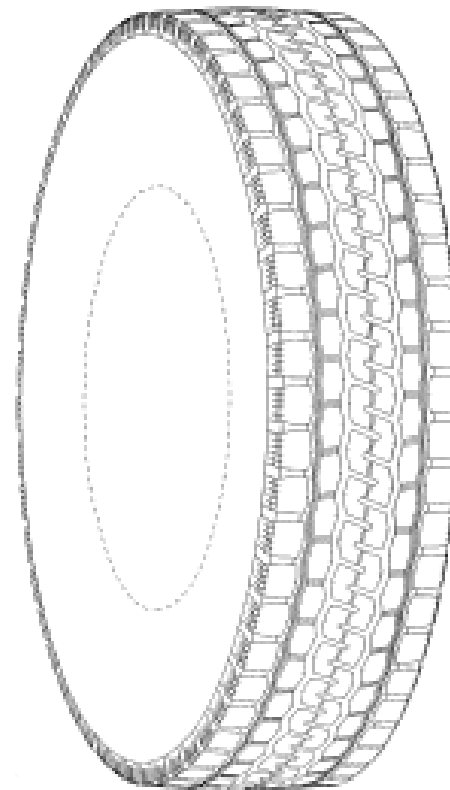
Bridgestone Corporation
10-1 Kyobashi 1-Chome Chuo-ku Tokyo 104-8340 Japan

(72) Name(s) of Designer(s): **Akira Nakamizo**

(45) Registration Date: **24 December 2009**

(56) Related Art Documents: **Not Applicable**

(57) Statement of Newness and Distinctiveness: **The shape, configuration and pattern of those parts of the design shown by means of solid lines are new and distinctive.**



(21) Design Number: **14705/2009**

(22) Date of Filing Application: **02 December 2009**

(24) Date from which industrial property rights may have effect: **02 December 2009**

(54) Product in respect of which the design is registered: **A cushion**

(51) International Design Classification: **06-09**

(71) Name(s) and Address(s) of Applicant(s):

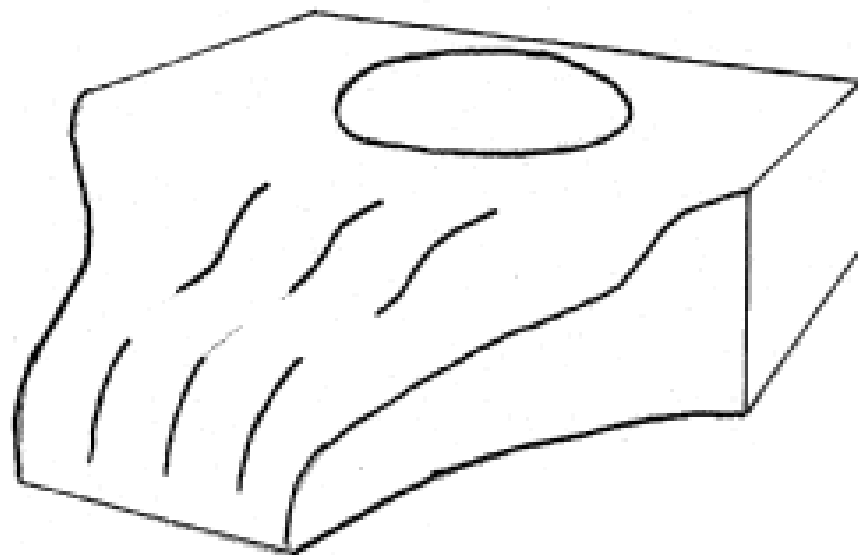
Parnham & Associates Pty Ltd
234 Centre Dandenong Road Cheltenham Victoria 3192 Australia

(72) Name(s) of Designer(s): **Leon Parnham**

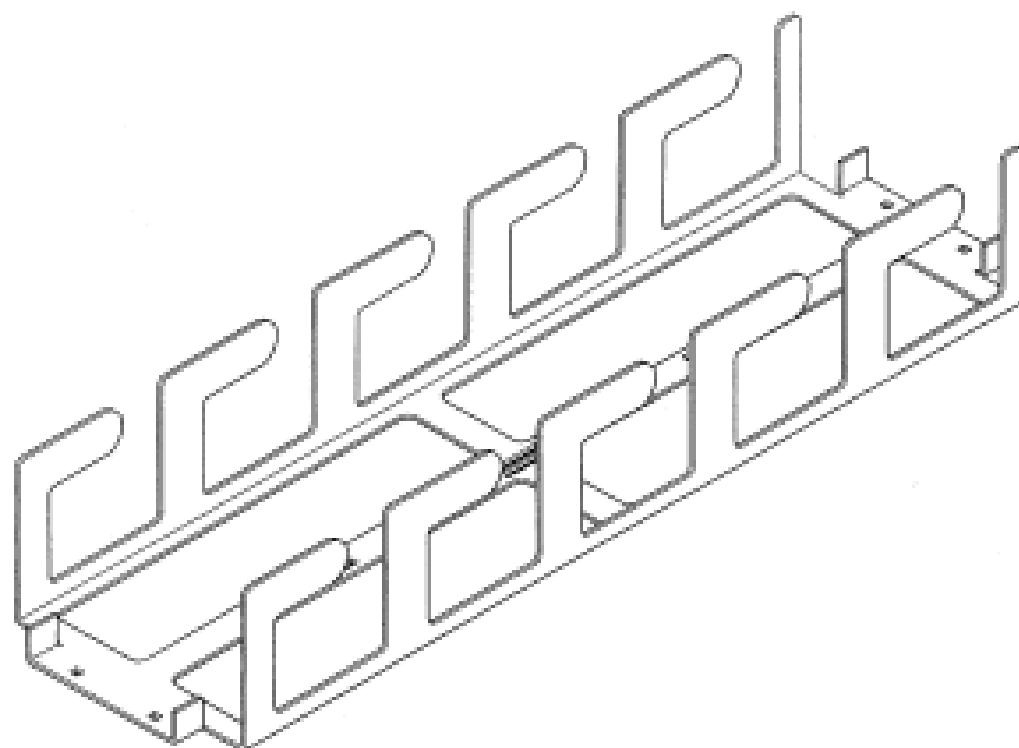
(45) Registration Date: **24 December 2009**

(56) Related Art Documents: **Not Applicable**

(57) Statement of Newness and Distinctiveness: **Monopoly is claimed in the shape and configuration of a cushion as illustrated in the representations.**



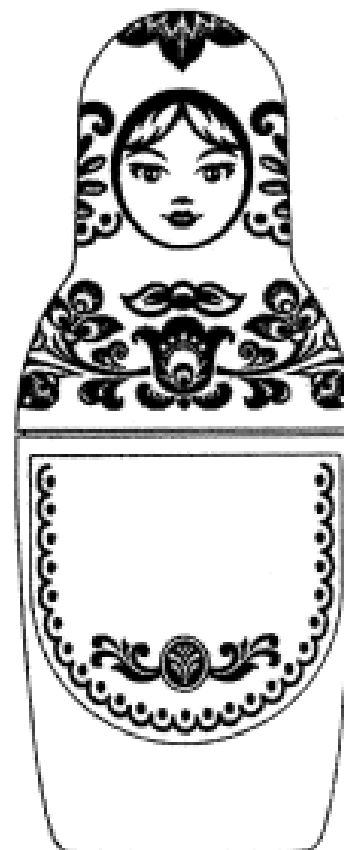
- (21) Design Number: **13749/2009**
(22) Date of Filing Application: **30 September 2009**
(24) Date from which industrial property rights may have effect: **30 September 2009**
(54) Product in respect of which the design is registered: **Cable management frame**
(51) International Design Classification: **13-03B**
(71) Name(s) and Address(s) of Applicant(s):
Clipsal Australia Pty Ltd
12 Park Terrace Bowden South Australia 5007 Australia
(72) Name(s) of Designer(s): **Mark Vandenburg**
(45) Registration Date: **05 January 2010**
(56) Related Art Documents: **Not Applicable**
(57) Statement of Newness and Distinctiveness: **Newness and distinctiveness resides in the features of shape and configuration of a cable management frame as shown in the accompanying representations.**



- (21) Design Number: **13973/2009**
(22) Date of Filing Application: **14 October 2009**
(24) Date from which industrial property rights may have effect: **14 October 2009**
(54) Product in respect of which the design is registered: **Matrioshka bottle**
(51) International Design Classification: **09-01D**
(71) Name(s) and Address(s) of Applicant(s):
Domaine Des Broix SAS
Les Broix 16120 Touzac France
(72) Name(s) of Designer(s): **Philippe Seys**
(45) Registration Date: **05 January 2010**
(30) Convention priority data:

(31) Number	(32) Date	(33) Country
09/1794	14 Apr 2009	FRANCE

(56) Related Art Documents: **Not Applicable**
(57) Statement of Newness and Distinctiveness: **Nil**



(21) Design Number: **14088/2009**

(22) Date of Filing Application: **22 October 2009**

(24) Date from which industrial property rights may have effect: **22 October 2009**

(54) Product in respect of which the design is registered: **Infant medical garment**

(51) International Design Classification: **02-02C**

(71) Name(s) and Address(s) of Applicant(s):

Julia Rolando

14 Nayloch Way Kinglake Victoria 3763 Australia

(72) Name(s) of Designer(s): **Julia Rolando**

(45) Registration Date: **05 January 2010**

(56) Related Art Documents: **Not Applicable**

(57) Statement of Newness and Distinctiveness: **The shape and configuration of the infant medical garment is new and distinctive. The label and colour of the fabric do not form part of the design.**



(21) Design Number: **14155/2009**

(22) Date of Filing Application: **27 October 2009**

(24) Date from which industrial property rights may have effect: **27 October 2009**

(54) Product in respect of which the design is registered: **Brick**

(51) International Design Classification: **25-01A**

(71) Name(s) and Address(s) of Applicant(s):

The Austral Brick Company Pty Ltd

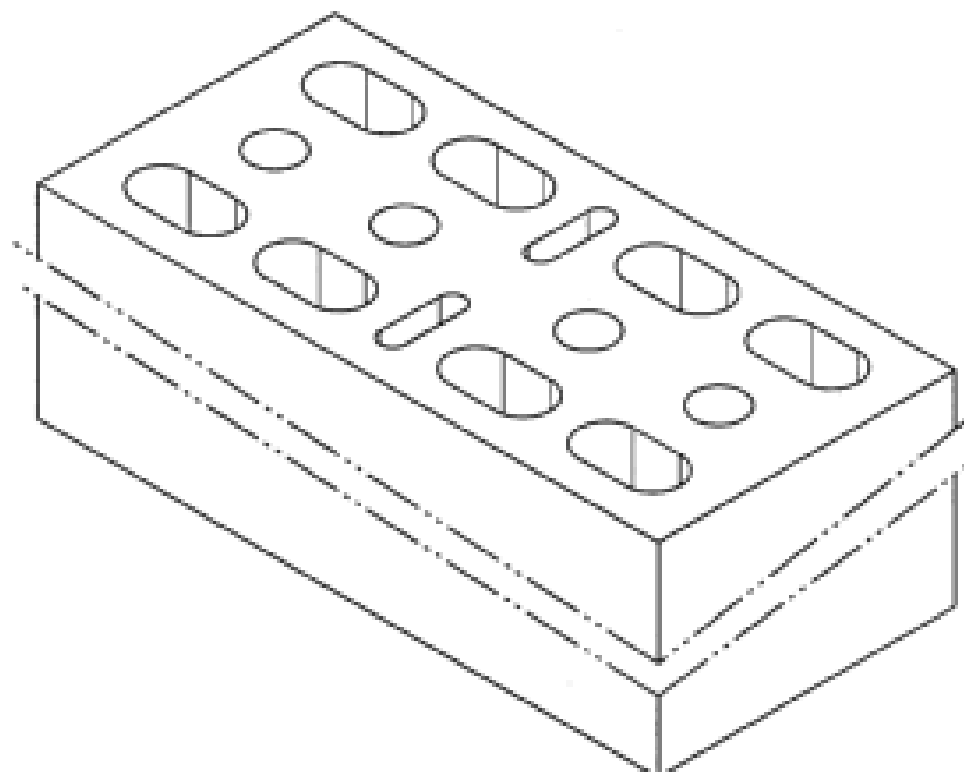
**738-780 Wallgrove Road Horsley Park New South Wales 2175
Australia**

(72) Name(s) of Designer(s): **Jamie Pearson and Emmanuel Vella**

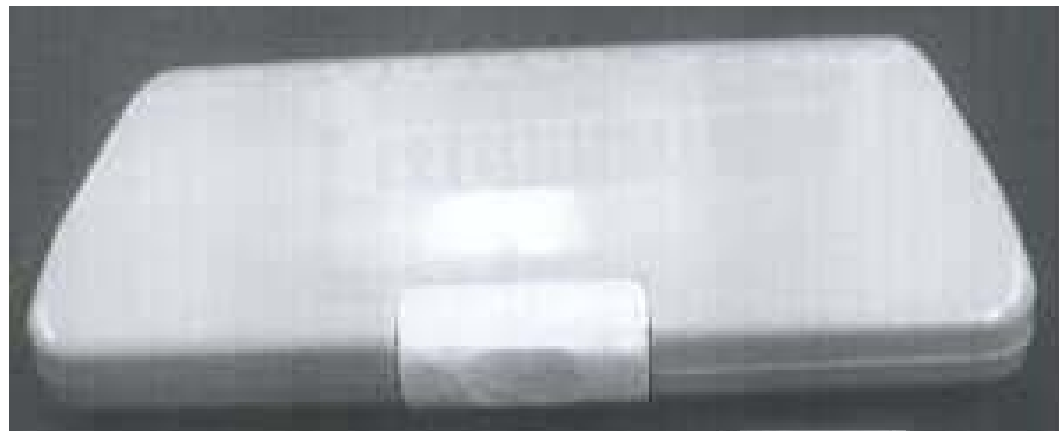
(45) Registration Date: **05 January 2010**

(56) Related Art Documents: **Not Applicable**

(57) Statement of Newness and Distinctiveness: **Those features of the brick depicted in the representations that are new and distinctive are the shape and/or configuration. The brick may be of indefinite depth.**



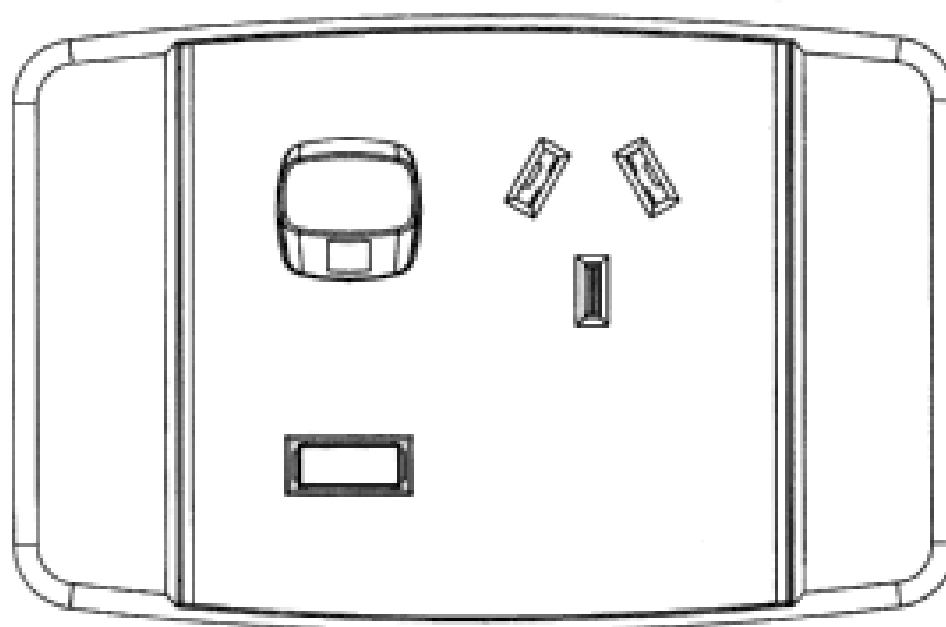
- (21) Design Number: **14147/2009**
(22) Date of Filing Application: **26 October 2009**
(24) Date from which industrial property rights may have effect: **26 October 2009**
(54) Product in respect of which the design is registered: **Container**
(51) International Design Classification: **09-03M**
(71) Name(s) and Address(s) of Applicant(s):
Caitlin Louise Heaven
12 Upland Court Tinbeerwah Queensland 4563 Australia
Michelle Leanne Green
2 Reliance Place Noosa Heads Queensland 4567 Australia
(72) Name(s) of Designer(s): **Caitlin Louise Heaven and Michelle Leanne Green**
(45) Registration Date: **05 January 2010**
(56) Related Art Documents: **Not Applicable**
(57) Statement of Newness and Distinctiveness: **Newness and distinctiveness resides in the shape and configuration of the container as show in the accompanying representations wherein: Fig. 1 is a pictorial representation of the container from the front when closed; Fig. 2 is pictorial representation of the container from the rear when closed; Fig. 3 is a pictorial representation of the container from one end when closed; Fig. 4 is a pictorial representation of the container from the other end when closed; Fig 5. is a pictorial representation of the container from the top when closed; Fig. 6 is a pictorial representation of the container from the top when open; Fig. 7 is a pictorial representation of the container from one front corner when open; Fig 8. is a pictorial representation of the container from one end when open; Fig. 9 is a pictorial representation of the container from the other end when open; and Fig. 10 is a pictorial representation of the container from the front when open.**



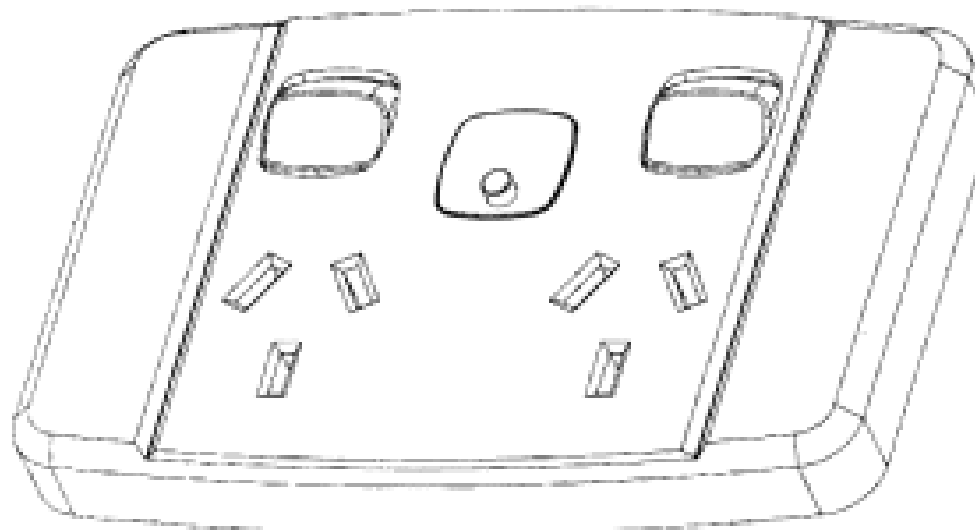
- (21) Design Number: **14198/2009**
(22) Date of Filing Application: **29 October 2009**
(24) Date from which industrial property rights may have effect: **29 October 2009**
(54) Product in respect of which the design is registered: **Door**
(51) International Design Classification: **25-02B**
(71) Name(s) and Address(s) of Applicant(s):
Jorgenson-Watts Pty Ltd
Level 6 167 Queen Street Melbourne Victoria 3206 Australia
(72) Name(s) of Designer(s): **John Russell Watts**
(45) Registration Date: **05 January 2010**
(56) Related Art Documents: **Not Applicable**
(57) Statement of Newness and Distinctiveness: **In considering new and distinctive features particular regard should be had to the outer frame that lies within a peripheral channel of the inner frame supporting the infill material; the members of the outer frame being adjustable in length to enable the door to have different overall widths and heights as shown in representations marked 1, 2 and 3.**



(21) Design Number: **14788/2009**
(22) Date of Filing Application: **08 December 2009**
(24) Date from which industrial property rights may have effect: **08 December 2009**
(54) Product in respect of which the design is registered: **Wall socket**
(51) International Design Classification: **13-03D**
(71) Name(s) and Address(s) of Applicant(s):
Arlec Australia Pty Ltd
272-274 Maroondah Highway Chirnside Park Victoria 3116 Australia
(72) Name(s) of Designer(s): **Michael Nimmervoll**
(45) Registration Date: **05 January 2010**
(56) Related Art Documents: **Not Applicable**
(57) Statement of Newness and Distinctiveness: **Nil**



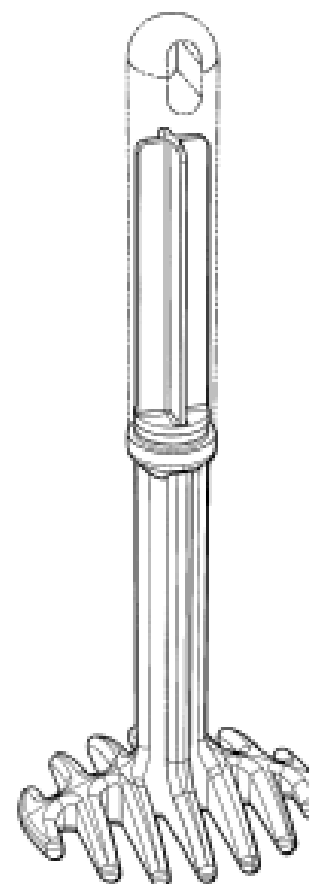
(21) Design Number: **14785/2009**
(22) Date of Filing Application: **08 December 2009**
(24) Date from which industrial property rights may have effect: **08 December 2009**
(54) Product in respect of which the design is registered: **Wall socket**
(51) International Design Classification: **13-03D**
(71) Name(s) and Address(s) of Applicant(s):
Arlec Australia Pty Ltd
272-274 Maroondah Highway Chirnside Park Victoria 3116 Australia
(72) Name(s) of Designer(s): **Michael Nimmervoll**
(45) Registration Date: **05 January 2010**
(56) Related Art Documents: **Not Applicable**
(57) Statement of Newness and Distinctiveness: **Nil**



- (21) Design Number: **12952/2009**
(22) Date of Filing Application: **06 August 2009**
(24) Date from which industrial property rights may have effect: **06 August 2009**
(54) Product in respect of which the design is registered: **Automobile**
(51) International Design Classification: **12-08**
(71) Name(s) and Address(s) of Applicant(s):
Toyota Jidosha Kabushiki Kaisha
1 Toyota-cho Toyota-shi Aichi-ken 471-8571 Japan
(72) Name(s) of Designer(s): **Shin Miyata and Hirofumi Fukui and Hiroya Kitazumi and Yoshiyasu Neuchi**
(45) Registration Date: **05 January 2010**
(56) Related Art Documents: **Not Applicable**
(57) Statement of Newness and Distinctiveness: **Newness and distinctiveness is claimed in the features of shape and/or configuration of an automobile as illustrated in the accompanying representations.**



- (21) Design Number: **14699/2009**
(22) Date of Filing Application: **01 December 2009**
(24) Date from which industrial property rights may have effect: **01 December 2009**
(54) Product in respect of which the design is registered: **Potato masher**
(51) International Design Classification: **07-04**
(71) Name(s) and Address(s) of Applicant(s):
The Decor Corporation Pty Ltd
1314 Ferntree Gully Road Scoresby Victoria 3179 Australia
(72) Name(s) of Designer(s): **Anthony Henry Wolfenden**
(45) Registration Date: **05 January 2010**
(30) Convention priority data:
(31) Number (32) Date (33) Country
200930383605.3 30 Nov 2009 CHINA
(56) Related Art Documents: **Not Applicable**
(57) Statement of Newness and Distinctiveness: **The design resides in the application of the particular shape and configuration to a POTATO MASHER. The design may be applied by any suitable means and in any suitable way known in the manufacturing art. Features shown in phantom lines in the drawings do not form part of the design.**



(21) Design Number: **14701/2009**

(22) Date of Filing Application: **01 December 2009**

(24) Date from which industrial property rights may have effect: **01 December 2009**

(54) Product in respect of which the design is registered: **Utensil caddy**

(51) International Design Classification: **07-02NES**

(71) Name(s) and Address(s) of Applicant(s):

**The Decor Corporation Pty Ltd
1314 Ferntree Gully Road Scoresby Victoria 3179 Australia**

(72) Name(s) of Designer(s): **Anthony Henry Wolfenden**

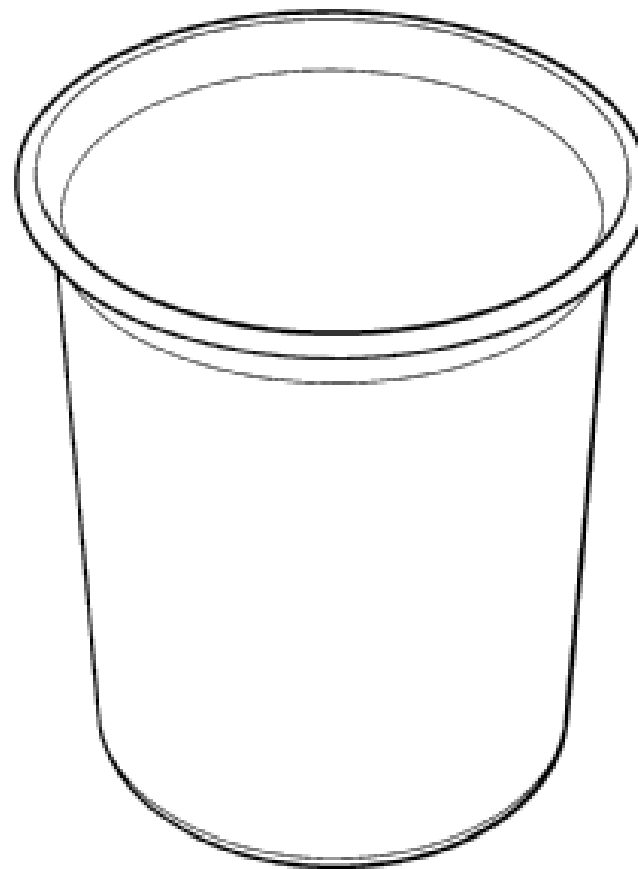
(45) Registration Date: **05 January 2010**

(30) Convention priority data:

(31) Number	(32) Date	(33) Country
200930383607.2	30 Nov 2009	CHINA

(56) Related Art Documents: **Not Applicable**

(57) Statement of Newness and Distinctiveness: **The design resides in the application of the particular shape and configuration to a UTENSIL CADDY. The design may be applied by any suitable means and in any suitable way known in the manufacturing art.**



(21) Design Number: **14758/2009**

(22) Date of Filing Application: **04 December 2009**

(24) Date from which industrial property rights may have effect: **04 December 2009**

(54) Product in respect of which the design is registered: **Bottle**

(51) International Design Classification: **09-01H**

(71) Name(s) and Address(s) of Applicant(s):

**Stephen Chapman
Farm 98 Chapman Road Yoogali New South Wales 2680 Australia**

(72) Name(s) of Designer(s): **Christopher Parker**

(45) Registration Date: **05 January 2010**

(56) Related Art Documents: **Not Applicable**

(57) Statement of Newness and Distinctiveness: **Nil**



- (21) Design Number: **14759/2009**
(22) Date of Filing Application: **04 December 2009**
(24) Date from which industrial property rights may have effect: **04 December 2009**
(54) Product in respect of which the design is registered: **Bottle**
(51) International Design Classification: **09-01H**
(71) Name(s) and Address(s) of Applicant(s):
Stephen Chapman
Farm 98 Chapman Road Yoogali New South Wales 2680 Australia
(72) Name(s) of Designer(s): **Christopher Parker**
(45) Registration Date: **05 January 2010**
(56) Related Art Documents: **Not Applicable**
(57) Statement of Newness and Distinctiveness: **Nil**



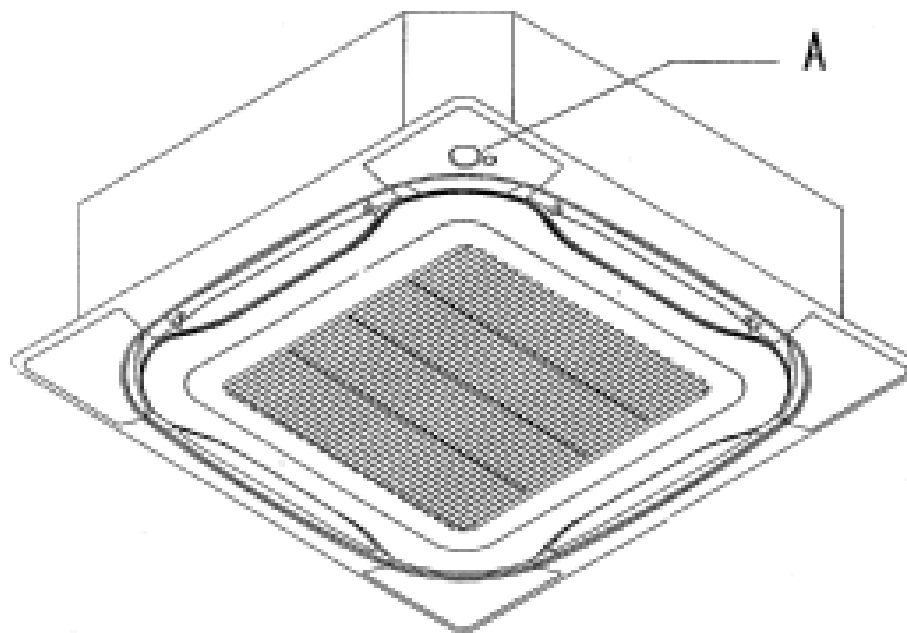
- (21) Design Number: **14912/2009**
(22) Date of Filing Application: **12 December 2009**
(24) Date from which industrial property rights may have effect: **12 December 2009**
(54) Product in respect of which the design is registered: **Smoking article in class 34 with IP Australia**
(51) International Design Classification: **27-02**
(71) Name(s) and Address(s) of Applicant(s):
Road Runner Co Pty Ltd
9 Mary Bryant Court Mill Park Victoria 3082 Australia
(72) Name(s) of Designer(s): **Sam H. Merie**
(45) Registration Date: **05 January 2010**
(56) Related Art Documents: **Not Applicable**
(57) Statement of Newness and Distinctiveness: **Brass screwed cone attached to aluminium screwed bonza pipe to prevent leaking air.**



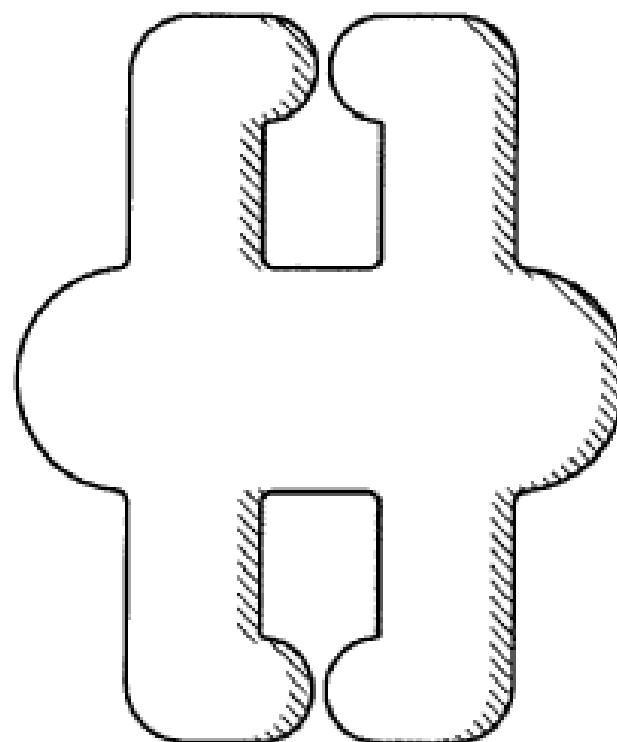
- (21) Design Number: **14913/2009**
(22) Date of Filing Application: **12 December 2009**
(24) Date from which industrial property rights may have effect: **12 December 2009**
(54) Product in respect of which the design is registered: **Smoking article in class 34 with IP Australia**
(51) International Design Classification: **27-02**
(71) Name(s) and Address(s) of Applicant(s):
Road Runner Co Pty Ltd
9 Mary Bryant Court Mill Park Victoria 3082 Australia
(72) Name(s) of Designer(s): **Sam H. Merie**
(45) Registration Date: **05 January 2010**
(56) Related Art Documents: **Not Applicable**
(57) Statement of Newness and Distinctiveness: **Brass screwed cone attached to aluminium screwed bonza pipe to prevent leaking air.**



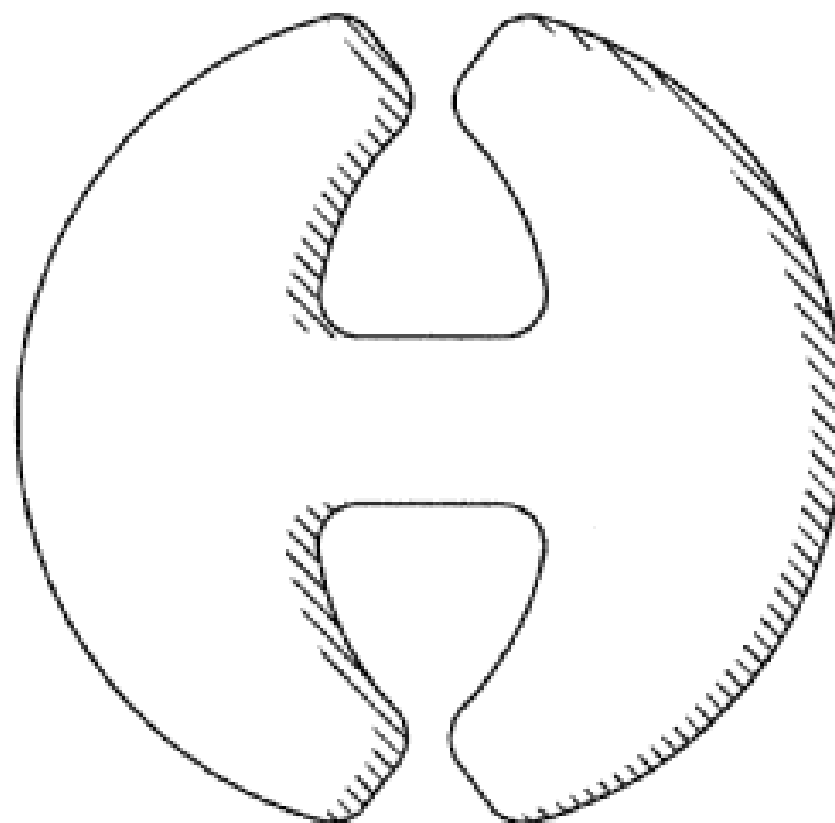
- (21) Design Number: **13898/2009**
(22) Date of Filing Application: **02 December 2009**
(24) Date from which industrial property rights may have effect: **02 December 2009**
(54) Product in respect of which the design is registered: **Air conditioner**
(51) International Design Classification: **23-04**
(71) Name(s) and Address(s) of Applicant(s):
Daikin Industries Ltd.
Umeda Center Building, 4-12 Nakazaki-Nishi 2-chome, Kita-Ku,
Osaka-shi, Osaka-fu Japan
(72) Name(s) of Designer(s): **Kaichi Tsuji**
(45) Registration Date: **07 January 2010**
(56) Related Art Documents: **Not Applicable**
(57) Statement of Newness and Distinctiveness: **The newness and distinctiveness of the design resides in the visual feature of the air conditioner marked with the letter "A" in the accompanying drawings.**



(21) Design Number: **14719/2009**
(22) Date of Filing Application: **02 December 2009**
(24) Date from which industrial property rights may have effect: **02 December 2009**
(54) Product in respect of which the design is registered: **Cord wrap**
(51) International Design Classification: **09-06**
(71) Name(s) and Address(s) of Applicant(s):
Henry Sanderson
Laan van Liedekerke 29 4835 CC Breda Netherlands
Philippe Peyridieu
Via Pacini 61 I-20131 Milano Italy
(72) Name(s) of Designer(s): **Henry Sanderson and Philippe Peyridieu**
(45) Registration Date: **07 January 2010**
(30) Convention priority data:
(31) Number (32) Date (33) Country
001533142-0003 02 Jun 2009 EUROPEAN COMMUNITY
(56) Related Art Documents: **Not Applicable**
(57) Statement of Newness and Distinctiveness: **Nil**



(21) Design Number: **14720/2009**
(22) Date of Filing Application: **02 December 2009**
(24) Date from which industrial property rights may have effect: **02 December 2009**
(54) Product in respect of which the design is registered: **Cord wrap**
(51) International Design Classification: **09-06**
(71) Name(s) and Address(s) of Applicant(s):
Henry Sanderson
Laan van Liedekerke 29 4835 CC Breda Netherlands
Philippe Peyridieu
Via Pacini 61 I-20131 Milano Italy
(72) Name(s) of Designer(s): **Henry Sanderson and Philippe Peyridieu**
(45) Registration Date: **07 January 2010**
(30) Convention priority data:
(31) Number (32) Date (33) Country
0001533142-0004 02 Jun 2009 EUROPEAN COMMUNITY
(56) Related Art Documents: **Not Applicable**
(57) Statement of Newness and Distinctiveness: **Nil**



(21) Design Number: **14721/2009**
(22) Date of Filing Application: **02 December 2009**
(24) Date from which industrial property rights may have effect: **02 December 2009**
(54) Product in respect of which the design is registered: **Remote controller**
(51) International Design Classification: **14-03NES**
(71) Name(s) and Address(s) of Applicant(s):

Sony Computer Entertainment Inc.
2-6-21 Minami-Aoyama Minato-ku Tokyo Japan

(72) Name(s) of Designer(s): **Ken Yano**

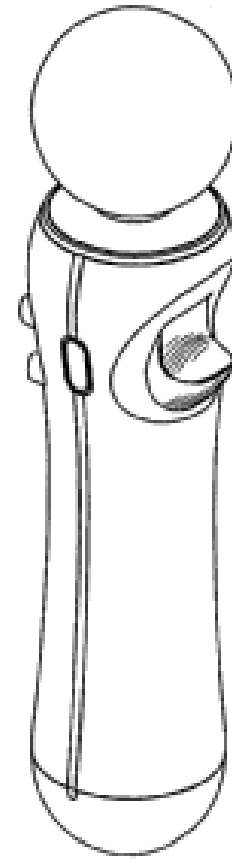
(45) Registration Date: **07 January 2010**

(30) Convention priority data:

(31) Number	(32) Date	(33) Country
2009-25261	28 Oct 2009	JAPAN

(56) Related Art Documents: **Not Applicable**

(57) Statement of Newness and Distinctiveness: **Nil**



(21) Design Number: **14722/2009**
(22) Date of Filing Application: **02 December 2009**
(24) Date from which industrial property rights may have effect: **02 December 2009**
(54) Product in respect of which the design is registered: **Fence panel**
(51) International Design Classification: **25-02C**
(71) Name(s) and Address(s) of Applicant(s):

Rudy Diener
2 Myall Street Doonside New South Wales 2767 Australia

Wayne Milner
15 Ryans Court Burnside Heights Victoria 3023 Australia

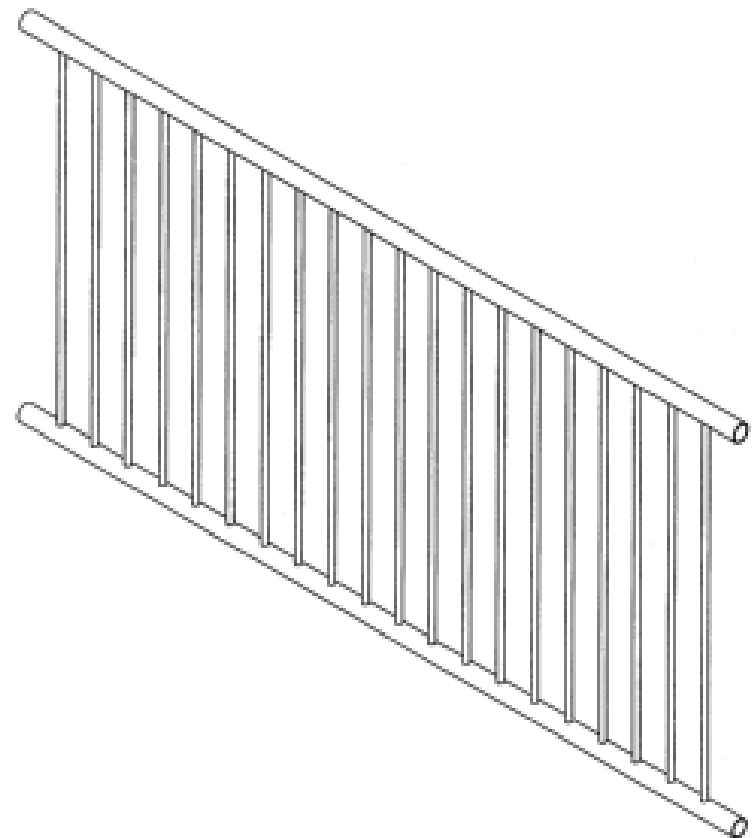
Danny Earle Rose
105 Jackaranda Road North St. Marys New South Wales 2760 Australia

(72) Name(s) of Designer(s): **Rudy Diener**

(45) Registration Date: **07 January 2010**

(56) Related Art Documents: **Not Applicable**

(57) Statement of Newness and Distinctiveness: **Those features of the fence panel depicted in the representations that are new and distinctive are the shape and/or configuration.**



(21) Design Number: **14729/2009**

(22) Date of Filing Application: **03 December 2009**

(24) Date from which industrial property rights may have effect: **03 December 2009**

(54) Product in respect of which the design is registered: **Stainless steel pool roller - hand wheel**

(51) International Design Classification: **21-02D**

(71) Name(s) and Address(s) of Applicant(s):

Sancell Pty Ltd

25-31 Colemans Road Carrum Downs Victoria 3201 Australia

(72) Name(s) of Designer(s): **Skye Reilly**

(45) Registration Date: **07 January 2010**

(56) Related Art Documents: **Not Applicable**

(57) Statement of Newness and Distinctiveness: **Stainless steel roller, anodized aluminium tubing, roller blind attachment kit.**



(21) Design Number: **14730/2009**

(22) Date of Filing Application: **03 December 2009**

(24) Date from which industrial property rights may have effect: **03 December 2009**

(54) Product in respect of which the design is registered: **Stainless steel pool roller - crank**

(51) International Design Classification: **21-02D**

(71) Name(s) and Address(s) of Applicant(s):

Sancell Pty Ltd

25-31 Colemans Road Carrum Downs Victoria 3201 Australia

(72) Name(s) of Designer(s): **Skye Reilly**

(45) Registration Date: **07 January 2010**

(56) Related Art Documents: **Not Applicable**

(57) Statement of Newness and Distinctiveness: **Stainless steel roller, anodized aluminium tubing, roller blind attachment kit.**

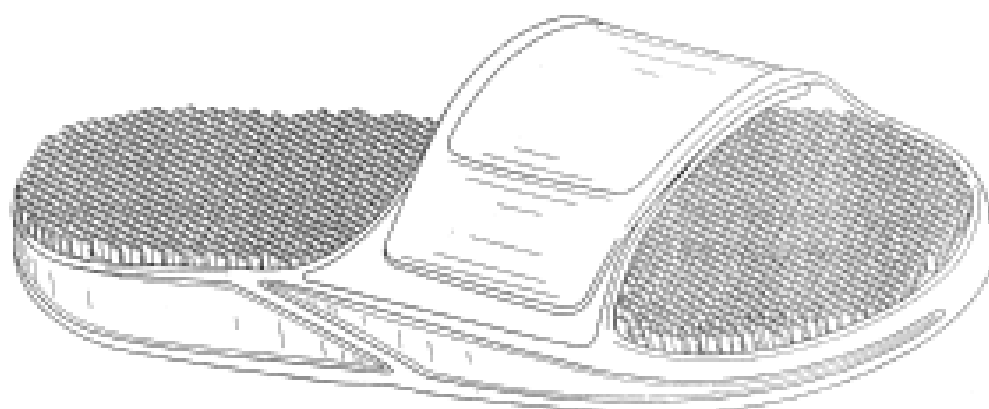


- (21) Design Number: **14737/2009**
- (22) Date of Filing Application: **04 December 2009**
- (24) Date from which industrial property rights may have effect: **04 December 2009**
- (54) Product in respect of which the design is registered: **Air intake filter connector for a vehicle snorkel**
- (51) International Design Classification: **12-16NES**
- (71) Name(s) and Address(s) of Applicant(s):
Australian Performance Development Pty Ltd
73 Merrindale Drive South Croydon Victoria 3136 Australia
- (72) Name(s) of Designer(s): **Peter Luxon and Manvir Randhawa**
- (45) Registration Date: **07 January 2010**
- (56) Related Art Documents: **Not Applicable**
- (57) Statement of Newness and Distinctiveness: **Newness and distinctiveness is claimed in the features of shape and/or configuration of an air intake filter connector for a vehicle snorkel as illustrated in the accompanying representations.**

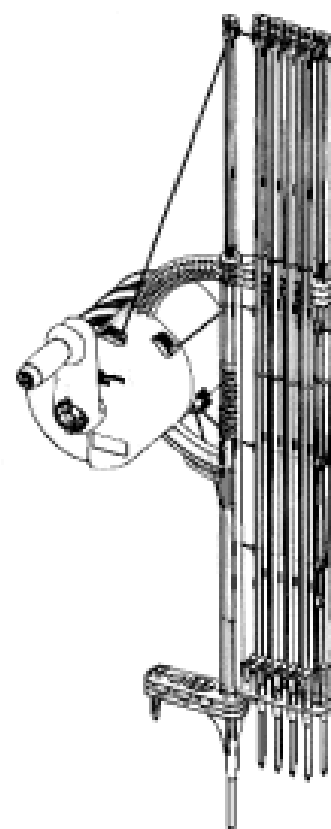


- (21) Design Number: **14760/2009**
- (22) Date of Filing Application: **04 December 2009**
- (24) Date from which industrial property rights may have effect: **04 December 2009**
- (54) Product in respect of which the design is registered: **Cover for cleated shoe**
- (51) International Design Classification: **02-04A**
- (71) Name(s) and Address(s) of Applicant(s):
Cleatskins, Inc.
132 N. El Camino Real Suite #287 Encinitas 92024 CA United States of America
- (72) Name(s) of Designer(s): **Marianne Kay and Richard Kay**
- (45) Registration Date: **07 January 2010**
- (30) Convention priority data:

(31) Number	(32) Date	(33) Country
29/338,141	05 Jun 2009	UNITED STATES OF AMERICA
- (56) Related Art Documents: **Not Applicable**
- (57) Statement of Newness and Distinctiveness: **Nil**



- (21) Design Number: **14763/2009**
(22) Date of Filing Application: **04 December 2009**
(24) Date from which industrial property rights may have effect: **04 December 2009**
(54) Product in respect of which the design is registered: **Portable fence**
(51) International Design Classification: **25-02C**
(71) Name(s) and Address(s) of Applicant(s):
Gallagher Group Limited
Kahikatea Drive Hamilton New Zealand
(72) Name(s) of Designer(s): **Thomas Stuart Ritchie**
(45) Registration Date: **07 January 2010**
(30) Convention priority data:
(31) Number (32) Date (33) Country
412364 05 Jun 2009 NEW ZEALAND
(56) Related Art Documents: **Not Applicable**
(57) Statement of Newness and Distinctiveness: **This design is to be applied to a Portable Fence and the novelty resides in features of shape and configuration, all as shown in the accompanying representations.**



- (21) Design Number: **14087/2009**
(22) Date of Filing Application: **22 October 2009**
(24) Date from which industrial property rights may have effect: **22 October 2009**
(54) Product in respect of which the design is registered: **Mobile lighting apparatus**
(51) International Design Classification: **12-05, 12-13**
(71) Name(s) and Address(s) of Applicant(s):
John Jonker
C/- Ahern Fox Level 4 T & G Building 141 Queen Street Brisbane
Queensland 4000 Australia
(72) Name(s) of Designer(s): **John Jonker**
(45) Registration Date: **06 January 2010**
(56) Related Art Documents: **Not Applicable**
(57) Statement of Newness and Distinctiveness: **Newness and distinctiveness resides in the shape and configuration of mobile lighting apparatus having a self propelled base with a turret thereon and an extendable boom as shown in the accompanying representations, wherein: Fig. 1 is a pictorial representation of the apparatus from one side showing the boom lowered and retracted; Fig. 2 is a pictorial representation of the apparatus from the same side showing the side and part of the rear with the boom lowered and retracted; Fig. 3 is pictorial representation of the apparatus from the same side as in Fig. 2, showing the front with the boom lowered and retracted; Fig. 4 is a pictorial representation of the apparatus from the other side as in Fig. 2, showing part of the rear with the boom partly raised and fully extended; and Fig. 5 is a pictorial representation of the apparatus from the same side as in Fig. 4 showing more of the rear with the boom partly raised and fully extended.**



(21) Design Number: **14268/2009**

(22) Date of Filing Application: **04 November 2009**

(24) Date from which industrial property rights may have effect: **04 November 2009**

(54) Product in respect of which the design is registered: **An interactive display**

(51) International Design Classification: **20-01**

(71) Name(s) and Address(s) of Applicant(s):

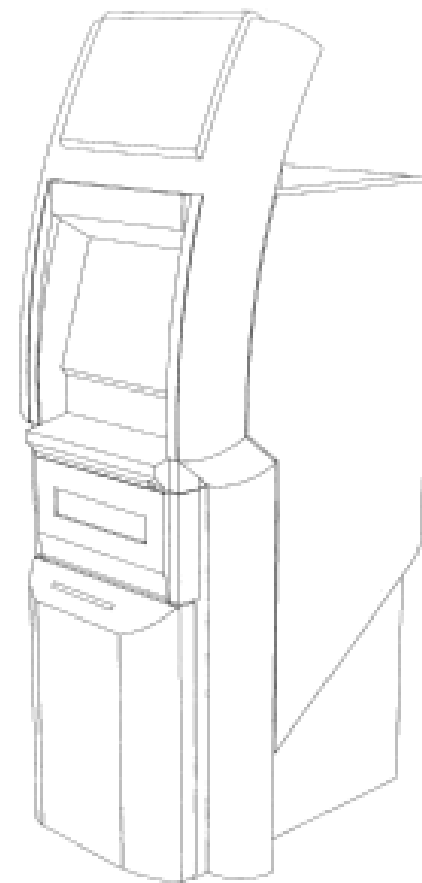
**Pragma Design Pty Ltd
19/35 Dunlop Road Mulgrave Victoria 3170 Australia**

(72) Name(s) of Designer(s): **Angelo Alateras**

(45) Registration Date: **06 January 2010**

(56) Related Art Documents: **Not Applicable**

(57) Statement of Newness and Distinctiveness: **Newness and distinctiveness is claimed in the features of the shape and configuration of the surround.**



(21) Design Number: **14712/2009**

(22) Date of Filing Application: **02 December 2009**

(24) Date from which industrial property rights may have effect: **02 December 2009**

(54) Product in respect of which the design is registered: **Wheel nut clamp tool**

(51) International Design Classification: **08-05E**

(71) Name(s) and Address(s) of Applicant(s):

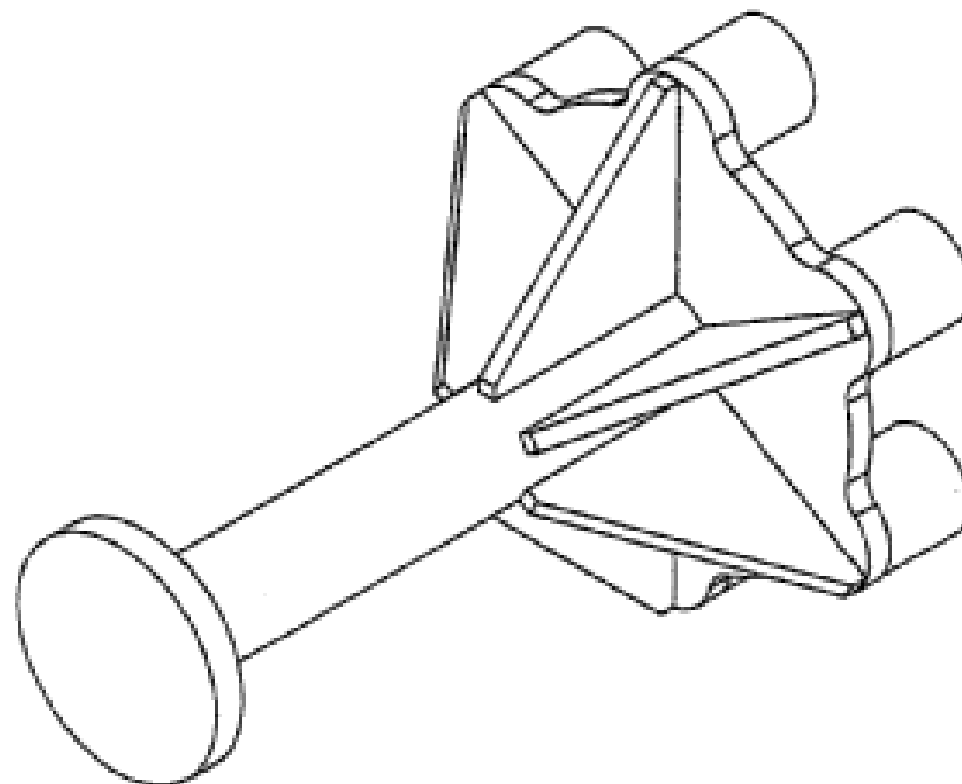
**Macs Engineering Pty Ltd
1C Victoria Street Mackay Queensland 4740 Australia**

(72) Name(s) of Designer(s): **Michael Scott Cavanaugh**

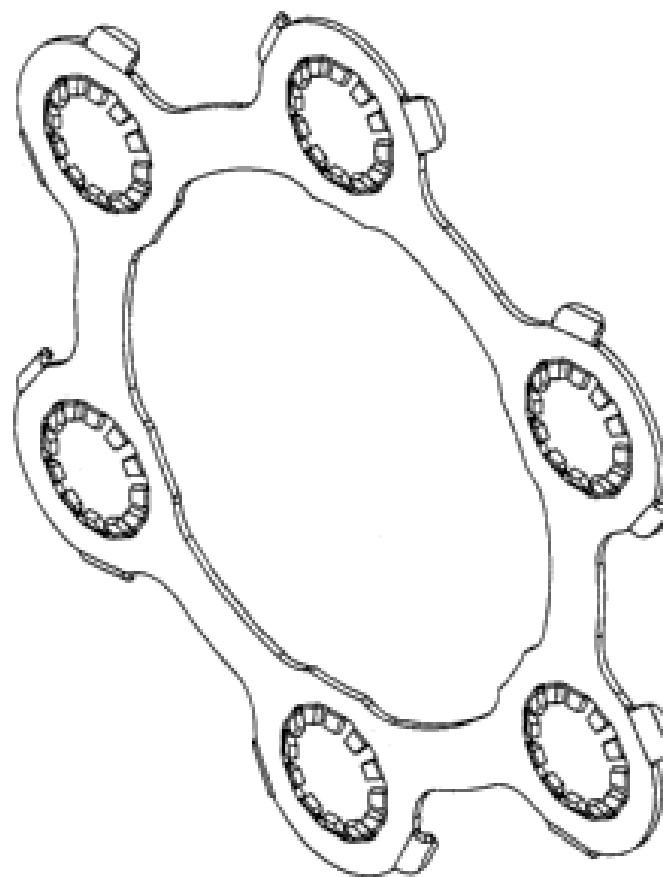
(45) Registration Date: **06 January 2010**

(56) Related Art Documents: **Not Applicable**

(57) Statement of Newness and Distinctiveness: **The newness and distinctiveness of the design resides in the shape and/or configuration of the WHEEL NUT CLAMP TOOL shown in the representations.**



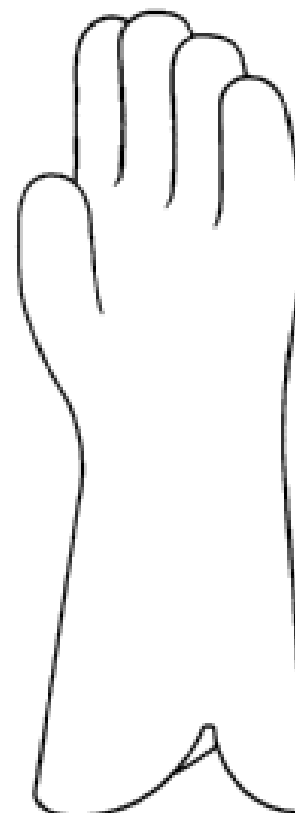
- (21) Design Number: **14713/2009**
(22) Date of Filing Application: **02 December 2009**
(24) Date from which industrial property rights may have effect: **02 December 2009**
(54) Product in respect of which the design is registered: **Wheel nut clamp**
(51) International Design Classification: **08-05E**
(71) Name(s) and Address(s) of Applicant(s):
Macs Engineering Pty Ltd
1C Victoria Street Mackay Queensland 4740 Australia
(72) Name(s) of Designer(s): **Michael Scott Cavanaugh**
(45) Registration Date: **06 January 2010**
(56) Related Art Documents: **Not Applicable**
(57) Statement of Newness and Distinctiveness: **The newness and distinctiveness of the design resides in the shape and/or configuration of the WHEEL NUT CLAMP shown in the representations.**



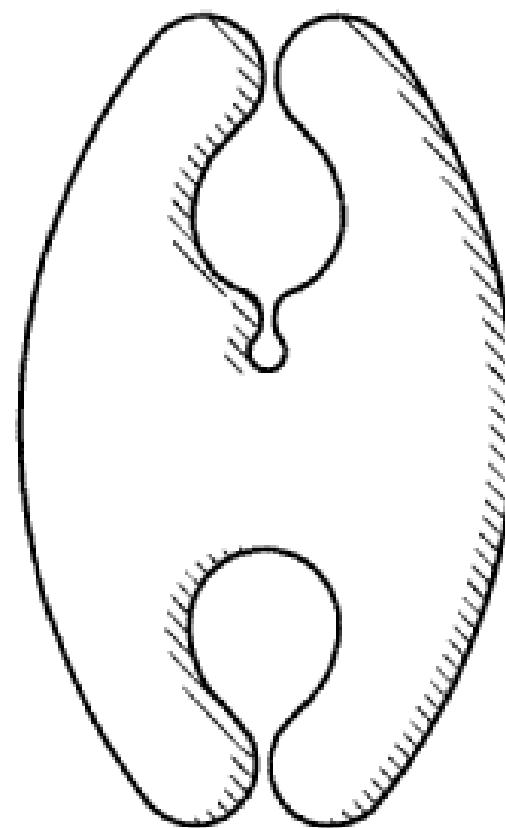
- (21) Design Number: **14714/2009**
(22) Date of Filing Application: **02 December 2009**
(24) Date from which industrial property rights may have effect: **02 December 2009**
(54) Product in respect of which the design is registered: **Glove**
(51) International Design Classification: **02-06**
(71) Name(s) and Address(s) of Applicant(s):
S. T. Corporation
4-10 Shimo Ochiai 1-chome Shinjuku-ku Tokyo Japan
(72) Name(s) of Designer(s): **Yasuhiro Hanada and Nao Nagano**
(45) Registration Date: **06 January 2010**
(30) Convention priority data:

(31) Number	(32) Date	(33) Country
2009-012385	02 Jun 2009	JAPAN

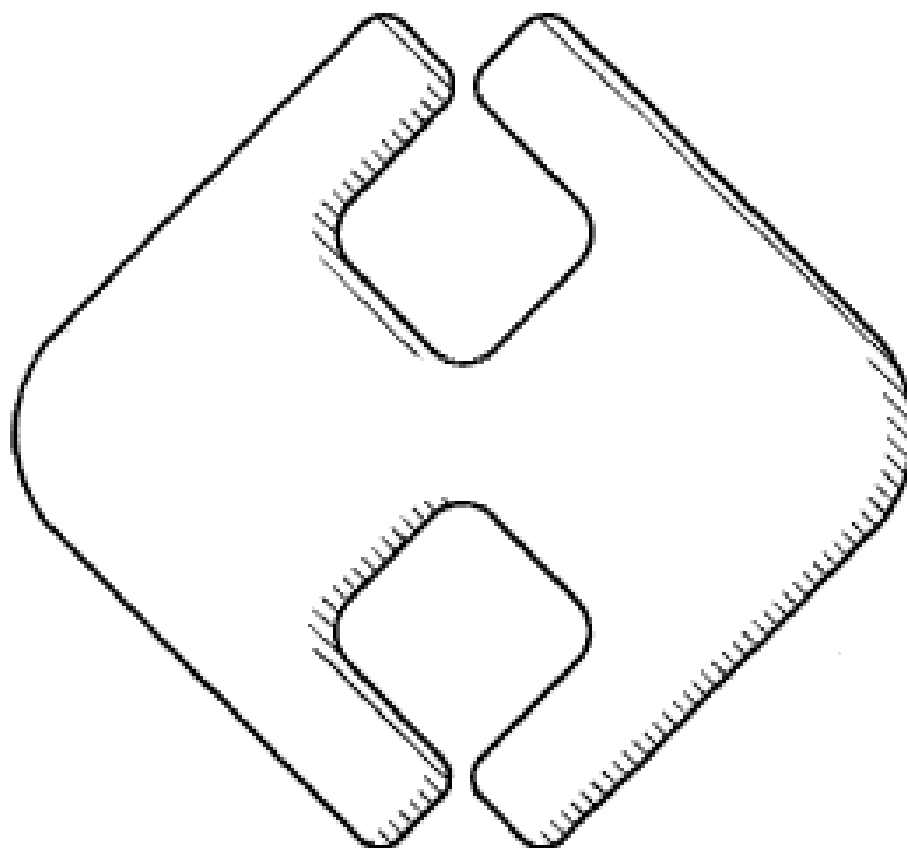
(56) Related Art Documents: **Not Applicable**
(57) Statement of Newness and Distinctiveness: **The newness and distinctiveness of the design resides in the deep cut at the open end of the glove the subject of the design as depicted in Figures 1, 5 and 7 in the attached representations of the design.**



(21) Design Number: **14717/2009**
(22) Date of Filing Application: **02 December 2009**
(24) Date from which industrial property rights may have effect: **02 December 2009**
(54) Product in respect of which the design is registered: **Cord wrap**
(51) International Design Classification: **09-06**
(71) Name(s) and Address(s) of Applicant(s):
Henry Sanderson
Laan van Liedekerke 29 4835 CC Breda Netherlands
Philippe Peyridieu
Via Pacini 61 I-20131 Milano Italy
(72) Name(s) of Designer(s): **Henry Sanderson and Philippe Peyridieu**
(45) Registration Date: **06 January 2010**
(30) Convention priority data:
(31) Number (32) Date (33) Country
001533142-0001 02 Jun 2009 EUROPEAN COMMUNITY
(56) Related Art Documents: **Not Applicable**
(57) Statement of Newness and Distinctiveness: **Nil**



(21) Design Number: **14718/2009**
(22) Date of Filing Application: **02 December 2009**
(24) Date from which industrial property rights may have effect: **02 December 2009**
(54) Product in respect of which the design is registered: **Cord wrap**
(51) International Design Classification: **09-06**
(71) Name(s) and Address(s) of Applicant(s):
Henry Sanderson
Laan van Liedekerke 29 4835 CC Breda Netherlands
Philippe Peyridieu
Via Pacini 61 I-20131 Milano Italy
(72) Name(s) of Designer(s): **Henry Sanderson and Philippe Peyridieu**
(45) Registration Date: **06 January 2010**
(30) Convention priority data:
(31) Number (32) Date (33) Country
001533142-0002 02 Jun 2009 EUROPEAN COMMUNITY
(56) Related Art Documents: **Not Applicable**
(57) Statement of Newness and Distinctiveness: **Nil**



(21) Design Number: **14725/2009**

(22) Date of Filing Application: **03 December 2009**

(24) Date from which industrial property rights may have effect: **03 December 2009**

(54) Product in respect of which the design is registered: **Core tray**

(51) International Design Classification: **09-03F**

(71) Name(s) and Address(s) of Applicant(s):

Andrew Peter Dowell

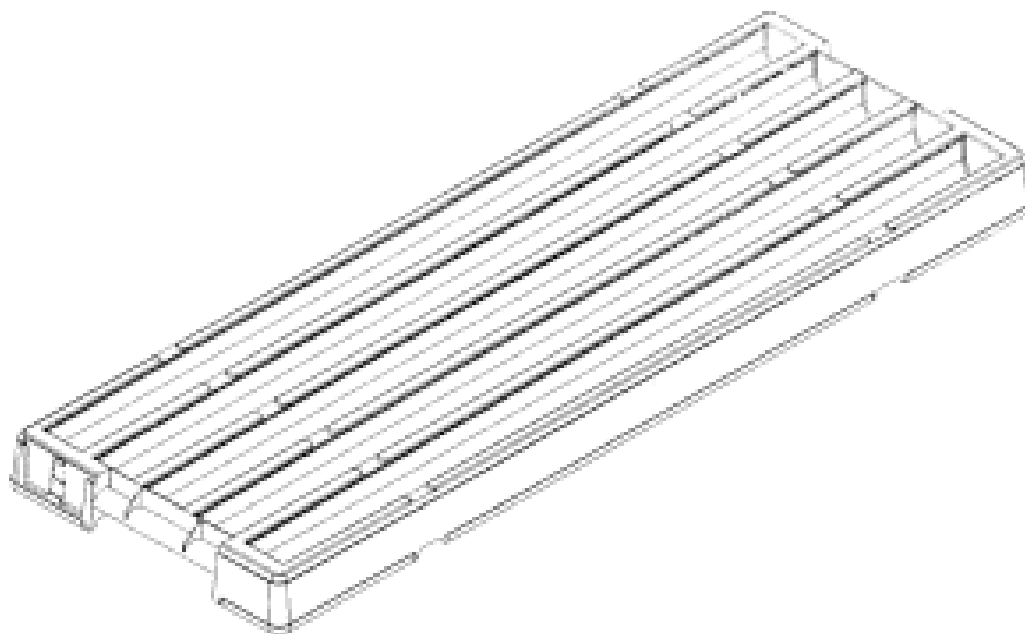
11 Corbett Street Gnowangerup Western Australia 6335 Australia

(72) Name(s) of Designer(s): **Jeremy Dowell**

(45) Registration Date: **06 January 2010**

(56) Related Art Documents: **Not Applicable**

(57) Statement of Newness and Distinctiveness: **The particular visual features of the design which are new and distinctive including shape OR configuration.**



(21) Design Number: **14731/2009**

(22) Date of Filing Application: **04 December 2009**

(24) Date from which industrial property rights may have effect: **04 December 2009**

(54) Product in respect of which the design is registered: **Air ram intake for a vehicle**

(51) International Design Classification: **12-16NES**

(71) Name(s) and Address(s) of Applicant(s):

Australian Performance Development Pty Ltd

73 Merrindale Drive South Croydon Victoria 3136 Australia

(72) Name(s) of Designer(s): **Peter Luxon and Manvir Randhawa**

(45) Registration Date: **06 January 2010**

(56) Related Art Documents: **Not Applicable**

(57) Statement of Newness and Distinctiveness: **Newness and distinctiveness is claimed in the features of shape and/or configuration of an air ram intake for a vehicle as illustrated in the accompanying representations.**



(21) Design Number: **14732/2009**

(22) Date of Filing Application: **04 December 2009**

(24) Date from which industrial property rights may have effect: **04 December 2009**

(54) Product in respect of which the design is registered: **Air intake snorkel for a vehicle**

(51) International Design Classification: **12-16NES**

(71) Name(s) and Address(s) of Applicant(s):

**Australian Performance Development Pty Ltd
73 Merrindale Drive South Croydon Victoria 3136 Australia**

(72) Name(s) of Designer(s): **Peter Luxon and Manvir Randhawa**

(45) Registration Date: **06 January 2010**

(56) Related Art Documents: **Not Applicable**

(57) Statement of Newness and Distinctiveness: **Newness and distinctiveness is claimed in the features of shape and/or configuration of an air intake snorkel for a vehicle as illustrated in the accompanying representations.**



(21) Design Number: **14733/2009**

(22) Date of Filing Application: **04 December 2009**

(24) Date from which industrial property rights may have effect: **04 December 2009**

(54) Product in respect of which the design is registered: **Air intake snorkel for a vehicle**

(51) International Design Classification: **12-16NES**

(71) Name(s) and Address(s) of Applicant(s):

**Australian Performance Development Pty Ltd
73 Merrindale Drive South Croydon Victoria 3136 Australia**

(72) Name(s) of Designer(s): **Peter Luxon and Manvir Randhawa**

(45) Registration Date: **06 January 2010**

(56) Related Art Documents: **Not Applicable**

(57) Statement of Newness and Distinctiveness: **Newness and distinctiveness is claimed in the features of shape and/or configuration of an air intake snorkel for a vehicle as illustrated in the accompanying representations.**



(21) Design Number: **14734/2009**

(22) Date of Filing Application: **04 December 2009**

(24) Date from which industrial property rights may have effect: **04 December 2009**

(54) Product in respect of which the design is registered: **Air intake filter connector for a vehicle snorkel**

(51) International Design Classification: **12-16NES**

(71) Name(s) and Address(s) of Applicant(s):

**Australian Performance Development Pty Ltd
73 Merrindale Drive South Croydon Victoria 3136 Australia**

(72) Name(s) of Designer(s): **Peter Luxon and Manvir Randhawa**

(45) Registration Date: **06 January 2010**

(56) Related Art Documents: **Not Applicable**

(57) Statement of Newness and Distinctiveness: **Newness and distinctiveness is claimed in the features of shape and/or configuration of an air intake filter connector for a vehicle snorkel as illustrated in the accompanying representations.**



(21) Design Number: **14735/2009**

(22) Date of Filing Application: **04 December 2009**

(24) Date from which industrial property rights may have effect: **04 December 2009**

(54) Product in respect of which the design is registered: **Portion of an air ram intake for a vehicle**

(51) International Design Classification: **12-16NES**

(71) Name(s) and Address(s) of Applicant(s):

**Australian Performance Development Pty Ltd
73 Merrindale Drive South Croydon Victoria 3136 Australia**

(72) Name(s) of Designer(s): **Peter Luxon and Manvir Randhawa**

(45) Registration Date: **06 January 2010**

(56) Related Art Documents: **Not Applicable**

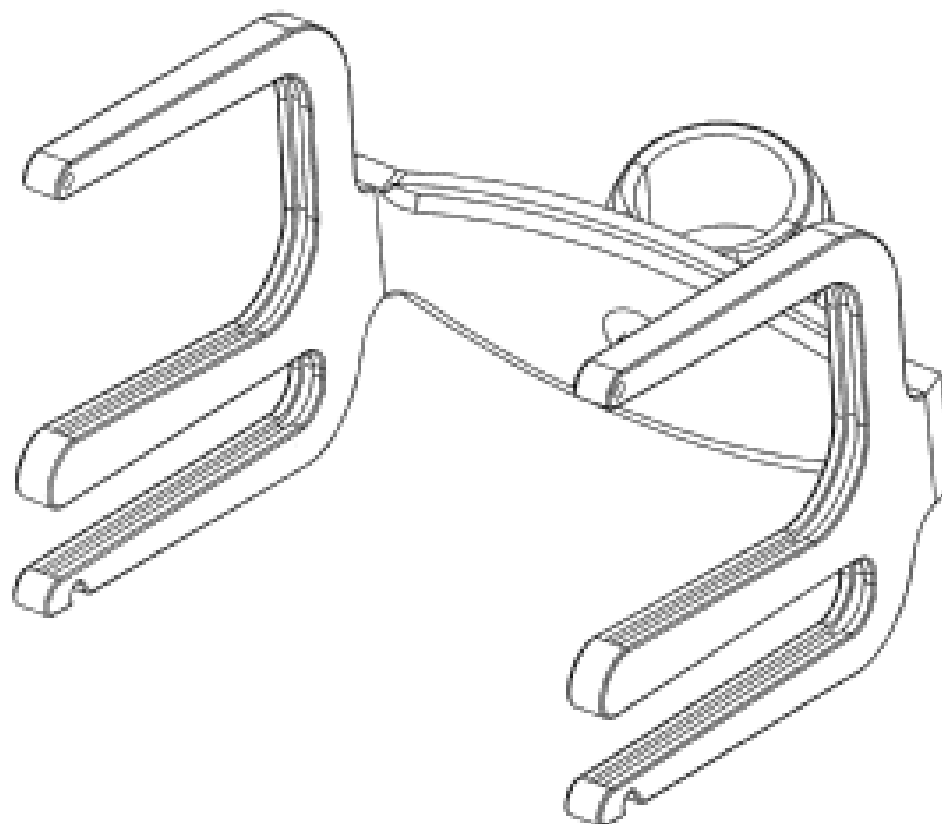
(57) Statement of Newness and Distinctiveness: **Newness and distinctiveness is claimed in the features of shape and/or configuration of a portion of an air ram intake for a vehicle as illustrated in the accompanying representations.**



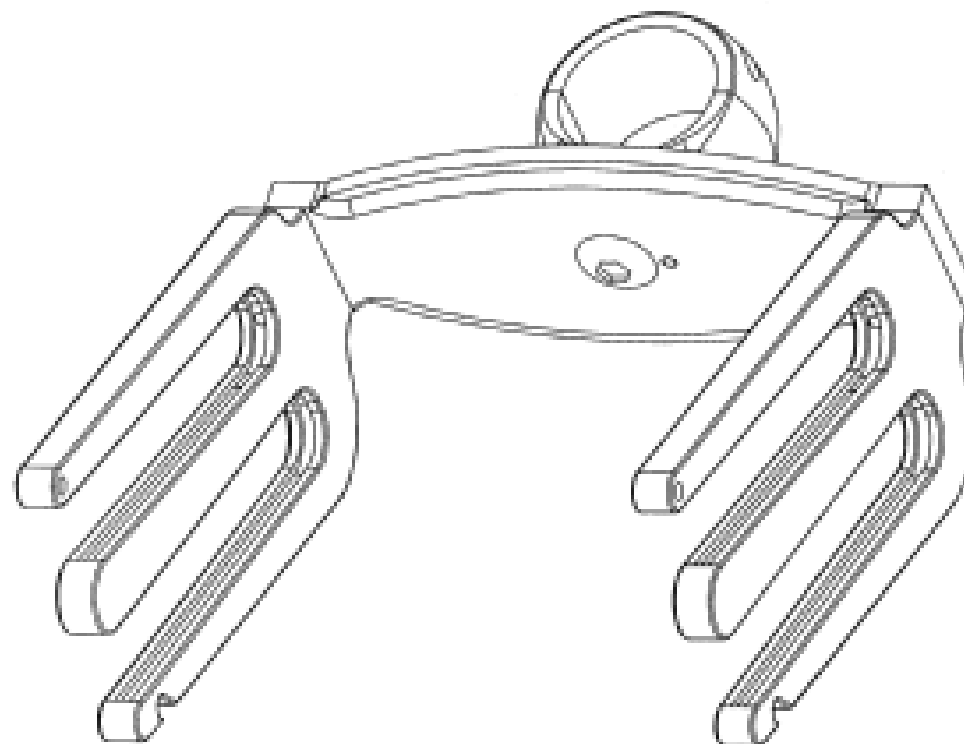
- (21) Design Number: **14736/2009**
(22) Date of Filing Application: **04 December 2009**
(24) Date from which industrial property rights may have effect: **04 December 2009**
(54) Product in respect of which the design is registered: **Air ram intake for a vehicle**
(51) International Design Classification: **12-16NES**
(71) Name(s) and Address(s) of Applicant(s):
Australian Performance Development Pty Ltd
73 Merrindale Drive South Croydon Victoria 3136 Australia
(72) Name(s) of Designer(s): **Peter Luxon and Manvir Randhawa**
(45) Registration Date: **06 January 2010**
(56) Related Art Documents: **Not Applicable**
(57) Statement of Newness and Distinctiveness: **Newness and distinctiveness is claimed in the features of shape and/or configuration of an air ram intake for a vehicle as illustrated in the accompanying representations.**



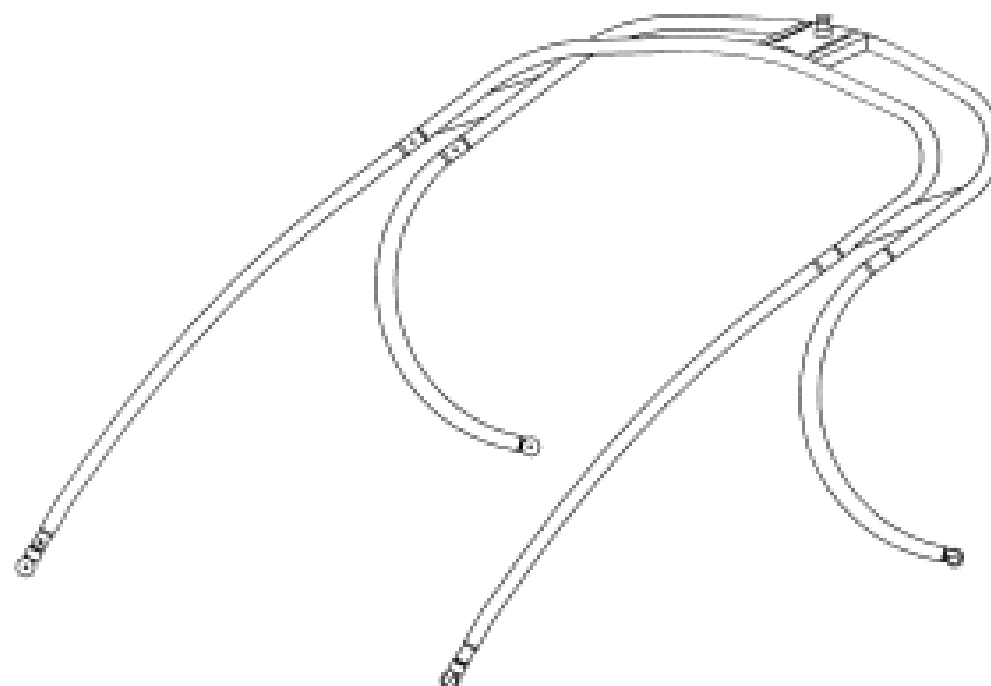
- (21) Design Number: **14768/2009**
(22) Date of Filing Application: **07 December 2009**
(24) Date from which industrial property rights may have effect: **07 December 2009**
(54) Product in respect of which the design is registered: **Wakeboard Rack**
(51) International Design Classification: **12-06NES, 06-04NES**
(71) Name(s) and Address(s) of Applicant(s):
James Odell
6/4 Nolan Place Seven Hills New South Wales 2147 Australia
(72) Name(s) of Designer(s): **James Odell**
(45) Registration Date: **07 January 2010**
(56) Related Art Documents: **Not Applicable**
(57) Statement of Newness and Distinctiveness: **Nil**



(21) Design Number: **14769/2009**
(22) Date of Filing Application: **07 December 2009**
(24) Date from which industrial property rights may have effect: **07 December 2009**
(54) Product in respect of which the design is registered: **Wakeboard Rack**
(51) International Design Classification: **12-06NES, 06-04NES**
(71) Name(s) and Address(s) of Applicant(s):
James Odell
6/4 Nolan Place Seven Hills New South Wales 2147 Australia
(72) Name(s) of Designer(s): **James Odell**
(45) Registration Date: **07 January 2010**
(56) Related Art Documents: **Not Applicable**
(57) Statement of Newness and Distinctiveness: **Nil**



(21) Design Number: **14770/2009**
(22) Date of Filing Application: **07 December 2009**
(24) Date from which industrial property rights may have effect: **07 December 2009**
(54) Product in respect of which the design is registered: **Wakeboard Tower**
(51) International Design Classification: **12-06NES**
(71) Name(s) and Address(s) of Applicant(s):
James Odell
6/4 Nolan Place Seven Hills New South Wales 2147 Australia
(72) Name(s) of Designer(s): **James Odell**
(45) Registration Date: **07 January 2010**
(56) Related Art Documents: **Not Applicable**
(57) Statement of Newness and Distinctiveness: **Nil**



(21) Design Number: **14771/2009**

(22) Date of Filing Application: **07 December 2009**

(24) Date from which industrial property rights may have effect: **07 December 2009**

(54) Product in respect of which the design is registered: **Wakeboard Tower**

(51) International Design Classification: **12-06NES**

(71) Name(s) and Address(s) of Applicant(s):

James Odell

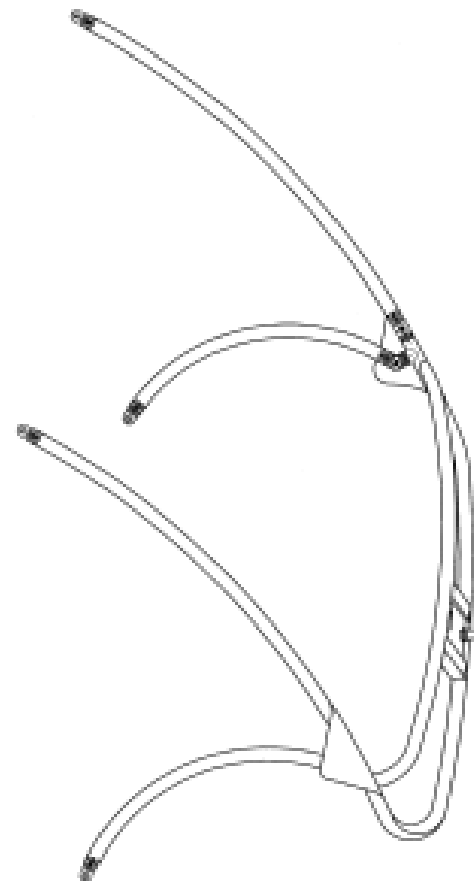
6/4 Nolan Place Seven Hills New South Wales 2147 Australia

(72) Name(s) of Designer(s): **James Odell**

(45) Registration Date: **07 January 2010**

(56) Related Art Documents: **Not Applicable**

(57) Statement of Newness and Distinctiveness: **Nil**



(21) Design Number: **14774/2009**

(22) Date of Filing Application: **07 December 2009**

(24) Date from which industrial property rights may have effect: **07 December 2009**

(54) Product in respect of which the design is registered: **Cover of cheese storer**

(51) International Design Classification: **07-01NES**

(71) Name(s) and Address(s) of Applicant(s):

The Decor Corporation Pty Ltd

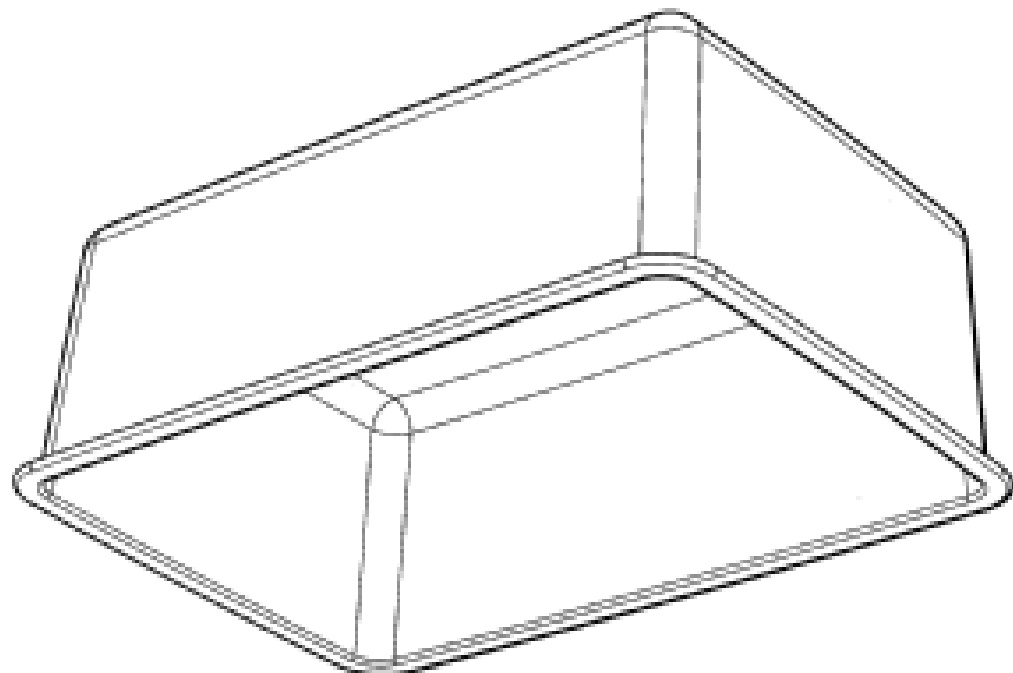
1314 Ferntree Gully Road Scoresby Victoria 3179 Australia

(72) Name(s) of Designer(s): **Anthony Henry Wolfenden**

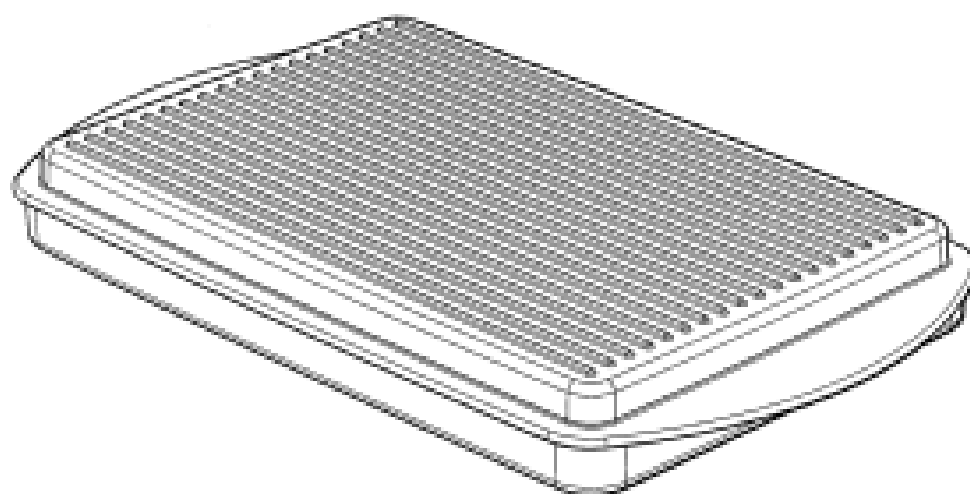
(45) Registration Date: **07 January 2010**

(56) Related Art Documents: **Not Applicable**

(57) Statement of Newness and Distinctiveness: **Nil**



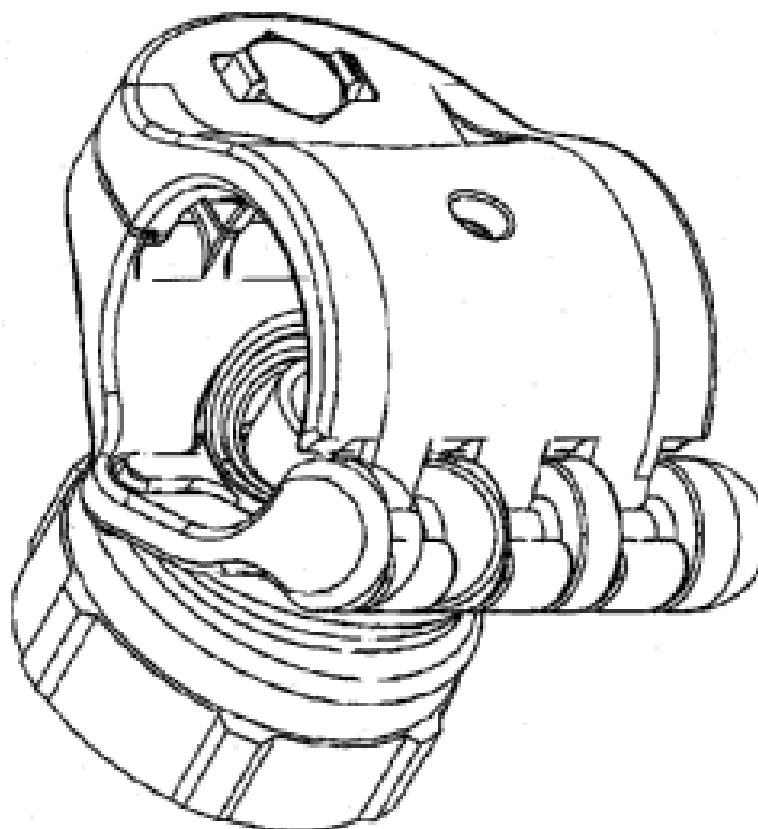
- (21) Design Number: **14775/2009**
(22) Date of Filing Application: **07 December 2009**
(24) Date from which industrial property rights may have effect: **07 December 2009**
(54) Product in respect of which the design is registered: **Base of cheese storer**
(51) International Design Classification: **07-01NES**
(71) Name(s) and Address(s) of Applicant(s):
The Decor Corporation Pty Ltd
1314 Ferntree Gully Road Scoresby Victoria 3179 Australia
(72) Name(s) of Designer(s): **Anthony Henry Wolfenden**
(45) Registration Date: **07 January 2010**
(56) Related Art Documents: **Not Applicable**
(57) Statement of Newness and Distinctiveness: **The design resides in the application of the features of shape and configuration to a Base of Cheese Storer as drawn in the accompanying representations, being the combination of a Base member (Item 1) and a Soft Foot therefor (Item 2).**



- (21) Design Number: **14776/2009**
(22) Date of Filing Application: **04 December 2009**
(24) Date from which industrial property rights may have effect: **04 December 2009**
(54) Product in respect of which the design is registered: **A saddle fitting**
(51) International Design Classification: **23-01B**
(71) Name(s) and Address(s) of Applicant(s):
Hansen Developments Limited
16 Union Street East Whangarei New Zealand
(72) Name(s) of Designer(s): **Warren Arthur Baier and Philip John Collins**
(45) Registration Date: **07 January 2010**
(30) Convention priority data:

(31) Number	(32) Date	(33) Country
412373	09 Jun 2009	NEW ZEALAND

(56) Related Art Documents: **Not Applicable**
(57) Statement of Newness and Distinctiveness: **Novelty is claimed in a saddle fitting comprising an integral hinge as shown. The nut and bolt shown in the figures of the closed saddle fitting form no part of the design.**



(21) Design Number: **14777/2009**

(22) Date of Filing Application: **08 December 2009**

(24) Date from which industrial property rights may have effect: **08 December 2009**

(54) Product in respect of which the design is registered: **Crocodile on motorbike metal art figurine**

(51) International Design Classification: **11-02E**

(71) Name(s) and Address(s) of Applicant(s):

Stephen John McDonald
24 Tarcoola Avenue Ferny Hills Queensland 4055 Australia

(72) Name(s) of Designer(s): **Stephen McDonald**

(45) Registration Date: **07 January 2010**

(56) Related Art Documents: **Not Applicable**

(57) Statement of Newness and Distinctiveness: **Nil**



(21) Design Number: **14778/2009**

(22) Date of Filing Application: **07 December 2009**

(24) Date from which industrial property rights may have effect: **07 December 2009**

(54) Product in respect of which the design is registered: **A container and blank therefor**

(51) International Design Classification: **09-03M**

(71) Name(s) and Address(s) of Applicant(s):

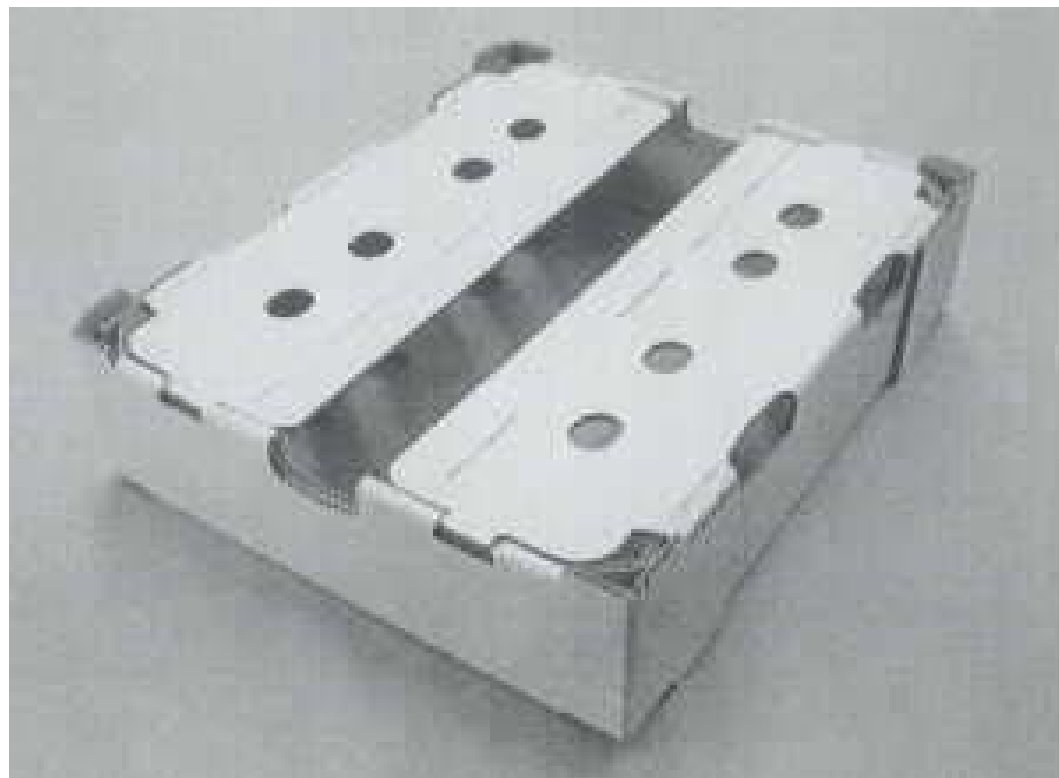
Ancor Limited
109 Burwood Road Hawthorn Victoria 3122 Australia

(72) Name(s) of Designer(s): **David Carter**

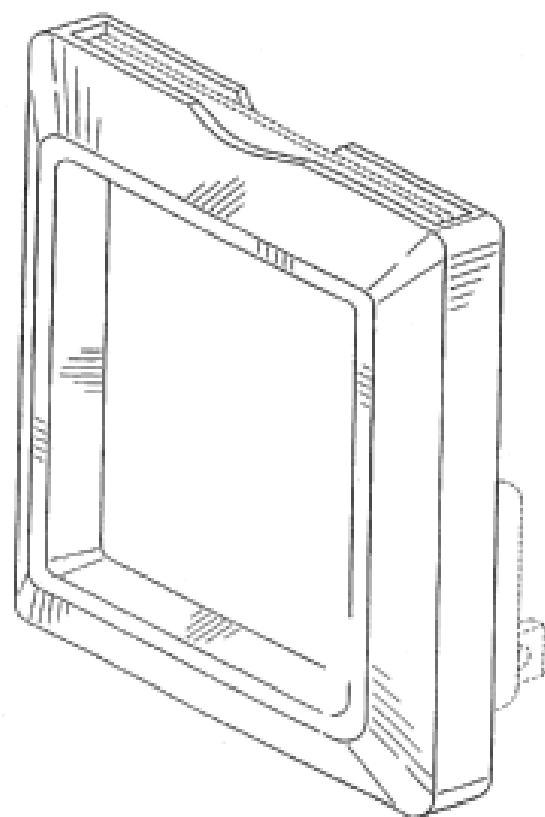
(45) Registration Date: **07 January 2010**

(56) Related Art Documents: **Not Applicable**

(57) Statement of Newness and Distinctiveness: **Newness and distinctiveness are claimed in the shape and configuration of a container and blank therefor as shown in the accompanying illustrations.**



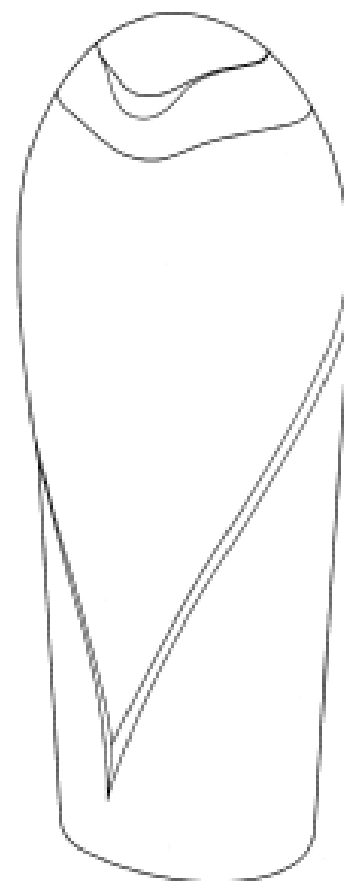
- (21) Design Number: **14797/2009**
(22) Date of Filing Application: **08 December 2009**
(24) Date from which industrial property rights may have effect: **08 December 2009**
(54) Product in respect of which the design is registered: **Air freshener**
(51) International Design Classification: **28-99**
(71) Name(s) and Address(s) of Applicant(s):
S.C. Johnson & Son, Inc.
1525 Howe Street Racine Wisconsin 53403-2236 United States of America
(72) Name(s) of Designer(s): **Mark E. Wefler and Martin Ruegg**
(45) Registration Date: **07 January 2010**
(30) Convention priority data:
(31) Number (32) Date (33) Country
29/315269 10 Jun 2009 UNITED STATES OF AMERICA
(56) Related Art Documents: **Not Applicable**
(57) Statement of Newness and Distinctiveness: **Newness and distinctiveness is claimed in the features of shape and/or configuration of an air freshener as illustrated in continuous lines in the accompanying representations.**



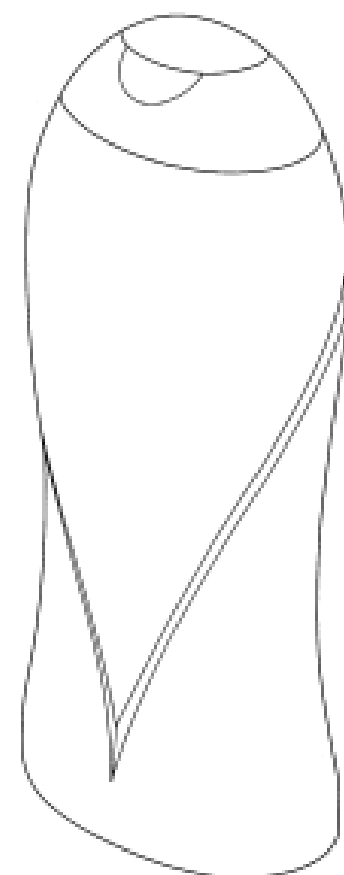
- (21) Design Number: **14779/2009**
(22) Date of Filing Application: **07 December 2009**
(24) Date from which industrial property rights may have effect: **07 December 2009**
(54) Product in respect of which the design is registered: **A container and blank therefor**
(51) International Design Classification: **09-03M**
(71) Name(s) and Address(s) of Applicant(s):
Ancor Limited
109 Burwood Road Hawthorn Victoria 3122 Australia
(72) Name(s) of Designer(s): **David Carter**
(45) Registration Date: **07 January 2010**
(56) Related Art Documents: **Not Applicable**
(57) Statement of Newness and Distinctiveness: **Newness and distinctiveness are claimed in the shape and configuration of a container and blank therefor as shown in the accompanying illustrations.**



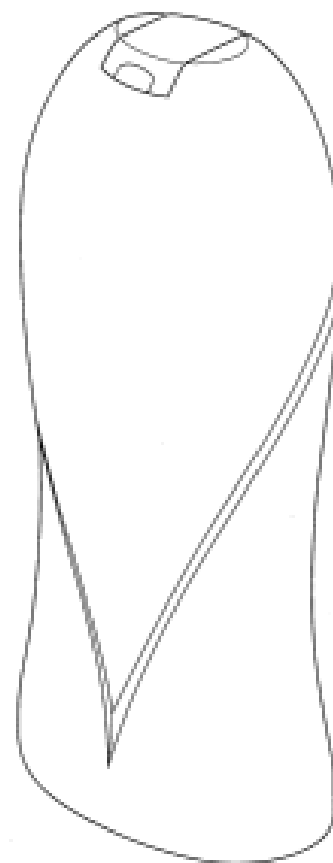
(21) Design Number: **14780/2009**
 (22) Date of Filing Application: **07 December 2009**
 (24) Date from which industrial property rights may have effect: **07 December 2009**
 (54) Product in respect of which the design is registered: **Container**
 (51) International Design Classification: **09-01NES**
 (71) Name(s) and Address(s) of Applicant(s):
Colgate-Palmolive Company
300 Park Avenue New York New York 10022 United States of America
 (72) Name(s) of Designer(s): **Kiat Toh and Liam Hawry**
 (45) Registration Date: **07 January 2010**
 (30) Convention priority data:
 (31) Number (32) Date (33) Country
29/338294 09 Jun 2009 UNITED STATES OF AMERICA
 (56) Related Art Documents: **Not Applicable**
 (57) Statement of Newness and Distinctiveness: **Newness and distinctiveness reside in the features of the design shown in solid lines in the representations excluding those features shown in broken lines.**



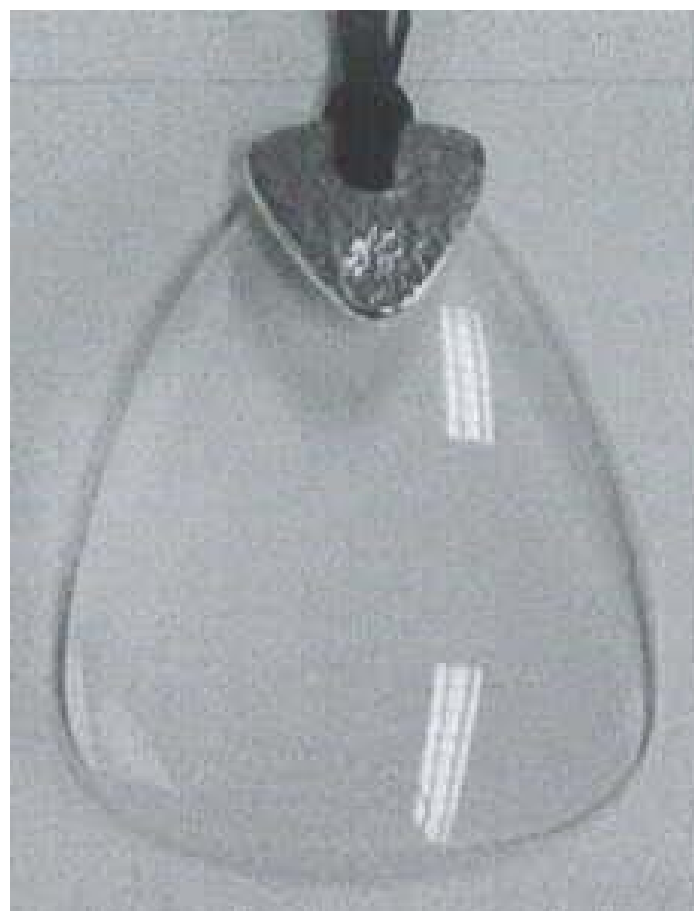
(21) Design Number: **14781/2009**
 (22) Date of Filing Application: **07 December 2009**
 (24) Date from which industrial property rights may have effect: **07 December 2009**
 (54) Product in respect of which the design is registered: **Container**
 (51) International Design Classification: **09-01NES**
 (71) Name(s) and Address(s) of Applicant(s):
Colgate-Palmolive Company
300 Park Avenue New York New York 10022 United States of America
 (72) Name(s) of Designer(s): **Kiat Toh and Liam Hawry**
 (45) Registration Date: **07 January 2010**
 (30) Convention priority data:
 (31) Number (32) Date (33) Country
29/338295 09 Jun 2009 UNITED STATES OF AMERICA
 (56) Related Art Documents: **Not Applicable**
 (57) Statement of Newness and Distinctiveness: **Newness and distinctiveness reside in the features of the design shown in solid lines in the representations excluding those features shown in broken lines.**



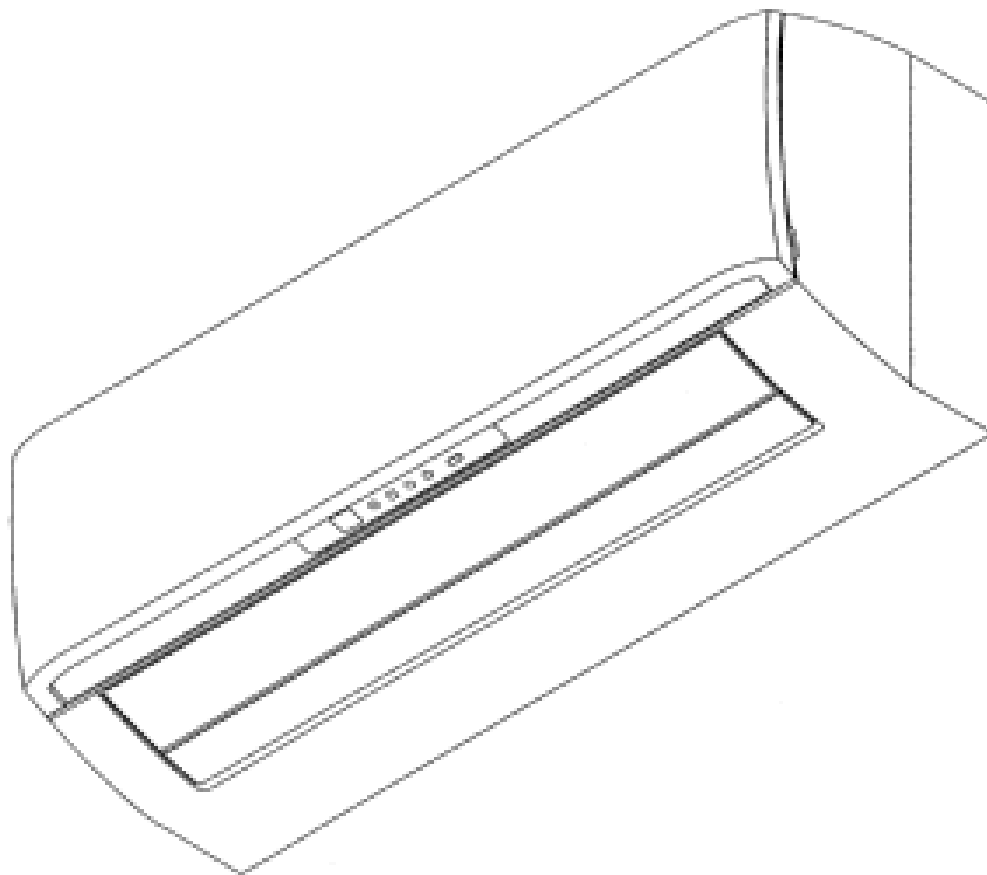
- (21) Design Number: **14782/2009**
(22) Date of Filing Application: **07 December 2009**
(24) Date from which industrial property rights may have effect: **07 December 2009**
(54) Product in respect of which the design is registered: **Container**
(51) International Design Classification: **09-01NES**
(71) Name(s) and Address(s) of Applicant(s):
Colgate-Palmolive Company
300 Park Avenue New York New York 10022 United States of America
(72) Name(s) of Designer(s): **Kiat Toh and Liam Hawry**
(45) Registration Date: **07 January 2010**
(30) Convention priority data:
(31) Number (32) Date (33) Country
29/338296 09 Jun 2009 UNITED STATES OF AMERICA
(56) Related Art Documents: **Not Applicable**
(57) Statement of Newness and Distinctiveness: **Newness and distinctiveness reside in the features of the design shown in solid lines in the representations excluding those features shown in broken lines.**



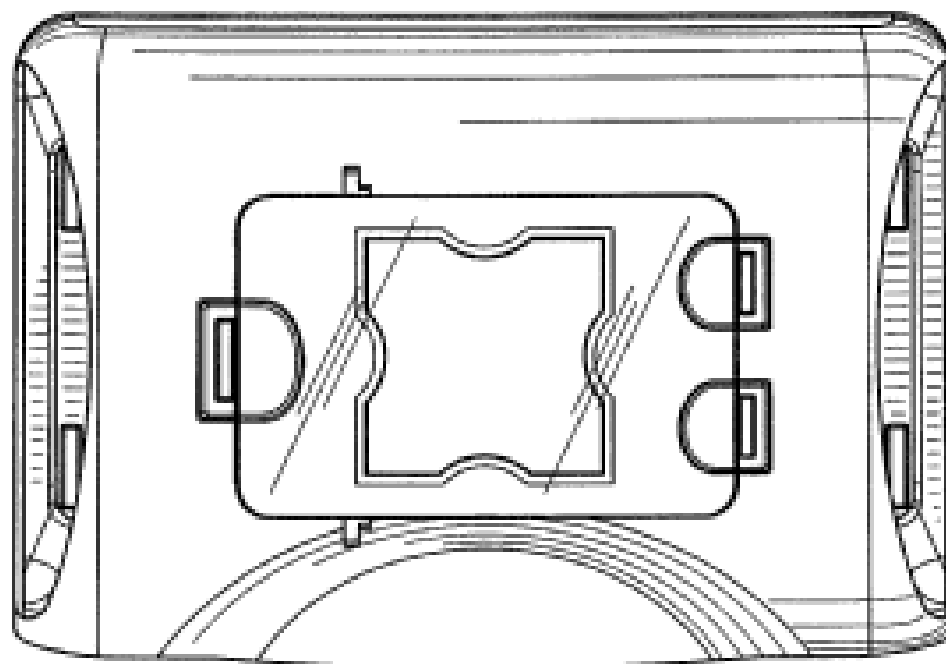
- (21) Design Number: **14786/2009**
(22) Date of Filing Application: **08 December 2009**
(24) Date from which industrial property rights may have effect: **08 December 2009**
(54) Product in respect of which the design is registered: **Magnifier**
(51) International Design Classification: **11-01NES, 16-06**
(71) Name(s) and Address(s) of Applicant(s):
Alyce Mary Platt
6 Thackeray Street Elwood Victoria 3184 Australia
(72) Name(s) of Designer(s): **Alyce Mary Platt**
(45) Registration Date: **07 January 2010**
(56) Related Art Documents: **Not Applicable**
(57) Statement of Newness and Distinctiveness: **The shape and configuration of the magnifier is new and distinctive, each of the decorative leaves at the top of the magnifier and the necklace may be made of any suitable material.**



(21) Design Number: **14787/2009**
(22) Date of Filing Application: **08 December 2009**
(24) Date from which industrial property rights may have effect: **08 December 2009**
(54) Product in respect of which the design is registered: **Air conditioner**
(51) International Design Classification: **23-04**
(71) Name(s) and Address(s) of Applicant(s):
Daikin Industries Ltd.
Umeda Center Building 4-12 Nakazaki-Nishi 2-chome Kita-Ku
Osaka-shi Osaka-fu Japan
(72) Name(s) of Designer(s): **Yumi Saitou**
(45) Registration Date: **07 January 2010**
(30) Convention priority data:
(31) Number (32) Date (33) Country
2009-024175 15 Oct 2009 JAPAN
(56) Related Art Documents: **Not Applicable**
(57) Statement of Newness and Distinctiveness: **Nil**



(21) Design Number: **14789/2009**
(22) Date of Filing Application: **08 December 2009**
(24) Date from which industrial property rights may have effect: **08 December 2009**
(54) Product in respect of which the design is registered: **Rodent bait station**
(51) International Design Classification: **22-06**
(71) Name(s) and Address(s) of Applicant(s):
Reckitt & Colman (Overseas) Limited
103-105 Bath Road Slough SL1 3UH United Kingdom
(72) Name(s) of Designer(s): **Vladan Jovic and Duncan McLeod Watson**
(45) Registration Date: **07 January 2010**
(30) Convention priority data:
(31) Number (32) Date (33) Country
001147359-0001 23 Jun 2009 EUROPEAN COMMUNITY
(56) Related Art Documents: **Not Applicable**
(57) Statement of Newness and Distinctiveness: **Newness and distinctiveness reside in the shape and configuration of the design as shown in the representations.**



(21) Design Number: **14790/2009**

(22) Date of Filing Application: **08 December 2009**

(24) Date from which industrial property rights may have effect: **08 December 2009**

(54) Product in respect of which the design is registered: **Rodent bait station**

(51) International Design Classification: **22-06**

(71) Name(s) and Address(s) of Applicant(s):

Reckitt & Colman (Overseas) Limited
103-105 Bath Road Slough SL1 3UH United Kingdom

(72) Name(s) of Designer(s): **Vladan Jovic and Duncan McLeod Watson**

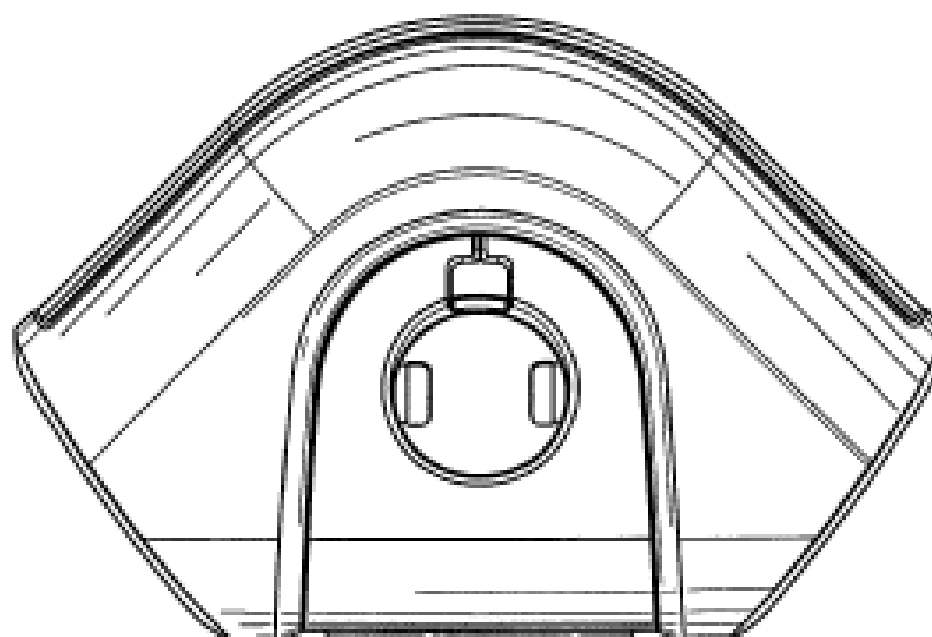
(45) Registration Date: **07 January 2010**

(30) Convention priority data:

(31) Number	(32) Date	(33) Country
001147367-0001	23 Jun 2009	EUROPEAN COMMUNITY

(56) Related Art Documents: **Not Applicable**

(57) Statement of Newness and Distinctiveness: **Newness and distinctiveness reside in the shape and configuration of the design as shown in the representations.**



(21) Design Number: **14791/2009**

(22) Date of Filing Application: **08 December 2009**

(24) Date from which industrial property rights may have effect: **08 December 2009**

(54) Product in respect of which the design is registered: **Cap**

(51) International Design Classification: **09-07A**

(71) Name(s) and Address(s) of Applicant(s):

Reckitt & Colman (Overseas) Limited
103-105 Bath Road Slough SL1 3UH United Kingdom

(72) Name(s) of Designer(s): **Paolo Borghesi and Peter Kay and Dai Sanders and Ben Wilson**

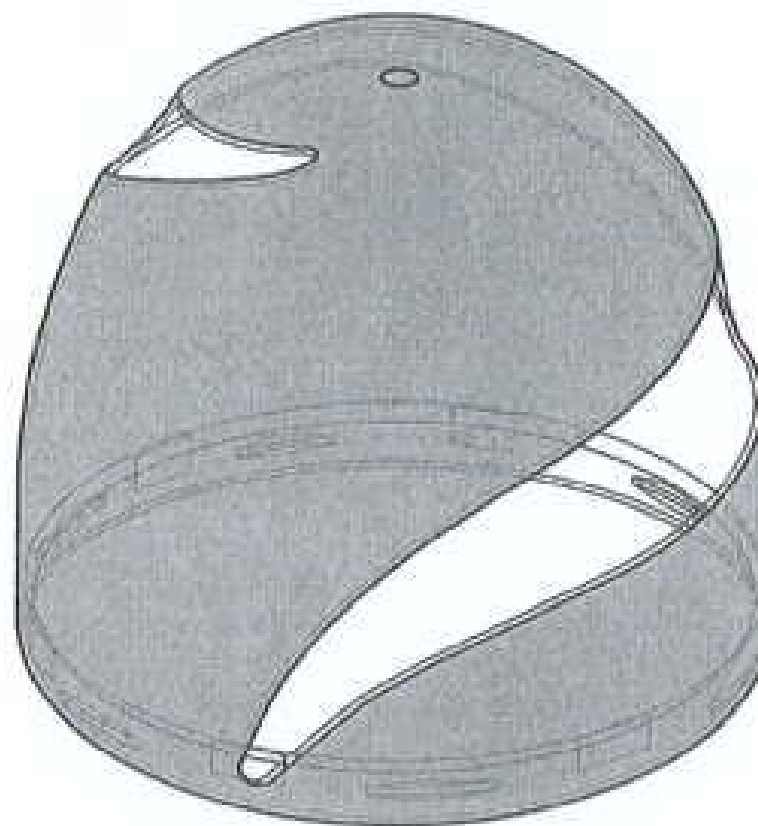
(45) Registration Date: **07 January 2010**

(30) Convention priority data:

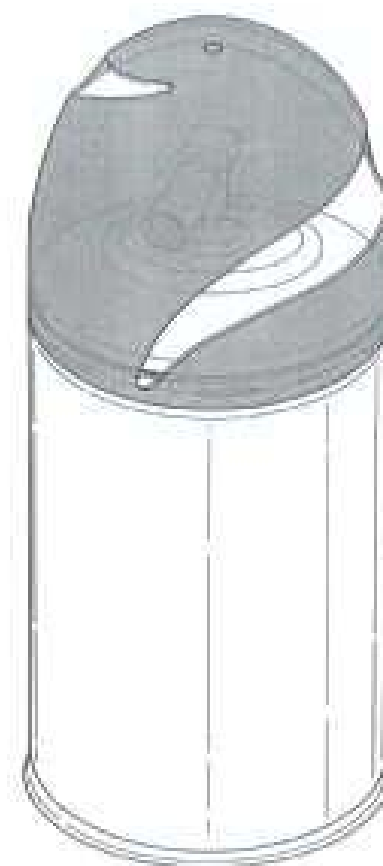
(31) Number	(32) Date	(33) Country
001145437-0002	11 Jun 2009	EUROPEAN COMMUNITY

(56) Related Art Documents: **Not Applicable**

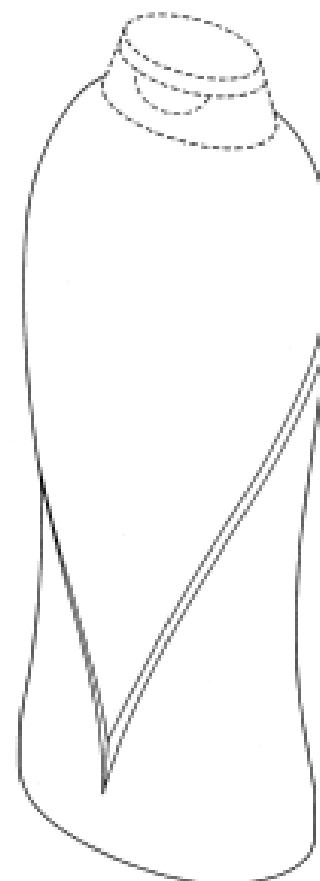
(57) Statement of Newness and Distinctiveness: **Newness and distinctiveness reside in the features of the design as shown in the representations.**



- (21) Design Number: **14792/2009**
(22) Date of Filing Application: **08 December 2009**
(24) Date from which industrial property rights may have effect: **08 December 2009**
(54) Product in respect of which the design is registered: **Aerosol canister**
(51) International Design Classification: **09-01A**
(71) Name(s) and Address(s) of Applicant(s):
Reckitt & Colman (Overseas) Limited
103-105 Bath Road Slough SL1 3UH United Kingdom
(72) Name(s) of Designer(s): **Paolo Borghesi and Peter Kay and Dai Sanders and Ben Wilson**
(45) Registration Date: **07 January 2010**
(30) Convention priority data:
(31) Number (32) Date (33) Country
001145429-0002 11 Jun 2009 EUROPEAN COMMUNITY
(56) Related Art Documents: **Not Applicable**
(57) Statement of Newness and Distinctiveness: **Newness and distinctiveness reside in the features of the design as shown in the representations.**



- (21) Design Number: **14793/2009**
(22) Date of Filing Application: **08 December 2009**
(24) Date from which industrial property rights may have effect: **08 December 2009**
(54) Product in respect of which the design is registered: **Container**
(51) International Design Classification: **09-01K**
(71) Name(s) and Address(s) of Applicant(s):
Colgate-Palmolive Company
300 Park Avenue New York New York 10022 United States of America
(72) Name(s) of Designer(s): **Kiat Toh and Liam Hawry**
(45) Registration Date: **07 January 2010**
(30) Convention priority data:
(31) Number (32) Date (33) Country
29/338297 09 Jun 2009 UNITED STATES OF AMERICA
(56) Related Art Documents: **Not Applicable**
(57) Statement of Newness and Distinctiveness: **Newness and distinctiveness reside in the features of the design shown in solid lines in the representations excluding those features shown in broken lines.**



(19) AU

(21) Design Number: 14794/2009

(22) Date of Filing Application: 08 December 2009

(24) Date from which industrial property rights may have effect: 08 December 2009

(54) Product in respect of which the design is registered: Drinking vessel

(51) International Design Classification: 07-01C

(71) Name(s) and Address(s) of Applicant(s):

Pi-Design AG
Kantonsstrasse 100 6234 Triengen Switzerland

(72) Name(s) of Designer(s): Jorgen Bodum

(45) Registration Date: 07 January 2010

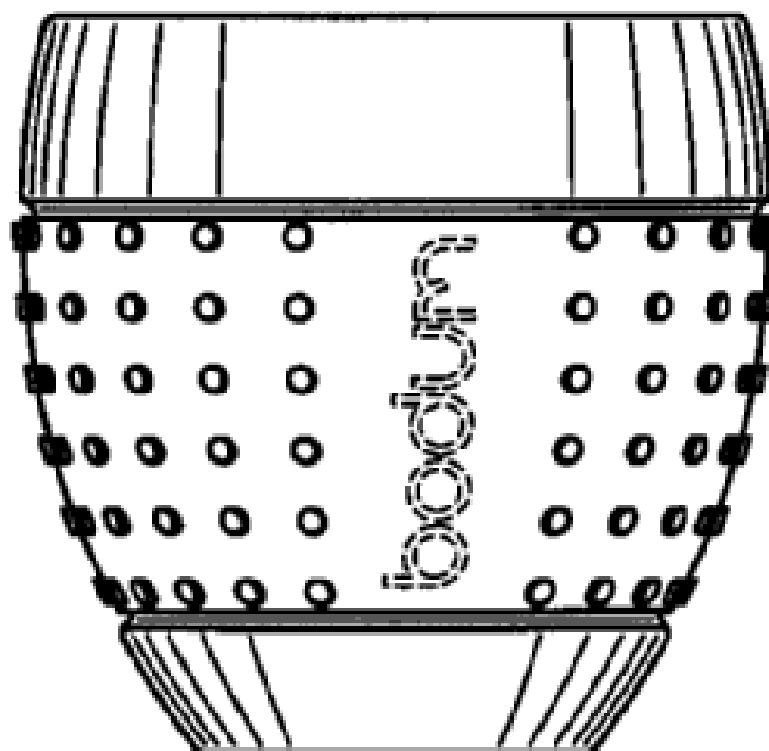
(30) Convention priority data:

(31) Number (32) Date
DM/071 887 09 Jun 2009

(33) Country
WORLD INTELLECTUAL
PROPERTY ORGANIZATION
(WIPO)

(56) Related Art Documents: Not Applicable

(57) Statement of Newness and Distinctiveness: Nil



(19) AU

(21) Design Number: 14795/2009

(22) Date of Filing Application: 08 December 2009

(24) Date from which industrial property rights may have effect: 08 December 2009

(54) Product in respect of which the design is registered: Drinking vessel

(51) International Design Classification: 07-01C

(71) Name(s) and Address(s) of Applicant(s):

Pi-Design AG
Kantonsstrasse 100 6234 Triengen Switzerland

(72) Name(s) of Designer(s): Jorgen Bodum

(45) Registration Date: 07 January 2010

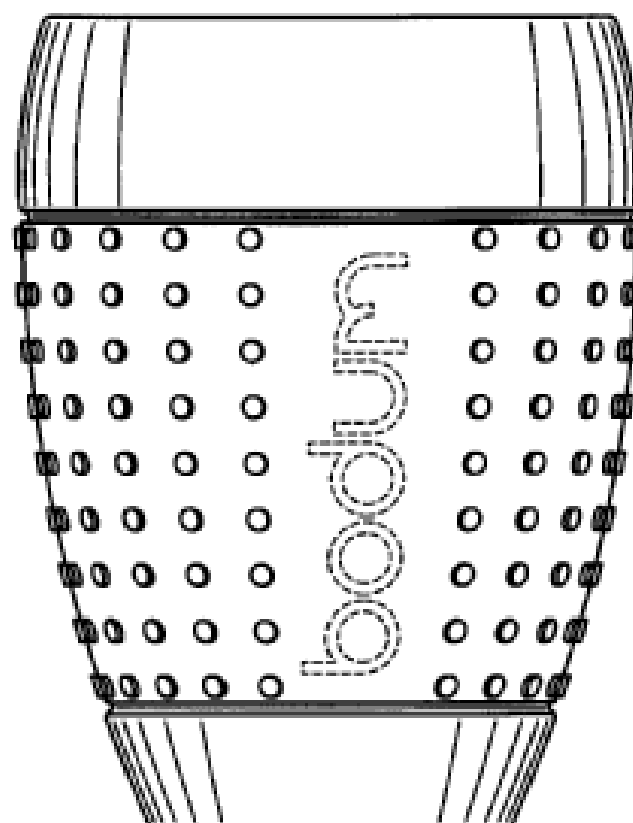
(30) Convention priority data:

(31) Number (32) Date
DM/071 887 09 Jun 2009

(33) Country
WORLD INTELLECTUAL
PROPERTY ORGANIZATION
(WIPO)

(56) Related Art Documents: Not Applicable

(57) Statement of Newness and Distinctiveness: Nil



(21) Design Number: **14796/2009**
(22) Date of Filing Application: **08 December 2009**
(24) Date from which industrial property rights may have effect: **08 December 2009**
(54) Product in respect of which the design is registered: **Drinking vessel**
(51) International Design Classification: **07-01C**
(71) Name(s) and Address(s) of Applicant(s):

Pi-Design AG
Kantonsstrasse 100 6234 Triengen Switzerland

(72) Name(s) of Designer(s): **Jorgen Bodum**

(45) Registration Date: **07 January 2010**

(30) Convention priority data:

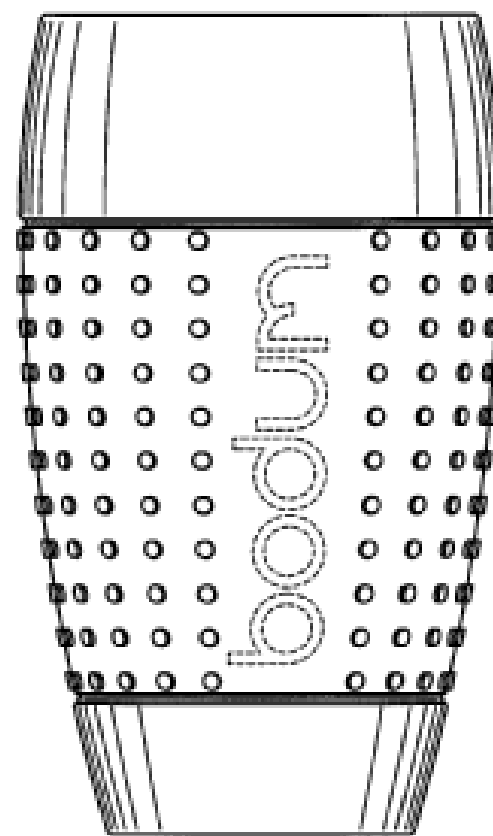
(31) Number
DM/071 887

(32) Date
09 Jun 2009

(33) Country
**WORLD INTELLECTUAL
PROPERTY ORGANIZATION
(WIPO)**

(56) Related Art Documents: **Not Applicable**

(57) Statement of Newness and Distinctiveness: **Nil**



(21) Design Number: **14814/2009**
(22) Date of Filing Application: **09 December 2009**
(24) Date from which industrial property rights may have effect: **09 December 2009**
(54) Product in respect of which the design is registered: **Extrusion**
(51) International Design Classification: **25-01K**
(71) Name(s) and Address(s) of Applicant(s):

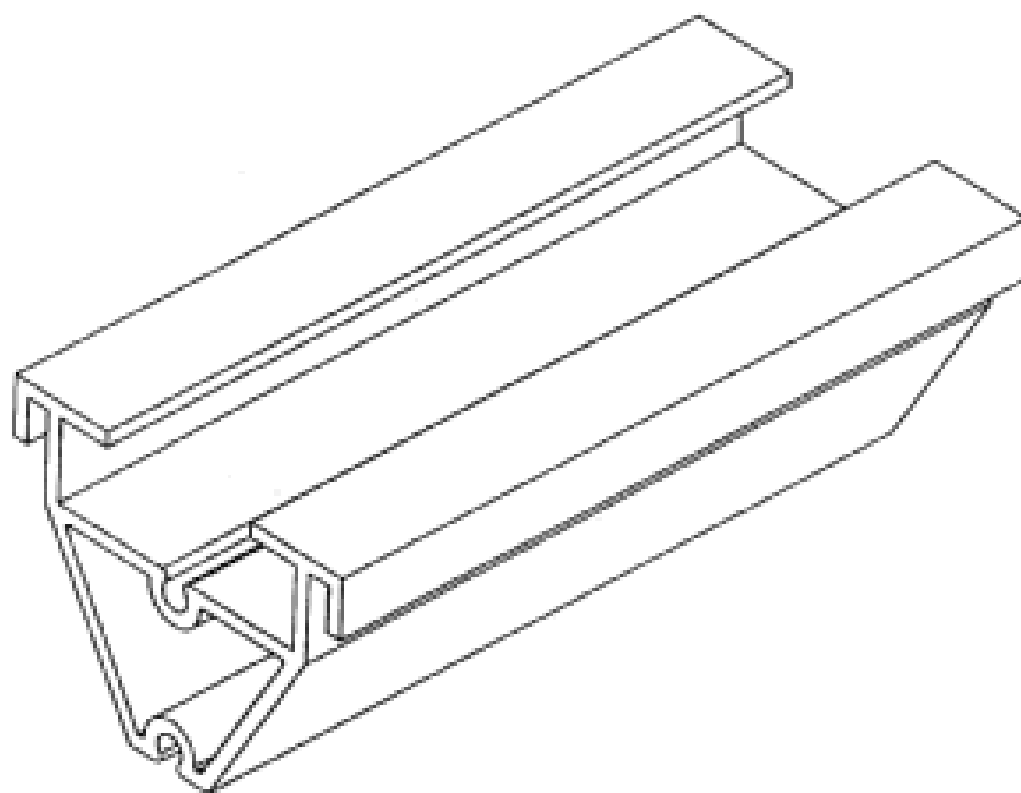
Fast Shack Pty Limited
47 Dickson Street Newtown New South Wales 2042 Australia

(72) Name(s) of Designer(s): **Dennis Leonard Dwight Hall and Alan Vincent Smith and Sonny Pirreca**

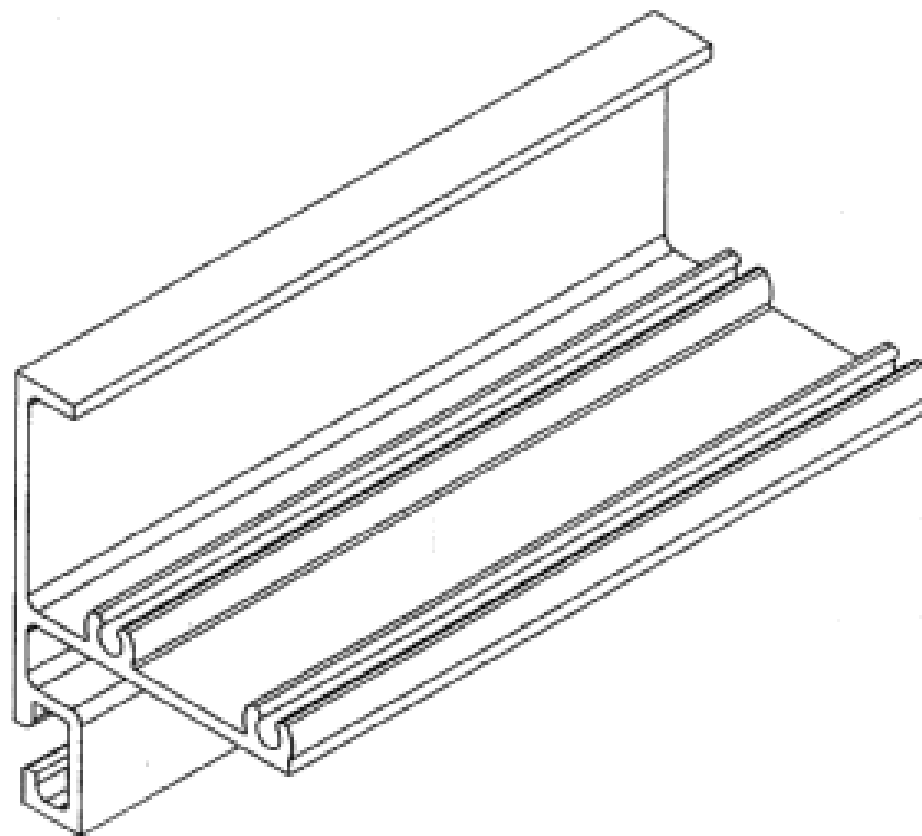
(45) Registration Date: **07 January 2010**

(56) Related Art Documents: **Not Applicable**

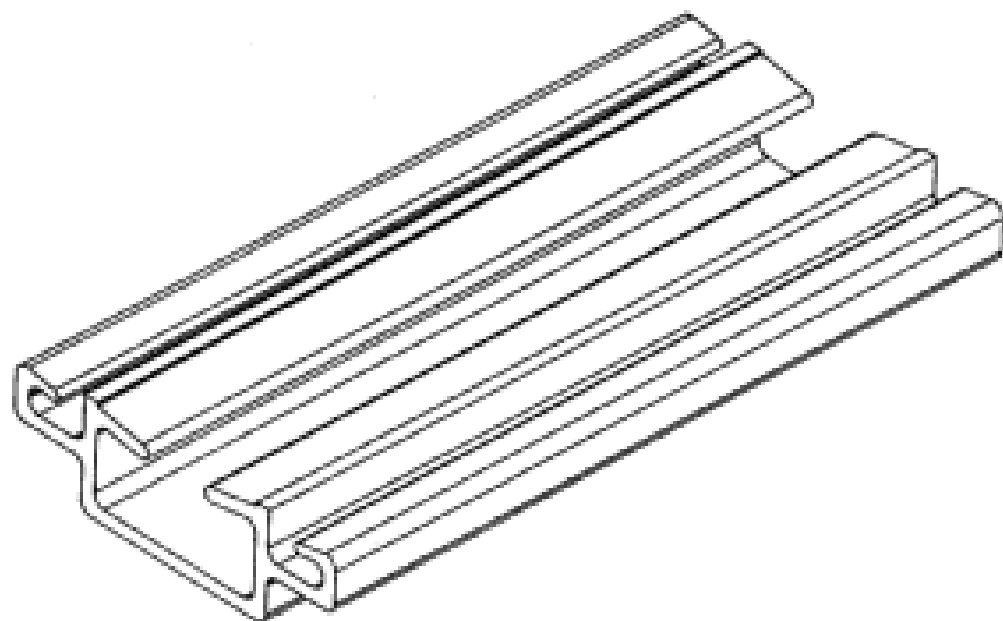
(57) Statement of Newness and Distinctiveness: **Newness and distinctiveness is claimed in the features of shape and/or configuration of the cross-section of an extrusion as illustrated in the accompanying representations, wherein the cross-section of the extrusion is constant along its length.**



- (21) Design Number: **14815/2009**
(22) Date of Filing Application: **09 December 2009**
(24) Date from which industrial property rights may have effect: **09 December 2009**
(54) Product in respect of which the design is registered: **Extrusion**
(51) International Design Classification: **25-01K**
(71) Name(s) and Address(s) of Applicant(s):
Fast Shack Pty Limited
47 Dickson Street Newtown New South Wales 2042 Australia
(72) Name(s) of Designer(s): **Dennis Leonard Dwight Hall and Alan Vincent Smith and Sonny Pirreca**
(45) Registration Date: **07 January 2010**
(56) Related Art Documents: **Not Applicable**
(57) Statement of Newness and Distinctiveness: **Newness and distinctiveness is claimed in the features of shape and/or configuration of the cross-section of an extrusion as illustrated in the accompanying representations, wherein the cross-section of the extrusion is constant along its length.**



- (21) Design Number: **14816/2009**
(22) Date of Filing Application: **09 December 2009**
(24) Date from which industrial property rights may have effect: **09 December 2009**
(54) Product in respect of which the design is registered: **Extrusion**
(51) International Design Classification: **25-01K**
(71) Name(s) and Address(s) of Applicant(s):
Fast Shack Pty Limited
47 Dickson Street Newtown New South Wales 2042 Australia
(72) Name(s) of Designer(s): **Dennis Leonard Dwight Hall and Alan Vincent Smith and Sonny Pirreca**
(45) Registration Date: **07 January 2010**
(56) Related Art Documents: **Not Applicable**
(57) Statement of Newness and Distinctiveness: **Newness and distinctiveness is claimed in the features of shape and/or configuration of the cross-section of an extrusion as illustrated in the accompanying representations, wherein the cross-section of the extrusion is constant along its length.**



(21) Design Number: **14817/2009**

(22) Date of Filing Application: **09 December 2009**

(24) Date from which industrial property rights may have effect: **09 December 2009**

(54) Product in respect of which the design is registered: **Extrusion**

(51) International Design Classification: **25-01K**

(71) Name(s) and Address(s) of Applicant(s):

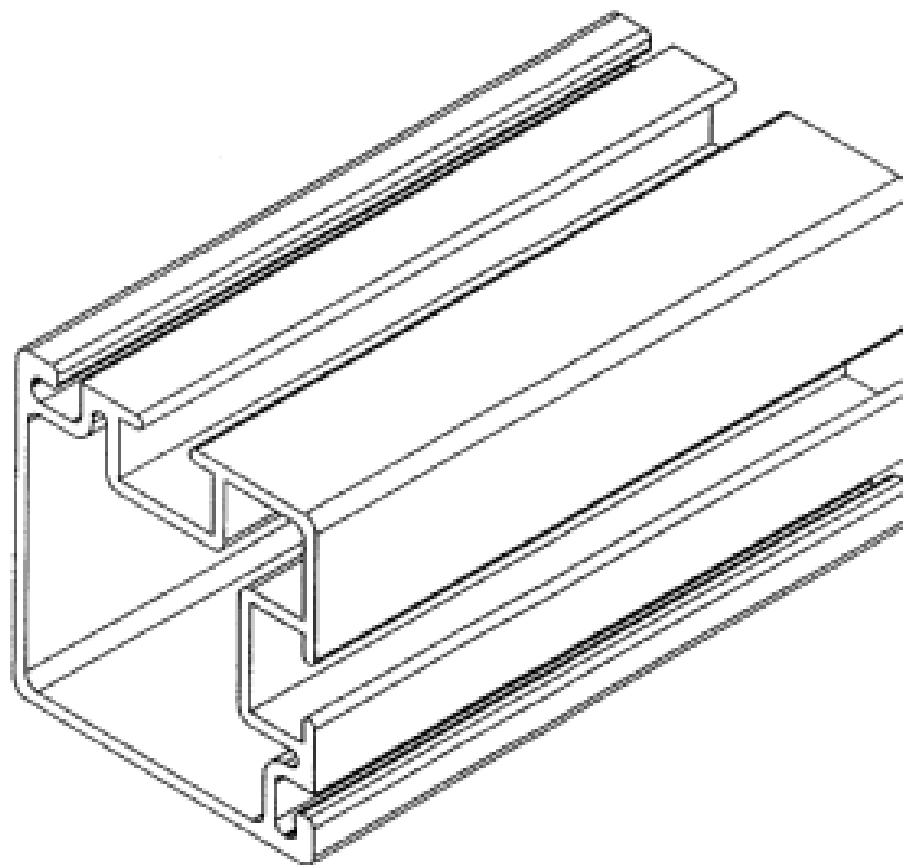
Fast Shack Pty Limited
47 Dickson Street Newtown New South Wales 2042 Australia

(72) Name(s) of Designer(s): **Dennis Leonard Dwight Hall and Alan Vincent Smith and Sonny Pirreca**

(45) Registration Date: **07 January 2010**

(56) Related Art Documents: **Not Applicable**

(57) Statement of Newness and Distinctiveness: **Newness and distinctiveness is claimed in the features of shape and/or configuration of the cross-section of an extrusion as illustrated in the accompanying representations, wherein the cross-section of the extrusion is constant along its length.**



(21) Design Number: **14841/2009**

(22) Date of Filing Application: **10 December 2009**

(24) Date from which industrial property rights may have effect: **10 December 2009**

(54) Product in respect of which the design is registered: **Heat pump for swimming pools**

(51) International Design Classification: **15-02**

(71) Name(s) and Address(s) of Applicant(s):

Zodiac Pool Care Europe
1 Quai de Grenelle 75015 Paris France

(72) Name(s) of Designer(s): **Frederic Fournier**

(45) Registration Date: **07 January 2010**

(30) Convention priority data:

(31) Number	(32) Date	(33) Country
00159929-0001	11 Aug 2009	EUROPEAN COMMUNITY

(56) Related Art Documents: **Not Applicable**

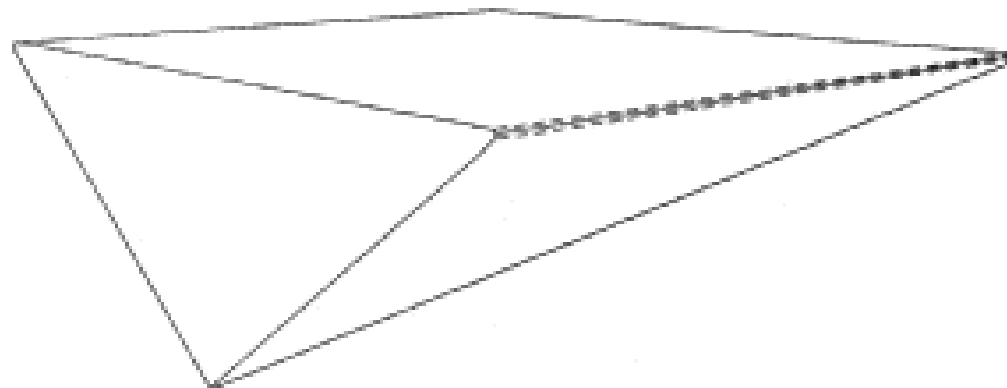
(57) Statement of Newness and Distinctiveness: **Newness and distinctiveness reside in the features of the design as shown in the representations.**



(21) Design Number: **14842/2009**
(22) Date of Filing Application: **11 December 2009**
(24) Date from which industrial property rights may have effect: **11 December 2009**
(54) Product in respect of which the design is registered: **Nozzle**
(51) International Design Classification: **23-01E**
(71) Name(s) and Address(s) of Applicant(s):
Proline Sealants Pty Ltd
PO Box 3180 Mornington Victoria 3931 Australia
(72) Name(s) of Designer(s): **David Wallace Gibson**
(45) Registration Date: **07 January 2010**
(56) Related Art Documents: **Not Applicable**
(57) Statement of Newness and Distinctiveness: **Nil**



(21) Design Number: **14846/2009**
(22) Date of Filing Application: **10 December 2009**
(24) Date from which industrial property rights may have effect: **10 December 2009**
(54) Product in respect of which the design is registered: **Shelf**
(51) International Design Classification: **06-04NES**
(71) Name(s) and Address(s) of Applicant(s):
Toby Horrocks
205/39 Queen Street Melbourne Victoria 3000 Australia
(72) Name(s) of Designer(s): **Toby Horrocks**
(45) Registration Date: **07 January 2010**
(56) Related Art Documents: **Not Applicable**
(57) Statement of Newness and Distinctiveness: **Nil**



(21) Design Number: **14851/2009**

(22) Date of Filing Application: **10 December 2009**

(24) Date from which industrial property rights may have effect: **10 December 2009**

(54) Product in respect of which the design is registered: **Fence cap**

(51) International Design Classification: **25-01E**

(71) Name(s) and Address(s) of Applicant(s):

Scott Kahler

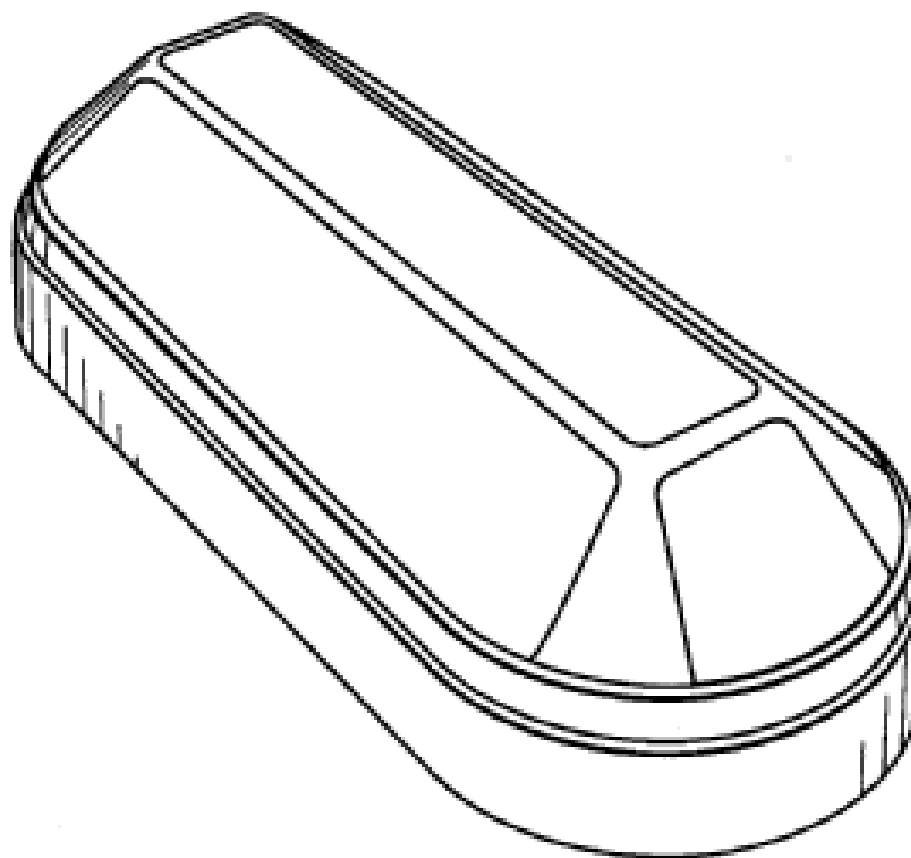
**C/- Quickfit Joiners 14 Rocla Court Toowoomba Queensland 4350
Australia**

(72) Name(s) of Designer(s): **Scott Kahler**

(45) Registration Date: **07 January 2010**

(56) Related Art Documents: **Not Applicable**

(57) Statement of Newness and Distinctiveness: **The newness and distinctiveness of the design resides in the shape and/or configuration of the fence cap shown in the representations.**



(21) Design Number: **14854/2009**

(22) Date of Filing Application: **11 December 2009**

(24) Date from which industrial property rights may have effect: **11 December 2009**

(54) Product in respect of which the design is registered: **Lawn mower display ramp**

(51) International Design Classification: **15-03B**

(71) Name(s) and Address(s) of Applicant(s):

SULO MGB Australia Pty Ltd

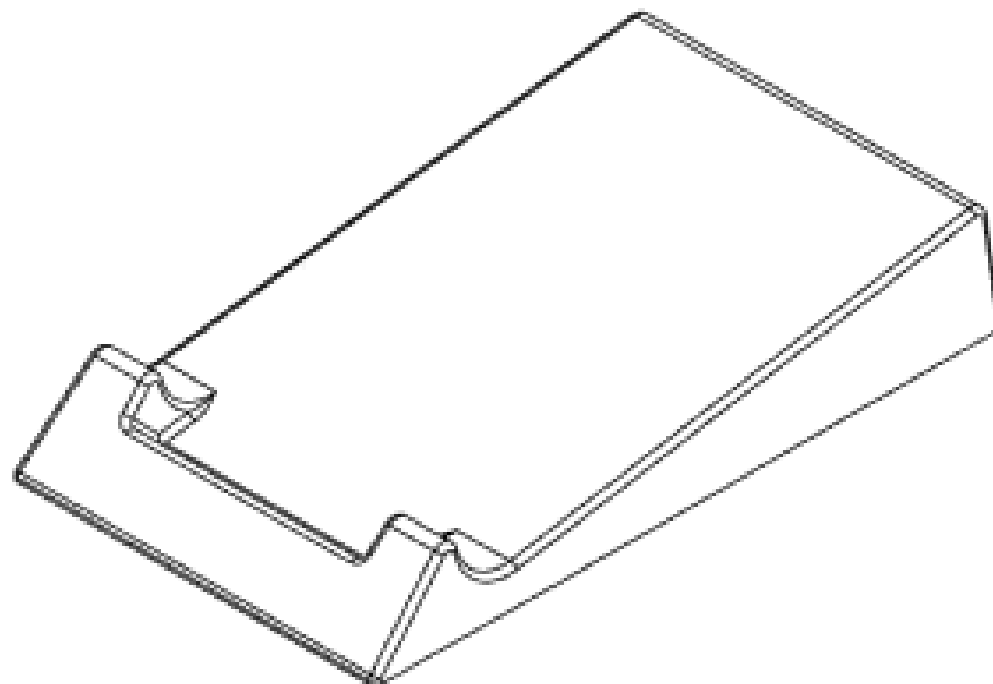
123 Wisemans Ferry Road Somersby New South Wales 2250 Australia

(72) Name(s) of Designer(s): **Philip Robson and Vienna Spence and Shaun Borsody-Nagy and Jason Bezzina-Husqvarna**

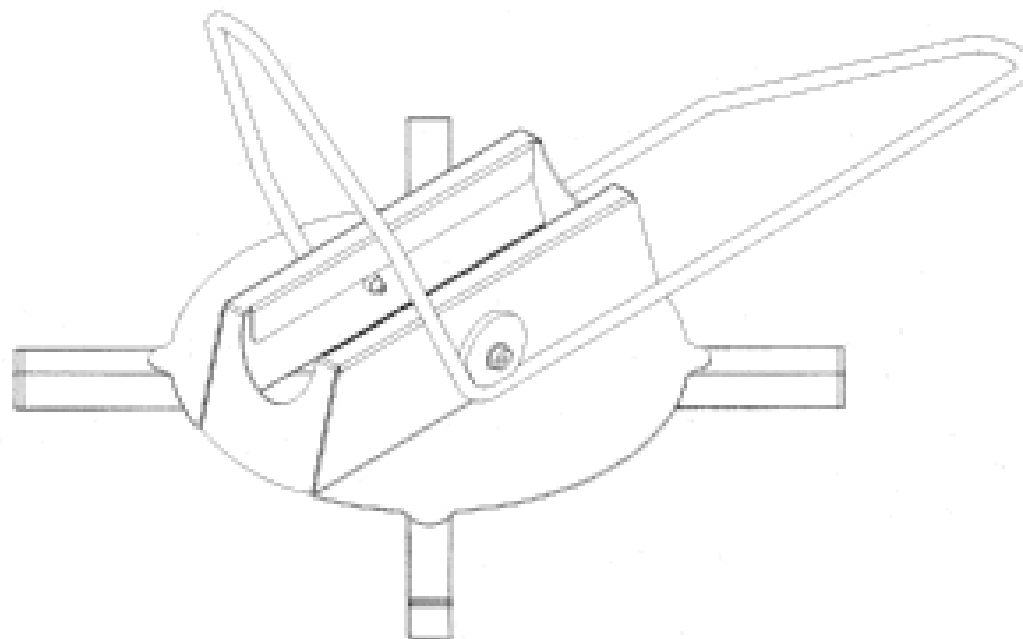
(45) Registration Date: **07 January 2010**

(56) Related Art Documents: **Not Applicable**

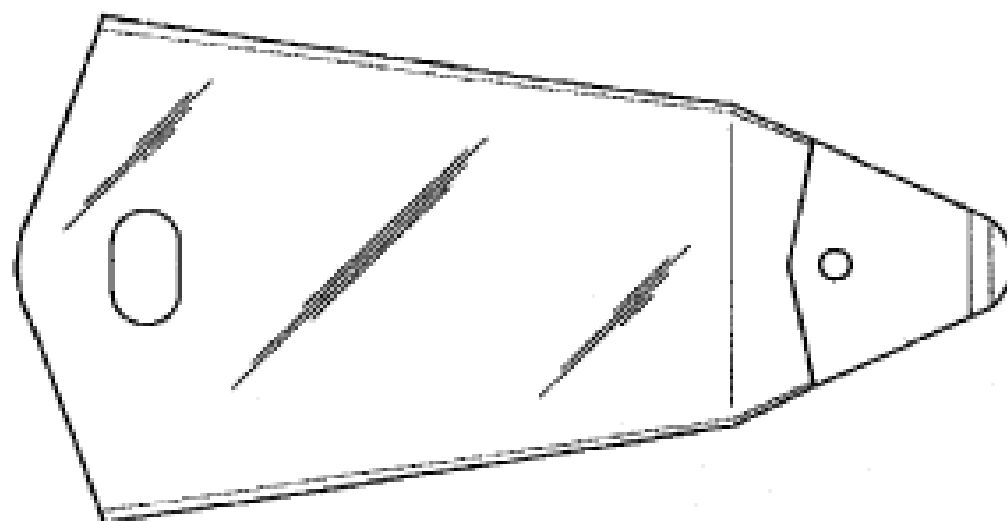
(57) Statement of Newness and Distinctiveness: **Nil**



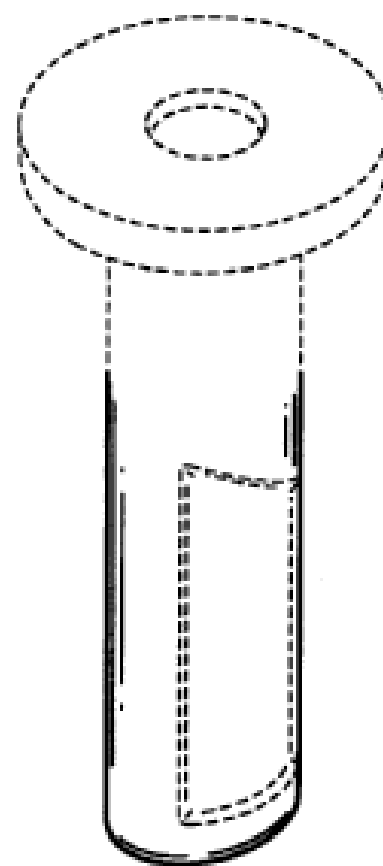
- (21) Design Number: **14865/2009**
(22) Date of Filing Application: **11 December 2009**
(24) Date from which industrial property rights may have effect: **11 December 2009**
(54) Product in respect of which the design is registered: **Bicycle parking chair**
(51) International Design Classification: **08-10**
(71) Name(s) and Address(s) of Applicant(s):
The Bicycle Corporation Pty Ltd
9 Villa Road Springvale Victoria 3171 Australia
(72) Name(s) of Designer(s): **David William Lugton**
(45) Registration Date: **07 January 2010**
(56) Related Art Documents: **Not Applicable**
(57) Statement of Newness and Distinctiveness: **The newness and distinctiveness of the design resides in the overall shape. Shape and features shown in the attached illustrations.**



- (21) Design Number: **14866/2009**
(22) Date of Filing Application: **10 December 2009**
(24) Date from which industrial property rights may have effect: **10 December 2009**
(54) Product in respect of which the design is registered: **A ripper boot including a male carrier and a female tooth**
(51) International Design Classification: **15-03A**
(71) Name(s) and Address(s) of Applicant(s):
James A. Calderwood
PO Box 2975 Port Lincoln South Australia 5606 Australia
(72) Name(s) of Designer(s): **James A. Calderwood**
(45) Registration Date: **07 January 2010**
(56) Related Art Documents: **Not Applicable**
(57) Statement of Newness and Distinctiveness: **Nil**



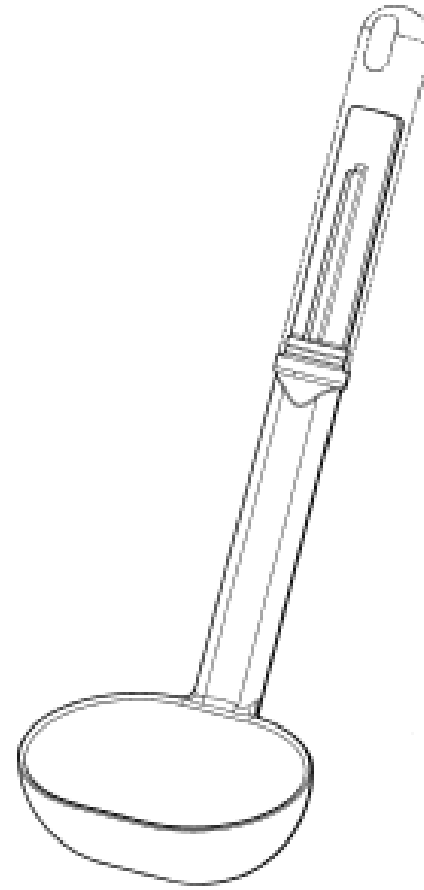
- (21) Design Number: **14869/2009**
(22) Date of Filing Application: **14 December 2009**
(24) Date from which industrial property rights may have effect: **14 December 2009**
(54) Product in respect of which the design is registered: **Stem for a power tool attachment**
(51) International Design Classification: **08-05NES**
(71) Name(s) and Address(s) of Applicant(s):
3M Innovative Properties Company
3M Center Post Office Box 33427 Saint Paul Minnesota 55133-3427
United States of America
(72) Name(s) of Designer(s): **Peter Joseph Fritz and Nathan Arlan Abel and Matthew David Chaffee and Michael John Annen and Adam Michael Spah and Wesley Alan Raider and Peter Atanacio Felipe Sr**
(45) Registration Date: **07 January 2010**
(30) Convention priority data:
(31) Number (32) Date (33) Country
29/338780 18 Jun 2009 UNITED STATES OF AMERICA
(56) Related Art Documents: **Not Applicable**
(57) Statement of Newness and Distinctiveness: **Newness and distinctiveness is claimed in the visual features shown in solid lines in the representations.**



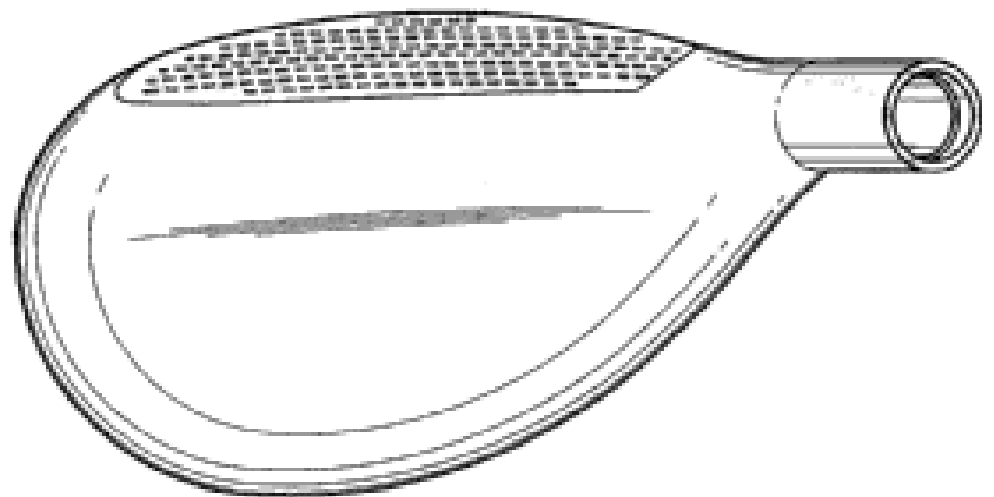
- (21) Design Number: **14870/2009**
(22) Date of Filing Application: **14 December 2009**
(24) Date from which industrial property rights may have effect: **14 December 2009**
(54) Product in respect of which the design is registered: **Hollow fishing lure with access door**
(51) International Design Classification: **22-05**
(71) Name(s) and Address(s) of Applicant(s):
Peter Somogyi
8 Carlyle Street Enfield New South Wales 2136 Australia
(72) Name(s) of Designer(s): **Peter Somogyi**
(45) Registration Date: **07 January 2010**
(56) Related Art Documents: **Not Applicable**
(57) Statement of Newness and Distinctiveness: **Nil**



- (21) Design Number: **14876/2009**
(22) Date of Filing Application: **14 December 2009**
(24) Date from which industrial property rights may have effect: **14 December 2009**
(54) Product in respect of which the design is registered: **Ladle**
(51) International Design Classification: **07-04**
(71) Name(s) and Address(s) of Applicant(s):
The Decor Corporation Pty Ltd
1314 Ferntree Gully Road Scoresby Victoria 3179 Australia
(72) Name(s) of Designer(s): **Anthony Henry Wolfenden**
(45) Registration Date: **07 January 2010**
(56) Related Art Documents: **Not Applicable**
(57) Statement of Newness and Distinctiveness: **Features shown in phantom lines do not constitute part of the design.**



- (21) Design Number: **14878/2009**
(22) Date of Filing Application: **14 December 2009**
(24) Date from which industrial property rights may have effect: **14 December 2009**
(54) Product in respect of which the design is registered: **Hybrid golf club head**
(51) International Design Classification: **21-02C**
(71) Name(s) and Address(s) of Applicant(s):
Callaway Golf Company
2180 Rutherford Road Carlsbad California 92008-7328 United States of America
(72) Name(s) of Designer(s): **Philip A. Mickelson and Daniel M. Stevens and William C. Watson and Luke R. Williams and Roger Cleveland and Alan Hocknell**
(45) Registration Date: **07 January 2010**
(30) Convention priority data:
(31) Number (32) Date (33) Country
29/338771 18 Jun 2009 UNITED STATES OF AMERICA
(56) Related Art Documents: **Not Applicable**
(57) Statement of Newness and Distinctiveness: **Newness and distinctiveness is claimed in those features of shape and/or configuration of a hybrid golf club head illustrated in continuous lines in the accompanying representations.**



- (21) Design Number: **14798/2009**
(22) Date of Filing Application: **08 December 2009**
(24) Date from which industrial property rights may have effect: **08 December 2009**
(54) Product in respect of which the design is registered: **Street lighting lantern**
(51) International Design Classification: **26-03**
(71) Name(s) and Address(s) of Applicant(s):
Thorn Europhane
156 Boulevard Haussmann 75008 Paris France
(72) Name(s) of Designer(s): **Frederic Strubi and Joseph Mazoyer and Felicien Bergere**
(45) Registration Date: **07 January 2010**
(30) Convention priority data:
(31) Number (32) Date (33) Country
001606708-0002 02 Sep 2009 EUROPEAN COMMUNITY
(56) Related Art Documents: **Not Applicable**
(57) Statement of Newness and Distinctiveness: **Newness and distinctiveness is claimed in the features of shape and/or configuration of a street lighting lantern as illustrated in the accompanying representations.**



- (21) Design Number: **14799/2009**
(22) Date of Filing Application: **08 December 2009**
(24) Date from which industrial property rights may have effect: **08 December 2009**
(54) Product in respect of which the design is registered: **Street lighting lantern**
(51) International Design Classification: **26-03**
(71) Name(s) and Address(s) of Applicant(s):
Thorn Europhane
156 Boulevard Haussmann 75008 Paris France
(72) Name(s) of Designer(s): **Frederic Strubi and Joseph Mazoyer and Felicien Bergere**
(45) Registration Date: **07 January 2010**
(30) Convention priority data:
(31) Number (32) Date (33) Country
001606708-0003 02 Sep 2009 EUROPEAN COMMUNITY
(56) Related Art Documents: **Not Applicable**
(57) Statement of Newness and Distinctiveness: **Newness and distinctiveness is claimed in the features of shape and/or configuration of a street lighting lantern as illustrated in the accompanying representations.**



- (21) Design Number: **14800/2009**
(22) Date of Filing Application: **08 December 2009**
(24) Date from which industrial property rights may have effect: **08 December 2009**
(54) Product in respect of which the design is registered: **Street lighting lantern**
(51) International Design Classification: **26-03**
(71) Name(s) and Address(s) of Applicant(s):
Thorn Europhane
156 Boulevard Haussmann 75008 Paris France
(72) Name(s) of Designer(s): **Frederic Strubi and Joseph Mazoyer and Felicien Bergere**
(45) Registration Date: **07 January 2010**
(30) Convention priority data:
(31) Number (32) Date (33) Country
001606708-0001 02 Sep 2009 EUROPEAN COMMUNITY
(56) Related Art Documents: **Not Applicable**
(57) Statement of Newness and Distinctiveness: **Newness and distinctiveness is claimed in the features of shape and/or configuration of a street lighting lantern as illustrated in the accompanying representations.**



- (21) Design Number: **14801/2009**
(22) Date of Filing Application: **08 December 2009**
(24) Date from which industrial property rights may have effect: **08 December 2009**
(54) Product in respect of which the design is registered: **Street lighting lantern**
(51) International Design Classification: **26-03**
(71) Name(s) and Address(s) of Applicant(s):
Thorn Europhane
156 Boulevard Haussmann 75008 Paris France
(72) Name(s) of Designer(s): **Frederic Strubi and Joseph Mazoyer and Felicien Bergere**
(45) Registration Date: **07 January 2010**
(30) Convention priority data:
(31) Number (32) Date (33) Country
001606708-0004 02 Sep 2009 EUROPEAN COMMUNITY
(56) Related Art Documents: **Not Applicable**
(57) Statement of Newness and Distinctiveness: **Newness and distinctiveness is claimed in the features of shape and/or configuration of a street lighting lantern as illustrated in the accompanying representations.**



(21) Design Number: **14802/2009**

(22) Date of Filing Application: **08 December 2009**

(24) Date from which industrial property rights may have effect: **08 December 2009**

(54) Product in respect of which the design is registered: **A sealing ring**

(51) International Design Classification: **23-01A**

(71) Name(s) and Address(s) of Applicant(s):

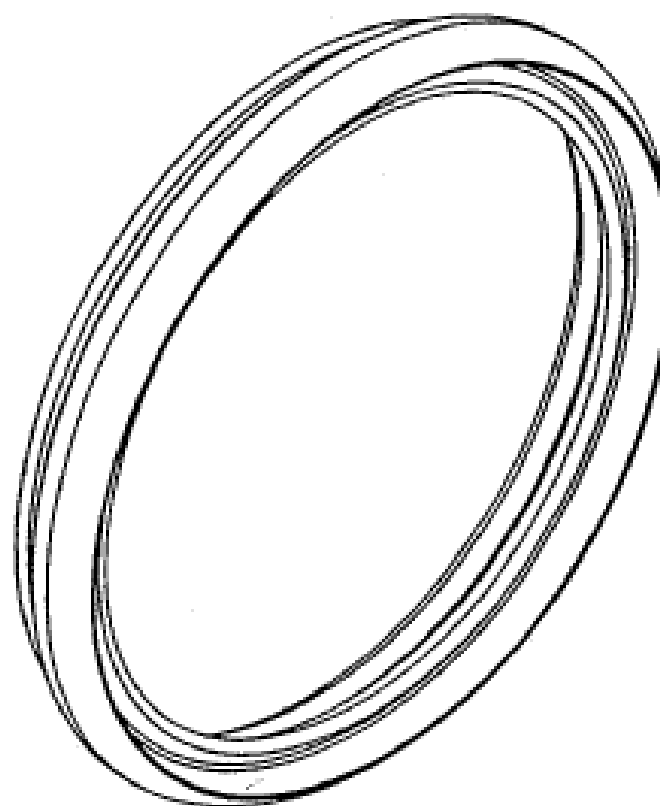
Gulf Rubber Australia Pty Limited
12-13 Green Street Revesby New South Wales 2212 Australia

(72) Name(s) of Designer(s): **Kevin John Dolan-Brown and Manjunath Bingi**

(45) Registration Date: **07 January 2010**

(56) Related Art Documents: **Not Applicable**

(57) Statement of Newness and Distinctiveness: **Newness and distinctiveness is claimed in the features of shape and/or configuration of a sealing ring as illustrated in the sectional elevation and sectional detail of the accompanying representations.**



(21) Design Number: **14804/2009**

(22) Date of Filing Application: **08 December 2009**

(24) Date from which industrial property rights may have effect: **08 December 2009**

(54) Product in respect of which the design is registered: **Feeding bowl for animals**

(51) International Design Classification: **30-03**

(71) Name(s) and Address(s) of Applicant(s):

Elite Cat Feeders Ltd
10 Marigold Place Harlow Essex CM17 0BW United Kingdom

(72) Name(s) of Designer(s): **Hang Lam Man and Hing Kuen Man and Daniel John Foster**

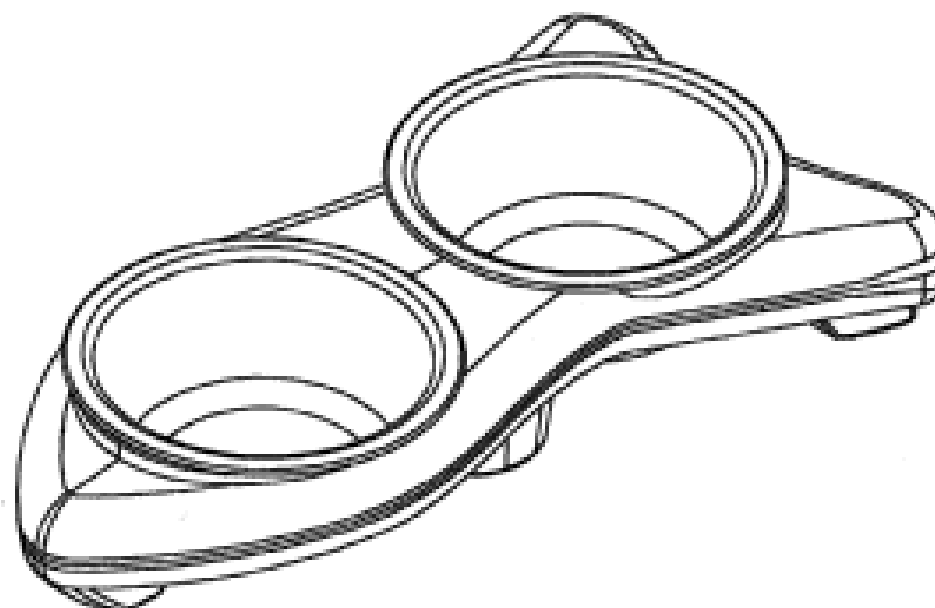
(45) Registration Date: **07 January 2010**

(30) Convention priority data:

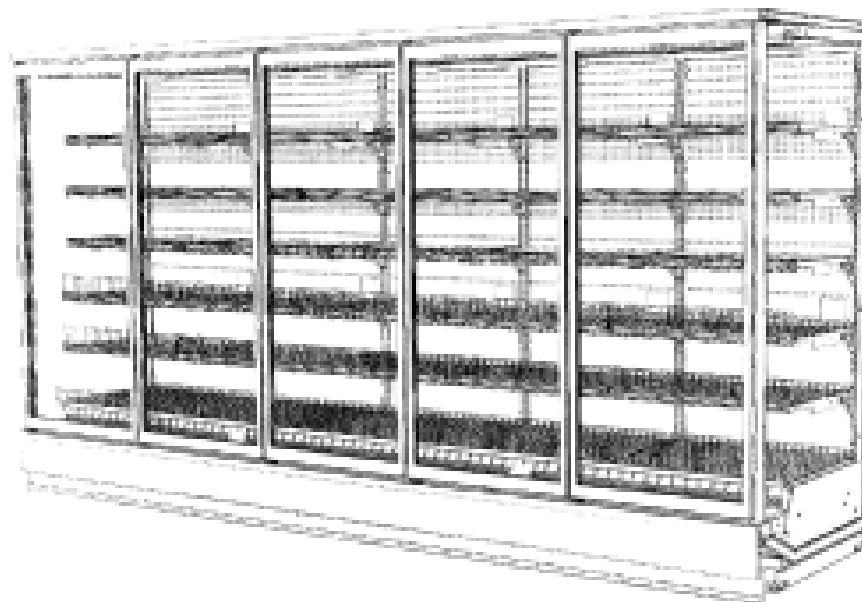
(31) Number	(32) Date	(33) Country
001152060-0001	13 Jul 2009	EUROPEAN COMMUNITY

(56) Related Art Documents: **Not Applicable**

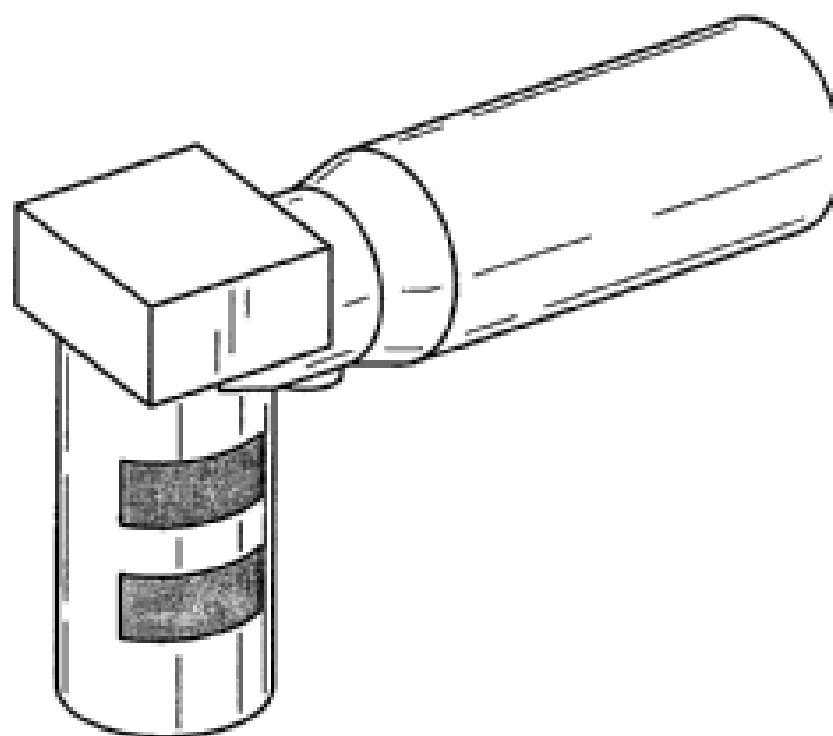
(57) Statement of Newness and Distinctiveness: **Newness and distinctiveness resides in the features of shape and configuration of a feeding bowl for animals as shown in the accompanying representations.**



- (21) Design Number: **14808/2009**
(22) Date of Filing Application: **08 December 2009**
(24) Date from which industrial property rights may have effect: **08 December 2009**
(54) Product in respect of which the design is registered: **Temperature controlled display cabinet**
(51) International Design Classification: **15-07, 20-02C**
(71) Name(s) and Address(s) of Applicant(s):
Frigrite Limited
27-43 Grange Road Cheltenham Victoria 3192 Australia
(72) Name(s) of Designer(s): **Robert Darroch**
(45) Registration Date: **07 January 2010**
(56) Related Art Documents: **Not Applicable**
(57) Statement of Newness and Distinctiveness: **In considering the extent of the design rights, the shape, configuration and/or position of the shelves shown in the representations is for illustrative purposes only and does not limit the scope of the design. Newness and distinctiveness is claimed in the shape and/or configuration of the visual features of the door frames and/or mullions.**



- (21) Design Number: **14822/2009**
(22) Date of Filing Application: **09 December 2009**
(24) Date from which industrial property rights may have effect: **09 December 2009**
(54) Product in respect of which the design is registered: **Aerosol valve**
(51) International Design Classification: **23-01K**
(71) Name(s) and Address(s) of Applicant(s):
Reckitt & Colman (Overseas) Limited
103-105 Bath Road Slough SL1 3UH United Kingdom
(72) Name(s) of Designer(s): **Martin Butler and Erin Corstanje and Steve Walsh**
(45) Registration Date: **07 January 2010**
(30) Convention priority data:
(31) Number (32) Date (33) Country
001149470-0002 30 Jun 2009 EUROPEAN COMMUNITY
(56) Related Art Documents: **Not Applicable**
(57) Statement of Newness and Distinctiveness: **Newness and distinctiveness reside in the features of shape and configuration the design as shown in the representations.**



(21) Design Number: **14823/2009**
(22) Date of Filing Application: **09 December 2009**
(24) Date from which industrial property rights may have effect: **09 December 2009**
(54) Product in respect of which the design is registered: **Aerosol container**
(51) International Design Classification: **09-01A**
(71) Name(s) and Address(s) of Applicant(s):
Reckitt & Colman (Overseas) Limited
103-105 Bath Road Slough SL1 3UH United Kingdom
(72) Name(s) of Designer(s): **Martin Butler and Erin Corstanje and Steve Walsh**
(45) Registration Date: **07 January 2010**
(30) Convention priority data:
(31) Number (32) Date (33) Country
001149488-0002 30 Jun 2009 EUROPEAN COMMUNITY
(56) Related Art Documents: **Not Applicable**
(57) Statement of Newness and Distinctiveness: **Newness and distinctiveness reside in the features of shape and configuration of the design as shown in the representations.**



(21) Design Number: **14825/2009**
(22) Date of Filing Application: **09 December 2009**
(24) Date from which industrial property rights may have effect: **09 December 2009**
(54) Product in respect of which the design is registered: **Seat protector. Mobility aid for entering or exiting cars or vehicles and for turning on static seats.**
(51) International Design Classification: **06-13NES**
(71) Name(s) and Address(s) of Applicant(s):
Linda Blyth
49 Lennartz Street Croydon Park New South Wales 2133 Australia
(72) Name(s) of Designer(s): **Linda Blyth**
(45) Registration Date: **07 January 2010**
(56) Related Art Documents: **Not Applicable**
(57) Statement of Newness and Distinctiveness: **This design is new and distinctive because of its shape, flexibility and translucent plastic/PVC used in its design.**



- (21) Design Number: **14830/2009**
- (22) Date of Filing Application: **10 December 2009**
- (24) Date from which industrial property rights may have effect: **10 December 2009**
- (54) Product in respect of which the design is registered: **Bag (packaging)**
- (51) International Design Classification: **09-05, 03-01A**
- (71) Name(s) and Address(s) of Applicant(s):

Philippe Charrin
Lesw Chirouzes F-26600 Beaumont Monteaux France

(72) Name(s) of Designer(s): **Philippe Charrin**

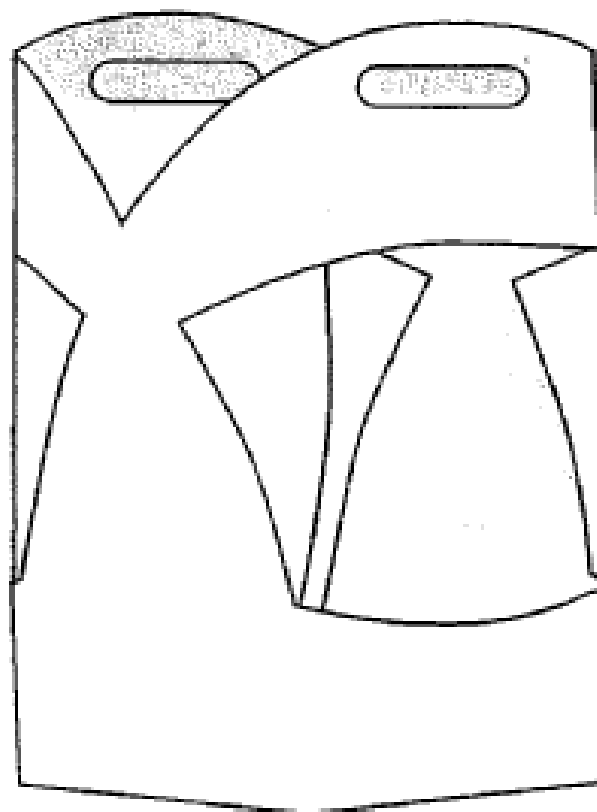
(45) Registration Date: **07 January 2010**

(30) Convention priority data:

(31) Number	(32) Date	(33) Country
1144570	10 Jun 2009	EUROPEAN COMMUNITY

(56) Related Art Documents: **Not Applicable**

(57) Statement of Newness and Distinctiveness: **This design is to be applied to a Bag (packaging) and the novelty resides in the features of shape and configuration of the article shown in the accompanying representations.**



- (21) Design Number: **14831/2009**
- (22) Date of Filing Application: **10 December 2009**
- (24) Date from which industrial property rights may have effect: **10 December 2009**
- (54) Product in respect of which the design is registered: **Bottle**
- (51) International Design Classification: **09-01B**
- (71) Name(s) and Address(s) of Applicant(s):

Method Products, Inc.
637 Commercial Street Suite 300 San Francisco California 94111
United States of America

(72) Name(s) of Designer(s): **Francis J. Handy**

(45) Registration Date: **07 January 2010**

(30) Convention priority data:

(31) Number	(32) Date	(33) Country
29/340717	23 Jul 2009	UNITED STATES OF AMERICA

(56) Related Art Documents: **Not Applicable**

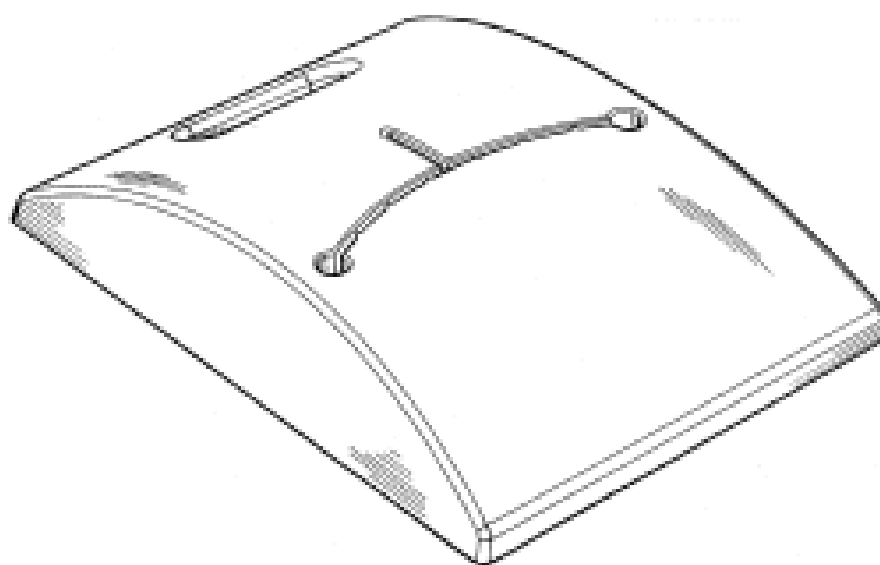
(57) Statement of Newness and Distinctiveness: **Newness and distinctiveness resides in the fluted collar portion about and under the pump member at the upper extent of the bottle.**



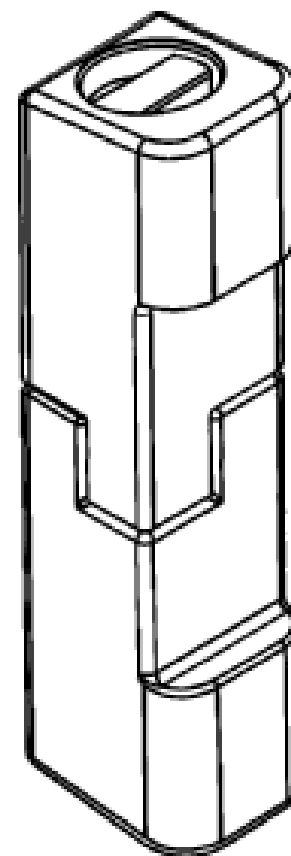
(21) Design Number: **14832/2009**
(22) Date of Filing Application: **08 December 2009**
(24) Date from which industrial property rights may have effect: **08 December 2009**
(54) Product in respect of which the design is registered: **Hand-held knife sharpener**
(51) International Design Classification: **08-05H**
(71) Name(s) and Address(s) of Applicant(s):
Robert Welch Designs Limited
Lower High Street Chipping Campden Gloucestershire GL55 6DY
England
(72) Name(s) of Designer(s): **Iain Paul de Bretton Gordon**
(45) Registration Date: **07 January 2010**
(30) Convention priority data:
(31) Number (32) Date (33) Country
001159453-0001 17 Aug 2009 EUROPEAN COMMUNITY
(56) Related Art Documents: **Not Applicable**
(57) Statement of Newness and Distinctiveness: **A new design of hand-held knife sharpener.**



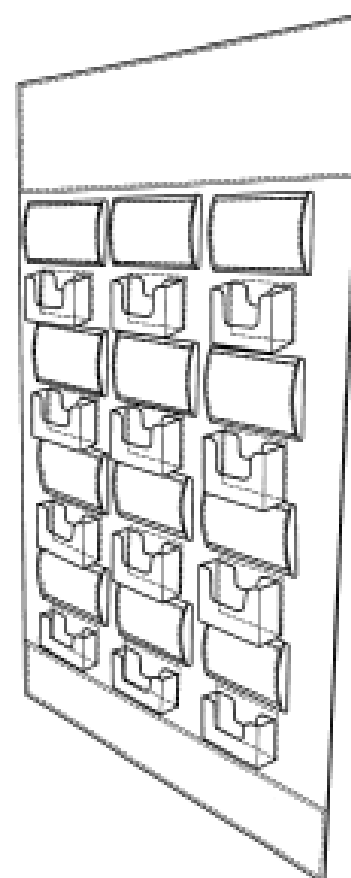
(21) Design Number: **14857/2009**
(22) Date of Filing Application: **11 December 2009**
(24) Date from which industrial property rights may have effect: **11 December 2009**
(54) Product in respect of which the design is registered: **Delineator base**
(51) International Design Classification: **19-06**
(71) Name(s) and Address(s) of Applicant(s):
Artcraft Pty Ltd
8/97 Lewis Road Wantirna South Victoria 3152 Australia
(72) Name(s) of Designer(s): **Ian Brodie**
(45) Registration Date: **07 January 2010**
(56) Related Art Documents: **Not Applicable**
(57) Statement of Newness and Distinctiveness: **The features of the delineator support seen from underneath are to be disregarded for the purposes of considering newness and distinctiveness.**



- (21) Design Number: **14862/2009**
(22) Date of Filing Application: **11 December 2009**
(24) Date from which industrial property rights may have effect: **11 December 2009**
(54) Product in respect of which the design is registered: **A locking pin assembly for an excavator wear member**
(51) International Design Classification: **08-07**
(71) Name(s) and Address(s) of Applicant(s):
CQMS Pty Ltd
36 Enterprise Street Mackay Queensland 4740 Australia
(72) Name(s) of Designer(s): **Miguel Guimaraes**
(45) Registration Date: **07 January 2010**
(56) Related Art Documents: **Not Applicable**
(57) Statement of Newness and Distinctiveness: **The newness and distinctiveness of the design resides in the shape and/or configuration of A LOCKING PIN ASSEMBLY FOR AN EXCAVATOR WEAR MEMBER shown in the representations.**



- (21) Design Number: **14863/2009**
(22) Date of Filing Application: **11 December 2009**
(24) Date from which industrial property rights may have effect: **11 December 2009**
(54) Product in respect of which the design is registered: **Display panel**
(51) International Design Classification: **20-02E**
(71) Name(s) and Address(s) of Applicant(s):
John Sultana
199 Waterworth Drive Mount Annan New South Wales 2567 Australia
(72) Name(s) of Designer(s): **John Sultana**
(45) Registration Date: **07 January 2010**
(56) Related Art Documents: **Not Applicable**
(57) Statement of Newness and Distinctiveness: **Newness and Distinctiveness resides in the features of shape and/or configuration of a DISPLAY PANEL shown in solid lines as illustrated in the accompanying representations.**



(21) Design Number: **14875/2009**

(22) Date of Filing Application: **14 December 2009**

(24) Date from which industrial property rights may have effect: **14 December 2009**

(54) Product in respect of which the design is registered: **Large spoon**

(51) International Design Classification: **07-03**

(71) Name(s) and Address(s) of Applicant(s):

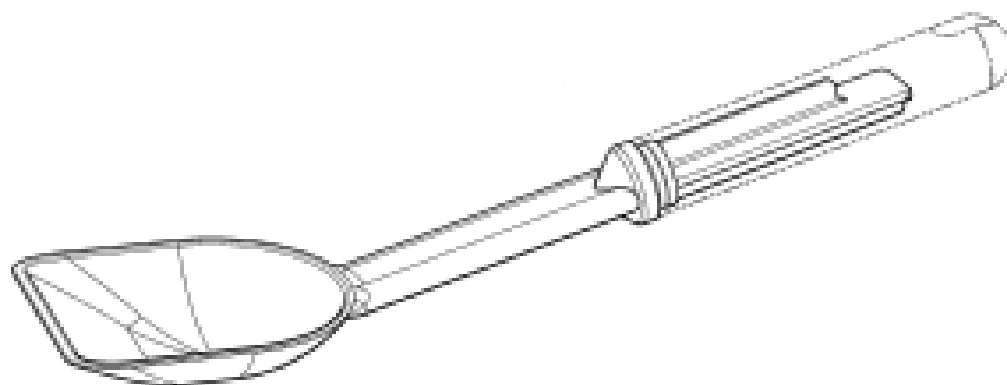
**The Decor Corporation Pty Ltd
1314 Ferntree Gully Road Scoresby Victoria 3179 Australia**

(72) Name(s) of Designer(s): **Anthony Henry Wolfenden**

(45) Registration Date: **07 January 2010**

(56) Related Art Documents: **Not Applicable**

(57) Statement of Newness and Distinctiveness: **Features shown in phantom lines do not constitute part of the design.**



(21) Design Number: **14131/2009**

(22) Date of Filing Application: **23 October 2009**

(24) Date from which industrial property rights may have effect: **23 October 2009**

(54) Product in respect of which the design is registered: **Fruit/vegetable shaping mould**

(51) International Design Classification: **07-02P**

(71) Name(s) and Address(s) of Applicant(s):

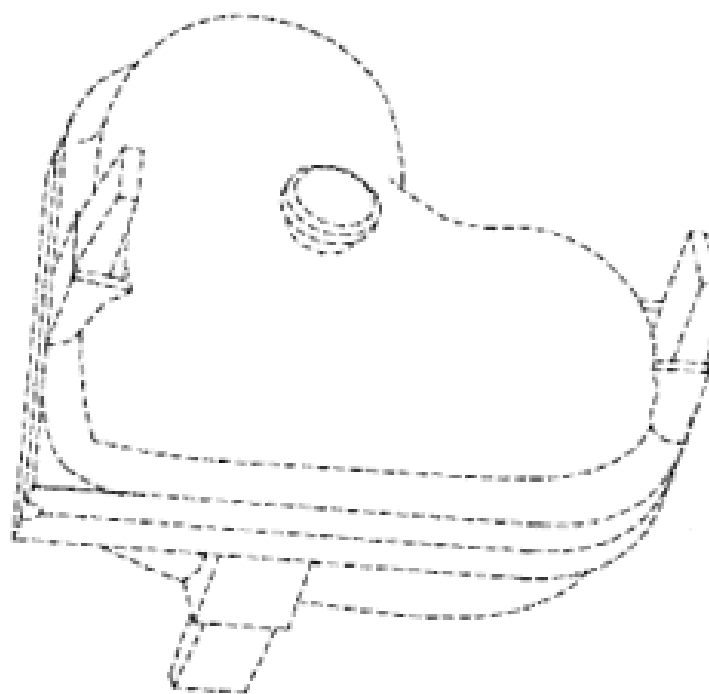
**DRAX Industries Pty Ltd
621 Burwood Road Hawthorn Victoria 3122 Australia**

(72) Name(s) of Designer(s): **Joshua Augustus Engwerda**

(45) Registration Date: **08 January 2010**

(56) Related Art Documents: **Not Applicable**

(57) Statement of Newness and Distinctiveness: **Newness and distinctiveness are claimed in the shape and configuration of the mould cavity shown in solid lines in the representations.**



(21) Design Number: **14508/2009**

(22) Date of Filing Application: **18 November 2009**

(24) Date from which industrial property rights may have effect: **18 November 2009**

(54) Product in respect of which the design is registered: **Toothbrush head**

(51) International Design Classification: **04-02**

(71) Name(s) and Address(s) of Applicant(s):

**GlaxoSmithKline Consumer Healthcare GmbH & Co. KG
Bussmatten 1 D-77815 Buehl (Baden) Germany**

(72) Name(s) of Designer(s): **Christoph Geiberger**

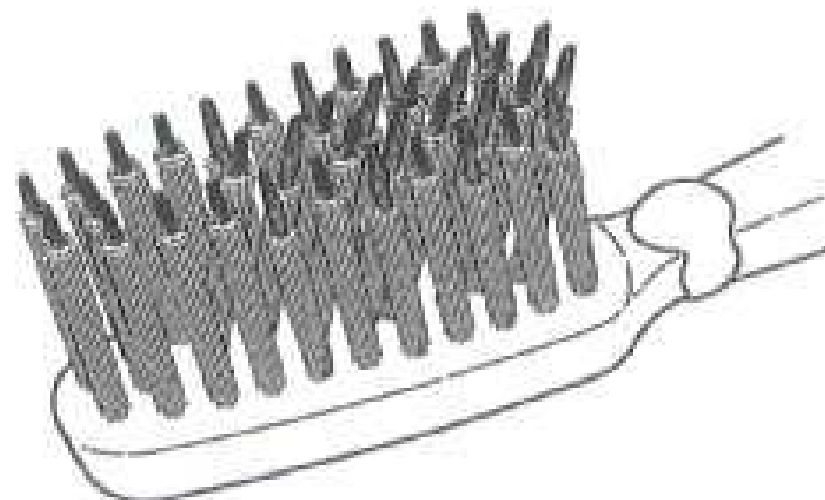
(45) Registration Date: **08 January 2010**

(30) Convention priority data:

(31) Number	(32) Date	(33) Country
4011251	20 May 2009	UNITED KINGDOM

(56) Related Art Documents: **Not Applicable**

(57) Statement of Newness and Distinctiveness: **Nil**



(21) Design Number: **14856/2009**

(22) Date of Filing Application: **11 December 2009**

(24) Date from which industrial property rights may have effect: **11 December 2009**

(54) Product in respect of which the design is registered: **Ball projecting apparatus**

(51) International Design Classification: **21-02NES**

(71) Name(s) and Address(s) of Applicant(s):

**Jean Pierre Magnone
4 Avenue du Dr Bergougnie Le Bendola - Bloc B 06000 Nice France**

(72) Name(s) of Designer(s): **Jean Pierre Magnone**

(45) Registration Date: **08 January 2010**

(30) Convention priority data:

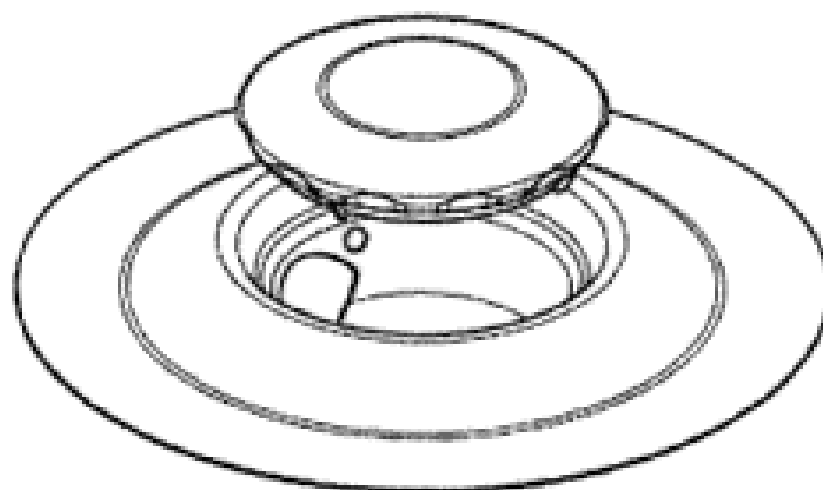
(31) Number	(32) Date	(33) Country
001552712	18 Jun 2009	EUROPEAN COMMUNITY

(56) Related Art Documents: **Not Applicable**

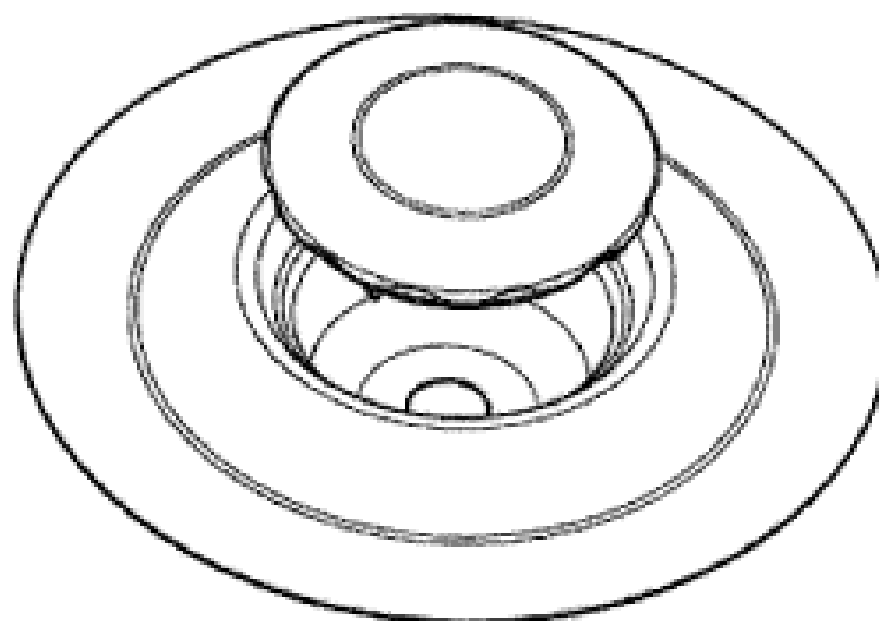
(57) Statement of Newness and Distinctiveness: **Nil**



- (21) Design Number: **14886/2009**
(22) Date of Filing Application: **15 December 2009**
(24) Date from which industrial property rights may have effect: **15 December 2009**
(54) Product in respect of which the design is registered: **A gas burner**
(51) International Design Classification: **23-03F**
(71) Name(s) and Address(s) of Applicant(s):
Whirlpool S.A.
Av. das Nacoes Unidas 12.995 32 andar Brooklin Novo 04578-000 Sao Paulo SP Brazil
(72) Name(s) of Designer(s): **Ricardo Kolb Filho and Emmanuel Machado Vieira and Henrique Cesar de Gaspari**
(45) Registration Date: **08 January 2010**
(30) Convention priority data:
(31) Number (32) Date (33) Country
DI6902173-2 19 Jun 2009 BRAZIL
(56) Related Art Documents: **Not Applicable**
(57) Statement of Newness and Distinctiveness: **Newness and distinctiveness is claimed in the features of shape and/or configuration of a gas burner as illustrated in the accompanying representations.**



- (21) Design Number: **14887/2009**
(22) Date of Filing Application: **15 December 2009**
(24) Date from which industrial property rights may have effect: **15 December 2009**
(54) Product in respect of which the design is registered: **A gas burner**
(51) International Design Classification: **23-03F**
(71) Name(s) and Address(s) of Applicant(s):
Whirlpool S.A.
Av. das Nacoes Unidas 12.995 32 andar Brooklin Novo 04578-000 Sao Paulo SP Brazil
(72) Name(s) of Designer(s): **Ricardo Kolb Filho and Emmanuel Machado Vieira and Henrique Cesar de Gaspari**
(45) Registration Date: **08 January 2010**
(30) Convention priority data:
(31) Number (32) Date (33) Country
DI6902173-2 19 Jun 2009 BRAZIL
(56) Related Art Documents: **Not Applicable**
(57) Statement of Newness and Distinctiveness: **Newness and distinctiveness is claimed in the features of shape and/or configuration of a gas burner as illustrated in the accompanying representations.**



(21) Design Number: **14888/2009**

(22) Date of Filing Application: **15 December 2009**

(24) Date from which industrial property rights may have effect: **15 December 2009**

(54) Product in respect of which the design is registered: **A gas burner**

(51) International Design Classification: **23-03F**

(71) Name(s) and Address(s) of Applicant(s):

Whirlpool S.A.

Av. das Nacoes Unidas 12.995 32 andar Brooklin Novo 04578-000 Sao Paulo SP Brazil

(72) Name(s) of Designer(s): **Ricardo Kolb Filho and Emmanuel Machado Vieira and Henrique Cesar de Gaspari**

(45) Registration Date: **08 January 2010**

(30) Convention priority data:

(31) Number

(32) Date

(33) Country

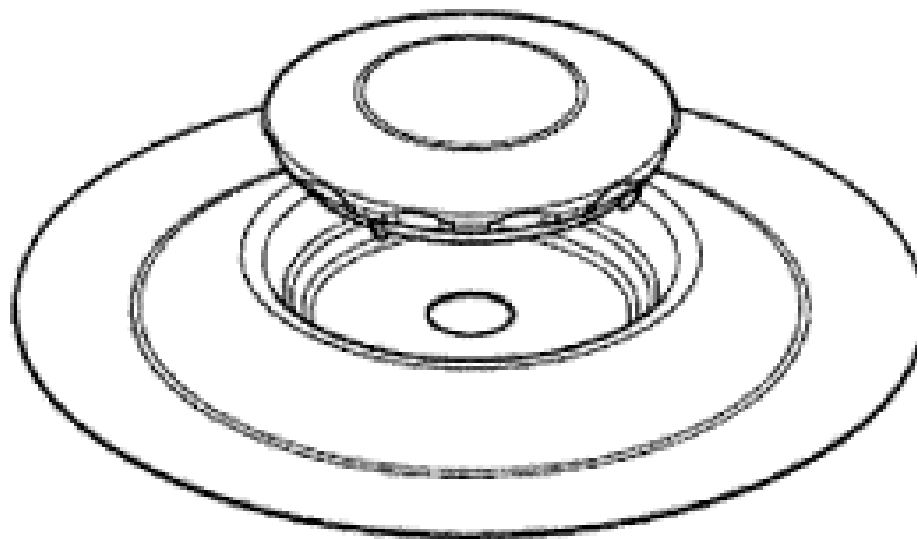
DI6902173-2

19 Jun 2009

BRAZIL

(56) Related Art Documents: **Not Applicable**

(57) Statement of Newness and Distinctiveness: **Newness and distinctiveness is claimed in the features of shape and/or configuration of a gas burner as illustrated in the accompanying representations.**



(21) Design Number: **14889/2009**

(22) Date of Filing Application: **15 December 2009**

(24) Date from which industrial property rights may have effect: **15 December 2009**

(54) Product in respect of which the design is registered: **Headlight for heavy equipment**

(51) International Design Classification: **12-16E**

(71) Name(s) and Address(s) of Applicant(s):

Wookang Tech Co., Ltd.

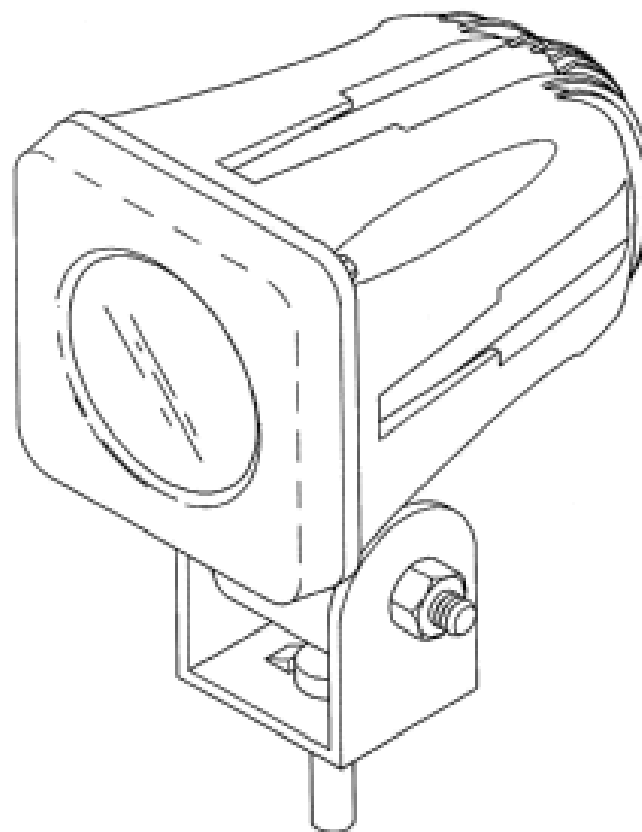
175-16 Cheongcheon-dong Bupyeong-gu Incheon-si 403-030 Republic of Korea

(72) Name(s) of Designer(s): **In-Hong Ko**

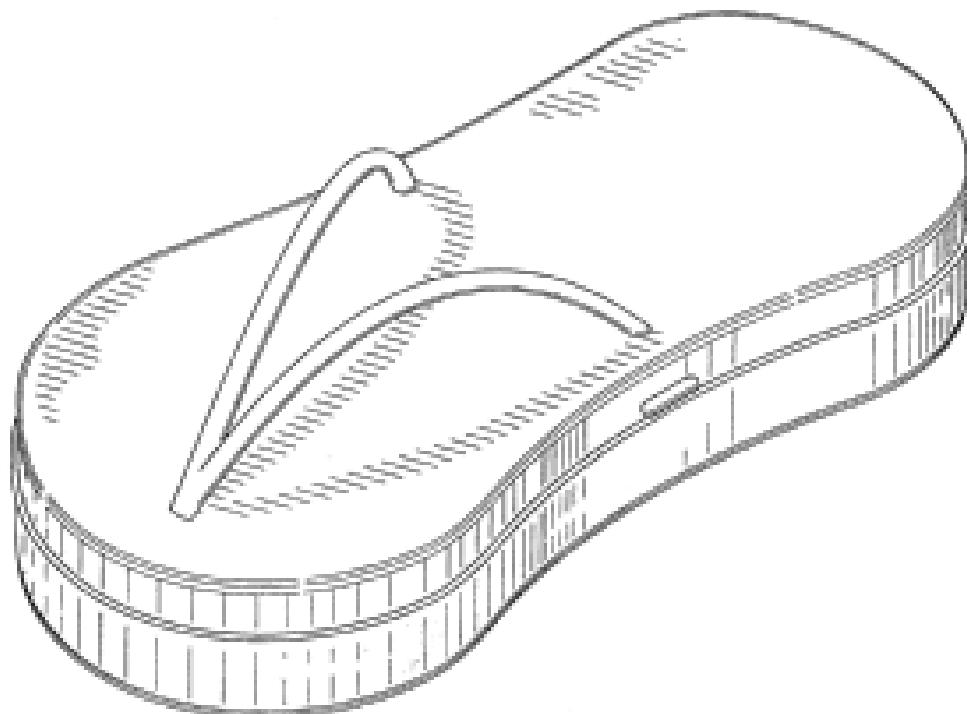
(45) Registration Date: **08 January 2010**

(56) Related Art Documents: **Not Applicable**

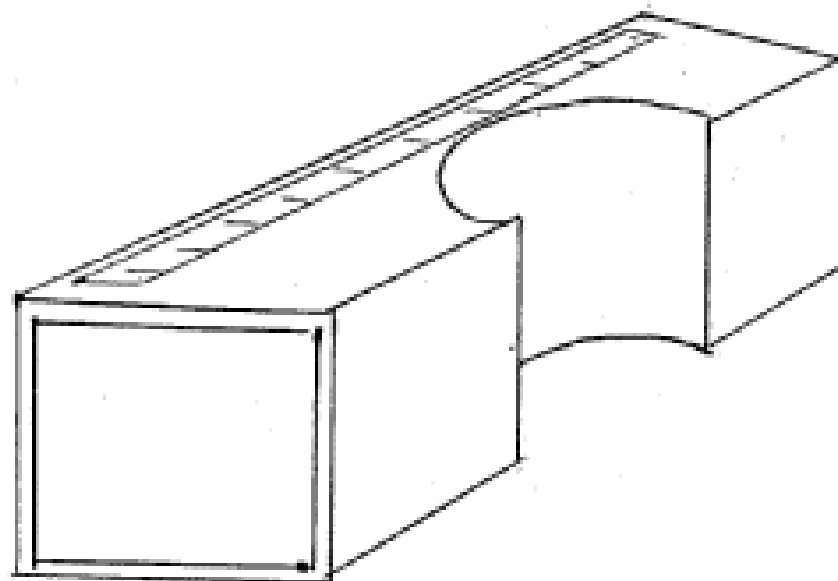
(57) Statement of Newness and Distinctiveness: **Newness and distinctiveness is claimed in the features of shape and/or configuration of a headlight for heavy equipment as illustrated in the accompanying representations.**



- (21) Design Number: **14890/2009**
(22) Date of Filing Application: **15 December 2009**
(24) Date from which industrial property rights may have effect: **15 December 2009**
(54) Product in respect of which the design is registered: **Confection container**
(51) International Design Classification: **09-03C**
(71) Name(s) and Address(s) of Applicant(s):
Amusemints LLC
2660 Walnut Street Denver Colorado 80205 United States of America
(72) Name(s) of Designer(s): **Kenneth J. Wolf**
(45) Registration Date: **08 January 2010**
(30) Convention priority data:
(31) Number (32) Date (33) Country
29/338601 15 Jun 2009 UNITED STATES OF AMERICA
(56) Related Art Documents: **Not Applicable**
(57) Statement of Newness and Distinctiveness: **Newness and distinctiveness is claimed in the features of shape and/or configuration of a confection container as illustrated in the accompanying representations.**



- (21) Design Number: **14891/2009**
(22) Date of Filing Application: **11 December 2009**
(24) Date from which industrial property rights may have effect: **11 December 2009**
(54) Product in respect of which the design is registered: **Bus night light**
(51) International Design Classification: **12-16E**
(71) Name(s) and Address(s) of Applicant(s):
Timothy Breandan Culley
10A Main Street Killarney Vale New South Wales 2261 Australia
(72) Name(s) of Designer(s): **Timothy Breandan Culley**
(45) Registration Date: **08 January 2010**
(56) Related Art Documents: **Not Applicable**
(57) Statement of Newness and Distinctiveness: **Nil**



(21) Design Number: **14892/2009**

(22) Date of Filing Application: **11 December 2009**

(24) Date from which industrial property rights may have effect: **11 December 2009**

(54) Product in respect of which the design is registered: **Bus night light**

(51) International Design Classification: **12-16E**

(71) Name(s) and Address(s) of Applicant(s):

Timothy Breandan Culley

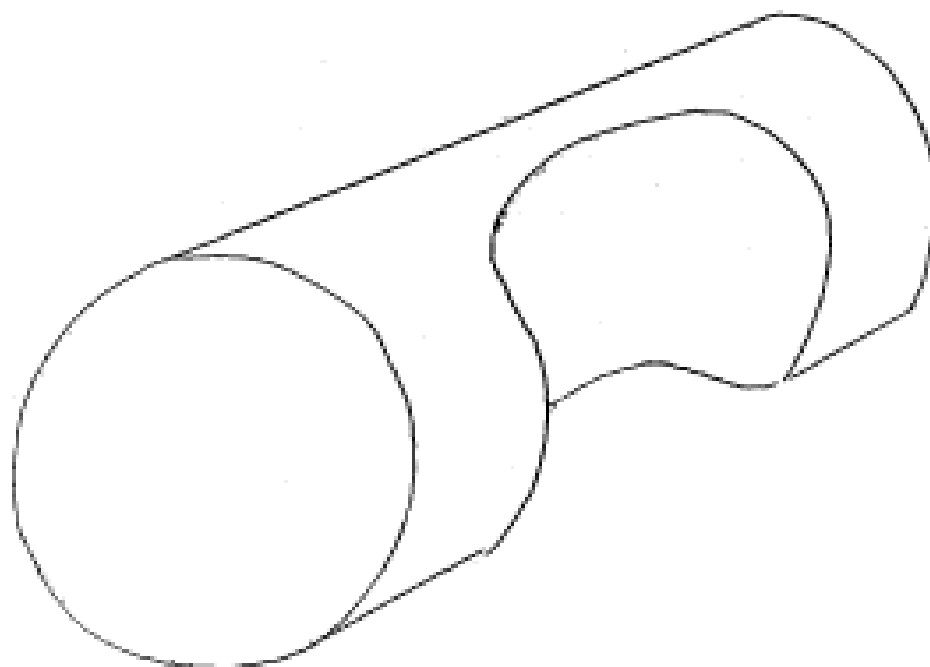
10A Main Street Killarney Vale New South Wales 2261 Australia

(72) Name(s) of Designer(s): **Timothy Breandan Culley**

(45) Registration Date: **08 January 2010**

(56) Related Art Documents: **Not Applicable**

(57) Statement of Newness and Distinctiveness: **Nil**



(21) Design Number: **13474/2009**

(22) Date of Filing Application: **08 September 2009**

(24) Date from which industrial property rights may have effect: **08 September 2009**

(54) Product in respect of which the design is registered: **Cake pan**

(51) International Design Classification: **07-02P**

(71) Name(s) and Address(s) of Applicant(s):

McPherson's Limited

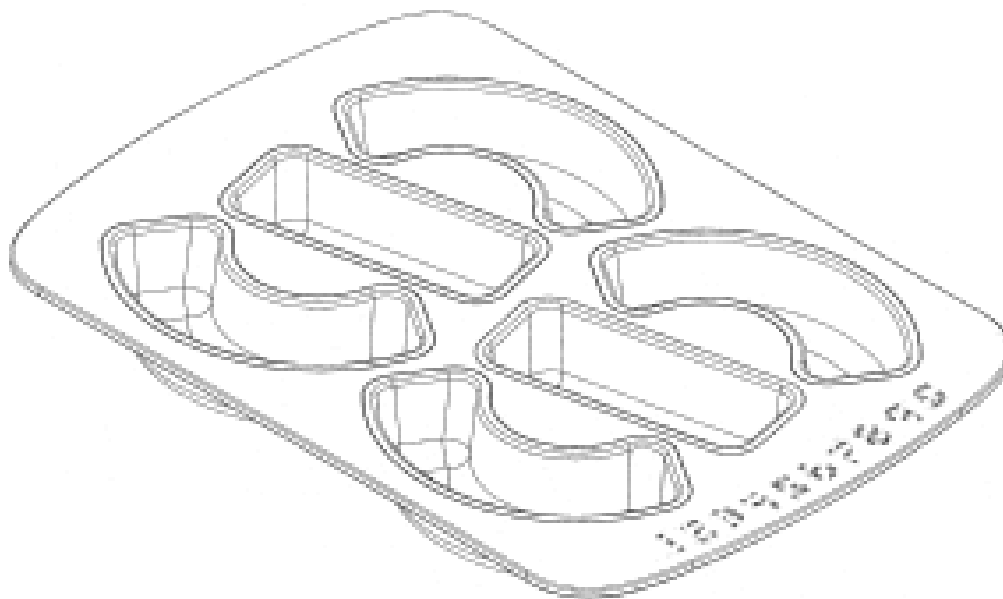
5 Dunlop Road Mulgrave Victoria 3170 Australia

(72) Name(s) of Designer(s): **Clive Solari**

(45) Registration Date: **08 January 2010**

(56) Related Art Documents: **Not Applicable**

(57) Statement of Newness and Distinctiveness: **Those features of the cake pan depicted in the representations that are new and distinctive are the shape and/or configuration. The features shown in broken lines are not part of the design and are to be disregarded when considering the overall impression of the design.**



(21) Design Number: **14146/2009**

(22) Date of Filing Application: **26 October 2009**

(24) Date from which industrial property rights may have effect: **26 October 2009**

(54) Product in respect of which the design is registered: **Decorative element**

(51) International Design Classification: **11-01B**

(71) Name(s) and Address(s) of Applicant(s):

Paula Catherine Nelson
128 Preston Point Road East Fremantle Western Australia 6158
Australia

(72) Name(s) of Designer(s): **Paula Catherine Nelson**

(45) Registration Date: **08 January 2010**

(56) Related Art Documents: **Not Applicable**

(57) Statement of Newness and Distinctiveness: **No novelty or distinctiveness is claimed in the shape and configuration of the top portion of the design as marked "A" in the accompanying representations. The shape and configuration of the top portion is to be disregarded in considering the scope of the monopoly provided.**



(21) Design Number: **14164/2009**

(22) Date of Filing Application: **28 October 2009**

(24) Date from which industrial property rights may have effect: **28 October 2009**

(54) Product in respect of which the design is registered: **Roof mounting system for photovoltaic solar panels.**

(51) International Design Classification: **25-01K**

(71) Name(s) and Address(s) of Applicant(s):

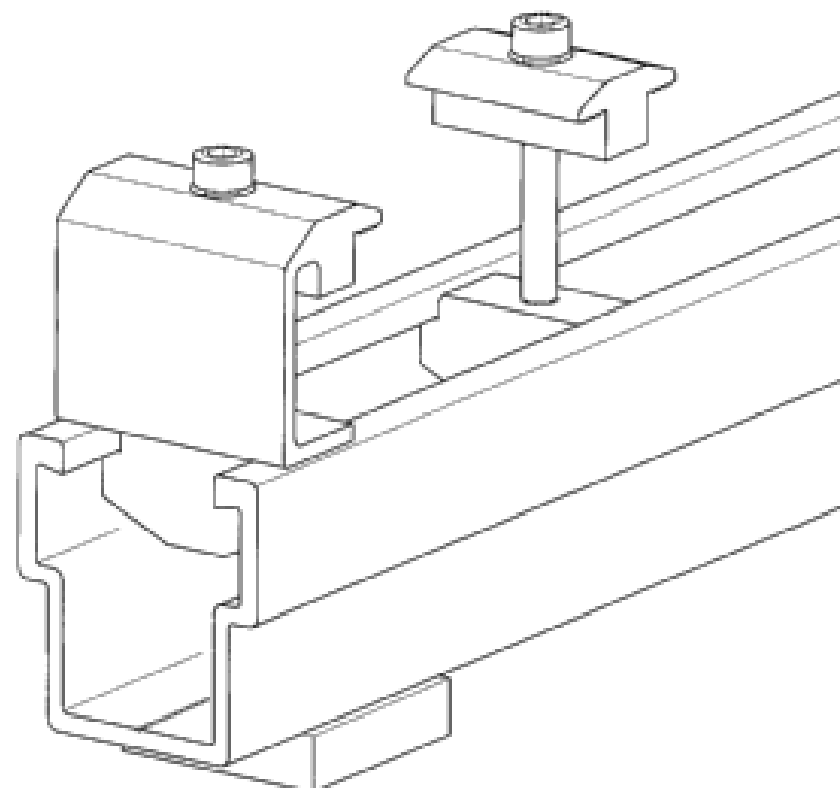
Australian Natural Energy Pty Ltd
81 Boswell Terrace Manly Queensland 4179 Australia

(72) Name(s) of Designer(s): **Thomas Nydorf**

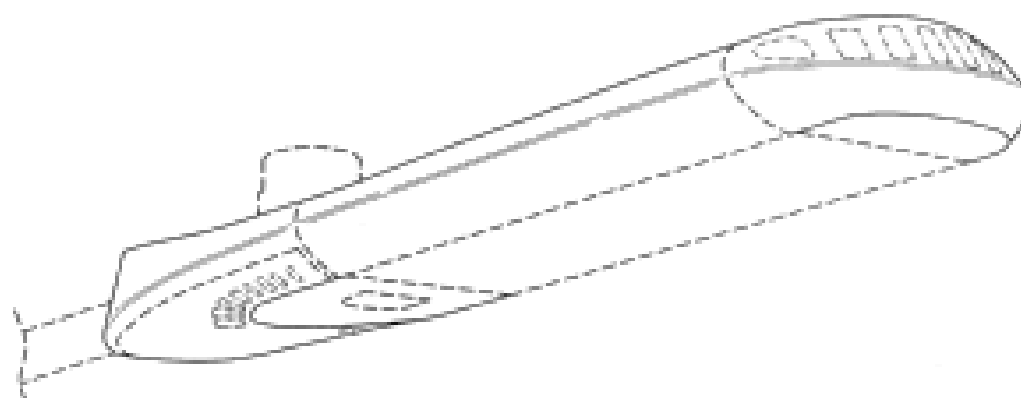
(45) Registration Date: **08 January 2010**

(56) Related Art Documents: **Not Applicable**

(57) Statement of Newness and Distinctiveness: **The mounting into the roof is directly below the mounting to the panel. The "U" section of the rail can be used as a cable tray.**

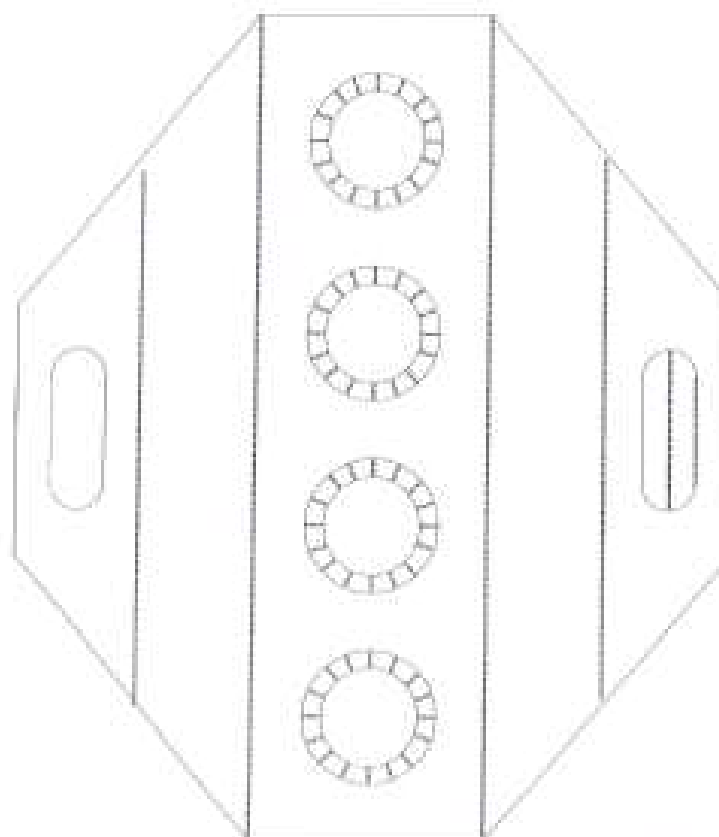


(21) Design Number: **14272/2009**
 (22) Date of Filing Application: **03 November 2009**
 (24) Date from which industrial property rights may have effect: **03 November 2009**
 (54) Product in respect of which the design is registered: **Luminaire**
 (51) International Design Classification: **26-05NES**
 (71) Name(s) and Address(s) of Applicant(s):
Lighting Science Group Corporation
1227 South Patrick Drive Bldg 2A Satellite Beach 32937 FL United States of America
 (72) Name(s) of Designer(s): **Zach Gibler and David Henderson and Fredric S. Maxik and Ryan R. Berger and Michael T. Koczewski and Jay F. Perkins**
 (45) Registration Date: **08 January 2010**
 (30) Convention priority data:
 (31) Number (32) Date (33) Country
29/336442 04 May 2009 UNITED STATES OF AMERICA



(56) Related Art Documents: **Not Applicable**
 (57) Statement of Newness and Distinctiveness: **Newness and distinctiveness reside in the shape and configuration of a luminaire as illustrated in the accompanying representations. The dash-dot lines and the phantom lines form no part of the claimed design.**

(21) Design Number: **14314/2009**
 (22) Date of Filing Application: **04 November 2009**
 (24) Date from which industrial property rights may have effect: **04 November 2009**
 (54) Product in respect of which the design is registered: **Cup holder**
 (51) International Design Classification: **07-06A**
 (71) Name(s) and Address(s) of Applicant(s):
EZI Concepts Limited
2/366 Kohimarama Road Auckland 1071 New Zealand
 (72) Name(s) of Designer(s): **Graeme Zimmerman**
 (45) Registration Date: **08 January 2010**
 (30) Convention priority data:
 (31) Number (32) Date (33) Country
412863 27 Oct 2009 NEW ZEALAND

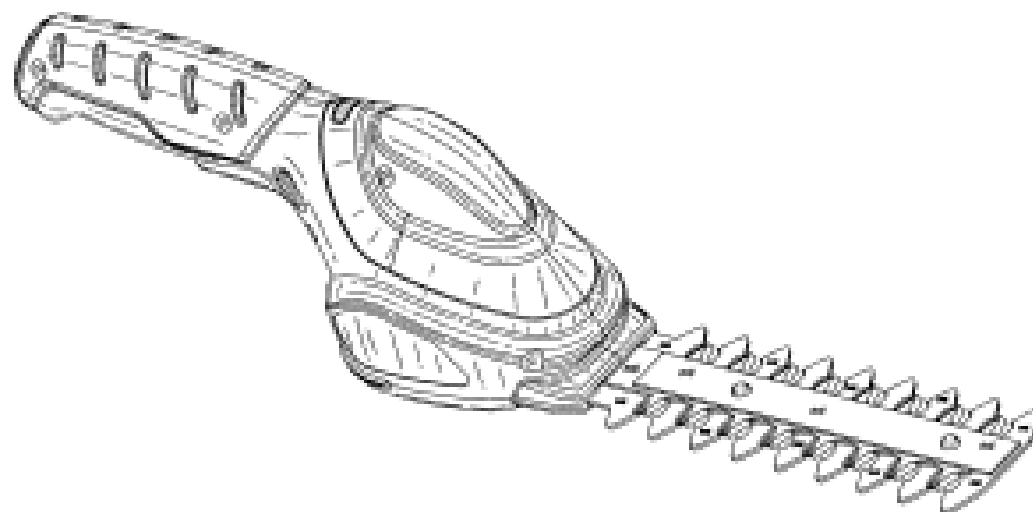


(56) Related Art Documents: **Not Applicable**
 (57) Statement of Newness and Distinctiveness: **This design is to be applied to a cup holder and novelty resides in features of shape and configuration of the article, all as shown in the accompanying representations. The shape and configuration of the plastic cups as indicated by the dashed lines is not part of the design in which novelty is claimed.**

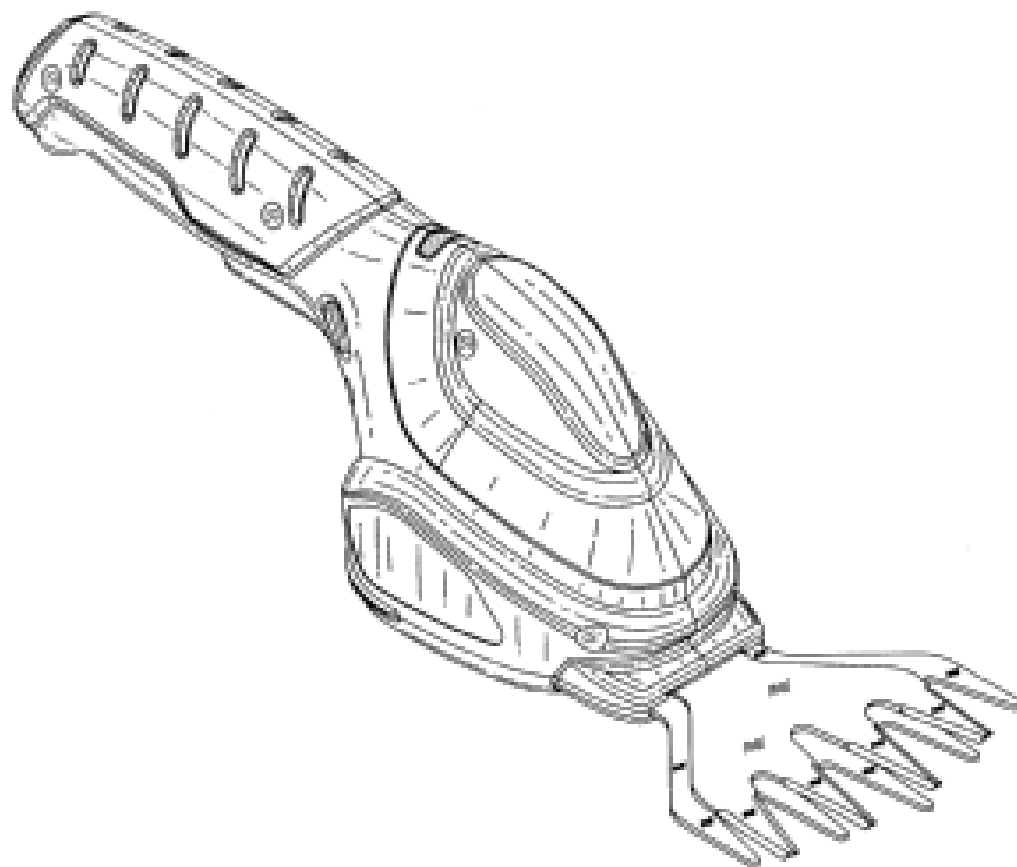
(21) Design Number: **14493/2009**
(22) Date of Filing Application: **17 November 2009**
(24) Date from which industrial property rights may have effect: **17 November 2009**
(54) Product in respect of which the design is registered: **A bottle**
(51) International Design Classification: **09-01H**
(71) Name(s) and Address(s) of Applicant(s):
600 Main Road Stoke Limited Trading as McCashins Brewery
660 Main Road Stoke Nelson 7011 New Zealand
(72) Name(s) of Designer(s): **Michael Patrick Noonan**
(45) Registration Date: **08 January 2010**
(30) Convention priority data:
(31) Number (32) Date (33) Country
412440 23 Jun 2009 NEW ZEALAND
(56) Related Art Documents: **Not Applicable**
(57) Statement of Newness and Distinctiveness: **The novelty resides in the features of ornamentation including the sleeve surround all as shown in the representations. No novelty is claimed in the M(C) and McCASHIN branding.**



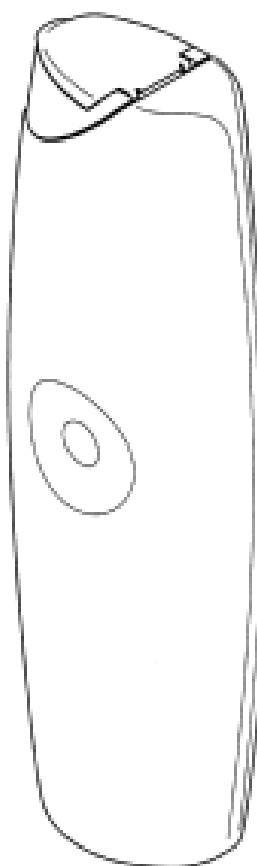
(21) Design Number: **14494/2009**
(22) Date of Filing Application: **17 November 2009**
(24) Date from which industrial property rights may have effect: **17 November 2009**
(54) Product in respect of which the design is registered: **Powered shearing tool**
(51) International Design Classification: **08-03**
(71) Name(s) and Address(s) of Applicant(s):
Black & Decker, Inc.
1207 Drummond Plaza, Newark, Delaware, 19711, United States of America
(72) Name(s) of Designer(s): **Graeme Crawley**
(45) Registration Date: **08 January 2010**
(30) Convention priority data:
(31) Number (32) Date (33) Country
001137863-0001 18 May 2009 EUROPEAN COMMUNITY
(56) Related Art Documents: **Not Applicable**
(57) Statement of Newness and Distinctiveness: **Nil**



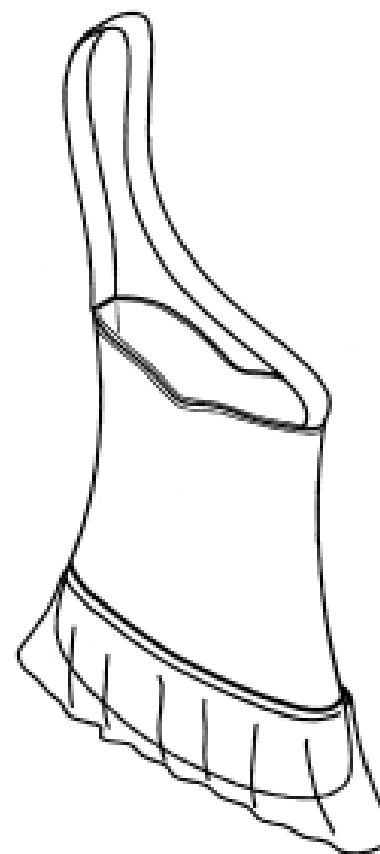
(21) Design Number: **14495/2009**
 (22) Date of Filing Application: **17 November 2009**
 (24) Date from which industrial property rights may have effect: **17 November 2009**
 (54) Product in respect of which the design is registered: **Powered shrubbing tool**
 (51) International Design Classification: **08-03**
 (71) Name(s) and Address(s) of Applicant(s):
Black & Decker, Inc.
1207 Drummond Plaza, Newark, Delaware, 19711, United States of America
 (72) Name(s) of Designer(s): **Graeme Crawley**
 (45) Registration Date: **08 January 2010**
 (30) Convention priority data:
 (31) Number (32) Date (33) Country
001137863-0002 18 May 2009 EUROPEAN COMMUNITY
 (56) Related Art Documents: **Not Applicable**
 (57) Statement of Newness and Distinctiveness: **Nil**



(21) Design Number: **14708/2009**
 (22) Date of Filing Application: **02 December 2009**
 (24) Date from which industrial property rights may have effect: **02 December 2009**
 (54) Product in respect of which the design is registered: **Bottle**
 (51) International Design Classification: **09-01K**
 (71) Name(s) and Address(s) of Applicant(s):
Samar, LLC
70 West Madison Chicago Illinois 60602 United States of America
 (72) Name(s) of Designer(s): **Jacobus Constantijn Heijdenrijk**
 (45) Registration Date: **08 January 2010**
 (30) Convention priority data:
 (31) Number (32) Date (33) Country
001606245 01 Sep 2009 EUROPEAN COMMUNITY
 (56) Related Art Documents: **Not Applicable**
 (57) Statement of Newness and Distinctiveness: **Nil**



- (21) Design Number: **14710/2009**
(22) Date of Filing Application: **30 November 2009**
(24) Date from which industrial property rights may have effect: **30 November 2009**
(54) Product in respect of which the design is registered: **A bag**
(51) International Design Classification: **03-01B**
(71) Name(s) and Address(s) of Applicant(s):
Lucy Joyce D'Olimpio
6 Memphis Ridge Hocking Western Australia 6065 Australia
(72) Name(s) of Designer(s): **Lucy Joyce D'Olimpio**
(45) Registration Date: **08 January 2010**
(56) Related Art Documents: **Not Applicable**
(57) Statement of Newness and Distinctiveness: **Nil**



- (21) Design Number: **14881/2009**
(22) Date of Filing Application: **16 December 2009**
(24) Date from which industrial property rights may have effect: **16 December 2009**
(54) Product in respect of which the design is registered: **Jewellery pendant for a necklace**
(51) International Design Classification: **11-01NES**
(71) Name(s) and Address(s) of Applicant(s):
Vivienne Gibson
337A Smith Street Fitzroy Victoria 3065 Australia
(72) Name(s) of Designer(s): **Vivienne Gibson**
(45) Registration Date: **08 January 2010**
(56) Related Art Documents: **Not Applicable**
(57) Statement of Newness and Distinctiveness: **The chewed marks on the pendant are new and distinctive. The chain passes through the top and comes out through the bottom. But the newness and distinctiveness does not reside in the shape or configuration of the chain.**



- (21) Design Number: **14882/2009**
(22) Date of Filing Application: **14 December 2009**
(24) Date from which industrial property rights may have effect: **14 December 2009**
(54) Product in respect of which the design is registered: **Hollow fishing lure with access door**
(51) International Design Classification: **22-05**
(71) Name(s) and Address(s) of Applicant(s):
Peter Somogyi
8 Carlyle Street Enfield New South Wales 2136 Australia
(72) Name(s) of Designer(s): **Peter Somogyi**
(45) Registration Date: **08 January 2010**
(56) Related Art Documents: **Not Applicable**
(57) Statement of Newness and Distinctiveness: **Nil**



- (21) Design Number: **14883/2009**
(22) Date of Filing Application: **15 December 2009**
(24) Date from which industrial property rights may have effect: **15 December 2009**
(54) Product in respect of which the design is registered: **Massage appliance**
(51) International Design Classification: **28-03NES**
(71) Name(s) and Address(s) of Applicant(s):
R.Evolution Life, SIA
Ludzas iela 9 Riga LV-1003 Latvia
(72) Name(s) of Designer(s): **Sergejs Jermoshins**
(45) Registration Date: **08 January 2010**
(30) Convention priority data:

(31) Number	(32) Date	(33) Country
1552605	18 Jun 2009	EUROPEAN COMMUNITY

(56) Related Art Documents: **Not Applicable**
(57) Statement of Newness and Distinctiveness: **Nil**



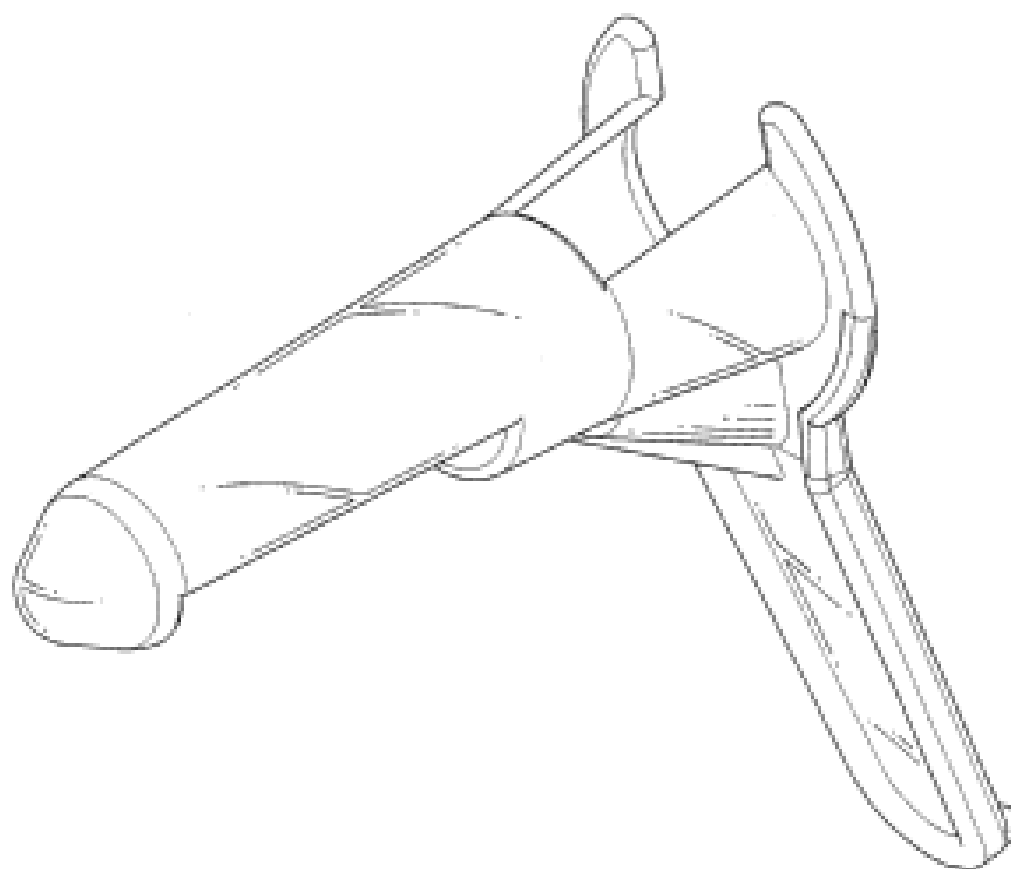
(21) Design Number: **14884/2009**
(22) Date of Filing Application: **15 December 2009**
(24) Date from which industrial property rights may have effect: **15 December 2009**
(54) Product in respect of which the design is registered: **Massage appliance**
(51) International Design Classification: **28-03NES**
(71) Name(s) and Address(s) of Applicant(s):
R.Evolution Life, SIA
Ludzas iela 9 Riga LV-1003 Latvia
(72) Name(s) of Designer(s): **Sergejs Jermoshins**
(45) Registration Date: **08 January 2010**
(30) Convention priority data:
(31) Number (32) Date (33) Country
1552605 18 Jun 2009 EUROPEAN COMMUNITY
(56) Related Art Documents: **Not Applicable**
(57) Statement of Newness and Distinctiveness: **Nil**



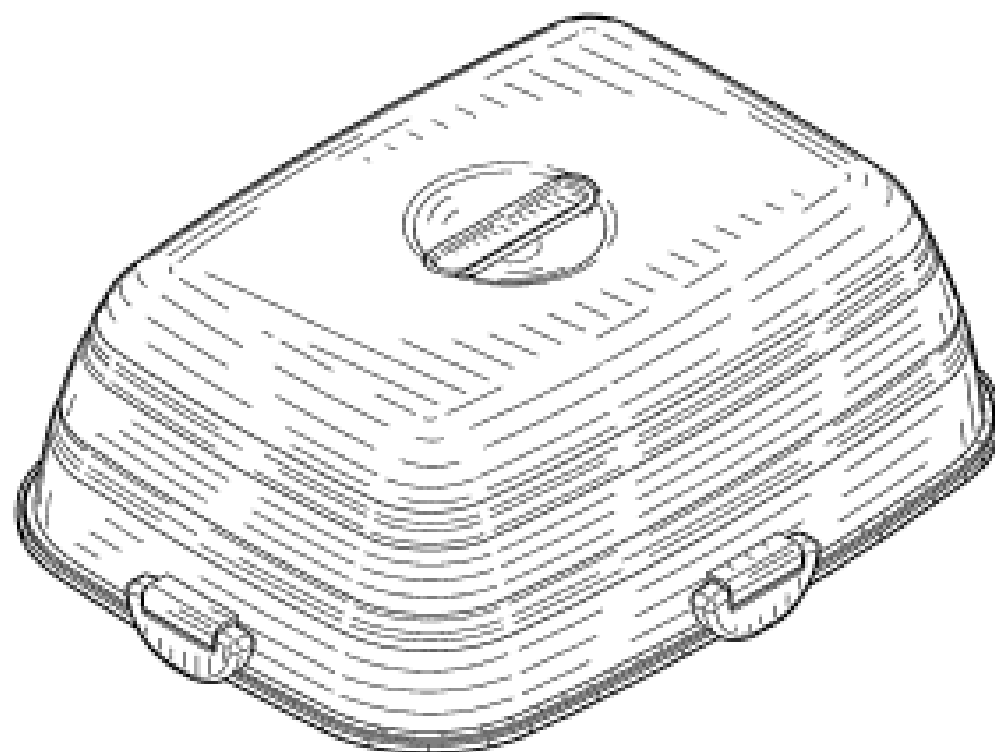
(21) Design Number: **14885/2009**
(22) Date of Filing Application: **15 December 2009**
(24) Date from which industrial property rights may have effect: **15 December 2009**
(54) Product in respect of which the design is registered: **Massage appliance**
(51) International Design Classification: **28-03NES**
(71) Name(s) and Address(s) of Applicant(s):
R.Evolution Life, SIA
Ludzas iela 9 Riga LV-1003 Latvia
(72) Name(s) of Designer(s): **Sergejs Jermoshins**
(45) Registration Date: **08 January 2010**
(30) Convention priority data:
(31) Number (32) Date (33) Country
1552605 18 Jun 2009 EUROPEAN COMMUNITY
(56) Related Art Documents: **Not Applicable**
(57) Statement of Newness and Distinctiveness: **Nil**



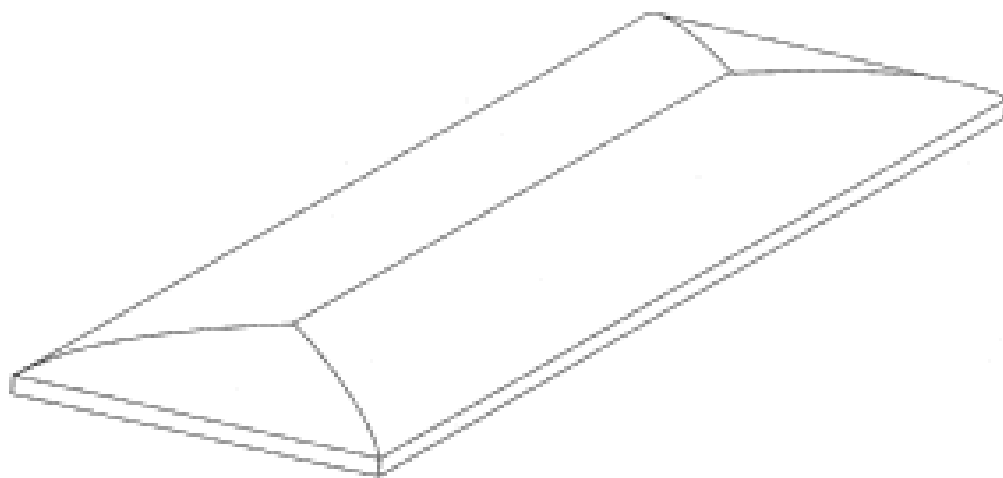
- (21) Design Number: **14909/2009**
(22) Date of Filing Application: **16 December 2009**
(24) Date from which industrial property rights may have effect: **16 December 2009**
(54) Product in respect of which the design is registered: **Proctoscope**
(51) International Design Classification: **24-02**
(71) Name(s) and Address(s) of Applicant(s):
Yih-Chiou Tsai
No. 20-8 Lane 252 Tungchi Street Taichang Li Tung Shin Chen
Taichung Hsien Taiwan
(72) Name(s) of Designer(s): **Yih-Chiou Tsai**
(45) Registration Date: **08 January 2010**
(56) Related Art Documents: **Not Applicable**
(57) Statement of Newness and Distinctiveness: **Newness and distinctiveness is claimed in the shape and/or configuration of a proctoscope as depicted in the accompanying drawings.**



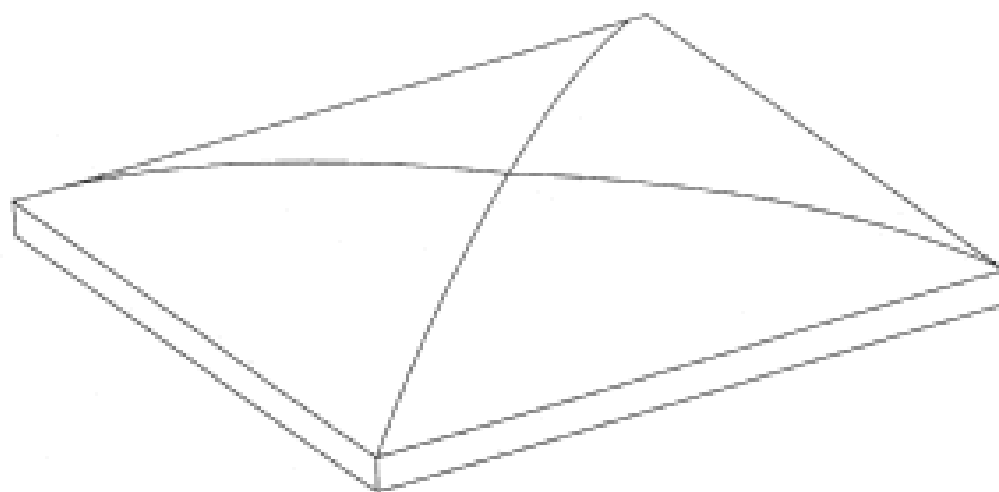
- (21) Design Number: **14996/2009**
(22) Date of Filing Application: **22 December 2009**
(24) Date from which industrial property rights may have effect: **22 December 2009**
(54) Product in respect of which the design is registered: **Collapsible food carrier**
(51) International Design Classification: **07-01NES**
(71) Name(s) and Address(s) of Applicant(s):
Progressive International Corporation
6111 South 228th Street Kent Washington 98032 United States of America
(72) Name(s) of Designer(s): **Heather Curtin**
(45) Registration Date: **08 January 2010**
(30) Convention priority data:
(31) Number (32) Date (33) Country
29/341,363 04 Aug 2009 UNITED STATES OF AMERICA
(56) Related Art Documents: **Not Applicable**
(57) Statement of Newness and Distinctiveness: **Newness and distinctiveness is claimed in the shape and configuration of the Collapsible Food Carrier.**



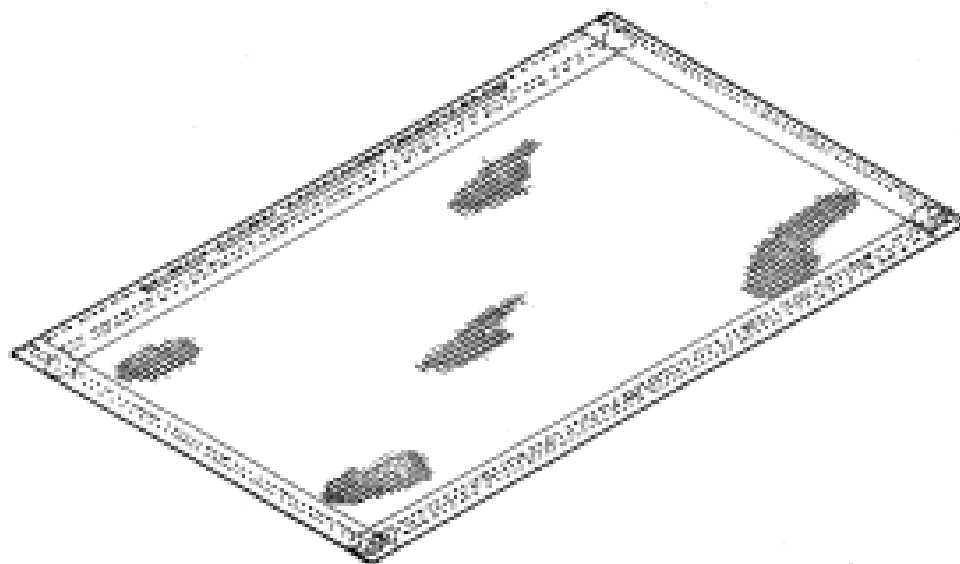
(21) Design Number: **14997/2009**
(22) Date of Filing Application: **22 December 2009**
(24) Date from which industrial property rights may have effect: **22 December 2009**
(54) Product in respect of which the design is registered: **A tile**
(51) International Design Classification: **25-01F**
(71) Name(s) and Address(s) of Applicant(s):
Everstone International Pty Ltd
8 George Young Street Auburn New South Wales 2144 Australia
(72) Name(s) of Designer(s): **John Zeng**
(45) Registration Date: **08 January 2010**
(56) Related Art Documents: **Not Applicable**
(57) Statement of Newness and Distinctiveness: **Nil**



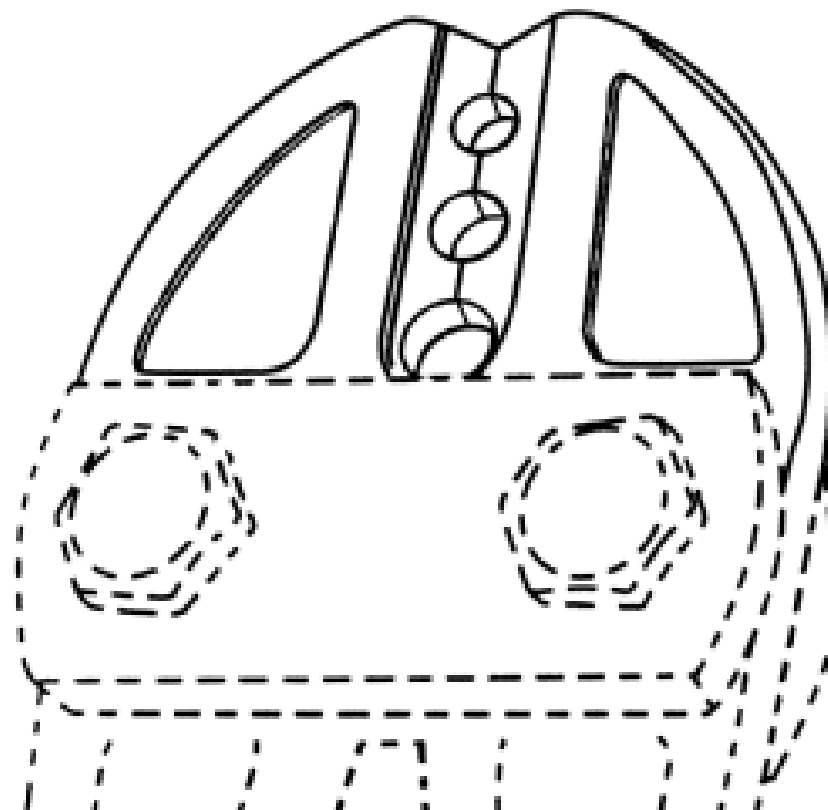
(21) Design Number: **14998/2009**
(22) Date of Filing Application: **22 December 2009**
(24) Date from which industrial property rights may have effect: **22 December 2009**
(54) Product in respect of which the design is registered: **A tile**
(51) International Design Classification: **25-01F**
(71) Name(s) and Address(s) of Applicant(s):
Everstone International Pty Ltd
8 George Young Street Auburn New South Wales 2144 Australia
(72) Name(s) of Designer(s): **John Zeng**
(45) Registration Date: **08 January 2010**
(56) Related Art Documents: **Not Applicable**
(57) Statement of Newness and Distinctiveness: **Nil**



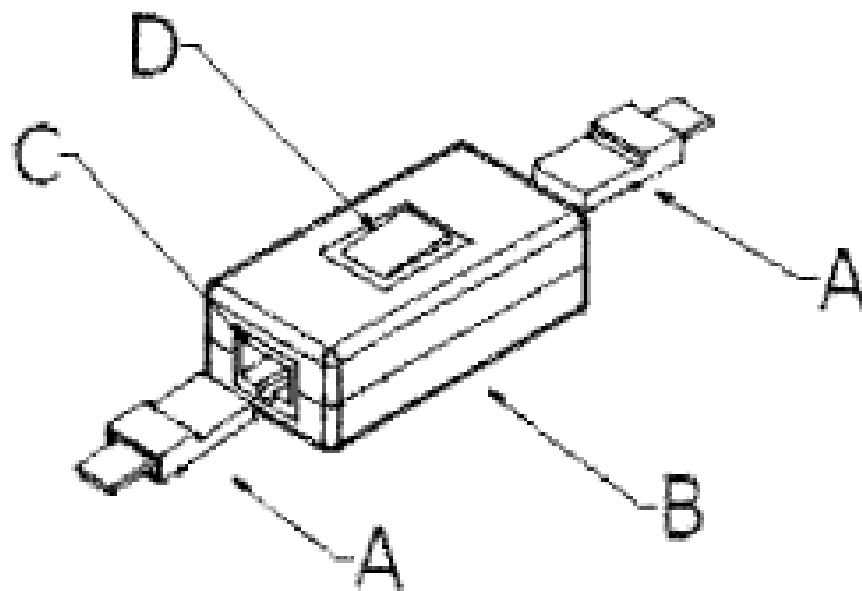
- (21) Design Number: **12490/2009**
(22) Date of Filing Application: **09 July 2009**
(24) Date from which industrial property rights may have effect: **09 July 2009**
(54) Product in respect of which the design is registered: **Fruit and plant protection device**
(51) International Design Classification: **05-06NES, 09-03F**
(71) Name(s) and Address(s) of Applicant(s):
Marc William Jackson
King Road Murray Upper Queensland 4854 Australia
(72) Name(s) of Designer(s): **Marc William Jackson**
(45) Registration Date: **11 January 2010**
(56) Related Art Documents: **Not Applicable**
(57) Statement of Newness and Distinctiveness: **Nil**



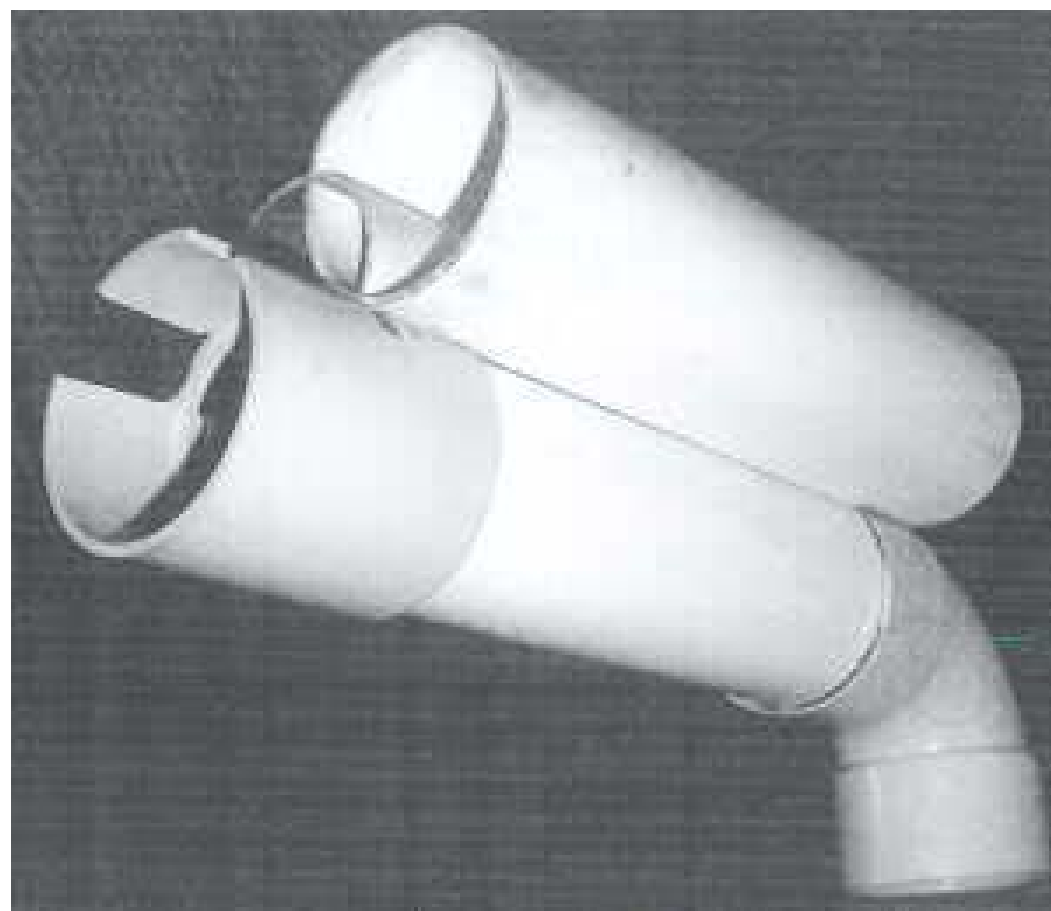
- (21) Design Number: **14829/2009**
(22) Date of Filing Application: **04 December 2009**
(24) Date from which industrial property rights may have effect: **04 December 2009**
(54) Product in respect of which the design is registered: **Hand swager**
(51) International Design Classification: **08-05P**
(71) Name(s) and Address(s) of Applicant(s):
David Finn
3/89 West Burleigh Road Burleigh Heads Queensland 4220 Australia
(72) Name(s) of Designer(s): **David Finn**
(45) Registration Date: **11 January 2010**
(56) Related Art Documents: **Not Applicable**
(57) Statement of Newness and Distinctiveness: **The shape and configuration of the portion of the Hand Swager Head as illustrated with solid lines in the representation labelled Hand Swager Head, is new and distinctive, the features shown with broken lines should be disregarded.**



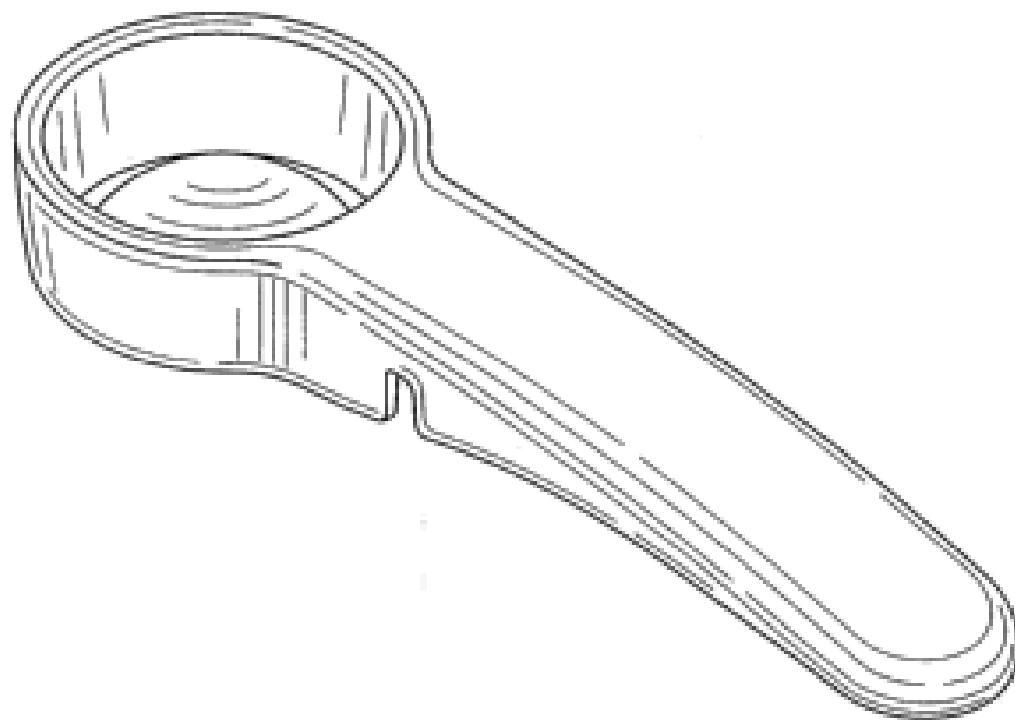
(21) Design Number: **14992/2009**
(22) Date of Filing Application: **21 December 2009**
(24) Date from which industrial property rights may have effect: **21 December 2009**
(54) Product in respect of which the design is registered: **Firewall device**
(51) International Design Classification: **14-02**
(71) Name(s) and Address(s) of Applicant(s):
Wai Tong
11 Victoria Street Woodridge Queensland 4114 Australia
(72) Name(s) of Designer(s): **Wai Tong**
(45) Registration Date: **11 January 2010**
(56) Related Art Documents: **Not Applicable**
(57) Statement of Newness and Distinctiveness: **Nil**



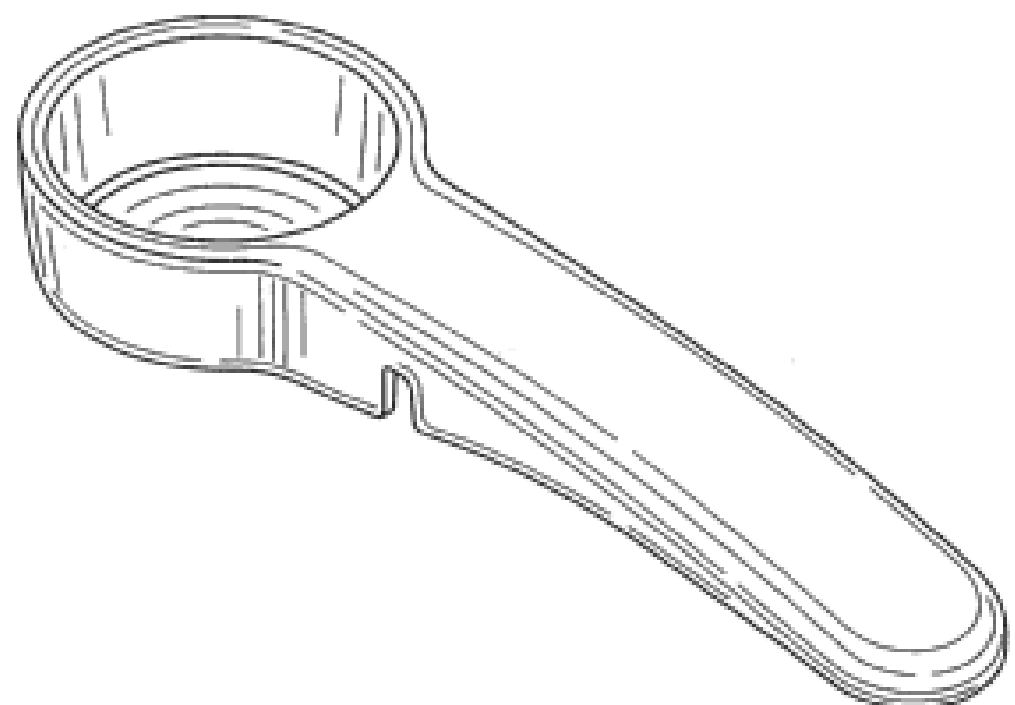
(21) Design Number: **12180/2009**
(22) Date of Filing Application: **17 June 2009**
(24) Date from which industrial property rights may have effect: **17 June 2009**
(54) Product in respect of which the design is registered: **Gutter for catchment of rainwater**
(51) International Design Classification: **23-01L**
(71) Name(s) and Address(s) of Applicant(s):
Brian McConnell
50 Rugby Street Bassendean Western Australia 6054 Australia
(72) Name(s) of Designer(s): **Brian McConnell**
(45) Registration Date: **11 January 2010**
(56) Related Art Documents: **Not Applicable**
(57) Statement of Newness and Distinctiveness: **Interlocking PVC pipes of various sizes.**



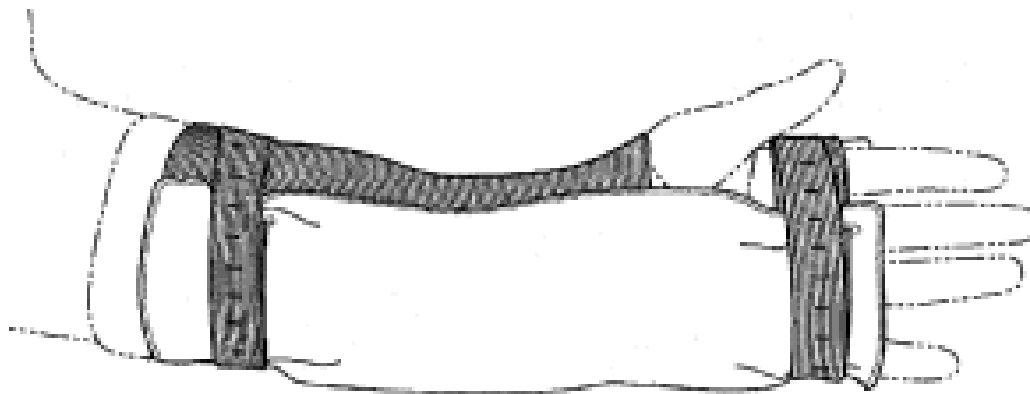
- (21) Design Number: **10038/2010**
(22) Date of Filing Application: **14 December 2009**
(24) Date from which industrial property rights may have effect: **14 December 2009**
(54) Product in respect of which the design is registered: **Measuring spoon**
(51) International Design Classification: **07-03, 10-04**
(71) Name(s) and Address(s) of Applicant(s):
Dart Industries Inc
14901 S. Orange Blossom Trail Orlando Florida 32837 United States of America
(72) Name(s) of Designer(s): **Simone Pallotto**
(45) Registration Date: **11 January 2010**
(30) Convention priority data:
(31) Number (32) Date (33) Country
29/315,608 09 Jul 2009 UNITED STATES OF AMERICA
(56) Related Art Documents: **Not Applicable**
(57) Statement of Newness and Distinctiveness: **Those features of the measuring spoon depicted in the representations that are new and distinctive are the shape and/or configuration.**



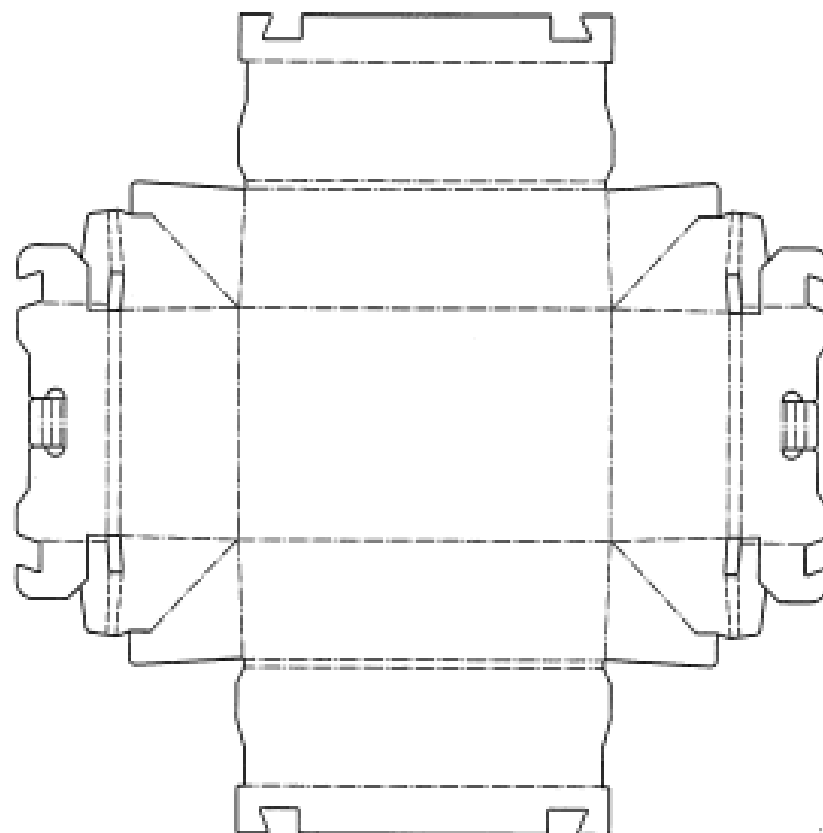
- (21) Design Number: **14867/2009**
(22) Date of Filing Application: **14 December 2009**
(24) Date from which industrial property rights may have effect: **14 December 2009**
(54) Product in respect of which the design is registered: **Measuring spoon**
(51) International Design Classification: **10-04, 07-03**
(71) Name(s) and Address(s) of Applicant(s):
Dart Industries Inc
14901 S. Orange Blossom Trail Orlando Florida 32837 United States of America
(72) Name(s) of Designer(s): **Simone Pallotto**
(45) Registration Date: **11 January 2010**
(30) Convention priority data:
(31) Number (32) Date (33) Country
29/315,608 09 Jul 2009 UNITED STATES OF AMERICA
(56) Related Art Documents: **Not Applicable**
(57) Statement of Newness and Distinctiveness: **Those features of the measuring spoon depicted in the representations that are new and distinctive are the shape and/or configuration.**



- (21) Design Number: **14903/2009**
(22) Date of Filing Application: **15 December 2009**
(24) Date from which industrial property rights may have effect: **15 December 2009**
(54) Product in respect of which the design is registered: **A protective strap**
(51) International Design Classification: **02-02B, 24-04, 29-02**
(71) Name(s) and Address(s) of Applicant(s):
Inventress Pty Ltd
PO Box 246 Stepney South Australia 5069 Australia
(72) Name(s) of Designer(s): **Laura Fidler and Wendy Granzio**
(45) Registration Date: **11 January 2010**
(56) Related Art Documents: **Not Applicable**
(57) Statement of Newness and Distinctiveness: **Nil**



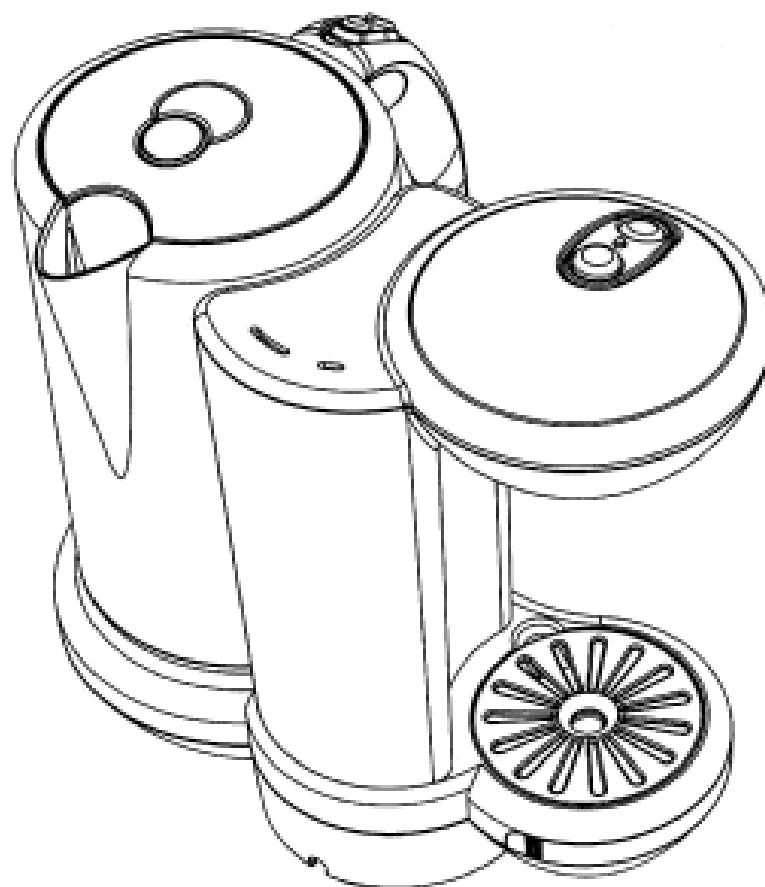
- (21) Design Number: **14904/2009**
(22) Date of Filing Application: **16 December 2009**
(24) Date from which industrial property rights may have effect: **16 December 2009**
(54) Product in respect of which the design is registered: **Container and blank for forming same**
(51) International Design Classification: **09-03M**
(71) Name(s) and Address(s) of Applicant(s):
Visy R & D Pty Ltd
Level 11 2 Southbank Boulevard Southbank Victoria 3006 Australia
(72) Name(s) of Designer(s): **Todd Anthony Daley and Wayne Keith Summers and Colin Coles**
(45) Registration Date: **11 January 2010**
(56) Related Art Documents: **Not Applicable**
(57) Statement of Newness and Distinctiveness: **Newness and distinctiveness is claimed in the shape or configuration of a container and blank therefor as illustrated in the accompanying representations.**



(21) Design Number: **13713/2009**
(22) Date of Filing Application: **29 September 2009**
(24) Date from which industrial property rights may have effect: **29 September 2009**
(54) Product in respect of which the design is registered: **Mobile LED screens / billboards - motor vehicle utility based**
(51) International Design Classification: **14-04**
(71) Name(s) and Address(s) of Applicant(s):
Blue Line Billboards Pty Ltd
Unit 1501 No 23-30 Glenside Drive Robina 4226 Queensland Australia
(72) Name(s) of Designer(s): **Peter Nilon**
(45) Registration Date: **12 January 2010**
(56) Related Art Documents: **Not Applicable**
(57) Statement of Newness and Distinctiveness: **Nil**



(21) Design Number: **13886/2009**
(22) Date of Filing Application: **08 October 2009**
(24) Date from which industrial property rights may have effect: **08 October 2009**
(54) Product in respect of which the design is registered: **Kettle and water dispenser**
(51) International Design Classification: **07-02K, 23-01H**
(71) Name(s) and Address(s) of Applicant(s):
Salton (Aust) Pty Ltd
7 Chifley Drive Chifley Business Park Mentone Victoria 3194 Australia
(72) Name(s) of Designer(s): **Simon Saba**
(45) Registration Date: **12 January 2010**
(56) Related Art Documents: **Not Applicable**
(57) Statement of Newness and Distinctiveness: **Nil**



(21) Design Number: **14218/2009**

(22) Date of Filing Application: **28 October 2009**

(24) Date from which industrial property rights may have effect: **28 October 2009**

(54) Product in respect of which the design is registered: **Sanitary napkin**

(51) International Design Classification: **24-04**

(71) Name(s) and Address(s) of Applicant(s):

Johnson & Johnson Ind. E Com. Ltda
Rodovia Presidente Dutra KM-154 Sao Jose dos Campos CEP
12237-350 Sao Paulo Brazil

(72) Name(s) of Designer(s): **Fernanda Bruzadin and Francisco J. V. Hernandez and Fernanda Wiermann Paques and Jonathan Wohlke**

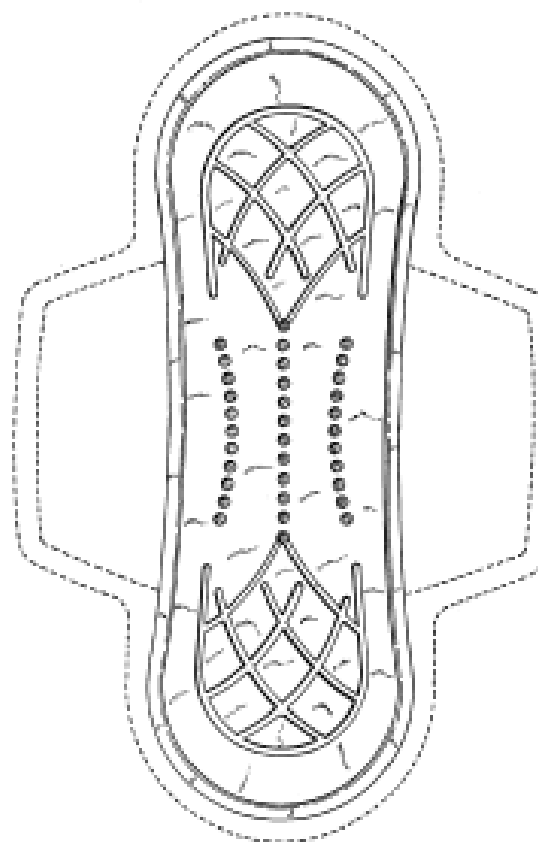
(45) Registration Date: **12 January 2010**

(30) Convention priority data:

(31) Number	(32) Date	(33) Country
29/336110	29 Apr 2009	UNITED STATES OF AMERICA

(56) Related Art Documents: **Not Applicable**

(57) Statement of Newness and Distinctiveness: **Nil**



(21) Design Number: **14323/2009**

(22) Date of Filing Application: **06 November 2009**

(24) Date from which industrial property rights may have effect: **06 November 2009**

(54) Product in respect of which the design is registered: **Lock**

(51) International Design Classification: **08-07**

(71) Name(s) and Address(s) of Applicant(s):

Master Lock Company LLC
137 W. Forest Hill Avenue Oak Creek Wisconsin United States of
America

(72) Name(s) of Designer(s): **Scott B. Stevens and Agnes de Looz Corswarem et de Corswarem Looz**

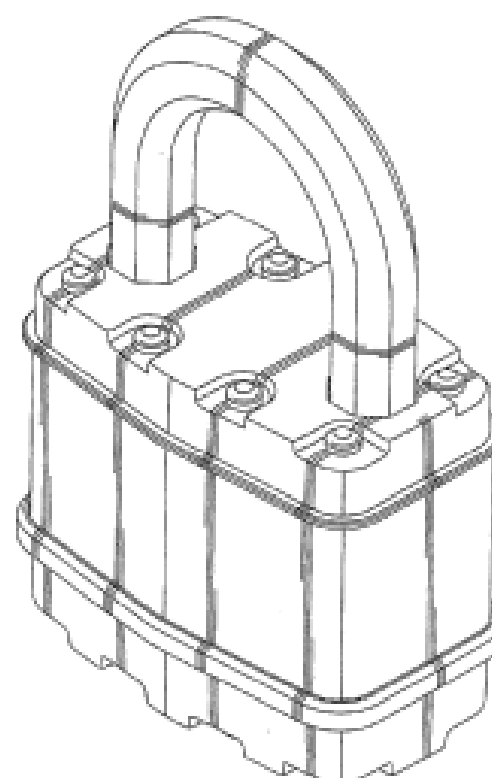
(45) Registration Date: **12 January 2010**

(30) Convention priority data:

(31) Number	(32) Date	(33) Country
29/337,294	19 May 2009	UNITED STATES OF AMERICA

(56) Related Art Documents: **Not Applicable**

(57) Statement of Newness and Distinctiveness: **Nil**



(21) Design Number: **14326/2009**

(22) Date of Filing Application: **06 November 2009**

(24) Date from which industrial property rights may have effect: **06 November 2009**

(54) Product in respect of which the design is registered: **A linear actuator**

(51) International Design Classification: **15-99**

(71) Name(s) and Address(s) of Applicant(s):

Linak A/S

Smedevaenget 8 Guderup DK-6430 Nordborg Denmark

(72) Name(s) of Designer(s): **Torben Iversen**

(45) Registration Date: **12 January 2010**

(30) Convention priority data:

(31) Number

(32) Date

(33) Country

DA 2009

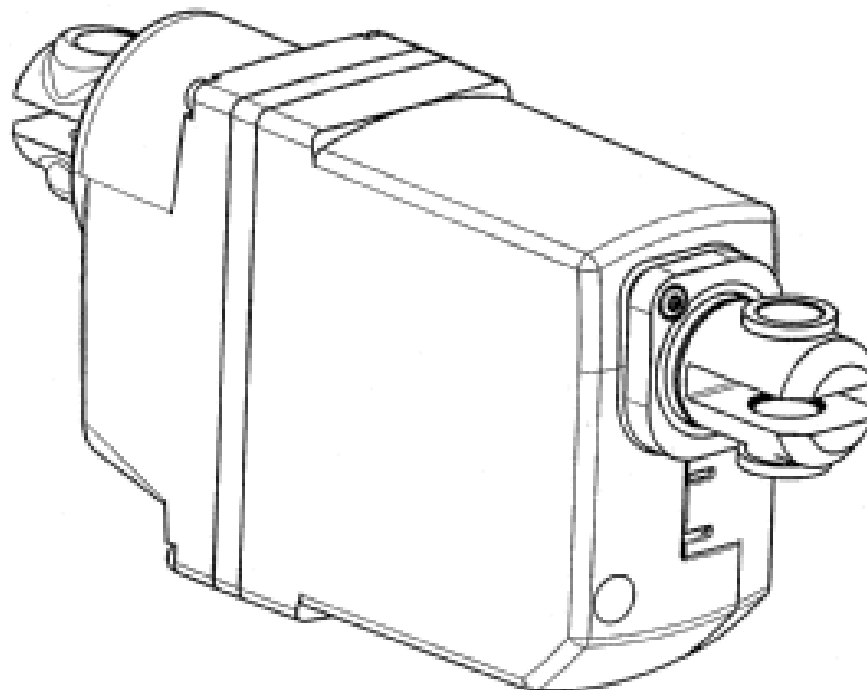
09 May 2009

DENMARK

00069

(56) Related Art Documents: **Not Applicable**

(57) Statement of Newness and Distinctiveness: **Newness and distinctiveness is claimed in the features of shape and/or configuration of the following parts of a linear actuator as illustrated and labelled in the accompanying representations: generally flat rectangular box-shaped housing labelled "A".**



(21) Design Number: **14839/2009**

(22) Date of Filing Application: **09 December 2009**

(24) Date from which industrial property rights may have effect: **09 December 2009**

(54) Product in respect of which the design is registered: **Digital test device**

(51) International Design Classification: **10-04**

(71) Name(s) and Address(s) of Applicant(s):

Inverness Medical Switzerland GmbH

Bahnhofstrasse 28 CH-6300 Zug Switzerland

(72) Name(s) of Designer(s): **Wang Li**

(45) Registration Date: **12 January 2010**

(30) Convention priority data:

(31) Number

(32) Date

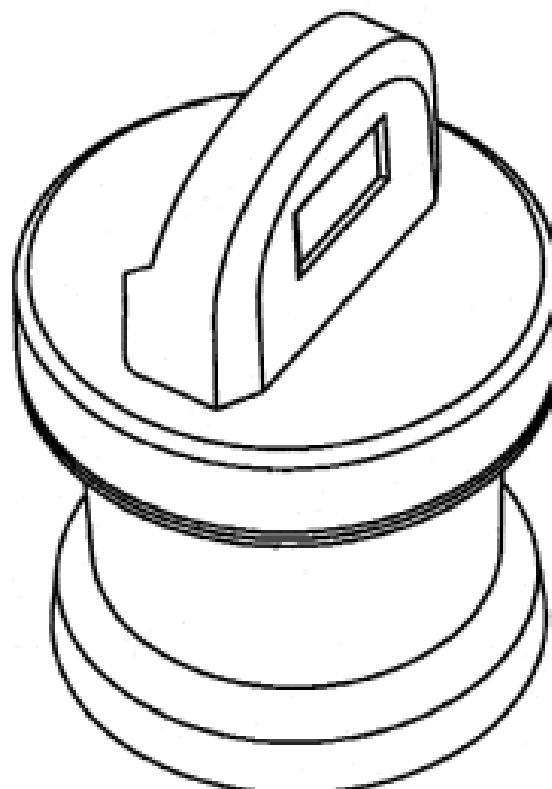
(33) Country

200930145777.7 09 Jul 2009

CHINA

(56) Related Art Documents: **Not Applicable**

(57) Statement of Newness and Distinctiveness: **The design is to be applied to a TEST DEVICE and the novelty resides in the features of shape and configuration of the test device as shown in the accompanying drawings.**



(21) Design Number: **14929/2009**
(22) Date of Filing Application: **18 December 2009**
(24) Date from which industrial property rights may have effect: **18 December 2009**
(54) Product in respect of which the design is registered: **Lid**
(51) International Design Classification: **07-01NES**
(71) Name(s) and Address(s) of Applicant(s):

Alto Packaging Limited
Level 6 LJ Hooker House 57-59 Symonds Street Auckland New Zealand

(72) Name(s) of Designer(s): **Michael Patrick Noonan**

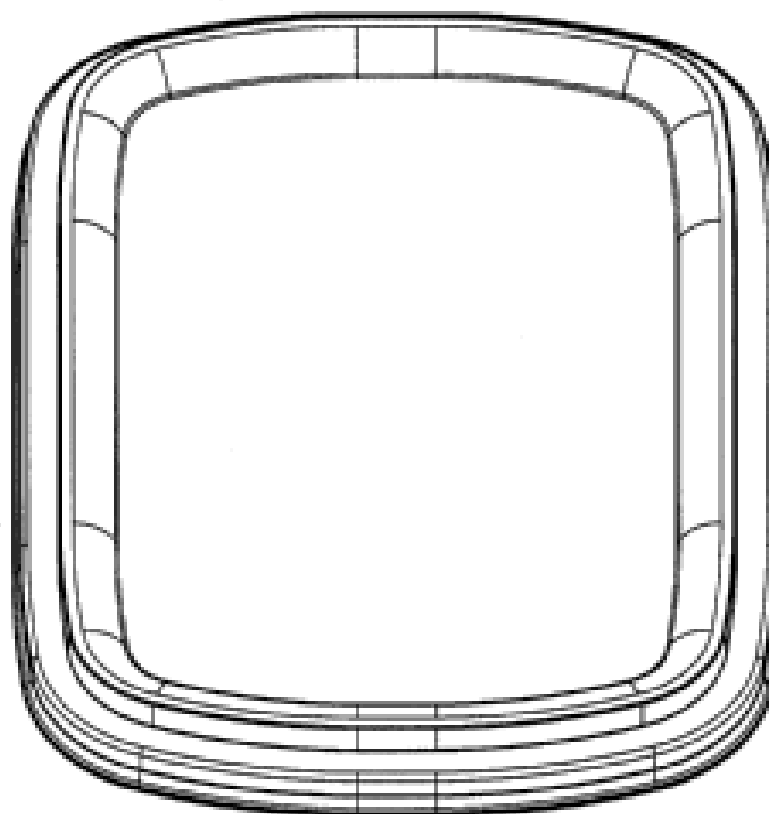
(45) Registration Date: **12 January 2010**

(30) Convention priority data:

(31) Number	(32) Date	(33) Country
413098	16 Dec 2009	NEW ZEALAND

(56) Related Art Documents: **Not Applicable**

(57) Statement of Newness and Distinctiveness: **Nil**



(21) Design Number: **14930/2009**
(22) Date of Filing Application: **18 December 2009**
(24) Date from which industrial property rights may have effect: **18 December 2009**
(54) Product in respect of which the design is registered: **Container**
(51) International Design Classification: **09-03F**
(71) Name(s) and Address(s) of Applicant(s):

Alto Packaging Limited
Level 6 LJ Hooker House 57-59 Symonds Street Auckland New Zealand

(72) Name(s) of Designer(s): **Michael Patrick Noonan**

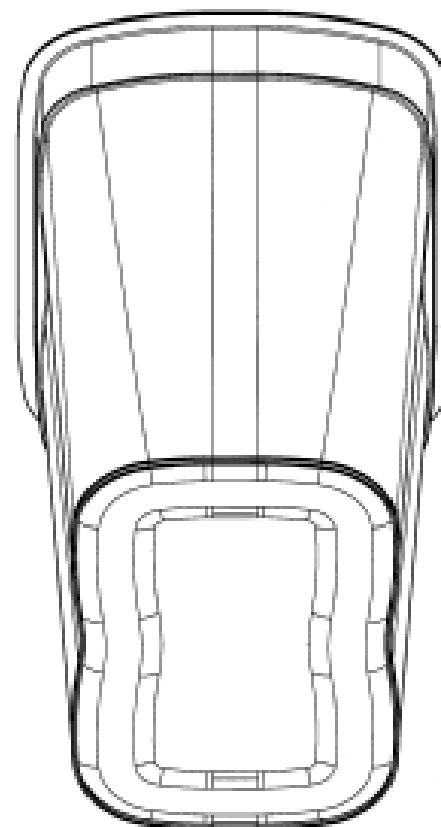
(45) Registration Date: **12 January 2010**

(30) Convention priority data:

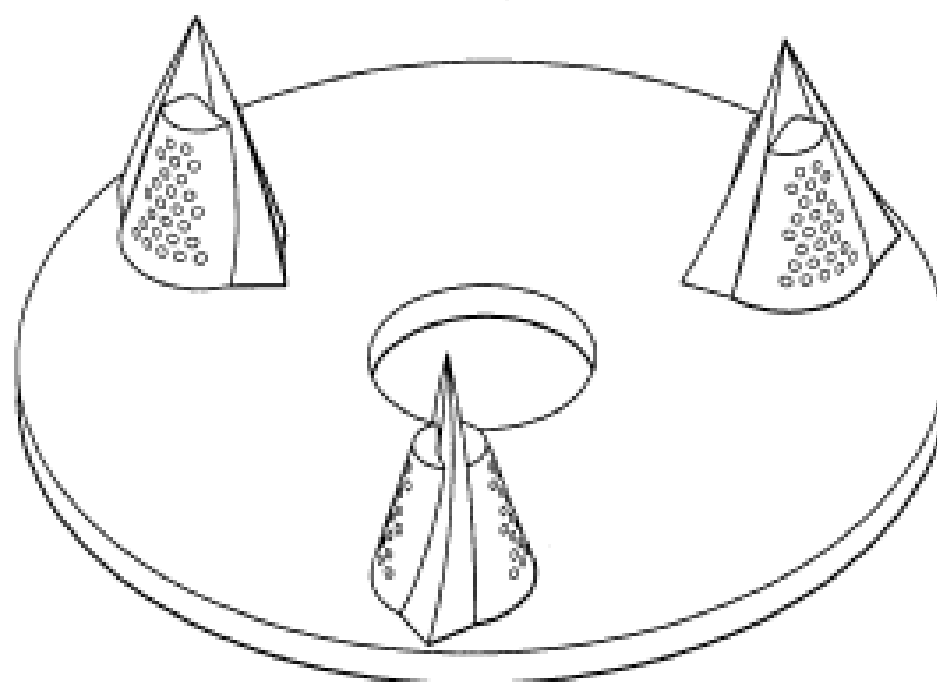
(31) Number	(32) Date	(33) Country
413099	16 Dec 2009	NEW ZEALAND

(56) Related Art Documents: **Not Applicable**

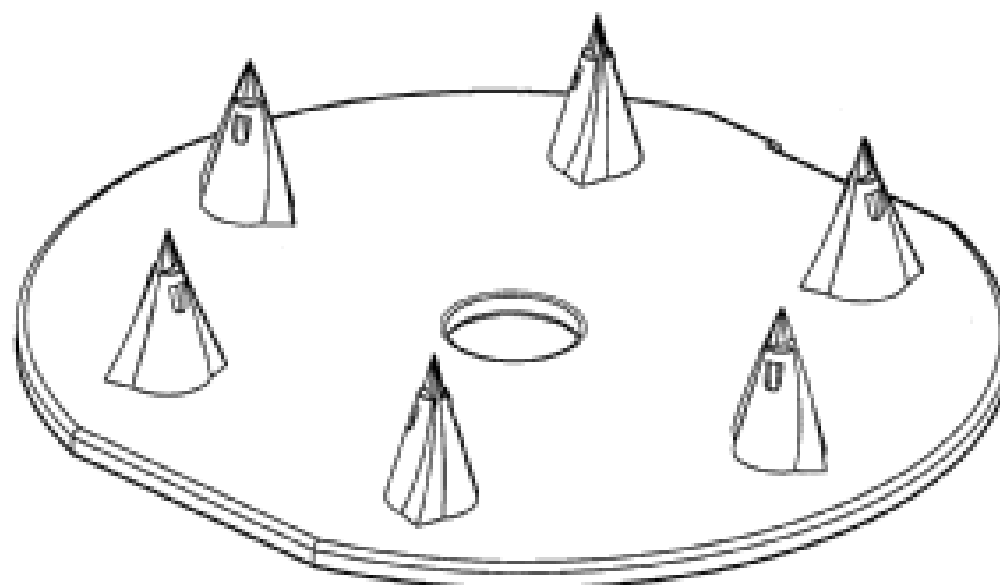
(57) Statement of Newness and Distinctiveness: **Nil**



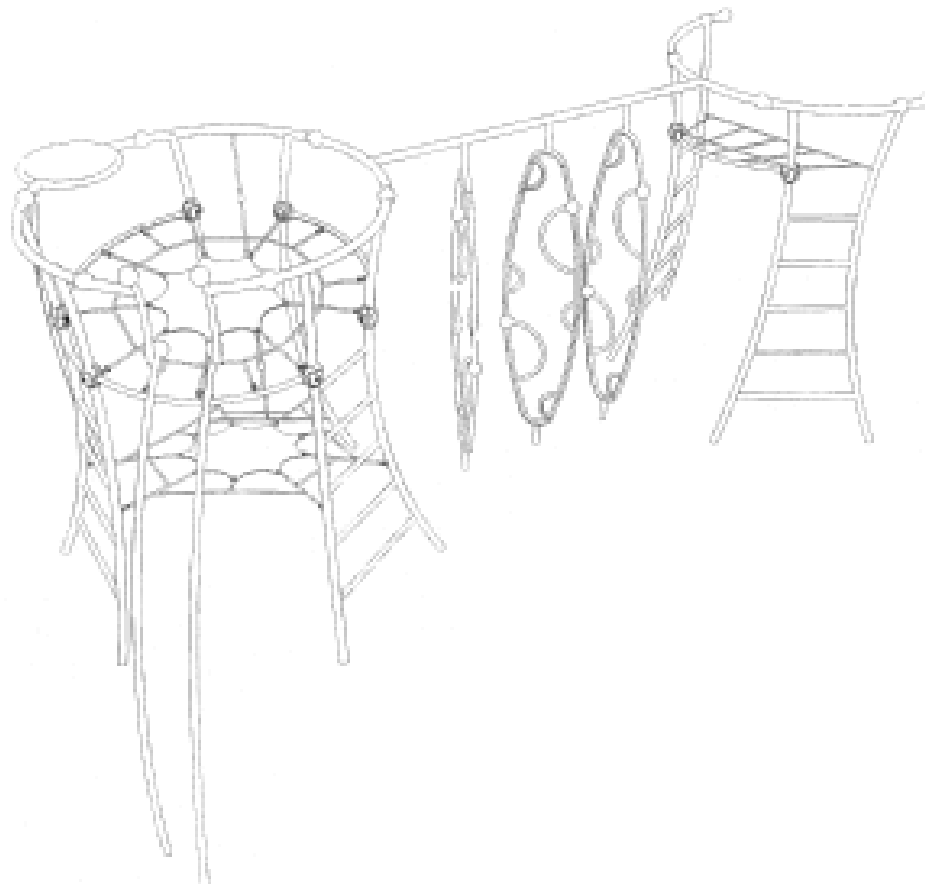
(21) Design Number: **14931/2009**
(22) Date of Filing Application: **18 December 2009**
(24) Date from which industrial property rights may have effect: **18 December 2009**
(54) Product in respect of which the design is registered: **Piercing disc for capsules or pods for coffee machines**
(51) International Design Classification: **07-02L**
(71) Name(s) and Address(s) of Applicant(s):
Swiss Caffè Asia Ltd
Flat G 10/F Valiant Ind. Ctr. 2-12 Au Pui Wan Street Fo Tan Shatin N.T
Hong Kong
(72) Name(s) of Designer(s): **Cornelius J. M. Aardenburg**
(45) Registration Date: **12 January 2010**
(30) Convention priority data:
(31) Number (32) Date (33) Country
001150999 07 Jul 2009 EUROPEAN COMMUNITY
(56) Related Art Documents: **Not Applicable**
(57) Statement of Newness and Distinctiveness: **Nil**



(21) Design Number: **14932/2009**
(22) Date of Filing Application: **18 December 2009**
(24) Date from which industrial property rights may have effect: **18 December 2009**
(54) Product in respect of which the design is registered: **Piercing disc for capsules or pods for coffee machines**
(51) International Design Classification: **07-02L**
(71) Name(s) and Address(s) of Applicant(s):
Swiss Caffè Asia Ltd
Flat G 10/F Valiant Ind. Ctr. 2-12 Au Pui Wan Street Fo Tan Shatin N.T
Hong Kong
(72) Name(s) of Designer(s): **Cornelius J. M. Aardenburg**
(45) Registration Date: **12 January 2010**
(30) Convention priority data:
(31) Number (32) Date (33) Country
001150999 07 Jul 2009 EUROPEAN COMMUNITY
(56) Related Art Documents: **Not Applicable**
(57) Statement of Newness and Distinctiveness: **Nil**



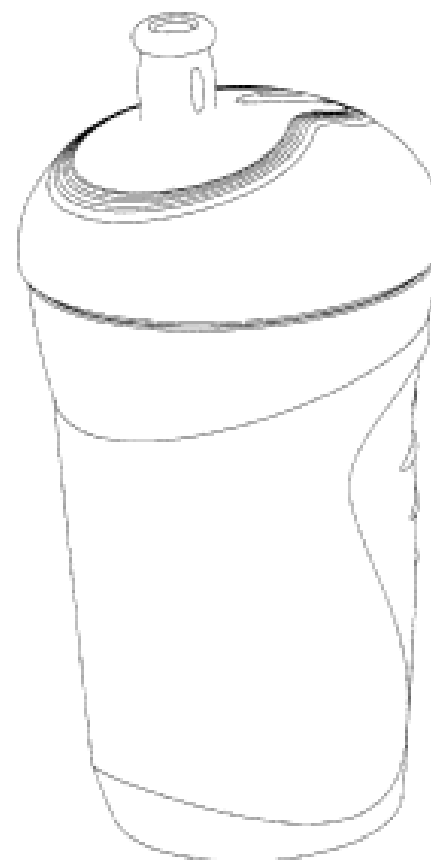
(21) Design Number: **14960/2009**
(22) Date of Filing Application: **16 December 2009**
(24) Date from which industrial property rights may have effect: **16 December 2009**
(54) Product in respect of which the design is registered: **Recreation equipment**
(51) International Design Classification: **21-02F**
(71) Name(s) and Address(s) of Applicant(s):
Denys Lloyd Filleul Trading as Playground Centre
10 St Leonard Street Wanganui 4501 New Zealand
Marcia Ann Filleul Trading as Playground Centre
10 St Leonard Street Wanganui 4501 New Zealand
(72) Name(s) of Designer(s): **Simon Filleul**
(45) Registration Date: **12 January 2010**
(30) Convention priority data:
(31) Number (32) Date (33) Country
412403 16 Jun 2009 NEW ZEALAND
(56) Related Art Documents: **Not Applicable**
(57) Statement of Newness and Distinctiveness: **Nil**



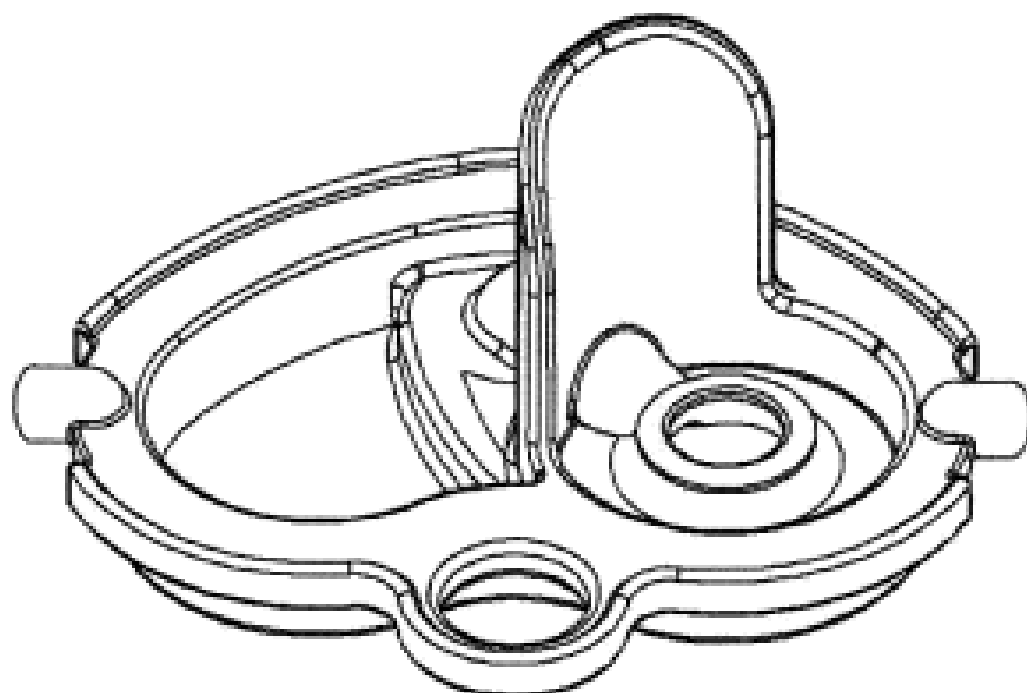
(21) Design Number: **11785/2009**
(22) Date of Filing Application: **15 May 2009**
(24) Date from which industrial property rights may have effect: **15 May 2009**
(54) Product in respect of which the design is registered: **Ladies garments**
(51) International Design Classification: **02-02C**
(71) Name(s) and Address(s) of Applicant(s):
Grant Olver Investments Pty Ltd trading as Pilgrim Clothing
2 Vale Street St Kilda Victoria 3182 Australia
(72) Name(s) of Designer(s): **Grant Olver**
(45) Registration Date: **12 January 2010**
(56) Related Art Documents: **Not Applicable**
(57) Statement of Newness and Distinctiveness: **Nil**



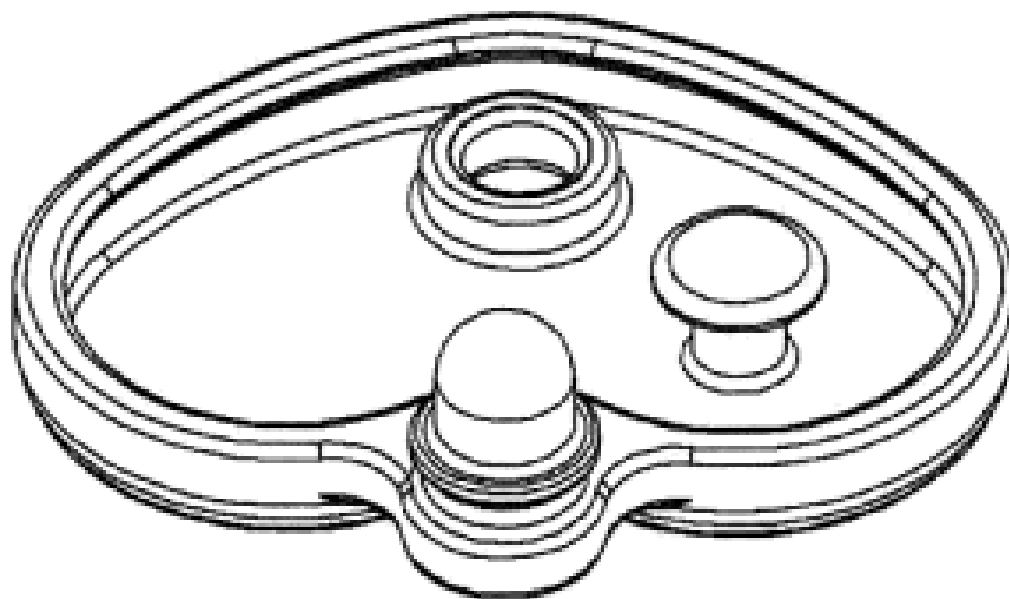
- (21) Design Number: **14227/2009**
(22) Date of Filing Application: **29 October 2009**
(24) Date from which industrial property rights may have effect: **29 October 2009**
(54) Product in respect of which the design is registered: **Drinking cup**
(51) International Design Classification: **07-01C**
(71) Name(s) and Address(s) of Applicant(s):
Jackel International Limited
Dudley Lane Cramlington Northumberland NE23 7RH United Kingdom
(72) Name(s) of Designer(s): **Tom Cotton and Ian Webb and Mark Armstrong and Paul Schofield**
(45) Registration Date: **12 January 2010**
(30) Convention priority data:
(31) Number (32) Date (33) Country
001171391-0018 12 Oct 2009 EUROPEAN COMMUNITY
(56) Related Art Documents: **Not Applicable**
(57) Statement of Newness and Distinctiveness: **Newness and distinctiveness resides in the features of shape and/or configuration of a drinking cup as shown in the accompanying representations.**



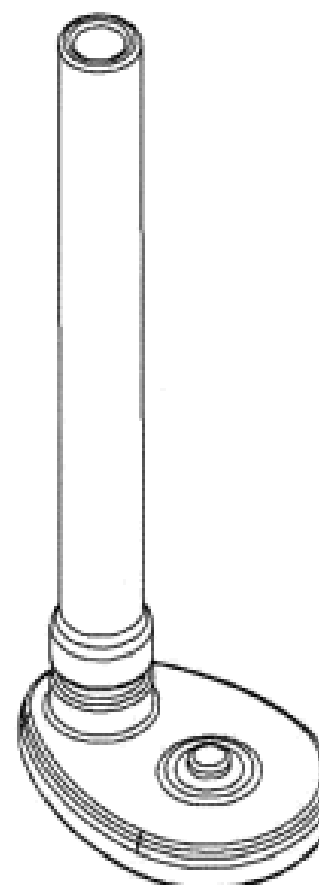
- (21) Design Number: **14228/2009**
(22) Date of Filing Application: **29 October 2009**
(24) Date from which industrial property rights may have effect: **29 October 2009**
(54) Product in respect of which the design is registered: **Retainer for a drinking cup**
(51) International Design Classification: **07-01NES**
(71) Name(s) and Address(s) of Applicant(s):
Jackel International Limited
Dudley Lane Cramlington Northumberland NE23 7RH United Kingdom
(72) Name(s) of Designer(s): **Paul Schofield**
(45) Registration Date: **12 January 2010**
(30) Convention priority data:
(31) Number (32) Date (33) Country
001171391-0019 12 Oct 2009 EUROPEAN COMMUNITY
(56) Related Art Documents: **Not Applicable**
(57) Statement of Newness and Distinctiveness: **Newness and distinctiveness resides in the features of shape and/or configuration of a retainer for a drinking cup as shown in the accompanying representations.**



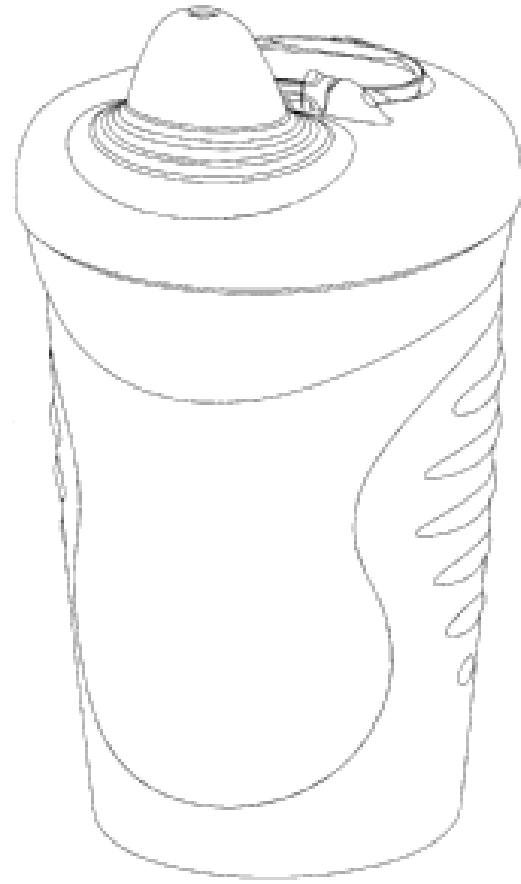
(21) Design Number: **14230/2009**
(22) Date of Filing Application: **29 October 2009**
(24) Date from which industrial property rights may have effect: **29 October 2009**
(54) Product in respect of which the design is registered: **Valve for a drinking cup**
(51) International Design Classification: **07-01NES**
(71) Name(s) and Address(s) of Applicant(s):
Jackel International Limited
Dudley Lane Cramlington Northumberland NE23 7RH United Kingdom
(72) Name(s) of Designer(s): **Paul Schofield**
(45) Registration Date: **12 January 2010**
(30) Convention priority data:
(31) Number (32) Date (33) Country
001171391-0021 12 Oct 2009 EUROPEAN COMMUNITY
(56) Related Art Documents: **Not Applicable**
(57) Statement of Newness and Distinctiveness: **Newness and distinctiveness resides in the features of shape and/or configuration of a valve for a drinking cup as shown in the accompanying representations.**



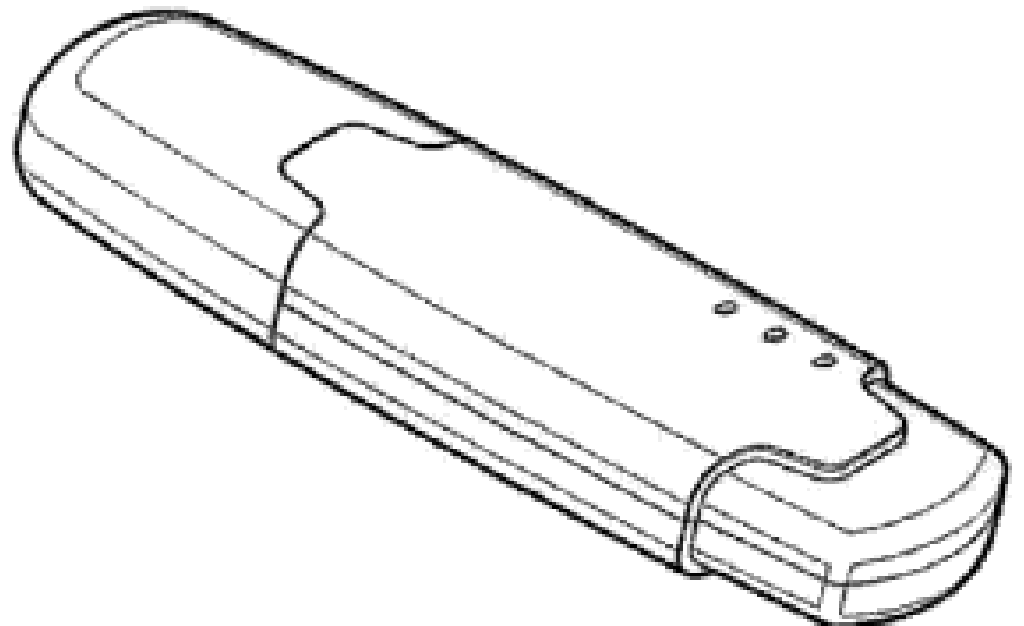
(21) Design Number: **14231/2009**
(22) Date of Filing Application: **29 October 2009**
(24) Date from which industrial property rights may have effect: **29 October 2009**
(54) Product in respect of which the design is registered: **Valve for a drinking cup**
(51) International Design Classification: **07-01NES**
(71) Name(s) and Address(s) of Applicant(s):
Jackel International Limited
Dudley Lane Cramlington Northumberland NE23 7RH United Kingdom
(72) Name(s) of Designer(s): **Paul Schofield**
(45) Registration Date: **12 January 2010**
(30) Convention priority data:
(31) Number (32) Date (33) Country
001171391-0022 12 Oct 2009 EUROPEAN COMMUNITY
(56) Related Art Documents: **Not Applicable**
(57) Statement of Newness and Distinctiveness: **Newness and distinctiveness resides in the features of shape and/or configuration of a valve for a drinking cup as shown in the accompanying representations.**



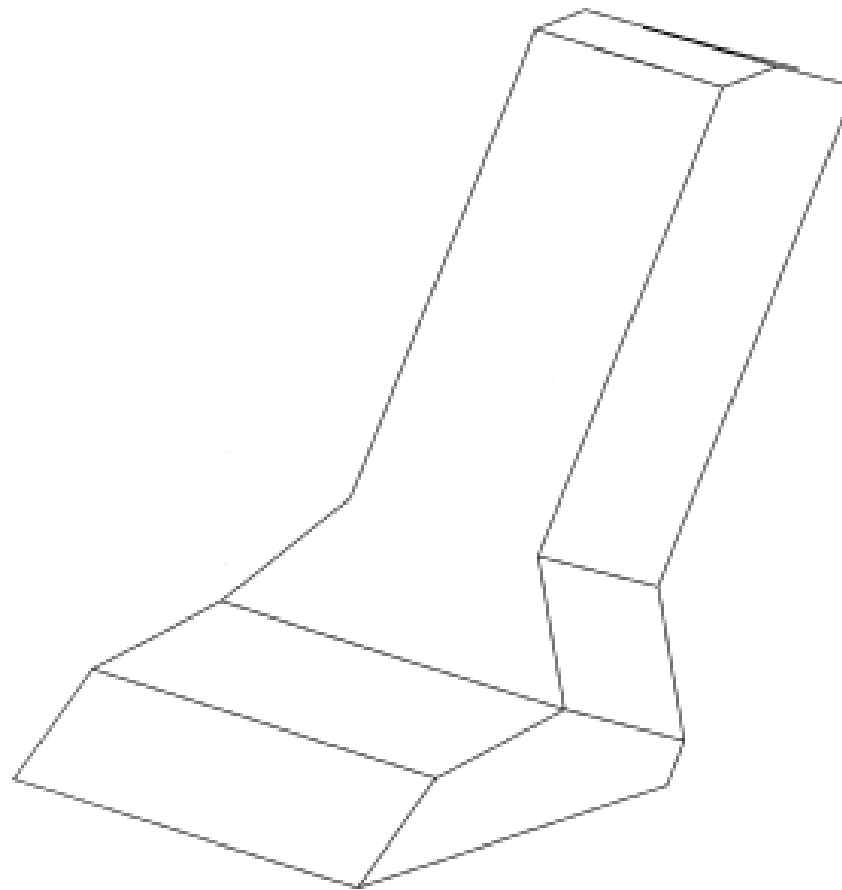
- (21) Design Number: **14232/2009**
(22) Date of Filing Application: **29 October 2009**
(24) Date from which industrial property rights may have effect: **29 October 2009**
(54) Product in respect of which the design is registered: **Drinking cup**
(51) International Design Classification: **07-01C**
(71) Name(s) and Address(s) of Applicant(s):
Jackel International Limited
Dudley Lane Cramlington Northumberland NE23 7RH United Kingdom
(72) Name(s) of Designer(s): **Tom Cotton and Ian Webb and Mark Armstrong and Paul Schofield**
(45) Registration Date: **12 January 2010**
(30) Convention priority data:
(31) Number (32) Date (33) Country
001171391-0010 12 Oct 2009 EUROPEAN COMMUNITY
(56) Related Art Documents: **Not Applicable**
(57) Statement of Newness and Distinctiveness: **Newness and distinctiveness resides in the features of shape and/or configuration of a drinking cup as shown in the accompanying representations.**



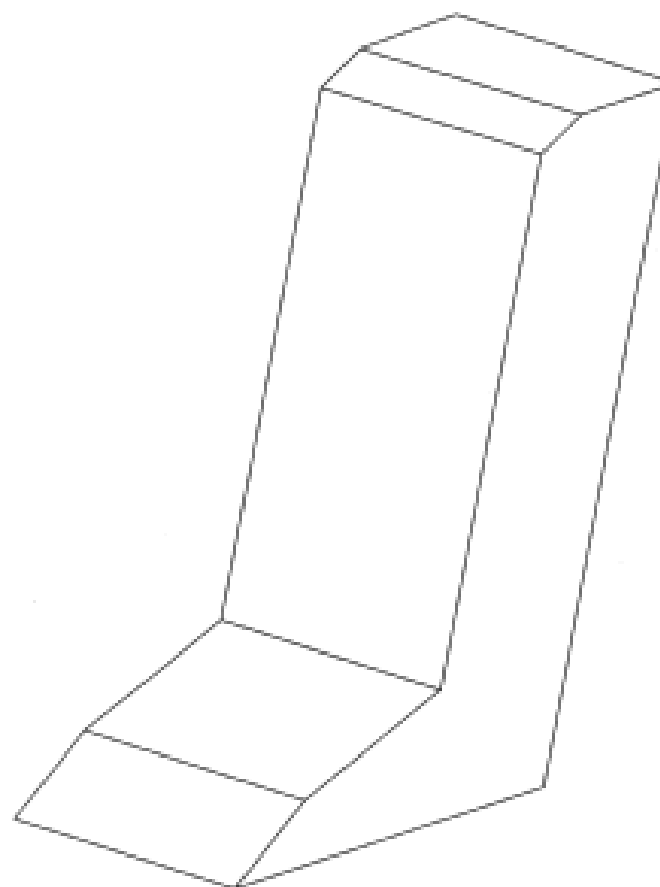
- (21) Design Number: **14330/2009**
(22) Date of Filing Application: **06 November 2009**
(24) Date from which industrial property rights may have effect: **06 November 2009**
(54) Product in respect of which the design is registered: **Sensor data collector mote**
(51) International Design Classification: **14-02**
(71) Name(s) and Address(s) of Applicant(s):
MIMOS Berhad
Technology Park Malaysia 57000 Kuala Lumpur Malaysia
(72) Name(s) of Designer(s): **Azizi Rakman and Choong Soo Li and Saharudin Busri and Nuzairi Yasin**
(45) Registration Date: **12 January 2010**
(30) Convention priority data:
(31) Number (32) Date (33) Country
09-00439-0101 07 May 2009 MALAYSIA
(56) Related Art Documents: **Not Applicable**
(57) Statement of Newness and Distinctiveness: **Nil**



- (21) Design Number: **14331/2009**
(22) Date of Filing Application: **06 November 2009**
(24) Date from which industrial property rights may have effect: **06 November 2009**
(54) Product in respect of which the design is registered: **A bending blade for a metal bending brake**
(51) International Design Classification: **08-99, 15-09**
(71) Name(s) and Address(s) of Applicant(s):
Zhen Hui Li
33 Vale Avenue Gordon New South Wales 2072 Australia
(72) Name(s) of Designer(s): **Zhen Hui Li**
(45) Registration Date: **12 January 2010**
(56) Related Art Documents: **Not Applicable**
(57) Statement of Newness and Distinctiveness: **Newness and distinctiveness is claimed in the shape and/or configuration of "a bending blade for a metal bending brake" as illustrated in the representation.**



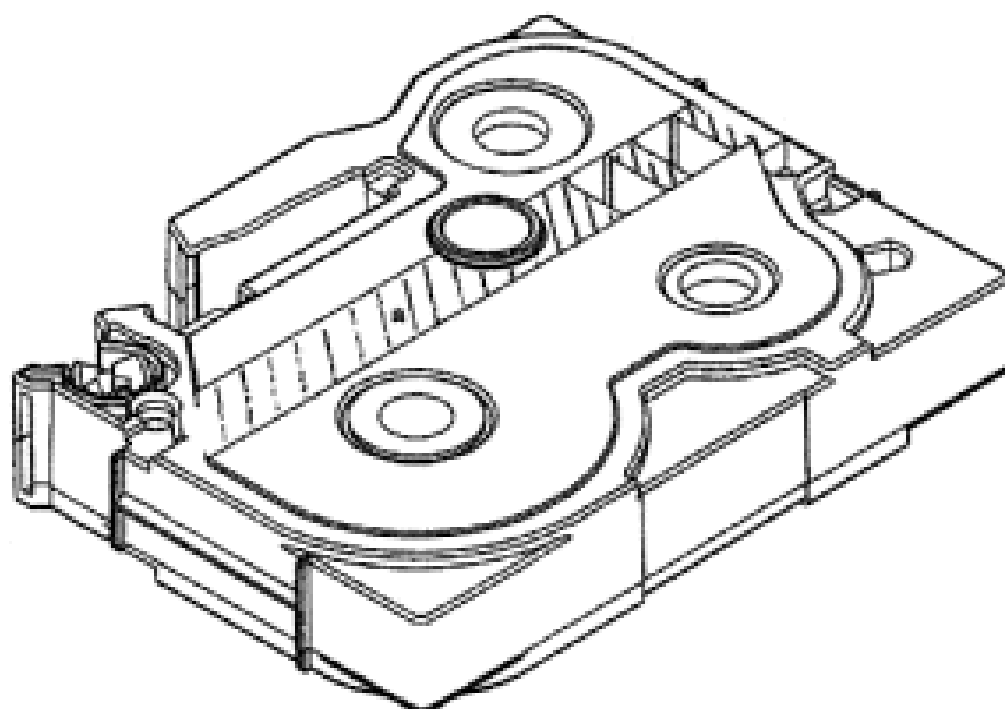
- (21) Design Number: **14332/2009**
(22) Date of Filing Application: **06 November 2009**
(24) Date from which industrial property rights may have effect: **06 November 2009**
(54) Product in respect of which the design is registered: **A bending blade for a metal bending brake**
(51) International Design Classification: **08-99, 15-09**
(71) Name(s) and Address(s) of Applicant(s):
Zhen Hui Li
33 Vale Avenue Gordon New South Wales 2072 Australia
(72) Name(s) of Designer(s): **Zhen Hui Li**
(45) Registration Date: **12 January 2010**
(56) Related Art Documents: **Not Applicable**
(57) Statement of Newness and Distinctiveness: **Newness and distinctiveness is claimed in the shape and/or configuration of "a bending blade for a metal bending brake" as illustrated in the representation.**



(21) Design Number: **14908/2009**
 (22) Date of Filing Application: **11 December 2009**
 (24) Date from which industrial property rights may have effect: **11 December 2009**
 (54) Product in respect of which the design is registered: **Tape cartridge for tape printing machine**
 (51) International Design Classification: **18-02, 14-99**
 (71) Name(s) and Address(s) of Applicant(s):
Brother Industries, Ltd.
15-1 Naeshiro-cho Mizuho-ku Nagoya-shi Aichi-ken Japan
 (72) Name(s) of Designer(s): **Masayoshi Mita and Toshiya Inada**
 (45) Registration Date: **12 January 2010**
 (30) Convention priority data:

(31) Number	(32) Date	(33) Country
JP2009-015367	06 Jul 2009	JAPAN

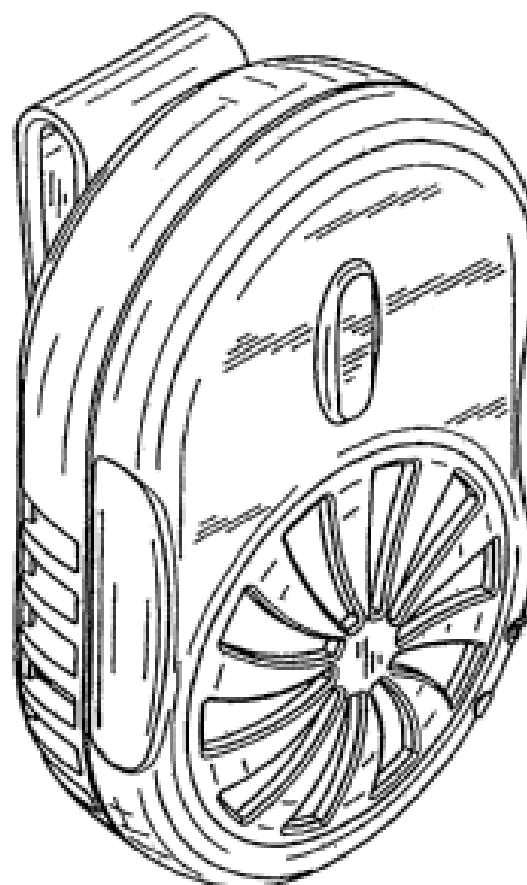
 (56) Related Art Documents: **Not Applicable**
 (57) Statement of Newness and Distinctiveness: **The newness and distinctiveness of the design resides in the following features of the design: (a) the elevations depicted in figures 1, 8 and 9, which are marked with diagonal lines and the letter b; and (b) the indentations as depicted in figures 5, 7 and 9, which are marked with diagonal lines and the letter a.**



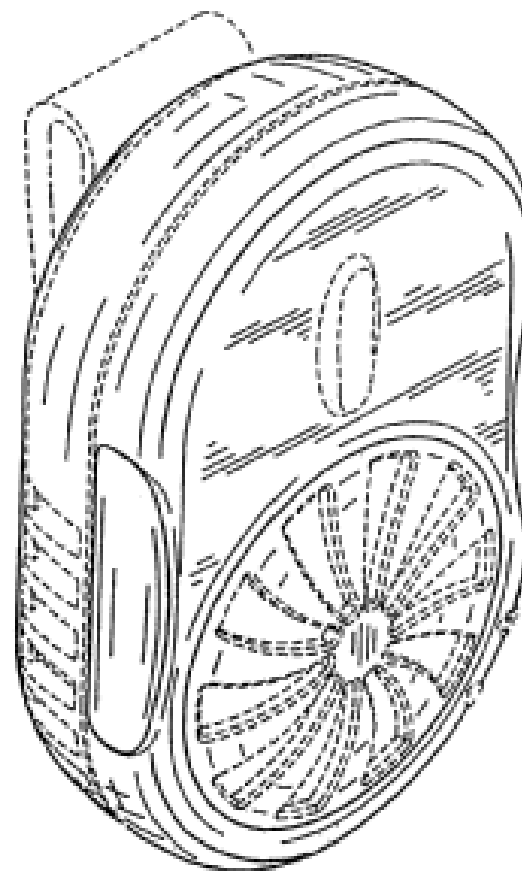
(21) Design Number: **14917/2009**
 (22) Date of Filing Application: **17 December 2009**
 (24) Date from which industrial property rights may have effect: **17 December 2009**
 (54) Product in respect of which the design is registered: **A dispenser**
 (51) International Design Classification: **28-99**
 (71) Name(s) and Address(s) of Applicant(s):
S.C. Johnson & Son, Inc.
1525 Howe Street Racine Wisconsin 53403-2236 United States of America
 (72) Name(s) of Designer(s): **Paul E. Furner and Anne Kitzmiller and Christopher Kuh**
 (45) Registration Date: **12 January 2010**
 (30) Convention priority data:

(31) Number	(32) Date	(33) Country
29/340483	20 Jul 2009	UNITED STATES OF AMERICA

 (56) Related Art Documents: **Not Applicable**
 (57) Statement of Newness and Distinctiveness: **Newness and distinctiveness is claimed in the features of shape and/or configuration of a dispenser as illustrated in the accompanying representations.**



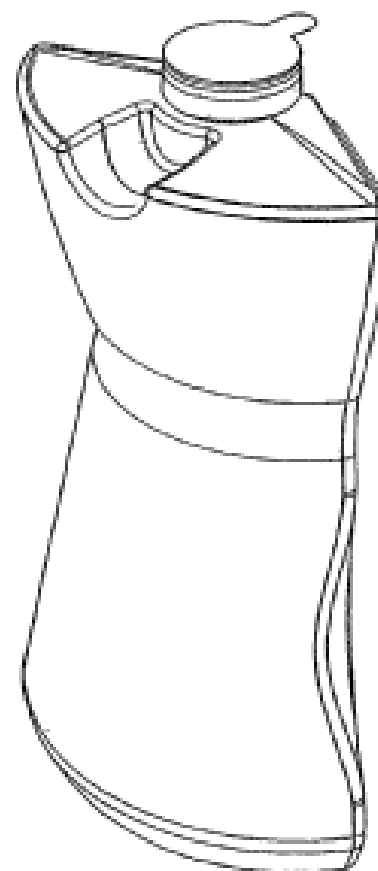
(21) Design Number: **14918/2009**
 (22) Date of Filing Application: **17 December 2009**
 (24) Date from which industrial property rights may have effect: **17 December 2009**
 (54) Product in respect of which the design is registered: **A dispenser**
 (51) International Design Classification: **28-99**
 (71) Name(s) and Address(s) of Applicant(s):
S.C. Johnson & Son, Inc.
1525 Howe Street Racine Wisconsin 53403-2236 United States of America
 (72) Name(s) of Designer(s): **Paul E. Furner and Anne Kitzmiller and Christopher Kuh**
 (45) Registration Date: **12 January 2010**
 (30) Convention priority data:
 (31) Number (32) Date (33) Country
29/340483 20 Jul 2009 UNITED STATES OF AMERICA
 (56) Related Art Documents: **Not Applicable**
 (57) Statement of Newness and Distinctiveness: **Newness and distinctiveness is claimed in those features of shape and/or configuration of a dispenser as illustrated in continuous lines in the accompanying representations.**



(21) Design Number: **14921/2009**
 (22) Date of Filing Application: **17 December 2009**
 (24) Date from which industrial property rights may have effect: **17 December 2009**
 (54) Product in respect of which the design is registered: **A carousel for a handheld dispensing device**
 (51) International Design Classification: **09-01B**
 (71) Name(s) and Address(s) of Applicant(s):
S.C. Johnson & Son, Inc.
1525 Howe Street Racine Wisconsin 53403-2236 United States of America
 (72) Name(s) of Designer(s): **Timothy I. Moodycliffe and Daniel R. Nett and Craig P. Conner and Mark W. Cors and Mark D. Duennes and Douglas A. Soller and Cory J. Nelson and Jose M. Arevalo**
 (45) Registration Date: **12 January 2010**
 (30) Convention priority data:
 (31) Number (32) Date (33) Country
29/338740 17 Jun 2009 UNITED STATES OF AMERICA
 (56) Related Art Documents: **Not Applicable**
 (57) Statement of Newness and Distinctiveness: **Newness and distinctiveness is claimed in those features of shape and/or configuration of a carousel for a handheld dispensing device as illustrated in continuous lines in the accompanying representations.**



- (21) Design Number: **14922/2009**
(22) Date of Filing Application: **17 December 2009**
(24) Date from which industrial property rights may have effect: **17 December 2009**
(54) Product in respect of which the design is registered: **A container**
(51) International Design Classification: **09-01B**
(71) Name(s) and Address(s) of Applicant(s):
S.C. Johnson & Son, Inc.
1525 Howe Street Racine Wisconsin 53403-2236 United States of America
(72) Name(s) of Designer(s): **Timothy I. Moodycliffe and Daniel R. Nett and Craig P. Conner and Mark W. Cors and Mark D. Duennes and Douglas A. Soller and Cory J. Nelson and Jose M. Arevalo**
(45) Registration Date: **12 January 2010**
(30) Convention priority data:
(31) Number (32) Date (33) Country
29/338740 17 Jun 2009 UNITED STATES OF AMERICA
(56) Related Art Documents: **Not Applicable**
(57) Statement of Newness and Distinctiveness: **Newness and distinctiveness is claimed in those features of shape and/or configuration of a container as illustrated in continuous lines in the accompanying representations.**



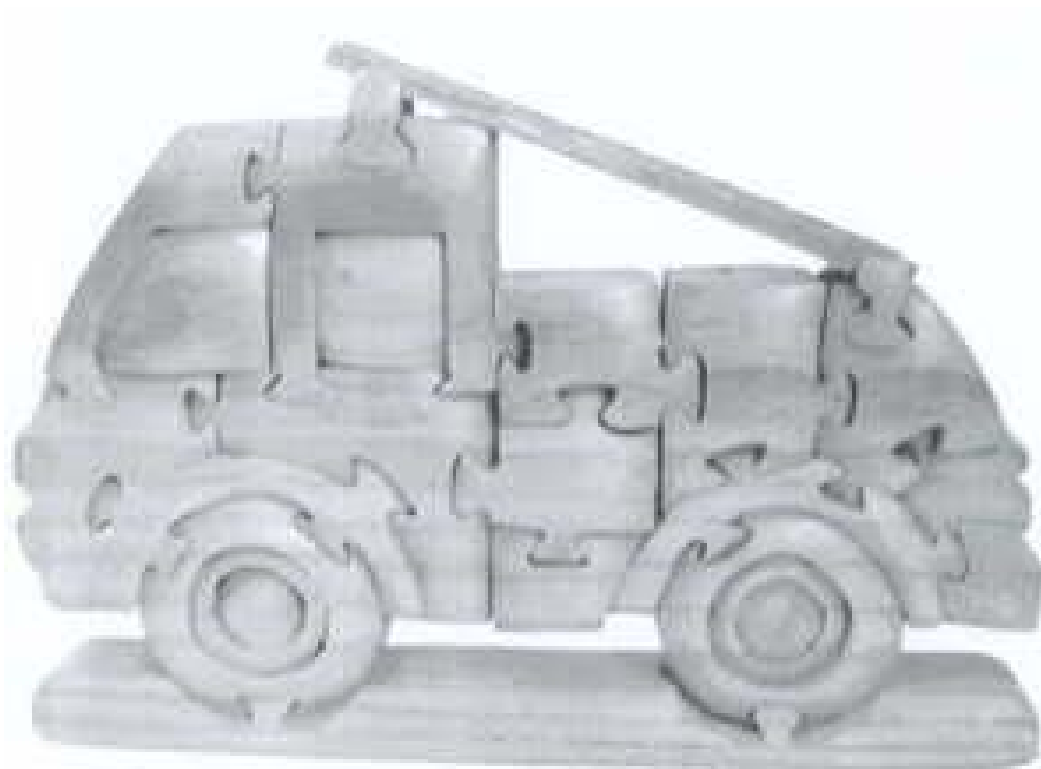
- (21) Design Number: **14911/2009**
(22) Date of Filing Application: **15 December 2009**
(24) Date from which industrial property rights may have effect: **15 December 2009**
(54) Product in respect of which the design is registered: **Lid for roasting pan**
(51) International Design Classification: **07-02N**
(71) Name(s) and Address(s) of Applicant(s):
Pi-Design AG
Kantonsstrasse 100 Postfach 463 Ch-6234 Triengen Switzerland
(72) Name(s) of Designer(s): **Jorgen Bodum**
(45) Registration Date: **12 January 2010**
(30) Convention priority data:
(31) Number (32) Date (33) Country
DA 2009 25 Jun 2009 DENMARK 00097
(56) Related Art Documents: **Not Applicable**
(57) Statement of Newness and Distinctiveness: **Nil**



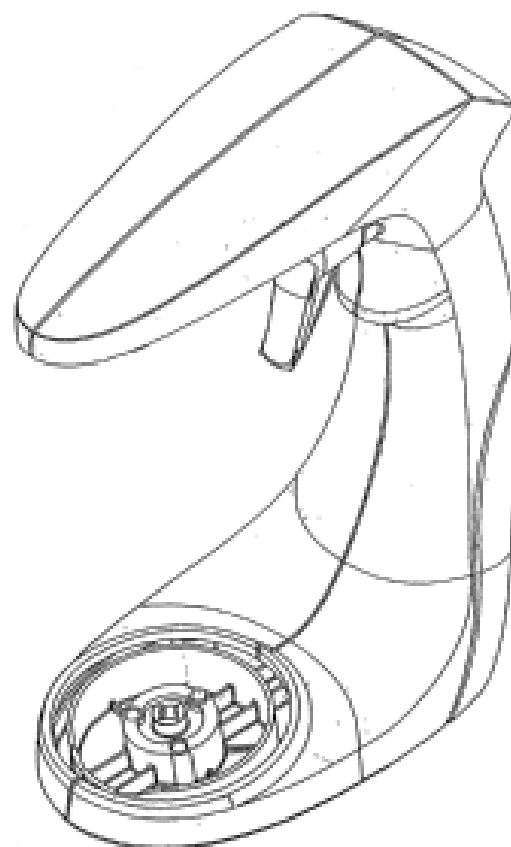
- (21) Design Number: **14980/2009**
(22) Date of Filing Application: **22 December 2009**
(24) Date from which industrial property rights may have effect: **22 December 2009**
(54) Product in respect of which the design is registered: **Puzzle wooden tractor 3 dimensional class 21-01M**
(51) International Design Classification: **21-01M**
(71) Name(s) and Address(s) of Applicant(s):
Cawsey Menck Pty Ltd
2 Rothwell Avenue Concord West New South Wales 2138 Australia
(72) Name(s) of Designer(s): **Richard Owen Menck**
(45) Registration Date: **12 January 2010**
(56) Related Art Documents: **Not Applicable**
(57) Statement of Newness and Distinctiveness: **Monopoly is claimed for the individual 3-dimension design/drawing as illustrated in the attached sheet.**



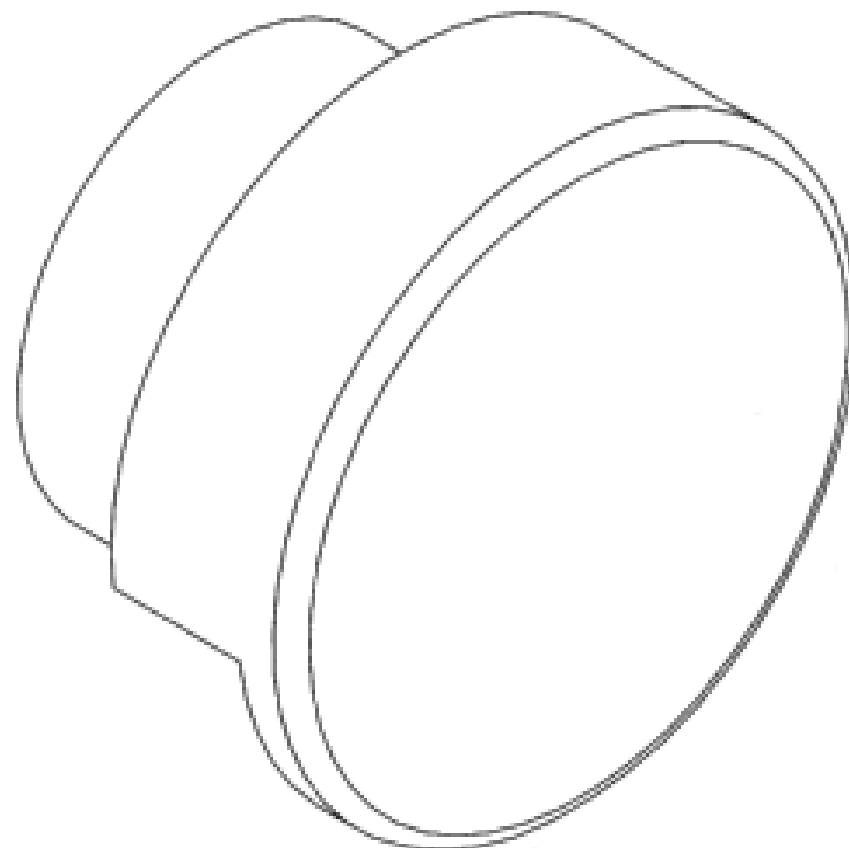
- (21) Design Number: **14981/2009**
(22) Date of Filing Application: **22 December 2009**
(24) Date from which industrial property rights may have effect: **22 December 2009**
(54) Product in respect of which the design is registered: **Puzzel wooden fire engine 3 dimensional class 21-01M**
(51) International Design Classification: **21-01M**
(71) Name(s) and Address(s) of Applicant(s):
Cawsey Menck Pty Ltd
2 Rothwell Avenue Concord West New South Wales 2138 Australia
(72) Name(s) of Designer(s): **Richard Owen Menck**
(45) Registration Date: **12 January 2010**
(56) Related Art Documents: **Not Applicable**
(57) Statement of Newness and Distinctiveness: **Monopoly is claimed for the individual 3-dimension design/drawing as illustrated in the attached sheet.**



- (21) Design Number: **14923/2009**
(22) Date of Filing Application: **17 December 2009**
(24) Date from which industrial property rights may have effect: **17 December 2009**
(54) Product in respect of which the design is registered: **Dispensing device**
(51) International Design Classification: **09-01A**
(71) Name(s) and Address(s) of Applicant(s):
S.C. Johnson & Son, Inc.
1525 Howe Street Racine Wisconsin 53403-2236 United States of America
(72) Name(s) of Designer(s): **Timothy I. Moodycliffe and Daniel R. Nett and Craig P. Conner and Mark W. Cors and Mark D. Duennes and Douglas A. Soller and Cory J. Nelson and Jose M. Arevalo**
(45) Registration Date: **12 January 2010**
(30) Convention priority data:
(31) Number (32) Date (33) Country
29/338740 17 Jun 2009 UNITED STATES OF AMERICA
(56) Related Art Documents: **Not Applicable**
(57) Statement of Newness and Distinctiveness: **Newness and distinctiveness is claimed in those features of shape and/or configuration of a dispensing device as illustrated in continuous lines in the accompanying representations.**



- (21) Design Number: **14924/2009**
(22) Date of Filing Application: **16 December 2009**
(24) Date from which industrial property rights may have effect: **16 December 2009**
(54) Product in respect of which the design is registered: **A wash basin overflow cover**
(51) International Design Classification: **23-02F**
(71) Name(s) and Address(s) of Applicant(s):
Meco Australia Pty Limited
30 Stenett Road Ingleburn New South Wales 2565 Australia
(72) Name(s) of Designer(s): **Nicholas Kroopin**
(45) Registration Date: **12 January 2010**
(56) Related Art Documents: **Not Applicable**
(57) Statement of Newness and Distinctiveness: **Newness and distinctiveness is claimed in the shape and/or configuration of A WASH BASIN OVERFLOW COVER as illustrated by the unbroken lines in the accompanying representations.**



(21) Design Number: **14925/2009**

(22) Date of Filing Application: **17 December 2009**

(24) Date from which industrial property rights may have effect: **17 December 2009**

(54) Product in respect of which the design is registered: **Car and toy**

(51) International Design Classification: **12-08, 21-01C**

(71) Name(s) and Address(s) of Applicant(s):

Maserati S.p.A.

Viale Ciro Menotti 322 I-41100 Modena Italy

(72) Name(s) of Designer(s): **Lorenzo Ramaciotti**

(45) Registration Date: **12 January 2010**

(30) Convention priority data:

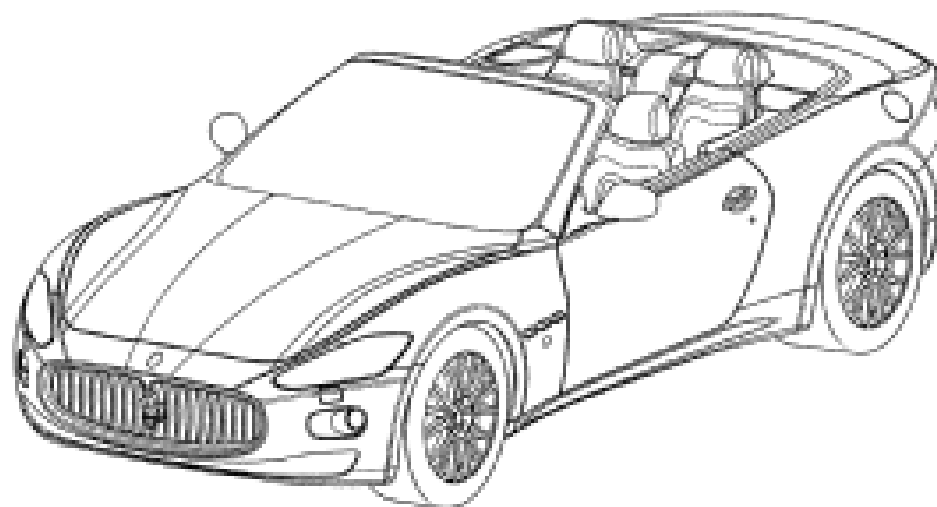
(31) Number
DM/072360

(32) Date
03 Jul 2009

(33) Country
**WORLD INTELLECTUAL
PROPERTY ORGANIZATION
(WIPO)**

(56) Related Art Documents: **Not Applicable**

(57) Statement of Newness and Distinctiveness: **Those features of the convertible car and toy depicted in the representations that are new and distinctive are the shape and/or configuration.**



(21) Design Number: **14943/2009**

(22) Date of Filing Application: **16 December 2009**

(24) Date from which industrial property rights may have effect: **16 December 2009**

(54) Product in respect of which the design is registered: **Packaging carton**

(51) International Design Classification: **09-03M**

(71) Name(s) and Address(s) of Applicant(s):

Elopak Systems AG

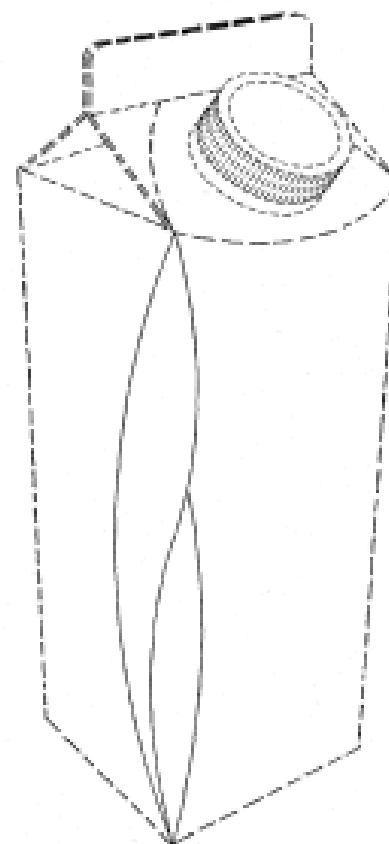
Cherstrasse 4 Postfach CH-8152 Glattbrugg Switzerland

(72) Name(s) of Designer(s): **Ivica Franic**

(45) Registration Date: **13 January 2010**

(56) Related Art Documents: **Not Applicable**

(57) Statement of Newness and Distinctiveness: **Newness and distinctiveness is claimed in the shape and configuration of the packaging carton and blank therefor depicted in full lines in the accompanying representations.**



(21) Design Number: **14944/2009**

(22) Date of Filing Application: **16 December 2009**

(24) Date from which industrial property rights may have effect: **16 December 2009**

(54) Product in respect of which the design is registered: **Packaging carton**

(51) International Design Classification: **09-03NES**

(71) Name(s) and Address(s) of Applicant(s):

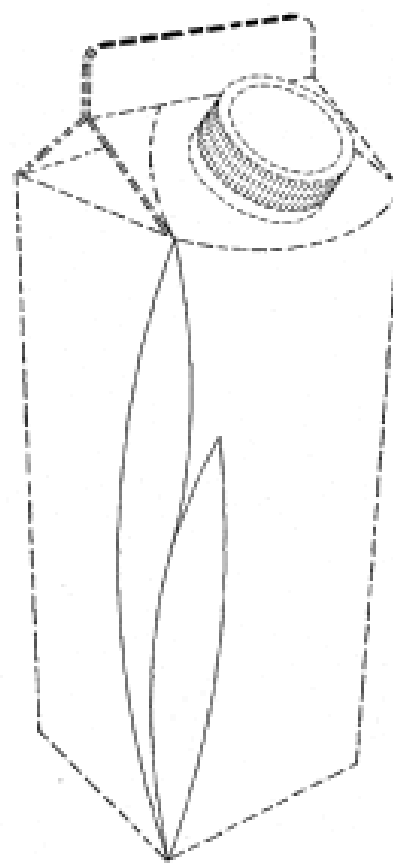
Elopak Systems AG
Cherstrasse 4 Postfach CH-8152 Glattbrugg Switzerland

(72) Name(s) of Designer(s): **Ivica Franic**

(45) Registration Date: **13 January 2010**

(56) Related Art Documents: **Not Applicable**

(57) Statement of Newness and Distinctiveness: **Newness and distinctiveness is claimed in the shape and configuration of the packaging carton and blank therefor depicted in full lines in the accompanying representations.**



(21) Design Number: **14945/2009**

(22) Date of Filing Application: **16 December 2009**

(24) Date from which industrial property rights may have effect: **16 December 2009**

(54) Product in respect of which the design is registered: **Packaging carton**

(51) International Design Classification: **09-03NES**

(71) Name(s) and Address(s) of Applicant(s):

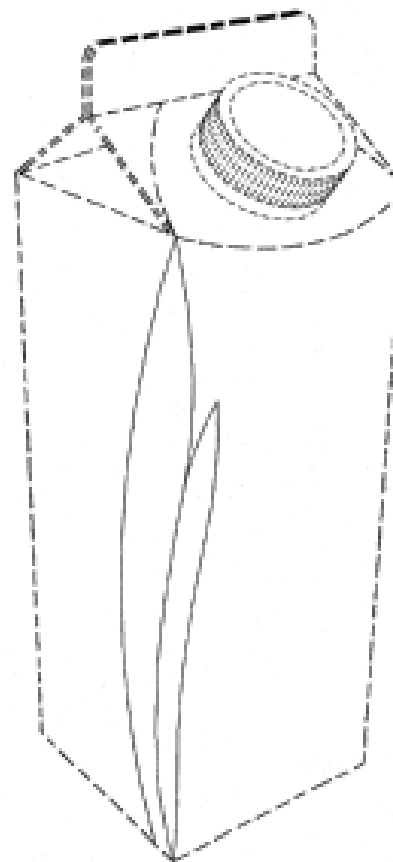
Elopak Systems AG
Cherstrasse 4 Postfach CH-8152 Glattbrugg Switzerland

(72) Name(s) of Designer(s): **Ivica Franic**

(45) Registration Date: **13 January 2010**

(56) Related Art Documents: **Not Applicable**

(57) Statement of Newness and Distinctiveness: **Newness and distinctiveness is claimed in the shape and configuration of the packaging carton and blank therefor depicted in full lines in the accompanying representations.**



(21) Design Number: **14946/2009**

(22) Date of Filing Application: **16 December 2009**

(24) Date from which industrial property rights may have effect: **16 December 2009**

(54) Product in respect of which the design is registered: **Packaging carton**

(51) International Design Classification: **09-03NES**

(71) Name(s) and Address(s) of Applicant(s):

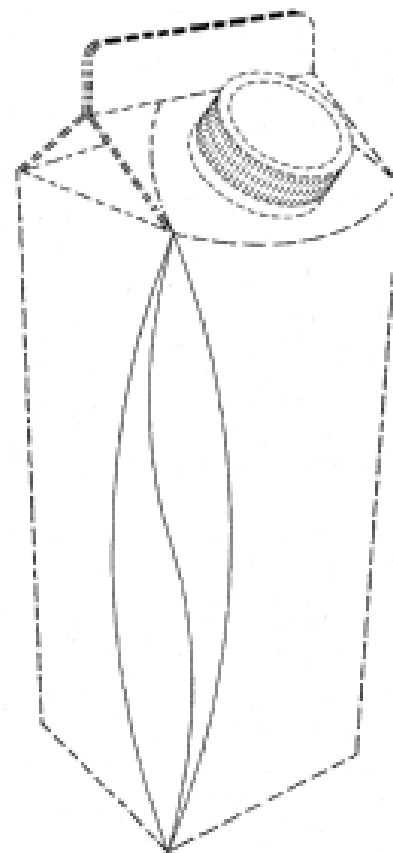
Elopak Systems AG
Cherstrasse 4 Postfach CH-8152 Glattbrugg Switzerland

(72) Name(s) of Designer(s): **Ivica Franic**

(45) Registration Date: **13 January 2010**

(56) Related Art Documents: **Not Applicable**

(57) Statement of Newness and Distinctiveness: **Newness and distinctiveness is claimed in the shape and configuration of the packaging carton and blank therefor depicted in full lines in the accompanying representations.**



(21) Design Number: **14948/2009**

(22) Date of Filing Application: **18 December 2009**

(24) Date from which industrial property rights may have effect: **18 December 2009**

(54) Product in respect of which the design is registered: **Fishing rod holder**

(51) International Design Classification: **22-05**

(71) Name(s) and Address(s) of Applicant(s):

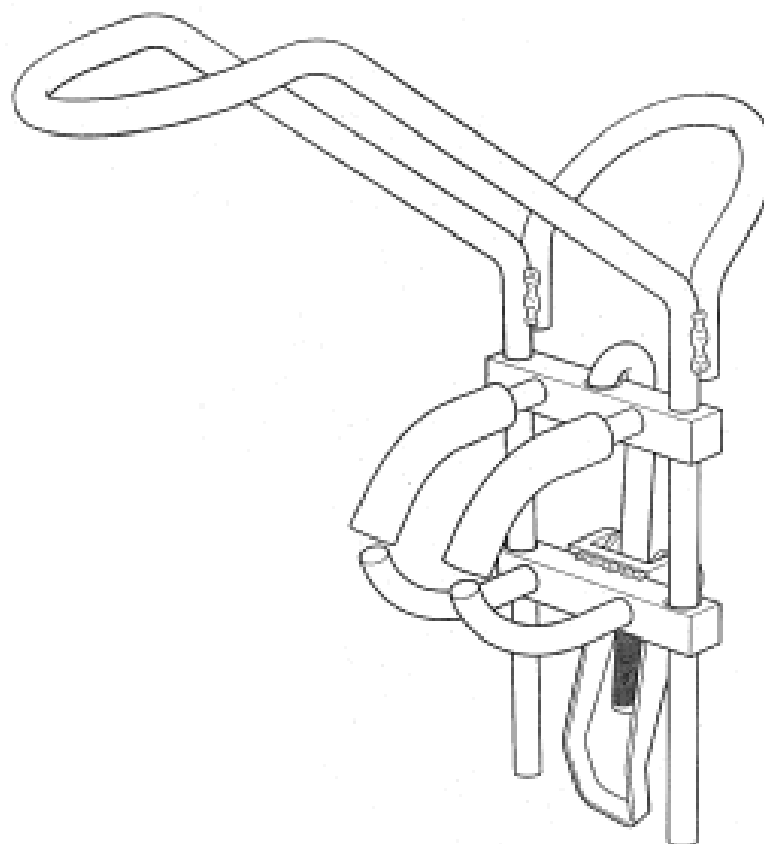
David Ferdinands
65 Jacaranda Drive Craigmore South Australia 5114 Australia

(72) Name(s) of Designer(s): **David Ferdinands**

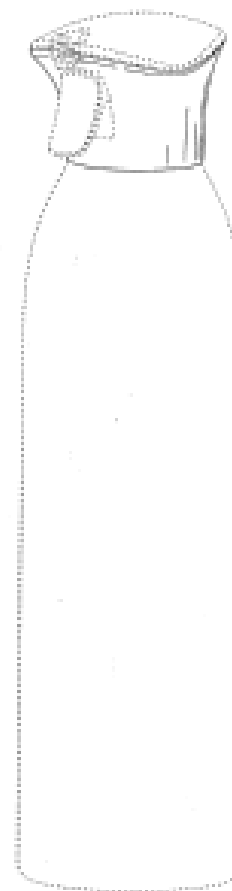
(45) Registration Date: **13 January 2010**

(56) Related Art Documents: **Not Applicable**

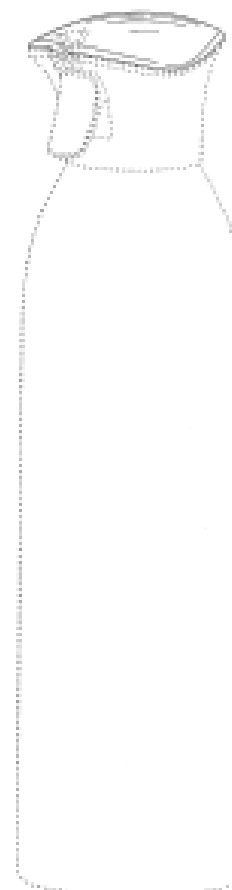
(57) Statement of Newness and Distinctiveness: **Nil**



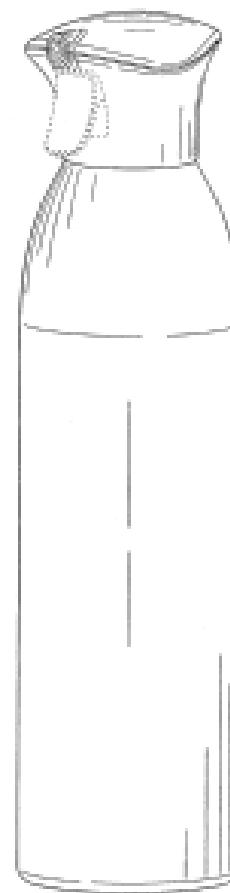
- (21) Design Number: **14949/2009**
(22) Date of Filing Application: **18 December 2009**
(24) Date from which industrial property rights may have effect: **18 December 2009**
(54) Product in respect of which the design is registered: **Overcap**
(51) International Design Classification: **09-07A**
(71) Name(s) and Address(s) of Applicant(s):
S.C. Johnson & Son, Inc.
1525 Howe Street Racine Wisconsin 53403-2236 United States of America
(72) Name(s) of Designer(s): **William L. Driskell and Matthew J. Forst and Judith A. Rath and Steven A. Sell and David A. Smith and Cynthia A. Stevens and Steven L. Sweeton and Matthew N. Thurin and Steven A. Zach**
(45) Registration Date: **13 January 2010**
(30) Convention priority data:
(31) Number (32) Date (33) Country
29/315701 16 Jul 2009 UNITED STATES OF AMERICA
(56) Related Art Documents: **Not Applicable**
(57) Statement of Newness and Distinctiveness: **Newness and distinctiveness is claimed in those features of shape and/or configuration of an overcap as illustrated in continuous lines in the accompanying representations.**



- (21) Design Number: **14950/2009**
(22) Date of Filing Application: **18 December 2009**
(24) Date from which industrial property rights may have effect: **18 December 2009**
(54) Product in respect of which the design is registered: **An overcap**
(51) International Design Classification: **09-07A**
(71) Name(s) and Address(s) of Applicant(s):
S.C. Johnson & Son, Inc.
1525 Howe Street Racine Wisconsin 53403-2236 United States of America
(72) Name(s) of Designer(s): **William L. Driskell and Matthew J. Forst and Judith A. Rath and Steven A. Sell and David A. Smith and Cynthia A. Stevens and Steven L. Sweeton and Matthew N. Thurin and Steven A. Zach**
(45) Registration Date: **13 January 2010**
(30) Convention priority data:
(31) Number (32) Date (33) Country
29/315701 16 Jul 2009 UNITED STATES OF AMERICA
(56) Related Art Documents: **Not Applicable**
(57) Statement of Newness and Distinctiveness: **Newness and distinctiveness is claimed in those features of shape and/or configuration of an overcap as illustrated in continuous lines in the accompanying representations.**



- (21) Design Number: **14951/2009**
(22) Date of Filing Application: **18 December 2009**
(24) Date from which industrial property rights may have effect: **18 December 2009**
(54) Product in respect of which the design is registered: **Container with overcap**
(51) International Design Classification: **09-07A, 09-03L**
(71) Name(s) and Address(s) of Applicant(s):
S.C. Johnson & Son, Inc.
1525 Howe Street Racine Wisconsin 53403-2236 United States of America
(72) Name(s) of Designer(s): **William L. Driskell and Matthew J. Forst and Judith A. Rath and Steven A. Sell and David A. Smith and Cynthia A. Stevens and Steven L. Sweeton and Matthew N. Thurin and Steven A. Zach**
(45) Registration Date: **13 January 2010**
(30) Convention priority data:
(31) Number (32) Date (33) Country
29/315701 16 Jul 2009 UNITED STATES OF AMERICA
(56) Related Art Documents: **Not Applicable**
(57) Statement of Newness and Distinctiveness: **Newness and distinctiveness is claimed in those features of shape and/or configuration of a container with overcap as illustrated in continuous lines in the accompanying representations.**



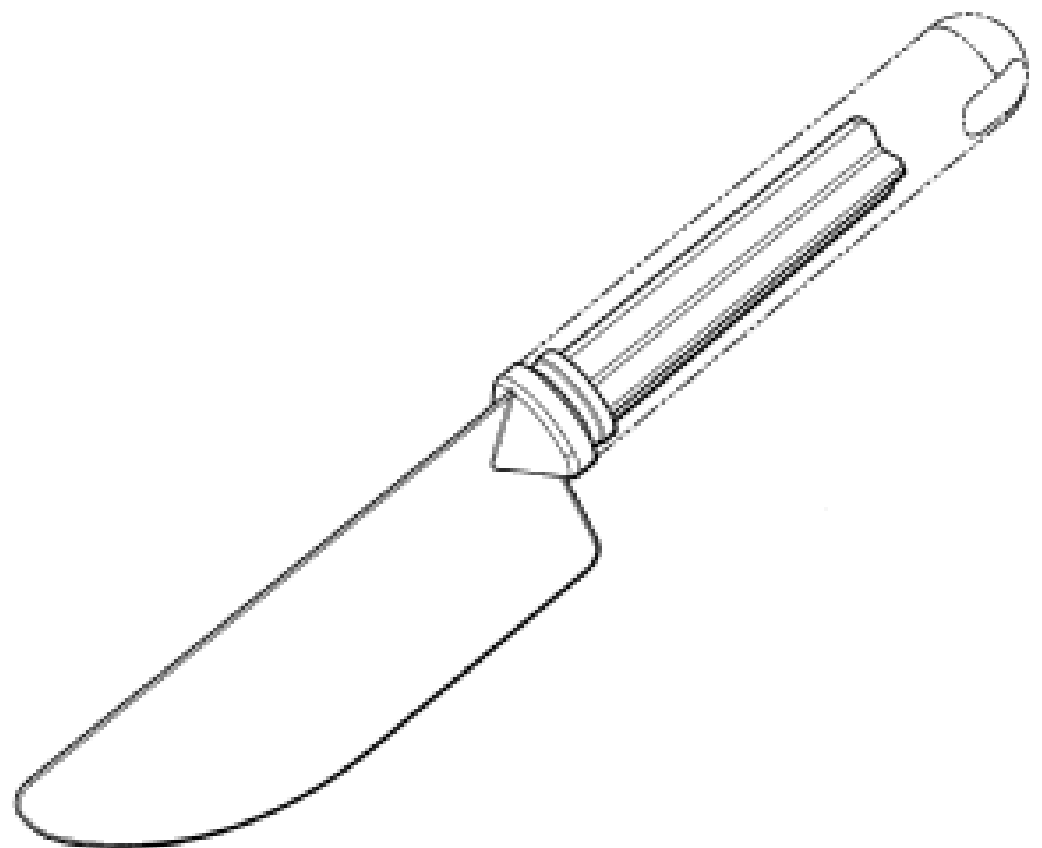
- (21) Design Number: **14952/2009**
(22) Date of Filing Application: **18 December 2009**
(24) Date from which industrial property rights may have effect: **18 December 2009**
(54) Product in respect of which the design is registered: **Overcap**
(51) International Design Classification: **09-07A**
(71) Name(s) and Address(s) of Applicant(s):
S.C. Johnson & Son, Inc.
1525 Howe Street Racine Wisconsin 53403-2236 United States of America
(72) Name(s) of Designer(s): **William L. Driskell and Matthew J. Forst and Judith A. Rath and Steven A. Sell and David A. Smith and Cynthia A. Stevens and Steven L. Sweeton and Matthew N. Thurin and Steven A. Zach**
(45) Registration Date: **13 January 2010**
(30) Convention priority data:
(31) Number (32) Date (33) Country
29/315701 16 Jul 2009 UNITED STATES OF AMERICA
(56) Related Art Documents: **Not Applicable**
(57) Statement of Newness and Distinctiveness: **Newness and distinctiveness is claimed in those features of shape and/or configuration of an overcap as illustrated in continuous lines in the accompanying representations.**



- (21) Design Number: **14372/2009**
(22) Date of Filing Application: **09 November 2009**
(24) Date from which industrial property rights may have effect: **09 November 2009**
(54) Product in respect of which the design is registered: **Watering can**
(51) International Design Classification: **08-05A**
(71) Name(s) and Address(s) of Applicant(s):
Orica Australia Pty Ltd
1 Nicholson Street Melbourne Victoria 3000 Australia
(72) Name(s) of Designer(s): **Sean Lewis**
(45) Registration Date: **14 January 2010**
(56) Related Art Documents: **Not Applicable**
(57) Statement of Newness and Distinctiveness: **Nil**



- (21) Design Number: **14698/2009**
(22) Date of Filing Application: **01 December 2009**
(24) Date from which industrial property rights may have effect: **01 December 2009**
(54) Product in respect of which the design is registered: **Spatula**
(51) International Design Classification: **07-04**
(71) Name(s) and Address(s) of Applicant(s):
The Decor Corporation Pty Ltd
1314 Ferntree Gully Road Scoresby Victoria 3179 Australia
(72) Name(s) of Designer(s): **Anthony Henry Wolfenden**
(45) Registration Date: **14 January 2010**
(30) Convention priority data:
(31) Number (32) Date (33) Country
200930383604.9 **30 Nov 2009** **CHINA**
(56) Related Art Documents: **Not Applicable**
(57) Statement of Newness and Distinctiveness: **The design resides in the application of the particular shape and configuration to a SPATULA. The design may be applied by any suitable means and in any suitable way known in the manufacturing art. Features shown in phantom lines in the drawings do not form part of the design.**



(21) Design Number: **14700/2009**

(22) Date of Filing Application: **01 December 2009**

(24) Date from which industrial property rights may have effect: **01 December 2009**

(54) Product in respect of which the design is registered: **Whisk**

(51) International Design Classification: **07-04**

(71) Name(s) and Address(s) of Applicant(s):

**The Decor Corporation Pty Ltd
1314 Ferntree Gully Road Scoresby Victoria 3179 Australia**

(72) Name(s) of Designer(s): **Anthony Henry Wolfenden**

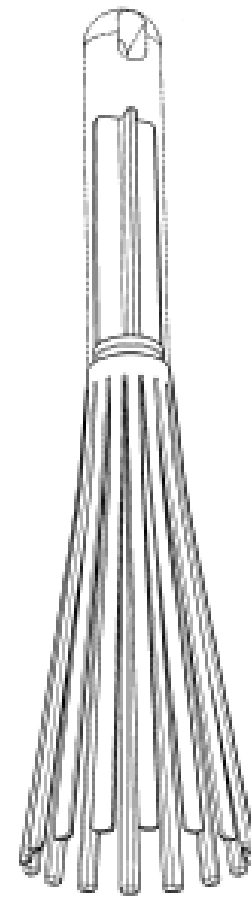
(45) Registration Date: **14 January 2010**

(30) Convention priority data:

(31) Number	(32) Date	(33) Country
200930383606.8	30 Nov 2009	CHINA

(56) Related Art Documents: **Not Applicable**

(57) Statement of Newness and Distinctiveness: **The design resides in the application of the particular shape and configuration to a WHISK. The design may be applied by any suitable means and in any suitable way known in the manufacturing art. Features shown in phantom lines in the drawings do not form part of the design.**



(21) Design Number: **14724/2009**

(22) Date of Filing Application: **03 December 2009**

(24) Date from which industrial property rights may have effect: **03 December 2009**

(54) Product in respect of which the design is registered: **Clip**

(51) International Design Classification: **08-99**

(71) Name(s) and Address(s) of Applicant(s):

**Andrew Peter Dowell
11 Corbett Street Gnowangerup Western Australia 6335 Australia**

(72) Name(s) of Designer(s): **Jeremy Dowell**

(45) Registration Date: **14 January 2010**

(56) Related Art Documents: **Not Applicable**

(57) Statement of Newness and Distinctiveness: **The particular visual features of the design which are new and distinctive are shape OR configuration.**



(21) Design Number: **14934/2009**
(22) Date of Filing Application: **18 December 2009**
(24) Date from which industrial property rights may have effect: **18 December 2009**
(54) Product in respect of which the design is registered: **A table**
(51) International Design Classification: **06-03A**
(71) Name(s) and Address(s) of Applicant(s):
S2DIO Pty Ltd
30 Cloris Avenue Beaumaris Victoria 3193 Australia
(72) Name(s) of Designer(s): **Andre Schoenmakers**
(45) Registration Date: **14 January 2010**
(56) Related Art Documents: **Not Applicable**
(57) Statement of Newness and Distinctiveness: **Nil**



(21) Design Number: **14935/2009**
(22) Date of Filing Application: **18 December 2009**
(24) Date from which industrial property rights may have effect: **18 December 2009**
(54) Product in respect of which the design is registered: **A lounge chair**
(51) International Design Classification: **06-01G**
(71) Name(s) and Address(s) of Applicant(s):
S2DIO Pty Ltd
30 Cloris Avenue Beaumaris Victoria 3193 Australia
(72) Name(s) of Designer(s): **Andre Schoenmakers**
(45) Registration Date: **14 January 2010**
(56) Related Art Documents: **Not Applicable**
(57) Statement of Newness and Distinctiveness: **Nil**



(21) Design Number: **14936/2009**

(22) Date of Filing Application: **18 December 2009**

(24) Date from which industrial property rights may have effect: **18 December 2009**

(54) Product in respect of which the design is registered: **A chair**

(51) International Design Classification: **06-01F**

(71) Name(s) and Address(s) of Applicant(s):

S2DIO Pty Ltd

30 Cloris Avenue Beaumaris Victoria 3193 Australia

(72) Name(s) of Designer(s): **Andre Schoenmakers**

(45) Registration Date: **14 January 2010**

(56) Related Art Documents: **Not Applicable**

(57) Statement of Newness and Distinctiveness: **Nil**



(21) Design Number: **14937/2009**

(22) Date of Filing Application: **18 December 2009**

(24) Date from which industrial property rights may have effect: **18 December 2009**

(54) Product in respect of which the design is registered: **A daybed**

(51) International Design Classification: **06-01B**

(71) Name(s) and Address(s) of Applicant(s):

S2DIO Pty Ltd

30 Cloris Avenue Beaumaris Victoria 3193 Australia

(72) Name(s) of Designer(s): **Andre Schoenmakers**

(45) Registration Date: **14 January 2010**

(56) Related Art Documents: **Not Applicable**

(57) Statement of Newness and Distinctiveness: **Nil**



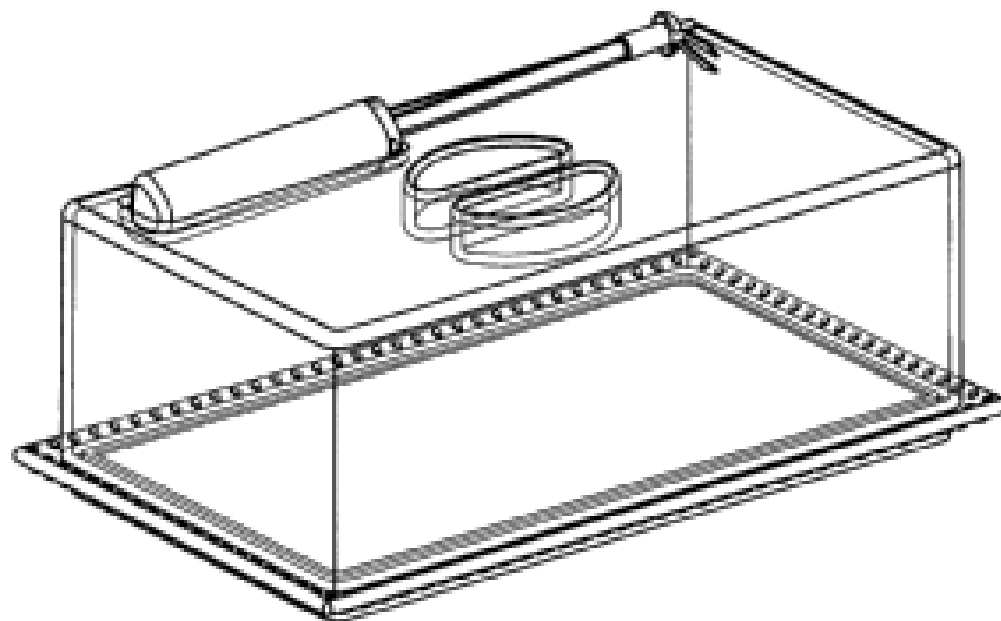
- (21) Design Number: **14938/2009**
(22) Date of Filing Application: **18 December 2009**
(24) Date from which industrial property rights may have effect: **18 December 2009**
(54) Product in respect of which the design is registered: **A table**
(51) International Design Classification: **06-03A**
(71) Name(s) and Address(s) of Applicant(s):
S2DIO Pty Ltd
30 Cloris Avenue Beaumaris Victoria 3193 Australia
(72) Name(s) of Designer(s): **Andre Schoenmakers**
(45) Registration Date: **14 January 2010**
(56) Related Art Documents: **Not Applicable**
(57) Statement of Newness and Distinctiveness: **Nil**



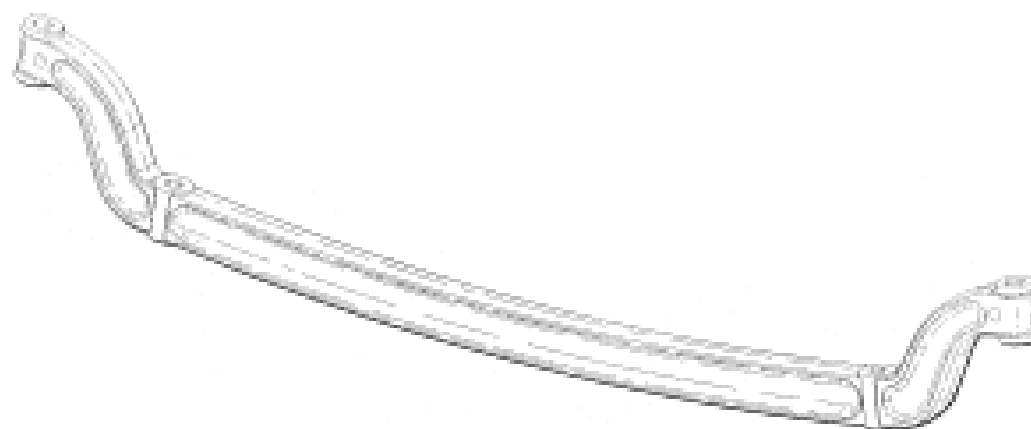
- (21) Design Number: **14939/2009**
(22) Date of Filing Application: **18 December 2009**
(24) Date from which industrial property rights may have effect: **18 December 2009**
(54) Product in respect of which the design is registered: **A sofa**
(51) International Design Classification: **06-01G**
(71) Name(s) and Address(s) of Applicant(s):
S2DIO Pty Ltd
30 Cloris Avenue Beaumaris Victoria 3193 Australia
(72) Name(s) of Designer(s): **Andre Schoenmakers**
(45) Registration Date: **14 January 2010**
(56) Related Art Documents: **Not Applicable**
(57) Statement of Newness and Distinctiveness: **Nil**



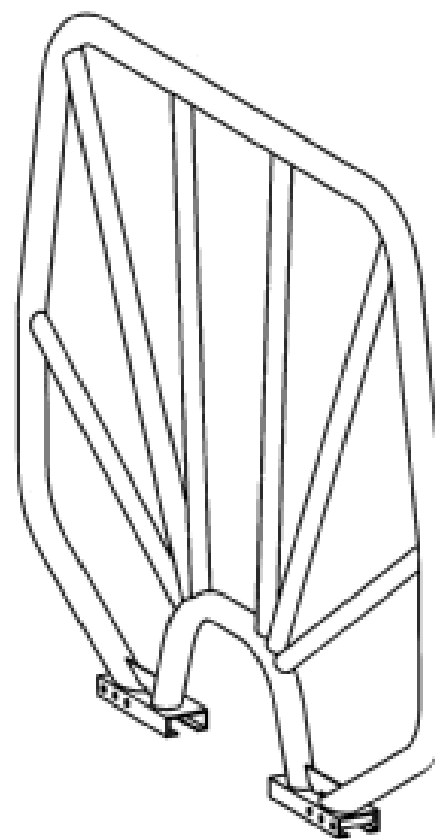
(21) Design Number: **14940/2009**
(22) Date of Filing Application: **21 December 2009**
(24) Date from which industrial property rights may have effect: **21 December 2009**
(54) Product in respect of which the design is registered: **Cheese dish with cheese slicer**
(51) International Design Classification: **07-01NES**
(71) Name(s) and Address(s) of Applicant(s):
Pi-Design AG
Kantonsstrasse 100 Postfach 463 CH-6234 Triengen Switzerland
(72) Name(s) of Designer(s): **Jorgen Bodum**
(45) Registration Date: **14 January 2010**
(30) Convention priority data:
(31) Number (32) Date (33) Country
DA 2009 02 Jul 2009 DENMARK
00102
(56) Related Art Documents: **Not Applicable**
(57) Statement of Newness and Distinctiveness: **Nil**



(21) Design Number: **14941/2009**
(22) Date of Filing Application: **21 December 2009**
(24) Date from which industrial property rights may have effect: **21 December 2009**
(54) Product in respect of which the design is registered: **Blended depression axle**
(51) International Design Classification: **12-16NES**
(71) Name(s) and Address(s) of Applicant(s):
Dennis Michael Nosworthy
5 Manorwood Coto de Caza CA 92679 United States of America
(72) Name(s) of Designer(s): **Dennis Michael Nosworthy**
(45) Registration Date: **14 January 2010**
(30) Convention priority data:
(31) Number (32) Date (33) Country
29/315,453 26 Jun 2009 UNITED STATES OF AMERICA
(56) Related Art Documents: **Not Applicable**
(57) Statement of Newness and Distinctiveness: **Visual features of the design which are new and distinctive are the features of shape and configuration of the blended depression axle as illustrated in the representations.**

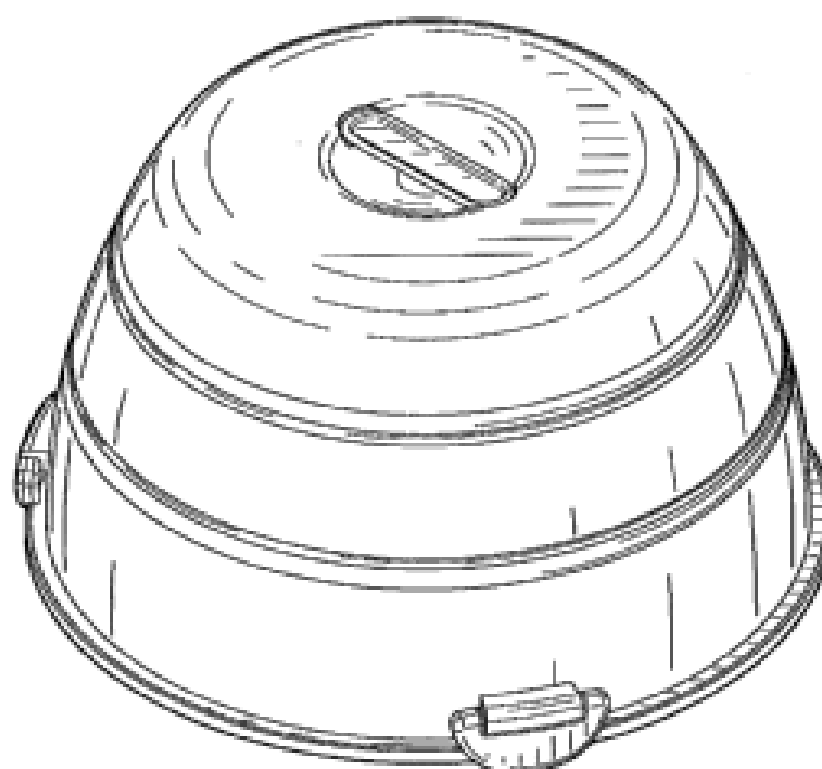


- (21) Design Number: **14991/2009**
- (22) Date of Filing Application: **21 December 2009**
- (24) Date from which industrial property rights may have effect: **21 December 2009**
- (54) Product in respect of which the design is registered: **Rollover protection frame**
- (51) International Design Classification: **12-16C**
- (71) Name(s) and Address(s) of Applicant(s):
Brisbane Tray Bodys Pty Ltd
Lot 2 Redbank Plains Road Redbank Plains Queensland 4301
Australia
- (72) Name(s) of Designer(s): **Jamie Facer**
- (45) Registration Date: **14 January 2010**
- (56) Related Art Documents: **Not Applicable**
- (57) Statement of Newness and Distinctiveness: **The newness and distinctiveness of the design resides in the shape and/or configuration of the ROLLOVER PROTECTION FRAME shown in the representations.**

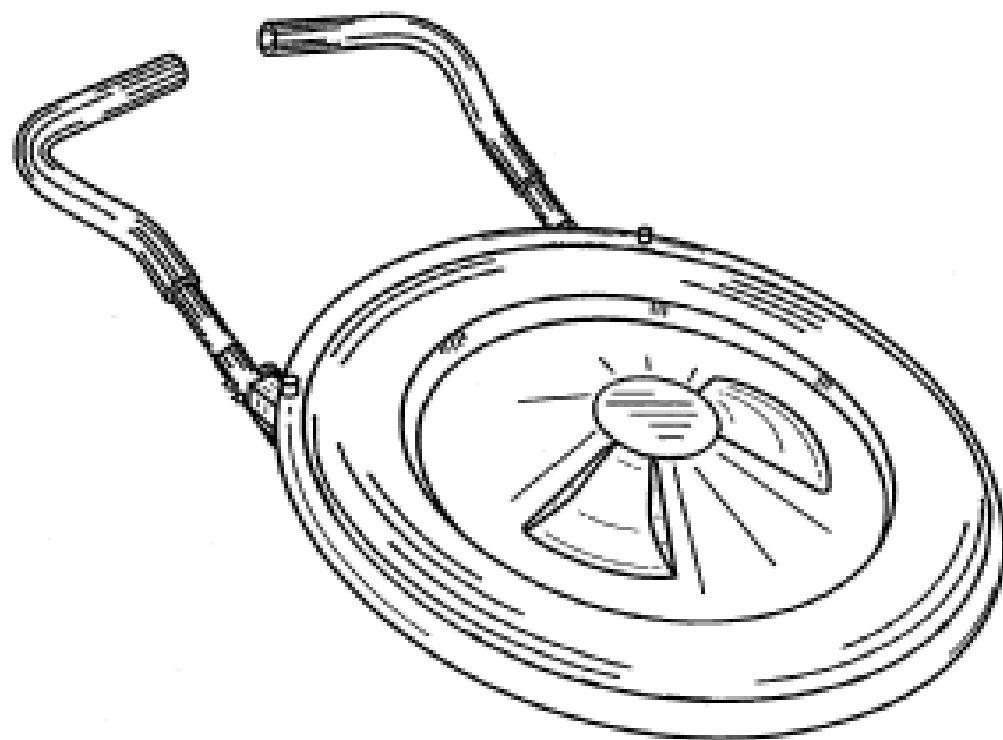


- (21) Design Number: **14995/2009**
- (22) Date of Filing Application: **22 December 2009**
- (24) Date from which industrial property rights may have effect: **22 December 2009**
- (54) Product in respect of which the design is registered: **Collapsible food carrier**
- (51) International Design Classification: **07-01NES**
- (71) Name(s) and Address(s) of Applicant(s):
Progressive International Corporation
6111 South 228th Street Kent Washington 98032 United States of
America
- (72) Name(s) of Designer(s): **Heather Curtin and Christine J. Lee and Caroline Park**
- (45) Registration Date: **14 January 2010**
- (30) Convention priority data:

(31) Number	(32) Date	(33) Country
29/341,442	05 Aug 2009	UNITED STATES OF AMERICA
- (56) Related Art Documents: **Not Applicable**
- (57) Statement of Newness and Distinctiveness: **Newness and distinctiveness is claimed in the shape and configuration of the Collapsible Food Carrier.**



(21) Design Number: **14317/2009**
(22) Date of Filing Application: **06 November 2009**
(24) Date from which industrial property rights may have effect: **06 November 2009**
(54) Product in respect of which the design is registered: **Abdominal exercise device**
(51) International Design Classification: **21-02F**
(71) Name(s) and Address(s) of Applicant(s):
Robson Splane
30634 Persimmon Lane Valley Center California 92082 United States of America
(72) Name(s) of Designer(s): **Robson Splane**
(45) Registration Date: **14 January 2010**
(30) Convention priority data:
(31) Number (32) Date (33) Country
29/343,385 11 Sep 2009 UNITED STATES OF AMERICA
(56) Related Art Documents: **Not Applicable**
(57) Statement of Newness and Distinctiveness: **Nil**



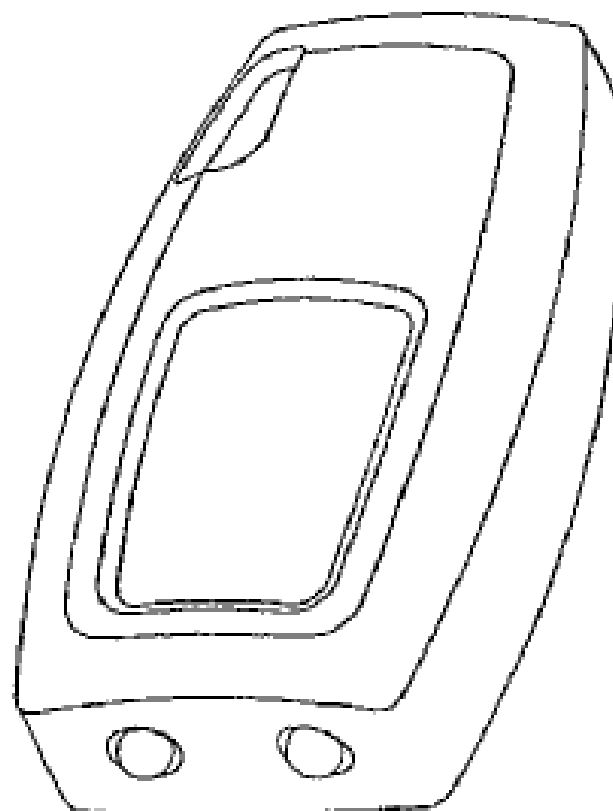
(21) Design Number: **14978/2009**
(22) Date of Filing Application: **22 December 2009**
(24) Date from which industrial property rights may have effect: **22 December 2009**
(54) Product in respect of which the design is registered: **150mm Bermuda flipper floor grate (100mm base)**
(51) International Design Classification: **23-02NES**
(71) Name(s) and Address(s) of Applicant(s):
Art Plastics Pty Ltd
14 White Street Bayswater Western Australia 6053 Australia
(72) Name(s) of Designer(s): **Tim Lucas**
(45) Registration Date: **14 January 2010**
(56) Related Art Documents: **Not Applicable**
(57) Statement of Newness and Distinctiveness: **Design distinctiveness is featured in the product drawings.**



- (21) Design Number: **14979/2009**
(22) Date of Filing Application: **22 December 2009**
(24) Date from which industrial property rights may have effect: **22 December 2009**
(54) Product in respect of which the design is registered: **150mm Bermuda flipper floor grate (50mm base)**
(51) International Design Classification: **23-02NES**
(71) Name(s) and Address(s) of Applicant(s):
Art Plastics Pty Ltd
14 White Street Bayswater Western Australia 6053 Australia
(72) Name(s) of Designer(s): **Tim Lucas**
(45) Registration Date: **14 January 2010**
(56) Related Art Documents: **Not Applicable**
(57) Statement of Newness and Distinctiveness: **Design distinctiveness is featured in the product drawings.**



- (21) Design Number: **12611/2009**
(22) Date of Filing Application: **17 July 2009**
(24) Date from which industrial property rights may have effect: **17 July 2009**
(54) Product in respect of which the design is registered: **Electronic U shape bicycle lock**
(51) International Design Classification: **08-07, 14-99**
(71) Name(s) and Address(s) of Applicant(s):
Knog Pty Ltd
453 Church Street Richmond Victoria 3121 Australia
(72) Name(s) of Designer(s): **Hugo Davidson and Malcolm McKechnie and Chris Bilanenko and Kynan Taylor and Jonathan Chan**
(45) Registration Date: **14 January 2010**
(56) Related Art Documents: **Not Applicable**
(57) Statement of Newness and Distinctiveness: **Newness and distinctiveness are claimed in the features of shape and/or configuration of an electronic bicycle U shape lock, as illustrated in the accompanying representations.**



(21) Design Number: **14455/2009**

(22) Date of Filing Application: **16 November 2009**

(24) Date from which industrial property rights may have effect: **16 November 2009**

(54) Product in respect of which the design is registered: **Cover for lighting apparatus**

(51) International Design Classification: **26-99**

(71) Name(s) and Address(s) of Applicant(s):

Tenmat Limited

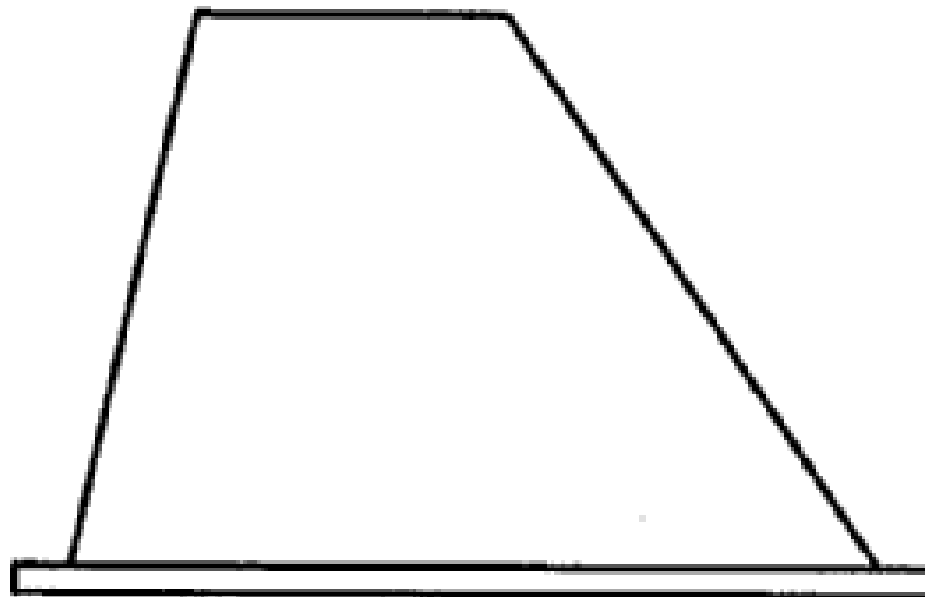
Ashburton Road West Trafford Park Manchester M17 1RU United Kingdom

(72) Name(s) of Designer(s): **Rupert Coggon**

(45) Registration Date: **14 January 2010**

(56) Related Art Documents: **Not Applicable**

(57) Statement of Newness and Distinctiveness: **Those features of the cover for lighting apparatus depicted in the representations that are new and distinctive are the shape and/or configuration.**



(21) Design Number: **14984/2009**

(22) Date of Filing Application: **17 December 2009**

(24) Date from which industrial property rights may have effect: **17 December 2009**

(54) Product in respect of which the design is registered: **Quick connect coupler**

(51) International Design Classification: **23-01A**

(71) Name(s) and Address(s) of Applicant(s):

William H. Miller

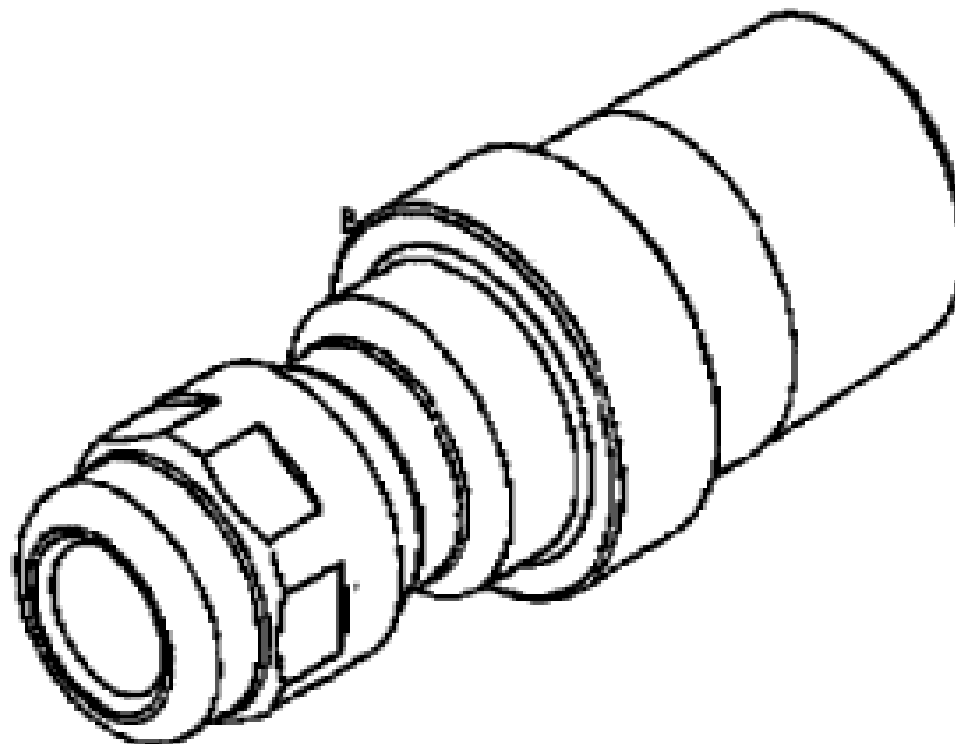
A5/15 Narabang Way Belrose New South Wales 2085 Australia

(72) Name(s) of Designer(s): **William H. Miller**

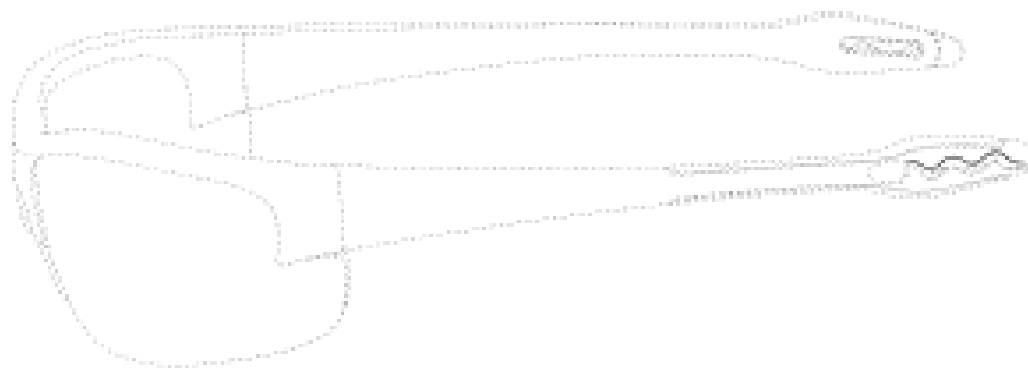
(45) Registration Date: **14 January 2010**

(56) Related Art Documents: **Not Applicable**

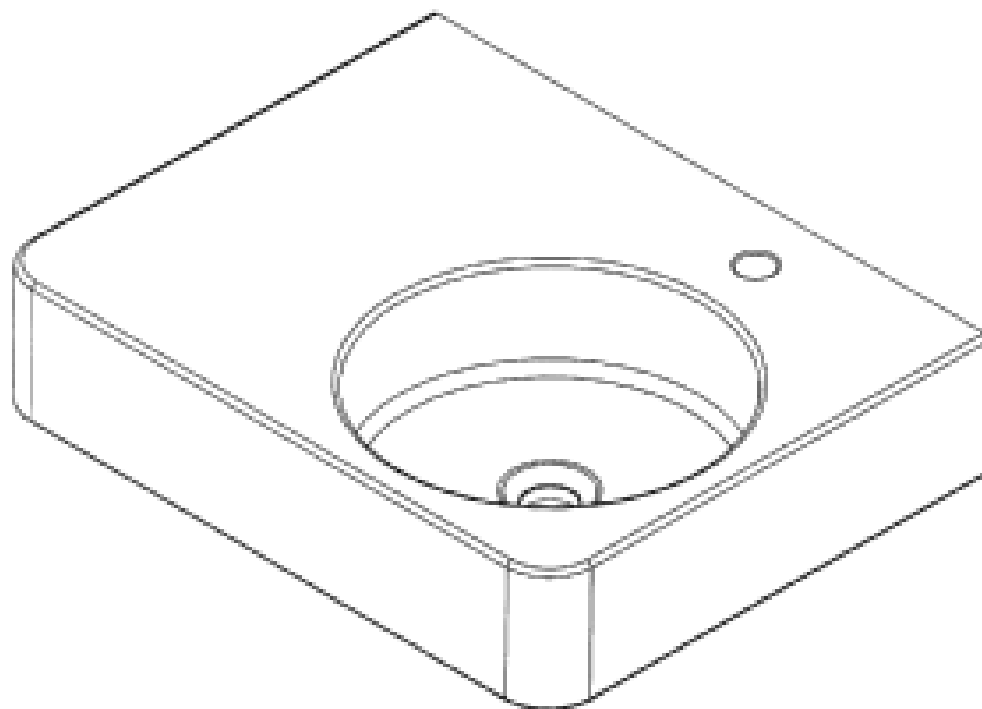
(57) Statement of Newness and Distinctiveness: **Hex on quick connect shaft enabling the use of a spanner to tighten or untighten the fitting from the thread. Radius at entry to fitting to reduce fluid resistance and increase fluid flow. Can be applied to any size or material.**



(21) Design Number: **14985/2009**
(22) Date of Filing Application: **21 December 2009**
(24) Date from which industrial property rights may have effect: **21 December 2009**
(54) Product in respect of which the design is registered: **Headgear-earwear assembly**
(51) International Design Classification: **16-06**
(71) Name(s) and Address(s) of Applicant(s):
3M Innovative Properties Company
3M Center Saint Paul Minnesota 55133-3427 United States of America
(72) Name(s) of Designer(s): **Laurent Froissard**
(45) Registration Date: **14 January 2010**
(30) Convention priority data:
(31) Number (32) Date (33) Country
29/339043 23 Jun 2009 UNITED STATES OF AMERICA
(56) Related Art Documents: **Not Applicable**
(57) Statement of Newness and Distinctiveness: **Newness and distinctiveness lies in the features of shape and/or configuration of a headgear-earwear assembly as shown in solid outline in the accompanying drawings.**



(21) Design Number: **14986/2009**
(22) Date of Filing Application: **18 December 2009**
(24) Date from which industrial property rights may have effect: **18 December 2009**
(54) Product in respect of which the design is registered: **A wash basin**
(51) International Design Classification: **23-02F**
(71) Name(s) and Address(s) of Applicant(s):
Meco Australia Pty Limited
30 Stennett Road Ingleburn New South Wales 2565 Australia
(72) Name(s) of Designer(s): **Nicholas Kroopin**
(45) Registration Date: **14 January 2010**
(56) Related Art Documents: **Not Applicable**
(57) Statement of Newness and Distinctiveness: **Newness and distinctiveness is claimed in the shape and/or configuration of a wash basin as illustrated by the unbroken lines in the accompanying representation/s.**



- (21) Design Number: **14988/2009**
(22) Date of Filing Application: **22 December 2009**
(24) Date from which industrial property rights may have effect: **22 December 2009**
(54) Product in respect of which the design is registered: **Rear combination lamp for automobiles**
(51) International Design Classification: **26-06**
(71) Name(s) and Address(s) of Applicant(s):
Honda Motor Co., Ltd
1-1 Minami-Aoyama 2-chome Minato-ku Tokyo 107-8556 Japan
(72) Name(s) of Designer(s): **Dai Hara**
(45) Registration Date: **14 January 2010**
(30) Convention priority data:

(31) Number	(32) Date	(33) Country
2009-014075	22 Jun 2009	JAPAN

(56) Related Art Documents: **Not Applicable**
(57) Statement of Newness and Distinctiveness: **Nil**

