



Australian Government

IP Australia

AUSTRALIAN OFFICIAL JOURNAL

OF

DESIGNS

Did you know a searchable version of this journal is now available online?
It's FREE and EASY to SEARCH.

Find it at

<http://pericles.ipaustralia.gov.au/ols/epublish/content/olsEpublications.jsp>
or using the "Online Journals" link on the IP Australia home page.

This Page Left Intentionally Blank

Contents

General Information & Notices

Proceedings Under the Designs Act 1906 preserved as a result of the provisions of Chapter 12 Part 2 of the Designs Act 2003

Extension of Period of Registration of Designs	266
Extensions of Time Granted	266
Names Registered - Alterations and Amendments	267
Registrations Ceased	266
Subsequent Owners Registered	267

Proceedings Under the Designs Act 2003

Applications Assigned	276
Applications Lapsed	275
Applications Lodged	271
Certificate of Examination	280
Corrigenda	279
Extension of Period of Registration of Design	276
Extension of Time Granted Under Section 137	276
Names Registered - Alterations and Amendments	278
Publication and Registration Proceedings	
Designs Registered 329277 to 329405.....	281
Registrations Ceased	276
Subsequent Owners Registered	276

This Page Left Intentionally Blank

For information on the following please see our website www.ipaustralia.gov.au or contact our Customer Service Network on 1300651010

[Editorial enquiries](#)

[Contact information](#)

[Freedom of Information ACT](#)

[Professional Standards Board](#)

[Sales](#)

[Requests for Information under Section 194 \(c\)](#)

[Country Codes](#)

[Trade Mark and Designs Hearing Sessions](#)

[INID \(Internationally agreed Numbers for the Identification of Data\)](#)

“INID” NUMBERS in use on Australian Design Documents

“INID” is an acronym for “Internationally agreed Numbers for the Identification of Data”.

(10) Data concerning the registration/renewal

- (11) Serial number of the registration and/or number of the design document
- (12) Plain language designation of the kind of published document
- (19) Identification, using the two-letter code according to WIPO Standard ST.3, of the authority publishing or registering the industrial design

(20) Data concerning the application

- (21) Serial number of the application
- (22) Date of filing of the application
- (24) Date from which the industrial design right has effect

(30) Data relating to priority under the Paris Convention

- (31) Serial number assigned to the priority application
- (32) Date of filing of the priority application
- (33) Two-letter code, according to WIPO Standard ST.3, identifying the authority with which the priority application was made

(40) Date(s) of making information available to the public

- (45) Date of publication of the registered industrial design by printing or similar process, or making it available to the public by any other means

(50) Miscellaneous Information

- (51) International Classification for Industrial Designs (class and subclass of the Locarno Classification)
- (54) Designation of article(s) or product(s) covered by the industrial design or title of the industrial design
- (55) Reproduction of the industrial design (e.g., drawing, photograph) and explanations relating to the reproduction
- (56) List of prior art documents, if separate from descriptive text
- (57) Description of characteristic features of the industrial design including indication of colours

(60) References to other legally related application(s) and registration(s)

- (62) Serial number(s) and, if available, filing date(s) of application(s), registration(s) or document(s) related by division
- (66) Serial number(s) of the application, or the registration, of the design(s) which is (are) a variant(s) of the present one

(70) Identification of parties concerned with the application or registration

- (71) Name(s) and address(es) of the applicant(s)
- (72) Name(s) of the creator(s) if known to be such
- (74) Name(s) and address(es) of the representative(s)

This Page Left Intentionally Blank

Official Notice**Personal Properties Securities Regime**

The new Personal Properties Security (PPS) regime is expected to commence in May 2011. The scheme will harmonise and streamline more than 70 existing pieces of Commonwealth and State and Territory legislation and will establish a national personal property securities register with electronic registration and search processes that will incorporate over 40 different registers of security interests established under the existing legislation.

Personal property is any form of property other than real property (land or buildings and fixtures which are legally treated as forming part of land). As such, personal property includes all of the IP rights administered by IP Australia (i.e patents, trade marks, designs and plant breeder's rights).

To ensure that the PPS regime works as intended with existing registers the *Personal Property Securities (Consequential Amendment) Act 2009* will amend the Patents, Trade Marks, Designs and Plant Breeder's Rights Acts. These amendments will change the recording of security interests against these rights and will standardise the rules of priority. As a result of these changes, security interests registered against patents, trade marks, designs and plant breeder's rights will need to be recorded on the PPS register.

A public education awareness program will be developed to advise users on the changes associated with the PPS reforms. More information regarding these changes will be available from IP Australia in the coming months.

Further information about the PPS Scheme can be found on the Attorney General's Department website (<http://www.ag.gov.au/pps>) or by phoning IP Australia on 1300 65 1010.

Queries: Leo O'Keeffe
Domestic Policy Section
+61 2 6283 7929

Contact: IP Australia
Phone: 1300 651 010
Fax: +61 2 6283 7999
E-mail: assist@ipaustrialia.gov.au
Web: www.ipaustrialia.gov.au

Proceedings under the Designs Act 1906 preserved as a result of the provisions of Chapter 12 Part 2 of the Designs Act 2003.

This Page Left Intentionally Blank

Applications Lapsed

There were no Applications Lapsed under this section

Extension of Period of Registration of Designs

2nd Period (Section 27A(12))

152349	153451	154746
154907	155026	155054
155055	155421	155422
155423	155424	155425
155426	155427	155428
155429	155430	155431
155432	155441	155442
155443	155444	155445
155446	155447	155448
155449	155450	155451
155452	155463	155465
155466	155470	155471
155472	155473	155474
155475	155476	155477
155478	155479	155480
155481	155482	155483
155484	155485	155486
155487	155488	155489
155490	155491	155492
155493	155494	155495
155496	155497	155498
155499	155500	155501
155502	155503	155504
155505	155506	155507
155508	155509	155510
155511	155512	155513
155514	155515	155516
155517	155518	155520
155521	155522	155523
155524	155608	155609
155610	155611	155612
155613	155614	155615
155616	155928	155930
155932	155979	156054
156116	156121	156122
156124	156125	156126
156127	156128	156129
156130	156131	156132
156133	156134	156135
156136	156137	156138
156139	156140	156171
156172	156173	156174
156213	156375	156450
156457	156465	156472
156473	156506	156527
156528	156529	156530
156531	156532	156564
156565	156566	156567
156568	156569	156570
156646	156750	156767
156826	156828	156960
157011	157012	157058
157062	157063	157158

157316	157377	157378
157408	157491	157558
157589	157601	158111
158187	158251	158252
158285	158287	158312
158359	158379	

3rd Period (Section 27A(13))

136495	136877	136922
137325	137430	137760
137761	137859	137971
137972	137973	137974
137975	138000	138003
138040	138041	138042
138049	138191	138249
138423	138603	138606
138682	138758	138770
138877	138888	139144
139198	139271	139272
140037	140605	140606
140607	140719	140834
140851	141039	141098
144719	144720	

Registrations Ceased

Note: Some of the following Registrations may have been previously advertised as ceased. In this instance, the previous advertisement still prevails.

120899	120900	120901
120916	120919	120920
120921	121237	122419
122420	123754	124722
124978	125028	125029
125030	127827	134779
134780	135883	135884
135885	135935	136271
136464	136568	136569
136829	137817	137841
137842	139224	139917
152774	153036	153037
153076	153077	153079
153080	153081	153082
153142	153350	153477
153478	153479	153854
153855	153975	153976
153994	154309	154468
154515	154959	157264
157265	157266	

Extensions of time granted

Applications lodged for extension of time have been granted.

152349 **Barbara Valerie Hatten** An Extension of time to extend a registration has been granted to 27/10/2009

155026 **Gavin Mark Cook** An Extension of time to extend a registration has been granted to 18/01/2010

131031 (**Cadbury Pty Ltd**) Cadbury Schweppes Proprietary Limited

131032 (**Cadbury Pty Ltd**) Cadbury Schweppes Proprietary Limited

131033 (**Cadbury Pty Ltd**) Cadbury Schweppes Proprietary Limited

131034 (**Cadbury Pty Ltd**) Cadbury Schweppes Proprietary Limited

135475 (**Cadbury Pty Ltd**) Cadbury Schweppes Proprietary Limited

151354 (**Cadbury Pty Ltd**) Cadbury Schweppes Proprietary Limited

151355 (**Cadbury Pty Ltd**) Cadbury Schweppes Proprietary Limited

152357 (**Cadbury Pty Ltd**) Cadbury Schweppes Proprietary Limited

152786 (**Cadbury Pty Ltd**) Cadbury Schweppes Proprietary Limited

144122 (**Carefusion 303, Inc.**) Cardinal Health 303, Inc.

144123 (**Carefusion 303, Inc.**) Cardinal Health 303, Inc.

144124 (**Carefusion 303, Inc.**) Cardinal Health 303, Inc.

144125 (**Carefusion 303, Inc.**) Cardinal Health 303, Inc.

153649 (**Carefusion 303, Inc.**) Cardinal Health 303, Inc.

156763 (**Carefusion 303, Inc.**) Cardinal Health 303, Inc.

141098 (**Adbri Masonry Group Pty Ltd**) C & M Brick Pty Ltd

Subsequent Owners Registered

(The name in parentheses is that of the subsequent owner)

140851 (**Tilt Lift Equipment Pty Ltd**) Adnunat Pty Ltd

130980 (**Rheem Australia Pty Ltd**) Aqua Max Pty Ltd

131960 (**Rheem Australia Pty Ltd**) Aqua Max Pty Ltd

146875 (**Rheem Australia Pty Ltd**) Aqua Max Pty Ltd

157292 (**Rheem Australia Pty Ltd**) Aqua Max Pty Ltd

153925 (**Power Box AG**) GMC Worldwide Pty Ltd

153962 (**Power Box AG**) GMC Worldwide Pty Ltd

153963 (**Power Box AG**) GMC Worldwide Pty Ltd

154457 (**Power Box AG**) GMC Worldwide Pty Ltd

154516 (**Power Box AG**) GMC Worldwide Pty Ltd

154704 (**Power Box AG**) GMC Worldwide Pty Ltd

155061 (**Power Box AG**) GMC Worldwide Pty Ltd

155131 (**Power Box AG**) GMC Worldwide Pty Ltd

155269 (**Power Box AG**) GMC Worldwide Pty Ltd

155891 (**Power Box AG**) GMC Worldwide Pty Ltd

155961 (**Power Box AG**) GMC Worldwide Pty Ltd

156792 (**Power Box AG**) GMC Worldwide Pty Ltd

156807 (**Power Box AG**) GMC Worldwide Pty Ltd

157060 (**Power Box AG**) GMC Worldwide Pty Ltd

157418 (**Power Box AG**) GMC Worldwide Pty Ltd

158164 (**Power Box AG**) GMC Worldwide Pty Ltd

158165 (**Power Box AG**) GMC Worldwide Pty Ltd

141021 (**Geberit International AG**) Geberit Technik A.G.

143232 (**Geberit International AG**) Geberit Technik A.G.

145107 (**Geberit International AG**) Geberit Technik A.G.

156840 (**Ashley Anthony Lowe**) Jonathan Cheung

Names Registered - Alterations and Amendments

(The name in parentheses is the new name of the proprietor)

155953 (**Panasonic Corporation**) Matsushita Electric Industrial Co. Ltd

129188 (**Cadbury Pty Ltd**) Cadbury Schweppes Proprietary Limited

129189 (**Cadbury Pty Ltd**) Cadbury Schweppes Proprietary Limited

129190 (**Cadbury Pty Ltd**) Cadbury Schweppes Proprietary Limited

129191 (**Cadbury Pty Ltd**) Cadbury Schweppes Proprietary Limited

129192 (**Cadbury Pty Ltd**) Cadbury Schweppes Proprietary Limited

129193 (**Cadbury Pty Ltd**) Cadbury Schweppes Proprietary Limited

131029 (**Cadbury Pty Ltd**) Cadbury Schweppes Proprietary Limited

131030 (**Cadbury Pty Ltd**) Cadbury Schweppes Proprietary Limited

This Page Left Intentionally Blank

Proceedings under the Designs Act 2003.

This Page Left Intentionally Blank

Applications Lodged

Lodgement information is in the following order: **Applicant's Name**; International Classification, Name of Product, Lodgement Date and **Design Number**. If the applicant claims an earlier priority date under an International Convention, the Convention Country and the associated filing date are shown in parentheses before the Lodgement Date. Divisional information will also appear in parentheses before the Lodgement Date.

Air New Zealand Limited; 06-09, A pillow, 25 Jan 2010	10251/2010	British American Tobacco (Investments) Limited; 09-03A, Package for smoking articles, (WO, 24 Jul 2009) 22 Jan 2010	10211/2010
Air New Zealand Limited; 06-01D, Aircraft seat, (NZ, 10 Dec 2009) 14 Jan 2010	10135/2010	Bticino S.p.A.; 13-03D, Cover plate, (EM, 04 Aug 2009) 18 Jan 2010	10155/2010
Air New Zealand Limited; 06-01D, Aircraft seat, (NZ, 16 Dec 2009) 14 Jan 2010	10115/2010	Bticino S.p.A.; 13-03D, Cover plate, (EM, 04 Aug 2009) 18 Jan 2010	10154/2010
Air New Zealand Limited; 06-01D, Aircraft seat, (NZ, 10 Dec 2009) 14 Jan 2010	10116/2010	Bticino S.p.A.; 13-03D, Cover plate, (EM, 04 Aug 2009) 18 Jan 2010	10156/2010
Air New Zealand Limited; 06-01D, Aircraft seat, (NZ, 10 Dec 2009) 14 Jan 2010	10117/2010	Bticino S.p.A.; 13-03D, Cover plate, (EM, 04 Aug 2009) 18 Jan 2010	10157/2010
Air New Zealand Limited; 06-01D, Aircraft seat, (NZ, 16 Dec 2009) 14 Jan 2010	10118/2010	Bticino S.p.A.; 13-03D, Cover plate, (EM, 04 Aug 2009) 18 Jan 2010	10158/2010
Air New Zealand Limited; 06-01D, Aircraft seat, (NZ, 10 Dec 2009) 14 Jan 2010	10119/2010	Bticino S.p.A.; 13-03D, Cover plate, (EM, 04 Aug 2009) 18 Jan 2010	10159/2010
Aluminium Specialities Group Pty Ltd; 08-08D, A clamp, 18 Jan 2010	10171/2010	Bticino S.p.A.; 13-03D, Cover plate, (EM, 04 Aug 2009) 18 Jan 2010	10160/2010
Aluminium Specialities Group Pty Ltd; 25-01K, An extrusion, 18 Jan 2010	10172/2010	Bticino S.p.A.; 13-03D, Cover plate, (EM, 04 Aug 2009) 18 Jan 2010	10161/2010
Aluminium Specialities Group Pty Ltd; 08-08D, A clamp, 18 Jan 2010	10173/2010	Business Enterprises Australia Pty Ltd; 23-02C, 23-02F, Washbasin cistern, 15 Jan 2010	10103/2010
Aluminium Specialities Group Pty Ltd; 25-01K, An extrusion, 18 Jan 2010	10175/2010	Cardiac Science Corporation; 24-99, 14-04, Medical data display for ECG data, (US, 24 Jul 2009) 25 Jan 2010	10260/2010
Aluminium Specialities Group Pty Ltd; 08-08B, A nut, 18 Jan 2010	10174/2010	Clipsal Australia Pty Ltd; 13-03NES, A patch panel, 13 Jan 2010	10089/2010
Austral Bricks (Qld) Pty Ltd; 25-01A, A brick, 18 Jan 2010	10162/2010	Colgate-Palmolive Company; 09-07C, Cap for a container, (US, 31 Jul 2009) 15 Jan 2010	10149/2010
Australian Security Fencing Pty Ltd; 08-08B, The product is a fastener, 22 Jan 2010	10187/2010	Colgate-Palmolive Company; 09-07B, Cap for a container, (US, 31 Jul 2009) 22 Jan 2010	10225/2010
Australian Security Fencing Pty Ltd; 25-02C, Mesh, 22 Jan 2010	10188/2010	Colgate-Palmolive Company; 09-07C, Cap for a container, (US, 31 Jul 2009) 15 Jan 2010	10150/2010
AAA Golf Partnerships Australia; 21-02C, 25-02NES, AAA 'A frame', 20 Jan 2010	10169/2010	Colgate-Palmolive Company; 09-07B, Cap for a container, (US, 31 Jul 2009) 21 Jan 2010	10196/2010
Black & Decker, Inc.; 15-05, Hand-held vacuum cleaner, (EM, 13 Jul 2009) 13 Jan 2010	10099/2010	Colgate-Palmolive Company; 09-07B, Nozzle for a container cap, (US, 31 Jul 2009) 21 Jan 2010	10197/2010
Bowtight Pty Ltd; 08-08NES, 25-02NES, Anchor for a string line with flexible interlocking straps, 22 Jan 2010	10224/2010		
British American Tobacco (Investments) Limited; 09-03A, Package for smoking articles, (WO, 24 Jul 2009) 22 Jan 2010	10212/2010		

Colgate-Palmolive Company; 09-07C, Cap for a container, (US, 31 Jul 2009) 15 Jan 2010	10151/2010	Fahrlin, Linda; 05-05C, 06-13B, Pattern for baby blanket, 22 Jan 2010	10210/2010
Craigie, Ian; 06-07, Photoframes and photos, 19 Jan 2010	10164/2010	Famdenz Pty Ltd; 25-02NES, An impact absorbing safety barrier, 18 Jan 2010	10163/2010
CSR Building Products Limited; 08-03, Curved blade plasterboard jointing broad knife, 21 Jan 2010	10208/2010	Farm Innovations Pty Ltd; 08-08A, A split-pin, 15 Jan 2010	10132/2010
Deckers Outdoor Corporation; 02-04NES, Portion of a footwear upper, (US, 02 Nov 2009) 21 Jan 2010	10194/2010	Farm Innovations Pty Ltd; 08-08A, A split-pin, 15 Jan 2010	10133/2010
Deckers Outdoor Corporation; 02-04NES, Portion of a footwear upper, (US, 09 Nov 2009) 21 Jan 2010	10195/2010	Farm Innovations Pty Ltd; 08-08A, A split-pin, 15 Jan 2010	10134/2010
Deckers Outdoor Corporation; 02-04NES, Portion of a footwear upper, (US, 14 Sep 2009) 21 Jan 2010	10193/2010	Fleck, Jeffrey Alan; Worthington, Richard Mark; 12-16NES, Vehicle accessory, 22 Jan 2010	10218/2010
Deckers Outdoor Corporation; 02-04NES, Portion of a footwear upper, (US, 03 Nov 2009) 21 Jan 2010	10189/2010	Fleck, Jeffrey Alan; Worthington, Richard Mark; 12-16NES, Vehicle accessory, 22 Jan 2010	10220/2010
Deckers Outdoor Corporation; 02-04NES, Portion of a footwear upper, (US, 11 Nov 2009) 21 Jan 2010	10190/2010	Fleck, Jeffrey Alan; Worthington, Richard Mark; 12-16NES, Vehicle accessory, 22 Jan 2010	10219/2010
Deckers Outdoor Corporation; 02-04NES, Footwear, (US, 11 Nov 2009) 21 Jan 2010	10191/2010	Fleck, Jeffrey Alan; Worthington, Richard Mark; 12-16NES, Vehicle accessory, 22 Jan 2010	10217/2010
Deckers Outdoor Corporation; 02-04NES, Footwear upper, (US, 06 Nov 2009) 21 Jan 2010	10192/2010	Food Spectrum Pty Ltd; 09-03F, Food package, 20 Jan 2010	10181/2010
Dunn, Jason; 02-02NES, A logo for T-shirts and other apparel, e.g. hats, bags, and jackets, 25 Jan 2010	10258/2010	Fujikura Ltd.; 14-03NES, Optical fibre distribution closure, 13 Jan 2010	10097/2010
Dyball, Jillian Gay; 11-99, Wedding adornments (glass stand not included in design), 14 Jan 2010	10088/2010	Gillette Company, The; 28-03A, A shaving razor package or an indicia for a shaving razor package, (US, 24 Jul 2009) 22 Jan 2010	10226/2010
DM Orthotics Limited; 02-04C, Orthotic sock, (Divisional of 14650/2009) 27 Nov 2009	10214/2010	Gordon, Grant Pritchard; 30-02, Animal shelter, 27 Jan 2010	10249/2010
DM Orthotics Limited; 02-04C, Orthotic sock, (Divisional of 14650/2009) 27 Nov 2009	10213/2010	Gram Engineering Pty Limited; 25-01E, Fence cap, 27 Jan 2010	10250/2010
Electrolux do Brasil S/A; 07-02A, Stove, (SE, 29 Jul 2009) 25 Jan 2010	10261/2010	H.D. Hudson Manufacturing Company; 09-07A, Sprayer, (US, 21 Aug 2009) 12 Jan 2010	10085/2010
Elopak Systems AG; 09-03NES, Packaging carton, (EM, 17 Jul 2009) 15 Jan 2010	10124/2010	H.D. Hudson Manufacturing Company; 09-07A, Sprayer, (US, 21 Aug 2009) 12 Jan 2010	10086/2010
Enviro Pak Pty. Ltd.; 07-01C, Plastic cups for bars - disposable two part drinking cups, 20 Jan 2010	10165/2010	H&H Asia Ltd.; 07-02P, Round baking tin, 13 Jan 2010	10092/2010
Esdan Plastics Pty Ltd; 23-01C, Hose, (Divisional of 12211/2009) 18 Jun 2009	10183/2010	H&H Asia Ltd.; 07-02P, Cupcake baking tin, 13 Jan 2010	10093/2010
Eveready Battery Company, Inc.; 26-02, A lighting device, (US, 14 Aug 2009) 15 Jan 2010	10121/2010	H&H Asia Ltd.; 07-02P, Rectangular baking tin, 13 Jan 2010	10094/2010
Eveready Battery Company, Inc.; 26-05NES, A lighting device, (US, 19 Aug 2009) 15 Jan 2010	10120/2010	Harris, Peter Randle; 22-04, Long range rifle targets (acoustical, electronic), 25 Jan 2010	10223/2010
		Hendricks, George; 14-02, A mouse pad that attaches to equipment, 24 Dec 2009	15093/2009

Hiram (WA) Pty Ltd as Trustee for The Trulli Trust; 25-04, Underground ladderway system, 13 Jan 2010	10098/2010	McLeod, Rohan; 04-02, Personal scrubbing brush handle, 15 Jan 2010	10125/2010
Honda Motor Co., Ltd.; 12-11, A motorcycle, (JP, 21 Jul 2009) 20 Jan 2010	10180/2010	Michelin Recherche et Technique SA; Societe De Technologie Michelin; 12-15B, Tyre tread, (US, 16 Jul 2009) 15 Jan 2010	10105/2010
Jones, Patrick Xavier; 12-06NES, 12-16P, Marine industry small boats bolts to the sides for floatation, fender and diverts spray, 25 Jan 2010	10209/2010	Michelin Recherche et Technique SA; Societe De Technologie Michelin; 12-15A, Tyre tread, (US, 16 Jul 2009) 15 Jan 2010	10104/2010
Jorgandziewski, Kiro; 09-07A, Paint can pouring lip, 13 Jan 2010	10090/2010	Modulek Pty Ltd; 13-03D, An electrical connector unit, 21 Jan 2010	10202/2010
Jorgandziewski, Kiro; 09-07A, Paint can pouring lip, 13 Jan 2010	10091/2010	Modulek Pty Ltd; 13-03B, An electrical connector unit, 21 Jan 2010	10200/2010
King, Andrew; 21-01L, Gameboards, 22 Jan 2010	10222/2010	Modulek Pty Ltd; 13-03D, An electrical connector unit, 21 Jan 2010	10201/2010
Koninklijke Philips Electronics N.V.; Sara Lee/DE N.V.; 07-02L, Coffee maker, (EM, 23 Jul 2009) 21 Jan 2010	10198/2010	NC & MJ Burt Pty Ltd; 07-07A, Esky/coolers, 27 Jan 2010	10259/2010
KordTech Pty Ltd; 14-02, 20-01, A data input device, 20 Jan 2010	10179/2010	Oy, Pauner; 09-99, Retractable holder, (EM, 13 Jul 2009) 13 Jan 2010	10102/2010
Laerdal Medical AS; 24-04, Nasal aspirator, (NO, 02 Sep 2009) 18 Jan 2010	10176/2010	Provo Craft and Novelty, Inc.; 18-02, A platen, (US, 23 Jul 2009) 20 Jan 2010	10184/2010
Lead Innovations Ltd; 30-04, Lead, (EM, 15 May 2009) (Divisional of 14389/2009) 11 Nov 2009	10130/2010	Pryce, Daniel James; Rimmer, Nigel Geoffrey; 07-05D, Dive gear stand, 25 Jan 2010	10252/2010
Lead Innovations Ltd; 30-04, Harness with lead, (EM, 15 May 2009) (Divisional of 14389/2009) 11 Nov 2009	10131/2010	PEMI GROUP, s.r.o.; 09-01G, 09-01NES, Containers, (EM, 30 Dec 2009) 15 Jan 2010	10136/2010
Linkson, Sean; 06-03C, Desk, 19 Jan 2010	10206/2010	PEMI GROUP, s.r.o.; 09-01G, 09-01NES, Containers, (EM, 30 Dec 2009) 15 Jan 2010	10137/2010
Linkson, Sean; 06-03C, Stand, 19 Jan 2010	10207/2010	PEMI GROUP, s.r.o.; 09-01G, 09-01NES, Containers, (EM, 30 Dec 2009) 15 Jan 2010	10138/2010
LG Electronics Inc.; 14-03E, Mobile telephone, (KR, 27 Jul 2009) 20 Jan 2010	10182/2010	PEMI GROUP, s.r.o.; 09-01G, 09-01NES, Containers, (EM, 30 Dec 2009) 15 Jan 2010	10139/2010
LPG Finance Industrie; 28-03NES, Massage apparatus, (EM, 16 Jul 2009) 15 Jan 2010	10126/2010	PEMI GROUP, s.r.o.; 09-01G, 09-01NES, Containers, (EM, 30 Dec 2009) 15 Jan 2010	10140/2010
LPG Finance Industrie; 06-03NES, Massage table, (EM, 03 Aug 2009) 18 Jan 2010	10153/2010	PEMI GROUP, s.r.o.; 09-01G, 09-01NES, Containers, (EM, 30 Dec 2009) 15 Jan 2010	10141/2010
LPG Finance Industrie; 28-03NES, Head for massage apparatus, (EM, 16 Jul 2009) 15 Jan 2010	10127/2010	PEMI GROUP, s.r.o.; 09-01G, 09-01NES, Containers, (EM, 30 Dec 2009) 15 Jan 2010	10142/2010
LPG Finance Industrie; 28-03NES, Head for massage apparatus, (EM, 16 Jul 2009) 15 Jan 2010	10128/2010	PEMI GROUP, s.r.o.; 09-01G, 09-01NES, Containers, (EM, 30 Dec 2009) 15 Jan 2010	10143/2010
Mag Instrument, Inc.; 26-02, Flashlight, (US, 13 Jul 2009) 13 Jan 2010	10100/2010	PEMI GROUP, s.r.o.; 09-01G, 09-01NES, Containers, (EM, 30 Dec 2009) 15 Jan 2010	10144/2010
Marco Engineering Pty Ltd; 26-05D, Downlight cover, 18 Jan 2010	10177/2010		

Quarry Mining and Construction Equipment Pty Ltd; 08-01, Chuck adaptor, 11 Jan 2010	10087/2010	Spin Master Ltd.; 21-01B, Transformable toy, (CA, 17 Aug 2009) 25 Jan 2010	10239/2010
Quarry Mining and Construction Equipment Pty Ltd; 08-01, Chuck adaptor, 18 Jan 2010	10178/2010	Spin Master Ltd.; 21-01B, Transformable toy, (CA, 26 Aug 2009) 25 Jan 2010	10240/2010
R.Evolution Life, SIA; 24-99, 06-09, Acupressure mat, (EM, 16 Jul 2009) 14 Jan 2010	10110/2010	Spin Master Ltd.; 21-01B, Transformable toy, (CA, 25 Aug 2009) 25 Jan 2010	10241/2010
R.Evolution Life, SIA; 24-99, 06-09, Acupressure mat, (EM, 16 Jul 2009) 14 Jan 2010	10111/2010	Spin Master Ltd.; 21-01B, Transformable toy, (CA, 25 Aug 2009) 25 Jan 2010	10242/2010
R.Evolution Life, SIA; 24-99, 06-09, Acupressure mat, (EM, 16 Jul 2009) 14 Jan 2010	10109/2010	Spin Master Ltd.; 21-01B, Transformable toy, (CA, 25 Aug 2009) 25 Jan 2010	10243/2010
Rimmer, Nigel Geoffrey; Pryce, Daniel James; 07-05D, Dive gear stand, 25 Jan 2010	10252/2010	Spin Master Ltd.; 21-01B, Transformable toy, (CA, 17 Aug 2009) 25 Jan 2010	10244/2010
Roadvision Pty Ltd; 26-05NES, Lighting assembly, 21 Jan 2010	10186/2010	Spin Master Ltd.; 21-01B, Transformable toy, (CA, 25 Aug 2009) 25 Jan 2010	10247/2010
S. C. Johnson & Son, Inc.; 15-99, Shroud for a diffusion device, (US, 24 Jul 2009) 21 Jan 2010	10205/2010	Spin Master Ltd.; 21-01B, Transformable toy, (CA, 17 Aug 2009) 25 Jan 2010	10248/2010
Sandal Plc; 13-03D, Multi-socket, (EM, 17 Jul 2009) 15 Jan 2010	10129/2010	Spin Master Ltd.; 21-01B, Transformable toy, (CA, 24 Aug 2009) 25 Jan 2010	10245/2010
Santomaggio, Nadia; 09-01K, Bottle, 21 Jan 2010	10199/2010	Spin Master Ltd.; 21-01B, Transformable toy, (CA, 25 Aug 2009) 25 Jan 2010	10246/2010
Sara Lee/DE N.V.; Koninklijke Philips Electronics N.V.; 07-02L, Coffee maker, (EM, 23 Jul 2009) 21 Jan 2010	10198/2010	Sporty Keys Pty Ltd; 08-07, Key blank, 13 Jan 2010	10095/2010
Serpell, Steven Roy; 08-08NES, 09-07NES, Bottle mount, 21 Jan 2010	10185/2010	Steelcase S.A.; 06-01E, Chair, (EM, 27 May 2009) 24 Nov 2009	10101/2010
Skovgaard, Camilla; 02-04B, Sole or boot of a shoe, (GB, 25 Jul 2009) 22 Jan 2010	10215/2010	Stramit Corporation Pty Limited; 08-08C, A clip, 22 Jan 2010	10228/2010
Skovgaard, Camilla; 02-04B, Sole or boot of a shoe, (GB, 25 Jul 2009) 22 Jan 2010	10216/2010	Stramit Corporation Pty Limited; 25-01NES, 08-08L, A sealing and connecting device for overlapping profiled sheets, 22 Jan 2010	10227/2010
Societe des Produits Nestle S.A.; 31-00, Beverage dispenser, (CH, 02 Sep 2009) 20 Jan 2010	10167/2010	Sun, Tony Jian H.; 03-01B, 21-01A, Toy bag, 25 Jan 2010	10253/2010
Societe des Produits Nestle S.A.; 31-00, Beverage dispenser, (CH, 02 Sep 2009) 20 Jan 2010	10168/2010	Sun, Tony Jian H.; 03-01B, 21-01A, Toy bag, 25 Jan 2010	10254/2010
Societe des Produits Nestle S.A.; 31-00, Beverage dispenser, (CH, 02 Sep 2009) 20 Jan 2010	10166/2010	Sun, Tony Jian H.; 03-01B, 21-01A, Toy bag, 25 Jan 2010	10255/2010
Societe des Produits Nestle S.A.; 31-00, Beverage dispenser, (CH, 02 Sep 2009) 20 Jan 2010	10166/2010	Sun, Tony Jian H.; 03-01B, 21-01A, Toy bag, 25 Jan 2010	10256/2010
Societe De Technologie Michelin; Michelin Recherche et Technique SA; 12-15B, Tyre tread, (US, 16 Jul 2009) 15 Jan 2010	10105/2010	Sun, Tony Jian H.; 03-01B, 21-01A, Toy bag, 25 Jan 2010	10257/2010
Societe De Technologie Michelin; Michelin Recherche et Technique SA; 12-15A, Tyre tread, (US, 16 Jul 2009) 15 Jan 2010	10104/2010	Symbol Technologies Inc.; 13-02, Battery pack for a mobile device, (US, 15 Jul 2009) 14 Jan 2010	10106/2010
		SCA Hygiene Products AB; 24-04, Tampon, (EM, 29 Jun 2009) (Divisional of 14407/2009) 12 Nov 2009	10108/2010

SCA Hygiene Products AB; 24-04, Tampon, (EM, 29 Jun 2009) (Divisional of 14407/2009) 12 Nov 2009	10107/2010	Whitehouse (of HIS GLORY), Jane; 11-01NES, Wire loop designed to attach charms and jewellery to trouser buttons and zippers, 13 Jan 2010	10096/2010
The Decor Corporation Pty Ltd; 04-01, Mop head for carrying a disposable cloth, 18 Jan 2010	10152/2010	Worthington, Richard Mark; Fleck, Jeffrey Alan; 12-16NES, Vehicle accessory, 22 Jan 2010	10219/2010
The Gillette Company; 28-03D, Cartridge suitable for hair trimming, (US, 16 Jul 2009) 15 Jan 2010	10145/2010	Worthington, Richard Mark; Fleck, Jeffrey Alan; 12-16NES, Vehicle accessory, 22 Jan 2010	10217/2010
The Gillette Company; 28-03D, Cartridge suitable for hair trimming, (US, 16 Jul 2009) 15 Jan 2010	10146/2010	Worthington, Richard Mark; Fleck, Jeffrey Alan; 12-16NES, Vehicle accessory, 22 Jan 2010	10220/2010
The Gillette Company; 28-03D, Device suitable for hair trimming, (US, 16 Jul 2009) 15 Jan 2010	10147/2010	Worthington, Richard Mark; Fleck, Jeffrey Alan; 12-16NES, Vehicle accessory, 22 Jan 2010	10218/2010
The Gillette Company; 28-03D, Device suitable for hair trimming, (US, 16 Jul 2009) 15 Jan 2010	10148/2010	Zander, Robert; 11-01NES, Jewellery insert for pendant, ring, charm, earring, bracelet, necklace, 25 Jan 2010	10229/2010
Triple M Holdings Pty Ltd; 12-16B, Mud guard for a vehicular tray body, 13 Jan 2010	10112/2010	Zander, Robert; 11-01NES, Jewellery insert for pendant, ring, charm, earring, bracelet, necklace, 25 Jan 2010	10232/2010
Triple M Holdings Pty Ltd; 12-16NES, Tray body internal tie-down rail, 13 Jan 2010	10113/2010	Zander, Robert; 11-01NES, Jewellery insert for pendant, ring, charm, earring, bracelet, necklace, 25 Jan 2010	10233/2010
Triple M Holdings Pty Ltd; 12-16NES, 08-06, A releasable drop-side hinge for a tray body, 13 Jan 2010	10114/2010	Zander, Robert; 11-01NES, Jewellery insert for pendant, ring, charm, earring, bracelet, necklace, 25 Jan 2010	10234/2010
Unilever PLC; 09-01NES, 09-07A, Pump dispenser, (GB, 21 Jul 2009) 15 Jan 2010	10122/2010	Zander, Robert; 11-01NES, Jewellery insert for pendant, ring, charm, earring, bracelet, necklace, 25 Jan 2010	10235/2010
Unilever PLC; 09-03F, Pouch, especially for packaging food, (GB, 08 Aug 2009) 19 Jan 2010	10170/2010	Zander, Robert; 11-01NES, Jewellery insert for pendant, ring, charm, earring, bracelet, necklace, 25 Jan 2010	10236/2010
Unilever PLC; 09-01NES, 09-07A, Pump dispenser, (GB, 21 Jul 2009) 15 Jan 2010	10123/2010	Zander, Robert; 11-01NES, Jewellery insert for pendant, ring, charm, earring, bracelet, necklace, 25 Jan 2010	10237/2010
UCB Pharma SA; 24-02, 10-04, Needle cap, (Divisional of 12642/2009) 20 Jul 2009	10203/2010	Zander, Robert; 11-01NES, Jewellery insert for pendant, ring, charm, earring, bracelet, necklace, 25 Jan 2010	10238/2010
UCB Pharma SA; 24-02, 10-04, Needle cap, (Divisional of 12642/2009) 20 Jul 2009	10204/2010	Zander, Robert; 11-01NES, Jewellery insert for pendant, ring, charm, earring, bracelet, necklace, 25 Jan 2010	10231/2010
Westall, Carolyn Diane; 02-01A, Bra - no adhesive, no straps, no back wash n wear, 25 Jan 2010	10221/2010	Zander, Robert; 11-01NES, Jewellery insert for pendant, ring, charm, earring, bracelet, necklace, 25 Jan 2010	10230/2010

Applications Lapsed

14327 / 2009 (08-08C)	14357 / 2009 (29-99)
14358 / 2009 (29-99)	14359 / 2009 (29-99)
14368 / 2009 (23-02A)	14369 / 2009 (23-02A)
14470 / 2009 (08-05F)	

Extension of Period of Registration of Designs

301923	302204	302232
302233	302234	302235
302236	302345	302346
302347	302423	302438
302439	302440	302456
302457	302459	302460
302504	302626	302627
302628	302629	302630
302631	302638	302672
302870	302906	302907
302959	302970	302975
302977	303092	303103
303105	303106	303107
303108	303109	303110
303111	303113	303114
303119	303120	303121
303137	303145	303177
303178	303179	303275
303395	303461	303478
303564	303565	303594
304036	304086	304320
304646	304647	304768
304880	304894	305001
305002	305140	305174
305175	305176	305177
305178	305179	305666
305690	305691	306299
306300	312817	314013
314014	317229	

Registrations Ceased

300018	300019	300024
300042	300061	300062
300063	300064	300065
300066	300067	300068
300069	300081	300111
300112	300113	300114
300115	300117	300165
300168	300259	300260
300274	300275	300276
300277	300354	300355
300356	300357	300358
300359	300375	300400
300401	300801	301561
301849	301850	301851
301852	301853	302160
302161	302238	302751
302752	303694	303695

Extensions of time granted under Section 137

Applications lodged under section 137 for extension of time have been granted.

322451 **H. Peter Greene Jr.**

324503 **Bose Corporation**

12536/2009 **Dhiren Bhagwandas**

12537/2009 **Dhiren Bhagwandas**

12538/2009 **Dhiren Bhagwandas**

12539/2009 **Dhiren Bhagwandas**

13571/2009 **Paul White**

14266/2009 **Martyn S. Wilson**

Applications Assigned

(The name in parentheses is that of the subsequent applicant)

12542/2009 (**Education Projects Pty Ltd**) Christopher Fowler

12543/2009 (**Education Projects Pty Ltd**) Christopher Fowler

12544/2009 (**Education Projects Pty Ltd**) Christopher Fowler

12545/2009 (**Education Projects Pty Ltd**) Christopher Fowler

12546/2009 (**Education Projects Pty Ltd**) Christopher Fowler

12547/2009 (**Education Projects Pty Ltd**) Christopher Fowler

Subsequent Owners Registered

(The name in parentheses is that of the subsequent owner)

326457 (**Mars Australia Pty Ltd**) Mars, Incorporated

326458 (**Mars Australia Pty Ltd**) Mars, Incorporated

325879 (**Mars Australia Pty Ltd**) Mars, Incorporated

326694 (**Mars Australia Pty Ltd**) Mars, Incorporated

302137 (**Progressive IP Limited**) Rodney Warwick Sharp

316632 (**Tilt Lift Equipment Pty Ltd**) Adnunat Pty Ltd

324059 (**Power Box AG**) GMC Worldwide Pty Ltd
 324060 (**Power Box AG**) GMC Worldwide Pty Ltd
 324061 (**Power Box AG**) GMC Worldwide Pty Ltd
 307860 (**Power Box AG**) GMC Worldwide Pty Ltd
 322459 (**Pool Systems Pty Ltd**) Aquakleen Pty Ltd
 322460 (**Pool Systems Pty Ltd**) Aquakleen Pty Ltd

Names Registered - Alterations and Amendments

(The name in parentheses is that of the subsequent applicant)

317478 (**The Nutro Company**) Nutro Products, Inc.
 321075 (**The Nutro Company**) Nutro Products, Inc.
 321076 (**The Nutro Company**) Nutro Products, Inc.
 321077 (**The Nutro Company**) Nutro Products, Inc.
 321078 (**The Nutro Company**) Nutro Products, Inc.
 321079 (**The Nutro Company**) Nutro Products, Inc.
 321080 (**The Nutro Company**) Nutro Products, Inc.;The Nutro Company
 314225 (**The Nutro Company**) Nutro Products, Inc.

Corrigenda

Number 328969

In Vol 23 , No 25 , page 3640 under the heading **Applications Lodged**; Filing date should be 05 Nov 2009 in lieu of 23 Nov 2009..

Number 328970

In Vol 23 , No 25 , page 3640 under the heading . **Applications Lodged**; . Filing date should be 05 Nov 2009 in lieu of 23 Nov 2009..

Number 328971

In Vol 23 , No 25 , page 3640 under the heading . **Applications Lodged**; . Filing date should be 05 Nov 2009 in lieu of 23 Nov 2009..

Certificate(s) of Examination

Examination of the following Design Registration(s) has been completed. Infringement proceedings may now be commenced.

311778	06-01F	27/01/2010
311779	06-01F	27/01/2010
313184	21-02F	18/01/2010
315586	25-02NES	27/01/2010
322451	21-01C	22/01/2010
323533	15-02	21/01/2010
324503	14-01	22/01/2010
325630	23-01A	19/01/2010
326164	09-01G	20/01/2010
326757	09-07NES	21/01/2010
326778	09-07NES	21/01/2010
326868	09-01NES	28/01/2010
327058	11-01A	19/01/2010
327105	08-05H	19/01/2010
327248	09-01B	22/01/2010
327412	27-99	28/01/2010
327453	27-99	28/01/2010
327570	15-05	28/01/2010
327571	15-05	28/01/2010
327719	22-05	27/01/2010
327749	24-04	19/01/2010
327774	22-05	27/01/2010
327775	22-05	27/01/2010
327776	22-05	27/01/2010
327789	12-05	20/01/2010
327790	12-05	20/01/2010
327915	02-02B	15/01/2010
328060	06-04NES	21/01/2010
328911	23-02C	15/01/2010
328912	23-02C	15/01/2010

Publication and Registration Proceedings

Designs Registered

This section provides a concordance between design number and registration number of Designs covered in this journal. It also shows the main class and registration date.

This section covers Registration numbers 329277 to 329405 .

The registration number shown below should be used in all future correspondence.

Design Number	Registration Number	International Classification Code (IDC)	Registration Date	Design Number	Registration Number	International Classification Code (IDC)	Registration Date
12034/2009	329328	23-01A	21/01/2010	14999/2009	329288	26-06	15/01/2010
12536/2009	329398	06-03A	28/01/2010	15000/2009	329289	12-08	15/01/2010
12537/2009	329399	26-05B	28/01/2010	15001/2009	329308	12-08	15/01/2010
12538/2009	329400	06-04B	28/01/2010	15002/2009	329309	26-06	15/01/2010
12539/2009	329401	06-03A	28/01/2010	15003/2009	329310	26-06	15/01/2010
12604/2009	329351	08-08NES	22/01/2010	15006/2009	329299	14-03A	15/01/2010
13352/2009	329277	08-08NES	15/01/2010	15007/2009	329300	14-03A	15/01/2010
13732/2009	329278	08-10	15/01/2010	15009/2009	329301	14-03NES	15/01/2010
13733/2009	329279	14-02	15/01/2010	15010/2009	329302	14-03B	15/01/2010
13734/2009	329280	12-11	15/01/2010	15011/2009	329303	06-01G	15/01/2010
14207/2009	329329	26-06	21/01/2010	15012/2009	329304	06-01G	15/01/2010
14208/2009	329330	26-06	21/01/2010	15013/2009	329305	06-01G	15/01/2010
14209/2009	329331	12-08	21/01/2010	15014/2009	329306	06-01G	15/01/2010
14210/2009	329332	12-16C	21/01/2010	15023/2009	329378	10-05	27/01/2010
14229/2009	329340	07-01NES	22/01/2010	15024/2009	329379	10-01	27/01/2010
14305/2009	329317	07-01NES	18/01/2010	15026/2009	329380	29-02	27/01/2010
14307/2009	329281	12-15NES	15/01/2010	15027/2009	329381	29-02	27/01/2010
14387/2009	329341	02-02C	22/01/2010	15028/2009	329382	28-99	27/01/2010
14389/2009	329319	30-04	20/01/2010	15029/2009	329383	28-99	27/01/2010
14401/2009	329282	30-08	15/01/2010	15030/2009	329384	07-01B	27/01/2010
14407/2009	329342	24-04	22/01/2010	15031/2009	329385	07-01B	27/01/2010
14442/2009	329313	01-01	18/01/2010	15032/2009	329386	07-01NES	27/01/2010
14443/2009	329314	01-01	18/01/2010	15033/2009	329311	07-01B	18/01/2010
14444/2009	329315	01-01	18/01/2010	15038/2009	329337	19-08	21/01/2010
14445/2009	329316	09-05	18/01/2010	15039/2009	329338	19-08	21/01/2010
14452/2009	329352	25-01D	22/01/2010	15040/2009	329339	19-08	21/01/2010
14453/2009	329353	25-01D	22/01/2010	15043/2009	329312	07-01E	18/01/2010
14456/2009	329345	12-03	22/01/2010	15044/2009	329360	23-01A	25/01/2010
14465/2009	329327	09-01NES	20/01/2010	15048/2009	329322	20-02E	20/01/2010
14474/2009	329376	13-03D	27/01/2010	15053/2009	329323	01-01	20/01/2010
14475/2009	329377	13-03D	27/01/2010	15054/2009	329361	07-04	25/01/2010
14492/2009	329387	09-01H	28/01/2010	15055/2009	329362	28-03D	25/01/2010
14532/2009	329354	08-07	22/01/2010	15058/2009	329324	09-01G	20/01/2010
14562/2009	329333	24-02	21/01/2010	15059/2009	329325	09-01G	20/01/2010
14563/2009	329334	10-04	21/01/2010	15060/2009	329326	09-01G	20/01/2010
14595/2009	329335	06-01E	21/01/2010	15061/2009	329363	15-05	25/01/2010
14620/2009	329355	09-01NES	22/01/2010	15064/2009	329364	26-02	25/01/2010
14621/2009	329356	09-01NES	22/01/2010	15065/2009	329365	19-02	25/01/2010
14634/2009	329346	23-01H	22/01/2010	15066/2009	329366	25-01F	25/01/2010
14650/2009	329389	02-04C	28/01/2010	15067/2009	329367	25-01F	25/01/2010
14715/2009	329283	21-01M	15/01/2010	15072/2009	329368	09-01K	25/01/2010
14761/2009	329318	26-01	18/01/2010	15073/2009	329369	09-01K	25/01/2010
14762/2009	329347	19-99	22/01/2010	15074/2009	329370	09-01K	25/01/2010
14809/2009	329357	02-02NES	22/01/2010	15075/2009	329371	09-01K	25/01/2010
14818/2009	329348	25-01C	22/01/2010	15076/2009	329372	09-07C	25/01/2010
14880/2009	329307	12-16NES	15/01/2010	15077/2009	329373	09-01K	25/01/2010
14919/2009	329349	02-04A	22/01/2010	15078/2009	329374	09-07C	25/01/2010
14920/2009	329350	02-04A	22/01/2010	15079/2009	329375	09-07C	25/01/2010
14933/2009	329358	12-06NES	22/01/2010	15084/2009	329390	21-02F	28/01/2010
14953/2009	329284	14-02	15/01/2010	15085/2009	329391	21-02F	28/01/2010
14956/2009	329285	02-01NES	15/01/2010	15086/2009	329392	21-02F	28/01/2010
14957/2009	329286	09-07A	15/01/2010	15087/2009	329393	21-02F	28/01/2010
14958/2009	329287	08-07	15/01/2010	15088/2009	329394	21-02F	28/01/2010

Publication and Registration Proceedings - Designs Registered cont'd

Design Number	Registration Number	International Classification Code (IDC)	Registration Date	Design Number	Registration Number	International Classification Code (IDC)	Registration Date
15089/2009	329395	21-02F	28/01/2010	10018/2010	329404	09-01NES	28/01/2010
15090/2009	329388	09-01H	28/01/2010	10019/2010	329405	19-06	28/01/2010
15094/2009	329359	12-16K	22/01/2010	10101/2010	329336	06-01E	21/01/2010
10013/2010	329396	10-04	28/01/2010	10107/2010	329343	24-04	22/01/2010
10014/2010	329397	10-04	28/01/2010	10108/2010	329344	24-04	22/01/2010
10016/2010	329402	14-03B	28/01/2010	10130/2010	329320	30-04	20/01/2010
10017/2010	329403	04-02	28/01/2010	10131/2010	329321	30-04	20/01/2010

Publication and Registration Proceedings
Class Listing of Designs Published or Registered

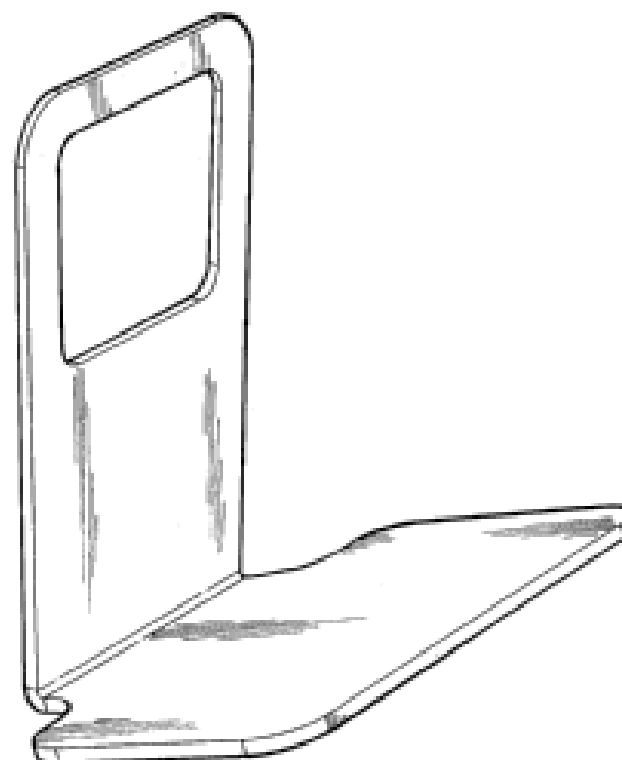
The following section shows an International Classification Code listing of the Registered or Published Designs covered in this supplement.

Classification	Registration Number	Design Number	Classification	Registration Number	Design Number
01-01	329313	14442/2009	09-07 C	329375	15079/2009
01-01	329314	14443/2009	10-01	329379	15024/2009
01-01	329315	14444/2009	10-04	329334	14563/2009
01-01	329323	15053/2009	10-04	329396	10013/2010
01-99	329347	14762/2009	10-04	329397	10014/2010
02-01 NES	329285	14956/2009	10-05	329378	15023/2009
02-02 C	329341	14387/2009	10-05	329379	15024/2009
02-02 NES	329357	14809/2009	12-03	329345	14456/2009
02-04 A	329349	14919/2009	12-06 NES	329358	14933/2009
02-04 A	329350	14920/2009	12-08	329289	15000/2009
02-04 C	329389	14650/2009	12-08	329308	15001/2009
04-02	329403	10017/2010	12-08	329331	14209/2009
06-01 E	329335	14595/2009	12-11	329280	13734/2009
06-01 E	329336	10101/2010	12-15 NES	329281	14307/2009
06-01 G	329303	15011/2009	12-16 C	329332	14210/2009
06-01 G	329304	15012/2009	12-16 K	329359	15094/2009
06-01 G	329305	15013/2009	12-16 NES	329307	14880/2009
06-01 G	329306	15014/2009	13-03 D	329376	14474/2009
06-03 A	329398	12536/2009	13-03 D	329377	14475/2009
06-03 A	329401	12539/2009	14-02	329279	13733/2009
06-04 B	329400	12538/2009	14-02	329284	14953/2009
07-01 B	329311	15033/2009	14-03 A	329299	15006/2009
07-01 B	329384	15030/2009	14-03 A	329300	15007/2009
07-01 B	329385	15031/2009	14-03 B	329302	15010/2009
07-01 E	329312	15043/2009	14-03 B	329402	10016/2010
07-01 NES	329317	14305/2009	14-03 NES	329301	15009/2009
07-01 NES	329340	14229/2009	15-05	329363	15061/2009
07-01 NES	329386	15032/2009	19-02	329365	15065/2009
07-04	329361	15054/2009	19-06	329405	10019/2010
08-07	329287	14958/2009	19-08	329337	15038/2009
08-07	329354	14532/2009	19-08	329338	15039/2009
08-08 L	329348	14818/2009	19-08	329339	15040/2009
08-08 NES	329277	13352/2009	19-99	329347	14762/2009
08-08 NES	329345	14456/2009	20-02 E	329322	15048/2009
08-08 NES	329351	12604/2009	20-03 NES	329307	14880/2009
08-10	329278	13732/2009	20-99	329347	14762/2009
09-01 G	329324	15058/2009	21-01 M	329283	14715/2009
09-01 G	329325	15059/2009	21-02 F	329390	15084/2009
09-01 G	329326	15060/2009	21-02 F	329391	15085/2009
09-01 H	329387	14492/2009	21-02 F	329392	15086/2009
09-01 H	329388	15090/2009	21-02 F	329393	15087/2009
09-01 K	329368	15072/2009	21-02 F	329394	15088/2009
09-01 K	329369	15073/2009	21-02 F	329395	15089/2009
09-01 K	329370	15074/2009	23-01 A	329328	12034/2009
09-01 K	329371	15075/2009	23-01 A	329360	15044/2009
09-01 K	329373	15077/2009	23-01 H	329346	14634/2009
09-01 NES	329327	14465/2009	24-01	329337	15038/2009
09-01 NES	329355	14620/2009	24-01	329338	15039/2009
09-01 NES	329356	14621/2009	24-01	329339	15040/2009
09-01 NES	329404	10018/2010	24-02	329333	14562/2009
09-05	329316	14445/2009	24-02	329362	15055/2009
09-05	329374	15078/2009	24-04	329342	14407/2009
09-05	329375	15079/2009	24-04	329343	10107/2010
09-07 A	329286	14957/2009	24-04	329344	10108/2010
09-07 C	329372	15076/2009	25-01 C	329348	14818/2009
09-07 C	329374	15078/2009	25-01 D	329352	14452/2009

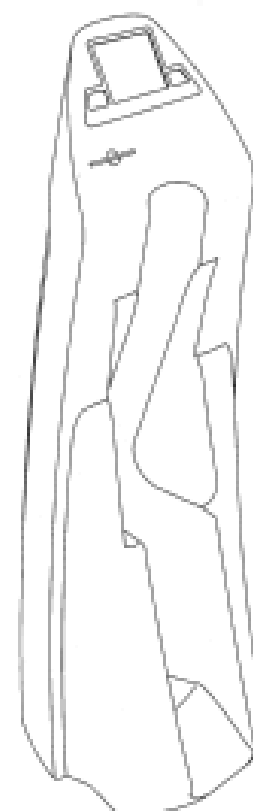
Registration Proceedings - Class Listing of Designs Published or Registered cont'd

Classification	Registration Number	Design Number	Classification	Registration Number	Design Number
25-01 D	329353	14453/2009	28-03 D	329362	15055/2009
25-01 F	329366	15066/2009	28-99	329382	15028/2009
25-01 F	329367	15067/2009	28-99	329383	15029/2009
26-01	329318	14761/2009	29-02	329380	15026/2009
26-02	329364	15064/2009	29-02	329381	15027/2009
26-05 B	329399	12537/2009	30-04	329319	14389/2009
26-06	329288	14999/2009	30-04	329320	10130/2010
26-06	329309	15002/2009	30-04	329321	10131/2010
26-06	329310	15003/2009	30-08	329282	14401/2009
26-06	329329	14207/2009			
26-06	329330	14208/2009			

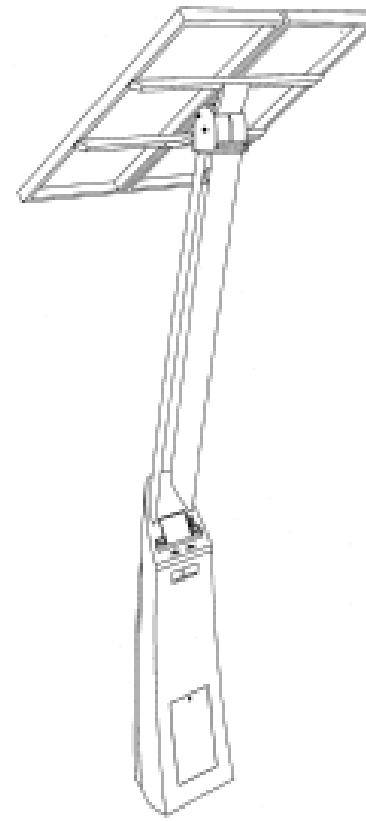
- (21) Design Number: **13352/2009**
(22) Date of Filing Application: **02 September 2009**
(24) Date from which industrial property rights may have effect: **02 September 2009**
(54) Product in respect of which the design is registered: **Electrical appliance support**
(51) International Design Classification: **08-08NES**
(71) Name(s) and Address(s) of Applicant(s):
Li Ze Neng
105 Ayr Street Doncaster Victoria 3108 Australia
(72) Name(s) of Designer(s): **Li Ze Neng**
(45) Registration Date: **15 January 2010**
(56) Related Art Documents: **Not Applicable**
(57) Statement of Newness and Distinctiveness: **Visual features of the design which are new and distinctive are the features of shape and configuration of the electrical appliance support as illustrated in the representations.**



- (21) Design Number: **13732/2009**
(22) Date of Filing Application: **29 September 2009**
(24) Date from which industrial property rights may have effect: **29 September 2009**
(54) Product in respect of which the design is registered: **Bicycle rack**
(51) International Design Classification: **08-10**
(71) Name(s) and Address(s) of Applicant(s):
James Moses
4/1a Lamrock Avenue Bondi Beach 2026 Australia
(72) Name(s) of Designer(s): **Simon Duff**
(45) Registration Date: **15 January 2010**
(56) Related Art Documents: **Not Applicable**
(57) Statement of Newness and Distinctiveness: **Nil**



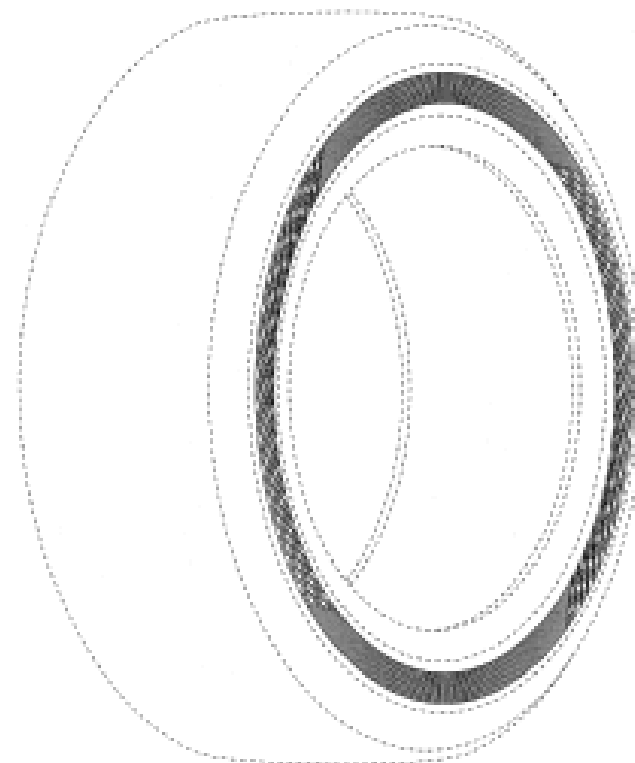
(21) Design Number: **13733/2009**
(22) Date of Filing Application: **29 September 2009**
(24) Date from which industrial property rights may have effect: **29 September 2009**
(54) Product in respect of which the design is registered: **Pay Station**
(51) International Design Classification: **14-02**
(71) Name(s) and Address(s) of Applicant(s):
James Moses
4/1a Lamrock Avenue Bondi Beach 2026 Australia
(72) Name(s) of Designer(s): **Simon Duff**
(45) Registration Date: **15 January 2010**
(56) Related Art Documents: **Not Applicable**
(57) Statement of Newness and Distinctiveness: **Nil**



(21) Design Number: **13734/2009**
(22) Date of Filing Application: **29 September 2009**
(24) Date from which industrial property rights may have effect: **29 September 2009**
(54) Product in respect of which the design is registered: **Bicycle**
(51) International Design Classification: **12-11**
(71) Name(s) and Address(s) of Applicant(s):
James Moses
4/1a Lamrock Avenue Bondi Beach 2026 Australia
(72) Name(s) of Designer(s): **Simon Duff**
(45) Registration Date: **15 January 2010**
(56) Related Art Documents: **Not Applicable**
(57) Statement of Newness and Distinctiveness: **Nil**



- (21) Design Number: **14307/2009**
(22) Date of Filing Application: **05 November 2009**
(24) Date from which industrial property rights may have effect: **05 November 2009**
(54) Product in respect of which the design is registered: **Automobile tire**
(51) International Design Classification: **12-15NES**
(71) Name(s) and Address(s) of Applicant(s):
The Yokohama Rubber Co., Ltd.
36-11 Shimbashi 5-chome Minato-ku Tokyo 105-8685 Japan
(72) Name(s) of Designer(s): **Kenichi Sato**
(45) Registration Date: **15 January 2010**
(30) Convention priority data:
(31) Number (32) Date (33) Country
2009-010378 08 May 2009 JAPAN
(56) Related Art Documents: **Not Applicable**
(57) Statement of Newness and Distinctiveness: **Newness and distinctiveness resides in the shape and configuration of automobile tire as shown in the solid line in the representations.**



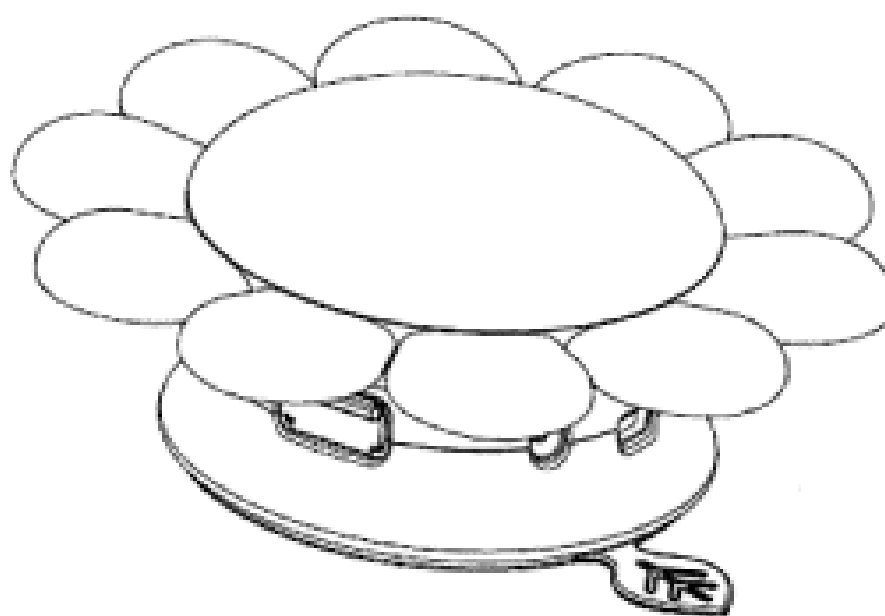
- (21) Design Number: **14401/2009**
(22) Date of Filing Application: **12 November 2009**
(24) Date from which industrial property rights may have effect: **12 November 2009**
(54) Product in respect of which the design is registered: **Livestock headbar system**
(51) International Design Classification: **30-08**
(71) Name(s) and Address(s) of Applicant(s):
Murray McRae Schaefer
2 Bayview Street Nelson Bay New South Wales 2315 Australia
(72) Name(s) of Designer(s): **Murray McRae Schaefer**
(45) Registration Date: **15 January 2010**
(56) Related Art Documents: **Not Applicable**
(57) Statement of Newness and Distinctiveness: **Monopoly is claimed in respect of the shape and configuration of the hinging system for the livestock headbar as shown in the representations.**



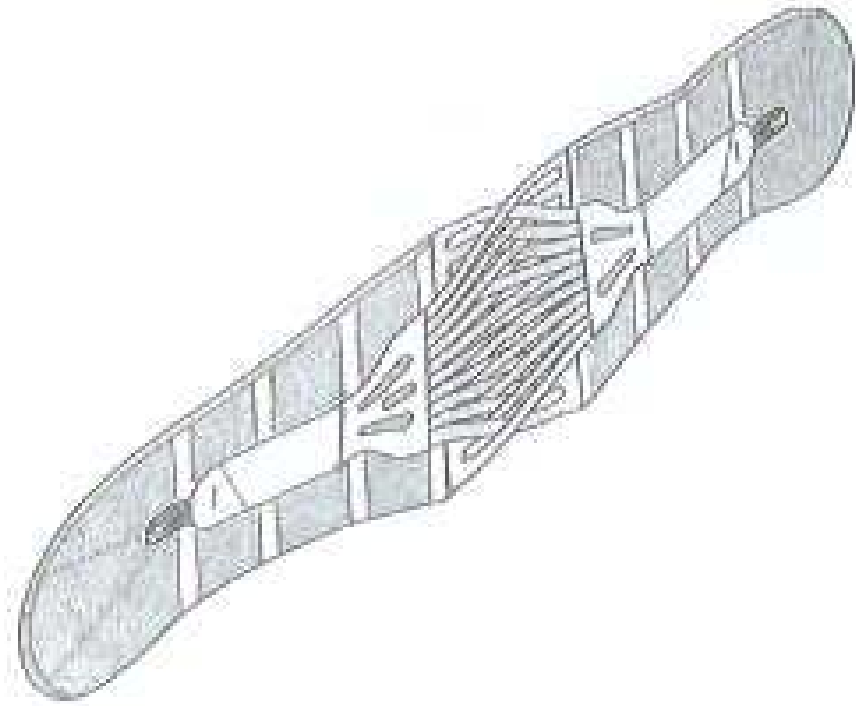
(21) Design Number: **14715/2009**
 (22) Date of Filing Application: **02 December 2009**
 (24) Date from which industrial property rights may have effect: **02 December 2009**
 (54) Product in respect of which the design is registered: **Option Greeks cube**
 (51) International Design Classification: **21-01M**
 (71) Name(s) and Address(s) of Applicant(s):
D & J Technology Pty Ltd
803/265 Exhibition Street Melbourne Victoria 3000 Australia
 (72) Name(s) of Designer(s): **Ruoxia Wu and Shirlin Wu**
 (45) Registration Date: **15 January 2010**
 (56) Related Art Documents: **Not Applicable**
 (57) Statement of Newness and Distinctiveness: **Nil**



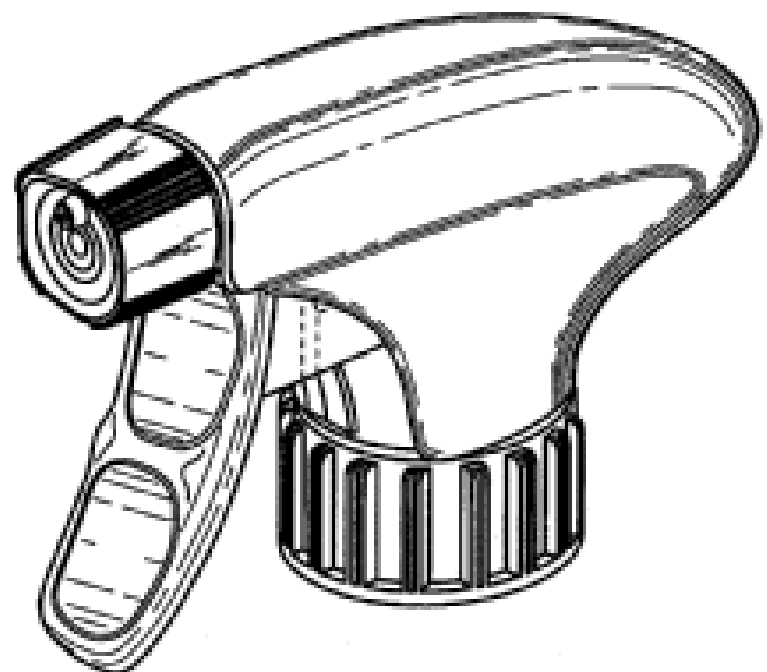
(21) Design Number: **14953/2009**
 (22) Date of Filing Application: **18 December 2009**
 (24) Date from which industrial property rights may have effect: **18 December 2009**
 (54) Product in respect of which the design is registered: **USB hub**
 (51) International Design Classification: **14-02**
 (71) Name(s) and Address(s) of Applicant(s):
Post Goods Limited
Room 314 Sing Win Factory Building, 15-17 Shing Yip Street, Kwun Tong Kowloon Hong Kong
 (72) Name(s) of Designer(s): **Chi Vun Steven Bau**
 (45) Registration Date: **15 January 2010**
 (56) Related Art Documents: **Not Applicable**
 (57) Statement of Newness and Distinctiveness: **Nil**



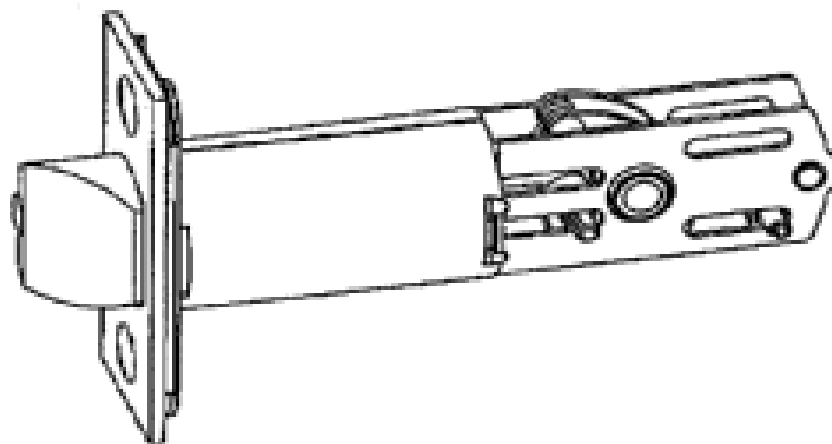
- (21) Design Number: **14956/2009**
(22) Date of Filing Application: **18 December 2009**
(24) Date from which industrial property rights may have effect: **18 December 2009**
(54) Product in respect of which the design is registered: **Corset**
(51) International Design Classification: **02-01NES**
(71) Name(s) and Address(s) of Applicant(s):
Sports & Supports Limited
7th Floor Hume House Ballsbridge Dublin 4 Ireland
(72) Name(s) of Designer(s): **Jean-Patrick Jaccard**
(45) Registration Date: **15 January 2010**
(30) Convention priority data:
(31) Number (32) Date (33) Country
001147615 22 Jun 2009 EUROPEAN COMMUNITY
(56) Related Art Documents: **Not Applicable**
(57) Statement of Newness and Distinctiveness: **When determining whether the design is substantially similar in overall impression to another design, no particular reference is to be had to those features shown in dotted outline.**



- (21) Design Number: **14957/2009**
(22) Date of Filing Application: **18 December 2009**
(24) Date from which industrial property rights may have effect: **18 December 2009**
(54) Product in respect of which the design is registered: **Dispensing pump head**
(51) International Design Classification: **09-07A**
(71) Name(s) and Address(s) of Applicant(s):
Reckitt Benckiser Inc.
Morris Corporate Center IV 399 Interpace Parkway Parsippany New Jersey 07054 United States of America
(72) Name(s) of Designer(s): **James Edward McCay and James Troy Starkey and Gerald M. Syrek and Cinzia Galia**
(45) Registration Date: **15 January 2010**
(30) Convention priority data:
(31) Number (32) Date (33) Country
29/340457 20 Jul 2009 UNITED STATES OF AMERICA
(56) Related Art Documents: **Not Applicable**
(57) Statement of Newness and Distinctiveness: **Newness and distinctiveness reside in the features of the shape and configuration of the head including the nozzle as shown in the representations in solid lines.**



- (21) Design Number: **14958/2009**
(22) Date of Filing Application: **16 December 2009**
(24) Date from which industrial property rights may have effect: **16 December 2009**
(54) Product in respect of which the design is registered: **Door lock**
(51) International Design Classification: **08-07**
(71) Name(s) and Address(s) of Applicant(s):
Jorgenson-Watts Pty Ltd
Level 6 167 Queen Street Melbourne Victoria 3000 Australia
(72) Name(s) of Designer(s): **John Russell Watts**
(45) Registration Date: **15 January 2010**
(56) Related Art Documents: **Not Applicable**
(57) Statement of Newness and Distinctiveness: **In considering new and distinctive visual features particular regard should be paid to the portion within the dotted line (closed).**



- (21) Design Number: **14999/2009**
(22) Date of Filing Application: **22 December 2009**
(24) Date from which industrial property rights may have effect: **22 December 2009**
(54) Product in respect of which the design is registered: **Front combination lamp for automobiles**
(51) International Design Classification: **26-06**
(71) Name(s) and Address(s) of Applicant(s):
Honda Motor Co., Ltd
1-1 Minami-Aoyama 2-chome Minato-ku Tokyo 107-8556 Japan
(72) Name(s) of Designer(s): **Takao Ishikawa**
(45) Registration Date: **15 January 2010**
(30) Convention priority data:

(31) Number	(32) Date	(33) Country
2009-014073	22 Jun 2009	JAPAN

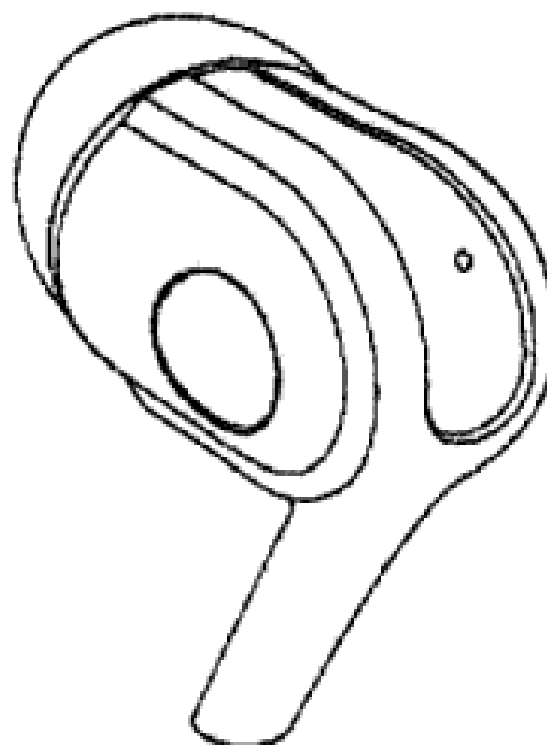
(56) Related Art Documents: **Not Applicable**
(57) Statement of Newness and Distinctiveness: **Nil**



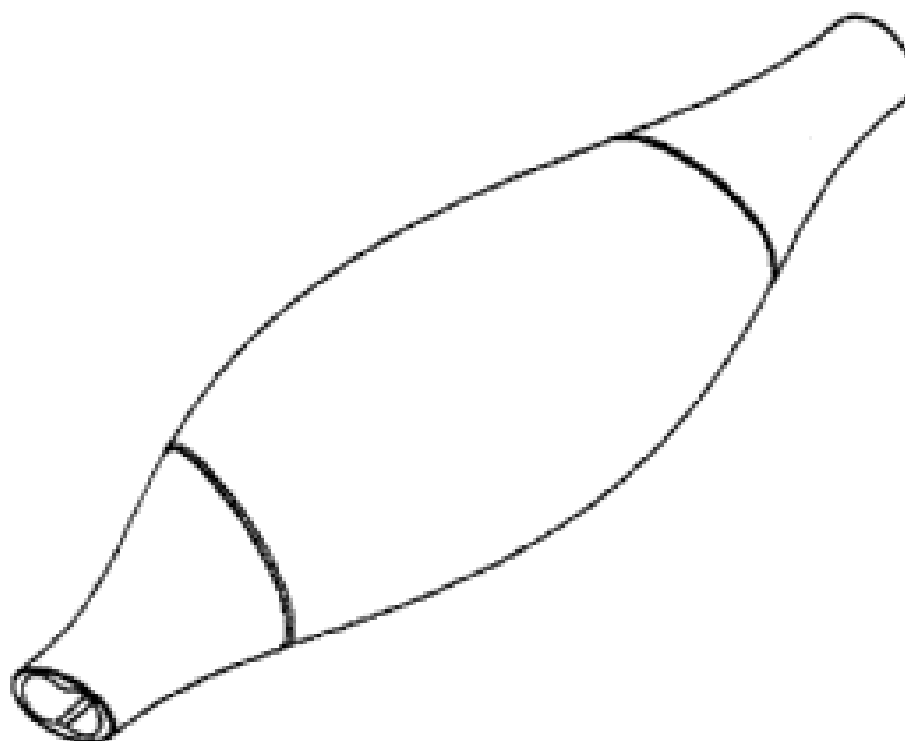
(21) Design Number: **15000/2009**
(22) Date of Filing Application: **22 December 2009**
(24) Date from which industrial property rights may have effect: **22 December 2009**
(54) Product in respect of which the design is registered: **Automobile**
(51) International Design Classification: **12-08**
(71) Name(s) and Address(s) of Applicant(s):
Honda Motor Co., Ltd
1-1 Minami-Aoyama 2-chome Minato-ku Tokyo 107-8556 Japan
(72) Name(s) of Designer(s): **Kenichi Yamamoto and Satoshi Kazama and Nobuyuki Takahashi**
(45) Registration Date: **15 January 2010**
(30) Convention priority data:
(31) Number (32) Date (33) Country
2009-014071 22 Jun 2009 JAPAN
(56) Related Art Documents: **Not Applicable**
(57) Statement of Newness and Distinctiveness: **Nil**



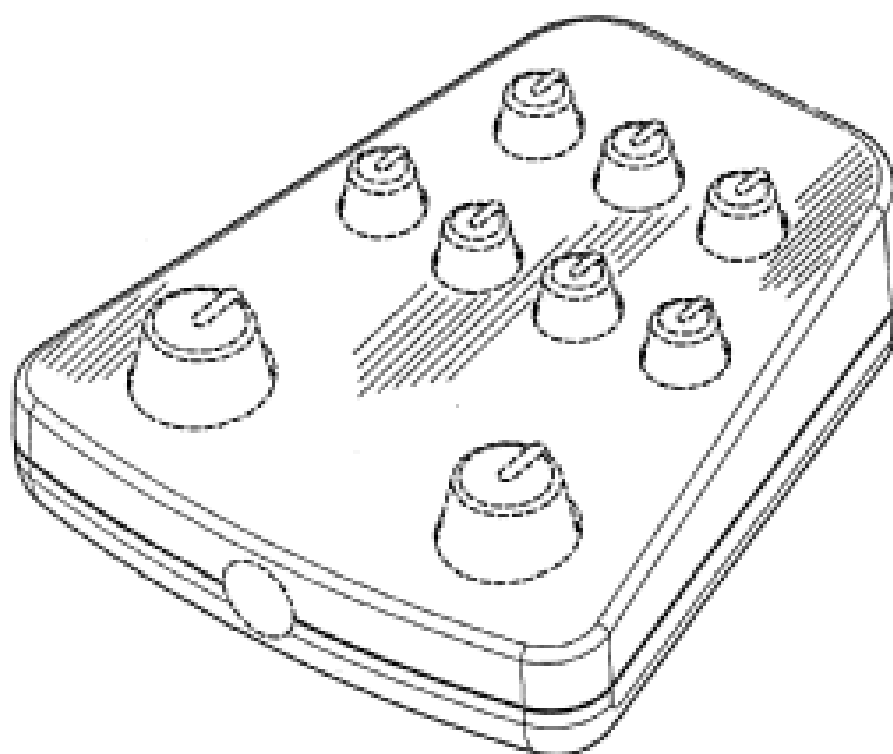
(21) Design Number: **15006/2009**
(22) Date of Filing Application: **23 December 2009**
(24) Date from which industrial property rights may have effect: **23 December 2009**
(54) Product in respect of which the design is registered: **Headset**
(51) International Design Classification: **14-03A**
(71) Name(s) and Address(s) of Applicant(s):
Sony Ericsson Mobile Communications AB
Nya Vattentorget SE 221 88 Lund Sweden
(72) Name(s) of Designer(s): **Magnus Goransson**
(45) Registration Date: **15 January 2010**
(30) Convention priority data:
(31) Number (32) Date (33) Country
001147979-0004 24 Jun 2009 EUROPEAN COMMUNITY
(56) Related Art Documents: **Not Applicable**
(57) Statement of Newness and Distinctiveness: **Nil**



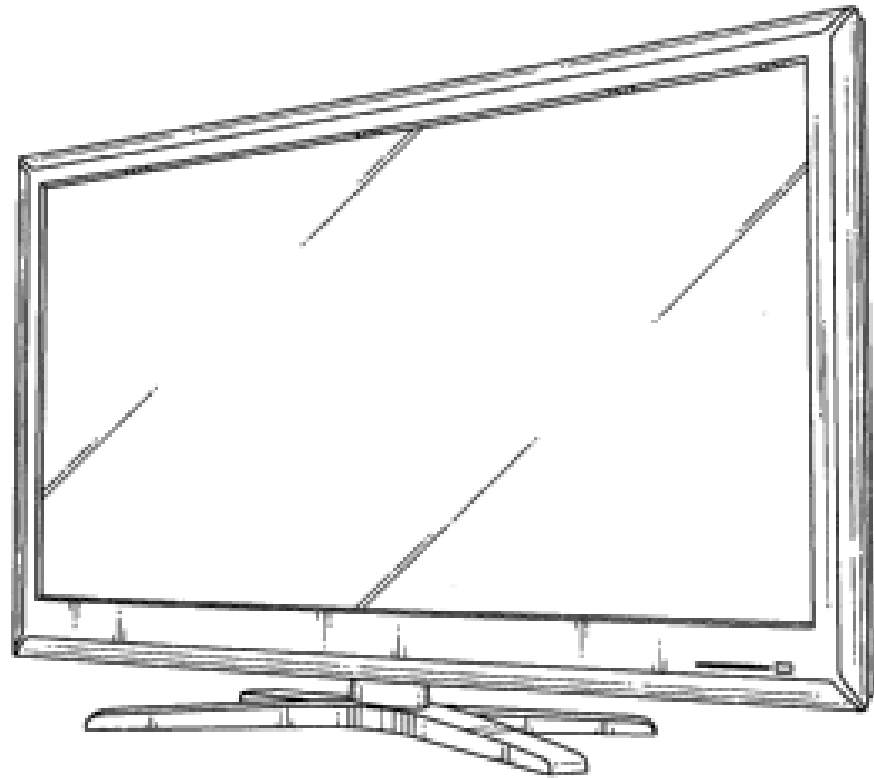
(21) Design Number: **15007/2009**
(22) Date of Filing Application: **23 December 2009**
(24) Date from which industrial property rights may have effect: **23 December 2009**
(54) Product in respect of which the design is registered: **Microphone**
(51) International Design Classification: **14-03A**
(71) Name(s) and Address(s) of Applicant(s):
Sony Ericsson Mobile Communications AB
Nya Vattentorget SE 221 88 Lund Sweden
(72) Name(s) of Designer(s): **Magnus Goransson**
(45) Registration Date: **15 January 2010**
(30) Convention priority data:
(31) Number (32) Date (33) Country
001147979-0005 24 Jun 2009 EUROPEAN COMMUNITY
(56) Related Art Documents: **Not Applicable**
(57) Statement of Newness and Distinctiveness: **Nil**



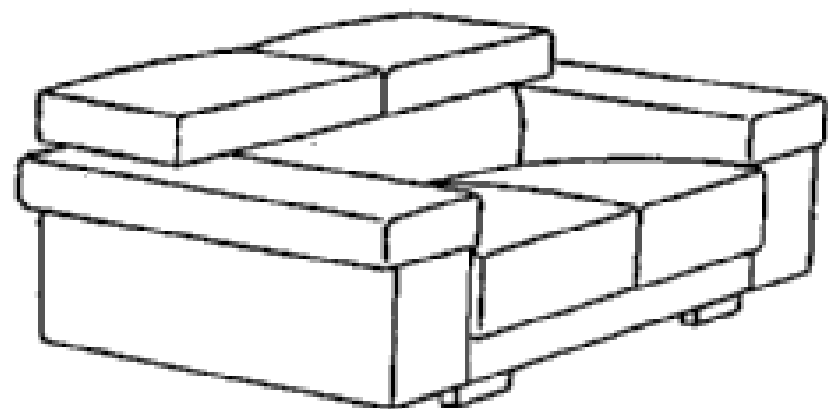
(21) Design Number: **15009/2009**
(22) Date of Filing Application: **22 December 2009**
(24) Date from which industrial property rights may have effect: **22 December 2009**
(54) Product in respect of which the design is registered: **Remote control for a portable rehearsal studio**
(51) International Design Classification: **14-03NES**
(71) Name(s) and Address(s) of Applicant(s):
BreezSong LLC.
250 Clover Hill Road Whitinsville MA 01588 United States of America
(72) Name(s) of Designer(s): **Steve Skillings**
(45) Registration Date: **15 January 2010**
(30) Convention priority data:
(31) Number (32) Date (33) Country
29/339,178 25 Jun 2009 UNITED STATES OF AMERICA
(56) Related Art Documents: **Not Applicable**
(57) Statement of Newness and Distinctiveness: **The features of the remote control for a portable rehearsal studio shown in full lines are new and distinctive.**



- (21) Design Number: **15010/2009**
(22) Date of Filing Application: **22 December 2009**
(24) Date from which industrial property rights may have effect: **22 December 2009**
(54) Product in respect of which the design is registered: **A television receiver**
(51) International Design Classification: **14-03B**
(71) Name(s) and Address(s) of Applicant(s):
Kabushiki Kaisha Toshiba also Trading as Toshiba Corporation
1-1 Shibaura 1-chome Minato-ku Tokyo Japan
(72) Name(s) of Designer(s): **Tatsuya Honda**
(45) Registration Date: **15 January 2010**
(30) Convention priority data:
(31) Number (32) Date (33) Country
2009-019902 31 Aug 2009 JAPAN
(56) Related Art Documents: **Not Applicable**
(57) Statement of Newness and Distinctiveness: **Newness and Distinctiveness is claimed in the features of shape and/or configuration of a television receiver as illustrated in the accompanying representations.**



- (21) Design Number: **15011/2009**
(22) Date of Filing Application: **22 December 2009**
(24) Date from which industrial property rights may have effect: **22 December 2009**
(54) Product in respect of which the design is registered: **An article of furniture**
(51) International Design Classification: **06-01G**
(71) Name(s) and Address(s) of Applicant(s):
King Furniture (Australia) Pty Ltd
123 Turrella Street Turrella New South Wales 2205 Australia
(72) Name(s) of Designer(s): **David Russell King and Steven Leonard Higgs**
(45) Registration Date: **15 January 2010**
(56) Related Art Documents: **Not Applicable**
(57) Statement of Newness and Distinctiveness: **Newness and distinctiveness reside in the features of the article of furniture as shown in the representations, it being understood that, while the article of furniture has been illustrated with armrests on both sides, the article of furniture could have an armrest on only one side or no armrests at all.**



(21) Design Number: **15012/2009**

(22) Date of Filing Application: **22 December 2009**

(24) Date from which industrial property rights may have effect: **22 December 2009**

(54) Product in respect of which the design is registered: **An article of furniture**

(51) International Design Classification: **06-01G**

(71) Name(s) and Address(s) of Applicant(s):

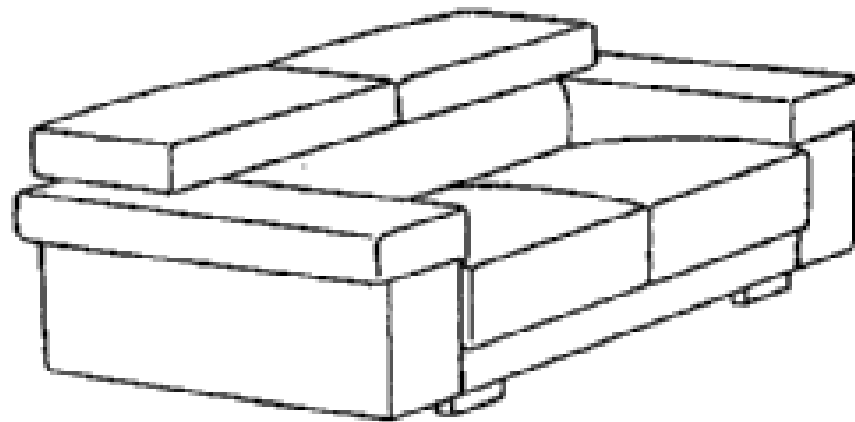
King Furniture (Australia) Pty Ltd
123 Turrella Street Turrella New South Wales 2205 Australia

(72) Name(s) of Designer(s): **David Russell King and Steven Leonard Higgs**

(45) Registration Date: **15 January 2010**

(56) Related Art Documents: **Not Applicable**

(57) Statement of Newness and Distinctiveness: **Newness and distinctiveness reside in the features of the article of furniture as shown in the representations, it being understood that, while the article of furniture has been illustrated with armrests on both sides, the article of furniture could have an armrest on only one side or no armrests at all.**



(21) Design Number: **15013/2009**

(22) Date of Filing Application: **22 December 2009**

(24) Date from which industrial property rights may have effect: **22 December 2009**

(54) Product in respect of which the design is registered: **An article of furniture**

(51) International Design Classification: **06-01G**

(71) Name(s) and Address(s) of Applicant(s):

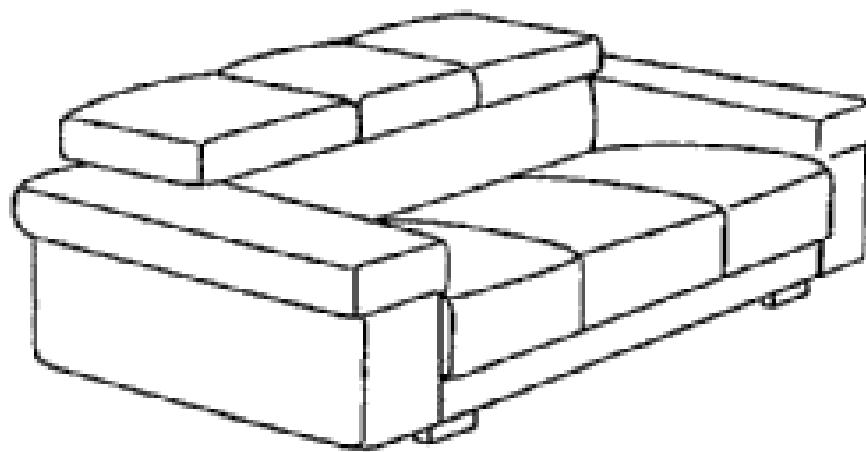
King Furniture (Australia) Pty Ltd
123 Turrella Street Turrella New South Wales 2205 Australia

(72) Name(s) of Designer(s): **David Russell King and Steven Leonard Higgs**

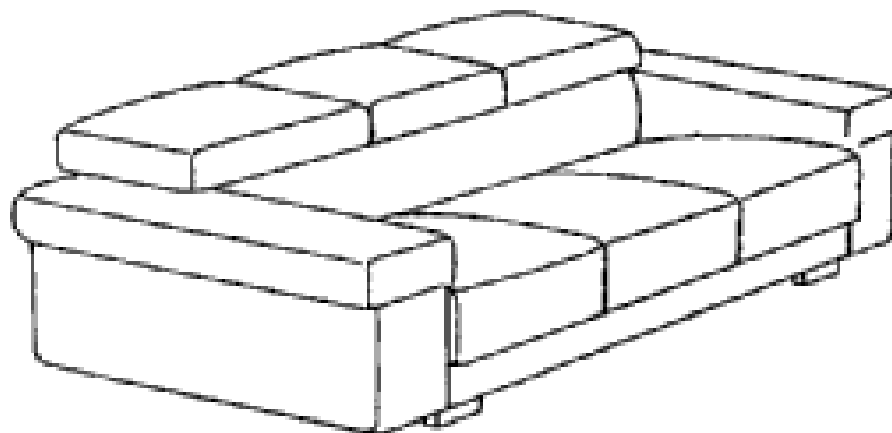
(45) Registration Date: **15 January 2010**

(56) Related Art Documents: **Not Applicable**

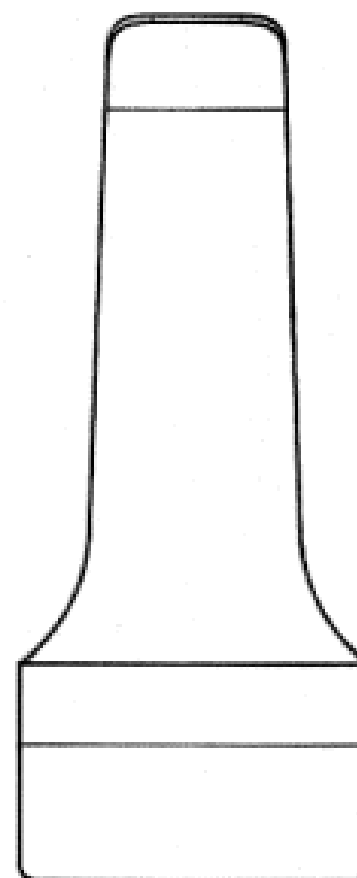
(57) Statement of Newness and Distinctiveness: **Newness and distinctiveness reside in the features of the article of furniture as shown in the representations, it being understood that, while the article of furniture has been illustrated with armrests on both sides, the article of furniture could have an armrest on only one side or no armrests at all.**



- (21) Design Number: **15014/2009**
(22) Date of Filing Application: **22 December 2009**
(24) Date from which industrial property rights may have effect: **22 December 2009**
(54) Product in respect of which the design is registered: **An article of furniture**
(51) International Design Classification: **06-01G**
(71) Name(s) and Address(s) of Applicant(s):
King Furniture (Australia) Pty Ltd
123 Turrella Street Turrella New South Wales 2205 Australia
(72) Name(s) of Designer(s): **David Russell King and Steven Leonard Higgs**
(45) Registration Date: **15 January 2010**
(56) Related Art Documents: **Not Applicable**
(57) Statement of Newness and Distinctiveness: **Newness and distinctiveness reside in the features of the article of furniture as shown in the representations, it being understood that, while the article of furniture has been illustrated with armrests on both sides, the article of furniture could have an armrest on only one side or no armrests at all.**



- (21) Design Number: **14880/2009**
(22) Date of Filing Application: **14 December 2009**
(24) Date from which industrial property rights may have effect: **14 December 2009**
(54) Product in respect of which the design is registered: **Vehicle ticket holder**
(51) International Design Classification: **12-16NES, 20-03NES**
(71) Name(s) and Address(s) of Applicant(s):
Brendan Spratling
2780 Old Melbourne Road Dunnstown Victoria 3352 Australia
Bruce McDonald
111 Sutton Street Redan Victoria 3350 Australia
(72) Name(s) of Designer(s): **Bruce McDonald and Brendan Spratling**
(45) Registration Date: **15 January 2010**
(56) Related Art Documents: **Not Applicable**
(57) Statement of Newness and Distinctiveness: **Nil**



- (21) Design Number: **15001/2009**
(22) Date of Filing Application: **22 December 2009**
(24) Date from which industrial property rights may have effect: **22 December 2009**
(54) Product in respect of which the design is registered: **Automobile**
(51) International Design Classification: **12-08**
(71) Name(s) and Address(s) of Applicant(s):
Honda Motor Co., Ltd.
1-1 Minamiaoyama 2-chome Minato-ku Tokyo Japan
(72) Name(s) of Designer(s): **Taku Kono and Ken Sahara**
(45) Registration Date: **15 January 2010**
(30) Convention priority data:
(31) Number (32) Date (33) Country
2009-016513 21 Jul 2009 JAPAN
(56) Related Art Documents: **Not Applicable**
(57) Statement of Newness and Distinctiveness: **Newness and distinctiveness is claimed in the features of shape and/or configuration of an automobile as illustrated in the accompanying representations.**



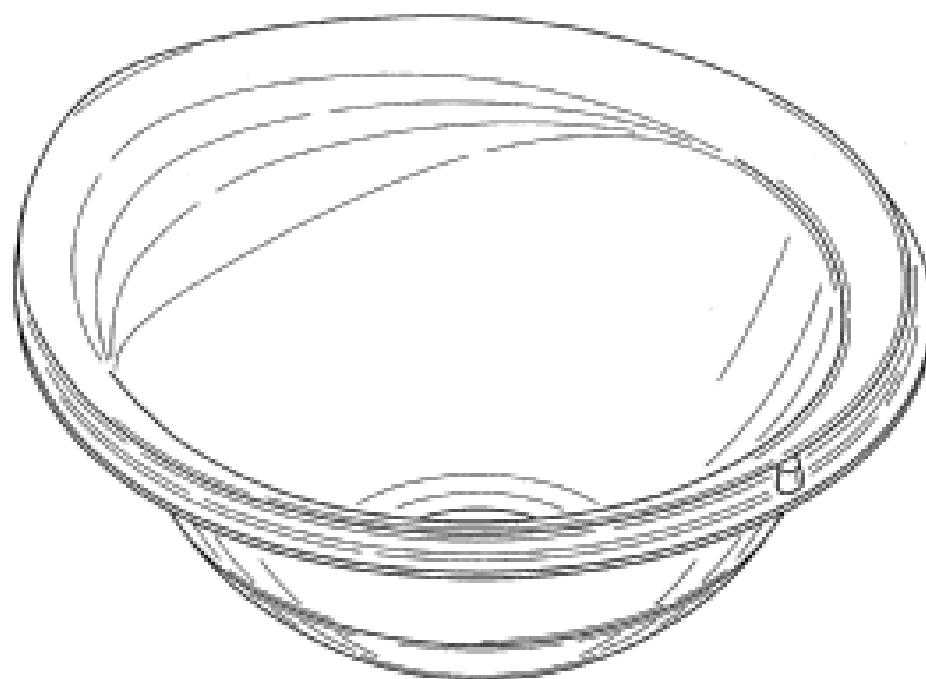
- (21) Design Number: **15002/2009**
(22) Date of Filing Application: **22 December 2009**
(24) Date from which industrial property rights may have effect: **22 December 2009**
(54) Product in respect of which the design is registered: **Front combination lamp for automobile**
(51) International Design Classification: **26-06**
(71) Name(s) and Address(s) of Applicant(s):
Honda Motor Co., Ltd.
1-1 Minamiaoyama 2-chome Minato-ku Tokyo Japan
(72) Name(s) of Designer(s): **Hiroki Koizumi**
(45) Registration Date: **15 January 2010**
(30) Convention priority data:
(31) Number (32) Date (33) Country
2009-016514 21 Jul 2009 JAPAN
(56) Related Art Documents: **Not Applicable**
(57) Statement of Newness and Distinctiveness: **Newness and distinctiveness is claimed in the features of shape and/or configuration of a front combination lamp for automobile as illustrated in the accompanying representations.**



- (21) Design Number: **15003/2009**
(22) Date of Filing Application: **22 December 2009**
(24) Date from which industrial property rights may have effect: **22 December 2009**
(54) Product in respect of which the design is registered: **Rear combination lamp for automobile**
(51) International Design Classification: **26-06**
(71) Name(s) and Address(s) of Applicant(s):
Honda Motor Co., Ltd.
1-1 Minamiaoyama 2-chome Minato-ku Tokyo Japan
(72) Name(s) of Designer(s): **Hiroki Koizumi**
(45) Registration Date: **15 January 2010**
(30) Convention priority data:
(31) Number (32) Date (33) Country
2009-016515 21 Jul 2009 JAPAN
(56) Related Art Documents: **Not Applicable**
(57) Statement of Newness and Distinctiveness: **Newness and distinctiveness is claimed in the features of shape and/or configuration of a rear combination lamp for automobile as illustrated in the accompanying representations.**



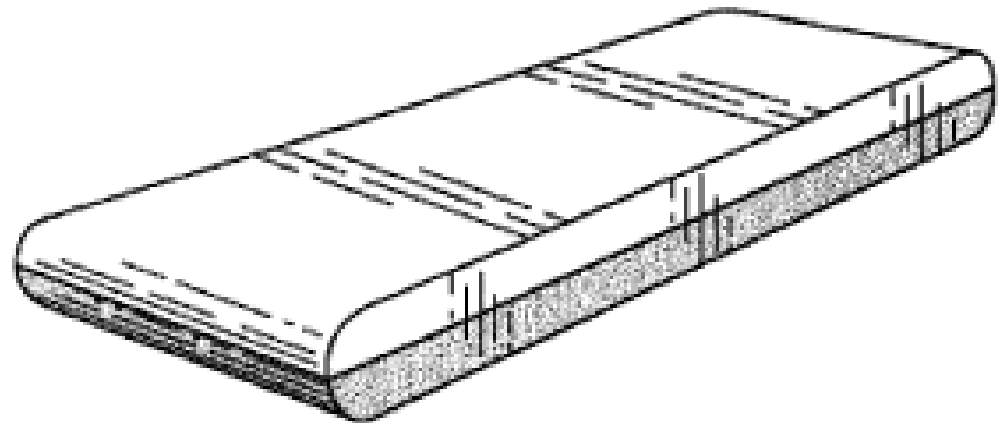
- (21) Design Number: **15033/2009**
(22) Date of Filing Application: **23 December 2009**
(24) Date from which industrial property rights may have effect: **23 December 2009**
(54) Product in respect of which the design is registered: **Container**
(51) International Design Classification: **07-01B**
(71) Name(s) and Address(s) of Applicant(s):
Dart Industries Inc
14901 S. Orange Blossom Trail Orlando Florida 32837 United States of America
(72) Name(s) of Designer(s): **Jokob Heiberg and Jan-Hendrik de Groote**
(45) Registration Date: **18 January 2010**
(30) Convention priority data:
(31) Number (32) Date (33) Country
29/315,725 17 Jul 2009 UNITED STATES OF AMERICA
(56) Related Art Documents: **Not Applicable**
(57) Statement of Newness and Distinctiveness: **Those features of the container depicted in the representations that are new and distinctive are the shape and/or configuration.**



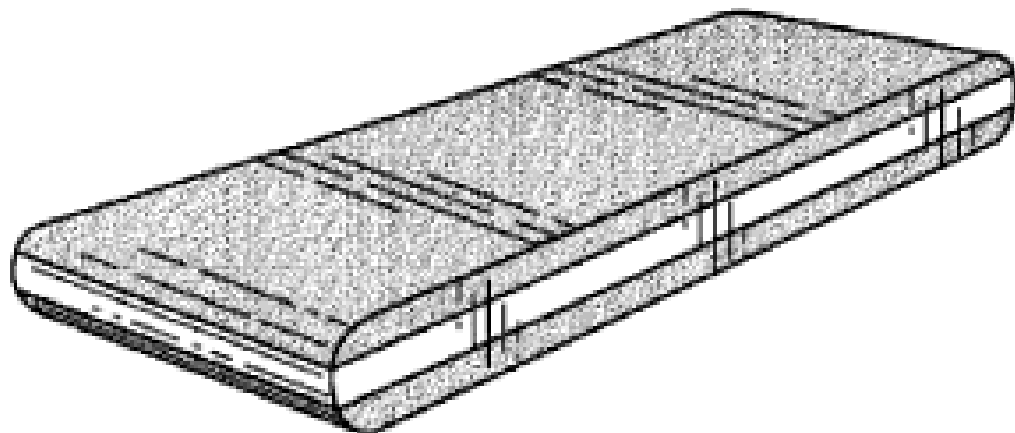
(21) Design Number: **15043/2009**
(22) Date of Filing Application: **23 December 2009**
(24) Date from which industrial property rights may have effect: **23 December 2009**
(54) Product in respect of which the design is registered: **Cup and holder**
(51) International Design Classification: **07-01E**
(71) Name(s) and Address(s) of Applicant(s):
Happy HollyDaisy Limited
1-3 Manor Road Chatham Kent ME4 6AE United Kingdom
(72) Name(s) of Designer(s): **Linzi Cracknell**
(45) Registration Date: **18 January 2010**
(30) Convention priority data:
(31) Number (32) Date (33) Country
4011629 26 Jun 2009 UNITED KINGDOM
(56) Related Art Documents: **Not Applicable**
(57) Statement of Newness and Distinctiveness: **Nil**



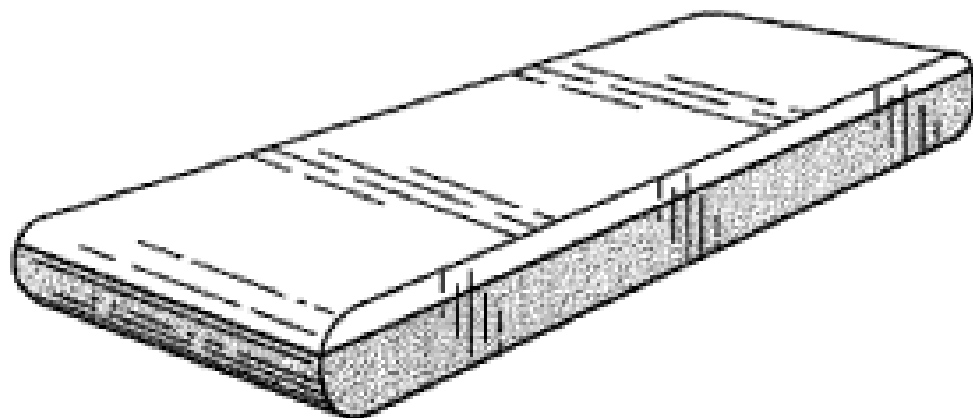
(21) Design Number: **14442/2009**
(22) Date of Filing Application: **13 November 2009**
(24) Date from which industrial property rights may have effect: **13 November 2009**
(54) Product in respect of which the design is registered: **Comestible**
(51) International Design Classification: **01-01**
(71) Name(s) and Address(s) of Applicant(s):
Wm. Wrigley Jr. Company
410 North Michigan Avenue Chicago Illinois 60611 United States of America
(72) Name(s) of Designer(s): **Scott G. Brown and Dennis W. Ryboldt**
(45) Registration Date: **18 January 2010**
(30) Convention priority data:
(31) Number (32) Date (33) Country
29/337099 14 May 2009 UNITED STATES OF AMERICA
(56) Related Art Documents: **Not Applicable**
(57) Statement of Newness and Distinctiveness: **Newness and distinctiveness is claimed in the features of pattern and/or ornamentation of a comestible as illustrated in the accompanying representations.**



- (21) Design Number: **14443/2009**
(22) Date of Filing Application: **13 November 2009**
(24) Date from which industrial property rights may have effect: **13 November 2009**
(54) Product in respect of which the design is registered: **Comestible**
(51) International Design Classification: **01-01**
(71) Name(s) and Address(s) of Applicant(s):
Wm. Wrigley Jr. Company
410 North Michigan Avenue Chicago Illinois 60611 United States of America
(72) Name(s) of Designer(s): **Scott G. Brown and Dennis W. Ryboldt**
(45) Registration Date: **18 January 2010**
(30) Convention priority data:
(31) Number (32) Date (33) Country
29/337100 14 May 2009 UNITED STATES OF AMERICA
(56) Related Art Documents: **Not Applicable**
(57) Statement of Newness and Distinctiveness: **Newness and distinctiveness is claimed in the features of pattern and/or ornamentation of a comestible as illustrated in the accompanying representations.**

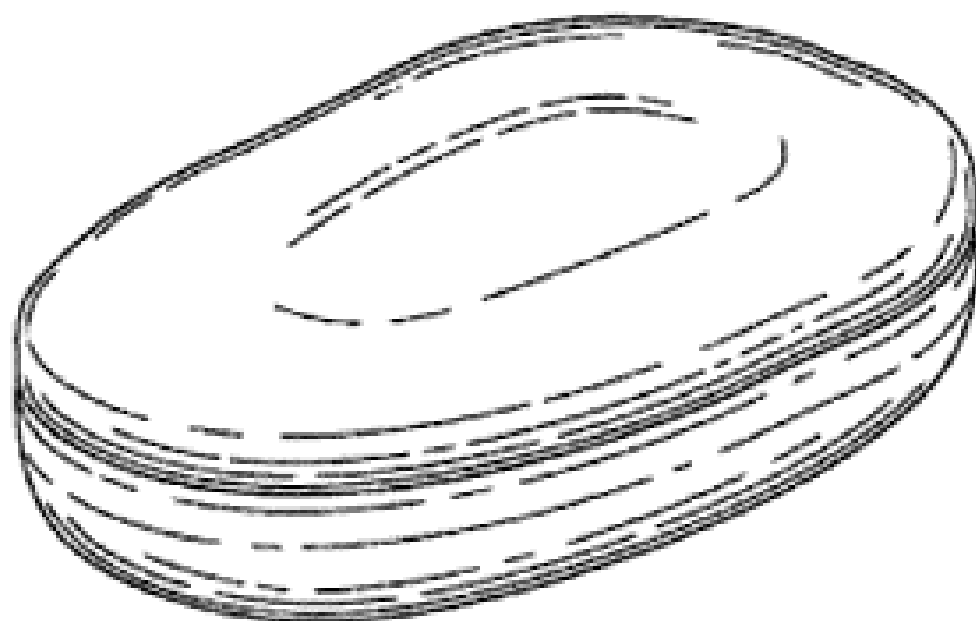


- (21) Design Number: **14444/2009**
(22) Date of Filing Application: **13 November 2009**
(24) Date from which industrial property rights may have effect: **13 November 2009**
(54) Product in respect of which the design is registered: **Comestible**
(51) International Design Classification: **01-01**
(71) Name(s) and Address(s) of Applicant(s):
Wm. Wrigley Jr. Company
410 North Michigan Avenue Chicago Illinois 60611 United States of America
(72) Name(s) of Designer(s): **Scott G. Brown and Dennis W. Ryboldt**
(45) Registration Date: **18 January 2010**
(30) Convention priority data:
(31) Number (32) Date (33) Country
29/337101 14 May 2009 UNITED STATES OF AMERICA
(56) Related Art Documents: **Not Applicable**
(57) Statement of Newness and Distinctiveness: **Newness and distinctiveness is claimed in the features of pattern and/or ornamentation of a comestible as illustrated in the accompanying representations.**



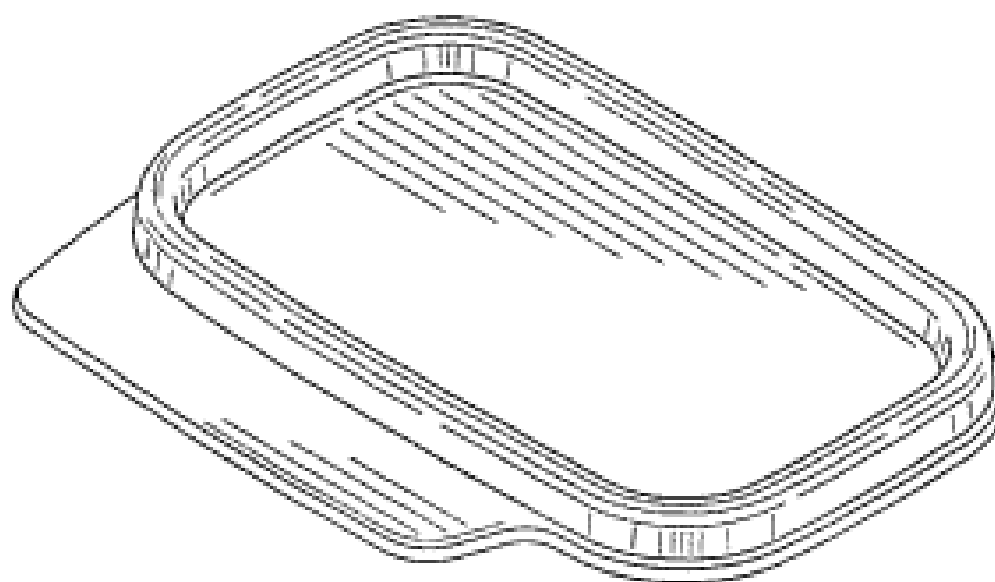
- (21) Design Number: **14445/2009**
- (22) Date of Filing Application: **13 November 2009**
- (24) Date from which industrial property rights may have effect: **13 November 2009**
- (54) Product in respect of which the design is registered: **Comestible package**
- (51) International Design Classification: **09-05**
- (71) Name(s) and Address(s) of Applicant(s):
Wm. Wrigley Jr. Company
410 North Michigan Avenue Chicago Illinois 60611 United States of America
- (72) Name(s) of Designer(s): **James A. Bougoulas and Ujjaini Mitra-Shah and Remy D. Labesque**
- (45) Registration Date: **18 January 2010**
- (30) Convention priority data:

(31) Number	(32) Date	(33) Country
29/337098	14 May 2009	UNITED STATES OF AMERICA
- (56) Related Art Documents: **Not Applicable**
- (57) Statement of Newness and Distinctiveness: **Newness and distinctiveness is claimed in the features of shape and/or configuration of a comestible package as illustrated in the accompanying representations.**



- (21) Design Number: **14305/2009**
- (22) Date of Filing Application: **05 November 2009**
- (24) Date from which industrial property rights may have effect: **05 November 2009**
- (54) Product in respect of which the design is registered: **Cover**
- (51) International Design Classification: **07-01NES**
- (71) Name(s) and Address(s) of Applicant(s):
Dart Industries Inc.
14901 S. Orange Blossom Trail Orlando Florida 32837 United States of America
- (72) Name(s) of Designer(s): **Melissa A. Easton**
- (45) Registration Date: **18 January 2010**
- (30) Convention priority data:

(31) Number	(32) Date	(33) Country
29/315,293	11 Jun 2009	UNITED STATES OF AMERICA
- (56) Related Art Documents: **Not Applicable**
- (57) Statement of Newness and Distinctiveness: **Those features of the cover depicted in the representations that are new and distinctive are the shape and/or configuration.**



- (21) Design Number: **14761/2009**
(22) Date of Filing Application: **07 December 2009**
(24) Date from which industrial property rights may have effect: **07 December 2009**
(54) Product in respect of which the design is registered: **Candelabra**
(51) International Design Classification: **26-01**
(71) Name(s) and Address(s) of Applicant(s):

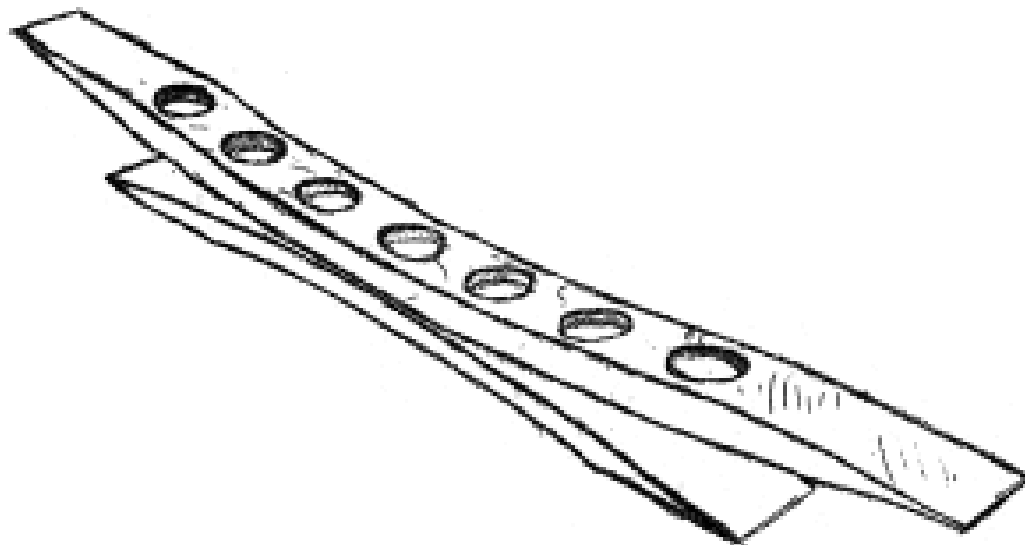
Jorge M. Gallegos
34 Charles Street Yacka South Australia 5470 Australia

(72) Name(s) of Designer(s): **Jorge M. Gallegos**

(45) Registration Date: **18 January 2010**

(56) Related Art Documents: **Not Applicable**

(57) Statement of Newness and Distinctiveness: **The candelabra is handcrafted from used wine barrels. A unique and clearly distinctive design arising from the inherent beauty of the curved oak barrel staves. The cutting of the "wings" on either end of the candle holder brings a new dimension out of the curved oak, and the squaring of all sides of the original staves leaves just a delicate connection to it's past. The base is a mirror reflection of its open winged candle holder. The candelabra design: balanced and pleasing lines from a waste product of the wine making industry.**



- (21) Design Number: **14389/2009**
(22) Date of Filing Application: **11 November 2009**
(24) Date from which industrial property rights may have effect: **11 November 2009**
(54) Product in respect of which the design is registered: **Choke collar with lead**
(51) International Design Classification: **30-04**
(71) Name(s) and Address(s) of Applicant(s):

Lead Innovations Ltd
69 Regency Avenue Kings Lynn Norfolk PE30 4UH United Kingdom

(72) Name(s) of Designer(s): **Michael Reed**

(45) Registration Date: **20 January 2010**

(30) Convention priority data:

(31) Number	(32) Date	(33) Country
001138960-0001	15 May 2009	EUROPEAN COMMUNITY

(56) Related Art Documents: **Not Applicable**

(57) Statement of Newness and Distinctiveness: **Nil**



(21) Design Number: **10130/2010**
(22) Date of Filing Application: **11 November 2009**
(24) Date from which industrial property rights may have effect: **11 November 2009**
(54) Product in respect of which the design is registered: **Lead**
(51) International Design Classification: **30-04**
(71) Name(s) and Address(s) of Applicant(s):
Lead Innovations Ltd
69 Regency Avenue Kings Lynn Norfolk PE30 4UH United Kingdom
(72) Name(s) of Designer(s): **Michael Reed**
(45) Registration Date: **20 January 2010**
(30) Convention priority data:
(31) Number (32) Date (33) Country
001138960-0003 15 May 2009 EUROPEAN COMMUNITY
(62) Divisional of: **329319**
(56) Related Art Documents: **Not Applicable**
(57) Statement of Newness and Distinctiveness: **Nil**



(21) Design Number: **10131/2010**
(22) Date of Filing Application: **11 November 2009**
(24) Date from which industrial property rights may have effect: **11 November 2009**
(54) Product in respect of which the design is registered: **Harness with lead**
(51) International Design Classification: **30-04**
(71) Name(s) and Address(s) of Applicant(s):
Lead Innovations Ltd
69 Regency Avenue Kings Lynn Norfolk PE30 4UH United Kingdom
(72) Name(s) of Designer(s): **Michael Reed**
(45) Registration Date: **20 January 2010**
(30) Convention priority data:
(31) Number (32) Date (33) Country
001138960-0006 15 May 2009 EUROPEAN COMMUNITY
(62) Divisional of: **329319**
(56) Related Art Documents: **Not Applicable**
(57) Statement of Newness and Distinctiveness: **Nil**



(21) Design Number: **15048/2009**
 (22) Date of Filing Application: **24 December 2009**
 (24) Date from which industrial property rights may have effect: **24 December 2009**
 (54) Product in respect of which the design is registered: **Display device**
 (51) International Design Classification: **20-02E**
 (71) Name(s) and Address(s) of Applicant(s):

Beaulieu Group, LLC
1502 Coronet Drive Dalton Georgia 30720 United States of America

(72) Name(s) of Designer(s): **Danny S. Wade and Johannes Bakker**

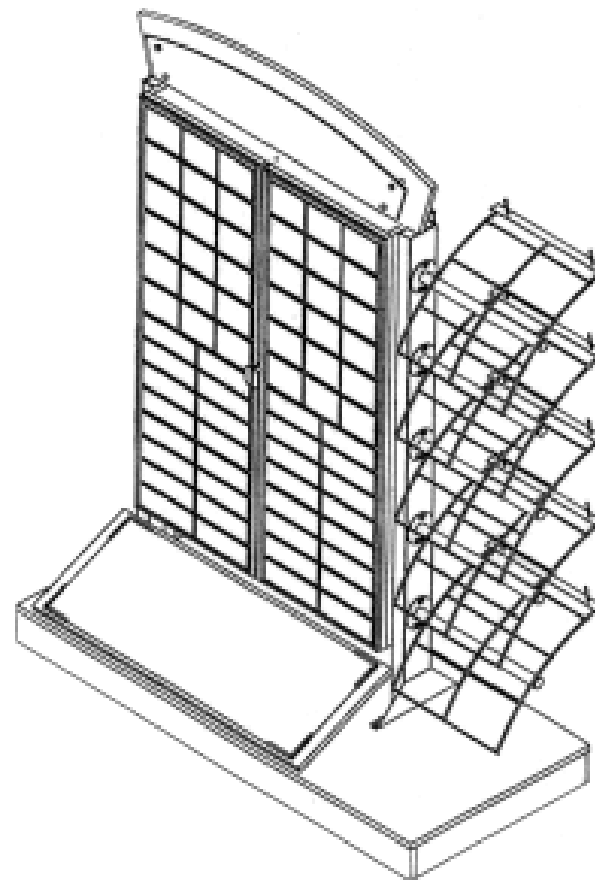
(45) Registration Date: **20 January 2010**

(30) Convention priority data:

(31) Number	(32) Date	(33) Country
29/339,860	09 Jul 2009	UNITED STATES OF AMERICA

(56) Related Art Documents: **Not Applicable**

(57) Statement of Newness and Distinctiveness: **Those features of the display device depicted in the representations that are new and distinctive are the shape and/or configuration.**



(21) Design Number: **15053/2009**
 (22) Date of Filing Application: **24 December 2009**
 (24) Date from which industrial property rights may have effect: **24 December 2009**
 (54) Product in respect of which the design is registered: **A cereal piece**
 (51) International Design Classification: **01-01**
 (71) Name(s) and Address(s) of Applicant(s):

Kellogg Company
One Kellogg Square PO Box 3599 Battle Creek Michigan 49016-3599
United States of America

(72) Name(s) of Designer(s): **Charles A. Smith and Michael A. Brewer**

(45) Registration Date: **20 January 2010**

(56) Related Art Documents: **Not Applicable**

(57) Statement of Newness and Distinctiveness: **Newness and distinctiveness is claimed in the features of shape and/or configuration of a cereal piece as illustrated in the accompanying representations.**



(21) Design Number: **15058/2009**

(22) Date of Filing Application: **24 December 2009**

(24) Date from which industrial property rights may have effect: **24 December 2009**

(54) Product in respect of which the design is registered: **Perfume bottle**

(51) International Design Classification: **09-01G**

(71) Name(s) and Address(s) of Applicant(s):

Damian Mosca

5 Stonehaven Court Mooroolbark Victoria 3138 Australia

(72) Name(s) of Designer(s): **Damian Mosca and Lisa Limosani**

(45) Registration Date: **20 January 2010**

(56) Related Art Documents: **Not Applicable**

(57) Statement of Newness and Distinctiveness: **Newness and distinctiveness is claimed in the features of the shape and/or configuration of a perfume bottle as illustrated in the accompanying representation. The sphere bottle consists of a bottle within a bottle (ie dual bottle).**



(21) Design Number: **15059/2009**

(22) Date of Filing Application: **24 December 2009**

(24) Date from which industrial property rights may have effect: **24 December 2009**

(54) Product in respect of which the design is registered: **Perfume bottle**

(51) International Design Classification: **09-01G**

(71) Name(s) and Address(s) of Applicant(s):

Damian Mosca

5 Stonehaven Court Mooroolbark Victoria 3138 Australia

(72) Name(s) of Designer(s): **Damian Mosca and Lisa Limosani**

(45) Registration Date: **20 January 2010**

(56) Related Art Documents: **Not Applicable**

(57) Statement of Newness and Distinctiveness: **Newness and distinctiveness is claimed in the features of the shape and/or configuration of a perfume bottle as illustrated in the accompanying representation. The square bottle consists of a bottle within a bottle (ie dual bottle).**



(21) Design Number: **15060/2009**

(22) Date of Filing Application: **24 December 2009**

(24) Date from which industrial property rights may have effect: **24 December 2009**

(54) Product in respect of which the design is registered: **Perfume bottle**

(51) International Design Classification: **09-01G**

(71) Name(s) and Address(s) of Applicant(s):

Damian Mosca

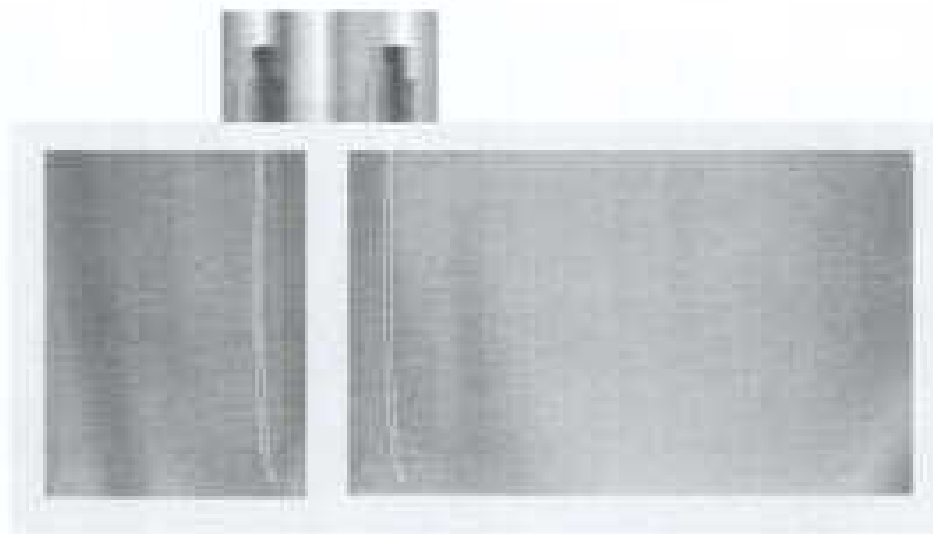
5 Stonehaven Court Mooroolbark Victoria 3138 Australia

(72) Name(s) of Designer(s): **Damian Mosca and Lisa Limosani**

(45) Registration Date: **20 January 2010**

(56) Related Art Documents: **Not Applicable**

(57) Statement of Newness and Distinctiveness: **Newness and distinctiveness is claimed in the features of the shape and/or configuration of a perfume bottle as illustrated in the accompanying representation. The rectangular bottle consists of a bottle within a bottle (ie dual bottle).**



(21) Design Number: **14465/2009**

(22) Date of Filing Application: **13 November 2009**

(24) Date from which industrial property rights may have effect: **13 November 2009**

(54) Product in respect of which the design is registered: **Bottle**

(51) International Design Classification: **09-01NES**

(71) Name(s) and Address(s) of Applicant(s):

Bathox Australia Pty Ltd

4/26 Barry Road Chipping Norton New South Wales 2170 Australia

(72) Name(s) of Designer(s): **George Psaras**

(45) Registration Date: **20 January 2010**

(56) Related Art Documents: **Not Applicable**

(57) Statement of Newness and Distinctiveness: **Newness and distinctiveness resides in the shape and/or configuration of the bottle as shown in the representations.**



(21) Design Number: **12034/2009**

(22) Date of Filing Application: **03 June 2009**

(24) Date from which industrial property rights may have effect: **03 June 2009**

(54) Product in respect of which the design is registered: **Shower hoses, heads, and fittings.**

(51) International Design Classification: **23-01A**

(71) Name(s) and Address(s) of Applicant(s):

**LEAK CONTROL DEVELOPMENT PTY LTD
52 Parkers Road Parkdale Victoria 3195 Australia**

(72) Name(s) of Designer(s): **Adrian John Nixon**

(45) Registration Date: **21 January 2010**

(56) Related Art Documents: **Not Applicable**

(57) Statement of Newness and Distinctiveness: **The flow controller actuator is visibly a two concentric component assembly. The outer component is typically a sleeve which appears to be a barrel and is thus aesthetically appealing when incorporated into shower apparatus. Shower apparatus includes hoses, arms, and fittings.**



(21) Design Number: **14207/2009**

(22) Date of Filing Application: **29 October 2009**

(24) Date from which industrial property rights may have effect: **29 October 2009**

(54) Product in respect of which the design is registered: **Front combination lamp for an automobile**

(51) International Design Classification: **26-06**

(71) Name(s) and Address(s) of Applicant(s):

**Toyota Jidosha Kabushiki Kaisha
1 Toyota-cho Toyota-shi AICHI-KEN 471-8571 Japan**

(72) Name(s) of Designer(s): **Hisato Yamaguchi**

(45) Registration Date: **21 January 2010**

(56) Related Art Documents: **Not Applicable**

(57) Statement of Newness and Distinctiveness: **Newness and distinctiveness are claimed in the visual features of shape and/or configuration of the FRONT COMBINATION LAMP FOR AN AUTOMOBILE as shown in the accompanying representations.**



(21) Design Number: **14208/2009**

(22) Date of Filing Application: **29 October 2009**

(24) Date from which industrial property rights may have effect: **29 October 2009**

(54) Product in respect of which the design is registered: **Rear combination lamp for an automobile**

(51) International Design Classification: **26-06**

(71) Name(s) and Address(s) of Applicant(s):

**Toyota Jidosha Kabushiki Kaisha
1 Toyota-cho Toyota-shi AICHI-KEN 471-8571 Japan**

(72) Name(s) of Designer(s): **Youhei Kusamoto**

(45) Registration Date: **21 January 2010**

(56) Related Art Documents: **Not Applicable**

(57) Statement of Newness and Distinctiveness: **Newness and distinctiveness are claimed in the visual features of shape and/or configuration of the REAR COMBINATION LAMP FOR AN AUTOMOBILE as shown in the accompanying representations.**



(21) Design Number: **14209/2009**

(22) Date of Filing Application: **29 October 2009**

(24) Date from which industrial property rights may have effect: **29 October 2009**

(54) Product in respect of which the design is registered: **Automobile**

(51) International Design Classification: **12-08**

(71) Name(s) and Address(s) of Applicant(s):

**Toyota Jidosha Kabushiki Kaisha
1 Toyota-cho Toyota-shi AICHI-KEN 471-8571 Japan**

(72) Name(s) of Designer(s): **Hisato Yamaguchi and Youhei Kusamoto and Yoshitaka Hamuro**

(45) Registration Date: **21 January 2010**

(56) Related Art Documents: **Not Applicable**

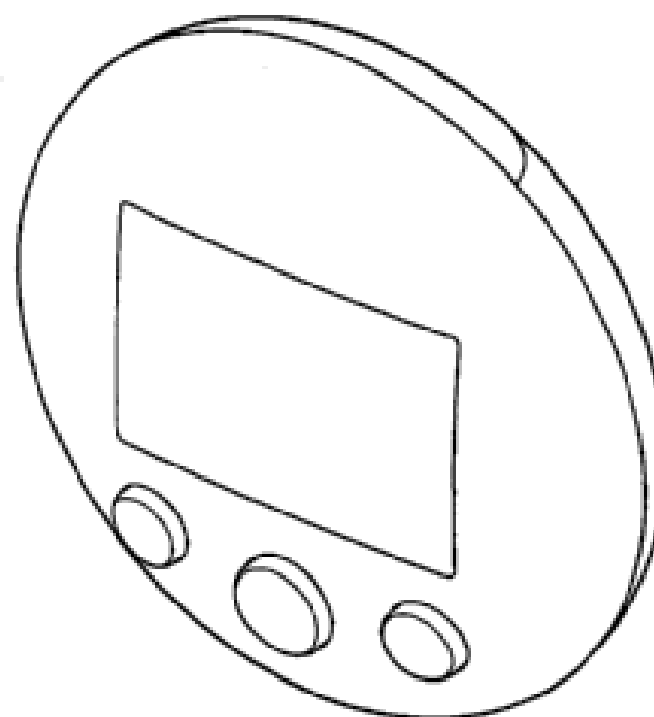
(57) Statement of Newness and Distinctiveness: **Newness and distinctiveness are claimed in the visual features of and/or configuration of the AUTOMOBILE shown in the accompanying representations. In considering the scope of protection, the bottom plan view is not included and the left side view is to be understood as symmetrical to the right side view.**



- (21) Design Number: **14210/2009**
(22) Date of Filing Application: **29 October 2009**
(24) Date from which industrial property rights may have effect: **29 October 2009**
(54) Product in respect of which the design is registered: **Front bumper for an automobile**
(51) International Design Classification: **12-16C**
(71) Name(s) and Address(s) of Applicant(s):
Toyota Jidosha Kabushiki Kaisha
1 Toyota-cho Toyota-shi AICHI-KEN 471-8571 Japan
(72) Name(s) of Designer(s): **Hisato Yamaguchi and Yoshitaka Hamuro**
(45) Registration Date: **21 January 2010**
(56) Related Art Documents: **Not Applicable**
(57) Statement of Newness and Distinctiveness: **Newness and distinctiveness are claimed in the visual features of and/or configuration of the FRONT BUMPER FOR AN AUTOMOBILE shown in the accompanying representations. In considering the scope of protection, the left side view is to be understood as symmetrical to the right side view.**



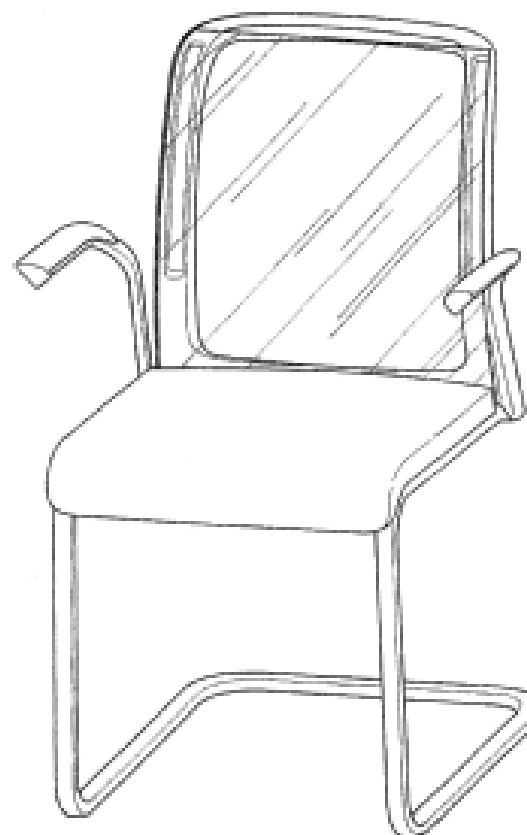
- (21) Design Number: **14562/2009**
(22) Date of Filing Application: **23 November 2009**
(24) Date from which industrial property rights may have effect: **23 November 2009**
(54) Product in respect of which the design is registered: **Sphygmograph**
(51) International Design Classification: **24-02**
(71) Name(s) and Address(s) of Applicant(s):
Nintendo Co., Ltd.
11-1 Hokotate-cho Kamitoba Minami-ku Kyoto-shi Kyoto Japan
(72) Name(s) of Designer(s): **Masato Ibuki and Daisuke Kumazaki and Akiko Suga and Masahiko Nishimura**
(45) Registration Date: **21 January 2010**
(30) Convention priority data:
(31) Number (32) Date (33) Country
2009-011681 26 May 2009 JAPAN
(56) Related Art Documents: **Not Applicable**
(57) Statement of Newness and Distinctiveness: **Newness and distinctiveness is claimed in the visual features shown in solid lines in the representations.**



(21) Design Number: **14563/2009**
(22) Date of Filing Application: **23 November 2009**
(24) Date from which industrial property rights may have effect: **23 November 2009**
(54) Product in respect of which the design is registered: **Pedometer**
(51) International Design Classification: **10-04**
(71) Name(s) and Address(s) of Applicant(s):
Nintendo Co., Ltd.
11-1 Hokotate-cho Kamitoba Minami-ku Kyoto-shi Kyoto Japan
(72) Name(s) of Designer(s): **Kazuhiro Maruyama and Kozo Kamimura**
(45) Registration Date: **21 January 2010**
(30) Convention priority data:
(31) Number (32) Date (33) Country
2009-011682 26 May 2009 JAPAN
(56) Related Art Documents: **Not Applicable**
(57) Statement of Newness and Distinctiveness: **Nil**



(21) Design Number: **14595/2009**
(22) Date of Filing Application: **24 November 2009**
(24) Date from which industrial property rights may have effect: **24 November 2009**
(54) Product in respect of which the design is registered: **Chair**
(51) International Design Classification: **06-01E**
(71) Name(s) and Address(s) of Applicant(s):
Steelcase S.A.
Espace Europeen de l'Entreprise lallee d'Oslo 67300 Schiltigheim
France
(72) Name(s) of Designer(s): **Bryony Gaschy**
(45) Registration Date: **21 January 2010**
(30) Convention priority data:
(31) Number (32) Date (33) Country
001140610-0004 27 May 2009 EUROPEAN COMMUNITY
(56) Related Art Documents: **Not Applicable**
(57) Statement of Newness and Distinctiveness: **Those features of the chairs depicted in the representations that are new and distinctive are the shape and/or configuration. The bottom view Figs 4.6 and 5.6 may or may not form part of the design.**



(21) Design Number: **10101/2010**
 (22) Date of Filing Application: **24 November 2009**
 (24) Date from which industrial property rights may have effect: **24 November 2009**
 (54) Product in respect of which the design is registered: **Chair**
 (51) International Design Classification: **06-01E**
 (71) Name(s) and Address(s) of Applicant(s):

Steelcase S.A.
Espace Europeen de l'Entreprise 1allee d'Oslo 67300 Schiltigheim
France

(72) Name(s) of Designer(s): **Bryony Gaschy**

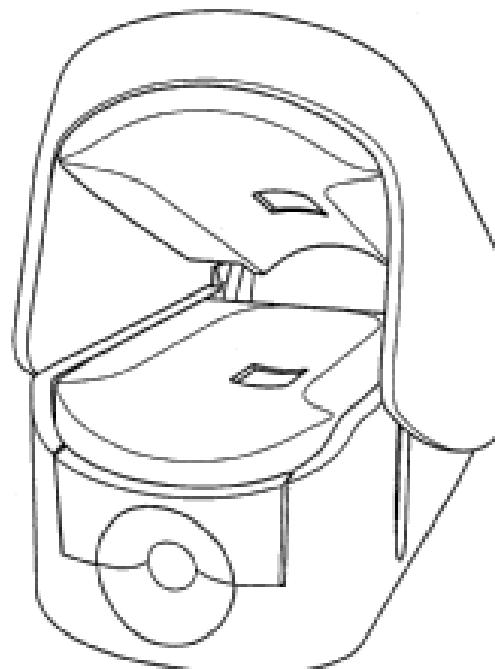
(45) Registration Date: **21 January 2010**

(30) Convention priority data:

(31) Number	(32) Date	(33) Country
001140610-0005	27 May 2009	EUROPEAN COMMUNITY

(56) Related Art Documents: **Not Applicable**

(57) Statement of Newness and Distinctiveness: **Those features of the chair depicted in the representations that are new and distinctive are the shape and/or configuration.**



(21) Design Number: **15038/2009**
 (22) Date of Filing Application: **23 December 2009**
 (24) Date from which industrial property rights may have effect: **23 December 2009**
 (54) Product in respect of which the design is registered: **Container label**
 (51) International Design Classification: **19-08, 24-01**
 (71) Name(s) and Address(s) of Applicant(s):

Labcon North America
Suite 200 3700 Lakeville Highway Petaluma CA 94954 United States of
America

(72) Name(s) of Designer(s): **Linda Newman and Venus Happ and Jim Happ and Tom Moulton**

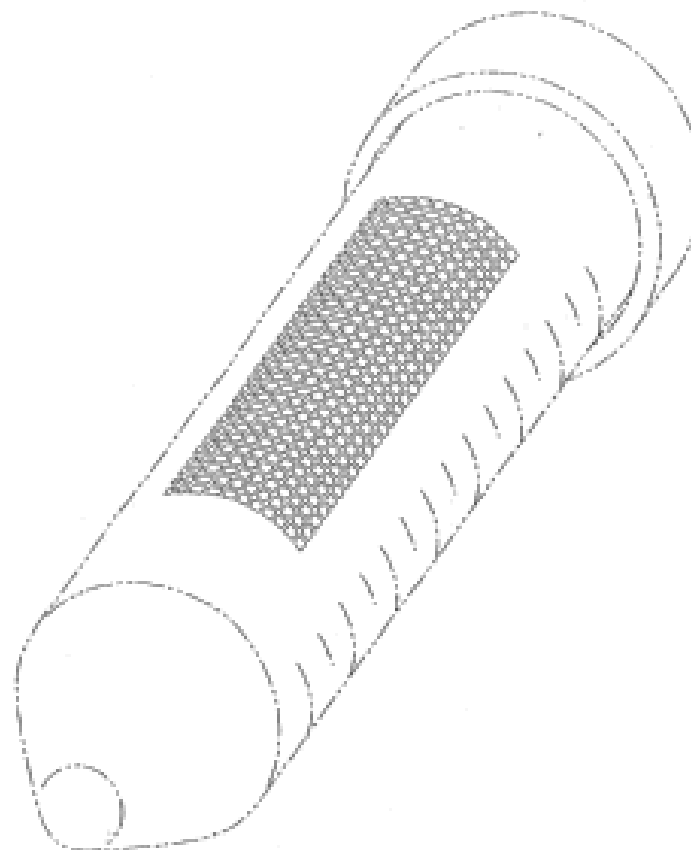
(45) Registration Date: **21 January 2010**

(30) Convention priority data:

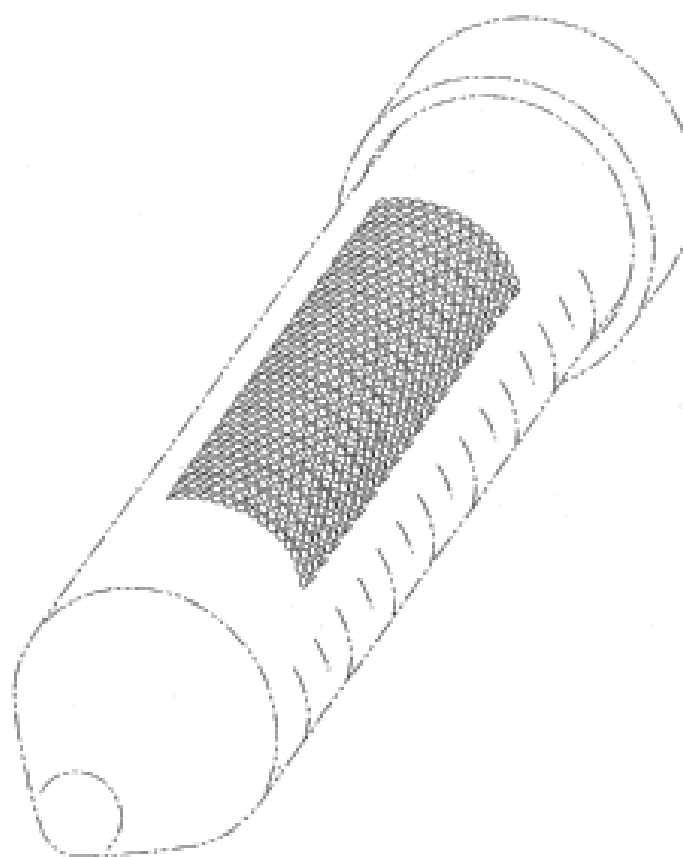
(31) Number	(32) Date	(33) Country
29/339244	26 Jun 2009	UNITED STATES OF AMERICA

(56) Related Art Documents: **Not Applicable**

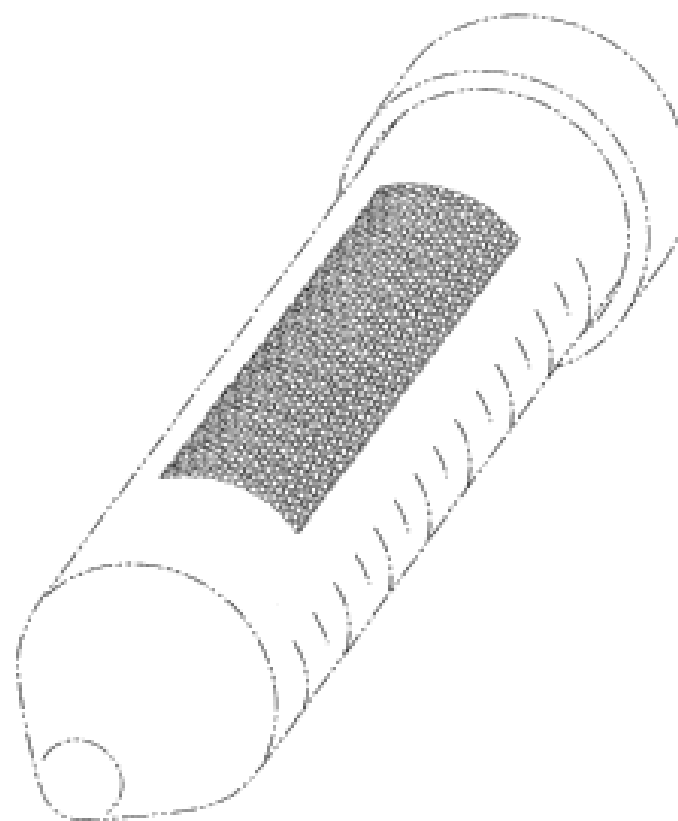
(57) Statement of Newness and Distinctiveness: **Newness and distinctiveness resides in the visual features, including pattern and/or ornamentation of a CONTAINER LABEL as shown in the accompanying drawings. The container shown in the drawings in dotted outline forms no part of the design, and is provided for illustrative purposes only.**



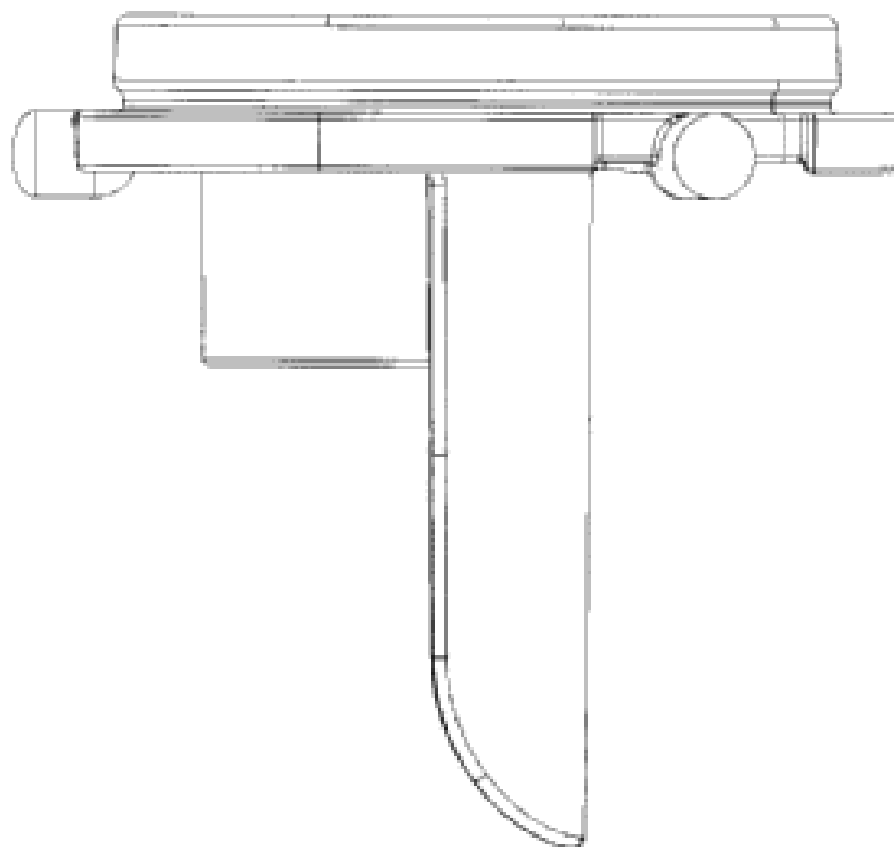
- (21) Design Number: **15039/2009**
(22) Date of Filing Application: **23 December 2009**
(24) Date from which industrial property rights may have effect: **23 December 2009**
(54) Product in respect of which the design is registered: **Container label**
(51) International Design Classification: **19-08, 24-01**
(71) Name(s) and Address(s) of Applicant(s):
Labcon North America
Suite 200 3700 Lakeville Highway Petaluma CA 94954 United States of America
(72) Name(s) of Designer(s): **Linda Newman and Venus Happ and Jim Happ and Tom Moulton**
(45) Registration Date: **21 January 2010**
(30) Convention priority data:
(31) Number (32) Date (33) Country
29/339244 26 Jun 2009 UNITED STATES OF AMERICA
(56) Related Art Documents: **Not Applicable**
(57) Statement of Newness and Distinctiveness: **Newness and distinctiveness resides in the visual features, including pattern and/or ornamentation of a CONTAINER LABEL as shown in the accompanying drawings. The container shown in the drawings in dotted outline forms no part of the design, and is provided for illustrative purposes only.**



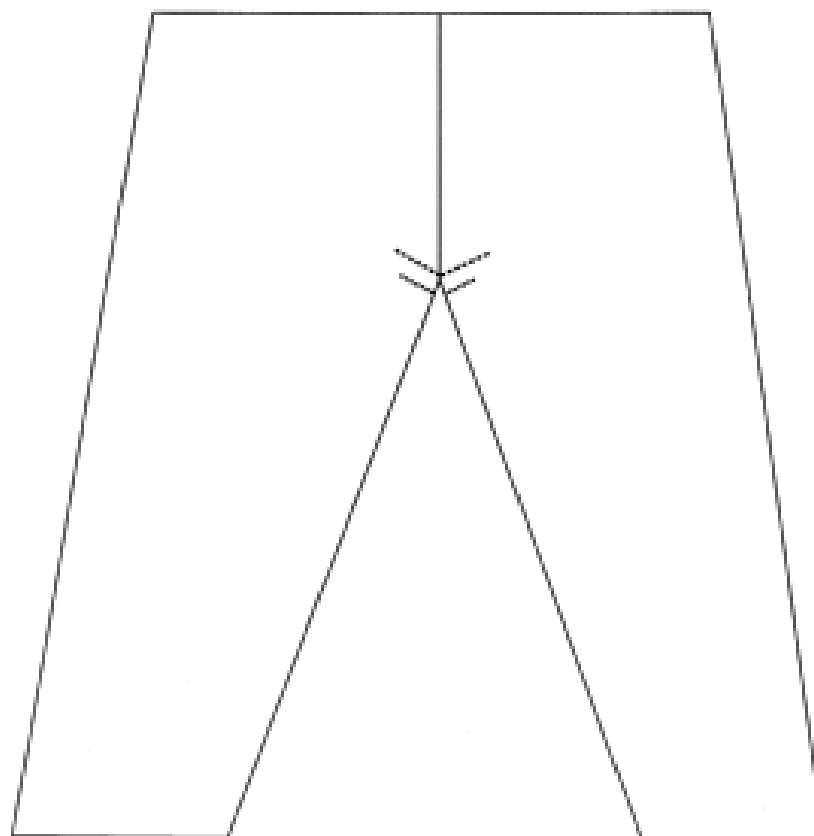
- (21) Design Number: **15040/2009**
(22) Date of Filing Application: **23 December 2009**
(24) Date from which industrial property rights may have effect: **23 December 2009**
(54) Product in respect of which the design is registered: **Container label**
(51) International Design Classification: **19-08, 24-01**
(71) Name(s) and Address(s) of Applicant(s):
Labcon North America
Suite 200 3700 Lakeville Highway Petaluma CA 94954 United States of America
(72) Name(s) of Designer(s): **Linda Newman and Venus Happ and Jim Happ and Tom Moulton**
(45) Registration Date: **21 January 2010**
(30) Convention priority data:
(31) Number (32) Date (33) Country
29/339244 26 Jun 2009 UNITED STATES OF AMERICA
(56) Related Art Documents: **Not Applicable**
(57) Statement of Newness and Distinctiveness: **Newness and distinctiveness resides in the visual features, including pattern and/or ornamentation of a CONTAINER LABEL as shown in the accompanying drawings. The container shown in the drawings in dotted outline forms no part of the design, and is provided for illustrative purposes only.**



- (21) Design Number: **14229/2009**
(22) Date of Filing Application: **29 October 2009**
(24) Date from which industrial property rights may have effect: **29 October 2009**
(54) Product in respect of which the design is registered: **Retainer for a drinking cup**
(51) International Design Classification: **07-01NES**
(71) Name(s) and Address(s) of Applicant(s):
Jackel International Limited
Dudley Lane Cramlington Northumberland NE23 7RH United Kingdom
(72) Name(s) of Designer(s): **Paul Schofield**
(45) Registration Date: **22 January 2010**
(30) Convention priority data:
(31) Number (32) Date (33) Country
001171391-0020 12 Oct 2009 EUROPEAN COMMUNITY
(56) Related Art Documents: **Not Applicable**
(57) Statement of Newness and Distinctiveness: **Newness and distinctiveness resides in the features of shape and/or configuration of a retainer for a drinking cup as shown in the accompanying representations.**



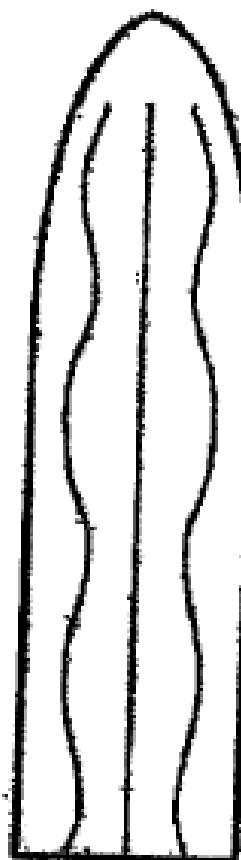
- (21) Design Number: **14387/2009**
(22) Date of Filing Application: **11 November 2009**
(24) Date from which industrial property rights may have effect: **11 November 2009**
(54) Product in respect of which the design is registered: **Bifurcated garments**
(51) International Design Classification: **02-02C**
(71) Name(s) and Address(s) of Applicant(s):
Andrew C. Williams
5A Danube Place Roxburgh Park Victoria 3064 Australia
(72) Name(s) of Designer(s): **Andrew C. Williams**
(45) Registration Date: **22 January 2010**
(56) Related Art Documents: **Not Applicable**
(57) Statement of Newness and Distinctiveness: **Darts / seamlines originating from the seams from the crotch areas; both front and back of the bifurcated garment.**



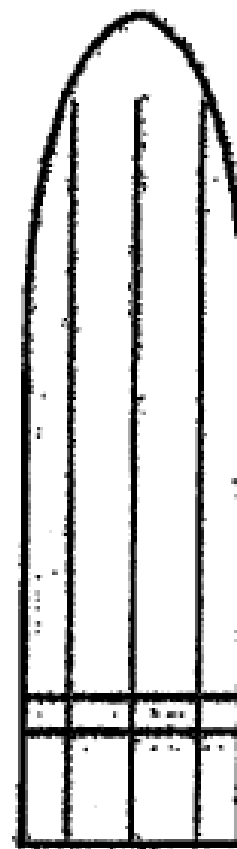
- (21) Design Number: **14407/2009**
(22) Date of Filing Application: **12 November 2009**
(24) Date from which industrial property rights may have effect: **12 November 2009**
(54) Product in respect of which the design is registered: **Tampon**
(51) International Design Classification: **24-04**
(71) Name(s) and Address(s) of Applicant(s):
SCA Hygiene Products AB
S-405 03 Goteborg Sweden
(72) Name(s) of Designer(s): **Trudy Balchin and Craig Doyle and Britt-Marie Wiezell and Ulla Magnusson and Monica Kjellberg and Conny Dahlqvist and Cilla Persson and Oscar Lipschutz**
(45) Registration Date: **22 January 2010**
(30) Convention priority data:
(31) Number (32) Date (33) Country
001149165-1/14 29 Jun 2009 EUROPEAN COMMUNITY
(56) Related Art Documents: **Not Applicable**
(57) Statement of Newness and Distinctiveness: **Nil**



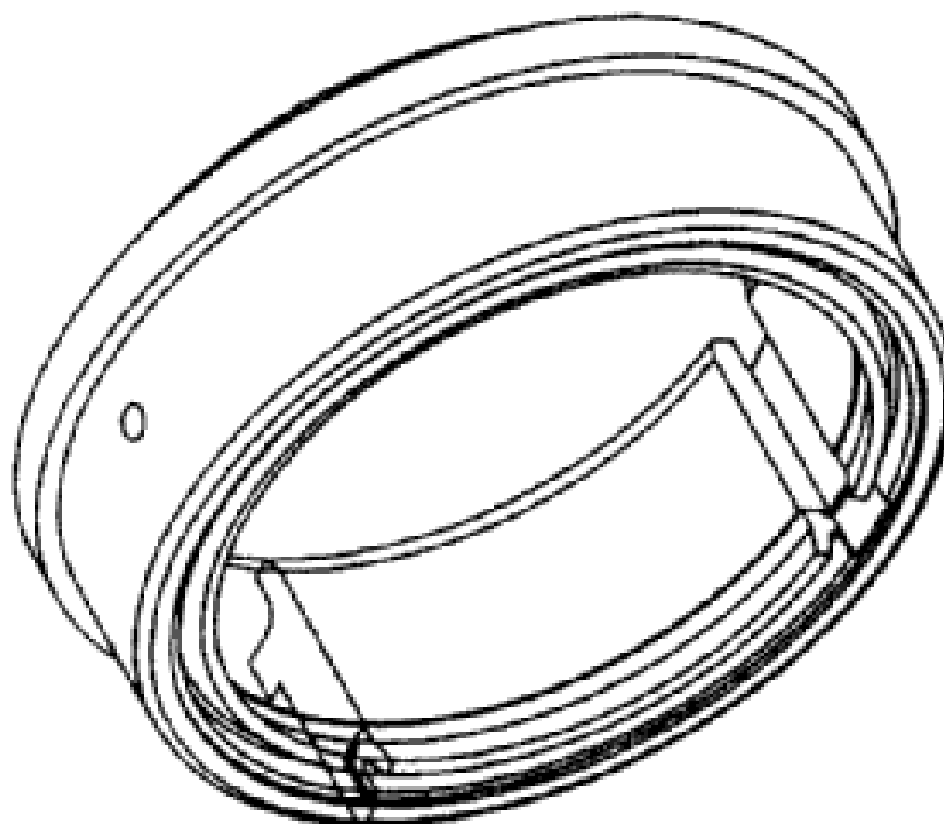
- (21) Design Number: **10107/2010**
(22) Date of Filing Application: **12 November 2009**
(24) Date from which industrial property rights may have effect: **12 November 2009**
(54) Product in respect of which the design is registered: **Tampon**
(51) International Design Classification: **24-04**
(71) Name(s) and Address(s) of Applicant(s):
SCA Hygiene Products AB
S-405 03 Goteborg Sweden
(72) Name(s) of Designer(s): **Trudy Balchin and Craig Doyle and Britt-Marie Wiezell and Ulla Magnusson and Monica Kjellberg and Conny Dahlqvist and Cilla Persson and Oscar Lipschutz**
(45) Registration Date: **22 January 2010**
(30) Convention priority data:
(31) Number (32) Date (33) Country
001149165-1/14 29 Jun 2009 EUROPEAN COMMUNITY
(62) Divisional of: **329342**
(56) Related Art Documents: **Not Applicable**
(57) Statement of Newness and Distinctiveness: **Nil**



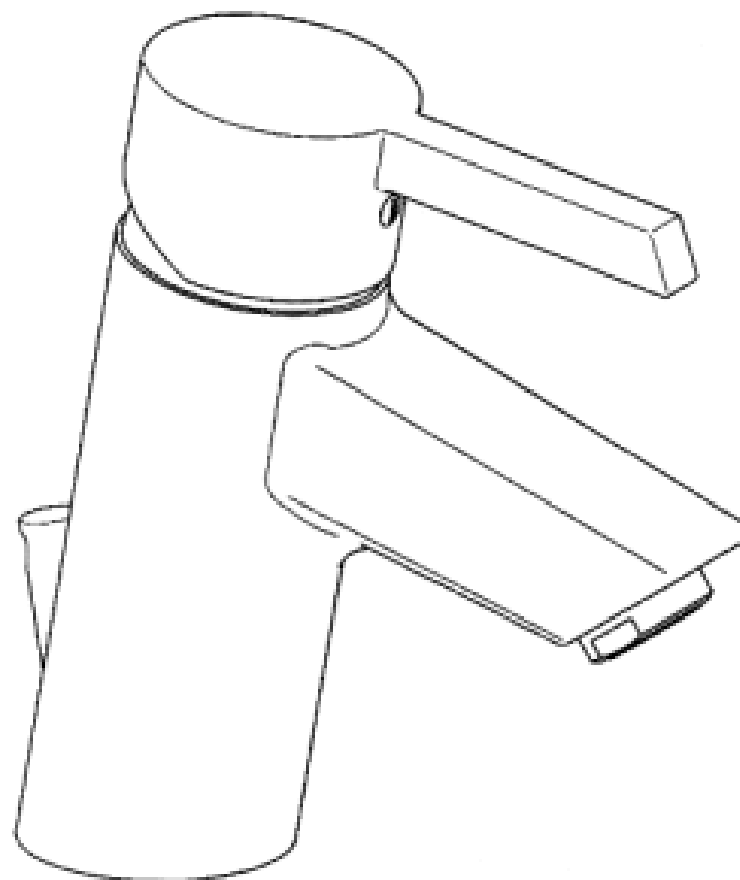
- (21) Design Number: **10108/2010**
(22) Date of Filing Application: **12 November 2009**
(24) Date from which industrial property rights may have effect: **12 November 2009**
(54) Product in respect of which the design is registered: **Tampon**
(51) International Design Classification: **24-04**
(71) Name(s) and Address(s) of Applicant(s):
SCA Hygiene Products AB
S-405 03 Goteborg Sweden
(72) Name(s) of Designer(s): **Trudy Balchin and Craig Doyle and Britt-Marie Wiezell and Ulla Magnusson and Conny Dahlqvist and Cilla Persson and Oscar Lipschutz and Monica Kjellberg**
(45) Registration Date: **22 January 2010**
(30) Convention priority data:
(31) Number (32) Date (33) Country
001149165-1/14 29 Jun 2009 EUROPEAN COMMUNITY
(62) Divisional of: **329342**
(56) Related Art Documents: **Not Applicable**
(57) Statement of Newness and Distinctiveness: **Nil**



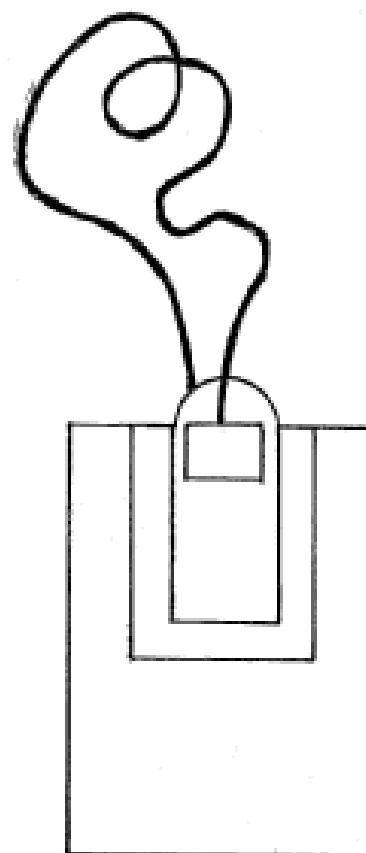
- (21) Design Number: **14456/2009**
(22) Date of Filing Application: **16 November 2009**
(24) Date from which industrial property rights may have effect: **16 November 2009**
(54) Product in respect of which the design is registered: **Domehead assembly unit wiper gland used in slack adjuster cylinder within rail undercarriage breaking system**
(51) International Design Classification: **12-03, 08-08NES**
(71) Name(s) and Address(s) of Applicant(s):
Interseal Pty Limited
3 The Crescent Kingsgrove Sydney New South Wales 2208 Australia
(72) Name(s) of Designer(s): **David Harley**
(45) Registration Date: **22 January 2010**
(56) Related Art Documents: **Not Applicable**
(57) Statement of Newness and Distinctiveness: **Purpose: The recipient has requested the owner to propose a solution to a performance and maintenance issue related to the Domehead Assembly unit. The current system includes fitment of a cast metal gland with the addition of a modified rubber wiper sealing strip. The rubber component is prone to becoming unstable within its location and this leads to premature failure of the cast metal gland. The owner's design is aimed to meet the recipient's unmet need by improving the equipments reliability and performance and furthermore reducing the current rigour associated with handling during the routine maintenance process of the equipment. The owner's design is a unitised (one piece) easy fit gland as opposed to the current multiple piece system; the materials are lightweight non toxic optimised industrial polymers that obviate any additional lubrication currently required by the existing cast metal component. The following document (s) attached to this schedule outlines the owner's proposed solution. Documents attached: 1. Document numbers: MT SPEC01.**



(21) Design Number: **14634/2009**
(22) Date of Filing Application: **25 November 2009**
(24) Date from which industrial property rights may have effect: **25 November 2009**
(54) Product in respect of which the design is registered: **Mixing tap**
(51) International Design Classification: **23-01H**
(71) Name(s) and Address(s) of Applicant(s):
Hansa Metallwerke AG
Sigmaringer Str. 107 D-70567 Stuttgart Germany
(72) Name(s) of Designer(s): **Michael Zeisel and Michael Lammel**
(45) Registration Date: **22 January 2010**
(30) Convention priority data:
(31) Number (32) Date (33) Country
001552704-0001 18 Jun 2009 EUROPEAN COMMUNITY
(56) Related Art Documents: **Not Applicable**
(57) Statement of Newness and Distinctiveness: **Nil**



(21) Design Number: **14762/2009**
(22) Date of Filing Application: **04 December 2009**
(24) Date from which industrial property rights may have effect: **04 December 2009**
(54) Product in respect of which the design is registered: **A peel-back adhesive tag for beverage bags and the like**
(51) International Design Classification: **19-99, 20-99, 01-99**
(71) Name(s) and Address(s) of Applicant(s):
Robert John Hadaway
419 Grand Promenade Dianella Western Australia 6059 Australia
(72) Name(s) of Designer(s): **Robert John Hadaway**
(45) Registration Date: **22 January 2010**
(56) Related Art Documents: **Not Applicable**
(57) Statement of Newness and Distinctiveness: **Monopoly is claimed in the features of shape and configuration, with a peel-back lip covering an adhesive material which can adhere to a cup, saucer, handle.**



(21) Design Number: **14818/2009**

(22) Date of Filing Application: **09 December 2009**

(24) Date from which industrial property rights may have effect: **09 December 2009**

(54) Product in respect of which the design is registered: **A building element**

(51) International Design Classification: **25-01C, 08-08L**

(71) Name(s) and Address(s) of Applicant(s):

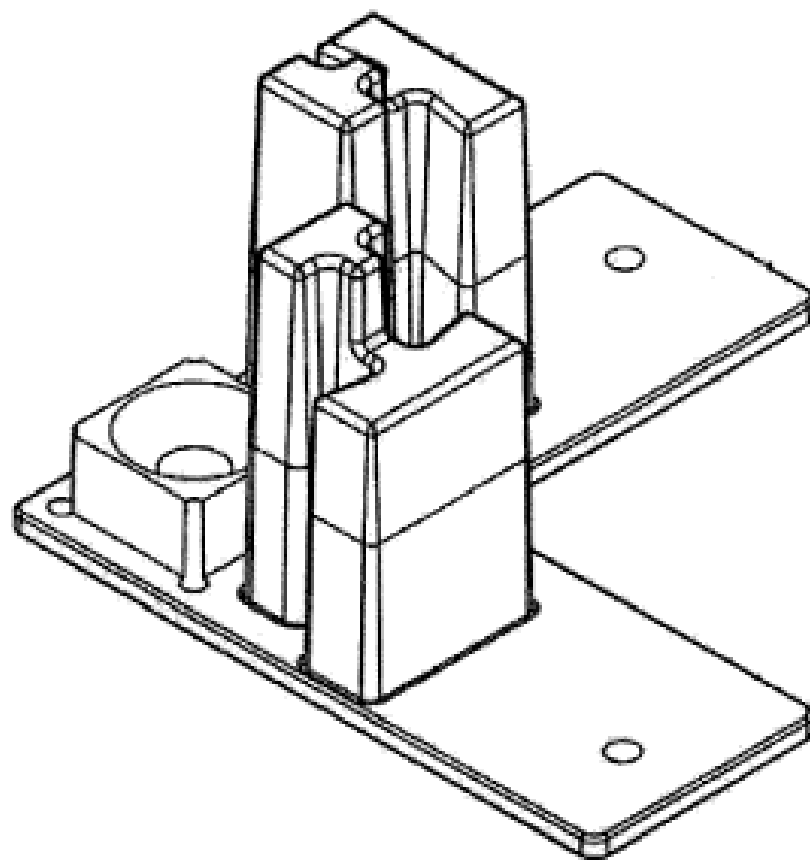
Fast Shack Pty Limited
47 Dickson Street Newtown New South Wales 2042 Australia

(72) Name(s) of Designer(s): **Dennis Leonard Dwight Hall and Alan Vincent Smith and Sonny Pirreca**

(45) Registration Date: **22 January 2010**

(56) Related Art Documents: **Not Applicable**

(57) Statement of Newness and Distinctiveness: **Newness and distinctiveness is claimed in the features of shape and/or configuration of a building element as illustrated in the accompanying representations.**



(21) Design Number: **14919/2009**

(22) Date of Filing Application: **17 December 2009**

(24) Date from which industrial property rights may have effect: **17 December 2009**

(54) Product in respect of which the design is registered: **Shoe insole**

(51) International Design Classification: **02-04A**

(71) Name(s) and Address(s) of Applicant(s):

Joseph J. Skaja
34 E. Palisade Avenue #1B Englewood New Jersey 07632 United States of America

Laurence I. Schwartz
42 Cedar Court Closter New Jersey 07624 United States of America

(72) Name(s) of Designer(s): **Joseph J. Skaja and Laurence I. Schwartz**

(45) Registration Date: **22 January 2010**

(56) Related Art Documents: **Not Applicable**

(57) Statement of Newness and Distinctiveness: **Newness and distinctiveness is claimed in those features of shape and/or configuration of a shoe insole illustrated in the accompanying representations and annotated with cross-hatching in the annotated perspective view.**



- (21) Design Number: **14920/2009**
(22) Date of Filing Application: **17 December 2009**
(24) Date from which industrial property rights may have effect: **17 December 2009**
(54) Product in respect of which the design is registered: **Shoe insole**
(51) International Design Classification: **02-04A**
(71) Name(s) and Address(s) of Applicant(s):

Joseph J. Skaja
34 E. Palisade Avenue #1B Englewood New Jersey 07632 United States of America

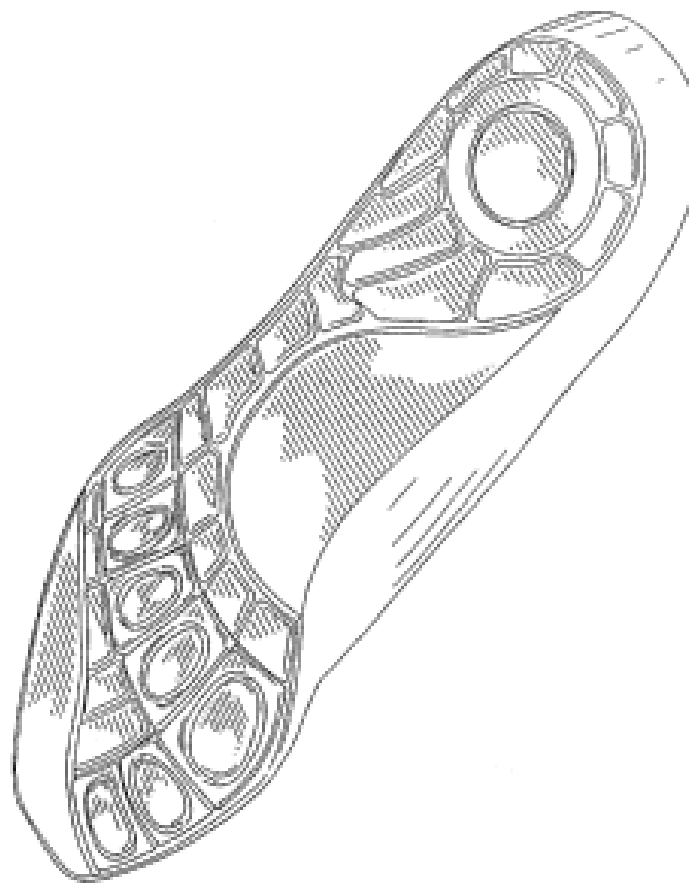
Laurence I. Schwartz
42 Cedar Court Closter New Jersey 07624 United States of America

- (72) Name(s) of Designer(s): **Joseph J. Skaja and Laurence I. Schwartz**

- (45) Registration Date: **22 January 2010**

- (56) Related Art Documents: **Not Applicable**

- (57) Statement of Newness and Distinctiveness: **Newness and distinctiveness is claimed in those features of shape or configuration of a shoe insole illustrated in the accompanying representations and annotated with cross-hatching in the annotated perspective view.**



- (21) Design Number: **12604/2009**
(22) Date of Filing Application: **17 July 2009**
(24) Date from which industrial property rights may have effect: **17 July 2009**
(54) Product in respect of which the design is registered: **Peg guide and guy rope anchor**
(51) International Design Classification: **08-08NES**
(71) Name(s) and Address(s) of Applicant(s):

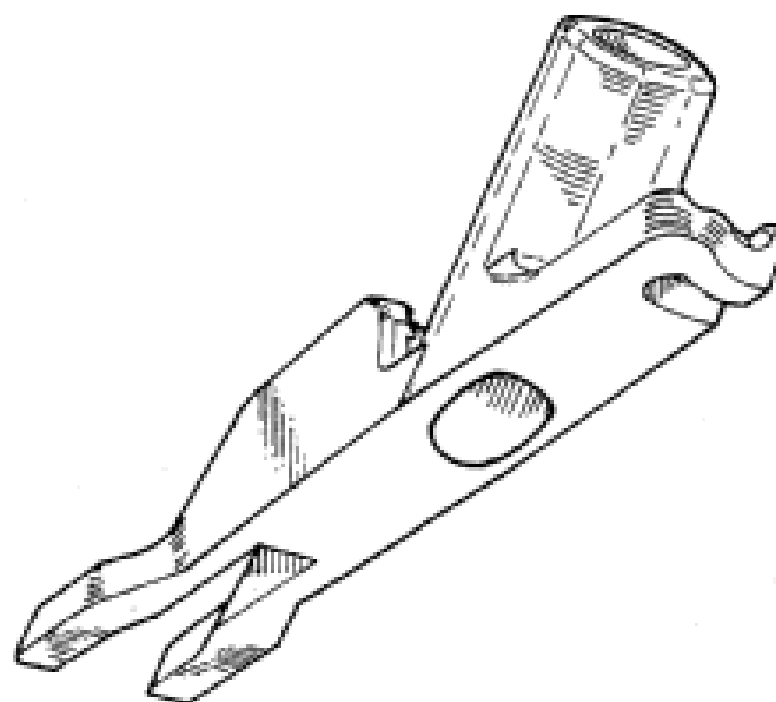
Norman Alfred Moxey
14 Layde Court Urangan Queensland 4655 Australia

- (72) Name(s) of Designer(s): **Norman Alfred Moxey**

- (45) Registration Date: **22 January 2010**

- (56) Related Art Documents: **Not Applicable**

- (57) Statement of Newness and Distinctiveness: **Visual features of the design which are new and distinctive are the features of shape and configuration of PEG GUIDE AND GUY ROPE ANCHOR as illustrated in the representations. Except for the peripheral shape and the hole, the features of shape and configuration of the bottom face visible in figs. 1 and 5 are not part of the design and are to be disregarded.**



- (21) Design Number: **14452/2009**
(22) Date of Filing Application: **13 November 2009**
(24) Date from which industrial property rights may have effect: **13 November 2009**
(54) Product in respect of which the design is registered: **Wall panel**
(51) International Design Classification: **25-01D**
(71) Name(s) and Address(s) of Applicant(s):

Kenneth Wayne Barwick
5 Marks Place Rockingham Western Australia 6168 Australia

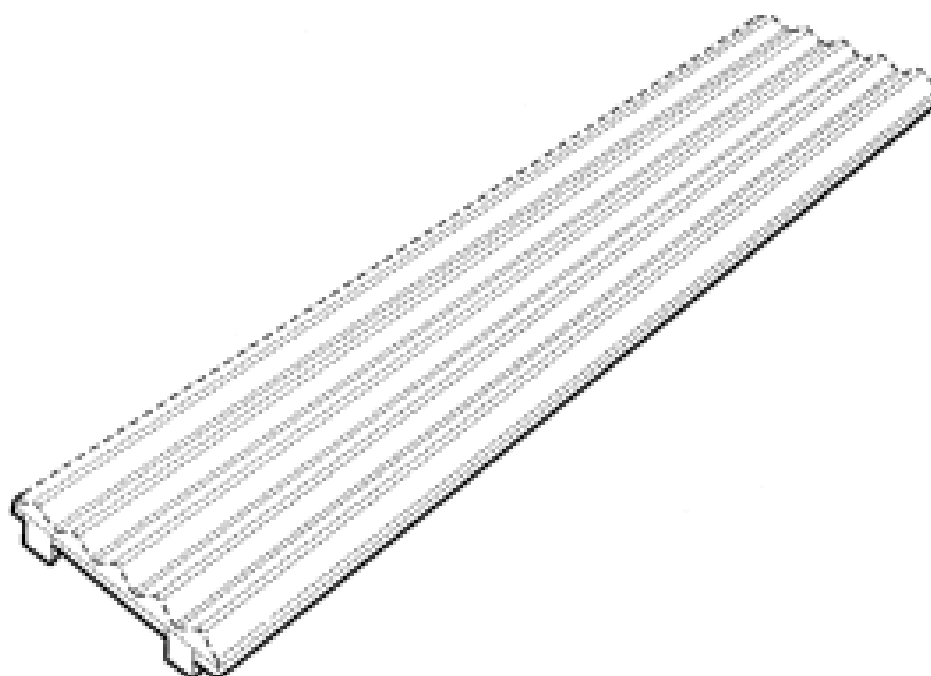
Peter Scheer
Lot 430 Leeming Road Avon Industrial Park Meenaar Northam
Western Australia 6401 Australia

- (72) Name(s) of Designer(s): **Peter Scheer and Kenneth Wayne Barwick**

- (45) Registration Date: **22 January 2010**

- (56) Related Art Documents: **Not Applicable**

- (57) Statement of Newness and Distinctiveness: **Newness and distinctiveness is claimed in the shape and configuration of the side A of the panel, including the connection lugs B and the recesses C, as shown in the representations. The shape and configuration of side D, and any pattern applied thereto, as depicted by broken lines in the representations, can vary and is to be disregarded in considering the extent of the monopoly provided by the registration.**



- (21) Design Number: **14453/2009**
(22) Date of Filing Application: **13 November 2009**
(24) Date from which industrial property rights may have effect: **13 November 2009**
(54) Product in respect of which the design is registered: **Wall panel**
(51) International Design Classification: **25-01D**
(71) Name(s) and Address(s) of Applicant(s):

Kenneth Wayne Barwick
5 Marks Place Rockingham Western Australia 6168 Australia

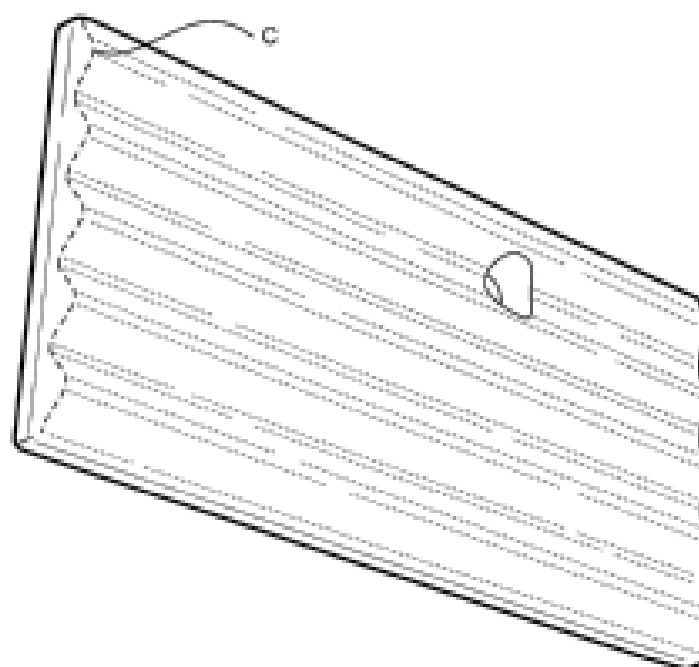
Peter Scheer
Lot 430 Leeming Road Avon Industrial Park Meenaar Northam
Western Australia 6401 Australia

- (72) Name(s) of Designer(s): **Peter Scheer and Kenneth Wayne Barwick**

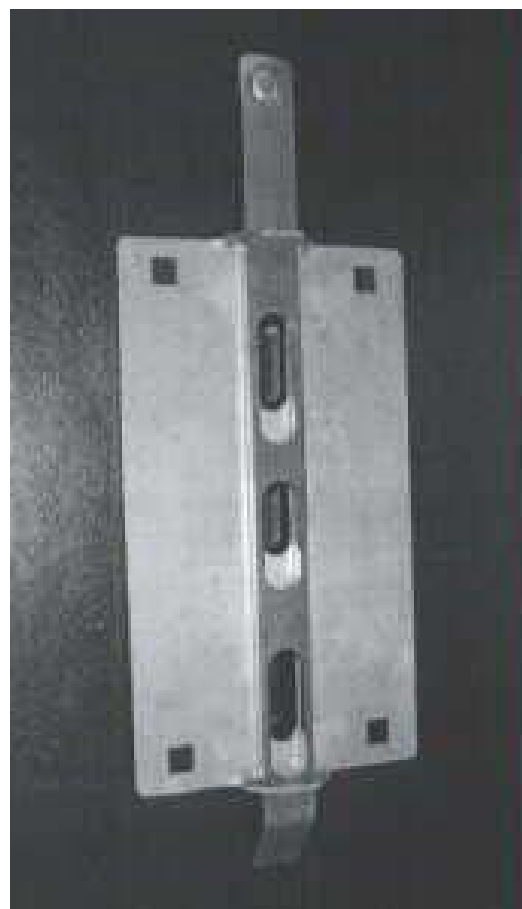
- (45) Registration Date: **22 January 2010**

- (56) Related Art Documents: **Not Applicable**

- (57) Statement of Newness and Distinctiveness: **Newness and distinctiveness is claimed in the shape and configuration of the side A of the panel, including the connection lugs B, as shown in the representations. The shape and configuration of side C and any pattern applied thereto, as depicted by broken lines in the representations, can vary and is to be disregarded in considering the extent of the monopoly provided by the registration.**



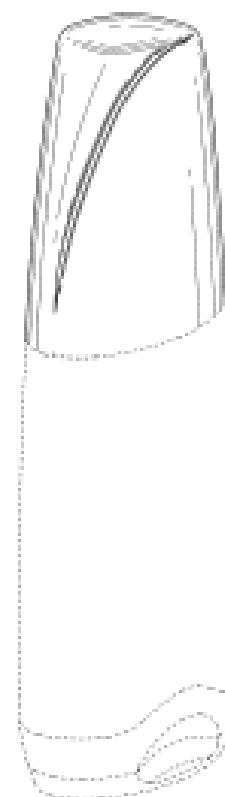
- (21) Design Number: **14532/2009**
(22) Date of Filing Application: **19 November 2009**
(24) Date from which industrial property rights may have effect: **19 November 2009**
(54) Product in respect of which the design is registered: **Self storage lock**
(51) International Design Classification: **08-07**
(71) Name(s) and Address(s) of Applicant(s):
B & D International Pty Ltd
34-36 Marigold Street Revesby New South Wales 2212 Australia
(72) Name(s) of Designer(s): **Robert Thompson**
(45) Registration Date: **22 January 2010**
(56) Related Art Documents: **Not Applicable**
(57) Statement of Newness and Distinctiveness: **Newness and distinctiveness is claimed in the visual features shown in the representations. In considering the extent of the design rights, the logo/image is to be disregarded and does not form part of the design.**



- (21) Design Number: **14620/2009**
(22) Date of Filing Application: **25 November 2009**
(24) Date from which industrial property rights may have effect: **25 November 2009**
(54) Product in respect of which the design is registered: **Bottle**
(51) International Design Classification: **09-01NES**
(71) Name(s) and Address(s) of Applicant(s):
Unilever PLC
Unilever House 100 Victoria Embankment London EC4Y ODY United Kingdom
(72) Name(s) of Designer(s): **Sunshine Judy Fiore and John David Almstead Jr and Matthew Scott Okin and Joey Gyomay Nakayama and Manfred Georg Friedrich Zscheile**
(45) Registration Date: **22 January 2010**
(30) Convention priority data:
(31) Number (32) Date (33) Country
29/315266 10 Jun 2009 UNITED STATES OF AMERICA
(56) Related Art Documents: **Not Applicable**
(57) Statement of Newness and Distinctiveness: **Newness and Distinctiveness is claimed in the visual features shown in solid lines in the representations.**



- (21) Design Number: **14621/2009**
(22) Date of Filing Application: **25 November 2009**
(24) Date from which industrial property rights may have effect: **25 November 2009**
(54) Product in respect of which the design is registered: **Bottle**
(51) International Design Classification: **09-01NES**
(71) Name(s) and Address(s) of Applicant(s):
Unilever PLC
Unilever House 100 Victoria Embankment London EC4Y ODY United Kingdom
(72) Name(s) of Designer(s): **Sunshine Judy Fiore and John David Almstead Jr and Matthew Scott Okin and Joey Gyomay Nakayama and Manfred Georg Friedrich Zscheile**
(45) Registration Date: **22 January 2010**
(30) Convention priority data:
(31) Number (32) Date (33) Country
29/315267 10 Jun 2009 UNITED STATES OF AMERICA
(56) Related Art Documents: **Not Applicable**
(57) Statement of Newness and Distinctiveness: **Newness and distinctiveness is claimed in the visual features shown in solid lines in the representations.**



- (21) Design Number: **14809/2009**
(22) Date of Filing Application: **08 December 2009**
(24) Date from which industrial property rights may have effect: **08 December 2009**
(54) Product in respect of which the design is registered: **Garment**
(51) International Design Classification: **02-02NES**
(71) Name(s) and Address(s) of Applicant(s):
Alyce Mary Platt
6 Thackeray Street Elwood Victoria 3184 Australia
(72) Name(s) of Designer(s): **Alyce Mary Platt**
(45) Registration Date: **22 January 2010**
(56) Related Art Documents: **Not Applicable**
(57) Statement of Newness and Distinctiveness: **The shape and configuration of the garment is new and distinctive. The garment may be made in fabric of any colour or pattern.**



(21) Design Number: **14933/2009**

(22) Date of Filing Application: **18 December 2009**

(24) Date from which industrial property rights may have effect: **18 December 2009**

(54) Product in respect of which the design is registered: **Inflatable water craft**

(51) International Design Classification: **12-06NES**

(71) Name(s) and Address(s) of Applicant(s):

Cameron John French
209 Camberwarra Drive Craigie Western Australia 6025 Australia

(72) Name(s) of Designer(s): **Cameron John French and Ashley Daniel Welke and Edward Joseph Khoury**

(45) Registration Date: **22 January 2010**

(56) Related Art Documents: **Not Applicable**

(57) Statement of Newness and Distinctiveness: **Newness and distinctiveness lies in the shape and configuration of the inflatable water craft shown in the accompanying representations. No claim is made to colours, patterns or ornamentation on the water craft.**



(21) Design Number: **15094/2009**

(22) Date of Filing Application: **18 December 2009**

(24) Date from which industrial property rights may have effect: **18 December 2009**

(54) Product in respect of which the design is registered: **Bicycle carrier**

(51) International Design Classification: **12-16K**

(71) Name(s) and Address(s) of Applicant(s):

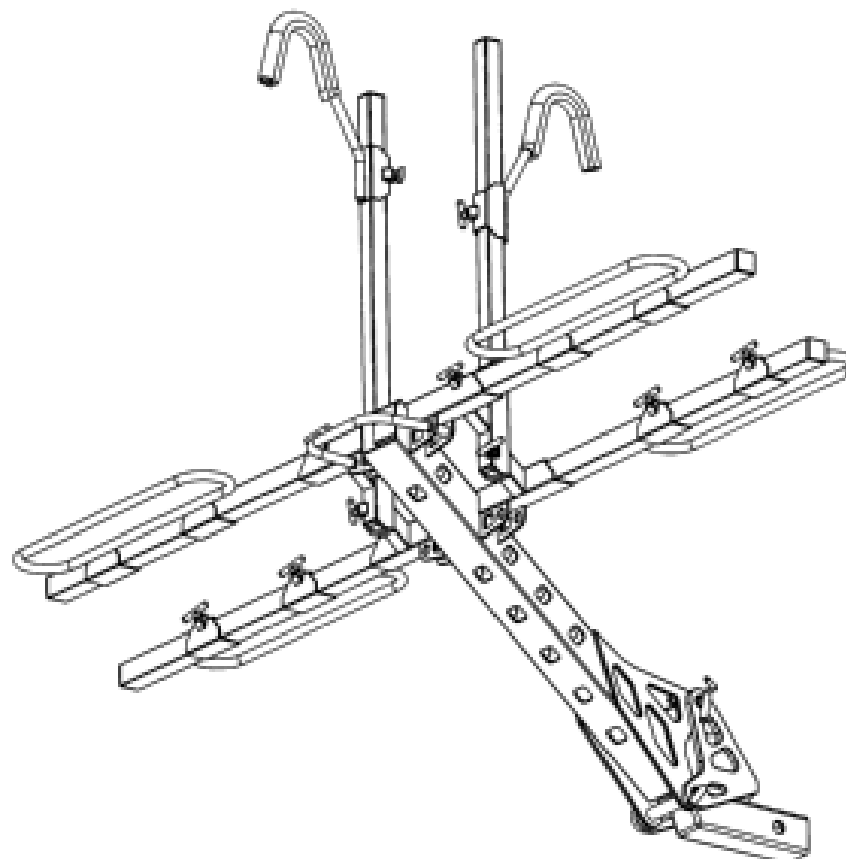
George Couyant
5 St Georges Avenue Templestowe Victoria 3106 Australia

(72) Name(s) of Designer(s): **George Couyant**

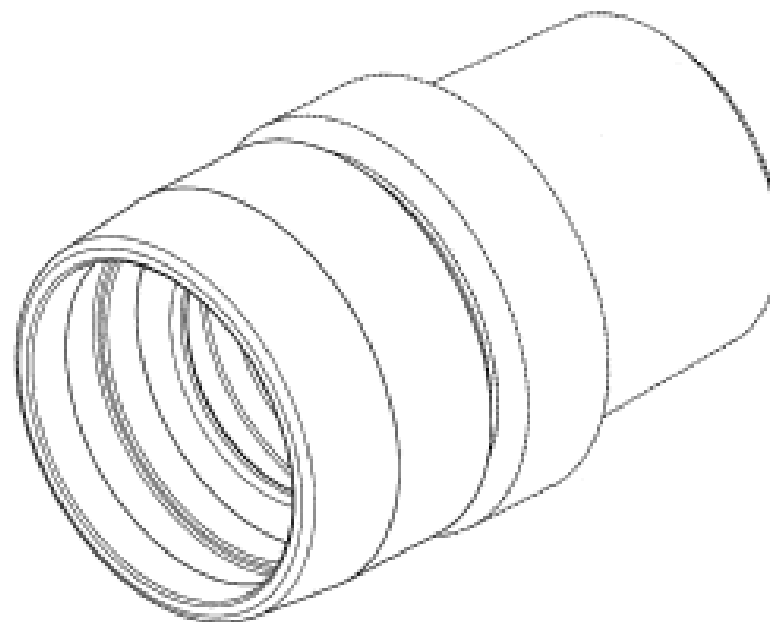
(45) Registration Date: **22 January 2010**

(56) Related Art Documents: **Not Applicable**

(57) Statement of Newness and Distinctiveness: **Newness and distinctiveness is claimed in the features of shape and/or configuration of a bicycle carrier as illustrated in the accompanying representations. Particularly distinctive visual features are the hinge mechanism and corner screw clamps. Main beam marked A can vary in length.**



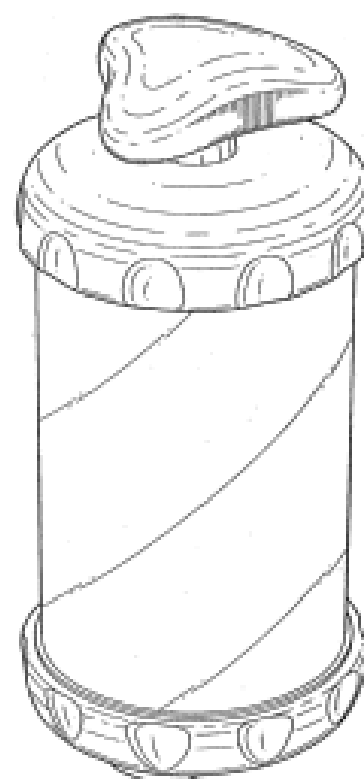
- (21) Design Number: **15044/2009**
(22) Date of Filing Application: **24 December 2009**
(24) Date from which industrial property rights may have effect: **24 December 2009**
(54) Product in respect of which the design is registered: **Tube coupling**
(51) International Design Classification: **23-01A**
(71) Name(s) and Address(s) of Applicant(s):
GSA Industries (Aust.) Pty Ltd
Level 54 Rialto 525 Collins Street Melbourne Victoria 3000 Australia
(72) Name(s) of Designer(s): **William Vernon Kluss and Gregory Morwood**
(45) Registration Date: **25 January 2010**
(56) Related Art Documents: **Not Applicable**
(57) Statement of Newness and Distinctiveness: **Newness and distinctiveness is claimed in the shape and/or configuration of a tube coupling as shown in the accompanying representations. The features shown in broken line are not part of the design and are to be disregarded when considering the overall impression of the design.**



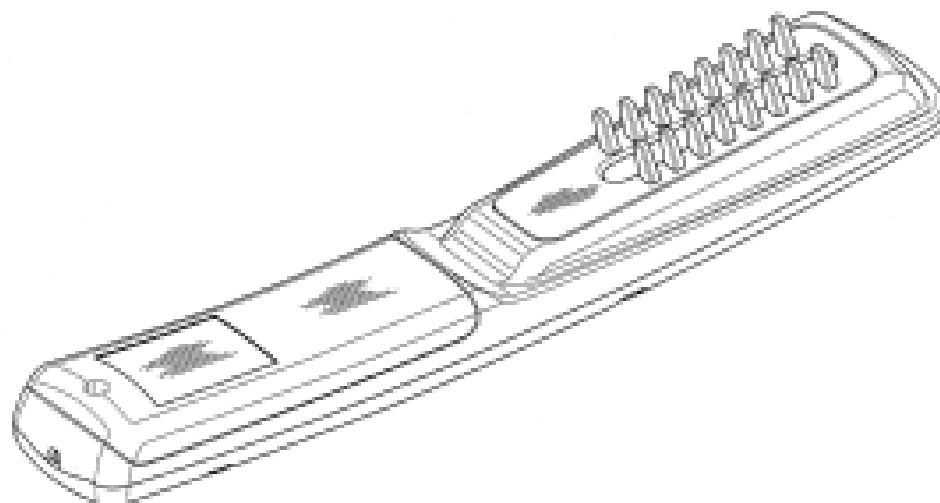
- (21) Design Number: **15054/2009**
(22) Date of Filing Application: **24 December 2009**
(24) Date from which industrial property rights may have effect: **24 December 2009**
(54) Product in respect of which the design is registered: **Cookie press**
(51) International Design Classification: **07-04**
(71) Name(s) and Address(s) of Applicant(s):
Columbia Insurance Company
3024 Harney Street Omaha Nebraska 68131 United States of America
(72) Name(s) of Designer(s): **E. Mark Harris and David A. Hayes**
(45) Registration Date: **25 January 2010**
(30) Convention priority data:

(31) Number	(32) Date	(33) Country
29/339757	07 Jul 2009	UNITED STATES OF AMERICA

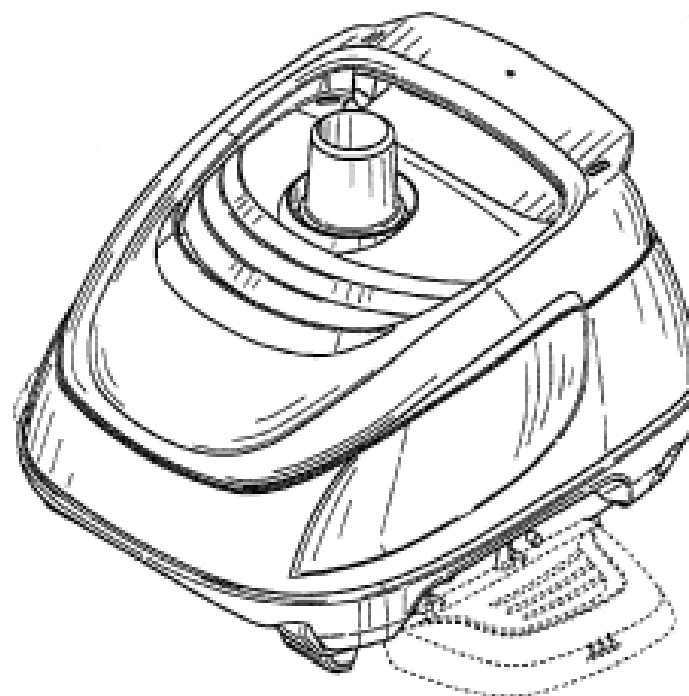
(56) Related Art Documents: **Not Applicable**
(57) Statement of Newness and Distinctiveness: **Newness and distinctiveness is claimed in the features of shape and/or configuration of a cookie press as illustrated in the accompanying representations.**



- (21) Design Number: **15055/2009**
(22) Date of Filing Application: **24 December 2009**
(24) Date from which industrial property rights may have effect: **24 December 2009**
(54) Product in respect of which the design is registered: **Laser comb**
(51) International Design Classification: **28-03D, 24-02**
(71) Name(s) and Address(s) of Applicant(s):
Lexington LaserComb IP AG
Marktplatz 4 9004 St. Gallen Switzerland
(72) Name(s) of Designer(s): **David Michaels and Henry Pearl**
(45) Registration Date: **25 January 2010**
(30) Convention priority data:
(31) Number (32) Date (33) Country
29/341621 10 Aug 2009 UNITED STATES OF AMERICA
(56) Related Art Documents: **Not Applicable**
(57) Statement of Newness and Distinctiveness: **Newness and distinctiveness is claimed in the features of shape and/or configuration of a laser comb as illustrated in the accompanying representations.**



- (21) Design Number: **15061/2009**
(22) Date of Filing Application: **24 December 2009**
(24) Date from which industrial property rights may have effect: **24 December 2009**
(54) Product in respect of which the design is registered: **Pool cleaner**
(51) International Design Classification: **15-05**
(71) Name(s) and Address(s) of Applicant(s):
Hayward Industries, Inc.
620 Division Street Elizabeth New Jersey 07201 United States of America
(72) Name(s) of Designer(s): **G. Frank Dye and Marchal DePasquale and Paul V. Watkins and Benoit Orban and Mario Gagnon**
(45) Registration Date: **25 January 2010**
(30) Convention priority data:
(31) Number (32) Date (33) Country
29/315,518 01 Jul 2009 UNITED STATES OF AMERICA
(56) Related Art Documents: **Not Applicable**
(57) Statement of Newness and Distinctiveness: **Newness and distinctiveness is claimed in the shape and/or configuration of a Pool Cleaner as illustrated in the representations and in considering the extent of the newness and distinctiveness of the shape and/or configuration of the Pool Cleaner, the detail shown in phantom is to be disregarded.**



(21) Design Number: **15064/2009**
(22) Date of Filing Application: **24 December 2009**
(24) Date from which industrial property rights may have effect: **24 December 2009**
(54) Product in respect of which the design is registered: **A lighting device**
(51) International Design Classification: **26-02**
(71) Name(s) and Address(s) of Applicant(s):

Eveready Battery Company, Inc.
533 Maryville University Drive St Louis Missouri 63141 United States of America

(72) Name(s) of Designer(s): **John R. Brown and Angelo Kotsis**

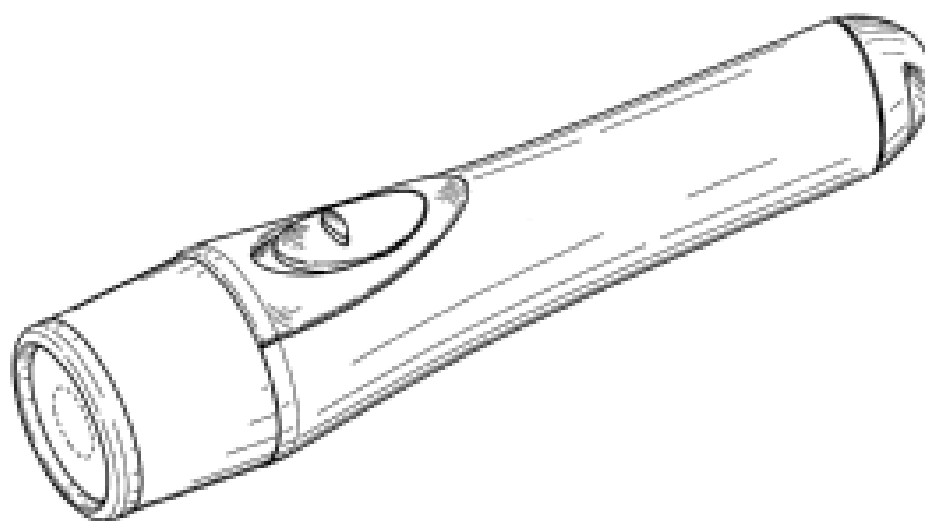
(45) Registration Date: **25 January 2010**

(30) Convention priority data:

(31) Number	(32) Date	(33) Country
29/341321	04 Aug 2009	UNITED STATES OF AMERICA

(56) Related Art Documents: **Not Applicable**

(57) Statement of Newness and Distinctiveness: **Newness and distinctiveness is claimed in the shape and or configuration of a lighting device as illustrated in the representations. The representations use lines to represent shading to assist in the illustration of features of shape and or configuration. Such shading does not form part of the design. The features shown in broken lines do not form part of the design.**



(21) Design Number: **15065/2009**
(22) Date of Filing Application: **24 December 2009**
(24) Date from which industrial property rights may have effect: **24 December 2009**
(54) Product in respect of which the design is registered: **Document tray**
(51) International Design Classification: **19-02**
(71) Name(s) and Address(s) of Applicant(s):

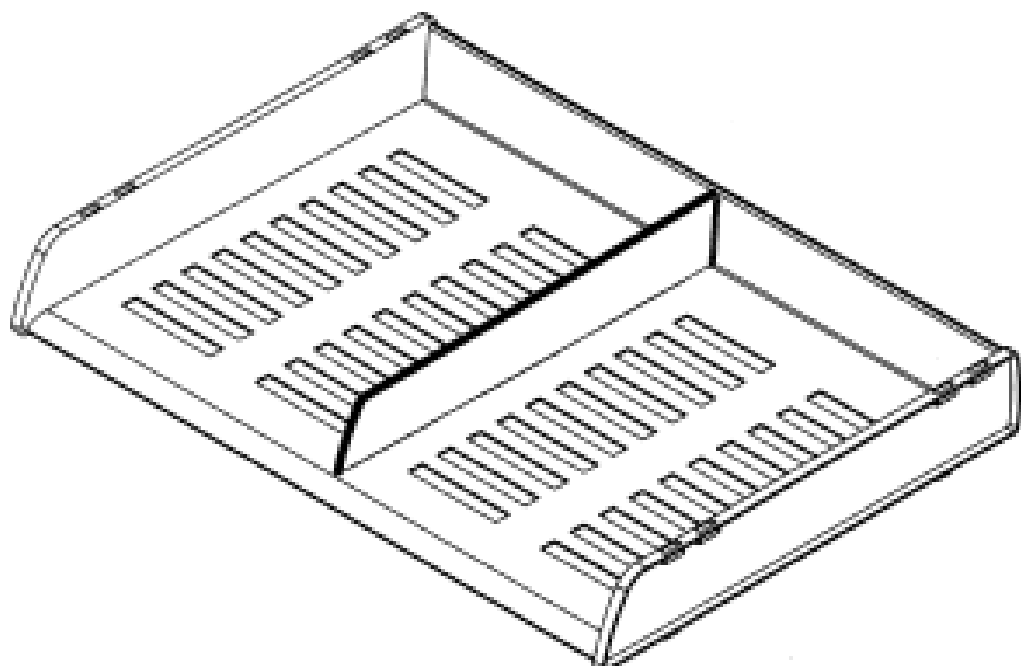
Rella Plastics Pty Ltd
43-45 Kylta Road West Heidelberg Victoria 3081 Australia

(72) Name(s) of Designer(s): **Lou Ciavarella**

(45) Registration Date: **25 January 2010**

(56) Related Art Documents: **Not Applicable**

(57) Statement of Newness and Distinctiveness: **Nil**



(21) Design Number: **15066/2009**

(22) Date of Filing Application: **24 December 2009**

(24) Date from which industrial property rights may have effect: **24 December 2009**

(54) Product in respect of which the design is registered: **Tile**

(51) International Design Classification: **25-01F**

(71) Name(s) and Address(s) of Applicant(s):

Everstone Pty Ltd

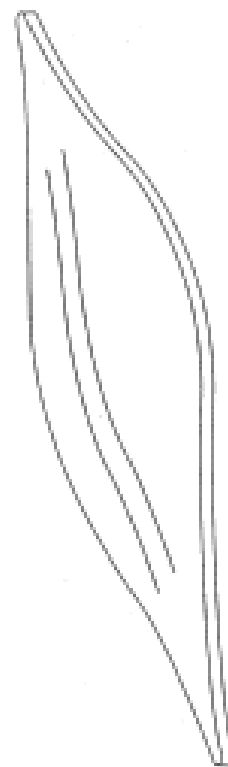
8 George Young Street Auburn New South Wales 2144 Australia

(72) Name(s) of Designer(s): **John Zeng**

(45) Registration Date: **25 January 2010**

(56) Related Art Documents: **Not Applicable**

(57) Statement of Newness and Distinctiveness: **Newness and distinctiveness is claimed in a tile as shown in the drawings.**



(21) Design Number: **15067/2009**

(22) Date of Filing Application: **24 December 2009**

(24) Date from which industrial property rights may have effect: **24 December 2009**

(54) Product in respect of which the design is registered: **Elongate tile**

(51) International Design Classification: **25-01F**

(71) Name(s) and Address(s) of Applicant(s):

Everstone Pty Ltd

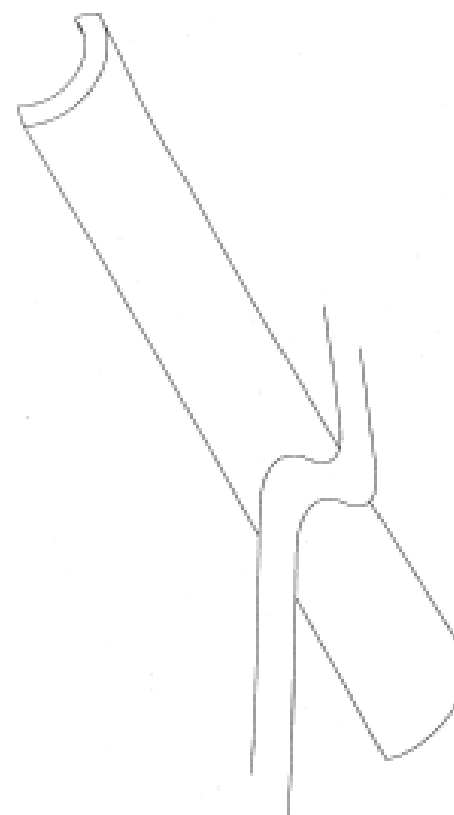
8 George Young Street Auburn New South Wales 2144 Australia

(72) Name(s) of Designer(s): **John Zeng**

(45) Registration Date: **25 January 2010**

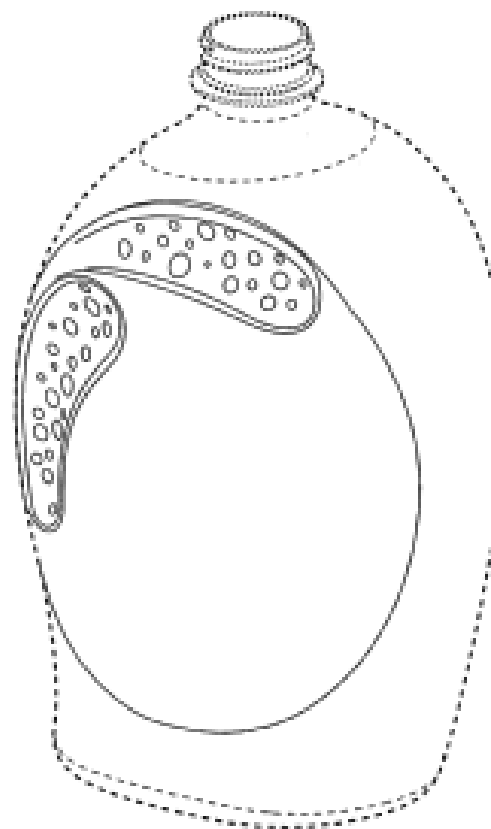
(56) Related Art Documents: **Not Applicable**

(57) Statement of Newness and Distinctiveness: **Newness and distinctiveness is claimed in an elongate tile as shown in the drawings having a waisted cross section in plan view and side view.**



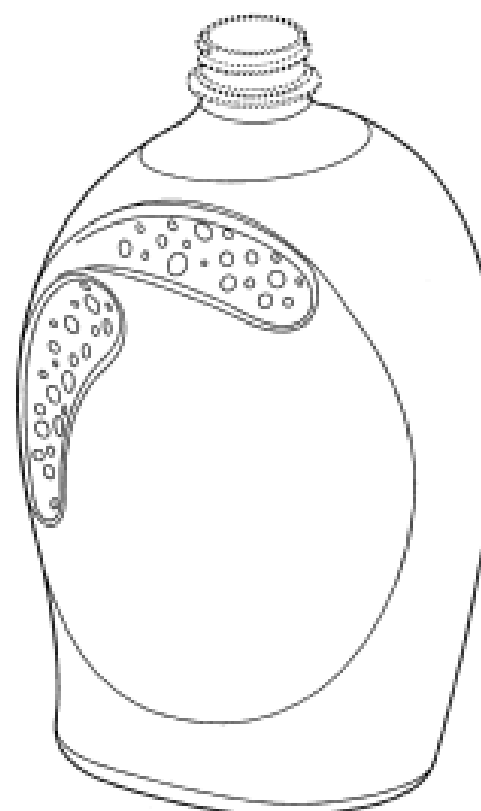
- (21) Design Number: **15072/2009**
- (22) Date of Filing Application: **24 December 2009**
- (24) Date from which industrial property rights may have effect: **24 December 2009**
- (54) Product in respect of which the design is registered: **Container**
- (51) International Design Classification: **09-01K**
- (71) Name(s) and Address(s) of Applicant(s):
Colgate-Palmolive Company
300 Park Avenue New York New York 10022 United States of America
- (72) Name(s) of Designer(s): **Kiat Cheong Toh and John Lamb and Will Maskell and Alan Whiting and Tom Walton and Corinne Elstow**
- (45) Registration Date: **25 January 2010**
- (30) Convention priority data:

(31) Number	(32) Date	(33) Country
29/339431	30 Jun 2009	UNITED STATES OF AMERICA
- (56) Related Art Documents: **Not Applicable**
- (57) Statement of Newness and Distinctiveness: **Newness and distinctiveness reside in the features of the design shown in solid lines in the representations excluding those features shown in broken lines.**



- (21) Design Number: **15073/2009**
- (22) Date of Filing Application: **24 December 2009**
- (24) Date from which industrial property rights may have effect: **24 December 2009**
- (54) Product in respect of which the design is registered: **Container**
- (51) International Design Classification: **09-01K**
- (71) Name(s) and Address(s) of Applicant(s):
Colgate-Palmolive Company
300 Park Avenue New York New York 10022 United States of America
- (72) Name(s) of Designer(s): **Kiat Cheong Toh and John Lamb and Will Maskell and Alan Whiting and Tom Walton and Corinne Elstow**
- (45) Registration Date: **25 January 2010**
- (30) Convention priority data:

(31) Number	(32) Date	(33) Country
29/339432	30 Jun 2009	UNITED STATES OF AMERICA
- (56) Related Art Documents: **Not Applicable**
- (57) Statement of Newness and Distinctiveness: **Newness and distinctiveness reside in the features of the design shown in solid lines in the representations excluding those features shown in broken lines.**



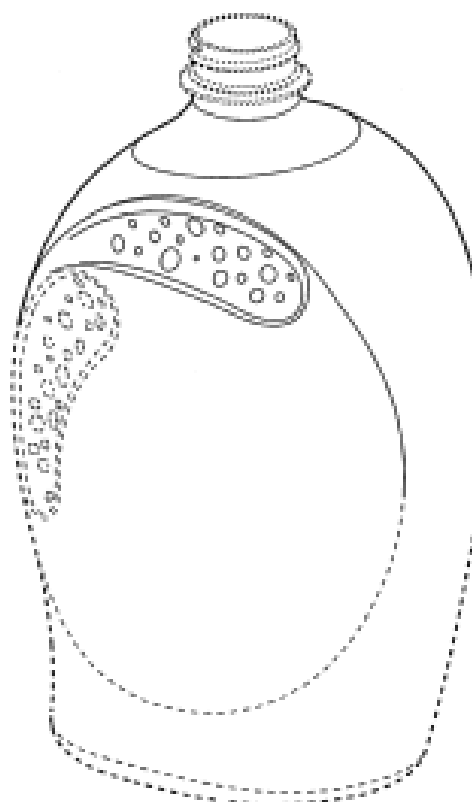
- (21) Design Number: **15074/2009**
- (22) Date of Filing Application: **24 December 2009**
- (24) Date from which industrial property rights may have effect: **24 December 2009**
- (54) Product in respect of which the design is registered: **Container**
- (51) International Design Classification: **09-01K**
- (71) Name(s) and Address(s) of Applicant(s):
Colgate-Palmolive Company
300 Park Avenue New York New York 10022 United States of America
- (72) Name(s) of Designer(s): **Kiat Cheong Toh and John Lamb and Will Maskell and Alan Whiting and Tom Walton and Corinne Elstow**
- (45) Registration Date: **25 January 2010**
- (30) Convention priority data:

(31) Number	(32) Date	(33) Country
29/339421	30 Jun 2009	UNITED STATES OF AMERICA
- (56) Related Art Documents: **Not Applicable**
- (57) Statement of Newness and Distinctiveness: **Newness and distinctiveness reside in the features of the design shown in solid lines in the representations excluding those features shown in broken lines.**



- (21) Design Number: **15075/2009**
- (22) Date of Filing Application: **24 December 2009**
- (24) Date from which industrial property rights may have effect: **24 December 2009**
- (54) Product in respect of which the design is registered: **Container**
- (51) International Design Classification: **09-01K**
- (71) Name(s) and Address(s) of Applicant(s):
Colgate-Palmolive Company
300 Park Avenue New York New York 10022 United States of America
- (72) Name(s) of Designer(s): **Kiat Cheong Toh and John Lamb and Will Maskell and Alan Whiting and Tom Walton and Corinne Elstow**
- (45) Registration Date: **25 January 2010**
- (30) Convention priority data:

(31) Number	(32) Date	(33) Country
29/339430	30 Jun 2009	UNITED STATES OF AMERICA
- (56) Related Art Documents: **Not Applicable**
- (57) Statement of Newness and Distinctiveness: **Newness and distinctiveness reside in the features of the design shown in solid lines in the representations excluding those features shown in broken lines.**



(21) Design Number: **15076/2009**

(22) Date of Filing Application: **24 December 2009**

(24) Date from which industrial property rights may have effect: **24 December 2009**

(54) Product in respect of which the design is registered: **Cap for a container**

(51) International Design Classification: **09-07C**

(71) Name(s) and Address(s) of Applicant(s):

Colgate-Palmolive Company
300 Park Avenue New York New York 10022 United States of America

(72) Name(s) of Designer(s): **Peter J. Fallat II and Bruce Cummings and Brian Worthington**

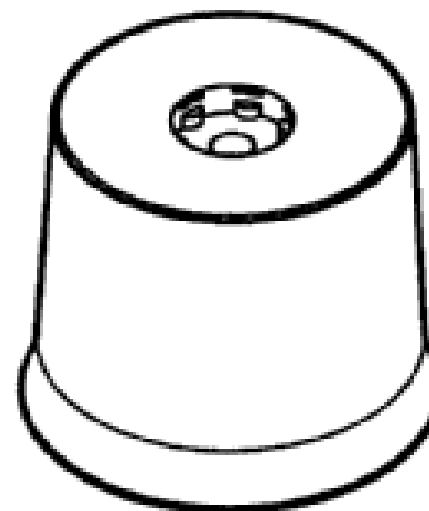
(45) Registration Date: **25 January 2010**

(30) Convention priority data:

(31) Number	(32) Date	(33) Country
29/339566	02 Jul 2009	UNITED STATES OF AMERICA

(56) Related Art Documents: **Not Applicable**

(57) Statement of Newness and Distinctiveness: **Newness and distinctiveness reside in the features of the design as shown in the representations.**



(21) Design Number: **15077/2009**

(22) Date of Filing Application: **24 December 2009**

(24) Date from which industrial property rights may have effect: **24 December 2009**

(54) Product in respect of which the design is registered: **Container**

(51) International Design Classification: **09-01K**

(71) Name(s) and Address(s) of Applicant(s):

Colgate-Palmolive Company
300 Park Avenue New York New York 10022 United States of America

(72) Name(s) of Designer(s): **John Lamb and Will Maskell and Alan Whiting and Tom Walton and Corinne Elstow and Kiat Cheong Toh**

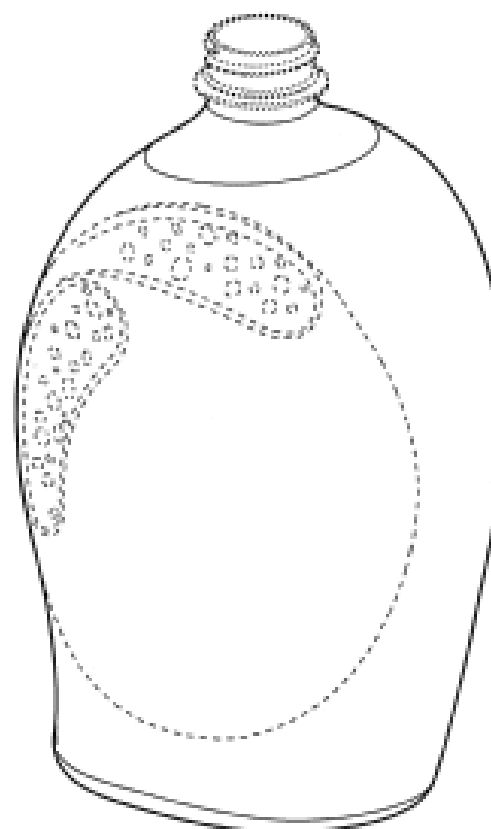
(45) Registration Date: **25 January 2010**

(30) Convention priority data:

(31) Number	(32) Date	(33) Country
29/339429	30 Jun 2009	UNITED STATES OF AMERICA

(56) Related Art Documents: **Not Applicable**

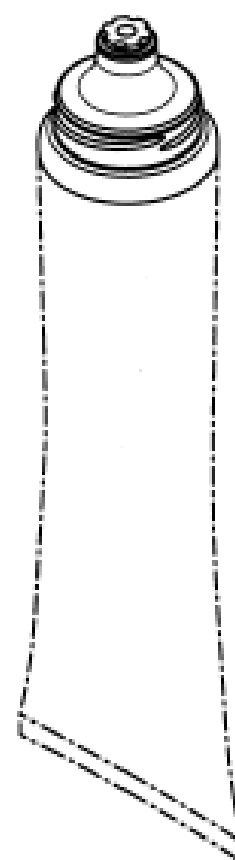
(57) Statement of Newness and Distinctiveness: **Newness and distinctiveness reside in the features of the design as shown in solid lines in the representations excluding those features shown in broken lines.**



(21) Design Number: **15078/2009**
 (22) Date of Filing Application: **24 December 2009**
 (24) Date from which industrial property rights may have effect: **24 December 2009**
 (54) Product in respect of which the design is registered: **Shoulder for a container**
 (51) International Design Classification: **09-07C, 09-05**
 (71) Name(s) and Address(s) of Applicant(s):
Colgate-Palmolive Company
300 Park Avenue New York New York 10022 United States of America
 (72) Name(s) of Designer(s): **Peter J. Fallat II and Bruce Cummings and Brian Worthington**
 (45) Registration Date: **25 January 2010**
 (30) Convention priority data:

(31) Number	(32) Date	(33) Country
29/339571	02 Jul 2009	UNITED STATES OF AMERICA

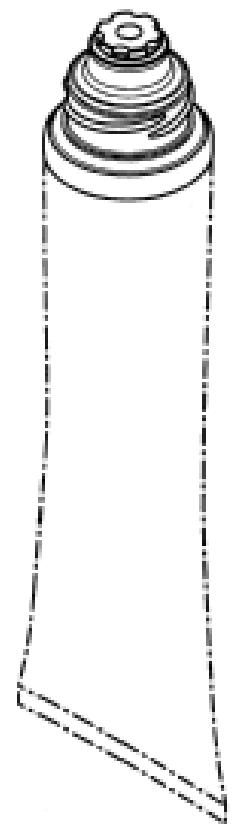
 (56) Related Art Documents: **Not Applicable**
 (57) Statement of Newness and Distinctiveness: **Newness and distinctiveness reside in the features of the design as shown in solid lines in the representations excluding those features shown in broken lines.**



(21) Design Number: **15079/2009**
 (22) Date of Filing Application: **24 December 2009**
 (24) Date from which industrial property rights may have effect: **24 December 2009**
 (54) Product in respect of which the design is registered: **Shoulder for a container**
 (51) International Design Classification: **09-07C, 09-05**
 (71) Name(s) and Address(s) of Applicant(s):
Colgate-Palmolive Company
300 Park Avenue New York New York 10022 United States of America
 (72) Name(s) of Designer(s): **Peter J. Fallat II and Bruce Cummings and Brian Worthington**
 (45) Registration Date: **25 January 2010**
 (30) Convention priority data:

(31) Number	(32) Date	(33) Country
29/339569	02 Jul 2009	UNITED STATES OF AMERICA

 (56) Related Art Documents: **Not Applicable**
 (57) Statement of Newness and Distinctiveness: **Newness and distinctiveness reside in the features of the design as shown in solid lines in the representations excluding those features shown in broken lines.**



(21) Design Number: **14474/2009**

(22) Date of Filing Application: **17 November 2009**

(24) Date from which industrial property rights may have effect: **17 November 2009**

(54) Product in respect of which the design is registered: **Electrical plug**

(51) International Design Classification: **13-03D**

(71) Name(s) and Address(s) of Applicant(s):

Legrand Australia Pty Ltd

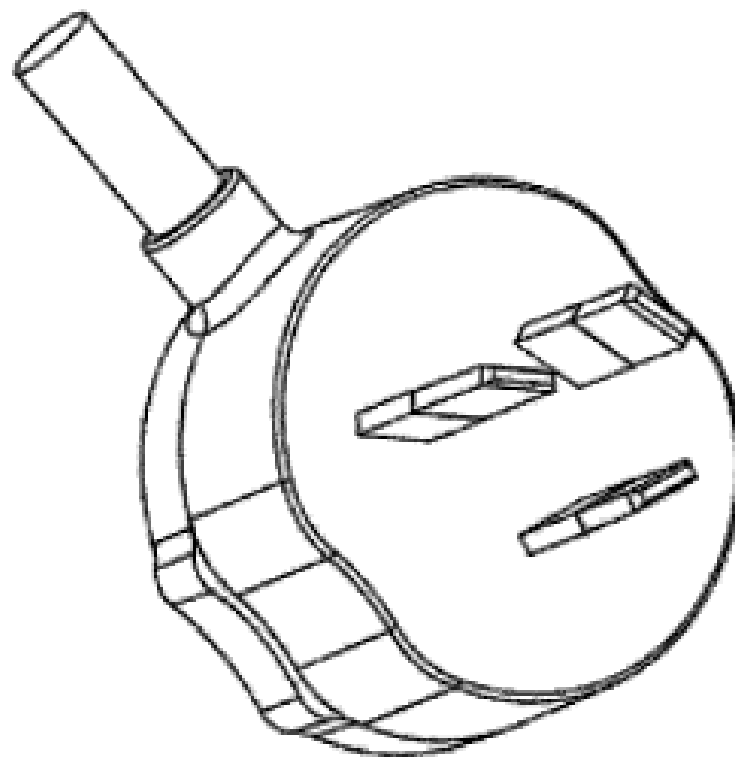
Unit 99 79-99 St Hilliers Road Auburn New South Wales 2144 Australia

(72) Name(s) of Designer(s): **Pradeep Anirudhan**

(45) Registration Date: **27 January 2010**

(56) Related Art Documents: **Not Applicable**

(57) Statement of Newness and Distinctiveness: **Nil**



(21) Design Number: **14475/2009**

(22) Date of Filing Application: **17 November 2009**

(24) Date from which industrial property rights may have effect: **17 November 2009**

(54) Product in respect of which the design is registered: **Switch actuating dolly cover**

(51) International Design Classification: **13-03D**

(71) Name(s) and Address(s) of Applicant(s):

Legrand Australia Pty Ltd

Unit 99 79-99 St Hilliers Road Auburn New South Wales 2144 Australia

(72) Name(s) of Designer(s): **Florent Glennison and Dinesh Vijayaraman**

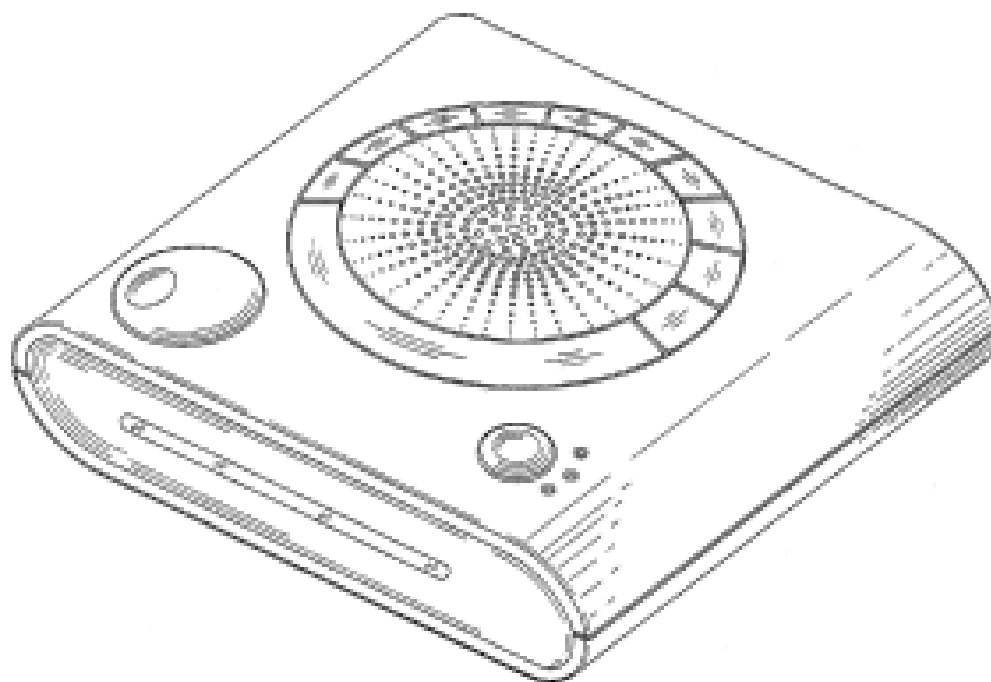
(45) Registration Date: **27 January 2010**

(56) Related Art Documents: **Not Applicable**

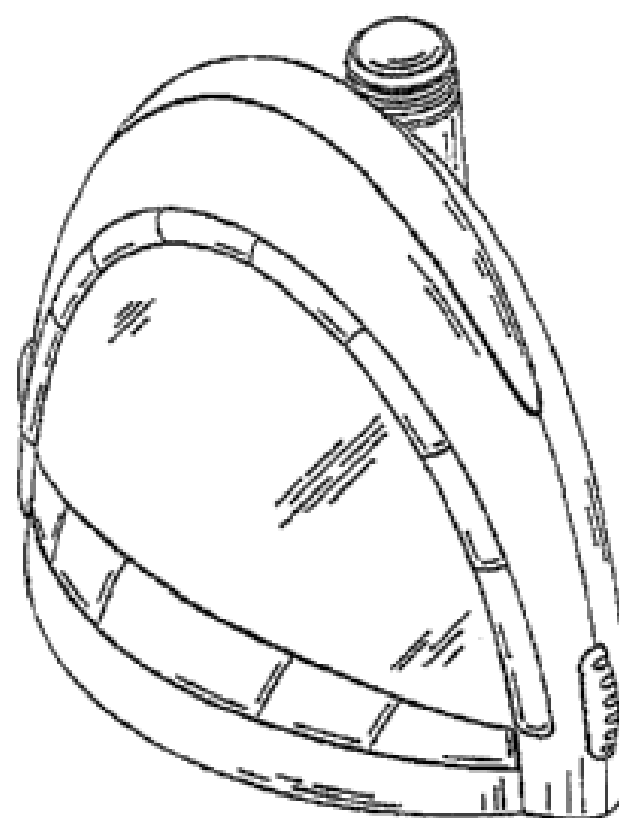
(57) Statement of Newness and Distinctiveness: **Newness and distinctiveness resides in the shape, configuration and pattern of the front face of the dolly cover shown in the accompanying drawings.**



(21) Design Number: **15023/2009**
 (22) Date of Filing Application: **23 December 2009**
 (24) Date from which industrial property rights may have effect: **23 December 2009**
 (54) Product in respect of which the design is registered: **Sound machine with a nightlight**
 (51) International Design Classification: **10-05**
 (71) Name(s) and Address(s) of Applicant(s):
FKA Distributing Co. doing business as HoMedics, Inc.
3000 Pontiac Trail Commerce Township Michigan 48390 United States of America
 (72) Name(s) of Designer(s): **Mordechai Lev and Sarah Moeggenberg and Robert T. McCulloch**
 (45) Registration Date: **27 January 2010**
 (30) Convention priority data:
 (31) Number (32) Date (33) Country
29/339341 29 Jun 2009 UNITED STATES OF AMERICA
 (56) Related Art Documents: **Not Applicable**
 (57) Statement of Newness and Distinctiveness: **Newness and distinctiveness resides in the features of shape and configuration of a sound machine with a nightlight as illustrated in solid lines in the accompanying drawings.**



(21) Design Number: **15024/2009**
 (22) Date of Filing Application: **23 December 2009**
 (24) Date from which industrial property rights may have effect: **23 December 2009**
 (54) Product in respect of which the design is registered: **Projection alarm clock**
 (51) International Design Classification: **10-01, 10-05**
 (71) Name(s) and Address(s) of Applicant(s):
FKA Distributing Co. doing business as HoMedics, Inc.
3000 Pontiac Trail Commerce Township Michigan 48390 United States of America
 (72) Name(s) of Designer(s): **Ron Tsang and Sarah Moeggenberg and Mordechai Lev**
 (45) Registration Date: **27 January 2010**
 (30) Convention priority data:
 (31) Number (32) Date (33) Country
29/339322 29 Jun 2009 UNITED STATES OF AMERICA
 (56) Related Art Documents: **Not Applicable**
 (57) Statement of Newness and Distinctiveness: **Nil**



(21) Design Number: **15026/2009**

(22) Date of Filing Application: **23 December 2009**

(24) Date from which industrial property rights may have effect: **23 December 2009**

(54) Product in respect of which the design is registered: **Breathing mask**

(51) International Design Classification: **29-02**

(71) Name(s) and Address(s) of Applicant(s):

Scott Health & Safety Ltd
Pimbo Road West Pimbo Skelmersdale Lancs WN8 9RA United Kingdom

(72) Name(s) of Designer(s): **Juha I. Hirsimaki and Esko J. Jalkanen and Aniiti U. Seppala and Sally Leyland and Robert Carr**

(45) Registration Date: **27 January 2010**

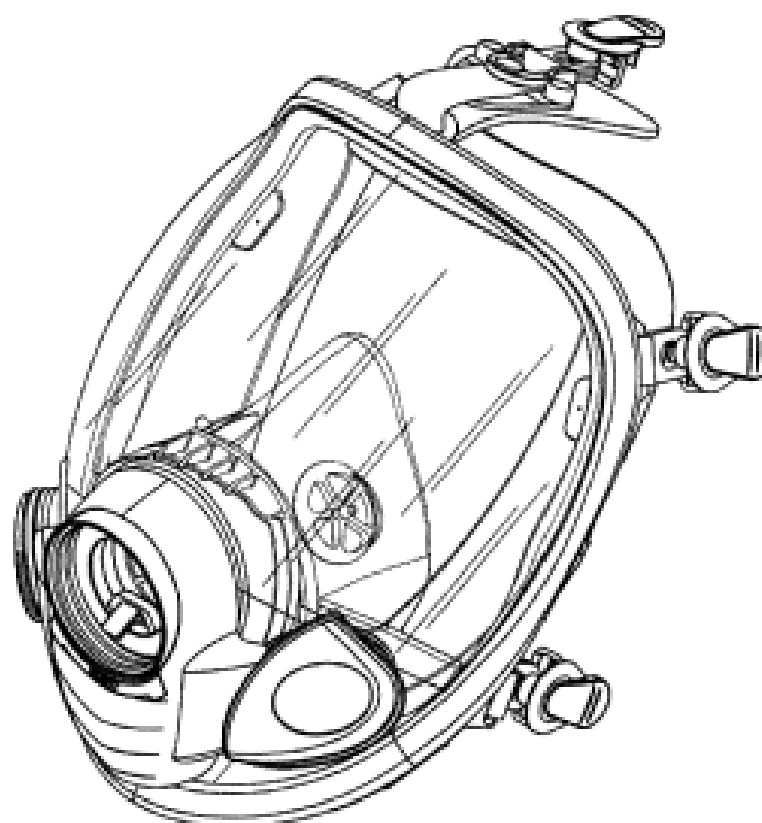
(30) Convention priority data:

(31) Number (32) Date
001148795-0002 24 Jun 2009

(33) Country
EUROPEAN PATENT OFFICE (EPO)

(56) Related Art Documents: **Not Applicable**

(57) Statement of Newness and Distinctiveness: **We submit a Statement of Newness and Distinctiveness (set out below) in respect of particular visual features of "the design", but in so doing do not imply that other visual features of the design lack newness or distinctiveness. Statement of Newness and Distinctiveness: The shape, configuration, shape and configuration of the design of the product is new and distinctive.**



(21) Design Number: **15027/2009**

(22) Date of Filing Application: **23 December 2009**

(24) Date from which industrial property rights may have effect: **23 December 2009**

(54) Product in respect of which the design is registered: **Breathing mask**

(51) International Design Classification: **29-02**

(71) Name(s) and Address(s) of Applicant(s):

Scott Health & Safety Ltd
Pimbo Road West Pimbo Skelmersdale Lancs WN8 9RA United Kingdom

(72) Name(s) of Designer(s): **Christopher Sumner and Barry Lewin and Paul Hensey and Sally Leyland and Robert Carr**

(45) Registration Date: **27 January 2010**

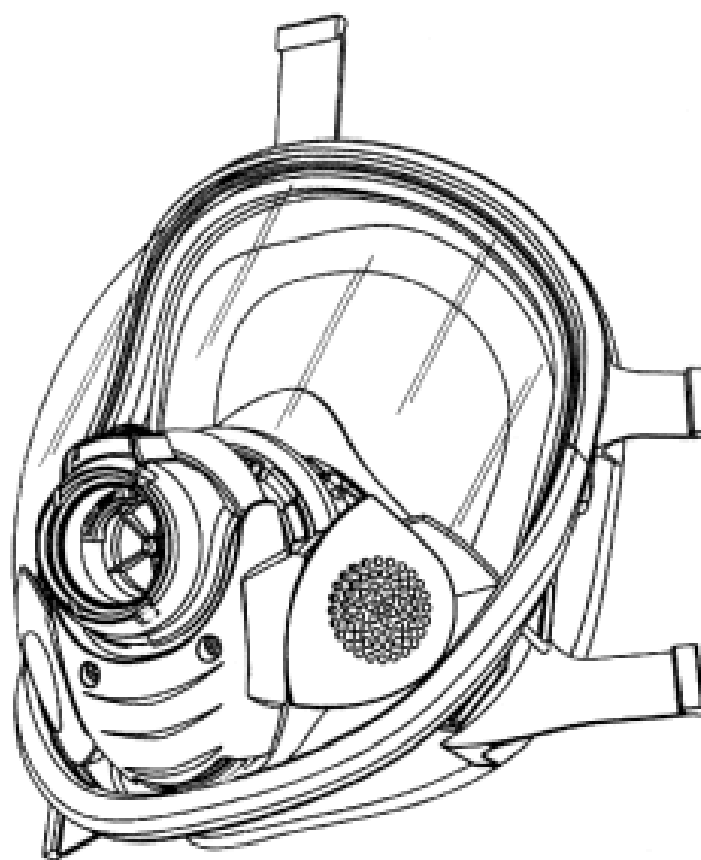
(30) Convention priority data:

(31) Number (32) Date
001148795-0001 24 Jun 2009

(33) Country
EUROPEAN PATENT OFFICE (EPO)

(56) Related Art Documents: **Not Applicable**

(57) Statement of Newness and Distinctiveness: **We submit a Statement of Newness and Distinctiveness (set out below) in respect of particular visual features of "the design", but in so doing do not imply that other visual features of the design lack newness or distinctiveness. Statement of Newness and Distinctiveness: The shape, configuration, shape and configuration of the design of the product is new and distinctive.**



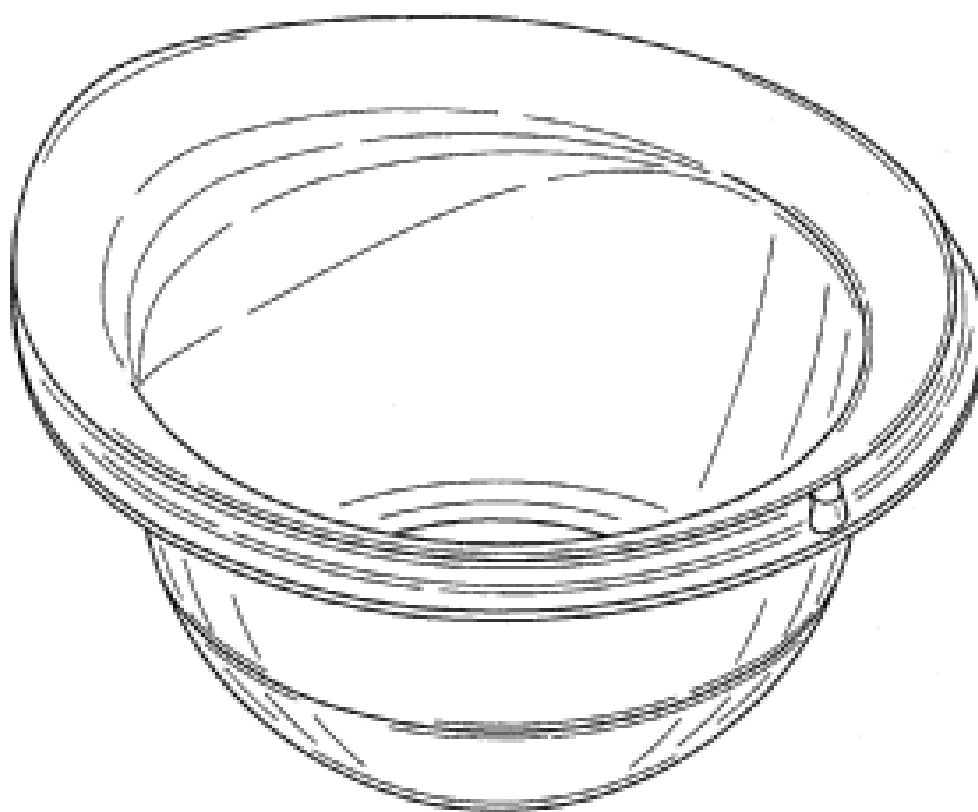
(21) Design Number: **15028/2009**
(22) Date of Filing Application: **23 December 2009**
(24) Date from which industrial property rights may have effect: **23 December 2009**
(54) Product in respect of which the design is registered: **Air freshener device**
(51) International Design Classification: **28-99**
(71) Name(s) and Address(s) of Applicant(s):
Reckitt & Colman (Overseas) Limited
103-105 Bath Road Slough SL1 3UH United Kingdom
(72) Name(s) of Designer(s): **Mario Alexander Turchi**
(45) Registration Date: **27 January 2010**
(30) Convention priority data:
(31) Number (32) Date (33) Country
29/339585 02 Jul 2009 UNITED STATES OF AMERICA
(56) Related Art Documents: **Not Applicable**
(57) Statement of Newness and Distinctiveness: **Newness and distinctiveness reside in the features of the design as shown in the representations.**



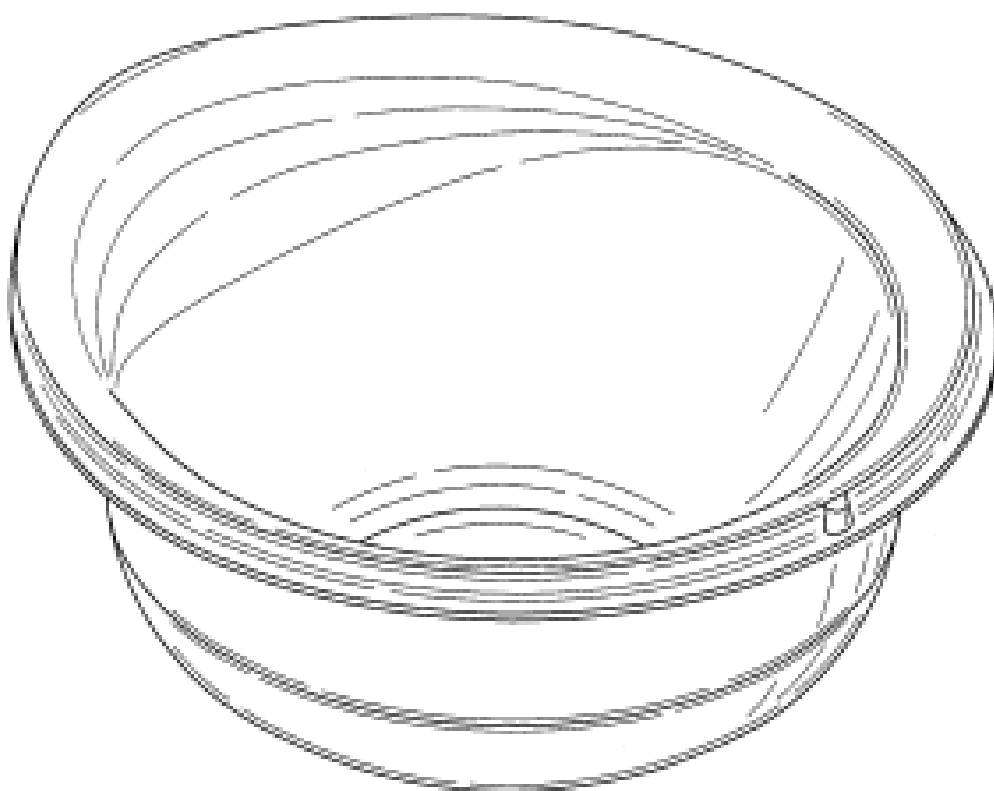
(21) Design Number: **15029/2009**
(22) Date of Filing Application: **23 December 2009**
(24) Date from which industrial property rights may have effect: **23 December 2009**
(54) Product in respect of which the design is registered: **Air freshener device**
(51) International Design Classification: **28-99**
(71) Name(s) and Address(s) of Applicant(s):
Reckitt & Colman (Overseas) Limited
103-105 Bath Road Slough SL1 3UH United Kingdom
(72) Name(s) of Designer(s): **Mario Alexander Turchi**
(45) Registration Date: **27 January 2010**
(30) Convention priority data:
(31) Number (32) Date (33) Country
29/339585 02 Jul 2009 UNITED STATES OF AMERICA
(56) Related Art Documents: **Not Applicable**
(57) Statement of Newness and Distinctiveness: **Newness and distinctiveness reside in the features of the design as shown in the representations.**



(21) Design Number: **15030/2009**
(22) Date of Filing Application: **23 December 2009**
(24) Date from which industrial property rights may have effect: **23 December 2009**
(54) Product in respect of which the design is registered: **Container**
(51) International Design Classification: **07-01B**
(71) Name(s) and Address(s) of Applicant(s):
Dart Industries, Inc.
14901 S. Orange Blossom Trail Orlando Florida 32837 United States of America
(72) Name(s) of Designer(s): **Jakob Heiberg and Jan-Hendrik De Groot**
(45) Registration Date: **27 January 2010**
(30) Convention priority data:
(31) Number (32) Date (33) Country
29/315,723 17 Jul 2009 UNITED STATES OF AMERICA
(56) Related Art Documents: **Not Applicable**
(57) Statement of Newness and Distinctiveness: **Those features of the container depicted in the representations that are new and distinctive are the shape and/or configuration.**



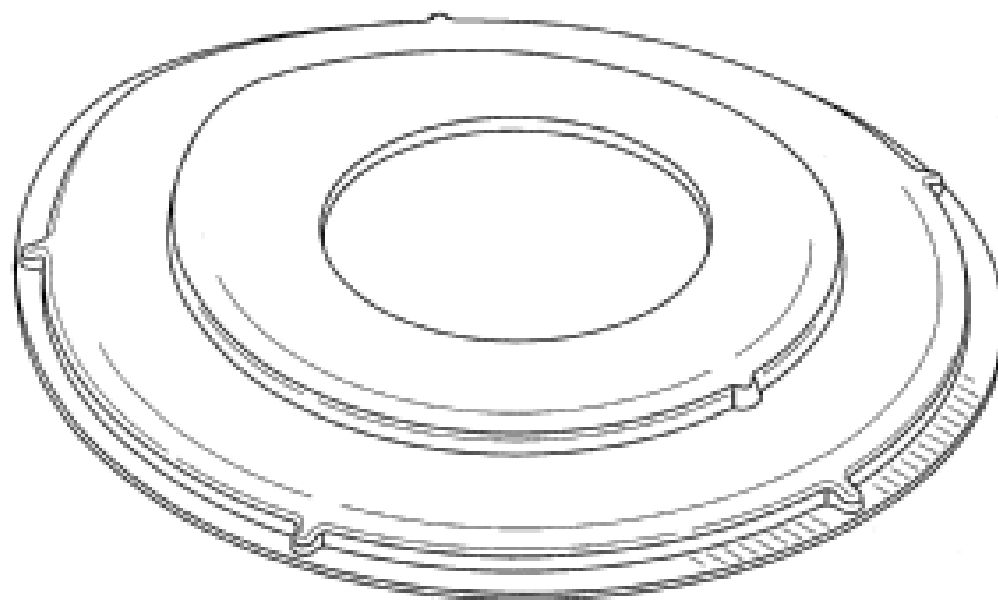
(21) Design Number: **15031/2009**
(22) Date of Filing Application: **23 December 2009**
(24) Date from which industrial property rights may have effect: **23 December 2009**
(54) Product in respect of which the design is registered: **Container**
(51) International Design Classification: **07-01B**
(71) Name(s) and Address(s) of Applicant(s):
Dart Industries Inc.
14901 S. Orange Blossom Trail Orlando Florida 32837 United States of America
(72) Name(s) of Designer(s): **Jakob Heiberg and Jan-Hendrik De Groot**
(45) Registration Date: **27 January 2010**
(30) Convention priority data:
(31) Number (32) Date (33) Country
29/315,724 17 Jul 2009 UNITED STATES OF AMERICA
(56) Related Art Documents: **Not Applicable**
(57) Statement of Newness and Distinctiveness: **Those features of the container depicted in the representations that are new and distinctive are the shape and/or configuration.**



(21) Design Number: **15032/2009**
 (22) Date of Filing Application: **23 December 2009**
 (24) Date from which industrial property rights may have effect: **23 December 2009**
 (54) Product in respect of which the design is registered: **Cover**
 (51) International Design Classification: **07-01NES**
 (71) Name(s) and Address(s) of Applicant(s):
Dart Industries Inc.
14901 S. Orange Blossom Trail Orlando Florida 32837 United States of America
 (72) Name(s) of Designer(s): **Jakob Heiberg and Jan-Hendrik De Groot**
 (45) Registration Date: **27 January 2010**
 (30) Convention priority data:

(31) Number	(32) Date	(33) Country
29/315,714	17 Jul 2009	UNITED STATES OF AMERICA

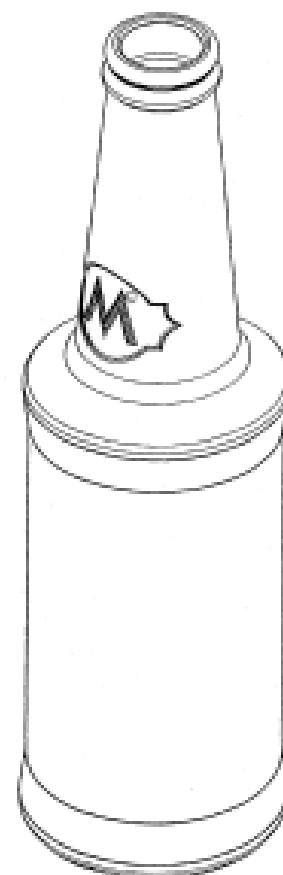
 (56) Related Art Documents: **Not Applicable**
 (57) Statement of Newness and Distinctiveness: **Those features of the cover depicted in the representations that are new and distinctive are the shape and/or configuration.**



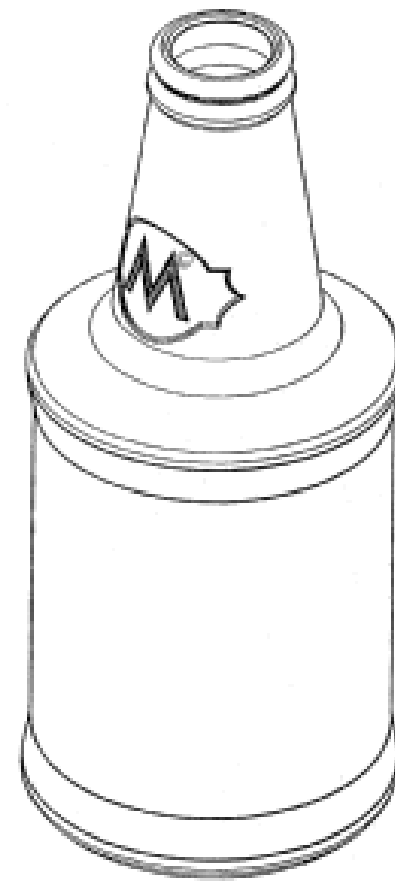
(21) Design Number: **14492/2009**
 (22) Date of Filing Application: **17 November 2009**
 (24) Date from which industrial property rights may have effect: **17 November 2009**
 (54) Product in respect of which the design is registered: **A bottle**
 (51) International Design Classification: **09-01H**
 (71) Name(s) and Address(s) of Applicant(s):
600 Main Road Stoke Limited Trading as McCashins Brewery
660 Main Road Stoke Nelson 7011 New Zealand
 (72) Name(s) of Designer(s): **Michael Patrick Noonan**
 (45) Registration Date: **28 January 2010**
 (30) Convention priority data:

(31) Number	(32) Date	(33) Country
412439	23 Jun 2009	NEW ZEALAND

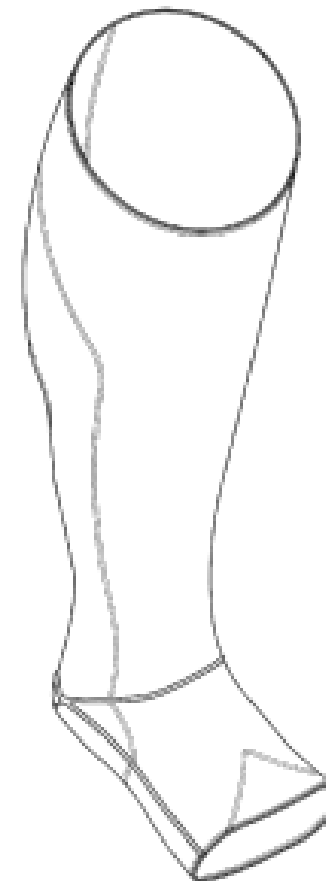
 (56) Related Art Documents: **Not Applicable**
 (57) Statement of Newness and Distinctiveness: **The novelty claimed for the design resides in the features of shape and/or configuration all as shown in the representations. No novelty is claimed for the branding nor the branded sleeve.**



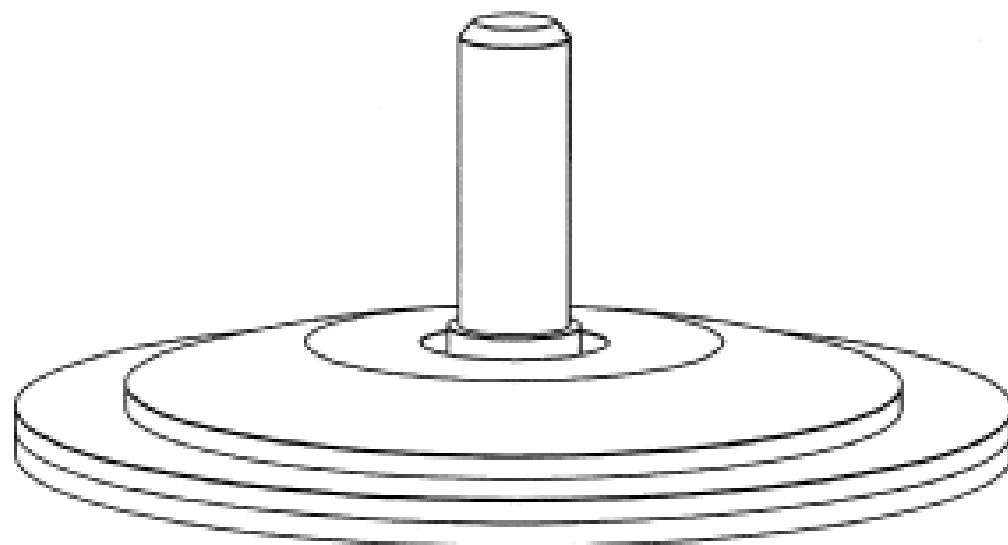
- (21) Design Number: **15090/2009**
(22) Date of Filing Application: **17 November 2009**
(24) Date from which industrial property rights may have effect: **17 November 2009**
(54) Product in respect of which the design is registered: **A bottle**
(51) International Design Classification: **09-01H**
(71) Name(s) and Address(s) of Applicant(s):
600 Main Road Stoke Limited Trading as McCashins Brewery
660 Main Road Stoke Nelson 7011 New Zealand
(72) Name(s) of Designer(s): **Michael Patrick Noonan**
(45) Registration Date: **28 January 2010**
(30) Convention priority data:
(31) Number (32) Date (33) Country
412439 23 Jun 2009 NEW ZEALAND
(56) Related Art Documents: **Not Applicable**
(57) Statement of Newness and Distinctiveness: **The novelty claimed for the design resides in the features of shape and/or configuration all as shown in the representations. No novelty is claimed for the branding nor the branded sleeve.**



- (21) Design Number: **14650/2009**
(22) Date of Filing Application: **27 November 2009**
(24) Date from which industrial property rights may have effect: **27 November 2009**
(54) Product in respect of which the design is registered: **Orthotic sock**
(51) International Design Classification: **02-04C**
(71) Name(s) and Address(s) of Applicant(s):
DM Orthotics Limited
Tescan Units Pool Industrial Estate Redruth Cornwall TR15 3RX
United Kingdom
(72) Name(s) of Designer(s): **Martin Matthews**
(45) Registration Date: **28 January 2010**
(30) Convention priority data:
(31) Number (32) Date (33) Country
001143622-0001 29 May 2009 EUROPEAN COMMUNITY
(56) Related Art Documents: **Not Applicable**
(57) Statement of Newness and Distinctiveness: **Nil**



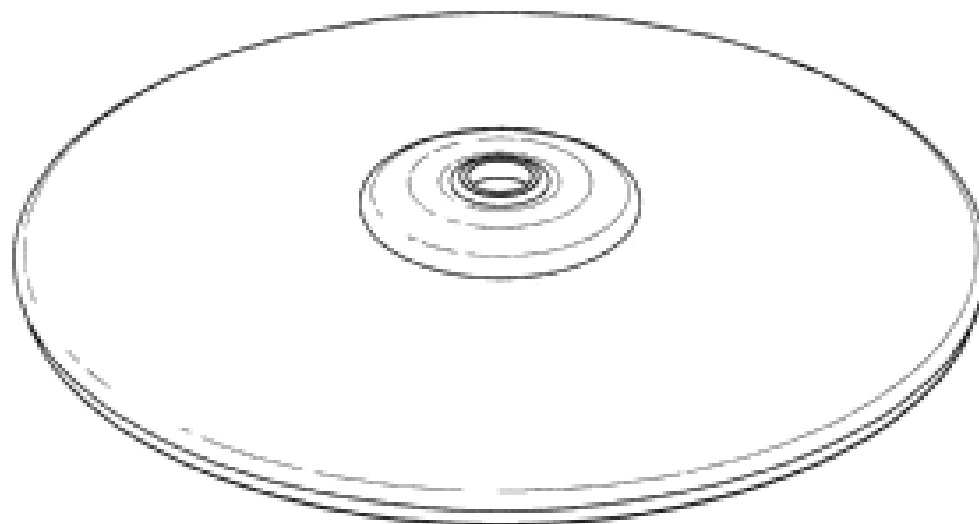
(21) Design Number: **15084/2009**
(22) Date of Filing Application: **24 December 2009**
(24) Date from which industrial property rights may have effect: **24 December 2009**
(54) Product in respect of which the design is registered: **Base for pole**
(51) International Design Classification: **21-02F**
(71) Name(s) and Address(s) of Applicant(s):
Vertical Leisure Ltd
45-47 High Street Potters Bar Hertfordshire EN6 5AW United Kingdom
(72) Name(s) of Designer(s): **Clive Coote**
(45) Registration Date: **28 January 2010**
(30) Convention priority data:
(31) Number (32) Date (33) Country
001568700 02 Jul 2009 EUROPEAN COMMUNITY
(56) Related Art Documents: **Not Applicable**
(57) Statement of Newness and Distinctiveness: **Newness and distinctiveness is claimed in the shape and configuration of the base for a pole shown in the accompanying representations.**



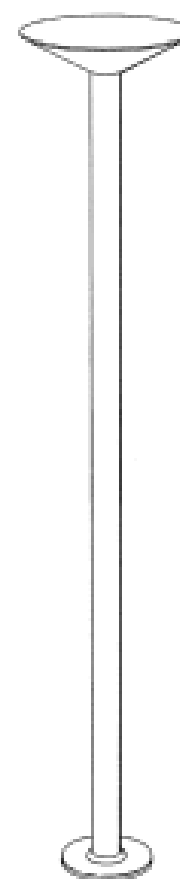
(21) Design Number: **15085/2009**
(22) Date of Filing Application: **24 December 2009**
(24) Date from which industrial property rights may have effect: **24 December 2009**
(54) Product in respect of which the design is registered: **Pole**
(51) International Design Classification: **21-02F**
(71) Name(s) and Address(s) of Applicant(s):
Vertical Leisure Ltd
45-47 High Street Potters Bar Hertfordshire EN6 5AW United Kingdom
(72) Name(s) of Designer(s): **Clive Coote**
(45) Registration Date: **28 January 2010**
(30) Convention priority data:
(31) Number (32) Date (33) Country
001568700 02 Jul 2009 EUROPEAN COMMUNITY
(56) Related Art Documents: **Not Applicable**
(57) Statement of Newness and Distinctiveness: **Newness and distinctiveness is claimed in the shape and configuration of the pole shown in the accompanying representations. The length of the pole may vary and is not regarded as being a new and distinctive feature.**



(21) Design Number: **15086/2009**
(22) Date of Filing Application: **24 December 2009**
(24) Date from which industrial property rights may have effect: **24 December 2009**
(54) Product in respect of which the design is registered: **Base for pole**
(51) International Design Classification: **21-02F**
(71) Name(s) and Address(s) of Applicant(s):
Vertical Leisure Ltd
45-47 High Street Potters Bar Hertfordshire EN6 5AW United Kingdom
(72) Name(s) of Designer(s): **Clive Coote**
(45) Registration Date: **28 January 2010**
(30) Convention priority data:
(31) Number (32) Date (33) Country
001568770 02 Jul 2009 EUROPEAN COMMUNITY
(56) Related Art Documents: **Not Applicable**
(57) Statement of Newness and Distinctiveness: **Newness and distinctiveness is claimed in the shape and configuration of the base for a pole shown in the accompanying representations.**



(21) Design Number: **15087/2009**
(22) Date of Filing Application: **24 December 2009**
(24) Date from which industrial property rights may have effect: **24 December 2009**
(54) Product in respect of which the design is registered: **Pole**
(51) International Design Classification: **21-02F**
(71) Name(s) and Address(s) of Applicant(s):
Vertical Leisure Ltd
45-47 High Street Potters Bar Hertfordshire EN6 5AW United Kingdom
(72) Name(s) of Designer(s): **Clive Coote**
(45) Registration Date: **28 January 2010**
(30) Convention priority data:
(31) Number (32) Date (33) Country
001568700 02 Jul 2009 EUROPEAN COMMUNITY
(56) Related Art Documents: **Not Applicable**
(57) Statement of Newness and Distinctiveness: **Newness and distinctiveness is claimed in the shape and configuration of the pole shown in the accompanying representations. The length of the pole may vary and is not regarded as being a new and distinctive feature.**



(21) Design Number: **15088/2009**

(22) Date of Filing Application: **24 December 2009**

(24) Date from which industrial property rights may have effect: **24 December 2009**

(54) Product in respect of which the design is registered: **Pole**

(51) International Design Classification: **21-02F**

(71) Name(s) and Address(s) of Applicant(s):

Vertical Leisure Ltd

45-47 High Street Potters Bar Hertfordshire EN6 5AW United Kingdom

(72) Name(s) of Designer(s): **Clive Coote**

(45) Registration Date: **28 January 2010**

(30) Convention priority data:

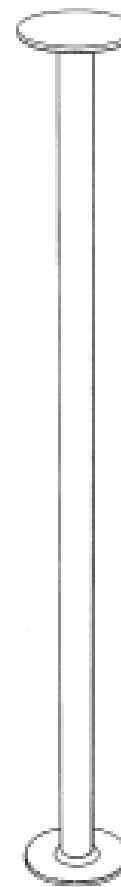
(31) Number
001568700

(32) Date
02 Jul 2009

(33) Country
EUROPEAN COMMUNITY

(56) Related Art Documents: **Not Applicable**

(57) Statement of Newness and Distinctiveness: **Newness and distinctiveness is claimed in the shape and configuration of the pole shown in the accompanying representations. The length of the pole may vary and is not regarded as being a new and distinctive feature.**



(21) Design Number: **15089/2009**

(22) Date of Filing Application: **24 December 2009**

(24) Date from which industrial property rights may have effect: **24 December 2009**

(54) Product in respect of which the design is registered: **Pole**

(51) International Design Classification: **21-02F**

(71) Name(s) and Address(s) of Applicant(s):

Vertical Leisure Ltd

45-47 High Street Potters Bar Hertfordshire EN6 5AW United Kingdom

(72) Name(s) of Designer(s): **Clive Coote**

(45) Registration Date: **28 January 2010**

(30) Convention priority data:

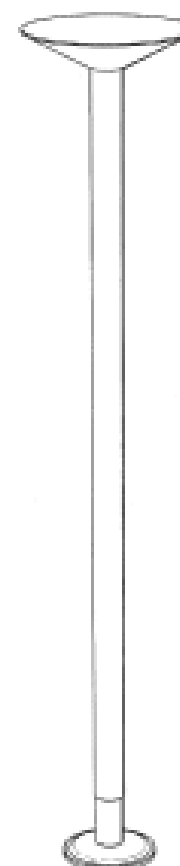
(31) Number
001568700

(32) Date
02 Jul 2009

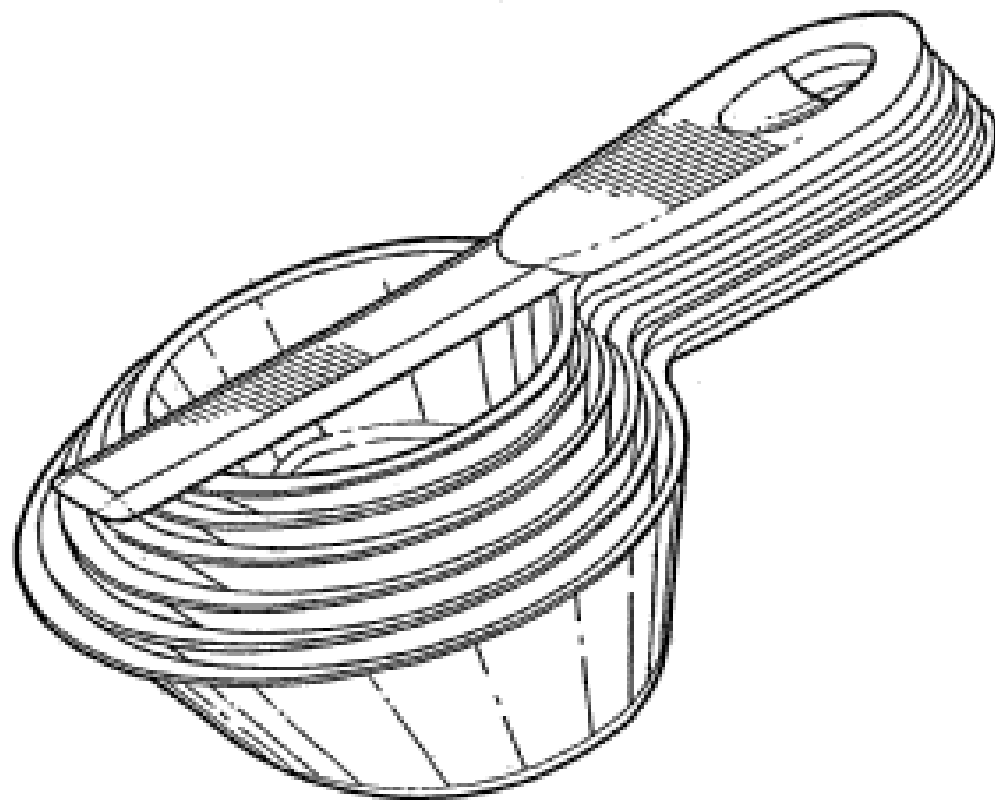
(33) Country
EUROPEAN COMMUNITY

(56) Related Art Documents: **Not Applicable**

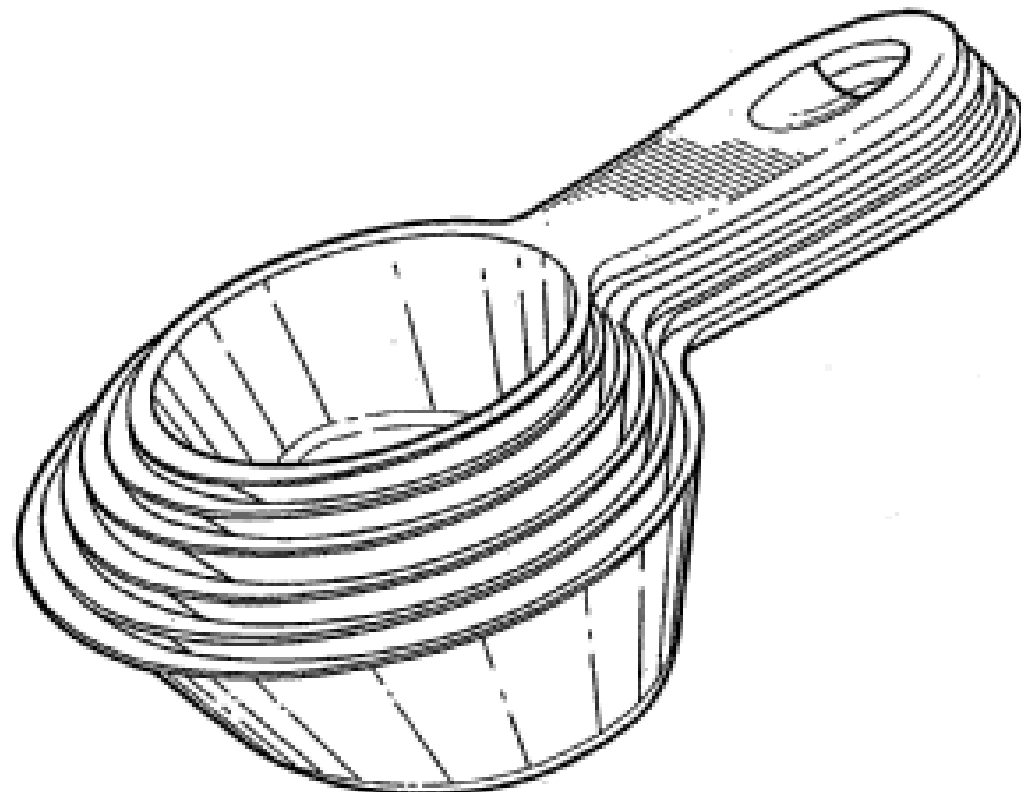
(57) Statement of Newness and Distinctiveness: **Newness and distinctiveness is claimed in the shape and configuration of the pole shown in the accompanying representations. The length of the pole may vary and is not regarded as being a new and distinctive feature.**



- (21) Design Number: **10013/2010**
(22) Date of Filing Application: **05 January 2010**
(24) Date from which industrial property rights may have effect: **05 January 2010**
(54) Product in respect of which the design is registered: **Measuring cup assembly**
(51) International Design Classification: **10-04**
(71) Name(s) and Address(s) of Applicant(s):
Columbia Insurance Company
3024 Harney Street Omaha Nebraska 68131 United States of America
(72) Name(s) of Designer(s): **Jaclyn Jones Blust and Rosemary Deneen**
(45) Registration Date: **28 January 2010**
(30) Convention priority data:
(31) Number (32) Date (33) Country
29/339755 07 Jul 2009 UNITED STATES OF AMERICA
(56) Related Art Documents: **Not Applicable**
(57) Statement of Newness and Distinctiveness: **Newness and distinctiveness is claimed in the features of shape and/or configuration of a measuring cup assembly as illustrated in the accompanying representations.**



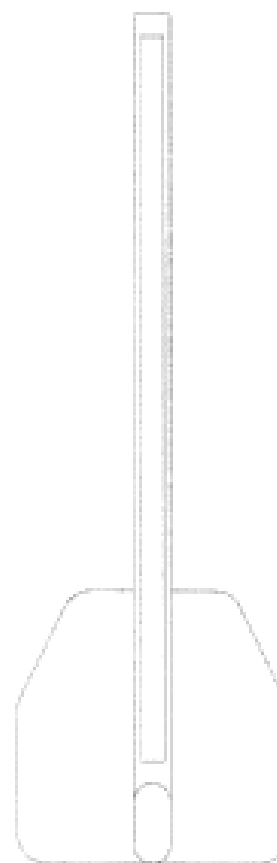
- (21) Design Number: **10014/2010**
(22) Date of Filing Application: **05 January 2010**
(24) Date from which industrial property rights may have effect: **05 January 2010**
(54) Product in respect of which the design is registered: **Measuring cup assembly**
(51) International Design Classification: **10-04**
(71) Name(s) and Address(s) of Applicant(s):
Columbia Insurance Company
3024 Harney Street Omaha Nebraska 68131 United States of America
(72) Name(s) of Designer(s): **Jaclyn Jones Blust and Rosemary Deneen**
(45) Registration Date: **28 January 2010**
(30) Convention priority data:
(31) Number (32) Date (33) Country
29/339755 07 Jul 2009 UNITED STATES OF AMERICA
(56) Related Art Documents: **Not Applicable**
(57) Statement of Newness and Distinctiveness: **Newness and distinctiveness is claimed in the features of shape and/or configuration of a measuring cup assembly as illustrated in the accompanying representations.**



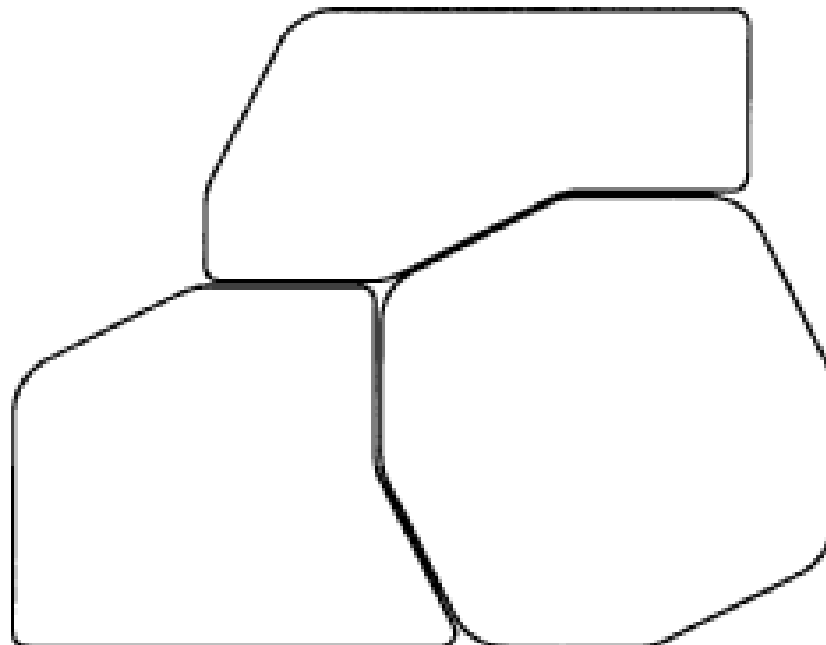
- (21) Design Number: **12536/2009**
- (22) Date of Filing Application: **12 July 2009**
- (24) Date from which industrial property rights may have effect: **12 July 2009**
- (54) Product in respect of which the design is registered: **Table**
- (51) International Design Classification: **06-03A**
- (71) Name(s) and Address(s) of Applicant(s):
Dhiren Bhagwandas
20/116 Arthurton Road Northcote Victoria 3070 Australia
- (72) Name(s) of Designer(s): **Dhiren Bhagwandas**
- (45) Registration Date: **28 January 2010**
- (56) Related Art Documents: **Not Applicable**
- (57) Statement of Newness and Distinctiveness: **Nil**



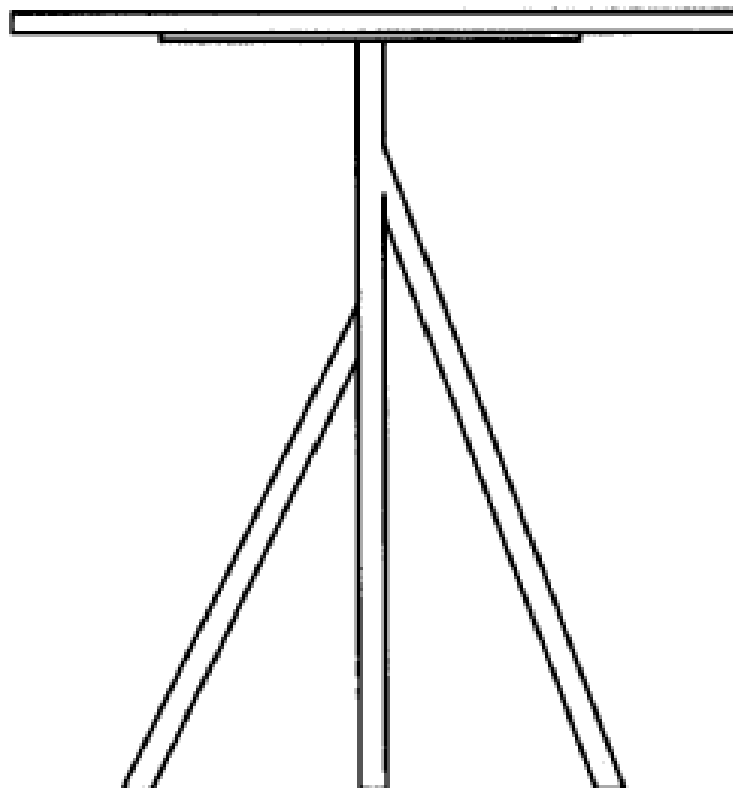
- (21) Design Number: **12537/2009**
- (22) Date of Filing Application: **12 July 2009**
- (24) Date from which industrial property rights may have effect: **12 July 2009**
- (54) Product in respect of which the design is registered: **Lamp**
- (51) International Design Classification: **26-05B**
- (71) Name(s) and Address(s) of Applicant(s):
Dhiren Bhagwandas
20/116 Arthurton Road Northcote Victoria 3070 Australia
- (72) Name(s) of Designer(s): **Dhiren Bhagwandas**
- (45) Registration Date: **28 January 2010**
- (56) Related Art Documents: **Not Applicable**
- (57) Statement of Newness and Distinctiveness: **Nil**



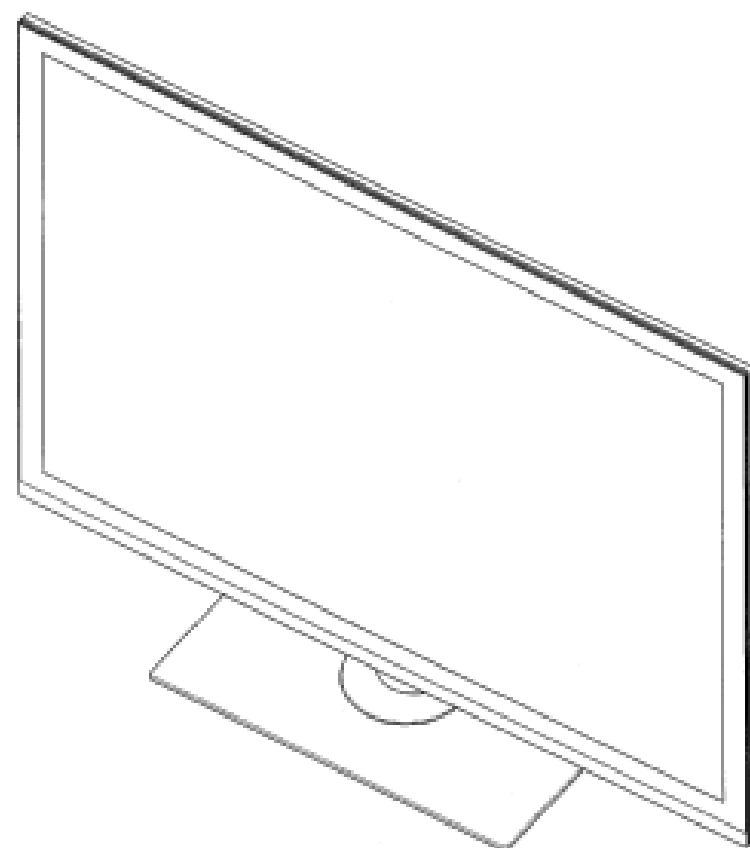
(21) Design Number: **12538/2009**
(22) Date of Filing Application: **12 July 2009**
(24) Date from which industrial property rights may have effect: **12 July 2009**
(54) Product in respect of which the design is registered: **Storage unit**
(51) International Design Classification: **06-04B**
(71) Name(s) and Address(s) of Applicant(s):
Dhiren Bhagwandas
20/116 Arthurton Road Northcote Victoria 3070 Australia
(72) Name(s) of Designer(s): **Dhiren Bhagwandas**
(45) Registration Date: **28 January 2010**
(56) Related Art Documents: **Not Applicable**
(57) Statement of Newness and Distinctiveness: **Nil**



(21) Design Number: **12539/2009**
(22) Date of Filing Application: **12 July 2009**
(24) Date from which industrial property rights may have effect: **12 July 2009**
(54) Product in respect of which the design is registered: **Table**
(51) International Design Classification: **06-03A**
(71) Name(s) and Address(s) of Applicant(s):
Dhiren Bhagwandas
20/116 Arthurton Road Northcote Victoria 3070 Australia
(72) Name(s) of Designer(s): **Dhiren Bhagwandas**
(45) Registration Date: **28 January 2010**
(56) Related Art Documents: **Not Applicable**
(57) Statement of Newness and Distinctiveness: **Nil**



(21) Design Number: **10016/2010**
 (22) Date of Filing Application: **05 January 2010**
 (24) Date from which industrial property rights may have effect: **05 January 2010**
 (54) Product in respect of which the design is registered: **Television**
 (51) International Design Classification: **14-03B**
 (71) Name(s) and Address(s) of Applicant(s):
LG Electronics Inc.
20 Yeouido-dong Yeongdeungpo-gu Seoul 150-721 Republic of Korea
 (72) Name(s) of Designer(s): **Tae Uk Kim and Jin Kim and Jeong Rok Lee**
 (45) Registration Date: **28 January 2010**
 (30) Convention priority data:
 (31) Number (32) Date (33) Country
30-2009-0031252 15 Jul 2009 REPUBLIC OF KOREA
 (56) Related Art Documents: **Not Applicable**
 (57) Statement of Newness and Distinctiveness: **Newness and distinctiveness in the design as applied to a television resides in the shape and/or configuration thereof as is illustrated in the accompanying representations.**



(21) Design Number: **10017/2010**
 (22) Date of Filing Application: **05 January 2010**
 (24) Date from which industrial property rights may have effect: **05 January 2010**
 (54) Product in respect of which the design is registered: **Toothbrush**
 (51) International Design Classification: **04-02**
 (71) Name(s) and Address(s) of Applicant(s):
Colgate-Palmolive Company
300 Park Avenue New York New York 10022 United States of America
 (72) Name(s) of Designer(s): **David K. Lee**
 (45) Registration Date: **28 January 2010**
 (30) Convention priority data:
 (31) Number (32) Date (33) Country
29/339919 10 Jul 2009 UNITED STATES OF AMERICA
 (56) Related Art Documents: **Not Applicable**
 (57) Statement of Newness and Distinctiveness: **Newness and distinctiveness reside in the features of the design shown in solid lines in the representations excluding those features shown in broken lines.**



- (21) Design Number: **10018/2010**
(22) Date of Filing Application: **05 January 2010**
(24) Date from which industrial property rights may have effect: **05 January 2010**
(54) Product in respect of which the design is registered: **Bottle**
(51) International Design Classification: **09-01NES**
(71) Name(s) and Address(s) of Applicant(s):
SAVERGLASS
3 rue de la Gare 60960 Feuquieres France
(72) Name(s) of Designer(s): **Richard Lauret**
(45) Registration Date: **28 January 2010**
(56) Related Art Documents: **Not Applicable**
(57) Statement of Newness and Distinctiveness: **Newness and distinctiveness reside in the features of the design shown in solid lines in the representations excluding those features shown in broken lines.**



- (21) Design Number: **10019/2010**
(22) Date of Filing Application: **05 January 2010**
(24) Date from which industrial property rights may have effect: **05 January 2010**
(54) Product in respect of which the design is registered: **Writing instrument**
(51) International Design Classification: **19-06**
(71) Name(s) and Address(s) of Applicant(s):
Sanford, L.P.
2707 Butterfield Road Oak Brook IL 60523 United States of America
(72) Name(s) of Designer(s): **Matthew J. Gerules**
(45) Registration Date: **28 January 2010**
(30) Convention priority data:

(31) Number	(32) Date	(33) Country
29/342,750	31 Aug 2009	UNITED STATES OF AMERICA

(56) Related Art Documents: **Not Applicable**
(57) Statement of Newness and Distinctiveness: **The newness and distinctiveness of the design resides in the features of shape and/or configuration shown in unbroken lines in the accompanying representations.**

