



Australian Government

IP Australia

AUSTRALIAN OFFICIAL JOURNAL

OF

DESIGNS

Did you know a searchable version of this journal is now available online?
It's FREE and EASY to SEARCH.

Find it at

<http://pericles.ipaustralia.gov.au/ols/epublish/content/olsEpublications.jsp>
or using the "Online Journals" link on the IP Australia home page.

This Page Left Intentionally Blank

Contents

General Information & Notices

Proceedings Under the Designs Act 1906 preserved as a result of the provisions of Chapter 12 Part 2 of the Designs Act 2003

Extension of Period of Registration of Designs	346
Names Registered - Alterations and Amendments	347
Registrations Ceased	346
Subsequent Owners Registered	347

Proceedings Under the Designs Act 2003

Applications for Extension of Time Under Section 137	357
Applications Assigned	357
Applications Lapsed	355
Applications Lodged	351
Applications Withdrawn	355
Certificate of Examination	359
Corrigenda	358
Extension of Period of Registration of Design	
Extension of Time Granted Under Section 137	357
Names Registered - Alterations and Amendments	357
Publication and Registration Proceedings	
Designs Registered 329406 to 329585.....	360
Registrations Ceased	356
Subsequent Owners Registered	357

This Page Left Intentionally Blank

For information on the following please see our website www.ipaustralia.gov.au or contact our Customer Service Network on 1300651010

[Editorial enquiries](#)

[Contact information](#)

[Freedom of Information ACT](#)

[Professional Standards Board](#)

[Sales](#)

[Requests for Information under Section 194 \(c\)](#)

[Country Codes](#)

[Trade Mark and Designs Hearing Sessions](#)

[INID \(Internationally agreed Numbers for the Identification of Data\)](#)

“INID” NUMBERS in use on Australian Design Documents

“INID” is an acronym for “Internationally agreed Numbers for the Identification of Data”.

(10) Data concerning the registration/renewal

- (11) Serial number of the registration and/or number of the design document
- (12) Plain language designation of the kind of published document
- (19) Identification, using the two-letter code according to WIPO Standard ST.3, of the authority publishing or registering the industrial design

(20) Data concerning the application

- (21) Serial number of the application
- (22) Date of filing of the application
- (24) Date from which the industrial design right has effect

(30) Data relating to priority under the Paris Convention

- (31) Serial number assigned to the priority application
- (32) Date of filing of the priority application
- (33) Two-letter code, according to WIPO Standard ST.3, identifying the authority with which the priority application was made

(40) Date(s) of making information available to the public

- (45) Date of publication of the registered industrial design by printing or similar process, or making it available to the public by any other means

(50) Miscellaneous Information

- (51) International Classification for Industrial Designs (class and subclass of the Locarno Classification)
- (54) Designation of article(s) or product(s) covered by the industrial design or title of the industrial design
- (55) Reproduction of the industrial design (e.g., drawing, photograph) and explanations relating to the reproduction
- (56) List of prior art documents, if separate from descriptive text
- (57) Description of characteristic features of the industrial design including indication of colours

(60) References to other legally related application(s) and registration(s)

- (62) Serial number(s) and, if available, filing date(s) of application(s), registration(s) or document(s) related by division
- (66) Serial number(s) of the application, or the registration, of the design(s) which is (are) a variant(s) of the present one

(70) Identification of parties concerned with the application or registration

- (71) Name(s) and address(es) of the applicant(s)
- (72) Name(s) of the creator(s) if known to be such
- (74) Name(s) and address(es) of the representative(s)

This Page Left Intentionally Blank

Nil notices for this journal issue.

**Proceedings under the Designs Act 1906 preserved as a
result of the provisions of Chapter 12 Part 2 of the Designs
Act 2003.**

This Page Left Intentionally Blank

Applications Lapsed

There were no Applications Lapsed under this section

Extension of Period of Registration of Designs

previously advertised as ceased. In this instance, the previous advertisement still prevails.

1st Period (Section 27A(8))

2nd Period (Section 27A(12))

154872	155073	155114
155364	155380	155381
155382	155383	155385
155595	155883	155884
155885	155953	155975
155996	156067	156068
156070	156071	156123
156178	156179	156210
156211	156216	156238
156239	156299	156337
156374	156378	156379
156437	156438	156455
156585	156586	156587
156618	156632	156633
156676	156677	156704
156778	156829	156830
157170	157171	157349
157409	157425	157605
157700	157845	158107
158124	158160	158161
158163	158237	158238
158239	158254	158255
158265	158281	158282
158283	158284	158342
158360	158375	158403
158420	158542	

3rd Period (Section 27A(13))

136480	136921	136945
137166	137235	137932
137933	138014	138016
138018	138019	138108
138157	138158	138198
138226	138258	138259
138285	138300	138428
138448	138540	138607
138861	139277	139278
139279	139284	139285
139402	140066	140575
140576	140577	140578
141226	141414	141566
141714	142173	142412
155103		

Registrations Ceased

Note: Some of the following Registrations may have been

119635	119717	120976
120977	121029	121040
121065	121069	121095
121114	121146	121164
121165	121243	121427
121645	121694	121713
121976	122389	122421
122603	122608	122609
122790	122913	123438
124362	124363	124364
124370	124545	124546
124547	124548	124549
124550	135270	135509
135887	135914	135952
135960	135986	136005
136052	136054	136080
136097	136099	136104
136112	136113	136115
136117	136157	136348
136400	136428	136430
136431	136432	136433
136486	136487	136662
136783	137261	137371
137586	137587	138286
138509	138510	138511
138513	138596	139158
139450	139451	139939
140063	140307	140407
141445	152775	152778
152859	153038	153040
153212	153213	153214
153256	153257	153258
153259	153307	153308
153309	153310	153312
153313	153314	153336
153354	153355	153380
153452	153453	153481
153482	153489	153490
153523	153578	153579
153580	153581	153582
153636	153657	153752
153856	153871	153872
153873	153874	153901
153979	153995	154035
154036	154055	154152
154175	154213	154310
154311	154313	154422
154469	154532	154541
154548	154888	155027
155065	155207	155281
155304	155305	155628
155629	155703	155714
155715	155830	155911
156046	156047	156048

156065	156086	156206
156290	156423	156424
156523	156524	156525
156741	156901	157136
157182	157386	157463
157464	157509	157617
157722	157832	157833
157834	157835	157870
157871	157886	157887
157888	157921	

Subsequent Owners Registered

(The name in parentheses is that of the subsequent owner)

127875	(Carrier air Conditioning Pty Ltd) Brivis Australia Pty Ltd
133946	(Carrier air Conditioning Pty Ltd) Brivis Australia Pty Ltd
149510	(Carrier air Conditioning Pty Ltd) Brivis Australia Pty Ltd
149511	(Carrier air Conditioning Pty Ltd) Brivis Australia Pty Ltd
133965	(Carrier Air Conditioning Pty Ltd) Brivis Australia Pty Ltd

Names Registered - Alterations and Amendments

(The name in parentheses is the new name of the proprietor)

131534	(CMO Investments Pty Ltd) Acromat Pty Ltd
145467	(CMO Investments Pty Ltd) Acromat Pty Ltd
131535	(CMO Investments Pty Ltd) Acromat Pty Ltd
146963	(Adbri Masonry Pty Ltd) Hanson Building Products Pty Ltd
135812	(Adbri Masonry Group Pty Ltd) C & M Brick Pty Limited
141868	(Merck Sharp & Dohme Corp.) Merck & Co. Inc.

This Page Left Intentionally Blank

Proceedings under the Designs Act 2003.

This Page Left Intentionally Blank

Applications Lodged

Lodgement information is in the following order: **Applicant's Name**; International Classification, Name of Product, Lodgement Date and **Design Number**. If the applicant claims an earlier priority date under an International Convention, the Convention Country and the associated filing date are shown in parentheses before the Lodgement Date. Divisional information will also appear in parentheses before the Lodgement Date.

Adelaide Control Engineers Pty Ltd; 25-03, A containerised well house, 04 Feb 2010	10369/2010	Callaway Golf Company; 21-02C, Iron golf club head, (US, 12 Aug 2009) 04 Feb 2010	10386/2010
Alder, Greg; 09-09, 09-99, Bins, 29 Jan 2010	10269/2010	Callaway Golf Company; 21-02C, Hybrid golf club head, (US, 05 Aug 2009) 04 Feb 2010	10387/2010
Amcor Limited; 09-03M, Container and a blank therefor, 08 Feb 2010	10414/2010	Clayrton's; 09-03H, Rapid'eau, 28 Jan 2010	10264/2010
Amcor Limited; 09-03NES, A carton and a blank thereof, 04 Feb 2010	10384/2010	Clayrton's; 09-03M, Pop'up right angled, 28 Jan 2010	10263/2010
Arden (Vic) Pty Ltd; 25-02B, Pet door, 03 Feb 2010	10365/2010	Columbia Sportswear North America, Inc.; 02-02NES, Patterned heat reflective material forming jacket lining, (US, 07 May 2009) 03 Nov 2009	10378/2010
Arden (Vic) Pty Ltd; 25-02B, Pet door, 03 Feb 2010	10366/2010	Converta Card, LLC; 19-01, 14-99, Convertible Data Card, (US, 31 Jul 2009) 28 Jan 2010	10291/2010
Arlec Australia Pty Ltd; 13-02, Battery charger, 29 Jan 2010	10270/2010	Cook, Linda Ann; 25-04, Adjustable height platform, (NZ, 08 Jun 2009) 01 Dec 2009	10353/2010
ARB Corporation Limited; 15-02, Twin motor compressor, 04 Feb 2010	10372/2010	Dart Industries Inc; 09-01NES, Bottle, (US, 25 Aug 2009) 28 Jan 2010	10277/2010
Baker, Jaimie; 25-01A, 25-01D, Solid timber blocks glued to 16mm M.R. chipboard, 04 Feb 2010	10379/2010	Dart Industries Inc; 07-01NES, Covered container, (US, 03 Sep 2009) 08 Feb 2010	10422/2010
Barrett, Peter Wayne; 08-06, Gate hinge, 09 Feb 2010	10428/2010	Dart Industries Inc; 07-01NES, Covered container, (US, 03 Sep 2009) 08 Feb 2010	10420/2010
Beba Enterprises Pty Ltd, as trustee for Danielle Vagner Family Trust; 02-02C, 02-02NES, Women's clothing, 05 Feb 2010	10394/2010	Dart Industries Inc.; 09-07NES, Cover, (US, 03 Sep 2009) 08 Feb 2010	10421/2010
Belkin International, Inc.; 14-02, Router, (US, 28 Jul 2009) 28 Jan 2010	10279/2010	Dunny Funnies; 19-08, Adhesive sticker to be attached to a suitable surface, including a toilet seat. Stickers comprise learning, material and/or material to improve hygiene, 03 Feb 2010	10367/2010
Bird, Jason; 26-05D, Pendant light/lamp shade, 05 Feb 2010	10370/2010	Eveready Battery Company, Inc.; 28-03A, Razor holder, (US, 31 Aug 2009) 29 Jan 2010	10330/2010
BlueScope Steel Limited; 08-08C, Gutter clip spacer element, 05 Feb 2010	10404/2010	Eveready Battery Company, Inc.; 28-03A, Razor cartridge holder, (US, 31 Aug 2009) 29 Jan 2010	10331/2010
BlueScope Steel Limited; 08-08C, Gutter clip spacer element, 05 Feb 2010	10405/2010	Eveready Battery Company, Inc.; 28-03A, Razor cartridge, (US, 31 Aug 2009) 29 Jan 2010	10332/2010
Boral Australian Gypsum Limited; 25-02E, Cornice, 29 Jan 2010	10285/2010	Eveready Battery Company, Inc.; 28-03A, Razor cartridge, (US, 31 Aug 2009) 29 Jan 2010	10333/2010
Boral Australian Gypsum Limited; 25-02E, Cornice, 29 Jan 2010	10284/2010	Eveready Battery Company, Inc.; 28-03A, Safety razor handle, (US, 31 Aug 2009) 29 Jan 2010	10334/2010
Breville Pty Limited; 23-01G, Water cooler, 01 Feb 2010	10322/2010		
Brown & Watson International Pty Ltd; 26-06, Light fitting, 29 Jan 2010	10286/2010		
Brown & Watson International Pty Ltd; 26-06, Light fitting, 29 Jan 2010	10287/2010		

Eveready Battery Company, Inc.; 28-03A, Safety razor handle, (US, 31 Aug 2009) 29 Jan 2010	10335/2010	Horsfall, Harvey David; Horsfall, Sue-Ellen; 08-08D, Tarpaulin clamp, 04 Feb 2010	10403/2010
Everstone International Pty Ltd; 25-01F, Tile, 02 Feb 2010	10355/2010	Horsfall, Sue-Ellen; Horsfall, Harvey David; 08-08D, Tarpaulin clamp, 04 Feb 2010	10403/2010
Everstone International Pty Ltd; 25-01F, Tile, 02 Feb 2010	10356/2010	Ivory Vision Pty Ltd; 02-02NES, Breastfeeding cover with interior pocket, 28 Jan 2010	10274/2010
Everstone International Pty Ltd; 25-01F, Tile, 29 Jan 2010	10296/2010	J Bloch Pty Ltd; 02-04B, A dance shoe sole, 05 Feb 2010	10390/2010
Filer, Monique; Michaels, Danielle; 02-05, Travel bib, 02 Feb 2010	10324/2010	J Bloch Pty Ltd; 02-04B, A dance shoe sole, 05 Feb 2010	10391/2010
First Wave Products Group, LLC; 07-01NES, Cup for pill crushing, (US, 27 Oct 2009) 05 Feb 2010	10397/2010	Jing-Liang, Zhou; 07-01F, 09-01NES, Beverage bottle, 10 Feb 2010	10429/2010
Fonterra Brands (New Zealand) Limited; 07-01NES, Container, (NZ, 11 Nov 2009) 28 Jan 2010	10288/2010	Kabushiki Kaisha Audio-Technica; 14-01, Headphone, (JP, 07 Aug 2009) 05 Feb 2010	10398/2010
Fonterra Brands (New Zealand) Limited; 07-01NES, Container, (NZ, 11 Nov 2009) 28 Jan 2010	10289/2010	Kabushiki Kaisha Audio-Technica; 14-01, Earphone, (JP, 07 Aug 2009) 05 Feb 2010	10399/2010
Forbes, John Wallace; 12-05, Capstan winch, 08 Feb 2010	10423/2010	Kabushiki Kaisha Toshiba; 14-02, Recording medium, (JP, 13 Nov 2009) 28 Jan 2010	10272/2010
Fraser, William Douglas; 12-16L, Caravan and trailer tow coupling protector, lock, 09 Feb 2010	10412/2010	Kabushiki Kaisha Toshiba; 14-03B, A television receiver, (JP, 30 Nov 2009) 29 Jan 2010	10292/2010
Funtastic Limited; 21-01F, A child's ride-on apparatus, 05 Feb 2010	10392/2010	Kabushiki Kaisha Toshiba; 14-03B, A television receiver, (JP, 30 Nov 2009) 29 Jan 2010	10293/2010
Funtastic Limited; 21-01F, A compactable child's ride-on apparatus, 05 Feb 2010	10393/2010	Kabushiki Kaisha Toshiba; 14-02, Recording medium, (JP, 13 Nov 2009) 28 Jan 2010	10271/2010
Funtastic Limited; 12-12, Stroller, 01 Feb 2010	10314/2010	Kenwood Limited; 07-02F, Toaster, (EM, 30 Jul 2009) 29 Jan 2010	10283/2010
Funtastic Limited; 12-12, Stroller, 01 Feb 2010	10315/2010	Kenwood Limited; 07-02K, Electric kettle, (EM, 03 Aug 2009) 02 Feb 2010	10320/2010
Ganley, Brydan; 22-05, Fishing rod handle, 03 Feb 2010	10373/2010	Kikkerland Design, Inc.; 26-05NES, Keylight, (US, 08 Jan 2010) 29 Jan 2010	10267/2010
Garden City Planters Pty Ltd; 09-03F, Tray, 09 Feb 2010	10426/2010	Kikkerland Design, Inc.; 26-05NES, Keylight, (US, 15 Jan 2010) 29 Jan 2010	10268/2010
Great Wall Motor Company Limited; 12-08, Automobile, (CN, 31 Aug 2009) 28 Jan 2010	10276/2010	Knog Pty Ltd; 08-07, Cable lock, 28 Jan 2010	10325/2010
Great Wall Motor Company Limited; 12-08, Automobile, (CN, 28 Oct 2009) 28 Jan 2010	10275/2010	Koninklijke Philips Electronics N.V.; 26-05NES, Wake up light, (EM, 31 Aug 2009) 08 Feb 2010	10407/2010
Guiney, Stephen Raymond; 21-02NES, Climbing aid, 27 Jan 2010	10282/2010	Koninklijke Philips Electronics N.V.; 31-00, Combined steamer and blender, (EM, 07 Aug 2009) 04 Feb 2010	10371/2010
Hangzhou China Arts Industrial Corp., Ltd; 06-01E, Bar stool, (CN, 31 Aug 2009) 05 Feb 2010	10401/2010	Lee, Jamie Ji Min; 06-01E, Stool, 27 Jan 2010	10266/2010
Heatcraft Australia Pty Ltd; 23-04, Condensing unit, 05 Jun 2009	10432/2010	Little Gems Australia Pty Ltd; 02-02C, Baby and children's apparel and related items, 31 Jul 2009	15100/2009
Hendon Semiconductors Pty Ltd; 13-03D, Photoelectric cell socket, 04 Feb 2010	10385/2010		
Honda Motor Co., Ltd; 12-11, Motorcycle, (JP, 29 Jul 2009) 28 Jan 2010	10273/2010		

Little Gems Australia Pty Ltd; 02-02C, Baby and children's apparel and related items, 31 Jul 2009	15101/2009	Maynard, Alan; 21-02F, T Rex five station computerised hi speed isokinetic machine, 01 Feb 2010	10310/2010
Little Gems Australia Pty Ltd; 02-02C, Baby and children's apparel and related items, 31 Jul 2009	15102/2009	Melbourne, Keith; 26-05D, I do pendant light, 08 Feb 2010	10415/2010
Little Gems Australia Pty Ltd; 02-02C, Baby and children's apparel and related items, 31 Jul 2009	15103/2009	Melbourne, Keith; 26-05B, I do table lamp, 08 Feb 2010	10416/2010
Little Gems Australia Pty Ltd; 02-02C, Baby and children's apparel and related items, 31 Jul 2009	15104/2009	Melbourne, Keith; 26-05C, I do wall light, 08 Feb 2010	10417/2010
Little Gems Australia Pty Ltd; 02-02C, Baby and children's apparel and related items, 31 Jul 2009	15105/2009	Mentec Holdings Pty Ltd; 02-04A, Orthotic, 04 Feb 2010	10388/2010
Little Gems Australia Pty Ltd; 02-02C, Baby and children's apparel and related items, 31 Jul 2009	15106/2009	Mentec Holdings Pty Ltd; 02-04A, Orthotic, 04 Feb 2010	10389/2010
Lowes Companies, Inc.; 13-03D, Fob for a switch, (US, 28 Jul 2009) 28 Jan 2010	10297/2010	Michaels, Dannielle; Filer, Monique; 02-05, Travel bib, 02 Feb 2010	10324/2010
Lowes Companies, Inc.; 13-03D, Fob for a fan switch - 1, (US, 28 Jul 2009) 28 Jan 2010	10326/2010	Michelin Recherche et Technique S.A.; Societe De Technologie Michelin; 12-15B, A tyre, (FR, 18 Aug 2009) 03 Feb 2010	10341/2010
Lowes Companies, Inc.; 13-03E, 23-04, Fob for a fan switch - 2, (US, 28 Jul 2009) 28 Jan 2010	10290/2010	MAM Babyartikel Gesellschaft m.b.H; 21-01NES, Clip for pacifier, (EM, 16 Sep 2009) 01 Feb 2010	10309/2010
Lowes Companies, Inc.; 13-03NES, Fob for a switch, (US, 14 Dec 2009) 01 Feb 2010	10316/2010	Natmon Services Pty Ltd; 23-01F, 25-02C, Tank, 03 Feb 2010	10362/2010
Lowes Companies, Inc.; 13-03NES, Fob for a fan switch, (US, 14 Dec 2009) 01 Feb 2010	10317/2010	Out of Town 4WD Pty Ltd; 12-16NES, 23-01F, Vehicle fuel tank, 01 Feb 2010	10294/2010
Lowes Companies, Inc.; 13-03NES, Fob for a light switch, (US, 14 Dec 2009) 01 Feb 2010	10318/2010	Pallas Swimwear and Accessories Pty Ltd; 02-02A, Swimwear - bikini, 05 Feb 2010	10435/2010
Lowes Companies, Inc.; 13-03NES, Fob for a light switch - 1, (US, 28 Jul 2009) 28 Jan 2010	10319/2010	Pallas Swimwear and Accessories Pty Ltd; 06-13C, Beach towel, 05 Feb 2010	10436/2010
Lowes Companies, Inc.; 13-03E, Fob for a light switch - 2, (US, 28 Jul 2009) 28 Jan 2010	10328/2010	Pi-Design AG; 07-04, Coffee grinder, (EM, 12 Aug 2009) 09 Feb 2010	10425/2010
LG Electronics, Inc.; 14-03E, Cellular phone, (KR, 13 Aug 2009) 09 Feb 2010	10424/2010	Points Direct Pty Ltd; 08-01, Agricultural tool, 04 Feb 2010	10402/2010
Mac Developments Pty Ltd; 21-01H, Barrel system used for the sport of paintball or airsoft, 02 Feb 2010	10323/2010	Poolrite Research Pty Ltd; 13-02, Electrolytic cell, 29 Jan 2010	10327/2010
Madd Gear Pty Ltd; 12-16NES, Steerer tube, 05 Feb 2010	10433/2010	Poolrite Research Pty Ltd; 13-99, A set of electrolytic cell plates, 29 Jan 2010	10329/2010
Madd Gear Pty Ltd; 08-08B, A bolt, 05 Feb 2010	10434/2010	Procter & Gamble Company, The; 07-99NES, Air freshening device, (US, 11 Aug 2009) 08 Feb 2010	10419/2010
Madd Gear Pty Ltd; 08-08D, A clamp, 05 Feb 2010	10413/2010	Railblaza Limited; 08-08NES, Support, (NZ, 07 Aug 2009) 03 Feb 2010	10354/2010
Mars Australia Pty Ltd; 20-02NES, Display tray, 08 Feb 2010	10418/2010	Reckitt & Colman (Overseas) Limited; 09-01A, 09-07A, Spray trigger, (EM, 07 Aug 2009) 02 Feb 2010	10336/2010
Mattane Pty Ltd; 25-01K, Extrusion, 05 Feb 2010	10400/2010	Reckitt & Colman (Overseas) Limited; 09-01A, Opaque aerosol, (EM, 10 Aug 2009) 08 Feb 2010	10408/2010
		Reckitt & Colman (Overseas) Limited; 09-01A, Opaque aerosol and cap, (EM, 10 Aug 2009) 08 Feb 2010	10409/2010

Reckitt & Colman (Overseas) Limited; 09-01A, Translucent aerosol, (EM, 10 Aug 2009) 08 Feb 2010	10410/2010	Spin Master Ltd.; 21-01B, Transformable toy, (CA, 26 Aug 2009) 02 Feb 2010	10343/2010
Reckitt & Colman (Overseas) Limited; 09-01A, 09-07A, Translucent aerosol and cap, (EM, 10 Aug 2009) 08 Feb 2010	10411/2010	Spin Master Ltd.; 21-01B, Transformable toy, (CA, 26 Aug 2009) 02 Feb 2010	10321/2010
Reckitt & Colman (Overseas) Limited; 09-07NES, Locking tab, (EM, 07 Aug 2009) 02 Feb 2010	10338/2010	Spin Master Ltd.; 21-01B, Transformable toy, (CA, 28 Sep 2009) 02 Feb 2010	10347/2010
Reckitt & Colman (Overseas) Limited; 09-01A, 09-07A, 09-07NES, Spray trigger and locking tab, (EM, 07 Aug 2009) 02 Feb 2010	10339/2010	Spin Master Ltd.; 21-01B, Transformable toy, (CA, 15 Oct 2009) 02 Feb 2010	10348/2010
Reckitt & Colman (Overseas) Limited; 09-01A, Spray trigger, locking tab and bottle, (EM, 07 Aug 2009) 02 Feb 2010	10340/2010	Spin Master Ltd.; 21-01B, Transformable toy, (CA, 29 Sep 2009) 02 Feb 2010	10349/2010
Reckitt & Colman (Overseas) Limited; 09-01A, Spray trigger and bottle, (EM, 07 Aug 2009) 02 Feb 2010	10337/2010	Spin Master Ltd.; 21-01B, Transformable toy, (CA, 29 Sep 2009) 02 Feb 2010	10350/2010
Reckitt Benckiser Inc.; 28-03NES, Lavatory dispensing device, (US, 18 Aug 2009) 08 Feb 2010	10406/2010	Spin Master Ltd.; 21-01B, Transformable toy, (CA, 05 Oct 2009) 02 Feb 2010	10351/2010
Seiko Instruments Inc.; 10-06, 06-04NES, Indicator for store shelves, (JP, 12 Aug 2009) 09 Feb 2010	10427/2010	Spin Master Ltd.; 21-01A, 21-01B, Transformable toy, (CA, 21 Sep 2009) 02 Feb 2010	10344/2010
Sharp Kabushiki Kaisha; 14-03NES, Controller of power conditioner for solar energy generation system, (JP, 28 Jul 2009) 28 Jan 2010	10278/2010	Spin Master Ltd.; 21-01B, Transformable toy, (CA, 21 Sep 2009) 02 Feb 2010	10345/2010
Sistema Plastics Limited; 07-03, A handle for attachment to a utensil head, (NZ, 10 Aug 2009) 03 Feb 2010	10357/2010	Spin Master Ltd.; 21-01A, 21-01B, Transformable toy, (CA, 28 Sep 2009) 02 Feb 2010	10346/2010
Sistema Plastics Limited; 07-03, A fork as a utensil head removably attached to the handle, (NZ, 10 Aug 2009) 03 Feb 2010	10358/2010	Stainless Steel Connections Pty Ltd; 23-02F, Benchtop with sink, 03 Feb 2010	10380/2010
Sistema Plastics Limited; 07-03, A spoon as a utensil head removably attachable to the handle, (NZ, 10 Aug 2009) 03 Feb 2010	10359/2010	Stainless Steel Connections Pty Ltd; 12-06NES, Outrigger table, 03 Feb 2010	10382/2010
Sistema Plastics Limited; 07-03, A knife as a utensil head removably attachable to the handle, (NZ, 10 Aug 2009) 03 Feb 2010	10360/2010	Stainless Steel Connections Pty Ltd; 23-02F, Benchtop with sinks, 03 Feb 2010	10381/2010
Sistema Plastics Limited; 07-03, A chopstick form as a utensil head removably attachable to the handle, (NZ, 10 Aug 2009) 03 Feb 2010	10361/2010	Studio Periscope Pty Ltd; 09-03L, Packaging container for bottles including for the purposes of display and transport, such as through the post, 02 Feb 2010	10342/2010
Societe De Technologie Michelin; Michelin Recherche et Technique S.A.; 12-15B, A tyre, (FR, 18 Aug 2009) 03 Feb 2010	10341/2010	Sunbuddy Australia Pty Ltd; 03-01NES, Container, 09 Feb 2010	10431/2010
Somogyi, Peter; 22-05, A hollow fishing lure with a screw in head, 01 Feb 2010	10363/2010	S2DIO Pty Ltd; 06-01G, A chair, 18 Dec 2009	15099/2009
Somogyi, Peter; 22-05, A hollow fishing lure with access door, 01 Feb 2010	10364/2010	Tagsys SAS; 14-03NES, Antenna, 04 Feb 2010	10368/2010
Souter, Ian K.; 08-99, Folding saw horse, 01 Feb 2010	10295/2010	Tal, Shani; Weinstein, Micky; 02-07A, Belt buckles, (IL, 23 Apr 2009) 23 Oct 2009	15098/2009
		Tal, Shani; Weinstein, Micky; 02-07A, Belt buckles, (IL, 23 Apr 2009) 23 Oct 2009	15095/2009
		Tal, Shani; Weinstein, Micky; 02-07A, Belt buckles, (IL, 23 Apr 2009) 23 Oct 2009	15097/2009

Tal, Shani; Weinstein, Micky; 02-07A, Belt buckles, (IL, 23 Apr 2009) 23 Oct 2009	15096/2009	Victaulic Company; 23-01A, Ring gasket, (US, 11 Aug 2009) 04 Feb 2010	10374/2010
Techtronic Power Tools Technology Limited; 08-03, Saw blade, (US, 28 Dec 2009) 05 Feb 2010	10395/2010	Weinstein, Micky; Tal, Shani; 02-07A, Belt buckles, (IL, 23 Apr 2009) 23 Oct 2009	15098/2009
Techtronic Power Tools Technology Limited; 08-03, Saw blade, (US, 28 Dec 2009) 05 Feb 2010	10396/2010	Weinstein, Micky; Tal, Shani; 02-07A, Belt buckles, (IL, 23 Apr 2009) 23 Oct 2009	15095/2009
Treadley Pty Ltd; 02-03, Fitted bicycle helmet cover which provides sun protection, 04 Feb 2010	10376/2010	Weinstein, Micky; Tal, Shani; 02-07A, Belt buckles, (IL, 23 Apr 2009) 23 Oct 2009	15097/2009
Treadley Pty Ltd; 02-03, Fitted bicycle helmet cover which provides sun protection, 04 Feb 2010	10377/2010	Weinstein, Micky; Tal, Shani; 02-07A, Belt buckles, (IL, 23 Apr 2009) 23 Oct 2009	15096/2009
TKS Electrics Pty Ltd; 14-02, Utility patch, 25 Jan 2010	10012/2010	White, Jesse Jonah; 31-00, 21-01H, Russian roulette beverage dispenser, (US, 19 Aug 2009) 09 Feb 2010	10430/2010
Unilever PLC; 09-01NES, Container, (GB, 12 Aug 2009) 27 Jan 2010	10265/2010	Zander, Robert; 11-01NES, , 28 Jan 2010	10298/2010
Unilever PLC; 09-07C, Cap, (IN, 13 Aug 2008) 03 Feb 2010	10383/2010	Zander, Robert; 11-01NES, , 28 Jan 2010	10299/2010
Unilever PLC; 09-01K, Container, (GB, 12 Aug 2009) 01 Feb 2010	10311/2010	Zander, Robert; 11-01NES, , 28 Jan 2010	10300/2010
Unilever PLC; 09-07C, Cap, (GB, 12 Aug 2009) 01 Feb 2010	10312/2010	Zander, Robert; 11-01NES, , 28 Jan 2010	10301/2010
Unilever PLC; 09-01A, Container with pump, (GB, 12 Aug 2009) 01 Feb 2010	10313/2010	Zander, Robert; 11-01NES, , 28 Jan 2010	10302/2010
Vella, Tammy; 02-02C, Motorcycle pants, 26 Jan 2010	10280/2010	Zander, Robert; 11-01NES, , 28 Jan 2010	10303/2010
Vella, Tammy; 02-02C, Denim jeans for motorcycle with kevlar lining, 28 Jan 2010	10352/2010	Zander, Robert; 11-01NES, , 28 Jan 2010	10304/2010
Vella, Tammy; 02-02C, Motorcycle pants, 26 Jan 2010	10281/2010	Zander, Robert; 11-01NES, , 28 Jan 2010	10305/2010
Victaulic Company; 23-01A, Ring gasket, (US, 11 Aug 2009) 04 Feb 2010	10375/2010	Zander, Robert; 11-01NES, , 28 Jan 2010	10306/2010
		Zander, Robert; 11-01NES, , 28 Jan 2010	10307/2010
		Zander, Robert; 11-01NES, , 28 Jan 2010	10308/2010

Applications Withdrawn

14663 / 2009 (01-01)

Applications Lapsed

12630 / 2009 (06-07)	12797 / 2009 (02-02NES)
12866 / 2009 (12-05)	12867 / 2009 (23-01E)
13798 / 2009 (22-05)	14469 / 2009 (06-01E)
14583 / 2009 (02-01B)	14706 / 2009 (01-02)

Extension of Period of Registration of Designs

301282	301301	301302
301303	301304	301305
301437	302022	302023
302031	302033	302435
302449	302450	302451
302462	302466	302467
302470	302474	302475
302476	302618	302685
302686	302687	302690
302691	302692	302704
302712	302713	302714
302715	302716	302717
302718	302719	302818
302819	302830	302831
302847	302848	302909
302910	302931	302971
302982	302983	302984
302985	302986	302987
302988	303060	303063
303064	303065	303066
303067	303068	303152
303161	303164	303165
303166	303167	303170
303202	303262	303263
303265	303276	303277
303342	303363	303364
303397	303398	303482
303544	303670	303824
303825	303894	304085
304263	304643	304672
304680	304934	304980
304987	304988	304989
304990	304991	304992
304993	304994	304995
304997	304998	305031
305138	305169	305172
305173	305299	305300
305302	305307	305309
305310	305423	305427
305511	305512	305513
305605	305606	305863
305864	305865	305906
305907	305908	305909
306207	306229	306230
306271	306272	306695
306922	306923	306924
306925	306943	306944
307298	309568	315757

300021	300022	300023
300030	300032	300033
300043	300044	300047
300048	300049	300051
300052	300053	300055
300056	300057	300058
300059	300060	300071
300072	300076	300077
300078	300083	300084
300085	300086	300087
300088	300089	300091
300093	300094	300095
300096	300097	300099
300102	300103	300106
300107	300109	300120
300121	300123	300124
300129	300130	300131
300134	300135	300139
300140	300144	300145
300146	300147	300206
300207	300208	300209
300210	300211	300214
300217	300255	300256
300261	300262	300263
300264	300265	300267
300269	300270	300278
300280	300282	300283
300284	300285	300286
300289	300290	300305
300307	300312	300315
300316	300317	300320
300338	300339	300343
300376	300377	300378
300404	300421	300422
300423	300425	300430
300452	300453	300455
300456	300457	300461
300483	300485	300486
300488	300491	300492
300541	300551	300552
300622	300623	300624
300631	300632	300633
300641	300821	300822
300823	300824	300825
300826	300834	300862
300871	301011	301012
301013	301016	301017
301018	301031	301032
301033	301034	301071
301072	301252	301253
301254	301571	301572
301573	301574	301577
301578	301582	301583
301584	301626	301630
301631	301632	301633
301634	301811	301812
301813	301854	301855

Registrations Ceased

301856	301857	301858
301859	301860	301862
301863	302239	302525
302526	302527	302528
302529	302530	302531
302786	302787	302788
302789	302790	302862
303301	303392	304604
306930		

Applications for Extension of time under Section 137

Applications under section 137 for extension of time have been lodged. Objections must be lodged within 1 month from the date of this journal.

10495/2009 **M.J. Conroy** Address for Service: M.J. & S. J. Conroy
PO Box 3138 CLONTARF QLD 4019

Extensions of time granted under Section 137

Applications lodged under section 137 for extension of time have been granted.

325124 **Braun GmbH**

10386/2009 **Corporate Culture Australia**

10387/2009 **Corporate Culture Australia**

324974 **Spotless Plastics Pty Ltd**

14470/2009 **James Kelly**

10124/2010 **Elopak Systems AG**

10136/2010 **PEMI GROUP, s.r.o.**

10139/2010 **PEMI GROUP, s.r.o.**

Applications Assigned

(The name in parentheses is that of the subsequent applicant)

12079/2009 (**Heatcraft Australia Pty Ltd**) LGL France SAS

Subsequent Owners Registered

(The name in parentheses is that of the subsequent owner)

303112	(Power Box AG) GMC Worldwide Pty Ltd
303113	(Power Box AG) GMC Worldwide Pty Ltd
309062	(David Stuckey Investments Pty Ltd) Burgundy Trial Pty Ltd
309063	(David Stuckey Investments Pty Ltd) Burgundy Trial Pty Ltd
319594	(David Stuckey Investments Pty Ltd) Burgundy Trial Pty Ltd
319595	(David Stuckey Investments Pty Ltd) Burgundy Trial Pty Ltd
319596	(David Stuckey Investments Pty Ltd) Burgundy Trial Pty Ltd

319597	(David Stuckey Investments Pty Ltd) Burgundy Trial Pty Ltd
319598	(David Stuckey Investments Pty Ltd) Burgundy Trial Pty Ltd
320615	(David Stuckey Investments Pty Ltd) Burgundy Trial Pty Ltd
320616	(David Stuckey Investments Pty Ltd) Burgundy Trial Pty Ltd
320617	(David Stuckey Investments Pty Ltd) Burgundy Trial Pty Ltd
320907	(David Stuckey Investments Pty Ltd) Burgundy Trial Pty Ltd
321070	(David Stuckey Investments Pty Ltd) Burgundy Trial Pty Ltd
323808	(David Stuckey Investments Pty Ltd) Burgundy Trial Pty Ltd
326706	(David Stuckey Investments Pty Ltd) Burgundy Trial Pty Ltd
318313	(Volvo Construction Equipment AB) Daniel E. Davis
328485	(ADC GmbH) ADC Communications (Australia) Pty Limited
328918	(ADC GmbH) ADC Communications (Australia) Pty Limited
329425	(Mode Solutions Pty Ltd) Proform Solutions Pty Ltd
305351	(Tarvis Technology Limited) Trax Packaging Limited
305352	(Tarvis Technology Limited) Trax Packaging Limited
305354	(Tarvis Technology Limited) Trax Packaging Limited
305355	(Tarvis Technology Limited) Trax Packaging Limited
305353	(Tarvis Technology Limited) Trax Packaging Limited

Names Registered - Alterations and Amendments

(The name in parentheses is that of the subsequent applicant)

302475	(Panasonic Corporation) Matsushita Electric Industrial Co. Ltd
302476	(Panasonic Corporation) Matsushita Electric Industrial Co. Ltd
312193	(Adbri Masonry Pty Ltd) Hanson Building Products Pty Ltd
308602	(Adbri Masonry Group Pty Ltd) C & M Brick Pty Ltd
321410	(Adbri Masonry Group Pty Ltd) C & M Brick Pty Ltd
302887	(Xenofonda Anastassiadis) Xenex Design

Corrigenda

Number 329437

In Vol 24 , No 2 , page 138 under the heading **Applications Lapsed**; Design No. 14121/2009 (02-07A) should be deleted.

Certificate(s) of Examination

Examination of the following Design Registration(s) has been completed. Infringement proceedings may now be commenced.

304877	13-03E	02/02/2010
309485	13-03D	05/02/2010
310107	13-03D	05/02/2010
313805	13-03D	29/01/2010
313852	13-03D	29/01/2010
314206	09-03L	29/01/2010
317847	13-03E	02/02/2010
319292	06-08	29/01/2010
319293	06-99	29/01/2010
319294	06-08	29/01/2010
320289	12-16NES	28/01/2010
320290	12-16NES	28/01/2010
320291	12-16NES	28/01/2010
321385	13-03E	02/02/2010
322126	19-06	29/01/2010
323872	02-02C	10/02/2010
324431	13-03D	02/02/2010
324452	13-03D	04/02/2010
324454	13-03D	05/02/2010
324591	02-04NES	29/01/2010
324971	13-03D	04/02/2010
325124	28-03D	04/02/2010
325575	21-02D	08/02/2010
325631	08-01	29/01/2010
325693	21-02D	08/02/2010
325736	13-02	29/01/2010
326109	06-09	29/01/2010
326937	08-07	09/02/2010
327195	04-01	04/02/2010
327230	13-03NES	11/02/2010
327378	12-16NES	05/02/2010
327544	09-03NES	10/02/2010
327545	09-03NES	10/02/2010
327573	12-16NES	05/02/2010
327624	14-03E	11/02/2010
327690	14-03A	11/02/2010
327723	08-06	29/01/2010
327737	08-05A	29/01/2010
327738	08-05A	29/01/2010
327787	12-16NES	05/02/2010
327788	12-16NES	05/02/2010
327802	26-04	10/02/2010
327803	26-04	10/02/2010
327818	23-01E	04/02/2010
327871	21-02D	11/02/2010
327877	12-02	04/02/2010
327883	02-01B	29/01/2010
328013	20-03NES	29/01/2010
328090	12-05	29/01/2010
328094	09-01NES	29/01/2010
328095	09-01NES	29/01/2010
328096	09-01NES	29/01/2010
328110	09-01NES	29/01/2010
328139	09-01NES	29/01/2010
328176	09-01NES	29/01/2010
328199	21-02F	11/02/2010
328200	21-02F	11/02/2010
329044	06-13C	12/02/2010

Publication and Registration Proceedings

Designs Registered

This section provides a concordance between design number and registration number of Designs covered in this journal. It also shows the main class and registration date.

This section covers Registration numbers 329406 to 329585 .

The registration number shown below should be used in all future correspondence.

Design Number	Registration Number	International Classification Code (IDC)	Registration Date	Design Number	Registration Number	International Classification Code (IDC)	Registration Date
11237/2009	329580	12-15A	11/02/2010	15004/2009	329486	25-01C	08/02/2010
11238/2009	329581	12-15A	11/02/2010	15005/2009	329448	25-01NES	01/02/2010
11865/2009	329413	12-15A	29/01/2010	15025/2009	329515	09-09	09/02/2010
12070/2009	329491	12-15B	10/02/2010	15056/2009	329483	09-03NES	05/02/2010
12072/2009	329492	12-15NES	10/02/2010	15057/2009	329484	09-03NES	05/02/2010
12211/2009	329414	23-01C	29/01/2010	15095/2009	329438	02-07A	03/02/2010
12361/2009	329470	14-03D	05/02/2010	15096/2009	329439	02-07A	03/02/2010
12766/2009	329531	23-04	10/02/2010	15097/2009	329440	02-07A	03/02/2010
12794/2009	329447	06-08	01/02/2010	15098/2009	329441	02-07A	03/02/2010
12799/2009	329532	23-04	10/02/2010	10004/2010	329406	09-01K	29/01/2010
13366/2009	329582	20-03NES	11/02/2010	10005/2010	329407	09-01K	29/01/2010
13571/2009	329428	20-02C	29/01/2010	10006/2010	329408	09-01K	29/01/2010
13946/2009	329502	19-04	08/02/2010	10007/2010	329409	09-01K	29/01/2010
14121/2009	329437	02-07A	03/02/2010	10011/2010	329410	14-03A	29/01/2010
14139/2009	329503	06-01F	08/02/2010	10021/2010	329426	10-05	29/01/2010
14140/2009	329504	06-01E	08/02/2010	10022/2010	329427	07-05NES	29/01/2010
14141/2009	329505	06-03B	08/02/2010	10023/2010	329430	07-99C	29/01/2010
14142/2009	329415	12-05	29/01/2010	10024/2010	329431	07-01NES	29/01/2010
14266/2009	329429	08-10	29/01/2010	10025/2010	329432	28-03NES	29/01/2010
14281/2009	329506	21-01B	08/02/2010	10026/2010	329442	28-03NES	03/02/2010
14485/2009	329471	13-03D	05/02/2010	10027/2010	329443	09-01K	03/02/2010
14490/2009	329416	13-03D	29/01/2010	10028/2010	329444	09-01K	03/02/2010
14491/2009	329417	13-03D	29/01/2010	10029/2010	329445	09-01K	03/02/2010
14559/2009	329507	09-01H	08/02/2010	10031/2010	329575	09-03H	11/02/2010
14564/2009	329418	08-99	29/01/2010	10032/2010	329576	09-03M	11/02/2010
14596/2009	329419	21-02NES	29/01/2010	10039/2010	329446	02-04B	03/02/2010
14647/2009	329481	21-02E	05/02/2010	10040/2010	329521	09-05	10/02/2010
14648/2009	329482	21-02E	05/02/2010	10045/2010	329449	12-08	01/02/2010
14662/2009	329472	01-01	05/02/2010	10046/2010	329450	26-06	01/02/2010
14667/2009	329508	23-02F	08/02/2010	10047/2010	329451	26-06	01/02/2010
14668/2009	329509	23-02F	08/02/2010	10048/2010	329466	07-01C	03/02/2010
14678/2009	329420	03-01NES	29/01/2010	10049/2010	329467	10-05	03/02/2010
14688/2009	329473	15-09	05/02/2010	10050/2010	329468	06-06G	03/02/2010
14692/2009	329510	03-01A	08/02/2010	10051/2010	329477	09-01K	05/02/2010
14694/2009	329421	12-16C	29/01/2010	10052/2010	329478	09-01K	05/02/2010
14703/2009	329573	01-01	11/02/2010	10060/2010	329456	12-08	03/02/2010
14704/2009	329500	25-04	10/02/2010	10061/2010	329433	07-07NES	29/01/2010
14716/2009	329493	12-05	10/02/2010	10062/2010	329434	07-07NES	29/01/2010
14726/2009	329511	07-05E	08/02/2010	10068/2010	329435	07-07NES	29/01/2010
14805/2009	329422	25-01F	29/01/2010	10069/2010	329436	07-07NES	29/01/2010
14806/2009	329424	25-01F	29/01/2010	10070/2010	329457	09-07B	03/02/2010
14807/2009	329423	25-01F	29/01/2010	10071/2010	329458	09-07B	03/02/2010
14811/2009	329512	10-05	09/02/2010	10072/2010	329459	13-02	03/02/2010
14812/2009	329513	09-99	09/02/2010	10073/2010	329460	26-05NES	03/02/2010
14813/2009	329469	12-16NES	03/02/2010	10074/2010	329461	26-05NES	03/02/2010
14828/2009	329474	08-08NES	05/02/2010	10075/2010	329462	26-05B	03/02/2010
14855/2009	329514	12-16C	09/02/2010	10076/2010	329463	07-04	03/02/2010
14864/2009	329455	26-05NES	03/02/2010	10077/2010	329464	09-01G	03/02/2010
14868/2009	329533	09-05	10/02/2010	10079/2010	329479	14-01	04/02/2010
14893/2009	329475	21-02NES	05/02/2010	10080/2010	329480	14-01	04/02/2010
14905/2009	329574	08-03	11/02/2010	10081/2010	329522	14-03B	10/02/2010
14942/2009	329476	08-05A	05/02/2010	10082/2010	329523	05-06NES	10/02/2010
14954/2009	329425	11-02B	29/01/2010	10083/2010	329485	12-15A	05/02/2010

Publication and Registration Proceedings - Designs Registered cont'd

Design Number	Registration Number	International Classification Code (IDC)	Registration Date	Design Number	Registration Number	International Classification Code (IDC)	Registration Date
10085/2010	329494	09-07A	10/02/2010	10145/2010	329560	28-03D	12/02/2010
10086/2010	329495	09-07A	10/02/2010	10146/2010	329561	28-03D	12/02/2010
10087/2010	329496	08-01	10/02/2010	10147/2010	329562	28-03D	12/02/2010
10088/2010	329487	11-99	08/02/2010	10148/2010	329563	28-03D	12/02/2010
10089/2010	329488	13-03NES	08/02/2010	10149/2010	329564	09-07C	12/02/2010
10090/2010	329489	09-07A	08/02/2010	10150/2010	329565	09-07C	12/02/2010
10091/2010	329490	09-07A	08/02/2010	10152/2010	329534	04-01	10/02/2010
10092/2010	329577	07-02P	11/02/2010	10153/2010	329535	06-03NES	10/02/2010
10093/2010	329578	07-02P	11/02/2010	10154/2010	329536	13-03D	10/02/2010
10094/2010	329579	07-02P	11/02/2010	10155/2010	329537	13-03D	10/02/2010
10097/2010	329524	14-03NES	10/02/2010	10160/2010	329566	13-03D	12/02/2010
10100/2010	329497	26-02	10/02/2010	10161/2010	329567	13-03D	12/02/2010
10104/2010	329498	12-15A	10/02/2010	10162/2010	329568	25-01A	12/02/2010
10105/2010	329525	12-15B	10/02/2010	10163/2010	329569	25-02NES	12/02/2010
10109/2010	329526	24-99	10/02/2010	10166/2010	329583	31-00	11/02/2010
10110/2010	329527	24-99	10/02/2010	10167/2010	329584	31-00	11/02/2010
10111/2010	329528	24-99	10/02/2010	10168/2010	329585	31-00	11/02/2010
10120/2010	329529	26-05NES	10/02/2010	10169/2010	329530	21-02C	10/02/2010
10121/2010	329516	26-02	09/02/2010	10174/2010	329411	08-08B	29/01/2010
10124/2010	329452	09-03NES	01/02/2010	10175/2010	329412	25-01K	29/01/2010
10125/2010	329517	04-02	09/02/2010	10176/2010	329570	24-04	12/02/2010
10126/2010	329518	28-03NES	09/02/2010	10177/2010	329571	26-05D	12/02/2010
10127/2010	329519	28-03NES	09/02/2010	10178/2010	329572	08-01	12/02/2010
10128/2010	329520	28-03NES	09/02/2010	10187/2010	329538	08-08B	10/02/2010
10136/2010	329551	09-01G	12/02/2010	10213/2010	329453	02-04C	01/02/2010
10137/2010	329552	09-01G	12/02/2010	10214/2010	329454	02-04C	01/02/2010
10138/2010	329553	09-01G	12/02/2010	10252/2010	329465	07-05D	03/02/2010
10139/2010	329554	09-01G	12/02/2010	10282/2010	329499	21-02NES	10/02/2010
10140/2010	329555	09-01G	12/02/2010	10353/2010	329501	25-04	10/02/2010
10141/2010	329556	09-01G	12/02/2010				
10142/2010	329557	09-01G	12/02/2010				
10143/2010	329558	09-01G	12/02/2010				
10144/2010	329559	09-01G	12/02/2010				

Publication and Registration Proceedings
Class Listing of Designs Published or Registered

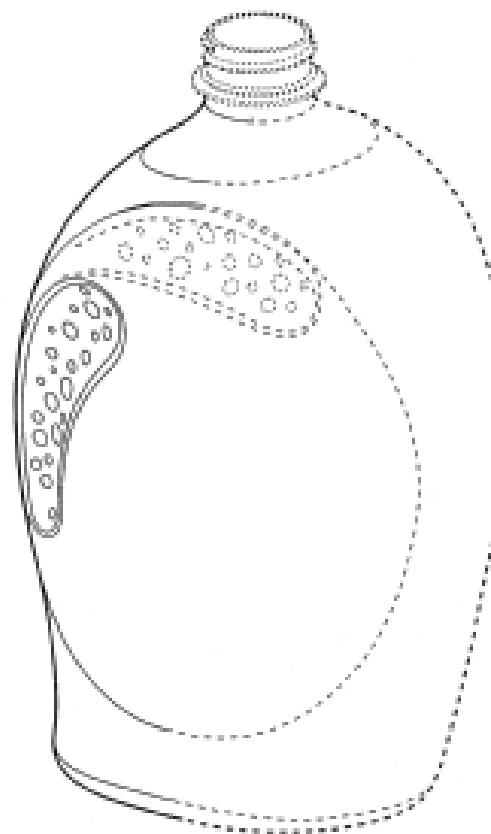
The following section shows an International Classification Code listing of the Registered or Published Designs covered in this supplement.

Classification	Registration Number	Design Number	Classification	Registration Number	Design Number
01-01	329472	14662/2009	09-01 G	329555	10140/2010
01-01	329573	14703/2009	09-01 G	329556	10141/2010
02-04 A	329426	10021/2010	09-01 G	329557	10142/2010
02-04 B	329446	10039/2010	09-01 G	329558	10143/2010
02-04 C	329453	10213/2010	09-01 G	329559	10144/2010
02-04 C	329454	10214/2010	09-01 H	329507	14559/2009
02-07 A	329437	14121/2009	09-01 K	329406	10004/2010
02-07 A	329438	15095/2009	09-01 K	329407	10005/2010
02-07 A	329439	15096/2009	09-01 K	329408	10006/2010
02-07 A	329440	15097/2009	09-01 K	329409	10007/2010
02-07 A	329441	15098/2009	09-01 K	329443	10027/2010
03-01 A	329510	14692/2009	09-01 K	329444	10028/2010
03-01 B	329510	14692/2009	09-01 K	329445	10029/2010
03-01 NES	329420	14678/2009	09-01 K	329477	10051/2010
04-01	329534	10152/2010	09-01 K	329478	10052/2010
04-02	329517	10125/2010	09-01 NES	329551	10136/2010
05-06 NES	329523	10082/2010	09-01 NES	329552	10137/2010
06-01 E	329504	14140/2009	09-01 NES	329553	10138/2010
06-01 F	329503	14139/2009	09-01 NES	329554	10139/2010
06-03 B	329505	14141/2009	09-01 NES	329555	10140/2010
06-03 NES	329535	10153/2010	09-01 NES	329556	10141/2010
06-06 G	329468	10050/2010	09-01 NES	329557	10142/2010
06-08	329447	12794/2009	09-01 NES	329558	10143/2010
06-09	329526	10109/2010	09-01 NES	329559	10144/2010
06-09	329527	10110/2010	09-02 B	329476	14942/2009
06-09	329528	10111/2010	09-03 H	329433	10061/2010
07-01 C	329466	10048/2010	09-03 H	329434	10062/2010
07-01 NES	329431	10024/2010	09-03 H	329435	10068/2010
07-02 NES	329513	14812/2009	09-03 H	329436	10069/2010
07-02 P	329577	10092/2010	09-03 H	329575	10031/2010
07-02 P	329578	10093/2010	09-03 M	329576	10032/2010
07-02 P	329579	10094/2010	09-03 NES	329452	10124/2010
07-04	329463	10076/2010	09-03 NES	329483	15056/2009
07-05 D	329465	10252/2010	09-03 NES	329484	15057/2009
07-05 E	329511	14726/2009	09-05	329521	10040/2010
07-05 NES	329427	10022/2010	09-05	329533	14868/2009
07-07 NES	329433	10061/2010	09-07 A	329489	10090/2010
07-07 NES	329434	10062/2010	09-07 A	329490	10091/2010
07-07 NES	329435	10068/2010	09-07 A	329494	10085/2010
07-07 NES	329436	10069/2010	09-07 A	329495	10086/2010
07-99 C	329430	10023/2010	09-07 B	329457	10070/2010
08-01	329496	10087/2010	09-07 B	329458	10071/2010
08-01	329572	10178/2010	09-07 C	329564	10149/2010
08-03	329574	14905/2009	09-07 C	329565	10150/2010
08-05 A	329476	14942/2009	09-09	329515	15025/2009
08-07	329426	10021/2010	09-99	329513	14812/2009
08-08 B	329411	10174/2010	10-05	329426	10021/2010
08-08 B	329538	10187/2010	10-05	329467	10049/2010
08-08 NES	329474	14828/2009	10-05	329512	14811/2009
08-10	329429	14266/2009	11-02 B	329425	14954/2009
08-99	329418	14564/2009	11-99	329487	10088/2010
09-01 G	329464	10077/2010	12-05	329415	14142/2009
09-01 G	329551	10136/2010	12-05	329493	14716/2009
09-01 G	329552	10137/2010	12-08	329449	10045/2010
09-01 G	329553	10138/2010	12-08	329456	10060/2010
09-01 G	329554	10139/2010	12-15 A	329413	11865/2009

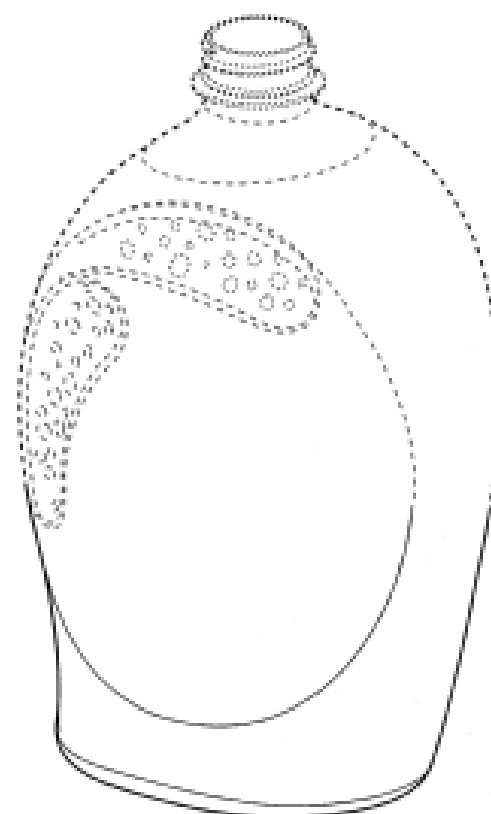
Registration Proceedings - Class Listing of Designs Published or Registered cont'd

Classification	Registration Number	Design Number	Classification	Registration Number	Design Number
12-15 A	329485	10083/2010	24-02	329420	14678/2009
12-15 A	329498	10104/2010	24-04	329570	10176/2010
12-15 A	329580	11237/2009	24-99	329526	10109/2010
12-15 A	329581	11238/2009	24-99	329527	10110/2010
12-15 B	329491	12070/2009	24-99	329528	10111/2010
12-15 B	329525	10105/2010	25-01 A	329568	10162/2010
12-15 NES	329492	12072/2009	25-01 C	329486	15004/2009
12-16 C	329421	14694/2009	25-01 F	329422	14805/2009
12-16 C	329514	14855/2009	25-01 F	329423	14807/2009
12-16 NES	329469	14813/2009	25-01 F	329424	14806/2009
13-02	329459	10072/2010	25-01 K	329412	10175/2010
13-03 D	329416	14490/2009	25-01 K	329486	15004/2009
13-03 D	329417	14491/2009	25-01 NES	329448	15005/2009
13-03 D	329471	14485/2009	25-02 NES	329530	10169/2010
13-03 D	329536	10154/2010	25-02 NES	329569	10163/2010
13-03 D	329537	10155/2010	25-03	329428	13571/2009
13-03 D	329566	10160/2010	25-04	329500	14704/2009
13-03 D	329567	10161/2010	25-04	329501	10353/2010
13-03 NES	329488	10089/2010	26-02	329497	10100/2010
14-01	329479	10079/2010	26-02	329516	10121/2010
14-01	329480	10080/2010	26-05 B	329462	10075/2010
14-03 A	329410	10011/2010	26-05 D	329571	10177/2010
14-03 B	329522	10081/2010	26-05 NES	329455	14864/2009
14-03 D	329470	12361/2009	26-05 NES	329460	10073/2010
14-03 NES	329524	10097/2010	26-05 NES	329461	10074/2010
15-09	329473	14688/2009	26-05 NES	329529	10120/2010
19-04	329502	13946/2009	26-06	329450	10046/2010
20-02 C	329428	13571/2009	26-06	329451	10047/2010
20-02 NES	329530	10169/2010	28-03 D	329560	10145/2010
20-03 NES	329582	13366/2009	28-03 D	329561	10146/2010
21-01 B	329506	14281/2009	28-03 D	329562	10147/2010
21-02 C	329530	10169/2010	28-03 D	329563	10148/2010
21-02 E	329481	14647/2009	28-03 NES	329432	10025/2010
21-02 E	329482	14648/2009	28-03 NES	329442	10026/2010
21-02 NES	329419	14596/2009	28-03 NES	329518	10126/2010
21-02 NES	329475	14893/2009	28-03 NES	329519	10127/2010
21-02 NES	329499	10282/2010	28-03 NES	329520	10128/2010
23-01 C	329414	12211/2009	31-00	329583	10166/2010
23-02 F	329508	14667/2009	31-00	329584	10167/2010
23-02 F	329509	14668/2009	31-00	329585	10168/2010
23-04	329531	12766/2009			
23-04	329532	12799/2009			
24-01	329455	14864/2009			

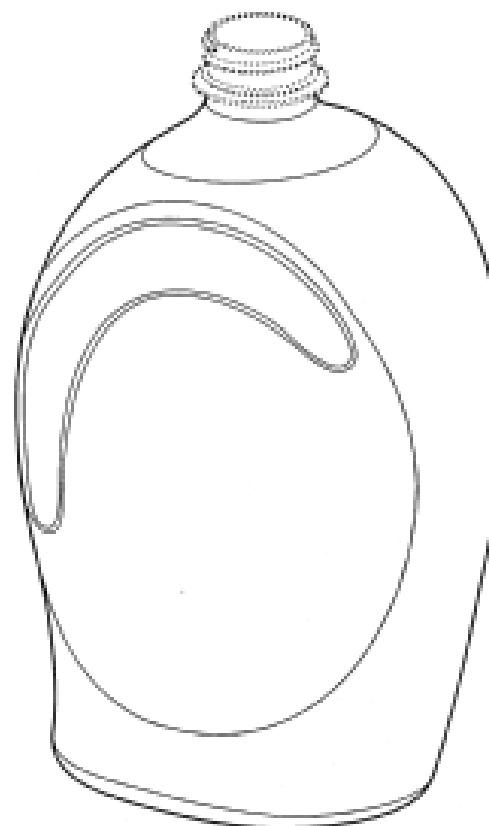
- (21) Design Number: **10004/2010**
(22) Date of Filing Application: **04 January 2010**
(24) Date from which industrial property rights may have effect: **04 January 2010**
(54) Product in respect of which the design is registered: **Container**
(51) International Design Classification: **09-01K**
(71) Name(s) and Address(s) of Applicant(s):
Colgate-Palmolive Company
300 Park Avenue New York New York 10022 United States of America
(72) Name(s) of Designer(s): **Kiat Cheong Toh and John Lamb and Will Maskell and Alan Whiting and Tom Walton and Corinne Elstow**
(45) Registration Date: **29 January 2010**
(30) Convention priority data:
(31) Number (32) Date (33) Country
29/339426 30 Jun 2009 UNITED STATES OF AMERICA
(56) Related Art Documents: **Not Applicable**
(57) Statement of Newness and Distinctiveness: **Newness and distinctiveness reside in the features of the design shown in solid lines in the representations excluding those features shown in broken lines.**



- (21) Design Number: **10005/2010**
(22) Date of Filing Application: **04 January 2010**
(24) Date from which industrial property rights may have effect: **04 January 2010**
(54) Product in respect of which the design is registered: **Container**
(51) International Design Classification: **09-01K**
(71) Name(s) and Address(s) of Applicant(s):
Colgate-Palmolive Company
300 Park Avenue New York New York 10022 United States of America
(72) Name(s) of Designer(s): **Kiat Cheong Toh and John Lamb and Will Maskell and Alan Whiting and Tom Walton and Corinne Elstow**
(45) Registration Date: **29 January 2010**
(30) Convention priority data:
(31) Number (32) Date (33) Country
29/339425 30 Jun 2009 UNITED STATES OF AMERICA
(56) Related Art Documents: **Not Applicable**
(57) Statement of Newness and Distinctiveness: **Newness and distinctiveness reside in the features of the design shown in solid lines in the representations excluding those features shown in broken lines.**



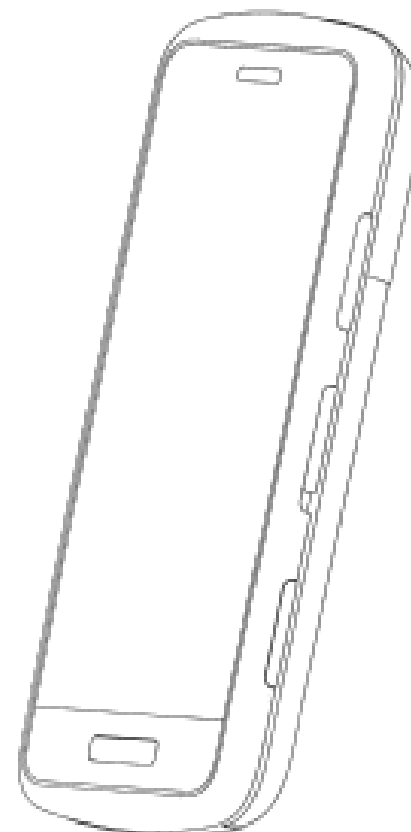
- (21) Design Number: **10006/2010**
(22) Date of Filing Application: **04 January 2010**
(24) Date from which industrial property rights may have effect: **04 January 2010**
(54) Product in respect of which the design is registered: **Container**
(51) International Design Classification: **09-01K**
(71) Name(s) and Address(s) of Applicant(s):
Colgate-Palmolive Company
300 Park Avenue New York New York 10022 United States of America
(72) Name(s) of Designer(s): **Kiat Cheong Toh and John Lamb and Will Maskell and Alan Whiting and Tom Walton and Corinne Elstow**
(45) Registration Date: **29 January 2010**
(30) Convention priority data:
(31) Number (32) Date (33) Country
29/339419 30 Jun 2009 UNITED STATES OF AMERICA
(56) Related Art Documents: **Not Applicable**
(57) Statement of Newness and Distinctiveness: **Newness and distinctiveness reside in the features of the design shown in solid lines in the representations excluding those features shown in broken lines.**



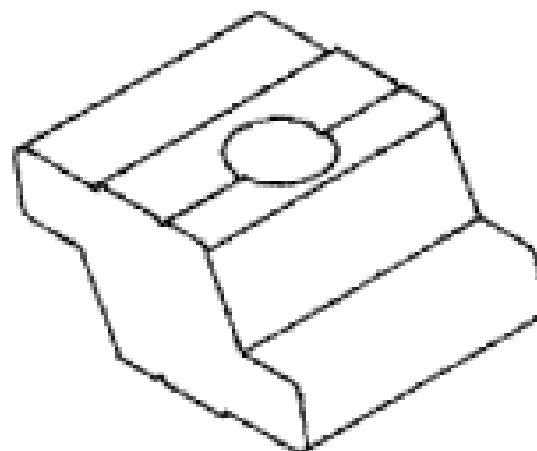
- (21) Design Number: **10007/2010**
(22) Date of Filing Application: **04 January 2010**
(24) Date from which industrial property rights may have effect: **04 January 2010**
(54) Product in respect of which the design is registered: **Container**
(51) International Design Classification: **09-01K**
(71) Name(s) and Address(s) of Applicant(s):
Colgate-Palmolive Company
300 Park Avenue New York New York 10022 United States of America
(72) Name(s) of Designer(s): **Kiat Cheong Toh and John Lamb and Will Maskell and Alan Whiting and Tom Walton and Corinne Elstow**
(45) Registration Date: **29 January 2010**
(30) Convention priority data:
(31) Number (32) Date (33) Country
29/339417 30 Jun 2009 UNITED STATES OF AMERICA
(56) Related Art Documents: **Not Applicable**
(57) Statement of Newness and Distinctiveness: **Newness and distinctiveness reside in the features of the design shown in solid lines in the representations excluding those features shown in broken lines.**



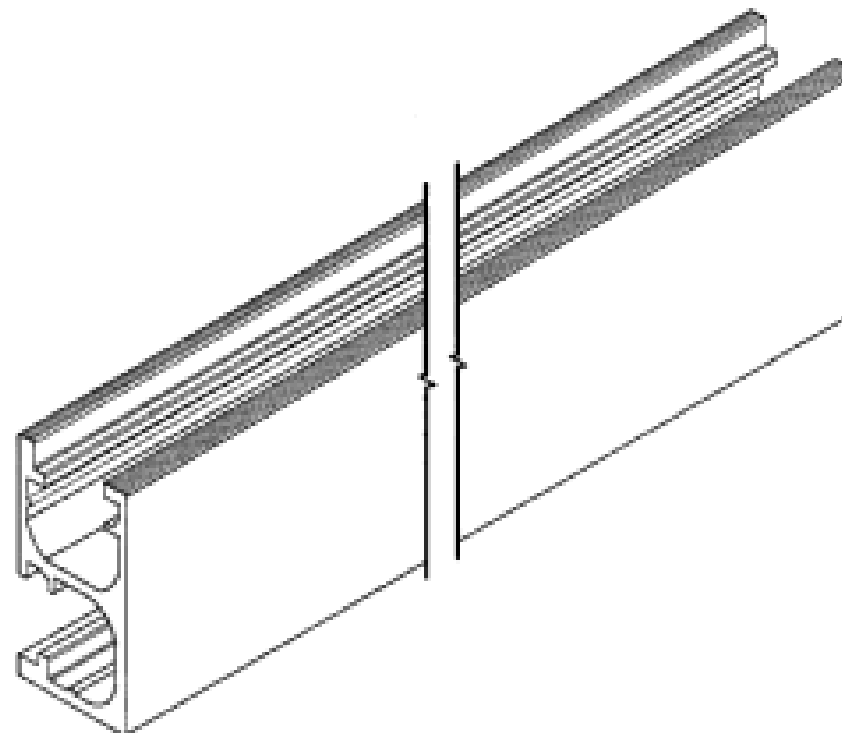
- (21) Design Number: **10011/2010**
(22) Date of Filing Application: **04 January 2010**
(24) Date from which industrial property rights may have effect: **04 January 2010**
(54) Product in respect of which the design is registered: **Handset**
(51) International Design Classification: **14-03A**
(71) Name(s) and Address(s) of Applicant(s):
Nokia Corporation
Keilalahdentie 4 FIN-02150 Espoo Finland
(72) Name(s) of Designer(s): **Evalena Sandberg**
(45) Registration Date: **29 January 2010**
(30) Convention priority data:
(31) Number (32) Date (33) Country
29/344527 30 Sep 2009 UNITED STATES OF AMERICA
(56) Related Art Documents: **Not Applicable**
(57) Statement of Newness and Distinctiveness: **Newness and distinctiveness is claimed in the features of shape and/or configuration of a handset as illustrated in the accompanying representations.**



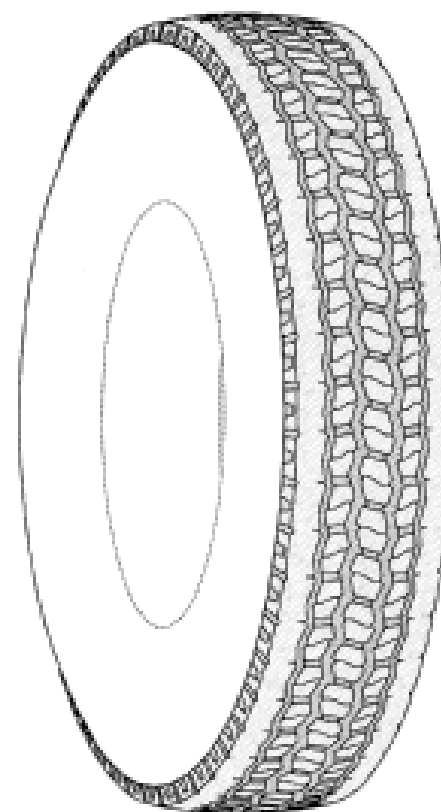
- (21) Design Number: **10174/2010**
(22) Date of Filing Application: **18 January 2010**
(24) Date from which industrial property rights may have effect: **18 January 2010**
(54) Product in respect of which the design is registered: **A nut**
(51) International Design Classification: **08-08B**
(71) Name(s) and Address(s) of Applicant(s):
Aluminium Specialties Group Pty Ltd
3 Alspec Place Eastern Creek New South Wales 2766 Australia
(72) Name(s) of Designer(s): **Neil Young**
(45) Registration Date: **29 January 2010**
(56) Related Art Documents: **Not Applicable**
(57) Statement of Newness and Distinctiveness: **Newness and distinctiveness resides in the features of shape and/or configuration of a nut as shown in the accompanying drawings.**



- (21) Design Number: **10175/2010**
(22) Date of Filing Application: **18 January 2010**
(24) Date from which industrial property rights may have effect: **18 January 2010**
(54) Product in respect of which the design is registered: **An extrusion**
(51) International Design Classification: **25-01K**
(71) Name(s) and Address(s) of Applicant(s):
Aluminium Specialities Group Pty Ltd
3 Alspec Place Eastern Creek New South Wales 2766 Australia
(72) Name(s) of Designer(s): **Neil Young**
(45) Registration Date: **29 January 2010**
(56) Related Art Documents: **Not Applicable**
(57) Statement of Newness and Distinctiveness: **Newness and distinctiveness resides in the features of shape and/or configuration of an extrusion of indefinite length as shown in the accompanying drawings.**



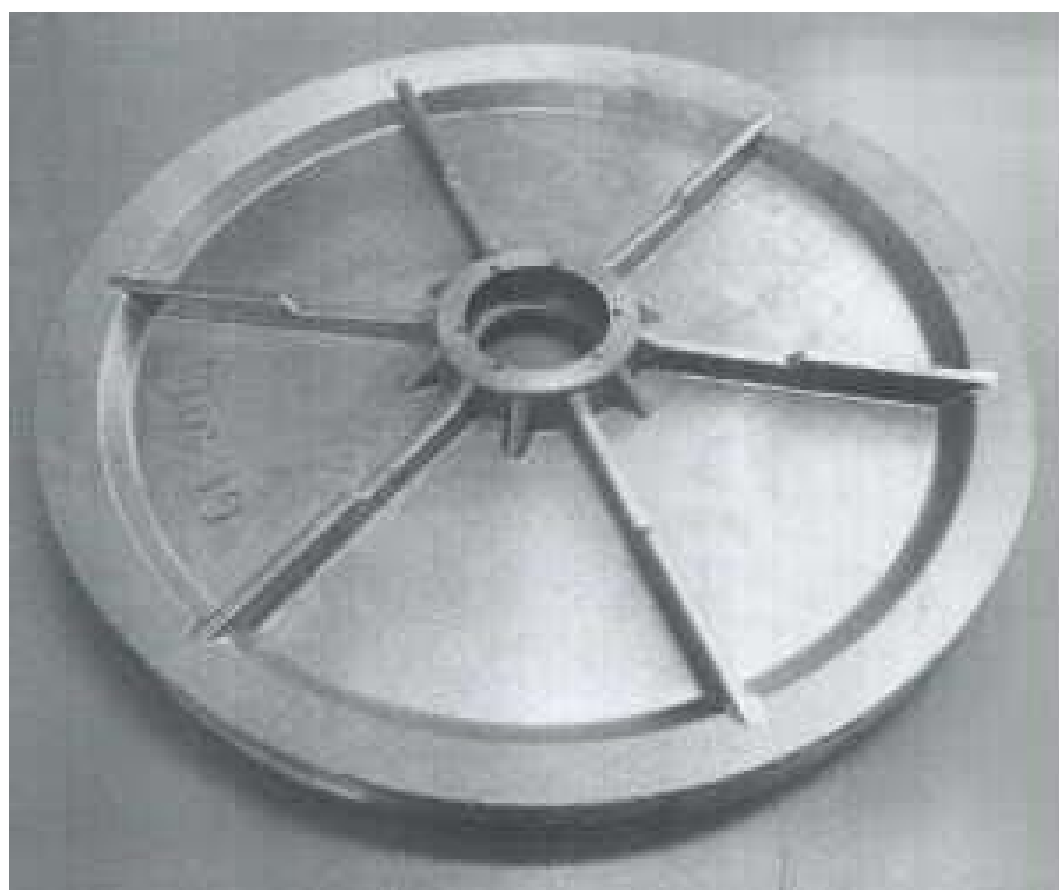
- (21) Design Number: **11865/2009**
(22) Date of Filing Application: **21 May 2009**
(24) Date from which industrial property rights may have effect: **21 May 2009**
(54) Product in respect of which the design is registered: **Automobile tyre**
(51) International Design Classification: **12-15A**
(71) Name(s) and Address(s) of Applicant(s):
Bridgestone Corporation
10-1 Kyobashi 1-Chome Chuo-ku Tokyo 104-8340 Japan
(72) Name(s) of Designer(s): **Yosuke Nobunaga**
(45) Registration Date: **29 January 2010**
(56) Related Art Documents: **Not Applicable**
(57) Statement of Newness and Distinctiveness: **The shape, configuration and pattern of the tread portion of the parts of the tyre shown by means of solid lines in the representations are new and distinctive.**



- (21) Design Number: **12211/2009**
(22) Date of Filing Application: **18 June 2009**
(24) Date from which industrial property rights may have effect: **18 June 2009**
(54) Product in respect of which the design is registered: **Hose**
(51) International Design Classification: **23-01C**
(71) Name(s) and Address(s) of Applicant(s):
Esdan Plastics Pty Ltd
525-527 Hammond Road Dandenong Victoria 3175 Australia
(72) Name(s) of Designer(s): **Bertram Ekenaike**
(45) Registration Date: **29 January 2010**
(56) Related Art Documents: **Not Applicable**
(57) Statement of Newness and Distinctiveness: **Newness and distinctiveness is claimed in the appearance of the external surface of the hose including the colour. The hose is of indefinite length.**



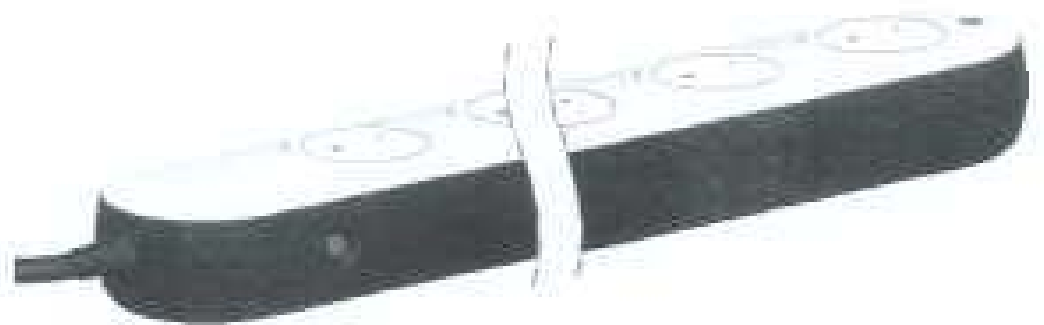
- (21) Design Number: **14142/2009**
(22) Date of Filing Application: **23 October 2009**
(24) Date from which industrial property rights may have effect: **23 October 2009**
(54) Product in respect of which the design is registered: **Pulley**
(51) International Design Classification: **12-05**
(71) Name(s) and Address(s) of Applicant(s):
Greenfield Mowers Pty Ltd
Acacia Ridge Business Park Unit 7/1502 Beaudesert Road (Cnr Fox Road) Acacia Ridge Queensland 4110 Australia
(72) Name(s) of Designer(s): **Theodore William Reinhold**
(45) Registration Date: **29 January 2010**
(56) Related Art Documents: **Not Applicable**
(57) Statement of Newness and Distinctiveness: **Newness and distinctiveness resides in the shape and configuration of a pulley as shown in the accompanying drawings wherein: Fig. 1 is a plan of the pulley; and Fig. 2 is a selectional elevation of the pulley along line A-A. Fig. 3 is a photographic representation of the pulley from the same side as Fig. 1; Fig. 4 is a photographic representation of the pulley from the same side as Fig. 3 but with the pulley slightly tilted; Fig. 5 is a photographic representation of the pulley from the opposite side to that shown in Fig. 3; and Fig. 6 is a photographic representation of the pulley from the side as Fig. 5 but slightly tilted in the opposite direction to Fig. 4. In construing the scope of the registration, the punch marks around the centre bore of the pulley as can be seen in Figs. 3 and 4 are to be ignored.**



- (21) Design Number: **14490/2009**
(22) Date of Filing Application: **17 November 2009**
(24) Date from which industrial property rights may have effect: **17 November 2009**
(54) Product in respect of which the design is registered: **Power board**
(51) International Design Classification: **13-03D**
(71) Name(s) and Address(s) of Applicant(s):
Legrand Australia Pty Ltd
Unit 99 79-99 St Hilliers Road Auburn New South Wales 2144 Australia
(72) Name(s) of Designer(s): **Florent Glennison**
(45) Registration Date: **29 January 2010**
(56) Related Art Documents: **Not Applicable**
(57) Statement of Newness and Distinctiveness: **Newness and distinctiveness resides in the visual feature of the contrasting appearance of the surfaces of the power board. The socket configuration repeats along a length of the power board.**



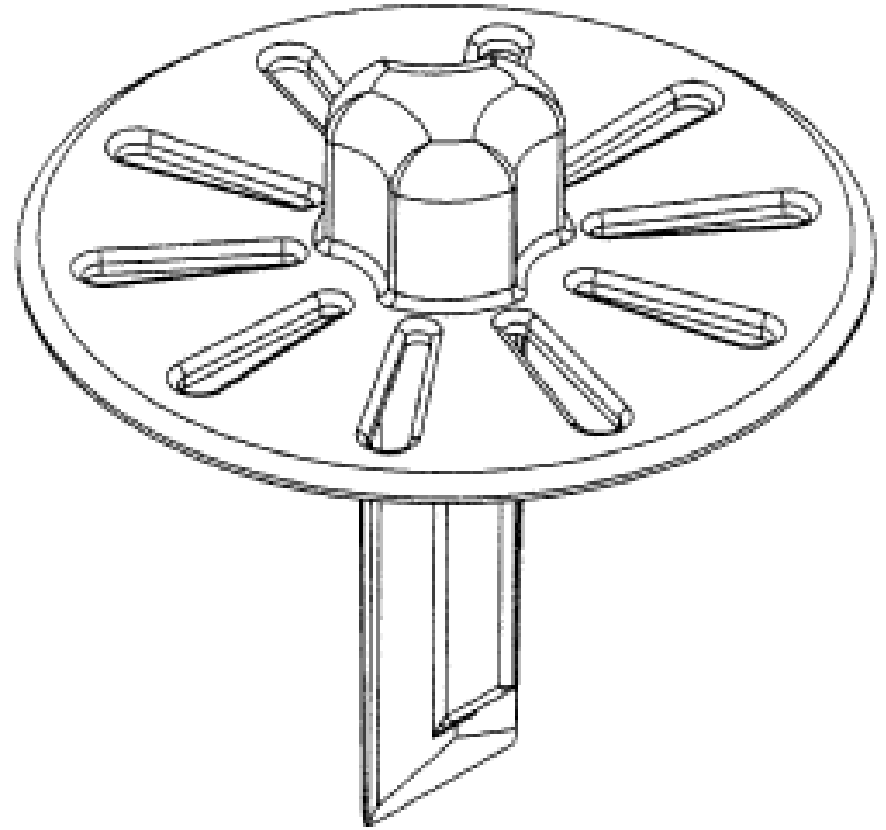
- (21) Design Number: **14491/2009**
(22) Date of Filing Application: **17 November 2009**
(24) Date from which industrial property rights may have effect: **17 November 2009**
(54) Product in respect of which the design is registered: **Power board**
(51) International Design Classification: **13-03D**
(71) Name(s) and Address(s) of Applicant(s):
Legrand Australia Pty Ltd
Unit 99 79-99 St Hilliers Road Auburn New South Wales 2144 Australia
(72) Name(s) of Designer(s): **Florent Glennison**
(45) Registration Date: **29 January 2010**
(56) Related Art Documents: **Not Applicable**
(57) Statement of Newness and Distinctiveness: **Newness and distinctiveness resides in the visual feature of the contrasting appearance of the surfaces of the power board. The socket configuration repeats along a length of the power board.**



- (21) Design Number: **14564/2009**
(22) Date of Filing Application: **23 November 2009**
(24) Date from which industrial property rights may have effect: **23 November 2009**
(54) Product in respect of which the design is registered: **Pusher tool**
(51) International Design Classification: **08-99**
(71) Name(s) and Address(s) of Applicant(s):

Ty Hermans
359 Macdonnell Road Clontarf Queensland 4019 Australia

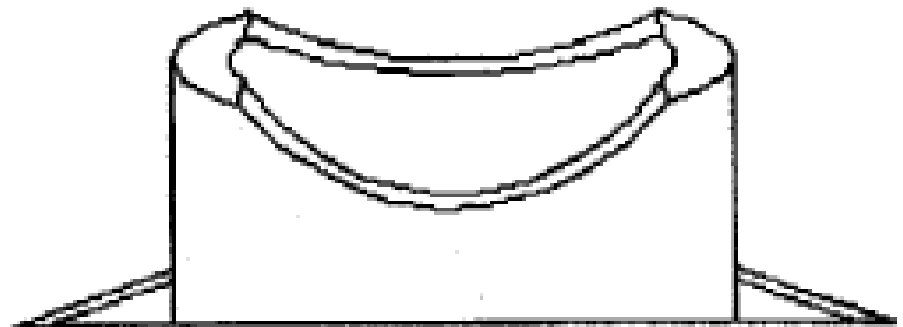
- (72) Name(s) of Designer(s): **Ty Hermans**
(45) Registration Date: **29 January 2010**
(56) Related Art Documents: **Not Applicable**
(57) Statement of Newness and Distinctiveness: **Newness and distinctiveness resides in the shape and configuration of a tool as shown in the accompanying representations, wherein: Fig. 1 is a view of the tool from above; Fig. 2 is a view of the tool from one side; Fig. 3 is a view of the tool from below; Fig. 4 is a view of the tool from the side opposite to the view shown in Fig. 2; Fig. 5 is a pictorial representation of the tool from above on one side; and Fig. 6 is a pictorial representation of the tool from below on the side opposite to the view shown in Fig. 5.**



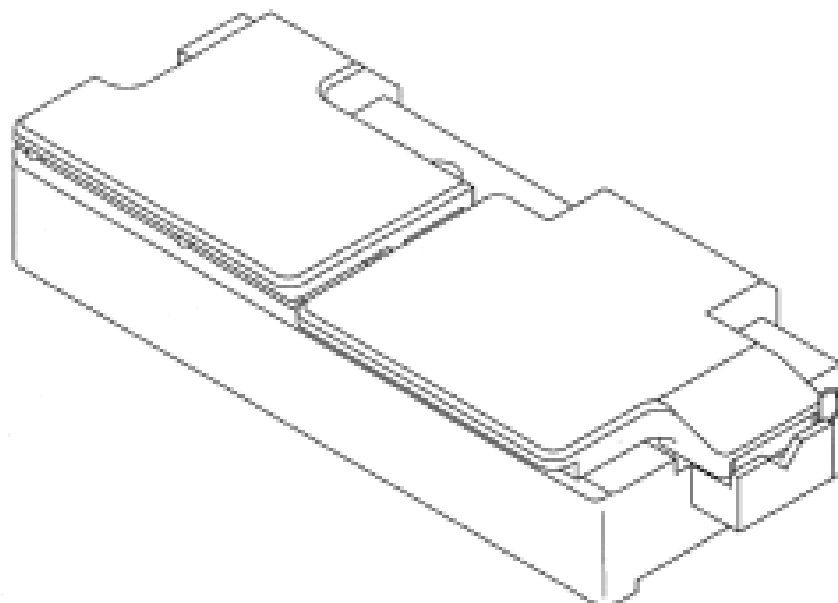
- (21) Design Number: **14596/2009**
(22) Date of Filing Application: **24 November 2009**
(24) Date from which industrial property rights may have effect: **24 November 2009**
(54) Product in respect of which the design is registered: **Kicking tee**
(51) International Design Classification: **21-02NES**
(71) Name(s) and Address(s) of Applicant(s):

Counselling Help Pty Ltd
2495 Logan Road Eight Mile Plains Queensland 4113 Australia

- (72) Name(s) of Designer(s): **Guy Austin Gibbons**
(45) Registration Date: **29 January 2010**
(56) Related Art Documents: **Not Applicable**
(57) Statement of Newness and Distinctiveness: **Single piece design, with aiming base and bevelled cradle.**



- (21) Design Number: **14678/2009**
(22) Date of Filing Application: **27 November 2009**
(24) Date from which industrial property rights may have effect: **27 November 2009**
(54) Product in respect of which the design is registered: **Optical fiber holder**
(51) International Design Classification: **03-01NES, 24-02**
(71) Name(s) and Address(s) of Applicant(s):
Sumitomo Electric Industries, Ltd.
5-33 Kitahama 4-chome Chuo-ku Osaka Japan
(72) Name(s) of Designer(s): **Ryuichiro Sato**
(45) Registration Date: **29 January 2010**
(30) Convention priority data:
(31) Number (32) Date (33) Country
2009-012690 05 Jun 2009 JAPAN
(56) Related Art Documents: **Not Applicable**
(57) Statement of Newness and Distinctiveness: **Newness and distinctiveness resides in the shape and configuration of optical fiber holder as shown in the representations.**



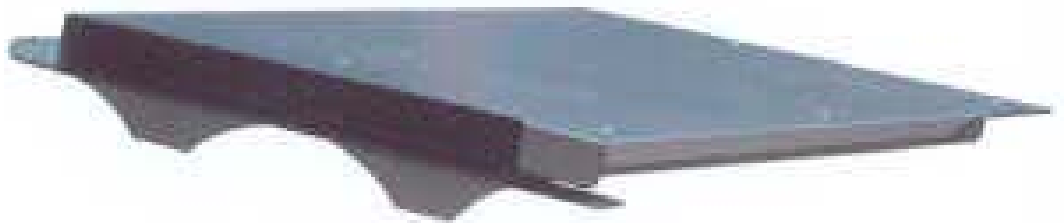
- (21) Design Number: **14694/2009**
(22) Date of Filing Application: **30 November 2009**
(24) Date from which industrial property rights may have effect: **30 November 2009**
(54) Product in respect of which the design is registered: **Protective structure for a vehicle front end**
(51) International Design Classification: **12-16C**
(71) Name(s) and Address(s) of Applicant(s):
Scania CV AB
Sodertalje SE-151 87 Sweden
(72) Name(s) of Designer(s): **Fredrik Pettersson**
(45) Registration Date: **29 January 2010**
(30) Convention priority data:
(31) Number (32) Date (33) Country
2009/0312 11 Jun 2009 SWEDEN
(56) Related Art Documents: **Not Applicable**
(57) Statement of Newness and Distinctiveness: **Nil**



- (21) Design Number: **14805/2009**
(22) Date of Filing Application: **09 December 2009**
(24) Date from which industrial property rights may have effect: **09 December 2009**
(54) Product in respect of which the design is registered: **Roof tile ventilators**
(51) International Design Classification: **25-01F**
(71) Name(s) and Address(s) of Applicant(s):
Kevin J. Baker
6 Sheehan Street Pearce Australian Capital Territory Australia 2607
(72) Name(s) of Designer(s): **Kevin J. Baker**
(45) Registration Date: **29 January 2010**
(56) Related Art Documents: **Not Applicable**
(57) Statement of Newness and Distinctiveness: **Newness and distinctiveness is claimed in the shape and/or configuration of the hollow roof tile ventilator as shown in the representations.**



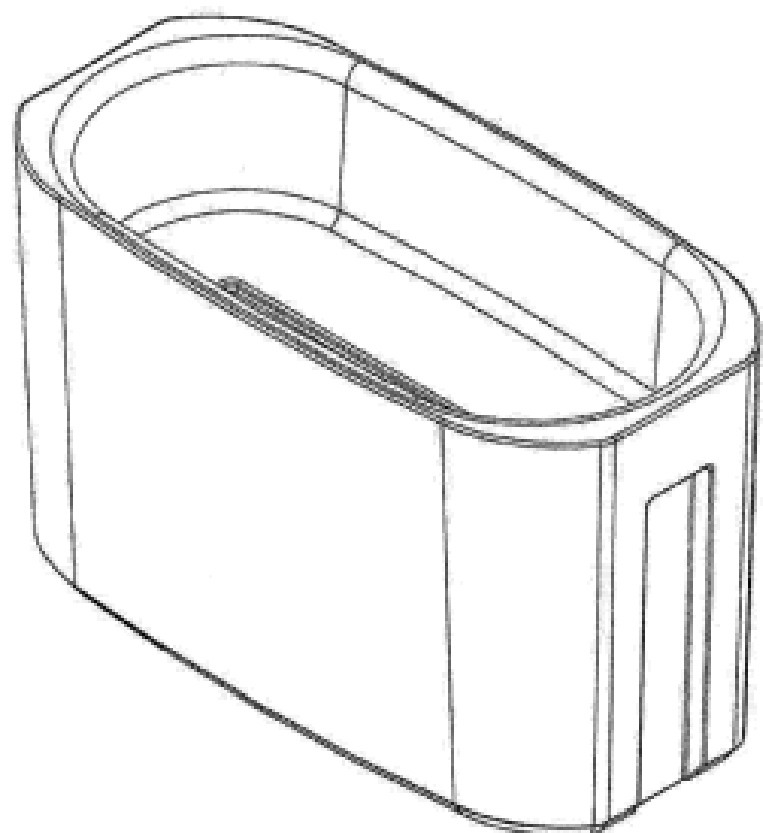
- (21) Design Number: **14807/2009**
(22) Date of Filing Application: **09 December 2009**
(24) Date from which industrial property rights may have effect: **09 December 2009**
(54) Product in respect of which the design is registered: **Roof tile ventilators**
(51) International Design Classification: **25-01F**
(71) Name(s) and Address(s) of Applicant(s):
Kevin J. Baker
6 Sheehan Street Pearce Australian Capital Territory Australia 2607
(72) Name(s) of Designer(s): **Kevin J. Baker**
(45) Registration Date: **29 January 2010**
(56) Related Art Documents: **Not Applicable**
(57) Statement of Newness and Distinctiveness: **Newness and distinctiveness is claimed in the shape and/or configuration of the hollow roof tile ventilator as shown in the representations.**



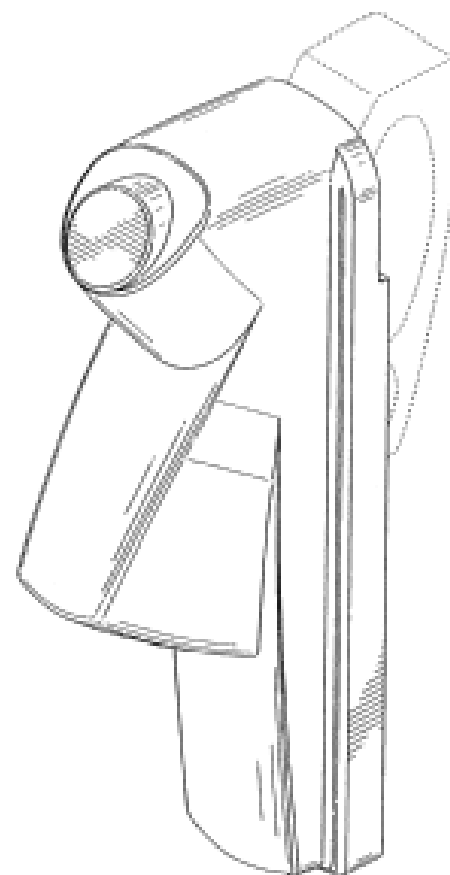
- (21) Design Number: **14806/2009**
(22) Date of Filing Application: **09 December 2009**
(24) Date from which industrial property rights may have effect: **09 December 2009**
(54) Product in respect of which the design is registered: **Roof tile ventilators**
(51) International Design Classification: **25-01F**
(71) Name(s) and Address(s) of Applicant(s):
Kevin J. Baker
6 Sheehan Street Pearce Australian Capital Territory Australia 2607
(72) Name(s) of Designer(s): **Kevin J. Baker**
(45) Registration Date: **29 January 2010**
(56) Related Art Documents: **Not Applicable**
(57) Statement of Newness and Distinctiveness: **Newness and distinctiveness is claimed in the shape and/or configuration of the hollow roof tile ventilator as shown in the representations.**



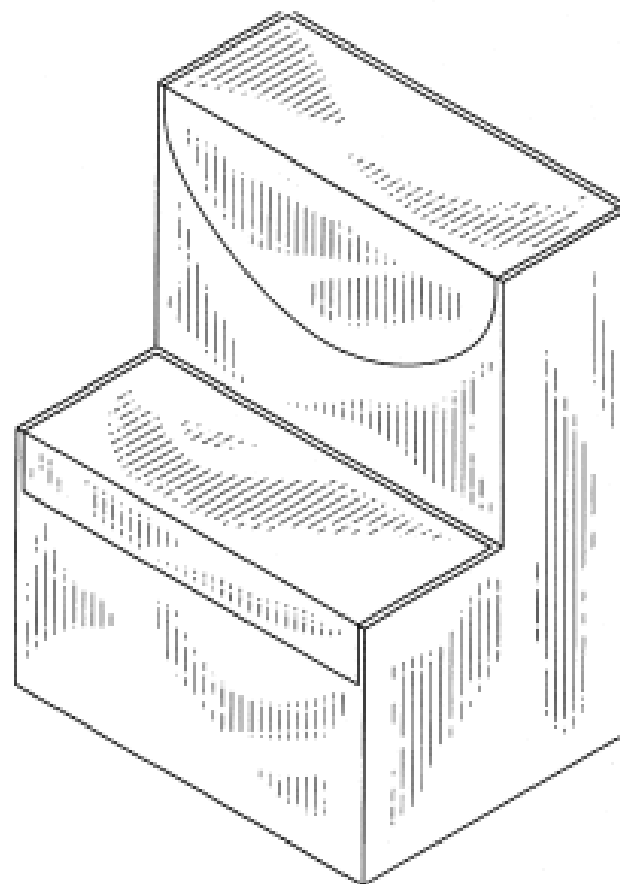
- (21) Design Number: **14954/2009**
(22) Date of Filing Application: **18 December 2009**
(24) Date from which industrial property rights may have effect: **18 December 2009**
(54) Product in respect of which the design is registered: **Planter**
(51) International Design Classification: **11-02B**
(71) Name(s) and Address(s) of Applicant(s):
Mode Solutions Pty Ltd
79 Williams Road Swan Hill Victoria 3585 AUSTRALIA
(72) Name(s) of Designer(s): **Angus McDonald and Garth Perryman**
(45) Registration Date: **29 January 2010**
(56) Related Art Documents: **Not Applicable**
(57) Statement of Newness and Distinctiveness: **Those features of the planter depicted in the representations that are new and distinctive are the shape and/or configuration.**



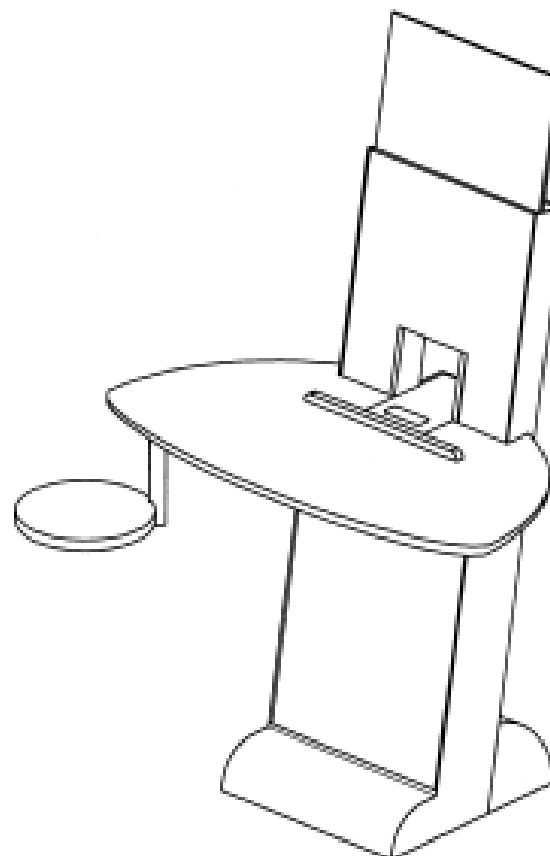
- (21) Design Number: **10021/2010**
(22) Date of Filing Application: **06 January 2010**
(24) Date from which industrial property rights may have effect: **06 January 2010**
(54) Product in respect of which the design is registered: **Pinless security device**
(51) International Design Classification: **10-05, 02-04A, 08-07**
(71) Name(s) and Address(s) of Applicant(s):
Sensormatic Electronics, LLC
6600 Congress Avenue Boca Raton Florida 33487 United States of America
(72) Name(s) of Designer(s): **Sergio M. Perez**
(45) Registration Date: **29 January 2010**
(30) Convention priority data:
(31) Number (32) Date (33) Country
29/315859 29 Jul 2009 UNITED STATES OF AMERICA
(56) Related Art Documents: **Not Applicable**
(57) Statement of Newness and Distinctiveness: **Newness and distinctiveness is claimed in the those features of shape and/or configuration of a pinless security device illustrated in continuous lines in the accompanying representations.**



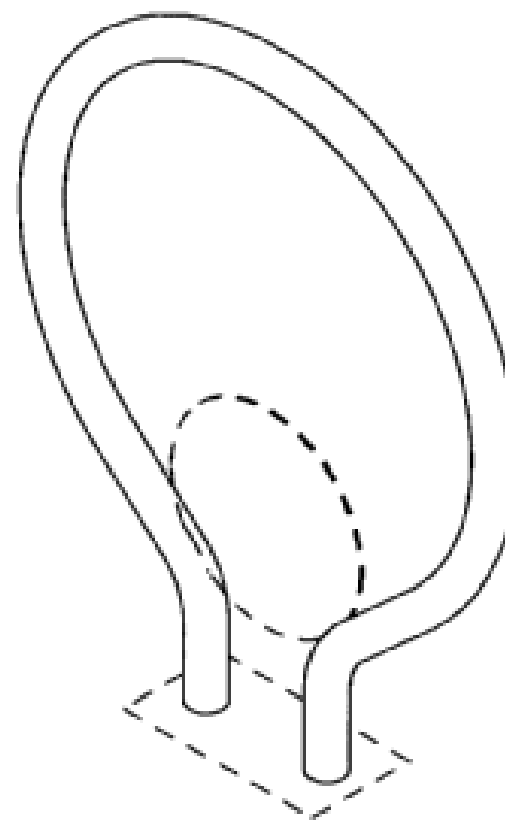
- (21) Design Number: **10022/2010**
(22) Date of Filing Application: **06 January 2010**
(24) Date from which industrial property rights may have effect: **06 January 2010**
(54) Product in respect of which the design is registered: **Holder for a cleaning implement - solid wall**
(51) International Design Classification: **07-05NES**
(71) Name(s) and Address(s) of Applicant(s):
Patricia Nash
50 Beechwood Place Harrington Park Newark 07640 United States of America
(72) Name(s) of Designer(s): **Patricia Nash**
(45) Registration Date: **29 January 2010**
(30) Convention priority data:
(31) Number (32) Date (33) Country
29/340229 15 Jul 2009 UNITED STATES OF AMERICA
(56) Related Art Documents: **Not Applicable**
(57) Statement of Newness and Distinctiveness: **The newness and distinctiveness of the design resides in the shape and/or configuration of the HOLDER FOR A CLEANING IMPLEMENT - SOLID WALL shown in the representations.**



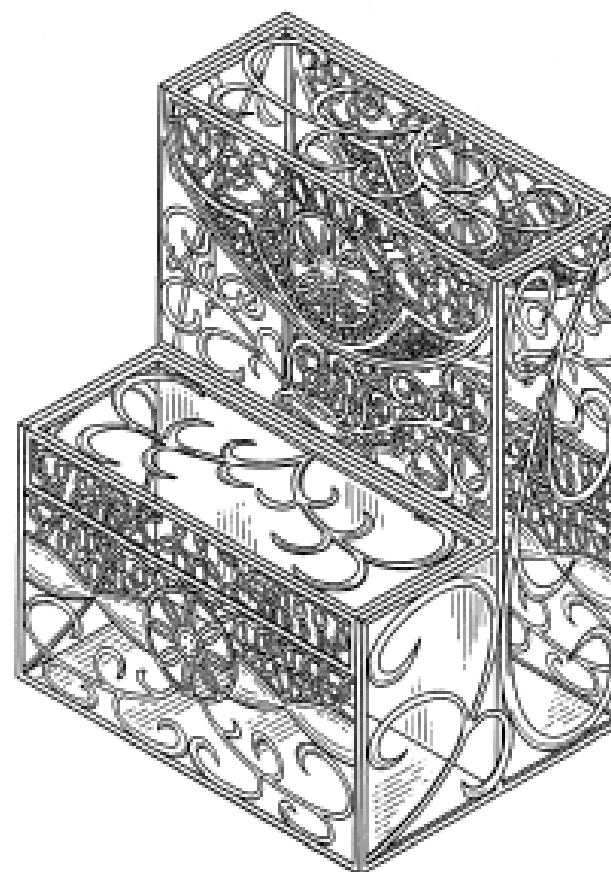
- (21) Design Number: **13571/2009**
(22) Date of Filing Application: **16 September 2009**
(24) Date from which industrial property rights may have effect: **16 September 2009**
(54) Product in respect of which the design is registered: **Kiosk**
(51) International Design Classification: **20-02C, 25-03**
(71) Name(s) and Address(s) of Applicant(s):
Paul White
77 Thirteenth Avenue Tauranga 3112 New Zealand
Isabel White
77 Thirteenth Avenue Tauranga 3112 New Zealand
(72) Name(s) of Designer(s): **Paul White**
(45) Registration Date: **29 January 2010**
(56) Related Art Documents: **Not Applicable**
(57) Statement of Newness and Distinctiveness: **The design is to be applied to a kiosk and the novelty resides in the features of shape and configuration as shown in the accompanying drawings.**



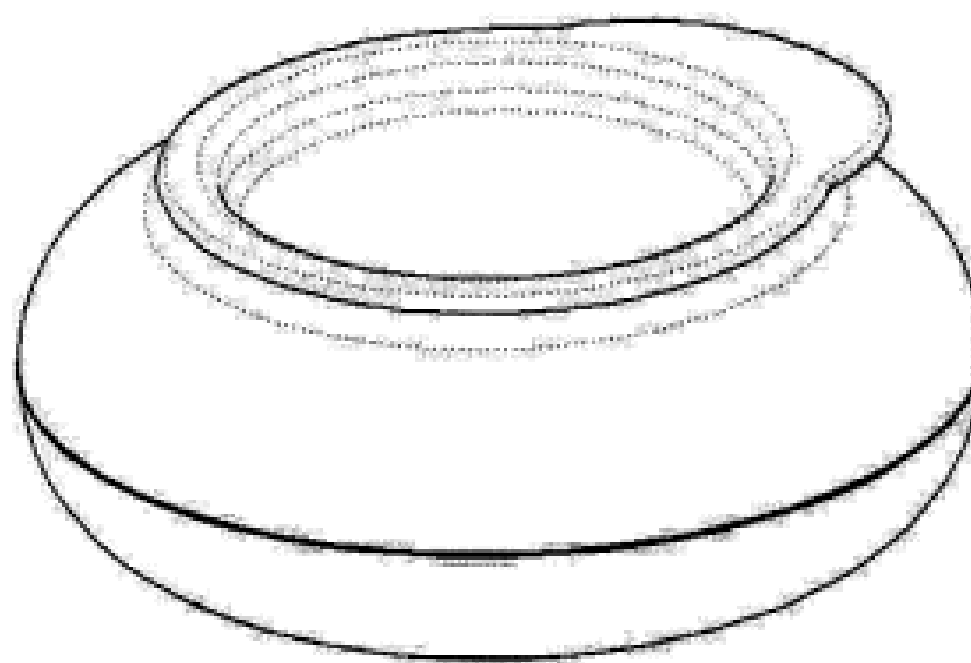
- (21) Design Number: **14266/2009**
(22) Date of Filing Application: **30 October 2009**
(24) Date from which industrial property rights may have effect: **30 October 2009**
(54) Product in respect of which the design is registered: **Bicycle hitching rail**
(51) International Design Classification: **08-10**
(71) Name(s) and Address(s) of Applicant(s):
Martyn S. Wilson
8-10 Giffard Street Silverwater New South Wales 2128 Australia
(72) Name(s) of Designer(s): **Martyn Stanley Wilson**
(45) Registration Date: **29 January 2010**
(56) Related Art Documents: **Not Applicable**
(57) Statement of Newness and Distinctiveness: **The shape and configuration of the bicycle hitching rail as shown in the representations is claimed as new and distinctive. No claim is made in the shape of the fixing (foot) portion or the round sign plate, both shown in the dotted outline.**



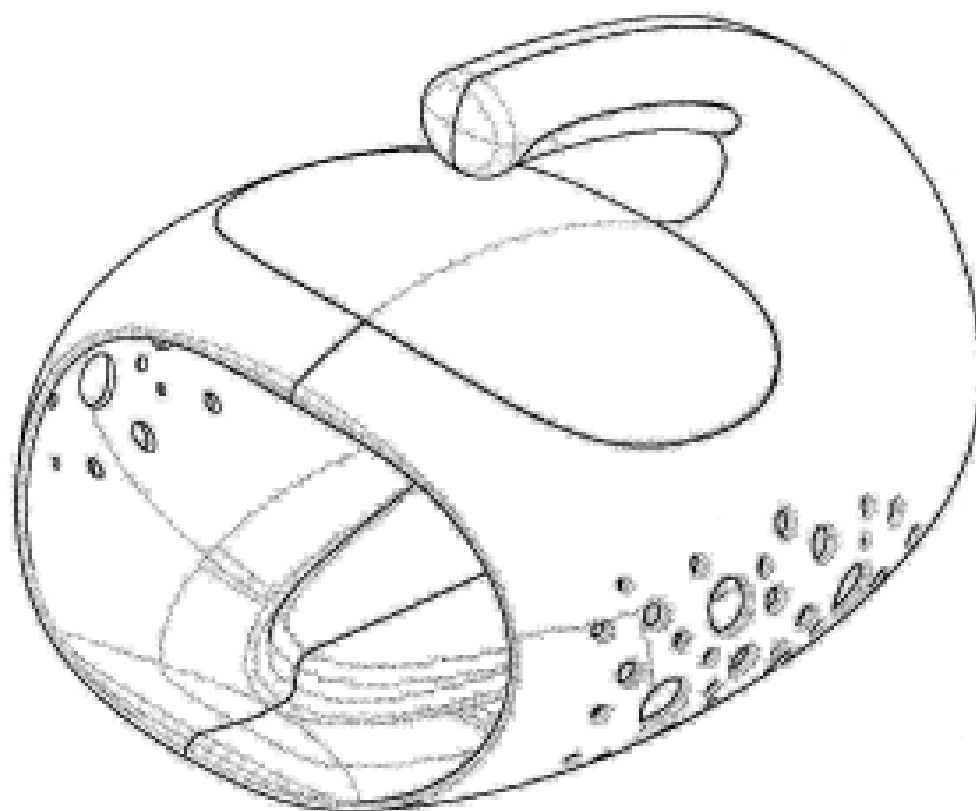
- (21) Design Number: **10023/2010**
(22) Date of Filing Application: **06 January 2010**
(24) Date from which industrial property rights may have effect: **06 January 2010**
(54) Product in respect of which the design is registered: **Holder for a cleaning implement - open wall**
(51) International Design Classification: **07-99C**
(71) Name(s) and Address(s) of Applicant(s):
Patricia Nash
50 Beechwood Place Harrington Park Newark 07640 United States of America
(72) Name(s) of Designer(s): **Patricia Nash**
(45) Registration Date: **29 January 2010**
(30) Convention priority data:
(31) Number (32) Date (33) Country
29/340224 15 Jul 2009 UNITED STATES OF AMERICA
(56) Related Art Documents: **Not Applicable**
(57) Statement of Newness and Distinctiveness: **The newness and distinctiveness of the design resides in the shape and/or configuration of the holder for a cleaning implement - open wall shown in the representations.**



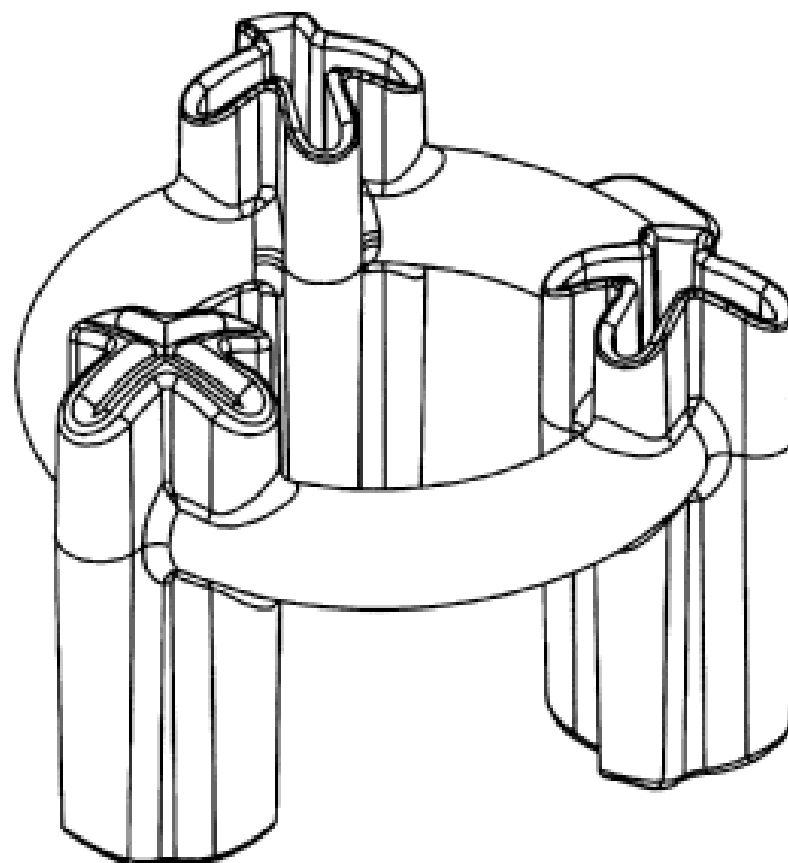
- (21) Design Number: **10024/2010**
(22) Date of Filing Application: **06 January 2010**
(24) Date from which industrial property rights may have effect: **06 January 2010**
(54) Product in respect of which the design is registered: **Food container**
(51) International Design Classification: **07-01NES**
(71) Name(s) and Address(s) of Applicant(s):
Helen of Troy Limited
13 8th Avenue Belleville PO Box 836E St Michael Barbados
(72) Name(s) of Designer(s): **Steven H. Vordenberg and Brook Saunders Kennedy**
(45) Registration Date: **29 January 2010**
(30) Convention priority data:
(31) Number (32) Date (33) Country
29/342,139 19 Aug 2009 UNITED STATES OF AMERICA
(56) Related Art Documents: **Not Applicable**
(57) Statement of Newness and Distinctiveness: **Nil**



- (21) Design Number: **10025/2010**
(22) Date of Filing Application: **06 January 2010**
(24) Date from which industrial property rights may have effect: **06 January 2010**
(54) Product in respect of which the design is registered: **Organiser**
(51) International Design Classification: **28-03NES**
(71) Name(s) and Address(s) of Applicant(s):
Helen of Troy Limited
13 8th Avenue Belleville PO Box 836E St Michael Barbados
(72) Name(s) of Designer(s): **Tucker H. Fort and Brook Saunders Kennedy and Hideaki Matsui**
(45) Registration Date: **29 January 2010**
(30) Convention priority data:
(31) Number (32) Date (33) Country
29/342,361 24 Aug 2009 UNITED STATES OF AMERICA
(56) Related Art Documents: **Not Applicable**
(57) Statement of Newness and Distinctiveness: **Nil**



- (21) Design Number: **10061/2010**
(22) Date of Filing Application: **08 January 2010**
(24) Date from which industrial property rights may have effect: **08 January 2010**
(54) Product in respect of which the design is registered: **A connector**
(51) International Design Classification: **07-07NES, 09-03H**
(71) Name(s) and Address(s) of Applicant(s):
Sharon Yoke Heng Wong
"Springlong" Mawsley Lane NN14 1LB Loddington Kettering
Northamptonshire United Kingdom
(72) Name(s) of Designer(s): **Sharon Yoke Heng Wong**
(45) Registration Date: **29 January 2010**
(30) Convention priority data:
(31) Number (32) Date (33) Country
001586157 17 Jul 2009 EUROPEAN COMMUNITY
(56) Related Art Documents: **Not Applicable**
(57) Statement of Newness and Distinctiveness: **Newness and distinctiveness is claimed in the shape and/or configuration of a connector as illustrated in the representations.**



- (21) Design Number: **10062/2010**
(22) Date of Filing Application: **08 January 2010**
(24) Date from which industrial property rights may have effect: **08 January 2010**
(54) Product in respect of which the design is registered: **A connector**
(51) International Design Classification: **07-07NES, 09-03H**
(71) Name(s) and Address(s) of Applicant(s):

Sharon Yoke Heng Wong
"Springlong" Mawsley Lane NN14 1LB Loddington Kettering
Northamptonshire United Kingdom

(72) Name(s) of Designer(s): **Sharon Yoke Heng Wong**

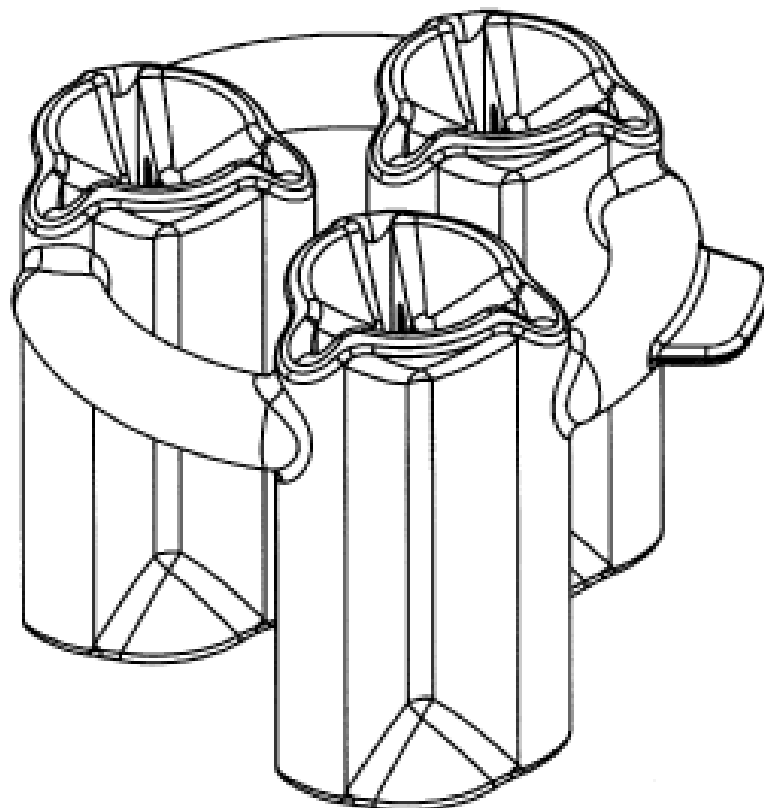
(45) Registration Date: **29 January 2010**

(30) Convention priority data:

(31) Number	(32) Date	(33) Country
001586157	17 Jul 2009	EUROPEAN COMMUNITY

(56) Related Art Documents: **Not Applicable**

(57) Statement of Newness and Distinctiveness: **Newness and distinctiveness is claimed in the shape and/or configuration of a connector as illustrated in the representations.**



- (21) Design Number: **10068/2010**
(22) Date of Filing Application: **08 January 2010**
(24) Date from which industrial property rights may have effect: **08 January 2010**
(54) Product in respect of which the design is registered: **A connector**
(51) International Design Classification: **07-07NES, 09-03H**
(71) Name(s) and Address(s) of Applicant(s):

Sharon Yoke Heng Wong
"Springlong" Mawsley Lane NN14 1LB Loddington Kettering
Northamptonshire United Kingdom

(72) Name(s) of Designer(s): **Sharon Yoke Heng Wong**

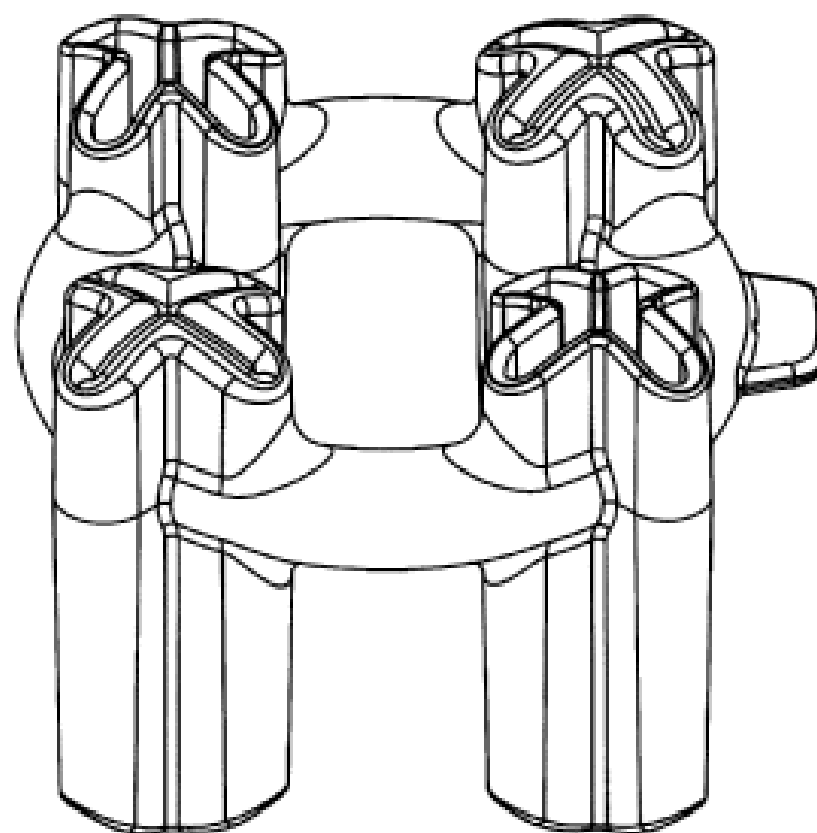
(45) Registration Date: **29 January 2010**

(30) Convention priority data:

(31) Number	(32) Date	(33) Country
001586157	17 Jul 2009	EUROPEAN COMMUNITY

(56) Related Art Documents: **Not Applicable**

(57) Statement of Newness and Distinctiveness: **Newness and distinctiveness is claimed in the shape and/or configuration of a connector as illustrated in the representations.**



- (21) Design Number: **10069/2010**
(22) Date of Filing Application: **08 January 2010**
(24) Date from which industrial property rights may have effect: **08 January 2010**
(54) Product in respect of which the design is registered: **A connector**
(51) International Design Classification: **07-07NES, 09-03H**
(71) Name(s) and Address(s) of Applicant(s):

Sharon Yoke Heng Wong
"Springlong" Mawsley Lane NN14 1LB Loddington Kettering
Northamptonshire United Kingdom

- (72) Name(s) of Designer(s): **Sharon Yoke Heng Wong**

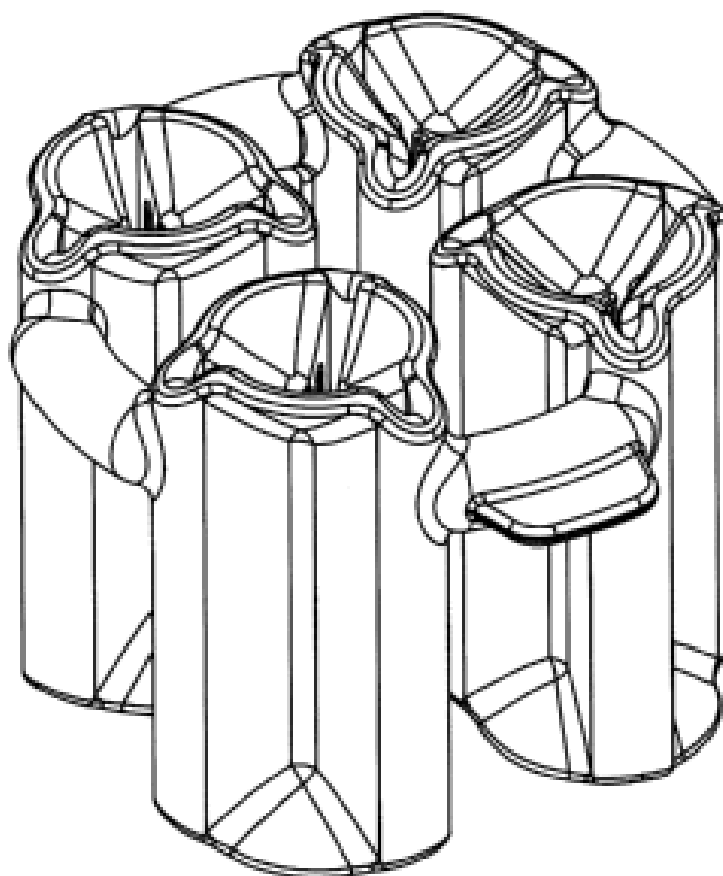
- (45) Registration Date: **29 January 2010**

- (30) Convention priority data:

(31) Number	(32) Date	(33) Country
001586157	17 Jul 2009	EUROPEAN COMMUNITY

- (56) Related Art Documents: **Not Applicable**

- (57) Statement of Newness and Distinctiveness: **Newness and distinctiveness is claimed in the shape and/or configuration of a connector as illustrated in the representations.**



- (21) Design Number: **14121/2009**
(22) Date of Filing Application: **23 October 2009**
(24) Date from which industrial property rights may have effect: **23 October 2009**
(54) Product in respect of which the design is registered: **Belt buckles**
(51) International Design Classification: **02-07A**
(71) Name(s) and Address(s) of Applicant(s):

Micky Weinstein
43/6 Hafetz Haim Street Petach Tikva 49450 Israel

Shani Tal
13 Kaplan Street Petach Tikva 49451 Israel

- (72) Name(s) of Designer(s): **Micky Weinstein and Tal Shani**

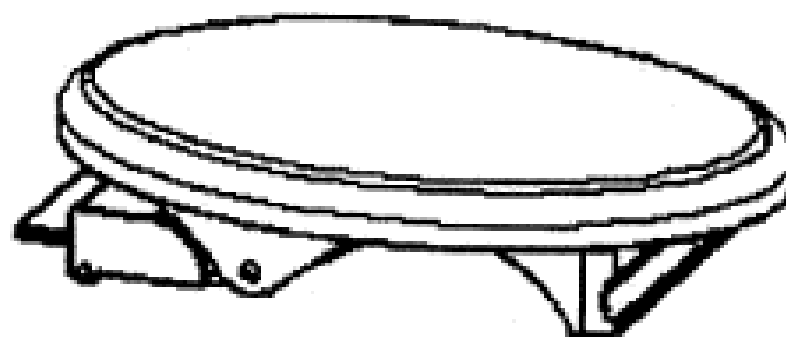
- (45) Registration Date: **03 February 2010**

- (30) Convention priority data:

(31) Number	(32) Date	(33) Country
47602	23 Apr 2009	ISRAEL

- (56) Related Art Documents: **Not Applicable**

- (57) Statement of Newness and Distinctiveness: **Nil**



(21) Design Number: **15095/2009**
(22) Date of Filing Application: **23 October 2009**
(24) Date from which industrial property rights may have effect: **23 October 2009**
(54) Product in respect of which the design is registered: **Belt buckles**
(51) International Design Classification: **02-07A**
(71) Name(s) and Address(s) of Applicant(s):

Micky Weinstein
43/6 Hafetz Haim Street Petach Tikva 49450 Israel

Shani Tal
13 Kaplan Street Petach Tikva 49451 Israel

(72) Name(s) of Designer(s): **Micky Weinstein and Tal Shani**

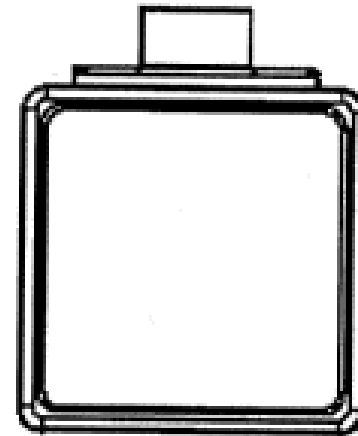
(45) Registration Date: **03 February 2010**

(30) Convention priority data:

(31) Number	(32) Date	(33) Country
47603	23 Apr 2009	ISRAEL

(56) Related Art Documents: **Not Applicable**

(57) Statement of Newness and Distinctiveness: **Nil**



(21) Design Number: **15096/2009**
(22) Date of Filing Application: **23 October 2009**
(24) Date from which industrial property rights may have effect: **23 October 2009**
(54) Product in respect of which the design is registered: **Belt buckles**
(51) International Design Classification: **02-07A**
(71) Name(s) and Address(s) of Applicant(s):

Micky Weinstein
43/6 Hafetz Haim Street Petach Tikva 49450 Israel

Shani Tal
13 Kaplan Street Petach Tikva 49451 Israel

(72) Name(s) of Designer(s): **Micky Weinstein and Tal Shani**

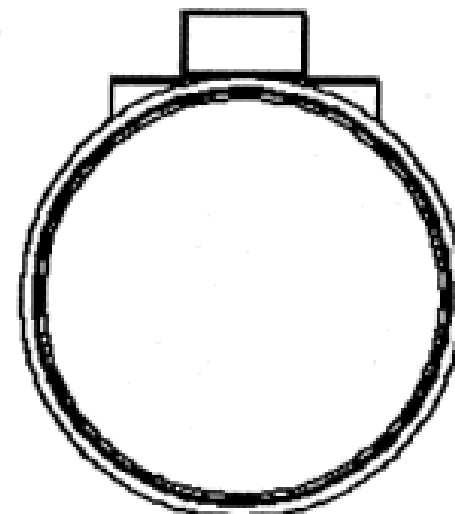
(45) Registration Date: **03 February 2010**

(30) Convention priority data:

(31) Number	(32) Date	(33) Country
47604	23 Apr 2009	ISRAEL

(56) Related Art Documents: **Not Applicable**

(57) Statement of Newness and Distinctiveness: **Nil**



(21) Design Number: **15097/2009**
(22) Date of Filing Application: **23 October 2009**
(24) Date from which industrial property rights may have effect: **23 October 2009**
(54) Product in respect of which the design is registered: **Belt buckles**
(51) International Design Classification: **02-07A**
(71) Name(s) and Address(s) of Applicant(s):

Micky Weinstein
43/6 Hafetz Haim Street Petach Tikva 49450 Israel

Shani Tal
13 Kaplan Street Petach Tikva 49451 Israel

(72) Name(s) of Designer(s): **Micky Weinstein and Tal Shani**

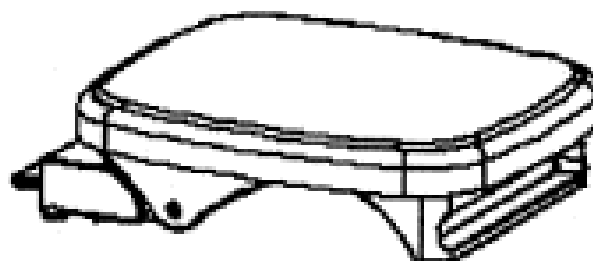
(45) Registration Date: **03 February 2010**

(30) Convention priority data:

(31) Number	(32) Date	(33) Country
47605	23 Apr 2009	ISRAEL

(56) Related Art Documents: **Not Applicable**

(57) Statement of Newness and Distinctiveness: **Nil**



(21) Design Number: **15098/2009**
(22) Date of Filing Application: **23 October 2009**
(24) Date from which industrial property rights may have effect: **23 October 2009**
(54) Product in respect of which the design is registered: **Belt buckles**
(51) International Design Classification: **02-07A**
(71) Name(s) and Address(s) of Applicant(s):

Micky Weinstein
43/6 Hafetz Haim Street Petach Tikva 49450 Israel

Shani Tal
13 Kaplan Street Petach Tikva 49451 Israel

(72) Name(s) of Designer(s): **Micky Weinstein and Tal Shani**

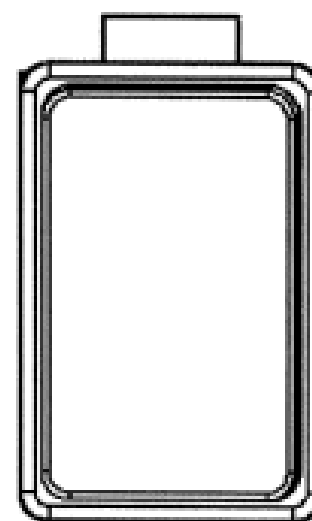
(45) Registration Date: **03 February 2010**

(30) Convention priority data:

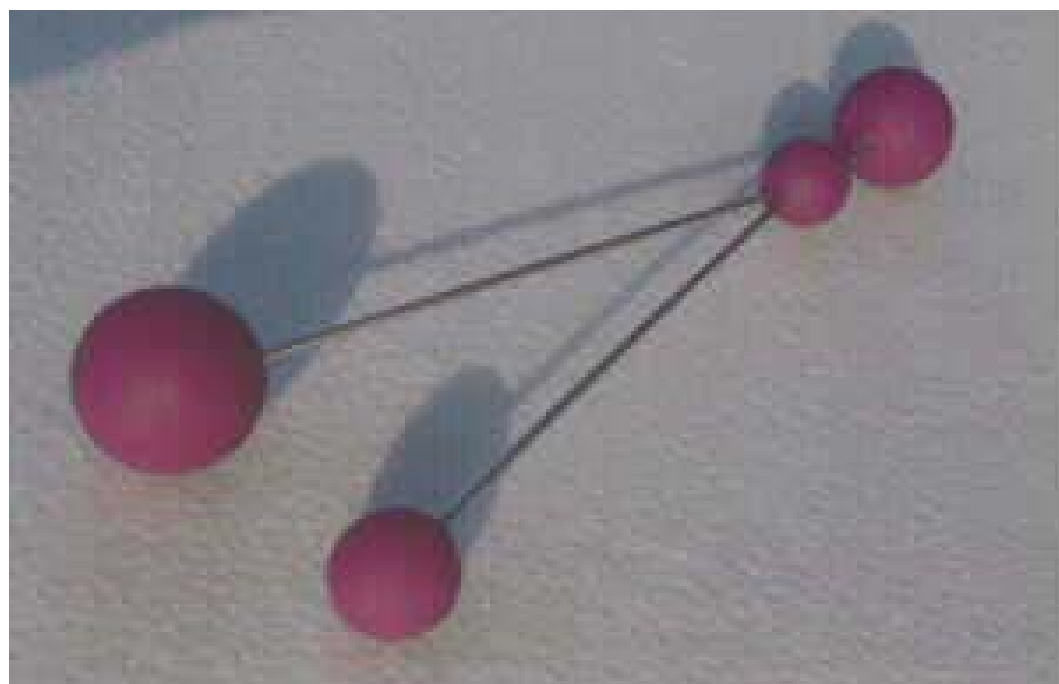
(31) Number	(32) Date	(33) Country
47606	23 Apr 2009	ISRAEL

(56) Related Art Documents: **Not Applicable**

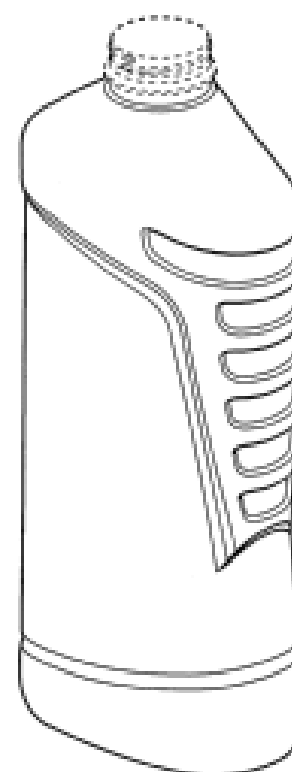
(57) Statement of Newness and Distinctiveness: **Nil**



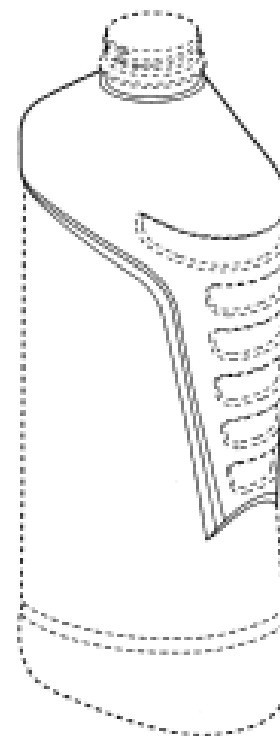
- (21) Design Number: **10026/2010**
(22) Date of Filing Application: **08 January 2010**
(24) Date from which industrial property rights may have effect: **08 January 2010**
(54) Product in respect of which the design is registered: **Adjustable body stimulator**
(51) International Design Classification: **28-03NES**
(71) Name(s) and Address(s) of Applicant(s):
Christopher Collins & Associates Pty Ltd
30 Hilton Road Ferny Creek Victoria 3786 Australia
(72) Name(s) of Designer(s): **Christopher Collins**
(45) Registration Date: **03 February 2010**
(56) Related Art Documents: **Not Applicable**
(57) Statement of Newness and Distinctiveness: **The uniqueness of this design consists of the use of spheres in the ratios of the Fibonacci sequence contrasted with the straight lines proportionally balanced to provide a curious yet eye catching design. The ingenious angles on the base of the handles allow the sliding of a sphere to adjust the distance between the spheres on the extremities. The simple use of straight lines and spheres of the Fibonacci sequence provides a balance of geometric beauty and a wonderful comfortable ergonomic handle created from the Fibonacci spherical proportions. The use of the Fibonacci sequence in the form of ratio spheres on the extremities provides a harmonious and stimulating vibration when the product is used on body tissues. A unique example of form and function working exceedingly well together.**



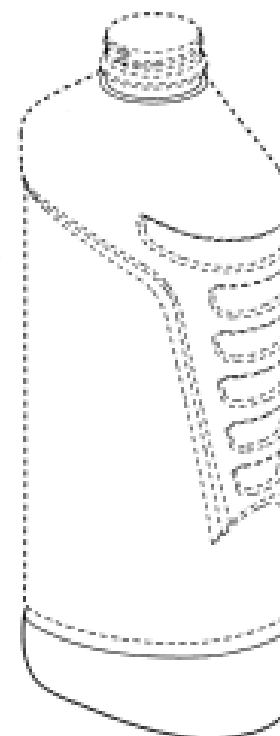
- (21) Design Number: **10027/2010**
(22) Date of Filing Application: **07 January 2010**
(24) Date from which industrial property rights may have effect: **07 January 2010**
(54) Product in respect of which the design is registered: **Bottle**
(51) International Design Classification: **09-01K**
(71) Name(s) and Address(s) of Applicant(s):
Colgate-Palmolive Company
300 Park Avenue New York New York 10022 United States of America
(72) Name(s) of Designer(s): **Bruce Cummings and Simon Dutton and Caroline Fontana and Isaac Milhem and Guilhem Rousselet and Nick Verebelyi**
(45) Registration Date: **03 February 2010**
(30) Convention priority data:
(31) Number (32) Date (33) Country
29/339931 10 Jul 2009 UNITED STATES OF AMERICA
(56) Related Art Documents: **Not Applicable**
(57) Statement of Newness and Distinctiveness: **Newness and distinctiveness reside in the features of the design shown in solid lines in the representations excluding those features shown in broken lines.**



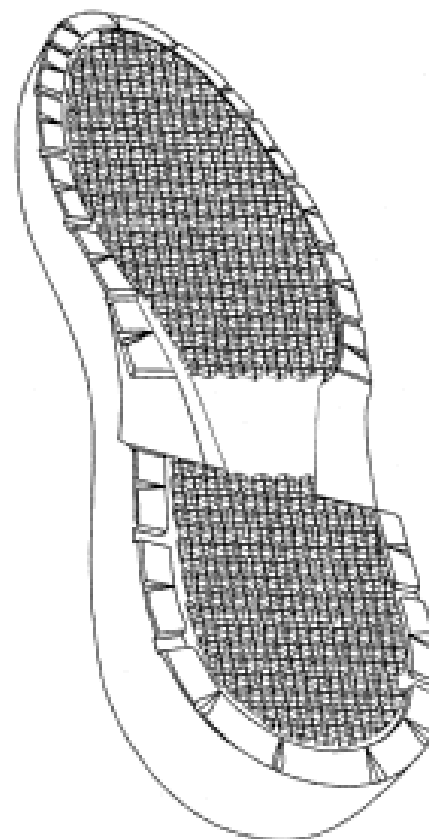
- (21) Design Number: **10028/2010**
(22) Date of Filing Application: **07 January 2010**
(24) Date from which industrial property rights may have effect: **07 January 2010**
(54) Product in respect of which the design is registered: **Upper portion of bottle**
(51) International Design Classification: **09-01K**
(71) Name(s) and Address(s) of Applicant(s):
Colgate-Palmolive Company
300 Park Avenue New York New York 10022 United States of America
(72) Name(s) of Designer(s): **Bruce Cummings and Simon Dutton and Caroline Fontana and Isaac Milhem and Guilhem Rousselet and Nick Verebelyi**
(45) Registration Date: **03 February 2010**
(30) Convention priority data:
(31) Number (32) Date (33) Country
29/339939 10 Jul 2009 UNITED STATES OF AMERICA
(56) Related Art Documents: **Not Applicable**
(57) Statement of Newness and Distinctiveness: **Newness and distinctiveness reside in the features of the design shown in solid lines in the representations excluding those features shown in broken lines.**



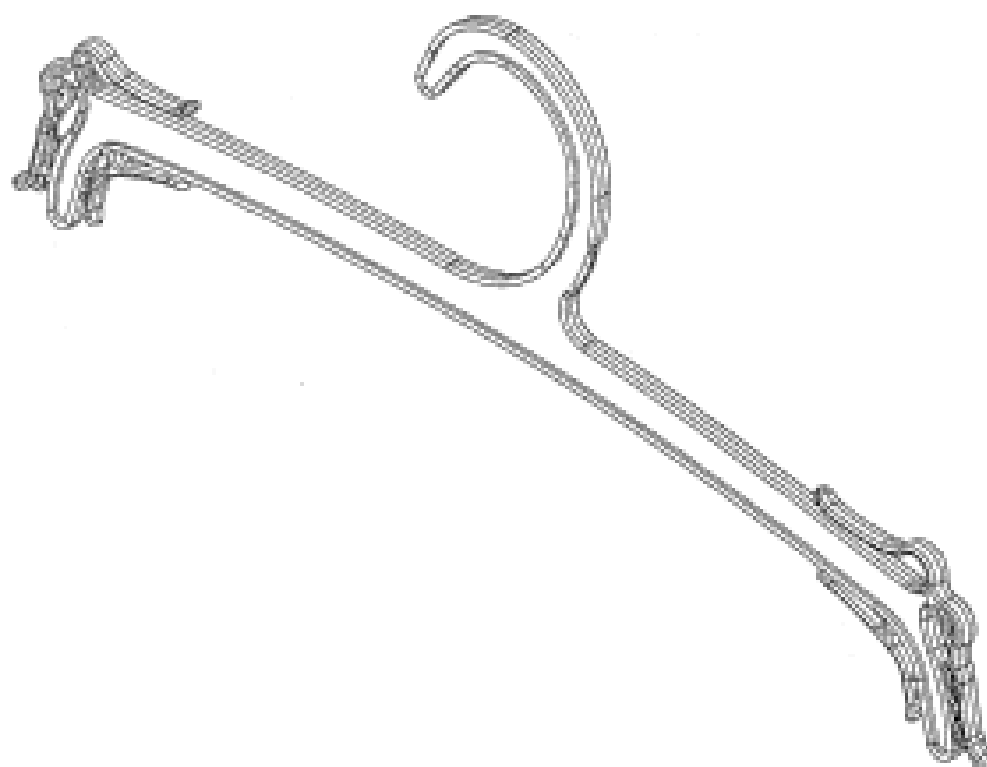
- (21) Design Number: **10029/2010**
(22) Date of Filing Application: **07 January 2010**
(24) Date from which industrial property rights may have effect: **07 January 2010**
(54) Product in respect of which the design is registered: **Lower portion of bottle**
(51) International Design Classification: **09-01K**
(71) Name(s) and Address(s) of Applicant(s):
Colgate-Palmolive Company
300 Park Avenue New York New York 10022 United States of America
(72) Name(s) of Designer(s): **Bruce Cummings and Simon Dutton and Caroline Fontana and Isaac Milhem and Guilhem Rousselet and Nick Verebelyi**
(45) Registration Date: **03 February 2010**
(30) Convention priority data:
(31) Number (32) Date (33) Country
29/339937 10 Jul 2009 UNITED STATES OF AMERICA
(56) Related Art Documents: **Not Applicable**
(57) Statement of Newness and Distinctiveness: **Newness and distinctiveness reside in the features of the design shown in solid lines in the representations excluding those features shown in broken lines.**



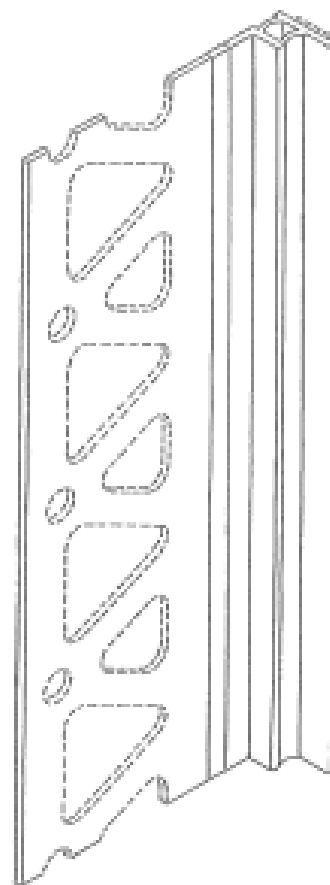
- (21) Design Number: **10039/2010**
(22) Date of Filing Application: **05 January 2010**
(24) Date from which industrial property rights may have effect: **05 January 2010**
(54) Product in respect of which the design is registered: **Footwear sole**
(51) International Design Classification: **02-04B**
(71) Name(s) and Address(s) of Applicant(s):
Guonan Ding
No. 55 Yangding South Road Jiangtou Village Chendai Town Jinjiang
City Fujian Province China
(72) Name(s) of Designer(s): **Guonan Ding**
(45) Registration Date: **03 February 2010**
(56) Related Art Documents: **Not Applicable**
(57) Statement of Newness and Distinctiveness: **Nil**



- (21) Design Number: **12794/2009**
(22) Date of Filing Application: **28 July 2009**
(24) Date from which industrial property rights may have effect: **28 July 2009**
(54) Product in respect of which the design is registered: **Garment hanger**
(51) International Design Classification: **06-08**
(71) Name(s) and Address(s) of Applicant(s):
TIC (Retail Accessories) Pty Ltd
214-228 Blackshaws Road Altona North Victoria 3025 Australia
(72) Name(s) of Designer(s): **Mark Gandur**
(45) Registration Date: **01 February 2010**
(56) Related Art Documents: **Not Applicable**
(57) Statement of Newness and Distinctiveness: **Those features of the garment hanger depicted in the representations that are new and distinctive are the shape and/or configuration.**



- (21) Design Number: **15005/2009**
(22) Date of Filing Application: **23 December 2009**
(24) Date from which industrial property rights may have effect: **23 December 2009**
(54) Product in respect of which the design is registered: **Flashing**
(51) International Design Classification: **25-01NES**
(71) Name(s) and Address(s) of Applicant(s):
Michael James Olds
77 Wright Road Christchurch New Zealand
Mark Thomas Flewelen
77 Wright Road Christchurch New Zealand
(72) Name(s) of Designer(s): **Michael James Olds and Mark Thomas Flewelen**
(45) Registration Date: **01 February 2010**
(56) Related Art Documents: **Not Applicable**
(57) Statement of Newness and Distinctiveness: **Newness and distinctiveness resides in the shape and configuration of the edge seal flashing, excluding the features shown in broken lines.**



- (21) Design Number: **10045/2010**
(22) Date of Filing Application: **07 January 2010**
(24) Date from which industrial property rights may have effect: **07 January 2010**
(54) Product in respect of which the design is registered: **An automobile**
(51) International Design Classification: **12-08**
(71) Name(s) and Address(s) of Applicant(s):
Honda Motor Co., Ltd.
1-1 Minami-Aoyama 2-Chome Minato-ku Tokyo Japan
(72) Name(s) of Designer(s): **Takashi Nagura and Atsushi Murakawa and Takahiro Tsuchiya**
(45) Registration Date: **01 February 2010**
(30) Convention priority data:
(31) Number (32) Date (33) Country
2009-018646 13 Aug 2009 JAPAN
(56) Related Art Documents: **Not Applicable**
(57) Statement of Newness and Distinctiveness: **Newness and distinctiveness is claimed in the features of shape and/or configuration of an automobile as illustrated in the accompanying representations.**



- (21) Design Number: **10046/2010**
(22) Date of Filing Application: **07 January 2010**
(24) Date from which industrial property rights may have effect: **07 January 2010**
(54) Product in respect of which the design is registered: **A rear combination lamp for an automobile**
(51) International Design Classification: **26-06**
(71) Name(s) and Address(s) of Applicant(s):
Honda Motor Co., Ltd.
1-1 Minami-Aoyama 2-Chome Minato-ku Tokyo Japan
(72) Name(s) of Designer(s): **Ryo Nakayama**
(45) Registration Date: **01 February 2010**
(30) Convention priority data:
(31) Number (32) Date (33) Country
2009-018649 13 Aug 2009 JAPAN
(56) Related Art Documents: **Not Applicable**
(57) Statement of Newness and Distinctiveness: **Newness and distinctiveness is claimed in the features of shape and/or configuration of a rear combination lamp for an automobile as illustrated in the accompanying representations.**



- (21) Design Number: **10047/2010**
(22) Date of Filing Application: **07 January 2010**
(24) Date from which industrial property rights may have effect: **07 January 2010**
(54) Product in respect of which the design is registered: **A front combination lamp for an automobile**
(51) International Design Classification: **26-06**
(71) Name(s) and Address(s) of Applicant(s):
Honda Motor Co., Ltd.
1-1 Minami-Aoyama 2-Chome Minato-ku Tokyo Japan
(72) Name(s) of Designer(s): **Ryo Nakayama**
(45) Registration Date: **01 February 2010**
(30) Convention priority data:
(31) Number (32) Date (33) Country
2009-018647 13 Aug 2009 JAPAN
(56) Related Art Documents: **Not Applicable**
(57) Statement of Newness and Distinctiveness: **Newness and distinctiveness is claimed in the features of shape and/or configuration of a front combination lamp for an automobile as illustrated in the accompanying representations.**



(21) Design Number: **10124/2010**
(22) Date of Filing Application: **15 January 2010**
(24) Date from which industrial property rights may have effect: **15 January 2010**
(54) Product in respect of which the design is registered: **Packaging carton**
(51) International Design Classification: **09-03NES**
(71) Name(s) and Address(s) of Applicant(s):

Elopak Systems AG
Cherstrasse 4 Postfach CH-8152 Glattbrugg Switzerland

(72) Name(s) of Designer(s): **Ivica Franic**

(45) Registration Date: **01 February 2010**

(30) Convention priority data:

(31) Number	(32) Date	(33) Country
1585696	17 Jul 2009	EUROPEAN COMMUNITY

(56) Related Art Documents: **Not Applicable**

(57) Statement of Newness and Distinctiveness: **Newness and distinctiveness is claimed in the shape and/or configuration of the erected packaging carton, the carton blank and the carton sleeve depicted in full lines in the accompanying drawings.**



(21) Design Number: **10213/2010**
(22) Date of Filing Application: **27 November 2009**
(24) Date from which industrial property rights may have effect: **27 November 2009**
(54) Product in respect of which the design is registered: **Orthotic sock**
(51) International Design Classification: **02-04C**
(71) Name(s) and Address(s) of Applicant(s):

DM Orthotics Limited
Tescan Units Pool Industrial Estate Redruth Cornwall TR15 3RX
United Kingdom

(72) Name(s) of Designer(s): **Martin Matthews**

(45) Registration Date: **01 February 2010**

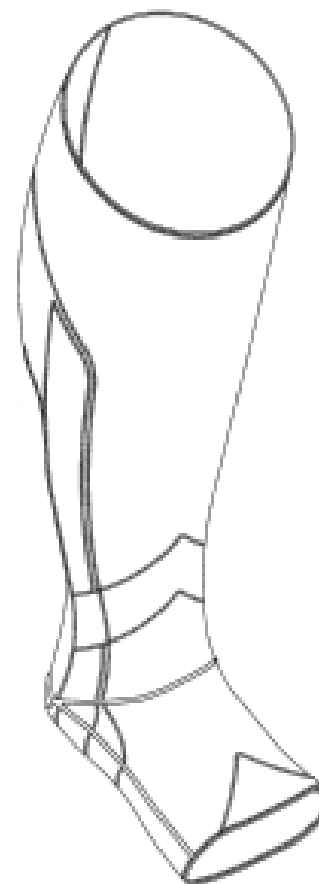
(62) Divisional of: **329389**

(56) Related Art Documents: **Not Applicable**

(57) Statement of Newness and Distinctiveness: **Nil**



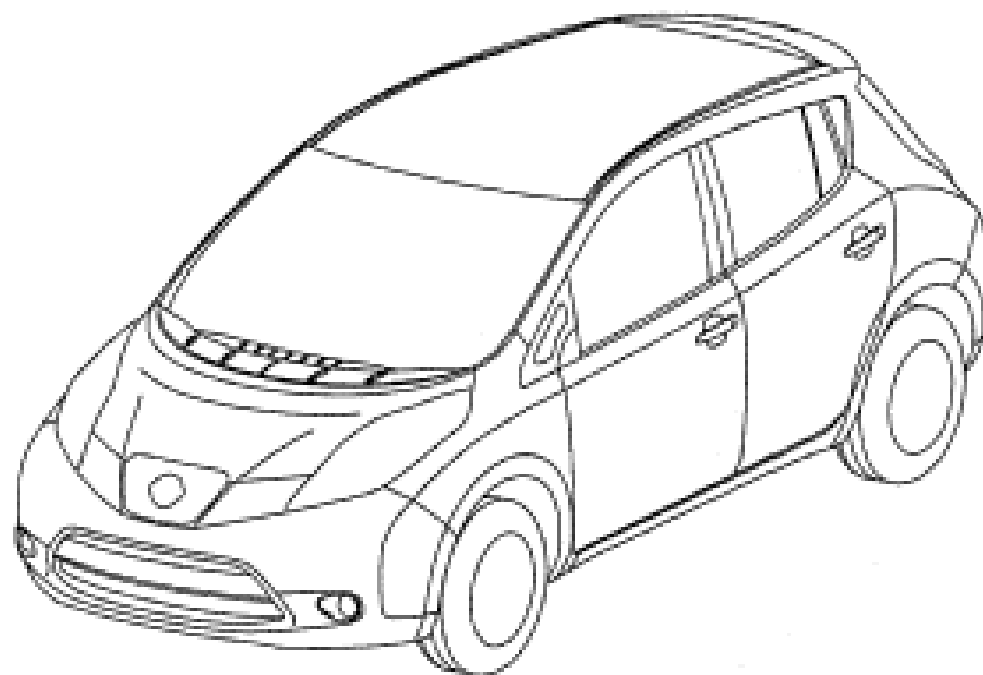
- (21) Design Number: **10214/2010**
(22) Date of Filing Application: **27 November 2009**
(24) Date from which industrial property rights may have effect: **27 November 2009**
(54) Product in respect of which the design is registered: **Orthotic sock**
(51) International Design Classification: **02-04C**
(71) Name(s) and Address(s) of Applicant(s):
DM Orthotics Limited
Tescan Units Pool Industrial Estate Redruth Cornwall TR15 3RX
United Kingdom
(72) Name(s) of Designer(s): **Martin Matthews**
(45) Registration Date: **01 February 2010**
(62) Divisional of: **329389**
(56) Related Art Documents: **Not Applicable**
(57) Statement of Newness and Distinctiveness: **Nil**



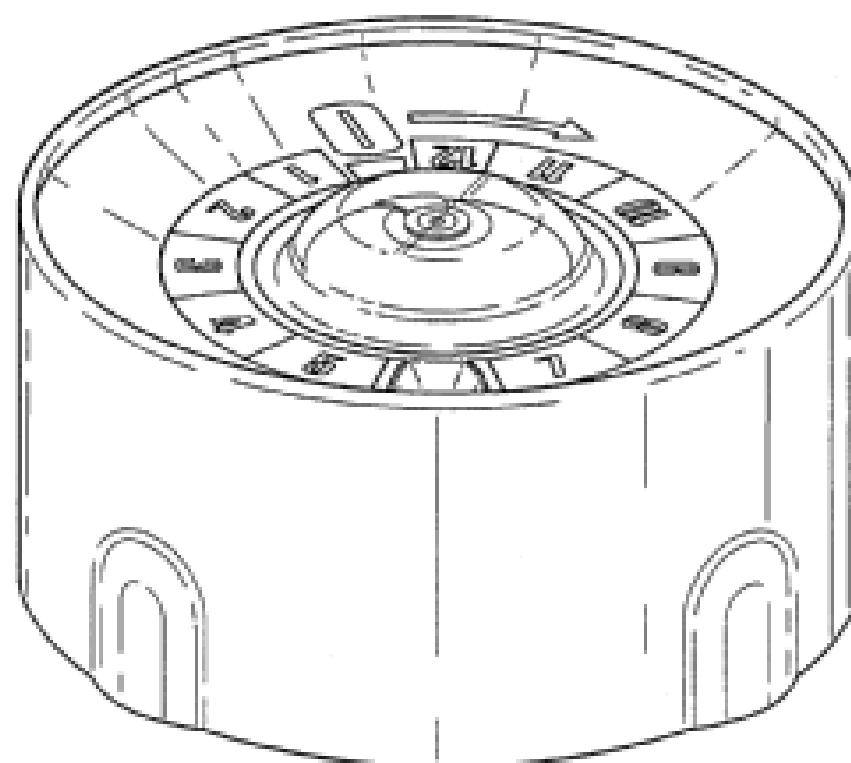
- (21) Design Number: **14864/2009**
(22) Date of Filing Application: **11 December 2009**
(24) Date from which industrial property rights may have effect: **11 December 2009**
(54) Product in respect of which the design is registered: **Light treatment apparatus**
(51) International Design Classification: **26-05NES, 24-01**
(71) Name(s) and Address(s) of Applicant(s):
CyDen Limited
Technium Kings Road Swansea SA1 8PH UNITED KINGDOM
(72) Name(s) of Designer(s): **Stuart Terry Jones and Simon James Fisher and David Hillary Powell and Matthew McMullan Cockerill**
(45) Registration Date: **03 February 2010**
(30) Convention priority data:
(31) Number (32) Date (33) Country
1546151 12 Jun 2009 EUROPEAN COMMUNITY
(56) Related Art Documents: **Not Applicable**
(57) Statement of Newness and Distinctiveness: **Newness and distinctiveness is claimed in the shape and or configuration of a Light Treatment Apparatus as illustrated in the representations. The representations use colour, rendering and shading to assist in the illustration of features of shape and or configuration. Such colour, rendering and shading do not form part of the design.**



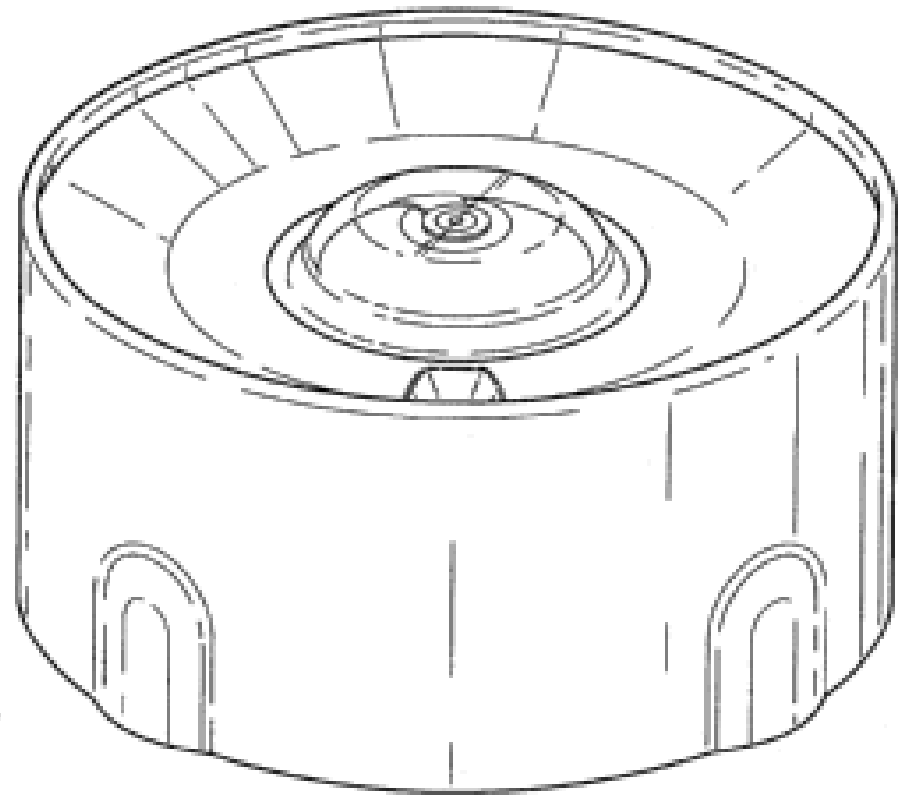
- (21) Design Number: **10060/2010**
(22) Date of Filing Application: **08 January 2010**
(24) Date from which industrial property rights may have effect: **08 January 2010**
(54) Product in respect of which the design is registered: **Automobile**
(51) International Design Classification: **12-08**
(71) Name(s) and Address(s) of Applicant(s):
Nissan Jidosha Kabushiki Kaisha
No. 2 Takaracho Kanagawa-ku Yokohama-shi Kanagawa-ken Japan
(72) Name(s) of Designer(s): **Kazuki Yamazaki and Masahide Fujiwara**
(45) Registration Date: **03 February 2010**
(30) Convention priority data:
(31) Number (32) Date (33) Country
2009-015721 09 Jul 2009 JAPAN
(56) Related Art Documents: **Not Applicable**
(57) Statement of Newness and Distinctiveness: **Newness and Distinctiveness resides in the shape and configuration of an automobile as shown in the representations.**



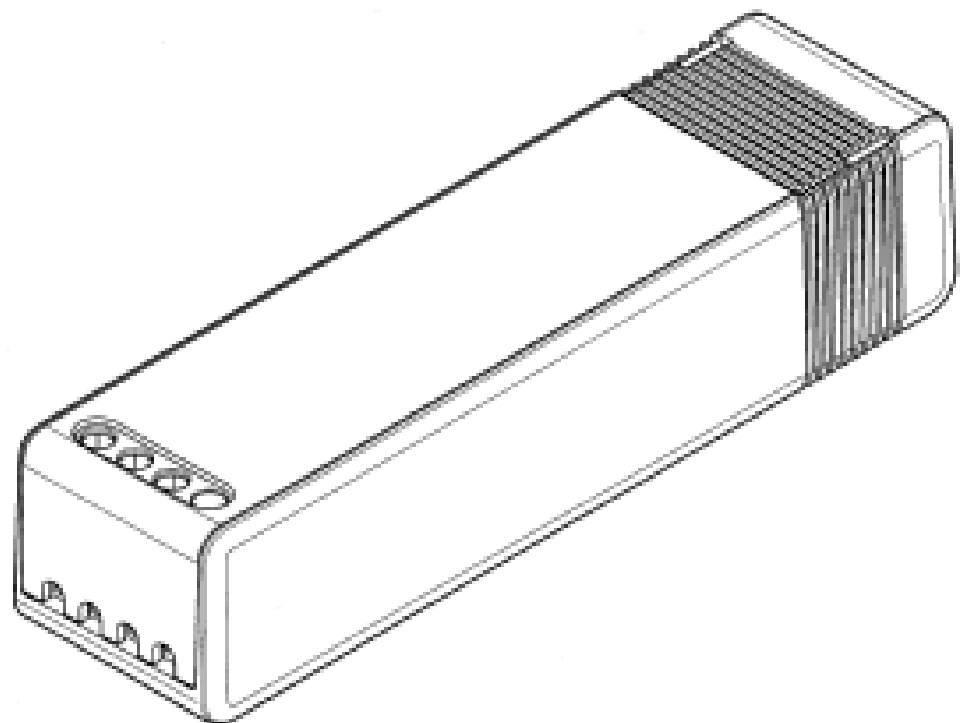
- (21) Design Number: **10070/2010**
(22) Date of Filing Application: **11 January 2010**
(24) Date from which industrial property rights may have effect: **11 January 2010**
(54) Product in respect of which the design is registered: **Lid of detergent dispensing device**
(51) International Design Classification: **09-07B**
(71) Name(s) and Address(s) of Applicant(s):
Reckitt Benckiser N.V.
Siriusdreef 14 2132 WT Hoofddorp The Netherlands
(72) Name(s) of Designer(s): **Rainer Link**
(45) Registration Date: **03 February 2010**
(30) Convention priority data:
(31) Number (32) Date (33) Country
001589870-0001 22 Jul 2009 EUROPEAN COMMUNITY
(56) Related Art Documents: **Not Applicable**
(57) Statement of Newness and Distinctiveness: **Newness and distinctiveness reside in the features of the design as shown in the representations.**



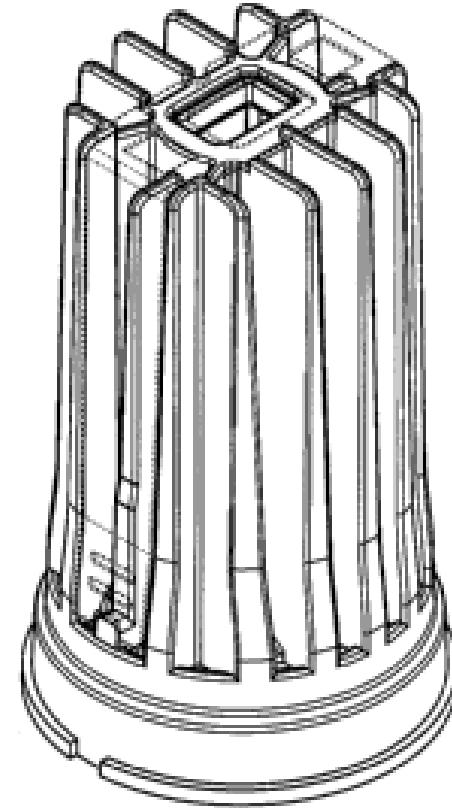
- (21) Design Number: **10071/2010**
(22) Date of Filing Application: **11 January 2010**
(24) Date from which industrial property rights may have effect: **11 January 2010**
(54) Product in respect of which the design is registered: **Lid of detergent dispensing device**
(51) International Design Classification: **09-07B**
(71) Name(s) and Address(s) of Applicant(s):
Reckitt Benckiser N.V.
Siriusdreef 14 2132 WT Hoofddorp The Netherlands
(72) Name(s) of Designer(s): **Rainer Link**
(45) Registration Date: **03 February 2010**
(30) Convention priority data:
(31) Number (32) Date (33) Country
001589870-0002 22 Jul 2009 EUROPEAN COMMUNITY
(56) Related Art Documents: **Not Applicable**
(57) Statement of Newness and Distinctiveness: **Newness and distinctiveness reside in the features of the design as shown in the representations.**



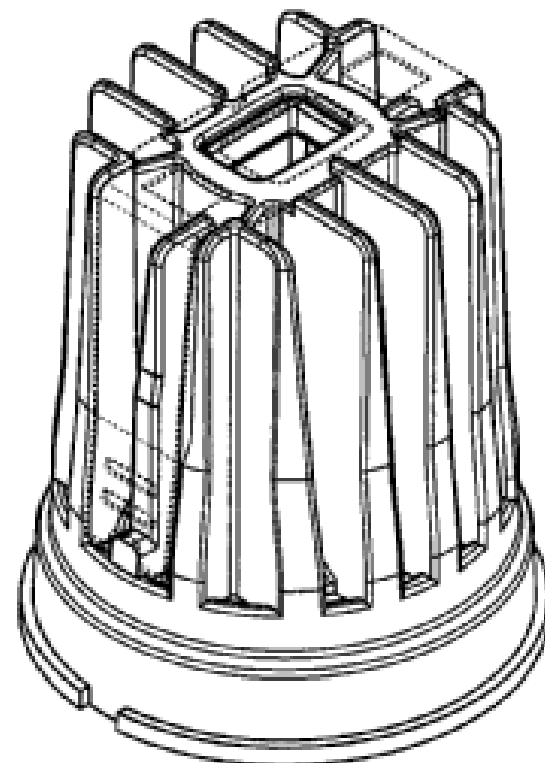
- (21) Design Number: **10072/2010**
(22) Date of Filing Application: **11 January 2010**
(24) Date from which industrial property rights may have effect: **11 January 2010**
(54) Product in respect of which the design is registered: **Transformer**
(51) International Design Classification: **13-02**
(71) Name(s) and Address(s) of Applicant(s):
Gerard Lighting Pty Ltd
101 Port Wakefield Road CAVAN South Australia 5094 Australia
(72) Name(s) of Designer(s): **Jason Gerard and David Leske**
(45) Registration Date: **03 February 2010**
(56) Related Art Documents: **Not Applicable**
(57) Statement of Newness and Distinctiveness: **Newness and distinctiveness resides in the shape and configuration of a Transformer as shown in the attached drawings.**



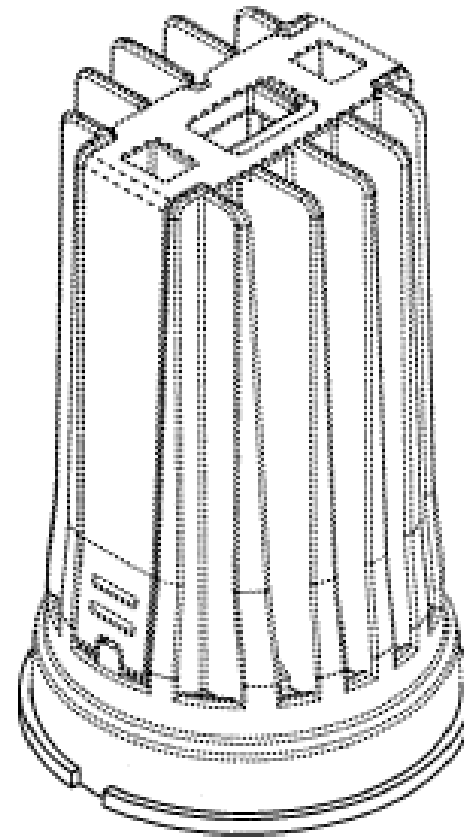
- (21) Design Number: **10073/2010**
(22) Date of Filing Application: **11 January 2010**
(24) Date from which industrial property rights may have effect: **11 January 2010**
(54) Product in respect of which the design is registered: **Light housing**
(51) International Design Classification: **26-05NES**
(71) Name(s) and Address(s) of Applicant(s):
Gerard Lighting Pty Ltd
101 Port Wakefield Road CAVAN South Australia 5094 Australia
(72) Name(s) of Designer(s): **Jason Gerard and David Leske**
(45) Registration Date: **03 February 2010**
(56) Related Art Documents: **Not Applicable**
(57) Statement of Newness and Distinctiveness: **Newness and distinctiveness resides in the shape and configuration of a light housing as shown in the attached drawings. In determining the scope of protection, no regard will be had to the features shown in dotted lines.**



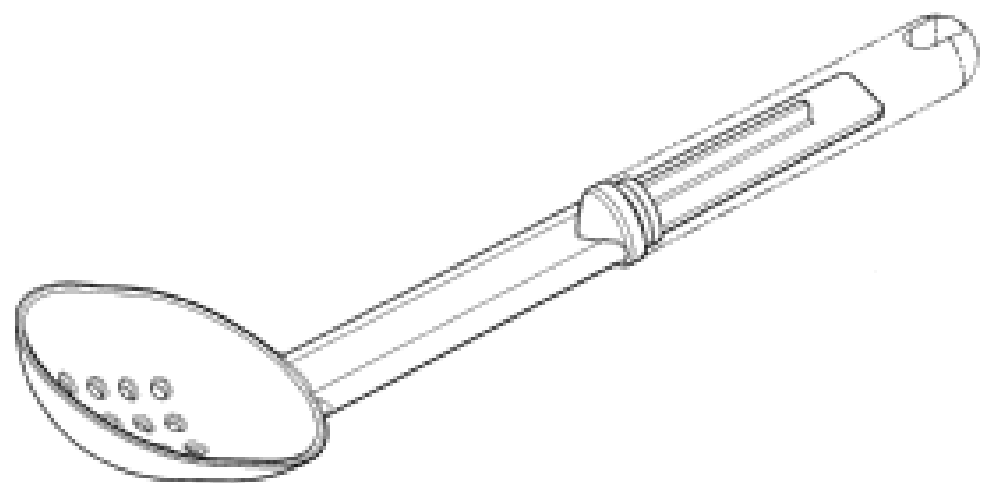
- (21) Design Number: **10074/2010**
(22) Date of Filing Application: **11 January 2010**
(24) Date from which industrial property rights may have effect: **11 January 2010**
(54) Product in respect of which the design is registered: **Light housing**
(51) International Design Classification: **26-05NES**
(71) Name(s) and Address(s) of Applicant(s):
Gerard Lighting Pty Ltd
101 Port Wakefield Road CAVAN South Australia 5094 Australia
(72) Name(s) of Designer(s): **Jason Gerard and David Leske**
(45) Registration Date: **03 February 2010**
(56) Related Art Documents: **Not Applicable**
(57) Statement of Newness and Distinctiveness: **Newness and distinctiveness resides in the shape and configuration of a light housing as shown in the attached drawings. In determining the scope of protection, no regard will be had to the features shown in dotted lines.**



- (21) Design Number: **10075/2010**
(22) Date of Filing Application: **11 January 2010**
(24) Date from which industrial property rights may have effect: **11 January 2010**
(54) Product in respect of which the design is registered: **Light housing**
(51) International Design Classification: **26-05B**
(71) Name(s) and Address(s) of Applicant(s):
Gerard Lighting Pty Ltd
101 Port Wakefield Road Cavan South Australia 5094 Australia
(72) Name(s) of Designer(s): **Jason Gerard and David Leske**
(45) Registration Date: **03 February 2010**
(56) Related Art Documents: **Not Applicable**
(57) Statement of Newness and Distinctiveness: **Newness and Distinctiveness resides in the shape and configuration of a light housing as shown in the attached drawings. In determining the scope of protection, no regard will be had to the features shown in dotted lines.**



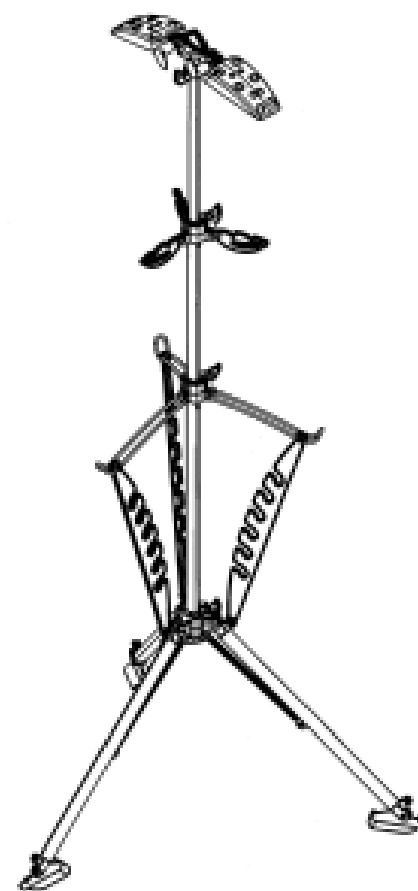
- (21) Design Number: **10076/2010**
(22) Date of Filing Application: **11 January 2010**
(24) Date from which industrial property rights may have effect: **11 January 2010**
(54) Product in respect of which the design is registered: **Draining spoon**
(51) International Design Classification: **07-04**
(71) Name(s) and Address(s) of Applicant(s):
The Decor Corporation Pty Ltd
1314 Ferntree Gully Road Scoresby Victoria 3179 Australia
(72) Name(s) of Designer(s): **Anthony Henry Wolfenden**
(45) Registration Date: **03 February 2010**
(56) Related Art Documents: **Not Applicable**
(57) Statement of Newness and Distinctiveness: **Features shown in phantom lines do not constitute part of the design.**



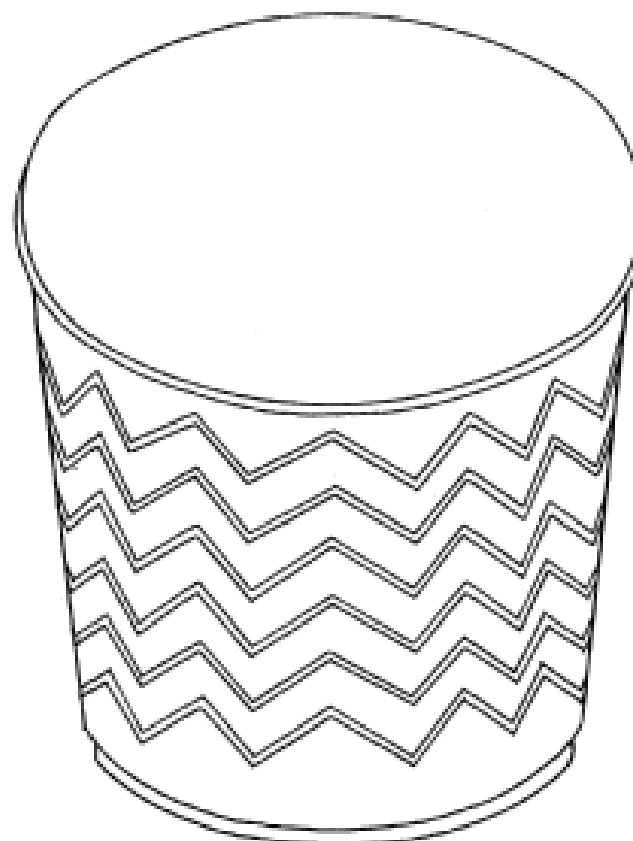
- (21) Design Number: **10077/2010**
(22) Date of Filing Application: **11 January 2010**
(24) Date from which industrial property rights may have effect: **11 January 2010**
(54) Product in respect of which the design is registered: **Flask for perfumery products**
(51) International Design Classification: **09-01G**
(71) Name(s) and Address(s) of Applicant(s):
Parfums Christian Dior
33 Avenue Hoche Paris F-75008 France
(72) Name(s) of Designer(s): **Francois Gautier**
(45) Registration Date: **03 February 2010**
(30) Convention priority data:
(31) Number (32) Date (33) Country
001155584 28 Jul 2009 EUROPEAN COMMUNITY
(56) Related Art Documents: **Not Applicable**
(57) Statement of Newness and Distinctiveness: **We submit a Statement of Newness and Distinctiveness (set out below) in respect of particular visual features of the design, but in so doing do not imply that other visual features of the design lack newness or distinctiveness. STATEMENT OF NEWNESS AND DISTINCTIVENESS The shape, configuration, shape and configuration, pattern and ornamentation, of the design of the product is new and distinctive.**



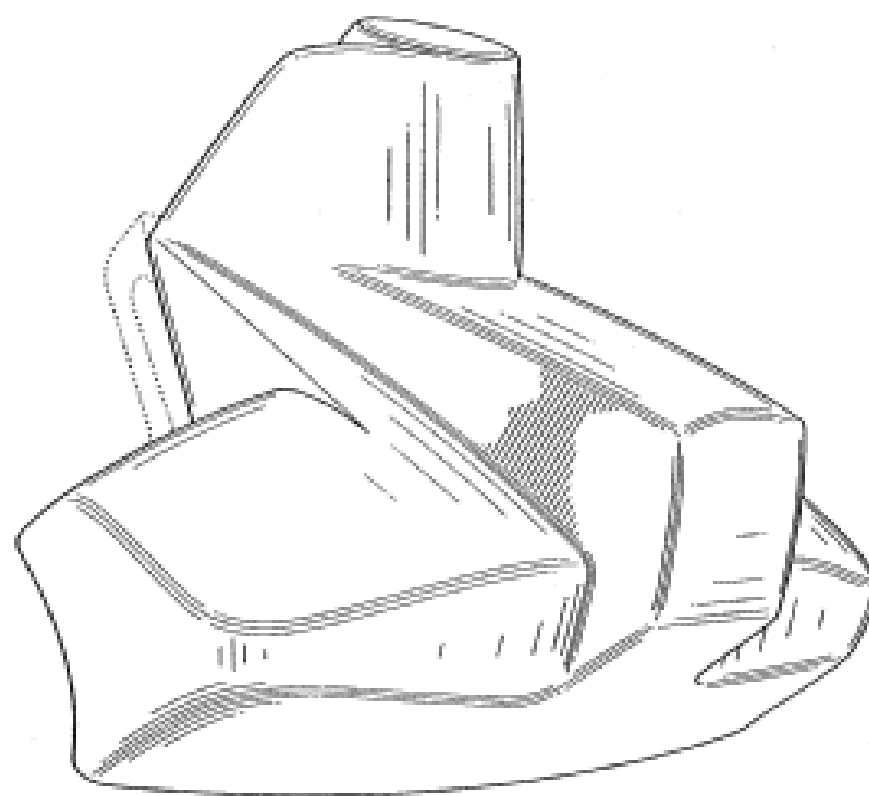
- (21) Design Number: **10252/2010**
(22) Date of Filing Application: **25 January 2010**
(24) Date from which industrial property rights may have effect: **25 January 2010**
(54) Product in respect of which the design is registered: **Dive gear stand**
(51) International Design Classification: **07-05D**
(71) Name(s) and Address(s) of Applicant(s):
Nigel Geoffrey Rimmer
4 Pearl Parade Scarborough Western Australia 6019 Australia
Daniel James Pryce
26 Grand Parade Redcliffe Western Australia 6104 Australia
(72) Name(s) of Designer(s): **Edward Joseph Khoury and Nigel Geoffrey Rimmer and Daniel James Pryce**
(45) Registration Date: **03 February 2010**
(56) Related Art Documents: **Not Applicable**
(57) Statement of Newness and Distinctiveness: **Nil**



- (21) Design Number: **10048/2010**
(22) Date of Filing Application: **08 January 2010**
(24) Date from which industrial property rights may have effect: **08 January 2010**
(54) Product in respect of which the design is registered: **Beverage container**
(51) International Design Classification: **07-01C**
(71) Name(s) and Address(s) of Applicant(s):
Syndicate Concepts Pty Ltd
Level 1 147 Northumberland Street Liverpool New South Wales 2170
Australia
(72) Name(s) of Designer(s): **Steven Kourgialis and Elias Helou**
(45) Registration Date: **03 February 2010**
(56) Related Art Documents: **Not Applicable**
(57) Statement of Newness and Distinctiveness: **Newness and distinctiveness is claimed in the features of shape and/or configuration and pattern and/or ornamentation of a beverage container as depicted in the accompanying drawings.**



- (21) Design Number: **10049/2010**
(22) Date of Filing Application: **08 January 2010**
(24) Date from which industrial property rights may have effect: **08 January 2010**
(54) Product in respect of which the design is registered: **Pinless security device**
(51) International Design Classification: **10-05**
(71) Name(s) and Address(s) of Applicant(s):
Sensormatic Electronics, LLC
6600 Congress Avenue Boca Raton Florida 33487 United States of
America
(72) Name(s) of Designer(s): **Sergio M. Perez**
(45) Registration Date: **03 February 2010**
(30) Convention priority data:
(31) Number (32) Date (33) Country
29/315860 29 Jul 2009 UNITED STATES OF AMERICA
(56) Related Art Documents: **Not Applicable**
(57) Statement of Newness and Distinctiveness: **Newness and distinctiveness is claimed in those features of shape and/or configuration of a pinless security device illustrated in continuous lines in the accompanying representations.**



- (21) Design Number: **10050/2010**
(22) Date of Filing Application: **08 January 2010**
(24) Date from which industrial property rights may have effect: **08 January 2010**
(54) Product in respect of which the design is registered: **Armrest**
(51) International Design Classification: **06-06G**
(71) Name(s) and Address(s) of Applicant(s):
Abolkheir Group (UK) Ltd
Thornford House High Street Yetminster Sherborne Dorset DT9 6LF
United Kingdom
(72) Name(s) of Designer(s): **Mohamed Hosny Abolkheir**
(45) Registration Date: **03 February 2010**
(30) Convention priority data:
(31) Number (32) Date (33) Country
001577800-0002 10 Jul 2009 EUROPEAN COMMUNITY
(56) Related Art Documents: **Not Applicable**
(57) Statement of Newness and Distinctiveness: **The newness and distinctiveness of the product resides in the shape and configuration of the armrest as shown in the accompanying drawings.**

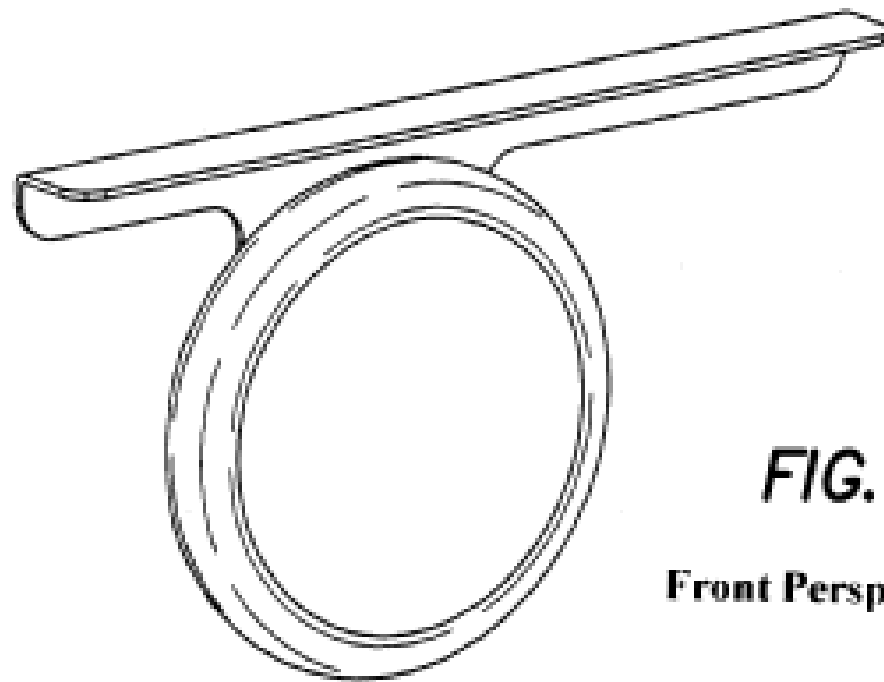
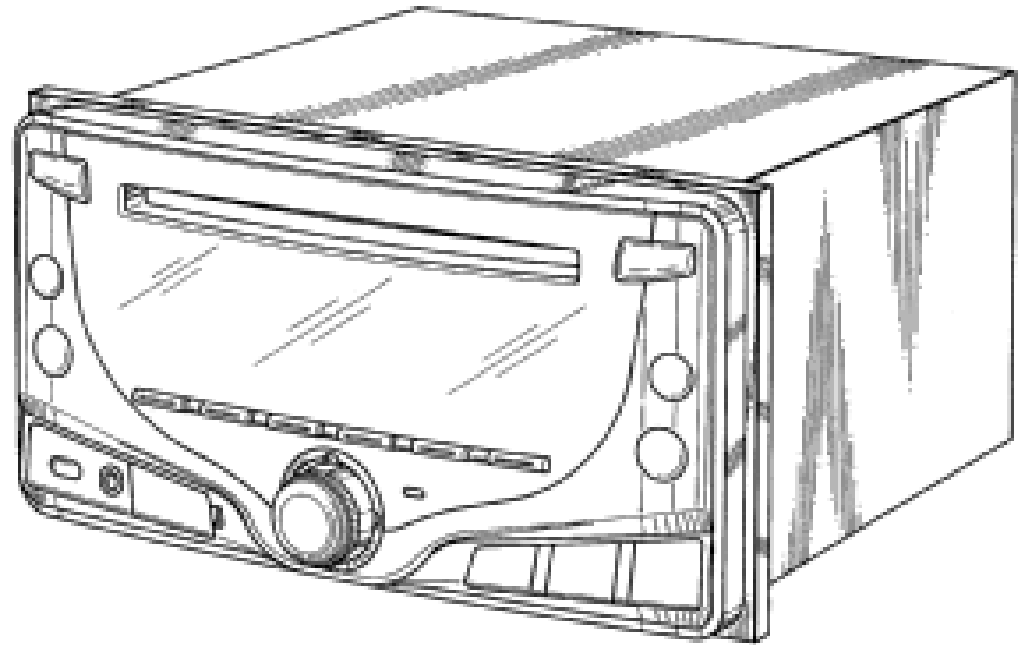


FIG. 1
Front Perspecti

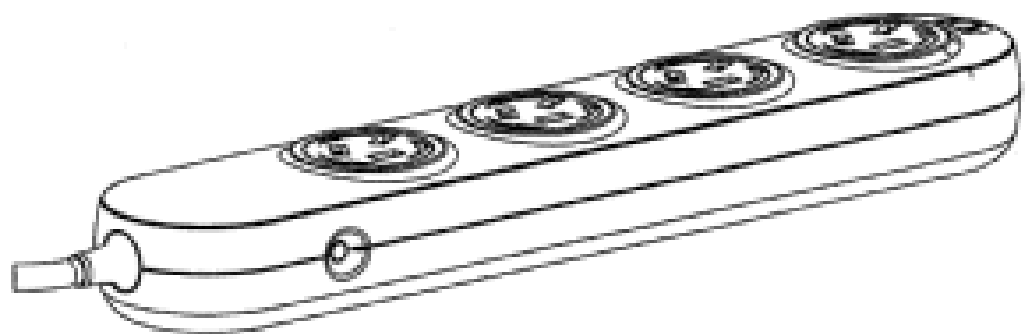
- (21) Design Number: **14813/2009**
(22) Date of Filing Application: **09 December 2009**
(24) Date from which industrial property rights may have effect: **09 December 2009**
(54) Product in respect of which the design is registered: **Awning cover over slideout walls on recreational vehicles**
(51) International Design Classification: **12-16NES**
(71) Name(s) and Address(s) of Applicant(s):
Peter Lacey
25 Gaden Road Montville Queensland 4560 Australia
(72) Name(s) of Designer(s): **Peter Lacey**
(45) Registration Date: **03 February 2010**
(56) Related Art Documents: **Not Applicable**
(57) Statement of Newness and Distinctiveness: **Automatic retracting fabric awning enclosed in aluminium cassette with aerodynamic and asthetic appearance including wind deflecting endcaps.**



- (21) Design Number: **12361/2009**
(22) Date of Filing Application: **30 June 2009**
(24) Date from which industrial property rights may have effect: **30 June 2009**
(54) Product in respect of which the design is registered: **Head unit for a vehicle audio system**
(51) International Design Classification: **14-03D**
(71) Name(s) and Address(s) of Applicant(s):
Fujitsu Ten Limited
1-2-28 Goshō-Dori Hyogo-Ku Kobe-Shi Hyogo Japan
(72) Name(s) of Designer(s): **Hideki Kawaguti and Yoshiaki Kato**
(45) Registration Date: **05 February 2010**
(56) Related Art Documents: **Not Applicable**
(57) Statement of Newness and Distinctiveness: **The shape and configuration of the front face of the head unit is new and distinctive.**



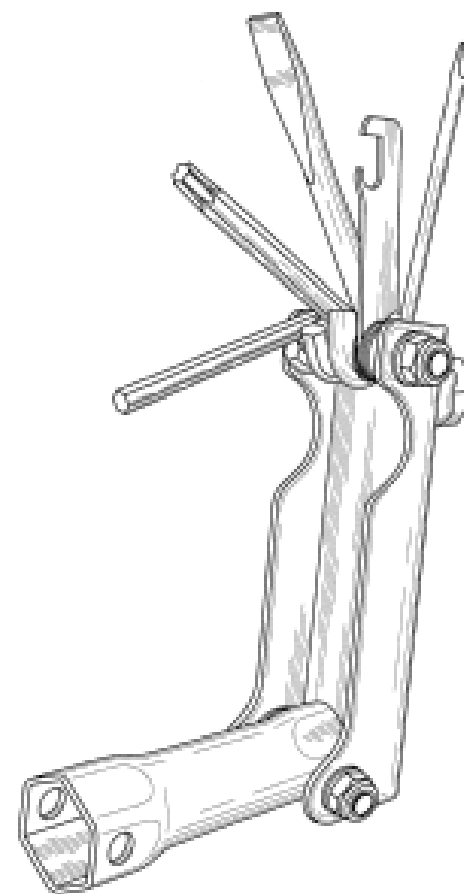
- (21) Design Number: **14485/2009**
(22) Date of Filing Application: **17 November 2009**
(24) Date from which industrial property rights may have effect: **17 November 2009**
(54) Product in respect of which the design is registered: **Power board**
(51) International Design Classification: **13-03D**
(71) Name(s) and Address(s) of Applicant(s):
Legrand Australia Pty Ltd
Unit 99 79-99 St Hilliers Road Auburn New South Wales 2144 Australia
(72) Name(s) of Designer(s): **Florent Glennison**
(45) Registration Date: **05 February 2010**
(56) Related Art Documents: **Not Applicable**
(57) Statement of Newness and Distinctiveness: **Nil**



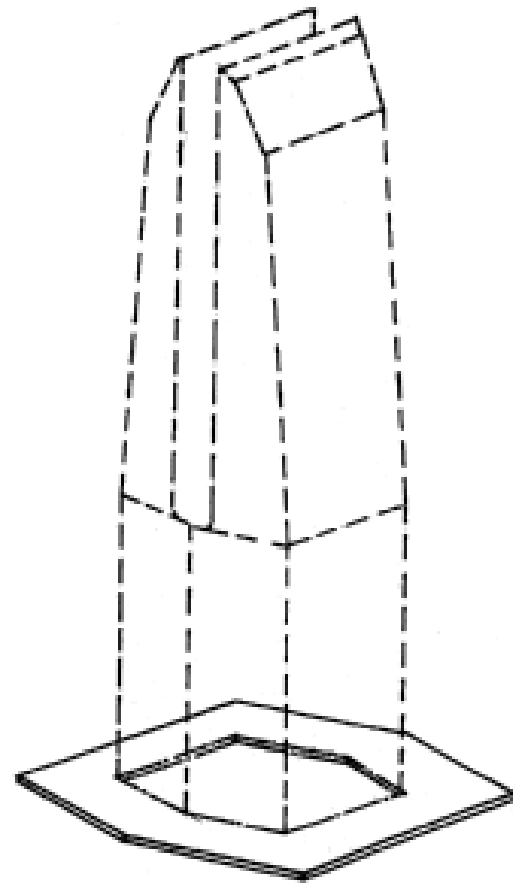
(21) Design Number: **14662/2009**
(22) Date of Filing Application: **27 November 2009**
(24) Date from which industrial property rights may have effect: **27 November 2009**
(54) Product in respect of which the design is registered: **Confectionery**
(51) International Design Classification: **01-01**
(71) Name(s) and Address(s) of Applicant(s):
Cadbury UK Limited
Bournville Birmingham B30 2LU United Kingdom
(72) Name(s) of Designer(s): **Kashif Amin and James Houghton**
(45) Registration Date: **05 February 2010**
(30) Convention priority data:
(31) Number (32) Date (33) Country
001605205-0001 28 Aug 2009 EUROPEAN COMMUNITY
(56) Related Art Documents: **Not Applicable**
(57) Statement of Newness and Distinctiveness: **Nil**



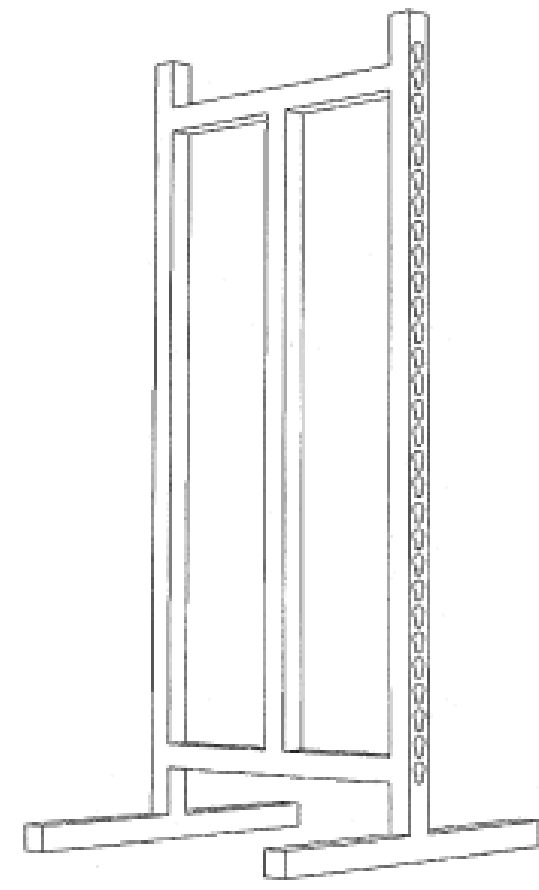
(21) Design Number: **14688/2009**
(22) Date of Filing Application: **01 December 2009**
(24) Date from which industrial property rights may have effect: **01 December 2009**
(54) Product in respect of which the design is registered: **Multipurpose tool for chainsaws**
(51) International Design Classification: **15-09**
(71) Name(s) and Address(s) of Applicant(s):
Jonathan Schwartz
22195 Placer Hills Road Colfax California 95713 United States of America
(72) Name(s) of Designer(s): **Jonathan Schwartz**
(45) Registration Date: **05 February 2010**
(30) Convention priority data:
(31) Number (32) Date (33) Country
29/338,092 04 Jun 2009 UNITED STATES OF AMERICA
(56) Related Art Documents: **Not Applicable**
(57) Statement of Newness and Distinctiveness: **Nil**



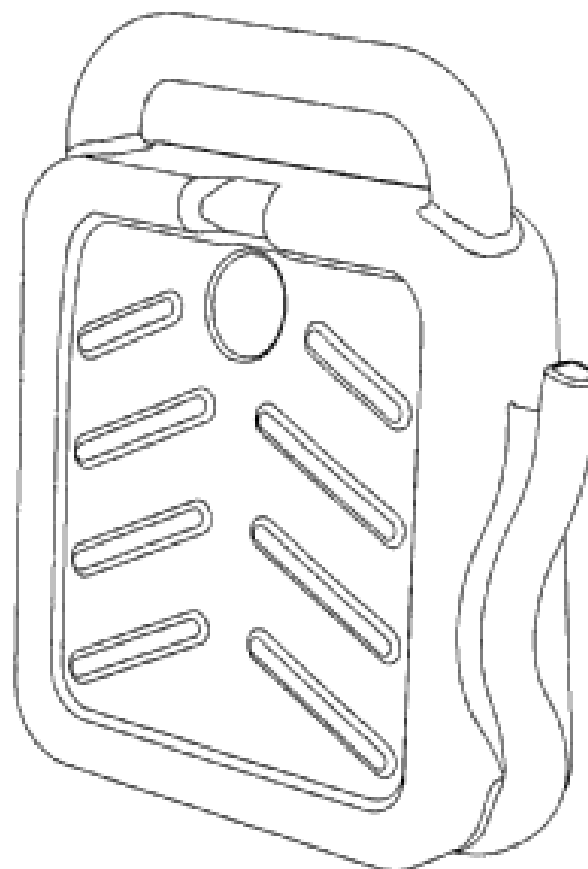
- (21) Design Number: **14828/2009**
(22) Date of Filing Application: **01 December 2009**
(24) Date from which industrial property rights may have effect: **01 December 2009**
(54) Product in respect of which the design is registered: **Collar for use with a clamp**
(51) International Design Classification: **08-08NES**
(71) Name(s) and Address(s) of Applicant(s):
John Michael Schopf
23 Liberty Parade Ivanhoe Victoria 3079 Australia
(72) Name(s) of Designer(s): **John Michael Schopf**
(45) Registration Date: **05 February 2010**
(56) Related Art Documents: **Not Applicable**
(57) Statement of Newness and Distinctiveness: **Newness and distinctiveness reside in the six-sided external shape of the collar. The internal hole shown in chain dotted lines is not a part of the design, nor is the clamp shown in ordinary dotted lines.**



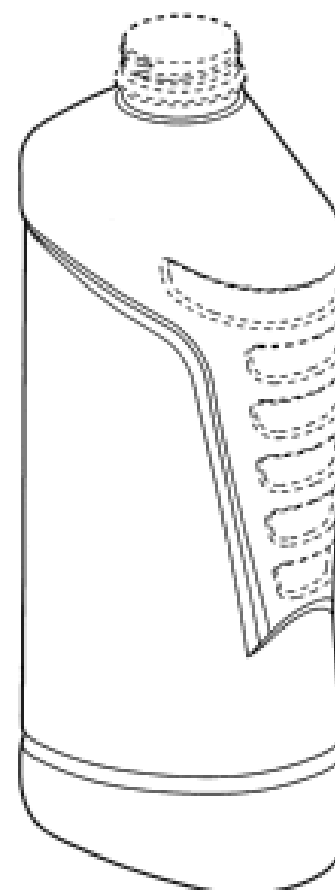
- (21) Design Number: **14893/2009**
(22) Date of Filing Application: **14 December 2009**
(24) Date from which industrial property rights may have effect: **14 December 2009**
(54) Product in respect of which the design is registered: **Jump wings (horse show jump support stand)**
(51) International Design Classification: **21-02NES**
(71) Name(s) and Address(s) of Applicant(s):
Anthony Thomas
Section 236 100 of Maitland Clinton Road Maitland South Australia
5573 Australia
(72) Name(s) of Designer(s): **Anthony Thomas**
(45) Registration Date: **05 February 2010**
(56) Related Art Documents: **Not Applicable**
(57) Statement of Newness and Distinctiveness: **Newness and distinctiveness resides in the shape and/or configuration of the Jump wings as shown in the accompanying representations.**



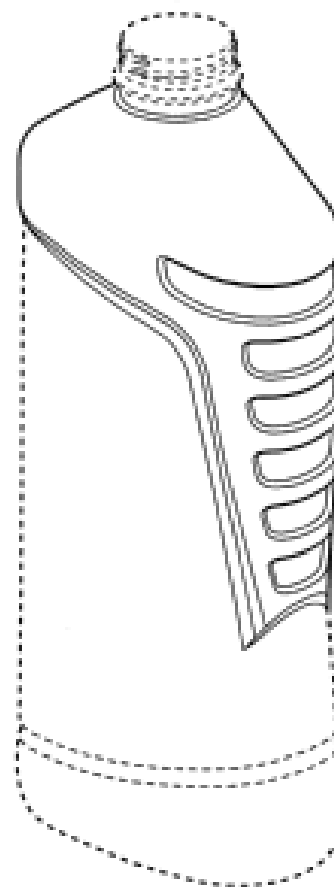
- (21) Design Number: **14942/2009**
(22) Date of Filing Application: **18 December 2009**
(24) Date from which industrial property rights may have effect: **18 December 2009**
(54) Product in respect of which the design is registered: **A container for fluid**
(51) International Design Classification: **08-05A, 09-02B**
(71) Name(s) and Address(s) of Applicant(s):
Lynmarden Pty Ltd
8/1 Kenilworth Parade Ivanhoe Victoria 3079 Australia
(72) Name(s) of Designer(s): **Denis Treacy and Lyndon Treacy**
(45) Registration Date: **05 February 2010**
(56) Related Art Documents: **Not Applicable**
(57) Statement of Newness and Distinctiveness: **The features of shape and configuration of the container for fluid shown in the accompanying representations are considered to be new and distinctive.**



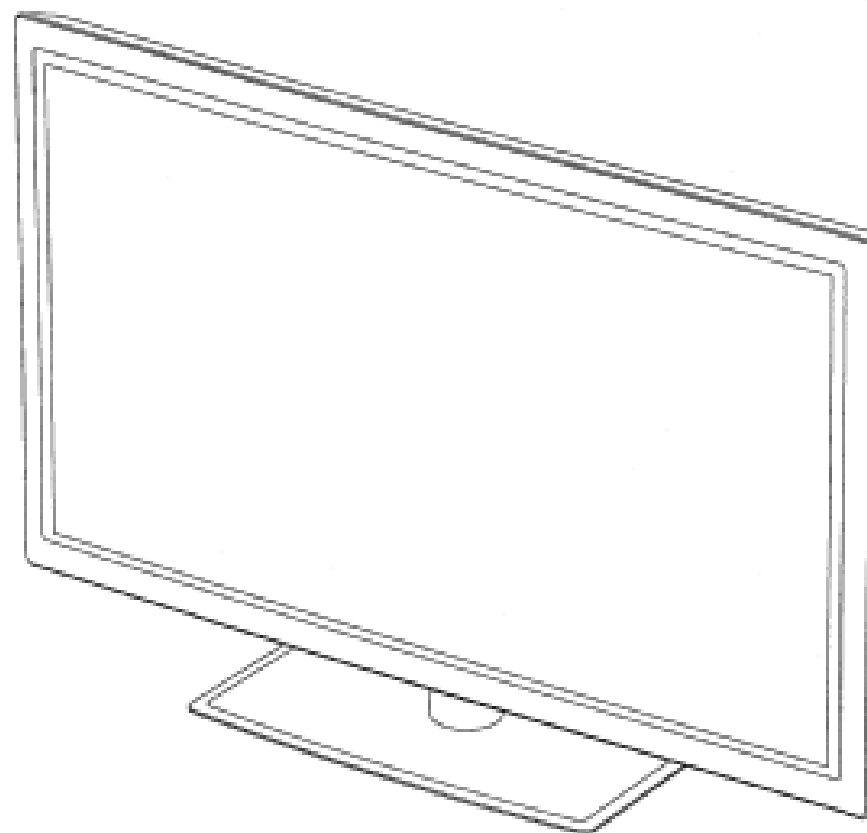
- (21) Design Number: **10051/2010**
(22) Date of Filing Application: **08 January 2010**
(24) Date from which industrial property rights may have effect: **08 January 2010**
(54) Product in respect of which the design is registered: **Bottle**
(51) International Design Classification: **09-01K**
(71) Name(s) and Address(s) of Applicant(s):
Colgate-Palmolive Company
300 Park Avenue New York New York 10022 United States of America
(72) Name(s) of Designer(s): **Bruce Cummings and Simon Dutton and Carolina Fontana and Isaac Milhem and Guilhem Rousselet and Nick Verebelyi**
(45) Registration Date: **05 February 2010**
(30) Convention priority data:
(31) Number (32) Date (33) Country
29/339932 10 Jul 2009 UNITED STATES OF AMERICA
(56) Related Art Documents: **Not Applicable**
(57) Statement of Newness and Distinctiveness: **Newness and distinctiveness reside in the features of the design shown in solid lines in the representations excluding those features shown in broken lines.**



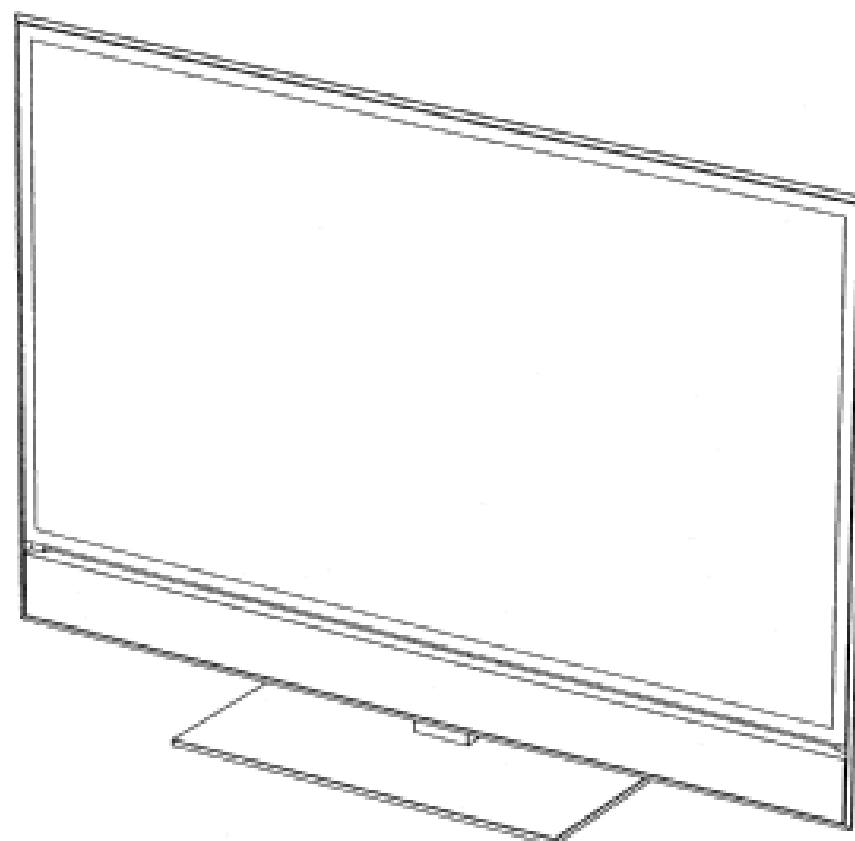
- (21) Design Number: **10052/2010**
(22) Date of Filing Application: **08 January 2010**
(24) Date from which industrial property rights may have effect: **08 January 2010**
(54) Product in respect of which the design is registered: **Upper portion of a bottle**
(51) International Design Classification: **09-01K**
(71) Name(s) and Address(s) of Applicant(s):
Colgate-Palmolive Company
300 Park Avenue New York New York 10022 United States of America
(72) Name(s) of Designer(s): **Bruce Cummings and Simon Dutton and Caroline Fontana and Isaac Milhem and Guilhem Rousselet and Nick Verebelyi**
(45) Registration Date: **05 February 2010**
(30) Convention priority data:
(31) Number (32) Date (33) Country
29/339935 10 Jul 2009 UNITED STATES OF AMERICA
(56) Related Art Documents: **Not Applicable**
(57) Statement of Newness and Distinctiveness: **Newness and distinctiveness reside in the features of the design shown in solid lines in the representations excluding those features shown in broken lines.**



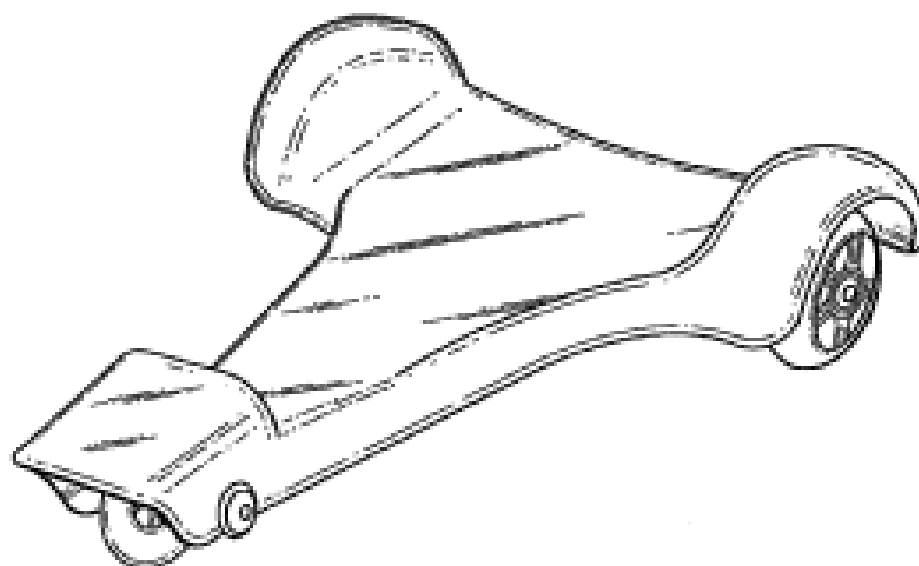
- (21) Design Number: **10079/2010**
(22) Date of Filing Application: **12 January 2010**
(24) Date from which industrial property rights may have effect: **12 January 2010**
(54) Product in respect of which the design is registered: **LCD television receiver**
(51) International Design Classification: **14-01**
(71) Name(s) and Address(s) of Applicant(s):
LG Electronics Inc.
20 Yeouido-dong Yeongdeungpo-gu Seoul 150-721 Republic of Korea
(72) Name(s) of Designer(s): **Yeon Jin Kim and Kyong Tae Han and Hui Su Yang**
(45) Registration Date: **04 February 2010**
(30) Convention priority data:
(31) Number (32) Date (33) Country
30-2009-0031735 17 Jul 2009 REPUBLIC OF KOREA
(56) Related Art Documents: **Not Applicable**
(57) Statement of Newness and Distinctiveness: **Newness and distinctiveness reside in the features of the design as shown in the representations.**



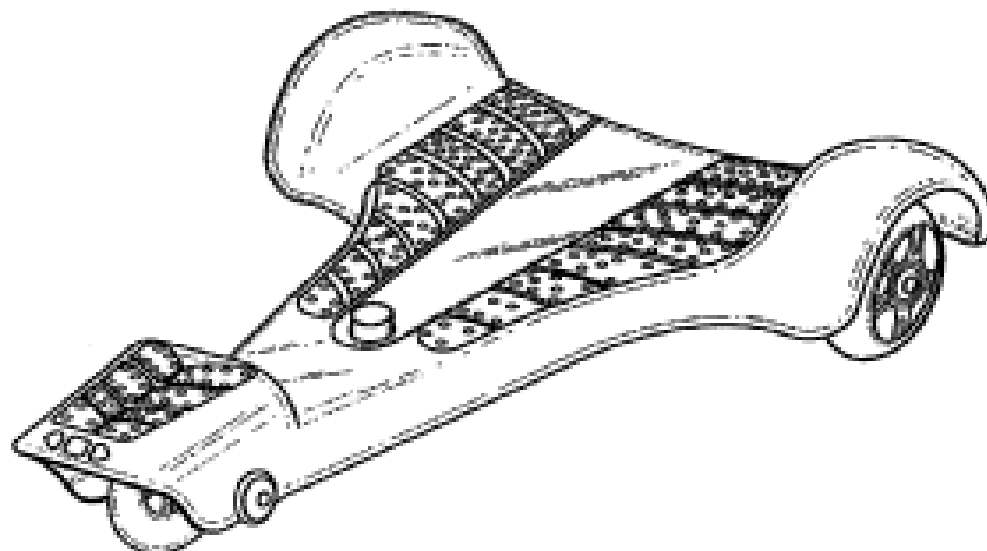
(21) Design Number: **10080/2010**
(22) Date of Filing Application: **12 January 2010**
(24) Date from which industrial property rights may have effect: **12 January 2010**
(54) Product in respect of which the design is registered: **LCD television receiver**
(51) International Design Classification: **14-01**
(71) Name(s) and Address(s) of Applicant(s):
LG Electronics Inc.
20 Yeouido-dong Yeongdeungpo-gu Seoul 150-721 Republic of Korea
(72) Name(s) of Designer(s): **Jae Seong Ko**
(45) Registration Date: **04 February 2010**
(30) Convention priority data:
(31) Number (32) Date (33) Country
30-2009-0032237 21 Jul 2009 REPUBLIC OF KOREA
(56) Related Art Documents: **Not Applicable**
(57) Statement of Newness and Distinctiveness: **Newness and distinctiveness reside in the features of the design as shown in the representations.**



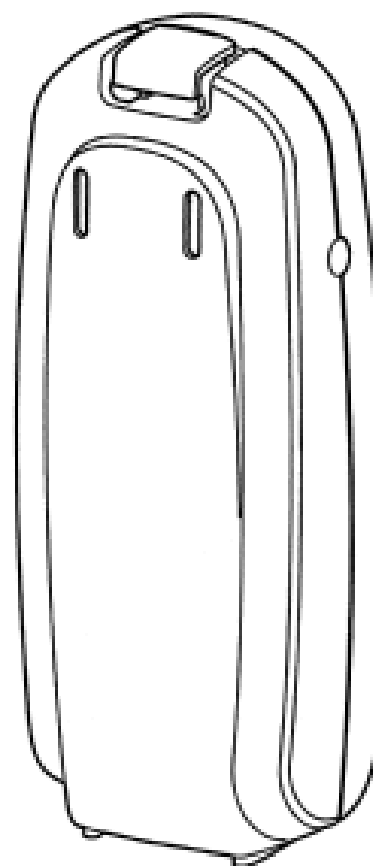
(21) Design Number: **14647/2009**
(22) Date of Filing Application: **27 November 2009**
(24) Date from which industrial property rights may have effect: **27 November 2009**
(54) Product in respect of which the design is registered: **Skateboard**
(51) International Design Classification: **21-02E**
(71) Name(s) and Address(s) of Applicant(s):
Razor USA LLC
16200-A Carmenita Road Cerritos CA 90703 United States of America
(72) Name(s) of Designer(s): **Steve Sramek**
(45) Registration Date: **05 February 2010**
(30) Convention priority data:
(31) Number (32) Date (33) Country
29/342991 03 Sep 2009 UNITED STATES OF AMERICA
(56) Related Art Documents: **Not Applicable**
(57) Statement of Newness and Distinctiveness: **Newness and distinctiveness is claimed in those features of shape and or configuration of a Skateboard as depicted in the representations in unbroken lines. The representations use broken lines, contour lines and shading to assist in the illustration of features of shape and or configuration. Such broken lines, contour lines and shading do not form part of the design.**



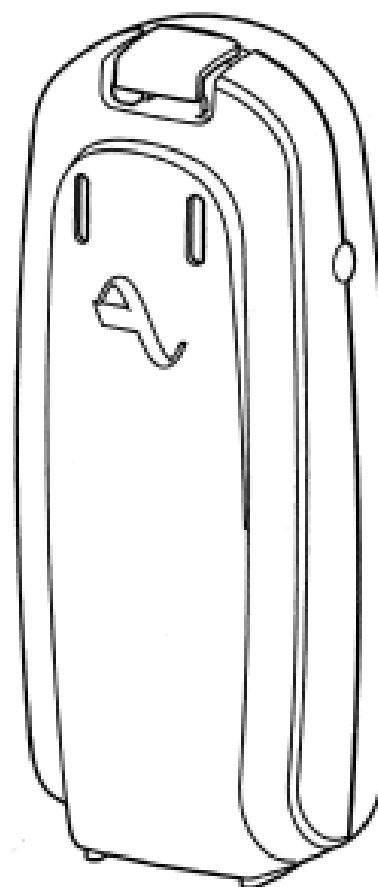
- (21) Design Number: **14648/2009**
(22) Date of Filing Application: **27 November 2009**
(24) Date from which industrial property rights may have effect: **27 November 2009**
(54) Product in respect of which the design is registered: **Skateboard**
(51) International Design Classification: **21-02E**
(71) Name(s) and Address(s) of Applicant(s):
Razor USA LLC
16200-A Carmenita Road Cerritos CA 90703 United States of America
(72) Name(s) of Designer(s): **Steve Sramek**
(45) Registration Date: **05 February 2010**
(30) Convention priority data:
(31) Number (32) Date (33) Country
29/342908 02 Sep 2009 UNITED STATES OF AMERICA
(56) Related Art Documents: **Not Applicable**
(57) Statement of Newness and Distinctiveness: **Newness and distinctiveness is claimed in those features of shape and or configuration of a Skateboard as depicted in the representations in unbroken lines. The representations use broken lines, contour lines and shading to assist in the illustration of features of shape and or configuration. Such broken lines, contour lines and shading do not form part of the design.**



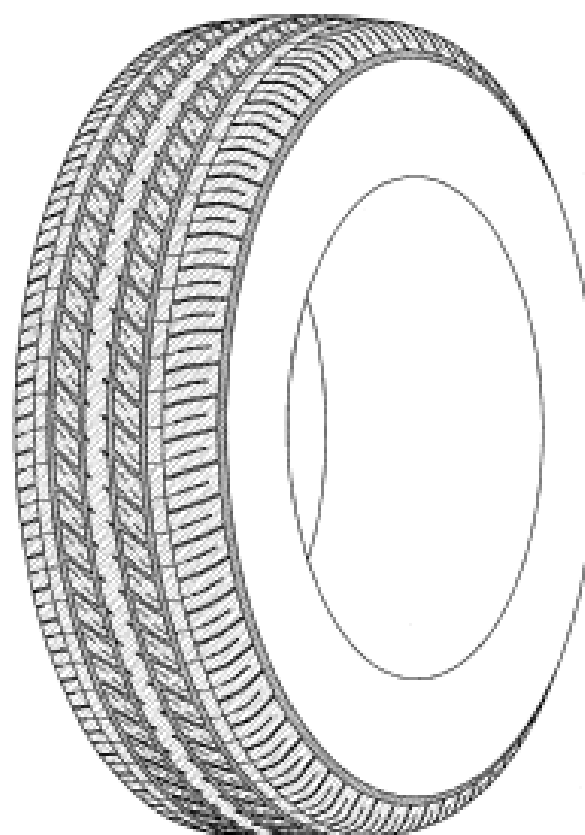
- (21) Design Number: **15056/2009**
(22) Date of Filing Application: **24 December 2009**
(24) Date from which industrial property rights may have effect: **24 December 2009**
(54) Product in respect of which the design is registered: **Child resistant container**
(51) International Design Classification: **09-03NES**
(71) Name(s) and Address(s) of Applicant(s):
Archimedes Development Limited
Albert Einstein Centre University Boulevard Nottingham NG7 2TN
United Kingdom
(72) Name(s) of Designer(s): **Philip Walsh and Christopher Althorpe and Tom Walker and Paul Hayton and David Cottle**
(45) Registration Date: **05 February 2010**
(30) Convention priority data:
(31) Number (32) Date (33) Country
1156954-0001 03 Jul 2009 EUROPEAN COMMUNITY
(56) Related Art Documents: **Not Applicable**
(57) Statement of Newness and Distinctiveness: **Newness and distinctiveness is claimed in the features of shape and/or configuration of a child resistant container as illustrated in the accompanying representations.**



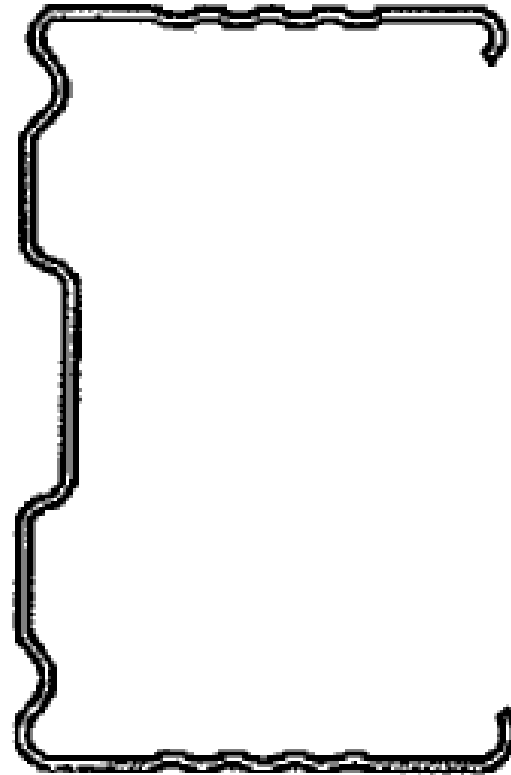
- (21) Design Number: **15057/2009**
(22) Date of Filing Application: **24 December 2009**
(24) Date from which industrial property rights may have effect: **24 December 2009**
(54) Product in respect of which the design is registered: **Child resistant container**
(51) International Design Classification: **09-03NES**
(71) Name(s) and Address(s) of Applicant(s):
Archimedes Development Limited
Albert Einstein Centre University Boulevard Nottingham NG7 2TN
United Kingdom
(72) Name(s) of Designer(s): **Philip Walsh and Christopher Althorpe and Tom Walker and Paul Hayton and David Cottle**
(45) Registration Date: **05 February 2010**
(30) Convention priority data:
(31) Number (32) Date (33) Country
1156954-0001 03 Jul 2009 EUROPEAN COMMUNITY
(56) Related Art Documents: **Not Applicable**
(57) Statement of Newness and Distinctiveness: **Newness and distinctiveness is claimed in the features of shape and/or configuration of a child resistant container as illustrated in the accompanying representations.**



- (21) Design Number: **10083/2010**
(22) Date of Filing Application: **12 January 2010**
(24) Date from which industrial property rights may have effect: **12 January 2010**
(54) Product in respect of which the design is registered: **Tyre**
(51) International Design Classification: **12-15A**
(71) Name(s) and Address(s) of Applicant(s):
The Goodyear Tire & Rubber Company
1144 East Market Street Akron Ohio 44316-0001 United States of America
(72) Name(s) of Designer(s): **Ryoji Notsu and Hiroyuki Kurosawa**
(45) Registration Date: **05 February 2010**
(30) Convention priority data:
(31) Number (32) Date (33) Country
2009-017153 28 Jul 2009 JAPAN
(56) Related Art Documents: **Not Applicable**
(57) Statement of Newness and Distinctiveness: **Newness and distinctiveness is claimed in the features of shape and/or configuration of the tread of a tyre as illustrated in the accompanying representations, wherein the shape and/or configuration of the tread is repeated throughout the circumference of the tyre.**



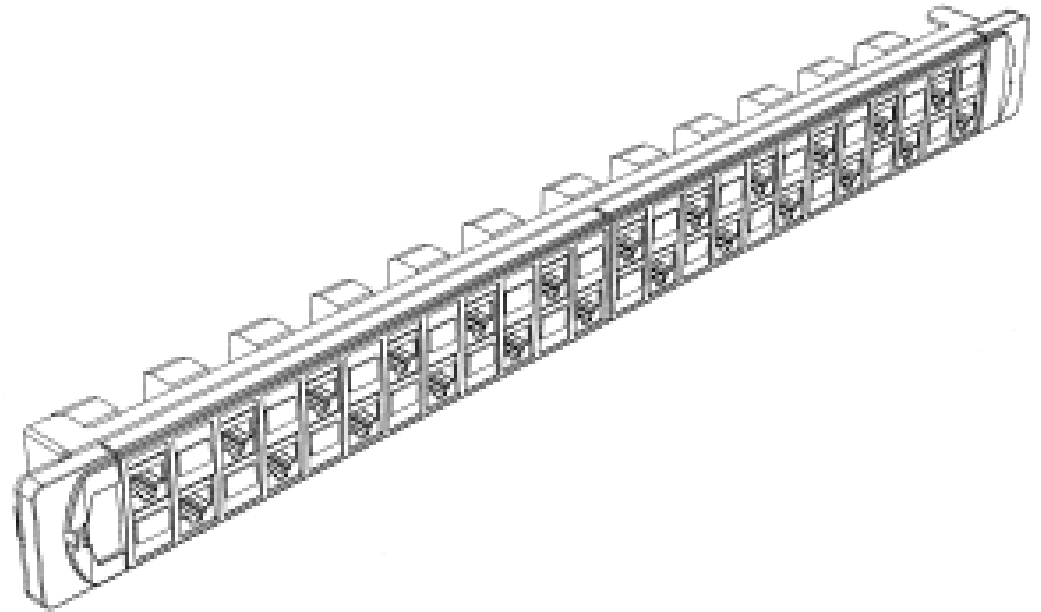
(21) Design Number: **15004/2009**
(22) Date of Filing Application: **22 December 2009**
(24) Date from which industrial property rights may have effect: **22 December 2009**
(54) Product in respect of which the design is registered: **C-section box beam member**
(51) International Design Classification: **25-01C, 25-01K**
(71) Name(s) and Address(s) of Applicant(s):
Fielders Australia Pty Ltd
15 Railway Terrace Mile End South Australia 5031 Australia
(72) Name(s) of Designer(s): **Graham Hosking and Colin Searle**
(45) Registration Date: **08 February 2010**
(56) Related Art Documents: **Not Applicable**
(57) Statement of Newness and Distinctiveness: **Nil**



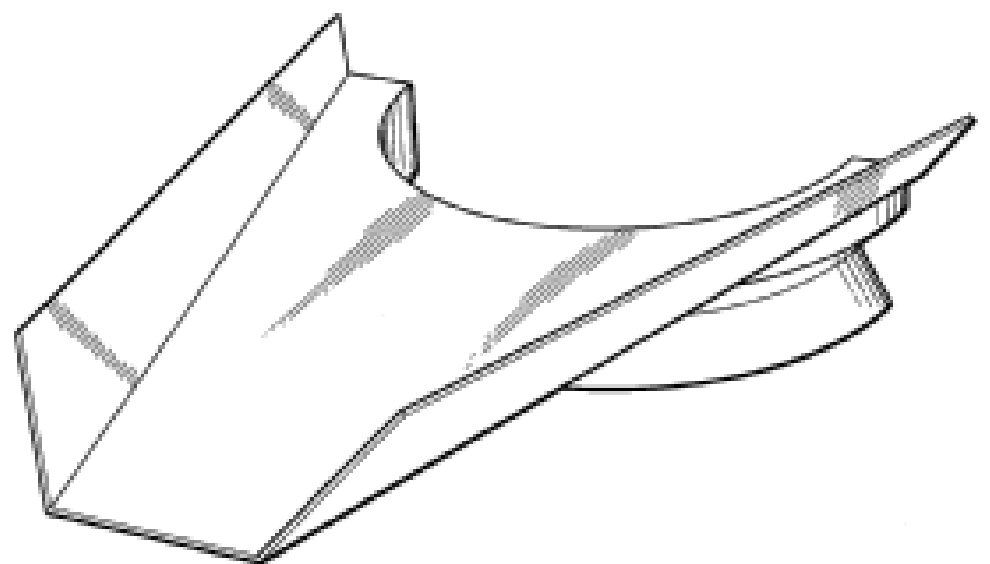
(21) Design Number: **10088/2010**
(22) Date of Filing Application: **14 January 2010**
(24) Date from which industrial property rights may have effect: **14 January 2010**
(54) Product in respect of which the design is registered: **Wedding adornments (glass stand not included in design)**
(51) International Design Classification: **11-99**
(71) Name(s) and Address(s) of Applicant(s):
Jillian Gay Dyball
39 Brunette Drive Castle Hill New South Wales 2154 Australia
(72) Name(s) of Designer(s): **Jill Dyball**
(45) Registration Date: **08 February 2010**
(56) Related Art Documents: **Not Applicable**
(57) Statement of Newness and Distinctiveness: **Nil**



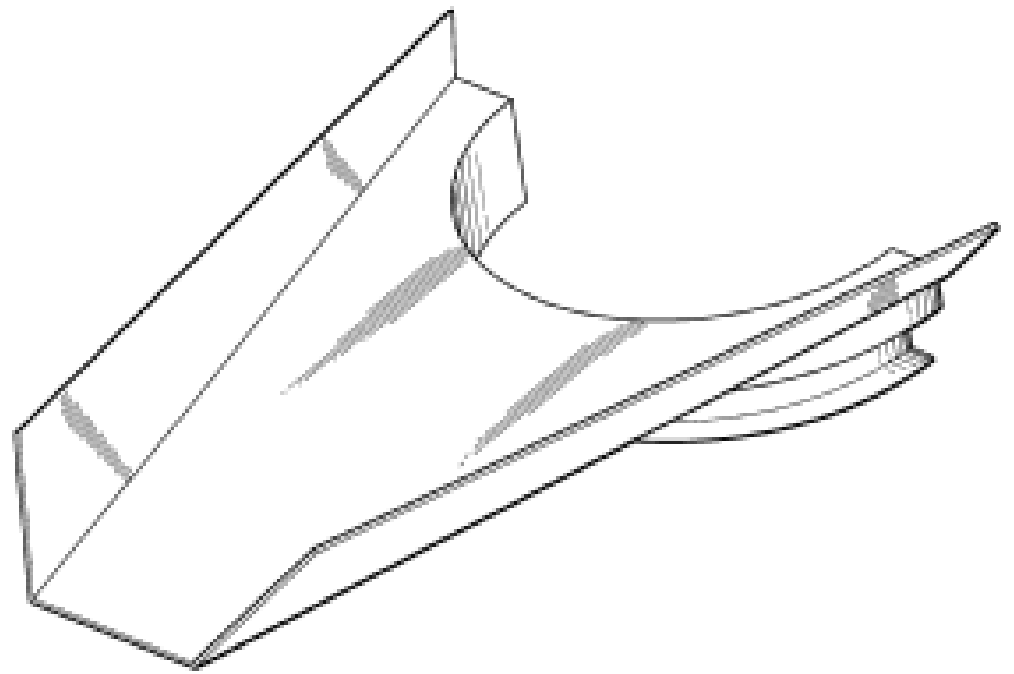
- (21) Design Number: **10089/2010**
(22) Date of Filing Application: **13 January 2010**
(24) Date from which industrial property rights may have effect: **13 January 2010**
(54) Product in respect of which the design is registered: **A patch panel**
(51) International Design Classification: **13-03NES**
(71) Name(s) and Address(s) of Applicant(s):
Clipsal Australia Pty Ltd
12 Park Terrace Bowden South Australia 5007 Australia
(72) Name(s) of Designer(s): **Elizabeth Tunde Junasz**
(45) Registration Date: **08 February 2010**
(56) Related Art Documents: **Not Applicable**
(57) Statement of Newness and Distinctiveness: **Newness and distinctiveness resides in the shape and configuration of a patch panel as shown in the accompanying representation.**



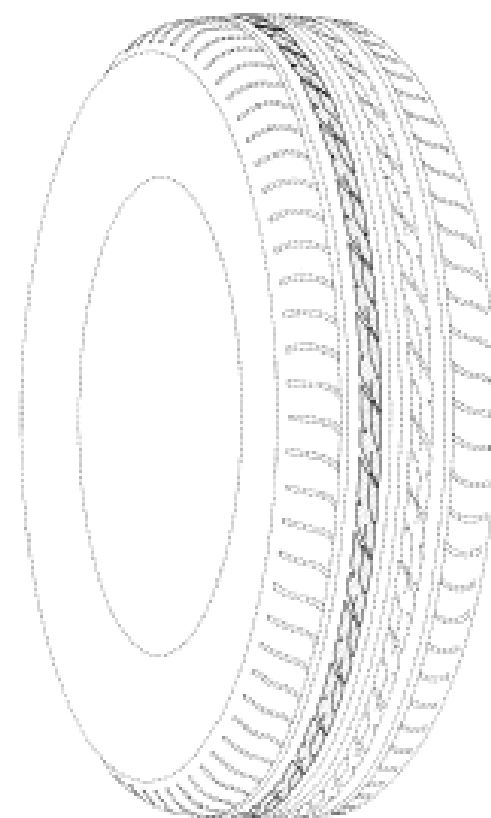
- (21) Design Number: **10090/2010**
(22) Date of Filing Application: **13 January 2010**
(24) Date from which industrial property rights may have effect: **13 January 2010**
(54) Product in respect of which the design is registered: **Paint can pouring lip**
(51) International Design Classification: **09-07A**
(71) Name(s) and Address(s) of Applicant(s):
Kiro Jorgandziewski
5 Grovedale Circle Cairnlea Victoria 3023 Australia
(72) Name(s) of Designer(s): **Kiro Jorgandziewski**
(45) Registration Date: **08 February 2010**
(56) Related Art Documents: **Not Applicable**
(57) Statement of Newness and Distinctiveness: **Newness and distinctiveness is claimed in all the features of the paint can pouring lip as shown in the representations.**



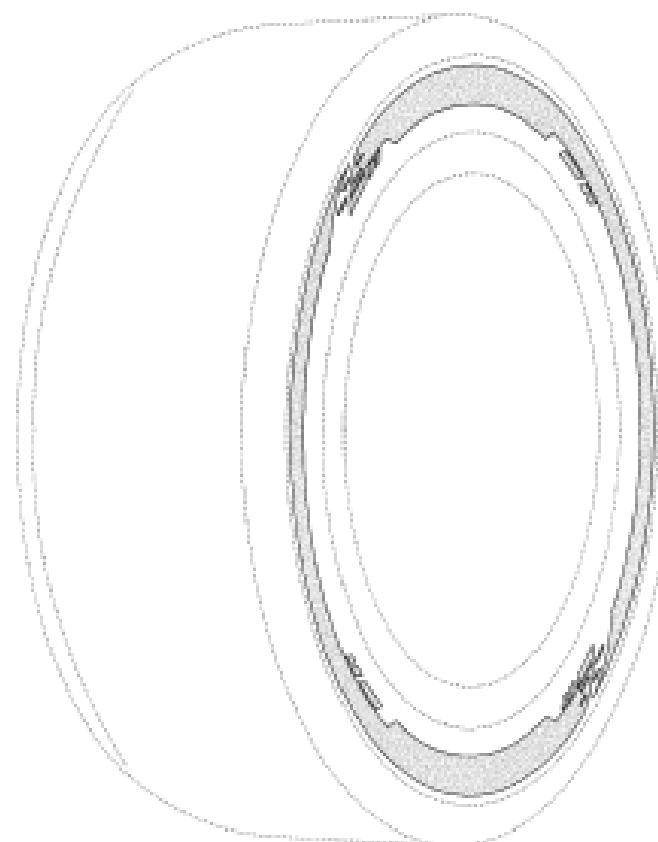
- (21) Design Number: **10091/2010**
(22) Date of Filing Application: **13 January 2010**
(24) Date from which industrial property rights may have effect: **13 January 2010**
(54) Product in respect of which the design is registered: **Paint can pouring lip**
(51) International Design Classification: **09-07A**
(71) Name(s) and Address(s) of Applicant(s):
Kiro Jorgandziewski
5 Grovedale Circle Cairnlea Victoria 3023 Australia
(72) Name(s) of Designer(s): **Kiro Jorgandziewski**
(45) Registration Date: **08 February 2010**
(56) Related Art Documents: **Not Applicable**
(57) Statement of Newness and Distinctiveness: **Newness and distinctiveness is claimed in all the features of the paint can pouring lip as shown in the representations.**



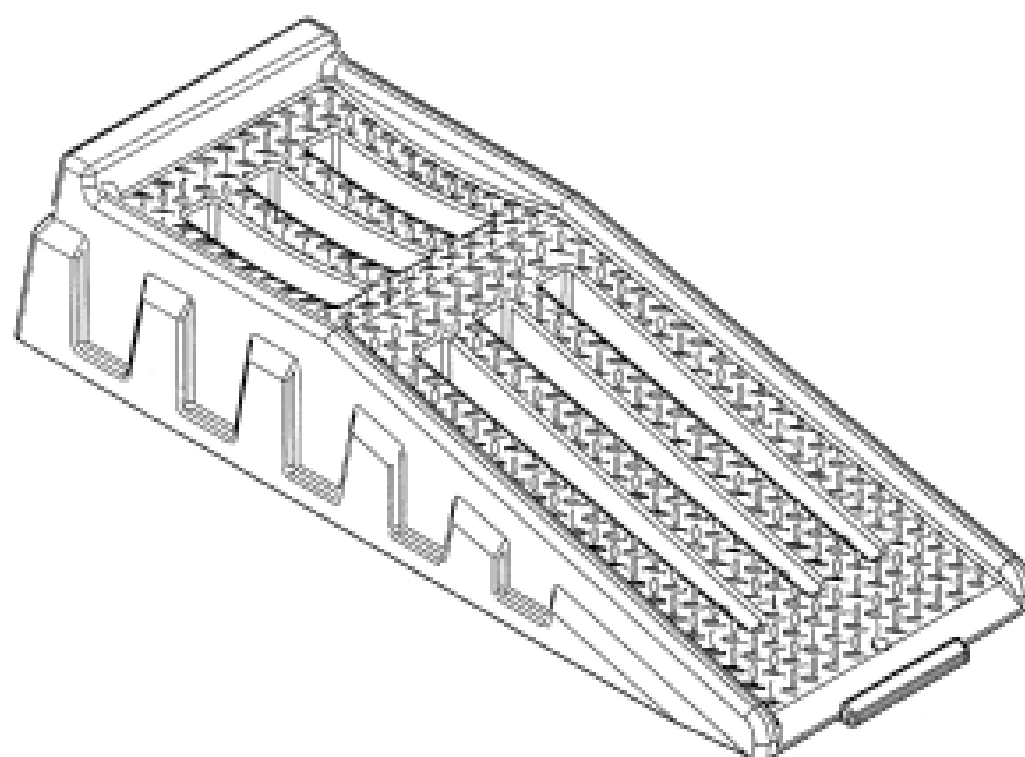
- (21) Design Number: **12070/2009**
(22) Date of Filing Application: **04 June 2009**
(24) Date from which industrial property rights may have effect: **04 June 2009**
(54) Product in respect of which the design is registered: **Automobile tyre**
(51) International Design Classification: **12-15B**
(71) Name(s) and Address(s) of Applicant(s):
Bridgestone Corporation
10-1 Kyobashi 1-Chome Chuo-ku Tokyo 104-8340 Japan
(72) Name(s) of Designer(s): **Takamitsu Nakamura**
(45) Registration Date: **10 February 2010**
(56) Related Art Documents: **Not Applicable**
(57) Statement of Newness and Distinctiveness: **The shape and configuration of the parts of the tread portion of the tyre shown by means of solid lines in the registrations are new and distinctive.**



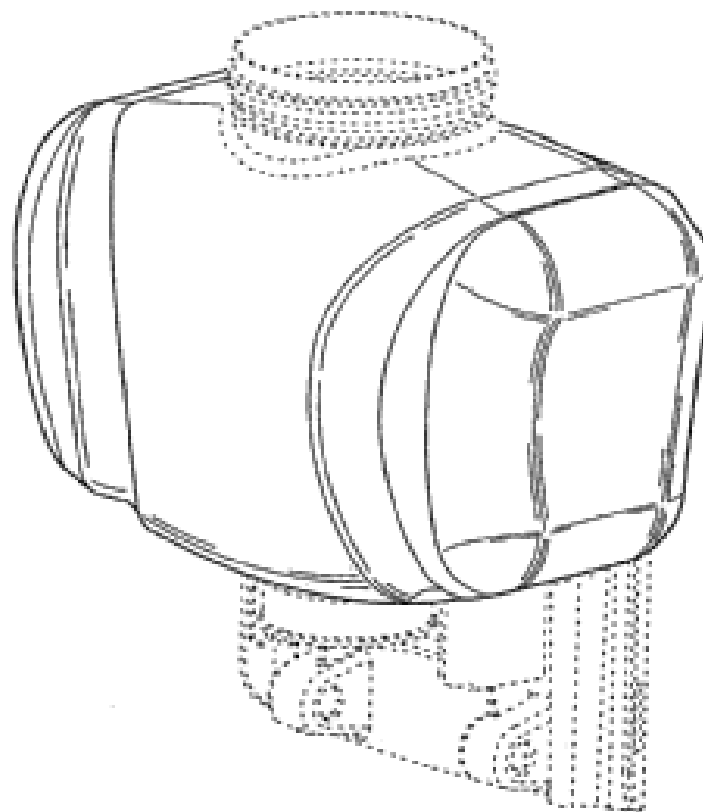
- (21) Design Number: **12072/2009**
(22) Date of Filing Application: **04 June 2009**
(24) Date from which industrial property rights may have effect: **04 June 2009**
(54) Product in respect of which the design is registered: **Automobile tyre**
(51) International Design Classification: **12-15NES**
(71) Name(s) and Address(s) of Applicant(s):
Bridgestone Corporation
10-1 Kyobashi 1-Chome Chuo-ku Tokyo 104-8340 Japan
(72) Name(s) of Designer(s): **Takamitsu Nakamura**
(45) Registration Date: **10 February 2010**
(56) Related Art Documents: **Not Applicable**
(57) Statement of Newness and Distinctiveness: **The shape, configuration, pattern and ornamentation of the side wall portion of the tyre is new and distinctive.**



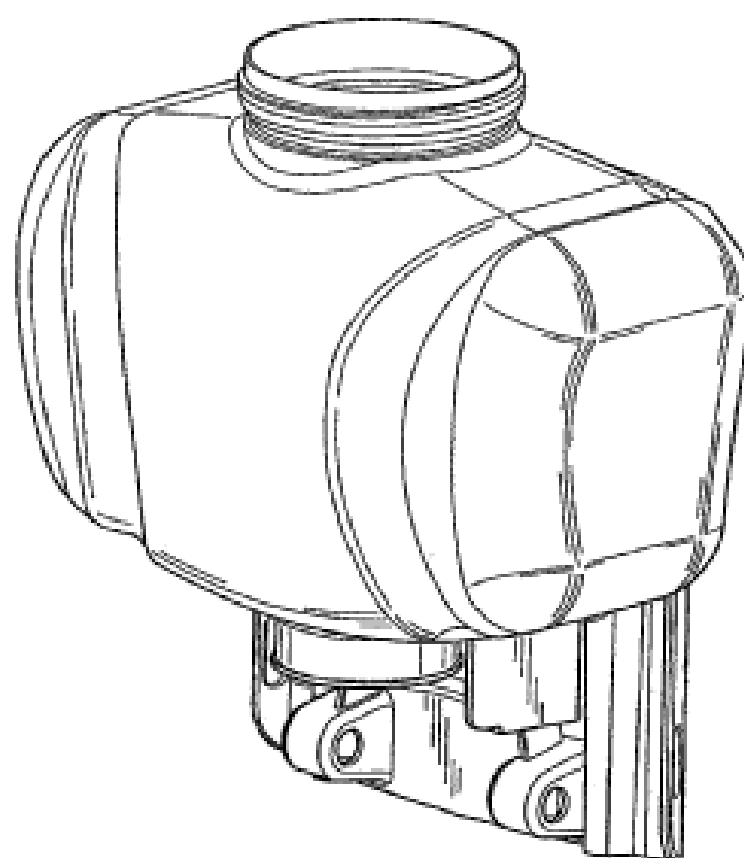
- (21) Design Number: **14716/2009**
(22) Date of Filing Application: **01 December 2009**
(24) Date from which industrial property rights may have effect: **01 December 2009**
(54) Product in respect of which the design is registered: **Car ramp**
(51) International Design Classification: **12-05**
(71) Name(s) and Address(s) of Applicant(s):
Ty Hermans
359 Macdonnell Road Clontarf Queensland 4019 Australia
(72) Name(s) of Designer(s): **Ty Hermans**
(45) Registration Date: **10 February 2010**
(56) Related Art Documents: **Not Applicable**
(57) Statement of Newness and Distinctiveness: **Newness and distinctiveness resides in the shape and configuration of a car ramp as shown in the accompanying representations, wherein; Fig. 1 is a view of the car ramp from above front on one side; Fig. 2 is a view of the car ramp from above front on the other side; Fig. 3 is a view of the car ramp from above rear on the same side as Fig. 2; Fig. 4 is a view of the car ramp from above rear on the same side as Fig. 1; Fig. 5 is a view of the car ramp from below on the same side as Fig. 2; Fig. 6 is a view of the car ramp from below on the same side as Fig. 1; Fig. 7 is a view of the car ramp from above; and Fig. 8 is a view of the car ramp from below.**



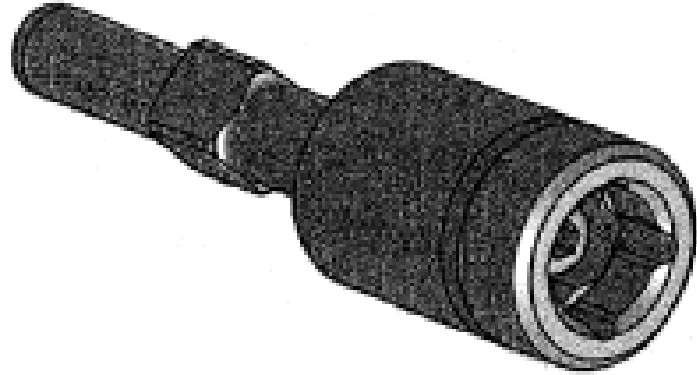
- (21) Design Number: **10085/2010**
(22) Date of Filing Application: **12 January 2010**
(24) Date from which industrial property rights may have effect: **12 January 2010**
(54) Product in respect of which the design is registered: **Sprayer**
(51) International Design Classification: **09-07A**
(71) Name(s) and Address(s) of Applicant(s):
H.D. Hudson Manufacturing Company
500 N. Michigan Avenue Chicago IL 60611 United States of America
(72) Name(s) of Designer(s): **William A. Hudson and Edwin Chan**
(45) Registration Date: **10 February 2010**
(30) Convention priority data:
(31) Number (32) Date (33) Country
US 21 Aug 2009 UNITED STATES OF AMERICA
29/342,304
(56) Related Art Documents: **Not Applicable**
(57) Statement of Newness and Distinctiveness: **When determining whether the design is substantially similar in overall impression to another design, no regard is had to those features shown in dotted outline in the accompanying drawings. Such features are provided for illustrative purposes only.**



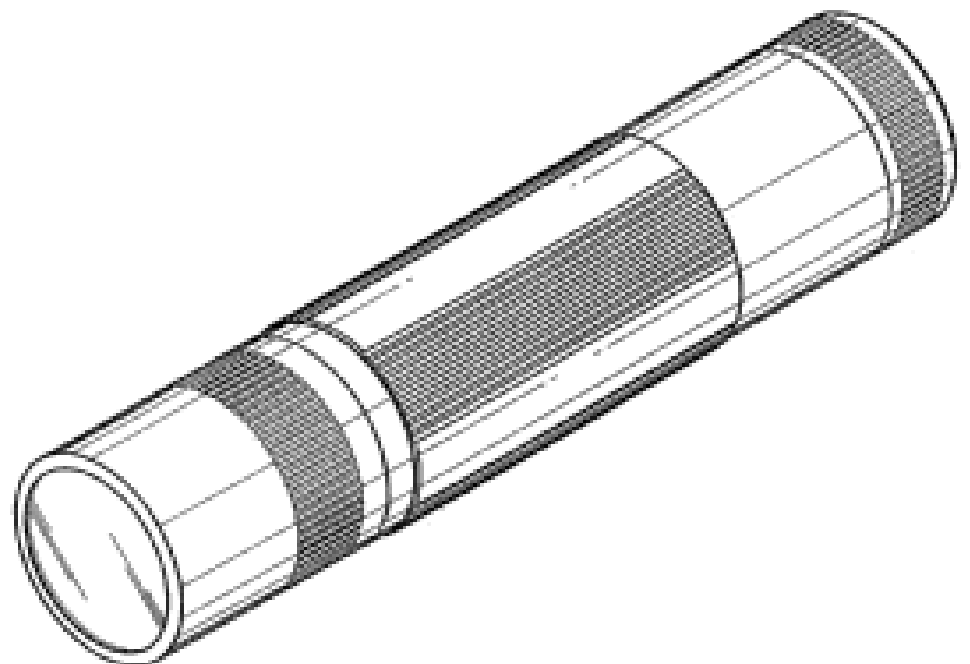
- (21) Design Number: **10086/2010**
(22) Date of Filing Application: **12 January 2010**
(24) Date from which industrial property rights may have effect: **12 January 2010**
(54) Product in respect of which the design is registered: **Sprayer**
(51) International Design Classification: **09-07A**
(71) Name(s) and Address(s) of Applicant(s):
H.D. Hudson Manufacturing Company
500 N. Michigan Avenue Chicago IL 60611 United States of America
(72) Name(s) of Designer(s): **William A. Hudson and Edwin Chan**
(45) Registration Date: **10 February 2010**
(30) Convention priority data:
(31) Number (32) Date (33) Country
US 21 Aug 2009 UNITED STATES OF AMERICA
29/342,304
(56) Related Art Documents: **Not Applicable**
(57) Statement of Newness and Distinctiveness: **When determining whether the design is substantially similar in overall impression to another design, no regard is had to those features shown in dotted outline in the accompanying drawings. Such features are provided for illustrative purposes only.**



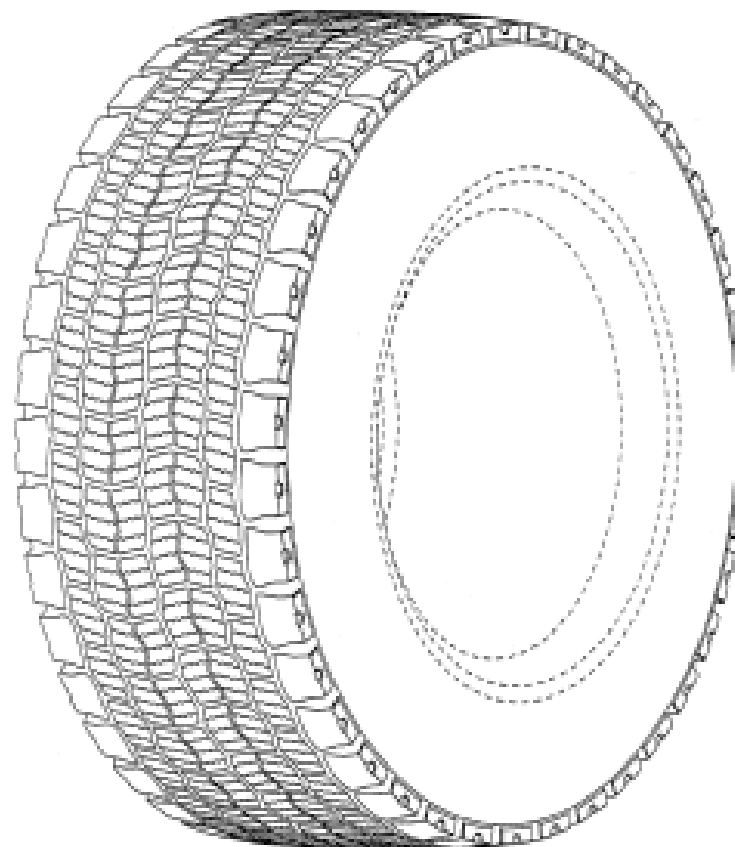
- (21) Design Number: **10087/2010**
(22) Date of Filing Application: **11 January 2010**
(24) Date from which industrial property rights may have effect: **11 January 2010**
(54) Product in respect of which the design is registered: **Chuck adaptor**
(51) International Design Classification: **08-01**
(71) Name(s) and Address(s) of Applicant(s):
Quarry Mining and Construction Equipment Pty Ltd
Unit 9 14 Yangan Drive Beresfield New South Wales 2322 Australia
(72) Name(s) of Designer(s): **Jeff Rankin**
(45) Registration Date: **10 February 2010**
(56) Related Art Documents: **Not Applicable**
(57) Statement of Newness and Distinctiveness: **Newness and Distinctiveness resides in the features of shape and configuration of the drill bit receiver within the Chuck Adaptor that in use engages to lock a drill rod when the drill rod is twisted within the Chuck Adaptor.**



- (21) Design Number: **10100/2010**
(22) Date of Filing Application: **13 January 2010**
(24) Date from which industrial property rights may have effect: **13 January 2010**
(54) Product in respect of which the design is registered: **Flashlight**
(51) International Design Classification: **26-02**
(71) Name(s) and Address(s) of Applicant(s):
Mag Instrument, Inc.
2001 South Hellman Avenue Ontario California 91761 United States of America
(72) Name(s) of Designer(s): **Anthony Maglica**
(45) Registration Date: **10 February 2010**
(30) Convention priority data:
(31) Number (32) Date (33) Country
29/340085 13 Jul 2009 UNITED STATES OF AMERICA
(56) Related Art Documents: **Not Applicable**
(57) Statement of Newness and Distinctiveness: **Newness and distinctiveness is claimed in those features of shape and configuration and pattern and ornamentation of a flashlight as shown in continuous lines in the accompanying representations.**



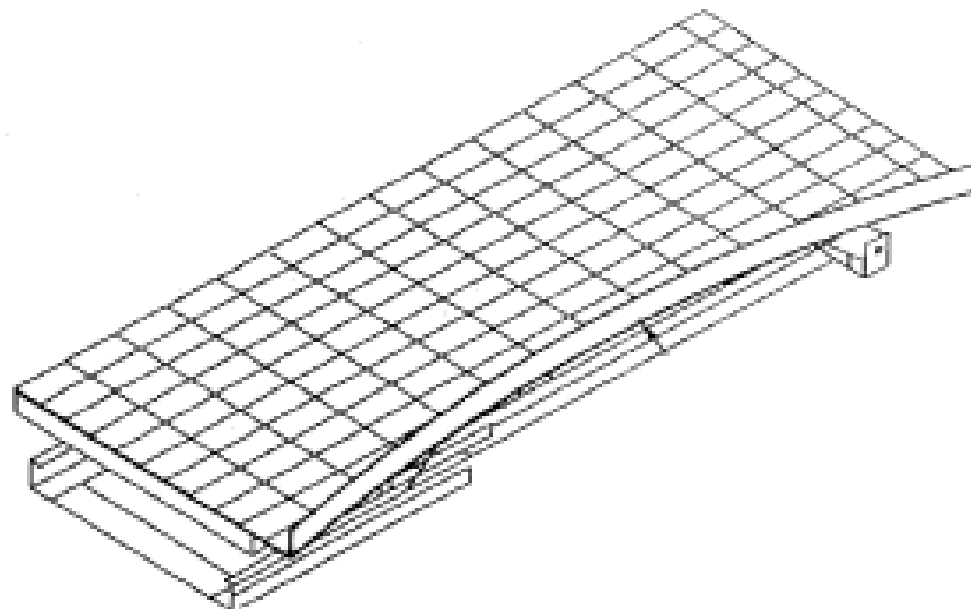
- (21) Design Number: **10104/2010**
(22) Date of Filing Application: **15 January 2010**
(24) Date from which industrial property rights may have effect: **15 January 2010**
(54) Product in respect of which the design is registered: **Tyre tread**
(51) International Design Classification: **12-15A**
(71) Name(s) and Address(s) of Applicant(s):
Michelin Recherche et Technique SA
Route Louis Braille 10 et 12 CH-1763 Granges-Paccot Switzerland
Societe De Technologie Michelin
23 rue Breschet F-63000 Clermont-Ferrand Cedex France
(72) Name(s) of Designer(s): **Kevin Ray Reim and Joseph A. Stain and Gildas Yvon De Staercke**
(45) Registration Date: **10 February 2010**
(30) Convention priority data:
(31) Number (32) Date (33) Country
29/340,295 16 Jul 2009 UNITED STATES OF AMERICA
(56) Related Art Documents: **Not Applicable**
(57) Statement of Newness and Distinctiveness: **Newness and distinctiveness resides in the tread region of the tyre, the remainder of the tyre does not form part of the design.**



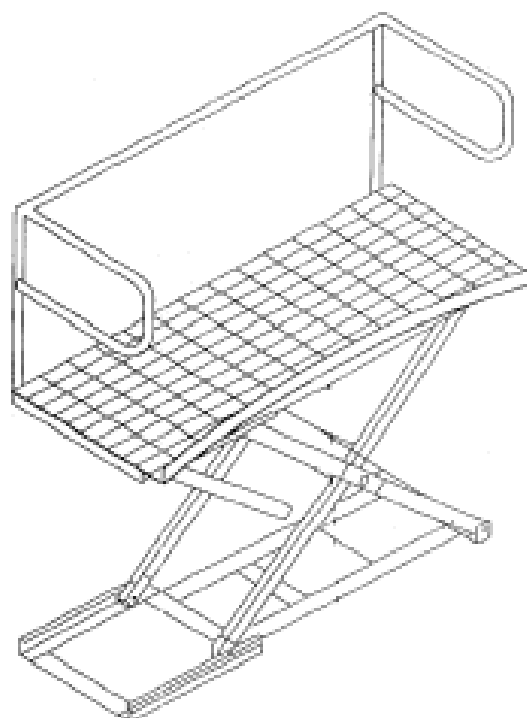
- (21) Design Number: **10282/2010**
(22) Date of Filing Application: **27 January 2010**
(24) Date from which industrial property rights may have effect: **27 January 2010**
(54) Product in respect of which the design is registered: **Climbing aid**
(51) International Design Classification: **21-02NES**
(71) Name(s) and Address(s) of Applicant(s):
Stephen Raymond Guiney
9 Rosehaugh Avenue Karori Wellington 6012 New Zealand
(72) Name(s) of Designer(s): **Stephen Raymond Guiney**
(45) Registration Date: **10 February 2010**
(56) Related Art Documents: **Not Applicable**
(57) Statement of Newness and Distinctiveness: **Nil**



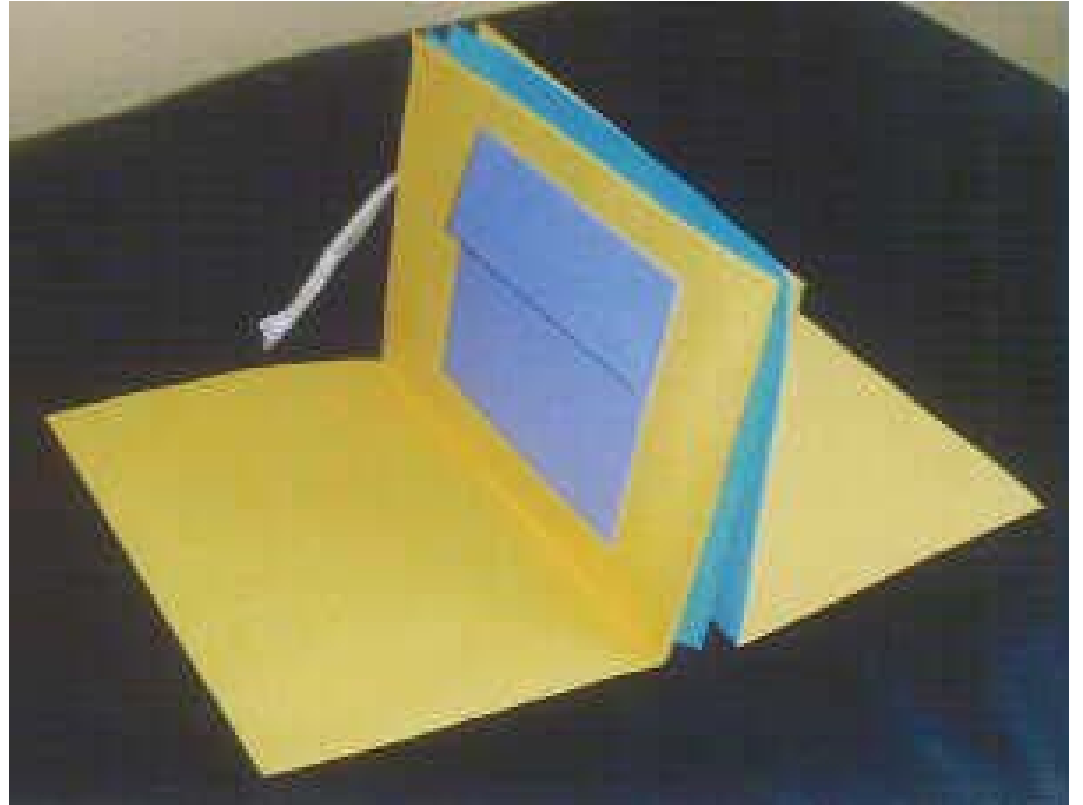
(21) Design Number: **14704/2009**
(22) Date of Filing Application: **01 December 2009**
(24) Date from which industrial property rights may have effect: **01 December 2009**
(54) Product in respect of which the design is registered: **Adjustable height platform**
(51) International Design Classification: **25-04**
(71) Name(s) and Address(s) of Applicant(s):
Linda Ann Cook
69 Northgate Strandon New Plymouth 4312 New Zealand
(72) Name(s) of Designer(s): **Linda Ann Cook**
(45) Registration Date: **10 February 2010**
(30) Convention priority data:
(31) Number (32) Date (33) Country
412369 08 Jun 2009 NEW ZEALAND
(56) Related Art Documents: **Not Applicable**
(57) Statement of Newness and Distinctiveness: **Nil**



(21) Design Number: **10353/2010**
(22) Date of Filing Application: **01 December 2009**
(24) Date from which industrial property rights may have effect: **01 December 2009**
(54) Product in respect of which the design is registered: **Adjustable height platform**
(51) International Design Classification: **25-04**
(71) Name(s) and Address(s) of Applicant(s):
Linda Ann Cook
69 Northgate Strandon New Plymouth 4312 New Zealand
(72) Name(s) of Designer(s): **Linda Ann Cook**
(45) Registration Date: **10 February 2010**
(30) Convention priority data:
(31) Number (32) Date (33) Country
412369 08 Jun 2009 NEW ZEALAND
(56) Related Art Documents: **Not Applicable**
(57) Statement of Newness and Distinctiveness: **Nil**



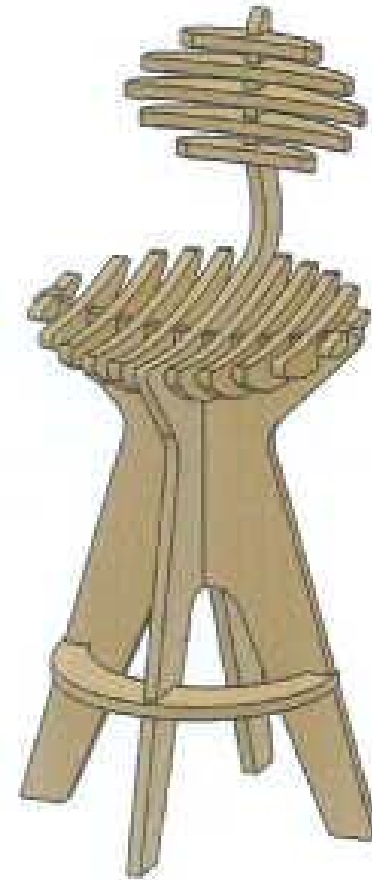
- (21) Design Number: **13946/2009**
(22) Date of Filing Application: **13 October 2009**
(24) Date from which industrial property rights may have effect: **13 October 2009**
(54) Product in respect of which the design is registered: **A book to be used for education, auditory training and language habilitation**
(51) International Design Classification: **19-04**
(71) Name(s) and Address(s) of Applicant(s):
Mandy Aileen Kuhne
16 Miller Street Dumbalk Victoria 3956 Australia
(72) Name(s) of Designer(s): **Mandy Aileen Kuhne**
(45) Registration Date: **08 February 2010**
(56) Related Art Documents: **Not Applicable**
(57) Statement of Newness and Distinctiveness: **A unique and clever design where the cover folds around to become the barrier and reveals fold down scenes or grids with tokens, this distinctive design is original as is the configuration.**



- (21) Design Number: **14139/2009**
(22) Date of Filing Application: **23 October 2009**
(24) Date from which industrial property rights may have effect: **23 October 2009**
(54) Product in respect of which the design is registered: **Dining chair**
(51) International Design Classification: **06-01F**
(71) Name(s) and Address(s) of Applicant(s):
Dahlberg Design & Services Pty Ltd
6/63 Mark Street New Farm Queensland 4005 Australia
(72) Name(s) of Designer(s): **Roger Dahlberg**
(45) Registration Date: **08 February 2010**
(56) Related Art Documents: **Not Applicable**
(57) Statement of Newness and Distinctiveness: **This design showcases the use of modern CNC processing for flat panel furniture construction.**



- (21) Design Number: **14140/2009**
(22) Date of Filing Application: **23 October 2009**
(24) Date from which industrial property rights may have effect: **23 October 2009**
(54) Product in respect of which the design is registered: **Bar stool**
(51) International Design Classification: **06-01E**
(71) Name(s) and Address(s) of Applicant(s):
Dahlberg Design & Services Pty Ltd
6/63 Mark Street New Farm Queensland 4005 Australia
(72) Name(s) of Designer(s): **Roger Dahlberg**
(45) Registration Date: **08 February 2010**
(56) Related Art Documents: **Not Applicable**
(57) Statement of Newness and Distinctiveness: **This design showcases the use of modern CNC processing for flat panel furniture construction.**



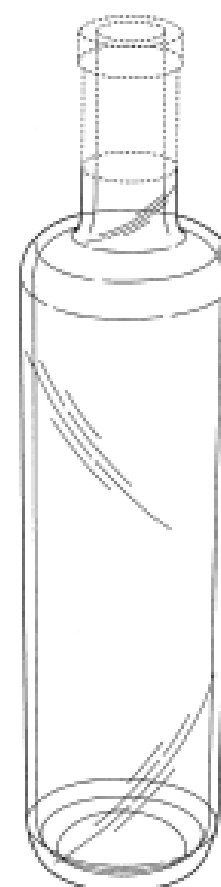
- (21) Design Number: **14141/2009**
(22) Date of Filing Application: **23 October 2009**
(24) Date from which industrial property rights may have effect: **23 October 2009**
(54) Product in respect of which the design is registered: **Table**
(51) International Design Classification: **06-03B**
(71) Name(s) and Address(s) of Applicant(s):
Dahlberg Design & Services Pty Ltd
6/63 Mark Street New Farm Queensland 4005 Australia
(72) Name(s) of Designer(s): **Roger Dahlberg**
(45) Registration Date: **08 February 2010**
(56) Related Art Documents: **Not Applicable**
(57) Statement of Newness and Distinctiveness: **This design showcases the use of modern CNC processing for flat panel furniture construction.**



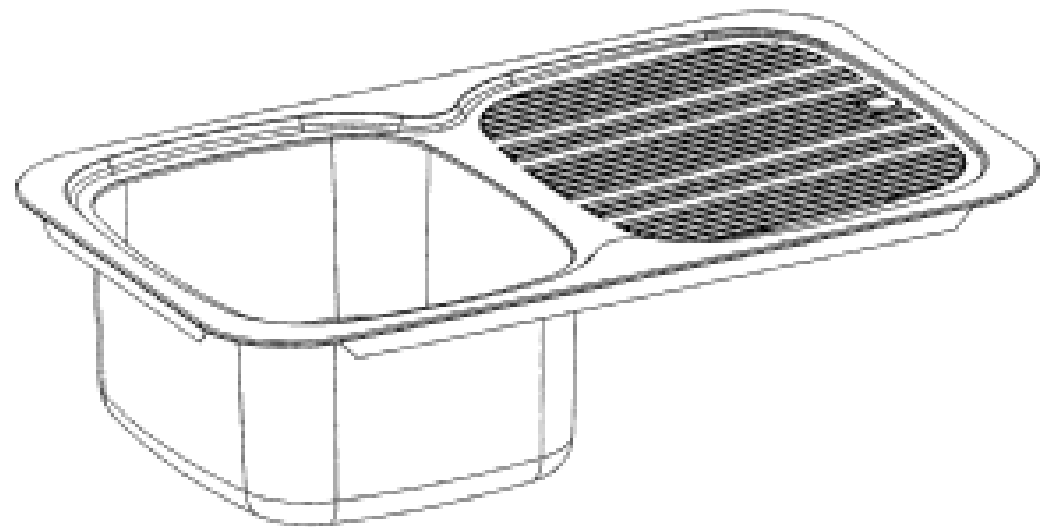
- (21) Design Number: **14281/2009**
(22) Date of Filing Application: **03 November 2009**
(24) Date from which industrial property rights may have effect: **03 November 2009**
(54) Product in respect of which the design is registered: **Toy character**
(51) International Design Classification: **21-01B**
(71) Name(s) and Address(s) of Applicant(s):
Antzpantz Creative Pty Ltd
Surry Partners Level 1 483 Riley Street Surry Hills New South Wales
Australia 2010
(72) Name(s) of Designer(s): **Phil Mccann and Anthony Haworth**
(45) Registration Date: **08 February 2010**
(56) Related Art Documents: **Not Applicable**
(57) Statement of Newness and Distinctiveness: **Newness and Distinctiveness resides in the features, shape, configuration, pattern, suggested gender, identifying marks, and ornamentation of the toy character as is shown in solid lines in the accompanying representations.**



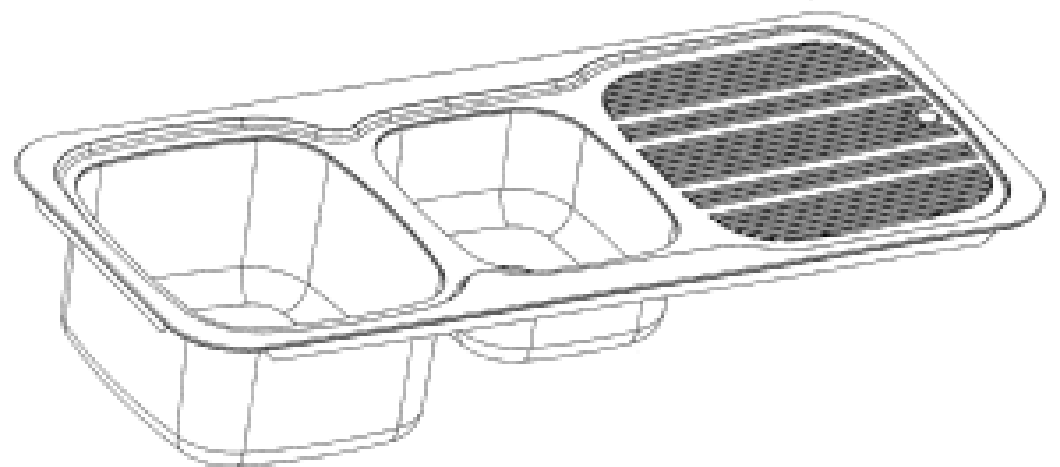
- (21) Design Number: **14559/2009**
(22) Date of Filing Application: **23 November 2009**
(24) Date from which industrial property rights may have effect: **23 November 2009**
(54) Product in respect of which the design is registered: **Bottle**
(51) International Design Classification: **09-01H**
(71) Name(s) and Address(s) of Applicant(s):
SAVERGLASS
3 rue de la Gare 60960 Feuquieres France
(72) Name(s) of Designer(s): **Richard Lauret**
(45) Registration Date: **08 February 2010**
(56) Related Art Documents: **Not Applicable**
(57) Statement of Newness and Distinctiveness: **Newness and distinctiveness reside in the features of the design shown in solid lines and in particular the slightly conical body, cylindrical neck, horizontally rounded shoulders (generally balloon shaped shoulders) and curved lower part but excluding those features shown in broken lines.**



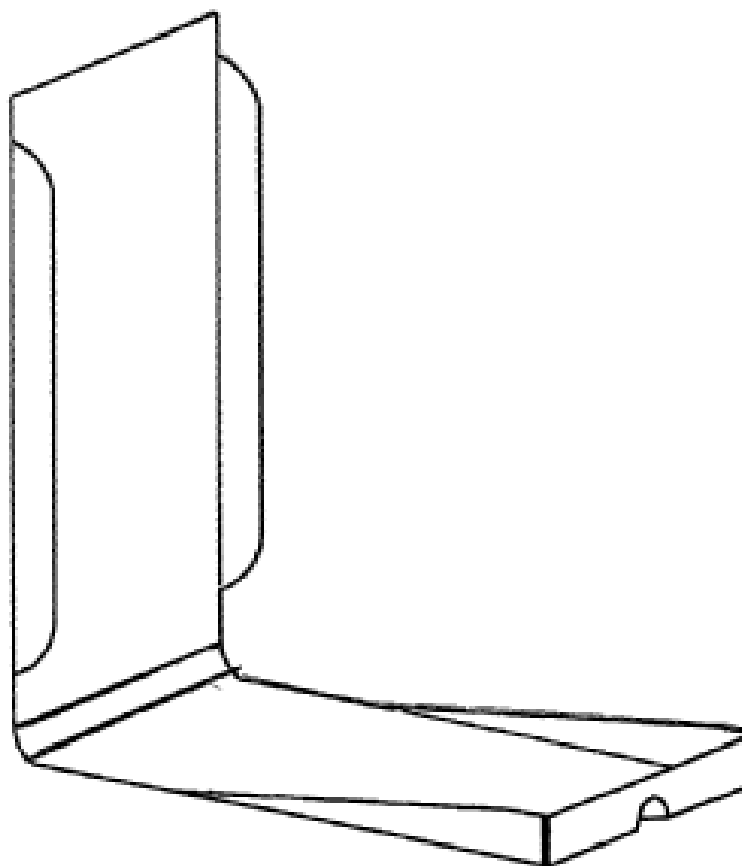
- (21) Design Number: **14667/2009**
(22) Date of Filing Application: **27 November 2009**
(24) Date from which industrial property rights may have effect: **27 November 2009**
(54) Product in respect of which the design is registered: **Sink**
(51) International Design Classification: **23-02F**
(71) Name(s) and Address(s) of Applicant(s):
Tasman Sinkware Pty Ltd
51 Naweena Road Regency Park South Australia 5010 Australia
(72) Name(s) of Designer(s): **Jeremy Axton**
(45) Registration Date: **08 February 2010**
(56) Related Art Documents: **Not Applicable**
(57) Statement of Newness and Distinctiveness: **The newness and distinctiveness of the article resides in the shape and configuration of the sink as shown in the accompanying drawings. The drain holes shown in dashed outline in the representations does not form part of the design and may be varied from that shown.**



- (21) Design Number: **14668/2009**
(22) Date of Filing Application: **27 November 2009**
(24) Date from which industrial property rights may have effect: **27 November 2009**
(54) Product in respect of which the design is registered: **Sink**
(51) International Design Classification: **23-02F**
(71) Name(s) and Address(s) of Applicant(s):
Tasman Sinkware Pty Ltd
51 Naweena Road Regency Park South Australia 5010 Australia
(72) Name(s) of Designer(s): **Jeremy Axton**
(45) Registration Date: **08 February 2010**
(56) Related Art Documents: **Not Applicable**
(57) Statement of Newness and Distinctiveness: **The newness and distinctiveness of the article resides in the shape and configuration of the sink as shown in the accompanying drawings. The drain holes shown in dashed outline in the representations does not form part of the design and may be varied from that shown.**



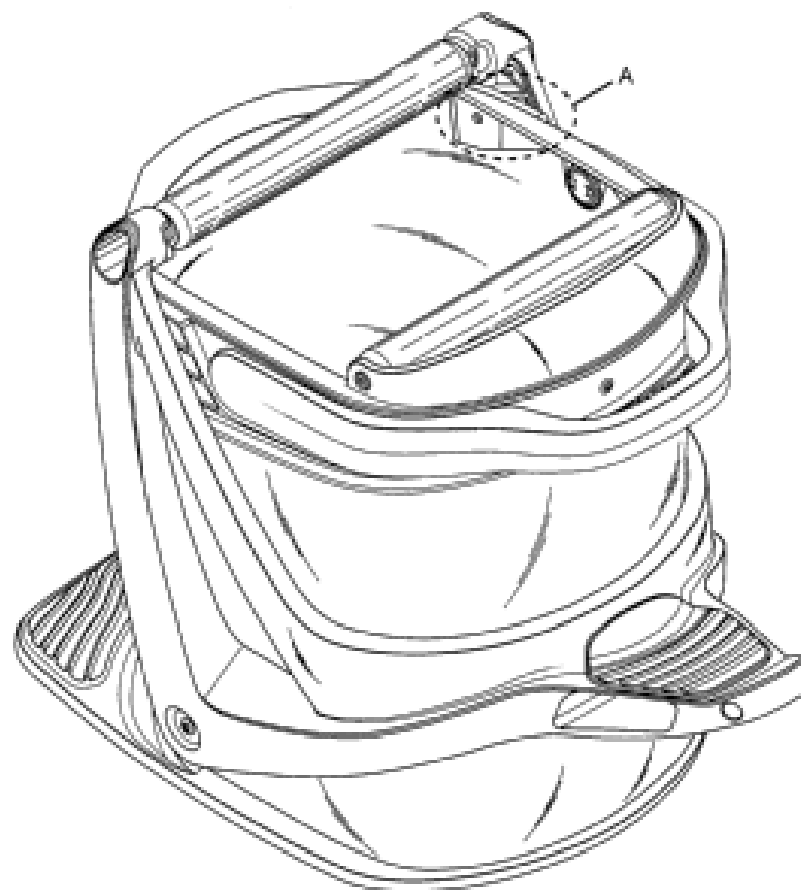
- (21) Design Number: **14692/2009**
(22) Date of Filing Application: **30 November 2009**
(24) Date from which industrial property rights may have effect: **30 November 2009**
(54) Product in respect of which the design is registered: **Bag liner inserts for soft walled carry bag**
(51) International Design Classification: **03-01A, 03-01B**
(71) Name(s) and Address(s) of Applicant(s):
Trueup Pty Ltd
Level 1 46 Douglass Street Noble Park Victoria 3174 Australia
(72) Name(s) of Designer(s): **John Leahy**
(45) Registration Date: **08 February 2010**
(56) Related Art Documents: **Not Applicable**
(57) Statement of Newness and Distinctiveness: **Monopoly is claimed in the features of shape or configuration of the bag liners inserted into a carry bag.**



- (21) Design Number: **14726/2009**
(22) Date of Filing Application: **03 December 2009**
(24) Date from which industrial property rights may have effect: **03 December 2009**
(54) Product in respect of which the design is registered: **Bucket**
(51) International Design Classification: **07-05E**
(71) Name(s) and Address(s) of Applicant(s):
Sabco Australia Pty Ltd
9-13 Link Way Laverton North Victoria 3026 Australia
(72) Name(s) of Designer(s): **Emily Townsing**
(45) Registration Date: **08 February 2010**
(30) Convention priority data:

(31) Number	(32) Date	(33) Country
29/337986	03 Jun 2009	UNITED STATES OF AMERICA

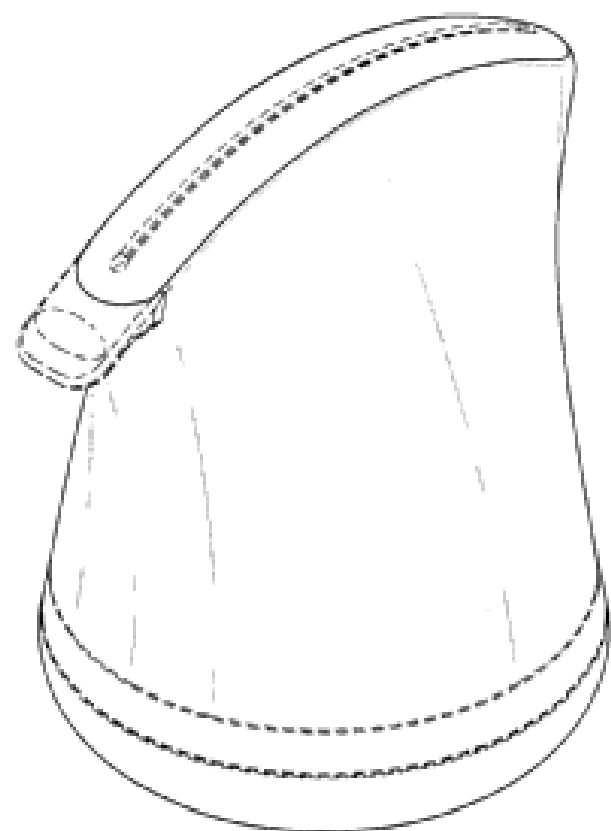
(56) Related Art Documents: **Not Applicable**
(57) Statement of Newness and Distinctiveness: **Newness and distinctiveness reside in the shape and/or configuration of the agitation formations at the base of the bucket, the foot pedal, the joint inside the bucket handle indicated by the circle in dotted lines marked "A" or any combination thereof, as illustrated by solid lines in the accompanying representations.**



- (21) Design Number: **14811/2009**
(22) Date of Filing Application: **09 December 2009**
(24) Date from which industrial property rights may have effect: **09 December 2009**
(54) Product in respect of which the design is registered: **Smoke alarm**
(51) International Design Classification: **10-05**
(71) Name(s) and Address(s) of Applicant(s):
Eyston Company Limited
B2 3rd Floor Fortune Factory Building 40 Lee Chung Street Chai Wan
Hong Kong
(72) Name(s) of Designer(s): **Wai Wing Malcolm Lam**
(45) Registration Date: **09 February 2010**
(56) Related Art Documents: **Not Applicable**
(57) Statement of Newness and Distinctiveness: **Nil**



- (21) Design Number: **14812/2009**
(22) Date of Filing Application: **09 December 2009**
(24) Date from which industrial property rights may have effect: **09 December 2009**
(54) Product in respect of which the design is registered: **Container**
(51) International Design Classification: **09-99, 07-02NES**
(71) Name(s) and Address(s) of Applicant(s):
Chef'n Corporation
1520 4th Avenue 3rd Floor Seattle Washington 98101 United States of
America
(72) Name(s) of Designer(s): **David Hull and Matthew Krus and Jonah S.**
Griffith
(45) Registration Date: **09 February 2010**
(30) Convention priority data:
(31) Number (32) Date (33) Country
29/338710 17 Jun 2009 UNITED STATES OF AMERICA
(56) Related Art Documents: **Not Applicable**
(57) Statement of Newness and Distinctiveness: **Newness and distinctiveness is**
claimed in the visual features shown in solid lines in the representations.



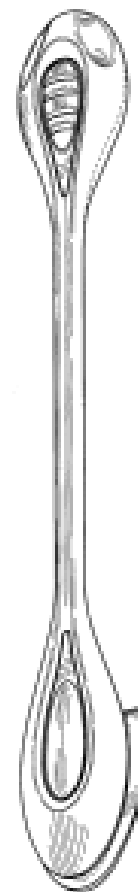
- (21) Design Number: **14855/2009**
(22) Date of Filing Application: **11 December 2009**
(24) Date from which industrial property rights may have effect: **11 December 2009**
(54) Product in respect of which the design is registered: **Protective structure for a vehicle front end**
(51) International Design Classification: **12-16C**
(71) Name(s) and Address(s) of Applicant(s):
Scania CV AB
Sodertalje SE-151 87 Sweden
(72) Name(s) of Designer(s): **Fredrik Pettersson**
(45) Registration Date: **09 February 2010**
(30) Convention priority data:
(31) Number (32) Date (33) Country
2009/0350 30 Jun 2009 SWEDEN
(56) Related Art Documents: **Not Applicable**
(57) Statement of Newness and Distinctiveness: **Nil**



- (21) Design Number: **15025/2009**
(22) Date of Filing Application: **24 December 2009**
(24) Date from which industrial property rights may have effect: **24 December 2009**
(54) Product in respect of which the design is registered: **Residential waste management system**
(51) International Design Classification: **09-09**
(71) Name(s) and Address(s) of Applicant(s):
Outerspace Design Group Pty Ltd
16 Harvey Street Richmond Victoria 3121 Australia
(72) Name(s) of Designer(s): **Fred Blochlinger and Lisa Edlund-Tjernberg and Alison Norcott**
(45) Registration Date: **09 February 2010**
(56) Related Art Documents: **Not Applicable**
(57) Statement of Newness and Distinctiveness: **The waste management system is new and distinctive in its shape and configuration in that; the drawers contain labelled access flaps, the unit aesthetically ties in with kitchen environments, waste types are housed vertically and colour coded, top surface is a chopping/work surface, has integrated organic collection vessel above.**



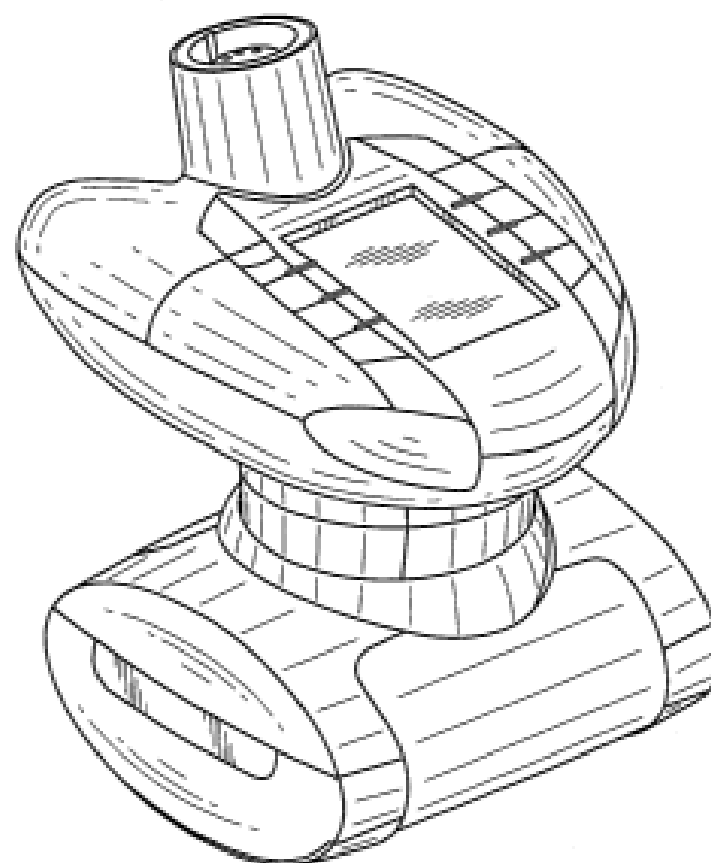
- (21) Design Number: **10121/2010**
(22) Date of Filing Application: **15 January 2010**
(24) Date from which industrial property rights may have effect: **15 January 2010**
(54) Product in respect of which the design is registered: **A lighting device**
(51) International Design Classification: **26-02**
(71) Name(s) and Address(s) of Applicant(s):
Eveready Battery Company, Inc.
533 Maryville University Drive St Louis Missouri 63141 United States of America
(72) Name(s) of Designer(s): **Donwoong Kang and Scott W. Osiecki**
(45) Registration Date: **09 February 2010**
(30) Convention priority data:
(31) Number (32) Date (33) Country
29/341891 14 Aug 2009 UNITED STATES OF AMERICA
(56) Related Art Documents: **Not Applicable**
(57) Statement of Newness and Distinctiveness: **Newness and distinctiveness is claimed in those visual features depicted in unbroken lines.**



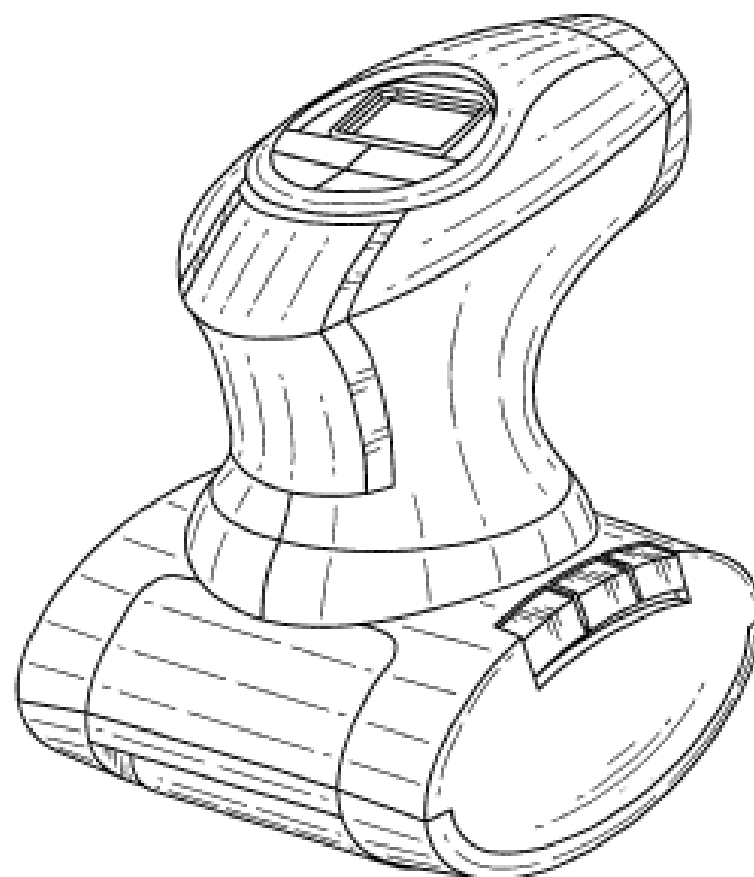
- (21) Design Number: **10125/2010**
(22) Date of Filing Application: **15 January 2010**
(24) Date from which industrial property rights may have effect: **15 January 2010**
(54) Product in respect of which the design is registered: **Personal scrubbing brush handle**
(51) International Design Classification: **04-02**
(71) Name(s) and Address(s) of Applicant(s):
Rohan McLeod
41 Stewart Street Brunswick Victoria 3056 Australia
(72) Name(s) of Designer(s): **Rohan McLeod**
(45) Registration Date: **09 February 2010**
(56) Related Art Documents: **Not Applicable**
(57) Statement of Newness and Distinctiveness: **Newness and distinctiveness reside in the features of the design as shown in the representations. The brush fitted to the handle and shown in phantom is to be disregarded.**



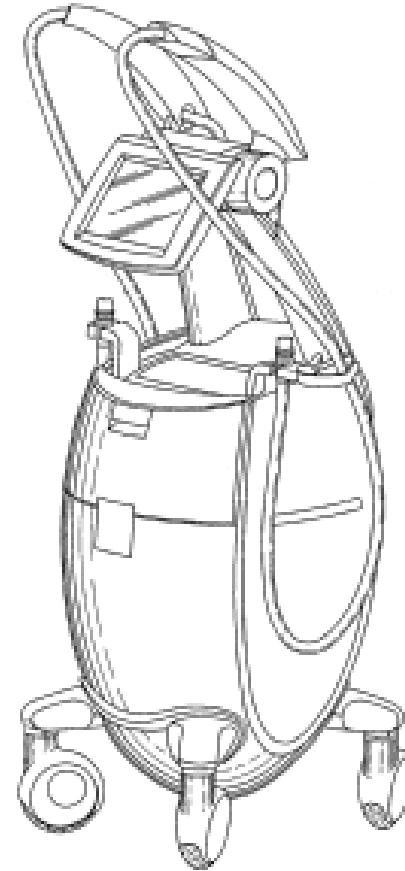
(21) Design Number: **10126/2010**
(22) Date of Filing Application: **15 January 2010**
(24) Date from which industrial property rights may have effect: **15 January 2010**
(54) Product in respect of which the design is registered: **Massage apparatus**
(51) International Design Classification: **28-03NES**
(71) Name(s) and Address(s) of Applicant(s):
LPG Finance Industrie
26 Rue Docteur Henri Abel Valence 26000 France
(72) Name(s) of Designer(s): **Arnaud Fuster**
(45) Registration Date: **09 February 2010**
(30) Convention priority data:
(31) Number (32) Date (33) Country
1584525 16 Jul 2009 EUROPEAN COMMUNITY
(56) Related Art Documents: **Not Applicable**
(57) Statement of Newness and Distinctiveness: **Nil**



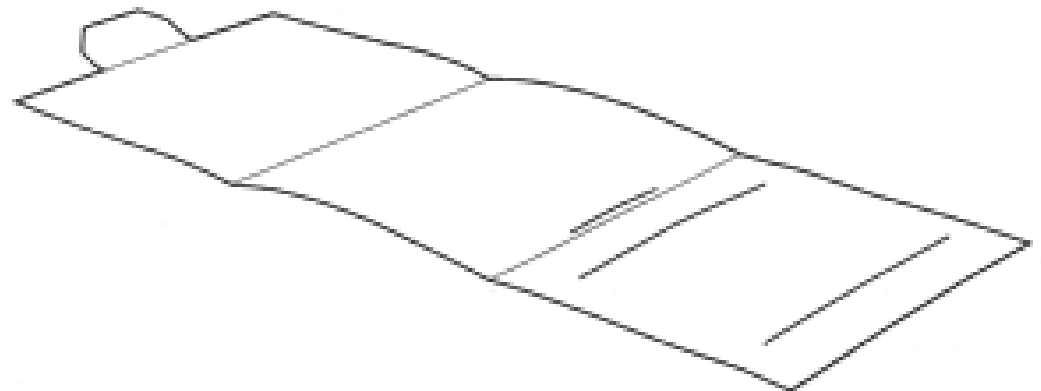
(21) Design Number: **10127/2010**
(22) Date of Filing Application: **15 January 2010**
(24) Date from which industrial property rights may have effect: **15 January 2010**
(54) Product in respect of which the design is registered: **Head for massage apparatus**
(51) International Design Classification: **28-03NES**
(71) Name(s) and Address(s) of Applicant(s):
LPG Finance Industrie
26 Rue Docteur Henri Abel Valence 26000 France
(72) Name(s) of Designer(s): **Arnaud Fuster**
(45) Registration Date: **09 February 2010**
(30) Convention priority data:
(31) Number (32) Date (33) Country
1584525 16 Jul 2009 EUROPEAN COMMUNITY
(56) Related Art Documents: **Not Applicable**
(57) Statement of Newness and Distinctiveness: **Nil**



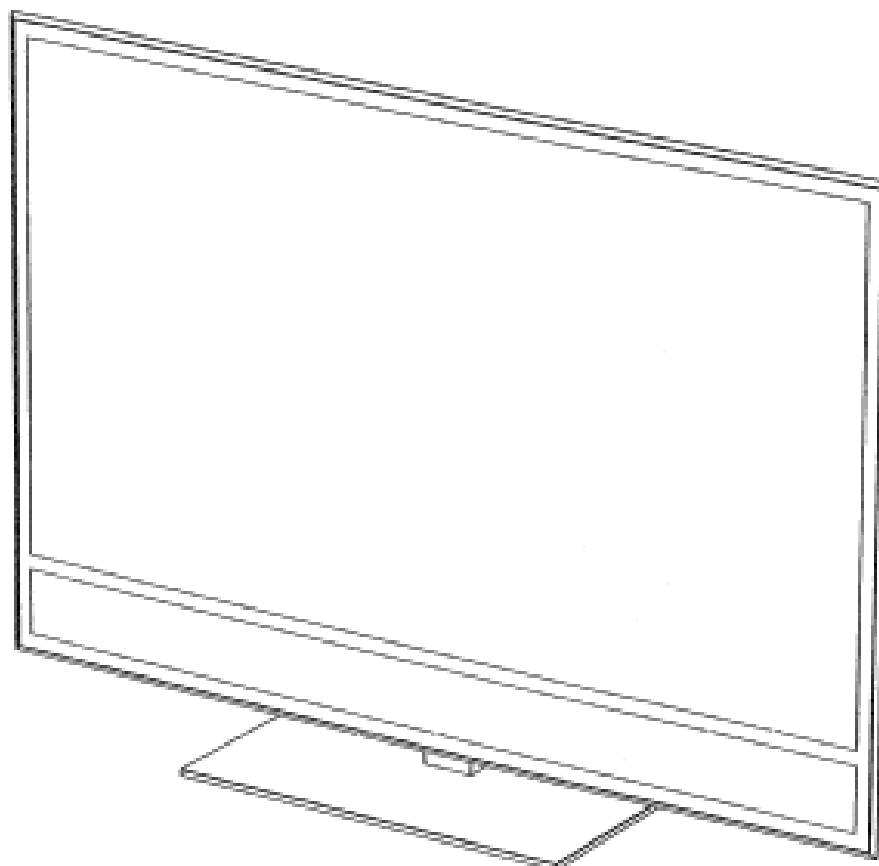
(21) Design Number: **10128/2010**
(22) Date of Filing Application: **15 January 2010**
(24) Date from which industrial property rights may have effect: **15 January 2010**
(54) Product in respect of which the design is registered: **Head for massage apparatus**
(51) International Design Classification: **28-03NES**
(71) Name(s) and Address(s) of Applicant(s):
LPG Finance Industrie
26 Rue Docteur Henri Abel Valence 26000 France
(72) Name(s) of Designer(s): **Arnaud Fuster**
(45) Registration Date: **09 February 2010**
(30) Convention priority data:
(31) Number (32) Date (33) Country
1584525 16 Jul 2009 EUROPEAN COMMUNITY
(56) Related Art Documents: **Not Applicable**
(57) Statement of Newness and Distinctiveness: **Nil**



(21) Design Number: **10040/2010**
(22) Date of Filing Application: **07 January 2010**
(24) Date from which industrial property rights may have effect: **07 January 2010**
(54) Product in respect of which the design is registered: **Compact discs (CD): as CD storage device, CD mailer, CD folder, and trimming knives used in commercial printing**
(51) International Design Classification: **09-05**
(71) Name(s) and Address(s) of Applicant(s):
Samuel Spencer Thompson
331 Kirkland Road East Kangaloon New South Wales 2576 Australia
(72) Name(s) of Designer(s): **Samuel Spencer Thompson**
(45) Registration Date: **10 February 2010**
(56) Related Art Documents: **Not Applicable**
(57) Statement of Newness and Distinctiveness: **Self-sealing, one piece CD storage device; capable of retaining and protecting the disc under agitation.**



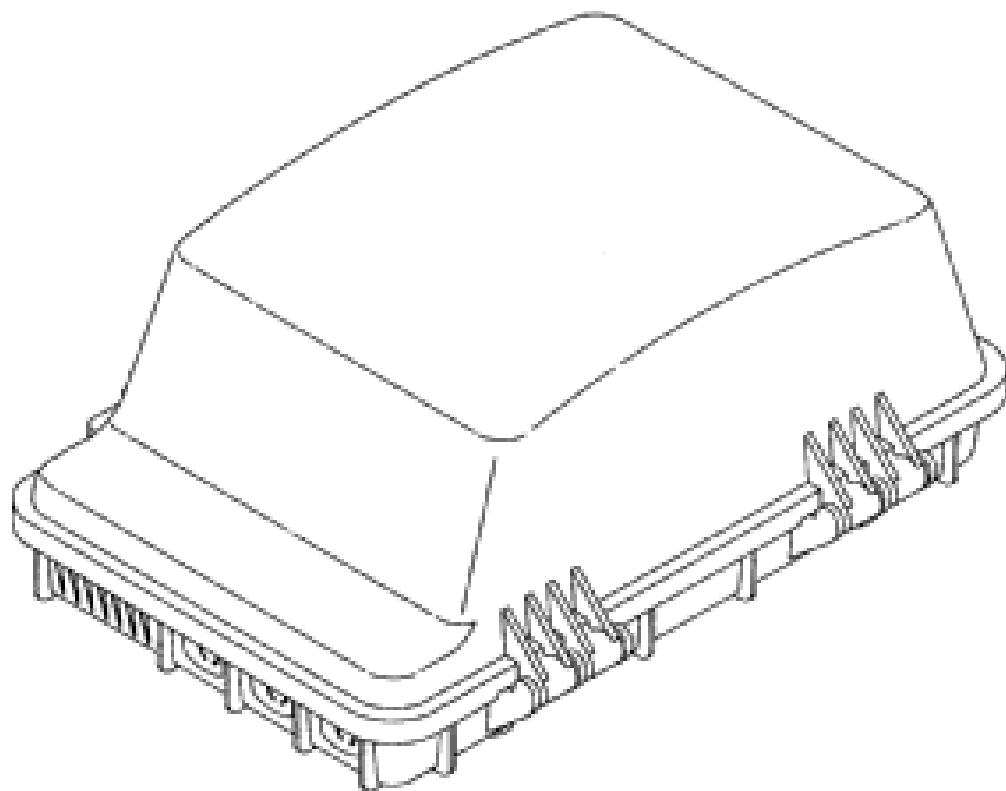
(21) Design Number: **10081/2010**
(22) Date of Filing Application: **12 January 2010**
(24) Date from which industrial property rights may have effect: **12 January 2010**
(54) Product in respect of which the design is registered: **LCD television receiver**
(51) International Design Classification: **14-03B**
(71) Name(s) and Address(s) of Applicant(s):
LG Electronics Inc.
20 Yeouido-dong Yeongdeungpo-gu Seoul 150-721 Republic of Korea
(72) Name(s) of Designer(s): **Jae Seong Ko**
(45) Registration Date: **10 February 2010**
(30) Convention priority data:
(31) Number (32) Date (33) Country
30-2009-0032238 21 Jul 2009 REPUBLIC OF KOREA
(56) Related Art Documents: **Not Applicable**
(57) Statement of Newness and Distinctiveness: **Newness and distinctiveness reside in the features of the design as shown in the representations.**



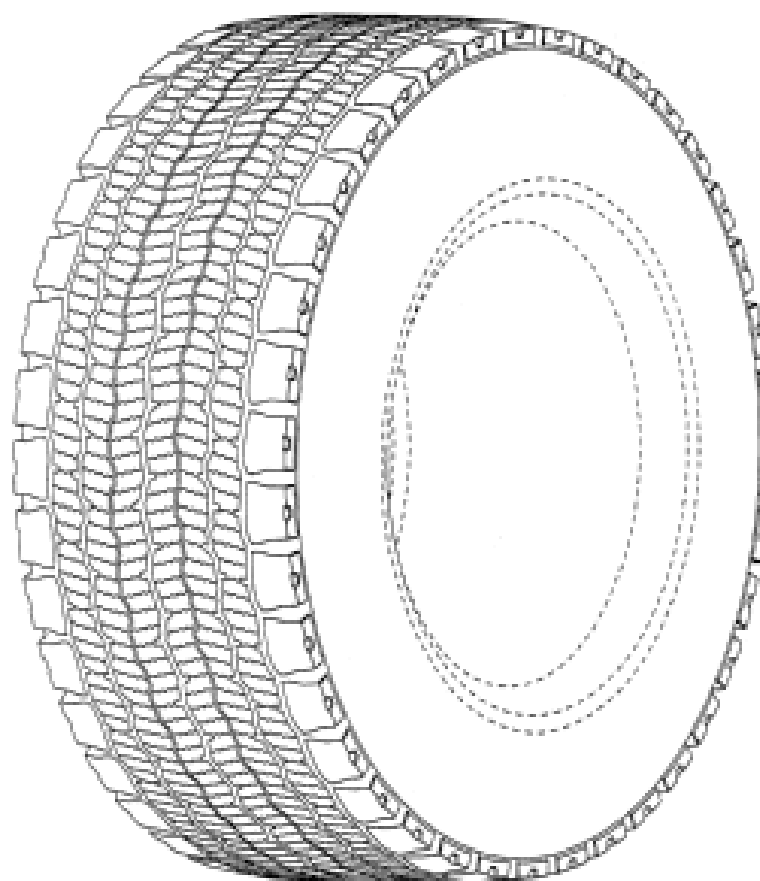
(21) Design Number: **10082/2010**
(22) Date of Filing Application: **12 January 2010**
(24) Date from which industrial property rights may have effect: **12 January 2010**
(54) Product in respect of which the design is registered: **Embossed tissue**
(51) International Design Classification: **05-06NES**
(71) Name(s) and Address(s) of Applicant(s):
ABC Tissue Products Pty Limited
34-36 Redfern Street Wetherill Park New South Wales 2164 Australia
(72) Name(s) of Designer(s): **Chia Shou Kai**
(45) Registration Date: **10 February 2010**
(56) Related Art Documents: **Not Applicable**
(57) Statement of Newness and Distinctiveness: **Newness and distinctiveness reside in the features of pattern and ornamentation applicable to an embossed tissue of the design as shown in the representations.**



- (21) Design Number: **10097/2010**
(22) Date of Filing Application: **13 January 2010**
(24) Date from which industrial property rights may have effect: **13 January 2010**
(54) Product in respect of which the design is registered: **Optical fibre distribution closure**
(51) International Design Classification: **14-03NES**
(71) Name(s) and Address(s) of Applicant(s):
Fujikura Ltd.
5-1 Kiba 1-chome Kohtoh-ku Tokyo 135-8512 Japan
(72) Name(s) of Designer(s): **Kazuhiro Karasawa and Norihiro Momotsu**
(45) Registration Date: **10 February 2010**
(56) Related Art Documents: **Not Applicable**
(57) Statement of Newness and Distinctiveness: **Newness and distinctiveness reside in the features of the design as shown in the representations.**



- (21) Design Number: **10105/2010**
(22) Date of Filing Application: **15 January 2010**
(24) Date from which industrial property rights may have effect: **15 January 2010**
(54) Product in respect of which the design is registered: **Tyre tread**
(51) International Design Classification: **12-15B**
(71) Name(s) and Address(s) of Applicant(s):
Michelin Recherche et Technique SA
Route Louis Braille 10 et 12 CH-1763 Granges-Paccot Switzerland
Societe De Technologie Michelin
23 rue Breschet F-63000 Clermont-Ferrand Cedex France
(72) Name(s) of Designer(s): **Kevin Ray Reim and Joseph A. Stain and Gildas Yvon De Starecke**
(45) Registration Date: **10 February 2010**
(30) Convention priority data:
(31) Number (32) Date (33) Country
29/340,301 16 Jul 2009 UNITED STATES OF AMERICA
(56) Related Art Documents: **Not Applicable**
(57) Statement of Newness and Distinctiveness: **Newness and distinctiveness resides in the tread region of the tyre, the remainder of the tyre not forming part of the design.**



- (21) Design Number: **10109/2010**
(22) Date of Filing Application: **14 January 2010**
(24) Date from which industrial property rights may have effect: **14 January 2010**
(54) Product in respect of which the design is registered: **Acupressure mat**
(51) International Design Classification: **24-99, 06-09**
(71) Name(s) and Address(s) of Applicant(s):

R.Evolution Life, SIA
Ludzas iela 9 Riga LV-1003 Latvia

- (72) Name(s) of Designer(s): **Sergejs Jermoshins and Riga Latvia LV**

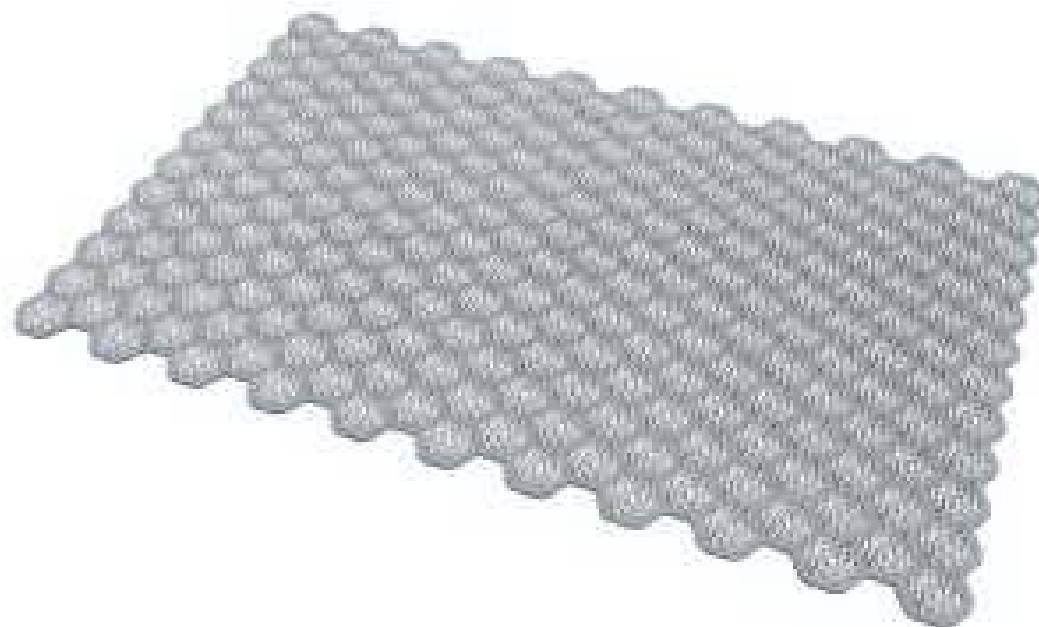
- (45) Registration Date: **10 February 2010**

- (30) Convention priority data:

(31) Number	(32) Date	(33) Country
1584713	16 Jul 2009	EUROPEAN COMMUNITY

- (56) Related Art Documents: **Not Applicable**

- (57) Statement of Newness and Distinctiveness: **Newness and distinctiveness resides in the visual features including the shape, configuration, pattern and/or ornamentation of the ACUPRESSURE MAT, in particular the design presented at the upper in-use surface of the ACUPRESSURE MAT, as shown in the accompanying drawings.**



- (21) Design Number: **10110/2010**
(22) Date of Filing Application: **14 January 2010**
(24) Date from which industrial property rights may have effect: **14 January 2010**
(54) Product in respect of which the design is registered: **Acupressure mat**
(51) International Design Classification: **24-99, 06-09**
(71) Name(s) and Address(s) of Applicant(s):

R.Evolution Life, SIA
Ludzas iela 9 Riga LV-1003 Latvia

- (72) Name(s) of Designer(s): **Sergejs Jermoshins and Riga Latvia LV**

- (45) Registration Date: **10 February 2010**

- (30) Convention priority data:

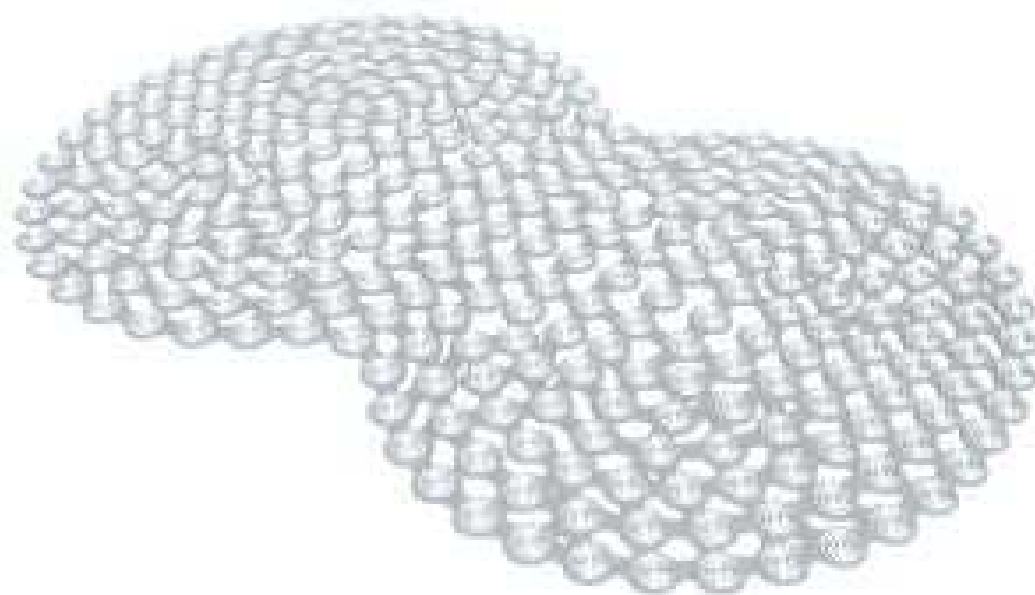
(31) Number	(32) Date	(33) Country
1584713	16 Jul 2009	EUROPEAN COMMUNITY

- (56) Related Art Documents: **Not Applicable**

- (57) Statement of Newness and Distinctiveness: **Newness and distinctiveness resides in the visual features including the shape, configuration, pattern and/or ornamentation of the ACUPRESSURE MAT, in particular the design presented at the upper in-use surface of the ACUPRESSURE MAT, as shown in the accompanying drawings.**



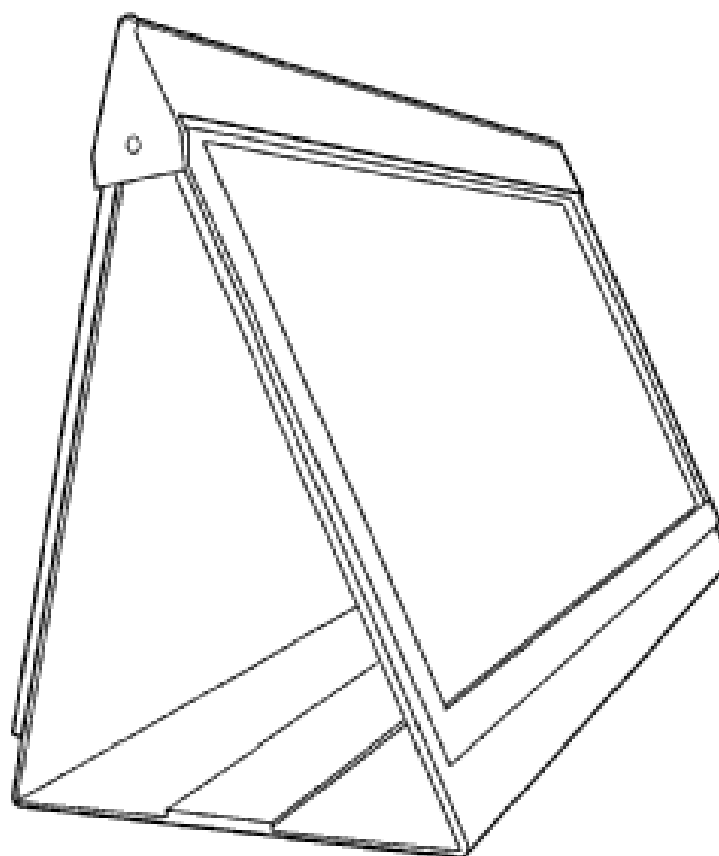
- (21) Design Number: **10111/2010**
(22) Date of Filing Application: **14 January 2010**
(24) Date from which industrial property rights may have effect: **14 January 2010**
(54) Product in respect of which the design is registered: **Acupressure mat**
(51) International Design Classification: **24-99, 06-09**
(71) Name(s) and Address(s) of Applicant(s):
R.Evolution Life, SIA
Ludzas iela 9 Riga LV-1003 Latvia
(72) Name(s) of Designer(s): **Sergejs Jermoshins and Riga Latvia LV**
(45) Registration Date: **10 February 2010**
(30) Convention priority data:
(31) Number (32) Date (33) Country
1584713 16 Jul 2009 EUROPEAN COMMUNITY
(56) Related Art Documents: **Not Applicable**
(57) Statement of Newness and Distinctiveness: **Newness and distinctiveness resides in the visual features including the shape, configuration, pattern and/or ornamentation of the ACUPRESSURE MAT, in particular the design presented at the upper in-use surface of the ACUPRESSURE MAT, as shown in the accompanying drawings.**



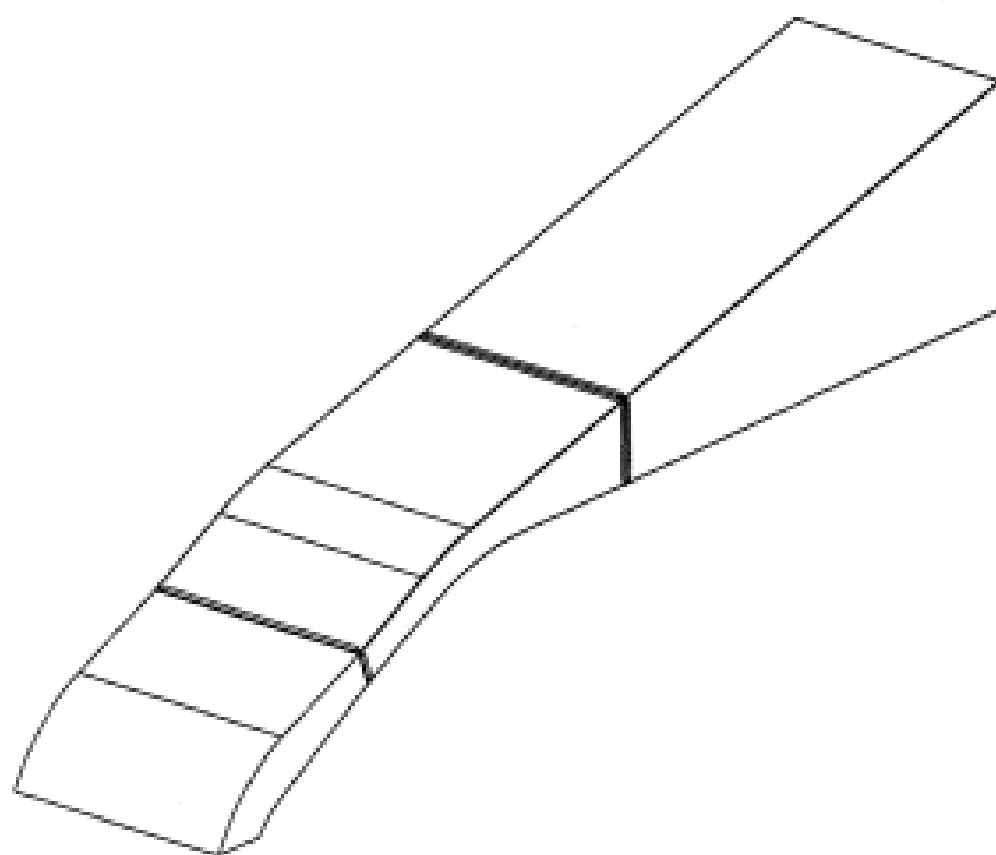
- (21) Design Number: **10120/2010**
(22) Date of Filing Application: **15 January 2010**
(24) Date from which industrial property rights may have effect: **15 January 2010**
(54) Product in respect of which the design is registered: **A lighting device**
(51) International Design Classification: **26-05NES**
(71) Name(s) and Address(s) of Applicant(s):
Eveready Battery Company, Inc.
533 Maryville University Drive St Louis Missouri 63141 United States of America
(72) Name(s) of Designer(s): **Lai King Ma**
(45) Registration Date: **10 February 2010**
(30) Convention priority data:
(31) Number (32) Date (33) Country
29/342116 19 Aug 2009 UNITED STATES OF AMERICA
(56) Related Art Documents: **Not Applicable**
(57) Statement of Newness and Distinctiveness: **Newness and distinctiveness is claimed in those visual features depicted in unbroken lines.**



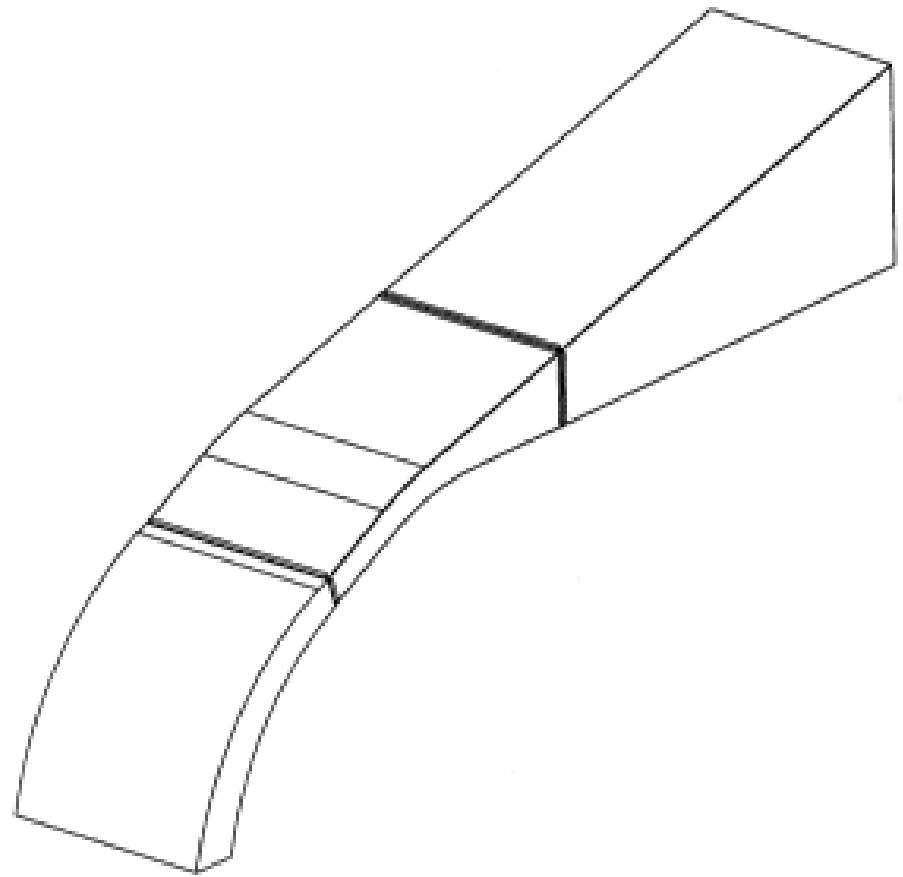
- (21) Design Number: **10169/2010**
(22) Date of Filing Application: **20 January 2010**
(24) Date from which industrial property rights may have effect: **20 January 2010**
(54) Product in respect of which the design is registered: **AAA 'A frame'**
(51) International Design Classification: **21-02C, 25-02NES, 20-02NES**
(71) Name(s) and Address(s) of Applicant(s):
AAA Golf Partnerships Australia
Level 1 50 York Street Sydney New South Wales 2000 Australia
(72) Name(s) of Designer(s): **John Macalyk**
(45) Registration Date: **10 February 2010**
(56) Related Art Documents: **Not Applicable**
(57) Statement of Newness and Distinctiveness: **Nil**



- (21) Design Number: **12766/2009**
(22) Date of Filing Application: **27 July 2009**
(24) Date from which industrial property rights may have effect: **27 July 2009**
(54) Product in respect of which the design is registered: **Ducting assembly - straight inlet**
(51) International Design Classification: **23-04**
(71) Name(s) and Address(s) of Applicant(s):
F F Seeley Nominees Pty Ltd
1-11 Rothesay Avenue St Marys South Australia 5042 Australia
(72) Name(s) of Designer(s): **Paul Schwarz and Rob Gilbert**
(45) Registration Date: **10 February 2010**
(56) Related Art Documents: **Not Applicable**
(57) Statement of Newness and Distinctiveness: **Nil**



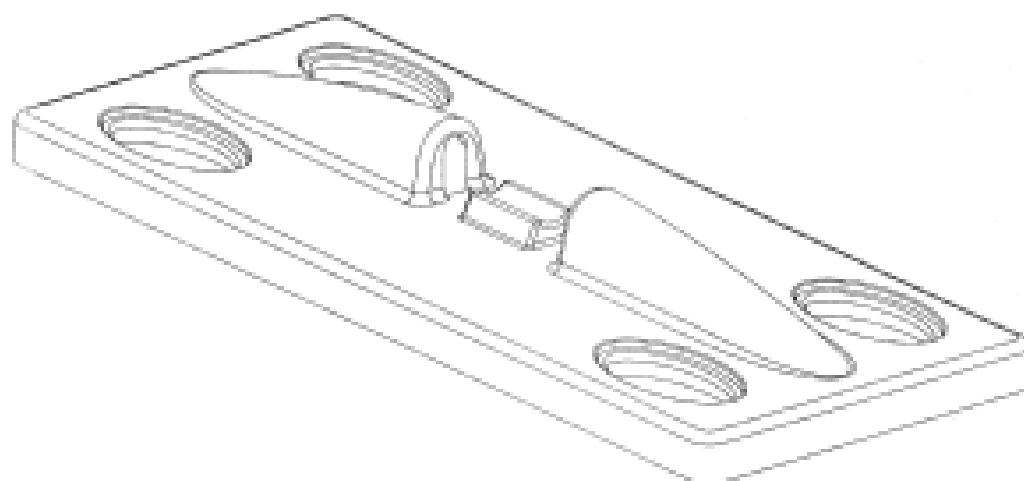
- (21) Design Number: **12799/2009**
(22) Date of Filing Application: **27 July 2009**
(24) Date from which industrial property rights may have effect: **27 July 2009**
(54) Product in respect of which the design is registered: **Ducting assembly - curved inlet**
(51) International Design Classification: **23-04**
(71) Name(s) and Address(s) of Applicant(s):
F F Seeley Nominees Pty Ltd
1-11 Rothesay Avenue St Marys South Australia 5042 Australia
(72) Name(s) of Designer(s): **Paul Schwarz and Rob Gilbert**
(45) Registration Date: **10 February 2010**
(56) Related Art Documents: **Not Applicable**
(57) Statement of Newness and Distinctiveness: **Nil**



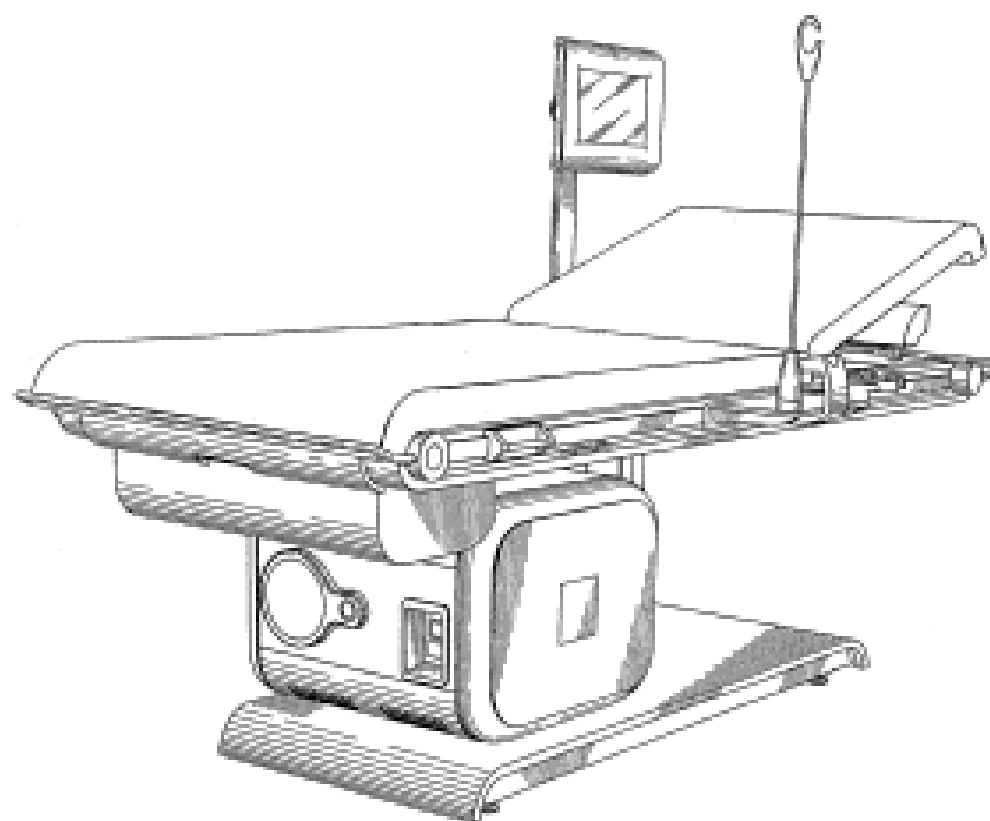
- (21) Design Number: **14868/2009**
(22) Date of Filing Application: **14 December 2009**
(24) Date from which industrial property rights may have effect: **14 December 2009**
(54) Product in respect of which the design is registered: **A two-compartment food package**
(51) International Design Classification: **09-05**
(71) Name(s) and Address(s) of Applicant(s):
Unilever PLC
Unilever House 100 Victoria Embankment London EC4Y ODY United Kingdom
(72) Name(s) of Designer(s): **Mana Tawinsook**
(45) Registration Date: **10 February 2010**
(30) Convention priority data:
(31) Number (32) Date (33) Country
4011599 26 Jun 2009 UNITED KINGDOM
(56) Related Art Documents: **Not Applicable**
(57) Statement of Newness and Distinctiveness: **Newness and distinctiveness is claimed in the visual features shown in solid lines in the representations.**



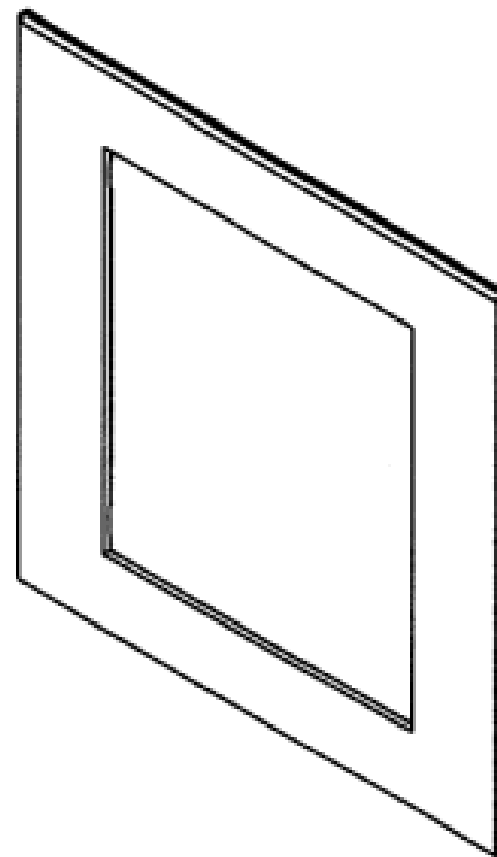
- (21) Design Number: **10152/2010**
(22) Date of Filing Application: **18 January 2010**
(24) Date from which industrial property rights may have effect: **18 January 2010**
(54) Product in respect of which the design is registered: **Mop head for carrying a disposable cloth**
(51) International Design Classification: **04-01**
(71) Name(s) and Address(s) of Applicant(s):
The Decor Corporation Pty Ltd
1314 Ferntree Gully Road Scoresby Victoria 3179 Australia
(72) Name(s) of Designer(s): **Anthony Henry Wolfenden**
(45) Registration Date: **10 February 2010**
(56) Related Art Documents: **Not Applicable**
(57) Statement of Newness and Distinctiveness: **The features of the shape and configuration of the mop head with clasps for holding a disposable cloth over the under surface of the mop head, as shown in the accompanying representations.**



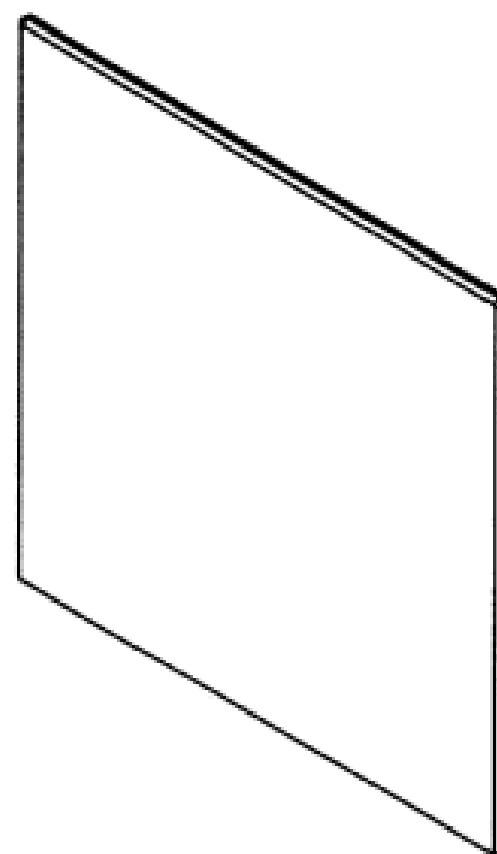
- (21) Design Number: **10153/2010**
(22) Date of Filing Application: **18 January 2010**
(24) Date from which industrial property rights may have effect: **18 January 2010**
(54) Product in respect of which the design is registered: **Massage table**
(51) International Design Classification: **06-03NES**
(71) Name(s) and Address(s) of Applicant(s):
LPG Finance Industrie
26 Rue Docteur Henri Abel Valence 26000 France
(72) Name(s) of Designer(s): **Arnaud Fuster**
(45) Registration Date: **10 February 2010**
(30) Convention priority data:
(31) Number (32) Date (33) Country
1597261 03 Aug 2009 EUROPEAN COMMUNITY
(56) Related Art Documents: **Not Applicable**
(57) Statement of Newness and Distinctiveness: **Nil**



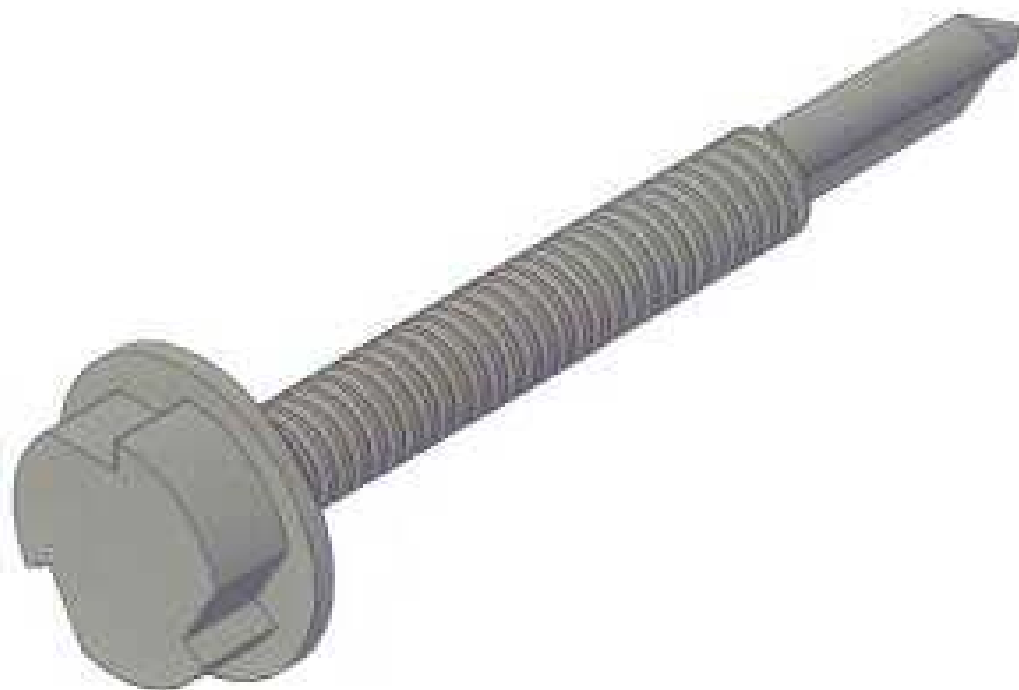
- (21) Design Number: **10154/2010**
(22) Date of Filing Application: **18 January 2010**
(24) Date from which industrial property rights may have effect: **18 January 2010**
(54) Product in respect of which the design is registered: **Cover plate**
(51) International Design Classification: **13-03D**
(71) Name(s) and Address(s) of Applicant(s):
Bticino S.p.A.
Via Messina 38 20154 Milano Italy
(72) Name(s) of Designer(s): **Fabrizio Fabrizi**
(45) Registration Date: **10 February 2010**
(30) Convention priority data:
(31) Number (32) Date (33) Country
001161699 04 Aug 2009 EUROPEAN COMMUNITY
(56) Related Art Documents: **Not Applicable**
(57) Statement of Newness and Distinctiveness: **Newness and distinctiveness resides in the features of shape and/or configuration of a cover plate as illustrated in the accompanying representations.**



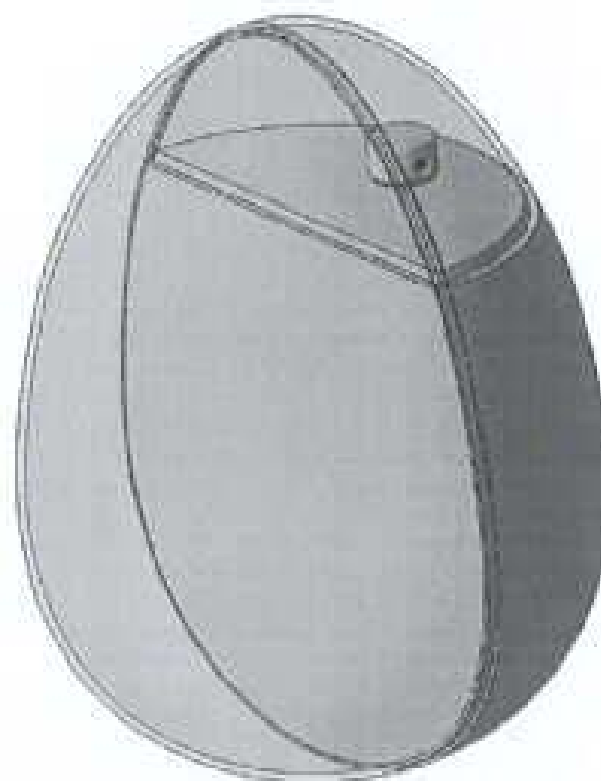
- (21) Design Number: **10155/2010**
(22) Date of Filing Application: **18 January 2010**
(24) Date from which industrial property rights may have effect: **18 January 2010**
(54) Product in respect of which the design is registered: **Cover plate**
(51) International Design Classification: **13-03D**
(71) Name(s) and Address(s) of Applicant(s):
Bticino S.p.A.
Via Messina 38 20154 Milano Italy
(72) Name(s) of Designer(s): **Fabrizio Fabrizi**
(45) Registration Date: **10 February 2010**
(30) Convention priority data:
(31) Number (32) Date (33) Country
001161699 04 Aug 2009 EUROPEAN COMMUNITY
(56) Related Art Documents: **Not Applicable**
(57) Statement of Newness and Distinctiveness: **Newness and distinctiveness resides in the features of shape and/or configuration of a cover plate as illustrated in the accompanying representations.**



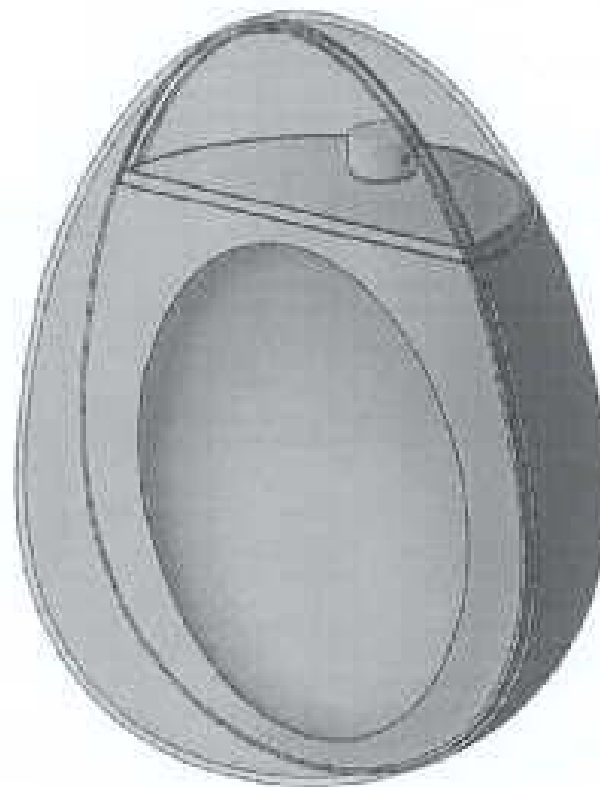
- (21) Design Number: **10187/2010**
(22) Date of Filing Application: **22 January 2010**
(24) Date from which industrial property rights may have effect: **22 January 2010**
(54) Product in respect of which the design is registered: **The product is a fastener**
(51) International Design Classification: **08-08B**
(71) Name(s) and Address(s) of Applicant(s):
Australian Security Fencing Pty Ltd
138 Fairey Road South Windsor New South Wales 2756 Australia
(72) Name(s) of Designer(s): **Stephen Rosier**
(45) Registration Date: **10 February 2010**
(56) Related Art Documents: **Not Applicable**
(57) Statement of Newness and Distinctiveness: **The newness and distinctiveness is claimed in the shape and unique pattern of the head of the fastener, indefinite length, width and thickness as shown in the accompanying representations.**



- (21) Design Number: **10136/2010**
(22) Date of Filing Application: **15 January 2010**
(24) Date from which industrial property rights may have effect: **15 January 2010**
(54) Product in respect of which the design is registered: **Containers**
(51) International Design Classification: **09-01G, 09-01NES**
(71) Name(s) and Address(s) of Applicant(s):
PEMI GROUP, s.r.o.
Bilov cp. 100 okres Novy Jicin 743 01 Czech Republic
(72) Name(s) of Designer(s): **Milan Sir**
(45) Registration Date: **12 February 2010**
(30) Convention priority data:
(31) Number (32) Date (33) Country
001149405 30 Jun 2009 EUROPEAN COMMUNITY
(56) Related Art Documents: **Not Applicable**
(57) Statement of Newness and Distinctiveness: **Newness and distinctiveness is claimed in the shape and/or configuration of the containers as shown in the accompanying representations.**



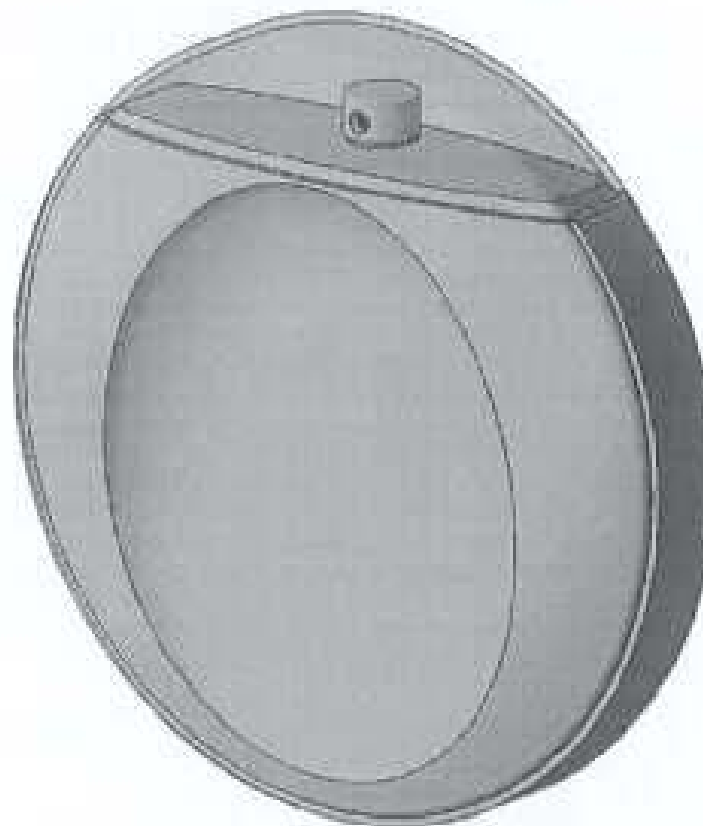
- (21) Design Number: **10137/2010**
(22) Date of Filing Application: **15 January 2010**
(24) Date from which industrial property rights may have effect: **15 January 2010**
(54) Product in respect of which the design is registered: **Containers**
(51) International Design Classification: **09-01G, 09-01NES**
(71) Name(s) and Address(s) of Applicant(s):
PEMI GROUP, s.r.o.
Bilov cp. 100 okres Novy Jicin 743 01 Czech Republic
(72) Name(s) of Designer(s): **Milan Sir**
(45) Registration Date: **12 February 2010**
(30) Convention priority data:
(31) Number (32) Date (33) Country
001149405 30 Jun 2009 EUROPEAN COMMUNITY
(56) Related Art Documents: **Not Applicable**
(57) Statement of Newness and Distinctiveness: **Newness and distinctiveness is claimed in the shape and/or configuration of the containers as shown in the accompanying representations.**



- (21) Design Number: **10138/2010**
(22) Date of Filing Application: **15 January 2010**
(24) Date from which industrial property rights may have effect: **15 January 2010**
(54) Product in respect of which the design is registered: **Containers**
(51) International Design Classification: **09-01G, 09-01NES**
(71) Name(s) and Address(s) of Applicant(s):
PEMI GROUP, s.r.o.
Bilov cp. 100 okres Novy Jicin 743 01 Czech Republic
(72) Name(s) of Designer(s): **Milan Sir**
(45) Registration Date: **12 February 2010**
(30) Convention priority data:
(31) Number (32) Date (33) Country
001149405 30 Jun 2009 EUROPEAN COMMUNITY
(56) Related Art Documents: **Not Applicable**
(57) Statement of Newness and Distinctiveness: **Newness and distinctiveness is claimed in the shape and/or configuration of the containers as shown in the accompanying representations.**



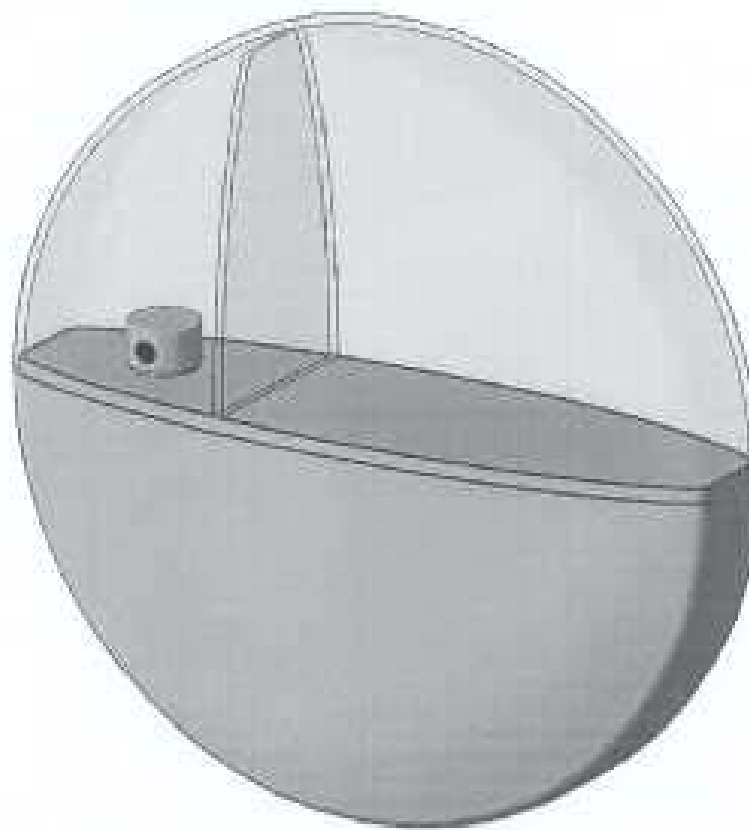
- (21) Design Number: **10139/2010**
(22) Date of Filing Application: **15 January 2010**
(24) Date from which industrial property rights may have effect: **15 January 2010**
(54) Product in respect of which the design is registered: **Containers**
(51) International Design Classification: **09-01G, 09-01NES**
(71) Name(s) and Address(s) of Applicant(s):
PEMI GROUP, s.r.o.
Bilov cp. 100 okres Novy Jicin 743 01 Czech Republic
(72) Name(s) of Designer(s): **Milan Sir**
(45) Registration Date: **12 February 2010**
(30) Convention priority data:
(31) Number (32) Date (33) Country
001149397 30 Jun 2009 EUROPEAN COMMUNITY
(56) Related Art Documents: **Not Applicable**
(57) Statement of Newness and Distinctiveness: **Newness and distinctiveness is claimed in the shape and/or configuration of the containers as shown in the accompanying representations.**



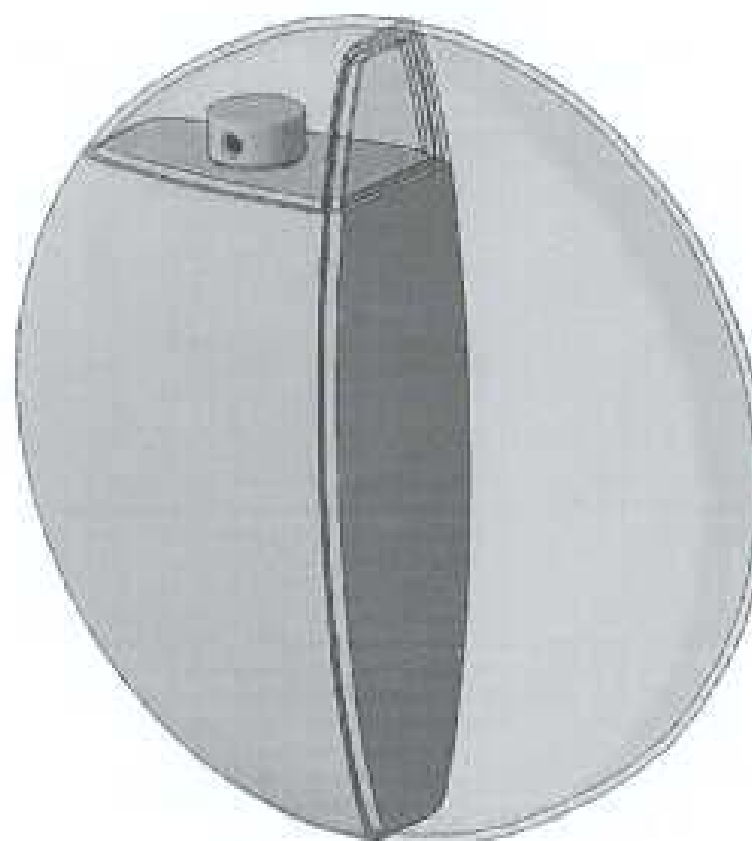
- (21) Design Number: **10140/2010**
(22) Date of Filing Application: **15 January 2010**
(24) Date from which industrial property rights may have effect: **15 January 2010**
(54) Product in respect of which the design is registered: **Containers**
(51) International Design Classification: **09-01G, 09-01NES**
(71) Name(s) and Address(s) of Applicant(s):
PEMI GROUP, s.r.o.
Bilov cp. 100 okres Novy Jicin 743 01 Czech Republic
(72) Name(s) of Designer(s): **Milan Sir**
(45) Registration Date: **12 February 2010**
(30) Convention priority data:
(31) Number (32) Date (33) Country
001149397 30 Jun 2009 EUROPEAN COMMUNITY
(56) Related Art Documents: **Not Applicable**
(57) Statement of Newness and Distinctiveness: **Newness and distinctiveness is claimed in the shape and/or configuration of the containers as shown in the accompanying representations.**



- (21) Design Number: **10141/2010**
(22) Date of Filing Application: **15 January 2010**
(24) Date from which industrial property rights may have effect: **15 January 2010**
(54) Product in respect of which the design is registered: **Containers**
(51) International Design Classification: **09-01G, 09-01NES**
(71) Name(s) and Address(s) of Applicant(s):
PEMI GROUP, s.r.o.
Bilov cp. 100 okres Novy Jicin 743 01 Czech Republic
(72) Name(s) of Designer(s): **Milan Sir**
(45) Registration Date: **12 February 2010**
(30) Convention priority data:
(31) Number (32) Date (33) Country
001149397 30 Jun 2009 EUROPEAN COMMUNITY
(56) Related Art Documents: **Not Applicable**
(57) Statement of Newness and Distinctiveness: **Newness and distinctiveness is claimed in the shape and/or configuration of the containers as shown in the accompanying representations.**



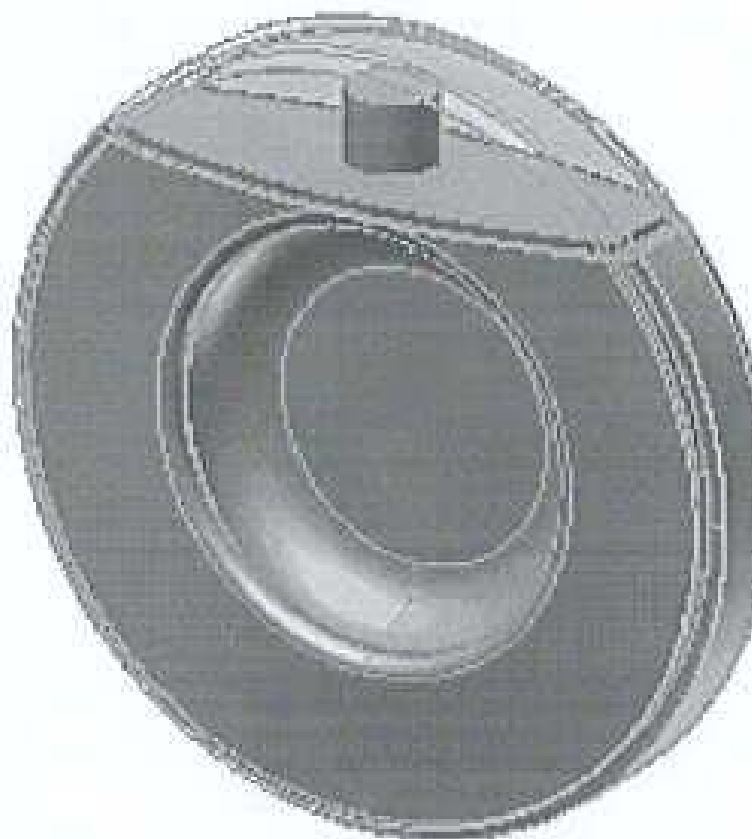
- (21) Design Number: **10142/2010**
(22) Date of Filing Application: **15 January 2010**
(24) Date from which industrial property rights may have effect: **15 January 2010**
(54) Product in respect of which the design is registered: **Containers**
(51) International Design Classification: **09-01G, 09-01NES**
(71) Name(s) and Address(s) of Applicant(s):
PEMI GROUP, s.r.o.
Bilov cp. 100 okres Novy Jicin 743 01 Czech Republic
(72) Name(s) of Designer(s): **Milan Sir**
(45) Registration Date: **12 February 2010**
(30) Convention priority data:
(31) Number (32) Date (33) Country
001149397 30 Jun 2009 EUROPEAN COMMUNITY
(56) Related Art Documents: **Not Applicable**
(57) Statement of Newness and Distinctiveness: **Newness and distinctiveness is claimed in the shape and/or configuration of the containers as shown in the accompanying representations.**



- (21) Design Number: **10143/2010**
(22) Date of Filing Application: **15 January 2010**
(24) Date from which industrial property rights may have effect: **15 January 2010**
(54) Product in respect of which the design is registered: **Containers**
(51) International Design Classification: **09-01G, 09-01NES**
(71) Name(s) and Address(s) of Applicant(s):
PEMI GROUP, s.r.o.
Bilov cp. 100 okres Novy Jicin 743 01 Czech Republic
(72) Name(s) of Designer(s): **Milan Sir**
(45) Registration Date: **12 February 2010**
(30) Convention priority data:
(31) Number (32) Date (33) Country
001149397 30 Jun 2009 EUROPEAN COMMUNITY
(56) Related Art Documents: **Not Applicable**
(57) Statement of Newness and Distinctiveness: **Newness and distinctiveness is claimed in the shape and/or configuration of the containers as shown in the accompanying representations.**



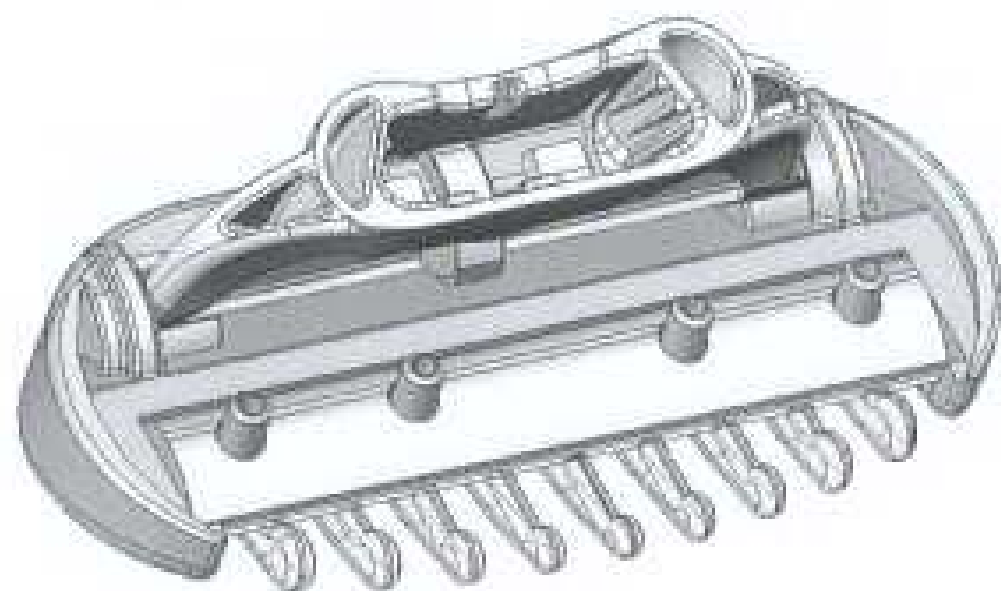
- (21) Design Number: **10144/2010**
(22) Date of Filing Application: **15 January 2010**
(24) Date from which industrial property rights may have effect: **15 January 2010**
(54) Product in respect of which the design is registered: **Containers**
(51) International Design Classification: **09-01G, 09-01NES**
(71) Name(s) and Address(s) of Applicant(s):
PEMI GROUP, s.r.o.
Bilov cp. 100 okres Novy Jicin 743 01 Czech Republic
(72) Name(s) of Designer(s): **Milan Sir**
(45) Registration Date: **12 February 2010**
(30) Convention priority data:
(31) Number (32) Date (33) Country
001149397 30 Jun 2009 EUROPEAN COMMUNITY
(56) Related Art Documents: **Not Applicable**
(57) Statement of Newness and Distinctiveness: **Newness and distinctiveness is claimed in the shape and/or configuration of the containers as shown in the accompanying representations.**



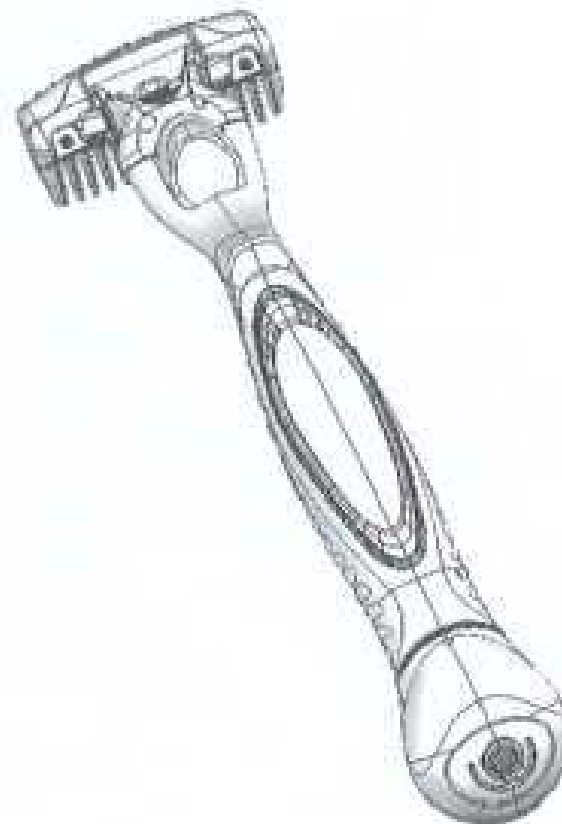
- (21) Design Number: **10145/2010**
(22) Date of Filing Application: **15 January 2010**
(24) Date from which industrial property rights may have effect: **15 January 2010**
(54) Product in respect of which the design is registered: **Cartridge suitable for hair trimming**
(51) International Design Classification: **28-03D**
(71) Name(s) and Address(s) of Applicant(s):
The Gillette Company
Prudential Tower Building Boston Massachusetts 02199 United States of America
(72) Name(s) of Designer(s): **Roy Nicoll and Christopher J. Wattam and Ian Anthony Goodhead**
(45) Registration Date: **12 February 2010**
(30) Convention priority data:
(31) Number (32) Date (33) Country
29/340,306 16 Jul 2009 UNITED STATES OF AMERICA
(56) Related Art Documents: **Not Applicable**
(57) Statement of Newness and Distinctiveness: **Newness and distinctiveness is claimed in the shape and/or configuration of a cartridge suitable for hair trimming as shown in the accompanying representations.**



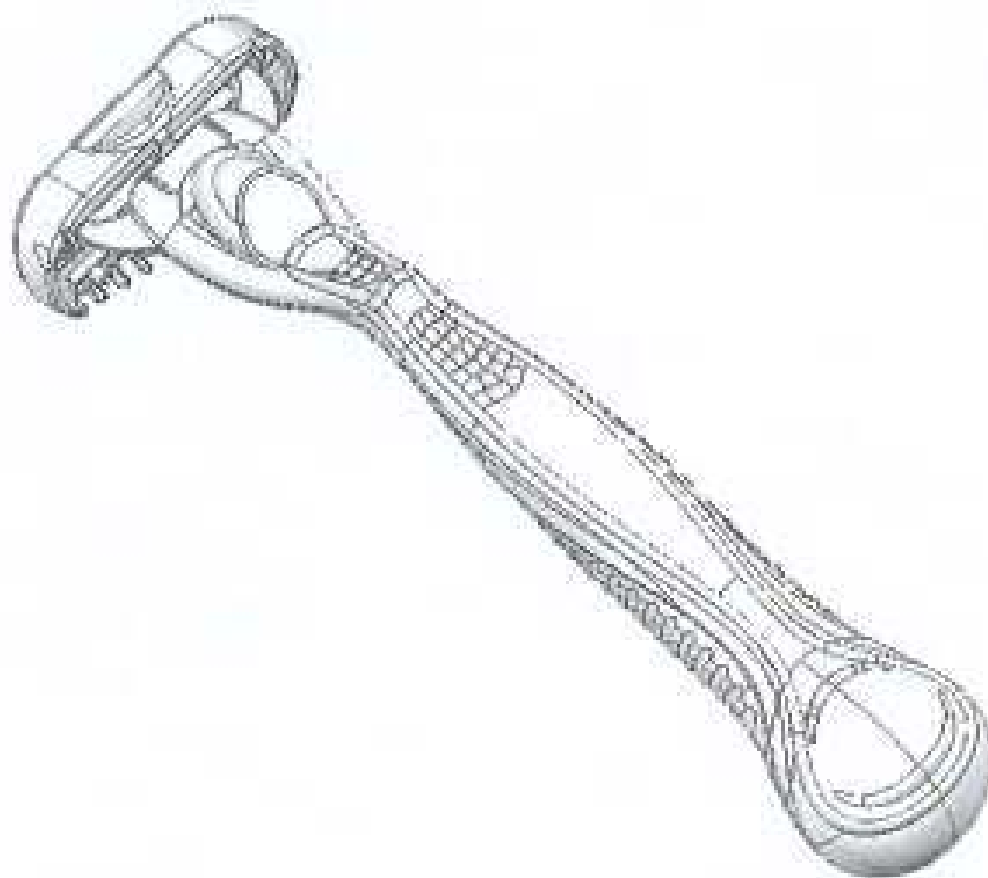
- (21) Design Number: **10146/2010**
(22) Date of Filing Application: **15 January 2010**
(24) Date from which industrial property rights may have effect: **15 January 2010**
(54) Product in respect of which the design is registered: **Cartridge suitable for hair trimming**
(51) International Design Classification: **28-03D**
(71) Name(s) and Address(s) of Applicant(s):
The Gillette Company
Prudential Tower Building Boston Massachusetts 02199 United States of America
(72) Name(s) of Designer(s): **Isabelle Jane Adams**
(45) Registration Date: **12 February 2010**
(30) Convention priority data:
(31) Number (32) Date (33) Country
29/340,310 16 Jul 2009 UNITED STATES OF AMERICA
(56) Related Art Documents: **Not Applicable**
(57) Statement of Newness and Distinctiveness: **Newness and distinctiveness is claimed in the shape and/or configuration of a cartridge suitable for hair trimming as shown in the accompanying representations.**



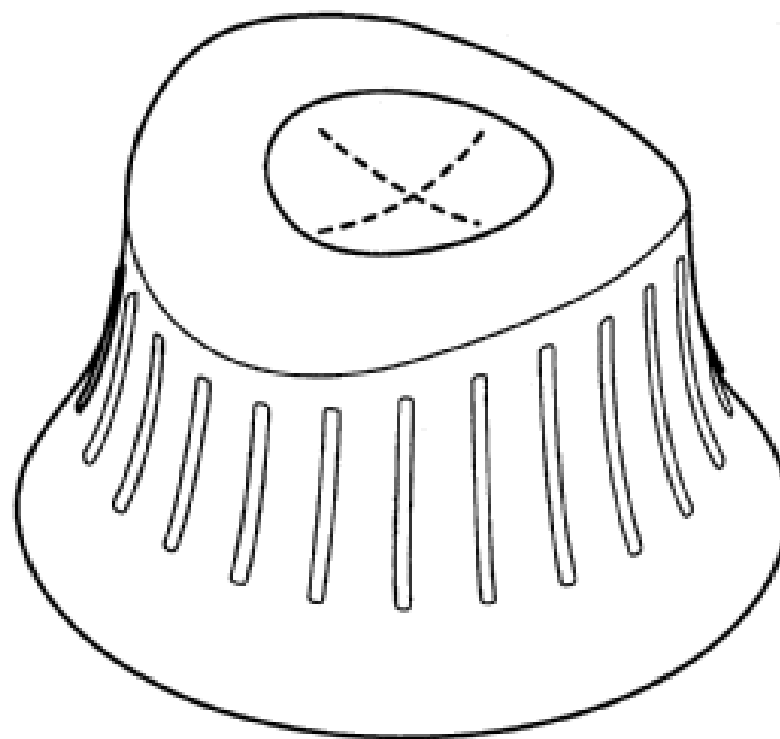
- (21) Design Number: **10147/2010**
(22) Date of Filing Application: **15 January 2010**
(24) Date from which industrial property rights may have effect: **15 January 2010**
(54) Product in respect of which the design is registered: **Device suitable for hair trimming**
(51) International Design Classification: **28-03D**
(71) Name(s) and Address(s) of Applicant(s):
The Gillette Company
Prudential Tower Building Boston Massachusetts 02199 United States of America
(72) Name(s) of Designer(s): **Roy Nicoll and Christopher J. Wattam and Ian Anthony Goodhead**
(45) Registration Date: **12 February 2010**
(30) Convention priority data:
(31) Number (32) Date (33) Country
29/340,307 16 Jul 2009 UNITED STATES OF AMERICA
(56) Related Art Documents: **Not Applicable**
(57) Statement of Newness and Distinctiveness: **Newness and distinctiveness is claimed in the shape and/or configuration of a device suitable for hair trimming as shown in the accompanying representations.**



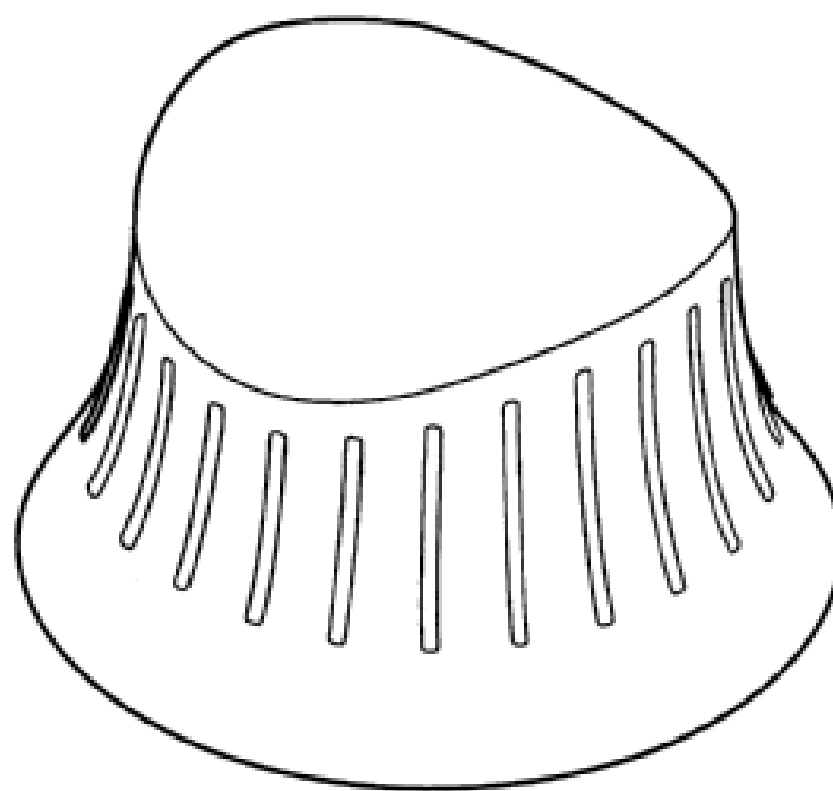
- (21) Design Number: **10148/2010**
(22) Date of Filing Application: **15 January 2010**
(24) Date from which industrial property rights may have effect: **15 January 2010**
(54) Product in respect of which the design is registered: **Device suitable for hair trimming**
(51) International Design Classification: **28-03D**
(71) Name(s) and Address(s) of Applicant(s):
The Gillette Company
Prudential Tower Building Boston Massachusetts 02199 United States of America
(72) Name(s) of Designer(s): **Isabelle Jane Adams**
(45) Registration Date: **12 February 2010**
(30) Convention priority data:
(31) Number (32) Date (33) Country
29/340,311 16 Jul 2009 UNITED STATES OF AMERICA
(56) Related Art Documents: **Not Applicable**
(57) Statement of Newness and Distinctiveness: **Newness and distinctiveness is claimed in the shape and/or configuration of a device suitable for hair trimming as shown in the accompanying representations.**



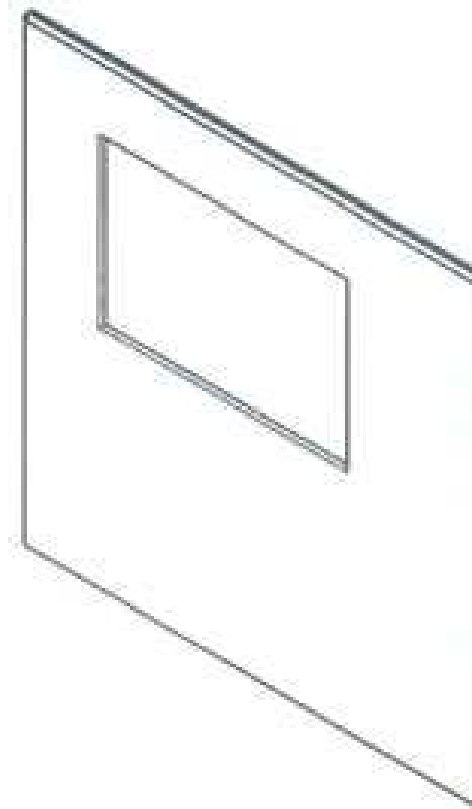
- (21) Design Number: **10149/2010**
(22) Date of Filing Application: **15 January 2010**
(24) Date from which industrial property rights may have effect: **15 January 2010**
(54) Product in respect of which the design is registered: **Cap for a container**
(51) International Design Classification: **09-07C**
(71) Name(s) and Address(s) of Applicant(s):
Colgate-Palmolive Company
300 Park Avenue New York New York 10022 United States of America
(72) Name(s) of Designer(s): **Elaine Casey and Bruce Cummings and Jeffrey Mayers and Corinne Elstow and Sam Lucking and John Lamb**
(45) Registration Date: **12 February 2010**
(30) Convention priority data:
(31) Number (32) Date (33) Country
29/341147 31 Jul 2009 UNITED STATES OF AMERICA
(56) Related Art Documents: **Not Applicable**
(57) Statement of Newness and Distinctiveness: **Newness and distinctiveness reside in the features of the design as shown in the representations.**



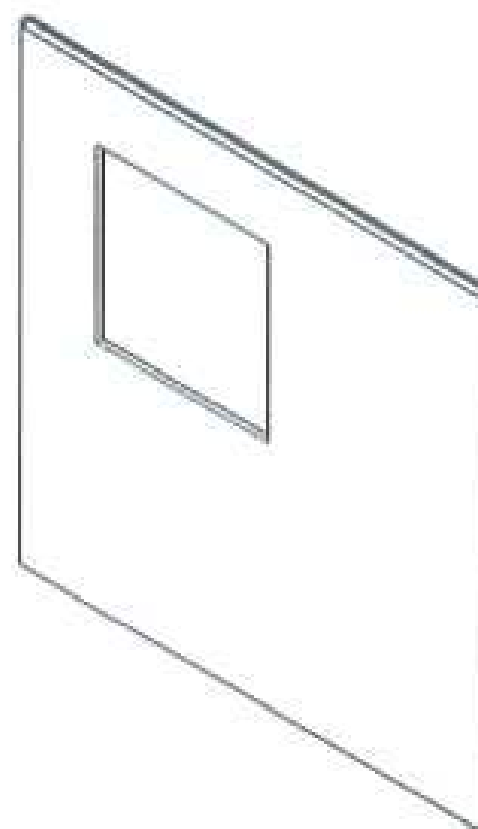
- (21) Design Number: **10150/2010**
(22) Date of Filing Application: **15 January 2010**
(24) Date from which industrial property rights may have effect: **15 January 2010**
(54) Product in respect of which the design is registered: **Cap for a container**
(51) International Design Classification: **09-07C**
(71) Name(s) and Address(s) of Applicant(s):
Colgate-Palmolive Company
300 Park Avenue New York New York 10022 United States of America
(72) Name(s) of Designer(s): **Elaine Casey and Bruce Cummings and Jeffrey Mayers and Corinne Elstow and Sam Lucking and John Lamb**
(45) Registration Date: **12 February 2010**
(30) Convention priority data:
(31) Number (32) Date (33) Country
29/341149 31 Jul 2009 UNITED STATES OF AMERICA
(56) Related Art Documents: **Not Applicable**
(57) Statement of Newness and Distinctiveness: **Newness and distinctiveness reside in the features of the design as shown in the representations.**



- (21) Design Number: **10160/2010**
(22) Date of Filing Application: **18 January 2010**
(24) Date from which industrial property rights may have effect: **18 January 2010**
(54) Product in respect of which the design is registered: **Cover plate**
(51) International Design Classification: **13-03D**
(71) Name(s) and Address(s) of Applicant(s):
Bticino S.p.A.
Via Messina 38 20154 Milano Italy
(72) Name(s) of Designer(s): **Fabrizio Fabrizi**
(45) Registration Date: **12 February 2010**
(30) Convention priority data:
(31) Number (32) Date (33) Country
001161699 04 Aug 2009 EUROPEAN COMMUNITY
(56) Related Art Documents: **Not Applicable**
(57) Statement of Newness and Distinctiveness: **Newness and distinctiveness resides in the features of shape and/or configuration of a COVER PLATE as illustrated in the accompanying representations.**



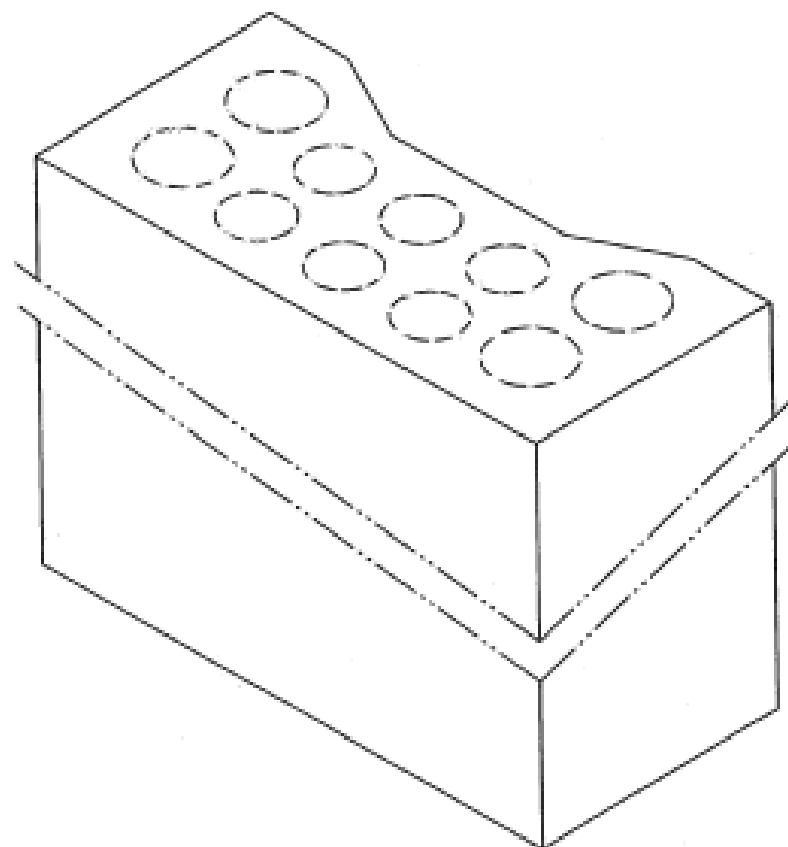
- (21) Design Number: **10161/2010**
(22) Date of Filing Application: **18 January 2010**
(24) Date from which industrial property rights may have effect: **18 January 2010**
(54) Product in respect of which the design is registered: **Cover plate**
(51) International Design Classification: **13-03D**
(71) Name(s) and Address(s) of Applicant(s):
Bticino S.p.A.
Via Messina 38 20154 Milano Italy
(72) Name(s) of Designer(s): **Fabrizio Fabrizi**
(45) Registration Date: **12 February 2010**
(30) Convention priority data:
(31) Number (32) Date (33) Country
001161699 04 Aug 2009 EUROPEAN COMMUNITY
(56) Related Art Documents: **Not Applicable**
(57) Statement of Newness and Distinctiveness: **Newness and distinctiveness resides in the features of shape and/or configuration of a COVER PLATE as illustrated in the accompanying representations.**



- (21) Design Number: **10162/2010**
(22) Date of Filing Application: **18 January 2010**
(24) Date from which industrial property rights may have effect: **18 January 2010**
(54) Product in respect of which the design is registered: **A brick**
(51) International Design Classification: **25-01A**
(71) Name(s) and Address(s) of Applicant(s):

Austral Bricks (Qld) Pty Ltd
738-780 Wallgrove Road Horsley Park New South Wales 2175
Australia

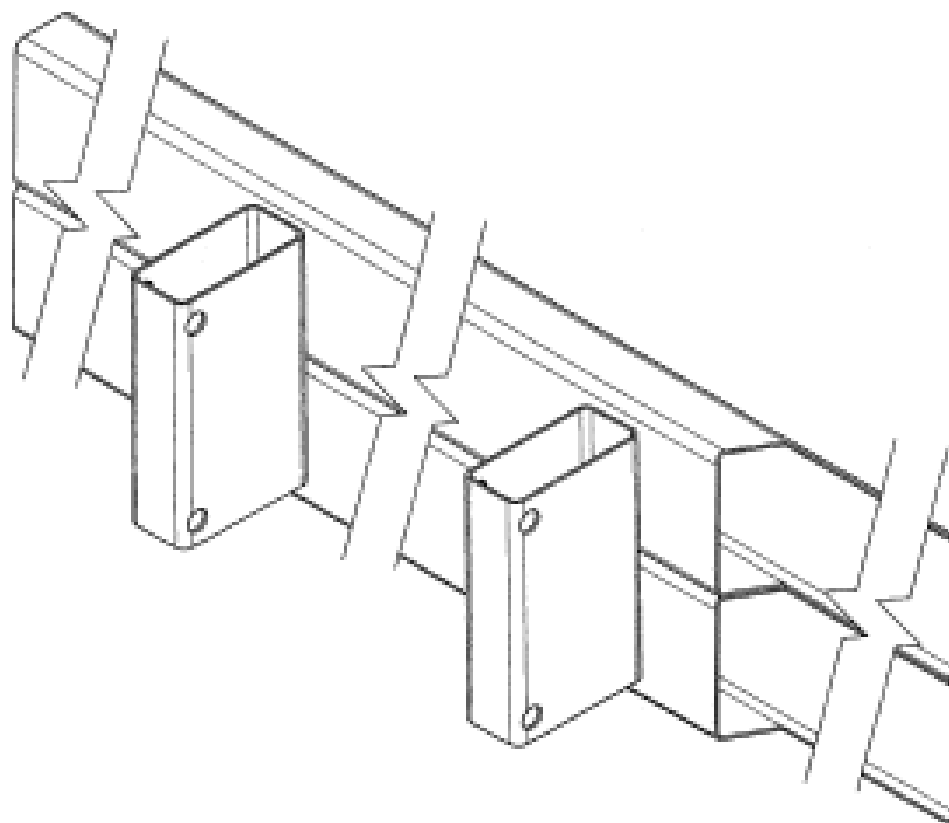
- (72) Name(s) of Designer(s): **John Raymond Giffen**
(45) Registration Date: **12 February 2010**
(56) Related Art Documents: **Not Applicable**
(57) Statement of Newness and Distinctiveness: **Those features of the brick depicted in the representations that are new and distinctive are the shape and/or configuration. The circular cores shown in broken outline in the Isometric View and the Plan View do not form part of the design and can be disregarded. The brick may be of indefinite height.**



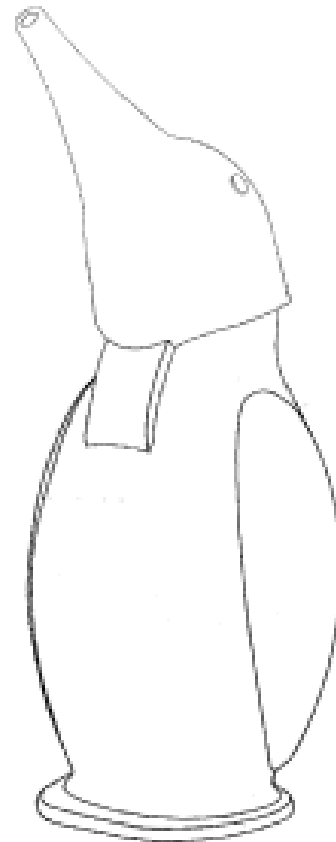
- (21) Design Number: **10163/2010**
(22) Date of Filing Application: **18 January 2010**
(24) Date from which industrial property rights may have effect: **18 January 2010**
(54) Product in respect of which the design is registered: **An impact absorbing safety barrier**
(51) International Design Classification: **25-02NES**
(71) Name(s) and Address(s) of Applicant(s):

Famdenz Pty Ltd
30-34 Churchill Road North Dry Creek South Australia 5094 Australia

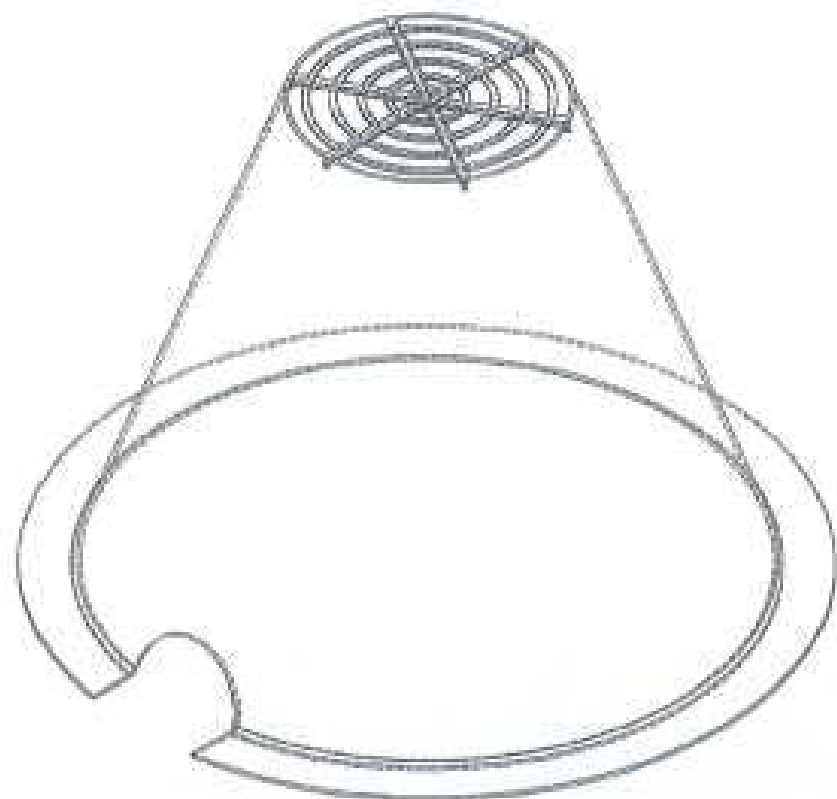
- (72) Name(s) of Designer(s): **Alfred Denholm Tucker and Geoffrey Peter Kastelein**
(45) Registration Date: **12 February 2010**
(56) Related Art Documents: **Not Applicable**
(57) Statement of Newness and Distinctiveness: **Nil**



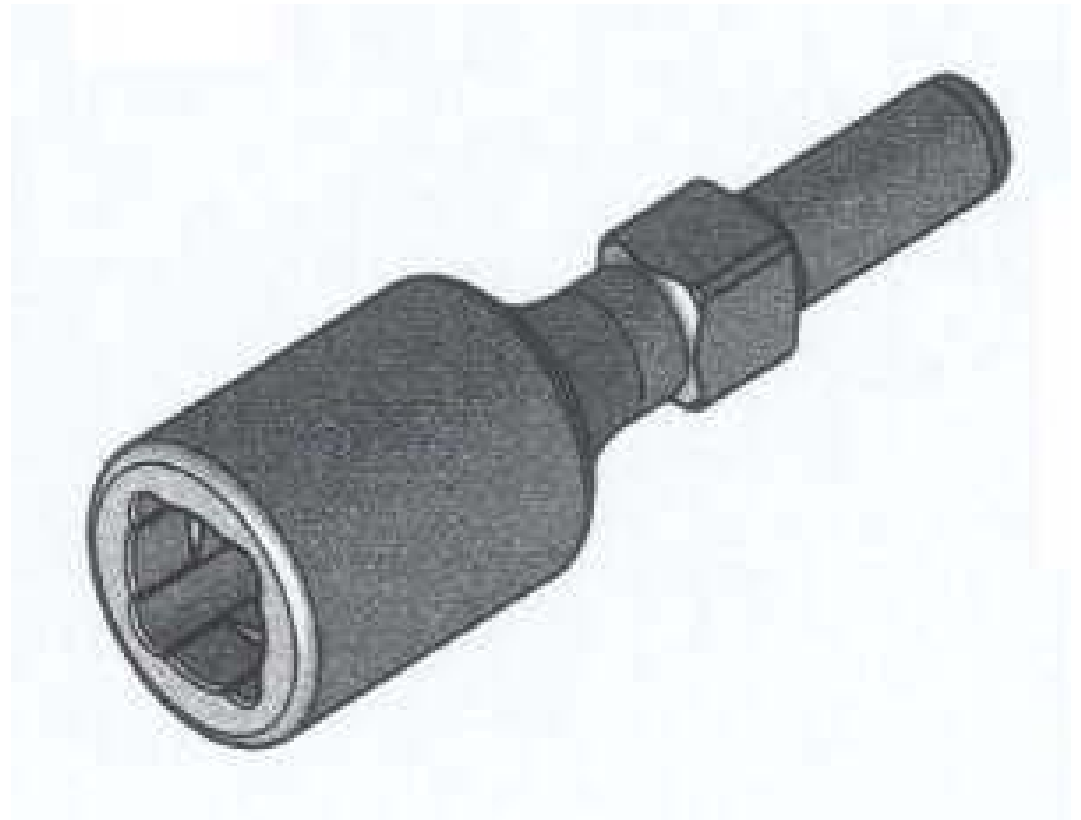
(21) Design Number: **10176/2010**
(22) Date of Filing Application: **18 January 2010**
(24) Date from which industrial property rights may have effect: **18 January 2010**
(54) Product in respect of which the design is registered: **Nasal aspirator**
(51) International Design Classification: **24-04**
(71) Name(s) and Address(s) of Applicant(s):
Laerdal Medical AS
Postboks 377 Stavanger 4002 Norway
(72) Name(s) of Designer(s): **Tore Laerdal and Kjell Ove Korneliussen and Jens Petter Ianke**
(45) Registration Date: **12 February 2010**
(30) Convention priority data:
(31) Number (32) Date (33) Country
20090446 02 Sep 2009 NORWAY
(56) Related Art Documents: **Not Applicable**
(57) Statement of Newness and Distinctiveness: **Nil**



(21) Design Number: **10177/2010**
(22) Date of Filing Application: **18 January 2010**
(24) Date from which industrial property rights may have effect: **18 January 2010**
(54) Product in respect of which the design is registered: **Downlight cover**
(51) International Design Classification: **26-05D**
(71) Name(s) and Address(s) of Applicant(s):
Marco Engineering Pty Ltd
15 Titanium Court Crestmead Queensland 4132 Australia
(72) Name(s) of Designer(s): **Roger Tonks**
(45) Registration Date: **12 February 2010**
(56) Related Art Documents: **Not Applicable**
(57) Statement of Newness and Distinctiveness: **Nil**



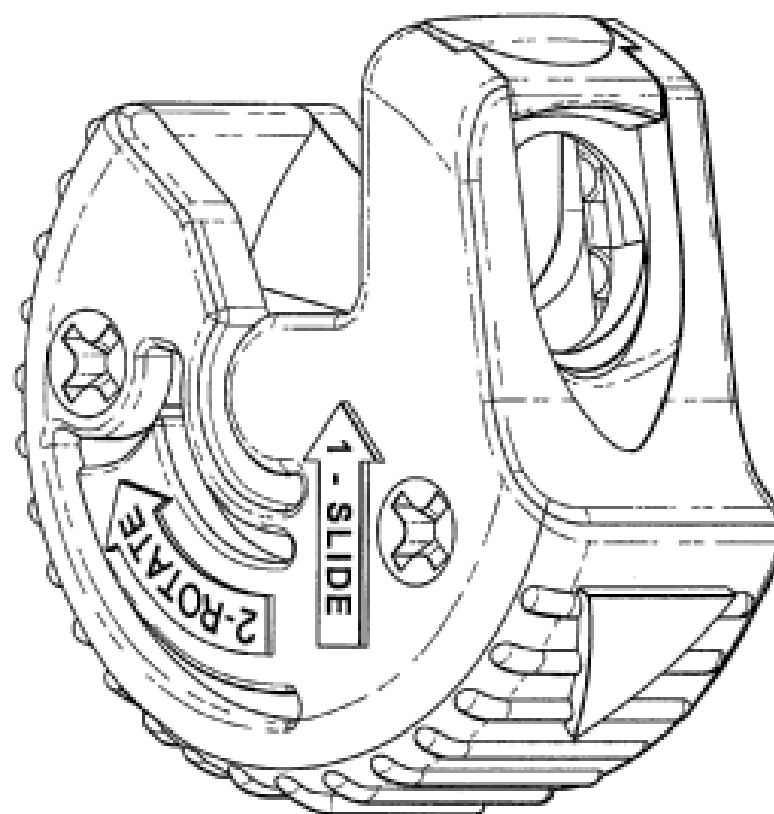
- (21) Design Number: **10178/2010**
(22) Date of Filing Application: **18 January 2010**
(24) Date from which industrial property rights may have effect: **18 January 2010**
(54) Product in respect of which the design is registered: **Chuck adaptor**
(51) International Design Classification: **08-01**
(71) Name(s) and Address(s) of Applicant(s):
Quarry Mining and Construction Equipment Pty Ltd
Unit 9 14 Yangan Drive Beresfield New South Wales 2322 Australia
(72) Name(s) of Designer(s): **Jeff Rankin**
(45) Registration Date: **12 February 2010**
(56) Related Art Documents: **Not Applicable**
(57) Statement of Newness and Distinctiveness: **Nil**



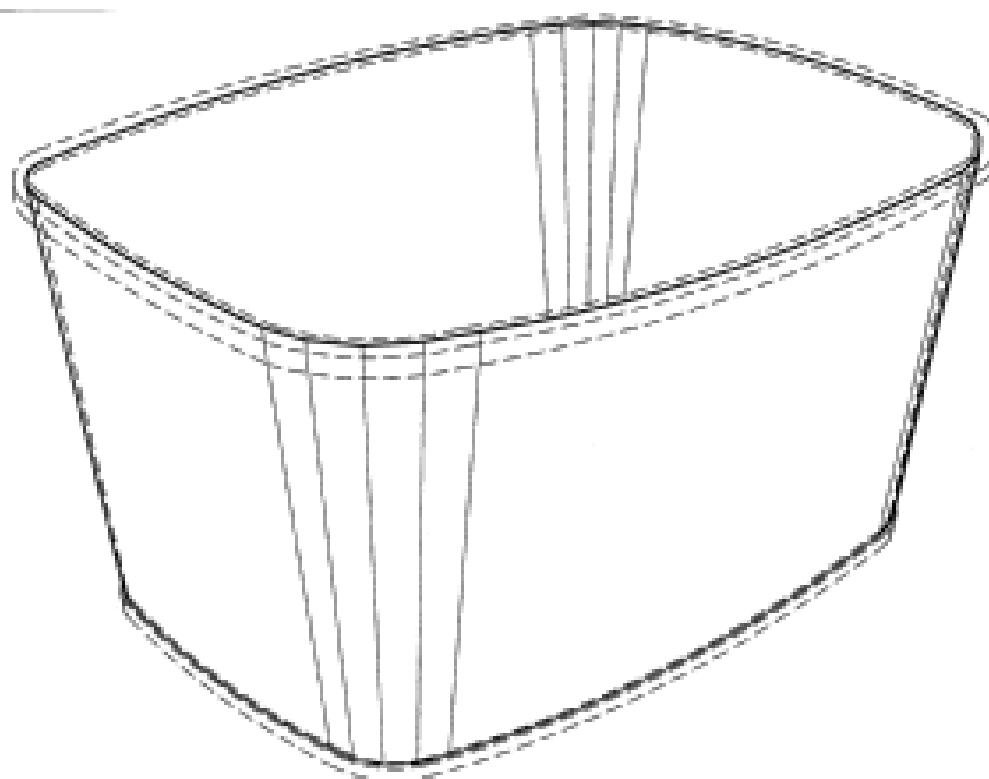
- (21) Design Number: **14703/2009**
(22) Date of Filing Application: **02 December 2009**
(24) Date from which industrial property rights may have effect: **02 December 2009**
(54) Product in respect of which the design is registered: **Food product**
(51) International Design Classification: **01-01**
(71) Name(s) and Address(s) of Applicant(s):
Allen Beloe
181B Ray Road Epping New South Wales 2121 Australia
(72) Name(s) of Designer(s): **Allen Beloe**
(45) Registration Date: **11 February 2010**
(56) Related Art Documents: **Not Applicable**
(57) Statement of Newness and Distinctiveness: **Newness and distinctiveness of the design resides in the features of shape and configuration of a food product that consists of a biscuit base, topped with a confectionery material, enrobed in chocolate, as per the attached representations, wherein the relatively uneven upper surface of the biscuit base is evident.**



- (21) Design Number: **14905/2009**
(22) Date of Filing Application: **16 December 2009**
(24) Date from which industrial property rights may have effect: **16 December 2009**
(54) Product in respect of which the design is registered: **Cutting device**
(51) International Design Classification: **08-03**
(71) Name(s) and Address(s) of Applicant(s):
Scott Cutters UK Limited
PO Box 3811 Marlow Buckinghamshire SL7 3ZB United Kingdom
(72) Name(s) of Designer(s): **Scott Rampling**
(45) Registration Date: **11 February 2010**
(30) Convention priority data:
(31) Number (32) Date (33) Country
1552555-0002 18 Jun 2009 EUROPEAN COMMUNITY
(56) Related Art Documents: **Not Applicable**
(57) Statement of Newness and Distinctiveness: **Nil**



- (21) Design Number: **10031/2010**
(22) Date of Filing Application: **07 January 2010**
(24) Date from which industrial property rights may have effect: **07 January 2010**
(54) Product in respect of which the design is registered: **Container sleeve**
(51) International Design Classification: **09-03H**
(71) Name(s) and Address(s) of Applicant(s):
Cryovac Australia Pty Ltd
90 Keilor Park Drive Tullamarine Victoria 3043 Australia
(72) Name(s) of Designer(s): **Chow Chee Yut**
(45) Registration Date: **11 February 2010**
(56) Related Art Documents: **Not Applicable**
(57) Statement of Newness and Distinctiveness: **Newness and distinctiveness is claimed in the shape and configuration of the sleeve shown in solid lines in the representations. The container depicted in broken lines is capable of variation and does not form part of the design.**



- (21) Design Number: **10032/2010**
(22) Date of Filing Application: **07 January 2010**
(24) Date from which industrial property rights may have effect: **07 January 2010**
(54) Product in respect of which the design is registered: **Container**
(51) International Design Classification: **09-03M**
(71) Name(s) and Address(s) of Applicant(s):
Cryovac Australia Pty Ltd
90 Keilor Park Drive Tullamarine Victoria 3043 Australia
(72) Name(s) of Designer(s): **Chow Chee Yut**
(45) Registration Date: **11 February 2010**
(56) Related Art Documents: **Not Applicable**
(57) Statement of Newness and Distinctiveness: **Newness and distinctiveness is claimed in the shape and configuration of the container shown in the representations.**



- (21) Design Number: **10092/2010**
(22) Date of Filing Application: **13 January 2010**
(24) Date from which industrial property rights may have effect: **13 January 2010**
(54) Product in respect of which the design is registered: **Round baking tin**
(51) International Design Classification: **07-02P**
(71) Name(s) and Address(s) of Applicant(s):
H&H Asia Ltd.
7F-1 No. 167 Fu Xing North Road Taipei 10547 Taiwan
(72) Name(s) of Designer(s): **Alpha Chien**
(45) Registration Date: **11 February 2010**
(56) Related Art Documents: **Not Applicable**
(57) Statement of Newness and Distinctiveness: **The newness and distinctiveness of the design resides in the shape and configuration of the handles of the product the subject of the design, including the surface of the handles which each contain a set of three parallel elevations as depicted in the attached representations.**



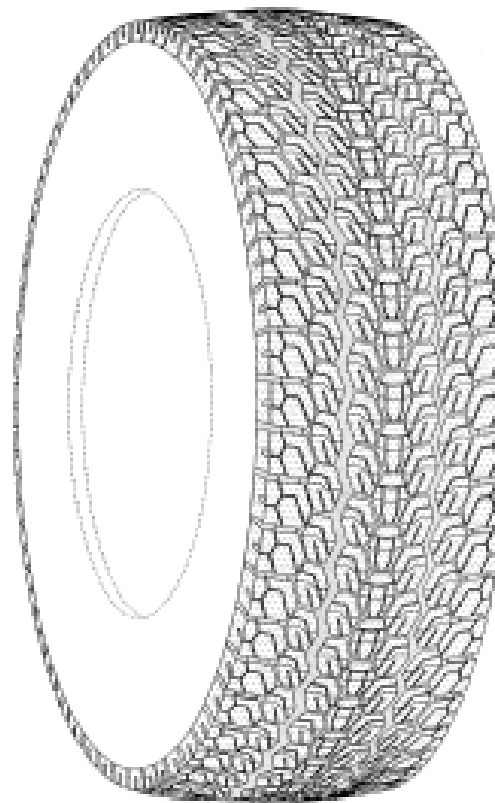
- (21) Design Number: **10093/2010**
(22) Date of Filing Application: **13 January 2010**
(24) Date from which industrial property rights may have effect: **13 January 2010**
(54) Product in respect of which the design is registered: **Cupcake baking tin**
(51) International Design Classification: **07-02P**
(71) Name(s) and Address(s) of Applicant(s):
H&H Asia Ltd.
7F-1 No. 167 Fu Xing North Road Taipei 10547 Taiwan
(72) Name(s) of Designer(s): **Alpha Chien**
(45) Registration Date: **11 February 2010**
(56) Related Art Documents: **Not Applicable**
(57) Statement of Newness and Distinctiveness: **The newness and distinctiveness of the design resides in the shape and configuration of the handles of the product the subject of the design, including the surface of the handles which each contain sets of three parallel elevations as depicted in the attached representations.**



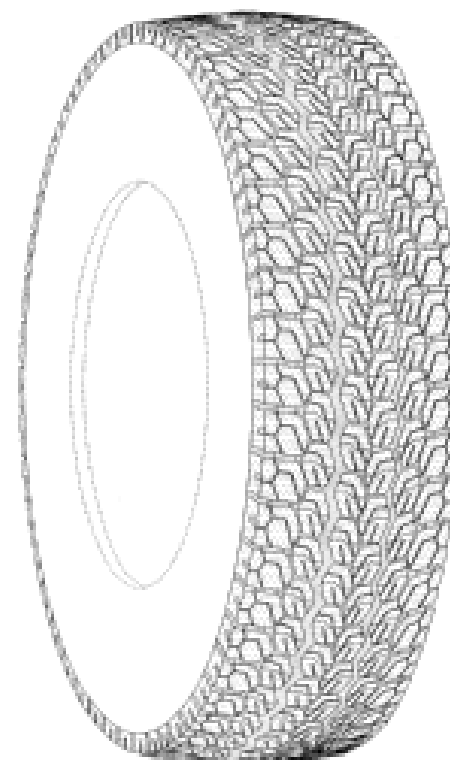
- (21) Design Number: **10094/2010**
(22) Date of Filing Application: **13 January 2010**
(24) Date from which industrial property rights may have effect: **13 January 2010**
(54) Product in respect of which the design is registered: **Rectangular baking tin**
(51) International Design Classification: **07-02P**
(71) Name(s) and Address(s) of Applicant(s):
H&H Asia Ltd.
7F-1 No. 167 Fu Xing North Road Taipei 10547 Taiwan
(72) Name(s) of Designer(s): **Alpha Chien**
(45) Registration Date: **11 February 2010**
(56) Related Art Documents: **Not Applicable**
(57) Statement of Newness and Distinctiveness: **The newness and distinctiveness of the design resides in the shape and configuration of the handles of the product the subject of the design, including the surface of the handles which each contain sets of three parallel elevations as depicted in the attached representations.**



- (21) Design Number: **11237/2009**
(22) Date of Filing Application: **09 April 2009**
(24) Date from which industrial property rights may have effect: **09 April 2009**
(54) Product in respect of which the design is registered: **Automobile tyre**
(51) International Design Classification: **12-15A**
(71) Name(s) and Address(s) of Applicant(s):
Bridgestone Corporation
10-1 Kyobashi 1-chome Chuo-ku Tokyo 104-8340 Japan
(72) Name(s) of Designer(s): **Futoshi Oki**
(45) Registration Date: **11 February 2010**
(56) Related Art Documents: **Not Applicable**
(57) Statement of Newness and Distinctiveness: **The shape, configuration and pattern of the parts of the automobile tyre shown in solid lines in the representations are new and distinctive.**



- (21) Design Number: **11238/2009**
(22) Date of Filing Application: **09 April 2009**
(24) Date from which industrial property rights may have effect: **09 April 2009**
(54) Product in respect of which the design is registered: **Automobile tyre**
(51) International Design Classification: **12-15A**
(71) Name(s) and Address(s) of Applicant(s):
Bridgestone Corporation
10-1 Kyobashi 1-chome Chuo-ku Tokyo 104-8340 Japan
(72) Name(s) of Designer(s): **Futoshi Oki**
(45) Registration Date: **11 February 2010**
(56) Related Art Documents: **Not Applicable**
(57) Statement of Newness and Distinctiveness: **The shape, configuration and pattern of the parts of the automobile tyre shown in solid lines in the representations are new and distinctive.**



- (21) Design Number: **13366/2009**
(22) Date of Filing Application: **03 September 2009**
(24) Date from which industrial property rights may have effect: **03 September 2009**
(54) Product in respect of which the design is registered: **Product identification holders for fitting on to trays holding medical supplies**
(51) International Design Classification: **20-03NES**
(71) Name(s) and Address(s) of Applicant(s):

HSD Medstor
Unit 8/98 Old Pittwater Road Brookvale New South Wales 2100
Australia

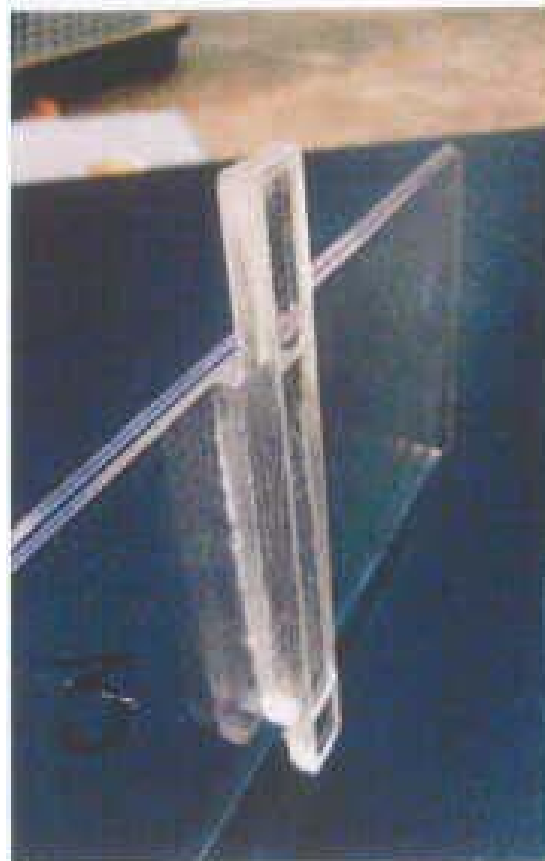
Barrie I. Middup
Unit 8/98 Old Pittwater Road Brookvale New South Wales Australia

- (72) Name(s) of Designer(s): **Barrie Ian Middup**

(45) Registration Date: **11 February 2010**

(56) Related Art Documents: **Not Applicable**

- (57) Statement of Newness and Distinctiveness: **HSD Medstor Pty Ltd is the manufacturer and supplier of storage solutions for the healthcare industry. The Medstor system comprises of the use of special trays made from either clear polycarbonate or ABS, to which we attach a "Product Identification Holder" to either the long side or short side of the tray as applicable. To achieve this, we have designed a clear plastic Perspex panel which is folded to allow the card, with the names of the products which are to be stored in the trays, to be inserted in between. The method of holding the Perspex panel on the side of the tray is by a special Perspex bracket, which is attached to the Perspex panel by adhesive. The whole unit then just slides into the existing slots in the side of the tray and then drops down and self secures itself by means of the special design of this bracket. No tools are required in this operation and the names of products and bar coding can easily be changes as required. The attached series of photos shows the concept in situ.**



- (21) Design Number: **10166/2010**
(22) Date of Filing Application: **20 January 2010**
(24) Date from which industrial property rights may have effect: **20 January 2010**
(54) Product in respect of which the design is registered: **Beverage dispenser**
(51) International Design Classification: **31-00**
(71) Name(s) and Address(s) of Applicant(s):

Societe des Produits Nestle S.A.
1800 Vevey Switzerland

- (72) Name(s) of Designer(s): **Jonathan Ashbridge**

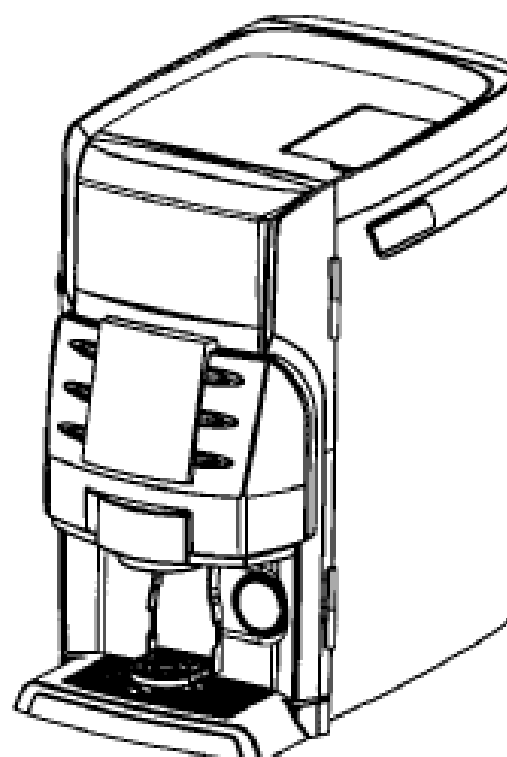
(45) Registration Date: **11 February 2010**

(30) Convention priority data:

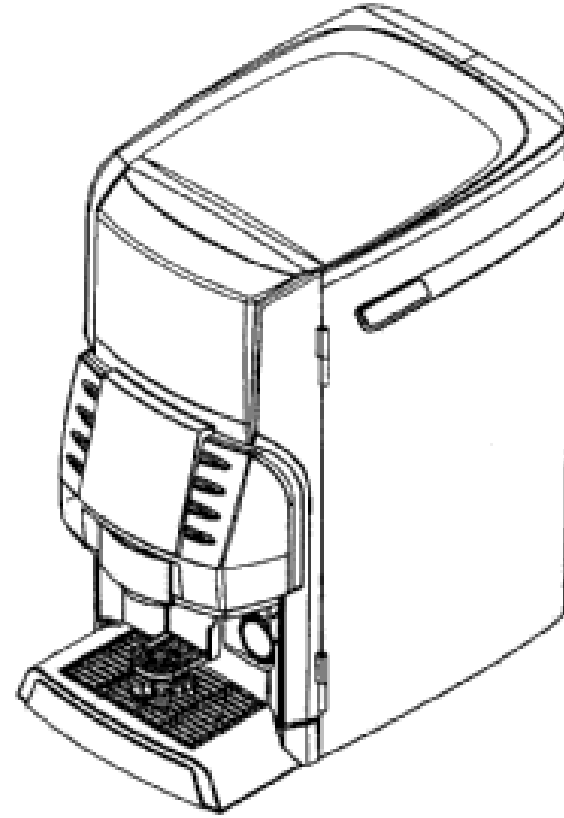
(31) Number	(32) Date	(33) Country
136326	02 Sep 2009	SWITZERLAND

(56) Related Art Documents: **Not Applicable**

(57) Statement of Newness and Distinctiveness: **Nil**



- (21) Design Number: **10167/2010**
(22) Date of Filing Application: **20 January 2010**
(24) Date from which industrial property rights may have effect: **20 January 2010**
(54) Product in respect of which the design is registered: **Beverage dispenser**
(51) International Design Classification: **31-00**
(71) Name(s) and Address(s) of Applicant(s):
Societe des Produits Nestle S.A.
1800 Vevey Switzerland
(72) Name(s) of Designer(s): **Jonathan Ashbridge**
(45) Registration Date: **11 February 2010**
(30) Convention priority data:
(31) Number (32) Date (33) Country
136326 02 Sep 2009 SWITZERLAND
(56) Related Art Documents: **Not Applicable**
(57) Statement of Newness and Distinctiveness: **Nil**



- (21) Design Number: **10168/2010**
(22) Date of Filing Application: **20 January 2010**
(24) Date from which industrial property rights may have effect: **20 January 2010**
(54) Product in respect of which the design is registered: **Beverage dispenser**
(51) International Design Classification: **31-00**
(71) Name(s) and Address(s) of Applicant(s):
Societe des Produits Nestle S.A.
1800 Vevey Switzerland
(72) Name(s) of Designer(s): **Jonathan Ashbridge**
(45) Registration Date: **11 February 2010**
(30) Convention priority data:
(31) Number (32) Date (33) Country
136326 02 Sep 2009 SWITZERLAND
(56) Related Art Documents: **Not Applicable**
(57) Statement of Newness and Distinctiveness: **Nil**

