



**Australian Government**

---

**IP Australia**

**AUSTRALIAN OFFICIAL JOURNAL**

**OF**

**DESIGNS**

Did you know a searchable version of this journal is now available online?

It's FREE and EASY to SEARCH.

Find it at

<http://pericles.ipaustralia.gov.au/ols/epublish/content/olsEpublications.jsp>  
or using the "Online Journals" link on the IP Australia home page.

This Page Left Intentionally Blank

## Contents

### General Information & Notices

#### Proceedings Under the Designs Act 1906 preserved as a result of the provisions of Chapter 12 Part 2 of the Designs Act 2003

Extension of Period of Registration of Designs .....	450
Extensions of Time Granted .....	451
Registrations Ceased .....	450
Subsequent Owners Registered .....	451

#### Proceedings Under the Designs Act 2003

Applications Lapsed .....	460
Applications Lodged .....	455
Applications Withdrawn .....	460
Certificate of Examination .....	463
Extension of Period of Registration of Design .....	461
Extension of Time Granted Under Section 137 .....	461
Names Registered - Alterations and Amendments .....	462
Publication and Registration Proceedings	
Designs Registered 329539 to 329750.....	464
Registrations Ceased .....	461
Revocation of Design Registrations .....	461
Subsequent Owners Registered .....	462

This Page Left Intentionally Blank

For information on the following please see our website [www.ipaustralia.gov.au](http://www.ipaustralia.gov.au) or contact our Customer Service Network on 1300651010

[Editorial enquiries](#)

[Contact information](#)

[Freedom of Information ACT](#)

[Professional Standards Board](#)

[Sales](#)

[Requests for Information under Section 194 \(c\)](#)

[Country Codes](#)

[Trade Mark and Designs Hearing Sessions](#)

[INID \(Internationally agreed Numbers for the Identification of Data\)](#)

## “INID” NUMBERS in use on Australian Design Documents

“INID” is an acronym for “Internationally agreed Numbers for the Identification of Data”.

### (10) Data concerning the registration/renewal

- (11) Serial number of the registration and/or number of the design document
- (12) Plain language designation of the kind of published document
- (19) Identification, using the two-letter code according to WIPO Standard ST.3, of the authority publishing or registering the industrial design

### (20) Data concerning the application

- (21) Serial number of the application
- (22) Date of filing of the application
- (24) Date from which the industrial design right has effect

### (30) Data relating to priority under the Paris Convention

- (31) Serial number assigned to the priority application
- (32) Date of filing of the priority application
- (33) Two-letter code, according to WIPO Standard ST.3, identifying the authority with which the priority application was made

### (40) Date(s) of making information available to the public

- (45) Date of publication of the registered industrial design by printing or similar process, or making it available to the public by any other means

### (50) Miscellaneous Information

- (51) International Classification for Industrial Designs (class and subclass of the Locarno Classification)
- (54) Designation of article(s) or product(s) covered by the industrial design or title of the industrial design
- (55) Reproduction of the industrial design (e.g., drawing, photograph) and explanations relating to the reproduction
- (56) List of prior art documents, if separate from descriptive text
- (57) Description of characteristic features of the industrial design including indication of colours

### (60) References to other legally related application(s) and registration(s)

- (62) Serial number(s) and, if available, filing date(s) of application(s), registration(s) or document(s) related by division
- (66) Serial number(s) of the application, or the registration, of the design(s) which is (are) a variant(s) of the present one

### (70) Identification of parties concerned with the application or registration

- (71) Name(s) and address(es) of the applicant(s)
- (72) Name(s) of the creator(s) if known to be such
- (74) Name(s) and address(es) of the representative(s)

This Page Left Intentionally Blank

**Nil notices for this journal issue.**

**Proceedings under the Designs Act 1906 preserved as a result of the provisions of Chapter 12 Part 2 of the Designs Act 2003.**



This Page Left Intentionally Blank

**Applications Lapsed**

There were no Applications Lapsed under this section

**Extension of Period of Registration of Designs**

**2nd Period (Section 27A(12))**

145998	154348	154536
154817	154902	155074
155205	155227	155261
155292	155729	155730
155731	155732	155733
155734	155735	155736
155737	155935	156118
156119	156120	156156
156339	156359	156380
156456	156459	156467
156469	156470	156471
156510	156537	156554
156590	156591	156599
156678	156732	156735
156770	156827	156843
156873	156943	157041
157060	157173	157176
157186	157187	157206
157207	157208	157225
157254	157268	157350
157351	157352	157387
157388	157389	157449
157450	157451	157452
157453	157454	157455
157467	157473	157474
157475	157526	157527
157528	157530	157532
157623	157629	157630
157632	157644	157645
157646	157647	157648
157649	157650	157651
157699	157701	157708
157709	157710	157711
157712	157715	157716
157717	157718	157736
157737	157755	157840
157841	157842	157873
157878	157880	157895
157896	157947	157948
157968	157997	157998
157999	158000	158001
158007	158008	158056
158057	158058	158063
158064	158065	158066
158067	158068	158069
158070	158087	158105
158121	158125	158155
158164	158165	158180
158188	158189	158294
158314	158334	158345
158346	158361	158377
158441	158456	158469
158482	158522	

**3rd Period (Section 27A(13))**

137017	137018	138154
138197	138254	138266
138302	138425	138426
138438	138439	138441
138542	138560	138561
138616	138618	138627
138654	138695	138708
138711	138760	138863
139023	139024	139168
139286	139537	140045
140131	140166	140400
140542	140835	141021
141078	141451	141452
141453	141454	141958
141959	142052	142244
142247	142531	142611
142633	142712	142713
142714	142715	142716
142717	142718	142726
142727	142728	142730
142731	142732	142908
142909	142910	142925
143021	143024	143554
143555	143556	143557
143558	143559	143560
145239	156329	

**Registrations Ceased**

Note: Some of the following Registrations may have been previously advertised as ceased. In this instance, the previous advertisement still prevails.

121074	121088	121097
121121	121122	121123
121124	121125	121126
121127	121128	121129
121130	121131	121150
121151	121172	121215
121216	121256	121257
121299	121341	121342
121343	121344	121497
121504	121524	121558
121574	121696	121905
122363	124437	124516
130587	133720	136374
136375	136474	136600
136664	136759	136819
136820	137051	137114
137115	137180	137337
137494	137496	137497
137499	137500	137502
137503	137504	137777
139445	140224	152746
152747	152976	152977

153315	153399	153415
153421	153422	153455
153457	153555	153556
153557	153558	153620
153640	153723	153755
153757	153879	153902
153903	153997	154153
154194	154195	154214
154292	154377	154931
154932	155028	155029
155030	155031	155042
155221	155306	155408
155415	155550	155578
155797	155989	156025
156026	156027	156028
156526	156903	156967
157459	157460	157461
157587	157907	157922
157923	157924	

**Extensions of time granted**

Applications lodged for extension of time have been granted.

145998 **Coolaroo Originals Pty Ltd** An Extension of time to extend a registration has been granted to 30/07/2009

154348 **Kapstar Pty Ltd** An Extension of time to extend a registration has been granted to 08/12/2009

**Subsequent Owners Registered**

(The name in parentheses is that of the subsequent owner)

158137 ( **TerryArt Australia Pty Ltd** ) Michael So;Arthur Peikos

This Page Left Intentionally Blank

**Proceedings under the Designs Act 2003.**

This Page Left Intentionally Blank

**Applications Lodged**

Lodgement information is in the following order: **Applicant's Name**; International Classification, Name of Product, Lodgement Date and **Design Number**. If the applicant claims an earlier priority date under an International Convention, the Convention Country and the associated filing date are shown in parentheses before the Lodgement Date. Divisional information will also appear in parentheses before the Lodgement Date.

<b>ecoMaster Pty Ltd;</b> 06-07, Secondary glazing bead moulding for securing secondary glazing to existing fixed glazing frames, 25 Feb 2010	<b>10639/2010</b>	<b>BabyBjorn AB;</b> 03-03, Sunprotector, (EM, 12 Feb 2010) 18 Feb 2010	<b>10545/2010</b>
<b>ecoMaster Pty Ltd;</b> 06-07, Secondary glazing bead moulding for securing secondary glazing by fixing to the existing glass, 25 Feb 2010	<b>10640/2010</b>	<b>Baird, Graeme Thomas;</b> 26-05NES, Light, 15 Feb 2010	<b>10507/2010</b>
<b>iFitness Inc.;</b> 02-07A, Utility belt, (US, 11 Aug 2009) 10 Feb 2010	<b>10440/2010</b>	<b>Bang &amp; Olufsen A/S;</b> 14-03NES, Audio product, (DK, 24 Aug 2009) 22 Feb 2010	<b>10592/2010</b>
<b>Air New Zealand Limited;</b> 06-06NES, Class divider, 12 Feb 2010	<b>10515/2010</b>	<b>Bang &amp; Olufsen A/S;</b> 14-01, Subwoofer, (DK, 24 Aug 2009) 22 Feb 2010	<b>10593/2010</b>
<b>Air New Zealand Limited;</b> 06-06NES, Class divider, 12 Feb 2010	<b>10516/2010</b>	<b>Barbara Gudgeon Dolls;</b> 21-01B, Barbara Gudgeon's, original artist doll, 15 Feb 2010	<b>10485/2010</b>
<b>Air New Zealand Limited;</b> 06-06NES, Class divider, 12 Feb 2010	<b>10497/2010</b>	<b>Bastians, David;</b> 13-03NES, A button assembly for scoreboards, 10 Feb 2010	<b>10457/2010</b>
<b>Amcor Limited;</b> 09-03NES, A blank and carton thereof, 19 Feb 2010	<b>10561/2010</b>	<b>Bavaria N.V.;</b> 09-01H, Bottle, 23 Feb 2010	<b>10599/2010</b>
<b>Andon Corporation Pty Ltd;</b> 21-02F, Trampoline tent, 15 Feb 2010	<b>10526/2010</b>	<b>Bellamy, Drew;</b> 14-03NES, A radio frequency identification microchip and antenna contained in a high temperature plastic housing, 10 Feb 2010	<b>10459/2010</b>
<b>Andon Corporation Pty Ltd;</b> 05-05NES, Sheet of material, 16 Feb 2010	<b>10521/2010</b>	<b>Bellamy, Drew;</b> 03-01NES, Standard mining and exploration mineral sample bag with new 24cm x 1.5cm side pocket to house RFID GEO-TAG, 10 Feb 2010	<b>10460/2010</b>
<b>Andon Corporation Pty Ltd;</b> 21-02F, Trampoline mat, 15 Feb 2010	<b>10527/2010</b>	<b>Ben Sherman Group Ltd;</b> 02-02B, Pocket, 12 Feb 2010	<b>10495/2010</b>
<b>Angas Industrial Pty Ltd;</b> 08-08L, 25-01K, Channel bracket, 10 Feb 2010	<b>10464/2010</b>	<b>Blakeman, Ken;</b> 07-07A, Sports themed ice chest, (US, 07 Sep 2009) 19 Feb 2010	<b>10584/2010</b>
<b>Angas Industrial Pty Ltd;</b> 08-08L, Flat bracket, 10 Feb 2010	<b>10465/2010</b>	<b>Bluedog Fences Australia;</b> 08-08K, Fence rail support bracket, 22 Feb 2010	<b>10615/2010</b>
<b>Anna Thomas Pty Ltd;</b> 02-02NES, Jacket, 19 Aug 2009	<b>10565/2010</b>	<b>Boori International Pty Ltd;</b> 06-02, Reconfigurable furniture, 12 Feb 2010	<b>10467/2010</b>
<b>Anna Thomas Pty Ltd;</b> 02-02NES, Jacket, 19 Aug 2009	<b>10566/2010</b>	<b>Boori International Pty Ltd;</b> 06-02, Reconfigurable furniture, 12 Feb 2010	<b>10468/2010</b>
<b>Anna Thomas Pty Ltd;</b> 02-02C, Skirt, 19 Aug 2009	<b>10567/2010</b>	<b>Boori International Pty Ltd;</b> 06-02, Reconfigurable furniture, 12 Feb 2010	<b>10469/2010</b>
<b>Ansell Healthcare Products LLC;</b> 02-06, Protective glove, (US, 09 Sep 2009) 16 Feb 2010	<b>10528/2010</b>	<b>Boori International Pty Ltd;</b> 06-02, Reconfigurable furniture, 12 Feb 2010	<b>10470/2010</b>
<b>Apple Inc.;</b> 14-03NES, Remote control, 16 Feb 2010	<b>10520/2010</b>	<b>Boori International Pty Ltd;</b> 06-02, Reconfigurable furniture, 12 Feb 2010	<b>10471/2010</b>
<b>AFC and Royal Australian Air Force Association National Council Inc;</b> 11-03, RAAF association members lapel badges, wall plaques, banners, flags, posters and other promotional material for the RAA, association, 15 Feb 2010	<b>10477/2010</b>	<b>Boori International Pty Ltd;</b> 06-02, Reconfigurable furniture, 12 Feb 2010	<b>10472/2010</b>
<b>AL-KO International Pty Ltd;</b> 12-16M, Mechanical calliper, 25 Feb 2010	<b>10641/2010</b>	<b>Breville Pty Limited;</b> 31-00, Milk frother, 24 Feb 2010	<b>10614/2010</b>
		<b>Breville Pty Limited;</b> 07-04, Stick mixer, 18 Feb 2010	<b>10547/2010</b>



<b>Breville Pty Limited;</b> 07-02G, Bread maker, 18 Feb 2010	<b>10554/2010</b>	<b>Ewing, Iain;</b> 23-02B, Shower, 15 Feb 2010	<b>10504/2010</b>
<b>Burns, Adam;</b> 06-01E, Stool, 24 Feb 2010	<b>10612/2010</b>	<b>Ewing, Iain;</b> 08-06, Lever handle, 15 Feb 2010	<b>10505/2010</b>
<b>Callaway Golf Company;</b> 21-02C, Putter head, (US, 20 Aug 2009) 18 Feb 2010	<b>10544/2010</b>	<b>Ewing, Iain;</b> 08-06, Handle, 15 Feb 2010	<b>10506/2010</b>
<b>Cawsey Menck Pty Ltd;</b> 11-02F, Hip flasks, beer mugs, can coolers, cocktail shakers, wine coolers, 10 Feb 2010	<b>10439/2010</b>	<b>Focus Lifestyle Products Pty Ltd;</b> 07-02E, Barbecue, 26 Feb 2010	<b>10636/2010</b>
<b>Challenge Implements Holdings Pty Limited;</b> 15-04, Front end loader and components, 15 Feb 2010	<b>10517/2010</b>	<b>Forever New Clothing Pty Ltd;</b> 02-02C, 02-02NES, , 11 Feb 2010	<b>10461/2010</b>
<b>Converta Card, LLC;</b> 19-01, 14-99, Convertible data card, (US, 31 Jul 2009) 28 Jan 2010	<b>10597/2010</b>	<b>Freespirit Caravans;</b> 12-10, Caravan chassis, 11 Feb 2010	<b>10518/2010</b>
<b>Converta Card, LLC;</b> 19-01, 14-99, Convertible data card, (US, 31 Jul 2009) 28 Jan 2010	<b>10596/2010</b>	<b>Frigrite Limited;</b> 15-07, Low height display freezer, 12 Feb 2010	<b>10488/2010</b>
<b>Dezinal Pty Ltd;</b> 08-09, Lockstile endcap for 40mm sliding door, 24 Feb 2010	<b>10603/2010</b>	<b>Gaines Europe, Ltd;</b> 01-06, Animal food products, (US, 14 Jan 2010) 12 Feb 2010	<b>10496/2010</b>
<b>Dezinal Pty Ltd;</b> 08-09, Interlock bottom end cap for 40mm sliding door, 24 Feb 2010	<b>10604/2010</b>	<b>Gessi S.p.A.;</b> 23-01H, Tap, (IT, 13 Aug 2009) 12 Feb 2010	<b>10498/2010</b>
<b>Dezinal Pty Ltd;</b> 08-09, Interlock bottom end cap for 40mm sliding door, 24 Feb 2010	<b>10605/2010</b>	<b>Gessi S.p.A.;</b> 23-01H, Tap, (IT, 13 Aug 2009) 12 Feb 2010	<b>10499/2010</b>
<b>Dominikovic, Anna;</b> 11-02F, Promoting Australia - an Australian icon display, 12 Feb 2010	<b>10478/2010</b>	<b>Gessi S.p.A.;</b> 23-02B, Shower head, (IT, 13 Aug 2009) 12 Feb 2010	<b>10500/2010</b>
<b>Dr. Ing.h.c. F Porsche Aktiengesellschaft;</b> 12-08, Automobile, 16 Feb 2010	<b>10513/2010</b>	<b>Gessi S.p.A.;</b> 23-02B, Shower head, (IT, 13 Aug 2009) 12 Feb 2010	<b>10501/2010</b>
<b>Dr. Ing.h.c. F Porsche Aktiengesellschaft;</b> 12-08, Automobile, 16 Feb 2010	<b>10514/2010</b>	<b>Gessi S.p.A.;</b> 23-02B, Shower head, (IT, 13 Aug 2009) 12 Feb 2010	<b>10502/2010</b>
<b>Dwyer Instruments, Inc.;</b> 10-04, Gauge, (US, 20 Oct 2009) 11 Feb 2010	<b>10466/2010</b>	<b>Goodyear Tire &amp; Rubber Company, The;</b> 12-15NES, Tyre, (US, 14 Sep 2009) 16 Feb 2010	<b>10523/2010</b>
<b>Emotion Pty Ltd;</b> 08-08L, 13-01, Suspension bracket for motor drive, 23 Feb 2010	<b>10602/2010</b>	<b>Gough Industries Pty Ltd;</b> 08-07, 08-08A, The product is a locking pin designed to connect and lock the trailpad panels together, 18 Feb 2010	<b>10558/2010</b>
<b>Emotion Pty Ltd;</b> 08-06, Plastic injection molded handle design, 23 Feb 2010	<b>10601/2010</b>	<b>Gough Industries Pty Ltd;</b> 06-11, 25-01NES, The product is a plastic walking track panel that is designed to be connected to one another to form a modular, walking track system, 18 Feb 2010	<b>10552/2010</b>
<b>Eveready Battery Company, Inc.;</b> 28-03A, Safety razor handle, (US, 16 Sep 2009) 22 Feb 2010	<b>10578/2010</b>	<b>Gravity Conservation LLC;</b> 02-03, Hat brim, (US, 20 Aug 2009) 17 Feb 2010	<b>10536/2010</b>
<b>Eveready Battery Company, Inc.;</b> 28-03A, Safety razor handle, (US, 16 Sep 2009) 22 Feb 2010	<b>10579/2010</b>	<b>Grotty Vachty Pty Ltd;</b> 11-05, Flag, 22 Feb 2010	<b>10569/2010</b>
<b>Everstone Pty Ltd;</b> 25-01F, Tile, 18 Feb 2010	<b>10549/2010</b>	<b>Hadaway, Robert John;</b> 09-05, Retaining tea and beverage bags in place on cups, mugs etc., 11 Feb 2010	<b>10519/2010</b>
<b>Everstone Pty Ltd;</b> 25-01F, Tile, 18 Feb 2010	<b>10550/2010</b>	<b>Hagh Australia Pty Ltd;</b> 12-16NES, A locking wheel clamp that is adjustable to suit wheel/tyre sizes from small trailers to large SUV wheels, 19 Feb 2010	<b>10574/2010</b>
<b>Everstone Pty Ltd;</b> 25-01F, Tile, 18 Feb 2010	<b>10551/2010</b>	<b>Hatzis Holdings Pty Ltd;</b> 02-02C, 02-02NES, Ladies dresses, 18 Feb 2010	<b>10557/2010</b>
<b>Ewing, Iain;</b> 23-01H, Mixer handle, 15 Feb 2010	<b>10503/2010</b>		

<b>Hinkler Books Pty Ltd;</b> 19-04, Book, 17 Feb 2010	<b>10531/2010</b>	<b>King Furniture (Australia) Pty Ltd;</b> 06-03B, A bench, 12 Feb 2010	<b>10483/2010</b>
<b>Honda Motor Co., Ltd.;</b> 12-11, A motor scooter, (JP, 21 Aug 2009) 19 Feb 2010	<b>10564/2010</b>	<b>Kirkwood, Luke James;</b> 07-04, Mortar and pestle, bowl, knife sharpener, grater, 18 Feb 2010	<b>10585/2010</b>
<b>Honda Motor Co., Ltd.;</b> 13-01, Engine generator, (JP, 25 Aug 2009) 24 Feb 2010	<b>10623/2010</b>	<b>Koninklijke Philips Electronics N.V.;</b> 28-03A, Stand for total body shaver, (EM, 02 Sep 2009) 12 Feb 2010	<b>10479/2010</b>
<b>Hove A/S;</b> 09-01B, A collapsible container, 18 Feb 2010	<b>10553/2010</b>	<b>Koninklijke Philips Electronics N.V.;</b> 28-03A, Total body shaver, (EM, 02 Sep 2009) 12 Feb 2010	<b>10480/2010</b>
<b>Hussein, Ahmed;</b> 06-03B, Coffee table, 16 Feb 2010	<b>10522/2010</b>	<b>Laundry Athletics LLP;</b> 02-02NES, Jacket, (EM, 22 Dec 2009) 23 Feb 2010	<b>10606/2010</b>
<b>Intralux Australia Pty Limited;</b> 26-99, LED, 09 Feb 2010	<b>10456/2010</b>	<b>Laundry Athletics LLP;</b> 02-02NES, Coat, (EM, 22 Dec 2009) 23 Feb 2010	<b>10607/2010</b>
<b>Jacobs, Walter;</b> 21-02A, Bowling ball, (ZA, 23 Dec 2009) 18 Feb 2010	<b>10538/2010</b>	<b>Laundry Athletics LLP;</b> 02-04NES, Boot, (EM, 22 Dec 2009) 23 Feb 2010	<b>10608/2010</b>
<b>Jacobs, Walter;</b> 21-02A, Bowling ball, (ZA, 23 Dec 2009) 18 Feb 2010	<b>10540/2010</b>	<b>Laundry Athletics LLP;</b> 02-02NES, Shirt, (EM, 22 Dec 2009) 23 Feb 2010	<b>10609/2010</b>
<b>Jacobs, Walter;</b> 21-02A, Bowling ball, (ZA, 23 Dec 2009) 18 Feb 2010	<b>10541/2010</b>	<b>Laundry Athletics LLP;</b> 30-04, Collar, (EM, 22 Dec 2009) 23 Feb 2010	<b>10610/2010</b>
<b>Jacobs, Walter;</b> 21-02A, Bowling ball, (ZA, 23 Dec 2009) 18 Feb 2010	<b>10542/2010</b>	<b>Logix Engineering Pty Ltd;</b> 25-01K, Aluminium extrusion, 24 Feb 2010	<b>10637/2010</b>
<b>Jacobs, Walter;</b> 21-02A, Bowling ball, (ZA, 23 Dec 2009) 18 Feb 2010	<b>10537/2010</b>	<b>Ludvigh, Clint;</b> 08-05NES, Integrated design tool, 19 Feb 2010	<b>10560/2010</b>
<b>Jolley, Peter;</b> 06-01NES, Foldable seat cushion including pocket, 11 Feb 2010	<b>10437/2010</b>	<b>LG Electronics, Inc.;</b> 15-05, Washing machine, (KR, 26 Aug 2009) 19 Feb 2010	<b>10572/2010</b>
<b>JVN Holdings Pty Ltd;</b> 08-99, 22-99, "Donger" pest probe, 18 Feb 2010	<b>10573/2010</b>	<b>Mangrove Mountain Springs Organic Pty Ltd, Trading as Mangrove Mountain, Springs;</b> 09-01B, Container, 11 Feb 2010	<b>10462/2010</b>
<b>Kabushiki Kaisha Bandai; WiZ Co Ltd;</b> 21-01NES, Game device, (JP, 30 Sep 2009) 17 Feb 2010	<b>10532/2010</b>	<b>Martha Stewart Living Omnimedia, Inc.;</b> 19-02, Edge punch, (US, 18 Aug 2009) 17 Feb 2010	<b>10530/2010</b>
<b>Kabushiki Kaisha Toshiba;</b> 14-03B, Television set, (JP, 21 Dec 2009) 19 Feb 2010	<b>10563/2010</b>	<b>McQueen, Felicia;</b> 03-03, Sun shade for pram/stroller, 12 Feb 2010	<b>10534/2010</b>
<b>Kabushiki Kaisha Toshiba;</b> 14-03B, Television set, (JP, 21 Dec 2009) 19 Feb 2010	<b>10562/2010</b>	<b>Miche Bag LLC;</b> 03-01B, Handbag with interchangeable covers, (US, 25 Aug 2009) 23 Feb 2010	<b>10613/2010</b>
<b>Karsten Manufacturing Corporation;</b> 21-02C, Golf club head, (US, 24 Aug 2009) 12 Feb 2010	<b>10489/2010</b>	<b>Moir, Bruce James;</b> 11-01C, 11-01E, 19-99, 19-06, 19-08, Wristband, lanyard, bookmark, pencils, business card, T-shirt design/logo, 25 Feb 2010	<b>10624/2010</b>
<b>Karsten Manufacturing Corporation;</b> 21-02C, Golf club head, (US, 24 Aug 2009) 12 Feb 2010	<b>10490/2010</b>	<b>Mosca, Damian;</b> 09-01G, Perfume bottle, 10 Feb 2010	<b>10463/2010</b>
<b>Keytact Pty Limited;</b> 12-16NES, Motor vehicle air intake, 23 Feb 2010	<b>10577/2010</b>	<b>Moxey, Norman Alfred;</b> 08-08NES, Peg guide and guy rope anchor, 18 Feb 2010	<b>10546/2010</b>
<b>King Furniture (Australia) Pty Ltd;</b> 06-01G, A sofa, 12 Feb 2010	<b>10481/2010</b>	<b>Muscat, Jason;</b> 06-01E, Sticks ottoman, 19 Feb 2010	<b>10611/2010</b>
<b>King Furniture (Australia) Pty Ltd;</b> 06-01G, A chair, 12 Feb 2010	<b>10482/2010</b>		

<b>MERCK SERONO SA;</b> 09-03NES, Tablet dispenser, (WO, 08 Sep 2009) 25 Feb 2010	<b>10632/2010</b>	<b>Rizzo, Stephen;</b> 25-02H, Pool shade, 10 Feb 2010	<b>10458/2010</b>
<b>MERCK SERONO SA;</b> 09-03NES, Tablet dispenser, (WO, 08 Sep 2009) 25 Feb 2010	<b>10633/2010</b>	<b>Roberson, Gary;</b> 09-02B, Can, jerry cans, jerry can holders and storage containers, 11 Feb 2010	<b>10438/2010</b>
<b>Nintendo Co., Ltd.;</b> 13-02, Storage battery, (JP, 25 Aug 2009) 17 Feb 2010	<b>10539/2010</b>	<b>Ryan, Lawrence John;</b> 31-00, Multi-component array forming a mould for bread preparation, 10 Feb 2010	<b>10475/2010</b>
<b>Novaplas Architectural Products Pty Ltd;</b> 13-03NES, , 17 Feb 2010	<b>10548/2010</b>	<b>RFID Asset Management Services Pty Ltd;</b> 08-08NES, RFID tag mounting, 16 Feb 2010	<b>10556/2010</b>
<b>NOL Pty Ltd;</b> 09-03M, Box constructed of (unique manner of) folding board material, with various perforations and openings on each, face, resulting (when folded) in a double-layer three-dimensional cubic form of many and various distinct, uses, 17 Feb 2010	<b>10529/2010</b>	<b>Samsung Electronics Co., Ltd;</b> 15-07, Refrigerator, 23 Feb 2010	<b>10580/2010</b>
<b>O'Connor-Cowley, Elizabeth Ann;</b> 07-05E, The Bathing Mit is used in the washing of a person, 16 Feb 2010	<b>10543/2010</b>	<b>Sartori, J.J.R.; Sartori, J.; Sartori, R.A.;</b> 30-03, Hay feeder (slide away ration station) horse feeder, 19 Feb 2010	<b>10575/2010</b>
<b>Ocvitti Pty Ltd;</b> 08-08K, Vineyard post clamping member, 23 Feb 2010	<b>10625/2010</b>	<b>Sartori, J.; Sartori, J.J.R.; Sartori, R.A.;</b> 30-03, Hay feeder (slide away ration station) horse feeder, 19 Feb 2010	<b>10575/2010</b>
<b>Oxford EME (Aust) Pty. Ltd.;</b> 12-02, Computerised medication distribution cart, 17 Feb 2010	<b>10568/2010</b>	<b>Sartori, R.A.; Sartori, J.J.R.; Sartori, J.;</b> 30-03, Hay feeder (slide away ration station) horse feeder, 19 Feb 2010	<b>10575/2010</b>
<b>Petilla, Moises;</b> 21-01M, Block puzzle, 24 Feb 2010	<b>10630/2010</b>	<b>Shop Vac Corporation;</b> 15-05, Vacuum cleaner, (US, 31 Aug 2009) 16 Feb 2010	<b>10524/2010</b>
<b>Pi-Design AG;</b> 09-03NES, Storage box, (WO, 13 Aug 2009) 12 Feb 2010	<b>10491/2010</b>	<b>Silvers, Michael Henry; Tam, Sam;</b> 07-04, Muddler, (US, 21 Aug 2009) 16 Feb 2010	<b>10525/2010</b>
<b>Pi-Design AG;</b> 09-03NES, Storage box, (WO, 13 Aug 2009) 12 Feb 2010	<b>10492/2010</b>	<b>Sistema Plastics Limited;</b> 09-07B, A sipper cap assembly, (NZ, 20 Aug 2009) 19 Feb 2010	<b>10559/2010</b>
<b>Pi-Design AG;</b> 09-03NES, Storage box, (WO, 13 Aug 2009) 12 Feb 2010	<b>10493/2010</b>	<b>Sony Computer Entertainment Inc.;</b> 14-02, Electric connector, (JP, 18 Sep 2009) 19 Feb 2010	<b>10571/2010</b>
<b>Pica, David;</b> 21-02NES, An exercise apparatus, 19 Feb 2010	<b>10583/2010</b>	<b>Sony Computer Entertainment Inc.;</b> 14-03NES, Remote controller with transceiver, (JP, 18 Sep 2009) 11 Feb 2010	<b>10473/2010</b>
<b>Plastec Australia Pty Ltd;</b> 23-01L, Rainhead, 23 Feb 2010	<b>10582/2010</b>	<b>Sony Computer Entertainment Inc.;</b> 13-03B, 14-02, 14-03NES, Electric connector, (JP, 18 Sep 2009) 11 Feb 2010	<b>10474/2010</b>
<b>Plastec Australia Pty Ltd;</b> 23-01L, Rainhead, 23 Feb 2010	<b>10581/2010</b>	<b>Spielvogel, Steven;</b> 14-03E, A telephone, (US, 08 Sep 2009) 25 Feb 2010	<b>10642/2010</b>
<b>Procter &amp; Gamble Company, The;</b> 09-03NES, Packaging for a container, (US, 27 Aug 2009) 19 Feb 2010	<b>10570/2010</b>	<b>Superior Safety Pty Ltd;</b> 02-02NES, Shirt, 22 Feb 2010	<b>10576/2010</b>
<b>Projectgarlic Limited;</b> 12-11, Bicycle, (EM, 01 Sep 2009) 23 Feb 2010	<b>10600/2010</b>	<b>Suzhou Eagle Electric Vehicle Manufacturing Co., Ltd.;</b> 12-08, Electric vehicle, (CN, 29 Sep 2009) 25 Feb 2010	<b>10638/2010</b>
<b>Reckitt &amp; Colman (Overseas) Limited;</b> 22-06, Rodent bait block, (EM, 20 Aug 2009) 18 Feb 2010	<b>10555/2010</b>	<b>SCA Hygiene Products AB;</b> 09-03M, Tissue box, (EM, 07 Sep 2009) 23 Feb 2010	<b>10587/2010</b>
<b>Rigby, Joseph David; Rigby, Gerard Anthony;</b> 06-06A, Hat holder, 25 Feb 2010	<b>10631/2010</b>	<b>SCA Hygiene Products AB;</b> 02-01B, Absorbent pant, (EM, 17 Sep 2009) 23 Feb 2010	<b>10586/2010</b>
<b>Rigby, Gerard Anthony; Rigby, Joseph David;</b> 06-06A, Hat holder, 25 Feb 2010	<b>10631/2010</b>	<b>SCA Hygiene Products AB;</b> 09-03M, Tissue box, (EM, 07 Sep 2009) 23 Feb 2010	<b>10588/2010</b>

<b>SCA Hygiene Products AB;</b> 09-03M, Tissue box, (EM, 07 Sep 2009) 23 Feb 2010	<b>10589/2010</b>	<b>Vibram S.P.A.;</b> 02-04NES, Shoes, (EM, 10 Aug 2009) 10 Feb 2010	<b>10442/2010</b>
<b>Tam, Sam; Silvers, Michael Henry;</b> 07-04, Muddler, (US, 21 Aug 2009) 16 Feb 2010	<b>10525/2010</b>	<b>Vibram S.P.A.;</b> 02-04NES, Shoes, (EM, 10 Aug 2009) 10 Feb 2010	<b>10443/2010</b>
<b>Tasic, Zoran;</b> 03-01D, 08-05NES, Tool Holder, 12 Feb 2010	<b>10494/2010</b>	<b>Vibram S.P.A.;</b> 02-04NES, Shoes, (EM, 10 Aug 2009) 10 Feb 2010	<b>10444/2010</b>
<b>Team Poly Pty Ltd;</b> 08-08B, 23-01F, Outlet adapter for a storage vessel, 15 Feb 2010	<b>10508/2010</b>	<b>Vibram S.P.A.;</b> 02-04NES, Shoes, (EM, 10 Aug 2009) 10 Feb 2010	<b>10445/2010</b>
<b>Team Poly Pty Ltd;</b> 08-08B, 23-01F, Spigot for a centre pole assembly, 15 Feb 2010	<b>10509/2010</b>	<b>Vibram S.P.A.;</b> 02-04B, Soles for footwear, (EM, 10 Aug 2009) 10 Feb 2010	<b>10455/2010</b>
<b>Team Poly Pty Ltd;</b> 09-07C, Lid cap for a centre pole assembly, 15 Feb 2010	<b>10510/2010</b>	<b>Vibram S.P.A.;</b> 02-04NES, Shoes, (EM, 10 Aug 2009) 10 Feb 2010	<b>10446/2010</b>
<b>Team Poly Pty Ltd;</b> 09-07C, Cap for a centre pole support assembly, 15 Feb 2010	<b>10511/2010</b>	<b>Vibram S.P.A.;</b> 02-04NES, Shoes, (EM, 10 Aug 2009) 10 Feb 2010	<b>10447/2010</b>
<b>Team Poly Pty Ltd;</b> 08-08B, 09-07C, Base bung for a centre pole assembly, 15 Feb 2010	<b>10512/2010</b>	<b>Vibram S.P.A.;</b> 02-04NES, Shoes, (EM, 10 Aug 2009) 10 Feb 2010	<b>10448/2010</b>
<b>The Goldmakers of Australia Pty Ltd;</b> 09-01G, Bottle, 12 Feb 2010	<b>10476/2010</b>	<b>Vibram S.P.A.;</b> 02-04NES, Shoes, (EM, 10 Aug 2009) 10 Feb 2010	<b>10449/2010</b>
<b>Theben AG;</b> 10-03, Timer, (EM, 23 Sep 2009) 10 Feb 2010	<b>10441/2010</b>	<b>Vibram S.P.A.;</b> 02-04B, Soles for footwear, (EM, 10 Aug 2009) 10 Feb 2010	<b>10450/2010</b>
<b>Toyota Jidosha Kabushiki Kaisha;</b> 12-16C, Front bumper for an automobile, 24 Feb 2010	<b>10616/2010</b>	<b>Vibram S.P.A.;</b> 02-04B, Soles for footwear, (EM, 10 Aug 2009) 10 Feb 2010	<b>10451/2010</b>
<b>Toyota Jidosha Kabushiki Kaisha;</b> 12-08, Automobile, (KR, 10 Sep 2009) 24 Feb 2010	<b>10617/2010</b>	<b>Vibram S.P.A.;</b> 02-04B, Soles for footwear, (EM, 10 Aug 2009) 10 Feb 2010	<b>10452/2010</b>
<b>Toyota Jidosha Kabushiki Kaisha;</b> 12-08, Automobile, (KR, 10 Sep 2009) 24 Feb 2010	<b>10618/2010</b>	<b>Victaulic Company;</b> 23-01A, Pipe coupling, (US, 28 Aug 2009) 26 Feb 2010	<b>10634/2010</b>
<b>Toyota Jidosha Kabushiki Kaisha;</b> 12-16H, Door mirror for an automobile, 24 Feb 2010	<b>10620/2010</b>	<b>Victaulic Company;</b> 23-01A, Pipe coupling segment, (US, 28 Aug 2009) 26 Feb 2010	<b>10635/2010</b>
<b>Toyota Jidosha Kabushiki Kaisha;</b> 26-06, Front combination lamp for an automobile, 24 Feb 2010	<b>10621/2010</b>	<b>Victaulic Company;</b> 23-01A, Pipe coupling, (US, 28 Aug 2009) 25 Feb 2010	<b>10627/2010</b>
<b>Toyota Jidosha Kabushiki Kaisha;</b> 26-06, Rear combination lamp for an automobile, 24 Feb 2010	<b>10622/2010</b>	<b>Victaulic Company;</b> 23-01A, Pipe coupling segment, (US, 28 Aug 2009) 25 Feb 2010	<b>10626/2010</b>
<b>Ultra Auto Australia;</b> 26-06, Vehicle light, 16 Feb 2010	<b>10535/2010</b>	<b>Victaulic Company;</b> 23-01A, Pipe coupling, (US, 28 Aug 2009) 25 Feb 2010	<b>10628/2010</b>
<b>Vibram S.P.A.;</b> 02-04B, Soles for footwear, (EM, 10 Aug 2009) 10 Feb 2010	<b>10453/2010</b>	<b>Victaulic Company;</b> 23-01A, Pipe coupling segment, (US, 28 Aug 2009) 25 Feb 2010	<b>10629/2010</b>
<b>Vibram S.P.A.;</b> 02-04B, Soles for footwear, (EM, 10 Aug 2009) 10 Feb 2010	<b>10454/2010</b>	<b>VKR Holding A/S;</b> 25-01K, Head rail, (WO, 01 Oct 2009) 22 Feb 2010	<b>10590/2010</b>

<b>VKR Holding A/S;</b> 25-01K, Head rail, (WO, 01 Oct 2009) 22 Feb 2010	<b>10591/2010</b>	<b>Zespri Group Limited;</b> 07-03, 2010 Spife, (NZ, 04 Feb 2010) 17 Feb 2010	<b>10533/2010</b>
<b>WiZ Co Ltd; Kabushiki Kaisha Bandai;</b> 21-01NES, Game device, (JP, 30 Sep 2009) 17 Feb 2010	<b>10532/2010</b>	<b>Zespri Group Limited;</b> 09-03M, ZESPRI GREEN Modular Bulk Box, 12 Feb 2010	<b>10486/2010</b>
<b>Wolverine World Wide, Inc.;</b> 02-04B, Footwear sole, (US, 05 Nov 2009) 19 Feb 2010	<b>10594/2010</b>	<b>Zespri Group Limited;</b> 09-03M, ZESPRI GOLD Modular Double Box, 12 Feb 2010	<b>10487/2010</b>
<b>Wolverine World Wide, Inc.;</b> 02-04NES, Footwear upper portion, (US, 05 Nov 2009) 19 Feb 2010	<b>10595/2010</b>	<b>Zoo Med Laboratories, Inc.;</b> 26-03, Dual-lamp light fixture, (US, 01 Sep 2009) 12 Feb 2010	<b>10484/2010</b>

---

**Applications Withdrawn**

10474 / 2010 (13-03B)

---

**Applications Lapsed**

12994 / 2009 (02-02C)	14376 / 2009 (08-08B)
14377 / 2009 (08-08B)	14432 / 2009 (30-04)
14433 / 2009 (30-04)	14434 / 2009 (02-04C)
14435 / 2009 (30-04)	14436 / 2009 (30-04)
14437 / 2009 (30-04)	14438 / 2009 (30-04)
14439 / 2009 (30-04)	14440 / 2009 (30-04)
14460 / 2009 (30-04)	14783 / 2009 (07-02E)
14844 / 2009 (02-05)	14845 / 2009 (02-05)
14849 / 2009 (06-11)	14850 / 2009 (06-11)
14858 / 2009 (25-01B)	14871 / 2009 (15-03A)
14877 / 2009 (12-10)	14894 / 2009 (08-07)
14895 / 2009 (02-02NES)	14896 / 2009 (02-02NES)
14897 / 2009 (02-02NES)	

**Extension of Period of Registration of Designs**

302465	302700	302729
302734	302735	302736
302737	302738	302837
302838	302839	302840
302841	302842	302846
302874	302877	302878
302917	302925	302926
302933	302935	302936
302948	302949	302950
302951	302952	302955
302956	302957	302958
302978	302979	302980
302981	302989	302990
302991	302992	303009
303062	303074	303139
303159	303162	303163
303169	303203	303238
303264	303286	303308
303352	303484	303487
303498	303707	303709
303710	303711	303926
304016	304374	304633
304789	304877	304963
304978	304981	305015
305034	305190	305193
305194	305261	305304
305305	305308	305360
305381	305382	305383
305384	305441	305554
305555	305556	305643
305644	305748	305814
305866	305867	305868
305869	305870	305871
305872	305910	305911
305935	305941	305989
306024	306205	306509
306594	306691	306706
306767	306804	306821
306844	306845	306846
306847	306848	306849
306854	306906	306999
307004	307180	307181
307183	307185	307865
307897	313062	

**Revocation of Design Registrations**

The following Design Registration(s) have been revoked and are taken never to have been registered:

325526 09-01G  
325527 09-01G

**Registrations Ceased**

300186	300318	300319
300321	300322	300329
300344	300345	300346
300347	300348	300349
300350	300360	300361
300362	300363	300364
300365	300366	300367
300380	300386	300387
300389	300390	300405
300406	300409	300410
300427	300462	300464
300469	300474	300475
300476	300478	300479
300480	300490	300542
300543	300544	300548
300549	300561	300582
300595	300598	300600
300601	300604	300612
300618	300619	300634
300635	300636	300637
300638	300639	300689
300733	300734	300751
300783	300784	300786
300796	300797	300835
300842	300843	300844
300845	300846	300847
300848	300849	300850
300866	300881	300894
300895	300896	300897
300899	300900	300901
300903	300904	300905
301035	301036	301037
301190	301207	301565
301566	301567	301568
301635	301636	301637
301638	301814	301815
301865	302162	302163
302301	302302	302303
302536	302537	302538
302863	303040	303640
304144	304145	304146
304147	304400	

**Extensions of time granted under Section 137**

Applications lodged under section 137 for extension of time have been granted.

325189 **Lincoln Global, Inc.**

324974 **Spotless Plastics Pty Ltd**

12994/2009 **Hatzis Holdings Pty Ltd**

13067/2009 **Darryl Apps**

13068/2009 **Darryl Apps**

13069/2009 **Darryl Apps**

13070/2009 **Darryl Apps**

13071/2009 **Darryl Apps**

13072/2009 Darryl Apps

13073/2009 Darryl Apps

14852/2009 Sandvik Intellectual Property AB

14853/2009 Sandvik Intellectual Property AB

14858/2009 Permaban Limited

14877/2009 Just Sauce Pty Ltd

329552 PEMI GROUP, s.r.o.

329553 PEMI GROUP, s.r.o.

329555 PEMI GROUP, s.r.o.

329556 PEMI GROUP, s.r.o.

329557 PEMI GROUP, s.r.o.

329558 PEMI GROUP, s.r.o.

329559 PEMI GROUP, s.r.o.

### Subsequent Owners Registered

(The name in parentheses is that of the subsequent owner)

324868 ( Wayne Kelly ) Michael Johnston;Wayne Kelly

### Names Registered - Alterations and Amendments

(The name in parentheses is that of the subsequent applicant)

328108 ( TRANEX EQUIPMENT ) Exform Industries Pty

302729 ( Panasonic Corporation ) Matsushita Electric Industrial Co. Ltd

308231 ( The Nutro Company ) Nutro Products, Inc.;The Nutro Company

303139 ( Panasonic Corporation ) Matsushita Electric Industrial Co. Ltd

**Certificate(s) of Examination**

Examination of the following Design Registration(s) has been completed. Infringement proceedings may now be commenced.

312099	08-05K	17/02/2010
319917	13-03D	19/02/2010
323628	14-02	18/02/2010
324974	06-08	18/02/2010
325748	21-03	22/02/2010
325780	23-01K	12/02/2010
325947	14-01	26/02/2010
326169	28-99	15/02/2010
326372	21-03	25/02/2010
326403	09-03F	12/02/2010
326749	26-05C	26/02/2010
326750	26-05C	26/02/2010
326762	26-05C	26/02/2010
327530	24-01	26/02/2010
327546	24-01	26/02/2010
327645	09-01G	25/02/2010
327646	09-01G	25/02/2010
327647	09-01G	25/02/2010
327692	23-03D	16/02/2010
327912	02-02B	26/02/2010
327924	08-08NES	26/02/2010
327941	13-03NES	25/02/2010
327942	13-03NES	25/02/2010
327998	10-05	26/02/2010
328012	12-05	25/02/2010
328062	15-99	15/02/2010
328108	08-08B	16/02/2010
328161	25-01K	26/02/2010
328201	08-99	25/02/2010
328246	12-06A	12/02/2010
328256	09-07C	16/02/2010
328275	08-99	25/02/2010
328303	15-04	12/02/2010
328304	15-04	12/02/2010
328307	08-08NES	12/02/2010
328310	12-06NES	24/02/2010
328416	14-02	26/02/2010
328417	14-01	26/02/2010
328432	23-03NES	26/02/2010
328453	14-02	19/02/2010
328454	14-02	19/02/2010
328455	14-02	19/02/2010
328456	14-02	19/02/2010
328528	10-02	26/02/2010
328535	23-03NES	26/02/2010
328576	09-03NES	26/02/2010
328617	06-02	26/02/2010
328651	19-06	26/02/2010
328652	19-06	26/02/2010
328687	14-02	26/02/2010
328698	25-01K	26/02/2010
328802	21-02C	26/02/2010
328828	04-02	26/02/2010
328829	04-02	26/02/2010
328830	04-02	26/02/2010
328869	09-03NES	26/02/2010
328893	23-01K	26/02/2010
329016	15-01	26/02/2010



**Publication and Registration Proceedings**

**Designs Registered**

This section provides a concordance between design number and registration number of Designs covered in this journal. It also shows the main class and registration date.

This section covers Registration numbers 329539 to 329750 .

The registration number shown below should be used in all future correspondence.

Design Number	Registration Number	International Classification Code (IDC)	Registration Date	Design Number	Registration Number	International Classification Code (IDC)	Registration Date
10386/2009	329586	06-06NES	17/02/2010	15082/2009	329599	12-08	16/02/2010
10387/2009	329587	06-06NES	17/02/2010	15083/2009	329600	12-08	16/02/2010
11708/2009	329696	28-03NES	23/02/2010	10015/2010	329632	23-04	17/02/2010
11709/2009	329697	28-03NES	23/02/2010	10030/2010	329601	09-03NES	16/02/2010
11863/2009	329597	12-15A	16/02/2010	10065/2010	329693	23-04	23/02/2010
11864/2009	329598	12-15A	16/02/2010	10066/2010	329694	23-04	23/02/2010
12067/2009	329539	12-15B	15/02/2010	10067/2010	329695	23-04	23/02/2010
12068/2009	329540	12-15B	15/02/2010	10078/2010	329602	14-03NES	16/02/2010
12069/2009	329541	12-15B	15/02/2010	10112/2010	329699	12-16B	23/02/2010
12091/2009	329542	12-15A	15/02/2010	10113/2010	329700	12-16NES	23/02/2010
12093/2009	329543	12-15A	15/02/2010	10114/2010	329701	12-16NES	23/02/2010
12393/2009	329588	28-03D	17/02/2010	10156/2010	329546	13-03D	15/02/2010
12568/2009	329589	12-16M	17/02/2010	10157/2010	329547	13-03D	15/02/2010
12642/2009	329685	24-02	23/02/2010	10158/2010	329548	13-03D	15/02/2010
13067/2009	329666	26-06	19/02/2010	10159/2010	329549	13-03D	15/02/2010
13068/2009	329667	26-06	19/02/2010	10171/2010	329592	08-08D	17/02/2010
13069/2009	329668	26-06	19/02/2010	10172/2010	329593	25-01K	17/02/2010
13070/2009	329669	26-06	19/02/2010	10173/2010	329594	08-08D	17/02/2010
13071/2009	329670	26-06	19/02/2010	10180/2010	329603	12-11	16/02/2010
13072/2009	329671	26-06	19/02/2010	10181/2010	329595	09-03F	17/02/2010
13073/2009	329672	26-06	19/02/2010	10182/2010	329596	14-03E	17/02/2010
13895/2009	329620	26-06	17/02/2010	10183/2010	329604	23-01C	16/02/2010
13932/2009	329650	10-05	18/02/2010	10186/2010	329614	26-05NES	15/02/2010
13933/2009	329651	10-05	18/02/2010	10188/2010	329615	25-02C	15/02/2010
14470/2009	329590	08-05F	17/02/2010	10189/2010	329616	02-04NES	15/02/2010
14810/2009	329641	08-99	17/02/2010	10190/2010	329617	02-04NES	15/02/2010
14819/2009	329698	24-99	23/02/2010	10191/2010	329618	02-04NES	15/02/2010
14833/2009	329621	25-02NES	17/02/2010	10192/2010	329619	02-04NES	15/02/2010
14840/2009	329652	11-02B	18/02/2010	10193/2010	329623	02-04NES	17/02/2010
14847/2009	329622	06-06NES	17/02/2010	10194/2010	329624	02-04NES	17/02/2010
14848/2009	329653	06-06NES	18/02/2010	10195/2010	329625	02-04NES	17/02/2010
14852/2009	329677	08-01	23/02/2010	10196/2010	329626	09-07B	17/02/2010
14853/2009	329678	08-01	23/02/2010	10197/2010	329627	09-07B	17/02/2010
14859/2009	329544	12-08	15/02/2010	10198/2010	329628	07-02L	17/02/2010
14860/2009	329545	12-08	15/02/2010	10200/2010	329629	13-03B	17/02/2010
14879/2009	329673	09-03M	19/02/2010	10201/2010	329605	13-03D	16/02/2010
14898/2009	329654	21-02E	18/02/2010	10202/2010	329606	13-03D	16/02/2010
14910/2009	329591	24-02	17/02/2010	10203/2010	329687	24-02	23/02/2010
14926/2009	329674	19-08	22/02/2010	10204/2010	329686	24-02	23/02/2010
14927/2009	329675	19-08	22/02/2010	10205/2010	329607	15-99	16/02/2010
14928/2009	329676	19-08	22/02/2010	10208/2010	329608	08-03	16/02/2010
14955/2009	329655	09-99	18/02/2010	10215/2010	329656	02-04B	18/02/2010
15015/2009	329646	01-01	18/02/2010	10216/2010	329657	02-04B	18/02/2010
15016/2009	329661	06-01E	19/02/2010	10221/2010	329702	02-01A	23/02/2010
15017/2009	329647	06-01G	18/02/2010	10224/2010	329630	08-08NES	17/02/2010
15018/2009	329662	06-01G	19/02/2010	10225/2010	329631	09-07B	17/02/2010
15019/2009	329648	06-01G	18/02/2010	10227/2010	329703	25-01NES	23/02/2010
15020/2009	329663	06-01G	19/02/2010	10228/2010	329704	08-08C	23/02/2010
15021/2009	329649	06-03A	18/02/2010	10239/2010	329633	21-01B	17/02/2010
15036/2009	329664	28-03NES	19/02/2010	10240/2010	329634	21-01B	17/02/2010
15037/2009	329665	28-03NES	19/02/2010	10241/2010	329635	21-01B	17/02/2010
15070/2009	329642	14-02	17/02/2010	10242/2010	329636	21-01B	17/02/2010
15071/2009	329643	14-02	17/02/2010	10243/2010	329637	21-01B	17/02/2010

Publication and Registration Proceedings - Designs Registered cont'd

Design Number	Registration Number	International Classification Code (IDC)	Registration Date	Design Number	Registration Number	International Classification Code (IDC)	Registration Date
10244/2010	329638	21-01B	17/02/2010	10318/2010	329716	13-03NES	24/02/2010
10245/2010	329639	21-01B	17/02/2010	10320/2010	329743	07-02K	27/02/2010
10246/2010	329640	21-01B	17/02/2010	10321/2010	329744	21-01B	27/02/2010
10247/2010	329609	21-01B	16/02/2010	10322/2010	329717	23-01G	24/02/2010
10248/2010	329610	21-01B	16/02/2010	10324/2010	329719	02-05	25/02/2010
10249/2010	329658	30-02	18/02/2010	10336/2010	329745	09-01A	27/02/2010
10250/2010	329718	25-01E	25/02/2010	10337/2010	329746	09-01A	27/02/2010
10259/2010	329705	07-07A	23/02/2010	10338/2010	329747	09-07NES	27/02/2010
10261/2010	329706	07-02A	23/02/2010	10339/2010	329748	09-01A	27/02/2010
10267/2010	329679	26-05NES	23/02/2010	10340/2010	329749	09-01A	27/02/2010
10268/2010	329680	26-05NES	23/02/2010	10348/2010	329724	21-01B	25/02/2010
10269/2010	329681	09-09	23/02/2010	10349/2010	329725	21-01B	25/02/2010
10270/2010	329682	13-02	23/02/2010	10350/2010	329726	21-01B	25/02/2010
10271/2010	329683	14-02	23/02/2010	10351/2010	329727	21-01B	25/02/2010
10280/2010	329611	02-02C	16/02/2010	10352/2010	329613	02-02C	16/02/2010
10281/2010	329612	02-02C	16/02/2010	10355/2010	329644	25-01F	17/02/2010
10283/2010	329688	07-02F	23/02/2010	10356/2010	329684	25-01F	23/02/2010
10284/2010	329689	25-02E	23/02/2010	10367/2010	329645	19-08	17/02/2010
10285/2010	329690	25-02E	23/02/2010	10370/2010	329707	26-05D	23/02/2010
10286/2010	329691	26-06	23/02/2010	10431/2010	329750	03-01NES	27/02/2010
10287/2010	329692	26-06	23/02/2010	10433/2010	329659	12-16NES	18/02/2010
10296/2010	329550	25-01F	15/02/2010	10434/2010	329660	08-08B	18/02/2010
10309/2010	329710	21-01NES	24/02/2010	10464/2010	329708	08-08L	23/02/2010
10310/2010	329712	21-02F	24/02/2010	10465/2010	329709	08-08L	23/02/2010
10314/2010	329711	12-12	24/02/2010	10503/2010	329720	23-01H	25/02/2010
10315/2010	329713	12-12	24/02/2010	10504/2010	329721	23-02B	25/02/2010
10316/2010	329714	13-03NES	24/02/2010	10505/2010	329722	08-06	25/02/2010
10317/2010	329715	13-03NES	24/02/2010	10506/2010	329723	08-06	25/02/2010

**Publication and Registration Proceedings**  
**Class Listing of Designs Published or Registered**

The following section shows an International Classification Code listing of the Registered or Published Designs covered in this supplement.

<b>Classification</b>	<b>Registration Number</b>	<b>Design Number</b>	<b>Classification</b>	<b>Registration Number</b>	<b>Design Number</b>
01-01	329646	15015/2009	09-03 NES	329601	10030/2010
02-01 A	329702	10221/2010	09-07 A	329745	10336/2010
02-02 C	329611	10280/2010	09-07 A	329748	10339/2010
02-02 C	329612	10281/2010	09-07 B	329626	10196/2010
02-02 C	329613	10352/2010	09-07 B	329627	10197/2010
02-04 B	329656	10215/2010	09-07 B	329631	10225/2010
02-04 B	329657	10216/2010	09-07 NES	329747	10338/2010
02-04 NES	329616	10189/2010	09-07 NES	329748	10339/2010
02-04 NES	329617	10190/2010	09-09	329681	10269/2010
02-04 NES	329618	10191/2010	09-99	329655	14955/2009
02-04 NES	329619	10192/2010	09-99	329681	10269/2010
02-04 NES	329623	10193/2010	10-04	329685	12642/2009
02-04 NES	329624	10194/2010	10-04	329686	10204/2010
02-04 NES	329625	10195/2010	10-04	329687	10203/2010
02-05	329719	10324/2010	10-05	329650	13932/2009
03-01 NES	329750	10431/2010	10-05	329651	13933/2009
06-01 E	329661	15016/2009	11-02 B	329652	14840/2009
06-01 G	329647	15017/2009	11-02 F	329586	10386/2009
06-01 G	329648	15019/2009	11-99	329620	13895/2009
06-01 G	329662	15018/2009	12-08	329544	14859/2009
06-01 G	329663	15020/2009	12-08	329545	14860/2009
06-03 A	329649	15021/2009	12-08	329599	15082/2009
06-05	329586	10386/2009	12-08	329600	15083/2009
06-05	329587	10387/2009	12-11	329603	10180/2010
06-06 NES	329586	10386/2009	12-12	329711	10314/2010
06-06 NES	329587	10387/2009	12-12	329713	10315/2010
06-06 NES	329622	14847/2009	12-15 A	329542	12091/2009
06-06 NES	329653	14848/2009	12-15 A	329543	12093/2009
07-02 A	329706	10261/2010	12-15 A	329597	11863/2009
07-02 F	329688	10283/2010	12-15 A	329598	11864/2009
07-02 K	329743	10320/2010	12-15 B	329539	12067/2009
07-02 L	329628	10198/2010	12-15 B	329540	12068/2009
07-07 A	329705	10259/2010	12-15 B	329541	12069/2009
08-01	329677	14852/2009	12-16 B	329699	10112/2010
08-01	329678	14853/2009	12-16 M	329589	12568/2009
08-03	329608	10208/2010	12-16 NES	329641	14810/2009
08-05 F	329590	14470/2009	12-16 NES	329659	10433/2010
08-06	329701	10114/2010	12-16 NES	329700	10113/2010
08-06	329722	10505/2010	12-16 NES	329701	10114/2010
08-06	329723	10506/2010	13-02	329682	10270/2010
08-08 B	329660	10434/2010	13-03 B	329629	10200/2010
08-08 C	329704	10228/2010	13-03 D	329546	10156/2010
08-08 D	329592	10171/2010	13-03 D	329547	10157/2010
08-08 D	329594	10173/2010	13-03 D	329548	10158/2010
08-08 L	329703	10227/2010	13-03 D	329549	10159/2010
08-08 L	329708	10464/2010	13-03 D	329605	10201/2010
08-08 L	329709	10465/2010	13-03 D	329606	10202/2010
08-08 NES	329630	10224/2010	13-03 NES	329714	10316/2010
08-99	329641	14810/2009	13-03 NES	329715	10317/2010
09-01 A	329745	10336/2010	13-03 NES	329716	10318/2010
09-01 A	329746	10337/2010	14-02	329642	15070/2009
09-01 A	329748	10339/2010	14-02	329643	15071/2009
09-01 A	329749	10340/2010	14-02	329683	10271/2010
09-03 F	329595	10181/2010	14-03 E	329596	10182/2010
09-03 M	329673	14879/2009	14-03 NES	329602	10078/2010
09-03 M	329698	14819/2009	15-99	329607	10205/2010

Registration Proceedings - Class Listing of Designs Published or Registered cont'd

Classification	Registration Number	Design Number	Classification	Registration Number	Design Number
16-02	329586	10386/2009	25-01 D	329587	10387/2009
19-08	329645	10367/2010	25-01 E	329718	10250/2010
19-08	329674	14926/2009	25-01 F	329550	10296/2010
19-08	329675	14927/2009	25-01 F	329644	10355/2010
19-08	329676	14928/2009	25-01 F	329684	10356/2010
19-99	329587	10387/2009	25-01 K	329593	10172/2010
21-01 B	329609	10247/2010	25-01 K	329708	10464/2010
21-01 B	329610	10248/2010	25-01 NES	329703	10227/2010
21-01 B	329633	10239/2010	25-02 C	329615	10188/2010
21-01 B	329634	10240/2010	25-02 E	329689	10284/2010
21-01 B	329635	10241/2010	25-02 E	329690	10285/2010
21-01 B	329636	10242/2010	25-02 NES	329621	14833/2009
21-01 B	329637	10243/2010	25-02 NES	329630	10224/2010
21-01 B	329638	10244/2010	26-04	329693	10065/2010
21-01 B	329639	10245/2010	26-04	329694	10066/2010
21-01 B	329640	10246/2010	26-04	329695	10067/2010
21-01 B	329724	10348/2010	26-05 D	329707	10370/2010
21-01 B	329725	10349/2010	26-05 NES	329614	10186/2010
21-01 B	329726	10350/2010	26-05 NES	329679	10267/2010
21-01 B	329727	10351/2010	26-05 NES	329680	10268/2010
21-01 B	329744	10321/2010	26-06	329620	13895/2009
21-01 NES	329710	10309/2010	26-06	329666	13067/2009
21-02 E	329654	14898/2009	26-06	329667	13068/2009
21-02 F	329712	10310/2010	26-06	329668	13069/2009
23-01 C	329604	10183/2010	26-06	329669	13070/2009
23-01 F	329599	15082/2009	26-06	329670	13071/2009
23-01 F	329600	15083/2009	26-06	329671	13072/2009
23-01 G	329717	10322/2010	26-06	329672	13073/2009
23-01 H	329720	10503/2010	26-06	329691	10286/2010
23-02 B	329721	10504/2010	26-06	329692	10287/2010
23-04	329632	10015/2010	28-03 D	329588	12393/2009
23-04	329693	10065/2010	28-03 NES	329664	15036/2009
23-04	329694	10066/2010	28-03 NES	329665	15037/2009
23-04	329695	10067/2010	28-03 NES	329696	11708/2009
24-02	329591	14910/2009	28-03 NES	329697	11709/2009
24-02	329685	12642/2009	30-02	329658	10249/2010
24-02	329686	10204/2010			
24-02	329687	10203/2010			
24-99	329698	14819/2009			

(21) Design Number: **12067/2009**

(22) Date of Filing Application: **04 June 2009**

(24) Date from which industrial property rights may have effect: **04 June 2009**

(54) Product in respect of which the design is registered: **Automobile tyre**

(51) International Design Classification: **12-15B**

(71) Name(s) and Address(s) of Applicant(s):

**Bridgestone Corporation**

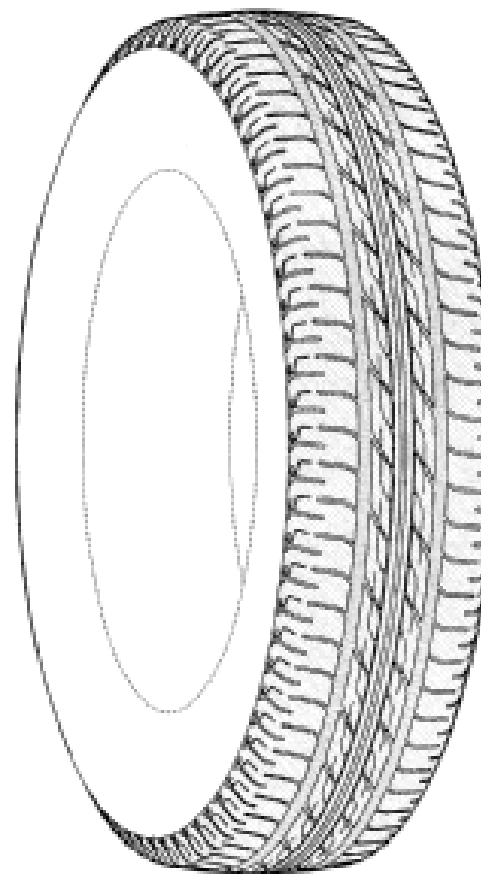
**10-1 Kyobashi 1-Chome Chuo-ku Tokyo 104-8340 Japan**

(72) Name(s) of Designer(s): **Takamitsu Nakamura**

(45) Registration Date: **15 February 2010**

(56) Related Art Documents: **Not Applicable**

(57) Statement of Newness and Distinctiveness: **The shape and configuration of the tread portion of the tyre is new and distinctive.**



(21) Design Number: **12068/2009**

(22) Date of Filing Application: **04 June 2009**

(24) Date from which industrial property rights may have effect: **04 June 2009**

(54) Product in respect of which the design is registered: **Automobile tyre**

(51) International Design Classification: **12-15B**

(71) Name(s) and Address(s) of Applicant(s):

**Bridgestone Corporation**

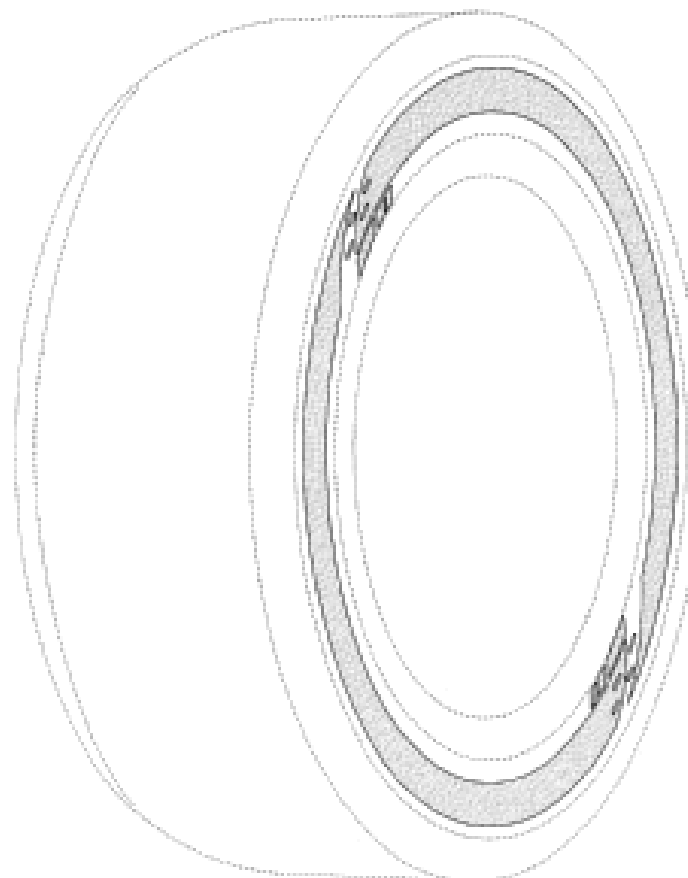
**10-1 Kyobashi 1-Chome Chuo-ku Tokyo 104-8340 Japan**

(72) Name(s) of Designer(s): **Takamitsu Nakamura**

(45) Registration Date: **15 February 2010**

(56) Related Art Documents: **Not Applicable**

(57) Statement of Newness and Distinctiveness: **The shape, configuration, pattern and ornamentation of the side wall portion of the tyre is new and distinctive.**



(21) Design Number: **12069/2009**

(22) Date of Filing Application: **04 June 2009**

(24) Date from which industrial property rights may have effect: **04 June 2009**

(54) Product in respect of which the design is registered: **Automobile tyre**

(51) International Design Classification: **12-15B**

(71) Name(s) and Address(s) of Applicant(s):

**Bridgestone Corporation**

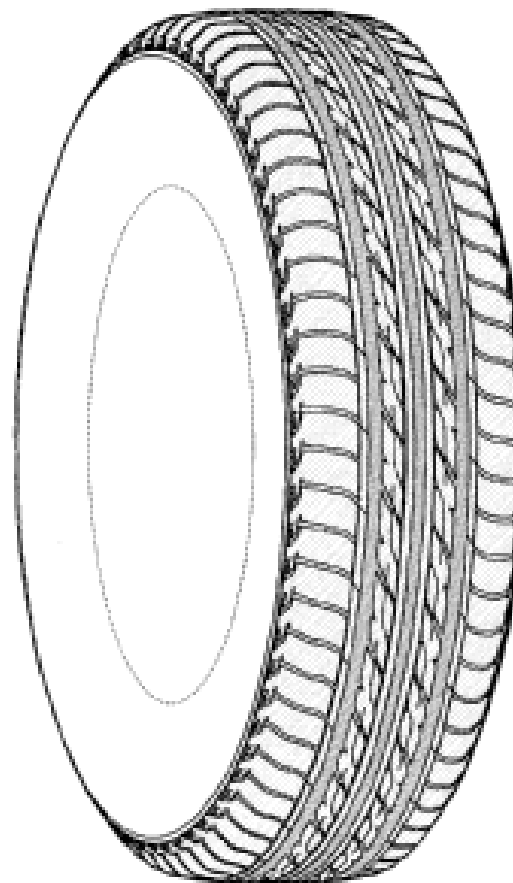
**10-1 Kyobashi 1-Chome Chuo-ku Tokyo 104-8340 Japan**

(72) Name(s) of Designer(s): **Takamitsu Nakamura**

(45) Registration Date: **15 February 2010**

(56) Related Art Documents: **Not Applicable**

(57) Statement of Newness and Distinctiveness: **The shape and configuration of the tread portion of the tyre is new and distinctive.**



(21) Design Number: **12091/2009**

(22) Date of Filing Application: **05 June 2009**

(24) Date from which industrial property rights may have effect: **05 June 2009**

(54) Product in respect of which the design is registered: **Automobile tyre**

(51) International Design Classification: **12-15A**

(71) Name(s) and Address(s) of Applicant(s):

**Bridgestone Corporation**

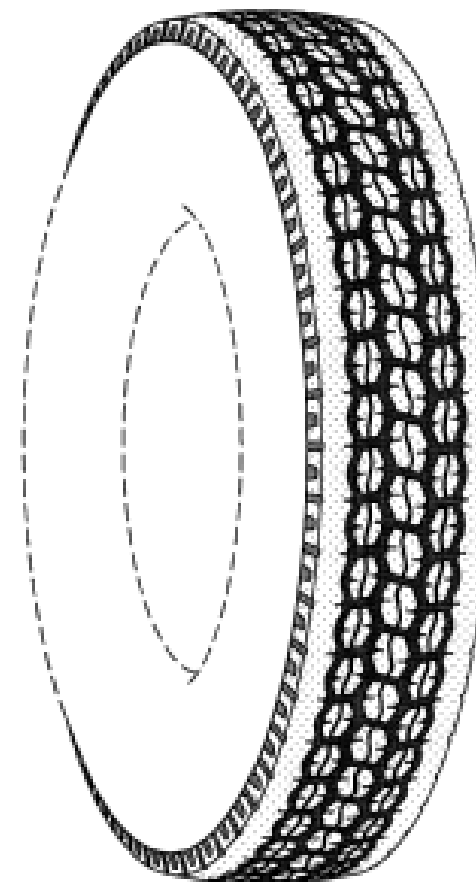
**10-1 Kyobashi 1-Chome Chuo-ku Tokyo 104-8340 Japan**

(72) Name(s) of Designer(s): **Takaaki Kojima**

(45) Registration Date: **15 February 2010**

(56) Related Art Documents: **Not Applicable**

(57) Statement of Newness and Distinctiveness: **The shape and configuration of the tread portion of the tyre as shown in solid lines in the representations is new and distinctive.**



(21) Design Number: **12093/2009**

(22) Date of Filing Application: **05 June 2009**

(24) Date from which industrial property rights may have effect: **05 June 2009**

(54) Product in respect of which the design is registered: **Automobile tyre**

(51) International Design Classification: **12-15A**

(71) Name(s) and Address(s) of Applicant(s):

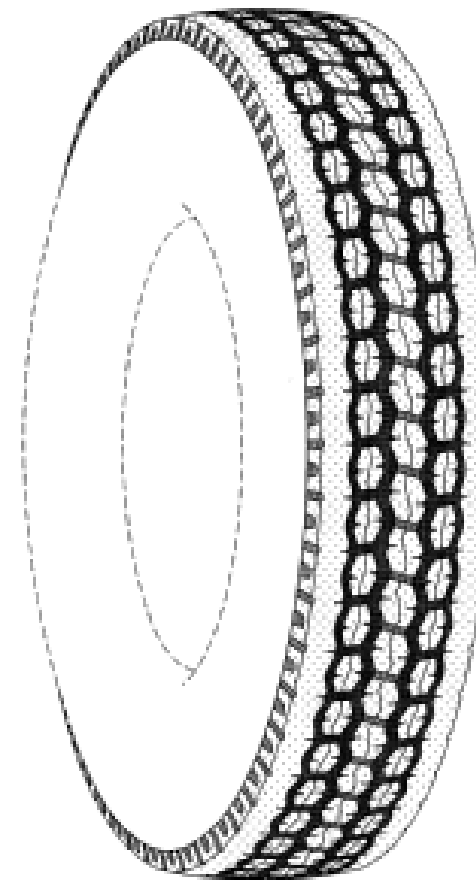
**Bridgestone Corporation**  
**10-1 Kyobashi 1-Chome Chuo-ku Tokyo 104-8340 Japan**

(72) Name(s) of Designer(s): **Takaaki Kojima**

(45) Registration Date: **15 February 2010**

(56) Related Art Documents: **Not Applicable**

(57) Statement of Newness and Distinctiveness: **The shape and configuration of the tread portion of the tyre as shown in solid lines in the representations is new and distinctive.**



(21) Design Number: **14859/2009**

(22) Date of Filing Application: **11 December 2009**

(24) Date from which industrial property rights may have effect: **11 December 2009**

(54) Product in respect of which the design is registered: **Automobile**

(51) International Design Classification: **12-08**

(71) Name(s) and Address(s) of Applicant(s):

**Toyota Jidosha Kabushiki Kaisha**  
**1 Toyota-cho Toyota-shi Aichi-ken 471-8571 Japan**

(72) Name(s) of Designer(s): **Masayuki Yamaji and Koichi Suga and Kenji Kido**

(45) Registration Date: **15 February 2010**

(56) Related Art Documents: **Not Applicable**

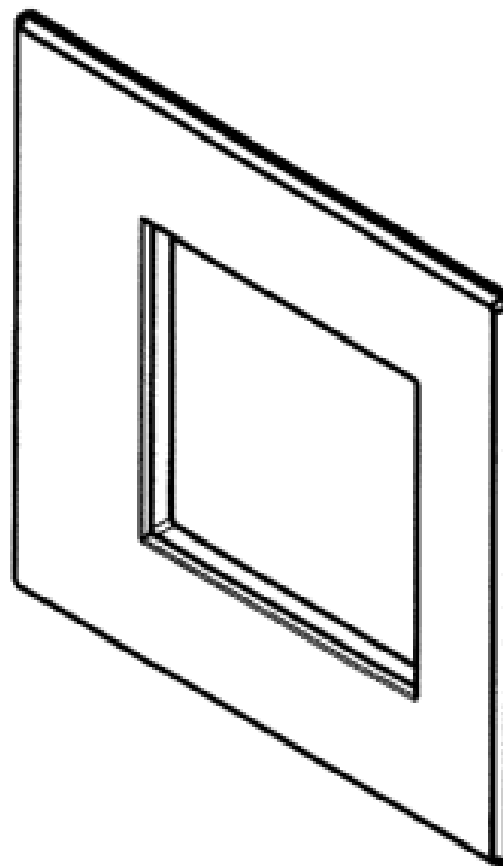
(57) Statement of Newness and Distinctiveness: **Newness and distinctiveness is claimed in the features of shape and/or configuration of an automobile as illustrated in the accompanying representations.**



- (21) Design Number: **14860/2009**  
(22) Date of Filing Application: **11 December 2009**  
(24) Date from which industrial property rights may have effect: **11 December 2009**  
(54) Product in respect of which the design is registered: **Automobile**  
(51) International Design Classification: **12-08**  
(71) Name(s) and Address(s) of Applicant(s):  
**Toyota Jidosha Kabushiki Kaisha**  
**1 Toyota-cho Toyota-shi Aichi-ken 471-8571 Japan**  
(72) Name(s) of Designer(s): **Masayuki Yamaji and Koichi Suga and Kenji Kido**  
(45) Registration Date: **15 February 2010**  
(56) Related Art Documents: **Not Applicable**  
(57) Statement of Newness and Distinctiveness: **Newness and distinctiveness is claimed in the features of shape and/or configuration of an automobile as illustrated in the accompanying representations.**

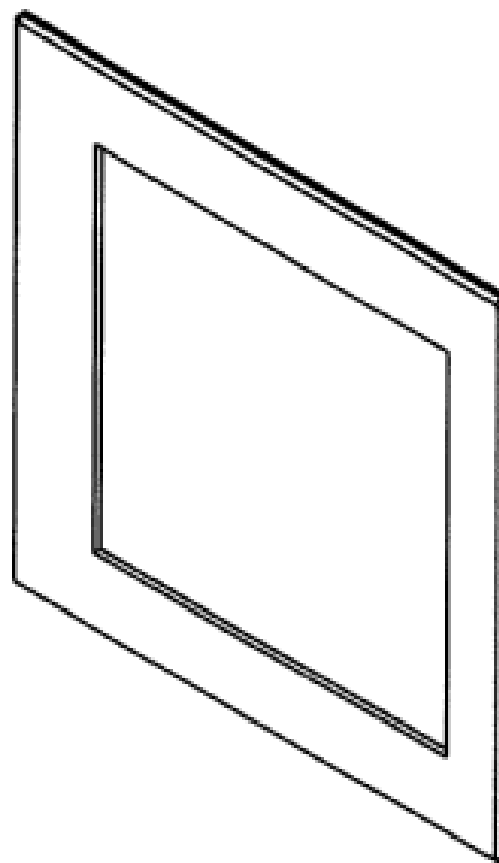


- (21) Design Number: **10156/2010**  
(22) Date of Filing Application: **18 January 2010**  
(24) Date from which industrial property rights may have effect: **18 January 2010**  
(54) Product in respect of which the design is registered: **Cover plate**  
(51) International Design Classification: **13-03D**  
(71) Name(s) and Address(s) of Applicant(s):  
**Bticino S.p.A.**  
**Via Messina 38 20154 Milano Italy**  
(72) Name(s) of Designer(s): **Fabrizio Fabrizi**  
(45) Registration Date: **15 February 2010**  
(30) Convention priority data:  
(31) Number      (32) Date      (33) Country  
**001161699      04 Aug 2009      EUROPEAN COMMUNITY**  
(56) Related Art Documents: **Not Applicable**  
(57) Statement of Newness and Distinctiveness: **Newness and distinctiveness resides in the features of shape and/or configuration of a COVER PLATE as illustrated in the accompanying representations.**

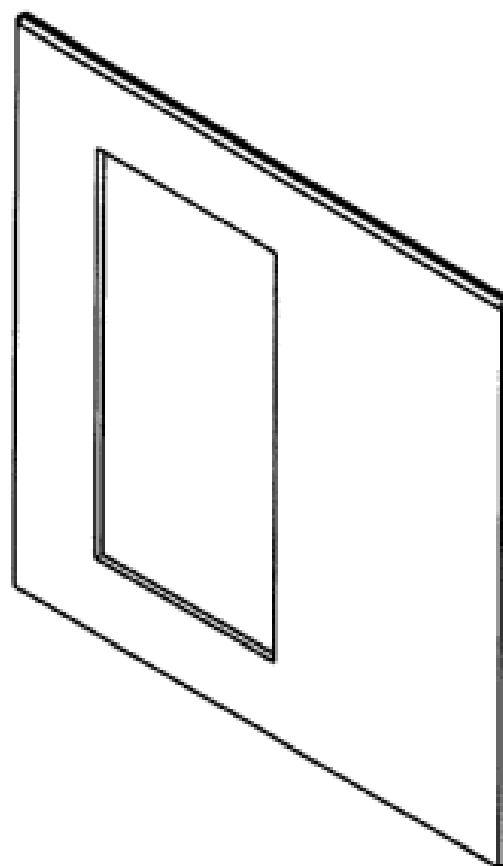




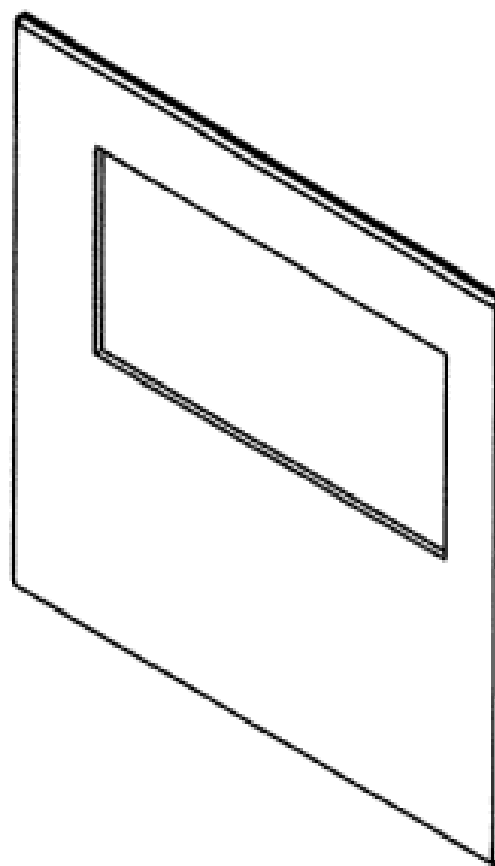
(21) Design Number: **10157/2010**  
(22) Date of Filing Application: **18 January 2010**  
(24) Date from which industrial property rights may have effect: **18 January 2010**  
(54) Product in respect of which the design is registered: **Cover plate**  
(51) International Design Classification: **13-03D**  
(71) Name(s) and Address(s) of Applicant(s):  
**Bticino S.p.A.**  
**Via Messina 38 20154 Milano Italy**  
(72) Name(s) of Designer(s): **Fabrizio Fabrizi**  
(45) Registration Date: **15 February 2010**  
(30) Convention priority data:  
(31) Number (32) Date (33) Country  
**001161699 04 Aug 2009 EUROPEAN COMMUNITY**  
(56) Related Art Documents: **Not Applicable**  
(57) Statement of Newness and Distinctiveness: **Newness and distinctiveness resides in the features of shape and/or configuration of a COVER PLATE as illustrated in the accompanying representations.**



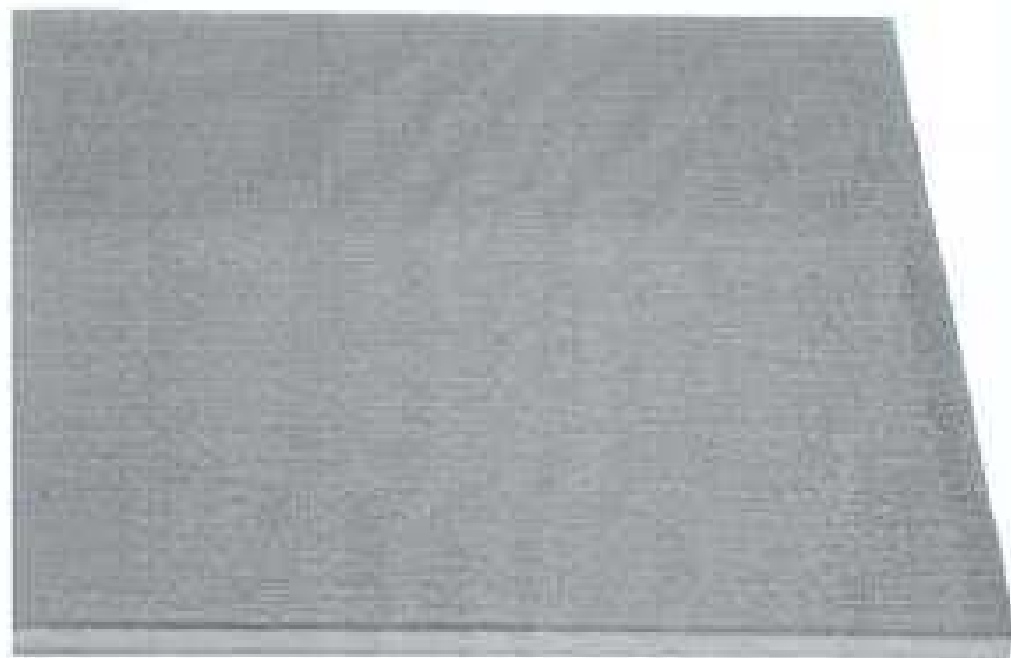
(21) Design Number: **10158/2010**  
(22) Date of Filing Application: **18 January 2010**  
(24) Date from which industrial property rights may have effect: **18 January 2010**  
(54) Product in respect of which the design is registered: **Cover plate**  
(51) International Design Classification: **13-03D**  
(71) Name(s) and Address(s) of Applicant(s):  
**Bticino S.p.A.**  
**Via Messina 38 20154 Milano Italy**  
(72) Name(s) of Designer(s): **Fabrizio Fabrizi**  
(45) Registration Date: **15 February 2010**  
(30) Convention priority data:  
(31) Number (32) Date (33) Country  
**001161699 04 Aug 2009 EUROPEAN COMMUNITY**  
(56) Related Art Documents: **Not Applicable**  
(57) Statement of Newness and Distinctiveness: **Newness and distinctiveness resides in the features of shape and/or configuration of a COVER PLATE as illustrated in the accompanying representations.**



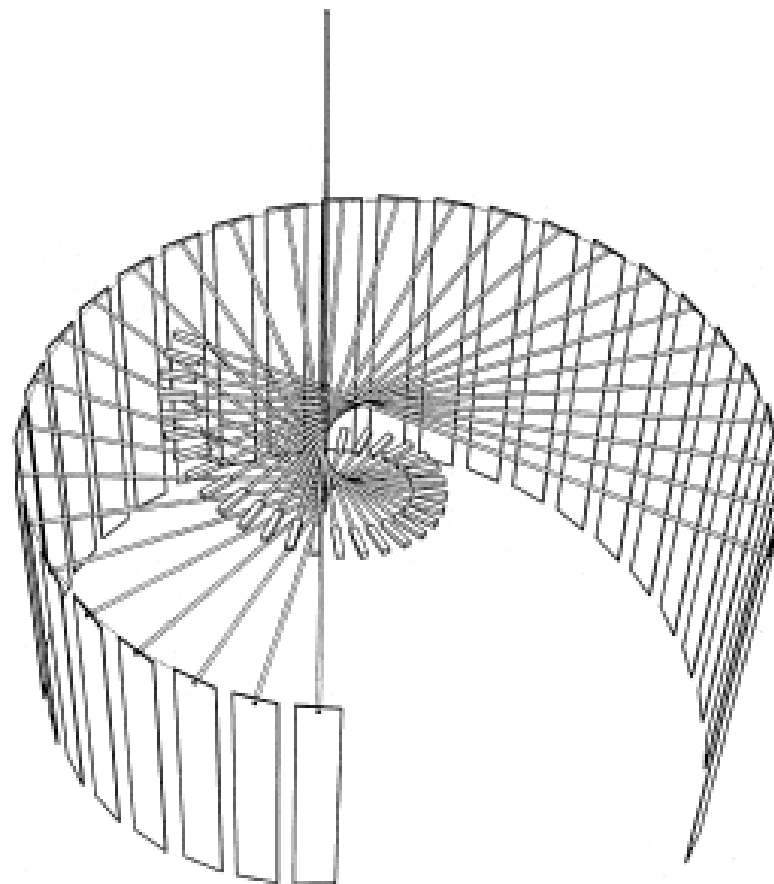
- (21) Design Number: **10159/2010**  
(22) Date of Filing Application: **18 January 2010**  
(24) Date from which industrial property rights may have effect: **18 January 2010**  
(54) Product in respect of which the design is registered: **Cover plate**  
(51) International Design Classification: **13-03D**  
(71) Name(s) and Address(s) of Applicant(s):  
**Bticino S.p.A.**  
**Via Messina 38 20154 Milano Italy**  
(72) Name(s) of Designer(s): **Fabrizio Fabrizi**  
(45) Registration Date: **15 February 2010**  
(30) Convention priority data:  
(31) Number (32) Date (33) Country  
**001161699 04 Aug 2009 EUROPEAN COMMUNITY**  
(56) Related Art Documents: **Not Applicable**  
(57) Statement of Newness and Distinctiveness: **Newness and distinctiveness resides in the features of shape and/or configuration of a COVER PLATE as illustrated in the accompanying representations.**



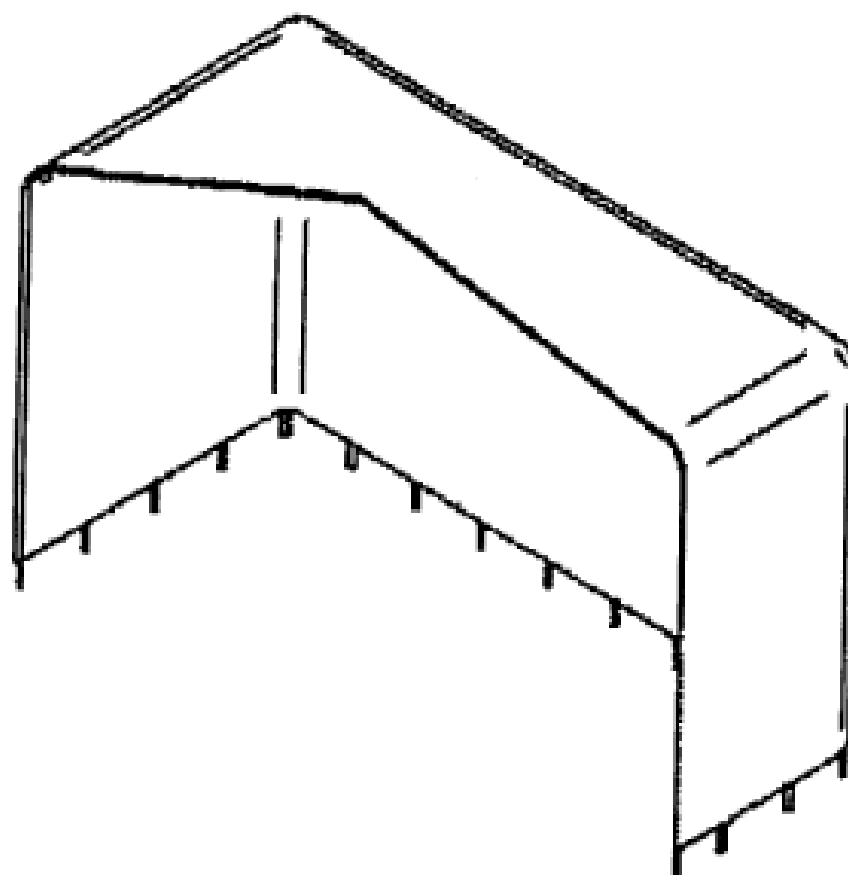
- (21) Design Number: **10296/2010**  
(22) Date of Filing Application: **29 January 2010**  
(24) Date from which industrial property rights may have effect: **29 January 2010**  
(54) Product in respect of which the design is registered: **Tile**  
(51) International Design Classification: **25-01F**  
(71) Name(s) and Address(s) of Applicant(s):  
**Everstone International Pty Ltd**  
**8 George Young Street Auburn New South Wales 2144 Australia**  
(72) Name(s) of Designer(s): **Gianni Pallotti**  
(45) Registration Date: **15 February 2010**  
(56) Related Art Documents: **Not Applicable**  
(57) Statement of Newness and Distinctiveness: **Nil**



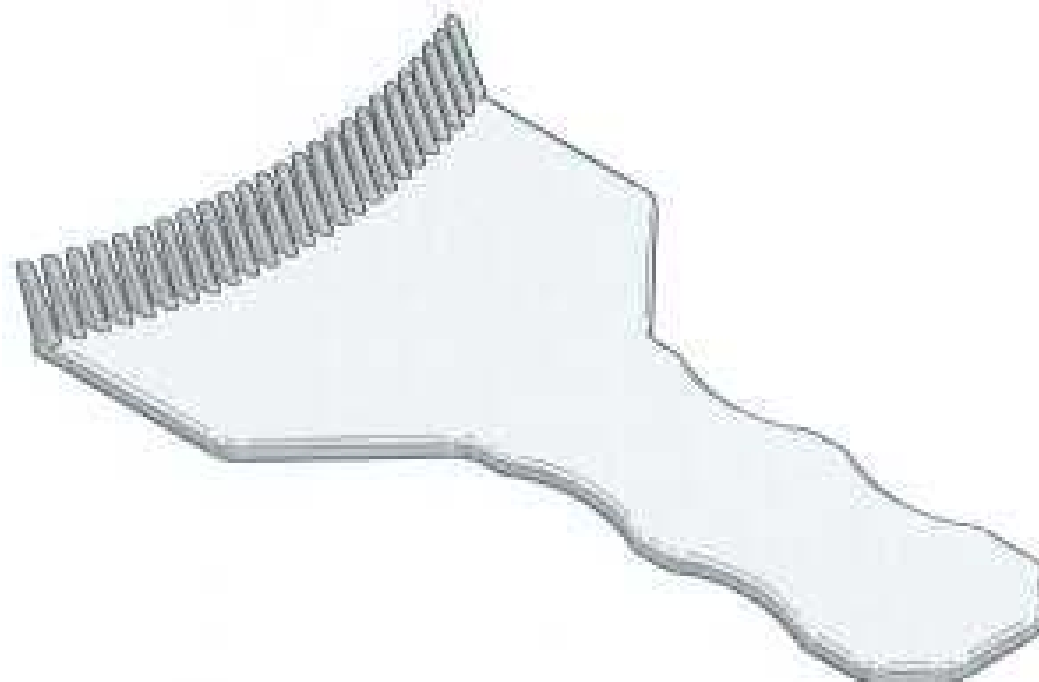
- (21) Design Number: **10386/2009**  
(22) Date of Filing Application: **09 February 2009**  
(24) Date from which industrial property rights may have effect: **09 February 2009**  
(54) Product in respect of which the design is registered: **Furniture design**  
(51) International Design Classification: **06-06NES, 06-05, 11-02F, 16-02**  
(71) Name(s) and Address(s) of Applicant(s):  
**Corporate Culture Australia**  
**21-23 Levey Street Chippendale New South Wales 2008 Australia**  
(72) Name(s) of Designer(s): **Kirk Lenard**  
(45) Registration Date: **17 February 2010**  
(56) Related Art Documents: **Not Applicable**  
(57) Statement of Newness and Distinctiveness: **Rotating screens suspended from the roof that create a room. 10+ singular screens rotate around a centered axis allowing for rotation in a 360 degree motion. Screens are connected to the end of arms that are attached to singular cylindrical parts that rotate around the axis supported from the roof.**



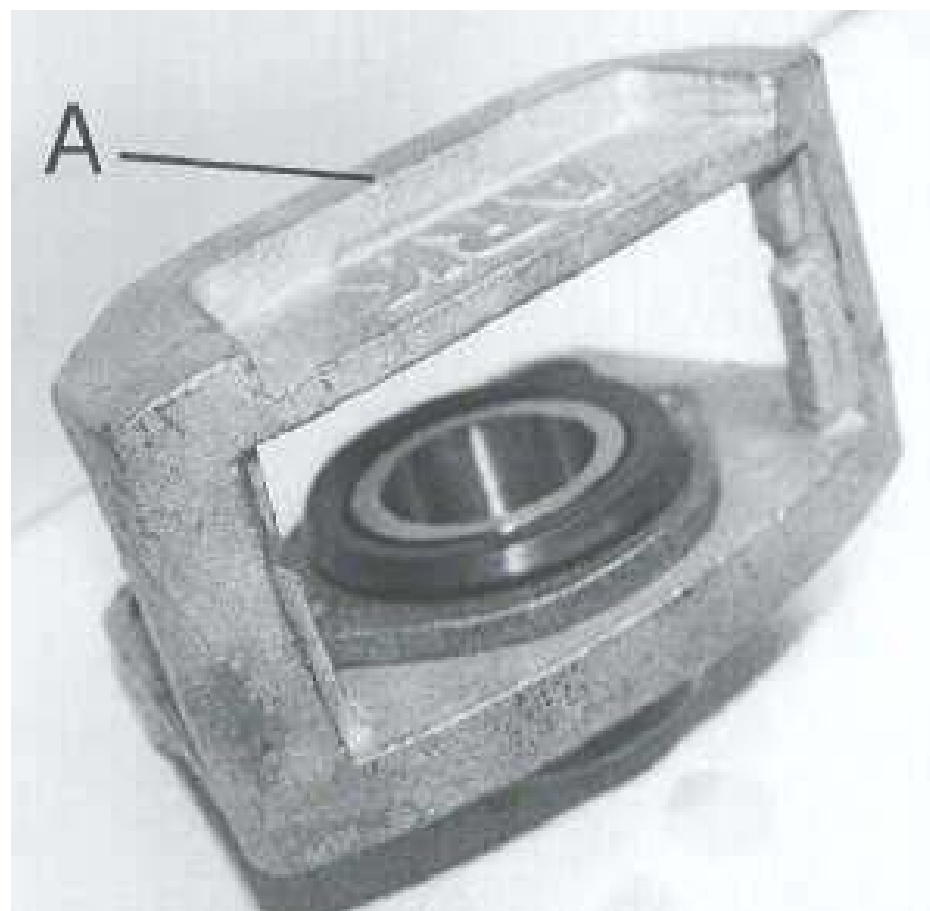
- (21) Design Number: **10387/2009**  
(22) Date of Filing Application: **09 February 2009**  
(24) Date from which industrial property rights may have effect: **09 February 2009**  
(54) Product in respect of which the design is registered: **Furniture design**  
(51) International Design Classification: **06-06NES, 06-05, 25-01D, 19-99**  
(71) Name(s) and Address(s) of Applicant(s):  
**Corporate Culture Australia**  
**21-23 Levey Street Chippendale New South Wales 2008 Australia**  
(72) Name(s) of Designer(s): **Susanne Mayer and Damien Mulvill**  
(45) Registration Date: **17 February 2010**  
(56) Related Art Documents: **Not Applicable**  
(57) Statement of Newness and Distinctiveness: **Screen Enclosure consisting of an internal frame and exterior fabric that acts as a room within a room. When situated within the enclosure an acoustic barrier and visual barrier is created. The unorthodox shape is detailed in the attached PDF.**



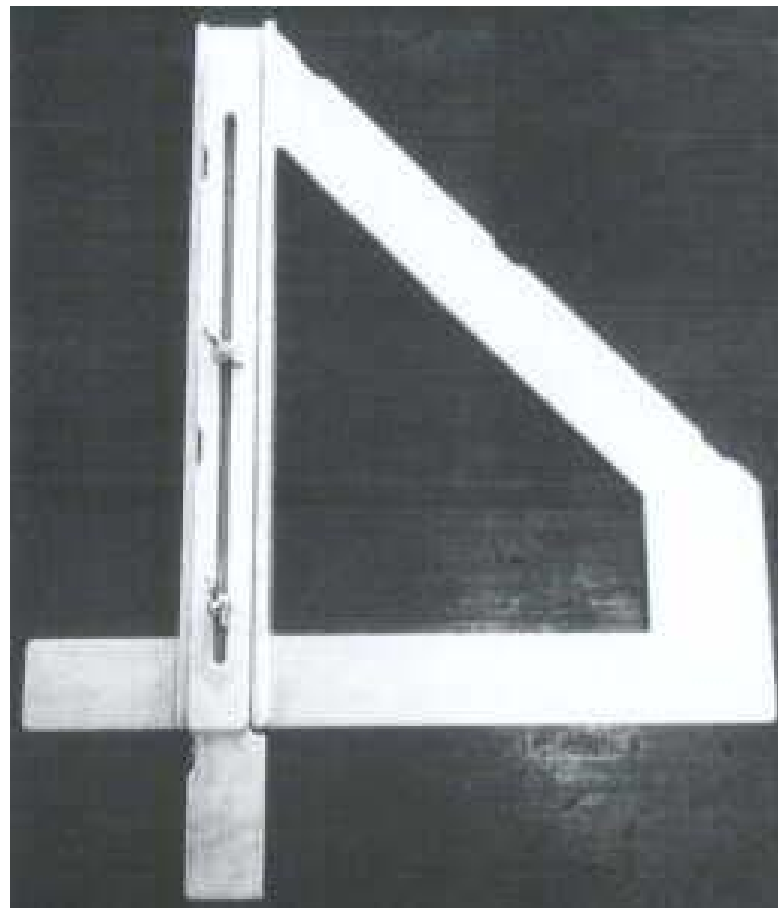
- (21) Design Number: **12393/2009**  
(22) Date of Filing Application: **03 July 2009**  
(24) Date from which industrial property rights may have effect: **03 July 2009**  
(54) Product in respect of which the design is registered: **An aid for treating or colouring the hair**  
(51) International Design Classification: **28-03D**  
(71) Name(s) and Address(s) of Applicant(s):  
**Andrew Kenneth Cowley**  
**9 Wickepin Court Elanora Queensland 4221 Australia**  
**Karen Lee Debenham-Cowley**  
**9 Wickepin Court Elanora Queensland 4221 Australia**  
(72) Name(s) of Designer(s): **Andrew Kenneth Cowley and Karen Lee Debenham-Cowley**  
(45) Registration Date: **17 February 2010**  
(56) Related Art Documents: **Not Applicable**  
(57) Statement of Newness and Distinctiveness: **Monopoly is claimed in the shape and configuration of an aid for treating or colouring the hair as illustrated in the accompanying representations.**



- (21) Design Number: **12568/2009**  
(22) Date of Filing Application: **16 July 2009**  
(24) Date from which industrial property rights may have effect: **16 July 2009**  
(54) Product in respect of which the design is registered: **Brake caliper**  
(51) International Design Classification: **12-16M**  
(71) Name(s) and Address(s) of Applicant(s):  
**ARK Corporation Pty Ltd**  
**8 Smoothy Place Arndell Park New South Wales 2148 Australia**  
(72) Name(s) of Designer(s): **Richard Arakelian**  
(45) Registration Date: **17 February 2010**  
(56) Related Art Documents: **Not Applicable**  
(57) Statement of Newness and Distinctiveness: **Newness and distinctiveness is claimed in the feature(s) of the rib indicated by the letter A as illustrated in the accompanying representations.**

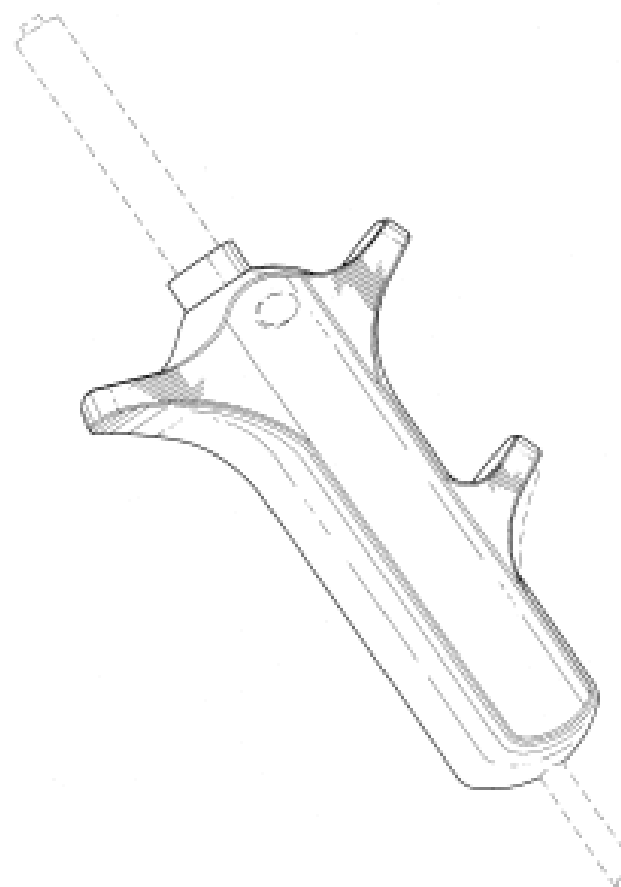


- (21) Design Number: **14470/2009**
- (22) Date of Filing Application: **17 November 2009**
- (24) Date from which industrial property rights may have effect: **17 November 2009**
- (54) Product in respect of which the design is registered: **Hand held adjustable guide and square for hand held circular power saw**
- (51) International Design Classification: **08-05F**
- (71) Name(s) and Address(s) of Applicant(s):  
**James Kelly**  
**55 Frank Street Caboolture Queensland 4510 Australia**
- (72) Name(s) of Designer(s): **James Kelly**
- (45) Registration Date: **17 February 2010**
- (56) Related Art Documents: **Not Applicable**
- (57) Statement of Newness and Distinctiveness: - **Wingnuts to rear of design on sliding brace. - Shape of guide.**



- (21) Design Number: **14910/2009**
- (22) Date of Filing Application: **17 December 2009**
- (24) Date from which industrial property rights may have effect: **17 December 2009**
- (54) Product in respect of which the design is registered: **Injection device**
- (51) International Design Classification: **24-02**
- (71) Name(s) and Address(s) of Applicant(s):  
**Allergan, Inc.**  
**2525 Dupont Drive Irvine California 92612 United States of America**
- (72) Name(s) of Designer(s): **Christopher S. Mudd and Ahmet Tezel**
- (45) Registration Date: **17 February 2010**
- (30) Convention priority data:  

(31) Number	(32) Date	(33) Country
<b>29/338737</b>	<b>17 Jun 2009</b>	<b>UNITED STATES OF AMERICA</b>
- (56) Related Art Documents: **Not Applicable**
- (57) Statement of Newness and Distinctiveness: **Newness and distinctiveness is claimed in the visual features shown in solid lines in the representations.**



(21) Design Number: **10171/2010**

(22) Date of Filing Application: **18 January 2010**

(24) Date from which industrial property rights may have effect: **18 January 2010**

(54) Product in respect of which the design is registered: **A clamp**

(51) International Design Classification: **08-08D**

(71) Name(s) and Address(s) of Applicant(s):

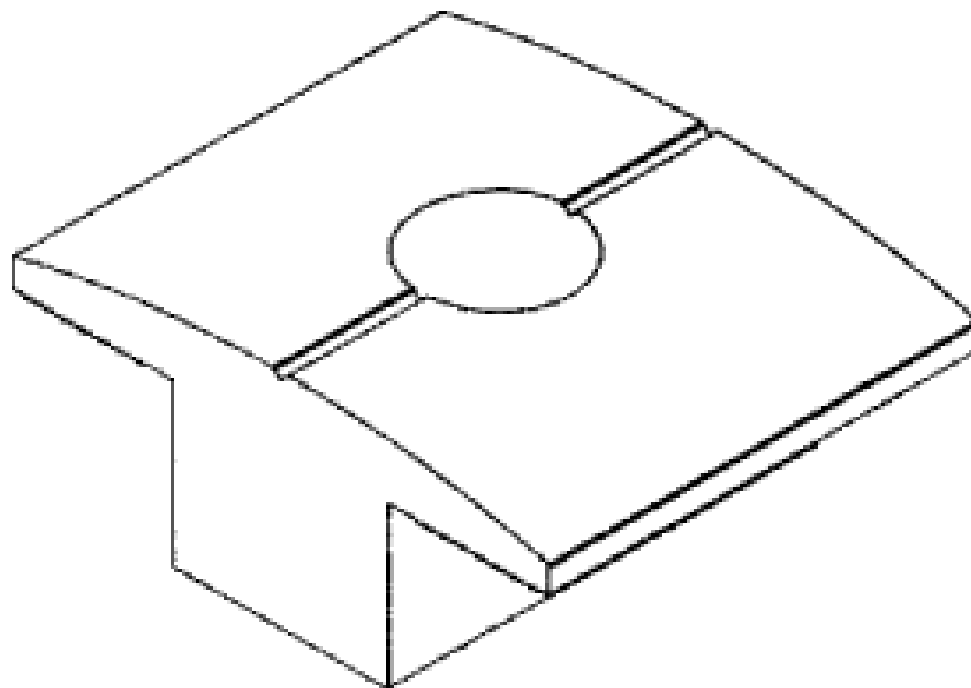
**Aluminium Specialities Group Pty Ltd  
3 Alspec Place Eastern Creek New South Wales 2766 Australia**

(72) Name(s) of Designer(s): **Neil Young**

(45) Registration Date: **17 February 2010**

(56) Related Art Documents: **Not Applicable**

(57) Statement of Newness and Distinctiveness: **Newness and distinctiveness resides in the features of shape and/or configuration of a clamp as shown in the accompanying drawings.**



(21) Design Number: **10172/2010**

(22) Date of Filing Application: **18 January 2010**

(24) Date from which industrial property rights may have effect: **18 January 2010**

(54) Product in respect of which the design is registered: **An extrusion**

(51) International Design Classification: **25-01K**

(71) Name(s) and Address(s) of Applicant(s):

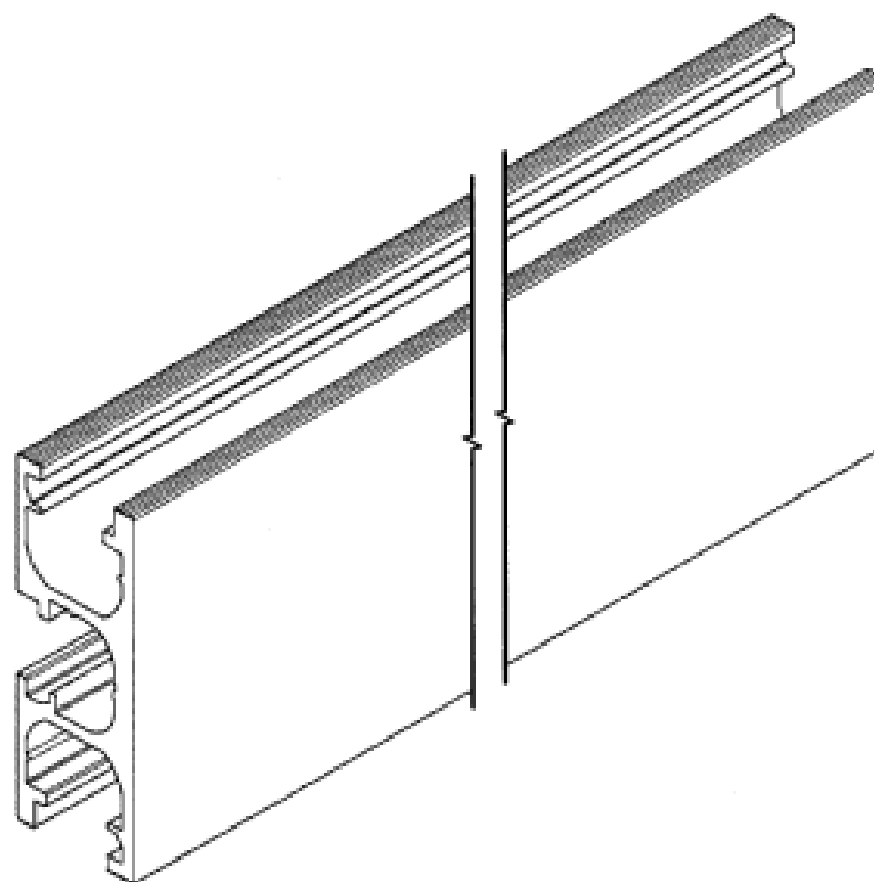
**Aluminium Specialities Group Pty Ltd  
3 Alspec Place Eastern Creek New South Wales 2766 Australia**

(72) Name(s) of Designer(s): **Neil Young**

(45) Registration Date: **17 February 2010**

(56) Related Art Documents: **Not Applicable**

(57) Statement of Newness and Distinctiveness: **Newness and distinctiveness resides in the features of shape and/or configuration of an extrusion of indefinite length as shown in the accompanying drawings.**



(21) Design Number: **10173/2010**

(22) Date of Filing Application: **18 January 2010**

(24) Date from which industrial property rights may have effect: **18 January 2010**

(54) Product in respect of which the design is registered: **A clamp**

(51) International Design Classification: **08-08D**

(71) Name(s) and Address(s) of Applicant(s):

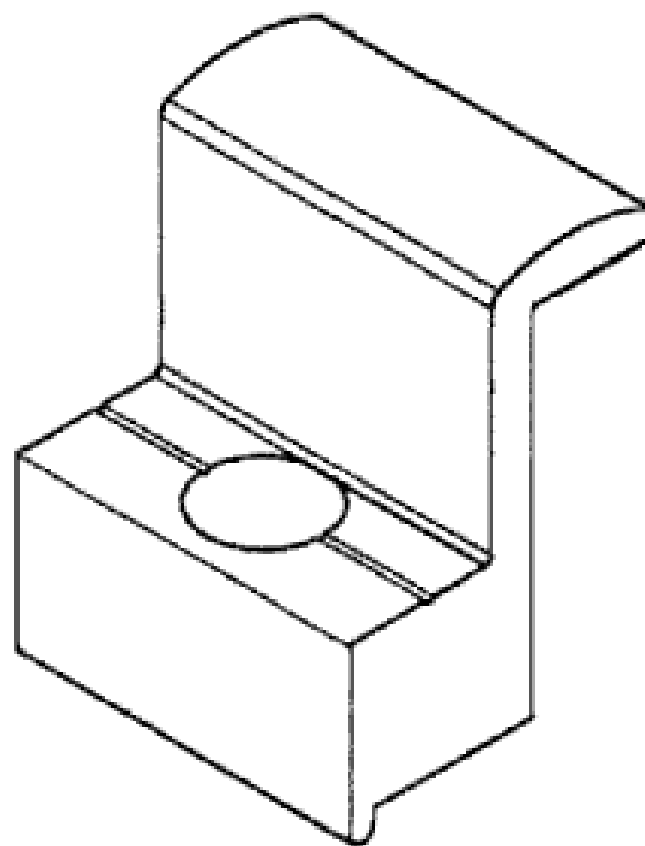
**Aluminium Specialities Group Pty Ltd  
3 Alspec Place Eastern Creek New South Wales 2766 Australia**

(72) Name(s) of Designer(s): **Neil Young**

(45) Registration Date: **17 February 2010**

(56) Related Art Documents: **Not Applicable**

(57) Statement of Newness and Distinctiveness: **Newness and distinctiveness resides in the features of shape and/or configuration of a clamp as shown in the accompanying drawings.**



(21) Design Number: **10181/2010**

(22) Date of Filing Application: **20 January 2010**

(24) Date from which industrial property rights may have effect: **20 January 2010**

(54) Product in respect of which the design is registered: **Food package**

(51) International Design Classification: **09-03F**

(71) Name(s) and Address(s) of Applicant(s):

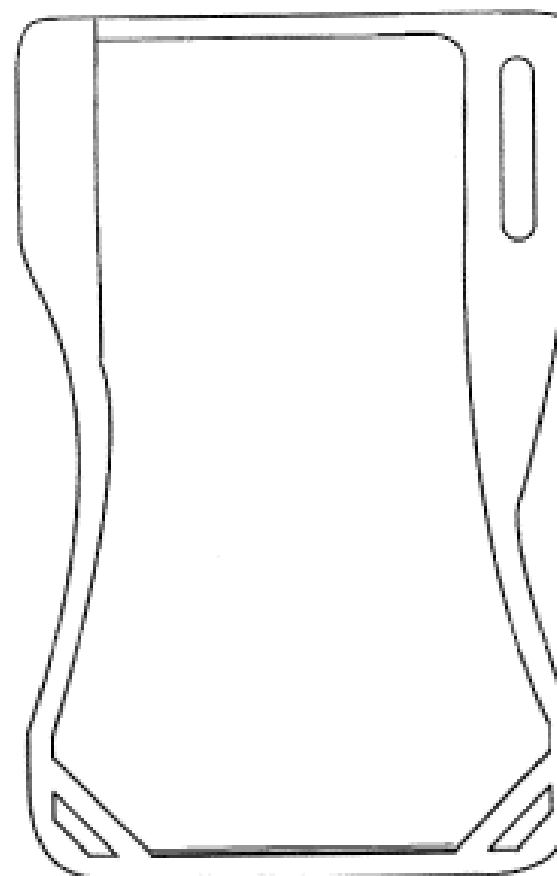
**Food Spectrum Pty Ltd  
53 Fairlawn Street Nathan Queensland 4111 Australia**

(72) Name(s) of Designer(s): **Damien McMeniman**

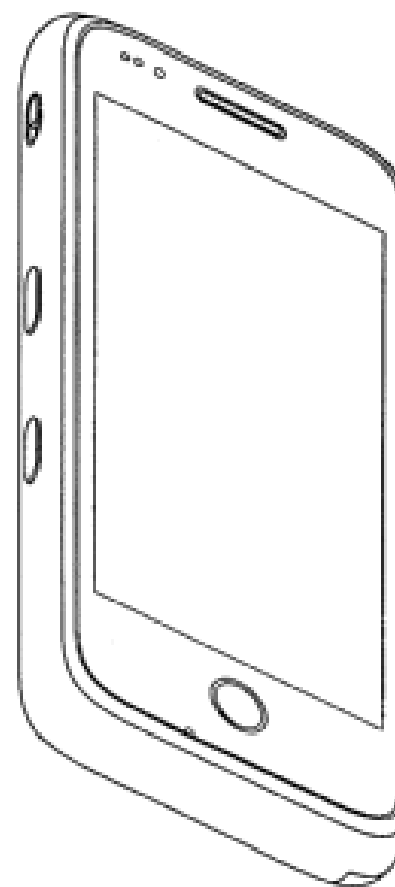
(45) Registration Date: **17 February 2010**

(56) Related Art Documents: **Not Applicable**

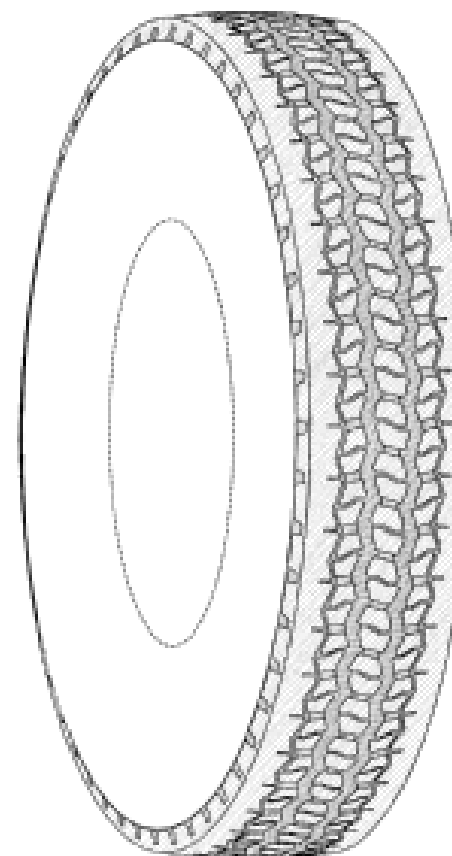
(57) Statement of Newness and Distinctiveness: **Nil**



- (21) Design Number: **10182/2010**  
(22) Date of Filing Application: **20 January 2010**  
(24) Date from which industrial property rights may have effect: **20 January 2010**  
(54) Product in respect of which the design is registered: **Mobile telephone**  
(51) International Design Classification: **14-03E**  
(71) Name(s) and Address(s) of Applicant(s):  
**LG Electronics Inc.**  
**20 Yeouido-dong Yeongdeungpo-gu Seoul 150-721 Republic of Korea**  
(72) Name(s) of Designer(s): **Hyun Jin Yoon**  
(45) Registration Date: **17 February 2010**  
(30) Convention priority data:  
(31) Number (32) Date (33) Country  
**30-2009-0033385 27 Jul 2009 REPUBLIC OF KOREA**  
(56) Related Art Documents: **Not Applicable**  
(57) Statement of Newness and Distinctiveness: **Nil**



- (21) Design Number: **11863/2009**  
(22) Date of Filing Application: **21 May 2009**  
(24) Date from which industrial property rights may have effect: **21 May 2009**  
(54) Product in respect of which the design is registered: **Automobile tyre**  
(51) International Design Classification: **12-15A**  
(71) Name(s) and Address(s) of Applicant(s):  
**Bridgestone Corporation**  
**10-1 Kyobashi 1-Chome Chuo-ku Tokyo 104-8340 Japan**  
(72) Name(s) of Designer(s): **Suguru Yamaguchi and Seiichi Toda**  
(45) Registration Date: **16 February 2010**  
(56) Related Art Documents: **Not Applicable**  
(57) Statement of Newness and Distinctiveness: **The shape, configuration and pattern of the tread portion of the parts of the tyre shown by means of solid lines in the representations are new and distinctive.**





(21) Design Number: **11864/2009**

(22) Date of Filing Application: **21 May 2009**

(24) Date from which industrial property rights may have effect: **21 May 2009**

(54) Product in respect of which the design is registered: **Automobile tyre**

(51) International Design Classification: **12-15A**

(71) Name(s) and Address(s) of Applicant(s):

**Bridgestone Corporation**

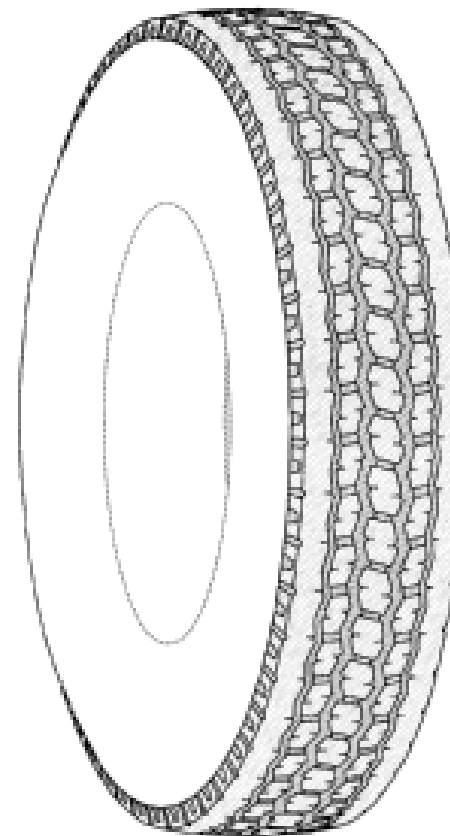
**10-1 Kyobashi 1-Chome Chuo-ku Tokyo 104-8340 Japan**

(72) Name(s) of Designer(s): **Yusuke Nobunaga and Yusuke Nobunaga**

(45) Registration Date: **16 February 2010**

(56) Related Art Documents: **Not Applicable**

(57) Statement of Newness and Distinctiveness: **The shape, configuration and pattern of the tread portion of the parts of the tyre shown by means of solid lines in the representations are new and distinctive.**



(21) Design Number: **15082/2009**

(22) Date of Filing Application: **30 December 2009**

(24) Date from which industrial property rights may have effect: **30 December 2009**

(54) Product in respect of which the design is registered: **Water tank truck bodies to suit water carts for dust suppression, and locomotion of water**

(51) International Design Classification: **12-08, 23-01F**

(71) Name(s) and Address(s) of Applicant(s):

**Michael Ray**

**PO Box 414 Dalwallinu Western Australia 6609 Australia**

(72) Name(s) of Designer(s): **Michael Ray**

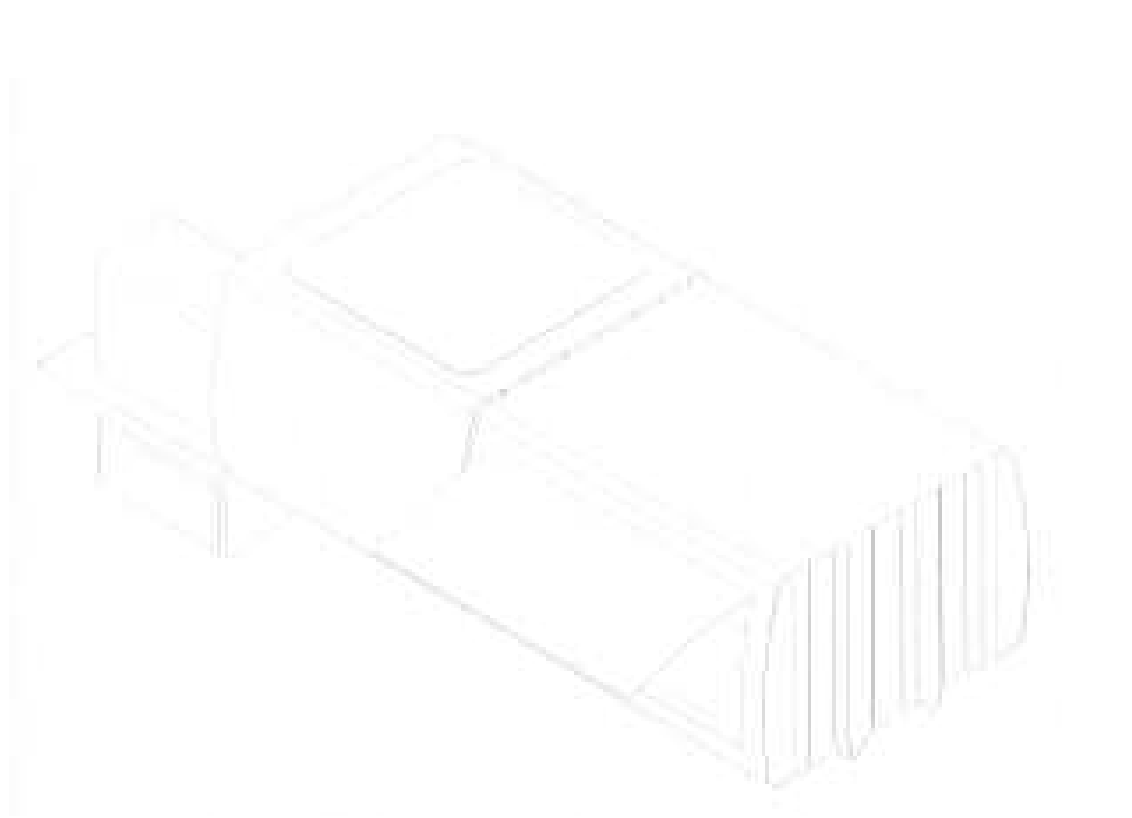
(45) Registration Date: **16 February 2010**

(56) Related Art Documents: **Not Applicable**

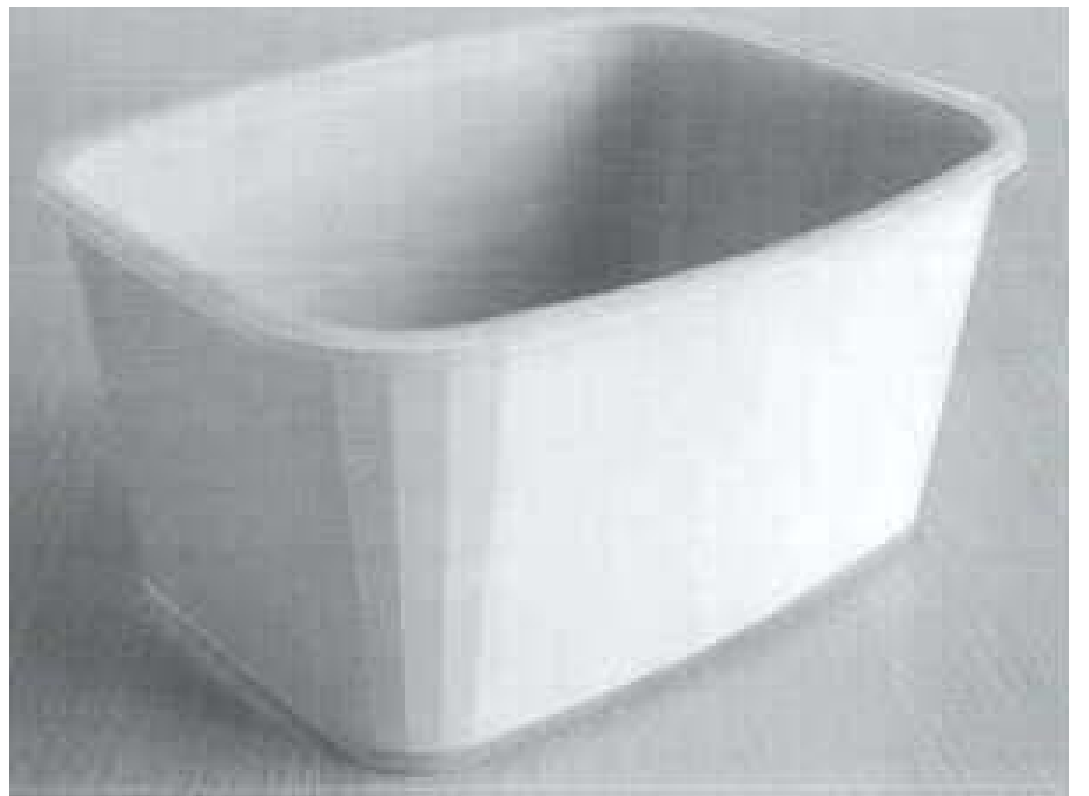
(57) Statement of Newness and Distinctiveness: **Curved tank sides with radius bends on top and bottom corners. Top of tank narrower than base of tank.**



- (21) Design Number: **15083/2009**  
(22) Date of Filing Application: **30 December 2009**  
(24) Date from which industrial property rights may have effect: **30 December 2009**  
(54) Product in respect of which the design is registered: **Tanker truck bodies with multiple fuel, oil and lubrication product compartments for on-site servicing of earthmoving**  
(51) International Design Classification: **12-08, 23-01F**  
(71) Name(s) and Address(s) of Applicant(s):  
**Michael Ray**  
**PO Box 414 Dalwallinu Western Australia 6609 Australia**  
(72) Name(s) of Designer(s): **Michael Ray**  
(45) Registration Date: **16 February 2010**  
(56) Related Art Documents: **Not Applicable**  
(57) Statement of Newness and Distinctiveness: **Curved tank sides with radius bends on top and bottom corners. Top of tank narrower than base of tank. Diesel tank completely independent of other tanks.**



- (21) Design Number: **10030/2010**  
(22) Date of Filing Application: **07 January 2010**  
(24) Date from which industrial property rights may have effect: **07 January 2010**  
(54) Product in respect of which the design is registered: **Sleeved container**  
(51) International Design Classification: **09-03NES**  
(71) Name(s) and Address(s) of Applicant(s):  
**Cryovac Australia Pty Ltd**  
**90 Keilor Park Drive Tullamarine Victoria 3043 Australia**  
(72) Name(s) of Designer(s): **Chow Chee Yut**  
(45) Registration Date: **16 February 2010**  
(56) Related Art Documents: **Not Applicable**  
(57) Statement of Newness and Distinctiveness: **Newness and distinctiveness is claimed in the shape and configuration of the sleeved container shown in the representations.**



- (21) Design Number: **10078/2010**  
(22) Date of Filing Application: **04 January 2010**  
(24) Date from which industrial property rights may have effect: **04 January 2010**  
(54) Product in respect of which the design is registered: **Energy saving device**  
(51) International Design Classification: **14-03NES**  
(71) Name(s) and Address(s) of Applicant(s):  
**Esaving Systems Pty Ltd**  
**478 Port Road West Hindmarsh South Australia 5007 Australia**  
(72) Name(s) of Designer(s): **Sann Chao**  
(45) Registration Date: **16 February 2010**  
(56) Related Art Documents: **Not Applicable**  
(57) Statement of Newness and Distinctiveness: **The newness and distinctiveness is the placement of the different components as shown and the design of the gold base plate for which all the appropriate components are designed to be mounted.**



- (21) Design Number: **10180/2010**  
(22) Date of Filing Application: **20 January 2010**  
(24) Date from which industrial property rights may have effect: **20 January 2010**  
(54) Product in respect of which the design is registered: **A motorcycle**  
(51) International Design Classification: **12-11**  
(71) Name(s) and Address(s) of Applicant(s):  
**Honda Motor Co., Ltd.**  
**1-1 Minami-Aoyama 2-Chome Minato-ku Tokyo Japan**  
(72) Name(s) of Designer(s): **Taro Nishimoto and Takashi Takizawa**  
(45) Registration Date: **16 February 2010**  
(30) Convention priority data:  

(31) Number	(32) Date	(33) Country
<b>2009-016597</b>	<b>21 Jul 2009</b>	<b>JAPAN</b>

  
(56) Related Art Documents: **Not Applicable**  
(57) Statement of Newness and Distinctiveness: **Newness and distinctiveness is claimed in the features of shape and/or configuration of a motorcycle as illustrated in the accompanying representations.**



(21) Design Number: **10183/2010**

(22) Date of Filing Application: **18 June 2009**

(24) Date from which industrial property rights may have effect: **18 June 2009**

(54) Product in respect of which the design is registered: **Hose**

(51) International Design Classification: **23-01C**

(71) Name(s) and Address(s) of Applicant(s):

**Esdan Plastics Pty Ltd**  
**525-527 Hammond Road Dandenong Victoria 3175 Australia**

(72) Name(s) of Designer(s): **Bertram Ekenaike**

(45) Registration Date: **16 February 2010**

(62) Divisional of: **329414**

(56) Related Art Documents: **Not Applicable**

(57) Statement of Newness and Distinctiveness: **Newness and distinctiveness is claimed in the appearance of the external surface of the hose including the colour. The hose is of indefinite length.**



(21) Design Number: **10201/2010**

(22) Date of Filing Application: **21 January 2010**

(24) Date from which industrial property rights may have effect: **21 January 2010**

(54) Product in respect of which the design is registered: **An electrical connector unit**

(51) International Design Classification: **13-03D**

(71) Name(s) and Address(s) of Applicant(s):

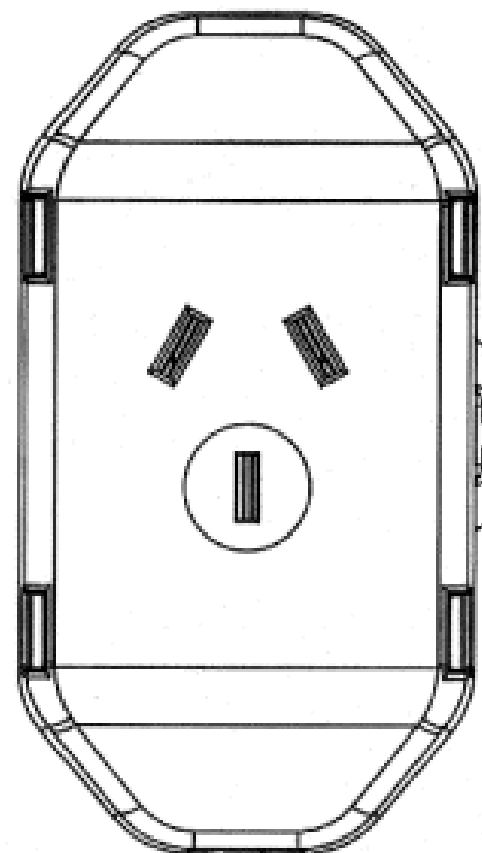
**Modulek Pty Ltd**  
**28 Mellor Avenue Lockleys South Australia 5032 Australia**

(72) Name(s) of Designer(s): **Mark T. Fahey**

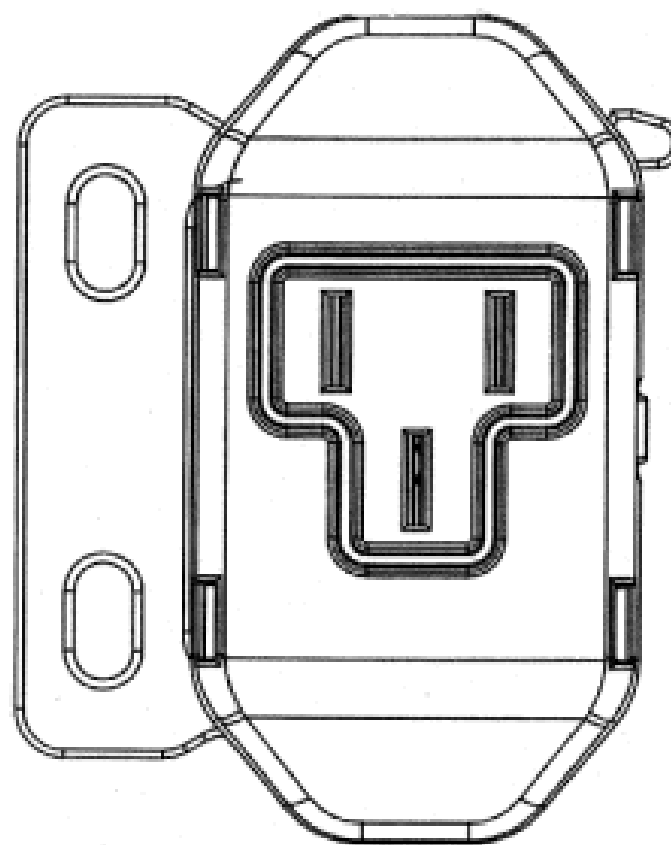
(45) Registration Date: **16 February 2010**

(56) Related Art Documents: **Not Applicable**

(57) Statement of Newness and Distinctiveness: **Nil**

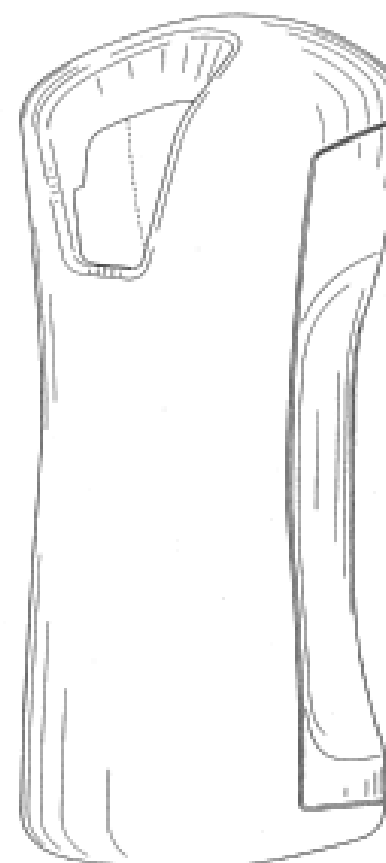


- (21) Design Number: **10202/2010**
- (22) Date of Filing Application: **21 January 2010**
- (24) Date from which industrial property rights may have effect: **21 January 2010**
- (54) Product in respect of which the design is registered: **An electrical connector unit**
- (51) International Design Classification: **13-03D**
- (71) Name(s) and Address(s) of Applicant(s):  
**Modulek Pty Ltd**  
**28 Mellor Avenue Lockleys South Australia 5032 Australia**
- (72) Name(s) of Designer(s): **Mark T. Fahey**
- (45) Registration Date: **16 February 2010**
- (56) Related Art Documents: **Not Applicable**
- (57) Statement of Newness and Distinctiveness: **Nil**

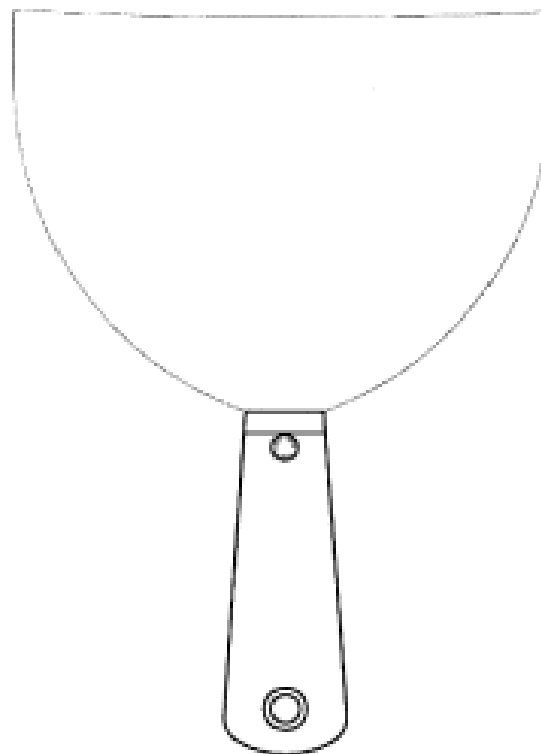


- (21) Design Number: **10205/2010**
- (22) Date of Filing Application: **21 January 2010**
- (24) Date from which industrial property rights may have effect: **21 January 2010**
- (54) Product in respect of which the design is registered: **Shroud for a diffusion device**
- (51) International Design Classification: **15-99**
- (71) Name(s) and Address(s) of Applicant(s):  
**S. C. Johnson & Son, Inc.**  
**1525 Howe Street Racine Wisconsin 53403-2236 United States of America**
- (72) Name(s) of Designer(s): **Brian T. Davis and Dirk K. Nickel and Donald J. Schumacher**
- (45) Registration Date: **16 February 2010**
- (30) Convention priority data:
 

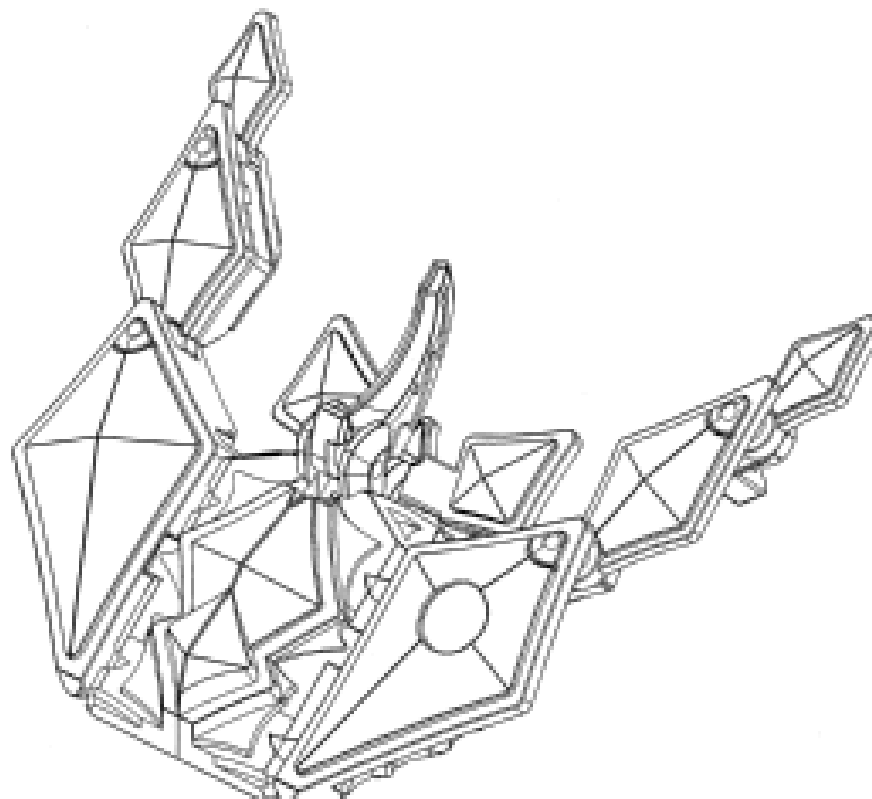
(31) Number	(32) Date	(33) Country
<b>29/315813</b>	<b>24 Jul 2009</b>	<b>UNITED STATES OF AMERICA</b>
- (56) Related Art Documents: **Not Applicable**
- (57) Statement of Newness and Distinctiveness: **Newness and distinctiveness is claimed in those features of shape and/or configuration of a shroud for a diffusion device as illustrated in continuous lines in the accompanying representations.**



- (21) Design Number: **10208/2010**  
(22) Date of Filing Application: **21 January 2010**  
(24) Date from which industrial property rights may have effect: **21 January 2010**  
(54) Product in respect of which the design is registered: **Curved blade plasterboard jointing broad knife**  
(51) International Design Classification: **08-03**  
(71) Name(s) and Address(s) of Applicant(s):  
**CSR Building Products Limited**  
**Level 4 9 Help Street Chatswood New South Wales 2067 Australia**  
(72) Name(s) of Designer(s): **Doug Lavender**  
(45) Registration Date: **16 February 2010**  
(56) Related Art Documents: **Not Applicable**  
(57) Statement of Newness and Distinctiveness: **Newness and Distinctiveness is claimed in the features of shape and/or configuration of the curved blade of the plasterboard jointing broad knife as illustrated in the accompanying representations.**



- (21) Design Number: **10247/2010**  
(22) Date of Filing Application: **25 January 2010**  
(24) Date from which industrial property rights may have effect: **25 January 2010**  
(54) Product in respect of which the design is registered: **Transformable toy**  
(51) International Design Classification: **21-01B**  
(71) Name(s) and Address(s) of Applicant(s):  
**Spin Master Ltd.**  
**450 Front Street West Toronto ON M5V 1B6 Canada**  
(72) Name(s) of Designer(s): **Kohji Hirose and Richard Keuter and Wataru Sato**  
(45) Registration Date: **16 February 2010**  
(30) Convention priority data:  
(31) Number (32) Date (33) Country  
**131958 25 Aug 2009 CANADA**  
(56) Related Art Documents: **Not Applicable**  
(57) Statement of Newness and Distinctiveness: **Nil**



(21) Design Number: **10248/2010**

(22) Date of Filing Application: **25 January 2010**

(24) Date from which industrial property rights may have effect: **25 January 2010**

(54) Product in respect of which the design is registered: **Transformable toy**

(51) International Design Classification: **21-01B**

(71) Name(s) and Address(s) of Applicant(s):

**Spin Master Ltd.**

**450 Front Street West Toronto ON M5V 1B6 Canada**

(72) Name(s) of Designer(s): **Kohji Hirose and Richard Keuter and Wataru Sato**

(45) Registration Date: **16 February 2010**

(30) Convention priority data:

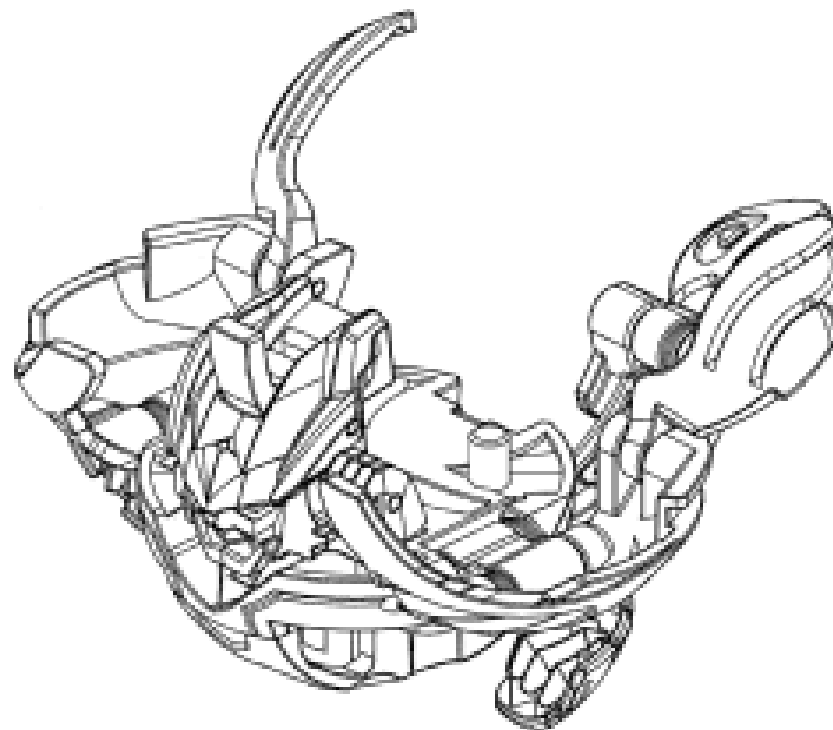
(31) Number  
**131869**

(32) Date  
**17 Aug 2009**

(33) Country  
**CANADA**

(56) Related Art Documents: **Not Applicable**

(57) Statement of Newness and Distinctiveness: **Nil**



(21) Design Number: **10280/2010**

(22) Date of Filing Application: **26 January 2010**

(24) Date from which industrial property rights may have effect: **26 January 2010**

(54) Product in respect of which the design is registered: **Motorcycle pants**

(51) International Design Classification: **02-02C**

(71) Name(s) and Address(s) of Applicant(s):

**Tammy Vella**

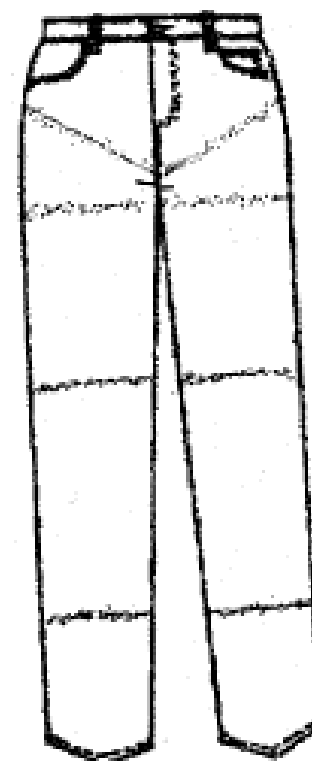
**19 Casuarina Court Cowes Victoria 3922 Australia**

(72) Name(s) of Designer(s): **Tammy Vella**

(45) Registration Date: **16 February 2010**

(56) Related Art Documents: **Not Applicable**

(57) Statement of Newness and Distinctiveness: **Full kevlar lined throughout front and back.**



(21) Design Number: **10281/2010**

(22) Date of Filing Application: **26 January 2010**

(24) Date from which industrial property rights may have effect: **26 January 2010**

(54) Product in respect of which the design is registered: **Motorcycle pants**

(51) International Design Classification: **02-02C**

(71) Name(s) and Address(s) of Applicant(s):

**Tammy Vella**

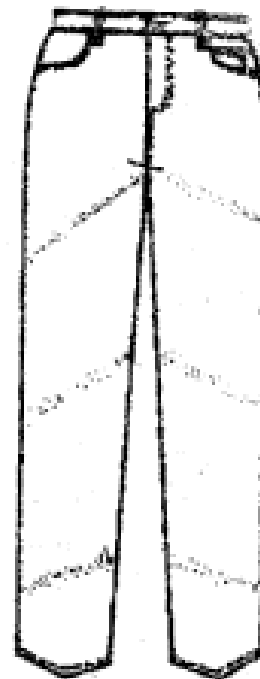
**19 Casuarina Court Cowes Victoria 3922 Australia**

(72) Name(s) of Designer(s): **Tammy Vella**

(45) Registration Date: **16 February 2010**

(56) Related Art Documents: **Not Applicable**

(57) Statement of Newness and Distinctiveness: **Full kevlar lined front and back.**



(21) Design Number: **10352/2010**

(22) Date of Filing Application: **28 January 2010**

(24) Date from which industrial property rights may have effect: **28 January 2010**

(54) Product in respect of which the design is registered: **Denim jeans for motorcycle with kevlar lining**

(51) International Design Classification: **02-02C**

(71) Name(s) and Address(s) of Applicant(s):

**Tammy Vella**

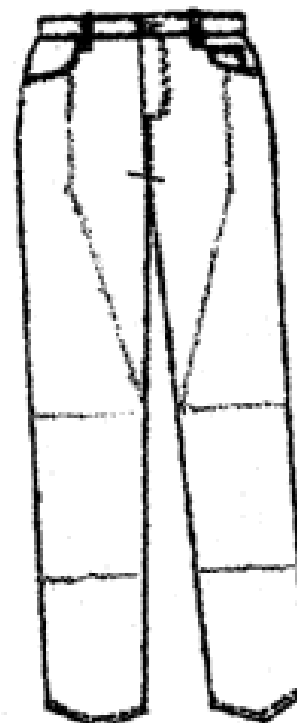
**19 Casuarina Court Cowes Victoria 3922 Australia**

(72) Name(s) of Designer(s): **Tammy Vella**

(45) Registration Date: **16 February 2010**

(56) Related Art Documents: **Not Applicable**

(57) Statement of Newness and Distinctiveness: **300GSM Dupont kevlar lined inside the denim jeans for motorcycle riders extra coverage in front and back of jeans.**





- (21) Design Number: **10186/2010**  
(22) Date of Filing Application: **21 January 2010**  
(24) Date from which industrial property rights may have effect: **21 January 2010**  
(54) Product in respect of which the design is registered: **Lighting assembly**  
(51) International Design Classification: **26-05NES**  
(71) Name(s) and Address(s) of Applicant(s):

**Roadvision Pty Ltd**  
**PO Box 2761 Rowville Victoria 3178 Australia**

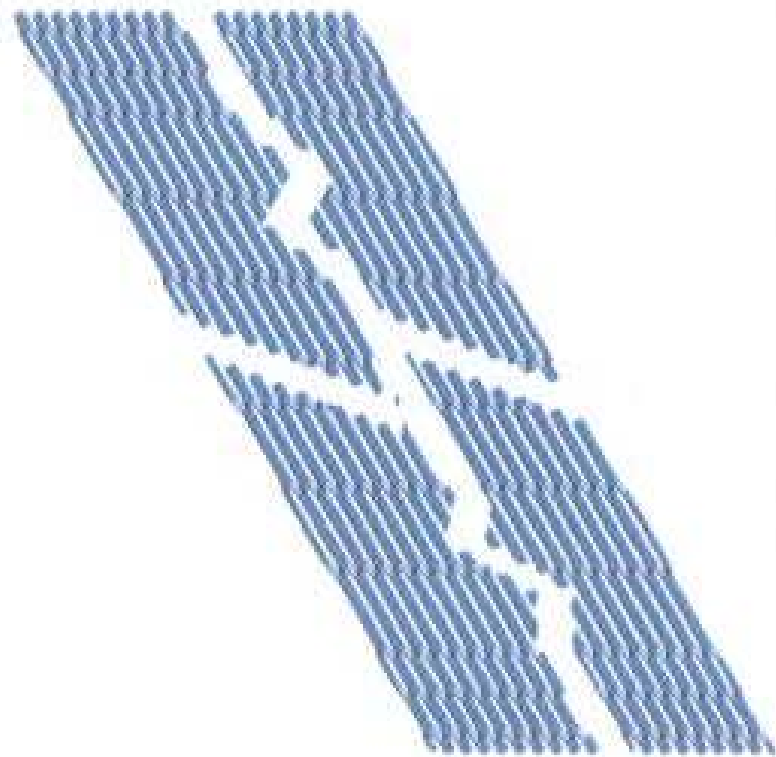
- (72) Name(s) of Designer(s): **Gary Parker**  
(45) Registration Date: **15 February 2010**  
(56) Related Art Documents: **Not Applicable**  
(57) Statement of Newness and Distinctiveness: **Newness and distinctiveness resides in the shape and configuration of the rear lamp assembly illustrated in the accompanying representations, and in particular 1) the slim line appearance (most evident in the side and end views) and 2) the flush mounted lens sharing a common surface contour to the base, and 3) the unique lens pattern; colour and ornamentation are to be disregarded.**



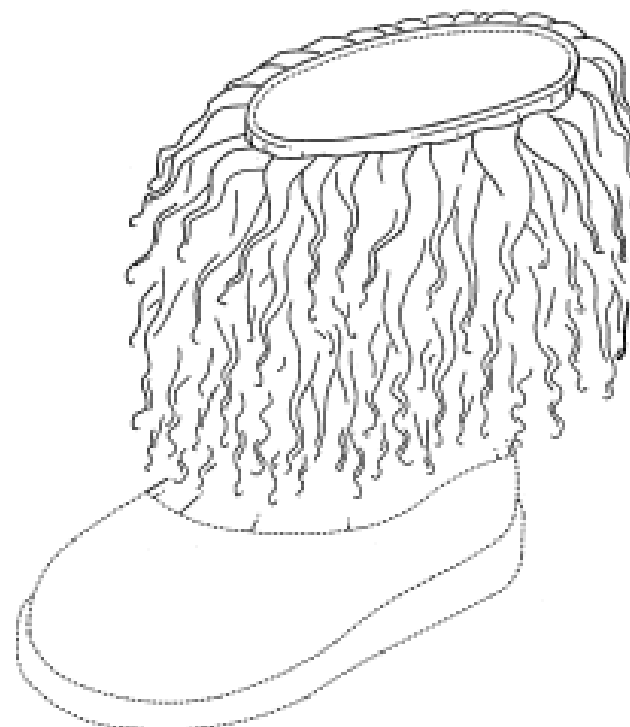
- (21) Design Number: **10188/2010**  
(22) Date of Filing Application: **22 January 2010**  
(24) Date from which industrial property rights may have effect: **22 January 2010**  
(54) Product in respect of which the design is registered: **Mesh**  
(51) International Design Classification: **25-02C**  
(71) Name(s) and Address(s) of Applicant(s):

**Australian Security Fencing Pty Ltd**  
**138 Fairey Road South Windsor New South Wales 2756 Australia**

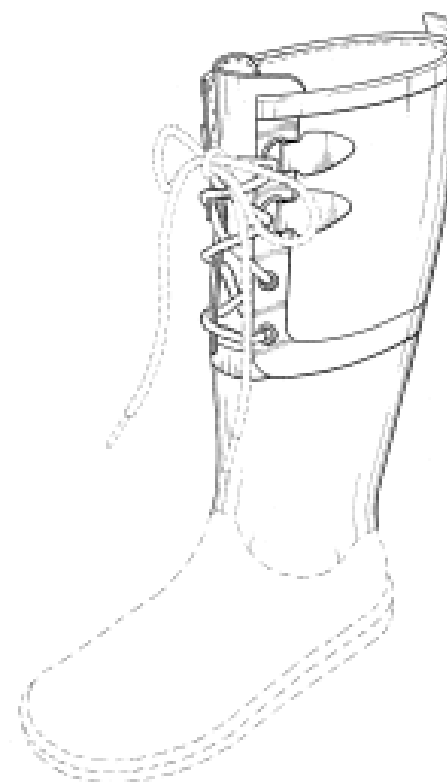
- (72) Name(s) of Designer(s): **Stephen Rosier**  
(45) Registration Date: **15 February 2010**  
(56) Related Art Documents: **Not Applicable**  
(57) Statement of Newness and Distinctiveness: **The newness and distinctiveness is claimed in the shape and unique pattern to the outer edges of an expanded metal mesh panel of indefinite length, width and thickness as shown in the accompanying representations.**



(21) Design Number: **10189/2010**  
 (22) Date of Filing Application: **21 January 2010**  
 (24) Date from which industrial property rights may have effect: **21 January 2010**  
 (54) Product in respect of which the design is registered: **Portion of a footwear upper**  
 (51) International Design Classification: **02-04NES**  
 (71) Name(s) and Address(s) of Applicant(s):  
**Deckers Outdoor Corporation**  
**495-A South Fairview Avenue Goleta California 93117 United States of America**  
 (72) Name(s) of Designer(s): **Leah Larson**  
 (45) Registration Date: **15 February 2010**  
 (30) Convention priority data:  
 (31) Number (32) Date (33) Country  
**29/346623 03 Nov 2009 UNITED STATES OF AMERICA**  
 (56) Related Art Documents: **Not Applicable**  
 (57) Statement of Newness and Distinctiveness: **Newness and distinctiveness reside in the features of shape and configuration of the design shown in solid lines in the representations, and excluding those features shown in broken lines.**



(21) Design Number: **10190/2010**  
 (22) Date of Filing Application: **21 January 2010**  
 (24) Date from which industrial property rights may have effect: **21 January 2010**  
 (54) Product in respect of which the design is registered: **Portion of a footwear upper**  
 (51) International Design Classification: **02-04NES**  
 (71) Name(s) and Address(s) of Applicant(s):  
**Deckers Outdoor Corporation**  
**495-A South Fairview Avenue Goleta California 93117 United States of America**  
 (72) Name(s) of Designer(s): **Jennifer MacIntyre**  
 (45) Registration Date: **15 February 2010**  
 (30) Convention priority data:  
 (31) Number (32) Date (33) Country  
**29/350089 11 Nov 2009 UNITED STATES OF AMERICA**  
 (56) Related Art Documents: **Not Applicable**  
 (57) Statement of Newness and Distinctiveness: **Newness and distinctiveness reside in the features of shape and configuration of the design shown in solid lines in the representations, and excluding those features shown in broken lines.**



(21) Design Number: 10191/2010

(22) Date of Filing Application: 21 January 2010

(24) Date from which industrial property rights may have effect: 21 January 2010

(54) Product in respect of which the design is registered: Footwear

(51) International Design Classification: 02-04NES

(71) Name(s) and Address(s) of Applicant(s):

**Deckers Outdoor Corporation**  
495-A South Fairview Avenue Goleta California 93117 United States of America

(72) Name(s) of Designer(s): Jennifer MacIntyre

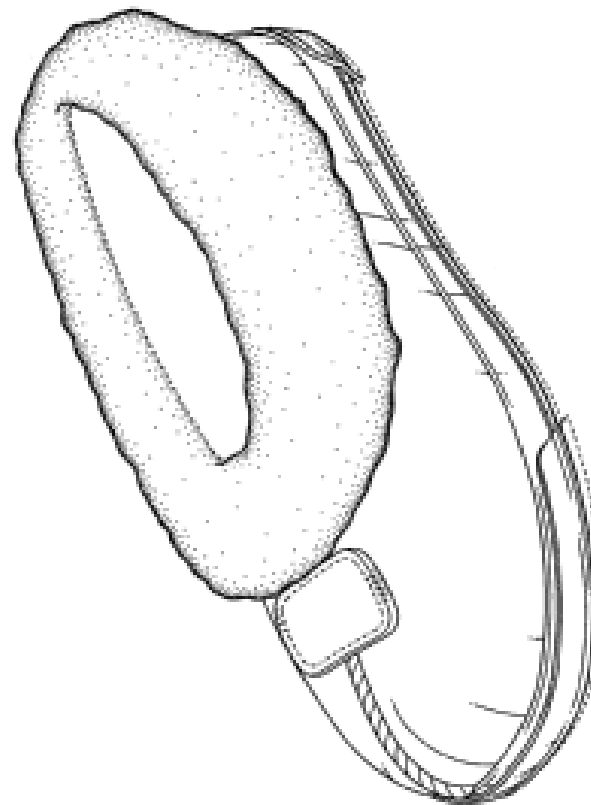
(45) Registration Date: 15 February 2010

(30) Convention priority data:

(31) Number	(32) Date	(33) Country
29/350091	11 Nov 2009	UNITED STATES OF AMERICA

(56) Related Art Documents: Not Applicable

(57) Statement of Newness and Distinctiveness: **Newness and distinctiveness reside in the features of shape and configuration of the design shown in solid lines in the representations, and excluding those features shown in broken lines.**



(21) Design Number: 10192/2010

(22) Date of Filing Application: 21 January 2010

(24) Date from which industrial property rights may have effect: 21 January 2010

(54) Product in respect of which the design is registered: Footwear upper

(51) International Design Classification: 02-04NES

(71) Name(s) and Address(s) of Applicant(s):

**Deckers Outdoor Corporation**  
495-A South Fairview Avenue Goleta California 93117 United States of America

(72) Name(s) of Designer(s): Natalie Ng

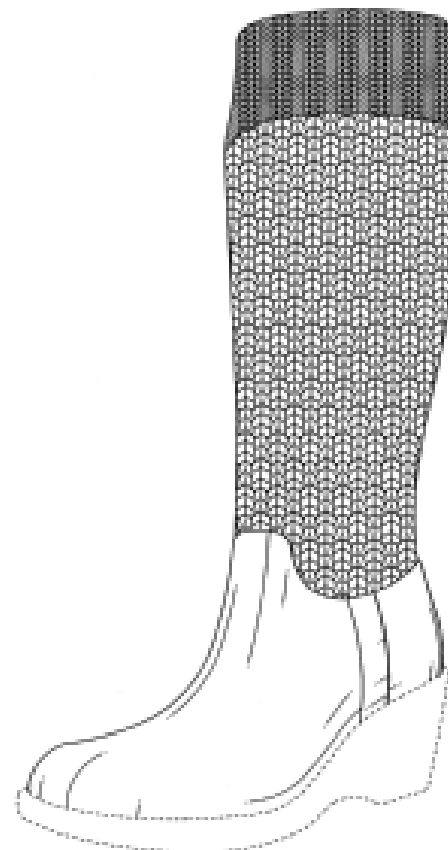
(45) Registration Date: 15 February 2010

(30) Convention priority data:

(31) Number	(32) Date	(33) Country
29/346824	06 Nov 2009	UNITED STATES OF AMERICA

(56) Related Art Documents: Not Applicable

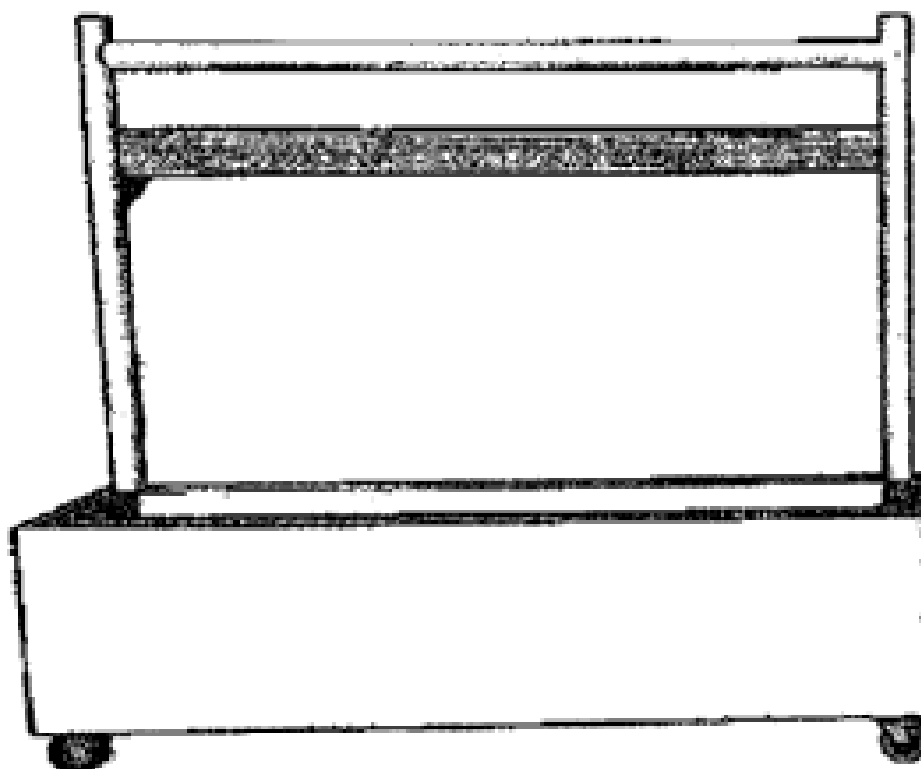
(57) Statement of Newness and Distinctiveness: **Newness and distinctiveness reside in the features of shape and configuration of the design shown in solid lines in the representations, and excluding those features shown in broken lines.**



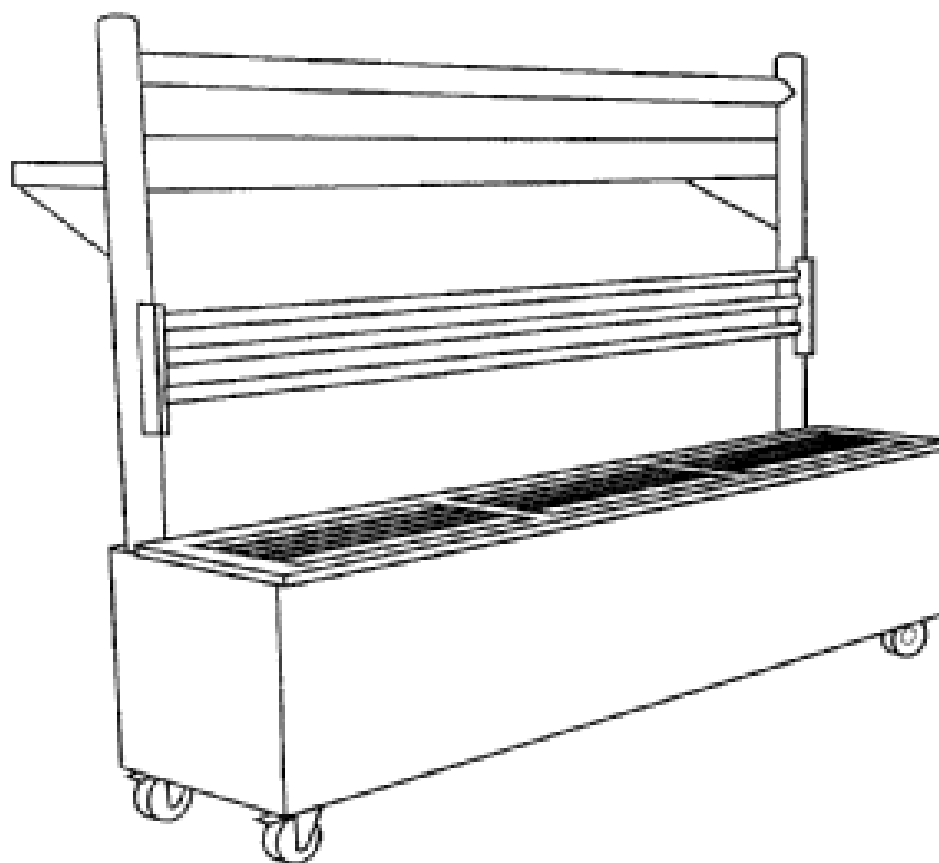
- (21) Design Number: **13895/2009**  
(22) Date of Filing Application: **07 October 2009**  
(24) Date from which industrial property rights may have effect: **07 October 2009**  
(54) Product in respect of which the design is registered: **Automotive and decorative lighting**  
(51) International Design Classification: **26-06, 11-99**  
(71) Name(s) and Address(s) of Applicant(s):  
**Zulu Custom Auto**  
**18 Davey Street Ballarat Victoria 3350 Australia**  
**LO & BM Deutscher Pty Ltd**  
**18 Davey Street Ballarat Victoria 3350 Australia**  
(72) Name(s) of Designer(s): **Troy Thomas**  
(45) Registration Date: **17 February 2010**  
(56) Related Art Documents: **Not Applicable**  
(57) Statement of Newness and Distinctiveness: **Bullet shell with clear projectile shaped lens.**



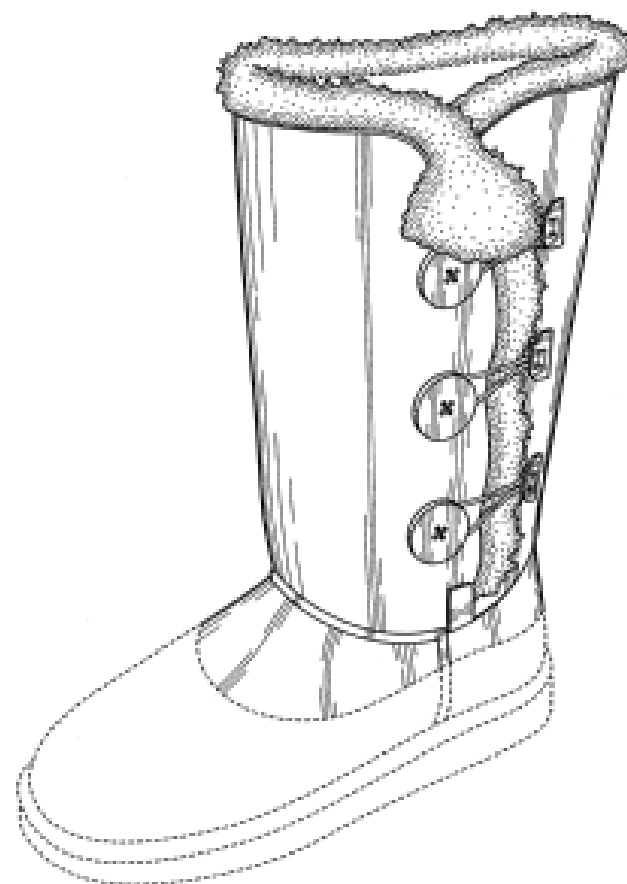
- (21) Design Number: **14833/2009**  
(22) Date of Filing Application: **09 December 2009**  
(24) Date from which industrial property rights may have effect: **09 December 2009**  
(54) Product in respect of which the design is registered: **A partition**  
(51) International Design Classification: **25-02NES**  
(71) Name(s) and Address(s) of Applicant(s):  
**Heatmax NZ Limited**  
**66B Ardern Avenue Stanmore Bay Whangaparaoa New Zealand**  
(72) Name(s) of Designer(s): **Beverley Ishbel Jones-Prichard and Raymond Douglas Thodey and Guanghui Wang**  
(45) Registration Date: **17 February 2010**  
(30) Convention priority data:  
(31) Number      (32) Date      (33) Country  
**412429      19 Jun 2009      NEW ZEALAND**  
(56) Related Art Documents: **Not Applicable**  
(57) Statement of Newness and Distinctiveness: **The newness and distinctiveness of the design resides in the features of shape and/or configuration of the partition, wherein the length in direction x-x is indefinite as shown in the representations.**



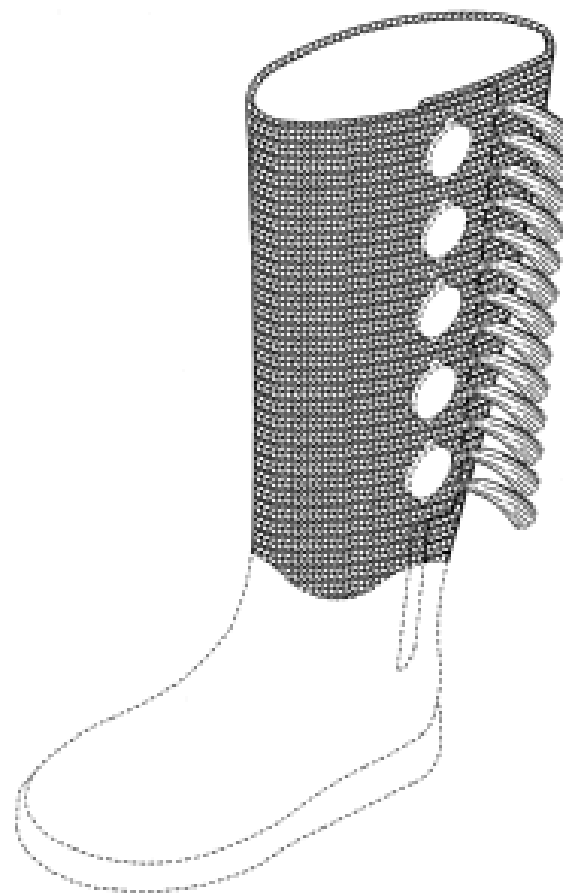
- (21) Design Number: **14847/2009**  
(22) Date of Filing Application: **09 December 2009**  
(24) Date from which industrial property rights may have effect: **09 December 2009**  
(54) Product in respect of which the design is registered: **A partition**  
(51) International Design Classification: **06-06NES**  
(71) Name(s) and Address(s) of Applicant(s):  
**Heatmax NZ Limited**  
**66B Ardern Avenue Stanmore Bay Whangaparaoa New Zealand**  
(72) Name(s) of Designer(s): **Beverley Ishbel Jones-Prichard and Raymond Douglas Thodey and Guanghui Wang**  
(45) Registration Date: **17 February 2010**  
(30) Convention priority data:  
(31) Number (32) Date (33) Country  
**412429 19 Jun 2009 NEW ZEALAND**  
(56) Related Art Documents: **Not Applicable**  
(57) Statement of Newness and Distinctiveness: **The newness and distinctiveness of the design resides in the features of shape and/or configuration of the partition, wherein the length in direction x-x is indefinite as shown in the representations.**



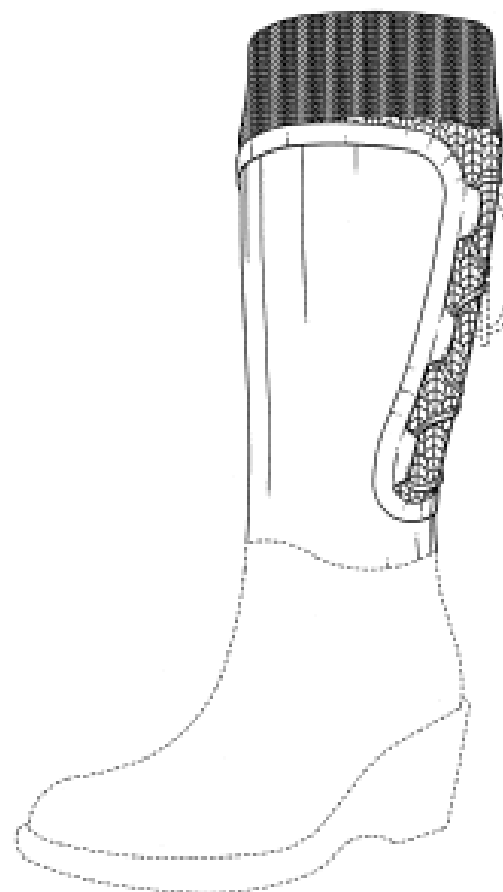
- (21) Design Number: **10193/2010**  
(22) Date of Filing Application: **21 January 2010**  
(24) Date from which industrial property rights may have effect: **21 January 2010**  
(54) Product in respect of which the design is registered: **Portion of a footwear upper**  
(51) International Design Classification: **02-04NES**  
(71) Name(s) and Address(s) of Applicant(s):  
**Deckers Outdoor Corporation**  
**495-A South Fairview Avenue Goleta California 93117 United States of America**  
(72) Name(s) of Designer(s): **Jennifer MacIntyre**  
(45) Registration Date: **17 February 2010**  
(30) Convention priority data:  
(31) Number (32) Date (33) Country  
**29/343479 14 Sep 2009 UNITED STATES OF AMERICA**  
(56) Related Art Documents: **Not Applicable**  
(57) Statement of Newness and Distinctiveness: **Newness and distinctiveness reside in the features of shape and configuration of the design shown in solid lines in the representations, in particular the arrangement of the fasteners, and excluding those features shown in broken lines.**



(21) Design Number: **10194/2010**  
 (22) Date of Filing Application: **21 January 2010**  
 (24) Date from which industrial property rights may have effect: **21 January 2010**  
 (54) Product in respect of which the design is registered: **Portion of a footwear upper**  
 (51) International Design Classification: **02-04NES**  
 (71) Name(s) and Address(s) of Applicant(s):  
**Deckers Outdoor Corporation**  
**495-A South Fairview Avenue Goleta California 93117 United States of America**  
 (72) Name(s) of Designer(s): **Leah Larson**  
 (45) Registration Date: **17 February 2010**  
 (30) Convention priority data:  
 (31) Number (32) Date (33) Country  
**29/346535 02 Nov 2009 UNITED STATES OF AMERICA**  
 (56) Related Art Documents: **Not Applicable**  
 (57) Statement of Newness and Distinctiveness: **Newness and distinctiveness reside in the features of shape and configuration of the design shown in solid lines in the representations, and excluding those features shown in broken lines.**



(21) Design Number: **10195/2010**  
 (22) Date of Filing Application: **21 January 2010**  
 (24) Date from which industrial property rights may have effect: **21 January 2010**  
 (54) Product in respect of which the design is registered: **Portion of a footwear upper**  
 (51) International Design Classification: **02-04NES**  
 (71) Name(s) and Address(s) of Applicant(s):  
**Deckers Outdoor Corporation**  
**495-A South Fairview Avenue Goleta California 93117 United States of America**  
 (72) Name(s) of Designer(s): **Natalie Ng**  
 (45) Registration Date: **17 February 2010**  
 (30) Convention priority data:  
 (31) Number (32) Date (33) Country  
**29/346938 09 Nov 2009 UNITED STATES OF AMERICA**  
 (56) Related Art Documents: **Not Applicable**  
 (57) Statement of Newness and Distinctiveness: **Newness and distinctiveness reside in the features of shape and configuration of the design shown in solid lines in the representations, and excluding those features shown in broken lines.**



(21) Design Number: **10196/2010**

(22) Date of Filing Application: **21 January 2010**

(24) Date from which industrial property rights may have effect: **21 January 2010**

(54) Product in respect of which the design is registered: **Cap for a container**

(51) International Design Classification: **09-07B**

(71) Name(s) and Address(s) of Applicant(s):

**Colgate-Palmolive Company**  
**300 Park Avenue New York New York 10022 United States of America**

(72) Name(s) of Designer(s): **Elaine Casey and Bruce Cummings and Jeffrey Mayers and Corinne Elstow and Sam Lucking and John Lamb**

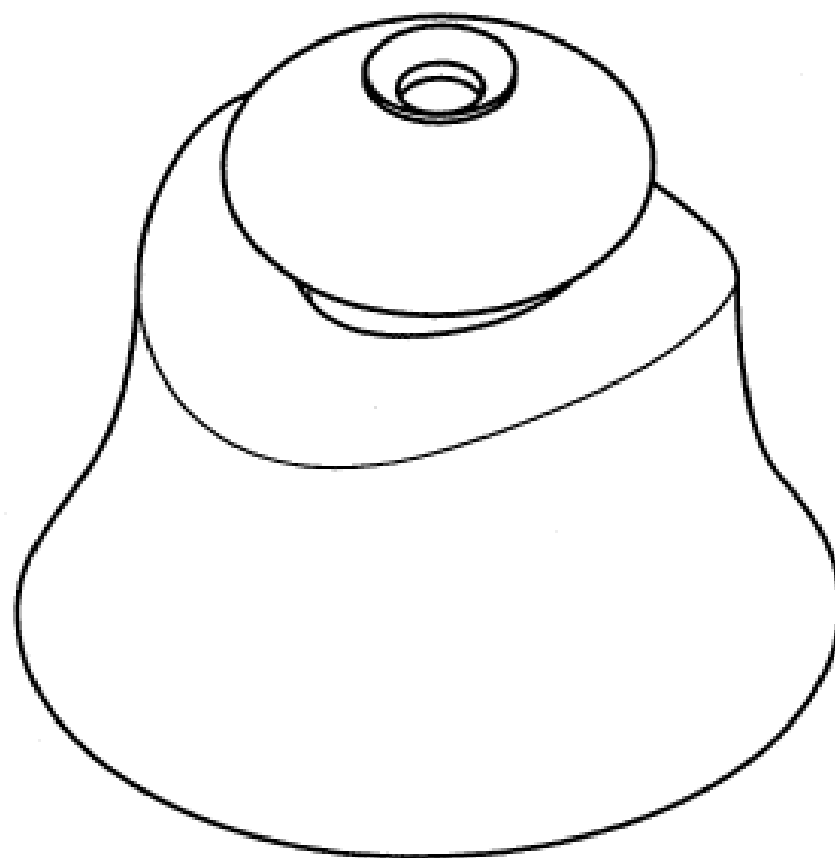
(45) Registration Date: **17 February 2010**

(30) Convention priority data:

(31) Number	(32) Date	(33) Country
<b>29/341151</b>	<b>31 Jul 2009</b>	<b>UNITED STATES OF AMERICA</b>

(56) Related Art Documents: **Not Applicable**

(57) Statement of Newness and Distinctiveness: **Newness and distinctiveness reside in the features of the design as shown in the representations.**



(21) Design Number: **10197/2010**

(22) Date of Filing Application: **21 January 2010**

(24) Date from which industrial property rights may have effect: **21 January 2010**

(54) Product in respect of which the design is registered: **Nozzle for a container cap**

(51) International Design Classification: **09-07B**

(71) Name(s) and Address(s) of Applicant(s):

**Colgate-Palmolive Company**  
**300 Park Avenue New York New York 10022 United States of America**

(72) Name(s) of Designer(s): **Elaine Casey and Bruce Cummings and Jeffrey Mayers and Corinne Elstow and Sam Lucking and John Lamb**

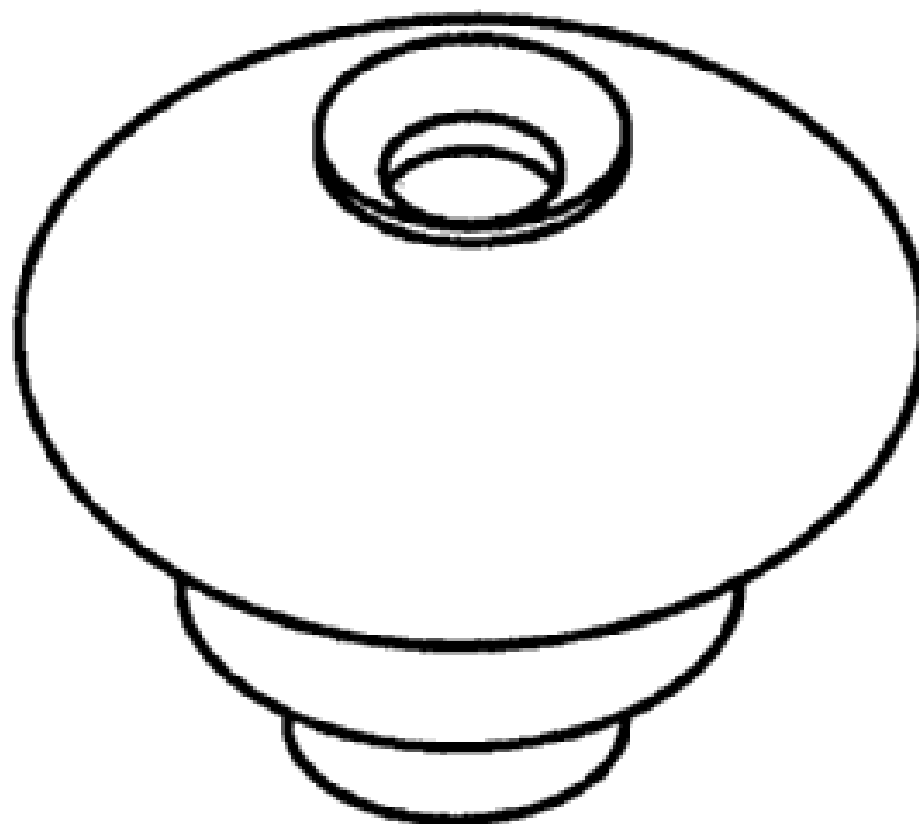
(45) Registration Date: **17 February 2010**

(30) Convention priority data:

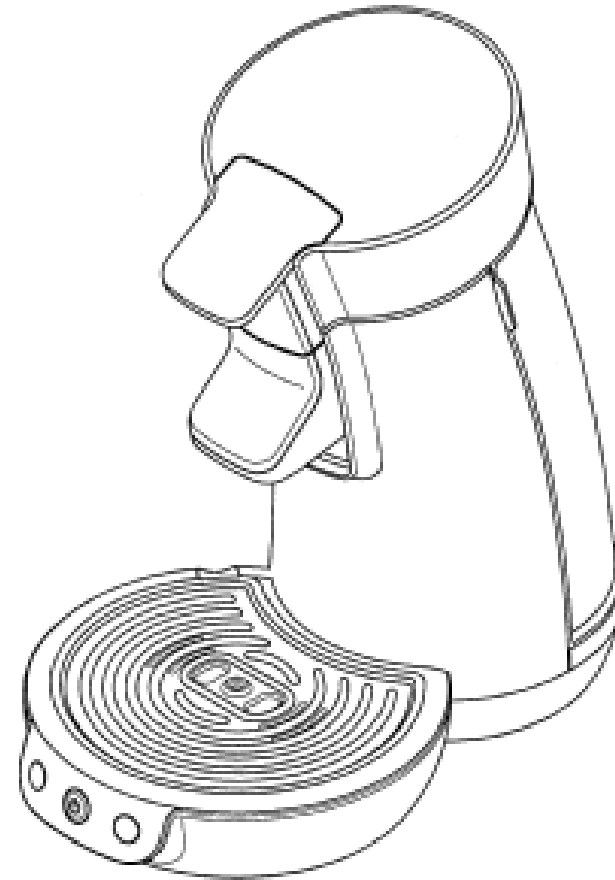
(31) Number	(32) Date	(33) Country
<b>29/341153</b>	<b>31 Jul 2009</b>	<b>UNITED STATES OF AMERICA</b>

(56) Related Art Documents: **Not Applicable**

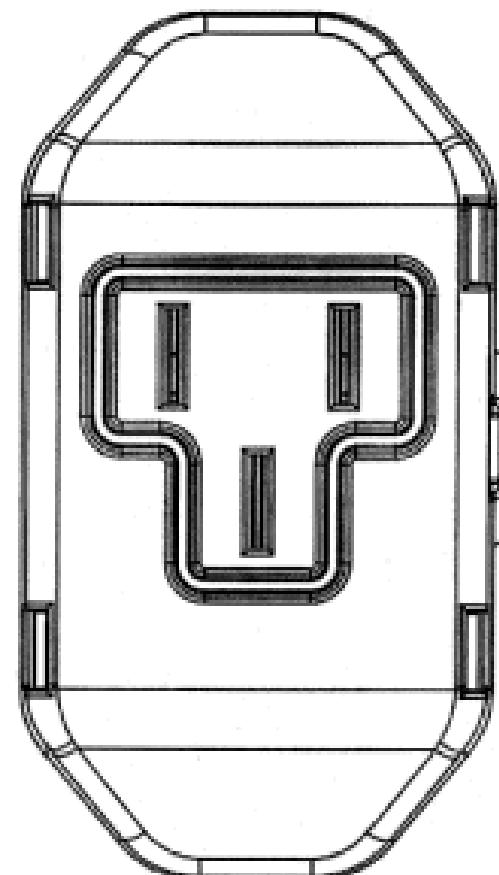
(57) Statement of Newness and Distinctiveness: **Newness and distinctiveness reside in the features of the design as shown in the representations.**



- (21) Design Number: **10198/2010**  
(22) Date of Filing Application: **21 January 2010**  
(24) Date from which industrial property rights may have effect: **21 January 2010**  
(54) Product in respect of which the design is registered: **Coffee maker**  
(51) International Design Classification: **07-02L**  
(71) Name(s) and Address(s) of Applicant(s):  
**Koninklijke Philips Electronics N.V.**  
**Groenewoudseweg 1 5621 BA Eindhoven The Netherlands**  
**Sara Lee/DE N.V.**  
**Vleutensevaart 100 3532 AD Utrecht The Netherlands**  
(72) Name(s) of Designer(s): **Graeme Antony**  
(45) Registration Date: **17 February 2010**  
(30) Convention priority data:  
(31) Number (32) Date (33) Country  
**001592007 23 Jul 2009 EUROPEAN COMMUNITY**  
(56) Related Art Documents: **Not Applicable**  
(57) Statement of Newness and Distinctiveness: **Newness and distinctiveness reside in the features of shape and configuration of the design as shown in the representations.**

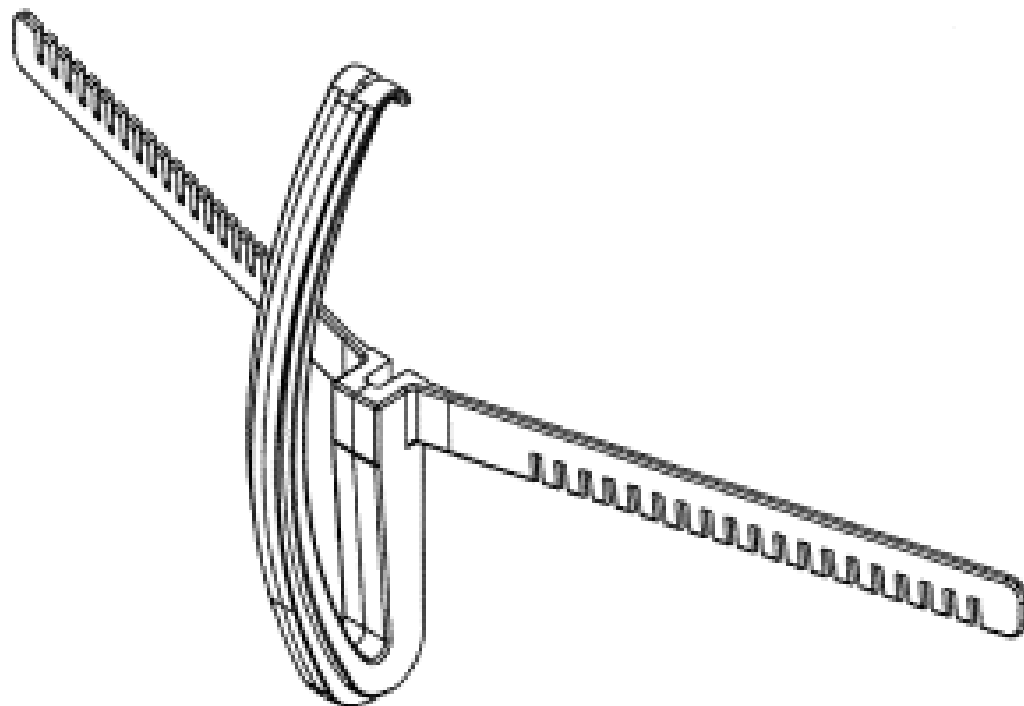


- (21) Design Number: **10200/2010**  
(22) Date of Filing Application: **21 January 2010**  
(24) Date from which industrial property rights may have effect: **21 January 2010**  
(54) Product in respect of which the design is registered: **An electrical connector unit**  
(51) International Design Classification: **13-03B**  
(71) Name(s) and Address(s) of Applicant(s):  
**Modulek Pty Ltd**  
**28 Mellor Avenue Lockleys South Australia 5032 Australia**  
(72) Name(s) of Designer(s): **Mark T. Fahey**  
(45) Registration Date: **17 February 2010**  
(56) Related Art Documents: **Not Applicable**  
(57) Statement of Newness and Distinctiveness: **Nil**

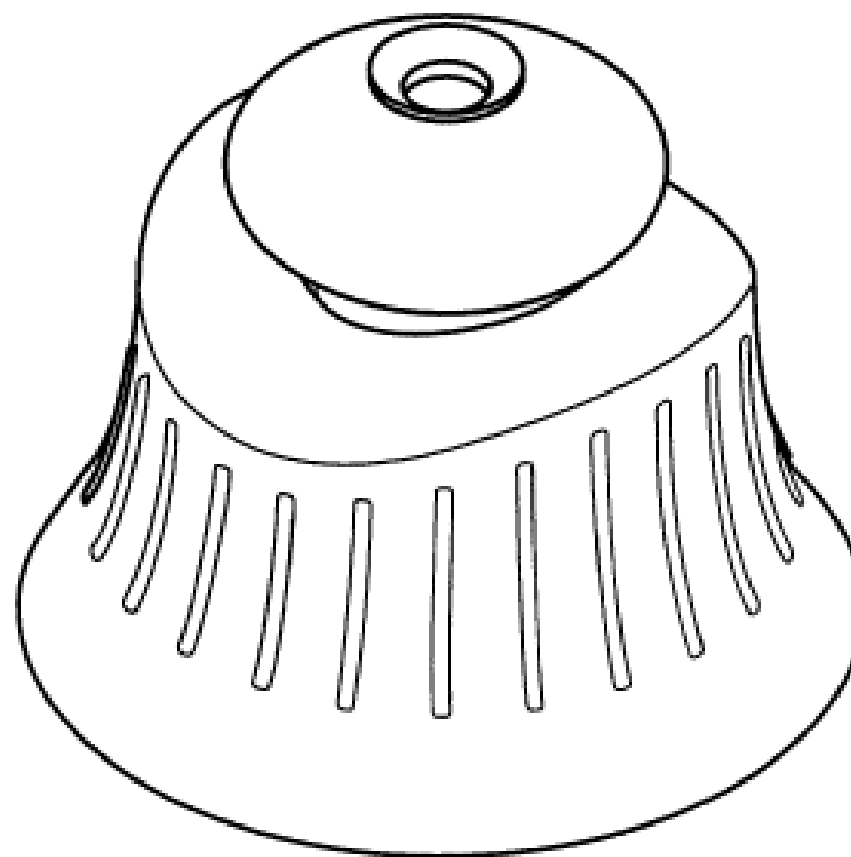




- (21) Design Number: **10224/2010**  
(22) Date of Filing Application: **22 January 2010**  
(24) Date from which industrial property rights may have effect: **22 January 2010**  
(54) Product in respect of which the design is registered: **Anchor for a string line with flexible interlocking straps**  
(51) International Design Classification: **08-08NES, 25-02NES**  
(71) Name(s) and Address(s) of Applicant(s):  
**Bowtight Pty Ltd**  
**PO Box 596 Patterson Lakes Victoria 3197 Australia**  
(72) Name(s) of Designer(s): **Marjan Krnjaic**  
(45) Registration Date: **17 February 2010**  
(56) Related Art Documents: **Not Applicable**  
(57) Statement of Newness and Distinctiveness: **Nil**



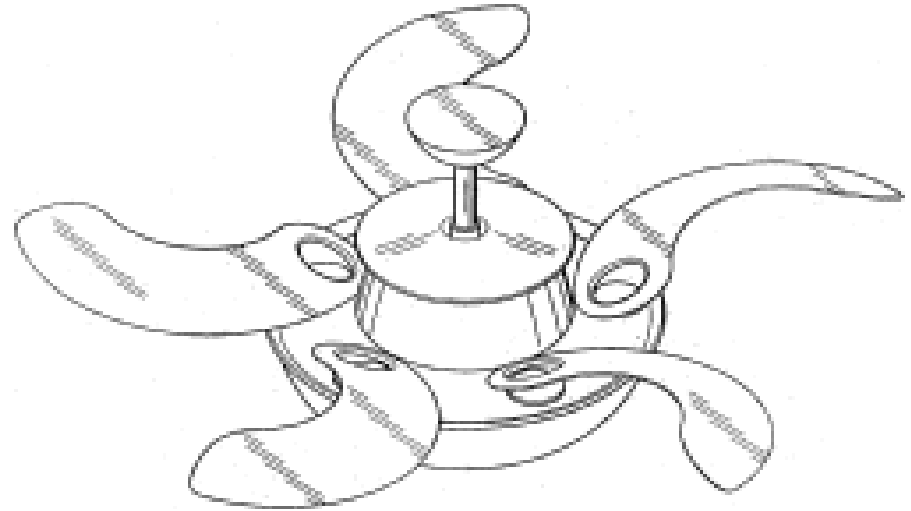
- (21) Design Number: **10225/2010**  
(22) Date of Filing Application: **22 January 2010**  
(24) Date from which industrial property rights may have effect: **22 January 2010**  
(54) Product in respect of which the design is registered: **Cap for a container**  
(51) International Design Classification: **09-07B**  
(71) Name(s) and Address(s) of Applicant(s):  
**Colgate-Palmolive Company**  
**300 Park Avenue New York New York 10022 United States of America**  
(72) Name(s) of Designer(s): **Elaine Casey and Bruce Cummings and Jeffrey Mayers and Corinne Elstow and Sam Lucking and John Lamb**  
(45) Registration Date: **17 February 2010**  
(30) Convention priority data:  
(31) Number (32) Date (33) Country  
**29/341150 31 Jul 2009 UNITED STATES OF AMERICA**  
(56) Related Art Documents: **Not Applicable**  
(57) Statement of Newness and Distinctiveness: **Newness and distinctiveness reside in the features of the design as shown in the representations.**



- (21) Design Number: **10015/2010**
- (22) Date of Filing Application: **05 January 2010**
- (24) Date from which industrial property rights may have effect: **05 January 2010**
- (54) Product in respect of which the design is registered: **Ceiling fan**
- (51) International Design Classification: **23-04**
- (71) Name(s) and Address(s) of Applicant(s):

**Pan Air Electric Co., Ltd.**  
**No. 346 Shui Yuan Road Feng Yuan Taichung Hsien 42074 Taiwan**

- (72) Name(s) of Designer(s): **Ching-Wen Liu**
- (45) Registration Date: **17 February 2010**
- (56) Related Art Documents: **Not Applicable**
- (57) Statement of Newness and Distinctiveness: **Nil**

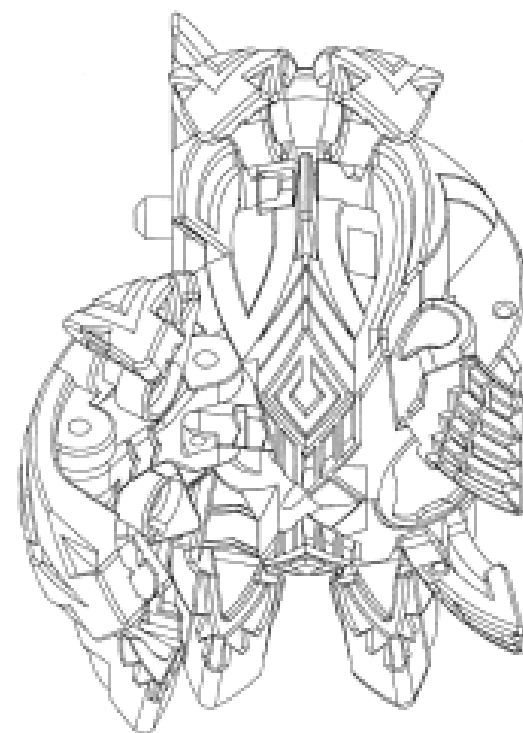


- (21) Design Number: **10239/2010**
- (22) Date of Filing Application: **25 January 2010**
- (24) Date from which industrial property rights may have effect: **25 January 2010**
- (54) Product in respect of which the design is registered: **Transformable toy**
- (51) International Design Classification: **21-01B**
- (71) Name(s) and Address(s) of Applicant(s):

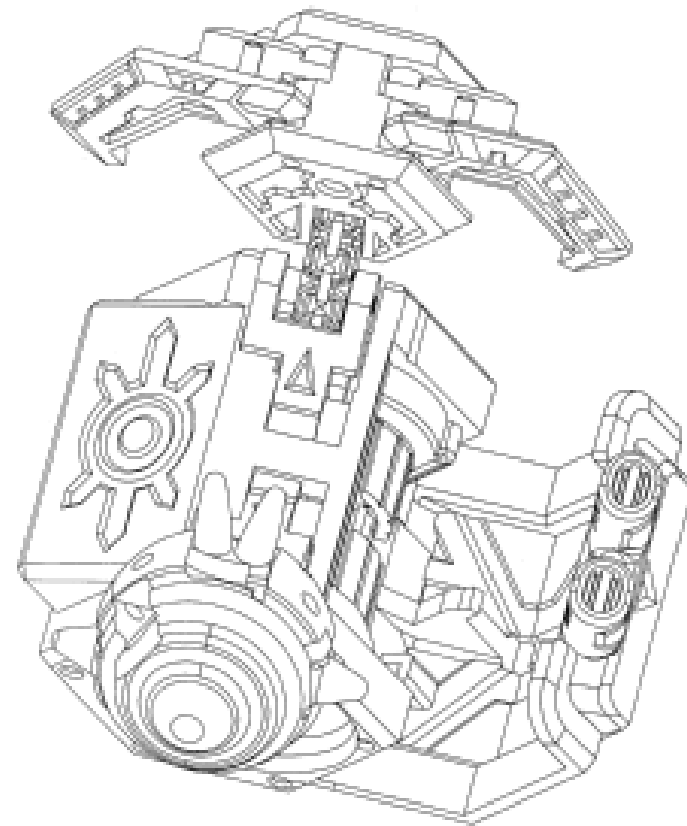
**Spin Master Ltd.**  
**450 Front Street West Toronto ON M5V 1B6 Canada**

- (72) Name(s) of Designer(s): **Kohji Hirose and Richard Keuter and Wataru Sato**
- (45) Registration Date: **17 February 2010**
- (30) Convention priority data:

(31) Number	(32) Date	(33) Country
131870	17 Aug 2009	CANADA
- (56) Related Art Documents: **Not Applicable**
- (57) Statement of Newness and Distinctiveness: **Nil**



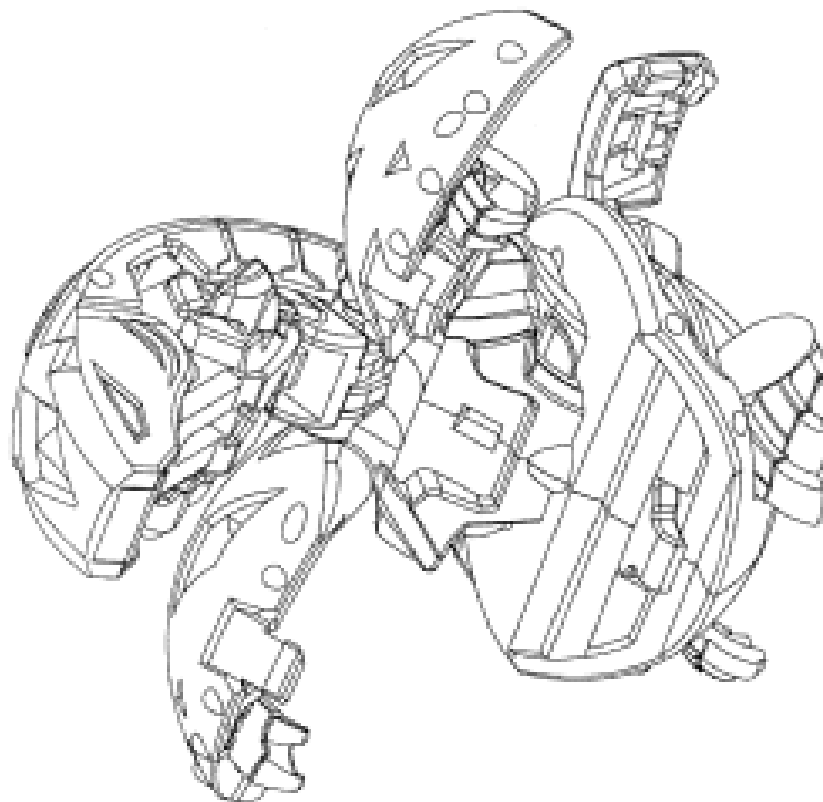
(21) Design Number: **10240/2010**  
(22) Date of Filing Application: **25 January 2010**  
(24) Date from which industrial property rights may have effect: **25 January 2010**  
(54) Product in respect of which the design is registered: **Transformable toy**  
(51) International Design Classification: **21-01B**  
(71) Name(s) and Address(s) of Applicant(s):  
**Spin Master Ltd.**  
**450 Front Street West Toronto ON M5V 1B6 Canada**  
(72) Name(s) of Designer(s): **Kohji Hirose and Richard Keuter and Wataru Sato**  
(45) Registration Date: **17 February 2010**  
(30) Convention priority data:  
(31) Number (32) Date (33) Country  
**131981 26 Aug 2009 CANADA**  
(56) Related Art Documents: **Not Applicable**  
(57) Statement of Newness and Distinctiveness: **Nil**



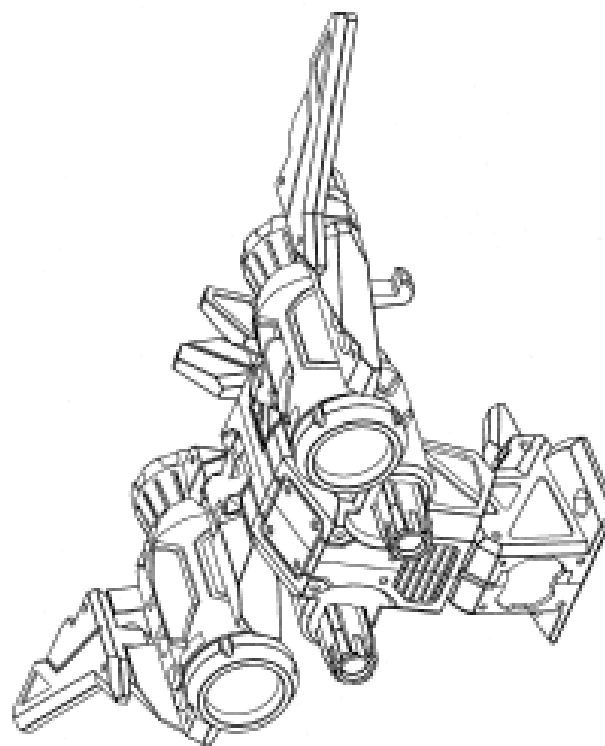
(21) Design Number: **10241/2010**  
(22) Date of Filing Application: **25 January 2010**  
(24) Date from which industrial property rights may have effect: **25 January 2010**  
(54) Product in respect of which the design is registered: **Transformable toy**  
(51) International Design Classification: **21-01B**  
(71) Name(s) and Address(s) of Applicant(s):  
**Spin Master Ltd.**  
**450 Front Street West Toronto ON M5V 1B6 Canada**  
(72) Name(s) of Designer(s): **Kohji Hirose and Richard Keuter and Wataru Sato**  
(45) Registration Date: **17 February 2010**  
(30) Convention priority data:  
(31) Number (32) Date (33) Country  
**131961 25 Aug 2009 CANADA**  
(56) Related Art Documents: **Not Applicable**  
(57) Statement of Newness and Distinctiveness: **Nil**



(21) Design Number: **10242/2010**  
(22) Date of Filing Application: **25 January 2010**  
(24) Date from which industrial property rights may have effect: **25 January 2010**  
(54) Product in respect of which the design is registered: **Transformable toy**  
(51) International Design Classification: **21-01B**  
(71) Name(s) and Address(s) of Applicant(s):  
**Spin Master Ltd.**  
**450 Front Street West Toronto ON M5V 1B6 Canada**  
(72) Name(s) of Designer(s): **Kohji Hirose and Richard Keuter and Wataru Sato**  
(45) Registration Date: **17 February 2010**  
(30) Convention priority data:  
(31) Number (32) Date (33) Country  
**131957 25 Aug 2009 CANADA**  
(56) Related Art Documents: **Not Applicable**  
(57) Statement of Newness and Distinctiveness: **Nil**



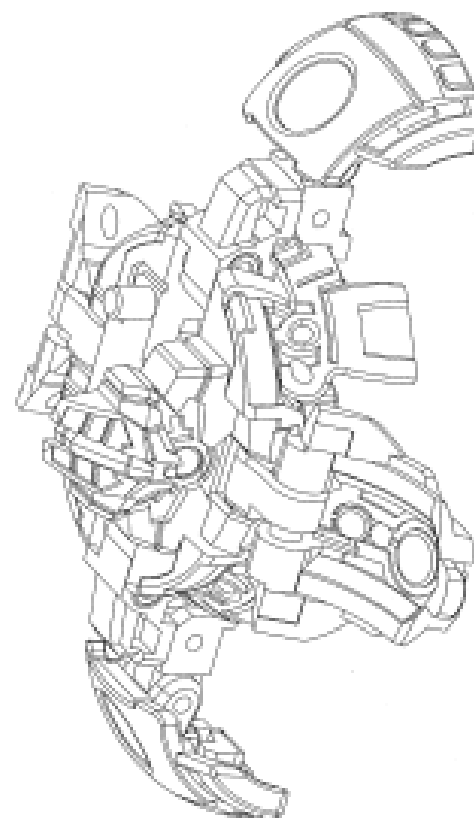
(21) Design Number: **10243/2010**  
(22) Date of Filing Application: **25 January 2010**  
(24) Date from which industrial property rights may have effect: **25 January 2010**  
(54) Product in respect of which the design is registered: **Transformable toy**  
(51) International Design Classification: **21-01B**  
(71) Name(s) and Address(s) of Applicant(s):  
**Spin Master Ltd.**  
**450 Front Street West Toronto ON M5V 1B6 Canada**  
(72) Name(s) of Designer(s): **Kohji Hirose and Richard Keuter and Wataru Sato**  
(45) Registration Date: **17 February 2010**  
(30) Convention priority data:  
(31) Number (32) Date (33) Country  
**131962 25 Aug 2009 CANADA**  
(56) Related Art Documents: **Not Applicable**  
(57) Statement of Newness and Distinctiveness: **Nil**



(21) Design Number: **10244/2010**  
(22) Date of Filing Application: **25 January 2010**  
(24) Date from which industrial property rights may have effect: **25 January 2010**  
(54) Product in respect of which the design is registered: **Transformable toy**  
(51) International Design Classification: **21-01B**  
(71) Name(s) and Address(s) of Applicant(s):  
**Spin Master Ltd.**  
**450 Front Street West Toronto ON M5V 1B6 Canada**  
(72) Name(s) of Designer(s): **Kohji Hirose and Richard Keuter and Wataru Sato**  
(45) Registration Date: **17 February 2010**  
(30) Convention priority data:  
(31) Number (32) Date (33) Country  
**131868 17 Aug 2009 CANADA**  
(56) Related Art Documents: **Not Applicable**  
(57) Statement of Newness and Distinctiveness: **Nil**



(21) Design Number: **10245/2010**  
(22) Date of Filing Application: **25 January 2010**  
(24) Date from which industrial property rights may have effect: **25 January 2010**  
(54) Product in respect of which the design is registered: **Transformable toy**  
(51) International Design Classification: **21-01B**  
(71) Name(s) and Address(s) of Applicant(s):  
**Spin Master Ltd.**  
**450 Front Street West Toronto ON M5V 1B6 Canada**  
(72) Name(s) of Designer(s): **Kohji Hirose and Richard Keuter and Wataru Sato**  
(45) Registration Date: **17 February 2010**  
(30) Convention priority data:  
(31) Number (32) Date (33) Country  
**131917 24 Aug 2009 CANADA**  
(56) Related Art Documents: **Not Applicable**  
(57) Statement of Newness and Distinctiveness: **Nil**



(21) Design Number: **10246/2010**

(22) Date of Filing Application: **25 January 2010**

(24) Date from which industrial property rights may have effect: **25 January 2010**

(54) Product in respect of which the design is registered: **Transformable toy**

(51) International Design Classification: **21-01B**

(71) Name(s) and Address(s) of Applicant(s):

**Spin Master Ltd.**

**450 Front Street West Toronto ON M5V 1B6 Canada**

(72) Name(s) of Designer(s): **Kohji Hirose and Richard Keuter and Wataru Sato**

(45) Registration Date: **17 February 2010**

(30) Convention priority data:

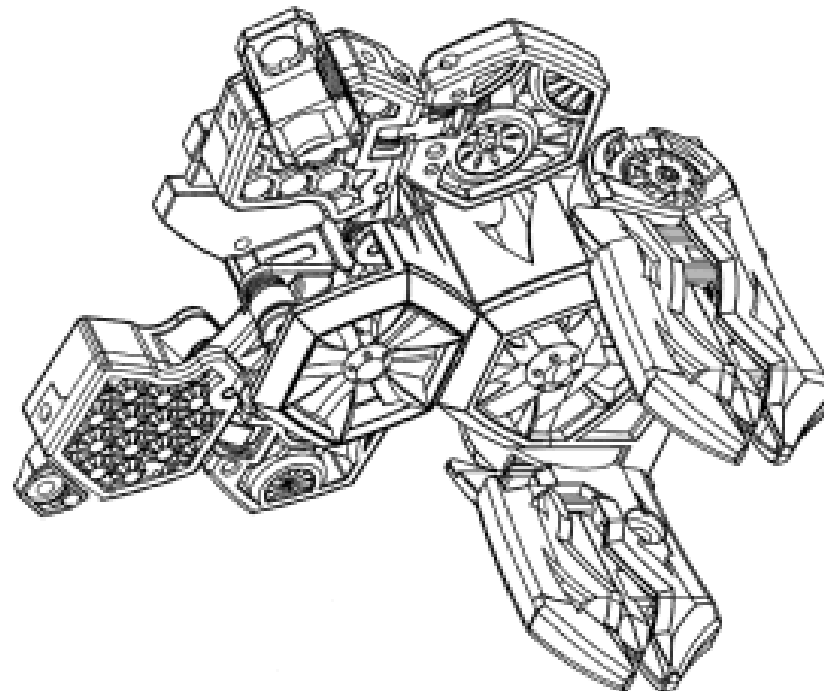
(31) Number  
**131963**

(32) Date  
**25 Aug 2009**

(33) Country  
**CANADA**

(56) Related Art Documents: **Not Applicable**

(57) Statement of Newness and Distinctiveness: **Nil**



(21) Design Number: **14810/2009**

(22) Date of Filing Application: **09 December 2009**

(24) Date from which industrial property rights may have effect: **09 December 2009**

(54) Product in respect of which the design is registered: **A cap**

(51) International Design Classification: **08-99, 12-16NES**

(71) Name(s) and Address(s) of Applicant(s):

**Rope & Plastic Products Pty. Ltd.**

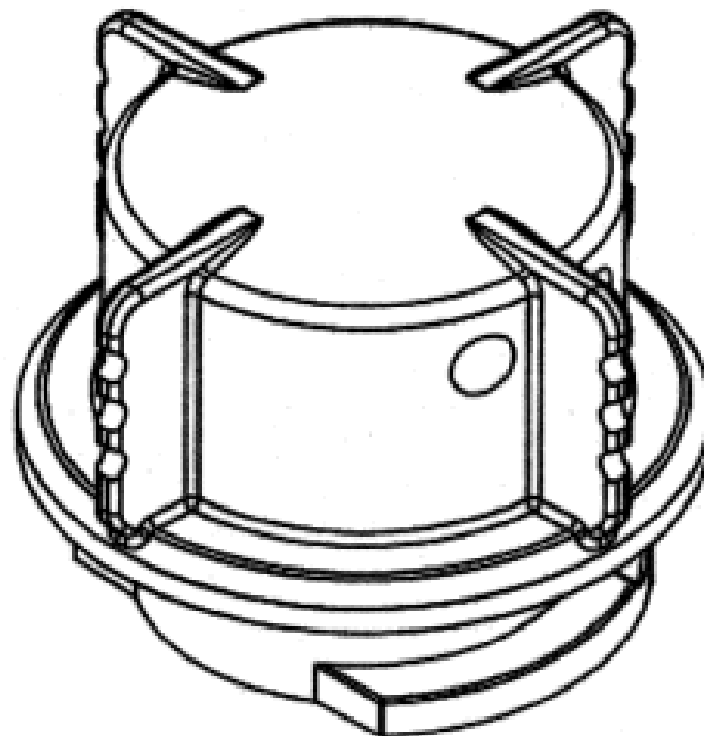
**First Floor 1 Alexandra Avenue Rose Park South Australia 5067  
Australia**

(72) Name(s) of Designer(s): **Rod Arthur and John Sutton**

(45) Registration Date: **17 February 2010**

(56) Related Art Documents: **Not Applicable**

(57) Statement of Newness and Distinctiveness: **Nil**



- (21) Design Number: **15070/2009**  
(22) Date of Filing Application: **24 December 2009**  
(24) Date from which industrial property rights may have effect: **24 December 2009**  
(54) Product in respect of which the design is registered: **Portable terminal**  
(51) International Design Classification: **14-02**  
(71) Name(s) and Address(s) of Applicant(s):

**Datalogic Mobile S.r.l.**  
**Via San Vitalino 13 I-40012 Lippo di Calderara di Reno Bologna Italy**

(72) Name(s) of Designer(s): **Monica Alegiani and Vanessa Massacci**

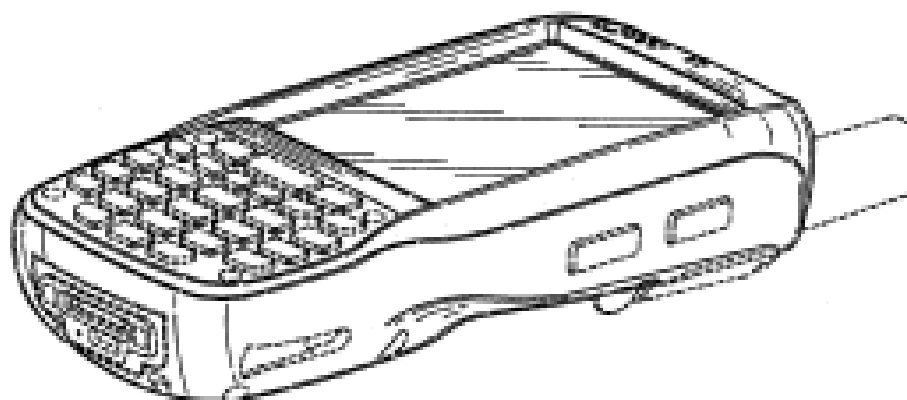
(45) Registration Date: **17 February 2010**

(30) Convention priority data:

(31) Number	(32) Date	(33) Country
<b>1180681</b>	<b>27 Nov 2009</b>	<b>EUROPEAN COMMUNITY</b>

(56) Related Art Documents: **Not Applicable**

(57) Statement of Newness and Distinctiveness: **Newness and distinctiveness is claimed in the visual features of shape and configuration of the product shown in the representations. In considering the extend of newness and distinctiveness, the features shown in broken lines should be disregarded.**



- (21) Design Number: **15071/2009**  
(22) Date of Filing Application: **24 December 2009**  
(24) Date from which industrial property rights may have effect: **24 December 2009**  
(54) Product in respect of which the design is registered: **Portable terminal**  
(51) International Design Classification: **14-02**  
(71) Name(s) and Address(s) of Applicant(s):

**Datalogic Mobile S.r.l.**  
**Via San Vitalino 13 I-40012 Lippo di Calderara di Reno Bologna Italy**

(72) Name(s) of Designer(s): **Monica Alegiani and Brianne Elizabeth Howard and Craig Harold Bontly**

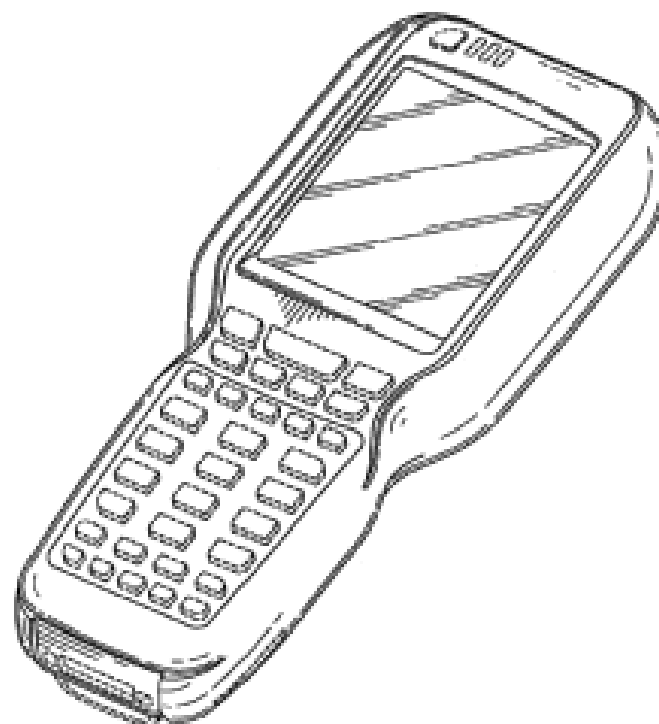
(45) Registration Date: **17 February 2010**

(30) Convention priority data:

(31) Number	(32) Date	(33) Country
<b>1180673</b>	<b>27 Nov 2009</b>	<b>EUROPEAN COMMUNITY</b>

(56) Related Art Documents: **Not Applicable**

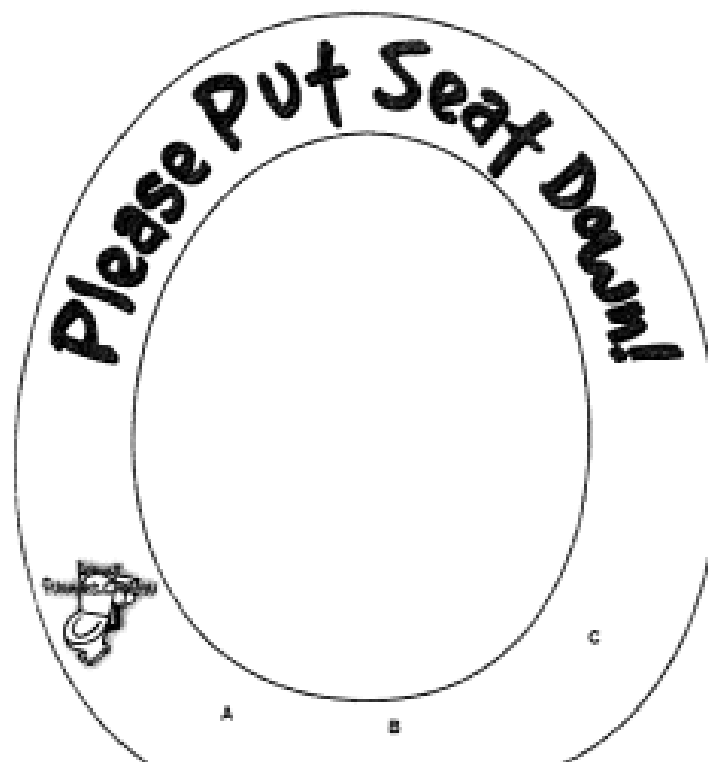
(57) Statement of Newness and Distinctiveness: **Newness and distinctiveness is claimed in the visual features of shape and configuration of the product shown in the representations. In considering the extend of newness and distinctiveness, the features shown in broken lines should be disregarded.**



- (21) Design Number: **10355/2010**
- (22) Date of Filing Application: **02 February 2010**
- (24) Date from which industrial property rights may have effect: **02 February 2010**
- (54) Product in respect of which the design is registered: **Tile**
- (51) International Design Classification: **25-01F**
- (71) Name(s) and Address(s) of Applicant(s):  
**Everstone International Pty Ltd**  
**8 George Young Street Auburn New South Wales 2144 Australia**
- (72) Name(s) of Designer(s): **John Zeng**
- (45) Registration Date: **17 February 2010**
- (56) Related Art Documents: **Not Applicable**
- (57) Statement of Newness and Distinctiveness: **Nil**

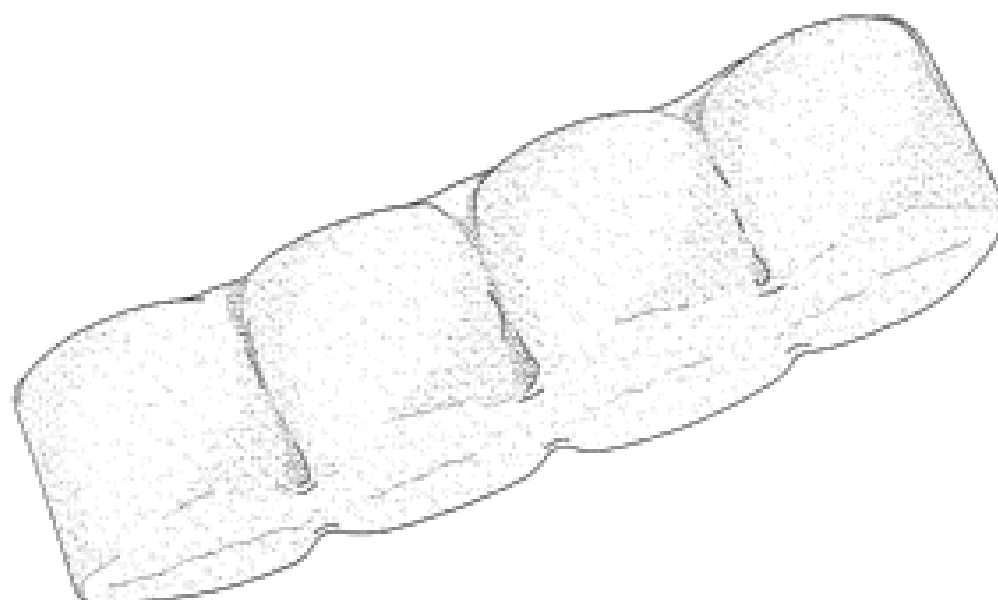


- (21) Design Number: **10367/2010**
- (22) Date of Filing Application: **03 February 2010**
- (24) Date from which industrial property rights may have effect: **03 February 2010**
- (54) Product in respect of which the design is registered: **Adhesive sticker to be attached to a suitable surface, including a toilet seat. Stickers comprise learning**
- (51) International Design Classification: **19-08**
- (71) Name(s) and Address(s) of Applicant(s):  
**Lisa Reinke**  
**54-56 Scribbly Gum Court New Beith Queensland 4124**
- (72) Name(s) of Designer(s): **Lisa Reinke**
- (45) Registration Date: **17 February 2010**
- (56) Related Art Documents: **Not Applicable**
- (57) Statement of Newness and Distinctiveness: **Nil**

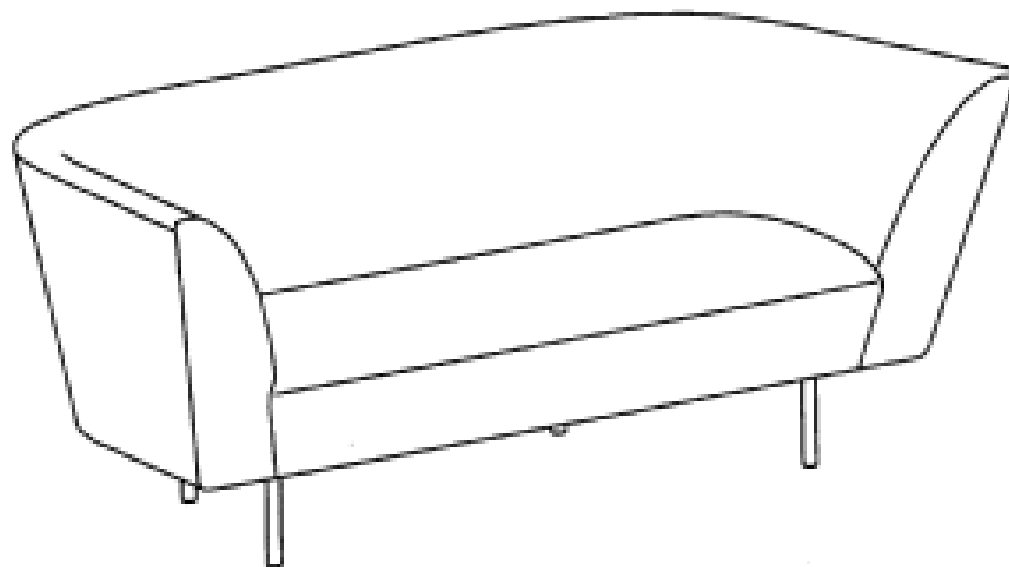




(21) Design Number: **15015/2009**  
(22) Date of Filing Application: **22 December 2009**  
(24) Date from which industrial property rights may have effect: **22 December 2009**  
(54) Product in respect of which the design is registered: **Biscuit**  
(51) International Design Classification: **01-01**  
(71) Name(s) and Address(s) of Applicant(s):  
**Kellogg Company**  
**One Kellogg Square PO Box 3599 Battle Creek Michigan 49016-3599**  
**United States of America**  
(72) Name(s) of Designer(s): **David Henningham and Bridget Briggs**  
(45) Registration Date: **18 February 2010**  
(30) Convention priority data:  
(31) Number (32) Date (33) Country  
**001556929-0001 22 Jun 2009 EUROPEAN COMMUNITY**  
(56) Related Art Documents: **Not Applicable**  
(57) Statement of Newness and Distinctiveness: **Nil**



(21) Design Number: **15017/2009**  
(22) Date of Filing Application: **22 December 2009**  
(24) Date from which industrial property rights may have effect: **22 December 2009**  
(54) Product in respect of which the design is registered: **Sofa**  
(51) International Design Classification: **06-01G**  
(71) Name(s) and Address(s) of Applicant(s):  
**Arper S.p.A.**  
**Via Lombardia 16 Monastier di Treviso Treviso I-31050 Italy**  
(72) Name(s) of Designer(s): **Alberto Lievore**  
(45) Registration Date: **18 February 2010**  
(30) Convention priority data:  
(31) Number (32) Date (33) Country  
**DM/072 410 17 Jul 2009 WORLD INTELLECTUAL**  
**PROPERTY ORGANIZATION**  
**(WIPO)**  
(56) Related Art Documents: **Not Applicable**  
(57) Statement of Newness and Distinctiveness: **Nil**



(21) Design Number: **15019/2009**  
(22) Date of Filing Application: **22 December 2009**  
(24) Date from which industrial property rights may have effect: **22 December 2009**  
(54) Product in respect of which the design is registered: **Chair**  
(51) International Design Classification: **06-01G**  
(71) Name(s) and Address(s) of Applicant(s):

**Arper S.p.A.**  
**Via Lombardia 16 Monastier di Treviso Treviso I-31050 Italy**

(72) Name(s) of Designer(s): **Alberto Lievore**

(45) Registration Date: **18 February 2010**

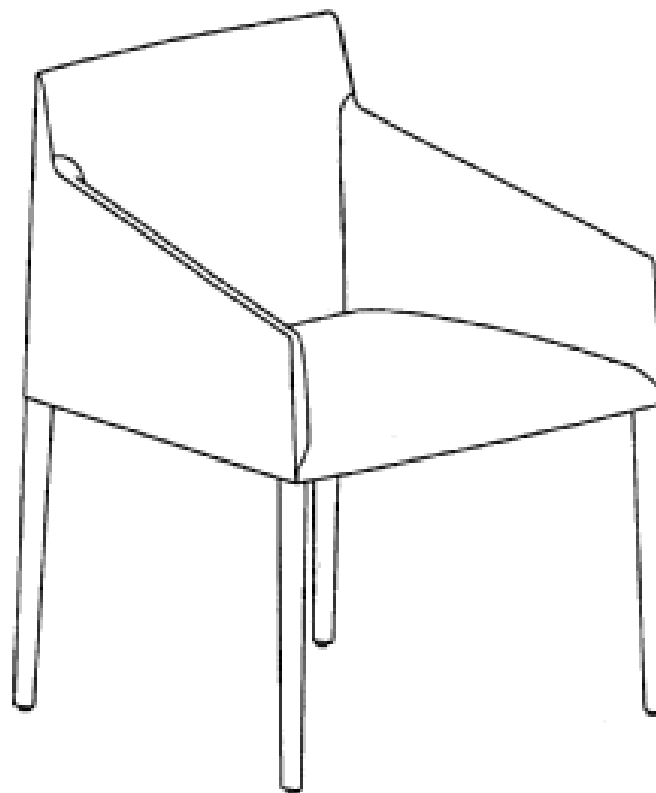
(30) Convention priority data:

(31) Number (32) Date  
**DM/072 410 17 Jul 2009**

(33) Country  
**WORLD INTELLECTUAL  
PROPERTY ORGANIZATION  
(WIPO)**

(56) Related Art Documents: **Not Applicable**

(57) Statement of Newness and Distinctiveness: **Nil**



(21) Design Number: **15021/2009**  
(22) Date of Filing Application: **22 December 2009**  
(24) Date from which industrial property rights may have effect: **22 December 2009**  
(54) Product in respect of which the design is registered: **Table**  
(51) International Design Classification: **06-03A**  
(71) Name(s) and Address(s) of Applicant(s):

**Arper S.p.A.**  
**Via Lombardia 16 Monastier di Treviso Treviso I-31050 Italy**

(72) Name(s) of Designer(s): **Simon Pengelly**

(45) Registration Date: **18 February 2010**

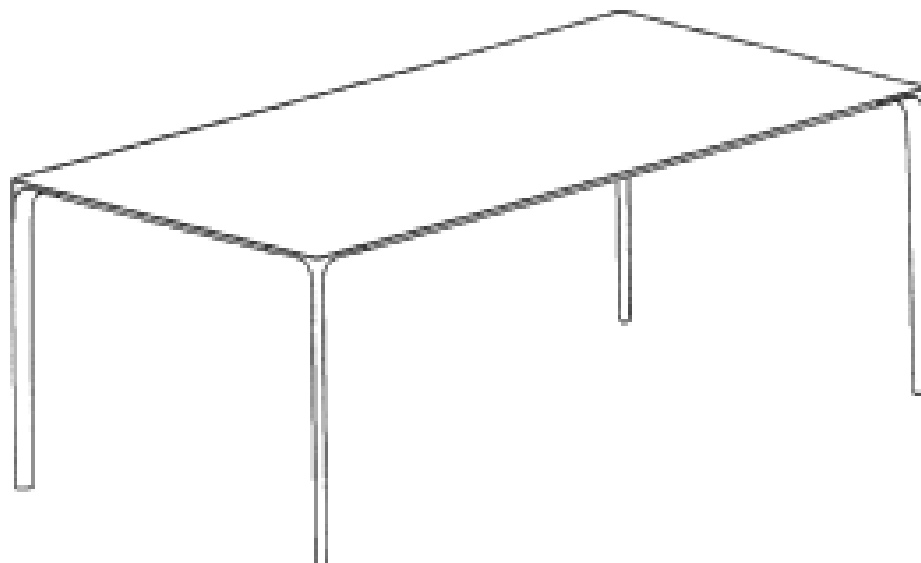
(30) Convention priority data:

(31) Number (32) Date  
**DM/072 410 17 Jul 2009**

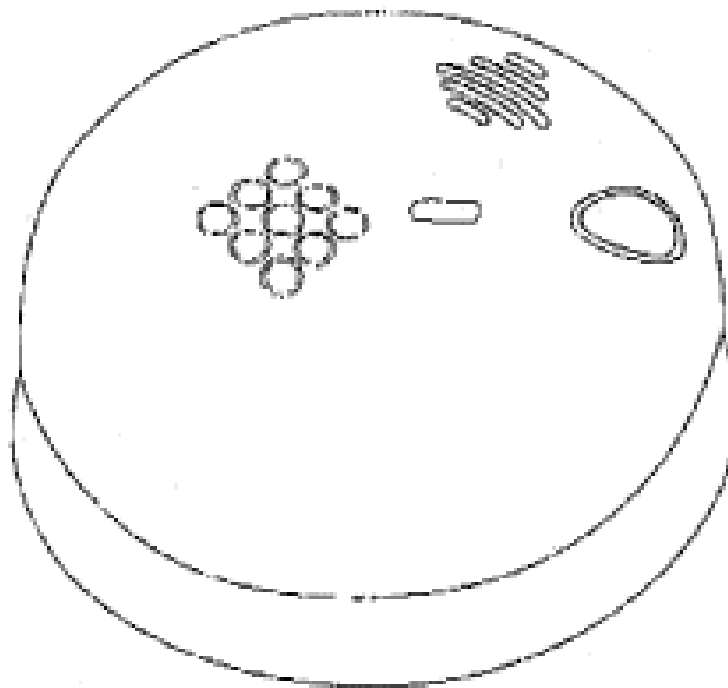
(33) Country  
**WORLD INTELLECTUAL  
PROPERTY ORGANIZATION  
(WIPO)**

(56) Related Art Documents: **Not Applicable**

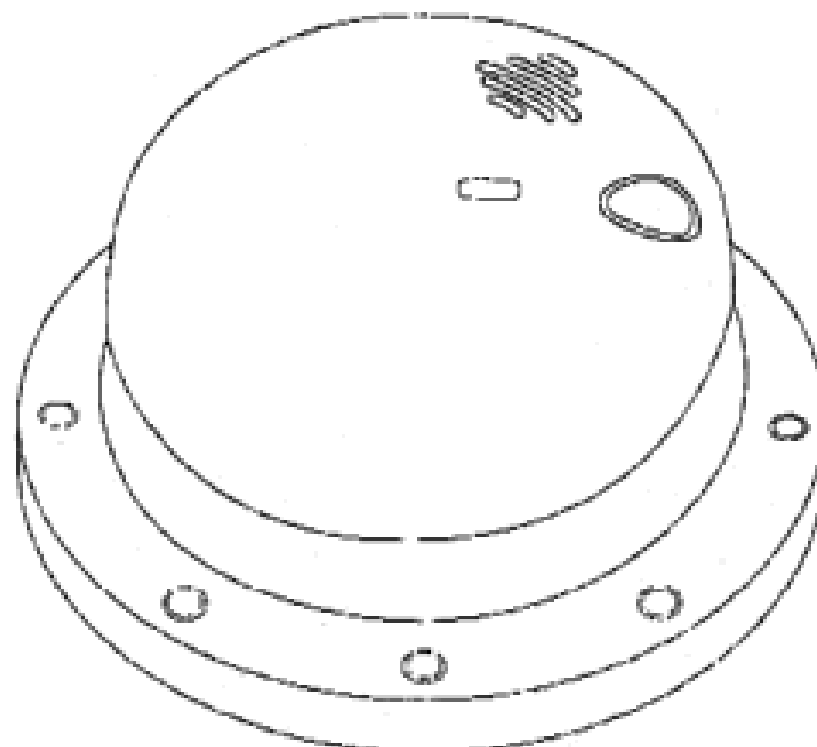
(57) Statement of Newness and Distinctiveness: **Nil**



- (21) Design Number: **13932/2009**
- (22) Date of Filing Application: **08 October 2009**
- (24) Date from which industrial property rights may have effect: **08 October 2009**
- (54) Product in respect of which the design is registered: **Smoke alarm with LED escape light**
- (51) International Design Classification: **10-05**
- (71) Name(s) and Address(s) of Applicant(s):  
**Master Distributors Pty Ltd**  
**31 Dunlop Road Mulgrave Victoria 3170 Australia**
- (72) Name(s) of Designer(s): **Sandra Dobbin**
- (45) Registration Date: **18 February 2010**
- (56) Related Art Documents: **Not Applicable**
- (57) Statement of Newness and Distinctiveness: **Monopoly is claimed for the particular LED lighting within the smoke alarm.**



- (21) Design Number: **13933/2009**
- (22) Date of Filing Application: **08 October 2009**
- (24) Date from which industrial property rights may have effect: **08 October 2009**
- (54) Product in respect of which the design is registered: **Smoke alarm with LED escape light**
- (51) International Design Classification: **10-05**
- (71) Name(s) and Address(s) of Applicant(s):  
**Master Distributors Pty Ltd**  
**31 Dunlop Road Mulgrave Victoria 3170 Australia**
- (72) Name(s) of Designer(s): **Sandra Dobbin**
- (45) Registration Date: **18 February 2010**
- (56) Related Art Documents: **Not Applicable**
- (57) Statement of Newness and Distinctiveness: **Monopoly is claimed for the particular LED lighting within the base of the smoke alarm.**



(21) Design Number: **14840/2009**

(22) Date of Filing Application: **10 December 2009**

(24) Date from which industrial property rights may have effect: **10 December 2009**

(54) Product in respect of which the design is registered: **MistTree vertical aeroponic plant growing system**

(51) International Design Classification: **11-02B**

(71) Name(s) and Address(s) of Applicant(s):

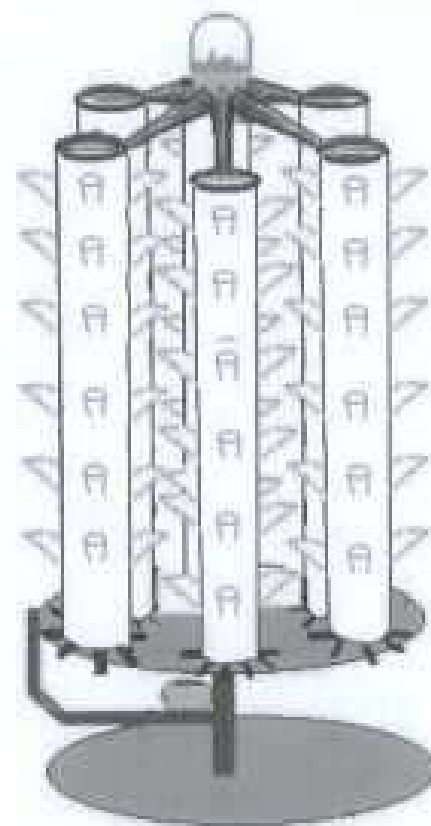
**SolarAccess Ltd**  
**140 Woollooware Road Cronulla New South Wales 2230 Australia**

(72) Name(s) of Designer(s): **Brian Tangney and Wolf Skafte-Zauss**

(45) Registration Date: **18 February 2010**

(56) Related Art Documents: **Not Applicable**

(57) Statement of Newness and Distinctiveness: **The use of multiplicity of vertical plant growth towers, the use of nutrient mist and the aspects of the system which make possible the rotation of the plant growth towers enabling plants to have equal exposure to ambient light. The use of electronic circuit to control motion of above.**



(21) Design Number: **14848/2009**

(22) Date of Filing Application: **09 December 2009**

(24) Date from which industrial property rights may have effect: **09 December 2009**

(54) Product in respect of which the design is registered: **A partition**

(51) International Design Classification: **06-06NES**

(71) Name(s) and Address(s) of Applicant(s):

**Heatmax NZ Limited**  
**66B Ardern Avenue Stanmore Bay Whangaparaoa New Zealand**

(72) Name(s) of Designer(s): **Beverley Ishbel Jones-Prichard and Raymond Douglas Thodey and Guanghui Wang**

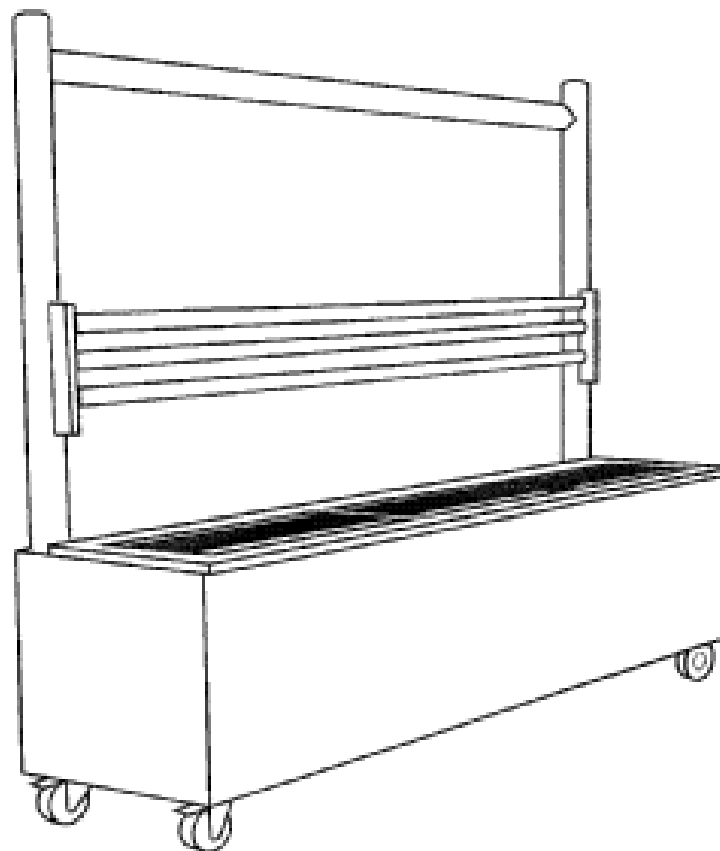
(45) Registration Date: **18 February 2010**

(30) Convention priority data:

(31) Number	(32) Date	(33) Country
<b>412429</b>	<b>19 Jun 2009</b>	<b>NEW ZEALAND</b>

(56) Related Art Documents: **Not Applicable**

(57) Statement of Newness and Distinctiveness: **The newness and distinctiveness of the design resides in the features of shape and/or configuration of the partition, wherein the length in direction x-x is indefinite as shown in the representations.**



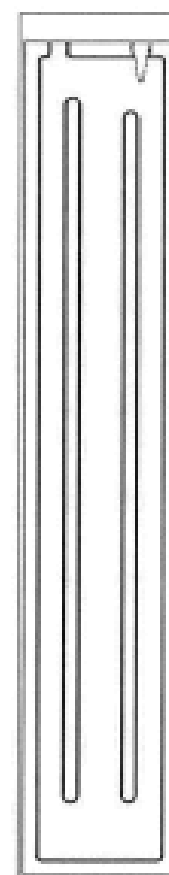
(21) Design Number: **14898/2009**  
(22) Date of Filing Application: **15 December 2009**  
(24) Date from which industrial property rights may have effect: **15 December 2009**  
(54) Product in respect of which the design is registered: **Long board skate board**  
(51) International Design Classification: **21-02E**  
(71) Name(s) and Address(s) of Applicant(s):  
**Hamish McClatchy**  
**5 Ray Street Mt Lawley Perth Western Australia 6050 Australia**  
(72) Name(s) of Designer(s): **Hamish McClatchy**  
(45) Registration Date: **18 February 2010**  
(56) Related Art Documents: **Not Applicable**  
(57) Statement of Newness and Distinctiveness: **Lowered board section between the trucks, curved hub-like flares around the wheels, general - overall board flow. Substantial up turn at the tail ("kick").**



(21) Design Number: **14955/2009**  
(22) Date of Filing Application: **18 December 2009**  
(24) Date from which industrial property rights may have effect: **18 December 2009**  
(54) Product in respect of which the design is registered: **Packaging**  
(51) International Design Classification: **09-99**  
(71) Name(s) and Address(s) of Applicant(s):  
**Cryogenetics AS**  
**2326 Hamar Norway**  
(72) Name(s) of Designer(s): **Staffan Stengel**  
(45) Registration Date: **18 February 2010**  
(30) Convention priority data:  

(31) Number	(32) Date	(33) Country
<b>20090340</b>	<b>02 Jul 2009</b>	<b>NORWAY</b>

  
(56) Related Art Documents: **Not Applicable**  
(57) Statement of Newness and Distinctiveness: **Nil**



(21) Design Number: **10215/2010**

(22) Date of Filing Application: **22 January 2010**

(24) Date from which industrial property rights may have effect: **22 January 2010**

(54) Product in respect of which the design is registered: **Sole or boot of a shoe**

(51) International Design Classification: **02-04B**

(71) Name(s) and Address(s) of Applicant(s):

**Camilla Skovgaard**

**35a Arlingford Road London SW2 2SR United Kingdom**

(72) Name(s) of Designer(s): **Camilla Skovgaard**

(45) Registration Date: **18 February 2010**

(30) Convention priority data:

(31) Number

(32) Date

(33) Country

**4011974**

**25 Jul 2009**

**UNITED KINGDOM**

(56) Related Art Documents: **Not Applicable**

(57) Statement of Newness and Distinctiveness: **The following visual features of the design are new and distinctive: the shape and configuration of a sole or boot of a shoe as shown in solid lines in the accompanying drawings. In considering the newness and distinctiveness of the design, no regard is to be had to the visual features depicted by the broken lines.**



(21) Design Number: **10216/2010**

(22) Date of Filing Application: **22 January 2010**

(24) Date from which industrial property rights may have effect: **22 January 2010**

(54) Product in respect of which the design is registered: **Sole or boot of a shoe**

(51) International Design Classification: **02-04B**

(71) Name(s) and Address(s) of Applicant(s):

**Camilla Skovgaard**

**35a Arlingford Road London SW2 2SR United Kingdom**

(72) Name(s) of Designer(s): **Camilla Skovgaard**

(45) Registration Date: **18 February 2010**

(30) Convention priority data:

(31) Number

(32) Date

(33) Country

**4011975**

**25 Jul 2009**

**UNITED KINGDOM**

(56) Related Art Documents: **Not Applicable**

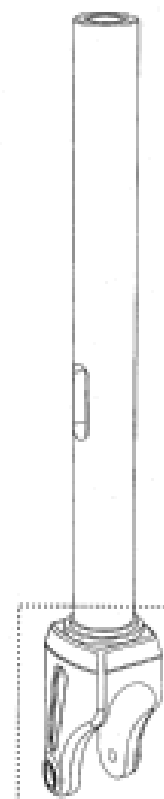
(57) Statement of Newness and Distinctiveness: **The following visual features of the design are new and distinctive: the shape and configuration of a sole or boot of a shoe as shown in solid lines in the accompanying drawings. In considering the newness and distinctiveness of the design, no regard is to be had to the visual features depicted by the broken lines.**



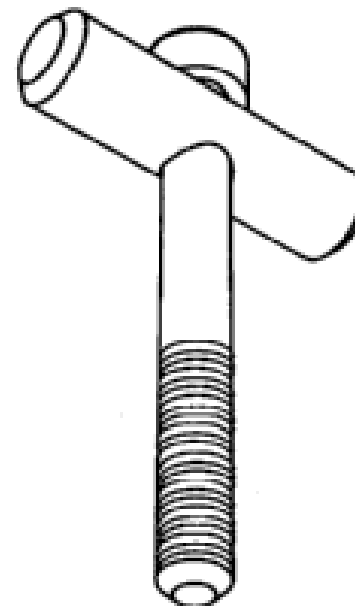
- (21) Design Number: **10249/2010**  
(22) Date of Filing Application: **27 January 2010**  
(24) Date from which industrial property rights may have effect: **27 January 2010**  
(54) Product in respect of which the design is registered: **Animal shelter**  
(51) International Design Classification: **30-02**  
(71) Name(s) and Address(s) of Applicant(s):  
**Grant Pritchard Gordon**  
**22 Park Street Bacchus Marsh Victoria 3340 Australia**  
(72) Name(s) of Designer(s): **Grant Pritchard Gordon**  
(45) Registration Date: **18 February 2010**  
(56) Related Art Documents: **Not Applicable**  
(57) Statement of Newness and Distinctiveness: **1) All metal construction - no timber. 2) Open front and no base fitted. 3) Made to fit over existing raised pet beds and pet mats. 4) Corrugated iron curved top and straight vertical sides.**



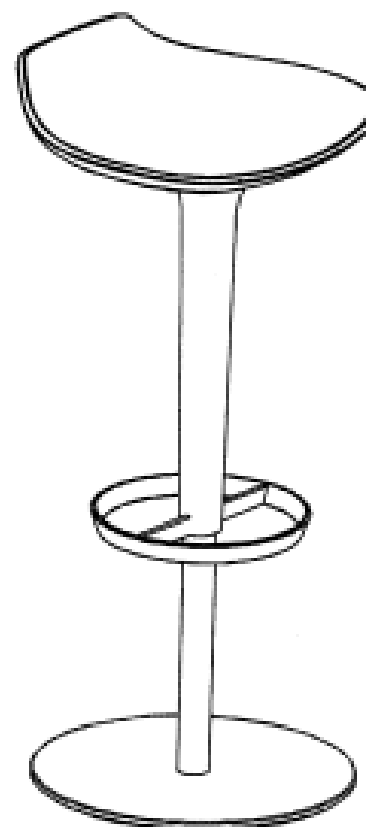
- (21) Design Number: **10433/2010**  
(22) Date of Filing Application: **05 February 2010**  
(24) Date from which industrial property rights may have effect: **05 February 2010**  
(54) Product in respect of which the design is registered: **Steerer tube**  
(51) International Design Classification: **12-16NES**  
(71) Name(s) and Address(s) of Applicant(s):  
**Madd Gear Pty Ltd**  
**12/35 Garden Road Clayton Victoria 3168 Australia**  
(72) Name(s) of Designer(s): **Michael Horne**  
(45) Registration Date: **18 February 2010**  
(56) Related Art Documents: **Not Applicable**  
(57) Statement of Newness and Distinctiveness: **Newness and distinctiveness resides in the shape and configuration of a steerer tube with the cut out section, the form of the forks as enclosed in the rectangle with dashed lines not contributing to the newness and distinctiveness.**



- (21) Design Number: **10434/2010**  
(22) Date of Filing Application: **05 February 2010**  
(24) Date from which industrial property rights may have effect: **05 February 2010**  
(54) Product in respect of which the design is registered: **A bolt**  
(51) International Design Classification: **08-08B**  
(71) Name(s) and Address(s) of Applicant(s):  
**Madd Gear Pty Ltd**  
**12/35 Garden Road Clayton Victoria 3168 Australia**  
(72) Name(s) of Designer(s): **Michael Horne**  
(45) Registration Date: **18 February 2010**  
(56) Related Art Documents: **Not Applicable**  
(57) Statement of Newness and Distinctiveness: **Newness and distinctiveness resides in the shape and configuration of a bolt having a cross piece, the form of the drive aperture within the bolt head not contributing to the newness and distinctiveness and the length of the threaded shank being indeterminate.**



- (21) Design Number: **15016/2009**  
(22) Date of Filing Application: **22 December 2009**  
(24) Date from which industrial property rights may have effect: **22 December 2009**  
(54) Product in respect of which the design is registered: **Stool**  
(51) International Design Classification: **06-01E**  
(71) Name(s) and Address(s) of Applicant(s):  
**Arper S.p.A.**  
**Via Lombardia 16 Monastier di Treviso Treviso I-31050 Italy**  
(72) Name(s) of Designer(s): **Simon Pengelly**  
(45) Registration Date: **19 February 2010**  
(30) Convention priority data:  
(31) Number (32) Date (33) Country  
**DM/072 410 17 Jul 2009 WORLD INTELLECTUAL  
PROPERTY ORGANIZATION  
(WIPO)**  
(56) Related Art Documents: **Not Applicable**  
(57) Statement of Newness and Distinctiveness: **Nil**





(21) Design Number: **15018/2009**  
(22) Date of Filing Application: **22 December 2009**  
(24) Date from which industrial property rights may have effect: **22 December 2009**  
(54) Product in respect of which the design is registered: **Chair**  
(51) International Design Classification: **06-01G**  
(71) Name(s) and Address(s) of Applicant(s):

**Arper S.p.A.**  
**Via Lombardia 16 Monastier di Treviso Treviso I-31050 Italy**

(72) Name(s) of Designer(s): **Alberto Lievore**

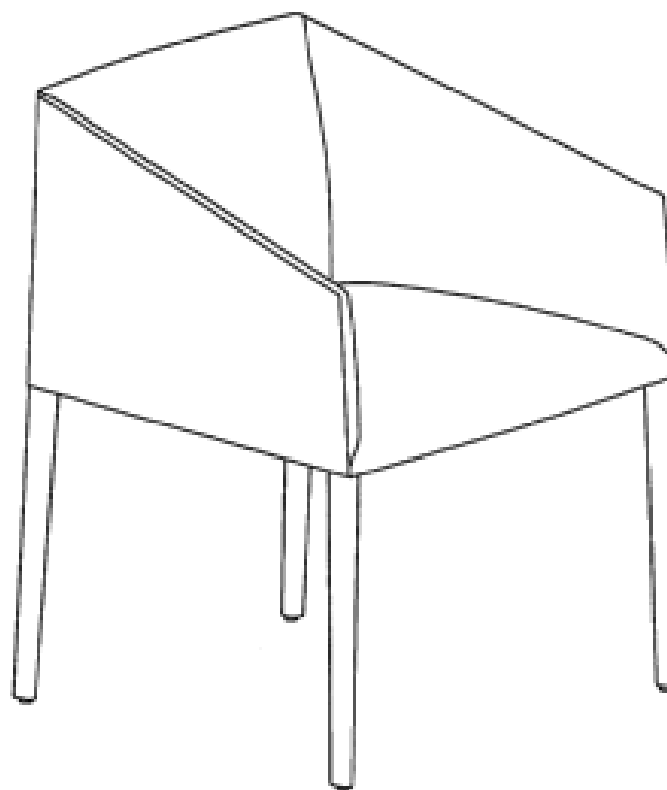
(45) Registration Date: **19 February 2010**

(30) Convention priority data:

(31) Number	(32) Date	(33) Country
<b>DM/072 410</b>	<b>17 Jul 2009</b>	<b>WORLD INTELLECTUAL PROPERTY ORGANIZATION (WIPO)</b>

(56) Related Art Documents: **Not Applicable**

(57) Statement of Newness and Distinctiveness: **Nil**



(21) Design Number: **15020/2009**  
(22) Date of Filing Application: **22 December 2009**  
(24) Date from which industrial property rights may have effect: **22 December 2009**  
(54) Product in respect of which the design is registered: **Chair**  
(51) International Design Classification: **06-01G**  
(71) Name(s) and Address(s) of Applicant(s):

**Arper S.p.A.**  
**Via Lombardia 16 Monastier di Treviso Treviso I-31050 Italy**

(72) Name(s) of Designer(s): **Jean Marie Massaud**

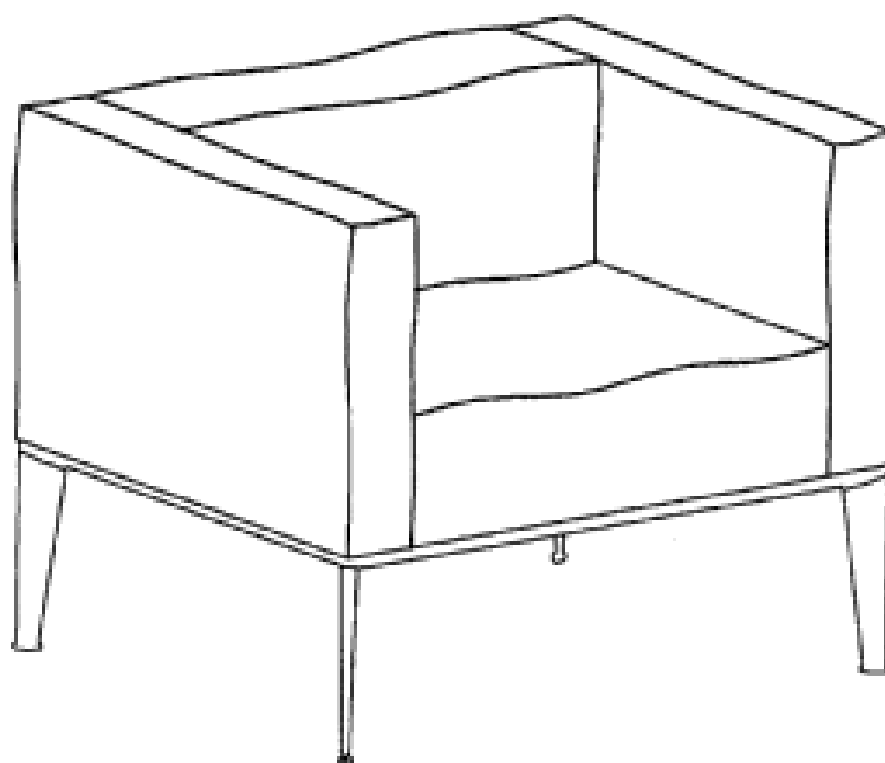
(45) Registration Date: **19 February 2010**

(30) Convention priority data:

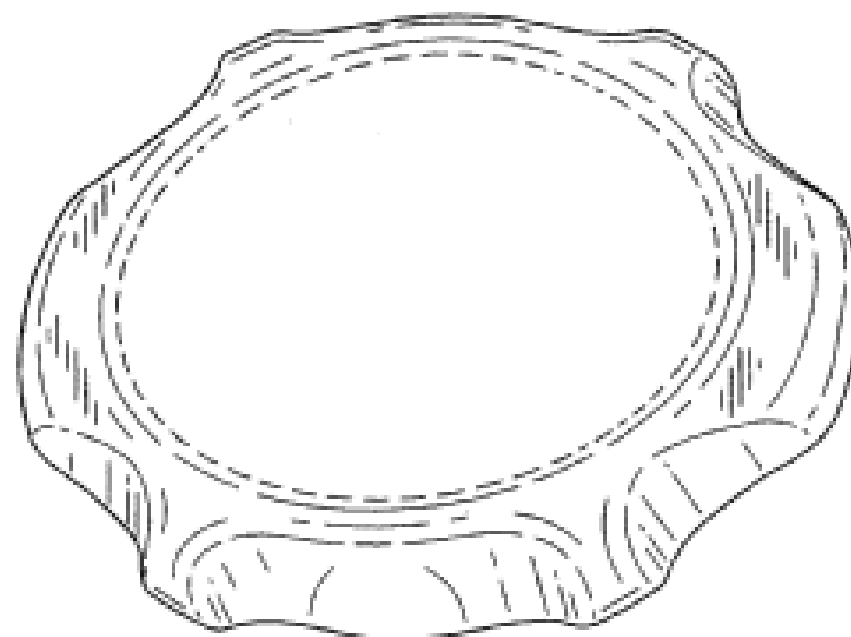
(31) Number	(32) Date	(33) Country
<b>DM/072 410</b>	<b>17 Jul 2009</b>	<b>WORLD INTELLECTUAL PROPERTY ORGANIZATION (WIPO)</b>

(56) Related Art Documents: **Not Applicable**

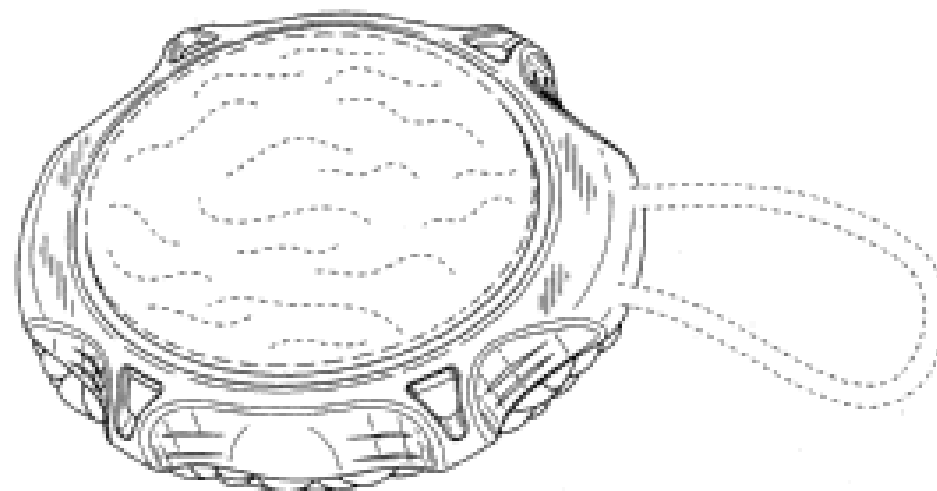
(57) Statement of Newness and Distinctiveness: **Nil**



(21) Design Number: **15036/2009**  
(22) Date of Filing Application: **23 December 2009**  
(24) Date from which industrial property rights may have effect: **23 December 2009**  
(54) Product in respect of which the design is registered: **Cleansing article**  
(51) International Design Classification: **28-03NES**  
(71) Name(s) and Address(s) of Applicant(s):  
**Unilever PLC**  
**Unilever House 100 Victoria Embankment London EC4Y 0DY United Kingdom**  
(72) Name(s) of Designer(s): **Stuart Harvey Lee and Jochen Rainer Schaeppers and Christian Von Heifner**  
(45) Registration Date: **19 February 2010**  
(30) Convention priority data:  
(31) Number (32) Date (33) Country  
**29/315606 09 Jul 2009 UNITED STATES OF AMERICA**  
(56) Related Art Documents: **Not Applicable**  
(57) Statement of Newness and Distinctiveness: **Newness and Distinctiveness is claimed in the visual features shown in solid lines in the representations.**



(21) Design Number: **15037/2009**  
(22) Date of Filing Application: **23 December 2009**  
(24) Date from which industrial property rights may have effect: **23 December 2009**  
(54) Product in respect of which the design is registered: **Cleansing article**  
(51) International Design Classification: **28-03NES**  
(71) Name(s) and Address(s) of Applicant(s):  
**Unilever PLC**  
**Unilever House 100 Victoria Embankment London EC4Y 0DY United Kingdom**  
(72) Name(s) of Designer(s): **Stuart Harvey Lee and Jochen Rainer Schaeppers and Christian Von Heifner**  
(45) Registration Date: **19 February 2010**  
(30) Convention priority data:  
(31) Number (32) Date (33) Country  
**29/315602 09 Jul 2009 UNITED STATES OF AMERICA**  
(56) Related Art Documents: **Not Applicable**  
(57) Statement of Newness and Distinctiveness: **Newness and Distinctiveness is claimed in the visual features shown in solid lines in the representations.**



(21) Design Number: **13067/2009**

(22) Date of Filing Application: **12 August 2009**

(24) Date from which industrial property rights may have effect: **12 August 2009**

(54) Product in respect of which the design is registered: **LED lights for trucks and trailers**

(51) International Design Classification: **26-06**

(71) Name(s) and Address(s) of Applicant(s):

**Darryl Apps**

**110 Bellevue Road Figtree New South Wales 2525 Australia**

(72) Name(s) of Designer(s): **Darryl Apps**

(45) Registration Date: **19 February 2010**

(56) Related Art Documents: **Not Applicable**

(57) Statement of Newness and Distinctiveness: **The distinctiveness and newness relates to the lens which is clear. Using colored LEDs the light appears to be clear until the light is powered. Also the distinctiveness and newness relates to the textured appearance of the lens, there are bull's-eye circles in front of each LED and they are joined together with triangle shapes throughout.**



(21) Design Number: **13068/2009**

(22) Date of Filing Application: **12 August 2009**

(24) Date from which industrial property rights may have effect: **12 August 2009**

(54) Product in respect of which the design is registered: **LED lights for trucks and trailers**

(51) International Design Classification: **26-06**

(71) Name(s) and Address(s) of Applicant(s):

**Darryl Apps**

**110 Bellevue Road Figtree New South Wales 2525 Australia**

(72) Name(s) of Designer(s): **Darryl Apps**

(45) Registration Date: **19 February 2010**

(56) Related Art Documents: **Not Applicable**

(57) Statement of Newness and Distinctiveness: **The distinctiveness and newness relates to the lens which is clear. Using colored LEDs the light appears to be clear until the light is powered. Also the distinctiveness and newness relates to the textured appearance of the lens, there are bull's-eye circles in front of each LED and they are joined together with triangle shapes throughout.**



(21) Design Number: 13069/2009

(22) Date of Filing Application: 12 August 2009

(24) Date from which industrial property rights may have effect: 12 August 2009

(54) Product in respect of which the design is registered: LED lights for trucks and trailers

(51) International Design Classification: 26-06

(71) Name(s) and Address(s) of Applicant(s):

**Darryl Apps**

**110 Bellevue Road Figtree New South Wales 2525 Australia**

(72) Name(s) of Designer(s): **Darryl Apps**

(45) Registration Date: 19 February 2010

(56) Related Art Documents: **Not Applicable**

(57) Statement of Newness and Distinctiveness: **The distinctiveness and newness relates to the lens which is clear. Using colored LEDs the light appears to be clear until the light is powered. Also the distinctiveness and newness relates to the textured appearance of the lens, there are bull's-eye circles in front of each LED and they are joined together with triangle shapes throughout.**



(21) Design Number: 13070/2009

(22) Date of Filing Application: 12 August 2009

(24) Date from which industrial property rights may have effect: 12 August 2009

(54) Product in respect of which the design is registered: LED lights for trucks and trailers

(51) International Design Classification: 26-06

(71) Name(s) and Address(s) of Applicant(s):

**Darryl Apps**

**110 Bellevue Road Figtree New South Wales 2525 Australia**

(72) Name(s) of Designer(s): **Darryl Apps**

(45) Registration Date: 19 February 2010

(56) Related Art Documents: **Not Applicable**

(57) Statement of Newness and Distinctiveness: **The distinctiveness and newness relates to the lens which is clear. Using colored LEDs the light appears to be clear until the light is powered. Also the distinctiveness and newness relates to the textured appearance of the lens, there are bull's-eye circles in front of each LED and they are joined together with triangle shapes throughout.**



(21) Design Number: **13071/2009**

(22) Date of Filing Application: **12 August 2009**

(24) Date from which industrial property rights may have effect: **12 August 2009**

(54) Product in respect of which the design is registered: **LED lights for trucks and trailers**

(51) International Design Classification: **26-06**

(71) Name(s) and Address(s) of Applicant(s):

**Darryl Apps**

**110 Bellevue Road Figtree New South Wales 2525 Australia**

(72) Name(s) of Designer(s): **Darryl Apps**

(45) Registration Date: **19 February 2010**

(56) Related Art Documents: **Not Applicable**

(57) Statement of Newness and Distinctiveness: **The distinctiveness and newness relates to the lens which is clear. Using colored LEDs the light appears to be clear until the light is powered. Also the distinctiveness and newness relates to the textured appearance of the lens, there are bull's-eye circles in front of each LED and they are joined together with triangle shapes throughout.**



(21) Design Number: **13072/2009**

(22) Date of Filing Application: **12 August 2009**

(24) Date from which industrial property rights may have effect: **12 August 2009**

(54) Product in respect of which the design is registered: **LED lights for trucks and trailers**

(51) International Design Classification: **26-06**

(71) Name(s) and Address(s) of Applicant(s):

**Darryl Apps**

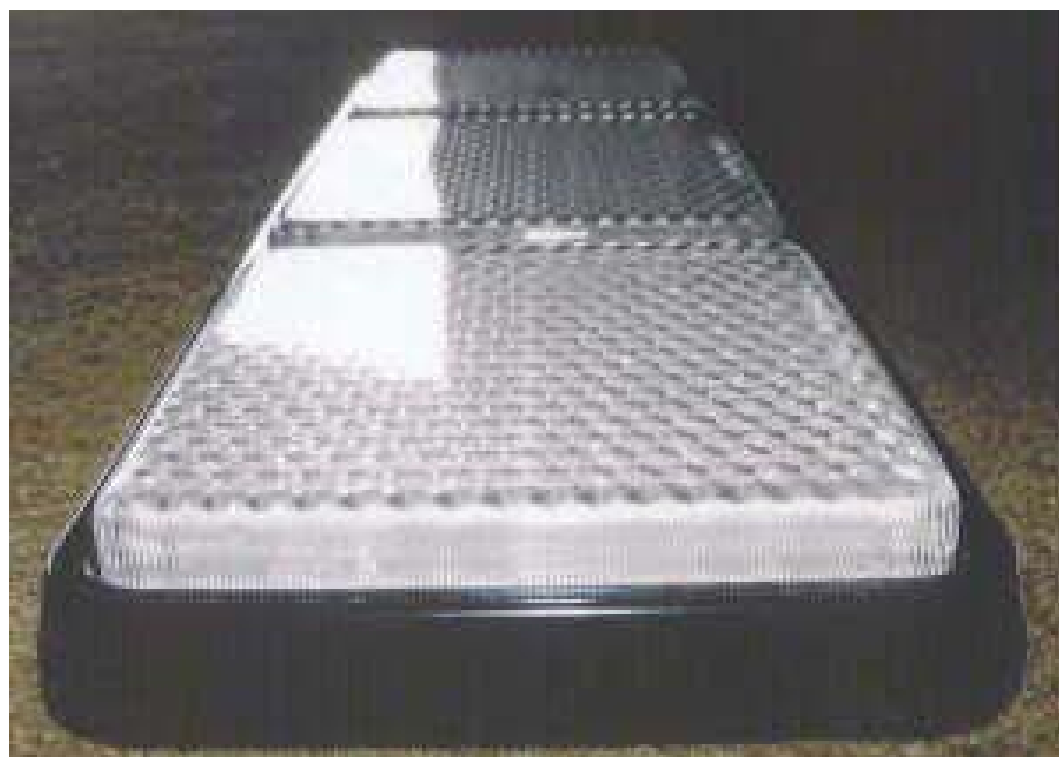
**110 Bellevue Road Figtree New South Wales 2525 Australia**

(72) Name(s) of Designer(s): **Darryl Apps**

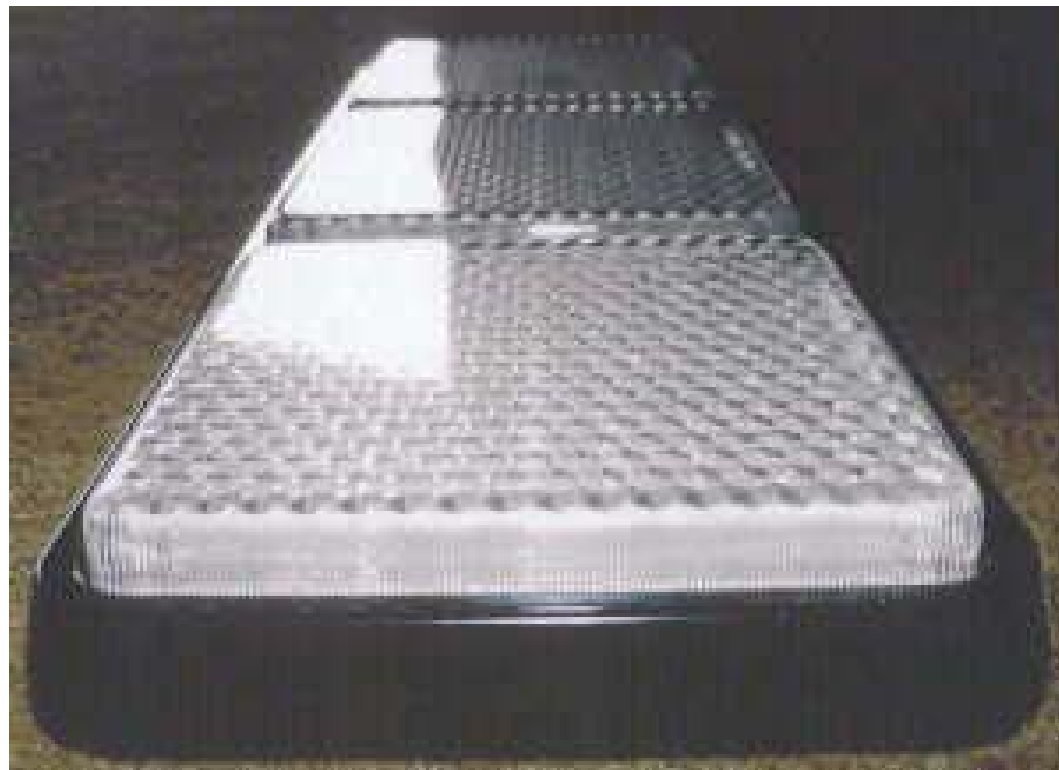
(45) Registration Date: **19 February 2010**

(56) Related Art Documents: **Not Applicable**

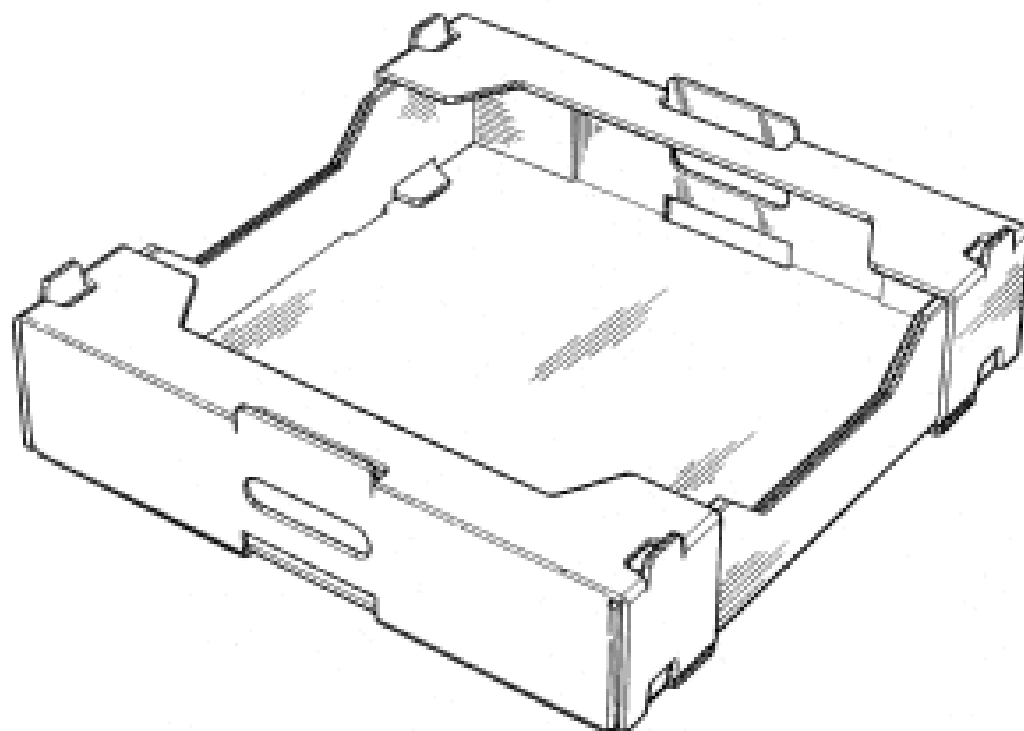
(57) Statement of Newness and Distinctiveness: **The distinctiveness and newness relates to the lens which is clear. Using colored LEDs the light appears to be clear until the light is powered. Also the distinctiveness and newness relates to the textured appearance of the lens, there are bull's-eye circles in front of each LED and they are joined together with triangle shapes throughout.**



- (21) Design Number: **13073/2009**  
(22) Date of Filing Application: **12 August 2009**  
(24) Date from which industrial property rights may have effect: **12 August 2009**  
(54) Product in respect of which the design is registered: **LED lights for trucks and trailers**  
(51) International Design Classification: **26-06**  
(71) Name(s) and Address(s) of Applicant(s):  
**Darryl Apps**  
**110 Bellevue Road Figtree New South Wales 2525 Australia**  
(72) Name(s) of Designer(s): **Darryl Apps**  
(45) Registration Date: **19 February 2010**  
(56) Related Art Documents: **Not Applicable**  
(57) Statement of Newness and Distinctiveness: **The distinctiveness and newness relates to the lens which is clear. Using colored LEDs the light appears to be clear until the light is powered. Also the distinctiveness and newness relates to the textured appearance of the lens, there are bull's-eye circles in front of each LED and they are joined together with triangle shapes throughout.**



- (21) Design Number: **14879/2009**  
(22) Date of Filing Application: **11 December 2009**  
(24) Date from which industrial property rights may have effect: **11 December 2009**  
(54) Product in respect of which the design is registered: **Stackable tray and blank for forming same**  
(51) International Design Classification: **09-03M**  
(71) Name(s) and Address(s) of Applicant(s):  
**The Cardboard Pallet Company Pty Ltd**  
**10 Pallett Street Coburg North Victoria 3058 Australia**  
(72) Name(s) of Designer(s): **Peter Venditti**  
(45) Registration Date: **19 February 2010**  
(56) Related Art Documents: **Not Applicable**  
(57) Statement of Newness and Distinctiveness: **Visual features of the design which are new and distinctive are the features of shape and configuration of STACKABLE TRAY AND BLANK FOR FORMING SAME as illustrated in the representations.**



- (21) Design Number: **14926/2009**
- (22) Date of Filing Application: **18 December 2009**
- (24) Date from which industrial property rights may have effect: **18 December 2009**
- (54) Product in respect of which the design is registered: **Roll of labels**
- (51) International Design Classification: **19-08**
- (71) Name(s) and Address(s) of Applicant(s):

**LabelCity Pty Ltd**  
**Suite G4 18-20 Ross Street Parramatta New South Wales 2150**  
**Australia**

- (72) Name(s) of Designer(s): **Loic David Byssen**

- (45) Registration Date: **22 February 2010**

- (56) Related Art Documents: **Not Applicable**

- (57) Statement of Newness and Distinctiveness: **Newness and distinctiveness resides in a repeating design as applied to a roll of removable labels on a backing strip of indefinite length, a section of which is illustrated in the accompanying representations. In assessing newness and distinctiveness, the drive slot features, denoted by (A) in the representations should be disregarded.**



- (21) Design Number: **14927/2009**
- (22) Date of Filing Application: **18 December 2009**
- (24) Date from which industrial property rights may have effect: **18 December 2009**
- (54) Product in respect of which the design is registered: **Roll of labels**
- (51) International Design Classification: **19-08**
- (71) Name(s) and Address(s) of Applicant(s):

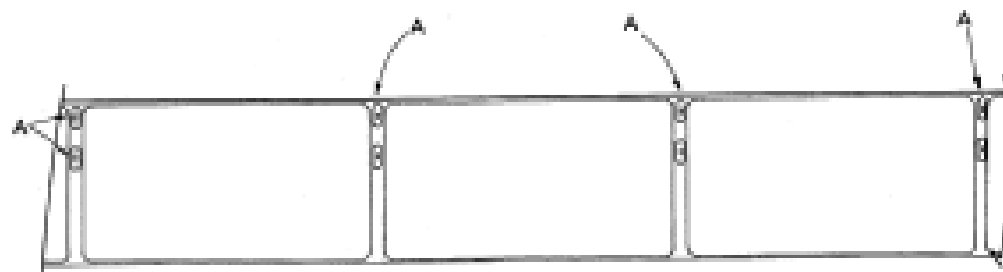
**LabelCity Pty Ltd**  
**Suite G4 18-20 Ross Street Parramatta New South Wales 2150**  
**Australia**

- (72) Name(s) of Designer(s): **Loic David Byssen**

- (45) Registration Date: **22 February 2010**

- (56) Related Art Documents: **Not Applicable**

- (57) Statement of Newness and Distinctiveness: **Newness and distinctiveness resides in a repeating design as applied to a roll of removable labels on a backing strip of indefinite length, a section of which is illustrated in the accompanying representations. In assessing newness and distinctiveness, the drive slot features, denoted by (A) in the representations should be disregarded.**



- (21) Design Number: **14928/2009**
- (22) Date of Filing Application: **18 December 2009**
- (24) Date from which industrial property rights may have effect: **18 December 2009**
- (54) Product in respect of which the design is registered: **Roll of labels**
- (51) International Design Classification: **19-08**
- (71) Name(s) and Address(s) of Applicant(s):

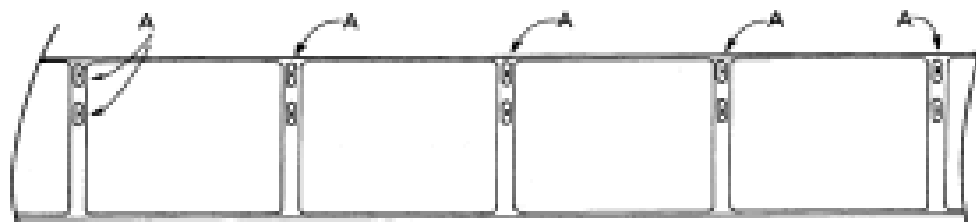
**LabelCity Pty Ltd**  
**Suite G4 18-20 Ross Street Parramatta New South Wales 2150**  
**Australia**

- (72) Name(s) of Designer(s): **Loic David Byssen**

- (45) Registration Date: **22 February 2010**

- (56) Related Art Documents: **Not Applicable**

- (57) Statement of Newness and Distinctiveness: **Newness and distinctiveness resides in a repeating design as applied to a roll of removable labels on a backing strip of indefinite length, a section of which is illustrated in the accompanying representations. In assessing newness and distinctiveness, the drive slot features, denoted by (A) in the representations should be disregarded.**



- (21) Design Number: **14852/2009**
- (22) Date of Filing Application: **11 December 2009**
- (24) Date from which industrial property rights may have effect: **11 December 2009**
- (54) Product in respect of which the design is registered: **Drill bit**
- (51) International Design Classification: **08-01**
- (71) Name(s) and Address(s) of Applicant(s):

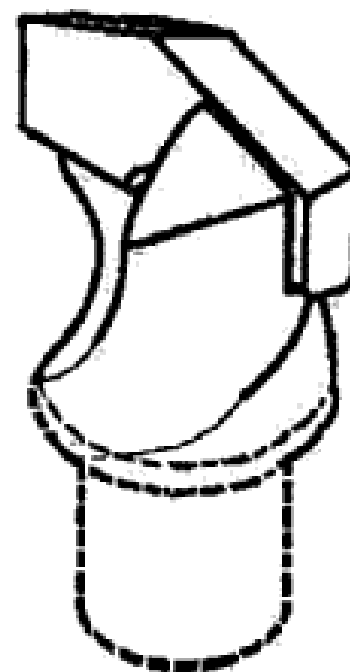
**Sandvik Intellectual Property AB**  
**Sandviken SE-811 81 Sweden**

- (72) Name(s) of Designer(s): **Matthew Kenny and Steven Weaver**

- (45) Registration Date: **23 February 2010**

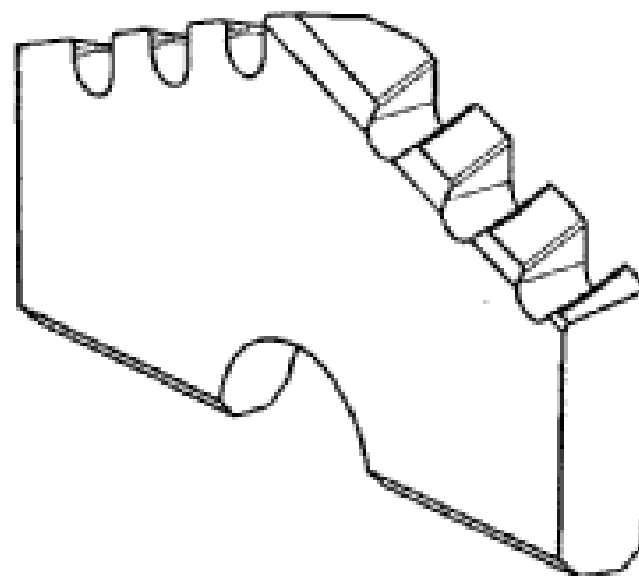
- (56) Related Art Documents: **Not Applicable**

- (57) Statement of Newness and Distinctiveness: **Newness and distinctiveness resides in the visual feature, including shape and configuration, of the semi-circular cut-out in the lower part of the tip of the drill bit, as best shown in Figure 1 of the drawings. When determining whether the design is substantially similar in overall impression to another design, no regard is to be had to those features in the drawings shown in dotted outline.**

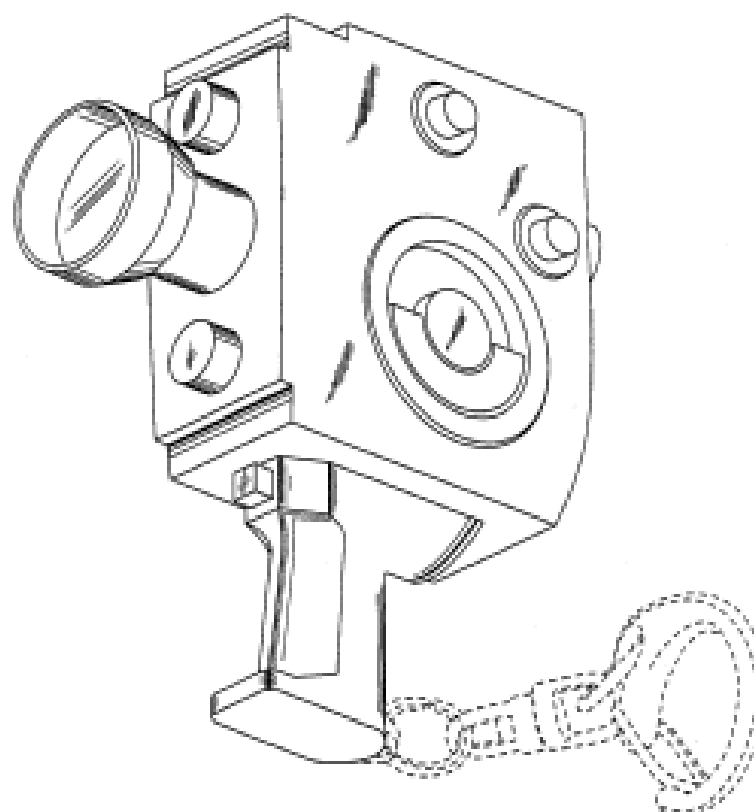




- (21) Design Number: **14853/2009**  
(22) Date of Filing Application: **11 December 2009**  
(24) Date from which industrial property rights may have effect: **11 December 2009**  
(54) Product in respect of which the design is registered: **A drill tip**  
(51) International Design Classification: **08-01**  
(71) Name(s) and Address(s) of Applicant(s):  
**Sandvik Intellectual Property AB**  
**Sandviken SE-811 81 Sweden**  
(72) Name(s) of Designer(s): **Matthew Kenny and Steven Weaver**  
(45) Registration Date: **23 February 2010**  
(56) Related Art Documents: **Not Applicable**  
(57) Statement of Newness and Distinctiveness: **Newness and distinctiveness resides in the visual feature, including shape and configuration, of the semi-circular cut-out in the lower part of the drill tip, as best shown in Figure 1 of the drawings.**



- (21) Design Number: **10267/2010**  
(22) Date of Filing Application: **29 January 2010**  
(24) Date from which industrial property rights may have effect: **29 January 2010**  
(54) Product in respect of which the design is registered: **Keylight**  
(51) International Design Classification: **26-05NES**  
(71) Name(s) and Address(s) of Applicant(s):  
**Kikkerland Design, Inc.**  
**1361 Amsterstam Avenue Suite 4B New York New York 10027 United States of America**  
(72) Name(s) of Designer(s): **Jan van der Lande**  
(45) Registration Date: **23 February 2010**  
(30) Convention priority data:  
(31) Number (32) Date (33) Country  
**29/353,428 08 Jan 2010 UNITED STATES OF AMERICA**  
(56) Related Art Documents: **Not Applicable**  
(57) Statement of Newness and Distinctiveness: **The keychain where shown in broken lines in the representations is for illustration purposes only and forms no part of the claimed design.**



(21) Design Number: **10268/2010**

(22) Date of Filing Application: **29 January 2010**

(24) Date from which industrial property rights may have effect: **29 January 2010**

(54) Product in respect of which the design is registered: **Keylight**

(51) International Design Classification: **26-05NES**

(71) Name(s) and Address(s) of Applicant(s):

**Kikkerland Design, Inc.**  
**1361 Amsterstam Avenue Suite 4B New York New York 10027 United States of America**

(72) Name(s) of Designer(s): **Jan van der Lande**

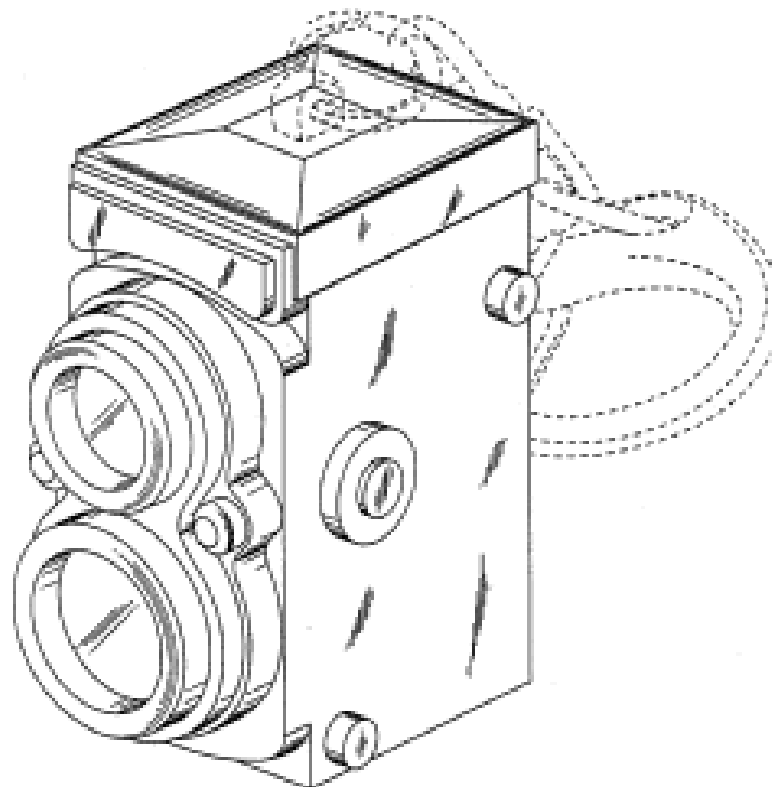
(45) Registration Date: **23 February 2010**

(30) Convention priority data:

(31) Number	(32) Date	(33) Country
<b>29/353,938</b>	<b>15 Jan 2010</b>	<b>UNITED STATES OF AMERICA</b>

(56) Related Art Documents: **Not Applicable**

(57) Statement of Newness and Distinctiveness: **The keychain where shown in broken lines in the representations is for illustration purposes only and forms no part of the claimed design.**



(21) Design Number: **10269/2010**

(22) Date of Filing Application: **29 January 2010**

(24) Date from which industrial property rights may have effect: **29 January 2010**

(54) Product in respect of which the design is registered: **Bins**

(51) International Design Classification: **09-09, 09-99**

(71) Name(s) and Address(s) of Applicant(s):

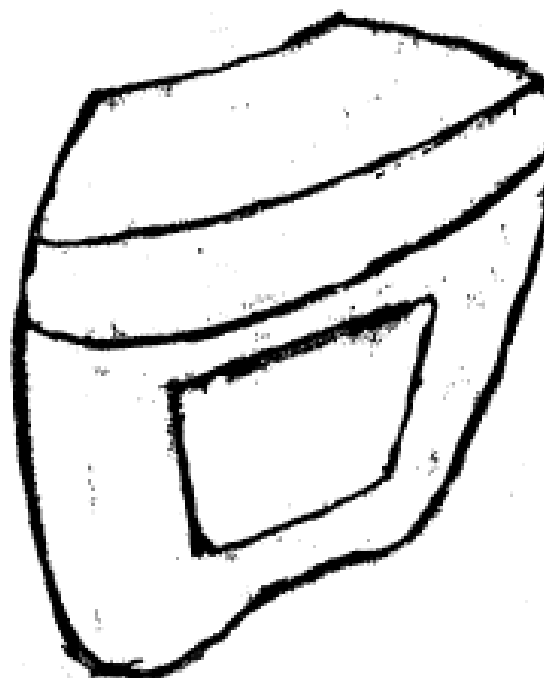
**Greg Alder**  
**46 Elm Avenue Belrose New South Wales 2085 Australia**

(72) Name(s) of Designer(s): **Greg Alder**

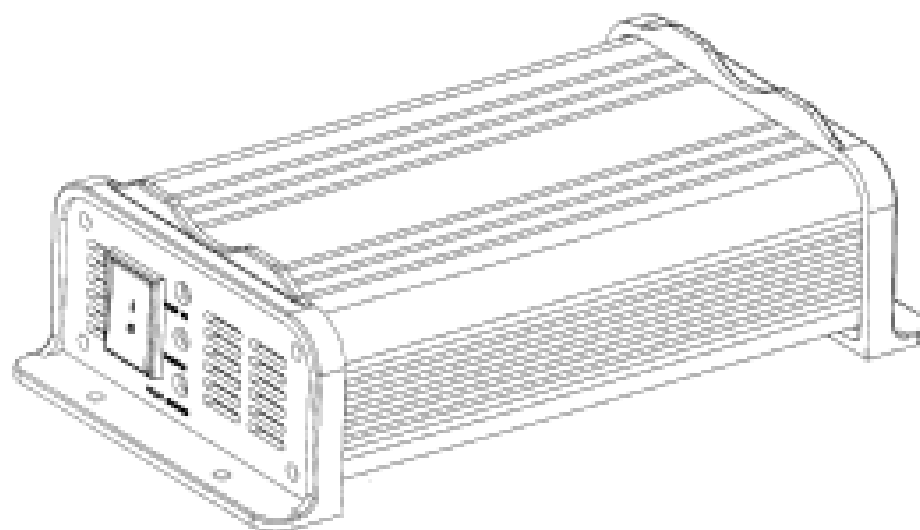
(45) Registration Date: **23 February 2010**

(56) Related Art Documents: **Not Applicable**

(57) Statement of Newness and Distinctiveness: **This bin has been designed with a round back to fit snugly onto a telegraph pole, letterbox, tree etc.**



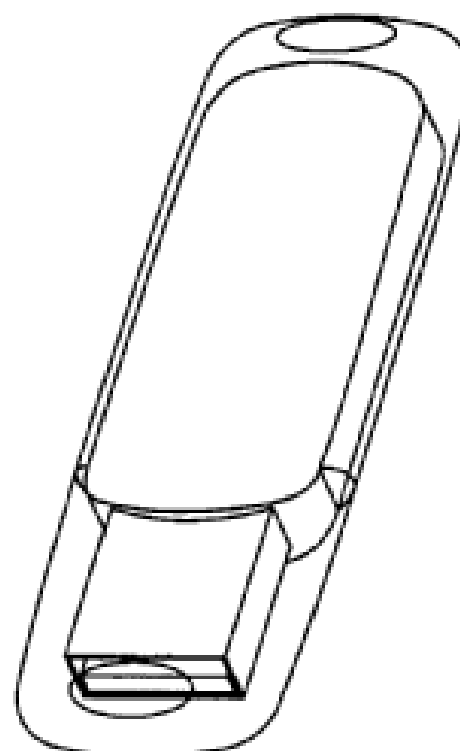
(21) Design Number: **10270/2010**  
(22) Date of Filing Application: **29 January 2010**  
(24) Date from which industrial property rights may have effect: **29 January 2010**  
(54) Product in respect of which the design is registered: **Battery charger**  
(51) International Design Classification: **13-02**  
(71) Name(s) and Address(s) of Applicant(s):  
**Arlec Australia Pty Ltd**  
**272-274 Maroondah Highway Chirnside Park Victoria 3116 Australia**  
(72) Name(s) of Designer(s): **Michael Nimmervoll**  
(45) Registration Date: **23 February 2010**  
(56) Related Art Documents: **Not Applicable**  
(57) Statement of Newness and Distinctiveness: **Nil**



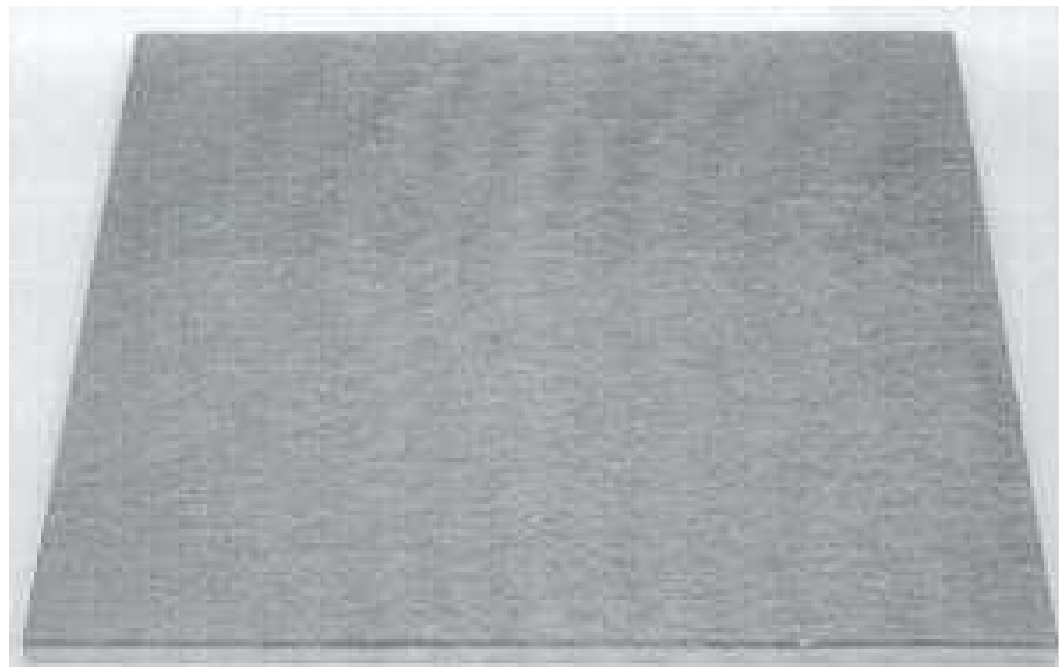
(21) Design Number: **10271/2010**  
(22) Date of Filing Application: **28 January 2010**  
(24) Date from which industrial property rights may have effect: **28 January 2010**  
(54) Product in respect of which the design is registered: **Recording medium**  
(51) International Design Classification: **14-02**  
(71) Name(s) and Address(s) of Applicant(s):  
**Kabushiki Kaisha Toshiba**  
**1-1 Shibaura 1-Chome Minato-Ku Tokyo 105-8001 Japan**  
(72) Name(s) of Designer(s): **Hitoshi Otsuka**  
(45) Registration Date: **23 February 2010**  
(30) Convention priority data:  

(31) Number	(32) Date	(33) Country
<b>2009-026663</b>	<b>13 Nov 2009</b>	<b>JAPAN</b>

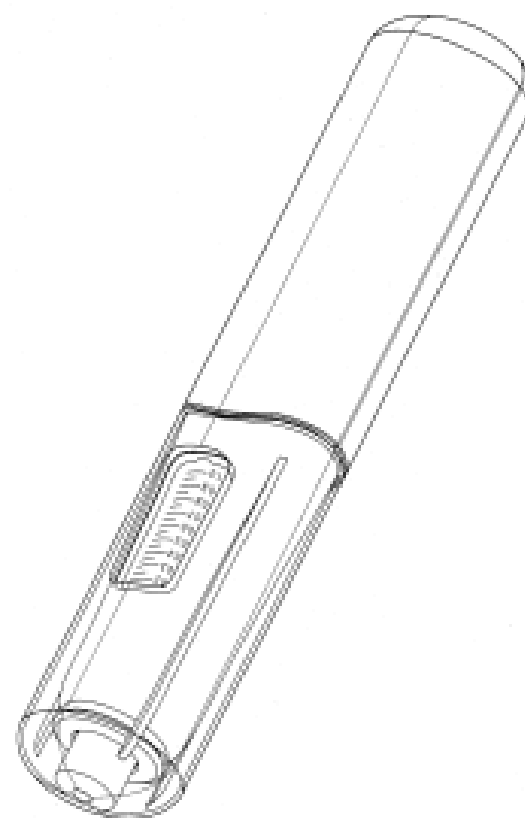
  
(56) Related Art Documents: **Not Applicable**  
(57) Statement of Newness and Distinctiveness: **Nil**



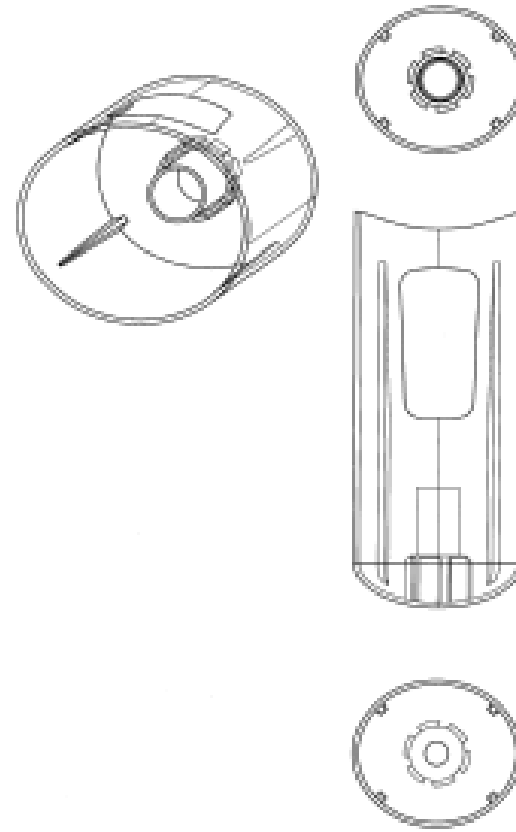
- (21) Design Number: **10356/2010**  
(22) Date of Filing Application: **02 February 2010**  
(24) Date from which industrial property rights may have effect: **02 February 2010**  
(54) Product in respect of which the design is registered: **Tile**  
(51) International Design Classification: **25-01F**  
(71) Name(s) and Address(s) of Applicant(s):  
**Everstone International Pty Ltd**  
**8 George Young Street Auburn New South Wales 2144 Australia**  
(72) Name(s) of Designer(s): **John Zeng**  
(45) Registration Date: **23 February 2010**  
(56) Related Art Documents: **Not Applicable**  
(57) Statement of Newness and Distinctiveness: **il**



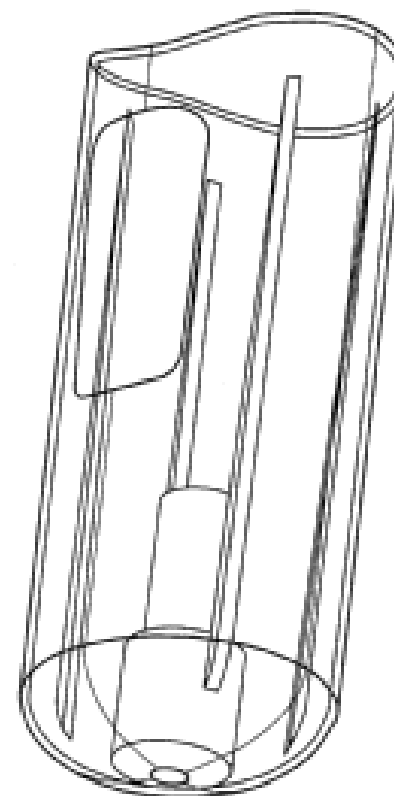
- (21) Design Number: **12642/2009**  
(22) Date of Filing Application: **20 July 2009**  
(24) Date from which industrial property rights may have effect: **20 July 2009**  
(54) Product in respect of which the design is registered: **System for automatically administering medication**  
(51) International Design Classification: **24-02, 10-04**  
(71) Name(s) and Address(s) of Applicant(s):  
**UCB Pharma SA**  
**Allee de la Recherche 60 B-1070 Brussels Belgium**  
(72) Name(s) of Designer(s): **Martin McLoughlin**  
(45) Registration Date: **23 February 2010**  
(56) Related Art Documents: **Not Applicable**  
(57) Statement of Newness and Distinctiveness: **Newness and distinctiveness reside in the shape and configuration of the design for a System for Automatically Administering Medication according to the representations.**



(21) Design Number: **10204/2010**  
(22) Date of Filing Application: **20 July 2009**  
(24) Date from which industrial property rights may have effect: **20 July 2009**  
(54) Product in respect of which the design is registered: **Needle cap**  
(51) International Design Classification: **24-02, 10-04**  
(71) Name(s) and Address(s) of Applicant(s):  
**UCB Pharma SA**  
**Allee de la Recherche 60 B-1070 Brussels Belgium**  
(72) Name(s) of Designer(s): **Martin McLoughlin**  
(45) Registration Date: **23 February 2010**  
(62) Divisional of: **329685**  
(56) Related Art Documents: **Not Applicable**  
(57) Statement of Newness and Distinctiveness: **Nil**



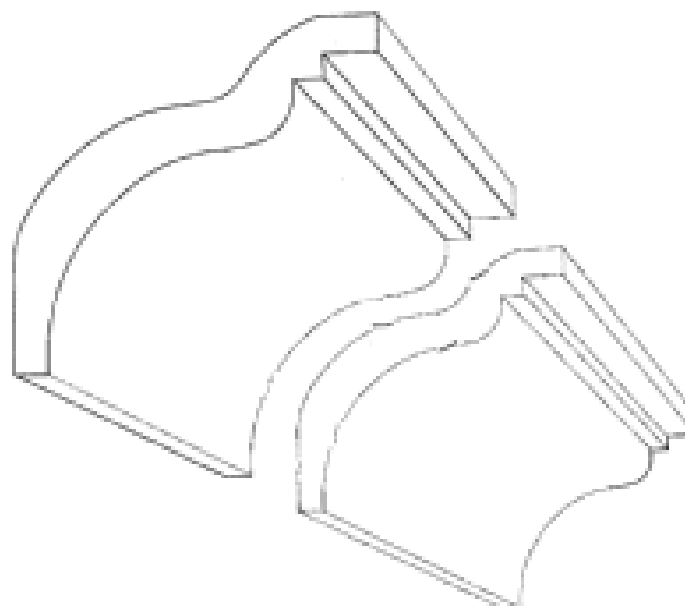
(21) Design Number: **10203/2010**  
(22) Date of Filing Application: **20 July 2009**  
(24) Date from which industrial property rights may have effect: **20 July 2009**  
(54) Product in respect of which the design is registered: **Needle cap**  
(51) International Design Classification: **24-02, 10-04**  
(71) Name(s) and Address(s) of Applicant(s):  
**UCB Pharma SA**  
**Allee de la Recherche 60 B-1070 Brussels Belgium**  
(72) Name(s) of Designer(s): **Martin McLoughlin**  
(45) Registration Date: **23 February 2010**  
(62) Divisional of: **329685**  
(56) Related Art Documents: **Not Applicable**  
(57) Statement of Newness and Distinctiveness: **Nil**



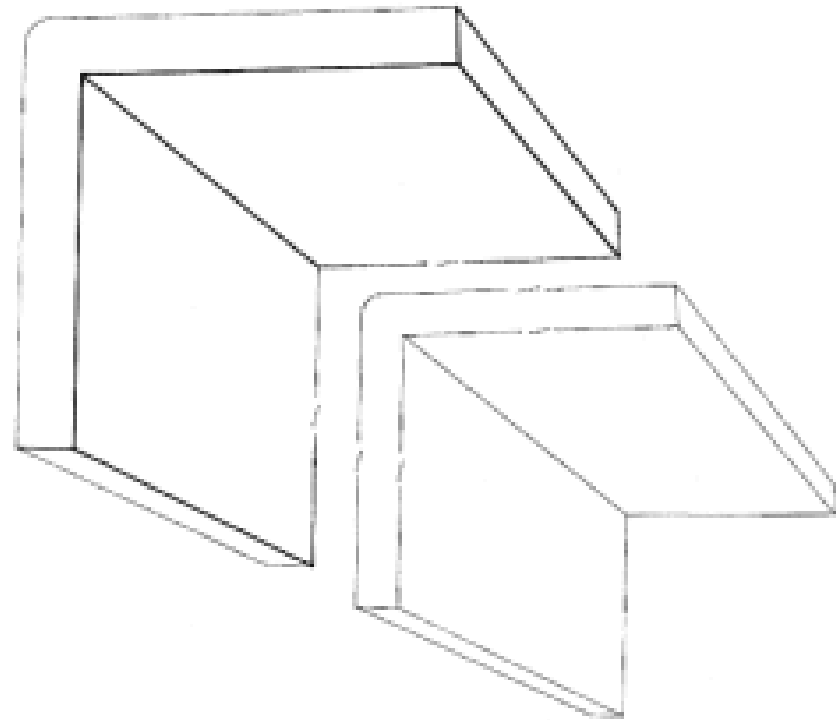
(21) Design Number: **10283/2010**  
(22) Date of Filing Application: **29 January 2010**  
(24) Date from which industrial property rights may have effect: **29 January 2010**  
(54) Product in respect of which the design is registered: **Toaster**  
(51) International Design Classification: **07-02F**  
(71) Name(s) and Address(s) of Applicant(s):  
**Kenwood Limited**  
**New Lane Havant Hampshire PO9 2NH England**  
(72) Name(s) of Designer(s): **Darren Mullen**  
(45) Registration Date: **23 February 2010**  
(30) Convention priority data:  
(31) Number      (32) Date      (33) Country  
**001155998-001    30 Jul 2009      EUROPEAN COMMUNITY**  
(56) Related Art Documents: **Not Applicable**  
(57) Statement of Newness and Distinctiveness: **Nil**



(21) Design Number: **10284/2010**  
(22) Date of Filing Application: **29 January 2010**  
(24) Date from which industrial property rights may have effect: **29 January 2010**  
(54) Product in respect of which the design is registered: **Cornice**  
(51) International Design Classification: **25-02E**  
(71) Name(s) and Address(s) of Applicant(s):  
**Boral Australian Gypsum Limited**  
**676 Lorimer Street Port Melbourne Victoria 3207 Australia**  
(72) Name(s) of Designer(s): **Josef Krechowitsch**  
(45) Registration Date: **23 February 2010**  
(56) Related Art Documents: **Not Applicable**  
(57) Statement of Newness and Distinctiveness: **Nil**



- (21) Design Number: **10285/2010**  
(22) Date of Filing Application: **29 January 2010**  
(24) Date from which industrial property rights may have effect: **29 January 2010**  
(54) Product in respect of which the design is registered: **Cornice**  
(51) International Design Classification: **25-02E**  
(71) Name(s) and Address(s) of Applicant(s):  
**Boral Australian Gypsum Limited**  
**676 Lorimer Street Port Melbourne Victoria 3207 Australia**  
(72) Name(s) of Designer(s): **Josef Krechowitsch**  
(45) Registration Date: **23 February 2010**  
(56) Related Art Documents: **Not Applicable**  
(57) Statement of Newness and Distinctiveness: **Nil**



- (21) Design Number: **10286/2010**  
(22) Date of Filing Application: **29 January 2010**  
(24) Date from which industrial property rights may have effect: **29 January 2010**  
(54) Product in respect of which the design is registered: **Light fitting**  
(51) International Design Classification: **26-06**  
(71) Name(s) and Address(s) of Applicant(s):  
**Brown & Watson International Pty Ltd**  
**3 Millennium Court Knoxfield Victoria 3180 Australia**  
(72) Name(s) of Designer(s): **Paul Davies**  
(45) Registration Date: **23 February 2010**  
(56) Related Art Documents: **Not Applicable**  
(57) Statement of Newness and Distinctiveness: **Nil**



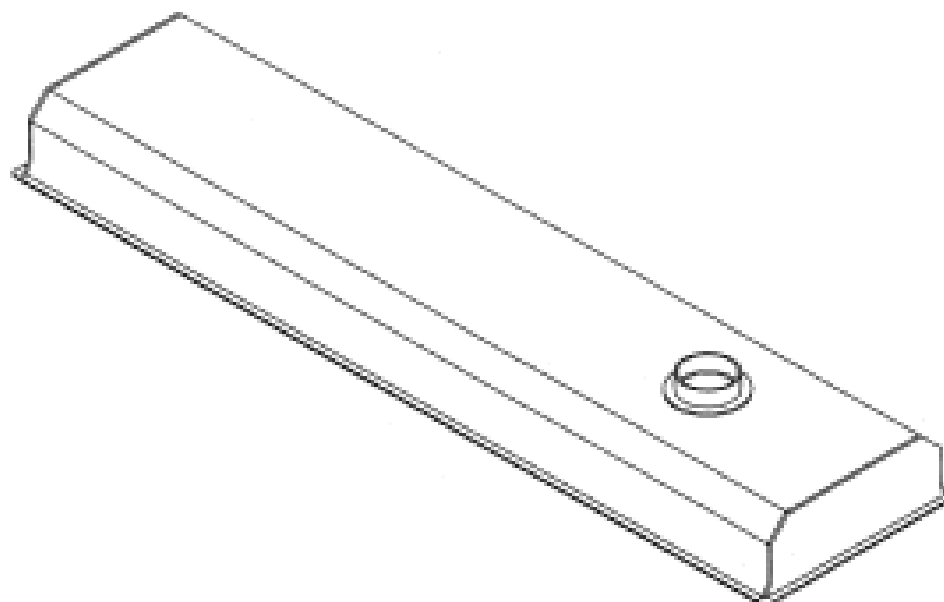
- (21) Design Number: **10287/2010**  
(22) Date of Filing Application: **29 January 2010**  
(24) Date from which industrial property rights may have effect: **29 January 2010**  
(54) Product in respect of which the design is registered: **Light fitting**  
(51) International Design Classification: **26-06**  
(71) Name(s) and Address(s) of Applicant(s):  
**Brown & Watson International Pty Ltd**  
**3 Millennium Court Knoxfield Victoria 3180 Australia**  
(72) Name(s) of Designer(s): **Paul Davies**  
(45) Registration Date: **23 February 2010**  
(56) Related Art Documents: **Not Applicable**  
(57) Statement of Newness and Distinctiveness: **Nil**



- (21) Design Number: **10065/2010**  
(22) Date of Filing Application: **11 January 2010**  
(24) Date from which industrial property rights may have effect: **11 January 2010**  
(54) Product in respect of which the design is registered: **Air outlet**  
(51) International Design Classification: **23-04, 26-04**  
(71) Name(s) and Address(s) of Applicant(s):  
**Kimura Kohki Co., Ltd.**  
**A-23 Uemachi Chuo-ku Osaka-shi Osaka 540-0005 Japan**  
(72) Name(s) of Designer(s): **Keiichi Kimura and Mitsuo Morita and Kazuyuki Kasahara and Katsuhiko Urano**  
(45) Registration Date: **23 February 2010**  
(30) Convention priority data:  

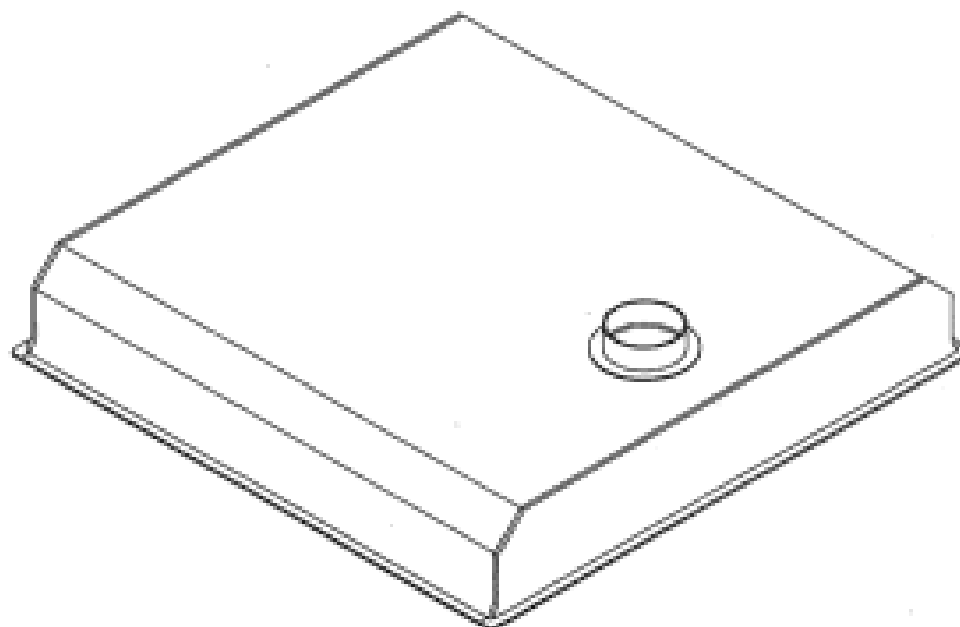
(31) Number	(32) Date	(33) Country
<b>2009-017886</b>	<b>05 Aug 2009</b>	<b>JAPAN</b>

  
(56) Related Art Documents: **Not Applicable**  
(57) Statement of Newness and Distinctiveness: **Nil**

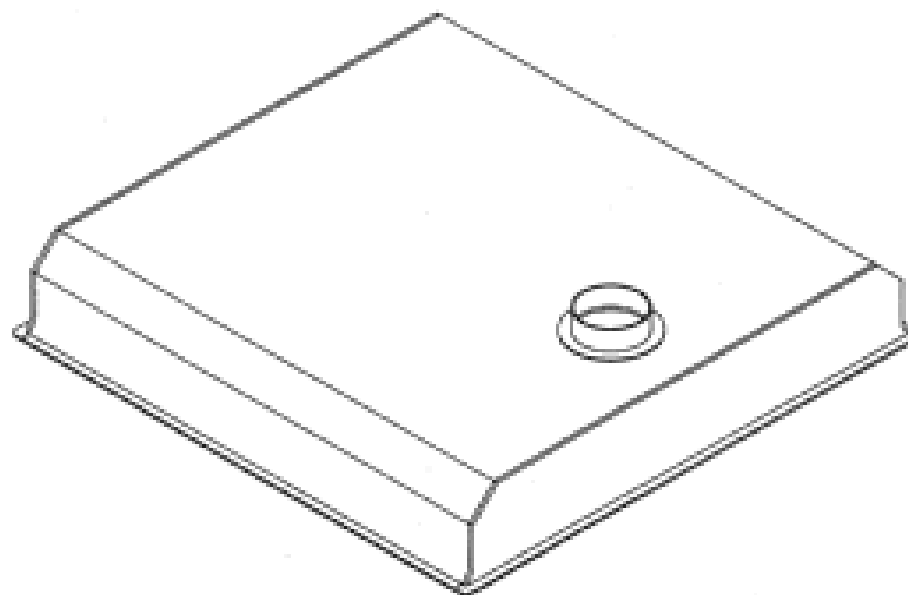




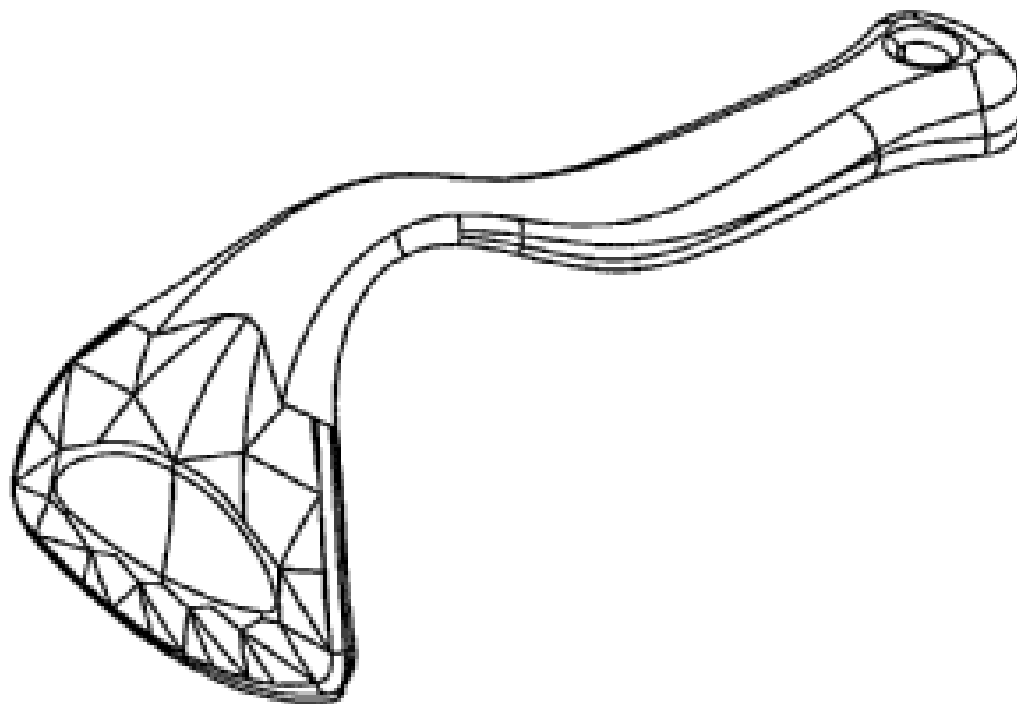
- (21) Design Number: **10066/2010**  
(22) Date of Filing Application: **11 January 2010**  
(24) Date from which industrial property rights may have effect: **11 January 2010**  
(54) Product in respect of which the design is registered: **Air outlet**  
(51) International Design Classification: **23-04, 26-04**  
(71) Name(s) and Address(s) of Applicant(s):  
**Kimura Kohki Co., Ltd.**  
**A-23 Uemachi Chuo-ku Osaka-shi Osaka 540-0005 Japan**  
(72) Name(s) of Designer(s): **Keiichi Kimura and Mitsuo Morita and Kazuyuki Kasahara and Katsuhiko Urano**  
(45) Registration Date: **23 February 2010**  
(30) Convention priority data:  
(31) Number      (32) Date      (33) Country  
**2009-016189      15 Jul 2009      JAPAN**  
(56) Related Art Documents: **Not Applicable**  
(57) Statement of Newness and Distinctiveness: **Nil**



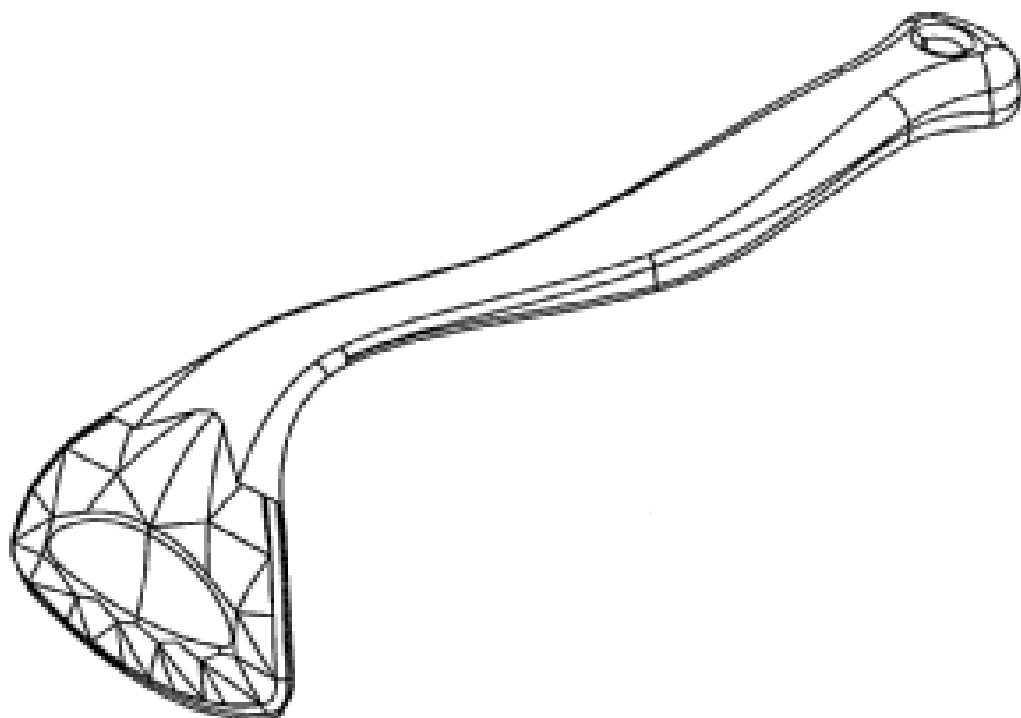
- (21) Design Number: **10067/2010**  
(22) Date of Filing Application: **11 January 2010**  
(24) Date from which industrial property rights may have effect: **11 January 2010**  
(54) Product in respect of which the design is registered: **Air outlet**  
(51) International Design Classification: **23-04, 26-04**  
(71) Name(s) and Address(s) of Applicant(s):  
**Kimura Kohki Co., Ltd.**  
**A-23 Uemachi Chuo-ku Osaka-shi Osaka 540-0005 Japan**  
(72) Name(s) of Designer(s): **Keiichi Kimura and Mitsuo Morita and Kazuyuki Kasahara and Katsuhiko Urano**  
(45) Registration Date: **23 February 2010**  
(30) Convention priority data:  
(31) Number      (32) Date      (33) Country  
**2009-016185      15 Jul 2009      JAPAN**  
(56) Related Art Documents: **Not Applicable**  
(57) Statement of Newness and Distinctiveness: **Nil**



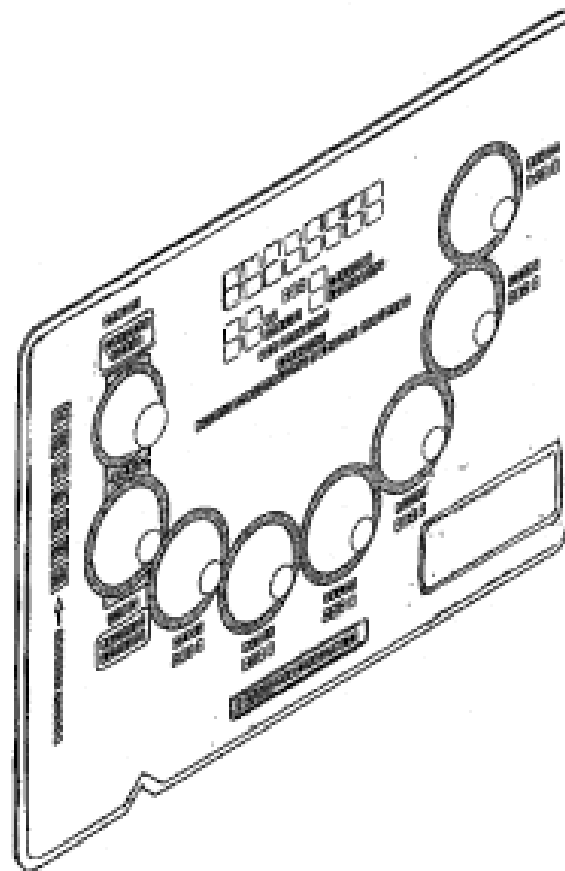
- (21) Design Number: **11708/2009**  
(22) Date of Filing Application: **12 May 2009**  
(24) Date from which industrial property rights may have effect: **12 May 2009**  
(54) Product in respect of which the design is registered: **Exfoliation tool**  
(51) International Design Classification: **28-03NES**  
(71) Name(s) and Address(s) of Applicant(s):  
**SKN CORP PTY LTD**  
**PO Box 919 Robina DC Queensland 4230 Australia**  
(72) Name(s) of Designer(s): **Aaron Rodd**  
(45) Registration Date: **23 February 2010**  
(56) Related Art Documents: **Not Applicable**  
(57) Statement of Newness and Distinctiveness: **Newness and distinctiveness reside in the features of shape and configuration of an exfoliation tool as shown in the accompanying representations.**



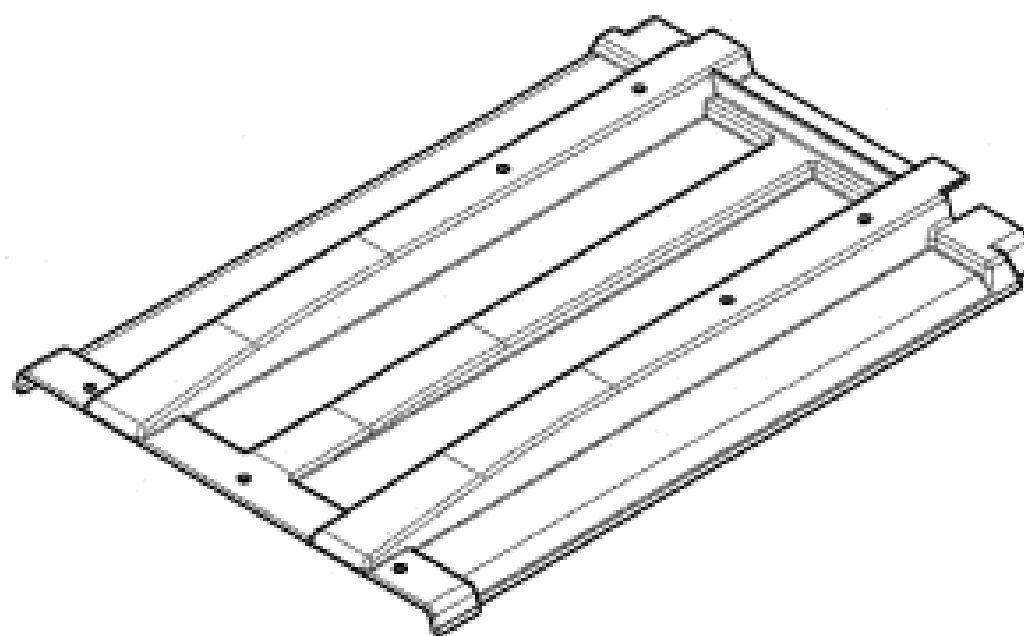
- (21) Design Number: **11709/2009**  
(22) Date of Filing Application: **12 May 2009**  
(24) Date from which industrial property rights may have effect: **12 May 2009**  
(54) Product in respect of which the design is registered: **Exfoliation tool**  
(51) International Design Classification: **28-03NES**  
(71) Name(s) and Address(s) of Applicant(s):  
**SKN CORP PTY LTD**  
**PO Box 919 Robina DC Queensland 4230 Australia**  
(72) Name(s) of Designer(s): **Aaron Rodd**  
(45) Registration Date: **23 February 2010**  
(56) Related Art Documents: **Not Applicable**  
(57) Statement of Newness and Distinctiveness: **Newness and distinctiveness reside in the features of shape and configuration of an exfoliation tool as shown in the accompanying representations.**



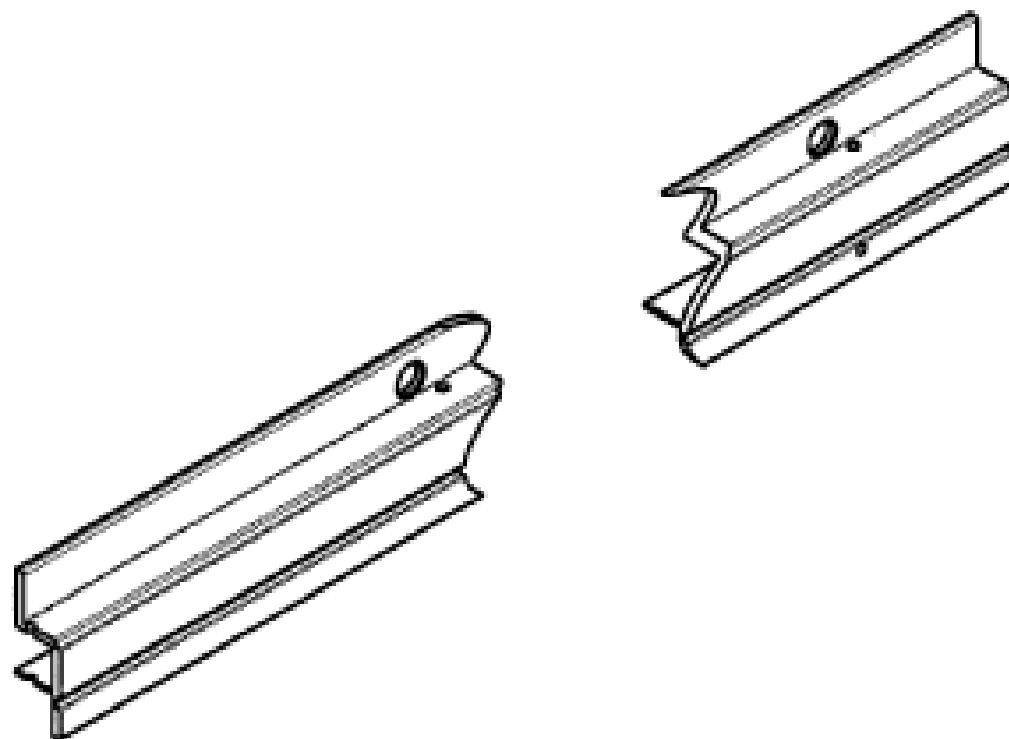
- (21) Design Number: **14819/2009**  
(22) Date of Filing Application: **09 December 2009**  
(24) Date from which industrial property rights may have effect: **09 December 2009**  
(54) Product in respect of which the design is registered: **Packaging for medicines**  
(51) International Design Classification: **24-99, 09-03M**  
(71) Name(s) and Address(s) of Applicant(s):  
**Teva Pharmaceutical Industries, Ltd.**  
**5 Basel Street Petach Tiqva 49131 Israel**  
(72) Name(s) of Designer(s): **Dr Ze'ev Mazor**  
(45) Registration Date: **23 February 2010**  
(30) Convention priority data:  
(31) Number      (32) Date      (33) Country  
**1147755      10 Jun 2009      EUROPEAN COMMUNITY**  
(56) Related Art Documents: **Not Applicable**  
(57) Statement of Newness and Distinctiveness: **Newness and distinctiveness resides in the visual features, including shape, configuration, pattern and ornamentation, of tablet/capsule receptacles arranged in a generally U-shaped line in a PACKAGING FOR MEDICINES, with the receptacles at each upper end of the generally U-shaped line being similarly spaced from an upper edge of the packaging; and in the visual features, including pattern and ornamentation, of numbers arranged to appear within the U-shape, and of inscriptions arranged to appear adjacent to and under each receptacle. When determining whether the PACKAGING FOR MEDICINES is substantially similar in overall impression in relation to another design, no regard is to be had to the inscriptions as used on the packaging, or the three-dimensional shape of the tablet/capsule receptacles shown in dotted outline in the perspective, 3D view in the drawings.**



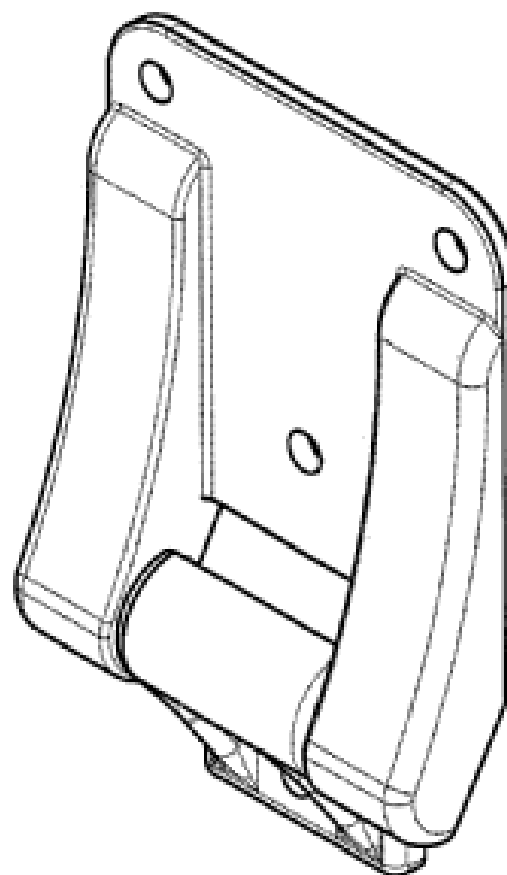
- (21) Design Number: **10112/2010**  
(22) Date of Filing Application: **13 January 2010**  
(24) Date from which industrial property rights may have effect: **13 January 2010**  
(54) Product in respect of which the design is registered: **Mud guard for a vehicular tray body**  
(51) International Design Classification: **12-16B**  
(71) Name(s) and Address(s) of Applicant(s):  
**Triple M Holdings Pty Ltd**  
**10 Elliot Drive Stapylton Queensland 4207 Australia**  
(72) Name(s) of Designer(s): **Gene Leon Thompson and Michael Thomas Fletcher**  
(45) Registration Date: **23 February 2010**  
(56) Related Art Documents: **Not Applicable**  
(57) Statement of Newness and Distinctiveness: **Nil**



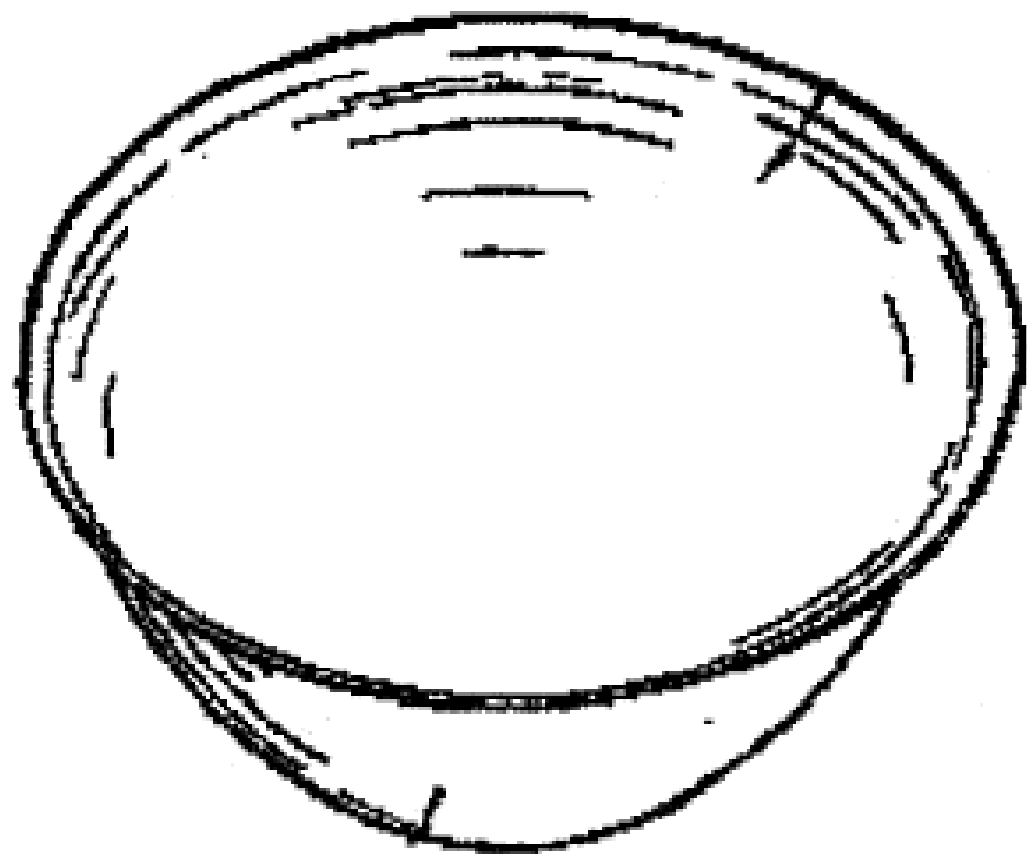
- (21) Design Number: **10113/2010**  
(22) Date of Filing Application: **13 January 2010**  
(24) Date from which industrial property rights may have effect: **13 January 2010**  
(54) Product in respect of which the design is registered: **Tray body internal tie-down rail**  
(51) International Design Classification: **12-16NES**  
(71) Name(s) and Address(s) of Applicant(s):  
**Triple M Holdings Pty Ltd**  
**10 Elliot Drive Stapylton Queensland 4207 Australia**  
(72) Name(s) of Designer(s): **Gene Leon Thompson and Michael Thomas Fletcher**  
(45) Registration Date: **23 February 2010**  
(56) Related Art Documents: **Not Applicable**  
(57) Statement of Newness and Distinctiveness: **Nil**



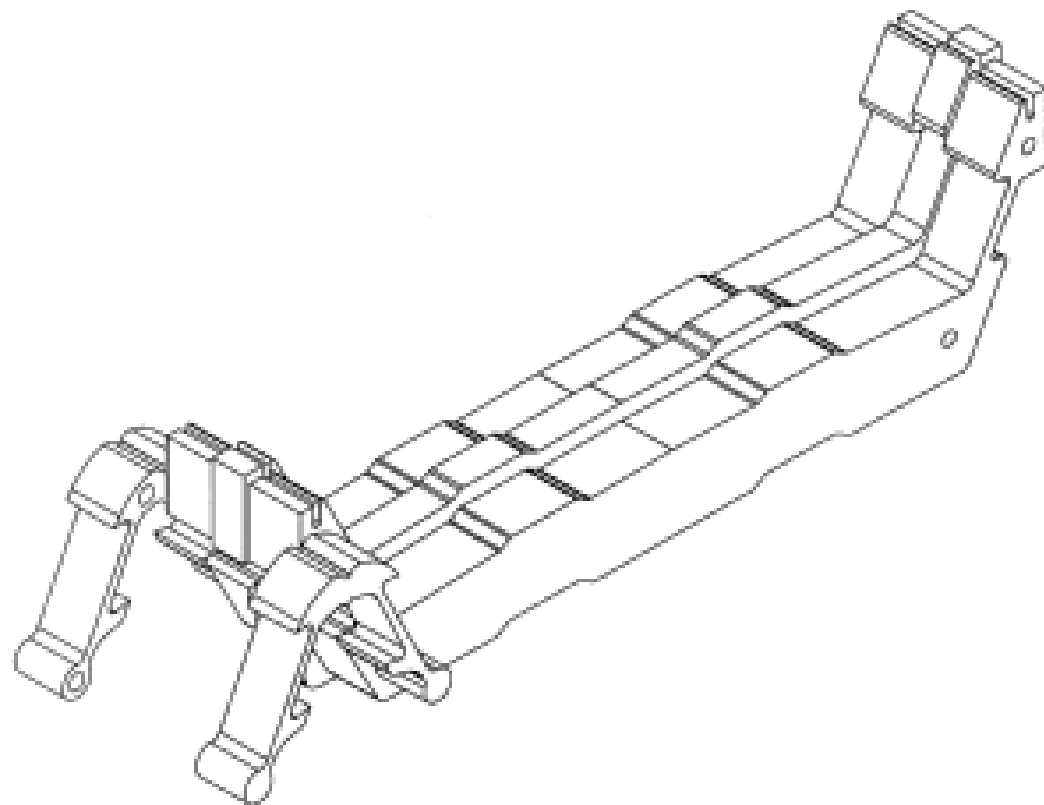
- (21) Design Number: **10114/2010**  
(22) Date of Filing Application: **13 January 2010**  
(24) Date from which industrial property rights may have effect: **13 January 2010**  
(54) Product in respect of which the design is registered: **A releasable drop-side hinge for a tray body**  
(51) International Design Classification: **12-16NES, 08-06**  
(71) Name(s) and Address(s) of Applicant(s):  
**Triple M Holdings Pty Ltd**  
**10 Elliot Drive Stapylton Queensland 4207 Australia**  
(72) Name(s) of Designer(s): **Gene Leon Thompson and Michael Thomas Fletcher**  
(45) Registration Date: **23 February 2010**  
(56) Related Art Documents: **Not Applicable**  
(57) Statement of Newness and Distinctiveness: **Nil**



- (21) Design Number: **10221/2010**  
(22) Date of Filing Application: **25 January 2010**  
(24) Date from which industrial property rights may have effect: **25 January 2010**  
(54) Product in respect of which the design is registered: **Bra - no adhesive, no straps, no back wash n wear**  
(51) International Design Classification: **02-01A**  
(71) Name(s) and Address(s) of Applicant(s):  
**Carrolyn Diane Westall**  
**120 Slatyer Avenue Bundall Queensland 4217 Australia**  
(72) Name(s) of Designer(s): **Carrolyn Diane Westall**  
(45) Registration Date: **23 February 2010**  
(56) Related Art Documents: **Not Applicable**  
(57) Statement of Newness and Distinctiveness: **Bra cups sit on your breast and are held in place by your clothing, not a bra insert. Works on its own as a bra replacement. Designed and made from a medical grade foam with the shape allowing it to cup your breast and stay there under your clothes.**



- (21) Design Number: **10227/2010**  
(22) Date of Filing Application: **22 January 2010**  
(24) Date from which industrial property rights may have effect: **22 January 2010**  
(54) Product in respect of which the design is registered: **A sealing and connecting device for overlapping profiled sheets**  
(51) International Design Classification: **25-01NES, 08-08L**  
(71) Name(s) and Address(s) of Applicant(s):  
**Stramit Corporation Pty Limited**  
**Level 11 Tower B Zenith Centre 821 Pacific Highway Chatswood New South Wales 2067 Australia**  
(72) Name(s) of Designer(s): **Yuri Elmo Arguedas and John Richard Bugh and Emma Roberta Craig and Christopher Lee Healy**  
(45) Registration Date: **23 February 2010**  
(56) Related Art Documents: **Not Applicable**  
(57) Statement of Newness and Distinctiveness: **Newness and distinctiveness are claimed in a sealing and connecting device for overlapping profiled sheets, having a modular form of an indefinite length, with the modular form consisting of one or more modules of a shape and/or configuration as shown in the accompanying drawings in which devices of one and three modules are depicted in full detail, with devices with 2, 3, 4, 5, 10 and 20 modules represented on sheet 6/6 of the drawings.**



(21) Design Number: **10228/2010**

(22) Date of Filing Application: **22 January 2010**

(24) Date from which industrial property rights may have effect: **22 January 2010**

(54) Product in respect of which the design is registered: **A clip**

(51) International Design Classification: **08-08C**

(71) Name(s) and Address(s) of Applicant(s):

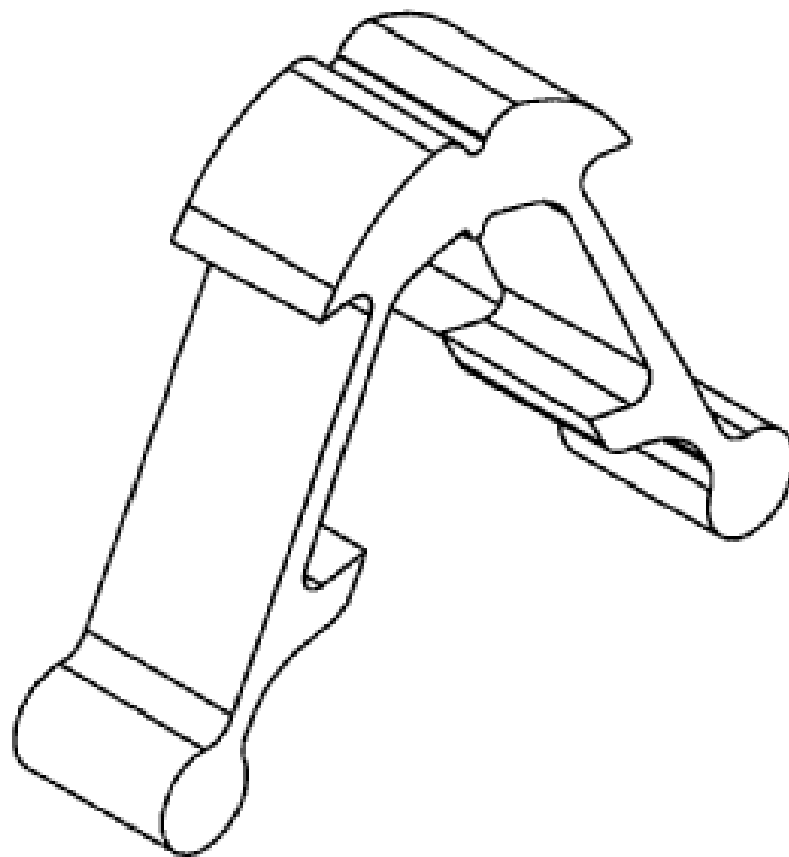
**Stramit Corporation Pty Limited**  
**Level 11 Tower B Zenith Centre 821 Pacific Highway Chatswood New**  
**South Wales 2067 Australia**

(72) Name(s) of Designer(s): **Yuri Elmo Arguedas and John Richard Bugh and**  
**Emma Roberta Craig and Christopher Lee Healy**

(45) Registration Date: **23 February 2010**

(56) Related Art Documents: **Not Applicable**

(57) Statement of Newness and Distinctiveness: **Newness and distinctiveness**  
**are claimed in the shape and/or configuration of a clip as shown in the**  
**accompanying representations.**



(21) Design Number: **10259/2010**

(22) Date of Filing Application: **27 January 2010**

(24) Date from which industrial property rights may have effect: **27 January 2010**

(54) Product in respect of which the design is registered: **Esky/coolers**

(51) International Design Classification: **07-07A**

(71) Name(s) and Address(s) of Applicant(s):

**NC & MJ Burt Pty Ltd**  
**5B Chris Collins Court Murray Bridge South Australia 5253 Australia**

(72) Name(s) of Designer(s): **Nicholas Burt and Ty-Lee Emerson**

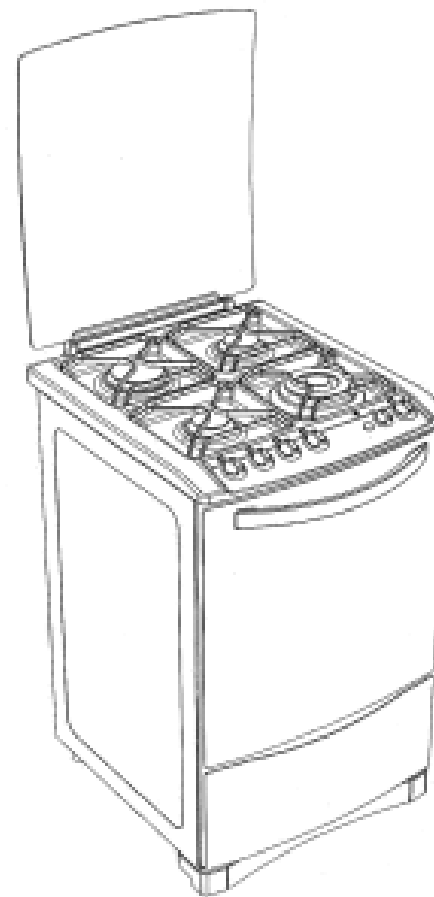
(45) Registration Date: **23 February 2010**

(56) Related Art Documents: **Not Applicable**

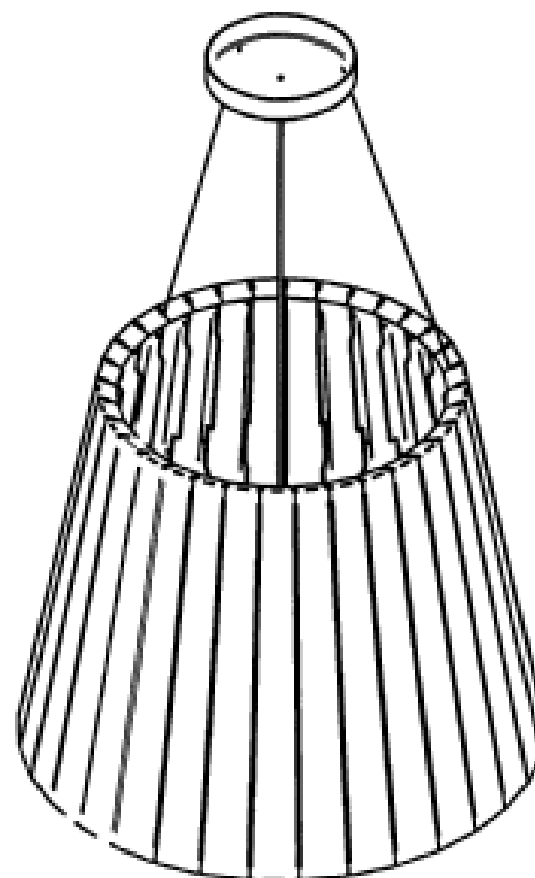
(57) Statement of Newness and Distinctiveness: **The coola caddy is a zinc steel**  
**tube frame with length and width telescopic capabilities which adjusts to**  
**suit most large size esky coolers.**



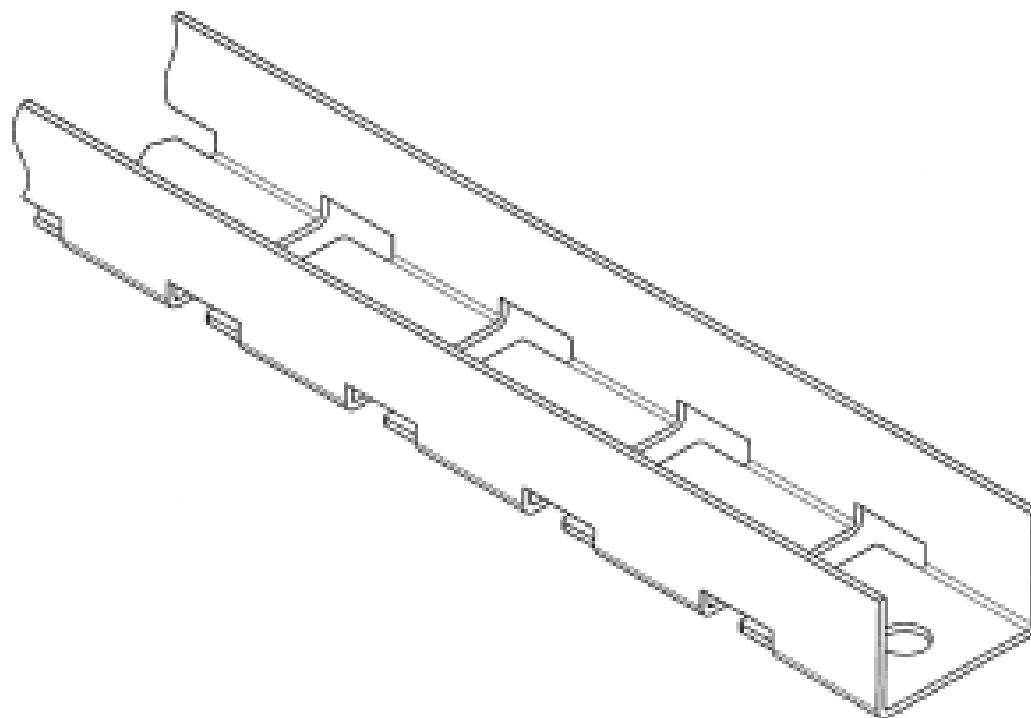
- (21) Design Number: **10261/2010**  
(22) Date of Filing Application: **25 January 2010**  
(24) Date from which industrial property rights may have effect: **25 January 2010**  
(54) Product in respect of which the design is registered: **Stove**  
(51) International Design Classification: **07-02A**  
(71) Name(s) and Address(s) of Applicant(s):  
**Electrolux do Brasil S/A**  
**Rua Ministro Gabriel Passos 360 81520900 Curitiba Parana Brazil**  
(72) Name(s) of Designer(s): **Gustavo Eugenio Monteiro Sindeaux and Marcos Dos Santos De Oliveira and Gabriel Gemael Polycarpo Lied**  
(45) Registration Date: **23 February 2010**  
(30) Convention priority data:  
(31) Number (32) Date (33) Country  
**2009/0400 29 Jul 2009 SWEDEN**  
(56) Related Art Documents: **Not Applicable**  
(57) Statement of Newness and Distinctiveness: **Nil**



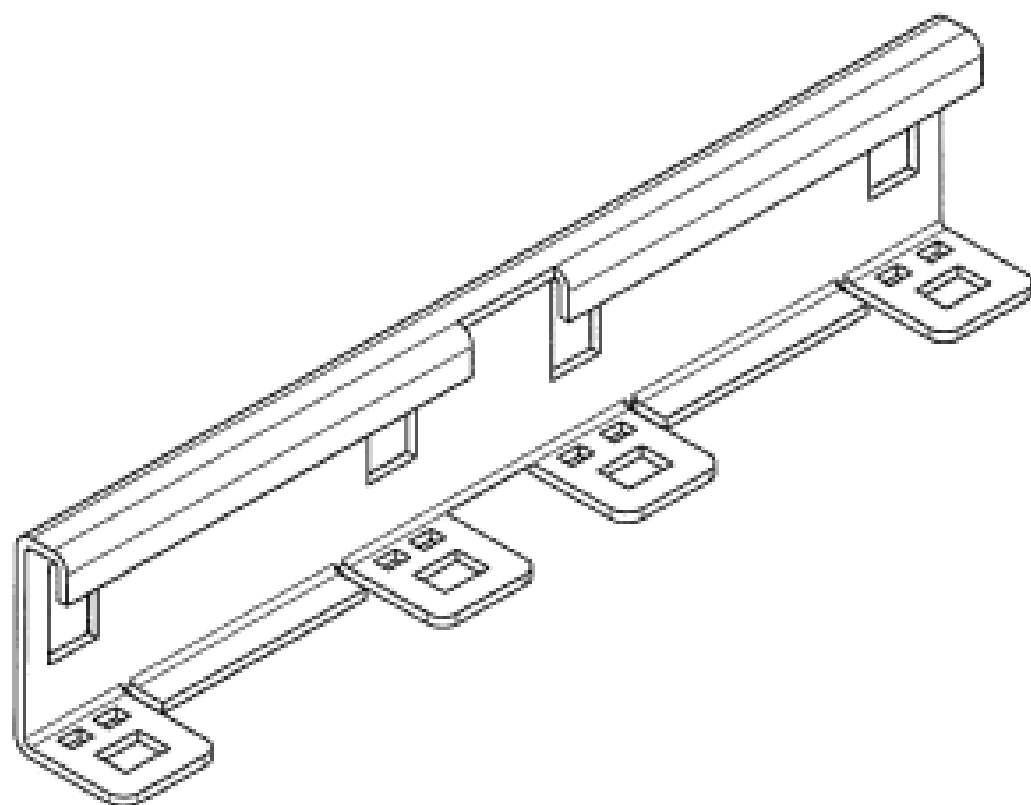
- (21) Design Number: **10370/2010**  
(22) Date of Filing Application: **05 February 2010**  
(24) Date from which industrial property rights may have effect: **05 February 2010**  
(54) Product in respect of which the design is registered: **Pendant light/lamp shade**  
(51) International Design Classification: **26-05D**  
(71) Name(s) and Address(s) of Applicant(s):  
**Jason Bird**  
**Studio 3b 9 Chester Street Fortitude Valley Queensland 4006 Australia**  
(72) Name(s) of Designer(s): **Jason Bird**  
(45) Registration Date: **23 February 2010**  
(56) Related Art Documents: **Not Applicable**  
(57) Statement of Newness and Distinctiveness: **The product gets its unique visual appearance from the 33 radial segments fastened by a ring in a circular configuration. Each segment is a multi-faceted object containing fixing points for assembly. The main internal fasteners and assembly details are neatly hidden by an internal conical shade, also adding to the unique aesthetic.**



(21) Design Number: **10464/2010**  
(22) Date of Filing Application: **10 February 2010**  
(24) Date from which industrial property rights may have effect: **10 February 2010**  
(54) Product in respect of which the design is registered: **Channel bracket**  
(51) International Design Classification: **08-08L, 25-01K**  
(71) Name(s) and Address(s) of Applicant(s):  
**Angas Industrial Pty Ltd**  
**PO Box 1010 Meadowbank New South Wales 2114 Australia**  
(72) Name(s) of Designer(s): **Alister Matthew Kennard**  
(45) Registration Date: **23 February 2010**  
(56) Related Art Documents: **Not Applicable**  
(57) Statement of Newness and Distinctiveness: **Nil**



(21) Design Number: **10465/2010**  
(22) Date of Filing Application: **10 February 2010**  
(24) Date from which industrial property rights may have effect: **10 February 2010**  
(54) Product in respect of which the design is registered: **Flat bracket**  
(51) International Design Classification: **08-08L**  
(71) Name(s) and Address(s) of Applicant(s):  
**Angas Industrial Pty Ltd**  
**PO Box 1010 Meadowbank New South Wales 2114 Australia**  
(72) Name(s) of Designer(s): **Alister Matthew Kennard**  
(45) Registration Date: **23 February 2010**  
(56) Related Art Documents: **Not Applicable**  
(57) Statement of Newness and Distinctiveness: **Nil**





(21) Design Number: **10309/2010**

(22) Date of Filing Application: **01 February 2010**

(24) Date from which industrial property rights may have effect: **01 February 2010**

(54) Product in respect of which the design is registered: **Clip for pacifier**

(51) International Design Classification: **21-01NES**

(71) Name(s) and Address(s) of Applicant(s):

**MAM Babyartikel Gesellschaft m.b.H**  
**Lorenz-Mandl-Gasse 50 1160 Wien Austria**

(72) Name(s) of Designer(s): **Peter Rohrig and Ernst Beranek**

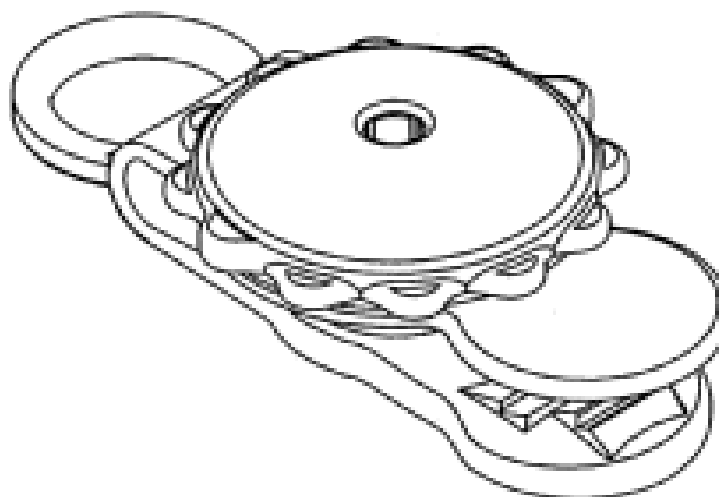
(45) Registration Date: **24 February 2010**

(30) Convention priority data:

(31) Number	(32) Date	(33) Country
<b>1612128</b>	<b>16 Sep 2009</b>	<b>EUROPEAN COMMUNITY</b>

(56) Related Art Documents: **Not Applicable**

(57) Statement of Newness and Distinctiveness: **Newness and distinctiveness is claimed in the features of shape and/or configuration of a clip for pacifier as illustrated in the accompanying representations.**



(21) Design Number: **10314/2010**

(22) Date of Filing Application: **01 February 2010**

(24) Date from which industrial property rights may have effect: **01 February 2010**

(54) Product in respect of which the design is registered: **Stroller**

(51) International Design Classification: **12-12**

(71) Name(s) and Address(s) of Applicant(s):

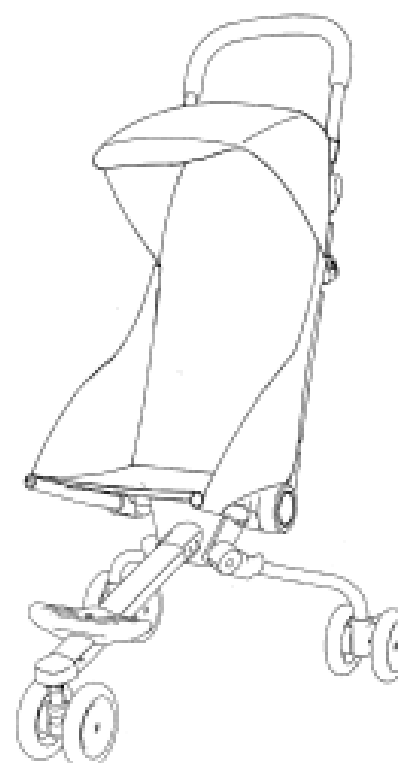
**Funtastic Limited**  
**635 Waverley Road Glen Waverley Victoria 3150 Australia**

(72) Name(s) of Designer(s): **Sean Edwin Moran**

(45) Registration Date: **24 February 2010**

(56) Related Art Documents: **Not Applicable**

(57) Statement of Newness and Distinctiveness: **Newness and distinctiveness resides in the features of shape and configuration of the stroller as shown in the representations.**



(21) Design Number: **10310/2010**

(22) Date of Filing Application: **01 February 2010**

(24) Date from which industrial property rights may have effect: **01 February 2010**

(54) Product in respect of which the design is registered: **T Rex five station computerised hi speed isokinetic machine**

(51) International Design Classification: **21-02F**

(71) Name(s) and Address(s) of Applicant(s):

**Alan Maynard**

**290 North East Road Klemzig South Australia 5087 Australia**

(72) Name(s) of Designer(s): **Alan Maynard**

(45) Registration Date: **24 February 2010**

(56) Related Art Documents: **Not Applicable**

(57) Statement of Newness and Distinctiveness: **Monopoly is claimed in the shape and configuration of the machine and components as illustrated in the accompanying representations.**



(21) Design Number: **10315/2010**

(22) Date of Filing Application: **01 February 2010**

(24) Date from which industrial property rights may have effect: **01 February 2010**

(54) Product in respect of which the design is registered: **Stroller**

(51) International Design Classification: **12-12**

(71) Name(s) and Address(s) of Applicant(s):

**Funtastic Limited**

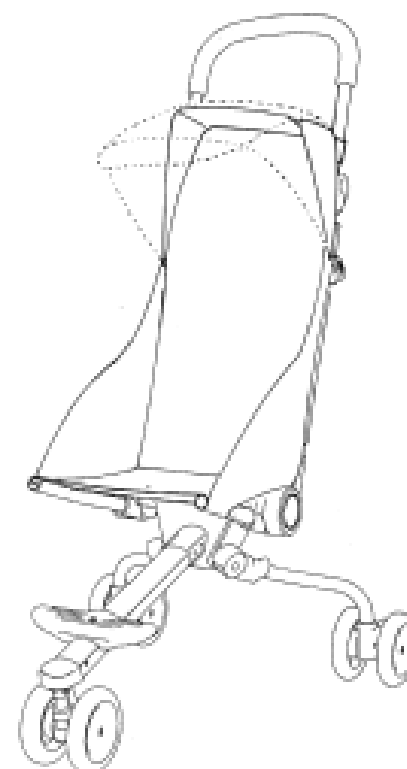
**635 Waverley Road Glen Waverley Victoria 3150 Australia**

(72) Name(s) of Designer(s): **Sean Edwin Moran**

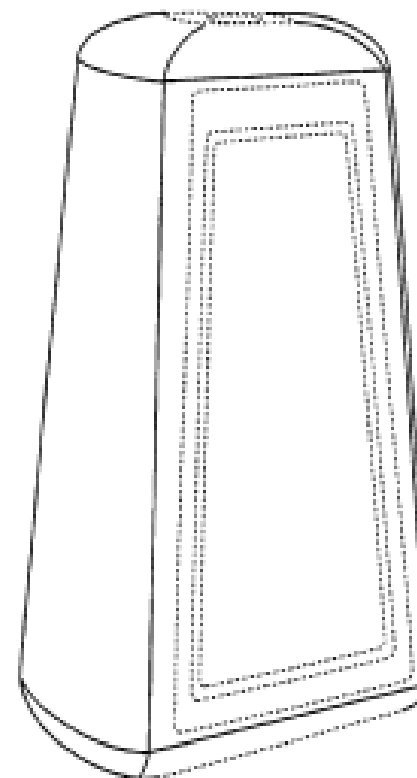
(45) Registration Date: **24 February 2010**

(56) Related Art Documents: **Not Applicable**

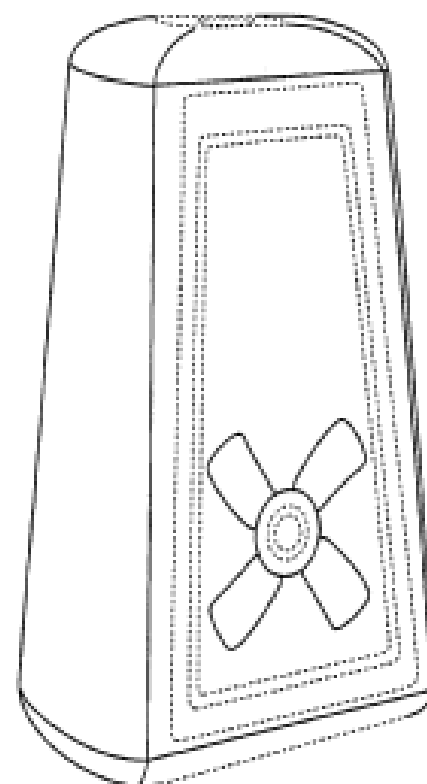
(57) Statement of Newness and Distinctiveness: **Newness and distinctiveness resides in the features of shape and configuration of the stroller as shown in the representations. In considering whether the design is substantially similar in overall appearance to another design, no regard is to be given to the hood shown in phantom.**



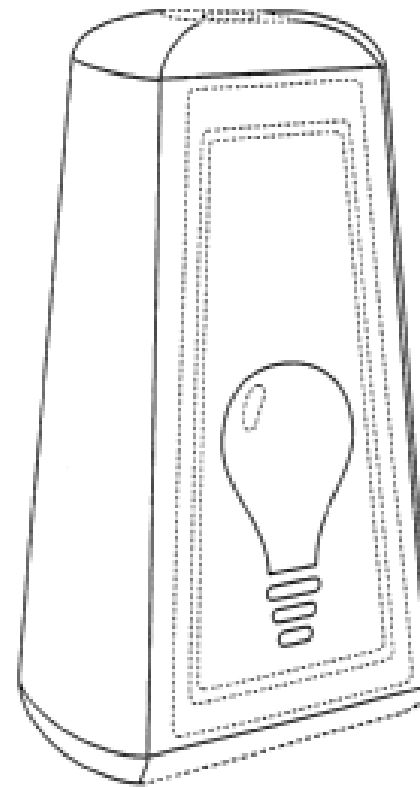
(21) Design Number: **10316/2010**  
 (22) Date of Filing Application: **01 February 2010**  
 (24) Date from which industrial property rights may have effect: **01 February 2010**  
 (54) Product in respect of which the design is registered: **Fob for a switch**  
 (51) International Design Classification: **13-03NES**  
 (71) Name(s) and Address(s) of Applicant(s):  
**Lowe's Companies, Inc.**  
**1000 Lowe's Boulevard Mooresville NC 28115 United States of America**  
 (72) Name(s) of Designer(s): **Jean Tuck McGregor and Curtis Nolan Lagman and Megan Cahill Roe**  
 (45) Registration Date: **24 February 2010**  
 (30) Convention priority data:  
 (31) Number (32) Date (33) Country  
**29/351,953 14 Dec 2009 UNITED STATES OF AMERICA**  
 (56) Related Art Documents: **Not Applicable**  
 (57) Statement of Newness and Distinctiveness: **Newness and distinctiveness are provided by the shape and/or configuration of the design shown in the representations. The features shown in broken lines in the representations are for illustrative purposes only and should not be considered when construing visual features of the design.**



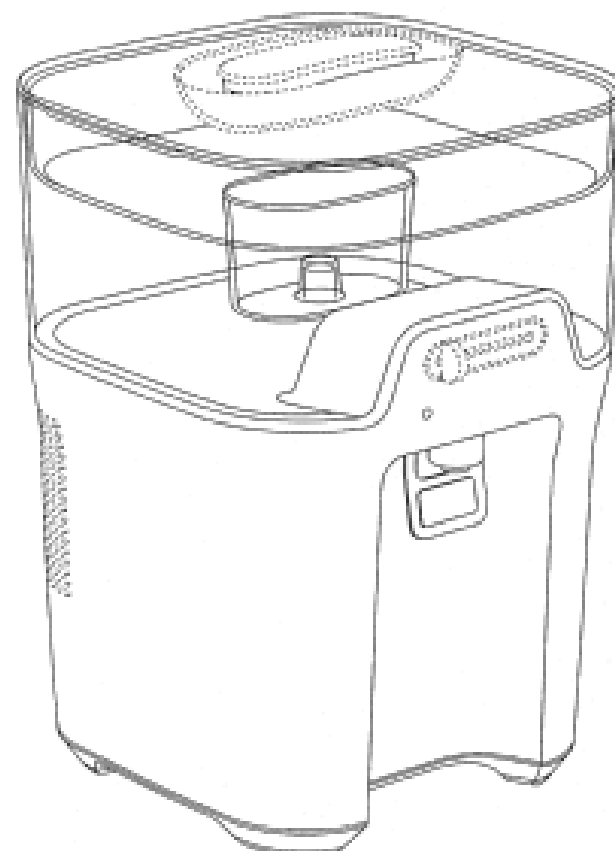
(21) Design Number: **10317/2010**  
 (22) Date of Filing Application: **01 February 2010**  
 (24) Date from which industrial property rights may have effect: **01 February 2010**  
 (54) Product in respect of which the design is registered: **Fob for a fan switch**  
 (51) International Design Classification: **13-03NES**  
 (71) Name(s) and Address(s) of Applicant(s):  
**Lowe's Companies, Inc.**  
**1000 Lowe's Boulevard Mooresville NC 28115 United States of America**  
 (72) Name(s) of Designer(s): **Jean Tuck McGregor and Curtis Nolan Lagman and Megan Cahill Roe**  
 (45) Registration Date: **24 February 2010**  
 (30) Convention priority data:  
 (31) Number (32) Date (33) Country  
**29/351,953 14 Dec 2009 UNITED STATES OF AMERICA**  
 (56) Related Art Documents: **Not Applicable**  
 (57) Statement of Newness and Distinctiveness: **Newness and distinctiveness are provided by the shape and/or configuration of the design shown in the representations. The features shown in broken lines in the representations are for illustrative purposes only and should not be considered when construing visual features of the design.**



- (21) Design Number: **10318/2010**  
(22) Date of Filing Application: **01 February 2010**  
(24) Date from which industrial property rights may have effect: **01 February 2010**  
(54) Product in respect of which the design is registered: **Fob for a light switch**  
(51) International Design Classification: **13-03NES**  
(71) Name(s) and Address(s) of Applicant(s):  
**Lowe's Companies, Inc.**  
**1000 Lowe's Boulevard Mooresville NC 28115 United States of America**  
(72) Name(s) of Designer(s): **Jean Tuck McGregor and Curtis Nolan Lagman and Megan Cahill Roe**  
(45) Registration Date: **24 February 2010**  
(30) Convention priority data:  
(31) Number (32) Date (33) Country  
**29/351,953 14 Dec 2009 UNITED STATES OF AMERICA**  
(56) Related Art Documents: **Not Applicable**  
(57) Statement of Newness and Distinctiveness: **Newness and distinctiveness are provided by the shape and/or configuration of the design shown in the representations. The features shown in broken lines in the representations are for illustrative purposes only and should not be considered when construing visual features of the design.**



- (21) Design Number: **10322/2010**  
(22) Date of Filing Application: **01 February 2010**  
(24) Date from which industrial property rights may have effect: **01 February 2010**  
(54) Product in respect of which the design is registered: **Water cooler**  
(51) International Design Classification: **23-01G**  
(71) Name(s) and Address(s) of Applicant(s):  
**Breville Pty Limited**  
**Building 2 Port Air Industrial Estate 1A Hale Street Botany New South Wales 2019 Australia**  
(72) Name(s) of Designer(s): **Richard Harrod**  
(45) Registration Date: **24 February 2010**  
(56) Related Art Documents: **Not Applicable**  
(57) Statement of Newness and Distinctiveness: **Newness is claimed in the features of shape and configuration of the water cooler as shown in the accompanying representations. Elements shown in dashed lines form no part of the design.**



(21) Design Number: **10250/2010**

(22) Date of Filing Application: **27 January 2010**

(24) Date from which industrial property rights may have effect: **27 January 2010**

(54) Product in respect of which the design is registered: **Fence cap**

(51) International Design Classification: **25-01E**

(71) Name(s) and Address(s) of Applicant(s):

**Gram Engineering Pty Limited**  
**16-22 Cullen Place Smithfield New South Wales 2164 Australia**

(72) Name(s) of Designer(s): **Ronald Leslie Mann**

(45) Registration Date: **25 February 2010**

(56) Related Art Documents: **Not Applicable**

(57) Statement of Newness and Distinctiveness: **The shape of the cap used as a fence post cap. Particular attention is placed on the internal placement of the cap within the post.**



(21) Design Number: **10324/2010**

(22) Date of Filing Application: **02 February 2010**

(24) Date from which industrial property rights may have effect: **02 February 2010**

(54) Product in respect of which the design is registered: **Travel bib**

(51) International Design Classification: **02-05**

(71) Name(s) and Address(s) of Applicant(s):

**Monique Filer**  
**Unit 4 37 The Avenue Windsor Victoria 3181 Australia**

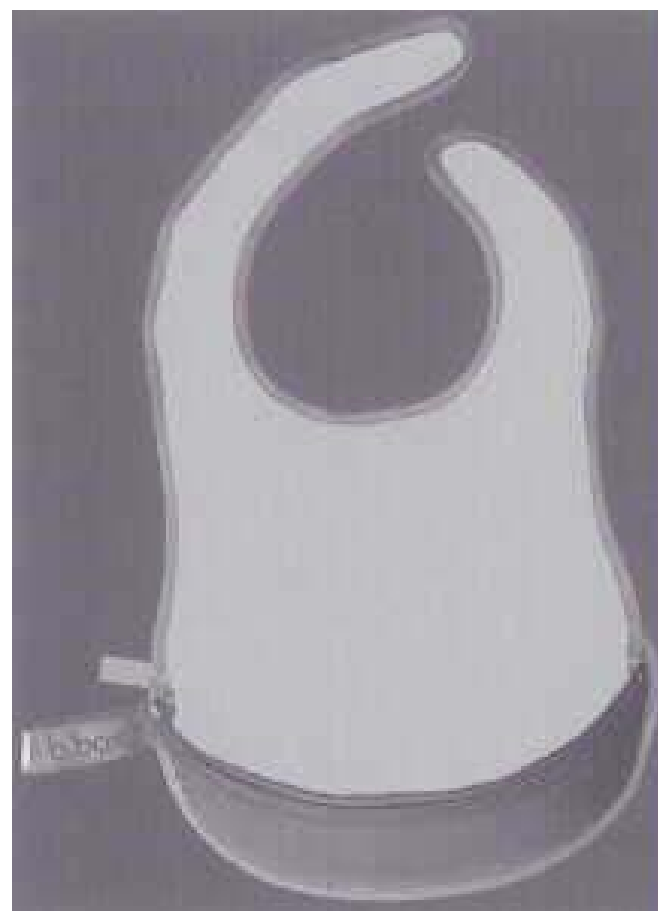
**Dannielle Michaels**  
**Unit 4 37 The Avenue Windsor Victoria 3181 Australia**

(72) Name(s) of Designer(s): **Monique Filer and Dannielle Michaels**

(45) Registration Date: **25 February 2010**

(56) Related Art Documents: **Not Applicable**

(57) Statement of Newness and Distinctiveness: **Uniqueness includes fully integrated/attached wipe clean bib and catcher designed to be folded into a compact travel unit. It's the first of its kind to feature a zip closure.**



- (21) Design Number: **10503/2010**  
(22) Date of Filing Application: **15 February 2010**  
(24) Date from which industrial property rights may have effect: **15 February 2010**  
(54) Product in respect of which the design is registered: **Mixer handle**  
(51) International Design Classification: **23-01H**  
(71) Name(s) and Address(s) of Applicant(s):  
**Iain Ewing**  
**14 Bluebell Street Mansfield Queensland 4122 Australia**  
(72) Name(s) of Designer(s): **Iain Ewing**  
(45) Registration Date: **25 February 2010**  
(56) Related Art Documents: **Not Applicable**  
(57) Statement of Newness and Distinctiveness: **Newness and distinctiveness are claimed in the shape and configuration of the tap handle depicted in the accompanying representations.**



- (21) Design Number: **10504/2010**  
(22) Date of Filing Application: **15 February 2010**  
(24) Date from which industrial property rights may have effect: **15 February 2010**  
(54) Product in respect of which the design is registered: **Shower**  
(51) International Design Classification: **23-02B**  
(71) Name(s) and Address(s) of Applicant(s):  
**Iain Ewing**  
**14 Bluebell Street Mansfield Queensland 4122 Australia**  
(72) Name(s) of Designer(s): **Iain Ewing**  
(45) Registration Date: **25 February 2010**  
(56) Related Art Documents: **Not Applicable**  
(57) Statement of Newness and Distinctiveness: **Newness and distinctiveness are claimed in the shape of the shower rose. The wall mount and spray cogs are to be disregarded.**



(21) Design Number: **10505/2010**

(22) Date of Filing Application: **15 February 2010**

(24) Date from which industrial property rights may have effect: **15 February 2010**

(54) Product in respect of which the design is registered: **Lever handle**

(51) International Design Classification: **08-06**

(71) Name(s) and Address(s) of Applicant(s):

**Iain Ewing**

**14 Bluebell Street Mansfield Queensland 4122 Australia**

(72) Name(s) of Designer(s): **Iain Ewing**

(45) Registration Date: **25 February 2010**

(56) Related Art Documents: **Not Applicable**

(57) Statement of Newness and Distinctiveness: **Newness and distinctiveness are claimed in the shape and configuration of the tap handle depicted in the accompanying representations.**



(21) Design Number: **10506/2010**

(22) Date of Filing Application: **15 February 2010**

(24) Date from which industrial property rights may have effect: **15 February 2010**

(54) Product in respect of which the design is registered: **Handle**

(51) International Design Classification: **08-06**

(71) Name(s) and Address(s) of Applicant(s):

**Iain Ewing**

**14 Bluebell Street Mansfield Queensland 4122 Australia**

(72) Name(s) of Designer(s): **Iain Ewing**

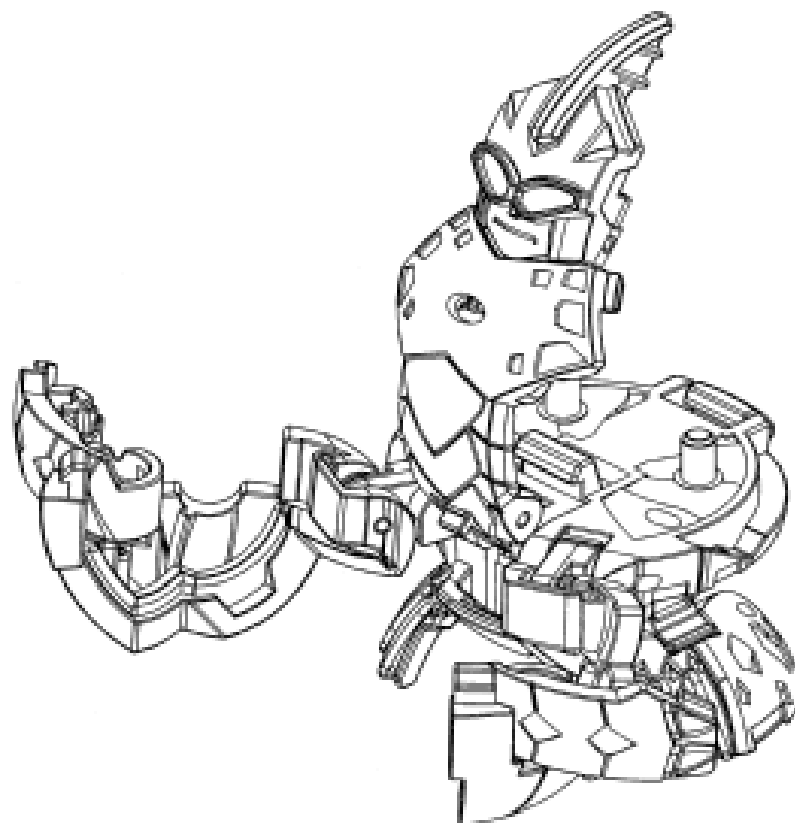
(45) Registration Date: **25 February 2010**

(56) Related Art Documents: **Not Applicable**

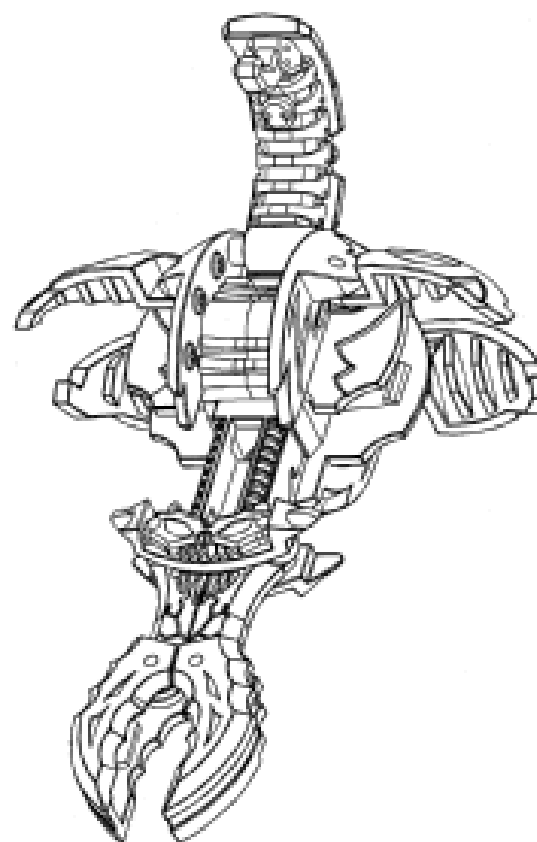
(57) Statement of Newness and Distinctiveness: **Newness and distinctiveness are claimed in the shape and configuration of the tap handle depicted in the accompanying representations.**



(21) Design Number: **10348/2010**  
(22) Date of Filing Application: **02 February 2010**  
(24) Date from which industrial property rights may have effect: **02 February 2010**  
(54) Product in respect of which the design is registered: **Transformable toy**  
(51) International Design Classification: **21-01B**  
(71) Name(s) and Address(s) of Applicant(s):  
**Spin Master Ltd.**  
**450 Front Street West Toronto ON M5V 1B6 Canada**  
(72) Name(s) of Designer(s): **Wataru Sato and Kohji Hirose and Richard Keuter**  
(45) Registration Date: **25 February 2010**  
(30) Convention priority data:  
(31) Number (32) Date (33) Country  
**132556 15 Oct 2009 CANADA**  
(56) Related Art Documents: **Not Applicable**  
(57) Statement of Newness and Distinctiveness: **Nil**

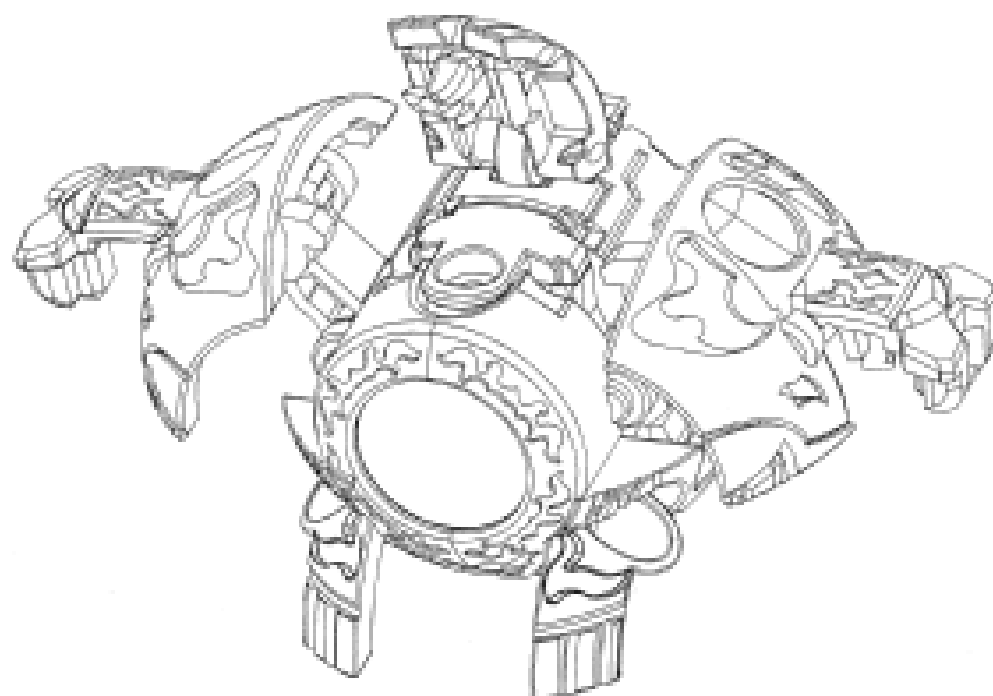


(21) Design Number: **10349/2010**  
(22) Date of Filing Application: **02 February 2010**  
(24) Date from which industrial property rights may have effect: **02 February 2010**  
(54) Product in respect of which the design is registered: **Transformable toy**  
(51) International Design Classification: **21-01B**  
(71) Name(s) and Address(s) of Applicant(s):  
**Spin Master Ltd.**  
**450 Front Street West Toronto ON M5V 1B6 Canada**  
(72) Name(s) of Designer(s): **Wataru Sato and Kohji Hirose and Richard Keuter**  
(45) Registration Date: **25 February 2010**  
(30) Convention priority data:  
(31) Number (32) Date (33) Country  
**132341 29 Sep 2009 CANADA**  
(56) Related Art Documents: **Not Applicable**  
(57) Statement of Newness and Distinctiveness: **Nil**





(21) Design Number: **10350/2010**  
(22) Date of Filing Application: **02 February 2010**  
(24) Date from which industrial property rights may have effect: **02 February 2010**  
(54) Product in respect of which the design is registered: **Transformable toy**  
(51) International Design Classification: **21-01B**  
(71) Name(s) and Address(s) of Applicant(s):  
**Spin Master Ltd.**  
**450 Front Street West Toronto ON M5V 1B6 Canada**  
(72) Name(s) of Designer(s): **Wataru Sato and Kohji Hirose and Richard Keuter**  
(45) Registration Date: **25 February 2010**  
(30) Convention priority data:  
(31) Number (32) Date (33) Country  
**132343 29 Sep 2009 CANADA**  
(56) Related Art Documents: **Not Applicable**  
(57) Statement of Newness and Distinctiveness: **Nil**



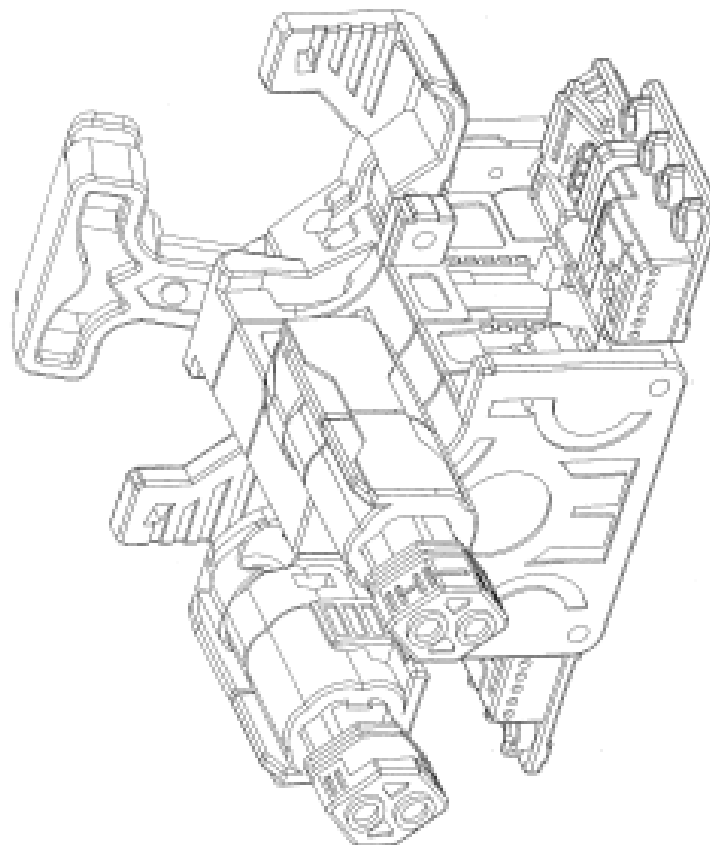
(21) Design Number: **10351/2010**  
(22) Date of Filing Application: **02 February 2010**  
(24) Date from which industrial property rights may have effect: **02 February 2010**  
(54) Product in respect of which the design is registered: **Transformable toy**  
(51) International Design Classification: **21-01B**  
(71) Name(s) and Address(s) of Applicant(s):  
**Spin Master Ltd.**  
**450 Front Street West Toronto ON M5V 1B6 Canada**  
(72) Name(s) of Designer(s): **Wataru Sato and Kohji Hirose and Richard Keuter**  
(45) Registration Date: **25 February 2010**  
(30) Convention priority data:  
(31) Number (32) Date (33) Country  
**132438 05 Oct 2009 CANADA**  
(56) Related Art Documents: **Not Applicable**  
(57) Statement of Newness and Distinctiveness: **Nil**



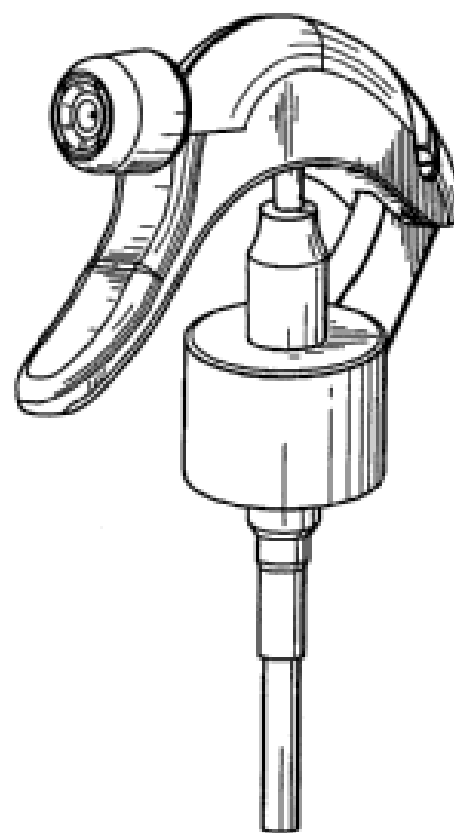
(21) Design Number: **10320/2010**  
(22) Date of Filing Application: **02 February 2010**  
(24) Date from which industrial property rights may have effect: **02 February 2010**  
(54) Product in respect of which the design is registered: **Electric kettle**  
(51) International Design Classification: **07-02K**  
(71) Name(s) and Address(s) of Applicant(s):  
**Kenwood Limited**  
**New Lane Havant Hampshire PO9 2NH England**  
(72) Name(s) of Designer(s): **Darren Mullen**  
(45) Registration Date: **27 February 2010**  
(30) Convention priority data:  
(31) Number (32) Date (33) Country  
**001156806-0001 03 Aug 2009 EUROPEAN COMMUNITY**  
(56) Related Art Documents: **Not Applicable**  
(57) Statement of Newness and Distinctiveness: **Nil**



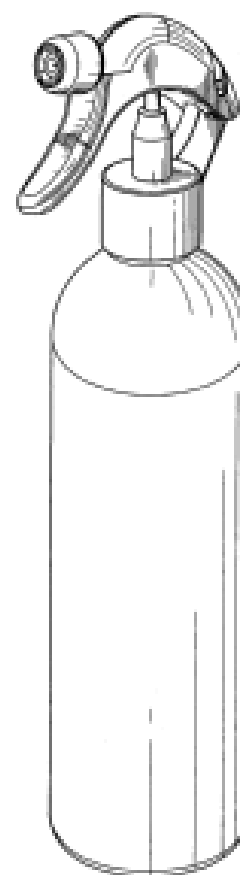
(21) Design Number: **10321/2010**  
(22) Date of Filing Application: **02 February 2010**  
(24) Date from which industrial property rights may have effect: **02 February 2010**  
(54) Product in respect of which the design is registered: **Transformable toy**  
(51) International Design Classification: **21-01B**  
(71) Name(s) and Address(s) of Applicant(s):  
**Spin Master Ltd.**  
**450 Front Street West Toronto ON M5V 1B6 Canada**  
(72) Name(s) of Designer(s): **Wataru Sato and Kohji Hirose and Richard Keuter**  
(45) Registration Date: **27 February 2010**  
(30) Convention priority data:  
(31) Number (32) Date (33) Country  
**131982 26 Aug 2009 CANADA**  
(56) Related Art Documents: **Not Applicable**  
(57) Statement of Newness and Distinctiveness: **Nil**



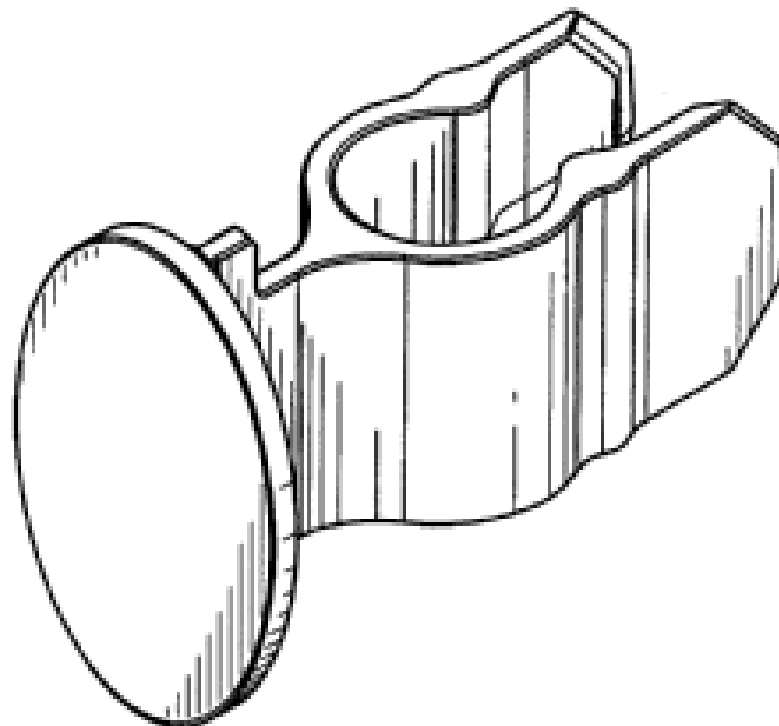
(21) Design Number: **10336/2010**  
(22) Date of Filing Application: **02 February 2010**  
(24) Date from which industrial property rights may have effect: **02 February 2010**  
(54) Product in respect of which the design is registered: **Spray trigger**  
(51) International Design Classification: **09-01A, 09-07A**  
(71) Name(s) and Address(s) of Applicant(s):  
**Reckitt & Colman (Overseas) Limited**  
**103-105 Bath Road Slough Berkshire SL1 3UH United Kingdom**  
(72) Name(s) of Designer(s): **Mark Pearson and Chris Witty**  
(45) Registration Date: **27 February 2010**  
(30) Convention priority data:  
(31) Number (32) Date (33) Country  
**001157853-0001 07 Aug 2009 EUROPEAN COMMUNITY**  
(56) Related Art Documents: **Not Applicable**  
(57) Statement of Newness and Distinctiveness: **Newness and distinctiveness reside in the features of shape and configuration of the design as shown in the representations.**



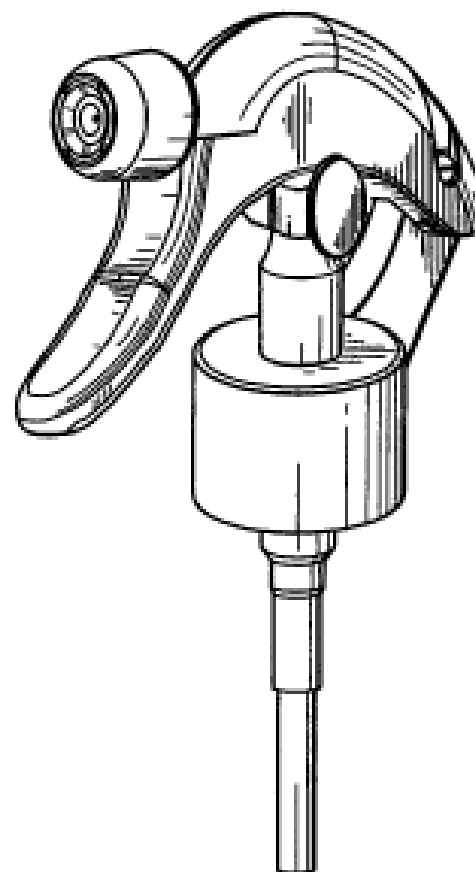
(21) Design Number: **10337/2010**  
(22) Date of Filing Application: **02 February 2010**  
(24) Date from which industrial property rights may have effect: **02 February 2010**  
(54) Product in respect of which the design is registered: **Spray trigger and bottle**  
(51) International Design Classification: **09-01A**  
(71) Name(s) and Address(s) of Applicant(s):  
**Reckitt & Colman (Overseas) Limited**  
**103-105 Bath Road Slough Berkshire SL1 3UH United Kingdom**  
(72) Name(s) of Designer(s): **Mark Pearson and Chris Witty**  
(45) Registration Date: **27 February 2010**  
(30) Convention priority data:  
(31) Number (32) Date (33) Country  
**001157853-0002 07 Aug 2009 EUROPEAN COMMUNITY**  
(56) Related Art Documents: **Not Applicable**  
(57) Statement of Newness and Distinctiveness: **Newness and distinctiveness reside in the features of shape and configuration of the design as shown in the representations.**



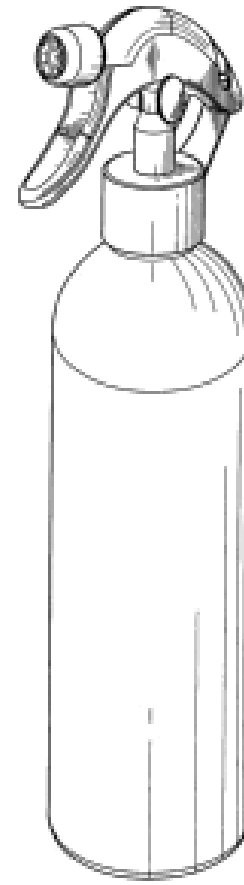
(21) Design Number: **10338/2010**  
(22) Date of Filing Application: **02 February 2010**  
(24) Date from which industrial property rights may have effect: **02 February 2010**  
(54) Product in respect of which the design is registered: **Locking tab**  
(51) International Design Classification: **09-07NES**  
(71) Name(s) and Address(s) of Applicant(s):  
**Reckitt & Colman (Overseas) Limited**  
**103-105 Bath Road Slough Berkshire SL1 3UH United Kingdom**  
(72) Name(s) of Designer(s): **Chris Witty**  
(45) Registration Date: **27 February 2010**  
(30) Convention priority data:  
(31) Number (32) Date (33) Country  
**001157853-0006 07 Aug 2009 EUROPEAN COMMUNITY**  
(56) Related Art Documents: **Not Applicable**  
(57) Statement of Newness and Distinctiveness: **Newness and distinctiveness reside in the features of shape and configuration of the design as shown in the representations.**



(21) Design Number: **10339/2010**  
(22) Date of Filing Application: **02 February 2010**  
(24) Date from which industrial property rights may have effect: **02 February 2010**  
(54) Product in respect of which the design is registered: **Spray trigger and locking tab**  
(51) International Design Classification: **09-01A, 09-07A, 09-07NES**  
(71) Name(s) and Address(s) of Applicant(s):  
**Reckitt & Colman (Overseas) Limited**  
**103-105 Bath Road Slough Berkshire SL1 3UH United Kingdom**  
(72) Name(s) of Designer(s): **Mark Pearson and Chris Witty**  
(45) Registration Date: **27 February 2010**  
(30) Convention priority data:  
(31) Number (32) Date (33) Country  
**001157853-0007 07 Aug 2009 EUROPEAN COMMUNITY**  
(56) Related Art Documents: **Not Applicable**  
(57) Statement of Newness and Distinctiveness: **Newness and distinctiveness reside in the features of shape and configuration of the design as shown in the representations.**



- (21) Design Number: **10340/2010**  
(22) Date of Filing Application: **02 February 2010**  
(24) Date from which industrial property rights may have effect: **02 February 2010**  
(54) Product in respect of which the design is registered: **Spray trigger, locking tab and bottle**  
(51) International Design Classification: **09-01A**  
(71) Name(s) and Address(s) of Applicant(s):  
**Reckitt & Colman (Overseas) Limited**  
**103-105 Bath Road Slough Berkshire SL1 3UH United Kingdom**  
(72) Name(s) of Designer(s): **Mark Pearson and Chris Witty**  
(45) Registration Date: **27 February 2010**  
(30) Convention priority data:  
(31) Number (32) Date (33) Country  
**001157853-0009 07 Aug 2009 EUROPEAN COMMUNITY**  
(56) Related Art Documents: **Not Applicable**  
(57) Statement of Newness and Distinctiveness: **Newness and distinctiveness reside in the features of shape and configuration of the design as shown in the representations.**



- (21) Design Number: **10431/2010**  
(22) Date of Filing Application: **09 February 2010**  
(24) Date from which industrial property rights may have effect: **09 February 2010**  
(54) Product in respect of which the design is registered: **Container**  
(51) International Design Classification: **03-01NES**  
(71) Name(s) and Address(s) of Applicant(s):  
**Sunbuddy Australia Pty Ltd**  
**47 Robinia Parade Springfield New South Wales 2250 Australia**  
(72) Name(s) of Designer(s): **Craig Roberts**  
(45) Registration Date: **27 February 2010**  
(56) Related Art Documents: **Not Applicable**  
(57) Statement of Newness and Distinctiveness: **Newness and distinctiveness reside in the features of shape and/or configuration of the design as shown in the representations.**

