



Australian Government

IP Australia

AUSTRALIAN OFFICIAL JOURNAL

OF

DESIGNS

Did you know a searchable version of this journal is now available online?

It's FREE and EASY to SEARCH.

Find it at

<http://pericles.ipaustralia.gov.au/ols/epublish/content/olsEpublications.jsp>
or using the "Online Journals" link on the IP Australia home page.

This Page Left Intentionally Blank

Contents

General Information & Notices

**Proceedings Under the Designs Act 1906 preserved as a result of the provisions of Chapter 12
Part 2 of the Designs Act 2003**

Extension of Period of Registration of Designs	550
Extensions of Time Granted	551
Registrations Ceased	550

Proceedings Under the Designs Act 2003

Applications Lapsed	559
Applications Lodged	555
Certificate of Examination	563
Corrigenda	562
Extension of Period of Registration of Design	560
Extension of Time Granted Under Section 137	560
Names Registered - Alterations and Amendments	561
Publication and Registration Proceedings	
Designs Registered 329728 to 329929.....	564
Registrations Ceased	560
Subsequent Owners Registered	561

This Page Left Intentionally Blank

For information on the following please see our website www.ipaustralia.gov.au or contact our Customer Service Network on 1300651010

[Editorial enquiries](#)

[Contact information](#)

[Freedom of Information ACT](#)

[Professional Standards Board](#)

[Sales](#)

[Requests for Information under Section 194 \(c\)](#)

[Country Codes](#)

[Trade Mark and Designs Hearing Sessions](#)

[INID \(Internationally agreed Numbers for the Identification of Data\)](#)

“INID” NUMBERS in use on Australian Design Documents

“INID” is an acronym for “Internationally agreed Numbers for the Identification of Data”.

(10) Data concerning the registration/renewal

- (11) Serial number of the registration and/or number of the design document
- (12) Plain language designation of the kind of published document
- (19) Identification, using the two-letter code according to WIPO Standard ST.3, of the authority publishing or registering the industrial design

(20) Data concerning the application

- (21) Serial number of the application
- (22) Date of filing of the application
- (24) Date from which the industrial design right has effect

(30) Data relating to priority under the Paris Convention

- (31) Serial number assigned to the priority application
- (32) Date of filing of the priority application
- (33) Two-letter code, according to WIPO Standard ST.3, identifying the authority with which the priority application was made

(40) Date(s) of making information available to the public

- (45) Date of publication of the registered industrial design by printing or similar process, or making it available to the public by any other means

(50) Miscellaneous Information

- (51) International Classification for Industrial Designs (class and subclass of the Locarno Classification)
- (54) Designation of article(s) or product(s) covered by the industrial design or title of the industrial design
- (55) Reproduction of the industrial design (e.g., drawing, photograph) and explanations relating to the reproduction
- (56) List of prior art documents, if separate from descriptive text
- (57) Description of characteristic features of the industrial design including indication of colours

(60) References to other legally related application(s) and registration(s)

- (62) Serial number(s) and, if available, filing date(s) of application(s), registration(s) or document(s) related by division
- (66) Serial number(s) of the application, or the registration, of the design(s) which is (are) a variant(s) of the present one

(70) Identification of parties concerned with the application or registration

- (71) Name(s) and address(es) of the applicant(s)
- (72) Name(s) of the creator(s) if known to be such
- (74) Name(s) and address(es) of the representative(s)

This Page Left Intentionally Blank

Official Notice

Review of the Designs Examiners' Manual (2003 Act)
Part 2 Examination

The Designs Examiners' Manual (the "Manual") has undergone review. Further information and also additional chapters have been published to assist Examiners. The Manual sets out procedural and legal matters relevant to the examination of design registrations under the *Designs Act 2003*. The Manual is not a user guide for designs applicants.

The Manual will continue to evolve in line with the development of decided cases, hearing decisions and changes in practice. Material is presently available on formalities in Part 1, and the content in Part 2 includes searching, examination and some other practices. As a consequence of the review, and for consistency, the numbering of chapters and related content has also been revised.

The Manual is available on-line at:

http://www.ipaustralia.gov.au/resources/manuals_designs.shtml

The current content includes the following chapters:

- D00 Contents (and citation index)
- D01 Introduction
- D02 Examination Quality Standards
- D03 Examination Process
- D04 Identifying the Design
- D05 Designs which must not be registered
- D06 Priority Dates
- D07 Prior Art Base
- D08 Searching
 - Searching Annex A (Business Rules)
 - Searching Annex B (Worksheet)
- D09 Assessing Newness and Distinctiveness
- D10 Amendments

- D11 Extension of Time – s.137
- D12 Assignment Etc of Designs; the Register
- D13 Ownership disputes
- D14 Publication, File access
- D15 Surrender of a Design
- D16 Prohibition Orders

The on-line version of the Manual is the official controlled version and is updated as any new versions of parts are published.

Contact: Joe Argenti, Assistant Director
Phone: 1300 651 010 or +61 2 6283 2999
Fax: +61 2 6283 7999
E-mail: assist@ipaustrialia.gov.au
Web: www.ipaustrialia.gov.au

Official Notice**IP Australia's Brisbane Sub-Office**

IP Australia is pleased to advise all customers that it has engaged Australia Post to deliver its new state based lodgement service arrangements. These services include the lodgement of documents and payment of fees relating to registered IP rights and new applications.

For the purposes of section 205(2) of the Patents Act 1990, section 199(2) of the Trade Marks Act 1995 and section 125(2) of the Designs Act 2003, effective from 6 April 2010, the Brisbane sub-office is:

IP Lodgement Point
Brisbane GPO
261 Queen Street
Brisbane QLD 4000

From 6 April 2010 the lodgement of documents and payment of official fees in Brisbane can only be made at the above address. The filing date and/or payment date will be the date the lodgement and/or payment is made at the Brisbane GPO.

Consistent with existing legislative requirements, this service will be available from 9.00am – 5.00pm Monday to Friday, except for public holidays.

Unfortunately the new arrangements do not allow for Plant Breeder's Rights lodgements with Australia Post. To address this issue IP Australia has developed a comprehensive new range of fillable forms which can be found at <http://www.ipaustralia.gov.au/pbr/forms.shtml>.

Plant Breeder's Rights forms, payments or other correspondence can continue to be lodged directly at IP Australia in Canberra to PO Box 200 Woden ACT 2606; or by fax to +61 2 6283 7999.

For further information please visit: http://www.ipaustralia.gov.au/about/state_transition.shtml

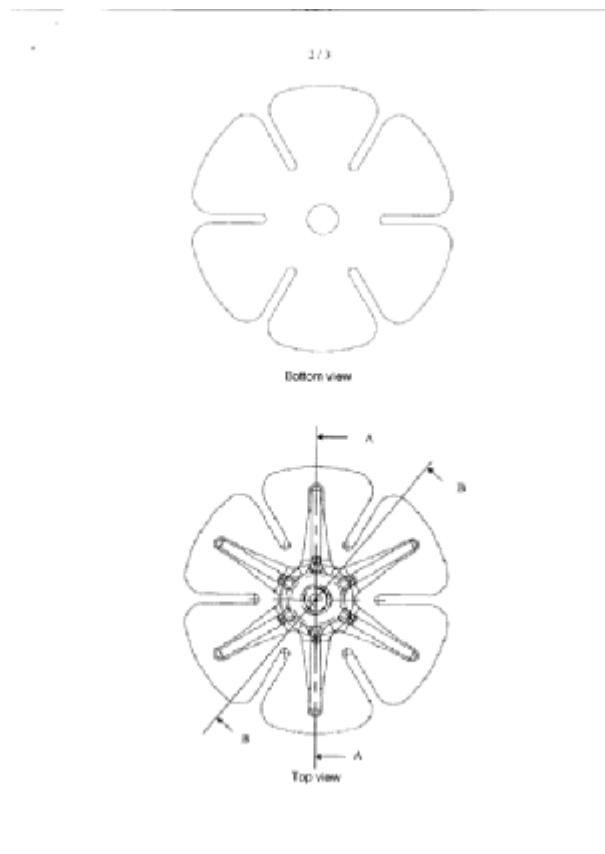
Contact: IP Australia
Phone: 1300 651 010
Fax: +61 2 6283 7999
E-mail: servicetransition@ipaustralia.gov.au
Web: www.ipaustralia.gov.au

Official Notice

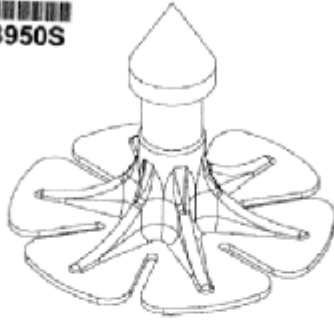
**Designs Act 2003
Correction of Register**

The following correction under Regulation 9.05 has been made to details previously published in the Australian Official Journal of Designs:

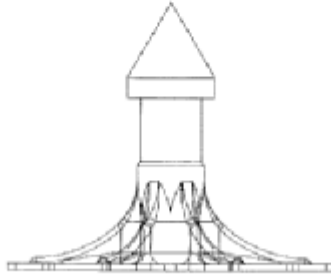
Registration Numbers	Amendment type	New details
328950	Representations	Representations as below
328951	Representations	Representations as below



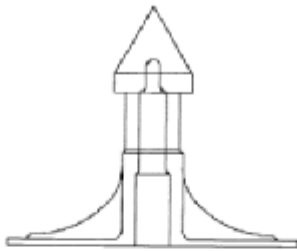

AU328950S



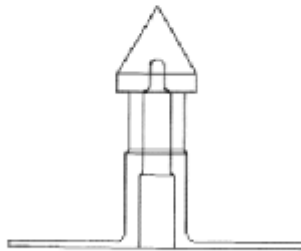
Perspective view



Side view

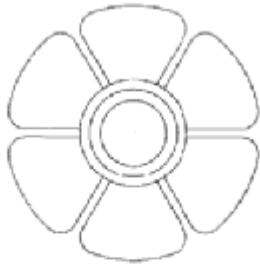


Section through line A-A

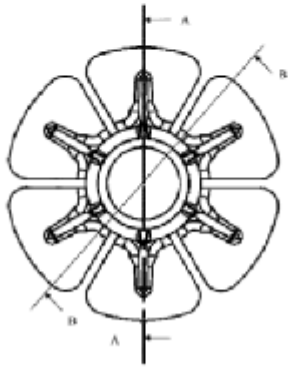


Section through line B-B

2/3

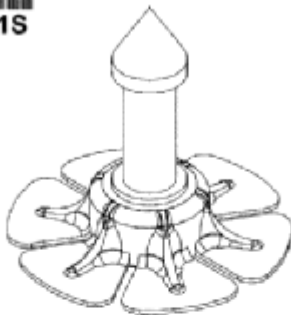


Bottom view

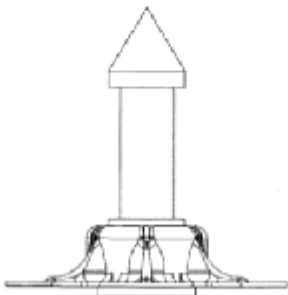



AU328951S

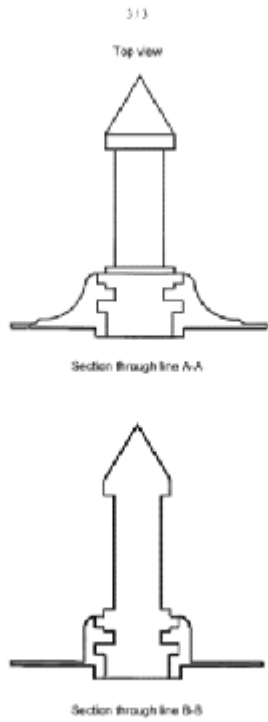
1/3



Perspective view



Side view



Queries: Gary Flint
Trade Marks and Designs Administration
02 62832023

Contact: IP Australia

Phone: 1300 651 010

Fax: +61 2 6283 7999

E-Mail: assist@ipaustralia.gov.au

Web: www.ipaustralia.gov.au

Proceedings under the Designs Act 1906 preserved as a result of the provisions of Chapter 12 Part 2 of the Designs Act 2003.

This Page Left Intentionally Blank

Applications Lapsed

There were no Applications Lapsed under this section

Extension of Period of Registration of Designs

2nd Period (Section 27A(12))

153294	154708	155250
155302	155370	155394
155563	156393	156394
156395	156396	156413
156414	156415	156416
156417	156419	156420
156458	156475	156513
156548	156549	156711
156714	156791	156870
156927	156986	156987
156988	156989	156990
156997	157049	157127
157128	157129	157130
157131	157196	157205
157209	157292	157340
157369	157444	157445
157446	157447	157448
157468	157471	157472
157516	157517	157521
157522	157523	157524
157525	157529	157531
157627	157628	157631
157633	157634	157635
157636	157662	157672
157706	157707	157713
157714	157719	157738
157746	157747	157748
157750	157784	158023
158032	158033	158034
158035	158036	158037
158038	158039	158049
158059	158060	158061
158062	158082	158083
158084	158085	158086
158106	158183	158240
158304	158348	158421
158423	158472	

3rd Period (Section 27A(13))

136568	137242	137243
138112	138309	138444
138488	138553	138554
138555	138556	138557
138558	138559	138566
138576	138620	138629
138694	138700	138701
138702	138712	138864
138969	138996	139153
139154	139169	139171
139296	139305	139321
139606	139607	139608
139754	140147	140148
140356	141022	141091

141092	141191	141334
141594	141941	142028
142029	142030	142098
142676	144268	144463
145994		

Registrations Ceased

Note: Some of the following Registrations may have been previously advertised as ceased. In this instance, the previous advertisement still prevails.

119887	119998	120325
121246	121288	121327
121332	121335	121365
121383	121397	121429
121430	121431	121487
121493	121659	121813
122189	122229	122317
122554	123029	123030
123049	123211	123222
123223	123611	123622
123878	123916	124315
124593	124723	125120
125305	125437	125498
125657	125658	127535
128056	129273	131750
136223	136540	136590
136604	136638	136641
136665	136728	136754
136784	136866	137397
137692	137949	138459
138525	138526	138740
139748	139749	139793
139838	139877	139918
140104	140633	140686
140687	153260	153357
153358	153359	153360
153418	153419	153420
153458	153494	153495
153496	153502	153503
153520	153560	153561
153599	153600	153622
153623	153624	153660
153686	153733	153776
153796	153797	153823
153824	153858	153859
153904	153931	153932
153954	154017	154018
154019	154020	154037
154038	154039	154040
154121	154134	154179
154180	154263	154264
154386	154389	154390
154424	154590	154592
154613	154713	154841
154852	154874	154961
154962	154963	154964

155067	155374	155401
155402	155704	155723
156008	156346	156347
156605	156936	157137
157326		

Extensions of time granted

Applications lodged for extension of time have been granted.

136568 **Atlas Heavy Engineering Pty Ltd** An Extension of time to extend a registration has been granted to 08/03/2010

153294 **John Leonard Kelly** An Extension of time to extend a registration has been granted to 10/01/2010

This Page Left Intentionally Blank

Proceedings under the Designs Act 2003.

This Page Left Intentionally Blank

Applications Lodged

Lodgement information is in the following order: **Applicant's Name**; International Classification, Name of Product, Lodgement Date and **Design Number**. If the applicant claims an earlier priority date under an International Convention, the Convention Country and the associated filing date are shown in parentheses before the Lodgement Date. Divisional information will also appear in parentheses before the Lodgement Date.

van der Meer, Casper; 25-99, Raised garden bed; sand box, 25 Feb 2010	10699/2010	Bredie Pty Ltd, trading as UDO Systems; 25-02NES, Support pillar, 04 Mar 2010	10748/2010
A Plus Plastics & Tooling Pty Ltd; 25-01K, A container lid, 08 Mar 2010	10762/2010	Breville Pty Limited; 31-00, Stick mixer chopper bowl and jug, 04 Mar 2010	10726/2010
Actron Engineering Pty Ltd; 23-04, Fan arrangement for an air conditioner, 01 Mar 2010	10689/2010	Breville Pty Limited; 07-04, Stick mixer with oval bell, 04 Mar 2010	10717/2010
Ager, Gavin; 12-16NES, A stub axle housing for portable trailers whereby the stub axle housing is able to slide off the axle end to be, detached from the axle., 25 Feb 2010	10698/2010	Breville Pty Limited; 07-02L, Conical burr grinder with display, 04 Mar 2010	10735/2010
Allan Block Corporation; 25-01A, Multi-component retaining wall block, (US, 28 Aug 2009) 26 Feb 2010	10645/2010	Breville Pty Limited; 07-02L, Conical burr grinder, 04 Mar 2010	10736/2010
Allan Block Corporation; 25-01A, Multi-component retaining wall block, (US, 28 Aug 2009) 26 Feb 2010	10646/2010	Breville Pty Limited; 07-02L, Display for conical burr grinder, 04 Mar 2010	10737/2010
Astragrace Corp Pty Lty; 09-03M, Asphodel placenta perfection cream, 08 Mar 2010	10754/2010	Breville Pty Limited; 07-04, Mixer with oval bell and stem, 04 Mar 2010	10718/2010
Astragrace Corp Pty Lty; 09-05, 19-08, Asphodel placenta perfection cream, 08 Mar 2010	10755/2010	Breville Pty Limited; 31-00, Blender on combination base, 04 Mar 2010	10711/2010
Atlantis Bathroom Style Ltd; 23-02B, Top brace of a frameless shower screen, (NZ, 12 Feb 2010) 03 Mar 2010	10742/2010	Bucyrus International, Inc.; 15-04, Excavator cab, (US, 03 Sep 2009) 03 Mar 2010	10747/2010
Australian Tube Mills Pty Limited; 25-02A, Pole comprising sections of indefinite length, 08 Mar 2010	10760/2010	Bucyrus International, Inc.; 14-02, Joystick, (US, 03 Sep 2009) 03 Mar 2010	10745/2010
ADC Communications (Australia) Pty Limited; 08-05NES, Apparatus for mechanically cleaving a stripped end section of an optic fibre core, 02 Mar 2010	10707/2010	Bucyrus International, Inc.; 14-02, Joystick with indents, (US, 03 Sep 2009) 03 Mar 2010	10746/2010
ADC Communications (Australia) Pty Limited; 08-05NES, Apparatus for mechanically splicing optic fibres, 03 Mar 2010	10730/2010	Carbis, Michael; 12-16N, Car manifold, 03 Mar 2010	10703/2010
Beats Electronics, LLC; 14-01, Audio listening system, (US, 03 Sep 2009) 03 Mar 2010	10738/2010	Carroll, John; Vinidex Pty Ltd; 23-01A, Plumbing flap, 04 Mar 2010	10719/2010
Beats Electronics, LLC; 14-01, Earbud, (US, 03 Sep 2009) 03 Mar 2010	10739/2010	Carter Holt Harvey Limited; 03-01NES, A lie flat bag with heat activatable adhesive band, (NZ, 07 Oct 2009) 05 Mar 2010	10814/2010
Beats Electronics, LLC; 14-01, Earbud, (US, 03 Sep 2009) 03 Mar 2010	10740/2010	Cartier Creation Studio S.A.; 10-07, Watch-case, (EP, 07 Sep 2009) 04 Mar 2010	10749/2010
Binders Compendiums Menu Covers Pty Ltd ATF Ridge Discretionary Trust, trading as John Batman Group - The Hospitality Supermarket; 06-08, A clothes hanger clip, 26 Feb 2010	10644/2010	Chadwick, Brad Ronald; 25-01K, Construction element, 02 Mar 2010	10741/2010
		Chef'n Corporation; 07-04, Device for use in preparing avacados, (US, 10 Sep 2009) 03 Mar 2010	10731/2010
		Collridge Pty Ltd; 25-01K, Extrusion, 04 Mar 2010	10720/2010
		Concept Architectural Systems; 25-01K, 08-09, Aluminium window and door system. 50mm, 90mm and 100mm, 01 Mar 2010	10653/2010

DNA Genotek Inc.; 09-07NES, 08-08B, Double-ended closure, (US, 01 Sep 2009) 26 Feb 2010	10643/2010	Isuzu Motors Limited; 12-08, Truck cab, 10 Mar 2010	10838/2010
Ekornes ASA; 06-01G, Sofa, (NO, 15 Sep 2009) 03 Mar 2010	10715/2010	J Lighting & Audio Pty Ltd; 14-02, Touch screen computer, 01 Mar 2010	10697/2010
Ekornes ASA; 06-01G, Sofa, (NO, 15 Sep 2009) 03 Mar 2010	10716/2010	Just Sauce Pty Ltd; 12-10, Kitchen trailer, 15 Dec 2009	10598/2010
Ekornes ASA; 06-01G, Sofa, (NO, 15 Sep 2009) 03 Mar 2010	10714/2010	JETS Swimwear Pty Limited; 02-02A, Swimwear garment, 05 Mar 2010	10767/2010
Ekornes ASA; 06-01G, Sofa, (NO, 15 Sep 2009) 03 Mar 2010	10713/2010	JETS Swimwear Pty Limited; 02-02A, Swimwear garment, 05 Mar 2010	10768/2010
Elvinco Technologies Inc.; 09-09, Bin, 08 Mar 2010	10813/2010	JETS Swimwear Pty Limited; 02-02A, Swimwear garment, 05 Mar 2010	10769/2010
Eveready Battery Company, Inc.; 26-05C, An accessory for a lighting device, (US, 03 Aug 2009) 24 Dec 2009	10705/2010	JETS Swimwear Pty Limited; 02-02A, Swimwear garment, 05 Mar 2010	10770/2010
Eveready Battery Company, Inc.; 26-05D, A shade for a lighting device, (US, 03 Aug 2009) 24 Dec 2009	10706/2010	JETS Swimwear Pty Limited; 02-02A, Swimwear garment, 05 Mar 2010	10771/2010
ED Oates Pty Ltd; 04-01, Cleaning implement, 05 Mar 2010	10766/2010	JETS Swimwear Pty Limited; 02-02A, Swimwear garment, 05 Mar 2010	10772/2010
Frost, Margaret Christine; 02-02NES, Fabric privacy cover for nursing mothers to breast feed, 04 Mar 2010	10729/2010	JETS Swimwear Pty Limited; 02-02A, Swimwear garment, 05 Mar 2010	10773/2010
Frost, Margaret Christine; 02-02NES, Fabric sunshade cover for front seat passengers protection, 04 Mar 2010	10728/2010	JETS Swimwear Pty Limited; 02-02A, Swimwear garment, 05 Mar 2010	10774/2010
Gojo Industries, Inc.; 09-03NES, Dispenser housing, (US, 27 Aug 2009) 26 Feb 2010	10649/2010	JETS Swimwear Pty Limited; 02-02A, Swimwear garment, 05 Mar 2010	10775/2010
Gojo Industries, Inc.; 09-03NES, Dispenser housing, (US, 27 Aug 2009) 26 Feb 2010	10650/2010	JETS Swimwear Pty Limited; 02-02A, Swimwear garment, 05 Mar 2010	10776/2010
Groom, Stephen; 08-10, Bicycle Rack, 05 Mar 2010	10751/2010	JETS Swimwear Pty Limited; 02-02A, Swimwear garment, 05 Mar 2010	10777/2010
Haley, Graham Thomas; Hollahan, James Stewart; 15-03B, Combine harvester boom drum finger, 01 Mar 2010	10695/2010	JETS Swimwear Pty Limited; 02-02A, Swimwear garment, 05 Mar 2010	10778/2010
Hillaldam Coburn Systems (Pty) Ltd; 08-09, Bottom roller for a sliding and folding door system, (ZA, 24 Nov 2009) 26 Feb 2010	10656/2010	JETS Swimwear Pty Limited; 02-02A, Swimwear garment, 05 Mar 2010	10779/2010
Hollahan, James Stewart; Haley, Graham Thomas; 15-03B, Combine harvester boom drum finger, 01 Mar 2010	10695/2010	JETS Swimwear Pty Limited; 02-02A, Swimwear garment, 05 Mar 2010	10780/2010
Honda Motor Co., Ltd.; 12-08, An automobile, (JP, 04 Sep 2009) 02 Mar 2010	10702/2010	JETS Swimwear Pty Limited; 02-02A, Swimwear garment, 05 Mar 2010	10781/2010
Industrial Steps and Ladders Pty Ltd; 25-02NES, 25-04, Maintenance shaft, 03 Mar 2010	10721/2010	JETS Swimwear Pty Limited; 02-02A, Swimwear garment, 05 Mar 2010	10782/2010
Industrial Steps and Ladders Pty Ltd; 25-02NES, 25-04, Maintenance shaft, 03 Mar 2010	10723/2010	JETS Swimwear Pty Limited; 02-02A, Swimwear garment, 05 Mar 2010	10783/2010
Industrial Steps and Ladders Pty Ltd; 25-02NES, 25-04, Maintenance shaft, 03 Mar 2010	10722/2010	JETS Swimwear Pty Limited; 02-02A, Swimwear garment, 05 Mar 2010	10784/2010
		JTL Australia Pty Ltd; 23-01K, Ball valve, 10 Mar 2010	10837/2010
		Koninklijke Philips Electronics N.V.; 26-05A, End cap for luminaire, (EM, 09 Sep 2009) 09 Mar 2010	10821/2010
		Koninklijke Philips Electronics N.V.; 07-05NES, Portable garment steamer, (EM, 17 Sep 2009) 10 Mar 2010	10826/2010

Koninklijke Philips Electronics N.V.; 07-05NES, Head for portable garment steamer, (EM, 17 Sep 2009) 10 Mar 2010	10827/2010	Multisteps Pty Ltd; 09-03F, A produce container, 03 Mar 2010	10744/2010
Koninklijke Philips Electronics N.V.; 26-05A, Luminaire, (EM, 09 Sep 2009) 09 Mar 2010	10818/2010	MIP Engineering Pty Ltd; 12-16M, Brake cover for spring apply hydraulic release calipers, 08 Mar 2010	10753/2010
Koninklijke Philips Electronics N.V.; 26-05A, End cap for luminaire, (EM, 09 Sep 2009) 09 Mar 2010	10819/2010	Novetec Building Products Pty Ltd; 23-02B, A shower fitting, 05 Mar 2010	10763/2010
Koninklijke Philips Electronics N.V.; 26-05A, Luminaire, (EM, 09 Sep 2009) 09 Mar 2010	10820/2010	Nurseheart Pty Ltd; 02-02C, A combination pant/skirt (uniform) featuring an efficient system of pockets and attachments to carry clinical/medical, tools and accessories, 02 Mar 2010	10733/2010
Linear Systems International Pty Ltd; 08-08NES, Theft prevention device for a support stand, 04 Mar 2010	10750/2010	Nurseheart Pty Ltd; 02-02C, A specialised (uniform) skirt featuring an efficient system of pockets and attachments designed to carry, clinical/medical tools and accessories and be worn over existing uniform trousers, 02 Mar 2010	10734/2010
LG Electronics Inc.; 14-03E, Mobile phone, (KR, 01 Sep 2009) 01 Mar 2010	10692/2010	Olsson, Ashley Dean; Olsson, Ashley Norman; Olsson, Nathanael Dean; 25-01E, Post, 02 Mar 2010	10724/2010
LG Electronics Inc.; 15-07, Refrigerator, (KR, 02 Sep 2009) 01 Mar 2010	10693/2010	Olsson, Ashley Norman; Olsson, Ashley Dean; Olsson, Nathanael Dean; 25-01E, Post, 02 Mar 2010	10724/2010
Macs Engineering Pty Ltd; 08-05E, Wheel nut clamp, 26 Feb 2010	10686/2010	Olsson, Nathanael Dean; Olsson, Ashley Dean; Olsson, Ashley Norman; 25-01E, Post, 02 Mar 2010	10724/2010
Macs Engineering Pty Ltd; 08-05E, Wheel nut clamp tool, 26 Feb 2010	10687/2010	Olsson, Ashley Dean; Olsson, Ashley Norman; Olsson, Nathanael Dean; 25-01E, Fence post, 02 Mar 2010	10725/2010
Martin Bulk Handling Solutions (Proprietary) Limited; 15-09, 12-05, Belt scrapers, (ZA, 04 Sep 2009) 01 Mar 2010	10688/2010	Olsson, Ashley Norman; Olsson, Ashley Dean; Olsson, Nathanael Dean; 25-01E, Fence post, 02 Mar 2010	10725/2010
McEnhill, Olympia; 06-04B, Secretoffice - Office in a cupboard, 11 Mar 2010	10839/2010	Oregon House Pty Ltd; 15-03NES, A wheel track filler, 02 Mar 2010	10701/2010
McEnhill, Olympia; 06-04B, Secretoffice - Office in a cupboard, 11 Mar 2010	10840/2010	Panasonic Corporation; 14-01, Electronic board, (JP, 18 Dec 2009) 09 Mar 2010	10822/2010
McLaren Automotive Limited; 12-08, 21-01C, Automobile, toy automobile, scale model automobile, (EM, 08 Sep 2009) 05 Mar 2010	10789/2010	Panasonic Corporation; 19-06, Electronic pen, (JP, 28 Dec 2009) 09 Mar 2010	10825/2010
Medela Holding AG; 31-00, Bottle warmer, (WO, 04 Sep 2009) 01 Mar 2010	10690/2010	Pettiford, Glen Edwin; 10-04, Quilting ruler, 09 Mar 2010	10788/2010
Medela Holding AG; 31-00, 24-02, Sterilizer for baby bottles and teats, (WO, 04 Sep 2009) 01 Mar 2010	10691/2010	Pi-Design AG; 31-00, Electric fruit juicer, (WO, 08 Sep 2009) 02 Mar 2010	10700/2010
Mitsubishi Electric Corporation; 15-07, Refrigerator, (JP, 30 Sep 2009) 26 Feb 2010	10647/2010	Preformed Line Products (Australia) Pty Ltd; 25-01K, Frame for glass/solar panel(s), 08 Mar 2010	10758/2010
Mitsubishi Electric Corporation; 15-07, Refrigerator, (JP, 30 Sep 2009) 26 Feb 2010	10648/2010	Preformed Line Products (Australia) Pty Ltd; 08-08NES, 25-01K, Cushion for glass/solar panel frame, 08 Mar 2010	10759/2010
Mogridge, Alan David; 25-04, Transportable demountable stage, 09 Mar 2010	10817/2010	R.Evolution Life, SIA; 28-03NES, Nasal cleanser, (EM, 09 Sep 2009) 05 Mar 2010	10792/2010
Move Collective LLC; 09-01NES, Water bottle, (US, 28 Jan 2010) 26 Feb 2010	10694/2010		
Multisteps Pty Ltd; 09-03F, A produce container, 03 Mar 2010	10743/2010		

R.Evolution Life, SIA; 24-99, Tongue scraper, (EM, 11 Sep 2009) 09 Mar 2010	10808/2010	Shop Vac Corporation; 15-05, Vacuum cleaner, (US, 09 Oct 2009) 05 Mar 2010	10796/2010
R.Evolution Life, SIA; 24-99, Tongue scraper, (EM, 11 Sep 2009) 09 Mar 2010	10809/2010	Sony Computer Entertainment Inc.; 14-03NES, Remote controller, (JP, 18 Sep 2009) 10 Mar 2010	10831/2010
R.Evolution Life, SIA; 24-99, Tongue scraper, (EM, 11 Sep 2009) 09 Mar 2010	10810/2010	Sony Corporation; 13-02, Rechargeable battery, (JP, 06 Jan 2010) 04 Mar 2010	10752/2010
R.Evolution Life, SIA; 28-03NES, Nasal cleanser, (EM, 09 Sep 2009) 05 Mar 2010	10791/2010	Specialised Systems and Consult. Services Pty Ltd; 06-04NES, 08-08N, The "Wave Shelving" system comprising a section of sheet plastic, and a unique bracket and support design. (See, attached), 26 Feb 2010	10710/2010
Random Games Limited; 21-01NES, 05-05NES, Gaming cloth, (EM, 23 Dec 2009) 09 Mar 2010	10806/2010	Stillhouse LLC; 09-01B, Bottle design, (US, 01 Sep 2009) 01 Mar 2010	10696/2010
Random Games Limited; 21-01NES, 05-05NES, Gaming cloth, (EM, 23 Dec 2009) 09 Mar 2010	10807/2010	Straksstrak B.V.; 21-02F, Exercise device, (EM, 23 Sep 2009) 05 Mar 2010	10764/2010
Rolling Stone Cleaning Co. Limited; 23-01B, Pipe diverter, (NZ, 08 Sep 2009) 08 Mar 2010	10757/2010	Tachi Designs; 06-07, , 09 Mar 2010	10787/2010
Rose and Lily Pty Ltd; 06-09, Head pillow, 09 Mar 2010	10756/2010	Thane International, Inc.; 21-02F, AB-DOer TWIST (Exercise apparatus), (EM, 03 Sep 2009) 02 Mar 2010	10708/2010
RIEGL Laser Measurement Systems GmbH; 10-99, Laser measuring device, (EM, 18 Sep 2009) 26 Feb 2010	10651/2010	The Goodyear Tire & Rubber Company; 12-15B, Tyre, (US, 30 Sep 2009) 08 Mar 2010	10761/2010
RIEGL Laser Measurement Systems GmbH; 10-99, Laser measuring device, (EM, 18 Sep 2009) 26 Feb 2010	10652/2010	Toyota Jidosha Kabushiki Kaisha; 12-16B, Vehicle front assembly, (EM, 11 Sep 2009) 09 Mar 2010	10816/2010
Samar, LLC; 02-04A, Insole, (EM, 22 Sep 2009) 11 Mar 2010	10828/2010	Toyota Jidosha Kabushiki Kaisha; 12-08, Automobile, (EM, 11 Sep 2009) 09 Mar 2010	10815/2010
Samar, LLC; 02-04A, Insole, (EM, 22 Sep 2009) 11 Mar 2010	10829/2010	Trentcom APS Pty. Ltd.; 09-03F, Plant propagation tray and stabiliser, 03 Mar 2010	10727/2010
Samar, LLC; 02-04A, Insole, (EM, 08 Sep 2009) 09 Mar 2010	10811/2010	Trevaskis, Romola Judith; 03-01A, The Green Bag-Bag is designed specifically to hold your Green reusable shopping bags, so they can be neatly stored, when not in use, and easily then taken back to the shopping centre when required, 04 Mar 2010	10841/2010
Samar, LLC; 02-04A, Insole, (EM, 08 Sep 2009) 09 Mar 2010	10812/2010	Victaulic Company; 23-01A, Pipe coupling, (US, 28 Aug 2009) 26 Feb 2010	10654/2010
Scania CV AB; 26-06, Lighting device for a vehicle, (SE, 11 Sep 2009) 03 Mar 2010	10732/2010	Victaulic Company; 23-01A, Pipe coupling segment, (US, 28 Aug 2009) 26 Feb 2010	10655/2010
Seaquist Closures L.L.C.; 09-07C, Closure, (US, 23 Oct 2009) 05 Mar 2010	10765/2010	Vinidex Pty Ltd; Carroll, John; 23-01A, Plumbing flap, 04 Mar 2010	10719/2010
Shop Vac Corporation; 15-05, 07-99NES, Vacuum cleaner accessory holder, (US, 16 Sep 2009) 05 Mar 2010	10790/2010	Vocollect, Inc.; 13-03B, Electrical connector, (US, 09 Sep 2009) 09 Mar 2010	10823/2010
Shop Vac Corporation; 15-05, Vacuum cleaner, (US, 09 Oct 2009) 05 Mar 2010	10793/2010	Vocollect, Inc.; 13-03B, Electrical connector, (US, 09 Sep 2009) 09 Mar 2010	10824/2010
Shop Vac Corporation; 15-05, Vacuum cleaner, (US, 09 Oct 2009) 05 Mar 2010	10794/2010		
Shop Vac Corporation; 15-05, Vacuum cleaner, (US, 09 Oct 2009) 05 Mar 2010	10795/2010		

Wakeman, Philip; 10712/2010
 14-03NES, Radio transmitter, 03 Mar 2010

Wavin B.V.; 10709/2010
 23-01A, Joints for pipes, (EM, 02 Sep 2009) 02
 Mar 2010

White Ninja; 10830/2010
 02-05, Pull over face/neck warmer used to keep
 warm in extreme weather conditions, 11 Mar
 2010

Applications Lapsed

13168 / 2009 (03-01NES)	13169 / 2009 (11-01NES)
13170 / 2009 (11-01NES)	13171 / 2009 (11-01NES)
13172 / 2009 (11-01NES)	13268 / 2009 (02-02C)
13269 / 2009 (13-03C)	13270 / 2009 (13-03C)
13271 / 2009 (13-03C)	13943 / 2009 (03-01B)
14906 / 2009 (06-02)	14914 / 2009 (11-01NES)
14915 / 2009 (11-01F)	14916 / 2009 (11-01NES)
14959 / 2009 (02-99)	

Extension of Period of Registration of Designs

300360	300361	300362
301732	301811	301812
301813	302721	302739
302740	302741	302879
302880	302881	302882
302883	302919	302920
302921	302922	302930
302939	302940	302944
303015	303016	303017
303025	303026	303149
303168	303207	303226
303339	303414	303415
303448	303493	303494
303495	303716	303989
304315	304434	304634
304805	305011	305036
305040	305041	305076
305115	305120	305121
305143	305144	305145
305148	305191	305192
305303	305439	305713
305913	306181	306182
306214	306559	306560
306561	306562	306576
306902	306962	306963
306964	306965	306971
307158	307238	307257
307299		

Registrations Ceased

300360	300361	300362
300513	300514	300515
300516	300517	300518
300519	300528	300529
300530	300531	300532
300535	300536	300537
300538	300540	300556
300557	300558	300562
300564	300565	300570
300571	300572	300573
300574	300575	300576
300577	300578	300579
300580	300581	300587
300588	300589	300605
300606	300625	300626
300627	300628	300629
300630	300640	300712
300725	300736	300737
300738	300773	300774
300775	300788	300789
300790	300802	300803
300804	300805	300806
300807	300808	300809
300810	300811	300812
300813	300814	300827
300840	300865	300910
300912	300945	300946
300953	300962	300963
300991	300992	301019
301020	301024	301038
301073	301074	301075
301084	301255	301260
301261	301262	301284
301363	301366	301371
301372	301373	301374
301375	301376	301377
301379	301380	301381
301415	301416	301417
301418	301419	301601
301602	301681	301753
301802	301803	301841
301842	301843	301844
301845	302241	302304
302305	302506	302507
302539	302544	302603
302791	302792	302793
302794	302795	302796
302797	302798	303020
303021	303022	303023
303696	304606	304696
305418	306660	306675
306676	318345	318346

Extensions of time granted under Section 137

Applications lodged under section 137 for extension of time have been granted.

300360 **Steel-Line Garage Doors Australia Pty Ltd**

300361 **Steel-Line Garage Doors Australia Pty Ltd**
 300362 **Steel-Line Garage Doors Australia Pty Ltd**
 301811 **UES (Int'l) Pty Ltd**
 301812 **UES (Int'l) Pty Ltd**
 301813 **UES (Int'l) Pty Ltd**
 303307 **Christopher Paul Harvey**
 303309 **Christopher Paul Harvey**
 12845/2009 **Dhiren Bhagwandas**
 12860/2009 **Dhiren Bhagwandas**
 13269/2009 **Spacers Pty Ltd**
 13270/2009 **Spacers Pty Ltd**
 13271/2009 **Spacers Pty Ltd**

Subsequent Owners Registered

(The name in parentheses is that of the subsequent owner)

313617 (**Vibram SpA**) Vibram USA, Inc.
 313618 (**Vibram SpA**) Vibram USA, Inc.
 321337 (**Vibram SpA**) Vibram USA, Inc.
 321338 (**Vibram SpA**) Vibram USA, Inc.

Names Registered - Alterations and Amendments

(The name in parentheses is that of the subsequent applicant)

305143 (**Panasonic Corporation**) Matsushita Electric Industrial Co. Ltd

Corrigenda

Number 329758

In Vol 24 , No 5 , page 460 under the heading **Applications Lapsed**; Design No. 14877/2009 (12-10) should be deleted.

Number 303307

In Vol 24 , No 2 , page 139 under the heading **Registrations Ceased**; Design Registration No. 303307 should be deleted.

Number 303309

In Vol 24 , No 2 , page 139 under the heading **Registrations Ceased**; Design Registration No. 303309 should be deleted.

Certificate(s) of Examination

Examination of the following Design Registration(s) has been completed. Infringement proceedings may now be commenced.

302887	06-04NES	05/03/2010
318027	02-02NES	09/03/2010
326029	25-04	02/03/2010
326313	07-02E	05/03/2010
327231	08-07	11/03/2010
327232	13-03NES	11/03/2010
327896	16-01	10/03/2010
328067	09-01NES	02/03/2010
328330	25-01B	05/03/2010
328632	15-04	10/03/2010
328721	09-01NES	02/03/2010
328722	09-01NES	02/03/2010
328815	25-01F	04/03/2010
328823	12-06A	02/03/2010
328824	02-02B	04/03/2010
328859	11-05	04/03/2010
328866	25-01B	05/03/2010
328867	25-01B	05/03/2010
328894	08-09	05/03/2010
328895	08-09	05/03/2010

Publication and Registration Proceedings

Designs Registered

This section provides a concordance between design number and registration number of Designs covered in this journal. It also shows the main class and registration date.

This section covers Registration numbers 329728 to 329929 .

The registration number shown below should be used in all future correspondence.

Design Number	Registration Number	International Classification Code (IDC)	Registration Date	Design Number	Registration Number	International Classification Code (IDC)	Registration Date
12079/2009	329817	23-04	09/03/2010	10277/2010	329733	09-01NES	02/03/2010
12437/2009	329896	02-02C	12/03/2010	10292/2010	329734	14-03B	02/03/2010
13495/2009	329913	07-01D	12/03/2010	10293/2010	329735	14-03B	02/03/2010
13904/2009	329728	08-01	02/03/2010	10294/2010	329736	12-16NES	02/03/2010
14447/2009	329819	03-01NES	09/03/2010	10341/2010	329737	12-15B	02/03/2010
14489/2009	329729	25-01K	02/03/2010	10343/2010	329738	21-01B	02/03/2010
14772/2009	329924	23-04	12/03/2010	10344/2010	329739	21-01A	02/03/2010
14773/2009	329925	23-04	12/03/2010	10345/2010	329740	21-01B	02/03/2010
14821/2009	329820	12-16A	09/03/2010	10346/2010	329741	21-01A	02/03/2010
14834/2009	329751	06-01H	02/03/2010	10347/2010	329742	21-01B	02/03/2010
14835/2009	329752	06-01H	02/03/2010	10354/2010	329922	08-08NES	12/03/2010
14836/2009	329753	06-01H	02/03/2010	10371/2010	329796	31-00	10/03/2010
14837/2009	329754	06-01H	02/03/2010	10372/2010	329923	15-02	12/03/2010
14838/2009	329755	06-01H	02/03/2010	10373/2010	329797	22-05	10/03/2010
14858/2009	329756	25-01B	02/03/2010	10374/2010	329798	23-01A	10/03/2010
14877/2009	329758	12-10	02/03/2010	10382/2010	329759	12-06NES	02/03/2010
14907/2009	329889	09-07A	11/03/2010	10384/2010	329760	09-03NES	02/03/2010
14962/2009	329897	02-02C	12/03/2010	10386/2010	329761	21-02C	02/03/2010
14963/2009	329898	02-02C	12/03/2010	10387/2010	329762	21-02C	02/03/2010
14964/2009	329899	02-02C	12/03/2010	10390/2010	329763	02-04B	02/03/2010
14965/2009	329900	02-02C	12/03/2010	10391/2010	329764	02-04B	02/03/2010
14966/2009	329901	02-02C	12/03/2010	10392/2010	329765	21-01F	02/03/2010
14967/2009	329902	02-02C	12/03/2010	10393/2010	329766	21-01F	02/03/2010
14968/2009	329903	02-02NES	12/03/2010	10395/2010	329767	08-03	02/03/2010
14969/2009	329904	02-02NES	12/03/2010	10396/2010	329768	08-03	02/03/2010
14970/2009	329905	02-02NES	12/03/2010	10397/2010	329769	07-01NES	02/03/2010
14971/2009	329906	02-02NES	12/03/2010	10398/2010	329803	14-01	05/03/2010
14972/2009	329907	02-02NES	12/03/2010	10399/2010	329804	14-01	05/03/2010
14973/2009	329908	02-02NES	12/03/2010	10401/2010	329805	06-01E	05/03/2010
14974/2009	329909	02-02NES	12/03/2010	10403/2010	329806	08-08D	05/03/2010
14975/2009	329910	02-02NES	12/03/2010	10404/2010	329807	08-08C	05/03/2010
14976/2009	329911	02-02NES	12/03/2010	10405/2010	329808	08-08C	05/03/2010
14977/2009	329912	02-02NES	12/03/2010	10406/2010	329809	28-03NES	05/03/2010
14993/2009	329799	21-01F	05/03/2010	10407/2010	329810	26-05NES	05/03/2010
15041/2009	329800	16-06	05/03/2010	10408/2010	329811	09-01A	05/03/2010
15042/2009	329801	16-06	05/03/2010	10409/2010	329812	09-01A	05/03/2010
15052/2009	329862	15-05	10/03/2010	10410/2010	329772	09-01A	10/03/2010
15069/2009	329914	07-05C	12/03/2010	10411/2010	329773	09-01A	10/03/2010
10010/2010	329802	08-03	05/03/2010	10413/2010	329774	08-08D	10/03/2010
10012/2010	329730	14-02	02/03/2010	10414/2010	329775	09-03M	10/03/2010
10044/2010	329915	12-08	12/03/2010	10415/2010	329776	26-05D	10/03/2010
10063/2010	329821	13-02	09/03/2010	10416/2010	329777	26-05B	10/03/2010
10064/2010	329916	23-04	12/03/2010	10417/2010	329778	26-05C	10/03/2010
10099/2010	329822	15-05	09/03/2010	10418/2010	329823	20-02NES	09/03/2010
10103/2010	329917	23-02C	12/03/2010	10419/2010	329824	07-99NES	09/03/2010
10122/2010	329918	09-01NES	12/03/2010	10420/2010	329825	07-01NES	09/03/2010
10123/2010	329919	09-01NES	12/03/2010	10421/2010	329826	09-07NES	09/03/2010
10151/2010	329863	09-07C	10/03/2010	10422/2010	329827	07-01NES	09/03/2010
10184/2010	329926	18-02	12/03/2010	10423/2010	329828	12-05	09/03/2010
10217/2010	329920	12-16NES	12/03/2010	10424/2010	329813	14-03E	05/03/2010
10218/2010	329921	12-16NES	12/03/2010	10427/2010	329814	10-06	05/03/2010
10272/2010	329731	14-02	02/03/2010	10429/2010	329815	07-01F	05/03/2010
10273/2010	329732	12-11	02/03/2010	10430/2010	329816	31-00	05/03/2010

Publication and Registration Proceedings - Designs Registered cont'd

Design Number	Registration Number	International Classification Code (IDC)	Registration Date	Design Number	Registration Number	International Classification Code (IDC)	Registration Date
10432/2010	329818	23-04	09/03/2010	10482/2010	329870	06-01G	10/03/2010
10438/2010	329770	09-02B	02/03/2010	10483/2010	329871	06-03B	10/03/2010
10449/2010	329832	02-04NES	09/03/2010	10484/2010	329872	26-03	10/03/2010
10450/2010	329833	02-04B	09/03/2010	10496/2010	329873	01-06	10/03/2010
10451/2010	329834	02-04B	09/03/2010	10498/2010	329874	23-01H	10/03/2010
10452/2010	329835	02-04B	09/03/2010	10499/2010	329875	23-01H	10/03/2010
10454/2010	329829	02-04B	09/03/2010	10500/2010	329876	23-02B	10/03/2010
10455/2010	329830	02-04B	09/03/2010	10501/2010	329877	23-02B	10/03/2010
10456/2010	329771	26-99	02/03/2010	10502/2010	329878	23-02B	10/03/2010
10457/2010	329831	13-03NES	09/03/2010	10507/2010	329890	26-05NES	11/03/2010
10463/2010	329864	09-01G	10/03/2010	10508/2010	329891	08-08B	11/03/2010
10466/2010	329865	10-04	10/03/2010	10509/2010	329892	08-08B	11/03/2010
10467/2010	329866	06-02	10/03/2010	10510/2010	329893	09-07C	11/03/2010
10468/2010	329836	06-02	09/03/2010	10511/2010	329894	09-07C	11/03/2010
10469/2010	329837	06-02	09/03/2010	10512/2010	329895	08-08B	11/03/2010
10470/2010	329838	06-02	09/03/2010	10520/2010	329927	14-03NES	12/03/2010
10471/2010	329839	06-02	09/03/2010	10522/2010	329843	06-03B	09/03/2010
10472/2010	329840	06-02	09/03/2010	10523/2010	329928	12-15NES	12/03/2010
10473/2010	329841	14-03NES	09/03/2010	10524/2010	329929	15-05	12/03/2010
10475/2010	329842	31-00	09/03/2010	10543/2010	329844	07-05E	09/03/2010
10479/2010	329867	28-03A	10/03/2010	10574/2010	329845	12-16NES	09/03/2010
10480/2010	329868	28-03A	10/03/2010	10576/2010	329846	02-02NES	09/03/2010
10481/2010	329869	06-01G	10/03/2010	10598/2010	329757	12-10	02/03/2010

Publication and Registration Proceedings
Class Listing of Designs Published or Registered

The following section shows an International Classification Code listing of the Registered or Published Designs covered in this supplement.

Classification	Registration Number	Design Number	Classification	Registration Number	Design Number
01-06	329873	10496/2010	08-03	329768	10396/2010
02-02 C	329896	12437/2009	08-03	329802	10010/2010
02-02 C	329897	14962/2009	08-08 B	329891	10508/2010
02-02 C	329898	14963/2009	08-08 B	329892	10509/2010
02-02 C	329899	14964/2009	08-08 B	329895	10512/2010
02-02 C	329900	14965/2009	08-08 C	329807	10404/2010
02-02 C	329901	14966/2009	08-08 C	329808	10405/2010
02-02 C	329902	14967/2009	08-08 D	329774	10413/2010
02-02 NES	329846	10576/2010	08-08 D	329806	10403/2010
02-02 NES	329903	14968/2009	08-08 NES	329914	15069/2009
02-02 NES	329904	14969/2009	08-08 NES	329922	10354/2010
02-02 NES	329905	14970/2009	09-01 A	329772	10410/2010
02-02 NES	329906	14971/2009	09-01 A	329773	10411/2010
02-02 NES	329907	14972/2009	09-01 A	329811	10408/2010
02-02 NES	329908	14973/2009	09-01 A	329812	10409/2010
02-02 NES	329909	14974/2009	09-01 G	329864	10463/2010
02-02 NES	329910	14975/2009	09-01 NES	329733	10277/2010
02-02 NES	329911	14976/2009	09-01 NES	329815	10429/2010
02-02 NES	329912	14977/2009	09-01 NES	329918	10122/2010
02-04 B	329763	10390/2010	09-01 NES	329919	10123/2010
02-04 B	329764	10391/2010	09-02 B	329770	10438/2010
02-04 B	329829	10454/2010	09-03 M	329775	10414/2010
02-04 B	329830	10455/2010	09-03 NES	329760	10384/2010
02-04 B	329833	10450/2010	09-07 A	329773	10411/2010
02-04 B	329834	10451/2010	09-07 A	329889	14907/2009
02-04 B	329835	10452/2010	09-07 A	329918	10122/2010
02-04 NES	329832	10449/2010	09-07 A	329919	10123/2010
03-01 NES	329819	14447/2009	09-07 B	329913	13495/2009
06-01 E	329805	10401/2010	09-07 C	329863	10151/2010
06-01 G	329869	10481/2010	09-07 C	329893	10510/2010
06-01 G	329870	10482/2010	09-07 C	329894	10511/2010
06-01 H	329751	14834/2009	09-07 C	329895	10512/2010
06-01 H	329752	14835/2009	09-07 NES	329826	10421/2010
06-01 H	329753	14836/2009	10-04	329865	10466/2010
06-01 H	329754	14837/2009	10-06	329814	10427/2010
06-01 H	329755	14838/2009	12-05	329828	10423/2010
06-02	329836	10468/2010	12-06 NES	329759	10382/2010
06-02	329837	10469/2010	12-08	329915	10044/2010
06-02	329838	10470/2010	12-10	329757	10598/2010
06-02	329839	10471/2010	12-10	329758	14877/2009
06-02	329840	10472/2010	12-11	329732	10273/2010
06-02	329866	10467/2010	12-15 B	329737	10341/2010
06-03 B	329843	10522/2010	12-15 NES	329928	10523/2010
06-03 B	329871	10483/2010	12-16 A	329820	14821/2009
06-04 NES	329814	10427/2010	12-16 K	329922	10354/2010
07-01 D	329913	13495/2009	12-16 NES	329736	10294/2010
07-01 F	329815	10429/2010	12-16 NES	329845	10574/2010
07-01 NES	329769	10397/2010	12-16 NES	329920	10217/2010
07-01 NES	329825	10420/2010	12-16 NES	329921	10218/2010
07-01 NES	329827	10422/2010	13-01	329820	14821/2009
07-01 NES	329913	13495/2009	13-02	329821	10063/2010
07-05 C	329914	15069/2009	13-03 NES	329831	10457/2010
07-05 E	329844	10543/2010	14-01	329803	10398/2010
07-99 NES	329824	10419/2010	14-01	329804	10399/2010
08-01	329728	13904/2009	14-02	329730	10012/2010
08-03	329767	10395/2010	14-02	329731	10272/2010

Registration Proceedings - Class Listing of Designs Published or Registered cont'd

Classification	Registration Number	Design Number	Classification	Registration Number	Design Number
14-03 B	329734	10292/2010	23-01 F	329891	10508/2010
14-03 B	329735	10293/2010	23-01 F	329892	10509/2010
14-03 E	329813	10424/2010	23-01 H	329874	10498/2010
14-03 NES	329841	10473/2010	23-01 H	329875	10499/2010
14-03 NES	329927	10520/2010	23-02 B	329876	10500/2010
15-02	329923	10372/2010	23-02 B	329877	10501/2010
15-05	329822	10099/2010	23-02 B	329878	10502/2010
15-05	329862	15052/2009	23-02 C	329917	10103/2010
15-05	329929	10524/2010	23-02 F	329917	10103/2010
16-06	329800	15041/2009	23-04	329817	12079/2009
16-06	329801	15042/2009	23-04	329818	10432/2010
18-02	329926	10184/2010	23-04	329916	10064/2010
20-02 NES	329823	10418/2010	23-04	329924	14772/2009
21-01 A	329739	10344/2010	23-04	329925	14773/2009
21-01 A	329741	10346/2010	25-01 B	329756	14858/2009
21-01 B	329738	10343/2010	25-01 K	329729	14489/2009
21-01 B	329739	10344/2010	26-03	329872	10484/2010
21-01 B	329740	10345/2010	26-05 B	329777	10416/2010
21-01 B	329741	10346/2010	26-05 C	329778	10417/2010
21-01 B	329742	10347/2010	26-05 D	329776	10415/2010
21-01 F	329765	10392/2010	26-05 NES	329810	10407/2010
21-01 F	329766	10393/2010	26-05 NES	329890	10507/2010
21-01 F	329799	14993/2009	26-99	329771	10456/2010
21-01 H	329816	10430/2010	28-03 A	329867	10479/2010
21-02 C	329761	10386/2010	28-03 A	329868	10480/2010
21-02 C	329762	10387/2010	28-03 NES	329809	10406/2010
22-05	329797	10373/2010	31-00	329796	10371/2010
23-01 A	329729	14489/2009	31-00	329816	10430/2010
23-01 A	329798	10374/2010	31-00	329842	10475/2010
23-01 F	329736	10294/2010			

(21) Design Number: **13904/2009**

(22) Date of Filing Application: **15 October 2009**

(24) Date from which industrial property rights may have effect: **15 October 2009**

(54) Product in respect of which the design is registered: **Auger bit with reamer and nail hit capability**

(51) International Design Classification: **08-01**

(71) Name(s) and Address(s) of Applicant(s):

**Credo Technology Corporation
2800 South 25th Avenue Broadview Illinois 60135-4594 United States
of America**

(72) Name(s) of Designer(s): **Javier Ibarra and Hagen Walter Dost**

(45) Registration Date: **02 March 2010**

(30) Convention priority data:

(31) Number	(32) Date	(33) Country
29/342,457	25 Aug 2009	UNITED STATES OF AMERICA

(56) Related Art Documents: **Not Applicable**

(57) Statement of Newness and Distinctiveness: **Visual features of the design which are new and distinctive are the features of shape and configuration of auger bit with reamer and nail hit capability as illustrated in the representations. The features of shape and configuration of the shank shown in broken lines in the representations form no part of the design and are to be disregarded.**



(21) Design Number: **14489/2009**

(22) Date of Filing Application: **17 November 2009**

(24) Date from which industrial property rights may have effect: **17 November 2009**

(54) Product in respect of which the design is registered: **Drain chute of indefinite length**

(51) International Design Classification: **25-01K, 23-01A**

(71) Name(s) and Address(s) of Applicant(s):

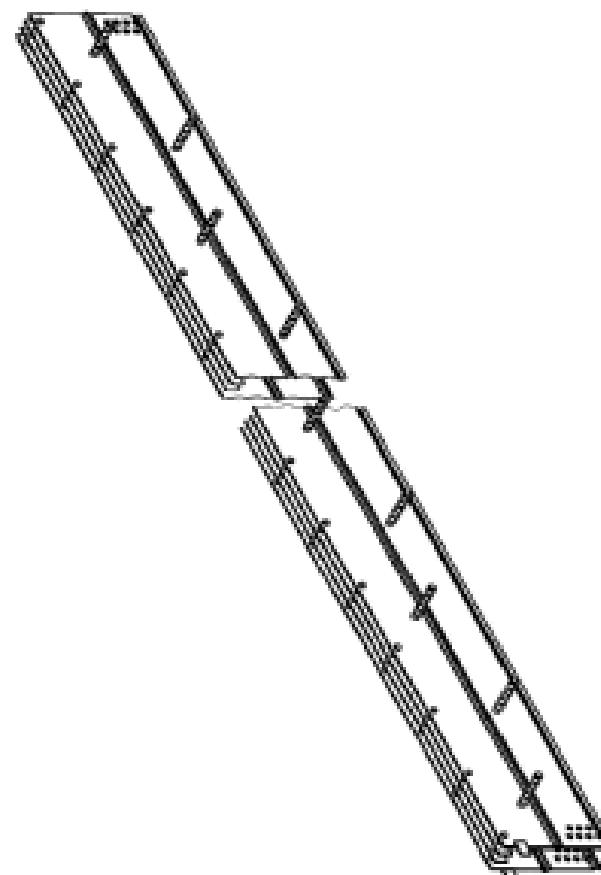
**James Hardie Technology Limited
Europa House Second Floor Harcourt Centre Harcourt Street Dublin 2
Ireland**

(72) Name(s) of Designer(s): **Jesper Jensen**

(45) Registration Date: **02 March 2010**

(56) Related Art Documents: **Not Applicable**

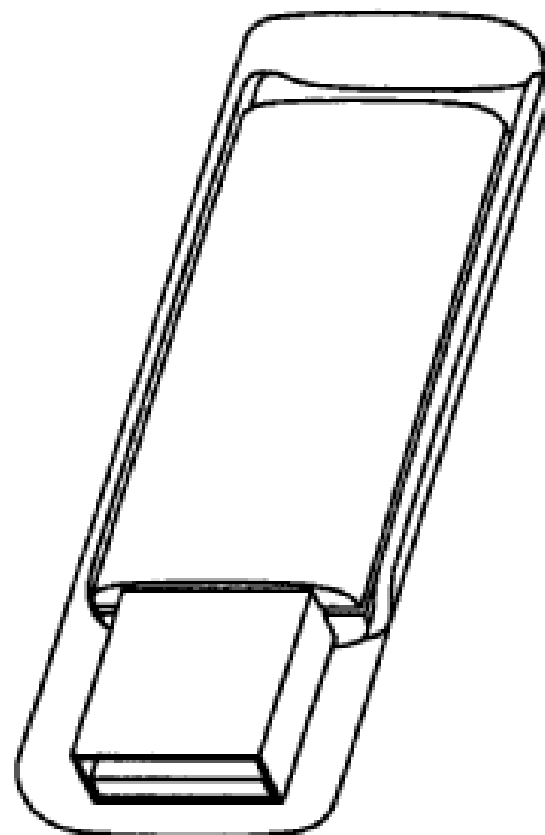
(57) Statement of Newness and Distinctiveness: **Newness and distinctiveness resides in the central and lower edge rib formations in the side panels of a longitudinal drain chute of indefinite length as shown in the accompanying representations. The slotted pipe shown in Figure 2 does not form part of the design.**



(21) Design Number: **10012/2010**
(22) Date of Filing Application: **25 January 2010**
(24) Date from which industrial property rights may have effect: **25 January 2010**
(54) Product in respect of which the design is registered: **Utility patch**
(51) International Design Classification: **14-02**
(71) Name(s) and Address(s) of Applicant(s):
TKS Electrics Pty Ltd
18 Glenpark Drive Wonga Park Victoria 3115 Australia
(72) Name(s) of Designer(s): **Troy Sanderson**
(45) Registration Date: **02 March 2010**
(56) Related Art Documents: **Not Applicable**
(57) Statement of Newness and Distinctiveness: **Nil**



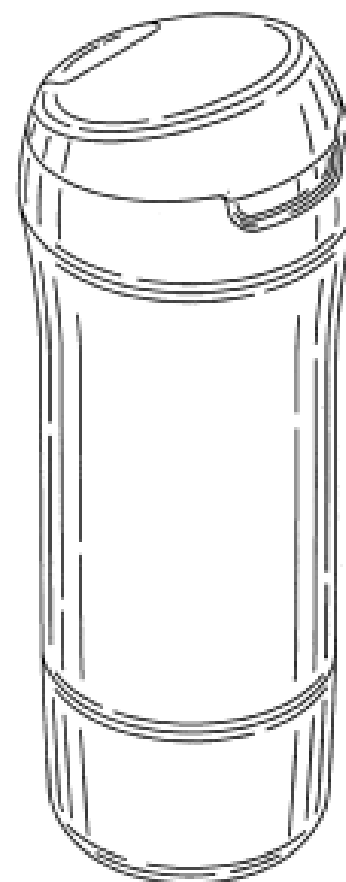
(21) Design Number: **10272/2010**
(22) Date of Filing Application: **28 January 2010**
(24) Date from which industrial property rights may have effect: **28 January 2010**
(54) Product in respect of which the design is registered: **Recording medium**
(51) International Design Classification: **14-02**
(71) Name(s) and Address(s) of Applicant(s):
Kabushiki Kaisha Toshiba
1-1 Shibaura 1-Chome Minato-Ku Tokyo 105-8001 Japan
(72) Name(s) of Designer(s): **Hitoshi Otsuka**
(45) Registration Date: **02 March 2010**
(30) Convention priority data:
(31) Number (32) Date (33) Country
2009-026664 13 Nov 2009 JAPAN
(56) Related Art Documents: **Not Applicable**
(57) Statement of Newness and Distinctiveness: **Nil**



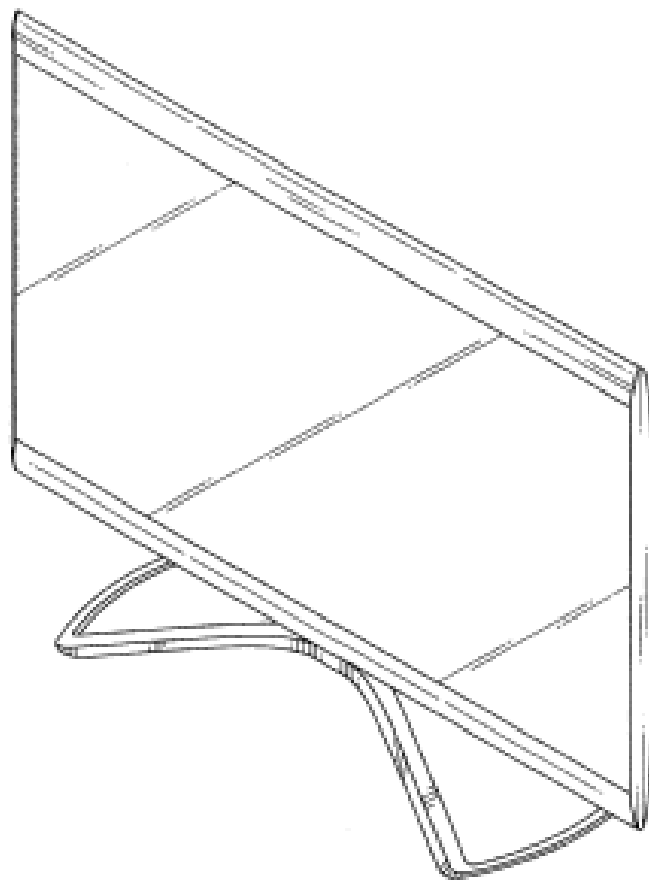
(21) Design Number: **10273/2010**
(22) Date of Filing Application: **28 January 2010**
(24) Date from which industrial property rights may have effect: **28 January 2010**
(54) Product in respect of which the design is registered: **Motorcycle**
(51) International Design Classification: **12-11**
(71) Name(s) and Address(s) of Applicant(s):
Honda Motor Co., Ltd
1-1 Minamiaoyama 2-chome Minato-ku Tokyo Japan
(72) Name(s) of Designer(s): **Nobutaka Wakita and Teofilo Plaza and Yota Okamoto**
(45) Registration Date: **02 March 2010**
(30) Convention priority data:
(31) Number (32) Date (33) Country
2009-017283 29 Jul 2009 JAPAN
(56) Related Art Documents: **Not Applicable**
(57) Statement of Newness and Distinctiveness: **Nil**



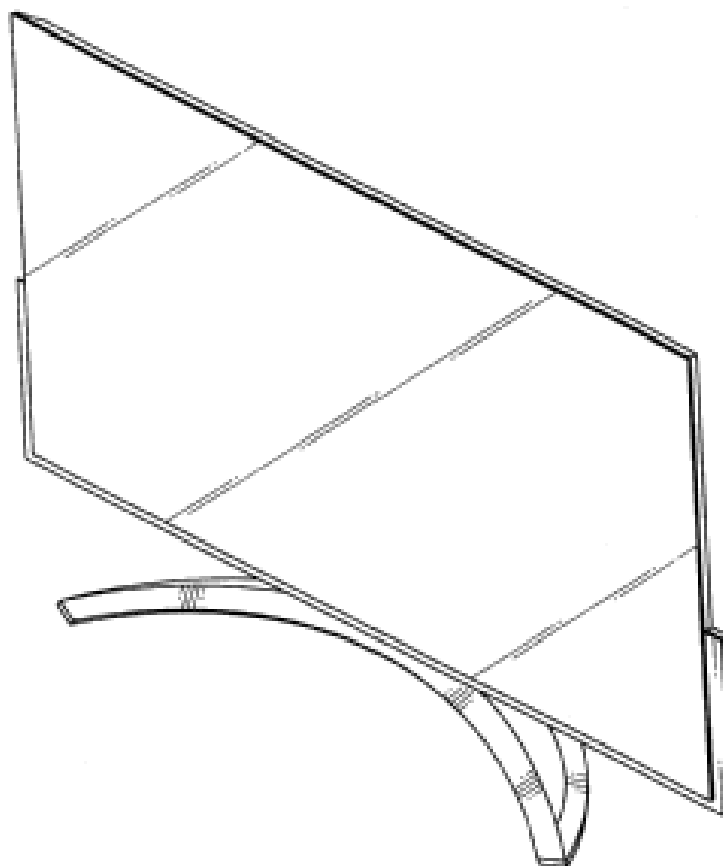
(21) Design Number: **10277/2010**
(22) Date of Filing Application: **28 January 2010**
(24) Date from which industrial property rights may have effect: **28 January 2010**
(54) Product in respect of which the design is registered: **Bottle**
(51) International Design Classification: **09-01NES**
(71) Name(s) and Address(s) of Applicant(s):
Dart Industries Inc
14901 S. Orange Blossom Trail Orlando Florida 32837 United States of America
(72) Name(s) of Designer(s): **Rui Yuan Chen**
(45) Registration Date: **02 March 2010**
(30) Convention priority data:
(31) Number (32) Date (33) Country
29/316,112 25 Aug 2009 UNITED STATES OF AMERICA
(56) Related Art Documents: **Not Applicable**
(57) Statement of Newness and Distinctiveness: **Those features of the bottle depicted in the representations that are new and distinctive are the shape and/or configuration.**



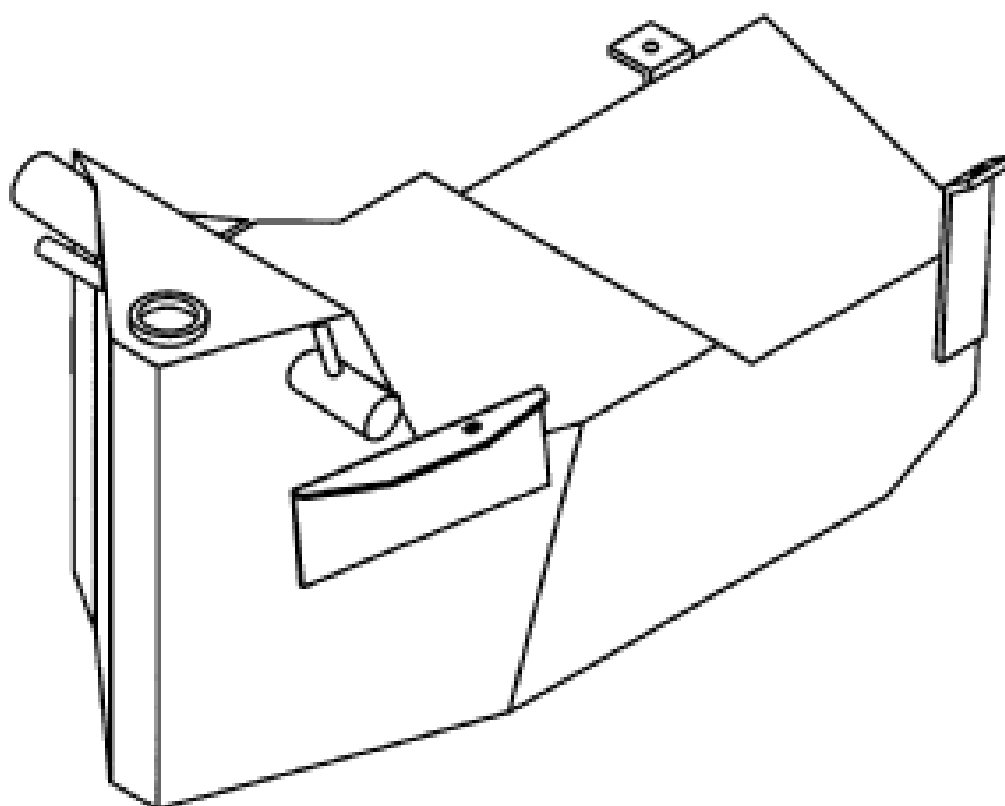
- (21) Design Number: **10292/2010**
(22) Date of Filing Application: **29 January 2010**
(24) Date from which industrial property rights may have effect: **29 January 2010**
(54) Product in respect of which the design is registered: **A television receiver**
(51) International Design Classification: **14-03B**
(71) Name(s) and Address(s) of Applicant(s):
Kabushiki Kaisha Toshiba also Trading as Toshiba Corporation
1-1 Shibaura 1-chome Minato-ku Tokyo Japan
(72) Name(s) of Designer(s): **Koji Nagase**
(45) Registration Date: **02 March 2010**
(30) Convention priority data:
(31) Number (32) Date (33) Country
2009-027925 30 Nov 2009 JAPAN
(56) Related Art Documents: **Not Applicable**
(57) Statement of Newness and Distinctiveness: **Newness and Distinctiveness is claimed in the features of shape and/or configuration of a television receiver as illustrated in the accompanying representations.**



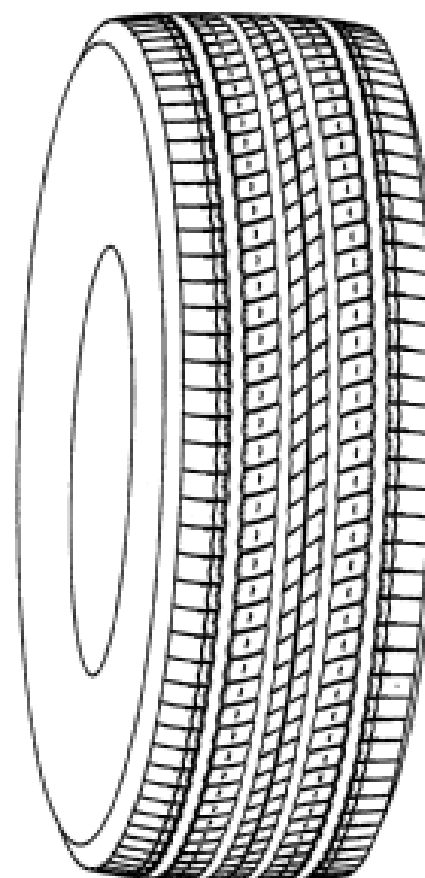
- (21) Design Number: **10293/2010**
(22) Date of Filing Application: **29 January 2010**
(24) Date from which industrial property rights may have effect: **29 January 2010**
(54) Product in respect of which the design is registered: **A television receiver**
(51) International Design Classification: **14-03B**
(71) Name(s) and Address(s) of Applicant(s):
Kabushiki Kaisha Toshiba also Trading as Toshiba Corporation
1-1 Shibaura 1-chome Minato-ku Tokyo Japan
(72) Name(s) of Designer(s): **Taihei Miyaji**
(45) Registration Date: **02 March 2010**
(30) Convention priority data:
(31) Number (32) Date (33) Country
2009-027926 30 Nov 2009 JAPAN
(56) Related Art Documents: **Not Applicable**
(57) Statement of Newness and Distinctiveness: **Newness and Distinctiveness is claimed in the features of shape and/or configuration of a television receiver as illustrated in the accompanying representations.**



(21) Design Number: **10294/2010**
(22) Date of Filing Application: **01 February 2010**
(24) Date from which industrial property rights may have effect: **01 February 2010**
(54) Product in respect of which the design is registered: **Vehicle fuel tank**
(51) International Design Classification: **12-16NES, 23-01F**
(71) Name(s) and Address(s) of Applicant(s):
Out of Town 4WD Pty Ltd
65 Northville Drive Barnsley New South Wales 2278 Australia
(72) Name(s) of Designer(s): **Ric Black**
(45) Registration Date: **02 March 2010**
(56) Related Art Documents: **Not Applicable**
(57) Statement of Newness and Distinctiveness: **Nil**



(21) Design Number: **10341/2010**
(22) Date of Filing Application: **03 February 2010**
(24) Date from which industrial property rights may have effect: **03 February 2010**
(54) Product in respect of which the design is registered: **A tyre**
(51) International Design Classification: **12-15B**
(71) Name(s) and Address(s) of Applicant(s):
Societe De Technologie Michelin
23 rue Breschet F-63000 Clermont-Ferrand Cedex France
Michelin Recherche et Technique S.A.
Route Louis Braille 10 et 12 CH-1763 Granges-Paccot Switzerland
(72) Name(s) of Designer(s): **Mathieu Vandaele and Sylvie Lhospitalier and Gilles Sallaz**
(45) Registration Date: **02 March 2010**
(30) Convention priority data:
(31) Number (32) Date (33) Country
09/3943 18 Aug 2009 FRANCE
(56) Related Art Documents: **Not Applicable**
(57) Statement of Newness and Distinctiveness: **Newness and distinctiveness resides in the appearance of the tread region of the tyre, the remainder of the tyre not forming part of the design.**



(21) Design Number: **10343/2010**
(22) Date of Filing Application: **02 February 2010**
(24) Date from which industrial property rights may have effect: **02 February 2010**
(54) Product in respect of which the design is registered: **Transformable toy**
(51) International Design Classification: **21-01B**
(71) Name(s) and Address(s) of Applicant(s):

Spin Master Ltd.
450 Front Street West Toronto ON M5V 1B6 Canada

(72) Name(s) of Designer(s): **Wataru Sato and Kohji Hirose and Richard Keuter**

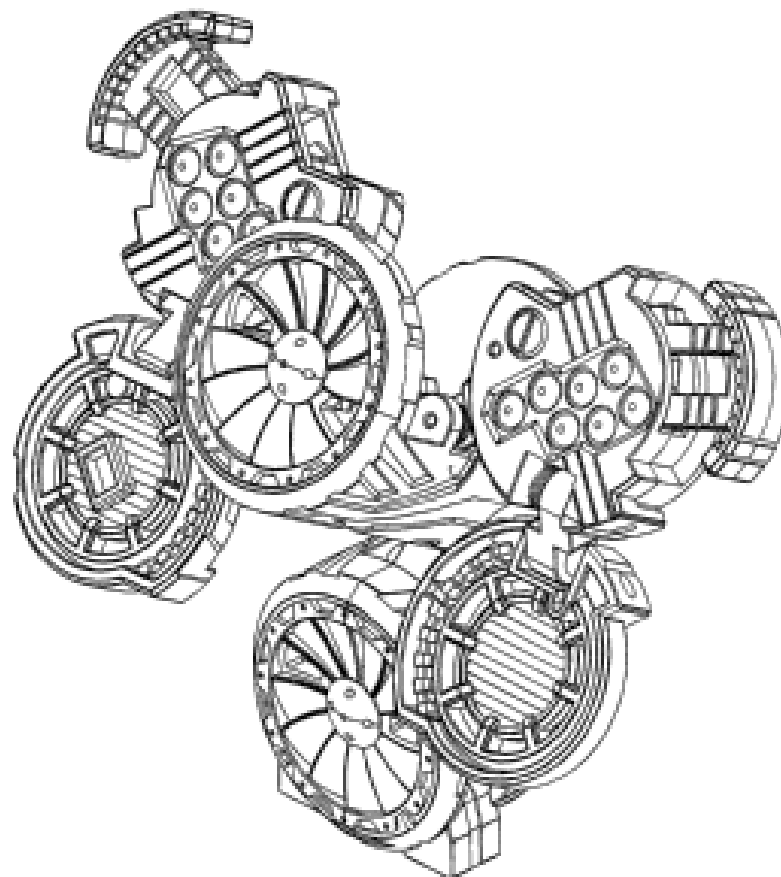
(45) Registration Date: **02 March 2010**

(30) Convention priority data:

(31) Number	(32) Date	(33) Country
131980	26 Aug 2009	CANADA

(56) Related Art Documents: **Not Applicable**

(57) Statement of Newness and Distinctiveness: **Nil**



(21) Design Number: **10344/2010**
(22) Date of Filing Application: **02 February 2010**
(24) Date from which industrial property rights may have effect: **02 February 2010**
(54) Product in respect of which the design is registered: **Transformable toy**
(51) International Design Classification: **21-01A, 21-01B**
(71) Name(s) and Address(s) of Applicant(s):

Spin Master Ltd.
450 Front Street West Toronto ON M5V 1B6 Canada

(72) Name(s) of Designer(s): **Wataru Sato and Kohji Hirose and Richard Keuter**

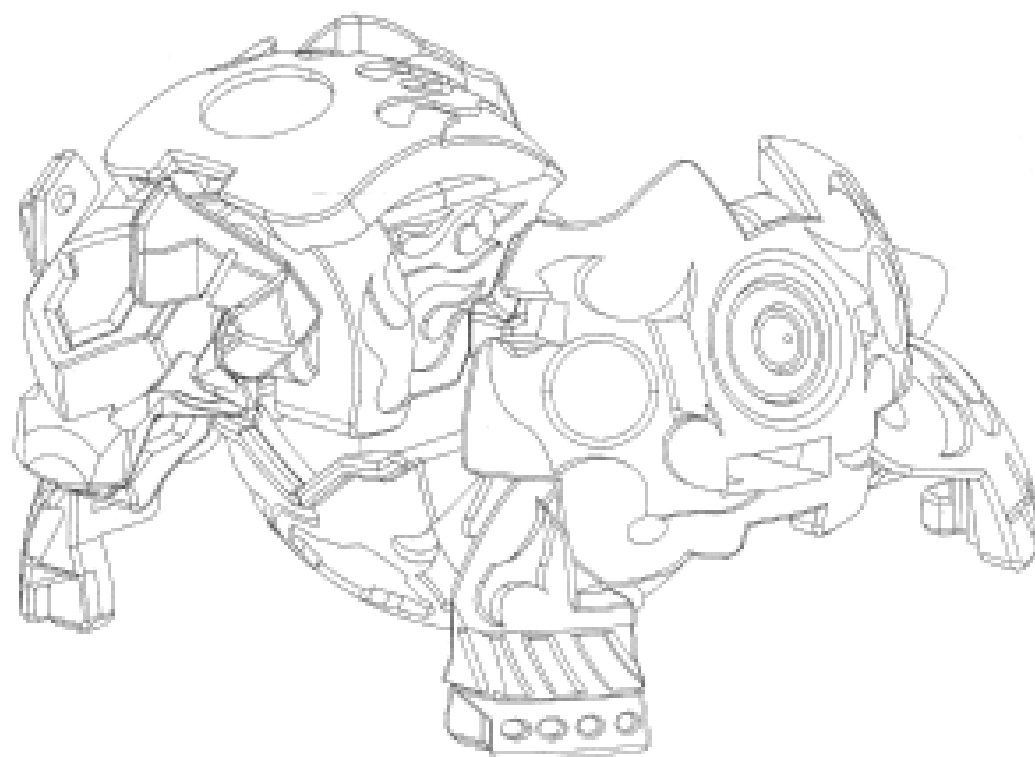
(45) Registration Date: **02 March 2010**

(30) Convention priority data:

(31) Number	(32) Date	(33) Country
132242	21 Sep 2009	CANADA

(56) Related Art Documents: **Not Applicable**

(57) Statement of Newness and Distinctiveness: **Nil**



(21) Design Number: **10345/2010**
(22) Date of Filing Application: **02 February 2010**
(24) Date from which industrial property rights may have effect: **02 February 2010**
(54) Product in respect of which the design is registered: **Transformable toy**
(51) International Design Classification: **21-01B**
(71) Name(s) and Address(s) of Applicant(s):

Spin Master Ltd.
450 Front Street West Toronto ON M5V 1B6 Canada

(72) Name(s) of Designer(s): **Wataru Sato and Kohji Hirose and Richard Keuter**

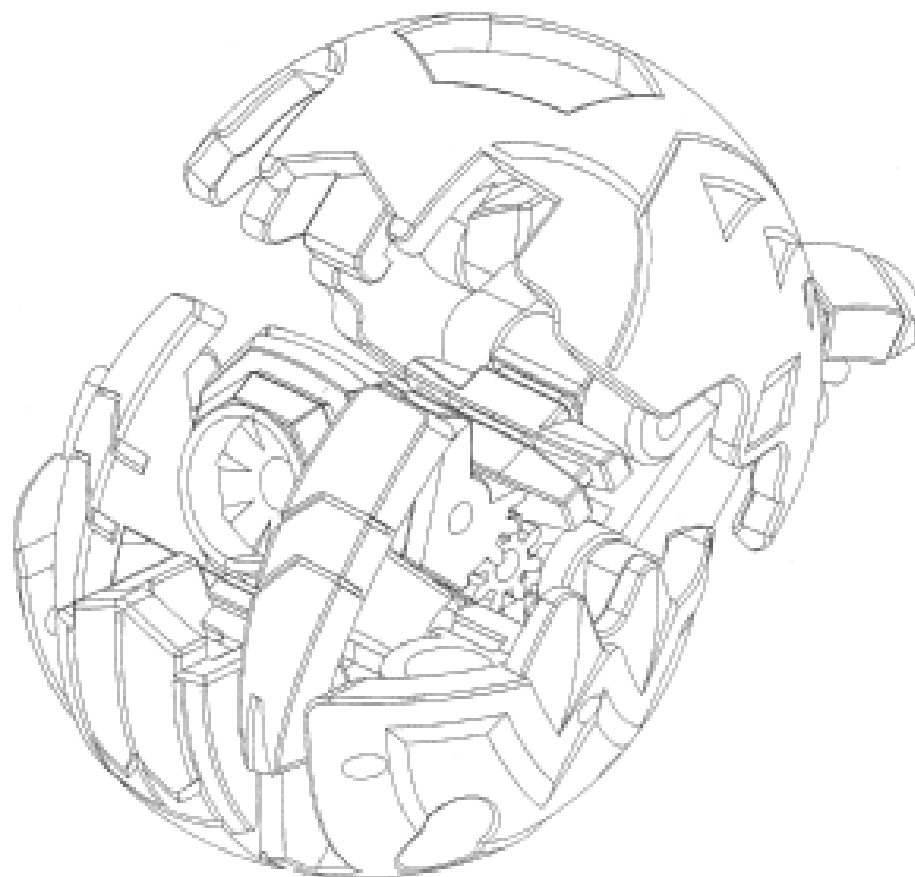
(45) Registration Date: **02 March 2010**

(30) Convention priority data:

(31) Number	(32) Date	(33) Country
132243	21 Sep 2009	CANADA

(56) Related Art Documents: **Not Applicable**

(57) Statement of Newness and Distinctiveness: **Nil**



(21) Design Number: **10346/2010**
(22) Date of Filing Application: **02 February 2010**
(24) Date from which industrial property rights may have effect: **02 February 2010**
(54) Product in respect of which the design is registered: **Transformable toy**
(51) International Design Classification: **21-01A, 21-01B**
(71) Name(s) and Address(s) of Applicant(s):

Spin Master Ltd.
450 Front Street West Toronto ON M5V 1B6 Canada

(72) Name(s) of Designer(s): **Wataru Sato and Kohji Hirose and Richard Keuter**

(45) Registration Date: **02 March 2010**

(30) Convention priority data:

(31) Number	(32) Date	(33) Country
132340	28 Sep 2009	CANADA

(56) Related Art Documents: **Not Applicable**

(57) Statement of Newness and Distinctiveness: **Nil**



(21) Design Number: **10347/2010**
(22) Date of Filing Application: **02 February 2010**
(24) Date from which industrial property rights may have effect: **02 February 2010**
(54) Product in respect of which the design is registered: **Transformable toy**
(51) International Design Classification: **21-01B**
(71) Name(s) and Address(s) of Applicant(s):
Spin Master Ltd.
450 Front Street West Toronto ON M5V 1B6 Canada
(72) Name(s) of Designer(s): **Wataru Sato and Kohji Hirose and Richard Keuter**
(45) Registration Date: **02 March 2010**
(30) Convention priority data:
(31) Number (32) Date (33) Country
132339 28 Sep 2009 CANADA
(56) Related Art Documents: **Not Applicable**
(57) Statement of Newness and Distinctiveness: **Nil**



(21) Design Number: **14834/2009**
(22) Date of Filing Application: **08 December 2009**
(24) Date from which industrial property rights may have effect: **08 December 2009**
(54) Product in respect of which the design is registered: **Alu/sling cover sofa**
(51) International Design Classification: **06-01H**
(71) Name(s) and Address(s) of Applicant(s):
Guangzhou Gardenart Furniture Co. Ltd
Unit 3A-1 4th Building NO.52 Shuiyin Road Yuexiu District Guangzhou
city Guangdong 510075 China
(72) Name(s) of Designer(s): **Cao Jianhui**
(45) Registration Date: **02 March 2010**
(30) Convention priority data:
(31) Number (32) Date (33) Country
001618513-1-13 29 Sep 2009 EUROPEAN COMMUNITY
(56) Related Art Documents: **Not Applicable**
(57) Statement of Newness and Distinctiveness: **Nil**



- (21) Design Number: **14835/2009**
(22) Date of Filing Application: **08 December 2009**
(24) Date from which industrial property rights may have effect: **08 December 2009**
(54) Product in respect of which the design is registered: **Alu/sling cover sofa**
(51) International Design Classification: **06-01H**
(71) Name(s) and Address(s) of Applicant(s):
Guangzhou Gardenart Furniture Co. Ltd
Unit 3A-1 4th Building NO.52 Shuiyin Road Yuexiu District Guangzhou
city Guangdong 510075 China
(72) Name(s) of Designer(s): **Cao Jianhui**
(45) Registration Date: **02 March 2010**
(30) Convention priority data:
(31) Number (32) Date (33) Country
001618513-1-13 29 Sep 2009 EUROPEAN COMMUNITY
(56) Related Art Documents: **Not Applicable**
(57) Statement of Newness and Distinctiveness: **Nil**



- (21) Design Number: **14836/2009**
(22) Date of Filing Application: **08 December 2009**
(24) Date from which industrial property rights may have effect: **08 December 2009**
(54) Product in respect of which the design is registered: **Alu/sling cover sofa**
(51) International Design Classification: **06-01H**
(71) Name(s) and Address(s) of Applicant(s):
Guangzhou Gardenart Furniture Co. Ltd
Unit 3A-1 4th Building NO.52 Shuiyin Road Yuexiu District Guangzhou
city Guangdong 510075 China
(72) Name(s) of Designer(s): **Cao Jianhui**
(45) Registration Date: **02 March 2010**
(30) Convention priority data:
(31) Number (32) Date (33) Country
001618513-1-13 29 Sep 2009 EUROPEAN COMMUNITY
(56) Related Art Documents: **Not Applicable**
(57) Statement of Newness and Distinctiveness: **Nil**



(21) Design Number: **14837/2009**

(22) Date of Filing Application: **08 December 2009**

(24) Date from which industrial property rights may have effect: **08 December 2009**

(54) Product in respect of which the design is registered: **Alu/sling cover sofa**

(51) International Design Classification: **06-01H**

(71) Name(s) and Address(s) of Applicant(s):

**Guangzhou Gardenart Furniture Co. Ltd
Unit 3A-1 4th Building NO.52 Shuiyin Road Yuexiu District Guangzhou
city Guangdong 510075 China**

(72) Name(s) of Designer(s): **Cao Jianhui**

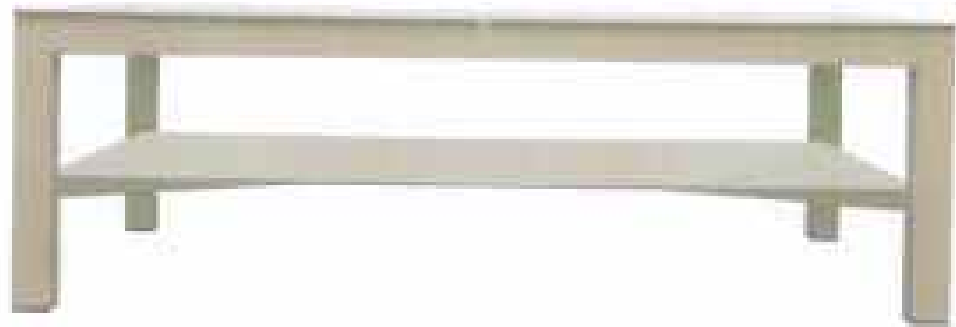
(45) Registration Date: **02 March 2010**

(30) Convention priority data:

(31) Number	(32) Date	(33) Country
001618513-1-13	29 Sep 2009	EUROPEAN COMMUNITY

(56) Related Art Documents: **Not Applicable**

(57) Statement of Newness and Distinctiveness: **Nil**



(21) Design Number: **14838/2009**

(22) Date of Filing Application: **08 December 2009**

(24) Date from which industrial property rights may have effect: **08 December 2009**

(54) Product in respect of which the design is registered: **Alu/sling cover chair**

(51) International Design Classification: **06-01H**

(71) Name(s) and Address(s) of Applicant(s):

**Guangzhou Gardenart Furniture Co. Ltd
Unit 3A-1 4th Building NO.52 Shuiyin Road Yuexiu District Guangzhou
city Guangdong 510075 China**

(72) Name(s) of Designer(s): **Cao Jianhui**

(45) Registration Date: **02 March 2010**

(30) Convention priority data:

(31) Number	(32) Date	(33) Country
001618513-1-13	29 Sep 2009	EUROPEAN COMMUNITY

(56) Related Art Documents: **Not Applicable**

(57) Statement of Newness and Distinctiveness: **Nil**



(21) Design Number: **14858/2009**

(22) Date of Filing Application: **11 December 2009**

(24) Date from which industrial property rights may have effect: **11 December 2009**

(54) Product in respect of which the design is registered: **Joint systems for concrete slabs**

(51) International Design Classification: **25-01B**

(71) Name(s) and Address(s) of Applicant(s):

Permaban Limited
Mill Close Lee Mill Industrial Estate Ivybridge Devon PL21 9GL United Kingdom

(72) Name(s) of Designer(s): **Rodney Malcolm Arnold**

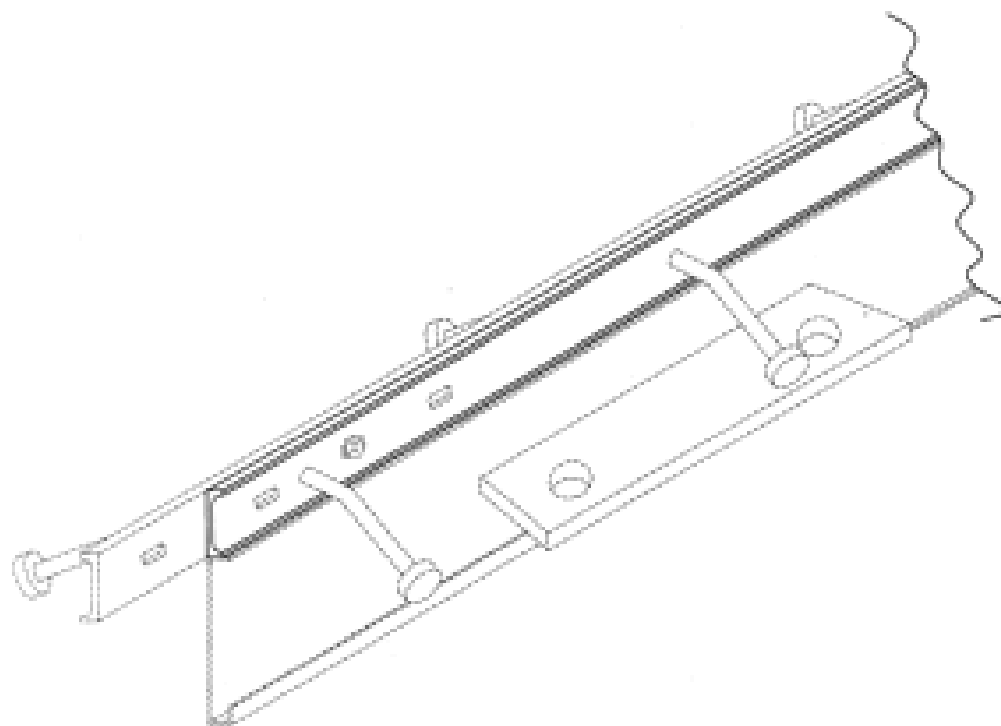
(45) Registration Date: **02 March 2010**

(30) Convention priority data:

(31) Number	(32) Date	(33) Country
001146476-0001	12 Jun 2009	UNITED KINGDOM

(56) Related Art Documents: **Not Applicable**

(57) Statement of Newness and Distinctiveness: **Nil**



(21) Design Number: **10598/2010**

(22) Date of Filing Application: **15 December 2009**

(24) Date from which industrial property rights may have effect: **15 December 2009**

(54) Product in respect of which the design is registered: **Kitchen trailer**

(51) International Design Classification: **12-10**

(71) Name(s) and Address(s) of Applicant(s):

Just Sauce Pty Ltd
231 High Street Willoughby New South Wales 2068 Australia

(72) Name(s) of Designer(s): **Gareth Job**

(45) Registration Date: **02 March 2010**

(56) Related Art Documents: **Not Applicable**

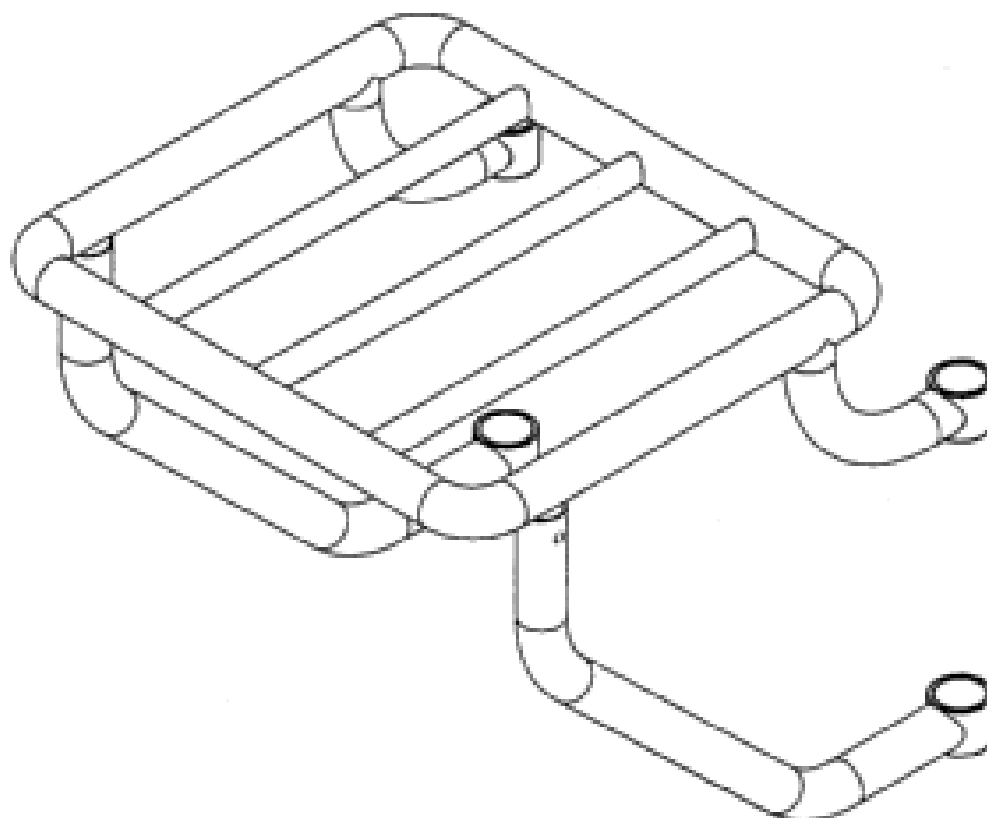
(57) Statement of Newness and Distinctiveness: **The newness and distinctiveness of the design resides in each feature of shape and configuration shown in the accompanying representations, including: (1) the internal configuration of the trailer; (2) each modular component of the interior of the trailer; and (3) the combination of one or more of the modular components of the interior of the trailer. as shown in Configuration 1 and/or Configuration 2.**



- (21) Design Number: **14877/2009**
(22) Date of Filing Application: **15 December 2009**
(24) Date from which industrial property rights may have effect: **15 December 2009**
(54) Product in respect of which the design is registered: **Kitchen trailer**
(51) International Design Classification: **12-10**
(71) Name(s) and Address(s) of Applicant(s):
Just Sauce Pty Ltd
231 High Street Willoughby New South Wales 2068 Australia
(72) Name(s) of Designer(s): **Gareth Job**
(45) Registration Date: **02 March 2010**
(56) Related Art Documents: **Not Applicable**
(57) Statement of Newness and Distinctiveness: **The newness and distinctiveness of the design resides in each feature of shape and configuration shown in the accompanying representations, including: (i) the internal configuration of the trailer; (ii) each modular component of the interior of the trailer; and (iii) the combination of one or more of the modular components of the interior of the trailer. as shown in Configuration 1 and/or Configuration 2.**



- (21) Design Number: **10382/2010**
(22) Date of Filing Application: **03 February 2010**
(24) Date from which industrial property rights may have effect: **03 February 2010**
(54) Product in respect of which the design is registered: **Outrigger table**
(51) International Design Classification: **12-06NES**
(71) Name(s) and Address(s) of Applicant(s):
Stainless Steel Connections Pty Ltd
157 Cardwell Street Adelaide South Australia 5000 Australia
(72) Name(s) of Designer(s): **Gary Brian Hayley and Louise Mary Cracknell**
(45) Registration Date: **02 March 2010**
(56) Related Art Documents: **Not Applicable**
(57) Statement of Newness and Distinctiveness: **Nil**

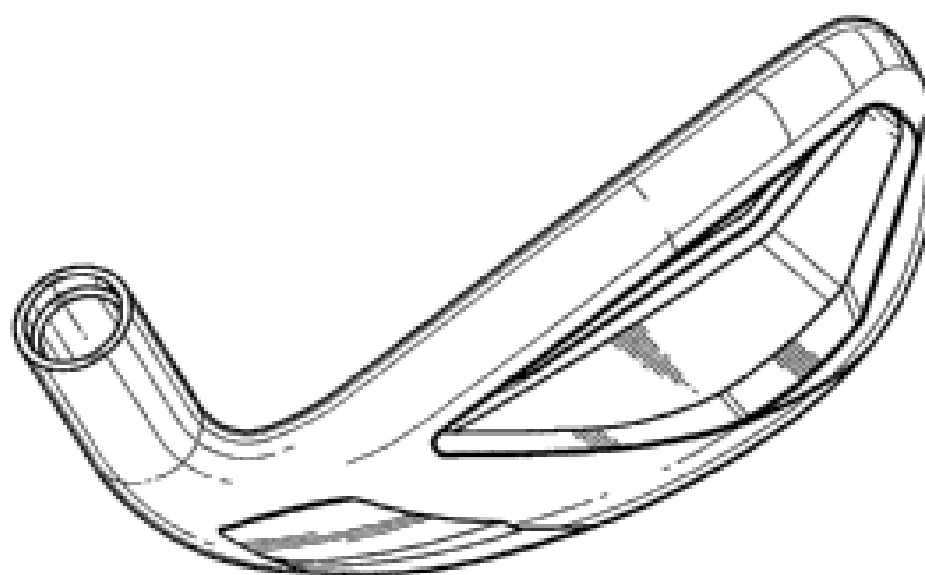


- (21) Design Number: **10384/2010**
- (22) Date of Filing Application: **04 February 2010**
- (24) Date from which industrial property rights may have effect: **04 February 2010**
- (54) Product in respect of which the design is registered: **A carton and a blank thereof**
- (51) International Design Classification: **09-03NES**
- (71) Name(s) and Address(s) of Applicant(s):
Ancor Limited
679 Victoria Street Abbotsford Victoria 3067 Australia
- (72) Name(s) of Designer(s): **Mark Moore**
- (45) Registration Date: **02 March 2010**
- (56) Related Art Documents: **Not Applicable**
- (57) Statement of Newness and Distinctiveness: **Newness and distinctiveness are claimed in the shape and configuration of a carton and blank therefor as shown in the accompanying Figures.**

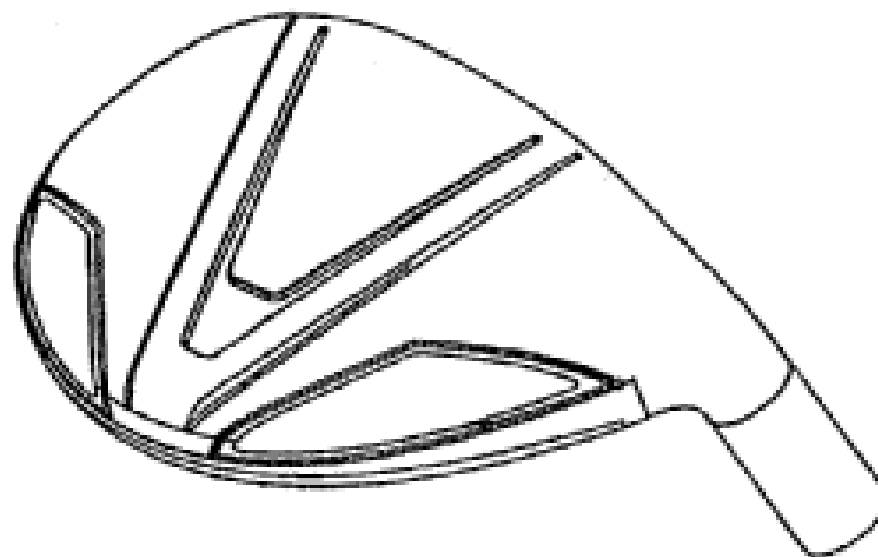


- (21) Design Number: **10386/2010**
- (22) Date of Filing Application: **04 February 2010**
- (24) Date from which industrial property rights may have effect: **04 February 2010**
- (54) Product in respect of which the design is registered: **Iron golf club head**
- (51) International Design Classification: **21-02C**
- (71) Name(s) and Address(s) of Applicant(s):
Callaway Golf Company
2180 Rutherford Road Carlsbad California 92008-7328 United States of America
- (72) Name(s) of Designer(s): **Philip G. Foster and Luke R. Williams**
- (45) Registration Date: **02 March 2010**
- (30) Convention priority data:

(31) Number	(32) Date	(33) Country
29/341754	12 Aug 2009	UNITED STATES OF AMERICA
- (56) Related Art Documents: **Not Applicable**
- (57) Statement of Newness and Distinctiveness: **Newness and distinctiveness is claimed in those features of shape and/or configuration of an iron golf club head illustrated in continuous lines in the accompanying representations.**



(21) Design Number: **10387/2010**
(22) Date of Filing Application: **04 February 2010**
(24) Date from which industrial property rights may have effect: **04 February 2010**
(54) Product in respect of which the design is registered: **Hybrid golf club head**
(51) International Design Classification: **21-02C**
(71) Name(s) and Address(s) of Applicant(s):
Callaway Golf Company
2180 Rutherford Road Carlsbad California 92008-7328 United States of America
(72) Name(s) of Designer(s): **Philip G. Foster and Daniel M. Stevens and Wayne H. Byrne and Joel B. Erickson**
(45) Registration Date: **02 March 2010**
(30) Convention priority data:
(31) Number (32) Date (33) Country
29/341459 05 Aug 2009 UNITED STATES OF AMERICA
(56) Related Art Documents: **Not Applicable**
(57) Statement of Newness and Distinctiveness: **Newness and distinctiveness is claimed in those features of shape and/or configuration of a hybrid golf club head illustrated in continuous lines in the accompanying representations.**



(21) Design Number: **10390/2010**
(22) Date of Filing Application: **05 February 2010**
(24) Date from which industrial property rights may have effect: **05 February 2010**
(54) Product in respect of which the design is registered: **A dance shoe sole**
(51) International Design Classification: **02-04B**
(71) Name(s) and Address(s) of Applicant(s):
J Bloch Pty Ltd
8-18 William Street Beaconsfield New South Wales 2015 Australia
(72) Name(s) of Designer(s): **David Wilkenfeld**
(45) Registration Date: **02 March 2010**
(56) Related Art Documents: **Not Applicable**
(57) Statement of Newness and Distinctiveness: **The shape and configuration of the dance shoe sole are new and distinctive. Dotted sections are included to show placement only and are not a part of the design.**



(21) Design Number: **10391/2010**

(22) Date of Filing Application: **05 February 2010**

(24) Date from which industrial property rights may have effect: **05 February 2010**

(54) Product in respect of which the design is registered: **A dance shoe sole**

(51) International Design Classification: **02-04B**

(71) Name(s) and Address(s) of Applicant(s):

J Bloch Pty Ltd

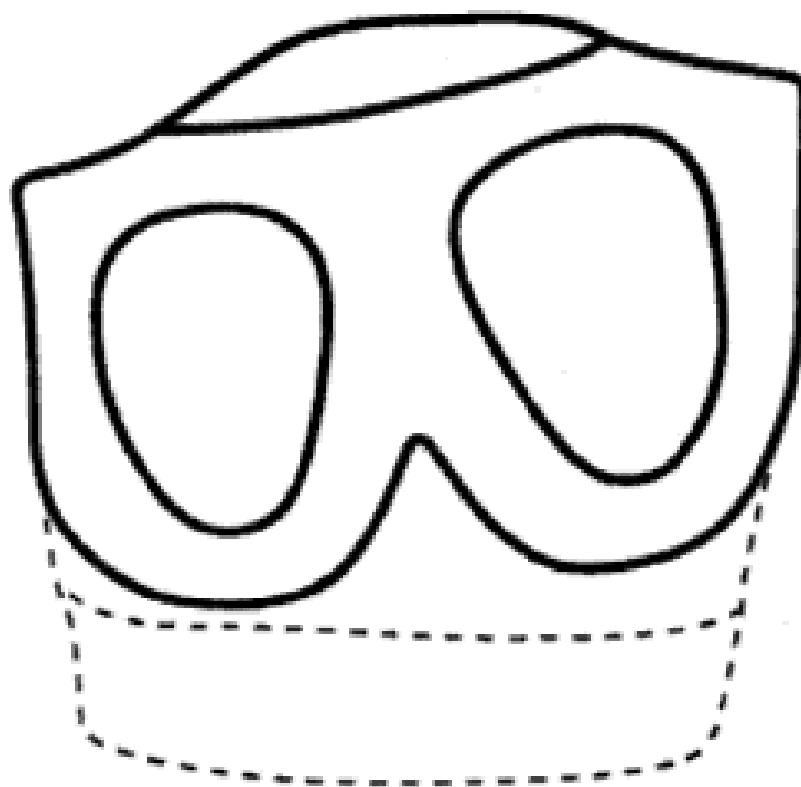
8-18 William Street Beaconsfield New South Wales 2015 Australia

(72) Name(s) of Designer(s): **David Wilkenfeld**

(45) Registration Date: **02 March 2010**

(56) Related Art Documents: **Not Applicable**

(57) Statement of Newness and Distinctiveness: **The shape and configuration of the dance shoe sole are new and distinctive. Dotted sections are included to show placement only and are not a part of the design.**



(21) Design Number: **10392/2010**

(22) Date of Filing Application: **05 February 2010**

(24) Date from which industrial property rights may have effect: **05 February 2010**

(54) Product in respect of which the design is registered: **A child's ride-on apparatus**

(51) International Design Classification: **21-01F**

(71) Name(s) and Address(s) of Applicant(s):

Funtastic Limited

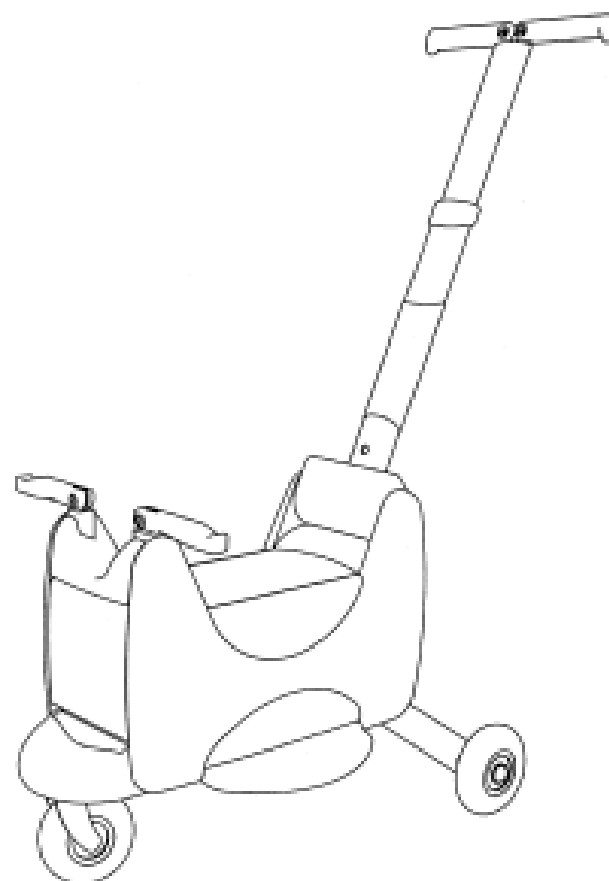
635 Waverley Road Glen Waverley Victoria 3150 Australia

(72) Name(s) of Designer(s): **Sean Edwin Moran**

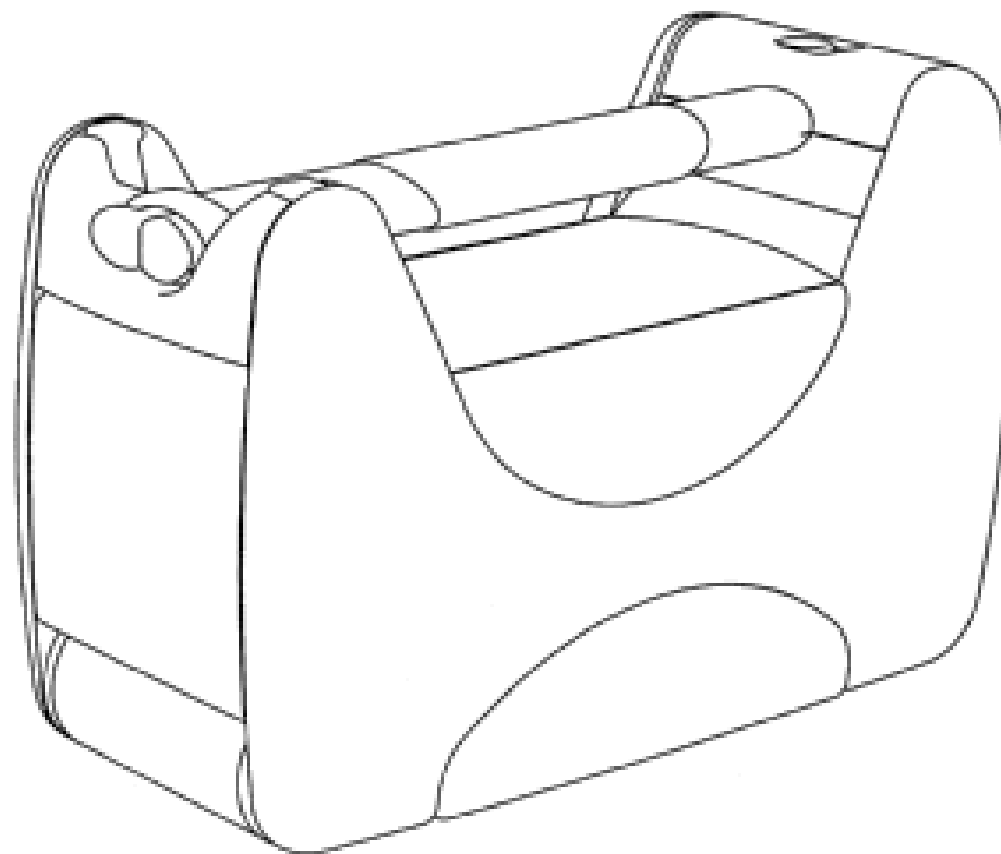
(45) Registration Date: **02 March 2010**

(56) Related Art Documents: **Not Applicable**

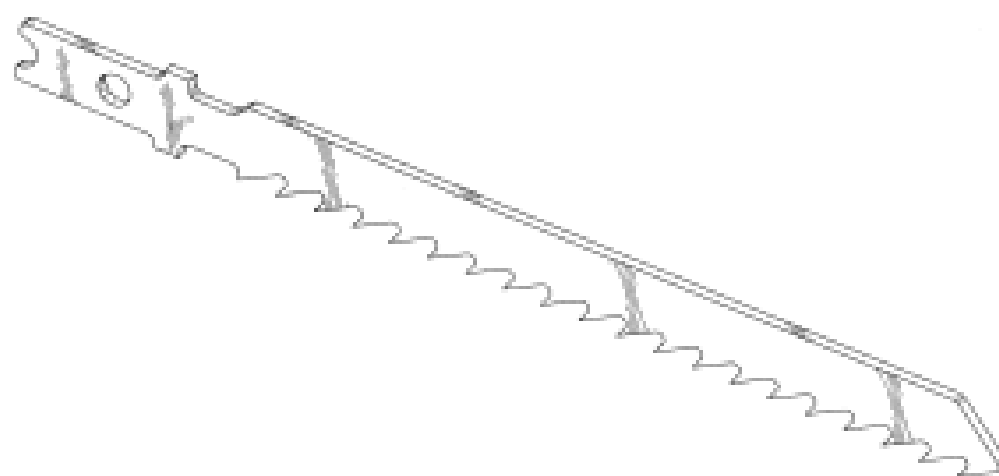
(57) Statement of Newness and Distinctiveness: **Newness and distinctiveness resides in the features of shape and configuration of the child's ride-on apparatus as shown in the drawings.**



- (21) Design Number: **10393/2010**
(22) Date of Filing Application: **05 February 2010**
(24) Date from which industrial property rights may have effect: **05 February 2010**
(54) Product in respect of which the design is registered: **A compactable child's ride-on apparatus**
(51) International Design Classification: **21-01F**
(71) Name(s) and Address(s) of Applicant(s):
Funtastic Limited
635 Waverley Road Glen Waverley Victoria 3150 Australia
(72) Name(s) of Designer(s): **Sean Edwin Moran**
(45) Registration Date: **02 March 2010**
(56) Related Art Documents: **Not Applicable**
(57) Statement of Newness and Distinctiveness: **Newness and distinctiveness resides in the compacted shape and configuration of the child's ride-on apparatus as shown in the drawings.**



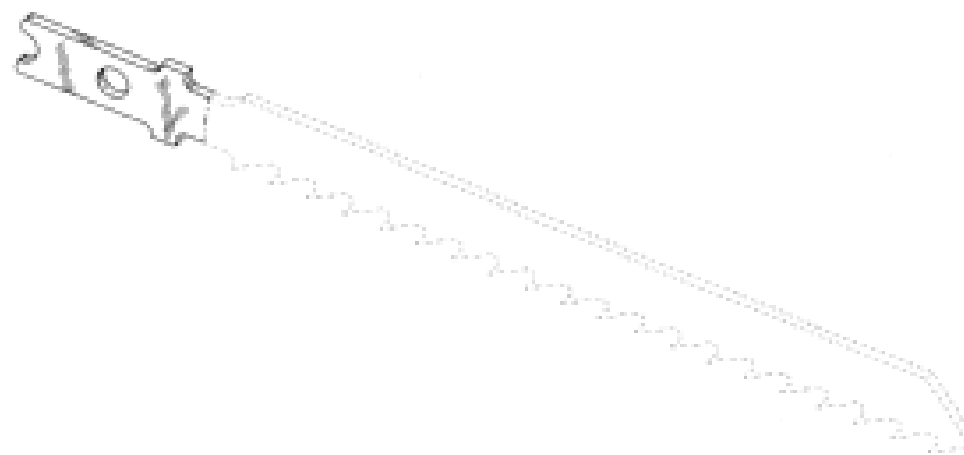
- (21) Design Number: **10395/2010**
(22) Date of Filing Application: **05 February 2010**
(24) Date from which industrial property rights may have effect: **05 February 2010**
(54) Product in respect of which the design is registered: **Saw blade**
(51) International Design Classification: **08-03**
(71) Name(s) and Address(s) of Applicant(s):
Techtronic Power Tools Technology Limited
Trident Chambers PO Box 146 Road Town Tortola Virgin Islands
(British)
(72) Name(s) of Designer(s): **Thomas Evatt and Rick Davidian**
(45) Registration Date: **02 March 2010**
(30) Convention priority data:
(31) Number (32) Date (33) Country
29/352,794 28 Dec 2009 UNITED STATES OF AMERICA
(56) Related Art Documents: **Not Applicable**
(57) Statement of Newness and Distinctiveness: **Nil**



(21) Design Number: **10396/2010**
 (22) Date of Filing Application: **05 February 2010**
 (24) Date from which industrial property rights may have effect: **05 February 2010**
 (54) Product in respect of which the design is registered: **Saw blade**
 (51) International Design Classification: **08-03**
 (71) Name(s) and Address(s) of Applicant(s):
Techtronic Power Tools Technology Limited
Trident Chambers PO Box 146 Road Town Tortola Virgin Islands
(British)
 (72) Name(s) of Designer(s): **Thomas Evatt and Rick Davidian**
 (45) Registration Date: **02 March 2010**
 (30) Convention priority data:

(31) Number	(32) Date	(33) Country
29/352,794	28 Dec 2009	UNITED STATES OF AMERICA

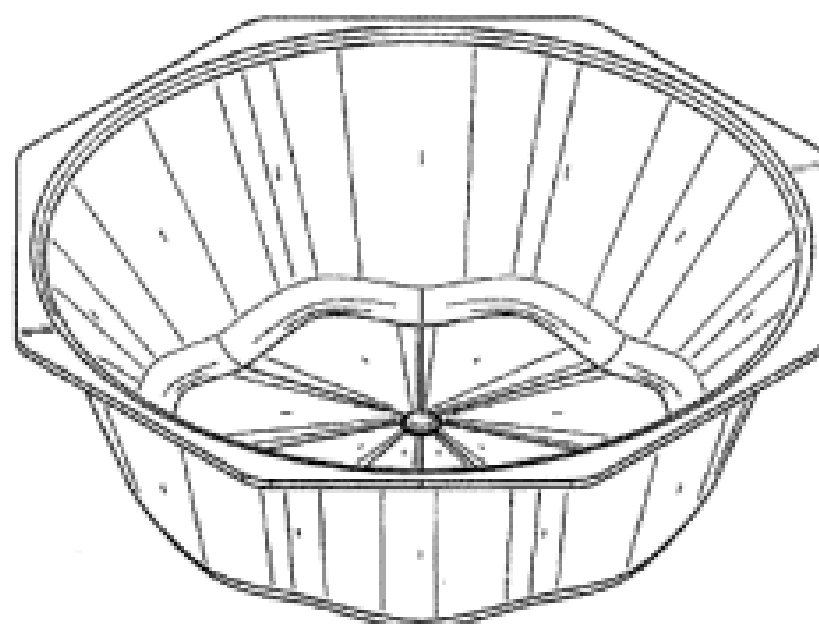
 (56) Related Art Documents: **Not Applicable**
 (57) Statement of Newness and Distinctiveness: **The scope and configuration of the parts of the design shown by means of solid lines in the representations are new and distinctive.**



(21) Design Number: **10397/2010**
 (22) Date of Filing Application: **05 February 2010**
 (24) Date from which industrial property rights may have effect: **05 February 2010**
 (54) Product in respect of which the design is registered: **Cup for pill crushing**
 (51) International Design Classification: **07-01NES**
 (71) Name(s) and Address(s) of Applicant(s):
First Wave Products Group, LLC
One Mill Street Suite 105 Batavia New York 14020 United States of
America
 (72) Name(s) of Designer(s): **Sean D. Anderson and William Riley and Brian D. Bell**
 (45) Registration Date: **02 March 2010**
 (30) Convention priority data:

(31) Number	(32) Date	(33) Country
29/346077	27 Oct 2009	UNITED STATES OF AMERICA

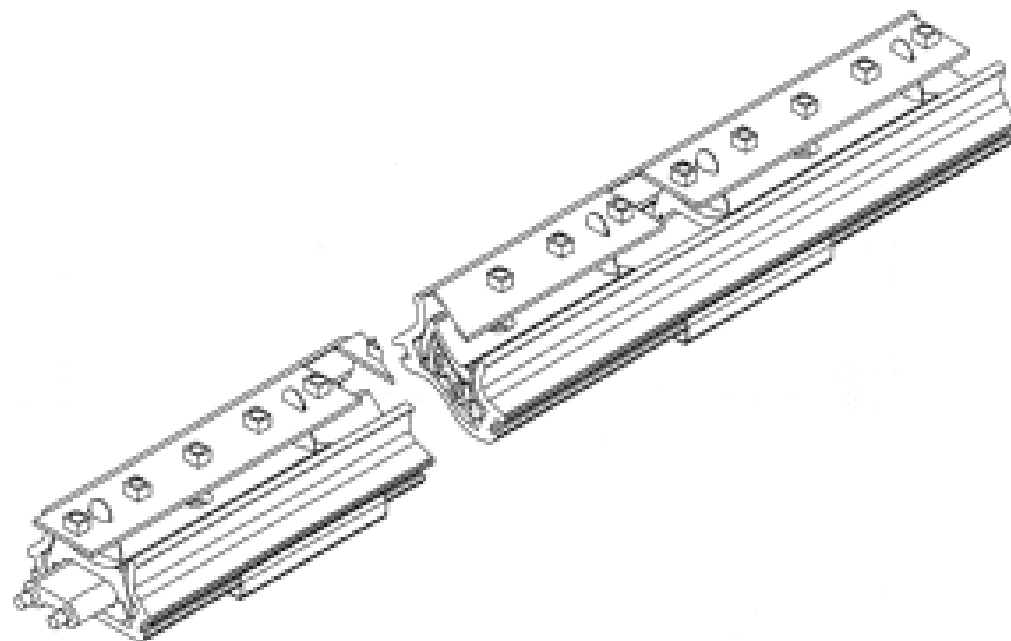
 (56) Related Art Documents: **Not Applicable**
 (57) Statement of Newness and Distinctiveness: **Newness and distinctiveness is claimed in the features of shape and/or configuration of a cup for pill crushing as illustrated in the accompanying representations.**



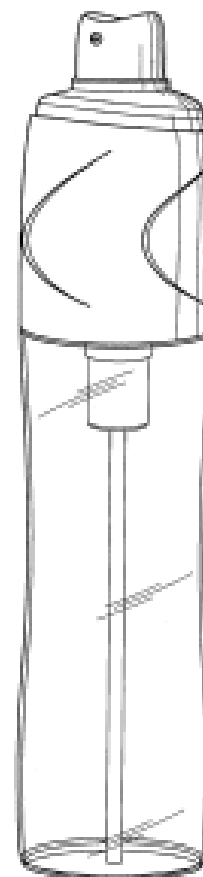
- (21) Design Number: **10438/2010**
(22) Date of Filing Application: **11 February 2010**
(24) Date from which industrial property rights may have effect: **11 February 2010**
(54) Product in respect of which the design is registered: **Can, jerry cans, jerry can holders and storage containers**
(51) International Design Classification: **09-02B**
(71) Name(s) and Address(s) of Applicant(s):
Gary Roberson
33 Mollee Road Moruya New South Wales 2537 Australia
(72) Name(s) of Designer(s): **Gary Roberson**
(45) Registration Date: **02 March 2010**
(56) Related Art Documents: **Not Applicable**
(57) Statement of Newness and Distinctiveness: **Lid on Can to allow items other than liquid to be carried in a Jerry can holder. Protruding upper section that allows a bigger access while still fitting in Jerry can holders. Strap rebates that also double as lips on the inside for holding shelves. Dust cover lip. Holes that hold straps as handles. Angle cut out on corner to allow water pouring.**



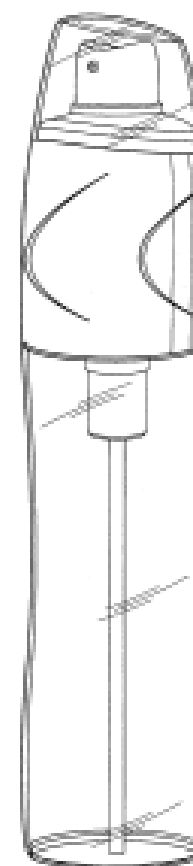
- (21) Design Number: **10456/2010**
(22) Date of Filing Application: **09 February 2010**
(24) Date from which industrial property rights may have effect: **09 February 2010**
(54) Product in respect of which the design is registered: **LED**
(51) International Design Classification: **26-99**
(71) Name(s) and Address(s) of Applicant(s):
Intralux Australia Pty Limited
23 Enterprise Street Richlands Queensland 4077 Australia
(72) Name(s) of Designer(s): **Matthew Nelson**
(45) Registration Date: **02 March 2010**
(56) Related Art Documents: **Not Applicable**
(57) Statement of Newness and Distinctiveness: **Nil**



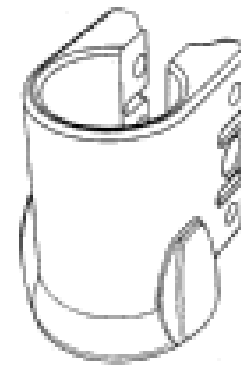
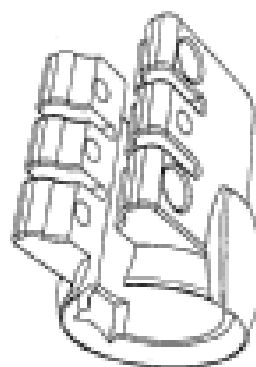
- (21) Design Number: **10410/2010**
(22) Date of Filing Application: **08 February 2010**
(24) Date from which industrial property rights may have effect: **08 February 2010**
(54) Product in respect of which the design is registered: **Translucent aerosol**
(51) International Design Classification: **09-01A**
(71) Name(s) and Address(s) of Applicant(s):
Reckitt & Colman (Overseas) Limited
103-105 Bath Road Slough Berkshire SL1 3UH United Kingdom
(72) Name(s) of Designer(s): **Michael Bainton**
(45) Registration Date: **10 March 2010**
(30) Convention priority data:
(31) Number (32) Date (33) Country
001158638-0003 10 Aug 2009 EUROPEAN COMMUNITY
(56) Related Art Documents: **Not Applicable**
(57) Statement of Newness and Distinctiveness: **Newness and distinctiveness reside in the shape and configuration of the design as shown in the representations.**



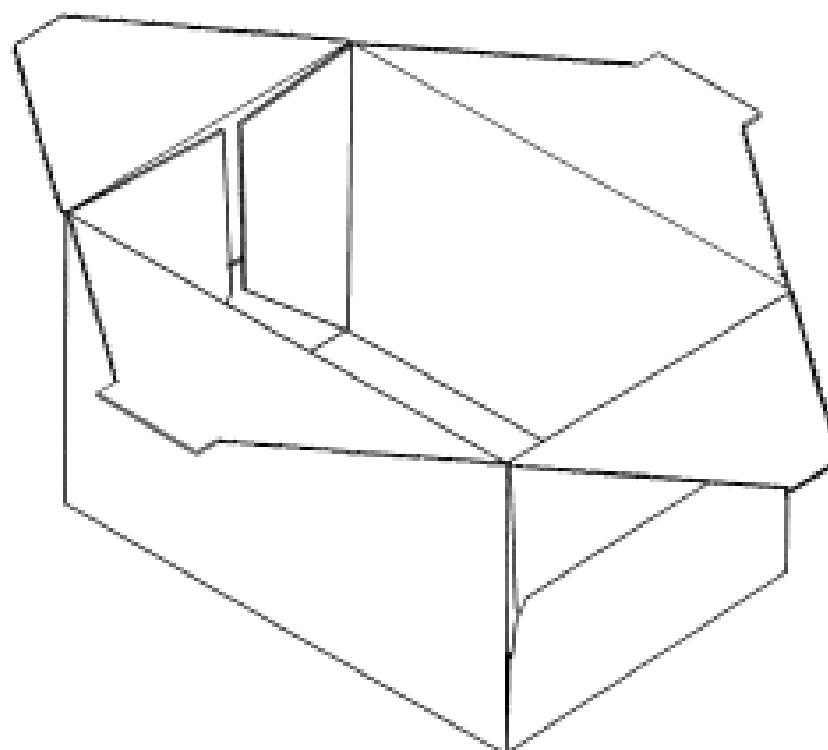
- (21) Design Number: **10411/2010**
(22) Date of Filing Application: **08 February 2010**
(24) Date from which industrial property rights may have effect: **08 February 2010**
(54) Product in respect of which the design is registered: **Translucent aerosol and cap**
(51) International Design Classification: **09-01A, 09-07A**
(71) Name(s) and Address(s) of Applicant(s):
Reckitt & Colman (Overseas) Limited
103-105 Bath Road Slough Berkshire SL1 3UH United Kingdom
(72) Name(s) of Designer(s): **Michael Bainton**
(45) Registration Date: **10 March 2010**
(30) Convention priority data:
(31) Number (32) Date (33) Country
001158638-0004 10 Aug 2009 EUROPEAN COMMUNITY
(56) Related Art Documents: **Not Applicable**
(57) Statement of Newness and Distinctiveness: **Newness and distinctiveness reside in the shape and configuration of the design as shown in the representations.**



- (21) Design Number: **10413/2010**
(22) Date of Filing Application: **05 February 2010**
(24) Date from which industrial property rights may have effect: **05 February 2010**
(54) Product in respect of which the design is registered: **A clamp**
(51) International Design Classification: **08-08D**
(71) Name(s) and Address(s) of Applicant(s):
Madd Gear Pty Ltd
12/35 Garden Road Clayton Victoria 3168 Australia
(72) Name(s) of Designer(s): **Michael Horne**
(45) Registration Date: **10 March 2010**
(56) Related Art Documents: **Not Applicable**
(57) Statement of Newness and Distinctiveness: **Nil**



- (21) Design Number: **10414/2010**
(22) Date of Filing Application: **08 February 2010**
(24) Date from which industrial property rights may have effect: **08 February 2010**
(54) Product in respect of which the design is registered: **Container and a blank therefor**
(51) International Design Classification: **09-03M**
(71) Name(s) and Address(s) of Applicant(s):
Ancor Limited
679 Victoria Road Abbotsford Victoria 3067 Australia
(72) Name(s) of Designer(s): **Andrew Jackson**
(45) Registration Date: **10 March 2010**
(56) Related Art Documents: **Not Applicable**
(57) Statement of Newness and Distinctiveness: **Newness and distinctiveness are claimed in the features of shape and configuration of the container and blank therefor depicted in the representations.**



(21) Design Number: **10415/2010**

(22) Date of Filing Application: **08 February 2010**

(24) Date from which industrial property rights may have effect: **08 February 2010**

(54) Product in respect of which the design is registered: **I do pendant light**

(51) International Design Classification: **26-05D**

(71) Name(s) and Address(s) of Applicant(s):

Keith Melbourne

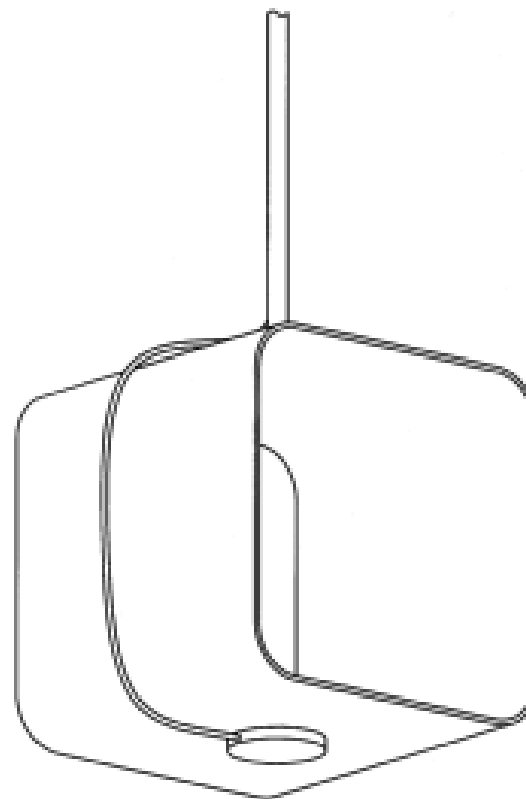
12/95 Victoria Street Fitzroy Victoria 3065 Australia

(72) Name(s) of Designer(s): **Keith Melbourne**

(45) Registration Date: **10 March 2010**

(56) Related Art Documents: **Not Applicable**

(57) Statement of Newness and Distinctiveness: **The light shade is illuminated yet empty, with no apparent light source. The light shade is suspended in a horizontal orientation, rather than the typical vertical orientation.**



(21) Design Number: **10416/2010**

(22) Date of Filing Application: **08 February 2010**

(24) Date from which industrial property rights may have effect: **08 February 2010**

(54) Product in respect of which the design is registered: **I do table lamp**

(51) International Design Classification: **26-05B**

(71) Name(s) and Address(s) of Applicant(s):

Keith Melbourne

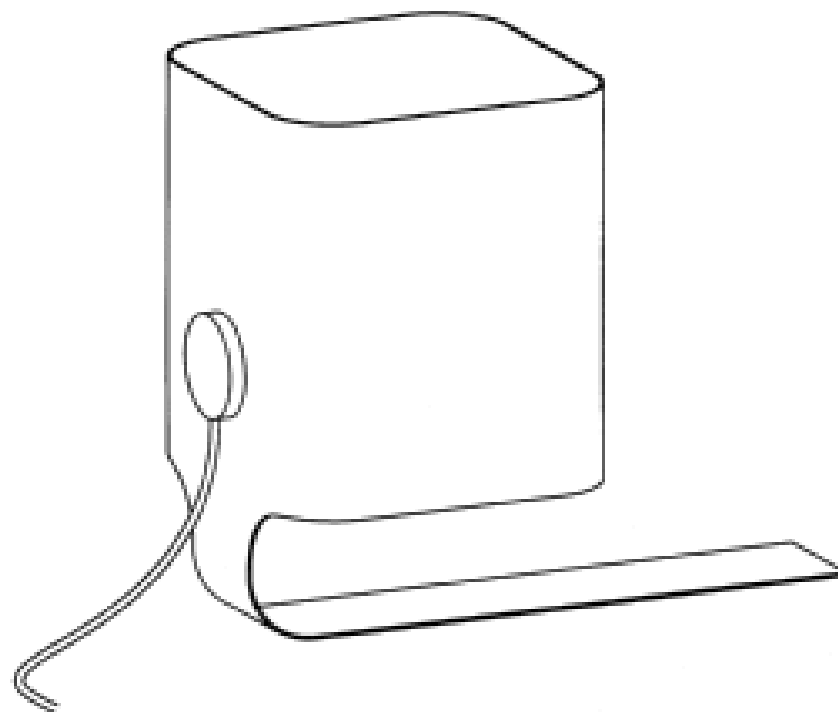
12/95 Victoria Street Fitzroy Victoria 3065 Australia

(72) Name(s) of Designer(s): **Keith Melbourne**

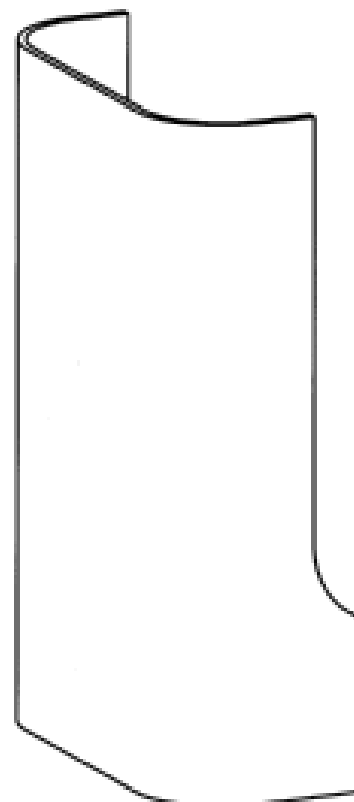
(45) Registration Date: **10 March 2010**

(56) Related Art Documents: **Not Applicable**

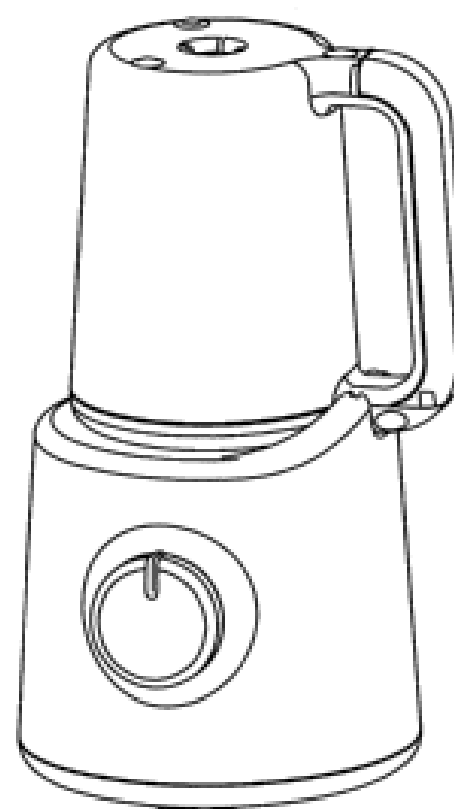
(57) Statement of Newness and Distinctiveness: **The lamp is formed from one continuous piece of material. The lamp is illuminated yet empty, with no apparent light source.**



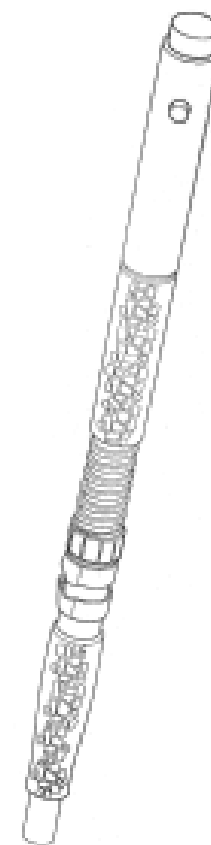
- (21) Design Number: **10417/2010**
(22) Date of Filing Application: **08 February 2010**
(24) Date from which industrial property rights may have effect: **08 February 2010**
(54) Product in respect of which the design is registered: **I do wall light**
(51) International Design Classification: **26-05C**
(71) Name(s) and Address(s) of Applicant(s):
Keith Melbourne
12/95 Victoria Street Fitzroy Victoria 3065 Australia
(72) Name(s) of Designer(s): **Keith Melbourne**
(45) Registration Date: **10 March 2010**
(56) Related Art Documents: **Not Applicable**
(57) Statement of Newness and Distinctiveness: **Nil**



- (21) Design Number: **10371/2010**
(22) Date of Filing Application: **04 February 2010**
(24) Date from which industrial property rights may have effect: **04 February 2010**
(54) Product in respect of which the design is registered: **Combined steamer and blender**
(51) International Design Classification: **31-00**
(71) Name(s) and Address(s) of Applicant(s):
Koninklijke Philips Electronics N.V.
Groenewoudseweg 1 5621 BA Eindhoven The Netherlands
(72) Name(s) of Designer(s): **Andrew Bower**
(45) Registration Date: **10 March 2010**
(30) Convention priority data:
(31) Number (32) Date (33) Country
001599275-0001 07 Aug 2009 EUROPEAN COMMUNITY
(56) Related Art Documents: **Not Applicable**
(57) Statement of Newness and Distinctiveness: **Newness and distinctiveness reside in the features of shape and configuration of the design as shown in the representations.**

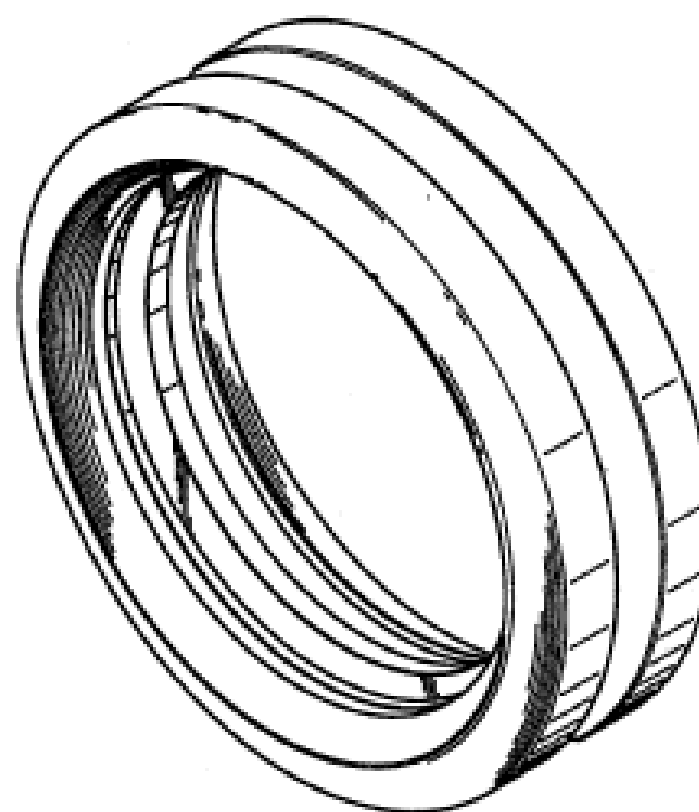


- (21) Design Number: **10373/2010**
- (22) Date of Filing Application: **03 February 2010**
- (24) Date from which industrial property rights may have effect: **03 February 2010**
- (54) Product in respect of which the design is registered: **Fishing rod handle**
- (51) International Design Classification: **22-05**
- (71) Name(s) and Address(s) of Applicant(s):
Brydan Ganley
C/- CMB 61 Deeral Queensland 4871 Australia
- (72) Name(s) of Designer(s): **Brydan Ganley**
- (45) Registration Date: **10 March 2010**
- (56) Related Art Documents: **Not Applicable**
- (57) Statement of Newness and Distinctiveness: **Newness and distinctiveness is claimed in the feature of shape and configuration of an end portion of the fishing rod handle that interconnects to the spike portion. No claim is made to the length of the fishing rod handle or the spike portion.**

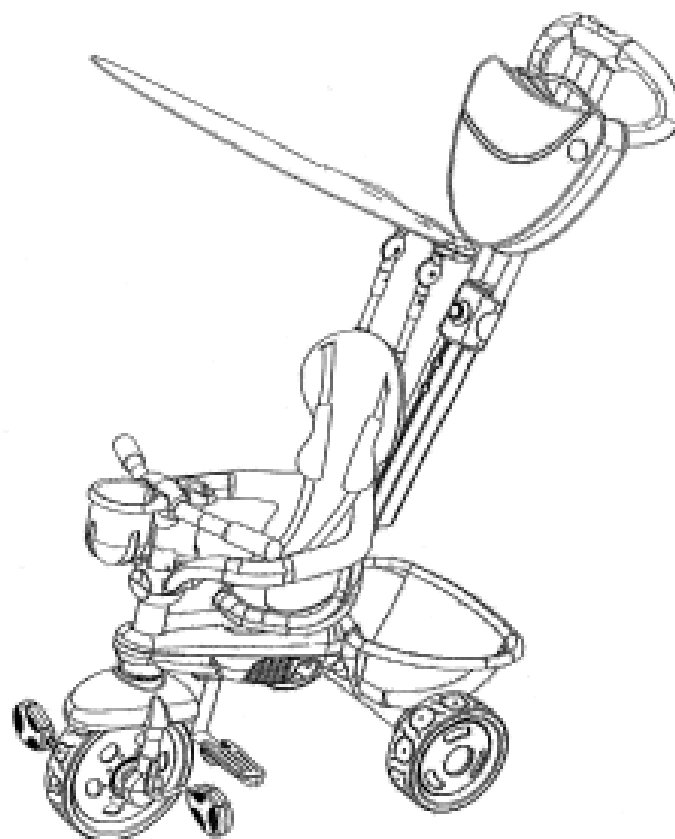


- (21) Design Number: **10374/2010**
- (22) Date of Filing Application: **04 February 2010**
- (24) Date from which industrial property rights may have effect: **04 February 2010**
- (54) Product in respect of which the design is registered: **Ring gasket**
- (51) International Design Classification: **23-01A**
- (71) Name(s) and Address(s) of Applicant(s):
Victaulic Company
4901 Kesslersville Road Easton Pennsylvania 18040 United States of America
- (72) Name(s) of Designer(s): **Matthew A. Bowman and Scott D. Madara and Thomas M. Soloe and Charles E. Wilk Jr**
- (45) Registration Date: **10 March 2010**
- (30) Convention priority data:

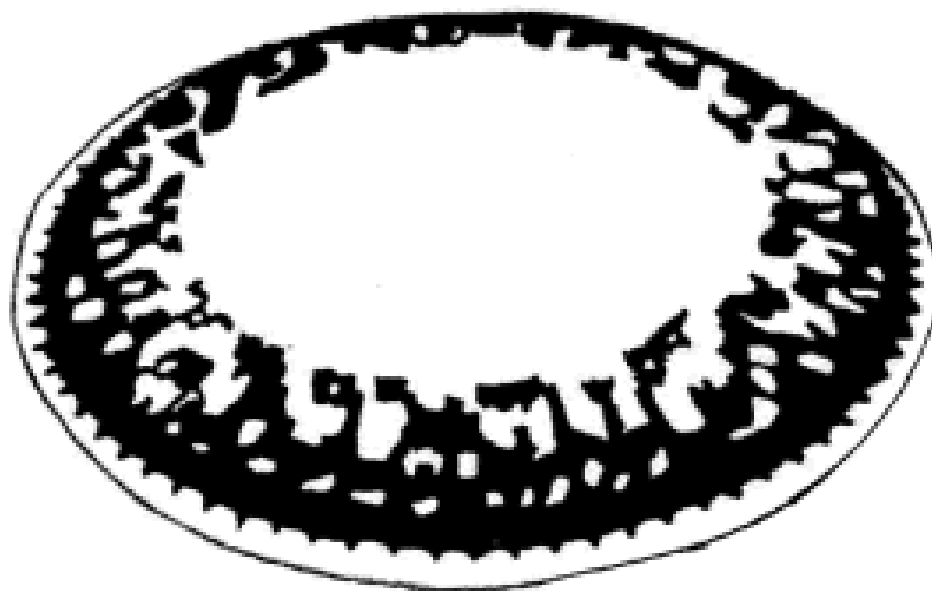
(31) Number	(32) Date	(33) Country
29/341,701	11 Aug 2009	UNITED STATES OF AMERICA
- (56) Related Art Documents: **Not Applicable**
- (57) Statement of Newness and Distinctiveness: **Nil**



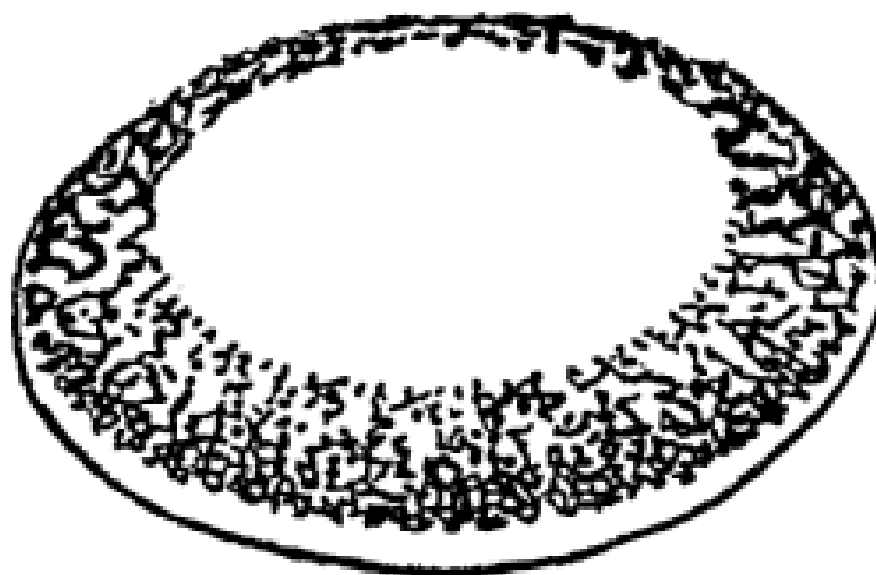
- (21) Design Number: **14993/2009**
(22) Date of Filing Application: **21 December 2009**
(24) Date from which industrial property rights may have effect: **21 December 2009**
(54) Product in respect of which the design is registered: **Tricycle**
(51) International Design Classification: **21-01F**
(71) Name(s) and Address(s) of Applicant(s):
Smart Trike MNF. PTE. Ltd.
20 Jalan Besar #05-04 The Office Chambers Singapore 208906
Singapore
(72) Name(s) of Designer(s): **Yoram Bar On**
(45) Registration Date: **05 March 2010**
(56) Related Art Documents: **Not Applicable**
(57) Statement of Newness and Distinctiveness: **Newness and distinctiveness is claimed in the features of pattern and/or ornamentation of the pedals, wheels and foot rests of a tricycle as illustrated in the accompanying representations.**



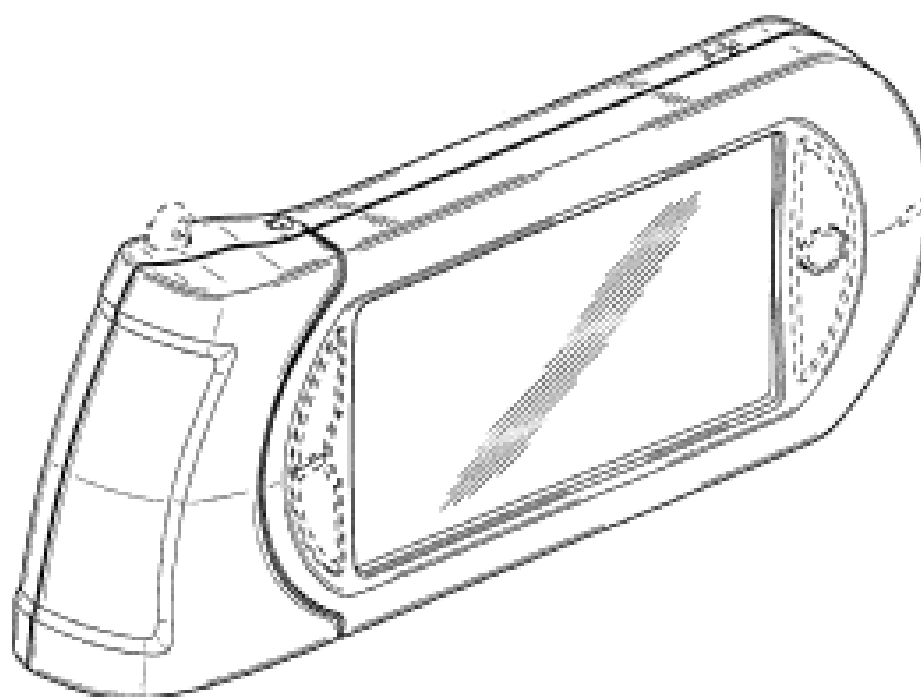
- (21) Design Number: **15041/2009**
(22) Date of Filing Application: **23 December 2009**
(24) Date from which industrial property rights may have effect: **23 December 2009**
(54) Product in respect of which the design is registered: **Contact lens**
(51) International Design Classification: **16-06**
(71) Name(s) and Address(s) of Applicant(s):
Bausch & Lomb Incorporated
One Bausch & Lomb Place Rochester New York 14604 United States
of America
(72) Name(s) of Designer(s): **Daozhi Wang**
(45) Registration Date: **05 March 2010**
(30) Convention priority data:
(31) Number (32) Date (33) Country
29/339573 02 Jul 2009 UNITED STATES OF AMERICA
(56) Related Art Documents: **Not Applicable**
(57) Statement of Newness and Distinctiveness: **Newness and distinctiveness is claimed in the features of pattern and/or ornamentation of a contact lens as illustrated in the accompanying representations.**



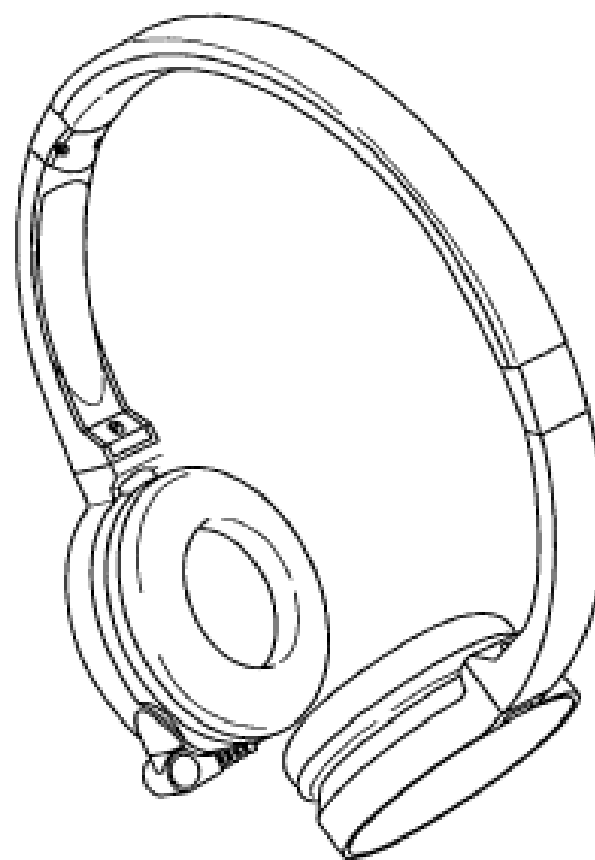
(21) Design Number: **15042/2009**
(22) Date of Filing Application: **23 December 2009**
(24) Date from which industrial property rights may have effect: **23 December 2009**
(54) Product in respect of which the design is registered: **Contact lens**
(51) International Design Classification: **16-06**
(71) Name(s) and Address(s) of Applicant(s):
Bausch & Lomb Incorporated
One Bausch & Lomb Place Rochester New York 14604 United States of America
(72) Name(s) of Designer(s): **Daozhi Wang**
(45) Registration Date: **05 March 2010**
(30) Convention priority data:
(31) Number (32) Date (33) Country
29/339573 02 Jul 2009 UNITED STATES OF AMERICA
(56) Related Art Documents: **Not Applicable**
(57) Statement of Newness and Distinctiveness: **Newness and distinctiveness is claimed in the features of pattern and/or ornamentation of a contact lens as illustrated in the accompanying representations.**



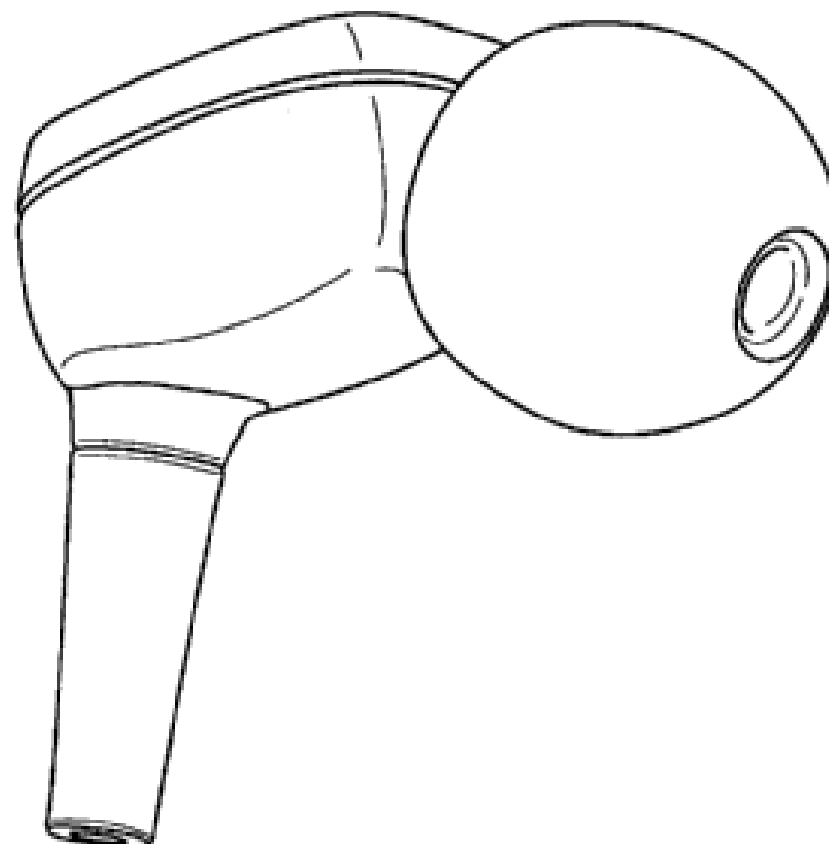
(21) Design Number: **10010/2010**
(22) Date of Filing Application: **04 January 2010**
(24) Date from which industrial property rights may have effect: **04 January 2010**
(54) Product in respect of which the design is registered: **Electronic controller device**
(51) International Design Classification: **08-03**
(71) Name(s) and Address(s) of Applicant(s):
Provo Craft and Novelty, Inc.
151 E. 3450 North Spanish Fork Utah 84660 United states of America
(72) Name(s) of Designer(s): **Jared Burton and James T. Davis II and Matthew B. Strong**
(45) Registration Date: **05 March 2010**
(30) Convention priority data:
(31) Number (32) Date (33) Country
29/339699 06 Jul 2009 UNITED STATES OF AMERICA
(56) Related Art Documents: **Not Applicable**
(57) Statement of Newness and Distinctiveness: **Nil**



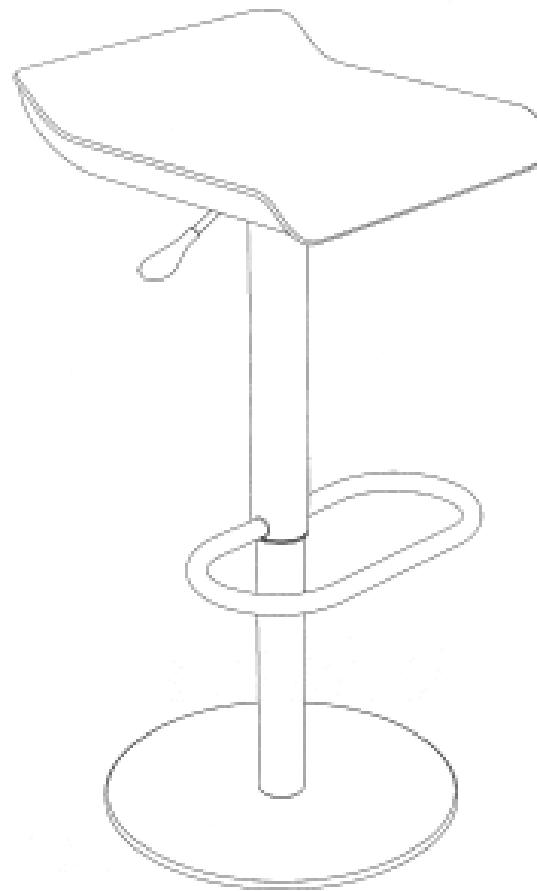
- (21) Design Number: **10398/2010**
(22) Date of Filing Application: **05 February 2010**
(24) Date from which industrial property rights may have effect: **05 February 2010**
(54) Product in respect of which the design is registered: **Headphone**
(51) International Design Classification: **14-01**
(71) Name(s) and Address(s) of Applicant(s):
Kabushiki Kaisha Audio-Technica
2206 Naruse Machida-shi Tokyo Japan
(72) Name(s) of Designer(s): **Taira Ohori and Hisaya Hagiwara**
(45) Registration Date: **05 March 2010**
(30) Convention priority data:
(31) Number (32) Date (33) Country
2009-018127 07 Aug 2009 JAPAN
(56) Related Art Documents: **Not Applicable**
(57) Statement of Newness and Distinctiveness: **Newness and distinctiveness is claimed in the features of shape and/or configuration of a headphone as illustrated in the accompanying representations. Particular regard is to be had to the bottom part of at least one of the headphone housings incorporating a cord and connecting plug.**



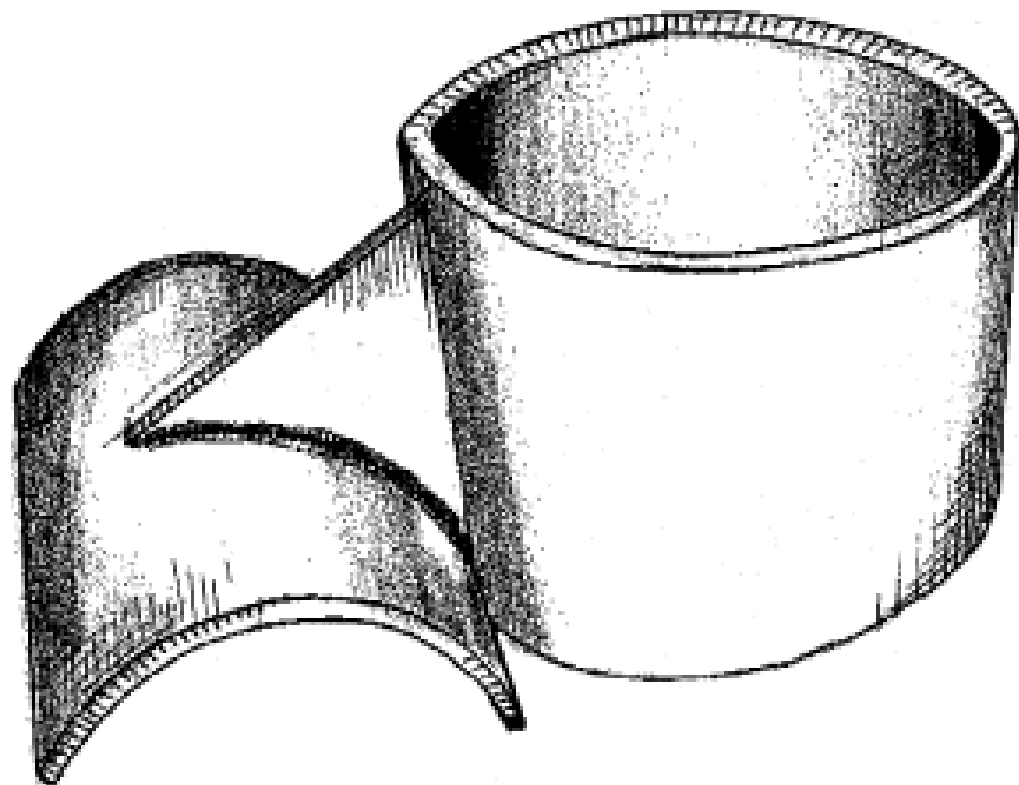
- (21) Design Number: **10399/2010**
(22) Date of Filing Application: **05 February 2010**
(24) Date from which industrial property rights may have effect: **05 February 2010**
(54) Product in respect of which the design is registered: **Earphone**
(51) International Design Classification: **14-01**
(71) Name(s) and Address(s) of Applicant(s):
Kabushiki Kaisha Audio-Technica
2206 Naruse Machida-shi Tokyo Japan
(72) Name(s) of Designer(s): **Daisuke Yoneyama and Kensuke Iizuka**
(45) Registration Date: **05 March 2010**
(30) Convention priority data:
(31) Number (32) Date (33) Country
2009-018126 07 Aug 2009 JAPAN
(56) Related Art Documents: **Not Applicable**
(57) Statement of Newness and Distinctiveness: **Newness and distinctiveness is claimed in the features of shape and/or configuration of the housing storing a driver unit of the earphone as illustrated in the accompanying representations.**



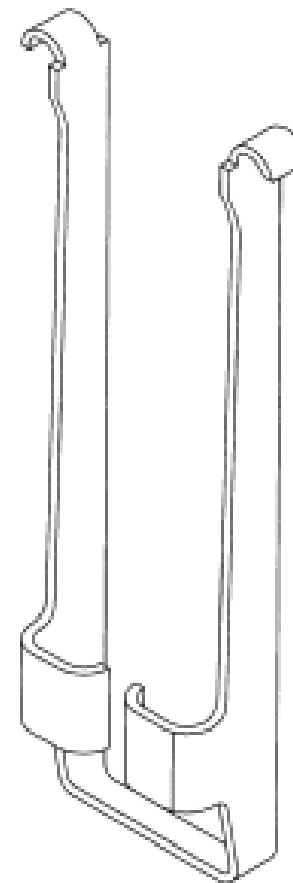
- (21) Design Number: **10401/2010**
(22) Date of Filing Application: **05 February 2010**
(24) Date from which industrial property rights may have effect: **05 February 2010**
(54) Product in respect of which the design is registered: **Bar stool**
(51) International Design Classification: **06-01E**
(71) Name(s) and Address(s) of Applicant(s):
Hangzhou China Arts Industrial Corp., Ltd
No. 169 Wuchang Road Xianlin Town Yuhang District Hangzhou
Zhejiang Province P.C.310023 China
(72) Name(s) of Designer(s): **Ren Li**
(45) Registration Date: **05 March 2010**
(30) Convention priority data:
(31) Number (32) Date (33) Country
200930151128.8 **31 Aug 2009** **CHINA**
(56) Related Art Documents: **Not Applicable**
(57) Statement of Newness and Distinctiveness: **Nil**



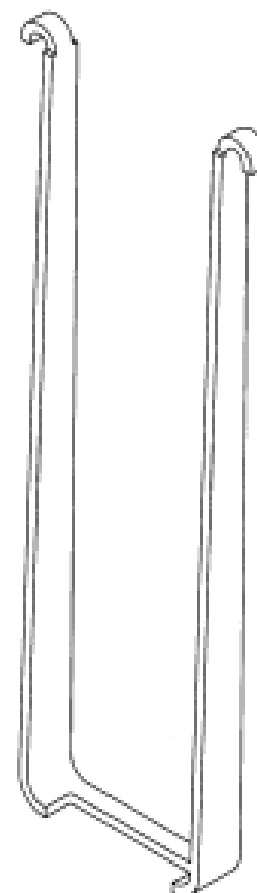
- (21) Design Number: **10403/2010**
(22) Date of Filing Application: **04 February 2010**
(24) Date from which industrial property rights may have effect: **04 February 2010**
(54) Product in respect of which the design is registered: **Tarpaulin clamp**
(51) International Design Classification: **08-08D**
(71) Name(s) and Address(s) of Applicant(s):
Harvey David Horsfall
35 Muntenpen Street Leeton New South Wales 2705 Australia
Sue-Ellen Horsfall
35 Muntenpen Street Leeton New South Wales 2705 Australia
(72) Name(s) of Designer(s): **Harvey David Horsfall**
(45) Registration Date: **05 March 2010**
(56) Related Art Documents: **Not Applicable**
(57) Statement of Newness and Distinctiveness: **We claim monopoly on the shape and configuration of the tarpaulin clamp as shown in the representations.**



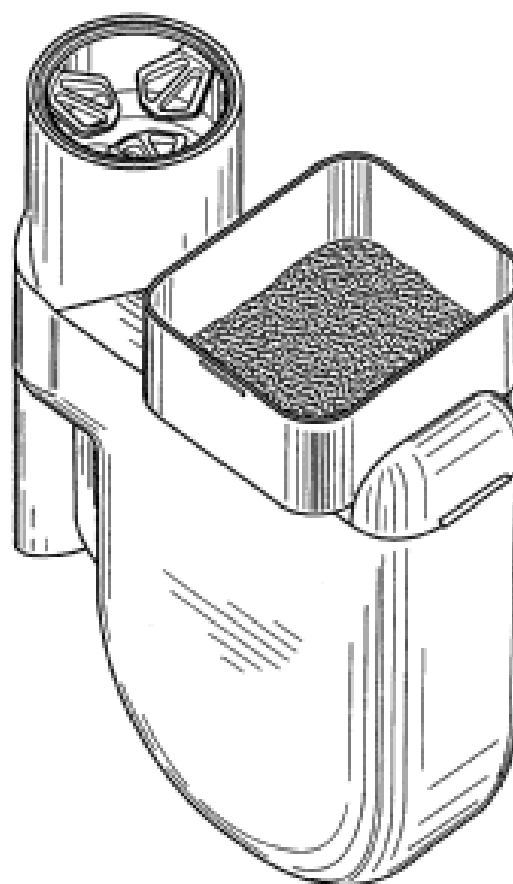
- (21) Design Number: **10404/2010**
(22) Date of Filing Application: **05 February 2010**
(24) Date from which industrial property rights may have effect: **05 February 2010**
(54) Product in respect of which the design is registered: **Gutter clip spacer element**
(51) International Design Classification: **08-08C**
(71) Name(s) and Address(s) of Applicant(s):
BlueScope Steel Limited
Level 11 120 Collins Street Melbourne Victoria 3000 Australia
(72) Name(s) of Designer(s): **Rodney John Gallaty**
(45) Registration Date: **05 March 2010**
(56) Related Art Documents: **Not Applicable**
(57) Statement of Newness and Distinctiveness: **The shape and configuration of a gutter clip spacer element as shown in the accompanying drawings is new and distinctive.**



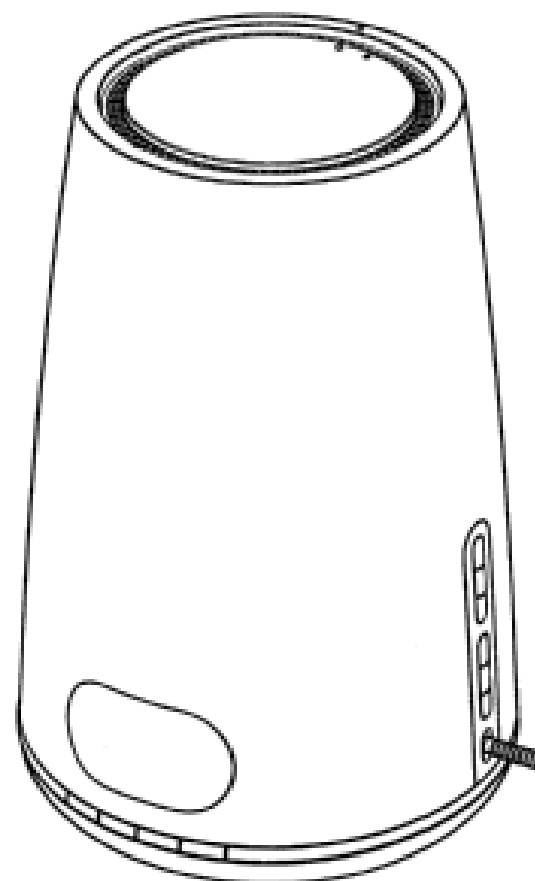
- (21) Design Number: **10405/2010**
(22) Date of Filing Application: **05 February 2010**
(24) Date from which industrial property rights may have effect: **05 February 2010**
(54) Product in respect of which the design is registered: **Gutter clip spacer element**
(51) International Design Classification: **08-08C**
(71) Name(s) and Address(s) of Applicant(s):
BlueScope Steel Limited
Level 11 120 Collins Street Melbourne Victoria 3000 Australia
(72) Name(s) of Designer(s): **Rodney John Gallaty**
(45) Registration Date: **05 March 2010**
(56) Related Art Documents: **Not Applicable**
(57) Statement of Newness and Distinctiveness: **The shape and configuration of a gutter clip spacer element as shown in the accompanying drawings is new and distinctive.**



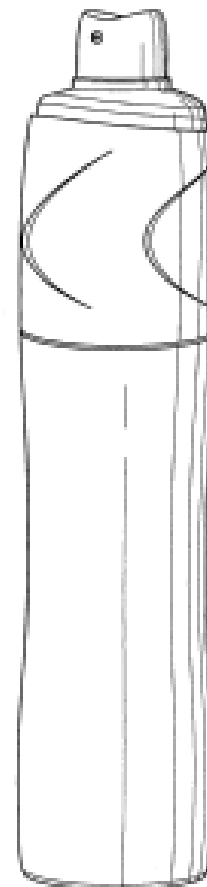
(21) Design Number: **10406/2010**
(22) Date of Filing Application: **08 February 2010**
(24) Date from which industrial property rights may have effect: **08 February 2010**
(54) Product in respect of which the design is registered: **Lavatory dispensing device**
(51) International Design Classification: **28-03NES**
(71) Name(s) and Address(s) of Applicant(s):
Reckitt Benckiser Inc.
Morris Corporate Center IV 399 Interpace Parkway Parsippany New Jersey 07054 United States of America
(72) Name(s) of Designer(s): **Diane Joyce Burt and Artur Stanislaw Domanski and Noel Plenos**
(45) Registration Date: **05 March 2010**
(30) Convention priority data:
(31) Number (32) Date (33) Country
29/342053 18 Aug 2009 UNITED STATES OF AMERICA
(56) Related Art Documents: **Not Applicable**
(57) Statement of Newness and Distinctiveness: **Newness and distinctiveness reside in the features of the design as shown in the representations.**



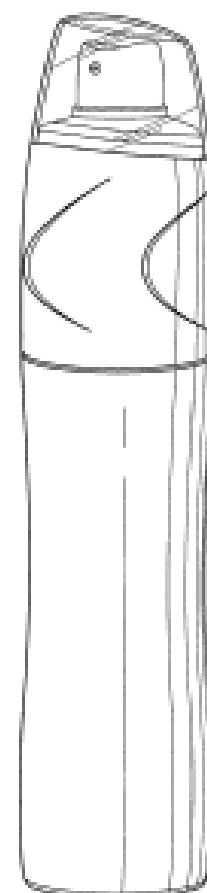
(21) Design Number: **10407/2010**
(22) Date of Filing Application: **08 February 2010**
(24) Date from which industrial property rights may have effect: **08 February 2010**
(54) Product in respect of which the design is registered: **Wake up light**
(51) International Design Classification: **26-05NES**
(71) Name(s) and Address(s) of Applicant(s):
Koninklijke Philips Electronics N.V.
Groenewoudseweg 1 5621 BA Eindhoven The Netherlands
(72) Name(s) of Designer(s): **Patrick Douloubakas**
(45) Registration Date: **05 March 2010**
(30) Convention priority data:
(31) Number (32) Date (33) Country
001605882 31 Aug 2009 EUROPEAN COMMUNITY
(56) Related Art Documents: **Not Applicable**
(57) Statement of Newness and Distinctiveness: **Newness and distinctiveness reside in the features of shape and configuration of the design as shown in the representations.**



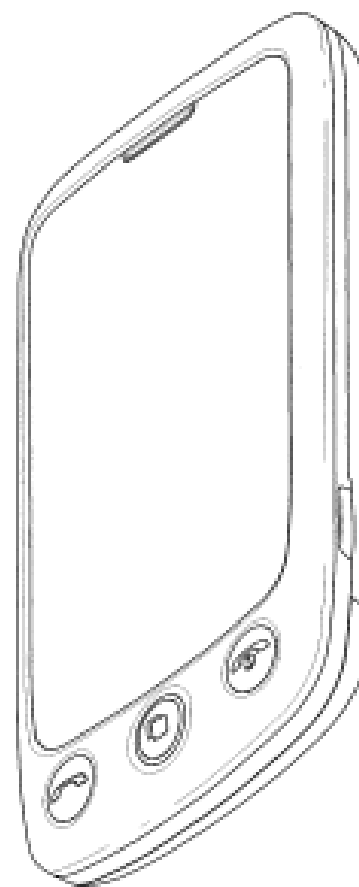
- (21) Design Number: **10408/2010**
(22) Date of Filing Application: **08 February 2010**
(24) Date from which industrial property rights may have effect: **08 February 2010**
(54) Product in respect of which the design is registered: **Opaque aerosol**
(51) International Design Classification: **09-01A**
(71) Name(s) and Address(s) of Applicant(s):
Reckitt & Colman (Overseas) Limited
103-105 Bath Road Slough Berkshire SL1 3UH United Kingdom
(72) Name(s) of Designer(s): **Michael Bainton**
(45) Registration Date: **05 March 2010**
(30) Convention priority data:
(31) Number (32) Date (33) Country
001158638-0001 10 Aug 2009 EUROPEAN COMMUNITY
(56) Related Art Documents: **Not Applicable**
(57) Statement of Newness and Distinctiveness: **Newness and distinctiveness reside in the features of shape and configuration of the design as shown in the representations.**



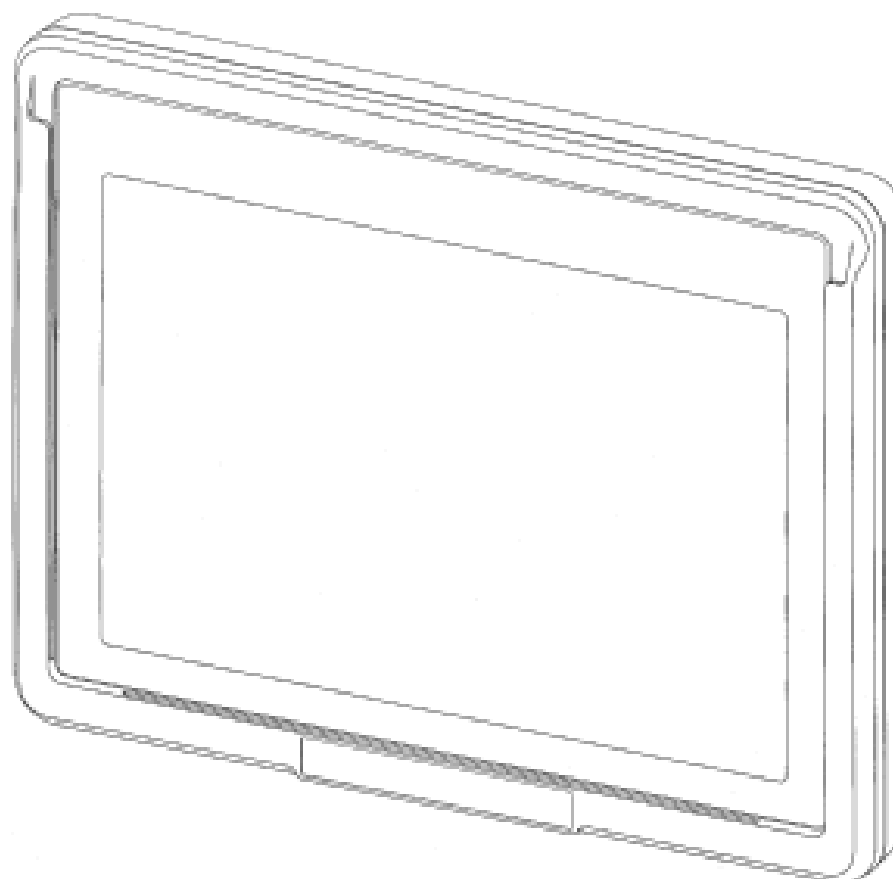
- (21) Design Number: **10409/2010**
(22) Date of Filing Application: **08 February 2010**
(24) Date from which industrial property rights may have effect: **08 February 2010**
(54) Product in respect of which the design is registered: **Opaque aerosol and cap**
(51) International Design Classification: **09-01A**
(71) Name(s) and Address(s) of Applicant(s):
Reckitt & Colman (Overseas) Limited
103-105 Bath Road Slough Berkshire SL1 3UH United Kingdom
(72) Name(s) of Designer(s): **Michael Bainton**
(45) Registration Date: **05 March 2010**
(30) Convention priority data:
(31) Number (32) Date (33) Country
001158638-0002 10 Aug 2009 EUROPEAN COMMUNITY
(56) Related Art Documents: **Not Applicable**
(57) Statement of Newness and Distinctiveness: **Newness and distinctiveness reside in the features of shape and configuration of the design as shown in the representations.**



(21) Design Number: **10424/2010**
(22) Date of Filing Application: **09 February 2010**
(24) Date from which industrial property rights may have effect: **09 February 2010**
(54) Product in respect of which the design is registered: **Cellular phone**
(51) International Design Classification: **14-03E**
(71) Name(s) and Address(s) of Applicant(s):
LG Electronics, Inc.
20 Yeouido-dong Yeongdeungpo-gu Seoul 150-721 Republic of Korea
(72) Name(s) of Designer(s): **Jeong Guen Choi and Gyeong Pil Moon**
(45) Registration Date: **05 March 2010**
(30) Convention priority data:
(31) Number (32) Date (33) Country
30-2009-0035722 13 Aug 2009 REPUBLIC OF KOREA
(56) Related Art Documents: **Not Applicable**
(57) Statement of Newness and Distinctiveness: **Newness and distinctiveness resides in the features of shape and/or configuration of a cellular phone as shown in the accompanying drawings.**



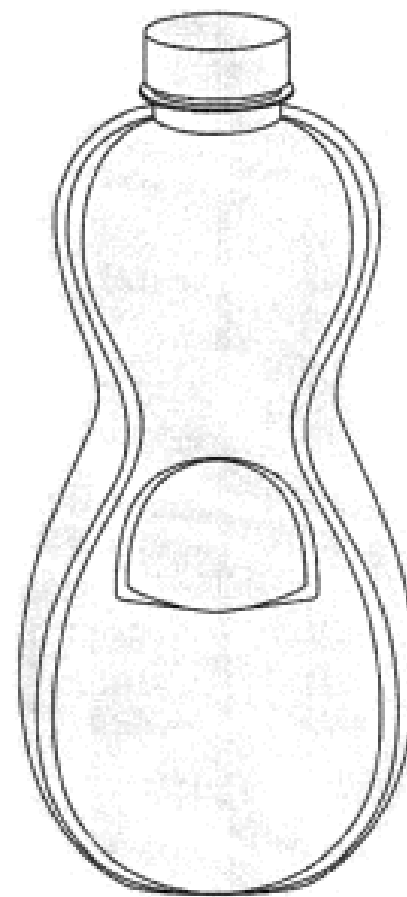
(21) Design Number: **10427/2010**
(22) Date of Filing Application: **09 February 2010**
(24) Date from which industrial property rights may have effect: **09 February 2010**
(54) Product in respect of which the design is registered: **Indicator for store shelves**
(51) International Design Classification: **10-06, 06-04NES**
(71) Name(s) and Address(s) of Applicant(s):
Seiko Instruments Inc.
8 Nakase 1-Chome Mihama-Ku Chiba-Shi Chiba Japan
(72) Name(s) of Designer(s): **Hiromi Chida and Keiichi Horikiri**
(45) Registration Date: **05 March 2010**
(30) Convention priority data:
(31) Number (32) Date (33) Country
2009-018585 12 Aug 2009 JAPAN
(56) Related Art Documents: **Not Applicable**
(57) Statement of Newness and Distinctiveness: **Newness and Distinctiveness resides in the shape and configuration of an indicator for store shelves as shown in the representations.**



(21) Design Number: **10429/2010**
(22) Date of Filing Application: **10 February 2010**
(24) Date from which industrial property rights may have effect: **10 February 2010**
(54) Product in respect of which the design is registered: **Beverage bottle**
(51) International Design Classification: **07-01F, 09-01NES**
(71) Name(s) and Address(s) of Applicant(s):

Zhou Jing-Liang
C/- Shenzhen Dainty Industry Co. Ltd Longzhu Ind.Est. North Ring Rd
Nanshan Dist. Shenzhen People's Republic of China

(72) Name(s) of Designer(s): **Zhou Jing-Liang**
(45) Registration Date: **05 March 2010**
(56) Related Art Documents: **Not Applicable**
(57) Statement of Newness and Distinctiveness: **Nil**



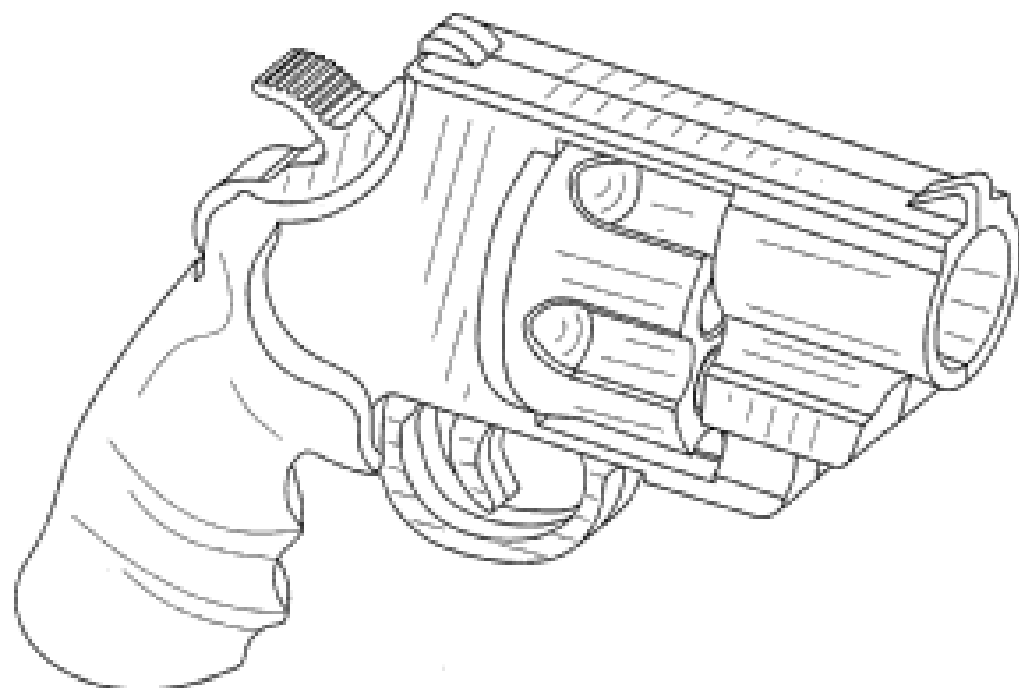
(21) Design Number: **10430/2010**
(22) Date of Filing Application: **09 February 2010**
(24) Date from which industrial property rights may have effect: **09 February 2010**
(54) Product in respect of which the design is registered: **Russian roulette beverage dispenser**
(51) International Design Classification: **31-00, 21-01H**
(71) Name(s) and Address(s) of Applicant(s):

Jesse Jonah White
Route 100 PO Box 389 Hardin Illinois 62047 United States of America

(72) Name(s) of Designer(s): **Jesse Jonah White**
(45) Registration Date: **05 March 2010**
(30) Convention priority data:

(31) Number	(32) Date	(33) Country
29/316,063	19 Aug 2009	UNITED STATES OF AMERICA

(56) Related Art Documents: **Not Applicable**
(57) Statement of Newness and Distinctiveness: **Nil**



(21) Design Number: **12079/2009**

(22) Date of Filing Application: **05 June 2009**

(24) Date from which industrial property rights may have effect: **05 June 2009**

(54) Product in respect of which the design is registered: **Condensing unit**

(51) International Design Classification: **23-04**

(71) Name(s) and Address(s) of Applicant(s):

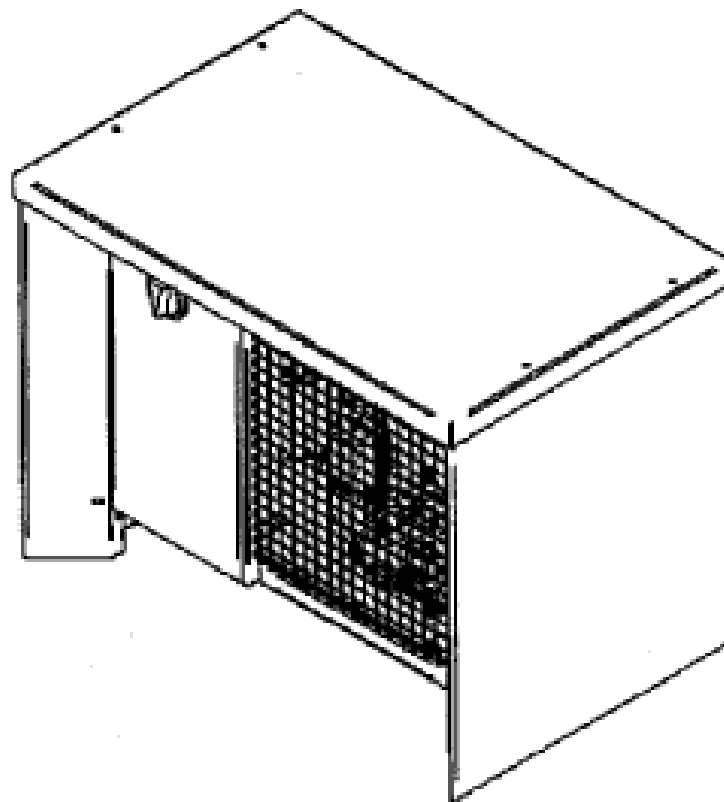
Heatcraft Australia Pty Ltd
286 Horsley Road Milperra New South Wales 2214 Australia

(72) Name(s) of Designer(s): **Olivier Viallon and Charles Blanca and Stephane Pottier**

(45) Registration Date: **09 March 2010**

(56) Related Art Documents: **Not Applicable**

(57) Statement of Newness and Distinctiveness: **Newness and distinctiveness is claimed in respect of a condensing unit as depicted in the attached drawings. Colours, rendering and shading are used to illustrate shape and configuration and do not form part of the design.**



(21) Design Number: **10432/2010**

(22) Date of Filing Application: **05 June 2009**

(24) Date from which industrial property rights may have effect: **05 June 2009**

(54) Product in respect of which the design is registered: **Condensing unit**

(51) International Design Classification: **23-04**

(71) Name(s) and Address(s) of Applicant(s):

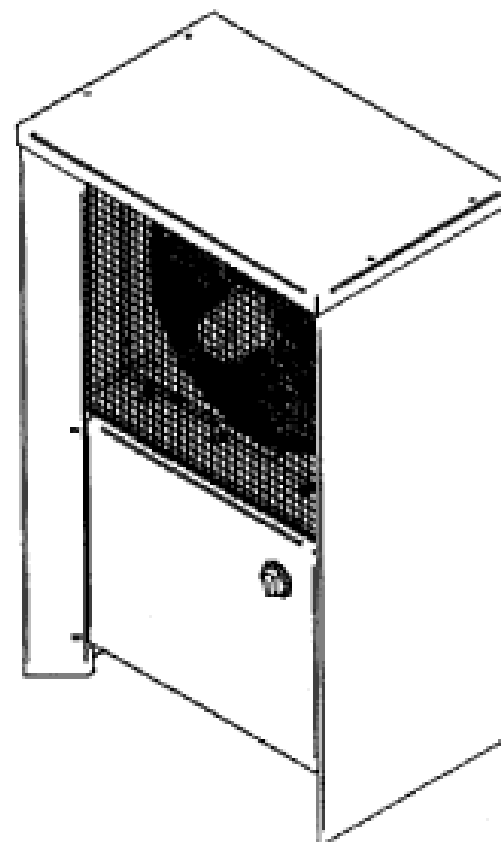
Heatcraft Australia Pty Ltd
286 Horsley Road Milperra New South Wales 2214 Australia

(72) Name(s) of Designer(s): **Olivier Viallon and Charles Blanca and Stephane Pottier**

(45) Registration Date: **09 March 2010**

(56) Related Art Documents: **Not Applicable**

(57) Statement of Newness and Distinctiveness: **Newness and distinctiveness is claimed in respect of a condensing unit as depicted in the attached drawings. Rendering and shading are used to illustrate shape and configuration and do not form part of the design.**



(21) Design Number: **14447/2009**

(22) Date of Filing Application: **16 November 2009**

(24) Date from which industrial property rights may have effect: **16 November 2009**

(54) Product in respect of which the design is registered: **Sunglasses/Eyewear case**

(51) International Design Classification: **03-01NES**

(71) Name(s) and Address(s) of Applicant(s):

NYS Collection LLC

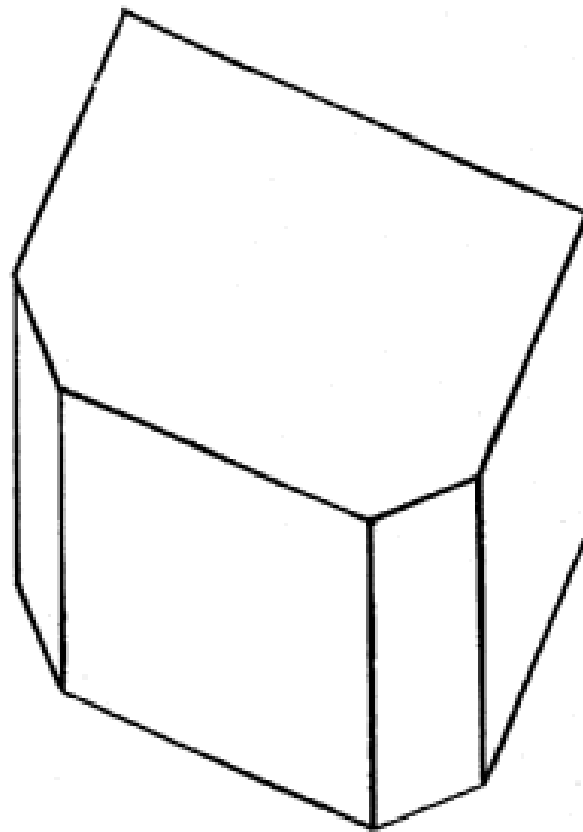
230 Liberty Street Metuchen NJ 08840 United States of America

(72) Name(s) of Designer(s): **Salvatore Babbino and Marcos Behar**

(45) Registration Date: **09 March 2010**

(56) Related Art Documents: **Not Applicable**

(57) Statement of Newness and Distinctiveness: **Nil**



(21) Design Number: **14821/2009**

(22) Date of Filing Application: **09 December 2009**

(24) Date from which industrial property rights may have effect: **09 December 2009**

(54) Product in respect of which the design is registered: **EasyDrive - electric drive system for health & aged care industry equipment**

(51) International Design Classification: **12-16A, 13-01**

(71) Name(s) and Address(s) of Applicant(s):

Oxford EME (Aust) Pty. Ltd.

2 Shale Place Eastern Creek New South Wales 2766 Australia

(72) Name(s) of Designer(s): **Roderick McKay and Grant Clark**

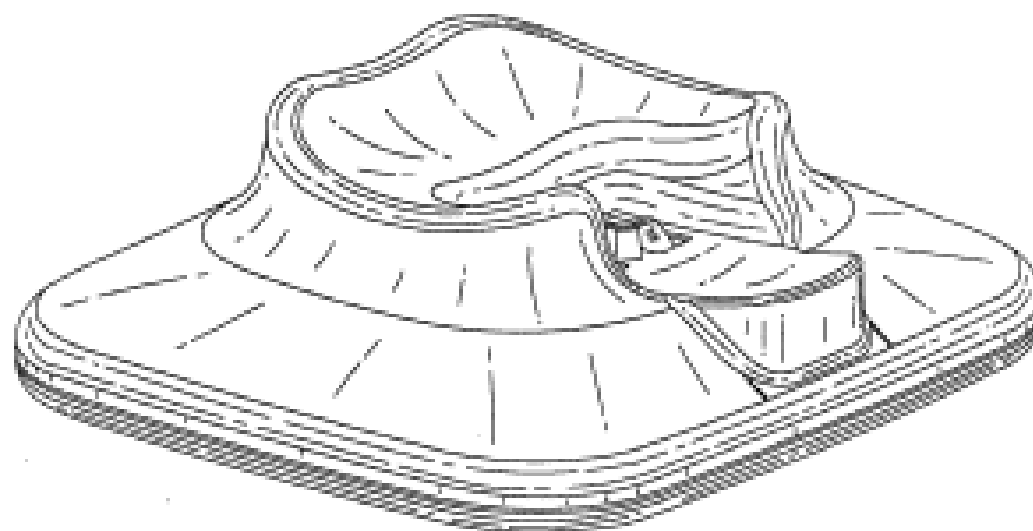
(45) Registration Date: **09 March 2010**

(56) Related Art Documents: **Not Applicable**

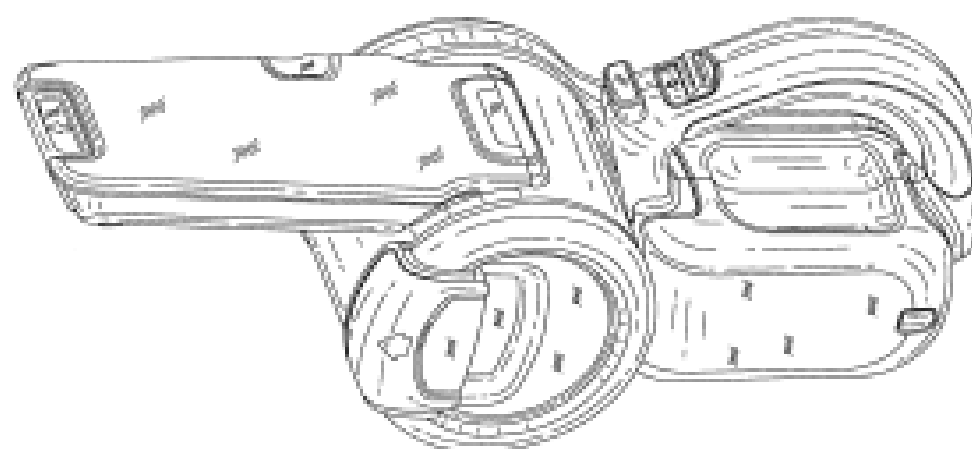
(57) Statement of Newness and Distinctiveness: **Single electric drive wheel which is retractable when idle. Electric motor driven with actuator and spring mechanism for wheel retraction. Battery powered.**



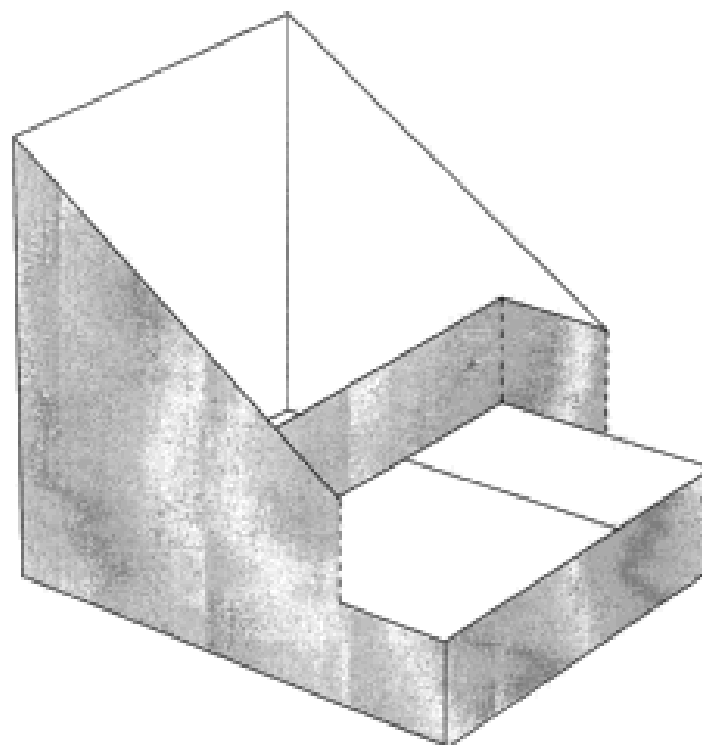
(21) Design Number: **10063/2010**
(22) Date of Filing Application: **11 January 2010**
(24) Date from which industrial property rights may have effect: **11 January 2010**
(54) Product in respect of which the design is registered: **Charger base for a hand-held vacuum cleaner**
(51) International Design Classification: **13-02**
(71) Name(s) and Address(s) of Applicant(s):
Black & Decker, Inc.
1207 Drummond Plaza Newark Delaware 19711 United States of America
(72) Name(s) of Designer(s): **Stephen Houghton**
(45) Registration Date: **09 March 2010**
(30) Convention priority data:
(31) Number (32) Date (33) Country
001151716-0001 13 Jul 2009 EUROPEAN COMMUNITY
(56) Related Art Documents: **Not Applicable**
(57) Statement of Newness and Distinctiveness: **Nil**



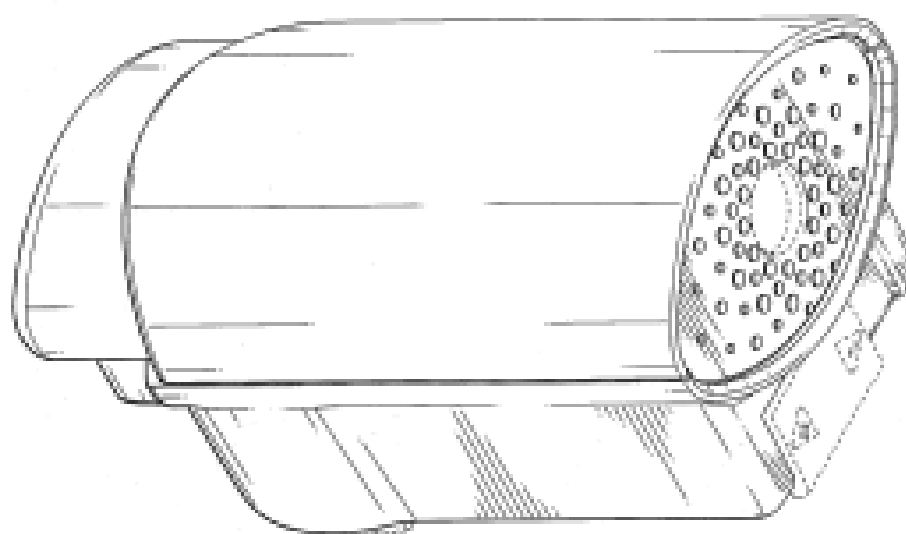
(21) Design Number: **10099/2010**
(22) Date of Filing Application: **13 January 2010**
(24) Date from which industrial property rights may have effect: **13 January 2010**
(54) Product in respect of which the design is registered: **Hand-held vacuum cleaner**
(51) International Design Classification: **15-05**
(71) Name(s) and Address(s) of Applicant(s):
Black & Decker, Inc.
1207 Drummond Plaza, Newark, Delaware 19711 United States of America
(72) Name(s) of Designer(s): **Stephen Houghton**
(45) Registration Date: **09 March 2010**
(30) Convention priority data:
(31) Number (32) Date (33) Country
001151690 13 Jul 2009 EUROPEAN COMMUNITY
(56) Related Art Documents: **Not Applicable**
(57) Statement of Newness and Distinctiveness: **Nil**



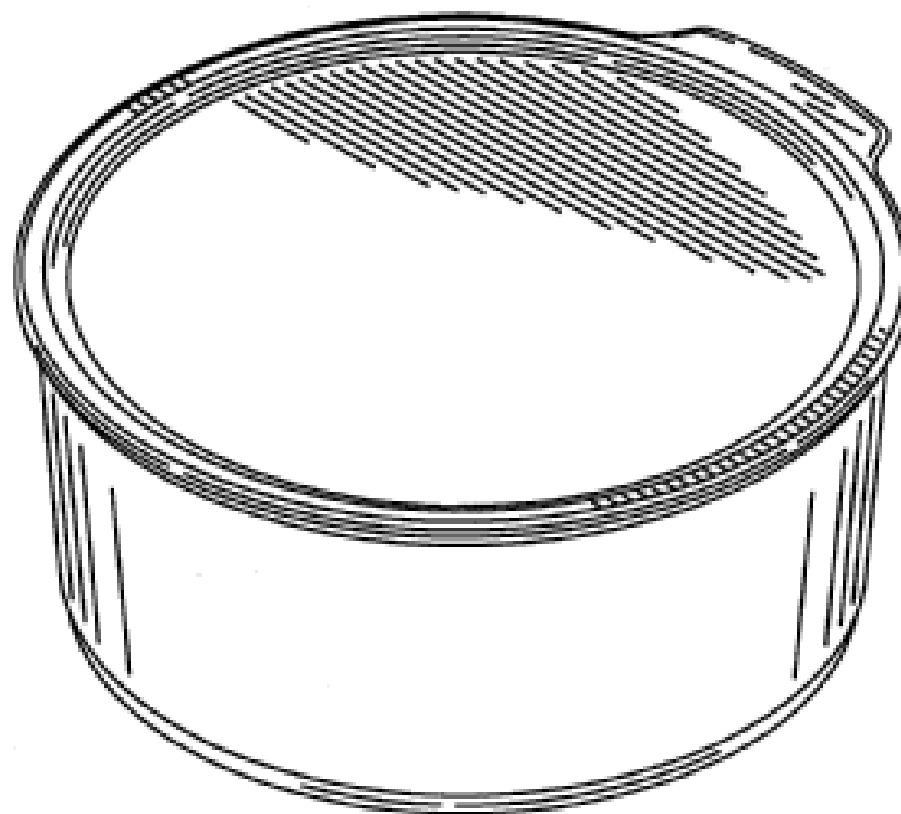
- (21) Design Number: **10418/2010**
(22) Date of Filing Application: **08 February 2010**
(24) Date from which industrial property rights may have effect: **08 February 2010**
(54) Product in respect of which the design is registered: **Display tray**
(51) International Design Classification: **20-02NES**
(71) Name(s) and Address(s) of Applicant(s):
Mars Australia Pty Ltd
Petcare Place Wodonga Victoria 3690 Australia
(72) Name(s) of Designer(s): **Heike Sander and John Rogalski and Emma Nefyn and Roger Cripps**
(45) Registration Date: **09 March 2010**
(56) Related Art Documents: **Not Applicable**
(57) Statement of Newness and Distinctiveness: **The newness and distinctiveness of the design resides in the features of shape and configuration of the multi-position bar marked "a" in each of the attached representations which folds along the dotted lines and can be fixed in different positions as indicated in the attached representations.**



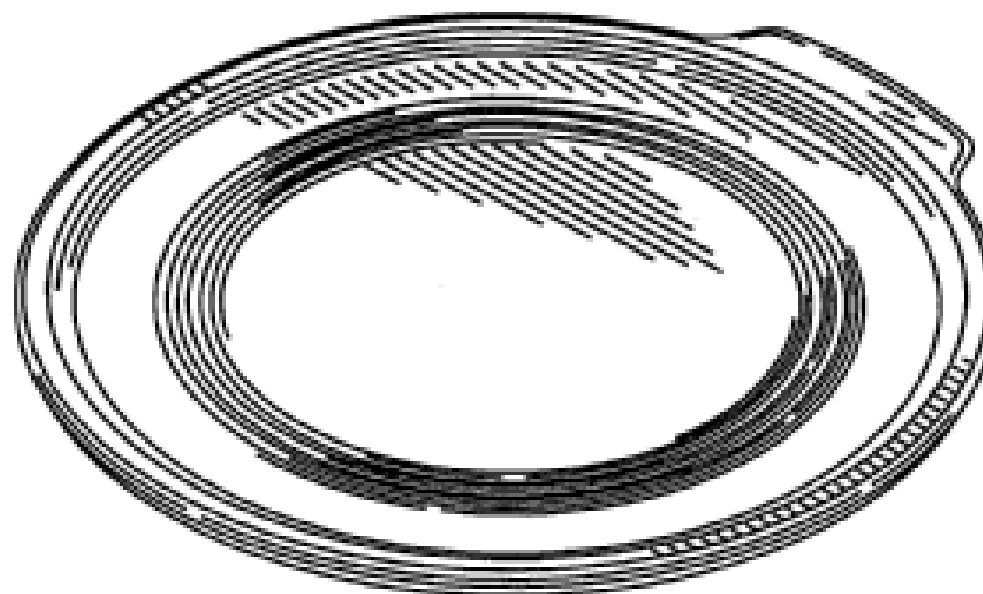
- (21) Design Number: **10419/2010**
(22) Date of Filing Application: **08 February 2010**
(24) Date from which industrial property rights may have effect: **08 February 2010**
(54) Product in respect of which the design is registered: **Air freshening device**
(51) International Design Classification: **07-99NES**
(71) Name(s) and Address(s) of Applicant(s):
The Procter & Gamble Company
One Procter & Gamble Plaza Cincinnati Ohio 45202 United States of America
(72) Name(s) of Designer(s): **Ada Ho Yau Ko and Michael Sean Farrell and Norio Fujikawa**
(45) Registration Date: **09 March 2010**
(30) Convention priority data:
(31) Number (32) Date (33) Country
29/341,679 11 Aug 2009 UNITED STATES OF AMERICA
(56) Related Art Documents: **Not Applicable**
(57) Statement of Newness and Distinctiveness: **Those features of the air freshening device depicted in the representations that are new and distinctive are the shape and/or configuration. The features shown in broken lines are not part of the design and are to be disregarded when considering the overall impression of the design.**



(21) Design Number: **10420/2010**
 (22) Date of Filing Application: **08 February 2010**
 (24) Date from which industrial property rights may have effect: **08 February 2010**
 (54) Product in respect of which the design is registered: **Covered container**
 (51) International Design Classification: **07-01NES**
 (71) Name(s) and Address(s) of Applicant(s):
Dart Industries Inc
14901 S. Orange Blossom Trail Orlando Florida 32837 United States of America
 (72) Name(s) of Designer(s): **Famia E. Ablo**
 (45) Registration Date: **09 March 2010**
 (30) Convention priority data:
 (31) Number (32) Date (33) Country
29/316,221 03 Sep 2009 UNITED STATES OF AMERICA
 (56) Related Art Documents: **Not Applicable**
 (57) Statement of Newness and Distinctiveness: **Those features of the covered container depicted in the representations that are new and distinctive are the shape and/or configuration.**



(21) Design Number: **10421/2010**
 (22) Date of Filing Application: **08 February 2010**
 (24) Date from which industrial property rights may have effect: **08 February 2010**
 (54) Product in respect of which the design is registered: **Cover**
 (51) International Design Classification: **09-07NES**
 (71) Name(s) and Address(s) of Applicant(s):
Dart Industries Inc.
14901 S. Orange Blossom Trail Orlando Florida 32877 United States of America
 (72) Name(s) of Designer(s): **Famia E. Ablo**
 (45) Registration Date: **09 March 2010**
 (30) Convention priority data:
 (31) Number (32) Date (33) Country
29/316,222 03 Sep 2009 UNITED STATES OF AMERICA
 (56) Related Art Documents: **Not Applicable**
 (57) Statement of Newness and Distinctiveness: **Those features of the cover depicted in the representations that are new and distinctive are the shape and/or configuration.**



(21) Design Number: **10422/2010**

(22) Date of Filing Application: **08 February 2010**

(24) Date from which industrial property rights may have effect: **08 February 2010**

(54) Product in respect of which the design is registered: **Covered container**

(51) International Design Classification: **07-01NES**

(71) Name(s) and Address(s) of Applicant(s):

Dart Industries Inc
14901 S. Orange Blossom Trail Orlando Florida 32837 United States of America

(72) Name(s) of Designer(s): **Famia E. Ablo**

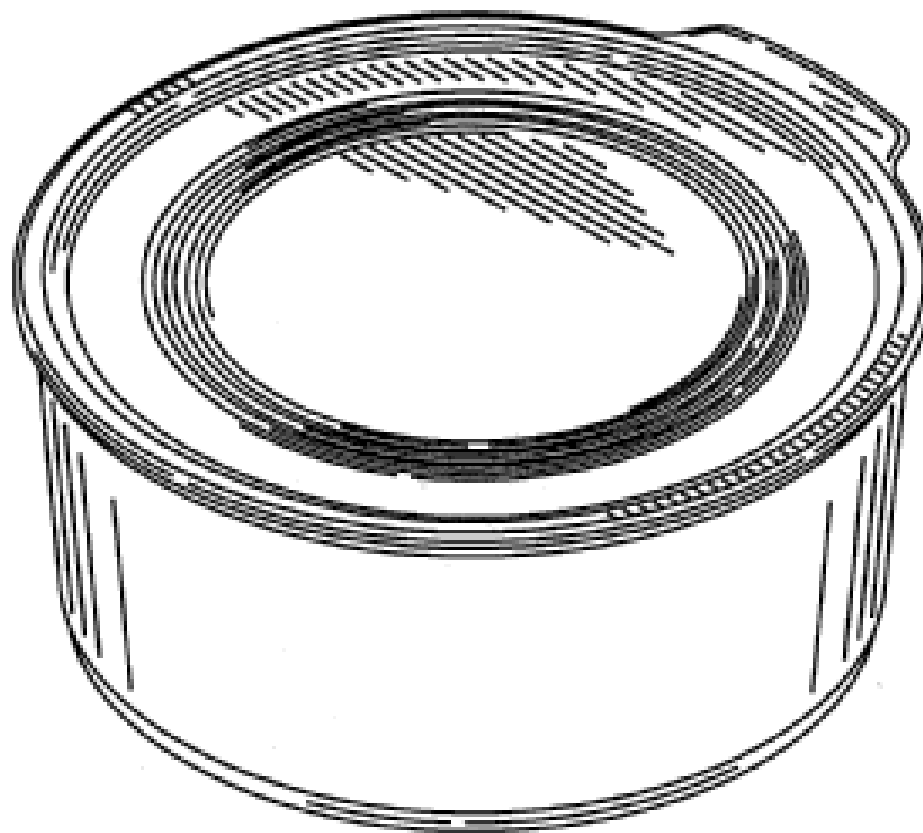
(45) Registration Date: **09 March 2010**

(30) Convention priority data:

(31) Number	(32) Date	(33) Country
29/316,221	03 Sep 2009	UNITED STATES OF AMERICA

(56) Related Art Documents: **Not Applicable**

(57) Statement of Newness and Distinctiveness: **Those features of the covered container depicted in the representations that are new and distinctive are the shape and/or configuration.**



(21) Design Number: **10423/2010**

(22) Date of Filing Application: **08 February 2010**

(24) Date from which industrial property rights may have effect: **08 February 2010**

(54) Product in respect of which the design is registered: **Capstan winch**

(51) International Design Classification: **12-05**

(71) Name(s) and Address(s) of Applicant(s):

John Wallace Forbes
14 Sandow Green Clarkson Western Australia 6030 Australia

(72) Name(s) of Designer(s): **John Wallace Forbes**

(45) Registration Date: **09 March 2010**

(56) Related Art Documents: **Not Applicable**

(57) Statement of Newness and Distinctiveness: **The features of the winch are the loop and vee system for controlling the outfeed of the rope, also the unique pentagon design of the capstan.**



(21) Design Number: **10454/2010**

(22) Date of Filing Application: **10 February 2010**

(24) Date from which industrial property rights may have effect: **10 February 2010**

(54) Product in respect of which the design is registered: **Soles for footwear**

(51) International Design Classification: **02-04B**

(71) Name(s) and Address(s) of Applicant(s):

Vibram S.P.A.

Via Cristoforo Colombo 5 T-21041 Albizzate (Varese) Italy

(72) Name(s) of Designer(s): **Marco Bramani**

(45) Registration Date: **09 March 2010**

(30) Convention priority data:

(31) Number (32) Date
1158943-0001/34 10 Aug 2009

(33) Country
EUROPEAN COMMUNITY

(56) Related Art Documents: **Not Applicable**

(57) Statement of Newness and Distinctiveness: **Newness and distinctiveness reside in the features of the design as shown in the representations.**



(21) Design Number: **10455/2010**

(22) Date of Filing Application: **10 February 2010**

(24) Date from which industrial property rights may have effect: **10 February 2010**

(54) Product in respect of which the design is registered: **Soles for footwear**

(51) International Design Classification: **02-04B**

(71) Name(s) and Address(s) of Applicant(s):

Vibram S.P.A.

Via Cristoforo Colombo 5 T-21041 Albizzate (Varese) Italy

(72) Name(s) of Designer(s): **Marco Bramani**

(45) Registration Date: **09 March 2010**

(30) Convention priority data:

(31) Number (32) Date
1158943-0001/34 10 Aug 2009

(33) Country
EUROPEAN COMMUNITY

(56) Related Art Documents: **Not Applicable**

(57) Statement of Newness and Distinctiveness: **Newness and distinctiveness reside in the features of the design as shown in the representations.**



(21) Design Number: **10457/2010**

(22) Date of Filing Application: **10 February 2010**

(24) Date from which industrial property rights may have effect: **10 February 2010**

(54) Product in respect of which the design is registered: **A button assembly for scoreboards**

(51) International Design Classification: **13-03NES**

(71) Name(s) and Address(s) of Applicant(s):

David Bastians

44 Rose Street Prospect South Australia 5082 Australia

(72) Name(s) of Designer(s): **David Bastians**

(45) Registration Date: **09 March 2010**

(56) Related Art Documents: **Not Applicable**

(57) Statement of Newness and Distinctiveness: **Newness and distinctiveness is claimed in the features of shape and/or configuration of the front face of a button assembly as illustrated in the accompanying representations.**



(21) Design Number: **10449/2010**

(22) Date of Filing Application: **10 February 2010**

(24) Date from which industrial property rights may have effect: **10 February 2010**

(54) Product in respect of which the design is registered: **Shoes**

(51) International Design Classification: **02-04NES**

(71) Name(s) and Address(s) of Applicant(s):

Vibram S.P.A.

Via Cristoforo Colombo 5 T-21041 Albizzate (Varese) Italy

(72) Name(s) of Designer(s): **Marco Bramani**

(45) Registration Date: **09 March 2010**

(30) Convention priority data:

(31) Number

(32) Date

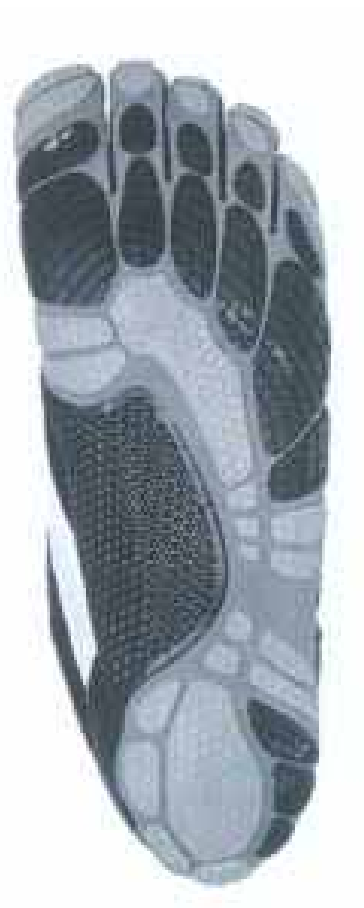
(33) Country

1158943-0001/34 10 Aug 2009

EUROPEAN COMMUNITY

(56) Related Art Documents: **Not Applicable**

(57) Statement of Newness and Distinctiveness: **Newness and distinctiveness reside in the features of the design as shown in the representations.**



- (21) Design Number: **10450/2010**
(22) Date of Filing Application: **10 February 2010**
(24) Date from which industrial property rights may have effect: **10 February 2010**
(54) Product in respect of which the design is registered: **Soles for footwear**
(51) International Design Classification: **02-04B**
(71) Name(s) and Address(s) of Applicant(s):
Vibram S.P.A.
Via Cristoforo Colombo 5 T-21041 Albizzate (Varese) Italy
(72) Name(s) of Designer(s): **Marco Bramani**
(45) Registration Date: **09 March 2010**
(30) Convention priority data:
(31) Number (32) Date (33) Country
1158943-0001/34 10 Aug 2009 EUROPEAN COMMUNITY
(56) Related Art Documents: **Not Applicable**
(57) Statement of Newness and Distinctiveness: **Newness and distinctiveness reside in the features of the design as shown in the representations.**



- (21) Design Number: **10451/2010**
(22) Date of Filing Application: **10 February 2010**
(24) Date from which industrial property rights may have effect: **10 February 2010**
(54) Product in respect of which the design is registered: **Soles for footwear**
(51) International Design Classification: **02-04B**
(71) Name(s) and Address(s) of Applicant(s):
Vibram S.P.A.
Via Cristoforo Colombo 5 T-21041 Albizzate (Varese) Italy
(72) Name(s) of Designer(s): **Marco Bramani**
(45) Registration Date: **09 March 2010**
(30) Convention priority data:
(31) Number (32) Date (33) Country
1158943-0001/34 10 Aug 2009 EUROPEAN COMMUNITY
(56) Related Art Documents: **Not Applicable**
(57) Statement of Newness and Distinctiveness: **Newness and distinctiveness reside in the features of the design as shown in the representations.**



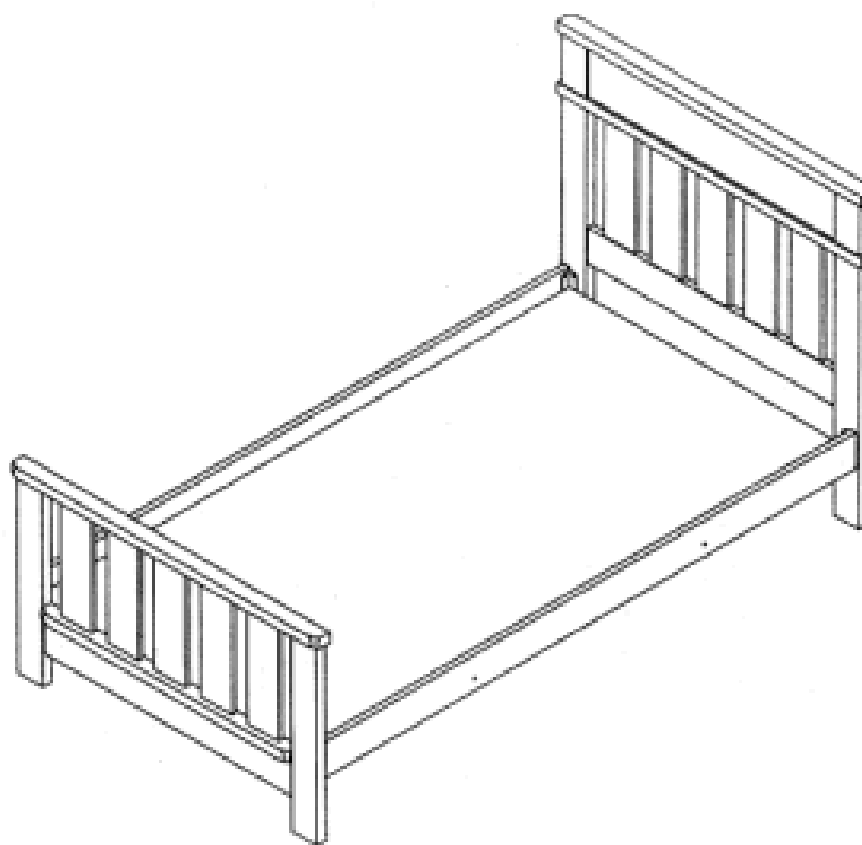
- (21) Design Number: **10452/2010**
(22) Date of Filing Application: **10 February 2010**
(24) Date from which industrial property rights may have effect: **10 February 2010**
(54) Product in respect of which the design is registered: **Soles for footwear**
(51) International Design Classification: **02-04B**
(71) Name(s) and Address(s) of Applicant(s):
Vibram S.P.A.
Via Cristoforo Colombo 5 T-21041 Albizzate (Varese) Italy
(72) Name(s) of Designer(s): **Marco Bramani**
(45) Registration Date: **09 March 2010**
(30) Convention priority data:
(31) Number (32) Date (33) Country
1158943-0001/34 10 Aug 2009 EUROPEAN COMMUNITY
(56) Related Art Documents: **Not Applicable**
(57) Statement of Newness and Distinctiveness: **Newness and distinctiveness reside in the features of the design as shown in the representations.**



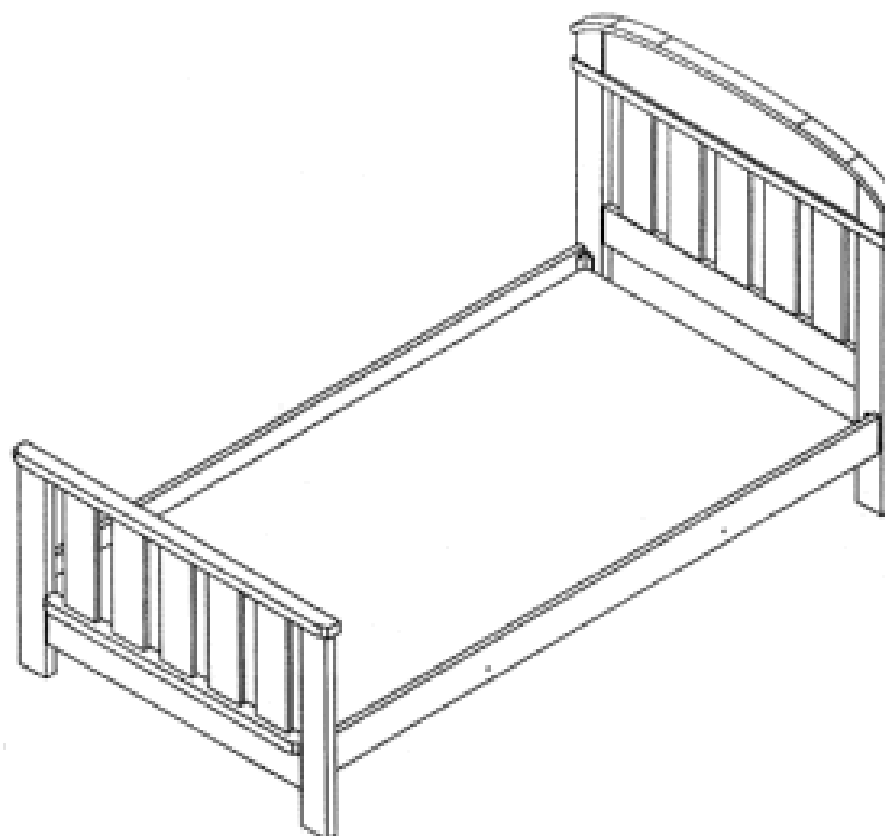
- (21) Design Number: **10468/2010**
(22) Date of Filing Application: **12 February 2010**
(24) Date from which industrial property rights may have effect: **12 February 2010**
(54) Product in respect of which the design is registered: **Reconfigurable furniture**
(51) International Design Classification: **06-02**
(71) Name(s) and Address(s) of Applicant(s):
Boori International Pty Ltd
27-37 Vallance Street St Marys New South Wales 2760 Australia
(72) Name(s) of Designer(s): **Justin Chui**
(45) Registration Date: **09 March 2010**
(56) Related Art Documents: **Not Applicable**
(57) Statement of Newness and Distinctiveness: **Newness and distinctiveness of the design is claimed in the features of shape and configuration to an item of furniture. The design is adapted to be reconfigured into two different forms, as shown in the accompanying representations.**



- (21) Design Number: **10469/2010**
(22) Date of Filing Application: **12 February 2010**
(24) Date from which industrial property rights may have effect: **12 February 2010**
(54) Product in respect of which the design is registered: **Reconfigurable furniture**
(51) International Design Classification: **06-02**
(71) Name(s) and Address(s) of Applicant(s):
Boori International Pty Ltd
27-37 Vallance Street St Marys New South Wales 2760 Australia
(72) Name(s) of Designer(s): **Justin Chui**
(45) Registration Date: **09 March 2010**
(56) Related Art Documents: **Not Applicable**
(57) Statement of Newness and Distinctiveness: **Nil**



- (21) Design Number: **10470/2010**
(22) Date of Filing Application: **12 February 2010**
(24) Date from which industrial property rights may have effect: **12 February 2010**
(54) Product in respect of which the design is registered: **Reconfigurable furniture**
(51) International Design Classification: **06-02**
(71) Name(s) and Address(s) of Applicant(s):
Boori International Pty Ltd
27-37 Vallance Street St Marys New South Wales 2760 Australia
(72) Name(s) of Designer(s): **Justin Chui**
(45) Registration Date: **09 March 2010**
(56) Related Art Documents: **Not Applicable**
(57) Statement of Newness and Distinctiveness: **Nil**



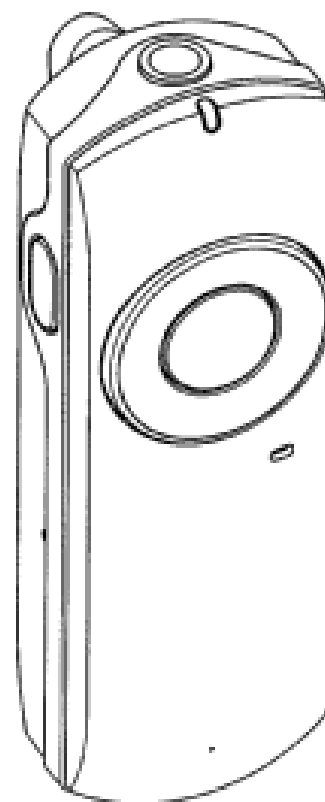
- (21) Design Number: **10471/2010**
(22) Date of Filing Application: **12 February 2010**
(24) Date from which industrial property rights may have effect: **12 February 2010**
(54) Product in respect of which the design is registered: **Reconfigurable furniture**
(51) International Design Classification: **06-02**
(71) Name(s) and Address(s) of Applicant(s):
Boori International Pty Ltd
27-37 Vallance Street St Marys New South Wales 2760 Australia
(72) Name(s) of Designer(s): **Justin Chui**
(45) Registration Date: **09 March 2010**
(56) Related Art Documents: **Not Applicable**
(57) Statement of Newness and Distinctiveness: **Newness and distinctiveness of the design is claimed in the features of shape and configuration to an item of furniture. The design is adapted to be reconfigured into three different forms, as shown in the accompanying representations.**



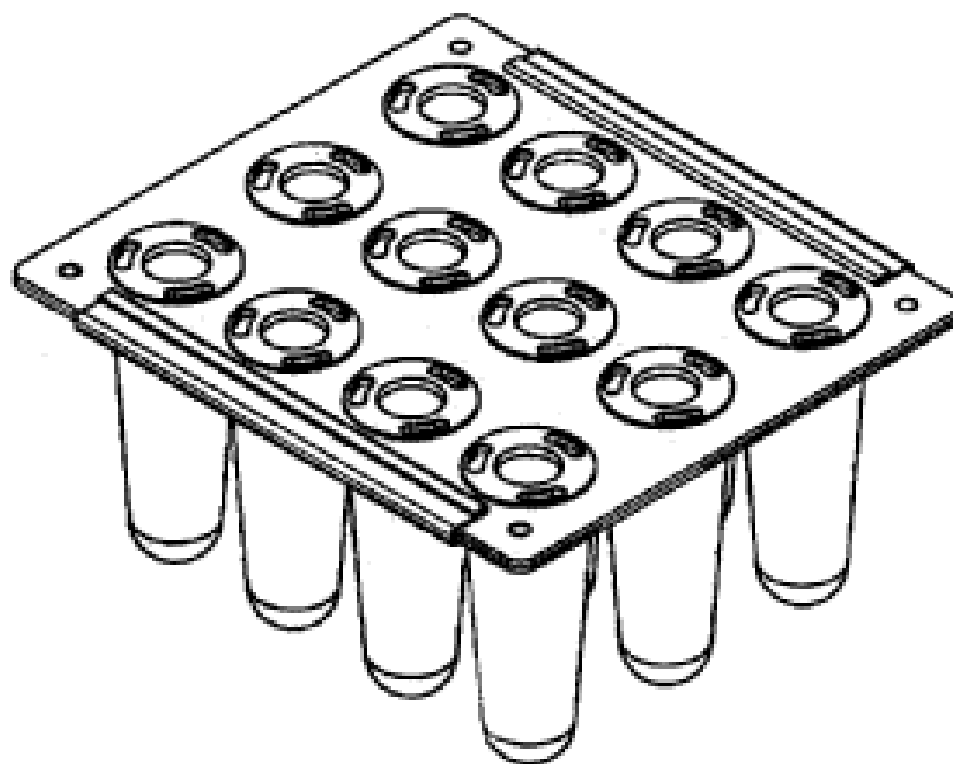
- (21) Design Number: **10472/2010**
(22) Date of Filing Application: **12 February 2010**
(24) Date from which industrial property rights may have effect: **12 February 2010**
(54) Product in respect of which the design is registered: **Reconfigurable furniture**
(51) International Design Classification: **06-02**
(71) Name(s) and Address(s) of Applicant(s):
Boori International Pty Ltd
27-37 Vallance Street St Marys New South Wales 2760 Australia
(72) Name(s) of Designer(s): **Justin Chui**
(45) Registration Date: **09 March 2010**
(56) Related Art Documents: **Not Applicable**
(57) Statement of Newness and Distinctiveness: **Newness and distinctiveness of the design is claimed in the features of shape and configuration to an item of furniture. The design is adapted to be reconfigured into two different forms, as shown in the accompanying representations.**



- (21) Design Number: **10473/2010**
(22) Date of Filing Application: **11 February 2010**
(24) Date from which industrial property rights may have effect: **11 February 2010**
(54) Product in respect of which the design is registered: **Remote controller with transceiver**
(51) International Design Classification: **14-03NES**
(71) Name(s) and Address(s) of Applicant(s):
Sony Computer Entertainment Inc.
2-6-21 Minami-Aoyama Minato-ku Tokyo Japan
(72) Name(s) of Designer(s): **Ken Yano**
(45) Registration Date: **09 March 2010**
(30) Convention priority data:
(31) Number (32) Date (33) Country
2009-021731 18 Sep 2009 JAPAN
(56) Related Art Documents: **Not Applicable**
(57) Statement of Newness and Distinctiveness: **Nil**



- (21) Design Number: **10475/2010**
(22) Date of Filing Application: **10 February 2010**
(24) Date from which industrial property rights may have effect: **10 February 2010**
(54) Product in respect of which the design is registered: **Multi-component array forming a mould for bread preparation**
(51) International Design Classification: **31-00**
(71) Name(s) and Address(s) of Applicant(s):
Lawrence John Ryan
219 Middle Street Cleveland Queensland 4163 Australia
(72) Name(s) of Designer(s): **Lawrence John Ryan**
(45) Registration Date: **09 March 2010**
(56) Related Art Documents: **Not Applicable**
(57) Statement of Newness and Distinctiveness: **The newness and distinctiveness of the design resides in the shape and/or configuration of the MULTI-COMPONENT ARRAY FORMING A MOULD FOR BREAD PREPARATION shown in the representations.**



(21) Design Number: **10522/2010**

(22) Date of Filing Application: **16 February 2010**

(24) Date from which industrial property rights may have effect: **16 February 2010**

(54) Product in respect of which the design is registered: **Coffee table**

(51) International Design Classification: **06-03B**

(71) Name(s) and Address(s) of Applicant(s):

Ahmed Hussein

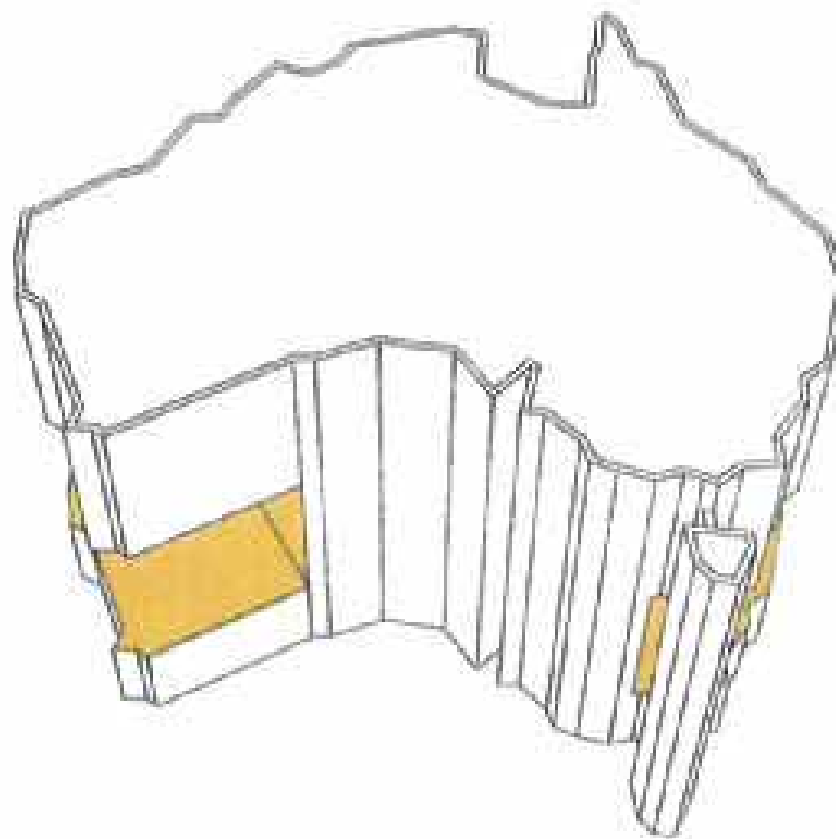
24 Macarthur Street Parramatta New South Wales 2150 Australia

(72) Name(s) of Designer(s): **Ahmed Hussein and Nasser Hussein**

(45) Registration Date: **09 March 2010**

(56) Related Art Documents: **Not Applicable**

(57) Statement of Newness and Distinctiveness: **The Australian map as a frame and shape of the table is unique. It has not been produced before anywhere in the world. The design may apply to any country map around the world.**



(21) Design Number: **10543/2010**

(22) Date of Filing Application: **16 February 2010**

(24) Date from which industrial property rights may have effect: **16 February 2010**

(54) Product in respect of which the design is registered: **Bathing mit**

(51) International Design Classification: **07-05E**

(71) Name(s) and Address(s) of Applicant(s):

Elizabeth Ann O'Connor-Cowley

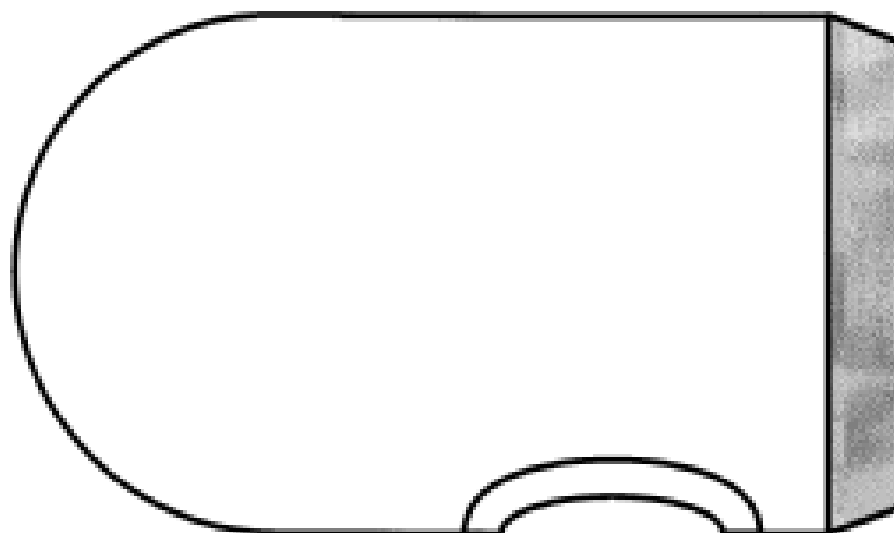
5 Thompson Street Bowen Hills Queensland 4006 Australia

(72) Name(s) of Designer(s): **Elizabeth Ann O'Connor-Cowley**

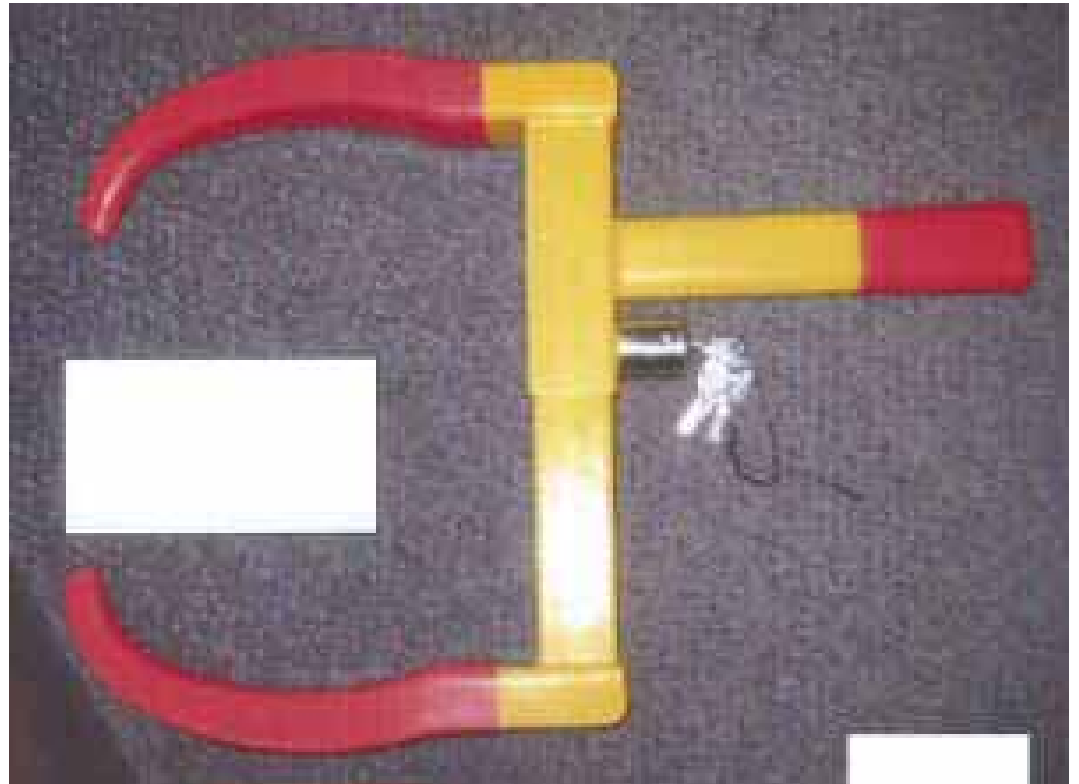
(45) Registration Date: **09 March 2010**

(56) Related Art Documents: **Not Applicable**

(57) Statement of Newness and Distinctiveness: **This design is distinct in that when the hand is inserted into the Bathing Mit, the fingers are enclosed however the thumb is left exposed so that it can be used to help grasp items.**



- (21) Design Number: **10574/2010**
(22) Date of Filing Application: **19 February 2010**
(24) Date from which industrial property rights may have effect: **19 February 2010**
(54) Product in respect of which the design is registered: **A locking wheel clamp that is adjustable to suit wheel/tyre sizes from small trailers to large SUV wheels**
(51) International Design Classification: **12-16NES**
(71) Name(s) and Address(s) of Applicant(s):
Hagh Australia Pty Ltd
64 Argyle Parade Darra Queensland 4076 Australia
(72) Name(s) of Designer(s): **Neville Holmes**
(45) Registration Date: **09 March 2010**
(56) Related Art Documents: **Not Applicable**
(57) Statement of Newness and Distinctiveness: **The sliding and adjustable bar & arm (with holes) - is designed to so that it is able to slide through the base that contains the lock and brace. The wheel clamps ability to fit a wider range of wheel/tyre sizes is achieved with this design feature.**



- (21) Design Number: **10576/2010**
(22) Date of Filing Application: **22 February 2010**
(24) Date from which industrial property rights may have effect: **22 February 2010**
(54) Product in respect of which the design is registered: **Shirt**
(51) International Design Classification: **02-02NES**
(71) Name(s) and Address(s) of Applicant(s):
Superior Safety Pty Ltd
Unit 1/146 Toongabbie Road Toongabbie New South Wales 2146 Australia
(72) Name(s) of Designer(s): **Linda Peterson and Steve Brooks**
(45) Registration Date: **09 March 2010**
(56) Related Art Documents: **Not Applicable**
(57) Statement of Newness and Distinctiveness: **Newness and distinctiveness resides in the features of shape, configuration, pattern and/or ornamentation of a shirt as shown in the accompanying representations. When considering whether the design is new and distinctive when compared to the prior art base, particular regard is to be given to the full length vertical vents in the back of the shirt which open perpendicular to the back of the wearer to allow air flow through the shirt.**



(19) AU

- (21) Design Number: **15052/2009**
- (22) Date of Filing Application: **24 December 2009**
- (24) Date from which industrial property rights may have effect: **24 December 2009**
- (54) Product in respect of which the design is registered: **Pool Cleaner**
- (51) International Design Classification: **15-05**
- (71) Name(s) and Address(s) of Applicant(s):

Hayward Industries, Inc.
620 Division Street Elizabeth New Jersey 07201 United States of America

- (72) Name(s) of Designer(s): **G. Frank Dye and Marchal DePasquale and Paul V. Watkins and Benoit Orban and Mario Gagnon**

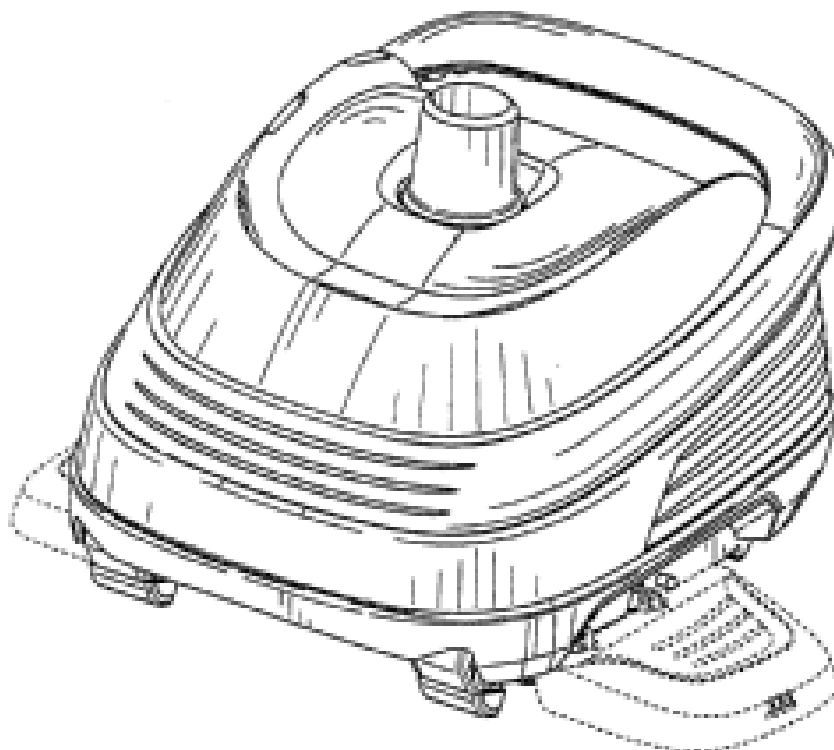
(45) Registration Date: **10 March 2010**

(30) Convention priority data:

(31) Number	(32) Date	(33) Country
29/339,532	01 Jul 2009	UNITED STATES OF AMERICA

(56) Related Art Documents: **Not Applicable**

(57) Statement of Newness and Distinctiveness: **Newness and distinctiveness is claimed in the shape and/or configuration of a Pool Cleaner as illustrated in the representations and in considering the extent of the newness and distinctiveness of the shape and/or configuration of the Pool Cleaner, the detail shown in phantom is to be disregarded.**



(19) AU

- (21) Design Number: **10151/2010**
- (22) Date of Filing Application: **15 January 2010**
- (24) Date from which industrial property rights may have effect: **15 January 2010**
- (54) Product in respect of which the design is registered: **Cap for a container**
- (51) International Design Classification: **09-07C**
- (71) Name(s) and Address(s) of Applicant(s):

Colgate-Palmolive Company
300 Park Avenue New York New York 10022 United States of America

- (72) Name(s) of Designer(s): **Elaine Casey and Bruce Cummings and Jeffrey Mayers and Corinne Elstow and Sam Lucking and John Lamb**

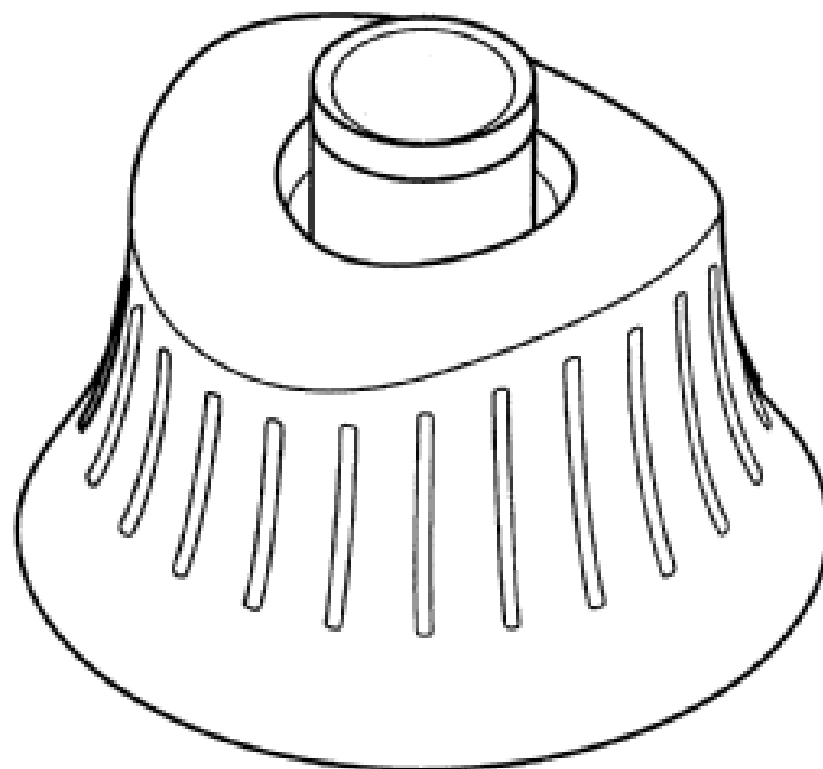
(45) Registration Date: **10 March 2010**

(30) Convention priority data:

(31) Number	(32) Date	(33) Country
29/341145	31 Jul 2009	UNITED STATES OF AMERICA

(56) Related Art Documents: **Not Applicable**

(57) Statement of Newness and Distinctiveness: **Newness and distinctiveness reside in the features of the design as shown in the representations.**



(19) AU

- (21) Design Number: **10463/2010**
- (22) Date of Filing Application: **10 February 2010**
- (24) Date from which industrial property rights may have effect: **10 February 2010**
- (54) Product in respect of which the design is registered: **Perfume bottle**
- (51) International Design Classification: **09-01G**
- (71) Name(s) and Address(s) of Applicant(s):

Damian Mosca
5 Stonehaven Court Mooroolbark Victoria 3138 Australia

- (72) Name(s) of Designer(s): **Damian Mosca and Lisa Limosani**
- (45) Registration Date: **10 March 2010**
- (56) Related Art Documents: **Not Applicable**
- (57) Statement of Newness and Distinctiveness: **Newness and distinctiveness is claimed in the features of the shape and/or configuration of the perfume bottles. As illustrated in the accompanying representation, the two separate perfume bottles may unite and are kept together via magnetic forces.**

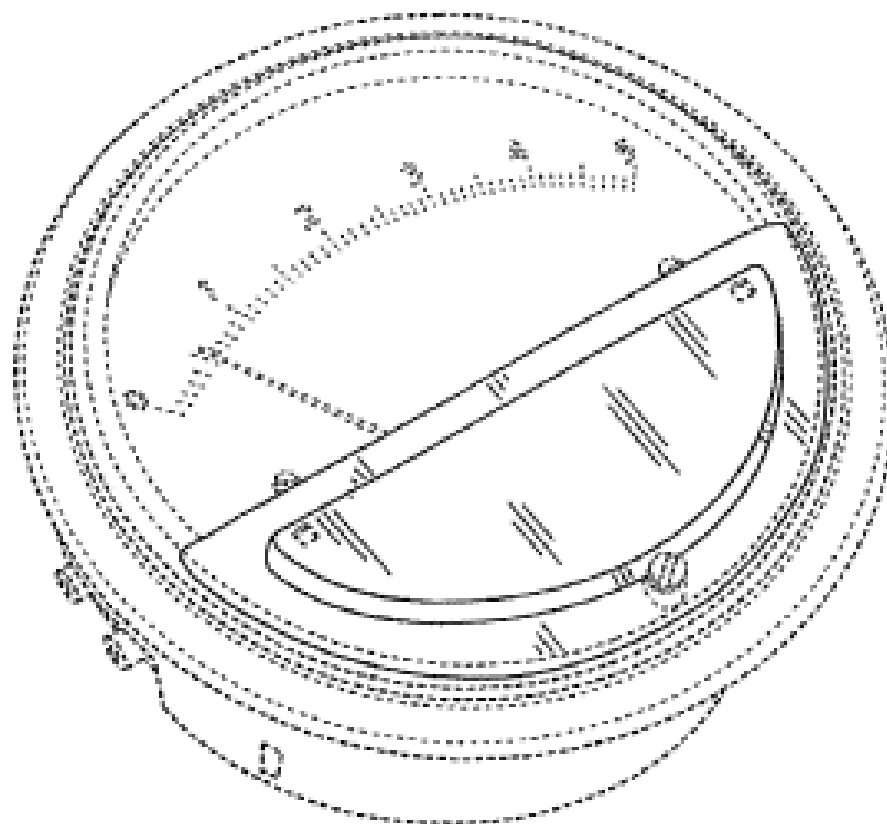


(19) AU

- (21) Design Number: **10466/2010**
- (22) Date of Filing Application: **11 February 2010**
- (24) Date from which industrial property rights may have effect: **11 February 2010**
- (54) Product in respect of which the design is registered: **Gauge**
- (51) International Design Classification: **10-04**
- (71) Name(s) and Address(s) of Applicant(s):

Dwyer Instruments, Inc.
102 Indiana Highway 212 Michigan City Indiana 46360 United States of America

- (72) Name(s) of Designer(s): **Michael A. Popp**
 - (45) Registration Date: **10 March 2010**
 - (30) Convention priority data:
- | | | |
|------------------|--------------------|---------------------------------|
| (31) Number | (32) Date | (33) Country |
| 29/345618 | 20 Oct 2009 | UNITED STATES OF AMERICA |
- (56) Related Art Documents: **Not Applicable**
 - (57) Statement of Newness and Distinctiveness: **Newness and distinctiveness is claimed in those features of shape and/or configuration of a gauge as illustrated in continuous lines in the accompanying representations.**



(21) Design Number: **10467/2010**

(22) Date of Filing Application: **12 February 2010**

(24) Date from which industrial property rights may have effect: **12 February 2010**

(54) Product in respect of which the design is registered: **Reconfigurable furniture**

(51) International Design Classification: **06-02**

(71) Name(s) and Address(s) of Applicant(s):

Boori International Pty Ltd
27-37 Vallance Street St Marys New South Wales 2760 Australia

(72) Name(s) of Designer(s): **Justin Chui**

(45) Registration Date: **10 March 2010**

(56) Related Art Documents: **Not Applicable**

(57) Statement of Newness and Distinctiveness: **Newness and distinctiveness of the design is claimed in the features of shape and configuration to an item of furniture. The design is adapted to be reconfigured into three different forms, as shown in the accompanying representations.**



(21) Design Number: **10479/2010**

(22) Date of Filing Application: **12 February 2010**

(24) Date from which industrial property rights may have effect: **12 February 2010**

(54) Product in respect of which the design is registered: **Stand for total body shaver**

(51) International Design Classification: **28-03A**

(71) Name(s) and Address(s) of Applicant(s):

Koninklijke Philips Electronics N.V.
Groenewoudseweg 1 5621 BA Eindhoven The Netherlands

(72) Name(s) of Designer(s): **Ki-Hyun Yoon**

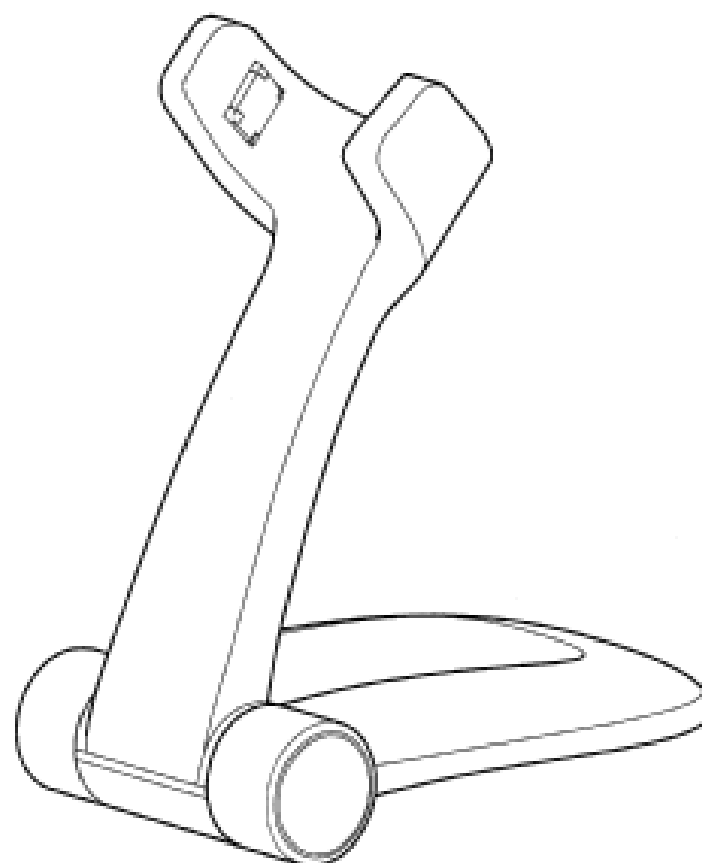
(45) Registration Date: **10 March 2010**

(30) Convention priority data:

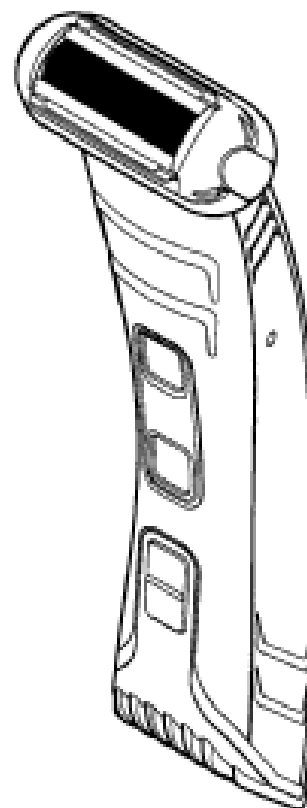
(31) Number	(32) Date	(33) Country
001606872-0002	02 Sep 2009	EUROPEAN COMMUNITY

(56) Related Art Documents: **Not Applicable**

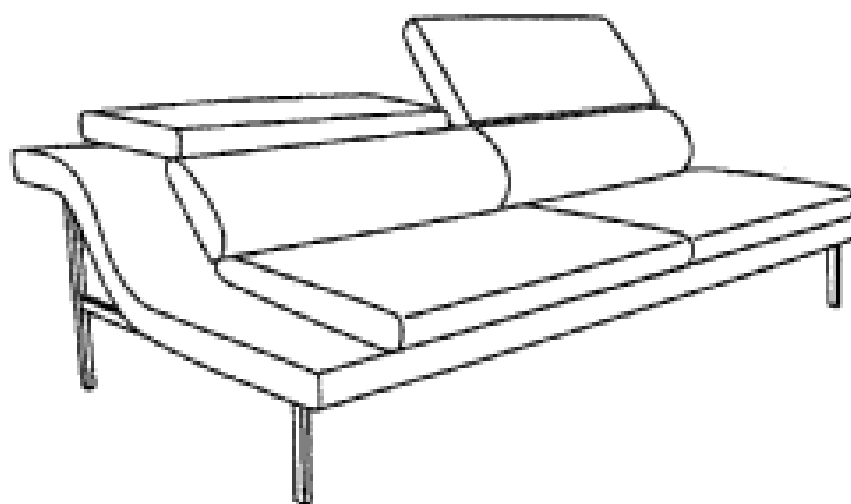
(57) Statement of Newness and Distinctiveness: **Newness and distinctiveness reside in the features of shape and configuration of the design as shown in the representations.**



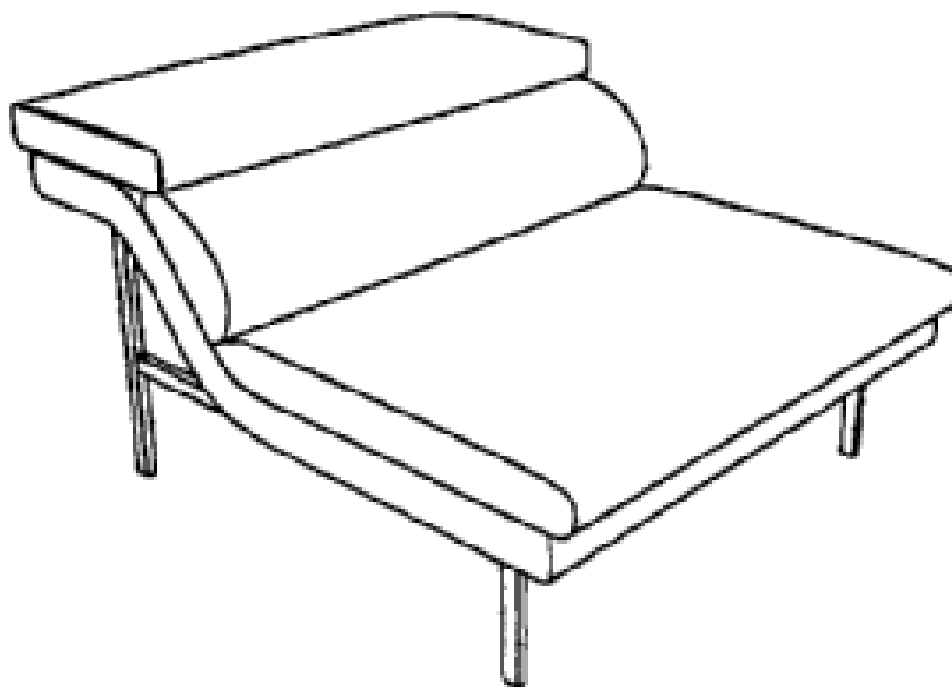
- (21) Design Number: **10480/2010**
(22) Date of Filing Application: **12 February 2010**
(24) Date from which industrial property rights may have effect: **12 February 2010**
(54) Product in respect of which the design is registered: **Total body shaver**
(51) International Design Classification: **28-03A**
(71) Name(s) and Address(s) of Applicant(s):
Koninklijke Philips Electronics N.V.
Groenewoudseweg 1 5621 BA Eindhoven The Netherlands
(72) Name(s) of Designer(s): **Ki-Hyun Yoon**
(45) Registration Date: **10 March 2010**
(30) Convention priority data:
(31) Number (32) Date (33) Country
001606872-0001 02 Sep 2009 EUROPEAN COMMUNITY
(56) Related Art Documents: **Not Applicable**
(57) Statement of Newness and Distinctiveness: **Newness and distinctiveness reside in the features of shape and configuration of the design as shown in the representations.**



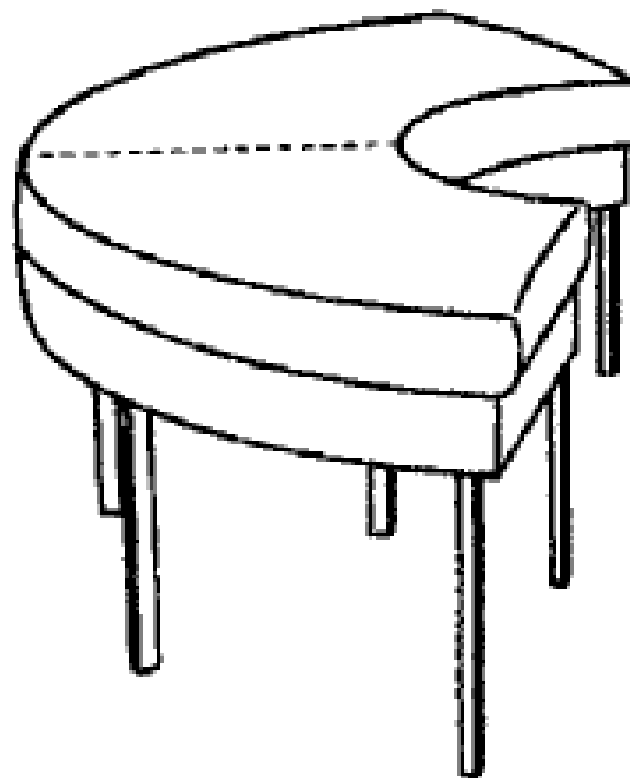
- (21) Design Number: **10481/2010**
(22) Date of Filing Application: **12 February 2010**
(24) Date from which industrial property rights may have effect: **12 February 2010**
(54) Product in respect of which the design is registered: **A sofa**
(51) International Design Classification: **06-01G**
(71) Name(s) and Address(s) of Applicant(s):
King Furniture (Australia) Pty Ltd
123 Turrella Street Turrella New South Wales 2205 Australia
(72) Name(s) of Designer(s): **David Russell King and Steven Leonard Higgs**
(45) Registration Date: **10 March 2010**
(56) Related Art Documents: **Not Applicable**
(57) Statement of Newness and Distinctiveness: **Newness and distinctiveness reside in the features of the sofa as shown in the representations, the sofa having adjustable headrests, the adjustability of which is illustrated in the side view of the drawings, it being understood that, while the sofa has been illustrated with an armrest on one side, the sofa could have the armrest on the other, opposed side, on both sides or no armrests at all.**



- (21) Design Number: **10482/2010**
(22) Date of Filing Application: **12 February 2010**
(24) Date from which industrial property rights may have effect: **12 February 2010**
(54) Product in respect of which the design is registered: **A chair**
(51) International Design Classification: **06-01G**
(71) Name(s) and Address(s) of Applicant(s):
King Furniture (Australia) Pty Ltd
123 Turrella Street Turrella New South Wales 2205 Australia
(72) Name(s) of Designer(s): **David Russell King and Steven Leonard Higgs**
(45) Registration Date: **10 March 2010**
(56) Related Art Documents: **Not Applicable**
(57) Statement of Newness and Distinctiveness: **Newness and distinctiveness reside in the features of a chair as shown in the representations, the chair having an adjustable headrest, the adjustability of which is illustrated by the dotted lines in the side view of the drawings.**



- (21) Design Number: **10483/2010**
(22) Date of Filing Application: **12 February 2010**
(24) Date from which industrial property rights may have effect: **12 February 2010**
(54) Product in respect of which the design is registered: **A bench**
(51) International Design Classification: **06-03B**
(71) Name(s) and Address(s) of Applicant(s):
King Furniture (Australia) Pty Ltd
123 Turrella Street Turrella New South Wales 2205 Australia
(72) Name(s) of Designer(s): **David Russell King and Steven Leonard Higgs**
(45) Registration Date: **10 March 2010**
(56) Related Art Documents: **Not Applicable**
(57) Statement of Newness and Distinctiveness: **Newness and distinctiveness reside in the features of the design as shown in the representations.**



(21) Design Number: **10484/2010**
 (22) Date of Filing Application: **12 February 2010**
 (24) Date from which industrial property rights may have effect: **12 February 2010**
 (54) Product in respect of which the design is registered: **Dual-lamp light fixture**
 (51) International Design Classification: **26-03**
 (71) Name(s) and Address(s) of Applicant(s):

Zoo Med Laboratories, Inc.
3650 Sacramento Drive San Luis Obispo California 93401 United States of America

(72) Name(s) of Designer(s): **Gary Wayne Bagnall**

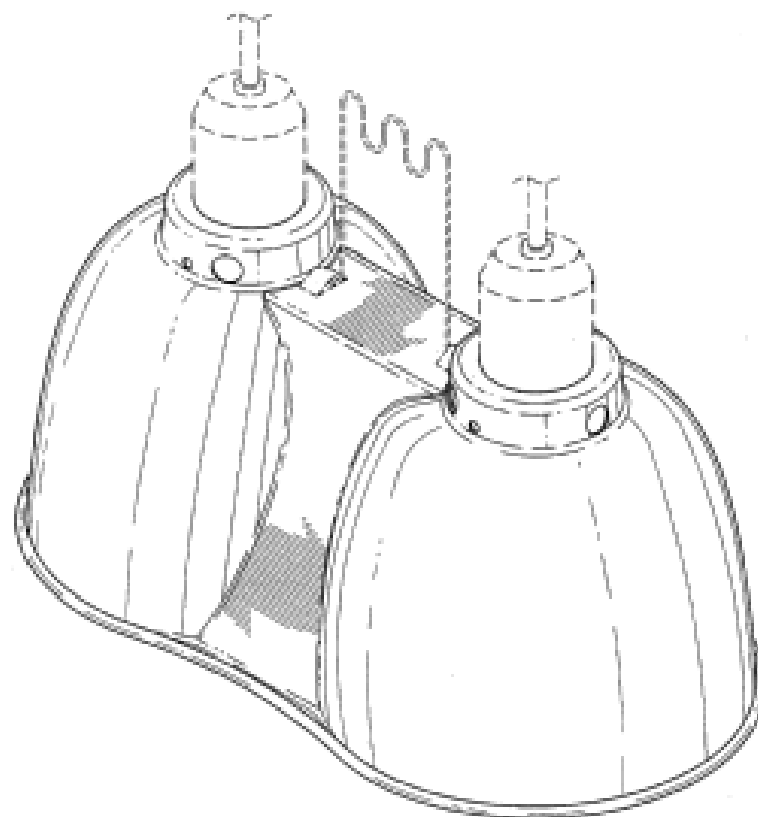
(45) Registration Date: **10 March 2010**

(30) Convention priority data:

(31) Number	(32) Date	(33) Country
29/342772	01 Sep 2009	UNITED STATES OF AMERICA

(56) Related Art Documents: **Not Applicable**

(57) Statement of Newness and Distinctiveness: **Nil**



(21) Design Number: **10496/2010**
 (22) Date of Filing Application: **12 February 2010**
 (24) Date from which industrial property rights may have effect: **12 February 2010**
 (54) Product in respect of which the design is registered: **Animal food products**
 (51) International Design Classification: **01-06**
 (71) Name(s) and Address(s) of Applicant(s):

Gaines Europe, Ltd
Ashgrove House Kill Avenue Dun Laoghaire County Dublin Ireland

(72) Name(s) of Designer(s): **Anthony Joseph Tansey and Paul Murrow Dempsey**

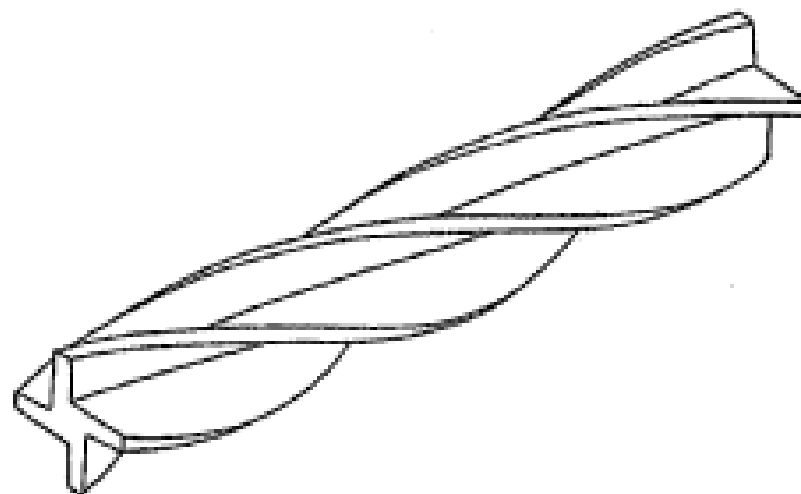
(45) Registration Date: **10 March 2010**

(30) Convention priority data:

(31) Number	(32) Date	(33) Country
29/353,795	14 Jan 2010	UNITED STATES OF AMERICA

(56) Related Art Documents: **Not Applicable**

(57) Statement of Newness and Distinctiveness: **The features of the shape and configuration of Animal Food Products shown in the accompanying representations are new and distinctive. The design has a constant transverse cross section but of a twisted nature along the length. The products may be of any desired length.**



(21) Design Number: **10498/2010**

(22) Date of Filing Application: **12 February 2010**

(24) Date from which industrial property rights may have effect: **12 February 2010**

(54) Product in respect of which the design is registered: **Tap**

(51) International Design Classification: **23-01H**

(71) Name(s) and Address(s) of Applicant(s):

Gessi S.p.A.

Frazione Vintebbio Parco Gessi I-13037 Serravalle Sesia Vercelli Italy

(72) Name(s) of Designer(s): **Gian Luca Gessi**

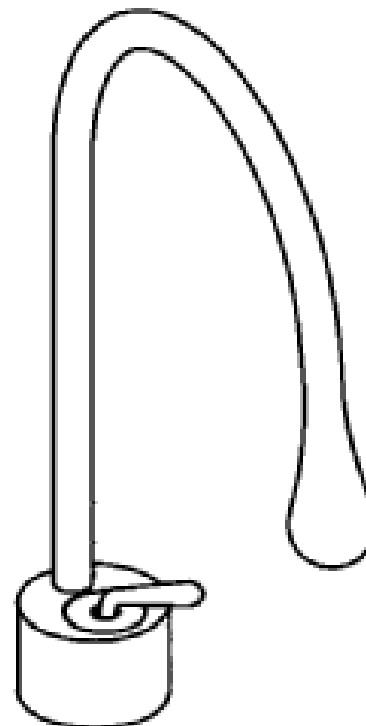
(45) Registration Date: **10 March 2010**

(30) Convention priority data:

(31) Number	(32) Date	(33) Country
MI2009O000128	13 Aug 2009	ITALY

(56) Related Art Documents: **Not Applicable**

(57) Statement of Newness and Distinctiveness: **Newness and Distinctiveness resides in the features of shape and/or configuration of a tap as illustrated in the accompanying representations.**



(21) Design Number: **10499/2010**

(22) Date of Filing Application: **12 February 2010**

(24) Date from which industrial property rights may have effect: **12 February 2010**

(54) Product in respect of which the design is registered: **Tap**

(51) International Design Classification: **23-01H**

(71) Name(s) and Address(s) of Applicant(s):

Gessi S.p.A.

Frazione Vintebbio Parco Gessi I-13037 Serravalle Sesia Vercelli Italy

(72) Name(s) of Designer(s): **Gian Luca Gessi**

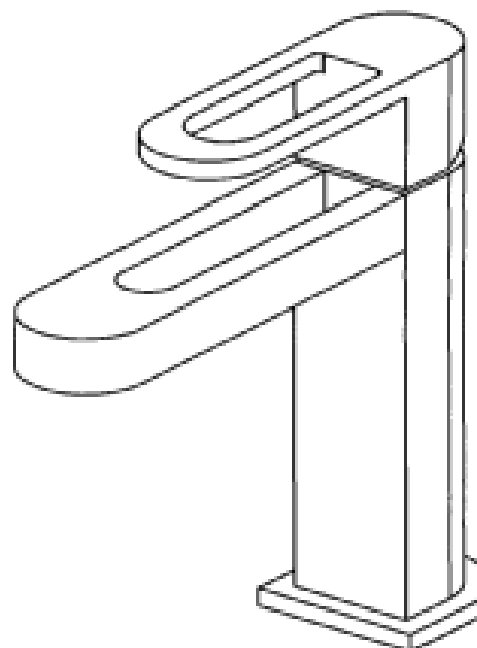
(45) Registration Date: **10 March 2010**

(30) Convention priority data:

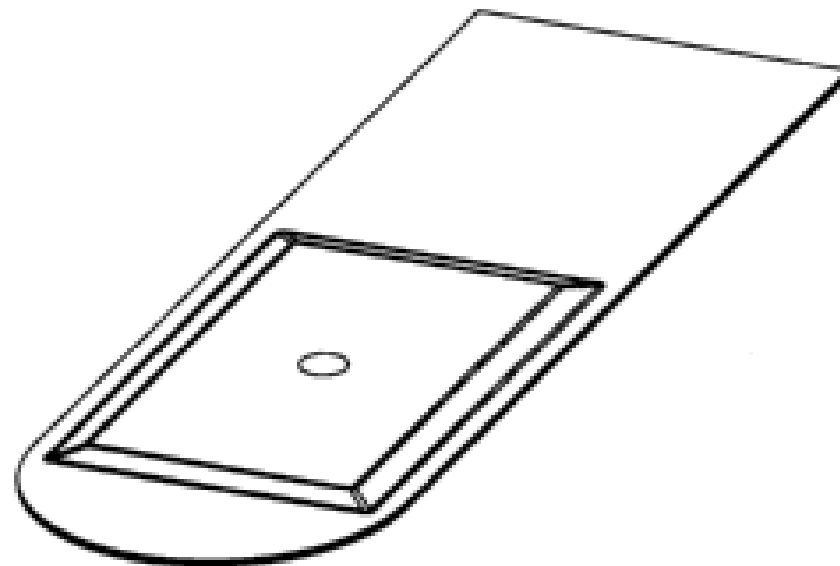
(31) Number	(32) Date	(33) Country
MI2009O000128	13 Aug 2009	ITALY

(56) Related Art Documents: **Not Applicable**

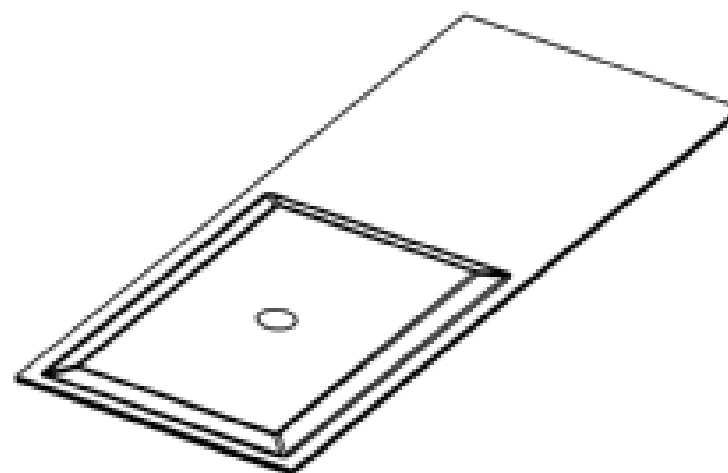
(57) Statement of Newness and Distinctiveness: **Newness and Distinctiveness resides in the features of shape and/or configuration of a tap as illustrated in the accompanying representations.**



(21) Design Number: **10500/2010**
(22) Date of Filing Application: **12 February 2010**
(24) Date from which industrial property rights may have effect: **12 February 2010**
(54) Product in respect of which the design is registered: **Shower head**
(51) International Design Classification: **23-02B**
(71) Name(s) and Address(s) of Applicant(s):
Gessi S.p.A.
Frazione Vintebbio Parco Gessi I-13037 Serravalle Sesia Vercelli Italy
(72) Name(s) of Designer(s): **Gian Luca Gessi**
(45) Registration Date: **10 March 2010**
(30) Convention priority data:
(31) Number (32) Date (33) Country
MI2009O000128 13 Aug 2009 ITALY
(56) Related Art Documents: **Not Applicable**
(57) Statement of Newness and Distinctiveness: **Newness and Distinctiveness resides in the features of shape and/or configuration of a shower head as illustrated in the accompanying representations.**



(21) Design Number: **10501/2010**
(22) Date of Filing Application: **12 February 2010**
(24) Date from which industrial property rights may have effect: **12 February 2010**
(54) Product in respect of which the design is registered: **Shower head**
(51) International Design Classification: **23-02B**
(71) Name(s) and Address(s) of Applicant(s):
Gessi S.p.A.
Frazione Vintebbio Parco Gessi I-13037 Serravalle Sesia Vercelli Italy
(72) Name(s) of Designer(s): **Gian Luca Gessi**
(45) Registration Date: **10 March 2010**
(30) Convention priority data:
(31) Number (32) Date (33) Country
MI2009O000128 13 Aug 2009 ITALY
(56) Related Art Documents: **Not Applicable**
(57) Statement of Newness and Distinctiveness: **Newness and Distinctiveness resides in the features of shape and/or configuration of a shower head as illustrated in the accompanying representations.**



(21) Design Number: **10502/2010**

(22) Date of Filing Application: **12 February 2010**

(24) Date from which industrial property rights may have effect: **12 February 2010**

(54) Product in respect of which the design is registered: **Shower head**

(51) International Design Classification: **23-02B**

(71) Name(s) and Address(s) of Applicant(s):

Gessi S.p.A.

Frazione Vintebbio Parco Gessi I-13037 Serravalle Sesia Vercelli Italy

(72) Name(s) of Designer(s): **Gian Luca Gessi**

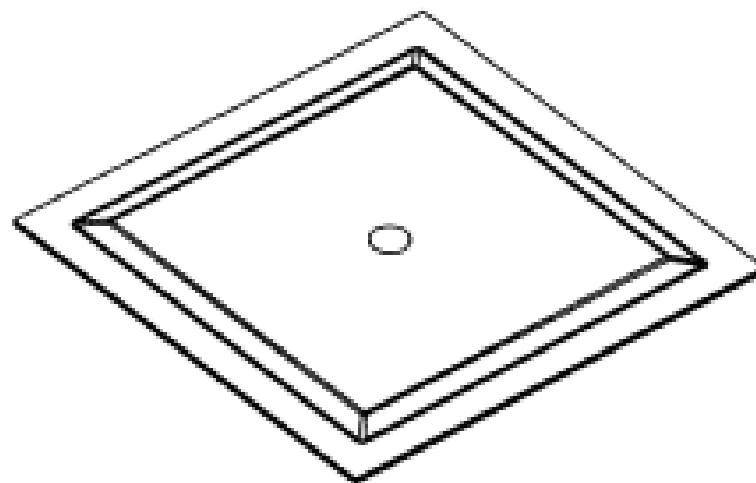
(45) Registration Date: **10 March 2010**

(30) Convention priority data:

(31) Number	(32) Date	(33) Country
MI2009O000128	13 Aug 2009	ITALY

(56) Related Art Documents: **Not Applicable**

(57) Statement of Newness and Distinctiveness: **Newness and Distinctiveness resides in the features of shape and/or configuration of a shower head as illustrated in the accompanying representations.**



(21) Design Number: **14907/2009**

(22) Date of Filing Application: **17 December 2009**

(24) Date from which industrial property rights may have effect: **17 December 2009**

(54) Product in respect of which the design is registered: **Pour and seal assembly**

(51) International Design Classification: **09-07A**

(71) Name(s) and Address(s) of Applicant(s):

Wilton Industries, Inc.

2240 W.75th Street Woodridge IL 60517 United States of America

(72) Name(s) of Designer(s): **Corinne Gorskey and David Starr and Traci Chapple and Jeff Chiu and Mason Umholtz**

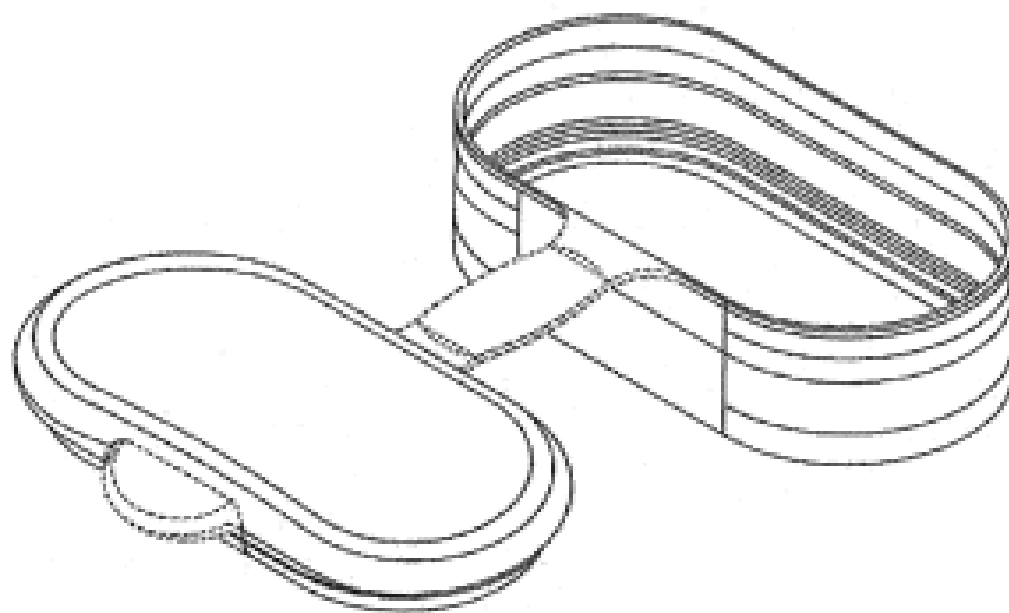
(45) Registration Date: **11 March 2010**

(30) Convention priority data:

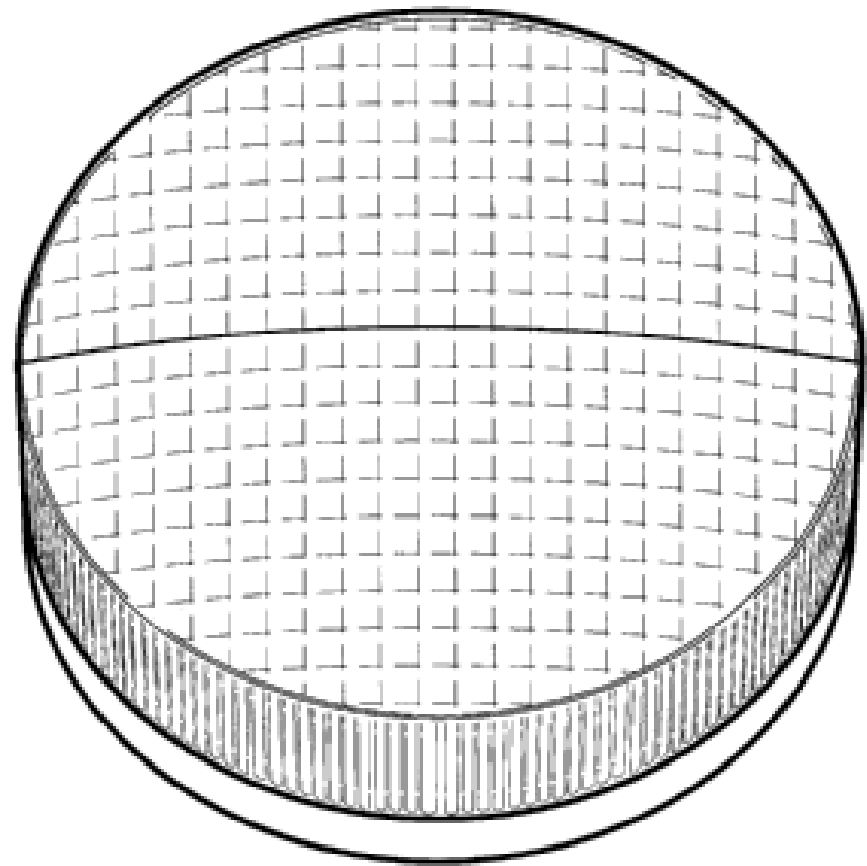
(31) Number	(32) Date	(33) Country
29/338,852	19 Jun 2009	UNITED STATES OF AMERICA

(56) Related Art Documents: **Not Applicable**

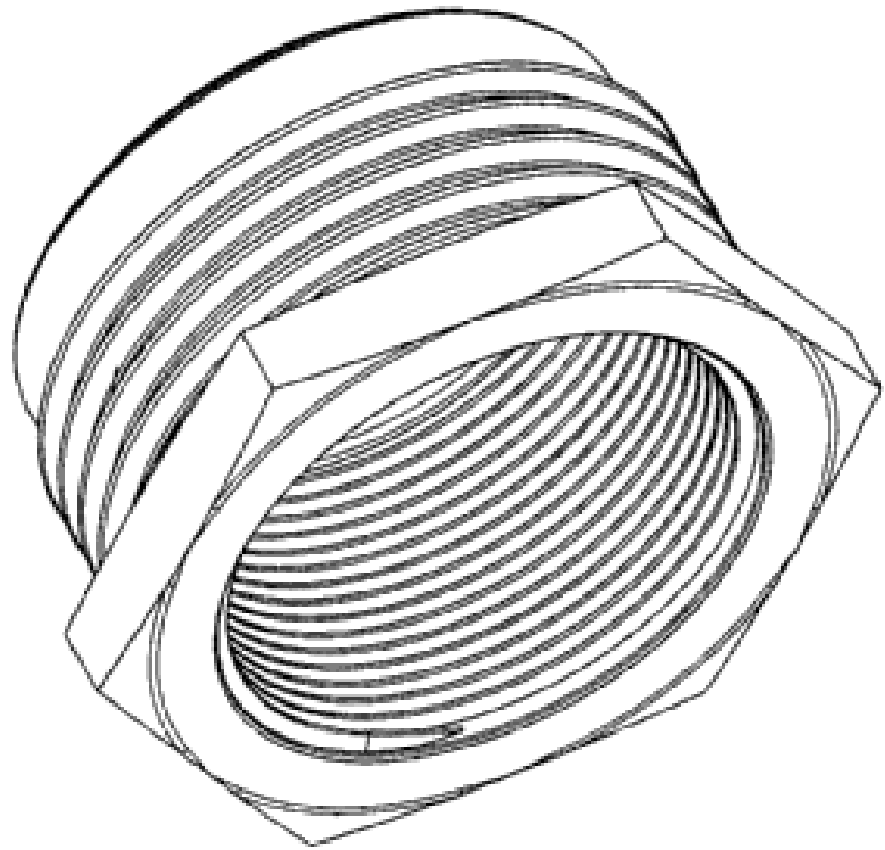
(57) Statement of Newness and Distinctiveness: **Nil**



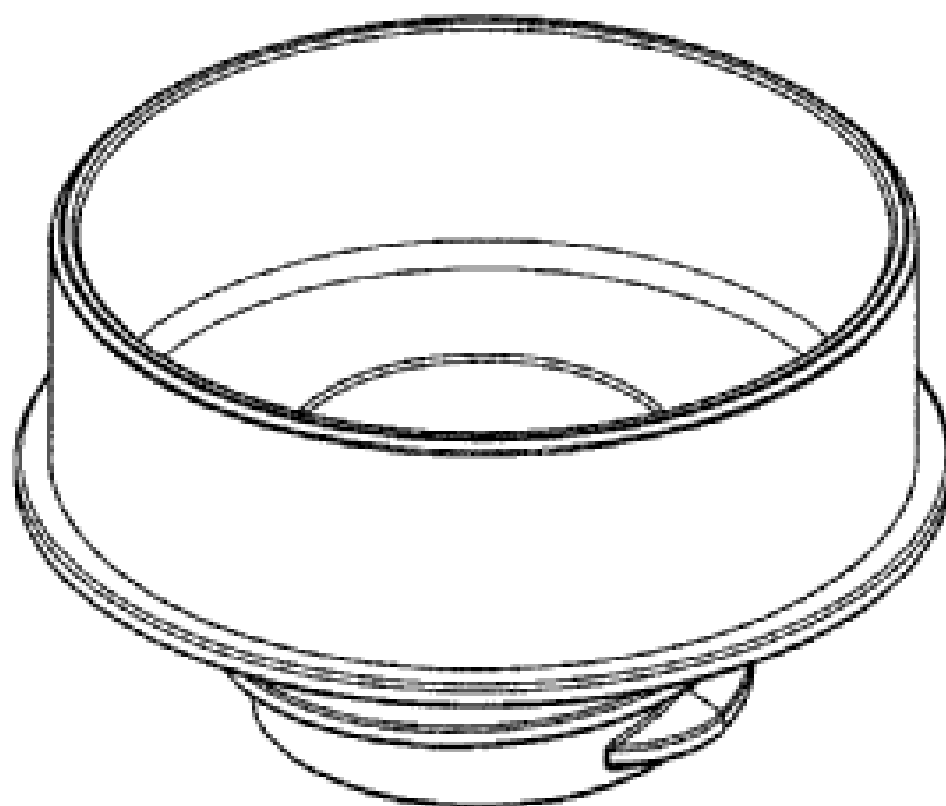
- (21) Design Number: **10507/2010**
(22) Date of Filing Application: **15 February 2010**
(24) Date from which industrial property rights may have effect: **15 February 2010**
(54) Product in respect of which the design is registered: **Light**
(51) International Design Classification: **26-05NES**
(71) Name(s) and Address(s) of Applicant(s):
Graeme Thomas Baird
PO Box 1221 Bunbury Western Australia 6231 Australia
(72) Name(s) of Designer(s): **Graeme Thomas Baird**
(45) Registration Date: **11 March 2010**
(56) Related Art Documents: **Not Applicable**
(57) Statement of Newness and Distinctiveness: **Nil**



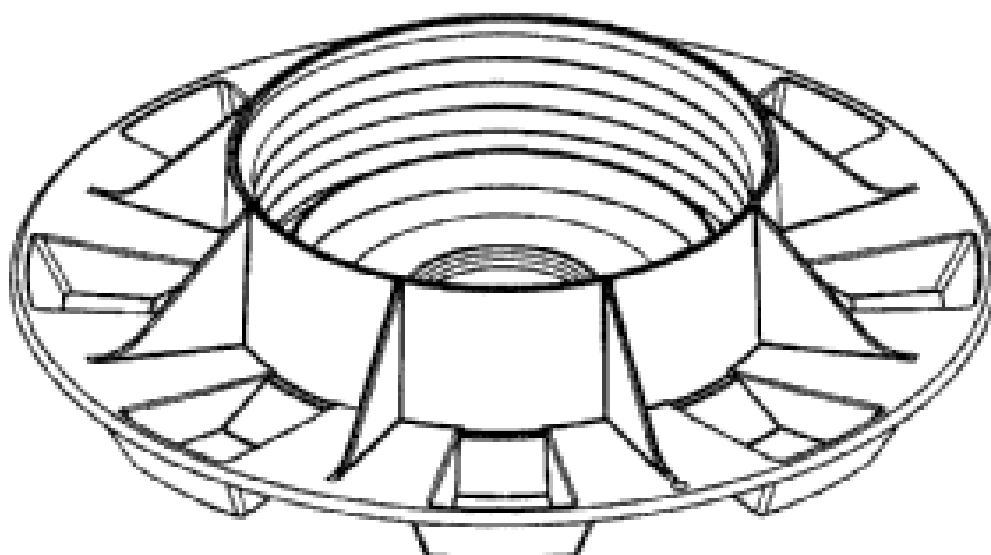
- (21) Design Number: **10508/2010**
(22) Date of Filing Application: **15 February 2010**
(24) Date from which industrial property rights may have effect: **15 February 2010**
(54) Product in respect of which the design is registered: **Outlet adapter for a storage vessel**
(51) International Design Classification: **08-08B, 23-01F**
(71) Name(s) and Address(s) of Applicant(s):
Team Poly Pty Ltd
36 Waddikee Road Lonsdale South Australia 5160 Australia
(72) Name(s) of Designer(s): **Kieran Michael Jenkins**
(45) Registration Date: **11 March 2010**
(56) Related Art Documents: **Not Applicable**
(57) Statement of Newness and Distinctiveness: **Newness and distinctiveness is claimed in the features of shape and/or configuration of an outlet adapter for a storage vessel as illustrated in the accompanying representations.**



- (21) Design Number: **10509/2010**
(22) Date of Filing Application: **15 February 2010**
(24) Date from which industrial property rights may have effect: **15 February 2010**
(54) Product in respect of which the design is registered: **Spigot for a centre pole assembly**
(51) International Design Classification: **08-08B, 23-01F**
(71) Name(s) and Address(s) of Applicant(s):
Team Poly Pty Ltd
36 Waddikee Road Lonsdale South Australia 5160 Australia
(72) Name(s) of Designer(s): **Kieran Michael Jenkins**
(45) Registration Date: **11 March 2010**
(56) Related Art Documents: **Not Applicable**
(57) Statement of Newness and Distinctiveness: **Newness and distinctiveness is claimed in the features of shape and/or configuration of a spigot for a centre pole assembly as illustrated in the accompanying representations.**



- (21) Design Number: **10510/2010**
(22) Date of Filing Application: **15 February 2010**
(24) Date from which industrial property rights may have effect: **15 February 2010**
(54) Product in respect of which the design is registered: **Lid cap for a centre pole assembly**
(51) International Design Classification: **09-07C**
(71) Name(s) and Address(s) of Applicant(s):
Team Poly Pty Ltd
36 Waddikee Road Lonsdale South Australia 5160 Australia
(72) Name(s) of Designer(s): **Kieran Michael Jenkins**
(45) Registration Date: **11 March 2010**
(56) Related Art Documents: **Not Applicable**
(57) Statement of Newness and Distinctiveness: **Newness and distinctiveness is claimed in the features of shape and/or configuration of a lid cap for a centre pole assembly as illustrated in the accompanying representations.**



(21) Design Number: **10511/2010**

(22) Date of Filing Application: **15 February 2010**

(24) Date from which industrial property rights may have effect: **15 February 2010**

(54) Product in respect of which the design is registered: **Cap for a centre pole support assembly**

(51) International Design Classification: **09-07C**

(71) Name(s) and Address(s) of Applicant(s):

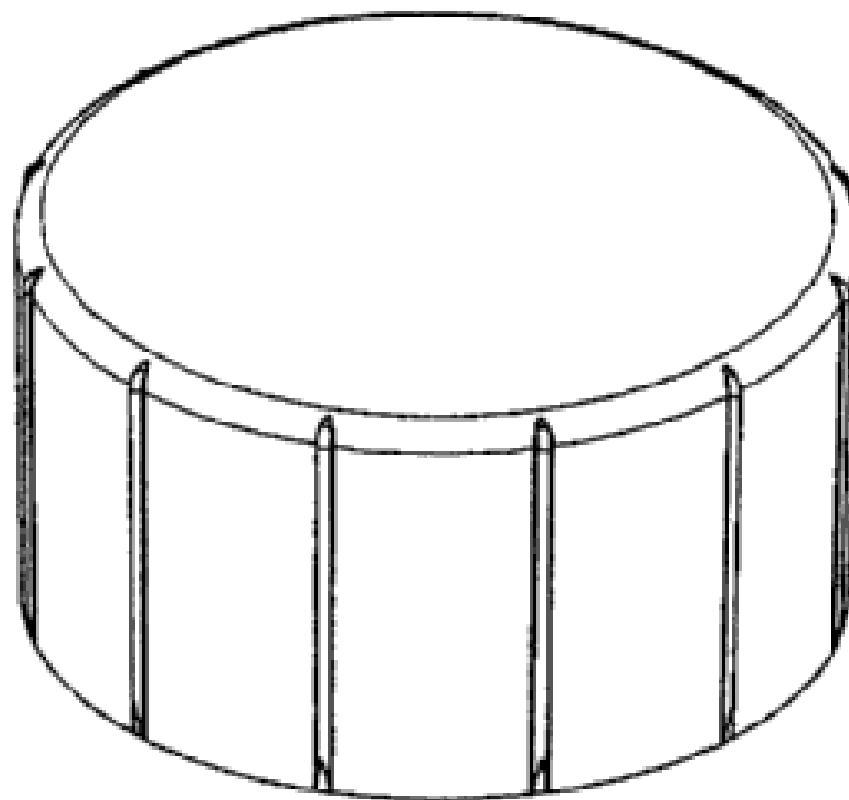
Team Poly Pty Ltd
36 Waddikee Road Lonsdale South Australia 5160 Australia

(72) Name(s) of Designer(s): **Kieran Michael Jenkins**

(45) Registration Date: **11 March 2010**

(56) Related Art Documents: **Not Applicable**

(57) Statement of Newness and Distinctiveness: **Newness and distinctiveness is claimed in the features of shape and/or configuration of a cap for a centre pole support assembly as illustrated in the accompanying representations.**



(21) Design Number: **10512/2010**

(22) Date of Filing Application: **15 February 2010**

(24) Date from which industrial property rights may have effect: **15 February 2010**

(54) Product in respect of which the design is registered: **Base bung for a centre pole assembly**

(51) International Design Classification: **08-08B, 09-07C**

(71) Name(s) and Address(s) of Applicant(s):

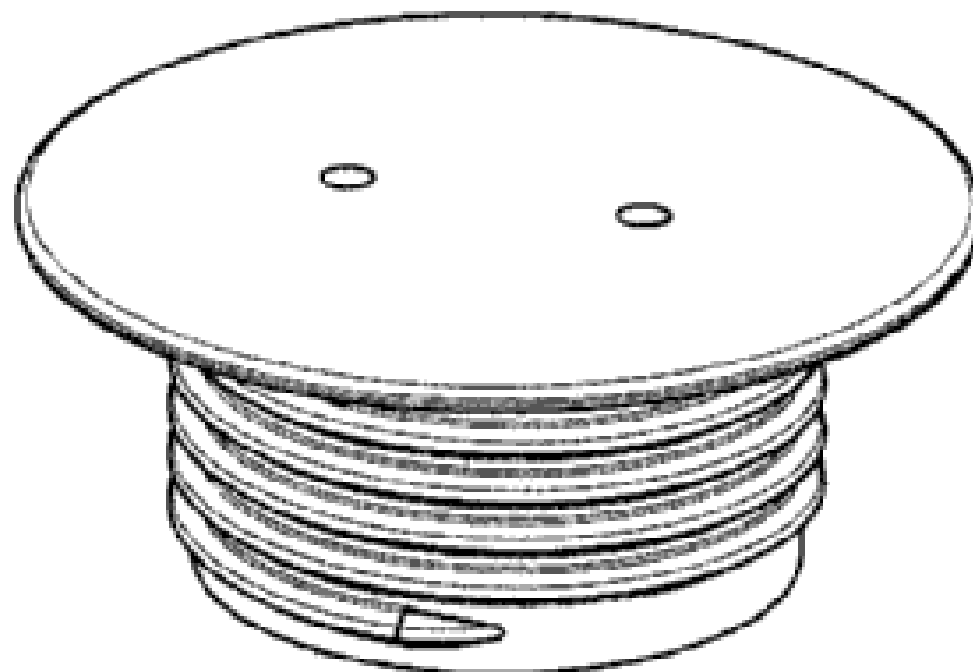
Team Poly Pty Ltd
36 Waddikee Road Lonsdale South Australia 5160 Australia

(72) Name(s) of Designer(s): **Kieran Michael Jenkins**

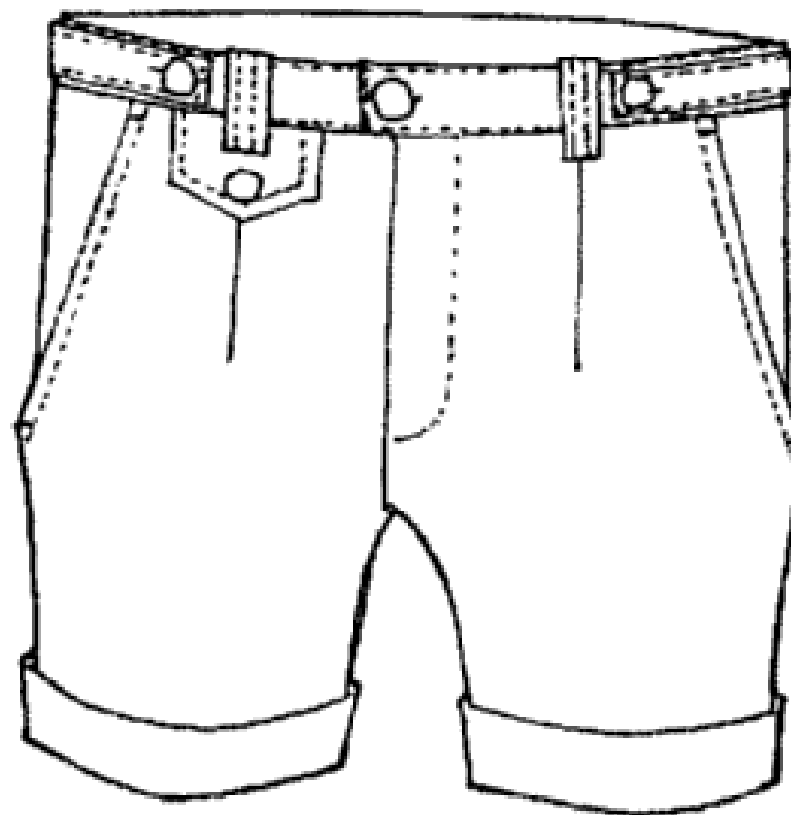
(45) Registration Date: **11 March 2010**

(56) Related Art Documents: **Not Applicable**

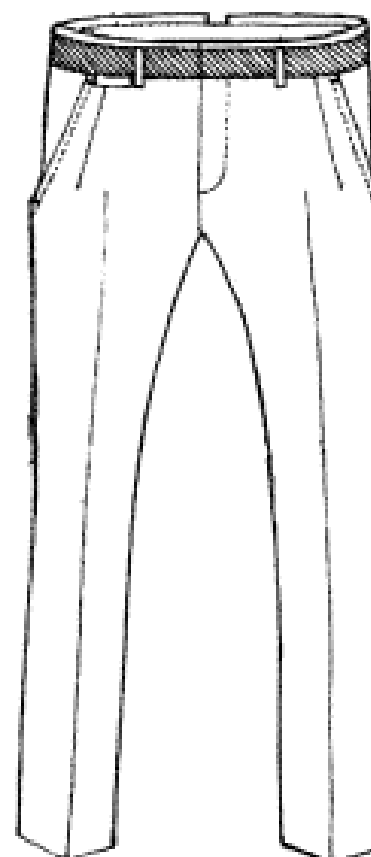
(57) Statement of Newness and Distinctiveness: **Newness and distinctiveness is claimed in the features of shape and/or configuration of a base bung for a centre pole assembly as illustrated in the accompanying representations.**



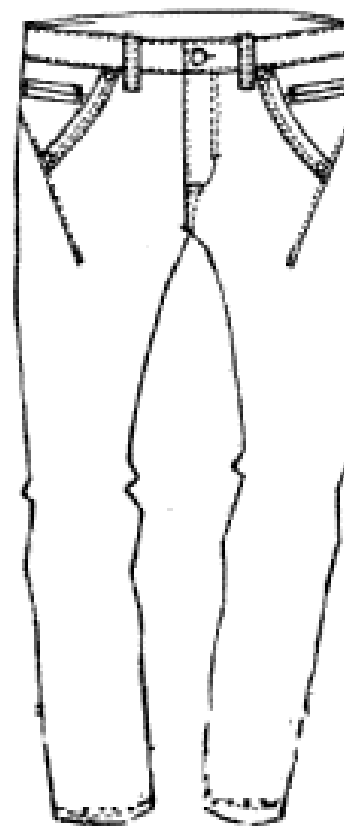
- (21) Design Number: **12437/2009**
(22) Date of Filing Application: **06 July 2009**
(24) Date from which industrial property rights may have effect: **06 July 2009**
(54) Product in respect of which the design is registered: **Mens clothing**
(51) International Design Classification: **02-02C**
(71) Name(s) and Address(s) of Applicant(s):
Fifty-Fourth Rischell Pty. Ltd.
3-5 Claremont Street South Yarra Victoria 3141 Australia
(72) Name(s) of Designer(s): **Ty Henschke**
(45) Registration Date: **12 March 2010**
(56) Related Art Documents: **Not Applicable**
(57) Statement of Newness and Distinctiveness: **Nil**



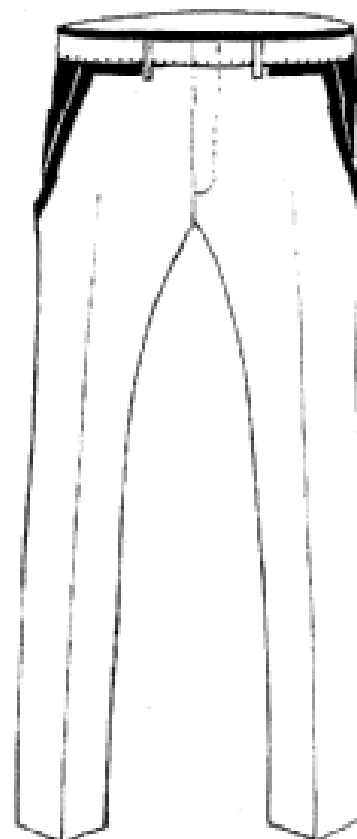
- (21) Design Number: **14962/2009**
(22) Date of Filing Application: **06 July 2009**
(24) Date from which industrial property rights may have effect: **06 July 2009**
(54) Product in respect of which the design is registered: **Mens clothing**
(51) International Design Classification: **02-02C**
(71) Name(s) and Address(s) of Applicant(s):
Fifty-Fourth Rischell Pty. Ltd.
3-5 Claremont Street South Yarra Victoria 3141 Australia
(72) Name(s) of Designer(s): **Ty Henschke**
(45) Registration Date: **12 March 2010**
(56) Related Art Documents: **Not Applicable**
(57) Statement of Newness and Distinctiveness: **Nil**



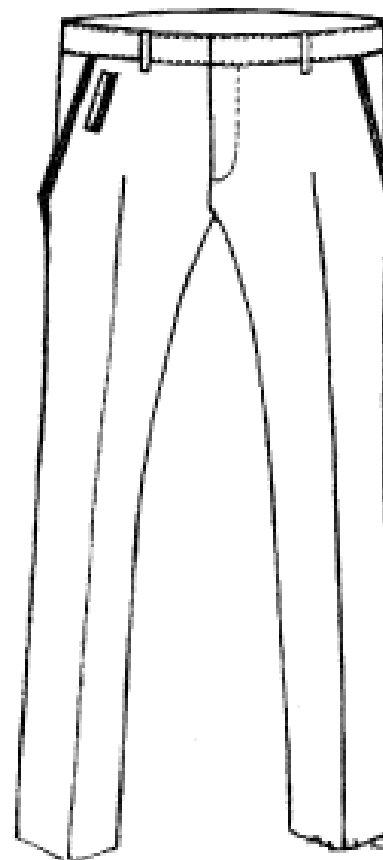
- (21) Design Number: **14963/2009**
- (22) Date of Filing Application: **06 July 2009**
- (24) Date from which industrial property rights may have effect: **06 July 2009**
- (54) Product in respect of which the design is registered: **Mens clothing**
- (51) International Design Classification: **02-02C**
- (71) Name(s) and Address(s) of Applicant(s):
Fifty-Fourth Rischell Pty. Ltd.
3-5 Claremont Street South Yarra Victoria 3141 Australia
- (72) Name(s) of Designer(s): **Ty Henschke**
- (45) Registration Date: **12 March 2010**
- (56) Related Art Documents: **Not Applicable**
- (57) Statement of Newness and Distinctiveness: **Nil**



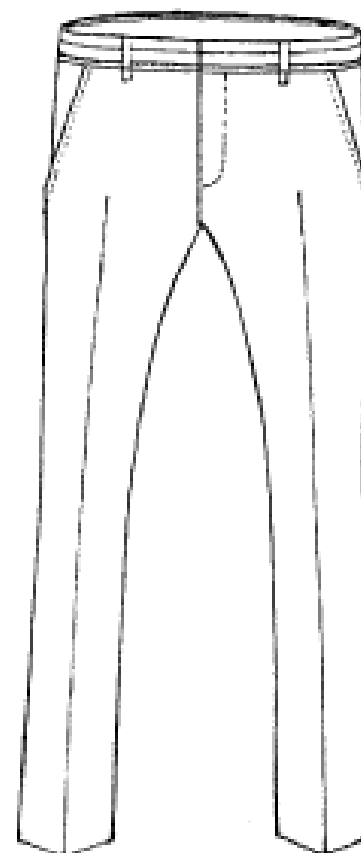
- (21) Design Number: **14964/2009**
- (22) Date of Filing Application: **06 July 2009**
- (24) Date from which industrial property rights may have effect: **06 July 2009**
- (54) Product in respect of which the design is registered: **Mens clothing**
- (51) International Design Classification: **02-02C**
- (71) Name(s) and Address(s) of Applicant(s):
Fifty-Fourth Rischell Pty. Ltd.
3-5 Claremont Street South Yarra Victoria 3141 Australia
- (72) Name(s) of Designer(s): **Ty Henschke**
- (45) Registration Date: **12 March 2010**
- (56) Related Art Documents: **Not Applicable**
- (57) Statement of Newness and Distinctiveness: **Nil**



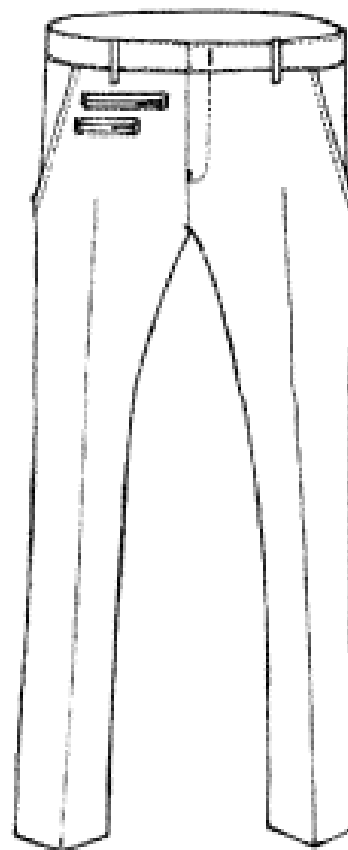
- (21) Design Number: **14965/2009**
- (22) Date of Filing Application: **06 July 2009**
- (24) Date from which industrial property rights may have effect: **06 July 2009**
- (54) Product in respect of which the design is registered: **Mens clothing**
- (51) International Design Classification: **02-02C**
- (71) Name(s) and Address(s) of Applicant(s):
Fifty-Fourth Rischell Pty. Ltd.
3-5 Claremont Street South Yarra Victoria 3141 Australia
- (72) Name(s) of Designer(s): **Ty Henschke**
- (45) Registration Date: **12 March 2010**
- (56) Related Art Documents: **Not Applicable**
- (57) Statement of Newness and Distinctiveness: **Nil**



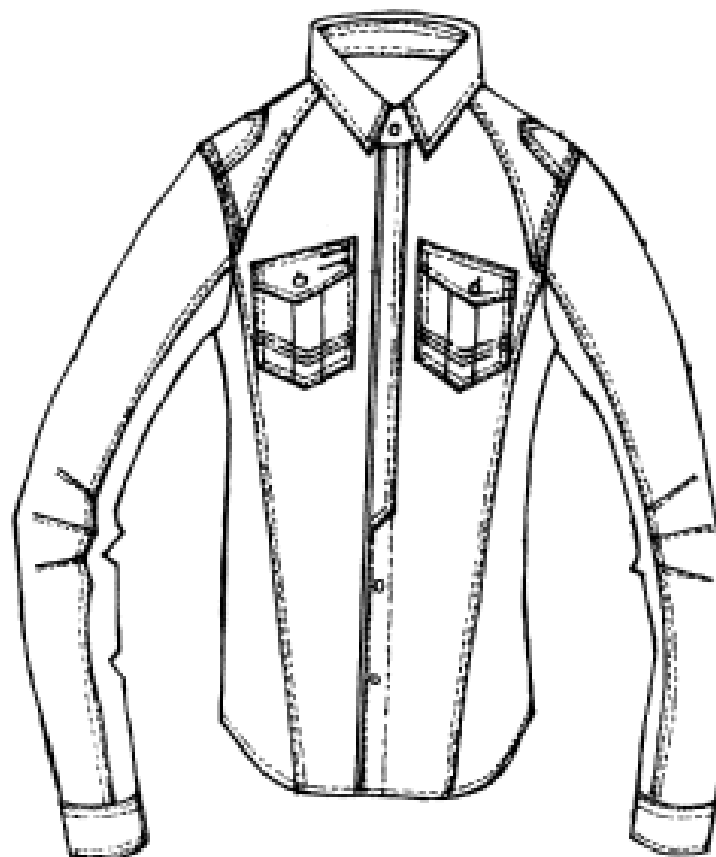
- (21) Design Number: **14966/2009**
- (22) Date of Filing Application: **06 July 2009**
- (24) Date from which industrial property rights may have effect: **06 July 2009**
- (54) Product in respect of which the design is registered: **Mens clothing**
- (51) International Design Classification: **02-02C**
- (71) Name(s) and Address(s) of Applicant(s):
Fifty-Fourth Rischell Pty. Ltd.
3-5 Claremont Street South Yarra Victoria 3141 Australia
- (72) Name(s) of Designer(s): **Ty Henschke**
- (45) Registration Date: **12 March 2010**
- (56) Related Art Documents: **Not Applicable**
- (57) Statement of Newness and Distinctiveness: **Nil**



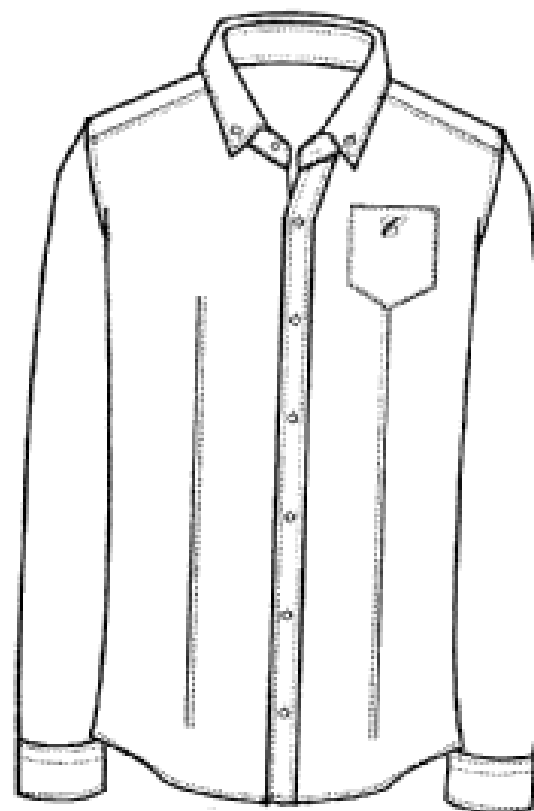
- (21) Design Number: **14967/2009**
- (22) Date of Filing Application: **06 July 2009**
- (24) Date from which industrial property rights may have effect: **06 July 2009**
- (54) Product in respect of which the design is registered: **Mens clothing**
- (51) International Design Classification: **02-02C**
- (71) Name(s) and Address(s) of Applicant(s):
Fifty-Fourth Rischell Pty. Ltd.
3-5 Claremont Street South Yarra Victoria 3141 Australia
- (72) Name(s) of Designer(s): **Ty Henschke**
- (45) Registration Date: **12 March 2010**
- (56) Related Art Documents: **Not Applicable**
- (57) Statement of Newness and Distinctiveness: **Nil**



- (21) Design Number: **14968/2009**
- (22) Date of Filing Application: **06 July 2009**
- (24) Date from which industrial property rights may have effect: **06 July 2009**
- (54) Product in respect of which the design is registered: **Mens clothing**
- (51) International Design Classification: **02-02NES**
- (71) Name(s) and Address(s) of Applicant(s):
Fifty-Fourth Rischell Pty. Ltd.
3-5 Claremont Street South Yarra Victoria 3141 Australia
- (72) Name(s) of Designer(s): **Ty Henschke**
- (45) Registration Date: **12 March 2010**
- (56) Related Art Documents: **Not Applicable**
- (57) Statement of Newness and Distinctiveness: **Nil**



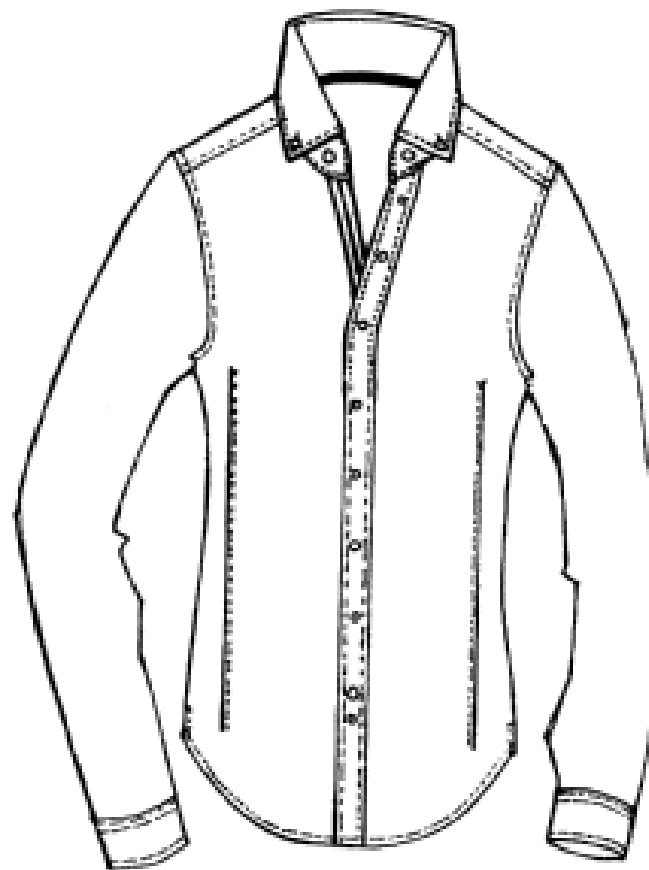
- (21) Design Number: **14969/2009**
- (22) Date of Filing Application: **06 July 2009**
- (24) Date from which industrial property rights may have effect: **06 July 2009**
- (54) Product in respect of which the design is registered: **Mens clothing**
- (51) International Design Classification: **02-02NES**
- (71) Name(s) and Address(s) of Applicant(s):
Fifty-Fourth Rischell Pty. Ltd.
3-5 Claremont Street South Yarra Victoria 3141 Australia
- (72) Name(s) of Designer(s): **Ty Henschke**
- (45) Registration Date: **12 March 2010**
- (56) Related Art Documents: **Not Applicable**
- (57) Statement of Newness and Distinctiveness: **il**



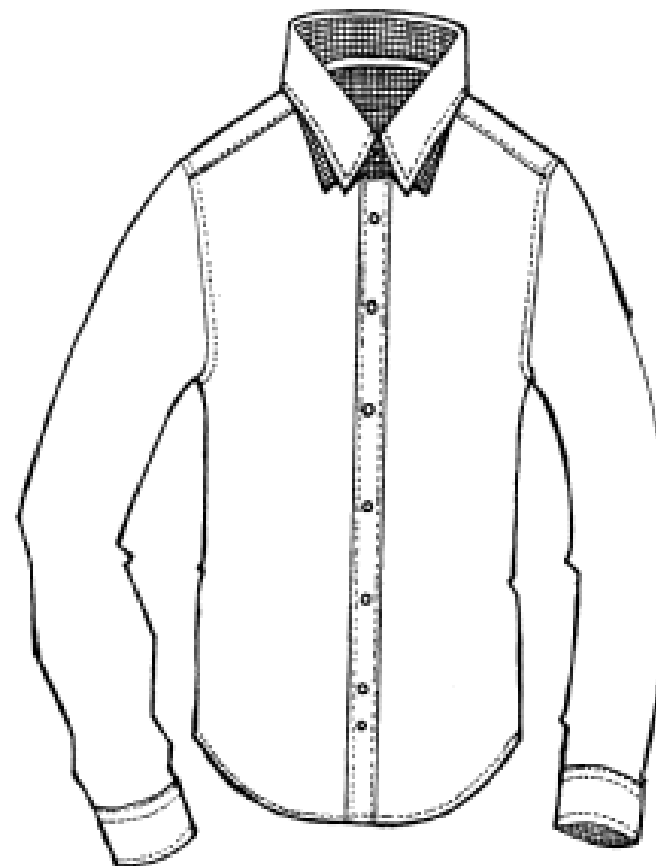
- (21) Design Number: **14970/2009**
- (22) Date of Filing Application: **06 July 2009**
- (24) Date from which industrial property rights may have effect: **06 July 2009**
- (54) Product in respect of which the design is registered: **Mens clothing**
- (51) International Design Classification: **02-02NES**
- (71) Name(s) and Address(s) of Applicant(s):
Fifty-Fourth Rischell Pty. Ltd.
3-5 Claremont Street South Yarra Victoria 3141 Australia
- (72) Name(s) of Designer(s): **Ty Henschke**
- (45) Registration Date: **12 March 2010**
- (56) Related Art Documents: **Not Applicable**
- (57) Statement of Newness and Distinctiveness: **Nil**



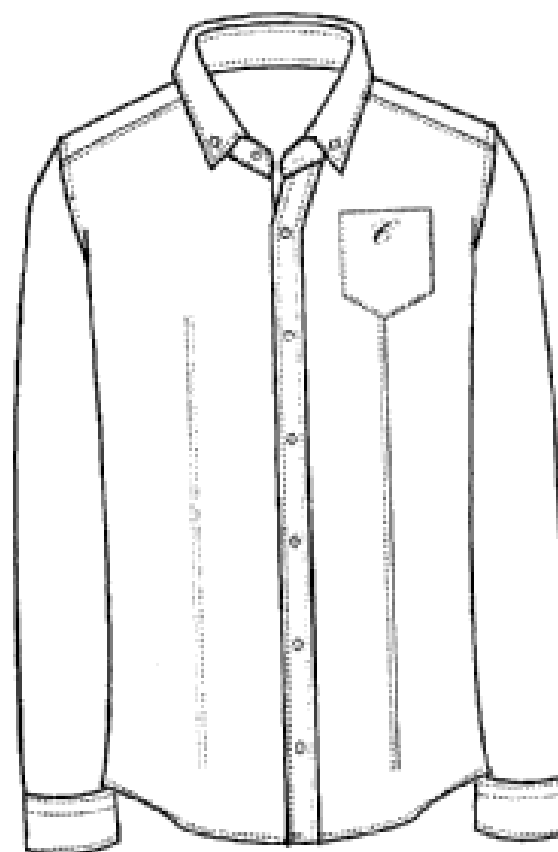
- (21) Design Number: **14971/2009**
- (22) Date of Filing Application: **06 July 2009**
- (24) Date from which industrial property rights may have effect: **06 July 2009**
- (54) Product in respect of which the design is registered: **Mens clothing**
- (51) International Design Classification: **02-02NES**
- (71) Name(s) and Address(s) of Applicant(s):
Fifty-Fourth Rischell Pty. Ltd.
3-5 Claremont Street South Yarra Victoria 3141 Australia
- (72) Name(s) of Designer(s): **Ty Henschke**
- (45) Registration Date: **12 March 2010**
- (56) Related Art Documents: **Not Applicable**
- (57) Statement of Newness and Distinctiveness: **Nil**



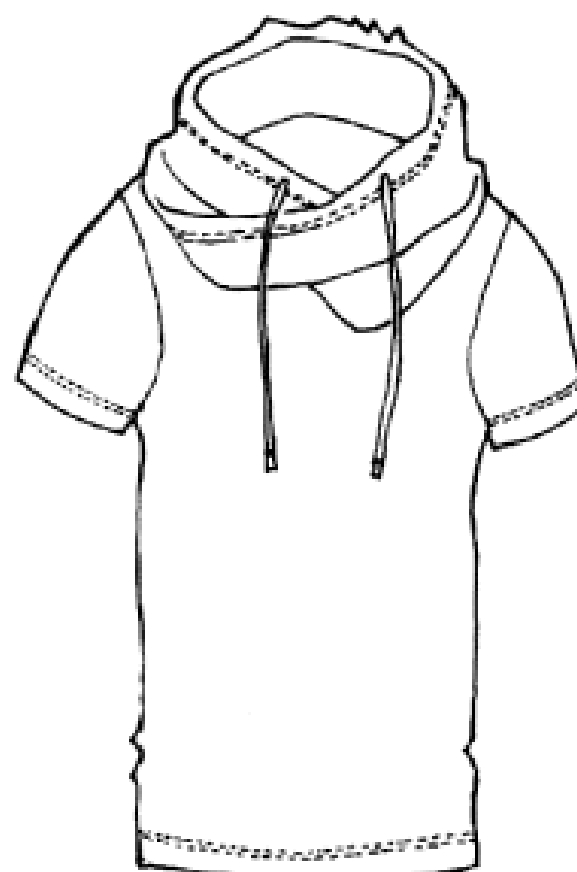
- (21) Design Number: **14972/2009**
- (22) Date of Filing Application: **06 July 2009**
- (24) Date from which industrial property rights may have effect: **06 July 2009**
- (54) Product in respect of which the design is registered: **Mens clothing**
- (51) International Design Classification: **02-02NES**
- (71) Name(s) and Address(s) of Applicant(s):
Fifty-Fourth Rischell Pty. Ltd.
3-5 Claremont Street South Yarra Victoria 3141 Australia
- (72) Name(s) of Designer(s): **Ty Henschke**
- (45) Registration Date: **12 March 2010**
- (56) Related Art Documents: **Not Applicable**
- (57) Statement of Newness and Distinctiveness: **Nil**



(21) Design Number: **14973/2009**
(22) Date of Filing Application: **06 July 2009**
(24) Date from which industrial property rights may have effect: **06 July 2009**
(54) Product in respect of which the design is registered: **Mens clothing**
(51) International Design Classification: **02-02NES**
(71) Name(s) and Address(s) of Applicant(s):
Fifty-Fourth Rischell Pty. Ltd.
3-5 Claremont Street South Yarra Victoria 3141 Australia
(72) Name(s) of Designer(s): **Ty Henschke**
(45) Registration Date: **12 March 2010**
(56) Related Art Documents: **Not Applicable**
(57) Statement of Newness and Distinctiveness: **Nil**



(21) Design Number: **14974/2009**
(22) Date of Filing Application: **06 July 2009**
(24) Date from which industrial property rights may have effect: **06 July 2009**
(54) Product in respect of which the design is registered: **Mens clothing**
(51) International Design Classification: **02-02NES**
(71) Name(s) and Address(s) of Applicant(s):
Fifty-Fourth Rischell Pty. Ltd.
3-5 Claremont Street South Yarra Victoria 3141 Australia
(72) Name(s) of Designer(s): **Ty Henschke**
(45) Registration Date: **12 March 2010**
(56) Related Art Documents: **Not Applicable**
(57) Statement of Newness and Distinctiveness: **Nil**



- (21) Design Number: **14975/2009**
- (22) Date of Filing Application: **06 July 2009**
- (24) Date from which industrial property rights may have effect: **06 July 2009**
- (54) Product in respect of which the design is registered: **Mens clothing**
- (51) International Design Classification: **02-02NES**
- (71) Name(s) and Address(s) of Applicant(s):
Fifty-Fourth Rischell Pty. Ltd.
3-5 Claremont Street South Yarra Victoria 3141 Australia
- (72) Name(s) of Designer(s): **Ty Henschke**
- (45) Registration Date: **12 March 2010**
- (56) Related Art Documents: **Not Applicable**
- (57) Statement of Newness and Distinctiveness: **Nil**



- (21) Design Number: **14976/2009**
- (22) Date of Filing Application: **06 July 2009**
- (24) Date from which industrial property rights may have effect: **06 July 2009**
- (54) Product in respect of which the design is registered: **Mens clothing**
- (51) International Design Classification: **02-02NES**
- (71) Name(s) and Address(s) of Applicant(s):
Fifty-Fourth Rischell Pty. Ltd.
3-5 Claremont Street South Yarra Victoria 3141 Australia
- (72) Name(s) of Designer(s): **Ty Henschke**
- (45) Registration Date: **12 March 2010**
- (56) Related Art Documents: **Not Applicable**
- (57) Statement of Newness and Distinctiveness: **Nil**



- (21) Design Number: **14977/2009**
(22) Date of Filing Application: **06 July 2009**
(24) Date from which industrial property rights may have effect: **06 July 2009**
(54) Product in respect of which the design is registered: **Mens clothing**
(51) International Design Classification: **02-02NES**
(71) Name(s) and Address(s) of Applicant(s):
Fifty-Fourth Rischell Pty. Ltd.
3-5 Claremont Street South Yarra Victoria 3141 Australia
(72) Name(s) of Designer(s): **Ty Henschke**
(45) Registration Date: **12 March 2010**
(56) Related Art Documents: **Not Applicable**
(57) Statement of Newness and Distinctiveness: **Nil**



- (21) Design Number: **13495/2009**
(22) Date of Filing Application: **10 September 2009**
(24) Date from which industrial property rights may have effect: **10 September 2009**
(54) Product in respect of which the design is registered: **Cupcan**
(51) International Design Classification: **07-01D, 07-01NES, 09-07B**
(71) Name(s) and Address(s) of Applicant(s):
Glud & Marstrand A/S
Hedenstedvej 14 8723 Losning Denmark
(72) Name(s) of Designer(s): **Maria Hjort Pedersen**
(45) Registration Date: **12 March 2010**
(56) Related Art Documents: **Not Applicable**
(57) Statement of Newness and Distinctiveness: **Nil**



(21) Design Number: **15069/2009**

(22) Date of Filing Application: **24 December 2009**

(24) Date from which industrial property rights may have effect: **24 December 2009**

(54) Product in respect of which the design is registered: **Wall mountable peg hanger**

(51) International Design Classification: **07-05C, 08-08NES**

(71) Name(s) and Address(s) of Applicant(s):

3M Innovative Properties Company
3M Center Saint Paul Minnesota 55133-3427 United States of America

(72) Name(s) of Designer(s): **Craig Donald Thompson and Matthieu Aquino and Sean Christopher McGreevy**

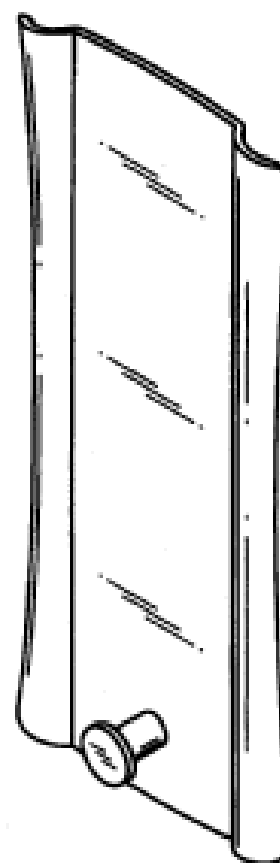
(45) Registration Date: **12 March 2010**

(30) Convention priority data:

(31) Number	(32) Date	(33) Country
29/339606	02 Jul 2009	UNITED STATES OF AMERICA

(56) Related Art Documents: **Not Applicable**

(57) Statement of Newness and Distinctiveness: **Nil**



(21) Design Number: **10044/2010**

(22) Date of Filing Application: **07 January 2010**

(24) Date from which industrial property rights may have effect: **07 January 2010**

(54) Product in respect of which the design is registered: **Automobile**

(51) International Design Classification: **12-08**

(71) Name(s) and Address(s) of Applicant(s):

Toyota Jidosha Kabushiki Kaisha
1 Toyota-cho Toyota-shi Aichi-ken 471-8571 Japan

(72) Name(s) of Designer(s): **Naoyuki Nakamura and Hideo Koyama and Saburo Hazumi**

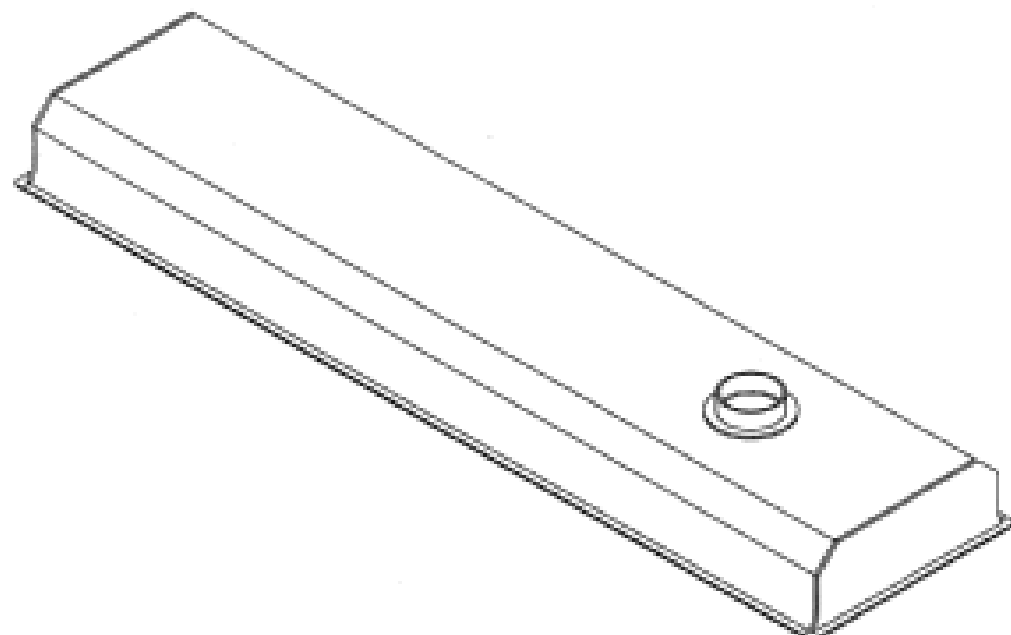
(45) Registration Date: **12 March 2010**

(56) Related Art Documents: **Not Applicable**

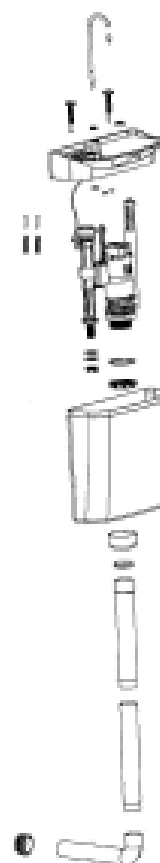
(57) Statement of Newness and Distinctiveness: **Newness and distinctiveness is claimed in the features of shape and/or configuration of an automobile as illustrated in the accompanying representations.**



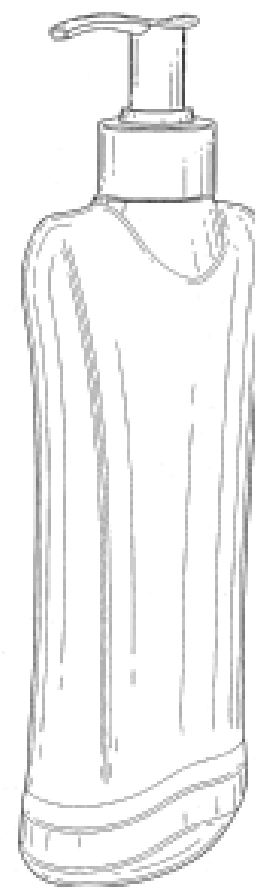
- (21) Design Number: **10064/2010**
(22) Date of Filing Application: **11 January 2010**
(24) Date from which industrial property rights may have effect: **11 January 2010**
(54) Product in respect of which the design is registered: **Air outlet**
(51) International Design Classification: **23-04**
(71) Name(s) and Address(s) of Applicant(s):
Kimura Kohki Co., Ltd.
A-23 Uemachi Chuo-ku Osaka-shi Osaka 540-0005 Japan
(72) Name(s) of Designer(s): **Keiichi Kimura and Mitsuo Morita and Kazuyuki Kasahara and Katsuhiko Urano**
(45) Registration Date: **12 March 2010**
(30) Convention priority data:
(31) Number (32) Date (33) Country
2009-017885 05 Aug 2009 JAPAN
(56) Related Art Documents: **Not Applicable**
(57) Statement of Newness and Distinctiveness: **Nil**



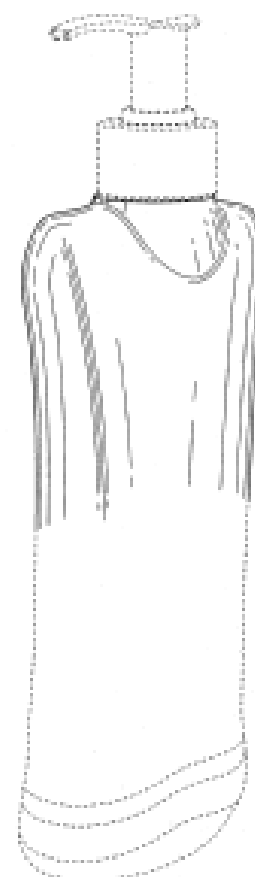
- (21) Design Number: **10103/2010**
(22) Date of Filing Application: **15 January 2010**
(24) Date from which industrial property rights may have effect: **15 January 2010**
(54) Product in respect of which the design is registered: **Washbasin cistern kit**
(51) International Design Classification: **23-02C, 23-02F**
(71) Name(s) and Address(s) of Applicant(s):
Business Enterprises Australia Pty Ltd
1 Willsmore Street Williamstown North Victoria 3016 Australia
(72) Name(s) of Designer(s): **Philip Rigoli and Amjad Humayoun**
(45) Registration Date: **12 March 2010**
(56) Related Art Documents: **Not Applicable**
(57) Statement of Newness and Distinctiveness: **Nil**



(21) Design Number: **10122/2010**
(22) Date of Filing Application: **15 January 2010**
(24) Date from which industrial property rights may have effect: **15 January 2010**
(54) Product in respect of which the design is registered: **Pump dispenser**
(51) International Design Classification: **09-01NES, 09-07A**
(71) Name(s) and Address(s) of Applicant(s):
Unilever PLC
Unilever House 100 Victoria Embankment London EC4Y ODY United Kingdom
(72) Name(s) of Designer(s): **Neil Hirst and Christoper Mark Houghton**
(45) Registration Date: **12 March 2010**
(30) Convention priority data:
(31) Number (32) Date (33) Country
4011930 21 Jul 2009 UNITED KINGDOM
(56) Related Art Documents: **Not Applicable**
(57) Statement of Newness and Distinctiveness: **Newness and distinctiveness is claimed in the visual features shown in solid lines in the representation.**



(21) Design Number: **10123/2010**
(22) Date of Filing Application: **15 January 2010**
(24) Date from which industrial property rights may have effect: **15 January 2010**
(54) Product in respect of which the design is registered: **Pump dispenser**
(51) International Design Classification: **09-01NES, 09-07A**
(71) Name(s) and Address(s) of Applicant(s):
Unilever PLC
Unilever House 100 Victoria Embankment London EC4Y ODY United Kingdom
(72) Name(s) of Designer(s): **Neil Hirst and Christoper Mark Houghton**
(45) Registration Date: **12 March 2010**
(30) Convention priority data:
(31) Number (32) Date (33) Country
4011931 21 Jul 2009 UNITED KINGDOM
(56) Related Art Documents: **Not Applicable**
(57) Statement of Newness and Distinctiveness: **Newness and distinctiveness is claimed in the visual features shown in solid lines in the representation.**



(21) Design Number: **10217/2010**

(22) Date of Filing Application: **22 January 2010**

(24) Date from which industrial property rights may have effect: **22 January 2010**

(54) Product in respect of which the design is registered: **Vehicle accessory**

(51) International Design Classification: **12-16NES**

(71) Name(s) and Address(s) of Applicant(s):

Jeffrey Alan Fleck

23 Yarranabbe Street Mt Gravatt East Queensland 4122 Australia

Richard Mark Worthington

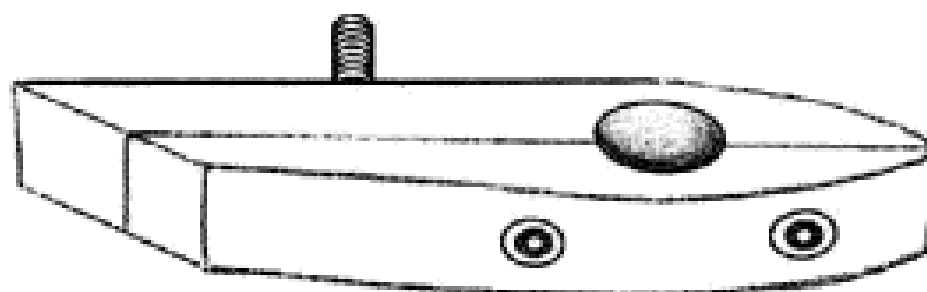
23 Yarranabbe Street Mt Gravatt East Queensland 4122 Australia

(72) Name(s) of Designer(s): **Jeffrey Alan Fleck and Richard Mark Worthington**

(45) Registration Date: **12 March 2010**

(56) Related Art Documents: **Not Applicable**

(57) Statement of Newness and Distinctiveness: **The design relates to the overall appearance and particular visual features of a product, being a vehicle accessory, typically used as a motorcycle P/clamp, having the pattern, shape, configuration or ornamentation as shown in the accompanying representations. The accessory includes attachment means for attaching the accessory to a vehicle and mounting means for mounting items to the accessory to secure such items to the vehicle.**



(21) Design Number: **10218/2010**

(22) Date of Filing Application: **22 January 2010**

(24) Date from which industrial property rights may have effect: **22 January 2010**

(54) Product in respect of which the design is registered: **Vehicle accessory**

(51) International Design Classification: **12-16NES**

(71) Name(s) and Address(s) of Applicant(s):

Jeffrey Alan Fleck

23 Yarranabbe Street Mt Gravatt East Queensland 4122 Australia

Richard Mark Worthington

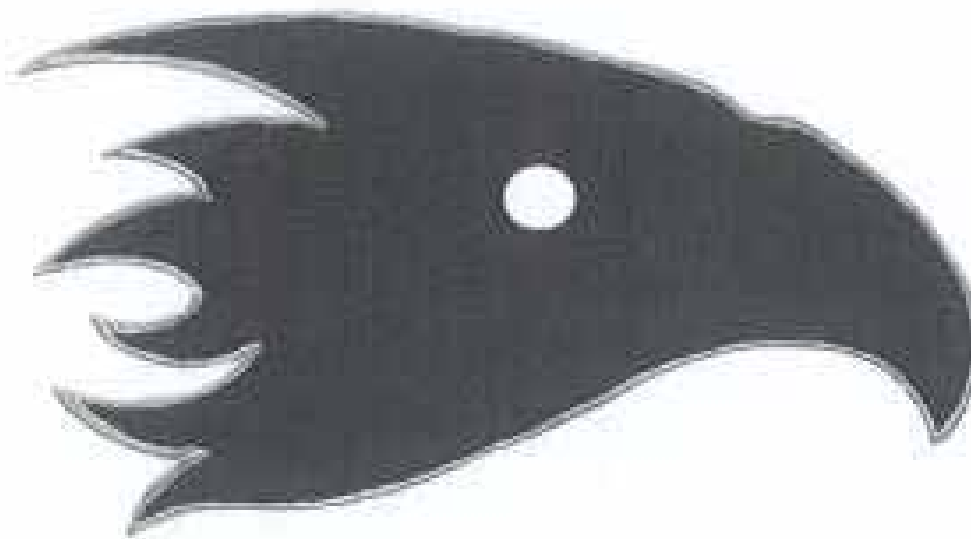
23 Yarranabbe Street Mt Gravatt East Queensland 4122 Australia

(72) Name(s) of Designer(s): **Jeffrey Alan Fleck and Richard Mark Worthington**

(45) Registration Date: **12 March 2010**

(56) Related Art Documents: **Not Applicable**

(57) Statement of Newness and Distinctiveness: **The design relates to the overall appearance and particular visual features of a product, being a vehicle accessory, typically used as a decorative fitting, having the pattern, shape, configuration or ornamentation as shown in the accompanying representations. The accessory defines an aperture through which it may be fitted to a vehicle, and is flat to allow use as a decorative washer or spacer.**



(21) Design Number: **10354/2010**
(22) Date of Filing Application: **03 February 2010**
(24) Date from which industrial property rights may have effect: **03 February 2010**
(54) Product in respect of which the design is registered: **Support**
(51) International Design Classification: **08-08NES, 12-16K**
(71) Name(s) and Address(s) of Applicant(s):

Railblaza Limited
Unit 10 25 Airborne Road Albany 0632 New Zealand

(72) Name(s) of Designer(s): **Ross Gregory Pratt**

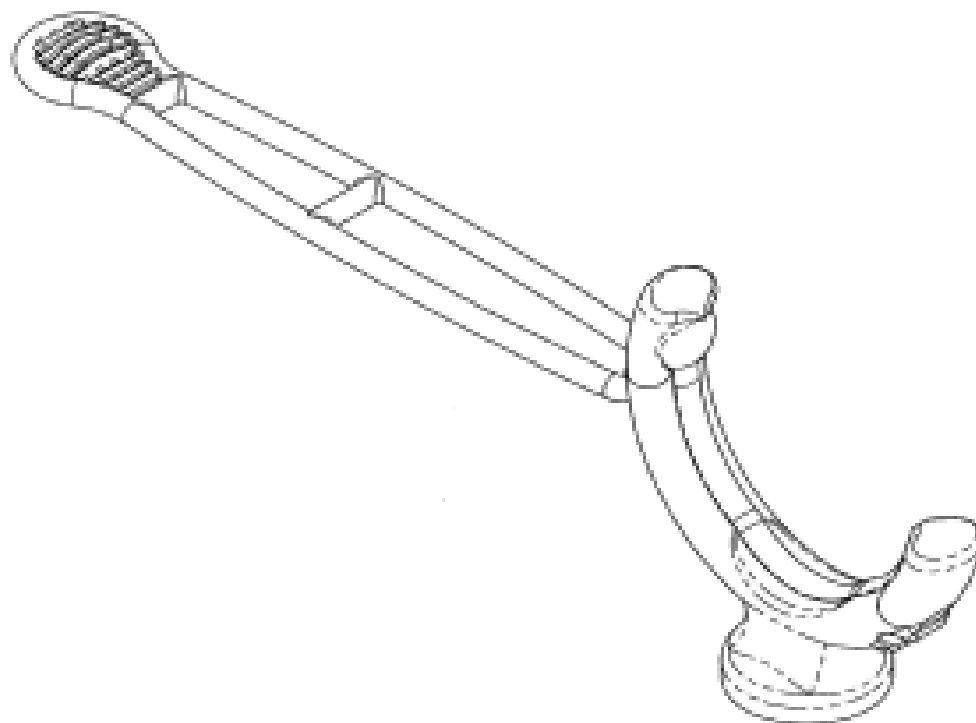
(45) Registration Date: **12 March 2010**

(30) Convention priority data:

(31) Number	(32) Date	(33) Country
412593	07 Aug 2009	NEW ZEALAND

(56) Related Art Documents: **Not Applicable**

(57) Statement of Newness and Distinctiveness: **Nil**



(21) Design Number: **10372/2010**
(22) Date of Filing Application: **04 February 2010**
(24) Date from which industrial property rights may have effect: **04 February 2010**
(54) Product in respect of which the design is registered: **Twin motor compressor**
(51) International Design Classification: **15-02**
(71) Name(s) and Address(s) of Applicant(s):

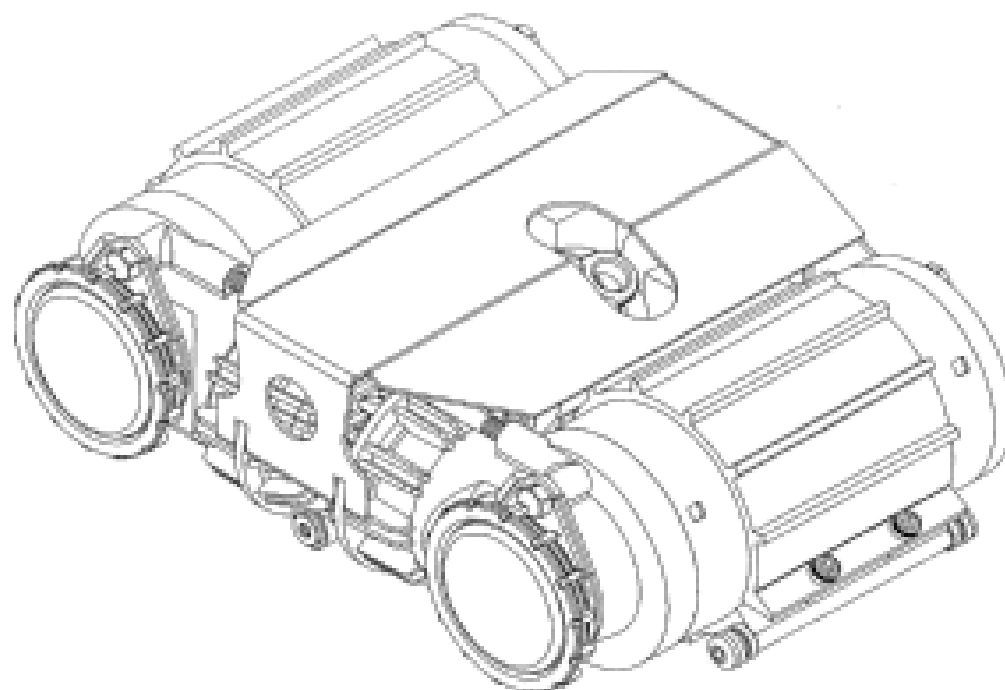
ARB Corporation Limited
42-44 Garden Street Kilsyth Victoria 3137 Australia

(72) Name(s) of Designer(s): **Daniel Bongard**

(45) Registration Date: **12 March 2010**

(56) Related Art Documents: **Not Applicable**

(57) Statement of Newness and Distinctiveness: **The features of the design which are new and distinctive are the features of shape or configuration as illustrated in the accompanying representations.**



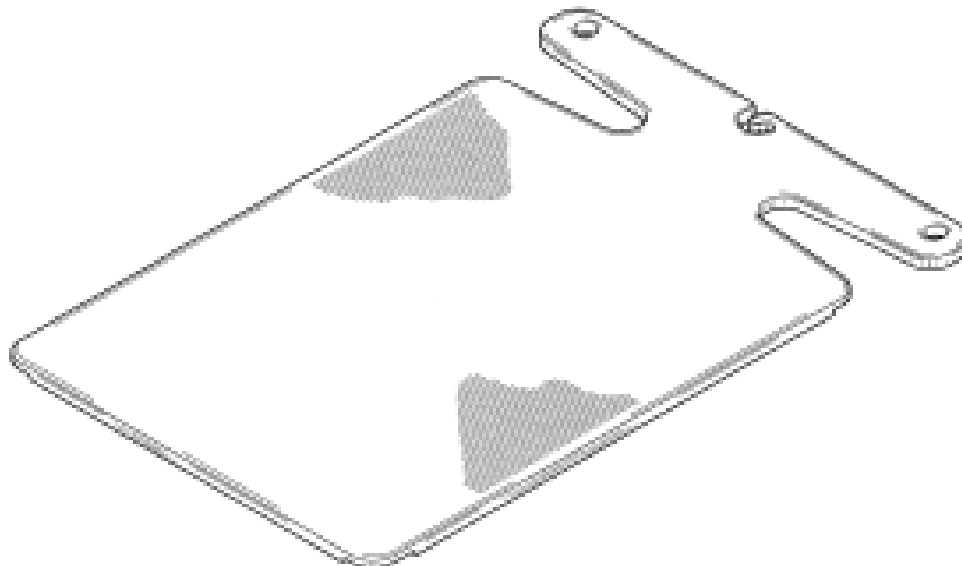
- (21) Design Number: **14772/2009**
(22) Date of Filing Application: **04 December 2009**
(24) Date from which industrial property rights may have effect: **04 December 2009**
(54) Product in respect of which the design is registered: **Ceiling fans, Axial Fans, Computer Fans Ventilation**
(51) International Design Classification: **23-04**
(71) Name(s) and Address(s) of Applicant(s):
Das Werk Pty Ltd
Unit 1/45 Fletcher Street Tamarama New South Wales 2026 Australia
(72) Name(s) of Designer(s): **Danny Gasser**
(45) Registration Date: **12 March 2010**
(56) Related Art Documents: **Not Applicable**
(57) Statement of Newness and Distinctiveness: **Novelty is claimed in the shape of the aero foil blade profile and the smooth transition blend between the fan blades and the configuration of the blades to the drive shaft as shown in the representations.***



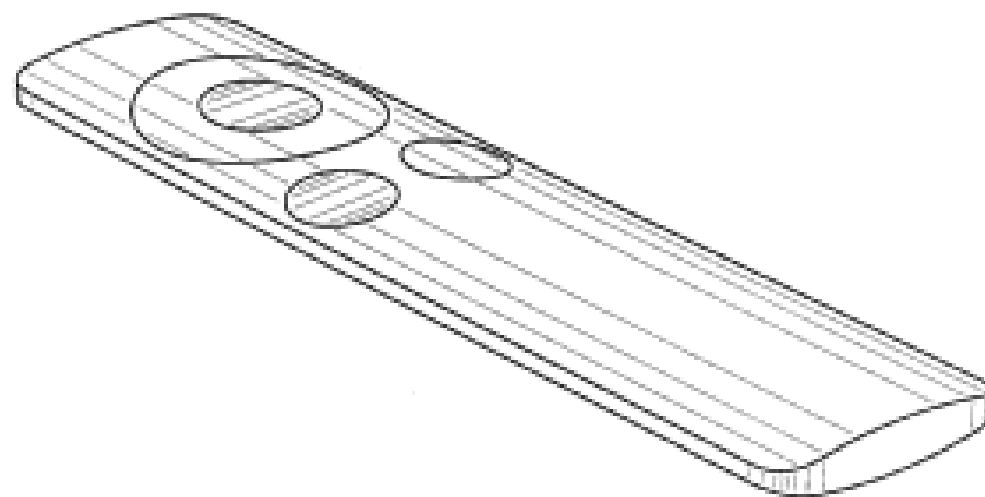
- (21) Design Number: **14773/2009**
(22) Date of Filing Application: **04 December 2009**
(24) Date from which industrial property rights may have effect: **04 December 2009**
(54) Product in respect of which the design is registered: **Ceiling fans, axial fans, computer fans ventilation**
(51) International Design Classification: **23-04**
(71) Name(s) and Address(s) of Applicant(s):
Das Werk Pty Ltd
Unit 1/45 Fletcher Street Tamarama New South Wales 2026 Australia
(72) Name(s) of Designer(s): **Danny Gasser**
(45) Registration Date: **12 March 2010**
(56) Related Art Documents: **Not Applicable**
(57) Statement of Newness and Distinctiveness: **Novelty is claimed in the shape of the aero foil blade profile and the smooth transition blend between the fan blades and the configuration of the blades to the drive shaft as shown in the representations.***



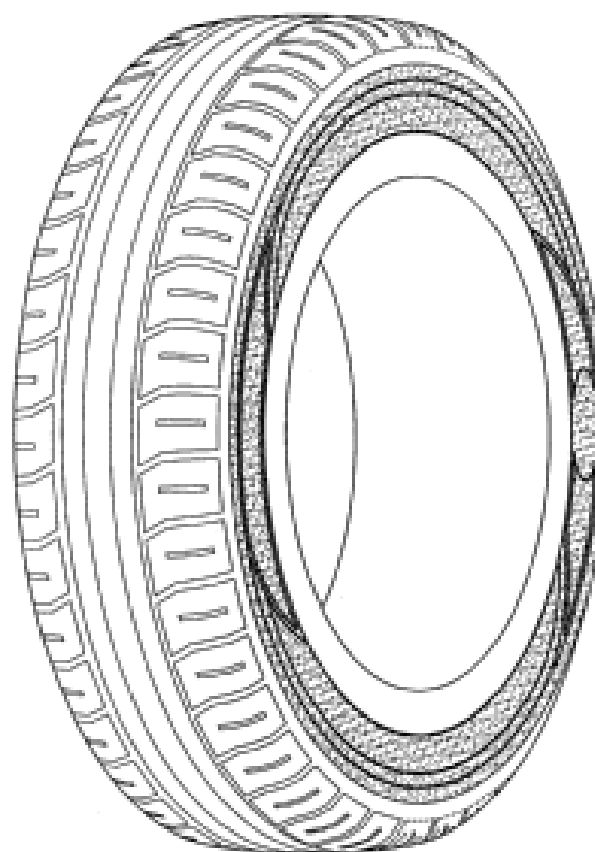
(21) Design Number: **10184/2010**
(22) Date of Filing Application: **20 January 2010**
(24) Date from which industrial property rights may have effect: **20 January 2010**
(54) Product in respect of which the design is registered: **A platen**
(51) International Design Classification: **18-02**
(71) Name(s) and Address(s) of Applicant(s):
Provo Craft and Novelty, Inc.
151 E. 3450 North Spanish Fork Utah 84660 United states of America
(72) Name(s) of Designer(s): **Michael Horito and Dayne Tanner and Janna Budge and Tyler Allan**
(45) Registration Date: **12 March 2010**
(30) Convention priority data:
(31) Number (32) Date (33) Country
29/340681 23 Jul 2009 UNITED STATES OF AMERICA
(56) Related Art Documents: **Not Applicable**
(57) Statement of Newness and Distinctiveness: **Nil**



(21) Design Number: **10520/2010**
(22) Date of Filing Application: **16 February 2010**
(24) Date from which industrial property rights may have effect: **16 February 2010**
(54) Product in respect of which the design is registered: **Remote control**
(51) International Design Classification: **14-03NES**
(71) Name(s) and Address(s) of Applicant(s):
Apple Inc.
1 Infinite Loop Cupertino California 95014 United States of America
(72) Name(s) of Designer(s): **Jody Akana and Jeremy Bataillou and Daniele De Iuliis and Evans Hankey and Duncan Robert Kerr and Shin Nishibori and Matthew Dean Rohrbach and Peter Russell-Clarke and Christopher J. Stringer and Eugene Anthony Whang and Rico Zorkendorfer and Bartley K. Andre and Daniel J. Coster and Richard P. Howarth and Jonathan P. Ive**
(45) Registration Date: **12 March 2010**
(56) Related Art Documents: **Not Applicable**
(57) Statement of Newness and Distinctiveness: **Newness and distinctiveness resides in the features of shape and configuration of the remote control that are shown in solid lines in the accompanying Figures, wherein the shade lines in the Figures show contour and not surface ornamentation.**



- (21) Design Number: **10523/2010**
(22) Date of Filing Application: **16 February 2010**
(24) Date from which industrial property rights may have effect: **16 February 2010**
(54) Product in respect of which the design is registered: **Tyre**
(51) International Design Classification: **12-15NES**
(71) Name(s) and Address(s) of Applicant(s):
The Goodyear Tire & Rubber Company
1144 East Market Street Akron Ohio 44316-0001 United States of America
(72) Name(s) of Designer(s): **Delwyn Lovell Harvey and Jonathan James Shondel**
(45) Registration Date: **12 March 2010**
(30) Convention priority data:
(31) Number (32) Date (33) Country
29/343457 14 Sep 2009 UNITED STATES OF AMERICA
(56) Related Art Documents: **Not Applicable**
(57) Statement of Newness and Distinctiveness: **Newness and distinctiveness is claimed in the features of the sidewall of a tyre as illustrated in the accompanying representations, the sidewall being depicted with stippling to identify the bounds of the sidewall.**



- (21) Design Number: **10524/2010**
(22) Date of Filing Application: **16 February 2010**
(24) Date from which industrial property rights may have effect: **16 February 2010**
(54) Product in respect of which the design is registered: **Vacuum cleaner**
(51) International Design Classification: **15-05**
(71) Name(s) and Address(s) of Applicant(s):
Shop Vac Corporation
2323 Reach Road Williamsport PA 17701 United States of America
(72) Name(s) of Designer(s): **Robert L. Crevling Jr and Jason Gottschall**
(45) Registration Date: **12 March 2010**
(30) Convention priority data:
(31) Number (32) Date (33) Country
29/342708 31 Aug 2009 UNITED STATES OF AMERICA
(56) Related Art Documents: **Not Applicable**
(57) Statement of Newness and Distinctiveness: **When determining whether the design 1 is substantially similar in overall impression to another design, no regard is to be had to those features shown in dotted outline in the accompanying drawings.**

