



**Australian Government**

---

**IP Australia**

**AUSTRALIAN OFFICIAL JOURNAL**

**OF**

**DESIGNS**

Did you know a searchable version of this journal is now available online?

It's FREE and EASY to SEARCH.

Find it at

<http://pericles.ipaustralia.gov.au/ols/epublish/content/olsEpublications.jsp>  
or using the "Online Journals" link on the IP Australia home page.

This Page Left Intentionally Blank

## Contents

### General Information & Notices

#### Proceedings Under the Designs Act 1906 preserved as a result of the provisions of Chapter 12 Part 2 of the Designs Act 2003

Extension of Period of Registration of Designs .....	646
Mortgages Registered .....	647
Names Registered - Alterations and Amendments .....	647
Registrations Ceased .....	646
Subsequent Owners Registered .....	646

#### Proceedings Under the Designs Act 2003

Applications for Extension of Time Under Section 137 .....	657
Applications Assigned .....	658
Applications Lapsed .....	656
Applications Lodged .....	651
Applications Withdrawn .....	656
Certificate of Examination .....	662
Corrigenda .....	661
Extension of Period of Registration of Design .....	
Extension of Time Granted Under Section 137 .....	657
Mortgages Registered .....	657
Names Registered - Alterations and Amendments .....	659
Publication and Registration Proceedings	
Designs Registered 329779 to 330084.....	663
Registrations Ceased .....	657
Subsequent Owners Registered .....	658

This Page Left Intentionally Blank

For information on the following please see our website [www.ipaustralia.gov.au](http://www.ipaustralia.gov.au) or contact our Customer Service Network on 1300651010

[Editorial enquiries](#)

[Contact information](#)

[Freedom of Information ACT](#)

[Professional Standards Board](#)

[Sales](#)

[Requests for Information under Section 194 \(c\)](#)

[Country Codes](#)

[Trade Mark and Designs Hearing Sessions](#)

[INID \(Internationally agreed Numbers for the Identification of Data\)](#)

## “INID” NUMBERS in use on Australian Design Documents

“INID” is an acronym for “Internationally agreed Numbers for the Identification of Data”.

### (10) Data concerning the registration/renewal

- (11) Serial number of the registration and/or number of the design document
- (12) Plain language designation of the kind of published document
- (19) Identification, using the two-letter code according to WIPO Standard ST.3, of the authority publishing or registering the industrial design

### (20) Data concerning the application

- (21) Serial number of the application
- (22) Date of filing of the application
- (24) Date from which the industrial design right has effect

### (30) Data relating to priority under the Paris Convention

- (31) Serial number assigned to the priority application
- (32) Date of filing of the priority application
- (33) Two-letter code, according to WIPO Standard ST.3, identifying the authority with which the priority application was made

### (40) Date(s) of making information available to the public

- (45) Date of publication of the registered industrial design by printing or similar process, or making it available to the public by any other means

### (50) Miscellaneous Information

- (51) International Classification for Industrial Designs (class and subclass of the Locarno Classification)
- (54) Designation of article(s) or product(s) covered by the industrial design or title of the industrial design
- (55) Reproduction of the industrial design (e.g., drawing, photograph) and explanations relating to the reproduction
- (56) List of prior art documents, if separate from descriptive text
- (57) Description of characteristic features of the industrial design including indication of colours

### (60) References to other legally related application(s) and registration(s)

- (62) Serial number(s) and, if available, filing date(s) of application(s), registration(s) or document(s) related by division
- (66) Serial number(s) of the application, or the registration, of the design(s) which is (are) a variant(s) of the present one

### (70) Identification of parties concerned with the application or registration

- (71) Name(s) and address(es) of the applicant(s)
- (72) Name(s) of the creator(s) if known to be such
- (74) Name(s) and address(es) of the representative(s)

This Page Left Intentionally Blank

**Official Notice**

**Surrender of Registration**

**325051**

A request under Section 49 of the *Designs Act 2003* has been made by the registered owner of Design Registration No. 325051 to surrender the registration.

Any interested person may give notice to the Registrar that he or she wishes to be heard in relation to the above offer. This notice must be given within 1 month after 01 April 2010.

Your attention is drawn to Regulation 4.10 and 4.11 of the *Designs Regulations 2004*.

Address for Service: F B Rice & Co; Level 23 44 Market Street SYDNEY NSW 2000

**Contact:** IP Australia  
**Phone:** 1300 651 010  
**Fax:** +61 2 6283 7999  
**E-Mail:** [assist@ipaustralia.gov.au](mailto:assist@ipaustralia.gov.au)  
**Web:** [www.ipaustralia.gov.au](http://www.ipaustralia.gov.au)

**Official Notice**

**Surrender of Registration**

**328302**

A request under Section 49 of the *Designs Act 2003* has been made by the registered owner of Design Registration No. 328302 to surrender the registration.

Any interested person may give notice to the Registrar that he or she wishes to be heard in relation to the above offer. This notice must be given within 1 month after 01 April 2010.

Your attention is drawn to Regulation 4.10 and 4.11 of the *Designs Regulations 2004*.

Address for Service: F B Rice & Co; Level 23 200 Queen Street MELBOURNE VIC 3000

**Contact:** IP Australia  
**Phone:** 1300 651 010  
**Fax:** +61 2 6283 7999  
**E-Mail:** [assist@ipaustralia.gov.au](mailto:assist@ipaustralia.gov.au)  
**Web:** [www.ipaustralia.gov.au](http://www.ipaustralia.gov.au)



**Official Notice**

**Surrender of Registration**

**328616**

A request under Section 49 of the *Designs Act 2003* has been made by the registered owner of Design Registration No. 328616 to surrender the registration.

Any interested person may give notice to the Registrar that he or she wishes to be heard in relation to the above offer. This notice must be given within 1 month after 01 April 2010.

Your attention is drawn to Regulation 4.10 and 4.11 of the *Designs Regulations 2004*.

Address for Service: F B Rice & Co; Level 23 200 Queen Street MELBOURNE VIC 3000

**Contact:** IP Australia  
**Phone:** 1300 651 010  
**Fax:** +61 2 6283 7999  
**E-Mail:** [assist@ipaustralia.gov.au](mailto:assist@ipaustralia.gov.au)  
**Web:** [www.ipaustralia.gov.au](http://www.ipaustralia.gov.au)

**Proceedings under the Designs Act 1906 preserved as a  
result of the provisions of Chapter 12 Part 2 of the Designs  
Act 2003.**

This Page Left Intentionally Blank

**Applications Lapsed**

There were no Applications Lapsed under this section

**Extension of Period of Registration of Designs**

**1st Period (Section 27A(8))**

**2nd Period (Section 27A(12))**

154770	154771	155158
156072	156435	156495
156511	156512	156538
156541	156559	156610
156652	156834	156929
156999	157125	157180
157323	157355	157396
157655	157771	157908
157975	157979	157980
158004	158132	158199
158201	158202	158362
158415	158432	158457
158458	158509	158545
158546		

**3rd Period (Section 27A(13))**

137724	137725	138433
138865	138882	138885
139070	139290	139343
139487	139556	140168
140268	140270	140271
140333	140917	141079
141740	141943	142691
142692	142742	142881

**Registrations Ceased**

Note: Some of the following Registrations may have been previously advertised as ceased. In this instance, the previous advertisement still prevails.

120369	121049	121415
121432	121440	121444
121461	121518	121582
121887	122678	123149
123890	123891	124009
124114	124893	125458
125711	129375	129470
135198	136259	136296
136380	136612	136680
136681	136700	136701
136703	136705	136772
136785	136786	136787
136788	136789	136790
136791	136792	136793
136812	136828	136832
136890	136940	136958

136959	137138	137228
137417	137571	137588
137779	138653	138907
139446	139638	139655
139656	140408	153400
153687	153737	153738
153739	153762	153804
153840	153860	153861
153918	153998	154021
154022	154023	154059
154155	154158	154232
154316	154326	154425
154518	154631	154714
154757	154876	154877
154878	155169	155375
155551	155552	155705
155707	155708	155709
155710	155798	155819
155974	156270	156562
157598	157683	157889
158481		

**Subsequent Owners Registered**

(The name in parentheses is that of the subsequent owner)

129180	( James Hardie Technology Limited ) James Hardie International Finance B.V.
121837	( James Hardie Technology Limited ) James Hardie International Finance B.V.
146387	( James Hardie Technology Limited ) James Hardie International Finance B.V.
146556	( James Hardie Technology Limited ) James Hardie International Finance B.V.
146555	( James Hardie Technology Limited ) James Hardie International Finance B.V.
146386	( James Hardie Technology Limited ) James Hardie International Finance B.V.
147417	( James Hardie Technology Limited ) James Hardie International Finance B.V.
146554	( James Hardie Technology Limited ) James Hardie International Finance B.V.
146606	( James Hardie Technology Limited ) James Hardie International Finance B.V.
138872	( James Hardie Technology Limited ) James Hardie International Finance B.V.
141274	( James Hardie Technology Limited ) James Hardie International Finance B.V.
141275	( James Hardie Technology Limited ) James Hardie International Finance B.V.
128005	( James Hardie Technology Limited ) James Hardie International Finance B.V.
128006	( James Hardie Technology Limited ) James Hardie International Finance B.V.
128007	( James Hardie Technology Limited ) James Hardie International Finance B.V.
128008	( James Hardie Technology Limited ) James Hardie International Finance B.V.
151742	( CONVATEC TECHNOLOGIES INC. ) Bristol-Myers

**Subsequent Owners Registered**

	Squibb Company
151743	( <b>CONVATEC TECHNOLOGIES INC.</b> ) Bristol-Myers Squibb Company
151320	( <b>CONVATEC TECHNOLOGIES INC.</b> ) Bristol-Myers Squibb Company
154237	( <b>CONVATEC TECHNOLOGIES INC.</b> ) Bristol-Myers Squibb Company
154236	( <b>CONVATEC TECHNOLOGIES INC.</b> ) Bristol-Myers Squibb Company
123587	( <b>Delilah International S.a.r.l.</b> ) Samsonite LLC A Delaware limited liability company
132392	( <b>Delilah International S.a.r.l.</b> ) Samsonite LLC A Delaware limited liability company
140513	( <b>Delilah International S.a.r.l.</b> ) Samsonite LLC A Delaware limited liability company
141042	( <b>Delilah International S.a.r.l.</b> ) Samsonite LLC A Delaware limited liability company
141146	( <b>Delilah International S.a.r.l.</b> ) Samsonite LLC A Delaware limited liability company
144668	( <b>Delilah International S.a.r.l.</b> ) Samsonite LLC A Delaware limited liability company
144670	( <b>Delilah International S.a.r.l.</b> ) Samsonite LLC A Delaware limited liability company
146123	( <b>Delilah International S.a.r.l.</b> ) Samsonite LLC A Delaware limited liability company
146221	( <b>Delilah International S.a.r.l.</b> ) Samsonite LLC A Delaware limited liability company
146632	( <b>Delilah International S.a.r.l.</b> ) Samsonite LLC A Delaware limited liability company

**Names Registered - Alterations and Amendments**

(The name in parentheses is the new name of the proprietor)

137788	( <b>BabyBjorn AB</b> ) Baby Bjorn A.B.
137847	( <b>BabyBjorn AB</b> ) Baby Bjorn A.B.
144864	( <b>BabyBjorn AB</b> ) Baby Bjorn A.B.
153451	( <b>Garry Allan Shinnars</b> ) John Leonard Kelly
123587	( <b>Samsonite LLC A Delaware limited liability company</b> ) Samsonite Corporation
132392	( <b>Samsonite LLC A Delaware limited liability company</b> ) Samsonite Corporation
140513	( <b>Samsonite LLC A Delaware limited liability company</b> ) Samsonite Corporation
141042	( <b>Samsonite LLC A Delaware limited liability company</b> ) Samsonite Corporation
141146	( <b>Samsonite LLC A Delaware limited liability company</b> ) Samsonite Corporation
144668	( <b>Samsonite LLC A Delaware limited liability company</b> ) Samsonite Corporation
144670	( <b>Samsonite LLC A Delaware limited liability company</b> ) Samsonite Corporation
146123	( <b>Samsonite LLC A Delaware limited liability company</b> ) Samsonite Corporation
146221	( <b>Samsonite LLC A Delaware limited liability company</b> ) Samsonite Corporation
146632	( <b>Samsonite LLC A Delaware limited liability company</b> ) Samsonite Corporation

123587	( <b>Samsonite IP Holdings S.a.r.l.</b> ) Delilah International S.a.r.l.
132392	( <b>Samsonite IP Holdings S.a.r.l.</b> ) Delilah International S.a.r.l.
140513	( <b>Samsonite IP Holdings S.a.r.l.</b> ) Delilah International S.a.r.l.
141042	( <b>Samsonite IP Holdings S.a.r.l.</b> ) Delilah International S.a.r.l.
141146	( <b>Samsonite IP Holdings S.a.r.l.</b> ) Delilah International S.a.r.l.
144668	( <b>Samsonite IP Holdings S.a.r.l.</b> ) Delilah International S.a.r.l.
144670	( <b>Samsonite IP Holdings S.a.r.l.</b> ) Delilah International S.a.r.l.
146123	( <b>Samsonite IP Holdings S.a.r.l.</b> ) Delilah International S.a.r.l.
146221	( <b>Samsonite IP Holdings S.a.r.l.</b> ) Delilah International S.a.r.l.
146632	( <b>Samsonite IP Holdings S.a.r.l.</b> ) Delilah International S.a.r.l.

**Mortgages Registered**

123587	A mortgage has been granted to <b>The Royal Bank of Scotland plc</b>
132392	A mortgage has been granted to <b>The Royal Bank of Scotland plc</b>
140513	A mortgage has been granted to <b>The Royal Bank of Scotland plc</b>
141042	A mortgage has been granted to <b>The Royal Bank of Scotland plc</b>
141146	A mortgage has been granted to <b>The Royal Bank of Scotland plc</b>
144668	A mortgage has been granted to <b>The Royal Bank of Scotland plc</b>
144670	A mortgage has been granted to <b>The Royal Bank of Scotland plc</b>
146123	A mortgage has been granted to <b>The Royal Bank of Scotland plc</b>
146221	A mortgage has been granted to <b>The Royal Bank of Scotland plc</b>
146632	A mortgage has been granted to <b>The Royal Bank of Scotland plc</b>

This Page Left Intentionally Blank

**Proceedings under the Designs Act 2003.**



This Page Left Intentionally Blank

**Applications Lodged**

Lodgement information is in the following order: **Applicant's Name**; International Classification, Name of Product, Lodgement Date and **Design Number**. If the applicant claims an earlier priority date under an International Convention, the Convention Country and the associated filing date are shown in parentheses before the Lodgement Date. Divisional information will also appear in parentheses before the Lodgement Date.

<b>van Lieshout, Paul John;</b> 06-04B, Office storage, 16 Mar 2010	<b>10956/2010</b>	<b>AMG Group Limited;</b> 21-04, Tent, (EM, 26 Nov 2009) 16 Mar 2010	<b>10905/2010</b>
<b>Actron Engineering Pty Ltd;</b> 23-04, Footing for an air conditioner, 01 Mar 2010	<b>10681/2010</b>	<b>Baird, Graeme Thomas;</b> 26-03, Light, 26 Feb 2010	<b>10657/2010</b>
<b>Actron Engineering Pty Ltd;</b> 23-04, Panel for an air conditioner, 01 Mar 2010	<b>10682/2010</b>	<b>Barr, Damien;</b> 25-01B, Support for a building structure, 11 Mar 2010	<b>10870/2010</b>
<b>Advantage Feeders Pty Ltd;</b> 12-10, Pivot trailer, 05 Mar 2010	<b>10798/2010</b>	<b>Beba Enterprises Pty Ltd, as trustee for Danielle Vagner Family Trust;</b> 02-02C, Women's clothing, 09 Mar 2010	<b>10802/2010</b>
<b>Advantage Feeders Pty Ltd;</b> 10-04, Adjustor gauge, 05 Mar 2010	<b>10799/2010</b>	<b>Bird, Jason;</b> 06-04NES, Feestanding upright shelving unit, 19 Mar 2010	<b>10936/2010</b>
<b>Advantage Feeders Pty Ltd;</b> 30-03, Lifting kit for grain feeder, 05 Mar 2010	<b>10800/2010</b>	<b>Bird, Jason;</b> 06-04NES, Freestanding upright shelving unit, 19 Mar 2010	<b>10937/2010</b>
<b>Allan, Jude Kenneth;</b> 07-06D, Bottle opener, 18 Mar 2010	<b>10939/2010</b>	<b>Blakeman, Amanda;</b> 09-03C, Specific theme-shaped eco-friendly disposable wet wipe container, (US, 13 Oct 2009) 12 Mar 2010	<b>10873/2010</b>
<b>Allpak Australia;</b> 09-03M, Packaging, 17 Mar 2010	<b>10979/2010</b>	<b>Brian Griffin Pty Limited;</b> 06-03B, A table top, 22 Mar 2010	<b>10982/2010</b>
<b>Amity Technology, LLC; Heartland Precision, LLC;</b> 15-03A, Seed brake, (US, 11 Sep 2009) 10 Mar 2010	<b>10859/2010</b>	<b>Bulk Connections Australia Pty Ltd;</b> 12-05, Shipping container lifting spreader, 17 Mar 2010	<b>10922/2010</b>
<b>Amity Technology, LLC; Heartland Precision, LLC;</b> 15-03A, Seed brake, (US, 11 Sep 2009) 10 Mar 2010	<b>10860/2010</b>	<b>BAG Bauartikel GmbH;</b> 25-01NES, Construction spacing element, 16 Mar 2010	<b>10896/2010</b>
<b>Amity Technology, LLC; Heartland Precision, LLC;</b> 15-03A, Seed brake, (US, 11 Sep 2009) 10 Mar 2010	<b>10861/2010</b>	<b>Caesarstone Sdot Yam Ltd.;</b> 25-01F, A slab, (US, 23 Sep 2009) 19 Mar 2010	<b>10974/2010</b>
<b>Ammon, Neil Andre;</b> 25-03, 15-05, , 23 Mar 2010	<b>10987/2010</b>	<b>Callaway Golf Company;</b> 21-02C, Wedge type golf club head, (US, 15 Sep 2009) 12 Mar 2010	<b>10902/2010</b>
<b>Andrews, Stuart John; Cumming, Mark;</b> 25-01E, Post, 18 Mar 2010	<b>10925/2010</b>	<b>Claber S.p.A.;</b> 13-03NES, Programmable device for a solenoid valve, (EM, 30 Sep 2009) 23 Mar 2010	<b>11015/2010</b>
<b>Ansell Healthcare Products LLC;</b> 02-06, Protective glove, (US, 09 Sep 2009) 16 Feb 2010	<b>10957/2010</b>	<b>Cochrane, Kevin;</b> 25-03, Letter box, 16 Mar 2010	<b>10919/2010</b>
<b>AstraZeneca AB;</b> 28-01, Tablet, (EM, 27 Aug 2009) 26 Feb 2010	<b>10659/2010</b>	<b>Crytek GmbH;</b> 21-01B, Toy action figure, (EM, 29 Sep 2009) 23 Mar 2010	<b>11014/2010</b>
<b>AstraZeneca AB;</b> 28-01, Tablet, (EM, 27 Aug 2009) 26 Feb 2010	<b>10660/2010</b>	<b>Crytek GmbH;</b> 21-01B, Toy action figure, (EM, 29 Sep 2009) 23 Mar 2010	<b>11013/2010</b>
<b>Australian Performance Development Pty Ltd;</b> 12-16NES, Air intake snorkel for a vehicle, 09 Mar 2010	<b>10803/2010</b>	<b>Cumming, Mark; Andrews, Stuart John;</b> 25-01E, Post, 18 Mar 2010	<b>10925/2010</b>
<b>Australian Performance Development Pty Ltd;</b> 12-16NES, Air intake snorkel for a vehicle, 09 Mar 2010	<b>10804/2010</b>	<b>CSR Building Products Limited;</b> 08-08L, A bracket for a wall system, 17 Mar 2010	<b>10923/2010</b>
<b>ACTERVIS, GmbH;</b> 21-02F, Vibrating platform, (EM, 23 Sep 2009) 11 Mar 2010	<b>10843/2010</b>	<b>Dahlberg Design &amp; Services Pty Ltd;</b> 99-00, , 17 Mar 2010	<b>10931/2010</b>

<b>Dart Industries Inc;</b> 09-03NES, Container, (US, 07 Oct 2009) 16 Mar 2010	<b>10886/2010</b>	<b>Divall, Alan David; Galway, Darren Paul;</b> 25-01K, An extrusion, 17 Mar 2010	<b>10930/2010</b>
<b>Dart Industries Inc;</b> 07-02N, Steamer with cover, (US, 06 Nov 2009) 22 Mar 2010	<b>11020/2010</b>	<b>Dreamweaver Studios Pty Ltd;</b> 08-05H, Sharpening tool - case C, 22 Mar 2010	<b>10988/2010</b>
<b>Dart Industries Inc;</b> 09-03NES, Container, (US, 07 Oct 2009) 16 Mar 2010	<b>10887/2010</b>	<b>Escobar, Paula;</b> 02-01B, Baby garment, 24 Nov 2009	<b>10677/2010</b>
<b>Dart Industries Inc;</b> 09-03NES, Container, (US, 07 Oct 2009) 16 Mar 2010	<b>10888/2010</b>	<b>Escobar, Paula;</b> 02-01B, Baby garment, 24 Nov 2009	<b>10678/2010</b>
<b>Dart Industries Inc;</b> 09-03NES, Container, (US, 07 Oct 2009) 16 Mar 2010	<b>10885/2010</b>	<b>Escobar, Paula;</b> 02-01B, Baby garment, 24 Nov 2009	<b>10679/2010</b>
<b>Dart Industries Inc;</b> 07-02NES, 07-03, Spoon, (US, 29 Sep 2009) 16 Mar 2010	<b>10884/2010</b>	<b>Eveready Battery Company, Inc.;</b> 28-03D, Trimmer comb, (US, 22 Sep 2009) 22 Mar 2010	<b>10985/2010</b>
<b>Dart Industries Inc;</b> 07-02N, Steamer with cover, (US, 06 Nov 2009) 16 Mar 2010	<b>11021/2010</b>	<b>Eveready Battery Company, Inc.;</b> 28-03A, 28-03D, Razor handle with trimmer and blade set for a safety razor with trimmer, (US, 22 Sep 2009) 22 Mar 2010	<b>10986/2010</b>
<b>Data Signs Pty Ltd;</b> 26-04, A LED module for an illuminated sign, 23 Mar 2010	<b>10953/2010</b>	<b>Eveready Battery Company, Inc.;</b> 13-02, Charger, (US, 12 Oct 2009) 16 Mar 2010	<b>10883/2010</b>
<b>Dauphin Entwicklungs-u. Beteiligungs-GmbH;</b> 06-01F, Chair, 18 Mar 2010	<b>10954/2010</b>	<b>Ewing, Iain;</b> 23-02B, Shower rose, 18 Mar 2010	<b>10924/2010</b>
<b>Dauphin Entwicklungs-u. Beteiligungs-GmbH;</b> 06-01F, Chair, 18 Mar 2010	<b>10955/2010</b>	<b>Fable Factory Pty Ltd, The;</b> 02-02NES, 24-04, Hospital gowns an apparel and or articles of clothing, 22 Mar 2010	<b>10958/2010</b>
<b>Dauphin Entwicklungs-u. Beteiligungs-GmbH;</b> 06-01F, Chair, (DE, 18 Sep 2009) 18 Mar 2010	<b>10983/2010</b>	<b>Fable Factory Pty Ltd, The;</b> 02-02NES, 24-04, Hospital gowns and apparel and or articles of clothing, 22 Mar 2010	<b>10959/2010</b>
<b>David Stuckey Investments Pty Ltd;</b> 07-01NES, Dish, 23 Mar 2010	<b>10984/2010</b>	<b>Fable Factory Pty Ltd, The;</b> 02-02NES, 24-04, Hospital gowns and apparel and or articles of clothing, 22 Mar 2010	<b>10960/2010</b>
<b>Delta System AS;</b> 25-04, 25-99, Constructional parts for building scaffolding, covering structures, tents, storgae houses and other structures, (NO, 21 Sep 2009) 22 Mar 2010	<b>11004/2010</b>	<b>Fable Factory Pty Ltd, The;</b> 02-02NES, 24-04, Hospital gowns and apparel and or articles of clothing, 22 Mar 2010	<b>10961/2010</b>
<b>Design and Industry Pty Ltd;</b> 14-01, A wireless head set assembly, 16 Mar 2010	<b>10906/2010</b>	<b>Forever New Clothing Pty Ltd;</b> 02-02C, Dress, 14 Sep 2009	<b>10862/2010</b>
<b>Discovery Group;</b> 02-02C, Dress, 17 Mar 2010	<b>10995/2010</b>	<b>Forever New Clothing Pty Ltd;</b> 02-02C, Dress, 14 Sep 2009	<b>10863/2010</b>
<b>Discovery Group;</b> 02-02C, Dress, 17 Mar 2010	<b>10996/2010</b>	<b>Forever New Clothing Pty Ltd;</b> 02-02C, Dress, 14 Sep 2009	<b>10864/2010</b>
<b>Discovery Group;</b> 02-02C, Dress, 17 Mar 2010	<b>10997/2010</b>	<b>Fricker, Jane;</b> 02-02B, Apron or protective item of clothing, 17 Mar 2010	<b>10911/2010</b>
<b>Discovery Group;</b> 02-02C, Dress, 17 Mar 2010	<b>10998/2010</b>	<b>Frunique Pty Ltd;</b> 11-01E, 08-08NES, Necklace stand 01, 10 Mar 2010	<b>10836/2010</b>
<b>Divall, Alan David; Galway, Darren Paul;</b> 25-01K, An extrusion, 17 Mar 2010	<b>10926/2010</b>	<b>Fuji Xerox Co., Ltd.;</b> 14-02, Toner cartridge, (JP, 17 Sep 2009) 17 Mar 2010	<b>10912/2010</b>
<b>Divall, Alan David; Galway, Darren Paul;</b> 25-01K, An extrusion, 17 Mar 2010	<b>10927/2010</b>	<b>Fuji Xerox Co., Ltd.;</b> 14-02, Toner cartridge, (JP, 17 Sep 2009) 17 Mar 2010	<b>10913/2010</b>
<b>Divall, Alan David; Galway, Darren Paul;</b> 25-01K, An extrusion, 17 Mar 2010	<b>10928/2010</b>	<b>Fuji Xerox Co., Ltd.;</b> 14-02, Toner cartridge, (JP, 17 Sep 2009) 17 Mar 2010	<b>10914/2010</b>
<b>Divall, Alan David; Galway, Darren Paul;</b> 25-01K, An extrusion, 17 Mar 2010	<b>10929/2010</b>	<b>Fuji Xerox Co., Ltd.;</b> 14-02, Toner cartridge, (JP, 17 Sep 2009) 17 Mar 2010	<b>10915/2010</b>

<b>Galway, Darren Paul; Divall, Alan David;</b> 25-01K, An extrusion, 17 Mar 2010	<b>10927/2010</b>	<b>Holding P.M.M. Hoff B.V.;</b> 23-01NES, 09-02NES, Waterbox, (EM, 21 Sep 2009) 22 Mar 2010	<b>10994/2010</b>
<b>Galway, Darren Paul; Divall, Alan David;</b> 25-01K, An extrusion, 17 Mar 2010	<b>10926/2010</b>	<b>Hollahan, James Stewart; Haley, Graham Thomas;</b> 08-08L, Combine harvester boom drum finger assembly, 18 Mar 2010	<b>10976/2010</b>
<b>Galway, Darren Paul; Divall, Alan David;</b> 25-01K, An extrusion, 17 Mar 2010	<b>10930/2010</b>	<b>Holt, Kathie;</b> 02-03, A hat, 12 Mar 2010	<b>10865/2010</b>
<b>Galway, Darren Paul; Divall, Alan David;</b> 25-01K, An extrusion, 17 Mar 2010	<b>10929/2010</b>	<b>Honda Motor Co., Ltd.;</b> 12-08, Truck, (JP, 18 Sep 2009) 16 Mar 2010	<b>10897/2010</b>
<b>Galway, Darren Paul; Divall, Alan David;</b> 25-01K, An extrusion, 17 Mar 2010	<b>10928/2010</b>	<b>Indice Ecotech Pty Ltd.;</b> 26-04, Cold cathode downlight lamp, 21 Dec 2009	<b>11016/2010</b>
<b>Gambro Lundia AB;</b> 09-07NES, 24-01, Port assembly for a container, (Divisional of 12506/2009) 09 Jul 2009	<b>10849/2010</b>	<b>Industrial Steps and Ladders Pty Ltd.;</b> 25-02NES, 25-04, Maintenance shaft, 12 Mar 2010	<b>10858/2010</b>
<b>Go Home Lifestyle Products Pty Ltd.;</b> 21-04, Tents for use by children to be placed on and around various types of tables, 18 Mar 2010	<b>10938/2010</b>	<b>Jacobs, Walter;</b> 03-01C, A bowling ball bag, (ZA, 05 Feb 2010) 09 Mar 2010	<b>10797/2010</b>
<b>Haley, Samantha; Tanaka, Machiko;</b> 26-05D, Lamp shade, 11 Mar 2010	<b>10833/2010</b>	<b>Jet Black Products Pty Limited.;</b> 23-01NES, Fluid chamber head of a bicycle fluid resistance trainer unit, 01 Mar 2010	<b>10683/2010</b>
<b>Haley, Graham Thomas; Hollahan, James Stewart;</b> 08-08L, Combine harvester boom drum finger assembly, 18 Mar 2010	<b>10976/2010</b>	<b>Jimmyjane, Inc.;</b> 28-03NES, Massage device, (US, 26 Aug 2009) 26 Feb 2010	<b>10676/2010</b>
<b>Hammersmith Nominees Pty Ltd.;</b> 30-04, A removable/relocatable block for application to a saddle flap, 18 Mar 2010	<b>10940/2010</b>	<b>John Deng Pty Ltd.;</b> 11-02NES, Magic circle, 16 Mar 2010	<b>10871/2010</b>
<b>Hansa Metallwerke AG.;</b> 23-02B, Shower head, (EM, 02 Oct 2009) 23 Mar 2010	<b>10989/2010</b>	<b>Jura Elektroapparate AG.;</b> 07-02L, Coffee machine, (CH, 21 Sep 2009) 16 Mar 2010	<b>10879/2010</b>
<b>Hansa Metallwerke AG.;</b> 23-02B, Shower head, (EM, 02 Oct 2009) 23 Mar 2010	<b>11019/2010</b>	<b>JUSLU-HEIDRIAN PTY. LTD.;</b> 12-10, Caravans, 09 Mar 2010	<b>10801/2010</b>
<b>Haysom, Robert Henry; Haysom, Deirdre Mary;</b> 25-01K, An edging strip, 22 Mar 2010	<b>10991/2010</b>	<b>Kabushiki Kaisha Toshiba, also Trading as Toshiba Corporation.;</b> 14-03B, A television receiver, (JP, 10 Dec 2009) 16 Mar 2010	<b>10894/2010</b>
<b>Haysom, Deirdre Mary; Haysom, Robert Henry;</b> 25-01K, An edging strip, 22 Mar 2010	<b>10991/2010</b>	<b>Kabushiki Kaisha Toshiba, Trading as Toshiba Corporation.;</b> 14-03B, A television receiver, (JP, 27 Jan 2010) 19 Mar 2010	<b>10977/2010</b>
<b>Heartland Precision, LLC; Amity Technology, LLC.;</b> 15-03A, Seed brake, (US, 11 Sep 2009) 10 Mar 2010	<b>10861/2010</b>	<b>Kabushiki Kaisha Toshiba, also Trading as Toshiba Corporation.;</b> 14-03B, A television receiver, (JP, 10 Dec 2009) 16 Mar 2010	<b>10895/2010</b>
<b>Heartland Precision, LLC; Amity Technology, LLC.;</b> 15-03A, Seed brake, (US, 11 Sep 2009) 10 Mar 2010	<b>10860/2010</b>	<b>Katz, Marcus A.;</b> 21-01L, Card game table layout, (EM, 01 Jul 2009) 04 Jan 2010	<b>10932/2010</b>
<b>Heartland Precision, LLC; Amity Technology, LLC.;</b> 15-03A, Seed brake, (US, 11 Sep 2009) 10 Mar 2010	<b>10859/2010</b>	<b>Katz, Marcus A.;</b> 21-01L, Card game table layout, (EM, 01 Jul 2009) 04 Jan 2010	<b>10933/2010</b>
<b>Helen of Troy Limited.;</b> 06-01E, Highchair, (US, 11 Sep 2009) 11 Mar 2010	<b>10844/2010</b>	<b>Koninklijke Philips Electronics N.V.;</b> 26-04, LED lamp, (EM, 03 Sep 2009) 01 Mar 2010	<b>10680/2010</b>
<b>Holding P.M.M. Hoff B.V.;</b> 23-01NES, 09-02NES, Waterbox, (EM, 21 Sep 2009) 22 Mar 2010	<b>10993/2010</b>	<b>Kulasalu, John.;</b> 12-10, Bicycle trailer, 12 Mar 2010	<b>10877/2010</b>
		<b>Legrand Australia Pty Ltd.;</b> 13-03D, 13-03E, Electrical socket, 11 Mar 2010	<b>10850/2010</b>

<b>Legrand Australia Pty Ltd;</b> 13-03D, 13-03E, Electrical plug, 11 Mar 2010	<b>10851/2010</b>	<b>MTI Products Pty Ltd;</b> 08-08B, 09-07NES, Retention cap, 19 Mar 2010	<b>10964/2010</b>
<b>Little Gems Australia Pty Ltd;</b> 02-02C, Baby and children's apparel and related items, 26 Feb 2010	<b>10658/2010</b>	<b>Nguyen, Quan;</b> 19-06, 08-99, Folding structure of a painting easel, 10 Mar 2010	<b>10832/2010</b>
<b>Locke, Ian;</b> 09-03F, Packaging for produce, 10 Mar 2010	<b>10917/2010</b>	<b>Niewiarowski, Wieslaw; Niewiarowski, Irena;</b> 12-16NES, 08-07, Remote control key for Land Rover Discovery Series 3 and Range Rover, 11 Mar 2010	<b>10834/2010</b>
<b>Louver-Lite Limited;</b> 08-08NES, Cross style idle end pin, (EM, 21 Sep 2009) 18 Mar 2010	<b>10950/2010</b>	<b>Niewiarowski, Irena; Niewiarowski, Wieslaw;</b> 12-16NES, 08-07, Remote control key for Land Rover Discovery Series 3 and Range Rover, 11 Mar 2010	<b>10834/2010</b>
<b>LG Electronics Inc.;</b> 14-01, LCD monitor, (KR, 29 Sep 2009) 16 Mar 2010	<b>10904/2010</b>	<b>Nique Enterprises Pty Ltd;</b> 06-01F, A chair, 19 Mar 2010	<b>10965/2010</b>
<b>LG Electronics Inc.;</b> 14-03E, Mobile phone, (KR, 01 Sep 2009) 01 Mar 2010	<b>10685/2010</b>	<b>Nique Enterprises Pty Ltd;</b> 06-01F, A chair, 19 Mar 2010	<b>10966/2010</b>
<b>LG Electronics Inc.;</b> 15-05, Vacuum cleaner, (KR, 24 Sep 2009) 22 Mar 2010	<b>11002/2010</b>	<b>Nique Enterprises Pty Ltd;</b> 06-01F, A chair, 19 Mar 2010	<b>10967/2010</b>
<b>LG Electronics Inc.;</b> 14-03E, Cellular phone, (KR, 17 Sep 2009) 12 Mar 2010	<b>10867/2010</b>	<b>NYS Collection LLC;</b> 20-02C, Sunglass/eyewear display, 28 Sep 2009	<b>10854/2010</b>
<b>Malmsten, Bernadette;</b> 03-01B, Classic record clutch handbag, 17 Mar 2010	<b>10921/2010</b>	<b>NYS Collection LLC;</b> 20-02C, Sunglass/eyewear display, 28 Sep 2009	<b>10855/2010</b>
<b>Marine, Mocean;</b> 25-04, Ladder, marine ladder, marine accessories, 15 Mar 2010	<b>10872/2010</b>	<b>NYS Collection LLC;</b> 20-02C, Sunglass/eyewear display, 28 Sep 2009	<b>10856/2010</b>
<b>McDonnell, Kevin Micheal;</b> 11-05, Flags, clothing, badges, promotional products eg. car stickers, 16 Mar 2010	<b>10916/2010</b>	<b>NYS Collection LLC;</b> 20-02C, Sunglass/eyewear display, 28 Sep 2009	<b>10853/2010</b>
<b>Mills, David;</b> 13-02, 2 Stroke motor block, 16 Mar 2010	<b>10918/2010</b>	<b>OMB S.r.l.;</b> 14-99, Support for television apparatus, (EM, 16 Oct 2009) 23 Mar 2010	<b>11017/2010</b>
<b>Mort Bay Traders Pty Ltd;</b> 26-05NES, 13-03D, Combined night light and USB power adaptor, 15 Mar 2010	<b>10920/2010</b>	<b>OPI Products, Inc.;</b> 28-03NES, Combination cuticle pusher and gel stirrer, (US, 08 Dec 2009) 19 Mar 2010	<b>10973/2010</b>
<b>Mort Bay Traders Pty Ltd;</b> 13-03D, 13-03E, 26-99, Combined night light and USB power adaptor, 15 Mar 2010	<b>10901/2010</b>	<b>Pan Air Electric Co., Ltd.;</b> 23-04, Ceiling fan, 22 Mar 2010	<b>10992/2010</b>
<b>Mort Bay Traders Pty Ltd;</b> 13-03D, 13-03E, A powerboard, 23 Mar 2010	<b>11006/2010</b>	<b>Panasonic Corporation;</b> 16-06, Eyeglasses, (JP, 11 Sep 2009) 11 Mar 2010	<b>10845/2010</b>
<b>Mort Bay Traders Pty Ltd;</b> 13-03D, 13-03E, A powerboard, 23 Mar 2010	<b>11007/2010</b>	<b>Panasonic Corporation;</b> 16-06, Eyeglasses, (JP, 11 Sep 2009) 11 Mar 2010	<b>10852/2010</b>
<b>Mort Bay Traders Pty Ltd;</b> 13-03D, 13-03E, A powerboard, 23 Mar 2010	<b>11008/2010</b>	<b>Panasonic Corporation;</b> 16-06, Eyeglasses, (JP, 11 Sep 2009) 11 Mar 2010	<b>10846/2010</b>
<b>Mort Bay Traders Pty Ltd;</b> 13-03D, 13-03E, A powerboard, 23 Mar 2010	<b>11009/2010</b>	<b>Panasonic Corporation;</b> 16-06, Eyeglasses, (JP, 18 Sep 2009) 11 Mar 2010	<b>10847/2010</b>
<b>Myhill Pty Ltd; Seller, Rogers;</b> 23-01H, The design relates to bathroom and kitchen mixers, 22 Mar 2010	<b>10978/2010</b>	<b>Parfums Givenchy, S.A.;</b> 09-01G, Flask for perfumery products, (FR, 14 Sep 2009) 09 Mar 2010	<b>10805/2010</b>
<b>MTI Products Pty Ltd;</b> 08-08B, 09-07NES, Retention cap, 19 Mar 2010	<b>10962/2010</b>	<b>Pettiford, Glen Edwin;</b> 02-07NES, Quilting ruler, 23 Mar 2010	<b>11003/2010</b>
<b>MTI Products Pty Ltd;</b> 08-08B, 09-07NES, Retention cap, 19 Mar 2010	<b>10963/2010</b>		

<b>Pi-Design AG;</b> 31-00, Electric mixer, (WO, 27 Aug 2009) 26 Feb 2010	<b>10668/2010</b>	<b>Steed, Colin;</b> 08-05L, Roller cleaning device, 18 Mar 2010	<b>10949/2010</b>
<b>Pi-Design AG;</b> 07-02K, 07-02L, Beverage maker, (WO, 02 Nov 2009) 11 Mar 2010	<b>10857/2010</b>	<b>Strato, Inc.;</b> 12-03, Knuckle for a railway car coupler, (US, 21 Sep 2009) 22 Mar 2010	<b>11018/2010</b>
<b>Pi-Design AG;</b> 07-02L, Electric coffee maker, (WO, 02 Oct 2009) 11 Mar 2010	<b>10866/2010</b>	<b>Tanaka, Machiko; Haley, Samantha;</b> 26-05D, Lamp shade, 11 Mar 2010	<b>10833/2010</b>
<b>Pi-Design AG;</b> 07-02E, Picnic grill, (WO, 26 Aug 2009) 26 Feb 2010	<b>10669/2010</b>	<b>Techtronic Power Tools Technology Limited;</b> 08-02, Hammer, (US, 06 Oct 2009) 26 Feb 2010	<b>10670/2010</b>
<b>Polydron (UK) Limited;</b> 21-01NES, Educational toy, (EM, 02 Sep 2009) 01 Mar 2010	<b>10684/2010</b>	<b>Techtronic Power Tools Technology Limited;</b> 08-02, Hammer, (US, 06 Oct 2009) 26 Feb 2010	<b>10671/2010</b>
<b>Reckitt Benckiser Inc.;</b> 09-07A, Spray cap for aerosol container, (EM, 15 Sep 2009) 11 Mar 2010	<b>10848/2010</b>	<b>Techtronic Power Tools Technology Limited;</b> 08-02, Hammer, (US, 06 Oct 2009) 26 Feb 2010	<b>10672/2010</b>
<b>ResMed Ltd;</b> 24-01, Positive airway pressure delivery device and/or humidifier and/or components thereof, (Divisional of 14827/2009) 19 Dec 2008	<b>11010/2010</b>	<b>Techtronic Power Tools Technology Limited;</b> 08-02, Hammer, (US, 06 Oct 2009) 26 Feb 2010	<b>10673/2010</b>
<b>Ripsnore Pty Ltd;</b> 24-04, 21-02NES, RIPSNORE - anti snoring mouthguard, 22 Mar 2010	<b>11005/2010</b>	<b>Techtronic Power Tools Technology Limited;</b> 08-02, Hammer, (US, 06 Oct 2009) 26 Feb 2010	<b>10674/2010</b>
<b>Schering-Plough Healthcare Products, Inc.;</b> 07-01D, 24-99, Dosage cup, (US, 24 Sep 2009) 23 Mar 2010	<b>11012/2010</b>	<b>Techtronic Power Tools Technology Limited;</b> 08-02, Hammer, (US, 06 Oct 2009) 26 Feb 2010	<b>10675/2010</b>
<b>Schering-Plough Healthcare Products, Inc.;</b> 07-01D, 24-99, Dosage cup, (US, 24 Sep 2009) 23 Mar 2010	<b>11022/2010</b>	<b>The Gillette Company;</b> 28-03NES, Storage device, (US, 16 Sep 2009) 15 Mar 2010	<b>10878/2010</b>
<b>Schiavello (Vic) Pty Ltd;</b> 06-03A, Pivotal table, 16 Mar 2010	<b>10891/2010</b>	<b>The Stanley Works Israel, Ltd.;</b> 03-01D, Toolbox, (US, 22 Sep 2009) 16 Mar 2010	<b>10876/2010</b>
<b>Schiavello (Vic) Pty Ltd;</b> 06-03A, Pivotal table, 16 Mar 2010	<b>10892/2010</b>	<b>The Stanley Works Israel, Ltd.;</b> 12-05, Rolling container assembly, (US, 13 Aug 2009) 11 Feb 2010	<b>10934/2010</b>
<b>Seller, Rogers; Myhill Pty Ltd;</b> 23-01H, The design relates to bathroom and kitchen mixers, 22 Mar 2010	<b>10978/2010</b>	<b>Thermos L.L.C.;</b> 07-01NES, 09-01C, Food jar, (US, 24 Nov 2009) 26 Feb 2010	<b>10662/2010</b>
<b>Separations Tray Pty Limited;</b> 30-99, A kitty litter tray assembly, 26 Feb 2010	<b>10661/2010</b>	<b>Thermos L.L.C.;</b> 07-01C, Tumbler, (US, 24 Nov 2009) 26 Feb 2010	<b>10663/2010</b>
<b>Shop Vac Corporation;</b> 15-05, Vacuum cleaner, (US, 18 Sep 2009) 16 Mar 2010	<b>10889/2010</b>	<b>Thermos L.L.C.;</b> 07-01NES, 09-01C, Food jar, (US, 24 Nov 2009) 26 Feb 2010	<b>10664/2010</b>
<b>Shop Vac Corporation;</b> 15-05, Vacuum cleaner, (US, 18 Sep 2009) 16 Mar 2010	<b>10890/2010</b>	<b>Thermos L.L.C.;</b> 09-01NES, Bottle, (US, 24 Nov 2009) 26 Feb 2010	<b>10665/2010</b>
<b>Simpliform;</b> 06-04NES, 25-01K, A shelving rail, 15 Mar 2010	<b>10900/2010</b>	<b>Thermos L.L.C.;</b> 07-01D, Mug, (US, 24 Nov 2009) 26 Feb 2010	<b>10666/2010</b>
<b>Sitech Systems (N.Z.) Limited;</b> 19-07, A teaching apparatus, (NZ, 23 Feb 2010) 11 Mar 2010	<b>10869/2010</b>	<b>Thermos L.L.C.;</b> 09-01K, Bottle, (US, 24 Nov 2009) 26 Feb 2010	<b>10667/2010</b>
<b>Smit, Alexandre N.L.;</b> 07-07A, 07-06A, Accessory for bottle or drink can holder used to maintain cold temperature, 22 Mar 2010	<b>10975/2010</b>	<b>Traficon NV;</b> 10-05, Detection apparatus with visor, (EM, 25 Sep 2009) 12 Mar 2010	<b>10903/2010</b>
<b>Smith, Tracey Leigh;</b> 09-07B, Lid, 22 Mar 2010	<b>11011/2010</b>		

<b>Transmin Pty Limited;</b> 99-00, Pad, 11 Mar 2010	<b>10842/2010</b>	<b>Wallaby Fabrication Pty Ltd;</b> 08-05P, 3 in 1 spanner designed and made exclusively to fit fire hoses, 22 Mar 2010	<b>10990/2010</b>
<b>Ultradent Products, Inc.;</b> 24-02, Dental illumination device, (US, 22 Sep 2009) 16 Mar 2010	<b>10898/2010</b>	<b>Warren, Hayley;</b> 10-99, Digital laser goniometer, 11 Mar 2010	<b>10835/2010</b>
<b>Ultradent Products, Inc.;</b> 24-99, 09-05, Ampoule, (US, 21 Jun 2009) 16 Mar 2010	<b>10899/2010</b>	<b>Whites Wires Australia Pty Ltd;</b> 25-02A, Post, 15 Mar 2010	<b>10874/2010</b>
<b>Unilever PLC;</b> 19-08, Graphics for food package, (GB, 27 Jan 2010) 16 Mar 2010	<b>10880/2010</b>	<b>Whites Wires Australia Pty Ltd;</b> 25-01E, End post, 15 Mar 2010	<b>10875/2010</b>
<b>Unilever PLC;</b> 09-01K, Container, (GB, 03 Oct 2009) 16 Mar 2010	<b>10881/2010</b>	<b>Zander, Paula;</b> 11-01NES, , 17 Mar 2010	<b>10999/2010</b>
<b>Unilever PLC;</b> 09-01K, Container, (GB, 03 Oct 2009) 16 Mar 2010	<b>10882/2010</b>	<b>Zander, Paula;</b> 11-01NES, , 17 Mar 2010	<b>11000/2010</b>
<b>Ussher Inventions (Proprietary) Limited;</b> 08-06, Handle, (ZA, 23 Sep 2009) 19 Mar 2010	<b>10981/2010</b>	<b>Zander, Paula;</b> 11-01NES, , 17 Mar 2010	<b>11001/2010</b>
<b>Vecto Trade 461 (Proprietary) Limited;</b> 12-02, Wheelbarrow frame member, (ZA, 23 Sep 2009) 19 Mar 2010	<b>10980/2010</b>	<b>3M Innovative Properties Company;</b> 24-01, A personal respiratory protection mask having tabs, (US, 18 Sep 2009) 16 Mar 2010	<b>10907/2010</b>
<b>Wagner Spray Tech Corporation;</b> 13-01, Turbine, (US, 18 Sep 2009) 16 Mar 2010	<b>10893/2010</b>	<b>3M Innovative Properties Company;</b> 24-01, A personal respiratory protection mask with a bond pattern, (US, 18 Sep 2009) 16 Mar 2010	<b>10908/2010</b>
<b>Wagner Spray Tech Corporation;</b> 08-05L, Spray gun, (US, 18 Sep 2009) 18 Mar 2010	<b>10951/2010</b>	<b>3M Innovative Properties Company;</b> 24-01, A personal respiratory protection mask with a bond pattern, (US, 18 Sep 2009) 16 Mar 2010	<b>10909/2010</b>
<b>Wagner Spray Tech Corporation;</b> 08-05L, Spray gun, (US, 18 Sep 2009) 18 Mar 2010	<b>10952/2010</b>	<b>3M Innovative Properties Company;</b> 24-01, A respirator, (US, 18 Sep 2009) 16 Mar 2010	<b>10910/2010</b>
<b>Wakeford, Sarah;</b> 09-09, Cover for a plant grow bag, (EM, 15 Sep 2009) 12 Mar 2010	<b>10868/2010</b>		

**Applications Withdrawn**

13617 / 2009 (07-05E)	14412 / 2009 (25-04)
15080 / 2009 (19-08)	10656 / 2010 (08-09)

**Applications Lapsed**

12491 / 2009 (05-06NES)	13451 / 2009 (02-02C)
14982 / 2009 (20-02C)	14983 / 2009 (20-02C)
14994 / 2009 (20-03C)	15091 / 2009 (09-02NES)
15093 / 2009 (14-02)	10002 / 2010 (09-03M)
10058 / 2010 (07-06NES)	10059 / 2010 (07-06NES)

**Extension of Period of Registration of Designs**

301867	302502	302927
302928	302929	302942
302976	303004	303005
303006	303019	303031
303034	303035	303036
303037	303097	303171
303187	303215	303229
303291	303343	303370
303371	303372	303382
303428	303446	303456
303457	303458	303459
303542	303603	303784
303899	303900	303928
303929	303930	303931
303960	304050	304107
304321	304402	304493
304707	304708	304742
304743	304744	304746
304967	304968	304969
304970	304972	304984
305123	305125	305126
305387	305438	305444
305534	305920	305921
305922	305933	305970
305975	306161	306184
306208	306301	306579
306643	306960	306961
306966	306967	306968
306969	306970	307159
307258	307315	307316
307317		

**Registrations Ceased**

300644	300648	300649
300654	300655	300668
300669	300672	300673
300674	300675	300676
300677	300678	300680
300685	300692	300693
300694	300695	300696
300697	300698	300699
300706	300707	300715
300716	300720	300726
300768	300828	300830
300858	300859	300868
300869	300870	300874
300875	300876	300882
300883	300885	300886
300887	300888	300889
300890	300914	300955

300956	300957	300958
300959	300961	300964
301039	301040	301041
301042	301043	301044
301045	301047	301048
301049	301050	301051
301052	301053	301054
301055	301056	301057
301058	301059	301060
301061	301062	301063
301064	301065	301066
301067	301068	301069
301070	301078	301079
301080	301081	301082
301083	301089	301364
301585	301586	301587
301640	301682	301683
301791	302170	302171
302172	302362	302363
302823	302854	302855
304401		

**Applications for Extension of time under Section 137**

Applications under section 137 for extension of time have been lodged. Objections must be lodged within 1 month from the date of this journal.

300204 **Pleasure State Pty Ltd** Address for Service: Griffith Hack Level 19 109 St Georges Terrace PERTH WA 6000

**Extensions of time granted under Section 137**

Applications lodged under section 137 for extension of time have been granted.

323528 **Thane Direct Company**

10058/2010 **Graham John Stephens**

10059/2010 **Graham John Stephens**

**Mortgages Registered**

306007	A mortgage has been granted to <b>The Royal Bank of Scotland plc</b>
306008	A mortgage has been granted to <b>The Royal Bank of Scotland plc</b>
306985	A mortgage has been granted to <b>The Royal Bank of Scotland plc</b>
306986	A mortgage has been granted to <b>The Royal Bank of Scotland plc</b>
306987	A mortgage has been granted to <b>The Royal Bank of Scotland plc</b>
306988	A mortgage has been granted to <b>The Royal Bank of Scotland plc</b>
306989	A mortgage has been granted to <b>The Royal Bank of Scotland plc</b>



306990	A mortgage has been granted to <b>The Royal Bank of Scotland plc</b>		International Finance B.V.
306991	A mortgage has been granted to <b>The Royal Bank of Scotland plc</b>	314383	( <b>James Hardie Technology Limited</b> ) James Hardie International Finance B.V.
306992	A mortgage has been granted to <b>The Royal Bank of Scotland plc</b>	314804	( <b>James Hardie Technology Limited</b> ) James Hardie International Finance B.V.
306993	A mortgage has been granted to <b>The Royal Bank of Scotland plc</b>	317888	( <b>James Hardie Technology Limited</b> ) James Hardie International Finance B.V.
306994	A mortgage has been granted to <b>The Royal Bank of Scotland plc</b>	317889	( <b>James Hardie Technology Limited</b> ) James Hardie International Finance B.V.
306995	A mortgage has been granted to <b>The Royal Bank of Scotland plc</b>	320071	( <b>James Hardie Technology Limited</b> ) James Hardie International Finance B.V.
308056	A mortgage has been granted to <b>The Royal Bank of Scotland plc</b>	320072	( <b>James Hardie Technology Limited</b> ) James Hardie International Finance B.V.
308284	A mortgage has been granted to <b>The Royal Bank of Scotland plc</b>	320308	( <b>James Hardie Technology Limited</b> ) James Hardie International Finance B.V.
311796	A mortgage has been granted to <b>The Royal Bank of Scotland plc</b>	320309	( <b>James Hardie Technology Limited</b> ) James Hardie International Finance B.V.
311799	A mortgage has been granted to <b>The Royal Bank of Scotland plc</b>	320310	( <b>James Hardie Technology Limited</b> ) James Hardie International Finance B.V.
313534	A mortgage has been granted to <b>The Royal Bank of Scotland plc</b>	320311	( <b>James Hardie Technology Limited</b> ) James Hardie International Finance B.V.
316294	A mortgage has been granted to <b>The Royal Bank of Scotland plc</b>	322153	( <b>James Hardie Technology Limited</b> ) James Hardie International Finance B.V.
316295	A mortgage has been granted to <b>The Royal Bank of Scotland plc</b>	325186	( <b>James Hardie Technology Limited</b> ) James Hardie International Finance B.V.

**Applications Assigned**

(The name in parentheses is that of the subsequent applicant)

10661/2010 ( **Separations Tray Pty Limited** ) Frank Dobozy

**Subsequent Owners Registered**

(The name in parentheses is that of the subsequent owner)

300232	( <b>James Hardie Technology Limited</b> ) James Hardie International Finance B.V.	326889	( <b>James Hardie Technology Limited</b> ) James Hardie International Finance B.V.
300233	( <b>James Hardie Technology Limited</b> ) James Hardie International Finance B.V.	326890	( <b>James Hardie Technology Limited</b> ) James Hardie International Finance B.V.
300234	( <b>James Hardie Technology Limited</b> ) James Hardie International Finance B.V.	300985	( <b>CONVATEC TECHNOLOGIES INC.</b> ) Bristol-Myers Squibb Company
300235	( <b>James Hardie Technology Limited</b> ) James Hardie International Finance B.V.	310186	( <b>CONVATEC TECHNOLOGIES INC.</b> ) Bristol-Myers Squibb Company
300236	( <b>James Hardie Technology Limited</b> ) James Hardie International Finance B.V.	318413	( <b>CONVATEC TECHNOLOGIES INC.</b> ) Bristol-Myers Squibb Company
300237	( <b>James Hardie Technology Limited</b> ) James Hardie International Finance B.V.	318414	( <b>CONVATEC TECHNOLOGIES INC.</b> ) Bristol-Myers Squibb Company
300238	( <b>James Hardie Technology Limited</b> ) James Hardie International Finance B.V.	306007	( <b>Delilah International S.a.r.l.</b> ) Samsonite LLC A Delaware limited liability company
300239	( <b>James Hardie Technology Limited</b> ) James Hardie International Finance B.V.	306008	( <b>Delilah International S.a.r.l.</b> ) Samsonite LLC A Delaware limited liability company
300240	( <b>James Hardie Technology Limited</b> ) James Hardie International Finance B.V.	306985	( <b>Delilah International S.a.r.l.</b> ) Samsonite LLC A Delaware limited liability company
300671	( <b>James Hardie Technology Limited</b> ) James Hardie International Finance B.V.	306986	( <b>Delilah International S.a.r.l.</b> ) Samsonite LLC A Delaware limited liability company
314168	( <b>James Hardie Technology Limited</b> ) James Hardie International Finance B.V.	306987	( <b>Delilah International S.a.r.l.</b> ) Samsonite LLC A Delaware limited liability company
314376	( <b>James Hardie Technology Limited</b> ) James Hardie International Finance B.V.	306988	( <b>Delilah International S.a.r.l.</b> ) Samsonite LLC A Delaware limited liability company
		306989	( <b>Delilah International S.a.r.l.</b> ) Samsonite LLC A Delaware limited liability company
		306990	( <b>Delilah International S.a.r.l.</b> ) Samsonite LLC A Delaware limited liability company
		306991	( <b>Delilah International S.a.r.l.</b> ) Samsonite LLC A Delaware limited liability company
		306992	( <b>Delilah International S.a.r.l.</b> ) Samsonite LLC A Delaware limited liability company
		306993	( <b>Delilah International S.a.r.l.</b> ) Samsonite LLC A Delaware limited liability company

306994	( <b>Delilah International S.a.r.l.</b> ) Samsonite LLC A Delaware limited liability company	306991	( <b>Samsonite LLC A Delaware limited liability company</b> ) Samsonite Corporation
306995	( <b>Delilah International S.a.r.l.</b> ) Samsonite LLC A Delaware limited liability company	306992	( <b>Samsonite LLC A Delaware limited liability company</b> ) Samsonite Corporation
308056	( <b>Delilah International S.a.r.l.</b> ) Samsonite LLC A Delaware limited liability company	306993	( <b>Samsonite LLC A Delaware limited liability company</b> ) Samsonite Corporation
308284	( <b>Delilah International S.a.r.l.</b> ) Samsonite LLC A Delaware limited liability company	306994	( <b>Samsonite LLC A Delaware limited liability company</b> ) Samsonite Corporation
311796	( <b>Delilah International S.a.r.l.</b> ) Samsonite LLC A Delaware limited liability company	306995	( <b>Samsonite LLC A Delaware limited liability company</b> ) Samsonite Corporation
311799	( <b>Delilah International S.a.r.l.</b> ) Samsonite LLC A Delaware limited liability company	308056	( <b>Samsonite LLC A Delaware limited liability company</b> ) Samsonite Corporation
313534	( <b>Delilah International S.a.r.l.</b> ) Samsonite LLC A Delaware limited liability company	308284	( <b>Samsonite LLC A Delaware limited liability company</b> ) Samsonite Corporation
316294	( <b>Delilah International S.a.r.l.</b> ) Samsonite LLC A Delaware limited liability company	311796	( <b>Samsonite LLC A Delaware limited liability company</b> ) Samsonite Corporation
316295	( <b>Delilah International S.a.r.l.</b> ) Samsonite LLC A Delaware limited liability company	311799	( <b>Samsonite LLC A Delaware limited liability company</b> ) Samsonite Corporation
316296	( <b>Delilah International S.a.r.l.</b> ) Samsonite LLC A Delaware limited liability company	313534	( <b>Samsonite LLC A Delaware limited liability company</b> ) Samsonite Corporation

**Names Registered - Alterations and Amendments**

(The name in parentheses is that of the subsequent applicant)

325221	( <b>Xarax International Beverages Pty Ltd</b> ) APDC International Pty. Ltd	305287	( <b>Medtronic Xomed, Inc.</b> ) Restore Medical, Inc.
302412	( <b>Carefusion 303, Inc.</b> ) Cardinal Health 303, Inc.	321713	( <b>BabyBjorn AB</b> ) Baby Bjorn AB
311924	( <b>BabyBjorn AB</b> ) Baby Bjorn A.B.	324309	( <b>BabyBjorn AB</b> ) Baby Bjorn AB
307890	( <b>BabyBjorn AB</b> ) Baby Bjorn A.B.	324768	( <b>BabyBjorn AB</b> ) Baby Bjorn AB
312574	( <b>Shuffle Master Australasia Pty Limited</b> ) Stargames Corporation Pty Limited	317278	( <b>BabyBjorn AB</b> ) Baby Bjorn AB
312575	( <b>Shuffle Master Australasia Pty Limited</b> ) Stargames Corporation Pty Limited	317280	( <b>BabyBjorn AB</b> ) Baby Bjorn AB
317636	( <b>Shuffle Master Australasia Pty Limited</b> ) Stargames Corporation Pty Limited	319819	( <b>BabyBjorn AB</b> ) Baby Bjorn AB
328689	( <b>Shuffle Master Australasia Pty Limited</b> ) Stargames Corporation Pty Limited	306007	( <b>Samsonite IP Holdings S.a.r.l.</b> ) Delilah International S.a.r.l.
328690	( <b>Shuffle Master Australasia Pty Limited</b> ) Stargames Corporation Pty Limited	306008	( <b>Samsonite IP Holdings S.a.r.l.</b> ) Delilah International S.a.r.l.
302310	( <b>Gryphon Garage Doors Pty Ltd</b> ) Glensing Pty Ltd	306985	( <b>Samsonite IP Holdings S.a.r.l.</b> ) Delilah International S.a.r.l.
302933	( <b>Gryphon Garage Doors Pty Ltd</b> ) Glensing Pty Ltd	306986	( <b>Samsonite IP Holdings S.a.r.l.</b> ) Delilah International S.a.r.l.
306007	( <b>Samsonite LLC A Delaware limited liability company</b> ) Samsonite Corporation	306987	( <b>Samsonite IP Holdings S.a.r.l.</b> ) Delilah International S.a.r.l.
306008	( <b>Samsonite LLC A Delaware limited liability company</b> ) Samsonite Corporation	306988	( <b>Samsonite IP Holdings S.a.r.l.</b> ) Delilah International S.a.r.l.
306985	( <b>Samsonite LLC A Delaware limited liability company</b> ) Samsonite Corporation	306989	( <b>Samsonite IP Holdings S.a.r.l.</b> ) Delilah International S.a.r.l.
306986	( <b>Samsonite LLC A Delaware limited liability company</b> ) Samsonite Corporation	306990	( <b>Samsonite IP Holdings S.a.r.l.</b> ) Delilah International S.a.r.l.
306987	( <b>Samsonite LLC A Delaware limited liability company</b> ) Samsonite Corporation	306991	( <b>Samsonite IP Holdings S.a.r.l.</b> ) Delilah International S.a.r.l.
306988	( <b>Samsonite LLC A Delaware limited liability company</b> ) Samsonite Corporation	306992	( <b>Samsonite IP Holdings S.a.r.l.</b> ) Delilah International S.a.r.l.
306989	( <b>Samsonite LLC A Delaware limited liability company</b> ) Samsonite Corporation	306993	( <b>Samsonite IP Holdings S.a.r.l.</b> ) Delilah International S.a.r.l.
306990	( <b>Samsonite LLC A Delaware limited liability company</b> ) Samsonite Corporation	306994	( <b>Samsonite IP Holdings S.a.r.l.</b> ) Delilah International S.a.r.l.
		306995	( <b>Samsonite IP Holdings S.a.r.l.</b> ) Delilah International S.a.r.l.

S.a.r.l.  
 308056 ( **Samsonite IP Holdings S.a.r.l.** ) Delilah International  
 S.a.r.l.  
 308284 ( **Samsonite IP Holdings S.a.r.l.** ) Delilah International  
 S.a.r.l.  
 311796 ( **Samsonite IP Holdings S.a.r.l.** ) Delilah International  
 S.a.r.l.  
 311799 ( **Samsonite IP Holdings S.a.r.l.** ) Delilah International  
 S.a.r.l.  
 313534 ( **Samsonite IP Holdings S.a.r.l.** ) Delilah International  
 S.a.r.l.  
 316294 ( **Samsonite IP Holdings S.a.r.l.** ) Delilah International  
 S.a.r.l.  
 316295 ( **Samsonite IP Holdings S.a.r.l.** ) Delilah International  
 S.a.r.l.

**Corrigenda**

Number 328108

In Vol 24 , No 5 , page 462 under the heading **Names Registered - Alterations and** This entry is to be deleted - (TRANEX EQUIPMENT).

**Certificate(s) of Examination**

Examination of the following Design Registration(s) has been completed. Infringement proceedings may now be commenced.

302819	03-01NES	23/03/2010
304847	13-03D	18/03/2010
304848	13-03D	18/03/2010
304849	13-03D	18/03/2010
312761	26-06	25/03/2010
323528	15-05	25/03/2010
324430	13-03D	23/03/2010
325457	26-06	17/03/2010
325459	26-06	17/03/2010
325460	26-06	17/03/2010
327460	25-02NES	22/03/2010
327650	24-01	24/03/2010
327714	13-99	24/03/2010
327887	09-03M	22/03/2010
327888	09-07NES	22/03/2010
328104	06-01G	19/03/2010
328689	21-03	22/03/2010
328690	21-03	22/03/2010
328785	22-05	23/03/2010
328790	22-05	23/03/2010
328838	20-03C	23/03/2010
328871	03-03	24/03/2010
329166	22-05	23/03/2010
329207	22-05	23/03/2010
329223	14-01	18/03/2010
329368	09-01K	17/03/2010
329369	09-01K	17/03/2010
329370	09-01K	17/03/2010
329371	09-01K	17/03/2010
329373	09-01K	17/03/2010
329406	09-01K	17/03/2010
329407	09-01K	17/03/2010
329408	09-01K	17/03/2010
329409	09-01K	17/03/2010
329443	09-01K	25/03/2010
329444	09-01K	25/03/2010
329445	09-01K	25/03/2010
329477	09-01K	25/03/2010
329478	09-01K	25/03/2010
329770	09-02B	23/03/2010
329789	22-05	24/03/2010
329790	22-05	24/03/2010

**Publication and Registration Proceedings**

**Designs Registered**

This section provides a concordance between design number and registration number of Designs covered in this journal. It also shows the main class and registration date.

This section covers Registration numbers 329779 to 330084 .

The registration number shown below should be used in all future correspondence.

Design Number	Registration Number	International Classification Code (IDC)	Registration Date	Design Number	Registration Number	International Classification Code (IDC)	Registration Date
12424/2009	330026	26-05B	23/03/2010	10054/2010	330009	15-03B	22/03/2010
12506/2009	329970	09-01NES	17/03/2010	10055/2010	330010	15-03B	22/03/2010
12844/2009	330077	02-02C	24/03/2010	10056/2010	330011	15-03B	22/03/2010
13269/2009	329939	13-03C	16/03/2010	10057/2010	330029	09-07C	23/03/2010
13270/2009	329940	13-03C	16/03/2010	10096/2010	329779	11-01NES	03/03/2010
13271/2009	329941	13-03C	16/03/2010	10102/2010	330045	03-01B	24/03/2010
13536/2009	330012	02-02NES	23/03/2010	10170/2010	329848	09-03F	15/03/2010
14083/2009	330027	12-10	23/03/2010	10179/2010	329990	14-02	18/03/2010
14300/2009	330028	06-03D	23/03/2010	10199/2010	329780	09-01K	03/03/2010
14413/2009	330059	25-04	24/03/2010	10206/2010	330030	06-03C	23/03/2010
14414/2009	330060	25-04	24/03/2010	10219/2010	329849	12-16NES	15/03/2010
14415/2009	330061	25-04	24/03/2010	10220/2010	329850	12-16NES	15/03/2010
14416/2009	330062	25-04	24/03/2010	10223/2010	329950	22-04	18/03/2010
14417/2009	330063	25-04	24/03/2010	10226/2010	329781	28-03A	03/03/2010
14418/2009	330064	25-04	24/03/2010	10253/2010	329782	03-01B	03/03/2010
14419/2009	330065	25-04	24/03/2010	10254/2010	329783	03-01B	03/03/2010
14420/2009	330066	25-04	24/03/2010	10255/2010	329784	03-01B	03/03/2010
14421/2009	330067	25-04	24/03/2010	10256/2010	329785	03-01B	03/03/2010
14422/2009	330068	25-04	24/03/2010	10257/2010	329786	03-01B	03/03/2010
14423/2009	330069	25-04	24/03/2010	10265/2010	330017	09-01NES	23/03/2010
14424/2009	330070	25-04	24/03/2010	10275/2010	329951	12-08	18/03/2010
14425/2009	330071	25-04	24/03/2010	10279/2010	330031	14-02	23/03/2010
14426/2009	330072	25-04	24/03/2010	10291/2010	330018	19-01	23/03/2010
14427/2009	330073	25-04	24/03/2010	10295/2010	329787	08-99	03/03/2010
14428/2009	330074	25-04	24/03/2010	10311/2010	329943	09-01K	16/03/2010
14429/2009	330075	25-04	24/03/2010	10312/2010	329944	09-07C	16/03/2010
14430/2009	330076	25-04	24/03/2010	10313/2010	329945	09-01A	16/03/2010
14947/2009	329930	29-01	15/03/2010	10362/2010	329788	23-01F	03/03/2010
14987/2009	329847	12-06NES	15/03/2010	10363/2010	329789	22-05	03/03/2010
14990/2009	329931	12-13	15/03/2010	10364/2010	329790	22-05	03/03/2010
15008/2009	329932	29-01	15/03/2010	10375/2010	329791	23-01A	03/03/2010
15045/2009	329933	04-02	15/03/2010	10379/2010	329792	25-01A	03/03/2010
15046/2009	329934	04-02	15/03/2010	10380/2010	329793	23-02F	03/03/2010
15047/2009	329935	04-02	15/03/2010	10381/2010	329794	23-02F	03/03/2010
15049/2009	329936	04-02	15/03/2010	10383/2010	330032	09-07C	23/03/2010
15050/2009	329937	04-02	15/03/2010	10412/2010	329946	12-16L	16/03/2010
15051/2009	329938	04-02	15/03/2010	10425/2010	329851	07-04	15/03/2010
15068/2009	329942	07-02L	16/03/2010	10437/2010	329852	06-01NES	15/03/2010
15092/2009	329971	14-03B	18/03/2010	10440/2010	329853	02-07A	15/03/2010
15100/2009	330078	02-02C	24/03/2010	10441/2010	329854	10-03	15/03/2010
15101/2009	330079	02-02C	24/03/2010	10442/2010	329855	02-04NES	15/03/2010
15102/2009	330080	02-02C	24/03/2010	10443/2010	329856	02-04NES	15/03/2010
15103/2009	330081	02-02C	24/03/2010	10444/2010	329857	02-04NES	15/03/2010
15104/2009	330082	02-02C	24/03/2010	10445/2010	329858	02-04NES	15/03/2010
15105/2009	330083	02-02C	24/03/2010	10446/2010	329859	02-04NES	15/03/2010
15106/2009	330084	02-02C	24/03/2010	10447/2010	329860	02-04NES	15/03/2010
10008/2010	329972	09-07B	18/03/2010	10448/2010	329861	02-04NES	15/03/2010
10009/2010	329973	09-07B	18/03/2010	10459/2010	330033	14-03NES	23/03/2010
10033/2010	329974	09-03H	18/03/2010	10460/2010	330034	03-01NES	23/03/2010
10034/2010	329975	09-03H	18/03/2010	10486/2010	329879	09-03M	16/03/2010
10035/2010	329976	09-03H	18/03/2010	10487/2010	329880	09-03M	16/03/2010
10036/2010	329977	09-03H	18/03/2010	10488/2010	329881	15-07	16/03/2010
10037/2010	330016	07-01F	23/03/2010	10489/2010	329882	21-02C	16/03/2010

Publication and Registration Proceedings - Designs Registered cont'd

Design Number	Registration Number	International Classification Code (IDC)	Registration Date	Design Number	Registration Number	International Classification Code (IDC)	Registration Date
10490/2010	329883	21-02C	16/03/2010	10591/2010	329987	25-01K	22/03/2010
10491/2010	329884	09-03NES	16/03/2010	10592/2010	329988	14-03NES	22/03/2010
10492/2010	329885	09-03NES	16/03/2010	10593/2010	329989	14-01	22/03/2010
10493/2010	329886	09-03NES	16/03/2010	10596/2010	330019	19-01	23/03/2010
10494/2010	329887	03-01D	16/03/2010	10597/2010	330020	19-01	23/03/2010
10495/2010	329888	02-02B	16/03/2010	10603/2010	330023	08-09	23/03/2010
10513/2010	330021	12-08	23/03/2010	10604/2010	330024	08-09	23/03/2010
10514/2010	330035	12-08	23/03/2010	10605/2010	330025	08-09	23/03/2010
10530/2010	329795	19-02	03/03/2010	10606/2010	330003	02-02NES	19/03/2010
10531/2010	329952	19-04	18/03/2010	10607/2010	330004	02-02NES	19/03/2010
10532/2010	329953	21-01NES	18/03/2010	10608/2010	330005	02-04NES	19/03/2010
10533/2010	329954	07-03	18/03/2010	10609/2010	330006	02-02NES	19/03/2010
10534/2010	330036	03-03	24/03/2010	10610/2010	330007	02-02B	19/03/2010
10540/2010	329961	21-02A	17/03/2010	10612/2010	330008	06-01E	19/03/2010
10541/2010	329962	21-02A	17/03/2010	10637/2010	330039	25-01K	24/03/2010
10542/2010	329963	21-02A	17/03/2010	10638/2010	330040	12-08	24/03/2010
10544/2010	329964	21-02C	17/03/2010	10641/2010	330041	12-16M	24/03/2010
10545/2010	329965	02-03	17/03/2010	10642/2010	330042	14-03E	24/03/2010
10547/2010	329966	07-04	17/03/2010	10661/2010	330046	30-99	24/03/2010
10548/2010	330037	13-03NES	24/03/2010	10662/2010	330047	07-01NES	24/03/2010
10549/2010	329967	25-01F	17/03/2010	10663/2010	330043	07-01C	24/03/2010
10550/2010	329968	25-01F	17/03/2010	10664/2010	330048	07-01NES	24/03/2010
10552/2010	329955	06-11	18/03/2010	10665/2010	330049	09-01NES	24/03/2010
10553/2010	329957	09-01B	18/03/2010	10666/2010	330050	07-01D	24/03/2010
10554/2010	329958	07-02G	18/03/2010	10667/2010	330051	09-01K	24/03/2010
10555/2010	329959	22-06	18/03/2010	10668/2010	330052	31-00	24/03/2010
10556/2010	329960	08-08NES	18/03/2010	10669/2010	330053	07-02E	24/03/2010
10558/2010	329956	08-07	18/03/2010	10670/2010	330054	08-02	24/03/2010
10559/2010	330022	09-07B	23/03/2010	10671/2010	330055	08-02	24/03/2010
10560/2010	329978	08-05NES	22/03/2010	10672/2010	330056	08-02	24/03/2010
10561/2010	329979	09-03NES	22/03/2010	10673/2010	330057	08-02	24/03/2010
10562/2010	329980	14-03B	22/03/2010	10674/2010	330058	08-02	24/03/2010
10563/2010	329981	14-03B	22/03/2010	10675/2010	330044	08-02	24/03/2010
10564/2010	329982	12-11	22/03/2010	10712/2010	329998	14-03NES	18/03/2010
10569/2010	329991	11-05	18/03/2010	10793/2010	329999	15-05	18/03/2010
10571/2010	330038	14-02	24/03/2010	10794/2010	330000	15-05	18/03/2010
10572/2010	329992	15-05	18/03/2010	10795/2010	330001	15-05	18/03/2010
10577/2010	329993	12-16NES	18/03/2010	10796/2010	330002	15-05	18/03/2010
10578/2010	329994	28-03A	18/03/2010	10849/2010	329969	09-07NES	17/03/2010
10579/2010	329995	28-03A	18/03/2010	10862/2010	330013	02-02C	23/03/2010
10580/2010	329996	15-07	18/03/2010	10863/2010	330014	02-02C	23/03/2010
10582/2010	329997	23-01L	18/03/2010	10864/2010	330015	02-02C	23/03/2010
10583/2010	329983	21-02NES	22/03/2010				
10584/2010	329984	07-07A	22/03/2010				
10586/2010	329985	02-01B	22/03/2010				
10590/2010	329986	25-01K	22/03/2010				

**Publication and Registration Proceedings**  
**Class Listing of Designs Published or Registered**

The following section shows an International Classification Code listing of the Registered or Published Designs covered in this supplement.

<b>Classification</b>	<b>Registration Number</b>	<b>Design Number</b>	<b>Classification</b>	<b>Registration Number</b>	<b>Design Number</b>
02-01 B	329985	10586/2010	07-03	329954	10533/2010
02-02 B	329888	10495/2010	07-04	329851	10425/2010
02-02 B	330007	10610/2010	07-04	329966	10547/2010
02-02 C	330013	10862/2010	07-07 A	329984	10584/2010
02-02 C	330014	10863/2010	08-02	330044	10675/2010
02-02 C	330015	10864/2010	08-02	330054	10670/2010
02-02 C	330077	12844/2009	08-02	330055	10671/2010
02-02 C	330078	15100/2009	08-02	330056	10672/2010
02-02 C	330079	15101/2009	08-02	330057	10673/2010
02-02 C	330080	15102/2009	08-02	330058	10674/2010
02-02 C	330081	15103/2009	08-05 NES	329887	10494/2010
02-02 C	330082	15104/2009	08-05 NES	329978	10560/2010
02-02 C	330083	15105/2009	08-07	329956	10558/2010
02-02 C	330084	15106/2009	08-08 A	329956	10558/2010
02-02 NES	330003	10606/2010	08-08 NES	329960	10556/2010
02-02 NES	330004	10607/2010	08-09	330023	10603/2010
02-02 NES	330006	10609/2010	08-09	330024	10604/2010
02-02 NES	330012	13536/2009	08-09	330025	10605/2010
02-03	329965	10545/2010	08-99	329787	10295/2010
02-04 NES	329855	10442/2010	09-01 A	329945	10313/2010
02-04 NES	329856	10443/2010	09-01 B	329957	10553/2010
02-04 NES	329857	10444/2010	09-01 C	330047	10662/2010
02-04 NES	329858	10445/2010	09-01 C	330048	10664/2010
02-04 NES	329859	10446/2010	09-01 K	329780	10199/2010
02-04 NES	329860	10447/2010	09-01 K	329943	10311/2010
02-04 NES	329861	10448/2010	09-01 K	330051	10667/2010
02-04 NES	330005	10608/2010	09-01 NES	329970	12506/2009
02-07 A	329853	10440/2010	09-01 NES	329976	10035/2010
03-01 B	329782	10253/2010	09-01 NES	329977	10036/2010
03-01 B	329783	10254/2010	09-01 NES	330016	10037/2010
03-01 B	329784	10255/2010	09-01 NES	330017	10265/2010
03-01 B	329785	10256/2010	09-01 NES	330049	10665/2010
03-01 B	329786	10257/2010	09-03 F	329848	10170/2010
03-01 B	330045	10102/2010	09-03 H	329974	10033/2010
03-01 D	329887	10494/2010	09-03 H	329975	10034/2010
03-01 NES	330034	10460/2010	09-03 H	329976	10035/2010
03-03	330036	10534/2010	09-03 H	329977	10036/2010
04-02	329933	15045/2009	09-03 M	329879	10486/2010
04-02	329934	15046/2009	09-03 M	329880	10487/2010
04-02	329935	15047/2009	09-03 NES	329884	10491/2010
04-02	329936	15049/2009	09-03 NES	329885	10492/2010
04-02	329937	15050/2009	09-03 NES	329886	10493/2010
04-02	329938	15051/2009	09-03 NES	329979	10561/2010
06-01 E	330008	10612/2010	09-07 B	329972	10008/2010
06-01 NES	329852	10437/2010	09-07 B	329973	10009/2010
06-03 C	330030	10206/2010	09-07 B	330022	10559/2010
06-03 D	330028	14300/2009	09-07 C	329944	10312/2010
06-11	329955	10552/2010	09-07 C	330029	10057/2010
07-01 C	330043	10663/2010	09-07 C	330032	10383/2010
07-01 D	330050	10666/2010	09-07 NES	329969	10849/2010
07-01 F	330016	10037/2010	10-03	329854	10441/2010
07-01 NES	330047	10662/2010	11-01 NES	329779	10096/2010
07-01 NES	330048	10664/2010	11-05	329991	10569/2010
07-02 E	330053	10669/2010	12-06 NES	329847	14987/2009
07-02 G	329958	10554/2010	12-08	329951	10275/2010
07-02 L	329942	15068/2009	12-08	330021	10513/2010



Registration Proceedings - Class Listing of Designs Published or Registered cont'd

Classification	Registration Number	Design Number	Classification	Registration Number	Design Number
12-08	330035	10514/2010	21-02 C	329882	10489/2010
12-08	330040	10638/2010	21-02 C	329883	10490/2010
12-10	330027	14083/2009	21-02 C	329964	10544/2010
12-11	329982	10564/2010	21-02 NES	329983	10583/2010
12-13	329931	14990/2009	22-04	329950	10223/2010
12-16 A	329847	14987/2009	22-05	329789	10363/2010
12-16 L	329946	10412/2010	22-05	329790	10364/2010
12-16 M	330041	10641/2010	22-06	329959	10555/2010
12-16 NES	329849	10219/2010	23-01 A	329791	10375/2010
12-16 NES	329850	10220/2010	23-01 F	329788	10362/2010
12-16 NES	329993	10577/2010	23-01 L	329997	10582/2010
12-16 NES	330027	14083/2009	23-02 F	329793	10380/2010
13-03 C	329939	13269/2009	23-02 F	329794	10381/2010
13-03 C	329940	13270/2009	24-01	329969	10849/2010
13-03 C	329941	13271/2009	24-01	329970	12506/2009
13-03 NES	330037	10548/2010	25-01 A	329792	10379/2010
14-01	329989	10593/2010	25-01 D	329792	10379/2010
14-02	329990	10179/2010	25-01 F	329967	10549/2010
14-02	330031	10279/2010	25-01 F	329968	10550/2010
14-02	330038	10571/2010	25-01 K	329986	10590/2010
14-03 B	329971	15092/2009	25-01 K	329987	10591/2010
14-03 B	329980	10562/2010	25-01 K	330039	10637/2010
14-03 B	329981	10563/2010	25-01 NES	329955	10552/2010
14-03 E	330042	10642/2010	25-02 C	329788	10362/2010
14-03 NES	329988	10592/2010	25-04	330059	14413/2009
14-03 NES	329998	10712/2010	25-04	330060	14414/2009
14-03 NES	330033	10459/2010	25-04	330061	14415/2009
14-99	330018	10291/2010	25-04	330062	14416/2009
14-99	330019	10596/2010	25-04	330063	14417/2009
14-99	330020	10597/2010	25-04	330064	14418/2009
15-03 B	330009	10054/2010	25-04	330065	14419/2009
15-03 B	330010	10055/2010	25-04	330066	14420/2009
15-03 B	330011	10056/2010	25-04	330067	14421/2009
15-05	329992	10572/2010	25-04	330068	14422/2009
15-05	329999	10793/2010	25-04	330069	14423/2009
15-05	330000	10794/2010	25-04	330070	14424/2009
15-05	330001	10795/2010	25-04	330071	14425/2009
15-05	330002	10796/2010	25-04	330072	14426/2009
15-07	329881	10488/2010	25-04	330073	14427/2009
15-07	329996	10580/2010	25-04	330074	14428/2009
19-01	330018	10291/2010	25-04	330075	14429/2009
19-01	330019	10596/2010	25-04	330076	14430/2009
19-01	330020	10597/2010	26-03	329931	14990/2009
19-02	329795	10530/2010	26-05 B	330026	12424/2009
19-04	329952	10531/2010	28-03 A	329781	10226/2010
20-01	329990	10179/2010	28-03 A	329994	10578/2010
21-01 A	329782	10253/2010	28-03 A	329995	10579/2010
21-01 A	329783	10254/2010	29-01	329930	14947/2009
21-01 A	329784	10255/2010	29-01	329932	15008/2009
21-01 A	329785	10256/2010	30-99	330046	10661/2010
21-01 A	329786	10257/2010	31-00	330052	10668/2010
21-01 NES	329953	10532/2010			
21-02 A	329961	10540/2010			
21-02 A	329962	10541/2010			
21-02 A	329963	10542/2010			

(21) Design Number: **10096/2010**

(22) Date of Filing Application: **13 January 2010**

(24) Date from which industrial property rights may have effect: **13 January 2010**

(54) Product in respect of which the design is registered: **Wire loop designed to attach charms and jewellery to trouser buttons and zippers**

(51) International Design Classification: **11-01NES**

(71) Name(s) and Address(s) of Applicant(s):

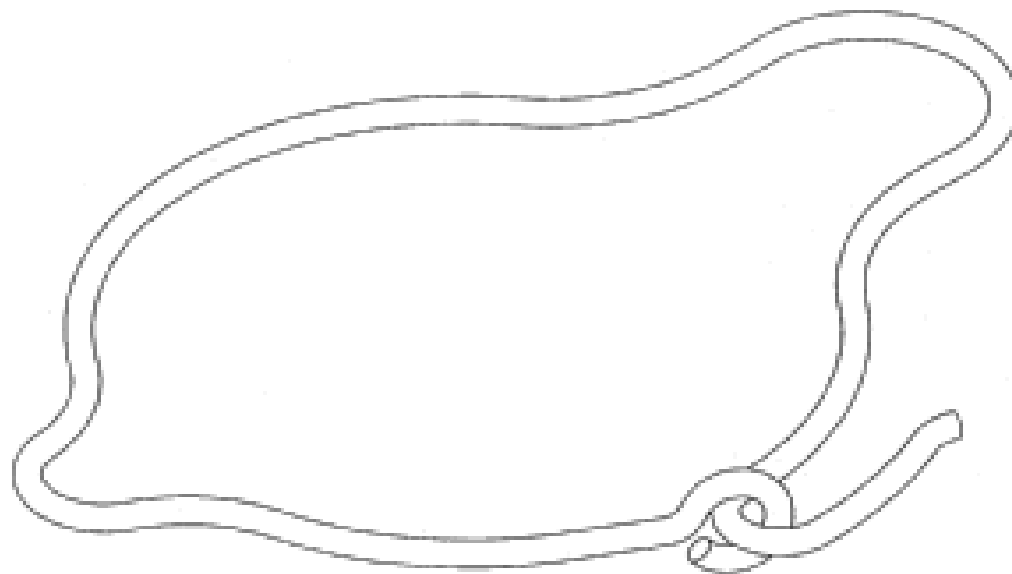
**Jane Whitehouse**  
**6/66 Bayswater Road Rushcutters Bay New South Wales 2011**  
**Australia**

(72) Name(s) of Designer(s): **Jane Whitehouse**

(45) Registration Date: **03 March 2010**

(56) Related Art Documents: **Not Applicable**

(57) Statement of Newness and Distinctiveness: **Nil**



(21) Design Number: **10199/2010**

(22) Date of Filing Application: **21 January 2010**

(24) Date from which industrial property rights may have effect: **21 January 2010**

(54) Product in respect of which the design is registered: **Bottle**

(51) International Design Classification: **09-01K**

(71) Name(s) and Address(s) of Applicant(s):

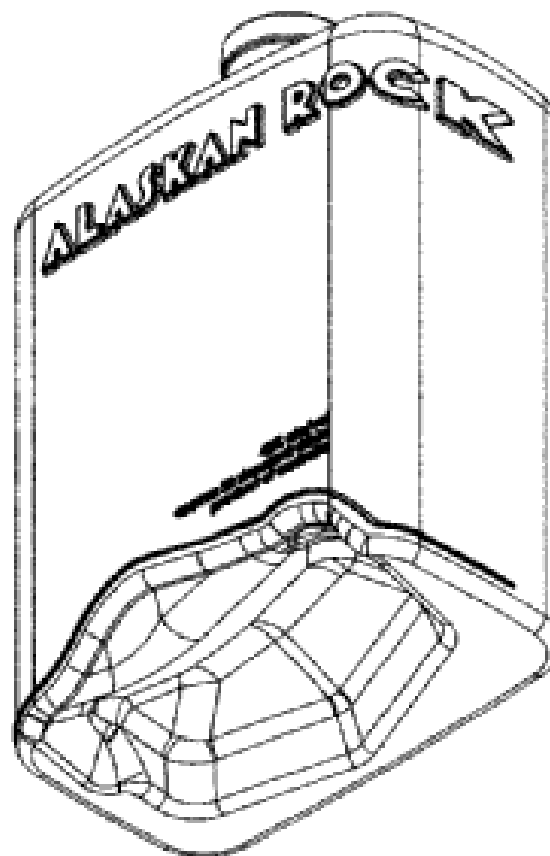
**Nadia Santomaggio**  
**390 Riley Street Surry Hills New South Wales 2010 Australia**

(72) Name(s) of Designer(s): **Nadia Santomaggio**

(45) Registration Date: **03 March 2010**

(56) Related Art Documents: **Not Applicable**

(57) Statement of Newness and Distinctiveness: **Bottle has raised wrapped text as part of the design together with unique asymmetrical punt visible from the front.**



(21) Design Number: **10226/2010**

(22) Date of Filing Application: **22 January 2010**

(24) Date from which industrial property rights may have effect: **22 January 2010**

(54) Product in respect of which the design is registered: **Packaging for a razor**

(51) International Design Classification: **28-03A**

(71) Name(s) and Address(s) of Applicant(s):

**The Gillette Company  
Prudential Tower Building Boston Massachusetts 02199 United States  
of America**

(72) Name(s) of Designer(s): **Anastasia Bogdanova and Caralyn Elizabeth King  
and Angela Ines Kowalczyk and Geoff William Reichel**

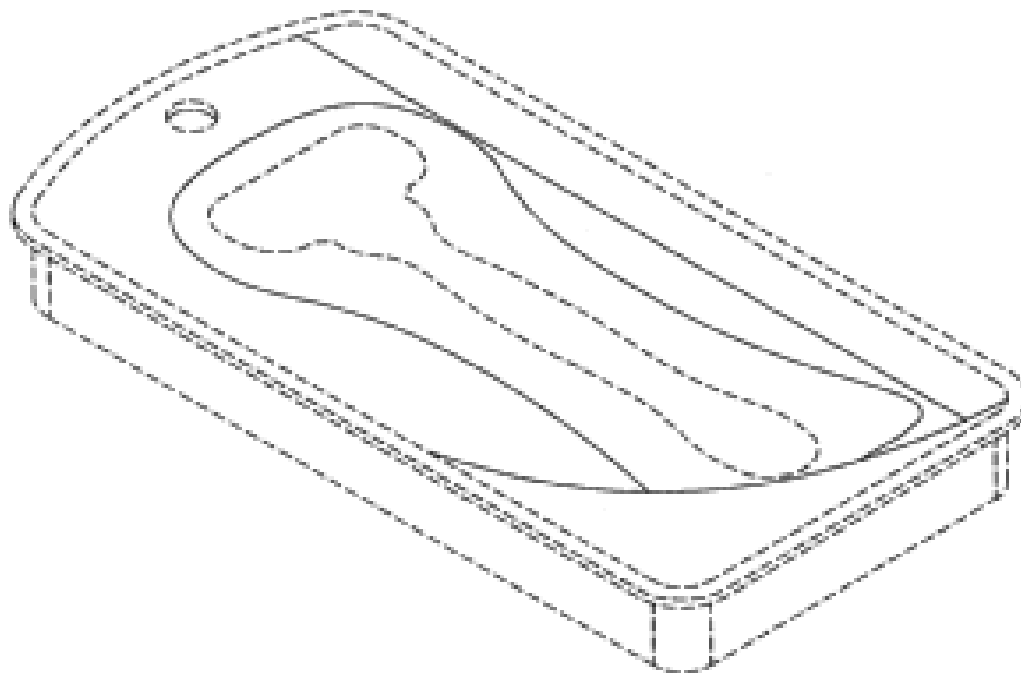
(45) Registration Date: **03 March 2010**

(30) Convention priority data:

(31) Number	(32) Date	(33) Country
<b>29/340,732</b>	<b>24 Jul 2009</b>	<b>UNITED STATES OF AMERICA</b>

(56) Related Art Documents: **Not Applicable**

(57) Statement of Newness and Distinctiveness: **Those features of the  
packaging for a razor depicted in the representations that are new and  
distinctive is the pattern, namely the indicia.**



(21) Design Number: **10253/2010**

(22) Date of Filing Application: **25 January 2010**

(24) Date from which industrial property rights may have effect: **25 January 2010**

(54) Product in respect of which the design is registered: **Toy bag**

(51) International Design Classification: **03-01B, 21-01A**

(71) Name(s) and Address(s) of Applicant(s):

**Tony Jian H. Sun  
15 Bennett Street Balwyn Victoria 3103 Australia**

(72) Name(s) of Designer(s): **Tony Jian H. Sun**

(45) Registration Date: **03 March 2010**

(56) Related Art Documents: **Not Applicable**

(57) Statement of Newness and Distinctiveness: **Nil**



- (21) Design Number: **10254/2010**  
(22) Date of Filing Application: **25 January 2010**  
(24) Date from which industrial property rights may have effect: **25 January 2010**  
(54) Product in respect of which the design is registered: **Toy bag**  
(51) International Design Classification: **03-01B, 21-01A**  
(71) Name(s) and Address(s) of Applicant(s):  
**Tony Jian H. Sun**  
**15 Bennett Street Balwyn Victoria 3103 Australia**  
(72) Name(s) of Designer(s): **Tony Jian H. Sun**  
(45) Registration Date: **03 March 2010**  
(56) Related Art Documents: **Not Applicable**  
(57) Statement of Newness and Distinctiveness: **Nil**



- (21) Design Number: **10255/2010**  
(22) Date of Filing Application: **25 January 2010**  
(24) Date from which industrial property rights may have effect: **25 January 2010**  
(54) Product in respect of which the design is registered: **Toy bag**  
(51) International Design Classification: **03-01B, 21-01A**  
(71) Name(s) and Address(s) of Applicant(s):  
**Tony Jian H. Sun**  
**15 Bennett Street Balwyn Victoria 3103 Australia**  
(72) Name(s) of Designer(s): **Tony Jian H. Sun**  
(45) Registration Date: **03 March 2010**  
(56) Related Art Documents: **Not Applicable**  
(57) Statement of Newness and Distinctiveness: **Nil**



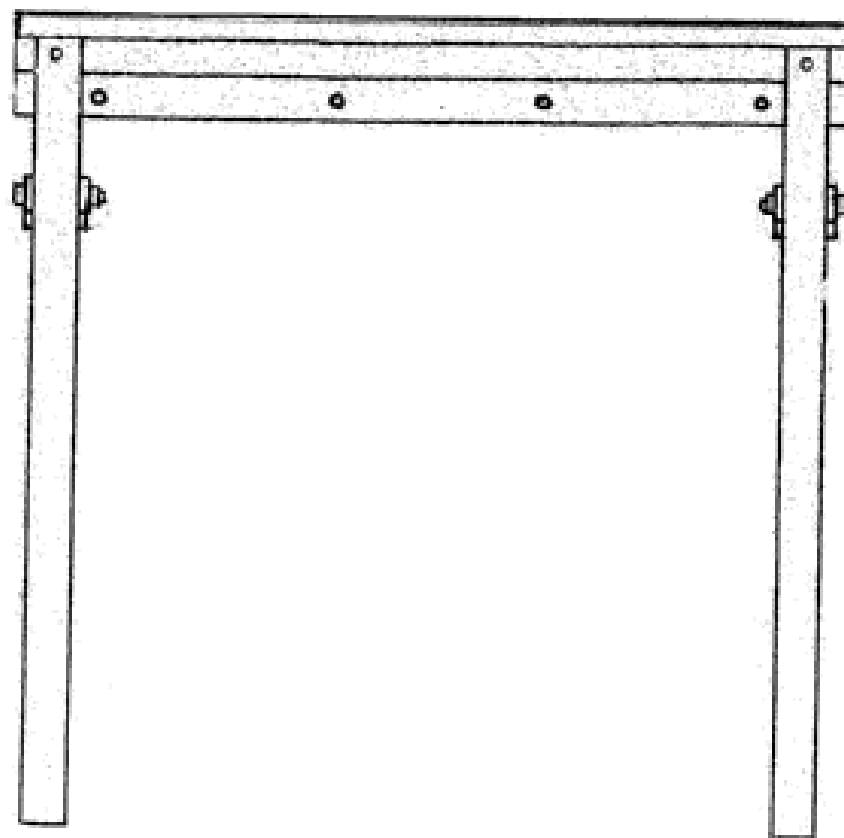
- (21) Design Number: **10256/2010**  
(22) Date of Filing Application: **25 January 2010**  
(24) Date from which industrial property rights may have effect: **25 January 2010**  
(54) Product in respect of which the design is registered: **Toy bag**  
(51) International Design Classification: **03-01B, 21-01A**  
(71) Name(s) and Address(s) of Applicant(s):  
**Tony Jian H. Sun**  
**15 Bennett Street Balwyn Victoria 3103 Australia**  
(72) Name(s) of Designer(s): **Tony Jian H. Sun**  
(45) Registration Date: **03 March 2010**  
(56) Related Art Documents: **Not Applicable**  
(57) Statement of Newness and Distinctiveness: **Nil**



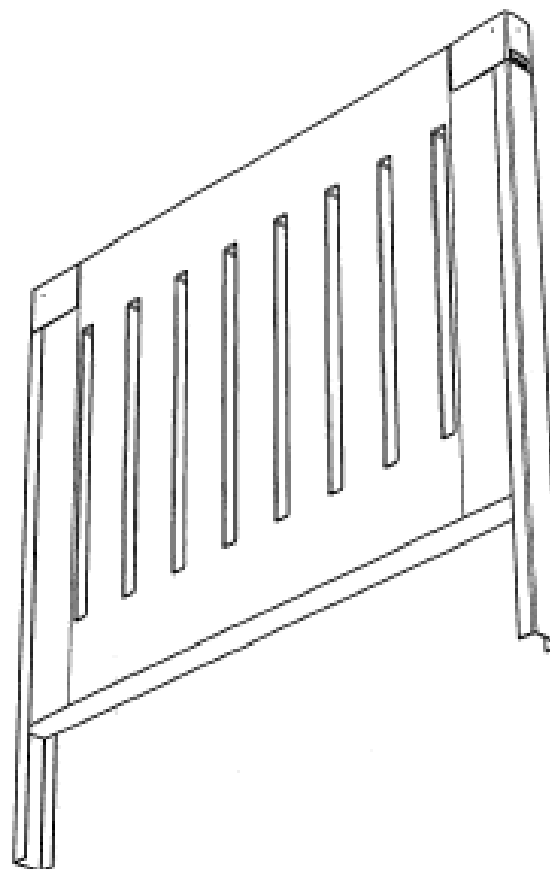
- (21) Design Number: **10257/2010**  
(22) Date of Filing Application: **25 January 2010**  
(24) Date from which industrial property rights may have effect: **25 January 2010**  
(54) Product in respect of which the design is registered: **Toy bag**  
(51) International Design Classification: **03-01B, 21-01A**  
(71) Name(s) and Address(s) of Applicant(s):  
**Tony Jian H. Sun**  
**15 Bennett Street Balwyn Victoria 3103 Australia**  
(72) Name(s) of Designer(s): **Tony Jian H. Sun**  
(45) Registration Date: **03 March 2010**  
(56) Related Art Documents: **Not Applicable**  
(57) Statement of Newness and Distinctiveness: **Nil**



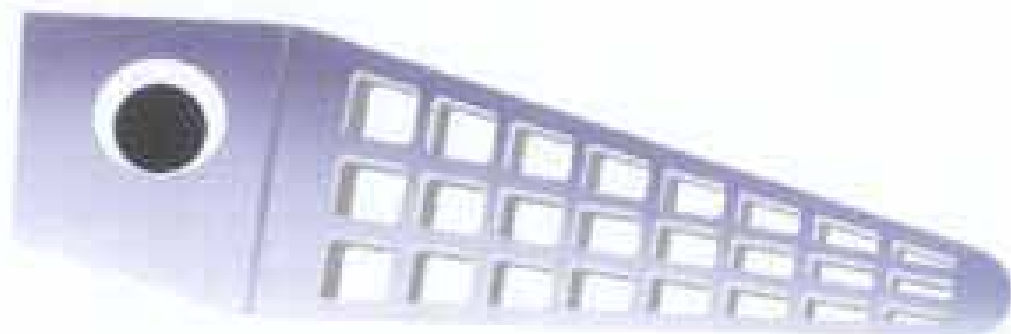
- (21) Design Number: **10295/2010**  
(22) Date of Filing Application: **01 February 2010**  
(24) Date from which industrial property rights may have effect: **01 February 2010**  
(54) Product in respect of which the design is registered: **Folding saw horse**  
(51) International Design Classification: **08-99**  
(71) Name(s) and Address(s) of Applicant(s):  
**Ian K. Souter**  
**1/3 Hanna Court Toowoomba Queensland 4350 Australia**  
(72) Name(s) of Designer(s): **Ian K. Souter**  
(45) Registration Date: **03 March 2010**  
(56) Related Art Documents: **Not Applicable**  
(57) Statement of Newness and Distinctiveness: **The top section will hold (clamp) items, will fold flat (has cranked hinge plates), has grooves to retain materials.**



- (21) Design Number: **10362/2010**  
(22) Date of Filing Application: **03 February 2010**  
(24) Date from which industrial property rights may have effect: **03 February 2010**  
(54) Product in respect of which the design is registered: **Tank**  
(51) International Design Classification: **23-01F, 25-02C**  
(71) Name(s) and Address(s) of Applicant(s):  
**Natmon Services Pty Ltd**  
**3 Moresby Street Canterbury Victoria 3126 Australia**  
(72) Name(s) of Designer(s): **Kelvin Maurice Lynch**  
(45) Registration Date: **03 March 2010**  
(56) Related Art Documents: **Not Applicable**  
(57) Statement of Newness and Distinctiveness: **Those features of the tank depicted in the representations that are new and distinctive are the shape and/or configuration.**



- (21) Design Number: **10363/2010**
- (22) Date of Filing Application: **01 February 2010**
- (24) Date from which industrial property rights may have effect: **01 February 2010**
- (54) Product in respect of which the design is registered: **A hollow fishing lure with a screw in head**
- (51) International Design Classification: **22-05**
- (71) Name(s) and Address(s) of Applicant(s):  
**Peter Somogyi**  
**8 Carlyle Street Enfield New South Wales 2136 Australia**
- (72) Name(s) of Designer(s): **Peter Somogyi**
- (45) Registration Date: **03 March 2010**
- (56) Related Art Documents: **Not Applicable**
- (57) Statement of Newness and Distinctiveness: **Nil**



- (21) Design Number: **10364/2010**
- (22) Date of Filing Application: **01 February 2010**
- (24) Date from which industrial property rights may have effect: **01 February 2010**
- (54) Product in respect of which the design is registered: **A hollow fishing lure with access door**
- (51) International Design Classification: **22-05**
- (71) Name(s) and Address(s) of Applicant(s):  
**Peter Somogyi**  
**8 Carlyle Street Enfield New South Wales 2136 Australia**
- (72) Name(s) of Designer(s): **Peter Somogyi**
- (45) Registration Date: **03 March 2010**
- (56) Related Art Documents: **Not Applicable**
- (57) Statement of Newness and Distinctiveness: **Nil**



(21) Design Number: **10375/2010**

(22) Date of Filing Application: **04 February 2010**

(24) Date from which industrial property rights may have effect: **04 February 2010**

(54) Product in respect of which the design is registered: **Ring gasket**

(51) International Design Classification: **23-01A**

(71) Name(s) and Address(s) of Applicant(s):

**Victaulic Company**

**4901 Kesslersville Road Easton Pennsylvania 18040 United States of America**

(72) Name(s) of Designer(s): **Scott D. Madara and Thomas M. Soloe and Charles E. Wilk Jr. and Matthew A. Bowman**

(45) Registration Date: **03 March 2010**

(30) Convention priority data:

(31) Number

(32) Date

(33) Country

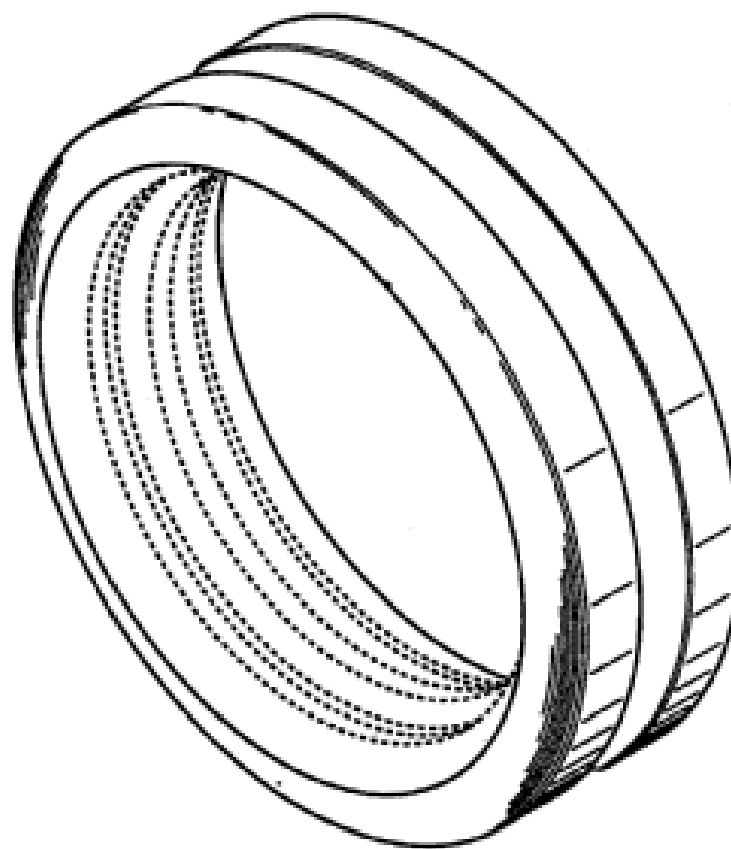
**29/341,701**

**11 Aug 2009**

**UNITED STATES OF AMERICA**

(56) Related Art Documents: **Not Applicable**

(57) Statement of Newness and Distinctiveness: **Newness and distinctiveness is claimed in the visual features of the ring gasket as illustrated by continuous lines in the accompanying representations.**



(21) Design Number: **10379/2010**

(22) Date of Filing Application: **04 February 2010**

(24) Date from which industrial property rights may have effect: **04 February 2010**

(54) Product in respect of which the design is registered: **Solid timber blocks glued to 16mm M.R. chipboard**

(51) International Design Classification: **25-01A, 25-01D**

(71) Name(s) and Address(s) of Applicant(s):

**Jaimie Baker**

**Unit 2 19 Rosberg Road Wingfield South Australia 5013 Australia**

(72) Name(s) of Designer(s): **Jaimie Baker**

(45) Registration Date: **03 March 2010**

(56) Related Art Documents: **Not Applicable**

(57) Statement of Newness and Distinctiveness: **Solid timber blocks glued to 16mm M R chipboard sheet. Timber is attached with high strength P.V.C. Blocks are 70 x 22 and 3 different thickness giving a 3D effect. For use in cabinet making / kitchen / office or shopfitting. Any additional information please contact me.**





(21) Design Number: **10380/2010**

(22) Date of Filing Application: **03 February 2010**

(24) Date from which industrial property rights may have effect: **03 February 2010**

(54) Product in respect of which the design is registered: **Benchtop with sink**

(51) International Design Classification: **23-02F**

(71) Name(s) and Address(s) of Applicant(s):

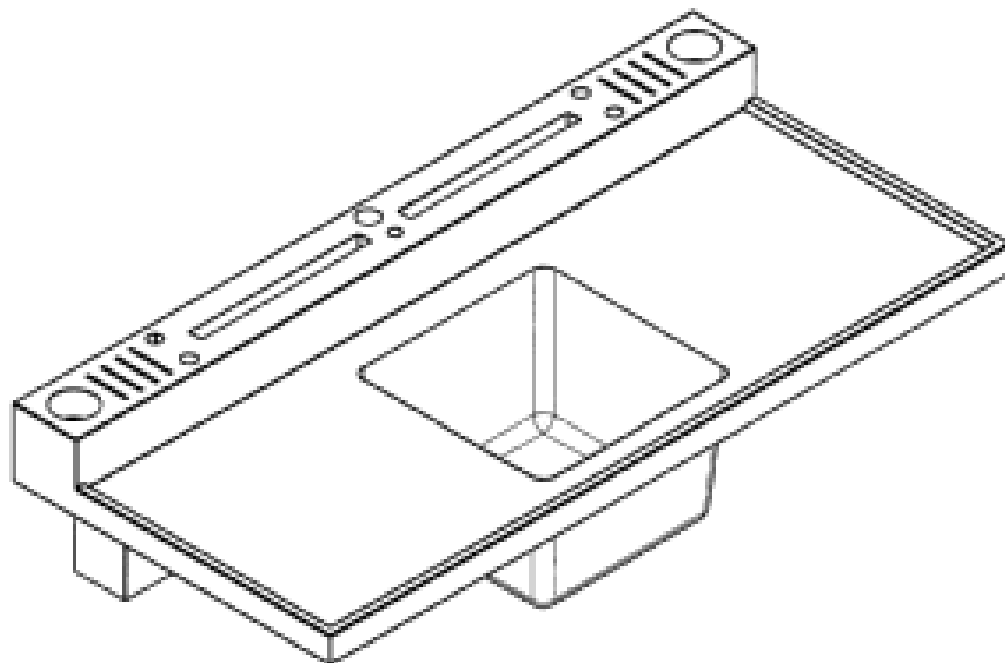
**Stainless Steel Connections Pty Ltd  
157 Cardwell Street Adelaide South Australia 5000 Australia**

(72) Name(s) of Designer(s): **Gary Brian Hayley and Louise Mary Cracknell**

(45) Registration Date: **03 March 2010**

(56) Related Art Documents: **Not Applicable**

(57) Statement of Newness and Distinctiveness: **Newness and distinctiveness is claimed in the visual features of the arrangement of apertures and their associated enclosures.**



(21) Design Number: **10381/2010**

(22) Date of Filing Application: **03 February 2010**

(24) Date from which industrial property rights may have effect: **03 February 2010**

(54) Product in respect of which the design is registered: **Benchtop with sinks**

(51) International Design Classification: **23-02F**

(71) Name(s) and Address(s) of Applicant(s):

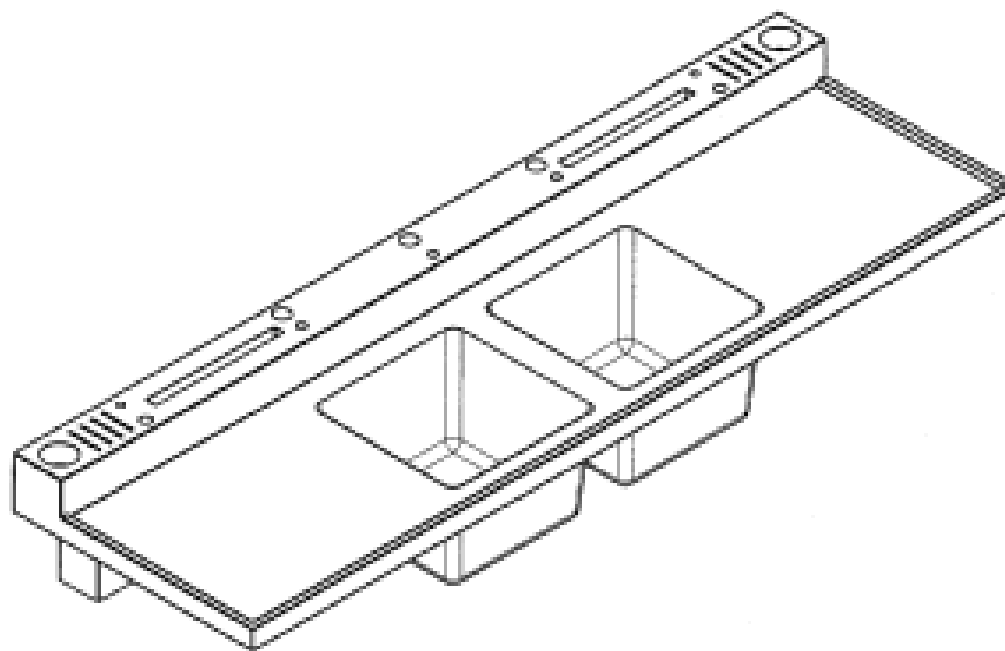
**Stainless Steel Connections Pty Ltd  
157 Cardwell Street Adelaide South Australia 5000 Australia**

(72) Name(s) of Designer(s): **Gary Brian Hayley and Louise Mary Cracknell**

(45) Registration Date: **03 March 2010**

(56) Related Art Documents: **Not Applicable**

(57) Statement of Newness and Distinctiveness: **Newness and distinctiveness is claimed in the visual features of the arrangement of apertures and their associated enclosures.**



(21) Design Number: **10530/2010**

(22) Date of Filing Application: **17 February 2010**

(24) Date from which industrial property rights may have effect: **17 February 2010**

(54) Product in respect of which the design is registered: **Edge punch**

(51) International Design Classification: **19-02**

(71) Name(s) and Address(s) of Applicant(s):

**Martha Stewart Living Omnimedia, Inc.  
11 West 42nd Street New York New York 10036 United States of  
America**

(72) Name(s) of Designer(s): **Stefanie Lynen and Megen Mingchen Lee and  
Mark Alexander Perruzzi**

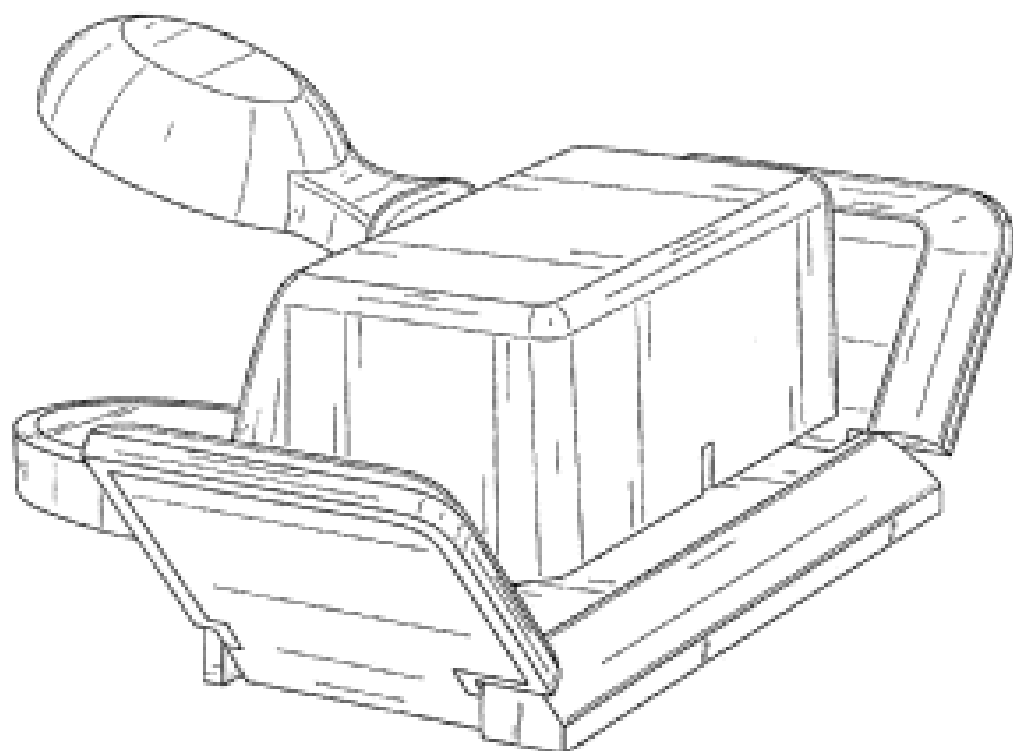
(45) Registration Date: **03 March 2010**

(30) Convention priority data:

(31) Number	(32) Date	(33) Country
<b>29/342087</b>	<b>18 Aug 2009</b>	<b>UNITED STATES OF AMERICA</b>

(56) Related Art Documents: **Not Applicable**

(57) Statement of Newness and Distinctiveness: **Nil**



(21) Design Number: **14987/2009**

(22) Date of Filing Application: **18 December 2009**

(24) Date from which industrial property rights may have effect: **18 December 2009**

(54) Product in respect of which the design is registered: **Retractable wheel for  
small boats**

(51) International Design Classification: **12-06NES, 12-16A**

(71) Name(s) and Address(s) of Applicant(s):

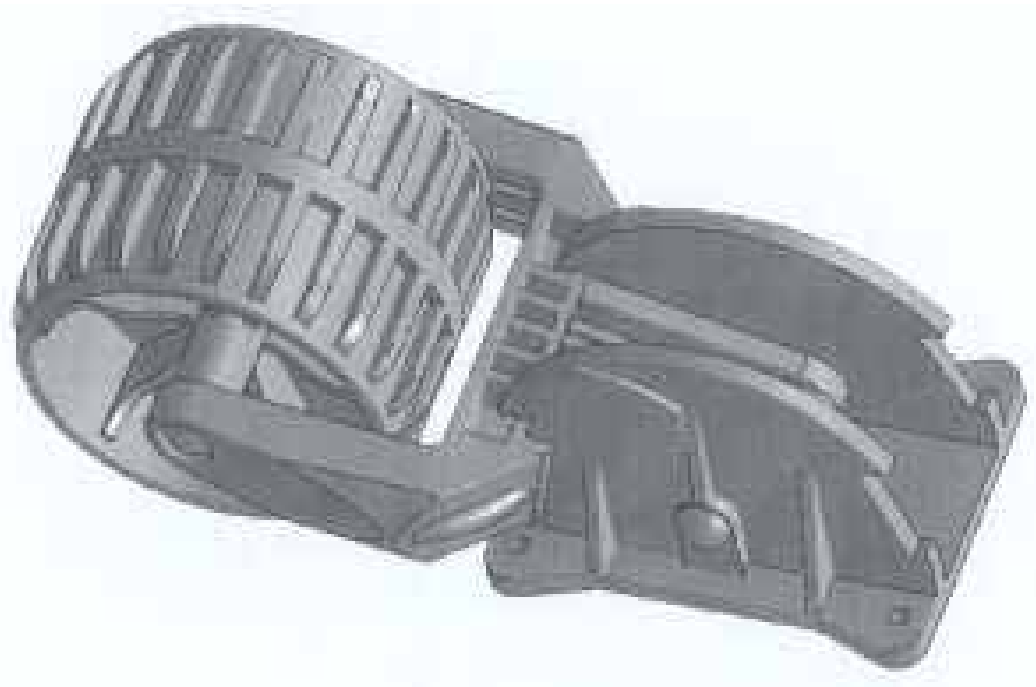
**Performance Flotation Developments (Aust) Pty Ltd  
Unit 6/62 Bishop Street Kelvin Grove Queensland 4059 Australia**

(72) Name(s) of Designer(s): **Eamonn Bicknell**

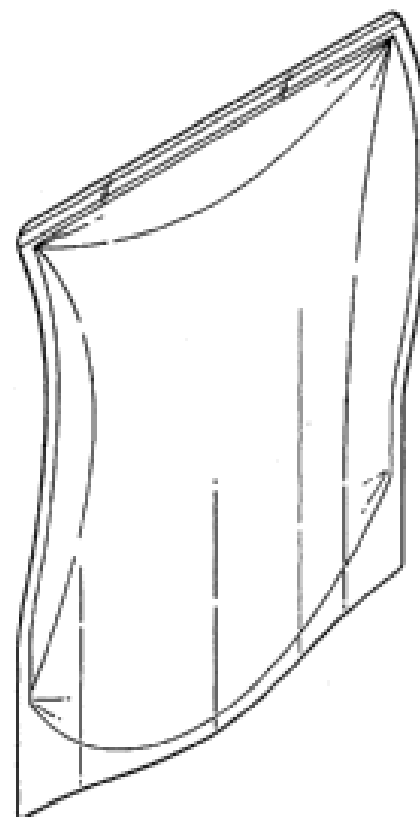
(45) Registration Date: **15 March 2010**

(56) Related Art Documents: **Not Applicable**

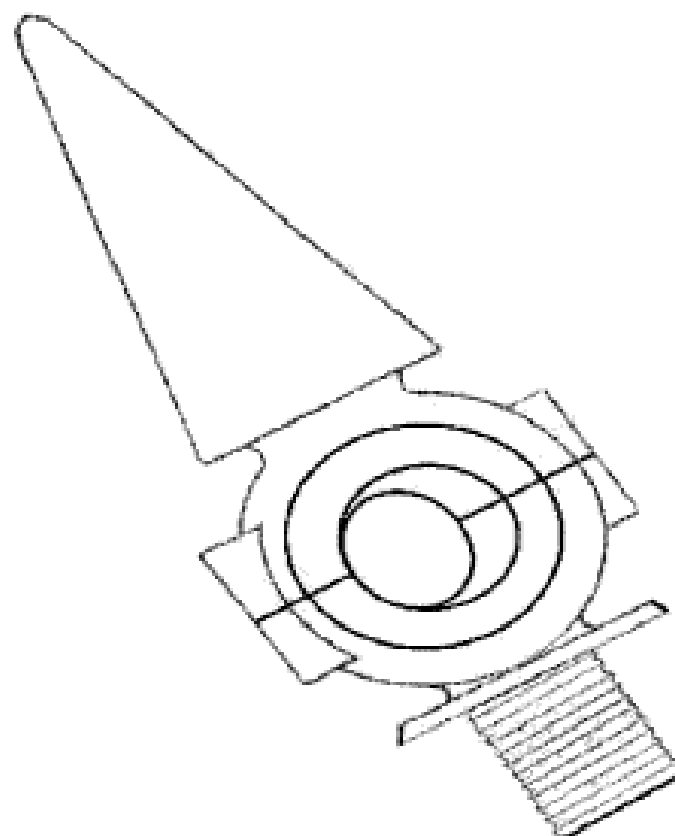
(57) Statement of Newness and Distinctiveness: **The newness and  
distinctiveness of the design resides in the shape and/or configuration  
of the retractable wheel for small boats shown in the representations.**



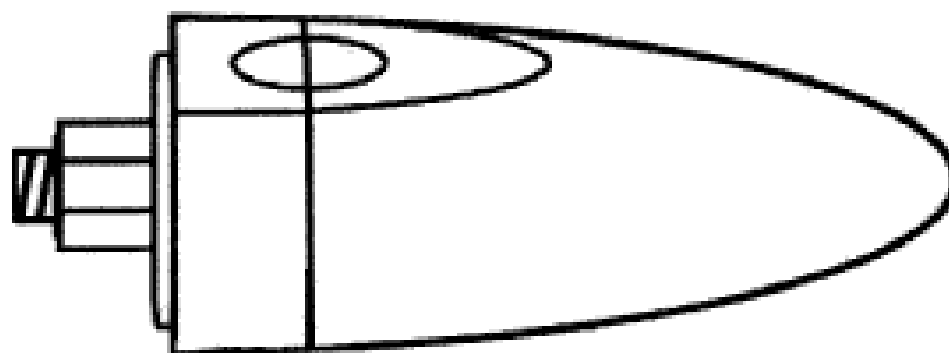
- (21) Design Number: **10170/2010**  
(22) Date of Filing Application: **19 January 2010**  
(24) Date from which industrial property rights may have effect: **19 January 2010**  
(54) Product in respect of which the design is registered: **Pouch, especially for packaging food**  
(51) International Design Classification: **09-03F**  
(71) Name(s) and Address(s) of Applicant(s):  
**Unilever PLC**  
**Unilever House 100 Victoria Embankment London EC4Y ODY United Kingdom**  
(72) Name(s) of Designer(s): **Pamela Sandra Bohmke**  
(45) Registration Date: **15 March 2010**  
(30) Convention priority data:  
(31) Number      (32) Date      (33) Country  
**4012110      08 Aug 2009      UNITED KINGDOM**  
(56) Related Art Documents: **Not Applicable**  
(57) Statement of Newness and Distinctiveness: **Newness and distinctiveness is claimed in the visual features shown in solid lines in the representations.**



- (21) Design Number: **10219/2010**  
(22) Date of Filing Application: **22 January 2010**  
(24) Date from which industrial property rights may have effect: **22 January 2010**  
(54) Product in respect of which the design is registered: **Vehicle accessory**  
(51) International Design Classification: **12-16NES**  
(71) Name(s) and Address(s) of Applicant(s):  
**Jeffrey Alan Fleck**  
**23 Yarranabbe Street Mt Gravatt East Queensland 4122 Australia**  
**Richard Mark Worthington**  
**23 Yarranabbe Street Mt Gravatt East Queensland 4122 Australia**  
(72) Name(s) of Designer(s): **Jeffrey Alan Fleck and Richard Mark Worthington**  
(45) Registration Date: **15 March 2010**  
(56) Related Art Documents: **Not Applicable**  
(57) Statement of Newness and Distinctiveness: **The design relates to the overall appearance and particular visual features of a product, being a vehicle accessory, having the pattern, shape, configuration or ornamentation as shown in the accompanying representations. The accessory includes attachment means for attaching the accessory to a vehicle and defines an aperture through which a cable or control line of the vehicle can be passed to secure the cable or line to the vehicle.**

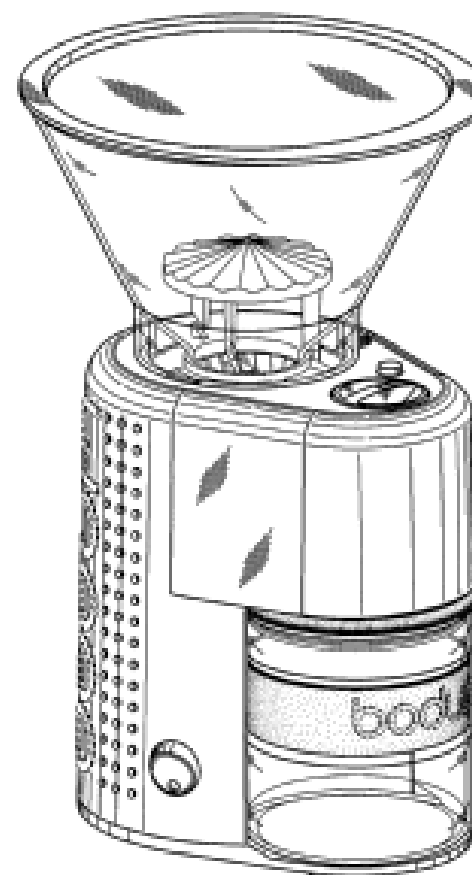


- (21) Design Number: **10220/2010**
- (22) Date of Filing Application: **22 January 2010**
- (24) Date from which industrial property rights may have effect: **22 January 2010**
- (54) Product in respect of which the design is registered: **Vehicle accessory**
- (51) International Design Classification: **12-16NES**
- (71) Name(s) and Address(s) of Applicant(s):  
  - Jeffrey Alan Fleck**
  - 23 Yarranabbe Street Mt Gravatt East Queensland 4122 Australia**
  - Richard Mark Worthington**
  - 23 Yarranabbe Street Mt Gravatt East Queensland 4122 Australia**
- (72) Name(s) of Designer(s): **Jeffrey Alan Fleck and Richard Mark Worthington**
- (45) Registration Date: **15 March 2010**
- (56) Related Art Documents: **Not Applicable**
- (57) Statement of Newness and Distinctiveness: **The design relates to the overall appearance and particular visual features of a product, being a vehicle accessory, having the pattern, shape, configuration or ornamentation as shown in the accompanying representations. The accessory includes attachment means for attaching the accessory to a vehicle and defines an aperture through which a cable or control line of the vehicle can be passed to secure the cable or line to the vehicle.**

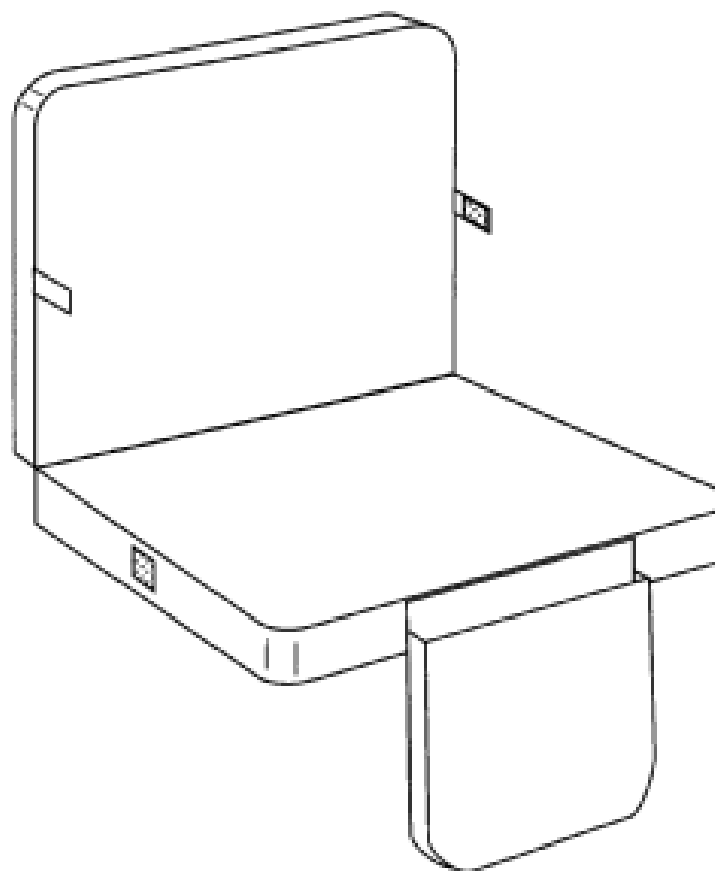


- (21) Design Number: **10425/2010**
- (22) Date of Filing Application: **09 February 2010**
- (24) Date from which industrial property rights may have effect: **09 February 2010**
- (54) Product in respect of which the design is registered: **Coffee grinder**
- (51) International Design Classification: **07-04**
- (71) Name(s) and Address(s) of Applicant(s):  
  - Pi-Design AG**
  - Kantonsstrasse 100 6234 Triengen Switzerland**
- (72) Name(s) of Designer(s): **Jorgen Bodum**
- (45) Registration Date: **15 March 2010**
- (30) Convention priority data:
 

(31) Number	(32) Date	(33) Country
<b>DM/072 231</b>	<b>12 Aug 2009</b>	<b>WORLD INTELLECTUAL PROPERTY ORGANIZATION (WIPO)</b>
- (56) Related Art Documents: **Not Applicable**
- (57) Statement of Newness and Distinctiveness: **Nil**



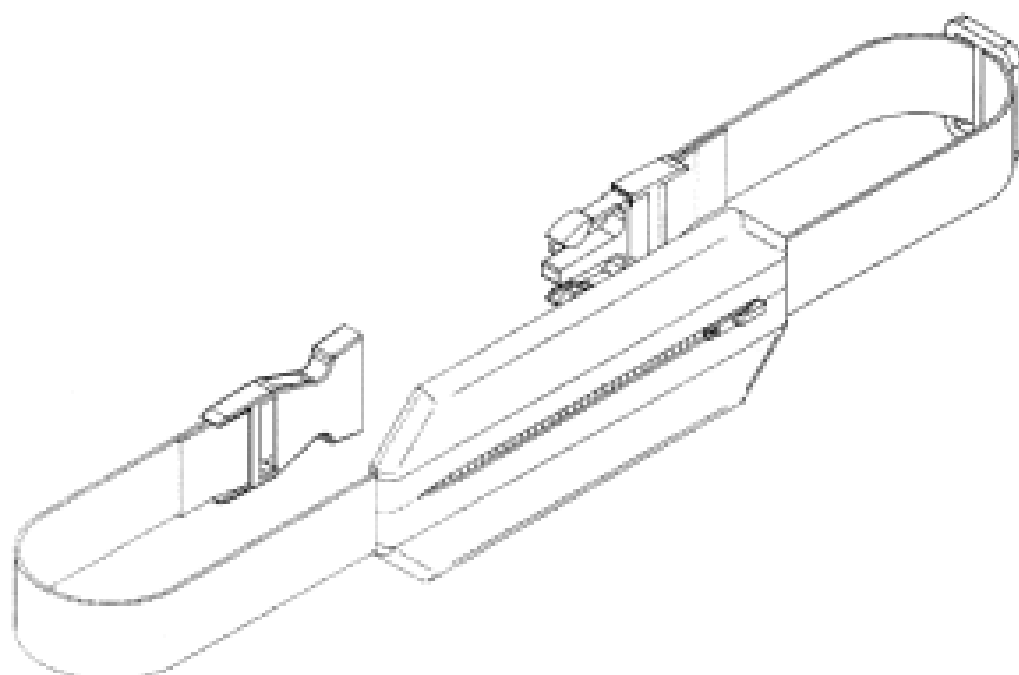
(21) Design Number: **10437/2010**  
 (22) Date of Filing Application: **11 February 2010**  
 (24) Date from which industrial property rights may have effect: **11 February 2010**  
 (54) Product in respect of which the design is registered: **Foldable seat cushion including pocket**  
 (51) International Design Classification: **06-01NES**  
 (71) Name(s) and Address(s) of Applicant(s):  
**Peter Jolley**  
**Unit 2/30 Cleland Avenue Dulwich South Australia 5065 Australia**  
 (72) Name(s) of Designer(s): **Peter Jolley**  
 (45) Registration Date: **15 March 2010**  
 (56) Related Art Documents: **Not Applicable**  
 (57) Statement of Newness and Distinctiveness: **In considering the extent of monopoly of the design the shape and configuration of the pocket opening is to be disregarded.**



(21) Design Number: **10440/2010**  
 (22) Date of Filing Application: **10 February 2010**  
 (24) Date from which industrial property rights may have effect: **10 February 2010**  
 (54) Product in respect of which the design is registered: **Utility belt**  
 (51) International Design Classification: **02-07A**  
 (71) Name(s) and Address(s) of Applicant(s):  
**iFitness Inc.**  
**21388 Marina Cove Circle #G17 Aventura FL 33180 United States of America**  
 (72) Name(s) of Designer(s): **Shifra Pomerantz**  
 (45) Registration Date: **15 March 2010**  
 (30) Convention priority data:  

(31) Number	(32) Date	(33) Country
<b>29/341,675</b>	<b>11 Aug 2009</b>	<b>UNITED STATES OF AMERICA</b>

 (56) Related Art Documents: **Not Applicable**  
 (57) Statement of Newness and Distinctiveness: **Nil**



(21) Design Number: **10441/2010**

(22) Date of Filing Application: **10 February 2010**

(24) Date from which industrial property rights may have effect: **10 February 2010**

(54) Product in respect of which the design is registered: **Timer**

(51) International Design Classification: **10-03**

(71) Name(s) and Address(s) of Applicant(s):

**Theben AG**

**Hohenbergstrasse 32 72401 Haigerloch Germany**

(72) Name(s) of Designer(s): **Christian von Boetticher**

(45) Registration Date: **15 March 2010**

(30) Convention priority data:

(31) Number

(32) Date

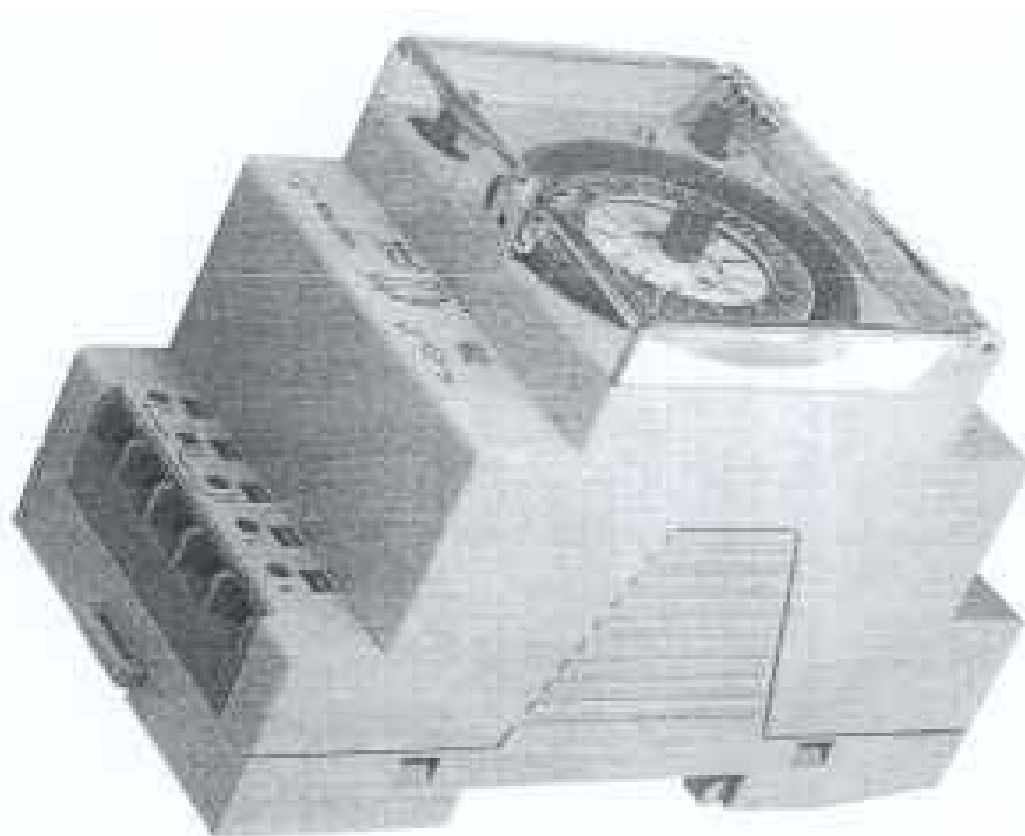
(33) Country

**001166466-0001 23 Sep 2009**

**EUROPEAN COMMUNITY**

(56) Related Art Documents: **Not Applicable**

(57) Statement of Newness and Distinctiveness: **Newness and distinctiveness is claimed in the features of shape and/or configuration of the following parts of a timer as illustrated and labelled in the accompanying representations: Clock face - labelled 'A', Outer ring - labelled 'B', Switches - labelled 'C'.**



(21) Design Number: **10442/2010**

(22) Date of Filing Application: **10 February 2010**

(24) Date from which industrial property rights may have effect: **10 February 2010**

(54) Product in respect of which the design is registered: **Shoes**

(51) International Design Classification: **02-04NES**

(71) Name(s) and Address(s) of Applicant(s):

**Vibram S.P.A.**

**Via Cristoforo Colombo 5 T-21041 Albizzate (Varese) Italy**

(72) Name(s) of Designer(s): **Marco Bramani**

(45) Registration Date: **15 March 2010**

(30) Convention priority data:

(31) Number

(32) Date

(33) Country

**1158943-1/34 10 Aug 2009**

**EUROPEAN COMMUNITY**

(56) Related Art Documents: **Not Applicable**

(57) Statement of Newness and Distinctiveness: **Newness and distinctiveness reside in the features of the design as shown in the representations.**



- (21) Design Number: **10443/2010**  
(22) Date of Filing Application: **10 February 2010**  
(24) Date from which industrial property rights may have effect: **10 February 2010**  
(54) Product in respect of which the design is registered: **Shoes**  
(51) International Design Classification: **02-04NES**  
(71) Name(s) and Address(s) of Applicant(s):  
**Vibram S.P.A.**  
**Via Cristoforo Colombo 5 T-21041 Albizzate (Varese) Italy**  
(72) Name(s) of Designer(s): **Marco Bramani**  
(45) Registration Date: **15 March 2010**  
(30) Convention priority data:  
(31) Number (32) Date (33) Country  
**1158943-1/34 10 Aug 2009 EUROPEAN COMMUNITY**  
(56) Related Art Documents: **Not Applicable**  
(57) Statement of Newness and Distinctiveness: **Newness and distinctiveness reside in the features of the design as shown in the representations.**



- (21) Design Number: **10444/2010**  
(22) Date of Filing Application: **10 February 2010**  
(24) Date from which industrial property rights may have effect: **10 February 2010**  
(54) Product in respect of which the design is registered: **Shoes**  
(51) International Design Classification: **02-04NES**  
(71) Name(s) and Address(s) of Applicant(s):  
**Vibram S.P.A.**  
**Via Cristoforo Colombo 5 T-21041 Albizzate (Varese) Italy**  
(72) Name(s) of Designer(s): **Marco Bramani**  
(45) Registration Date: **15 March 2010**  
(30) Convention priority data:  
(31) Number (32) Date (33) Country  
**1158943-1/34 10 Aug 2009 EUROPEAN COMMUNITY**  
(56) Related Art Documents: **Not Applicable**  
(57) Statement of Newness and Distinctiveness: **Newness and distinctiveness reside in the features of the design as shown in the representations.**



(21) Design Number: **10445/2010**  
(22) Date of Filing Application: **10 February 2010**  
(24) Date from which industrial property rights may have effect: **10 February 2010**  
(54) Product in respect of which the design is registered: **Shoes**  
(51) International Design Classification: **02-04NES**  
(71) Name(s) and Address(s) of Applicant(s):  
**Vibram S.P.A.**  
**Via Cristoforo Colombo 5 T-21041 Albizzate (Varese) Italy**  
(72) Name(s) of Designer(s): **Marco Bramani**  
(45) Registration Date: **15 March 2010**  
(30) Convention priority data:  
(31) Number (32) Date (33) Country  
**1158943-001/34 10 Aug 2009 EUROPEAN COMMUNITY**  
(56) Related Art Documents: **Not Applicable**  
(57) Statement of Newness and Distinctiveness: **Newness and distinctiveness reside in the features of the design as shown in the representations.**



(21) Design Number: **10446/2010**  
(22) Date of Filing Application: **10 February 2010**  
(24) Date from which industrial property rights may have effect: **10 February 2010**  
(54) Product in respect of which the design is registered: **Shoes**  
(51) International Design Classification: **02-04NES**  
(71) Name(s) and Address(s) of Applicant(s):  
**Vibram S.P.A.**  
**Via Cristoforo Colombo 5 T-21041 Albizzate (Varese) Italy**  
(72) Name(s) of Designer(s): **Marco Bramani**  
(45) Registration Date: **15 March 2010**  
(30) Convention priority data:  
(31) Number (32) Date (33) Country  
**1158943-0001/34 10 Aug 2009 EUROPEAN COMMUNITY**  
(56) Related Art Documents: **Not Applicable**  
(57) Statement of Newness and Distinctiveness: **Newness and distinctiveness reside in the features of the design as shown in the representations.**





- (21) Design Number: **10447/2010**  
(22) Date of Filing Application: **10 February 2010**  
(24) Date from which industrial property rights may have effect: **10 February 2010**  
(54) Product in respect of which the design is registered: **Shoes**  
(51) International Design Classification: **02-04NES**  
(71) Name(s) and Address(s) of Applicant(s):  
**Vibram S.P.A.**  
**Via Cristoforo Colombo 5 T-21041 Albizzate (Varese) Italy**  
(72) Name(s) of Designer(s): **Marco Bramani**  
(45) Registration Date: **15 March 2010**  
(30) Convention priority data:  
(31) Number (32) Date (33) Country  
**1158943-0001/34 10 Aug 2009 EUROPEAN COMMUNITY**  
(56) Related Art Documents: **Not Applicable**  
(57) Statement of Newness and Distinctiveness: **Newness and distinctiveness reside in the features of the design as shown in the representations.**



- (21) Design Number: **10448/2010**  
(22) Date of Filing Application: **10 February 2010**  
(24) Date from which industrial property rights may have effect: **10 February 2010**  
(54) Product in respect of which the design is registered: **Shoes**  
(51) International Design Classification: **02-04NES**  
(71) Name(s) and Address(s) of Applicant(s):  
**Vibram S.P.A.**  
**Via Cristoforo Colombo 5 T-21041 Albizzate (Varese) Italy**  
(72) Name(s) of Designer(s): **Marco Bramani**  
(45) Registration Date: **15 March 2010**  
(30) Convention priority data:  
(31) Number (32) Date (33) Country  
**1158943-0001/34 10 Aug 2009 EUROPEAN COMMUNITY**  
(56) Related Art Documents: **Not Applicable**  
(57) Statement of Newness and Distinctiveness: **Newness and distinctiveness reside in the features of the design as shown in the representations.**



(21) Design Number: **10486/2010**

(22) Date of Filing Application: **12 February 2010**

(24) Date from which industrial property rights may have effect: **12 February 2010**

(54) Product in respect of which the design is registered: **ZESPRI GREEN Modular Bulk Box**

(51) International Design Classification: **09-03M**

(71) Name(s) and Address(s) of Applicant(s):

**Zespri Group Limited**  
**400 Maunganui Road Mount Maunganui South New Zealand**

(72) Name(s) of Designer(s): **Shaun Bradley**

(45) Registration Date: **16 March 2010**

(56) Related Art Documents: **Not Applicable**

(57) Statement of Newness and Distinctiveness: **Nil**



(21) Design Number: **10487/2010**

(22) Date of Filing Application: **12 February 2010**

(24) Date from which industrial property rights may have effect: **12 February 2010**

(54) Product in respect of which the design is registered: **ZESPRI GOLD Modular Double Box**

(51) International Design Classification: **09-03M**

(71) Name(s) and Address(s) of Applicant(s):

**Zespri Group Limited**  
**400 Maunganui Road Mount Maunganui South New Zealand**

(72) Name(s) of Designer(s): **Shaun Bradley**

(45) Registration Date: **16 March 2010**

(56) Related Art Documents: **Not Applicable**

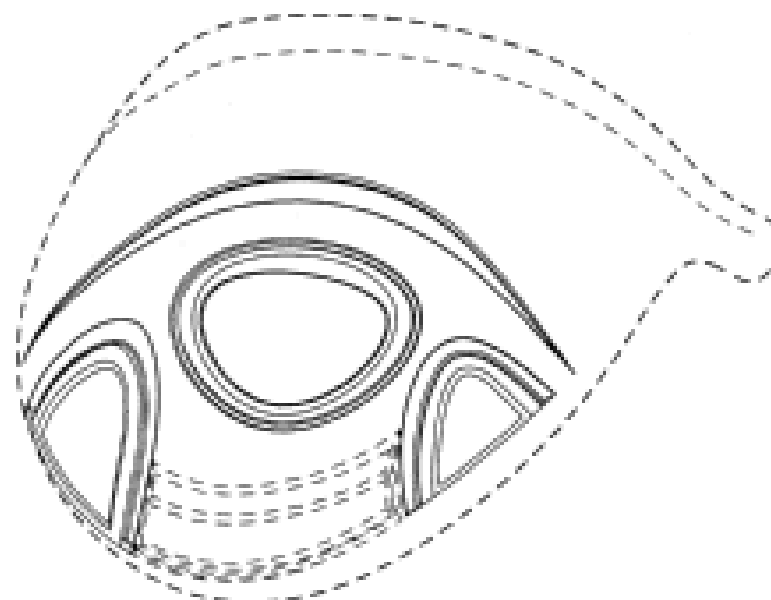
(57) Statement of Newness and Distinctiveness: **Nil**



- (21) Design Number: **10488/2010**  
(22) Date of Filing Application: **12 February 2010**  
(24) Date from which industrial property rights may have effect: **12 February 2010**  
(54) Product in respect of which the design is registered: **Low height display freezer**  
(51) International Design Classification: **15-07**  
(71) Name(s) and Address(s) of Applicant(s):  
**Frigrite Limited**  
**27-43 Grange Road Cheltenham Victoria 3192 Australia**  
(72) Name(s) of Designer(s): **Kenneth Charteris and Jim McVicar**  
(45) Registration Date: **16 March 2010**  
(56) Related Art Documents: **Not Applicable**  
(57) Statement of Newness and Distinctiveness: **Newness and distinctiveness is claimed in the visual features shown in the representations.**



- (21) Design Number: **10489/2010**  
(22) Date of Filing Application: **12 February 2010**  
(24) Date from which industrial property rights may have effect: **12 February 2010**  
(54) Product in respect of which the design is registered: **Golf club head**  
(51) International Design Classification: **21-02C**  
(71) Name(s) and Address(s) of Applicant(s):  
**Karsten Manufacturing Corporation**  
**2201 West Desert Cove Phoenix Arizona 85029 United States of America**  
(72) Name(s) of Designer(s): **Marty R. Jertson and Michael R. Nicolette and Xiaojian Chen**  
(45) Registration Date: **16 March 2010**  
(30) Convention priority data:  
(31) Number (32) Date (33) Country  
**29/342399 24 Aug 2009 UNITED STATES OF AMERICA**  
(56) Related Art Documents: **Not Applicable**  
(57) Statement of Newness and Distinctiveness: **Newness and Distinctiveness is claimed in the visual features shown in solid lines in the representations. In considering the extent of the design rights, the broken lines shown in the representations are for illustrative purposes only and do not form part of the design.**



(21) Design Number: **10490/2010**

(22) Date of Filing Application: **12 February 2010**

(24) Date from which industrial property rights may have effect: **12 February 2010**

(54) Product in respect of which the design is registered: **Golf club head**

(51) International Design Classification: **21-02C**

(71) Name(s) and Address(s) of Applicant(s):

**Karsten Manufacturing Corporation  
2201 West Desert Cove Phoenix Arizona 85029 United States of  
America**

(72) Name(s) of Designer(s): **Marty R. Jertson and Michael R. Nicolette and  
Xiaojian Chen**

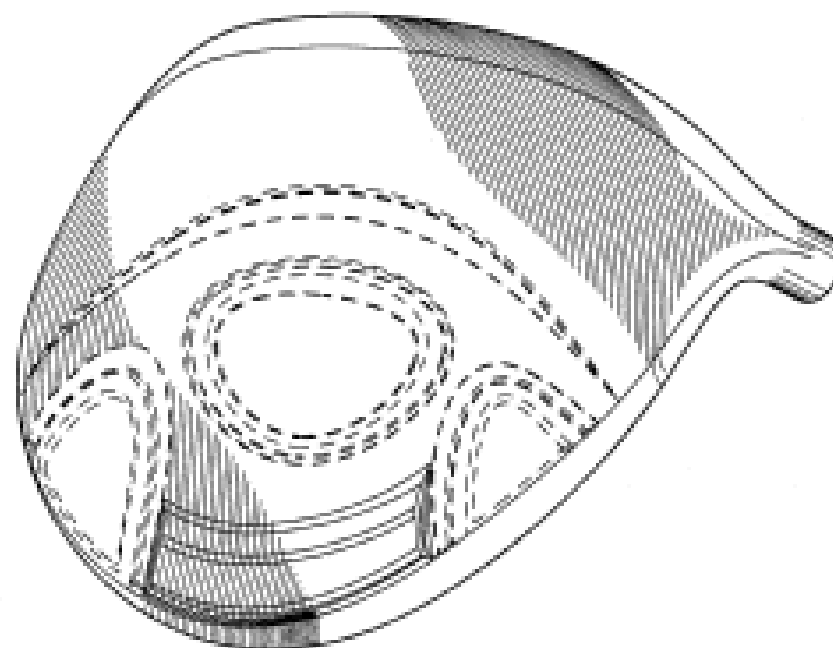
(45) Registration Date: **16 March 2010**

(30) Convention priority data:

(31) Number	(32) Date	(33) Country
<b>29/342402</b>	<b>24 Aug 2009</b>	<b>UNITED STATES OF AMERICA</b>

(56) Related Art Documents: **Not Applicable**

(57) Statement of Newness and Distinctiveness: **Newness and Distinctiveness is claimed in the visual features shown in solid lines in the representations. In considering the extent of the design rights, the broken lines shown in the representations are for illustrative purposes only and do not form part of the design.**



(21) Design Number: **10491/2010**

(22) Date of Filing Application: **12 February 2010**

(24) Date from which industrial property rights may have effect: **12 February 2010**

(54) Product in respect of which the design is registered: **Storage box**

(51) International Design Classification: **09-03NES**

(71) Name(s) and Address(s) of Applicant(s):

**Pi-Design AG  
Kantonsstrasse 100 6234 Triengen Switzerland**

(72) Name(s) of Designer(s): **Jorgen Bodum**

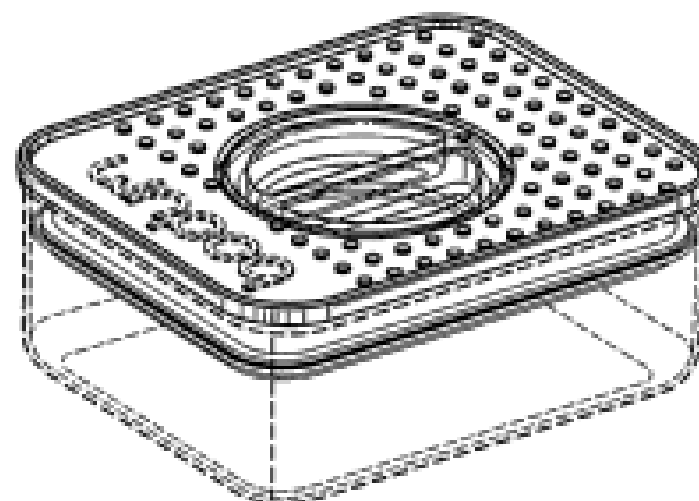
(45) Registration Date: **16 March 2010**

(30) Convention priority data:

(31) Number	(32) Date	(33) Country
<b>DM/072 232</b>	<b>13 Aug 2009</b>	<b>WORLD INTELLECTUAL PROPERTY ORGANIZATION (WIPO)</b>

(56) Related Art Documents: **Not Applicable**

(57) Statement of Newness and Distinctiveness: **The following visual features of the design are new and distinctive: the lid comprises an upper and lower part; the rotatable knob is rotatable relative to the upper part and has a threaded connection to the lower part; rotation of the knob moves the lower part vertically with respect to the upper part; when the lower part moves up towards the upper part, a sealing lip on the lower part is pressed radially outside by the upper part to provide sealing between the box and the lid.**



- (21) Design Number: **10492/2010**  
(22) Date of Filing Application: **12 February 2010**  
(24) Date from which industrial property rights may have effect: **12 February 2010**  
(54) Product in respect of which the design is registered: **Storage box**  
(51) International Design Classification: **09-03NES**  
(71) Name(s) and Address(s) of Applicant(s):

**Pi-Design AG**  
**Kantonsstrasse 100 6234 Triengen Switzerland**

(72) Name(s) of Designer(s): **Jorgen Bodum**

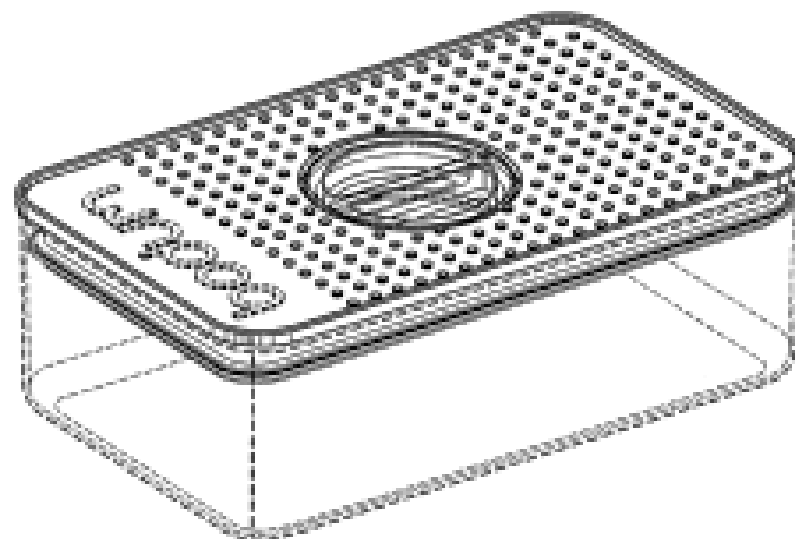
(45) Registration Date: **16 March 2010**

(30) Convention priority data:

(31) Number	(32) Date	(33) Country
<b>DM/072 232</b>	<b>13 Aug 2009</b>	<b>WORLD INTELLECTUAL PROPERTY ORGANIZATION (WIPO)</b>

(56) Related Art Documents: **Not Applicable**

(57) Statement of Newness and Distinctiveness: **The following visual features of the design are new and distinctive: the lid comprises an upper and lower part; the rotatable knob is rotatable relative to the upper part and has a threaded connection to the lower part; rotation of the knob moves the lower part vertically with respect to the upper part; when the lower part moves up towards the upper part, a sealing lip on the lower part is pressed radially outside by the upper part to provide sealing between the box and the lid.**



- (21) Design Number: **10493/2010**  
(22) Date of Filing Application: **12 February 2010**  
(24) Date from which industrial property rights may have effect: **12 February 2010**  
(54) Product in respect of which the design is registered: **Storage box**  
(51) International Design Classification: **09-03NES**  
(71) Name(s) and Address(s) of Applicant(s):

**Pi-Design AG**  
**Kantonsstrasse 100 6234 Triengen Switzerland**

(72) Name(s) of Designer(s): **Jorgen Bodum**

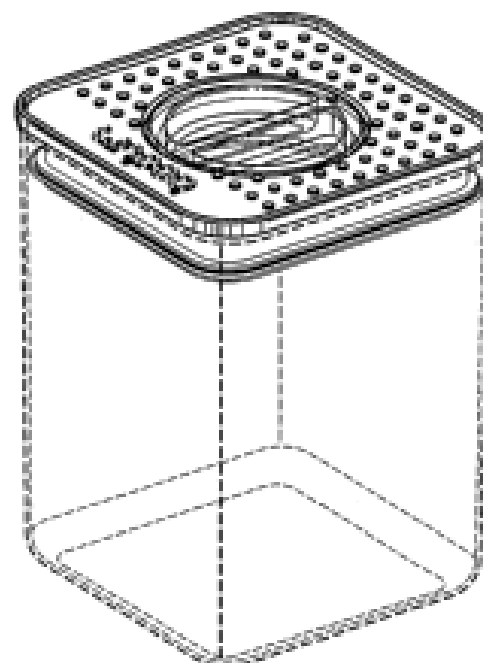
(45) Registration Date: **16 March 2010**

(30) Convention priority data:

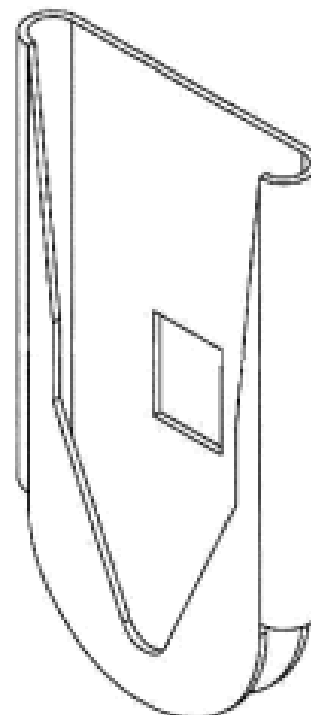
(31) Number	(32) Date	(33) Country
<b>DM/072 232</b>	<b>13 Aug 2009</b>	<b>WORLD INTELLECTUAL PROPERTY ORGANIZATION (WIPO)</b>

(56) Related Art Documents: **Not Applicable**

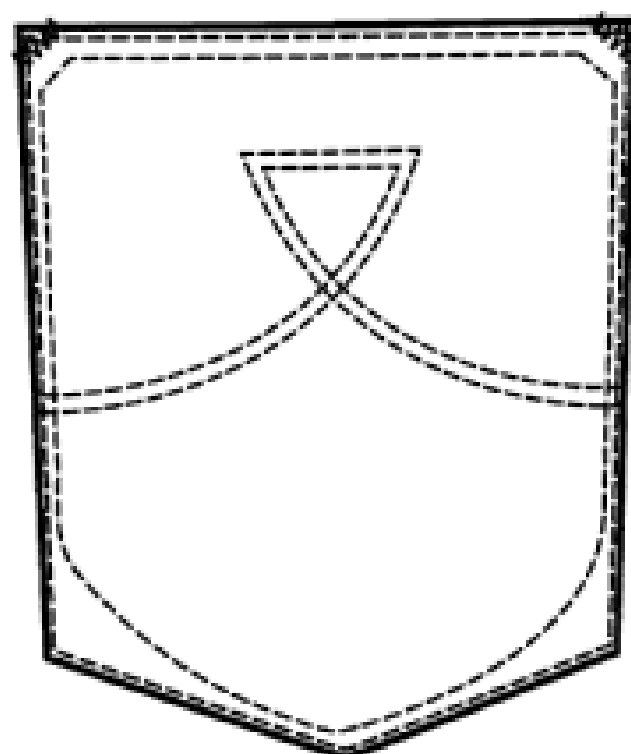
(57) Statement of Newness and Distinctiveness: **The following visual features of the design are new and distinctive: the lid comprises an upper and lower part; the rotatable knob is rotatable relative to the upper part and has a threaded connection to the lower part; rotation of the knob moves the lower part vertically with respect to the upper part; when the lower part moves up towards the upper part, a sealing lip on the lower part is pressed radially outside by the upper part to provide sealing between the box and the lid.**



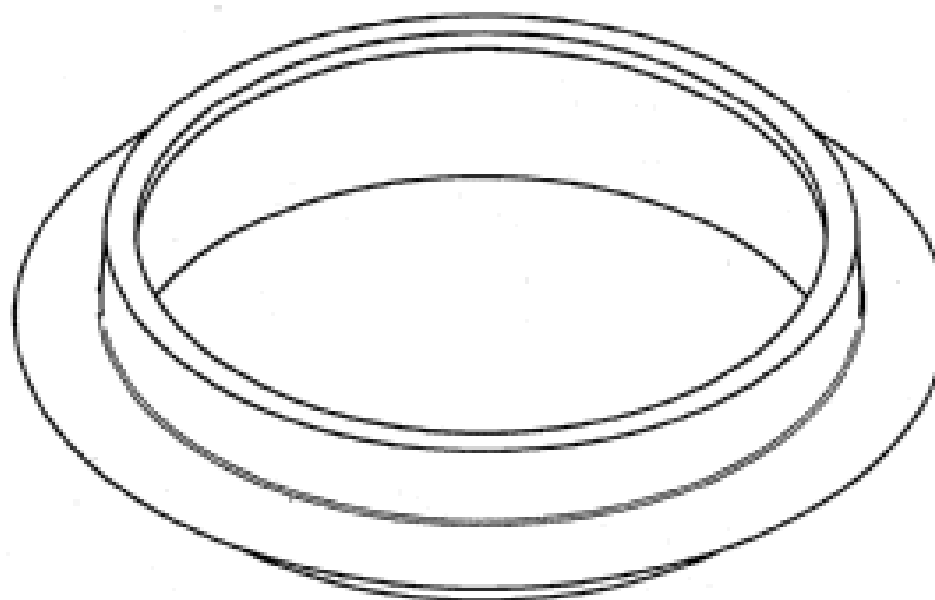
- (21) Design Number: **10494/2010**  
(22) Date of Filing Application: **12 February 2010**  
(24) Date from which industrial property rights may have effect: **12 February 2010**  
(54) Product in respect of which the design is registered: **Tool Holder**  
(51) International Design Classification: **03-01D, 08-05NES**  
(71) Name(s) and Address(s) of Applicant(s):  
**Zoran Tasic**  
**124 McDonalds Road Epping Victoria 3076 Australia**  
(72) Name(s) of Designer(s): **Zoran Tasic**  
(45) Registration Date: **16 March 2010**  
(56) Related Art Documents: **Not Applicable**  
(57) Statement of Newness and Distinctiveness: **Nil**



- (21) Design Number: **10495/2010**  
(22) Date of Filing Application: **12 February 2010**  
(24) Date from which industrial property rights may have effect: **12 February 2010**  
(54) Product in respect of which the design is registered: **Pocket**  
(51) International Design Classification: **02-02B**  
(71) Name(s) and Address(s) of Applicant(s):  
**Ben Sherman Group Ltd**  
**20 Portadown Road Lurgan County Armagh Northern Ireland BT66**  
**8RE United Kingdom**  
(72) Name(s) of Designer(s): **Kelly Dawson**  
(45) Registration Date: **16 March 2010**  
(56) Related Art Documents: **Not Applicable**  
(57) Statement of Newness and Distinctiveness: **Newness and distinctiveness is claimed in the features of pattern and ornamentation of the stitching of a garment pocket as shown in the accompanying representations. The shape of the pocket and the stitching around the edge of the pocket do not constitute part of the design.**



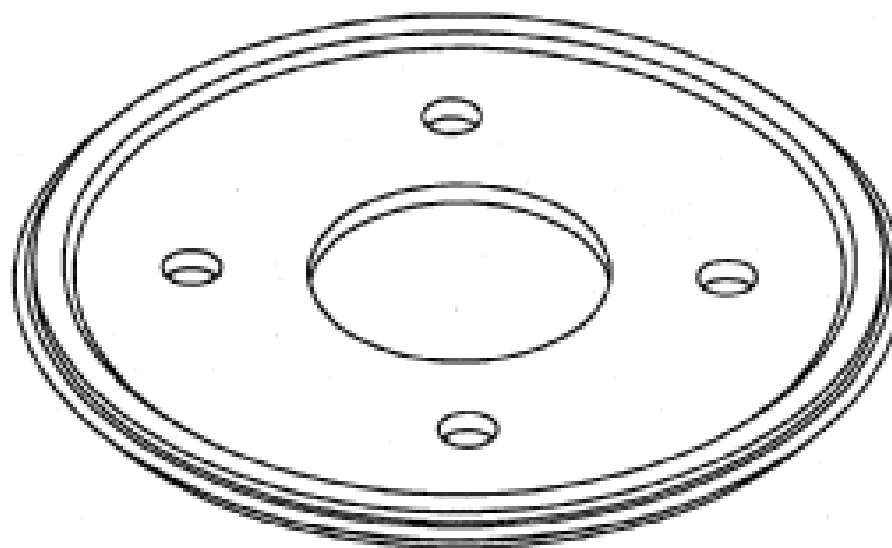
- (21) Design Number: **14947/2009**  
(22) Date of Filing Application: **17 December 2009**  
(24) Date from which industrial property rights may have effect: **17 December 2009**  
(54) Product in respect of which the design is registered: **Insect or soil seal for a hydrant**  
(51) International Design Classification: **29-01**  
(71) Name(s) and Address(s) of Applicant(s):  
**Anthony Richard Humphreys**  
**11 Raftons Road Bangalow New South Wales 2479 Australia**  
**Jeff Kane**  
**23 Rainbow Avenue West Ballina New South Wales 2478 Australia**  
(72) Name(s) of Designer(s): **Peter Castellanos**  
(45) Registration Date: **15 March 2010**  
(56) Related Art Documents: **Not Applicable**  
(57) Statement of Newness and Distinctiveness: **Newness and distinctiveness reside in the features of shape and configuration of a insect or soil seal for a hydrant.**



- (21) Design Number: **14990/2009**  
(22) Date of Filing Application: **21 December 2009**  
(24) Date from which industrial property rights may have effect: **21 December 2009**  
(54) Product in respect of which the design is registered: **Mobile lighting apparatus**  
(51) International Design Classification: **12-13, 26-03**  
(71) Name(s) and Address(s) of Applicant(s):  
**John Jonker**  
**C/- Ahearn Fox Level 4 T & G Building 141 Queen Street Brisbane**  
**Queensland 4000 Australia**  
(72) Name(s) of Designer(s): **John Jonker**  
(45) Registration Date: **15 March 2010**  
(56) Related Art Documents: **Not Applicable**  
(57) Statement of Newness and Distinctiveness: **Newness and distinctiveness resides in the shape and configuration of mobile lighting apparatus having a self propelled base with a turret thereon and an extendable boom as shown in the accompanying representations, wherein: Fig.1 is a pictorial representation of the apparatus from the front showing the boom raised and fully extended; Fig. 2 is a pictorial representation of the apparatus from the front and slightly to one side showing the boom raised and fully extended; Fig. 3 is a pictorial representation of the apparatus from the front showing the turret turned almost to one side and with the boom fully extended and half lowered; Fig. 4 is a pictorial representation of the apparatus from the same position as in Fig. 2, showing the boom fully retracted and almost fully lowered. Fig. 5 is a pictorial representation of the apparatus from one side showing the rear with the boom partly raised and fully retracted; Fig. 6 is a pictorial representation of the apparatus from the rear with the boom fully raised and fully extended; and Fig. 7 is a pictorial representation of the apparatus from the opposite side to Fig. 5 with the boom fully raised and fully extended.**



- (21) Design Number: **15008/2009**  
(22) Date of Filing Application: **23 December 2009**  
(24) Date from which industrial property rights may have effect: **23 December 2009**  
(54) Product in respect of which the design is registered: **Insect or soil seal for a hydrant**  
(51) International Design Classification: **29-01**  
(71) Name(s) and Address(s) of Applicant(s):  
**Anthony Richard Humphreys**  
**11 Raftons Road Bangalow New South Wales 2479 Australia**  
**Jeff Kane**  
**23 Rainbow Avenue West Ballina New South Wales 2478 Australia**  
(72) Name(s) of Designer(s): **Anthony Richard Humphreys and Jeff Kane**  
(45) Registration Date: **15 March 2010**  
(56) Related Art Documents: **Not Applicable**  
(57) Statement of Newness and Distinctiveness: **Newness and distinctiveness reside in the features of shape and configuration of an insect or soil seal for a hydrant. In considering the scope of the monopoly of the design, the number and arrangement of holes around the in the product are to be disregarded.**



- (21) Design Number: **15045/2009**  
(22) Date of Filing Application: **24 December 2009**  
(24) Date from which industrial property rights may have effect: **24 December 2009**  
(54) Product in respect of which the design is registered: **Component for an electric toothbrush arrangement**  
(51) International Design Classification: **04-02**  
(71) Name(s) and Address(s) of Applicant(s):  
**Braun GmbH**  
**Frankfurter Strasse 145 61476 Kronberg im Taunus Germany**  
(72) Name(s) of Designer(s): **Wolfgang Stegmann and Phong Duy Vu**  
(45) Registration Date: **15 March 2010**  
(30) Convention priority data:  
(31) Number      (32) Date      (33) Country  
**001148209      25 Jun 2009      EUROPEAN COMMUNITY**  
(56) Related Art Documents: **Not Applicable**  
(57) Statement of Newness and Distinctiveness: **Newness and distinctiveness is claimed in the shape and/or configuration of a component for an electric toothbrush arrangement as shown in the accompanying representations.**





- (21) Design Number: **15046/2009**  
(22) Date of Filing Application: **24 December 2009**  
(24) Date from which industrial property rights may have effect: **24 December 2009**  
(54) Product in respect of which the design is registered: **Component for an electric toothbrush arrangement**  
(51) International Design Classification: **04-02**  
(71) Name(s) and Address(s) of Applicant(s):  
**Braun GmbH**  
**Frankfurter Strasse 145 61476 Kronberg im Taunus Germany**  
(72) Name(s) of Designer(s): **Phong Duy Vu**  
(45) Registration Date: **15 March 2010**  
(30) Convention priority data:  
(31) Number (32) Date (33) Country  
**001148209 25 Jun 2009 EUROPEAN COMMUNITY**  
(56) Related Art Documents: **Not Applicable**  
(57) Statement of Newness and Distinctiveness: **Newness and distinctiveness is claimed in the shape and/or configuration of a component for an electric toothbrush arrangement as shown in the accompanying representations.**



- (21) Design Number: **15047/2009**  
(22) Date of Filing Application: **24 December 2009**  
(24) Date from which industrial property rights may have effect: **24 December 2009**  
(54) Product in respect of which the design is registered: **Component for an electric toothbrush arrangement**  
(51) International Design Classification: **04-02**  
(71) Name(s) and Address(s) of Applicant(s):  
**Braun GmbH**  
**Frankfurter Strasse 145 61476 Kronberg im Taunus Germany**  
(72) Name(s) of Designer(s): **Rory McGarry and Phong Duy Vu and Wolfgang Stegmann**  
(45) Registration Date: **15 March 2010**  
(30) Convention priority data:  
(31) Number (32) Date (33) Country  
**001148209 25 Jun 2009 EUROPEAN COMMUNITY**  
(56) Related Art Documents: **Not Applicable**  
(57) Statement of Newness and Distinctiveness: **Newness and distinctiveness is claimed in the shape and/or configuration of a component for an electric toothbrush arrangement as shown in the accompanying representations.**



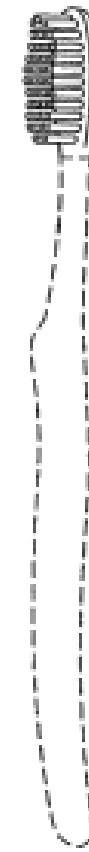
- (21) Design Number: **15049/2009**  
(22) Date of Filing Application: **24 December 2009**  
(24) Date from which industrial property rights may have effect: **24 December 2009**  
(54) Product in respect of which the design is registered: **Toothbrush**  
(51) International Design Classification: **04-02**  
(71) Name(s) and Address(s) of Applicant(s):  
**Braun GmbH**  
**Frankfurter Strasse 145 61476 Kronberg im Taunus Germany**  
(72) Name(s) of Designer(s): **Steffen Hagebarth and Steffi Rahse and Jens Storkel and Tilmann Winkler**  
(45) Registration Date: **15 March 2010**  
(30) Convention priority data:  
(31) Number      (32) Date      (33) Country  
**001152151      02 Jul 2009      EUROPEAN COMMUNITY**  
(56) Related Art Documents: **Not Applicable**  
(57) Statement of Newness and Distinctiveness: **Newness and distinctiveness is claimed in the shape and/or configuration of a toothbrush as shown in the accompanying representations.**



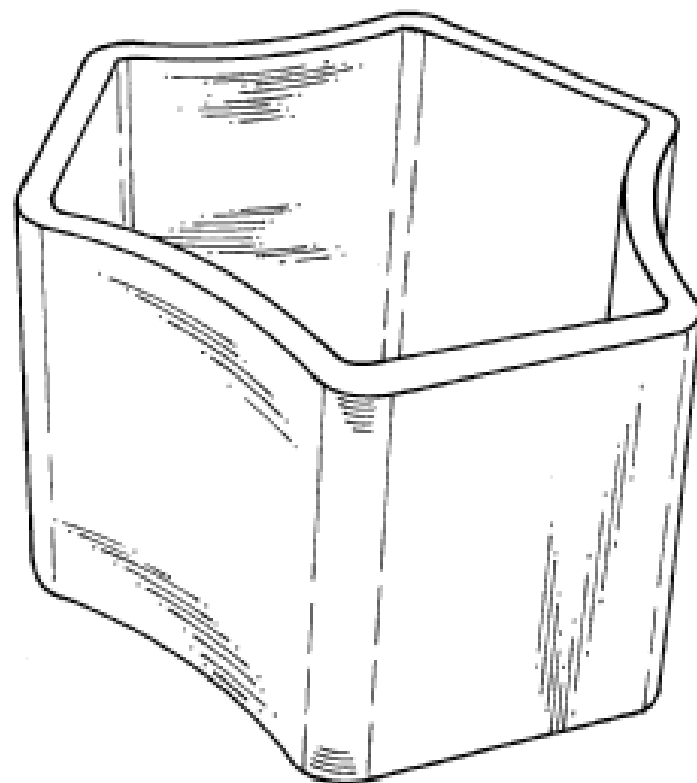
- (21) Design Number: **15050/2009**  
(22) Date of Filing Application: **24 December 2009**  
(24) Date from which industrial property rights may have effect: **24 December 2009**  
(54) Product in respect of which the design is registered: **Toothbrush**  
(51) International Design Classification: **04-02**  
(71) Name(s) and Address(s) of Applicant(s):  
**Braun GmbH**  
**Frankfurter Strasse 145 61476 Kronberg im Taunus Germany**  
(72) Name(s) of Designer(s): **Steffen Hagebarth and Steffi Rahse and Jens Storkel and Tilmann Winkler**  
(45) Registration Date: **15 March 2010**  
(30) Convention priority data:  
(31) Number      (32) Date      (33) Country  
**001152151      02 Jul 2009      EUROPEAN COMMUNITY**  
(56) Related Art Documents: **Not Applicable**  
(57) Statement of Newness and Distinctiveness: **Newness and distinctiveness is claimed in the shape and/or configuration of a toothbrush as shown in the accompanying representations.**



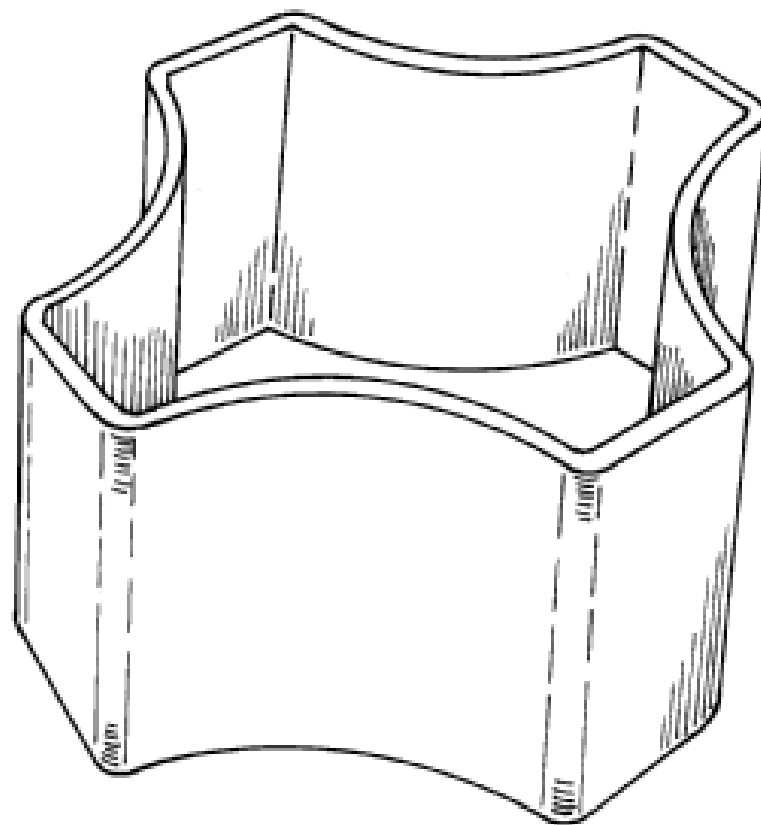
- (21) Design Number: **15051/2009**  
(22) Date of Filing Application: **24 December 2009**  
(24) Date from which industrial property rights may have effect: **24 December 2009**  
(54) Product in respect of which the design is registered: **Toothbrush head**  
(51) International Design Classification: **04-02**  
(71) Name(s) and Address(s) of Applicant(s):  
**Braun GmbH**  
**Frankfurter Strasse 145 61476 Kronberg im Taunus Germany**  
(72) Name(s) of Designer(s): **Steffen Hagebarth and Steffi Rahse and Jens Storkel and Tilmann Winkler**  
(45) Registration Date: **15 March 2010**  
(30) Convention priority data:  
(31) Number (32) Date (33) Country  
**001152151 02 Jul 2009 EUROPEAN COMMUNITY**  
(56) Related Art Documents: **Not Applicable**  
(57) Statement of Newness and Distinctiveness: **Newness and distinctiveness is claimed in the shape and/or configuration of a toothbrush as shown in the accompanying representations. The features shown in broken line are not part of the design and are to be disregarded when considering the overall impression of the design.**



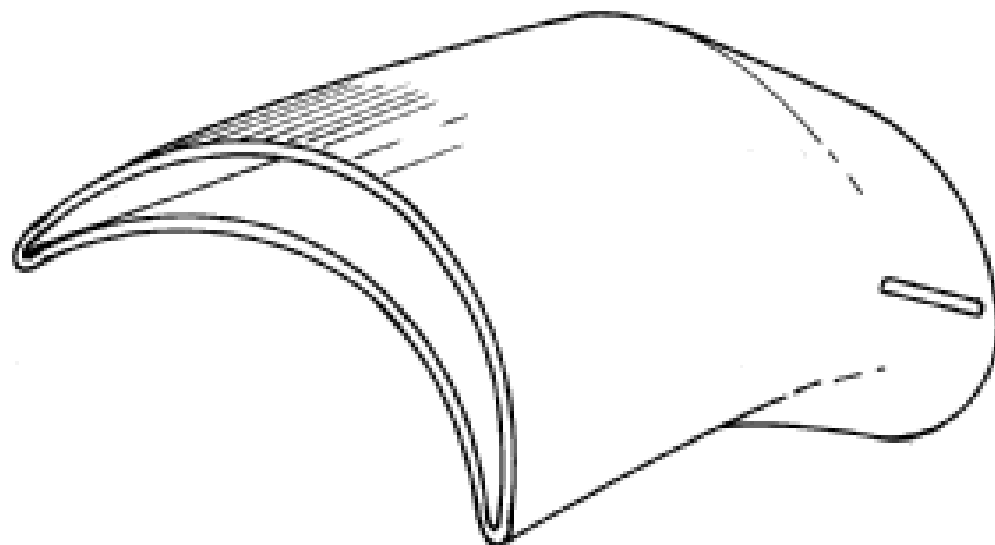
- (21) Design Number: **13269/2009**  
(22) Date of Filing Application: **26 August 2009**  
(24) Date from which industrial property rights may have effect: **26 August 2009**  
(54) Product in respect of which the design is registered: **Conduit spacer**  
(51) International Design Classification: **13-03C**  
(71) Name(s) and Address(s) of Applicant(s):  
**Spacers Pty Ltd**  
**Suite 23 235 Sinnamon Road Jindalee Queensland 4074 Australia**  
(72) Name(s) of Designer(s): **James Anthony McPartland**  
(45) Registration Date: **16 March 2010**  
(56) Related Art Documents: **Not Applicable**  
(57) Statement of Newness and Distinctiveness: **Nil**



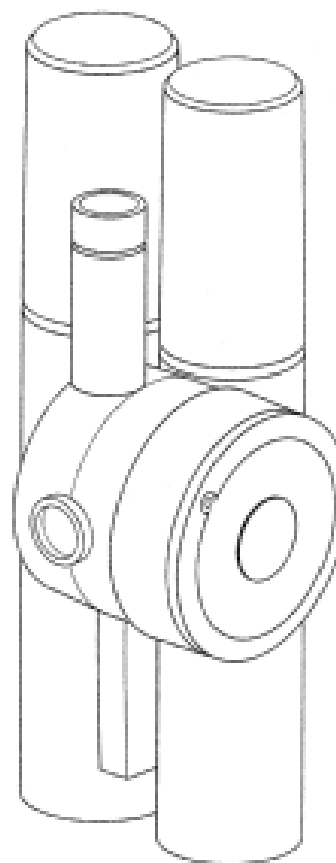
(21) Design Number: **13270/2009**  
(22) Date of Filing Application: **26 August 2009**  
(24) Date from which industrial property rights may have effect: **26 August 2009**  
(54) Product in respect of which the design is registered: **Conduit spacer**  
(51) International Design Classification: **13-03C**  
(71) Name(s) and Address(s) of Applicant(s):  
**Spacers Pty Ltd**  
**Suite 23 235 Sinnamon Road Jindalee Queensland 4074 Australia**  
(72) Name(s) of Designer(s): **James Anthony McPartland**  
(45) Registration Date: **16 March 2010**  
(56) Related Art Documents: **Not Applicable**  
(57) Statement of Newness and Distinctiveness: **Nil**



(21) Design Number: **13271/2009**  
(22) Date of Filing Application: **26 August 2009**  
(24) Date from which industrial property rights may have effect: **26 August 2009**  
(54) Product in respect of which the design is registered: **Conduit spacer**  
(51) International Design Classification: **13-03C**  
(71) Name(s) and Address(s) of Applicant(s):  
**Spacers Pty Ltd**  
**Suite 23 235 Sinnamon Road Jindalee Queensland 4074 Australia**  
(72) Name(s) of Designer(s): **James Anthony McPartland**  
(45) Registration Date: **16 March 2010**  
(56) Related Art Documents: **Not Applicable**  
(57) Statement of Newness and Distinctiveness: **Nil**



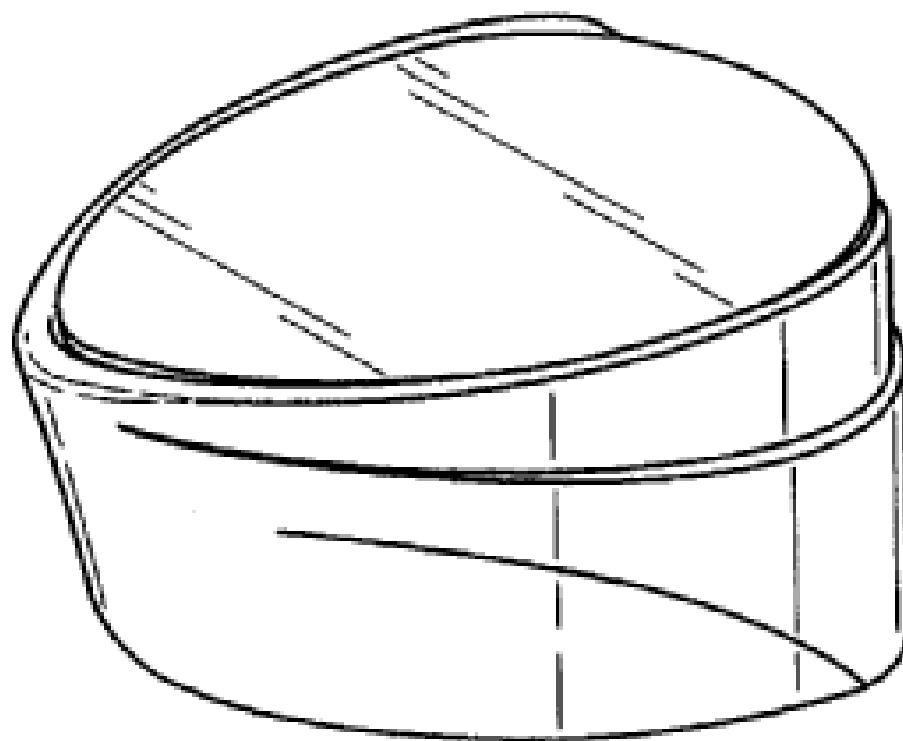
(21) Design Number: **15068/2009**  
(22) Date of Filing Application: **24 December 2009**  
(24) Date from which industrial property rights may have effect: **24 December 2009**  
(54) Product in respect of which the design is registered: **Frothing nozzle for cappuccino**  
(51) International Design Classification: **07-02L**  
(71) Name(s) and Address(s) of Applicant(s):  
**Jura Elektroapparate AG**  
**Kaffeeweltstrasse 10 4626 Niederbuchsiten Switzerland**  
(72) Name(s) of Designer(s): **Lutz Gebhardt and Frank Bossard**  
(45) Registration Date: **16 March 2010**  
(30) Convention priority data:  
(31) Number (32) Date (33) Country  
**DM/072 035 08 Jul 2009 SWITZERLAND**  
(56) Related Art Documents: **Not Applicable**  
(57) Statement of Newness and Distinctiveness: **Newness and distinctiveness is claimed in the visual features shown in the representations.**



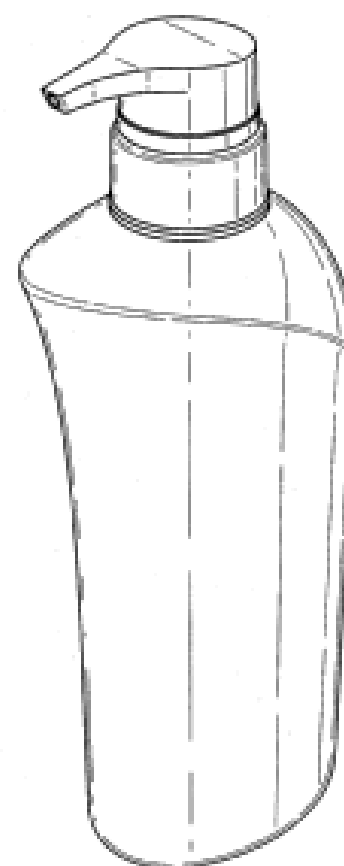
(21) Design Number: **10311/2010**  
(22) Date of Filing Application: **01 February 2010**  
(24) Date from which industrial property rights may have effect: **01 February 2010**  
(54) Product in respect of which the design is registered: **Container**  
(51) International Design Classification: **09-01K**  
(71) Name(s) and Address(s) of Applicant(s):  
**Unilever PLC**  
**Unilever House 100 Victoria Embankment London EC4Y 0DY United Kingdom**  
(72) Name(s) of Designer(s): **Benjamin Phalan Oates and Andrew Peter Sharpe and Neil John Smith**  
(45) Registration Date: **16 March 2010**  
(30) Convention priority data:  
(31) Number (32) Date (33) Country  
**4012160 12 Aug 2009 UNITED KINGDOM**  
(56) Related Art Documents: **Not Applicable**  
(57) Statement of Newness and Distinctiveness: **Newness and distinctiveness is claimed in the visual features shown in solid lines in the representations.**



(21) Design Number: **10312/2010**  
(22) Date of Filing Application: **01 February 2010**  
(24) Date from which industrial property rights may have effect: **01 February 2010**  
(54) Product in respect of which the design is registered: **Cap**  
(51) International Design Classification: **09-07C**  
(71) Name(s) and Address(s) of Applicant(s):  
**Unilever PLC**  
**Unilever House 100 Victoria Embankment London EC4Y 0DY United Kingdom**  
(72) Name(s) of Designer(s): **Benjamin Phalan Oates and Andrew Peter Sharpe and Neil John Smith**  
(45) Registration Date: **16 March 2010**  
(30) Convention priority data:  
(31) Number (32) Date (33) Country  
**4012164 12 Aug 2009 UNITED KINGDOM**  
(56) Related Art Documents: **Not Applicable**  
(57) Statement of Newness and Distinctiveness: **Newness and distinctiveness is claimed in the visual features shown in solid lines in the representations.**



(21) Design Number: **10313/2010**  
(22) Date of Filing Application: **01 February 2010**  
(24) Date from which industrial property rights may have effect: **01 February 2010**  
(54) Product in respect of which the design is registered: **Container with pump**  
(51) International Design Classification: **09-01A**  
(71) Name(s) and Address(s) of Applicant(s):  
**Unilever PLC**  
**Unilever House 100 Victoria Embankment London EC4Y 0DY United Kingdom**  
(72) Name(s) of Designer(s): **Benjamin Phalan Oates and Andrew Peter Sharpe and Neil John Smith**  
(45) Registration Date: **16 March 2010**  
(30) Convention priority data:  
(31) Number (32) Date (33) Country  
**4012162 12 Aug 2009 UNITED KINGDOM**  
(56) Related Art Documents: **Not Applicable**  
(57) Statement of Newness and Distinctiveness: **Newness and distinctiveness is claimed in the visual features shown in solid lines in the representations.**



(21) Design Number: **10412/2010**

(22) Date of Filing Application: **09 February 2010**

(24) Date from which industrial property rights may have effect: **09 February 2010**

(54) Product in respect of which the design is registered: **Coupling protector for a caravan and trailer**

(51) International Design Classification: **12-16L**

(71) Name(s) and Address(s) of Applicant(s):

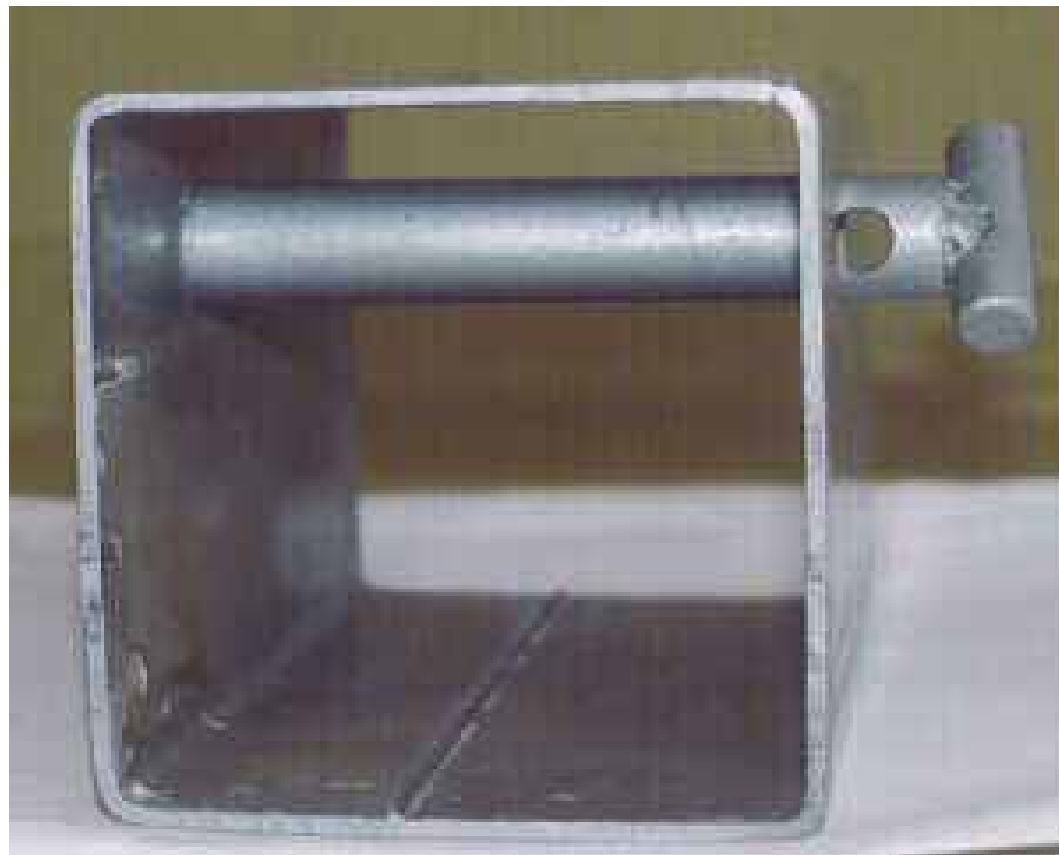
**William Douglas Fraser**  
**30 Maitland Road Burpengary Queensland 4505 Australia**

(72) Name(s) of Designer(s): **William Douglas Fraser**

(45) Registration Date: **16 March 2010**

(56) Related Art Documents: **Not Applicable**

(57) Statement of Newness and Distinctiveness: **The pad lock is enclosed in the unit.**



(21) Design Number: **10223/2010**

(22) Date of Filing Application: **25 January 2010**

(24) Date from which industrial property rights may have effect: **25 January 2010**

(54) Product in respect of which the design is registered: **Long range rifle targets (acoustical, electronic)**

(51) International Design Classification: **22-04**

(71) Name(s) and Address(s) of Applicant(s):

**Peter Randle Harris**  
**24 Cleland Street Latham Canberra ACT 2615 Australia**

(72) Name(s) of Designer(s): **Peter Randle Harris**

(45) Registration Date: **18 March 2010**

(56) Related Art Documents: **Not Applicable**

(57) Statement of Newness and Distinctiveness: **Lightweight box section design frame with embedded microphones in the corners. The box section constructed of 9mm plywood ensures structural integrity against multiple bullet strikes to the frame.**



- (21) Design Number: **10275/2010**  
(22) Date of Filing Application: **28 January 2010**  
(24) Date from which industrial property rights may have effect: **28 January 2010**  
(54) Product in respect of which the design is registered: **Automobile**  
(51) International Design Classification: **12-08**  
(71) Name(s) and Address(s) of Applicant(s):  
**Great Wall Motor Company Limited**  
**No. 2266 Chaoyang South Street Baoding Hebei Province 071000**  
**People's Republic of China**  
(72) Name(s) of Designer(s): **Yong Huang and Guowang Kang and Lianshun Wang and Hongshi Wang and Shujie Shi**  
(45) Registration Date: **18 March 2010**  
(30) Convention priority data:  
(31) Number (32) Date (33) Country  
**200930235359.7 28 Oct 2009 CHINA**  
(56) Related Art Documents: **Not Applicable**  
(57) Statement of Newness and Distinctiveness: **Newness and distinctiveness is claimed in the shape and configuration of the automobile shown in the representations. The colour of the automobile shown in the representations is to be disregarded in considering newness and distinctiveness.**

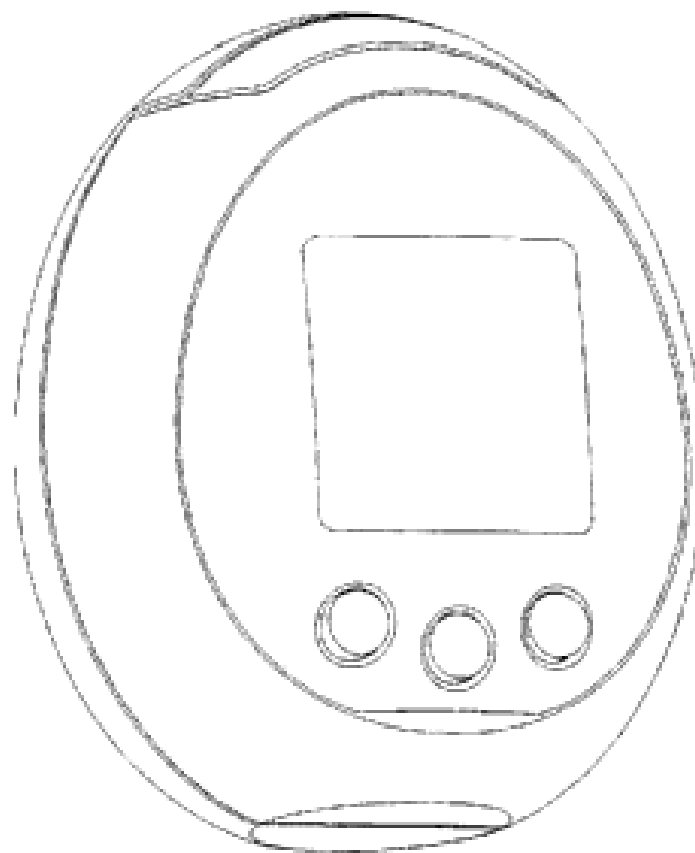


- (21) Design Number: **10531/2010**  
(22) Date of Filing Application: **17 February 2010**  
(24) Date from which industrial property rights may have effect: **17 February 2010**  
(54) Product in respect of which the design is registered: **Book**  
(51) International Design Classification: **19-04**  
(71) Name(s) and Address(s) of Applicant(s):  
**Hinkler Books Pty Ltd**  
**44-55 Fairchild Street Heatherton Victoria 3202 Australia**  
(72) Name(s) of Designer(s): **Stephen David Ungar**  
(45) Registration Date: **18 March 2010**  
(56) Related Art Documents: **Not Applicable**  
(57) Statement of Newness and Distinctiveness: **Ornamentation applied to the bulging eye balls is excluded from the design.**

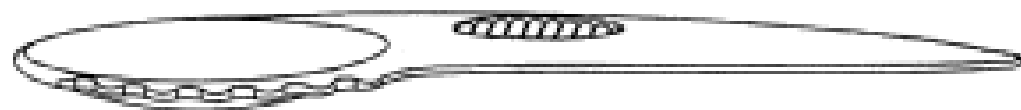




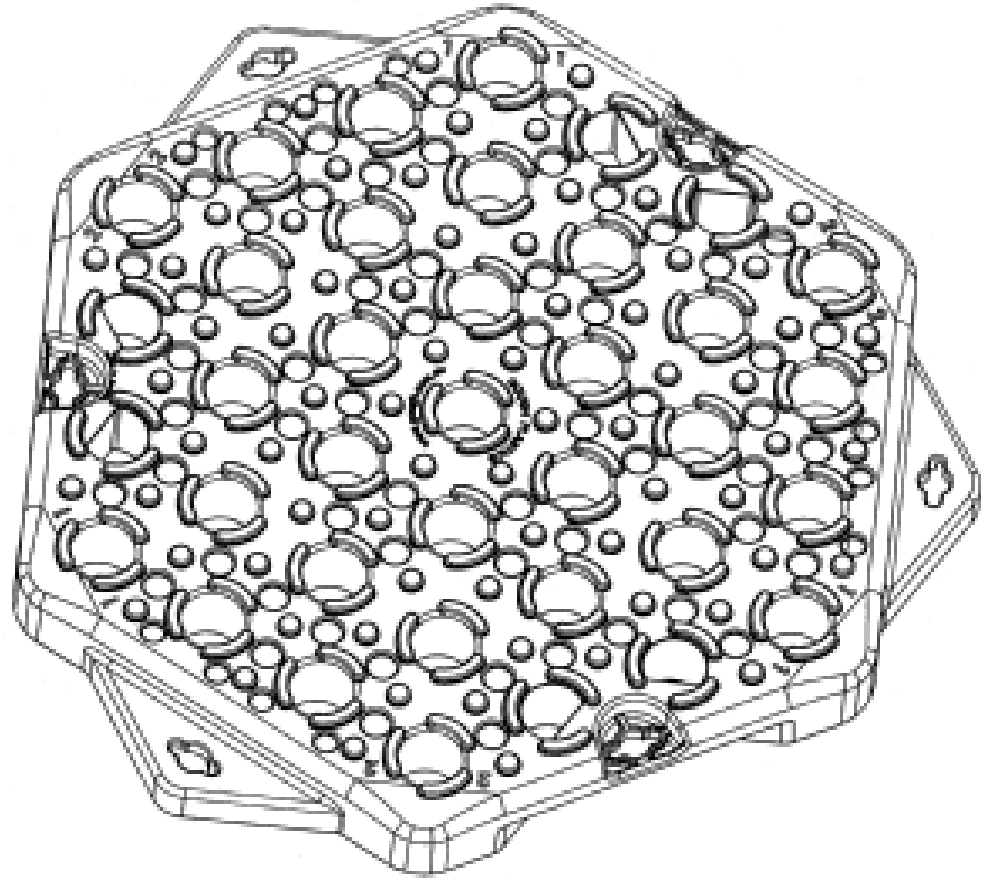
(21) Design Number: **10532/2010**  
(22) Date of Filing Application: **17 February 2010**  
(24) Date from which industrial property rights may have effect: **17 February 2010**  
(54) Product in respect of which the design is registered: **Game device**  
(51) International Design Classification: **21-01NES**  
(71) Name(s) and Address(s) of Applicant(s):  
**Kabushiki Kaisha Bandai**  
**4-8 Komagata 1-chome Taito-ku Tokyo Japan**  
**WiZ Co Ltd**  
**42-3 Nihonbashi Hamacho 3-chome Chuo-ku Tokyo Japan**  
(72) Name(s) of Designer(s): **Makoto Araki and Ryo Matsumoto and Takayuki Takeda**  
(45) Registration Date: **18 March 2010**  
(30) Convention priority data:  
(31) Number      (32) Date      (33) Country  
**2009-022727      30 Sep 2009      JAPAN**  
(56) Related Art Documents: **Not Applicable**  
(57) Statement of Newness and Distinctiveness: **Nil**



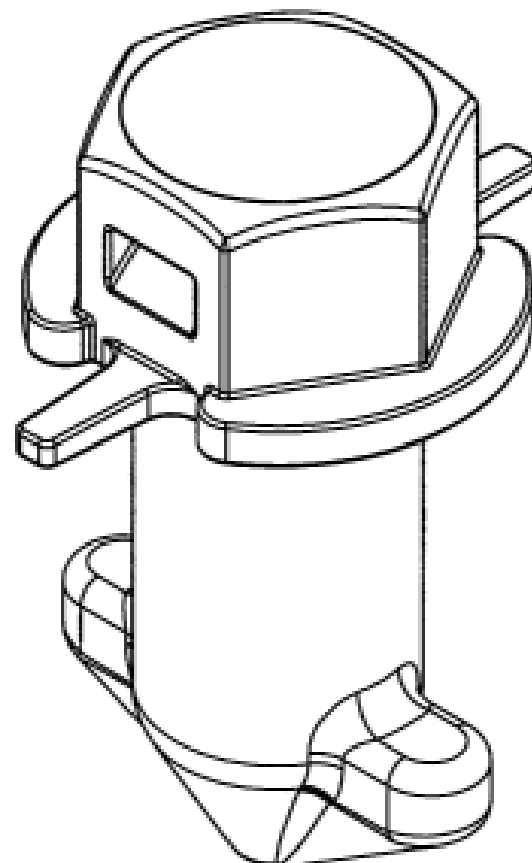
(21) Design Number: **10533/2010**  
(22) Date of Filing Application: **17 February 2010**  
(24) Date from which industrial property rights may have effect: **17 February 2010**  
(54) Product in respect of which the design is registered: **Eating utensil**  
(51) International Design Classification: **07-03**  
(71) Name(s) and Address(s) of Applicant(s):  
**Zespri Group Limited**  
**400 Maunganui Road Mount Maunganui South New Zealand**  
(72) Name(s) of Designer(s): **Helen Peat and Christina Koeleman**  
(45) Registration Date: **18 March 2010**  
(30) Convention priority data:  
(31) Number      (32) Date      (33) Country  
**413282      04 Feb 2010      NEW ZEALAND**  
(56) Related Art Documents: **Not Applicable**  
(57) Statement of Newness and Distinctiveness: **The newness and distinctiveness of the design resides in the features of shape and configuration of (a) the serrations on both the handle and the elliptical-shaped mouthpiece, and (b) the thickness and curvature of the handle.**



- (21) Design Number: **10552/2010**  
(22) Date of Filing Application: **18 February 2010**  
(24) Date from which industrial property rights may have effect: **18 February 2010**  
(54) Product in respect of which the design is registered: **The product is a plastic walking track panel that is designed to be connected to one another to form a modular**  
(51) International Design Classification: **06-11, 25-01NES**  
(71) Name(s) and Address(s) of Applicant(s):  
**Gough Industries Pty Ltd**  
**833 Ingham Road Townsville Queensland 4810 Australia**  
(72) Name(s) of Designer(s): **Andrew Gough and David Hollier and Mike Dockery**  
(45) Registration Date: **18 March 2010**  
(56) Related Art Documents: **Not Applicable**  
(57) Statement of Newness and Distinctiveness: **The female shaped recesses and male shaped tags are new and distinctive. The tread pattern bordering the edge around the circumference of each of the main holes is new and distinctive. The underside rim feature around the bolt holes is new and distinctive.**



- (21) Design Number: **10558/2010**  
(22) Date of Filing Application: **18 February 2010**  
(24) Date from which industrial property rights may have effect: **18 February 2010**  
(54) Product in respect of which the design is registered: **The product is a locking pin designed to connect and lock the trailpad panels together**  
(51) International Design Classification: **08-07, 08-08A**  
(71) Name(s) and Address(s) of Applicant(s):  
**Gough Industries Pty Ltd**  
**833 Ingham Road Townsville Queensland 4810 Australia**  
(72) Name(s) of Designer(s): **Andrew Gough and David Hollier and Mike Dockery**  
(45) Registration Date: **18 March 2010**  
(56) Related Art Documents: **Not Applicable**  
(57) Statement of Newness and Distinctiveness: **Newness and distinctiveness resides in the features of shape and configuration as shown in the accompanying representations.**



(21) Design Number: **10553/2010**

(22) Date of Filing Application: **18 February 2010**

(24) Date from which industrial property rights may have effect: **18 February 2010**

(54) Product in respect of which the design is registered: **A collapsible container**

(51) International Design Classification: **09-01B**

(71) Name(s) and Address(s) of Applicant(s):

**Hove A/S**

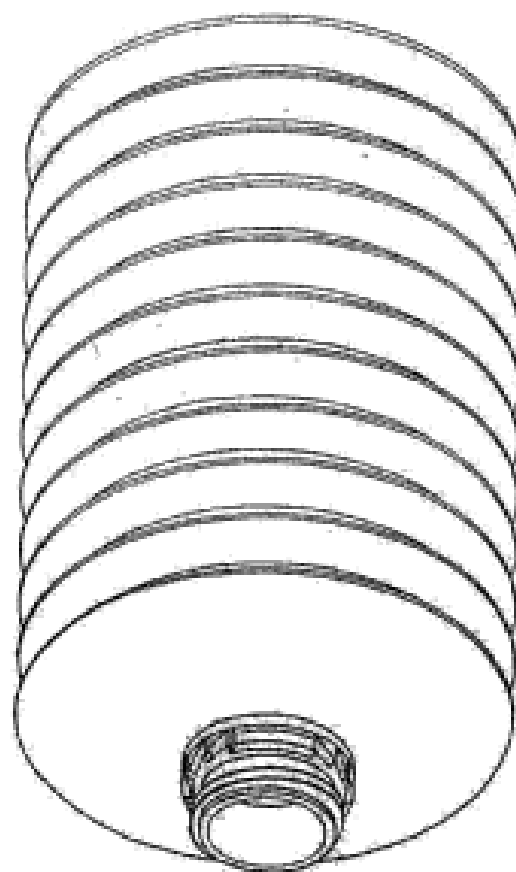
**Hvidsvaermelvej 152 DK-2610 Rodovre Denmark**

(72) Name(s) of Designer(s): **Thomas Hove**

(45) Registration Date: **18 March 2010**

(56) Related Art Documents: **Not Applicable**

(57) Statement of Newness and Distinctiveness: **Nil**



(21) Design Number: **10554/2010**

(22) Date of Filing Application: **18 February 2010**

(24) Date from which industrial property rights may have effect: **18 February 2010**

(54) Product in respect of which the design is registered: **Bread maker**

(51) International Design Classification: **07-02G**

(71) Name(s) and Address(s) of Applicant(s):

**Breville Pty Limited**

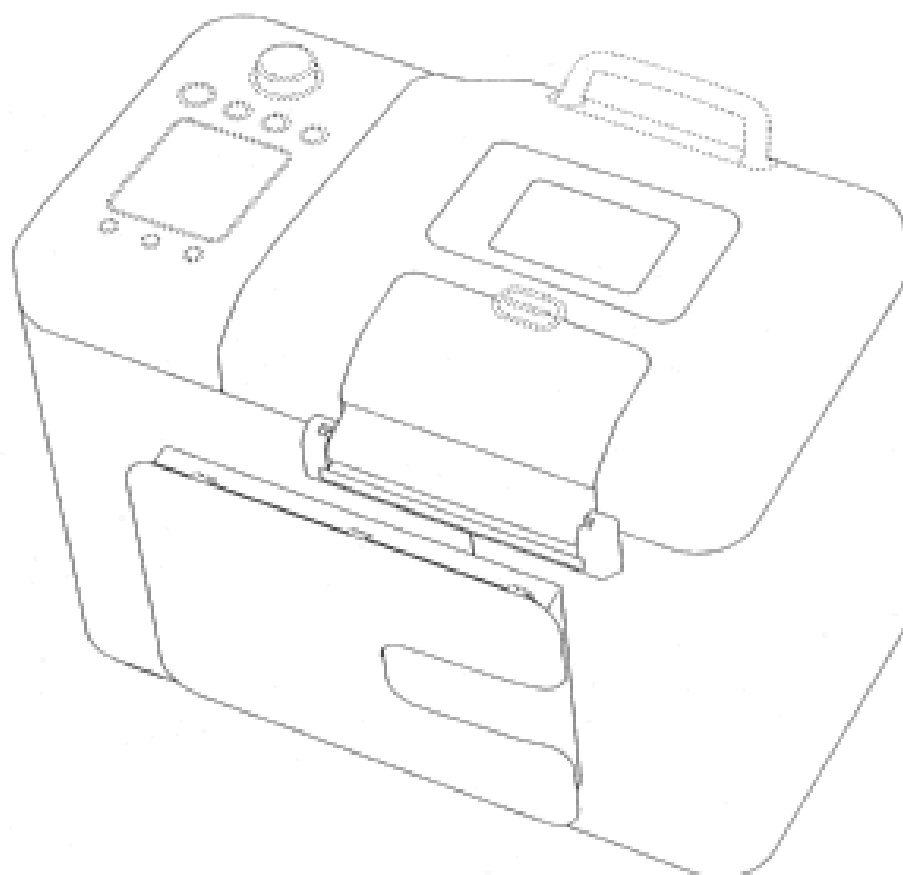
**Building 2 Port Air Industrial Estate 1A Hale Street Botany New South Wales 2019 Australia**

(72) Name(s) of Designer(s): **Garth Ryan and Richard Hoare and Richard Harrod**

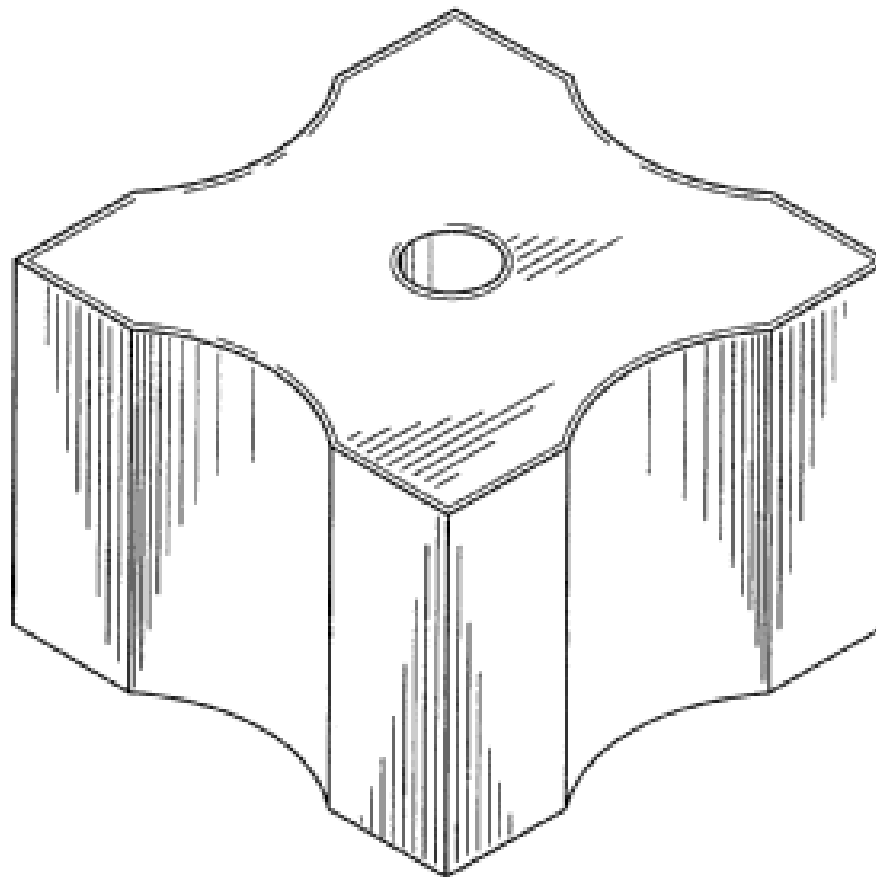
(45) Registration Date: **18 March 2010**

(56) Related Art Documents: **Not Applicable**

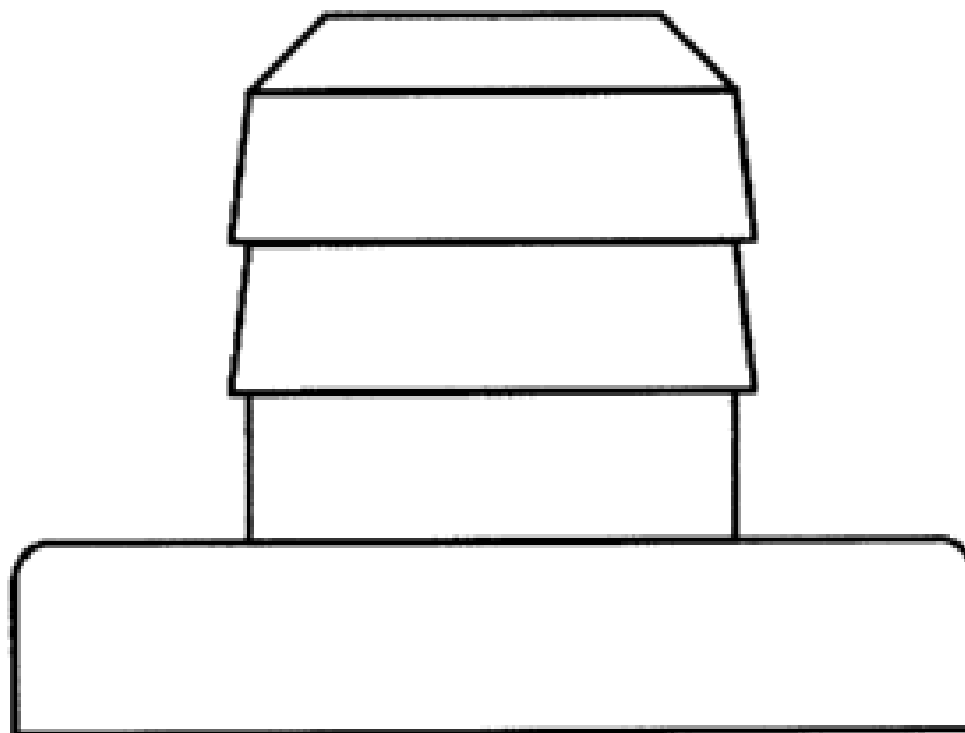
(57) Statement of Newness and Distinctiveness: **Newness is claimed in the features of shape and configuration of the bread maker as shown in the accompanying representations. Elements shown in dashed lines form no part of the design.**



(21) Design Number: **10555/2010**  
(22) Date of Filing Application: **18 February 2010**  
(24) Date from which industrial property rights may have effect: **18 February 2010**  
(54) Product in respect of which the design is registered: **Rodent bait block**  
(51) International Design Classification: **22-06**  
(71) Name(s) and Address(s) of Applicant(s):  
**Reckitt & Colman (Overseas) Limited**  
**103-105 Bath Road Slough Berkshire SL1 3UH United Kingdom**  
(72) Name(s) of Designer(s): **Guido Brandt and Jerry Chiang and Daniel Serra**  
(45) Registration Date: **18 March 2010**  
(30) Convention priority data:  
(31) Number (32) Date (33) Country  
**001160154-0001 20 Aug 2009 EUROPEAN COMMUNITY**  
(56) Related Art Documents: **Not Applicable**  
(57) Statement of Newness and Distinctiveness: **Newness and distinctiveness reside in the shape and configuration of the design as shown in the representations.**



(21) Design Number: **10556/2010**  
(22) Date of Filing Application: **16 February 2010**  
(24) Date from which industrial property rights may have effect: **16 February 2010**  
(54) Product in respect of which the design is registered: **RFID tag mounting**  
(51) International Design Classification: **08-08NES**  
(71) Name(s) and Address(s) of Applicant(s):  
**RFID Asset Management Services Pty Ltd**  
**9/30 Perry Street Matraville New South Wales 2036 Australia**  
(72) Name(s) of Designer(s): **Peter Mole and Ceasar Alzate and Trevor Mackle and Berge Armenian**  
(45) Registration Date: **18 March 2010**  
(56) Related Art Documents: **Not Applicable**  
(57) Statement of Newness and Distinctiveness: **Nil**



- (21) Design Number: **10540/2010**
- (22) Date of Filing Application: **18 February 2010**
- (24) Date from which industrial property rights may have effect: **18 February 2010**
- (54) Product in respect of which the design is registered: **Bowling ball**
- (51) International Design Classification: **21-02A**
- (71) Name(s) and Address(s) of Applicant(s):

**Walter Jacobs**  
**Unit 12 Platinum Business Park 36 Ralph Street Alexandria New**  
**South Wales 2015 Australia**

(72) Name(s) of Designer(s): **Walter Jacobs**

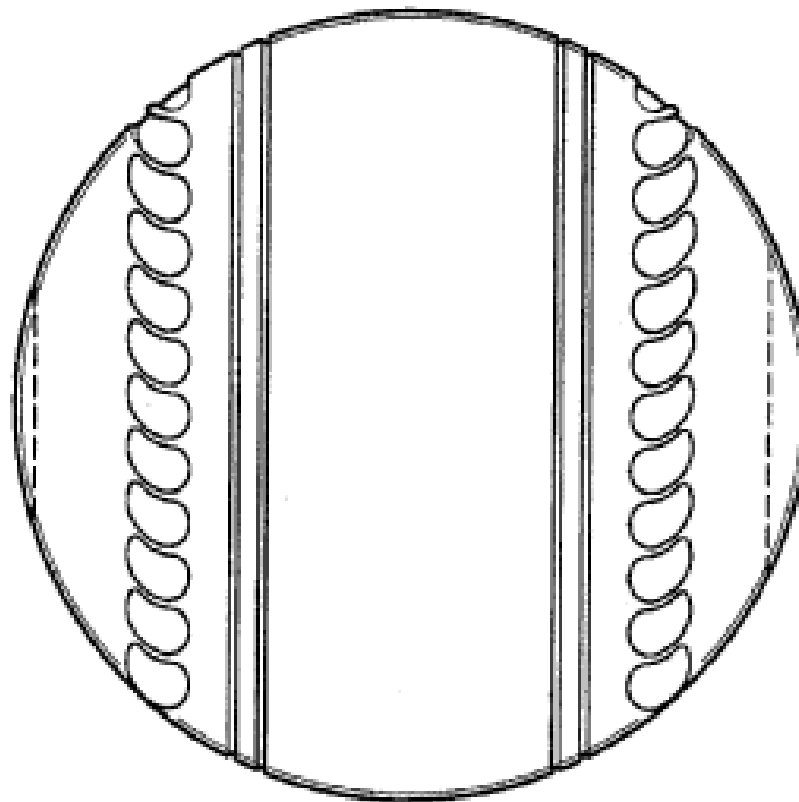
(45) Registration Date: **17 March 2010**

(30) Convention priority data:

(31) Number	(32) Date	(33) Country
<b>A2009/02001</b>	<b>23 Dec 2009</b>	<b>SOUTH AFRICA</b>

(56) Related Art Documents: **Not Applicable**

(57) Statement of Newness and Distinctiveness: **The newness and distinctiveness resides in the features of the shape and/or configuration and/or pattern and/or ornamentation of a bowling ball as shown in the accompanying representations; the patterns represented by the broken lines do not form an essential part of the design.**



- (21) Design Number: **10541/2010**
- (22) Date of Filing Application: **18 February 2010**
- (24) Date from which industrial property rights may have effect: **18 February 2010**
- (54) Product in respect of which the design is registered: **Bowling ball**
- (51) International Design Classification: **21-02A**
- (71) Name(s) and Address(s) of Applicant(s):

**Walter Jacobs**  
**Unit 12 Platinum Business Park 36 Ralph Street Alexandria New**  
**South Wales 2015 Australia**

(72) Name(s) of Designer(s): **Walter Jacobs**

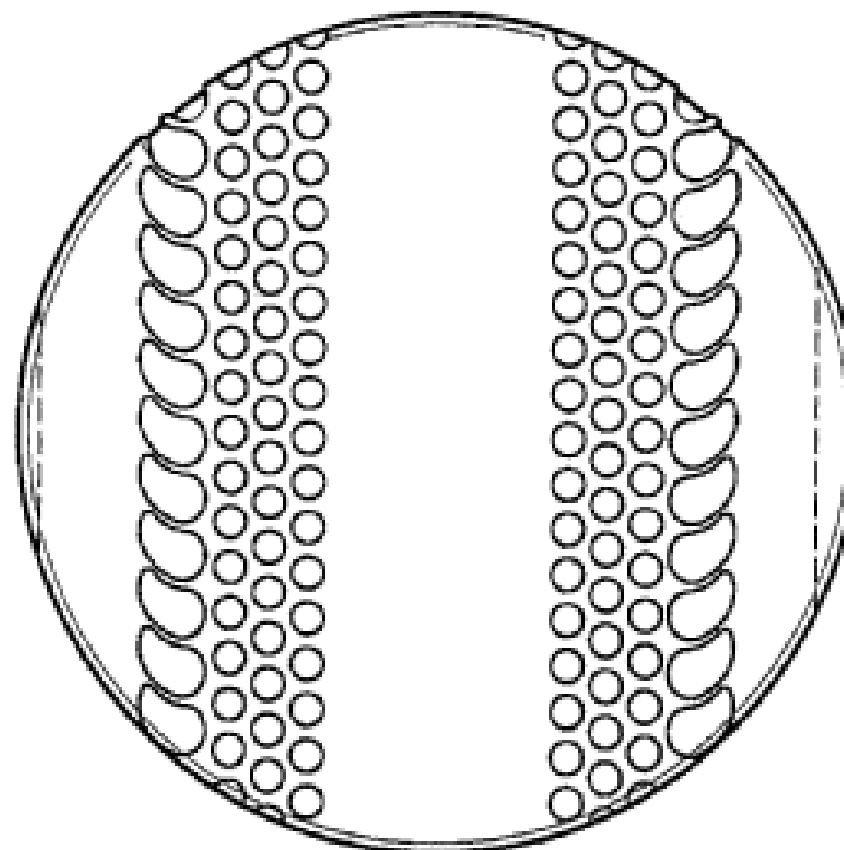
(45) Registration Date: **17 March 2010**

(30) Convention priority data:

(31) Number	(32) Date	(33) Country
<b>A2009/01999</b>	<b>23 Dec 2009</b>	<b>SOUTH AFRICA</b>

(56) Related Art Documents: **Not Applicable**

(57) Statement of Newness and Distinctiveness: **The newness and distinctiveness resides in the features of the shape and/or configuration and/or pattern and/or ornamentation of a bowling ball as shown in the accompanying representations; the patterns represented by the broken lines do not form an essential part of the design.**



(21) Design Number: **10542/2010**  
 (22) Date of Filing Application: **18 February 2010**  
 (24) Date from which industrial property rights may have effect: **18 February 2010**  
 (54) Product in respect of which the design is registered: **Bowling ball**  
 (51) International Design Classification: **21-02A**  
 (71) Name(s) and Address(s) of Applicant(s):

**Walter Jacobs**  
**Unit 12 Platinum Business Park 36 Ralph Street Alexandria New South Wales 2015 Australia**

(72) Name(s) of Designer(s): **Walter Jacobs**

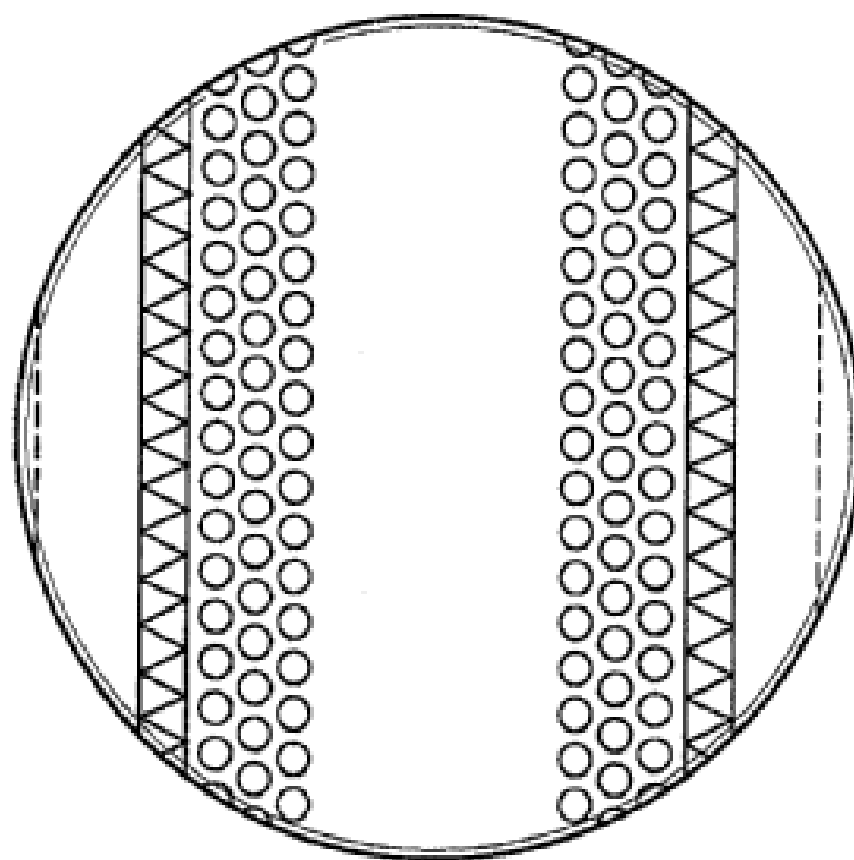
(45) Registration Date: **17 March 2010**

(30) Convention priority data:

(31) Number	(32) Date	(33) Country
<b>A2009/01991</b>	<b>23 Dec 2009</b>	<b>SOUTH AFRICA</b>

(56) Related Art Documents: **Not Applicable**

(57) Statement of Newness and Distinctiveness: **The newness and distinctiveness resides in the features of the shape and/or configuration and/or pattern and/or ornamentation of a bowling ball as shown in the accompanying representations; the patterns represented by the broken lines do not form an essential part of the design.**



(21) Design Number: **10544/2010**  
 (22) Date of Filing Application: **18 February 2010**  
 (24) Date from which industrial property rights may have effect: **18 February 2010**  
 (54) Product in respect of which the design is registered: **Putter head**  
 (51) International Design Classification: **21-02C**  
 (71) Name(s) and Address(s) of Applicant(s):

**Callaway Golf Company**  
**2180 Rutherford Road Carlsbad California 92008-7328 United States of America**

(72) Name(s) of Designer(s): **Augustin W. Rollinson**

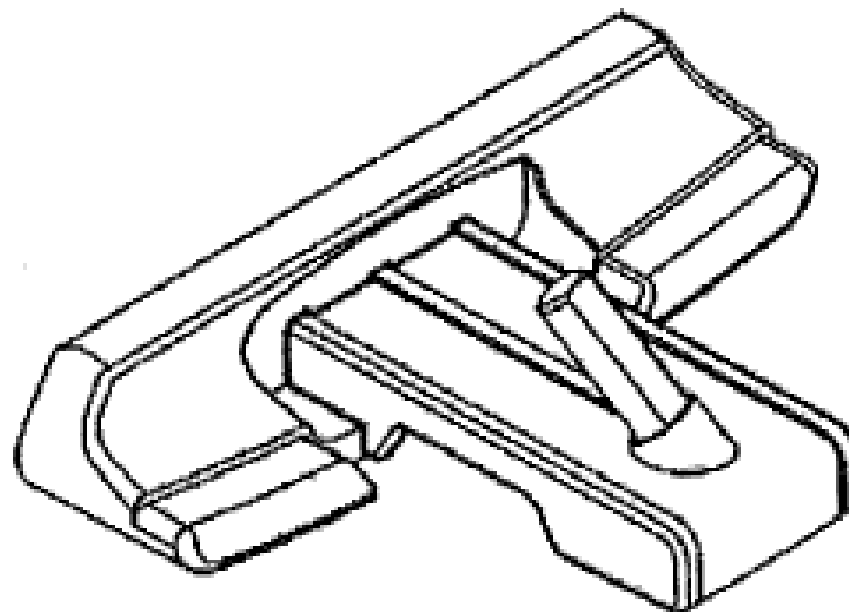
(45) Registration Date: **17 March 2010**

(30) Convention priority data:

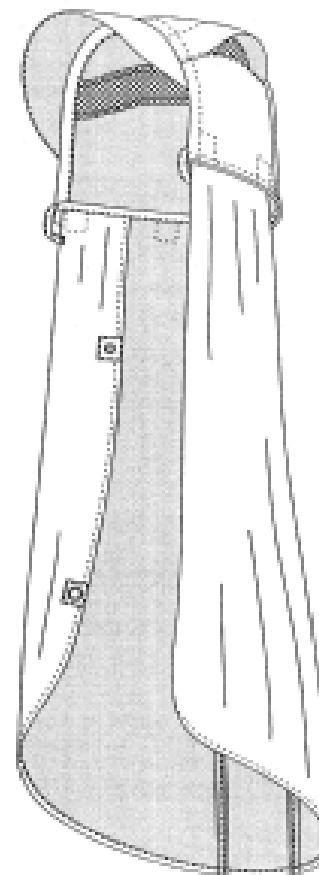
(31) Number	(32) Date	(33) Country
<b>29/342265</b>	<b>20 Aug 2009</b>	<b>UNITED STATES OF AMERICA</b>

(56) Related Art Documents: **Not Applicable**

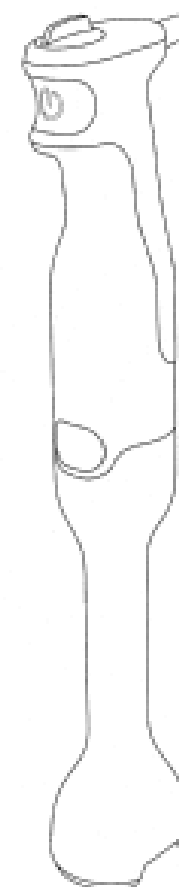
(57) Statement of Newness and Distinctiveness: **Newness and distinctiveness is claimed in the features of shape and/or configuration of a putter head as illustrated in the accompanying representations.**



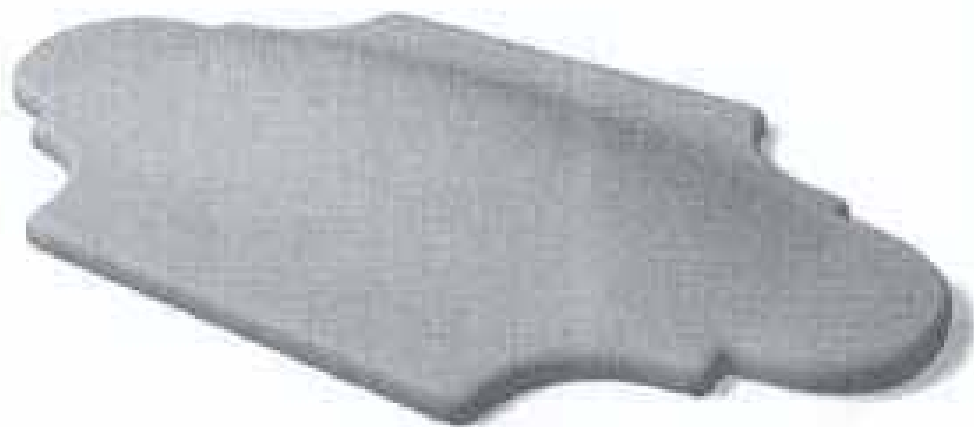
- (21) Design Number: **10545/2010**  
(22) Date of Filing Application: **18 February 2010**  
(24) Date from which industrial property rights may have effect: **18 February 2010**  
(54) Product in respect of which the design is registered: **Sunprotector**  
(51) International Design Classification: **02-03**  
(71) Name(s) and Address(s) of Applicant(s):  
**BabyBjorn AB**  
**Box 913 170 09 Solna Sweden**  
(72) Name(s) of Designer(s): **Lisen Elmberg and Kim De Bruin Lyckman and Sofia Jacobsson Warfaa**  
(45) Registration Date: **17 March 2010**  
(30) Convention priority data:  
(31) Number (32) Date (33) Country  
**001669508 12 Feb 2010 EUROPEAN COMMUNITY**  
(56) Related Art Documents: **Not Applicable**  
(57) Statement of Newness and Distinctiveness: **Newness and distinctiveness is claimed in the features of shape and/or configuration of a solid panel of a sunprotector as illustrated in the accompanying representations, the solid panel being labelled 'A'.**



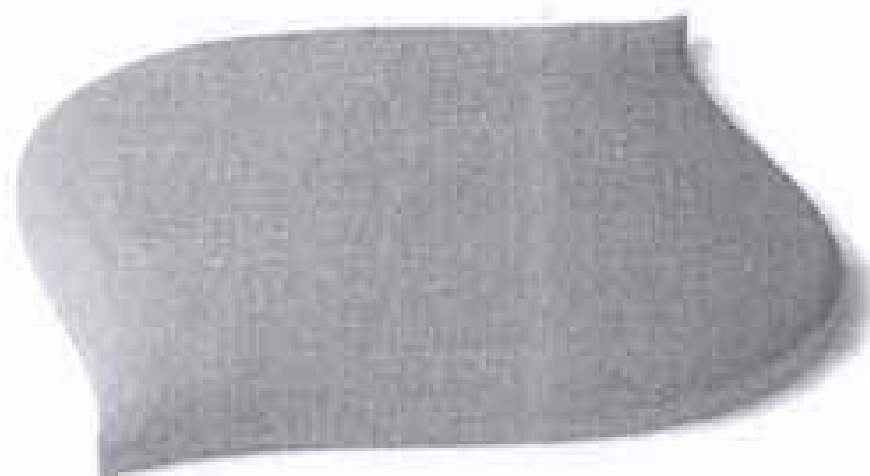
- (21) Design Number: **10547/2010**  
(22) Date of Filing Application: **18 February 2010**  
(24) Date from which industrial property rights may have effect: **18 February 2010**  
(54) Product in respect of which the design is registered: **Stick mixer**  
(51) International Design Classification: **07-04**  
(71) Name(s) and Address(s) of Applicant(s):  
**Breville Pty Limited**  
**Building 2 Port Air Industrial Estate 1A Hale Street Botany New South Wales 2019 Australia**  
(72) Name(s) of Designer(s): **Nicholas Roseby and Richard Hoare**  
(45) Registration Date: **17 March 2010**  
(56) Related Art Documents: **Not Applicable**  
(57) Statement of Newness and Distinctiveness: **Newness is claimed in the features of shape and configuration of the Stick Mixer as shown in the accompanying representations. Elements shown in dashed lines form no part of the design.**



- (21) Design Number: **10549/2010**  
(22) Date of Filing Application: **18 February 2010**  
(24) Date from which industrial property rights may have effect: **18 February 2010**  
(54) Product in respect of which the design is registered: **Tile**  
(51) International Design Classification: **25-01F**  
(71) Name(s) and Address(s) of Applicant(s):  
**Everstone Pty Ltd**  
**8 George Young Street Auburn New South Wales 2144 Australia**  
(72) Name(s) of Designer(s): **John Zeng**  
(45) Registration Date: **17 March 2010**  
(56) Related Art Documents: **Not Applicable**  
(57) Statement of Newness and Distinctiveness: **Newness and Distinctiveness is claimed in the domed portion of the tile shown.**



- (21) Design Number: **10550/2010**  
(22) Date of Filing Application: **18 February 2010**  
(24) Date from which industrial property rights may have effect: **18 February 2010**  
(54) Product in respect of which the design is registered: **Tile**  
(51) International Design Classification: **25-01F**  
(71) Name(s) and Address(s) of Applicant(s):  
**Everstone Pty Ltd**  
**8 George Young Street Auburn New South Wales 2144 Australia**  
(72) Name(s) of Designer(s): **John Zeng**  
(45) Registration Date: **17 March 2010**  
(56) Related Art Documents: **Not Applicable**  
(57) Statement of Newness and Distinctiveness: **Newness and Distinctiveness is claimed in the domed portion of the tile shown.**





(21) Design Number: **10849/2010**

(22) Date of Filing Application: **09 July 2009**

(24) Date from which industrial property rights may have effect: **09 July 2009**

(54) Product in respect of which the design is registered: **Port assembly for a container**

(51) International Design Classification: **09-07NES, 24-01**

(71) Name(s) and Address(s) of Applicant(s):

**Gambro Lundia AB**

**Magistratsvagen 16 Lund SE-226 43 Sweden**

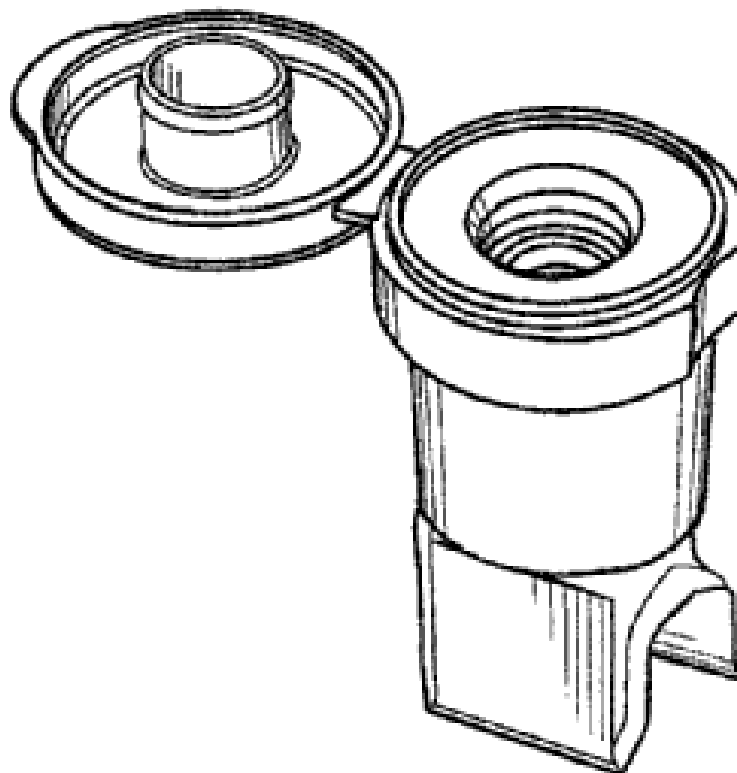
(72) Name(s) of Designer(s): **Peder Flank**

(45) Registration Date: **17 March 2010**

(62) Divisional of: **329970**

(56) Related Art Documents: **Not Applicable**

(57) Statement of Newness and Distinctiveness: **The shape and configuration of the port assembly for a container is new and distinctive.**



(21) Design Number: **12506/2009**

(22) Date of Filing Application: **09 July 2009**

(24) Date from which industrial property rights may have effect: **09 July 2009**

(54) Product in respect of which the design is registered: **Container suitable for containing a medical solution**

(51) International Design Classification: **09-01NES, 24-01**

(71) Name(s) and Address(s) of Applicant(s):

**Gambro Lundia AB**

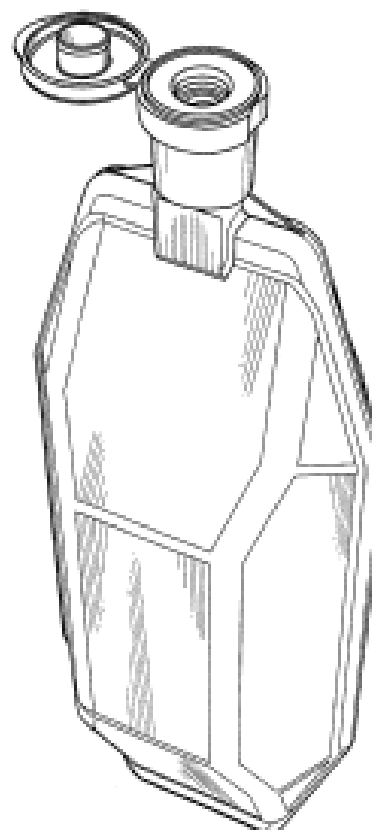
**Magistratsvagen 16 Lund SE-226 43 Sweden**

(72) Name(s) of Designer(s): **Peder Flank**

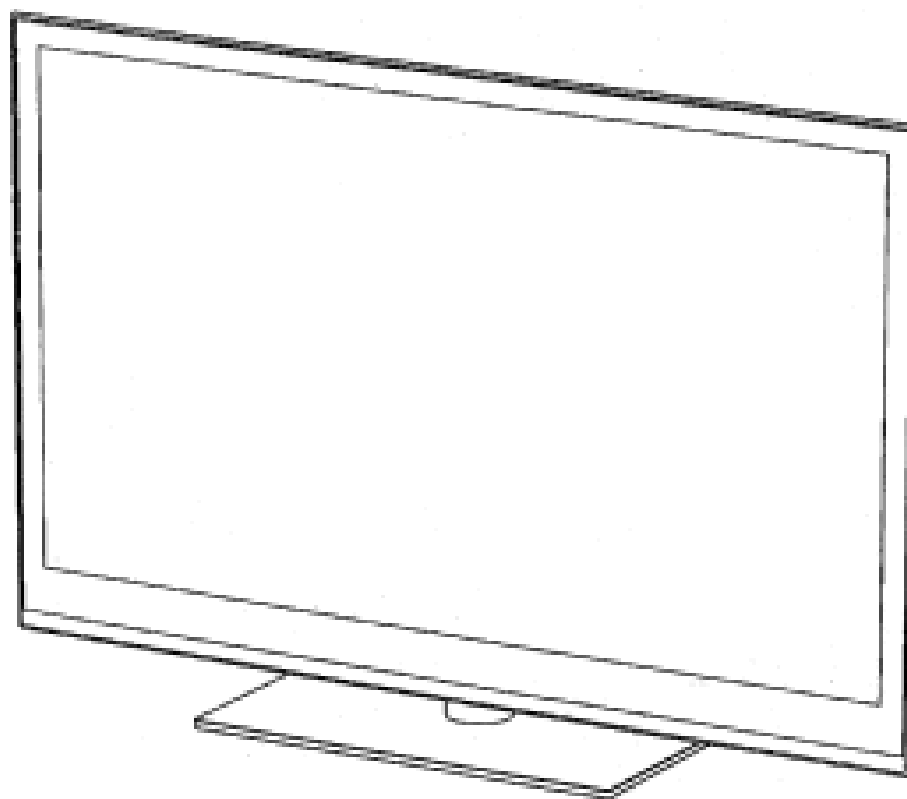
(45) Registration Date: **17 March 2010**

(56) Related Art Documents: **Not Applicable**

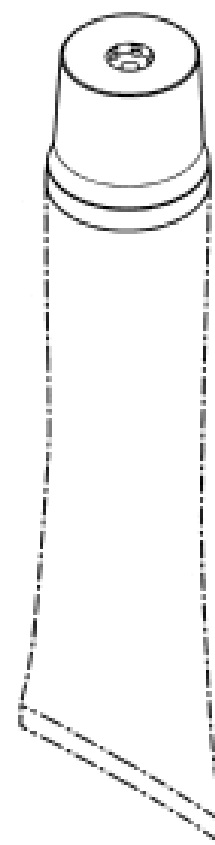
(57) Statement of Newness and Distinctiveness: **The shape and configuration of the port assembly of the container is new and distinctive.**



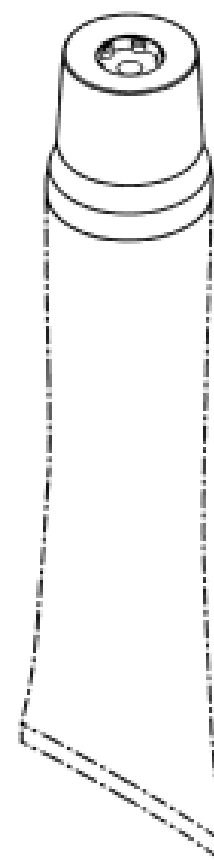
- (21) Design Number: **15092/2009**  
(22) Date of Filing Application: **24 December 2009**  
(24) Date from which industrial property rights may have effect: **24 December 2009**  
(54) Product in respect of which the design is registered: **Television receiver**  
(51) International Design Classification: **14-03B**  
(71) Name(s) and Address(s) of Applicant(s):  
**LG Electronics Inc.**  
**20 Yeouido-dong Yeongdeungpo-gu Seoul 150-721 Republic of Korea**  
(72) Name(s) of Designer(s): **Ja Young Kim and Sung Gu Joe and Sung Hoon Oh and In Koo Shim**  
(45) Registration Date: **18 March 2010**  
(56) Related Art Documents: **Not Applicable**  
(57) Statement of Newness and Distinctiveness: **Newness and distinctiveness resides in the visual features of shape and/or configuration and pattern and/or ornamentation of a television receiver as illustrated in the accompanying representations.**



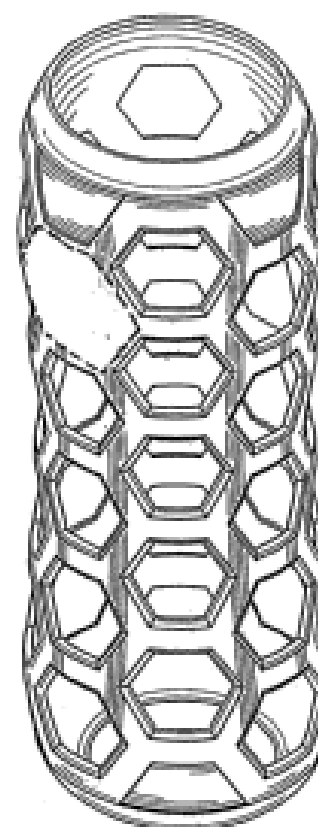
- (21) Design Number: **10008/2010**  
(22) Date of Filing Application: **04 January 2010**  
(24) Date from which industrial property rights may have effect: **04 January 2010**  
(54) Product in respect of which the design is registered: **Combined shoulder and cap for a container**  
(51) International Design Classification: **09-07B**  
(71) Name(s) and Address(s) of Applicant(s):  
**Colgate-Palmolive Company**  
**300 Park Avenue New York New York 10022 United States of America**  
(72) Name(s) of Designer(s): **Peter J. Fallat II and Bruce Cummings and Brian Worthington**  
(45) Registration Date: **18 March 2010**  
(30) Convention priority data:  
(31) Number      (32) Date      (33) Country  
**29/339568      02 Jul 2009      UNITED STATES OF AMERICA**  
(56) Related Art Documents: **Not Applicable**  
(57) Statement of Newness and Distinctiveness: **Newness and distinctiveness reside in the features of the design shown in solid lines in the representations excluding those features shown in broken lines.**



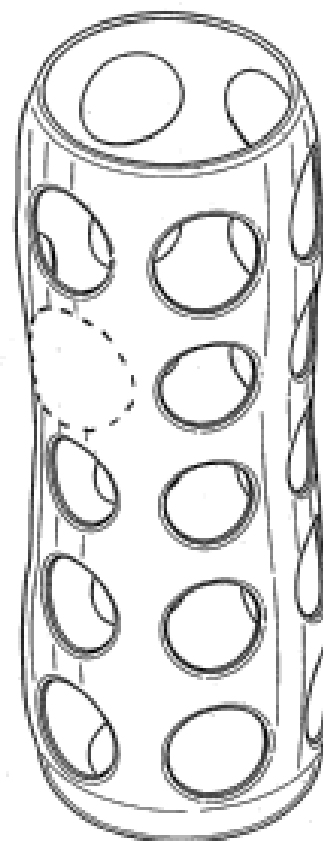
(21) Design Number: **10009/2010**  
 (22) Date of Filing Application: **04 January 2010**  
 (24) Date from which industrial property rights may have effect: **04 January 2010**  
 (54) Product in respect of which the design is registered: **Combined shoulder and cap for a container**  
 (51) International Design Classification: **09-07B**  
 (71) Name(s) and Address(s) of Applicant(s):  
**Colgate-Palmolive Company**  
**300 Park Avenue New York New York 10022 United States of America**  
 (72) Name(s) of Designer(s): **Peter J. Fallat II and Bruce Cummings and Brian Worthington**  
 (45) Registration Date: **18 March 2010**  
 (30) Convention priority data:  
 (31) Number (32) Date (33) Country  
**29/339567 02 Jul 2009 UNITED STATES OF AMERICA**  
 (56) Related Art Documents: **Not Applicable**  
 (57) Statement of Newness and Distinctiveness: **Newness and distinctiveness reside in the features of the design shown in solid lines in the representations excluding those features shown in broken lines.**



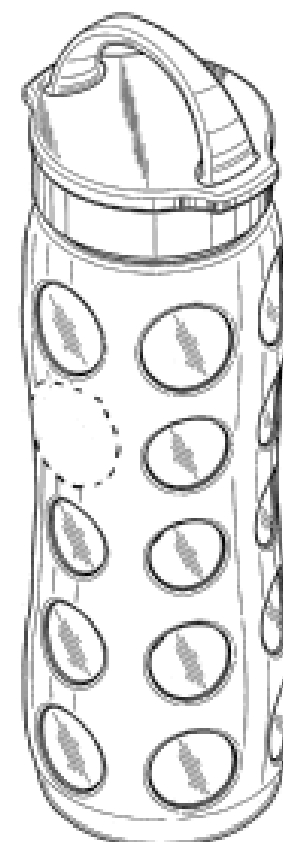
(21) Design Number: **10033/2010**  
 (22) Date of Filing Application: **07 January 2010**  
 (24) Date from which industrial property rights may have effect: **07 January 2010**  
 (54) Product in respect of which the design is registered: **Protective sleeve for a container**  
 (51) International Design Classification: **09-03H**  
 (71) Name(s) and Address(s) of Applicant(s):  
**Lifefactory, Inc.**  
**480 Gate 5 Road Studio 300E Sausalito California 94965 United States of America**  
 (72) Name(s) of Designer(s): **Daren Edward Joy and Pamela Wong Marcus**  
 (45) Registration Date: **18 March 2010**  
 (30) Convention priority data:  
 (31) Number (32) Date (33) Country  
**29/339,737 07 Jul 2009 UNITED STATES OF AMERICA**  
 (56) Related Art Documents: **Not Applicable**  
 (57) Statement of Newness and Distinctiveness: **Those features of the protective sleeve for a container depicted in the representations that are new and distinctive are the shape and/or configuration. The feature shown in broken line is not part of the design and should be disregarded when considering the overall impression of the design.**



(21) Design Number: **10034/2010**  
 (22) Date of Filing Application: **07 January 2010**  
 (24) Date from which industrial property rights may have effect: **07 January 2010**  
 (54) Product in respect of which the design is registered: **Protective sleeve for a container**  
 (51) International Design Classification: **09-03H**  
 (71) Name(s) and Address(s) of Applicant(s):  
**Lifefactory, Inc.**  
**480 Gate 5 Road Studio 300E Sausalito California 94965 United States of America**  
 (72) Name(s) of Designer(s): **Daren Edward Joy and Pamela Wong Marcus**  
 (45) Registration Date: **18 March 2010**  
 (30) Convention priority data:  
 (31) Number (32) Date (33) Country  
**29/341,033 29 Jul 2009 UNITED STATES OF AMERICA**  
 (56) Related Art Documents: **Not Applicable**  
 (57) Statement of Newness and Distinctiveness: **Those features of the protective sleeve for a container depicted in the representations that are new and distinctive are the shape and/or configuration. The feature shown in broken line is not part of the design and should be disregarded when considering the overall impression of the design.**



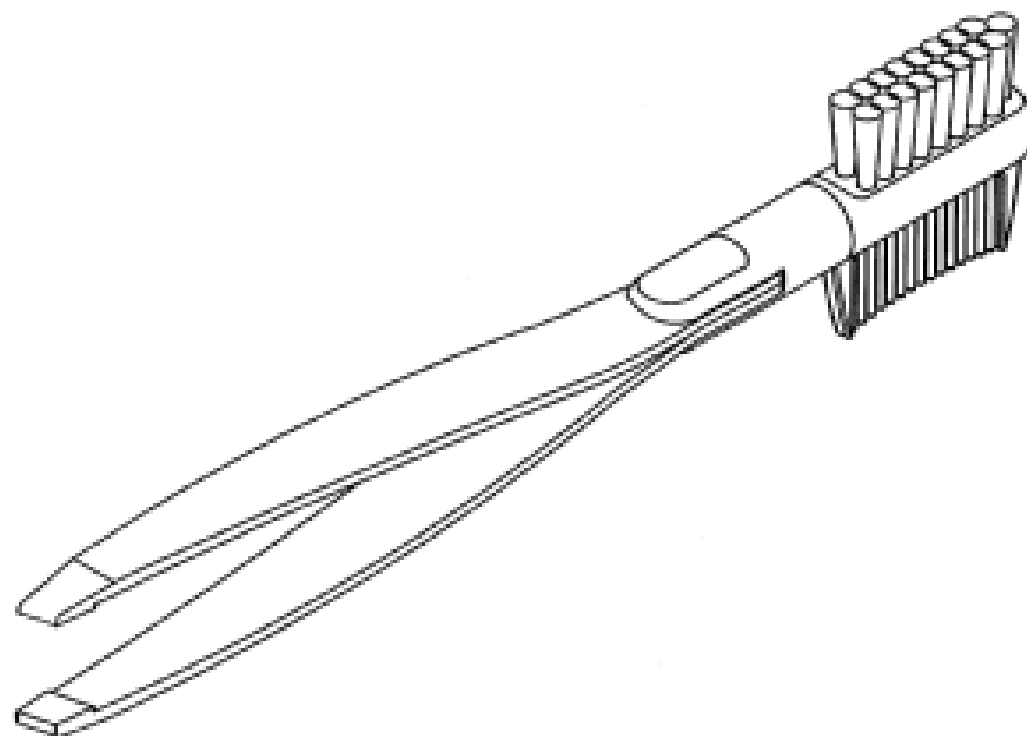
(21) Design Number: **10035/2010**  
 (22) Date of Filing Application: **07 January 2010**  
 (24) Date from which industrial property rights may have effect: **07 January 2010**  
 (54) Product in respect of which the design is registered: **Water bottle and protective sleeve**  
 (51) International Design Classification: **09-03H, 09-01NES**  
 (71) Name(s) and Address(s) of Applicant(s):  
**Lifefactory, Inc.**  
**480 Gate 5 Road Studio 300E Sausalito California 94965 United States of America**  
 (72) Name(s) of Designer(s): **Daren Edward Joy and Pamela Wong Marcus**  
 (45) Registration Date: **18 March 2010**  
 (30) Convention priority data:  
 (31) Number (32) Date (33) Country  
**29/341,041 29 Jul 2009 UNITED STATES OF AMERICA**  
 (56) Related Art Documents: **Not Applicable**  
 (57) Statement of Newness and Distinctiveness: **Those features of the water bottle and protective sleeve depicted in the representations that are new and distinctive are the shape and/or configuration. The feature shown in broken line is not part of the design and should be disregarded when considering the overall impression of the design.**



(21) Design Number: **10036/2010**  
(22) Date of Filing Application: **07 January 2010**  
(24) Date from which industrial property rights may have effect: **07 January 2010**  
(54) Product in respect of which the design is registered: **Water bottle with protective sleeve**  
(51) International Design Classification: **09-03H, 09-01NES**  
(71) Name(s) and Address(s) of Applicant(s):  
**Lifactory, Inc.**  
**480 Gate 5 Road Studio 300E Sausalito California 94965 United States of America**  
(72) Name(s) of Designer(s): **Daren Edward Joy and Pamela Wong Marcus**  
(45) Registration Date: **18 March 2010**  
(30) Convention priority data:  
(31) Number (32) Date (33) Country  
**29/339,746 07 Jul 2009 UNITED STATES OF AMERICA**  
(56) Related Art Documents: **Not Applicable**  
(57) Statement of Newness and Distinctiveness: **Those features of the water bottle with protective sleeve depicted in the representations that are new and distinctive are the shape and/or configuration. The feature shown in broken line is not part of the design and should be disregarded when considering the overall impression of the design.**



(21) Design Number: **10560/2010**  
(22) Date of Filing Application: **19 February 2010**  
(24) Date from which industrial property rights may have effect: **19 February 2010**  
(54) Product in respect of which the design is registered: **Integrated design tool**  
(51) International Design Classification: **08-05NES**  
(71) Name(s) and Address(s) of Applicant(s):  
**Clint Ludvigh**  
**29 Eastbank Terrace Helensvale Queensland 4212 Australia**  
(72) Name(s) of Designer(s): **Clint Ludvigh**  
(45) Registration Date: **22 March 2010**  
(56) Related Art Documents: **Not Applicable**  
(57) Statement of Newness and Distinctiveness: **Newness and distinctiveness is claimed in the features of shape and/or configuration of a Integrated Design Tool as illustrated in the accompanying representations.**



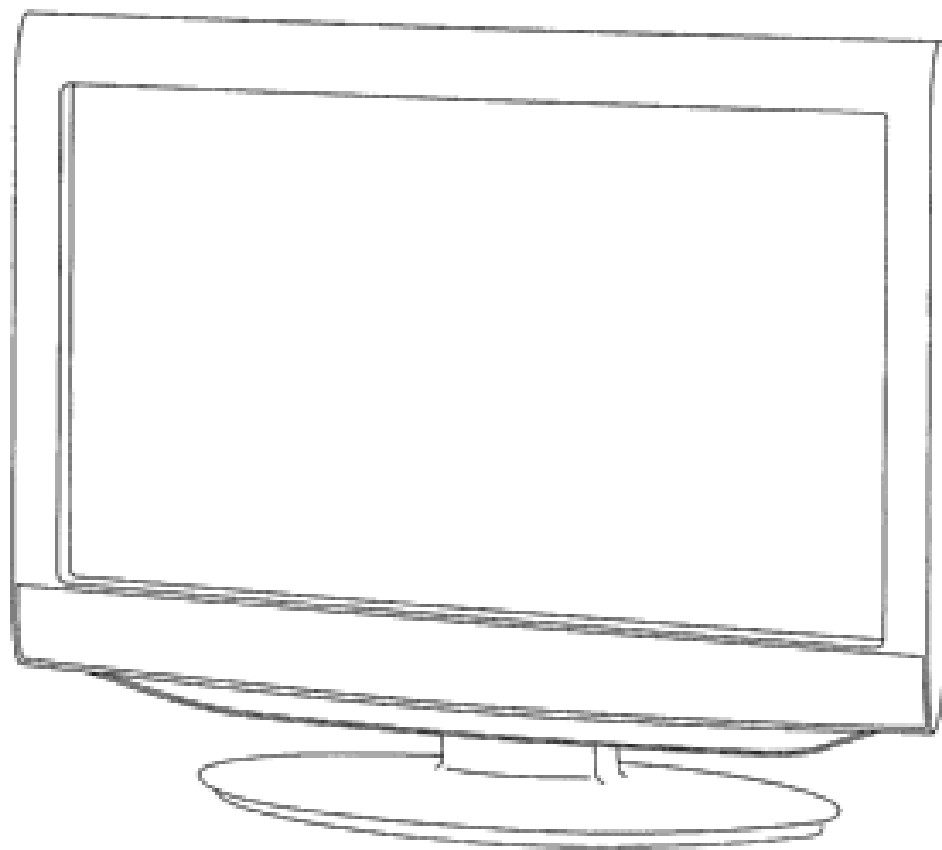
- (21) Design Number: **10561/2010**  
(22) Date of Filing Application: **19 February 2010**  
(24) Date from which industrial property rights may have effect: **19 February 2010**  
(54) Product in respect of which the design is registered: **A blank and carton thereof**  
(51) International Design Classification: **09-03NES**  
(71) Name(s) and Address(s) of Applicant(s):  
**Amcors Limited**  
**679 Victoria Street Abbotsford Victoria 3067 Australia**  
(72) Name(s) of Designer(s): **Mark Moore**  
(45) Registration Date: **22 March 2010**  
(56) Related Art Documents: **Not Applicable**  
(57) Statement of Newness and Distinctiveness: **Newness and distinctiveness is claimed in the shape and configuration of the blank and the carton made from the blank. However, the following aspects are to be disregarded for the purpose of assessing newness and distinctiveness: (i) shading of the carton shown in the perspective view; (ii) the shape and configuration of the tab section shown in the circle labelled A; and (iii) the shape and configuration of the end flaps of the blank that form top and bottom wall of the carton.**



- (21) Design Number: **10562/2010**  
(22) Date of Filing Application: **19 February 2010**  
(24) Date from which industrial property rights may have effect: **19 February 2010**  
(54) Product in respect of which the design is registered: **Television set**  
(51) International Design Classification: **14-03B**  
(71) Name(s) and Address(s) of Applicant(s):  
**Kabushiki Kaisha Toshiba**  
**1-1 Shibaura 1-chome Minato-ku Tokyo Japan**  
(72) Name(s) of Designer(s): **Koji Nagase**  
(45) Registration Date: **22 March 2010**  
(30) Convention priority data:  

(31) Number	(32) Date	(33) Country
<b>2009-029564</b>	<b>21 Dec 2009</b>	<b>JAPAN</b>

  
(56) Related Art Documents: **Not Applicable**  
(57) Statement of Newness and Distinctiveness: **Nil**



(21) Design Number: **10563/2010**  
(22) Date of Filing Application: **19 February 2010**  
(24) Date from which industrial property rights may have effect: **19 February 2010**  
(54) Product in respect of which the design is registered: **Television set**  
(51) International Design Classification: **14-03B**  
(71) Name(s) and Address(s) of Applicant(s):  
**Kabushiki Kaisha Toshiba**  
**1-1 Shibaura 1-chome Minato-ku Tokyo Japan**  
(72) Name(s) of Designer(s): **Koji Nagase**  
(45) Registration Date: **22 March 2010**  
(30) Convention priority data:  
(31) Number      (32) Date      (33) Country  
**2009-029568      21 Dec 2009      JAPAN**  
(56) Related Art Documents: **Not Applicable**  
(57) Statement of Newness and Distinctiveness: **Nil**



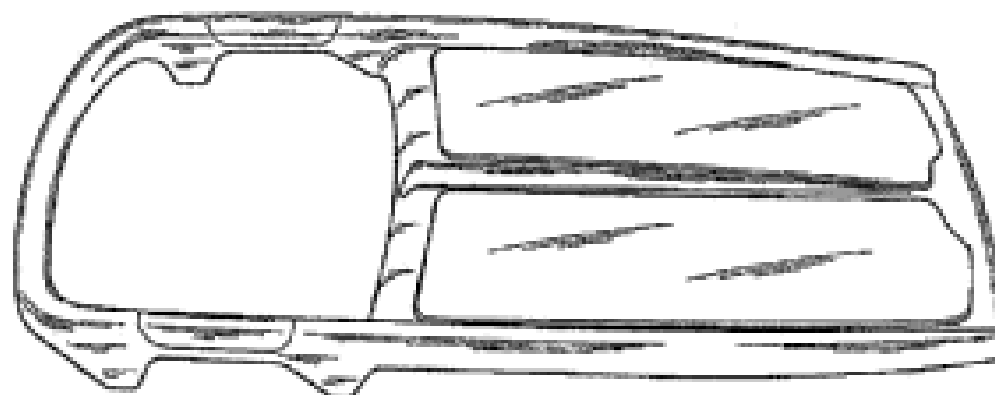
(21) Design Number: **10564/2010**  
(22) Date of Filing Application: **19 February 2010**  
(24) Date from which industrial property rights may have effect: **19 February 2010**  
(54) Product in respect of which the design is registered: **A motor scooter**  
(51) International Design Classification: **12-11**  
(71) Name(s) and Address(s) of Applicant(s):  
**Honda Motor Co., Ltd.**  
**1-1 Minami-Aoyama 2-Chome Minato-ku Tokyo Japan**  
(72) Name(s) of Designer(s): **Kazuhiro Sakamoto and Siwathat Mongkolsupya**  
(45) Registration Date: **22 March 2010**  
(30) Convention priority data:  
(31) Number      (32) Date      (33) Country  
**2009-019193      21 Aug 2009      JAPAN**  
(56) Related Art Documents: **Not Applicable**  
(57) Statement of Newness and Distinctiveness: **Newness and distinctiveness is claimed in the features of shape and/or configuration of a motor scooter as illustrated in the accompanying representations.**



(21) Design Number: **10583/2010**  
 (22) Date of Filing Application: **19 February 2010**  
 (24) Date from which industrial property rights may have effect: **19 February 2010**  
 (54) Product in respect of which the design is registered: **An exercise apparatus**  
 (51) International Design Classification: **21-02NES**  
 (71) Name(s) and Address(s) of Applicant(s):

**David Pica**  
**PO Box 537 St Peters South Australia 5069 Australia**

(72) Name(s) of Designer(s): **David Pica**  
 (45) Registration Date: **22 March 2010**  
 (56) Related Art Documents: **Not Applicable**  
 (57) Statement of Newness and Distinctiveness: **Nil**



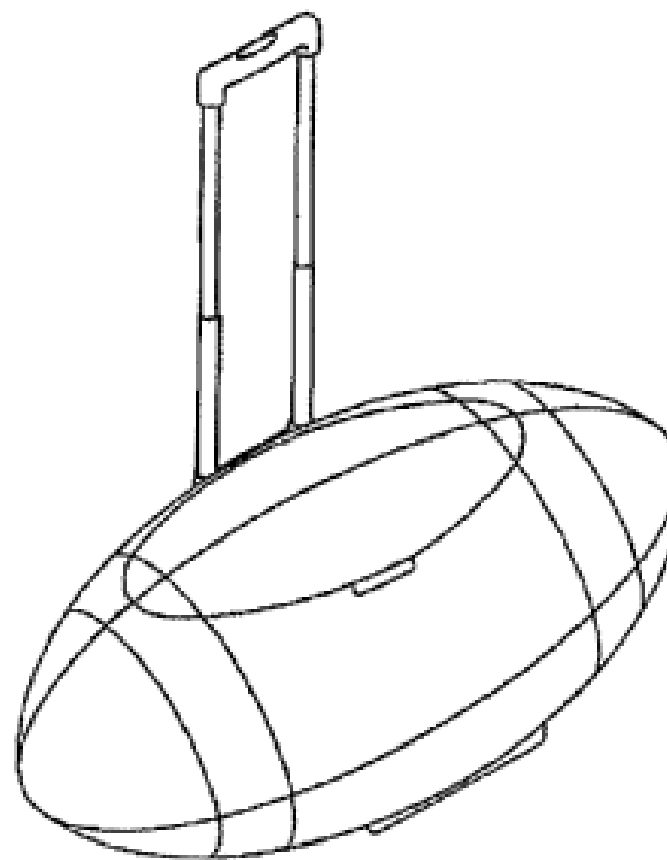
(21) Design Number: **10584/2010**  
 (22) Date of Filing Application: **19 February 2010**  
 (24) Date from which industrial property rights may have effect: **19 February 2010**  
 (54) Product in respect of which the design is registered: **Sports themed ice chest**  
 (51) International Design Classification: **07-07A**  
 (71) Name(s) and Address(s) of Applicant(s):

**Ken Blakeman**  
**10960 Fishers Island Street Las Vegas NV 89141 United States of America**

(72) Name(s) of Designer(s): **Ken Blakeman**  
 (45) Registration Date: **22 March 2010**  
 (30) Convention priority data:

(31) Number	(32) Date	(33) Country
<b>29/343,089</b>	<b>07 Sep 2009</b>	<b>UNITED STATES OF AMERICA</b>

(56) Related Art Documents: **Not Applicable**  
 (57) Statement of Newness and Distinctiveness: **Nil**

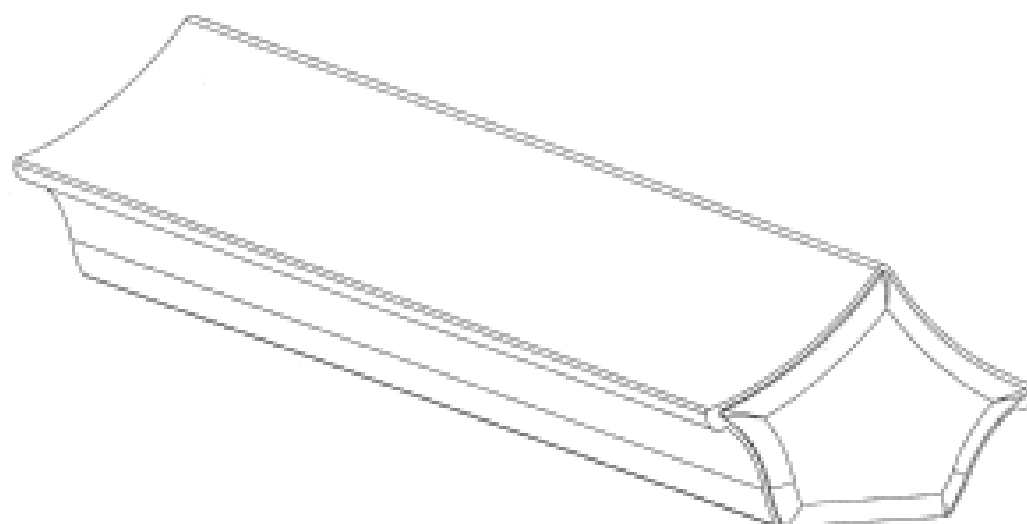




(21) Design Number: **10586/2010**  
(22) Date of Filing Application: **23 February 2010**  
(24) Date from which industrial property rights may have effect: **23 February 2010**  
(54) Product in respect of which the design is registered: **Absorbent pant**  
(51) International Design Classification: **02-01B**  
(71) Name(s) and Address(s) of Applicant(s):  
**SCA Hygiene Products AB**  
**S-405 03 Goteborg, Sweden**  
(72) Name(s) of Designer(s): **Anita Haraldsson Hedbratt and Asa Andblad**  
(45) Registration Date: **22 March 2010**  
(30) Convention priority data:  
(31) Number (32) Date (33) Country  
**001167654-0001 17 Sep 2009 EUROPEAN COMMUNITY**  
(56) Related Art Documents: **Not Applicable**  
(57) Statement of Newness and Distinctiveness: **Nil**



(21) Design Number: **10590/2010**  
(22) Date of Filing Application: **22 February 2010**  
(24) Date from which industrial property rights may have effect: **22 February 2010**  
(54) Product in respect of which the design is registered: **Head rail**  
(51) International Design Classification: **25-01K**  
(71) Name(s) and Address(s) of Applicant(s):  
**VKR Holding A/S**  
**Breeltevej 18 DK-7920 Horsholm Denmark**  
(72) Name(s) of Designer(s): **David Lewis**  
(45) Registration Date: **22 March 2010**  
(30) Convention priority data:  
(31) Number (32) Date (33) Country  
**072482514916801 01 Oct 2009 WORLD INTELLECTUAL PROPERTY ORGANIZATION (WIPO)**  
(56) Related Art Documents: **Not Applicable**  
(57) Statement of Newness and Distinctiveness: **Nil**



(21) Design Number: **10591/2010**  
(22) Date of Filing Application: **22 February 2010**  
(24) Date from which industrial property rights may have effect: **22 February 2010**  
(54) Product in respect of which the design is registered: **Head rail**  
(51) International Design Classification: **25-01K**  
(71) Name(s) and Address(s) of Applicant(s):

**VKR Holding A/S**  
**Breeltevej 18 DK-7920 Horsholm Denmark**

(72) Name(s) of Designer(s): **David Lewis**

(45) Registration Date: **22 March 2010**

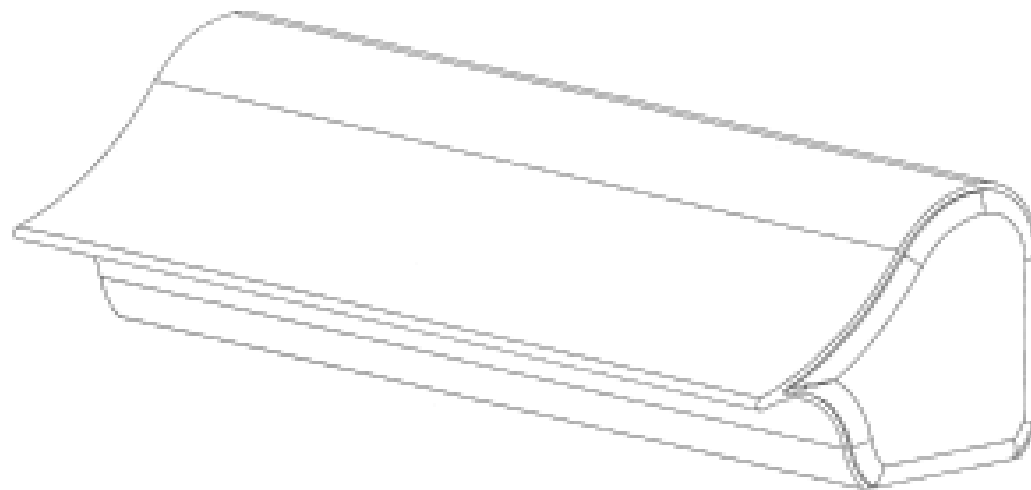
(30) Convention priority data:

(31) Number (32) Date  
**072482514916801 01 Oct 2009**

(33) Country  
**WORLD INTELLECTUAL  
PROPERTY ORGANIZATION  
(WIPO)**

(56) Related Art Documents: **Not Applicable**

(57) Statement of Newness and Distinctiveness: **Nil**



(21) Design Number: **10592/2010**  
(22) Date of Filing Application: **22 February 2010**  
(24) Date from which industrial property rights may have effect: **22 February 2010**  
(54) Product in respect of which the design is registered: **Audio product**  
(51) International Design Classification: **14-03NES**  
(71) Name(s) and Address(s) of Applicant(s):

**Bang & Olufsen A/S**  
**Peter Bangs VEJ 15 Postboks 40 7600 Struer Denmark**

(72) Name(s) of Designer(s): **David Lewis**

(45) Registration Date: **22 March 2010**

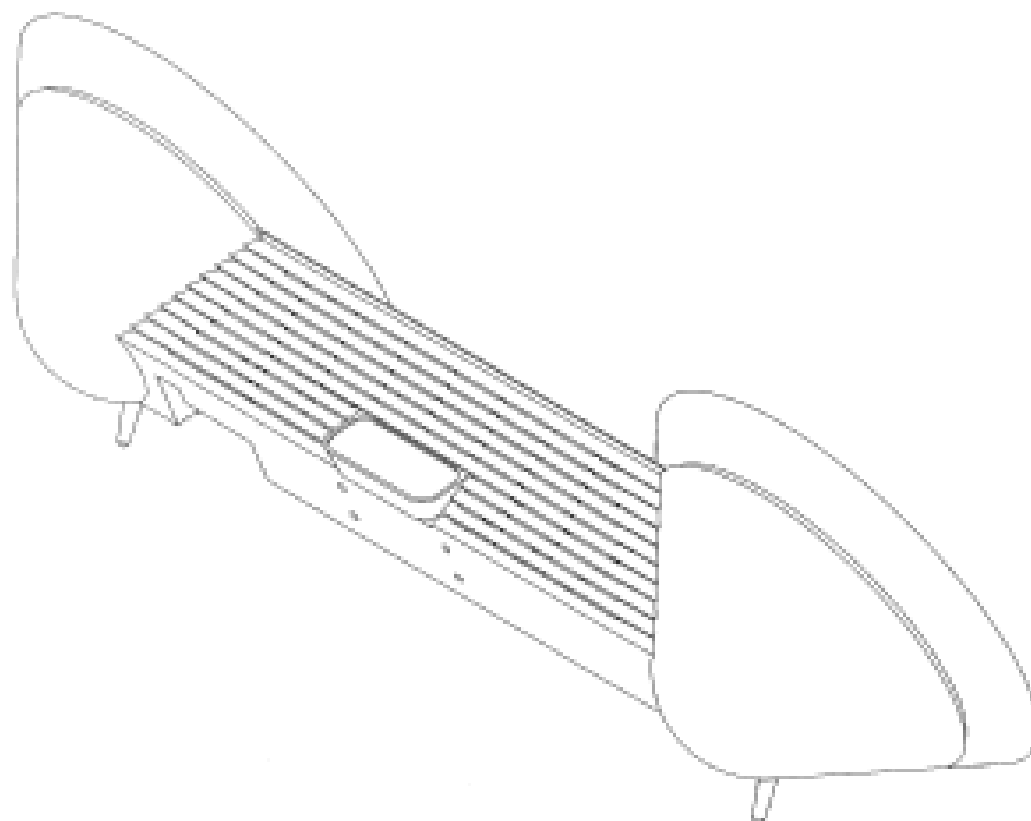
(30) Convention priority data:

(31) Number (32) Date  
**DA 2009 24 Aug 2009**  
**00126**

(33) Country  
**DENMARK**

(56) Related Art Documents: **Not Applicable**

(57) Statement of Newness and Distinctiveness: **Nil**



(21) Design Number: **10593/2010**  
 (22) Date of Filing Application: **22 February 2010**  
 (24) Date from which industrial property rights may have effect: **22 February 2010**  
 (54) Product in respect of which the design is registered: **Subwoofer**  
 (51) International Design Classification: **14-01**  
 (71) Name(s) and Address(s) of Applicant(s):

**Bang & Olufsen A/S**  
**Peter Bangs VEJ 15 Postboks 40 7600 Struer Denmark**

(72) Name(s) of Designer(s): **David Lewis**

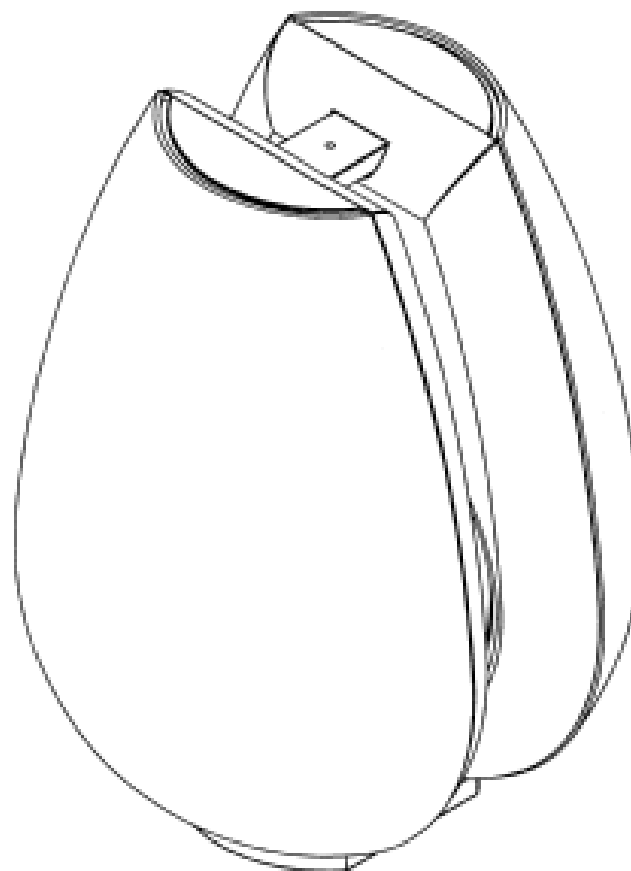
(45) Registration Date: **22 March 2010**

(30) Convention priority data:

(31) Number	(32) Date	(33) Country
<b>DA 2009</b>	<b>24 Aug 2009</b>	<b>DENMARK</b>
<b>00127</b>		

(56) Related Art Documents: **Not Applicable**

(57) Statement of Newness and Distinctiveness: **When determining whether the SUBWOOFER is substantially similar in overall impression to another design, no particular regard is to be had to the detail shown in the underside of the base part of the SUBWOOFER.**



(21) Design Number: **10179/2010**  
 (22) Date of Filing Application: **20 January 2010**  
 (24) Date from which industrial property rights may have effect: **20 January 2010**  
 (54) Product in respect of which the design is registered: **A data input device**  
 (51) International Design Classification: **14-02, 20-01**  
 (71) Name(s) and Address(s) of Applicant(s):

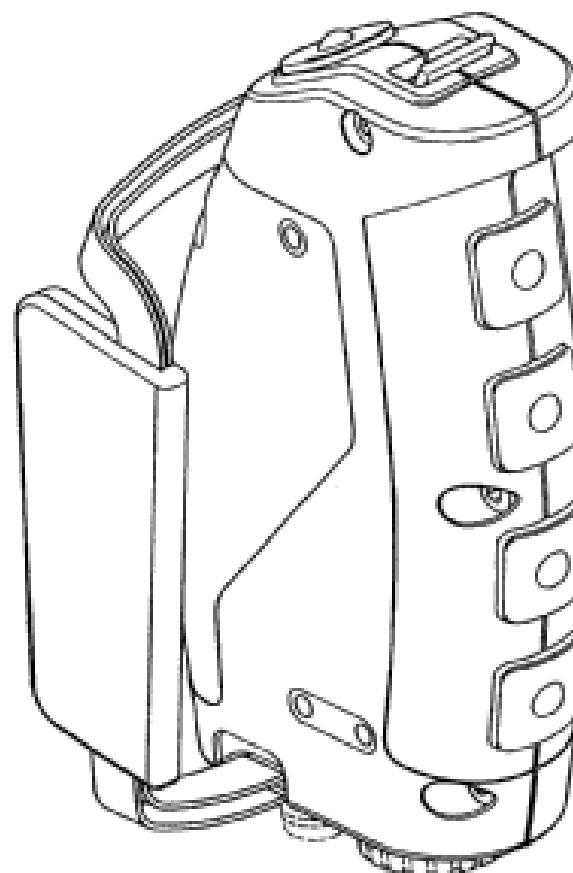
**KordTech Pty Ltd**  
**13 Flanagan Street Garran ACT 2605 Australia**

(72) Name(s) of Designer(s): **Peter Moran and Bruce Macdonald and Geoff Woodman and Joseph Ormrod and Danny Gasser and Michael Hoppe**

(45) Registration Date: **18 March 2010**

(56) Related Art Documents: **Not Applicable**

(57) Statement of Newness and Distinctiveness: **Newness and distinctiveness is claimed in the features of shape and/or configuration of a data input device as illustrated in solid lines in the accompanying representations.**



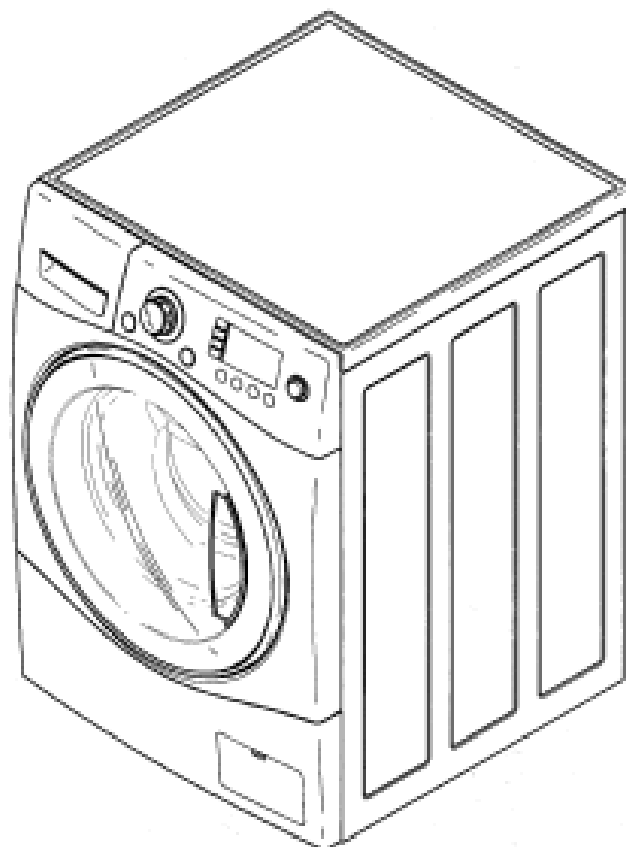
(19) AU

- (21) Design Number: **10569/2010**  
(22) Date of Filing Application: **22 February 2010**  
(24) Date from which industrial property rights may have effect: **22 February 2010**  
(54) Product in respect of which the design is registered: **Flag**  
(51) International Design Classification: **11-05**  
(71) Name(s) and Address(s) of Applicant(s):  
**Grotty Vachty Pty Ltd**  
**PO Box 279 Townsville Queensland 4810 Australia**  
(72) Name(s) of Designer(s): **Kelvin Warner and Sandra Clark**  
(45) Registration Date: **18 March 2010**  
(56) Related Art Documents: **Not Applicable**  
(57) Statement of Newness and Distinctiveness: **Monopoly is claimed in the features of pattern and ornamentation of a flag as illustrated in the representations.**

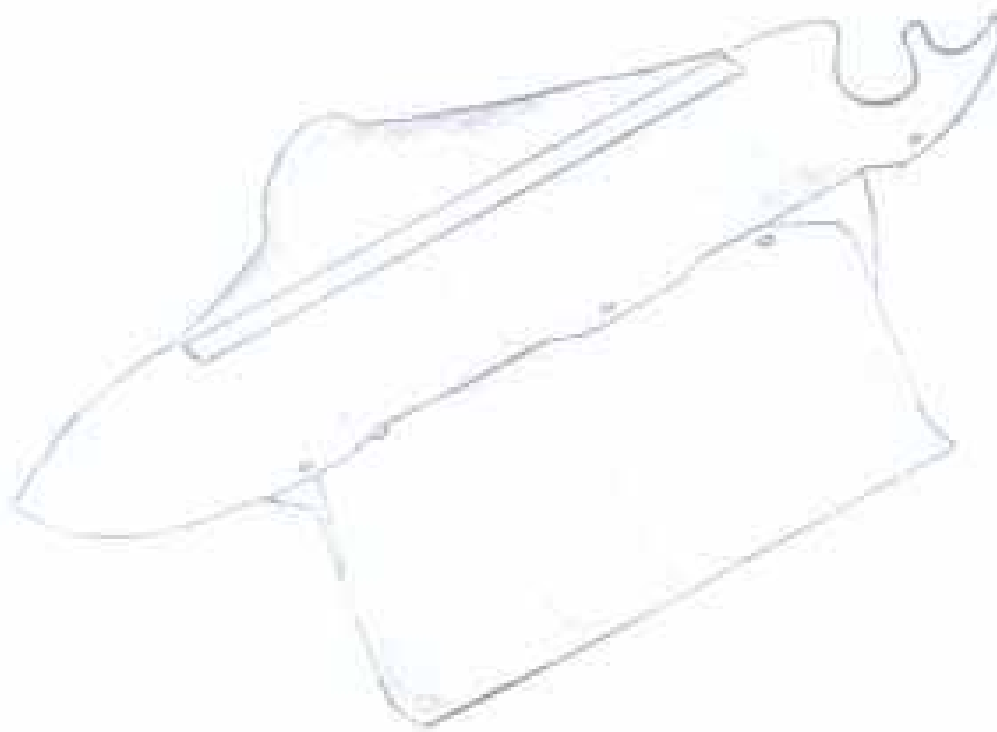


(19) AU

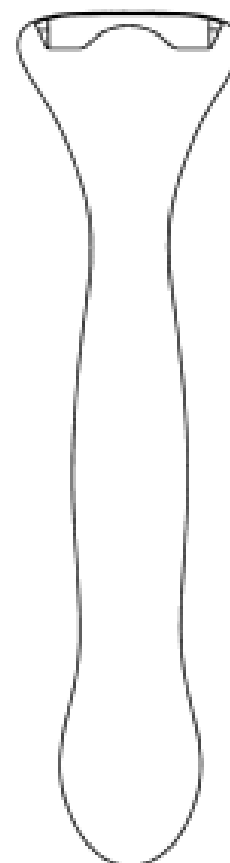
- (21) Design Number: **10572/2010**  
(22) Date of Filing Application: **19 February 2010**  
(24) Date from which industrial property rights may have effect: **19 February 2010**  
(54) Product in respect of which the design is registered: **Washing machine**  
(51) International Design Classification: **15-05**  
(71) Name(s) and Address(s) of Applicant(s):  
**LG Electronics, Inc.**  
**20 Yeouido-dong Yeongdeungpo-gu Seoul 150-721 Republic of Korea**  
(72) Name(s) of Designer(s): **Wook Jun Chung and Min Dong and Jong Hee Han and Tae Woo Yoo**  
(45) Registration Date: **18 March 2010**  
(30) Convention priority data:  
(31) Number      (32) Date      (33) Country  
**30-2009-0037843 26 Aug 2009      REPUBLIC OF KOREA**  
(56) Related Art Documents: **Not Applicable**  
(57) Statement of Newness and Distinctiveness: **Newness and distinctiveness resides in the features of shape and/or configuration of a washing machine as shown in the accompanying drawings.**



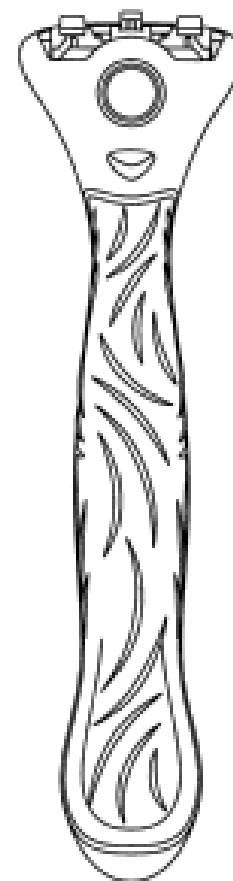
- (21) Design Number: **10577/2010**  
(22) Date of Filing Application: **23 February 2010**  
(24) Date from which industrial property rights may have effect: **23 February 2010**  
(54) Product in respect of which the design is registered: **Motor vehicle air intake**  
(51) International Design Classification: **12-16NES**  
(71) Name(s) and Address(s) of Applicant(s):  
**Keytact Pty limited Trading as DUSPEED**  
**8 Geraldton Street Preston New South Wales 2170 Australia**  
(72) Name(s) of Designer(s): **Dusan Podobny**  
(45) Registration Date: **18 March 2010**  
(56) Related Art Documents: **Not Applicable**  
(57) Statement of Newness and Distinctiveness: **Newness and distinctiveness is claimed in respect of the shape and/or configuration of the product illustrated in the accompanying representations.**



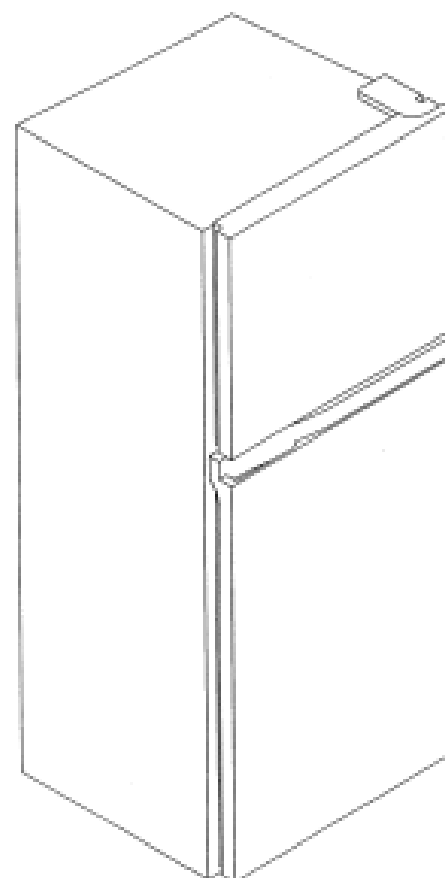
- (21) Design Number: **10578/2010**  
(22) Date of Filing Application: **22 February 2010**  
(24) Date from which industrial property rights may have effect: **22 February 2010**  
(54) Product in respect of which the design is registered: **Safety razor handle**  
(51) International Design Classification: **28-03A**  
(71) Name(s) and Address(s) of Applicant(s):  
**Eveready Battery Company, Inc.**  
**533 Maryville University Drive St Louis Missouri 63141 United States of America**  
(72) Name(s) of Designer(s): **Wes Rhoad**  
(45) Registration Date: **18 March 2010**  
(30) Convention priority data:  
(31) Number (32) Date (33) Country  
**29/343625 16 Sep 2009 UNITED STATES OF AMERICA**  
(56) Related Art Documents: **Not Applicable**  
(57) Statement of Newness and Distinctiveness: **Nil**



(21) Design Number: **10579/2010**  
(22) Date of Filing Application: **22 February 2010**  
(24) Date from which industrial property rights may have effect: **22 February 2010**  
(54) Product in respect of which the design is registered: **Safety razor handle**  
(51) International Design Classification: **28-03A**  
(71) Name(s) and Address(s) of Applicant(s):  
**Eveready Battery Company, Inc.**  
**533 Maryville University Drive St Louis Missouri 63141 United States of America**  
(72) Name(s) of Designer(s): **Wes Rhoad**  
(45) Registration Date: **18 March 2010**  
(30) Convention priority data:  
(31) Number (32) Date (33) Country  
**29/343613 16 Sep 2009 UNITED STATES OF AMERICA**  
(56) Related Art Documents: **Not Applicable**  
(57) Statement of Newness and Distinctiveness: **Nil**



(21) Design Number: **10580/2010**  
(22) Date of Filing Application: **23 February 2010**  
(24) Date from which industrial property rights may have effect: **23 February 2010**  
(54) Product in respect of which the design is registered: **Refrigerator**  
(51) International Design Classification: **15-07**  
(71) Name(s) and Address(s) of Applicant(s):  
**Samsung Electronics Co., Ltd**  
**416 Maetan-Dong Yeongtong-Gu Suwon-Si Gyeonggi-Do Republic of Korea**  
(72) Name(s) of Designer(s): **Jang Won Kim**  
(45) Registration Date: **18 March 2010**  
(56) Related Art Documents: **Not Applicable**  
(57) Statement of Newness and Distinctiveness: **The newness and distinctiveness of the design resides in the features of shape and/or configuration of the article as shown in the drawings.**



(21) Design Number: **10582/2010**

(22) Date of Filing Application: **23 February 2010**

(24) Date from which industrial property rights may have effect: **23 February 2010**

(54) Product in respect of which the design is registered: **Rainhead**

(51) International Design Classification: **23-01L**

(71) Name(s) and Address(s) of Applicant(s):

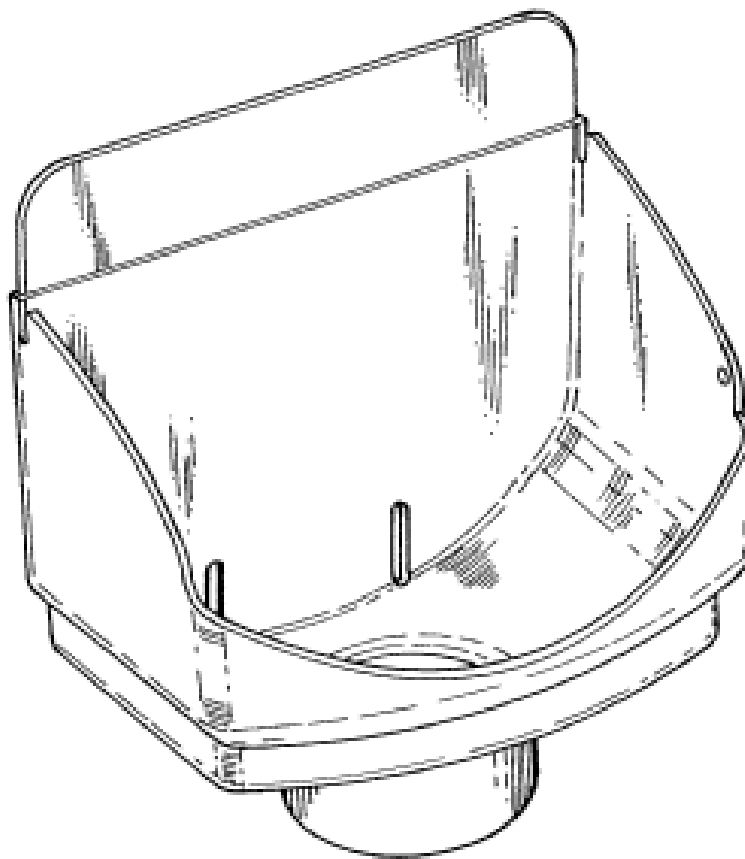
**Plastec Australia Pty Ltd  
2 Enterprise Street Caloundra Queensland 4551 Australia**

(72) Name(s) of Designer(s): **Brian Eyley**

(45) Registration Date: **18 March 2010**

(56) Related Art Documents: **Not Applicable**

(57) Statement of Newness and Distinctiveness: **The newness and distinctiveness of the design resides in the visual features of shape and/or configuration of a rain head as shown in the accompanying representations.**



(21) Design Number: **10712/2010**

(22) Date of Filing Application: **03 March 2010**

(24) Date from which industrial property rights may have effect: **03 March 2010**

(54) Product in respect of which the design is registered: **Radio transmitter**

(51) International Design Classification: **14-03NES**

(71) Name(s) and Address(s) of Applicant(s):

**Philip Wakeman  
26 Good Governs Street Mitcham Victoria 3132 Australia**

(72) Name(s) of Designer(s): **Philip Wakeman**

(45) Registration Date: **18 March 2010**

(56) Related Art Documents: **Not Applicable**

(57) Statement of Newness and Distinctiveness: **Newness and distinctiveness is claimed in the features of shape and/or configuration of a transmitter as illustrated in the accompanying representations. Particular attention should be given to the heat dissipation fins on the top of the device as shown in Fig 1 Top, and the in line pin connections as shown in Fig 3 End.**



(21) Design Number: **10793/2010**

(22) Date of Filing Application: **05 March 2010**

(24) Date from which industrial property rights may have effect: **05 March 2010**

(54) Product in respect of which the design is registered: **Vacuum cleaner**

(51) International Design Classification: **15-05**

(71) Name(s) and Address(s) of Applicant(s):

**Shop Vac Corporation  
2323 Reach Road Williamsport PA 17701 United States of America**

(72) Name(s) of Designer(s): **John Griffin and Robert L. Crevling Jr and Kevin D. Fry**

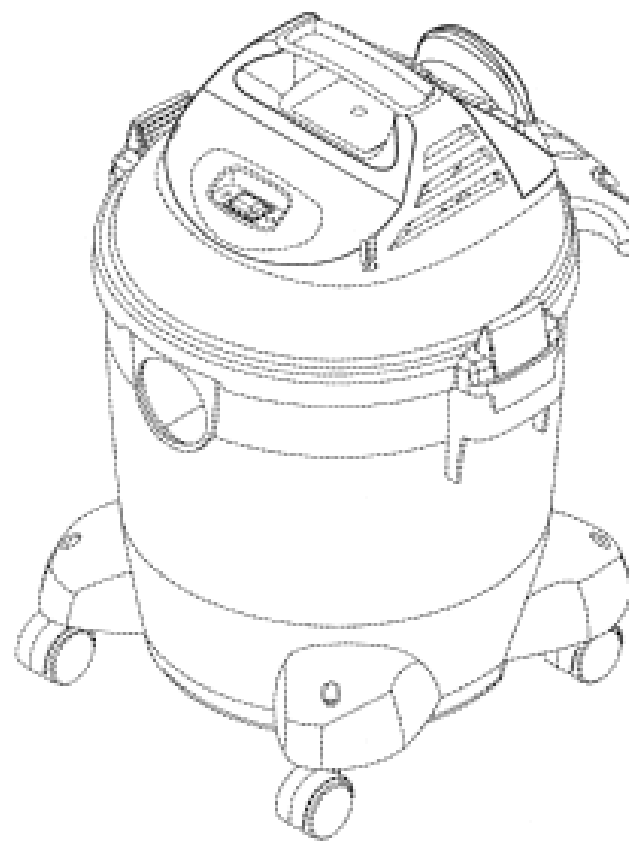
(45) Registration Date: **18 March 2010**

(30) Convention priority data:

(31) Number	(32) Date	(33) Country
<b>29/345,089</b>	<b>09 Oct 2009</b>	<b>UNITED STATES OF AMERICA</b>

(56) Related Art Documents: **Not Applicable**

(57) Statement of Newness and Distinctiveness: **Newness and distinctiveness resides in the visual features of an upper part of the vacuum cleaner shown in solid outline in Figures 1 to 6. When determining whether the design is substantially similar in overall impression to another design no regard is to be had to those features shown in dotted outline in Figures 1 to 6.**



(21) Design Number: **10794/2010**

(22) Date of Filing Application: **05 March 2010**

(24) Date from which industrial property rights may have effect: **05 March 2010**

(54) Product in respect of which the design is registered: **Vacuum cleaner**

(51) International Design Classification: **15-05**

(71) Name(s) and Address(s) of Applicant(s):

**Shop Vac Corporation  
2323 Reach Road Williamsport PA 17701 United States of America**

(72) Name(s) of Designer(s): **John Griffin and Robert L. Crevling Jr and Kevin D. Fry**

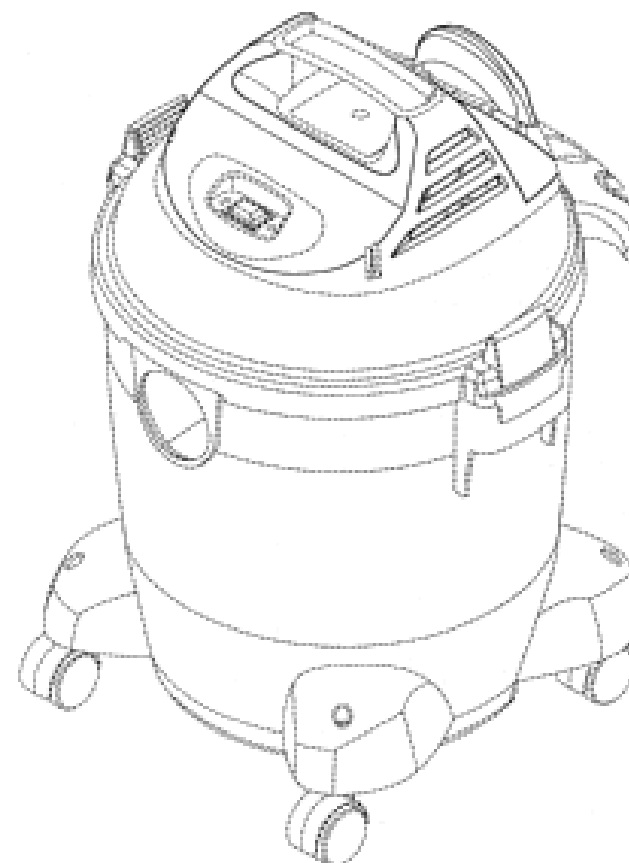
(45) Registration Date: **18 March 2010**

(30) Convention priority data:

(31) Number	(32) Date	(33) Country
<b>29/345,089</b>	<b>09 Oct 2009</b>	<b>UNITED STATES OF AMERICA</b>

(56) Related Art Documents: **Not Applicable**

(57) Statement of Newness and Distinctiveness: **Newness and distinctiveness resides in the visual features of an upper part of the vacuum cleaner shown in solid outline in Figures 7 to 12. When determining whether the design is substantially similar in overall impression to another design no regard is to be had to those features shown in dotted outline in Figures 7 to 12.**





(21) Design Number: 10795/2010

(22) Date of Filing Application: 05 March 2010

(24) Date from which industrial property rights may have effect: 05 March 2010

(54) Product in respect of which the design is registered: Vacuum cleaner

(51) International Design Classification: 15-05

(71) Name(s) and Address(s) of Applicant(s):

Shop Vac Corporation  
2323 Reach Road Williamsport PA 17701 United States of America

(72) Name(s) of Designer(s): John Griffin and Robert L. Crevling Jr and Kevin D. Fry

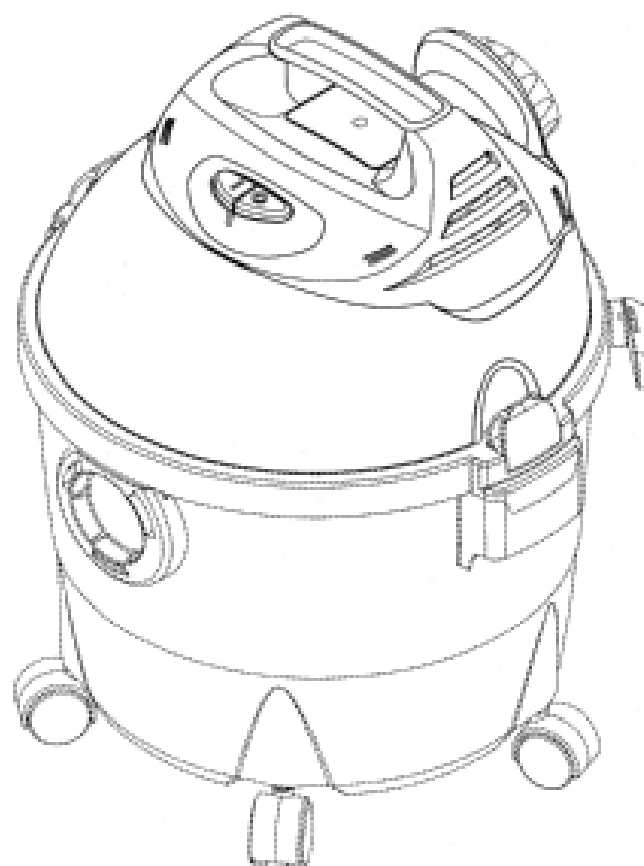
(45) Registration Date: 18 March 2010

(30) Convention priority data:

(31) Number	(32) Date	(33) Country
29/345,089	09 Oct 2009	UNITED STATES OF AMERICA

(56) Related Art Documents: Not Applicable

(57) Statement of Newness and Distinctiveness: **Newness and distinctiveness resides in the visual features of an upper part of the vacuum cleaner shown in solid outline in Figures 13 to 18. When determining whether the design is substantially similar in overall impression to another design no regard is to be had to those features shown in dotted outline in Figures 13 to 18.**



(21) Design Number: 10796/2010

(22) Date of Filing Application: 05 March 2010

(24) Date from which industrial property rights may have effect: 05 March 2010

(54) Product in respect of which the design is registered: Vacuum cleaner

(51) International Design Classification: 15-05

(71) Name(s) and Address(s) of Applicant(s):

Shop Vac Corporation  
2323 Reach Road Williamsport PA 17701 United States of America

(72) Name(s) of Designer(s): John Griffin and Robert L. Crevling Jr and Kevin D. Fry

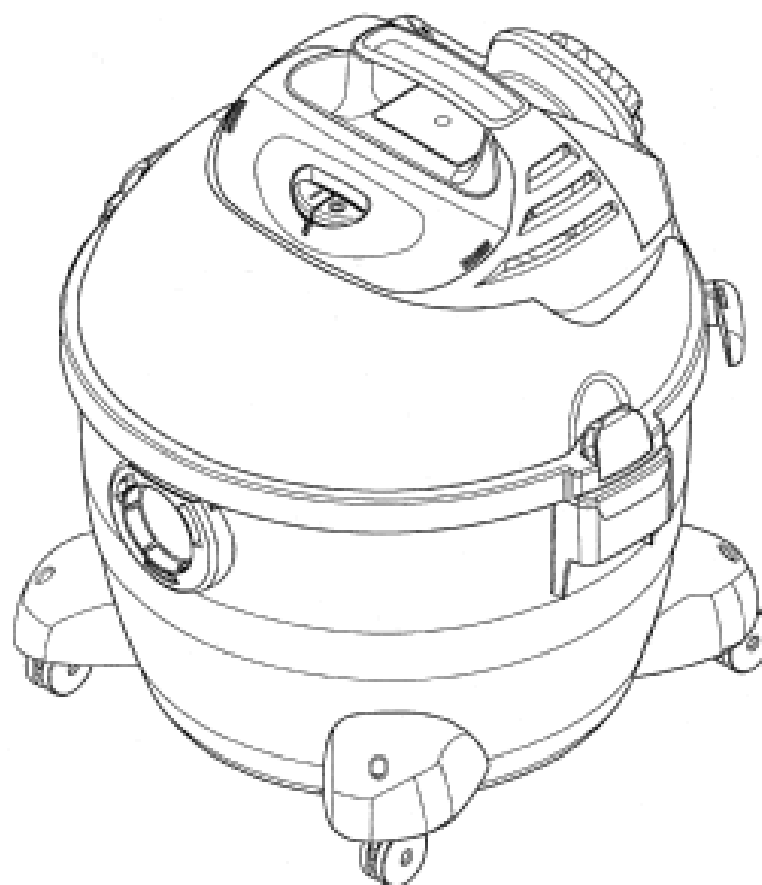
(45) Registration Date: 18 March 2010

(30) Convention priority data:

(31) Number	(32) Date	(33) Country
29/345,089	09 Oct 2009	UNITED STATES OF AMERICA

(56) Related Art Documents: Not Applicable

(57) Statement of Newness and Distinctiveness: Nil



(21) Design Number: **10606/2010**  
(22) Date of Filing Application: **23 February 2010**  
(24) Date from which industrial property rights may have effect: **23 February 2010**  
(54) Product in respect of which the design is registered: **Jacket**  
(51) International Design Classification: **02-02NES**  
(71) Name(s) and Address(s) of Applicant(s):  
**Laundry Athletics LLP**  
**Unit 60 The Runnings Cheltenham GL51 9NW United Kingdom**  
(72) Name(s) of Designer(s): **James Holder**  
(45) Registration Date: **19 March 2010**  
(30) Convention priority data:  
(31) Number (32) Date (33) Country  
**001651019-0001 22 Dec 2009 EUROPEAN COMMUNITY**  
(56) Related Art Documents: **Not Applicable**  
(57) Statement of Newness and Distinctiveness: **Nil**



(21) Design Number: **10607/2010**  
(22) Date of Filing Application: **23 February 2010**  
(24) Date from which industrial property rights may have effect: **23 February 2010**  
(54) Product in respect of which the design is registered: **Coat**  
(51) International Design Classification: **02-02NES**  
(71) Name(s) and Address(s) of Applicant(s):  
**Laundry Athletics LLP**  
**Unit 60 The Runnings Cheltenham GL51 9NW United Kingdom**  
(72) Name(s) of Designer(s): **Sasha Rushworth**  
(45) Registration Date: **19 March 2010**  
(30) Convention priority data:  
(31) Number (32) Date (33) Country  
**001651019-0002 22 Dec 2009 EUROPEAN COMMUNITY**  
(56) Related Art Documents: **Not Applicable**  
(57) Statement of Newness and Distinctiveness: **Nil**



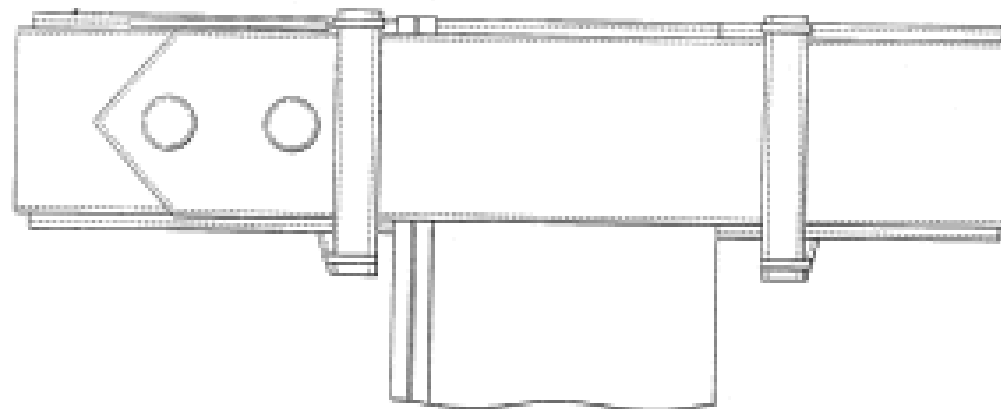
(21) Design Number: **10608/2010**  
(22) Date of Filing Application: **23 February 2010**  
(24) Date from which industrial property rights may have effect: **23 February 2010**  
(54) Product in respect of which the design is registered: **Boot**  
(51) International Design Classification: **02-04NES**  
(71) Name(s) and Address(s) of Applicant(s):  
**Laundry Athletics LLP**  
**Unit 60 The Runnings Cheltenham GL51 9NW United Kingdom**  
(72) Name(s) of Designer(s): **James Holder**  
(45) Registration Date: **19 March 2010**  
(30) Convention priority data:  
(31) Number (32) Date (33) Country  
**001651019-0003 22 Dec 2009 EUROPEAN COMMUNITY**  
(56) Related Art Documents: **Not Applicable**  
(57) Statement of Newness and Distinctiveness: **Nil**



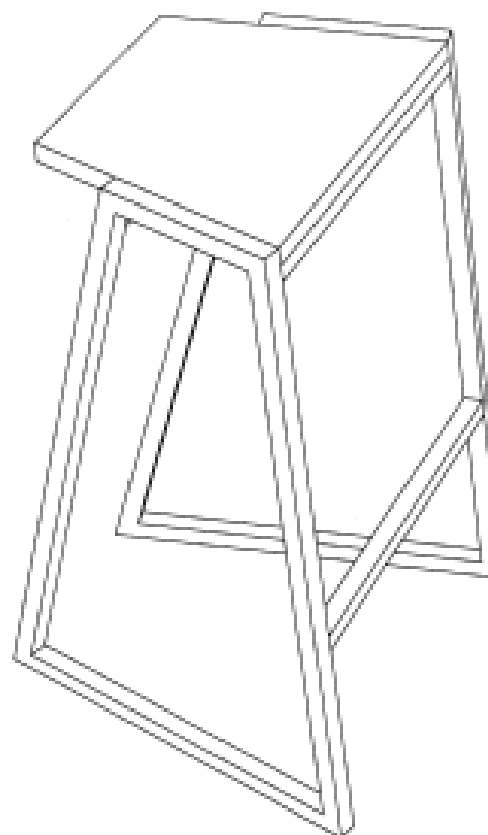
(21) Design Number: **10609/2010**  
(22) Date of Filing Application: **23 February 2010**  
(24) Date from which industrial property rights may have effect: **23 February 2010**  
(54) Product in respect of which the design is registered: **Shirt**  
(51) International Design Classification: **02-02NES**  
(71) Name(s) and Address(s) of Applicant(s):  
**Laundry Athletics LLP**  
**Unit 60 The Runnings Cheltenham GL51 9NW United Kingdom**  
(72) Name(s) of Designer(s): **Sasha Rushworth**  
(45) Registration Date: **19 March 2010**  
(30) Convention priority data:  
(31) Number (32) Date (33) Country  
**001651019-0004 22 Dec 2009 EUROPEAN COMMUNITY**  
(56) Related Art Documents: **Not Applicable**  
(57) Statement of Newness and Distinctiveness: **Nil**



(21) Design Number: **10610/2010**  
(22) Date of Filing Application: **23 February 2010**  
(24) Date from which industrial property rights may have effect: **23 February 2010**  
(54) Product in respect of which the design is registered: **Collar**  
(51) International Design Classification: **02-02B**  
(71) Name(s) and Address(s) of Applicant(s):  
**Laundry Athletics LLP**  
**Unit 60 The Runnings Cheltenham GL51 9NW United Kingdom**  
(72) Name(s) of Designer(s): **James Holder**  
(45) Registration Date: **19 March 2010**  
(30) Convention priority data:  
(31) Number (32) Date (33) Country  
**001651019-0005 22 Dec 2009 EUROPEAN COMMUNITY**  
(56) Related Art Documents: **Not Applicable**  
(57) Statement of Newness and Distinctiveness: **Nil**



(21) Design Number: **10612/2010**  
(22) Date of Filing Application: **24 February 2010**  
(24) Date from which industrial property rights may have effect: **24 February 2010**  
(54) Product in respect of which the design is registered: **Stool**  
(51) International Design Classification: **06-01E**  
(71) Name(s) and Address(s) of Applicant(s):  
**Adam Burns**  
**42 Trappers Way Clareville New South Wales 2107 Australia**  
(72) Name(s) of Designer(s): **Adam Burns**  
(45) Registration Date: **19 March 2010**  
(56) Related Art Documents: **Not Applicable**  
(57) Statement of Newness and Distinctiveness: **Newness and distinctiveness is claimed in visual features shown in solid lines in the representations.**



(21) Design Number: **10054/2010**

(22) Date of Filing Application: **08 January 2010**

(24) Date from which industrial property rights may have effect: **08 January 2010**

(54) Product in respect of which the design is registered: **Seal outer plate**

(51) International Design Classification: **15-03B**

(71) Name(s) and Address(s) of Applicant(s):

**Greenfield Mowers Pty Ltd**

**Acacia Ridge Business Park Unit 7/1502 Beaudesert Road (Cnr Fox Road) Acacia Ridge Queensland 4110 Australia**

(72) Name(s) of Designer(s): **Theodore William Reinhold**

(45) Registration Date: **22 March 2010**

(56) Related Art Documents: **Not Applicable**

(57) Statement of Newness and Distinctiveness: **Newness and distinctiveness resides in the shape and configuration of a seal outer plate as shown in the accompanying illustrations wherein: Fig.1 is a side view of side "A" of a seal outer plate; and Fig.2 is a side view of side "B" of a seal outer plate.**



(21) Design Number: **10055/2010**

(22) Date of Filing Application: **08 January 2010**

(24) Date from which industrial property rights may have effect: **08 January 2010**

(54) Product in respect of which the design is registered: **Seal inner plate**

(51) International Design Classification: **15-03B**

(71) Name(s) and Address(s) of Applicant(s):

**Greenfield Mowers Pty Ltd**

**Acacia Ridge Business Park Unit 7/1502 Beaudesert Road (Cnr Fox Road) Acacia Ridge Queensland 4110 Australia**

(72) Name(s) of Designer(s): **Theodore William Reinhold**

(45) Registration Date: **22 March 2010**

(56) Related Art Documents: **Not Applicable**

(57) Statement of Newness and Distinctiveness: **Newness and distinctiveness resides in the shape and configuration of a seal inner plate as shown in the accompanying representations wherein: Fig.1 is a side view of side "A" of a seal inner plate; and Fig.2 is a side view of side "B" of a seal inner plate.**



- (21) Design Number: **10056/2010**
- (22) Date of Filing Application: **08 January 2010**
- (24) Date from which industrial property rights may have effect: **08 January 2010**
- (54) Product in respect of which the design is registered: **A wheel assembly**
- (51) International Design Classification: **15-03B**
- (71) Name(s) and Address(s) of Applicant(s):

**Greenfield Mowers Pty Ltd**  
**Acacia Ridge Business Park Unit 7/1502 Beaudesert Road (Cnr Fox Road) Acacia Ridge Queensland 4110 Australia**

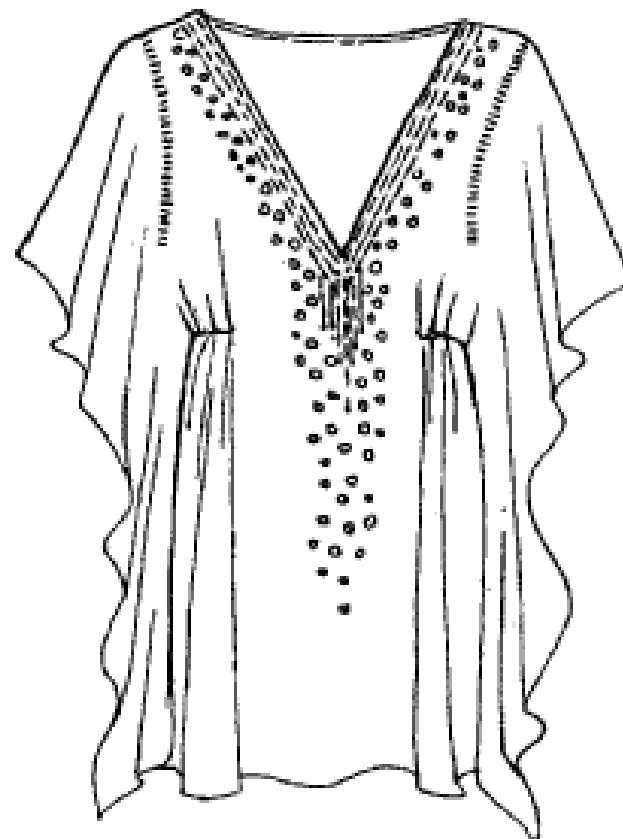
- (72) Name(s) of Designer(s): **Theodore William Reinhold**
- (45) Registration Date: **22 March 2010**
- (56) Related Art Documents: **Not Applicable**
- (57) Statement of Newness and Distinctiveness: **Newness and distinctiveness resides in the shape and configuration of a wheel assembly as shown in the accompanying representations wherein: Fig.1 is a side view of side "A" of the wheel assembly; Fig.2 is a side view of side "A" of the wheel assembly; Fig.3 is a side view of side "B" of the wheel assembly; Fig.4 is a side view of side "B" of the wheel assembly; and Fig.5 is an end view of the wheel assembly. When determining the newness and distinctiveness of the wheel assembly the shape and configuration of the tire is to be disregarded.**



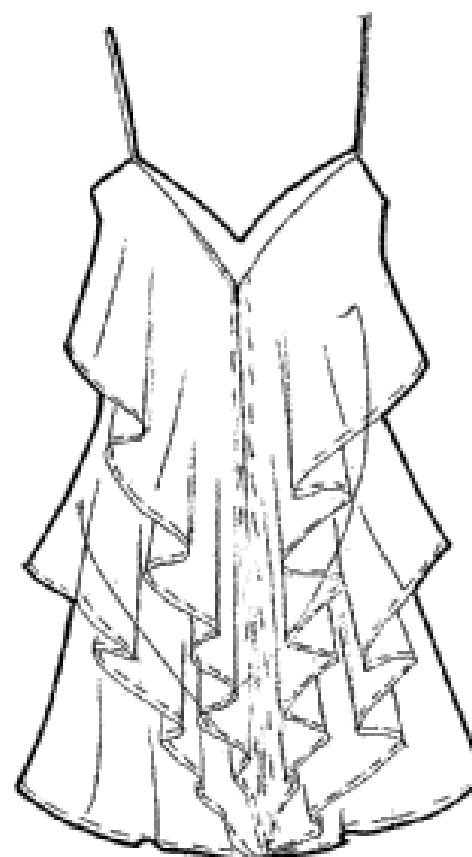
- (21) Design Number: **13536/2009**
- (22) Date of Filing Application: **14 September 2009**
- (24) Date from which industrial property rights may have effect: **14 September 2009**
- (54) Product in respect of which the design is registered: **Dress**
- (51) International Design Classification: **02-02NES**
- (71) Name(s) and Address(s) of Applicant(s):

**Forever New Clothing Pty Ltd**  
**Ground Floor 718 High Street Kew Victoria 3101 Australia**

- (72) Name(s) of Designer(s): **Lisa Tyler**
- (45) Registration Date: **23 March 2010**
- (56) Related Art Documents: **Not Applicable**
- (57) Statement of Newness and Distinctiveness: **The particular visual features of the design which the applicant hereby identifies as new and distinctive are as follows: A dress as illustrated in the accompanying representations.**



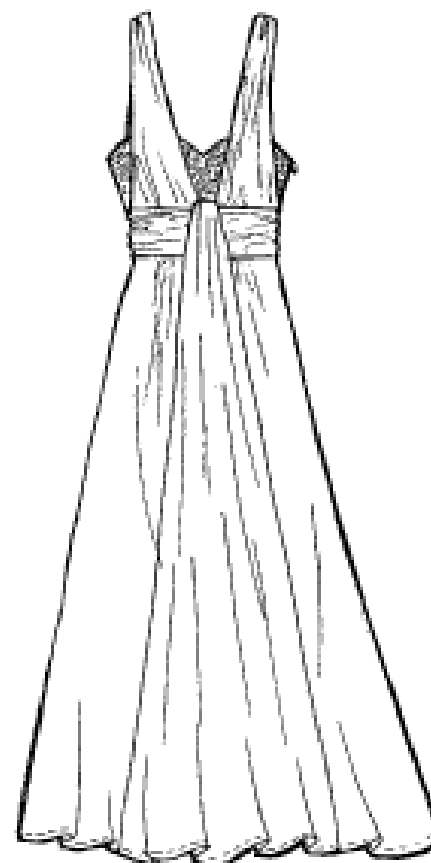
- (21) Design Number: **10862/2010**  
(22) Date of Filing Application: **14 September 2009**  
(24) Date from which industrial property rights may have effect: **14 September 2009**  
(54) Product in respect of which the design is registered: **Dress**  
(51) International Design Classification: **02-02C**  
(71) Name(s) and Address(s) of Applicant(s):  
**Forever New Clothing Pty Ltd**  
**Ground Floor 718 High Street Kew Victoria 3101 Australia**  
(72) Name(s) of Designer(s): **Lisa Tyler**  
(45) Registration Date: **23 March 2010**  
(56) Related Art Documents: **Not Applicable**  
(57) Statement of Newness and Distinctiveness: **The particular visual features of the design which the applicant hereby identifies as new and distinctive are as follows: a dress as illustrated in the accompanying representations.**



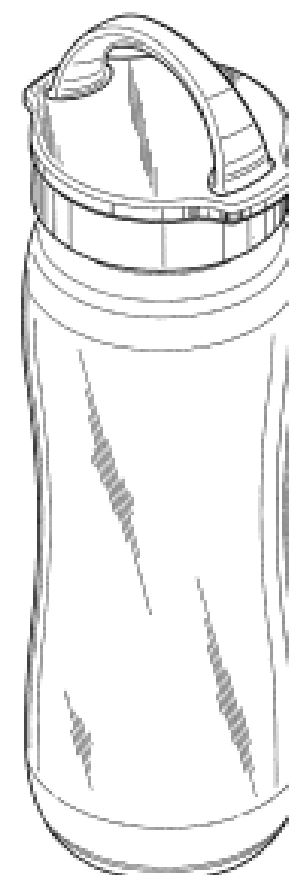
- (21) Design Number: **10863/2010**  
(22) Date of Filing Application: **14 September 2009**  
(24) Date from which industrial property rights may have effect: **14 September 2009**  
(54) Product in respect of which the design is registered: **Dress**  
(51) International Design Classification: **02-02C**  
(71) Name(s) and Address(s) of Applicant(s):  
**Forever New Clothing Pty Ltd**  
**Ground Floor 718 High Street Kew Victoria 3101 Australia**  
(72) Name(s) of Designer(s): **Lisa Tyler**  
(45) Registration Date: **23 March 2010**  
(56) Related Art Documents: **Not Applicable**  
(57) Statement of Newness and Distinctiveness: **The particular visual features of the design which the applicant hereby identifies as new and distinctive are as follows: a dress as illustrated in the accompanying representations.**



- (21) Design Number: **10864/2010**  
(22) Date of Filing Application: **14 September 2009**  
(24) Date from which industrial property rights may have effect: **14 September 2009**  
(54) Product in respect of which the design is registered: **Dress**  
(51) International Design Classification: **02-02C**  
(71) Name(s) and Address(s) of Applicant(s):  
**Forever New Clothing Pty Ltd**  
**Ground Floor 718 High Street Kew Victoria 3101 Australia**  
(72) Name(s) of Designer(s): **Lisa Tyler**  
(45) Registration Date: **23 March 2010**  
(56) Related Art Documents: **Not Applicable**  
(57) Statement of Newness and Distinctiveness: **The particular visual features of the design which the applicant hereby identifies as new and distinctive are as follows: a dress as illustrated in the accompanying representations.**

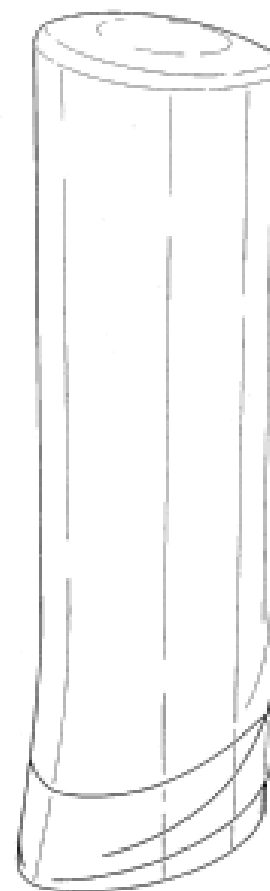


- (21) Design Number: **10037/2010**  
(22) Date of Filing Application: **07 January 2010**  
(24) Date from which industrial property rights may have effect: **07 January 2010**  
(54) Product in respect of which the design is registered: **Water bottle with lid**  
(51) International Design Classification: **07-01F, 09-01NES**  
(71) Name(s) and Address(s) of Applicant(s):  
**Lifefactory, Inc.**  
**480 Gate 5 Road Studio 300E Sausalito California 94965 United States of America**  
(72) Name(s) of Designer(s): **Daren Edward Joy and Pamela Wong Marcus**  
(45) Registration Date: **23 March 2010**  
(30) Convention priority data:  
(31) Number      (32) Date      (33) Country  
**29/339,756      07 Jul 2009      UNITED STATES OF AMERICA**  
(56) Related Art Documents: **Not Applicable**  
(57) Statement of Newness and Distinctiveness: **Those features of the water bottle with lid depicted in the representations that are new and distinctive are the shape and/or configuration.**

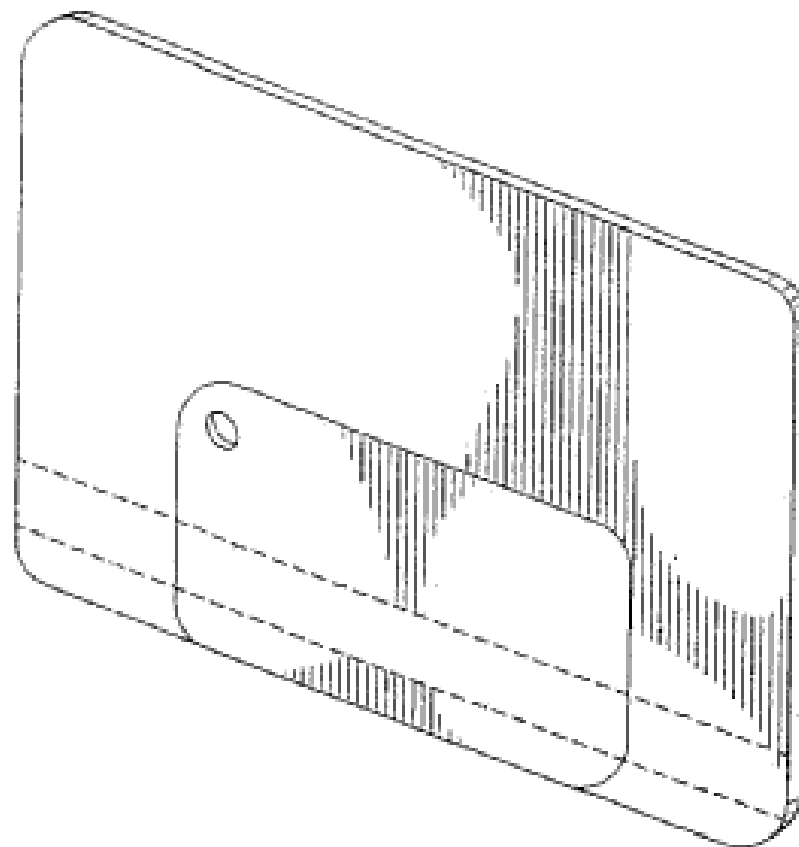




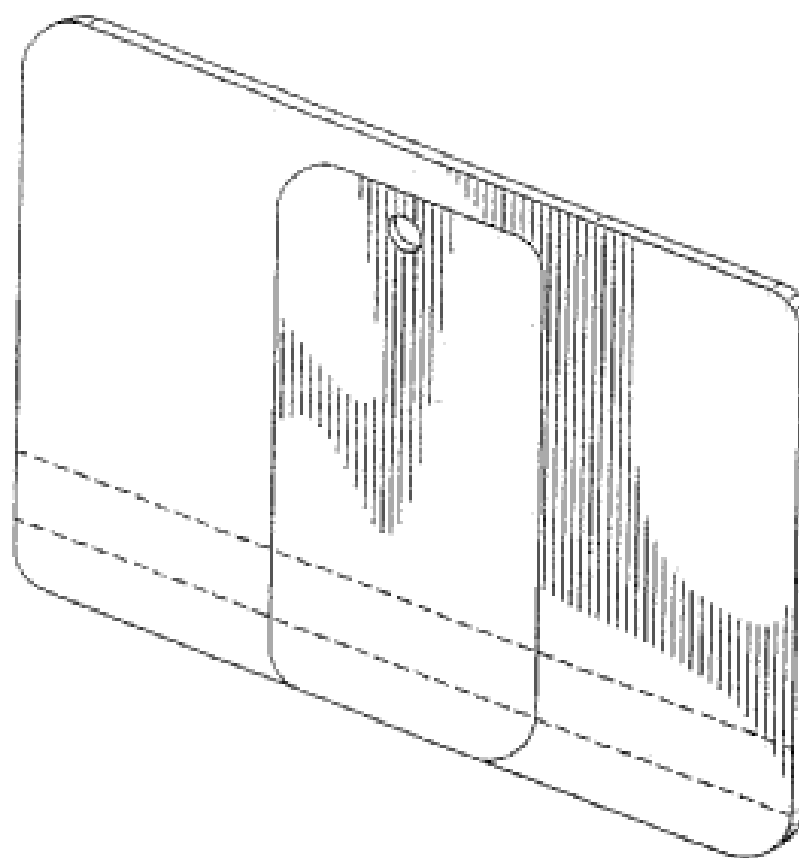
- (21) Design Number: **10265/2010**  
(22) Date of Filing Application: **27 January 2010**  
(24) Date from which industrial property rights may have effect: **27 January 2010**  
(54) Product in respect of which the design is registered: **Container**  
(51) International Design Classification: **09-01NES**  
(71) Name(s) and Address(s) of Applicant(s):  
**Unilever PLC**  
**Unilever House 100 Victoria Embankment London EC4Y 0DY United Kingdom**  
(72) Name(s) of Designer(s): **Benjamin Phalan Oates and Andrew Peter Sharpe and Neil John Smith**  
(45) Registration Date: **23 March 2010**  
(30) Convention priority data:  
(31) Number (32) Date (33) Country  
**4012161 12 Aug 2009 UNITED KINGDOM**  
(56) Related Art Documents: **Not Applicable**  
(57) Statement of Newness and Distinctiveness: **Newness and distinctiveness is claimed in the visual features shown in solid lines in the representations.**



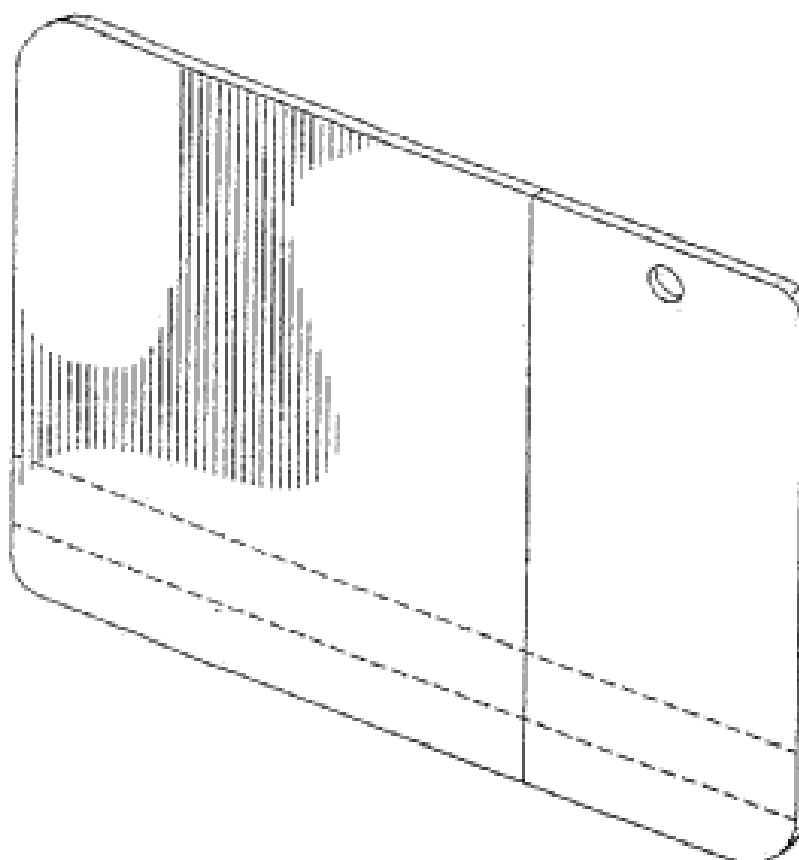
- (21) Design Number: **10291/2010**  
(22) Date of Filing Application: **28 January 2010**  
(24) Date from which industrial property rights may have effect: **28 January 2010**  
(54) Product in respect of which the design is registered: **Convertible Data Card**  
(51) International Design Classification: **19-01, 14-99**  
(71) Name(s) and Address(s) of Applicant(s):  
**Converta Card, LLC**  
**4560 King Street Denver CO 80211 United States of America**  
(72) Name(s) of Designer(s): **Larry D Trujillo**  
(45) Registration Date: **23 March 2010**  
(30) Convention priority data:  
(31) Number (32) Date (33) Country  
**29/341,226 31 Jul 2009 UNITED STATES OF AMERICA**  
(56) Related Art Documents: **Not Applicable**  
(57) Statement of Newness and Distinctiveness: **Visual features of the design which are new and distinctive are the features of shape, configuration, pattern and ornamentation of a CONVERTIBLE DATA CARD as illustrated in the representations.**



(21) Design Number: **10596/2010**  
 (22) Date of Filing Application: **28 January 2010**  
 (24) Date from which industrial property rights may have effect: **28 January 2010**  
 (54) Product in respect of which the design is registered: **Convertible data card**  
 (51) International Design Classification: **19-01, 14-99**  
 (71) Name(s) and Address(s) of Applicant(s):  
**Converta Card, LLC**  
**4560 King Street Denver CO 80211 United States of America**  
 (72) Name(s) of Designer(s): **Larry D Trujillo**  
 (45) Registration Date: **23 March 2010**  
 (30) Convention priority data:  
 (31) Number (32) Date (33) Country  
**29/341,226 31 Jul 2009 UNITED STATES OF AMERICA**  
 (56) Related Art Documents: **Not Applicable**  
 (57) Statement of Newness and Distinctiveness: **Visual features of the design which are new and distinctive are the features of shape, configuration, pattern and ornamentation of a CONVERTIBLE DATA CARD as illustrated in the representations.**



(21) Design Number: **10597/2010**  
 (22) Date of Filing Application: **28 January 2010**  
 (24) Date from which industrial property rights may have effect: **28 January 2010**  
 (54) Product in respect of which the design is registered: **Convertible data card**  
 (51) International Design Classification: **19-01, 14-99**  
 (71) Name(s) and Address(s) of Applicant(s):  
**Converta Card, LLC**  
**4560 King Street Denver CO 80211 United States of America**  
 (72) Name(s) of Designer(s): **Larry D Trujillo**  
 (45) Registration Date: **23 March 2010**  
 (30) Convention priority data:  
 (31) Number (32) Date (33) Country  
**29/341,226 31 Jul 2009 UNITED STATES OF AMERICA**  
 (56) Related Art Documents: **Not Applicable**  
 (57) Statement of Newness and Distinctiveness: **Visual features of the design which are new and distinctive are the features of shape, configuration, pattern and ornamentation of a CONVERTIBLE DATA CARD as illustrated in the representations.**



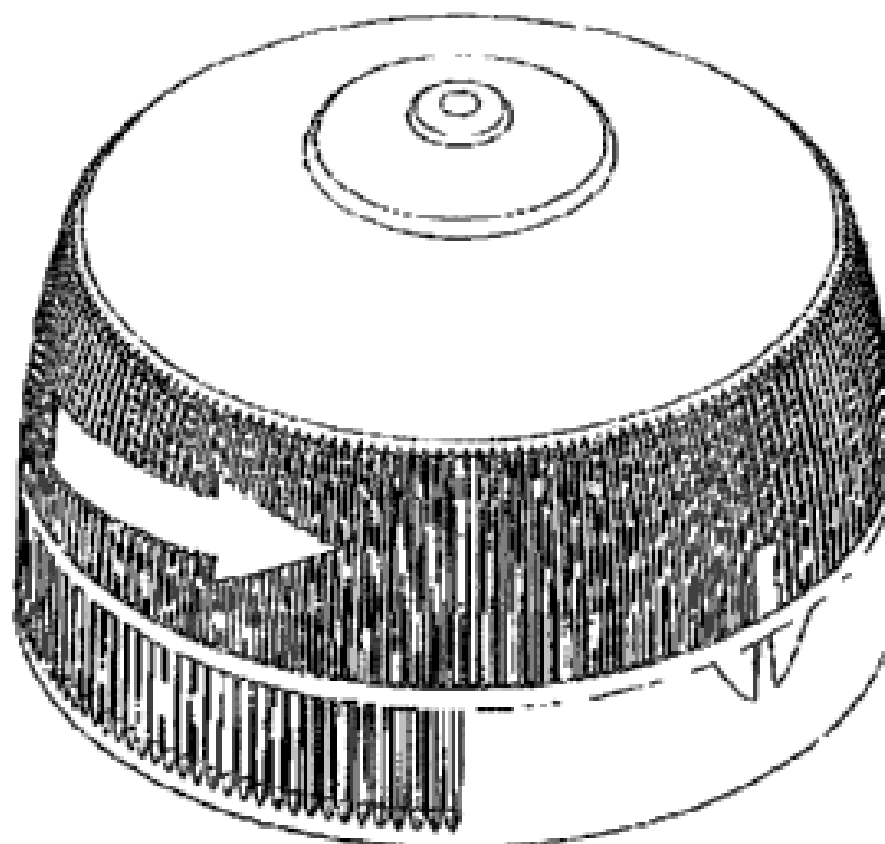
- (21) Design Number: **10513/2010**  
(22) Date of Filing Application: **16 February 2010**  
(24) Date from which industrial property rights may have effect: **16 February 2010**  
(54) Product in respect of which the design is registered: **Automobile**  
(51) International Design Classification: **12-08**  
(71) Name(s) and Address(s) of Applicant(s):  
**Dr. Ing.h.c. F Porsche Aktiengesellschaft**  
**Porscheplatz 1 D-70435 Stuttgart Germany**  
(72) Name(s) of Designer(s): **Mitja Borkert**  
(45) Registration Date: **23 March 2010**  
(56) Related Art Documents: **Not Applicable**  
(57) Statement of Newness and Distinctiveness: **Nil**



- (21) Design Number: **10559/2010**  
(22) Date of Filing Application: **19 February 2010**  
(24) Date from which industrial property rights may have effect: **19 February 2010**  
(54) Product in respect of which the design is registered: **A sipper cap assembly**  
(51) International Design Classification: **09-07B**  
(71) Name(s) and Address(s) of Applicant(s):  
**Sistema Plastics Limited**  
**80 Hugo Johnston Drive Penrose Auckland 1061 New Zealand**  
(72) Name(s) of Designer(s): **Allin Nicholas Russell and James Richard Manley**  
**and Brendan Jon Lindsay**  
(45) Registration Date: **23 March 2010**  
(30) Convention priority data:  

(31) Number	(32) Date	(33) Country
<b>412623</b>	<b>20 Aug 2009</b>	<b>NEW ZEALAND</b>

  
(56) Related Art Documents: **Not Applicable**  
(57) Statement of Newness and Distinctiveness: **The novelty claimed for the design resides in the features of shape and/or configuration all as shown in the interior of base region of the cap as viewed in the isometric view of the representations. No novelty is claimed for the ornamentation of the exterior nor for the shape and/or configuration of the interior of the skirt of the base region.**



(21) Design Number: **10603/2010**

(22) Date of Filing Application: **24 February 2010**

(24) Date from which industrial property rights may have effect: **24 February 2010**

(54) Product in respect of which the design is registered: **Lockstile endcap for 40mm sliding door**

(51) International Design Classification: **08-09**

(71) Name(s) and Address(s) of Applicant(s):

**Dezinal Pty Ltd**

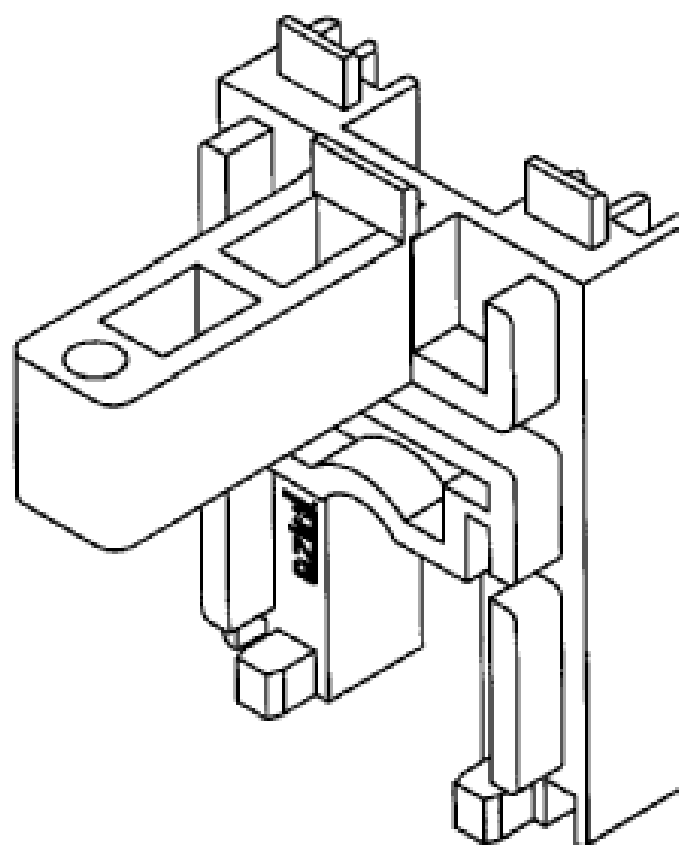
**C/- GCY Accountants Suites 1 & 2 Level 1-67 Lytton Road East  
Brisbane Queensland 4169 Australia**

(72) Name(s) of Designer(s): **Ronald Maxwell**

(45) Registration Date: **23 March 2010**

(56) Related Art Documents: **Not Applicable**

(57) Statement of Newness and Distinctiveness: **Designed to locate into the Lockstile (SD405) and Rail (SD404) to create a 90 degree assembly as an endcap and forming a finished corner alleviating processing to the lockstile corner normally associated with standard sliding doors.**



(21) Design Number: **10604/2010**

(22) Date of Filing Application: **24 February 2010**

(24) Date from which industrial property rights may have effect: **24 February 2010**

(54) Product in respect of which the design is registered: **Interlock bottom end cap for 40mm sliding door**

(51) International Design Classification: **08-09**

(71) Name(s) and Address(s) of Applicant(s):

**Dezinal Pty Ltd**

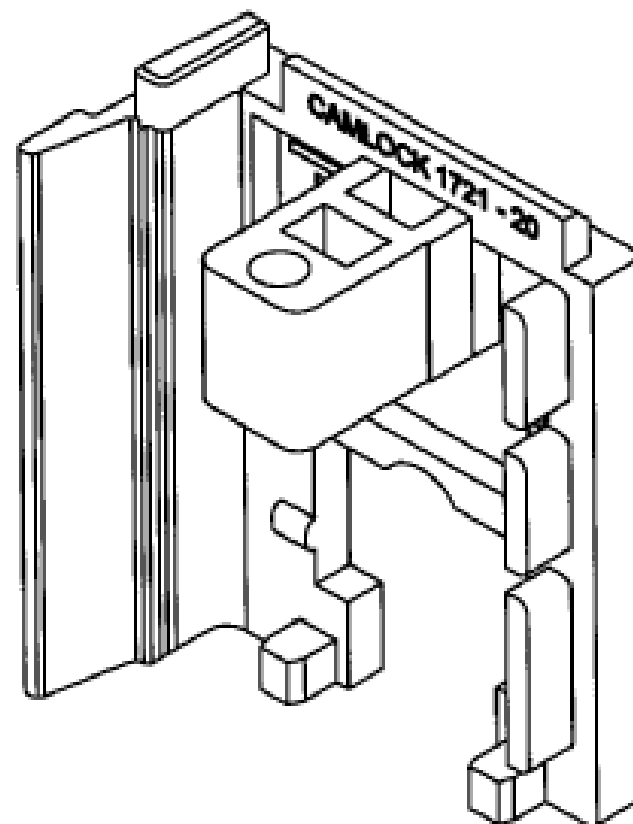
**C/- GCY Accountants Suites 1 & 2 Level 1-67 Lytton Road East  
Brisbane Queensland 4169 Australia**

(72) Name(s) of Designer(s): **Ronald Maxwell**

(45) Registration Date: **23 March 2010**

(56) Related Art Documents: **Not Applicable**

(57) Statement of Newness and Distinctiveness: **Designed to locate into the bottom of the Interlock Stile (SD406) and Rail (SD404) to create a 90 degree assembly as an endcap and forming a finished corner, alleviating processing to the interlock stile corner normally associated with standard sliding doors.**



(21) Design Number: **10605/2010**

(22) Date of Filing Application: **24 February 2010**

(24) Date from which industrial property rights may have effect: **24 February 2010**

(54) Product in respect of which the design is registered: **Interlock bottom end cap for 40mm sliding door**

(51) International Design Classification: **08-09**

(71) Name(s) and Address(s) of Applicant(s):

**Dezinal Pty Ltd**

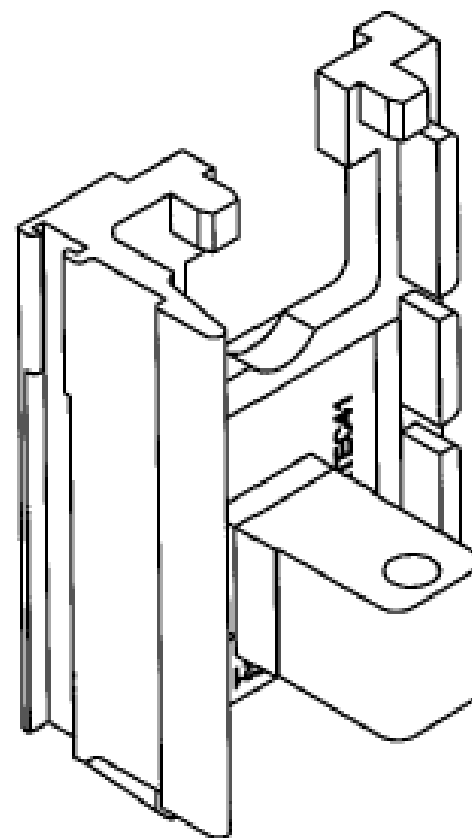
**C/- GCY Accountants Suites 1 & 2 Level 1-67 Lytton Road East  
Brisbane Queensland 4169 Australia**

(72) Name(s) of Designer(s): **Ronald Maxwell**

(45) Registration Date: **23 March 2010**

(56) Related Art Documents: **Not Applicable**

(57) Statement of Newness and Distinctiveness: **Designed to locate into the top of the Interlock Stile (SD406) and Rail(SD404) to create a 90 degree assembly as an endcap and forming a finished corner, alleviating processing to the interlock stile corner normally associated with standard sliding doors.**



(21) Design Number: **12424/2009**

(22) Date of Filing Application: **03 July 2009**

(24) Date from which industrial property rights may have effect: **03 July 2009**

(54) Product in respect of which the design is registered: **Standing lamp**

(51) International Design Classification: **26-05B**

(71) Name(s) and Address(s) of Applicant(s):

**Damien Scott Hipwell**

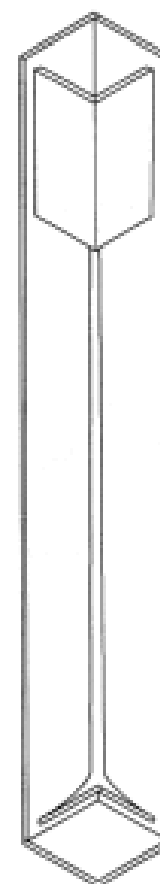
**47 Tocumwal Road Numurkah Victoria 3636 Australia**

(72) Name(s) of Designer(s): **Damien Scott Hipwell**

(45) Registration Date: **23 March 2010**

(56) Related Art Documents: **Not Applicable**

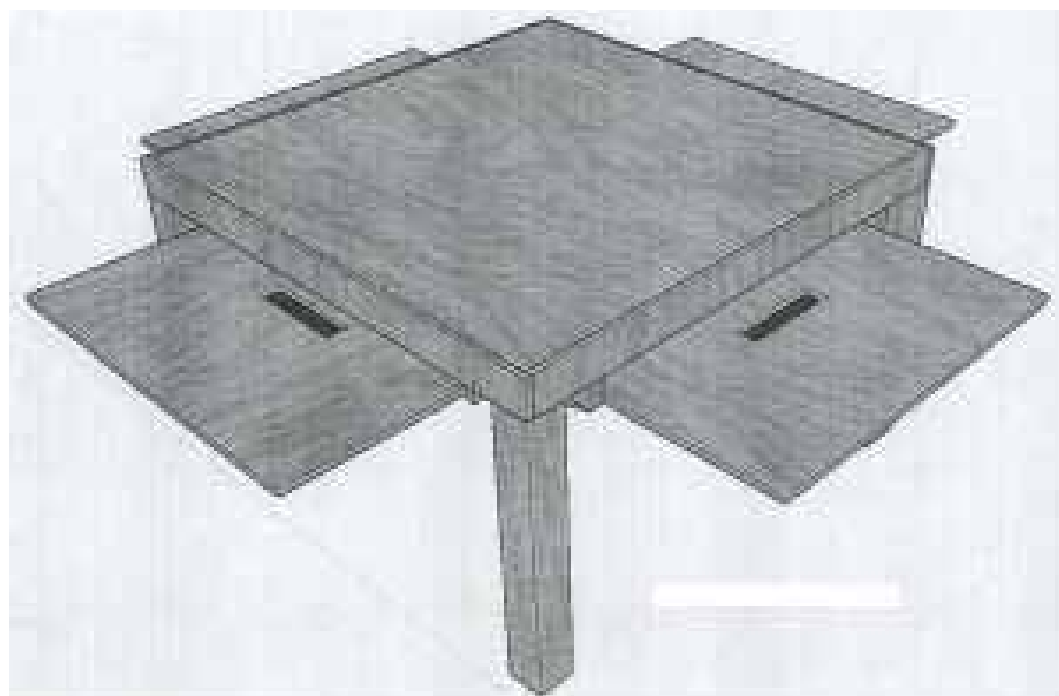
(57) Statement of Newness and Distinctiveness: **This lamp is made so as it fits into the corner of a wall.**



- (21) Design Number: **14083/2009**  
(22) Date of Filing Application: **13 October 2009**  
(24) Date from which industrial property rights may have effect: **13 October 2009**  
(54) Product in respect of which the design is registered: **Enclosed camper trailer having doors on three sides which when opened are linked horizontally to form a continuous**  
(51) International Design Classification: **12-10, 12-16NES**  
(71) Name(s) and Address(s) of Applicant(s):  
**Kevin Haskell**  
**338 Central Coast Highway Erina New South Wales 2250 Australia**  
(72) Name(s) of Designer(s): **Kevin Haskell**  
(45) Registration Date: **23 March 2010**  
(56) Related Art Documents: **Not Applicable**  
(57) Statement of Newness and Distinctiveness: **Unit is a fully enclosed box. Top mounted doors are linked when open via insert, flap or panel in the horizontal plane, for shelter. Walls can follow the perimeter, usually flexible materials.**



- (21) Design Number: **14300/2009**  
(22) Date of Filing Application: **05 November 2009**  
(24) Date from which industrial property rights may have effect: **05 November 2009**  
(54) Product in respect of which the design is registered: **Game table**  
(51) International Design Classification: **06-03D**  
(71) Name(s) and Address(s) of Applicant(s):  
**William Stanley Grenfell**  
**4 Tulip Court Parafield Gardens South Australia 5107 Australia**  
**Frank John Bruzzaniti**  
**4 Tulip Court Parafield Gardens South Australia 5107 Australia**  
(72) Name(s) of Designer(s): **Frank John Bruzzaniti and William Stanley Grenfell**  
(45) Registration Date: **23 March 2010**  
(56) Related Art Documents: **Not Applicable**  
(57) Statement of Newness and Distinctiveness: **4 post leg table with under hanging pull out tables and built in dice trays for every seated position. Large solid table leaves that cover the sunken play surface flush with the surface of the table. The ability to divide the play surface into half standard table top and half sunken play surface.**



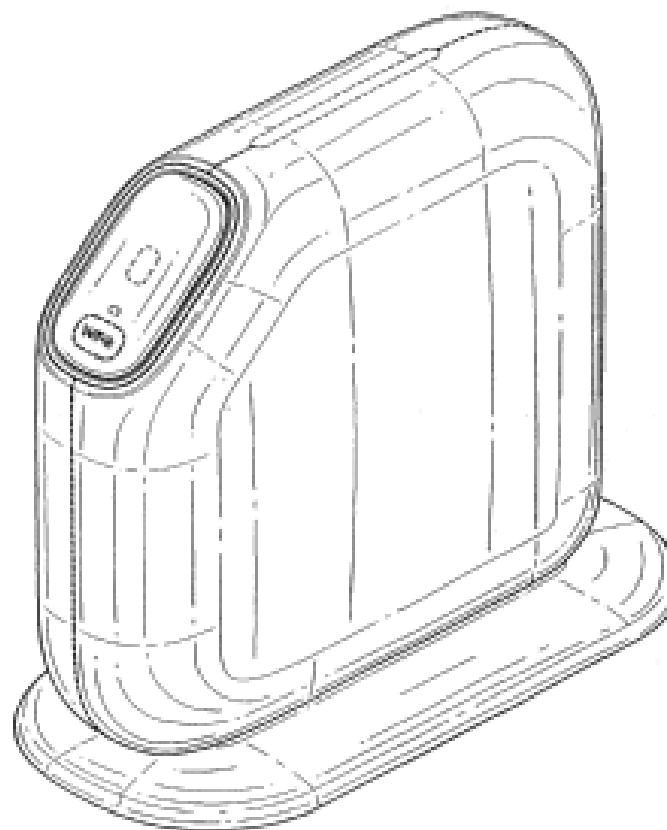
- (21) Design Number: **10057/2010**  
(22) Date of Filing Application: **08 January 2010**  
(24) Date from which industrial property rights may have effect: **08 January 2010**  
(54) Product in respect of which the design is registered: **A seal cap**  
(51) International Design Classification: **09-07C**  
(71) Name(s) and Address(s) of Applicant(s):  
**Greenfield Mowers Pty Ltd**  
**Acacia Ridge Business Park Unit 7/1502 Beaudesert Road (Cnr Fox Road) Acacia Ridge Queensland 4110 Australia**  
(72) Name(s) of Designer(s): **Theodore William Reinhold**  
(45) Registration Date: **23 March 2010**  
(56) Related Art Documents: **Not Applicable**  
(57) Statement of Newness and Distinctiveness: **Newness and distinctiveness resides in the shape and configuration of a seal cap as shown in the accompanying representations wherein: Fig. 1 is a plan view from above of a seal cap; Fig. 2 is a plan view from below of the seal cap; Fig. 3 is a pictorial side view of the seal cap; Fig. 4 is a pictorial side view of the seal cap; and Fig. 5 is a pictorial side view of the seal cap.**



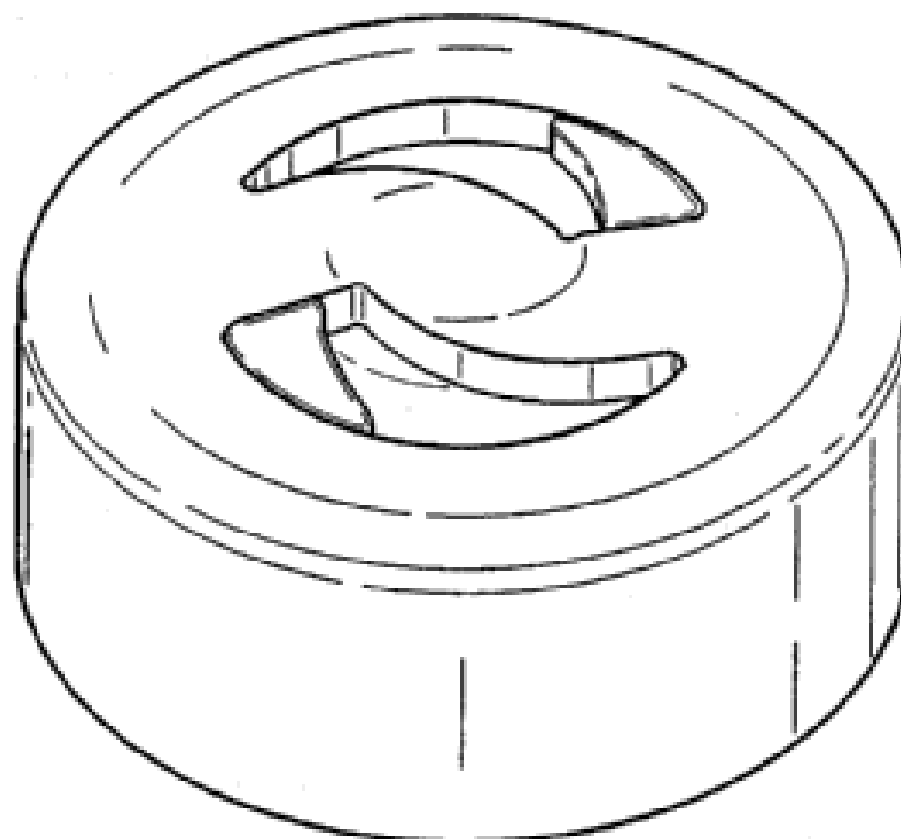
- (21) Design Number: **10206/2010**  
(22) Date of Filing Application: **19 January 2010**  
(24) Date from which industrial property rights may have effect: **19 January 2010**  
(54) Product in respect of which the design is registered: **Desk**  
(51) International Design Classification: **06-03C**  
(71) Name(s) and Address(s) of Applicant(s):  
**Sean Linkson**  
**2 Paterson Road Coalcliff New South Wales 2508 Australia**  
(72) Name(s) of Designer(s): **Sean Linkson**  
(45) Registration Date: **23 March 2010**  
(56) Related Art Documents: **Not Applicable**  
(57) Statement of Newness and Distinctiveness: **Newness and distinctiveness reside in the features of shape and/or configuration of the desk, as shown in the accompanying representations.**



- (21) Design Number: **10279/2010**  
(22) Date of Filing Application: **28 January 2010**  
(24) Date from which industrial property rights may have effect: **28 January 2010**  
(54) Product in respect of which the design is registered: **Router**  
(51) International Design Classification: **14-02**  
(71) Name(s) and Address(s) of Applicant(s):  
**Belkin International, Inc.**  
**501 W. Walnut Street Compton California 90220 United States of America**  
(72) Name(s) of Designer(s): **Throben Neu and Yuji Ikeda and Michael E. Wick and Abraham Camacho and Matthew P. Glidden**  
(45) Registration Date: **23 March 2010**  
(30) Convention priority data:  
(31) Number (32) Date (33) Country  
**29/340954 28 Jul 2009 UNITED STATES OF AMERICA**  
(56) Related Art Documents: **Not Applicable**  
(57) Statement of Newness and Distinctiveness: **Newness and distinctiveness is claimed in the features of shape and/or configuration of a router as illustrated in the solid lines in the accompanying representations.**



- (21) Design Number: **10383/2010**  
(22) Date of Filing Application: **03 February 2010**  
(24) Date from which industrial property rights may have effect: **03 February 2010**  
(54) Product in respect of which the design is registered: **Cap**  
(51) International Design Classification: **09-07C**  
(71) Name(s) and Address(s) of Applicant(s):  
**Unilever PLC**  
**Unilever House 100 Victoria Embankment London EC4Y 0DY United Kingdom**  
(72) Name(s) of Designer(s): **Janardhana Sridhar**  
(45) Registration Date: **23 March 2010**  
(30) Convention priority data:  
(31) Number (32) Date (33) Country  
**4012139 13 Aug 2009 UNITED KINGDOM**  
(56) Related Art Documents: **Not Applicable**  
(57) Statement of Newness and Distinctiveness: **Newness and distinctiveness is claimed in the visual features shown in solid lines in the representations.**





(21) Design Number: **10459/2010**

(22) Date of Filing Application: **10 February 2010**

(24) Date from which industrial property rights may have effect: **10 February 2010**

(54) Product in respect of which the design is registered: **Radio frequency identification chip and antenna**

(51) International Design Classification: **14-03NES**

(71) Name(s) and Address(s) of Applicant(s):

**Drew Bellamy**

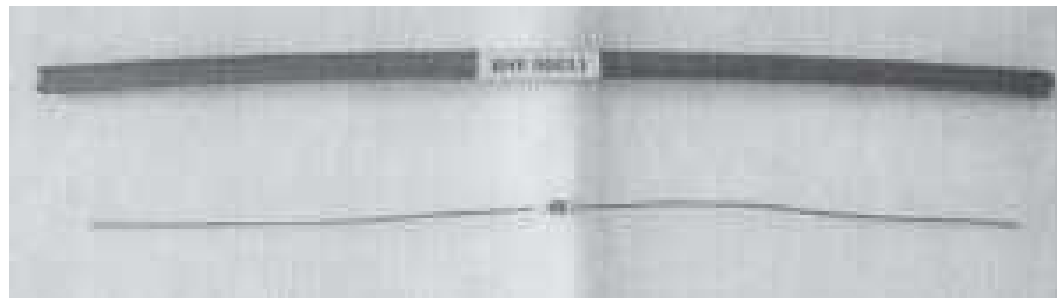
**8 West Lorne Street Floreat Perth Western Australia 6014 Australia**

(72) Name(s) of Designer(s): **Drew Bellamy**

(45) Registration Date: **23 March 2010**

(56) Related Art Documents: **Not Applicable**

(57) Statement of Newness and Distinctiveness: **RFID Tag and housing shape, combined with the chip serial number stamped/written on the exterior of the housing for use in mining and exploration mineral sample bags.**



(21) Design Number: **10460/2010**

(22) Date of Filing Application: **10 February 2010**

(24) Date from which industrial property rights may have effect: **10 February 2010**

(54) Product in respect of which the design is registered: **Mining and exploration mineral sample bag**

(51) International Design Classification: **03-01NES**

(71) Name(s) and Address(s) of Applicant(s):

**Drew Bellamy**

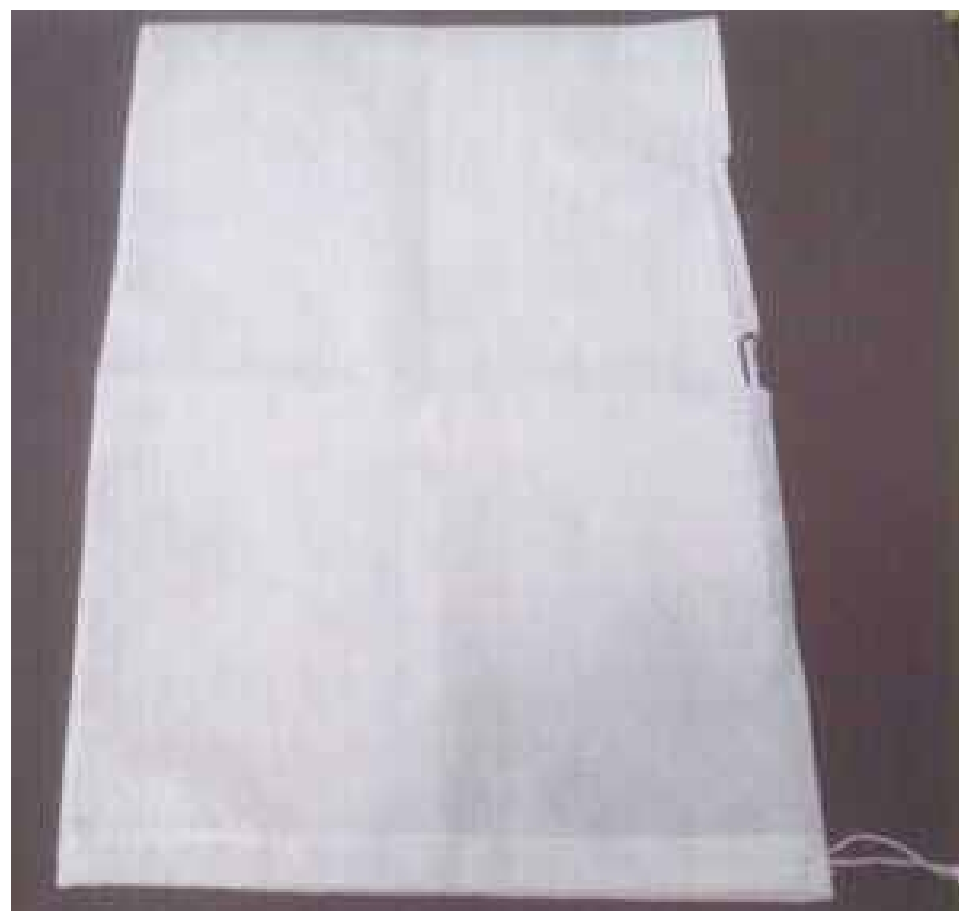
**8 West Lorne Street Floreat Perth Western Australia 6014 Australia**

(72) Name(s) of Designer(s): **Drew Bellamy**

(45) Registration Date: **23 March 2010**

(56) Related Art Documents: **Not Applicable**

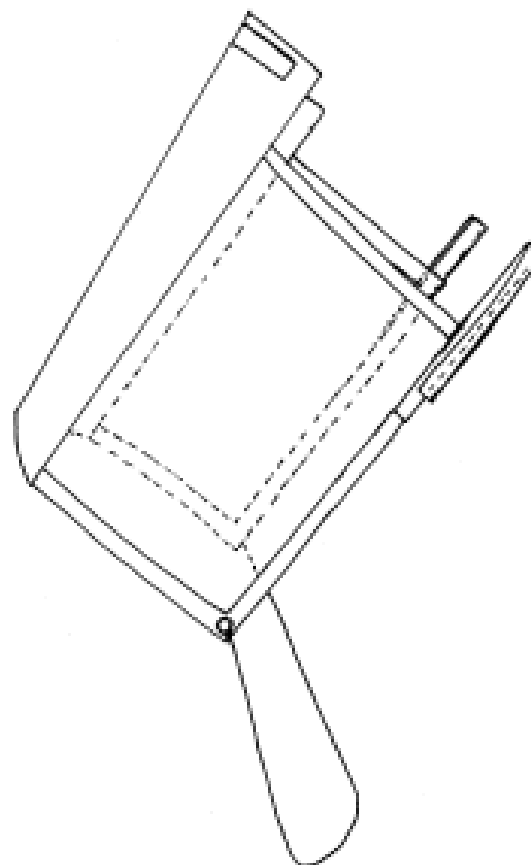
(57) Statement of Newness and Distinctiveness: **The pocket on the side of the bag is 24cm x 1.5cm, open at the top and has a 2cm window midway to manually read GEO-TAG serial number.**



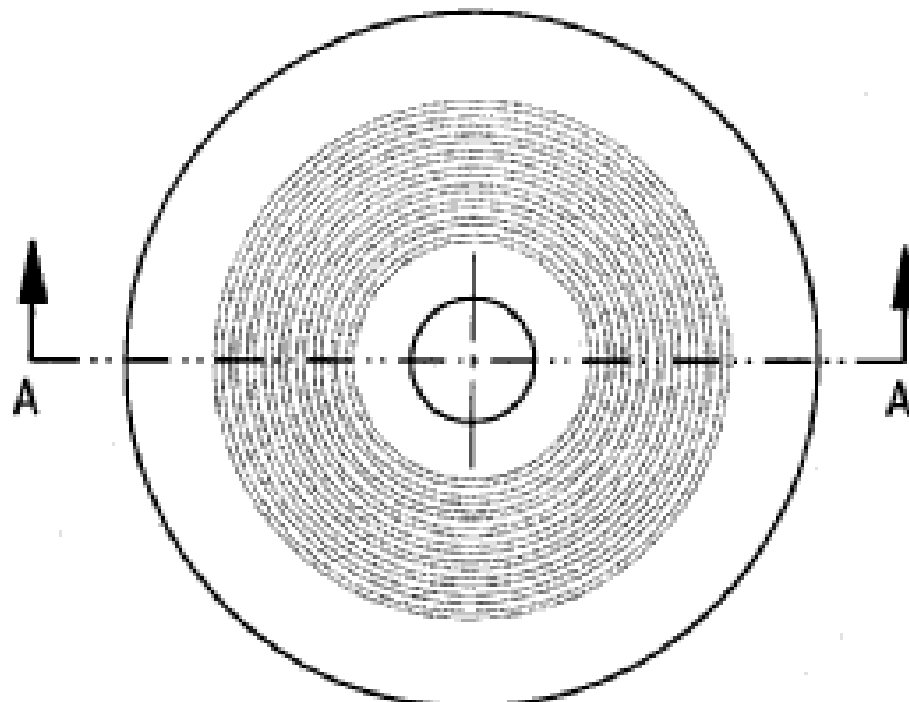
- (21) Design Number: **10514/2010**  
(22) Date of Filing Application: **16 February 2010**  
(24) Date from which industrial property rights may have effect: **16 February 2010**  
(54) Product in respect of which the design is registered: **Automobile**  
(51) International Design Classification: **12-08**  
(71) Name(s) and Address(s) of Applicant(s):  
**Dr. Ing.h.c. F Porsche Aktiengesellschaft**  
**Porscheplatz 1 D-70435 Stuttgart Germany**  
(72) Name(s) of Designer(s): **Mitja Borkert**  
(45) Registration Date: **23 March 2010**  
(56) Related Art Documents: **Not Applicable**  
(57) Statement of Newness and Distinctiveness: **Nil**



- (21) Design Number: **10534/2010**  
(22) Date of Filing Application: **12 February 2010**  
(24) Date from which industrial property rights may have effect: **12 February 2010**  
(54) Product in respect of which the design is registered: **Sun shade for pram/stroller**  
(51) International Design Classification: **03-03**  
(71) Name(s) and Address(s) of Applicant(s):  
**Felicia McQueen**  
**13 Norah Street Centenary Heights Queensland 4350 Australia**  
(72) Name(s) of Designer(s): **Felicia McQueen**  
(45) Registration Date: **24 March 2010**  
(56) Related Art Documents: **Not Applicable**  
(57) Statement of Newness and Distinctiveness: **To the best of my knowledge, a product with similar configuration or shape has not existed previously. Although this product features colourful fabric prints and patterns (as seen in photo examples), these are not what makes the design new and distinctive and have been omitted from drawings. Below are the key features of the design that make it new and distinctive: 3 panel configuration-the centre panel which forms the 'roof' of the shade and the left and right panels which form the sides; the irregular quadrilateral shape of the centre panel; the side panels have an irregular quadrilateral shape; the longer shape of the centre panel (compared to side panels); the positioning (or layout) of the 3 panels with respect to each other; where the fasteners are situated; the centre panel is opaque and not see-through; the side panels are not opaque. They are a see-through mesh; it is a non-rigid, foldable design that holds a 3-dimensional shape when attached to a pram or buggy.**



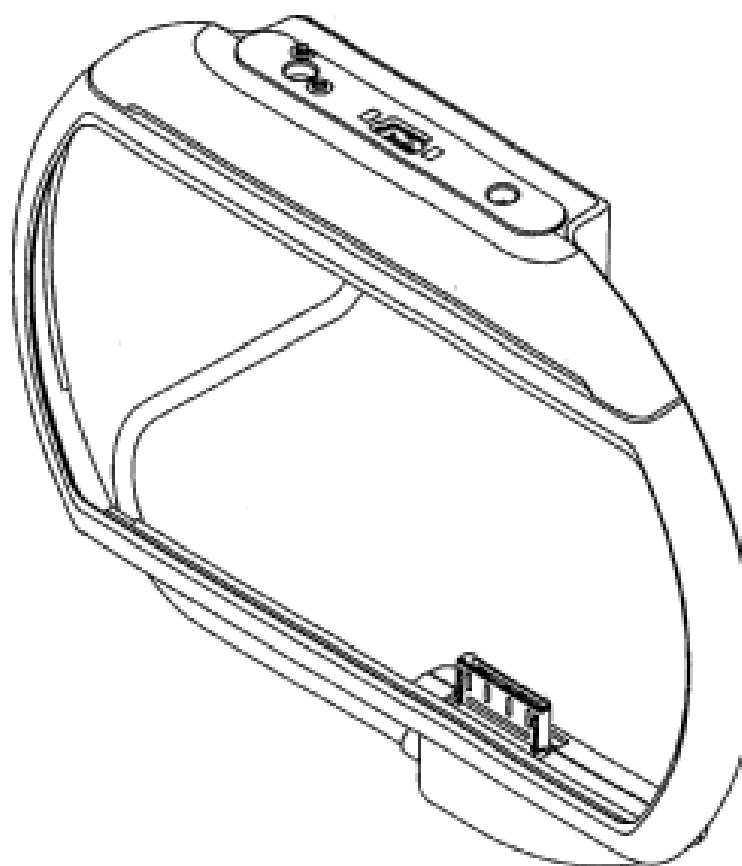
(21) Design Number: **10548/2010**  
 (22) Date of Filing Application: **17 February 2010**  
 (24) Date from which industrial property rights may have effect: **17 February 2010**  
 (54) Product in respect of which the design is registered: **Tactile ground surface indicator**  
 (51) International Design Classification: **13-03NES**  
 (71) Name(s) and Address(s) of Applicant(s):  
**Novaplas Architectural Products Pty Ltd**  
**17 Catalano Road Canning Vale Western Australia 6155 Australia**  
 (72) Name(s) of Designer(s): **Alistair John Calow**  
 (45) Registration Date: **24 March 2010**  
 (56) Related Art Documents: **Not Applicable**  
 (57) Statement of Newness and Distinctiveness: **A one piece tactile indicator button pressed, formed or coined from sheet metal disc, having countersunk central portion with concentric rings pressed into top surface.**



(21) Design Number: **10571/2010**  
 (22) Date of Filing Application: **19 February 2010**  
 (24) Date from which industrial property rights may have effect: **19 February 2010**  
 (54) Product in respect of which the design is registered: **Electric connector**  
 (51) International Design Classification: **14-02**  
 (71) Name(s) and Address(s) of Applicant(s):  
**Sony Computer Entertainment Inc.**  
**2-6-21 Minami-Aoyama Minato-ku Tokyo Japan**  
 (72) Name(s) of Designer(s): **Takashi Sogabe and Taichi Nokuo**  
 (45) Registration Date: **24 March 2010**  
 (30) Convention priority data:  

(31) Number	(32) Date	(33) Country
<b>2009-021732</b>	<b>18 Sep 2009</b>	<b>JAPAN</b>

 (56) Related Art Documents: **Not Applicable**  
 (57) Statement of Newness and Distinctiveness: **Nil**



(21) Design Number: **10637/2010**

(22) Date of Filing Application: **24 February 2010**

(24) Date from which industrial property rights may have effect: **24 February 2010**

(54) Product in respect of which the design is registered: **Aluminium extrusion**

(51) International Design Classification: **25-01K**

(71) Name(s) and Address(s) of Applicant(s):

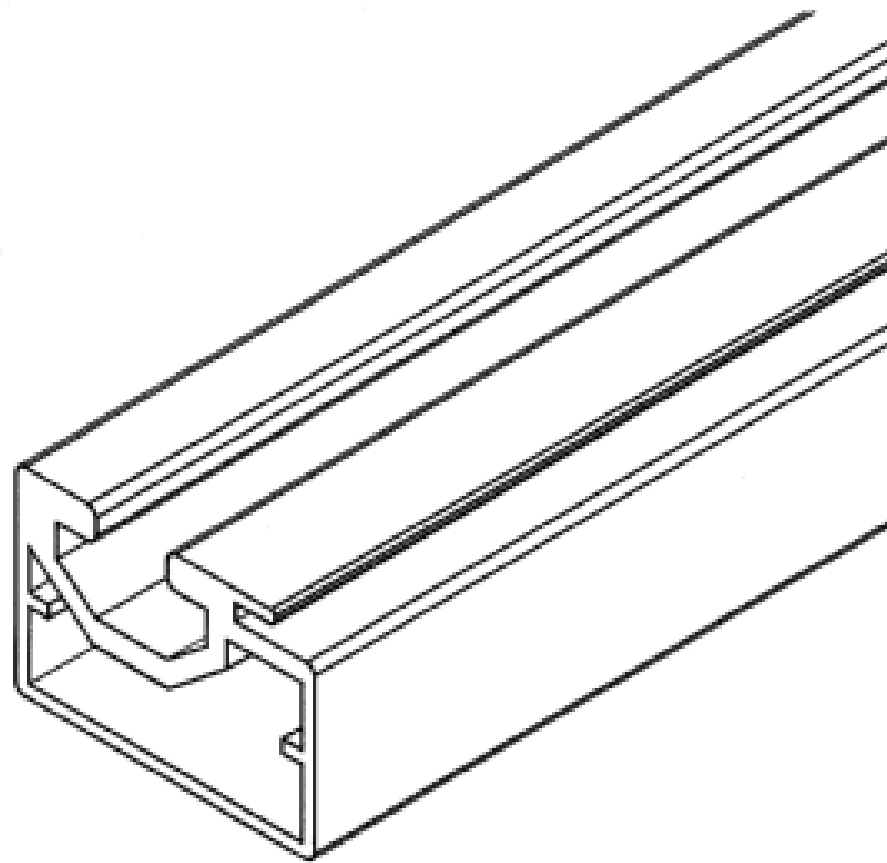
**Logix Engineering Pty Ltd**  
**Unit 4/49 Jijaws Street Sumner Park Brisbane Queensland 4074**  
**Australia**

(72) Name(s) of Designer(s): **Anthony Hamilton**

(45) Registration Date: **24 March 2010**

(56) Related Art Documents: **Not Applicable**

(57) Statement of Newness and Distinctiveness: **Monopoly is claimed in the shape and or configuration of an extrusion as illustrated by the representations. The extrusion is of constant cross section throughout its indefinite length, in considering the extent of monopoly protection the longitudinal extent of the article is to be disregarded.**



(21) Design Number: **10638/2010**

(22) Date of Filing Application: **25 February 2010**

(24) Date from which industrial property rights may have effect: **25 February 2010**

(54) Product in respect of which the design is registered: **Electric vehicle**

(51) International Design Classification: **12-08**

(71) Name(s) and Address(s) of Applicant(s):

**Suzhou Eagle Electric Vehicle Manufacturing Co., Ltd.**  
**No. 699 TongYuan Road Suzhou Industrial Park Suzhou City People's**  
**Republic of China**

(72) Name(s) of Designer(s): **Hualei Sun**

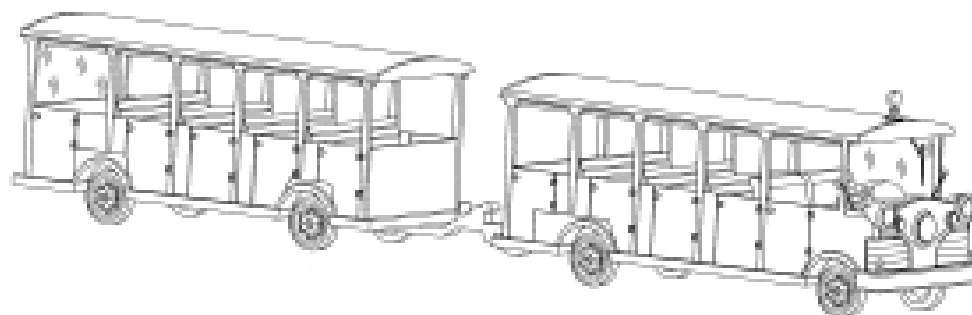
(45) Registration Date: **24 March 2010**

(30) Convention priority data:

(31) Number	(32) Date	(33) Country
<b>200930237437.7</b>	<b>29 Sep 2009</b>	<b>CHINA</b>

(56) Related Art Documents: **Not Applicable**

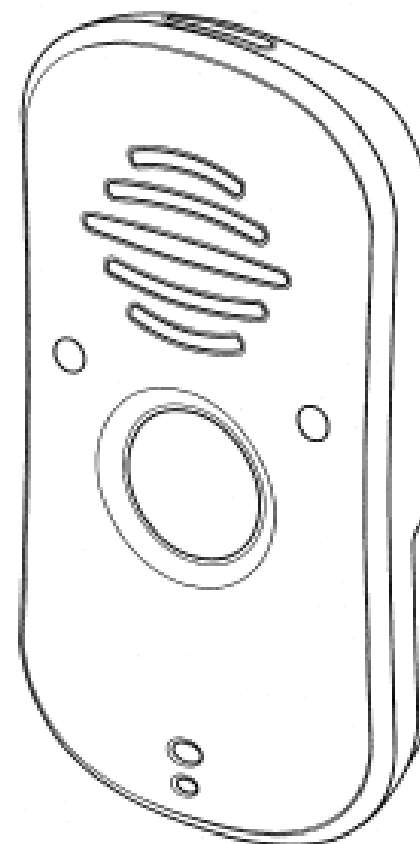
(57) Statement of Newness and Distinctiveness: **Newness and distinctiveness resides in the features of shape and/or configuration of an electric vehicle as illustrated in the accompanying representations.**



- (21) Design Number: **10641/2010**  
(22) Date of Filing Application: **25 February 2010**  
(24) Date from which industrial property rights may have effect: **25 February 2010**  
(54) Product in respect of which the design is registered: **Mechanical calliper**  
(51) International Design Classification: **12-16M**  
(71) Name(s) and Address(s) of Applicant(s):  
**AL-KO International Pty Ltd**  
**67-91 Nathan Road Dandenong South Victoria 3175 Australia**  
(72) Name(s) of Designer(s): **Slobodan Cabarkapa**  
(45) Registration Date: **24 March 2010**  
(56) Related Art Documents: **Not Applicable**  
(57) Statement of Newness and Distinctiveness: **The shape of the nuts and bolts attached to the calliper, as shown in the representations, are excluded from the design.**



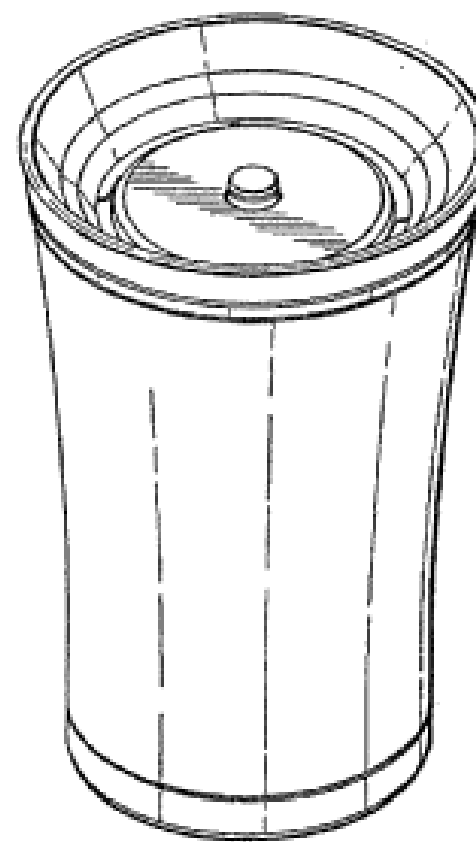
- (21) Design Number: **10642/2010**  
(22) Date of Filing Application: **25 February 2010**  
(24) Date from which industrial property rights may have effect: **25 February 2010**  
(54) Product in respect of which the design is registered: **A telephone**  
(51) International Design Classification: **14-03E**  
(71) Name(s) and Address(s) of Applicant(s):  
**Steven Spielvogel**  
**189 West 89th Street Apt 18A New York New York 10024 United States of America**  
(72) Name(s) of Designer(s): **Steven Spielvogel and William Robert Dorr**  
(45) Registration Date: **24 March 2010**  
(30) Convention priority data:  
(31) Number      (32) Date      (33) Country  
**29/343,092      08 Sep 2009      UNITED STATES OF AMERICA**  
(56) Related Art Documents: **Not Applicable**  
(57) Statement of Newness and Distinctiveness: **Nil**



(21) Design Number: **10663/2010**  
 (22) Date of Filing Application: **26 February 2010**  
 (24) Date from which industrial property rights may have effect: **26 February 2010**  
 (54) Product in respect of which the design is registered: **Tumbler**  
 (51) International Design Classification: **07-01C**  
 (71) Name(s) and Address(s) of Applicant(s):  
**Thermos L.L.C.**  
**2550 West Golf Road Suite 800 Rolling Meadows Illinois 60008 United States of America**  
 (72) Name(s) of Designer(s): **Alfredo Carreno**  
 (45) Registration Date: **24 March 2010**  
 (30) Convention priority data:  

(31) Number	(32) Date	(33) Country
<b>29/350858</b>	<b>24 Nov 2009</b>	<b>UNITED STATES OF AMERICA</b>

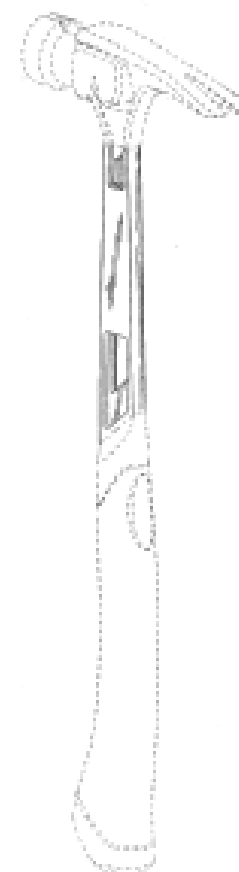
 (56) Related Art Documents: **Not Applicable**  
 (57) Statement of Newness and Distinctiveness: **Newness and distinctiveness is claimed in the features of shape and/or configuration of a tumbler as illustrated in the accompanying representations.**



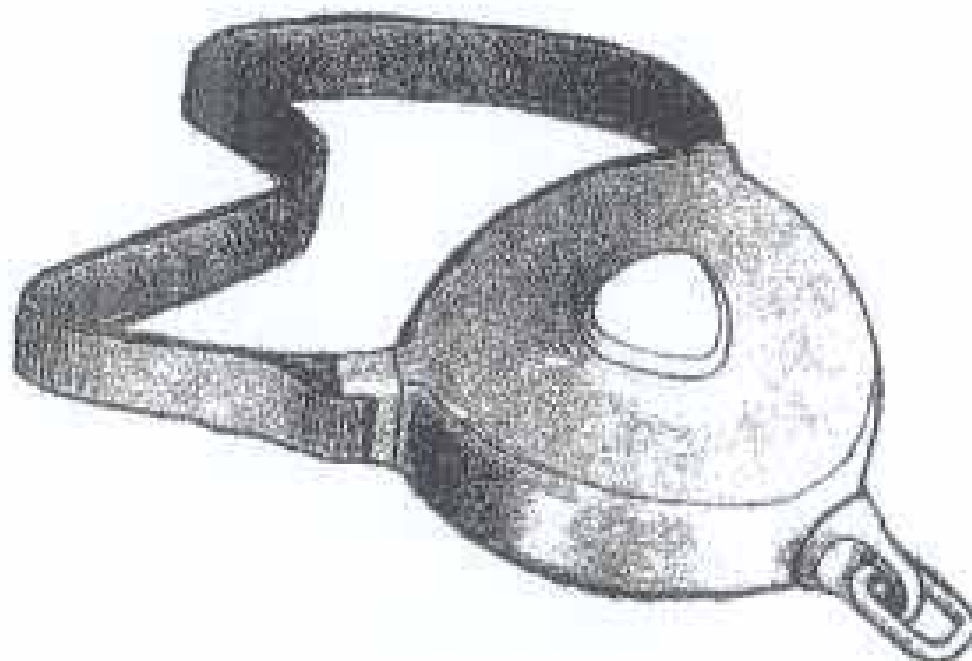
(21) Design Number: **10675/2010**  
 (22) Date of Filing Application: **26 February 2010**  
 (24) Date from which industrial property rights may have effect: **26 February 2010**  
 (54) Product in respect of which the design is registered: **Hammer**  
 (51) International Design Classification: **08-02**  
 (71) Name(s) and Address(s) of Applicant(s):  
**Techtronic Power Tools Technology Limited**  
**Trident Chambers PO Box 146 Road Town Tortola Virgin Islands (British)**  
 (72) Name(s) of Designer(s): **Jesse J. Jerabek and James E. Pangerc**  
 (45) Registration Date: **24 March 2010**  
 (30) Convention priority data:  

(31) Number	(32) Date	(33) Country
<b>29/344917</b>	<b>06 Oct 2009</b>	<b>UNITED STATES OF AMERICA</b>

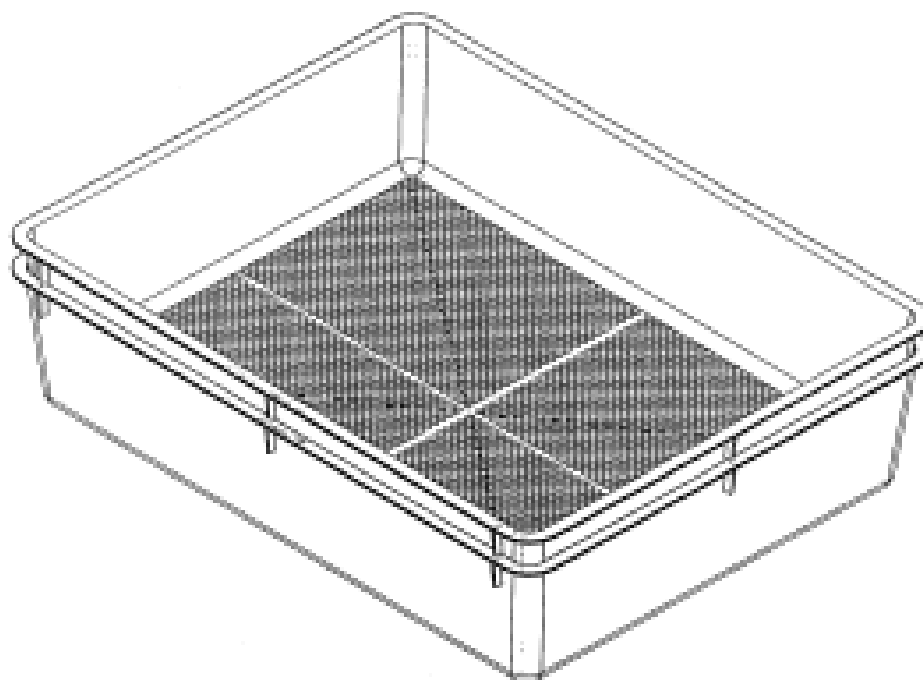
 (56) Related Art Documents: **Not Applicable**  
 (57) Statement of Newness and Distinctiveness: **We submit a Statement of Newness and Distinctiveness (set out below) in respect of particular visual features of "the design", but in so doing do not imply that other visual features of the design lack newness or distinctiveness. STATEMENT OF NEWNESS AND DISTINCTIVENESS The shape, configuration, and shape and configuration of those parts of the product shown other than by means of broken lines in the representations is/are new and distinctive.**



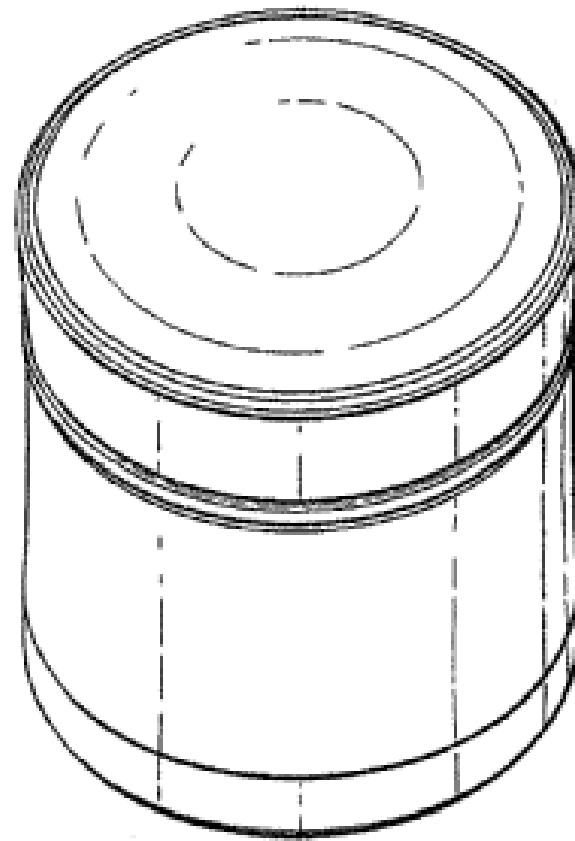
- (21) Design Number: **10102/2010**  
(22) Date of Filing Application: **13 January 2010**  
(24) Date from which industrial property rights may have effect: **13 January 2010**  
(54) Product in respect of which the design is registered: **Retractable holder for use as a holding device for ID-cards, keys and the like**  
(51) International Design Classification: **03-01B**  
(71) Name(s) and Address(s) of Applicant(s):  
**Pauner Oy**  
**Vehnamyllynkatu 6 FI-33560 Tampere Finland**  
(72) Name(s) of Designer(s): **Pasi Hirvimaki**  
(45) Registration Date: **24 March 2010**  
(30) Convention priority data:  
(31) Number (32) Date (33) Country  
**001152797 13 Jul 2009 EUROPEAN COMMUNITY**  
(56) Related Art Documents: **Not Applicable**  
(57) Statement of Newness and Distinctiveness: **Newness and distinctiveness is claimed in the shape and/or configuration of a retractable holder as shown in the accompanying representations.**



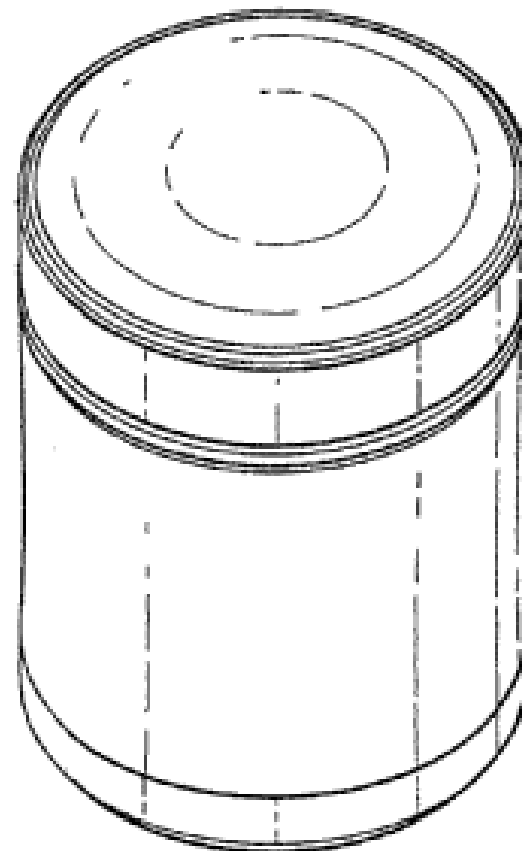
- (21) Design Number: **10661/2010**  
(22) Date of Filing Application: **26 February 2010**  
(24) Date from which industrial property rights may have effect: **26 February 2010**  
(54) Product in respect of which the design is registered: **A kitty litter tray assembly**  
(51) International Design Classification: **30-99**  
(71) Name(s) and Address(s) of Applicant(s):  
**Separations Tray Pty Limited**  
**c/o 22 Ethel Street Forestville South Australia 5035 Australia**  
(72) Name(s) of Designer(s): **Frank Dobozy**  
(45) Registration Date: **24 March 2010**  
(56) Related Art Documents: **Not Applicable**  
(57) Statement of Newness and Distinctiveness: **Newness and distinctiveness is claimed in the features of shape and/or configuration of a kitty litter tray assembly as illustrated in the accompanying representations.**



- (21) Design Number: **10662/2010**  
(22) Date of Filing Application: **26 February 2010**  
(24) Date from which industrial property rights may have effect: **26 February 2010**  
(54) Product in respect of which the design is registered: **Food jar**  
(51) International Design Classification: **07-01NES, 09-01C**  
(71) Name(s) and Address(s) of Applicant(s):  
**Thermos L.L.C.**  
**2550 West Golf Road Suite 800 Rolling Meadows Illinois 60008 United States of America**  
(72) Name(s) of Designer(s): **Alfredo Carreno**  
(45) Registration Date: **24 March 2010**  
(30) Convention priority data:  
(31) Number (32) Date (33) Country  
**29/350862 24 Nov 2009 UNITED STATES OF AMERICA**  
(56) Related Art Documents: **Not Applicable**  
(57) Statement of Newness and Distinctiveness: **Newness and distinctiveness is claimed in the features of shape and/or configuration of a food jar as illustrated in the accompanying representations.**

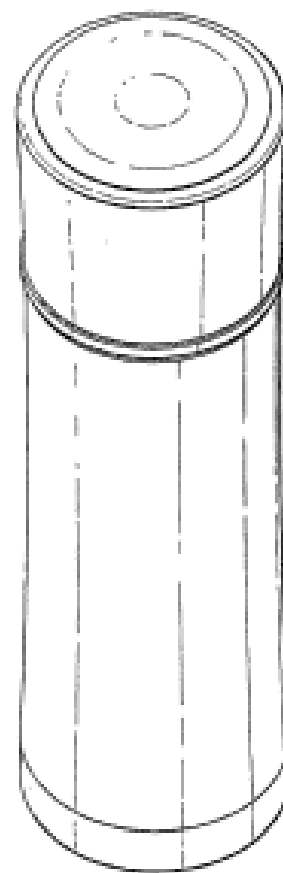


- (21) Design Number: **10664/2010**  
(22) Date of Filing Application: **26 February 2010**  
(24) Date from which industrial property rights may have effect: **26 February 2010**  
(54) Product in respect of which the design is registered: **Food jar**  
(51) International Design Classification: **07-01NES, 09-01C**  
(71) Name(s) and Address(s) of Applicant(s):  
**Thermos L.L.C.**  
**2550 West Golf Road Suite 800 Rolling Meadows Illinois 60008 United States of America**  
(72) Name(s) of Designer(s): **Alfredo Carreno**  
(45) Registration Date: **24 March 2010**  
(30) Convention priority data:  
(31) Number (32) Date (33) Country  
**29/350864 24 Nov 2009 UNITED STATES OF AMERICA**  
(56) Related Art Documents: **Not Applicable**  
(57) Statement of Newness and Distinctiveness: **Newness and distinctiveness is claimed in the features of shape and/or configuration of a food jar as illustrated in the accompanying representations.**

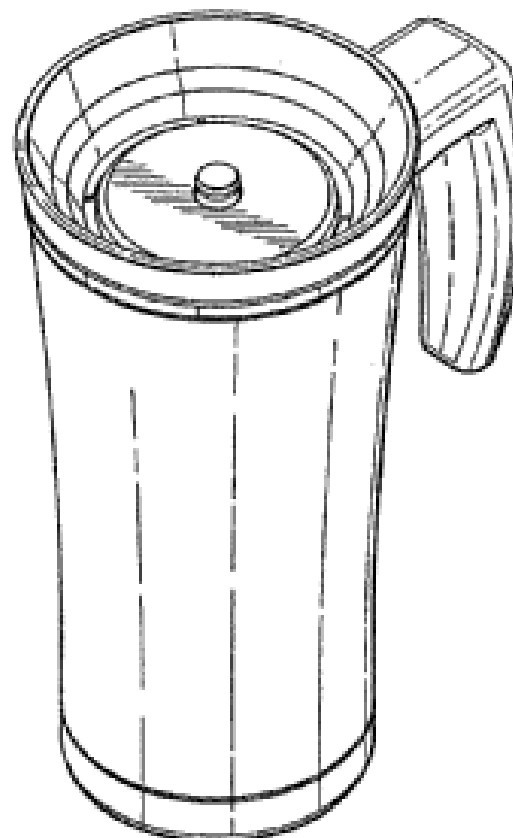




(21) Design Number: **10665/2010**  
(22) Date of Filing Application: **26 February 2010**  
(24) Date from which industrial property rights may have effect: **26 February 2010**  
(54) Product in respect of which the design is registered: **Bottle**  
(51) International Design Classification: **09-01NES**  
(71) Name(s) and Address(s) of Applicant(s):  
**Thermos L.L.C.**  
**2550 West Golf Road Suite 800 Rolling Meadows Illinois 60008 United States of America**  
(72) Name(s) of Designer(s): **Alfredo Carreno**  
(45) Registration Date: **24 March 2010**  
(30) Convention priority data:  
(31) Number (32) Date (33) Country  
**29/350867 24 Nov 2009 UNITED STATES OF AMERICA**  
(56) Related Art Documents: **Not Applicable**  
(57) Statement of Newness and Distinctiveness: **Newness and distinctiveness is claimed in the features of shape and/or configuration of a bottle as illustrated in the accompanying representations.**



(21) Design Number: **10666/2010**  
(22) Date of Filing Application: **26 February 2010**  
(24) Date from which industrial property rights may have effect: **26 February 2010**  
(54) Product in respect of which the design is registered: **Mug**  
(51) International Design Classification: **07-01D**  
(71) Name(s) and Address(s) of Applicant(s):  
**Thermos L.L.C.**  
**2550 West Golf Road Suite 800 Rolling Meadows Illinois 60008 United States of America**  
(72) Name(s) of Designer(s): **Alfredo Carreno**  
(45) Registration Date: **24 March 2010**  
(30) Convention priority data:  
(31) Number (32) Date (33) Country  
**29/350860 24 Nov 2009 UNITED STATES OF AMERICA**  
(56) Related Art Documents: **Not Applicable**  
(57) Statement of Newness and Distinctiveness: **Newness and distinctiveness is claimed in the features of shape and/or configuration of a mug as illustrated in the accompanying representations.**



(21) Design Number: **10667/2010**

(22) Date of Filing Application: **26 February 2010**

(24) Date from which industrial property rights may have effect: **26 February 2010**

(54) Product in respect of which the design is registered: **Bottle**

(51) International Design Classification: **09-01K**

(71) Name(s) and Address(s) of Applicant(s):

**Thermos L.L.C.**

**2550 West Golf Road Suite 800 Rolling Meadows Illinois 60008 United States of America**

(72) Name(s) of Designer(s): **Alfredo Carreno**

(45) Registration Date: **24 March 2010**

(30) Convention priority data:

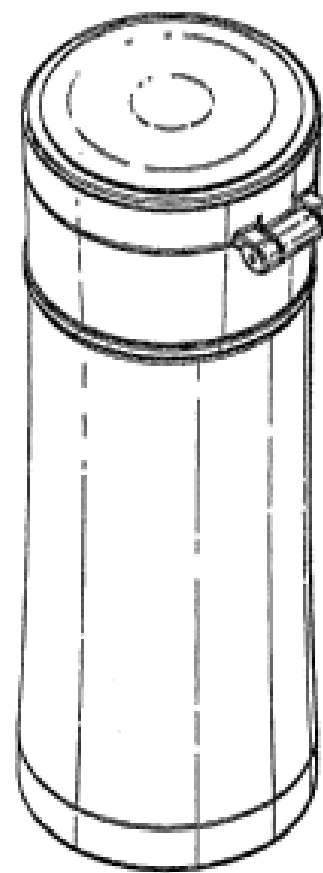
(31) Number  
**29/350865**

(32) Date  
**24 Nov 2009**

(33) Country  
**UNITED STATES OF AMERICA**

(56) Related Art Documents: **Not Applicable**

(57) Statement of Newness and Distinctiveness: **Newness and distinctiveness is claimed in the features of shape and/or configuration of a bottle as illustrated in the accompanying representations.**



(21) Design Number: **10668/2010**

(22) Date of Filing Application: **26 February 2010**

(24) Date from which industrial property rights may have effect: **26 February 2010**

(54) Product in respect of which the design is registered: **Electric mixer**

(51) International Design Classification: **31-00**

(71) Name(s) and Address(s) of Applicant(s):

**Pi-Design AG**

**Kantonsstrasse 100 6234 Triengen Switzerland**

(72) Name(s) of Designer(s): **Jorgen Bodum**

(45) Registration Date: **24 March 2010**

(30) Convention priority data:

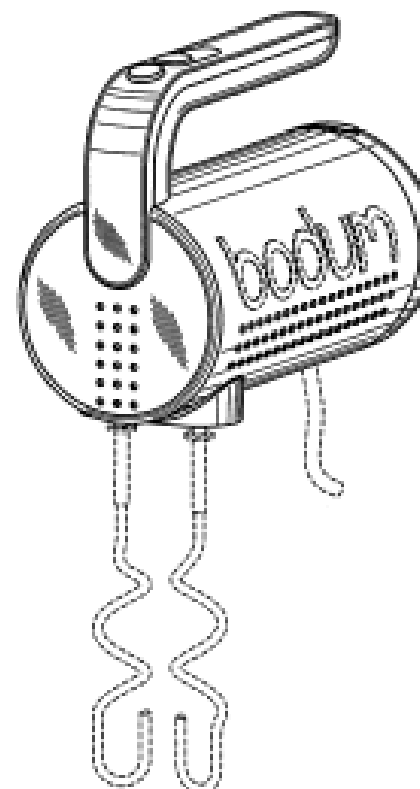
(31) Number  
**DM/072 219**

(32) Date  
**27 Aug 2009**

(33) Country  
**WORLD INTELLECTUAL  
PROPERTY ORGANIZATION  
(WIPO)**

(56) Related Art Documents: **Not Applicable**

(57) Statement of Newness and Distinctiveness: **Nil**



(21) Design Number: **10669/2010**  
 (22) Date of Filing Application: **26 February 2010**  
 (24) Date from which industrial property rights may have effect: **26 February 2010**  
 (54) Product in respect of which the design is registered: **Picnic grill**  
 (51) International Design Classification: **07-02E**  
 (71) Name(s) and Address(s) of Applicant(s):

**Pi-Design AG**  
**Kantonsstrasse 100 6234 Triengen Switzerland**

(72) Name(s) of Designer(s): **Jorgen Bodum**

(45) Registration Date: **24 March 2010**

(30) Convention priority data:

(31) Number (32) Date  
**DM/072 218 26 Aug 2009**

(33) Country  
**WORLD INTELLECTUAL  
 PROPERTY ORGANIZATION  
 (WIPO)**

(56) Related Art Documents: **Not Applicable**

(57) Statement of Newness and Distinctiveness: **Nil**



(21) Design Number: **10670/2010**  
 (22) Date of Filing Application: **26 February 2010**  
 (24) Date from which industrial property rights may have effect: **26 February 2010**  
 (54) Product in respect of which the design is registered: **Hammer**  
 (51) International Design Classification: **08-02**  
 (71) Name(s) and Address(s) of Applicant(s):

**Techtronic Power Tools Technology Limited**  
**Trident Chambers PO Box 146 Road Town Tortola Virgin Islands**  
**(British)**

(72) Name(s) of Designer(s): **Jesse J. Jerabek and Kenneth M. Brazell and David Wikle and James E. Pangerc**

(45) Registration Date: **24 March 2010**

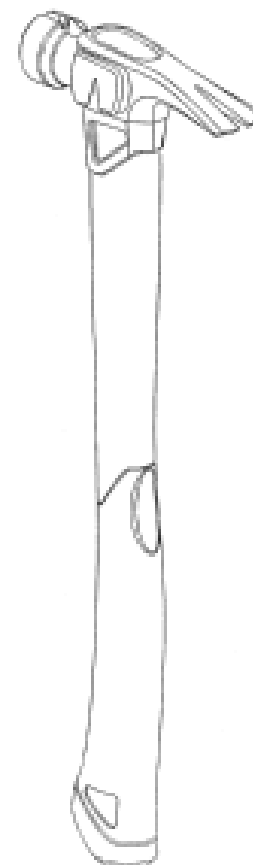
(30) Convention priority data:

(31) Number (32) Date  
**29/344918 06 Oct 2009**

(33) Country  
**UNITED STATES OF AMERICA**

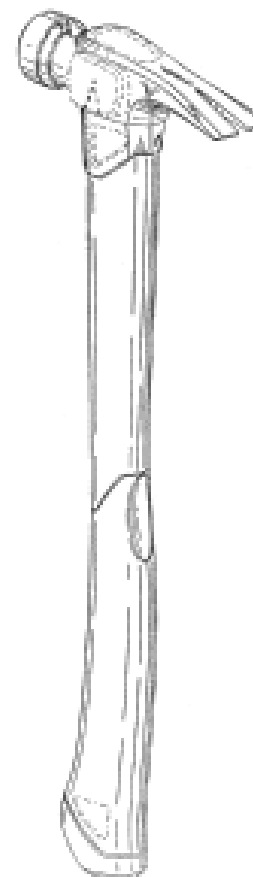
(56) Related Art Documents: **Not Applicable**

(57) Statement of Newness and Distinctiveness: **We submit a Statement of Newness and Distinctiveness (set out below) in respect of particular visual features of "the design", but in so doing do not imply that other visual features of the design lack newness or distinctiveness. STATEMENT OF NEWNESS AND DISTINCTIVENESS The shape, configuration, and shape and configuration of the design of the product is/are new and distinctive.**



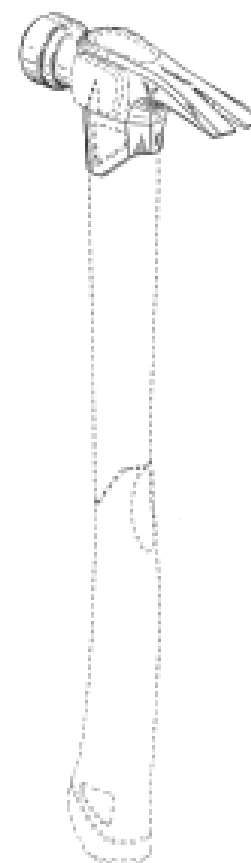
- (21) Design Number: **10671/2010**
- (22) Date of Filing Application: **26 February 2010**
- (24) Date from which industrial property rights may have effect: **26 February 2010**
- (54) Product in respect of which the design is registered: **Hammer**
- (51) International Design Classification: **08-02**
- (71) Name(s) and Address(s) of Applicant(s):  
**Techtronic Power Tools Technology Limited**  
**Trident Chambers PO Box 146 Road Town Tortola Virgin Islands**  
**(British)**
- (72) Name(s) of Designer(s): **Jesse J. Jerabek and Kenneth M. Brazell and David Wikle and James E. Pangerc**
- (45) Registration Date: **24 March 2010**
- (30) Convention priority data:  

(31) Number	(32) Date	(33) Country
<b>29/344918</b>	<b>06 Oct 2009</b>	<b>UNITED STATES OF AMERICA</b>
- (56) Related Art Documents: **Not Applicable**
- (57) Statement of Newness and Distinctiveness: **We submit a Statement of Newness and Distinctiveness (set out below) in respect of particular visual features of "the design", but in so doing do not imply that other visual features of the design lack newness or distinctiveness. STATEMENT OF NEWNESS AND DISTINCTIVENESS The shape, configuration, and shape and configuration of those parts of the product shown other than by means of broken lines in the representations is/are new and distinctive.**



- (21) Design Number: **10672/2010**
- (22) Date of Filing Application: **26 February 2010**
- (24) Date from which industrial property rights may have effect: **26 February 2010**
- (54) Product in respect of which the design is registered: **Hammer**
- (51) International Design Classification: **08-02**
- (71) Name(s) and Address(s) of Applicant(s):  
**Techtronic Power Tools Technology Limited**  
**Trident Chambers PO Box 146 Road Town Tortola Virgin Islands**  
**(British)**
- (72) Name(s) of Designer(s): **Jesse J. Jerabek and Kenneth M. Brazell and David Wikle and James E. Pangerc**
- (45) Registration Date: **24 March 2010**
- (30) Convention priority data:  

(31) Number	(32) Date	(33) Country
<b>29/344918</b>	<b>06 Oct 2009</b>	<b>UNITED STATES OF AMERICA</b>
- (56) Related Art Documents: **Not Applicable**
- (57) Statement of Newness and Distinctiveness: **We submit a Statement of Newness and Distinctiveness (set out below) in respect of particular visual features of "the design", but in so doing do not imply that other visual features of the design lack newness or distinctiveness. STATEMENT OF NEWNESS AND DISTINCTIVENESS The shape, configuration, and shape and configuration of those parts of the product shown other than by means of broken lines in the representations is/are new and distinctive.**



- (21) Design Number: **10673/2010**
- (22) Date of Filing Application: **26 February 2010**
- (24) Date from which industrial property rights may have effect: **26 February 2010**
- (54) Product in respect of which the design is registered: **Hammer**
- (51) International Design Classification: **08-02**
- (71) Name(s) and Address(s) of Applicant(s):

**Techtronic Power Tools Technology Limited**  
**Trident Chambers PO Box 146 Road Town Tortola Virgin Islands**  
**(British)**

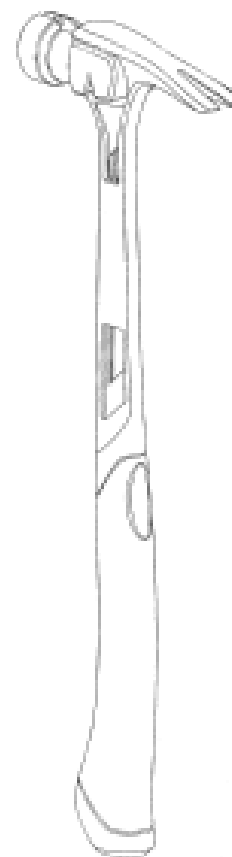
- (72) Name(s) of Designer(s): **Jesse J. Jerabek and James E. Pangerc**
- (45) Registration Date: **24 March 2010**

(30) Convention priority data:

(31) Number	(32) Date	(33) Country
<b>29/344917</b>	<b>06 Oct 2009</b>	<b>UNITED STATES OF AMERICA</b>

(56) Related Art Documents: **Not Applicable**

(57) Statement of Newness and Distinctiveness: **We submit a Statement of Newness and Distinctiveness (set out below) in respect of particular visual features of "the design", but in so doing do not imply that other visual features of the design lack newness or distinctiveness. STATEMENT OF NEWNESS AND DISTINCTIVENESS The shape, configuration, and shape and configuration of the design of the product(s) is/are new and distinctive.**



- (21) Design Number: **10674/2010**
- (22) Date of Filing Application: **26 February 2010**
- (24) Date from which industrial property rights may have effect: **26 February 2010**
- (54) Product in respect of which the design is registered: **Hammer**
- (51) International Design Classification: **08-02**
- (71) Name(s) and Address(s) of Applicant(s):

**Techtronic Power Tools Technology Limited**  
**Trident Chambers PO Box 146 Road Town Tortola Virgin Islands**  
**(British)**

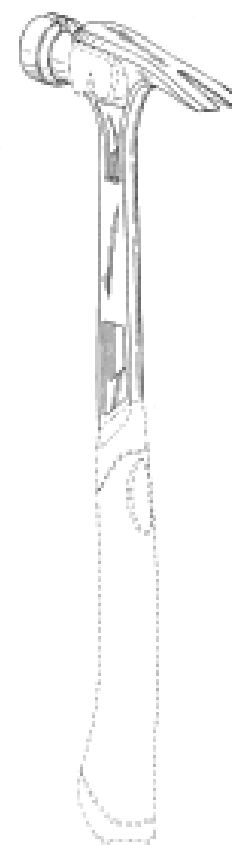
- (72) Name(s) of Designer(s): **Jesse J. Jerabek and James E. Pangerc**
- (45) Registration Date: **24 March 2010**

(30) Convention priority data:

(31) Number	(32) Date	(33) Country
<b>29/344917</b>	<b>06 Oct 2009</b>	<b>UNITED STATES OF AMERICA</b>

(56) Related Art Documents: **Not Applicable**

(57) Statement of Newness and Distinctiveness: **We submit a Statement of Newness and Distinctiveness (set out below) in respect of particular visual features of "the design", but in so doing do not imply that other visual features of the design lack newness or distinctiveness. STATEMENT OF NEWNESS AND DISTINCTIVENESS The shape, configuration, and shape and configuration of those parts of the product shown other than by means of broken lines in the representations is/are new and distinctive.**



(21) Design Number: **14413/2009**

(22) Date of Filing Application: **10 November 2009**

(24) Date from which industrial property rights may have effect: **10 November 2009**

(54) Product in respect of which the design is registered: **Ladder stabilising and anchoring device**

(51) International Design Classification: **25-04**

(71) Name(s) and Address(s) of Applicant(s):

**Ryan Clarkson**

**5/134-138 Ocean Street Narrabeen New South Wales 2101 Australia**

(72) Name(s) of Designer(s): **Ryan Clarkson**

(45) Registration Date: **24 March 2010**

(56) Related Art Documents: **Not Applicable**

(57) Statement of Newness and Distinctiveness: **Is the view of Fig 1 & Fig 2: The core body part is a two part moveable adjustable cylindrical but not limited to cylindrical mechanism. Its length is managed by a (Fig 3) removeable pin. The far right view has a (fig 5) harness point and (Fig 4) a primary mount for variable roof attachments.**



(21) Design Number: **14414/2009**

(22) Date of Filing Application: **10 November 2009**

(24) Date from which industrial property rights may have effect: **10 November 2009**

(54) Product in respect of which the design is registered: **Ladder stabilising and anchoring device**

(51) International Design Classification: **25-04**

(71) Name(s) and Address(s) of Applicant(s):

**Ryan Clarkson**

**5/134-138 Ocean Street Narrabeen New South Wales 2101 Australia**

(72) Name(s) of Designer(s): **Ryan Clarkson**

(45) Registration Date: **24 March 2010**

(56) Related Art Documents: **Not Applicable**

(57) Statement of Newness and Distinctiveness: **Is the view of the attachment on the far left of Fig 1 and Fig 2, a D shaped mount (Fig 6) for and not limited to round shaped rung ladders. Is the view of the far right of Fig 1 & Fig 2, a U shaped bracket (Fig 7A) for variable but not limited to small and medium roof trusses and rafters and (Fig 8) the pin that intrudes the U shaped mount (Fig 7A) allowing the mount to be fixed. Is the view of (Fig 9) the piece that secures the pin. (Fig 8).**



(21) Design Number: **14415/2009**

(22) Date of Filing Application: **10 November 2009**

(24) Date from which industrial property rights may have effect: **10 November 2009**

(54) Product in respect of which the design is registered: **Ladder stabilising and anchoring device**

(51) International Design Classification: **25-04**

(71) Name(s) and Address(s) of Applicant(s):

**Ryan Clarkson**

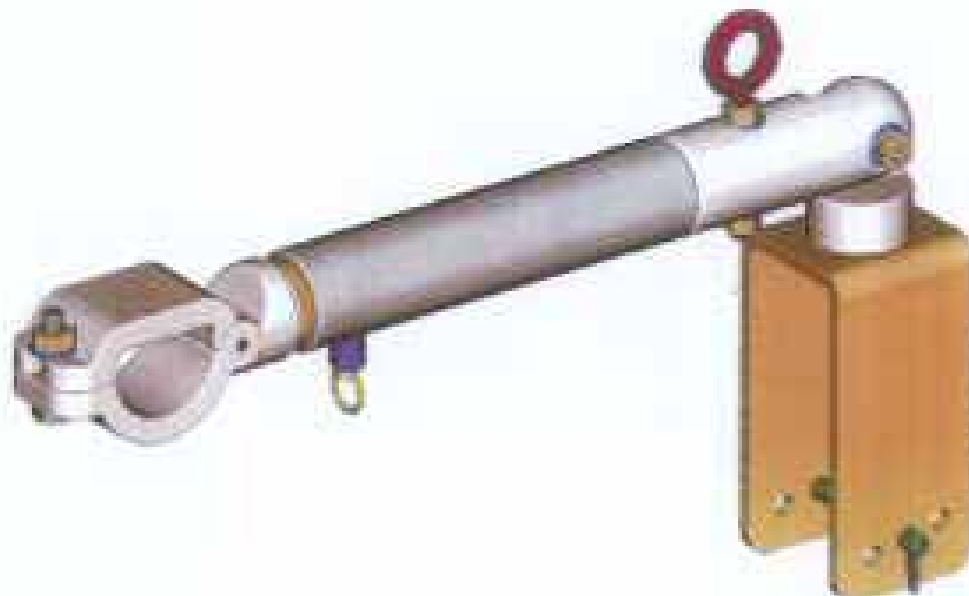
**5/134-138 Ocean Street Narrabeen New South Wales 2101 Australia**

(72) Name(s) of Designer(s): **Ryan Clarkson**

(45) Registration Date: **24 March 2010**

(56) Related Art Documents: **Not Applicable**

(57) Statement of Newness and Distinctiveness: **Is the view of the attachment on the far right of Fig 1 and Fig 2, a U shaped bracket (Fig 7B) for variable but not limited to larger roof trusses and rafters.**



(21) Design Number: **14416/2009**

(22) Date of Filing Application: **10 November 2009**

(24) Date from which industrial property rights may have effect: **10 November 2009**

(54) Product in respect of which the design is registered: **Ladder stabilising and anchoring device**

(51) International Design Classification: **25-04**

(71) Name(s) and Address(s) of Applicant(s):

**Ryan Clarkson**

**5/134-138 Ocean Street Narrabeen New South Wales 2101 Australia**

(72) Name(s) of Designer(s): **Ryan Clarkson**

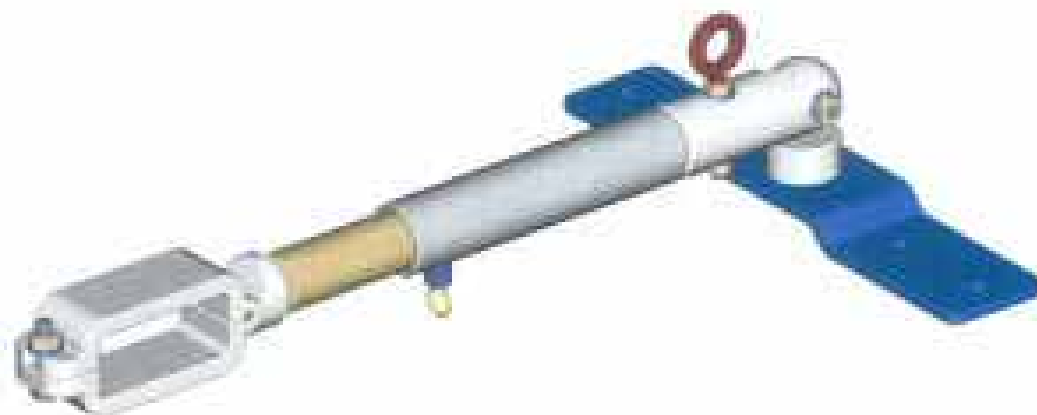
(45) Registration Date: **24 March 2010**

(56) Related Art Documents: **Not Applicable**

(57) Statement of Newness and Distinctiveness: **Is the view of the attachment on the far left of Fig 1 and Fig 2, an angular shaped mount (Fig 9) for and not limited to angular shaped rung ladders. Is the view of the far right of the attachment (Fig 10) the mount for and not limited to custom orb roofs and similar roof profiles.**



- (21) Design Number: **14417/2009**  
(22) Date of Filing Application: **10 November 2009**  
(24) Date from which industrial property rights may have effect: **10 November 2009**  
(54) Product in respect of which the design is registered: **Ladder stabilising and anchoring device**  
(51) International Design Classification: **25-04**  
(71) Name(s) and Address(s) of Applicant(s):  
**Ryan Clarkson**  
**5/134-138 Ocean Street Narrabeen New South Wales 2101 Australia**  
(72) Name(s) of Designer(s): **Ryan Clarkson**  
(45) Registration Date: **24 March 2010**  
(56) Related Art Documents: **Not Applicable**  
(57) Statement of Newness and Distinctiveness: **Is the view of the far right of the attachment of Fig 1 and Fig 2 (Fig 11) the mount for and not limited to flat roof and similar roof profiles.**



- (21) Design Number: **14418/2009**  
(22) Date of Filing Application: **10 November 2009**  
(24) Date from which industrial property rights may have effect: **10 November 2009**  
(54) Product in respect of which the design is registered: **Ladder stabilising and anchoring device**  
(51) International Design Classification: **25-04**  
(71) Name(s) and Address(s) of Applicant(s):  
**Ryan Clarkson**  
**5/134-138 Ocean Street Narrabeen New South Wales 2101 Australia**  
(72) Name(s) of Designer(s): **Ryan Clarkson**  
(45) Registration Date: **24 March 2010**  
(56) Related Art Documents: **Not Applicable**  
(57) Statement of Newness and Distinctiveness: **Is the view of the attachment of the far right of Fig 1 and Fig 2 (Fig 12) the mount for and not limited to flat and pan shaped and similar roof profiles.**





- (21) Design Number: **14419/2009**
- (22) Date of Filing Application: **10 November 2009**
- (24) Date from which industrial property rights may have effect: **10 November 2009**
- (54) Product in respect of which the design is registered: **Ladder stabilising and anchoring device**
- (51) International Design Classification: **25-04**
- (71) Name(s) and Address(s) of Applicant(s):  
**Ryan Clarkson**  
**5/134-138 Ocean Street Narrabeen New South Wales 2101 Australia**
- (72) Name(s) of Designer(s): **Ryan Clarkson**
- (45) Registration Date: **24 March 2010**
- (56) Related Art Documents: **Not Applicable**
- (57) Statement of Newness and Distinctiveness: **Is the view of a D shaped mount (Fig 6) for and not limited to round shaped rung ladders.**



- (21) Design Number: **14420/2009**
- (22) Date of Filing Application: **10 November 2009**
- (24) Date from which industrial property rights may have effect: **10 November 2009**
- (54) Product in respect of which the design is registered: **Ladder stabilising and anchoring device**
- (51) International Design Classification: **25-04**
- (71) Name(s) and Address(s) of Applicant(s):  
**Ryan Clarkson**  
**5/134-138 Ocean Street Narrabeen New South Wales 2101 Australia**
- (72) Name(s) of Designer(s): **Ryan Clarkson**
- (45) Registration Date: **24 March 2010**
- (56) Related Art Documents: **Not Applicable**
- (57) Statement of Newness and Distinctiveness: **Is the view of (Fig 9) an angular shaped mount for and not limited to angular shaped rung ladders.**



(21) Design Number: **14421/2009**

(22) Date of Filing Application: **10 November 2009**

(24) Date from which industrial property rights may have effect: **10 November 2009**

(54) Product in respect of which the design is registered: **Ladder stabilising and anchoring device**

(51) International Design Classification: **25-04**

(71) Name(s) and Address(s) of Applicant(s):

**Ryan Clarkson**

**5/134-138 Ocean Street Narrabeen New South Wales 2101 Australia**

(72) Name(s) of Designer(s): **Ryan Clarkson**

(45) Registration Date: **24 March 2010**

(56) Related Art Documents: **Not Applicable**

(57) Statement of Newness and Distinctiveness: **Is the view of (Fig 10) the mount for and not limited to custom-orb and similar roof profiles.**



(21) Design Number: **14422/2009**

(22) Date of Filing Application: **10 November 2009**

(24) Date from which industrial property rights may have effect: **10 November 2009**

(54) Product in respect of which the design is registered: **Ladder stabilising and anchoring device**

(51) International Design Classification: **25-04**

(71) Name(s) and Address(s) of Applicant(s):

**Ryan Clarkson**

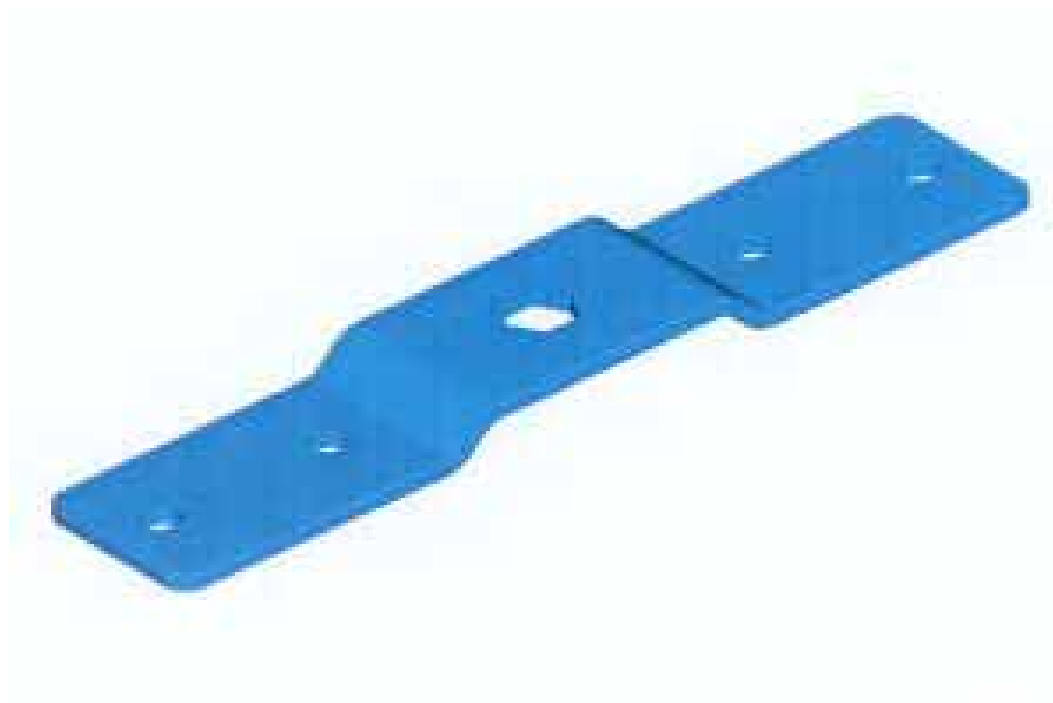
**5/134-138 Ocean Street Narrabeen New South Wales 2101 Australia**

(72) Name(s) of Designer(s): **Ryan Clarkson**

(45) Registration Date: **24 March 2010**

(56) Related Art Documents: **Not Applicable**

(57) Statement of Newness and Distinctiveness: **Is the view of (Fig 13) the mount for and not limited to flat and similar roof profiles.**



(21) Design Number: **14423/2009**

(22) Date of Filing Application: **10 November 2009**

(24) Date from which industrial property rights may have effect: **10 November 2009**

(54) Product in respect of which the design is registered: **Ladder stabilising and anchoring device**

(51) International Design Classification: **25-04**

(71) Name(s) and Address(s) of Applicant(s):

**Ryan Clarkson**

**5/134-138 Ocean Street Narrabeen New South Wales 2101 Australia**

(72) Name(s) of Designer(s): **Ryan Clarkson**

(45) Registration Date: **24 March 2010**

(56) Related Art Documents: **Not Applicable**

(57) Statement of Newness and Distinctiveness: **Is the view of (Fig 14) the mount for and not limited to semi-raised surface and similar roof profiles.**



(21) Design Number: **14424/2009**

(22) Date of Filing Application: **10 November 2009**

(24) Date from which industrial property rights may have effect: **10 November 2009**

(54) Product in respect of which the design is registered: **Ladder stabilising and anchoring device**

(51) International Design Classification: **25-04**

(71) Name(s) and Address(s) of Applicant(s):

**Ryan Clarkson**

**5/134-138 Ocean Street Narrabeen New South Wales 2101 Australia**

(72) Name(s) of Designer(s): **Ryan Clarkson**

(45) Registration Date: **24 March 2010**

(56) Related Art Documents: **Not Applicable**

(57) Statement of Newness and Distinctiveness: **Is the view of (Fig 4) the mechanism on the end of Fig 1 and Fig 2 that enables variable roof structure mounts to be fixed.**



(21) Design Number: **14425/2009**

(22) Date of Filing Application: **10 November 2009**

(24) Date from which industrial property rights may have effect: **10 November 2009**

(54) Product in respect of which the design is registered: **Ladder stabilising and anchoring device**

(51) International Design Classification: **25-04**

(71) Name(s) and Address(s) of Applicant(s):

**Ryan Clarkson**

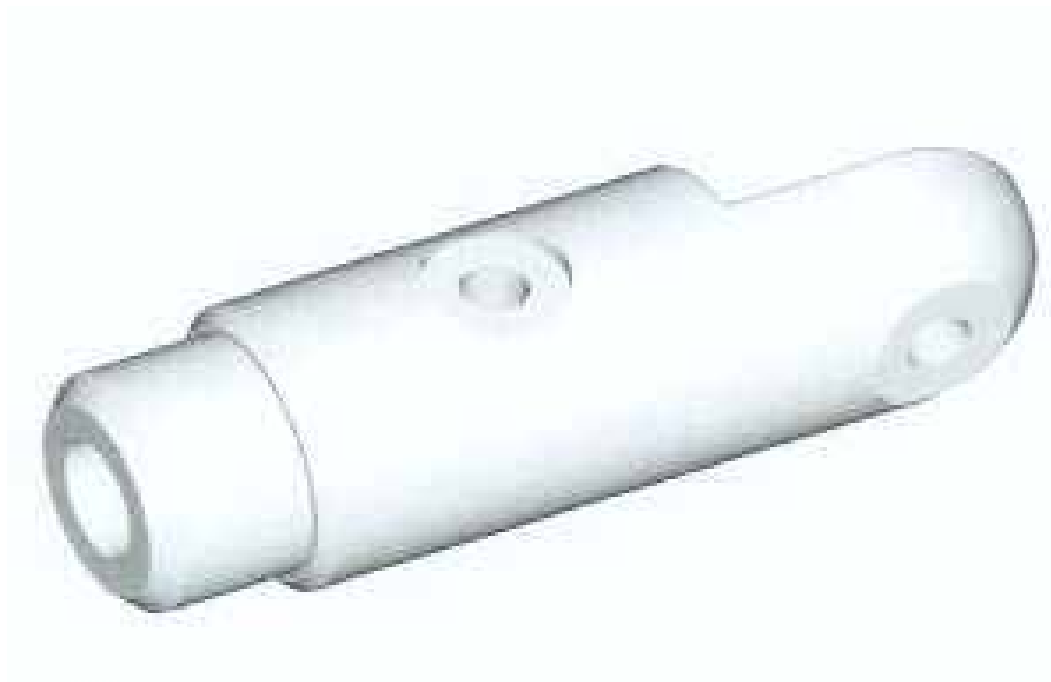
**5/134-138 Ocean Street Narrabeen New South Wales 2101 Australia**

(72) Name(s) of Designer(s): **Ryan Clarkson**

(45) Registration Date: **24 March 2010**

(56) Related Art Documents: **Not Applicable**

(57) Statement of Newness and Distinctiveness: **Is the view of (Fig 4b) the mechanism on the end of Fig 1 and Fig 2 that enables variable roof structure mounts to be fitted at variable degrees and moving in but not limited to an up and down motion.**



(21) Design Number: **14426/2009**

(22) Date of Filing Application: **10 November 2009**

(24) Date from which industrial property rights may have effect: **10 November 2009**

(54) Product in respect of which the design is registered: **Ladder stabilising and anchoring device**

(51) International Design Classification: **25-04**

(71) Name(s) and Address(s) of Applicant(s):

**Ryan Clarkson**

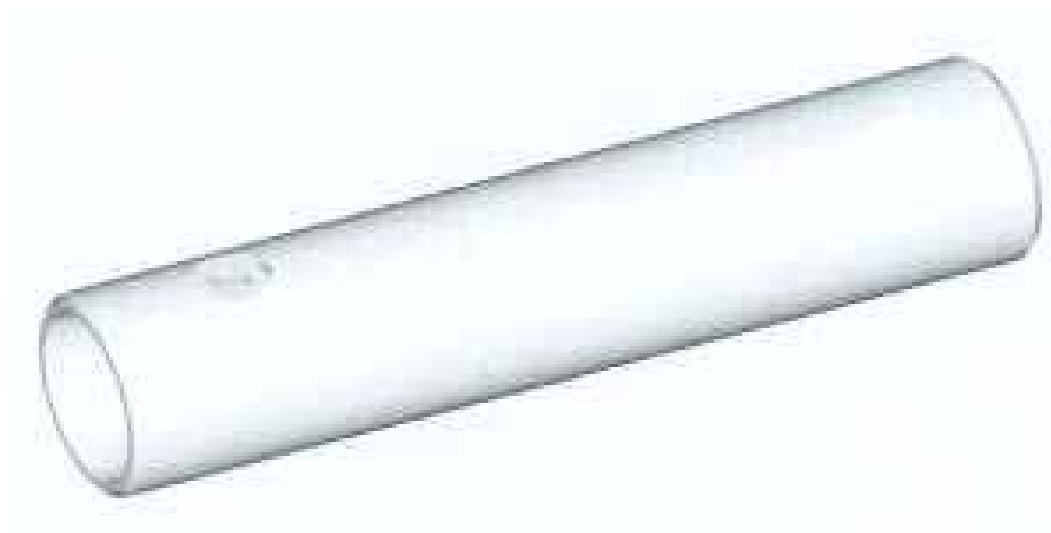
**5/134-138 Ocean Street Narrabeen New South Wales 2101 Australia**

(72) Name(s) of Designer(s): **Ryan Clarkson**

(45) Registration Date: **24 March 2010**

(56) Related Art Documents: **Not Applicable**

(57) Statement of Newness and Distinctiveness: **Is the view of Fig 1 the outer main body showing where the slip pin (Fig 8) intrudes.**



(21) Design Number: **14427/2009**

(22) Date of Filing Application: **10 November 2009**

(24) Date from which industrial property rights may have effect: **10 November 2009**

(54) Product in respect of which the design is registered: **Ladder stabilising and anchoring device**

(51) International Design Classification: **25-04**

(71) Name(s) and Address(s) of Applicant(s):

**Ryan Clarkson**

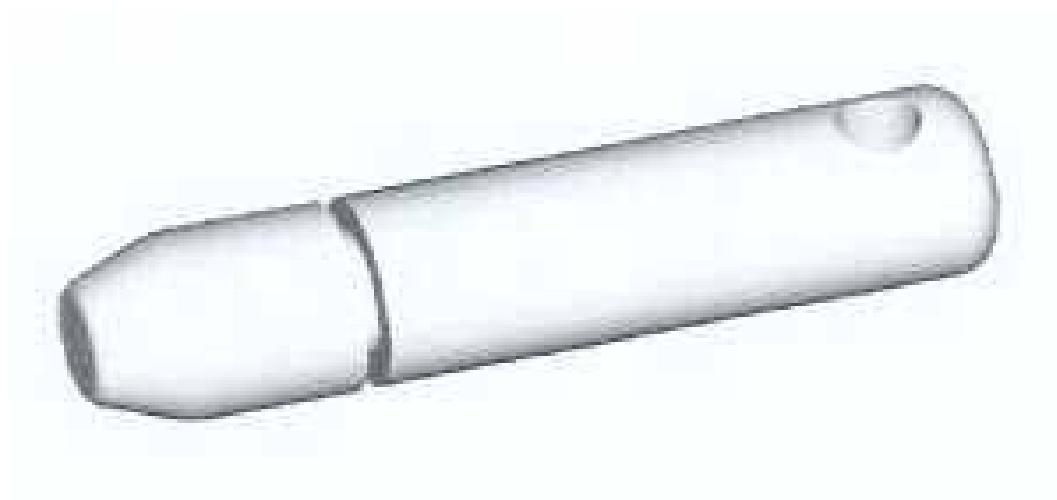
**5/134-138 Ocean Street Narrabeen New South Wales 2101 Australia**

(72) Name(s) of Designer(s): **Ryan Clarkson**

(45) Registration Date: **24 March 2010**

(56) Related Art Documents: **Not Applicable**

(57) Statement of Newness and Distinctiveness: **Is the view of (Fig 3) the slip pin.**



(21) Design Number: **14428/2009**

(22) Date of Filing Application: **10 November 2009**

(24) Date from which industrial property rights may have effect: **10 November 2009**

(54) Product in respect of which the design is registered: **Ladder stabilising and anchoring device**

(51) International Design Classification: **25-04**

(71) Name(s) and Address(s) of Applicant(s):

**Ryan Clarkson**

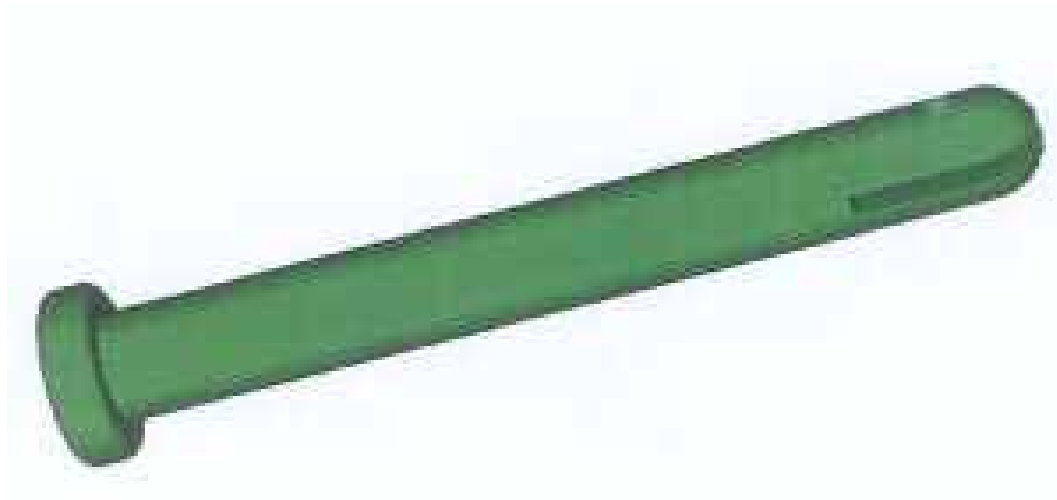
**5/134-138 Ocean Street Narrabeen New South Wales 2101 Australia**

(72) Name(s) of Designer(s): **Ryan Clarkson**

(45) Registration Date: **24 March 2010**

(56) Related Art Documents: **Not Applicable**

(57) Statement of Newness and Distinctiveness: **Is the view of (Fig 8) the device that intrudes (Fig 7A) and (Fig 7B).**



(21) Design Number: **14429/2009**

(22) Date of Filing Application: **10 November 2009**

(24) Date from which industrial property rights may have effect: **10 November 2009**

(54) Product in respect of which the design is registered: **Ladder stabilising and anchoring device**

(51) International Design Classification: **25-04**

(71) Name(s) and Address(s) of Applicant(s):

**Ryan Clarkson**

**5/134-138 Ocean Street Narrabeen New South Wales 2101 Australia**

(72) Name(s) of Designer(s): **Ryan Clarkson**

(45) Registration Date: **24 March 2010**

(56) Related Art Documents: **Not Applicable**

(57) Statement of Newness and Distinctiveness: **Is the view of Fig 9 the device that intrudes Fig 8.**



(21) Design Number: **14430/2009**

(22) Date of Filing Application: **10 November 2009**

(24) Date from which industrial property rights may have effect: **10 November 2009**

(54) Product in respect of which the design is registered: **Ladder stabilising and anchoring device**

(51) International Design Classification: **25-04**

(71) Name(s) and Address(s) of Applicant(s):

**Ryan Clarkson**

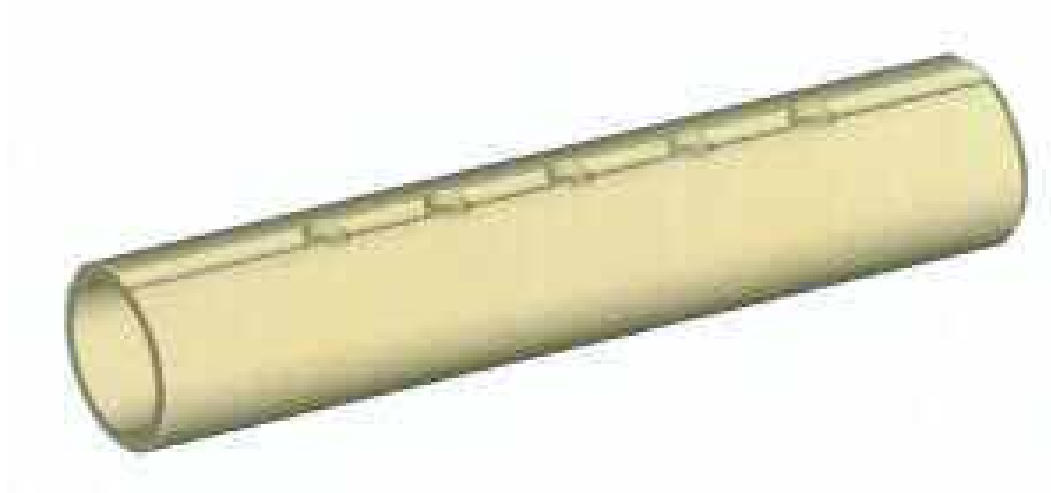
**5/134-138 Ocean Street Narrabeen New South Wales 2101 Australia**

(72) Name(s) of Designer(s): **Ryan Clarkson**

(45) Registration Date: **24 March 2010**

(56) Related Art Documents: **Not Applicable**

(57) Statement of Newness and Distinctiveness: **Is the view of Fig 2, the inner body with adjustable length apertures.**



- (21) Design Number: **12844/2009**  
(22) Date of Filing Application: **31 July 2009**  
(24) Date from which industrial property rights may have effect: **31 July 2009**  
(54) Product in respect of which the design is registered: **Baby and children's apparel and related items**  
(51) International Design Classification: **02-02C**  
(71) Name(s) and Address(s) of Applicant(s):  
**Little Gems Australia Pty Ltd**  
**940A Glenhuntly Road Caulfield South Victoria 3162 Australia**  
(72) Name(s) of Designer(s): **Iris Wijaya**  
(45) Registration Date: **24 March 2010**  
(56) Related Art Documents: **Not Applicable**  
(57) Statement of Newness and Distinctiveness: **Nil**



- (21) Design Number: **15100/2009**  
(22) Date of Filing Application: **31 July 2009**  
(24) Date from which industrial property rights may have effect: **31 July 2009**  
(54) Product in respect of which the design is registered: **Baby and children's apparel and related items**  
(51) International Design Classification: **02-02C**  
(71) Name(s) and Address(s) of Applicant(s):  
**Little Gems Australia Pty Ltd**  
**940A Glenhuntly Road Caulfield South Victoria 3162 Australia**  
(72) Name(s) of Designer(s): **Iris Wijaya**  
(45) Registration Date: **24 March 2010**  
(56) Related Art Documents: **Not Applicable**  
(57) Statement of Newness and Distinctiveness: **Nil**



- (21) Design Number: **15101/2009**  
(22) Date of Filing Application: **31 July 2009**  
(24) Date from which industrial property rights may have effect: **31 July 2009**  
(54) Product in respect of which the design is registered: **Baby and children's apparel and related items**  
(51) International Design Classification: **02-02C**  
(71) Name(s) and Address(s) of Applicant(s):  
**Little Gems Australia Pty Ltd**  
**940A Glenhuntly Road Caulfield South Victoria 3162 Australia**  
(72) Name(s) of Designer(s): **Iris Wijaya**  
(45) Registration Date: **24 March 2010**  
(56) Related Art Documents: **Not Applicable**  
(57) Statement of Newness and Distinctiveness: **Nil**



- (21) Design Number: **15102/2009**  
(22) Date of Filing Application: **31 July 2009**  
(24) Date from which industrial property rights may have effect: **31 July 2009**  
(54) Product in respect of which the design is registered: **Baby and children's apparel and related items**  
(51) International Design Classification: **02-02C**  
(71) Name(s) and Address(s) of Applicant(s):  
**Little Gems Australia Pty Ltd**  
**940A Glenhuntly Road Caulfield South Victoria 3162 Australia**  
(72) Name(s) of Designer(s): **Iris Wijaya**  
(45) Registration Date: **24 March 2010**  
(56) Related Art Documents: **Not Applicable**  
(57) Statement of Newness and Distinctiveness: **Nil**





(21) Design Number: **15103/2009**

(22) Date of Filing Application: **31 July 2009**

(24) Date from which industrial property rights may have effect: **31 July 2009**

(54) Product in respect of which the design is registered: **Baby and children's apparel and related items**

(51) International Design Classification: **02-02C**

(71) Name(s) and Address(s) of Applicant(s):

**Little Gems Australia Pty Ltd  
940A Glenhuntly Road Caulfield South Victoria 3162 Australia**

(72) Name(s) of Designer(s): **Iris Wijaya**

(45) Registration Date: **24 March 2010**

(56) Related Art Documents: **Not Applicable**

(57) Statement of Newness and Distinctiveness: **Nil**



(21) Design Number: **15104/2009**

(22) Date of Filing Application: **31 July 2009**

(24) Date from which industrial property rights may have effect: **31 July 2009**

(54) Product in respect of which the design is registered: **Baby and children's apparel and related items**

(51) International Design Classification: **02-02C**

(71) Name(s) and Address(s) of Applicant(s):

**Little Gems Australia Pty Ltd  
940A Glenhuntly Road Caulfield South Victoria 3162 Australia**

(72) Name(s) of Designer(s): **Iris Wijaya**

(45) Registration Date: **24 March 2010**

(56) Related Art Documents: **Not Applicable**

(57) Statement of Newness and Distinctiveness: **Nil**



(21) Design Number: **15105/2009**

(22) Date of Filing Application: **31 July 2009**

(24) Date from which industrial property rights may have effect: **31 July 2009**

(54) Product in respect of which the design is registered: **Baby and children's apparel and related items**

(51) International Design Classification: **02-02C**

(71) Name(s) and Address(s) of Applicant(s):

**Little Gems Australia Pty Ltd  
940A Glenhuntly Road Caulfield South Victoria 3162 Australia**

(72) Name(s) of Designer(s): **Iris Wijaya**

(45) Registration Date: **24 March 2010**

(56) Related Art Documents: **Not Applicable**

(57) Statement of Newness and Distinctiveness: **Nil**



(21) Design Number: **15106/2009**

(22) Date of Filing Application: **31 July 2009**

(24) Date from which industrial property rights may have effect: **31 July 2009**

(54) Product in respect of which the design is registered: **Baby and children's apparel and related items**

(51) International Design Classification: **02-02C**

(71) Name(s) and Address(s) of Applicant(s):

**Little Gems Australia Pty Ltd  
940A Glenhuntly Road Caulfield South Victoria 3162 Australia**

(72) Name(s) of Designer(s): **Iris Wijaya**

(45) Registration Date: **24 March 2010**

(56) Related Art Documents: **Not Applicable**

(57) Statement of Newness and Distinctiveness: **Nil**

