



Australian Government

IP Australia

AUSTRALIAN OFFICIAL JOURNAL

OF

DESIGNS

Did you know a searchable version of this journal is now available online?

It's FREE and EASY to SEARCH.

Find it at

<http://pericles.ipaustralia.gov.au/ols/epublish/content/olsEpublications.jsp>
or using the "Online Journals" link on the IP Australia home page.

This Page Left Intentionally Blank

Contents

General Information & Notices

Proceedings Under the Designs Act 1906 preserved as a result of the provisions of Chapter 12 Part 2 of the Designs Act 2003

Extension of Period of Registration of Designs	766
Extensions of Time Granted	766
Names Registered - Alterations and Amendments	767
Registrations Ceased	766
Subsequent Owners Registered	767

Proceedings Under the Designs Act 2003

Applications for Extension of Time Under Section 137	776
Applications Lapsed	775
Applications Lodged	771
Certificate of Examination	778
Extension of Period of Registration of Design	
Extension of Time Granted Under Section 137	776
Names Registered - Alterations and Amendments	777
Publication and Registration Proceedings	
Designs Registered 330085 to 330242.....	779
Registrations Ceased	776
Subsequent Owners Registered	776

This Page Left Intentionally Blank

For information on the following please see our website www.ipaustralia.gov.au or contact our Customer Service Network on 1300651010

[Editorial enquiries](#)

[Contact information](#)

[Freedom of Information ACT](#)

[Professional Standards Board](#)

[Sales](#)

[Requests for Information under Section 194 \(c\)](#)

[Country Codes](#)

[Trade Mark and Designs Hearing Sessions](#)

[INID \(Internationally agreed Numbers for the Identification of Data\)](#)

“INID” NUMBERS in use on Australian Design Documents

“INID” is an acronym for “Internationally agreed Numbers for the Identification of Data”.

(10) Data concerning the registration/renewal

- (11) Serial number of the registration and/or number of the design document
- (12) Plain language designation of the kind of published document
- (19) Identification, using the two-letter code according to WIPO Standard ST.3, of the authority publishing or registering the industrial design

(20) Data concerning the application

- (21) Serial number of the application
- (22) Date of filing of the application
- (24) Date from which the industrial design right has effect

(30) Data relating to priority under the Paris Convention

- (31) Serial number assigned to the priority application
- (32) Date of filing of the priority application
- (33) Two-letter code, according to WIPO Standard ST.3, identifying the authority with which the priority application was made

(40) Date(s) of making information available to the public

- (45) Date of publication of the registered industrial design by printing or similar process, or making it available to the public by any other means

(50) Miscellaneous Information

- (51) International Classification for Industrial Designs (class and subclass of the Locarno Classification)
- (54) Designation of article(s) or product(s) covered by the industrial design or title of the industrial design
- (55) Reproduction of the industrial design (e.g., drawing, photograph) and explanations relating to the reproduction
- (56) List of prior art documents, if separate from descriptive text
- (57) Description of characteristic features of the industrial design including indication of colours

(60) References to other legally related application(s) and registration(s)

- (62) Serial number(s) and, if available, filing date(s) of application(s), registration(s) or document(s) related by division
- (66) Serial number(s) of the application, or the registration, of the design(s) which is (are) a variant(s) of the present one

(70) Identification of parties concerned with the application or registration

- (71) Name(s) and address(es) of the applicant(s)
- (72) Name(s) of the creator(s) if known to be such
- (74) Name(s) and address(es) of the representative(s)

This Page Left Intentionally Blank

Official Notice

Surrender of Registration

329290

A request under Section 49 of the *Designs Act 2003* has been made by the registered owner of Design Registration No. 329290 to surrender the registration.

Any interested person may give notice to the Registrar that he or she wishes to be heard in relation to the above offer. This notice must be given within 1 month after 15 April 2010.

Your attention is drawn to Regulation 4.10 and 4.11 of the *Designs Regulations 2004*.

Address for Service: Watermark Patent & Trade Mark Attorneys Level 2 302 Burwood Road
HAWTHORN VIC 3122

Contact: IP Australia
Phone: 1300 651 010
Fax: +61 2 6283 7999
E-Mail: assist@ipaustralia.gov.au
Web: www.ipaustralia.gov.au

Proceedings under the Designs Act 1906 preserved as a result of the provisions of Chapter 12 Part 2 of the Designs Act 2003.

This Page Left Intentionally Blank

Applications Lapsed

There were no Applications Lapsed under this section

Extension of Period of Registration of Designs

1st Period (Section 27A(8))

2nd Period (Section 27A(12))

154578	154579	154638
154967	154975	155386
155848	155849	156052
156180	156320	156486
156518	156589	156594
156639	156654	156655
156657	156658	156659
156660	156708	156717
156720	156737	156794
156811	156815	156816
156845	156846	156847
156848	156849	156850
156851	156852	156877
156880	156898	156915
156942	156961	156964
156984	156998	157013
157076	157110	157112
157142	157143	157144
157145	157148	157149
157150	157151	157177
157252	157309	157313
157365	157412	157456
157625	157689	157692
157744	157849	157875
157876	157877	157881
157882	157883	157891
157894	157940	157949
157955	157956	158005
158090	158139	158150
158158	158159	158175
158228	158245	158267
158275	158276	158277
158278	158279	158280
158332	158339	158351
158396	158401	158402
158407	158408	158410
158412	158425	158445
158452	158453	158454
158455	158479	158480
158487	158543	

3rd Period (Section 27A(13))

136569	137102	137103
137238	137550	137640
137641	137653	137814
138098	138136	138139
138579	138638	138788
138789	138790	138791

138798	138871	138872
138875	138876	138878
139042	139043	139044
139045	139046	139047
139048	139119	139311
139455	139899	140104
140387	140388	140450
140579	140656	140783
141391	141975	141976
141977	142359	142360
142418	142592	143022
143894		

Registrations Ceased

Note: Some of the following Registrations may have been previously advertised as ceased. In this instance, the previous advertisement still prevails.

121563	121598	121611
121612	121613	121627
121634	121647	121679
121680	121722	121732
121737	121837	121884
122274	122422	122470
122501	122503	122583
122668	123001	123091
123341	123892	124165
124183	124365	124366
124367	125122	128829
131097	136795	136796
136895	136897	136941
136982	137289	137290
137419	137655	137677
137678	137679	137680
137780	137781	138783
138850	139245	139246
139247	139248	139249
139672	140088	140994
141415	153521	153664
153780	153959	153982
153985	154061	154093
154141	154159	154265
154299	154317	154327
154426	154476	154519
154520	154521	154534
154535	154758	154830
154843	155043	155265
156229	156306	156367
156383	156384	156504
156679	156680	156971
156972	156973	156974
156975	156993	157038
157911	157942	

Extensions of time granted

Applications lodged for extension of time have been granted.

136569 **Atlas Heavy Engineering Pty Ltd** An Extension of time to extend a registration has been granted to 26/02/2010

140104 **Alexander Hugh Ross-Edwards** An Extension of time to extend a registration has been granted to 26/03/2010

Subsequent Owners Registered

(The name in parentheses is that of the subsequent owner)

158375 (**Husqvarna AB**) Aktiebolaget Electrolux

Names Registered - Alterations and Amendments

(The name in parentheses is the new name of the proprietor)

157744 (**Esmart Group Pty Ltd**) The Fire Company Pty Ltd
 157745 (**Esmart Group Pty Ltd**) The Fire Company Pty Ltd
 157746 (**Esmart Group Pty Ltd**) The Fire Company Pty Ltd
 157747 (**Esmart Group Pty Ltd**) The Fire Company Pty Ltd
 157748 (**Esmart Group Pty Ltd**) The Fire Company Pty Ltd
 157749 (**Esmart Group Pty Ltd**) The Fire Company Pty Ltd
 157750 (**Esmart Group Pty Ltd**) The Fire Company Pty Ltd

This Page Left Intentionally Blank

Proceedings under the Designs Act 2003.

This Page Left Intentionally Blank

Applications Lodged

Lodgement information is in the following order: **Applicant's Name**; International Classification, Name of Product, Lodgement Date and **Design Number**. If the applicant claims an earlier priority date under an International Convention, the Convention Country and the associated filing date are shown in parentheses before the Lodgement Date. Divisional information will also appear in parentheses before the Lodgement Date.

Acco Australia Pty Ltd; 19-04, Folder, 31 Mar 2010	11154/2010	Boori International Pty Ltd; 06-02, Furniture, 29 Mar 2010	11099/2010
Ainsworth Game Technology Limited; 21-03, Display unit for a gaming machine, 31 Mar 2010	11151/2010	Boori International Pty Ltd; 06-02, Furniture, 29 Mar 2010	11100/2010
Ainsworth Game Technology Limited; 21-03, Gaming machine, 31 Mar 2010	11152/2010	Boori International Pty Ltd; 06-02, Bed, 29 Mar 2010	11101/2010
Alive Girl Pty Ltd; 02-02C, 02-02NES, Apparel, 24 Mar 2010	11035/2010	BISSELL Homecare, Inc; 15-05, Vacuum cleaner base portion, (US, 20 Nov 2009) 25 Mar 2010	11046/2010
Allen, Graham; 21-02D, Surfboard - new longboard design, 01 Apr 2010	11161/2010	BISSELL Homecare, Inc; 15-05, Vacuum cleaner base portion, (US, 20 Nov 2009) 25 Mar 2010	11047/2010
Alsynite NZ Limited; 23-04, Smoke ventilation hatch, (NZ, 02 Oct 2009) 01 Apr 2010	11172/2010	BISSELL Homecare, Inc; 15-05, Vacuum cleaner upright portion, (US, 20 Nov 2009) 25 Mar 2010	11048/2010
Australian Swimwear Company Pty Ltd, The; 02-02A, "Nip Tuck" Bikini Top, 29 Mar 2010	11086/2010	BISSELL Homecare, Inc; 04-01, Extraction cleaner accessory tool, (US, 23 Dec 2009) 25 Mar 2010	11049/2010
Australian Swimwear Company Pty Ltd, The; 02-02A, "Nip Tuck" 1 Piece swimwear, 29 Mar 2010	11088/2010	BISSELL Homecare, Inc; 15-05, Carpet cleaning machine, (US, 06 Jan 2010) 25 Mar 2010	11050/2010
Australian Swimwear Company Pty Ltd, The; 02-02A, "Nip Tuck" Tankini, 29 Mar 2010	11087/2010	BISSELL Homecare, Inc; 15-05, Vacuum cleaner upright portion, (US, 15 Jan 2010) 25 Mar 2010	11051/2010
ARB Corporation Ltd; 12-16B, A canopy for a utility vehicle, 24 Mar 2010	11034/2010	C-Cut Tools Australasia Pty Ltd; 08-01, Wall hole drilling guide, 24 Mar 2010	11069/2010
Bag2Bed; 06-02, 06-01L, Bag2Bed, 31 Mar 2010	11141/2010	C-Cut Tools Australasia Pty Ltd; 08-01, Wall hole drilling guide, 24 Mar 2010	11070/2010
Baskerville, Nardia; Williams, Tatjana; 02-02B, Boiler suit/overalls, 29 Mar 2010	11102/2010	Carlson, Donald G.; Cresswell, Jeff; 09-01NES, Reusable bottle, (US, 30 Sep 2009) 24 Mar 2010	11025/2010
Basser Millyard Pty Ltd; 22-05, Fishing lure, 31 Mar 2010	11142/2010	Cerebos (Australia) Limited; 09-01B, A bottle, 24 Mar 2010	11033/2010
Bayer Schering Pharma Aktiengesellschaft; 09-03NES, Pill dispenser, (EM, 30 Nov 2009) 29 Mar 2010	11113/2010	Chung, Chow; 08-06, Hinge, 24 Mar 2010	11031/2010
Benet, Agnieszka; 25-02NES, Sand screen with pocket for sand, 26 Mar 2010	11056/2010	Ciampa, Joe John; 07-01F, A jug, 01 Apr 2010	11193/2010
Berry, Julie; Hogan, Christopher; 03-01A, 06-09, Bag, 24 Mar 2010	11024/2010	Ciampa, Joe John; 07-01F, A jug, 01 Apr 2010	11194/2010
Bluescope Steel Limited; 08-08C, A clip, 29 Mar 2010	11107/2010	Coca-Cola Amatil (Aust) Limited; 09-01NES, Preform, 25 Mar 2010	11040/2010
Boori International Pty Ltd; 06-04NES, Furniture, 29 Mar 2010	11096/2010	Coca-Cola Amatil (Aust) Limited; 09-07NES, 09-01B, 15-09, Preform, 25 Mar 2010	11093/2010
Boori International Pty Ltd; 06-02, Furniture, 29 Mar 2010	11095/2010	Coca-Cola Amatil (Aust) Limited; 09-01NES, Preform, 25 Mar 2010	11041/2010
Boori International Pty Ltd; 06-02, Bed, 29 Mar 2010	11097/2010	Coca-Cola Amatil (Aust) Limited; 09-01K, Bottle, 25 Mar 2010	11042/2010
Boori International Pty Ltd; 06-02, Bed, 29 Mar 2010	11098/2010	Coca-Cola Amatil (Aust) Limited; 09-01K, Bottle, 25 Mar 2010	11043/2010

Coca-Cola Amatil (Aust) Limited; 09-07NES, Preform, 25 Mar 2010	11073/2010	Fantasy Diamond Corporation; 11-01NES, Fifteen gemstone jewelry setting, (US, 06 Oct 2009) 30 Mar 2010	11165/2010
Concept Architectural Systems; 25-02H, Awning and casement window for residential homes, (new and existing), 30 Mar 2010	11144/2010	Fantasy Diamond Corporation; 11-01NES, Fifteen gemstone arrangement in jewelry setting, (US, 06 Oct 2009) 30 Mar 2010	11164/2010
Container Pty Ltd; 28-03NES, Kevin Murphy powder puff, 30 Mar 2010	11159/2010	Final Furniture Limited; 99-00, A funeral casket, 31 Mar 2010	11124/2010
Core Surgical Limited; E-Medix Limited; Packard, Richard; 24-02, Knife and blade support, (EM, 29 Sep 2009) 24 Mar 2010	11028/2010	Fisher & Paykel Healthcare Limited; 13-03NES, Electrical / pneumatic connector, (US, 01 Oct 2009) 26 Mar 2010	11122/2010
Cresswell, Jeff; Carlson, Donald G.; 09-01NES, Reusable bottle, (US, 30 Sep 2009) 24 Mar 2010	11025/2010	Foot Supports International Limited; 02-04A, Foot support apparatus, (NZ, 15 Sep 2009) 09 Mar 2010	10935/2010
Crosbie, Robert Andrew; 21-01L, A snooker, pool or billiards ball rack, (EM, 20 Jan 2010) 26 Mar 2010	11075/2010	Fujitsu General Limited; 23-04, Air conditioner, (JP, 30 Sep 2009) 29 Mar 2010	11108/2010
E-Medix Limited; Core Surgical Limited; Packard, Richard; 24-02, Knife and blade support, (EM, 29 Sep 2009) 24 Mar 2010	11028/2010	Fujitsu General Limited; 23-04, Air conditioner, (JP, 30 Sep 2009) 29 Mar 2010	11109/2010
Edison, David; 21-02A, Golf ball, (EM, 06 Oct 2009) 30 Mar 2010	11137/2010	Fujitsu General Limited; 23-04, Air conditioner, (JP, 30 Sep 2009) 29 Mar 2010	11110/2010
Elsteel (Private) Ltd.; 13-03NES, Components for electrical installations; Equipment for distribution or control of electric power; Holder for, electrical busbar, (EM, 22 Mar 2010) 29 Mar 2010	11089/2010	FunDigital Pty Ltd; 10-01, 10-02, 21-99, Clocks, watches, toys, 26 Mar 2010	11143/2010
Elsteel (Private) Ltd.; 13-03NES, , 29 Mar 2010	11090/2010	Haley, Graham Thomas; Hollahan, James Stewart; 15-03B, Combine harvester boom drum finger extension, 18 Mar 2010	10968/2010
Elsteel (Private) Ltd.; 13-03NES, , 29 Mar 2010	11091/2010	Hammersmith Nominees Pty Ltd; 30-04, Saddle flap with removable/relocatable block, 18 Mar 2010	10941/2010
Eustis, Robert H.; 31-00, Wine and spirits fermentation vessel, (US, 29 Sep 2009) 26 Mar 2010	11103/2010	Hanjac Pty Ltd; 08-08L, Bracket, 31 Mar 2010	11153/2010
F. Hoffmann-Roche AG; 24-02, Medical dispensing devices, (SE, 05 Oct 2009) 31 Mar 2010	11150/2010	Hansa Metallwerke AG; 23-01H, Tap, (EM, 01 Oct 2009) 29 Mar 2010	11135/2010
Fantasy Diamond Corporation; 11-01NES, Thirteen gemstone arrangement in jewelry setting, (US, 06 Oct 2009) 30 Mar 2010	11166/2010	Hansa Metallwerke AG; 23-01H, Tap, (EM, 01 Oct 2009) 29 Mar 2010	11136/2010
Fantasy Diamond Corporation; 11-01NES, Thirteen gemstone jewelry setting, (US, 06 Oct 2009) 30 Mar 2010	11167/2010	Hanson, Marina; 02-02NES, This design relates to a slip safe sarong, 26 Mar 2010	11146/2010
Fantasy Diamond Corporation; 11-01NES, Eleven gemstone arrangement in jewelry setting, (US, 06 Oct 2009) 30 Mar 2010	11168/2010	Hatzis Holdings Pty Ltd, t/as Hussy; 02-02NES, Ladies garments, 07 Aug 2009	11117/2010
Fantasy Diamond Corporation; 11-01NES, Eleven gemstone jewelry setting, (US, 06 Oct 2009) 30 Mar 2010	11169/2010	Hatzis Holdings Pty Ltd, t/as Hussy; 02-02NES, Ladies garments, 07 Aug 2009	11118/2010
Fantasy Diamond Corporation; 11-01NES, Nine gemstone jewelry setting, (US, 06 Oct 2009) 30 Mar 2010	11170/2010	Hatzis Holdings Pty Ltd, t/as Hussy; 02-02NES, Ladies garments, 07 Aug 2009	11119/2010
Fantasy Diamond Corporation; 11-01NES, Nine gemstone jewelry setting, (US, 06 Oct 2009) 30 Mar 2010	11171/2010	Hatzis Holdings Pty Ltd, t/as Hussy; 02-02NES, Ladies garments, 07 Aug 2009	11116/2010
		Haysom, Robert Henry; Haysom, Deirdre Mary; 25-99, An edging strip, 19 Mar 2010	10969/2010
		Haysom, Deirdre Mary; Haysom, Robert Henry; 25-99, An edging strip, 19 Mar 2010	10969/2010

Haysom, Robert Henry; Haysom, Deirdre Mary; 25-99, An edging strip, 19 Mar 2010	10970/2010	Johnson & Johnson Vision Care, Inc.; 24-99, Container for ophthalmic lenses, (US, 14 Oct 2009) 31 Mar 2010	11156/2010
Haysom, Deirdre Mary; Haysom, Robert Henry; 25-99, An edging strip, 19 Mar 2010	10970/2010	Johnson & Johnson Vision Care, Inc.; 09-01NES, 24-99, Package for ophthalmic lenses and solutions therefore, (US, 14 Oct 2009) 31 Mar 2010	11157/2010
Haysom, Robert Henry; Haysom, Deirdre Mary; 25-99, An edging strip, 19 Mar 2010	10971/2010	Jones, Paul; Warren, Tom; Helliar, Antony; 07-04, Chopping/cutting board for food preparation, 01 Apr 2010	11182/2010
Haysom, Deirdre Mary; Haysom, Robert Henry; 25-99, An edging strip, 19 Mar 2010	10971/2010	Joseph Joseph Limited; 07-01B, Bowls, (GB, 20 Feb 2008) 24 Mar 2010	11120/2010
Haysom, Robert Henry; Haysom, Deirdre Mary; 25-99, An edging strip, 19 Mar 2010	10972/2010	Joseph Joseph Limited; 07-04, Chopping Boards, (GB, 20 Feb 2008) 24 Mar 2010	11121/2010
Haysom, Deirdre Mary; Haysom, Robert Henry; 25-99, An edging strip, 19 Mar 2010	10972/2010	King, Andrew; 21-01L, Gameboards, 22 Jan 2010	11023/2010
Helliar, Antony; Warren, Tom; Jones, Paul; 07-04, Chopping/cutting board for food preparation, 01 Apr 2010	11182/2010	Koninklijke Philips Electronics N.V.; 07-05A, Electric steam iron, (EM, 02 Oct 2009) 26 Mar 2010	11074/2010
Hogan, Christopher; Berry, Julie; 03-01A, 06-09, Bag, 24 Mar 2010	11024/2010	Layfield, Stephen; 07-01NES, Sealable container, 24 Mar 2010	11027/2010
Hollahan, James Stewart; Haley, Graham Thomas; 15-03B, Combine harvester boom drum finger extension, 18 Mar 2010	10968/2010	Living Holmes Design Pty Ltd; 11-02B, Vertical planter box, 19 Mar 2010	10948/2010
Humphreys, Shaun; 08-07, Window locking lever, 31 Mar 2010	11140/2010	Lock & Load; 06-04NES, Wall shelf unit, 24 Mar 2010	11071/2010
Indian Ocean Medical Inc.; 24-02, Laryngoscope with screen, (EM, 02 Oct 2009) 01 Apr 2010	11180/2010	Lock & Load; 06-04NES, Wall fixture, 24 Mar 2010	11072/2010
Indian Ocean Medical Inc.; 24-02, Blade for a laryngoscope, (EM, 02 Oct 2009) 01 Apr 2010	11181/2010	LRC Products Limited; 28-03NES, Skin treating device, (EM, 02 Oct 2009) 25 Mar 2010	11052/2010
Intraba Pty Ltd; 06-04NES, 06-03C, Bookcase desk unit, 24 Mar 2010	11026/2010	Madison Technologies Pty Ltd; 14-02, A patch panel assembly, 01 Apr 2010	11185/2010
Irwin and Sheehan Pty Ltd; 09-01B, Container, 01 Apr 2010	11174/2010	Material By Product Pty Ltd; 05-05NES, Fabric, 18 Mar 2010	10943/2010
Irwin and Sheehan Pty Ltd; 09-01NES, Container, 01 Apr 2010	11175/2010	Material By Product Pty Ltd; 05-05NES, Fabric, 18 Mar 2010	10944/2010
Jacket Bracket Pty Ltd; 08-08L, A bracket, 31 Mar 2010	11162/2010	McD Asia Pacific LLC, incorporated in the State of Delaware; 09-03NES, A box, 18 Mar 2010	10942/2010
Jacket Bracket Pty Ltd; 08-08L, A bracket, 31 Mar 2010	11163/2010	McKenzie, Donald B.; 06-01L, A chair, 24 Mar 2010	11029/2010
John Deng Design Pty Ltd; 06-06NES, 21-01E, Magic circle element, 16 Mar 2010	11104/2010	McKenzie, Donald B.; 06-01L, A chair, 24 Mar 2010	11030/2010
John Deng Design Pty Ltd; 06-06NES, 21-01E, Magic circle element, 16 Mar 2010	11105/2010	Meltzer, Elly; 07-01A, 07-01B, 07-01D, This design relates to dinnerware products; including, dinner plate, soup bowl, entree plate, tea cup and saucer, 29 Mar 2010	11092/2010
John Deng Design Pty Ltd; 06-06NES, 21-01E, Magic circle element, 16 Mar 2010	11106/2010	Mercuri, David; 13-03NES, Circuit breaker, 26 Mar 2010	11054/2010
Johnson & Johnson Vision Care, Inc.; 09-01NES, Bottle for ophthalmic lens solutions, (US, 14 Oct 2009) 31 Mar 2010	11155/2010	Metalflex Pty Ltd; 23-04, Modular component, 26 Mar 2010	11057/2010
		Metalflex Pty Ltd; 08-08NES, Clip, 26 Mar 2010	11058/2010
		Metalflex Pty Ltd; 23-04, Modular component, 26 Mar 2010	11059/2010

Metalflex Pty Ltd; 23-04, Modular component, 26 Mar 2010	11060/2010	Scott Health & Safety Ltd; 02-03, Protective helmet, (GB, 22 Sep 2009) 18 Mar 2010	10946/2010
Metalflex Pty Ltd; 23-04, Reducer, 26 Mar 2010	11061/2010	Slidetrack Blinds Pty Ltd; 25-01K, A drawbar for a blind assembly, 31 Mar 2010	11160/2010
Metalflex Pty Ltd; 23-01A, Connector, 26 Mar 2010	11062/2010	Societe De Technologie Michelin; Michelin Recherche et Technique S.A.; 12-15B, A pneumatic tyre, (FR, 05 Oct 2009) 29 Mar 2010	11094/2010
Michelin Recherche et Technique S.A.; Societe De Technologie Michelin; 12-15B, A pneumatic tyre, (FR, 05 Oct 2009) 29 Mar 2010	11094/2010	Solar Eggs IP Pty Ltd; 09-03D, Egg and food container, 16 Mar 2010	10947/2010
Odell, James; 12-16NES, A wakeboard tower bimini top for a boat, 24 Mar 2010	11032/2010	Spin Master Ltd; 21-01B, Transformable toy, (CA, 20 Oct 2009) 26 Mar 2010	11081/2010
Otsuka Pharmaceutical Co., Ltd.; 28-03NES, Cosmetic pack-sheet, (JP, 30 Sep 2009) 26 Mar 2010	11114/2010	Spin Master Ltd; 21-01B, Transformable toy, (CA, 20 Oct 2009) 26 Mar 2010	11082/2010
Packard, Richard; Core Surgical Limited; E-Medix Limited; 24-02, Knife and blade support, (EM, 29 Sep 2009) 24 Mar 2010	11028/2010	Spin Master Ltd; 21-01B, Transformable toy, (CA, 03 Nov 2009) 26 Mar 2010	11083/2010
Parkeon; 20-01, Automatic vending machine, (EM, 30 Sep 2009) 30 Mar 2010	11127/2010	Spin Master Ltd; 21-01B, Transformable toy, (CA, 03 Nov 2009) 26 Mar 2010	11084/2010
Parkeon; 20-01, Automatic vending machine, (EM, 30 Sep 2009) 30 Mar 2010	11126/2010	Spin Master Ltd; 21-01B, Transformable toy, (CA, 03 Nov 2009) 26 Mar 2010	11085/2010
Parnham & Associates Pty Ltd; 06-09, A cushion, 26 Mar 2010	11068/2010	Spin Master Ltd; 21-01B, Transformable toy, (CA, 15 Oct 2009) 26 Mar 2010	11077/2010
Peer Intellectual Properties Pty Ltd; 08-08B, A stud, 24 Mar 2010	11066/2010	Spin Master Ltd; 21-01B, Transformable toy, (CA, 29 Sep 2009) 26 Mar 2010	11078/2010
Pitella Imports Pty Ltd; 23-01H, Handle, 29 Mar 2010	11138/2010	Spin Master Ltd; 21-01B, Transformable toy, (CA, 20 Oct 2009) 26 Mar 2010	11079/2010
Pitella Imports Pty Ltd; 08-06, Handle, 29 Mar 2010	11139/2010	Spin Master Ltd; 21-01B, Transformable toy, (CA, 20 Oct 2009) 26 Mar 2010	11080/2010
Poolrite Research Pty Ltd; 13-99, Electrolytic cell plate, 29 Jan 2010	11187/2010	Spin Master Ltd; 21-01B, Transformable toy, (CA, 01 Oct 2009) 26 Mar 2010	11076/2010
Poolrite Research Pty Ltd; 13-99, Electrolytic cell plate, 29 Jan 2010	11188/2010	Stark Innovate Pty Ltd; 07-99NES, A sample collector, 30 Mar 2010	11125/2010
Range Servant AB; 21-02C, Golf practice devices, (EM, 25 Sep 2009) 25 Mar 2010	11053/2010	Swatch AG (Swatch SA) (Swatch Ltd); 10-02, Watch case, (CH, 12 Oct 2009) 06 Apr 2010	11184/2010
Risoda Pty Ltd; 25-02A, Post driver and post extractor combination unit, 26 Mar 2010	11067/2010	The Procter & Gamble Company; 09-03M, Packaging for a container, (US, 05 Oct 2009) 30 Mar 2010	11129/2010
S.C. Johnson & Son, Inc.; 20-02NES, Display tray, (US, 30 Sep 2009) 25 Mar 2010	11045/2010	The Procter & Gamble Company; 09-03M, Packaging for a container, (US, 05 Oct 2009) 30 Mar 2010	11130/2010
Santo Alessi Unique Pottery Australia Pty Ltd; 07-01D, 11-99, Stein or large mug in the shape of an Australian rules football, 31 Mar 2010	11158/2010	The Procter & Gamble Company; 09-03M, Packaging for a container, (US, 05 Oct 2009) 30 Mar 2010	11131/2010
Schoeller Arca Systems GmbH; 09-08, Transport pallet, 30 Mar 2010	11123/2010	The Procter & Gamble Company; 09-03M, Packaging blank, (US, 05 Oct 2009) 30 Mar 2010	11132/2010
Scott Health & Safety Ltd; 02-03, Protective helmet, (GB, 22 Sep 2009) 18 Mar 2010	10945/2010		

The Procter & Gamble Company; 09-03M, Packaging blank, (US, 05 Oct 2009) 30 Mar 2010	11133/2010	Visy R & D Pty Ltd; 09-07B, A lid, 25 Mar 2010	11065/2010
The Procter & Gamble Company; 09-03M, Packaging blank, (US, 05 Oct 2009) 30 Mar 2010	11134/2010	Warren, Tom; Helliar, Antony; Jones, Paul; 07-04, Chopping/cutting board for food preparation, 01 Apr 2010	11182/2010
The Procter & Gamble Company; 09-03M, Packaging for a container, (US, 05 Oct 2009) 30 Mar 2010	11128/2010	Watts Hardware Manufacturing Pty Ltd; 25-01K, Extrusion, 24 Mar 2010	11044/2010
Toyota Jidosha Kabushiki Kaisha; 12-08, Automobile, (US, 18 Dec 2009) 01 Apr 2010	11189/2010	Watts Hardware Manufacturing Pty Ltd; 25-01K, Extrusion, 24 Mar 2010	11036/2010
Toyota Jidosha Kabushiki Kaisha; 26-06, Front combination lamp for an automobile, (US, 18 Dec 2009) 01 Apr 2010	11190/2010	Watts Hardware Manufacturing Pty Ltd; 25-01K, Extrusion, 24 Mar 2010	11037/2010
Toyota Jidosha Kabushiki Kaisha; 26-06, Rear combination lamp for an automobile, (US, 18 Dec 2009) 01 Apr 2010	11191/2010	Watts Hardware Manufacturing Pty Ltd; 25-01K, Extrusion, 24 Mar 2010	11038/2010
Toyota Jidosha Kabushiki Kaisha; 12-16C, Front bumper for an automobile, (US, 18 Dec 2009) 01 Apr 2010	11192/2010	Watts Hardware Mfg Pty Ltd; 25-02B, Door, 29 Mar 2010	11039/2010
Unilever PLC; 09-01K, Container, (GB, 16 Oct 2009) 01 Apr 2010	11173/2010	Watts Hardware Mfg Pty Ltd; 25-02B, Door, 29 Mar 2010	11148/2010
Unilever PLC; 09-07NES, Part of container, (GB, 16 Oct 2009) 29 Mar 2010	11111/2010	Williams, Tatjana; Baskerville, Nardia; 02-02B, Boiler suit/overalls, 29 Mar 2010	11149/2010
Unilever PLC; 09-01K, Part of container, (GB, 16 Oct 2009) 29 Mar 2010	11112/2010	3M Innovative Properties Company; 07-01F, Water pitcher, (US, 02 Oct 2009) 01 Apr 2010	11147/2010
Vibram S.P.A.; 02-04B, Soles for footwear, (EM, 10 Aug 2009) 10 Feb 2010	11186/2010	3M Innovative Properties Company; 23-01G, Water treatment device, (US, 02 Oct 2009) 01 Apr 2010	11102/2010
Virgo, Lisa Annette; 02-02B, Protective collar for mums/dads/carers of small children and babies, 26 Mar 2010	11145/2010	3M Innovative Properties Company; 09-01B, Water bottle, (US, 02 Oct 2009) 01 Apr 2010	11176/2010
Visy R & D Pty Ltd; 09-03NES, A tub, 25 Mar 2010	11063/2010	3M Innovative Properties Company; 23-01G, Water treatment cartridge, (US, 02 Oct 2009) 01 Apr 2010	11177/2010
Visy R & D Pty Ltd; 09-03NES, A tub, 25 Mar 2010	11064/2010		11178/2010
			11179/2010

Applications Lapsed

13618 / 2009 (02-02C)	13662 / 2009 (02-01A)
13735 / 2009 (02-02C)	10084 / 2010 (08-01)
10095 / 2010 (08-07)	10209 / 2010 (12-06NES)
10210 / 2010 (05-05C)	10274 / 2010 (02-02NES)

Extension of Period of Registration of Designs

301342	301343	301392
301393	301394	301395
301396	301401	301402
301403	301404	301405
301406	302932	302947
303077	303081	303082
303083	303185	303186
303217	303218	303219
303220	303221	303236
303237	303254	303283
303284	303319	303348
303376	303377	303378
303379	303380	303429
303430	303431	303447
303489	303490	303491
303492	303497	303534
303539	303540	303551
303557	303558	303559
303576	303577	303578
303597	303604	303605
303606	303610	303673
303674	303782	303783
303903	303904	303968
304021	304022	304101
304102	304103	304137
304138	304139	304140
304141	304163	304217
304218	304219	304220
304221	304222	304223
304337	304441	304442
304487	304496	304497
304570	304654	304747
304935	305098	305107
305108	305109	305340
305385	305386	305535
305536	305715	305716
306160	306174	306362

Registrations Ceased

300798	300799	300800
300915	300924	300927
300928	300929	300931
300932	300934	300938
300939	300950	300960
300967	300968	300969
300974	300980	300983
300984	300989	300990
300997	301001	301002
301007	301009	301010
301025	301026	301028

301030	301086	301087
301098	301108	301118
301119	301120	301124
301143	301191	301223
301325	301421	301661
301666	301668	301669
301670	301755	301823
301824	302364	302510
302546	302547	303192
303243	304592	304593
304594	304595	304596
304597	304598	304599
304697	305075	305693
306225	310493	310810
317267	317268	317269
322400	324073	324075
324077	324249	325300
325654	325724	326061
326092		

Applications for Extension of time under Section 137

Applications under section 137 for extension of time have been lodged. Objections must be lodged within 1 month from the date of this journal.

11120/2010 **Joseph Joseph Limited** Address for Service: Axis Legal Pty Ltd PO Box K353 HAYMARKET NSW 1240

11121/2010 **Joseph Joseph Limited** Address for Service: Axis Legal Pty Ltd PO Box K353 HAYMARKET NSW 1240

Extensions of time granted under Section 137

Applications lodged under section 137 for extension of time have been granted.

10495/2009 **Michael J. Conroy**

13168/2009 **Faith Insignias Pty Ltd**

14368/2009 **Elaine Richardson**

14369/2009 **Elaine Richardson**

14374/2009 **Donovan Reynolds**

14375/2009 **Donovan Reynolds**

14982/2009 **Margaret Ferrett**

14983/2009 **Margaret Ferrett**

Subsequent Owners Registered

(The name in parentheses is that of the subsequent owner)

308676 (**Delilah International S.a.r.l.**) Samsonite LLC A Delaware limited liability company

310205 (**D4D Technologies, LLC**) D4D Technologies, L.P.

323342 (**Earthset Number Two Limited**) Kenneth Steel

**Names Registered - Alterations and
Amendments**

(The name in parentheses is that of the subsequent
applicant)

302932 **(Gryphon Garage Doors Pty Ltd)** Glensing Pty Ltd

Certificate(s) of Examination

Examination of the following Design Registration(s) has been completed. Infringement proceedings may now be commenced.

305232	12-05	29/03/2010
313848	07-05NES	26/03/2010
313850	07-05NES	26/03/2010
322706	08-05F	31/03/2010
324212	06-01E	25/03/2010
326528	26-05A	01/04/2010
326529	26-05A	01/04/2010
327210	07-07A	31/03/2010
327725	08-08B	31/03/2010
328277	02-06	17/03/2010
328380	08-08NES	25/03/2010
328386	02-02C	26/03/2010
328388	02-02C	26/03/2010
328462	25-01K	06/04/2010
328564	28-03NES	30/03/2010
328565	28-03NES	30/03/2010
328585	12-08	07/04/2010
328699	25-01K	06/04/2010
328755	09-03L	06/04/2010
328794	09-01K	31/03/2010
328896	08-09	29/03/2010
328913	26-06	06/04/2010
328948	24-01	26/03/2010
329141	09-01NES	31/03/2010
329142	09-01NES	31/03/2010
329143	09-01NES	31/03/2010
329150	09-01NES	31/03/2010
329241	08-99	26/03/2010
329242	08-99	26/03/2010
329297	23-02F	06/04/2010
329299	14-03A	06/04/2010
329300	14-03A	06/04/2010
329337	19-08	31/03/2010
329338	19-08	31/03/2010
329339	19-08	31/03/2010
329342	24-04	26/03/2010
329343	24-04	26/03/2010
329344	24-04	26/03/2010
329372	09-07C	31/03/2010
329403	04-02	31/03/2010
329464	09-01G	31/03/2010

Publication and Registration Proceedings

Designs Registered

This section provides a concordance between design number and registration number of Designs covered in this journal. It also shows the main class and registration date.

This section covers Registration numbers 330085 to 330242 .

The registration number shown below should be used in all future correspondence.

Design Number	Registration Number	International Classification Code (IDC)	Registration Date	Design Number	Registration Number	International Classification Code (IDC)	Registration Date
10495/2009	330119	22-05	26/03/2010	10601/2010	330088	08-06	26/03/2010
12542/2009	330213	19-07	07/04/2010	10602/2010	330089	08-08L	26/03/2010
12543/2009	330214	19-01	07/04/2010	10614/2010	330090	31-00	26/03/2010
12544/2009	330215	19-07	07/04/2010	10623/2010	330091	13-01	26/03/2010
12545/2009	330216	19-07	07/04/2010	10631/2010	330101	06-06A	26/03/2010
12546/2009	330217	19-07	07/04/2010	10632/2010	330102	09-03NES	26/03/2010
12547/2009	330218	19-07	07/04/2010	10633/2010	330103	09-03NES	26/03/2010
12584/2009	330160	02-04C	31/03/2010	10636/2010	330104	07-02E	26/03/2010
12585/2009	330161	02-04C	31/03/2010	10644/2010	330165	06-08	31/03/2010
12586/2009	330162	02-04C	31/03/2010	10649/2010	330105	09-03NES	26/03/2010
12587/2009	330163	02-04C	31/03/2010	10650/2010	330106	09-03NES	26/03/2010
12974/2009	330085	07-01NES	26/03/2010	10651/2010	330107	10-99	26/03/2010
12994/2009	330219	02-02C	07/04/2010	10652/2010	330108	10-99	26/03/2010
13331/2009	330137	08-06	31/03/2010	10680/2010	330125	26-04	30/03/2010
13332/2009	330138	08-06	31/03/2010	10685/2010	330126	14-03E	30/03/2010
14192/2009	330230	21-03	08/04/2010	10686/2010	330092	08-05E	26/03/2010
14193/2009	330231	21-03	08/04/2010	10687/2010	330093	08-05E	26/03/2010
14194/2009	330232	21-03	08/04/2010	10688/2010	330094	15-09	26/03/2010
14195/2009	330233	21-03	08/04/2010	10690/2010	330095	31-00	26/03/2010
14275/2009	330139	05-99	31/03/2010	10691/2010	330096	31-00	26/03/2010
14368/2009	330225	23-02A	07/04/2010	10692/2010	330097	14-03E	26/03/2010
14369/2009	330226	23-02A	07/04/2010	10693/2010	330098	15-07	26/03/2010
14561/2009	330227	02-02NES	07/04/2010	10697/2010	330127	14-02	30/03/2010
14644/2009	330171	09-03M	06/04/2010	10700/2010	330128	31-00	30/03/2010
14767/2009	330141	08-07	31/03/2010	10701/2010	330129	15-03NES	30/03/2010
14827/2009	330142	24-01	31/03/2010	10702/2010	330130	12-08	30/03/2010
14982/2009	330172	20-02C	06/04/2010	10704/2010	330132	26-05B	30/03/2010
14983/2009	330173	20-02NES	06/04/2010	10705/2010	330133	26-05C	30/03/2010
15063/2009	330131	26-05C	30/03/2010	10706/2010	330134	26-05D	30/03/2010
15081/2009	330164	19-08	31/03/2010	10711/2010	330177	31-00	06/04/2010
10001/2010	330109	21-01L	26/03/2010	10713/2010	330178	06-01G	06/04/2010
10053/2010	330099	15-03B	26/03/2010	10714/2010	330179	06-01G	06/04/2010
10106/2010	330100	13-02	26/03/2010	10715/2010	330180	06-01G	06/04/2010
10129/2010	330112	13-03D	26/03/2010	10716/2010	330181	06-01G	06/04/2010
10165/2010	330113	07-01C	26/03/2010	10717/2010	330182	07-04	06/04/2010
10207/2010	330143	06-03C	31/03/2010	10718/2010	330183	07-04	06/04/2010
10211/2010	330114	09-03A	26/03/2010	10719/2010	330184	23-01A	06/04/2010
10212/2010	330115	09-03A	26/03/2010	10721/2010	330166	25-02NES	31/03/2010
10266/2010	330120	06-01E	30/03/2010	10726/2010	330167	31-00	31/03/2010
10278/2010	330144	14-03NES	31/03/2010	10727/2010	330168	09-03F	31/03/2010
10327/2010	330145	13-02	31/03/2010	10728/2010	330135	02-02NES	30/03/2010
10378/2010	330140	02-02NES	31/03/2010	10729/2010	330136	02-02NES	30/03/2010
10428/2010	330121	08-06	30/03/2010	10735/2010	330151	07-02L	31/03/2010
10435/2010	330234	02-02A	08/04/2010	10736/2010	330152	07-02L	31/03/2010
10458/2010	330146	25-02H	31/03/2010	10737/2010	330153	07-02L	31/03/2010
10528/2010	330122	02-06	30/03/2010	10738/2010	330154	14-01	31/03/2010
10539/2010	330148	13-02	31/03/2010	10739/2010	330155	14-01	31/03/2010
10551/2010	330124	25-01F	30/03/2010	10740/2010	330156	14-01	31/03/2010
10581/2010	330147	23-01L	31/03/2010	10741/2010	330157	25-01K	31/03/2010
10594/2010	330149	02-04B	31/03/2010	10743/2010	330158	09-03F	31/03/2010
10595/2010	330150	02-04NES	31/03/2010	10744/2010	330159	09-03F	31/03/2010
10599/2010	330086	09-01H	26/03/2010	10745/2010	330186	14-02	06/04/2010
10600/2010	330087	12-11	26/03/2010	10746/2010	330187	14-02	06/04/2010

Publication and Registration Proceedings - Designs Registered cont'd

Design Number	Registration Number	International Classification Code (IDC)	Registration Date	Design Number	Registration Number	International Classification Code (IDC)	Registration Date
10747/2010	330188	15-04	06/04/2010	10845/2010	330209	16-06	06/04/2010
10748/2010	330189	25-02NES	06/04/2010	10846/2010	330210	16-06	06/04/2010
10749/2010	330190	10-07	06/04/2010	10847/2010	330211	16-06	06/04/2010
10751/2010	330191	08-10	06/04/2010	10865/2010	330212	02-03	06/04/2010
10752/2010	330192	13-02	06/04/2010	10866/2010	330238	07-02L	08/04/2010
10754/2010	330235	09-03M	08/04/2010	10867/2010	330239	14-03E	08/04/2010
10755/2010	330236	09-05	08/04/2010	10868/2010	330202	09-09	06/04/2010
10756/2010	330185	06-09	06/04/2010	10873/2010	330240	09-03C	08/04/2010
10757/2010	330193	23-01B	06/04/2010	10874/2010	330241	25-02A	08/04/2010
10788/2010	330116	10-04	26/03/2010	10884/2010	330118	07-02N	26/03/2010
10789/2010	330194	12-08	06/04/2010	10888/2010	330203	09-03NES	06/04/2010
10790/2010	330195	15-05	06/04/2010	10903/2010	330169	10-05	31/03/2010
10791/2010	330196	28-03NES	06/04/2010	10931/2010	330242	99-00	08/04/2010
10792/2010	330197	28-03NES	06/04/2010	10932/2010	330110	21-01L	26/03/2010
10797/2010	330198	03-01C	06/04/2010	10933/2010	330111	21-01L	26/03/2010
10803/2010	330199	12-16NES	06/04/2010	10957/2010	330123	02-06	30/03/2010
10804/2010	330200	12-16NES	06/04/2010	10962/2010	330174	08-08B	06/04/2010
10805/2010	330201	09-01G	06/04/2010	10963/2010	330175	08-08B	06/04/2010
10816/2010	330237	12-16B	08/04/2010	10964/2010	330176	08-08B	06/04/2010
10826/2010	330204	07-05NES	06/04/2010	11020/2010	330117	07-02N	26/03/2010
10827/2010	330205	07-05NES	06/04/2010	11056/2010	330170	25-02NES	31/03/2010
10831/2010	330206	14-03NES	06/04/2010	11115/2010	330220	02-02NES	07/04/2010
10837/2010	330228	23-01K	07/04/2010	11116/2010	330221	02-02NES	07/04/2010
10838/2010	330229	12-08	07/04/2010	11117/2010	330222	02-02NES	07/04/2010
10843/2010	330207	21-02F	06/04/2010	11118/2010	330223	02-02NES	07/04/2010
10844/2010	330208	06-01E	06/04/2010	11119/2010	330224	02-02NES	07/04/2010

Publication and Registration Proceedings
Class Listing of Designs Published or Registered

The following section shows an International Classification Code listing of the Registered or Published Designs covered in this supplement.

Classification	Registration Number	Design Number	Classification	Registration Number	Design Number
02-02 A	330234	10435/2010	08-08 L	330089	10602/2010
02-02 C	330219	12994/2009	08-10	330191	10751/2010
02-02 NES	330135	10728/2010	09-01 G	330201	10805/2010
02-02 NES	330136	10729/2010	09-01 H	330086	10599/2010
02-02 NES	330140	10378/2010	09-03 A	330114	10211/2010
02-02 NES	330220	11115/2010	09-03 A	330115	10212/2010
02-02 NES	330221	11116/2010	09-03 C	330240	10873/2010
02-02 NES	330222	11117/2010	09-03 F	330158	10743/2010
02-02 NES	330223	11118/2010	09-03 F	330159	10744/2010
02-02 NES	330224	11119/2010	09-03 F	330168	10727/2010
02-02 NES	330227	14561/2009	09-03 M	330171	14644/2009
02-03	330212	10865/2010	09-03 M	330235	10754/2010
02-04 B	330149	10594/2010	09-03 NES	330102	10632/2010
02-04 C	330160	12584/2009	09-03 NES	330103	10633/2010
02-04 C	330161	12585/2009	09-03 NES	330105	10649/2010
02-04 C	330162	12586/2009	09-03 NES	330106	10650/2010
02-04 C	330163	12587/2009	09-03 NES	330203	10888/2010
02-04 NES	330150	10595/2010	09-05	330173	14983/2009
02-06	330122	10528/2010	09-05	330236	10755/2010
02-06	330123	10957/2010	09-07 NES	330174	10962/2010
03-01 C	330198	10797/2010	09-07 NES	330175	10963/2010
05-99	330139	14275/2009	09-07 NES	330176	10964/2010
06-01 E	330120	10266/2010	09-09	330202	10868/2010
06-01 E	330208	10844/2010	10-04	330116	10788/2010
06-01 G	330178	10713/2010	10-05	330169	10903/2010
06-01 G	330179	10714/2010	10-07	330190	10749/2010
06-01 G	330180	10715/2010	10-99	330107	10651/2010
06-01 G	330181	10716/2010	10-99	330108	10652/2010
06-03 C	330143	10207/2010	12-05	330094	10688/2010
06-06 A	330101	10631/2010	12-08	330130	10702/2010
06-08	330165	10644/2010	12-08	330194	10789/2010
06-09	330185	10756/2010	12-08	330229	10838/2010
07-01 C	330113	10165/2010	12-11	330087	10600/2010
07-01 NES	330085	12974/2009	12-16 B	330237	10816/2010
07-02 E	330104	10636/2010	12-16 NES	330199	10803/2010
07-02 L	330151	10735/2010	12-16 NES	330200	10804/2010
07-02 L	330152	10736/2010	13-01	330089	10602/2010
07-02 L	330153	10737/2010	13-01	330091	10623/2010
07-02 L	330238	10866/2010	13-01	330213	12542/2009
07-02 N	330117	11020/2010	13-01	330214	12543/2009
07-02 N	330118	10884/2010	13-01	330215	12544/2009
07-04	330182	10717/2010	13-02	330100	10106/2010
07-04	330183	10718/2010	13-02	330145	10327/2010
07-05 NES	330204	10826/2010	13-02	330148	10539/2010
07-05 NES	330205	10827/2010	13-02	330192	10752/2010
07-99 NES	330195	10790/2010	13-03 D	330112	10129/2010
08-05 E	330092	10686/2010	14-01	330154	10738/2010
08-05 E	330093	10687/2010	14-01	330155	10739/2010
08-06	330088	10601/2010	14-01	330156	10740/2010
08-06	330121	10428/2010	14-02	330127	10697/2010
08-06	330137	13331/2009	14-02	330186	10745/2010
08-06	330138	13332/2009	14-02	330187	10746/2010
08-07	330141	14767/2009	14-03 E	330097	10692/2010
08-08 B	330174	10962/2010	14-03 E	330126	10685/2010
08-08 B	330175	10963/2010	14-03 E	330239	10867/2010
08-08 B	330176	10964/2010	14-03 NES	330144	10278/2010

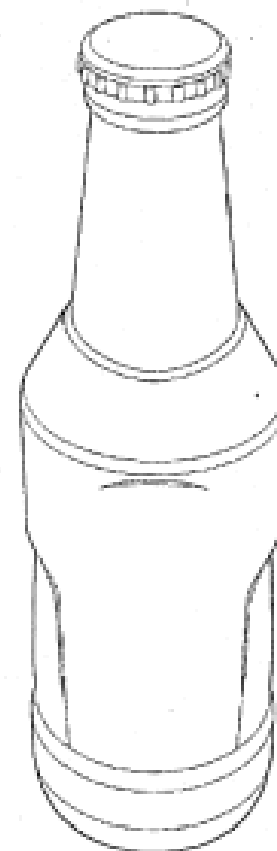
Registration Proceedings - Class Listing of Designs Published or Registered cont'd

Classification	Registration Number	Design Number	Classification	Registration Number	Design Number
14-03 NES	330206	10831/2010	23-01 A	330184	10719/2010
15-03 B	330099	10053/2010	23-01 B	330193	10757/2010
15-03 NES	330129	10701/2010	23-01 K	330228	10837/2010
15-04	330188	10747/2010	23-01 L	330147	10581/2010
15-05	330195	10790/2010	23-02 A	330225	14368/2009
15-07	330098	10693/2010	23-02 A	330226	14369/2009
15-09	330094	10688/2010	23-03 D	330216	12545/2009
16-06	330209	10845/2010	23-03 D	330217	12546/2009
16-06	330210	10846/2010	24-01	330142	14827/2009
16-06	330211	10847/2010	24-02	330096	10691/2010
19-01	330214	12543/2009	25-01 F	330124	10551/2010
19-07	330213	12542/2009	25-01 K	330157	10741/2010
19-07	330215	12544/2009	25-02 A	330241	10874/2010
19-07	330216	12545/2009	25-02 H	330146	10458/2010
19-07	330217	12546/2009	25-02 NES	330166	10721/2010
19-07	330218	12547/2009	25-02 NES	330170	11056/2010
19-08	330164	15081/2009	25-02 NES	330189	10748/2010
20-02 C	330172	14982/2009	25-04	330166	10721/2010
20-02 E	330172	14982/2009	26-04	330125	10680/2010
20-02 NES	330173	14983/2009	26-05 B	330132	10704/2010
21-01 A	330218	12547/2009	26-05 C	330131	15063/2009
21-01 C	330194	10789/2010	26-05 C	330133	10705/2010
21-01 C	330213	12542/2009	26-05 D	330134	10706/2010
21-01 C	330214	12543/2009	28-03 NES	330196	10791/2010
21-01 C	330215	12544/2009	28-03 NES	330197	10792/2010
21-01 C	330216	12545/2009	31-00	330090	10614/2010
21-01 C	330217	12546/2009	31-00	330095	10690/2010
21-01 L	330109	10001/2010	31-00	330096	10691/2010
21-01 L	330110	10932/2010	31-00	330128	10700/2010
21-01 L	330111	10933/2010	31-00	330167	10726/2010
21-02 F	330207	10843/2010	31-00	330177	10711/2010
21-03	330230	14192/2009	99-00	330242	10931/2010
21-03	330231	14193/2009			
21-03	330232	14194/2009			
21-03	330233	14195/2009			
22-05	330119	10495/2009			

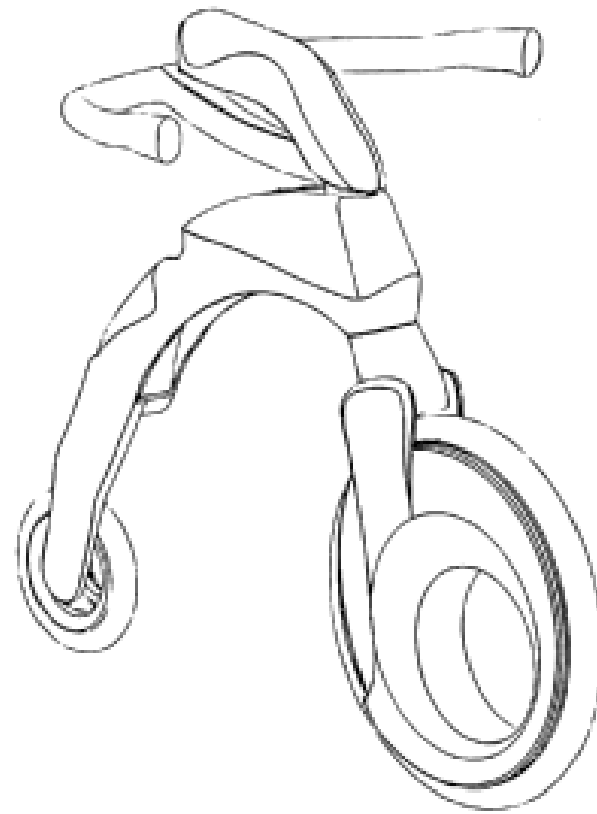
- (21) Design Number: **12974/2009**
(22) Date of Filing Application: **06 August 2009**
(24) Date from which industrial property rights may have effect: **06 August 2009**
(54) Product in respect of which the design is registered: **Container base**
(51) International Design Classification: **07-01NES**
(71) Name(s) and Address(s) of Applicant(s):
Huhtamaki Australia Pty Ltd
225 Wellington Road Mulgrave Victoria 3170 Australia
(72) Name(s) of Designer(s): **Paul Daffurn**
(45) Registration Date: **26 March 2010**
(56) Related Art Documents: **Not Applicable**
(57) Statement of Newness and Distinctiveness: **Newness and distinctiveness is claimed in features of shape and/or configuration of a container base as illustrated in the accompanying representations. In considering the scope of the registration the lid as shown is to be disregarded.**



- (21) Design Number: **10599/2010**
(22) Date of Filing Application: **23 February 2010**
(24) Date from which industrial property rights may have effect: **23 February 2010**
(54) Product in respect of which the design is registered: **Bottle**
(51) International Design Classification: **09-01H**
(71) Name(s) and Address(s) of Applicant(s):
Bavaria N.V.
de Stater 1 5737 RV Lieshout Netherlands
(72) Name(s) of Designer(s): **Michael Webster and Adrian Caroen and Patrick Geens and Mark van Donick**
(45) Registration Date: **26 March 2010**
(56) Related Art Documents: **Not Applicable**
(57) Statement of Newness and Distinctiveness: **In considering the newness or distinctiveness of the design, regard is to be given to the overall shape and/or configuration of the bottle as shown in the representations.**



- (21) Design Number: **10600/2010**
(22) Date of Filing Application: **23 February 2010**
(24) Date from which industrial property rights may have effect: **23 February 2010**
(54) Product in respect of which the design is registered: **Bicycle**
(51) International Design Classification: **12-11**
(71) Name(s) and Address(s) of Applicant(s):
Projectgarlic Limited
2 Rhodesvale Terrace Cashmere Christchurch 8011 New Zealand
(72) Name(s) of Designer(s): **Grant James Ryan and Caleb Peter Smith and Peter Lloyd Higgins**
(45) Registration Date: **26 March 2010**
(30) Convention priority data:
(31) Number (32) Date (33) Country
001606575-0001 01 Sep 2009 EUROPEAN COMMUNITY
(56) Related Art Documents: **Not Applicable**
(57) Statement of Newness and Distinctiveness: **Nil**



- (21) Design Number: **10601/2010**
(22) Date of Filing Application: **23 February 2010**
(24) Date from which industrial property rights may have effect: **23 February 2010**
(54) Product in respect of which the design is registered: **Plastic injection molded handle design**
(51) International Design Classification: **08-06**
(71) Name(s) and Address(s) of Applicant(s):
Emotion Pty Ltd
55 West Thebarton Road Thebarton South Australia 5031 Australia
(72) Name(s) of Designer(s): **Alex Neill and John Packer**
(45) Registration Date: **26 March 2010**
(56) Related Art Documents: **Not Applicable**
(57) Statement of Newness and Distinctiveness: **Ergonomic two handed handle design allows both hand operation of power drive system.**



(21) Design Number: **10602/2010**

(22) Date of Filing Application: **23 February 2010**

(24) Date from which industrial property rights may have effect: **23 February 2010**

(54) Product in respect of which the design is registered: **Suspension bracket for motor drive**

(51) International Design Classification: **08-08L, 13-01**

(71) Name(s) and Address(s) of Applicant(s):

Emotion Pty Ltd

55 West Thebarton Road Thebarton South Australia 5031 Australia

(72) Name(s) of Designer(s): **Alex Neill and John Packer**

(45) Registration Date: **26 March 2010**

(56) Related Art Documents: **Not Applicable**

(57) Statement of Newness and Distinctiveness: **Unique suspension fork design allows ease of motor drive and operation.**



(21) Design Number: **10614/2010**

(22) Date of Filing Application: **24 February 2010**

(24) Date from which industrial property rights may have effect: **24 February 2010**

(54) Product in respect of which the design is registered: **Milk frother**

(51) International Design Classification: **31-00**

(71) Name(s) and Address(s) of Applicant(s):

Breville Pty Limited

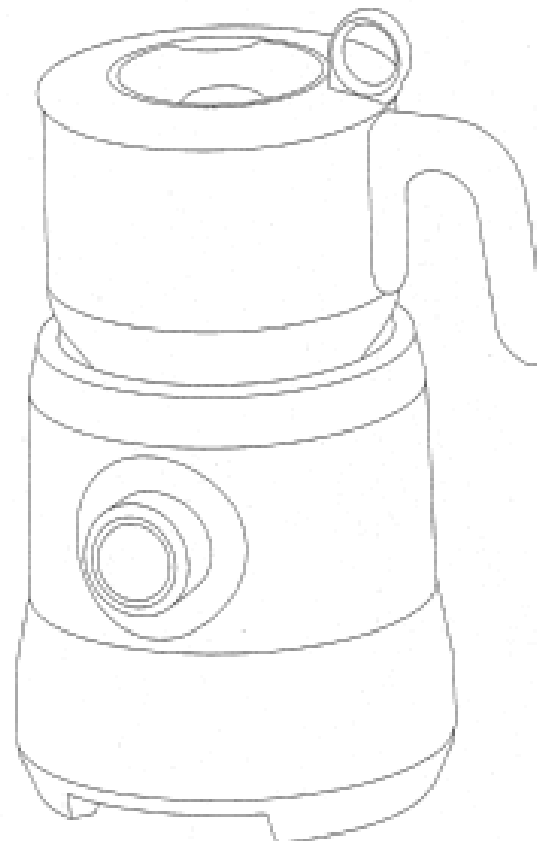
Building 2 Port Air Industrial Estate 1A Hale Street Botany New South Wales 2019 Australia

(72) Name(s) of Designer(s): **Richard Harrod**

(45) Registration Date: **26 March 2010**

(56) Related Art Documents: **Not Applicable**

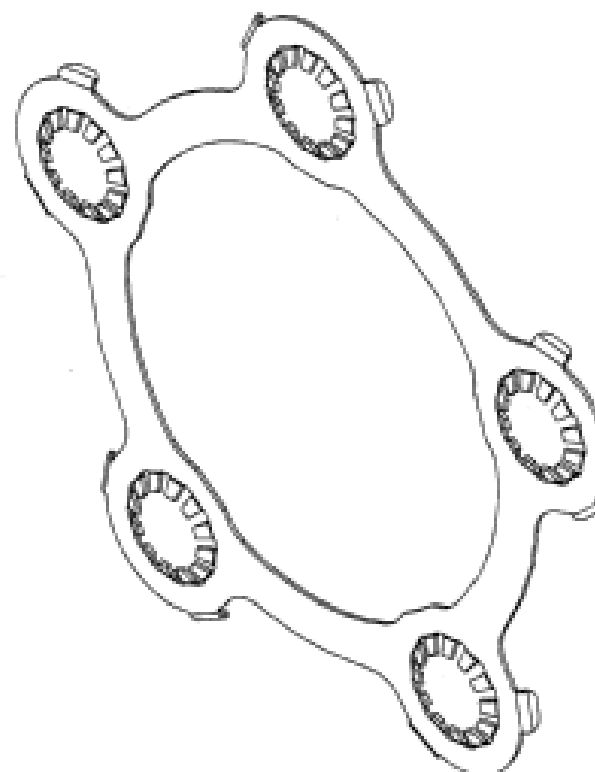
(57) Statement of Newness and Distinctiveness: **Newness is claimed in the features of shape and configuration of the milk frother as shown in the accompanying representations.**



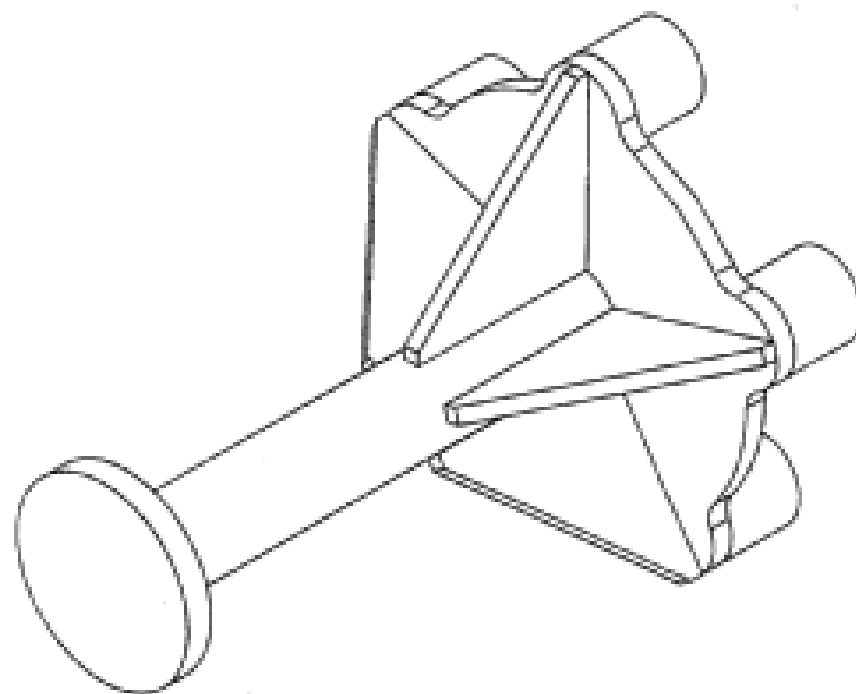
- (21) Design Number: **10623/2010**
(22) Date of Filing Application: **24 February 2010**
(24) Date from which industrial property rights may have effect: **24 February 2010**
(54) Product in respect of which the design is registered: **Engine generator**
(51) International Design Classification: **13-01**
(71) Name(s) and Address(s) of Applicant(s):
Honda Motor Co., Ltd.
1-1 Minamiaoyama 2-chome Minato-ku Tokyo Japan
(72) Name(s) of Designer(s): **Joji Maeda**
(45) Registration Date: **26 March 2010**
(30) Convention priority data:
(31) Number (32) Date (33) Country
2009-019395 25 Aug 2009 JAPAN
(56) Related Art Documents: **Not Applicable**
(57) Statement of Newness and Distinctiveness: **Newness and distinctiveness is claimed in the features of shape and/or configuration of an engine generator as illustrated in the accompanying representations.**



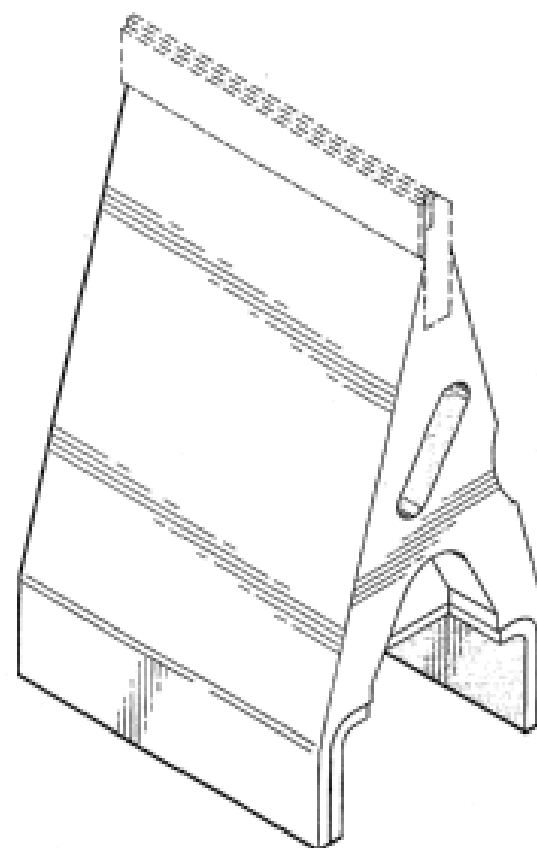
- (21) Design Number: **10686/2010**
(22) Date of Filing Application: **26 February 2010**
(24) Date from which industrial property rights may have effect: **26 February 2010**
(54) Product in respect of which the design is registered: **Wheel nut clamp**
(51) International Design Classification: **08-05E**
(71) Name(s) and Address(s) of Applicant(s):
Macs Engineering Pty Ltd
1C Victoria Street Mackay Queensland 4740 Australia
(72) Name(s) of Designer(s): **Michael Scott Cavanaugh**
(45) Registration Date: **26 March 2010**
(56) Related Art Documents: **Not Applicable**
(57) Statement of Newness and Distinctiveness: **The newness and distinctiveness of the design resides in the shape and/or configuration of the WHEEL NUT CLAMP shown in the representations.**



(21) Design Number: **10687/2010**
(22) Date of Filing Application: **26 February 2010**
(24) Date from which industrial property rights may have effect: **26 February 2010**
(54) Product in respect of which the design is registered: **Wheel nut clamp tool**
(51) International Design Classification: **08-05E**
(71) Name(s) and Address(s) of Applicant(s):
Macs Engineering Pty Ltd
1C Victoria Street Mackay Queensland 4740 Australia
(72) Name(s) of Designer(s): **Michael Scott Cavanaugh**
(45) Registration Date: **26 March 2010**
(56) Related Art Documents: **Not Applicable**
(57) Statement of Newness and Distinctiveness: **The newness and distinctiveness of the design resides in the shape and/or configuration of the WHEEL NUT CLAMP TOOL shown in the representations.**



(21) Design Number: **10688/2010**
(22) Date of Filing Application: **01 March 2010**
(24) Date from which industrial property rights may have effect: **01 March 2010**
(54) Product in respect of which the design is registered: **Belt scrapers**
(51) International Design Classification: **15-09, 12-05**
(71) Name(s) and Address(s) of Applicant(s):
Martin Bulk Handling Solutions (Proprietary) Limited
Cnr Antwerpen Street & Arnheimsingel Die Heuwel Witbank
Mpumalanga 1035 Republic of South Africa
(72) Name(s) of Designer(s): **Johannes Rohm Kotze**
(45) Registration Date: **26 March 2010**
(30) Convention priority data:
(31) Number (32) Date (33) Country
A2009/01360 04 Sep 2009 SOUTH AFRICA
(56) Related Art Documents: **Not Applicable**
(57) Statement of Newness and Distinctiveness: **Newness and distinctiveness is claimed in those features of shape and/or configuration and pattern and/or ornamentation of belt scrapers as illustrated in continuous lines in the accompanying representations.**



(21) Design Number: **10690/2010**

(22) Date of Filing Application: **01 March 2010**

(24) Date from which industrial property rights may have effect: **01 March 2010**

(54) Product in respect of which the design is registered: **Bottle warmer**

(51) International Design Classification: **31-00**

(71) Name(s) and Address(s) of Applicant(s):

**Medela Holding AG
Lattichstrasse 4b CH-6340 Baar Switzerland**

(72) Name(s) of Designer(s): **Jurg Feller and Britta Pukall and Therese Naef and Urs Stadelmann**

(45) Registration Date: **26 March 2010**

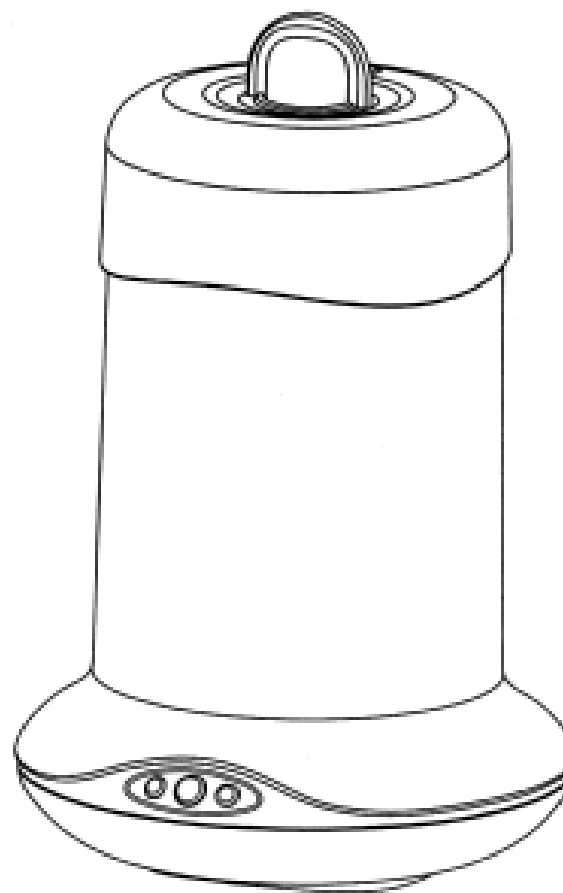
(30) Convention priority data:

(31) Number (32) Date
511727401 04 Sep 2009

(33) Country
**WORLD INTELLECTUAL
PROPERTY ORGANIZATION
(WIPO)**

(56) Related Art Documents: **Not Applicable**

(57) Statement of Newness and Distinctiveness: **Nil**



(21) Design Number: **10691/2010**

(22) Date of Filing Application: **01 March 2010**

(24) Date from which industrial property rights may have effect: **01 March 2010**

(54) Product in respect of which the design is registered: **Sterilizer for baby bottles and teats**

(51) International Design Classification: **31-00, 24-02**

(71) Name(s) and Address(s) of Applicant(s):

**Medela Holding AG
Lattichstrasse 4b CH-6340 Baar Switzerland**

(72) Name(s) of Designer(s): **Britta Pukall and Jurg Feller and Therese Naef and Urs Stadelmann**

(45) Registration Date: **26 March 2010**

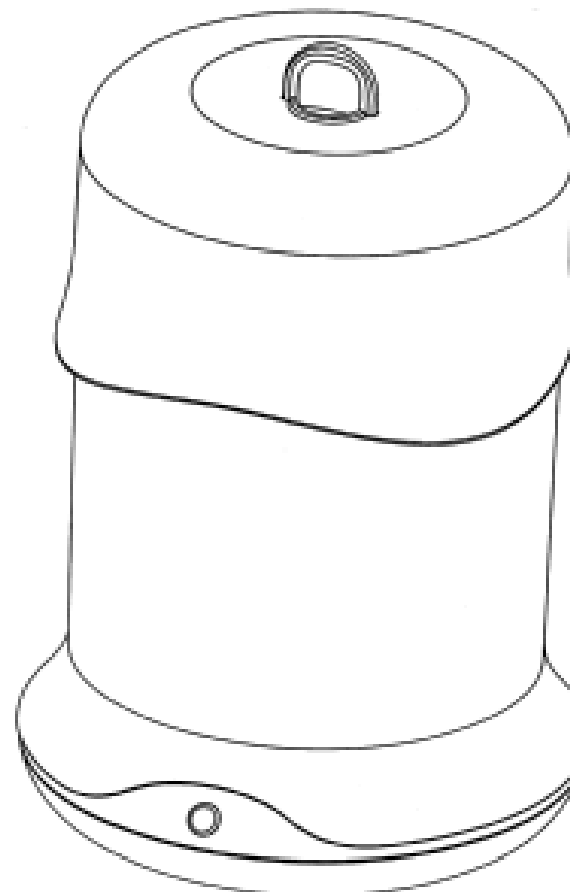
(30) Convention priority data:

(31) Number (32) Date
511727501 04 Sep 2009

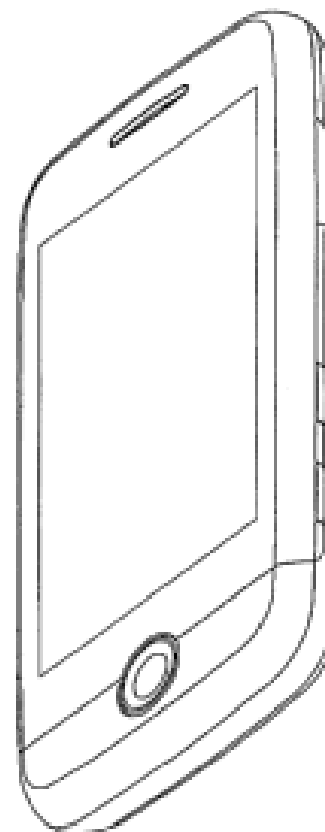
(33) Country
**WORLD INTELLECTUAL
PROPERTY ORGANIZATION
(WIPO)**

(56) Related Art Documents: **Not Applicable**

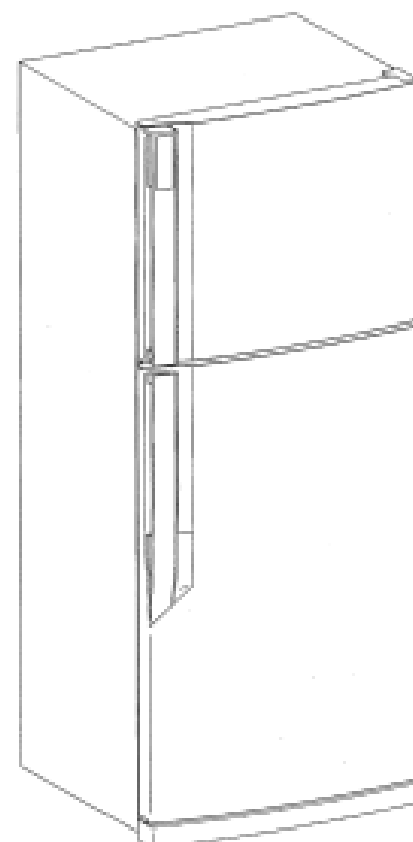
(57) Statement of Newness and Distinctiveness: **Nil**



(21) Design Number: **10692/2010**
(22) Date of Filing Application: **01 March 2010**
(24) Date from which industrial property rights may have effect: **01 March 2010**
(54) Product in respect of which the design is registered: **Mobile phone**
(51) International Design Classification: **14-03E**
(71) Name(s) and Address(s) of Applicant(s):
LG Electronics Inc.
20 Yeouido-dong Yeongdeungpo-gu Seoul 150-721 Republic of Korea
(72) Name(s) of Designer(s): **In Won Jang**
(45) Registration Date: **26 March 2010**
(30) Convention priority data:
(31) Number (32) Date (33) Country
30-2009-0038706 01 Sep 2009 REPUBLIC OF KOREA
(56) Related Art Documents: **Not Applicable**
(57) Statement of Newness and Distinctiveness: **Nil**



(21) Design Number: **10693/2010**
(22) Date of Filing Application: **01 March 2010**
(24) Date from which industrial property rights may have effect: **01 March 2010**
(54) Product in respect of which the design is registered: **Refrigerator**
(51) International Design Classification: **15-07**
(71) Name(s) and Address(s) of Applicant(s):
LG Electronics Inc.
20 Yeouido-dong Yeongdeungpo-gu Seoul 150-721 Republic of Korea
(72) Name(s) of Designer(s): **Kyu Kwan Choi and Mi Ju Kim and Dae Sung Lee and Sun Il Cho**
(45) Registration Date: **26 March 2010**
(30) Convention priority data:
(31) Number (32) Date (33) Country
30-2009-0038856 02 Sep 2009 REPUBLIC OF KOREA
(56) Related Art Documents: **Not Applicable**
(57) Statement of Newness and Distinctiveness: **Nil**



(21) Design Number: **10053/2010**
 (22) Date of Filing Application: **08 January 2010**
 (24) Date from which industrial property rights may have effect: **08 January 2010**
 (54) Product in respect of which the design is registered: **A wheel assembly**
 (51) International Design Classification: **15-03B**
 (71) Name(s) and Address(s) of Applicant(s):

Greenfield Mowers Pty Ltd
Acacia Ridge Business Park Unit 7/1502 Beaudesert Road (Cnr Fox Road) Acacia Ridge Queensland 4110 Australia

(72) Name(s) of Designer(s): **Theodore William Reinhold**
 (45) Registration Date: **26 March 2010**
 (56) Related Art Documents: **Not Applicable**
 (57) Statement of Newness and Distinctiveness: **Newness and distinctiveness resides in the shape and configuration of a wheel assembly as shown in the accompanying representations wherein: Fig. 1 is a side view of side "A" of the wheel assembly; Fig. 2 is a side view of side "A" of the wheel assembly; Fig. 3 is a side view of side "B" of the wheel assembly; Fig. 4 is a side view of side "B" of the wheel assembly; and Fig. 5 is an end view of the wheel assembly.**

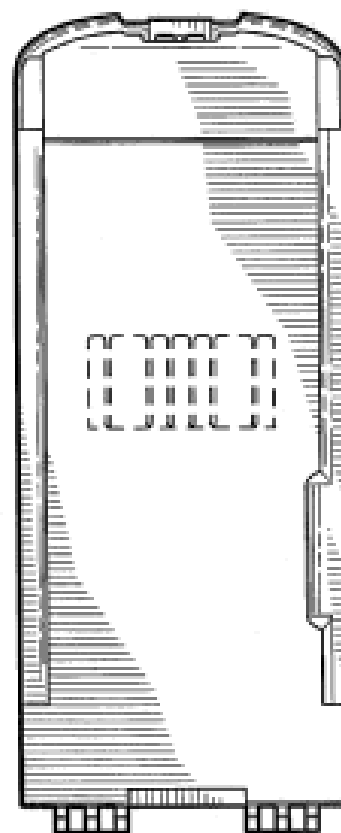


(21) Design Number: **10106/2010**
 (22) Date of Filing Application: **14 January 2010**
 (24) Date from which industrial property rights may have effect: **14 January 2010**
 (54) Product in respect of which the design is registered: **Battery pack for a mobile device**
 (51) International Design Classification: **13-02**
 (71) Name(s) and Address(s) of Applicant(s):

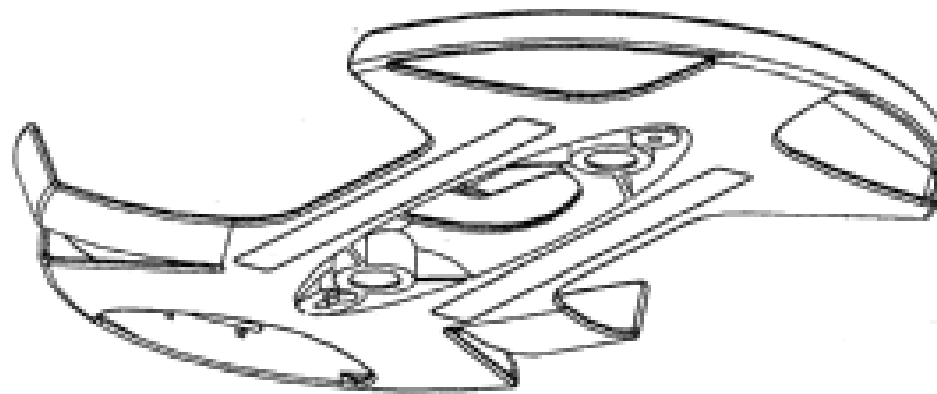
Symbol Technologies Inc.
One Symbol Plaza Mail Stop A6 Holtsville New York 11742-1300
United States of America

(72) Name(s) of Designer(s): **Mark Palmer and Charles Bacon**
 (45) Registration Date: **26 March 2010**
 (30) Convention priority data:
 (31) Number (32) Date (33) Country
29/340,217 15 Jul 2009 UNITED STATES OF AMERICA

(56) Related Art Documents: **Not Applicable**
 (57) Statement of Newness and Distinctiveness: **Newness and distinctiveness is claimed in the shape and/or configuration of a battery pack for a mobile device as shown in the accompanying drawings. Those features shown in broken line are not part of the design and are to be disregarded when considering the overall impression of the design.**



(21) Design Number: **10631/2010**
(22) Date of Filing Application: **25 February 2010**
(24) Date from which industrial property rights may have effect: **25 February 2010**
(54) Product in respect of which the design is registered: **Hat holder**
(51) International Design Classification: **06-06A**
(71) Name(s) and Address(s) of Applicant(s):
Joseph David Rigby
41 Bulkara Street Adamstown New South Wales 2289 Australia
Gerard Anthony Rigby
25 Poppell Street Kin Kora Gladstone Queensland 4680 Australia
(72) Name(s) of Designer(s): **Joseph David Rigby and Gerard Anthony Rigby and Jon Pryor**
(45) Registration Date: **26 March 2010**
(56) Related Art Documents: **Not Applicable**
(57) Statement of Newness and Distinctiveness: **Nil**



(21) Design Number: **10632/2010**
(22) Date of Filing Application: **25 February 2010**
(24) Date from which industrial property rights may have effect: **25 February 2010**
(54) Product in respect of which the design is registered: **Tablet dispenser**
(51) International Design Classification: **09-03NES**
(71) Name(s) and Address(s) of Applicant(s):
MERCK SERONO SA
Centre Industriel 1267 Coinsins Vaud Switzerland
(72) Name(s) of Designer(s): **John Peter Sprada and Robert Prasser**
(45) Registration Date: **26 March 2010**
(30) Convention priority data:
(31) Number (32) Date (33) Country
**512359801 08 Sep 2009 WORLD INTELLECTUAL
PROPERTY ORGANIZATION
(WIPO)**
(56) Related Art Documents: **Not Applicable**
(57) Statement of Newness and Distinctiveness: **Nil**



- (21) Design Number: **10633/2010**
(22) Date of Filing Application: **25 February 2010**
(24) Date from which industrial property rights may have effect: **25 February 2010**
(54) Product in respect of which the design is registered: **Tablet dispenser**
(51) International Design Classification: **09-03NES**
(71) Name(s) and Address(s) of Applicant(s):

MERCK SERONO SA
Centre Industriel 1267 Coinsins Vaud Switzerland

- (72) Name(s) of Designer(s): **John Peter Sprada and Robert Prasser**

- (45) Registration Date: **26 March 2010**

- (30) Convention priority data:

(31) Number	(32) Date	(33) Country
512359801	08 Sep 2009	WORLD INTELLECTUAL PROPERTY ORGANIZATION (WIPO)

- (56) Related Art Documents: **Not Applicable**

- (57) Statement of Newness and Distinctiveness: **Nil**



- (21) Design Number: **10636/2010**
(22) Date of Filing Application: **26 February 2010**
(24) Date from which industrial property rights may have effect: **26 February 2010**
(54) Product in respect of which the design is registered: **Barbecue**
(51) International Design Classification: **07-02E**
(71) Name(s) and Address(s) of Applicant(s):

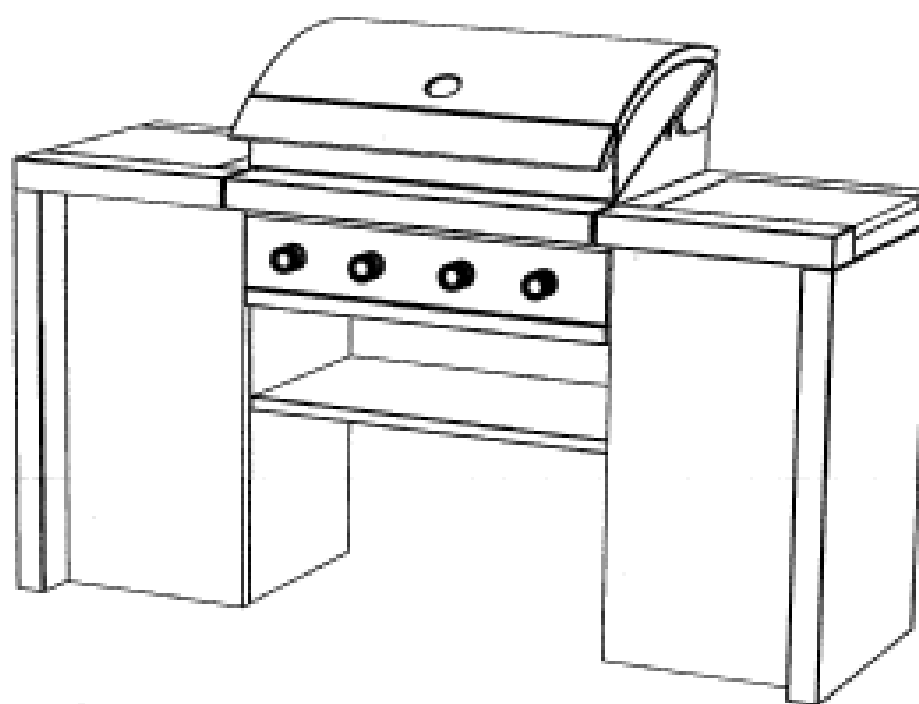
Focus Lifestyle Products Pty Ltd
223-225 Governor Road Braeside Victoria 3195 Australia

- (72) Name(s) of Designer(s): **Mark Andrew Stone**

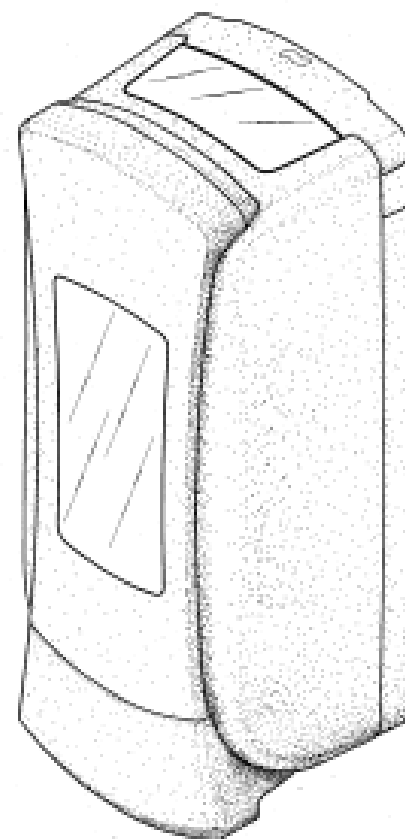
- (45) Registration Date: **26 March 2010**

- (56) Related Art Documents: **Not Applicable**

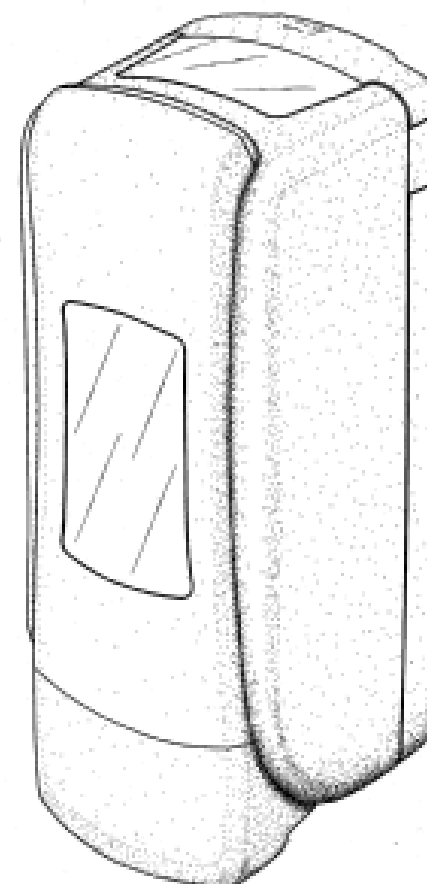
- (57) Statement of Newness and Distinctiveness: **Newness and distinctiveness is claimed in the features of shape and configuration of a barbecue as shown in the accompanying representations. The gas bottle shown in the perspective view, open position does not form part of the design and is to be disregarded.**



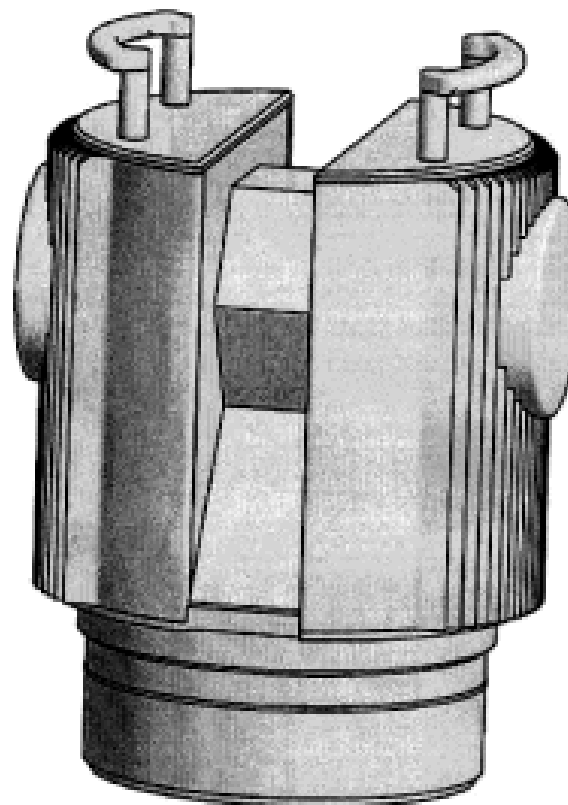
(21) Design Number: **10649/2010**
(22) Date of Filing Application: **26 February 2010**
(24) Date from which industrial property rights may have effect: **26 February 2010**
(54) Product in respect of which the design is registered: **Dispenser housing**
(51) International Design Classification: **09-03NES**
(71) Name(s) and Address(s) of Applicant(s):
Gojo Industries, Inc.
One Gojo Plaza Suite 500 Akron Ohio 44311 United States of America
(72) Name(s) of Designer(s): **Nick E. Ciavarella and Stephanie K. Schneider and Anthony R. Marchetta and Brian Chiarizia and Rebecca Pezdek and Corinna Proctor and Alex Hussain**
(45) Registration Date: **26 March 2010**
(30) Convention priority data:
(31) Number (32) Date (33) Country
29/342,566 27 Aug 2009 UNITED STATES OF AMERICA
(56) Related Art Documents: **Not Applicable**
(57) Statement of Newness and Distinctiveness: **Nil**



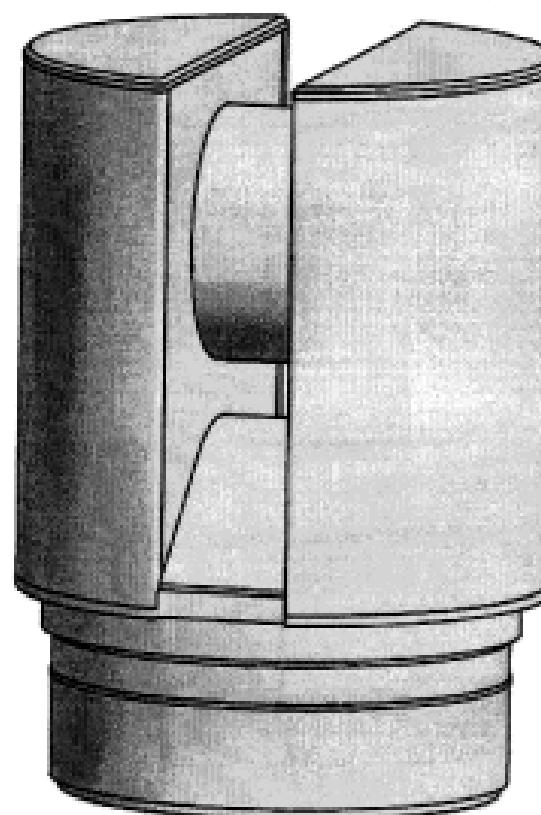
(21) Design Number: **10650/2010**
(22) Date of Filing Application: **26 February 2010**
(24) Date from which industrial property rights may have effect: **26 February 2010**
(54) Product in respect of which the design is registered: **Dispenser housing**
(51) International Design Classification: **09-03NES**
(71) Name(s) and Address(s) of Applicant(s):
Gojo Industries, Inc.
One Gojo Plaza Suite 500 Akron Ohio 44311 United States of America
(72) Name(s) of Designer(s): **Nick E. Ciavarella and David D. Hayes and Brian Milliff**
(45) Registration Date: **26 March 2010**
(30) Convention priority data:
(31) Number (32) Date (33) Country
US29/342,572 27 Aug 2009 UNITED STATES OF AMERICA
(56) Related Art Documents: **Not Applicable**
(57) Statement of Newness and Distinctiveness: **Nil**



(21) Design Number: **10651/2010**
(22) Date of Filing Application: **26 February 2010**
(24) Date from which industrial property rights may have effect: **26 February 2010**
(54) Product in respect of which the design is registered: **Laser measuring device**
(51) International Design Classification: **10-99**
(71) Name(s) and Address(s) of Applicant(s):
RIEGL Laser Measurement Systems GmbH
Riedenburgstr. 48 3580 Horn Austria
(72) Name(s) of Designer(s): **Johannes Riegl**
(45) Registration Date: **26 March 2010**
(30) Convention priority data:
(31) Number (32) Date (33) Country
001613274-0002 18 Sep 2009 EUROPEAN COMMUNITY
(56) Related Art Documents: **Not Applicable**
(57) Statement of Newness and Distinctiveness: **Newness and distinctiveness reside in the features of the design as shown in the representations.**



(21) Design Number: **10652/2010**
(22) Date of Filing Application: **26 February 2010**
(24) Date from which industrial property rights may have effect: **26 February 2010**
(54) Product in respect of which the design is registered: **Laser measuring device**
(51) International Design Classification: **10-99**
(71) Name(s) and Address(s) of Applicant(s):
RIEGL Laser Measurement Systems GmbH
Riedenburgstr. 48 3580 Horn Austria
(72) Name(s) of Designer(s): **Johannes Riegl**
(45) Registration Date: **26 March 2010**
(30) Convention priority data:
(31) Number (32) Date (33) Country
001613274-0003 18 Sep 2009 EUROPEAN COMMUNITY
(56) Related Art Documents: **Not Applicable**
(57) Statement of Newness and Distinctiveness: **Newness and distinctiveness reside in the features of the design as shown in the representations.**



(19) AU

(21) Design Number: 10001/2010

(22) Date of Filing Application: 04 January 2010

(24) Date from which industrial property rights may have effect: 04 January 2010

(54) Product in respect of which the design is registered: Card game table layout

(51) International Design Classification: 21-01L

(71) Name(s) and Address(s) of Applicant(s):

Marcus A. Katz
7752 Fisher Island Drive Miami Beach FL 33109-0943 United States of America

(72) Name(s) of Designer(s): Marcus A. Katz

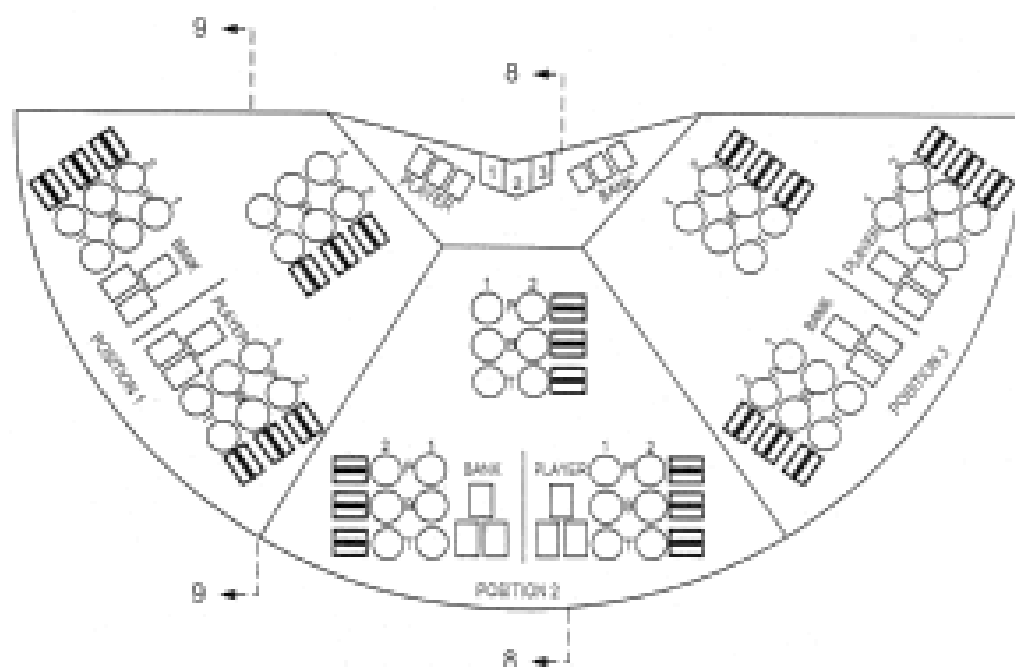
(45) Registration Date: 26 March 2010

(30) Convention priority data:

(31) Number	(32) Date	(33) Country
1566514	01 Jul 2009	EUROPEAN COMMUNITY

(56) Related Art Documents: Not Applicable

(57) Statement of Newness and Distinctiveness: Nil



(19) AU

(21) Design Number: 10932/2010

(22) Date of Filing Application: 04 January 2010

(24) Date from which industrial property rights may have effect: 04 January 2010

(54) Product in respect of which the design is registered: Card game table layout

(51) International Design Classification: 21-01L

(71) Name(s) and Address(s) of Applicant(s):

Marcus A. Katz
6546 La Valle Plateada Rancho Santa Fe CA 92067 United States of America

(72) Name(s) of Designer(s): Marcus A. Katz

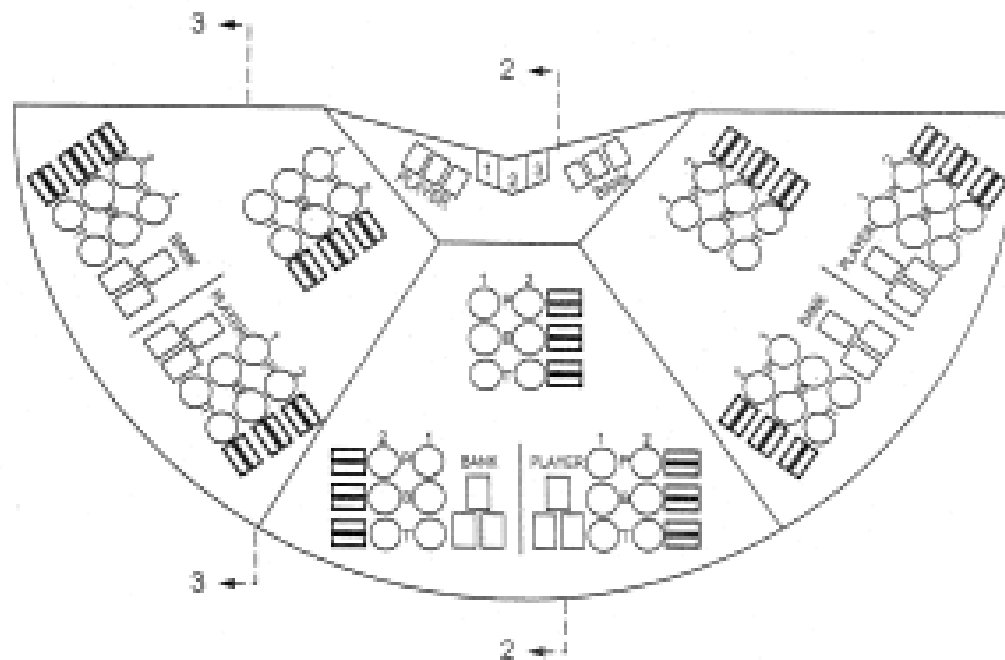
(45) Registration Date: 26 March 2010

(30) Convention priority data:

(31) Number	(32) Date	(33) Country
1566514	01 Jul 2009	EUROPEAN COMMUNITY

(56) Related Art Documents: Not Applicable

(57) Statement of Newness and Distinctiveness: Nil



(19) AU

- (21) Design Number: **10933/2010**
- (22) Date of Filing Application: **04 January 2010**
- (24) Date from which industrial property rights may have effect: **04 January 2010**
- (54) Product in respect of which the design is registered: **Card game table layout**
- (51) International Design Classification: **21-01L**
- (71) Name(s) and Address(s) of Applicant(s):

Marcus A. Katz
7752 Fisher Island Drive Miami Beach FL 33109-0943 United States of America

(72) Name(s) of Designer(s): **Marcus A. Katz**

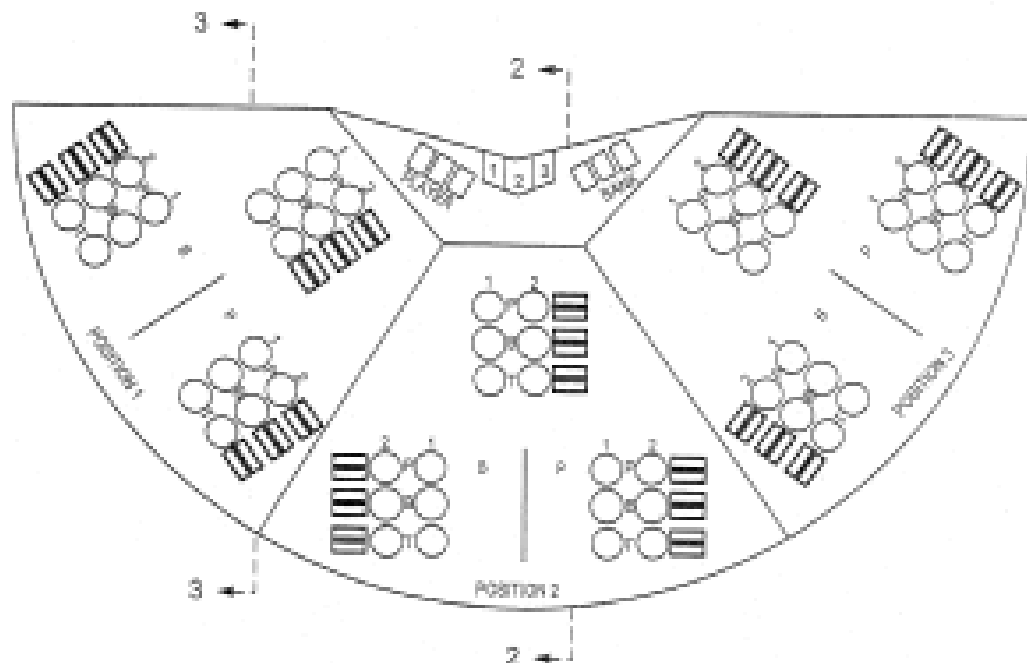
(45) Registration Date: **26 March 2010**

(30) Convention priority data:

(31) Number	(32) Date	(33) Country
1566514	01 Jul 2009	EUROPEAN COMMUNITY

(56) Related Art Documents: **Not Applicable**

(57) Statement of Newness and Distinctiveness: **Nil**



(19) AU

- (21) Design Number: **10129/2010**
- (22) Date of Filing Application: **15 January 2010**
- (24) Date from which industrial property rights may have effect: **15 January 2010**
- (54) Product in respect of which the design is registered: **Multi-socket**
- (51) International Design Classification: **13-03D**
- (71) Name(s) and Address(s) of Applicant(s):

Sandal Plc
5 Harold Close The Pinnacles Essex CM19 5TH United Kingdom

(72) Name(s) of Designer(s): **Peter Gilchrist**

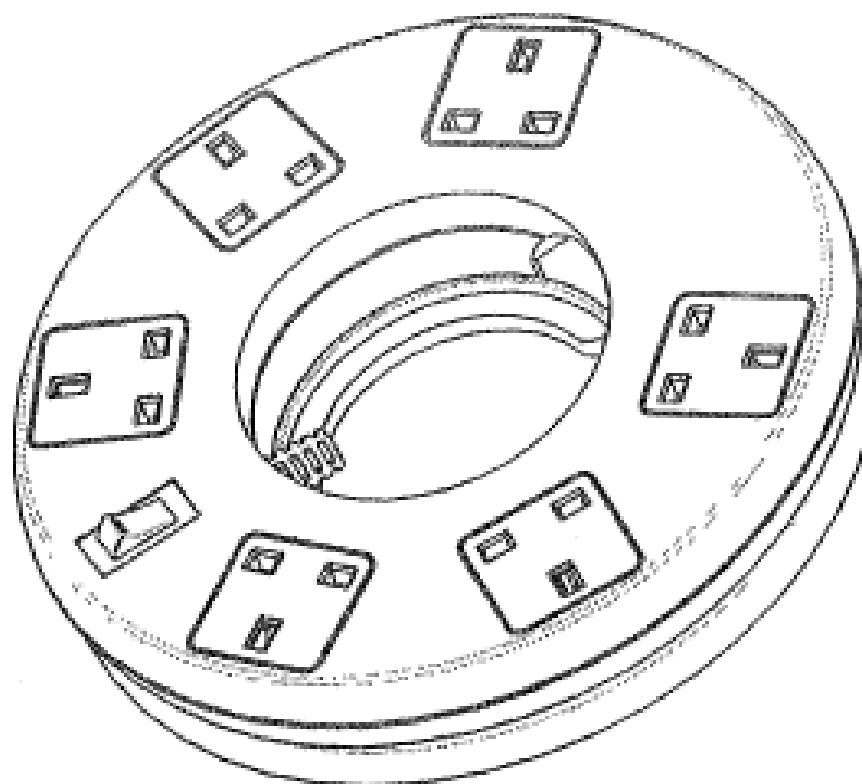
(45) Registration Date: **26 March 2010**

(30) Convention priority data:

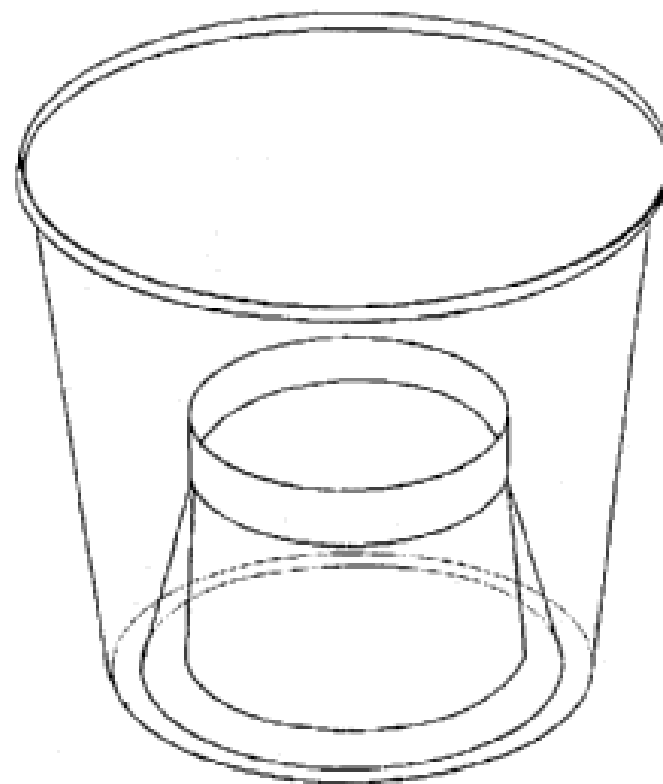
(31) Number	(32) Date	(33) Country
001154314	17 Jul 2009	EUROPEAN COMMUNITY

(56) Related Art Documents: **Not Applicable**

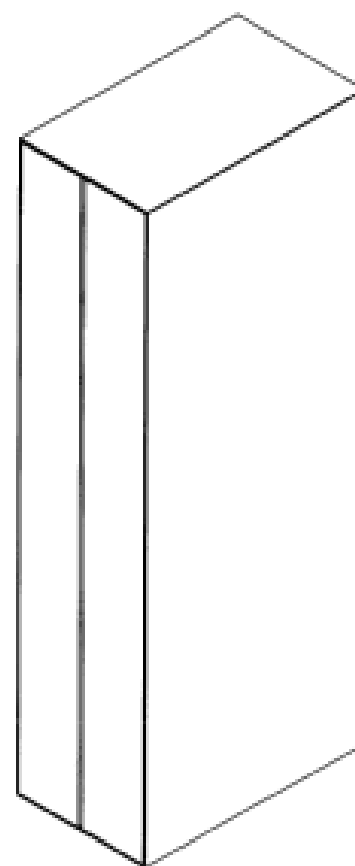
(57) Statement of Newness and Distinctiveness: **When determining whether the multi-socket design is substantially similar in overall impression to another design, no regard is to be had to the particular configuration of the sockets themselves as shown in the representations. The sockets depicted are provided for illustrative purposes only and form no part of the design. Newness and distinctiveness resides in visual features other than the sockets shown in the representations of the multi-socket design.**



- (21) Design Number: **10165/2010**
(22) Date of Filing Application: **20 January 2010**
(24) Date from which industrial property rights may have effect: **20 January 2010**
(54) Product in respect of which the design is registered: **Plastic cups for bars - disposable two part drinking cups**
(51) International Design Classification: **07-01C**
(71) Name(s) and Address(s) of Applicant(s):
Enviro Pak Pty. Ltd.
10/43 Aubin Street Neutral Bay New South Wales 2089 Australia
(72) Name(s) of Designer(s): **John De Flumeri**
(45) Registration Date: **26 March 2010**
(56) Related Art Documents: **Not Applicable**
(57) Statement of Newness and Distinctiveness: **This product is unique as it allows the three major components for a bar drink. The ice, sprit and mixer drink all in easy and fast cup without the need for measuring portions. The product is stackable and can be reused several times until products breaks.**



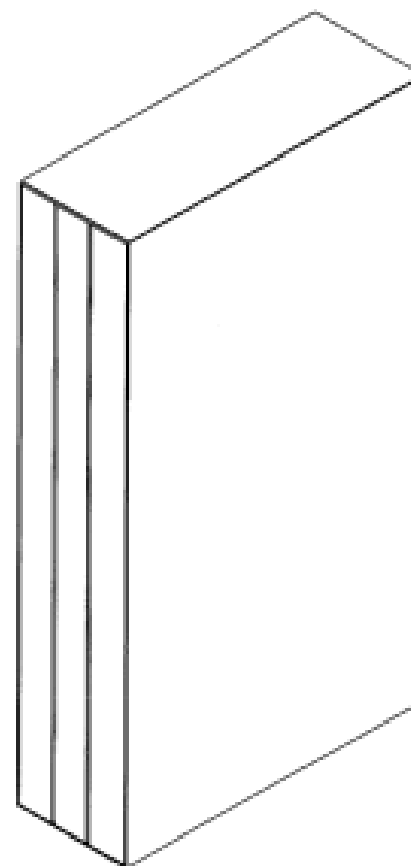
- (21) Design Number: **10211/2010**
(22) Date of Filing Application: **22 January 2010**
(24) Date from which industrial property rights may have effect: **22 January 2010**
(54) Product in respect of which the design is registered: **Package for smoking articles**
(51) International Design Classification: **09-03A**
(71) Name(s) and Address(s) of Applicant(s):
British American Tobacco (Investments) Limited
Globe House 1 Water Street London WC2R 3LA United Kingdom
(72) Name(s) of Designer(s): **Paul Gibson**
(45) Registration Date: **26 March 2010**
(30) Convention priority data:
(31) Number (32) Date (33) Country
**DM/072 080 24 Jul 2009 WORLD INTELLECTUAL
PROPERTY ORGANIZATION
(WIPO)**
(56) Related Art Documents: **Not Applicable**
(57) Statement of Newness and Distinctiveness: **Newness and distinctiveness resides in the shape and/or configuration of at least the aperture in the rear face of a package for smoking articles as illustrated in the accompanying representations.**



- (21) Design Number: **10212/2010**
(22) Date of Filing Application: **22 January 2010**
(24) Date from which industrial property rights may have effect: **22 January 2010**
(54) Product in respect of which the design is registered: **Package for smoking articles**
(51) International Design Classification: **09-03A**
(71) Name(s) and Address(s) of Applicant(s):
British American Tobacco (Investments) Limited
Globe House 1 Water Street London WC2R 3LA United Kingdom
(72) Name(s) of Designer(s): **Paul Gibson**
(45) Registration Date: **26 March 2010**
(30) Convention priority data:

(31) Number	(32) Date	(33) Country
DM/072 080	24 Jul 2009	WORLD INTELLECTUAL PROPERTY ORGANIZATION (WIPO)

(56) Related Art Documents: **Not Applicable**
(57) Statement of Newness and Distinctiveness: **Newness and distinctiveness resides in the shape and/or configuration of at least the aperture in the rear face of a package for smoking articles as illustrated in the accompanying representations.**



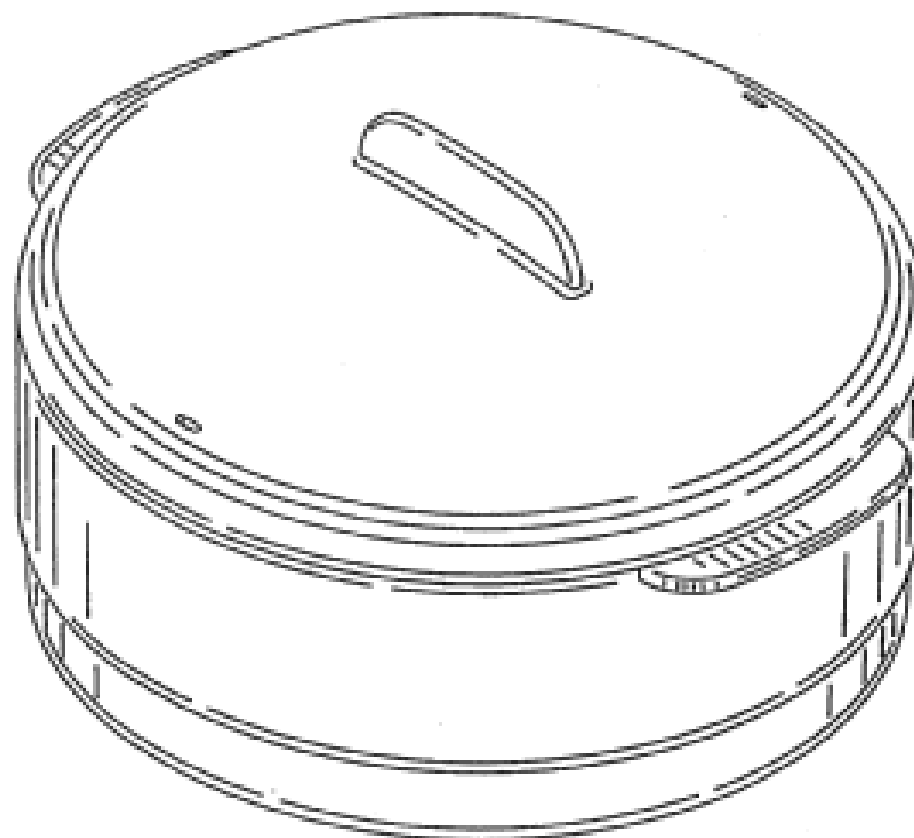
- (21) Design Number: **10788/2010**
(22) Date of Filing Application: **09 March 2010**
(24) Date from which industrial property rights may have effect: **09 March 2010**
(54) Product in respect of which the design is registered: **Quilting ruler**
(51) International Design Classification: **10-04**
(71) Name(s) and Address(s) of Applicant(s):
Glen Edwin Pettiford
382 Glenrock Parade Tascott New South Wales 2250 Australia
(72) Name(s) of Designer(s): **Glen Edwin Pettiford**
(45) Registration Date: **26 March 2010**
(56) Related Art Documents: **Not Applicable**
(57) Statement of Newness and Distinctiveness: **The ruler is designed to cut fabric in 2 1/2 inch strips (known as jelly rolls) into hexagons, 60 degree triangles and diamonds, 45 degree triangles and diamonds, and circles.**



(21) Design Number: **11020/2010**
 (22) Date of Filing Application: **22 March 2010**
 (24) Date from which industrial property rights may have effect: **22 March 2010**
 (54) Product in respect of which the design is registered: **Steamer with cover**
 (51) International Design Classification: **07-02N**
 (71) Name(s) and Address(s) of Applicant(s):
Dart Industries Inc
14901 S. Orange Blossom Trail Orlando Florida 32837 United States of America
 (72) Name(s) of Designer(s): **Rui Yuan Chen**
 (45) Registration Date: **26 March 2010**
 (30) Convention priority data:
 (31) Number (32) Date (33) Country
29/316,850 06 Nov 2009 UNITED STATES OF AMERICA
 (56) Related Art Documents: **Not Applicable**
 (57) Statement of Newness and Distinctiveness: **Those features of the steamer with cover depicted in the representations that are new and distinctive are the shape and/or configuration.**



(21) Design Number: **10884/2010**
 (22) Date of Filing Application: **16 March 2010**
 (24) Date from which industrial property rights may have effect: **16 March 2010**
 (54) Product in respect of which the design is registered: **Steamer with cover**
 (51) International Design Classification: **07-02N**
 (71) Name(s) and Address(s) of Applicant(s):
Dart Industries Inc
14901 S. Orange Blossom Trail Orlando Florida 32837 United States of America
 (72) Name(s) of Designer(s): **Rui Yuan Chen**
 (45) Registration Date: **26 March 2010**
 (30) Convention priority data:
 (31) Number (32) Date (33) Country
29/316,850 06 Nov 2009 UNITED STATES OF AMERICA
 (56) Related Art Documents: **Not Applicable**
 (57) Statement of Newness and Distinctiveness: **Those features of the steamer with cover depicted in the representations that are new and distinctive are the shape and/or configuration.**



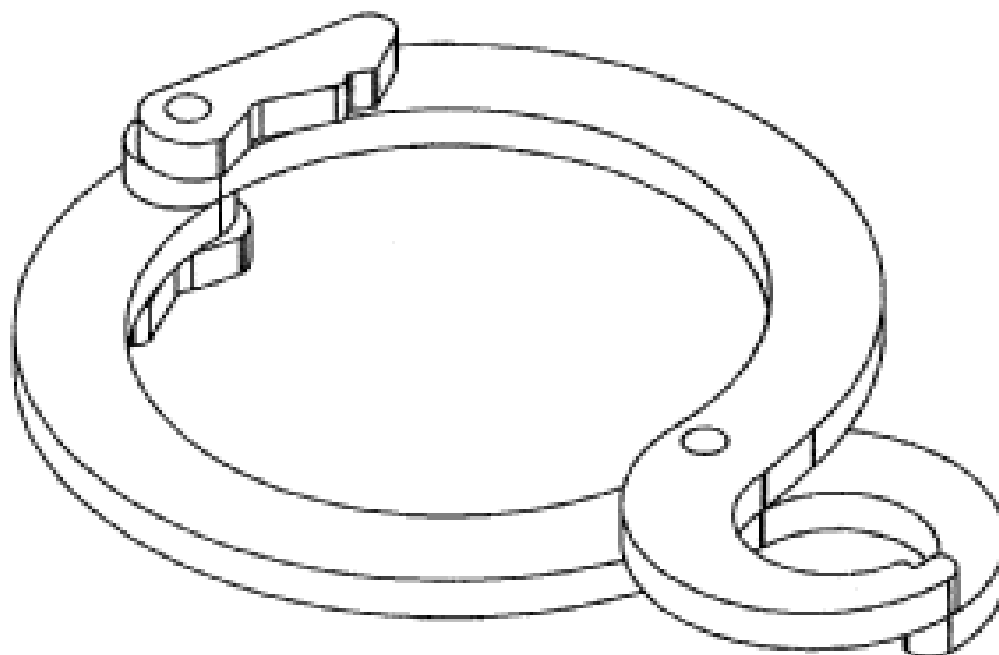
- (21) Design Number: **10495/2009**
(22) Date of Filing Application: **18 February 2009**
(24) Date from which industrial property rights may have effect: **18 February 2009**
(54) Product in respect of which the design is registered: **Guarded funnel crab pot**
(51) International Design Classification: **22-05**
(71) Name(s) and Address(s) of Applicant(s):
Michael J. Conroy
16 Cameron Street Clontarf Queensland 4019 Australia
Sandra J. Conroy
16 Cameron Street Clontarf Queensland 4019 Australia
(72) Name(s) of Designer(s): **Michael Conroy**
(45) Registration Date: **26 March 2010**
(56) Related Art Documents: **Not Applicable**
(57) Statement of Newness and Distinctiveness: **Nil**



- (21) Design Number: **10266/2010**
(22) Date of Filing Application: **27 January 2010**
(24) Date from which industrial property rights may have effect: **27 January 2010**
(54) Product in respect of which the design is registered: **Stool**
(51) International Design Classification: **06-01E**
(71) Name(s) and Address(s) of Applicant(s):
Jamie Ji Min Lee
23 Beaumont Road Killara New South Wales 2071 Australia
(72) Name(s) of Designer(s): **Jamie Ji Min Lee**
(45) Registration Date: **30 March 2010**
(56) Related Art Documents: **Not Applicable**
(57) Statement of Newness and Distinctiveness: **A twist look, easy interlocking assembly of five panels, environmental sustainable material.**



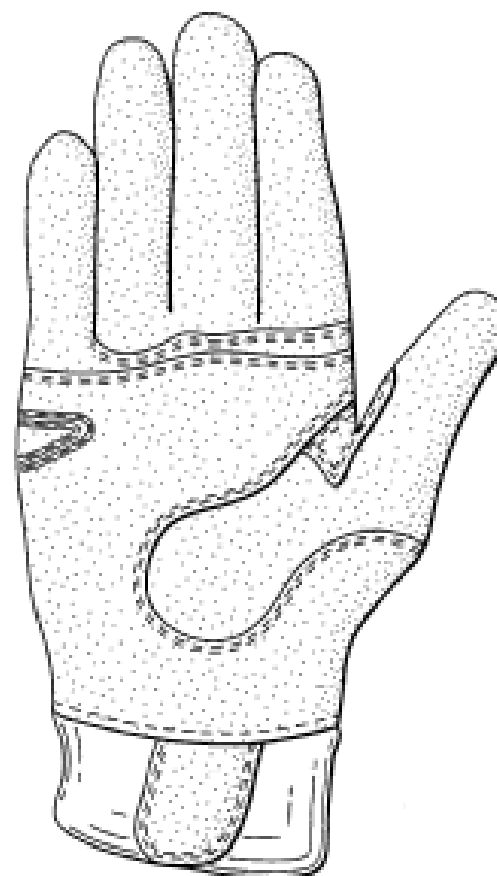
(21) Design Number: **10428/2010**
 (22) Date of Filing Application: **09 February 2010**
 (24) Date from which industrial property rights may have effect: **09 February 2010**
 (54) Product in respect of which the design is registered: **Gate hinge**
 (51) International Design Classification: **08-06**
 (71) Name(s) and Address(s) of Applicant(s):
Peter Wayne Barrett
223 Growlers Creek Road Wandiligong Victoria 3744 Australia
 (72) Name(s) of Designer(s): **Peter W. Barrett**
 (45) Registration Date: **30 March 2010**
 (56) Related Art Documents: **Not Applicable**
 (57) Statement of Newness and Distinctiveness: **Newness and distinctiveness of the design as applied to the hinge lies in the shape and/or configuration thereof as shown in the accompanying drawings. In considering the scope of the design the nuts and bolts and the pintle as shown by dotted lines in the accompanying drawings are to be disregarded.**



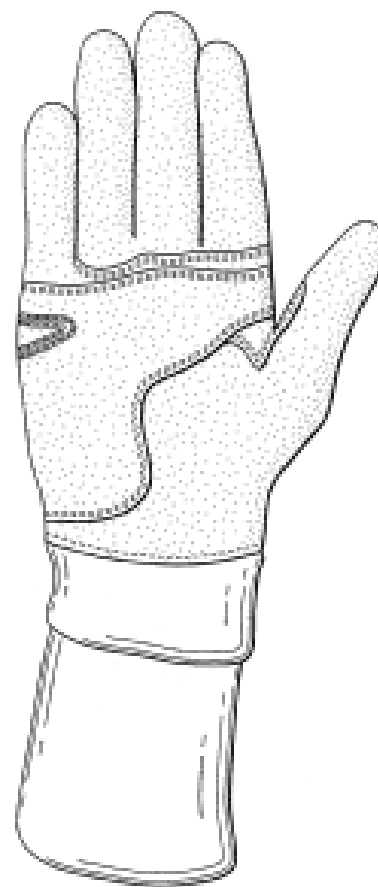
(21) Design Number: **10528/2010**
 (22) Date of Filing Application: **16 February 2010**
 (24) Date from which industrial property rights may have effect: **16 February 2010**
 (54) Product in respect of which the design is registered: **Protective glove**
 (51) International Design Classification: **02-06**
 (71) Name(s) and Address(s) of Applicant(s):
Ansell Healthcare Products LLC
200 Schulz Drive Red Bank NJ 07701 United States of America
 (72) Name(s) of Designer(s): **Todd R. Carroll and Lee Khommanyvong**
 (45) Registration Date: **30 March 2010**
 (30) Convention priority data:

(31) Number	(32) Date	(33) Country
29/343,201	09 Sep 2009	UNITED STATES OF AMERICA

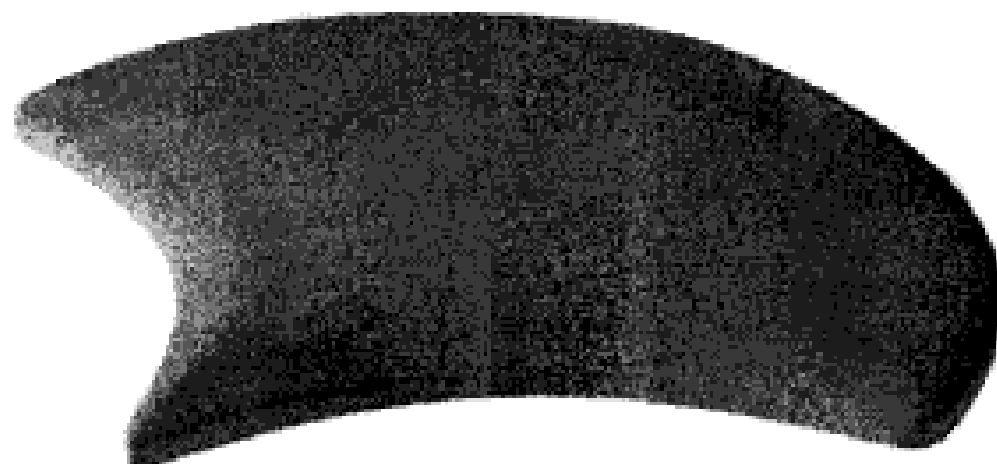
 (56) Related Art Documents: **Not Applicable**
 (57) Statement of Newness and Distinctiveness: **The newness and distinctiveness of the design resides in the features of shape, configuration, pattern and/or ornamentation shown in unbroken lines in the accompanying representations. The broken lines shown on the accompanying representations are included for the purpose of illustrating conventional stitching and form no part of the design.**



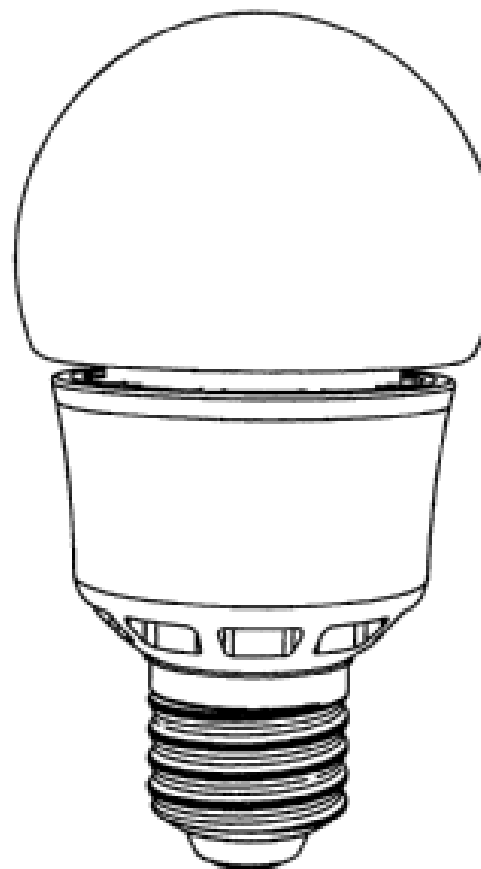
(21) Design Number: **10957/2010**
(22) Date of Filing Application: **16 February 2010**
(24) Date from which industrial property rights may have effect: **16 February 2010**
(54) Product in respect of which the design is registered: **Protective glove**
(51) International Design Classification: **02-06**
(71) Name(s) and Address(s) of Applicant(s):
Ansell Healthcare Products LLC
200 Schulz Drive Red Bank NJ 07701 United States of America
(72) Name(s) of Designer(s): **Todd R. Carroll and Lee Khommanyvong**
(45) Registration Date: **30 March 2010**
(30) Convention priority data:
(31) Number (32) Date (33) Country
29/343,201 09 Sep 2009 UNITED STATES OF AMERICA
(56) Related Art Documents: **Not Applicable**
(57) Statement of Newness and Distinctiveness: **The newness and distinctiveness of the design resides in features of shape, configuration, pattern and/or ornamentation shown in unbroken lines in the accompanying representations. The broken lines shown on the accompanying representations are included for the purpose of illustrating conventional stitching and form no part of the design.**



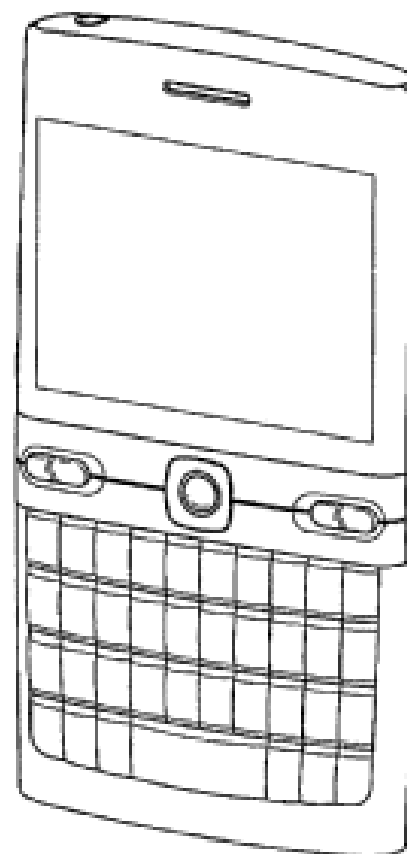
(21) Design Number: **10551/2010**
(22) Date of Filing Application: **18 February 2010**
(24) Date from which industrial property rights may have effect: **18 February 2010**
(54) Product in respect of which the design is registered: **Tile**
(51) International Design Classification: **25-01F**
(71) Name(s) and Address(s) of Applicant(s):
Everstone Pty Ltd
8 George Young Street Auburn New South Wales 2144 Australia
(72) Name(s) of Designer(s): **John Zeng**
(45) Registration Date: **30 March 2010**
(56) Related Art Documents: **Not Applicable**
(57) Statement of Newness and Distinctiveness: **Newness and Distinctiveness is claimed in the domed portion of the tile shown.**



(21) Design Number: **10680/2010**
(22) Date of Filing Application: **01 March 2010**
(24) Date from which industrial property rights may have effect: **01 March 2010**
(54) Product in respect of which the design is registered: **LED lamp**
(51) International Design Classification: **26-04**
(71) Name(s) and Address(s) of Applicant(s):
Koninklijke Philips Electronics N.V.
Groenewoudseweg 1 5621 BA Eindhoven The Netherlands
(72) Name(s) of Designer(s): **Jin-Young Song**
(45) Registration Date: **30 March 2010**
(30) Convention priority data:
(31) Number (32) Date (33) Country
001607300 03 Sep 2009 EUROPEAN COMMUNITY
(56) Related Art Documents: **Not Applicable**
(57) Statement of Newness and Distinctiveness: **Newness and distinctiveness reside in the features of shape and configuration of the design as shown in the representations.**



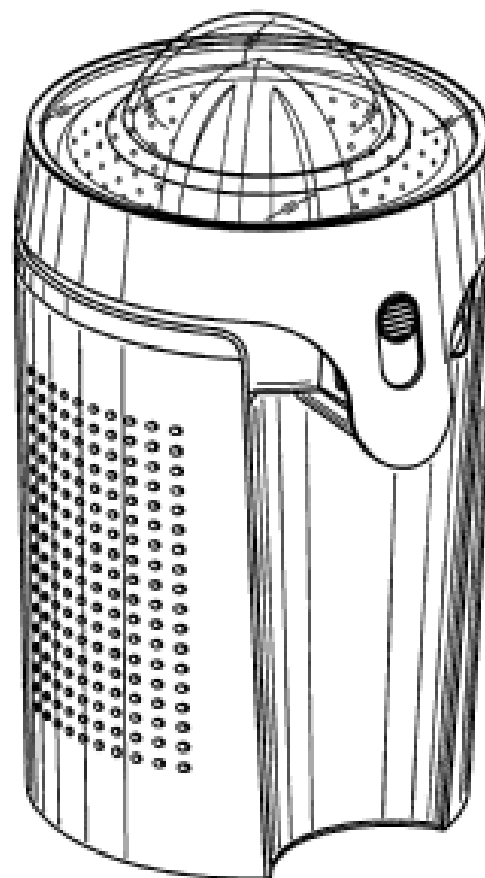
(21) Design Number: **10685/2010**
(22) Date of Filing Application: **01 March 2010**
(24) Date from which industrial property rights may have effect: **01 March 2010**
(54) Product in respect of which the design is registered: **Mobile phone**
(51) International Design Classification: **14-03E**
(71) Name(s) and Address(s) of Applicant(s):
LG Electronics Inc.
20 Yeouido-dong Yeongdeungpo-gu Seoul 150-721 Republic of Korea
(72) Name(s) of Designer(s): **Seung Chul Cho and Woong Choi**
(45) Registration Date: **30 March 2010**
(30) Convention priority data:
(31) Number (32) Date (33) Country
30-2009-0038705 01 Sep 2009 REPUBLIC OF KOREA
(56) Related Art Documents: **Not Applicable**
(57) Statement of Newness and Distinctiveness: **Nil**



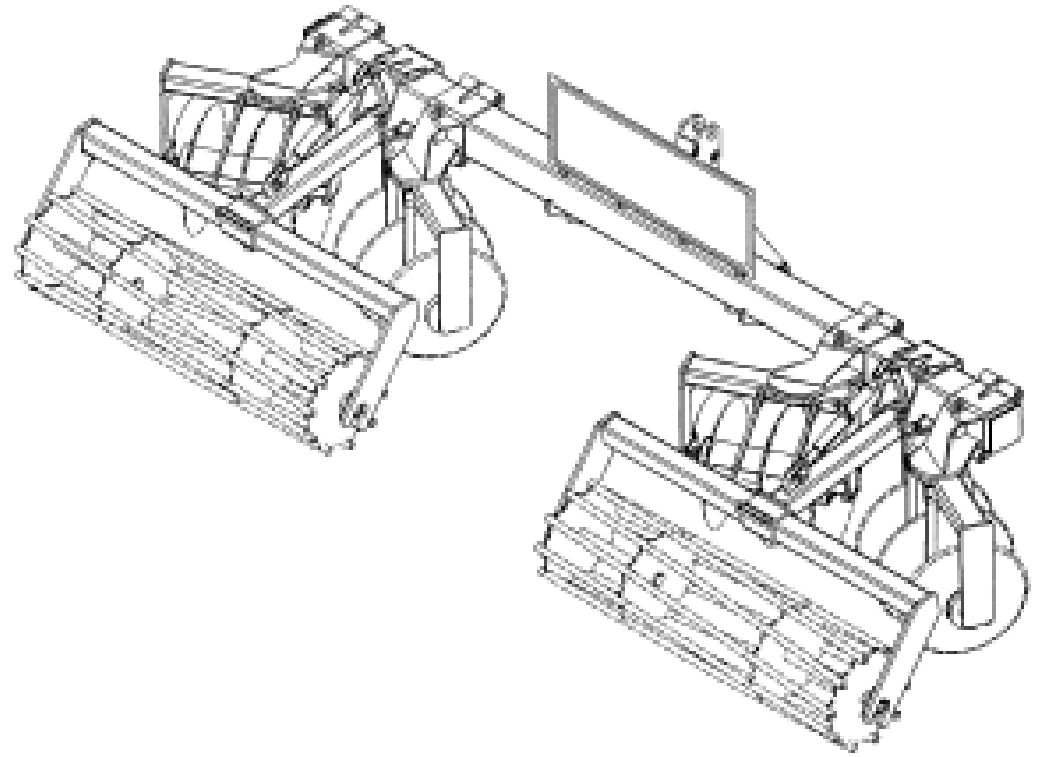
(21) Design Number: **10697/2010**
(22) Date of Filing Application: **01 March 2010**
(24) Date from which industrial property rights may have effect: **01 March 2010**
(54) Product in respect of which the design is registered: **Touch screen computer**
(51) International Design Classification: **14-02**
(71) Name(s) and Address(s) of Applicant(s):
J Lighting & Audio Pty Ltd
2/38 Ourimbah Road Tweed Heads West New South Wales 2485
Australia
(72) Name(s) of Designer(s): **Jodie Matthew Gibson**
(45) Registration Date: **30 March 2010**
(56) Related Art Documents: **Not Applicable**
(57) Statement of Newness and Distinctiveness: **Nil**



(21) Design Number: **10700/2010**
(22) Date of Filing Application: **02 March 2010**
(24) Date from which industrial property rights may have effect: **02 March 2010**
(54) Product in respect of which the design is registered: **Electric fruit juicer**
(51) International Design Classification: **31-00**
(71) Name(s) and Address(s) of Applicant(s):
Pi-Design AG
Kantonsstrasse 100 6234 Triengen Switzerland
(72) Name(s) of Designer(s): **Jorgen Bodum**
(45) Registration Date: **30 March 2010**
(30) Convention priority data:
(31) Number (32) Date (33) Country
DM/072 273 08 Sep 2009 WORLD INTELLECTUAL
PROPERTY ORGANIZATION
(WIPO)
(56) Related Art Documents: **Not Applicable**
(57) Statement of Newness and Distinctiveness: **Nil**



- (21) Design Number: **10701/2010**
(22) Date of Filing Application: **02 March 2010**
(24) Date from which industrial property rights may have effect: **02 March 2010**
(54) Product in respect of which the design is registered: **A wheel track filler**
(51) International Design Classification: **15-03NES**
(71) Name(s) and Address(s) of Applicant(s):
Oregon House Pty Ltd
PO Box 831 Swan Hill Victoria 3585 Australia
(72) Name(s) of Designer(s): **Gavan Monk**
(45) Registration Date: **30 March 2010**
(56) Related Art Documents: **Not Applicable**
(57) Statement of Newness and Distinctiveness: **The shape and configuration of those parts of the product shown other than by means of broken lines in the representations is/are new and distinctive.**



- (21) Design Number: **10702/2010**
(22) Date of Filing Application: **02 March 2010**
(24) Date from which industrial property rights may have effect: **02 March 2010**
(54) Product in respect of which the design is registered: **An automobile**
(51) International Design Classification: **12-08**
(71) Name(s) and Address(s) of Applicant(s):
Honda Motor Co., Ltd.
1-1 Minami-Aoyama 2-Chome Minato-ku Tokyo Japan
(72) Name(s) of Designer(s): **Naoya Ishikura and Yutaka Saito and Nobuyuki Takahashi**
(45) Registration Date: **30 March 2010**
(30) Convention priority data:
(31) Number (32) Date (33) Country
2009-020474 04 Sep 2009 JAPAN
(56) Related Art Documents: **Not Applicable**
(57) Statement of Newness and Distinctiveness: **Newness and distinctiveness is claimed in the features of shape and/or configuration of an automobile as illustrated in the accompanying representations.**



(21) Design Number: **15063/2009**
 (22) Date of Filing Application: **24 December 2009**
 (24) Date from which industrial property rights may have effect: **24 December 2009**
 (54) Product in respect of which the design is registered: **A lighting device**
 (51) International Design Classification: **26-05C**
 (71) Name(s) and Address(s) of Applicant(s):

Eveready Battery Company, Inc.
533 Maryville University Drive St Louis Missouri 63141 United States of America

(72) Name(s) of Designer(s): **Brian M. Kaule and David A. Spartano**

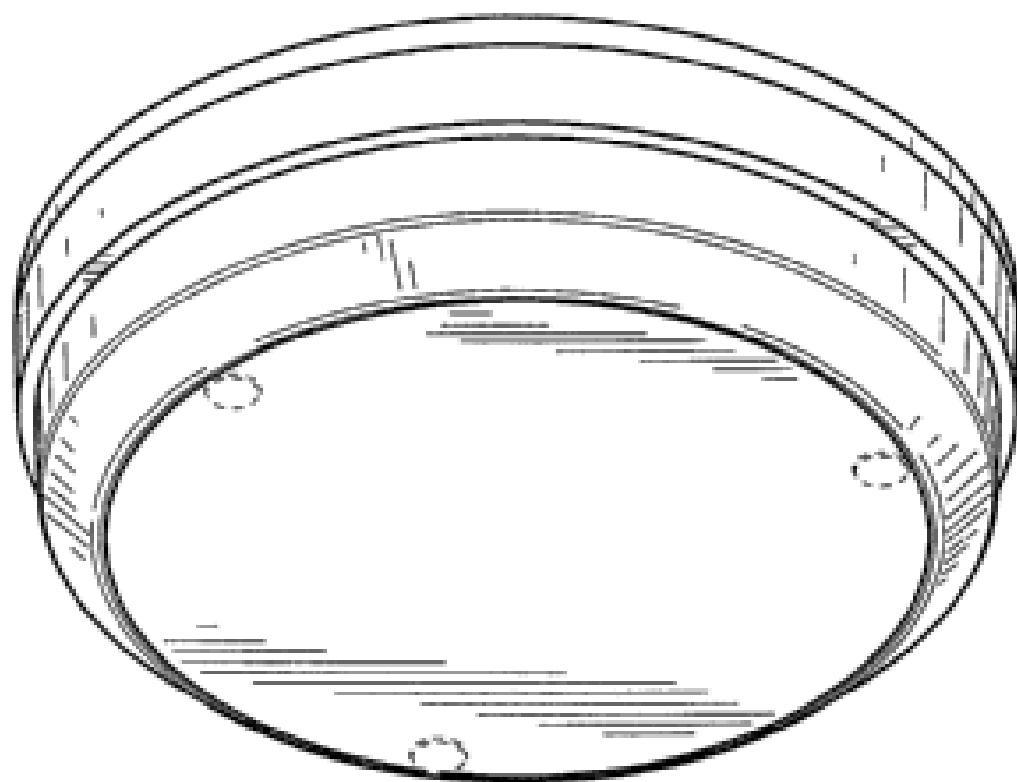
(45) Registration Date: **30 March 2010**

(30) Convention priority data:

(31) Number	(32) Date	(33) Country
29/341279	03 Aug 2009	UNITED STATES OF AMERICA

(56) Related Art Documents: **Not Applicable**

(57) Statement of Newness and Distinctiveness: **Newness and distinctiveness is claimed in the shape and or configuration of a Lighting Device as illustrated in the representations. The representations use lines to represent shading to assist in the illustration of features of shape and or configuration. Such shading does not form part of the design. The features shown in broken lines do not form part of the design.**



(21) Design Number: **10704/2010**
 (22) Date of Filing Application: **24 December 2009**
 (24) Date from which industrial property rights may have effect: **24 December 2009**
 (54) Product in respect of which the design is registered: **A base for a lighting device**
 (51) International Design Classification: **26-05B**
 (71) Name(s) and Address(s) of Applicant(s):

Eveready Battery Company, Inc.
533 Maryville University Drive St Louis Missouri 63141 United States of America

(72) Name(s) of Designer(s): **Brian M. Kaule and David A. Spartano**

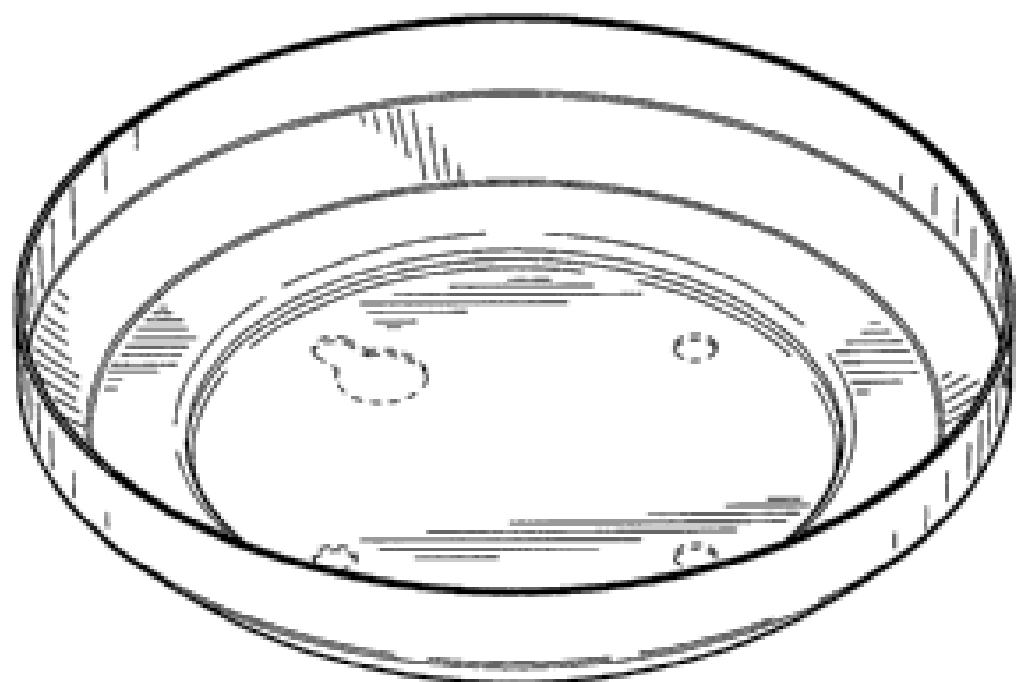
(45) Registration Date: **30 March 2010**

(30) Convention priority data:

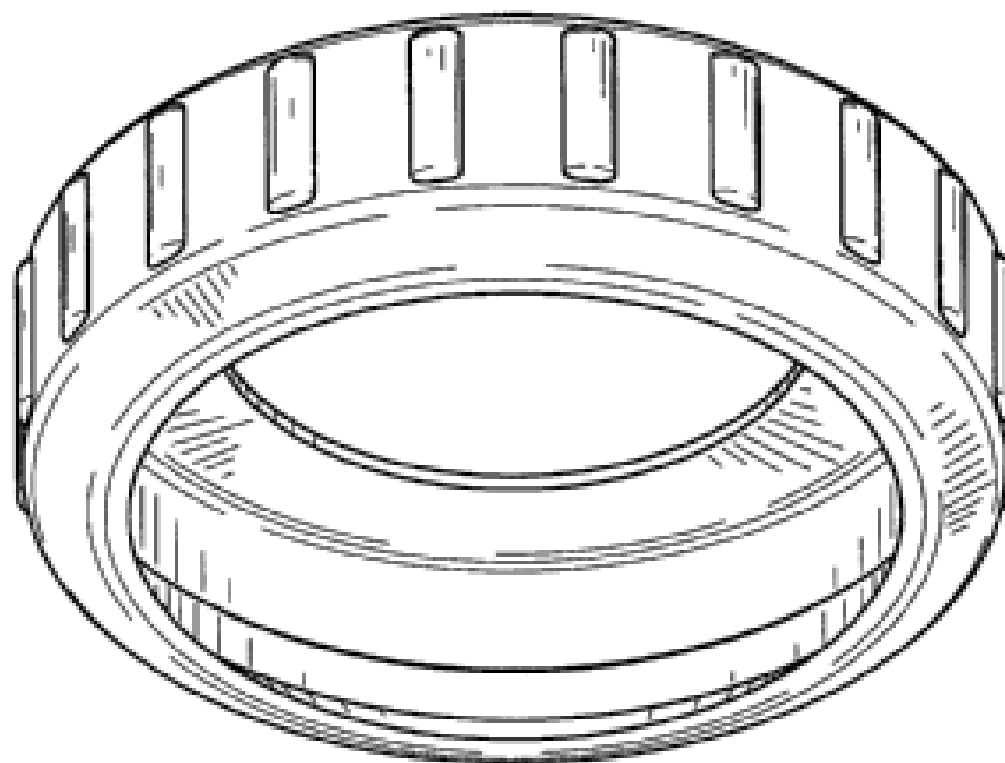
(31) Number	(32) Date	(33) Country
29/341279	03 Aug 2009	UNITED STATES OF AMERICA

(56) Related Art Documents: **Not Applicable**

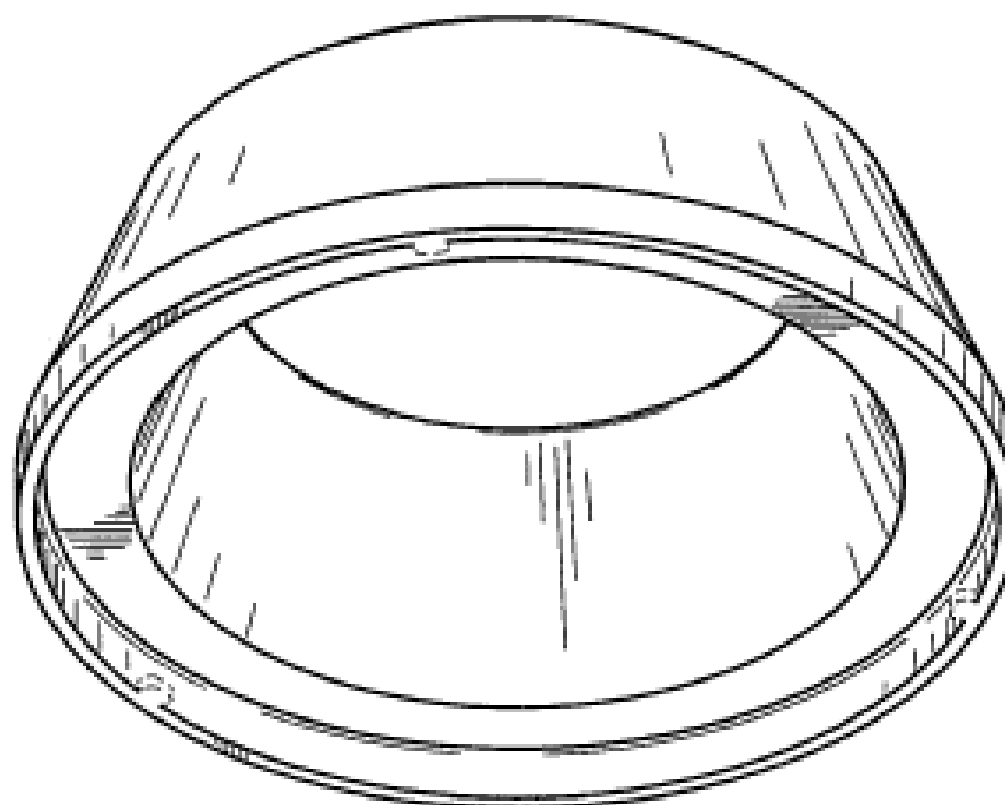
(57) Statement of Newness and Distinctiveness: **Newness and distinctiveness is claimed in the shape and or configuration of a Base for a Lighting Device as illustrated in the representations. The representations use lines to represent shading to assist in the illustration of features of shape and or configuration. Such shading does not form part of the design. The features shown in broken lines do not form part of the design.**



(21) Design Number: **10705/2010**
(22) Date of Filing Application: **24 December 2009**
(24) Date from which industrial property rights may have effect: **24 December 2009**
(54) Product in respect of which the design is registered: **An accessory for a lighting device**
(51) International Design Classification: **26-05C**
(71) Name(s) and Address(s) of Applicant(s):
Eveready Battery Company, Inc.
533 Maryville University Drive St Louis Missouri 63141 United States of America
(72) Name(s) of Designer(s): **Brian M. Kaule and David A. Spartano**
(45) Registration Date: **30 March 2010**
(30) Convention priority data:
(31) Number (32) Date (33) Country
29/341279 03 Aug 2009 UNITED STATES OF AMERICA
(56) Related Art Documents: **Not Applicable**
(57) Statement of Newness and Distinctiveness: **Newness and distinctiveness is claimed in the shape and or configuration of an Accessory for a Lighting Device as illustrated in the representations. The representations use lines to represent shading to assist in the illustration of features of shape and or configuration. Such shading does not form part of the design. The features shown in broken lines do not form part of the design.**



(21) Design Number: **10706/2010**
(22) Date of Filing Application: **24 December 2009**
(24) Date from which industrial property rights may have effect: **24 December 2009**
(54) Product in respect of which the design is registered: **A shade for a lighting device**
(51) International Design Classification: **26-05D**
(71) Name(s) and Address(s) of Applicant(s):
Eveready Battery Company, Inc.
533 Maryville University Drive St Louis Missouri 63141 United States of America
(72) Name(s) of Designer(s): **Brian M. Kaule and David A. Spartano**
(45) Registration Date: **30 March 2010**
(30) Convention priority data:
(31) Number (32) Date (33) Country
29/341279 03 Aug 2009 UNITED STATES OF AMERICA
(56) Related Art Documents: **Not Applicable**
(57) Statement of Newness and Distinctiveness: **Newness and distinctiveness is claimed in the shape and or configuration of a Shade for a Lighting Device as illustrated in the representations. The representations use lines to represent shading to assist in the illustration of features of shape and or configuration. Such shading does not form part of the design. The features shown in broken lines do not form part of the design.**



- (21) Design Number: **10728/2010**
(22) Date of Filing Application: **04 March 2010**
(24) Date from which industrial property rights may have effect: **04 March 2010**
(54) Product in respect of which the design is registered: **Fabric sunshade cover for front seat passengers protection**
(51) International Design Classification: **02-02NES**
(71) Name(s) and Address(s) of Applicant(s):
Margaret Christine Frost
7 Scorpius Place Gladstone Queensland 4680 Australia
(72) Name(s) of Designer(s): **Margaret Christine Frost**
(45) Registration Date: **30 March 2010**
(56) Related Art Documents: **Not Applicable**
(57) Statement of Newness and Distinctiveness: **Nil**



- (21) Design Number: **10729/2010**
(22) Date of Filing Application: **04 March 2010**
(24) Date from which industrial property rights may have effect: **04 March 2010**
(54) Product in respect of which the design is registered: **Fabric privacy cover for nursing mothers to breast feed**
(51) International Design Classification: **02-02NES**
(71) Name(s) and Address(s) of Applicant(s):
Margaret Christine Frost
7 Scorpius Place Gladstone Queensland 4680 Australia
(72) Name(s) of Designer(s): **Margaret Christine Frost**
(45) Registration Date: **30 March 2010**
(56) Related Art Documents: **Not Applicable**
(57) Statement of Newness and Distinctiveness: **Nil**



(21) Design Number: **13331/2009**

(22) Date of Filing Application: **31 August 2009**

(24) Date from which industrial property rights may have effect: **31 August 2009**

(54) Product in respect of which the design is registered: **Handle**

(51) International Design Classification: **08-06**

(71) Name(s) and Address(s) of Applicant(s):

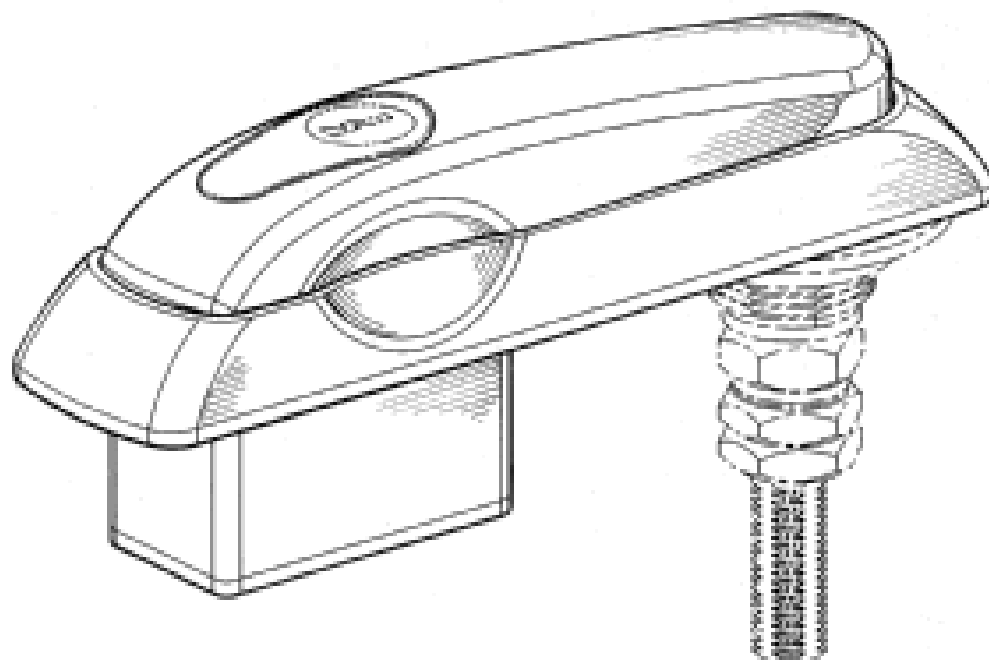
**David Stuckey Investments Pty Ltd
Pitcher Partners 6th Floor 161 Collins Street Melbourne Victoria 3000
Australia**

(72) Name(s) of Designer(s): **David Martin Stuckey**

(45) Registration Date: **31 March 2010**

(56) Related Art Documents: **Not Applicable**

(57) Statement of Newness and Distinctiveness: **Nil**



(21) Design Number: **13332/2009**

(22) Date of Filing Application: **31 August 2009**

(24) Date from which industrial property rights may have effect: **31 August 2009**

(54) Product in respect of which the design is registered: **Handle**

(51) International Design Classification: **08-06**

(71) Name(s) and Address(s) of Applicant(s):

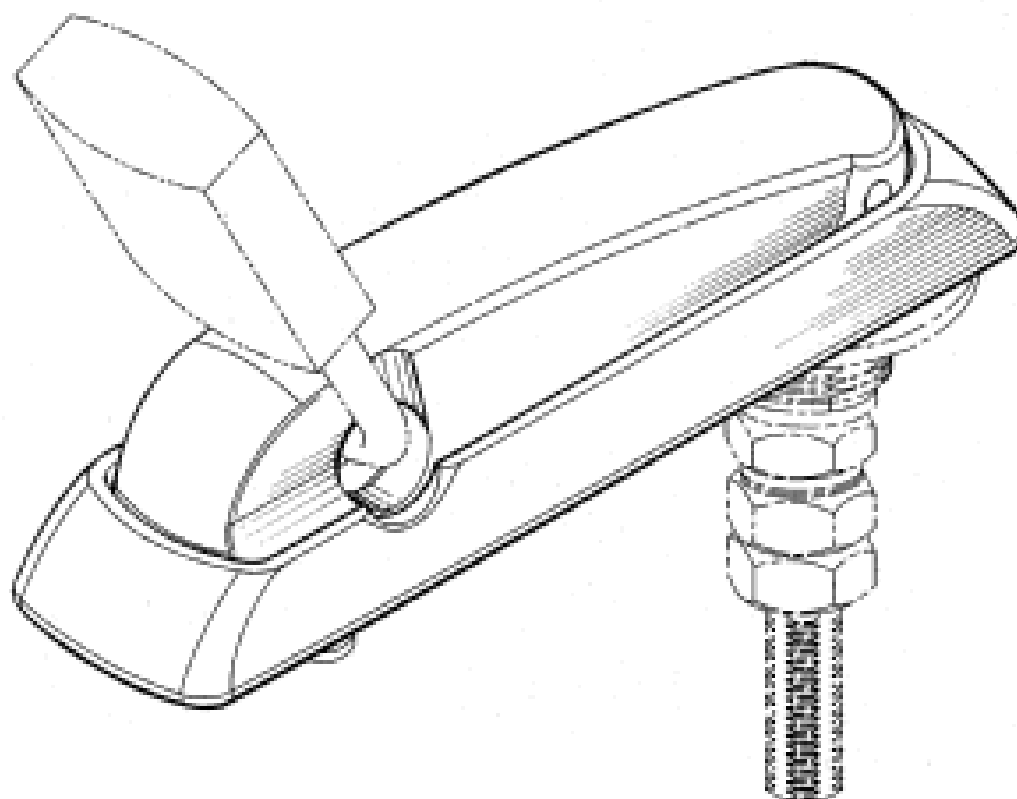
**David Stuckey Investments Pty Ltd
Pitcher Partners 6th Floor 161 Collins Street Melbourne Victoria 3000
Australia**

(72) Name(s) of Designer(s): **David Martin Stuckey**

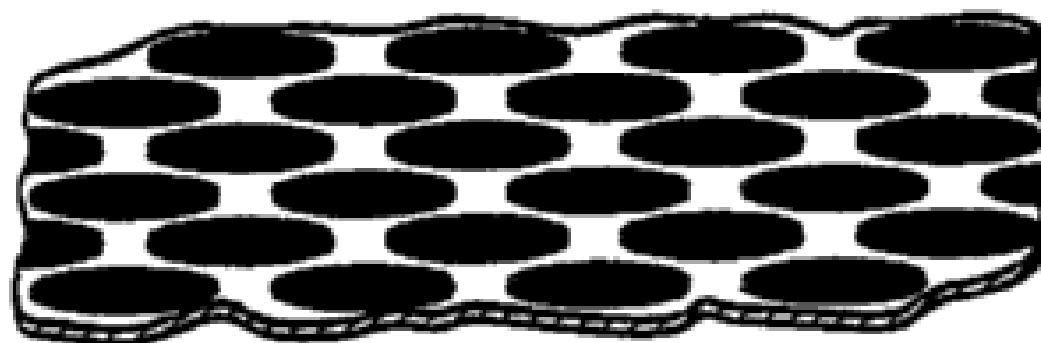
(45) Registration Date: **31 March 2010**

(56) Related Art Documents: **Not Applicable**

(57) Statement of Newness and Distinctiveness: **Nil**

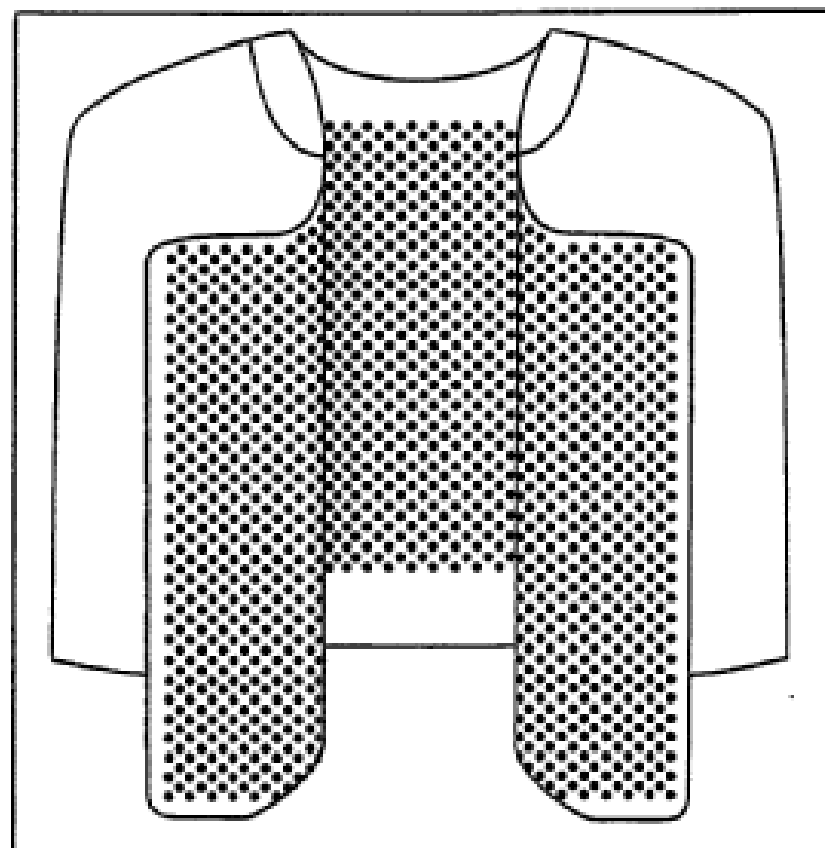


(21) Design Number: **14275/2009**
 (22) Date of Filing Application: **03 November 2009**
 (24) Date from which industrial property rights may have effect: **03 November 2009**
 (54) Product in respect of which the design is registered: **Patterned heat reflective material**
 (51) International Design Classification: **05-99**
 (71) Name(s) and Address(s) of Applicant(s):
Columbia Sportswear North America, Inc.
14375 NW Science Park Drive PORTLAND Oregon 97229 United States of America
 (72) Name(s) of Designer(s): **Woody Blackford**
 (45) Registration Date: **31 March 2010**
 (30) Convention priority data:
 (31) Number (32) Date (33) Country
29/336730 07 May 2009 UNITED STATES OF AMERICA



(56) Related Art Documents: **Not Applicable**
 (57) Statement of Newness and Distinctiveness: **The newness and distinctiveness resides in shape and configuration of a PATTERNED HEAT REFLECTIVE MATERIAL of indefinite length and width as shown in Figures 3 (top elevational view), 5A (top perspective view of a section of material) and 5B (sectional side view). In considering the scope of the monopoly of the designs, the remaining figures are to be understood as non-limiting examples of application of the design.**

(21) Design Number: **10378/2010**
 (22) Date of Filing Application: **03 November 2009**
 (24) Date from which industrial property rights may have effect: **03 November 2009**
 (54) Product in respect of which the design is registered: **Patterned heat reflective material forming jacket lining**
 (51) International Design Classification: **02-02NES**
 (71) Name(s) and Address(s) of Applicant(s):
Columbia Sportswear North America, Inc.
14375 NW Science Park Drive PORTLAND Oregon 97229 United States of America
 (72) Name(s) of Designer(s): **Woody Blackford**
 (45) Registration Date: **31 March 2010**
 (30) Convention priority data:
 (31) Number (32) Date (33) Country
29/336730 07 May 2009 UNITED STATES OF AMERICA

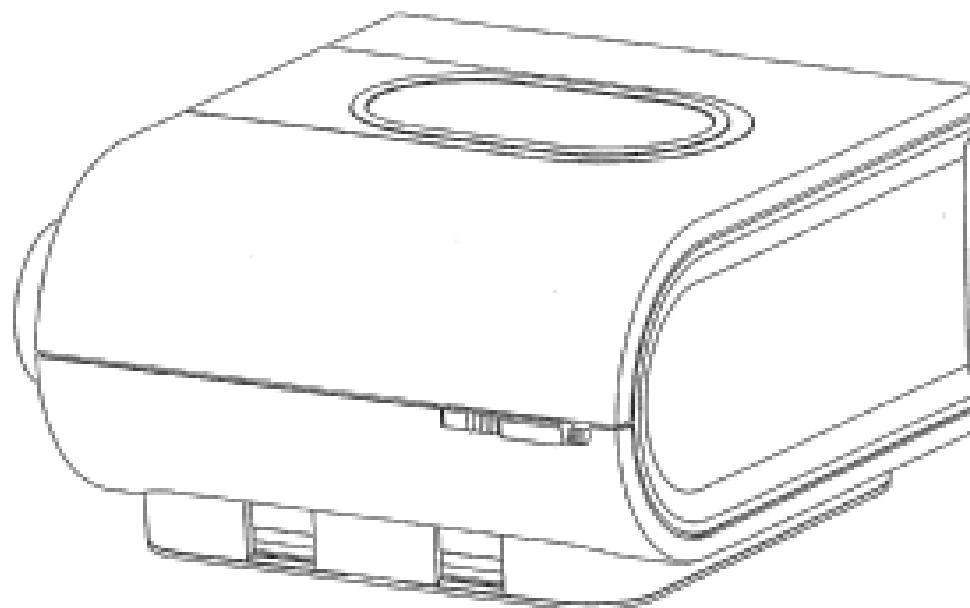


(56) Related Art Documents: **Not Applicable**
 (57) Statement of Newness and Distinctiveness: **The newness and distinctiveness resides in the shape and configuration and pattern and ornamentation of a jacket lining (as shown in FIGS. 6-8) when formed from a patterned heat reflective material (as shown in FIGS. 1 to 5). In considering the scope of the monopoly of the design, the outline of the jacket in FIG. 6 is to be discounted. It is also to be understood that the raised areas are shown in black to provide contrast in colour.**

- (21) Design Number: **14767/2009**
(22) Date of Filing Application: **04 December 2009**
(24) Date from which industrial property rights may have effect: **04 December 2009**
(54) Product in respect of which the design is registered: **Key Blank**
(51) International Design Classification: **08-07**
(71) Name(s) and Address(s) of Applicant(s):
Sporty Keys Pty Ltd
c/- Actuate IP 9/140 Queen Street Melbourne Victoria 3000 Australia
(72) Name(s) of Designer(s): **William Bona**
(45) Registration Date: **31 March 2010**
(56) Related Art Documents: **Not Applicable**
(57) Statement of Newness and Distinctiveness: **Newness and Distinctiveness are claimed in the features of shape and/or configuration of the top of the key blank as illustrated in the accompanying representations. No monopoly is claimed in the shaft of the key blank that may incorporate any standard shaft.**



- (21) Design Number: **14827/2009**
(22) Date of Filing Application: **19 December 2008**
(24) Date from which industrial property rights may have effect: **19 December 2008**
(54) Product in respect of which the design is registered: **Humidifier**
(51) International Design Classification: **24-01**
(71) Name(s) and Address(s) of Applicant(s):
ResMed Ltd
1 Elizabeth Macarthur Drive Bella Vista New South Wales 2153 Australia
(72) Name(s) of Designer(s): **Perry Lithgow and Rohan Primrose and Mark Bertinetti and Alexander Virr and Nicholas Earl and Hargopal Verma and Dan Kao and Henri Spaille and Mark Armstrong**
(45) Registration Date: **31 March 2010**
(62) Divisional of: **329025**
(56) Related Art Documents: **Not Applicable**
(57) Statement of Newness and Distinctiveness: **Newness and distinctiveness is claimed in respect of those features shown in unbroken lines. In respect of drawing sheets 75-88, newness and distinctiveness is additionally claimed in the contrasting tone portion as shown. Features shown in broken lines do not form part of the design in which monopoly is claimed.**



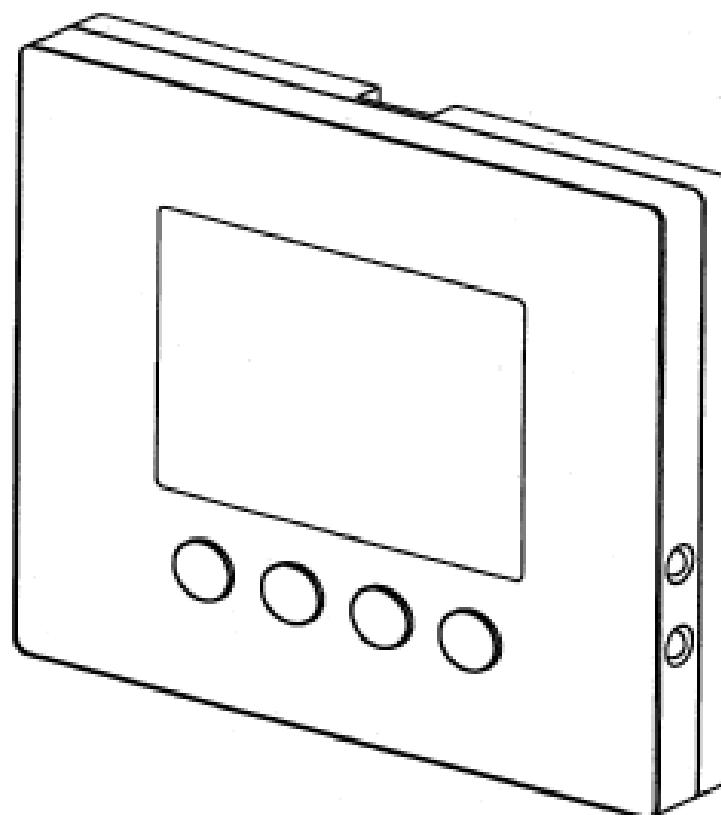
- (21) Design Number: **10207/2010**
(22) Date of Filing Application: **19 January 2010**
(24) Date from which industrial property rights may have effect: **19 January 2010**
(54) Product in respect of which the design is registered: **Stand**
(51) International Design Classification: **06-03C**
(71) Name(s) and Address(s) of Applicant(s):
Sean Linkson
2 Paterson Road Coalcliff New South Wales 2508 Australia
(72) Name(s) of Designer(s): **Sean Linkson**
(45) Registration Date: **31 March 2010**
(56) Related Art Documents: **Not Applicable**
(57) Statement of Newness and Distinctiveness: **Newness and distinctiveness reside in the features of shape and/or configuration of the stand, as shown in the accompanying representations.**



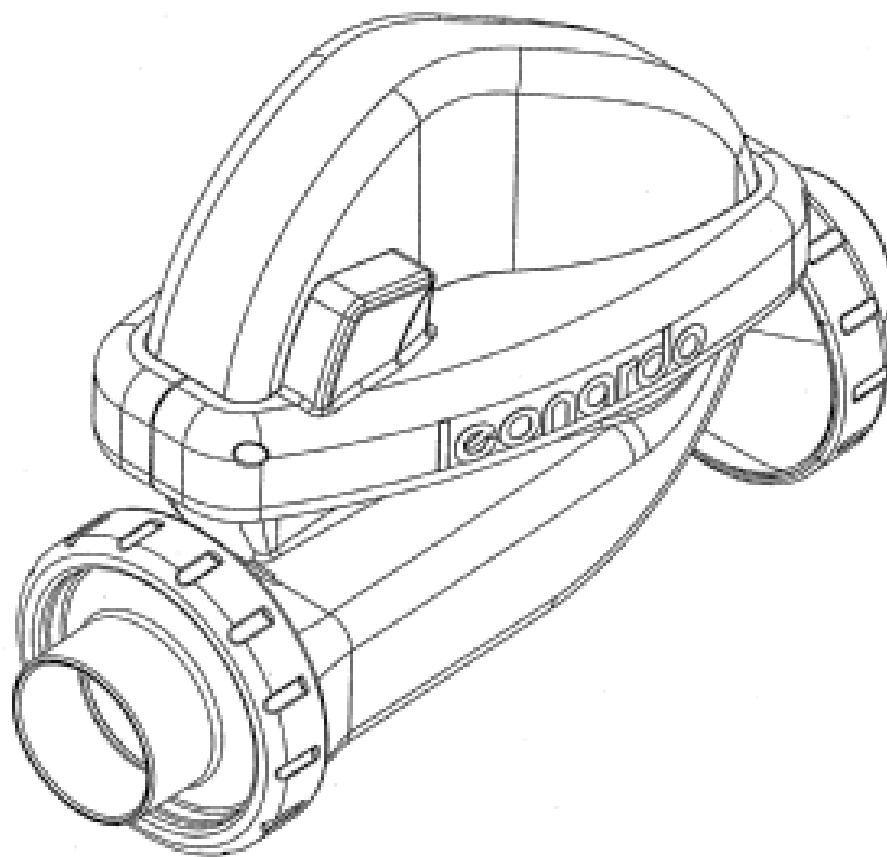
- (21) Design Number: **10278/2010**
(22) Date of Filing Application: **28 January 2010**
(24) Date from which industrial property rights may have effect: **28 January 2010**
(54) Product in respect of which the design is registered: **Controller of power conditioner for solar energy generation system**
(51) International Design Classification: **14-03NES**
(71) Name(s) and Address(s) of Applicant(s):
Sharp Kabushiki Kaisha
22-22 Nagaike-cho Abeno-ku Osaka Japan
(72) Name(s) of Designer(s): **Hisae Sasaki and Takamitsu Morisaki**
(45) Registration Date: **31 March 2010**
(30) Convention priority data:

(31) Number	(32) Date	(33) Country
2009-017085	28 Jul 2009	JAPAN

(56) Related Art Documents: **Not Applicable**
(57) Statement of Newness and Distinctiveness: **Newness and distinctiveness is claimed in the visual features shown in solid lines in the representations.**



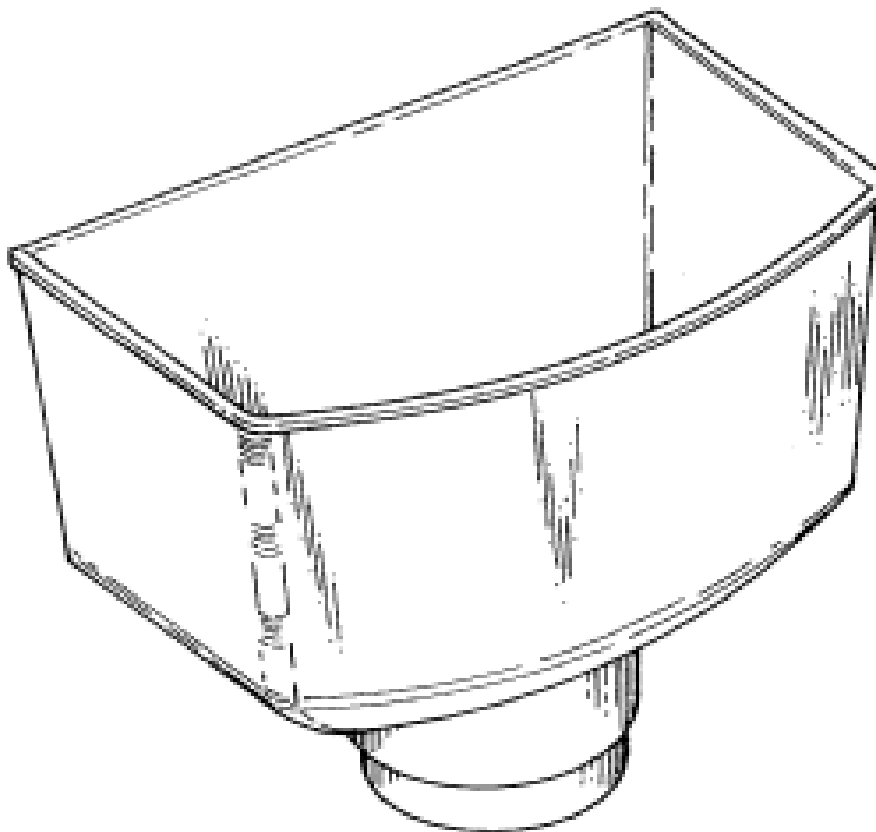
- (21) Design Number: **10327/2010**
(22) Date of Filing Application: **29 January 2010**
(24) Date from which industrial property rights may have effect: **29 January 2010**
(54) Product in respect of which the design is registered: **Electrolytic cell**
(51) International Design Classification: **13-02**
(71) Name(s) and Address(s) of Applicant(s):
Poolrite Research Pty Ltd
415 Creek Road Mt Gravatt Queensland 4122 Australia
(72) Name(s) of Designer(s): **Ross Leslie Palmer**
(45) Registration Date: **31 March 2010**
(56) Related Art Documents: **Not Applicable**
(57) Statement of Newness and Distinctiveness: **Nil**



- (21) Design Number: **10458/2010**
(22) Date of Filing Application: **10 February 2010**
(24) Date from which industrial property rights may have effect: **10 February 2010**
(54) Product in respect of which the design is registered: **Pool shade**
(51) International Design Classification: **25-02H**
(71) Name(s) and Address(s) of Applicant(s):
Stephen Rizzo
15 The Lakes Boulevard South Morang Victoria 3752 Australia
(72) Name(s) of Designer(s): **Stephen Rizzo**
(45) Registration Date: **31 March 2010**
(56) Related Art Documents: **Not Applicable**
(57) Statement of Newness and Distinctiveness: **Nil**



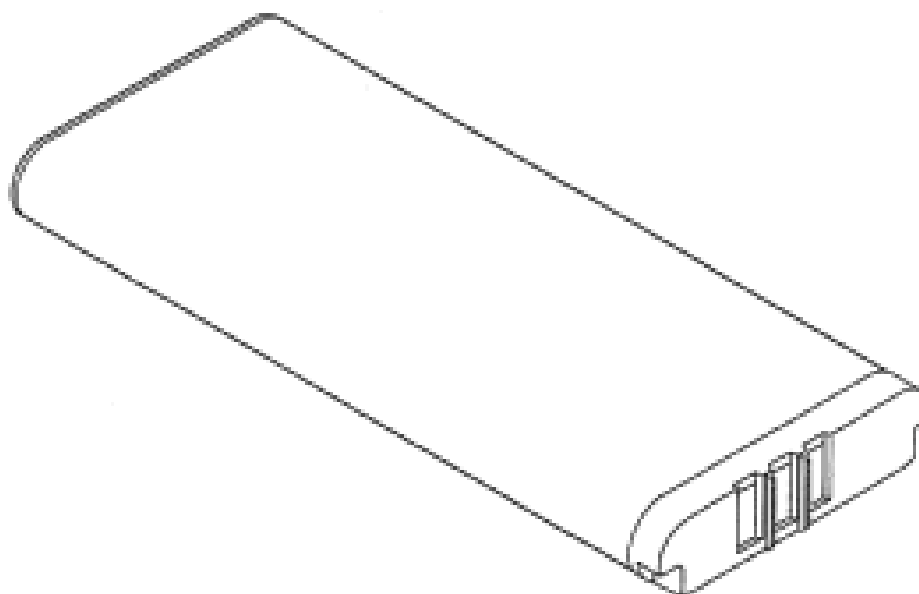
- (21) Design Number: **10581/2010**
(22) Date of Filing Application: **23 February 2010**
(24) Date from which industrial property rights may have effect: **23 February 2010**
(54) Product in respect of which the design is registered: **Rainhead**
(51) International Design Classification: **23-01L**
(71) Name(s) and Address(s) of Applicant(s):
Plastec Australia Pty Ltd
2 Enterprise Street Caloundra Queensland 4551 Australia
(72) Name(s) of Designer(s): **Brian Eyley**
(45) Registration Date: **31 March 2010**
(56) Related Art Documents: **Not Applicable**
(57) Statement of Newness and Distinctiveness: **The newness and distinctiveness of the design resides in the visual features of shape and/or configuration of a rain head as shown in the accompanying representations.**



- (21) Design Number: **10539/2010**
(22) Date of Filing Application: **17 February 2010**
(24) Date from which industrial property rights may have effect: **17 February 2010**
(54) Product in respect of which the design is registered: **Storage battery**
(51) International Design Classification: **13-02**
(71) Name(s) and Address(s) of Applicant(s):
Nintendo Co., Ltd.
11-1 Hokotate-cho Kamitoba Minami-ku Kyoto-shi Kyoto Japan
(72) Name(s) of Designer(s): **Kazuumi Otani and Takeshi Nabesaka**
(45) Registration Date: **31 March 2010**
(30) Convention priority data:

(31) Number	(32) Date	(33) Country
2009-019453	25 Aug 2009	JAPAN

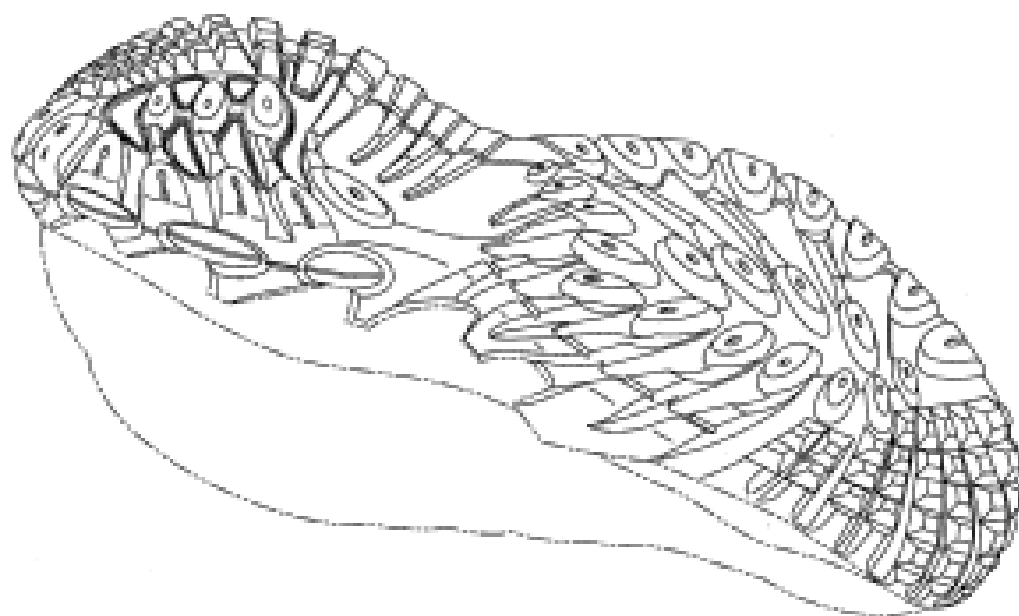
(56) Related Art Documents: **Not Applicable**
(57) Statement of Newness and Distinctiveness: **Nil**



(21) Design Number: **10594/2010**
 (22) Date of Filing Application: **19 February 2010**
 (24) Date from which industrial property rights may have effect: **19 February 2010**
 (54) Product in respect of which the design is registered: **Footwear sole**
 (51) International Design Classification: **02-04B**
 (71) Name(s) and Address(s) of Applicant(s):
Wolverine World Wide, Inc.
9341 Courtland Drive NE Rockford Michigan 49351 United States of America
 (72) Name(s) of Designer(s): **Gary J. Banik and Laura Bianchi**
 (45) Registration Date: **31 March 2010**
 (30) Convention priority data:

(31) Number	(32) Date	(33) Country
29/346722	05 Nov 2009	UNITED STATES OF AMERICA

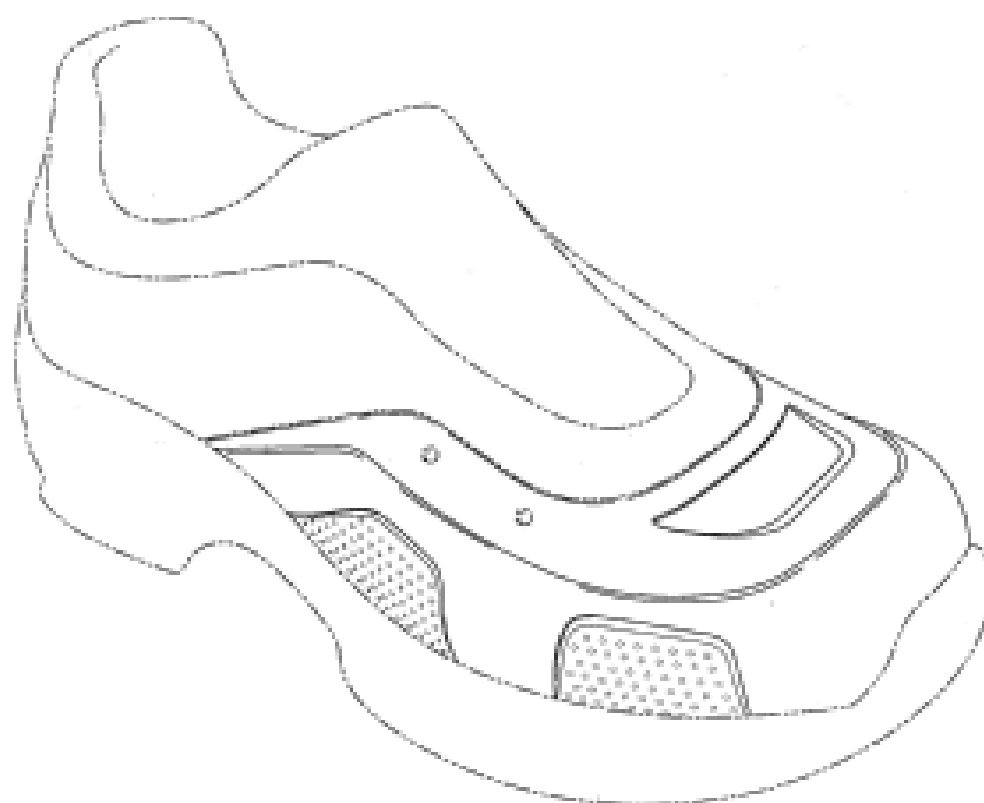
 (56) Related Art Documents: **Not Applicable**
 (57) Statement of Newness and Distinctiveness: **Newness and distinctiveness is claimed in the visual features shown in the representations except for those shown in phantom lines.**



(21) Design Number: **10595/2010**
 (22) Date of Filing Application: **19 February 2010**
 (24) Date from which industrial property rights may have effect: **19 February 2010**
 (54) Product in respect of which the design is registered: **Footwear upper portion**
 (51) International Design Classification: **02-04NES**
 (71) Name(s) and Address(s) of Applicant(s):
Wolverine World Wide, Inc.
9341 Courtland Drive NE Rockford Michigan 49351 United States of America
 (72) Name(s) of Designer(s): **Gary J. Banik and Manon Belley and Martin LaBerge**
 (45) Registration Date: **31 March 2010**
 (30) Convention priority data:

(31) Number	(32) Date	(33) Country
29/346721	05 Nov 2009	UNITED STATES OF AMERICA

 (56) Related Art Documents: **Not Applicable**
 (57) Statement of Newness and Distinctiveness: **Newness and distinctiveness is claimed in the visual features shown in the representations except for those shown in phantom lines.**



(21) Design Number: **10735/2010**

(22) Date of Filing Application: **04 March 2010**

(24) Date from which industrial property rights may have effect: **04 March 2010**

(54) Product in respect of which the design is registered: **Conical burr grinder with display**

(51) International Design Classification: **07-02L**

(71) Name(s) and Address(s) of Applicant(s):

Breville Pty Limited

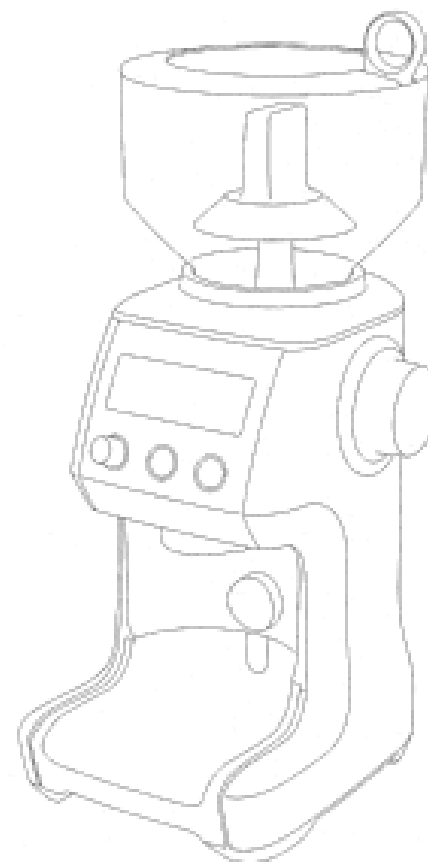
Building 2 Port Air Industrial Estate 1A Hale Street Botany New South Wales 2019 Australia

(72) Name(s) of Designer(s): **David Davenport and Richard Hoare**

(45) Registration Date: **31 March 2010**

(56) Related Art Documents: **Not Applicable**

(57) Statement of Newness and Distinctiveness: **Newness is claimed in the features of shape and configuration of the conical burr grinder with display as shown in the accompanying representations.**



(21) Design Number: **10736/2010**

(22) Date of Filing Application: **04 March 2010**

(24) Date from which industrial property rights may have effect: **04 March 2010**

(54) Product in respect of which the design is registered: **Conical burr grinder**

(51) International Design Classification: **07-02L**

(71) Name(s) and Address(s) of Applicant(s):

Breville Pty Limited

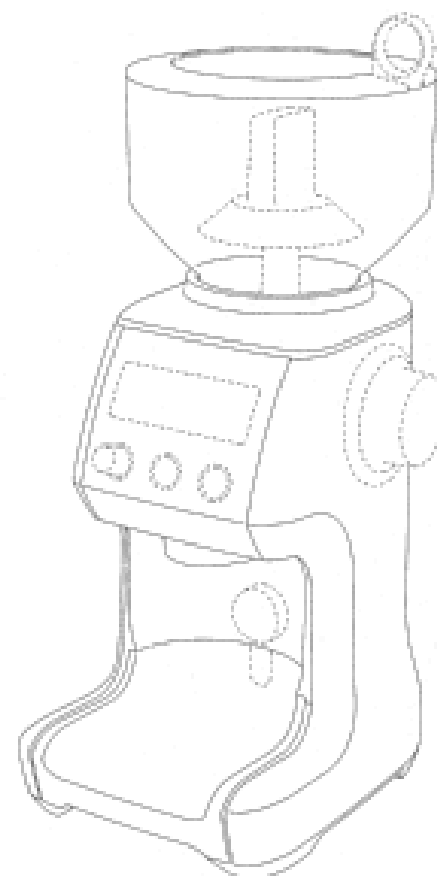
Building 2 Port Air Industrial Estate 1A Hale Street Botany New South Wales 2019 Australia

(72) Name(s) of Designer(s): **David Davenport and Richard Hoare**

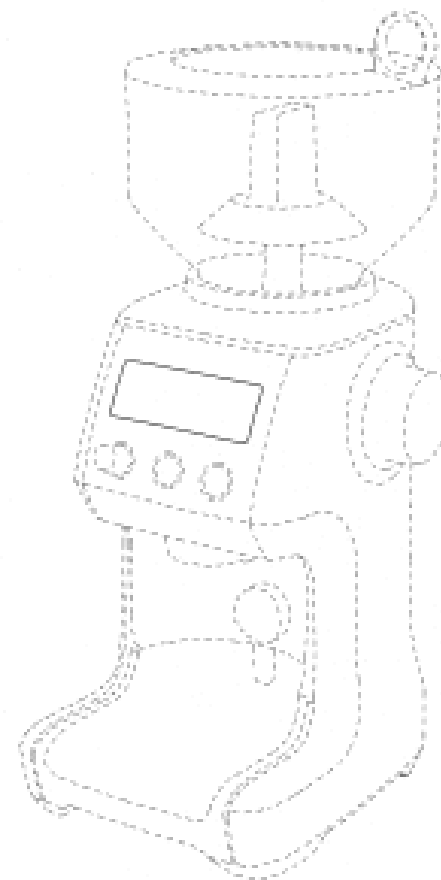
(45) Registration Date: **31 March 2010**

(56) Related Art Documents: **Not Applicable**

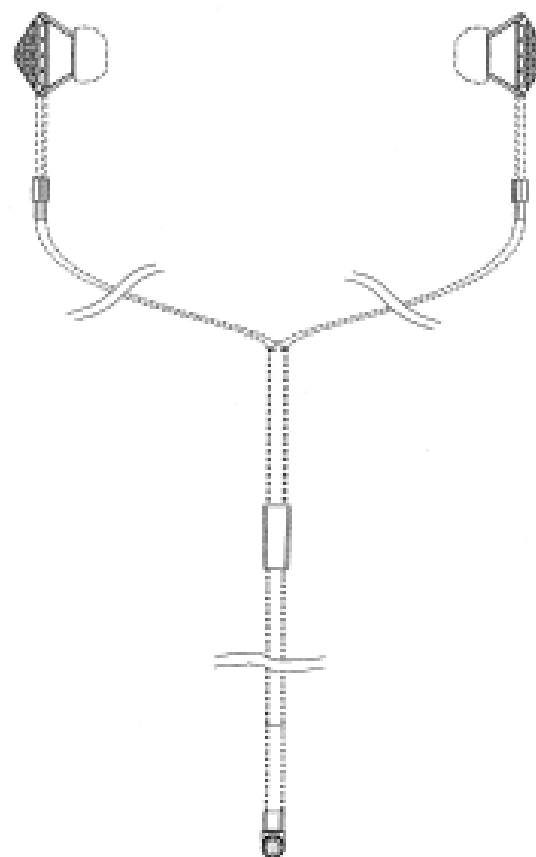
(57) Statement of Newness and Distinctiveness: **Newness is claimed in the features of shape and configuration of the conical burr grinder as shown in the accompanying representations. Elements shown in dashed lines form no part of the design.**



(21) Design Number: **10737/2010**
 (22) Date of Filing Application: **04 March 2010**
 (24) Date from which industrial property rights may have effect: **04 March 2010**
 (54) Product in respect of which the design is registered: **Display for conical burr grinder**
 (51) International Design Classification: **07-02L**
 (71) Name(s) and Address(s) of Applicant(s):
Breville Pty Limited
Building 2 Port Air Industrial Estate 1A Hale Street Botany New South Wales 2019 Australia
 (72) Name(s) of Designer(s): **David Davenport and Richard Hoare**
 (45) Registration Date: **31 March 2010**
 (56) Related Art Documents: **Not Applicable**
 (57) Statement of Newness and Distinctiveness: **Newness is claimed in the features of shape and configuration of the display for conical burr grinder as shown in the accompanying representations. Elements shown in dashed lines form no part of the design.**



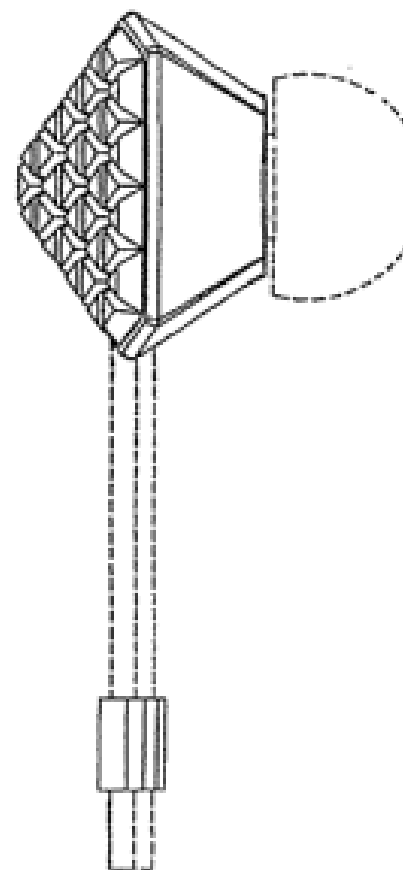
(21) Design Number: **10738/2010**
 (22) Date of Filing Application: **03 March 2010**
 (24) Date from which industrial property rights may have effect: **03 March 2010**
 (54) Product in respect of which the design is registered: **Audio listening system**
 (51) International Design Classification: **14-01**
 (71) Name(s) and Address(s) of Applicant(s):
Beats Electronics, LLC
2220 Colorado Avenue Santa Monica California 90404 United States of America
 (72) Name(s) of Designer(s): **Robert Brunner and Victoria Slaker**
 (45) Registration Date: **31 March 2010**
 (30) Convention priority data:
 (31) Number (32) Date (33) Country
29/342998 03 Sep 2009 UNITED STATES OF AMERICA
 (56) Related Art Documents: **Not Applicable**
 (57) Statement of Newness and Distinctiveness: **Newness and distinctiveness is claimed in the features of shape and/or configuration of an audio listening system as illustrated in continuous lines in the accompanying representations.**



(21) Design Number: **10739/2010**
 (22) Date of Filing Application: **03 March 2010**
 (24) Date from which industrial property rights may have effect: **03 March 2010**
 (54) Product in respect of which the design is registered: **Earbud**
 (51) International Design Classification: **14-01**
 (71) Name(s) and Address(s) of Applicant(s):
Beats Electronics, LLC
2220 Colorado Avenue Santa Monica California 90404 United States of America
 (72) Name(s) of Designer(s): **Robert Brunner and Victoria Slaker**
 (45) Registration Date: **31 March 2010**
 (30) Convention priority data:

(31) Number	(32) Date	(33) Country
29/342998	03 Sep 2009	UNITED STATES OF AMERICA

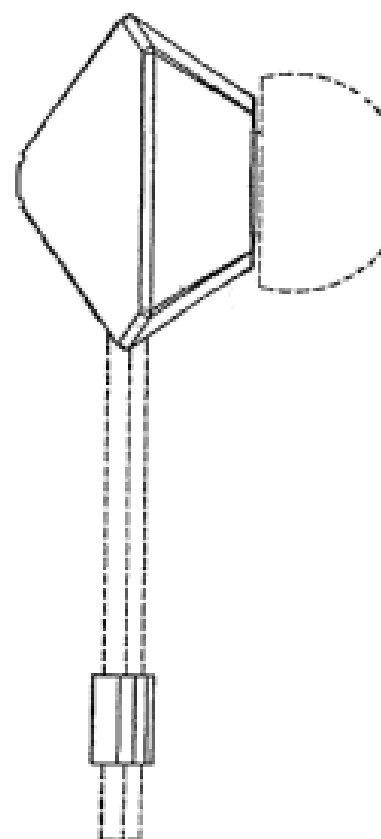
 (56) Related Art Documents: **Not Applicable**
 (57) Statement of Newness and Distinctiveness: **Newness and distinctiveness is claimed in the features of shape and/or configuration of an earbud as illustrated in continuous lines in the accompanying representations.**



(21) Design Number: **10740/2010**
 (22) Date of Filing Application: **03 March 2010**
 (24) Date from which industrial property rights may have effect: **03 March 2010**
 (54) Product in respect of which the design is registered: **Earbud**
 (51) International Design Classification: **14-01**
 (71) Name(s) and Address(s) of Applicant(s):
Beats Electronics, LLC
2220 Colorado Avenue Santa Monica California 90404 United States of America
 (72) Name(s) of Designer(s): **Robert Brunner and Victoria Slaker**
 (45) Registration Date: **31 March 2010**
 (30) Convention priority data:

(31) Number	(32) Date	(33) Country
29/342998	03 Sep 2009	UNITED STATES OF AMERICA

 (56) Related Art Documents: **Not Applicable**
 (57) Statement of Newness and Distinctiveness: **Newness and distinctiveness is claimed in the features of shape and/or configuration of an earbud as illustrated in continuous lines in the accompanying representations.**



(21) Design Number: **10741/2010**

(22) Date of Filing Application: **02 March 2010**

(24) Date from which industrial property rights may have effect: **02 March 2010**

(54) Product in respect of which the design is registered: **Construction element**

(51) International Design Classification: **25-01K**

(71) Name(s) and Address(s) of Applicant(s):

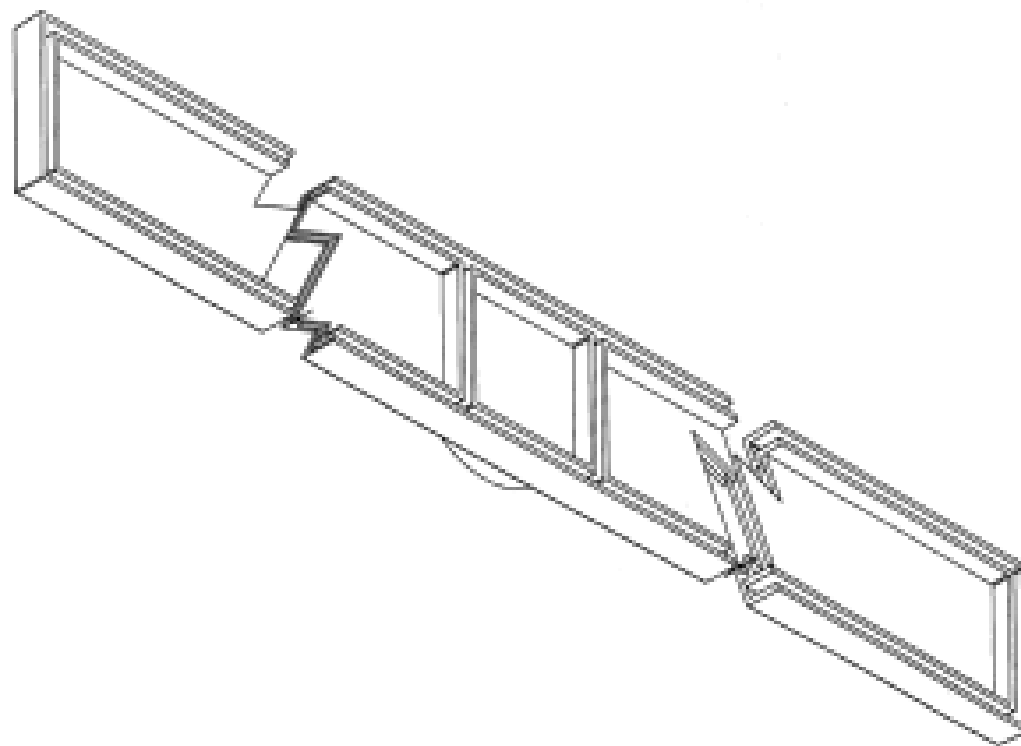
Brad Ronald Chadwick
27 Adele Crescent Bahrs Scrub Queensland 4207 Australia

(72) Name(s) of Designer(s): **Brad Ronald Chadwick**

(45) Registration Date: **31 March 2010**

(56) Related Art Documents: **Not Applicable**

(57) Statement of Newness and Distinctiveness: **The design relates to the overall appearance and particular visual features of a product, being a construction element in the form of a trench grate, having the pattern, shape, configuration or ornamentation as shown in the accompanying representations. The element is shaped and dimensioned for fitment into a floor construction to act as a collector of fluid to be drained, the element further defining receptacles for receiving components such as tiles and/or grates. A length of the element may vary, as indicated.**



(21) Design Number: **10743/2010**

(22) Date of Filing Application: **03 March 2010**

(24) Date from which industrial property rights may have effect: **03 March 2010**

(54) Product in respect of which the design is registered: **A produce container**

(51) International Design Classification: **09-03F**

(71) Name(s) and Address(s) of Applicant(s):

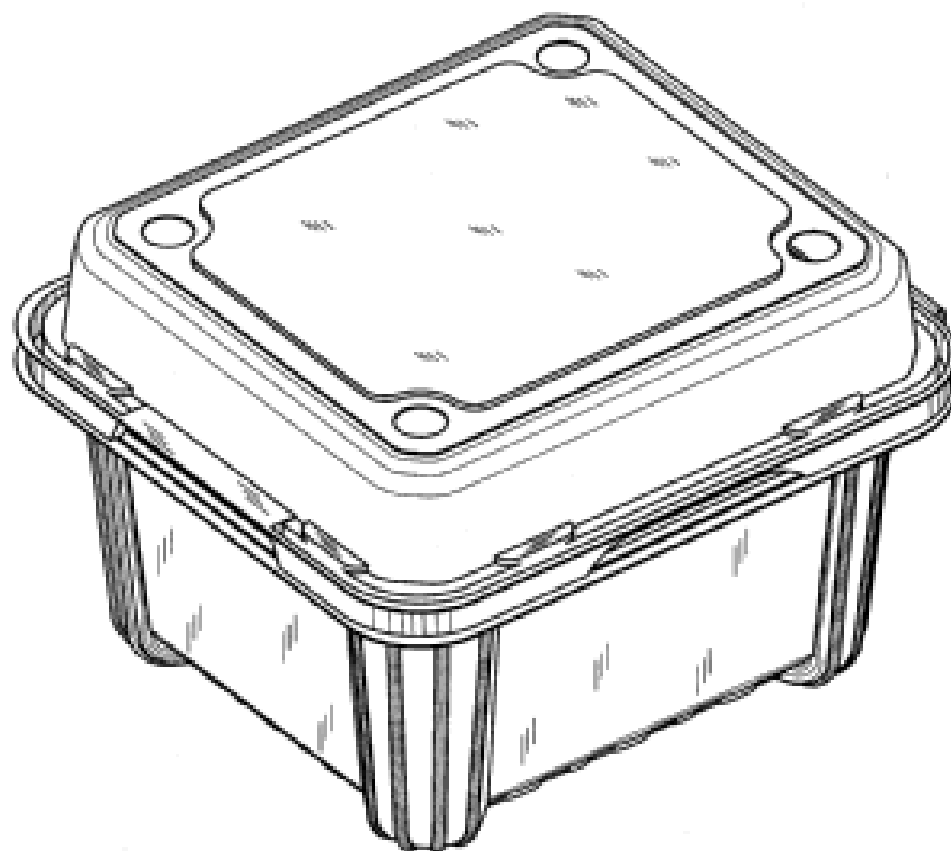
Multisteps Pty Ltd
Unit 1 & 2/4 Richmond Road Homebush West New South Wales 2140
Australia

(72) Name(s) of Designer(s): **John Lam**

(45) Registration Date: **31 March 2010**

(56) Related Art Documents: **Not Applicable**

(57) Statement of Newness and Distinctiveness: **Newness and distinctiveness reside in the features of the design shown in solid lines in the representations excluding those features shown in broken lines.**



(21) Design Number: **10744/2010**

(22) Date of Filing Application: **03 March 2010**

(24) Date from which industrial property rights may have effect: **03 March 2010**

(54) Product in respect of which the design is registered: **A produce container**

(51) International Design Classification: **09-03F**

(71) Name(s) and Address(s) of Applicant(s):

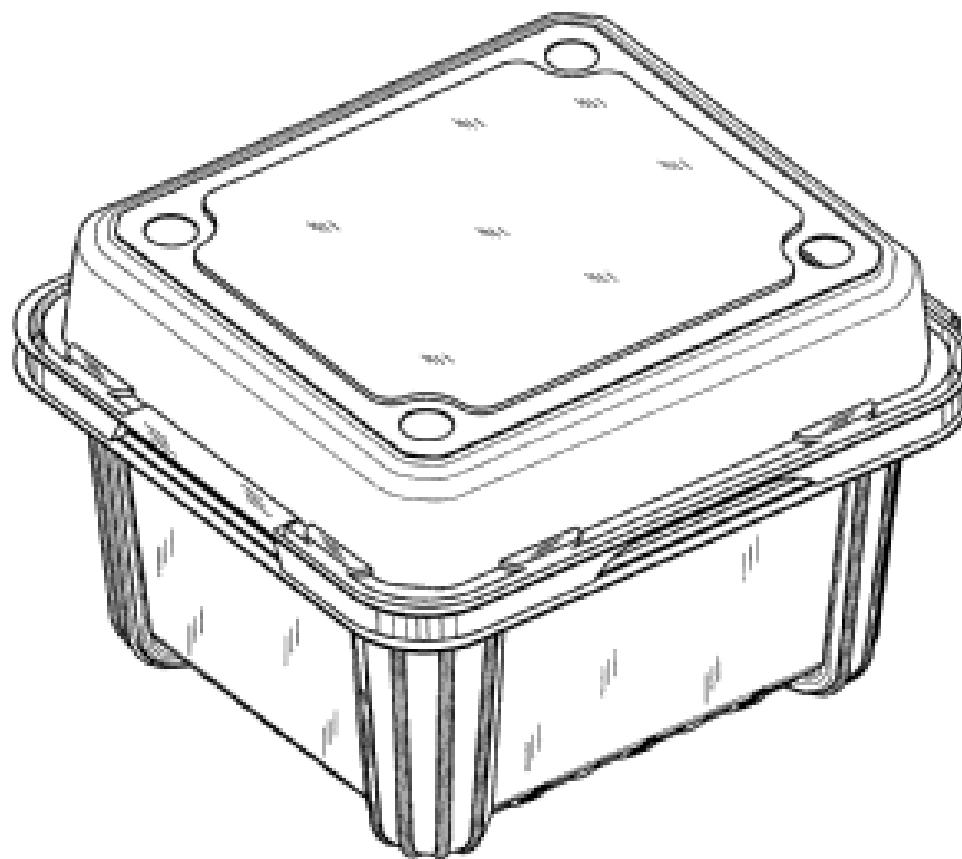
Multisteps Pty Ltd
Unit 1 & 2/4 Richmond Road Homebush West New South Wales 2140
Australia

(72) Name(s) of Designer(s): **John Lam**

(45) Registration Date: **31 March 2010**

(56) Related Art Documents: **Not Applicable**

(57) Statement of Newness and Distinctiveness: **Newness and distinctiveness reside in the features of the design shown in solid lines in the representations excluding those features shown in broken lines.**



(21) Design Number: **12584/2009**

(22) Date of Filing Application: **16 July 2009**

(24) Date from which industrial property rights may have effect: **16 July 2009**

(54) Product in respect of which the design is registered: **Socks**

(51) International Design Classification: **02-04C**

(71) Name(s) and Address(s) of Applicant(s):

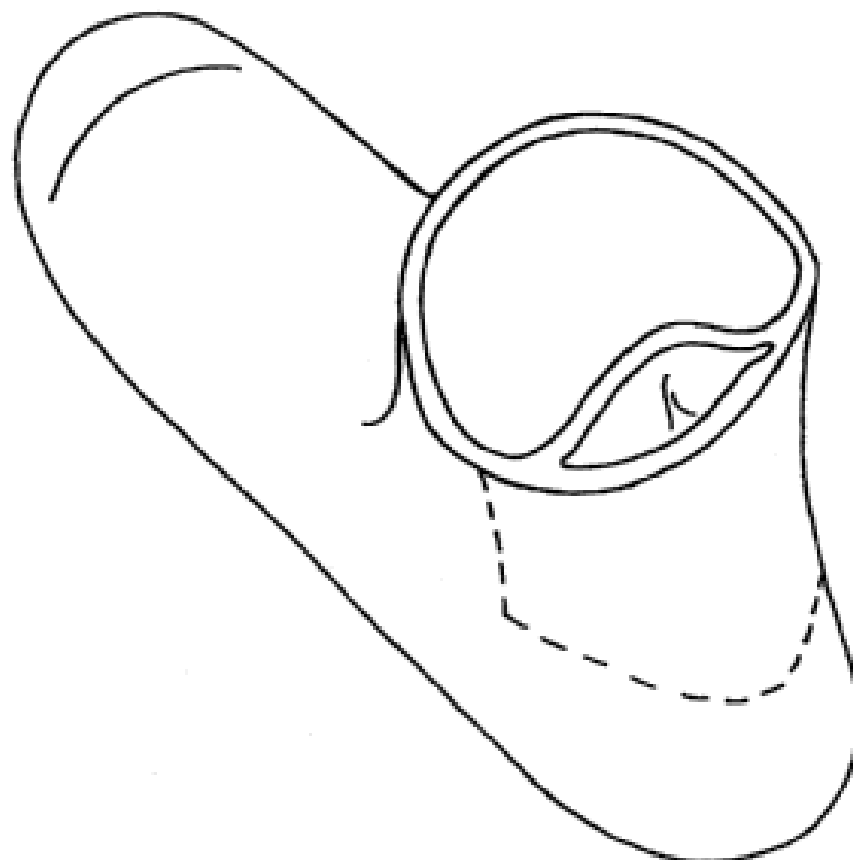
Apparition Holdings Pty Limited
Unit 1/43-45 East Esplanade Manly New South Wales 2095 Australia

(72) Name(s) of Designer(s): **Linda Cummings**

(45) Registration Date: **31 March 2010**

(56) Related Art Documents: **Not Applicable**

(57) Statement of Newness and Distinctiveness: **Monopoly is claimed for a pair of socks, each sock having an opening through the cuff as shown in accompanying illustrations. Pattern and shape of the socks should be disregarded when considering the extent of the monopoly.**



(21) Design Number: **12585/2009**

(22) Date of Filing Application: **16 July 2009**

(24) Date from which industrial property rights may have effect: **16 July 2009**

(54) Product in respect of which the design is registered: **Socks**

(51) International Design Classification: **02-04C**

(71) Name(s) and Address(s) of Applicant(s):

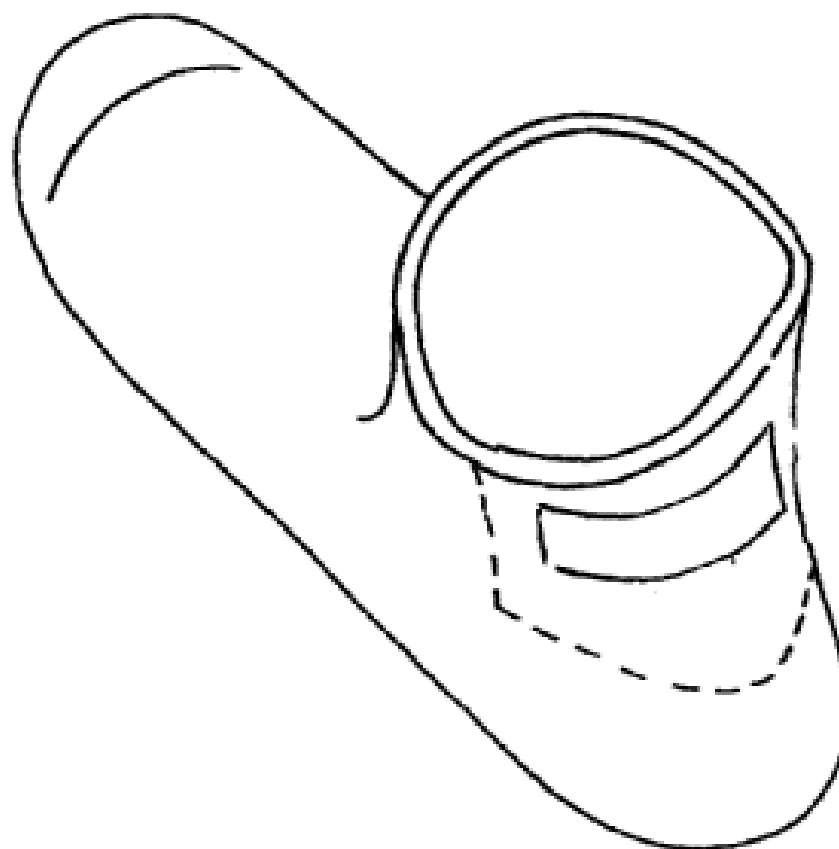
**Apparition Holdings Pty Limited
Unit 1/43-45 East Esplanade Manly New South Wales 2095 Australia**

(72) Name(s) of Designer(s): **Linda Cummings**

(45) Registration Date: **31 March 2010**

(56) Related Art Documents: **Not Applicable**

(57) Statement of Newness and Distinctiveness: **Monopoly is claimed for a pair of socks, each sock having a flap as shown in accompanying illustrations. Pattern and shape of the socks should be disregarded when considering the extent of the monopoly.**



(21) Design Number: **12586/2009**

(22) Date of Filing Application: **16 July 2009**

(24) Date from which industrial property rights may have effect: **16 July 2009**

(54) Product in respect of which the design is registered: **Socks**

(51) International Design Classification: **02-04C**

(71) Name(s) and Address(s) of Applicant(s):

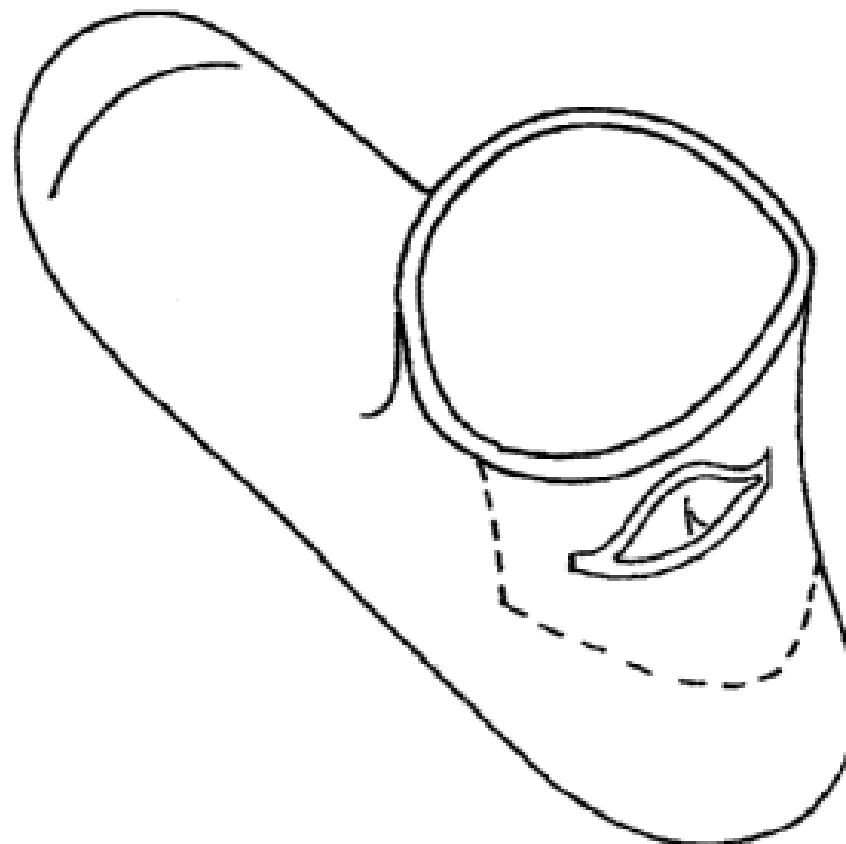
**Apparition Holdings Pty Limited
Unit 1/43-45 East Esplanade Manly New South Wales 2095 Australia**

(72) Name(s) of Designer(s): **Linda Cummings**

(45) Registration Date: **31 March 2010**

(56) Related Art Documents: **Not Applicable**

(57) Statement of Newness and Distinctiveness: **Monopoly is claimed for a pair of socks, each sock having an external opening as shown in accompanying illustrations. Pattern and shape of the socks should be disregarded when considering the extent of the monopoly.**



(21) Design Number: **12587/2009**

(22) Date of Filing Application: **16 July 2009**

(24) Date from which industrial property rights may have effect: **16 July 2009**

(54) Product in respect of which the design is registered: **Socks**

(51) International Design Classification: **02-04C**

(71) Name(s) and Address(s) of Applicant(s):

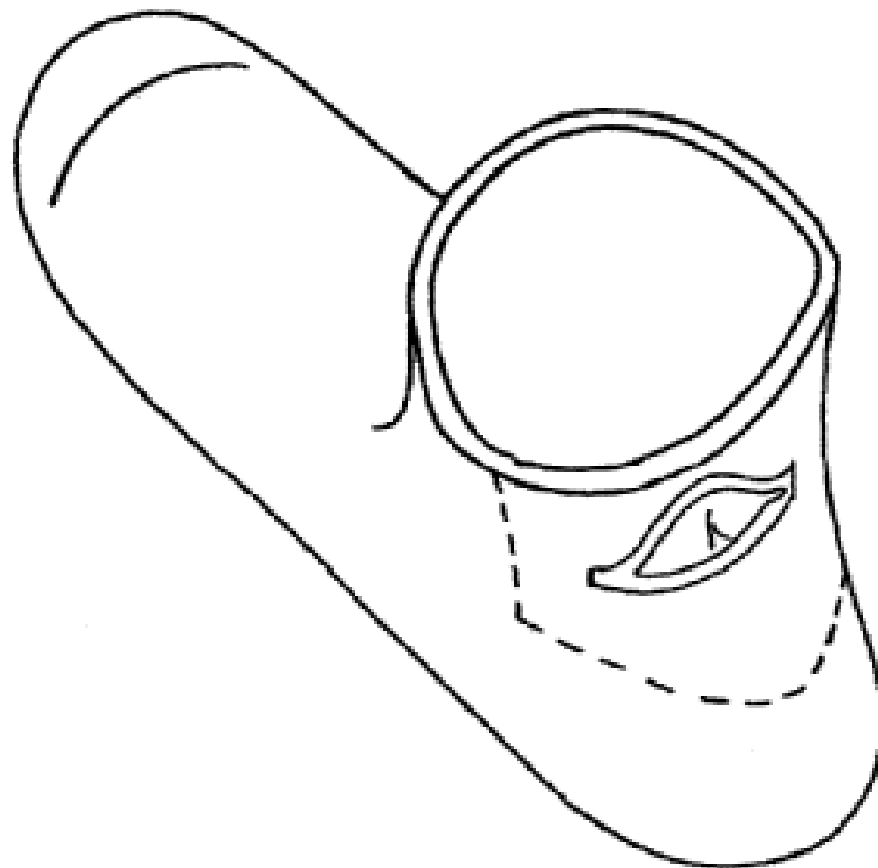
**Apparition Holdings Pty Limited
Unit 1/43-45 East Esplanade Manly New South Wales 2095 Australia**

(72) Name(s) of Designer(s): **Linda Cummings**

(45) Registration Date: **31 March 2010**

(56) Related Art Documents: **Not Applicable**

(57) Statement of Newness and Distinctiveness: **Monopoly is claimed for a pair of socks, each sock having an opening through the inside of the cuff as shown in accompanying representations. Pattern and shape of the socks should be disregarded when considering the extent of the monopoly.**



(21) Design Number: **15081/2009**

(22) Date of Filing Application: **21 December 2009**

(24) Date from which industrial property rights may have effect: **21 December 2009**

(54) Product in respect of which the design is registered: **Cape View Sounds wine label**

(51) International Design Classification: **19-08**

(71) Name(s) and Address(s) of Applicant(s):

**Darren Pearson
4 Lawson Street Byron Bay New South Wales 2481 Australia**

(72) Name(s) of Designer(s): **Darren Pearson**

(45) Registration Date: **31 March 2010**

(56) Related Art Documents: **Not Applicable**

(57) Statement of Newness and Distinctiveness: **Nil**



(21) Design Number: **10644/2010**

(22) Date of Filing Application: **26 February 2010**

(24) Date from which industrial property rights may have effect: **26 February 2010**

(54) Product in respect of which the design is registered: **A clothes hanger clip**

(51) International Design Classification: **06-08**

(71) Name(s) and Address(s) of Applicant(s):

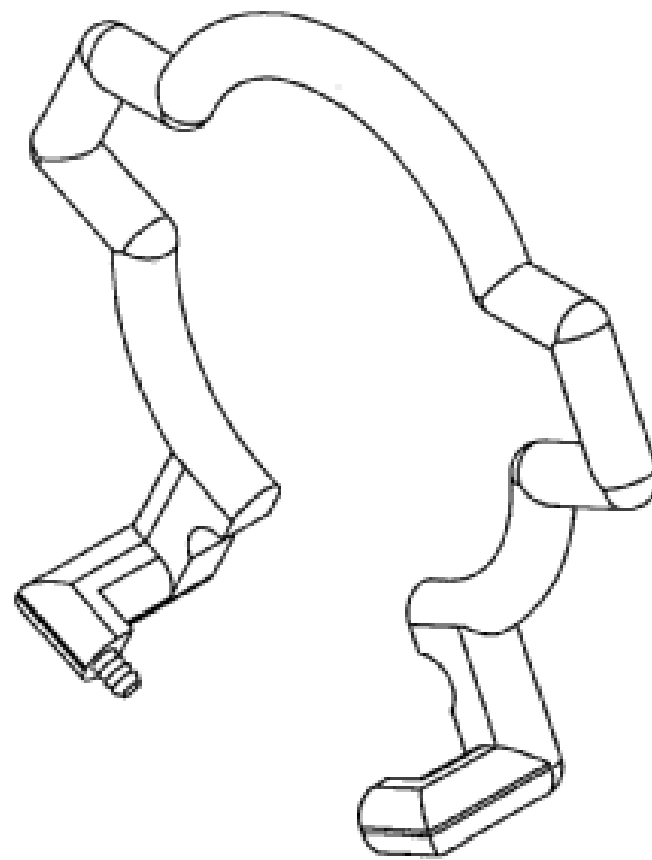
**Binders Compendiums Menu Covers Pty Ltd Trading As John Batman
Group - The Hospitality Supermarket
46 New Street Ringwood Victoria 3134 Australia**

(72) Name(s) of Designer(s): **Hong Yee Koh**

(45) Registration Date: **31 March 2010**

(56) Related Art Documents: **Not Applicable**

(57) Statement of Newness and Distinctiveness: **Those features of a clothes hanger clip depicted in the representations that are new and distinctive are the shape and/or configuration.**



(21) Design Number: **10721/2010**

(22) Date of Filing Application: **03 March 2010**

(24) Date from which industrial property rights may have effect: **03 March 2010**

(54) Product in respect of which the design is registered: **Maintenance shaft**

(51) International Design Classification: **25-02NES, 25-04**

(71) Name(s) and Address(s) of Applicant(s):

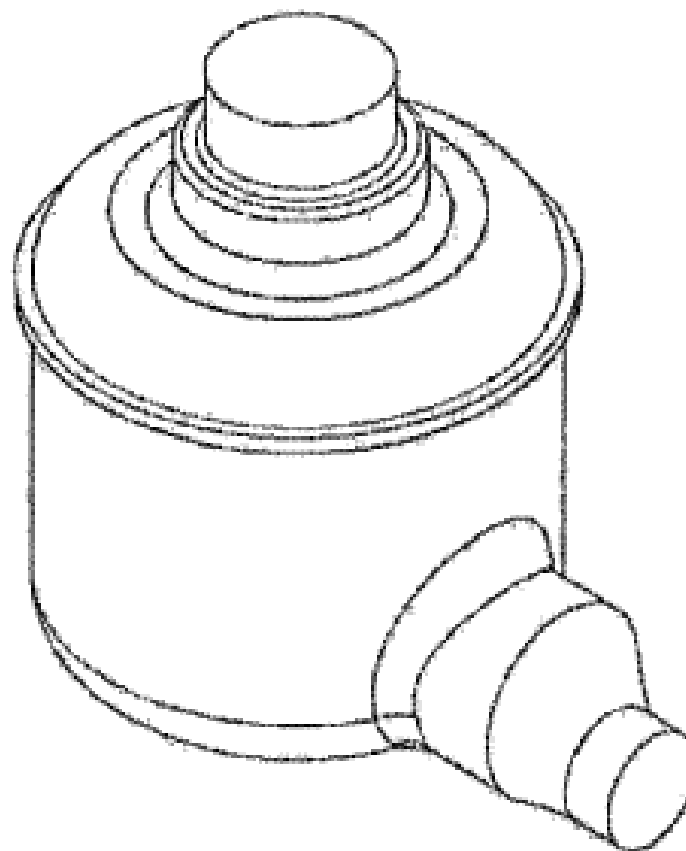
**Industrial Steps and Ladders Pty Ltd
40 McCallum Crescent Ardross Western Australia 6153 Australia**

(72) Name(s) of Designer(s): **James Leslie Mann and Nick Harpantidis**

(45) Registration Date: **31 March 2010**

(56) Related Art Documents: **Not Applicable**

(57) Statement of Newness and Distinctiveness: **Nil**



(21) Design Number: **10726/2010**

(22) Date of Filing Application: **04 March 2010**

(24) Date from which industrial property rights may have effect: **04 March 2010**

(54) Product in respect of which the design is registered: **Stick mixer chopper bowl and jug**

(51) International Design Classification: **31-00**

(71) Name(s) and Address(s) of Applicant(s):

Breville Pty Limited

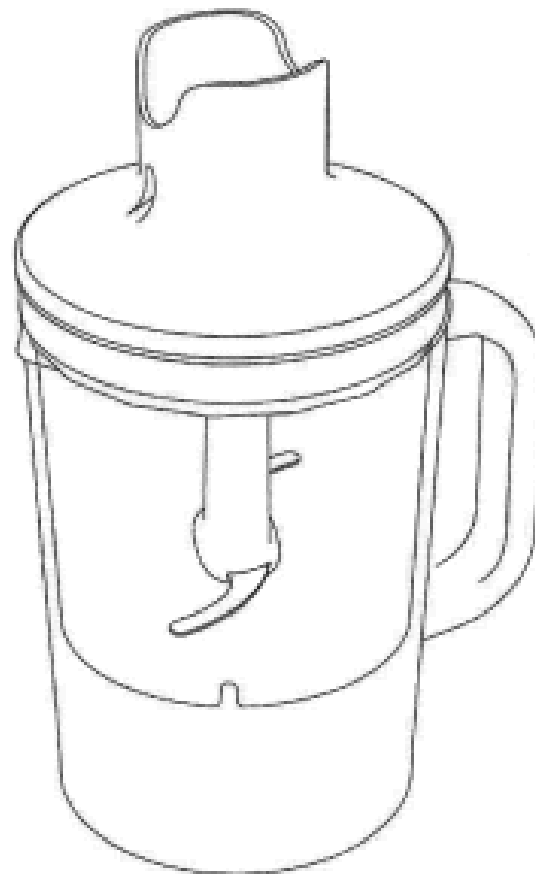
Building 2 Port Air Industrial Estate 1A Hale Street Botany New South Wales 2019 Australia

(72) Name(s) of Designer(s): **Richard Hoare and Nicholas Roseby**

(45) Registration Date: **31 March 2010**

(56) Related Art Documents: **Not Applicable**

(57) Statement of Newness and Distinctiveness: **Newness is claimed in the features of shape and configuration of the Stick Mixer Chopper Bowl and Jug as shown in the accompanying representations.**



(21) Design Number: **10727/2010**

(22) Date of Filing Application: **03 March 2010**

(24) Date from which industrial property rights may have effect: **03 March 2010**

(54) Product in respect of which the design is registered: **Plant propagation tray and stabiliser**

(51) International Design Classification: **09-03F**

(71) Name(s) and Address(s) of Applicant(s):

Trentcom APS Pty. Ltd.

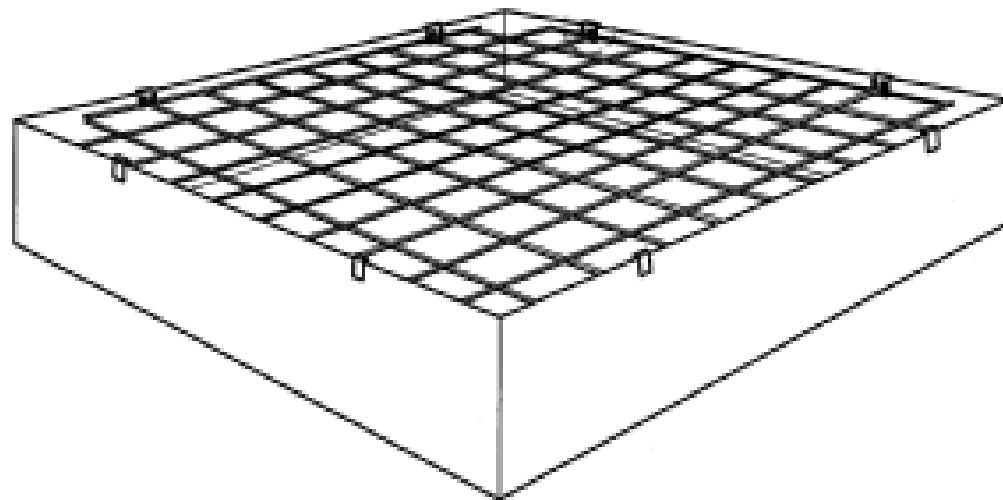
95c Beaumont Road Berwick Victoria 3806 Australia

(72) Name(s) of Designer(s): **Peter Alan Lawton**

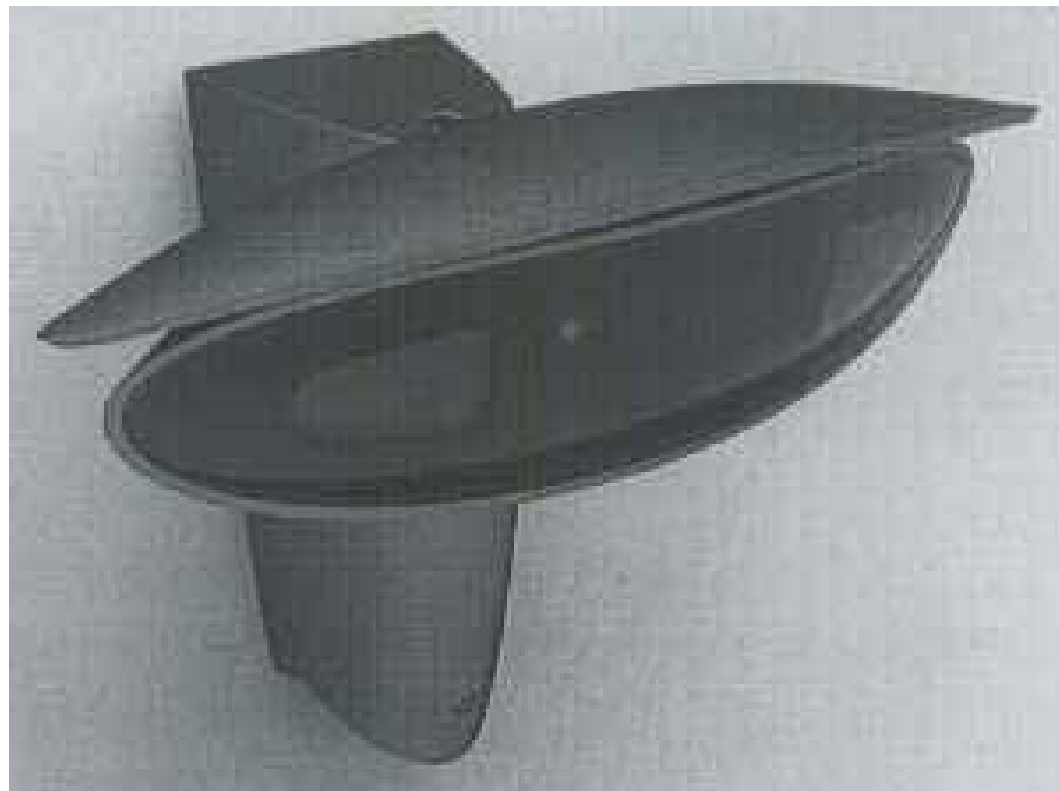
(45) Registration Date: **31 March 2010**

(56) Related Art Documents: **Not Applicable**

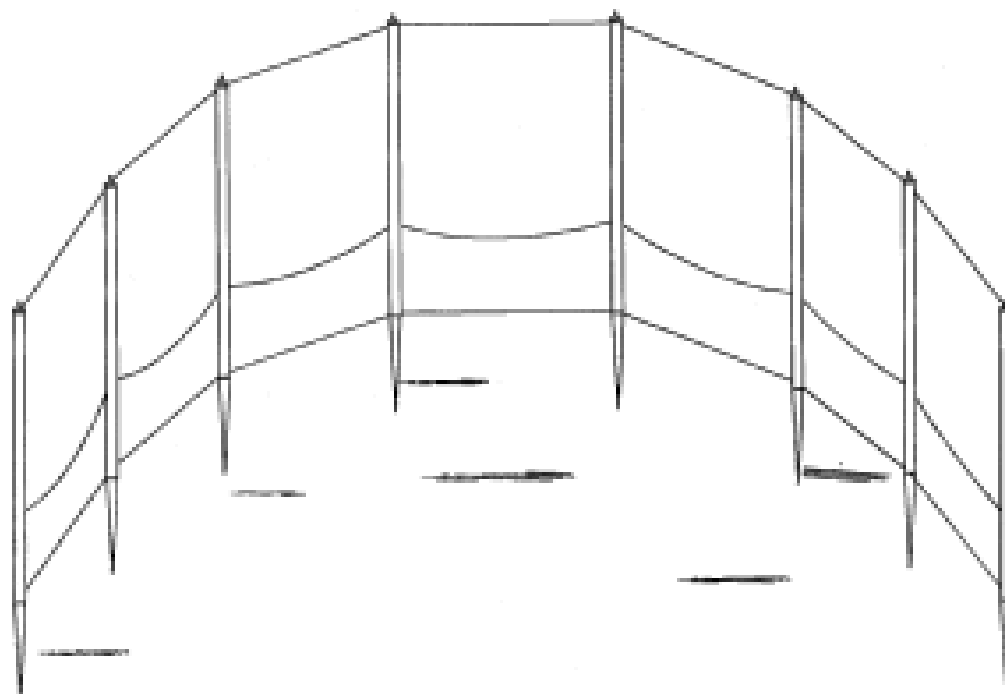
(57) Statement of Newness and Distinctiveness: **Newness and Distinctiveness reside in the features of shape and configuration of the tray, stabiliser and hooks as shown in the accompanying representations.**



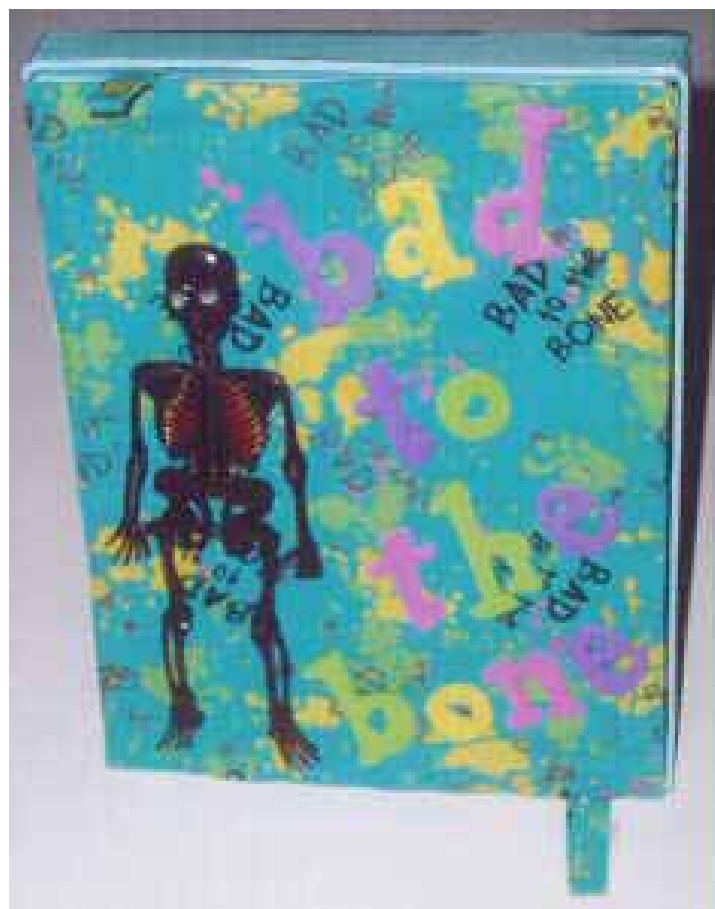
(21) Design Number: **10903/2010**
(22) Date of Filing Application: **12 March 2010**
(24) Date from which industrial property rights may have effect: **12 March 2010**
(54) Product in respect of which the design is registered: **Detection apparatus with visor**
(51) International Design Classification: **10-05**
(71) Name(s) and Address(s) of Applicant(s):
Traficon NV
Vlamingstraat 19 8560 Wevelgem Belgium
(72) Name(s) of Designer(s): **Michael Deruytter**
(45) Registration Date: **31 March 2010**
(30) Convention priority data:
(31) Number (32) Date (33) Country
001616129-0001 25 Sep 2009 EUROPEAN COMMUNITY
(56) Related Art Documents: **Not Applicable**
(57) Statement of Newness and Distinctiveness: **Newness and distinctiveness is claimed in the features of shape and/or configuration of a detection apparatus with visor, as illustrated in the accompanying representations, the visor being seen in Figs. 3 to 6, and excluding the cord as seen extending from the apparatus in Figs. 2-5, of the representations.**



(21) Design Number: **11056/2010**
(22) Date of Filing Application: **26 March 2010**
(24) Date from which industrial property rights may have effect: **26 March 2010**
(54) Product in respect of which the design is registered: **Sand screen with pocket for sand**
(51) International Design Classification: **25-02NES**
(71) Name(s) and Address(s) of Applicant(s):
Agnieszka Benet
Unit 2/33 Denver Street East Bentleigh Victoria 3165 Australia
(72) Name(s) of Designer(s): **Agnieszka Benet**
(45) Registration Date: **31 March 2010**
(56) Related Art Documents: **Not Applicable**
(57) Statement of Newness and Distinctiveness: **Nil**



- (21) Design Number: **14644/2009**
(22) Date of Filing Application: **26 November 2009**
(24) Date from which industrial property rights may have effect: **26 November 2009**
(54) Product in respect of which the design is registered: **Gift box**
(51) International Design Classification: **09-03M**
(71) Name(s) and Address(s) of Applicant(s):
Lisa-Marie O'Riordan
3/12 Martindale Street Corinda Queensland 4075 Australia
(72) Name(s) of Designer(s): **Lisa-Marie O'Riordan**
(45) Registration Date: **06 April 2010**
(56) Related Art Documents: **Not Applicable**
(57) Statement of Newness and Distinctiveness: **Gift box has an attachment on it so it can stand horizontal or vertical. Has two tabs to pull box apart. Design on front and sides will differ from box to box.**



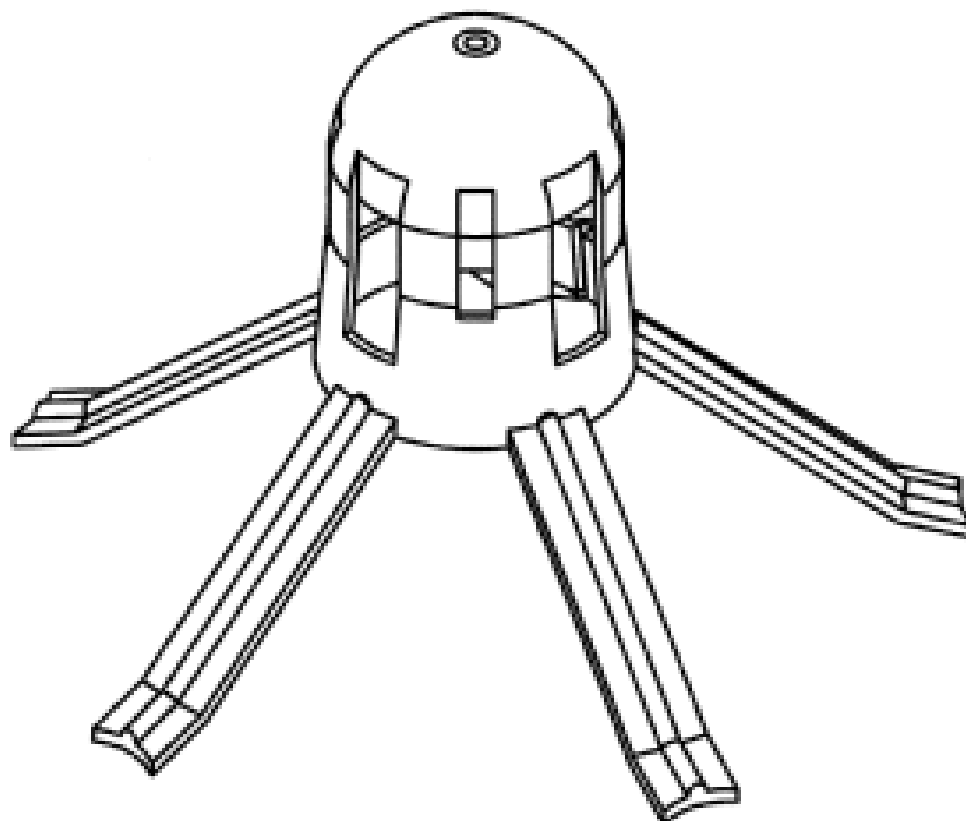
- (21) Design Number: **14982/2009**
(22) Date of Filing Application: **22 December 2009**
(24) Date from which industrial property rights may have effect: **22 December 2009**
(54) Product in respect of which the design is registered: **Acrylic stand - 9 hole**
(51) International Design Classification: **20-02C, 20-02E**
(71) Name(s) and Address(s) of Applicant(s):
Margaret Ferrett
55 Barmore Street Tarragindi Queensland 4121 Australia
Desleigh Bruncker
55 Barmore Street Tarragindi Queensland 4121 Australia
(72) Name(s) of Designer(s): **Margaret Ferrett and Desleigh Bruncker**
(45) Registration Date: **06 April 2010**
(56) Related Art Documents: **Not Applicable**
(57) Statement of Newness and Distinctiveness: **The new feature of this acrylic stand is that it will hold acrylic tubes for display of fashion accessories/jewellery.**



- (21) Design Number: **14983/2009**
(22) Date of Filing Application: **22 December 2009**
(24) Date from which industrial property rights may have effect: **22 December 2009**
(54) Product in respect of which the design is registered: **Acrylic tube**
(51) International Design Classification: **20-02NES, 09-05**
(71) Name(s) and Address(s) of Applicant(s):
Margaret Ferrett
55 Barmore Street Tarragindi Queensland 4121 Australia
Desleigh Bruncker
55 Barmore Street Tarragindi Queensland 4121 Australia
(72) Name(s) of Designer(s): **Margaret Ferrett and Desleigh Bruncker**
(45) Registration Date: **06 April 2010**
(56) Related Art Documents: **Not Applicable**
(57) Statement of Newness and Distinctiveness: **The new feature of this acrylic tube with screw top lid is that it will contain and display fashion accessories/jewellery.**



- (21) Design Number: **10962/2010**
(22) Date of Filing Application: **19 March 2010**
(24) Date from which industrial property rights may have effect: **19 March 2010**
(54) Product in respect of which the design is registered: **Retention cap**
(51) International Design Classification: **08-08B, 09-07NES**
(71) Name(s) and Address(s) of Applicant(s):
MTI Products Pty Ltd
C/- Optimus Partners Unit 2 41-43 Ord Street West Perth 6005 Western Australia Australia
(72) Name(s) of Designer(s): **Nicholas Grant Bodley**
(45) Registration Date: **06 April 2010**
(56) Related Art Documents: **Not Applicable**
(57) Statement of Newness and Distinctiveness: **The shape and configuration of the head portion of the product is new and distinctive.**



(21) Design Number: **10963/2010**

(22) Date of Filing Application: **19 March 2010**

(24) Date from which industrial property rights may have effect: **19 March 2010**

(54) Product in respect of which the design is registered: **Retention cap**

(51) International Design Classification: **08-08B, 09-07NES**

(71) Name(s) and Address(s) of Applicant(s):

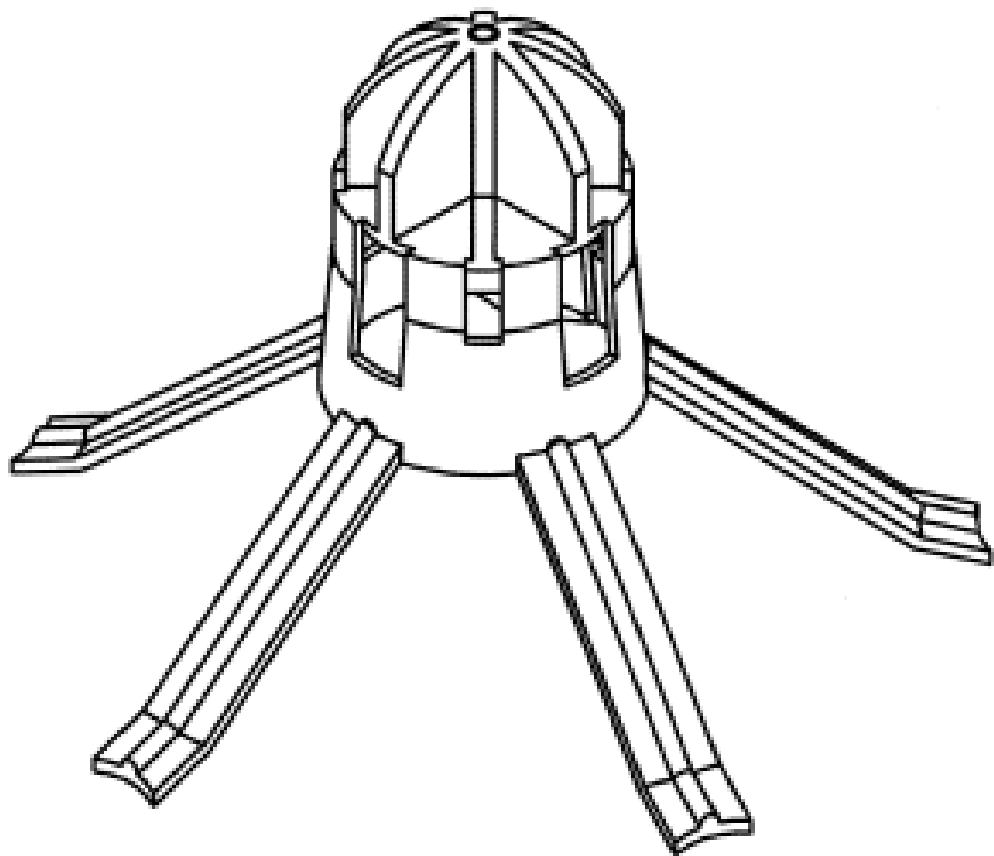
MTI Products Pty Ltd
C/- Optimus Partners Unit 2 41-43 Ord Street West Perth 6005 Western
Australia Australia

(72) Name(s) of Designer(s): **Nicholas Grant Bodley**

(45) Registration Date: **06 April 2010**

(56) Related Art Documents: **Not Applicable**

(57) Statement of Newness and Distinctiveness: **The shape and configuration of the head portion of the product is new and distinctive.**



(21) Design Number: **10964/2010**

(22) Date of Filing Application: **19 March 2010**

(24) Date from which industrial property rights may have effect: **19 March 2010**

(54) Product in respect of which the design is registered: **Retention cap**

(51) International Design Classification: **08-08B, 09-07NES**

(71) Name(s) and Address(s) of Applicant(s):

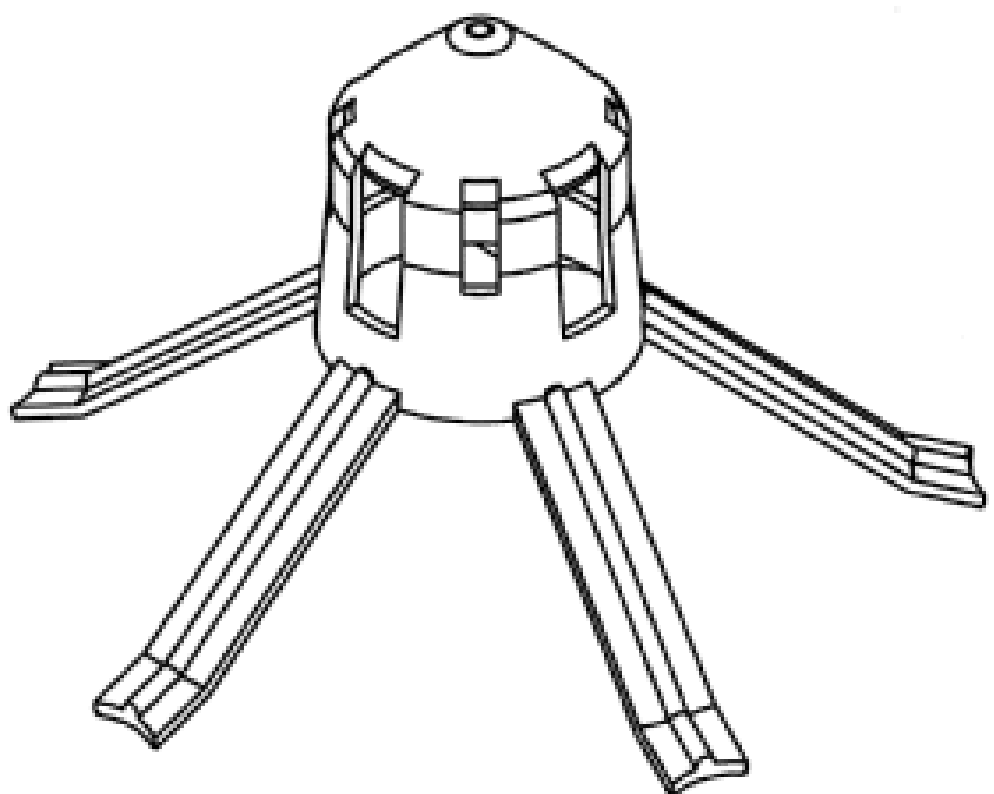
MTI Products Pty Ltd
C/- Optimus Partners Unit 2 41-43 Ord Street West Perth 6005 Western
Australia Australia

(72) Name(s) of Designer(s): **Nicholas Grant Bodley**

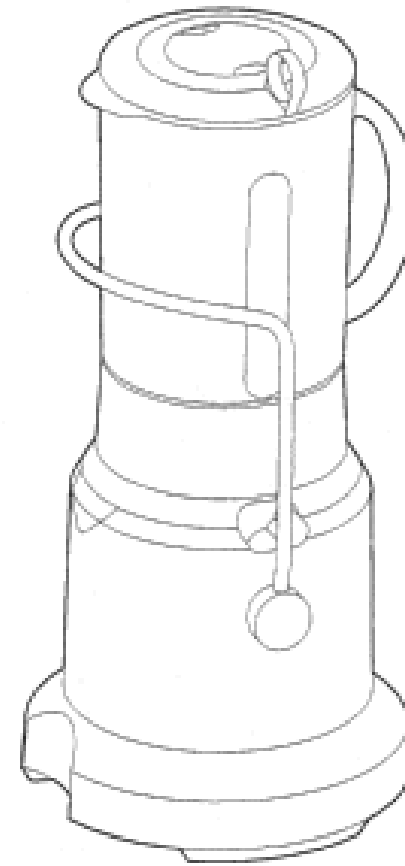
(45) Registration Date: **06 April 2010**

(56) Related Art Documents: **Not Applicable**

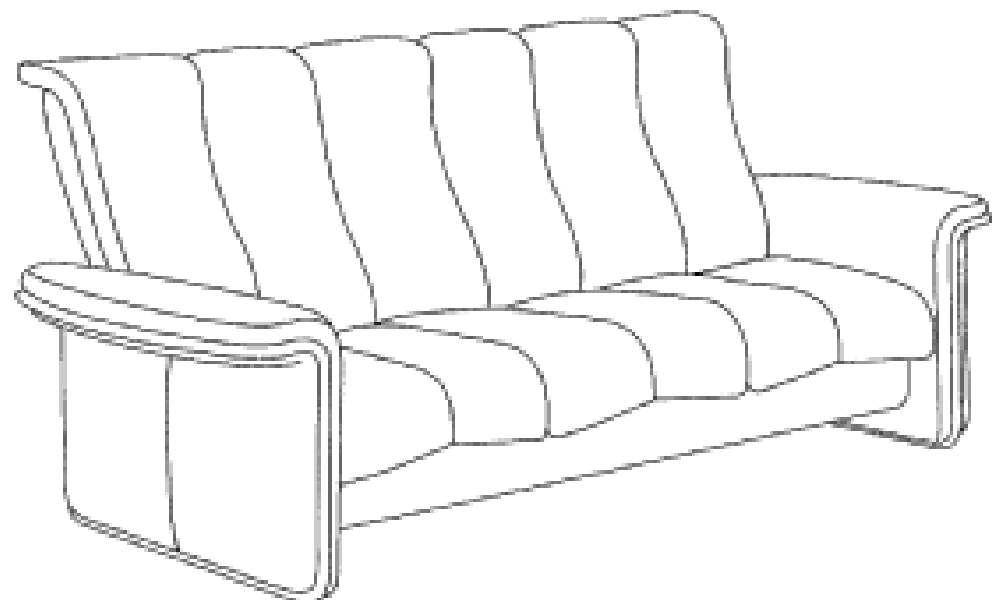
(57) Statement of Newness and Distinctiveness: **The shape and configuration of the head portion of the product is new and distinctive.**



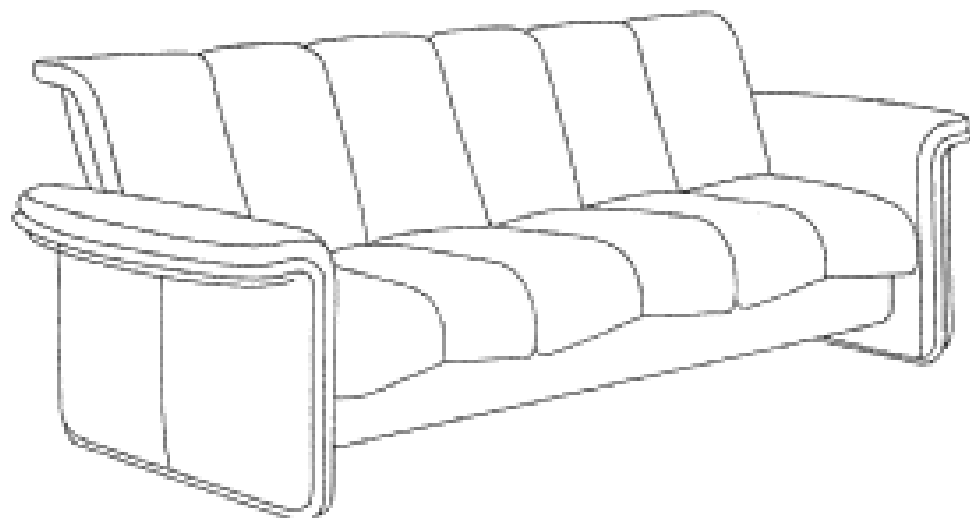
- (21) Design Number: **10711/2010**
(22) Date of Filing Application: **04 March 2010**
(24) Date from which industrial property rights may have effect: **04 March 2010**
(54) Product in respect of which the design is registered: **Blender on combination base**
(51) International Design Classification: **31-00**
(71) Name(s) and Address(s) of Applicant(s):
Breville Pty Limited
Building 2 Port Air Industrial Estate 1A Hale Street Botany New South Wales 2019 Australia
(72) Name(s) of Designer(s): **Richard Harrod and Khon Thai**
(45) Registration Date: **06 April 2010**
(56) Related Art Documents: **Not Applicable**
(57) Statement of Newness and Distinctiveness: **Newness is claimed in the features of shape and configuration of the blender on combination base as shown in the accompanying representations. Elements shown in dashed lines form no part of the design.**



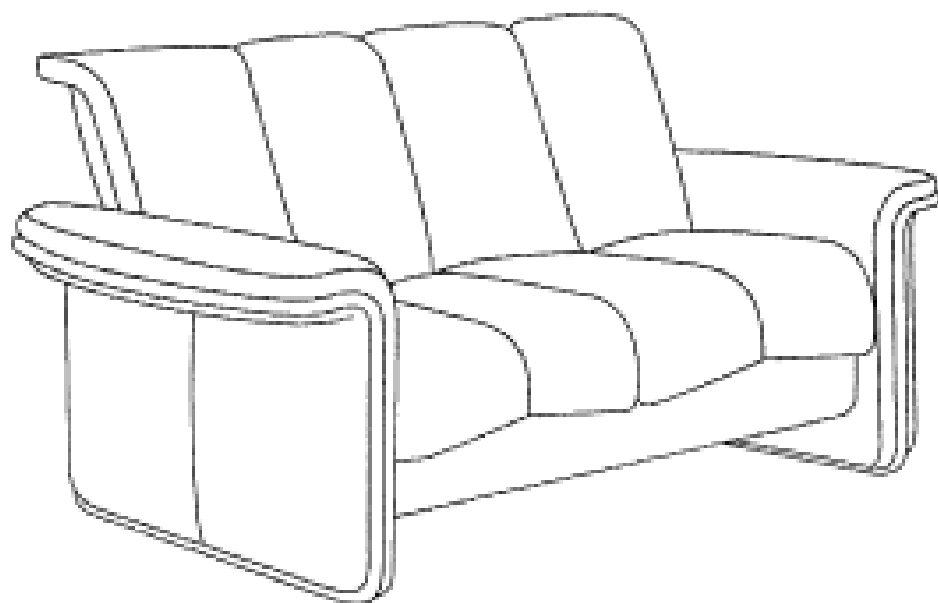
- (21) Design Number: **10713/2010**
(22) Date of Filing Application: **03 March 2010**
(24) Date from which industrial property rights may have effect: **03 March 2010**
(54) Product in respect of which the design is registered: **Sofa**
(51) International Design Classification: **06-01G**
(71) Name(s) and Address(s) of Applicant(s):
Ekornes ASA
N-6222 Ikornnes Norway
(72) Name(s) of Designer(s): **Rikke Wold**
(45) Registration Date: **06 April 2010**
(30) Convention priority data:
(31) Number (32) Date (33) Country
20090462 15 Sep 2009 NORWAY
(56) Related Art Documents: **Not Applicable**
(57) Statement of Newness and Distinctiveness: **Newness and distinctiveness reside in the shape and/or configuration of a sofa illustrated by solid lines in the accompanying representations.**



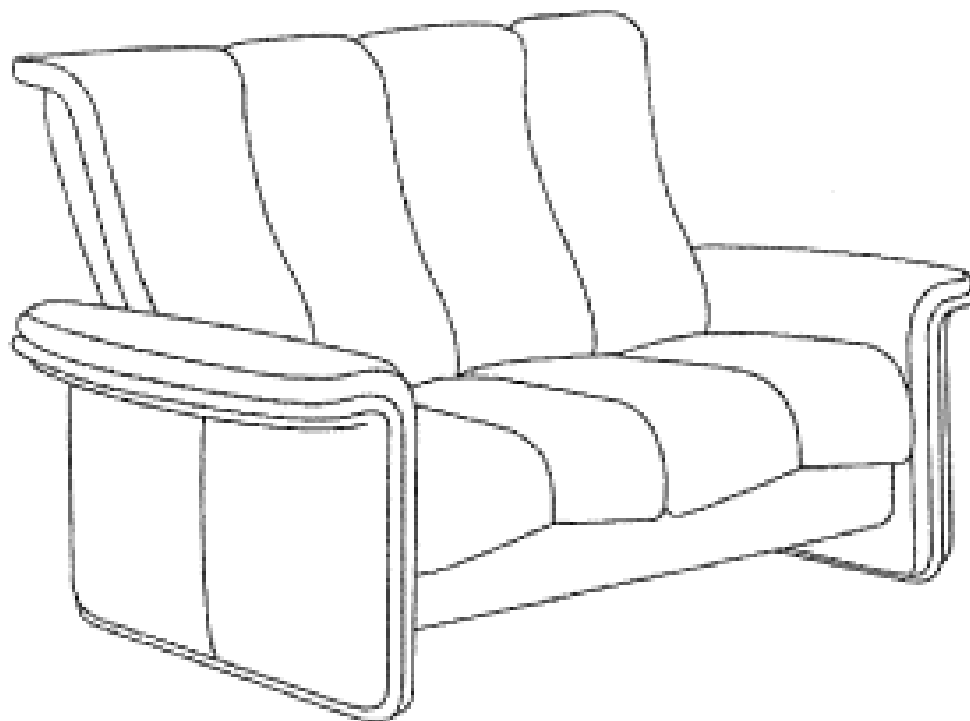
- (21) Design Number: **10714/2010**
(22) Date of Filing Application: **03 March 2010**
(24) Date from which industrial property rights may have effect: **03 March 2010**
(54) Product in respect of which the design is registered: **Sofa**
(51) International Design Classification: **06-01G**
(71) Name(s) and Address(s) of Applicant(s):
Ekornes ASA
N-6222 Ikornnes Norway
(72) Name(s) of Designer(s): **Rikke Wold**
(45) Registration Date: **06 April 2010**
(30) Convention priority data:
(31) Number (32) Date (33) Country
20090462 15 Sep 2009 NORWAY
(56) Related Art Documents: **Not Applicable**
(57) Statement of Newness and Distinctiveness: **Newness and distinctiveness reside in the shape and/or configuration of a sofa illustrated by solid lines in the accompanying representations.**



- (21) Design Number: **10715/2010**
(22) Date of Filing Application: **03 March 2010**
(24) Date from which industrial property rights may have effect: **03 March 2010**
(54) Product in respect of which the design is registered: **Sofa**
(51) International Design Classification: **06-01G**
(71) Name(s) and Address(s) of Applicant(s):
Ekornes ASA
N-6222 Ikornnes Norway
(72) Name(s) of Designer(s): **Rikke Wold**
(45) Registration Date: **06 April 2010**
(30) Convention priority data:
(31) Number (32) Date (33) Country
20090462 15 Sep 2009 NORWAY
(56) Related Art Documents: **Not Applicable**
(57) Statement of Newness and Distinctiveness: **Newness and distinctiveness reside in the shape and/or configuration of a sofa illustrated by solid lines in the accompanying representations.**



- (21) Design Number: **10716/2010**
(22) Date of Filing Application: **03 March 2010**
(24) Date from which industrial property rights may have effect: **03 March 2010**
(54) Product in respect of which the design is registered: **Sofa**
(51) International Design Classification: **06-01G**
(71) Name(s) and Address(s) of Applicant(s):
Ekornes ASA
N-6222 Ikkornnes Norway
(72) Name(s) of Designer(s): **Rikke Wold**
(45) Registration Date: **06 April 2010**
(30) Convention priority data:
(31) Number (32) Date (33) Country
20090462 15 Sep 2009 NORWAY
(56) Related Art Documents: **Not Applicable**
(57) Statement of Newness and Distinctiveness: **Newness and distinctiveness reside in the shape and/or configuration of a sofa illustrated by solid lines in the accompanying representations.**



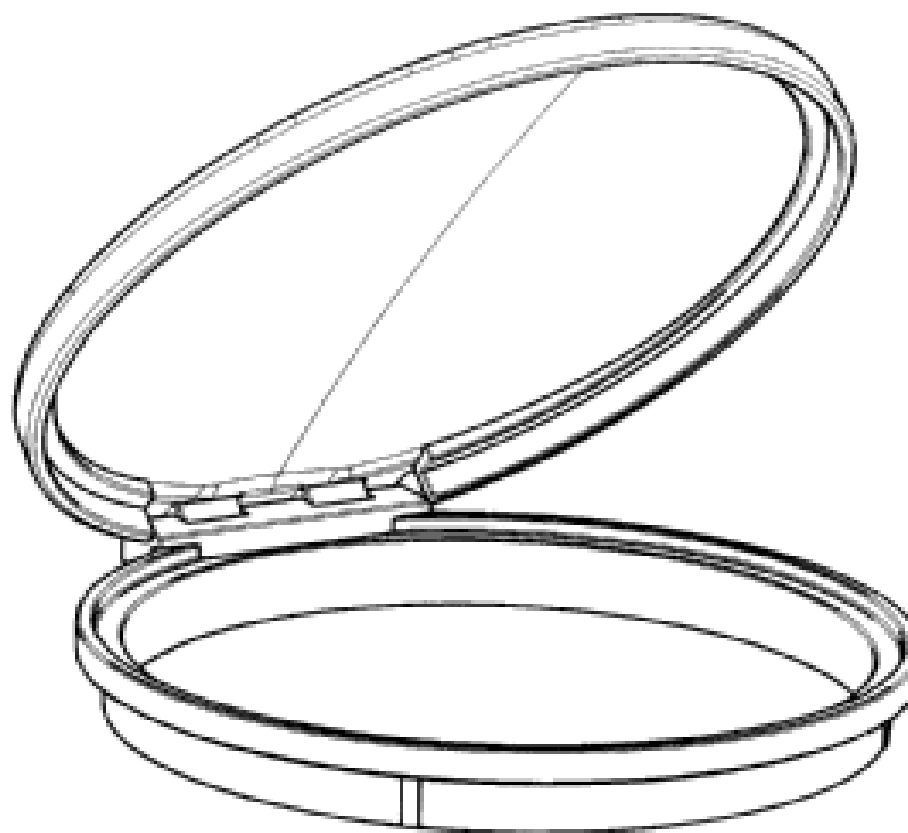
- (21) Design Number: **10717/2010**
(22) Date of Filing Application: **04 March 2010**
(24) Date from which industrial property rights may have effect: **04 March 2010**
(54) Product in respect of which the design is registered: **Stick mixer with oval bell**
(51) International Design Classification: **07-04**
(71) Name(s) and Address(s) of Applicant(s):
Breville Pty Limited
Building 2 Port Air Industrial Estate 1A Hale Street Botany New South Wales 2019 Australia
(72) Name(s) of Designer(s): **Richard Hoare and Nicholas Roseby**
(45) Registration Date: **06 April 2010**
(56) Related Art Documents: **Not Applicable**
(57) Statement of Newness and Distinctiveness: **Newness is claimed in the features of shape and configuration of the oval bell as shown in the accompanying representations. Elements shown in dashed lines form no part of the design.**



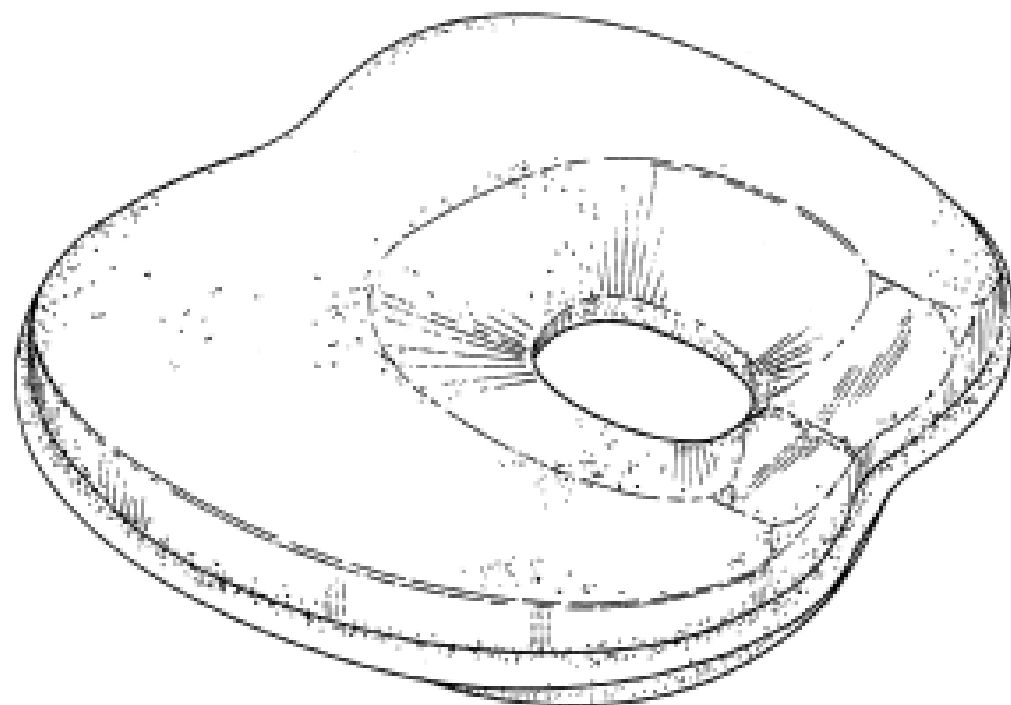
- (21) Design Number: **10718/2010**
(22) Date of Filing Application: **04 March 2010**
(24) Date from which industrial property rights may have effect: **04 March 2010**
(54) Product in respect of which the design is registered: **Mixer with oval bell and stem**
(51) International Design Classification: **07-04**
(71) Name(s) and Address(s) of Applicant(s):
Breville Pty Limited
Building 2 Port Air Industrial Estate 1A Hale Street Botany New South Wales 2019 Australia
(72) Name(s) of Designer(s): **Richard Hoare and Nicholas Roseby**
(45) Registration Date: **06 April 2010**
(56) Related Art Documents: **Not Applicable**
(57) Statement of Newness and Distinctiveness: **Newness is claimed in the features of shape and configuration of the oval bell and stem as shown in the accompanying representations. Elements shown in dashed lines form no part of the design.**



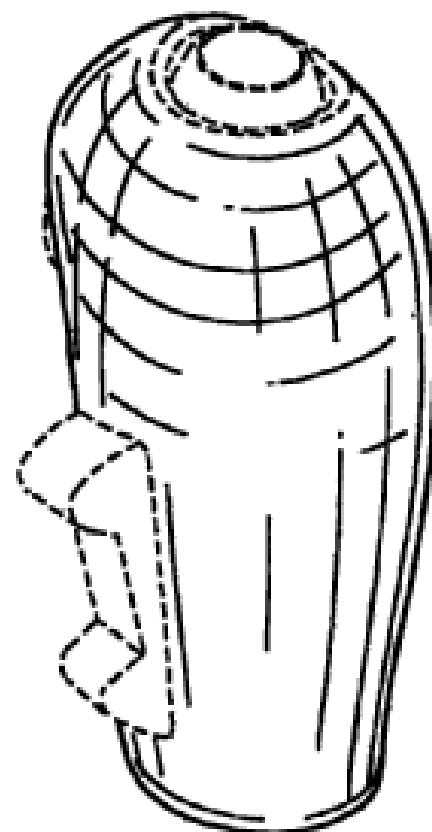
- (21) Design Number: **10719/2010**
(22) Date of Filing Application: **04 March 2010**
(24) Date from which industrial property rights may have effect: **04 March 2010**
(54) Product in respect of which the design is registered: **Plumbing flap**
(51) International Design Classification: **23-01A**
(71) Name(s) and Address(s) of Applicant(s):
Vinidex Pty Ltd
224 Musgrave Road Coopers Plains Queensland 4108 Australia
(72) Name(s) of Designer(s): **John Carroll**
(45) Registration Date: **06 April 2010**
(56) Related Art Documents: **Not Applicable**
(57) Statement of Newness and Distinctiveness: **The product has new and distinctive features including the integration of the lid part and the ring part as well as its visual appearance. It is distinctive in that the lid can close and seal around the edge of the ring and hinge open when necessary.**



- (21) Design Number: **10756/2010**
(22) Date of Filing Application: **09 March 2010**
(24) Date from which industrial property rights may have effect: **09 March 2010**
(54) Product in respect of which the design is registered: **Head pillow**
(51) International Design Classification: **06-09**
(71) Name(s) and Address(s) of Applicant(s):
Rose and Lily Pty Ltd
PO Box 3280 Newmarket Queensland 4051 Australia
(72) Name(s) of Designer(s): **Michele Anne Blanshard**
(45) Registration Date: **06 April 2010**
(56) Related Art Documents: **Not Applicable**
(57) Statement of Newness and Distinctiveness: **Nil**



- (21) Design Number: **10745/2010**
(22) Date of Filing Application: **03 March 2010**
(24) Date from which industrial property rights may have effect: **03 March 2010**
(54) Product in respect of which the design is registered: **Joystick**
(51) International Design Classification: **14-02**
(71) Name(s) and Address(s) of Applicant(s):
Bucyrus International, Inc.
1100 Milwaukee Avenue South Milwaukee WI 53172 United States of America
(72) Name(s) of Designer(s): **Lane Hobenshield and Steven Michael Casey**
(45) Registration Date: **06 April 2010**
(30) Convention priority data:
(31) Number (32) Date (33) Country
29/342,978 03 Sep 2009 UNITED STATES OF AMERICA
(56) Related Art Documents: **Not Applicable**
(57) Statement of Newness and Distinctiveness: **The newness and distinctiveness of the design resides in the features of shape and/or configuration shown in unbroken lines in the accompanying representations.**



(21) Design Number: **10746/2010**

(22) Date of Filing Application: **03 March 2010**

(24) Date from which industrial property rights may have effect: **03 March 2010**

(54) Product in respect of which the design is registered: **Joystick with indents**

(51) International Design Classification: **14-02**

(71) Name(s) and Address(s) of Applicant(s):

Bucyrus International, Inc.
1100 Milwaukee Avenue South Milwaukee WI 53172 United States of America

(72) Name(s) of Designer(s): **Lane Hobenshield and Steven Michael Casey and Wayne G. Chmiel**

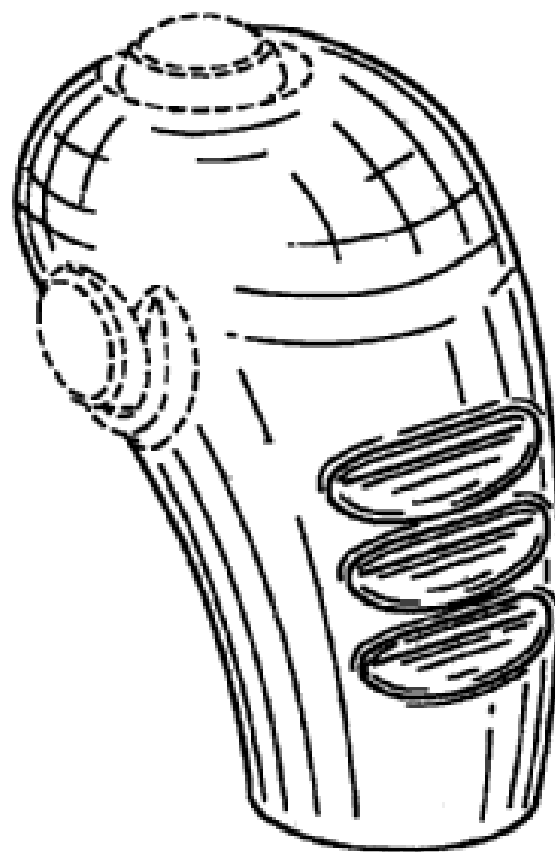
(45) Registration Date: **06 April 2010**

(30) Convention priority data:

(31) Number	(32) Date	(33) Country
29/342,980	03 Sep 2009	UNITED STATES OF AMERICA

(56) Related Art Documents: **Not Applicable**

(57) Statement of Newness and Distinctiveness: **The newness and distinctiveness of the design resides in the features of shape and/or configuration shown in unbroken lines in the accompanying representations.**



(21) Design Number: **10747/2010**

(22) Date of Filing Application: **03 March 2010**

(24) Date from which industrial property rights may have effect: **03 March 2010**

(54) Product in respect of which the design is registered: **Excavator cab**

(51) International Design Classification: **15-04**

(71) Name(s) and Address(s) of Applicant(s):

Bucyrus International, Inc.
1100 Milwaukee Avenue South Milwaukee WI 53172 United States of America

(72) Name(s) of Designer(s): **Lane Hobenshield and Steven Michael Casey and Mark D. Londborg and Russell J. Kroll**

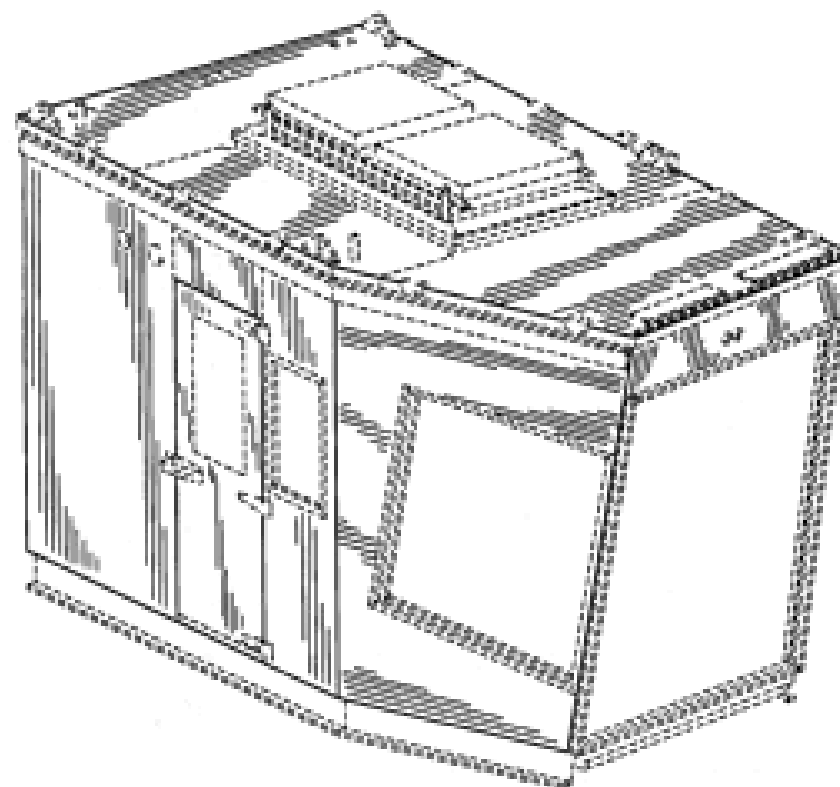
(45) Registration Date: **06 April 2010**

(30) Convention priority data:

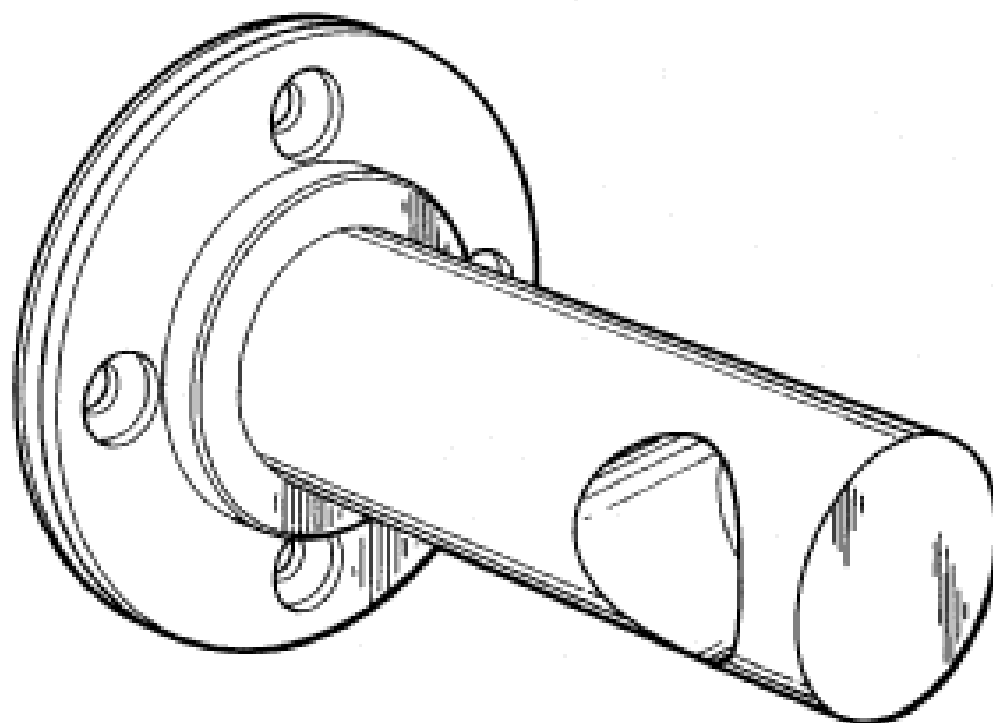
(31) Number	(32) Date	(33) Country
29/342,981	03 Sep 2009	UNITED STATES OF AMERICA

(56) Related Art Documents: **Not Applicable**

(57) Statement of Newness and Distinctiveness: **The newness and distinctiveness of the design resides in the features of shape and/or configuration shown in unbroken lines in the accompanying representations.**

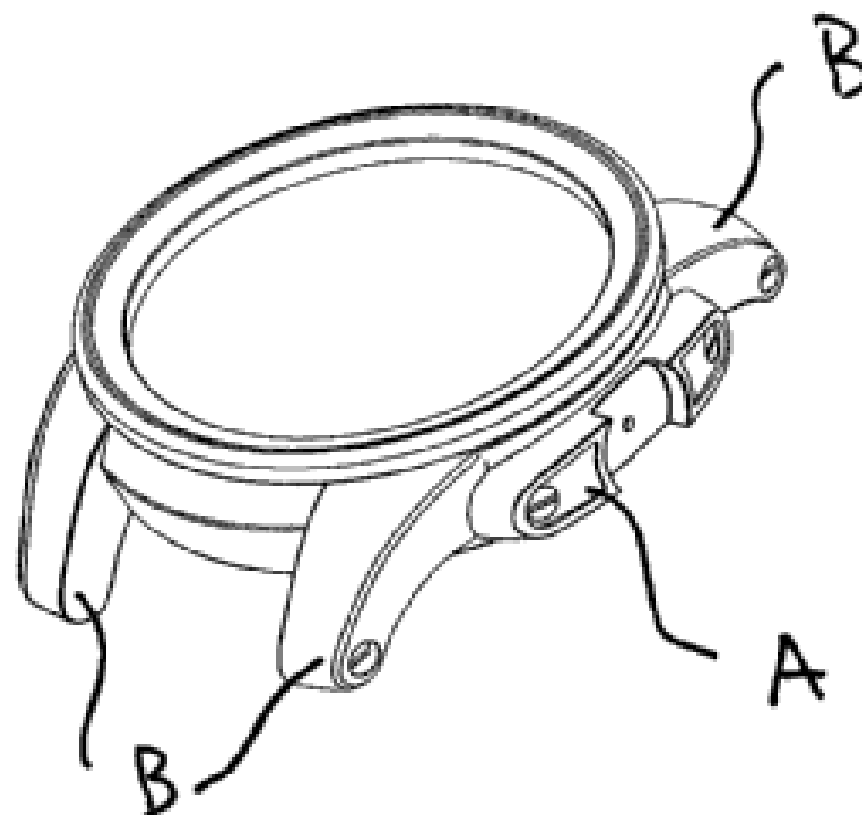


- (21) Design Number: **10748/2010**
- (22) Date of Filing Application: **04 March 2010**
- (24) Date from which industrial property rights may have effect: **04 March 2010**
- (54) Product in respect of which the design is registered: **Support pillar**
- (51) International Design Classification: **25-02NES**
- (71) Name(s) and Address(s) of Applicant(s):
Bredie Pty Ltd trading as UDO Systems
5 Kinrade Street Hughesdale Victoria 3166 Australia
- (72) Name(s) of Designer(s): **Lester Oviss**
- (45) Registration Date: **06 April 2010**
- (56) Related Art Documents: **Not Applicable**
- (57) Statement of Newness and Distinctiveness: **Newness and distinctiveness resides in the shape and configuration of a support pillar as shown in the accompanying representations.**



- (21) Design Number: **10749/2010**
- (22) Date of Filing Application: **04 March 2010**
- (24) Date from which industrial property rights may have effect: **04 March 2010**
- (54) Product in respect of which the design is registered: **Watch-case**
- (51) International Design Classification: **10-07**
- (71) Name(s) and Address(s) of Applicant(s):
Cartier Creation Studio S.A.
8 Boulevard James-Fazy 1201 Geneve Switzerland
- (72) Name(s) of Designer(s): **Arnaud Chastaingt**
- (45) Registration Date: **06 April 2010**
- (30) Convention priority data:

(31) Number	(32) Date	(33) Country
DM/072454	07 Sep 2009	EUROPEAN PATENT OFFICE (EPO)
- (56) Related Art Documents: **Not Applicable**
- (57) Statement of Newness and Distinctiveness: **Newness and distinctiveness is claimed in the features of shape and/or configuration of the following parts of a watch-case as illustrated and labelled in the accompanying representations: winding crown protection labelled "A", horns labelled "B".**



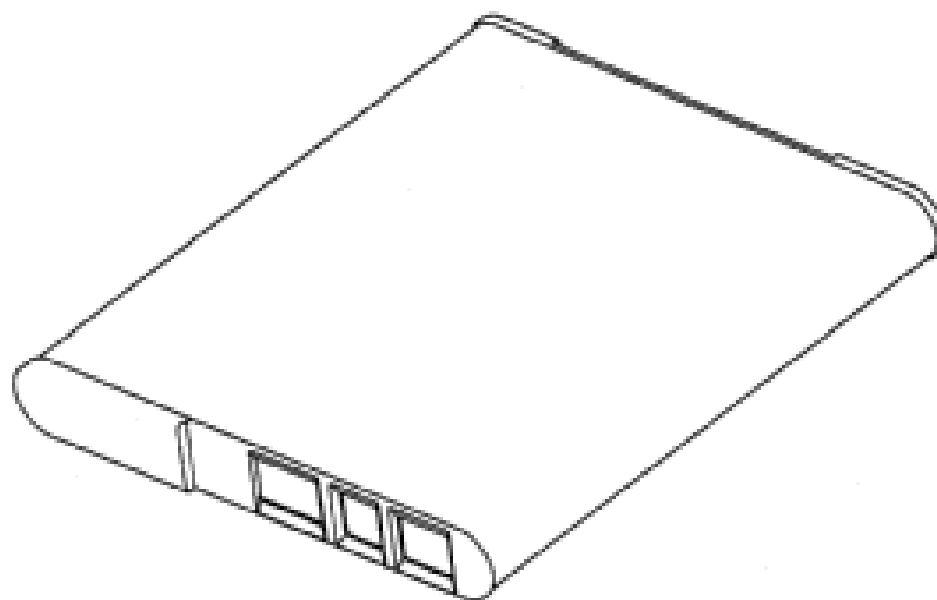
- (21) Design Number: **10751/2010**
(22) Date of Filing Application: **05 March 2010**
(24) Date from which industrial property rights may have effect: **05 March 2010**
(54) Product in respect of which the design is registered: **Bicycle Rack**
(51) International Design Classification: **08-10**
(71) Name(s) and Address(s) of Applicant(s):
Stephen Groom
15 Cannino Drive Kidman Park South Australia 5025 Australia
(72) Name(s) of Designer(s): **Stephen Barry Groom**
(45) Registration Date: **06 April 2010**
(56) Related Art Documents: **Not Applicable**
(57) Statement of Newness and Distinctiveness: **Nil**



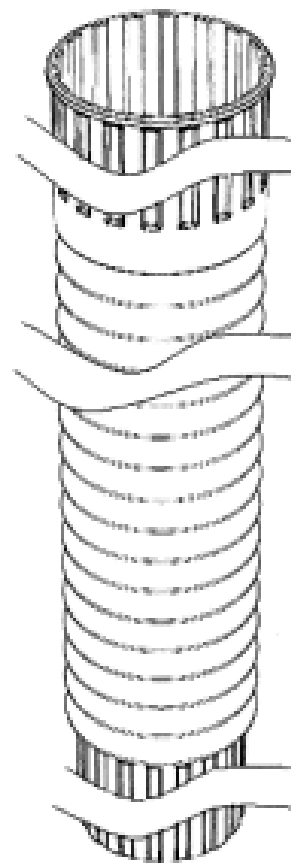
- (21) Design Number: **10752/2010**
(22) Date of Filing Application: **04 March 2010**
(24) Date from which industrial property rights may have effect: **04 March 2010**
(54) Product in respect of which the design is registered: **Rechargeable battery**
(51) International Design Classification: **13-02**
(71) Name(s) and Address(s) of Applicant(s):
Sony Corporation
1-7-1 Konan Minato-ku Tokyo 108-0075 Japan
(72) Name(s) of Designer(s): **Shouji Tatehata and Atsuhiko Kumagai and Osamu Nagashima**
(45) Registration Date: **06 April 2010**
(30) Convention priority data:

(31) Number	(32) Date	(33) Country
2010-000252	06 Jan 2010	JAPAN

(56) Related Art Documents: **Not Applicable**
(57) Statement of Newness and Distinctiveness: **Newness and distinctiveness is claimed in the design of the rechargeable battery as shown in the attached representations. The hatching in the section views is for defining and clarifying the detaching line and views as section views and forms no part of the claimed design.**

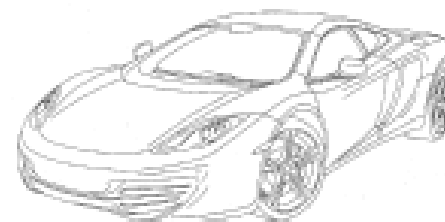


(21) Design Number: **10757/2010**
 (22) Date of Filing Application: **08 March 2010**
 (24) Date from which industrial property rights may have effect: **08 March 2010**
 (54) Product in respect of which the design is registered: **Pipe diverter**
 (51) International Design Classification: **23-01B**
 (71) Name(s) and Address(s) of Applicant(s):
Rolling Stone Cleaning Co. Limited
91 Clarence Street Hamilton New Zealand
 (72) Name(s) of Designer(s): **Christopher Francis Lucas**
 (45) Registration Date: **06 April 2010**
 (30) Convention priority data:
 (31) Number (32) Date (33) Country
412682 08 Sep 2009 NEW ZEALAND
 (56) Related Art Documents: **Not Applicable**
 (57) Statement of Newness and Distinctiveness: **Newness and distinctiveness resides in the shape and configuration of the pipe diverter of indefinite length, as shown in the representations.**

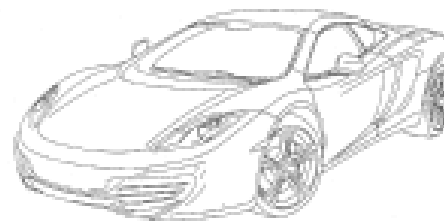


(21) Design Number: **10789/2010**
 (22) Date of Filing Application: **05 March 2010**
 (24) Date from which industrial property rights may have effect: **05 March 2010**
 (54) Product in respect of which the design is registered: **Automobile, toy automobile, scale model automobile**
 (51) International Design Classification: **12-08, 21-01C**
 (71) Name(s) and Address(s) of Applicant(s):
McLaren Automotive Limited
McLaren Technology Centre Chertsey Road Woking Surrey GU214YH
United Kingdom
 (72) Name(s) of Designer(s): **Frank Stephenson**
 (45) Registration Date: **06 April 2010**
 (30) Convention priority data:
 (31) Number (32) Date (33) Country
001608936 08 Sep 2009 EUROPEAN COMMUNITY
 (56) Related Art Documents: **Not Applicable**
 (57) Statement of Newness and Distinctiveness: **Nil**

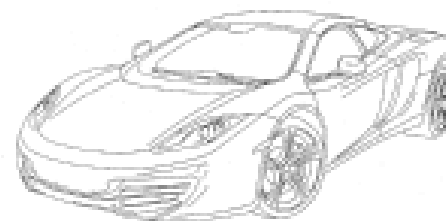
AUTOMOBILE



TOY AUTOMOBILE

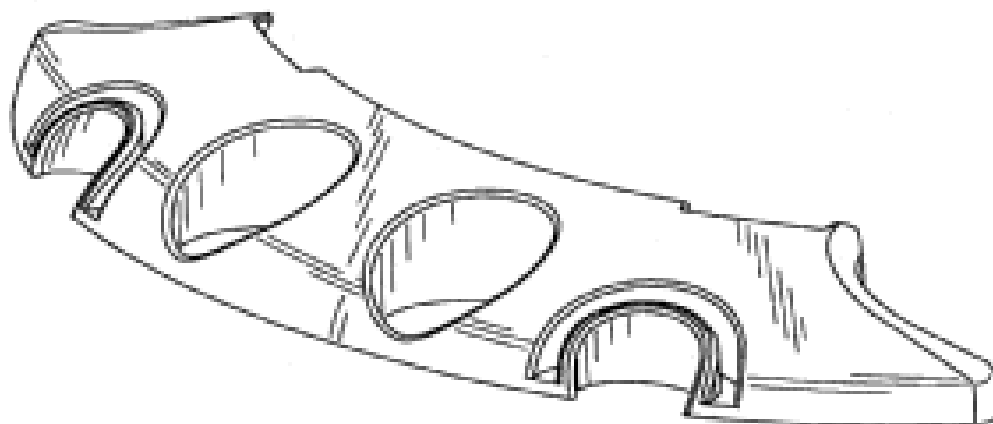


SCALE MODEL AUTOMOBILE



(19) AU

(21) Design Number: **10790/2010**
(22) Date of Filing Application: **05 March 2010**
(24) Date from which industrial property rights may have effect: **05 March 2010**
(54) Product in respect of which the design is registered: **Vacuum cleaner accessory holder**
(51) International Design Classification: **15-05, 07-99NES**
(71) Name(s) and Address(s) of Applicant(s):
Shop Vac Corporation
2323 Reach Road Williamsport PA 17701 United States of America
(72) Name(s) of Designer(s): **Jason Gottschall and Robert L. Crevling Jr**
(45) Registration Date: **06 April 2010**
(30) Convention priority data:
(31) Number (32) Date (33) Country
29/343,615 16 Sep 2009 UNITED STATES OF AMERICA
(56) Related Art Documents: **Not Applicable**
(57) Statement of Newness and Distinctiveness: **Nil**



(19) AU

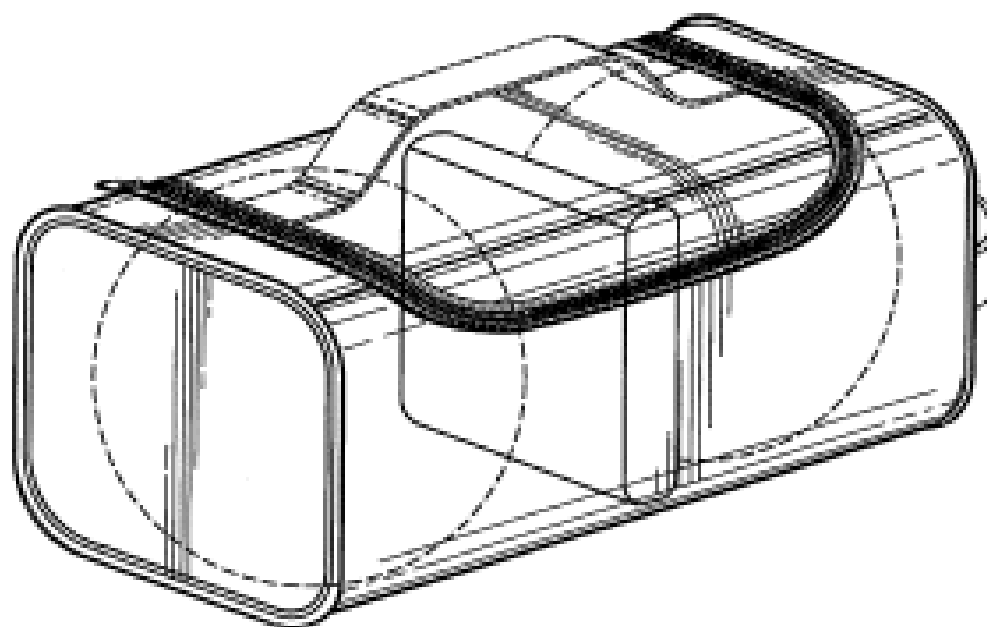
(21) Design Number: **10791/2010**
(22) Date of Filing Application: **05 March 2010**
(24) Date from which industrial property rights may have effect: **05 March 2010**
(54) Product in respect of which the design is registered: **Nasal cleanser**
(51) International Design Classification: **28-03NES**
(71) Name(s) and Address(s) of Applicant(s):
R.Evolution Life, SIA
Ludzas iela 9 Riga LV-1003 Latvia
(72) Name(s) of Designer(s): **Sergejs Jermoshins**
(45) Registration Date: **06 April 2010**
(30) Convention priority data:
(31) Number (32) Date (33) Country
001609405 09 Sep 2009 EUROPEAN COMMUNITY
(56) Related Art Documents: **Not Applicable**
(57) Statement of Newness and Distinctiveness: **Nil**



(21) Design Number: **10792/2010**
(22) Date of Filing Application: **05 March 2010**
(24) Date from which industrial property rights may have effect: **05 March 2010**
(54) Product in respect of which the design is registered: **Nasal cleanser**
(51) International Design Classification: **28-03NES**
(71) Name(s) and Address(s) of Applicant(s):
R.Evolution Life, SIA
Ludzas iela 9 Riga LV-1003 Latvia
(72) Name(s) of Designer(s): **Sergejs Jermoshins**
(45) Registration Date: **06 April 2010**
(30) Convention priority data:
(31) Number (32) Date (33) Country
001609405 09 Sep 2009 EUROPEAN COMMUNITY
(56) Related Art Documents: **Not Applicable**
(57) Statement of Newness and Distinctiveness: **Nil**



(21) Design Number: **10797/2010**
(22) Date of Filing Application: **09 March 2010**
(24) Date from which industrial property rights may have effect: **09 March 2010**
(54) Product in respect of which the design is registered: **A bowling ball bag**
(51) International Design Classification: **03-01C**
(71) Name(s) and Address(s) of Applicant(s):
Walter Jacobs
Unit 12 Platinum Business Park 36 Ralph Street Alexandria New South Wales 2015 Australia
(72) Name(s) of Designer(s): **Walter Jacobs**
(45) Registration Date: **06 April 2010**
(30) Convention priority data:
(31) Number (32) Date (33) Country
A2010/00148 05 Feb 2010 SOUTH AFRICA
(56) Related Art Documents: **Not Applicable**
(57) Statement of Newness and Distinctiveness: **Newness and distinctiveness resides in the features of shape and/or configuration and/or pattern and/or ornamentation of a bowling ball bag as shown in the accompanying representations. The features shown by the dotted lines not forming an essential part of the design.**



- (21) Design Number: **10803/2010**
- (22) Date of Filing Application: **09 March 2010**
- (24) Date from which industrial property rights may have effect: **09 March 2010**
- (54) Product in respect of which the design is registered: **Air intake snorkel for a vehicle**
- (51) International Design Classification: **12-16NES**
- (71) Name(s) and Address(s) of Applicant(s):
Australian Performance Development Pty Ltd
73 Merrindale Drive South Croydon Victoria 3136 Australia
- (72) Name(s) of Designer(s): **Peter Luxon and Manvir Randhawa**
- (45) Registration Date: **06 April 2010**
- (56) Related Art Documents: **Not Applicable**
- (57) Statement of Newness and Distinctiveness: **Newness and Distinctiveness is claimed in the features of shape and/or configuration of an air intake snorkel for a vehicle as illustrated in the accompanying representations.**



- (21) Design Number: **10804/2010**
- (22) Date of Filing Application: **09 March 2010**
- (24) Date from which industrial property rights may have effect: **09 March 2010**
- (54) Product in respect of which the design is registered: **Air intake snorkel for a vehicle**
- (51) International Design Classification: **12-16NES**
- (71) Name(s) and Address(s) of Applicant(s):
Australian Performance Development Pty Ltd
73 Merrindale Drive South Croydon Victoria 3136 Australia
- (72) Name(s) of Designer(s): **Peter Luxon and Manvir Randhawa**
- (45) Registration Date: **06 April 2010**
- (56) Related Art Documents: **Not Applicable**
- (57) Statement of Newness and Distinctiveness: **Newness and Distinctiveness is claimed in the features of shape and/or configuration of an air intake snorkel for a vehicle as illustrated in the accompanying representations.**



(21) Design Number: **10805/2010**

(22) Date of Filing Application: **09 March 2010**

(24) Date from which industrial property rights may have effect: **09 March 2010**

(54) Product in respect of which the design is registered: **Flask for perfumery products**

(51) International Design Classification: **09-01G**

(71) Name(s) and Address(s) of Applicant(s):

**Parfums Givenchy S.A.
77 Rue Anatole France Levallois-Perret 92 300 France**

(72) Name(s) of Designer(s): **Fabien Baron**

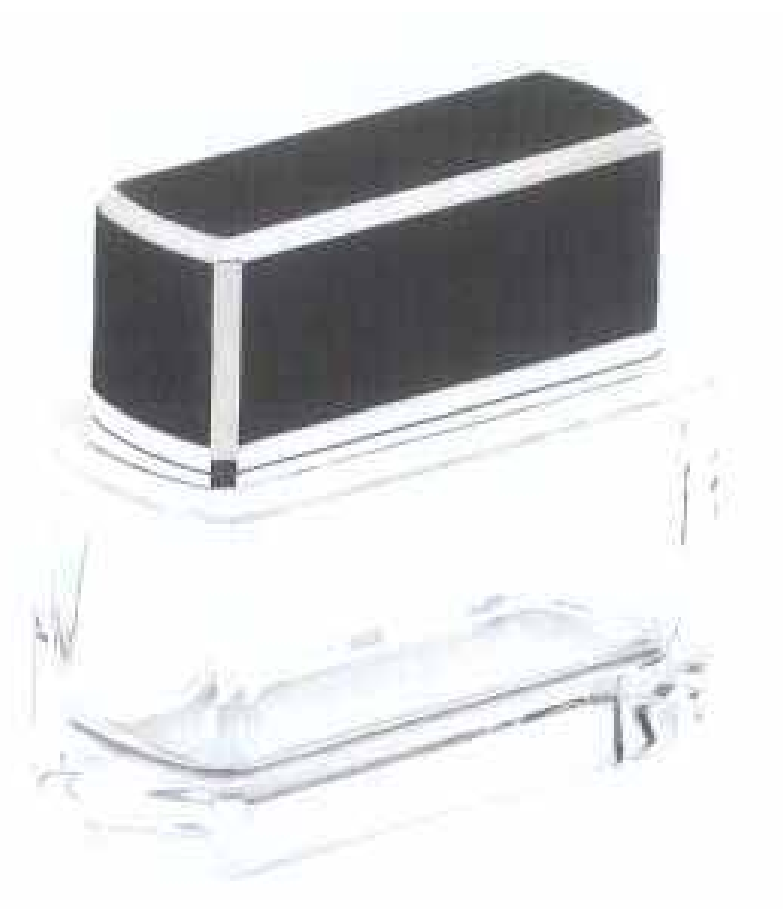
(45) Registration Date: **06 April 2010**

(30) Convention priority data:

(31) Number	(32) Date	(33) Country
094328	14 Sep 2009	FRANCE

(56) Related Art Documents: **Not Applicable**

(57) Statement of Newness and Distinctiveness: **We submit a Statement of Newness and Distinctiveness (set out below) in respect of particular visual features of "the design", but in so doing do not imply that other visual features of the design lack newness and distinctiveness. The shape, configuration, shape and configuration, pattern, ornamentation, pattern and ornamentation of the design of the product(s) is/are new and distinctive.**



(21) Design Number: **10868/2010**

(22) Date of Filing Application: **12 March 2010**

(24) Date from which industrial property rights may have effect: **12 March 2010**

(54) Product in respect of which the design is registered: **Cover for a plant grow bag**

(51) International Design Classification: **09-09**

(71) Name(s) and Address(s) of Applicant(s):

**Sarah Wakeford
61 Aldershot Road Guildford Surrey GU2 8AJ United Kingdom**

(72) Name(s) of Designer(s): **Sarah Wakeford**

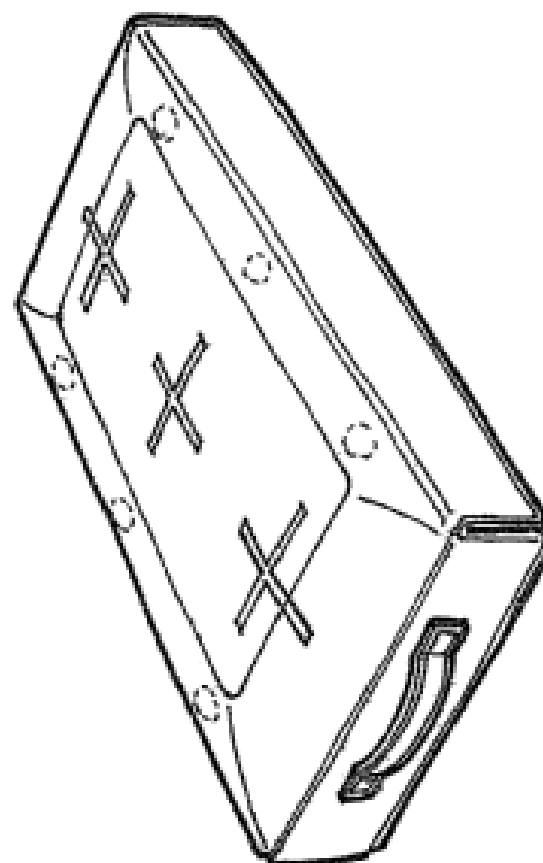
(45) Registration Date: **06 April 2010**

(30) Convention priority data:

(31) Number	(32) Date	(33) Country
001165724-0001	15 Sep 2009	EUROPEAN COMMUNITY

(56) Related Art Documents: **Not Applicable**

(57) Statement of Newness and Distinctiveness: **Nil**



(21) Design Number: **10888/2010**

(22) Date of Filing Application: **16 March 2010**

(24) Date from which industrial property rights may have effect: **16 March 2010**

(54) Product in respect of which the design is registered: **Container**

(51) International Design Classification: **09-03NES**

(71) Name(s) and Address(s) of Applicant(s):

Dart Industries Inc
14901 S. Orange Blossom Trail Orlando Florida 32837 United States of America

(72) Name(s) of Designer(s): **Christian Olivari**

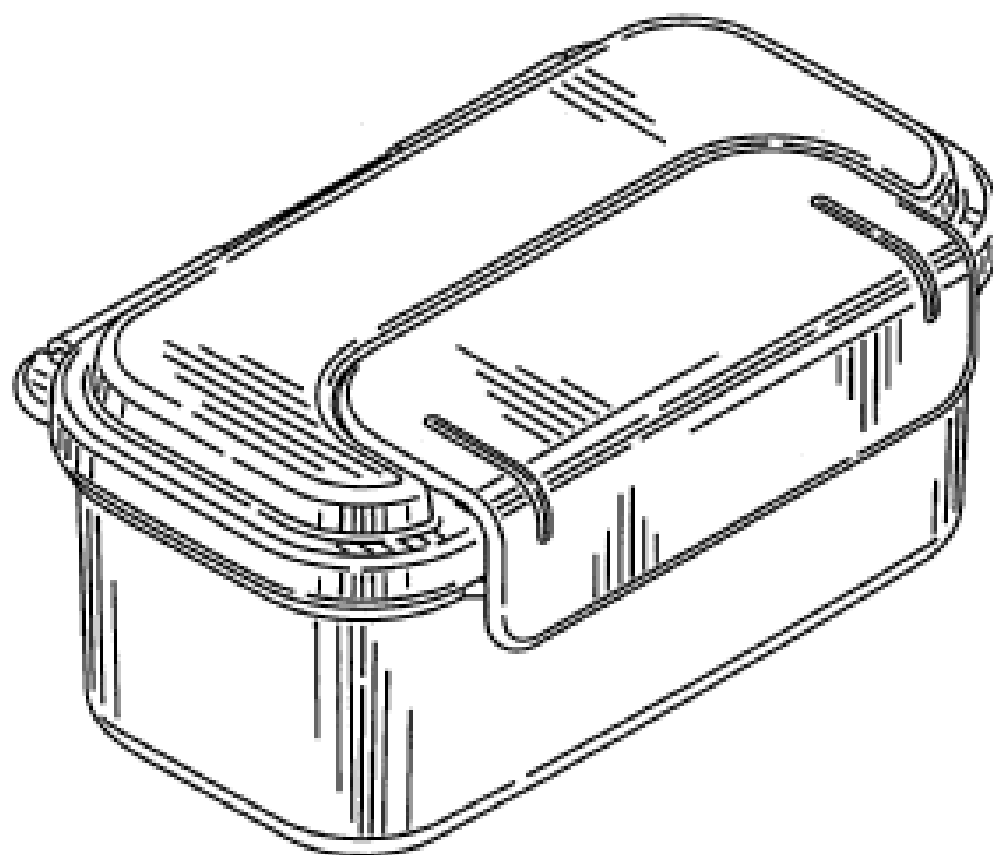
(45) Registration Date: **06 April 2010**

(30) Convention priority data:

(31) Number	(32) Date	(33) Country
29/316,547	07 Oct 2009	UNITED STATES OF AMERICA

(56) Related Art Documents: **Not Applicable**

(57) Statement of Newness and Distinctiveness: **Those features of the container depicted in the representations that are new and distinctive are the shape and/or configuration.**



(21) Design Number: **10826/2010**

(22) Date of Filing Application: **10 March 2010**

(24) Date from which industrial property rights may have effect: **10 March 2010**

(54) Product in respect of which the design is registered: **Portable garment steamer**

(51) International Design Classification: **07-05NES**

(71) Name(s) and Address(s) of Applicant(s):

Koninklijke Philips Electronics N.V.
High Tech Campus 5 5656 AE Eindhoven The Netherlands

(72) Name(s) of Designer(s): **Stefan Andreesen**

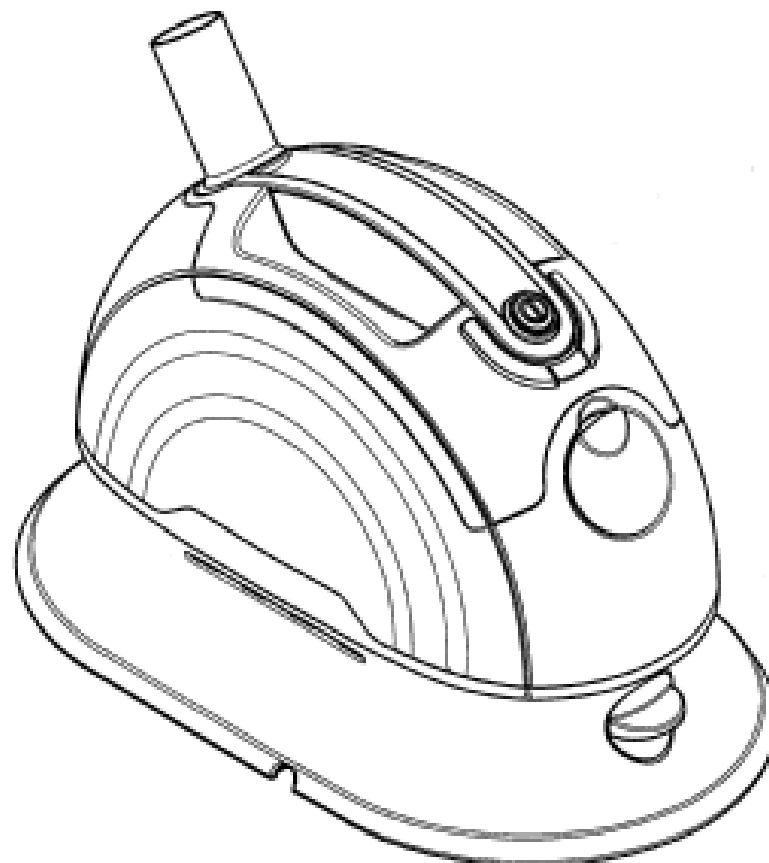
(45) Registration Date: **06 April 2010**

(30) Convention priority data:

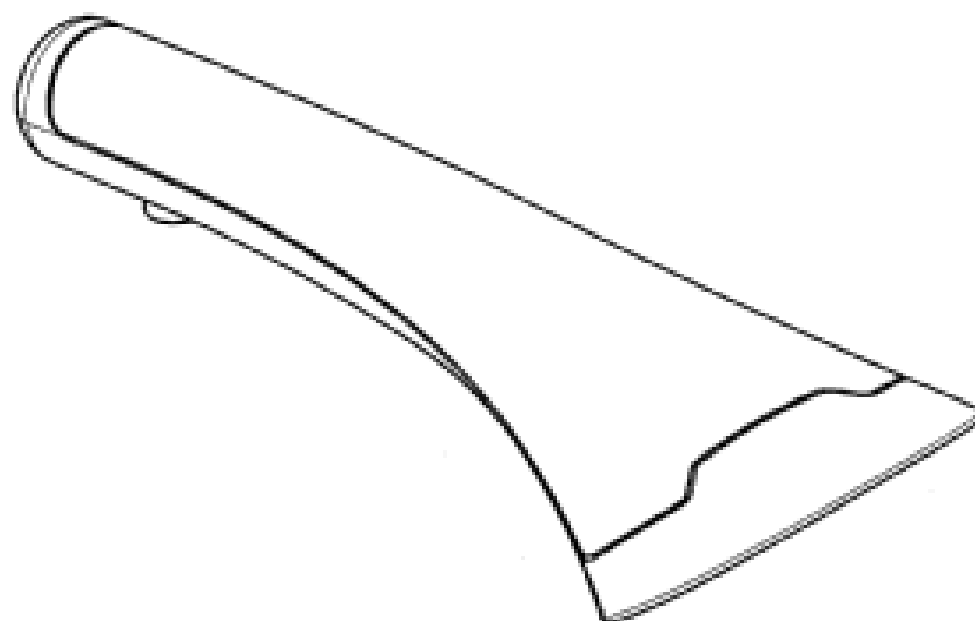
(31) Number	(32) Date	(33) Country
001612615-0001	17 Sep 2009	EUROPEAN COMMUNITY

(56) Related Art Documents: **Not Applicable**

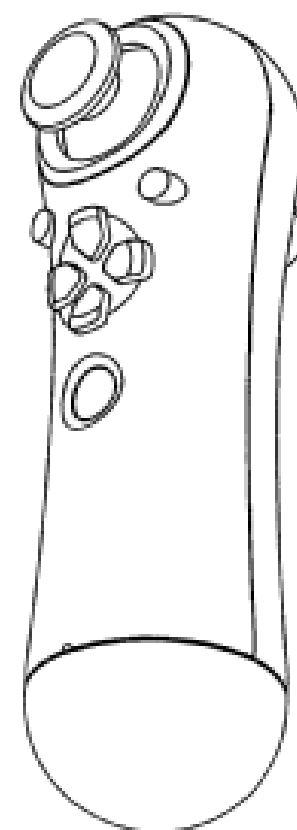
(57) Statement of Newness and Distinctiveness: **Newness and distinctiveness reside in the features of shape and configuration of the design as shown in the representations.**



(21) Design Number: **10827/2010**
(22) Date of Filing Application: **10 March 2010**
(24) Date from which industrial property rights may have effect: **10 March 2010**
(54) Product in respect of which the design is registered: **Head for portable garment steamer**
(51) International Design Classification: **07-05NES**
(71) Name(s) and Address(s) of Applicant(s):
Koninklijke Philips Electronics N.V.
High Tech Campus 5 5656 AE Eindhoven The Netherlands
(72) Name(s) of Designer(s): **Stefan Andreesen**
(45) Registration Date: **06 April 2010**
(30) Convention priority data:
(31) Number (32) Date (33) Country
001612615-0002 17 Sep 2009 EUROPEAN COMMUNITY
(56) Related Art Documents: **Not Applicable**
(57) Statement of Newness and Distinctiveness: **Newness and distinctiveness reside in the features of shape and configuration of the design as shown in the representations.**



(21) Design Number: **10831/2010**
(22) Date of Filing Application: **10 March 2010**
(24) Date from which industrial property rights may have effect: **10 March 2010**
(54) Product in respect of which the design is registered: **Remote controller**
(51) International Design Classification: **14-03NES**
(71) Name(s) and Address(s) of Applicant(s):
Sony Computer Entertainment Inc.
2-6-21 Minami-Aoyama Minato-ku Tokyo Japan
(72) Name(s) of Designer(s): **Ken Yano**
(45) Registration Date: **06 April 2010**
(30) Convention priority data:
(31) Number (32) Date (33) Country
2009-021730 18 Sep 2009 JAPAN
(56) Related Art Documents: **Not Applicable**
(57) Statement of Newness and Distinctiveness: **Nil**



(21) Design Number: **10843/2010**

(22) Date of Filing Application: **11 March 2010**

(24) Date from which industrial property rights may have effect: **11 March 2010**

(54) Product in respect of which the design is registered: **Vibrating platform**

(51) International Design Classification: **21-02F**

(71) Name(s) and Address(s) of Applicant(s):

ACTERVIS, GmbH

**C/- PRV Provides Treuhandgesellschaft Lindenhof Dorfstrasse 38
CH-6341 Baar (Zug) Switzerland**

(72) Name(s) of Designer(s): **Juan Ramon Torres Martin**

(45) Registration Date: **06 April 2010**

(30) Convention priority data:

(31) Number

(32) Date

(33) Country

001166649

23 Sep 2009

EUROPEAN COMMUNITY

(56) Related Art Documents: **Not Applicable**

(57) Statement of Newness and Distinctiveness: **Newness and distinctiveness is claimed in the features of shape and/or configuration of a vibrating platform as illustrated in the accompanying representations.**



(21) Design Number: **10844/2010**

(22) Date of Filing Application: **11 March 2010**

(24) Date from which industrial property rights may have effect: **11 March 2010**

(54) Product in respect of which the design is registered: **Highchair**

(51) International Design Classification: **06-01E**

(71) Name(s) and Address(s) of Applicant(s):

Helen of Troy Limited

13 8th Avenue Belleville PO Box 836E St Michael Barbados

(72) Name(s) of Designer(s): **Brook Kennedy and Jonathan Cedar and Colin Kelly and Troy Phipps and Ryan Vernon and Nicholas Oxley and Eric Freitag**

(45) Registration Date: **06 April 2010**

(30) Convention priority data:

(31) Number

(32) Date

(33) Country

29/316309

11 Sep 2009

UNITED STATES OF AMERICA

(56) Related Art Documents: **Not Applicable**

(57) Statement of Newness and Distinctiveness: **Newness and distinctiveness is claimed in the features of shape and/or configuration of a highchair as illustrated in the accompanying representations.**



- (21) Design Number: **10845/2010**
(22) Date of Filing Application: **11 March 2010**
(24) Date from which industrial property rights may have effect: **11 March 2010**
(54) Product in respect of which the design is registered: **Eyeglasses**
(51) International Design Classification: **16-06**
(71) Name(s) and Address(s) of Applicant(s):
Panasonic Corporation
1006 Oaza Kadoma Kadoma-shi Osaka 571-8501 Japan
(72) Name(s) of Designer(s): **Masao Yoshikawa and Shigeyuki Takao and Michiaki Sugiki**
(45) Registration Date: **06 April 2010**
(30) Convention priority data:
(31) Number (32) Date (33) Country
2009-021007 11 Sep 2009 JAPAN
(56) Related Art Documents: **Not Applicable**
(57) Statement of Newness and Distinctiveness: **Newness and distinctiveness is claimed in the features of shape and/or configuration of eyeglasses as illustrated in the accompanying representations.**



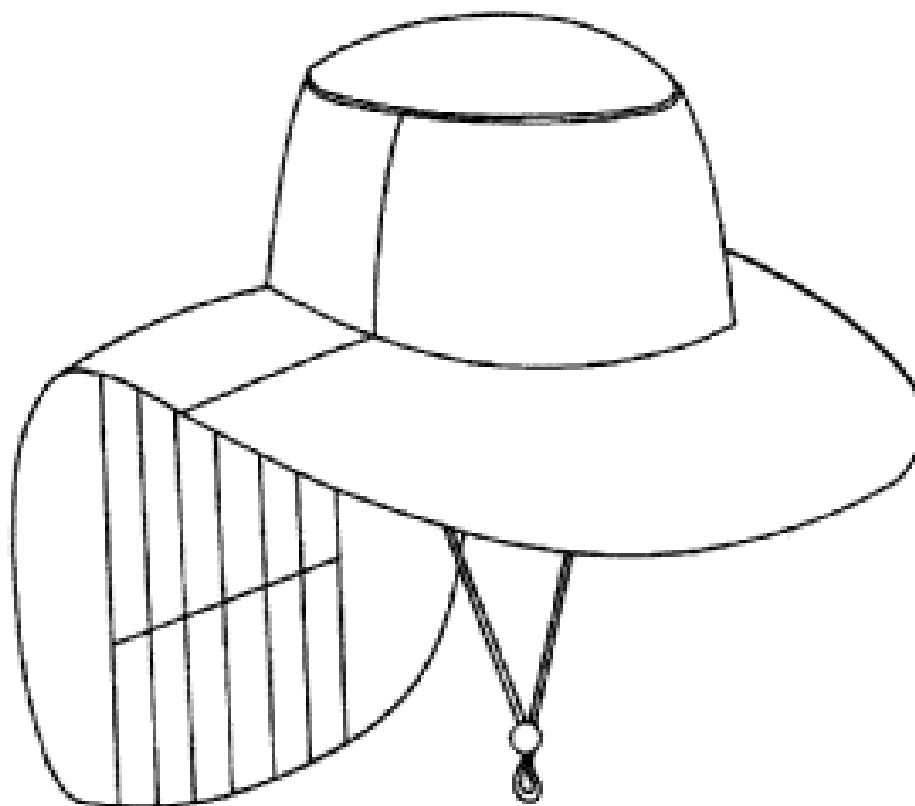
- (21) Design Number: **10846/2010**
(22) Date of Filing Application: **11 March 2010**
(24) Date from which industrial property rights may have effect: **11 March 2010**
(54) Product in respect of which the design is registered: **Eyeglasses**
(51) International Design Classification: **16-06**
(71) Name(s) and Address(s) of Applicant(s):
Panasonic Corporation
1006 Oaza Kadoma Kadoma-shi Osaka 571-8501 Japan
(72) Name(s) of Designer(s): **Masao Yoshikawa and Shigeyuki Takao and Yuki Inoue**
(45) Registration Date: **06 April 2010**
(30) Convention priority data:
(31) Number (32) Date (33) Country
2009-021006 11 Sep 2009 JAPAN
(56) Related Art Documents: **Not Applicable**
(57) Statement of Newness and Distinctiveness: **Newness and distinctiveness is claimed in the features of shape and/or configuration of eyeglasses as illustrated in the accompanying representations.**



- (21) Design Number: **10847/2010**
(22) Date of Filing Application: **11 March 2010**
(24) Date from which industrial property rights may have effect: **11 March 2010**
(54) Product in respect of which the design is registered: **Eyeglasses**
(51) International Design Classification: **16-06**
(71) Name(s) and Address(s) of Applicant(s):
Panasonic Corporation
1006 Oaza Kadoma Kadoma-shi Osaka 571-8501 Japan
(72) Name(s) of Designer(s): **Masao Yoshikawa and Takanori Kawano**
(45) Registration Date: **06 April 2010**
(30) Convention priority data:
(31) Number (32) Date (33) Country
2009-021684 18 Sep 2009 JAPAN
(56) Related Art Documents: **Not Applicable**
(57) Statement of Newness and Distinctiveness: **Newness and distinctiveness is claimed in the features of shape and/or configuration of eyeglasses as illustrated in the accompanying representations.**



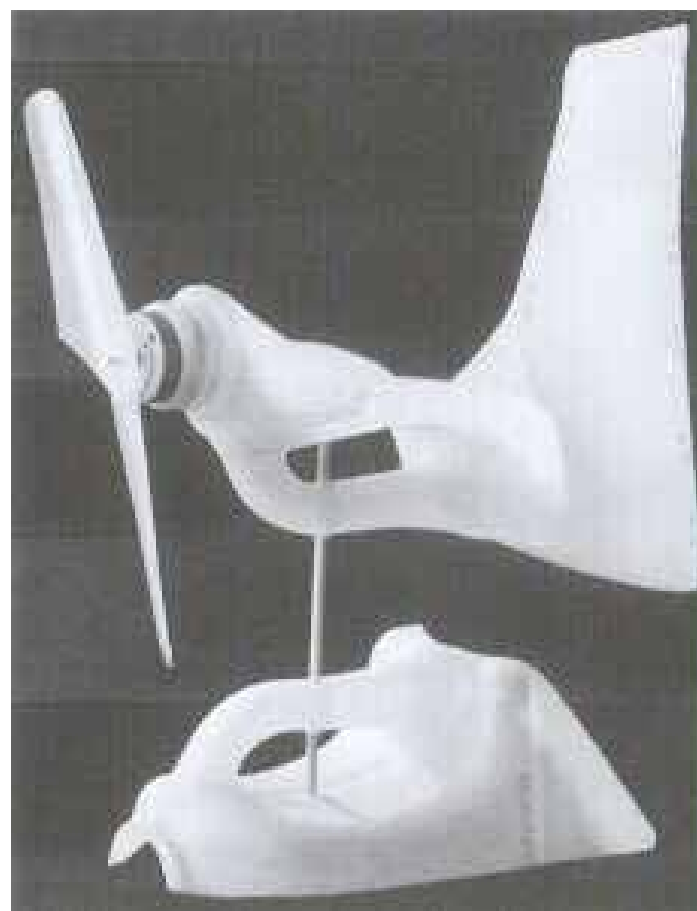
- (21) Design Number: **10865/2010**
(22) Date of Filing Application: **12 March 2010**
(24) Date from which industrial property rights may have effect: **12 March 2010**
(54) Product in respect of which the design is registered: **A hat**
(51) International Design Classification: **02-03**
(71) Name(s) and Address(s) of Applicant(s):
Kathie Holt
39 Thurligona Road Engadine New South Wales 2233 Australia
(72) Name(s) of Designer(s): **Kathie Holt**
(45) Registration Date: **06 April 2010**
(56) Related Art Documents: **Not Applicable**
(57) Statement of Newness and Distinctiveness: **Newness and distinctiveness is claimed in the fetures of shape and/or configuration and pattern and/or ornamentation of a hat as depicted in the accompanying drawings, and when considering the scope of monopoly protection, particular regard is to be given to the double crown pocket labelled X in the bottom view, and the rectangular stitching panels labelled Y in the bottom view.**



- (21) Design Number: **12542/2009**
- (22) Date of Filing Application: **14 July 2009**
- (24) Date from which industrial property rights may have effect: **14 July 2009**
- (54) Product in respect of which the design is registered: **Liquid container education apparatus - wind generator**
- (51) International Design Classification: **19-07, 13-01, 21-01C**
- (71) Name(s) and Address(s) of Applicant(s):
Education Projects Pty Ltd
57 Bancroft Terrace Deception Bay Queensland 4508 Australia
- (72) Name(s) of Designer(s): **Christopher Fowler**
- (45) Registration Date: **07 April 2010**
- (56) Related Art Documents: **Not Applicable**
- (57) Statement of Newness and Distinctiveness: **Nil**



- (21) Design Number: **12543/2009**
- (22) Date of Filing Application: **14 July 2009**
- (24) Date from which industrial property rights may have effect: **14 July 2009**
- (54) Product in respect of which the design is registered: **Liquid container education apparatus - wind generator 2 blade**
- (51) International Design Classification: **19-01, 13-01, 21-01C**
- (71) Name(s) and Address(s) of Applicant(s):
Education Projects Pty Ltd
57 Bancroft Terrace Deception Bay Queensland 4508 Australia
- (72) Name(s) of Designer(s): **Christopher Fowler**
- (45) Registration Date: **07 April 2010**
- (56) Related Art Documents: **Not Applicable**
- (57) Statement of Newness and Distinctiveness: **Nil**



(21) Design Number: **12544/2009**

(22) Date of Filing Application: **14 July 2009**

(24) Date from which industrial property rights may have effect: **14 July 2009**

(54) Product in respect of which the design is registered: **Liquid container education apparatus - wind generator 3 blade**

(51) International Design Classification: **19-07, 13-01, 21-01C**

(71) Name(s) and Address(s) of Applicant(s):

Education Projects Pty Ltd

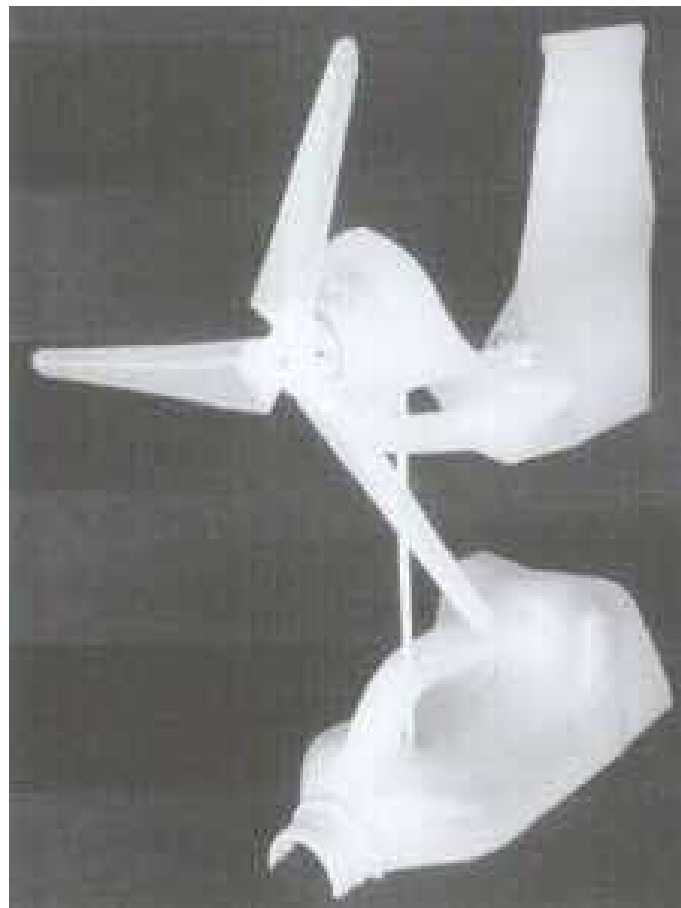
57 Bancroft Terrace Deception Bay Queensland 4508 Australia

(72) Name(s) of Designer(s): **Christopher Fowler**

(45) Registration Date: **07 April 2010**

(56) Related Art Documents: **Not Applicable**

(57) Statement of Newness and Distinctiveness: **Nil**



(21) Design Number: **12545/2009**

(22) Date of Filing Application: **14 July 2009**

(24) Date from which industrial property rights may have effect: **14 July 2009**

(54) Product in respect of which the design is registered: **Liquid container education apparatus - helicopter 1**

(51) International Design Classification: **19-07, 23-03D, 21-01C**

(71) Name(s) and Address(s) of Applicant(s):

Education Projects Pty Ltd

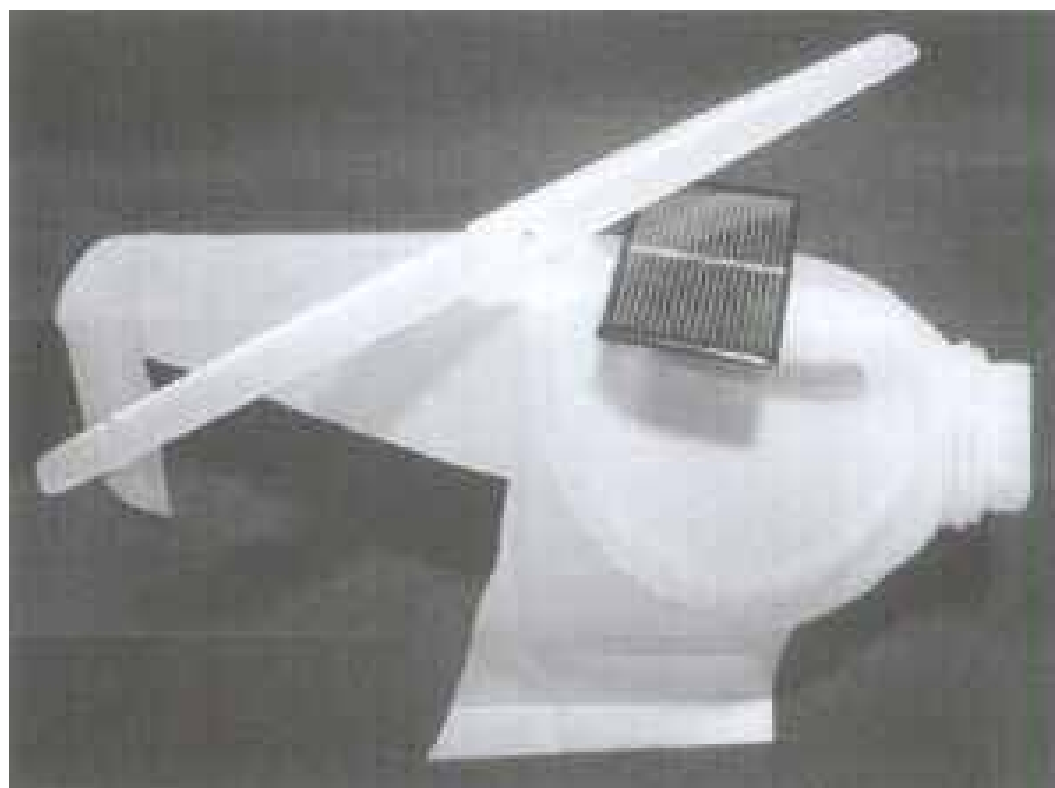
57 Bancroft Terrace Deception Bay Queensland 4508 Australia

(72) Name(s) of Designer(s): **Christopher Fowler**

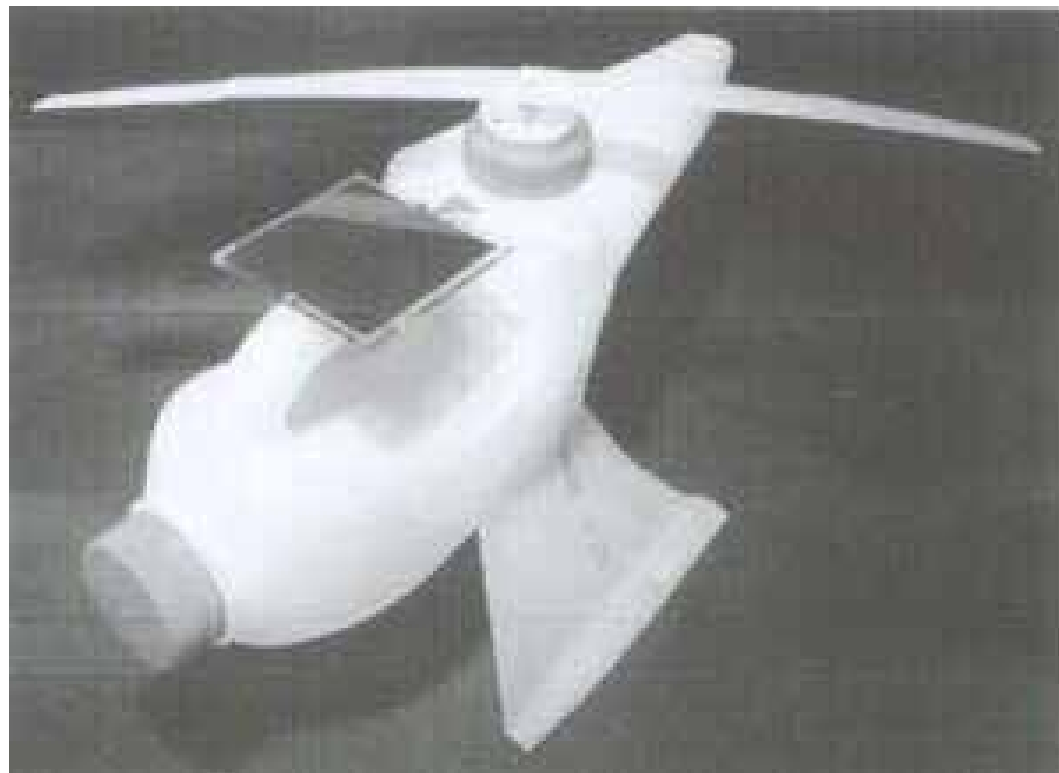
(45) Registration Date: **07 April 2010**

(56) Related Art Documents: **Not Applicable**

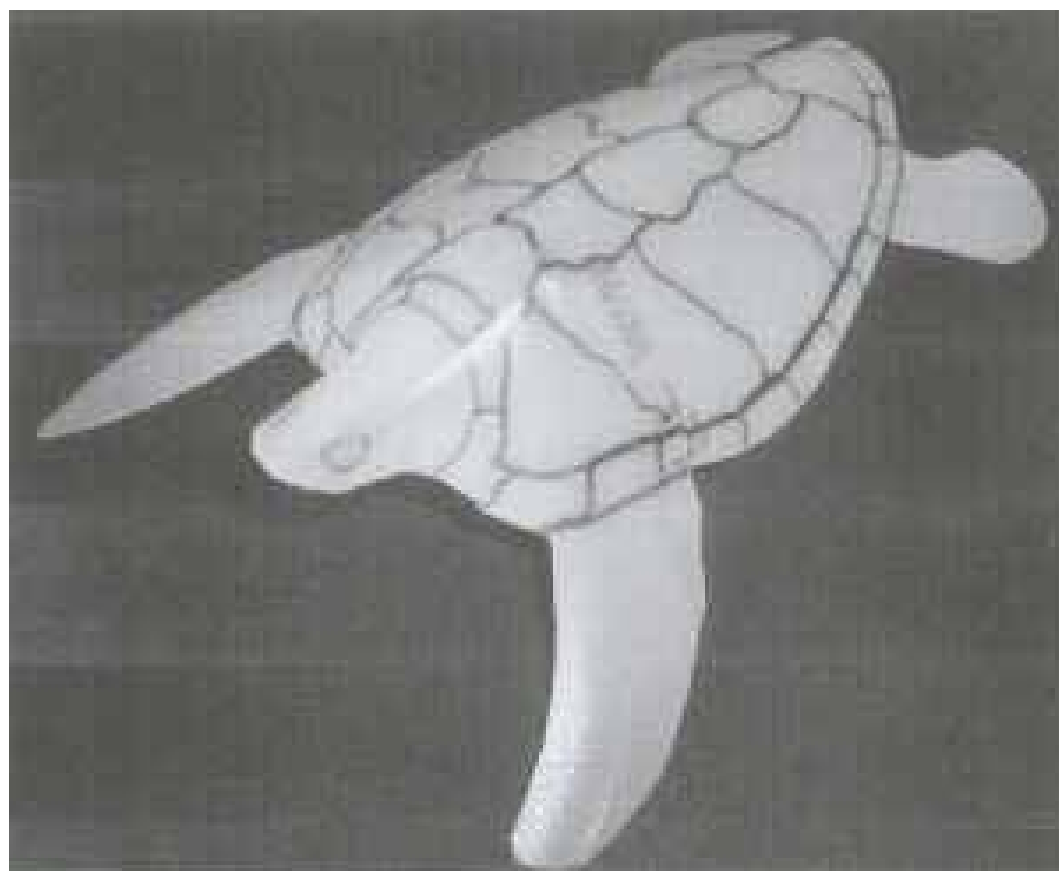
(57) Statement of Newness and Distinctiveness: **Nil**



(21) Design Number: **12546/2009**
(22) Date of Filing Application: **14 July 2009**
(24) Date from which industrial property rights may have effect: **14 July 2009**
(54) Product in respect of which the design is registered: **Liquid container education apparatus - helicopter 2**
(51) International Design Classification: **19-07, 23-03D, 21-01C**
(71) Name(s) and Address(s) of Applicant(s):
Education Projects Pty Ltd
57 Bancroft Terrace Deception Bay Queensland 4508 Australia
(72) Name(s) of Designer(s): **Christopher Fowler**
(45) Registration Date: **07 April 2010**
(56) Related Art Documents: **Not Applicable**
(57) Statement of Newness and Distinctiveness: **Nil**



(21) Design Number: **12547/2009**
(22) Date of Filing Application: **14 July 2009**
(24) Date from which industrial property rights may have effect: **14 July 2009**
(54) Product in respect of which the design is registered: **Liquid container education apparatus - turtle**
(51) International Design Classification: **19-07, 21-01A**
(71) Name(s) and Address(s) of Applicant(s):
Education Projects Pty Ltd
57 Bancroft Terrace Deception Bay Queensland 4508 Australia
(72) Name(s) of Designer(s): **Christopher Fowler**
(45) Registration Date: **07 April 2010**
(56) Related Art Documents: **Not Applicable**
(57) Statement of Newness and Distinctiveness: **Nil**



- (21) Design Number: **12994/2009**
(22) Date of Filing Application: **07 August 2009**
(24) Date from which industrial property rights may have effect: **07 August 2009**
(54) Product in respect of which the design is registered: **Ladies garments**
(51) International Design Classification: **02-02C**
(71) Name(s) and Address(s) of Applicant(s):
Hatzis Holdings Pty Ltd t/as Hussy
Level 3 2-12 Foveaux Street Surry Hills New South Wales 2010
Australia
(72) Name(s) of Designer(s): **Marie Hatzis**
(45) Registration Date: **07 April 2010**
(56) Related Art Documents: **Not Applicable**
(57) Statement of Newness and Distinctiveness: **Nil**



- (21) Design Number: **11115/2010**
(22) Date of Filing Application: **07 August 2009**
(24) Date from which industrial property rights may have effect: **07 August 2009**
(54) Product in respect of which the design is registered: **Ladies garments**
(51) International Design Classification: **02-02NES**
(71) Name(s) and Address(s) of Applicant(s):
Hatzis Holdings Pty Ltd t/as Hussy
Level 3 2-12 Foveaux Street Surry Hills New South Wales 2010
Australia
(72) Name(s) of Designer(s): **Marie Hatzis**
(45) Registration Date: **07 April 2010**
(56) Related Art Documents: **Not Applicable**
(57) Statement of Newness and Distinctiveness: **Nil**



- (21) Design Number: **11116/2010**
(22) Date of Filing Application: **07 August 2009**
(24) Date from which industrial property rights may have effect: **07 August 2009**
(54) Product in respect of which the design is registered: **Ladies garments**
(51) International Design Classification: **02-02NES**
(71) Name(s) and Address(s) of Applicant(s):
Hatzis Holdings Pty Ltd t/as Hussy
Level 3 2-12 Foveaux Street Surry Hills New South Wales 2010
Australia
(72) Name(s) of Designer(s): **Marie Hatzis**
(45) Registration Date: **07 April 2010**
(56) Related Art Documents: **Not Applicable**
(57) Statement of Newness and Distinctiveness: **Nil**



- (21) Design Number: **11117/2010**
(22) Date of Filing Application: **07 August 2009**
(24) Date from which industrial property rights may have effect: **07 August 2009**
(54) Product in respect of which the design is registered: **Ladies garments**
(51) International Design Classification: **02-02NES**
(71) Name(s) and Address(s) of Applicant(s):
Hatzis Holdings Pty Ltd t/as Hussy
Level 3 2-12 Foveaux Street Surry Hills New South Wales 2010
Australia
(72) Name(s) of Designer(s): **Marie Hatzis**
(45) Registration Date: **07 April 2010**
(56) Related Art Documents: **Not Applicable**
(57) Statement of Newness and Distinctiveness: **Nil**



(21) Design Number: **11118/2010**

(22) Date of Filing Application: **07 August 2009**

(24) Date from which industrial property rights may have effect: **07 August 2009**

(54) Product in respect of which the design is registered: **Ladies garments**

(51) International Design Classification: **02-02NES**

(71) Name(s) and Address(s) of Applicant(s):

**Hatzis Holdings Pty Ltd t/as Hussy
Level 3 2-12 Foveaux Street Surry Hills New South Wales 2010
Australia**

(72) Name(s) of Designer(s): **Marie Hatzis**

(45) Registration Date: **07 April 2010**

(56) Related Art Documents: **Not Applicable**

(57) Statement of Newness and Distinctiveness: **Nil**



(21) Design Number: **11119/2010**

(22) Date of Filing Application: **07 August 2009**

(24) Date from which industrial property rights may have effect: **07 August 2009**

(54) Product in respect of which the design is registered: **Ladies garments**

(51) International Design Classification: **02-02NES**

(71) Name(s) and Address(s) of Applicant(s):

**Hatzis Holdings Pty Ltd t/as Hussy
Level 3 2-12 Foveaux Street Surry Hills New South Wales 2010
Australia**

(72) Name(s) of Designer(s): **Marie Hatzis**

(45) Registration Date: **07 April 2010**

(56) Related Art Documents: **Not Applicable**

(57) Statement of Newness and Distinctiveness: **Nil**



(21) Design Number: **14368/2009**

(22) Date of Filing Application: **10 November 2009**

(24) Date from which industrial property rights may have effect: **10 November 2009**

(54) Product in respect of which the design is registered: **Design 1 : Zero shower caddy**

(51) International Design Classification: **23-02A**

(71) Name(s) and Address(s) of Applicant(s):

Elaine Richardson

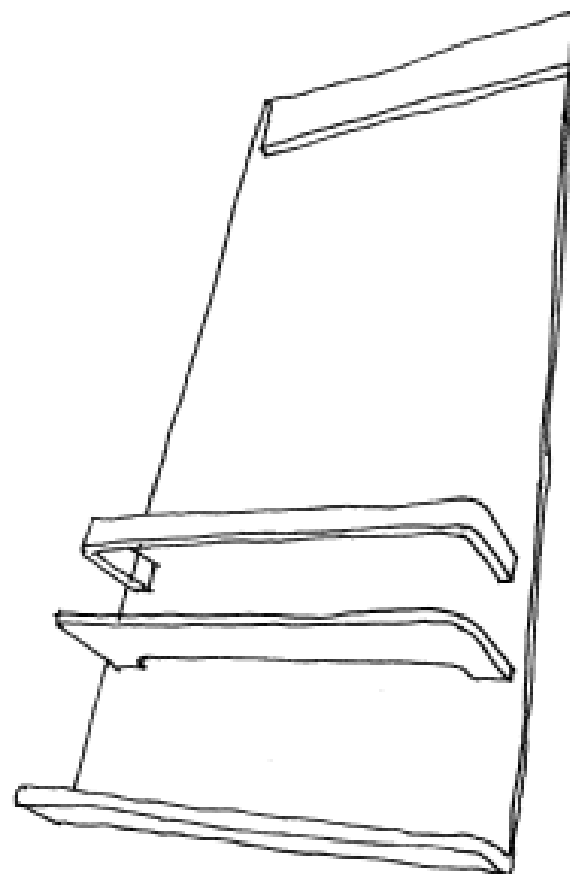
86 Henderson Road Alexandria New South Wales 2015 Australia

(72) Name(s) of Designer(s): **Elaine Richardson**

(45) Registration Date: **07 April 2010**

(56) Related Art Documents: **Not Applicable**

(57) Statement of Newness and Distinctiveness: **Nil**



(21) Design Number: **14369/2009**

(22) Date of Filing Application: **10 November 2009**

(24) Date from which industrial property rights may have effect: **10 November 2009**

(54) Product in respect of which the design is registered: **Design 2 : Baroque shower caddy**

(51) International Design Classification: **23-02A**

(71) Name(s) and Address(s) of Applicant(s):

Elaine Richardson

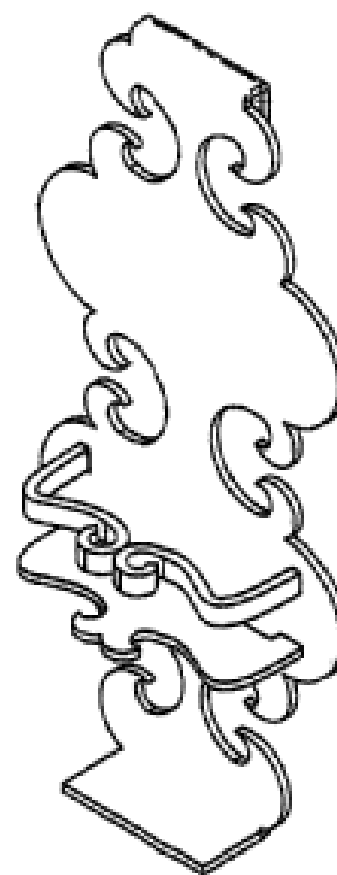
86 Henderson Road Alexandria New South Wales 2015 Australia

(72) Name(s) of Designer(s): **Elaine Richardson**

(45) Registration Date: **07 April 2010**

(56) Related Art Documents: **Not Applicable**

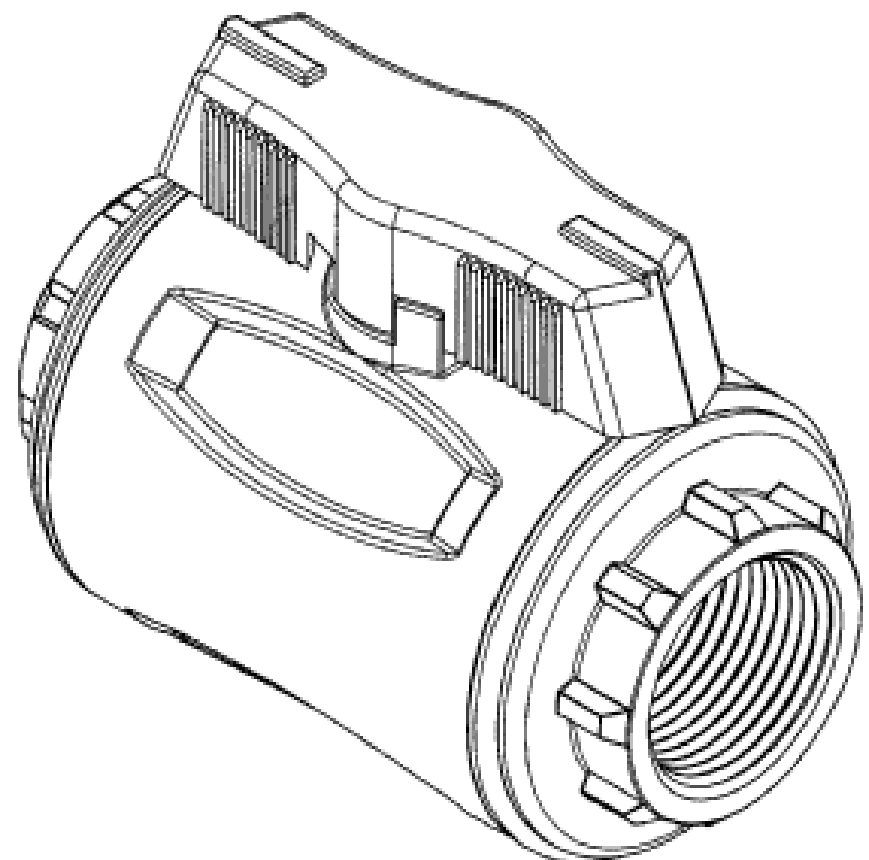
(57) Statement of Newness and Distinctiveness: **Nil**



- (21) Design Number: **14561/2009**
(22) Date of Filing Application: **23 November 2009**
(24) Date from which industrial property rights may have effect: **23 November 2009**
(54) Product in respect of which the design is registered: **Dress**
(51) International Design Classification: **02-02NES**
(71) Name(s) and Address(s) of Applicant(s):
Alive Girl Pty Ltd
125-135 Langridge Street Collingwood Victoria 3066 Australia
(72) Name(s) of Designer(s): **Vanessa Kortlang**
(45) Registration Date: **07 April 2010**
(56) Related Art Documents: **Not Applicable**
(57) Statement of Newness and Distinctiveness: **Newness and distinctiveness is claimed in the shape and configuration of the dress as shown in the accompanying representations. In an assessment as to newness and distinctiveness, the pattern, ornamentation and colour of the dress are to be disregarded.**



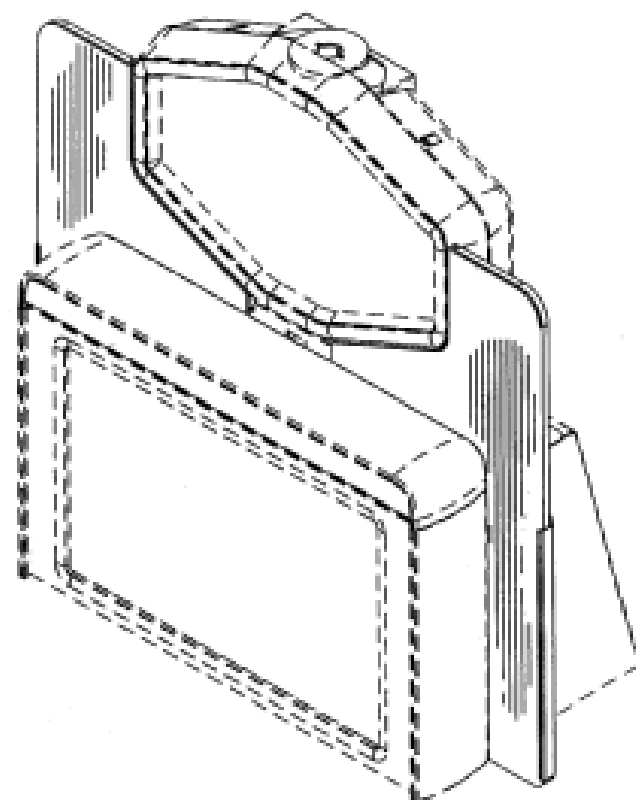
- (21) Design Number: **10837/2010**
(22) Date of Filing Application: **10 March 2010**
(24) Date from which industrial property rights may have effect: **10 March 2010**
(54) Product in respect of which the design is registered: **Ball valve**
(51) International Design Classification: **23-01K**
(71) Name(s) and Address(s) of Applicant(s):
JTL Australia Pty Ltd
46a Northgate Street Unley Park South Australia 5061 Australia
(72) Name(s) of Designer(s): **Guy Malcolm Phillipps**
(45) Registration Date: **07 April 2010**
(56) Related Art Documents: **Not Applicable**
(57) Statement of Newness and Distinctiveness: **Newness and distinctiveness resides in the shape and configuration of a ball valve as shown in the accompanying representations.**



- (21) Design Number: **10838/2010**
(22) Date of Filing Application: **10 March 2010**
(24) Date from which industrial property rights may have effect: **10 March 2010**
(54) Product in respect of which the design is registered: **Truck cab**
(51) International Design Classification: **12-08**
(71) Name(s) and Address(s) of Applicant(s):
Isuzu Motors Limited
6-26-1 Minami-Oi Shinagawa-ku Tokyo 140-8722 Japan
(72) Name(s) of Designer(s): **Hiroto Wakasugi and Katsumi Tajima and Eiji Nakajima and Taiki Watanabe and Yui Iwama and Takashi Nanbu and Takuya Yamazaki**
(45) Registration Date: **07 April 2010**
(56) Related Art Documents: **Not Applicable**
(57) Statement of Newness and Distinctiveness: **Newness and distinctiveness is claimed in the features of shape and/or configuration of a truck cab as illustrated in the accompanying representations.**



- (21) Design Number: **14192/2009**
(22) Date of Filing Application: **28 October 2009**
(24) Date from which industrial property rights may have effect: **28 October 2009**
(54) Product in respect of which the design is registered: **Display panel for a gaming machine**
(51) International Design Classification: **21-03**
(71) Name(s) and Address(s) of Applicant(s):
IGT (Australia) Pty Ltd
Level 9 1 Rosebery Avenue Rosebery New South Wales 2018
Australia
(72) Name(s) of Designer(s): **David Townsend and James Smith**
(45) Registration Date: **08 April 2010**
(56) Related Art Documents: **Not Applicable**
(57) Statement of Newness and Distinctiveness: **Those features of the display panel for a gaming machine depicted in the representations that are new and distinctive are the shape and/or configuration. The features shown in broken lines are not part of the design and are to be disregarded when considering the overall impression of the design.**



(21) Design Number: **14193/2009**

(22) Date of Filing Application: **28 October 2009**

(24) Date from which industrial property rights may have effect: **28 October 2009**

(54) Product in respect of which the design is registered: **Display panel for a gaming machine**

(51) International Design Classification: **21-03**

(71) Name(s) and Address(s) of Applicant(s):

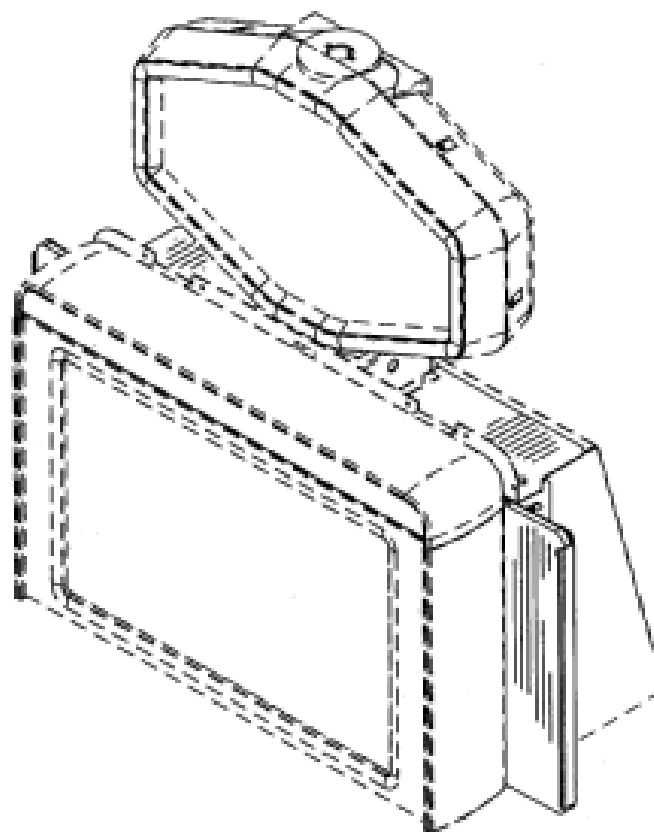
IGT (Australia) Pty Ltd
Level 9 1 Rosebery Avenue Rosebery New South Wales 2018
Australia

(72) Name(s) of Designer(s): **David Townsend and James Smith**

(45) Registration Date: **08 April 2010**

(56) Related Art Documents: **Not Applicable**

(57) Statement of Newness and Distinctiveness: **Those features of the display panel for a gaming machine depicted in the representations that are new and distinctive are the shape and/or configuration. The features shown in broken lines are not part of the design and are to be disregarded when considering the overall impression of the design.**



(21) Design Number: **14194/2009**

(22) Date of Filing Application: **28 October 2009**

(24) Date from which industrial property rights may have effect: **28 October 2009**

(54) Product in respect of which the design is registered: **Display panel for a gaming machine**

(51) International Design Classification: **21-03**

(71) Name(s) and Address(s) of Applicant(s):

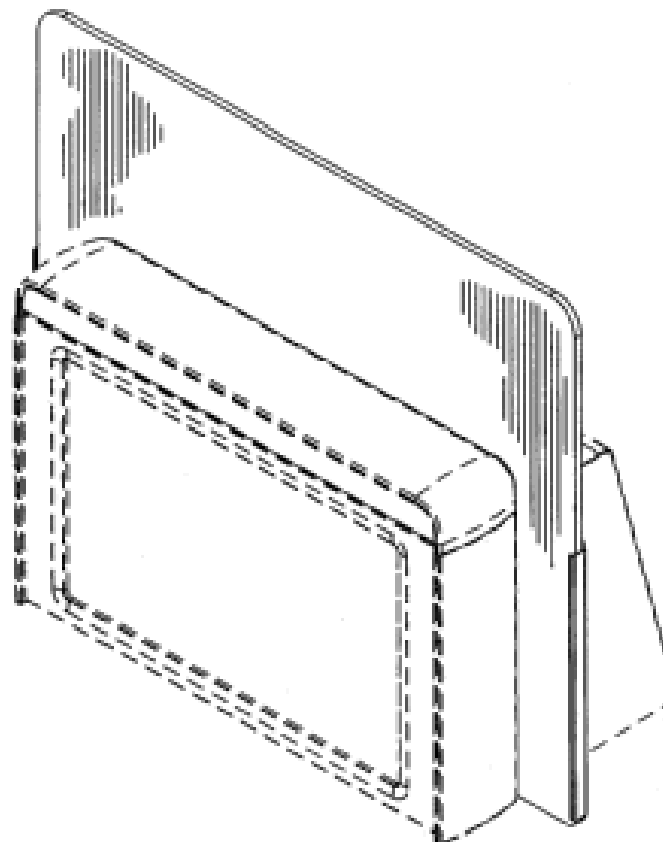
IGT (Australia) Pty Ltd
Level 9 1 Rosebery Avenue Rosebery New South Wales 2018
Australia

(72) Name(s) of Designer(s): **David Townsend and James Smith**

(45) Registration Date: **08 April 2010**

(56) Related Art Documents: **Not Applicable**

(57) Statement of Newness and Distinctiveness: **Those features of the display panel for a gaming machine depicted in the representations that are new and distinctive are the shape and/or configuration. The features shown in broken lines are not part of the design and are to be disregarded when considering the overall impression of the design.**



(21) Design Number: **14195/2009**

(22) Date of Filing Application: **28 October 2009**

(24) Date from which industrial property rights may have effect: **28 October 2009**

(54) Product in respect of which the design is registered: **Display panel for a gaming machine**

(51) International Design Classification: **21-03**

(71) Name(s) and Address(s) of Applicant(s):

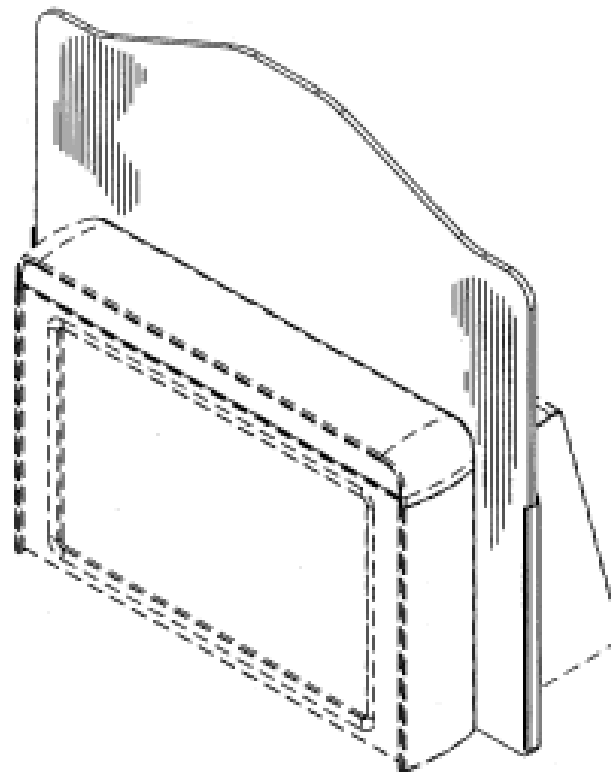
IGT (Australia) Pty Ltd
Level 9 1 Rosebery Avenue Rosebery New South Wales 2018
Australia

(72) Name(s) of Designer(s): **David Townsend and James Smith**

(45) Registration Date: **08 April 2010**

(56) Related Art Documents: **Not Applicable**

(57) Statement of Newness and Distinctiveness: **Those features of the display panel for a gaming machine depicted in the representations that are new and distinctive are the shape and/or configuration. The features shown in broken lines are not part of the design and are to be disregarded when considering the overall impression of the design.**



(21) Design Number: **10435/2010**

(22) Date of Filing Application: **05 February 2010**

(24) Date from which industrial property rights may have effect: **05 February 2010**

(54) Product in respect of which the design is registered: **Swimwear - bikini**

(51) International Design Classification: **02-02A**

(71) Name(s) and Address(s) of Applicant(s):

Pallas Swimwear and Accessories Pty Ltd
6/B South Avenue Bentleigh Victoria 3204 Australia

(72) Name(s) of Designer(s): **Marie Pallas**

(45) Registration Date: **08 April 2010**

(56) Related Art Documents: **Not Applicable**

(57) Statement of Newness and Distinctiveness: **Eyelets for string to feed through and tie.**



(21) Design Number: **10754/2010**

(22) Date of Filing Application: **08 March 2010**

(24) Date from which industrial property rights may have effect: **08 March 2010**

(54) Product in respect of which the design is registered: **Carton and blank**

(51) International Design Classification: **09-03M**

(71) Name(s) and Address(s) of Applicant(s):

**Astragrace Corp Pty Ltd
Unit 3 1-3 Nicholas Street Lidcombe New South Wales 2141 Australia**

(72) Name(s) of Designer(s): **Judy Son**

(45) Registration Date: **08 April 2010**

(56) Related Art Documents: **Not Applicable**

(57) Statement of Newness and Distinctiveness: **Appearance of the product with the design of patterns, colours and artworks on the surface of the tube and carton.**



(21) Design Number: **10755/2010**

(22) Date of Filing Application: **08 March 2010**

(24) Date from which industrial property rights may have effect: **08 March 2010**

(54) Product in respect of which the design is registered: **Tube**

(51) International Design Classification: **09-05**

(71) Name(s) and Address(s) of Applicant(s):

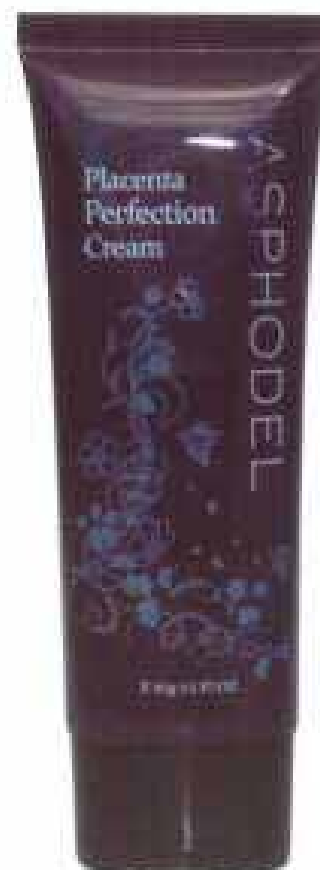
**Astragrace Corp Pty Ltd
Unit 3 1-3 Nicholas Street Lidcombe New South Wales 2141 Australia**

(72) Name(s) of Designer(s): **Judy Son**

(45) Registration Date: **08 April 2010**

(56) Related Art Documents: **Not Applicable**

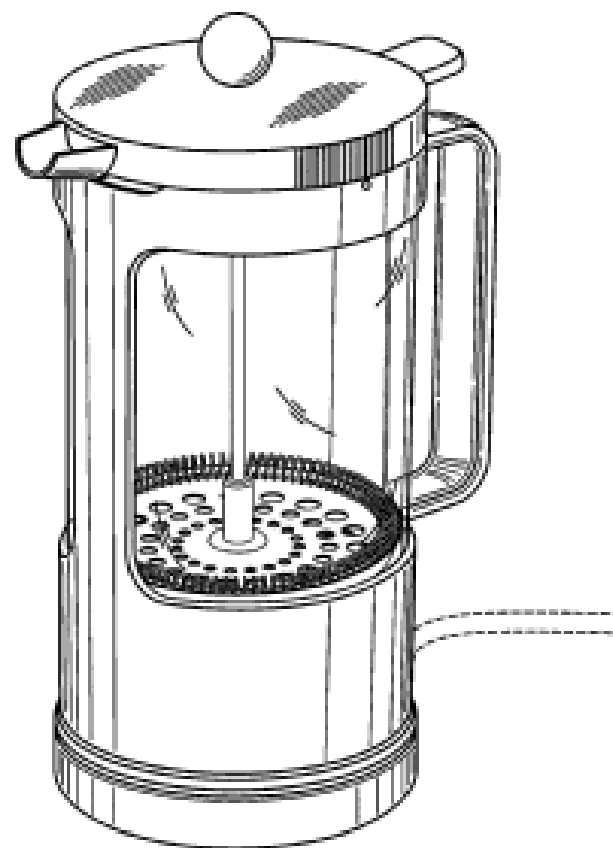
(57) Statement of Newness and Distinctiveness: **Appearance of the product with the design of patterns, colours and artworks on the surface of the tube and carton.**



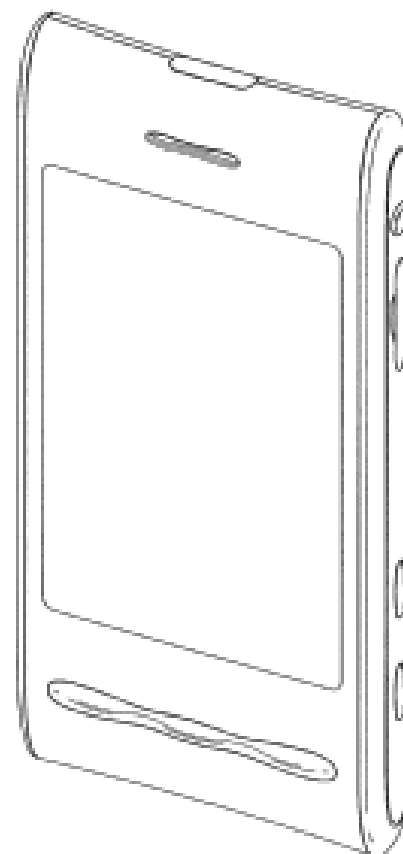
(21) Design Number: **10816/2010**
(22) Date of Filing Application: **09 March 2010**
(24) Date from which industrial property rights may have effect: **09 March 2010**
(54) Product in respect of which the design is registered: **Vehicle front assembly**
(51) International Design Classification: **12-16B**
(71) Name(s) and Address(s) of Applicant(s):
Toyota Jidosha Kabushiki Kaisha
No. 1 Toyota-Cho Toyota-Shi Aichi-Ken 471-8571 Japan
(72) Name(s) of Designer(s): **Kazuya Uchiyama and Mitsunori Miyazaki**
(45) Registration Date: **08 April 2010**
(30) Convention priority data:
(31) Number (32) Date (33) Country
001610270-0002 11 Sep 2009 EUROPEAN COMMUNITY
(56) Related Art Documents: **Not Applicable**
(57) Statement of Newness and Distinctiveness: **Those features of the vehicle front assembly depicted in the representations that are new and distinctive are the shape and/or configuration. The features shown in faint rendering are not part of the design and are to be disregarded when considering the overall impression of the design.**



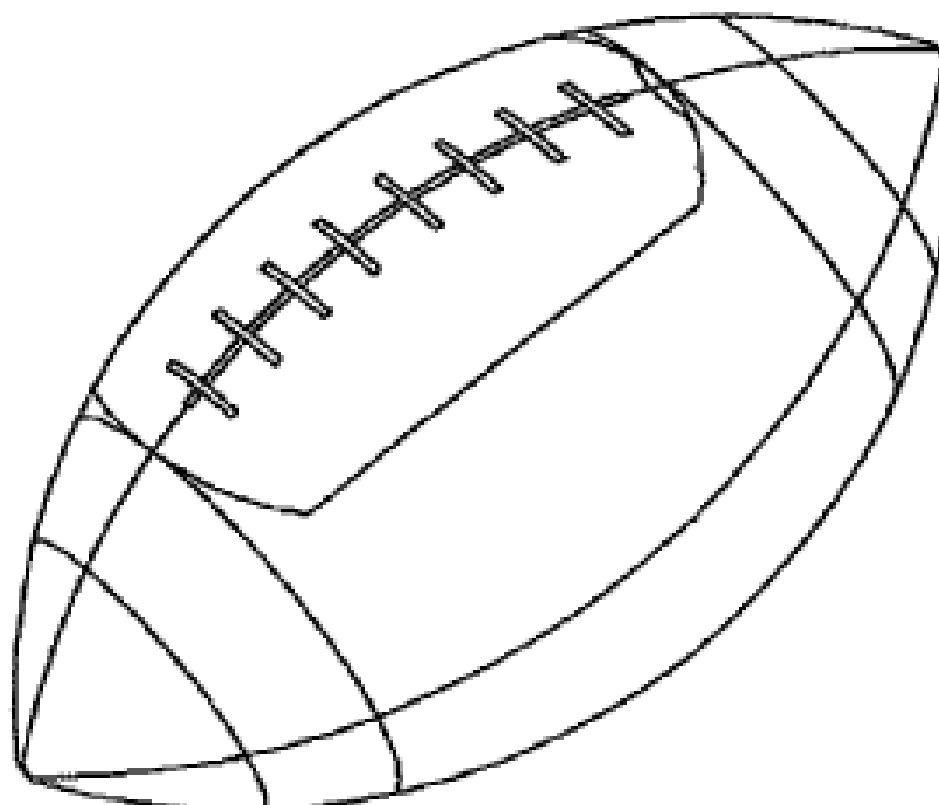
(21) Design Number: **10866/2010**
(22) Date of Filing Application: **11 March 2010**
(24) Date from which industrial property rights may have effect: **11 March 2010**
(54) Product in respect of which the design is registered: **Electric coffee maker**
(51) International Design Classification: **07-02L**
(71) Name(s) and Address(s) of Applicant(s):
Pi-Design AG
Kantonsstrasse 100 Postfach 463 Ch-6234 Triengen Switzerland
(72) Name(s) of Designer(s): **Jorgen Bodum**
(45) Registration Date: **08 April 2010**
(30) Convention priority data:
(31) Number (32) Date (33) Country
DM/072 374 02 Oct 2009 WORLD INTELLECTUAL PROPERTY ORGANIZATION (WIPO)
(56) Related Art Documents: **Not Applicable**
(57) Statement of Newness and Distinctiveness: **Nil**



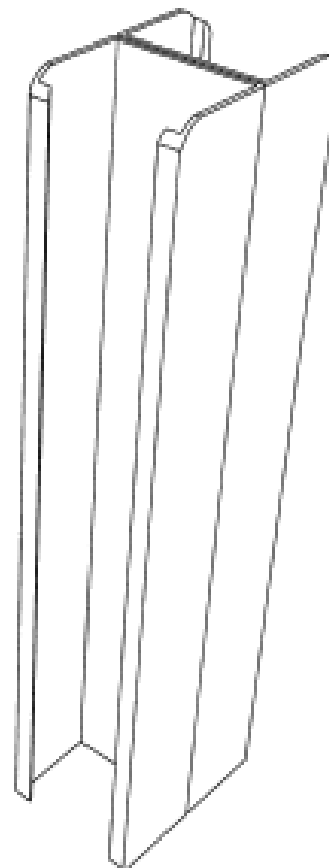
(21) Design Number: **10867/2010**
(22) Date of Filing Application: **12 March 2010**
(24) Date from which industrial property rights may have effect: **12 March 2010**
(54) Product in respect of which the design is registered: **Cellular phone**
(51) International Design Classification: **14-03E**
(71) Name(s) and Address(s) of Applicant(s):
LG Electronics Inc.
20 Yeouido-dong Yeongdeungpo-gu Seoul 150-721 Republic of Korea
(72) Name(s) of Designer(s): **Woong Choi and Yun Jin Park and Seung Chul Cho**
(45) Registration Date: **08 April 2010**
(30) Convention priority data:
(31) Number (32) Date (33) Country
30-2009-0041388 17 Sep 2009 REPUBLIC OF KOREA
(56) Related Art Documents: **Not Applicable**
(57) Statement of Newness and Distinctiveness: **Newness and distinctiveness resides in the features of shape and/or configuration of a cellular phone as shown in the accompanying drawings.**



(21) Design Number: **10873/2010**
(22) Date of Filing Application: **12 March 2010**
(24) Date from which industrial property rights may have effect: **12 March 2010**
(54) Product in respect of which the design is registered: **Specific theme-shaped eco-friendly disposable wet wipe container**
(51) International Design Classification: **09-03C**
(71) Name(s) and Address(s) of Applicant(s):
Amanda Blakeman
10960 Fishers Island Street Las Vegas NV 89141 United States of America
(72) Name(s) of Designer(s): **Amanda Blakeman**
(45) Registration Date: **08 April 2010**
(30) Convention priority data:
(31) Number (32) Date (33) Country
29/345,231 13 Oct 2009 UNITED STATES OF AMERICA
(56) Related Art Documents: **Not Applicable**
(57) Statement of Newness and Distinctiveness: **Nil**



- (21) Design Number: **10874/2010**
(22) Date of Filing Application: **15 March 2010**
(24) Date from which industrial property rights may have effect: **15 March 2010**
(54) Product in respect of which the design is registered: **Post**
(51) International Design Classification: **25-02A**
(71) Name(s) and Address(s) of Applicant(s):
Whites Wires Australia Pty Ltd
4 Decker Place Huntingwood New South Wales 2148 Australia
(72) Name(s) of Designer(s): **Brian Gray and Peter Kelly**
(45) Registration Date: **08 April 2010**
(56) Related Art Documents: **Not Applicable**
(57) Statement of Newness and Distinctiveness: **Newness and distinctiveness reside in the shape and configuration of the post shown in the representations and in particular in the shape and configuration of the rounded head end. The length of the post between the ends can be varied.**



- (21) Design Number: **10931/2010**
(22) Date of Filing Application: **17 March 2010**
(24) Date from which industrial property rights may have effect: **17 March 2010**
(54) Product in respect of which the design is registered: **Coffin**
(51) International Design Classification: **99-00**
(71) Name(s) and Address(s) of Applicant(s):
Dahlberg Design & Services Pty Ltd
6/63 Mark Street New Farm Queensland 4005 Australia
(72) Name(s) of Designer(s): **Roger Dahlberg**
(45) Registration Date: **08 April 2010**
(56) Related Art Documents: **Not Applicable**
(57) Statement of Newness and Distinctiveness: **A fresh look at coffin design using plywood.**

