



Australian Government

IP Australia

AUSTRALIAN OFFICIAL JOURNAL

OF

DESIGNS

Did you know a searchable version of this journal is now available online?

It's FREE and EASY to SEARCH.

Find it at

<http://pericles.ipaustralia.gov.au/ols/epublish/content/olsEpublications.jsp>
or using the "Online Journals" link on the IP Australia home page.

This Page Left Intentionally Blank

Contents

General Information & Notices

Proceedings Under the Designs Act 1906 preserved as a result of the provisions of Chapter 12 Part 2 of the Designs Act 2003

Applications for Extension of Time	864
Extension of Period of Registration of Designs	864
Extensions of Time Granted	864
Names Registered - Alterations and Amendments	865
Registrations Ceased	864
Subsequent Owners Registered	865

Proceedings Under the Designs Act 2003

Applications Lapsed	875
Applications Lodged	869
Applications Withdrawn	875
Certificate of Examination	877
Extension of Period of Registration of Design	
Extension of Time Granted Under Section 137	876
Mortgages Registered	876
Names Registered - Alterations and Amendments	876
Publication and Registration Proceedings	
Designs Registered 329947 to 330458.....	878
Registrations Ceased	876
Subsequent Owners Registered	876

This Page Left Intentionally Blank

For information on the following please see our website www.ipaustralia.gov.au or contact our Customer Service Network on 1300651010

[Editorial enquiries](#)

[Contact information](#)

[Freedom of Information ACT](#)

[Professional Standards Board](#)

[Sales](#)

[Requests for Information under Section 194 \(c\)](#)

[Country Codes](#)

[Trade Mark and Designs Hearing Sessions](#)

[INID \(Internationally agreed Numbers for the Identification of Data\)](#)

“INID” NUMBERS in use on Australian Design Documents

“INID” is an acronym for “Internationally agreed Numbers for the Identification of Data”.

(10) Data concerning the registration/renewal

- (11) Serial number of the registration and/or number of the design document
- (12) Plain language designation of the kind of published document
- (19) Identification, using the two-letter code according to WIPO Standard ST.3, of the authority publishing or registering the industrial design

(20) Data concerning the application

- (21) Serial number of the application
- (22) Date of filing of the application
- (24) Date from which the industrial design right has effect

(30) Data relating to priority under the Paris Convention

- (31) Serial number assigned to the priority application
- (32) Date of filing of the priority application
- (33) Two-letter code, according to WIPO Standard ST.3, identifying the authority with which the priority application was made

(40) Date(s) of making information available to the public

- (45) Date of publication of the registered industrial design by printing or similar process, or making it available to the public by any other means

(50) Miscellaneous Information

- (51) International Classification for Industrial Designs (class and subclass of the Locarno Classification)
- (54) Designation of article(s) or product(s) covered by the industrial design or title of the industrial design
- (55) Reproduction of the industrial design (e.g., drawing, photograph) and explanations relating to the reproduction
- (56) List of prior art documents, if separate from descriptive text
- (57) Description of characteristic features of the industrial design including indication of colours

(60) References to other legally related application(s) and registration(s)

- (62) Serial number(s) and, if available, filing date(s) of application(s), registration(s) or document(s) related by division
- (66) Serial number(s) of the application, or the registration, of the design(s) which is (are) a variant(s) of the present one

(70) Identification of parties concerned with the application or registration

- (71) Name(s) and address(es) of the applicant(s)
- (72) Name(s) of the creator(s) if known to be such
- (74) Name(s) and address(es) of the representative(s)

This Page Left Intentionally Blank

Official Notice

Surrender of Registration

327927

A request under Section 49 of the *Designs Act 2003* has been made by the registered owner of Design Registration No. 327927 to surrender the registration.

Any interested person may give notice to the Registrar that he or she wishes to be heard in relation to the above offer. This notice must be given within 1 month after 29 April 2010.

Your attention is drawn to Regulation 4.10 and 4.11 of the *Designs Regulations 2004*.

Address for Service: W. Schyns PO Box 193 CARINGBAH NSW 1495

Contact: IP Australia
Phone: 1300 651 010
Fax: +61 2 6283 7999
E-Mail: assist@ipaustralia.gov.au
Web: www.ipaustralia.gov.au

Proceedings under the Designs Act 1906 preserved as a result of the provisions of Chapter 12 Part 2 of the Designs Act 2003.

This Page Left Intentionally Blank

Applications Lapsed

There were no Applications Lapsed under this section

Extension of Period of Registration of Designs

1st Period (Section 27A(8))

2nd Period (Section 27A(12))

155035	155070	156526
156592	156653	156768
156779	156780	156798
156838	157001	157048
157188	157220	157227
157233	157234	157258
157259	157260	157272
157280	157300	157301
157302	157427	157428
157429	157432	157433
157434	157495	157653
157654	157667	158092
158103	158178	158269
158386	158459	158460
158461	158489	158512
158523		

3rd Period (Section 27A(13))

138578	138580	138777
138781	138873	138899
138904	139096	139097
139302	139313	139521
139552	139612	139613
139761	139762	139763
139884	140144	140743
141597	141598	142069
142841	142982	

Registrations Ceased

Note: Some of the following Registrations may have been previously advertised as ceased. In this instance, the previous advertisement still prevails.

119989	120631	120968
121773	121779	121780
121818	121886	122017
122092	122231	122747
122748	122749	122750
122751	122752	122768
123627	125499	136009
136964	137016	137053
137057	137063	137101
137117	137146	137147
137251	137420	137719
137950	137955	138340
140330	140368	141585

154160	154181	154233
154234	154266	154268
154270	154271	154272
154273	154318	154336
154337	154338	154339
154340	154341	154342
154343	154344	154345
154346	154347	154358
154359	154362	154397
154427	154428	154477
154481	154482	154483
154484	154485	154486
154487	154488	154489
154490	154491	154492
154493	154494	154495
154496	154497	154498
154551	154553	154554
154555	154615	154692
154693	154733	154734
154735	154736	154737
154738	154740	154741
154742	154743	154744
154767	154768	154769
154845	155085	155101
155102	155157	155298
155690	155821	155971
156295	156463	156954
156955	157056	157099
157224	157330	157514
157538	157539	157684
157725	157726	157961
157995	158031	158041
158042	158126	158443

Applications for Extension of time

Applications for extension of time have been lodged. Objections must be lodged within 1 month from the date of this journal.

133278 **McNeil AB** Extension of time to extend a registration. Address for Service: CPA Global Limited PO Box Q263 QVB Post Shop SYDNEY NSW 1230

137131 **McNeil AB** Extension of time to extend a registration. Address for Service: CPA Global Limited PO Box Q263 QVB Post Shop SYDNEY NSW 1230

138594 **Johnson & Johnson Research Pty Limited** Extension of time to extend a registration. Address for Service: CPA Global Limited PO Box Q263 QVB Post Shop SYDNEY NSW 1230

150667 **Cleopatra Lowden** Extension of time to extend a registration. Address for Service: C. Lowden 3/47-49 Arthur Street MOSS VALE NSW 2577

156203 **Salton Inc.** Extension of time to extend a registration. Address for Service: CPA Global Limited PO Box Q263 QVB Post Shop SYDNEY NSW 1230

Extensions of time granted

Applications lodged for extension of time have been granted.

156526 **Howest Pty Ltd** An Extension of time to extend a registration has been granted to 12/03/2010

Subsequent Owners Registered

(The name in parentheses is that of the subsequent owner)

145998 **(Water Stop Australia Pty Ltd)** Coolaroo Originals Pty Ltd

Names Registered - Alterations and Amendments

(The name in parentheses is the new name of the proprietor)

158270 **(The KraMar Pet Company)** Kra-Mar Pet Supplies Pty Ltd

157073 **(The KraMar Pet Company)** Kra-Mar Pet Supplies Pty Ltd

135382 **(Merck Sharp & Dohme Corp.)** Merck & Co. Inc.

This Page Left Intentionally Blank

Proceedings under the Designs Act 2003.

This Page Left Intentionally Blank

Applications Lodged

Lodgement information is in the following order: **Applicant's Name**; International Classification, Name of Product, Lodgement Date and **Design Number**. If the applicant claims an earlier priority date under an International Convention, the Convention Country and the associated filing date are shown in parentheses before the Lodgement Date. Divisional information will also appear in parentheses before the Lodgement Date.

iSeeMyLuggage; 19-01, Luggage strap, 08 Apr 2010	11241/2010	Aluminium Specialities Group Pty Ltd; 25-01K, An extrusion, 14 Apr 2010	11370/2010
iSeeMyLuggage; 19-01, Luggage tag, 08 Apr 2010	11242/2010	Aluminium Specialities Group Pty Ltd; 25-01K, An extrusion, 14 Apr 2010	11371/2010
iSeeMyLuggage; 19-01, Document holder, 08 Apr 2010	11243/2010	Angel, Milo; Madden, Brendan; 12-16H, Vehicle mirror, 14 Apr 2010	11401/2010
A & C Packers Pty Ltd; 09-02B, A container, 13 Apr 2010	11314/2010	Apple Inc.; 14-02, Electronic device, (US, 13 Oct 2009) 08 Apr 2010	11236/2010
Acco Australia Pty Ltd; 19-02, Storage tray, 09 Apr 2010	11259/2010	Apple Inc.; 14-02, Electronic device, (US, 13 Oct 2009) 08 Apr 2010	11237/2010
Acco Australia Pty Ltd; 19-04, Document folder, 14 Apr 2010	11404/2010	Apple Inc.; 14-02, Magnetic connector, (US, 13 Oct 2009) 08 Apr 2010	11238/2010
Acco Australia Pty Ltd; 19-02, Storage tray, 09 Apr 2010	11260/2010	Apple Inc.; 14-02, Electronic device, (US, 13 Oct 2009) 08 Apr 2010	11235/2010
Acco Australia Pty Ltd; 19-01, Document folder, 14 Apr 2010	11387/2010	Asahi Breweries, Ltd.; Asahi Soft Drinks Co., Ltd.; 09-01NES, Bottle, (JP, 23 Oct 2009) 08 Apr 2010	11234/2010
Acco Australia Pty Ltd; 09-03H, Tray divider, 16 Apr 2010	11440/2010	Asahi Soft Drinks Co., Ltd.; Asahi Breweries, Ltd.; 09-01NES, Bottle, (JP, 23 Oct 2009) 08 Apr 2010	11234/2010
Acco Australia Pty Ltd; 09-03F, Storage tray, 16 Apr 2010	11436/2010	August Storck KG; 01-01, Chocolate/confectionery, 07 Apr 2010	11227/2010
Acco Australia Pty Ltd; 09-03F, Storage tray, 16 Apr 2010	11437/2010	August Storck KG; 01-01, Chocolate/confectionery, 07 Apr 2010	11228/2010
Acco Australia Pty Ltd; 19-01, Document folder, 14 Apr 2010	11392/2010	ADE (GmbH & Co.); 10-04, Kitchen scale with measuring cup, (EM, 09 Oct 2009) 07 Apr 2010	11223/2010
Acco Australia Pty Ltd; 19-01, Document folder, 14 Apr 2010	11393/2010	Bak Contech Pty Ltd; 06-05, Outdoor seating, 19 Apr 2010	11445/2010
Acco Australia Pty Ltd; 09-03F, Storage tray, 16 Apr 2010	11438/2010	Bak Contech Pty Ltd; 06-05, Outdoor seating, 19 Apr 2010	11446/2010
Acco Australia Pty Ltd; 09-03F, Storage tray, 16 Apr 2010	11439/2010	Balmark Pty Ltd; 06-06NES, Im cafe barrier, 07 Apr 2010	11231/2010
Acco Australia Pty Ltd; 19-02, Storage tray, 09 Apr 2010	11261/2010	Beba Enterprises Pty Ltd, as trustee for Danielle Vagner Family Trust; 02-02C, 02-02NES, Women's clothing, 13 Apr 2010	11318/2010
Agdag, David; 02-07C, Tie, 14 Apr 2010	11348/2010	Bilotto, Francis V.; 20-02E, Dispaly stand and trays, 14 Apr 2010	11383/2010
Aluminium Specialities Group Pty Ltd; 25-01K, An extrusion, 14 Apr 2010	11363/2010	Bottles of Australia Pty Limited; 09-01NES, Water bottles/drinking bottles/sports bottles, 15 Apr 2010	11361/2010
Aluminium Specialities Group Pty Ltd; 25-01K, An extrusion, 14 Apr 2010	11364/2010	Bottles of Australia Pty Limited; 09-01NES, Water bottles/drinking bottles/sports bottles, 15 Apr 2010	11362/2010
Aluminium Specialities Group Pty Ltd; 25-01K, An extrusion, 14 Apr 2010	11365/2010		
Aluminium Specialities Group Pty Ltd; 25-01K, An extrusion, 14 Apr 2010	11366/2010		
Aluminium Specialities Group Pty Ltd; 25-01K, An extrusion, 14 Apr 2010	11367/2010		
Aluminium Specialities Group Pty Ltd; 25-01K, An extrusion, 14 Apr 2010	11368/2010		
Aluminium Specialities Group Pty Ltd; 25-01K, An extrusion, 14 Apr 2010	11369/2010		

Bottles of Australia Pty Limited; 09-01NES, Water bottles/drinking bottles/sports bottles, 15 Apr 2010	11360/2010	Delta Shelving Systems Pty Ltd; 25-02C, Shelf, 14 Apr 2010	11352/2010
British American Tobacco (Holdings) Limited; 09-03M, Cigarette packaging, (EM, 08 Oct 2009) 07 Apr 2010	11226/2010	Denis Sheahan Event Management Pty Ltd; Jebb Pty Ltd; 23-02C, Pee Panel, 18 Mar 2010	11305/2010
British American Tobacco (Holdings) Limited; 09-03A, Cigarette packaging, (EM, 08 Oct 2009) 07 Apr 2010	11224/2010	Desai, Minon Kumar A.; 25-01A, Permeable grass paver/gravel paver, 09 Apr 2010	11233/2010
Broplenty Pty Ltd; 02-04NES, Wire stopper with shoe on top Variation of shoe styles, 12 Apr 2010	11342/2010	Dulux Group (Australia) Pty Ltd; 09-01K, Container, 16 Apr 2010	11423/2010
Burt Consolidated Engineering Pty Ltd; 15-99, Drill rig component, 07 Apr 2010	11218/2010	Dulux Group (Australia) Pty Ltd; 09-01K, Container, 16 Apr 2010	11424/2010
Caesarstone Sdot Yam Ltd.; 25-01F, Quartz surfaces, 13 Apr 2010	11332/2010	Effigy49 - Tattle Ventures; 02-02NES, Vest with neckline application, 13 Apr 2010	11346/2010
Caesarstone Sdot Yam Ltd.; 25-01F, Quartz surfaces, 13 Apr 2010	11327/2010	Effigy49 - Tattle Ventures; 02-02NES, Tribal necklace print - Sioux tee, 13 Apr 2010	11345/2010
Caesarstone Sdot Yam Ltd.; 25-01F, Quartz surfaces, 13 Apr 2010	11328/2010	Ekornes ASA; 06-03NES, Table with articulated arm, (NO, 19 Oct 2009) 06 Apr 2010	11213/2010
Caesarstone Sdot Yam Ltd.; 25-01F, Quartz surfaces, 13 Apr 2010	11329/2010	Ekornes ASA; 06-03NES, 08-09, Component for articulated arm, (NO, 19 Oct 2009) 06 Apr 2010	11214/2010
Caesarstone Sdot Yam Ltd.; 25-01F, Quartz surfaces, 13 Apr 2010	11330/2010	Ekornes ASA; 06-03NES, 08-09, Articulated arm for table, (NO, 29 Oct 2009) 06 Apr 2010	11215/2010
Caesarstone Sdot Yam Ltd.; 25-01F, Quartz surfaces, 13 Apr 2010	11331/2010	Ekornes ASA; 08-08C, Clip for articulated arm, (NO, 19 Oct 2009) 06 Apr 2010	11216/2010
Canterbury Limited; 02-02NES, Neck design, (EM, 06 Apr 2010) 08 Apr 2010	11264/2010	Euro Fur Fabric Limited; 30-99, 21-01NES, Pet toys, (EM, 09 Oct 2009) 09 Apr 2010	11277/2010
Ceangal Lite Limited; 13-03B, Cable tie, (NZ, 05 Oct 2009) 06 Apr 2010	11195/2010	Eveready Partitions Pty Ltd; 06-06E, Furniture leg, 16 Apr 2010	11421/2010
Chef'n Corporation; 07-01D, Cup with deformable pour spout, (US, 14 Oct 2009) 08 Apr 2010	11247/2010	Ewing, Warren; 23-01H, Tap, 14 Apr 2010	11317/2010
Chilewich Sultan LLC; 06-13A, 06-13NES, Covering, 13 Apr 2010	11324/2010	Forever New Clothing Pty Ltd; 02-02C, 02-02NES, Women's fashion clothing, 14 Apr 2010	11380/2010
Chilewich Sultan LLC; 06-11, Covering, 13 Apr 2010	11326/2010	Frost, Margaret Christine; 02-02B, 02-05, Baby burper - shoulder and clothing protection from milky spit-ups when releasing baby wind. Note - baby burper is an optional add-on to design No. 10729/10 SL 2, 06 Apr 2010	11239/2010
Chilewich Sultan LLC; 06-13NES, Covering, 13 Apr 2010	11325/2010	Fujitsu General Limited; 23-04, Outdoor unit of air conditioner, (JP, 11 Dec 2009) 08 Apr 2010	11248/2010
Culley, Timothy Breandan; 08-99, Road stud, 13 Apr 2010	11343/2010	Fujitsu General Limited; 23-04, Air conditioner, (JP, 08 Jan 2010) 08 Apr 2010	11249/2010
Dart Industries Inc; 07-01NES, Containers, (US, 08 Dec 2009) 08 Apr 2010	11240/2010	Fujitsu General Limited; 23-04, Air conditioner, (JP, 17 Nov 2009) 08 Apr 2010	11250/2010
Davies, Cindy-Lee; 26-05D, Light shade - pendant, 16 Apr 2010	11384/2010	Global Rotomoulding Pty Ltd; 23-01F, Tank, 19 Apr 2010	11425/2010
Decor Corporation Pty Ltd, The; 07-04, 09-03NES, Cheese grater & storer, 12 Apr 2010	11294/2010		
Decor Corporation Pty Ltd, The; 07-04, Cheese grater, 12 Apr 2010	11295/2010		
Decor Corporation Pty Ltd, The; 07-01NES, 09-03NES, Container, 12 Apr 2010	11296/2010		

Global Rotomoulding Pty Ltd; 23-01F, Tank, 19 Apr 2010	11426/2010	Kahil, Susan; 09-09, Crusher for crushing plastic bottles and drink cans, 01 Apr 2010	11230/2010
Global Rotomoulding Pty Ltd; 23-01F, Tank, 19 Apr 2010	11427/2010	Kenwood Limited; 13-02, 31-00, Powered base for kitchen blender, (EM, 05 Oct 2009) 06 Apr 2010	11217/2010
Grant Products International, Inc.; 12-16A, Steering wheel, (US, 07 Oct 2009) 06 Apr 2010	11204/2010	Kim, Jung-Min; 05-05D, Fabric for blind, (KR, 07 Oct 2009) 07 Apr 2010	11232/2010
Grant Products International, Inc.; 12-16A, Steering wheel, (US, 07 Oct 2009) 06 Apr 2010	11205/2010	Koninklijke Philips Electronics N.V.; 26-04, Solid state lighting spot, (EM, 14 Oct 2009) 14 Apr 2010	11349/2010
Grant Products International, Inc.; 12-16A, Steering wheel, (US, 07 Oct 2009) 06 Apr 2010	11203/2010	Kun, Zsuzsa; 06-01E, 06-01L, Chair, 12 Apr 2010	11254/2010
Grant Products International, Inc.; 12-16A, Steering wheel, (US, 07 Oct 2009) 06 Apr 2010	11206/2010	Lloyd, Frank A.; 11-02NES, Ornament, 13 Apr 2010	11323/2010
Gration, Tristan Kent; 26-05D, Pendant light, 13 Apr 2010	11313/2010	LG Electronics Inc.; 14-03B, PDP television receiver, 13 Apr 2010	11334/2010
Grocorp; 06-02, Cot, 12 Apr 2010	11344/2010	LG Electronics Inc.; 14-03B, LCD television receiver, (KR, 16 Oct 2009) 15 Apr 2010	11386/2010
Gudgeon, Barbara; 21-01B, Original artist porcellain doll by Barbara Gudgeon name Brittany, 16 Apr 2010	11385/2010	LG Electronics Inc.; 14-03B, Television monitor, (KR, 13 Oct 2009) 13 Apr 2010	11337/2010
Hanger Orthopedic Group, Inc.; 24-03, Cuff assembly and liner assembly for use therewith, (US, 16 Oct 2009) 15 Apr 2010	11399/2010	LINPAC Environmental Limited; 10-06, 25-02A, Bollard, (EM, 21 Oct 2009) 19 Apr 2010	11444/2010
Hangzhou China Arts Industrial Corp., Ltd; 06-06G, Pipe for making chair frame, (CN, 13 Oct 2009) 09 Apr 2010	11256/2010	Madden, Brendan; Angel, Milo; 12-16H, Vehicle mirror, 14 Apr 2010	11401/2010
Hangzhou China Arts Industrial Corp., Ltd; 06-06G, Pipe for making chair frame, (CN, 13 Oct 2009) 09 Apr 2010	11255/2010	Magna Marque International Inc.; 12-06A, 12-06C, Combination manually driven and motor driven watercraft, (US, 09 Oct 2009) 09 Apr 2010	11251/2010
Hayes, Evan Peter; 09-01NES, Bottle, 12 Apr 2010	11290/2010	Mars, Incorporated; 01-06, Pet treat, (US, 22 Jan 2010) 14 Apr 2010	11381/2010
Hayes, Evan Peter; 09-03M, Box, 12 Apr 2010	11291/2010	Mars, Incorporated; 01-06, Pet treat, (US, 14 Jan 2010) 14 Apr 2010	11382/2010
Hendon Semiconductors Pty Ltd; 13-03D, Photoelectric cell base, 14 Apr 2010	11347/2010	Martino, Francesco Antonio; 25-01K, Wall beam extrusion, 16 Apr 2010	11428/2010
Infratec International Pty Ltd; 25-02A, Post, 15 Apr 2010	11403/2010	Martino, Francesco Antonio; 25-02NES, A base chassis for a transportable building, 16 Apr 2010	11429/2010
Intralux Australia Pty Ltd; 26-05A, Kove seamless T5 (luminaire), 08 Apr 2010	11293/2010	Martino, Francesco Antonio; 25-01K, Wall beam extrusion, 16 Apr 2010	11430/2010
Izumi Products Company; 08-05P, Crimping tool, (JP, 02 Oct 2009) 01 Apr 2010	11207/2010	Martino, Francesco Antonio; 25-01K, Wall beam extrusion, 16 Apr 2010	11431/2010
Jebb Pty Ltd; Denis Sheahan Event Management Pty Ltd; 23-02C, Pee Panel, 18 Mar 2010	11305/2010	Martino, Francesco Antonio; 25-01K, Wall beam extrusion, 16 Apr 2010	11432/2010
John Duke Design Pty Ltd; 06-01E, Children's high chair, 13 Apr 2010	11358/2010	Martino, Francesco Antonio; 25-01K, Wall beam extrusion, 16 Apr 2010	11433/2010
JCC Lighting Products Limited; 26-05C, Light fitting, (EM, 16 Oct 2009) 16 Apr 2010	11414/2010	Martino, Francesco Antonio; 25-01K, Wall beam extrusion, 16 Apr 2010	11434/2010
JCC Lighting Products Limited; 26-05C, Light fitting cap, (EM, 16 Oct 2009) 16 Apr 2010	11415/2010	Martino, Francesco Antonio; 25-01K, Wall beam extrusion, 16 Apr 2010	11435/2010

Maskell, Kevin Douglas; 25-02G, A safety grate, (NZ, 20 Oct 2009) 12 Apr 2010	11253/2010	Pacific Market International, LLC; 07-07A, Insulated bottle, (US, 08 Oct 2009) 06 Apr 2010	11209/2010
Master Lock Company LLC; 03-01A, 06-04B, 08-07, Safe, (US, 02 Nov 2009) 13 Apr 2010	11319/2010	Pentel Kabushiki Kaisha; 19-06, Ballpoint pen, (JP, 16 Oct 2009) 16 Apr 2010	11441/2010
Master Lock Company LLC; 03-01A, 06-04B, 08-07, Safe, (US, 02 Nov 2009) 13 Apr 2010	11320/2010	Philip Morris Products S.A.; 27-01, Cigarette, (EM, 15 Oct 2009) 14 Apr 2010	11374/2010
Master Lock Company LLC; 03-01A, 06-04B, 08-07, Safe, (US, 02 Nov 2009) 13 Apr 2010	11321/2010	Philip Morris Products S.A.; 27-01, Cigarette, (EM, 15 Oct 2009) 14 Apr 2010	11375/2010
Master Lock Company LLC; 03-01A, 06-04B, 08-07, Safe, (US, 02 Nov 2009) 13 Apr 2010	11322/2010	Philip Morris Products S.A.; 27-01, Cigarette, (EM, 15 Oct 2009) 14 Apr 2010	11376/2010
Mattane Pty Ltd; 25-01K, Extrusion, 12 Apr 2010	11312/2010	Philip Morris Products S.A.; 27-01, Cigarette, (EM, 15 Oct 2009) 14 Apr 2010	11377/2010
Metalflex Pty Ltd; 23-04, Diffuser, 13 Apr 2010	11306/2010	Philip Morris Products S.A.; 27-01, Cigarette, (EM, 15 Oct 2009) 14 Apr 2010	11378/2010
Metalflex Pty Ltd; 23-04, Diffuser plate, 13 Apr 2010	11307/2010	Philip Morris Products S.A.; 27-01, Cigarette, (EM, 15 Oct 2009) 14 Apr 2010	11379/2010
Metalflex Pty Ltd; 23-04, Baffle, 13 Apr 2010	11308/2010	Philip Morris Products S.A.; 27-01, Cigarette, (EM, 15 Oct 2009) 14 Apr 2010	11372/2010
Metalflex Pty Ltd; 23-01K, Spindle, 13 Apr 2010	11309/2010	Philip Morris Products S.A.; 27-01, Cigarette, (EM, 15 Oct 2009) 14 Apr 2010	11373/2010
Metalflex Pty Ltd; 23-04, Baffle cover, 13 Apr 2010	11310/2010	Photorazzi Pty Ltd; 16-99, Portable photo booth, portable photo tower, portable photo kiosk, 07 Apr 2010	11210/2010
Michelin Recherche et Technique S.A.; Societe De Technologie Michelin; 12-15A, A tyre, (FR, 19 Oct 2009) 15 Apr 2010	11353/2010	Pirrello, Telesa; 26-05D, A lamp shade blank, 13 Apr 2010	11335/2010
Michelin Recherche et Technique SA; Societe De Technologie Michelin; 12-15B, A tyre, (US, 06 Oct 2009) 01 Apr 2010	11200/2010	Pirrello, Telesa; 26-05D, A lamp shade, 13 Apr 2010	11336/2010
Nhundu, Tichatonga; 06-01L, Furniture, chair, 14 Apr 2010	11359/2010	Portlock, Joshua; 12-07, Unmanned aerial vehicle airframe, 16 Apr 2010	11442/2010
Nigroh Enterprises Pty Ltd; 03-01NES, Arm band storage device, 16 Apr 2010	11413/2010	Preston, John Clement; 25-04, Scaffolding module frame, 09 Apr 2010	11262/2010
O'Donoghue, Gary Michael; 25-01K, Conductor holding beam, 14 Apr 2010	11390/2010	Preston, John Clement; 25-04, Scaffolding module, 09 Apr 2010	11263/2010
Owens-Brockway Glass Container Inc.; 09-01H, Container, (US, 14 Oct 2009) 12 Apr 2010	11286/2010	Pro-Tip Tools; 08-06, Hand Tools - Multi-Purpose Handle., 01 Apr 2010	11311/2010
Owens-Brockway Glass Container Inc.; 09-01H, Container, (US, 14 Oct 2009) 12 Apr 2010	11287/2010	Reckitt & Colman (Overseas) Limited; 28-99, Air freshener device, (EM, 22 Jan 2010) 09 Apr 2010	11252/2010
Owens-Brockway Glass Container Inc.; 09-01H, Container, (US, 14 Oct 2009) 12 Apr 2010	11288/2010	Reckitt & Colman (Overseas) Limited; 28-99, Air freshener device grill, (EM, 19 Oct 2009) 16 Apr 2010	11416/2010
Owens-Brockway Glass Container Inc.; 09-01NES, Container, (US, 14 Oct 2009) 12 Apr 2010	11289/2010	Reckitt & Colman (Overseas) Limited; 28-99, Air freshener device, (EM, 19 Oct 2009) 16 Apr 2010	11417/2010
Paar Enterprises Pty Ltd; 30-99, Ref attachment 1(a) + 1(b), 07 Apr 2010	11265/2010		
Paar Enterprises Pty Ltd; 30-99, Ref attachment 1(a) + 1(b), 07 Apr 2010	11266/2010		

Reckitt & Colman (Overseas) Limited; 28-99, Air freshener device, (EM, 19 Oct 2009) 16 Apr 2010	11418/2010	Stratco (Australia) Pty Limited; 08-08L, A bracket, 12 Apr 2010	11285/2010
Reckitt & Colman (Overseas) Limited; 28-99, Air freshener device, (EM, 19 Oct 2009) 16 Apr 2010	11419/2010	Styles, John Howard; 08-06, 25-01K, Pivot hinge with integral transom or threshold bar, 12 Apr 2010	11278/2010
Reckitt & Colman (Overseas) Limited; 28-99, Air freshener device, (EM, 19 Oct 2009) 16 Apr 2010	11420/2010	Styles, John Howard; 08-09, 25-02B, Pivot door assembly with integral head section, 12 Apr 2010	11279/2010
Rostron, Brett Cyril; 08-05NES, Wood splitter head, 19 Apr 2010	11443/2010	Sunbeam Products Inc.; 15-99, Vacuum packaging device, (US, 20 Oct 2009) 13 Apr 2010	11315/2010
Santos, (a French societe par actions simpliffee); 31-00, Blender, (EM, 15 Oct 2009) 13 Apr 2010	11316/2010	SAVERGLASS; 09-01K, Bottle, (EM, 14 Oct 2009) 14 Apr 2010	11350/2010
Samar, LLC; 07-05E, Shoe polish applicator, (EM, 12 Nov 2009) 09 Apr 2010	11245/2010	SAVERGLASS; 09-01K, Bottle, (EM, 20 Oct 2009) 14 Apr 2010	11351/2010
Samar, LLC; 02-04A, Insole, (EM, 27 Oct 2009) 09 Apr 2010	11246/2010	SAVERGLASS; 09-01NES, Bottle, (EM, 06 Oct 2009) 06 Apr 2010	11199/2010
Saville, Susan; 30-04, Dog collars dog leads dog harness, 13 Apr 2010	11282/2010	SULO MGB Australia Pty Ltd; 09-09, Bin body, 12 Apr 2010	11292/2010
Saville, Susan; 30-04, Dog collars dog leads dog harness, 13 Apr 2010	11283/2010	S2S Design; 02-02NES, 24-04, Medical gown having a flexible collar, (US, 15 Oct 2009) 15 Apr 2010	11412/2010
Saville, Susan; 30-04, Dog collars dog leads dog harness, 13 Apr 2010	11284/2010	Ta, David Yong Hsien; 25-01NES, Construction block, 01 Apr 2010	11208/2010
Sepa Pty. Ltd.; 23-01E, 23-01NES, Universal weir, 15 Apr 2010	11400/2010	Tam, Sam; Silvers, Michael Henry; 07-04, Muddler, (Divisional of 10525/2010) 16 Feb 2010	11196/2010
Shaser, Inc.; 24-99, Replaceable cartridge for light-based dermatologic treatment devices, (US, 08 Oct 2009) 07 Apr 2010	11225/2010	Tam, Sam; Silvers, Michael Henry; 07-04, Muddler, (Divisional of 10525/2010) 16 Feb 2010	11197/2010
Silvers, Michael Henry; Tam, Sam; 07-04, Muddler, (Divisional of 10525/2010) 16 Feb 2010	11197/2010	The Coca-Cola Company; 15-07, Cooler, (US, 29 Oct 2009) 06 Apr 2010	11212/2010
Silvers, Michael Henry; Tam, Sam; 07-04, Muddler, (Divisional of 10525/2010) 16 Feb 2010	11196/2010	The Decor Corporation Pty Ltd; 07-01NES, Container, 12 Apr 2010	11297/2010
Societe De Technologie Michelin; Michelin Recherche et Technique SA; 12-15B, A tyre, (US, 06 Oct 2009) 01 Apr 2010	11200/2010	The Decor Corporation Pty Ltd; 07-01NES, Container, 12 Apr 2010	11298/2010
Societe De Technologie Michelin; Michelin Recherche et Technique S.A.; 12-15A, A tyre, (FR, 19 Oct 2009) 15 Apr 2010	11353/2010	The Decor Corporation Pty Ltd; 07-01NES, Lid and seal for container, 12 Apr 2010	11299/2010
Solomon, Adnaan; 03-01B, Passport jacket, (WO, 25 Mar 2010) 12 Apr 2010	11267/2010	The Decor Corporation Pty Ltd; 07-01NES, Container, 12 Apr 2010	11300/2010
Solomon, Adnaan; 03-01B, Passport jacket, (WO, 25 Mar 2010) 12 Apr 2010	11268/2010	The Decor Corporation Pty Ltd; 07-01NES, Container, 12 Apr 2010	11301/2010
Solomon, Adnaan; 03-01B, Passport jacket, (WO, 25 Mar 2010) 12 Apr 2010	11269/2010	The Decor Corporation Pty Ltd; 07-01NES, Container, 12 Apr 2010	11302/2010
Soogrim, Nirvan; 14-99, Illuminated number, 07 Apr 2010	11229/2010	The Decor Corporation Pty Ltd; 07-01NES, Container, 12 Apr 2010	11303/2010
		The Procter & Gamble Company; 09-03NES, Packaging for a container, (US, 27 Aug 2009) (Divisional of 10570/2010) 19 Feb 2010	11275/2010

The Procter & Gamble Company; 09-03NES, Packaging for a container, (US, 27 Aug 2009) (Divisional of 10570/2010) 19 Feb 2010	11276/2010	Victaulic Company; 23-01A, Pipe coupling, (US, 19 Oct 2009) 16 Apr 2010	11450/2010
The Procter & Gamble Company; 09-03NES, Packing for a container, (US, 27 Aug 2009) (Divisional of 10570/2010) 19 Feb 2010	11274/2010	Victaulic Company; 23-01A, Pipe coupling segment, (US, 19 Oct 2009) 16 Apr 2010	11451/2010
The Tiffen Company, L.L.C.; 16-99, Holder, (US, 10 Nov 2009) 08 Apr 2010	11244/2010	Victaulic Company; 23-01A, Pipe coupling segment, (US, 19 Oct 2009) 16 Apr 2010	11452/2010
Thompson Couplings Limited; 23-01A, Shaft coupling, 01 Apr 2010	11201/2010	Victaulic Company; 23-01A, Pipe coupling, (US, 19 Oct 2009) 15 Apr 2010	11408/2010
Thompson Couplings Limited; 23-01A, Coupling boot, 01 Apr 2010	11211/2010	Victaulic Company; 23-01A, Pipe coupling, (US, 19 Oct 2009) 15 Apr 2010	11409/2010
Thornton, Patrick; 25-01C, Structural member, 06 Apr 2010	11202/2010	Victaulic Company; 23-01A, Pipe coupling segment, (US, 19 Oct 2009) 15 Apr 2010	11410/2010
Toyota Jidosha Kabushiki Kaisha; 26-06, Rear combination lamp for an automobile, 09 Apr 2010	11272/2010	Victaulic Company; 23-01A, Pipe coupling, (US, 19 Oct 2009) 15 Apr 2010	11354/2010
Toyota Jidosha Kabushiki Kaisha; 12-08, Automobile, 09 Apr 2010	11270/2010	Victaulic Company; 23-01A, Pipe coupling, (US, 19 Oct 2009) 15 Apr 2010	11355/2010
Toyota Jidosha Kabushiki Kaisha; 26-06, Front combination lamp for an automobile, 09 Apr 2010	11273/2010	Victaulic Company; 23-01A, Pipe coupling segment, (US, 19 Oct 2009) 15 Apr 2010	11356/2010
Toyota Jidosha Kabushiki Kaisha; 12-16C, Front bumper with front grille for an automobile, 09 Apr 2010	11271/2010	Victaulic Company; 23-01A, Pipe coupling segment, (US, 19 Oct 2009) 15 Apr 2010	11357/2010
Unilever PLC; 09-03M, Box, (GB, 28 Oct 2009) 15 Apr 2010	11394/2010	Visy R & D Pty Ltd; 06-11, Slip sheet, 16 Apr 2010	11422/2010
Unilever PLC; 09-03NES, Sachet, (GB, 28 Oct 2009) 15 Apr 2010	11395/2010	Vita-Mix Corporation; 31-00, Blender container, (US, 02 Nov 2009) 15 Apr 2010	11398/2010
Unilever PLC; 09-03M, Box, (GB, 28 Oct 2009) 15 Apr 2010	11396/2010	Wakem, John; 10-06, Ground marker, 13 Apr 2010	11333/2010
Vectura Delivery Devices Limited; 24-01, Inhaler with cover, (EM, 09 Oct 2009) 08 Apr 2010	11280/2010	Watts Hardware mfg Pty Ltd; 25-02B, Door, 14 Apr 2010	11405/2010
Vectura Delivery Devices Limited; 24-01, Inhaler with cover, (EM, 09 Oct 2009) 08 Apr 2010	11281/2010	Watts Hardware mfg Pty Ltd; 25-02B, Door, 14 Apr 2010	11406/2010
Vernals, Howard J.; 12-06A, Boat, 15 Apr 2010	11388/2010	Watts Hardware mfg Pty Ltd; 25-02B, Door, 14 Apr 2010	11407/2010
Vernals, Howard J.; 12-06A, Boat roof, 15 Apr 2010	11389/2010	Watts Hardware Mfg Pty Ltd; 25-01K, Extrusion, 14 Apr 2010	11391/2010
Victaulic Company; 23-01A, Pipe coupling segment, (US, 19 Oct 2009) 15 Apr 2010	11411/2010	Weber-Stephen Products Co.; 07-02E, Grill, (US, 07 Oct 2009) 07 Apr 2010	11219/2010
Victaulic Company; 23-01A, Pipe coupling segment, (US, 19 Oct 2009) 16 Apr 2010	11447/2010	Weber-Stephen Products Co.; 07-02N, Griddle insert, (US, 12 Oct 2009) 12 Apr 2010	11340/2010
Victaulic Company; 23-01A, Pipe coupling segment, (US, 19 Oct 2009) 16 Apr 2010	11448/2010	Weber-Stephen Products Co.; 07-02N, Sear grate insert, (US, 12 Oct 2009) 12 Apr 2010	11341/2010
Victaulic Company; 23-01A, Pipe coupling, (US, 19 Oct 2009) 16 Apr 2010	11449/2010	Weber-Stephen Products Co.; 07-02E, Union member for a grill, (US, 05 Nov 2009) 07 Apr 2010	11220/2010

Weber-Stephen Products Co.; 07-02N, Grate insert, (US, 12 Oct 2009) 12 Apr 2010	11338/2010	West Coast Chain Mfg. Co.; 08-07, Releasable attachment apparatus, (US, 16 Jan 2010) 06 Apr 2010	11198/2010
Weber-Stephen Products Co.; 07-02N, Wok insert, (US, 12 Oct 2009) 12 Apr 2010	11339/2010	Whitworth, Clive; 25-02C, Wooden lattice screen, 12 Apr 2010	11257/2010
Weber-Stephen Products Co.; 07-02E, Side table for grill, (US, 05 Nov 2009) 07 Apr 2010	11221/2010	3M Innovative Properties Company; 10-05, 14-03NES, Noise monitor having a handle, (US, 30 Oct 2009) 09 Apr 2010	11258/2010
Weber-Stephen Products Co.; 07-02E, Grill frame, (US, 05 Nov 2009) 07 Apr 2010	11222/2010	3M Innovative Properties Company; 24-01, Fibrous filtration face mask, (US, 23 Oct 2009) 15 Apr 2010	11402/2010
Weiner, Jasun; 21-01F, Scooter, (US, 19 Oct 2009) 15 Apr 2010	11397/2010		

Applications Withdrawn

14374 / 2009 (21-02F)

Applications Lapsed

13744 / 2009 (20-02C)	13745 / 2009 (20-02C)
13746 / 2009 (20-02C)	13747 / 2009 (21-01L)
13748 / 2009 (21-01L)	13800 / 2009 (02-02C)
13811 / 2009 (13-03B)	14174 / 2009 (08-10)
14579 / 2009 (03-01D)	14580 / 2009 (03-01D)
10258 / 2010 (02-02NES)	10260 / 2010 (24-99)
10853 / 2010 (20-02C)	10854 / 2010 (20-02C)
10855 / 2010 (20-02C)	10856 / 2010 (20-02C)

Extension of Period of Registration of Designs

301170	301612	301647
301930	302565	302566
302835	303209	303210
303211	303241	303293
303294	303337	303338
303341	303391	303504
303505	303506	303507
303508	303510	303531
303532	303533	303537
303543	303555	303556
303561	303562	303579
303714	303715	303856
303869	303927	304073
304092	304100	304171
304229	304418	304421
304422	304432	304556
304696	304961	304973
305122	305347	305348
305349	305486	305506
306380	306815	306927
307528	307760	310115
316714		

Registrations Ceased

300860	301122	301126
301127	301128	301129
301133	301136	301145
301146	301152	301165
301166	301169	301187
301188	301192	301193
301194	301195	301196
301197	301198	301199
301200	301204	301205
301206	301212	301214
301218	301219	301225
301227	301228	301233
301234	301235	301238
301239	301250	301270
301287	301288	301289
301290	301326	301327
301367	301368	301552
301555	301662	301673
301676	301677	301825
301826	301827	301828
302195	302244	302245
302246	302856	304548
304699	304700	304775
307319	320269	326333
327304		

Extensions of time granted under Section 137

Applications lodged under section 137 for extension of time have been granted.

- 304696 **Michael Ferman**
- 14432/2009 dt saddlery GmbH
- 14433/2009 dt saddlery GmbH
- 14434/2009 dt saddlery GmbH
- 14435/2009 dt saddlery GmbH
- 14436/2009 dt saddlery GmbH
- 14437/2009 dt saddlery GmbH
- 14438/2009 dt saddlery GmbH
- 14439/2009 dt saddlery GmbH
- 14439/2009 dt saddlery GmbH
- 14440/2009 dt saddlery GmbH
- 14460/2009 dt saddlery GmbH
- 14583/2009 **Paula Escobar**
- 14959/2009 **Becon Pty Ltd**
- 10276/2010 **Great Wall Motor Company Limited**
- 10677/2010 **Paula Escobar**
- 10678/2010 **Paula Escobar**
- 10679/2010 **Paula Escobar**

Mortgages Registered

- 316296 A mortgage has been granted to **The Royal Bank of Scotland plc**

Subsequent Owners Registered

(The name in parentheses is that of the subsequent owner)

- 318004 (**Beaver Brands Pty Limited**) Noble Workwear Pty Ltd
- 319707 (**Ptronik International Pty Ltd**) Ptronik Pty Limited
- 303193 (**Murdoch University**) Australasian CRC for Interaction Design Pty Ltd

Names Registered - Alterations and Amendments

(The name in parentheses is that of the subsequent applicant)

- 305050 (**The KraMar Pet Company**) Kra-Mar Pet Supplies Pty Ltd
- 319707 (**Ptronik Pty Limited**) Bosshard Pty Ltd
- 316296 (**Samsonite IP Holdings S.a.r.l.**) Delilah International S.a.r.l.

Certificate(s) of Examination

Examination of the following Design Registration(s) has been completed. Infringement proceedings may now be commenced.

301619	14-02	15/04/2010
301620	14-02	15/04/2010
320375	23-03B	16/04/2010
325198	12-16C	19/04/2010
327344	07-07A	13/04/2010
327584	10-02	14/04/2010
328352	22-05	15/04/2010
328517	28-03A	15/04/2010
328756	09-01H	15/04/2010
328759	09-03NES	08/04/2010
328760	09-03NES	08/04/2010
328761	09-01H	15/04/2010
328860	14-01	12/04/2010
328861	14-01	12/04/2010
328959	02-04C	20/04/2010
329052	08-08NES	15/04/2010
329053	08-08NES	15/04/2010
329054	08-08NES	15/04/2010
329087	16-06	15/04/2010
329674	19-08	09/04/2010
329675	19-08	09/04/2010
329676	19-08	09/04/2010

Publication and Registration Proceedings

Designs Registered

This section provides a concordance between design number and registration number of Designs covered in this journal. It also shows the main class and registration date.

This section covers Registration numbers 329947 to 330458 .

The registration number shown below should be used in all future correspondence.

Design Number	Registration Number	International Classification Code (IDC)	Registration Date	Design Number	Registration Number	International Classification Code (IDC)	Registration Date
12836/2009	330277	02-02B	12/04/2010	10588/2010	330350	09-03M	13/04/2010
12837/2009	330278	02-02B	12/04/2010	10589/2010	330351	09-03M	13/04/2010
12838/2009	330279	02-02B	12/04/2010	10624/2010	330358	11-01C	14/04/2010
12839/2009	330280	02-02B	12/04/2010	10657/2010	330289	26-03	12/04/2010
12840/2009	330281	02-02B	12/04/2010	10659/2010	330359	28-01	14/04/2010
12841/2009	330282	02-02B	12/04/2010	10660/2010	330360	28-01	14/04/2010
13191/2009	330442	02-02C	20/04/2010	10677/2010	330353	02-01B	13/04/2010
13971/2009	330294	15-03A	13/04/2010	10678/2010	330354	02-01B	13/04/2010
14072/2009	330283	25-01K	12/04/2010	10679/2010	330355	02-01B	13/04/2010
14175/2009	330416	14-02	19/04/2010	10698/2010	330422	12-16NES	19/04/2010
14249/2009	330284	25-01K	12/04/2010	10720/2010	330379	25-01K	15/04/2010
14375/2009	330327	21-02F	12/04/2010	10731/2010	330347	07-04	13/04/2010
14435/2009	330437	30-04	20/04/2010	10732/2010	330348	26-06	13/04/2010
14436/2009	330438	30-04	20/04/2010	10760/2010	330244	25-02A	08/04/2010
14437/2009	330439	30-04	20/04/2010	10761/2010	330245	12-15B	08/04/2010
14459/2009	330243	06-04B	08/04/2010	10762/2010	330246	25-01K	08/04/2010
14460/2009	330440	30-04	20/04/2010	10763/2010	330247	23-02B	08/04/2010
14583/2009	330352	02-01B	13/04/2010	10764/2010	330248	21-02F	08/04/2010
14784/2009	330373	02-04A	15/04/2010	10765/2010	330249	09-07C	08/04/2010
14959/2009	330285	02-02C	12/04/2010	10766/2010	330250	04-01	08/04/2010
14989/2009	330441	12-06B	20/04/2010	10815/2010	330264	12-08	09/04/2010
15022/2009	330290	26-04	13/04/2010	10817/2010	330251	25-04	08/04/2010
10185/2010	330286	08-08NES	12/04/2010	10818/2010	330252	26-05A	08/04/2010
10222/2010	330328	21-01L	14/04/2010	10819/2010	330253	26-05A	08/04/2010
10288/2010	330374	07-01NES	15/04/2010	10820/2010	330254	26-05A	08/04/2010
10289/2010	330375	07-01NES	15/04/2010	10821/2010	330255	26-05A	08/04/2010
10290/2010	330292	13-03E	13/04/2010	10822/2010	330256	14-01	08/04/2010
10297/2010	330344	13-03D	13/04/2010	10823/2010	330257	13-03B	08/04/2010
10319/2010	330293	13-03NES	13/04/2010	10824/2010	330258	13-03B	08/04/2010
10326/2010	330287	13-03D	12/04/2010	10825/2010	330259	19-06	08/04/2010
10328/2010	330288	13-03E	12/04/2010	10828/2010	330403	02-04A	16/04/2010
10329/2010	330262	13-99	09/04/2010	10829/2010	330404	02-04A	16/04/2010
10357/2010	330417	07-03	19/04/2010	10833/2010	330265	26-05D	09/04/2010
10358/2010	330418	07-03	19/04/2010	10839/2010	330260	06-04B	08/04/2010
10359/2010	330419	07-03	19/04/2010	10840/2010	330261	06-04B	08/04/2010
10360/2010	330420	07-03	19/04/2010	10842/2010	330380	12-05	15/04/2010
10361/2010	330421	07-03	19/04/2010	10857/2010	330266	07-02K	09/04/2010
10365/2010	330376	25-02B	15/04/2010	10858/2010	330267	25-02NES	09/04/2010
10366/2010	330377	25-02B	15/04/2010	10859/2010	330268	15-03A	09/04/2010
10369/2010	330378	25-03	15/04/2010	10860/2010	330269	15-03A	09/04/2010
10385/2010	330345	13-03D	13/04/2010	10861/2010	330270	15-03A	09/04/2010
10519/2010	330295	09-05	13/04/2010	10870/2010	330297	25-01B	13/04/2010
10521/2010	330357	05-05NES	14/04/2010	10871/2010	330381	06-06NES	15/04/2010
10525/2010	330346	07-04	13/04/2010	10875/2010	330271	25-01E	09/04/2010
10529/2010	330263	09-03M	09/04/2010	10876/2010	330272	03-01D	09/04/2010
10536/2010	329947	02-03	13/04/2010	10878/2010	330273	28-03NES	09/04/2010
10537/2010	329948	21-02A	13/04/2010	10883/2010	330298	13-02	13/04/2010
10538/2010	329949	21-02A	13/04/2010	10885/2010	330299	07-02NES	13/04/2010
10565/2010	330443	02-02NES	20/04/2010	10886/2010	330300	09-03NES	13/04/2010
10566/2010	330444	02-02NES	20/04/2010	10887/2010	330301	09-03NES	13/04/2010
10567/2010	330445	02-02C	20/04/2010	10889/2010	330302	15-05	13/04/2010
10570/2010	330365	09-03NES	14/04/2010	10890/2010	330330	15-05	14/04/2010
10587/2010	330349	09-03M	13/04/2010	10891/2010	330331	06-03A	14/04/2010

Publication and Registration Proceedings - Designs Registered cont'd

Design Number	Registration Number	International Classification Code (IDC)	Registration Date	Design Number	Registration Number	International Classification Code (IDC)	Registration Date
10892/2010	330332	06-03A	14/04/2010	10977/2010	330370	14-03B	15/04/2010
10893/2010	330333	13-01	14/04/2010	10980/2010	330371	12-02	15/04/2010
10894/2010	330334	14-03B	14/04/2010	10981/2010	330372	08-06	15/04/2010
10895/2010	330335	14-03B	14/04/2010	10982/2010	330406	06-03B	19/04/2010
10896/2010	330336	25-01NES	14/04/2010	10988/2010	330407	08-05H	19/04/2010
10897/2010	330337	12-08	14/04/2010	10991/2010	330408	25-01K	19/04/2010
10898/2010	330338	24-02	14/04/2010	10992/2010	330409	23-04	19/04/2010
10900/2010	330446	06-04NES	20/04/2010	11002/2010	330405	15-05	16/04/2010
10901/2010	330339	13-03D	14/04/2010	11005/2010	330296	24-04	13/04/2010
10904/2010	330303	14-01	13/04/2010	11006/2010	330410	13-03D	19/04/2010
10905/2010	330304	21-04	13/04/2010	11007/2010	330411	13-03D	19/04/2010
10906/2010	330305	14-01	13/04/2010	11008/2010	330412	13-03D	19/04/2010
10907/2010	330306	24-01	13/04/2010	11009/2010	330413	13-03D	19/04/2010
10908/2010	330307	24-01	13/04/2010	11012/2010	330414	07-01D	19/04/2010
10909/2010	330308	24-01	13/04/2010	11013/2010	330427	21-01B	19/04/2010
10910/2010	330309	24-01	13/04/2010	11014/2010	330428	21-01B	19/04/2010
10911/2010	330310	02-02B	13/04/2010	11015/2010	330429	13-03NES	19/04/2010
10912/2010	330311	14-02	13/04/2010	11016/2010	330291	26-04	13/04/2010
10913/2010	330312	14-02	13/04/2010	11018/2010	330430	12-03	19/04/2010
10914/2010	330313	14-02	13/04/2010	11021/2010	330431	26-04	19/04/2010
10915/2010	330314	14-02	13/04/2010	11022/2010	330415	07-01D	19/04/2010
10916/2010	330426	11-05	19/04/2010	11023/2010	330329	21-01L	14/04/2010
10917/2010	330315	09-03F	13/04/2010	11032/2010	330400	12-16NES	15/04/2010
10920/2010	330316	26-05NES	13/04/2010	11033/2010	330449	09-01B	21/04/2010
10921/2010	330317	03-01B	13/04/2010	11034/2010	330432	12-16B	20/04/2010
10922/2010	330318	12-05	13/04/2010	11036/2010	330433	25-01K	20/04/2010
10923/2010	330319	08-08L	13/04/2010	11037/2010	330434	25-01K	20/04/2010
10924/2010	330320	23-02B	13/04/2010	11038/2010	330435	25-01K	20/04/2010
10925/2010	330321	25-01E	13/04/2010	11039/2010	330436	25-01K	20/04/2010
10926/2010	330322	25-01K	13/04/2010	11042/2010	330450	09-01K	21/04/2010
10927/2010	330323	25-01K	13/04/2010	11043/2010	330451	09-01K	21/04/2010
10928/2010	330324	25-01K	13/04/2010	11044/2010	330452	25-01K	21/04/2010
10929/2010	330325	25-01K	13/04/2010	11045/2010	330453	20-02NES	21/04/2010
10930/2010	330326	25-01K	13/04/2010	11046/2010	330454	15-05	21/04/2010
10936/2010	330385	06-04NES	15/04/2010	11047/2010	330455	15-05	21/04/2010
10937/2010	330386	06-04NES	15/04/2010	11048/2010	330456	15-05	21/04/2010
10939/2010	330387	07-06D	15/04/2010	11049/2010	330457	04-01	21/04/2010
10946/2010	330388	02-03	15/04/2010	11050/2010	330458	15-05	21/04/2010
10948/2010	330361	11-02B	14/04/2010	11069/2010	330423	08-01	19/04/2010
10949/2010	330340	08-05L	14/04/2010	11070/2010	330424	08-01	19/04/2010
10950/2010	330341	08-08NES	14/04/2010	11104/2010	330382	06-06NES	15/04/2010
10951/2010	330342	08-05L	14/04/2010	11105/2010	330383	06-06NES	15/04/2010
10952/2010	330343	08-05L	14/04/2010	11106/2010	330384	06-06NES	15/04/2010
10953/2010	330447	06-01F	20/04/2010	11145/2010	330425	02-02B	19/04/2010
10954/2010	330448	06-01F	20/04/2010	11147/2010	330362	25-02B	14/04/2010
10955/2010	330274	06-01F	09/04/2010	11148/2010	330363	25-02B	14/04/2010
10958/2010	330389	02-02NES	15/04/2010	11149/2010	330364	25-02B	14/04/2010
10959/2010	330390	02-02NES	15/04/2010	11153/2010	330401	08-08L	15/04/2010
10960/2010	330391	02-02NES	15/04/2010	11187/2010	330275	13-99	09/04/2010
10961/2010	330392	02-02NES	15/04/2010	11188/2010	330276	13-99	09/04/2010
10965/2010	330393	06-01F	15/04/2010	11196/2010	330356	07-04	13/04/2010
10966/2010	330394	06-01F	15/04/2010	11201/2010	330402	23-01A	15/04/2010
10967/2010	330395	06-01F	15/04/2010	11274/2010	330366	09-03NES	14/04/2010
10969/2010	330396	25-99	15/04/2010	11275/2010	330367	09-03NES	14/04/2010
10970/2010	330397	25-99	15/04/2010	11276/2010	330368	09-03NES	14/04/2010
10971/2010	330398	25-99	15/04/2010				
10972/2010	330399	25-99	15/04/2010				
10974/2010	330369	25-01F	15/04/2010				

Publication and Registration Proceedings - Designs Registered cont'd

Publication and Registration Proceedings
Class Listing of Designs Published or Registered

The following section shows an International Classification Code listing of the Registered or Published Designs covered in this supplement.

Classification	Registration Number	Design Number	Classification	Registration Number	Design Number
02-01 B	330352	14583/2009	06-06 NES	330383	11105/2010
02-01 B	330353	10677/2010	06-06 NES	330384	11106/2010
02-01 B	330354	10678/2010	07-01 D	330414	11012/2010
02-01 B	330355	10679/2010	07-01 D	330415	11022/2010
02-02 B	330277	12836/2009	07-01 NES	330374	10288/2010
02-02 B	330278	12837/2009	07-01 NES	330375	10289/2010
02-02 B	330279	12838/2009	07-02 K	330266	10857/2010
02-02 B	330280	12839/2009	07-02 L	330266	10857/2010
02-02 B	330281	12840/2009	07-02 NES	330299	10885/2010
02-02 B	330282	12841/2009	07-03	330299	10885/2010
02-02 B	330310	10911/2010	07-03	330417	10357/2010
02-02 B	330425	11145/2010	07-03	330418	10358/2010
02-02 C	330285	14959/2009	07-03	330419	10359/2010
02-02 C	330442	13191/2009	07-03	330420	10360/2010
02-02 C	330445	10567/2010	07-03	330421	10361/2010
02-02 NES	330277	12836/2009	07-04	330346	10525/2010
02-02 NES	330278	12837/2009	07-04	330347	10731/2010
02-02 NES	330279	12838/2009	07-04	330356	11196/2010
02-02 NES	330280	12839/2009	07-06 D	330387	10939/2010
02-02 NES	330281	12840/2009	08-01	330423	11069/2010
02-02 NES	330282	12841/2009	08-01	330424	11070/2010
02-02 NES	330389	10958/2010	08-05 H	330407	10988/2010
02-02 NES	330390	10959/2010	08-05 L	330340	10949/2010
02-02 NES	330391	10960/2010	08-05 L	330342	10951/2010
02-02 NES	330392	10961/2010	08-05 L	330343	10952/2010
02-02 NES	330426	10916/2010	08-06	330372	10981/2010
02-02 NES	330442	13191/2009	08-08 L	330319	10923/2010
02-02 NES	330443	10565/2010	08-08 L	330401	11153/2010
02-02 NES	330444	10566/2010	08-08 NES	330286	10185/2010
02-03	329947	10536/2010	08-08 NES	330341	10950/2010
02-03	330388	10946/2010	09-01 B	330449	11033/2010
02-04 A	330373	14784/2009	09-01 K	330450	11042/2010
02-04 A	330403	10828/2010	09-01 K	330451	11043/2010
02-04 A	330404	10829/2010	09-03 F	330315	10917/2010
03-01 B	330317	10921/2010	09-03 M	330263	10529/2010
03-01 D	330272	10876/2010	09-03 M	330349	10587/2010
04-01	330250	10766/2010	09-03 M	330350	10588/2010
04-01	330457	11049/2010	09-03 M	330351	10589/2010
05-05 NES	330357	10521/2010	09-03 NES	330300	10886/2010
06-01 F	330274	10955/2010	09-03 NES	330301	10887/2010
06-01 F	330393	10965/2010	09-03 NES	330365	10570/2010
06-01 F	330394	10966/2010	09-03 NES	330366	11274/2010
06-01 F	330395	10967/2010	09-03 NES	330367	11275/2010
06-01 F	330447	10953/2010	09-03 NES	330368	11276/2010
06-01 F	330448	10954/2010	09-05	330295	10519/2010
06-03 A	330331	10891/2010	09-07 C	330249	10765/2010
06-03 A	330332	10892/2010	09-07 NES	330286	10185/2010
06-03 B	330406	10982/2010	11-01 C	330358	10624/2010
06-04 B	330243	14459/2009	11-02 B	330361	10948/2010
06-04 B	330260	10839/2010	11-05	330426	10916/2010
06-04 B	330261	10840/2010	12-02	330371	10980/2010
06-04 NES	330385	10936/2010	12-03	330430	11018/2010
06-04 NES	330386	10937/2010	12-05	330318	10922/2010
06-04 NES	330446	10900/2010	12-05	330380	10842/2010
06-06 NES	330381	10871/2010	12-06 B	330441	14989/2009
06-06 NES	330382	11104/2010	12-08	330264	10815/2010

Registration Proceedings - Class Listing of Designs Published or Registered cont'd

Classification	Registration Number	Design Number	Classification	Registration Number	Design Number
12-08	330337	10897/2010	21-01 E	330381	10871/2010
12-15 B	330245	10761/2010	21-01 E	330382	11104/2010
12-16 B	330432	11034/2010	21-01 E	330383	11105/2010
12-16 NES	330400	11032/2010	21-01 E	330384	11106/2010
12-16 NES	330422	10698/2010	21-01 L	330328	10222/2010
13-01	330333	10893/2010	21-01 L	330329	11023/2010
13-02	330298	10883/2010	21-02 A	329948	10537/2010
13-03 B	330257	10823/2010	21-02 A	329949	10538/2010
13-03 B	330258	10824/2010	21-02 F	330248	10764/2010
13-03 D	330287	10326/2010	21-02 F	330327	14375/2009
13-03 D	330316	10920/2010	21-02 NES	330296	11005/2010
13-03 D	330339	10901/2010	21-04	330304	10905/2010
13-03 D	330344	10297/2010	23-01 A	330402	11201/2010
13-03 D	330345	10385/2010	23-01 B	330378	10369/2010
13-03 D	330410	11006/2010	23-02 B	330247	10763/2010
13-03 D	330411	11007/2010	23-02 B	330320	10924/2010
13-03 D	330412	11008/2010	23-04	330292	10290/2010
13-03 D	330413	11009/2010	23-04	330409	10992/2010
13-03 E	330288	10328/2010	24-01	330306	10907/2010
13-03 E	330292	10290/2010	24-01	330307	10908/2010
13-03 E	330339	10901/2010	24-01	330308	10909/2010
13-03 E	330410	11006/2010	24-01	330309	10910/2010
13-03 E	330411	11007/2010	24-02	330338	10898/2010
13-03 E	330412	11008/2010	24-04	330296	11005/2010
13-03 E	330413	11009/2010	24-04	330389	10958/2010
13-03 NES	330293	10319/2010	24-04	330390	10959/2010
13-03 NES	330429	11015/2010	24-04	330391	10960/2010
13-99	330262	10329/2010	24-04	330392	10961/2010
13-99	330275	11187/2010	24-99	330414	11012/2010
13-99	330276	11188/2010	24-99	330415	11022/2010
14-01	330256	10822/2010	25-01 B	330297	10870/2010
14-01	330303	10904/2010	25-01 E	330271	10875/2010
14-01	330305	10906/2010	25-01 E	330321	10925/2010
14-02	330311	10912/2010	25-01 F	330369	10974/2010
14-02	330312	10913/2010	25-01 K	330246	10762/2010
14-02	330313	10914/2010	25-01 K	330283	14072/2009
14-02	330314	10915/2010	25-01 K	330284	14249/2009
14-02	330416	14175/2009	25-01 K	330322	10926/2010
14-03 B	330334	10894/2010	25-01 K	330323	10927/2010
14-03 B	330335	10895/2010	25-01 K	330324	10928/2010
14-03 B	330370	10977/2010	25-01 K	330325	10929/2010
14-04	330416	14175/2009	25-01 K	330326	10930/2010
15-01	330378	10369/2010	25-01 K	330379	10720/2010
15-03 A	330268	10859/2010	25-01 K	330408	10991/2010
15-03 A	330269	10860/2010	25-01 K	330433	11036/2010
15-03 A	330270	10861/2010	25-01 K	330434	11037/2010
15-03 A	330294	13971/2009	25-01 K	330435	11038/2010
15-05	330302	10889/2010	25-01 K	330436	11039/2010
15-05	330330	10890/2010	25-01 K	330446	10900/2010
15-05	330405	11002/2010	25-01 K	330452	11044/2010
15-05	330454	11046/2010	25-01 NES	330336	10896/2010
15-05	330455	11047/2010	25-02 A	330244	10760/2010
15-05	330456	11048/2010	25-02 B	330362	11147/2010
15-05	330457	11049/2010	25-02 B	330363	11148/2010
15-05	330458	11050/2010	25-02 B	330364	11149/2010
19-06	330259	10825/2010	25-02 B	330376	10365/2010
20-02 NES	330453	11045/2010	25-02 B	330377	10366/2010
21-01 B	330427	11013/2010	25-02 NES	330267	10858/2010
21-01 B	330428	11014/2010	25-03	330378	10369/2010

Registration Proceedings - Class Listing of Designs Published or Registered cont'd

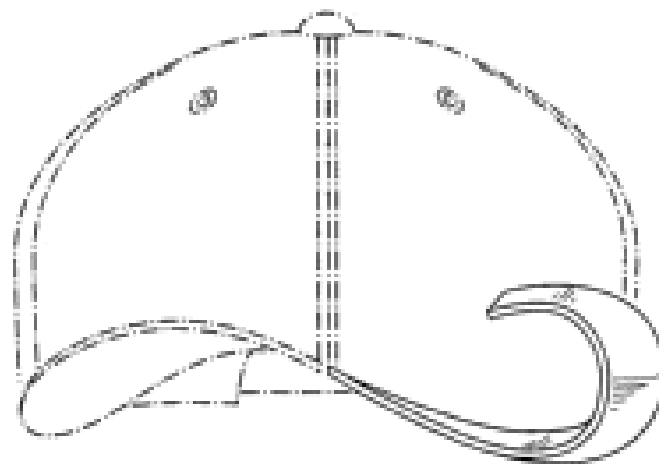
Classification	Registration Number	Design Number	Classification	Registration Number	Design Number
25-04	330251	10817/2010	26-05 A	330255	10821/2010
25-04	330267	10858/2010	26-05 D	330265	10833/2010
25-99	330396	10969/2010	26-05 NES	330316	10920/2010
25-99	330397	10970/2010	26-06	330348	10732/2010
25-99	330398	10971/2010	26-99	330339	10901/2010
25-99	330399	10972/2010	28-01	330359	10659/2010
26-03	330289	10657/2010	28-01	330360	10660/2010
26-04	330290	15022/2009	28-03 NES	330273	10878/2010
26-04	330291	11016/2010	30-04	330437	14435/2009
26-04	330431	11021/2010	30-04	330438	14436/2009
26-05 A	330252	10818/2010	30-04	330439	14437/2009
26-05 A	330253	10819/2010	30-04	330440	14460/2009
26-05 A	330254	10820/2010			

(19) AU

- (21) Design Number: **10536/2010**
- (22) Date of Filing Application: **17 February 2010**
- (24) Date from which industrial property rights may have effect: **17 February 2010**
- (54) Product in respect of which the design is registered: **Hat brim**
- (51) International Design Classification: **02-03**
- (71) Name(s) and Address(s) of Applicant(s):

Gravity Conservation LLC
108 Woodlawn Road Baltimore 21210 Maryland United States of America

- (72) Name(s) of Designer(s): **Ronald Schmelzer**
 - (45) Registration Date: **13 April 2010**
 - (30) Convention priority data:
- | | | |
|-------------------|--------------------|---------------------------------|
| (31) Number | (32) Date | (33) Country |
| 29/342,254 | 20 Aug 2009 | UNITED STATES OF AMERICA |
- (56) Related Art Documents: **Not Applicable**



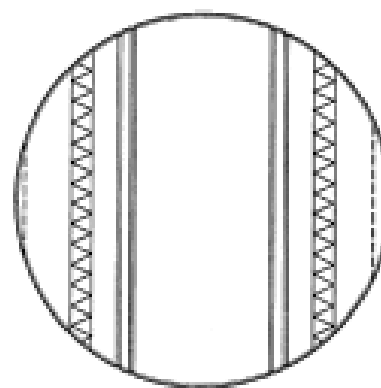
- (57) Statement of Newness and Distinctiveness: **Newness and distinctiveness resides in the shape and configuration of a portion of a hat brim that is shown in solid lines in the accompanying representations, wherein a body of the hat and stitching of the hat do not form part of the design and are to be disregarded.**

(19) AU

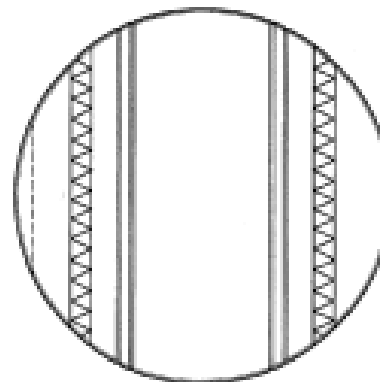
- (21) Design Number: **10537/2010**
- (22) Date of Filing Application: **18 February 2010**
- (24) Date from which industrial property rights may have effect: **18 February 2010**
- (54) Product in respect of which the design is registered: **Bowling ball**
- (51) International Design Classification: **21-02A**
- (71) Name(s) and Address(s) of Applicant(s):

Walter Jacobs
Unit 12 Platinum Business Park 36 Ralph Street Alexandria New South Wales 2015 Australia

- (72) Name(s) of Designer(s): **Walter Jacobs**
 - (45) Registration Date: **13 April 2010**
 - (30) Convention priority data:
- | | | |
|--------------------|--------------------|---------------------|
| (31) Number | (32) Date | (33) Country |
| A2009/02005 | 23 Dec 2009 | SOUTH AFRICA |
- (56) Related Art Documents: **Not Applicable**



- (57) Statement of Newness and Distinctiveness: **The newness and distinctiveness resides in the features of the shape and/or configuration and/or pattern and/or ornamentation of a bowling ball as shown in the accompanying representations; the patterns represented by the broken lines do not form an essential part of the design.**



(21) Design Number: **10538/2010**

(22) Date of Filing Application: **18 February 2010**

(24) Date from which industrial property rights may have effect: **18 February 2010**

(54) Product in respect of which the design is registered: **Bowling ball**

(51) International Design Classification: **21-02A**

(71) Name(s) and Address(s) of Applicant(s):

Walter Jacobs
Unit 12 Platinum Business Park 36 Ralph Street Alexandria New
South Wales 2015 Australia

(72) Name(s) of Designer(s): **Walter Jacobs**

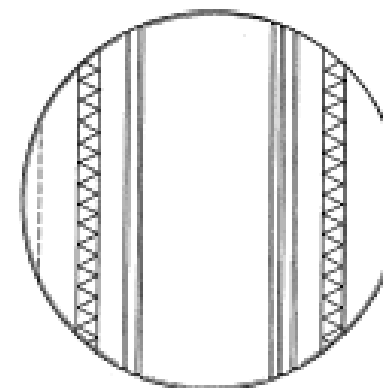
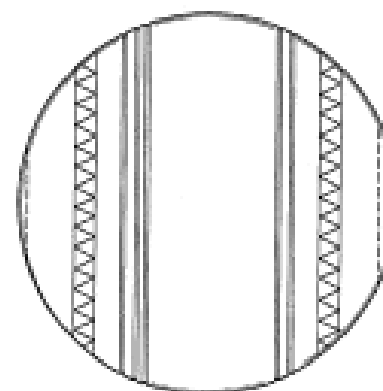
(45) Registration Date: **13 April 2010**

(30) Convention priority data:

(31) Number	(32) Date	(33) Country
A2009/02003	23 Dec 2009	SOUTH AFRICA

(56) Related Art Documents: **Not Applicable**

(57) Statement of Newness and Distinctiveness: **The newness and distinctiveness resides in the features of the shape and/or configuration and/or pattern and/or ornamentation of a bowling ball as shown in the accompanying representations; the patterns represented by the broken lines do not form an essential part of the design.**



(21) Design Number: **14459/2009**

(22) Date of Filing Application: **16 November 2009**

(24) Date from which industrial property rights may have effect: **16 November 2009**

(54) Product in respect of which the design is registered: **Filing cabinet**

(51) International Design Classification: **06-04B**

(71) Name(s) and Address(s) of Applicant(s):

H & H Asia Pty Ltd
Unit 2/7 Wallace Avenue Point Cook Victoria 3030 Australia

(72) Name(s) of Designer(s): **Nick Lin**

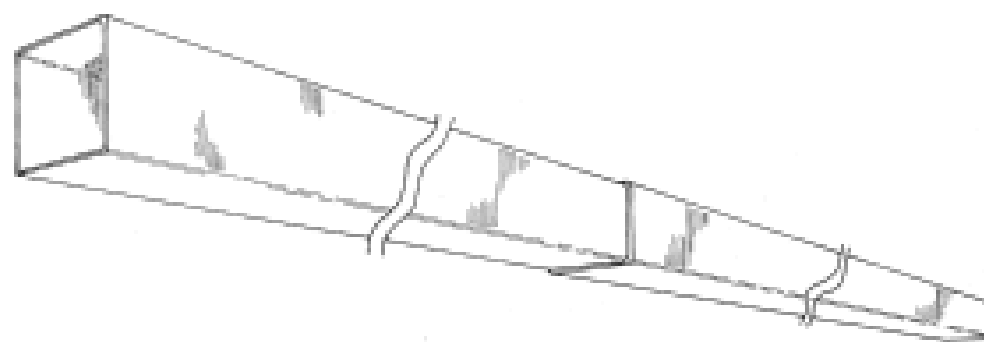
(45) Registration Date: **08 April 2010**

(56) Related Art Documents: **Not Applicable**

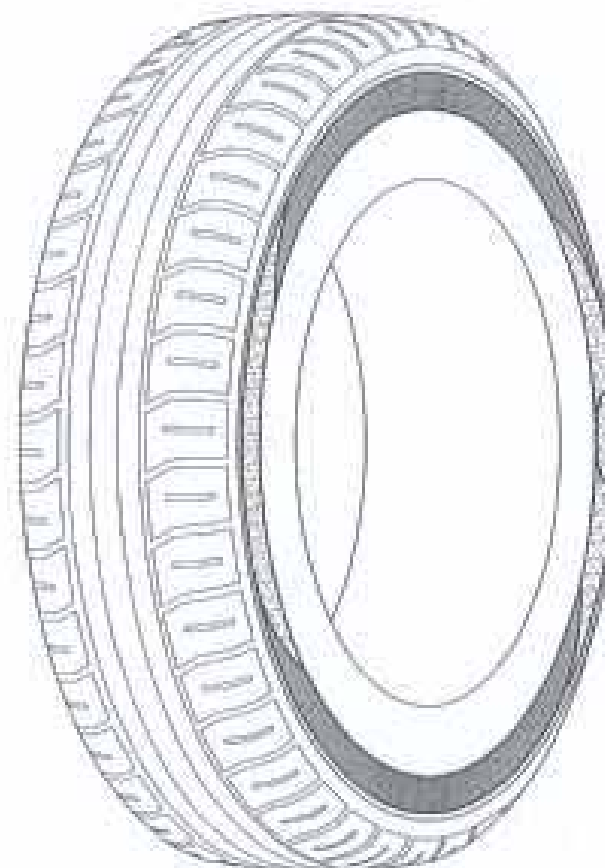
(57) Statement of Newness and Distinctiveness: **Newness and distinctiveness resides in the features of shape and/or configuration of a filing cabinet as illustrated in the accompanying representations.**



(21) Design Number: **10760/2010**
 (22) Date of Filing Application: **08 March 2010**
 (24) Date from which industrial property rights may have effect: **08 March 2010**
 (54) Product in respect of which the design is registered: **Pole comprising sections of indefinite length**
 (51) International Design Classification: **25-02A**
 (71) Name(s) and Address(s) of Applicant(s):
Australian Tube Mills Pty Limited
Level 40 259 George Street Sydney New South Wales 2000 Australia
 (72) Name(s) of Designer(s): **Graham Brown**
 (45) Registration Date: **08 April 2010**
 (56) Related Art Documents: **Not Applicable**
 (57) Statement of Newness and Distinctiveness: **Newness and distinctiveness resides in the visual features, including shape and configuration, of the constant hollow cross-section as applied to each of the INDEFINITE LENGTH SECTIONS of the POLE as shown in the accompanying representations.**



(21) Design Number: **10761/2010**
 (22) Date of Filing Application: **08 March 2010**
 (24) Date from which industrial property rights may have effect: **08 March 2010**
 (54) Product in respect of which the design is registered: **Tyre**
 (51) International Design Classification: **12-15B**
 (71) Name(s) and Address(s) of Applicant(s):
The Goodyear Tire & Rubber Company
1144 East Market Street Akron Ohio 44316-0001 United States of America
 (72) Name(s) of Designer(s): **Jonathan James Shondel**
 (45) Registration Date: **08 April 2010**
 (30) Convention priority data:
 (31) Number (32) Date (33) Country
29/344,479 30 Sep 2009 UNITED STATES OF AMERICA
 (56) Related Art Documents: **Not Applicable**
 (57) Statement of Newness and Distinctiveness: **Newness and distinctiveness is claimed in the features of the sidewall of a tyre as illustrated in the accompanying representations.**



(21) Design Number: **10762/2010**

(22) Date of Filing Application: **08 March 2010**

(24) Date from which industrial property rights may have effect: **08 March 2010**

(54) Product in respect of which the design is registered: **A container lid**

(51) International Design Classification: **25-01K**

(71) Name(s) and Address(s) of Applicant(s):

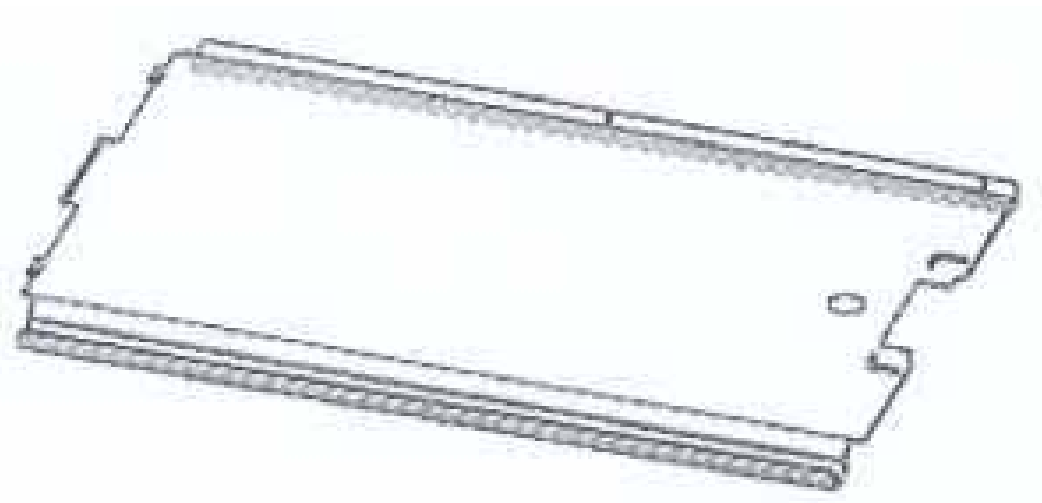
**A Plus Plastics & Tooling Pty Ltd
4 Huntsmore Road Minto New South Wales 2566 Australia**

(72) Name(s) of Designer(s): **Mark Walters and Robert Flint**

(45) Registration Date: **08 April 2010**

(56) Related Art Documents: **Not Applicable**

(57) Statement of Newness and Distinctiveness: **Newness and distinctiveness is claimed in the features of shape and/or configuration of a container lid as illustrated in the accompanying representations.**



(21) Design Number: **10763/2010**

(22) Date of Filing Application: **05 March 2010**

(24) Date from which industrial property rights may have effect: **05 March 2010**

(54) Product in respect of which the design is registered: **A shower fitting**

(51) International Design Classification: **23-02B**

(71) Name(s) and Address(s) of Applicant(s):

**Novetec Building Products Pty Ltd
PO Box 1596 Osborne Park Western Australia 6916 Australia**

(72) Name(s) of Designer(s): **Armando Rigo**

(45) Registration Date: **08 April 2010**

(56) Related Art Documents: **Not Applicable**

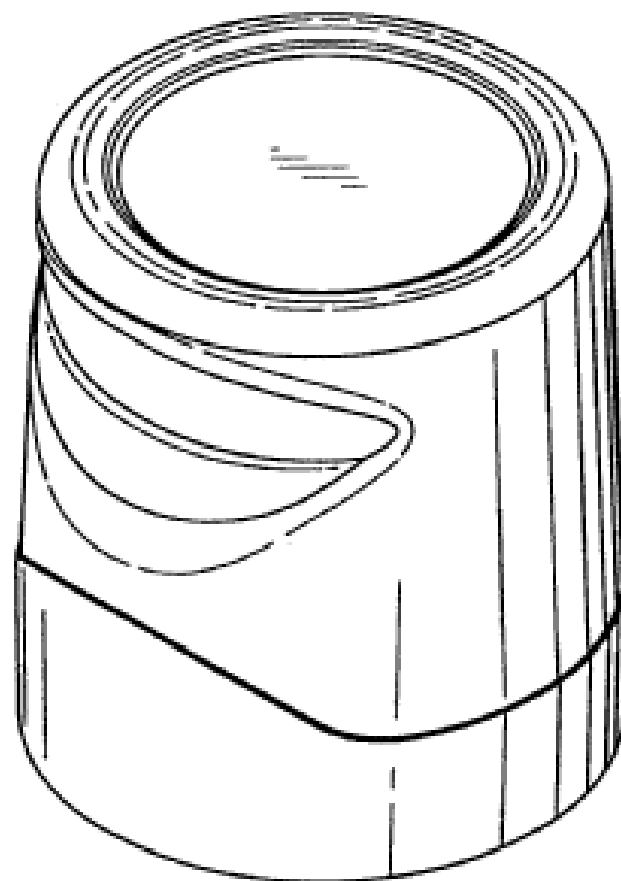
(57) Statement of Newness and Distinctiveness: **The particular visual features of the design which are new and distinctive are shape OR configuration.**



- (21) Design Number: **10764/2010**
(22) Date of Filing Application: **05 March 2010**
(24) Date from which industrial property rights may have effect: **05 March 2010**
(54) Product in respect of which the design is registered: **Exercise device**
(51) International Design Classification: **21-02F**
(71) Name(s) and Address(s) of Applicant(s):
Straksstrak B.V.
Eerste Stationsstraat 88, 2712 HK Zoetermeer The Netherlands
(72) Name(s) of Designer(s): **A. de Boers and G. van der Houwen and F.J. van Drenth and M.G.M. von Heijden and A. Zijta**
(45) Registration Date: **08 April 2010**
(30) Convention priority data:
(31) Number (32) Date (33) Country
001615022 23 Sep 2009 EUROPEAN COMMUNITY
(56) Related Art Documents: **Not Applicable**
(57) Statement of Newness and Distinctiveness: **Newness and distinctiveness is claimed in the features of shape and/or configuration of an exercise device as illustrated in the accompanying representations.**



- (21) Design Number: **10765/2010**
(22) Date of Filing Application: **05 March 2010**
(24) Date from which industrial property rights may have effect: **05 March 2010**
(54) Product in respect of which the design is registered: **Closure**
(51) International Design Classification: **09-07C**
(71) Name(s) and Address(s) of Applicant(s):
Seaquist Closures L.L.C.
711 Fox Street Mukwonago Wisconsin 53149 United States of America
(72) Name(s) of Designer(s): **Timothy M. Mazurkiewicz**
(45) Registration Date: **08 April 2010**
(30) Convention priority data:
(31) Number (32) Date (33) Country
29/316718 23 Oct 2009 UNITED STATES OF AMERICA
(56) Related Art Documents: **Not Applicable**
(57) Statement of Newness and Distinctiveness: **Newness and distinctiveness is claimed in those features of shape and/or configuration of a closure illustrated in continuous lines in the accompanying representations.**



- (21) Design Number: **10766/2010**
(22) Date of Filing Application: **05 March 2010**
(24) Date from which industrial property rights may have effect: **05 March 2010**
(54) Product in respect of which the design is registered: **Cleaning implement**
(51) International Design Classification: **04-01**
(71) Name(s) and Address(s) of Applicant(s):

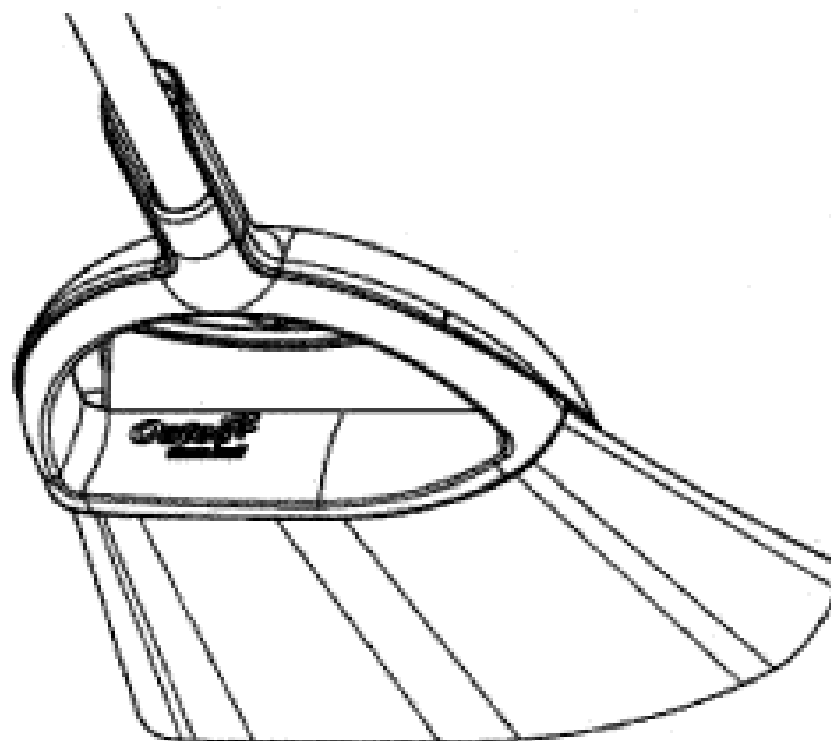
ED Oates Pty Ltd
Maygar Boulevard Broadmeadows Victoria 3047 Australia

- (72) Name(s) of Designer(s): **Paul Charlwood and Luca Abate**

(45) Registration Date: **08 April 2010**

(56) Related Art Documents: **Not Applicable**

(57) Statement of Newness and Distinctiveness: **Newness and distinctiveness resides in the visual features of shape and/or configuration of a cleaning implement as illustrated in the accompanying representations. The shape and/or configuration of the broom handle does not form part of the design and is to be disregarded when considering whether the design is identical or substantially similar in overall impression to another design. The words 'Oates Cleans Best' and flower device do not form part of the design and are to be similarly disregarded.**



- (21) Design Number: **10817/2010**
(22) Date of Filing Application: **09 March 2010**
(24) Date from which industrial property rights may have effect: **09 March 2010**
(54) Product in respect of which the design is registered: **Transportable demountable stage**
(51) International Design Classification: **25-04**
(71) Name(s) and Address(s) of Applicant(s):

Alan David Mogridge
18 Gariver Street Leeming Western Australia 6149 Australia

- (72) Name(s) of Designer(s): **Alan David Mogridge**

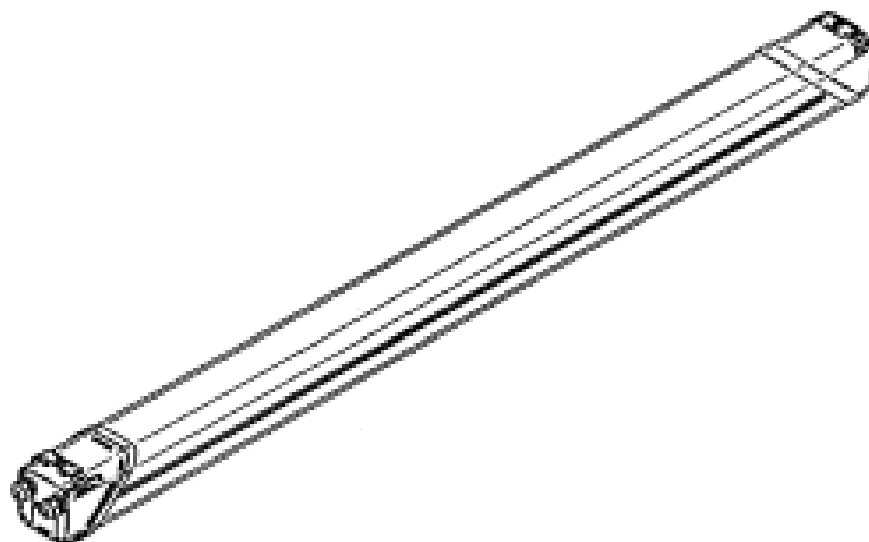
(45) Registration Date: **08 April 2010**

(56) Related Art Documents: **Not Applicable**

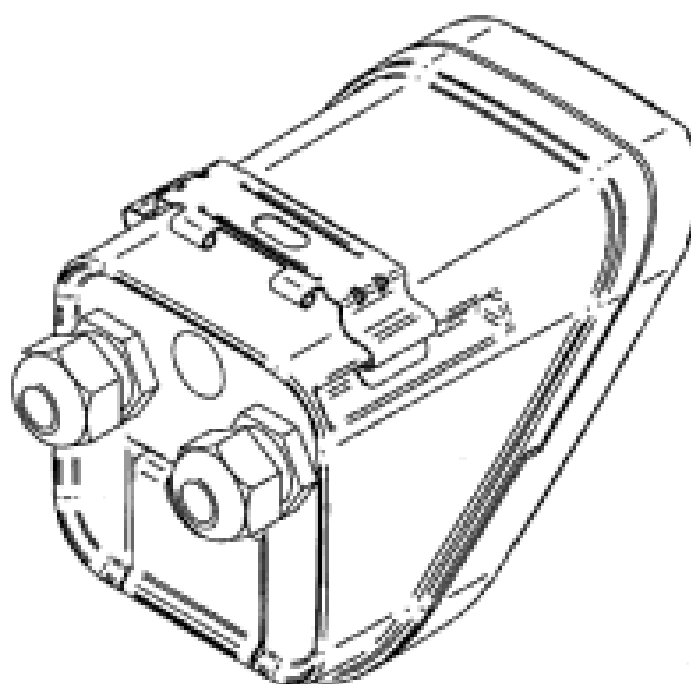
(57) Statement of Newness and Distinctiveness: **The stage area is set up between the two trailers. The dressing rooms are positioned on the outside of each trailer. The overhead lighting trusses are supported at each end on mechanisms attached to the two trailers.**



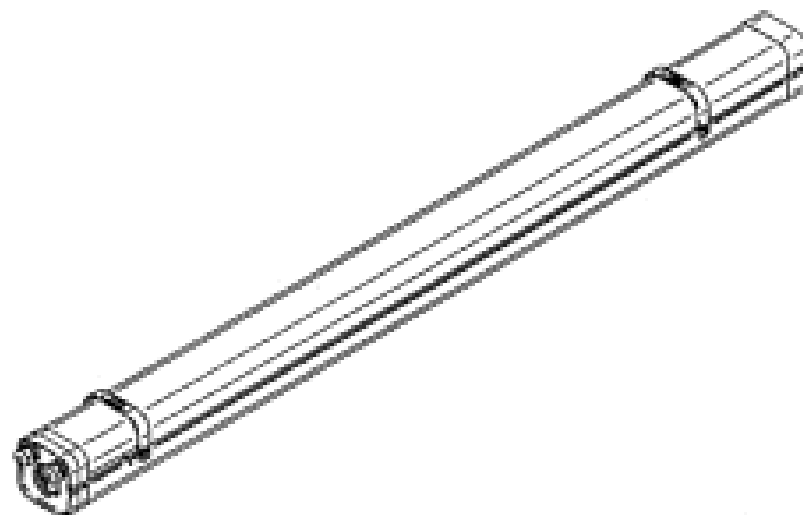
- (21) Design Number: **10818/2010**
(22) Date of Filing Application: **09 March 2010**
(24) Date from which industrial property rights may have effect: **09 March 2010**
(54) Product in respect of which the design is registered: **Luminaire**
(51) International Design Classification: **26-05A**
(71) Name(s) and Address(s) of Applicant(s):
Koninklijke Philips Electronics N.V.
Groenewoudseweg 1 5621 BA Eindhoven The Netherlands
(72) Name(s) of Designer(s): **Thomas Duster**
(45) Registration Date: **08 April 2010**
(30) Convention priority data:
(31) Number (32) Date (33) Country
001609231-0001 09 Sep 2009 EUROPEAN COMMUNITY
(56) Related Art Documents: **Not Applicable**
(57) Statement of Newness and Distinctiveness: **Newness and distinctiveness reside in the features of shape and configurations of the design shown in the representations.**



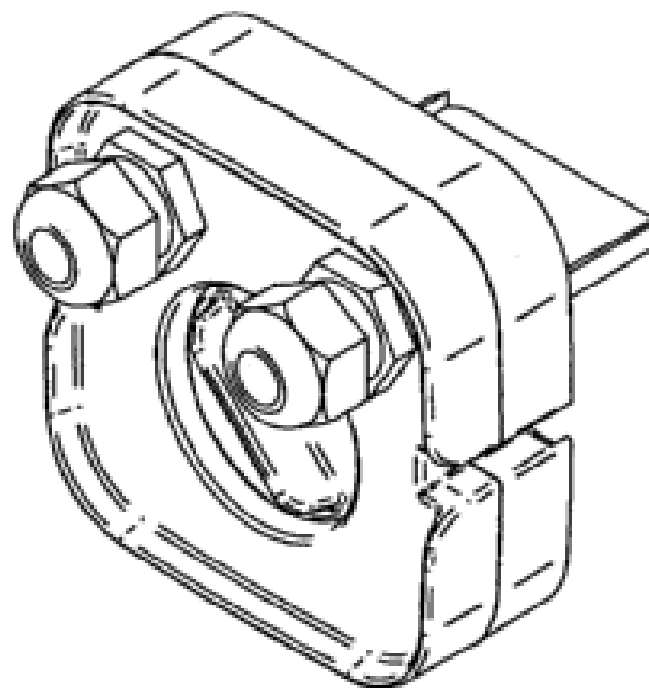
- (21) Design Number: **10819/2010**
(22) Date of Filing Application: **09 March 2010**
(24) Date from which industrial property rights may have effect: **09 March 2010**
(54) Product in respect of which the design is registered: **End cap for luminaire**
(51) International Design Classification: **26-05A**
(71) Name(s) and Address(s) of Applicant(s):
Koninklijke Philips Electronics N.V.
Groenewoudseweg 1 5621 BA Eindhoven The Netherlands
(72) Name(s) of Designer(s): **Thomas Duster**
(45) Registration Date: **08 April 2010**
(30) Convention priority data:
(31) Number (32) Date (33) Country
001609231-0002 09 Sep 2009 EUROPEAN COMMUNITY
(56) Related Art Documents: **Not Applicable**
(57) Statement of Newness and Distinctiveness: **Newness and distinctiveness reside in the features shape and configuration of the design as shown in the representations.**



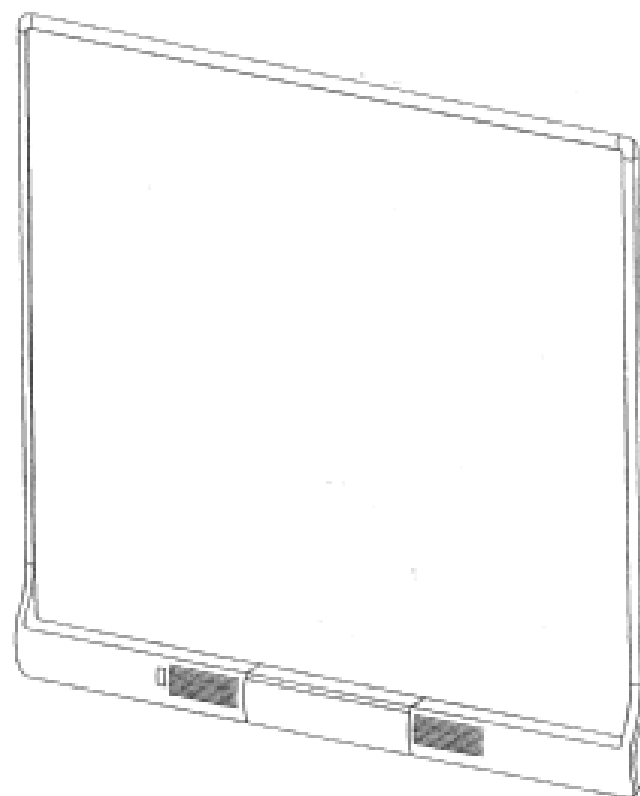
- (21) Design Number: **10820/2010**
(22) Date of Filing Application: **09 March 2010**
(24) Date from which industrial property rights may have effect: **09 March 2010**
(54) Product in respect of which the design is registered: **Luminaire**
(51) International Design Classification: **26-05A**
(71) Name(s) and Address(s) of Applicant(s):
Koninklijke Philips Electronics N.V.
Groenewoudseweg 1 5621 BA Eindhoven The Netherlands
(72) Name(s) of Designer(s): **Thomas Duster**
(45) Registration Date: **08 April 2010**
(30) Convention priority data:
(31) Number (32) Date (33) Country
001609231-0003 09 Sep 2009 EUROPEAN COMMUNITY
(56) Related Art Documents: **Not Applicable**
(57) Statement of Newness and Distinctiveness: **Newness and distinctiveness reside in the features of shape and configuration of the design shown in the representations.**



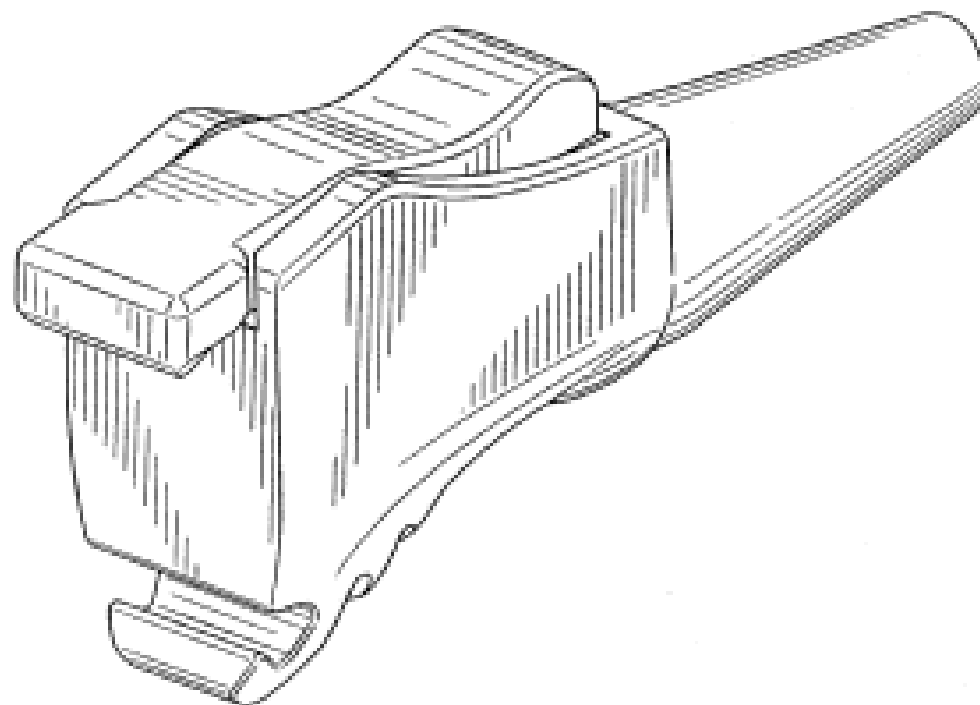
- (21) Design Number: **10821/2010**
(22) Date of Filing Application: **09 March 2010**
(24) Date from which industrial property rights may have effect: **09 March 2010**
(54) Product in respect of which the design is registered: **End cap for luminaire**
(51) International Design Classification: **26-05A**
(71) Name(s) and Address(s) of Applicant(s):
Koninklijke Philips Electronics N.V.
Groenewoudseweg 1 5621 BA Eindhoven The Netherlands
(72) Name(s) of Designer(s): **Thomas Duster**
(45) Registration Date: **08 April 2010**
(30) Convention priority data:
(31) Number (32) Date (33) Country
001609231-0004 09 Sep 2009 EUROPEAN COMMUNITY
(56) Related Art Documents: **Not Applicable**
(57) Statement of Newness and Distinctiveness: **Newness and distinctiveness reside in the features of shape and configuration of the design as shown in the representations.**



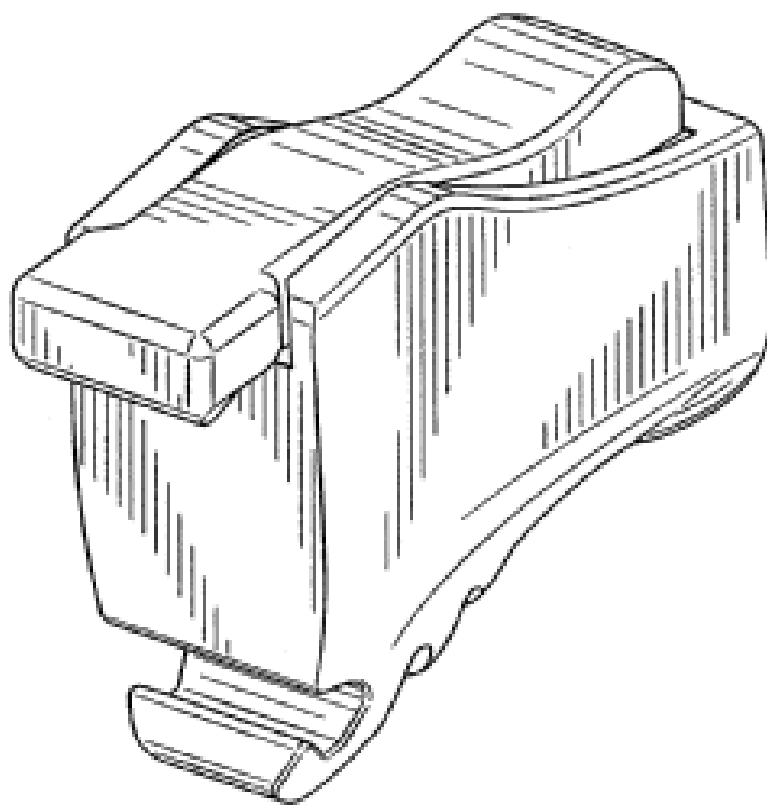
- (21) Design Number: **10822/2010**
(22) Date of Filing Application: **09 March 2010**
(24) Date from which industrial property rights may have effect: **09 March 2010**
(54) Product in respect of which the design is registered: **Electronic board**
(51) International Design Classification: **14-01**
(71) Name(s) and Address(s) of Applicant(s):
Panasonic Corporation
1006 Oaza Kadoma Kadoma-shi Osaka 571-8501 Japan
(72) Name(s) of Designer(s): **Junichi Ogawa and Atsushi Tani and Toshihiro Nakashima**
(45) Registration Date: **08 April 2010**
(30) Convention priority data:
(31) Number (32) Date (33) Country
2009-029448 18 Dec 2009 JAPAN
(56) Related Art Documents: **Not Applicable**
(57) Statement of Newness and Distinctiveness: **Newness and distinctiveness is claimed in the features of shape and/or configuration of an electronic board as illustrated in solid lines in the accompanying representations.**



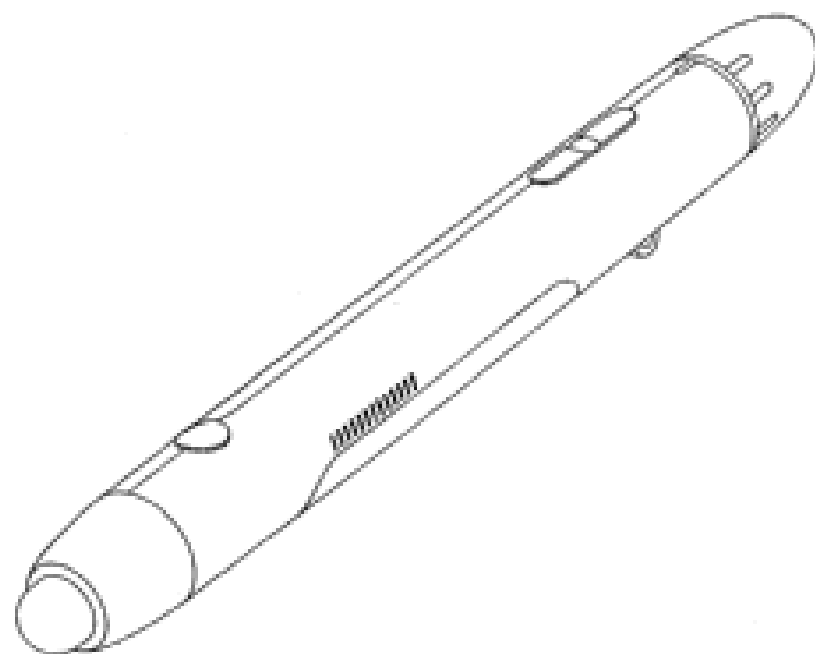
- (21) Design Number: **10823/2010**
(22) Date of Filing Application: **09 March 2010**
(24) Date from which industrial property rights may have effect: **09 March 2010**
(54) Product in respect of which the design is registered: **Electrical connector**
(51) International Design Classification: **13-03B**
(71) Name(s) and Address(s) of Applicant(s):
Voccollect, Inc.
703 Rodi Road Pittsburgh Pennsylvania 15235-4558 United States of America
(72) Name(s) of Designer(s): **Gordon Slippy and Donald E. Hines and Charles Amurgis and Jon J. Danzak**
(45) Registration Date: **08 April 2010**
(30) Convention priority data:
(31) Number (32) Date (33) Country
29/343217 09 Sep 2009 UNITED STATES OF AMERICA
(56) Related Art Documents: **Not Applicable**
(57) Statement of Newness and Distinctiveness: **Newness and distinctiveness is claimed in the features of shape and/or configuration of an electrical connector as illustrated in the accompanying representations.**



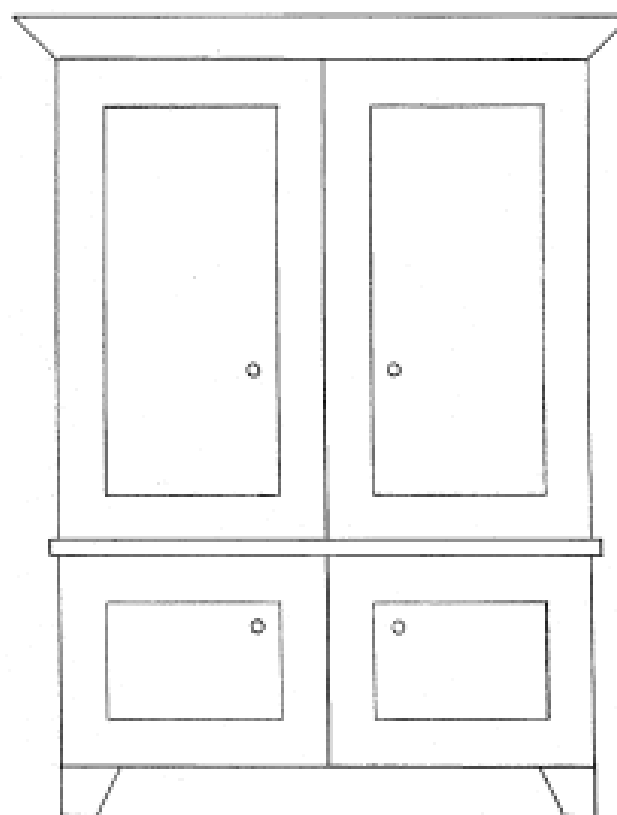
- (21) Design Number: **10824/2010**
(22) Date of Filing Application: **09 March 2010**
(24) Date from which industrial property rights may have effect: **09 March 2010**
(54) Product in respect of which the design is registered: **Electrical connector**
(51) International Design Classification: **13-03B**
(71) Name(s) and Address(s) of Applicant(s):
Vocollect, Inc.
703 Rodi Road Pittsburgh Pennsylvania 15235-4558 United States of America
(72) Name(s) of Designer(s): **Gordon Slippy and Donald E. Hines and Charles Amurgis and Jon J. Danzak**
(45) Registration Date: **08 April 2010**
(30) Convention priority data:
(31) Number (32) Date (33) Country
29/343217 09 Sep 2009 UNITED STATES OF AMERICA
(56) Related Art Documents: **Not Applicable**
(57) Statement of Newness and Distinctiveness: **Newness and distinctiveness is claimed in the features of shape and/or configuration of an electrical connector as illustrated in the accompanying representations.**



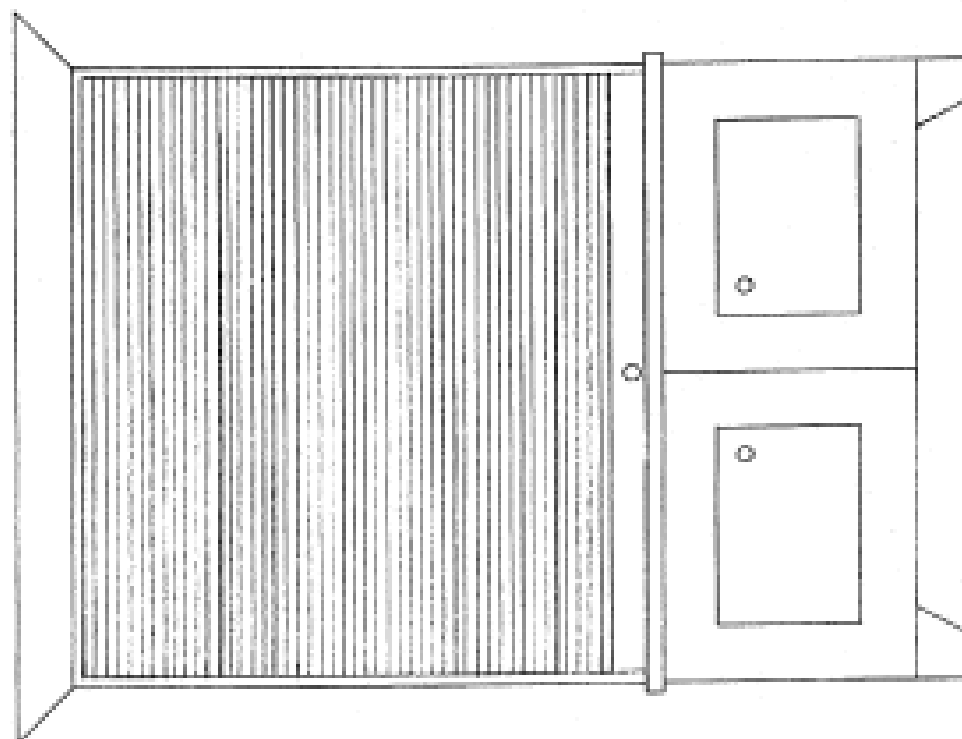
- (21) Design Number: **10825/2010**
(22) Date of Filing Application: **09 March 2010**
(24) Date from which industrial property rights may have effect: **09 March 2010**
(54) Product in respect of which the design is registered: **Electronic pen**
(51) International Design Classification: **19-06**
(71) Name(s) and Address(s) of Applicant(s):
Panasonic Corporation
1006 Oaza Kadoma Kadoma-shi Osaka 571-8501 Japan
(72) Name(s) of Designer(s): **Atsushi Tani and Toshihiro Nakashima**
(45) Registration Date: **08 April 2010**
(30) Convention priority data:
(31) Number (32) Date (33) Country
2009-030516 28 Dec 2009 JAPAN
(56) Related Art Documents: **Not Applicable**
(57) Statement of Newness and Distinctiveness: **Newness and distinctiveness is claimed in the features of shape and/or configuration of an electronic pen as illustrated in the accompanying representations.**



- (21) Design Number: **10839/2010**
- (22) Date of Filing Application: **11 March 2010**
- (24) Date from which industrial property rights may have effect: **11 March 2010**
- (54) Product in respect of which the design is registered: **Office cupboard**
- (51) International Design Classification: **06-04B**
- (71) Name(s) and Address(s) of Applicant(s):
Olympia McEnhill
2 Acheron Court Hampton East Victoria 3188 Australia
- (72) Name(s) of Designer(s): **Olympia McEnhill**
- (45) Registration Date: **08 April 2010**
- (56) Related Art Documents: **Not Applicable**
- (57) Statement of Newness and Distinctiveness: **Cupboard with four doors; when opened reveals a complete office solution with a chair cavity, wire management holes, hanging and stand-up file space & retractable printer drawer.**



- (21) Design Number: **10840/2010**
- (22) Date of Filing Application: **11 March 2010**
- (24) Date from which industrial property rights may have effect: **11 March 2010**
- (54) Product in respect of which the design is registered: **Office cupboard**
- (51) International Design Classification: **06-04B**
- (71) Name(s) and Address(s) of Applicant(s):
Olympia McEnhill
2 Acheron Court Hampton East Victoria 3188 Australia
- (72) Name(s) of Designer(s): **Olympia McEnhill**
- (45) Registration Date: **08 April 2010**
- (56) Related Art Documents: **Not Applicable**
- (57) Statement of Newness and Distinctiveness: **Cupboard with two doors and a roll top; when opened reveals a complete office solution with a chair cavity, wire management holes, hanging and stand-up file space & retractable printer drawer.**



(21) Design Number: **10329/2010**

(22) Date of Filing Application: **29 January 2010**

(24) Date from which industrial property rights may have effect: **29 January 2010**

(54) Product in respect of which the design is registered: **Electrolytic cell plate**

(51) International Design Classification: **13-99**

(71) Name(s) and Address(s) of Applicant(s):

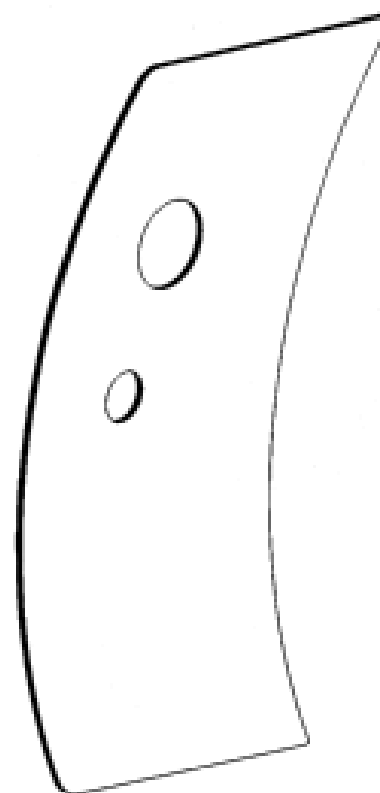
Poolrite Research Pty Ltd
415 Creek Road Mt Gravatt Queensland 4122 Australia

(72) Name(s) of Designer(s): **Ross Leslie Palmer**

(45) Registration Date: **09 April 2010**

(56) Related Art Documents: **Not Applicable**

(57) Statement of Newness and Distinctiveness: **The newness and distinctiveness of the design resides in the shape and/or configuration of the ELECTROLYTIC CELL PLATE shown in the representations. When assessing newness and distinctiveness, there should be no regard taken in relation to the holes located within the plates.**



(21) Design Number: **10529/2010**

(22) Date of Filing Application: **17 February 2010**

(24) Date from which industrial property rights may have effect: **17 February 2010**

(54) Product in respect of which the design is registered: **Box constructed of (unique manner of) folding board material, with various perforations and openings on each**

(51) International Design Classification: **09-03M**

(71) Name(s) and Address(s) of Applicant(s):

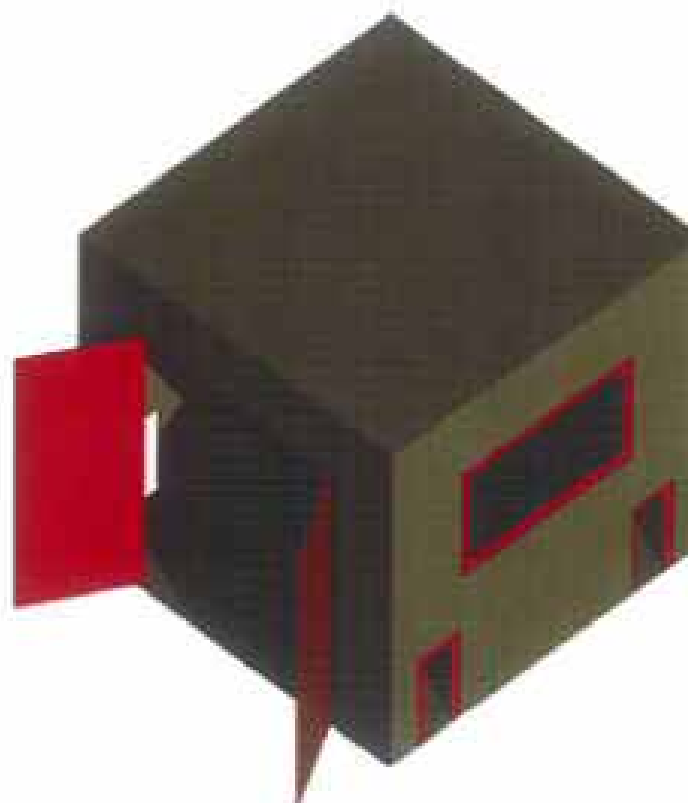
NOL Pty Ltd
36 Delia Street Oakleigh South Victoria 3167 Australia

(72) Name(s) of Designer(s): **Ulrika von Pfaler and Nicholas van der Nol**

(45) Registration Date: **09 April 2010**

(56) Related Art Documents: **Not Applicable**

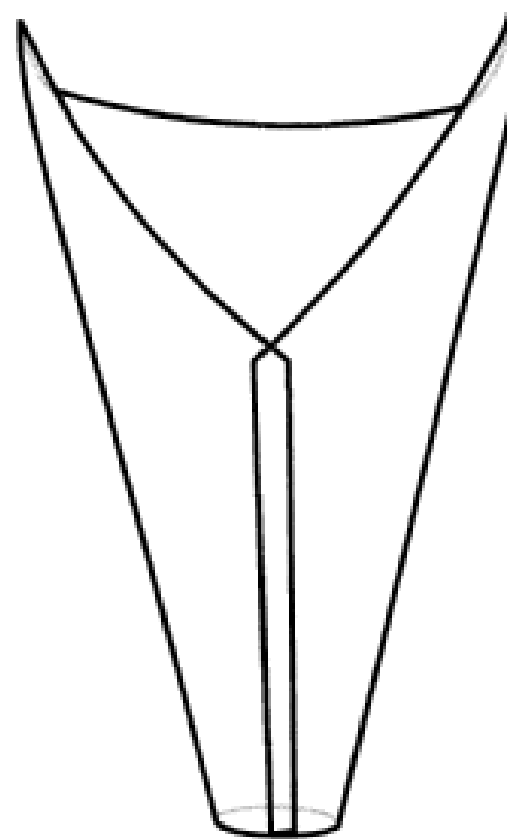
(57) Statement of Newness and Distinctiveness: **Folds from a flat, single piece of board, is a very functional and strong 'cube' used for animals, kids play, storage or decoration. Blank surface allows for (further) customised decoration. Unique manner of folding and is architect designed. Acts as design template for a number of uses eg. by adding colours, fins, wheels etc.**



- (21) Design Number: **10815/2010**
(22) Date of Filing Application: **09 March 2010**
(24) Date from which industrial property rights may have effect: **09 March 2010**
(54) Product in respect of which the design is registered: **Automobile**
(51) International Design Classification: **12-08**
(71) Name(s) and Address(s) of Applicant(s):
Toyota Jidosha Kabushiki Kaisha
No. 1 Toyota-Cho Toyota-Shi Aichi-Ken 471-8571 Japan
(72) Name(s) of Designer(s): **Kazuya Uchiyama and Mitsunori Miyazaki**
(45) Registration Date: **09 April 2010**
(30) Convention priority data:
(31) Number (32) Date (33) Country
001610270-0001 11 Sep 2009 EUROPEAN COMMUNITY
(56) Related Art Documents: **Not Applicable**
(57) Statement of Newness and Distinctiveness: **Those features of the automobile depicted in the representations that are new and distinctive are the shape and/or configuration. The features of the inside of the automobile are not part of the design and are to be disregarded when considering the overall impression of the design.**



- (21) Design Number: **10833/2010**
(22) Date of Filing Application: **11 March 2010**
(24) Date from which industrial property rights may have effect: **11 March 2010**
(54) Product in respect of which the design is registered: **Lamp shade**
(51) International Design Classification: **26-05D**
(71) Name(s) and Address(s) of Applicant(s):
H & T Creations Pty Limited
18 The Haven Orchard Hills New South Wales 2748 Australia
(72) Name(s) of Designer(s): **Samantha Haley and Machiko Tanaka**
(45) Registration Date: **09 April 2010**
(56) Related Art Documents: **Not Applicable**
(57) Statement of Newness and Distinctiveness: **Monopoly is claimed in the features of shape and configuration of the lamp shade as illustrated in the accompanying representations.**



(21) Design Number: **10857/2010**
(22) Date of Filing Application: **11 March 2010**
(24) Date from which industrial property rights may have effect: **11 March 2010**
(54) Product in respect of which the design is registered: **Beverage maker**
(51) International Design Classification: **07-02K, 07-02L**
(71) Name(s) and Address(s) of Applicant(s):

Pi-Design AG
Kantonsstrasse 100 Postfach 463 CH-6234 Triengen Switzerland

(72) Name(s) of Designer(s): **Jorgen Bodum**

(45) Registration Date: **09 April 2010**

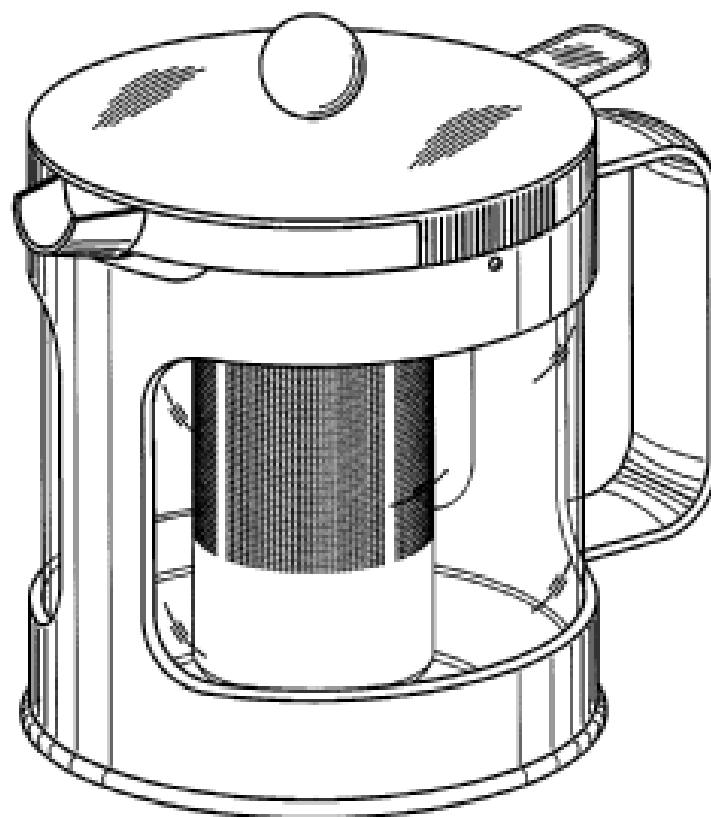
(30) Convention priority data:

(31) Number (32) Date
DM/072 507 02 Nov 2009

(33) Country
**WORLD INTELLECTUAL
PROPERTY ORGANIZATION
(WIPO)**

(56) Related Art Documents: **Not Applicable**

(57) Statement of Newness and Distinctiveness: **Nil**



(21) Design Number: **10858/2010**
(22) Date of Filing Application: **12 March 2010**
(24) Date from which industrial property rights may have effect: **12 March 2010**
(54) Product in respect of which the design is registered: **Maintenance shaft**
(51) International Design Classification: **25-02NES, 25-04**
(71) Name(s) and Address(s) of Applicant(s):

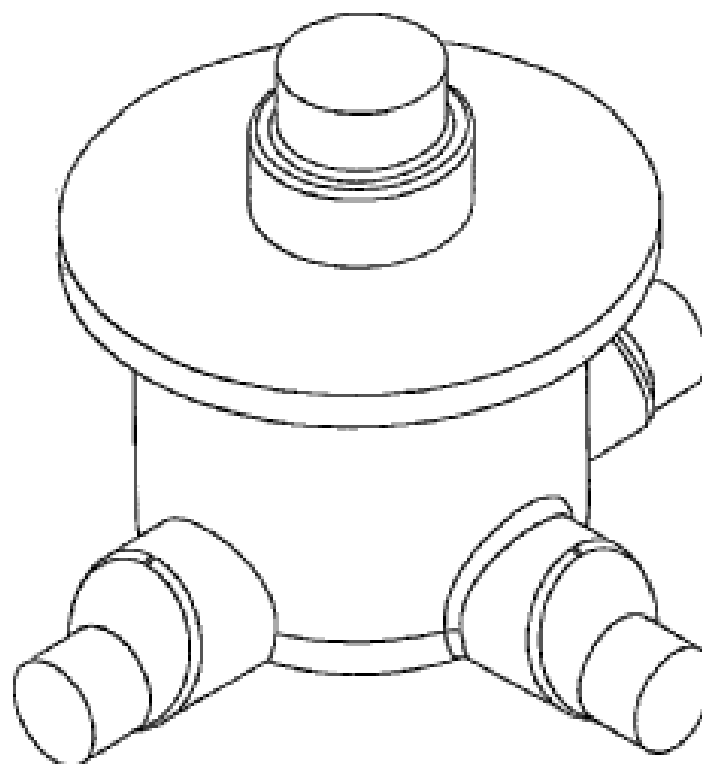
Industrial Steps and Ladders Pty Ltd
40 McCallum Crescent Ardross Western Australia 6153 Australia

(72) Name(s) of Designer(s): **James Leslie Mann and Nick Harpantidis**

(45) Registration Date: **09 April 2010**

(56) Related Art Documents: **Not Applicable**

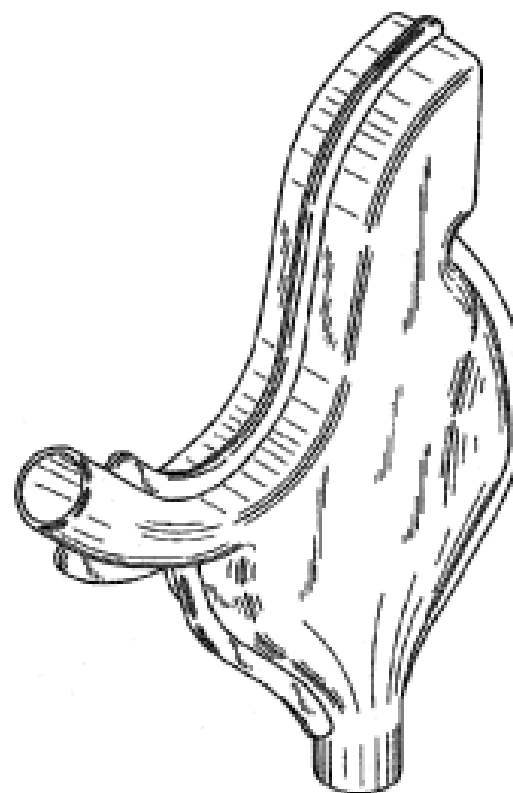
(57) Statement of Newness and Distinctiveness: **Nil**



(21) Design Number: **10859/2010**
 (22) Date of Filing Application: **10 March 2010**
 (24) Date from which industrial property rights may have effect: **10 March 2010**
 (54) Product in respect of which the design is registered: **Seed brake**
 (51) International Design Classification: **15-03A**
 (71) Name(s) and Address(s) of Applicant(s):
Amity Technology, LLC
2800 7th Avenue North Fargo North Dakota 58102 United States of America
Heartland Precision, LLC
2100 15th Street North Wahpeton North Dakota 58075 United States of America
 (72) Name(s) of Designer(s): **Christopher J. Zwettler**
 (45) Registration Date: **09 April 2010**
 (30) Convention priority data:

(31) Number	(32) Date	(33) Country
29/343,365	11 Sep 2009	UNITED STATES OF AMERICA

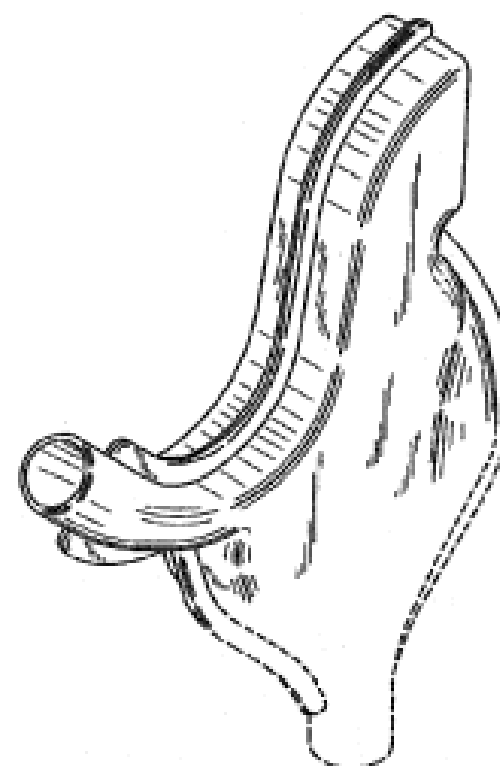
 (56) Related Art Documents: **Not Applicable**
 (57) Statement of Newness and Distinctiveness: **Newness and distinctiveness resides in the combination of features not shown by a broken line.**



(21) Design Number: **10860/2010**
 (22) Date of Filing Application: **10 March 2010**
 (24) Date from which industrial property rights may have effect: **10 March 2010**
 (54) Product in respect of which the design is registered: **Seed brake**
 (51) International Design Classification: **15-03A**
 (71) Name(s) and Address(s) of Applicant(s):
Amity Technology, LLC
2800 7th Avenue North Fargo North Dakota 58102 United States of America
Heartland Precision, LLC
2100 15th Street North Wahpeton North Dakota 58075 United States of America
 (72) Name(s) of Designer(s): **Christopher J. Zwettler**
 (45) Registration Date: **09 April 2010**
 (30) Convention priority data:

(31) Number	(32) Date	(33) Country
29/343,365	11 Sep 2009	UNITED STATES OF AMERICA

 (56) Related Art Documents: **Not Applicable**
 (57) Statement of Newness and Distinctiveness: **Newness and distinctiveness resides in the combination of features not shown by a broken line.**



(21) Design Number: **10861/2010**

(22) Date of Filing Application: **10 March 2010**

(24) Date from which industrial property rights may have effect: **10 March 2010**

(54) Product in respect of which the design is registered: **Seed brake**

(51) International Design Classification: **15-03A**

(71) Name(s) and Address(s) of Applicant(s):

Amity Technology, LLC

2800 7th Avenue North Fargo North Dakota 58102 United States of America

Heartland Precision, LLC

2100 15th Street North Wahpeton North Dakota 58075 United States of America

(72) Name(s) of Designer(s): **Christopher J. Zwettler**

(45) Registration Date: **09 April 2010**

(30) Convention priority data:

(31) Number

(32) Date

(33) Country

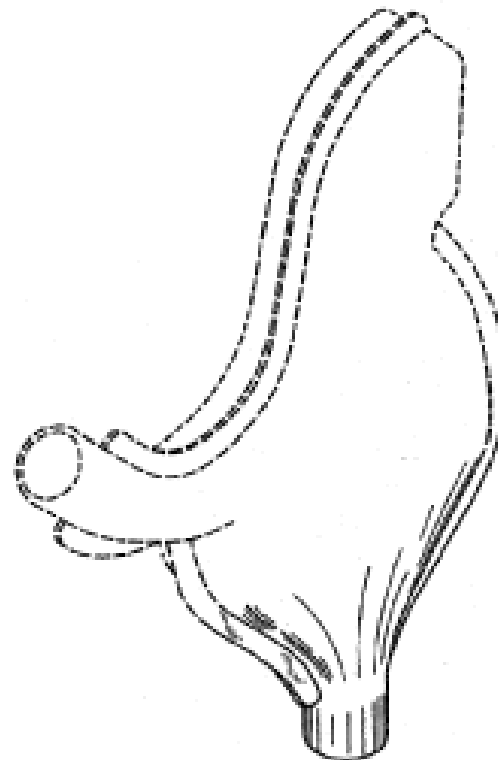
29/343,365

11 Sep 2009

UNITED STATES OF AMERICA

(56) Related Art Documents: **Not Applicable**

(57) Statement of Newness and Distinctiveness: **Newness and distinctiveness resides in the combination of features not shown by a broken line.**



(21) Design Number: **10875/2010**

(22) Date of Filing Application: **15 March 2010**

(24) Date from which industrial property rights may have effect: **15 March 2010**

(54) Product in respect of which the design is registered: **End post**

(51) International Design Classification: **25-01E**

(71) Name(s) and Address(s) of Applicant(s):

Whites Wires Australia Pty Ltd

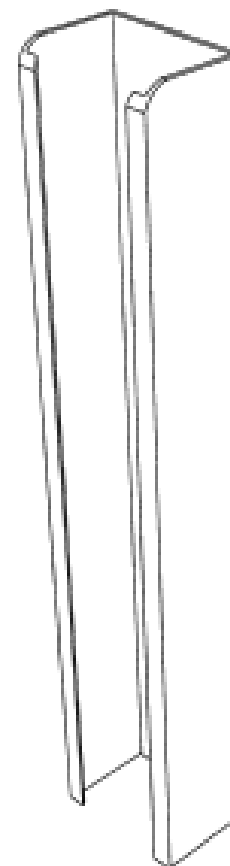
4 Decker Place Huntingwood New South Wales 2148 Australia

(72) Name(s) of Designer(s): **Brian Gray and Peter Kelly**

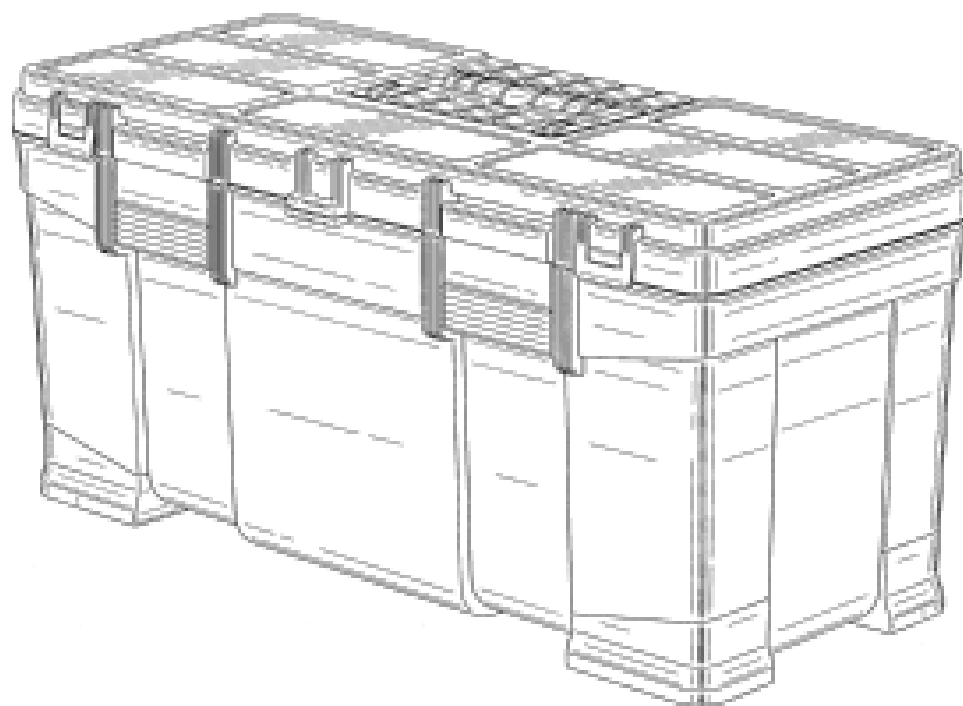
(45) Registration Date: **09 April 2010**

(56) Related Art Documents: **Not Applicable**

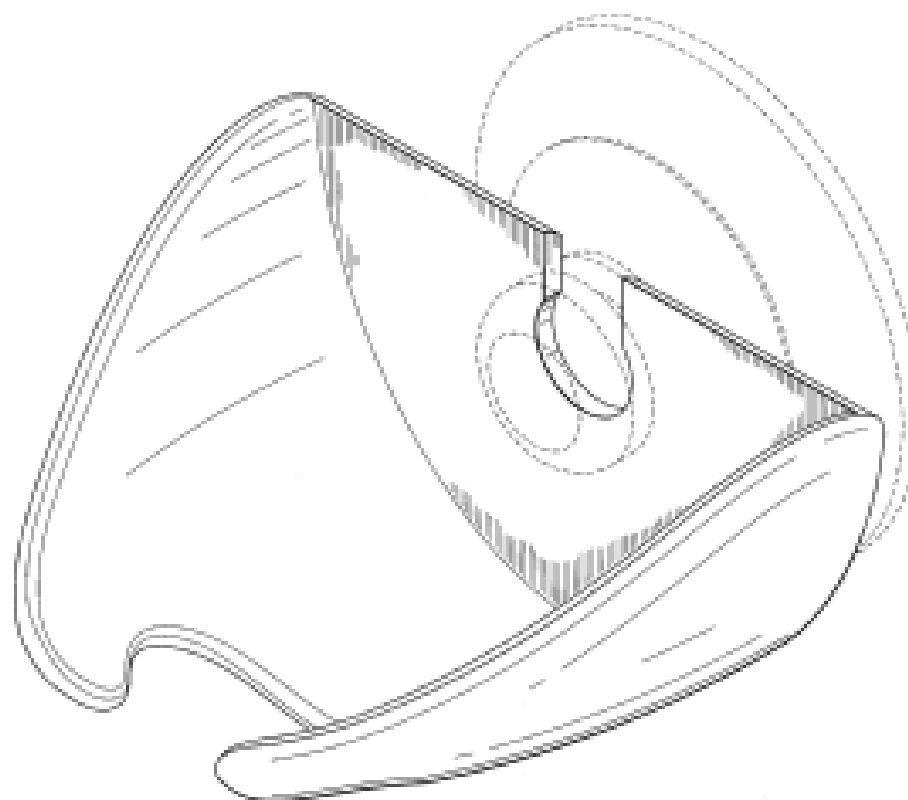
(57) Statement of Newness and Distinctiveness: **Newness and distinctiveness reside in the shape and configuration of the post shown in the representations and in particular in the shape and configuration of the rounded head end. The length of the post between the ends can be varied.**



(21) Design Number: **10876/2010**
(22) Date of Filing Application: **16 March 2010**
(24) Date from which industrial property rights may have effect: **16 March 2010**
(54) Product in respect of which the design is registered: **Toolbox**
(51) International Design Classification: **03-01D**
(71) Name(s) and Address(s) of Applicant(s):
The Stanley Works Israel, Ltd.
19 Ha'Melacha Street Rosh Ha'ayin 48091 ISRAEL
(72) Name(s) of Designer(s): **Naom Twig and Eitan Landau**
(45) Registration Date: **09 April 2010**
(30) Convention priority data:
(31) Number (32) Date (33) Country
29/344,034 22 Sep 2009 UNITED STATES OF AMERICA
(56) Related Art Documents: **Not Applicable**
(57) Statement of Newness and Distinctiveness: **Nil**



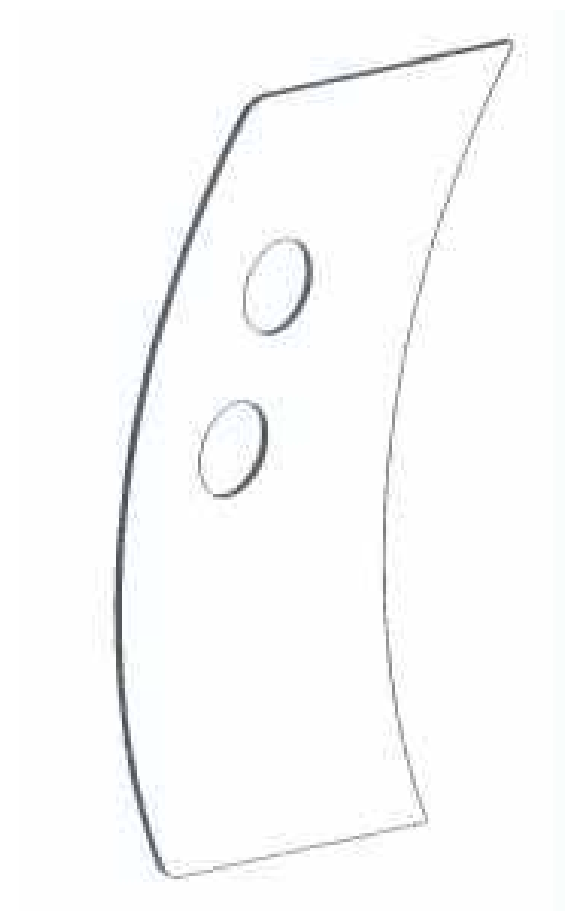
(21) Design Number: **10878/2010**
(22) Date of Filing Application: **15 March 2010**
(24) Date from which industrial property rights may have effect: **15 March 2010**
(54) Product in respect of which the design is registered: **Storage device**
(51) International Design Classification: **28-03NES**
(71) Name(s) and Address(s) of Applicant(s):
The Gillette Company
Prudential Tower Building Boston Massachusetts 02199 United States of America
(72) Name(s) of Designer(s): **Andrew Anthony Szczepanowski and Jennifer Ruth Kinard**
(45) Registration Date: **09 April 2010**
(30) Convention priority data:
(31) Number (32) Date (33) Country
29/343,623 16 Sep 2009 UNITED STATES OF AMERICA
(56) Related Art Documents: **Not Applicable**
(57) Statement of Newness and Distinctiveness: **Those features of the storage device depicted in the representations that are new and distinctive are the shape and/or configuration. The feature shown in broken line is not part of the design and should be disregarded when considering the overall impression of the design.**



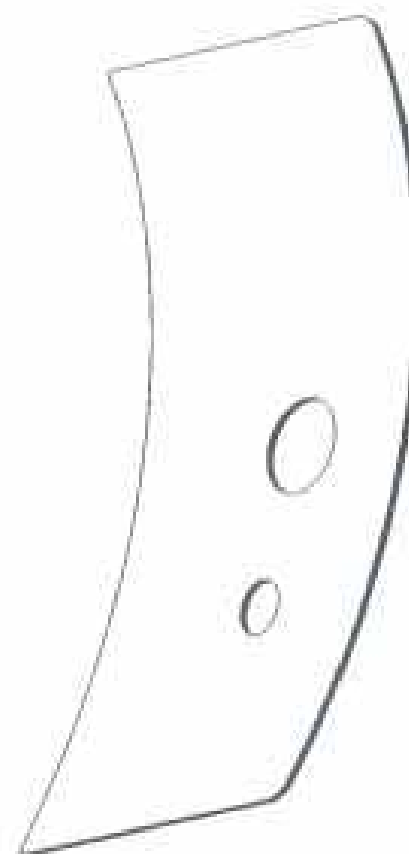
- (21) Design Number: **10955/2010**
(22) Date of Filing Application: **18 March 2010**
(24) Date from which industrial property rights may have effect: **18 March 2010**
(54) Product in respect of which the design is registered: **Chair**
(51) International Design Classification: **06-01F**
(71) Name(s) and Address(s) of Applicant(s):
Dauphin Entwicklungs-u. Beteiligungs-GmbH
Industriestrasse 11 91217 Hersbruck Germany
(72) Name(s) of Designer(s): **Rudiger Schaack**
(45) Registration Date: **09 April 2010**
(30) Convention priority data:
(31) Number (32) Date (33) Country
402009004439.0 18 Sep 2009 GERMANY
(56) Related Art Documents: **Not Applicable**
(57) Statement of Newness and Distinctiveness: **Those features of the chair depicted in the representations that are new and distinctive are the shape and/or configuration.**



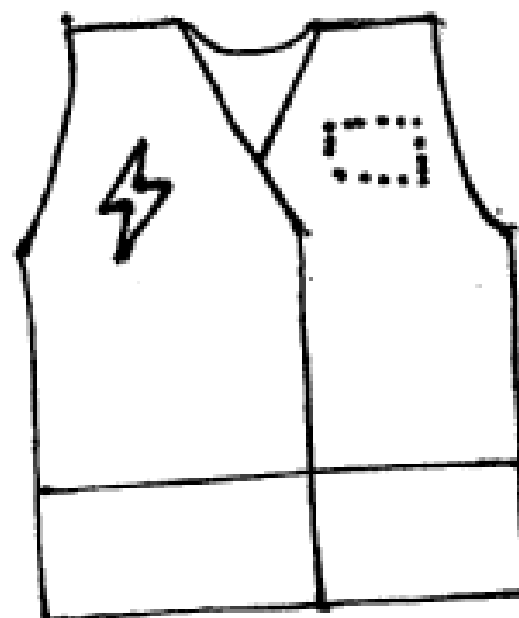
- (21) Design Number: **11187/2010**
(22) Date of Filing Application: **29 January 2010**
(24) Date from which industrial property rights may have effect: **29 January 2010**
(54) Product in respect of which the design is registered: **Electrolytic cell plate**
(51) International Design Classification: **13-99**
(71) Name(s) and Address(s) of Applicant(s):
Poolrite Research Pty Ltd
415 Creek Road Mt Gravatt Queensland 4122 Australia
(72) Name(s) of Designer(s): **Ross Leslie Palmer**
(45) Registration Date: **09 April 2010**
(56) Related Art Documents: **Not Applicable**
(57) Statement of Newness and Distinctiveness: **The newness and distinctiveness of the design resides in the shape and/or configuration of ELECTROLYTIC CELL PLATE shown in the representations. When assessing newness and distinctiveness, there should be no regard taken in relation to the holes located within the plate.**



- (21) Design Number: **11188/2010**
(22) Date of Filing Application: **29 January 2010**
(24) Date from which industrial property rights may have effect: **29 January 2010**
(54) Product in respect of which the design is registered: **Electrolytic cell plate**
(51) International Design Classification: **13-99**
(71) Name(s) and Address(s) of Applicant(s):
Poolrite Research Pty Ltd
415 Creek Road Mt Gravatt Queensland 4122 Australia
(72) Name(s) of Designer(s): **Ross Leslie Palmer**
(45) Registration Date: **09 April 2010**
(56) Related Art Documents: **Not Applicable**
(57) Statement of Newness and Distinctiveness: **The newness and distinctiveness of the design resides in the shape and/or configuration of ELECTROLYTIC CELL PLATE shown in the representations. When assessing newness and distinctiveness, there should be no regard taken in relation to the holes located within the plate.**



- (21) Design Number: **12836/2009**
(22) Date of Filing Application: **31 July 2009**
(24) Date from which industrial property rights may have effect: **31 July 2009**
(54) Product in respect of which the design is registered: **A vest**
(51) International Design Classification: **02-02B, 02-02NES**
(71) Name(s) and Address(s) of Applicant(s):
Harchie Pty Ltd
77 Armadale Road Rivervale Western Australia 6103 Australia
(72) Name(s) of Designer(s): **Jody Mackey**
(45) Registration Date: **12 April 2010**
(56) Related Art Documents: **Not Applicable**
(57) Statement of Newness and Distinctiveness: **The particular visual features of the design which are new and distinctive are shape OR configuration OR pattern OR ornamentation, the portion defined by dotted lines as shown in the illustrations is to be disregarded.**



(21) Design Number: **12837/2009**

(22) Date of Filing Application: **31 July 2009**

(24) Date from which industrial property rights may have effect: **31 July 2009**

(54) Product in respect of which the design is registered: **A vest**

(51) International Design Classification: **02-02B, 02-02NES**

(71) Name(s) and Address(s) of Applicant(s):

Harchie Pty Ltd

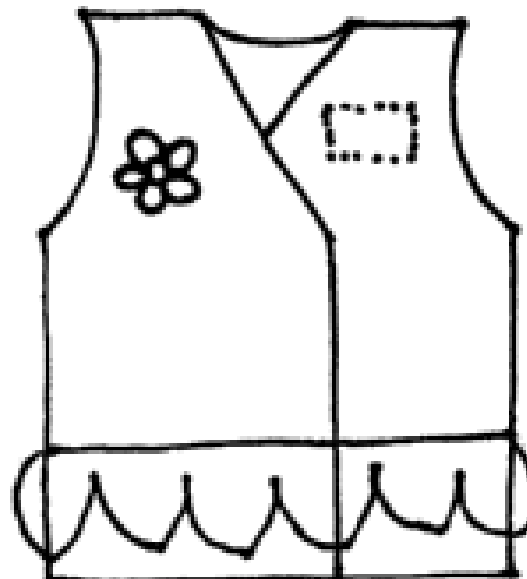
77 Armadale Road Rivervale Western Australia 6103 Australia

(72) Name(s) of Designer(s): **Jody Mackey**

(45) Registration Date: **12 April 2010**

(56) Related Art Documents: **Not Applicable**

(57) Statement of Newness and Distinctiveness: **The particular visual features of the design which are new and distinctive are shape OR configuration OR pattern OR ornamentation, the portion defined by dotted lines as shown in the illustrations is to be disregarded.**



(21) Design Number: **12838/2009**

(22) Date of Filing Application: **31 July 2009**

(24) Date from which industrial property rights may have effect: **31 July 2009**

(54) Product in respect of which the design is registered: **A vest**

(51) International Design Classification: **02-02B, 02-02NES**

(71) Name(s) and Address(s) of Applicant(s):

Harchie Pty Ltd

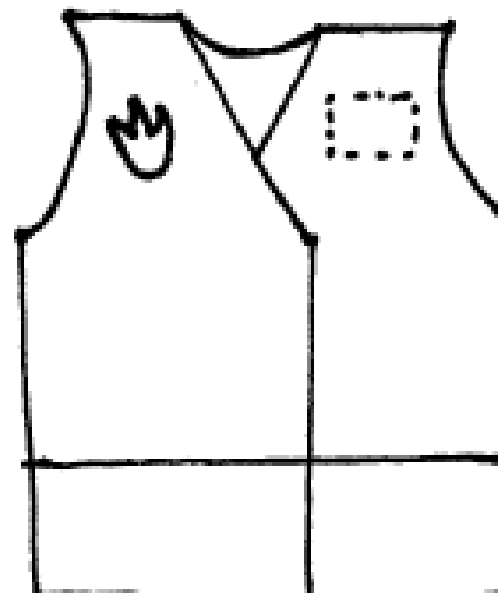
77 Armadale Road Rivervale Western Australia 6103 Australia

(72) Name(s) of Designer(s): **Jody Mackey**

(45) Registration Date: **12 April 2010**

(56) Related Art Documents: **Not Applicable**

(57) Statement of Newness and Distinctiveness: **The particular visual features of the design which are new and distinctive are shape OR configuration OR pattern OR ornamentation, the portion defined by dotted lines as shown in the illustrations is to be disregarded.**



(21) Design Number: 12839/2009

(22) Date of Filing Application: 31 July 2009

(24) Date from which industrial property rights may have effect: 31 July 2009

(54) Product in respect of which the design is registered: A vest

(51) International Design Classification: 02-02B, 02-02NES

(71) Name(s) and Address(s) of Applicant(s):

Harchie Pty Ltd

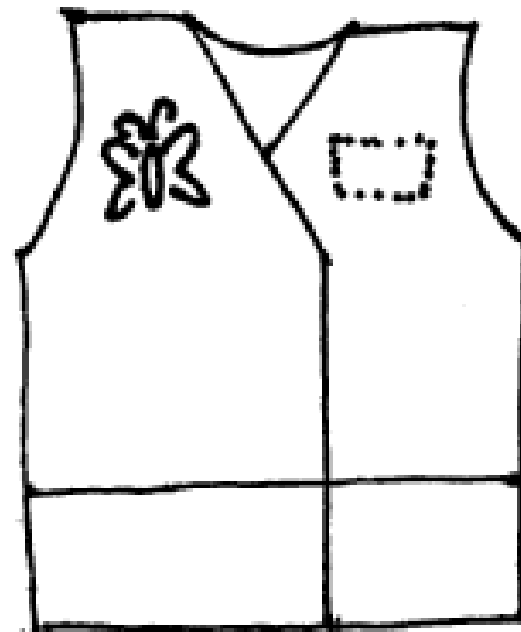
77 Armadale Road Rivervale Western Australia 6103 Australia

(72) Name(s) of Designer(s): **Jody Mackey**

(45) Registration Date: 12 April 2010

(56) Related Art Documents: **Not Applicable**

(57) Statement of Newness and Distinctiveness: **The particular visual features of the design which are new and distinctive are shape OR configuration OR pattern OR ornamentation, the portion defined by dotted lines as shown in the illustrations is to be disregarded.**



(21) Design Number: 12840/2009

(22) Date of Filing Application: 31 July 2009

(24) Date from which industrial property rights may have effect: 31 July 2009

(54) Product in respect of which the design is registered: A vest

(51) International Design Classification: 02-02B, 02-02NES

(71) Name(s) and Address(s) of Applicant(s):

Harchie Pty Ltd

77 Armadale Road Rivervale Western Australia 6103 Australia

(72) Name(s) of Designer(s): **Jody Mackey**

(45) Registration Date: 12 April 2010

(56) Related Art Documents: **Not Applicable**

(57) Statement of Newness and Distinctiveness: **The particular visual features of the design which are new and distinctive are shape OR configuration OR pattern OR ornamentation, the portion defined by dotted lines as shown in the illustrations is to be disregarded.**



(21) Design Number: **12841/2009**

(22) Date of Filing Application: **31 July 2009**

(24) Date from which industrial property rights may have effect: **31 July 2009**

(54) Product in respect of which the design is registered: **A vest**

(51) International Design Classification: **02-02B, 02-02NES**

(71) Name(s) and Address(s) of Applicant(s):

Harchie Pty Ltd

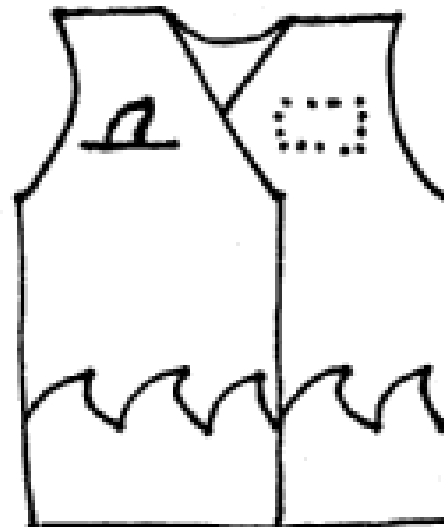
77 Armadale Road Rivervale Western Australia 6103 Australia

(72) Name(s) of Designer(s): **Jody Mackey**

(45) Registration Date: **12 April 2010**

(56) Related Art Documents: **Not Applicable**

(57) Statement of Newness and Distinctiveness: **The particular visual features of the design which are new and distinctive are shape OR configuration OR pattern OR ornamentation, the portion defined by dotted lines as shown in the illustrations is to be disregarded.**



(21) Design Number: **14072/2009**

(22) Date of Filing Application: **21 October 2009**

(24) Date from which industrial property rights may have effect: **21 October 2009**

(54) Product in respect of which the design is registered: **Extrusion**

(51) International Design Classification: **25-01K**

(71) Name(s) and Address(s) of Applicant(s):

David George Cook

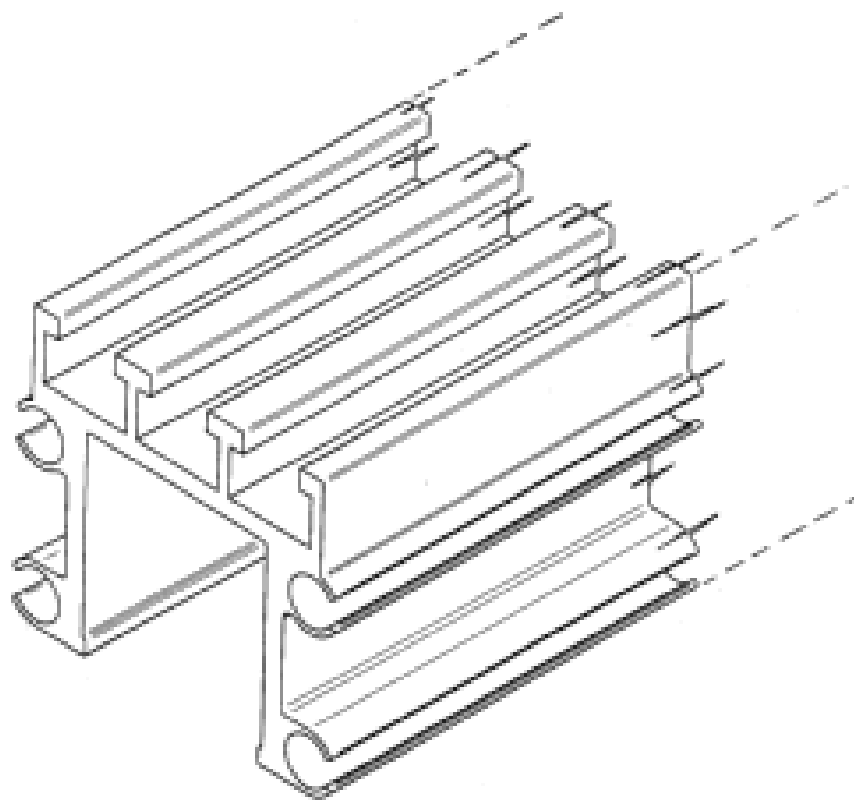
14 Binary Street Yatala Queensland 4207 Australia

(72) Name(s) of Designer(s): **David George Cook**

(45) Registration Date: **12 April 2010**

(56) Related Art Documents: **Not Applicable**

(57) Statement of Newness and Distinctiveness: **Newness and distinctiveness reside in the features of shape and configuration of an extrusion as shown in the accompanying representations. The extrusion is of indefinite length and constant cross section throughout its length.**



(21) Design Number: **14249/2009**

(22) Date of Filing Application: **30 October 2009**

(24) Date from which industrial property rights may have effect: **30 October 2009**

(54) Product in respect of which the design is registered: **Extrusion**

(51) International Design Classification: **25-01K**

(71) Name(s) and Address(s) of Applicant(s):

David George Cook

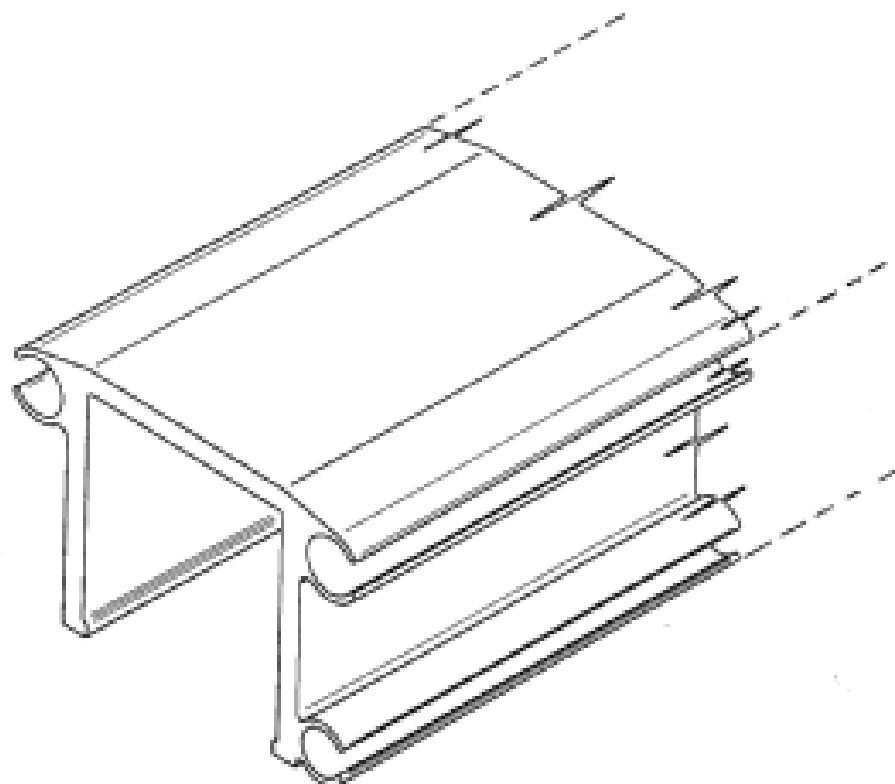
14 Binary Street Yatala Queensland 4207 Australia

(72) Name(s) of Designer(s): **David George Cook**

(45) Registration Date: **12 April 2010**

(56) Related Art Documents: **Not Applicable**

(57) Statement of Newness and Distinctiveness: **Newness and distinctiveness reside in the features of shape and configuration of an extrusion as shown in the accompanying representations. The extrusion is of indefinite length and constant cross section throughout its length.**



(21) Design Number: **14959/2009**

(22) Date of Filing Application: **16 December 2009**

(24) Date from which industrial property rights may have effect: **16 December 2009**

(54) Product in respect of which the design is registered: **Clothing for use by men or and women**

(51) International Design Classification: **02-02C**

(71) Name(s) and Address(s) of Applicant(s):

Becon Pty Ltd

Unit 11 9 Woolboard Road Port Melbourne Victoria 3207 Australia

(72) Name(s) of Designer(s): **Nick Brown**

(45) Registration Date: **12 April 2010**

(56) Related Art Documents: **Not Applicable**

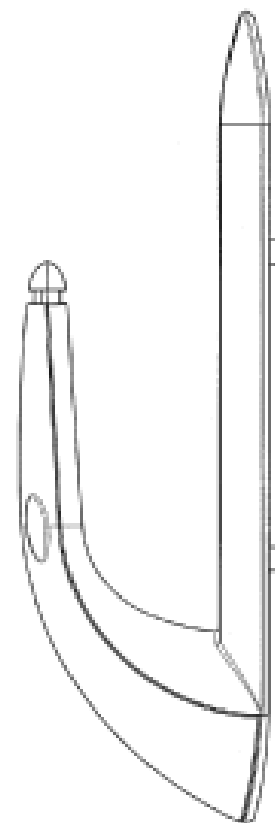
(57) Statement of Newness and Distinctiveness: **The applicant claims as new and distinctive the pattern as applied to the clothing as shown in the representations accompanying the application. The applicant does not make any claim to the shape of the clothing shown.**



- (21) Design Number: **10185/2010**
- (22) Date of Filing Application: **21 January 2010**
- (24) Date from which industrial property rights may have effect: **21 January 2010**
- (54) Product in respect of which the design is registered: **Bottle mount**
- (51) International Design Classification: **08-08NES, 09-07NES**
- (71) Name(s) and Address(s) of Applicant(s):

Steven Roy Serpell
8 Gordon Street Bendigo Victoria 3550 Australia

- (72) Name(s) of Designer(s): **Steven Roy Serpell**
- (45) Registration Date: **12 April 2010**
- (56) Related Art Documents: **Not Applicable**
- (57) Statement of Newness and Distinctiveness: **Newness and distinctiveness are claimed in the features of shape and/or configuration of a bottle mount, as illustrated in the accompanying representations.**

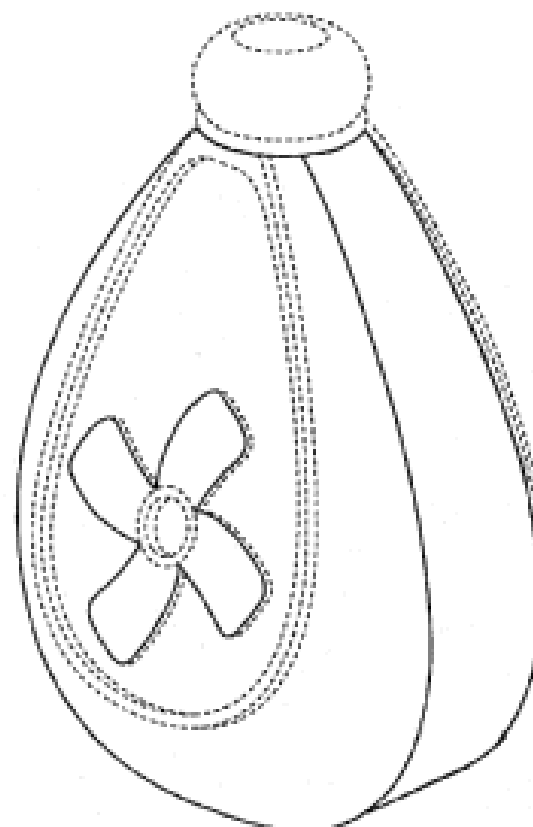


- (21) Design Number: **10326/2010**
- (22) Date of Filing Application: **28 January 2010**
- (24) Date from which industrial property rights may have effect: **28 January 2010**
- (54) Product in respect of which the design is registered: **Fob for a fan switch - 1**
- (51) International Design Classification: **13-03D**
- (71) Name(s) and Address(s) of Applicant(s):

Lowe's Companies, Inc.
1000 Lowe's Boulevard Mooresville NC 28115 United States of America

- (72) Name(s) of Designer(s): **Jean Tuck McGregor and Curtis Nolan Lagman and Megan Cahill Roe**
 - (45) Registration Date: **12 April 2010**
 - (30) Convention priority data:
- | | | |
|-------------------|--------------------|---------------------------------|
| (31) Number | (32) Date | (33) Country |
| 29/340,953 | 28 Jul 2009 | UNITED STATES OF AMERICA |

- (56) Related Art Documents: **Not Applicable**
- (57) Statement of Newness and Distinctiveness: **Newness and distinctiveness are provided by the shape and/or configuration of the design shown in the representations. The features shown in broken lines in the representations are for illustrative purposes only and should not be considered when construing visual features of the design.**



- (21) Design Number: **10328/2010**
- (22) Date of Filing Application: **28 January 2010**
- (24) Date from which industrial property rights may have effect: **28 January 2010**
- (54) Product in respect of which the design is registered: **Fob for a light switch - 2**
- (51) International Design Classification: **13-03E**
- (71) Name(s) and Address(s) of Applicant(s):

Lowe's Companies, Inc.
1000 Lowe's Boulevard Mooresville NC 28115 United States of America

- (72) Name(s) of Designer(s): **Jean Tuck McGregor and Curtis Nolan Lagman and Megan Cahill Roe**

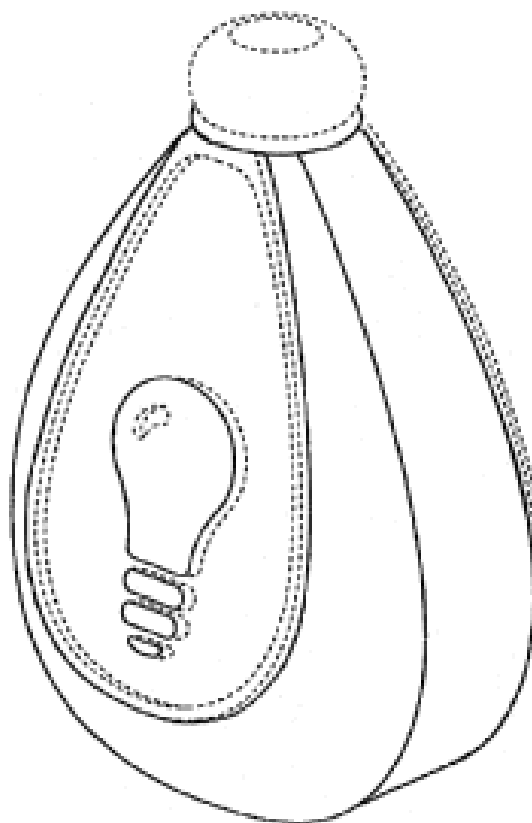
- (45) Registration Date: **12 April 2010**

- (30) Convention priority data:

(31) Number	(32) Date	(33) Country
29/340,953	28 Jul 2009	UNITED STATES OF AMERICA

- (56) Related Art Documents: **Not Applicable**

- (57) Statement of Newness and Distinctiveness: **Newness and distinctiveness are provided by the shape and/or configuration of the design shown in the representations. The features shown in broken lines in the representations are for illustrative purposes only and should not be considered when construing visual features of the design.**



- (21) Design Number: **10657/2010**
- (22) Date of Filing Application: **26 February 2010**
- (24) Date from which industrial property rights may have effect: **26 February 2010**
- (54) Product in respect of which the design is registered: **Light**
- (51) International Design Classification: **26-03**
- (71) Name(s) and Address(s) of Applicant(s):

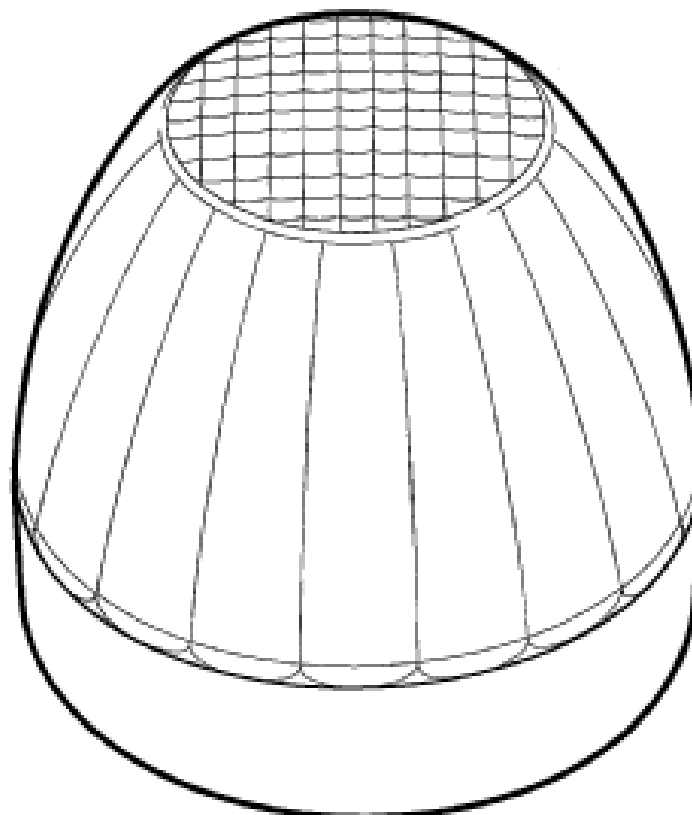
Graeme Thomas Baird
5 Dove Court Eaton Western Australia 6232 Australia

- (72) Name(s) of Designer(s): **Graeme Thomas Baird**

- (45) Registration Date: **12 April 2010**

- (56) Related Art Documents: **Not Applicable**

- (57) Statement of Newness and Distinctiveness: **Nil**



(21) Design Number: **15022/2009**

(22) Date of Filing Application: **21 December 2009**

(24) Date from which industrial property rights may have effect: **21 December 2009**

(54) Product in respect of which the design is registered: **Cold cathode downlight lamp**

(51) International Design Classification: **26-04**

(71) Name(s) and Address(s) of Applicant(s):

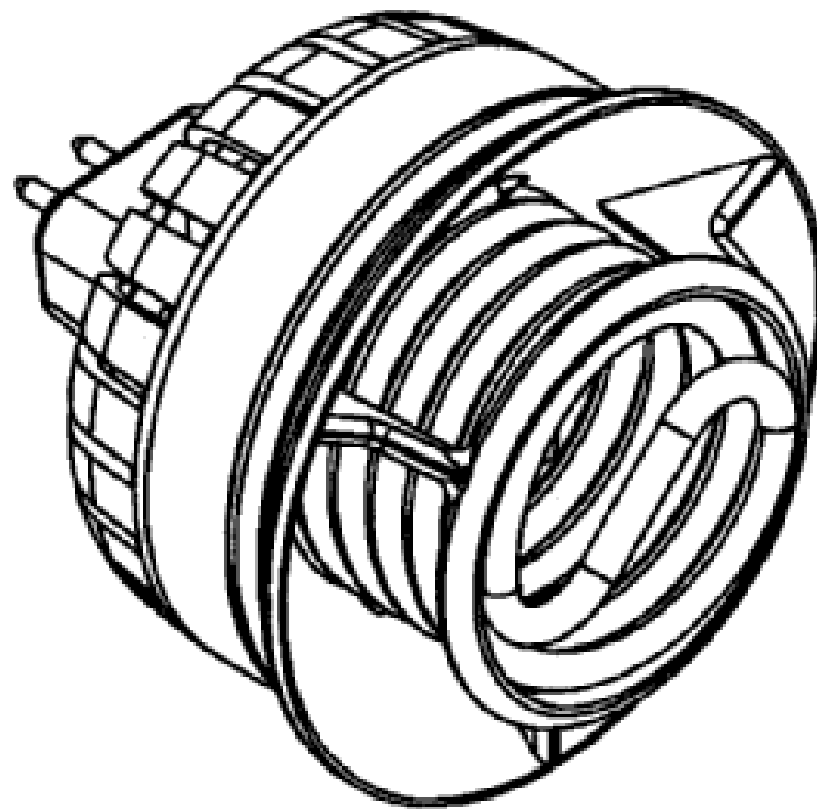
**Indice Ecotech Pty Ltd
Level 1 16 Harvey Street Richmond Victoria 3121 Australia**

(72) Name(s) of Designer(s): **Alex Knott and James Hamond and Aaron Brown**

(45) Registration Date: **13 April 2010**

(56) Related Art Documents: **Not Applicable**

(57) Statement of Newness and Distinctiveness: **Newness and distinctiveness is claimed in the features of shape and/or configuration of a lamp as illustrated in the accompanying representations.**



(21) Design Number: **11016/2010**

(22) Date of Filing Application: **21 December 2009**

(24) Date from which industrial property rights may have effect: **21 December 2009**

(54) Product in respect of which the design is registered: **Cold cathode downlight lamp**

(51) International Design Classification: **26-04**

(71) Name(s) and Address(s) of Applicant(s):

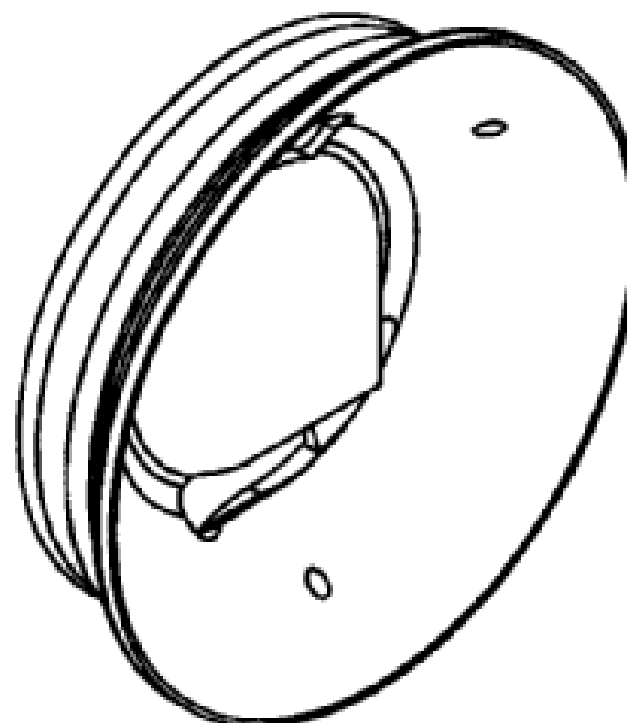
**Indice Ecotech Pty Ltd
Level 1 16 Harvey Street Richmond Victoria 3121 Australia**

(72) Name(s) of Designer(s): **Alex Knott and James Hamond and Aaron Brown**

(45) Registration Date: **13 April 2010**

(56) Related Art Documents: **Not Applicable**

(57) Statement of Newness and Distinctiveness: **Newness and distinctiveness is claimed in the features of shape and/or configuration of a lamp as illustrated in the accompanying representations.**



- (21) Design Number: **10290/2010**
- (22) Date of Filing Application: **28 January 2010**
- (24) Date from which industrial property rights may have effect: **28 January 2010**
- (54) Product in respect of which the design is registered: **Fob for a fan switch - 2**
- (51) International Design Classification: **13-03E, 23-04**
- (71) Name(s) and Address(s) of Applicant(s):

Lowe's Companies, Inc.
1000 Lowe's Boulevard Mooresville NC 28115 United States of America

- (72) Name(s) of Designer(s): **Jean Tuck McGregor and Curtis Nolan Lagman and Megan Cahill Roe**

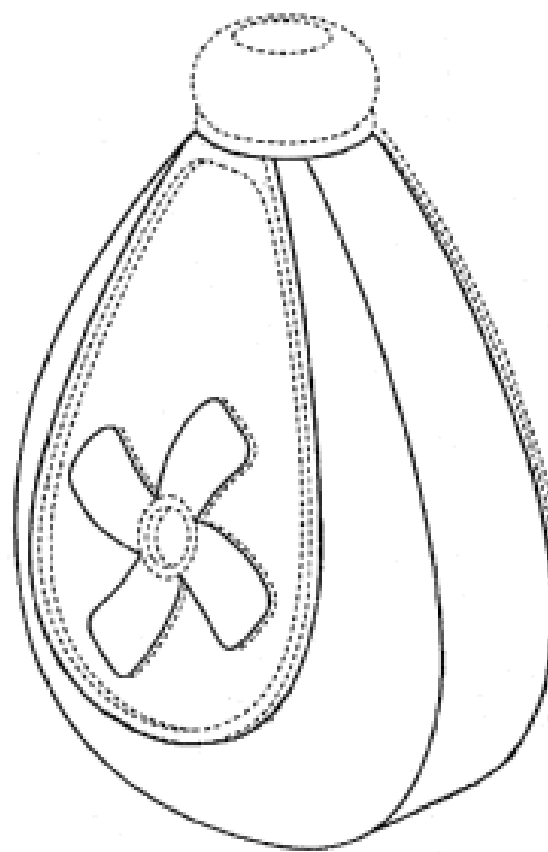
- (45) Registration Date: **13 April 2010**

- (30) Convention priority data:

(31) Number	(32) Date	(33) Country
29/340,953	28 Jul 2009	UNITED STATES OF AMERICA

- (56) Related Art Documents: **Not Applicable**

- (57) Statement of Newness and Distinctiveness: **Newness and distinctiveness are provided by the shape and/or configuration of the design shown in the representations. The features shown in broken lines in the representations are for illustrative purposes only and should not be considered when construing visual features of the design.**



- (21) Design Number: **10319/2010**
- (22) Date of Filing Application: **28 January 2010**
- (24) Date from which industrial property rights may have effect: **28 January 2010**
- (54) Product in respect of which the design is registered: **Fob for a light switch - 1**
- (51) International Design Classification: **13-03NES**
- (71) Name(s) and Address(s) of Applicant(s):

Lowe's Companies, Inc.
1000 Lowe's Boulevard Mooresville NC 28115 United States of America

- (72) Name(s) of Designer(s): **Jean Tuck McGregor and Curtis Nolan Lagman and Megan Cahill Roe**

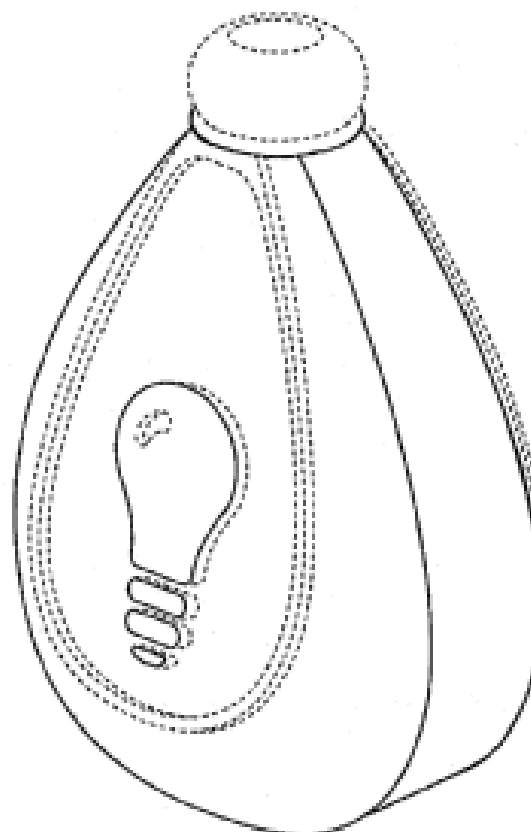
- (45) Registration Date: **13 April 2010**

- (30) Convention priority data:

(31) Number	(32) Date	(33) Country
29/340,953	28 Jul 2009	UNITED STATES OF AMERICA

- (56) Related Art Documents: **Not Applicable**

- (57) Statement of Newness and Distinctiveness: **Newness and distinctiveness are provided by the shape and/or configuration of the design shown in the representations. The features shown in broken lines in the representations are for illustrative purposes only and should not be considered when construing visual features of the design.**



(21) Design Number: **13971/2009**

(22) Date of Filing Application: **14 October 2009**

(24) Date from which industrial property rights may have effect: **14 October 2009**

(54) Product in respect of which the design is registered: **Tip for cultivation tool**

(51) International Design Classification: **15-03A**

(71) Name(s) and Address(s) of Applicant(s):

Allan James Yeomans

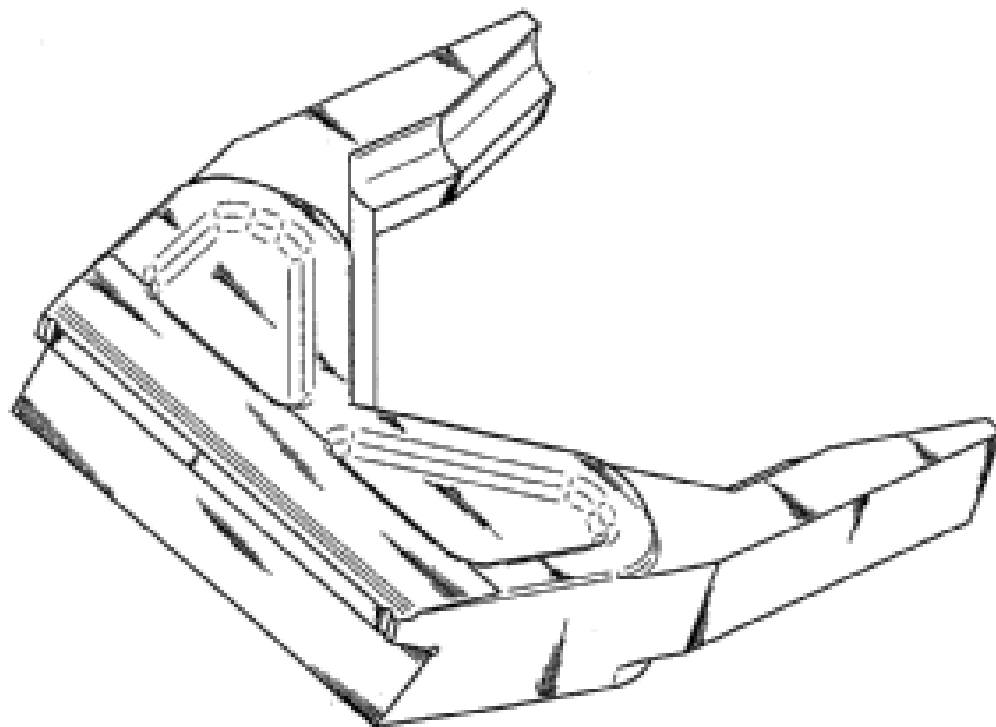
60 Sunrise Boulevard Surfers Paradise Queensland 4217 Australia

(72) Name(s) of Designer(s): **Allan James Yeomans**

(45) Registration Date: **13 April 2010**

(56) Related Art Documents: **Not Applicable**

(57) Statement of Newness and Distinctiveness: **Newness and distinctiveness reside in the features of shape and configuration of a tip for a cultivation tool as shown in the accompanying representations.**



(21) Design Number: **10519/2010**

(22) Date of Filing Application: **11 February 2010**

(24) Date from which industrial property rights may have effect: **11 February 2010**

(54) Product in respect of which the design is registered: **Retaining tea and beverage bags in place on cups, mugs etc.**

(51) International Design Classification: **09-05**

(71) Name(s) and Address(s) of Applicant(s):

Robert John Hadaway

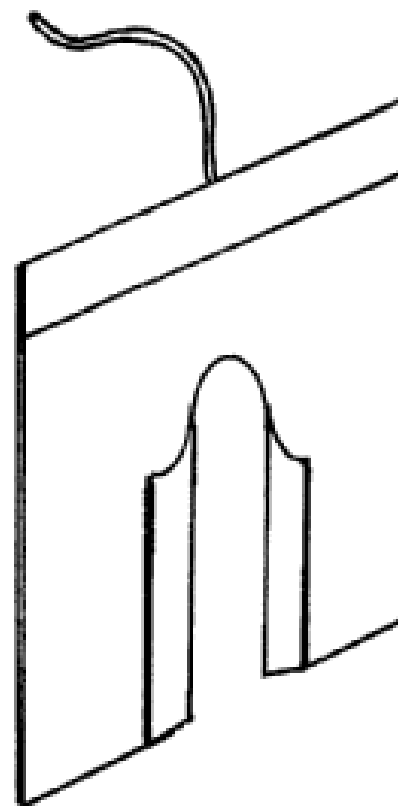
419 Grand Promenade Dianella Western Australia 6059 Australia

(72) Name(s) of Designer(s): **Robert John Hadaway**

(45) Registration Date: **13 April 2010**

(56) Related Art Documents: **Not Applicable**

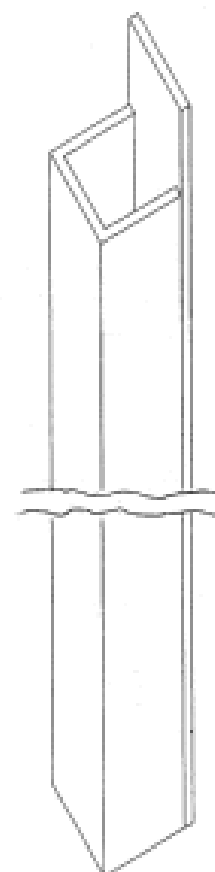
(57) Statement of Newness and Distinctiveness: **Monopoly is claimed in the features shape and configuration, with a hole in the tag, split to the base with serrated fold-back edges to assist in dividing and retention to a cup handle.**



- (21) Design Number: **11005/2010**
(22) Date of Filing Application: **22 March 2010**
(24) Date from which industrial property rights may have effect: **22 March 2010**
(54) Product in respect of which the design is registered: **RIPSNORE - anti snoring mouthguard**
(51) International Design Classification: **24-04, 21-02NES**
(71) Name(s) and Address(s) of Applicant(s):
Ripsnore Pty Ltd
46 Kuranda Street Balmoral Queensland 4171 Australia
(72) Name(s) of Designer(s): **David Campbell**
(45) Registration Date: **13 April 2010**
(56) Related Art Documents: **Not Applicable**
(57) Statement of Newness and Distinctiveness: **Unique bow on top of device. Unique thickness and material of device. Unique 2 breathing slots located in front of device. Unique shape and cross sections.**



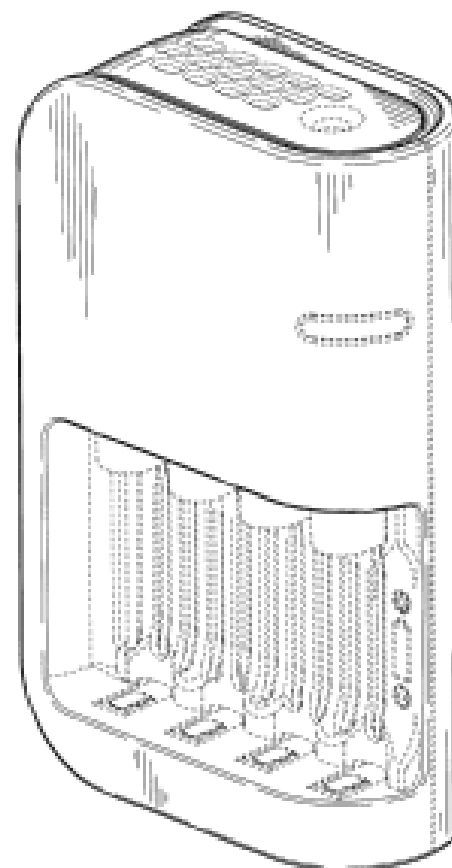
- (21) Design Number: **10870/2010**
(22) Date of Filing Application: **11 March 2010**
(24) Date from which industrial property rights may have effect: **11 March 2010**
(54) Product in respect of which the design is registered: **Support for a building structure**
(51) International Design Classification: **25-01B**
(71) Name(s) and Address(s) of Applicant(s):
Damien Barr
104 Baden Powell Drive Mt Eliza Victoria 3930 Australia
(72) Name(s) of Designer(s): **Damien Barr**
(45) Registration Date: **13 April 2010**
(56) Related Art Documents: **Not Applicable**
(57) Statement of Newness and Distinctiveness: **Visual features of the design which are new and distinctive are the features of shape and configuration of a support for a building structure of indefinite length as illustrated in the representations.**



(19) AU

- (21) Design Number: **10883/2010**
- (22) Date of Filing Application: **16 March 2010**
- (24) Date from which industrial property rights may have effect: **16 March 2010**
- (54) Product in respect of which the design is registered: **Charger**
- (51) International Design Classification: **13-02**
- (71) Name(s) and Address(s) of Applicant(s):
Eveready Battery Company, Inc.
533 Maryville University Drive St Louis Missouri 63141 United States of America
- (72) Name(s) of Designer(s): **Ronald J. Kingston and Donwoong Kang**
- (45) Registration Date: **13 April 2010**
- (30) Convention priority data:

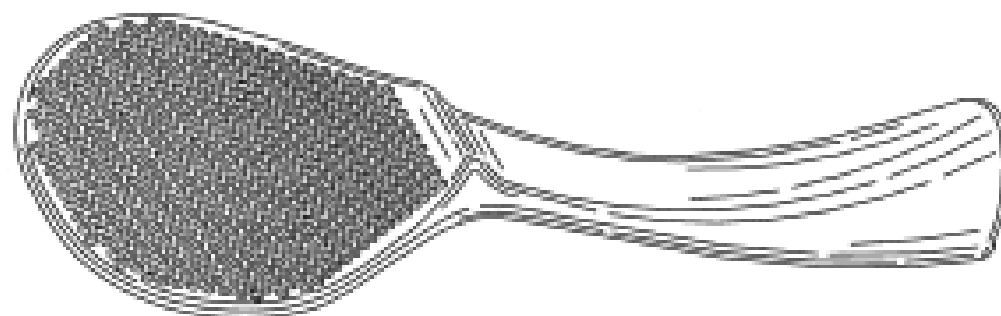
(31) Number	(32) Date	(33) Country
29/345189	12 Oct 2009	UNITED STATES OF AMERICA
- (56) Related Art Documents: **Not Applicable**
- (57) Statement of Newness and Distinctiveness: **Newness and distinctiveness is claimed in those visual features depicted in unbroken lines.**



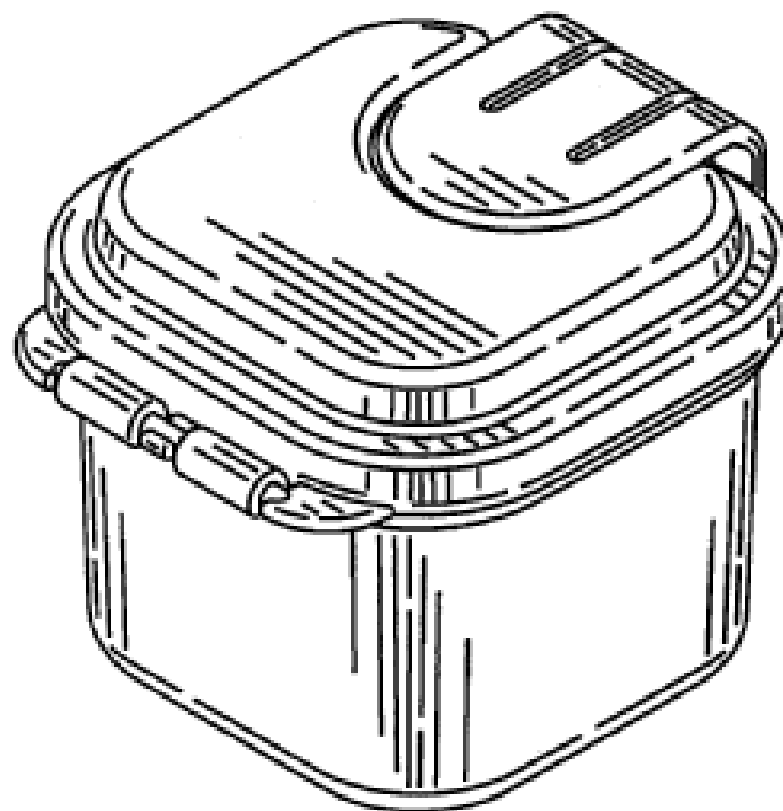
(19) AU

- (21) Design Number: **10885/2010**
- (22) Date of Filing Application: **16 March 2010**
- (24) Date from which industrial property rights may have effect: **16 March 2010**
- (54) Product in respect of which the design is registered: **Spoon**
- (51) International Design Classification: **07-02NES, 07-03**
- (71) Name(s) and Address(s) of Applicant(s):
Dart Industries Inc
14901 S. Orange Blossom Trail Orlando Florida 32837 United States of America
- (72) Name(s) of Designer(s): **Jing Ma**
- (45) Registration Date: **13 April 2010**
- (30) Convention priority data:

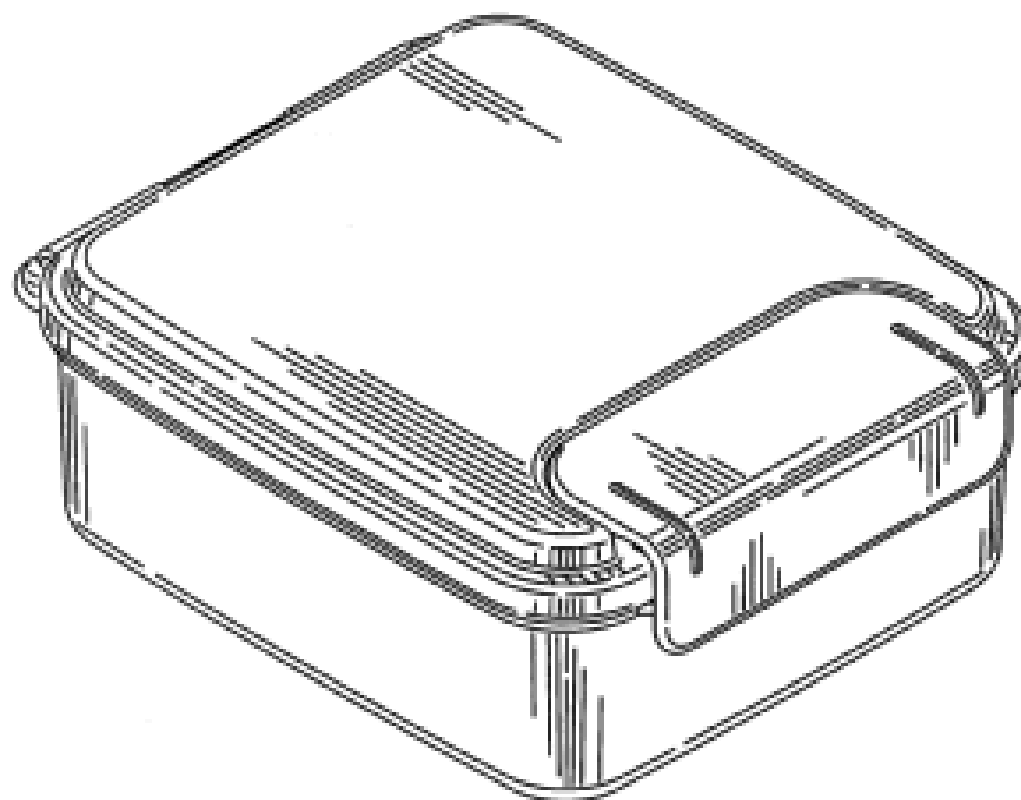
(31) Number	(32) Date	(33) Country
29/316,454	29 Sep 2009	UNITED STATES OF AMERICA
- (56) Related Art Documents: **Not Applicable**
- (57) Statement of Newness and Distinctiveness: **Those features of the spoon depicted in the representations that are new and distinctive are the shape and/or configuration.**



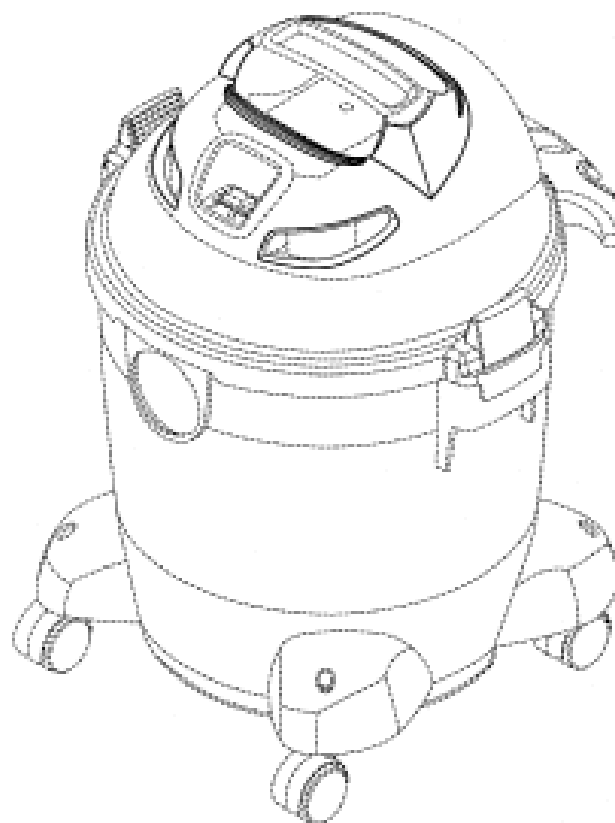
(21) Design Number: **10886/2010**
(22) Date of Filing Application: **16 March 2010**
(24) Date from which industrial property rights may have effect: **16 March 2010**
(54) Product in respect of which the design is registered: **Container**
(51) International Design Classification: **09-03NES**
(71) Name(s) and Address(s) of Applicant(s):
Dart Industries Inc
14901 S. Orange Blossom Trail Orlando Florida 32837 United States of America
(72) Name(s) of Designer(s): **Christian Olivari**
(45) Registration Date: **13 April 2010**
(30) Convention priority data:
(31) Number (32) Date (33) Country
29/316,555 07 Oct 2009 UNITED STATES OF AMERICA
(56) Related Art Documents: **Not Applicable**
(57) Statement of Newness and Distinctiveness: **Those features of the container depicted in the representations that are new and distinctive are the shape and/or configuration.**



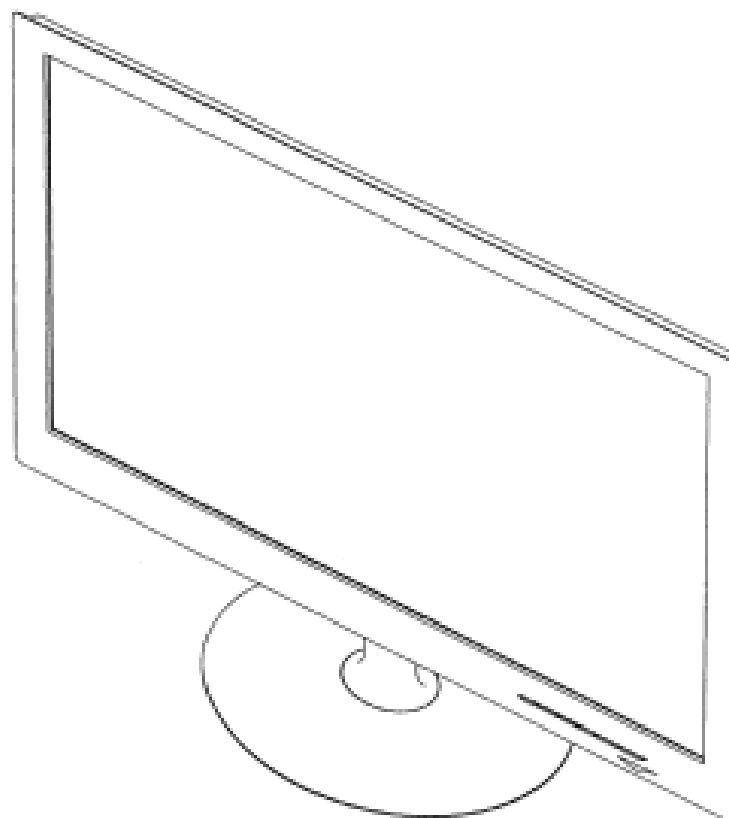
(21) Design Number: **10887/2010**
(22) Date of Filing Application: **16 March 2010**
(24) Date from which industrial property rights may have effect: **16 March 2010**
(54) Product in respect of which the design is registered: **Container**
(51) International Design Classification: **09-03NES**
(71) Name(s) and Address(s) of Applicant(s):
Dart Industries Inc
14901 S. Orange Blossom Trail Orlando Florida 32837 United States of America
(72) Name(s) of Designer(s): **Christian Olivari**
(45) Registration Date: **13 April 2010**
(30) Convention priority data:
(31) Number (32) Date (33) Country
29/316,550 07 Oct 2009 UNITED STATES OF AMERICA
(56) Related Art Documents: **Not Applicable**
(57) Statement of Newness and Distinctiveness: **Those features of the container depicted in the representations that are new and distinctive are the shape and/or configuration.**



- (21) Design Number: **10889/2010**
(22) Date of Filing Application: **16 March 2010**
(24) Date from which industrial property rights may have effect: **16 March 2010**
(54) Product in respect of which the design is registered: **Vacuum cleaner**
(51) International Design Classification: **15-05**
(71) Name(s) and Address(s) of Applicant(s):
Shop Vac Corporation
2323 Reach Road Williamsport PA 17701 United States of America
(72) Name(s) of Designer(s): **Jason S. Gottschall and Robert L. Crevling Jr and John Griffin**
(45) Registration Date: **13 April 2010**
(30) Convention priority data:
(31) Number (32) Date (33) Country
29/343793 18 Sep 2009 UNITED STATES OF AMERICA
(56) Related Art Documents: **Not Applicable**
(57) Statement of Newness and Distinctiveness: **When determining whether the vacuum cleaner design is substantially similar in overall impression to another design, no regard is to be had to those features shown in dotted outline. Visual features including shape, configuration, pattern and ornamentation of the features of the vacuum cleaner shown in solid outline is/are new and distinctive.**



- (21) Design Number: **10904/2010**
(22) Date of Filing Application: **16 March 2010**
(24) Date from which industrial property rights may have effect: **16 March 2010**
(54) Product in respect of which the design is registered: **LCD monitor**
(51) International Design Classification: **14-01**
(71) Name(s) and Address(s) of Applicant(s):
LG Electronics Inc.
20 Yeouido-dong Yeongdeungpo-gu Seoul 150-721 Republic of Korea
(72) Name(s) of Designer(s): **Seong Ahn Jeon and Jae Neung Jung and Kang Yoon Lee**
(45) Registration Date: **13 April 2010**
(30) Convention priority data:
(31) Number (32) Date (33) Country
30-2009-0043092 29 Sep 2009 REPUBLIC OF KOREA
(56) Related Art Documents: **Not Applicable**
(57) Statement of Newness and Distinctiveness: **Newness and distinctiveness reside in the features of the design as shown in the representations.**



(21) Design Number: **10905/2010**

(22) Date of Filing Application: **16 March 2010**

(24) Date from which industrial property rights may have effect: **16 March 2010**

(54) Product in respect of which the design is registered: **Tent**

(51) International Design Classification: **21-04**

(71) Name(s) and Address(s) of Applicant(s):

AMG Group Limited
Kelburn Business Park Port Glasgow Renfrewshire PA14 6TD United Kingdom

(72) Name(s) of Designer(s): **David Glenn Andrews**

(45) Registration Date: **13 April 2010**

(30) Convention priority data:

(31) Number	(32) Date	(33) Country
001640566-0001	26 Nov 2009	EUROPEAN COMMUNITY

(56) Related Art Documents: **Not Applicable**

(57) Statement of Newness and Distinctiveness: **Newness and distinctiveness is claimed in the features of shape and/or configuration of a tent as illustrated in the accompanying representations.**



(21) Design Number: **10906/2010**

(22) Date of Filing Application: **16 March 2010**

(24) Date from which industrial property rights may have effect: **16 March 2010**

(54) Product in respect of which the design is registered: **A wireless head set assembly**

(51) International Design Classification: **14-01**

(71) Name(s) and Address(s) of Applicant(s):

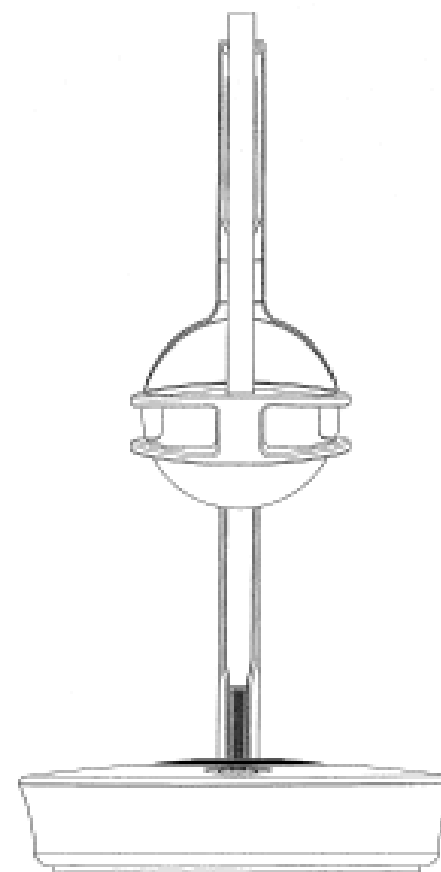
Design and Industry Pty Ltd
115-121 Mullens Street Balmain New South Wales 2041 Australia

(72) Name(s) of Designer(s): **Murray David Kirby Hunter and Stuart May and Dimitrios Scoutas**

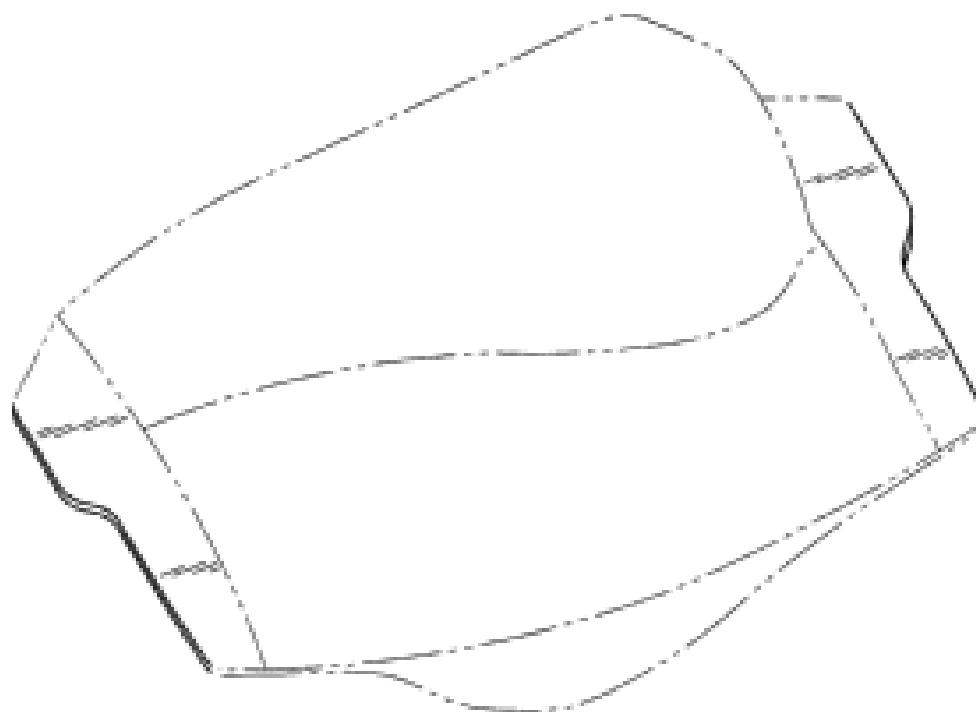
(45) Registration Date: **13 April 2010**

(56) Related Art Documents: **Not Applicable**

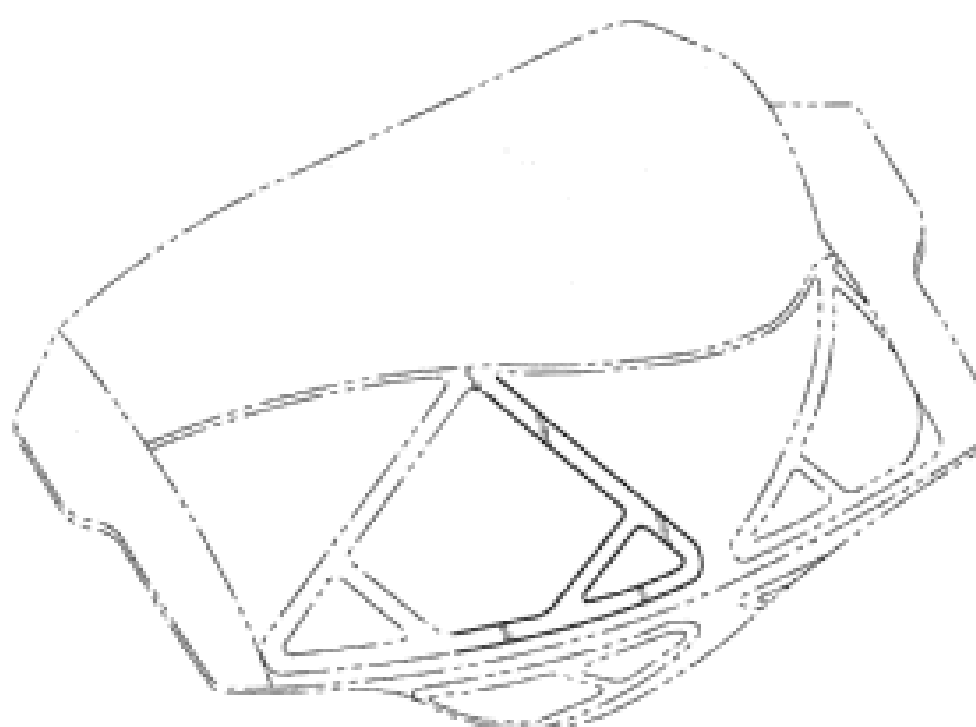
(57) Statement of Newness and Distinctiveness: **Newness and distinctiveness is claimed in the features of shape and/or configuration of a wireless head set assembly as illustrated in the accompanying representations.**



- (21) Design Number: **10907/2010**
(22) Date of Filing Application: **16 March 2010**
(24) Date from which industrial property rights may have effect: **16 March 2010**
(54) Product in respect of which the design is registered: **A personal respiratory protection mask having tabs**
(51) International Design Classification: **24-01**
(71) Name(s) and Address(s) of Applicant(s):
3M Innovative Properties Company
3M Center Saint Paul Minnesota 55133-3427 United States of America
(72) Name(s) of Designer(s): **Nathan A. Abel and Scott A. Spoo and Dean R. Duffy**
(45) Registration Date: **13 April 2010**
(30) Convention priority data:
(31) Number (32) Date (33) Country
29/343742 18 Sep 2009 UNITED STATES OF AMERICA
(56) Related Art Documents: **Not Applicable**
(57) Statement of Newness and Distinctiveness: **Newness and distinctiveness is claimed in the features of shape and/or configuration of a personal respiratory protection mask having tabs as shown in solid outline in the accompanying representations.**



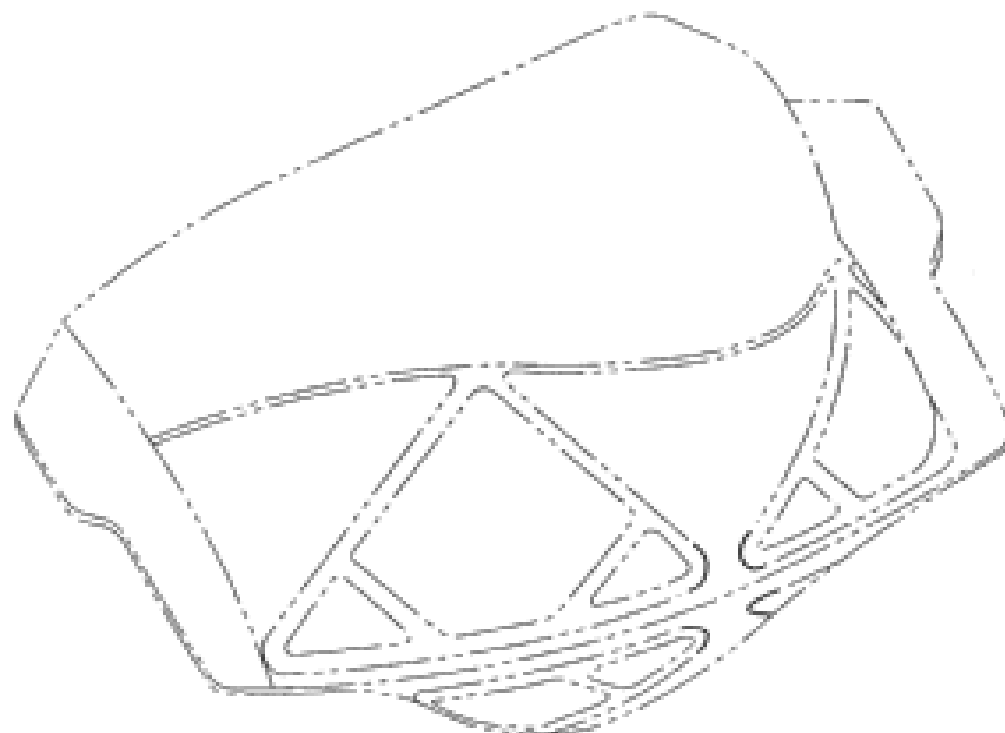
- (21) Design Number: **10908/2010**
(22) Date of Filing Application: **16 March 2010**
(24) Date from which industrial property rights may have effect: **16 March 2010**
(54) Product in respect of which the design is registered: **A personal respiratory protection mask with a bond pattern**
(51) International Design Classification: **24-01**
(71) Name(s) and Address(s) of Applicant(s):
3M Innovative Properties Company
3M Center Saint Paul Minnesota 55133-3427 United States of America
(72) Name(s) of Designer(s): **Scott A. Spoo and Dean R. Duffy**
(45) Registration Date: **13 April 2010**
(30) Convention priority data:
(31) Number (32) Date (33) Country
29/343750 18 Sep 2009 UNITED STATES OF AMERICA
(56) Related Art Documents: **Not Applicable**
(57) Statement of Newness and Distinctiveness: **Newness and distinctiveness is claimed in the features of shape and/or configuration of a personal respiratory protection mask having a triangular bond pattern as shown in solid outline in the accompanying representations.**



(21) Design Number: **10909/2010**
 (22) Date of Filing Application: **16 March 2010**
 (24) Date from which industrial property rights may have effect: **16 March 2010**
 (54) Product in respect of which the design is registered: **A personal respiratory protection mask with a bond pattern**
 (51) International Design Classification: **24-01**
 (71) Name(s) and Address(s) of Applicant(s):
3M Innovative Properties Company
3M Center Saint Paul Minnesota 55133-3427 United States of America
 (72) Name(s) of Designer(s): **Scott A. Spoo and Dean R. Duffy**
 (45) Registration Date: **13 April 2010**
 (30) Convention priority data:

(31) Number	(32) Date	(33) Country
29/343748	18 Sep 2009	UNITED STATES OF AMERICA

 (56) Related Art Documents: **Not Applicable**
 (57) Statement of Newness and Distinctiveness: **Newness and distinctiveness is claimed in the features of shape and/or configuration of a personal respiratory protection mask having a bond pattern as shown in solid outline in the accompanying representations.**



(21) Design Number: **10910/2010**
 (22) Date of Filing Application: **16 March 2010**
 (24) Date from which industrial property rights may have effect: **16 March 2010**
 (54) Product in respect of which the design is registered: **A respirator**
 (51) International Design Classification: **24-01**
 (71) Name(s) and Address(s) of Applicant(s):
3M Innovative Properties Company
3M Center Saint Paul Minnesota 55133-3427 United States of America
 (72) Name(s) of Designer(s): **Dean R. Duffy and Scott A. Spoo and Philip D. Eitzman**
 (45) Registration Date: **13 April 2010**
 (30) Convention priority data:

(31) Number	(32) Date	(33) Country
29/343747	18 Sep 2009	UNITED STATES OF AMERICA

 (56) Related Art Documents: **Not Applicable**
 (57) Statement of Newness and Distinctiveness: **Newness and distinctiveness is claimed in a respirator having features of pattern and/or ornamentation as shown in the accompanying representations. In the accompanying representations the dash-dot-dot lines indicate features of shape and/or configuration of the respirator and not features of pattern and/or ornamentation.**



- (21) Design Number: **10911/2010**
(22) Date of Filing Application: **17 March 2010**
(24) Date from which industrial property rights may have effect: **17 March 2010**
(54) Product in respect of which the design is registered: **Apron or protective item of clothing**
(51) International Design Classification: **02-02B**
(71) Name(s) and Address(s) of Applicant(s):
Jane Fricker
49 View Street Sandy Bay Tasmania 7005 Australia
(72) Name(s) of Designer(s): **Jane Fricker**
(45) Registration Date: **13 April 2010**
(56) Related Art Documents: **Not Applicable**
(57) Statement of Newness and Distinctiveness: **The apron is formed from one whole piece of material that curves around the body instead of over the head.**



- (21) Design Number: **10912/2010**
(22) Date of Filing Application: **17 March 2010**
(24) Date from which industrial property rights may have effect: **17 March 2010**
(54) Product in respect of which the design is registered: **Toner cartridge**
(51) International Design Classification: **14-02**
(71) Name(s) and Address(s) of Applicant(s):
Fuji Xerox Co., Ltd.
7-3 Akasaka 9-chome Minato-ku Tokyo Japan
(72) Name(s) of Designer(s): **Toshio Takiguchi and Kazuaki Sugawara**
(45) Registration Date: **13 April 2010**
(30) Convention priority data:
(31) Number (32) Date (33) Country
2009-021571 17 Sep 2009 JAPAN
(56) Related Art Documents: **Not Applicable**
(57) Statement of Newness and Distinctiveness: **Newness and distinctiveness resides in the features of shape and/or configuration of the toner cartridge indicated in grey scale in the accompanying representations. The features shown in green in the accompanying representations form no part of the design.**



- (21) Design Number: **10913/2010**
(22) Date of Filing Application: **17 March 2010**
(24) Date from which industrial property rights may have effect: **17 March 2010**
(54) Product in respect of which the design is registered: **Toner cartridge**
(51) International Design Classification: **14-02**
(71) Name(s) and Address(s) of Applicant(s):

Fuji Xerox Co., Ltd.
7-3 Akasaka 9-chome Minato-ku Tokyo Japan

- (72) Name(s) of Designer(s): **Toshio Takiguchi and Kazuaki Sugawara**

- (45) Registration Date: **13 April 2010**

- (30) Convention priority data:

(31) Number	(32) Date	(33) Country
2009-021570	17 Sep 2009	JAPAN

- (56) Related Art Documents: **Not Applicable**

- (57) Statement of Newness and Distinctiveness: **Newness and distinctiveness resides in the features of shape and/or configuration of the toner cartridge indicated in grey scale in the accompanying representations. The features shown in green in the accompanying representations form no part of the design.**



- (21) Design Number: **10914/2010**
(22) Date of Filing Application: **17 March 2010**
(24) Date from which industrial property rights may have effect: **17 March 2010**
(54) Product in respect of which the design is registered: **Toner cartridge**
(51) International Design Classification: **14-02**
(71) Name(s) and Address(s) of Applicant(s):

Fuji Xerox Co., Ltd.
7-3 Akasaka 9-chome Minato-ku Tokyo Japan

- (72) Name(s) of Designer(s): **Toshio Takiguchi and Kazuaki Sugawara**

- (45) Registration Date: **13 April 2010**

- (30) Convention priority data:

(31) Number	(32) Date	(33) Country
2009-021568	17 Sep 2009	JAPAN

- (56) Related Art Documents: **Not Applicable**

- (57) Statement of Newness and Distinctiveness: **Newness and distinctiveness resides in the features of shape and/or configuration of a toner cartridge shown in the accompanying representations.**



(21) Design Number: **10915/2010**

(22) Date of Filing Application: **17 March 2010**

(24) Date from which industrial property rights may have effect: **17 March 2010**

(54) Product in respect of which the design is registered: **Toner cartridge**

(51) International Design Classification: **14-02**

(71) Name(s) and Address(s) of Applicant(s):

Fuji Xerox Co., Ltd.

7-3 Akasaka 9-chome Minato-ku Tokyo Japan

(72) Name(s) of Designer(s): **Toshio Takiguchi and Kazuaki Sugawara**

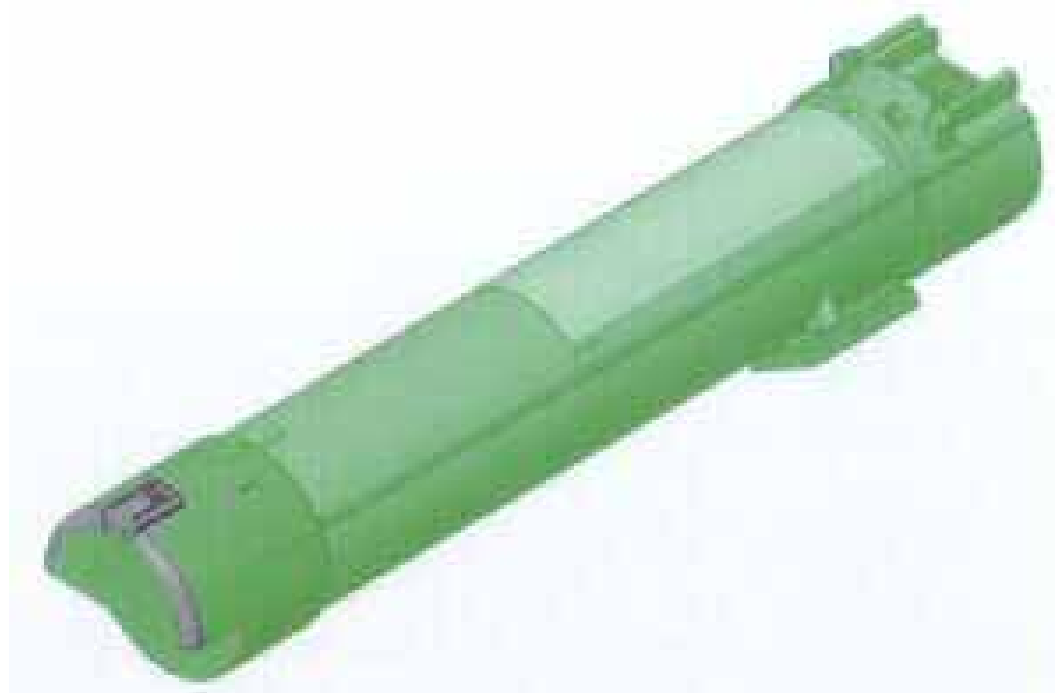
(45) Registration Date: **13 April 2010**

(30) Convention priority data:

(31) Number	(32) Date	(33) Country
2009-021569	17 Sep 2009	JAPAN

(56) Related Art Documents: **Not Applicable**

(57) Statement of Newness and Distinctiveness: **Newness and distinctiveness resides in the features of shape and/or configuration of the toner cartridge indicated in grey scale in the accompanying representations. The features shown in green in the accompanying representations form no part of the design.**



(21) Design Number: **10917/2010**

(22) Date of Filing Application: **10 March 2010**

(24) Date from which industrial property rights may have effect: **10 March 2010**

(54) Product in respect of which the design is registered: **Packaging for produce**

(51) International Design Classification: **09-03F**

(71) Name(s) and Address(s) of Applicant(s):

Ian Locke

161 Allport Street (East) Leith Tasmania 7315 Australia

(72) Name(s) of Designer(s): **Ian Locke**

(45) Registration Date: **13 April 2010**

(56) Related Art Documents: **Not Applicable**

(57) Statement of Newness and Distinctiveness: **ASPER-02 Background: Traditionally, expanded polystyrene [EPS] that has been heated, compressed and moulded into a box or crate shape has been designed for: [a] a commodity group [eg. seafood], [b] a specific produce [eg. broccoli], [c] a particular transport type [eg. airfreight], [d] a generic pallet [eg. AS4068-1993]. Furthermore, the design has sought to utilise the thermal conductivity of EPS by adjusting the thickness of the floor and walls of the package to achieve a balance between temperature transfer [loss] and the integral strength of the box. That is, the period that temperature penetrates to or from produce inside the box is balanced against the structural integrity of the box to avoid damage. Conversely, if 10-kilos of chilled broccoli are packed with ice in an EPS package, the thickness of the floor and walls and structural construction of the moulding of the box must be: [a] strong enough to hold and transport the produce without breaking [b] moulded using compaction and thickness to maximise the thermal conductivity properties of EPS packaging. Newness: The design of ASPER-02 exhibits newness over ASPER-01 because it exhibits: [a] A greater depth of about 30-mm [b] A lid which fits with the base of ASPER-01 and ASPER-02. Distinctiveness: The design is distinctive to ASPER-01 because of the depth, lid and label guides.**



(21) Design Number: **10920/2010**

(22) Date of Filing Application: **15 March 2010**

(24) Date from which industrial property rights may have effect: **15 March 2010**

(54) Product in respect of which the design is registered: **Combined night light and USB power adaptor**

(51) International Design Classification: **26-05NES, 13-03D**

(71) Name(s) and Address(s) of Applicant(s):

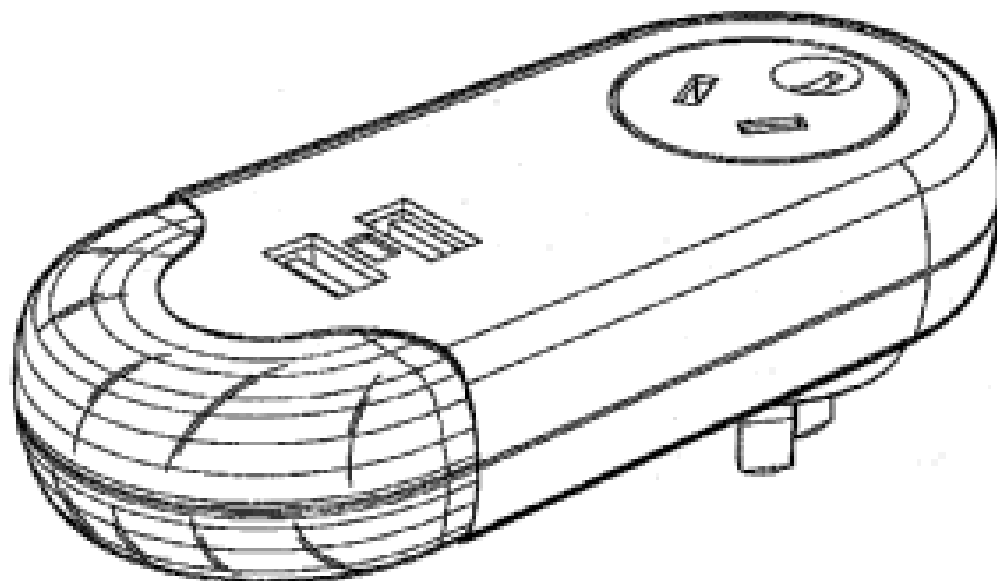
Mort Bay Traders Pty Ltd
191 Darling Street Balmain New South Wales 2041 Australia

(72) Name(s) of Designer(s): **Simon Grigg**

(45) Registration Date: **13 April 2010**

(56) Related Art Documents: **Not Applicable**

(57) Statement of Newness and Distinctiveness: **Newness and distinctiveness reside in the shape and configuration of the night light in combination with the configuration of the USB sockets.**



(21) Design Number: **10921/2010**

(22) Date of Filing Application: **17 March 2010**

(24) Date from which industrial property rights may have effect: **17 March 2010**

(54) Product in respect of which the design is registered: **Classic record clutch handbag**

(51) International Design Classification: **03-01B**

(71) Name(s) and Address(s) of Applicant(s):

Bernadette Malmsten
61 Boulia Street Greenbank Queensland 4124 Australia

(72) Name(s) of Designer(s): **Bernadette Malmsten**

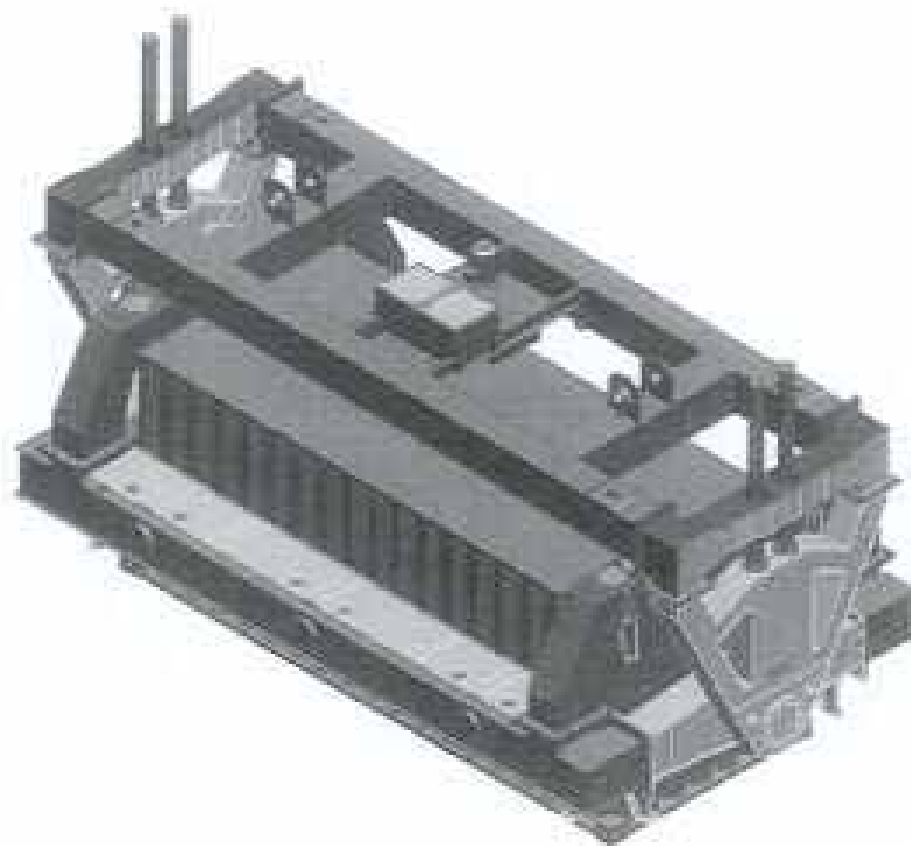
(45) Registration Date: **13 April 2010**

(56) Related Art Documents: **Not Applicable**

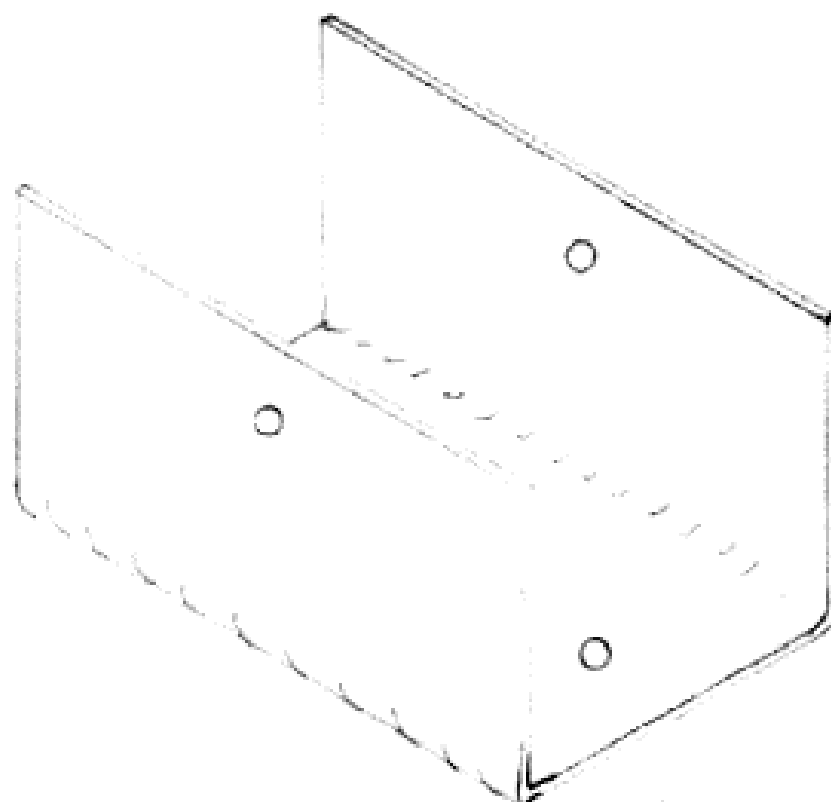
(57) Statement of Newness and Distinctiveness: **Two recycled records, with fabric insert bag, joined at six places, with a short handle.**



- (21) Design Number: **10922/2010**
(22) Date of Filing Application: **17 March 2010**
(24) Date from which industrial property rights may have effect: **17 March 2010**
(54) Product in respect of which the design is registered: **Shipping container lifting spreader**
(51) International Design Classification: **12-05**
(71) Name(s) and Address(s) of Applicant(s):
Bulk Connections Australia Pty Ltd
491 Spencer Street West Melbourne Victoria 3003 Australia
(72) Name(s) of Designer(s): **Brett Money**
(45) Registration Date: **13 April 2010**
(56) Related Art Documents: **Not Applicable**
(57) Statement of Newness and Distinctiveness: **Rotating spreader lifting frame which lifts and rotates open top shipping container 180 degrees for discharging of bulk material into cargo ship hold or main land storage facility. Inner frame connects to container which is rotated within outer frame pivot shafts using hydraulic cylinders, chains and sprockets.**



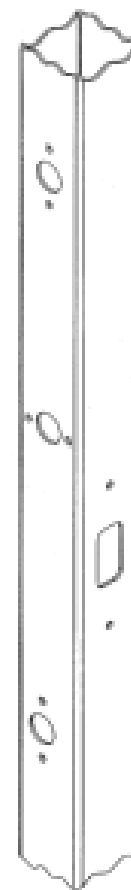
- (21) Design Number: **10923/2010**
(22) Date of Filing Application: **17 March 2010**
(24) Date from which industrial property rights may have effect: **17 March 2010**
(54) Product in respect of which the design is registered: **A bracket for a wall system**
(51) International Design Classification: **08-08L**
(71) Name(s) and Address(s) of Applicant(s):
CSR Building Products Limited
Triniti 3 39 Delhi Road North Ryde New South Wales 2113 Australia
(72) Name(s) of Designer(s): **Joe Zarb**
(45) Registration Date: **13 April 2010**
(56) Related Art Documents: **Not Applicable**
(57) Statement of Newness and Distinctiveness: **Newness and distinctiveness is claimed in the features of shape and/or configuration a bracket for a wall system as illustrated in the accompanying representations.**



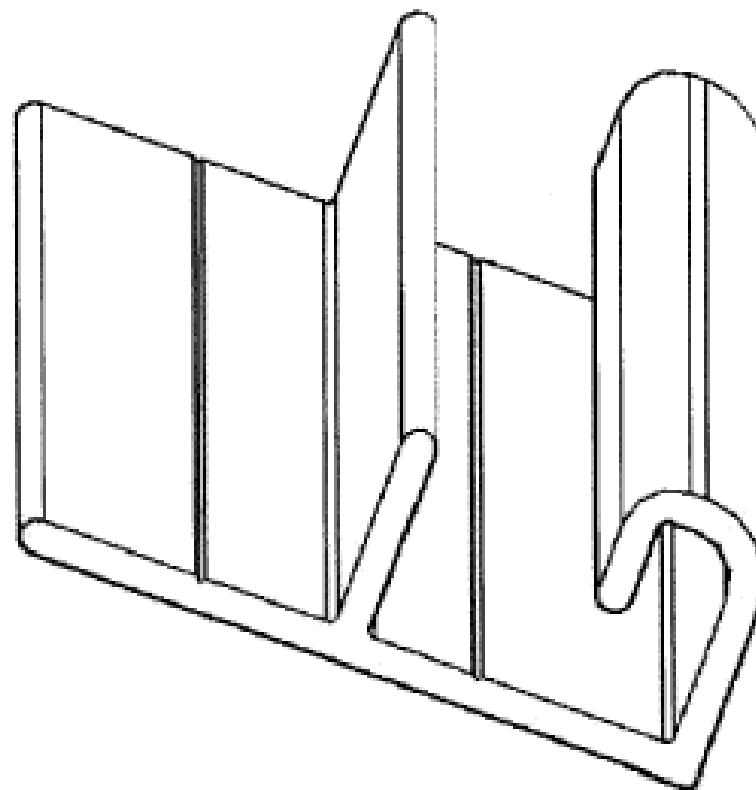
- (21) Design Number: **10924/2010**
- (22) Date of Filing Application: **18 March 2010**
- (24) Date from which industrial property rights may have effect: **18 March 2010**
- (54) Product in respect of which the design is registered: **Shower rose**
- (51) International Design Classification: **23-02B**
- (71) Name(s) and Address(s) of Applicant(s):
Iain Ewing
14 Bluebell Street Mansfield Queensland 4122 Australia
- (72) Name(s) of Designer(s): **Iain Ewing**
- (45) Registration Date: **13 April 2010**
- (56) Related Art Documents: **Not Applicable**
- (57) Statement of Newness and Distinctiveness: **Newness and distinctiveness are claimed in the shape of the shower rose. The wall mount and spray cogs are to be disregarded.**



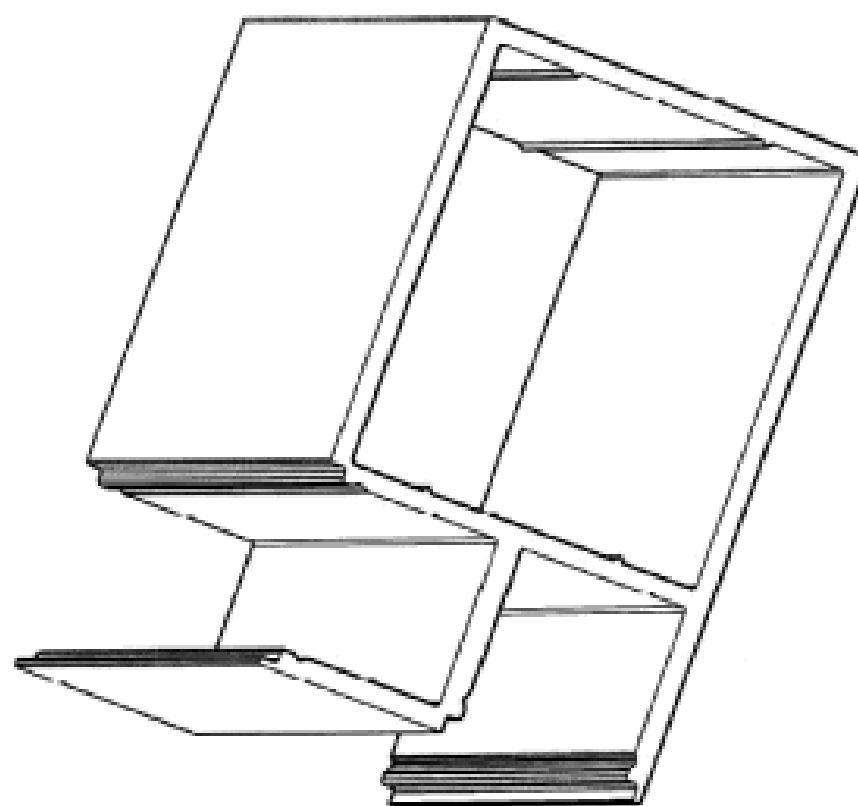
- (21) Design Number: **10925/2010**
- (22) Date of Filing Application: **18 March 2010**
- (24) Date from which industrial property rights may have effect: **18 March 2010**
- (54) Product in respect of which the design is registered: **Post**
- (51) International Design Classification: **25-01E**
- (71) Name(s) and Address(s) of Applicant(s):
Stuart John Andrews
9 Dry Street Curtin ACT 2605 Australia
Mark Cumming
117 Waratah Road Mangrove Mountain New South Wales 2250 Australia
- (72) Name(s) of Designer(s): **Stuart John Andrews and Mark Cumming**
- (45) Registration Date: **13 April 2010**
- (56) Related Art Documents: **Not Applicable**
- (57) Statement of Newness and Distinctiveness: **The newness and distinctiveness of the design resides in the features of pattern and/or ornamentation OR shape and/or configuration shown in unbroken lines in the accompanying representations.**



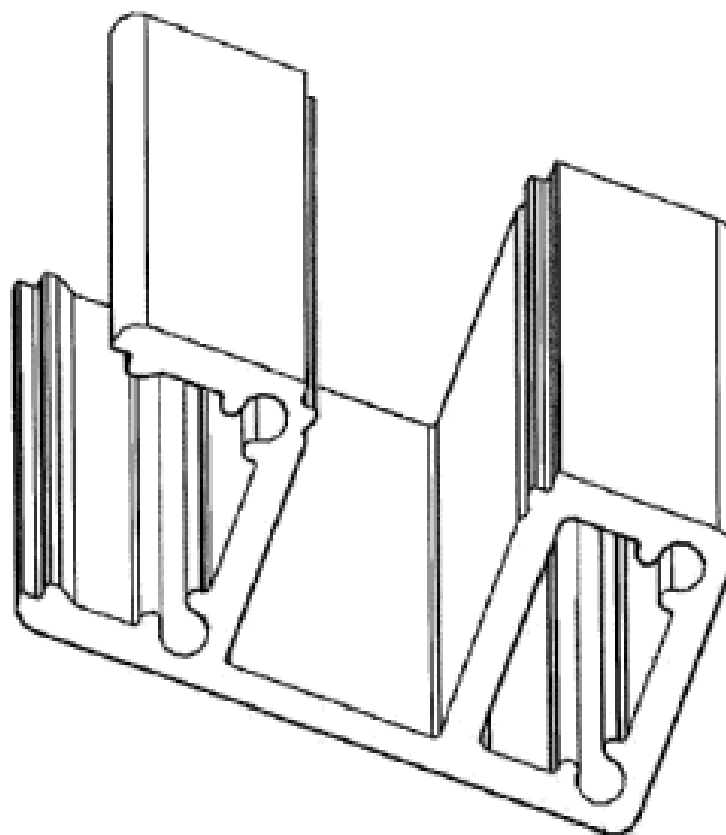
- (21) Design Number: **10926/2010**
- (22) Date of Filing Application: **17 March 2010**
- (24) Date from which industrial property rights may have effect: **17 March 2010**
- (54) Product in respect of which the design is registered: **An extrusion**
- (51) International Design Classification: **25-01K**
- (71) Name(s) and Address(s) of Applicant(s):
 - Alan David Divall**
2018 The Boulevard Royal Pines Riverside Ashmore Queensland 4214
Australia
 - Darren Paul Galway**
26A Lennie Avenue Main Beach Queensland 4217 Australia
- (72) Name(s) of Designer(s): **Darren Paul Galway and Alan David Divall**
- (45) Registration Date: **13 April 2010**
- (56) Related Art Documents: **Not Applicable**
- (57) Statement of Newness and Distinctiveness: **Newness and distinctiveness is claimed in the shape and configuration of the extrusion as shown in the accompanying representations. The extrusion is claimed in indefinite length.**



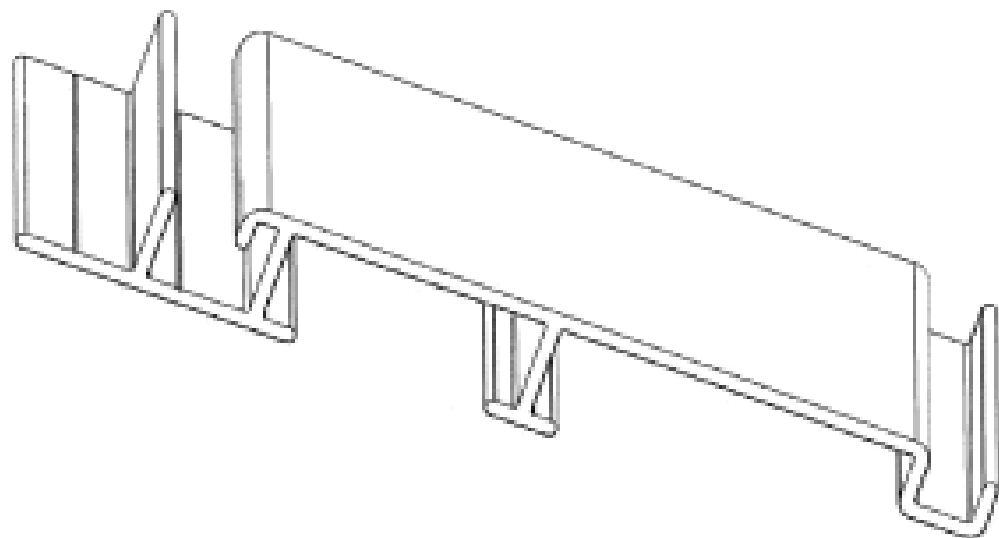
- (21) Design Number: **10927/2010**
- (22) Date of Filing Application: **17 March 2010**
- (24) Date from which industrial property rights may have effect: **17 March 2010**
- (54) Product in respect of which the design is registered: **An extrusion**
- (51) International Design Classification: **25-01K**
- (71) Name(s) and Address(s) of Applicant(s):
 - Alan David Divall**
2018 The Boulevard Royal Pines Riverside Ashmore Queensland 4214
Australia
 - Darren Paul Galway**
26A Lennie Avenue Main Beach Queensland 4217 Australia
- (72) Name(s) of Designer(s): **Darren Paul Galway and Alan David Divall**
- (45) Registration Date: **13 April 2010**
- (56) Related Art Documents: **Not Applicable**
- (57) Statement of Newness and Distinctiveness: **Newness and distinctiveness is claimed in the shape and configuration of the extrusion as shown in the accompanying representations. The extrusion is claimed in indefinite length.**



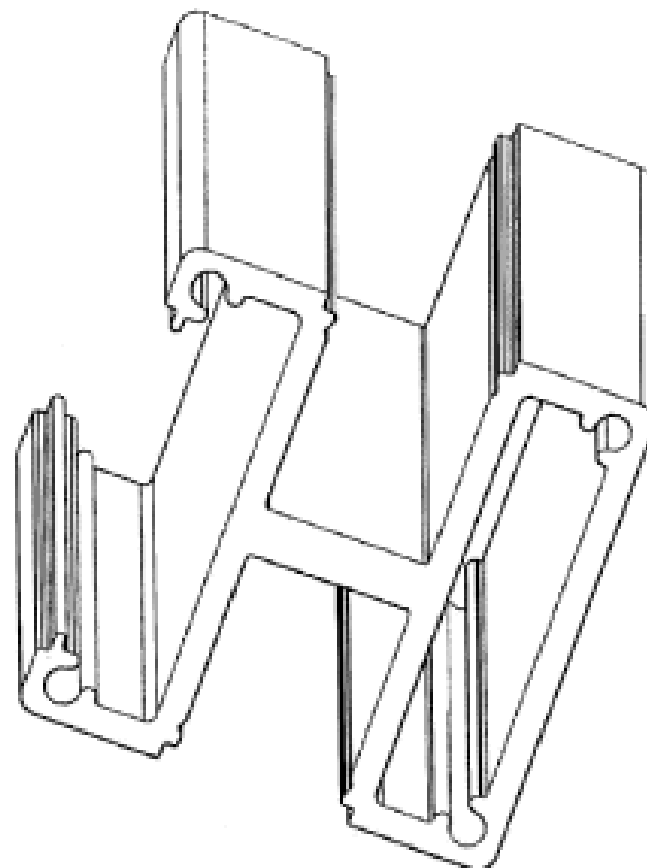
- (21) Design Number: **10928/2010**
(22) Date of Filing Application: **17 March 2010**
(24) Date from which industrial property rights may have effect: **17 March 2010**
(54) Product in respect of which the design is registered: **An extrusion**
(51) International Design Classification: **25-01K**
(71) Name(s) and Address(s) of Applicant(s):
 Alan David Divall
 2018 The Boulevard Royal Pines Riverside Ashmore Queensland 4214
 Australia
 Darren Paul Galway
 26A Lennie Avenue Main Beach Queensland 4217 Australia
(72) Name(s) of Designer(s): **Darren Paul Galway and Alan David Divall**
(45) Registration Date: **13 April 2010**
(56) Related Art Documents: **Not Applicable**
(57) Statement of Newness and Distinctiveness: **Newness and distinctiveness is claimed in the shape and configuration of the extrusion as shown in the accompanying representations. The extrusion is claimed in indefinite length.**



- (21) Design Number: **10929/2010**
(22) Date of Filing Application: **17 March 2010**
(24) Date from which industrial property rights may have effect: **17 March 2010**
(54) Product in respect of which the design is registered: **An extrusion**
(51) International Design Classification: **25-01K**
(71) Name(s) and Address(s) of Applicant(s):
 Alan David Divall
 2018 The Boulevard Royal Pines Riverside Ashmore Queensland 4214
 Australia
 Darren Paul Galway
 26A Lennie Avenue Main Beach Queensland 4217 Australia
(72) Name(s) of Designer(s): **Darren Paul Galway and Alan David Divall**
(45) Registration Date: **13 April 2010**
(56) Related Art Documents: **Not Applicable**
(57) Statement of Newness and Distinctiveness: **Newness and distinctiveness is claimed in the shape and configuration of the extrusion as shown in the accompanying representations. The extrusion is claimed in indefinite length.**



- (21) Design Number: **10930/2010**
(22) Date of Filing Application: **17 March 2010**
(24) Date from which industrial property rights may have effect: **17 March 2010**
(54) Product in respect of which the design is registered: **An extrusion**
(51) International Design Classification: **25-01K**
(71) Name(s) and Address(s) of Applicant(s):
Alan David Dival
2018 The Boulevard Royal Pines Riverside Ashmore Queensland 4214
Australia
Darren Paul Galway
26A Lennie Avenue Main Beach Queensland 4217 Australia
(72) Name(s) of Designer(s): **Darren Paul Galway and Alan David Dival**
(45) Registration Date: **13 April 2010**
(56) Related Art Documents: **Not Applicable**
(57) Statement of Newness and Distinctiveness: **Newness and distinctiveness is claimed in the shape and configuration of the extrusion as shown in the accompanying representations. The extrusion is claimed in indefinite length.**



- (21) Design Number: **14375/2009**
(22) Date of Filing Application: **04 November 2009**
(24) Date from which industrial property rights may have effect: **04 November 2009**
(54) Product in respect of which the design is registered: **Martial arts training dummy**
(51) International Design Classification: **21-02F**
(71) Name(s) and Address(s) of Applicant(s):
Donovan Reynolds
995 Bourke Street Waterloo New South Wales 2017 Australia
(72) Name(s) of Designer(s): **Donovan Reynolds**
(45) Registration Date: **12 April 2010**
(56) Related Art Documents: **Not Applicable**
(57) Statement of Newness and Distinctiveness: **Distinctive features of the product include padded arms which rotate 360 degrees and up and down.**



(21) Design Number: 10222/2010

(22) Date of Filing Application: 22 January 2010

(24) Date from which industrial property rights may have effect: 22 January 2010

(54) Product in respect of which the design is registered: **Gameboards**

(51) International Design Classification: 21-01L

(71) Name(s) and Address(s) of Applicant(s):

Andrew King

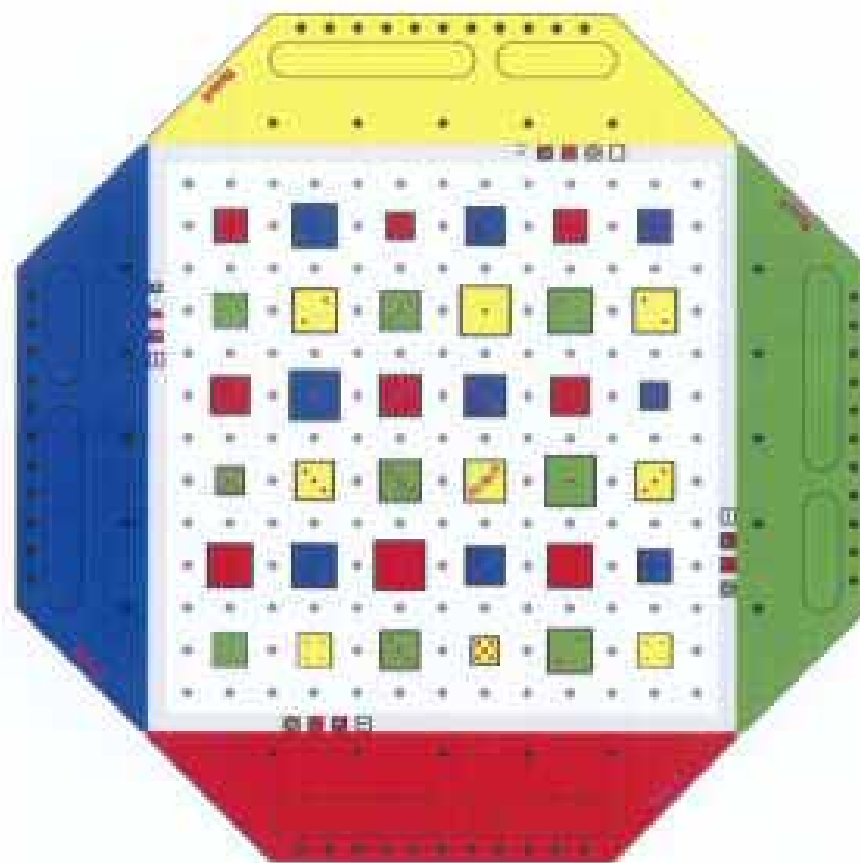
1 Tallowood Drive Pullenvale Queensland 4069 Australia

(72) Name(s) of Designer(s): **Andrew King**

(45) Registration Date: 14 April 2010

(56) Related Art Documents: **Not Applicable**

(57) Statement of Newness and Distinctiveness: **The patterns on the reversible inner game board are new and distinctive. On the first side, squares have been assigned a value (number of dots) based on the square size and distance from the board edges. On the second side, squares have been assigned a value (letters) based on the frequency of letter use in common language.**



(21) Design Number: 11023/2010

(22) Date of Filing Application: 22 January 2010

(24) Date from which industrial property rights may have effect: 22 January 2010

(54) Product in respect of which the design is registered: **Gameboards**

(51) International Design Classification: 21-01L

(71) Name(s) and Address(s) of Applicant(s):

Andrew King

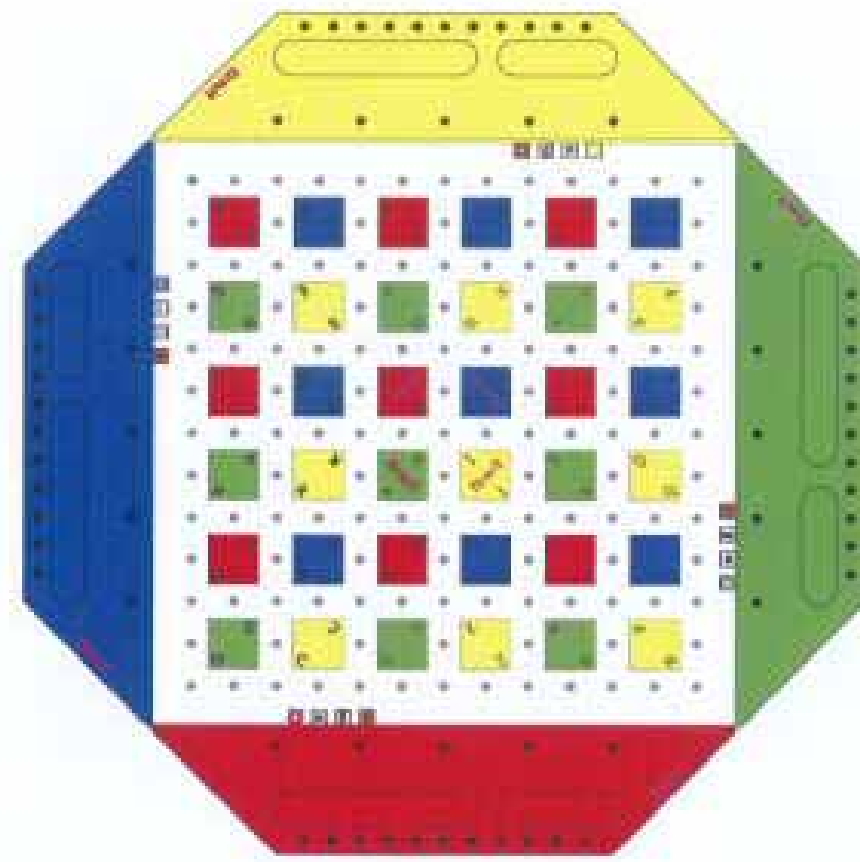
1 Tallowood Drive Pullenvale Queensland 4069 Australia

(72) Name(s) of Designer(s): **Andrew King**

(45) Registration Date: 14 April 2010

(56) Related Art Documents: **Not Applicable**

(57) Statement of Newness and Distinctiveness: **The patterns on the reversible inner game board are new and distinctive. On the first side squares have been assigned a value (number of dots) based on the square size and distance from the board edges. On the second side squares have been assigned a value (letters) based on the frequency of letter use in common language.**



(21) Design Number: **10890/2010**

(22) Date of Filing Application: **16 March 2010**

(24) Date from which industrial property rights may have effect: **16 March 2010**

(54) Product in respect of which the design is registered: **Vacuum cleaner**

(51) International Design Classification: **15-05**

(71) Name(s) and Address(s) of Applicant(s):

Shop Vac Corporation
2323 Reach Road Williamsport PA 17701 United States of America

(72) Name(s) of Designer(s): **Jason S. Gottschall and Robert L. Crevling Jr and John Griffin**

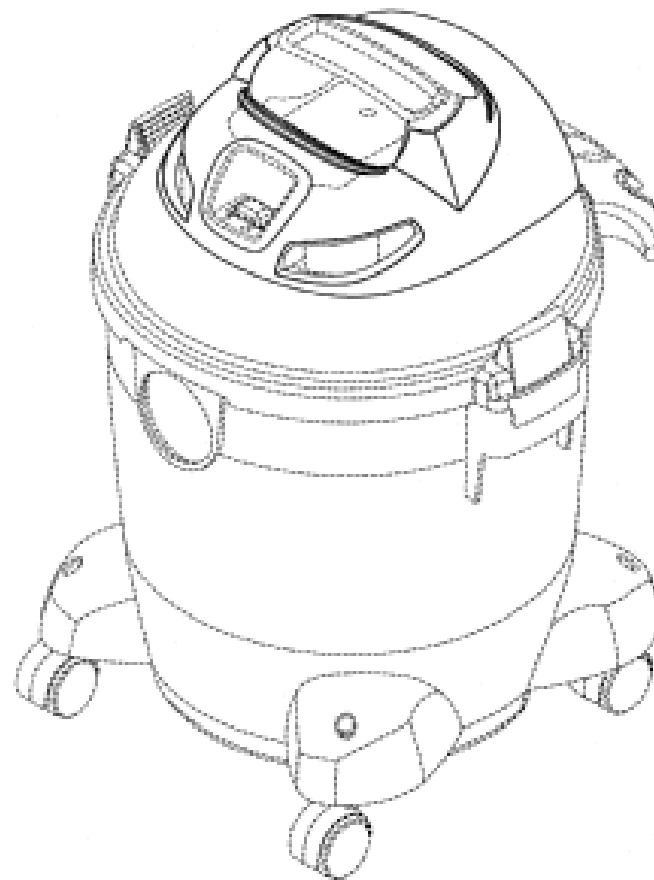
(45) Registration Date: **14 April 2010**

(30) Convention priority data:

(31) Number	(32) Date	(33) Country
29/343793	18 Sep 2009	UNITED STATES OF AMERICA

(56) Related Art Documents: **Not Applicable**

(57) Statement of Newness and Distinctiveness: **When determining whether the vacuum cleaner design is substantially similar in overall impression to another design, no regard is to be had to those features shown in dotted outline. Visual features including shape, configuration, pattern and ornamentation of the features of the vacuum cleaner shown in solid outline is/are new and distinctive.**



(21) Design Number: **10891/2010**

(22) Date of Filing Application: **16 March 2010**

(24) Date from which industrial property rights may have effect: **16 March 2010**

(54) Product in respect of which the design is registered: **Pivotable table**

(51) International Design Classification: **06-03A**

(71) Name(s) and Address(s) of Applicant(s):

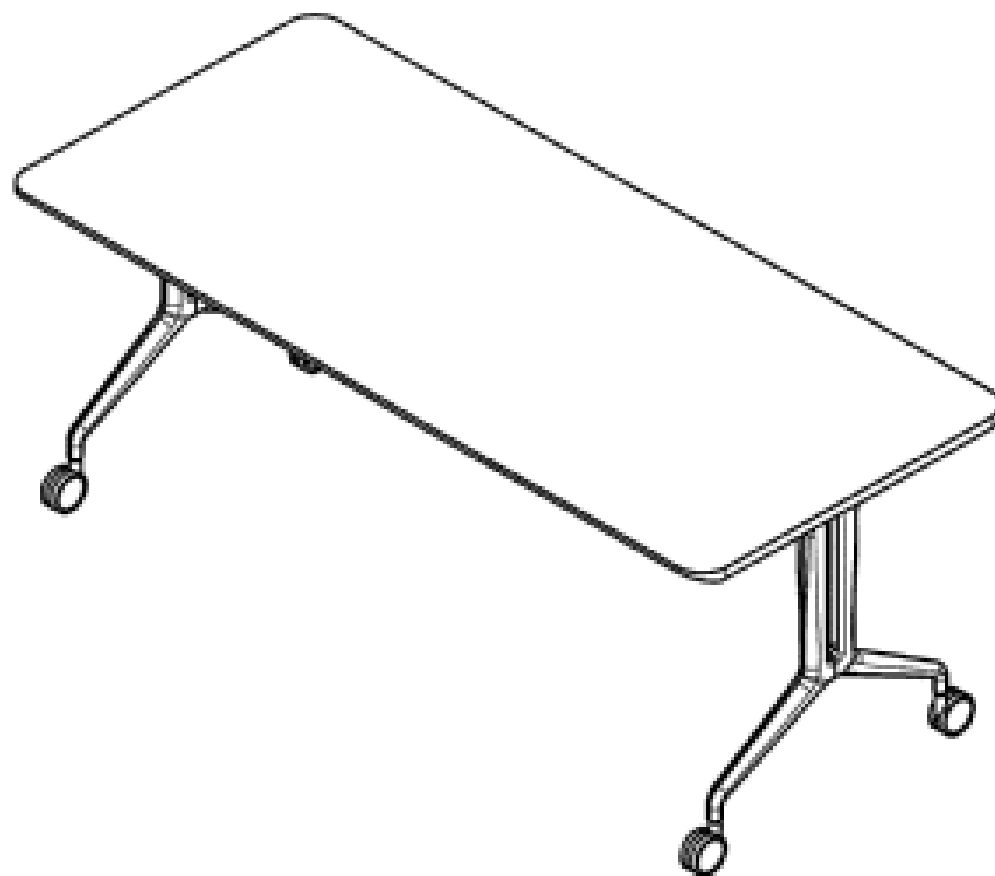
Schiavello (Vic) Pty Ltd
1 Sharps Road Tullamarine Victoria 3043 Australia

(72) Name(s) of Designer(s): **Antonino Schiavello and Joseph Franco**

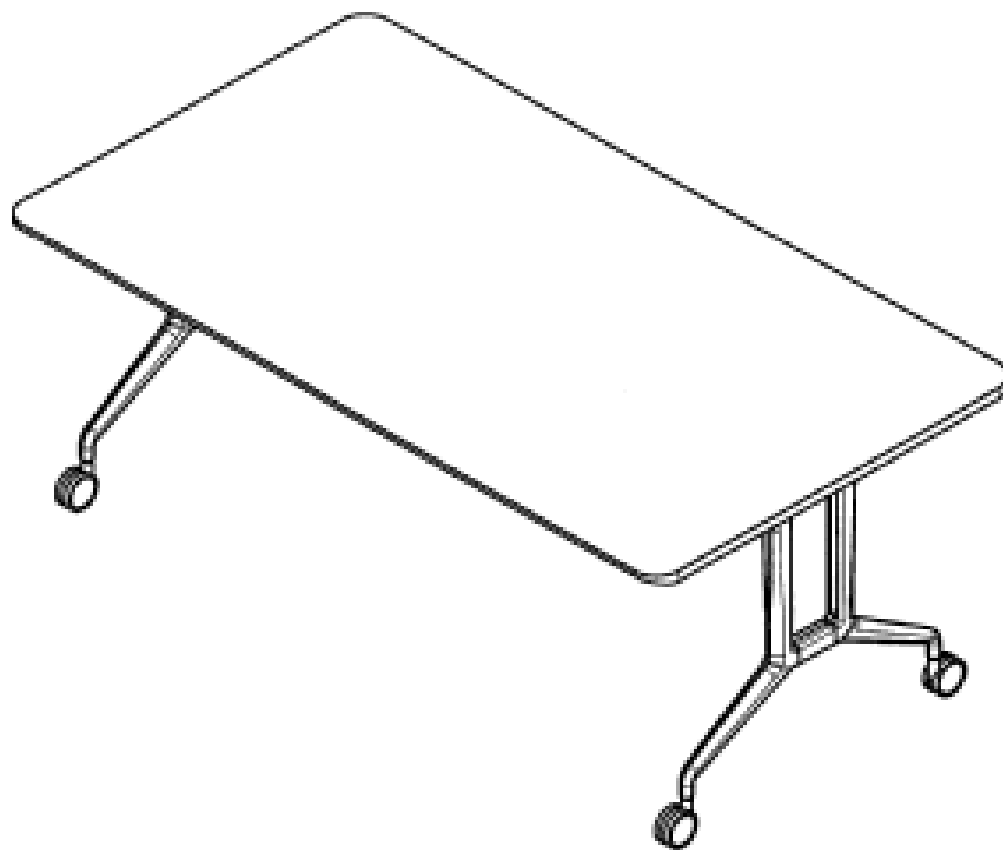
(45) Registration Date: **14 April 2010**

(56) Related Art Documents: **Not Applicable**

(57) Statement of Newness and Distinctiveness: **Newness and distinctiveness resides in the shape and configuration of the pivotable table shown in the representations.**

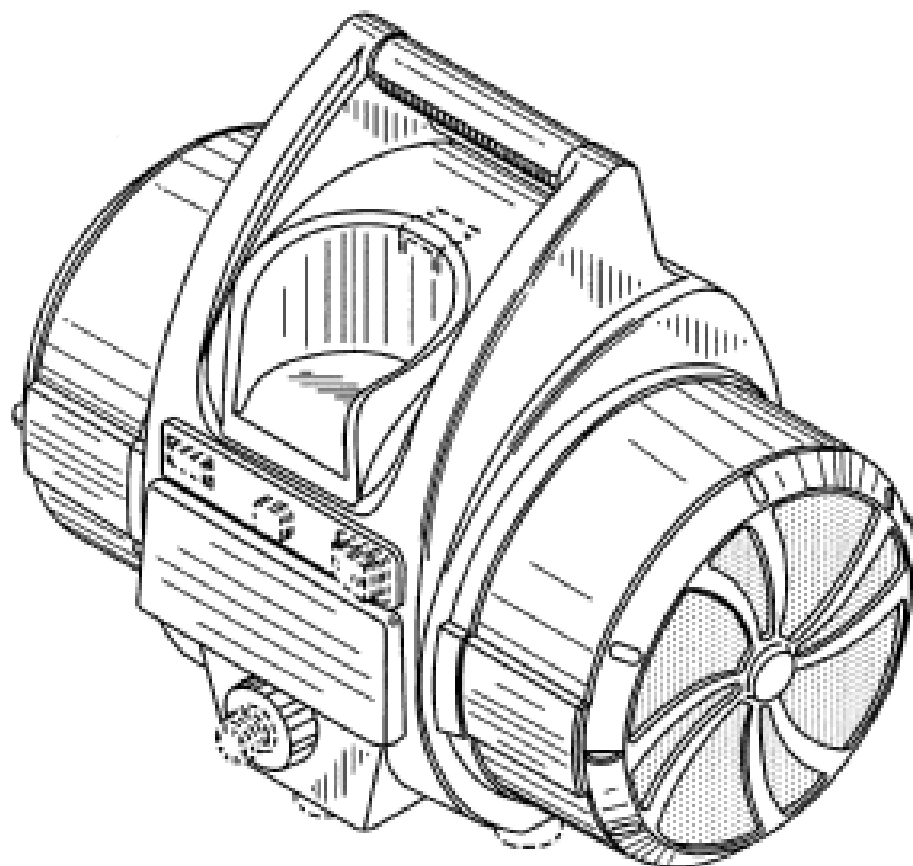


- (21) Design Number: **10892/2010**
- (22) Date of Filing Application: **16 March 2010**
- (24) Date from which industrial property rights may have effect: **16 March 2010**
- (54) Product in respect of which the design is registered: **Pivotable table**
- (51) International Design Classification: **06-03A**
- (71) Name(s) and Address(s) of Applicant(s):
Schiavello (Vic) Pty Ltd
1 Sharps Road Tullamarine Victoria 3043 Australia
- (72) Name(s) of Designer(s): **Antonino Schiavello and Joseph Franco**
- (45) Registration Date: **14 April 2010**
- (56) Related Art Documents: **Not Applicable**
- (57) Statement of Newness and Distinctiveness: **Newness and distinctiveness resides in the shape and configuration of the pivotable table shown in the representations. The table is of indefinite width between planes A and B as illustrated in the side views.**

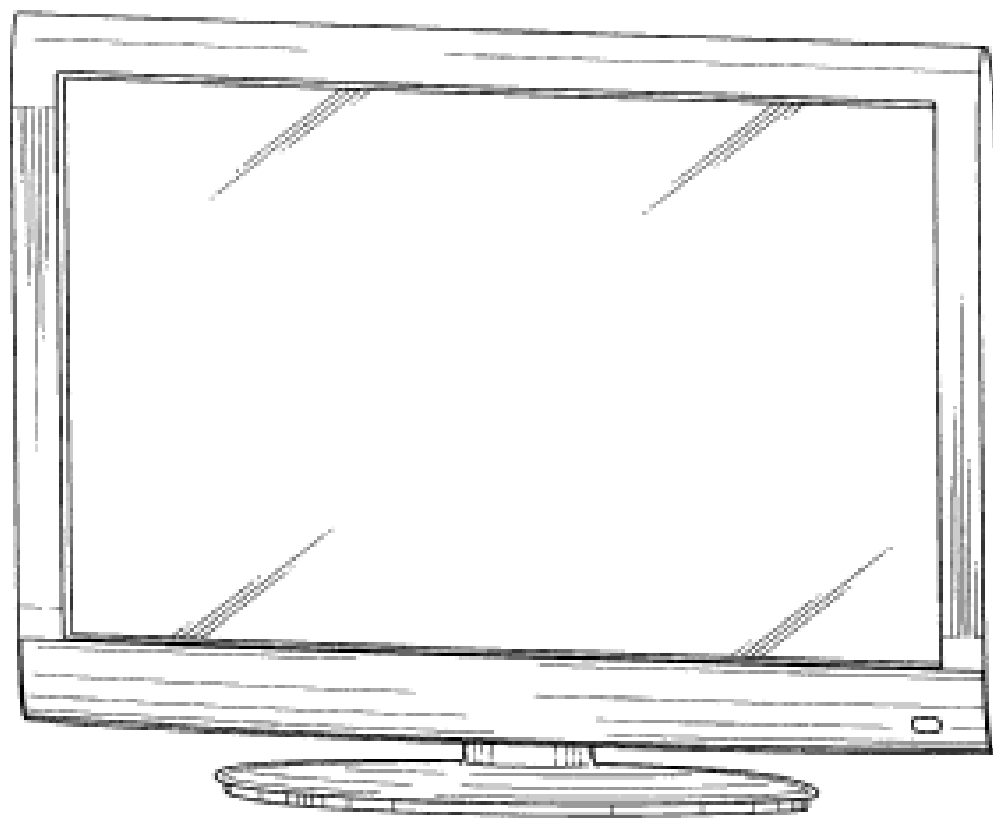


- (21) Design Number: **10893/2010**
- (22) Date of Filing Application: **16 March 2010**
- (24) Date from which industrial property rights may have effect: **16 March 2010**
- (54) Product in respect of which the design is registered: **Turbine**
- (51) International Design Classification: **13-01**
- (71) Name(s) and Address(s) of Applicant(s):
Wagner Spray Tech Corporation
1770 Fernbrook Lane North Plymouth Minnesota 55447 United States of America
- (72) Name(s) of Designer(s): **Joseph W. Kieffer and Richard P. Anderson and Eric C. Lagman**
- (45) Registration Date: **14 April 2010**
- (30) Convention priority data:

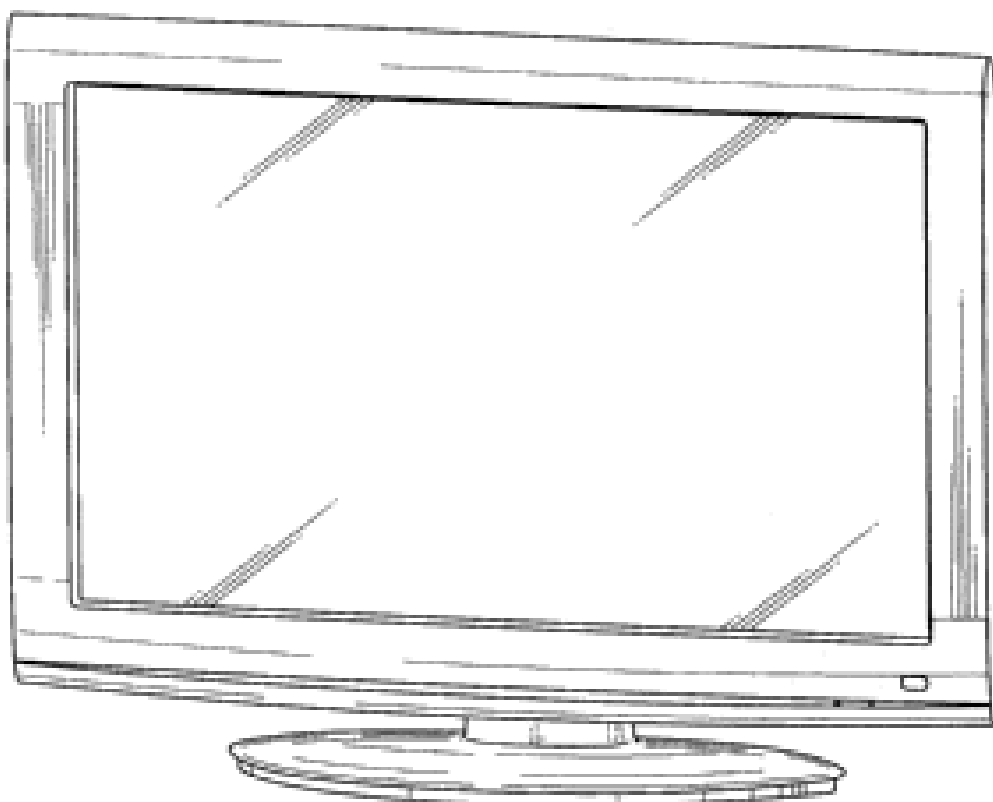
(31) Number	(32) Date	(33) Country
29/343761	18 Sep 2009	UNITED STATES OF AMERICA
- (56) Related Art Documents: **Not Applicable**
- (57) Statement of Newness and Distinctiveness: **Newness and distinctiveness resides in the shape and configuration of the turbine shown in the representations. In considering whether the design is substantially similar in overall impression to another design, no regard is to be given to the dotted lines.**



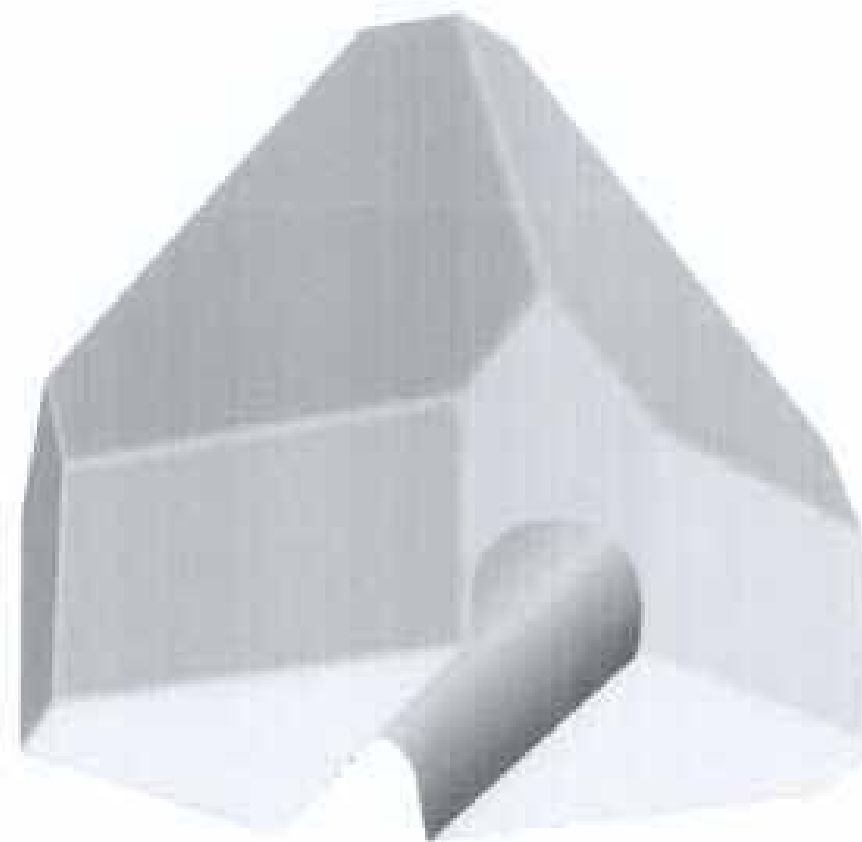
- (21) Design Number: **10894/2010**
(22) Date of Filing Application: **16 March 2010**
(24) Date from which industrial property rights may have effect: **16 March 2010**
(54) Product in respect of which the design is registered: **A television receiver**
(51) International Design Classification: **14-03B**
(71) Name(s) and Address(s) of Applicant(s):
Kabushiki Kaisha Toshiba also Trading as Toshiba Corporation
1-1 Shibaura 1-chome Minato-ku Tokyo Japan
(72) Name(s) of Designer(s): **Koji Nagase**
(45) Registration Date: **14 April 2010**
(30) Convention priority data:
(31) Number (32) Date (33) Country
2009-028756 10 Dec 2009 JAPAN
(56) Related Art Documents: **Not Applicable**
(57) Statement of Newness and Distinctiveness: **Newness and distinctiveness is claimed in the features of shape and/or configuration of a television receiver as illustrated in the accompanying representations.**



- (21) Design Number: **10895/2010**
(22) Date of Filing Application: **16 March 2010**
(24) Date from which industrial property rights may have effect: **16 March 2010**
(54) Product in respect of which the design is registered: **A television receiver**
(51) International Design Classification: **14-03B**
(71) Name(s) and Address(s) of Applicant(s):
Kabushiki Kaisha Toshiba also Trading as Toshiba Corporation
1-1 Shibaura 1-chome Minato-ku Tokyo Japan
(72) Name(s) of Designer(s): **Koji Nagase**
(45) Registration Date: **14 April 2010**
(30) Convention priority data:
(31) Number (32) Date (33) Country
2009-028758 10 Dec 2009 JAPAN
(56) Related Art Documents: **Not Applicable**
(57) Statement of Newness and Distinctiveness: **Newness and distinctiveness is claimed in the features of shape and/or configuration of a television receiver as illustrated in the accompanying representations.**



- (21) Design Number: **10896/2010**
(22) Date of Filing Application: **16 March 2010**
(24) Date from which industrial property rights may have effect: **16 March 2010**
(54) Product in respect of which the design is registered: **Construction spacing element**
(51) International Design Classification: **25-01NES**
(71) Name(s) and Address(s) of Applicant(s):
BAG Bauartikel GmbH
Zotzenheimer Strasse 64a D-55576 Sprendlingen Germany
(72) Name(s) of Designer(s): **Andreas Heymann**
(45) Registration Date: **14 April 2010**
(56) Related Art Documents: **Not Applicable**
(57) Statement of Newness and Distinctiveness: **Newness and distinctiveness is claimed in those features of shape and/or configuration of a construction spacing element as illustrated in the continuous lines in the accompanying representations.**



- (21) Design Number: **10897/2010**
(22) Date of Filing Application: **16 March 2010**
(24) Date from which industrial property rights may have effect: **16 March 2010**
(54) Product in respect of which the design is registered: **Truck**
(51) International Design Classification: **12-08**
(71) Name(s) and Address(s) of Applicant(s):
Honda Motor Co., Ltd
1-1 Minami-Aoyama 2-chome Minato-ku Tokyo 107-8556 Japan
(72) Name(s) of Designer(s): **Naohiro Kitazono and Tomoyuki Nemoto**
(45) Registration Date: **14 April 2010**
(30) Convention priority data:

(31) Number	(32) Date	(33) Country
2009-021758	18 Sep 2009	JAPAN

(56) Related Art Documents: **Not Applicable**
(57) Statement of Newness and Distinctiveness: **Nil**



- (21) Design Number: **10898/2010**
(22) Date of Filing Application: **16 March 2010**
(24) Date from which industrial property rights may have effect: **16 March 2010**
(54) Product in respect of which the design is registered: **Dental illumination device**
(51) International Design Classification: **24-02**
(71) Name(s) and Address(s) of Applicant(s):

Ultradent Products, Inc.
505 West 10200 South South Jordan UT 84095 United States of America

- (72) Name(s) of Designer(s): **Wade Smith and Neil T. Jessop and Dee Jessop**

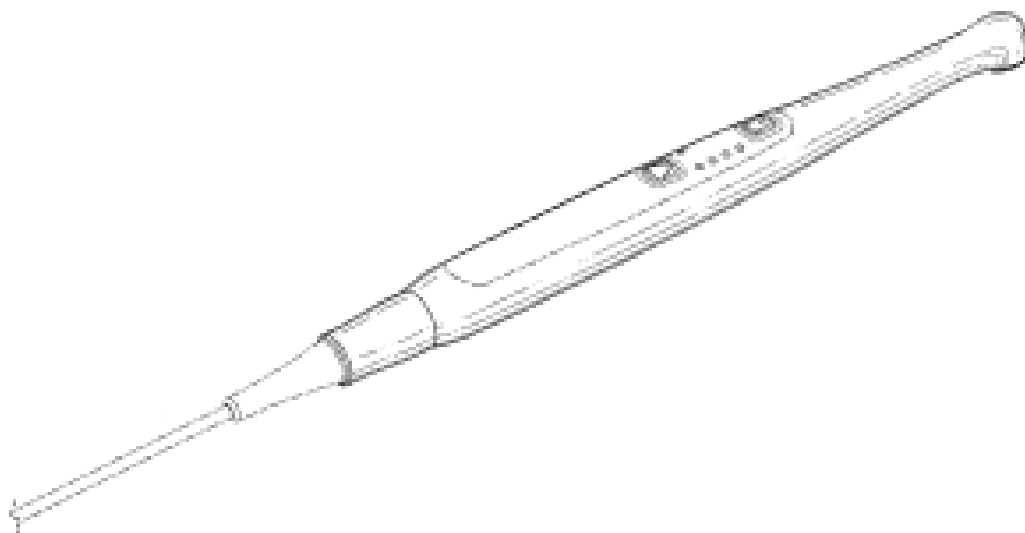
(45) Registration Date: **14 April 2010**

(30) Convention priority data:

(31) Number	(32) Date	(33) Country
29/344,027	22 Sep 2009	UNITED STATES OF AMERICA

(56) Related Art Documents: **Not Applicable**

(57) Statement of Newness and Distinctiveness: **The shape and configuration of the dental illumination device, illustrated in solid lines in the representations, are new and distinctive. Features illustrated in broken lines in the representations do not form part of the design, and are to be disregarded when assessing whether this design is substantially similar in overall impression to any other design.**



- (21) Design Number: **10901/2010**
(22) Date of Filing Application: **15 March 2010**
(24) Date from which industrial property rights may have effect: **15 March 2010**
(54) Product in respect of which the design is registered: **Combined night light and USB power adaptor**
(51) International Design Classification: **13-03D, 13-03E, 26-99**
(71) Name(s) and Address(s) of Applicant(s):

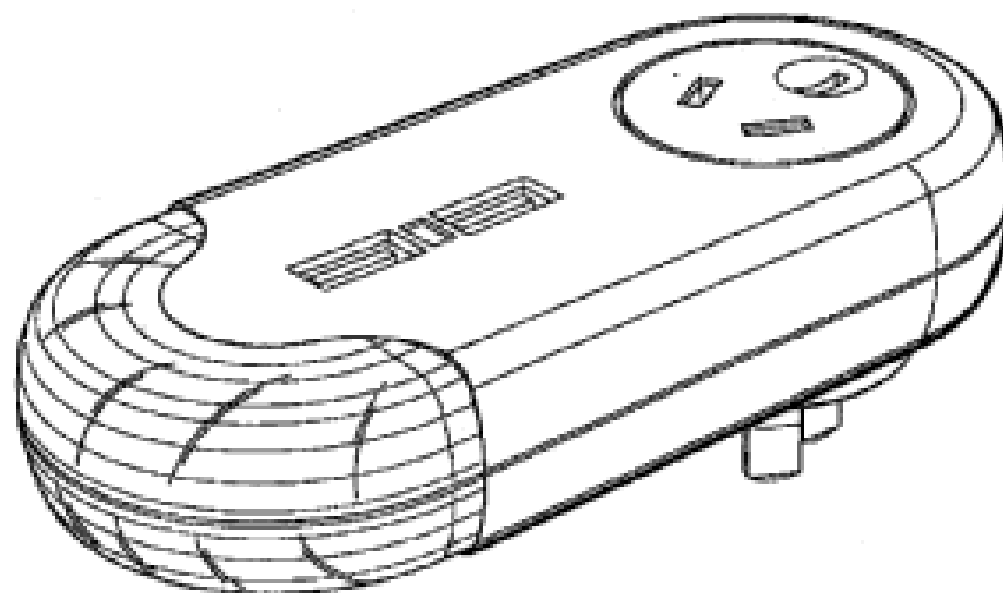
Mort Bay Traders Pty Ltd
191 Darling Street Balmain New South Wales 2041 Australia

(72) Name(s) of Designer(s): **Simon Grigg**

(45) Registration Date: **14 April 2010**

(56) Related Art Documents: **Not Applicable**

(57) Statement of Newness and Distinctiveness: **Newness and distinctiveness reside in the shape and configuration of the night light in combination with the configuration of the USB sockets.**



(21) Design Number: **10949/2010**

(22) Date of Filing Application: **18 March 2010**

(24) Date from which industrial property rights may have effect: **18 March 2010**

(54) Product in respect of which the design is registered: **Roller cleaning device**

(51) International Design Classification: **08-05L**

(71) Name(s) and Address(s) of Applicant(s):

Colin Steed

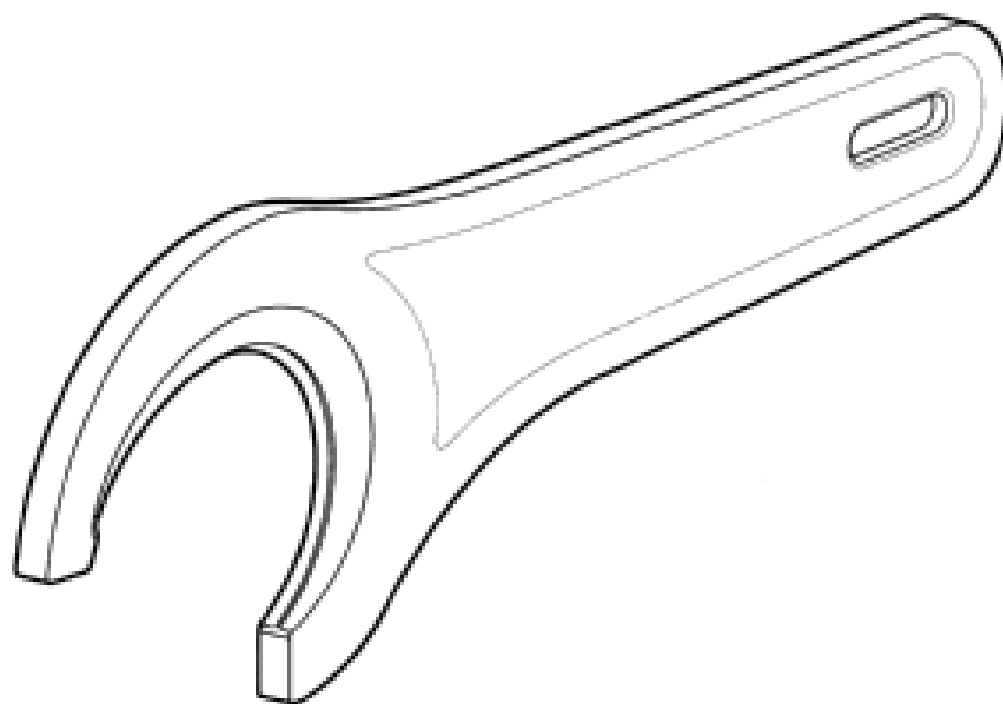
24 Bath Street Wembley Western Australia 6014 Australia

(72) Name(s) of Designer(s): **Kim Scott and Colin Steed**

(45) Registration Date: **14 April 2010**

(56) Related Art Documents: **Not Applicable**

(57) Statement of Newness and Distinctiveness: **Nil**



(21) Design Number: **10950/2010**

(22) Date of Filing Application: **18 March 2010**

(24) Date from which industrial property rights may have effect: **18 March 2010**

(54) Product in respect of which the design is registered: **Cross style idle end pin**

(51) International Design Classification: **08-08NES**

(71) Name(s) and Address(s) of Applicant(s):

Louver-Lite Limited

Ashton Road Hyde Cheshire SK14 4BG United Kingdom

(72) Name(s) of Designer(s): **Antony Barnes**

(45) Registration Date: **14 April 2010**

(30) Convention priority data:

(31) Number

(32) Date

(33) Country

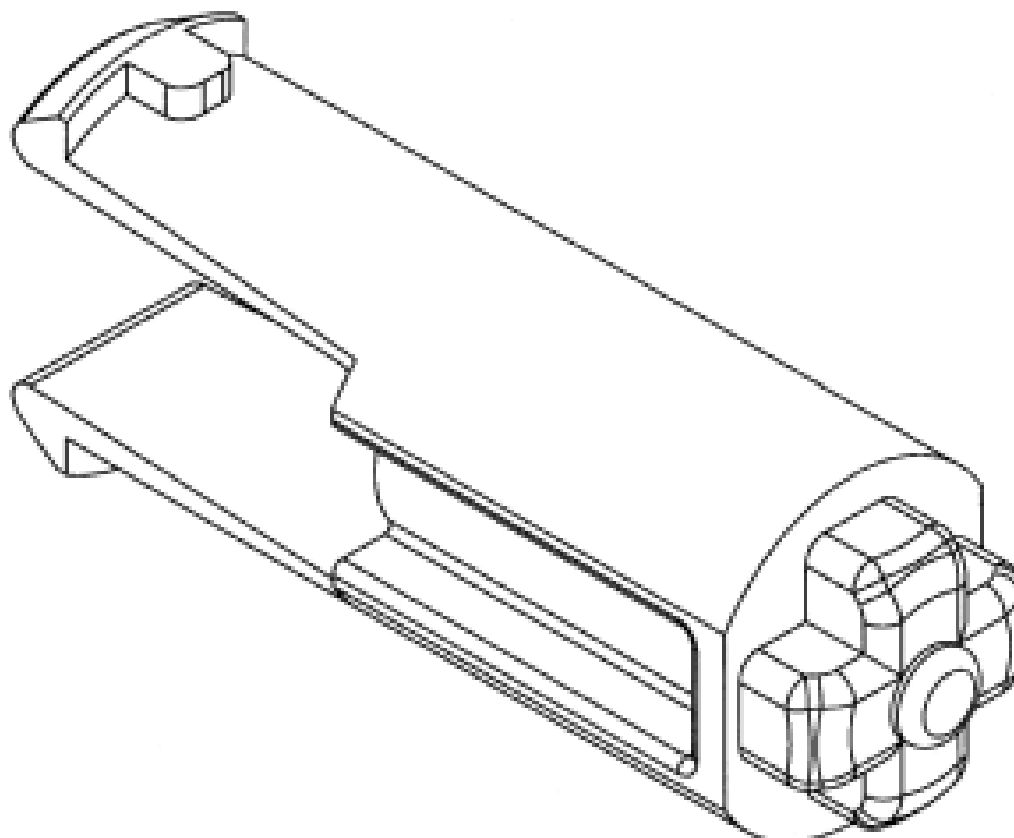
001613696

21 Sep 2009

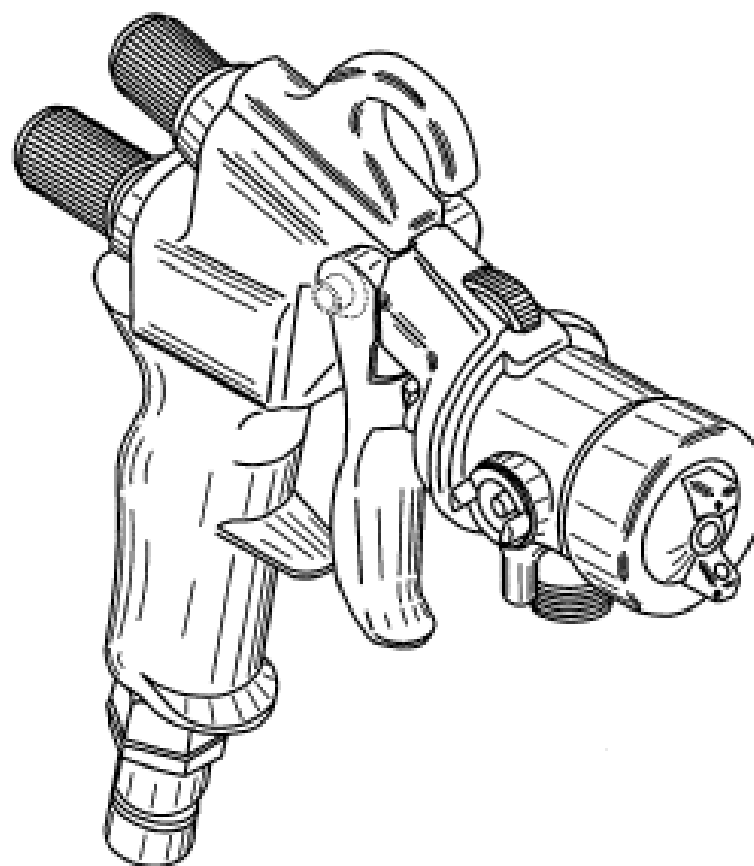
EUROPEAN COMMUNITY

(56) Related Art Documents: **Not Applicable**

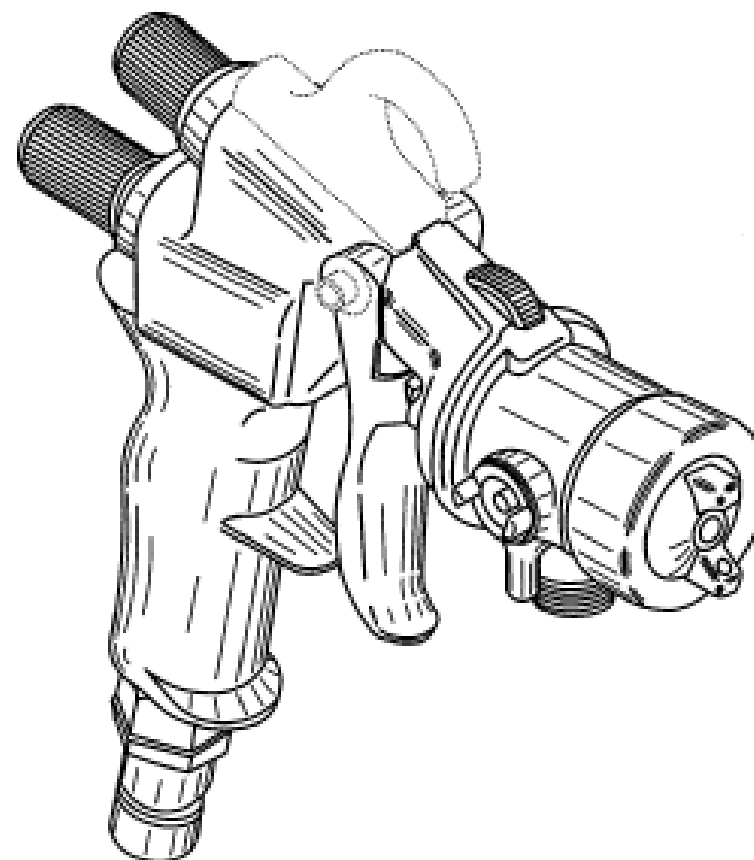
(57) Statement of Newness and Distinctiveness: **This design is to be applied to a cross style idle end pin and the novelty resides in the features of shape and configuration of the article shown in the accompanying representations.**



(21) Design Number: **10951/2010**
(22) Date of Filing Application: **18 March 2010**
(24) Date from which industrial property rights may have effect: **18 March 2010**
(54) Product in respect of which the design is registered: **Spray gun**
(51) International Design Classification: **08-05L**
(71) Name(s) and Address(s) of Applicant(s):
Wagner Spray Tech Corporation
1770 Fernbrook Lane North Plymouth Minnesota 55447 United States of America
(72) Name(s) of Designer(s): **Richard P. Anderson and Joseph W. Kieffer and Christopher J. Sulzer**
(45) Registration Date: **14 April 2010**
(30) Convention priority data:
(31) Number (32) Date (33) Country
29/343784 18 Sep 2009 UNITED STATES OF AMERICA
(56) Related Art Documents: **Not Applicable**
(57) Statement of Newness and Distinctiveness: **Newness and distinctiveness resides in the features of shape and configuration of the spray gun as shown in the representations. In deciding whether the design is substantially similar in overall impression to another design, no regard is to be given to the dotted lines.**



(21) Design Number: **10952/2010**
(22) Date of Filing Application: **18 March 2010**
(24) Date from which industrial property rights may have effect: **18 March 2010**
(54) Product in respect of which the design is registered: **Spray gun**
(51) International Design Classification: **08-05L**
(71) Name(s) and Address(s) of Applicant(s):
Wagner Spray Tech Corporation
1770 Fernbrook Lane North Plymouth Minnesota 55447 United States of America
(72) Name(s) of Designer(s): **Richard P. Anderson and Joseph W. Kieffer and Christopher J. Sulzer**
(45) Registration Date: **14 April 2010**
(30) Convention priority data:
(31) Number (32) Date (33) Country
29/343784 18 Sep 2009 UNITED STATES OF AMERICA
(56) Related Art Documents: **Not Applicable**
(57) Statement of Newness and Distinctiveness: **Newness and distinctiveness resides in the features of shape and configuration of the spray gun as shown in the representations. In deciding whether the design is substantially similar in overall impression to another design, no regard is to be given to the dotted lines.**



(21) Design Number: **10297/2010**

(22) Date of Filing Application: **28 January 2010**

(24) Date from which industrial property rights may have effect: **28 January 2010**

(54) Product in respect of which the design is registered: **Fob for a switch**

(51) International Design Classification: **13-03D**

(71) Name(s) and Address(s) of Applicant(s):

**Lowe's Companies, Inc.
1000 Lowe's Boulevard Mooresville NC 28115 United States of
America**

(72) Name(s) of Designer(s): **Jean Tuck McGregor and Curtis Nolan Lagman
and Megan Cahill Roe**

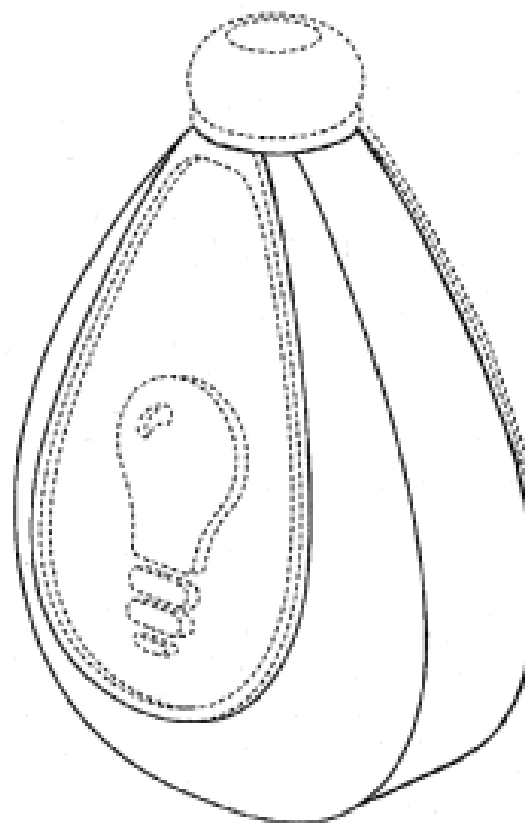
(45) Registration Date: **13 April 2010**

(30) Convention priority data:

(31) Number	(32) Date	(33) Country
29/340,953	28 Jul 2009	UNITED STATES OF AMERICA

(56) Related Art Documents: **Not Applicable**

(57) Statement of Newness and Distinctiveness: **Newness and distinctiveness are provided by the shape and/or configuration of the design shown in the representations. The features shown in broken lines in the representations are for illustrative purposes only and should not be considered when construing visual features of the design.**



(21) Design Number: **10385/2010**

(22) Date of Filing Application: **04 February 2010**

(24) Date from which industrial property rights may have effect: **04 February 2010**

(54) Product in respect of which the design is registered: **Photoelectric cell socket**

(51) International Design Classification: **13-03D**

(71) Name(s) and Address(s) of Applicant(s):

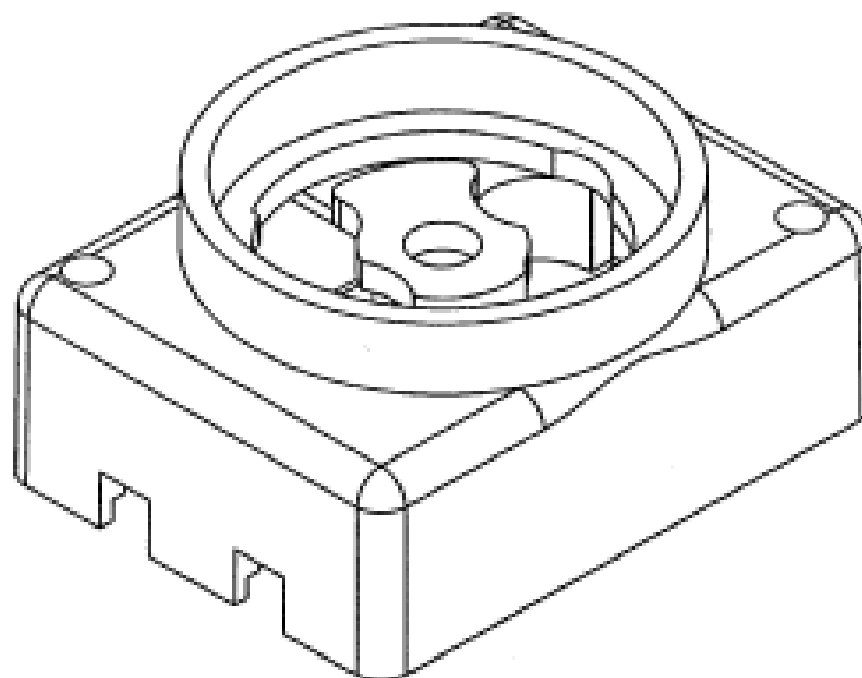
**Hendon Semiconductors Pty Ltd
1 Butler Drive Hendon South Australia 5041 Australia**

(72) Name(s) of Designer(s): **Laurance Dahdah and Steve Fraser**

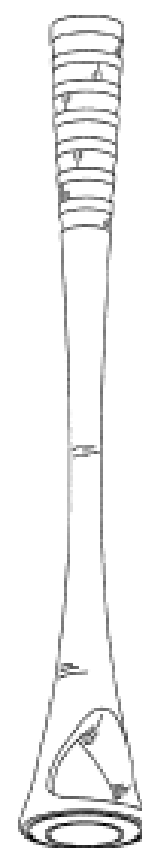
(45) Registration Date: **13 April 2010**

(56) Related Art Documents: **Not Applicable**

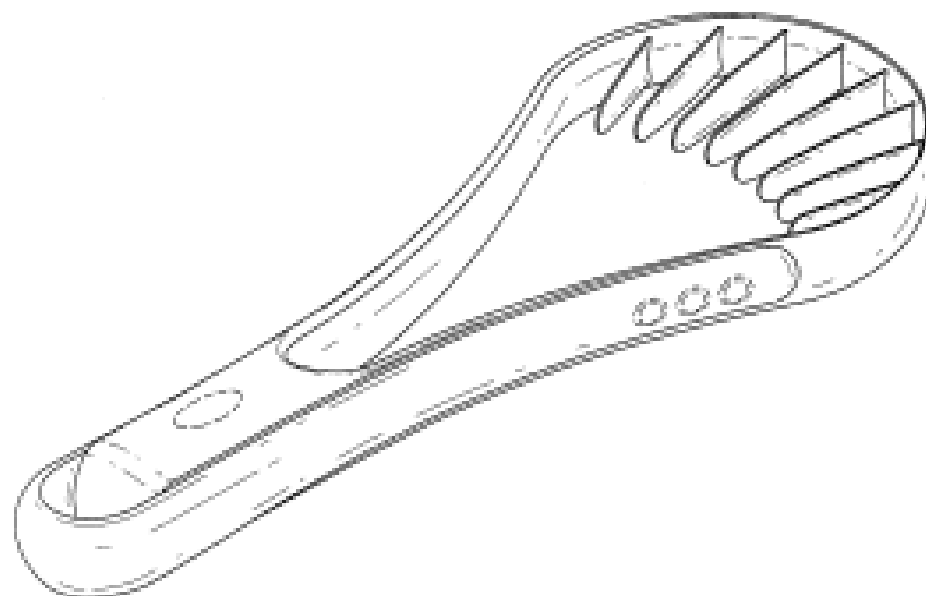
(57) Statement of Newness and Distinctiveness: **Newness and distinctiveness is claimed in the features of shape and/or configuration of a groove of a photoelectric cell socket as illustrated in the accompanying representations and marked 'A' in the view from front and above.**



- (21) Design Number: **10525/2010**
(22) Date of Filing Application: **16 February 2010**
(24) Date from which industrial property rights may have effect: **16 February 2010**
(54) Product in respect of which the design is registered: **Muddler**
(51) International Design Classification: **07-04**
(71) Name(s) and Address(s) of Applicant(s):
Michael Henry Silvers
616 Harris Street Ultimo New South Wales 2007 Australia
Sam Tam
616 Harris Street Ultimo New South Wales 2007 Australia
(72) Name(s) of Designer(s): **Michael Henry Silvers and Sam Tam**
(45) Registration Date: **13 April 2010**
(30) Convention priority data:
(31) Number (32) Date (33) Country
29/342334 21 Aug 2009 UNITED STATES OF AMERICA
(56) Related Art Documents: **Not Applicable**
(57) Statement of Newness and Distinctiveness: **Newness and distinctiveness reside in the features of the design as shown in the representations.**



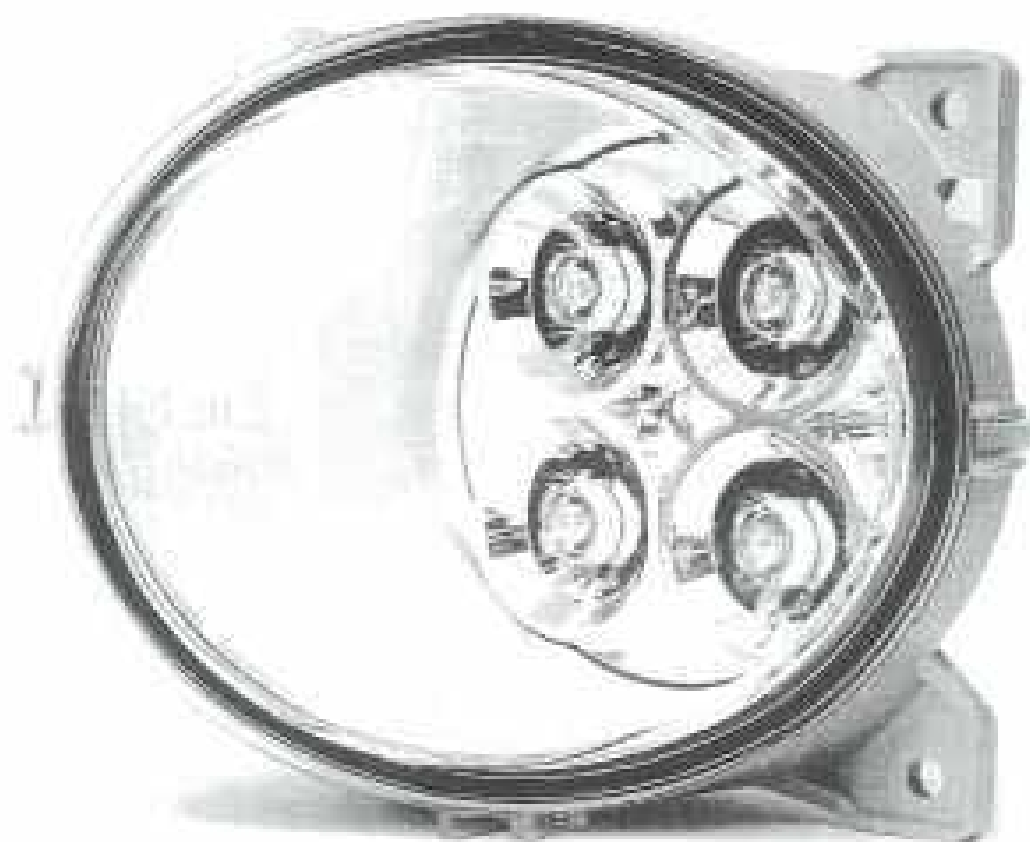
- (21) Design Number: **10731/2010**
(22) Date of Filing Application: **03 March 2010**
(24) Date from which industrial property rights may have effect: **03 March 2010**
(54) Product in respect of which the design is registered: **Device for use in preparing avocados**
(51) International Design Classification: **07-04**
(71) Name(s) and Address(s) of Applicant(s):
Chef'n Corporation
1520 4th Avenue 3rd Floor Seattle Washington 98101 United States of America
(72) Name(s) of Designer(s): **David Hull and David A. Holcomb**
(45) Registration Date: **13 April 2010**
(30) Convention priority data:
(31) Number (32) Date (33) Country
29/343331 10 Sep 2009 UNITED STATES OF AMERICA
(56) Related Art Documents: **Not Applicable**
(57) Statement of Newness and Distinctiveness: **Newness and distinctiveness is claimed in the visual features shown in solid lines in the representations.**



(21) Design Number: **10732/2010**
 (22) Date of Filing Application: **03 March 2010**
 (24) Date from which industrial property rights may have effect: **03 March 2010**
 (54) Product in respect of which the design is registered: **Lighting device for a vehicle**
 (51) International Design Classification: **26-06**
 (71) Name(s) and Address(s) of Applicant(s):
Scania CV AB
Sodertalje SE-151 87 Sweden
 (72) Name(s) of Designer(s): **Kristofer Hansen and Christian Henriksen and Xavier Carreras-Castro and Niklas Blomqvist**
 (45) Registration Date: **13 April 2010**
 (30) Convention priority data:

(31) Number	(32) Date	(33) Country
2009/0458	11 Sep 2009	SWEDEN

 (56) Related Art Documents: **Not Applicable**
 (57) Statement of Newness and Distinctiveness: **Nil features shown in solid lines in the representations.**



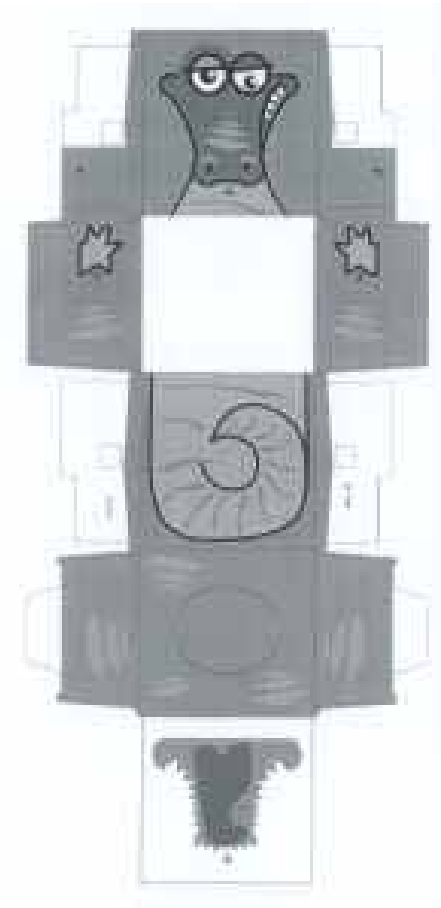
(21) Design Number: **10587/2010**
 (22) Date of Filing Application: **23 February 2010**
 (24) Date from which industrial property rights may have effect: **23 February 2010**
 (54) Product in respect of which the design is registered: **Tissue box**
 (51) International Design Classification: **09-03M**
 (71) Name(s) and Address(s) of Applicant(s):
SCA Hygiene Products AB
S-405 03 Goteborg, Sweden
 (72) Name(s) of Designer(s): **Alexander Werther**
 (45) Registration Date: **13 April 2010**
 (30) Convention priority data:

(31) Number	(32) Date	(33) Country
001608258-001	07 Sep 2009	EUROPEAN COMMUNITY

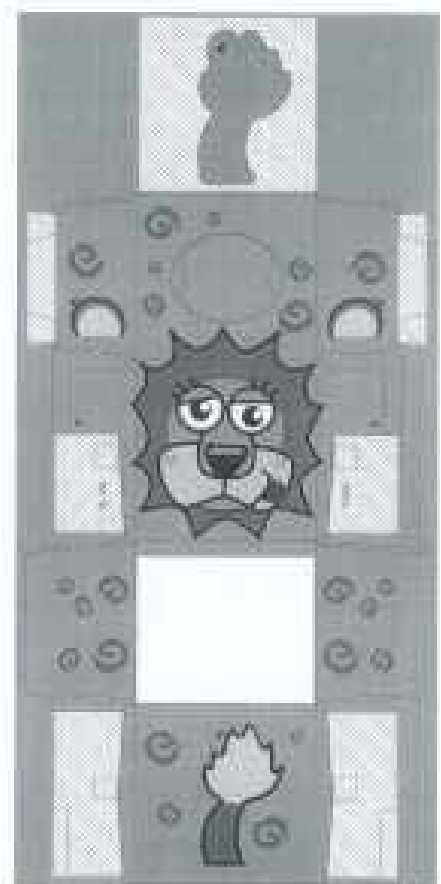
 (56) Related Art Documents: **Not Applicable**
 (57) Statement of Newness and Distinctiveness: **Newness and distinctiveness is claimed in pattern and ornamentation of a tissue box as illustrated. Newness and distinctiveness is not claimed in the shape and configuration of the tissue box per se.**



- (21) Design Number: **10588/2010**
(22) Date of Filing Application: **23 February 2010**
(24) Date from which industrial property rights may have effect: **23 February 2010**
(54) Product in respect of which the design is registered: **Tissue box**
(51) International Design Classification: **09-03M**
(71) Name(s) and Address(s) of Applicant(s):
SCA Hygiene Products AB
S-405 03 Goteborg, Sweden
(72) Name(s) of Designer(s): **Alexander Werther**
(45) Registration Date: **13 April 2010**
(30) Convention priority data:
(31) Number (32) Date (33) Country
001608258-002 07 Sep 2009 EUROPEAN COMMUNITY
(56) Related Art Documents: **Not Applicable**
(57) Statement of Newness and Distinctiveness: **Newness and distinctiveness is claimed in pattern and ornamentation of a tissue box as illustrated. Newness and distinctiveness is not claimed in the shape and configuration of the tissue box per se.**



- (21) Design Number: **10589/2010**
(22) Date of Filing Application: **23 February 2010**
(24) Date from which industrial property rights may have effect: **23 February 2010**
(54) Product in respect of which the design is registered: **Tissue box**
(51) International Design Classification: **09-03M**
(71) Name(s) and Address(s) of Applicant(s):
SCA Hygiene Products AB
S-405 03 Goteborg, Sweden
(72) Name(s) of Designer(s): **Alexander Werther**
(45) Registration Date: **13 April 2010**
(30) Convention priority data:
(31) Number (32) Date (33) Country
001608258-003 07 Sep 2009 EUROPEAN COMMUNITY
(56) Related Art Documents: **Not Applicable**
(57) Statement of Newness and Distinctiveness: **Newness and distinctiveness is claimed in pattern and ornamentation of a tissue box as illustrated. Newness and distinctiveness is not claimed in the shape and configuration of the tissue box per se.**



- (21) Design Number: **14583/2009**
(22) Date of Filing Application: **24 November 2009**
(24) Date from which industrial property rights may have effect: **24 November 2009**
(54) Product in respect of which the design is registered: **Baby garment**
(51) International Design Classification: **02-01B**
(71) Name(s) and Address(s) of Applicant(s):
Paula Escobar
26 A Devon Grove Oakleigh East Victoria 3166 Australia
(72) Name(s) of Designer(s): **Paula Escobar**
(45) Registration Date: **13 April 2010**
(56) Related Art Documents: **Not Applicable**
(57) Statement of Newness and Distinctiveness: **The new and distinctive features of this Cozy Bodysuit are the opening feature. What I have designed is a fully snap opened bodysuit that lies flat when you need to dress a baby. This function is to help new mothers with dressing babies, as it does not have to be put over the babies' head. The extended flap that closes at babies' waist with a button and 2 snaps secures the nappy. I designed this bodysuit as a first time mother I found it extremely difficult to put bodysuits over my babies head. I searched the market for something like what I have designed but found nothing. I also designed an attached mitten on sleeve so it stops babies scratching themselves.**



- (21) Design Number: **10677/2010**
(22) Date of Filing Application: **24 November 2009**
(24) Date from which industrial property rights may have effect: **24 November 2009**
(54) Product in respect of which the design is registered: **Baby garment**
(51) International Design Classification: **02-01B**
(71) Name(s) and Address(s) of Applicant(s):
Paula Escobar
26 A Devon Grove Oakleigh East Victoria 3166 Australia
(72) Name(s) of Designer(s): **Paula Escobar**
(45) Registration Date: **13 April 2010**
(56) Related Art Documents: **Not Applicable**
(57) Statement of Newness and Distinctiveness: **The new and distinctive features of this Cozy Bodysuit are the opening feature. What I have designed is a fully snap opened bodysuit that lies flat when you need to dress a baby. This function is to help new mothers with dressing babies, as it does not have to be put over the babies' head. The extended flap that closes at babies' waist with a button and 2 snaps secures the nappy. I designed this bodysuit as a first time mother. I found it extremely difficult to put bodysuits over my babies head. I searched the market for something like what I have designed but found nothing. I also designed an attached mitten on sleeve so it stops babies scratching themselves.**



(21) Design Number: **10678/2010**

(22) Date of Filing Application: **24 November 2009**

(24) Date from which industrial property rights may have effect: **24 November 2009**

(54) Product in respect of which the design is registered: **Baby garment**

(51) International Design Classification: **02-01B**

(71) Name(s) and Address(s) of Applicant(s):

Paula Escobar

26 A Devon Grove Oakleigh East Victoria 3166 Australia

(72) Name(s) of Designer(s): **Paula Escobar**

(45) Registration Date: **13 April 2010**

(56) Related Art Documents: **Not Applicable**

(57) Statement of Newness and Distinctiveness: **The new and distinctive features of this Cozy Bodysuit are the opening feature. What I have designed is a fully snap opened bodysuit that lies flat when you need to dress a baby. This function is to help new mothers with dressing babies, as it does not have to be put over the babies' head. The extended flap that closes at babies' waist with a button and 2 snaps secures the nappy. I designed this bodysuit as a first time mother. I found it extremely difficult to put bodysuits over my babies head. I searched the market for something like what I have designed but found nothing. I also designed an attached mitten on sleeve so it stops babies scratching themselves.**



(21) Design Number: **10679/2010**

(22) Date of Filing Application: **24 November 2009**

(24) Date from which industrial property rights may have effect: **24 November 2009**

(54) Product in respect of which the design is registered: **Baby garment**

(51) International Design Classification: **02-01B**

(71) Name(s) and Address(s) of Applicant(s):

Paula Escobar

26 A Devon Grove Oakleigh East Victoria 3166 Australia

(72) Name(s) of Designer(s): **Paula Escobar**

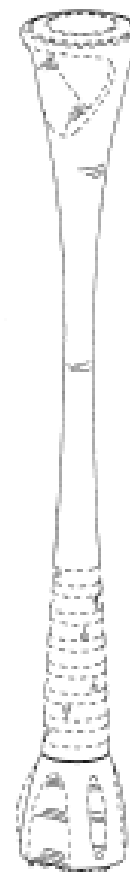
(45) Registration Date: **13 April 2010**

(56) Related Art Documents: **Not Applicable**

(57) Statement of Newness and Distinctiveness: **The new and distinctive features of this Cozy Bodysuit are the opening feature. What I have designed is a fully snap opened bodysuit that lies flat when you need to dress a baby. This function is to help new mothers with dressing babies, as it does not have to be put over the babies' head. The extended flap that closes at babies' waist with a button and 2 snaps secures the nappy. I designed this bodysuit as a first time mother. I found it extremely difficult to put bodysuits over my babies head. I searched the market for something like what I have designed but found nothing. I also designed an attached mitten on sleeve so it stops babies scratching themselves.**



- (21) Design Number: **11196/2010**
(22) Date of Filing Application: **16 February 2010**
(24) Date from which industrial property rights may have effect: **16 February 2010**
(54) Product in respect of which the design is registered: **Muddler**
(51) International Design Classification: **07-04**
(71) Name(s) and Address(s) of Applicant(s):
Michael Henry Silvers
616 Harris Street Ultimo New South Wales 2007 Australia
Sam Tam
616 Harris Street Ultimo New South Wales 2007 Australia
(72) Name(s) of Designer(s): **Michael Henry Silvers and Sam Tam**
(45) Registration Date: **13 April 2010**
(62) Divisional of: **330346**
(56) Related Art Documents: **Not Applicable**
(57) Statement of Newness and Distinctiveness: **Newness and distinctiveness reside in the features of the design as shown in the representations.**



- (21) Design Number: **10521/2010**
(22) Date of Filing Application: **16 February 2010**
(24) Date from which industrial property rights may have effect: **16 February 2010**
(54) Product in respect of which the design is registered: **Sheet of material**
(51) International Design Classification: **05-05NES**
(71) Name(s) and Address(s) of Applicant(s):
Vuly Pty Ltd
95 Ingleston Road Wakerley Queensland 4154 Australia
(72) Name(s) of Designer(s): **Von Glitschka**
(45) Registration Date: **14 April 2010**
(56) Related Art Documents: **Not Applicable**
(57) Statement of Newness and Distinctiveness: **Newness and distinctiveness resides in the pattern and ornamentation applied to a sheet of material as illustrated in Fig. 1.**



(21) Design Number: **10624/2010**

(22) Date of Filing Application: **25 February 2010**

(24) Date from which industrial property rights may have effect: **25 February 2010**

(54) Product in respect of which the design is registered: **Wristband**

(51) International Design Classification: **11-01C**

(71) Name(s) and Address(s) of Applicant(s):

Bruce James Moir

8 Unwin Close Narara New South Wales 2250 Australia

(72) Name(s) of Designer(s): **Bruce James Moir**

(45) Registration Date: **14 April 2010**

(56) Related Art Documents: **Not Applicable**

(57) Statement of Newness and Distinctiveness: **I wanted to help explain the distinctiveness and uniqueness behind the visual features of this design. Each feature of the design interrelates and is used in the telling of a related story. The design can be used on a variety of products and will come with the story. The story is divided into 6 segments. The design is made up of 6 segments; each segment is a combination of a colour and a word. The order of the colours and the choice of colours are distinct. The distinct words used and how they are interspersed in the colours is distinct. The word relates to the colour and this combination relates to the segment of the story. The combination of colours and words in this way is what makes the visual features a new and unique design. This design lends itself to being used on a number of products. I have shown what it would look like on a silicone wristband. This design could be transposed to a Lanyard or a bookmark or as a T-Shirt design/logo, pencils, business card.**



(21) Design Number: **10659/2010**

(22) Date of Filing Application: **26 February 2010**

(24) Date from which industrial property rights may have effect: **26 February 2010**

(54) Product in respect of which the design is registered: **Tablet**

(51) International Design Classification: **28-01**

(71) Name(s) and Address(s) of Applicant(s):

AstraZeneca AB

Sodertalje SE-151 85 Sweden

(72) Name(s) of Designer(s): **Tove Illing and Jonathan Sutch and Johan Janner**

(45) Registration Date: **14 April 2010**

(30) Convention priority data:

(31) Number

(32) Date

(33) Country

001161244-0001 27 Aug 2009

EUROPEAN COMMUNITY

(56) Related Art Documents: **Not Applicable**

(57) Statement of Newness and Distinctiveness: **Nil**



(21) Design Number: **10660/2010**

(22) Date of Filing Application: **26 February 2010**

(24) Date from which industrial property rights may have effect: **26 February 2010**

(54) Product in respect of which the design is registered: **Tablet**

(51) International Design Classification: **28-01**

(71) Name(s) and Address(s) of Applicant(s):

**AstraZeneca AB
Sodertalje SE-151 85 Sweden**

(72) Name(s) of Designer(s): **Tove Illing and Jonathon Sutch and Johan Janner**

(45) Registration Date: **14 April 2010**

(30) Convention priority data:

(31) Number	(32) Date	(33) Country
001161244-0002	27 Aug 2009	EUROPEAN COMMUNITY

(56) Related Art Documents: **Not Applicable**

(57) Statement of Newness and Distinctiveness: **Nil**



(21) Design Number: **10948/2010**

(22) Date of Filing Application: **19 March 2010**

(24) Date from which industrial property rights may have effect: **19 March 2010**

(54) Product in respect of which the design is registered: **Vertical planter box**

(51) International Design Classification: **11-02B**

(71) Name(s) and Address(s) of Applicant(s):

**Living Holmes Design Pty Ltd
5 Catedonia Circuit Berwick Victoria 3806 Australia**

(72) Name(s) of Designer(s): **Travis Holmes**

(45) Registration Date: **14 April 2010**

(56) Related Art Documents: **Not Applicable**

(57) Statement of Newness and Distinctiveness: **Made from modular surrounding components to enable various shapes. Formed drainage trays are placed in the bottom cages sending all excess water into a central recycling tray.**



- (21) Design Number: **11147/2010**
(22) Date of Filing Application: **29 March 2010**
(24) Date from which industrial property rights may have effect: **29 March 2010**
(54) Product in respect of which the design is registered: **Door**
(51) International Design Classification: **25-02B**
(71) Name(s) and Address(s) of Applicant(s):
Watts Hardware Mfg Pty Ltd
Level 6 167 Queen Street Melbourne Victoria 3000 Australia
(72) Name(s) of Designer(s): **John Russell Watts**
(45) Registration Date: **14 April 2010**
(56) Related Art Documents: **Not Applicable**
(57) Statement of Newness and Distinctiveness: **Nil**



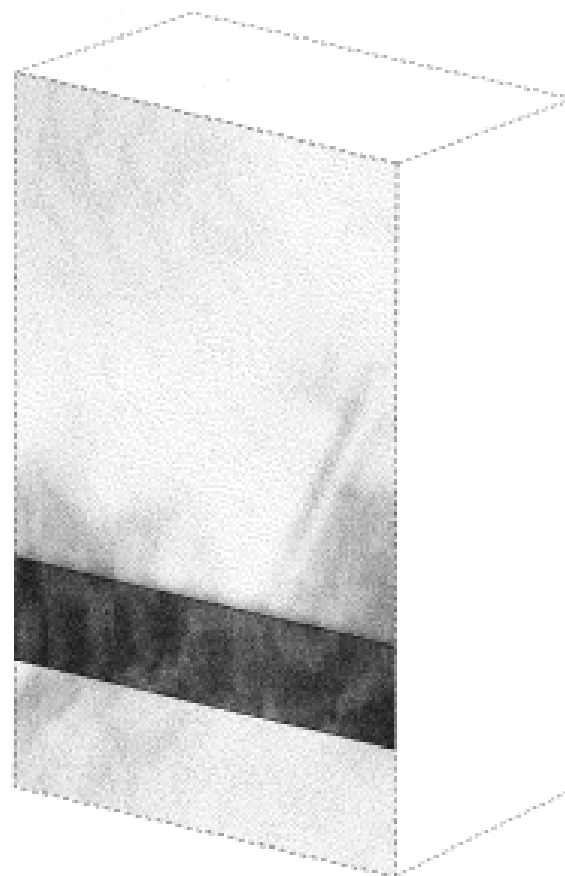
- (21) Design Number: **11148/2010**
(22) Date of Filing Application: **29 March 2010**
(24) Date from which industrial property rights may have effect: **29 March 2010**
(54) Product in respect of which the design is registered: **Door**
(51) International Design Classification: **25-02B**
(71) Name(s) and Address(s) of Applicant(s):
Watts Hardware Mfg Pty Ltd
Level 6 167 Queen Street Melbourne Victoria 3000 Australia
(72) Name(s) of Designer(s): **John Russell Watts**
(45) Registration Date: **14 April 2010**
(56) Related Art Documents: **Not Applicable**
(57) Statement of Newness and Distinctiveness: **Nil**



- (21) Design Number: **11149/2010**
(22) Date of Filing Application: **29 March 2010**
(24) Date from which industrial property rights may have effect: **29 March 2010**
(54) Product in respect of which the design is registered: **Door**
(51) International Design Classification: **25-02B**
(71) Name(s) and Address(s) of Applicant(s):
Watts Hardware Mfg Pty Ltd
Level 6 167 Queen Street Melbourne Victoria 3000 Australia
(72) Name(s) of Designer(s): **John Russell Watts**
(45) Registration Date: **14 April 2010**
(56) Related Art Documents: **Not Applicable**
(57) Statement of Newness and Distinctiveness: **Nil**



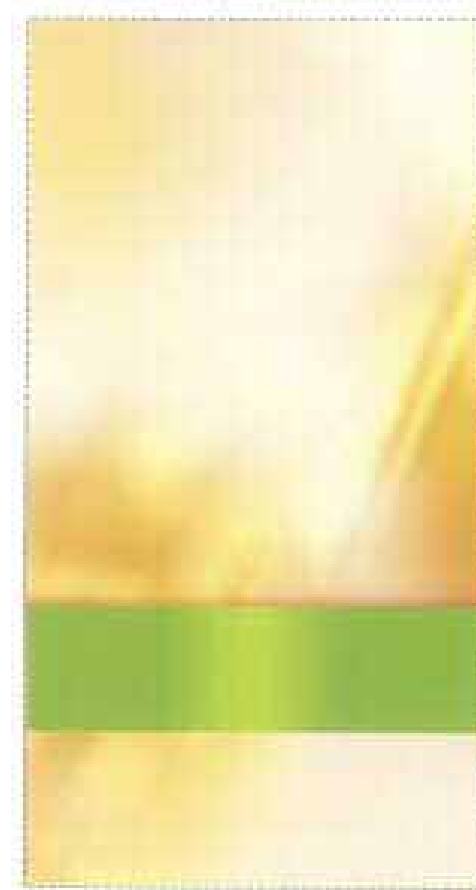
- (21) Design Number: **10570/2010**
(22) Date of Filing Application: **19 February 2010**
(24) Date from which industrial property rights may have effect: **19 February 2010**
(54) Product in respect of which the design is registered: **Packaging for a container**
(51) International Design Classification: **09-03NES**
(71) Name(s) and Address(s) of Applicant(s):
The Procter & Gamble Company
One Procter & Gamble Plaza Cincinnati Ohio 45202 United States of America
(72) Name(s) of Designer(s): **Nancy W. Andrew**
(45) Registration Date: **14 April 2010**
(30) Convention priority data:
(31) Number (32) Date (33) Country
29/342,577 27 Aug 2009 UNITED STATES OF AMERICA
(56) Related Art Documents: **Not Applicable**
(57) Statement of Newness and Distinctiveness: **Those features of the packaging for a container depicted in the representations that are new and distinctive are the pattern and/or ornamentation. The stippling shown in Fig. 1 may be in any colour or combination of colours. The features shown in broken line are not part of the design and are to be disregarded when considering the overall impression of the design.**



(21) Design Number: **11274/2010**
(22) Date of Filing Application: **19 February 2010**
(24) Date from which industrial property rights may have effect: **19 February 2010**
(54) Product in respect of which the design is registered: **Packing for a container**
(51) International Design Classification: **09-03NES**
(71) Name(s) and Address(s) of Applicant(s):
The Procter & Gamble Company
One Procter & Gamble Plaza Cincinnati Ohio 45202 United States of America
(72) Name(s) of Designer(s): **Nancy W. Andrew**
(45) Registration Date: **14 April 2010**
(30) Convention priority data:
(31) Number (32) Date (33) Country
29/342,577 27 Aug 2009 UNITED STATES OF AMERICA
(62) Divisional of: **330365**
(56) Related Art Documents: **Not Applicable**
(57) Statement of Newness and Distinctiveness: **Those features of the packaging for a container depicted in the representations that are new and distinctive are the pattern and/or ornamentation. The features shown in broken line are not part of the design and are to be disregarded when considering the overall impression of the design.**



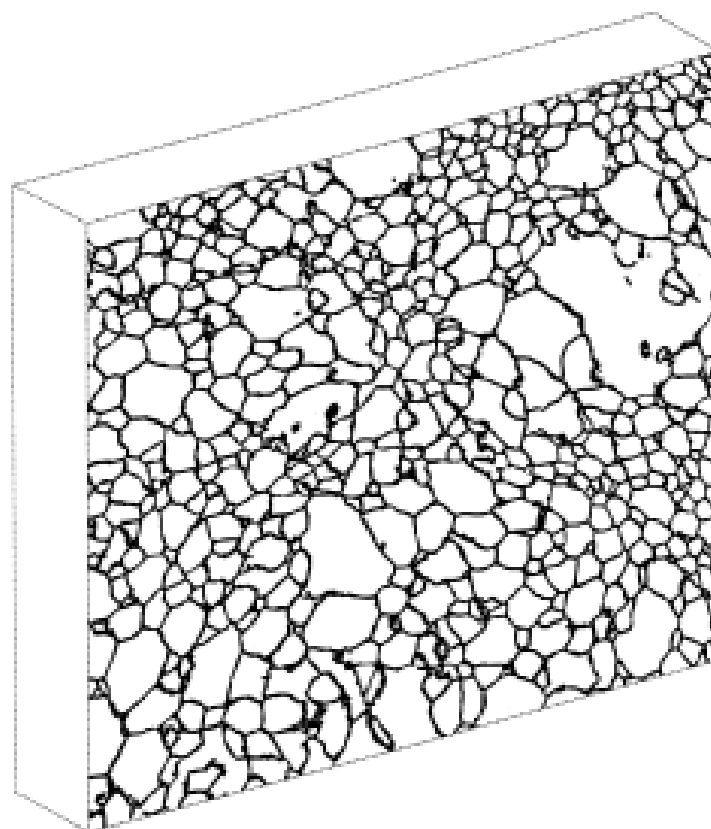
(21) Design Number: **11275/2010**
(22) Date of Filing Application: **19 February 2010**
(24) Date from which industrial property rights may have effect: **19 February 2010**
(54) Product in respect of which the design is registered: **Packaging for a container**
(51) International Design Classification: **09-03NES**
(71) Name(s) and Address(s) of Applicant(s):
The Procter & Gamble Company
One Procter & Gamble Plaza Cincinnati Ohio 45202 United States of America
(72) Name(s) of Designer(s): **Nancy W. Andrew**
(45) Registration Date: **14 April 2010**
(30) Convention priority data:
(31) Number (32) Date (33) Country
29/342,577 27 Aug 2009 UNITED STATES OF AMERICA
(62) Divisional of: **330365**
(56) Related Art Documents: **Not Applicable**
(57) Statement of Newness and Distinctiveness: **Those features of the packaging for a container depicted in the representations that are new and distinctive are the pattern and/or ornamentation. The features shown in broken line are not part of the design and are to be disregarded when considering the overall impression of the design.**



- (21) Design Number: **11276/2010**
(22) Date of Filing Application: **19 February 2010**
(24) Date from which industrial property rights may have effect: **19 February 2010**
(54) Product in respect of which the design is registered: **Packaging for a container**
(51) International Design Classification: **09-03NES**
(71) Name(s) and Address(s) of Applicant(s):
The Procter & Gamble Company
One Procter & Gamble Plaza Cincinnati Ohio 45202 United States of America
(72) Name(s) of Designer(s): **Nancy W. Andrew**
(45) Registration Date: **14 April 2010**
(30) Convention priority data:
(31) Number (32) Date (33) Country
29/342,577 27 Aug 2009 UNITED STATES OF AMERICA
(62) Divisional of: **330365**
(56) Related Art Documents: **Not Applicable**
(57) Statement of Newness and Distinctiveness: **Those features of the packaging for a container depicted in the representations that are new and distinctive are the pattern and/or ornamentation. The features shown in broken line are not part of the design and are to be disregarded when considering the overall impression of the design.**



- (21) Design Number: **10974/2010**
(22) Date of Filing Application: **19 March 2010**
(24) Date from which industrial property rights may have effect: **19 March 2010**
(54) Product in respect of which the design is registered: **A slab**
(51) International Design Classification: **25-01F**
(71) Name(s) and Address(s) of Applicant(s):
Caesarstone Sdot Yam Ltd.
Kibbutz Sdot Yam 38805 Moblie Post Menashe Israel
(72) Name(s) of Designer(s): **Yaakov Gal and Ruti Harel and Liat Eliahu Buskila**
(45) Registration Date: **15 April 2010**
(30) Convention priority data:
(31) Number (32) Date (33) Country
29/344108 23 Sep 2009 UNITED STATES OF AMERICA
(56) Related Art Documents: **Not Applicable**
(57) Statement of Newness and Distinctiveness: **Newness and distinctiveness is claimed in the surface pattern of the slab as shown in the representations. The slab is of indefinite length and width. The slab thickness as illustrated in broken lines in the representations is to be disregarded.**



(21) Design Number: **10977/2010**

(22) Date of Filing Application: **19 March 2010**

(24) Date from which industrial property rights may have effect: **19 March 2010**

(54) Product in respect of which the design is registered: **A television receiver**

(51) International Design Classification: **14-03B**

(71) Name(s) and Address(s) of Applicant(s):

**Kabushiki Kaisha Toshiba also Trading as Toshiba Corporation
1-1 Shibaura 1-chome Minato-ku Tokyo Japan**

(72) Name(s) of Designer(s): **Takeshi Suzuki**

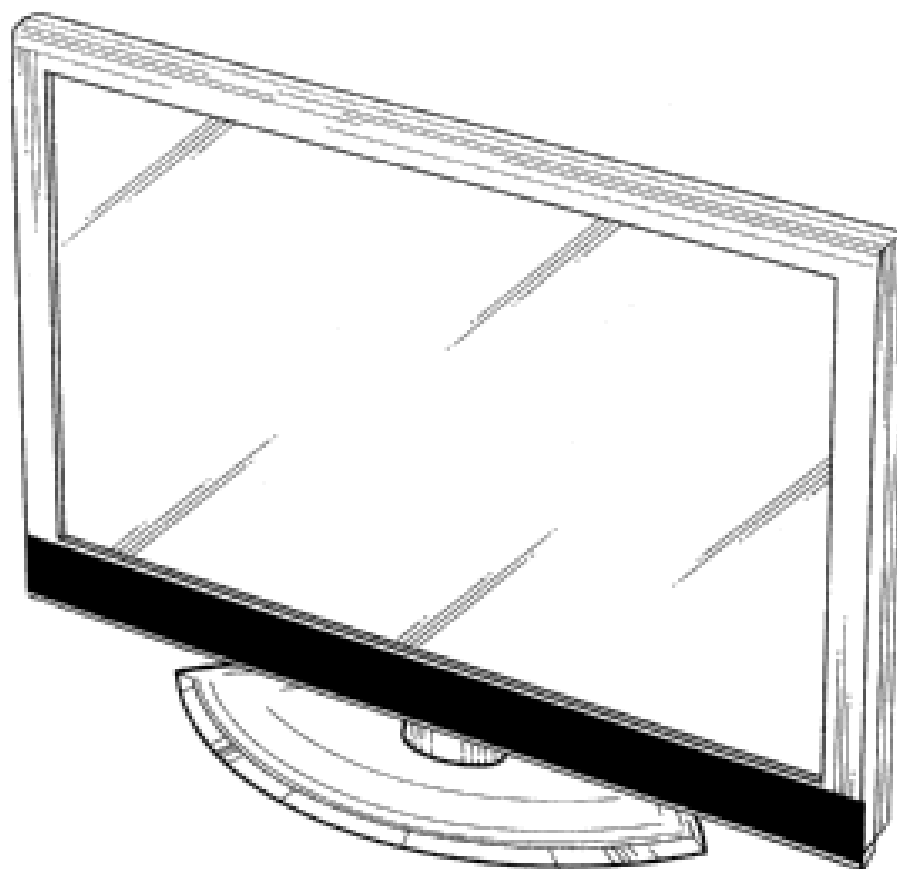
(45) Registration Date: **15 April 2010**

(30) Convention priority data:

(31) Number	(32) Date	(33) Country
2010-001791	27 Jan 2010	JAPAN

(56) Related Art Documents: **Not Applicable**

(57) Statement of Newness and Distinctiveness: **Newness and distinctiveness is claimed in the features of shape and/or configuration of a television receiver as illustrated in the accompanying representations.**



(21) Design Number: **10980/2010**

(22) Date of Filing Application: **22 March 2010**

(24) Date from which industrial property rights may have effect: **22 March 2010**

(54) Product in respect of which the design is registered: **Wheelbarrow frame member**

(51) International Design Classification: **12-02**

(71) Name(s) and Address(s) of Applicant(s):

**Vecto Trade 461 (Proprietary) Limited
Lasher Building 3 Sigma Road Industries West Germiston 1401
Gauteng Province Republic of South Africa**

(72) Name(s) of Designer(s): **Charles William Halsted and Brian Arthur Steinhobel and Friedrich Westphal**

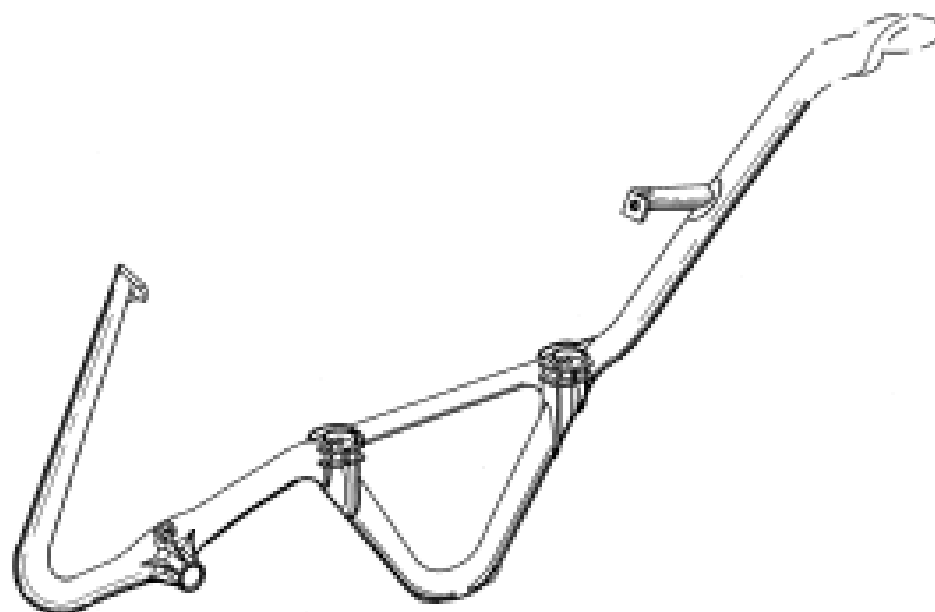
(45) Registration Date: **15 April 2010**

(30) Convention priority data:

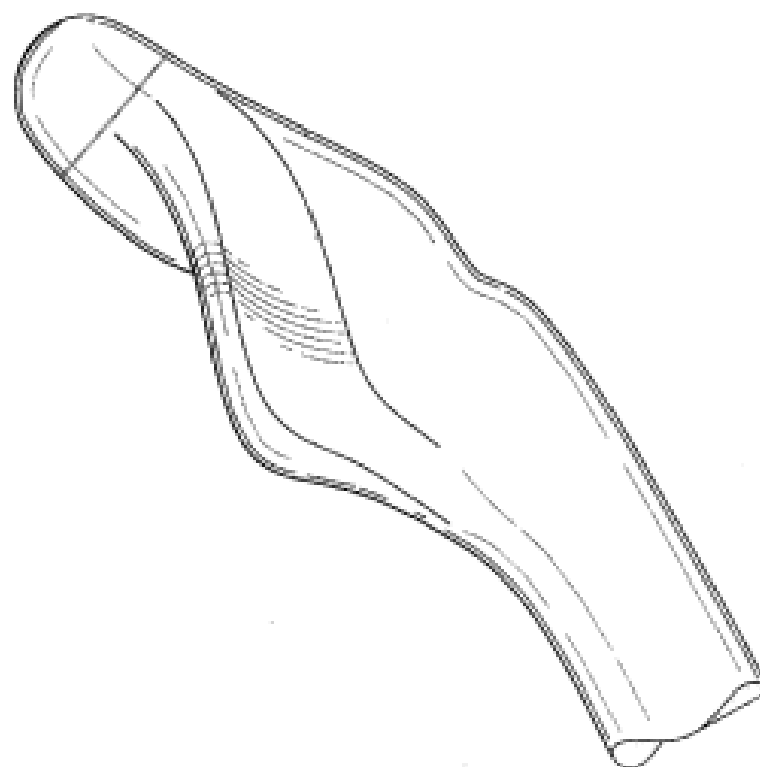
(31) Number	(32) Date	(33) Country
A2009/01452	23 Sep 2009	SOUTH AFRICA

(56) Related Art Documents: **Not Applicable**

(57) Statement of Newness and Distinctiveness: **Newness and distinctiveness is claimed in the shape and/or configuration of wheelbarrow frame member as illustrated by the unbroken lines in the accompanying representations.**



- (21) Design Number: **10981/2010**
(22) Date of Filing Application: **22 March 2010**
(24) Date from which industrial property rights may have effect: **22 March 2010**
(54) Product in respect of which the design is registered: **Handle**
(51) International Design Classification: **08-06**
(71) Name(s) and Address(s) of Applicant(s):
Ussher Inventions (Proprietary) Limited
Lasher Building 3 Sigma Road Industries West Germiston 1401
Gauteng Province Republic of South Africa
(72) Name(s) of Designer(s): **Brian Arthur Steinhobel and Charles William Halsted**
(45) Registration Date: **15 April 2010**
(30) Convention priority data:
(31) Number (32) Date (33) Country
A2009/01449 23 Sep 2009 SOUTH AFRICA
(56) Related Art Documents: **Not Applicable**
(57) Statement of Newness and Distinctiveness: **Newness and distinctiveness is claimed in the shape and/or configuration of a handle as illustrated by the unbroken lines in the accompanying representations.**



- (21) Design Number: **14784/2009**
(22) Date of Filing Application: **04 December 2009**
(24) Date from which industrial property rights may have effect: **04 December 2009**
(54) Product in respect of which the design is registered: **Orthotic aid**
(51) International Design Classification: **02-04A**
(71) Name(s) and Address(s) of Applicant(s):
Vicki Talbot
c/- Actuate IP 9/140 Queen Street Melbourne Victoria 3000 Australia
Nick Papadopoulos
c/- Actuate IP 9/140 Queen Street Melbourne Victoria 3000 Australia
(72) Name(s) of Designer(s): **Nick Papadopoulos**
(45) Registration Date: **15 April 2010**
(56) Related Art Documents: **Not Applicable**
(57) Statement of Newness and Distinctiveness: **Nil**



(21) Design Number: **10288/2010**

(22) Date of Filing Application: **28 January 2010**

(24) Date from which industrial property rights may have effect: **28 January 2010**

(54) Product in respect of which the design is registered: **Container**

(51) International Design Classification: **07-01NES**

(71) Name(s) and Address(s) of Applicant(s):

**Fonterra Brands (New Zealand) Limited
9 Princes Street Auckland New Zealand**

(72) Name(s) of Designer(s): **Jamie Booth and John Waterhouse and Eddie Szopa**

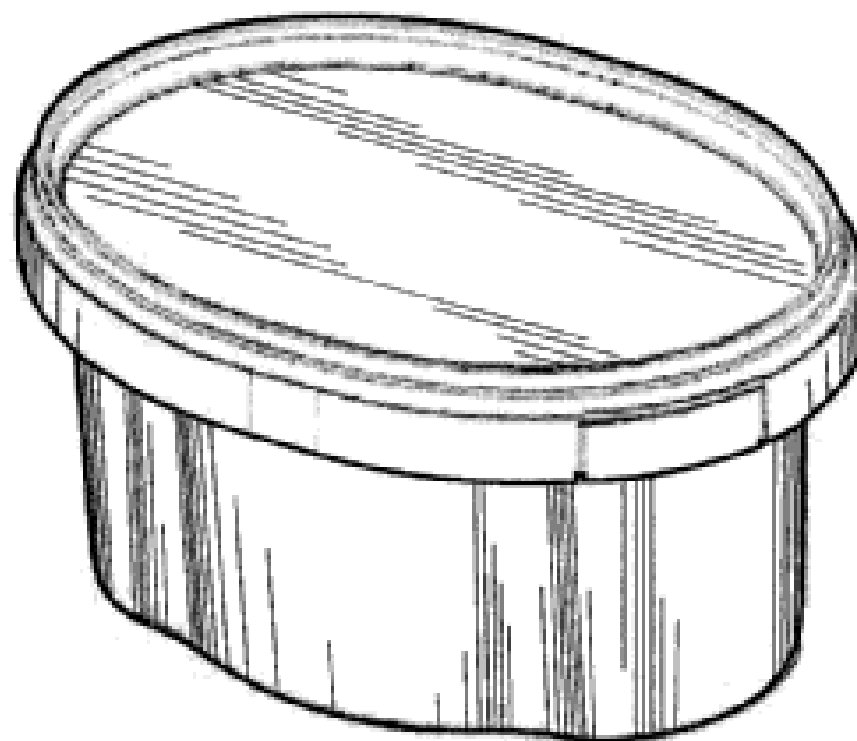
(45) Registration Date: **15 April 2010**

(30) Convention priority data:

(31) Number	(32) Date	(33) Country
412942	11 Nov 2009	NEW ZEALAND

(56) Related Art Documents: **Not Applicable**

(57) Statement of Newness and Distinctiveness: **Newness and distinctiveness reside in the features of shape and/or configuration of the container, as shown in the representation.**



(21) Design Number: **10289/2010**

(22) Date of Filing Application: **28 January 2010**

(24) Date from which industrial property rights may have effect: **28 January 2010**

(54) Product in respect of which the design is registered: **Container**

(51) International Design Classification: **07-01NES**

(71) Name(s) and Address(s) of Applicant(s):

**Fonterra Brands (New Zealand) Limited
9 Princes Street Auckland New Zealand**

(72) Name(s) of Designer(s): **Jamie Booth and John Waterhouse and Eddie Szopa**

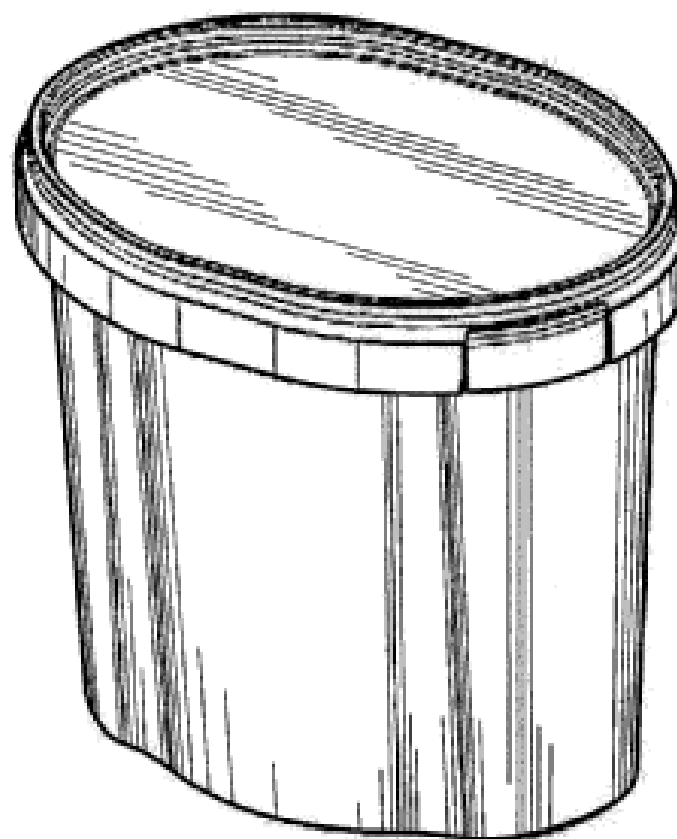
(45) Registration Date: **15 April 2010**

(30) Convention priority data:

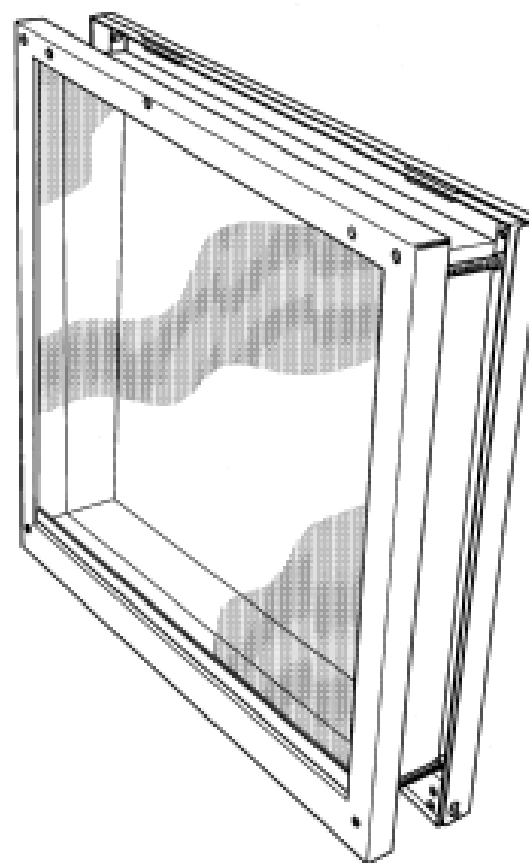
(31) Number	(32) Date	(33) Country
412941	11 Nov 2009	NEW ZEALAND

(56) Related Art Documents: **Not Applicable**

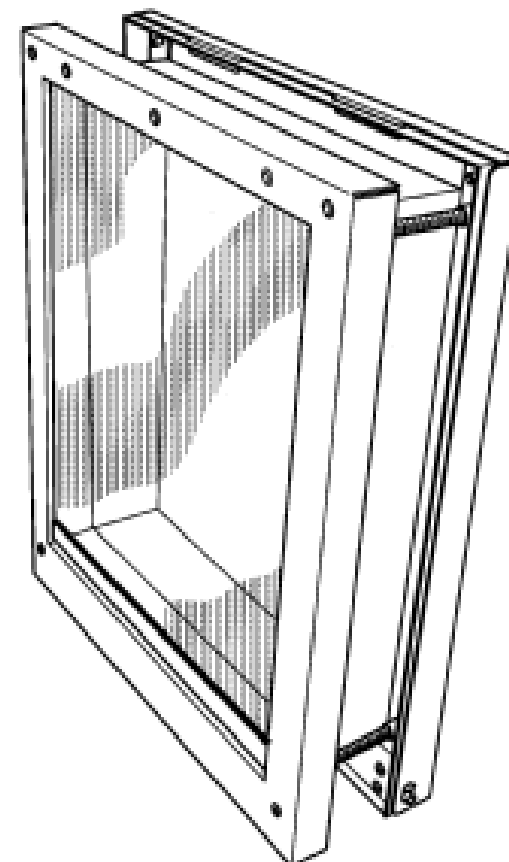
(57) Statement of Newness and Distinctiveness: **Newness and distinctiveness reside in the features of shape and/or configuration of the container, as shown in the representation.**



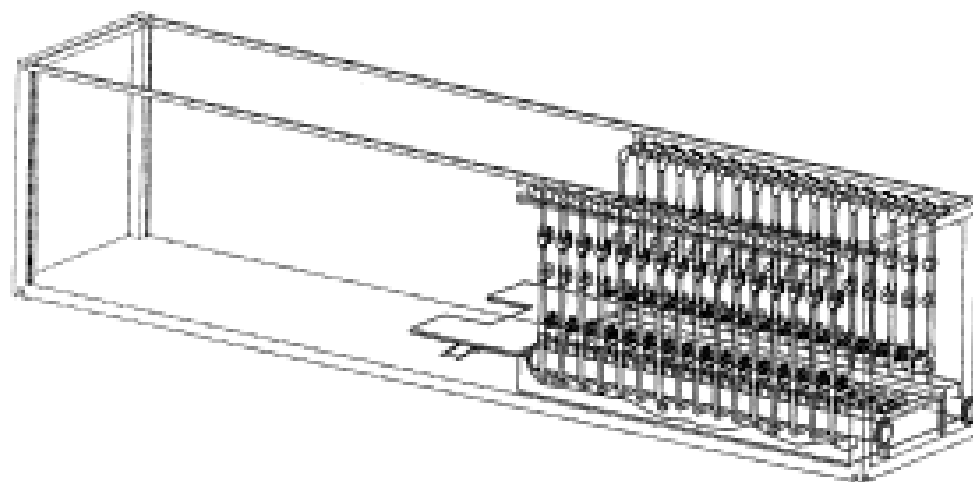
- (21) Design Number: **10365/2010**
(22) Date of Filing Application: **03 February 2010**
(24) Date from which industrial property rights may have effect: **03 February 2010**
(54) Product in respect of which the design is registered: **Pet door**
(51) International Design Classification: **25-02B**
(71) Name(s) and Address(s) of Applicant(s):
Arden (Vic) Pty Ltd
19-21 Marni Street Dandenong Victoria 3175 Australia
(72) Name(s) of Designer(s): **Ron Baihelfer and Jeff Newing**
(45) Registration Date: **15 April 2010**
(56) Related Art Documents: **Not Applicable**
(57) Statement of Newness and Distinctiveness: **Nil**



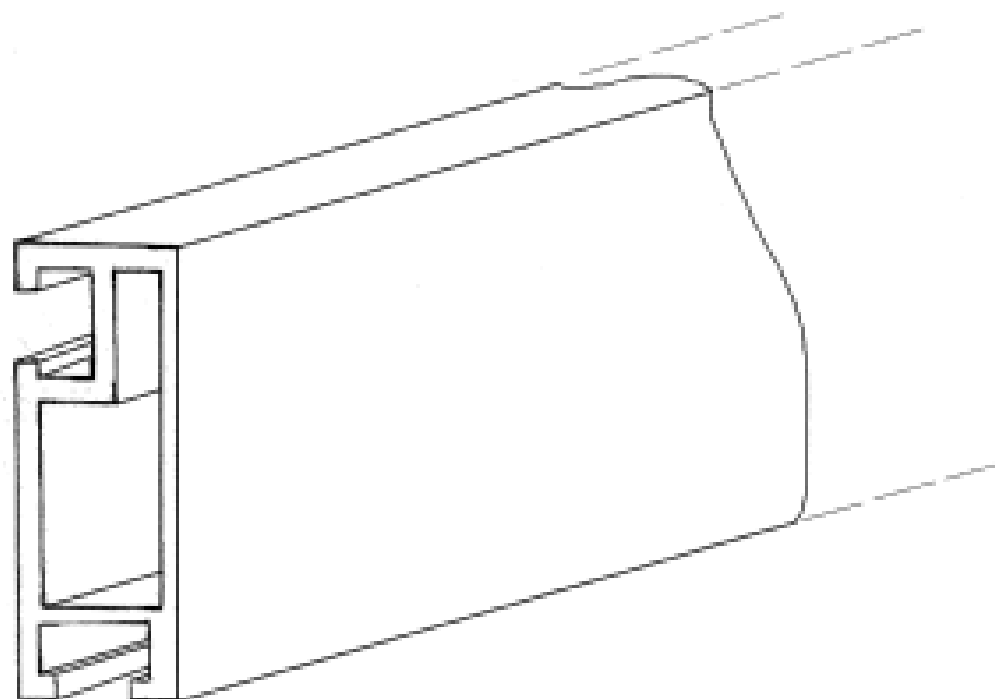
- (21) Design Number: **10366/2010**
(22) Date of Filing Application: **03 February 2010**
(24) Date from which industrial property rights may have effect: **03 February 2010**
(54) Product in respect of which the design is registered: **Pet door**
(51) International Design Classification: **25-02B**
(71) Name(s) and Address(s) of Applicant(s):
Arden (Vic) Pty Ltd
19-21 Marni Street Dandenong Victoria 3175 Australia
(72) Name(s) of Designer(s): **Ron Baihelfer and Jeff Newing**
(45) Registration Date: **15 April 2010**
(56) Related Art Documents: **Not Applicable**
(57) Statement of Newness and Distinctiveness: **Nil**



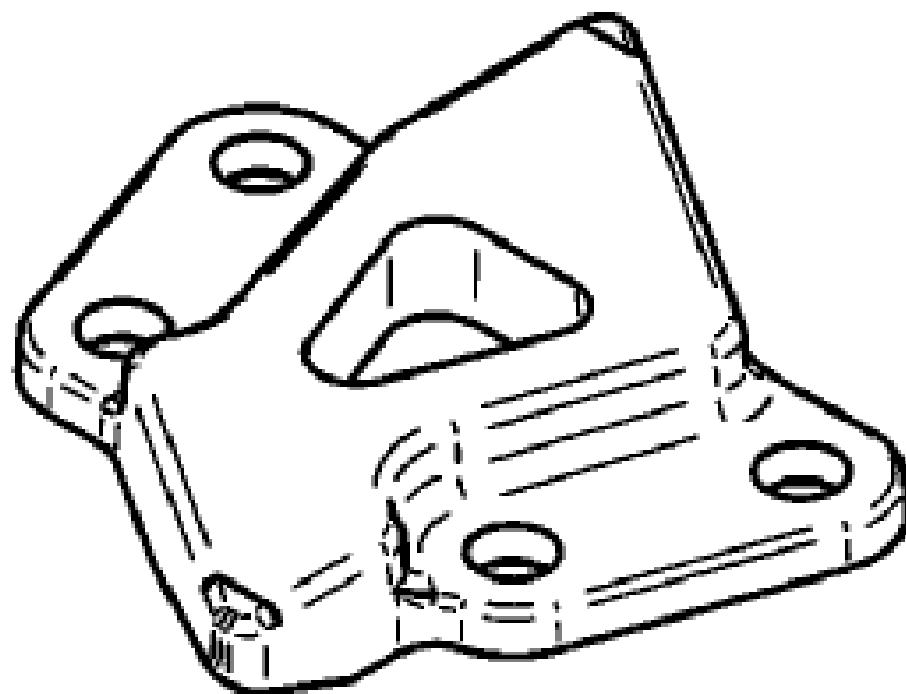
- (21) Design Number: **10369/2010**
(22) Date of Filing Application: **04 February 2010**
(24) Date from which industrial property rights may have effect: **04 February 2010**
(54) Product in respect of which the design is registered: **A containerised well house**
(51) International Design Classification: **25-03, 15-01, 23-01B**
(71) Name(s) and Address(s) of Applicant(s):
Adelaide Control Engineers Pty Ltd
The Hedge House 37 Queen Street Thebarton South Australia 5031
Australia
(72) Name(s) of Designer(s): **Glenn Jobling**
(45) Registration Date: **15 April 2010**
(56) Related Art Documents: **Not Applicable**
(57) Statement of Newness and Distinctiveness: **Newness and distinctiveness is claimed in the arrangement of the injection and extraction manifolds of the containerised well house, the general outline of which is illustrated by dashed lines in the representations. The injection and extraction manifolds are located adjacent the base of the containerised well house. When considering the scope of the design registration it should be appreciated that the number of pipes connected to the injection and extraction manifolds of the containerised well house may vary.**



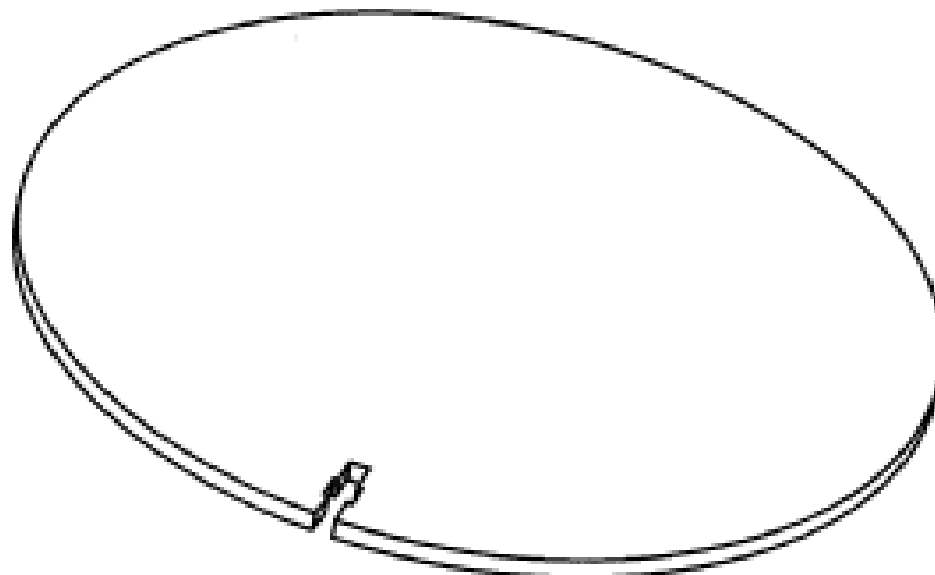
- (21) Design Number: **10720/2010**
(22) Date of Filing Application: **04 March 2010**
(24) Date from which industrial property rights may have effect: **04 March 2010**
(54) Product in respect of which the design is registered: **Extrusion**
(51) International Design Classification: **25-01K**
(71) Name(s) and Address(s) of Applicant(s):
Collridge Pty Ltd
136 Yeates Road Beerwah Queensland 4519 Australia
(72) Name(s) of Designer(s): **Christopher Mark Collett**
(45) Registration Date: **15 April 2010**
(56) Related Art Documents: **Not Applicable**
(57) Statement of Newness and Distinctiveness: **Newness and distinctiveness resides in the shape and configuration of an extrusion of indefinite length as illustrated in the accompanying representations, wherein: Fig. 1 is an oblique view of the extrusion from one end showing the top and one side; and Fig. 2 is an oblique view of the extrusion from the same end showing the bottom and other side.**



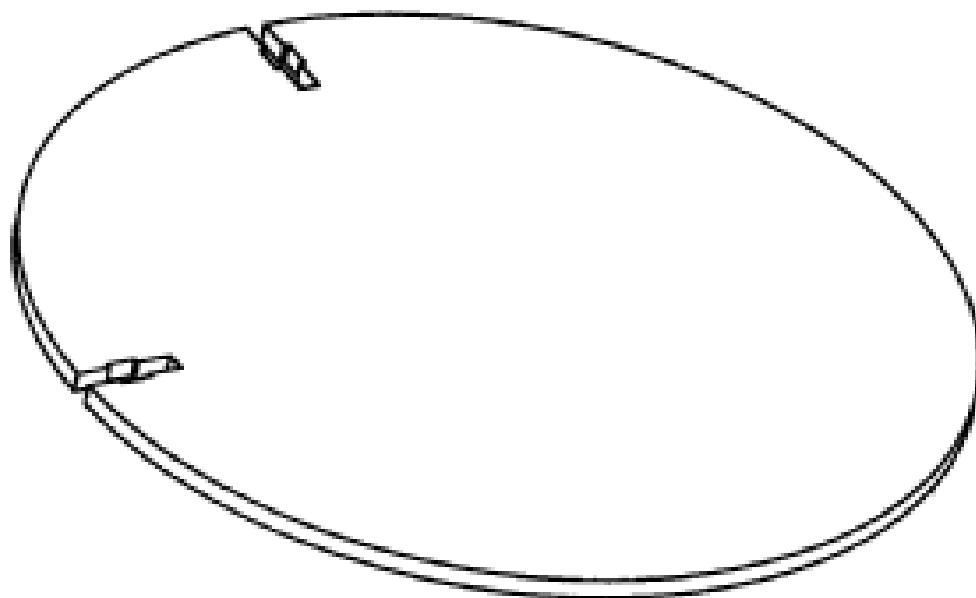
- (21) Design Number: **10842/2010**
(22) Date of Filing Application: **11 March 2010**
(24) Date from which industrial property rights may have effect: **11 March 2010**
(54) Product in respect of which the design is registered: **Pad**
(51) International Design Classification: **12-05**
(71) Name(s) and Address(s) of Applicant(s):
Transmin Pty Limited
35 Denninup Way Malaga Western Australia 6090 Australia
(72) Name(s) of Designer(s): **Gregory Richard Haydon**
(45) Registration Date: **15 April 2010**
(56) Related Art Documents: **Not Applicable**
(57) Statement of Newness and Distinctiveness: **Nil**



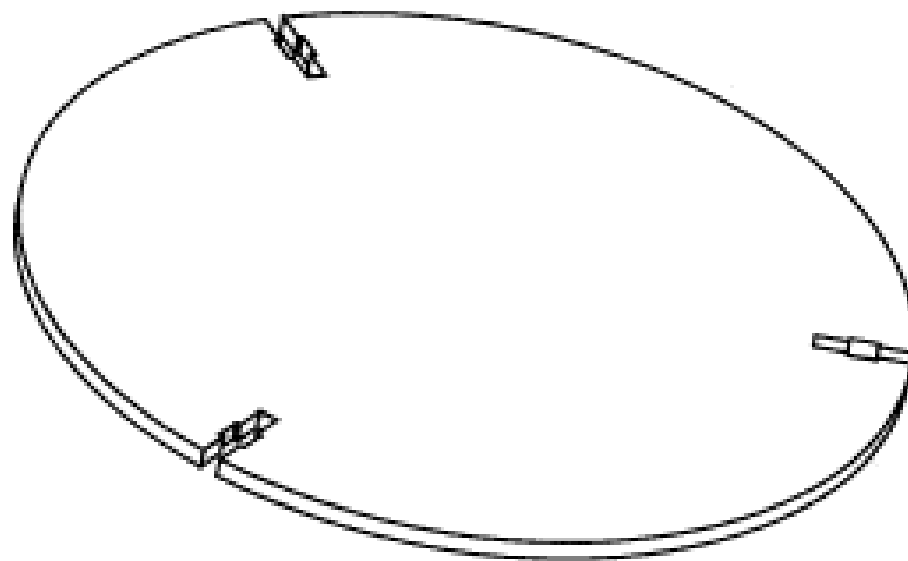
- (21) Design Number: **10871/2010**
(22) Date of Filing Application: **16 March 2010**
(24) Date from which industrial property rights may have effect: **16 March 2010**
(54) Product in respect of which the design is registered: **Integrated building component**
(51) International Design Classification: **06-06NES, 21-01E**
(71) Name(s) and Address(s) of Applicant(s):
John Deng Design Pty Ltd
11 Lower Sterne Street Goulburn New South Wales 2580 Australia
(72) Name(s) of Designer(s): **Zhong Deng**
(45) Registration Date: **15 April 2010**
(56) Related Art Documents: **Not Applicable**
(57) Statement of Newness and Distinctiveness: **The distinctiveness is in the multiple combinations of JDMC 001 exclusively, or in conjunction with JDMC 002 to create an interlocking functional design or sculpture for indoor or outdoor use.**



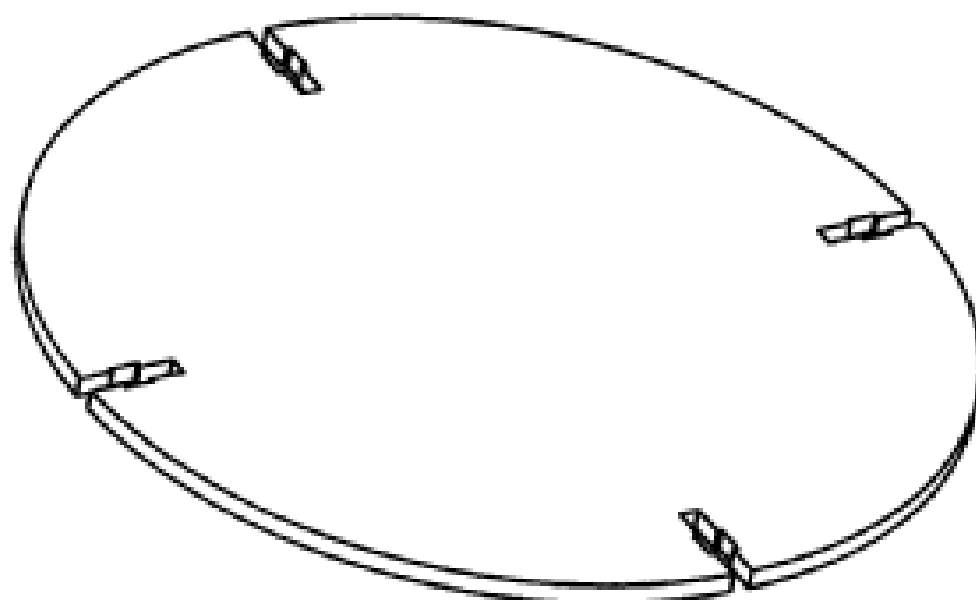
(21) Design Number: **11104/2010**
(22) Date of Filing Application: **16 March 2010**
(24) Date from which industrial property rights may have effect: **16 March 2010**
(54) Product in respect of which the design is registered: **Integrated building component**
(51) International Design Classification: **06-06NES, 21-01E**
(71) Name(s) and Address(s) of Applicant(s):
John Deng Design Pty Ltd
11 Lower Sterne Street Goulburn New South Wales 2580 Australia
(72) Name(s) of Designer(s): **Zhong Deng**
(45) Registration Date: **15 April 2010**
(56) Related Art Documents: **Not Applicable**
(57) Statement of Newness and Distinctiveness: **Nil**



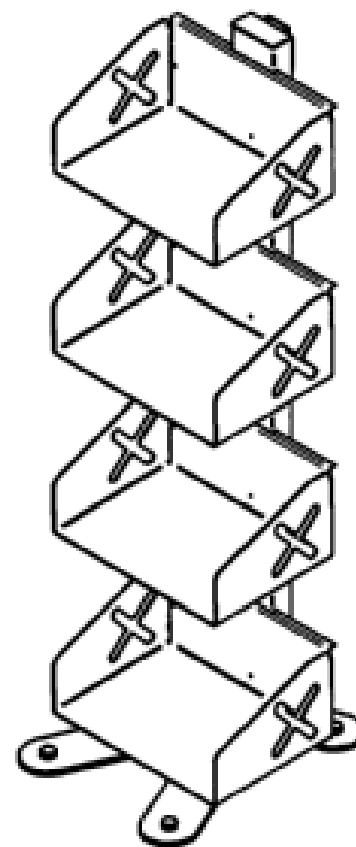
(21) Design Number: **11105/2010**
(22) Date of Filing Application: **16 March 2010**
(24) Date from which industrial property rights may have effect: **16 March 2010**
(54) Product in respect of which the design is registered: **Integrated building component**
(51) International Design Classification: **06-06NES, 21-01E**
(71) Name(s) and Address(s) of Applicant(s):
John Deng Design Pty Ltd
11 Lower Sterne Street Goulburn New South Wales 2580 Australia
(72) Name(s) of Designer(s): **Zhong Deng**
(45) Registration Date: **15 April 2010**
(56) Related Art Documents: **Not Applicable**
(57) Statement of Newness and Distinctiveness: **Nil**



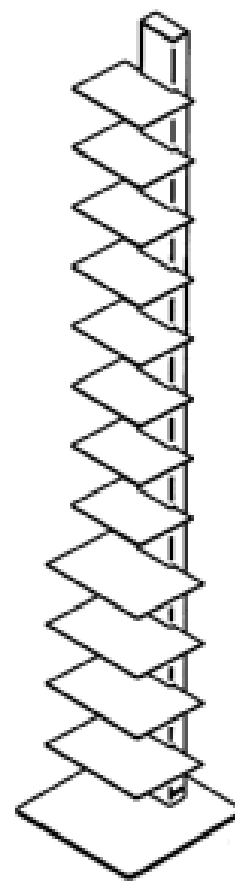
- (21) Design Number: **11106/2010**
(22) Date of Filing Application: **16 March 2010**
(24) Date from which industrial property rights may have effect: **16 March 2010**
(54) Product in respect of which the design is registered: **Integrated building component**
(51) International Design Classification: **06-06NES, 21-01E**
(71) Name(s) and Address(s) of Applicant(s):
John Deng Design Pty Ltd
11 Lower Sterne Street Goulburn New South Wales 2580 Australia
(72) Name(s) of Designer(s): **Zhong Deng**
(45) Registration Date: **15 April 2010**
(56) Related Art Documents: **Not Applicable**
(57) Statement of Newness and Distinctiveness: **Nil**



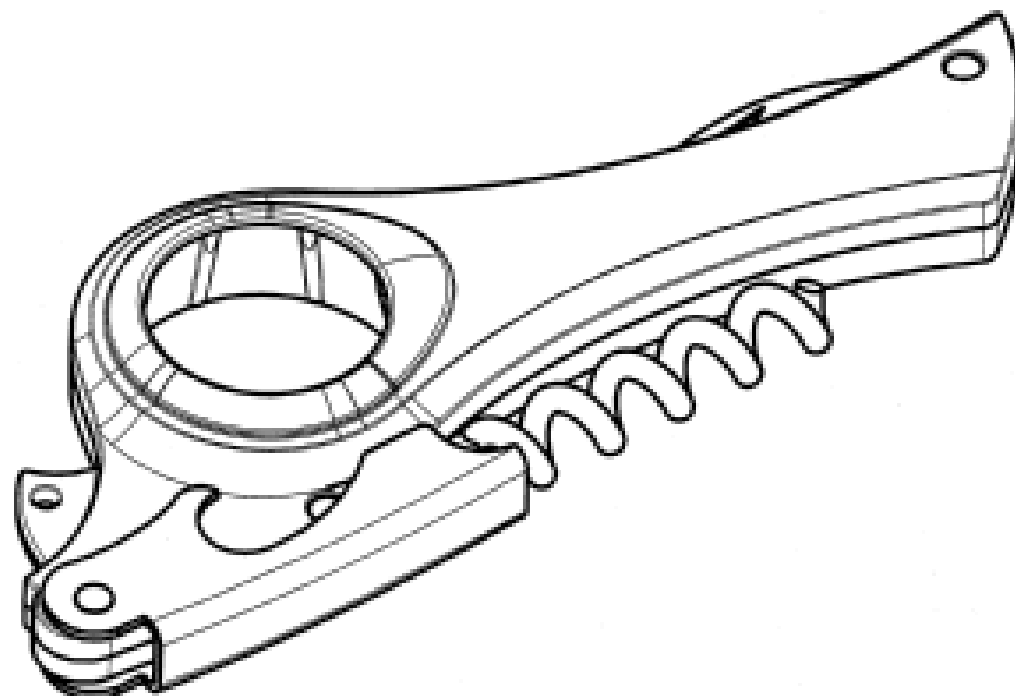
- (21) Design Number: **10936/2010**
(22) Date of Filing Application: **19 March 2010**
(24) Date from which industrial property rights may have effect: **19 March 2010**
(54) Product in respect of which the design is registered: **Feestanding upright shelving unit**
(51) International Design Classification: **06-04NES**
(71) Name(s) and Address(s) of Applicant(s):
Jason Bird
Studio 3b 9 Chester Street Fortitude Valley Queensland 4006 Australia
(72) Name(s) of Designer(s): **Jason Bird**
(45) Registration Date: **15 April 2010**
(56) Related Art Documents: **Not Applicable**
(57) Statement of Newness and Distinctiveness: **This freestanding upright shelving unit derives its unique appearance from its novel configuration; detachable, cantilevered shelves are fixed to a vertical stem allowing its contents to be stored flat or upright in a totem-like, vertical configuration. The vertical stem emanates from the rear of a weighted base.**



- (21) Design Number: **10937/2010**
(22) Date of Filing Application: **19 March 2010**
(24) Date from which industrial property rights may have effect: **19 March 2010**
(54) Product in respect of which the design is registered: **Freestanding upright shelving unit**
(51) International Design Classification: **06-04NES**
(71) Name(s) and Address(s) of Applicant(s):
Jason Bird
Studio 3b 9 Chester Street Fortitude Valley Queensland 4006 Australia
(72) Name(s) of Designer(s): **Jason Bird**
(45) Registration Date: **15 April 2010**
(56) Related Art Documents: **Not Applicable**
(57) Statement of Newness and Distinctiveness: **This freestanding upright shelving unit derives its unique appearance from its novel configuration; detachable, cantilevered shelves are fixed to a vertical stem allowing its contents to be stored flat or upright in a totem-like, vertical configuration. The vertical stem emanates from the rear of a weighted base.**



- (21) Design Number: **10939/2010**
(22) Date of Filing Application: **18 March 2010**
(24) Date from which industrial property rights may have effect: **18 March 2010**
(54) Product in respect of which the design is registered: **Bottle opener**
(51) International Design Classification: **07-06D**
(71) Name(s) and Address(s) of Applicant(s):
Jude Kenneth Allan
134 Charles Street Northcote Victoria 3070 Australia
(72) Name(s) of Designer(s): **Jude Kenneth Allan**
(45) Registration Date: **15 April 2010**
(56) Related Art Documents: **Not Applicable**
(57) Statement of Newness and Distinctiveness: **Monopoly is claimed in the shape and configuration of the bottle opener shown in the representations.**



(19) AU

(21) Design Number: **10946/2010**

(22) Date of Filing Application: **18 March 2010**

(24) Date from which industrial property rights may have effect: **18 March 2010**

(54) Product in respect of which the design is registered: **Protective helmet**

(51) International Design Classification: **02-03**

(71) Name(s) and Address(s) of Applicant(s):

**Scott Health & Safety Ltd
Pimbo Road West Pimbo Skelmersdale Lancs WN8 9RA United Kingdom**

(72) Name(s) of Designer(s): **Steven Thurgood and Christopher David Ellerby**

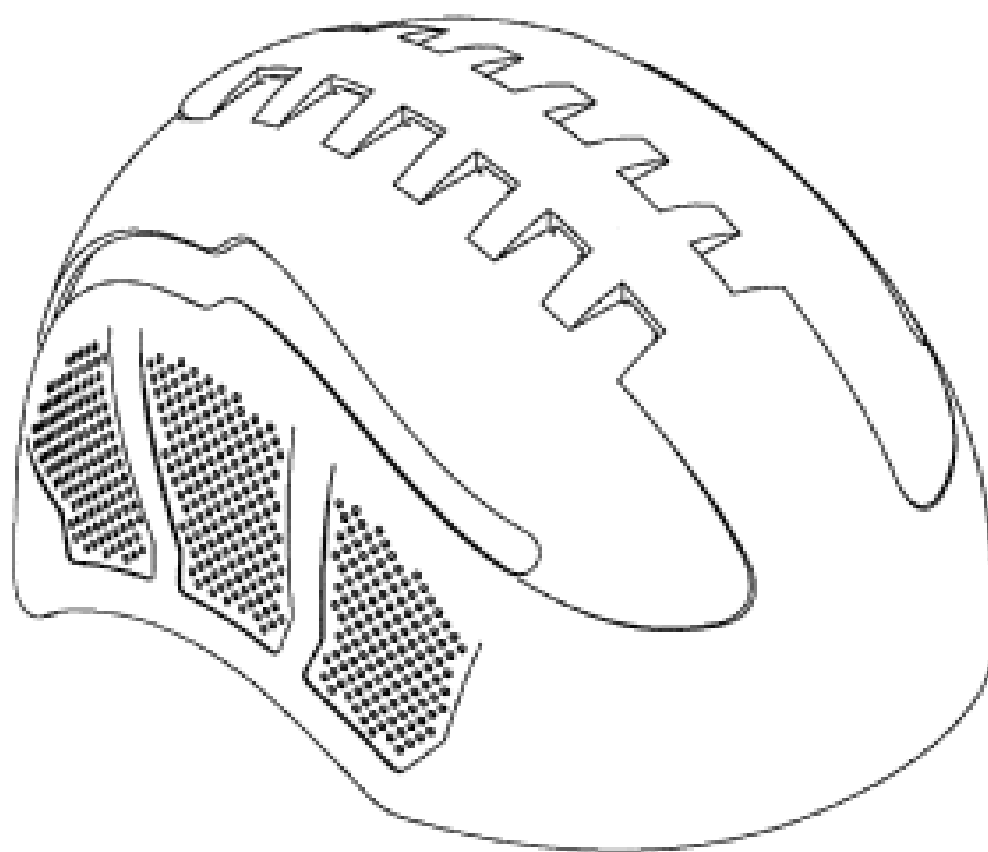
(45) Registration Date: **15 April 2010**

(30) Convention priority data:

(31) Number	(32) Date	(33) Country
001166730-002	22 Sep 2009	UNITED KINGDOM

(56) Related Art Documents: **Not Applicable**

(57) Statement of Newness and Distinctiveness: **We submit a Statement of Newness and Distinctiveness (set out below) in respect of particular visual features of "the design", but in so doing do not imply that other visual features of the design lack newness or distinctiveness. Statement of Newness and Distinctiveness The shape, configuration, shape and configuration, pattern ornamentation, pattern and ornamentation of the design of the product(s) is/are new and distinctive.**



(19) AU

(21) Design Number: **10958/2010**

(22) Date of Filing Application: **22 March 2010**

(24) Date from which industrial property rights may have effect: **22 March 2010**

(54) Product in respect of which the design is registered: **Hospital gowns an apparel and or articles of clothing**

(51) International Design Classification: **02-02NES, 24-04**

(71) Name(s) and Address(s) of Applicant(s):

**The Fable Factory Pty Ltd
1/39 Darling Street South Yarra Victoria 3141 Australia**

(72) Name(s) of Designer(s): **Catherine Couchman and Mark Couchman**

(45) Registration Date: **15 April 2010**

(56) Related Art Documents: **Not Applicable**

(57) Statement of Newness and Distinctiveness: **The concept and application of hospital gowns and/or garments with any matter or material added to feature either wording or imagery or any other material or matter. Monopoly is claimed in the pattern and ornamentation of the image shown on the hospital garments in the accompanying representation.**



- (21) Design Number: **10959/2010**
(22) Date of Filing Application: **22 March 2010**
(24) Date from which industrial property rights may have effect: **22 March 2010**
(54) Product in respect of which the design is registered: **Hospital gowns and apparel and or articles of clothing**
(51) International Design Classification: **02-02NES, 24-04**
(71) Name(s) and Address(s) of Applicant(s):
The Fable Factory Pty Ltd
1/39 Darling Street South Yarra Victoria 3141 Australia
(72) Name(s) of Designer(s): **Catherine Couchman and Mark Couchman**
(45) Registration Date: **15 April 2010**
(56) Related Art Documents: **Not Applicable**
(57) Statement of Newness and Distinctiveness: **The concept and application of hospital gowns and/or garments with any matter or material added to feature either wording or imagery or any other material or matter. Monopoly is claimed in the pattern and ornamentation of the image shown on the hospital garments in the accompanying representation.**



- (21) Design Number: **10960/2010**
(22) Date of Filing Application: **22 March 2010**
(24) Date from which industrial property rights may have effect: **22 March 2010**
(54) Product in respect of which the design is registered: **Hospital gowns and apparel and or articles of clothing**
(51) International Design Classification: **02-02NES, 24-04**
(71) Name(s) and Address(s) of Applicant(s):
The Fable Factory Pty Ltd
1/39 Darling Street South Yarra Victoria 3141 Australia
(72) Name(s) of Designer(s): **Catherine Couchman and Mark Couchman**
(45) Registration Date: **15 April 2010**
(56) Related Art Documents: **Not Applicable**
(57) Statement of Newness and Distinctiveness: **The concept and application of hospital gowns and or garments with any matter or material added to feature either wording or imagery or any other material or matter. Monopoly is claimed in the pattern and ornamentation of the image shown on the hospital garment in the accompanying representation.**



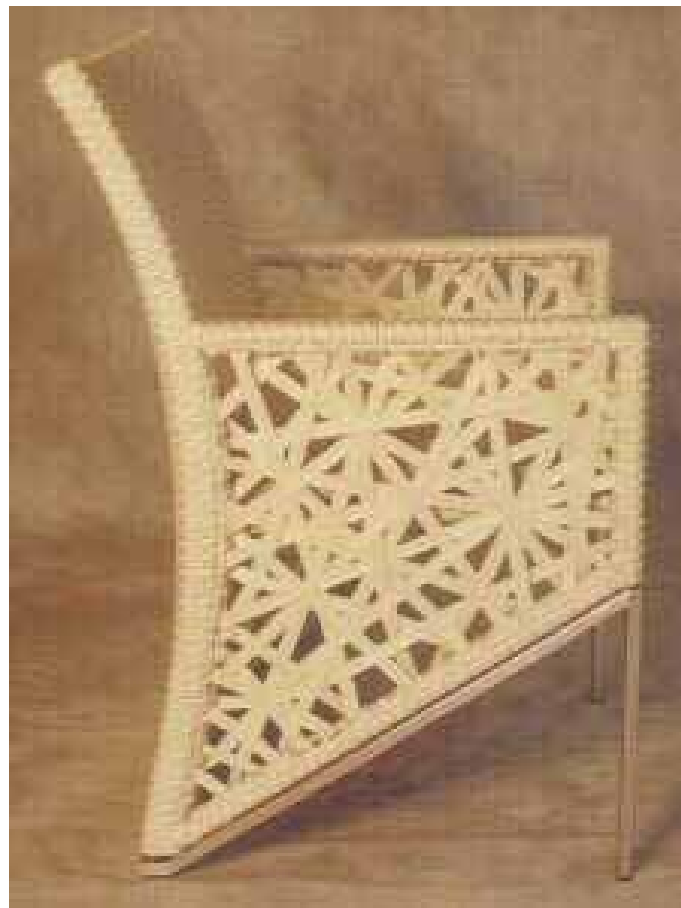
- (21) Design Number: **10961/2010**
(22) Date of Filing Application: **22 March 2010**
(24) Date from which industrial property rights may have effect: **22 March 2010**
(54) Product in respect of which the design is registered: **Hospital gowns and apparel and or articles of clothing**
(51) International Design Classification: **02-02NES, 24-04**
(71) Name(s) and Address(s) of Applicant(s):
The Fable Factory Pty Ltd
1/39 Darling Street South Yarra Victoria 3141 Australia
(72) Name(s) of Designer(s): **Catherine Couchman and Mark Couchman**
(45) Registration Date: **15 April 2010**
(56) Related Art Documents: **Not Applicable**
(57) Statement of Newness and Distinctiveness: **The concept and application of hospital gowns and or garments with any matter or material added to feature either wording or imagery or any other material or matter. Monopoly is claimed in the pattern and ornamentation of the image shown on the hospital garments in the accompanying representation.**



- (21) Design Number: **10965/2010**
(22) Date of Filing Application: **19 March 2010**
(24) Date from which industrial property rights may have effect: **19 March 2010**
(54) Product in respect of which the design is registered: **A chair**
(51) International Design Classification: **06-01F**
(71) Name(s) and Address(s) of Applicant(s):
Nique Enterprises Pty Ltd
2-4 Ainslie Close Somersby New South Wales 2250 Australia
(72) Name(s) of Designer(s): **Tom Bihari**
(45) Registration Date: **15 April 2010**
(56) Related Art Documents: **Not Applicable**
(57) Statement of Newness and Distinctiveness: **Nil**



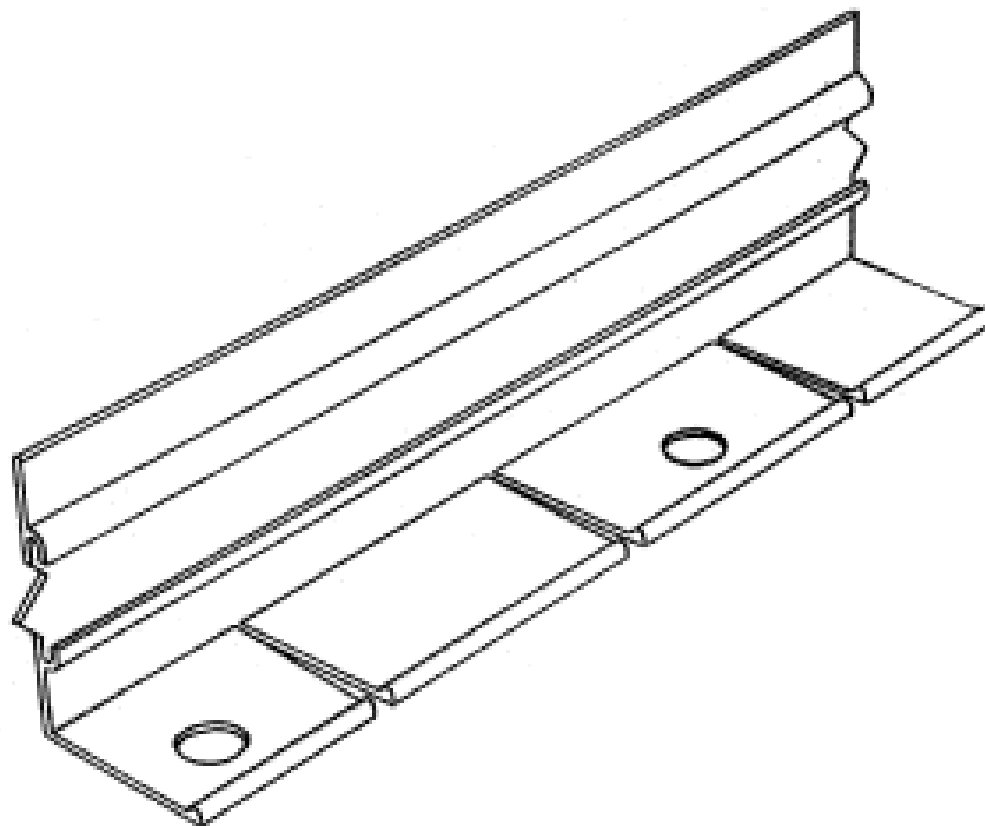
- (21) Design Number: **10966/2010**
(22) Date of Filing Application: **19 March 2010**
(24) Date from which industrial property rights may have effect: **19 March 2010**
(54) Product in respect of which the design is registered: **A chair**
(51) International Design Classification: **06-01F**
(71) Name(s) and Address(s) of Applicant(s):
Nique Enterprises Pty Ltd
2-4 Ainslie Close Somersby New South Wales 2250 Australia
(72) Name(s) of Designer(s): **Tom Bihari**
(45) Registration Date: **15 April 2010**
(56) Related Art Documents: **Not Applicable**
(57) Statement of Newness and Distinctiveness: **Nil**



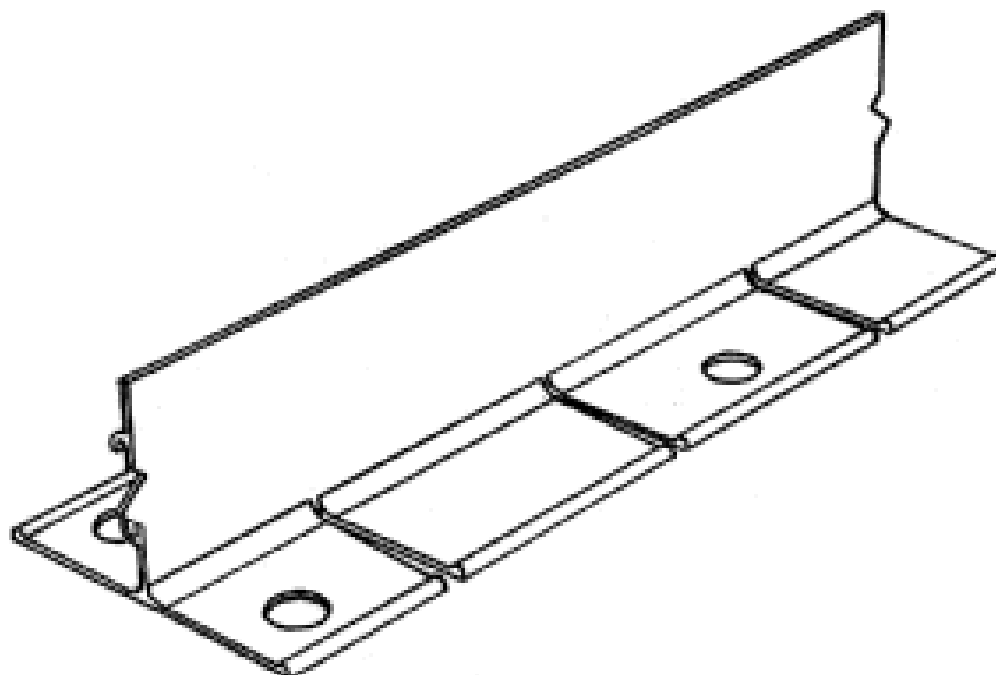
- (21) Design Number: **10967/2010**
(22) Date of Filing Application: **19 March 2010**
(24) Date from which industrial property rights may have effect: **19 March 2010**
(54) Product in respect of which the design is registered: **A chair**
(51) International Design Classification: **06-01F**
(71) Name(s) and Address(s) of Applicant(s):
Nique Enterprises Pty Ltd
2-4 Ainslie Close Somersby New South Wales 2250 Australia
(72) Name(s) of Designer(s): **Tom Bihari**
(45) Registration Date: **15 April 2010**
(56) Related Art Documents: **Not Applicable**
(57) Statement of Newness and Distinctiveness: **Nil**



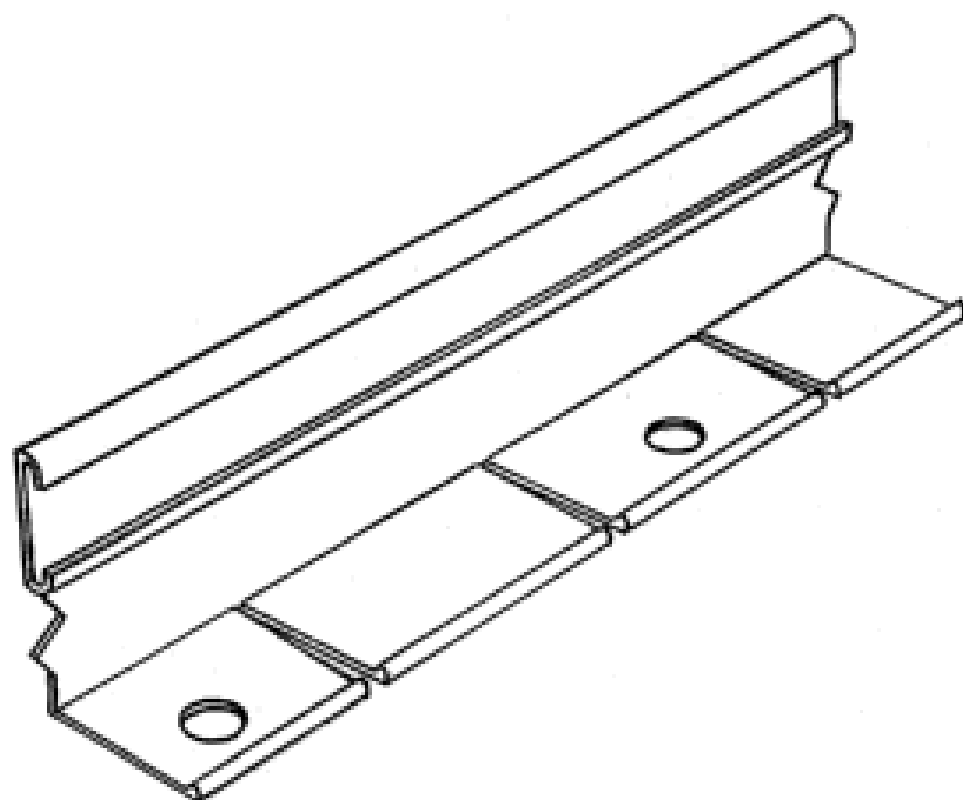
- (21) Design Number: **10969/2010**
- (22) Date of Filing Application: **19 March 2010**
- (24) Date from which industrial property rights may have effect: **19 March 2010**
- (54) Product in respect of which the design is registered: **An edging strip**
- (51) International Design Classification: **25-99**
- (71) Name(s) and Address(s) of Applicant(s):
 - Robert Henry Haysom**
 - 31 Duffield Street Gawler East South Australia 5118 Australia**
 - Deirdre Mary Haysom**
 - 31 Duffield Street Gawler East South Australia 5118 Australia**
- (72) Name(s) of Designer(s): **Robert Henry Haysom and Deirdre Mary Haysom**
- (45) Registration Date: **15 April 2010**
- (56) Related Art Documents: **Not Applicable**
- (57) Statement of Newness and Distinctiveness: **Nil**



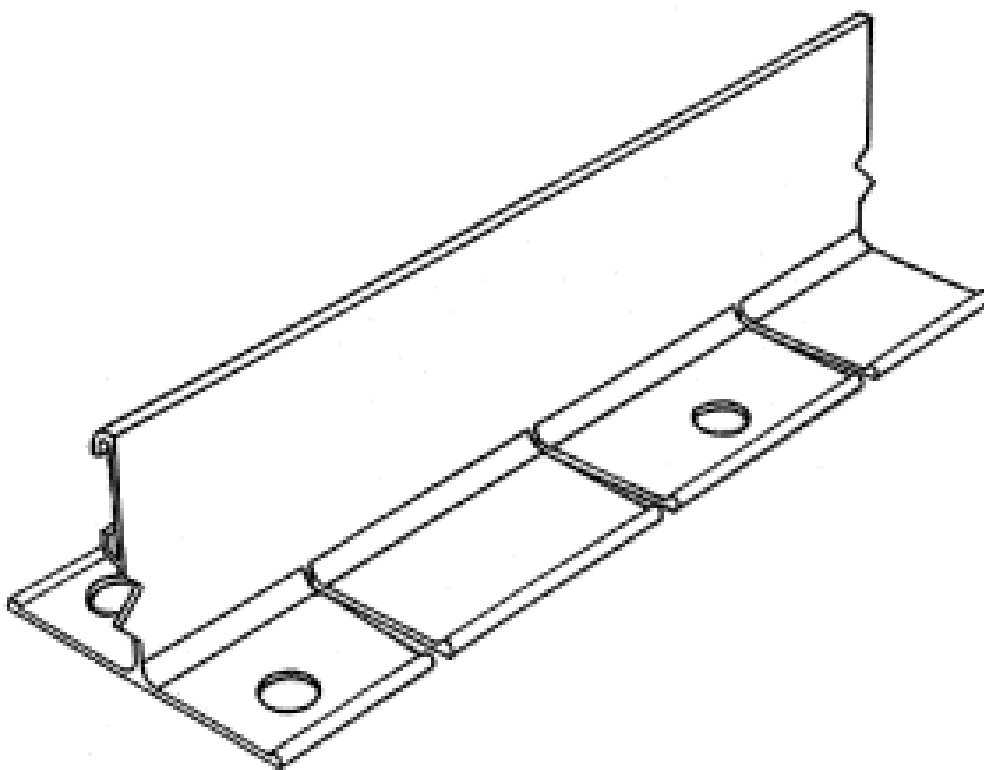
- (21) Design Number: **10970/2010**
- (22) Date of Filing Application: **19 March 2010**
- (24) Date from which industrial property rights may have effect: **19 March 2010**
- (54) Product in respect of which the design is registered: **An edging strip**
- (51) International Design Classification: **25-99**
- (71) Name(s) and Address(s) of Applicant(s):
 - Robert Henry Haysom**
 - 31 Duffield Street Gawler East South Australia 5118 Australia**
 - Deirdre Mary Haysom**
 - 31 Duffield Street Gawler East South Australia 5118 Australia**
- (72) Name(s) of Designer(s): **Robert Henry Haysom and Deirdre Mary Haysom**
- (45) Registration Date: **15 April 2010**
- (56) Related Art Documents: **Not Applicable**
- (57) Statement of Newness and Distinctiveness: **Nil**



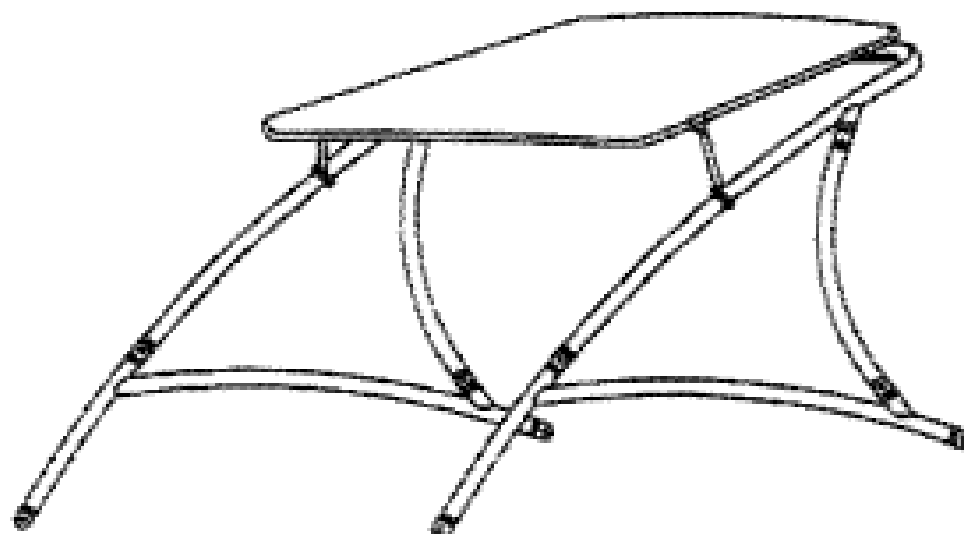
- (21) Design Number: **10971/2010**
(22) Date of Filing Application: **19 March 2010**
(24) Date from which industrial property rights may have effect: **19 March 2010**
(54) Product in respect of which the design is registered: **An edging strip**
(51) International Design Classification: **25-99**
(71) Name(s) and Address(s) of Applicant(s):
Robert Henry Haysom
31 Duffield Street Gawler East South Australia 5118 Australia
Deirdre Mary Haysom
31 Duffield Street Gawler East South Australia 5118 Australia
(72) Name(s) of Designer(s): **Robert Henry Haysom and Deirdre Mary Haysom**
(45) Registration Date: **15 April 2010**
(56) Related Art Documents: **Not Applicable**
(57) Statement of Newness and Distinctiveness: **Nil**



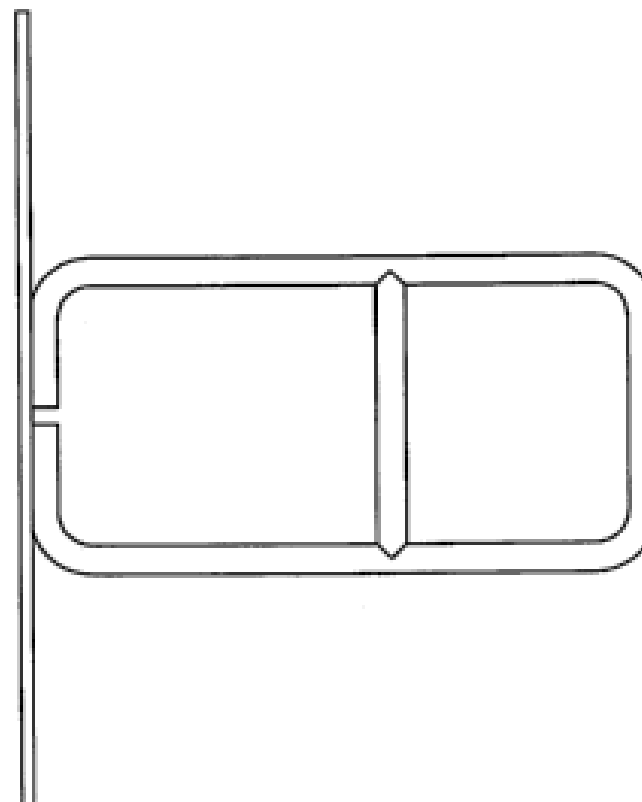
- (21) Design Number: **10972/2010**
(22) Date of Filing Application: **19 March 2010**
(24) Date from which industrial property rights may have effect: **19 March 2010**
(54) Product in respect of which the design is registered: **An edging strip**
(51) International Design Classification: **25-99**
(71) Name(s) and Address(s) of Applicant(s):
Robert Henry Haysom
31 Duffield Street Gawler East South Australia 5118 Australia
Deirdre Mary Haysom
31 Duffield Street Gawler East South Australia 5118 Australia
(72) Name(s) of Designer(s): **Robert Henry Haysom and Deirdre Mary Haysom**
(45) Registration Date: **15 April 2010**
(56) Related Art Documents: **Not Applicable**
(57) Statement of Newness and Distinctiveness: **Nil**



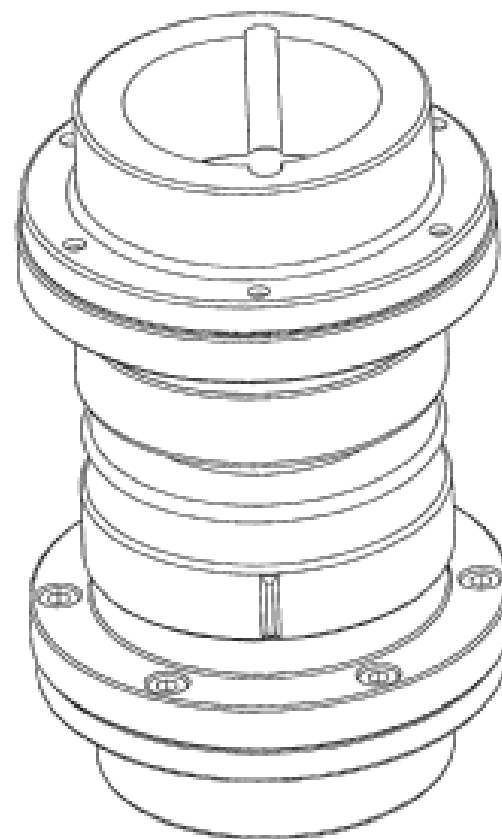
- (21) Design Number: **11032/2010**
(22) Date of Filing Application: **24 March 2010**
(24) Date from which industrial property rights may have effect: **24 March 2010**
(54) Product in respect of which the design is registered: **A wakeboard tower bimini top for a boat**
(51) International Design Classification: **12-16NES**
(71) Name(s) and Address(s) of Applicant(s):
James Odell
Unit 25 45 Powers Road Seven Hills New South Wales 2147 Australia
(72) Name(s) of Designer(s): **James Odell**
(45) Registration Date: **15 April 2010**
(56) Related Art Documents: **Not Applicable**
(57) Statement of Newness and Distinctiveness: **Flat style bimini for wakeboard tower. The new design is a large rectangle shape, made of a metal frame and material covering. It is attached to the 4 legs of a wakeboard tower on a boat. It uses new adjustable bar which allows for various widths between the legs of the tower, there is no cutting or drilling involved with the parts supplied, It is also universal and can also be mounted in numerous positions to suit the look and style of the wakeboard tower mounted on a boat. The bimini will fit a wide variety of different shape towers and sized boats on the market. Currently you have to have a custom made bimini, to fit a tower. This bimini is universal in fitting and no need to have a custom made one. The other distinctive look and feature the parts of the design allows you to change from fitting under the top bar, tow point of the wake tower, you can position the bimini over the top of the wake tower tow point, as well. So you have multiple mounting positions. You could not do this before, you had no choice. You can also undo one end of of the bimini attachment to the legs of the tower, which then allows the bimini to pivot for easy access to the top of the bimini. The cover of the bimini can be removed and the frame left in position, or you can completely remove the bimini from the tower with ease.**



- (21) Design Number: **11153/2010**
(22) Date of Filing Application: **31 March 2010**
(24) Date from which industrial property rights may have effect: **31 March 2010**
(54) Product in respect of which the design is registered: **Bracket**
(51) International Design Classification: **08-08L**
(71) Name(s) and Address(s) of Applicant(s):
Hanjac Pty Ltd
40 Kirsty Crescent Hassallgrove New South Wales 2761 Australia
(72) Name(s) of Designer(s): **Roy Webb**
(45) Registration Date: **15 April 2010**
(56) Related Art Documents: **Not Applicable**
(57) Statement of Newness and Distinctiveness: **Nil**

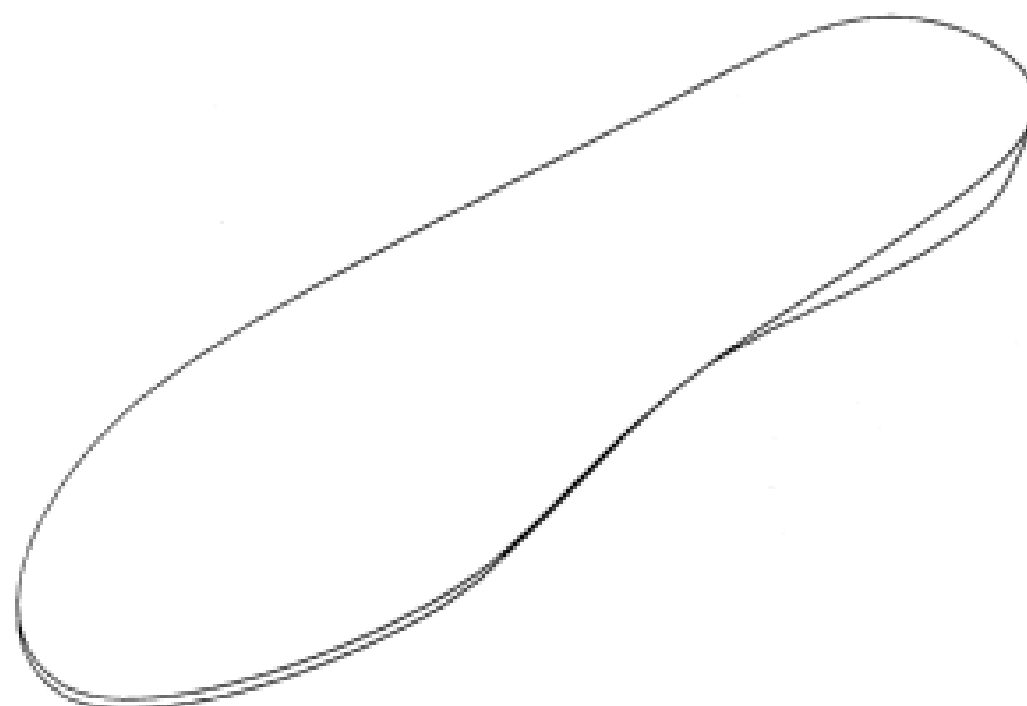


- (21) Design Number: **11201/2010**
- (22) Date of Filing Application: **01 April 2010**
- (24) Date from which industrial property rights may have effect: **01 April 2010**
- (54) Product in respect of which the design is registered: **Shaft coupling**
- (51) International Design Classification: **23-01A**
- (71) Name(s) and Address(s) of Applicant(s):
Thompson Couplings Limited
PO Box 285 Orange New South Wales 2800 Australia
- (72) Name(s) of Designer(s): **David Farrell and Len Kosharek and Jean Pigeon and Timothy Ian Smith**
- (45) Registration Date: **15 April 2010**
- (56) Related Art Documents: **Not Applicable**
- (57) Statement of Newness and Distinctiveness: **Newness and distinctiveness resides in the shape and/or configuration of a shaft coupling as shown in the drawings.**

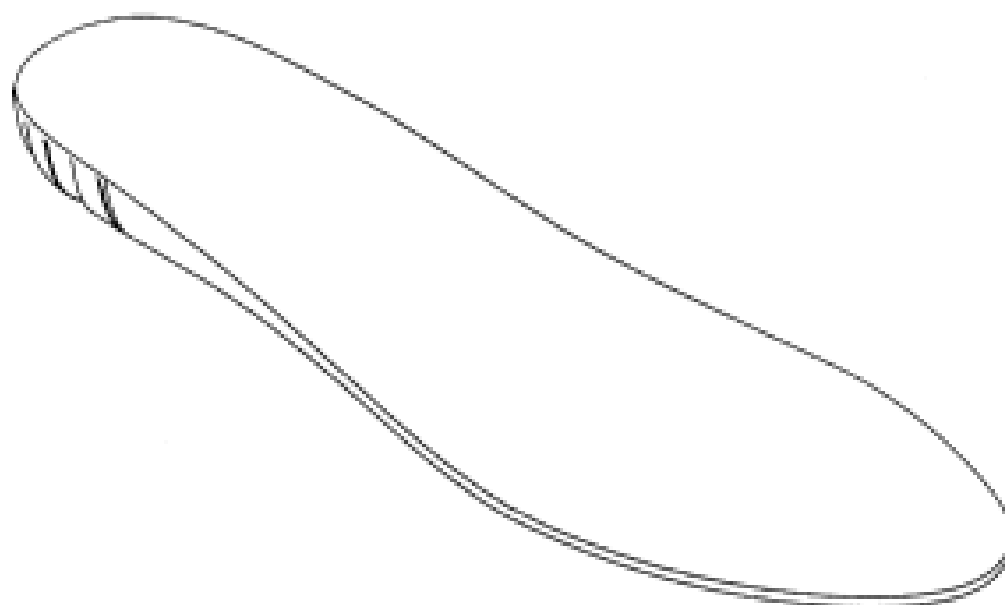


- (21) Design Number: **10828/2010**
- (22) Date of Filing Application: **11 March 2010**
- (24) Date from which industrial property rights may have effect: **11 March 2010**
- (54) Product in respect of which the design is registered: **Insole**
- (51) International Design Classification: **02-04A**
- (71) Name(s) and Address(s) of Applicant(s):
Samar, LLC
70 West Madison Chicago IL 60602 United States of America
- (72) Name(s) of Designer(s): **Arnoldus Johannes Claassen**
- (45) Registration Date: **16 April 2010**
- (30) Convention priority data:

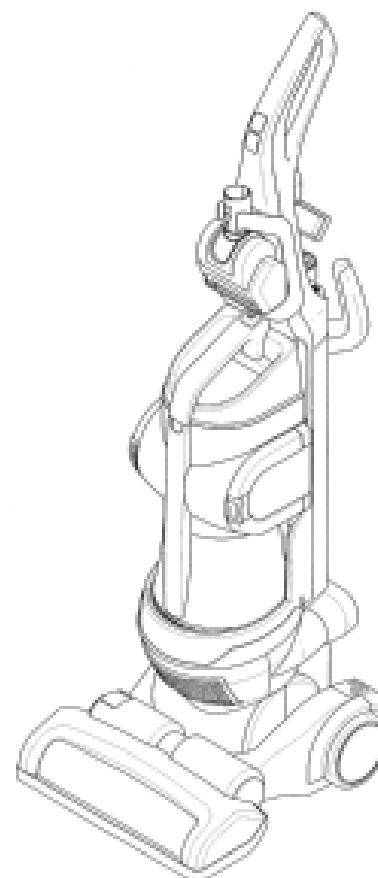
(31) Number	(32) Date	(33) Country
001614371-0001	22 Sep 2009	EUROPEAN COMMUNITY
- (56) Related Art Documents: **Not Applicable**
- (57) Statement of Newness and Distinctiveness: **Nil**



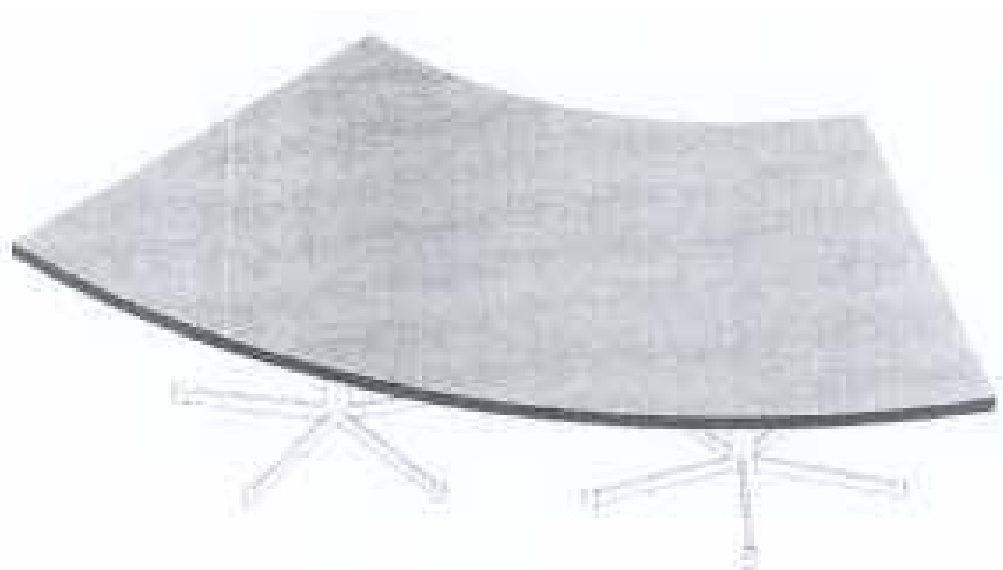
(21) Design Number: **10829/2010**
(22) Date of Filing Application: **11 March 2010**
(24) Date from which industrial property rights may have effect: **11 March 2010**
(54) Product in respect of which the design is registered: **Insole**
(51) International Design Classification: **02-04A**
(71) Name(s) and Address(s) of Applicant(s):
Samar, LLC
70 West Madison Chicago IL 60602 United States of America
(72) Name(s) of Designer(s): **Arnoldus Johannes Claassen**
(45) Registration Date: **16 April 2010**
(30) Convention priority data:
(31) Number (32) Date (33) Country
001614371-0002 22 Sep 2009 EUROPEAN COMMUNITY
(56) Related Art Documents: **Not Applicable**
(57) Statement of Newness and Distinctiveness: **Nil**



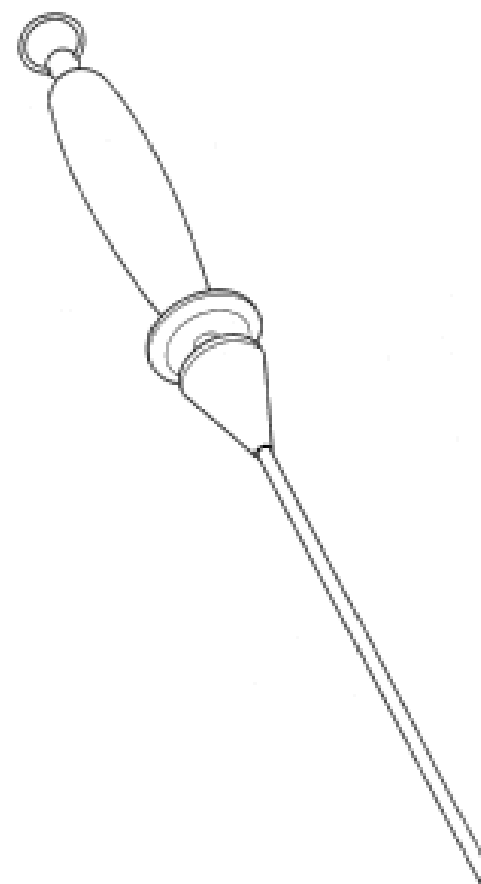
(21) Design Number: **11002/2010**
(22) Date of Filing Application: **22 March 2010**
(24) Date from which industrial property rights may have effect: **22 March 2010**
(54) Product in respect of which the design is registered: **Vacuum cleaner**
(51) International Design Classification: **15-05**
(71) Name(s) and Address(s) of Applicant(s):
LG Electronics Inc.
20 Yeouido-dong Yeongdeungpo-gu Seoul 150-721 Republic of Korea
(72) Name(s) of Designer(s): **Hyun Seon Shin and Yong Gyun Ghim and Jee Hoon Shin**
(45) Registration Date: **16 April 2010**
(30) Convention priority data:
(31) Number (32) Date (33) Country
30-2009-0042346 24 Sep 2009 REPUBLIC OF KOREA
(56) Related Art Documents: **Not Applicable**
(57) Statement of Newness and Distinctiveness: **Newness and distinctiveness resides in the features of shape and/or configuration of a vacuum cleaner as shown in the accompanying drawings.**



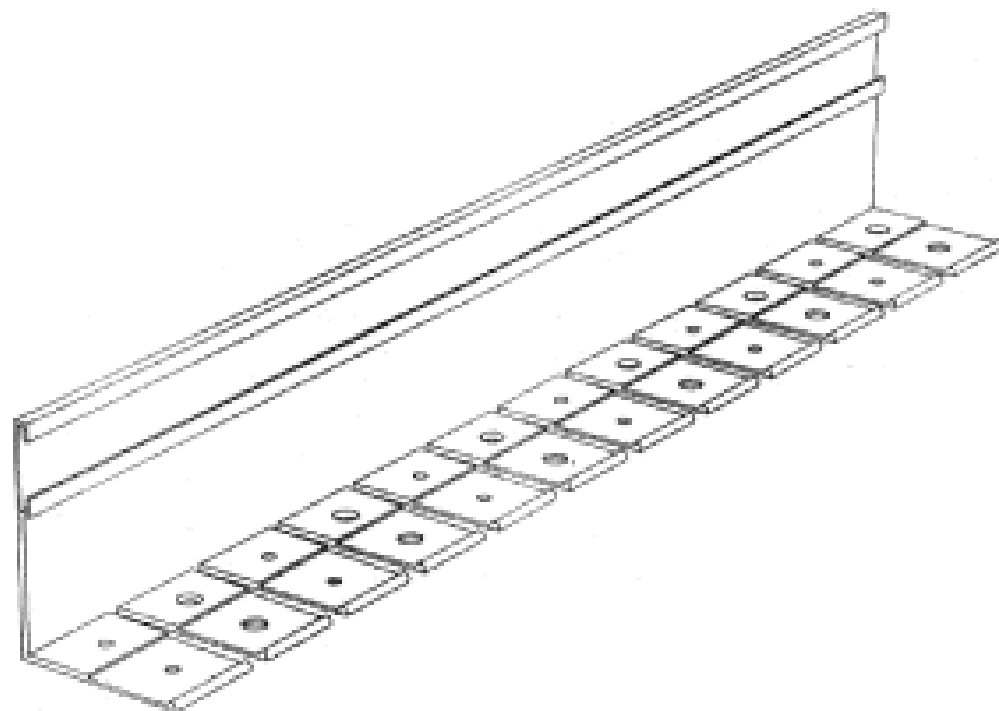
- (21) Design Number: **10982/2010**
(22) Date of Filing Application: **22 March 2010**
(24) Date from which industrial property rights may have effect: **22 March 2010**
(54) Product in respect of which the design is registered: **A table top**
(51) International Design Classification: **06-03B**
(71) Name(s) and Address(s) of Applicant(s):
Brian Griffin Pty Limited
Level 4 15-19 Boundary Street Rushcutters Bay New South Wales
2011 Australia
(72) Name(s) of Designer(s): **Brian Griffin**
(45) Registration Date: **19 April 2010**
(56) Related Art Documents: **Not Applicable**
(57) Statement of Newness and Distinctiveness: **Newness and distinctiveness is claimed in those features of shape and/or configuration of a table top as illustrated in continuous lines in the accompanying representations.**



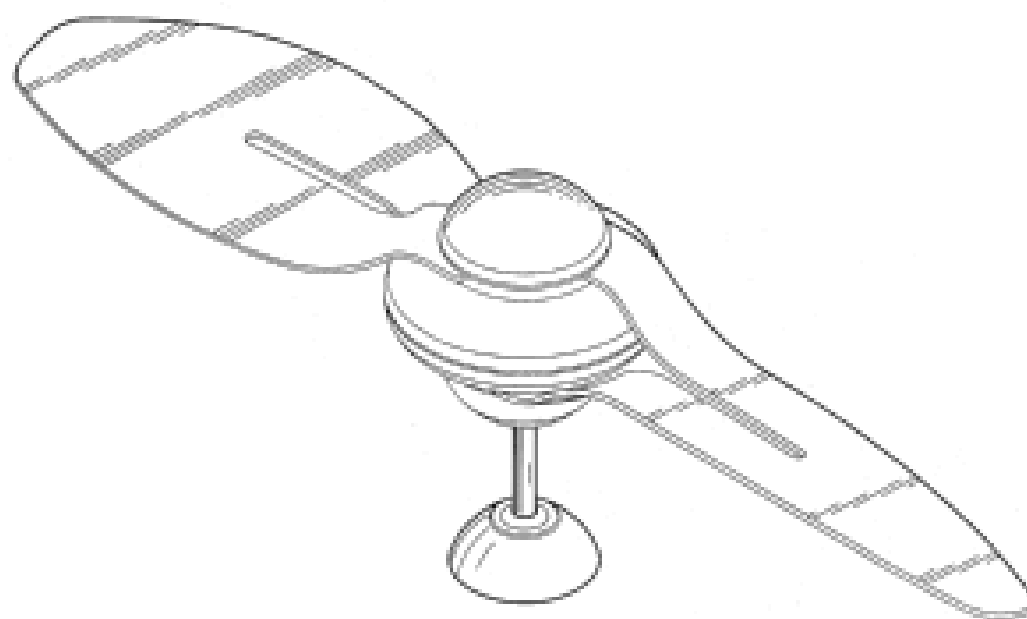
- (21) Design Number: **10988/2010**
(22) Date of Filing Application: **22 March 2010**
(24) Date from which industrial property rights may have effect: **22 March 2010**
(54) Product in respect of which the design is registered: **Sharpening tool - case C**
(51) International Design Classification: **08-05H**
(71) Name(s) and Address(s) of Applicant(s):
Dreamweaver Studios Pty Ltd
Unit 1 43 Marlston Drive Bunbury Western Australia 6230 Australia
(72) Name(s) of Designer(s): **Antonio Bandera and Joanne Watts**
(45) Registration Date: **19 April 2010**
(56) Related Art Documents: **Not Applicable**
(57) Statement of Newness and Distinctiveness: **Newness resides in the features of shape and configuration of an article as depicted in the accompanying representations. In particular the newness resides in the upwardly section AA in the side view.**



- (21) Design Number: **10991/2010**
(22) Date of Filing Application: **22 March 2010**
(24) Date from which industrial property rights may have effect: **22 March 2010**
(54) Product in respect of which the design is registered: **An edging strip**
(51) International Design Classification: **25-01K**
(71) Name(s) and Address(s) of Applicant(s):
Robert Henry Haysom
31 Duffield Street Gawler East South Australia 5118 Australia
Deirdre Mary Haysom
31 Duffield Street Gawler East South Australia 5118 Australia
(72) Name(s) of Designer(s): **Robert Henry Haysom and Deirdre Mary Haysom**
(45) Registration Date: **19 April 2010**
(56) Related Art Documents: **Not Applicable**
(57) Statement of Newness and Distinctiveness: **Nil**



- (21) Design Number: **10992/2010**
(22) Date of Filing Application: **22 March 2010**
(24) Date from which industrial property rights may have effect: **22 March 2010**
(54) Product in respect of which the design is registered: **Ceiling fan**
(51) International Design Classification: **23-04**
(71) Name(s) and Address(s) of Applicant(s):
Pan Air Electric Co., Ltd.
No. 198 Sec. 5 Fengyuan Blvd Fengyuan City Taichung County 42084
Taiwan
(72) Name(s) of Designer(s): **Ching-Wen Liu**
(45) Registration Date: **19 April 2010**
(56) Related Art Documents: **Not Applicable**
(57) Statement of Newness and Distinctiveness: **Newness and distinctiveness is claimed in the shape and configuration of the ceiling fan as shown.**



(21) Design Number: **11006/2010**

(22) Date of Filing Application: **23 March 2010**

(24) Date from which industrial property rights may have effect: **23 March 2010**

(54) Product in respect of which the design is registered: **A powerboard**

(51) International Design Classification: **13-03D, 13-03E**

(71) Name(s) and Address(s) of Applicant(s):

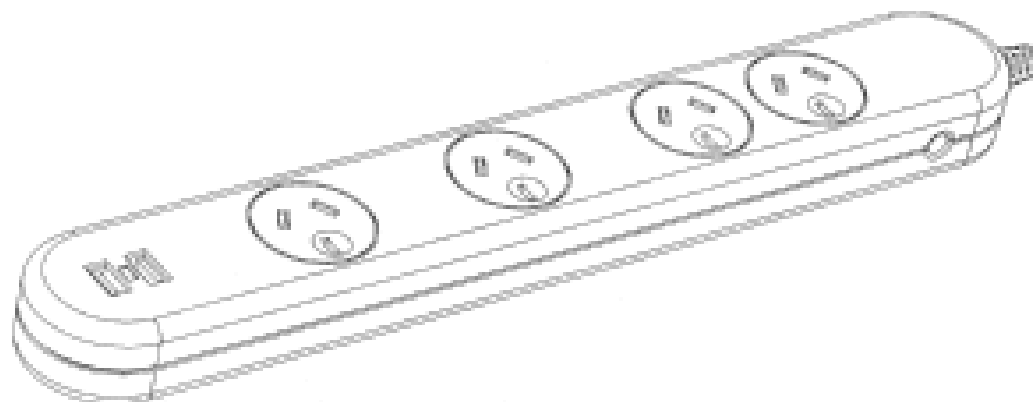
Mort Bay Traders Pty Ltd
191 Darling Street Balmain New South Wales 2041 Australia

(72) Name(s) of Designer(s): **Simon Grigg**

(45) Registration Date: **19 April 2010**

(56) Related Art Documents: **Not Applicable**

(57) Statement of Newness and Distinctiveness: **Newness and distinctiveness reside in the shape and configuration of the powerboard in combination with the configuration of the USB sockets.**



(21) Design Number: **11007/2010**

(22) Date of Filing Application: **23 March 2010**

(24) Date from which industrial property rights may have effect: **23 March 2010**

(54) Product in respect of which the design is registered: **A powerboard**

(51) International Design Classification: **13-03D, 13-03E**

(71) Name(s) and Address(s) of Applicant(s):

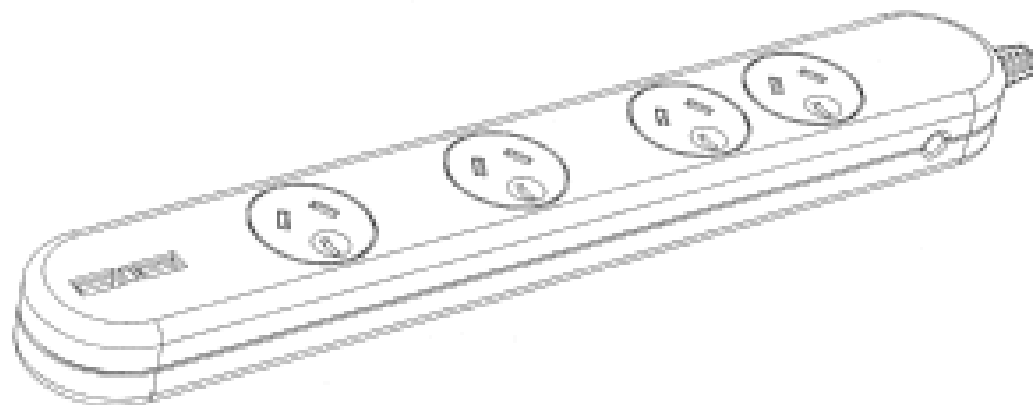
Mort Bay Traders Pty Ltd
191 Darling Street Balmain New South Wales 2041 Australia

(72) Name(s) of Designer(s): **Simon Grigg**

(45) Registration Date: **19 April 2010**

(56) Related Art Documents: **Not Applicable**

(57) Statement of Newness and Distinctiveness: **Newness and distinctiveness reside in the shape and configuration of the powerboard in combination with the configuration of the USB sockets.**



(21) Design Number: **11008/2010**

(22) Date of Filing Application: **23 March 2010**

(24) Date from which industrial property rights may have effect: **23 March 2010**

(54) Product in respect of which the design is registered: **A powerboard**

(51) International Design Classification: **13-03D, 13-03E**

(71) Name(s) and Address(s) of Applicant(s):

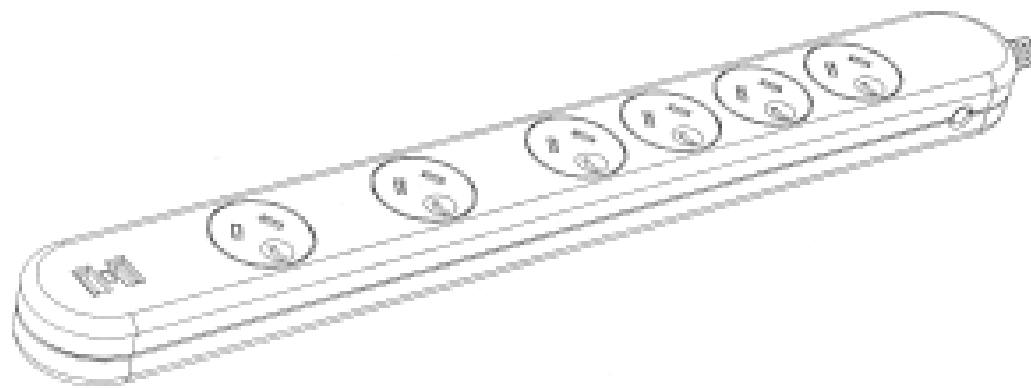
Mort Bay Traders Pty Ltd
191 Darling Street Balmain New South Wales 2041 Australia

(72) Name(s) of Designer(s): **Simon Grigg**

(45) Registration Date: **19 April 2010**

(56) Related Art Documents: **Not Applicable**

(57) Statement of Newness and Distinctiveness: **Newness and distinctiveness reside in the shape and configuration of the powerboard in combination with the configuration of the USB sockets.**



(21) Design Number: **11009/2010**

(22) Date of Filing Application: **23 March 2010**

(24) Date from which industrial property rights may have effect: **23 March 2010**

(54) Product in respect of which the design is registered: **A powerboard**

(51) International Design Classification: **13-03D, 13-03E**

(71) Name(s) and Address(s) of Applicant(s):

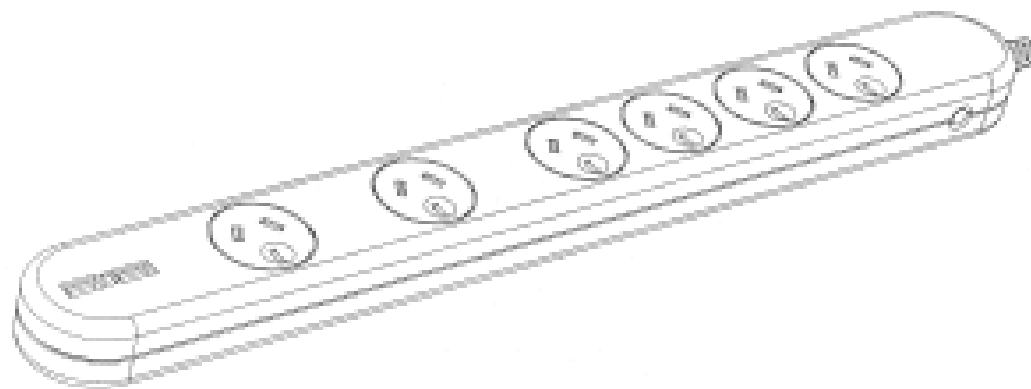
Mort Bay Traders Pty Ltd
191 Darling Street Balmain New South Wales 2041 Australia

(72) Name(s) of Designer(s): **Simon Grigg**

(45) Registration Date: **19 April 2010**

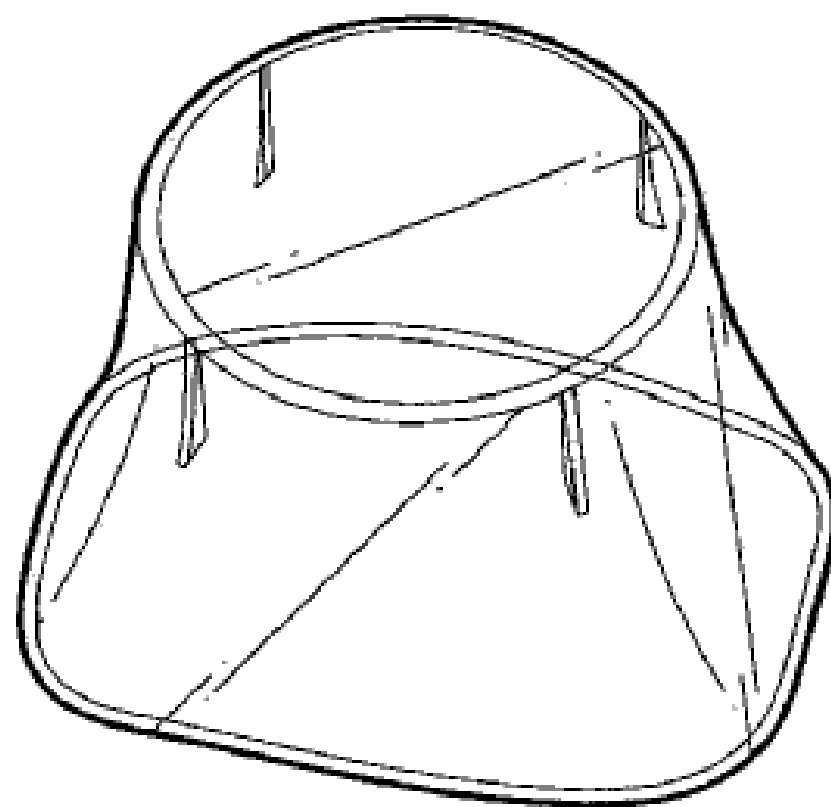
(56) Related Art Documents: **Not Applicable**

(57) Statement of Newness and Distinctiveness: **Newness and distinctiveness reside in the shape and configuration of the powerboard in combination with the configuration of the USB sockets.**



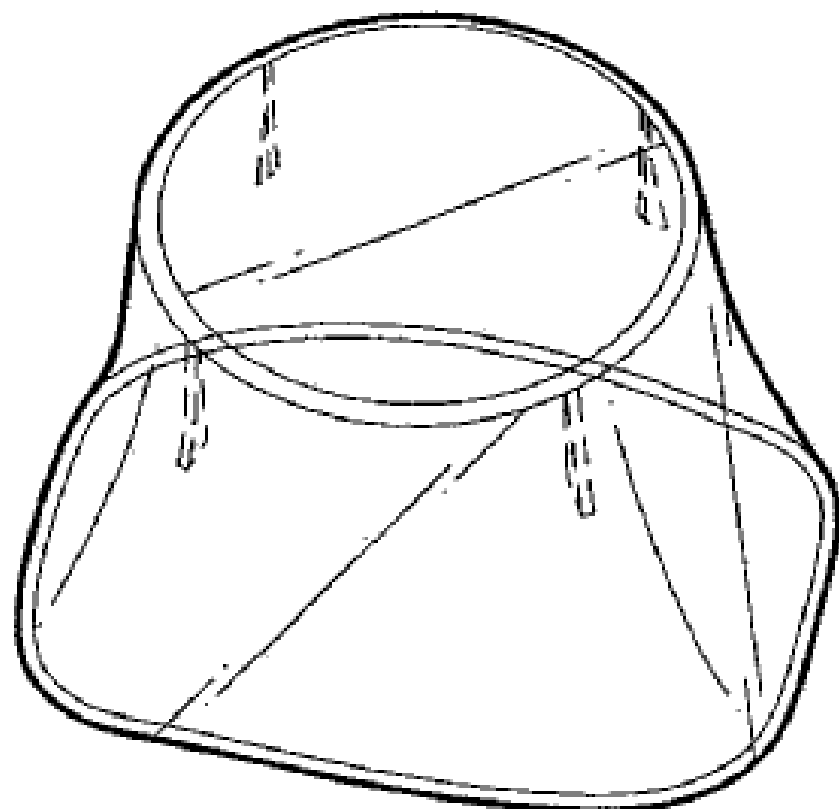
- (21) Design Number: **11012/2010**
- (22) Date of Filing Application: **23 March 2010**
- (24) Date from which industrial property rights may have effect: **23 March 2010**
- (54) Product in respect of which the design is registered: **Dosage cup**
- (51) International Design Classification: **07-01D, 24-99**
- (71) Name(s) and Address(s) of Applicant(s):
Schering-Plough Healthcare Products, Inc.
3030 Jackson Avenue Memphis Tennessee 38151 United States of America
- (72) Name(s) of Designer(s): **Michael P. Tune**
- (45) Registration Date: **19 April 2010**
- (30) Convention priority data:

(31) Number	(32) Date	(33) Country
29/344,171	24 Sep 2009	UNITED STATES OF AMERICA
- (56) Related Art Documents: **Not Applicable**
- (57) Statement of Newness and Distinctiveness: **When determining whether the dosage cup design is substantially similar in overall impression to another design, no regard is to be had to those features shown in dotted outline in the accompanying drawings, which features are provided for illustrative purposes only.**

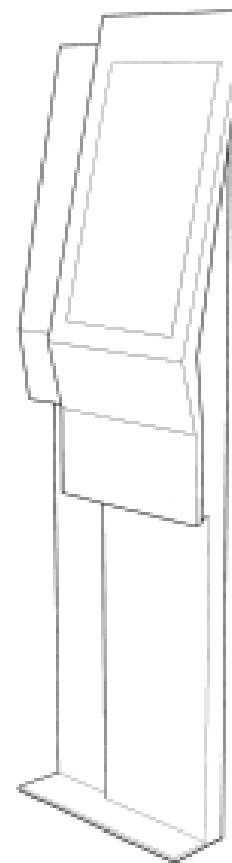


- (21) Design Number: **11022/2010**
- (22) Date of Filing Application: **23 March 2010**
- (24) Date from which industrial property rights may have effect: **23 March 2010**
- (54) Product in respect of which the design is registered: **Dosage cup**
- (51) International Design Classification: **07-01D, 24-99**
- (71) Name(s) and Address(s) of Applicant(s):
Schering-Plough Healthcare Products, Inc.
3030 Jackson Avenue Memphis Tennessee 38151 United States of America
- (72) Name(s) of Designer(s): **Michael P. Tune**
- (45) Registration Date: **19 April 2010**
- (30) Convention priority data:

(31) Number	(32) Date	(33) Country
29/344,171	24 Sep 2009	UNITED STATES OF AMERICA
- (56) Related Art Documents: **Not Applicable**
- (57) Statement of Newness and Distinctiveness: **When determining whether the dosage cup design is substantially similar in overall impression to another design, no regard is to be had to those features shown in dotted outline in the accompanying drawings, which features are provided for illustrative purposes only.**



- (21) Design Number: **14175/2009**
(22) Date of Filing Application: **22 October 2009**
(24) Date from which industrial property rights may have effect: **22 October 2009**
(54) Product in respect of which the design is registered: **Interactive kiosk**
(51) International Design Classification: **14-02, 14-04**
(71) Name(s) and Address(s) of Applicant(s):
Abuzz Solutions Pty Ltd
267 Abercrombie Street Darlington New South Wales 2008 Australia
(72) Name(s) of Designer(s): **Morgan Drew**
(45) Registration Date: **19 April 2010**
(56) Related Art Documents: **Not Applicable**
(57) Statement of Newness and Distinctiveness: **Angled screen in portrait format**



- (21) Design Number: **10357/2010**
(22) Date of Filing Application: **03 February 2010**
(24) Date from which industrial property rights may have effect: **03 February 2010**
(54) Product in respect of which the design is registered: **A handle for attachment to a utensil head**
(51) International Design Classification: **07-03**
(71) Name(s) and Address(s) of Applicant(s):
Sistema Plastics Limited
80 Hugo Johnston Drive Penrose Auckland 1061 New Zealand
(72) Name(s) of Designer(s): **James Richard Manley**
(45) Registration Date: **19 April 2010**
(30) Convention priority data:
(31) Number (32) Date (33) Country
412600 10 Aug 2009 NEW ZEALAND
(56) Related Art Documents: **Not Applicable**
(57) Statement of Newness and Distinctiveness: **The novelty claimed for the design resides in the features of shape and/or configuration all as shown in the representations. No novelty is claimed in the number of articles 1 or 5 in any set.**



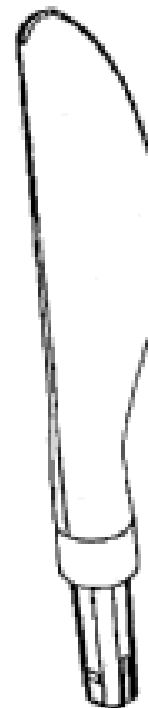
- (21) Design Number: **10358/2010**
(22) Date of Filing Application: **03 February 2010**
(24) Date from which industrial property rights may have effect: **03 February 2010**
(54) Product in respect of which the design is registered: **A fork as a utensil head removably attached to the handle**
(51) International Design Classification: **07-03**
(71) Name(s) and Address(s) of Applicant(s):
Sistema Plastics Limited
80 Hugo Johnston Drive Penrose Auckland 1061 New Zealand
(72) Name(s) of Designer(s): **James Richard Manley**
(45) Registration Date: **19 April 2010**
(30) Convention priority data:
(31) Number (32) Date (33) Country
412600 10 Aug 2009 NEW ZEALAND
(56) Related Art Documents: **Not Applicable**
(57) Statement of Newness and Distinctiveness: **The novelty claimed for the design resides in the features of shape and/or configuration all as shown in the representations. No novelty is claimed in the number of articles 1 or 5 in any set.**



- (21) Design Number: **10359/2010**
(22) Date of Filing Application: **03 February 2010**
(24) Date from which industrial property rights may have effect: **03 February 2010**
(54) Product in respect of which the design is registered: **A spoon as a utensil head removably attachable to the handle**
(51) International Design Classification: **07-03**
(71) Name(s) and Address(s) of Applicant(s):
Sistema Plastics Limited
80 Hugo Johnston Drive Penrose Auckland 1061 New Zealand
(72) Name(s) of Designer(s): **James Richard Manley**
(45) Registration Date: **19 April 2010**
(30) Convention priority data:
(31) Number (32) Date (33) Country
412600 10 Aug 2009 NEW ZEALAND
(56) Related Art Documents: **Not Applicable**
(57) Statement of Newness and Distinctiveness: **The novelty claimed for the design resides in the features of shape and/or configuration all as shown in the representations. No novelty is claimed in the number of articles 1 or 5 in any set.**



- (21) Design Number: **10360/2010**
(22) Date of Filing Application: **03 February 2010**
(24) Date from which industrial property rights may have effect: **03 February 2010**
(54) Product in respect of which the design is registered: **A knife as a utensil head removably attachable to the handle**
(51) International Design Classification: **07-03**
(71) Name(s) and Address(s) of Applicant(s):
Sistema Plastics Limited
80 Hugo Johnston Drive Penrose Auckland 1061 New Zealand
(72) Name(s) of Designer(s): **James Richard Manley**
(45) Registration Date: **19 April 2010**
(30) Convention priority data:
(31) Number (32) Date (33) Country
412600 10 Aug 2009 NEW ZEALAND
(56) Related Art Documents: **Not Applicable**
(57) Statement of Newness and Distinctiveness: **The novelty claimed for the design resides in the features of shape and/or configuration all as shown in the representations. No novelty is claimed in the number of articles 1 or 5 in any set.**



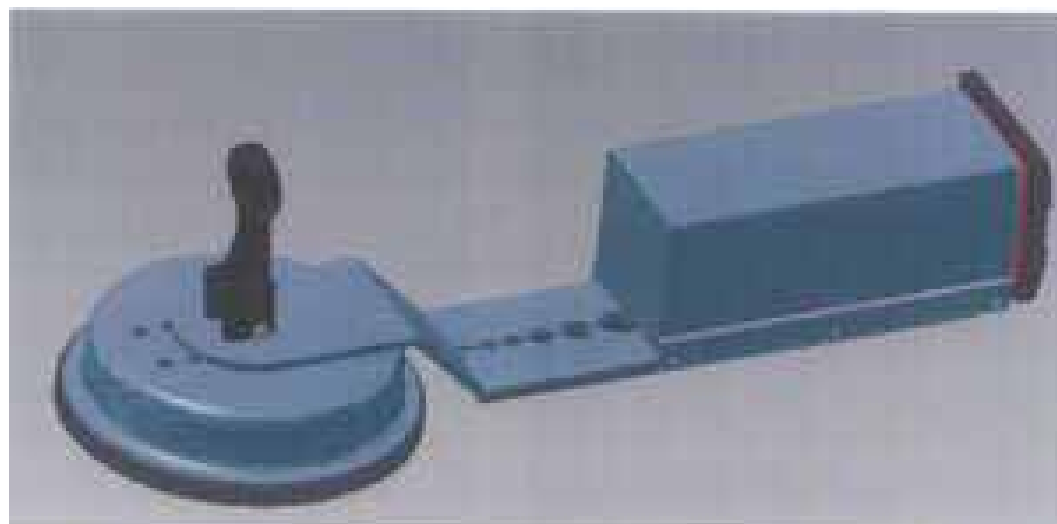
- (21) Design Number: **10361/2010**
(22) Date of Filing Application: **03 February 2010**
(24) Date from which industrial property rights may have effect: **03 February 2010**
(54) Product in respect of which the design is registered: **A chopstick form as a utensil head removably attachable to the handle**
(51) International Design Classification: **07-03**
(71) Name(s) and Address(s) of Applicant(s):
Sistema Plastics Limited
80 Hugo Johnston Drive Penrose Auckland 1061 New Zealand
(72) Name(s) of Designer(s): **James Richard Manley**
(45) Registration Date: **19 April 2010**
(30) Convention priority data:
(31) Number (32) Date (33) Country
412600 10 Aug 2009 NEW ZEALAND
(56) Related Art Documents: **Not Applicable**
(57) Statement of Newness and Distinctiveness: **The novelty claimed for the design resides in the features of shape and/or configuration all as shown in the representations. No novelty is claimed in the number of articles 1 or 5 in any set.**



- (21) Design Number: **10698/2010**
(22) Date of Filing Application: **25 February 2010**
(24) Date from which industrial property rights may have effect: **25 February 2010**
(54) Product in respect of which the design is registered: **A stub axle housing for portable trailers.**
(51) International Design Classification: **12-16NES**
(71) Name(s) and Address(s) of Applicant(s):
Gavin Ager
34 Boronia Road Banjup Western Australia 6164 Australia
(72) Name(s) of Designer(s): **Gavin Ronald Ager**
(45) Registration Date: **19 April 2010**
(56) Related Art Documents: **Not Applicable**
(57) Statement of Newness and Distinctiveness: **A trailer stub axle housing whereby the housing encompasses the axle end and is able to slide off the axle and be detached. The same axle housing is so designed to incorporate the stub axle as a retro fit component to become a one piece assembly.**



- (21) Design Number: **11069/2010**
(22) Date of Filing Application: **24 March 2010**
(24) Date from which industrial property rights may have effect: **24 March 2010**
(54) Product in respect of which the design is registered: **Wall hole drilling guide**
(51) International Design Classification: **08-01**
(71) Name(s) and Address(s) of Applicant(s):
C-Cut Tools Australasia Pty Ltd
95 Tanglewood Street Middler Park Queensland 4074 Australia
(72) Name(s) of Designer(s): **Craig Le Breton**
(45) Registration Date: **19 April 2010**
(56) Related Art Documents: **Not Applicable**
(57) Statement of Newness and Distinctiveness: **Wall hole drilling guide with suction clamp and water reservoir attachment.**



(21) Design Number: **11070/2010**

(22) Date of Filing Application: **24 March 2010**

(24) Date from which industrial property rights may have effect: **24 March 2010**

(54) Product in respect of which the design is registered: **Wall hole drilling guide**

(51) International Design Classification: **08-01**

(71) Name(s) and Address(s) of Applicant(s):

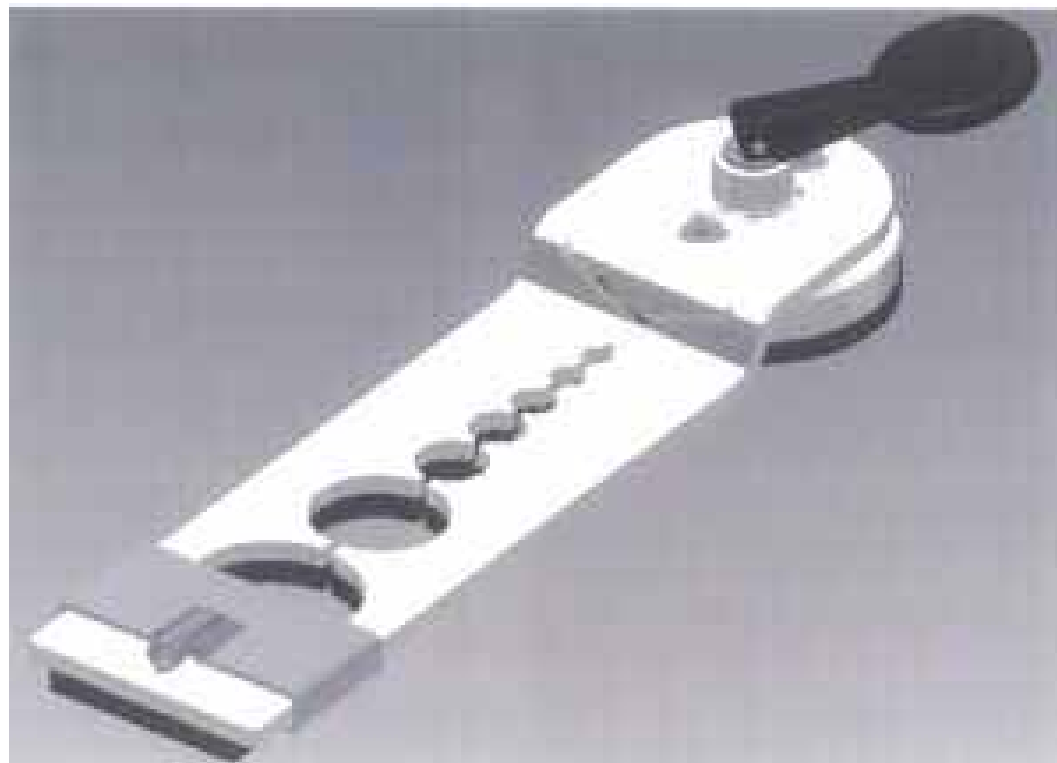
**C-Cut Tools Australasia Pty Ltd
95 Tanglewood Street Middler Park Queensland 4074 Australia**

(72) Name(s) of Designer(s): **Craig Le Breton**

(45) Registration Date: **19 April 2010**

(56) Related Art Documents: **Not Applicable**

(57) Statement of Newness and Distinctiveness: **Wall hole drilling guide with suction clamp and water management device for attachment to hose.**



(21) Design Number: **11145/2010**

(22) Date of Filing Application: **26 March 2010**

(24) Date from which industrial property rights may have effect: **26 March 2010**

(54) Product in respect of which the design is registered: **Protective collar for mums/dads/carers of small children and babies**

(51) International Design Classification: **02-02B**

(71) Name(s) and Address(s) of Applicant(s):

**Lisa Annette Virgo
111 Bower Road Ethelton South Australia 5015 Australia**

(72) Name(s) of Designer(s): **Lisa Annette Virgo**

(45) Registration Date: **19 April 2010**

(56) Related Art Documents: **Not Applicable**

(57) Statement of Newness and Distinctiveness: **The wearer of this protective collar will not inhibit breast feeding if required. A closure to keep the top in place.**



- (21) Design Number: **10916/2010**
(22) Date of Filing Application: **16 March 2010**
(24) Date from which industrial property rights may have effect: **16 March 2010**
(54) Product in respect of which the design is registered: **Flags, clothing tops**
(51) International Design Classification: **11-05, 02-02NES**
(71) Name(s) and Address(s) of Applicant(s):
Kevin Micheal McDonnell
104 Riverside Drive Fulham South Australia 5024 Australia
(72) Name(s) of Designer(s): **Kevin Micheal McDonnell**
(45) Registration Date: **19 April 2010**
(56) Related Art Documents: **Not Applicable**
(57) Statement of Newness and Distinctiveness: **Dark green field. Red kangaroo leaping forward, superimposed on a yellow sun, with yellow Southern Cross.**



- (21) Design Number: **11013/2010**
(22) Date of Filing Application: **23 March 2010**
(24) Date from which industrial property rights may have effect: **23 March 2010**
(54) Product in respect of which the design is registered: **Toy action figure**
(51) International Design Classification: **21-01B**
(71) Name(s) and Address(s) of Applicant(s):
Crytek GmbH
Hanauer Landstrasse 523 61118 Frankfurt am Main Germany
(72) Name(s) of Designer(s): **Timur Mutsaev and Dmitry Gait**
(45) Registration Date: **19 April 2010**
(30) Convention priority data:

(31) Number	(32) Date	(33) Country
001617499	29 Sep 2009	EUROPEAN COMMUNITY

(56) Related Art Documents: **Not Applicable**
(57) Statement of Newness and Distinctiveness: **We submit a Statement of Newness and Distinctiveness (set out below) in respect of particular visual features of "the design", but in so doing do not imply that other visual features of the design lack newness or distinctiveness. Statement of Newness and Distinctiveness The shape, configuration, shape and configuration, pattern, ornamentation, pattern and ornamentation of the design of the product(s) is/are new and distinctive.**



- (21) Design Number: **11014/2010**
- (22) Date of Filing Application: **23 March 2010**
- (24) Date from which industrial property rights may have effect: **23 March 2010**
- (54) Product in respect of which the design is registered: **Toy action figure**
- (51) International Design Classification: **21-01B**
- (71) Name(s) and Address(s) of Applicant(s):

Crytek GmbH
Hanauer Landstrasse 523 61118 Frankfurt am Main Germany

- (72) Name(s) of Designer(s): **Timur Mutsaev and Dmitry Gait**

- (45) Registration Date: **19 April 2010**

- (30) Convention priority data:

(31) Number	(32) Date	(33) Country
001617499	29 Sep 2009	EUROPEAN COMMUNITY

- (56) Related Art Documents: **Not Applicable**

- (57) Statement of Newness and Distinctiveness: **We submit a Statement of Newness and Distinctiveness (set out below) in respect of particular visual features of "the design", but in so doing do not imply that other visual features of the design lack newness or distinctiveness. Statement of Newness and Distinctiveness The shape, configuration, shape and configuration, pattern, ornamentation, pattern and ornamentation of the design of the product(s) is/are new and distinctive.**



- (21) Design Number: **11015/2010**
- (22) Date of Filing Application: **23 March 2010**
- (24) Date from which industrial property rights may have effect: **23 March 2010**
- (54) Product in respect of which the design is registered: **Programmable device for a solenoid valve**
- (51) International Design Classification: **13-03NES**
- (71) Name(s) and Address(s) of Applicant(s):

Claber S.p.A.
Via Pontebbana 22 Fiume Veneto I-33080 Italy

- (72) Name(s) of Designer(s): **Oliviano Spadotto**

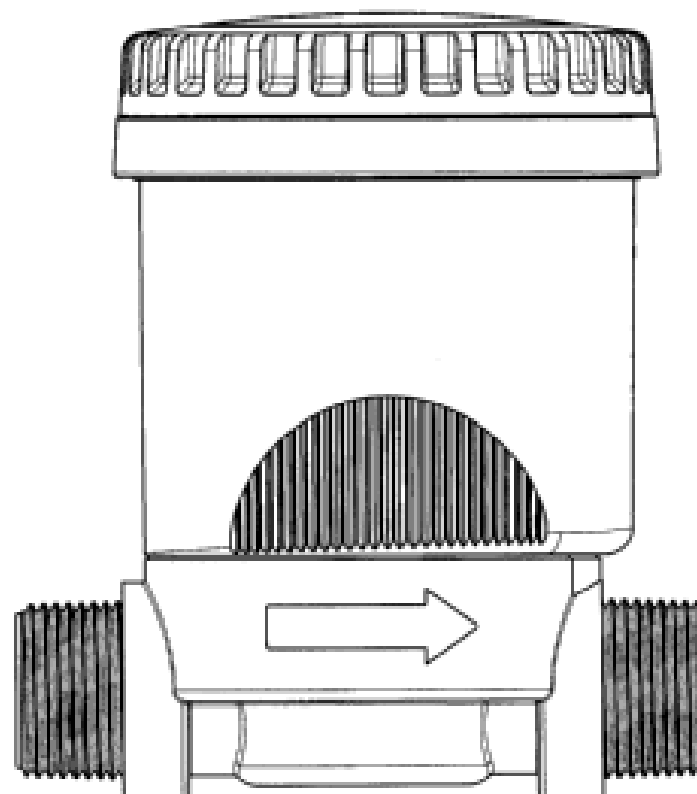
- (45) Registration Date: **19 April 2010**

- (30) Convention priority data:

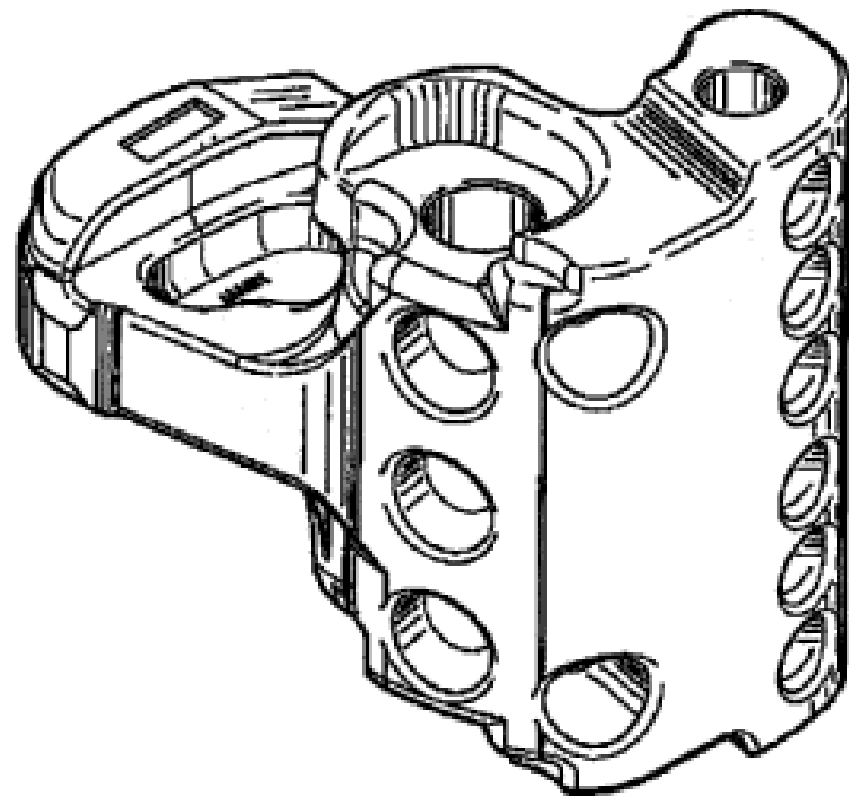
(31) Number	(32) Date	(33) Country
001618083	30 Sep 2009	EUROPEAN COMMUNITY

- (56) Related Art Documents: **Not Applicable**

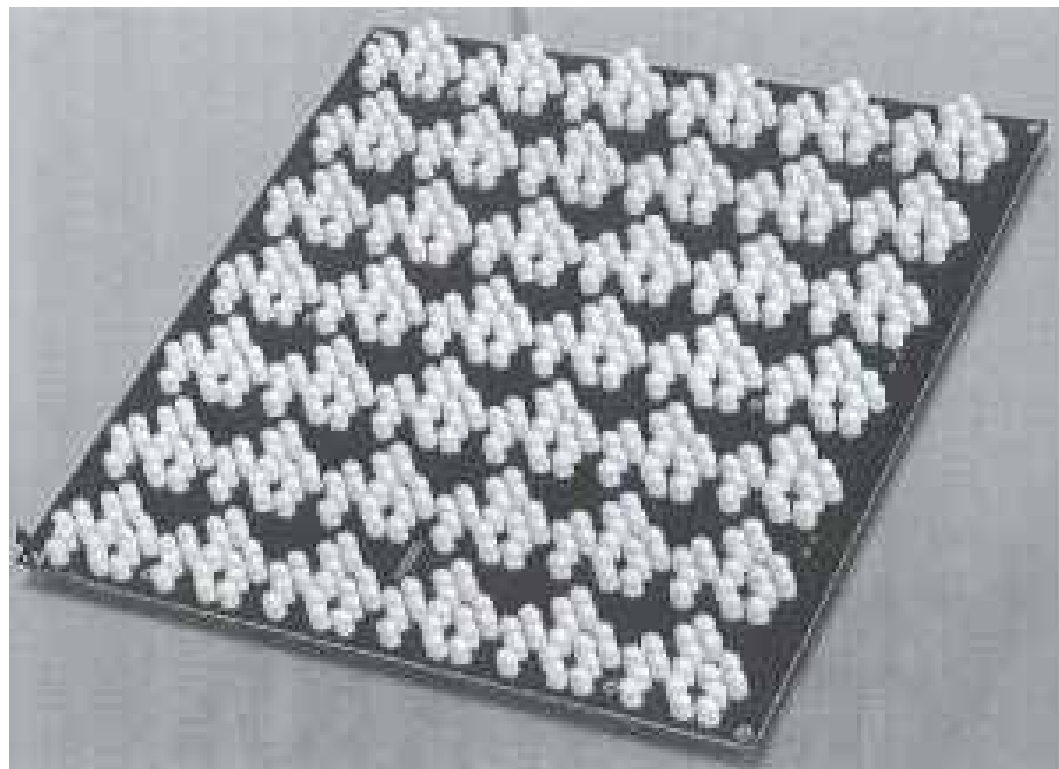
- (57) Statement of Newness and Distinctiveness: **Nil**



(21) Design Number: **11018/2010**
(22) Date of Filing Application: **22 March 2010**
(24) Date from which industrial property rights may have effect: **22 March 2010**
(54) Product in respect of which the design is registered: **Knuckle for a railway car coupler**
(51) International Design Classification: **12-03**
(71) Name(s) and Address(s) of Applicant(s):
Strato, Inc.
100 New England Avenue Piscataway New Jersey 08854 United States of America
(72) Name(s) of Designer(s): **Andrew Smyth**
(45) Registration Date: **19 April 2010**
(30) Convention priority data:
(31) Number (32) Date (33) Country
29/343,859 21 Sep 2009 UNITED STATES OF AMERICA
(56) Related Art Documents: **Not Applicable**
(57) Statement of Newness and Distinctiveness: **Nil**



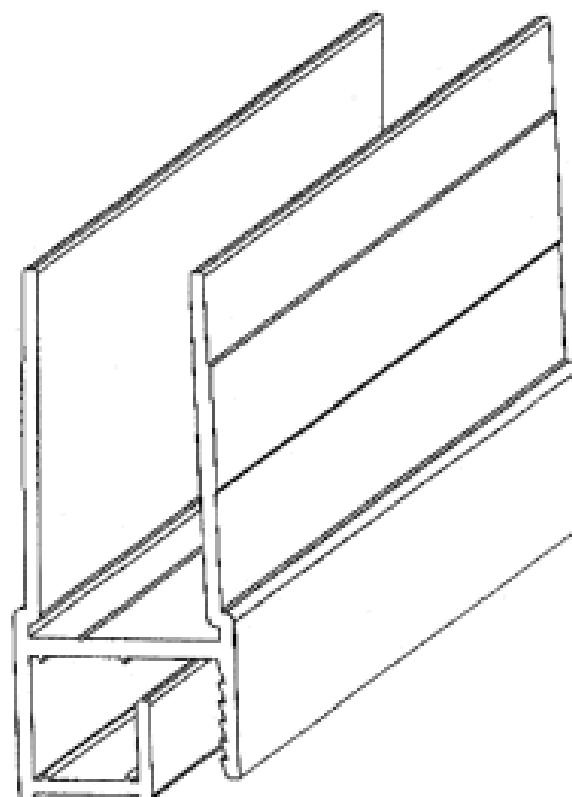
(21) Design Number: **11021/2010**
(22) Date of Filing Application: **23 March 2010**
(24) Date from which industrial property rights may have effect: **23 March 2010**
(54) Product in respect of which the design is registered: **A LED module for an illuminated sign**
(51) International Design Classification: **26-04**
(71) Name(s) and Address(s) of Applicant(s):
Data Signs Pty Ltd
5 Grace Court Sunshine Victoria 3020 Australia
(72) Name(s) of Designer(s): **Arnold Venema**
(45) Registration Date: **19 April 2010**
(56) Related Art Documents: **Not Applicable**
(57) Statement of Newness and Distinctiveness: **Newness and distinctiveness is claimed in the shape and configuration of individual LED clusters within the LED module. The angular orientation of the LED clusters within the LED module and the number of LED clusters within the columns and/or rows of the LED module should be disregarded.**



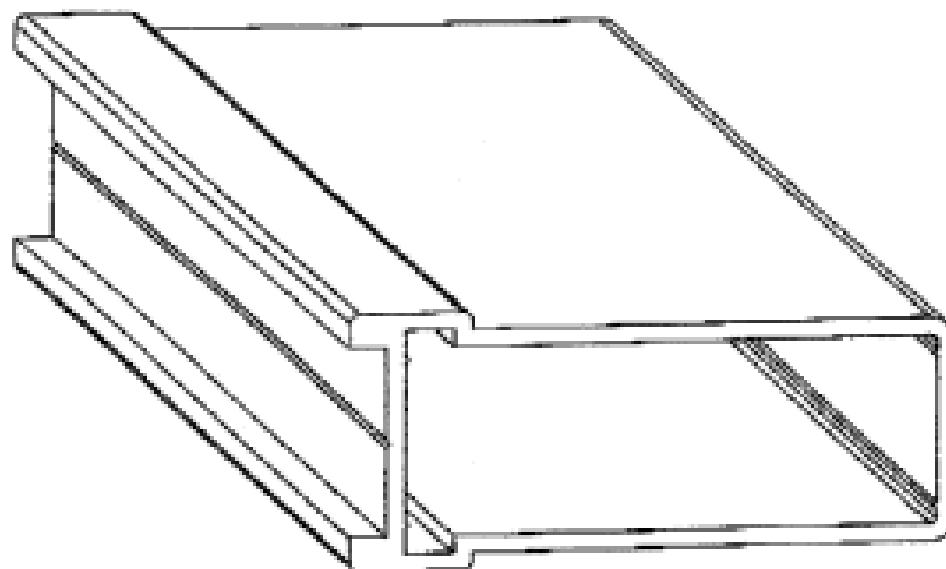
- (21) Design Number: **11034/2010**
(22) Date of Filing Application: **24 March 2010**
(24) Date from which industrial property rights may have effect: **24 March 2010**
(54) Product in respect of which the design is registered: **A canopy for a utility vehicle**
(51) International Design Classification: **12-16B**
(71) Name(s) and Address(s) of Applicant(s):
ARB Corporation Ltd
42-44 Garden Street Kilsyth Victoria 3137 Australia
(72) Name(s) of Designer(s): **Gavin Smith**
(45) Registration Date: **20 April 2010**
(56) Related Art Documents: **Not Applicable**
(57) Statement of Newness and Distinctiveness: **The features of the design which are new and distinctive are the features of shape or configuration as illustrated in the accompanying representations.**



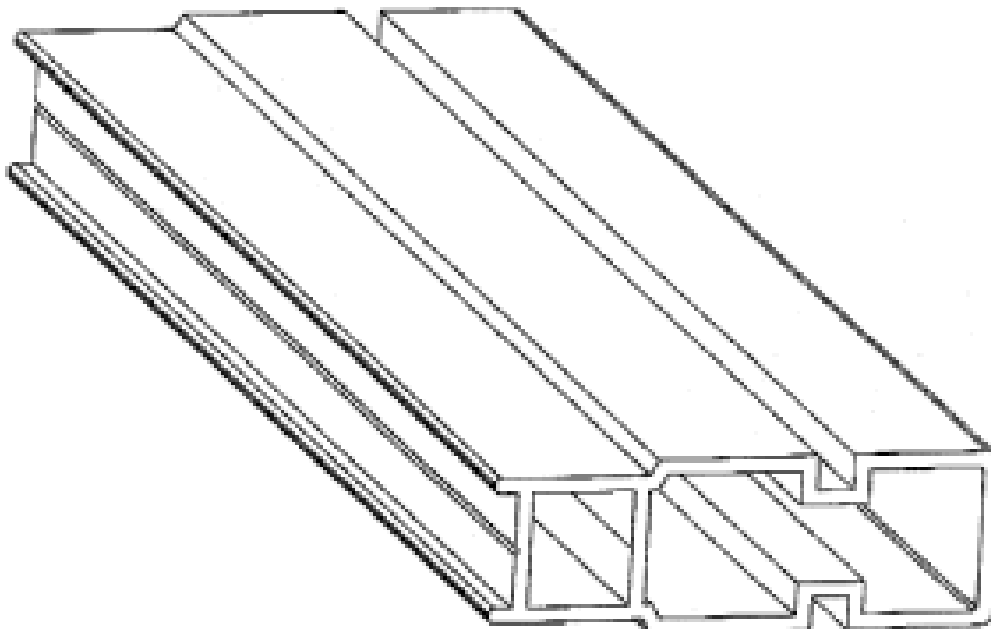
- (21) Design Number: **11036/2010**
(22) Date of Filing Application: **24 March 2010**
(24) Date from which industrial property rights may have effect: **24 March 2010**
(54) Product in respect of which the design is registered: **Extrusion**
(51) International Design Classification: **25-01K**
(71) Name(s) and Address(s) of Applicant(s):
Watts Hardware Manufacturing Pty Ltd
L6 167 Queen Street Melbourne Victoria 3000 Australia
(72) Name(s) of Designer(s): **John Russell Watts**
(45) Registration Date: **20 April 2010**
(56) Related Art Documents: **Not Applicable**
(57) Statement of Newness and Distinctiveness: **Nil**



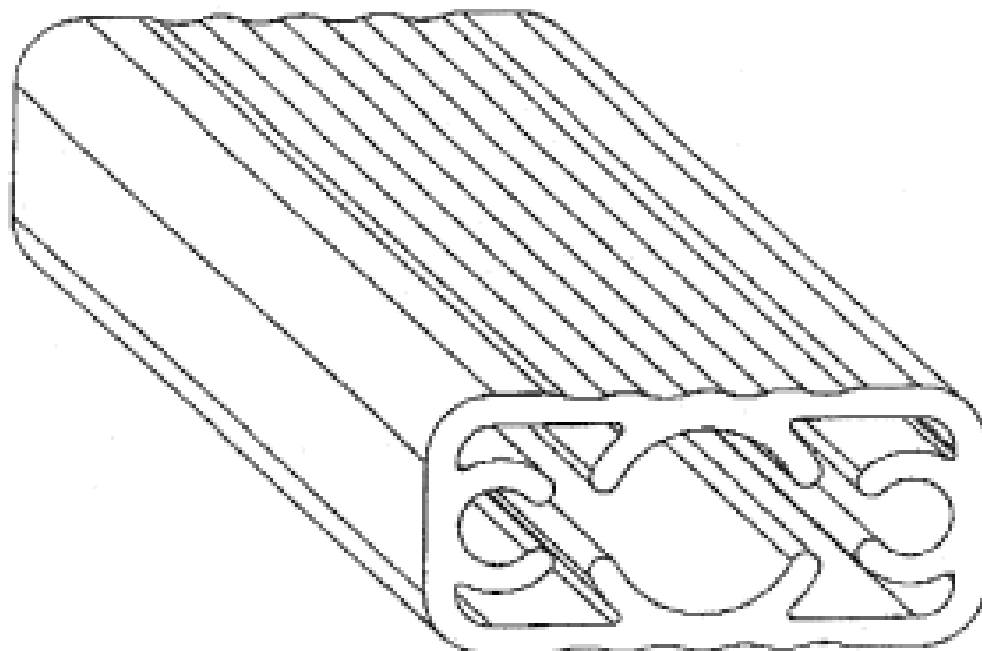
(21) Design Number: **11037/2010**
(22) Date of Filing Application: **24 March 2010**
(24) Date from which industrial property rights may have effect: **24 March 2010**
(54) Product in respect of which the design is registered: **Extrusion**
(51) International Design Classification: **25-01K**
(71) Name(s) and Address(s) of Applicant(s):
Watts Hardware Manufacturing Pty Ltd
L6 167 Queen Street Melbourne Victoria 3000 Australia
(72) Name(s) of Designer(s): **John Russell Watts**
(45) Registration Date: **20 April 2010**
(56) Related Art Documents: **Not Applicable**
(57) Statement of Newness and Distinctiveness: **Nil**



(21) Design Number: **11038/2010**
(22) Date of Filing Application: **24 March 2010**
(24) Date from which industrial property rights may have effect: **24 March 2010**
(54) Product in respect of which the design is registered: **Extrusion**
(51) International Design Classification: **25-01K**
(71) Name(s) and Address(s) of Applicant(s):
Watts Hardware Manufacturing Pty Ltd
L6 167 Queen Street Melbourne Victoria 3000 Australia
(72) Name(s) of Designer(s): **John Russell Watts**
(45) Registration Date: **20 April 2010**
(56) Related Art Documents: **Not Applicable**
(57) Statement of Newness and Distinctiveness: **Nil**



- (21) Design Number: **11039/2010**
(22) Date of Filing Application: **24 March 2010**
(24) Date from which industrial property rights may have effect: **24 March 2010**
(54) Product in respect of which the design is registered: **Extrusion**
(51) International Design Classification: **25-01K**
(71) Name(s) and Address(s) of Applicant(s):
Watts Hardware Manufacturing Pty Ltd
L6 167 Queen Street Melbourne Victoria 3000 Australia
(72) Name(s) of Designer(s): **John Russell Watts**
(45) Registration Date: **20 April 2010**
(56) Related Art Documents: **Not Applicable**
(57) Statement of Newness and Distinctiveness: **Nil**



- (21) Design Number: **14435/2009**
(22) Date of Filing Application: **11 November 2009**
(24) Date from which industrial property rights may have effect: **11 November 2009**
(54) Product in respect of which the design is registered: **Saddle**
(51) International Design Classification: **30-04**
(71) Name(s) and Address(s) of Applicant(s):
dt saddlery GmbH
Ziegelstrasse 1 Weyarn 83629 Germany
(72) Name(s) of Designer(s): **Hjalmar Konzett**
(45) Registration Date: **20 April 2010**
(30) Convention priority data:

(31) Number	(32) Date	(33) Country
40	25 May 2009	GERMANY
2009002684.9		

(56) Related Art Documents: **Not Applicable**
(57) Statement of Newness and Distinctiveness: **All purpose saddle in premium European calf leather with blue, red, green, yellow, brown, beige, golden, silver, grey, pink or purple piping and stitching. With rustproof fittings. Saddle three is up to ten times adjustable.**



(21) Design Number: **14436/2009**

(22) Date of Filing Application: **11 November 2009**

(24) Date from which industrial property rights may have effect: **11 November 2009**

(54) Product in respect of which the design is registered: **Saddle**

(51) International Design Classification: **30-04**

(71) Name(s) and Address(s) of Applicant(s):

dt saddlery GmbH
Ziegelstrasse 1 Weyarn 83629 Germany

(72) Name(s) of Designer(s): **Hjalmar Konzet**

(45) Registration Date: **20 April 2010**

(30) Convention priority data:

(31) Number	(32) Date	(33) Country
40	25 May 2009	GERMANY
2009002684.8		

(56) Related Art Documents: **Not Applicable**

(57) Statement of Newness and Distinctiveness: **Jumping saddle in premium European calf leather with blue, red, green, yellow, brown, beige, golden, silver, grey, pink or purple piping and stitching. With rustproof fittings. Saddle three is up to ten times adjustable.**



(21) Design Number: **14437/2009**

(22) Date of Filing Application: **11 November 2009**

(24) Date from which industrial property rights may have effect: **11 November 2009**

(54) Product in respect of which the design is registered: **Saddle**

(51) International Design Classification: **30-04**

(71) Name(s) and Address(s) of Applicant(s):

dt saddlery GmbH
Ziegelstrasse 1 Weyarn 83629 Germany

(72) Name(s) of Designer(s): **Hjalmar Konzet**

(45) Registration Date: **20 April 2010**

(30) Convention priority data:

(31) Number	(32) Date	(33) Country
40	25 May 2009	GERMANY
2009002684.9		

(56) Related Art Documents: **Not Applicable**

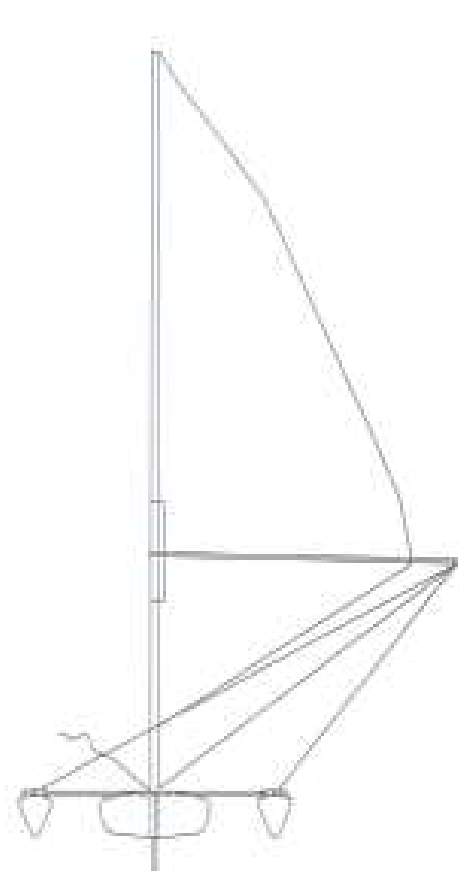
(57) Statement of Newness and Distinctiveness: **Dressage saddle in premium European calf leather with blue, red, green, yellow, brown, beige, golden, silver, grey, pink or purple piping and stitching. With rustproof fittings. Saddle three is up to ten times adjustable.**



(21) Design Number: **14460/2009**
 (22) Date of Filing Application: **17 November 2009**
 (24) Date from which industrial property rights may have effect: **17 November 2009**
 (54) Product in respect of which the design is registered: **Martingale**
 (51) International Design Classification: **30-04**
 (71) Name(s) and Address(s) of Applicant(s):
dt saddlery GmbH
Ziegelstrasse 1 Weyarn 83629 Germany
 (72) Name(s) of Designer(s): **Hjalmar Konzet**
 (45) Registration Date: **20 April 2010**
 (30) Convention priority data:
 (31) Number (32) Date (33) Country
402009002675.9 27 May 2009 GERMANY
 (56) Related Art Documents: **Not Applicable**
 (57) Statement of Newness and Distinctiveness: **Martingale in Lemico an alternative to leather (more tearproof and easy-care) or in leather with blue, red, green, yellow, brown, beige, silver, grey, pink or purple piping and stitching. With patent roll buckles.**



(21) Design Number: **14989/2009**
 (22) Date of Filing Application: **21 December 2009**
 (24) Date from which industrial property rights may have effect: **21 December 2009**
 (54) Product in respect of which the design is registered: **Multi-purpose boat : sail, paddle or surf**
 (51) International Design Classification: **12-06B**
 (71) Name(s) and Address(s) of Applicant(s):
Alan James Johnson
1 Strickland Avenue Lindfield New South Wales 2070 Australia
 (72) Name(s) of Designer(s): **Alan James Johnson**
 (45) Registration Date: **20 April 2010**
 (56) Related Art Documents: **Not Applicable**
 (57) Statement of Newness and Distinctiveness: **This boat was designed over many years to suit a novel combination of requirements which are not satisfied by any other product on the market. A, NOVEL COMBINATION OF REQUIREMENTS; 1. A multi-purpose boat for sailing, paddling, and surfing. 2. Small enough and light enough to fit on car roof racks. This enables opportunistic enjoyment of the water without the need to organize crew, trailers, a partner for lifting, boat ramps and so on. 3. Simple to assemble for sailing. 4. Easy to sail. B, DESIGN SOLUTION; The main hull is 2300 long by 635 wide and shaped to provide buoyancy for a person up to 95 kilos. A mast and sail and polynesian style outriggers can be easily attached to the main hull to transform it from a surf ski or paddle trainer into a sailboat. C, DESIGN ELEMENTS; Main Hull, 1. The main hull is designed to utilize the combination of hull, deck, and seating mouldings as a three dimensional space frame to minimize weight. This makes the boat exceptionally strong and light. Stress applied to the hull is instantaneously transferred by three dimensional triangulation to many other areas by the plastic closed cell foam filling of appropriate formulation which enables a thin skin to reduce weight. The principle is similar to the sandwich yacht hull but taken to the extreme of efficiency possible because the entire hull and not merely the skin is completely filled with foam. 2. The seating position is low compared to other paddle trainers which makes the boat exceptionally stable. Because the user is therefore very close to the water a short paddle can be used. The short paddle fits in the car cabin and does not need to go on the roof racks, which is an extra convenience. The seat is the optimum depth for comfort without straining the back or hips. This has been designed by experience. 3. The hull shape is designed for**



multi-purpose use. The bottom is fairly flat with intermediate degree of rocker which makes the hull very manoeuvrable for surfing. The bow swells fairly suddenly which makes the hull rise quickly on a wave. The stern tapers rapidly which allows the user to lean back into a wave at commencement of the ride to prevent pitchpoling. The hull may be round bottom or have a chine for about half the length. 4. The length of the seating position for paddling is such that by attempting...

(12) AUSTRALIAN REGISTERED DESIGN
(19) AU

(11) AU-S- 330442

-
- (21) Design Number: **13191/2009**
(22) Date of Filing Application: **19 August 2009**
(24) Date from which industrial property rights may have effect: **19 August 2009**
(54) Product in respect of which the design is registered: **Coat**
(51) International Design Classification: **02-02C, 02-02NES**
(71) Name(s) and Address(s) of Applicant(s):
 Anna Thomas Pty Ltd
 30 Gwynne Street Cremorne Victoria 3121 Australia
(72) Name(s) of Designer(s): **Anna Thomas**
(45) Registration Date: **20 April 2010**
(56) Related Art Documents: **Not Applicable**
(57) Statement of Newness and Distinctiveness: **Nil**



(21) Design Number: **10565/2010**

(22) Date of Filing Application: **19 August 2009**

(24) Date from which industrial property rights may have effect: **19 August 2009**

(54) Product in respect of which the design is registered: **Jacket**

(51) International Design Classification: **02-02NES**

(71) Name(s) and Address(s) of Applicant(s):

**Anna Thomas Pty Ltd
30 Gwynne Street Cremorne Victoria 3121 Australia**

(72) Name(s) of Designer(s): **Anna Thomas**

(45) Registration Date: **20 April 2010**

(56) Related Art Documents: **Not Applicable**

(57) Statement of Newness and Distinctiveness: **Nil**



(21) Design Number: **10566/2010**

(22) Date of Filing Application: **19 August 2009**

(24) Date from which industrial property rights may have effect: **19 August 2009**

(54) Product in respect of which the design is registered: **Jacket**

(51) International Design Classification: **02-02NES**

(71) Name(s) and Address(s) of Applicant(s):

**Anna Thomas Pty Ltd
30 Gwynne Street Cremorne Victoria 3121 Australia**

(72) Name(s) of Designer(s): **Anna Thomas**

(45) Registration Date: **20 April 2010**

(56) Related Art Documents: **Not Applicable**

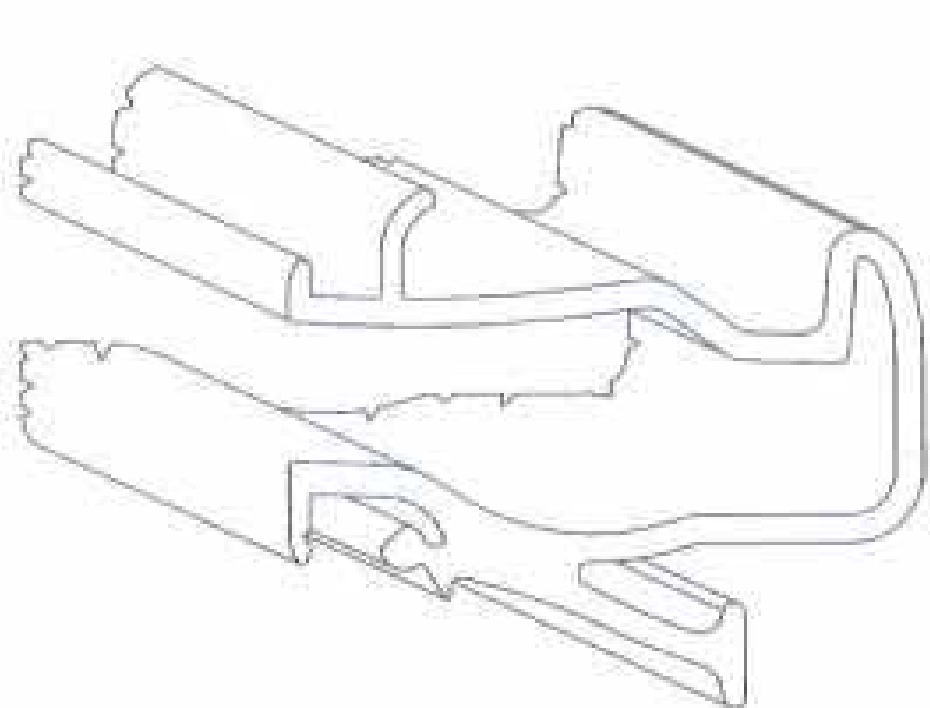
(57) Statement of Newness and Distinctiveness: **Nil**



- (21) Design Number: **10567/2010**
(22) Date of Filing Application: **19 August 2009**
(24) Date from which industrial property rights may have effect: **19 August 2009**
(54) Product in respect of which the design is registered: **Skirt**
(51) International Design Classification: **02-02C**
(71) Name(s) and Address(s) of Applicant(s):
Anna Thomas Pty Ltd
30 Gwynne Street Cremorne Victoria 3121 Australia
(72) Name(s) of Designer(s): **Anna Thomas**
(45) Registration Date: **20 April 2010**
(56) Related Art Documents: **Not Applicable**
(57) Statement of Newness and Distinctiveness: **Nil**



- (21) Design Number: **10900/2010**
(22) Date of Filing Application: **15 March 2010**
(24) Date from which industrial property rights may have effect: **15 March 2010**
(54) Product in respect of which the design is registered: **A shelving rail**
(51) International Design Classification: **06-04NES, 25-01K**
(71) Name(s) and Address(s) of Applicant(s):
The Creative Compound Pty Ltd
8 Clithero Avenue Buderim Queensland 4556 Australia
(72) Name(s) of Designer(s): **David Lachlan Ogle**
(45) Registration Date: **20 April 2010**
(56) Related Art Documents: **Not Applicable**
(57) Statement of Newness and Distinctiveness: **The design relates to the overall appearance and particular visual features of a product, being a shelving rail, having the pattern, shape, configuration or ornamentation as shown in the accompanying representations. The rail has a first side shaped and dimensioned for demountably engaging a post, and a second side defining upper and lower cover grooves and an aperture leading into the rail to form a channel for receiving support. The rail is typically formed via some suitable extrusion process and is of indefinite length.**



(21) Design Number: **10953/2010**

(22) Date of Filing Application: **18 March 2010**

(24) Date from which industrial property rights may have effect: **18 March 2010**

(54) Product in respect of which the design is registered: **Chair**

(51) International Design Classification: **06-01F**

(71) Name(s) and Address(s) of Applicant(s):

**Dauphin Entwicklungs-u. Beteiligungs-GmbH
Industriestrasse 11 91217 Hersbruck Germany**

(72) Name(s) of Designer(s): **Rudiger Schaack**

(45) Registration Date: **20 April 2010**

(56) Related Art Documents: **Not Applicable**

(57) Statement of Newness and Distinctiveness: **Those features of the chair depicted in the representations that are new and distinctive are the shape and/or configuration.**



(21) Design Number: **10954/2010**

(22) Date of Filing Application: **18 March 2010**

(24) Date from which industrial property rights may have effect: **18 March 2010**

(54) Product in respect of which the design is registered: **Chair**

(51) International Design Classification: **06-01F**

(71) Name(s) and Address(s) of Applicant(s):

**Dauphin Entwicklungs-u. Beteiligungs-GmbH
Industriestrasse 11 91217 Hersbruck Germany**

(72) Name(s) of Designer(s): **Rudiger Schaack**

(45) Registration Date: **20 April 2010**

(56) Related Art Documents: **Not Applicable**

(57) Statement of Newness and Distinctiveness: **Those features of the chair depicted in the representations that are new and distinctive are the shape and/or configuration.**



(21) Design Number: **11033/2010**

(22) Date of Filing Application: **24 March 2010**

(24) Date from which industrial property rights may have effect: **24 March 2010**

(54) Product in respect of which the design is registered: **A bottle**

(51) International Design Classification: **09-01B**

(71) Name(s) and Address(s) of Applicant(s):

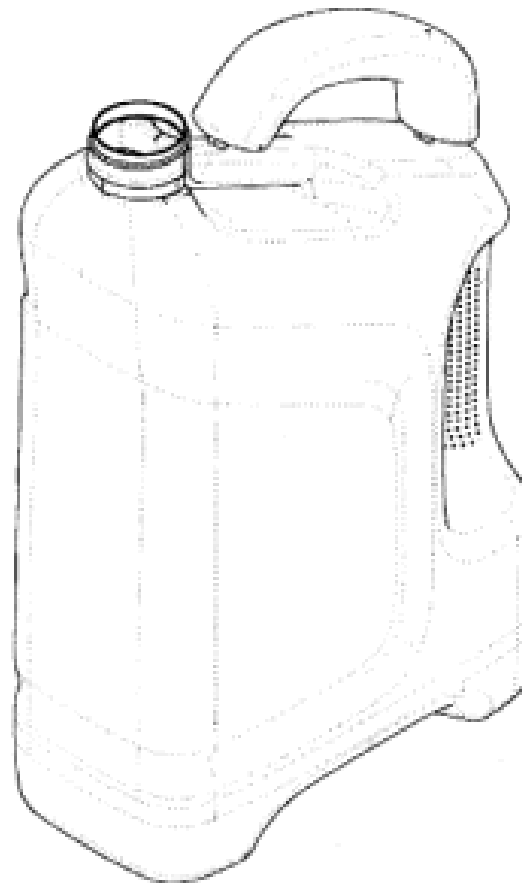
Cerebos (Australia) Limited
2 Costello Place Seven Hills New South Wales 2147 Australia

(72) Name(s) of Designer(s): **Stan Odesse and Stratos Stefanidis and Lisa Curran and David Francis**

(45) Registration Date: **21 April 2010**

(56) Related Art Documents: **Not Applicable**

(57) Statement of Newness and Distinctiveness: **Newness and distinctiveness is claimed in the features of shape and/or configuration of a bottle as illustrated in the accompanying representations.**



(21) Design Number: **11042/2010**

(22) Date of Filing Application: **25 March 2010**

(24) Date from which industrial property rights may have effect: **25 March 2010**

(54) Product in respect of which the design is registered: **Bottle**

(51) International Design Classification: **09-01K**

(71) Name(s) and Address(s) of Applicant(s):

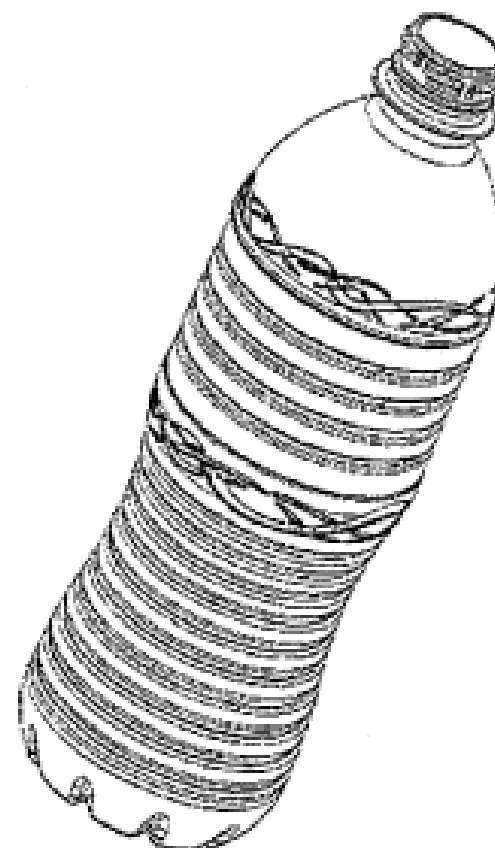
Coca-Cola Amatil (Aust) Limited
Level 15 71 Macquarie Street Sydney New South Wales 2000 Australia

(72) Name(s) of Designer(s): **Craig Walker**

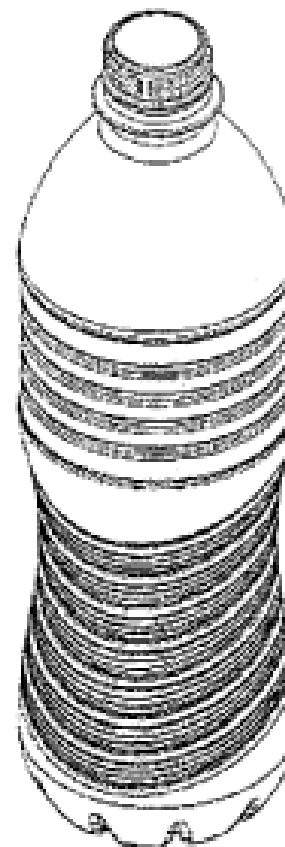
(45) Registration Date: **21 April 2010**

(56) Related Art Documents: **Not Applicable**

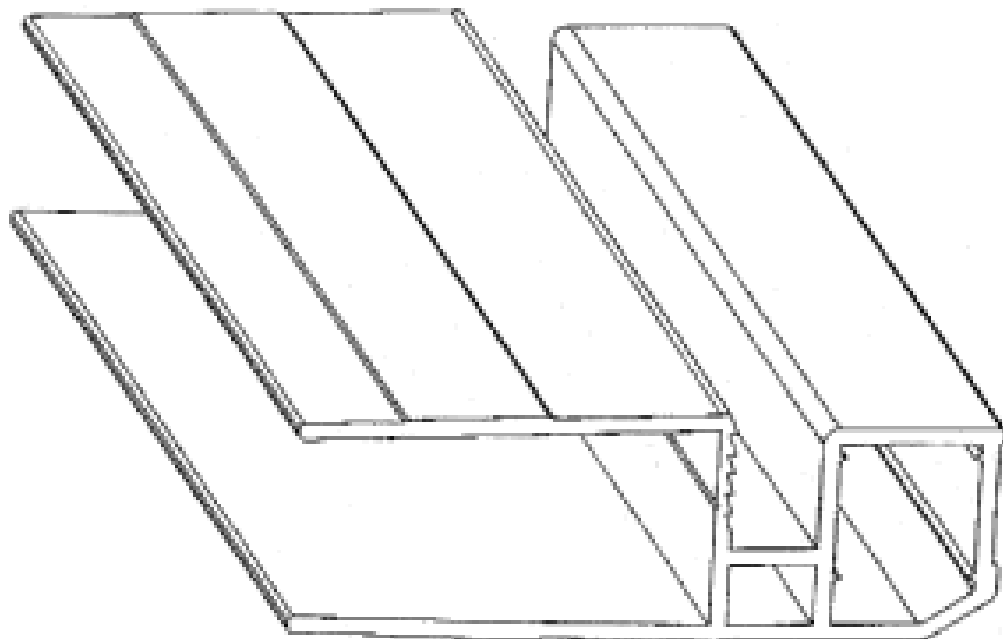
(57) Statement of Newness and Distinctiveness: **Nil**



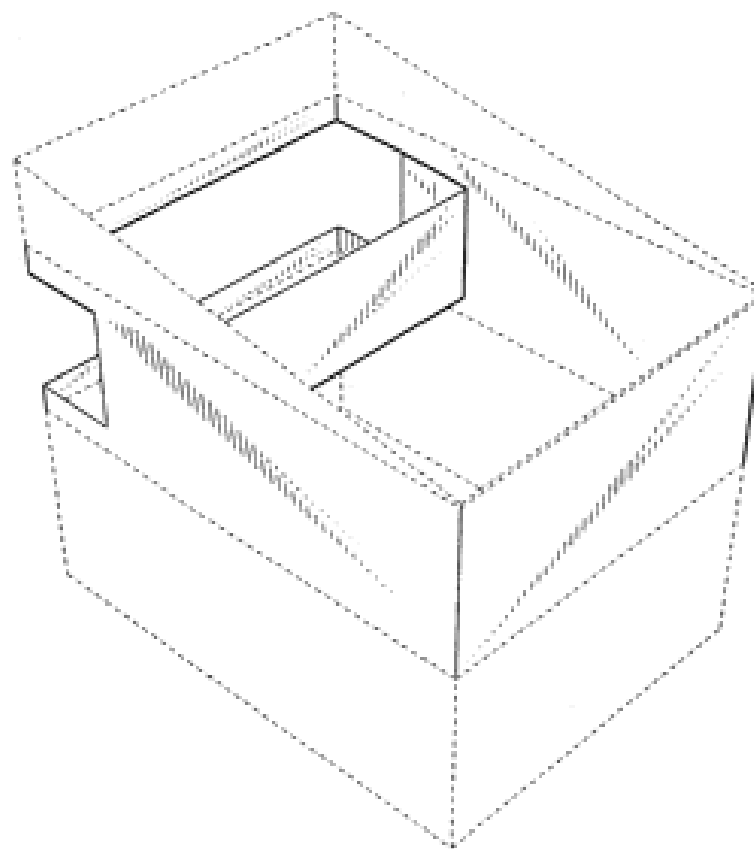
(21) Design Number: **11043/2010**
(22) Date of Filing Application: **25 March 2010**
(24) Date from which industrial property rights may have effect: **25 March 2010**
(54) Product in respect of which the design is registered: **Bottle**
(51) International Design Classification: **09-01K**
(71) Name(s) and Address(s) of Applicant(s):
Coca-Cola Amatil (Aust) Limited
Level 15 71 Macquarie Street Sydney New South Wales 2000 Australia
(72) Name(s) of Designer(s): **Craig Walker**
(45) Registration Date: **21 April 2010**
(56) Related Art Documents: **Not Applicable**
(57) Statement of Newness and Distinctiveness: **Nil**



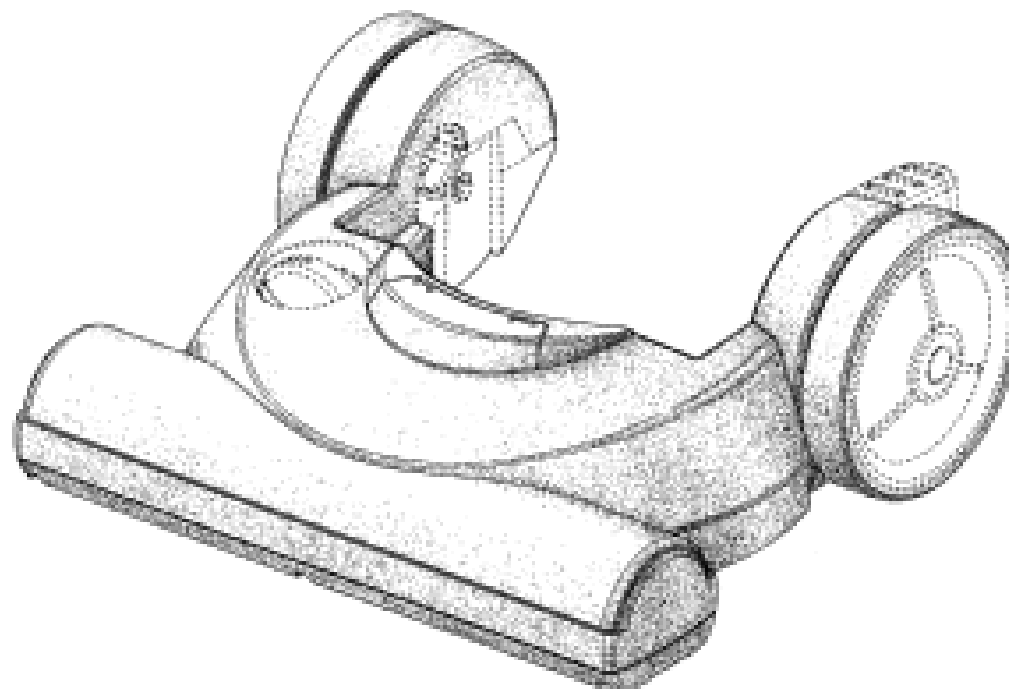
(21) Design Number: **11044/2010**
(22) Date of Filing Application: **24 March 2010**
(24) Date from which industrial property rights may have effect: **24 March 2010**
(54) Product in respect of which the design is registered: **Extrusion**
(51) International Design Classification: **25-01K**
(71) Name(s) and Address(s) of Applicant(s):
Watts Hardware Manufacturing Pty Ltd
L6 167 Queen Street Melbourne Victoria 3000 Australia
(72) Name(s) of Designer(s): **John Russell Watts**
(45) Registration Date: **21 April 2010**
(56) Related Art Documents: **Not Applicable**
(57) Statement of Newness and Distinctiveness: **Nil**



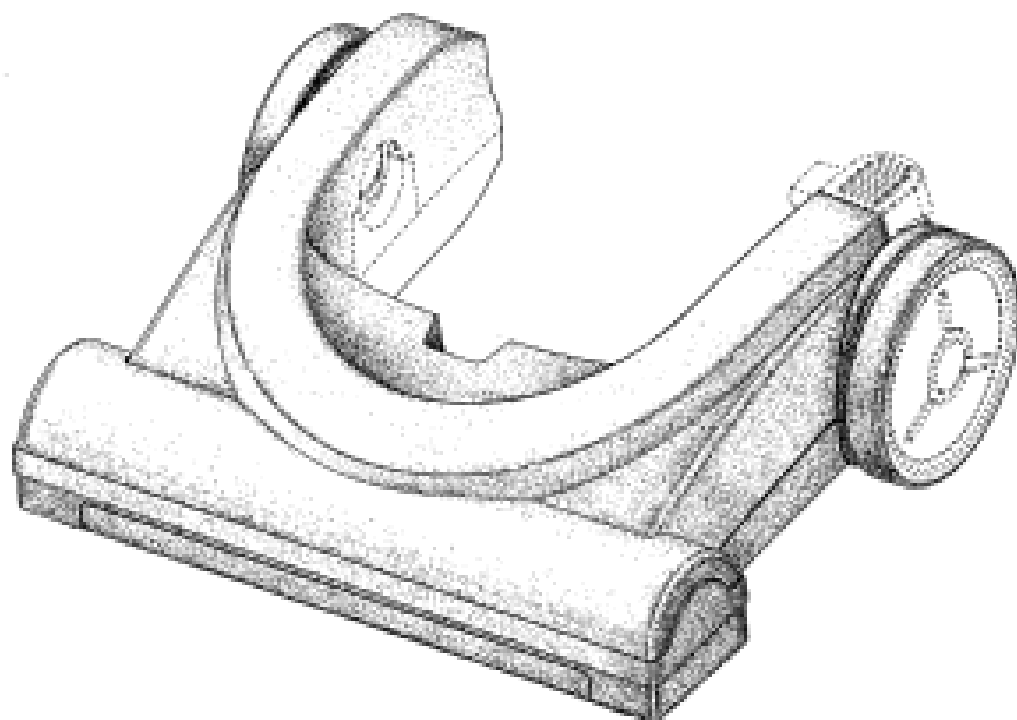
(21) Design Number: **11045/2010**
(22) Date of Filing Application: **25 March 2010**
(24) Date from which industrial property rights may have effect: **25 March 2010**
(54) Product in respect of which the design is registered: **Display tray**
(51) International Design Classification: **20-02NES**
(71) Name(s) and Address(s) of Applicant(s):
S.C. Johnson & Son, Inc.
1525 Howe Street Racine Wisconsin 53403-2236 United States of America
(72) Name(s) of Designer(s): **Jose de Jesus Castillo Higareda**
(45) Registration Date: **21 April 2010**
(30) Convention priority data:
(31) Number (32) Date (33) Country
29/344549 30 Sep 2009 UNITED STATES OF AMERICA
(56) Related Art Documents: **Not Applicable**
(57) Statement of Newness and Distinctiveness: **Newness and distinctiveness is claimed in those features of shape and/or configuration of a display tray as illustrated in continuous lines in the accompanying representations.**



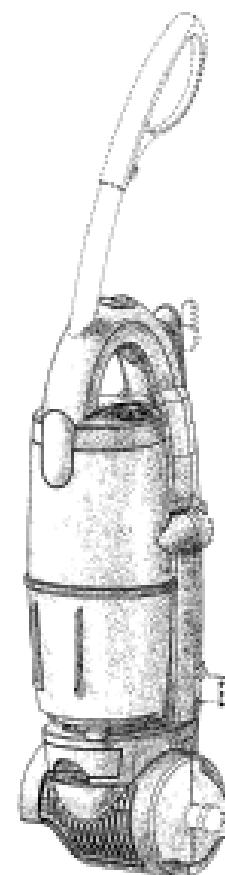
(21) Design Number: **11046/2010**
(22) Date of Filing Application: **25 March 2010**
(24) Date from which industrial property rights may have effect: **25 March 2010**
(54) Product in respect of which the design is registered: **Vacuum cleaner base portion**
(51) International Design Classification: **15-05**
(71) Name(s) and Address(s) of Applicant(s):
BISSELL Homecare, Inc
2345 Walker Avenue N.W. Grand Rapids Michigan 49544 United States of America
(72) Name(s) of Designer(s): **Justin Benacquisto and Douglas J. Medema**
(45) Registration Date: **21 April 2010**
(30) Convention priority data:
(31) Number (32) Date (33) Country
29/350,678 20 Nov 2009 UNITED STATES OF AMERICA
(56) Related Art Documents: **Not Applicable**
(57) Statement of Newness and Distinctiveness: **The shape and configuration of those parts of the design shown by means of solid lines in the representations are new and distinctive.**



(21) Design Number: **11047/2010**
 (22) Date of Filing Application: **25 March 2010**
 (24) Date from which industrial property rights may have effect: **25 March 2010**
 (54) Product in respect of which the design is registered: **Vacuum cleaner base portion**
 (51) International Design Classification: **15-05**
 (71) Name(s) and Address(s) of Applicant(s):
BISSELL Homecare, Inc
2345 Walker Avenue N.W. Grand Rapids Michigan 49544 United States of America
 (72) Name(s) of Designer(s): **Justin Benacquisto and Michael Luyckx and Douglas J. Medema**
 (45) Registration Date: **21 April 2010**
 (30) Convention priority data:
 (31) Number (32) Date (33) Country
29/350,680 20 Nov 2009 UNITED STATES OF AMERICA
 (56) Related Art Documents: **Not Applicable**
 (57) Statement of Newness and Distinctiveness: **The shape and configuration of those parts of the design shown by means of solid lines in the representations are new and distinctive.**



(21) Design Number: **11048/2010**
 (22) Date of Filing Application: **25 March 2010**
 (24) Date from which industrial property rights may have effect: **25 March 2010**
 (54) Product in respect of which the design is registered: **Vacuum cleaner upright portion**
 (51) International Design Classification: **15-05**
 (71) Name(s) and Address(s) of Applicant(s):
BISSELL Homecare, Inc
2345 Walker Avenue N.W. Grand Rapids Michigan 49544 United States of America
 (72) Name(s) of Designer(s): **Justin Benacquisto and Douglas J. Medema**
 (45) Registration Date: **21 April 2010**
 (30) Convention priority data:
 (31) Number (32) Date (33) Country
29/350,679 20 Nov 2009 UNITED STATES OF AMERICA
 (56) Related Art Documents: **Not Applicable**
 (57) Statement of Newness and Distinctiveness: **The shape and configuration of those parts of the design shown by means of solid lines in the representations are new and distinctive.**



(21) Design Number: **11049/2010**

(22) Date of Filing Application: **25 March 2010**

(24) Date from which industrial property rights may have effect: **25 March 2010**

(54) Product in respect of which the design is registered: **Extraction cleaner accessory tool**

(51) International Design Classification: **04-01, 15-05**

(71) Name(s) and Address(s) of Applicant(s):

BISSELL Homecare, Inc
2345 Walker Avenue N.W. Grand Rapids Michigan 49544 United States of America

(72) Name(s) of Designer(s): **Justin Benacquisto**

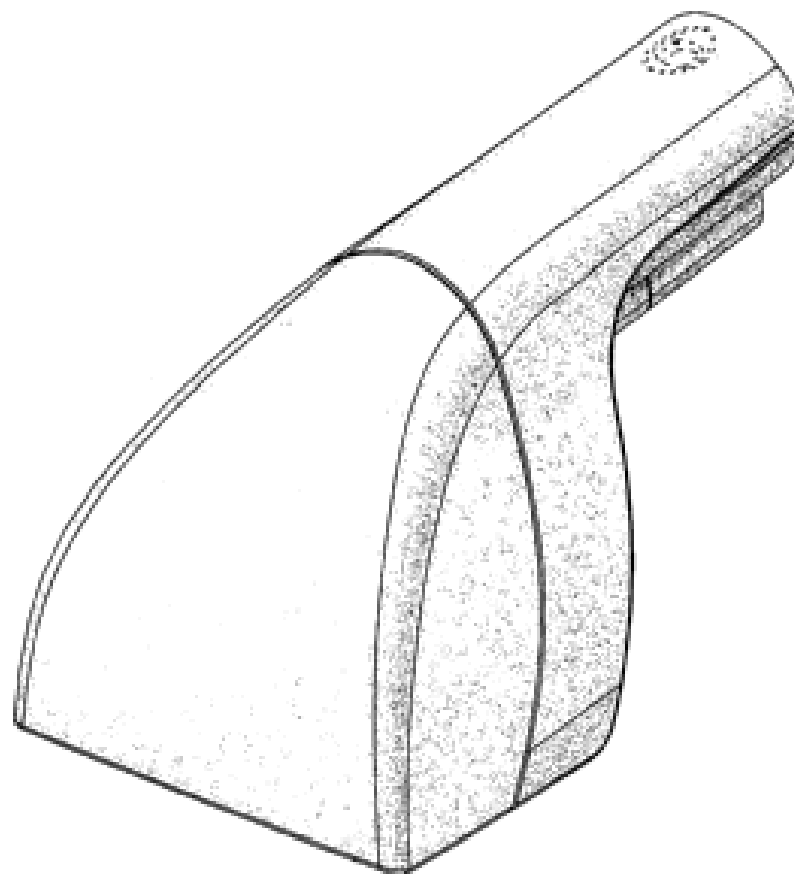
(45) Registration Date: **21 April 2010**

(30) Convention priority data:

(31) Number	(32) Date	(33) Country
29/352,713	23 Dec 2009	UNITED STATES OF AMERICA

(56) Related Art Documents: **Not Applicable**

(57) Statement of Newness and Distinctiveness: **The shape and configuration of those parts of the design shown by means of solid lines in the representations are new and distinctive.**



(21) Design Number: **11050/2010**

(22) Date of Filing Application: **25 March 2010**

(24) Date from which industrial property rights may have effect: **25 March 2010**

(54) Product in respect of which the design is registered: **Carpet cleaning machine**

(51) International Design Classification: **15-05**

(71) Name(s) and Address(s) of Applicant(s):

BISSELL Homecare, Inc
2345 Walker Avenue N.W. Grand Rapids Michigan 49544 United States of America

(72) Name(s) of Designer(s): **Jose Carlito Santiago**

(45) Registration Date: **21 April 2010**

(30) Convention priority data:

(31) Number	(32) Date	(33) Country
29/353,272	06 Jan 2010	UNITED STATES OF AMERICA

(56) Related Art Documents: **Not Applicable**

(57) Statement of Newness and Distinctiveness: **The shape and configuration of those parts of the design shown by means of solid lines in the representations are new and distinctive.**

