



Australian Government

IP Australia

AUSTRALIAN OFFICIAL JOURNAL

OF

DESIGNS

Did you know a searchable version of this journal is now available online?

It's FREE and EASY to SEARCH.

Find it at

<http://pericles.ipaustralia.gov.au/ols/epublish/content/olsEpublications.jsp>
or using the "Online Journals" link on the IP Australia home page.

This Page Left Intentionally Blank

Contents

General Information & Notices

Proceedings Under the Designs Act 1906 preserved as a result of the provisions of Chapter 12 Part 2 of the Designs Act 2003

Extension of Period of Registration of Designs	996
Names Registered - Alterations and Amendments	996
Registrations Ceased	996
Subsequent Owners Registered	996

Proceedings Under the Designs Act 2003

Applications Lapsed	1007
Applications Lodged	1001
Applications Withdrawn	1007
Certificate of Examination	1010
Extension of Period of Registration of Design	
Extension of Time Granted Under Section 137	1008
Names Registered - Alterations and Amendments	1009
Publication and Registration Proceedings	
Designs Registered 330459 to 330599.....	1011
Registrations Ceased	1008
Subsequent Owners Registered	1008

This Page Left Intentionally Blank

For information on the following please see our website www.ipaustralia.gov.au or contact our Customer Service Network on 1300651010

[Editorial enquiries](#)

[Contact information](#)

[Freedom of Information ACT](#)

[Professional Standards Board](#)

[Sales](#)

[Requests for Information under Section 194 \(c\)](#)

[Country Codes](#)

[Trade Mark and Designs Hearing Sessions](#)

[INID \(Internationally agreed Numbers for the Identification of Data\)](#)

“INID” NUMBERS in use on Australian Design Documents

“INID” is an acronym for “Internationally agreed Numbers for the Identification of Data”.

(10) Data concerning the registration/renewal

- (11) Serial number of the registration and/or number of the design document
- (12) Plain language designation of the kind of published document
- (19) Identification, using the two-letter code according to WIPO Standard ST.3, of the authority publishing or registering the industrial design

(20) Data concerning the application

- (21) Serial number of the application
- (22) Date of filing of the application
- (24) Date from which the industrial design right has effect

(30) Data relating to priority under the Paris Convention

- (31) Serial number assigned to the priority application
- (32) Date of filing of the priority application
- (33) Two-letter code, according to WIPO Standard ST.3, identifying the authority with which the priority application was made

(40) Date(s) of making information available to the public

- (45) Date of publication of the registered industrial design by printing or similar process, or making it available to the public by any other means

(50) Miscellaneous Information

- (51) International Classification for Industrial Designs (class and subclass of the Locarno Classification)
- (54) Designation of article(s) or product(s) covered by the industrial design or title of the industrial design
- (55) Reproduction of the industrial design (e.g., drawing, photograph) and explanations relating to the reproduction
- (56) List of prior art documents, if separate from descriptive text
- (57) Description of characteristic features of the industrial design including indication of colours

(60) References to other legally related application(s) and registration(s)

- (62) Serial number(s) and, if available, filing date(s) of application(s), registration(s) or document(s) related by division
- (66) Serial number(s) of the application, or the registration, of the design(s) which is (are) a variant(s) of the present one

(70) Identification of parties concerned with the application or registration

- (71) Name(s) and address(es) of the applicant(s)
- (72) Name(s) of the creator(s) if known to be such
- (74) Name(s) and address(es) of the representative(s)

This Page Left Intentionally Blank

Nil notices for this journal issue.

**Proceedings under the Designs Act 1906 preserved as a
result of the provisions of Chapter 12 Part 2 of the Designs
Act 2003.**

This Page Left Intentionally Blank

Applications Lapsed

There were no Applications Lapsed under this section

Extension of Period of Registration of Designs

1st Period (Section 27A(8))

2nd Period (Section 27A(12))

155832	156479	156878
156879	156890	156899
156926	156963	157018
157019	157020	157022
157023	157028	157029
157030	157051	157065
157066	157067	157068
157069	157070	157111
157235	157236	157237
157238	157240	157241
157262	157270	157271
157303	157310	157311
157341	157342	157367
157394	157436	157437
157438	157609	157611
157774	157909	157918
157920	157969	158025
158026	158029	158030
158089	158133	158134
158204	158205	158206
158207	158208	158230
158257	158262	158308
158329	158368	158486
158493		

3rd Period (Section 27A(13))

138768	139071	139072
139110	139130	139147
139148	139314	139315
139316	139317	139323
139340	139758	139923
140269	140272	140559
141389	141443	141544
141900	142270	142554

Registrations Ceased

Note: Some of the following Registrations may have been previously advertised as ceased. In this instance, the previous advertisement still prevails.

121826	121827	121862
122020	122021	122022
122023	122025	122026
122051	122067	122068
122069	122070	122175
122184	122472	122506

122572	123178	123893
124133	124134	124159
125096	125505	125506
125694	125695	135770
136018	136626	136984
137121	137151	137152
137153	137214	137215
137399	137459	137506
137546	137595	137596
137620	137621	138236
138237	139256	139564
139565	139566	139567
139568	139569	139581
139582	140064	140126
140183	140508	140520
140853	141586	141713
143521	143522	146687
149406	153868	154453
154537	154538	154540
154557	154575	154596
154597	154633	154649
154685	154686	154715
154716	154717	154718
154805	154946	154966
155009	155010	155032
155134	155135	155209
155411	155777	155787
155788	155843	155844
155875	155876	155877
155992	156049	156230
156449	156742	156785
157217	157332	157383
157740	158191	158211

Subsequent Owners Registered

(The name in parentheses is that of the subsequent owner)

138478	(Standard Bank plc) Standard Bank Asia Limited
142864	(Standard Bank plc) Standard Bank Asia Limited
157078	(Standard Bank plc) Standard Bank Asia Limited
152489	(Standard Bank plc) Standard Bank Asia Limited
154536	(Medel Group SpA) Handley Kuester Limited
143142	(Sensormatic Electronics, LLC) Sensormatic Electronics Corporation
143143	(Sensormatic Electronics, LLC) Sensormatic Electronics Corporation
145032	(Sensormatic Electronics, LLC) Sensormatic Electronics Corporation
140002	(Brett Owen Thomson) Darryn John Gunton
147722	(Brett Owen Thomson) Darryn John Gunton

Names Registered - Alterations and Amendments

(The name in parentheses is the new name of the proprietor)

158187	(Panasonic Corporation) Matsushita Electric Industrial Co. Ltd
--------	---

123899 (**CareFusion 2200, Inc.**) Allegiance Corporation

This Page Left Intentionally Blank

Proceedings under the Designs Act 2003.

This Page Left Intentionally Blank

Applications Lodged

Lodgement information is in the following order: **Applicant's Name**; International Classification, Name of Product, Lodgement Date and **Design Number**. If the applicant claims an earlier priority date under an International Convention, the Convention Country and the associated filing date are shown in parentheses before the Lodgement Date. Divisional information will also appear in parentheses before the Lodgement Date.

Ansell Healthcare Products LLC; 02-06, Protective glove, (US, 26 Apr 2010) 27 Apr 2010	11585/2010	BISSELL Homecare, Inc; 15-05, Deep injection portable deep cleaner, (US, 28 Jan 2010) 23 Apr 2010	11551/2010
Ansell Healthcare Products LLC; 02-06, Protective glove, (US, 26 Apr 2010) 27 Apr 2010	11586/2010	BYD Company Limited; 12-08, Vehicle, (CN, 23 Oct 2009) 20 Apr 2010	11569/2010
Argyropoulos, Aristomenis; Folos, Andrew; 09-07B, Transparent cup lid, 16 Apr 2010	11455/2010	C.E. Niehoff & Co.; 13-01, Electric generator, (US, 30 Oct 2009) 28 Apr 2010	11624/2010
Asics Corporation; 02-04NES, Sport shoe, 30 Apr 2010	11678/2010	C.E. Niehoff & Co.; 13-02, Battery isolator device, (US, 29 Oct 2009) 28 Apr 2010	11623/2010
Asics Corporation; 02-04NES, Sport shoe, 30 Apr 2010	11679/2010	C.E. Niehoff & Co.; 13-01, Electric generator, (US, 29 Oct 2009) 28 Apr 2010	11625/2010
Bhagwandas, Dhiren; 06-01E, Stool, 31 Jul 2009	11611/2010	Candice Alley Pty Ltd; 02-03, Headwear, 23 Apr 2010	11528/2010
Bhagwandas, Dhiren; 26-05B, Lamp, 31 Jul 2009	11612/2010	Carter, Paul; 12-16NES, Vehicle registration label holder, 27 Apr 2010	11656/2010
Braun GmbH; 04-02, Toothbrush handle, (WO, 03 Nov 2009) 29 Apr 2010	11646/2010	Chic Collections; 02-02C, Evening dress, 23 Apr 2010	11577/2010
Braun GmbH; 04-02, Toothbrush handle, (WO, 03 Nov 2009) 29 Apr 2010	11647/2010	Chic Collections; 02-02C, Evening dress, 23 Apr 2010	11578/2010
Braun GmbH; 04-02, Toothbrush head, (WO, 03 Nov 2009) 29 Apr 2010	11648/2010	Chic Collections; 02-02C, Dress, 23 Apr 2010	11573/2010
Braun GmbH; 28-03NES, Toothbrush handle, (WO, 03 Nov 2009) 28 Apr 2010	11631/2010	Chic Collections; 02-02C, Evening dress, 23 Apr 2010	11574/2010
Braun GmbH; 28-03NES, Toothbrush handle, (WO, 03 Nov 2009) 28 Apr 2010	11632/2010	Chic Collections; 02-02C, Evening dress, 23 Apr 2010	11575/2010
Braun GmbH; 28-03NES, Toothbrush handle, (WO, 03 Nov 2009) 28 Apr 2010	11633/2010	Chic Collections; 02-02C, Evening dress, 23 Apr 2010	11576/2010
Braun GmbH; 28-03NES, Toothbrush, (WO, 03 Nov 2009) 28 Apr 2010	11633/2010	Clipsal Australia Pty Ltd; 13-03D, Adapter base, 23 Apr 2010	11542/2010
Brennan, Katherine; 05-05A, Decorative surface pattern, 20 Apr 2010	11581/2010	Clipsal Australia Pty Ltd; 13-03D, Adapter base, 23 Apr 2010	11543/2010
Brennan, Katherine; 05-06NES, Decorative surface pattern, 20 Apr 2010	11484/2010	Clipsal Australia Pty Ltd; 13-03D, Adapter base, 23 Apr 2010	11544/2010
Brightgreen Pty Ltd.; 26-04, The design relates to a new LED downlight with a unique aesthetic to its lens, 22 Apr 2010	11510/2010	Clipsal Australia Pty Ltd; 13-03D, Adapter base, 23 Apr 2010	11541/2010
BGC (Australia) Pty Ltd; 25-01K, An extrusion, 20 Apr 2010	11480/2010	Continental Reifen Deutschland GmbH; 12-15B, Tyre, (EM, 17 Dec 2009) 23 Apr 2010	11540/2010
BISSELL Homecare, Inc; 15-05, Compact rechargeable sweeper, (US, 22 Jan 2010) 23 Apr 2010	11550/2010	Continental Reifen Deutschland GmbH; 12-15A, Tyre, (EM, 01 Mar 2010) 27 Apr 2010	11583/2010
		Continental Reifen Deutschland GmbH; 12-15A, Tyre, (EM, 01 Mar 2010) 27 Apr 2010	11584/2010
		CTA Australia Pty Ltd; 10-99, Tactile ground surface indicator, 22 Apr 2010	11532/2010

CTA Australia Pty Ltd; 10-99, Tactile ground surface indicator, 22 Apr 2010	11533/2010	Electrolux do Brasil S/A; 07-02B, A microwave oven, (BR, 03 Nov 2009) 22 Apr 2010	11565/2010
CTA Australia Pty Ltd; 10-99, Tactile ground surface indicator, 22 Apr 2010	11534/2010	Electrolux do Brasil S/A; 07-02A, Stove, (SE, 29 Jul 2009) 25 Jan 2010	11614/2010
CTA Australia Pty Ltd; 10-99, Tactile ground surface indicator, 22 Apr 2010	11531/2010	Electrolux do Brasil S/A; 07-02A, Stove, (SE, 29 Jul 2009) 25 Jan 2010	11615/2010
Deane, Scott; 08-08L, 23-01L, Gutter guard mount bracket, 28 Apr 2010	11622/2010	Electrolux Home Products Pty Limited; 25-01K, 25-02E, Appliance components, trim members, corner member, extrusions, 27 Apr 2010	11594/2010
Dominikovic, Anna; 11-99, 19-99, Home or office banner. Cotton material with the Australian Anthem written on it. Approximately 60cm in height, and, approximately 30cm in width., 16 Apr 2010	11457/2010	Ellery, Neil; 25-01K, An edging, 19 Apr 2010	11464/2010
Dynamic Closures (Aust) Pty Ltd; 25-01K, Extrusion, 21 Apr 2010	11634/2010	Empire Level Mfg. Corp.; 10-04, Box level, (US, 29 Oct 2009) 22 Apr 2010	11568/2010
Eaton Corporation; 21-02C, Golf grip, (US, 23 Oct 2009) 23 Apr 2010	11563/2010	Euro Fur Fabric Limited; 21-01NES, 30-99, Toy, (EM, 09 Oct 2009) 21 Apr 2010	11486/2010
Eaton Corporation; 21-02C, Golf grip, (US, 22 Oct 2009) 21 Apr 2010	11503/2010	Ewing, Iain; 23-01B, Water diverter, 23 Apr 2010	11525/2010
Edgar Edmondson Imports Pty Ltd; 07-07B, Mop bucket, 20 Apr 2010	11473/2010	F.Hoffmann-La Roche AG; 24-02, Medical dispensing device, (SE, 05 Oct 2009) (Divisional of 11150/2010) 31 Mar 2010	11609/2010
Education Projects Pty Ltd; 19-07, 21-01A, Spider web, 22 Apr 2010	11511/2010	F.Hoffmann-La Roche AG; 24-02, Medical dispensing device, (SE, 05 Oct 2009) (Divisional of 11150/2010) 31 Mar 2010	11610/2010
Education Projects Pty Ltd; 19-07, 21-01C, Crane, 22 Apr 2010	11517/2010	Fandra Industrial Weighing CC; 10-04, Weighing apparatus, (ZA, 26 Oct 2009) 27 Apr 2010	11592/2010
Education Projects Pty Ltd; 19-07, 21-01A, Octopus, 22 Apr 2010	11518/2010	Field, Courtney; 08-05NES, 15-99, Sluicing apparatus, 29 Apr 2010	11651/2010
Education Projects Pty Ltd; 19-07, 21-01C, Train carriage tipper, 22 Apr 2010	11519/2010	Fifty-Fourth Rischell Pty Ltd; 02-02NES, A jacket, 27 Oct 2009	11616/2010
Education Projects Pty Ltd; 19-07, 21-01C, Water wheel pump 1, 22 Apr 2010	11520/2010	Fifty-Fourth Rischell Pty Ltd; 02-02NES, A jacket, 27 Oct 2009	11617/2010
Education Projects Pty Ltd; 19-07, 21-01E, Milk container lathe, 22 Apr 2010	11521/2010	Fifty-Fourth Rischell Pty Ltd; 02-02NES, A jacket, 27 Oct 2009	11618/2010
Education Projects Pty Ltd; 19-07, 21-01A, Butterfly, 22 Apr 2010	11522/2010	Fifty-Fourth Rischell Pty Ltd; 02-02NES, A jacket, 27 Oct 2009	11619/2010
Education Projects Pty Ltd; 19-07, 21-01C, Train carriage 2, 22 Apr 2010	11514/2010	Fifty-Fourth Rischell Pty Ltd; 02-02C, A pair of pants, 27 Oct 2009	11620/2010
Education Projects Pty Ltd; 19-07, 21-01C, Train carriage 3, 22 Apr 2010	11515/2010	Fifty-Fourth Rischell Pty Ltd; 02-02C, A pair of pants, 27 Oct 2009	11621/2010
Education Projects Pty Ltd; 19-07, 21-01C, Train, 22 Apr 2010	11516/2010	Fitzgerald, Colin Richard Malcolm; Thomas, Steven Rex; 25-01C, Beam, 20 Apr 2010	11472/2010
Education Projects Pty Ltd; 19-07, 21-01A, Crab, 22 Apr 2010	11512/2010	Fitzgerald, Colin Richard Malcolm; Thomas, Steven Rex; 08-08L, Attachment plate, 20 Apr 2010	11468/2010
Education Projects Pty Ltd; 19-07, 21-01C, Train carriage 1, 22 Apr 2010	11513/2010	Fitzgerald, Colin Richard Malcolm; Thomas, Steven Rex; 08-08L, Attachment plate, 20 Apr 2010	11467/2010
Electrolux do Brasil S/A; 07-02B, A microwave oven, (BR, 03 Nov 2009) 22 Apr 2010	11566/2010	Fitzgerald, Colin Richard Malcolm; Thomas, Steven Rex; 25-01K, 25-01C, Beam, 20 Apr 2010	11469/2010

Fitzgerald, Colin Richard Malcolm; Thomas, Steven Rex; 25-01K, 25-01C, Column, 20 Apr 2010	11470/2010	Hydrokleen International Pty Ltd; 23-04, Hydrokleen cleaning unit, 03 May 2010	11697/2010
Fitzgerald, Colin Richard Malcolm; Thomas, Steven Rex; 25-01C, 25-01K, Beam, 20 Apr 2010	11471/2010	Hydrokleen International Pty Ltd; 23-04, Hydrokleen water collection unit, 03 May 2010	11698/2010
Folos, Andrew; Argyropoulos, Aristomenis; 09-07B, Transparent cup lid, 16 Apr 2010	11455/2010	Joneschijoff Pty Ltd; 31-00, 20-02NES, Beer display and sampling system, 20 Apr 2010	11477/2010
Foshan Shunde Everteam Industrial Co. Ltd; 23-03E, Fireplace, (CN, 27 Oct 2009) 21 Apr 2010	11482/2010	Kanck, Christopher; 09-09, Organic waste unit, 20 Apr 2010	11492/2010
Foshan Shunde Everteam Industrial Co. Ltd; 07-02E, Cooking apparatus, (CN, 06 Nov 2009) 30 Apr 2010	11682/2010	Kanck, Christopher; 09-09, Organic waste unit with self closing flap, deodorise/repellent compartment in container and adjustable, stand, 20 Apr 2010	11493/2010
Foshan Shunde Everteam Industrial Co. Ltd; 07-02E, Cooking apparatus, (CN, 27 Oct 2009) 22 Apr 2010	11535/2010	Kanck, Christopher; 09-09, Organic waste unit with self closing flap, deodorise/repellent compartment in container and adjustable, stand, 20 Apr 2010	11494/2010
Foshan Shunde Everteam Industrial Co. Ltd; 07-02E, Cooking apparatus, (CN, 27 Oct 2009) 22 Apr 2010	11536/2010	Kenametal Inc.; 08-03, Cutting insert, (US, 03 Nov 2009) 30 Apr 2010	11706/2010
Foshan Shunde Everteam Industrial Co. Ltd; 23-03E, Fireplace, (CN, 27 Oct 2009) 21 Apr 2010	11483/2010	Koester, Helmut; 06-10, Solar shades like venetian blinds or louvers between glazings, louvers for wall and ceiling panels, single strips, for decorative purpose, f.e. lippings, (EM, 30 Oct 2009) 30 Apr 2010	11680/2010
Foshan Shunde Everteam Industrial Co. Ltd; 23-03E, Fireplace, (CN, 27 Oct 2009) 20 Apr 2010	11497/2010	Koninklijke Philips Electronics N.V.; 26-04, LED module, (EM, 11 Nov 2009) 30 Apr 2010	11677/2010
Foshan Shunde Everteam Industrial Co. Ltd; 23-03E, Fireplace, (CN, 27 Oct 2009) 20 Apr 2010	11498/2010	Koninklijke Philips Electronics N.V.; 28-03D, Hair clipper, (EM, 26 Oct 2009) 23 Apr 2010	11560/2010
Frigrite Limited; 20-02NES, Product display apparatus, 23 Apr 2010	11554/2010	Koninklijke Philips Electronics N.V.; 26-05C, Luminaire, (EM, 29 Oct 2009) 28 Apr 2010	11627/2010
General Mills, Inc.; 09-01B, Bottle, 22 Apr 2010	11571/2010	Koninklijke Philips Electronics N.V.; 28-03D, Hair clipper, (EM, 26 Oct 2009) 23 Apr 2010	11561/2010
Gordon, Grant Pritchard; 23-03NES, 09-02NES, Firewood stacker, 27 Apr 2010	11588/2010	Koninklijke Philips Electronics N.V.; 14-03NES, Remote control unit, (EM, 27 Oct 2009) 23 Apr 2010	11562/2010
Graco Minnesota Inc.; 08-05L, Fibreglass spraying apparatus, (US, 23 Nov 2009) 20 Apr 2010	11499/2010	Legris SAS; 23-01A, Collar for pipes, (EM, 06 Jan 2010) 28 Apr 2010	11626/2010
Hafsaz Australia Pty Ltd, Trading as Freshco Foods; 09-05, Rice, flour, spices, pickles, 23 Apr 2010	11524/2010	Lively Lures Pty Ltd; 22-05, Hybrid fishing lure, 23 Apr 2010	11579/2010
Hatzis Holdings Pty Ltd; 02-02C, Ladies garments, 22 Apr 2010	11572/2010	Longyear TM, Inc.; 08-01, Core lifters, (US, 29 Jan 2010) 30 Apr 2010	11703/2010
Hiram (WA) Pty Ltd as Trustee for The Trulli Trust; 25-04, Underground ladderway system, 21 Apr 2010	11507/2010	LG Electronics Inc.; 14-03E, Mobile phone, (KR, 28 Jan 2010) 28 Apr 2010	11628/2010
Holmes Solutions Limited; 15-03B, A rotor, (NZ, 12 Apr 2010) 30 Apr 2010	11699/2010	Marinis, Alexander; 06-01C, Bench, 27 Apr 2010	11589/2010
Hookturn Industries Pty Ltd; 07-01D, Coffee cup, 28 Apr 2010	11590/2010	Marinis, Alexander; 06-01F, Chair, 27 Apr 2010	11604/2010
Hookturn Industries Pty Ltd; 07-01D, Coffee cup, 28 Apr 2010	11591/2010	Marinis, Alexander; 06-01G, Sofa, 27 Apr 2010	11605/2010
Horsfall, Barry; 06-02, Design 1 sun bed, 27 Apr 2010	11587/2010		

MarshN PWB Limited; 12-16NES, An axle, (NZ, 20 Oct 2009) 20 Apr 2010	11481/2010	Nintendo Co., Ltd.; 14-02, Portable electronic computer, (JP, 26 Oct 2009) 23 Apr 2010	11559/2010
Mary Kay Inc.; 28-02, 28-03NES, Mascara container, (US, 26 Oct 2009) 23 Apr 2010	11538/2010	NEC Display Solutions, Ltd.; 10-99, 20-02NES, Display, (JP, 04 Nov 2009) 30 Apr 2010	11657/2010
Mary Kay Inc.; 09-01G, Container; cap, and base, (US, 15 Dec 2009) 23 Apr 2010	11539/2010	Oliveiro, Hugh; 06-01L, Chair, 19 Apr 2010	11456/2010
Mary Kay Inc.; 28-02, Container, (US, 28 Jan 2010) 23 Apr 2010	11537/2010	Ouk, Roger Thyvane; 02-05, Neck ties, 03 May 2010	11700/2010
Master Lock Company LLC; 06-04B, 08-07, Safe, (US, 23 Oct 2009) 20 Apr 2010	11500/2010	Ouk, Roger Thyvane; 02-05, Neck ties, 03 May 2010	11701/2010
Master Lock Company LLC; 06-04B, 08-07, Safe, (US, 23 Oct 2009) 20 Apr 2010	11501/2010	Ouk, Roger Thyvane; 02-05, Neck ties, 03 May 2010	11702/2010
Master Lock Company LLC; 08-07, Lock, (US, 19 Jan 2010) 20 Apr 2010	11502/2010	Phoenix Industries Pty Ltd; 23-01H, Basin mixer, 27 Apr 2010	11606/2010
Melro Distributors Pty Ltd; 02-02C, 02-02NES, Ladies clothing, 30 Apr 2010	11684/2010	Phoenix Industries Pty Ltd; 23-01H, Basin tap, 27 Apr 2010	11607/2010
Metalflex Pty Ltd; 23-04, Baffle, 22 Apr 2010	11526/2010	Pi-Design AG; 07-02NES, Dispenser, (WO, 02 Nov 2009) 30 Apr 2010	11666/2010
Metlam Australia Pty. Limited; 08-09, Door bumper, 20 Apr 2010	11529/2010	Pi-Design AG; 07-01F, Carafe, (WO, 02 Nov 2009) 30 Apr 2010	11669/2010
Metlam Australia Pty. Limited; 08-09, Door hook, 20 Apr 2010	11530/2010	Pi-Design AG; 07-07A, Carafe (with jacket), (WO, 02 Nov 2009) 30 Apr 2010	11676/2010
Miche Bag LLC; 03-01B, Cover for handbag, (US, 25 Aug 2009) (Divisional of 10613/2010) 23 Feb 2010	11704/2010	Powersource Investments Pty Ltd; 14-01, A can speaker, 20 Apr 2010	11476/2010
Miche Bag LLC; 03-01B, Handbag base, (US, 25 Aug 2009) (Divisional of 10613/2010) 23 Feb 2010	11705/2010	Preston, John Clement; 25-02C, Fence panel, 19 Apr 2010	11465/2010
Michelin Recherche et Technique S.A.; Societe De Technologie Michelin; 12-15A, A tyre, (FR, 06 Nov 2009) 21 Apr 2010	11474/2010	QinetiQ Limited; 20-03NES, Identification panel assembly, (GB, 22 Oct 2009) 20 Apr 2010	11495/2010
Michelin Recherche et Technique SA; Societe De Technologie Michelin; 12-15A, A tyre, (US, 07 Oct 2009) 06 Apr 2010	11613/2010	QinetiQ Limited; 20-03NES, Identification panel assembly, (GB, 22 Oct 2009) 20 Apr 2010	11496/2010
Milohanic, Remigije; 12-16NES, 03-01D, Automotive ute lid / tool box, 29 Apr 2010	11654/2010	Quality Blow Moulders Pty Ltd; 09-01H, A bottle, 20 Apr 2010	11458/2010
Minnovation Limited; 08-08B, A two-part assembly, (US, 26 Oct 2009) 27 Apr 2010	11593/2010	Quality Blow Moulders Pty Ltd; 09-01H, A bottle, 20 Apr 2010	11459/2010
Mort Bay Traders Pty Ltd; 13-03D, A foot switch operated powerboard, 21 Apr 2010	11485/2010	Randall, Sean; 07-01C, Drinking vessel, 22 Apr 2010	11570/2010
Nintendo Co., Ltd.; 19-06, 14-02, Stylus pen for use with a touch panel, (JP, 26 Oct 2009) 23 Apr 2010	11557/2010	Rehau AG + Co; 23-01A, Sleeve for joining pipe/hose, (EP, 26 Oct 2009) 23 Apr 2010	11549/2010
Nintendo Co., Ltd.; 19-06, 14-02, Stylus pen for use with a touch panel, (JP, 26 Oct 2009) 23 Apr 2010	11558/2010	Renn, Kay; 02-07D, Fabric cupcake pincushion, 03 May 2010	11658/2010
		Risoda Pty Ltd; 09-09, Dual stream waste compacting baler consisting of two separate chambers, 22 Apr 2010	11523/2010
		Risoda Pty Ltd; 09-09, Waste compacting baler with small baler attached to side of the baler, 22 Apr 2010	11580/2010

Routzong, Jim; 21-01H, Rocket toy, (US, 26 Mar 2010) 22 Apr 2010	11490/2010	Spin Master Ltd.; 21-01B, Transformable toy, (CA, 03 Nov 2009) 30 Apr 2010	11688/2010
RMAX, A division of Huntsman Chemical Company Australia Pty Limited; 25-01G, Expanded polystyrene cladding, 22 Apr 2010	11608/2010	Spin Master Ltd.; 21-01B, Transformable toy, (CA, 05 Nov 2009) 30 Apr 2010	11689/2010
S.C. Johnson & Son, Inc.; 09-01A, 28-99, Air fragrance housing, (US, 30 Oct 2009) 20 Apr 2010	11478/2010	Spin Master Ltd.; 21-01B, Transformable toy, (CA, 04 Nov 2009) 30 Apr 2010	11685/2010
S.C. Johnson & Son, Inc.; 09-01A, 28-99, Air fragrance housing, (US, 30 Oct 2009) 20 Apr 2010	11479/2010	Spin Master Ltd.; 21-01B, Transformable toy, (CA, 04 Nov 2009) 30 Apr 2010	11686/2010
Schot, Neville; 25-02G, Air vent face plate, 16 Apr 2010	11564/2010	Spin Master Ltd.; 21-01B, Transformable toy, (CA, 11 Dec 2009) 30 Apr 2010	11692/2010
Schutt, Nadia; 06-09, 07-06A, Hands free infant bottle feeding solution: design consists of a u-shape pillow case with built-in harness and, detachable / adjustable bottle holder. Refer to drawings attached, 29 Apr 2010	11655/2010	Spin Master Ltd.; 21-01B, Transformable toy, (CA, 04 Dec 2009) 30 Apr 2010	11693/2010
Scott Health & Safety Ltd; 29-99, Blower unit for breathing mask, (EM, 02 Nov 2009) 23 Apr 2010	11552/2010	Spin Master Ltd.; 21-01B, Transformable toy, (CA, 04 Dec 2009) 30 Apr 2010	11695/2010
Scott Health & Safety Ltd; 29-02, Breathing mask, (EM, 02 Nov 2009) 23 Apr 2010	11553/2010	Spin Master Ltd.; 21-01B, Transformable toy, (CA, 04 Nov 2009) 30 Apr 2010	11696/2010
Skelton, Richard; 02-02C, Men's boardshorts, 21 Apr 2010	11466/2010	Stephens, Graham John; 07-06NES, Drink contamination cover for glasses and open cans of drink, 08 Jan 2010	11461/2010
Societe des Produits Nestle S.A.; 07-02L, Coffee machine, (CH, 15 Feb 2010) 30 Apr 2010	11645/2010	Stephens, Graham John; 07-06NES, Drink contamination cover attached to a conventional can holder, 07 Jan 2010	11462/2010
Societe Bic; 19-06, Writing instrument, (EM, 26 Oct 2009) 19 Apr 2010	11460/2010	Stephens, Graham John; 07-06NES, Drink contamination cover attached to a conventional stubby holder, 07 Jan 2010	11463/2010
Societe De Technologie Michelin; Michelin Recherche et Technique S.A.; 12-15A, A tyre, (FR, 06 Nov 2009) 21 Apr 2010	11474/2010	SwitchEasy Limited; 13-02, Car charger, (US, 26 Oct 2009) 21 Apr 2010	11491/2010
Societe De Technologie Michelin; Michelin Recherche et Technique SA; 12-15A, A tyre, (US, 07 Oct 2009) 06 Apr 2010	11613/2010	Tachikawa Corporation; 06-10, Pleated curtain, (JP, 29 Oct 2009) 20 Apr 2010	11475/2010
Specialised Systems and Consulting Services Pty Ltd; 08-08L, The bracket design attached is as part of our total "Wave Shelving" system. It is unique in its simplicity and shaped, to give strength and style. We will manufacture in plastic, stainless steel., 29 Apr 2010	11650/2010	The Austral Brick Company Pty Ltd; 25-01A, Brick, 28 Apr 2010	11629/2010
Speedo International Limited; 16-01, Camera, (EM, 22 Dec 2009) 22 Apr 2010	11527/2010	The Austral Brick Company Pty Ltd; 25-01A, Brick, 28 Apr 2010	11630/2010
Sperian Hearing Protection, LLC; 24-04, Earplug, (US, 22 Oct 2009) 22 Apr 2010	11508/2010	The Drambuie Liqueur Company Limited; 09-01H, Bottle, (EM, 23 Oct 2009) 23 Apr 2010	11546/2010
Sperian Hearing Protection, LLC; 24-04, Earplug, (US, 22 Oct 2009) 22 Apr 2010	11509/2010	The Drambuie Liqueur Company Limited; 09-01H, Bottle, (EM, 23 Oct 2009) 23 Apr 2010	11547/2010
Spin Master Ltd.; 21-01B, Transformable toy, (CA, 11 Dec 2009) 30 Apr 2010	11683/2010	The Drambuie Liqueur Company Limited; 09-07C, Bottle stopper, (EM, 23 Oct 2009) 23 Apr 2010	11548/2010
		The Gillette Company; 28-03A, Organizer tray, (US, 29 Oct 2009) 23 Apr 2010	11555/2010

The Gillette Company; 28-03A, Organizer tray, (US, 29 Oct 2009) 23 Apr 2010	11556/2010	Victaulic Company; 23-01A, Pipe coupling, (US, 28 Aug 2009) 25 Feb 2010	11597/2010
The Goodyear Tire & Rubber Company; 12-15A, Tyre, (US, 04 Nov 2009) 22 Apr 2010	11567/2010	Victaulic Company; 23-01A, Pipe coupling segment, (US, 28 Aug 2009) 25 Feb 2010	11598/2010
The Plasterboard Clip Company Ltd; 08-08C, Clip, (EM, 26 Oct 2009) 23 Apr 2010	11603/2010	Victaulic Company; 23-01A, Pipe coupling, (US, 19 Oct 2009) 16 Apr 2010	11453/2010
Theodoropoulos, Dimitrios; 03-01NES, A money box, 21 Apr 2010	11504/2010	Victaulic Company; 23-01A, Pipe coupling, (US, 28 Aug 2009) 26 Feb 2010	11599/2010
Thomas, Steven Rex; Fitzgerald, Colin Richard Malcolm; 25-01K, 25-01C, Column, 20 Apr 2010	11470/2010	Victaulic Company; 23-01A, Pipe coupling segment, (US, 28 Aug 2009) 26 Feb 2010	11600/2010
Thomas, Steven Rex; Fitzgerald, Colin Richard Malcolm; 25-01K, 25-01C, Beam, 20 Apr 2010	11469/2010	Victaulic Company; 23-01A, Pipe coupling, (US, 28 Aug 2009) 26 Feb 2010	11601/2010
Thomas, Steven Rex; Fitzgerald, Colin Richard Malcolm; 25-01C, 25-01K, Beam, 20 Apr 2010	11471/2010	Victaulic Company; 23-01A, Pipe coupling segment, (US, 28 Aug 2009) 26 Feb 2010	11602/2010
Thomas, Steven Rex; Fitzgerald, Colin Richard Malcolm; 08-08L, Attachment plate, 20 Apr 2010	11468/2010	Victaulic Company; 23-01A, Pipe coupling, (US, 19 Oct 2009) 16 Apr 2010	11454/2010
Thomas, Steven Rex; Fitzgerald, Colin Richard Malcolm; 08-08L, Attachment plate, 20 Apr 2010	11467/2010	Wavin B.V.; 23-01A, Joints for pipes, (EM, 02 Sep 2009) 02 Mar 2010	11714/2010
Thomas, Steven Rex; Fitzgerald, Colin Richard Malcolm; 25-01C, Beam, 20 Apr 2010	11472/2010	Wavin B.V.; 23-01A, Joints for pipes, (EM, 02 Sep 2009) 02 Mar 2010	11715/2010
Tong Lee Industrial Co., Ltd.; 08-05NES, Driving Tool (I), 21 Apr 2010	11487/2010	Wavin B.V.; 23-01A, Joints for pipes, (EM, 02 Sep 2009) 02 Mar 2010	11716/2010
Tong Lee Industrial Co., Ltd.; 08-05NES, Driving tool (II), 21 Apr 2010	11488/2010	Wavin B.V.; 23-01A, Joints for pipes, (EM, 02 Sep 2009) 02 Mar 2010	11717/2010
Tong Lee Industrial Co., Ltd.; 03-01D, A tool box, 21 Apr 2010	11489/2010	Wood Engineering Technology Limited; 25-01D, Elongate engineered timber product, (NZ, 25 Nov 2009) 29 Apr 2010	11707/2010
U-Bute International Pty Ltd; 03-01D, Case, 03 May 2010	11687/2010	Wood Engineering Technology Limited; 25-01D, Elongate engineered timber product, (NZ, 25 Nov 2009) 29 Apr 2010	11708/2010
U-Bute International Pty Ltd; 07-02E, Barbeque, 03 May 2010	11690/2010	Wood Engineering Technology Limited; 25-01D, Elongate engineered timber product, (NZ, 25 Nov 2009) 29 Apr 2010	11709/2010
U-Bute International Pty Ltd; 07-02E, Barbeque with plate, 03 May 2010	11691/2010	Wood Engineering Technology Limited; 25-01D, Elongate engineered timber product, (NZ, 25 Nov 2009) 29 Apr 2010	11710/2010
Unilever PLC; 09-03M, Packaging including logo, (GB, 28 Oct 2009) 27 Apr 2010	11582/2010	Wood Engineering Technology Limited; 25-01D, Elongate engineered timber product, (NZ, 25 Nov 2009) 29 Apr 2010	11711/2010
Vicjan Pty Ltd, as trustee for The Power Trust; 13-03NES, Small portable power distribution board, 30 Apr 2010	11652/2010	Wood Engineering Technology Limited; 25-01D, Elongate engineered timber product, (NZ, 25 Nov 2009) 29 Apr 2010	11712/2010
Vicjan Pty Ltd, as trustee for The Power Trust; 13-03NES, Large portable power distribution board, 30 Apr 2010	11653/2010	Wood Engineering Technology Limited; 25-01D, Elongate engineered timber product, (NZ, 25 Nov 2009) 29 Apr 2010	11713/2010
Victaulic Company; 23-01A, Pipe coupling, (US, 28 Aug 2009) 25 Feb 2010	11595/2010		
Victaulic Company; 23-01A, Pipe coupling segment, (US, 28 Aug 2009) 25 Feb 2010	11596/2010		

Zimmer GmbH;
24-03, Intermedullary nails, (EM, 25 Nov 2009)
21 Apr 2010

11505/2010

Zimmer GmbH;
24-03, Intermedullary nails, (EM, 25 Nov 2009)
21 Apr 2010

11506/2010

Applications Withdrawn

10856 / 2010 (20-02C)

Applications Lapsed

14554 / 2009 (06-03NES)

10476 / 2010 (09-01G)

Extension of Period of Registration of Designs

302722	302723	302893
303375	303388	303389
303390	303433	303496
303545	303546	303607
303615	303627	303641
303642	303643	303644
303646	303666	303667
303668	303671	303672
303728	303778	303829
303831	303840	303841
303848	303849	303875
303877	303880	303913
303914	303915	303965
304017	304037	304039
304040	304041	304042
304043	304044	304088
304110	304111	304112
304116	304158	304167
304168	304231	304264
304332	304333	304334
304443	304636	304638
304639	304806	305227
305228	305288	305404
305406	305493	305494
306044	306045	306046
306047	306088	306089
306090	306143	306144
306145	306163	306211
306618	306632	306657
306658	306694	307054
307198	307529	307836
307837	307895	309427

Registrations Ceased

301231	301245	301264
301265	301266	301267
301272	301273	301274
301275	301276	301277
301278	301280	301291
301292	301293	301294
301296	301297	301306
301308	301309	301310
301312	301313	301314
301315	301328	301329
301332	301333	301335
301337	301338	301344
301345	301347	301351
301352	301353	301354
301355	301369	301382
301384	301385	301556

301557	301641	301679
301684	301685	301686
301687	301688	301689
301690	301691	301692
301693	301694	301695
301696	301697	301701
301702	301703	301704
301705	301706	301707
301708	301709	301710
301711	301712	301713
301714	301715	301716
301717	301718	301719
301720	301721	301722
301723	301724	301725
301726	301727	301728
301729	301730	301804
301805	301830	301831
301866	302196	302197
302217	302218	302219
302220	302247	302248
302489	302490	302492
302517	302548	302549
302550	302659	302660
302661	302801	303302
303452	303453	304230
304242	304479	304966
318005		

Extensions of time granted under Section 137

Applications lodged under section 137 for extension of time have been granted.

13744/2009 **NYS Collection LLC**

13745/2009 **NYS Collection LLC**

13746/2009 **NYS Collection LLC**

13811/2009 **Hearthill Pty Ltd**

13943/2009 **Samantha Smith**

10811/2010 **Samar, LLC**

10853/2010 **NYS Collection LLC**

10854/2010 **NYS Collection LLC**

10855/2010 **NYS Collection LLC**

10856/2010 **NYS Collection LLC**

Subsequent Owners Registered

(The name in parentheses is that of the subsequent owner)

321548 (**Austral Masonry (NSW) Pty Ltd**) Brick and Block Company Pty Ltd

321549 (**Austral Masonry (NSW) Pty Ltd**) Brick and Block Company Pty Ltd

319708 (**John Skinner Pty Ltd**) Seo Ryung Lee

329349 (**Aetrex Worldwide, Inc**) Joseph J. Skaja; Laurence I.

	Schwartz
329350	(Aetrex Worldwide, Inc) Joseph J. Skaja;Laurence I. Schwartz
329017	(ADC GmbH) ADC Communications (Australia) Pty Limited
329018	(ADC GmbH) ADC Communications (Australia) Pty Limited
316969	(Cantor G&W (Nevada), L.P.) European Rainbow Roulette, LLC
319690	(Sensormatic Electronics, LLC) Sensormatic Electronics Corporation
318305	(Hilbert Supperannuation Management Pty Ltd) Martin Randall
321103	(Hilbert Supperannuation Management Pty Ltd) Martin Randall
303579	(Water Assets Australia Pty Ltd) Gleda Pty Ltd
324419	(2 Walkon Pty Limited) Meadway Holdings Pty Ltd;Zou Zou Holdings Pty Ltd

Names Registered - Alterations and Amendments

(The name in parentheses is that of the subsequent applicant)

327717	(Titan Kofferwerk GmbH) Thomas Wagner GmbH
327718	(Titan Kofferwerk GmbH) Thomas Wagner GmbH

Certificate(s) of Examination

Examination of the following Design Registration(s) has been completed. Infringement proceedings may now be commenced.

301504	26-05C	30/04/2010
301505	26-05C	30/04/2010
301506	26-05C	30/04/2010
301507	26-05C	30/04/2010
301508	26-05D	30/04/2010
301509	26-05D	30/04/2010
309464	07-01NES	30/04/2010
313019	26-05C	30/04/2010
314711	26-05B	30/04/2010
314972	26-05C	30/04/2010
315591	08-08L	29/04/2010
316776	26-05A	30/04/2010
319180	23-01F	30/04/2010
320757	26-03	30/04/2010
322780	26-03	22/04/2010
322781	26-03	22/04/2010
323128	26-05C	30/04/2010
323721	26-03	22/04/2010
326560	26-06	29/04/2010
327270	12-06A	28/04/2010
327799	09-01B	29/04/2010
328014	07-01C	29/04/2010
328028	07-01NES	04/05/2010
328444	12-16NES	27/04/2010
328449	12-16NES	27/04/2010
328536	12-16NES	28/04/2010
328537	12-16NES	27/04/2010
328567	12-16NES	27/04/2010
328606	12-16NES	27/04/2010
329113	12-16NES	27/04/2010
329127	12-16NES	28/04/2010
329128	15-01	30/04/2010
329129	15-01	30/04/2010
329354	08-07	30/04/2010
329517	04-02	22/04/2010
329564	09-07C	22/04/2010
329565	09-07C	22/04/2010
329631	09-07B	22/04/2010
329698	24-99	29/04/2010
329705	07-07A	30/04/2010
330212	02-03	22/04/2010

Publication and Registration Proceedings

Designs Registered

This section provides a concordance between design number and registration number of Designs covered in this journal. It also shows the main class and registration date.

This section covers Registration numbers 330459 to 330599 .

The registration number shown below should be used in all future correspondence.

Design Number	Registration Number	International Classification Code (IDC)	Registration Date	Design Number	Registration Number	International Classification Code (IDC)	Registration Date
13045/2009	330459	25-03	23/04/2010	11082/2010	330514	21-01B	30/04/2010
13175/2009	330583	07-01NES	04/05/2010	11083/2010	330515	21-01B	30/04/2010
13744/2009	330529	20-02C	29/04/2010	11085/2010	330479	21-01A	22/04/2010
13745/2009	330530	20-02C	29/04/2010	11086/2010	330480	02-02A	22/04/2010
13746/2009	330531	20-02C	29/04/2010	11087/2010	330481	02-02A	22/04/2010
13811/2009	330553	13-03B	30/04/2010	11088/2010	330482	02-02A	22/04/2010
14432/2009	330460	30-04	23/04/2010	11089/2010	330484	13-03NES	22/04/2010
10043/2010	330563	12-08	30/04/2010	11090/2010	330485	13-03NES	22/04/2010
10058/2010	330549	07-06NES	30/04/2010	11091/2010	330486	13-03NES	22/04/2010
10059/2010	330552	07-06NES	30/04/2010	11094/2010	330487	12-15B	23/04/2010
10276/2010	330461	12-08	23/04/2010	11095/2010	330488	06-02	23/04/2010
10436/2010	330462	06-13C	23/04/2010	11096/2010	330489	06-04NES	23/04/2010
10439/2010	330463	11-02F	23/04/2010	11097/2010	330490	06-02	23/04/2010
10453/2010	330543	02-04B	30/04/2010	11098/2010	330491	06-02	23/04/2010
10625/2010	330519	08-08K	28/04/2010	11099/2010	330492	06-02	23/04/2010
10626/2010	330556	23-01A	30/04/2010	11100/2010	330493	06-02	23/04/2010
10627/2010	330554	23-01A	30/04/2010	11101/2010	330494	06-02	23/04/2010
10628/2010	330558	23-01A	30/04/2010	11107/2010	330516	08-08C	30/04/2010
10629/2010	330560	23-01A	30/04/2010	11108/2010	330517	23-04	30/04/2010
10695/2010	330545	15-03B	30/04/2010	11109/2010	330518	23-04	30/04/2010
10808/2010	330464	24-99	23/04/2010	11110/2010	330521	23-04	28/04/2010
10809/2010	330465	24-99	23/04/2010	11114/2010	330522	28-03NES	28/04/2010
10810/2010	330466	24-99	23/04/2010	11122/2010	330523	13-03NES	28/04/2010
10832/2010	330546	19-06	30/04/2010	11123/2010	330524	09-08	28/04/2010
10836/2010	330467	11-01E	23/04/2010	11124/2010	330525	99-00	28/04/2010
10853/2010	330532	20-02C	29/04/2010	11125/2010	330526	07-99NES	28/04/2010
10854/2010	330533	20-02C	29/04/2010	11128/2010	330495	09-03M	27/04/2010
10855/2010	330534	20-02C	29/04/2010	11129/2010	330496	09-03M	27/04/2010
10879/2010	330562	07-02L	30/04/2010	11130/2010	330497	09-03M	27/04/2010
10918/2010	330535	13-02	29/04/2010	11131/2010	330498	09-03M	27/04/2010
10934/2010	330536	12-05	29/04/2010	11132/2010	330499	09-03M	27/04/2010
10938/2010	330483	21-04	22/04/2010	11133/2010	330500	09-03M	27/04/2010
10990/2010	330520	08-05P	28/04/2010	11134/2010	330501	09-03M	27/04/2010
11017/2010	330468	14-99	23/04/2010	11137/2010	330502	21-02A	27/04/2010
11025/2010	330469	09-01NES	23/04/2010	11138/2010	330503	23-01H	27/04/2010
11026/2010	330470	06-04NES	23/04/2010	11141/2010	330584	06-02	04/05/2010
11029/2010	330471	06-01L	23/04/2010	11142/2010	330527	22-05	28/04/2010
11030/2010	330472	06-01L	23/04/2010	11155/2010	330537	09-01NES	29/04/2010
11051/2010	330504	15-05	30/04/2010	11156/2010	330538	24-99	29/04/2010
11052/2010	330505	28-03NES	30/04/2010	11157/2010	330539	09-01NES	29/04/2010
11063/2010	330473	09-03NES	23/04/2010	11160/2010	330528	25-01K	28/04/2010
11064/2010	330474	09-03NES	23/04/2010	11180/2010	330540	24-02	29/04/2010
11065/2010	330475	09-07B	23/04/2010	11181/2010	330541	24-02	29/04/2010
11066/2010	330476	08-08B	23/04/2010	11184/2010	330587	10-02	05/05/2010
11068/2010	330477	06-09	23/04/2010	11186/2010	330544	02-04B	30/04/2010
11074/2010	330506	07-05A	30/04/2010	11193/2010	330588	07-01F	05/05/2010
11075/2010	330507	21-01L	30/04/2010	11194/2010	330589	07-01F	05/05/2010
11076/2010	330508	21-01B	30/04/2010	11197/2010	330547	07-04	30/04/2010
11077/2010	330509	21-01B	30/04/2010	11198/2010	330564	08-07	30/04/2010
11078/2010	330510	21-01B	30/04/2010	11199/2010	330565	09-01NES	30/04/2010
11079/2010	330511	21-01B	30/04/2010	11200/2010	330566	12-15B	30/04/2010
11080/2010	330512	21-01B	30/04/2010	11203/2010	330567	12-16A	30/04/2010
11081/2010	330513	21-01B	30/04/2010	11204/2010	330568	12-16A	30/04/2010

Publication and Registration Proceedings - Designs Registered cont'd

Design Number	Registration Number	International Classification Code (IDC)	Registration Date	Design Number	Registration Number	International Classification Code (IDC)	Registration Date
11205/2010	330569	12-16A	30/04/2010	11224/2010	330582	09-03A	03/05/2010
11206/2010	330590	12-16A	05/05/2010	11226/2010	330597	09-03M	05/05/2010
11207/2010	330591	08-05P	05/05/2010	11227/2010	330585	01-01	04/05/2010
11211/2010	330478	23-01A	23/04/2010	11228/2010	330586	01-01	04/05/2010
11212/2010	330592	15-07	05/05/2010	11229/2010	330598	14-99	05/05/2010
11213/2010	330593	06-03NES	05/05/2010	11231/2010	330599	06-06NES	05/05/2010
11214/2010	330594	06-03NES	05/05/2010	11239/2010	330542	02-02B	29/04/2010
11215/2010	330595	06-03NES	05/05/2010	11461/2010	330548	07-06NES	30/04/2010
11216/2010	330596	08-08C	05/05/2010	11462/2010	330550	07-06NES	30/04/2010
11219/2010	330577	07-02E	03/05/2010	11463/2010	330551	07-06NES	30/04/2010
11220/2010	330578	07-02E	03/05/2010	11595/2010	330555	23-01A	30/04/2010
11221/2010	330579	07-02E	03/05/2010	11596/2010	330557	23-01A	30/04/2010
11222/2010	330580	07-02E	03/05/2010	11597/2010	330559	23-01A	30/04/2010
11223/2010	330581	10-04	03/05/2010	11598/2010	330561	23-01A	30/04/2010

Publication and Registration Proceedings
Class Listing of Designs Published or Registered

The following section shows an International Classification Code listing of the Registered or Published Designs covered in this supplement.

Classification	Registration Number	Design Number	Classification	Registration Number	Design Number
01-01	330585	11227/2010	09-01 NES	330537	11155/2010
01-01	330586	11228/2010	09-01 NES	330539	11157/2010
02-02 A	330480	11086/2010	09-01 NES	330565	11199/2010
02-02 A	330481	11087/2010	09-03 A	330582	11224/2010
02-02 A	330482	11088/2010	09-03 M	330495	11128/2010
02-02 B	330542	11239/2010	09-03 M	330496	11129/2010
02-04 B	330543	10453/2010	09-03 M	330497	11130/2010
02-04 B	330544	11186/2010	09-03 M	330498	11131/2010
02-05	330542	11239/2010	09-03 M	330499	11132/2010
06-01 L	330471	11029/2010	09-03 M	330500	11133/2010
06-01 L	330472	11030/2010	09-03 M	330501	11134/2010
06-01 L	330584	11141/2010	09-03 M	330583	13175/2009
06-02	330488	11095/2010	09-03 M	330597	11226/2010
06-02	330490	11097/2010	09-03 NES	330473	11063/2010
06-02	330491	11098/2010	09-03 NES	330474	11064/2010
06-02	330492	11099/2010	09-07 B	330475	11065/2010
06-02	330493	11100/2010	09-08	330524	11123/2010
06-02	330494	11101/2010	10-02	330587	11184/2010
06-02	330584	11141/2010	10-04	330581	11223/2010
06-03 C	330470	11026/2010	11-01 E	330467	10836/2010
06-03 NES	330593	11213/2010	11-02 F	330463	10439/2010
06-03 NES	330594	11214/2010	12-05	330536	10934/2010
06-03 NES	330595	11215/2010	12-08	330461	10276/2010
06-04 NES	330470	11026/2010	12-08	330563	10043/2010
06-04 NES	330489	11096/2010	12-15 B	330487	11094/2010
06-06 NES	330599	11231/2010	12-15 B	330566	11200/2010
06-09	330477	11068/2010	12-16 A	330567	11203/2010
06-13 C	330462	10436/2010	12-16 A	330568	11204/2010
07-01 F	330588	11193/2010	12-16 A	330569	11205/2010
07-01 F	330589	11194/2010	12-16 A	330590	11206/2010
07-01 NES	330583	13175/2009	13-02	330535	10918/2010
07-02 E	330577	11219/2010	13-03 B	330553	13811/2009
07-02 E	330578	11220/2010	13-03 NES	330484	11089/2010
07-02 E	330579	11221/2010	13-03 NES	330485	11090/2010
07-02 E	330580	11222/2010	13-03 NES	330486	11091/2010
07-02 L	330562	10879/2010	13-03 NES	330523	11122/2010
07-04	330547	11197/2010	14-99	330468	11017/2010
07-05 A	330506	11074/2010	14-99	330598	11229/2010
07-06 NES	330548	11461/2010	15-03 B	330545	10695/2010
07-06 NES	330549	10058/2010	15-05	330504	11051/2010
07-06 NES	330550	11462/2010	15-07	330592	11212/2010
07-06 NES	330551	11463/2010	19-06	330546	10832/2010
07-06 NES	330552	10059/2010	20-02 C	330529	13744/2009
07-99 NES	330526	11125/2010	20-02 C	330530	13745/2009
08-05 P	330520	10990/2010	20-02 C	330531	13746/2009
08-05 P	330591	11207/2010	20-02 C	330532	10853/2010
08-07	330564	11198/2010	20-02 C	330533	10854/2010
08-08 B	330476	11066/2010	20-02 C	330534	10855/2010
08-08 C	330516	11107/2010	21-01 A	330479	11085/2010
08-08 C	330596	11216/2010	21-01 B	330508	11076/2010
08-08 K	330519	10625/2010	21-01 B	330509	11077/2010
08-08 NES	330467	10836/2010	21-01 B	330510	11078/2010
08-09	330594	11214/2010	21-01 B	330511	11079/2010
08-09	330595	11215/2010	21-01 B	330512	11080/2010
08-99	330546	10832/2010	21-01 B	330513	11081/2010
09-01 NES	330469	11025/2010	21-01 B	330514	11082/2010

Registration Proceedings - Class Listing of Designs Published or Registered cont'd

Classification	Registration Number	Design Number	Classification	Registration Number	Design Number
21-01 B	330515	11083/2010	23-04	330518	11109/2010
21-01 L	330507	11075/2010	23-04	330521	11110/2010
21-02 A	330502	11137/2010	24-02	330540	11180/2010
21-04	330483	10938/2010	24-02	330541	11181/2010
22-05	330527	11142/2010	24-99	330464	10808/2010
23-01 A	330478	11211/2010	24-99	330465	10809/2010
23-01 A	330554	10627/2010	24-99	330466	10810/2010
23-01 A	330555	11595/2010	24-99	330538	11156/2010
23-01 A	330556	10626/2010	24-99	330539	11157/2010
23-01 A	330557	11596/2010	25-01 K	330528	11160/2010
23-01 A	330558	10628/2010	25-03	330459	13045/2009
23-01 A	330559	11597/2010	28-03 NES	330505	11052/2010
23-01 A	330560	10629/2010	28-03 NES	330522	11114/2010
23-01 A	330561	11598/2010	30-04	330460	14432/2009
23-01 H	330503	11138/2010	99-00	330525	11124/2010
23-04	330517	11108/2010			

- (21) Design Number: **13045/2009**
(22) Date of Filing Application: **12 August 2009**
(24) Date from which industrial property rights may have effect: **12 August 2009**
(54) Product in respect of which the design is registered: **Portable structure**
(51) International Design Classification: **25-03**
(71) Name(s) and Address(s) of Applicant(s):
Foster's Australia Limited
77 Southbank Boulevard Southbank Victoria 3006 Australia
(72) Name(s) of Designer(s): **Alex Ritchie**
(45) Registration Date: **23 April 2010**
(56) Related Art Documents: **Not Applicable**
(57) Statement of Newness and Distinctiveness: **Newness and distinctiveness reside in the visual features of shape and/or configuration of a portable structure as illustrated in the accompanying representations. The "VB" logo, and the towel shown in the rear perspective view, are for purposes of illustration only and do not form part of the design and is to be disregarded when considering whether the design is identical or substantially similar in overall impression to another design.**



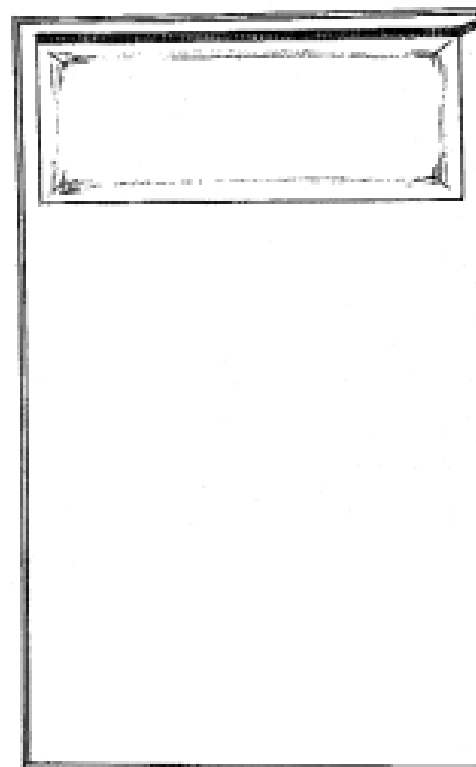
- (21) Design Number: **14432/2009**
(22) Date of Filing Application: **11 November 2009**
(24) Date from which industrial property rights may have effect: **11 November 2009**
(54) Product in respect of which the design is registered: **Stirrup strap**
(51) International Design Classification: **30-04**
(71) Name(s) and Address(s) of Applicant(s):
dt saddlery GmbH
Ziegelstrasse 1 Weyarn 83629 Germany
(72) Name(s) of Designer(s): **Hjalmar Konzet**
(45) Registration Date: **23 April 2010**
(30) Convention priority data:
(31) Number (32) Date (33) Country
40 27 May 2009 GERMANY
2009002681.3
(56) Related Art Documents: **Not Applicable**
(57) Statement of Newness and Distinctiveness: **Stirrup strap in Lemico an alternative to leather (more tearproof and easy-care) or in leather with blue, red, green, yellow, brown, beige, golden, silver, grey, pink or purple piping and stitching.**



- (21) Design Number: **10276/2010**
(22) Date of Filing Application: **28 January 2010**
(24) Date from which industrial property rights may have effect: **28 January 2010**
(54) Product in respect of which the design is registered: **Automobile**
(51) International Design Classification: **12-08**
(71) Name(s) and Address(s) of Applicant(s):
Great Wall Motor Company Limited
No. 2266 Chaoyang South Street Baoding Hebei Province 071000
People's Republic of China
(72) Name(s) of Designer(s): **Yong Huang and Guowang Kang and Jinke Wu**
(45) Registration Date: **23 April 2010**
(30) Convention priority data:
(31) Number (32) Date (33) Country
200930125609.1 31 Aug 2009 CHINA
(56) Related Art Documents: **Not Applicable**
(57) Statement of Newness and Distinctiveness: **Newness and distinctiveness is claimed in the shape and configuration of the automobile shown in the representations. The colour of the automobile shown in the representations is to be disregarded in considering newness and distinctiveness.**



- (21) Design Number: **10436/2010**
(22) Date of Filing Application: **05 February 2010**
(24) Date from which industrial property rights may have effect: **05 February 2010**
(54) Product in respect of which the design is registered: **Beach towel**
(51) International Design Classification: **06-13C**
(71) Name(s) and Address(s) of Applicant(s):
Pallas Swimwear and Accessories Pty Ltd
6/B South Avenue Bentleigh Victoria 3204 Australia
(72) Name(s) of Designer(s): **Marie Pallas**
(45) Registration Date: **23 April 2010**
(56) Related Art Documents: **Not Applicable**
(57) Statement of Newness and Distinctiveness: **Beach towel with zip pocket and pillow inserted.**



- (21) Design Number: **10439/2010**
(22) Date of Filing Application: **10 February 2010**
(24) Date from which industrial property rights may have effect: **10 February 2010**
(54) Product in respect of which the design is registered: **Plaque**
(51) International Design Classification: **11-02F**
(71) Name(s) and Address(s) of Applicant(s):
Cawsey Menck Pty Ltd
2 Rothwell Avenue Concord West New South Wales 2138 Australia
(72) Name(s) of Designer(s): **Richard Owen Menck**
(45) Registration Date: **23 April 2010**
(56) Related Art Documents: **Not Applicable**
(57) Statement of Newness and Distinctiveness: **Monopoly is claimed for uniqueness of design and shape of badge/plaque as per attached sheet.**



- (21) Design Number: **10808/2010**
(22) Date of Filing Application: **09 March 2010**
(24) Date from which industrial property rights may have effect: **09 March 2010**
(54) Product in respect of which the design is registered: **Tongue scraper**
(51) International Design Classification: **24-99**
(71) Name(s) and Address(s) of Applicant(s):
R.Evolution Life, SIA
Ludzas iela 9 Riga LV-1003 Latvia
(72) Name(s) of Designer(s): **Sergejs Jermoshins**
(45) Registration Date: **23 April 2010**
(30) Convention priority data:

(31) Number	(32) Date	(33) Country
001610304	11 Sep 2009	EUROPEAN COMMUNITY

(56) Related Art Documents: **Not Applicable**
(57) Statement of Newness and Distinctiveness: **Nil**



(21) Design Number: **10809/2010**
(22) Date of Filing Application: **09 March 2010**
(24) Date from which industrial property rights may have effect: **09 March 2010**
(54) Product in respect of which the design is registered: **Tongue scraper**
(51) International Design Classification: **24-99**
(71) Name(s) and Address(s) of Applicant(s):
R.Evolution Life, SIA
Ludzas iela 9 Riga LV-1003 Latvia
(72) Name(s) of Designer(s): **Sergejs Jermoshins**
(45) Registration Date: **23 April 2010**
(30) Convention priority data:
(31) Number (32) Date (33) Country
001610304 11 Sep 2009 EUROPEAN COMMUNITY
(56) Related Art Documents: **Not Applicable**
(57) Statement of Newness and Distinctiveness: **Nil**



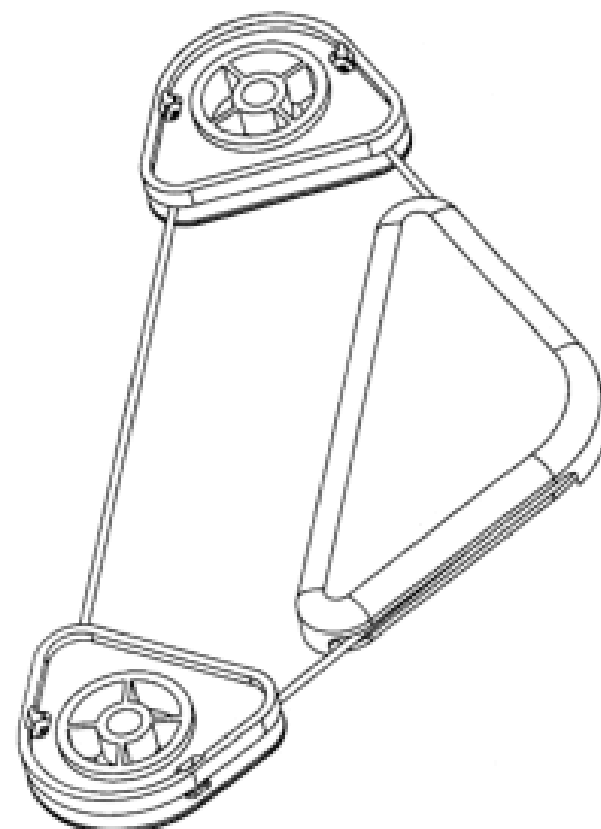
(21) Design Number: **10810/2010**
(22) Date of Filing Application: **09 March 2010**
(24) Date from which industrial property rights may have effect: **09 March 2010**
(54) Product in respect of which the design is registered: **Tongue scraper**
(51) International Design Classification: **24-99**
(71) Name(s) and Address(s) of Applicant(s):
R.Evolution Life, SIA
Ludzas iela 9 Riga LV-1003 Latvia
(72) Name(s) of Designer(s): **Sergejs Jermoshins**
(45) Registration Date: **23 April 2010**
(30) Convention priority data:
(31) Number (32) Date (33) Country
001610304 11 Sep 2009 EUROPEAN COMMUNITY
(56) Related Art Documents: **Not Applicable**
(57) Statement of Newness and Distinctiveness: **Nil**



- (21) Design Number: **10836/2010**
(22) Date of Filing Application: **10 March 2010**
(24) Date from which industrial property rights may have effect: **10 March 2010**
(54) Product in respect of which the design is registered: **Necklace stand 01**
(51) International Design Classification: **11-01E, 08-08NES**
(71) Name(s) and Address(s) of Applicant(s):
Frunique Pty Ltd
Unit 6 36 Bream Street Coogee New South Wales 2043 Australia
(72) Name(s) of Designer(s): **Alecia Braven**
(45) Registration Date: **23 April 2010**
(56) Related Art Documents: **Not Applicable**
(57) Statement of Newness and Distinctiveness: **Newness and distinctiveness is claimed in the features of shape and/or configuration of a necklace stand as illustrated in the accompanying representations.**



- (21) Design Number: **11017/2010**
(22) Date of Filing Application: **23 March 2010**
(24) Date from which industrial property rights may have effect: **23 March 2010**
(54) Product in respect of which the design is registered: **Support for television apparatus**
(51) International Design Classification: **14-99**
(71) Name(s) and Address(s) of Applicant(s):
OMB S.r.l
Via Risogimento 25 Stenico Trento 38070 Italy
(72) Name(s) of Designer(s): **Bailo Carlo**
(45) Registration Date: **23 April 2010**
(30) Convention priority data:
(31) Number (32) Date (33) Country
001625104-0001 16 Oct 2009 EUROPEAN COMMUNITY
(56) Related Art Documents: **Not Applicable**
(57) Statement of Newness and Distinctiveness: **Nil**



(21) Design Number: **11025/2010**

(22) Date of Filing Application: **24 March 2010**

(24) Date from which industrial property rights may have effect: **24 March 2010**

(54) Product in respect of which the design is registered: **Reusable bottle**

(51) International Design Classification: **09-01NES**

(71) Name(s) and Address(s) of Applicant(s):

Jeff Cresswell

4345 Hedstrom Way Chico California 95927 United States of America

Donald G. Carlson

391 Highlands Drive Eastsound Washington 98245 United States of America

(72) Name(s) of Designer(s): **Jeff Cresswell and Donald G. Carlson**

(45) Registration Date: **23 April 2010**

(30) Convention priority data:

(31) Number

(32) Date

(33) Country

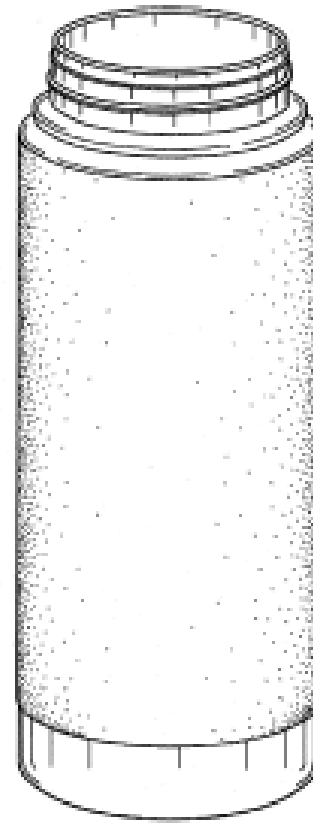
29/344,586

30 Sep 2009

UNITED STATES OF AMERICA

(56) Related Art Documents: **Not Applicable**

(57) Statement of Newness and Distinctiveness: **In considering the newness or distinctiveness of the design, regard is to be given to the overall shape and/or configuration of a reusable bottle as shown in the representations. The hatching and shading in the figures are for environmental purposes only and form no part of the claimed design.**



(21) Design Number: **11026/2010**

(22) Date of Filing Application: **24 March 2010**

(24) Date from which industrial property rights may have effect: **24 March 2010**

(54) Product in respect of which the design is registered: **Bookcase desk unit**

(51) International Design Classification: **06-04NES, 06-03C**

(71) Name(s) and Address(s) of Applicant(s):

Intraba Pty Ltd

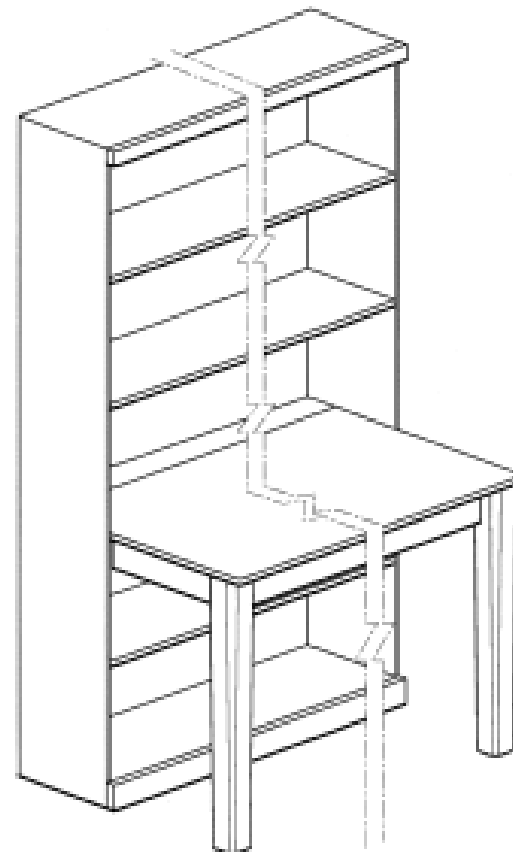
40 William Street Cowra New South Wales 2794 Australia

(72) Name(s) of Designer(s): **Glen Scott**

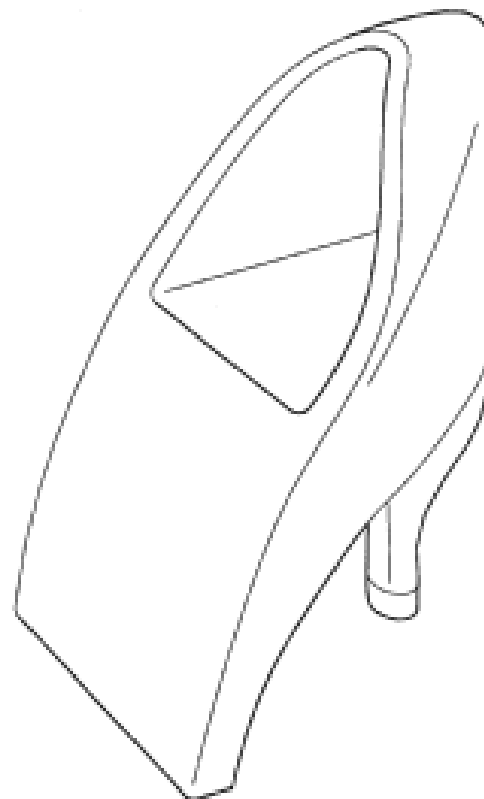
(45) Registration Date: **23 April 2010**

(56) Related Art Documents: **Not Applicable**

(57) Statement of Newness and Distinctiveness: **Novelty is claimed in the shape and configuration of the bookcase desk unit of variable width with a variable number and placement of shelves.**



- (21) Design Number: **11029/2010**
(22) Date of Filing Application: **24 March 2010**
(24) Date from which industrial property rights may have effect: **24 March 2010**
(54) Product in respect of which the design is registered: **A chair**
(51) International Design Classification: **06-01L**
(71) Name(s) and Address(s) of Applicant(s):
Donald B. McKenzie
63/16 Bardwell Road Mosman New South Wales 2088 Australia
(72) Name(s) of Designer(s): **Donald B. McKenzie**
(45) Registration Date: **23 April 2010**
(56) Related Art Documents: **Not Applicable**
(57) Statement of Newness and Distinctiveness: **Newness and distinctiveness is claimed in the features of shape and/or configuration of a chair as illustrated in the accompanying representations.**



- (21) Design Number: **11030/2010**
(22) Date of Filing Application: **24 March 2010**
(24) Date from which industrial property rights may have effect: **24 March 2010**
(54) Product in respect of which the design is registered: **A chair**
(51) International Design Classification: **06-01L**
(71) Name(s) and Address(s) of Applicant(s):
Donald B. McKenzie
63/16 Bardwell Road Mosman New South Wales 2088 Australia
(72) Name(s) of Designer(s): **Donald B. McKenzie**
(45) Registration Date: **23 April 2010**
(56) Related Art Documents: **Not Applicable**
(57) Statement of Newness and Distinctiveness: **Newness and distinctiveness is claimed in the features of shape and/or configuration of a chair as illustrated in the accompanying representations.**



(21) Design Number: **11063/2010**

(22) Date of Filing Application: **25 March 2010**

(24) Date from which industrial property rights may have effect: **25 March 2010**

(54) Product in respect of which the design is registered: **A tub**

(51) International Design Classification: **09-03NES**

(71) Name(s) and Address(s) of Applicant(s):

Visy R & D Pty Ltd

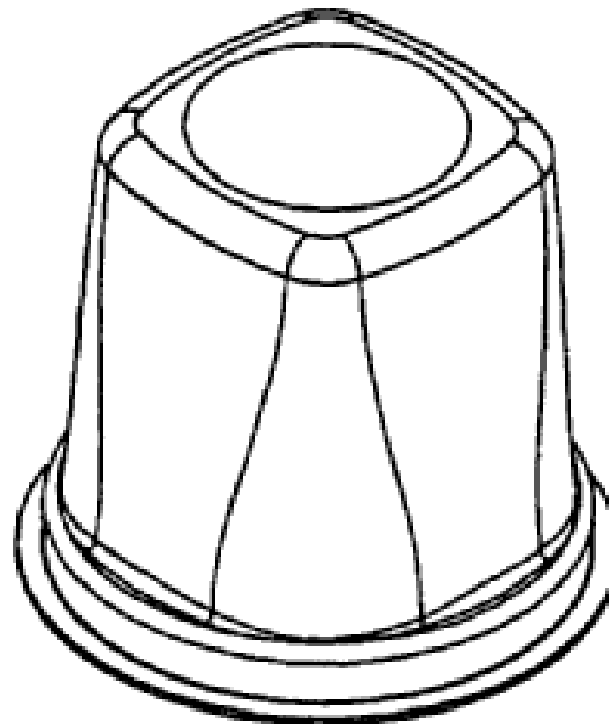
2 Southbank Boulevard Southbank Victoria 3061 Australia

(72) Name(s) of Designer(s): **David Stevens and Simon Shale**

(45) Registration Date: **23 April 2010**

(56) Related Art Documents: **Not Applicable**

(57) Statement of Newness and Distinctiveness: **The newness and distinctiveness of the design resides in the features of shape or configuration of the tub illustrated in the accompanying representations.**



(21) Design Number: **11064/2010**

(22) Date of Filing Application: **25 March 2010**

(24) Date from which industrial property rights may have effect: **25 March 2010**

(54) Product in respect of which the design is registered: **A tub**

(51) International Design Classification: **09-03NES**

(71) Name(s) and Address(s) of Applicant(s):

Visy R & D Pty Ltd

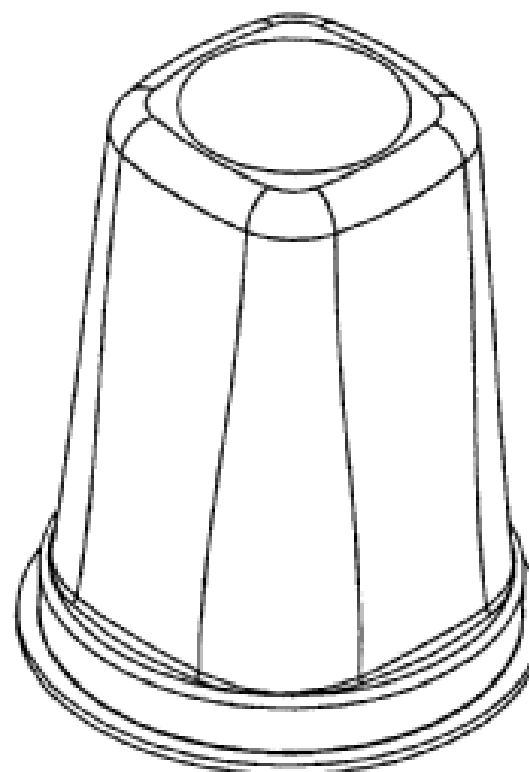
Level 11 2 Southbank Boulevard Southbank Victoria 3061 Australia

(72) Name(s) of Designer(s): **David Stevens and Simon Shale**

(45) Registration Date: **23 April 2010**

(56) Related Art Documents: **Not Applicable**

(57) Statement of Newness and Distinctiveness: **The newness and distinctiveness of the design resides in the features of shape or configuration of the tub illustrated in the accompanying representations.**



(21) Design Number: **11065/2010**

(22) Date of Filing Application: **25 March 2010**

(24) Date from which industrial property rights may have effect: **25 March 2010**

(54) Product in respect of which the design is registered: **A lid**

(51) International Design Classification: **09-07B**

(71) Name(s) and Address(s) of Applicant(s):

Visy R & D Pty Ltd

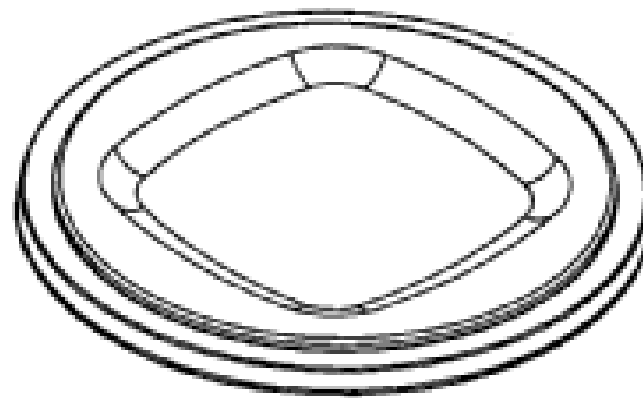
Level 11 2 Southbank Boulevard Southbank Victoria 3061 Australia

(72) Name(s) of Designer(s): **David Stevens and Simon Shale**

(45) Registration Date: **23 April 2010**

(56) Related Art Documents: **Not Applicable**

(57) Statement of Newness and Distinctiveness: **The newness and distinctiveness of the design resides in the features of shape or configuration of the lid illustrated in the accompanying representations.**



(21) Design Number: **11066/2010**

(22) Date of Filing Application: **24 March 2010**

(24) Date from which industrial property rights may have effect: **24 March 2010**

(54) Product in respect of which the design is registered: **A stud**

(51) International Design Classification: **08-08B**

(71) Name(s) and Address(s) of Applicant(s):

Peer Intellectual Properties Pty Ltd

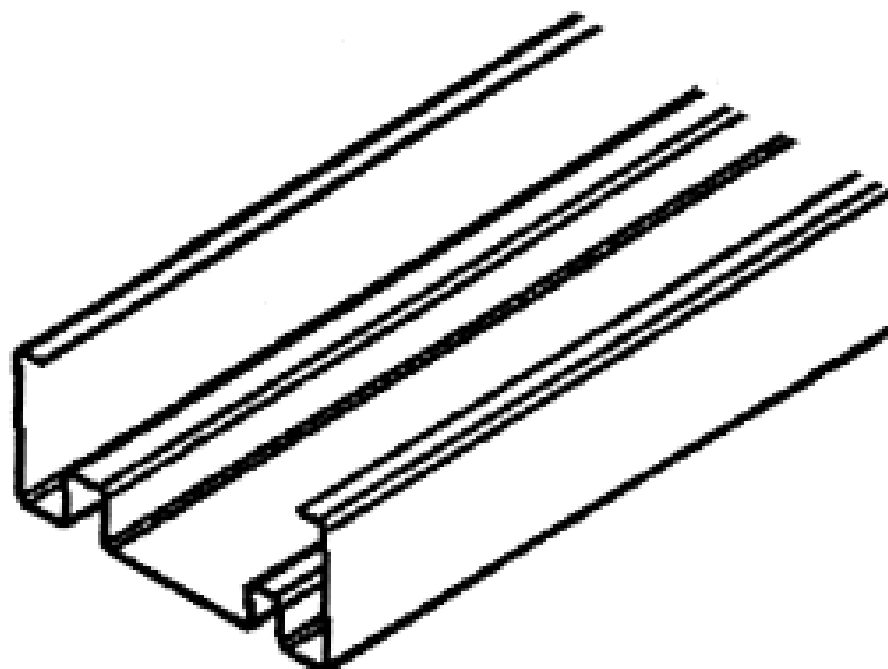
Cnr Quindus St & Spanns Road Beenleigh Queensland 4207 Australia

(72) Name(s) of Designer(s): **Stephen Charles Bean**

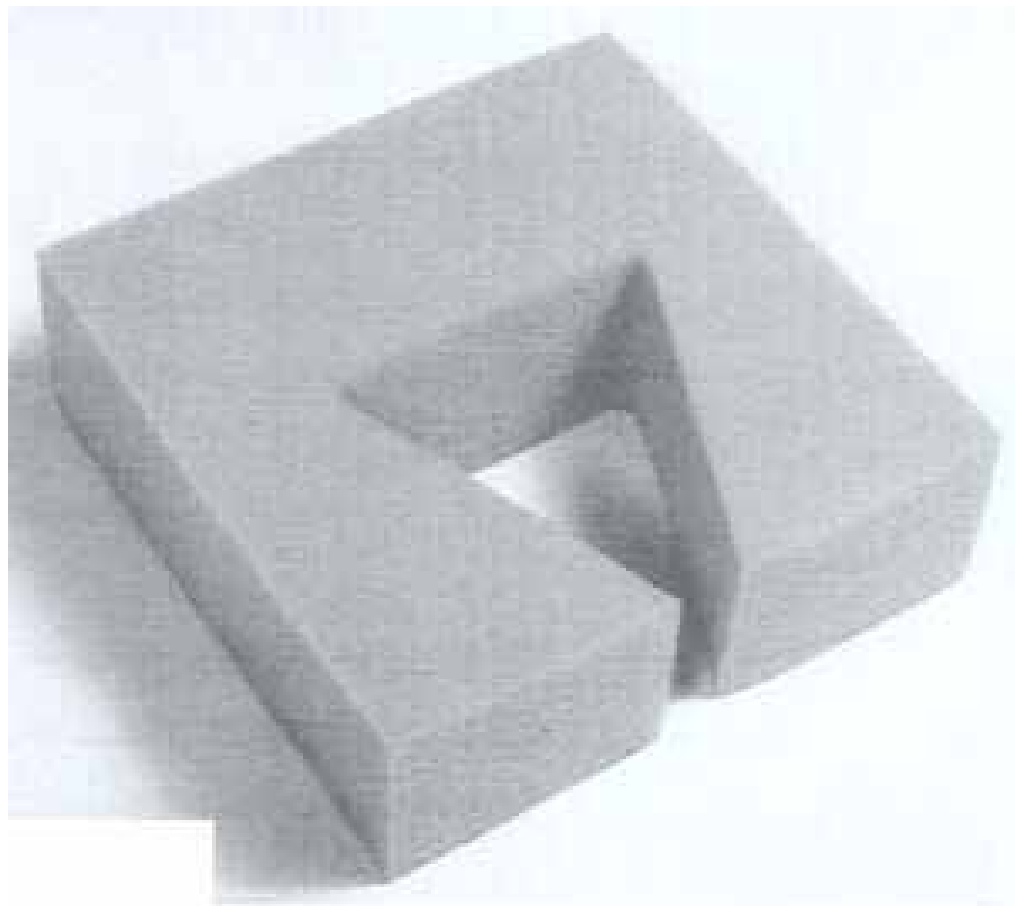
(45) Registration Date: **23 April 2010**

(56) Related Art Documents: **Not Applicable**

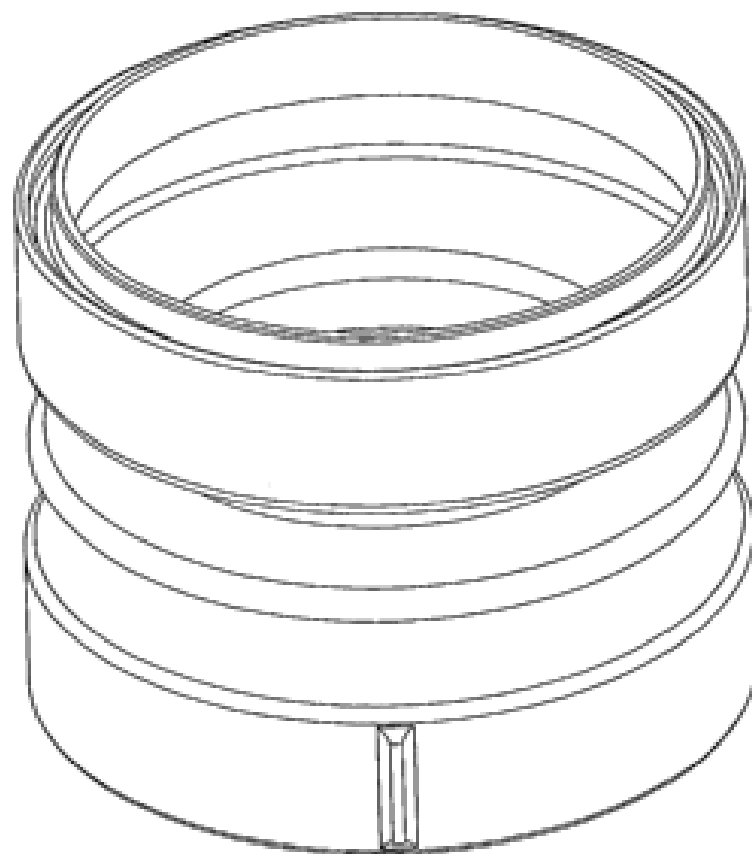
(57) Statement of Newness and Distinctiveness: **Newness and distinctiveness is claimed in the shape and/or configuration of the stud as shown in the accompanying representations. The stud is of indefinite length.**



- (21) Design Number: **11068/2010**
(22) Date of Filing Application: **26 March 2010**
(24) Date from which industrial property rights may have effect: **26 March 2010**
(54) Product in respect of which the design is registered: **A cushion**
(51) International Design Classification: **06-09**
(71) Name(s) and Address(s) of Applicant(s):
Parnham & Associates Pty Ltd
234 Centre Dandenong Road Cheltenham Victoria 3192 Australia
(72) Name(s) of Designer(s): **Leon Parnham**
(45) Registration Date: **23 April 2010**
(56) Related Art Documents: **Not Applicable**
(57) Statement of Newness and Distinctiveness: **Monopoly is claimed in the shape and configuration of a cushion as shown in the photographs.**



- (21) Design Number: **11211/2010**
(22) Date of Filing Application: **01 April 2010**
(24) Date from which industrial property rights may have effect: **01 April 2010**
(54) Product in respect of which the design is registered: **Coupling boot**
(51) International Design Classification: **23-01A**
(71) Name(s) and Address(s) of Applicant(s):
Thompson Couplings Limited
PO Box 285 Orange New South Wales 2800 Australia
(72) Name(s) of Designer(s): **David Farrell and Len Kosharek and Jean Pigeon and Timothy Ian Smith**
(45) Registration Date: **23 April 2010**
(56) Related Art Documents: **Not Applicable**
(57) Statement of Newness and Distinctiveness: **Newness and distinctiveness resides in the shape and/or configuration of a Coupling Boot as shown in the drawings.**



(21) Design Number: **11085/2010**

(22) Date of Filing Application: **26 March 2010**

(24) Date from which industrial property rights may have effect: **26 March 2010**

(54) Product in respect of which the design is registered: **Transformable toy**

(51) International Design Classification: **21-01A**

(71) Name(s) and Address(s) of Applicant(s):

Spin Master Ltd
450 Front Street West Toronto Ontario M5V 1B6 Canada

(72) Name(s) of Designer(s): **Wataru Sato and Kohji Hirose and Richard Keuter**

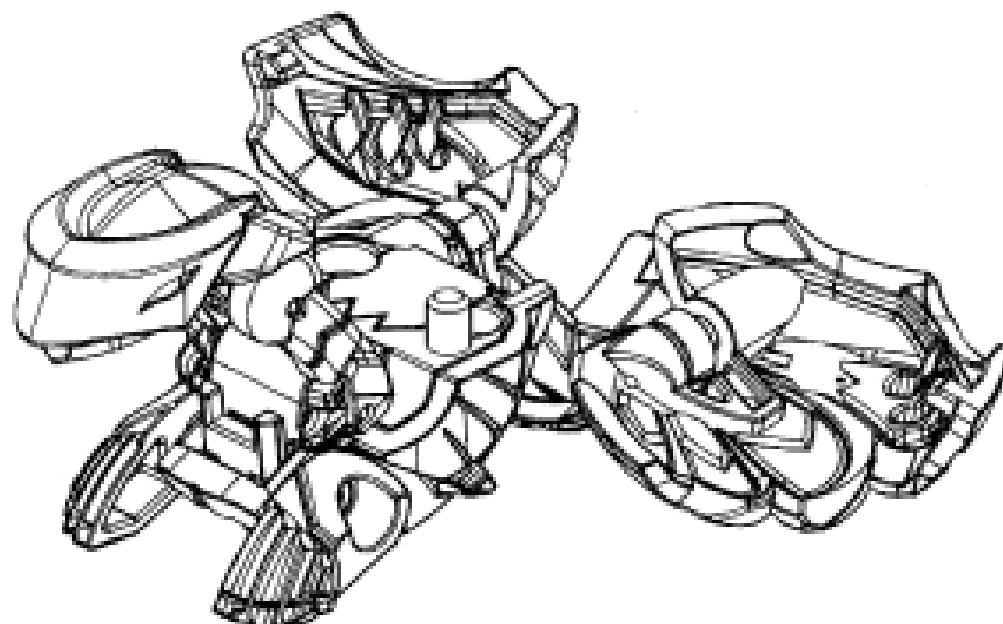
(45) Registration Date: **22 April 2010**

(30) Convention priority data:

(31) Number	(32) Date	(33) Country
132770	03 Nov 2009	CANADA

(56) Related Art Documents: **Not Applicable**

(57) Statement of Newness and Distinctiveness: **The newness and distinctiveness of the design resides in the shape and/or configuration of the transformable toy as shown in the representations.**



(21) Design Number: **11086/2010**

(22) Date of Filing Application: **29 March 2010**

(24) Date from which industrial property rights may have effect: **29 March 2010**

(54) Product in respect of which the design is registered: **"Nip Tuck" Bikini Top**

(51) International Design Classification: **02-02A**

(71) Name(s) and Address(s) of Applicant(s):

The Australian Swimwear Company Pty Ltd
Suite 9 Level 3 50 Holt Street Surry Hills New South Wales 2010
Australia

(72) Name(s) of Designer(s): **Tash Sassoon**

(45) Registration Date: **22 April 2010**

(56) Related Art Documents: **Not Applicable**

(57) Statement of Newness and Distinctiveness: **The feature we would like to register as a design is the ruching along the neck edge of the garment. Not only do we believe this is a unique look to a swimwear garment but it's functionality is important also. The ruching allows the garment to be drawn into the body for a more adjustable fit, by pulling the front ties.**



(21) Design Number: **11087/2010**

(22) Date of Filing Application: **29 March 2010**

(24) Date from which industrial property rights may have effect: **29 March 2010**

(54) Product in respect of which the design is registered: **"Nip Tuck" Tankini**

(51) International Design Classification: **02-02A**

(71) Name(s) and Address(s) of Applicant(s):

**The Australian Swimwear Company Pty Ltd
Suite 9 Level 3 50 Holt Street Surry Hills New South Wales 2010
Australia**

(72) Name(s) of Designer(s): **Tash Sassoon**

(45) Registration Date: **22 April 2010**

(56) Related Art Documents: **Not Applicable**

(57) Statement of Newness and Distinctiveness: **The feature we would like to register as a design is the ruching along the neck edge of the garment. Not only do we believe this is a unique look to a swimwear garment but it's functionality is important also. The ruching allows the garment to be drawn into the body for a more adjustable fit, by pulling the front ties.**



(21) Design Number: **11088/2010**

(22) Date of Filing Application: **29 March 2010**

(24) Date from which industrial property rights may have effect: **29 March 2010**

(54) Product in respect of which the design is registered: **"Nip Tuck" 1 Piece swimwear**

(51) International Design Classification: **02-02A**

(71) Name(s) and Address(s) of Applicant(s):

**The Australian Swimwear Company Pty Ltd
Suite 9 Level 3 50 Holt Street Surry Hills New South Wales 2010
Australia**

(72) Name(s) of Designer(s): **Tash Sassoon**

(45) Registration Date: **22 April 2010**

(56) Related Art Documents: **Not Applicable**

(57) Statement of Newness and Distinctiveness: **The feature we would like to register as a design is the ruching along the neck edge of the garment. Not only do we believe this is a unique look to a swimwear garment but it's functionality is important also. The ruching allows the garment to be drawn into the body for a more adjustable fit, by pulling the front ties.**



(21) Design Number: **10938/2010**

(22) Date of Filing Application: **18 March 2010**

(24) Date from which industrial property rights may have effect: **18 March 2010**

(54) Product in respect of which the design is registered: **Tents for use by children to be placed on and around various types of tables**

(51) International Design Classification: **21-04**

(71) Name(s) and Address(s) of Applicant(s):

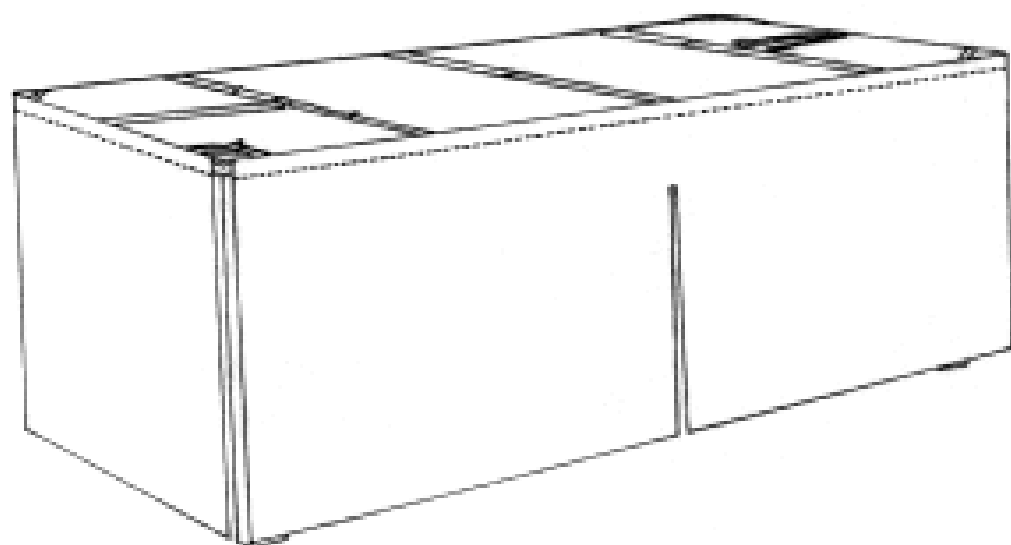
**Go Home Lifestyle Products Pty Ltd
Unit 9 21-29 Chester Street Camperdown New South Wales 2050
Australia**

(72) Name(s) of Designer(s): **Simon Bando**

(45) Registration Date: **22 April 2010**

(56) Related Art Documents: **Not Applicable**

(57) Statement of Newness and Distinctiveness: **For table tents design features A.) Adjustable channel strap with toggle system. An adjustable strap that runs along a channel connecting the four panel peices is a main design feature. The strap enters and exists at the same central point of one of the side panels. At this point there is a toggle which allows the user to tighten or loosen the strap accordingly, in order to secure the table tent around the outside edge of a table. B.) Adjustable Velcro straps 2 x Velcro straps (secured across the top), that adjusts the width of the table. 1 x 3 point harness system that includes 3 x Velcro straps connected by a metal ring. 4 x corner Velcro straps - these are located on each corner of the top of the table tent to secure the table tent from falling down at the table edges. C.) Construction The design consists of 4 separate panels held together by the threaded channel strap. No vertical seams of the panel are sewn together. The two longer panels are split down the centre up three quarters of the way to the top, allowing a focal entrance point to the tents. However, each panel can be lifted separately to enter the tent. The purpose of the adjustable strap system is to enable the table tents to be adjustable for a variety of table lengths and widths. D.) Material Made out of either 100% cotton, PVC and/or polyester.**



(21) Design Number: **11089/2010**

(22) Date of Filing Application: **29 March 2010**

(24) Date from which industrial property rights may have effect: **29 March 2010**

(54) Product in respect of which the design is registered: **Components for electrical installations; equipment for distribution or control of electric power; holder for**

(51) International Design Classification: **13-03NES**

(71) Name(s) and Address(s) of Applicant(s):

**Elsteel (Private) Ltd.
Spur Road 2 Phase 1 EPZ Katunayake Western 11420 Sri Lanka**

(72) Name(s) of Designer(s): **Erik Landsperg Logstrup**

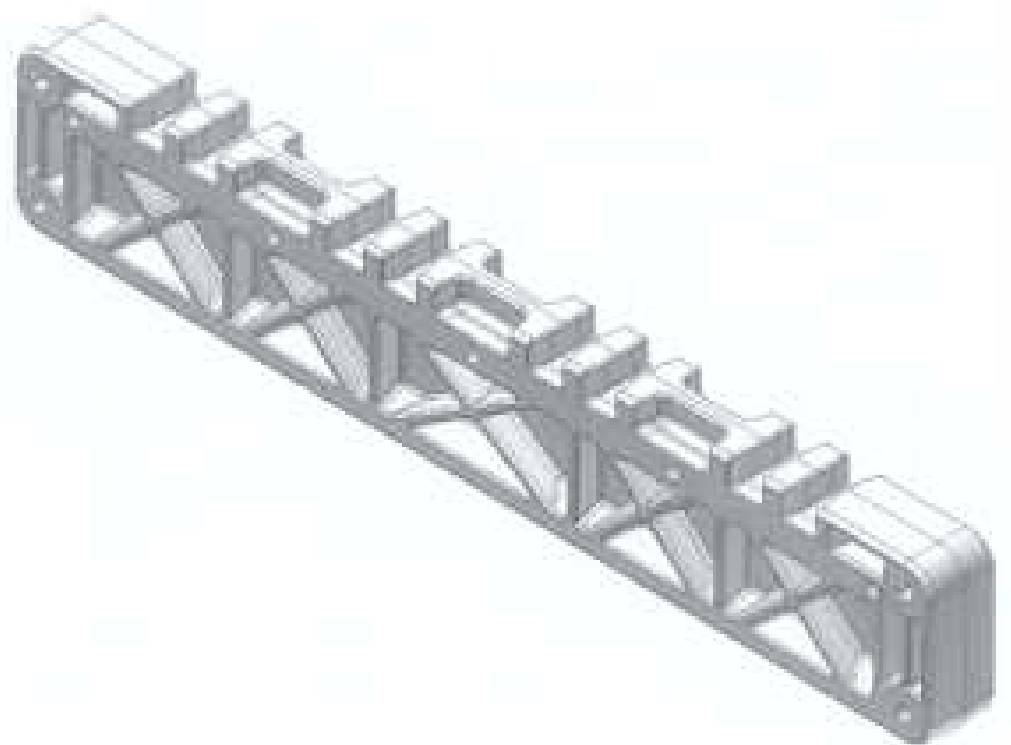
(45) Registration Date: **22 April 2010**

(30) Convention priority data:

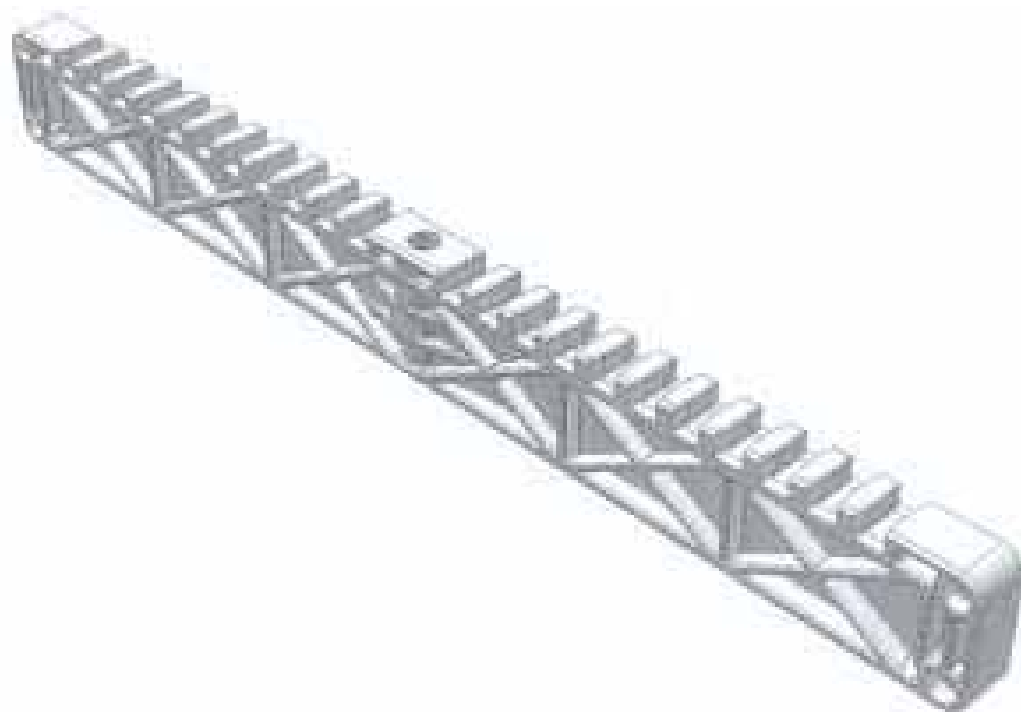
(31) Number	(32) Date	(33) Country
001684705	22 Mar 2010	EUROPEAN COMMUNITY

(56) Related Art Documents: **Not Applicable**

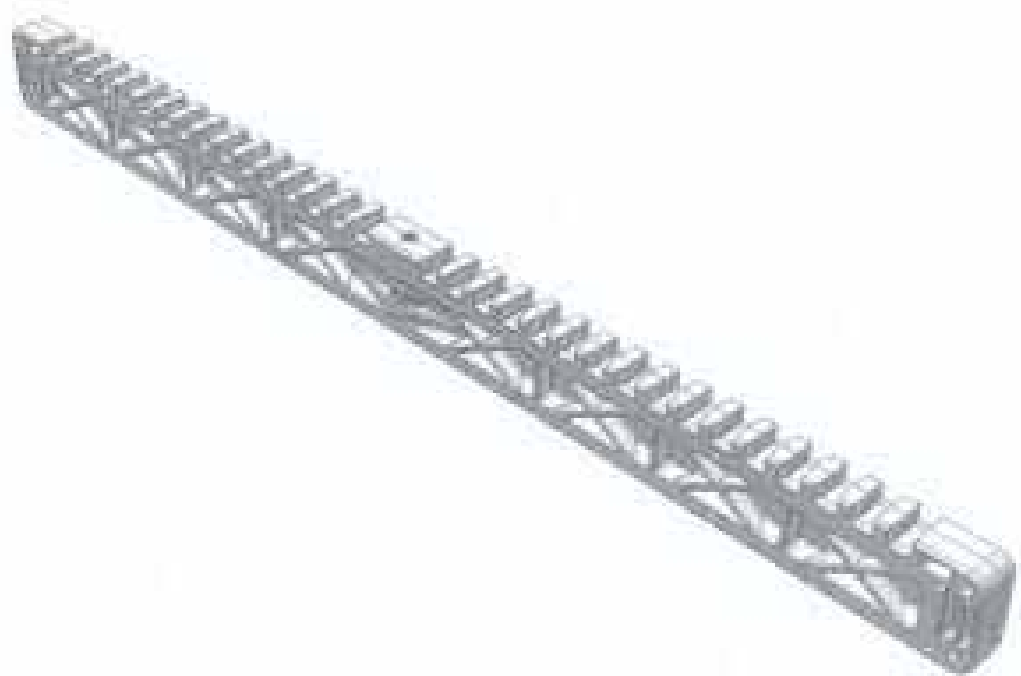
(57) Statement of Newness and Distinctiveness: **Nil**



- (21) Design Number: **11090/2010**
(22) Date of Filing Application: **29 March 2010**
(24) Date from which industrial property rights may have effect: **29 March 2010**
(54) Product in respect of which the design is registered: **Components for electrical installations; equipment for distribution or control of electric power; holder for**
(51) International Design Classification: **13-03NES**
(71) Name(s) and Address(s) of Applicant(s):
Elsteel (Private) Ltd.
Spur Road 2 Phase 1 EPZ Katunayake Western 11420 Sri Lanka
(72) Name(s) of Designer(s): **Erik Landsperg Logstrup**
(45) Registration Date: **22 April 2010**
(30) Convention priority data:
(31) Number (32) Date (33) Country
001684705 22 Mar 2010 EUROPEAN COMMUNITY
(56) Related Art Documents: **Not Applicable**
(57) Statement of Newness and Distinctiveness: **Nil**



- (21) Design Number: **11091/2010**
(22) Date of Filing Application: **29 March 2010**
(24) Date from which industrial property rights may have effect: **29 March 2010**
(54) Product in respect of which the design is registered: **Components for electrical installations; equipment for distribution or control of electric power; holder for**
(51) International Design Classification: **13-03NES**
(71) Name(s) and Address(s) of Applicant(s):
Elsteel (Private) Ltd.
Spur Road 2 Phase 1 EPZ Katunayake Western 11420 Sri Lanka
(72) Name(s) of Designer(s): **Erik Landsperg Logstrup**
(45) Registration Date: **22 April 2010**
(30) Convention priority data:
(31) Number (32) Date (33) Country
001684705 22 Mar 2010 EUROPEAN COMMUNITY
(56) Related Art Documents: **Not Applicable**
(57) Statement of Newness and Distinctiveness: **Nil**



(21) Design Number: **11094/2010**

(22) Date of Filing Application: **29 March 2010**

(24) Date from which industrial property rights may have effect: **29 March 2010**

(54) Product in respect of which the design is registered: **A pneumatic tyre**

(51) International Design Classification: **12-15B**

(71) Name(s) and Address(s) of Applicant(s):

Societe De Technologie Michelin
23 rue Breschet F-63000 Clermont-Ferrand Cedex France

Michelin Recherche et Technique S.A.
Route Louis Braille 10 et 12 CH-1763 Granges-Paccot Switzerland

(72) Name(s) of Designer(s): **Didier Michel Martin**

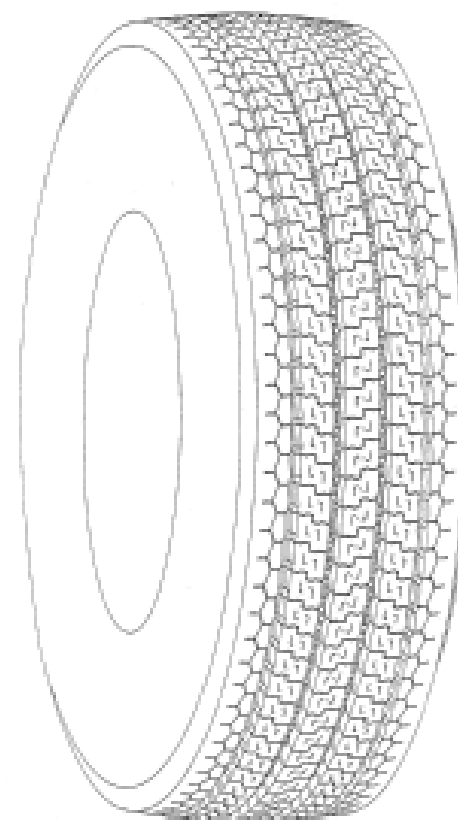
(45) Registration Date: **23 April 2010**

(30) Convention priority data:

(31) Number	(32) Date	(33) Country
09/4771	05 Oct 2009	FRANCE

(56) Related Art Documents: **Not Applicable**

(57) Statement of Newness and Distinctiveness: **Newness and distinctiveness resides in the shape and appearance of the tread region of the tyre, with remainder of the tyre not forming part of the design.**



(21) Design Number: **11095/2010**

(22) Date of Filing Application: **29 March 2010**

(24) Date from which industrial property rights may have effect: **29 March 2010**

(54) Product in respect of which the design is registered: **Furniture**

(51) International Design Classification: **06-02**

(71) Name(s) and Address(s) of Applicant(s):

Boori International Pty Ltd
18-20 Charles Street St Marys New South Wales 2760 Australia

(72) Name(s) of Designer(s): **Justin Chui**

(45) Registration Date: **23 April 2010**

(56) Related Art Documents: **Not Applicable**

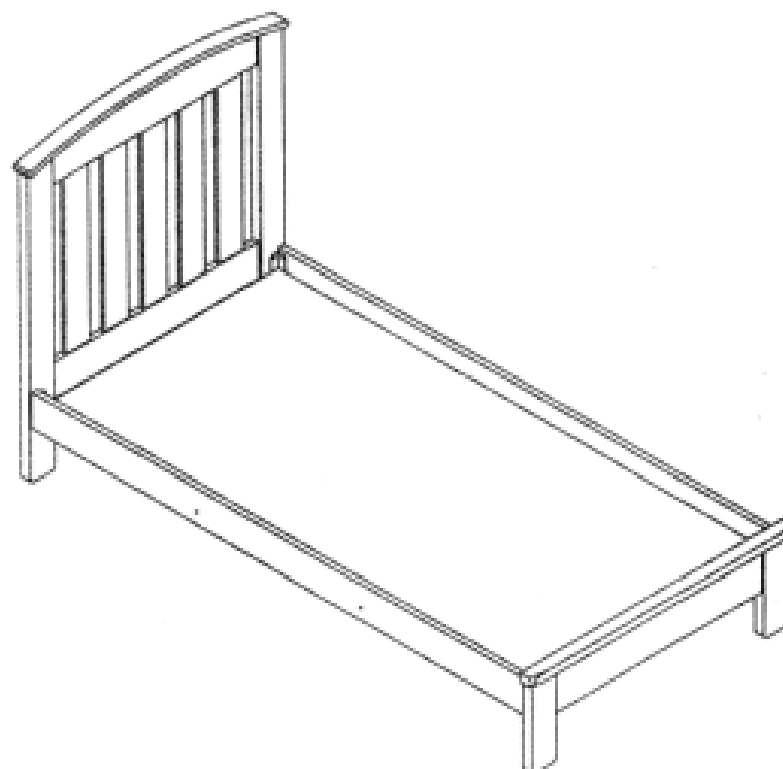
(57) Statement of Newness and Distinctiveness: **Newness and distinctiveness of the design is claimed in the features of shape and configuration applicable to an item of furniture. The design is adapted to be reconfigured into three forms, as shown in the accompanying representations.**



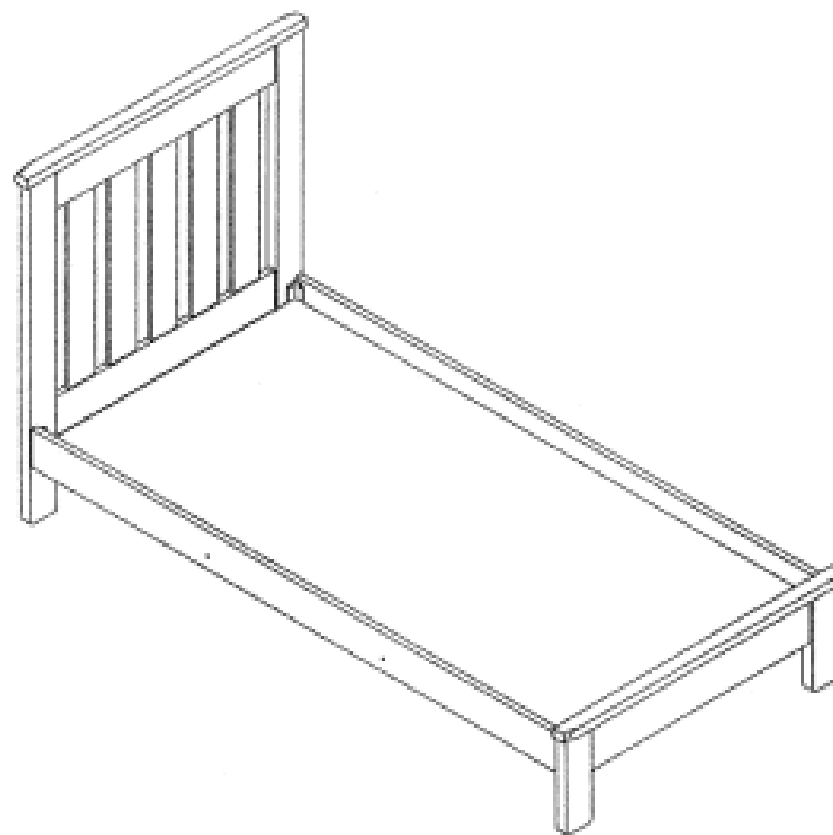
- (21) Design Number: **11096/2010**
(22) Date of Filing Application: **29 March 2010**
(24) Date from which industrial property rights may have effect: **29 March 2010**
(54) Product in respect of which the design is registered: **Furniture**
(51) International Design Classification: **06-04NES**
(71) Name(s) and Address(s) of Applicant(s):
Boori International Pty Ltd
18-20 Charles Street St Marys New South Wales 2760 Australia
(72) Name(s) of Designer(s): **Justin Chui**
(45) Registration Date: **23 April 2010**
(56) Related Art Documents: **Not Applicable**
(57) Statement of Newness and Distinctiveness: **Newness and distinctiveness of the design is claimed in the features of shape and configuration applicable to an item of furniture. The design is adapted to be reconfigured into two forms, as shown in the accompanying representations.**



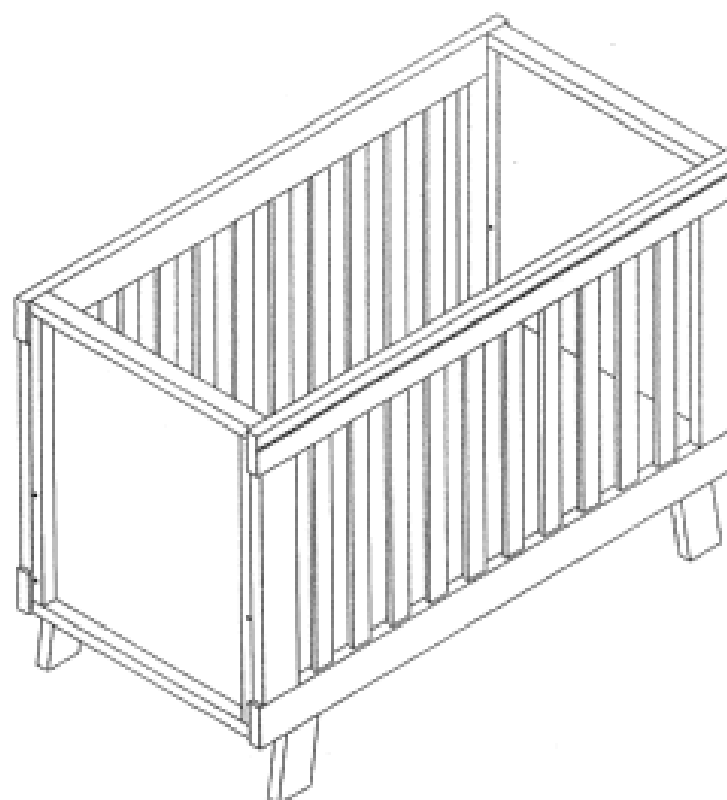
- (21) Design Number: **11097/2010**
(22) Date of Filing Application: **29 March 2010**
(24) Date from which industrial property rights may have effect: **29 March 2010**
(54) Product in respect of which the design is registered: **Bed**
(51) International Design Classification: **06-02**
(71) Name(s) and Address(s) of Applicant(s):
Boori International Pty Ltd
18-20 Charles Street St Marys New South Wales 2760 Australia
(72) Name(s) of Designer(s): **Justin Chui**
(45) Registration Date: **23 April 2010**
(56) Related Art Documents: **Not Applicable**
(57) Statement of Newness and Distinctiveness: **Nil**



- (21) Design Number: **11098/2010**
(22) Date of Filing Application: **29 March 2010**
(24) Date from which industrial property rights may have effect: **29 March 2010**
(54) Product in respect of which the design is registered: **Bed**
(51) International Design Classification: **06-02**
(71) Name(s) and Address(s) of Applicant(s):
Boori International Pty Ltd
18-20 Charles Street St Marys New South Wales 2760 Australia
(72) Name(s) of Designer(s): **Justin Chui**
(45) Registration Date: **23 April 2010**
(56) Related Art Documents: **Not Applicable**
(57) Statement of Newness and Distinctiveness: **Nil**



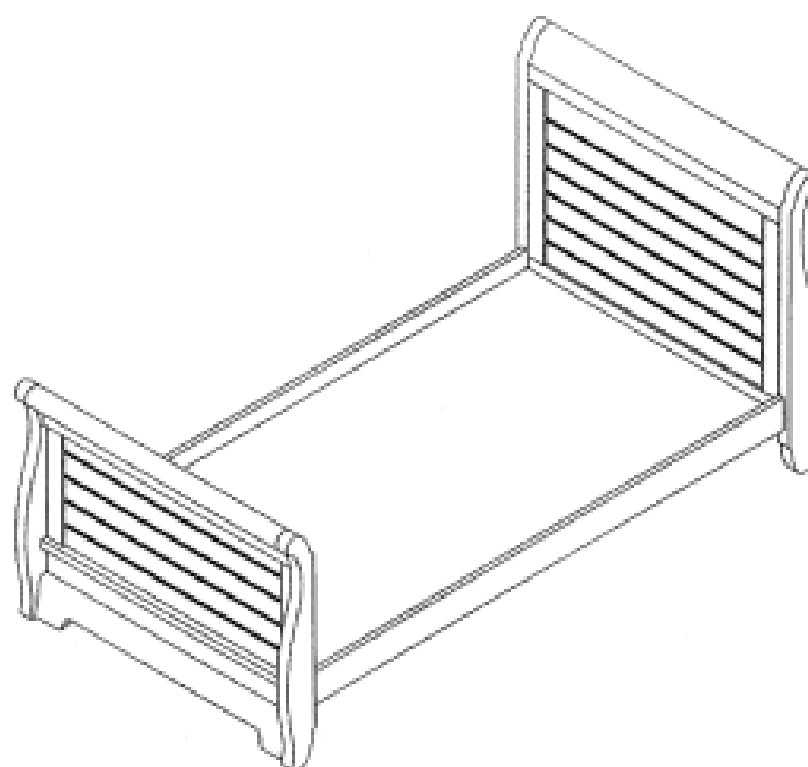
- (21) Design Number: **11099/2010**
(22) Date of Filing Application: **29 March 2010**
(24) Date from which industrial property rights may have effect: **29 March 2010**
(54) Product in respect of which the design is registered: **Furniture**
(51) International Design Classification: **06-02**
(71) Name(s) and Address(s) of Applicant(s):
Boori International Pty Ltd
18-20 Charles Street St Marys New South Wales 2760 Australia
(72) Name(s) of Designer(s): **Justin Chui**
(45) Registration Date: **23 April 2010**
(56) Related Art Documents: **Not Applicable**
(57) Statement of Newness and Distinctiveness: **Newness and distinctiveness of the design is claimed in the features of shape and configuration applicable to an item of furniture. The design is adapted to be reconfigured into three forms, as shown in the accompanying representations.**



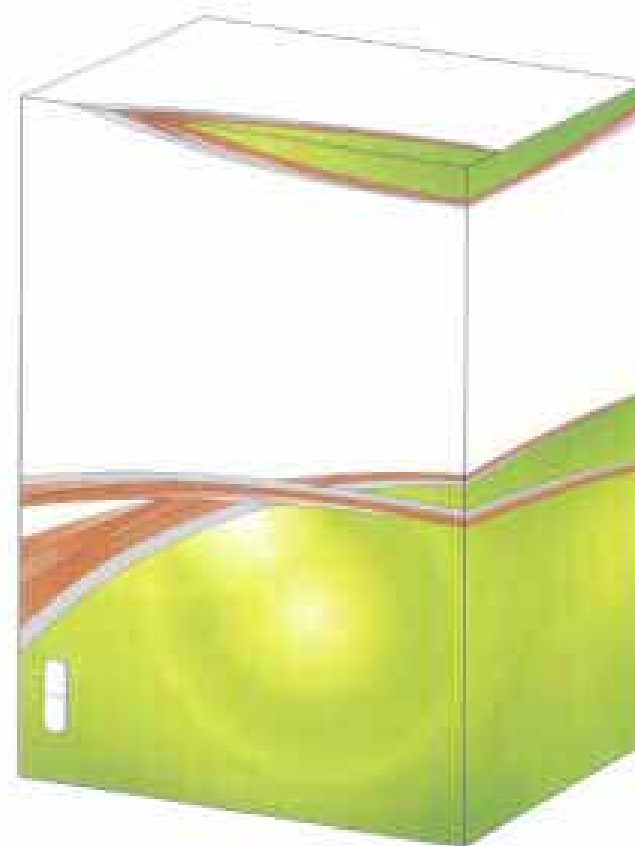
- (21) Design Number: **11100/2010**
(22) Date of Filing Application: **29 March 2010**
(24) Date from which industrial property rights may have effect: **29 March 2010**
(54) Product in respect of which the design is registered: **Furniture**
(51) International Design Classification: **06-02**
(71) Name(s) and Address(s) of Applicant(s):
Boori International Pty Ltd
18-20 Charles Street St Marys New South Wales 2760 Australia
(72) Name(s) of Designer(s): **Justin Chui**
(45) Registration Date: **23 April 2010**
(56) Related Art Documents: **Not Applicable**
(57) Statement of Newness and Distinctiveness: **Newness and distinctiveness of the design is claimed in the features of shape and configuration applicable to an item of furniture. The design is adapted to be reconfigured into three forms, as shown in the accompanying representations.**



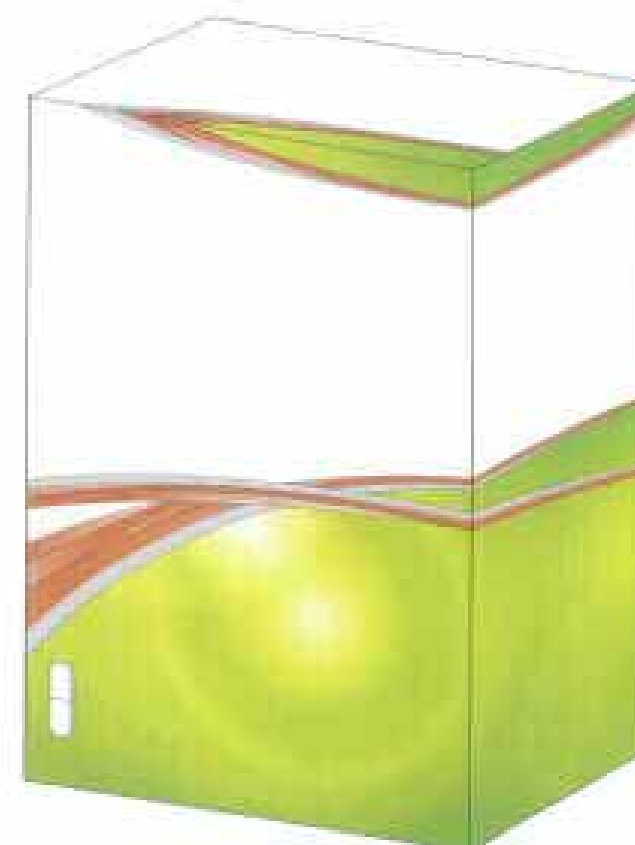
- (21) Design Number: **11101/2010**
(22) Date of Filing Application: **29 March 2010**
(24) Date from which industrial property rights may have effect: **29 March 2010**
(54) Product in respect of which the design is registered: **Bed**
(51) International Design Classification: **06-02**
(71) Name(s) and Address(s) of Applicant(s):
Boori International Pty Ltd
18-20 Charles Street St Marys New South Wales 2760 Australia
(72) Name(s) of Designer(s): **Justin Chui**
(45) Registration Date: **23 April 2010**
(56) Related Art Documents: **Not Applicable**
(57) Statement of Newness and Distinctiveness: **Nil**



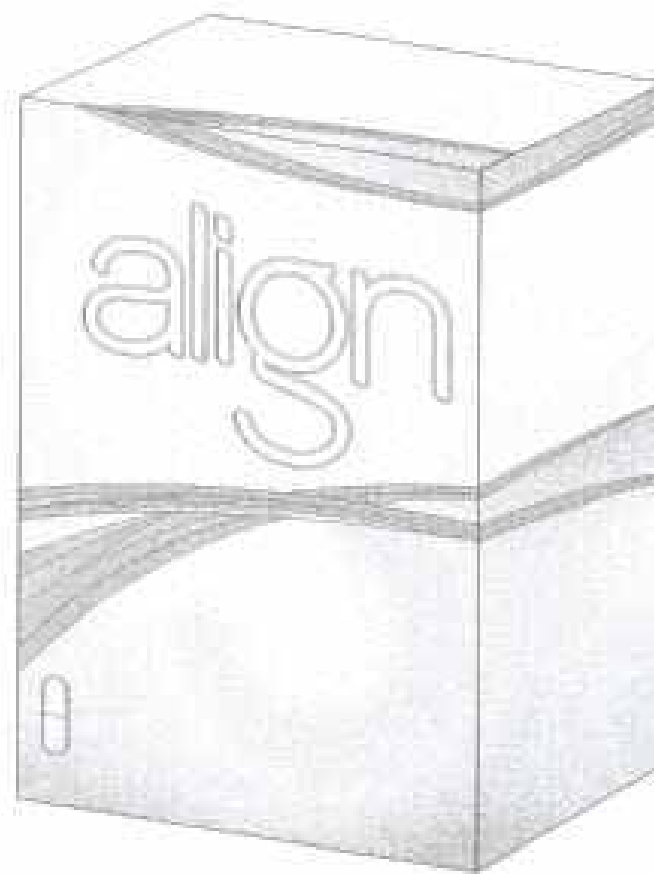
- (21) Design Number: **11128/2010**
(22) Date of Filing Application: **30 March 2010**
(24) Date from which industrial property rights may have effect: **30 March 2010**
(54) Product in respect of which the design is registered: **Packaging for a container**
(51) International Design Classification: **09-03M**
(71) Name(s) and Address(s) of Applicant(s):
The Procter & Gamble Company
One Procter & Gamble Plaza Cincinnati Ohio 45202 United States of America
(72) Name(s) of Designer(s): **Alexis M. Schrimpf and Thomas John Teukulve and Jennifer Frankovich Rippe and Molly Ann Hablutzel and Rick Mariani and John Stephen Eadicicco**
(45) Registration Date: **27 April 2010**
(30) Convention priority data:
(31) Number (32) Date (33) Country
29/344,787 05 Oct 2009 UNITED STATES OF AMERICA
(56) Related Art Documents: **Not Applicable**
(57) Statement of Newness and Distinctiveness: **Those features of the packaging for a container depicted in the representations that are new and distinctive are the pattern and/or ornamentation.**



- (21) Design Number: **11129/2010**
(22) Date of Filing Application: **30 March 2010**
(24) Date from which industrial property rights may have effect: **30 March 2010**
(54) Product in respect of which the design is registered: **Packaging for a container**
(51) International Design Classification: **09-03M**
(71) Name(s) and Address(s) of Applicant(s):
The Procter & Gamble Company
One Procter & Gamble Plaza Cincinnati Ohio 45202 United States of America
(72) Name(s) of Designer(s): **Alexis M. Schrimpf and Thomas John Teukulve and Jennifer Frankovich Rippe and Molly Ann Hablutzel and Rick Mariani and John Stephen Eadicicco**
(45) Registration Date: **27 April 2010**
(30) Convention priority data:
(31) Number (32) Date (33) Country
29/344/787 05 Oct 2009 UNITED STATES OF AMERICA
(56) Related Art Documents: **Not Applicable**
(57) Statement of Newness and Distinctiveness: **Those features of the packaging for a container depicted in the representations that are new and distinctive are the pattern and/or ornamentation. The broken lines are not part of the design and are to be disregarded when considering the overall impression of the design.**



- (21) Design Number: **11130/2010**
(22) Date of Filing Application: **30 March 2010**
(24) Date from which industrial property rights may have effect: **30 March 2010**
(54) Product in respect of which the design is registered: **Packaging for a container**
(51) International Design Classification: **09-03M**
(71) Name(s) and Address(s) of Applicant(s):
The Procter & Gamble Company
One Procter & Gamble Plaza Cincinnati Ohio 45202 United States of America
(72) Name(s) of Designer(s): **Alexis M. Schrimpf and Thomas John Teukulve and Jennifer Frankovich Rippe and Molly Ann Hablutzel and Rick Mariani and John Stephen Eadicicco**
(45) Registration Date: **27 April 2010**
(30) Convention priority data:
(31) Number (32) Date (33) Country
29/344,787 05 Oct 2009 UNITED STATES OF AMERICA
(56) Related Art Documents: **Not Applicable**
(57) Statement of Newness and Distinctiveness: **Those features of the packaging for a container depicted in the representations that are new and distinctive are the pattern and/or ornamentation. The stippling shown in Figs. 1-9 represents a colour, but not a particular colour. The word "align" is an embossed brand name.**

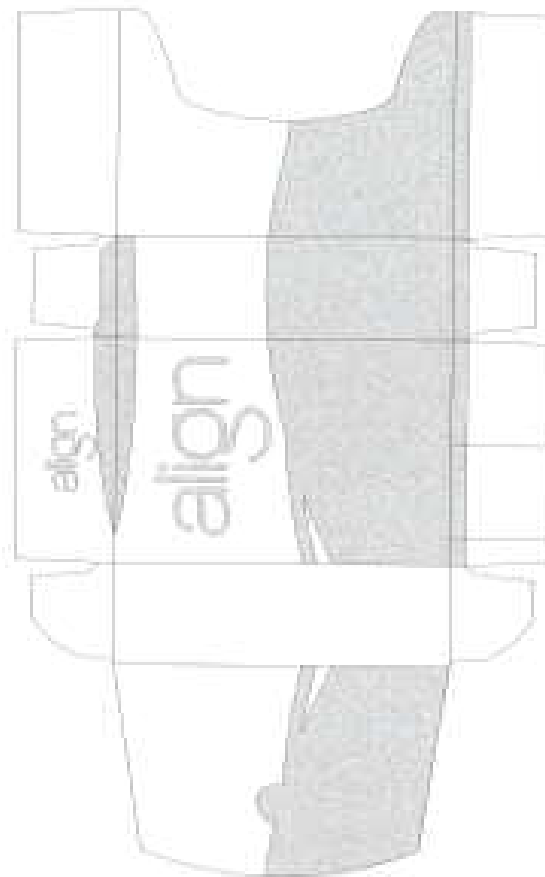


- (21) Design Number: **11131/2010**
(22) Date of Filing Application: **30 March 2010**
(24) Date from which industrial property rights may have effect: **30 March 2010**
(54) Product in respect of which the design is registered: **Packaging for a container**
(51) International Design Classification: **09-03M**
(71) Name(s) and Address(s) of Applicant(s):
The Procter & Gamble Company
One Procter & Gamble Plaza Cincinnati Ohio 45202 United States of America
(72) Name(s) of Designer(s): **Alexis M. Schrimpf and Thomas John Teukulve and Jennifer Frankovich Rippe and Molly Ann Hablutzel and Rick Mariani and John Stephen Eadicicco**
(45) Registration Date: **27 April 2010**
(30) Convention priority data:
(31) Number (32) Date (33) Country
29/344,787 05 Oct 2009 UNITED STATES OF AMERICA
(56) Related Art Documents: **Not Applicable**
(57) Statement of Newness and Distinctiveness: **Those features of the packaging for a container depicted in the representations that are new and distinctive are the pattern and/or ornamentation. The stippling shown in Figs. 1-7 represents a colour, but not a particular colour. The word "align" is an embossed brand name. The features shown in broken line are not part of the design and are to be disregarded when considering the overall impression of the design.**



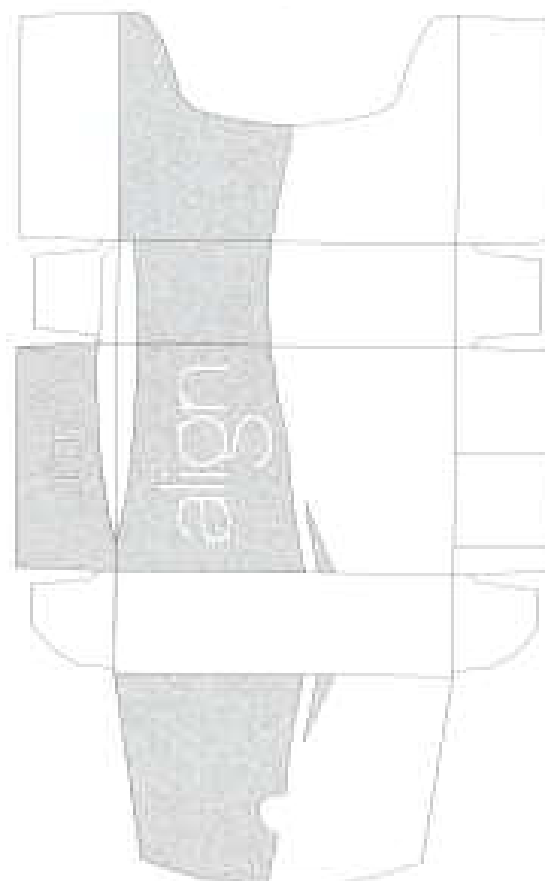
- (21) Design Number: **11132/2010**
- (22) Date of Filing Application: **30 March 2010**
- (24) Date from which industrial property rights may have effect: **30 March 2010**
- (54) Product in respect of which the design is registered: **Packaging blank**
- (51) International Design Classification: **09-03M**
- (71) Name(s) and Address(s) of Applicant(s):
The Procter & Gamble Company
One Procter & Gamble Plaza Cincinnati Ohio 45202 United States of America
- (72) Name(s) of Designer(s): **Alexis M. Schrimpf and Thomas John Teukulve and Jennifer Frankovich Rippe and Molly Ann Hablutzel and Rick Mariani and John Stephen Eadicicco**
- (45) Registration Date: **27 April 2010**
- (30) Convention priority data:

(31) Number	(32) Date	(33) Country
29/344,787	05 Oct 2009	UNITED STATES OF AMERICA
- (56) Related Art Documents: **Not Applicable**
- (57) Statement of Newness and Distinctiveness: **Those features of the packaging blank depicted in the representations that are new and distinctive is the surface ornamentation. The stippling represents a glossy finish.**



- (21) Design Number: **11133/2010**
- (22) Date of Filing Application: **30 March 2010**
- (24) Date from which industrial property rights may have effect: **30 March 2010**
- (54) Product in respect of which the design is registered: **Packaging blank**
- (51) International Design Classification: **09-03M**
- (71) Name(s) and Address(s) of Applicant(s):
The Procter & Gamble Company
One Procter & Gamble Plaza Cincinnati Ohio 45202 United States of America
- (72) Name(s) of Designer(s): **Alexis M. Schrimpf and Thomas John Teukulve and Jennifer Frankovich Rippe and Molly Ann Hablutzel and Rick Mariani and John Stephen Eadicicco**
- (45) Registration Date: **27 April 2010**
- (30) Convention priority data:

(31) Number	(32) Date	(33) Country
29/344,787	05 Oct 2009	UNITED STATES OF AMERICA
- (56) Related Art Documents: **Not Applicable**
- (57) Statement of Newness and Distinctiveness: **Those features of the packaging blank depicted in the representations that are new and distinctive is the surface ornamentation. The stippling represents a matte type finish.**



(19) AU

(21) Design Number: 11134/2010

(22) Date of Filing Application: 30 March 2010

(24) Date from which industrial property rights may have effect: 30 March 2010

(54) Product in respect of which the design is registered: Packaging blank

(51) International Design Classification: 09-03M

(71) Name(s) and Address(s) of Applicant(s):

The Procter & Gamble Company
One Procter & Gamble Plaza Cincinnati Ohio 45202 United States of America

(72) Name(s) of Designer(s): **Alexis M. Schrimpf and Thomas John Teukulve and Jennifer Frankovich Rippe and Molly Ann Hablutzel and Rick Mariani and John Stephen Eadicicco**

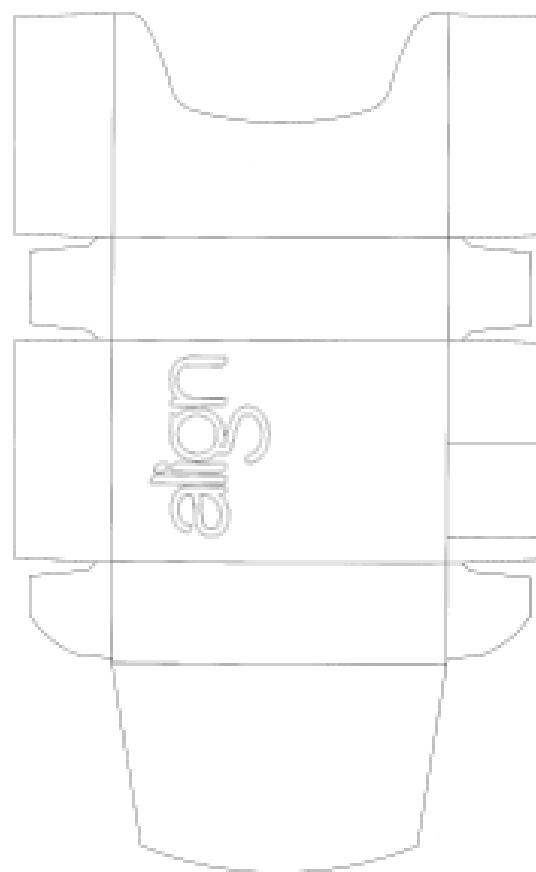
(45) Registration Date: 27 April 2010

(30) Convention priority data:

(31) Number	(32) Date	(33) Country
29/344,787	05 Oct 2009	UNITED STATES OF AMERICA

(56) Related Art Documents: **Not Applicable**

(57) Statement of Newness and Distinctiveness: **Those features of the packaging blank depicted in the representations that are new and distinctive is the surface ornamentation.**



(19) AU

(21) Design Number: 11137/2010

(22) Date of Filing Application: 30 March 2010

(24) Date from which industrial property rights may have effect: 30 March 2010

(54) Product in respect of which the design is registered: Golf ball

(51) International Design Classification: 21-02A

(71) Name(s) and Address(s) of Applicant(s):

David Edison
21 Beulah Road London E17 9LG United Kingdom

(72) Name(s) of Designer(s): **David Edison**

(45) Registration Date: 27 April 2010

(30) Convention priority data:

(31) Number	(32) Date	(33) Country
001620089-0001	06 Oct 2009	EUROPEAN COMMUNITY

(56) Related Art Documents: **Not Applicable**

(57) Statement of Newness and Distinctiveness: **Newness and distinctiveness is claimed in the features of shape and/or configuration and pattern and/or ornamentation of a golf ball as depicted in the accompanying drawings.**



(21) Design Number: **11138/2010**

(22) Date of Filing Application: **29 March 2010**

(24) Date from which industrial property rights may have effect: **29 March 2010**

(54) Product in respect of which the design is registered: **Handle**

(51) International Design Classification: **23-01H**

(71) Name(s) and Address(s) of Applicant(s):

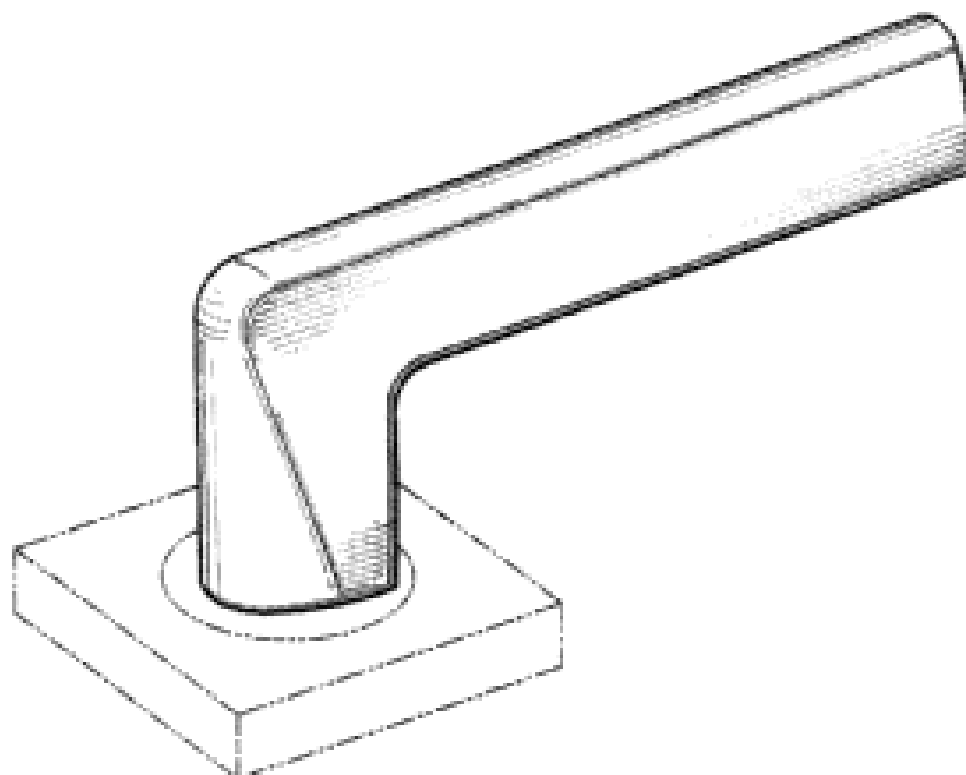
**Pittella Imports Pty Ltd
796 Glenferrie Road Hawthorn Victoria 3122 Australia**

(72) Name(s) of Designer(s): **Simone Pittella**

(45) Registration Date: **27 April 2010**

(56) Related Art Documents: **Not Applicable**

(57) Statement of Newness and Distinctiveness: **Newness and distinctiveness are provided by the shape and/or configuration of the design shown in the representations. The features shown in broken lines in the representations are for illustrative purposes only and should not be considered when construing visual features of the design.**



(21) Design Number: **11051/2010**

(22) Date of Filing Application: **25 March 2010**

(24) Date from which industrial property rights may have effect: **25 March 2010**

(54) Product in respect of which the design is registered: **Vacuum cleaner upright portion**

(51) International Design Classification: **15-05**

(71) Name(s) and Address(s) of Applicant(s):

**BISSELL Homecare, Inc
2345 Walker Avenue N.W. Grand Rapids Michigan 49544 United States of America**

(72) Name(s) of Designer(s): **Justin Benacquisto and Michael Luyckx and Douglas J. Medema**

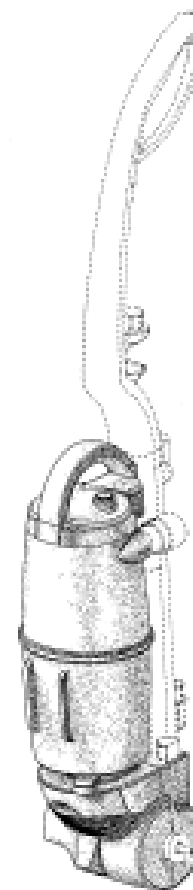
(45) Registration Date: **30 April 2010**

(30) Convention priority data:

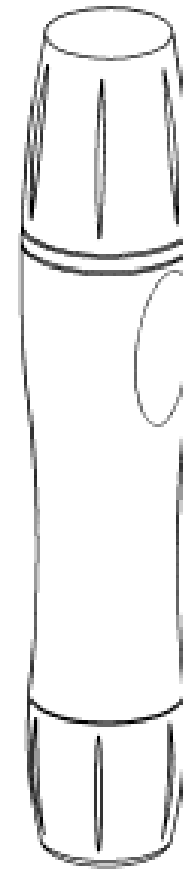
(31) Number	(32) Date	(33) Country
29/353,874	15 Jan 2010	UNITED STATES OF AMERICA

(56) Related Art Documents: **Not Applicable**

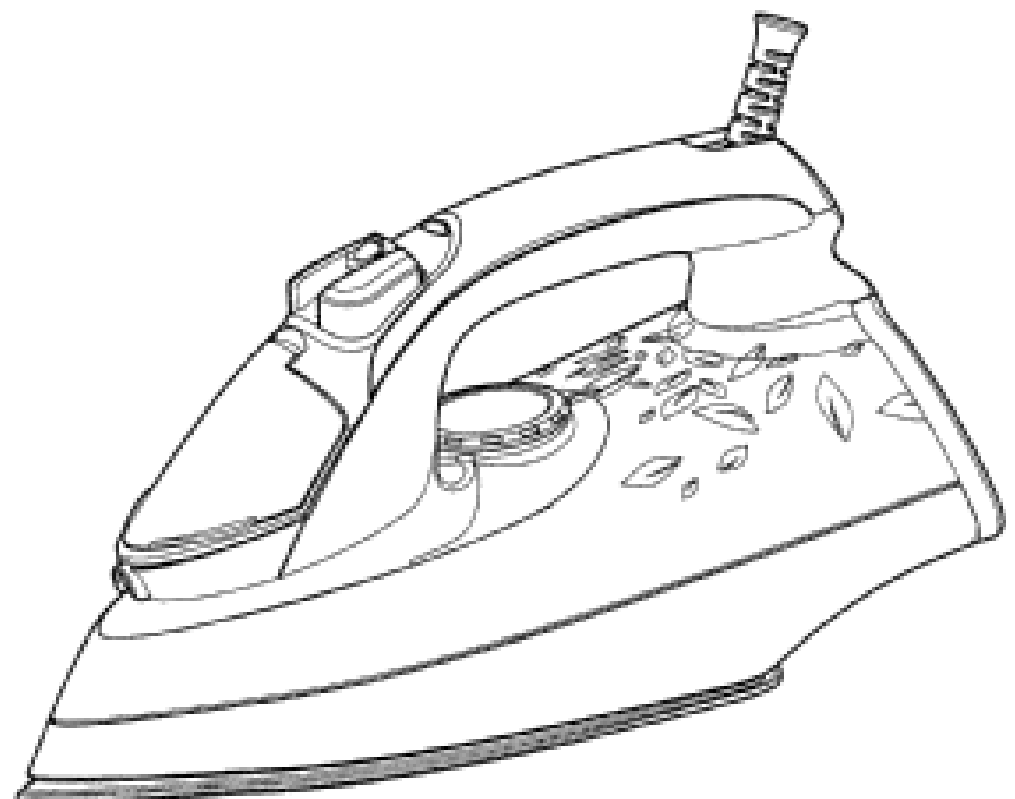
(57) Statement of Newness and Distinctiveness: **The shape and configuration of those parts of the design shown by means of solid lines in the representations are new and distinctive.**



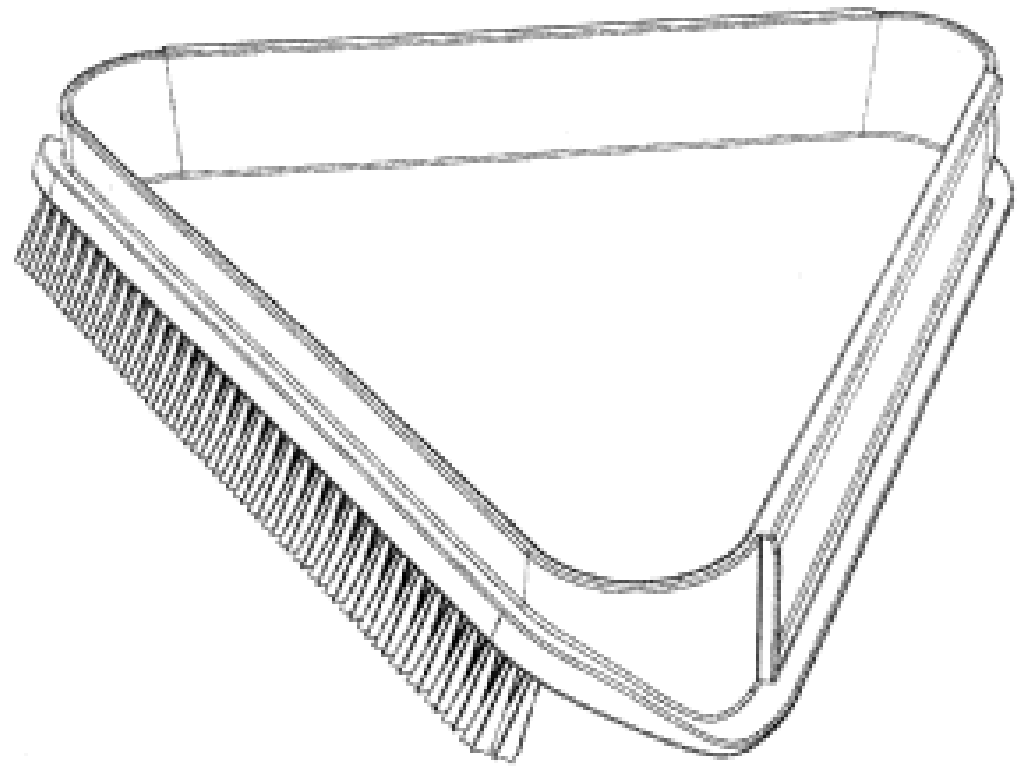
(21) Design Number: **11052/2010**
(22) Date of Filing Application: **25 March 2010**
(24) Date from which industrial property rights may have effect: **25 March 2010**
(54) Product in respect of which the design is registered: **Skin treating device**
(51) International Design Classification: **28-03NES**
(71) Name(s) and Address(s) of Applicant(s):
LRC Products Limited
35 New Bridge Street London EC4V 6BW United Kingdom
(72) Name(s) of Designer(s): **Peter Kay and Libby Marshall and Clive Southernwood**
(45) Registration Date: **30 April 2010**
(30) Convention priority data:
(31) Number (32) Date (33) Country
01169353 02 Oct 2009 EUROPEAN COMMUNITY
(56) Related Art Documents: **Not Applicable**
(57) Statement of Newness and Distinctiveness: **Nil**



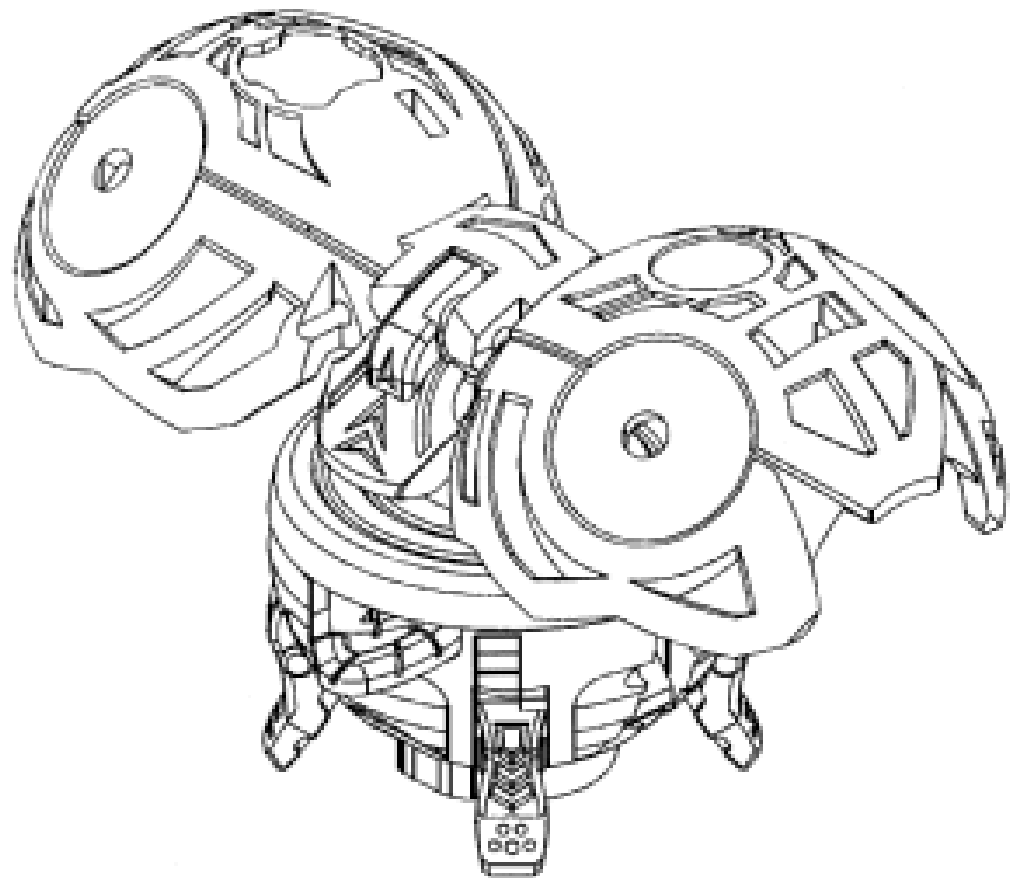
(21) Design Number: **11074/2010**
(22) Date of Filing Application: **26 March 2010**
(24) Date from which industrial property rights may have effect: **26 March 2010**
(54) Product in respect of which the design is registered: **Electric steam iron**
(51) International Design Classification: **07-05A**
(71) Name(s) and Address(s) of Applicant(s):
Koninklijke Philips Electronics N.V.
Groenewoudseweg 1 5621 BA Eindhoven The Netherlands
(72) Name(s) of Designer(s): **Chun Pong Ted Yuan**
(45) Registration Date: **30 April 2010**
(30) Convention priority data:
(31) Number (32) Date (33) Country
001618745-0001 02 Oct 2009 EUROPEAN COMMUNITY
(56) Related Art Documents: **Not Applicable**
(57) Statement of Newness and Distinctiveness: **Newness and distinctiveness reside in the shape and configuration features of the design as shown in the representations.**



- (21) Design Number: **11075/2010**
(22) Date of Filing Application: **26 March 2010**
(24) Date from which industrial property rights may have effect: **26 March 2010**
(54) Product in respect of which the design is registered: **A snooker, pool or billiards ball rack**
(51) International Design Classification: **21-01L**
(71) Name(s) and Address(s) of Applicant(s):
Robert Andrew Crosbie
33A Cheryl Crescent Newport New South Wales 2106 Australia
(72) Name(s) of Designer(s): **Robert Andrew Crosbie and Adam Laws**
(45) Registration Date: **30 April 2010**
(30) Convention priority data:
(31) Number (32) Date (33) Country
001658915-0001 20 Jan 2010 EUROPEAN COMMUNITY
(56) Related Art Documents: **Not Applicable**
(57) Statement of Newness and Distinctiveness: **Newness and distinctiveness reside in the shape and configuration of the rack design as shown in the representations, and particularly the shape and configuration of the side of the rack design comprising a cleaning member.**



- (21) Design Number: **11076/2010**
(22) Date of Filing Application: **26 March 2010**
(24) Date from which industrial property rights may have effect: **26 March 2010**
(54) Product in respect of which the design is registered: **Transformable toy**
(51) International Design Classification: **21-01B**
(71) Name(s) and Address(s) of Applicant(s):
Spin Master Ltd
450 Front Street West Toronto Ontario M5V 1B6 Canada
(72) Name(s) of Designer(s): **Wataru Sato and Kohji Hirose and Richard Keuter**
(45) Registration Date: **30 April 2010**
(30) Convention priority data:
(31) Number (32) Date (33) Country
132430 01 Oct 2009 CANADA
(56) Related Art Documents: **Not Applicable**
(57) Statement of Newness and Distinctiveness: **The newness and distinctiveness of the design resides in the shape and/or configuration of the transformable toy as shown in the representations.**



(21) Design Number: **11077/2010**

(22) Date of Filing Application: **26 March 2010**

(24) Date from which industrial property rights may have effect: **26 March 2010**

(54) Product in respect of which the design is registered: **Transformable toy**

(51) International Design Classification: **21-01B**

(71) Name(s) and Address(s) of Applicant(s):

Spin Master Ltd
450 Front Street West Toronto Ontario M5V 1B6 Canada

(72) Name(s) of Designer(s): **Wataru Sato and Kohji Hirose and Richard Keuter**

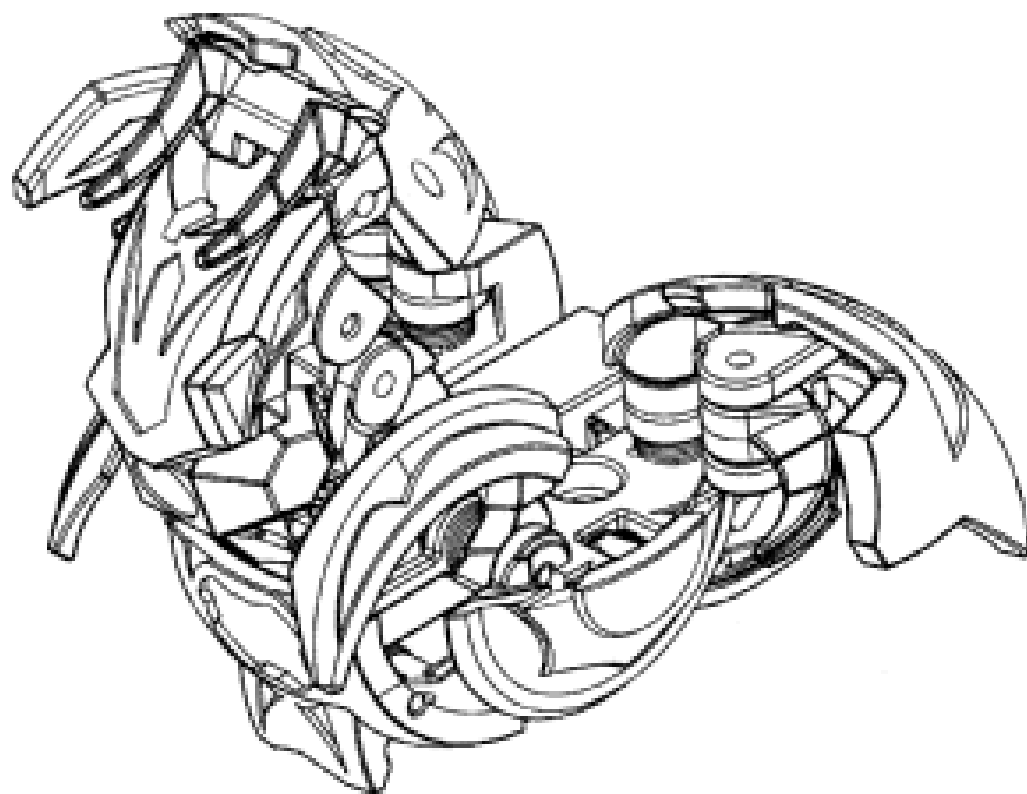
(45) Registration Date: **30 April 2010**

(30) Convention priority data:

(31) Number	(32) Date	(33) Country
132555	15 Oct 2009	CANADA

(56) Related Art Documents: **Not Applicable**

(57) Statement of Newness and Distinctiveness: **The newness and distinctiveness of the design resides in the shape and/or configuration of the transformable toy as shown in the representations.**



(21) Design Number: **11078/2010**

(22) Date of Filing Application: **26 March 2010**

(24) Date from which industrial property rights may have effect: **26 March 2010**

(54) Product in respect of which the design is registered: **Transformable toy**

(51) International Design Classification: **21-01B**

(71) Name(s) and Address(s) of Applicant(s):

Spin Master Ltd
450 Front Street West Toronto Ontario M5V 1B6 Canada

(72) Name(s) of Designer(s): **Wataru Sato and Kohji Hirose and Richard Keuter**

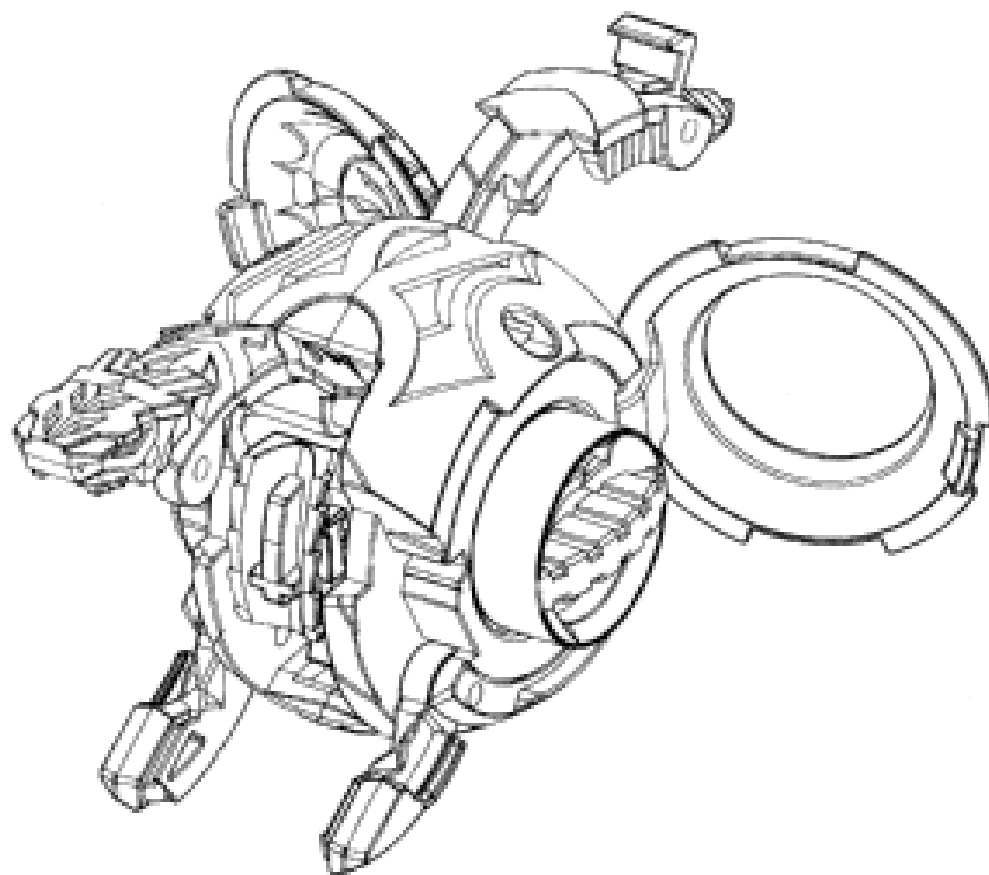
(45) Registration Date: **30 April 2010**

(30) Convention priority data:

(31) Number	(32) Date	(33) Country
132342	29 Sep 2009	CANADA

(56) Related Art Documents: **Not Applicable**

(57) Statement of Newness and Distinctiveness: **The newness and distinctiveness of the design resides in the shape and/or configuration of the transformable toy as shown in the representations.**



(21) Design Number: **11079/2010**

(22) Date of Filing Application: **26 March 2010**

(24) Date from which industrial property rights may have effect: **26 March 2010**

(54) Product in respect of which the design is registered: **Transformable toy**

(51) International Design Classification: **21-01B**

(71) Name(s) and Address(s) of Applicant(s):

Spin Master Ltd
450 Front Street West Toronto Ontario M5V 1B6 Canada

(72) Name(s) of Designer(s): **Wataru Sato and Kohji Hirose and Richard Keuter**

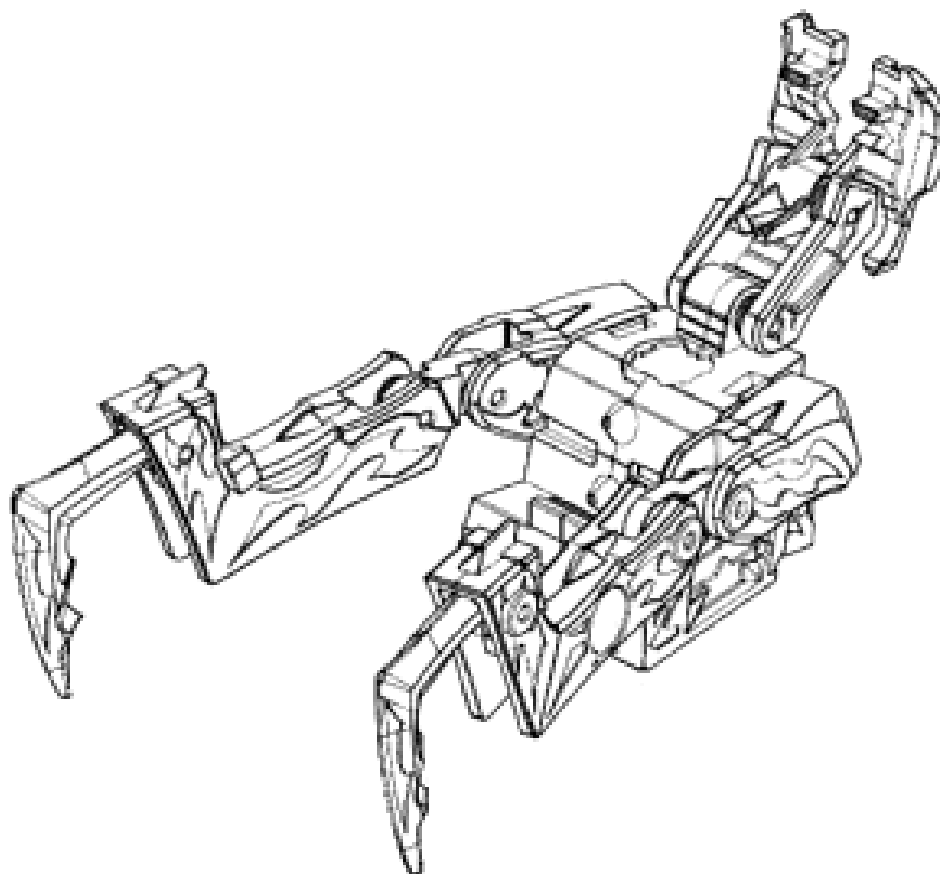
(45) Registration Date: **30 April 2010**

(30) Convention priority data:

(31) Number	(32) Date	(33) Country
132610	20 Oct 2009	CANADA

(56) Related Art Documents: **Not Applicable**

(57) Statement of Newness and Distinctiveness: **The newness and distinctiveness of the design resides in the shape and/or configuration of the transformable toy as shown in the representations.**



(21) Design Number: **11080/2010**

(22) Date of Filing Application: **26 March 2010**

(24) Date from which industrial property rights may have effect: **26 March 2010**

(54) Product in respect of which the design is registered: **Transformable toy**

(51) International Design Classification: **21-01B**

(71) Name(s) and Address(s) of Applicant(s):

Spin Master Ltd
450 Front Street West Toronto Ontario M5V 1B6 Canada

(72) Name(s) of Designer(s): **Wataru Sato and Kohji Hirose and Richard Keuter**

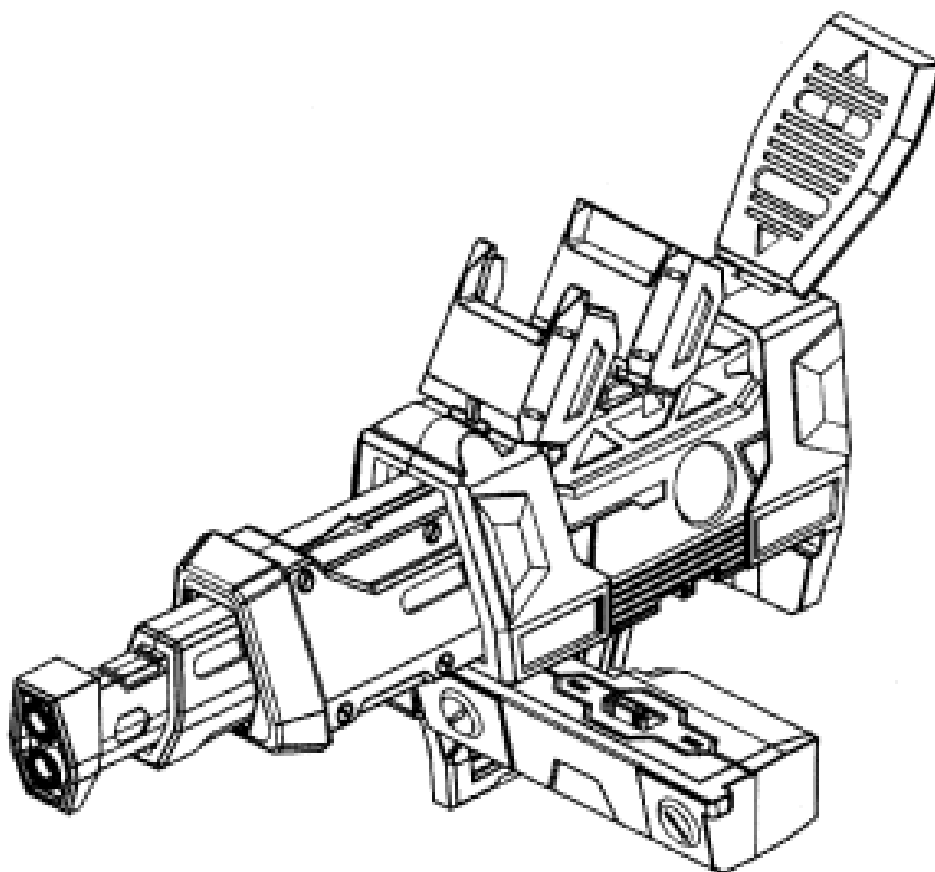
(45) Registration Date: **30 April 2010**

(30) Convention priority data:

(31) Number	(32) Date	(33) Country
132611	20 Oct 2009	CANADA

(56) Related Art Documents: **Not Applicable**

(57) Statement of Newness and Distinctiveness: **The newness and distinctiveness of the design resides in the shape and/or configuration of the transformable toy as shown in the representations.**



(21) Design Number: **11081/2010**

(22) Date of Filing Application: **26 March 2010**

(24) Date from which industrial property rights may have effect: **26 March 2010**

(54) Product in respect of which the design is registered: **Transformable toy**

(51) International Design Classification: **21-01B**

(71) Name(s) and Address(s) of Applicant(s):

Spin Master Ltd

450 Front Street West Toronto Ontario M5V 1B6 Canada

(72) Name(s) of Designer(s): **Wataru Sato and Kohji Hirose and Richard Keuter**

(45) Registration Date: **30 April 2010**

(30) Convention priority data:

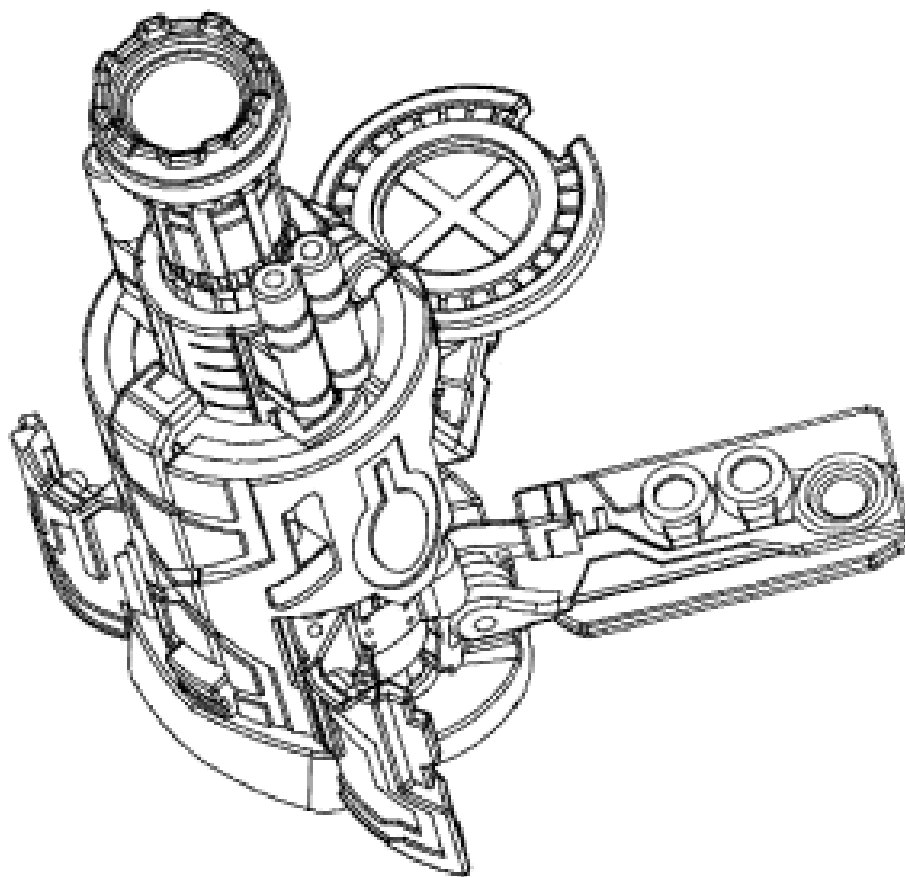
(31) Number
132621

(32) Date
20 Oct 2009

(33) Country
CANADA

(56) Related Art Documents: **Not Applicable**

(57) Statement of Newness and Distinctiveness: **The newness and distinctiveness of the design resides in the shape and/or configuration of the transformable toy as shown in the representations.**



(21) Design Number: **11082/2010**

(22) Date of Filing Application: **26 March 2010**

(24) Date from which industrial property rights may have effect: **26 March 2010**

(54) Product in respect of which the design is registered: **Transformable toy**

(51) International Design Classification: **21-01B**

(71) Name(s) and Address(s) of Applicant(s):

Spin Master Ltd

450 Front Street West Toronto Ontario M5V 1B6 Canada

(72) Name(s) of Designer(s): **Wataru Sato and Kohji Hirose and Richard Keuter**

(45) Registration Date: **30 April 2010**

(30) Convention priority data:

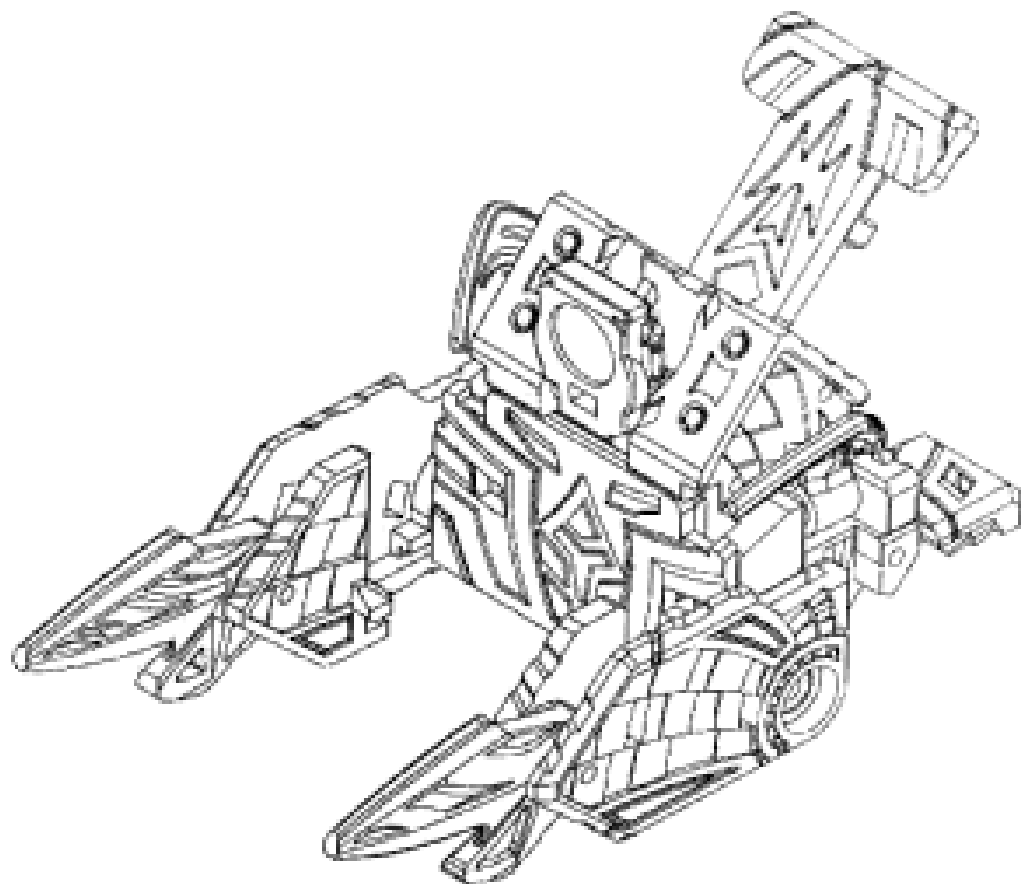
(31) Number
132622

(32) Date
20 Oct 2009

(33) Country
CANADA

(56) Related Art Documents: **Not Applicable**

(57) Statement of Newness and Distinctiveness: **The newness and distinctiveness of the design resides in the shape and/or configuration of the transformable toy as shown in the representations.**



(21) Design Number: **11083/2010**

(22) Date of Filing Application: **26 March 2010**

(24) Date from which industrial property rights may have effect: **26 March 2010**

(54) Product in respect of which the design is registered: **Transformable toy**

(51) International Design Classification: **21-01B**

(71) Name(s) and Address(s) of Applicant(s):

Spin Master Ltd

450 Front Street West Toronto Ontario M5V 1B6 Canada

(72) Name(s) of Designer(s): **Wataru Sato and Kohji Hirose and Richard Keuter**

(45) Registration Date: **30 April 2010**

(30) Convention priority data:

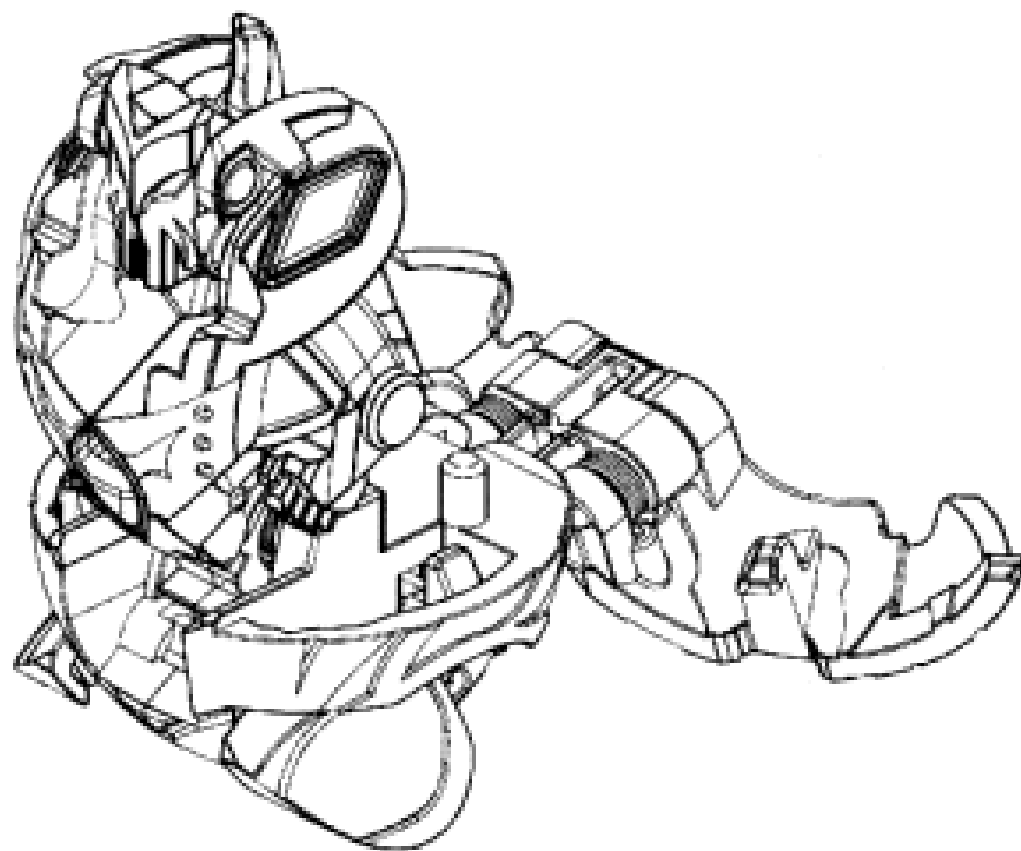
(31) Number
132768

(32) Date
03 Nov 2009

(33) Country
CANADA

(56) Related Art Documents: **Not Applicable**

(57) Statement of Newness and Distinctiveness: **The newness and distinctiveness of the design resides in the shape and/or configuration of the transformable toy as shown in the representations.**



(21) Design Number: **11107/2010**

(22) Date of Filing Application: **29 March 2010**

(24) Date from which industrial property rights may have effect: **29 March 2010**

(54) Product in respect of which the design is registered: **A clip**

(51) International Design Classification: **08-08C**

(71) Name(s) and Address(s) of Applicant(s):

Bluescope Steel Limited

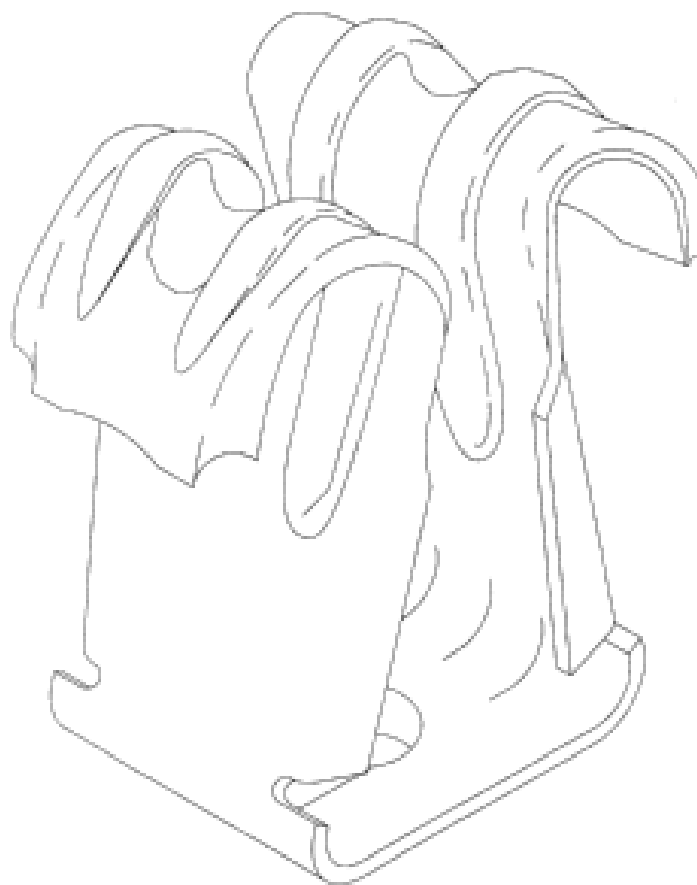
Level 11 120 Collins Street Melbourne Victoria 3000 Australia

(72) Name(s) of Designer(s): **Rodney John Gallaty**

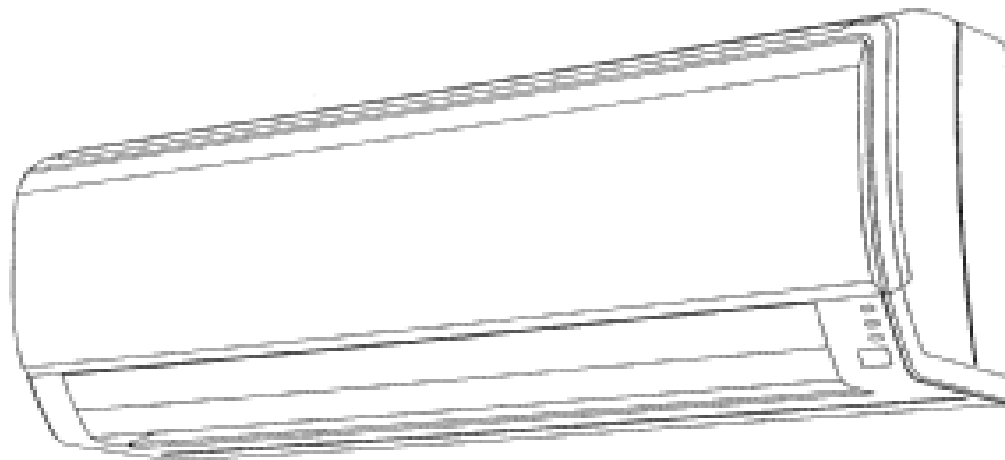
(45) Registration Date: **30 April 2010**

(56) Related Art Documents: **Not Applicable**

(57) Statement of Newness and Distinctiveness: **Newness and distinctiveness resides in the visual features, including shape, configuration and ornamentation of ribs as applied to the curved-over flanges of a clip as shown in the accompanying drawings.**



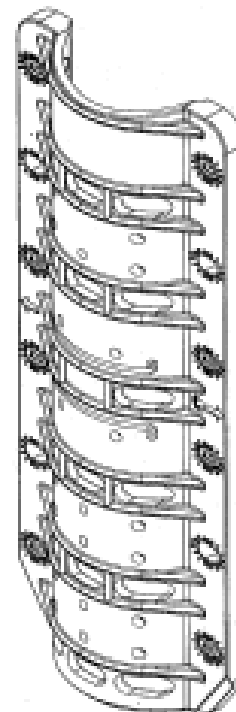
- (21) Design Number: **11108/2010**
(22) Date of Filing Application: **29 March 2010**
(24) Date from which industrial property rights may have effect: **29 March 2010**
(54) Product in respect of which the design is registered: **Air conditioner**
(51) International Design Classification: **23-04**
(71) Name(s) and Address(s) of Applicant(s):
Fujitsu General Limited
1116 Suenaga Takatsu-Ku Kawasaki-Shi Kanagawa Japan
(72) Name(s) of Designer(s): **Yasuhiro Aketa and Mitsuo Fujioka**
(45) Registration Date: **30 April 2010**
(30) Convention priority data:
(31) Number (32) Date (33) Country
2009-022611 30 Sep 2009 JAPAN
(56) Related Art Documents: **Not Applicable**
(57) Statement of Newness and Distinctiveness: **Newness and distinctiveness is claimed in the features of shape and/or configuration of an air conditioner as illustrated in the accompanying representations.**



- (21) Design Number: **11109/2010**
(22) Date of Filing Application: **29 March 2010**
(24) Date from which industrial property rights may have effect: **29 March 2010**
(54) Product in respect of which the design is registered: **Air conditioner**
(51) International Design Classification: **23-04**
(71) Name(s) and Address(s) of Applicant(s):
Fujitsu General Limited
1116 Suenaga Takatsu-Ku Kawasaki-Shi Kanagawa Japan
(72) Name(s) of Designer(s): **Yasuhiro Aketa and Mitsuo Fujioka**
(45) Registration Date: **30 April 2010**
(30) Convention priority data:
(31) Number (32) Date (33) Country
2009-022610 30 Sep 2009 JAPAN
(56) Related Art Documents: **Not Applicable**
(57) Statement of Newness and Distinctiveness: **Newness and distinctiveness is claimed in the features of shape and/or configuration of an air conditioner as illustrated in the accompanying representations.**



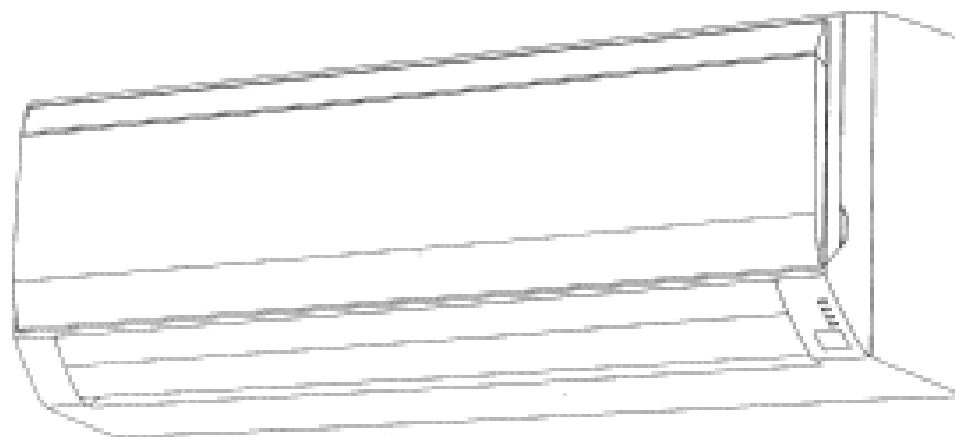
- (21) Design Number: **10625/2010**
(22) Date of Filing Application: **23 February 2010**
(24) Date from which industrial property rights may have effect: **23 February 2010**
(54) Product in respect of which the design is registered: **Vineyard post clamping member**
(51) International Design Classification: **08-08K**
(71) Name(s) and Address(s) of Applicant(s):
Ocvitti Pty Ltd
231 North Terrace Adelaide South Australia 5000 Australia
(72) Name(s) of Designer(s): **Andrew Jonathan Stevens**
(45) Registration Date: **28 April 2010**
(56) Related Art Documents: **Not Applicable**
(57) Statement of Newness and Distinctiveness: **Nil NONE**



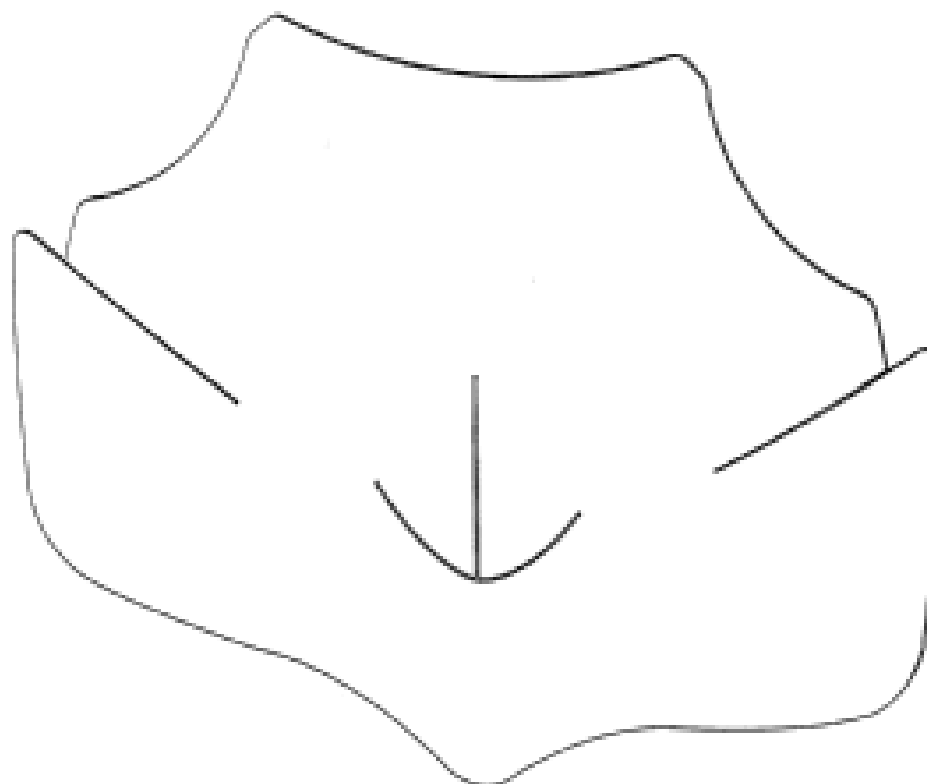
- (21) Design Number: **10990/2010**
(22) Date of Filing Application: **22 March 2010**
(24) Date from which industrial property rights may have effect: **22 March 2010**
(54) Product in respect of which the design is registered: **3 in 1 spanner designed and made exclusively to fit fire hoses**
(51) International Design Classification: **08-05P**
(71) Name(s) and Address(s) of Applicant(s):
Wallaby Fabrication Pty Ltd
73 Railway Street Paterson New South Wales 2421 Australia
(72) Name(s) of Designer(s): **William Andrew Cummins**
(45) Registration Date: **28 April 2010**
(56) Related Art Documents: **Not Applicable**
(57) Statement of Newness and Distinctiveness: **General shape.**



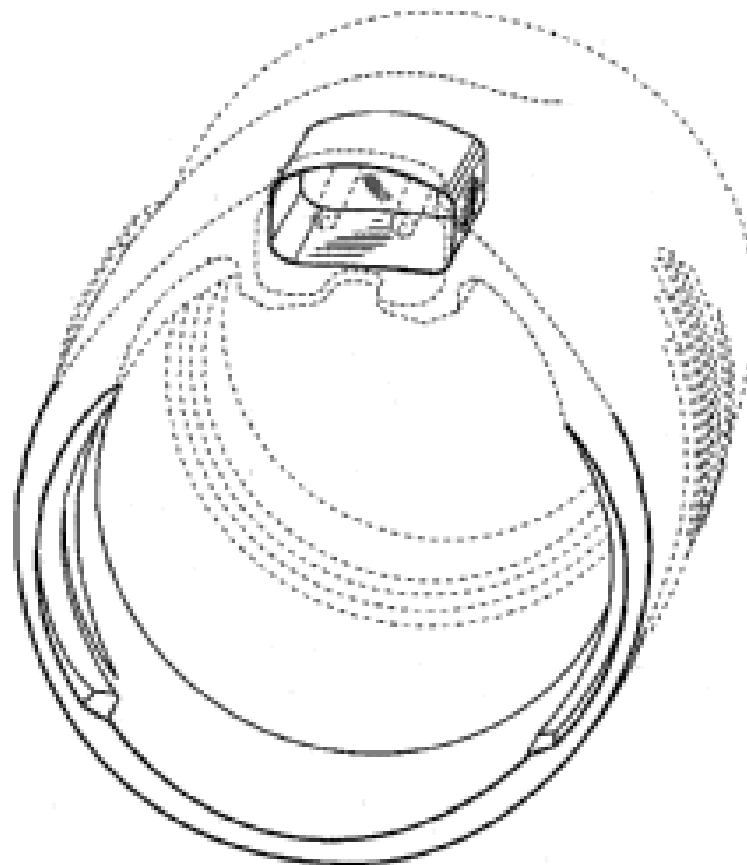
- (21) Design Number: **11110/2010**
(22) Date of Filing Application: **29 March 2010**
(24) Date from which industrial property rights may have effect: **29 March 2010**
(54) Product in respect of which the design is registered: **Air conditioner**
(51) International Design Classification: **23-04**
(71) Name(s) and Address(s) of Applicant(s):
Fujitsu General Limited
1116 Suenaga Takatsu-Ku Kawasaki-Shi Kanagawa Japan
(72) Name(s) of Designer(s): **Kazuo Motonishi and Hiroshi Kobayashi**
(45) Registration Date: **28 April 2010**
(30) Convention priority data:
(31) Number (32) Date (33) Country
2009-022609 30 Sep 2009 JAPAN
(56) Related Art Documents: **Not Applicable**
(57) Statement of Newness and Distinctiveness: **Newness and distinctiveness is claimed in the features of shape and/or configuration of an air conditioner as illustrated in the accompanying representations.**



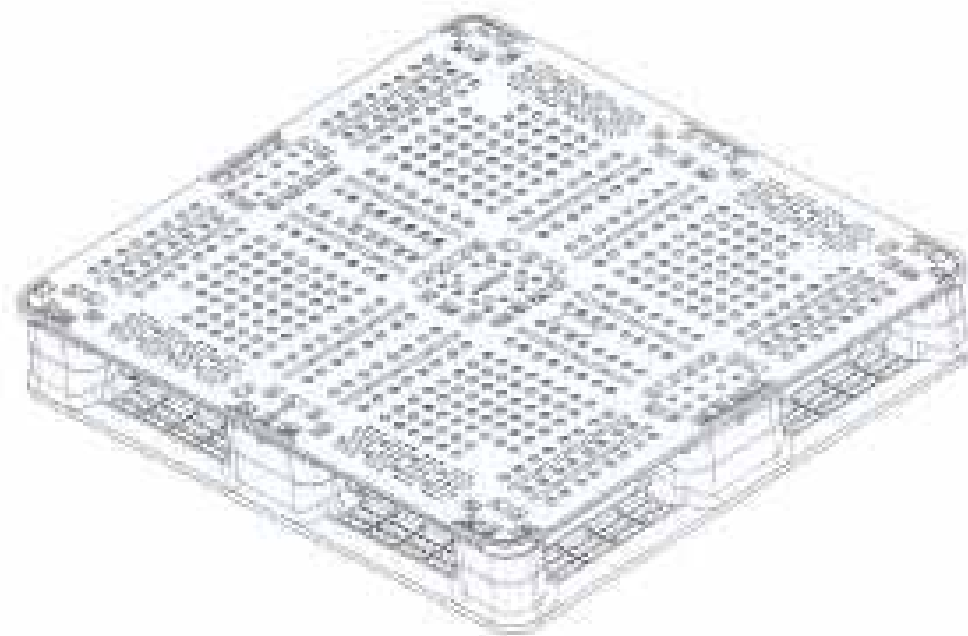
- (21) Design Number: **11114/2010**
(22) Date of Filing Application: **26 March 2010**
(24) Date from which industrial property rights may have effect: **26 March 2010**
(54) Product in respect of which the design is registered: **Cosmetic pack-sheet**
(51) International Design Classification: **28-03NES**
(71) Name(s) and Address(s) of Applicant(s):
Otsuka Pharmaceutical Co., Ltd.
2-9 Kanda-Tsukasamachi Chiyoda-ku Tokyo 101-8535 Japan
(72) Name(s) of Designer(s): **Misato Nakajo**
(45) Registration Date: **28 April 2010**
(30) Convention priority data:
(31) Number (32) Date (33) Country
2009-022773 30 Sep 2009 JAPAN
(56) Related Art Documents: **Not Applicable**
(57) Statement of Newness and Distinctiveness: **The newness and distinctiveness of the design resides in the features of shape and/or configuration of the cosmetic pack-sheet shown in the accompanying representations.**



(21) Design Number: **11122/2010**
(22) Date of Filing Application: **26 March 2010**
(24) Date from which industrial property rights may have effect: **26 March 2010**
(54) Product in respect of which the design is registered: **Electrical / pneumatic connector**
(51) International Design Classification: **13-03NES**
(71) Name(s) and Address(s) of Applicant(s):
Fisher & Paykel Healthcare Limited
15 Maurice Paykel Place East Tamaki Auckland 2013 New Zealand
(72) Name(s) of Designer(s): **Yi-Cheng Sun and Peter Lawrence Grylls**
(45) Registration Date: **28 April 2010**
(30) Convention priority data:
(31) Number (32) Date (33) Country
29/344652 01 Oct 2009 UNITED STATES OF AMERICA
(56) Related Art Documents: **Not Applicable**
(57) Statement of Newness and Distinctiveness: **Nil**



(21) Design Number: **11123/2010**
(22) Date of Filing Application: **30 March 2010**
(24) Date from which industrial property rights may have effect: **30 March 2010**
(54) Product in respect of which the design is registered: **Transport pallet**
(51) International Design Classification: **09-08**
(71) Name(s) and Address(s) of Applicant(s):
Schoeller Arca Systems GmbH
Sacktannen 1 19057-Schwerin Germany
(72) Name(s) of Designer(s): **Jochen Brunsmann and Michael Rinderle**
(45) Registration Date: **28 April 2010**
(56) Related Art Documents: **Not Applicable**
(57) Statement of Newness and Distinctiveness: **Newness and distinctiveness is claimed in the features of shape and/or configuration of a transport pallet as illustrated in the accompanying representations.**



(21) Design Number: **11124/2010**

(22) Date of Filing Application: **31 March 2010**

(24) Date from which industrial property rights may have effect: **31 March 2010**

(54) Product in respect of which the design is registered: **A funeral casket**

(51) International Design Classification: **99-00**

(71) Name(s) and Address(s) of Applicant(s):

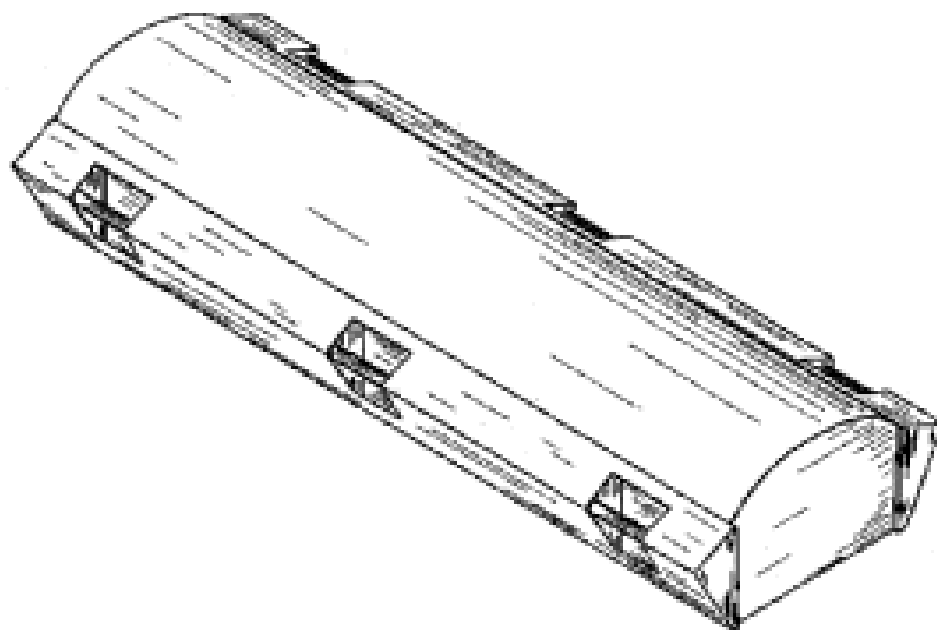
Final Furniture Limited
18 Brixham Way Newtown Wellington 6022 New Zealand

(72) Name(s) of Designer(s): **Andrew Graeme Hubbard**

(45) Registration Date: **28 April 2010**

(56) Related Art Documents: **Not Applicable**

(57) Statement of Newness and Distinctiveness: **Features of shape and configuration including (but not limited to) the casket carrying handles being integrated into the casket profile.**



(21) Design Number: **11125/2010**

(22) Date of Filing Application: **30 March 2010**

(24) Date from which industrial property rights may have effect: **30 March 2010**

(54) Product in respect of which the design is registered: **A sample collector**

(51) International Design Classification: **07-99NES**

(71) Name(s) and Address(s) of Applicant(s):

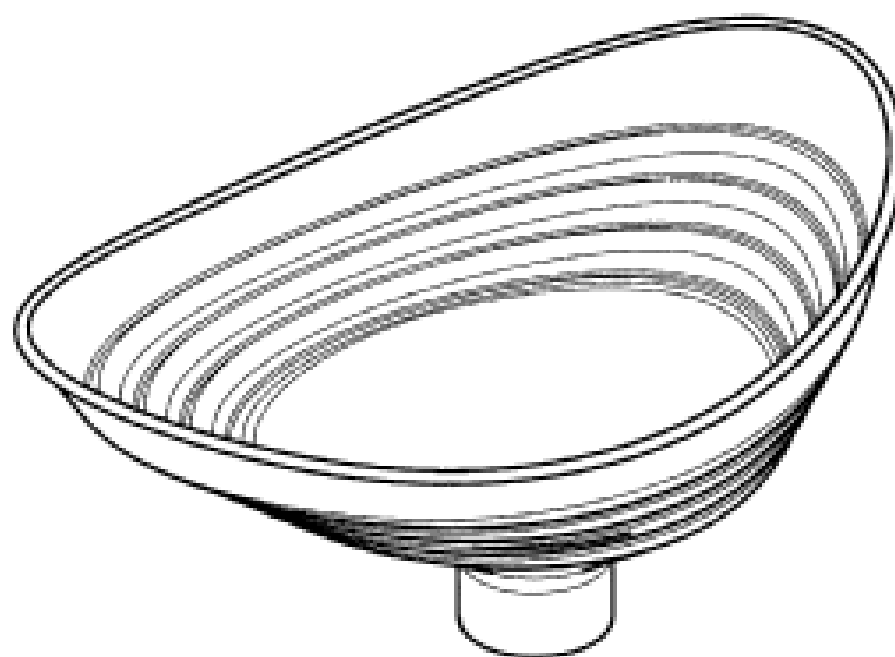
Stark Innovate Pty Ltd
10 Binney Road Kings Park New South Wales 2148 Australia

(72) Name(s) of Designer(s): **Stephen Scott**

(45) Registration Date: **28 April 2010**

(56) Related Art Documents: **Not Applicable**

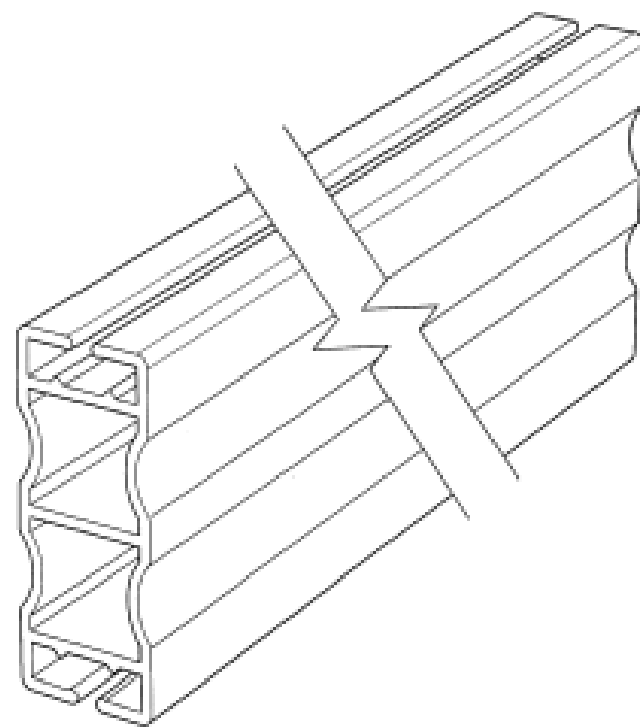
(57) Statement of Newness and Distinctiveness: **Nil**



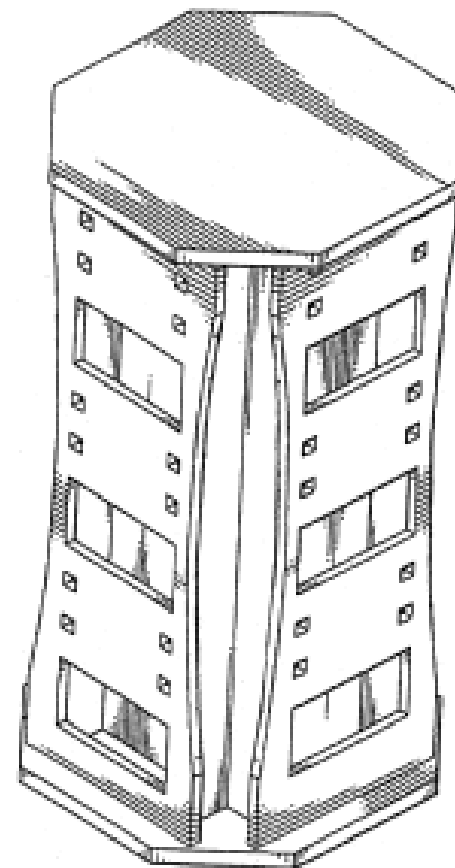
- (21) Design Number: **11142/2010**
(22) Date of Filing Application: **31 March 2010**
(24) Date from which industrial property rights may have effect: **31 March 2010**
(54) Product in respect of which the design is registered: **Fishing lure**
(51) International Design Classification: **22-05**
(71) Name(s) and Address(s) of Applicant(s):
Basser Millyard Pty Ltd
10 Clevedon Street Botany New South Wales 2019 Australia
(72) Name(s) of Designer(s): **Robert Michael Gaden**
(45) Registration Date: **28 April 2010**
(56) Related Art Documents: **Not Applicable**
(57) Statement of Newness and Distinctiveness: **Newness and distinctiveness is claimed in the shape and configuration of a fishing lure body as shown in the accompanying representations.**



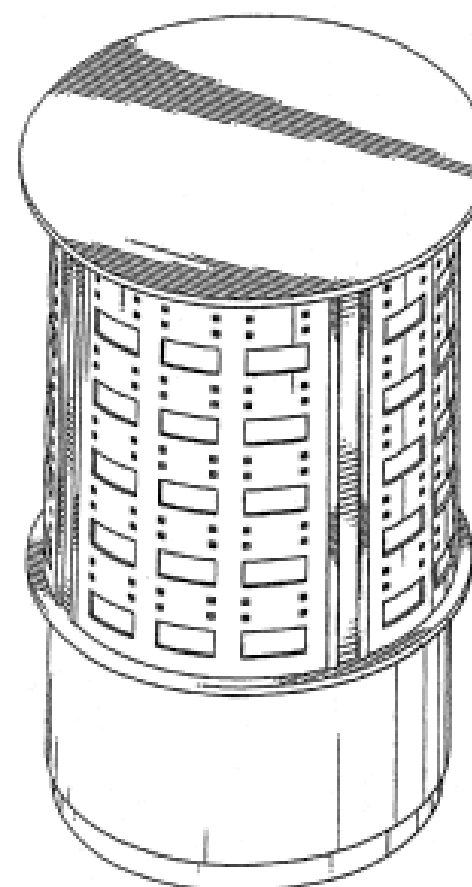
- (21) Design Number: **11160/2010**
(22) Date of Filing Application: **31 March 2010**
(24) Date from which industrial property rights may have effect: **31 March 2010**
(54) Product in respect of which the design is registered: **A drawbar for a blind assembly**
(51) International Design Classification: **25-01K**
(71) Name(s) and Address(s) of Applicant(s):
Slidetrack Blinds Pty Ltd
10 Woodhouse Crescent Wattle Park South Australia 5066 Australia
(72) Name(s) of Designer(s): **Brian Lionel Zwar**
(45) Registration Date: **28 April 2010**
(56) Related Art Documents: **Not Applicable**
(57) Statement of Newness and Distinctiveness: **Nil**



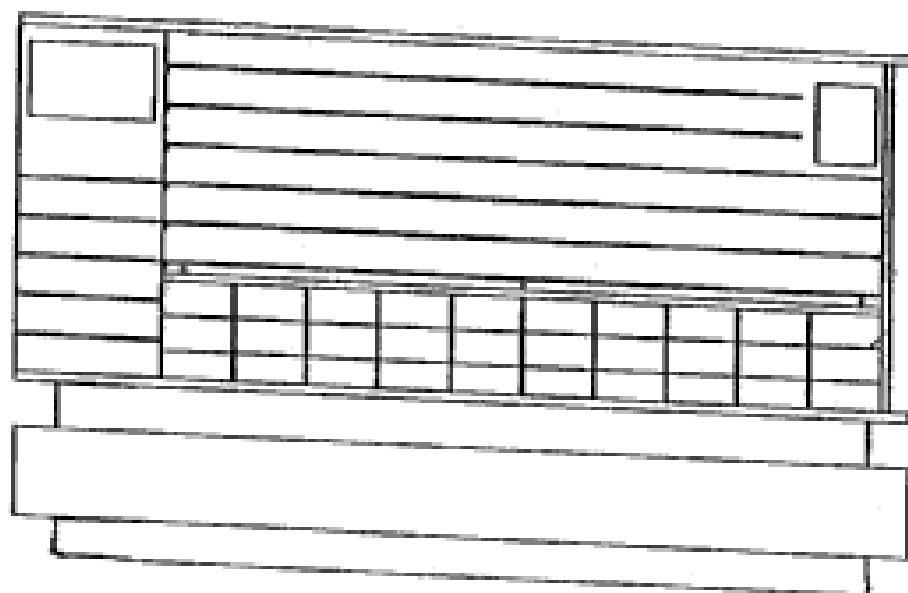
- (21) Design Number: **13744/2009**
- (22) Date of Filing Application: **28 September 2009**
- (24) Date from which industrial property rights may have effect: **28 September 2009**
- (54) Product in respect of which the design is registered: **Sunglass/eyewear display**
- (51) International Design Classification: **20-02C**
- (71) Name(s) and Address(s) of Applicant(s):
NYS Collection LLC
230 Liberty Street Metuchen NJ 08840 United States of America
- (72) Name(s) of Designer(s): **Salvatore Babbino and Marc Behar**
- (45) Registration Date: **29 April 2010**
- (56) Related Art Documents: **Not Applicable**
- (57) Statement of Newness and Distinctiveness: **Nil**



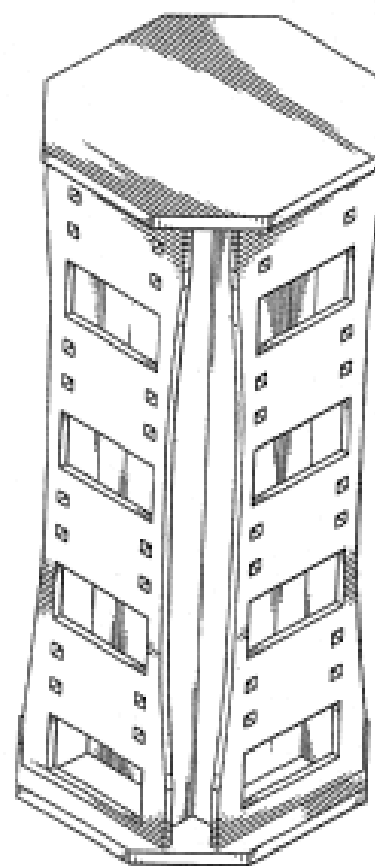
- (21) Design Number: **13745/2009**
- (22) Date of Filing Application: **28 September 2009**
- (24) Date from which industrial property rights may have effect: **28 September 2009**
- (54) Product in respect of which the design is registered: **Sunglass/eyewear display**
- (51) International Design Classification: **20-02C**
- (71) Name(s) and Address(s) of Applicant(s):
NYS Collection LLC
230 Liberty Street Metuchen NJ 08840 United States of America
- (72) Name(s) of Designer(s): **Salvatore Babbino and Marc Behar**
- (45) Registration Date: **29 April 2010**
- (56) Related Art Documents: **Not Applicable**
- (57) Statement of Newness and Distinctiveness: **Nil**



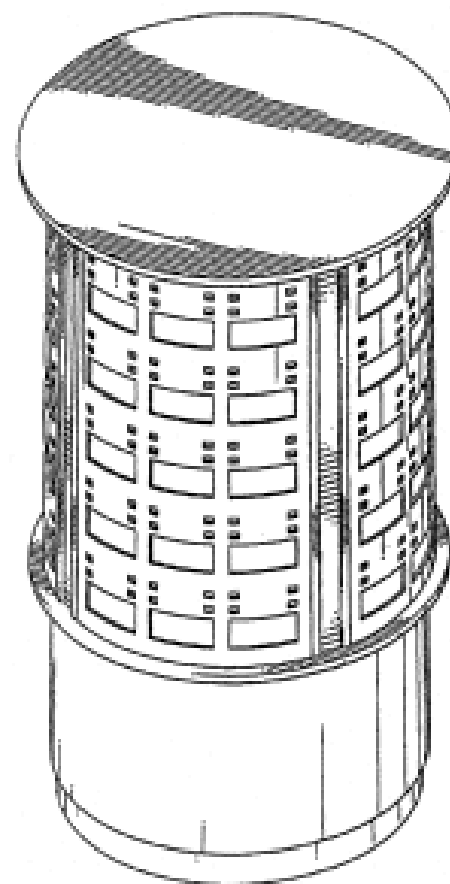
- (21) Design Number: **13746/2009**
- (22) Date of Filing Application: **28 September 2009**
- (24) Date from which industrial property rights may have effect: **28 September 2009**
- (54) Product in respect of which the design is registered: **Sunglass/eyewear display**
- (51) International Design Classification: **20-02C**
- (71) Name(s) and Address(s) of Applicant(s):
NYS Collection LLC
230 Liberty Street Metuchen NJ 08840 United States of America
- (72) Name(s) of Designer(s): **Salvatore Babbino and Marc Behar**
- (45) Registration Date: **29 April 2010**
- (56) Related Art Documents: **Not Applicable**
- (57) Statement of Newness and Distinctiveness: **Nil**



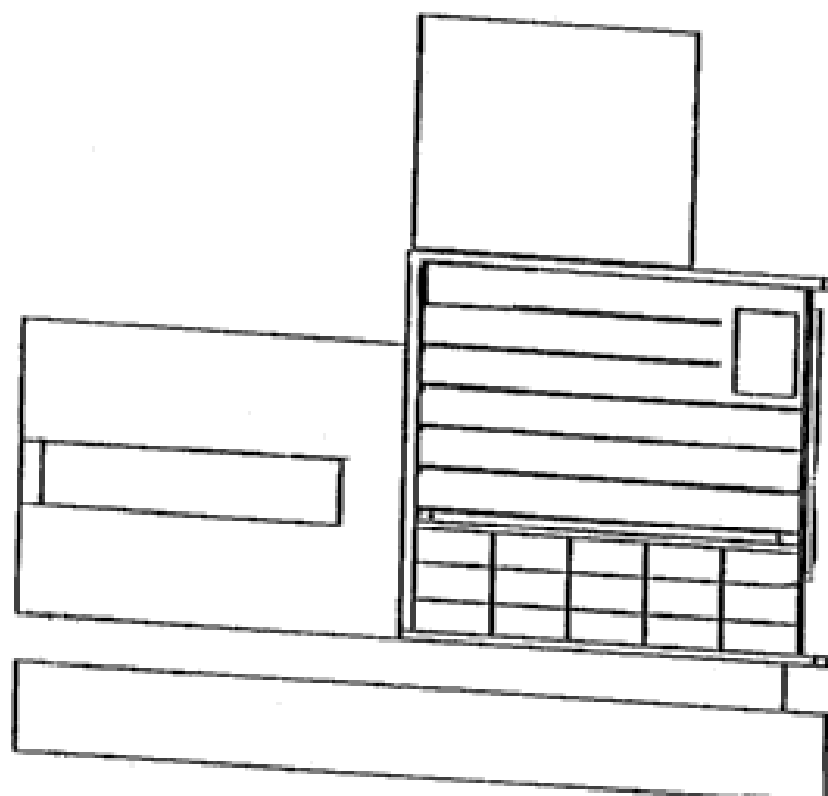
- (21) Design Number: **10853/2010**
- (22) Date of Filing Application: **28 September 2009**
- (24) Date from which industrial property rights may have effect: **28 September 2009**
- (54) Product in respect of which the design is registered: **Sunglass/eyewear display**
- (51) International Design Classification: **20-02C**
- (71) Name(s) and Address(s) of Applicant(s):
NYS Collection LLC
230 Liberty Street Metuchen NJ 08840 United States of America
- (72) Name(s) of Designer(s): **Salvatore Babbino and Marc Behar**
- (45) Registration Date: **29 April 2010**
- (56) Related Art Documents: **Not Applicable**
- (57) Statement of Newness and Distinctiveness: **Nil**



(21) Design Number: **10854/2010**
(22) Date of Filing Application: **28 September 2009**
(24) Date from which industrial property rights may have effect: **28 September 2009**
(54) Product in respect of which the design is registered: **Sunglass/eyewear display**
(51) International Design Classification: **20-02C**
(71) Name(s) and Address(s) of Applicant(s):
NYS Collection LLC
230 Liberty Street Metuchen NJ 08840 United States of America
(72) Name(s) of Designer(s): **Salvatore Babbino and Marc Behar**
(45) Registration Date: **29 April 2010**
(56) Related Art Documents: **Not Applicable**
(57) Statement of Newness and Distinctiveness: **Nil**



(21) Design Number: **10855/2010**
(22) Date of Filing Application: **28 September 2009**
(24) Date from which industrial property rights may have effect: **28 September 2009**
(54) Product in respect of which the design is registered: **Sunglass/eyewear display**
(51) International Design Classification: **20-02C**
(71) Name(s) and Address(s) of Applicant(s):
NYS Collection LLC
230 Liberty Street Metuchen NJ 08840 United States of America
(72) Name(s) of Designer(s): **Salvatore Babbino and Marc Behar**
(45) Registration Date: **29 April 2010**
(56) Related Art Documents: **Not Applicable**
(57) Statement of Newness and Distinctiveness: **Nil**



(21) Design Number: **10918/2010**

(22) Date of Filing Application: **16 March 2010**

(24) Date from which industrial property rights may have effect: **16 March 2010**

(54) Product in respect of which the design is registered: **2 Stroke motor block**

(51) International Design Classification: **13-02**

(71) Name(s) and Address(s) of Applicant(s):

David Mills

79 Warrimoo Avenue St Ives New South Wales 2075 Australia

(72) Name(s) of Designer(s): **Bob Wu**

(45) Registration Date: **29 April 2010**

(56) Related Art Documents: **Not Applicable**

(57) Statement of Newness and Distinctiveness: **Novelty resides in the shape and configuration of the charging ports as depicted.**



(21) Design Number: **10934/2010**

(22) Date of Filing Application: **11 February 2010**

(24) Date from which industrial property rights may have effect: **11 February 2010**

(54) Product in respect of which the design is registered: **Rolling container assembly**

(51) International Design Classification: **12-05**

(71) Name(s) and Address(s) of Applicant(s):

The Stanley Works Israel, Ltd.

19 Ha'Melacha Street Rosh Ha'Ayin 48091 Israel

(72) Name(s) of Designer(s): **Eitan Landau and Amir Katz**

(45) Registration Date: **29 April 2010**

(30) Convention priority data:

(31) Number

(32) Date

(33) Country

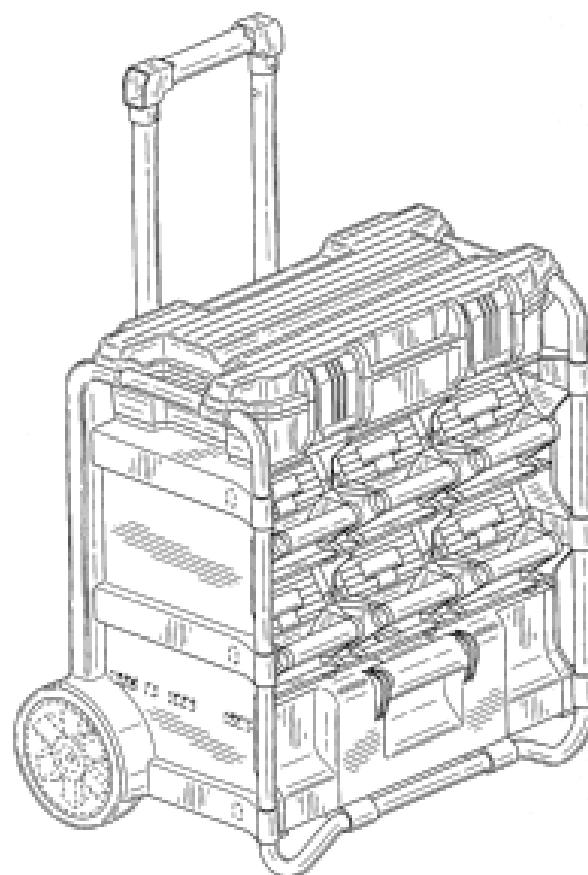
29/341,862

13 Aug 2009

UNITED STATES OF AMERICA

(56) Related Art Documents: **Not Applicable**

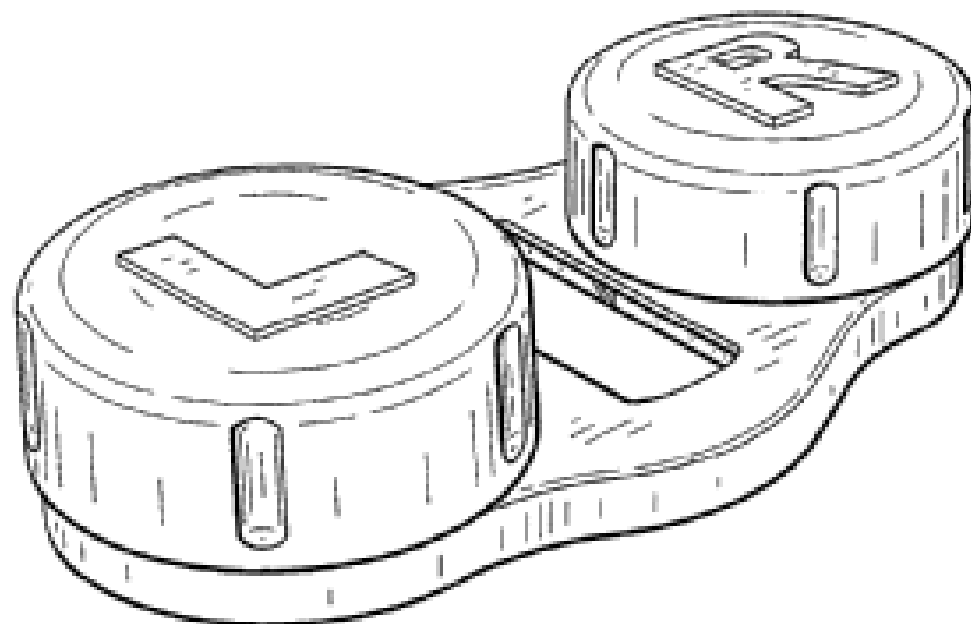
(57) Statement of Newness and Distinctiveness: **Newness and distinctiveness is claimed in respect of the shape and/or configuration of the product illustrated in the accompanying representations as described in the attached Brief Description of the Drawings. In carrying out a consideration in accordance with Section 19 the shape and/or configuration of the portion of the rolling container assembly shown in dotted lines in the representations is/are not to be considered either new or distinctive and does not form part of the design.**



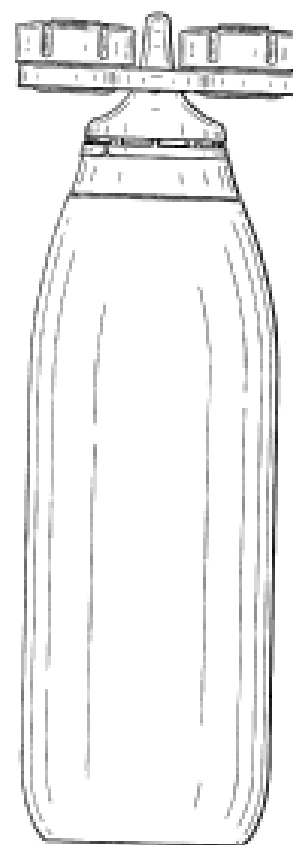
(21) Design Number: **11155/2010**
(22) Date of Filing Application: **31 March 2010**
(24) Date from which industrial property rights may have effect: **31 March 2010**
(54) Product in respect of which the design is registered: **Bottle for ophthalmic lens solutions**
(51) International Design Classification: **09-01NES**
(71) Name(s) and Address(s) of Applicant(s):
Johnson & Johnson Vision Care, Inc.
7500 Centurion Parkway Suite 100 Jacksonville FL 32256 United States of America
(72) Name(s) of Designer(s): **Elysha Huntington and Richard Tanaka and Anthony Yumul**
(45) Registration Date: **29 April 2010**
(30) Convention priority data:
(31) Number (32) Date (33) Country
29/345,323 14 Oct 2009 UNITED STATES OF AMERICA
(56) Related Art Documents: **Not Applicable**
(57) Statement of Newness and Distinctiveness: **Nil**



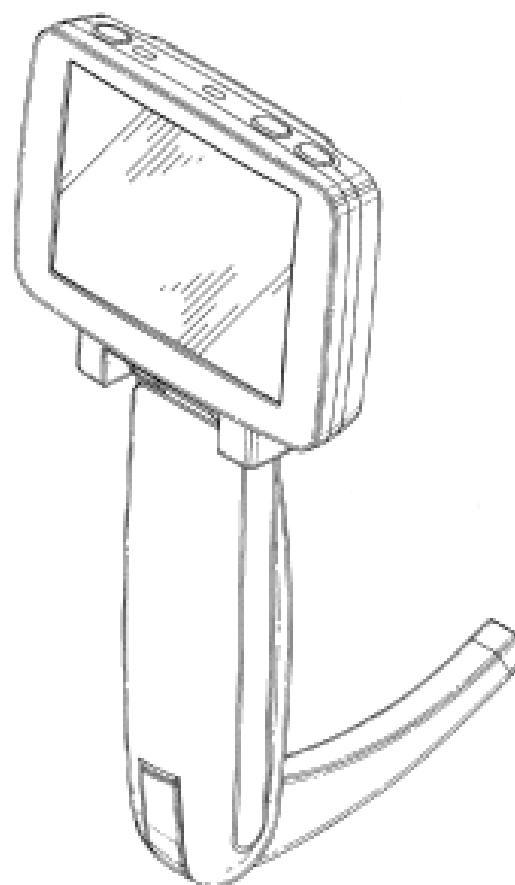
(21) Design Number: **11156/2010**
(22) Date of Filing Application: **31 March 2010**
(24) Date from which industrial property rights may have effect: **31 March 2010**
(54) Product in respect of which the design is registered: **Container for ophthalmic lenses**
(51) International Design Classification: **24-99**
(71) Name(s) and Address(s) of Applicant(s):
Johnson & Johnson Vision Care, Inc.
7500 Centurion Parkway Suite 100 Jacksonville FL 32256 United States of America
(72) Name(s) of Designer(s): **Elysha Huntington and Richard Tanaka and Anthony Yumul and Scott Beckerman**
(45) Registration Date: **29 April 2010**
(30) Convention priority data:
(31) Number (32) Date (33) Country
29/345,326 14 Oct 2009 UNITED STATES OF AMERICA
(56) Related Art Documents: **Not Applicable**
(57) Statement of Newness and Distinctiveness: **Nil**



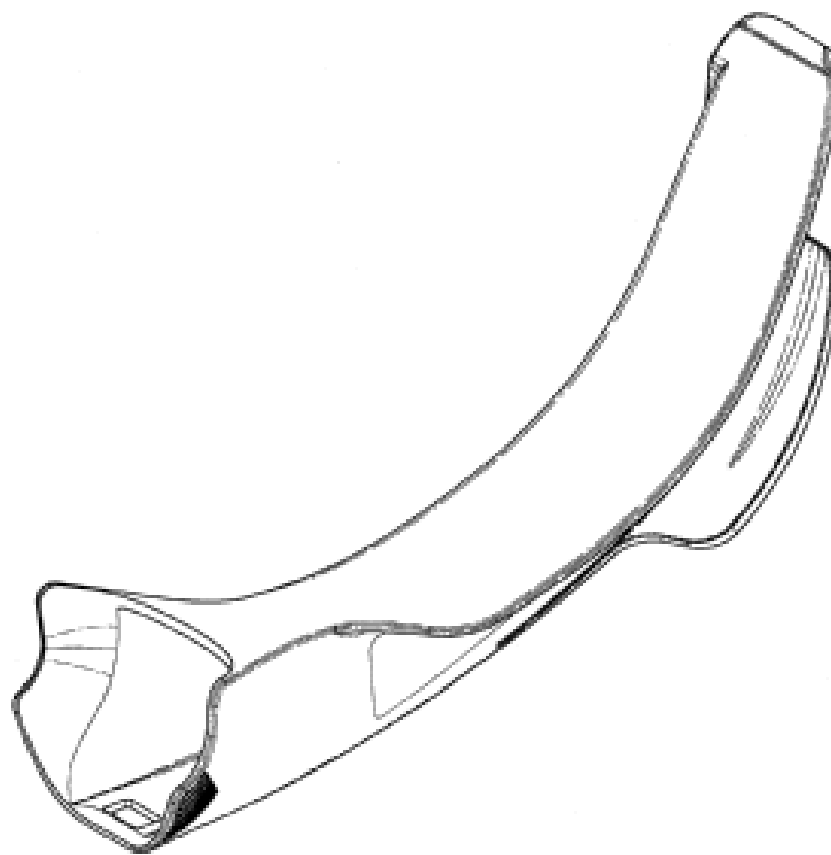
- (21) Design Number: **11157/2010**
(22) Date of Filing Application: **31 March 2010**
(24) Date from which industrial property rights may have effect: **31 March 2010**
(54) Product in respect of which the design is registered: **Package for ophthalmic lenses and solutions therefore**
(51) International Design Classification: **09-01NES, 24-99**
(71) Name(s) and Address(s) of Applicant(s):
Johnson & Johnson Vision Care, Inc.
7500 Centurion Parkway Suite 100 Jacksonville FL 32256 United States of America
(72) Name(s) of Designer(s): **Elysha Huntington and Richard Tanaka and Anthony Yumul and Scott Beckerman**
(45) Registration Date: **29 April 2010**
(30) Convention priority data:
(31) Number (32) Date (33) Country
29/345,328 14 Oct 2009 UNITED STATES OF AMERICA
(56) Related Art Documents: **Not Applicable**
(57) Statement of Newness and Distinctiveness: **Nil**



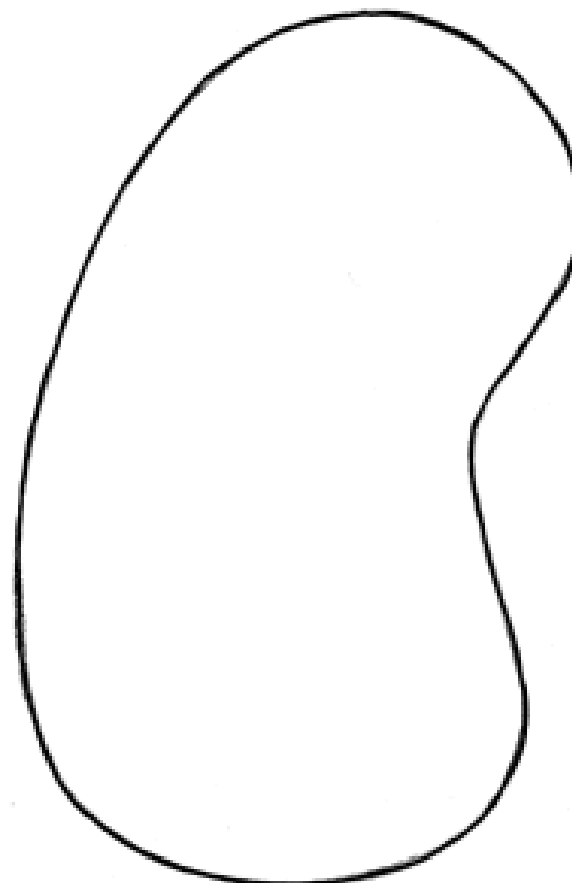
- (21) Design Number: **11180/2010**
(22) Date of Filing Application: **01 April 2010**
(24) Date from which industrial property rights may have effect: **01 April 2010**
(54) Product in respect of which the design is registered: **Laryngoscope with screen**
(51) International Design Classification: **24-02**
(71) Name(s) and Address(s) of Applicant(s):
Indian Ocean Medical Inc.
Revolution Avenue PO Box 18 Mahe Seychelles
(72) Name(s) of Designer(s): **Paul Clarke and David Kelly and Marc Walter Tanner**
(45) Registration Date: **29 April 2010**
(30) Convention priority data:
(31) Number (32) Date (33) Country
001169478 02 Oct 2009 EUROPEAN COMMUNITY
(56) Related Art Documents: **Not Applicable**
(57) Statement of Newness and Distinctiveness: **Newness and distinctiveness reside in the shape and configuration of a laryngoscope with screen, as illustrated in the accompanying representations.**



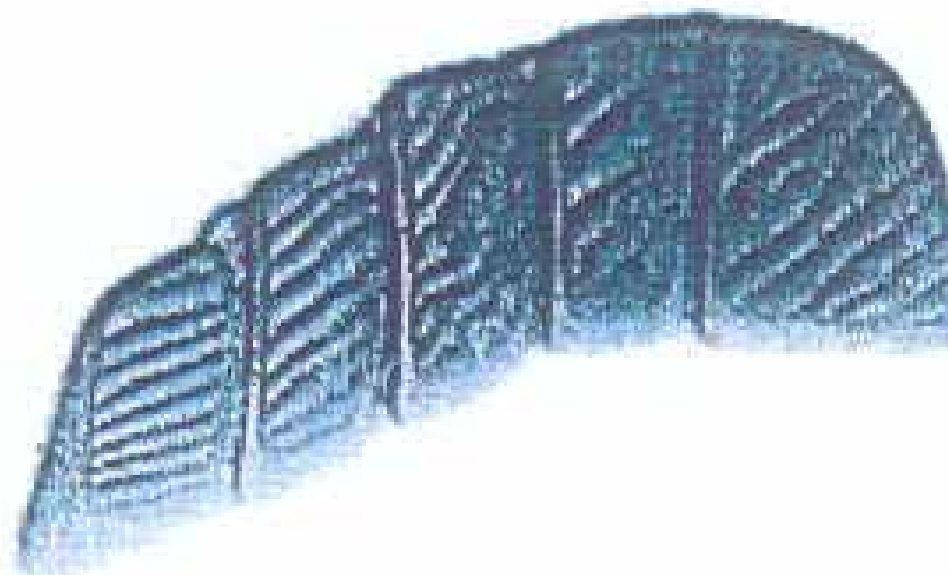
- (21) Design Number: **11181/2010**
(22) Date of Filing Application: **01 April 2010**
(24) Date from which industrial property rights may have effect: **01 April 2010**
(54) Product in respect of which the design is registered: **Blade for a laryngoscope**
(51) International Design Classification: **24-02**
(71) Name(s) and Address(s) of Applicant(s):
Indian Ocean Medical Inc.
Revolution Avenue PO Box 18 Mahe Seychelles
(72) Name(s) of Designer(s): **Paul Clarke and David Kelly and Marc Walter Tanner and Brian Gough and Marko Plevnik and Michael Pratt and Robert Wilson**
(45) Registration Date: **29 April 2010**
(30) Convention priority data:
(31) Number (32) Date (33) Country
001169478 02 Oct 2009 EUROPEAN COMMUNITY
(56) Related Art Documents: **Not Applicable**
(57) Statement of Newness and Distinctiveness: **Newness and distinctiveness reside in the shape and configuration of a blade for a laryngoscope, as illustrated in the accompanying representations.**



- (21) Design Number: **11239/2010**
(22) Date of Filing Application: **06 April 2010**
(24) Date from which industrial property rights may have effect: **06 April 2010**
(54) Product in respect of which the design is registered: **Baby burper - shoulder and clothing protection from milky spit-ups when releasing baby wind. Note - baby burper is an**
(51) International Design Classification: **02-02B, 02-05**
(71) Name(s) and Address(s) of Applicant(s):
Margaret Christine Frost
7 Scorpius Place Gladstone Queensland 4680 Australia
(72) Name(s) of Designer(s): **Margaret Christine Frost**
(45) Registration Date: **29 April 2010**
(56) Related Art Documents: **Not Applicable**
(57) Statement of Newness and Distinctiveness: **Nil**



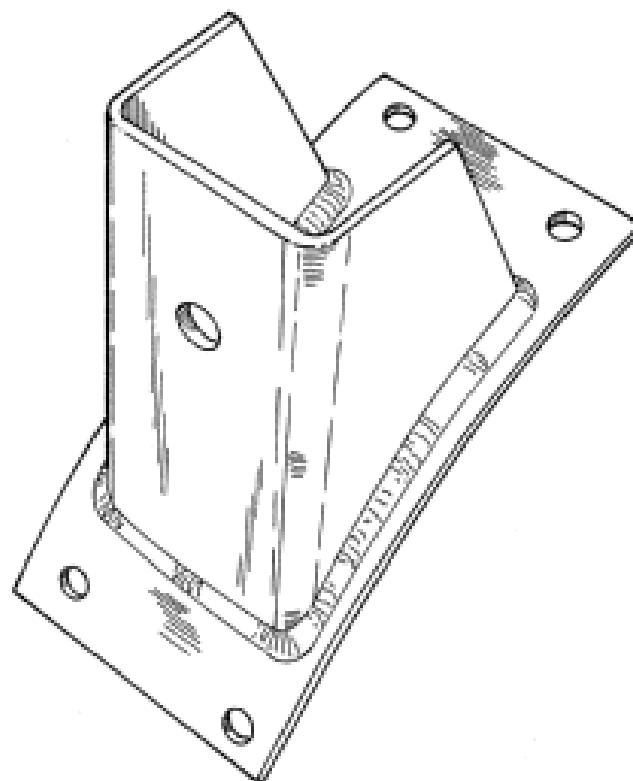
- (21) Design Number: **10453/2010**
(22) Date of Filing Application: **10 February 2010**
(24) Date from which industrial property rights may have effect: **10 February 2010**
(54) Product in respect of which the design is registered: **Soles for footwear**
(51) International Design Classification: **02-04B**
(71) Name(s) and Address(s) of Applicant(s):
Vibram S.P.A.
Via Cristoforo Colombo 5 T-21041 Albizzate (Varese) Italy
(72) Name(s) of Designer(s): **Marco Bramani**
(45) Registration Date: **30 April 2010**
(30) Convention priority data:
(31) Number (32) Date (33) Country
1158943-0001/34 10 Aug 2009 EUROPEAN COMMUNITY
(56) Related Art Documents: **Not Applicable**
(57) Statement of Newness and Distinctiveness: **Newness and distinctiveness reside in the features of the design as shown in the representations.**



- (21) Design Number: **11186/2010**
(22) Date of Filing Application: **10 February 2010**
(24) Date from which industrial property rights may have effect: **10 February 2010**
(54) Product in respect of which the design is registered: **Soles for footwear**
(51) International Design Classification: **02-04B**
(71) Name(s) and Address(s) of Applicant(s):
Vibram S.P.A.
Via Cristoforo Colombo 5 T-21041 Albizzate (Varese) Italy
(72) Name(s) of Designer(s): **Marco Bramani**
(45) Registration Date: **30 April 2010**
(30) Convention priority data:
(31) Number (32) Date (33) Country
1158943-1/34 10 Aug 2009 EUROPEAN COMMUNITY
(56) Related Art Documents: **Not Applicable**
(57) Statement of Newness and Distinctiveness: **Newness and distinctiveness reside in the features of the design as shown in the representations.**



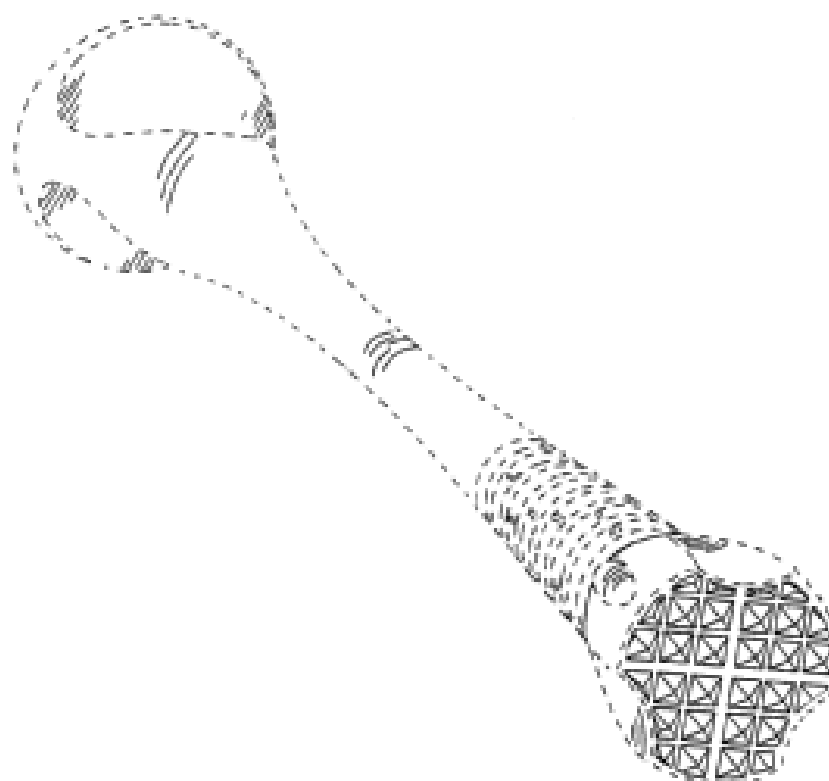
- (21) Design Number: **10695/2010**
(22) Date of Filing Application: **01 March 2010**
(24) Date from which industrial property rights may have effect: **01 March 2010**
(54) Product in respect of which the design is registered: **Combine harvester boom drum finger**
(51) International Design Classification: **15-03B**
(71) Name(s) and Address(s) of Applicant(s):
Graham Thomas Haley
20 Generoi Street Pallamalla New South Wales 2399 Australia
James Stewart Hollahan
"Thorndale" Pallamallawa New South Wales 2399 Australia
(72) Name(s) of Designer(s): **James Stewart Hollahan and Graham Thomas Haley**
(45) Registration Date: **30 April 2010**
(56) Related Art Documents: **Not Applicable**
(57) Statement of Newness and Distinctiveness: **Newness and distinctiveness is claimed in respect of the shape and/or configuration of the product illustrated in the accompanying representations.**



- (21) Design Number: **10832/2010**
(22) Date of Filing Application: **10 March 2010**
(24) Date from which industrial property rights may have effect: **10 March 2010**
(54) Product in respect of which the design is registered: **Folding structure of a painting easel**
(51) International Design Classification: **19-06, 08-99**
(71) Name(s) and Address(s) of Applicant(s):
Quan Nguyen
95 Wright Street Sunshine Victoria 3020 Australia
(72) Name(s) of Designer(s): **Quan Nguyen**
(45) Registration Date: **30 April 2010**
(56) Related Art Documents: **Not Applicable**
(57) Statement of Newness and Distinctiveness: **Nil**



- (21) Design Number: **11197/2010**
(22) Date of Filing Application: **16 February 2010**
(24) Date from which industrial property rights may have effect: **16 February 2010**
(54) Product in respect of which the design is registered: **Muddler**
(51) International Design Classification: **07-04**
(71) Name(s) and Address(s) of Applicant(s):
Michael Henry Silvers
616 Harris Street Ultimo New South Wales 2007 Australia
Sam Tam
616 Harris Street Ultimo New South Wales 2007 Australia
(72) Name(s) of Designer(s): **Michael Henry Silvers and Sam Tam**
(45) Registration Date: **30 April 2010**
(62) Divisional of: **330346**
(56) Related Art Documents: **Not Applicable**
(57) Statement of Newness and Distinctiveness: **Newness and distinctiveness reside in the features of the design as shown in the representations.**



- (21) Design Number: **11461/2010**
(22) Date of Filing Application: **08 January 2010**
(24) Date from which industrial property rights may have effect: **08 January 2010**
(54) Product in respect of which the design is registered: **Drink contamination cover for glasses and open cans of drink**
(51) International Design Classification: **07-06NES**
(71) Name(s) and Address(s) of Applicant(s):
Graham John Stephens
88 Marnie Road Kennington Bendigo Victoria 3550 Australia
(72) Name(s) of Designer(s): **Graham John Stephens**
(45) Registration Date: **30 April 2010**
(56) Related Art Documents: **Not Applicable**
(57) Statement of Newness and Distinctiveness: **The design consists of a flexible plastic material which slides easily around the drink container (can, stubby, pot glass, wine glass and others) the material will be elastic enough to clamp firmly around the drink vessel. From this clamp a vertical arm of a flexible rubber material extends up the side of the drink vessel to be level with the top of the vessel attached to the top of this material will be a lever mechanism at one end will be a cap large enough to cover the top of the open vessel. At the other end a curve to accomodate the index finger. Whilst holding the can, stubby glass etc. one can press down with the index finger on the curved part of the lever mechanism which will cause the cap to lift up and away from the top of the drink container which will allow one to drink freely. Releasing the pressure on the lever the cap will return to cover the container and protect the contents inside. I have provided some drawings of proposed design together with photographs of some very basic prototypes. The purpose of this design is to protect open drink vessels from contamination whilst still allowing the holder to drink easily from the vessel. The design would stop dust, flies, European wasps, ants and other contaminants including cigarette butts from entering the vessel. It would also prevent topping up of drinks without the owners knowledge. It would also make drink spiking much more difficult. If a design registration is granted I will then approach manufacturers to discuss production and final choice of materials. Although the design would be the same, the individual components would vary in size to accomodate different vessels. It is envisaged that when finished the product will fold at the clamp and also at the lever and cap and store flat so that it can easily be carried in a pocket or handbag. It will also come in a range of**



colours which could have the added advantage of helping to identify your drink.

**(12) AUSTRALIAN REGISTERED DESIGN
(19) AU**

(11) AU-S- 330549

(21) Design Number: **10058/2010**

(22) Date of Filing Application: **08 January 2010**

(24) Date from which industrial property rights may have effect: **08 January 2010**

(54) Product in respect of which the design is registered: **Drink contamination cover for glasses and open containers of drink**

(51) International Design Classification: **07-06NES**

(71) Name(s) and Address(s) of Applicant(s):

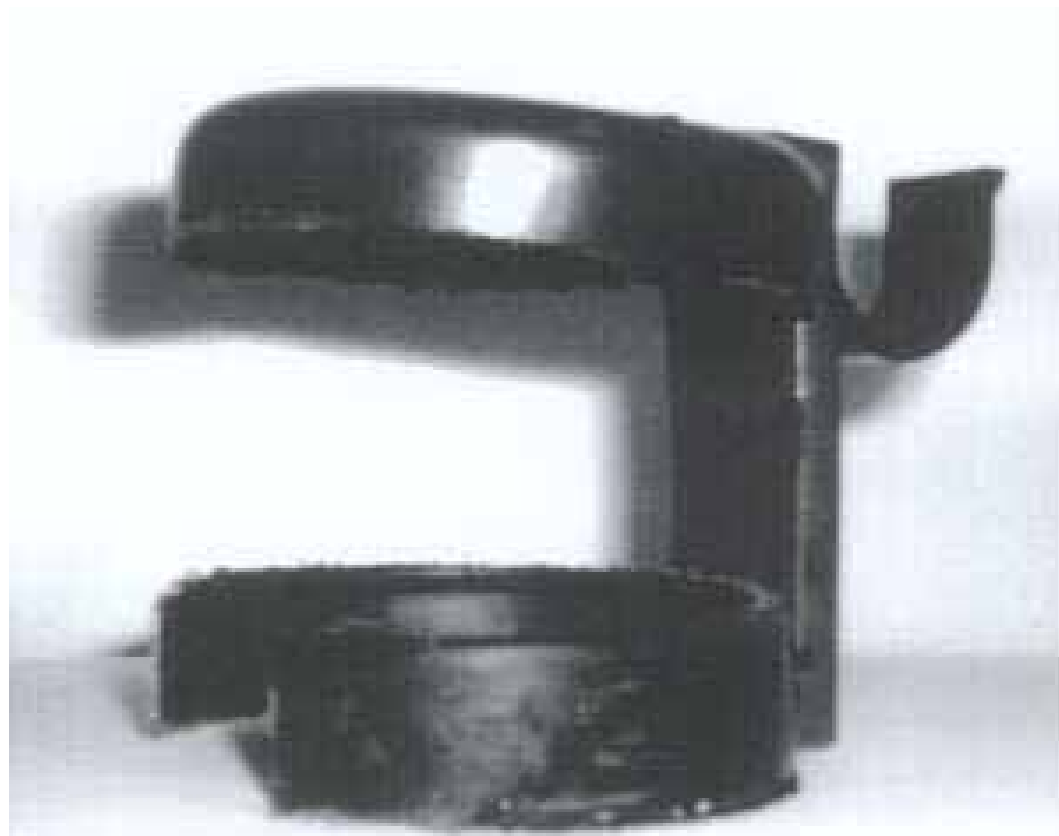
**Graham John Stephens
88 Marnie Road Kennington Bendigo Victoria 3550 Australia**

(72) Name(s) of Designer(s): **Graham John Stephens**

(45) Registration Date: **30 April 2010**

(56) Related Art Documents: **Not Applicable**

(57) Statement of Newness and Distinctiveness: **The design consists of a flexible plastic material which slides easily around the drink container (can, stubby, pot glass, wine glass and others) the material will be elastic enough to clamp firmly around the drink vessel. From this clamp a vertical arm of a flexible rubber material extends up the side of the drink vessel to be level with the top of the vessel attached to the top of this material will be a lever mechanism at one end will be a cap large enough to cover the top of the open vessel. At the other end a curve to accomodate the index finger. Whilst holding the can, stubby glass etc. one can press down with the index finger on the curved part of the lever mechanism which will cause the cap to lift up and away from the top of the drink container which will allow one to drink freely. Releasing the pressure on the lever the cap will return to cover the container and protect the contents inside. I have provided some drawings of proposed design together with photographs of some very basic prototypes. The purpose of this design is to protect open drink vessels from contamination whilst still allowing the holder to drink easily from the vessel. The design would stop dust, flies, european wasps, ants and other contaminants including cigarette butts from entering the vessel. It would also prevent topping up of drinks without the owners knowledge. It would also make drink spiking much more difficult. If a design registration is granted I will then approach manufacturers to discuss production and final choice of materials. Although the design would be the same, the individual components would vary in size to accomodate different vessels. It is envisaged that when finished the product will fold at the clamp and also at the lever and cap and store flat so that it can easily be carried in a pocket or handbag. It will also come in a range of**



colours which could have the added advantage of helping to identify your drink.

(12) AUSTRALIAN REGISTERED DESIGN
(19) AU

(11) AU-S- 330550

(21) Design Number: **11462/2010**

(22) Date of Filing Application: **07 January 2010**

(24) Date from which industrial property rights may have effect: **07 January 2010**

(54) Product in respect of which the design is registered: **Drink contamination cover attached to a conventional can holder**

(51) International Design Classification: **07-06NES**

(71) Name(s) and Address(s) of Applicant(s):

Graham John Stephens
88 Marnie Road Kennington Bendigo Victoria 3550 Australia

(72) Name(s) of Designer(s): **Graham John Stephens**

(45) Registration Date: **30 April 2010**

(56) Related Art Documents: **Not Applicable**

(57) Statement of Newness and Distinctiveness: **Design - Improved can/stubby holder with drink contamination protection cap attached. The design is to prevent contamination of drink contents within cans or stubbies encased in conventional "stubby holders". The stubby holder has a flexible rubber strip attached vertically. Attached then to the top of the vertical strip is an horizontal arm with a cap sufficient in size to cover the opening of the stubby. In the case of a can the cover would cover the entire top of the can. This cap is attached to the horizontal arm at the other end of the horizontal arm is a curved slot on which to rest the index finger. Whilst holding the holder containing the open drink can or stubby. By applying downward pressure on this curved slot with the index finger the cap covering the drink container is lifted up and to the side via a lever action thus allowing the person holding the container to drink freely from the stubby or can. Releasing the pressure allows the cap to return and cover the drink container thus protecting the contents. The vertical shaft, horizontal lever and cover will be made from a satisfactory plastic or rubber. With the lever section designed to fold flat so that the holder can be easily carried in the pocket, handbag or as quite often worn around the wrist. The purpose of the covers is to prevent contaminants from entering the open drink container such as flies, European wasps, ants, dust, dirt, water and even the odd cigarette butt. The covers would also be a usefull deterrent and possible protection from drink spiking as it would make this practice more difficult. The covers would come in a range of colours and sizes to fit most cans or stubbies on the market. Colour of the holder would also have the added advantage of being able to identify ones drink. Photos attached show prototypes although the final product may vary slightly should a**



manufacturer be sourced. I have searched data bases as recommended and found nothing similar or capable of performing the desired function. In accordance with the locarno agreement I believe this design would fall within the 07-07 class.

(12) AUSTRALIAN REGISTERED DESIGN
(19) AU

(11) AU-S- 330551

(21) Design Number: **11463/2010**

(22) Date of Filing Application: **07 January 2010**

(24) Date from which industrial property rights may have effect: **07 January 2010**

(54) Product in respect of which the design is registered: **Drink contamination cover attached to a conventional stubby holder**

(51) International Design Classification: **07-06NES**

(71) Name(s) and Address(s) of Applicant(s):

Graham John Stephens
88 Marnie Road Kennington Bendigo Victoria 3550 Australia

(72) Name(s) of Designer(s): **Graham John Stephens**

(45) Registration Date: **30 April 2010**

(56) Related Art Documents: **Not Applicable**

(57) Statement of Newness and Distinctiveness: **Design - Improved can/stubby holder with drink contamination protection cap attached. The design is to prevent contamination of drink contents within cans or stubbies encased in conventional "stubby holders". The stubby holder has a flexible rubber strip attached vertically. Attached then to the top of the vertical strip is an horizontal arm with a cap sufficient in size to cover the opening of the stubby. In the case of a can the cover would cover the entire top of the can. This cap is attached to the horizontal arm at the other end of the horizontal arm is a curved slot on which to rest the index finger. Whilst holding the holder containing the open drink can or stubby. By applying downward pressure on this curved slot with the index finger the cap covering the drink container is lifted up and to the side via a lever action thus allowing the person holding the container to drink freely from the stubby or can. Releasing the pressure allows the cap to return and cover the drink container thus protecting the contents. The vertical shaft, horizontal lever and cover will be made from a satisfactory plastic or rubber. With the lever section designed to fold flat so that the holder can be easily carried in the pocket, handbag or as quite often worn around the wrist. The purpose of the covers is to prevent contaminants from entering the open drink container such as flies, European wasps, ants, dust, dirt, water and even the odd cigarette butt. The covers would also be a usefull deterrent and possible protection from drink spiking as it would make this practice more difficult. The covers would come in a range of colours and sizes to fit most cans or stubbies on the market. Colour of the holder would also have the added advantage of being able to identify ones drink. Photos attached show prototypes although the final product may vary slightly should a**



manufacturer be sourced. I have searched data bases as recommended and found nothing similar or capable of performing the desired function. In accordance with the locarno agreement I believe this design would fall within the 07-07 class.

(12) AUSTRALIAN REGISTERED DESIGN
(19) AU

(11) AU-S- 330552

(21) Design Number: **10059/2010**

(22) Date of Filing Application: **07 January 2010**

(24) Date from which industrial property rights may have effect: **07 January 2010**

(54) Product in respect of which the design is registered: **Drink contamination cover attached to a conventional stubby holder**

(51) International Design Classification: **07-06NES**

(71) Name(s) and Address(s) of Applicant(s):

Graham John Stephens
88 Marnie Road Kennington Bendigo Victoria 3550 Australia

(72) Name(s) of Designer(s): **Graham John Stephens**

(45) Registration Date: **30 April 2010**

(56) Related Art Documents: **Not Applicable**

(57) Statement of Newness and Distinctiveness: **Design - Improved can/stubby holder with drink contamination protection cap attached. The design is to prevent contamination of drink contents within cans or stubbies encased in conventional "stubby holders". The stubby holder has a flexible rubber strip attached vertically. Attached then to the top of the vertical strip is an horizontal arm with a cap sufficient in size to cover the opening of the stubby. In the case of a can the cover would cover the entire top of the can. This cap is attached to the horizontal arm at the other end of the horizontal arm is a curved slot on which to rest the index finger. Whilst holding the holder containing the open drink can or stubby. By applying downward pressure on this curved slot with the index finger the cap covering the drink container is lifted up and to the side via a lever action thus allowing the person holding the container to drink freely from the stubby or can. Releasing the pressure allows the cap to return and cover the drink container thus protecting the contents. The vertical shaft, horizontal lever and cover will be made from a satisfactory plastic or rubber. With the lever section designed to fold flat so that the holder can be easily carried in the pocket, handbag or as quite often worn around the wrist. The purpose of the covers is to prevent contaminants from entering the open drink container such as flies, european wasps, ants, dust, dirt, water and even the odd cigarette butt. The covers would also be a usefull deterrent and possible protection from drink spiking as it would make this practice more difficult. The covers would come in a range of colours and sizes to fit most cans or stubbies on the market. Colour of the holder would also have the added advantage of being able to identify ones drink. Photos attached show prototypes although the final product may vary slightly should a**



manufacturer be sourced. I have searched data bases as recommended and found nothing similar or capable of performing the desired function. In accordance with the locarno agreement I believe this design would fall within the 07-07 class.

(12) AUSTRALIAN REGISTERED DESIGN
(19) AU

(11) AU-S- 330553

(21) Design Number: **13811/2009**

(22) Date of Filing Application: **01 October 2009**

(24) Date from which industrial property rights may have effect: **01 October 2009**

(54) Product in respect of which the design is registered: **Insulator cable bracket**

(51) International Design Classification: **13-03B**

(71) Name(s) and Address(s) of Applicant(s):

Hearthill Pty Ltd

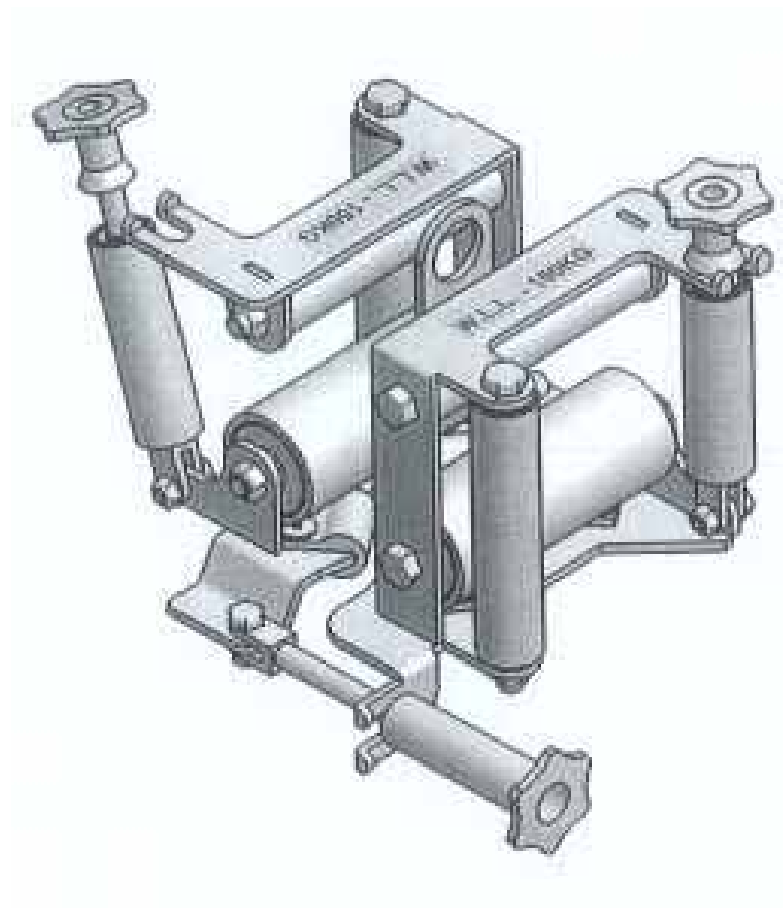
Factory 3 35 Gilbert Road Knoxfield Victoria 3180 Australia

(72) Name(s) of Designer(s): **Gary Herzberg**

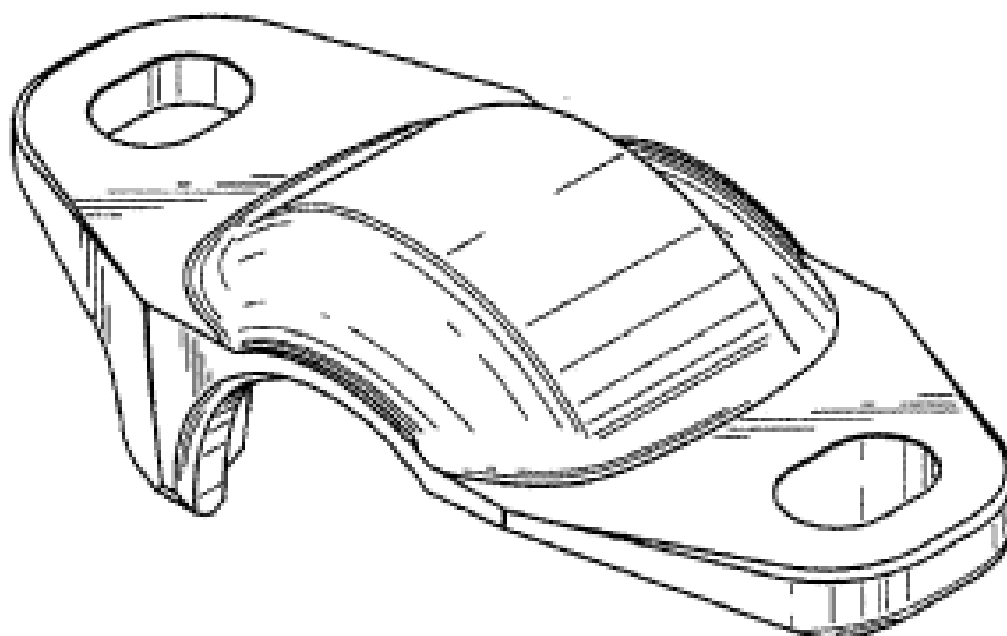
(45) Registration Date: **30 April 2010**

(56) Related Art Documents: **Not Applicable**

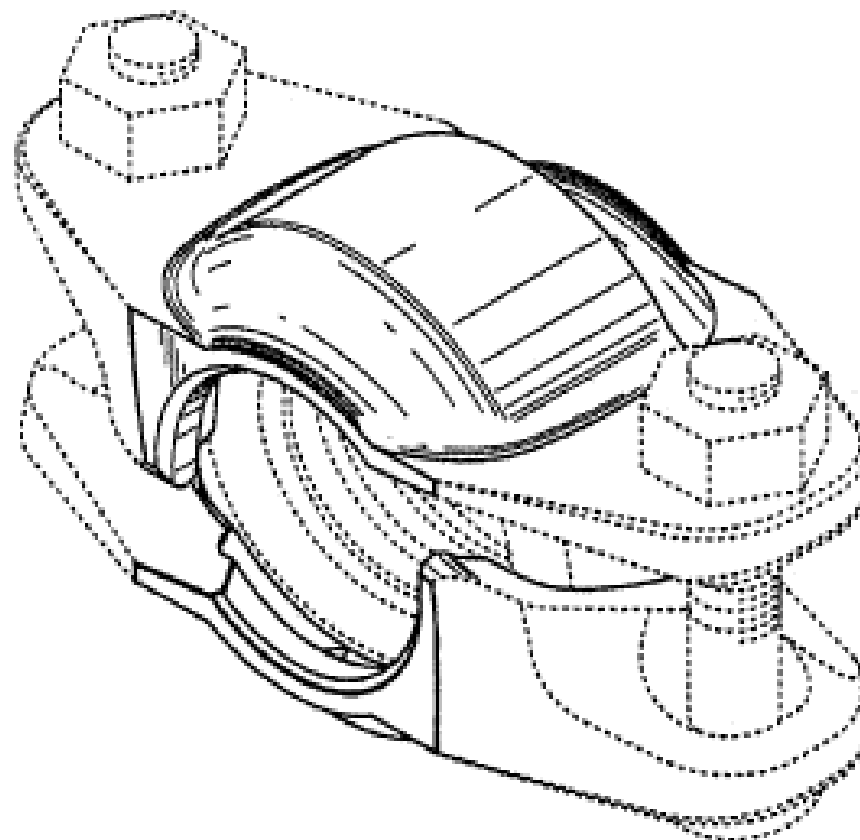
(57) Statement of Newness and Distinctiveness: **The particular visual features of the design which the applicant hereby identifies as new and distinctiveness are as follows: An insulator cable bracket as illustrated in the accompanying representations.**



(21) Design Number: **10627/2010**
(22) Date of Filing Application: **25 February 2010**
(24) Date from which industrial property rights may have effect: **25 February 2010**
(54) Product in respect of which the design is registered: **Pipe coupling**
(51) International Design Classification: **23-01A**
(71) Name(s) and Address(s) of Applicant(s):
Victaulic Company
4901 Kesslersville Road Easton Pennsylvania 18040 United States of America
(72) Name(s) of Designer(s): **Matthew A. Bowman and Scott D. Madara**
(45) Registration Date: **30 April 2010**
(30) Convention priority data:
(31) Number (32) Date (33) Country
29/342,652 28 Aug 2009 UNITED STATES OF AMERICA
(56) Related Art Documents: **Not Applicable**
(57) Statement of Newness and Distinctiveness: **Newness and distinctiveness is claimed in the features of shape and/or configuration of a pipe coupling as shown in the representations.**



(21) Design Number: **11595/2010**
(22) Date of Filing Application: **25 February 2010**
(24) Date from which industrial property rights may have effect: **25 February 2010**
(54) Product in respect of which the design is registered: **Pipe coupling**
(51) International Design Classification: **23-01A**
(71) Name(s) and Address(s) of Applicant(s):
Victaulic Company
4901 Kesslersville Road Easton Pennsylvania 18040 United States of America
(72) Name(s) of Designer(s): **Matthew A. Bowman and Scott D. Madara**
(45) Registration Date: **30 April 2010**
(30) Convention priority data:
(31) Number (32) Date (33) Country
29/342,652 28 Aug 2009 UNITED STATES OF AMERICA
(56) Related Art Documents: **Not Applicable**
(57) Statement of Newness and Distinctiveness: **Newness and distinctiveness is claimed in the features of shape and/or configuration of a pipe coupling as shown in the representations. The broken lines shown in the representations are for illustrative purposes only and form no part of the claimed design.**



(21) Design Number: **10626/2010**

(22) Date of Filing Application: **25 February 2010**

(24) Date from which industrial property rights may have effect: **25 February 2010**

(54) Product in respect of which the design is registered: **Pipe coupling segment**

(51) International Design Classification: **23-01A**

(71) Name(s) and Address(s) of Applicant(s):

Victaulic Company

4901 Kesslersville Road Easton Pennsylvania 18040 United States of America

(72) Name(s) of Designer(s): **Matthew A. Bowman and Scott D. Madara**

(45) Registration Date: **30 April 2010**

(30) Convention priority data:

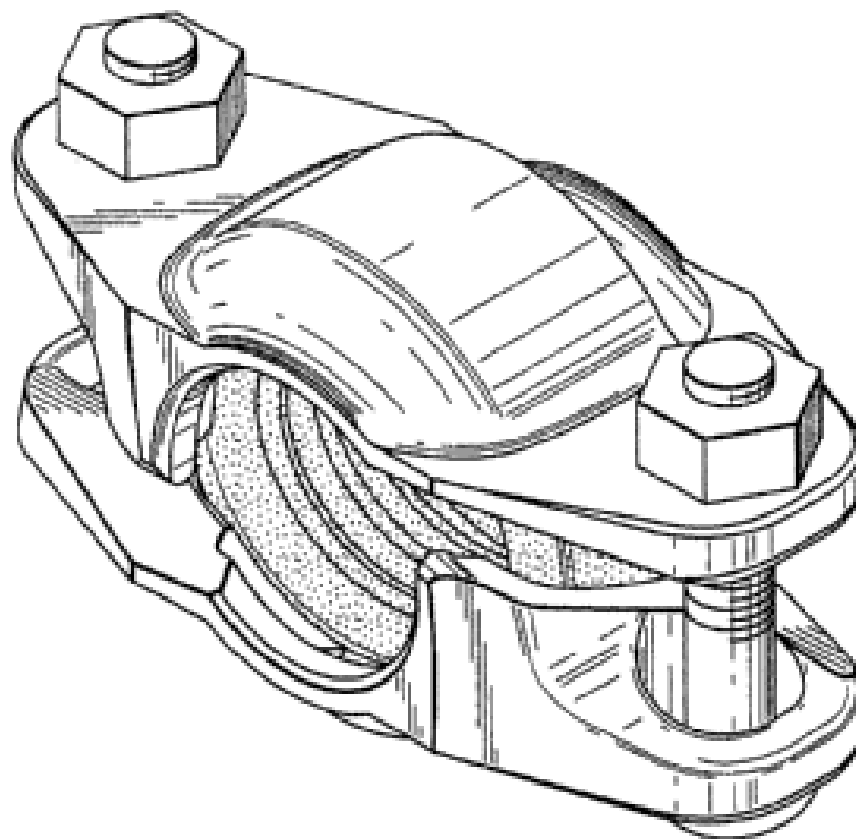
(31) Number
29/342,658

(32) Date
28 Aug 2009

(33) Country
UNITED STATES OF AMERICA

(56) Related Art Documents: **Not Applicable**

(57) Statement of Newness and Distinctiveness: **Newness and distinctiveness is claimed in the features of shape and/or configuration of a pipe coupling segment as shown in the representations.**



(21) Design Number: **11596/2010**

(22) Date of Filing Application: **25 February 2010**

(24) Date from which industrial property rights may have effect: **25 February 2010**

(54) Product in respect of which the design is registered: **Pipe coupling segment**

(51) International Design Classification: **23-01A**

(71) Name(s) and Address(s) of Applicant(s):

Victaulic Company

4901 Kesslersville Road Easton Pennsylvania 18040 United States of America

(72) Name(s) of Designer(s): **Matthew A. Bowman and Scott D. Madara**

(45) Registration Date: **30 April 2010**

(30) Convention priority data:

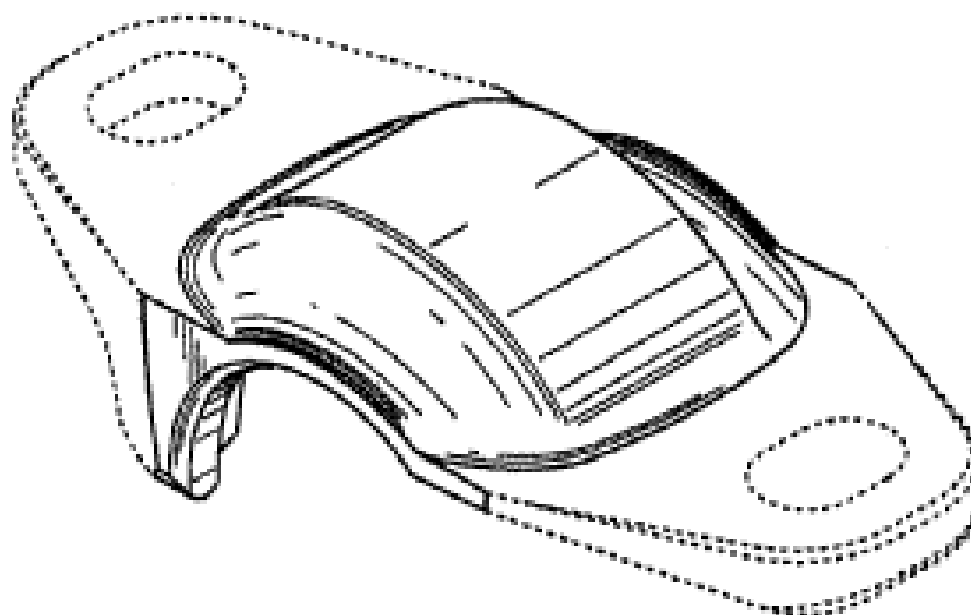
(31) Number
29/342,658

(32) Date
28 Aug 2009

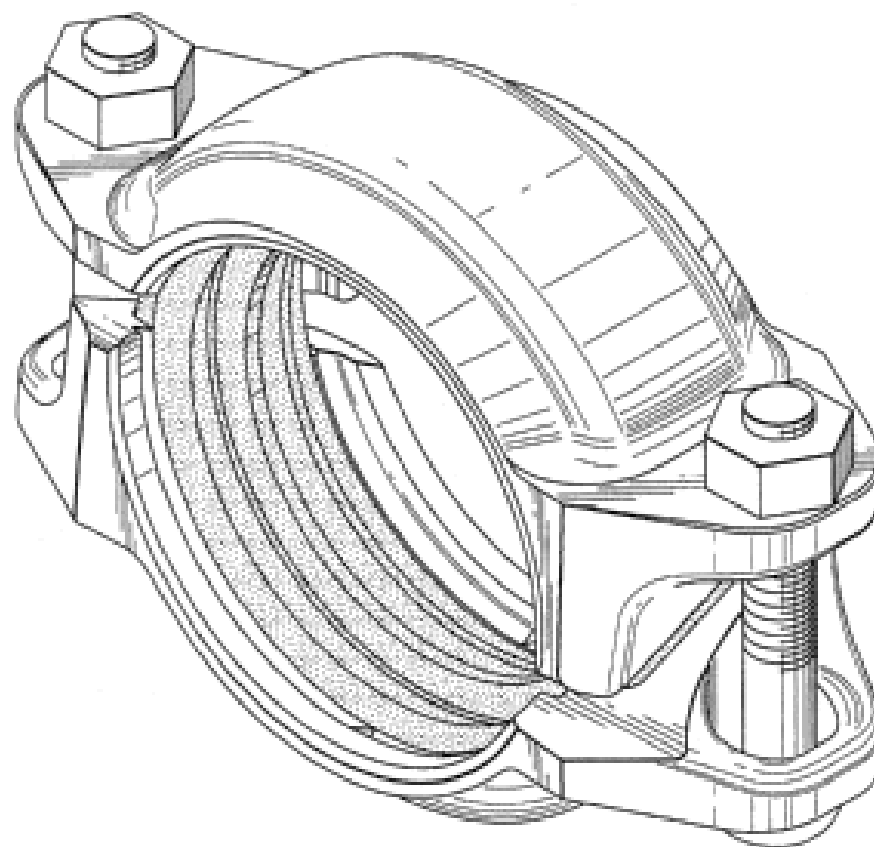
(33) Country
UNITED STATES OF AMERICA

(56) Related Art Documents: **Not Applicable**

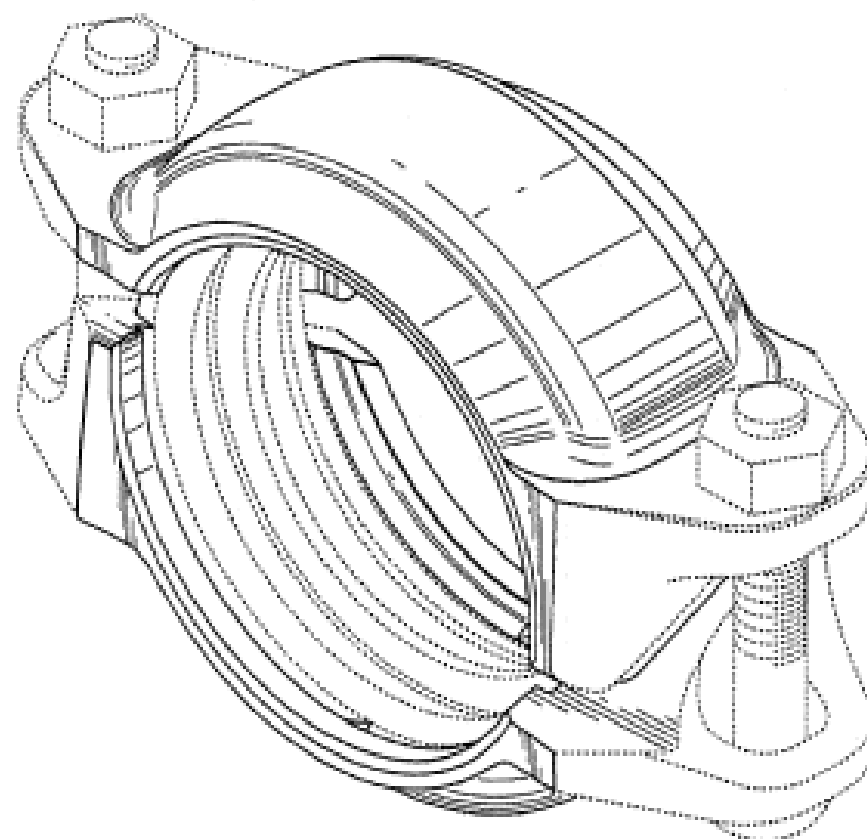
(57) Statement of Newness and Distinctiveness: **Newness and distinctiveness is claimed in the features of shape and/or configuration of a pipe coupling segment as shown in the representations. The broken lines shown in the representations are for illustrative purposes only and form no part of the claimed design.**



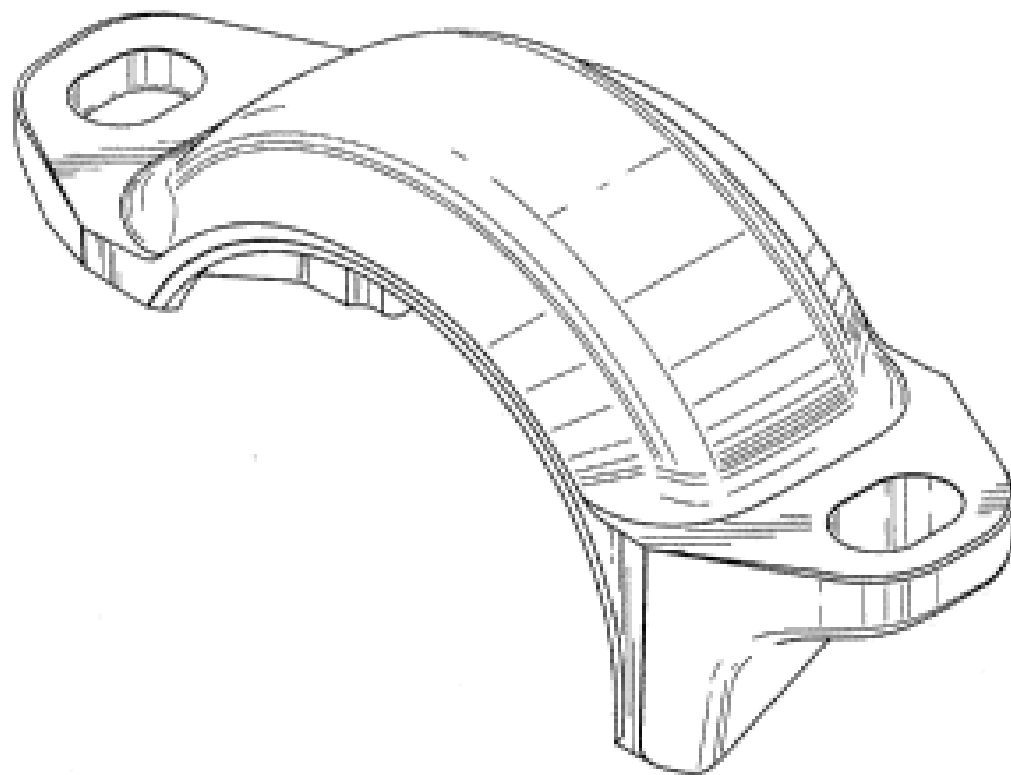
(21) Design Number: **10628/2010**
 (22) Date of Filing Application: **25 February 2010**
 (24) Date from which industrial property rights may have effect: **25 February 2010**
 (54) Product in respect of which the design is registered: **Pipe coupling**
 (51) International Design Classification: **23-01A**
 (71) Name(s) and Address(s) of Applicant(s):
Victaulic Company
4901 Kesslersville Road Easton Pennsylvania 18040 United States of America
 (72) Name(s) of Designer(s): **Matthew A. Bowman and Scott D. Madara**
 (45) Registration Date: **30 April 2010**
 (30) Convention priority data:
 (31) Number (32) Date (33) Country
29/342,659 28 Aug 2009 UNITED STATES OF AMERICA
 (56) Related Art Documents: **Not Applicable**
 (57) Statement of Newness and Distinctiveness: **Newness and distinctiveness is claimed in the features of shape and/or configuration of a pipe coupling as shown in the representations.**



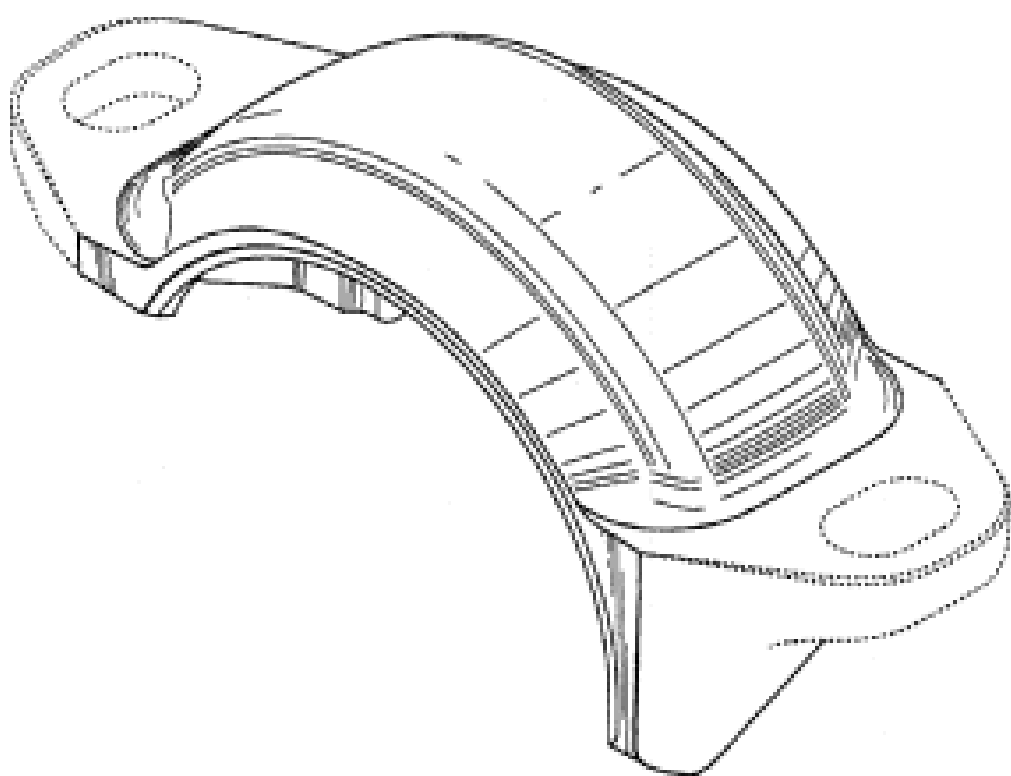
(21) Design Number: **11597/2010**
 (22) Date of Filing Application: **25 February 2010**
 (24) Date from which industrial property rights may have effect: **25 February 2010**
 (54) Product in respect of which the design is registered: **Pipe coupling**
 (51) International Design Classification: **23-01A**
 (71) Name(s) and Address(s) of Applicant(s):
Victaulic Company
4901 Kesslersville Road Easton Pennsylvania 18040 United States of America
 (72) Name(s) of Designer(s): **Matthew A. Bowman and Scott D. Madara**
 (45) Registration Date: **30 April 2010**
 (30) Convention priority data:
 (31) Number (32) Date (33) Country
29/342,659 28 Aug 2009 UNITED STATES OF AMERICA
 (56) Related Art Documents: **Not Applicable**
 (57) Statement of Newness and Distinctiveness: **Newness and distinctiveness is claimed in the features of shape and/or configuration of a pipe coupling as shown in the representations. The broken lines shown in the representations are for illustrative purposes only and form no part of the claimed design.**



(21) Design Number: **10629/2010**
(22) Date of Filing Application: **25 February 2010**
(24) Date from which industrial property rights may have effect: **25 February 2010**
(54) Product in respect of which the design is registered: **Pipe coupling segment**
(51) International Design Classification: **23-01A**
(71) Name(s) and Address(s) of Applicant(s):
Victaulic Company
4901 Kesslersville Road Easton Pennsylvania 18040 United States of America
(72) Name(s) of Designer(s): **Matthew A. Bowman and Scott D. Madara**
(45) Registration Date: **30 April 2010**
(30) Convention priority data:
(31) Number (32) Date (33) Country
29/342,661 28 Aug 2009 UNITED STATES OF AMERICA
(56) Related Art Documents: **Not Applicable**
(57) Statement of Newness and Distinctiveness: **Newness and distinctiveness is claimed in the features of shape and/or configuration of a pipe coupling segment as shown in the representations.**



(21) Design Number: **11598/2010**
(22) Date of Filing Application: **25 February 2010**
(24) Date from which industrial property rights may have effect: **25 February 2010**
(54) Product in respect of which the design is registered: **Pipe coupling segment**
(51) International Design Classification: **23-01A**
(71) Name(s) and Address(s) of Applicant(s):
Victaulic Company
4901 Kesslersville Road Easton Pennsylvania 18040 United States of America
(72) Name(s) of Designer(s): **Matthew A. Bowman and Scott D. Madara**
(45) Registration Date: **30 April 2010**
(30) Convention priority data:
(31) Number (32) Date (33) Country
29/342,661 28 Aug 2009 UNITED STATES OF AMERICA
(56) Related Art Documents: **Not Applicable**
(57) Statement of Newness and Distinctiveness: **Newness and distinctiveness is claimed in the features of shape and/or configuration of a pipe coupling segment as shown in the representations. The broken lines shown in the representations are for illustrative purposes only and form no part of the claimed design.**



(21) Design Number: **10879/2010**

(22) Date of Filing Application: **16 March 2010**

(24) Date from which industrial property rights may have effect: **16 March 2010**

(54) Product in respect of which the design is registered: **Coffee machine**

(51) International Design Classification: **07-02L**

(71) Name(s) and Address(s) of Applicant(s):

Jura Elektroapparate AG
Kaffeeweltstrasse 10 CH-4626 Niederbuchsiten Switzerland

(72) Name(s) of Designer(s): **Philipp Baur**

(45) Registration Date: **30 April 2010**

(30) Convention priority data:

(31) Number	(32) Date	(33) Country
DM/072292	21 Sep 2009	SWITZERLAND

(56) Related Art Documents: **Not Applicable**

(57) Statement of Newness and Distinctiveness: **Newness and distinctiveness is claimed in the visual features of the control panel for the coffee machine shown in the accompanying representations.**



(21) Design Number: **10043/2010**

(22) Date of Filing Application: **07 January 2010**

(24) Date from which industrial property rights may have effect: **07 January 2010**

(54) Product in respect of which the design is registered: **Automobile**

(51) International Design Classification: **12-08**

(71) Name(s) and Address(s) of Applicant(s):

Toyota Jidosha Kabushiki Kaisha
1 Toyota-cho Toyota-shi Aichi-ken 471-8571 Japan

(72) Name(s) of Designer(s): **Hideo Koyama and Naoyuki Nakamura**

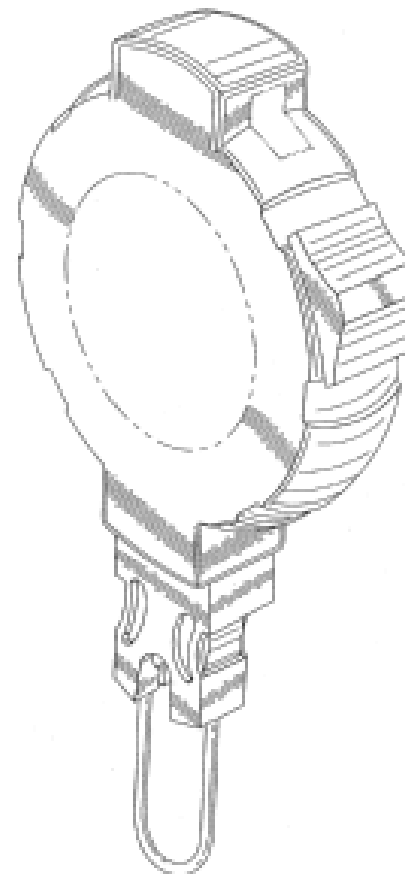
(45) Registration Date: **30 April 2010**

(56) Related Art Documents: **Not Applicable**

(57) Statement of Newness and Distinctiveness: **Newness and distinctiveness is claimed in the features of a front portion of an automobile as illustrated in the accompanying representations, the referential views emphasizing the front portion of the automobile.**



- (21) Design Number: **11198/2010**
(22) Date of Filing Application: **06 April 2010**
(24) Date from which industrial property rights may have effect: **06 April 2010**
(54) Product in respect of which the design is registered: **Releasable attachment apparatus**
(51) International Design Classification: **08-07**
(71) Name(s) and Address(s) of Applicant(s):
West Coast Chain Mfg. Co.
4245 Pacific Privado Ontario California 91762 United States of America
(72) Name(s) of Designer(s): **Stanfield Young and Boake Paugh**
(45) Registration Date: **30 April 2010**
(30) Convention priority data:
(31) Number (32) Date (33) Country
29/353957 16 Jan 2010 UNITED STATES OF AMERICA
(56) Related Art Documents: **Not Applicable**
(57) Statement of Newness and Distinctiveness: **Newness and distinctiveness reside in the features of shape and configuration of the design as shown in the representations.**



- (21) Design Number: **11199/2010**
(22) Date of Filing Application: **06 April 2010**
(24) Date from which industrial property rights may have effect: **06 April 2010**
(54) Product in respect of which the design is registered: **Bottle**
(51) International Design Classification: **09-01NES**
(71) Name(s) and Address(s) of Applicant(s):
SAVERGLASS
3 rue de la Gare 60960 Feuquieres France
(72) Name(s) of Designer(s): **Richard Lauret**
(45) Registration Date: **30 April 2010**
(30) Convention priority data:
(31) Number (32) Date (33) Country
0016193834-0001 06 Oct 2009 EUROPEAN COMMUNITY
(56) Related Art Documents: **Not Applicable**
(57) Statement of Newness and Distinctiveness: **Newness and distinctiveness reside in the features of the design as shown in solid lines in the representations and, in particular, the slightly curved body, the petal-shaped base, the thick base and the rounded shoulder but excluding those features shown in broken lines.**



(21) Design Number: **11200/2010**

(22) Date of Filing Application: **01 April 2010**

(24) Date from which industrial property rights may have effect: **01 April 2010**

(54) Product in respect of which the design is registered: **A tyre**

(51) International Design Classification: **12-15B**

(71) Name(s) and Address(s) of Applicant(s):

Michelin Recherche et Technique SA
Route Louis Braille 10 et 12 CH-1763 Granges-Paccot Switzerland

Societe De Technologie Michelin
23 rue Breschet F-63000 Clermont-Ferrand Cedex France

(72) Name(s) of Designer(s): **John R. Davidson Jr and Joseph A. Stain**

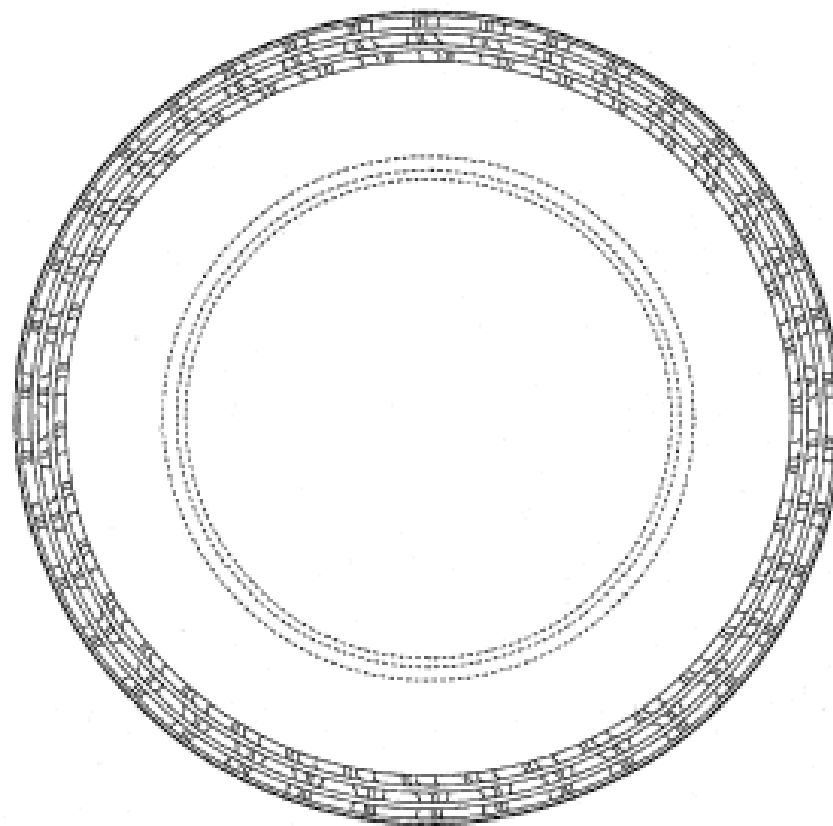
(45) Registration Date: **30 April 2010**

(30) Convention priority data:

(31) Number	(32) Date	(33) Country
29/344,907	06 Oct 2009	UNITED STATES OF AMERICA

(56) Related Art Documents: **Not Applicable**

(57) Statement of Newness and Distinctiveness: **Newness and distinctiveness resides in the pattern or ornamentation applied to each side wall of a tyre as shown in the annexed drawing, the tyre being of indefinite width and the remainder of the tyre not being part of the design and to be disregarded.**



(21) Design Number: **11203/2010**

(22) Date of Filing Application: **06 April 2010**

(24) Date from which industrial property rights may have effect: **06 April 2010**

(54) Product in respect of which the design is registered: **Steering wheel**

(51) International Design Classification: **12-16A**

(71) Name(s) and Address(s) of Applicant(s):

Grant Products International, Inc.
1770 Evergreen Street Duarte California 91010 United States of America

(72) Name(s) of Designer(s): **Peter Granata**

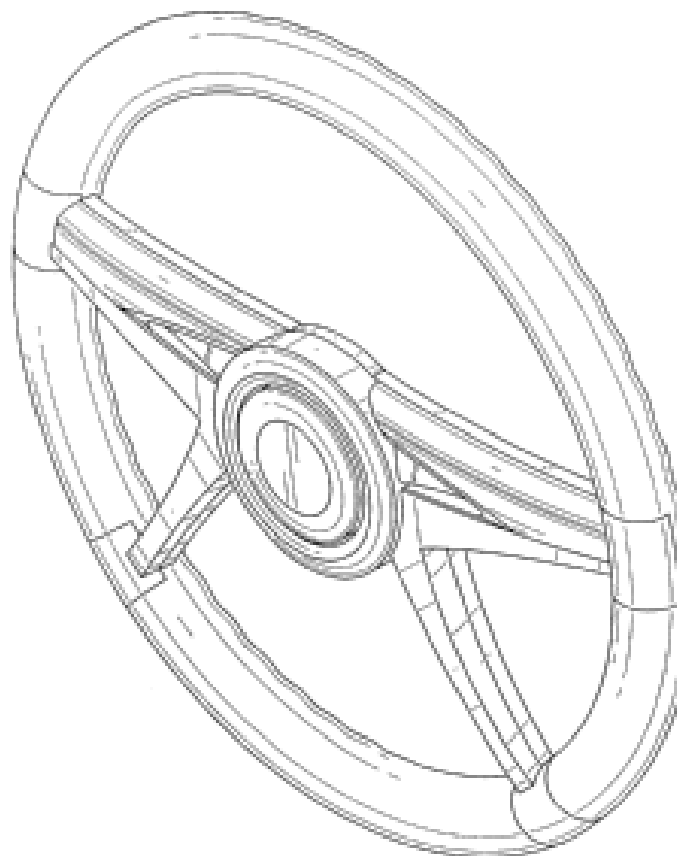
(45) Registration Date: **30 April 2010**

(30) Convention priority data:

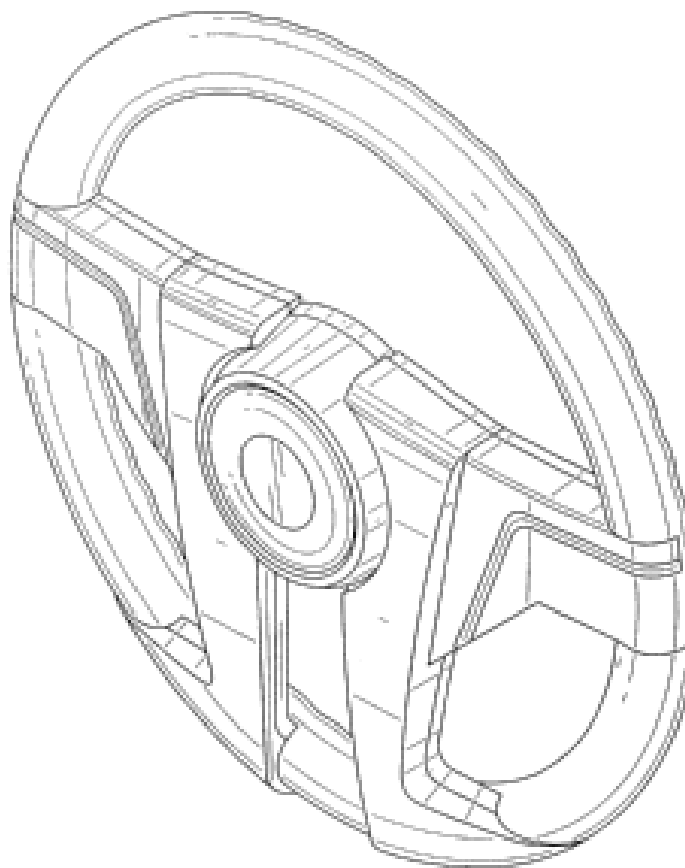
(31) Number	(32) Date	(33) Country
29344990	07 Oct 2009	UNITED STATES OF AMERICA

(56) Related Art Documents: **Not Applicable**

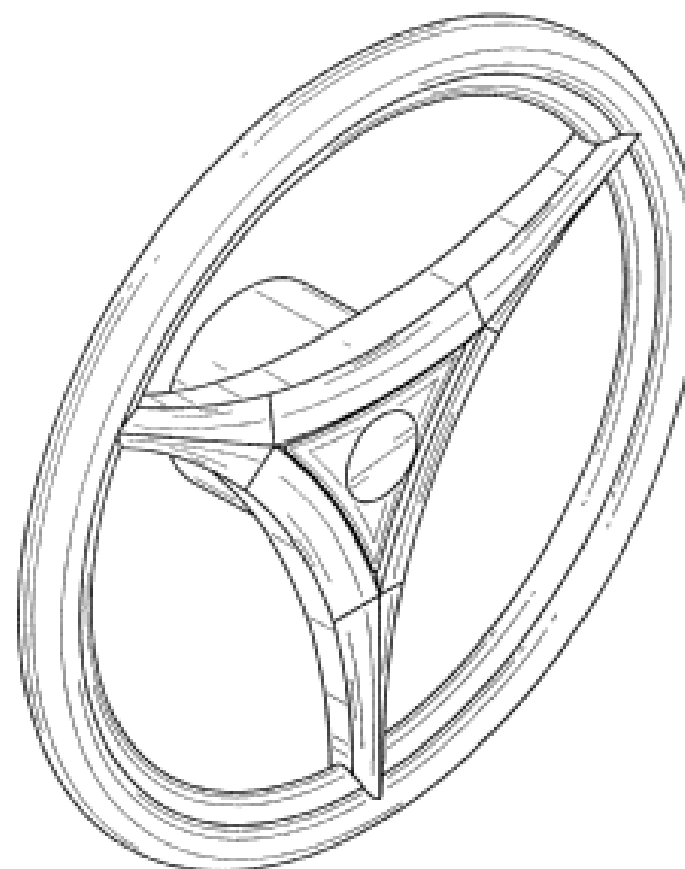
(57) Statement of Newness and Distinctiveness: **Nil**



(21) Design Number: **11204/2010**
(22) Date of Filing Application: **06 April 2010**
(24) Date from which industrial property rights may have effect: **06 April 2010**
(54) Product in respect of which the design is registered: **Steering wheel**
(51) International Design Classification: **12-16A**
(71) Name(s) and Address(s) of Applicant(s):
Grant Products International, Inc.
1770 Evergreen Street Duarte California 91010 United States of America
(72) Name(s) of Designer(s): **Peter Granata**
(45) Registration Date: **30 April 2010**
(30) Convention priority data:
(31) Number (32) Date (33) Country
29344992 07 Oct 2009 UNITED STATES OF AMERICA
(56) Related Art Documents: **Not Applicable**
(57) Statement of Newness and Distinctiveness: I

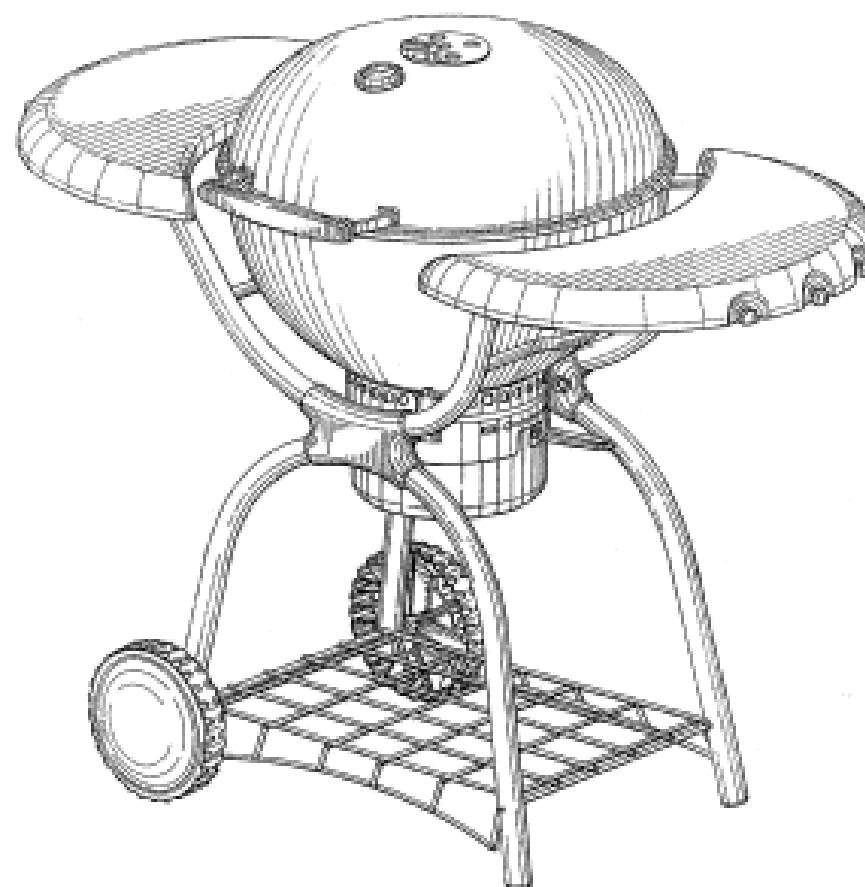


(21) Design Number: **11205/2010**
(22) Date of Filing Application: **06 April 2010**
(24) Date from which industrial property rights may have effect: **06 April 2010**
(54) Product in respect of which the design is registered: **Steering wheel**
(51) International Design Classification: **12-16A**
(71) Name(s) and Address(s) of Applicant(s):
Grant Products International, Inc.
1770 Evergreen Street Duarte California 91010 United States of America
(72) Name(s) of Designer(s): **Peter Granata**
(45) Registration Date: **30 April 2010**
(30) Convention priority data:
(31) Number (32) Date (33) Country
29344993 07 Oct 2009 UNITED STATES OF AMERICA
(56) Related Art Documents: **Not Applicable**
(57) Statement of Newness and Distinctiveness: Nil



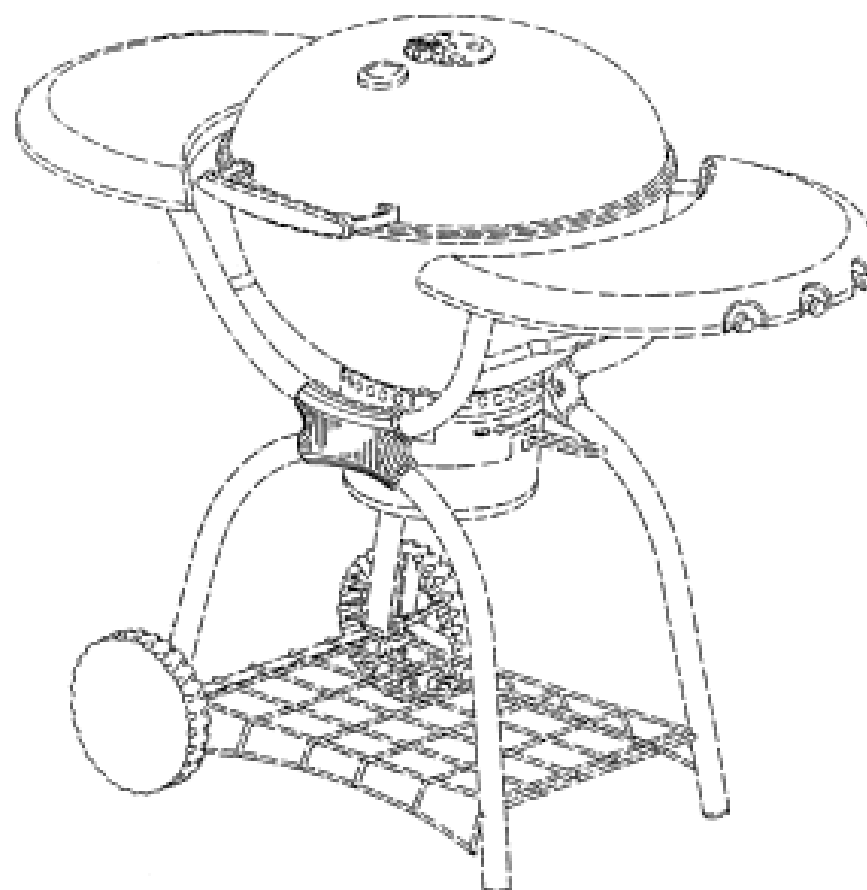
- (21) Design Number: **11219/2010**
- (22) Date of Filing Application: **07 April 2010**
- (24) Date from which industrial property rights may have effect: **07 April 2010**
- (54) Product in respect of which the design is registered: **Grill**
- (51) International Design Classification: **07-02E**
- (71) Name(s) and Address(s) of Applicant(s):
Weber-Stephen Products Co.
200 East Daniels Road Palatine Illinois 60067 United States of America
- (72) Name(s) of Designer(s): **Adrian A. Bruno and Charles Choi and Sonny Siazon**
- (45) Registration Date: **03 May 2010**
- (30) Convention priority data:

(31) Number	(32) Date	(33) Country
29/344963	07 Oct 2009	UNITED STATES OF AMERICA
- (56) Related Art Documents: **Not Applicable**
- (57) Statement of Newness and Distinctiveness: **Newness and distinctiveness is claimed in those features of shape and/or configuration of a grill as illustrated in continuous lines in the accompanying representations.**

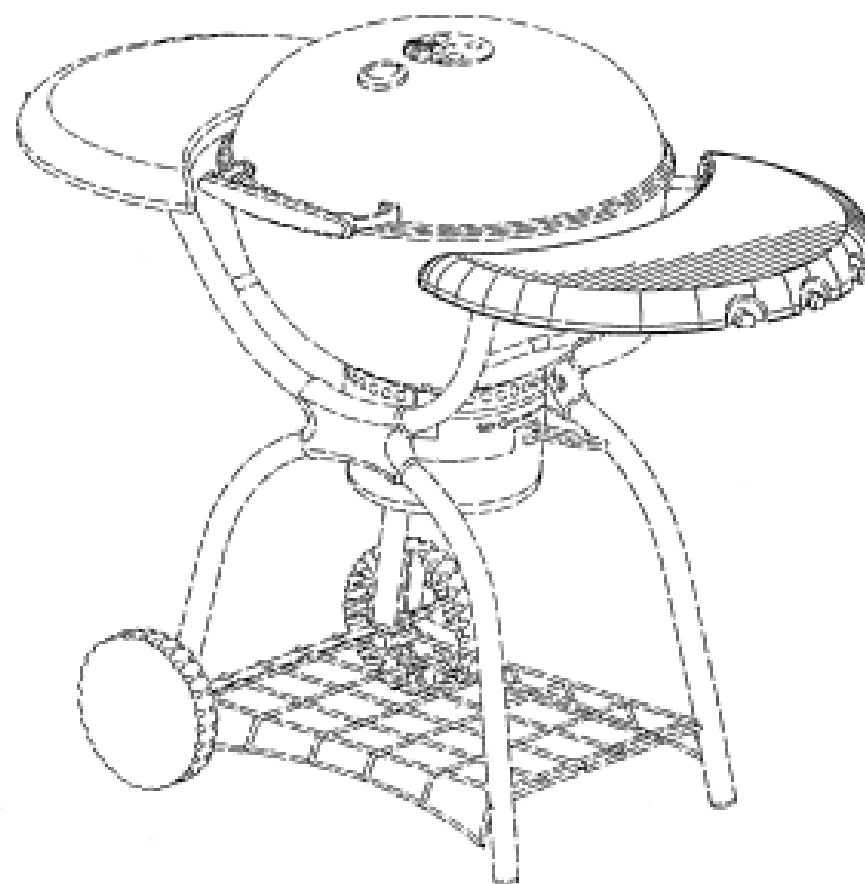


- (21) Design Number: **11220/2010**
- (22) Date of Filing Application: **07 April 2010**
- (24) Date from which industrial property rights may have effect: **07 April 2010**
- (54) Product in respect of which the design is registered: **Union member for a grill**
- (51) International Design Classification: **07-02E**
- (71) Name(s) and Address(s) of Applicant(s):
Weber-Stephen Products Co.
200 East Daniels Road Palatine Illinois 60067 United States of America
- (72) Name(s) of Designer(s): **Adrian A. Bruno and Charles Choi and Sonny Siazon**
- (45) Registration Date: **03 May 2010**
- (30) Convention priority data:

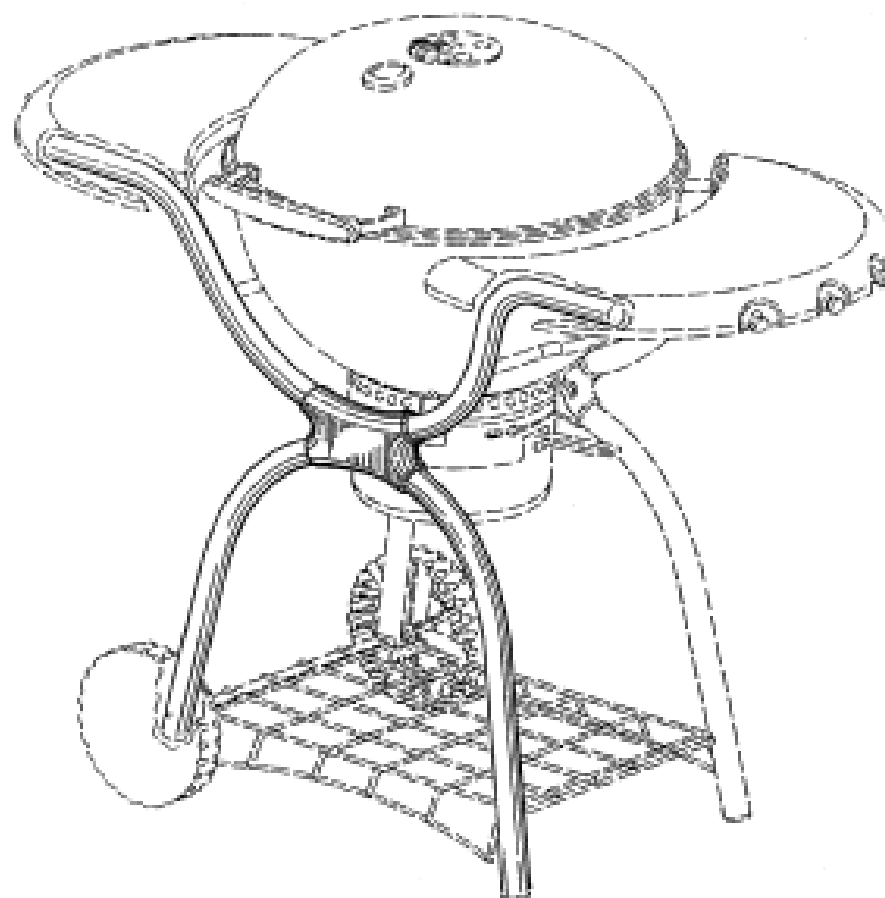
(31) Number	(32) Date	(33) Country
29/346758	05 Nov 2009	UNITED STATES OF AMERICA
- (56) Related Art Documents: **Not Applicable**
- (57) Statement of Newness and Distinctiveness: **Newness and distinctiveness is claimed in those features of shape and/or configuration of a union member for a grill as illustrated in continuous lines in the accompanying representations.**



(21) Design Number: **11221/2010**
 (22) Date of Filing Application: **07 April 2010**
 (24) Date from which industrial property rights may have effect: **07 April 2010**
 (54) Product in respect of which the design is registered: **Side table for grill**
 (51) International Design Classification: **07-02E**
 (71) Name(s) and Address(s) of Applicant(s):
Weber-Stephen Products Co.
200 East Daniels Road Palatine Illinois 60067 United States of America
 (72) Name(s) of Designer(s): **Adrian A. Bruno and Charles Choi and Sonny Siazon**
 (45) Registration Date: **03 May 2010**
 (30) Convention priority data:
 (31) Number (32) Date (33) Country
29/346760 05 Nov 2009 UNITED STATES OF AMERICA
 (56) Related Art Documents: **Not Applicable**
 (57) Statement of Newness and Distinctiveness: **Newness and distinctiveness is claimed in those features of shape and/or configuration of a side table for grill as illustrated in continuous lines in the accompanying representations.**



(21) Design Number: **11222/2010**
 (22) Date of Filing Application: **07 April 2010**
 (24) Date from which industrial property rights may have effect: **07 April 2010**
 (54) Product in respect of which the design is registered: **Grill frame**
 (51) International Design Classification: **07-02E**
 (71) Name(s) and Address(s) of Applicant(s):
Weber-Stephen Products Co.
200 East Daniels Road Palatine Illinois 60067 United States of America
 (72) Name(s) of Designer(s): **Adrian A. Bruno and Charles Choi and Sonny Siazon**
 (45) Registration Date: **03 May 2010**
 (30) Convention priority data:
 (31) Number (32) Date (33) Country
29/346759 05 Nov 2009 UNITED STATES OF AMERICA
 (56) Related Art Documents: **Not Applicable**
 (57) Statement of Newness and Distinctiveness: **Newness and distinctiveness is claimed in those features of shape and/or configuration of a grill frame as illustrated in continuous lines in the accompanying representations.**



(21) Design Number: **11223/2010**

(22) Date of Filing Application: **07 April 2010**

(24) Date from which industrial property rights may have effect: **07 April 2010**

(54) Product in respect of which the design is registered: **Kitchen scale with measuring cup**

(51) International Design Classification: **10-04**

(71) Name(s) and Address(s) of Applicant(s):

ADE (GmbH & Co.)

Hammer Steindamm 27-29 D-22089 Hamburg Germany

(72) Name(s) of Designer(s): **Andreas Schmitt**

(45) Registration Date: **03 May 2010**

(30) Convention priority data:

(31) Number
1621509-0001

(32) Date
09 Oct 2009

(33) Country
EUROPEAN COMMUNITY

(56) Related Art Documents: **Not Applicable**

(57) Statement of Newness and Distinctiveness: **Newness and distinctiveness is claimed in the features of the handle with the display of a kitchen scale with measuring cup as illustrated in the accompanying representations.**



(21) Design Number: **11224/2010**

(22) Date of Filing Application: **07 April 2010**

(24) Date from which industrial property rights may have effect: **07 April 2010**

(54) Product in respect of which the design is registered: **Cigarette packaging**

(51) International Design Classification: **09-03A**

(71) Name(s) and Address(s) of Applicant(s):

British American Tobacco (Holdings) Limited

Globe House 4 Temple Place London WC2R 2PG United Kingdom

(72) Name(s) of Designer(s): **John Graham England**

(45) Registration Date: **03 May 2010**

(30) Convention priority data:

(31) Number
001621350-0002

(32) Date
08 Oct 2009

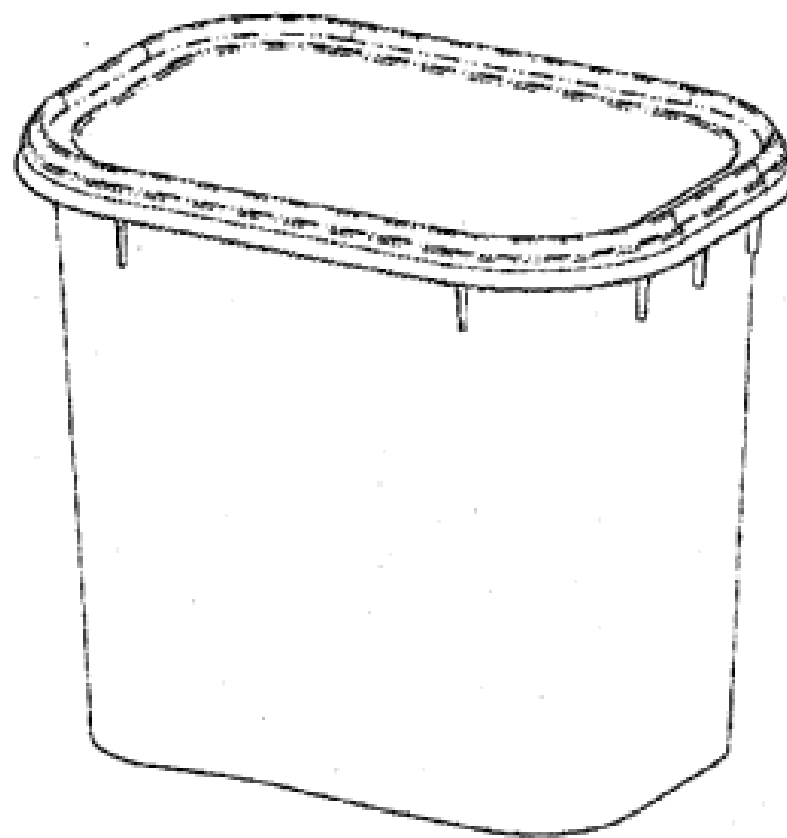
(33) Country
EUROPEAN COMMUNITY

(56) Related Art Documents: **Not Applicable**

(57) Statement of Newness and Distinctiveness: **Nil**



- (21) Design Number: **13175/2009**
(22) Date of Filing Application: **19 August 2009**
(24) Date from which industrial property rights may have effect: **19 August 2009**
(54) Product in respect of which the design is registered: **Container base**
(51) International Design Classification: **07-01NES, 09-03M**
(71) Name(s) and Address(s) of Applicant(s):
Huhtamaki Australia Pty Limited
225 Wellington Road Mulgrave Victoria 3170 Australia
(72) Name(s) of Designer(s): **Ian Janetzki and Paul Daffurn**
(45) Registration Date: **04 May 2010**
(56) Related Art Documents: **Not Applicable**
(57) Statement of Newness and Distinctiveness: **Newness and distinctiveness is claimed in features of shape and/or configuration of a container base as illustrated in the accompanying representations. In considering the scope of the registration the lid as shown is to be disregarded.**



- (21) Design Number: **11141/2010**
(22) Date of Filing Application: **31 March 2010**
(24) Date from which industrial property rights may have effect: **31 March 2010**
(54) Product in respect of which the design is registered: **A foam filled bag that converts to a bed**
(51) International Design Classification: **06-02, 06-01L**
(71) Name(s) and Address(s) of Applicant(s):
Carolyn Amott
95 Marriage Road Brighton East 3187 Victoria Australia
(72) Name(s) of Designer(s): **Carolyn Amott and Lisa McLeod**
(45) Registration Date: **04 May 2010**
(56) Related Art Documents: **Not Applicable**
(57) Statement of Newness and Distinctiveness: **This product is a foam filled bag (used as a chair) which then easily converts to a bed. Please refer to website www.bag2bed.com.au to clearly see the conversion from a bag to a bed.**



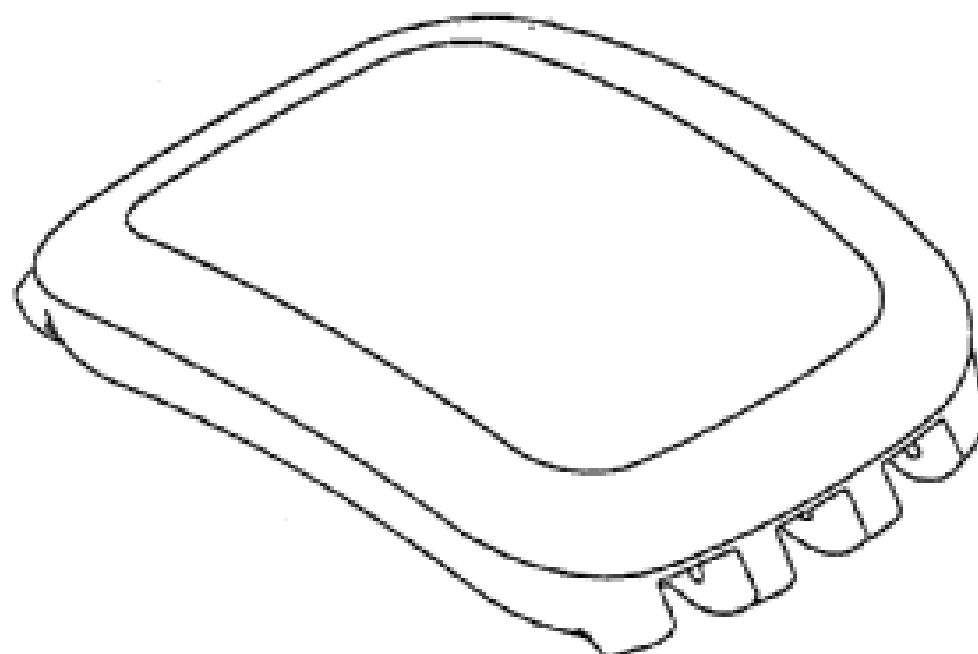
(21) Design Number: **11227/2010**
(22) Date of Filing Application: **07 April 2010**
(24) Date from which industrial property rights may have effect: **07 April 2010**
(54) Product in respect of which the design is registered:
Chocolate/confectionery
(51) International Design Classification: **01-01**
(71) Name(s) and Address(s) of Applicant(s):
August Storck KG
Waldstrasse 27 13403 Berlin Germany
(72) Name(s) of Designer(s): **Dagmar Pedro di Oliveira**
(45) Registration Date: **04 May 2010**
(30) Convention priority data:
(31) Number (32) Date (33) Country
001662248 28 Jan 2010 EUROPEAN COMMUNITY
(56) Related Art Documents: **Not Applicable**
(57) Statement of Newness and Distinctiveness: **Nil**



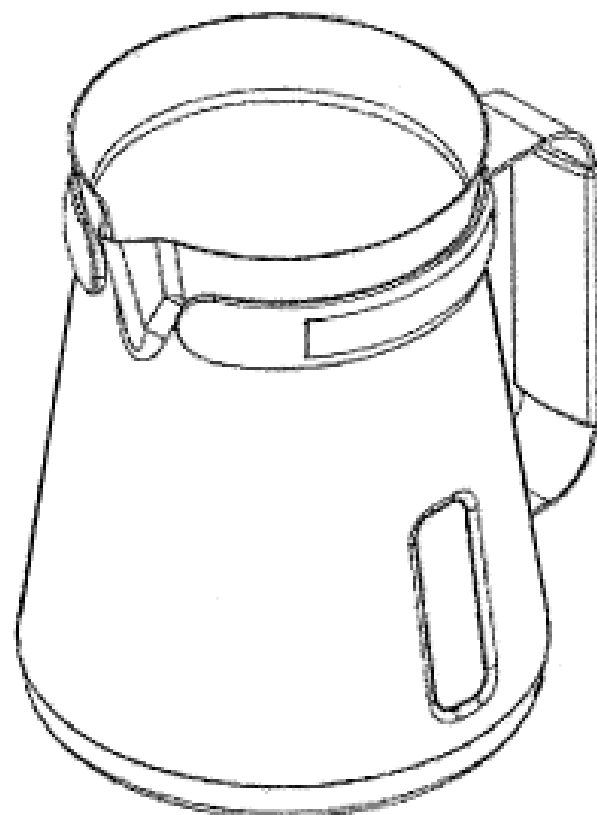
(21) Design Number: **11228/2010**
(22) Date of Filing Application: **07 April 2010**
(24) Date from which industrial property rights may have effect: **07 April 2010**
(54) Product in respect of which the design is registered:
Chocolate/confectionery
(51) International Design Classification: **01-01**
(71) Name(s) and Address(s) of Applicant(s):
August Storck KG
Waldstrasse 27 13403 Berlin Germany
(72) Name(s) of Designer(s): **Dagmar Pedro di Oliveira**
(45) Registration Date: **04 May 2010**
(30) Convention priority data:
(31) Number (32) Date (33) Country
001662248 28 Jan 2010 EUROPEAN COMMUNITY
(56) Related Art Documents: **Not Applicable**
(57) Statement of Newness and Distinctiveness: **Nil**



(21) Design Number: **11184/2010**
(22) Date of Filing Application: **06 April 2010**
(24) Date from which industrial property rights may have effect: **06 April 2010**
(54) Product in respect of which the design is registered: **Watch case**
(51) International Design Classification: **10-02**
(71) Name(s) and Address(s) of Applicant(s):
Swatch AG (Swatch SA) (Swatch Ltd)
94 rue Jakob Stampfli Bienne Switzerland
(72) Name(s) of Designer(s): **Alphonse Arellano**
(45) Registration Date: **05 May 2010**
(30) Convention priority data:
(31) Number (32) Date (33) Country
DM/072391 12 Oct 2009 SWITZERLAND
(56) Related Art Documents: **Not Applicable**
(57) Statement of Newness and Distinctiveness: **Nil**



(21) Design Number: **11193/2010**
(22) Date of Filing Application: **01 April 2010**
(24) Date from which industrial property rights may have effect: **01 April 2010**
(54) Product in respect of which the design is registered: **A jug**
(51) International Design Classification: **07-01F**
(71) Name(s) and Address(s) of Applicant(s):
Joe John Ciampa
390 Steveys Forest Road Oakdale New South Wales 2570 Australia
(72) Name(s) of Designer(s): **Joe John Ciampa**
(45) Registration Date: **05 May 2010**
(56) Related Art Documents: **Not Applicable**
(57) Statement of Newness and Distinctiveness: **Newness and distinctiveness is claimed in the features of shape and/or configuration of a jug as illustrated in the accompanying representations.**



(21) Design Number: **11194/2010**

(22) Date of Filing Application: **01 April 2010**

(24) Date from which industrial property rights may have effect: **01 April 2010**

(54) Product in respect of which the design is registered: **A jug**

(51) International Design Classification: **07-01F**

(71) Name(s) and Address(s) of Applicant(s):

Joe John Ciampa

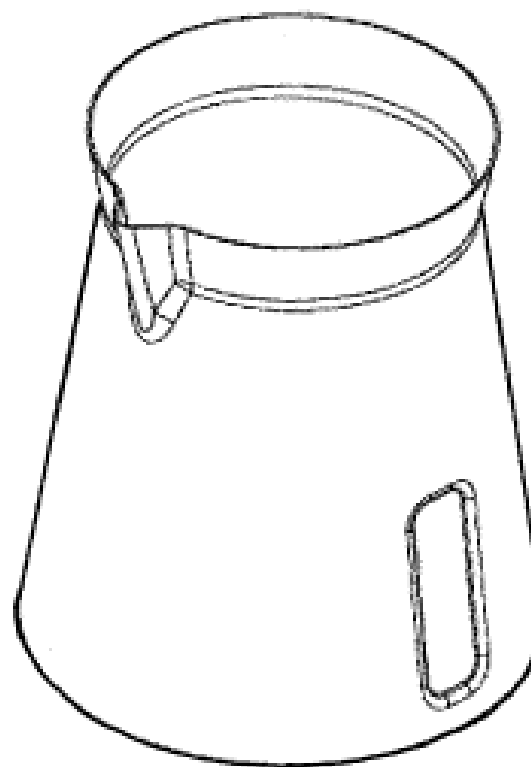
390 Steveys Forest Road Oakdale New South Wales 2570 Australia

(72) Name(s) of Designer(s): **Joe John Ciampa**

(45) Registration Date: **05 May 2010**

(56) Related Art Documents: **Not Applicable**

(57) Statement of Newness and Distinctiveness: **Newness and distinctiveness is claimed in the features of shape and/or configuration of a jug as illustrated in the accompanying representations.**



(21) Design Number: **11206/2010**

(22) Date of Filing Application: **06 April 2010**

(24) Date from which industrial property rights may have effect: **06 April 2010**

(54) Product in respect of which the design is registered: **Steering wheel**

(51) International Design Classification: **12-16A**

(71) Name(s) and Address(s) of Applicant(s):

Grant Products International, Inc.

1770 Evergreen Street Duarte California 91010 United States of America

(72) Name(s) of Designer(s): **Peter Granata**

(45) Registration Date: **05 May 2010**

(30) Convention priority data:

(31) Number

29344995

(32) Date

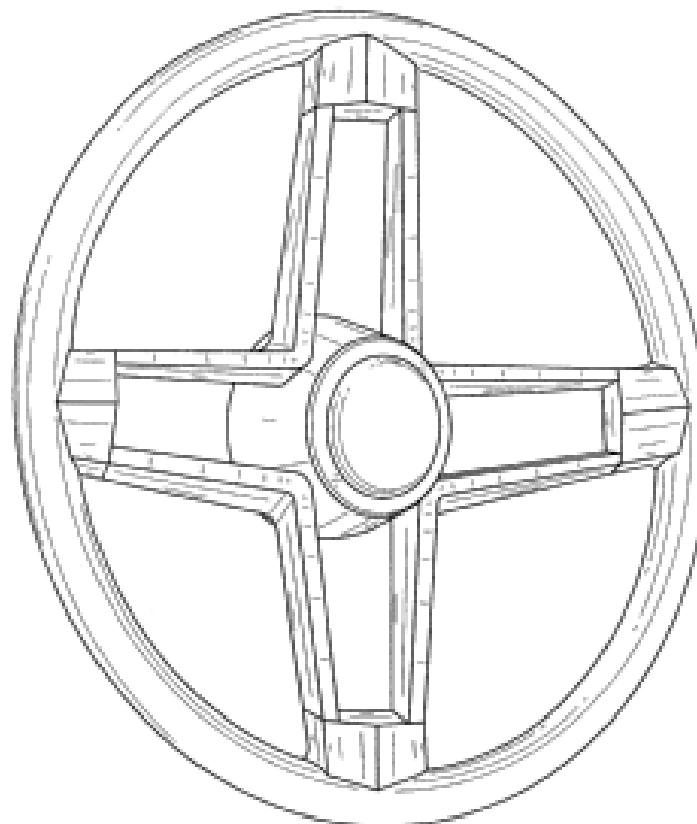
07 Oct 2009

(33) Country

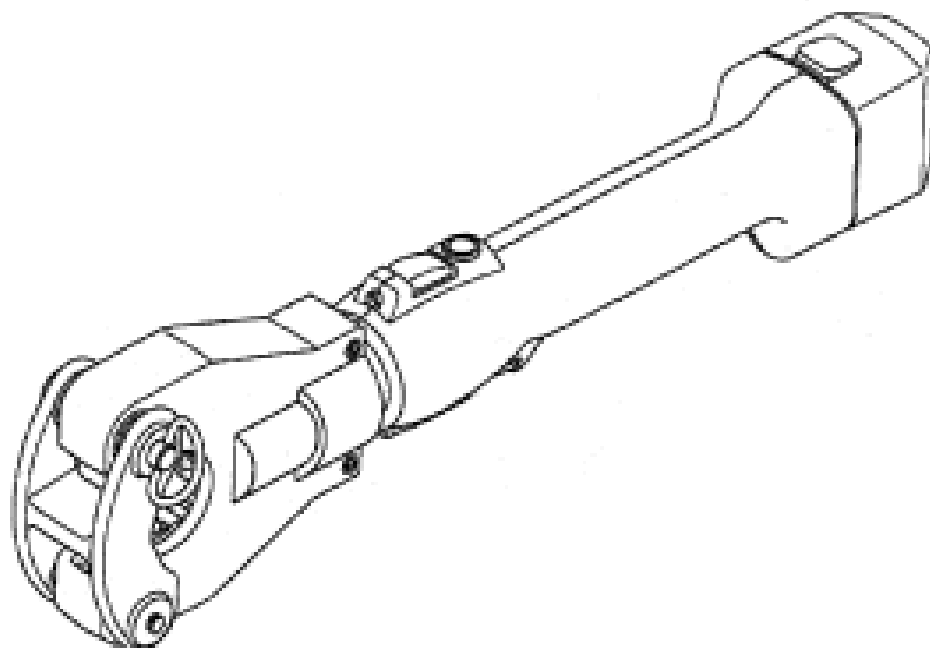
UNITED STATES OF AMERICA

(56) Related Art Documents: **Not Applicable**

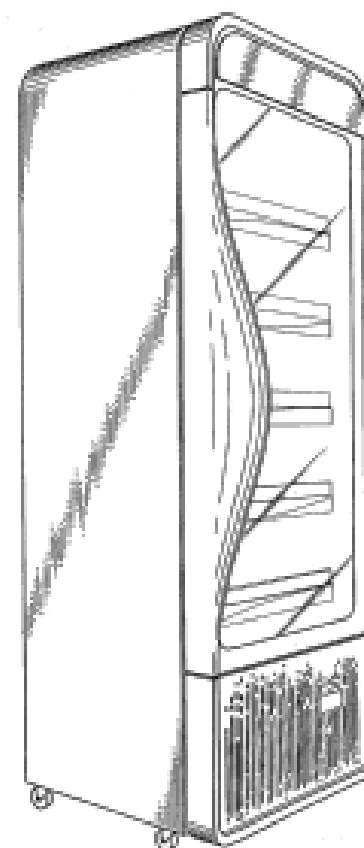
(57) Statement of Newness and Distinctiveness: **Nil**



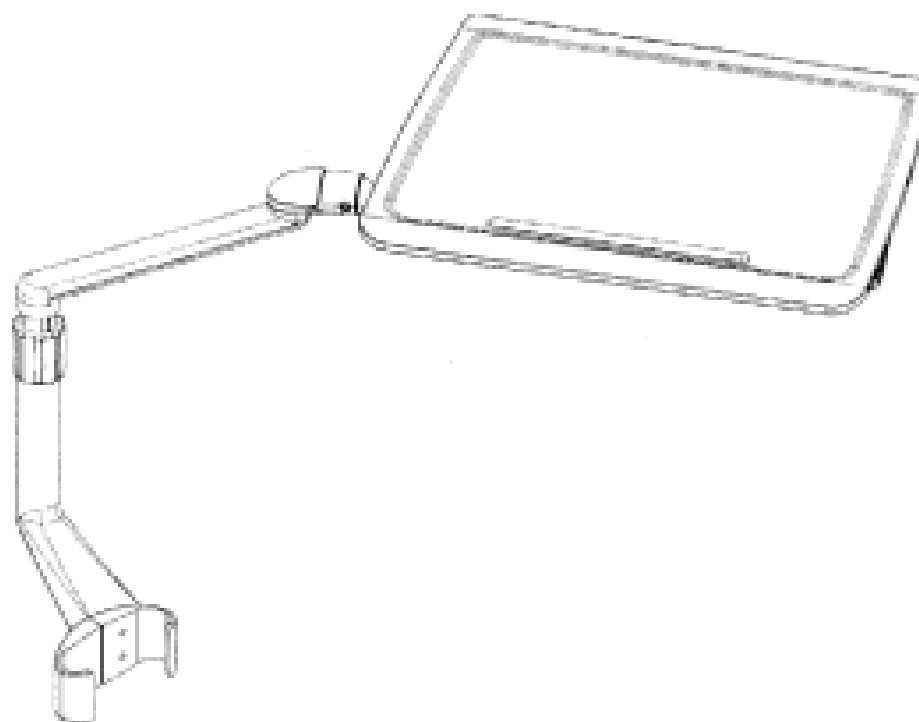
- (21) Design Number: **11207/2010**
(22) Date of Filing Application: **01 April 2010**
(24) Date from which industrial property rights may have effect: **01 April 2010**
(54) Product in respect of which the design is registered: **Crimping tool**
(51) International Design Classification: **08-05P**
(71) Name(s) and Address(s) of Applicant(s):
Izumi Products Company
3039 Ooaza Sasaga Matsumoto-shi Nagano 399-8721 Japan
(72) Name(s) of Designer(s): **Masafumi Takeshima and Masaki Miyazawa**
(45) Registration Date: **05 May 2010**
(30) Convention priority data:
(31) Number (32) Date (33) Country
2009-023046 02 Oct 2009 JAPAN
(56) Related Art Documents: **Not Applicable**
(57) Statement of Newness and Distinctiveness: **The shape or configuration of the product is new and distinctive.**



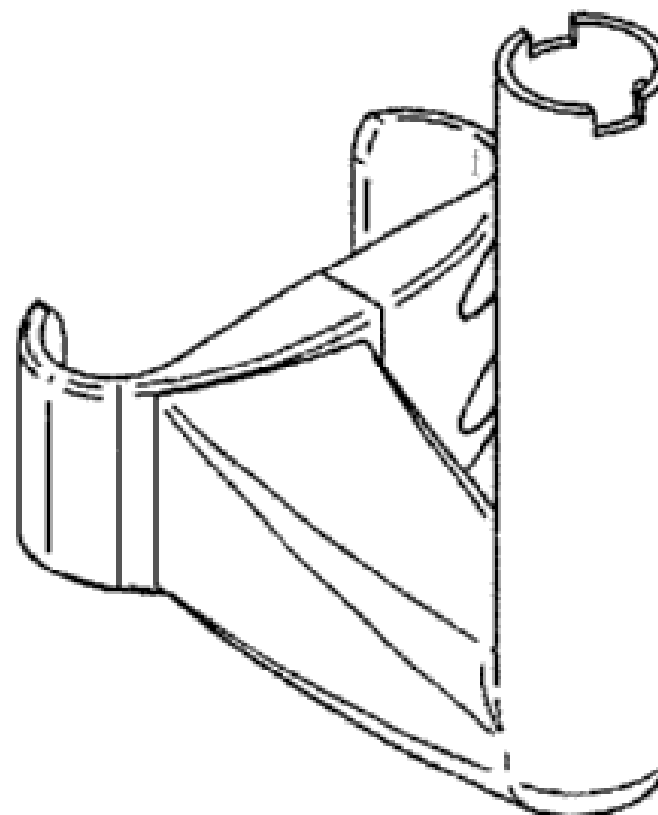
- (21) Design Number: **11212/2010**
(22) Date of Filing Application: **06 April 2010**
(24) Date from which industrial property rights may have effect: **06 April 2010**
(54) Product in respect of which the design is registered: **Cooler**
(51) International Design Classification: **15-07**
(71) Name(s) and Address(s) of Applicant(s):
The Coca-Cola Company
One Coca-Cola Plaza N.W. Atlanta Georgia 30313 United States of America
(72) Name(s) of Designer(s): **Vincent Voron and Erika Gomez and Sonja Schiefer**
(45) Registration Date: **05 May 2010**
(30) Convention priority data:
(31) Number (32) Date (33) Country
29/346,263 29 Oct 2009 UNITED STATES OF AMERICA
(56) Related Art Documents: **Not Applicable**
(57) Statement of Newness and Distinctiveness: **Those features of the cooler depicted in the representations that are new and distinctive are the shape and/or configuration.**



(21) Design Number: **11213/2010**
(22) Date of Filing Application: **06 April 2010**
(24) Date from which industrial property rights may have effect: **06 April 2010**
(54) Product in respect of which the design is registered: **Table with articulated arm**
(51) International Design Classification: **06-03NES**
(71) Name(s) and Address(s) of Applicant(s):
Ekornes ASA
N-6222 Ikornnes Norway
(72) Name(s) of Designer(s): **Marianne Saelid**
(45) Registration Date: **05 May 2010**
(30) Convention priority data:
(31) Number (32) Date (33) Country
20090534 19 Oct 2009 NORWAY
(56) Related Art Documents: **Not Applicable**
(57) Statement of Newness and Distinctiveness: **Newness and Distinctiveness resides in the features of shape and/or configuration of a TABLE WITH ARTICULATED ARM as illustrated in the accompanying representations.**



(21) Design Number: **11214/2010**
(22) Date of Filing Application: **06 April 2010**
(24) Date from which industrial property rights may have effect: **06 April 2010**
(54) Product in respect of which the design is registered: **Component for articulated arm**
(51) International Design Classification: **06-03NES, 08-09**
(71) Name(s) and Address(s) of Applicant(s):
Ekornes ASA
N-6222 Ikornnes Norway
(72) Name(s) of Designer(s): **Marianne Saelid**
(45) Registration Date: **05 May 2010**
(30) Convention priority data:
(31) Number (32) Date (33) Country
20090534 19 Oct 2009 NORWAY
(56) Related Art Documents: **Not Applicable**
(57) Statement of Newness and Distinctiveness: **Newness and Distinctiveness resides in the features of shape and/or configuration of a COMPONENT FOR ARTICULATED ARM as illustrated in the accompanying representations.**



(21) Design Number: **11215/2010**

(22) Date of Filing Application: **06 April 2010**

(24) Date from which industrial property rights may have effect: **06 April 2010**

(54) Product in respect of which the design is registered: **Articulated arm for table**

(51) International Design Classification: **06-03NES, 08-09**

(71) Name(s) and Address(s) of Applicant(s):

**Ekornes ASA
N-6222 Ikornnes Norway**

(72) Name(s) of Designer(s): **Marianne Saelid**

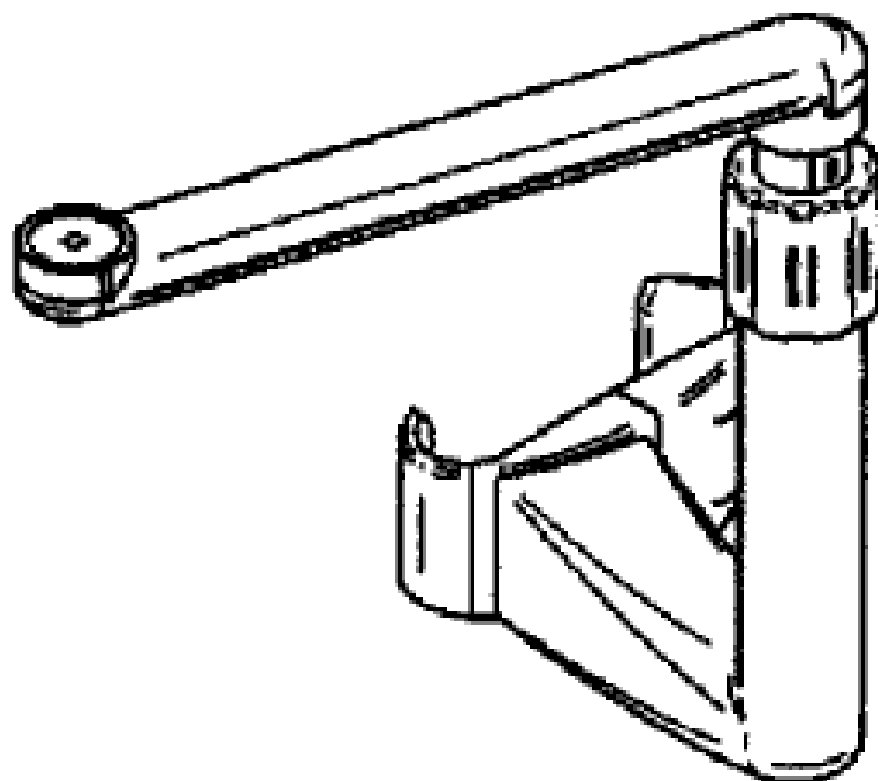
(45) Registration Date: **05 May 2010**

(30) Convention priority data:

(31) Number	(32) Date	(33) Country
20090534	29 Oct 2009	NORWAY

(56) Related Art Documents: **Not Applicable**

(57) Statement of Newness and Distinctiveness: **Newness and Distinctiveness resides in the features of shape and/or configuration of an ARTICULATED ARM FOR TABLE as illustrated in the accompanying representations.**



(21) Design Number: **11216/2010**

(22) Date of Filing Application: **06 April 2010**

(24) Date from which industrial property rights may have effect: **06 April 2010**

(54) Product in respect of which the design is registered: **Clip for articulated arm**

(51) International Design Classification: **08-08C**

(71) Name(s) and Address(s) of Applicant(s):

**Ekornes ASA
N-6222 Ikornnes Norway**

(72) Name(s) of Designer(s): **Marianne Saelid**

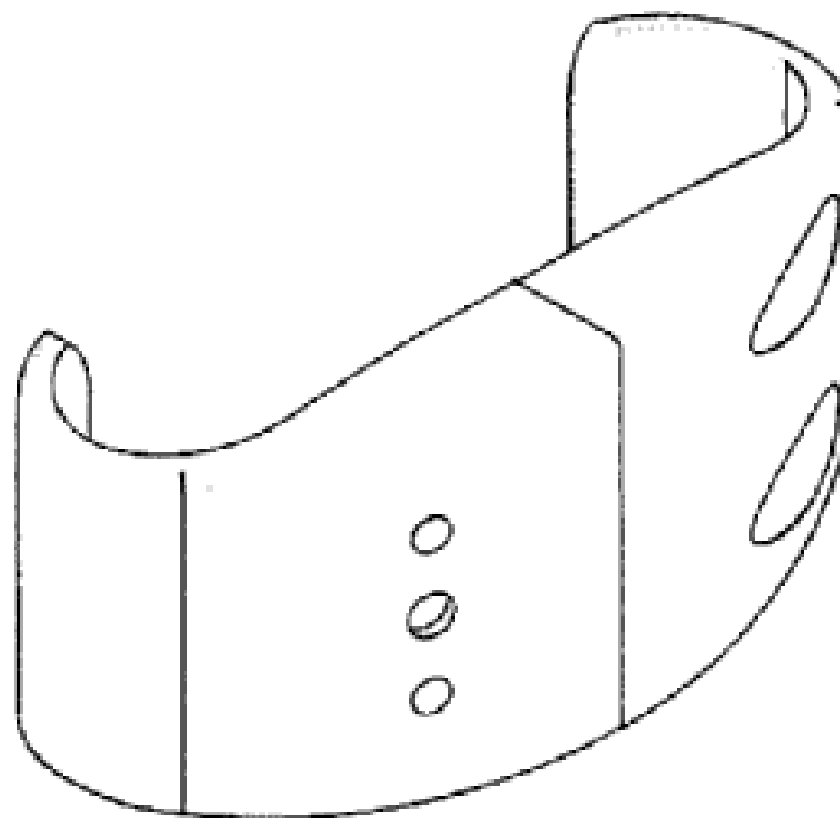
(45) Registration Date: **05 May 2010**

(30) Convention priority data:

(31) Number	(32) Date	(33) Country
20090534	19 Oct 2009	NORWAY

(56) Related Art Documents: **Not Applicable**

(57) Statement of Newness and Distinctiveness: **Newness and Distinctiveness resides in the features of shape and/or configuration of a CLIP FOR ARTICULATED ARM as illustrated in the accompanying representations.**



(21) Design Number: **11226/2010**

(22) Date of Filing Application: **07 April 2010**

(24) Date from which industrial property rights may have effect: **07 April 2010**

(54) Product in respect of which the design is registered: **Cigarette packaging**

(51) International Design Classification: **09-03M**

(71) Name(s) and Address(s) of Applicant(s):

**British American Tobacco (Holdings) Limited
Globe House 4 Temple Place London WC2R 2PG United Kingdom**

(72) Name(s) of Designer(s): **John Graham England**

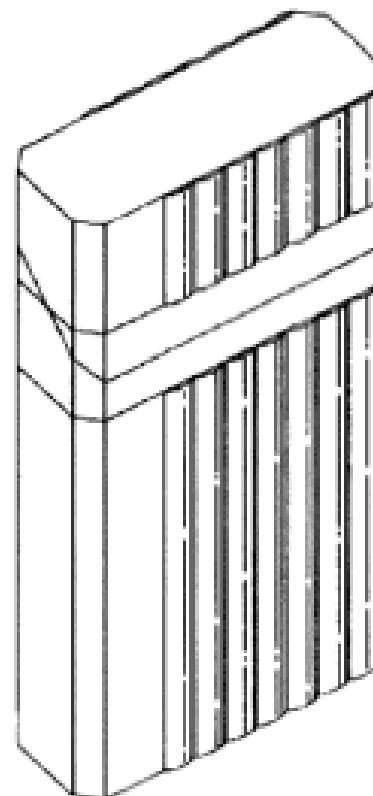
(45) Registration Date: **05 May 2010**

(30) Convention priority data:

(31) Number	(32) Date	(33) Country
001621350-0003	08 Oct 2009	EUROPEAN COMMUNITY

(56) Related Art Documents: **Not Applicable**

(57) Statement of Newness and Distinctiveness: **Nil**



(21) Design Number: **11229/2010**

(22) Date of Filing Application: **07 April 2010**

(24) Date from which industrial property rights may have effect: **07 April 2010**

(54) Product in respect of which the design is registered: **Illuminated number**

(51) International Design Classification: **14-99**

(71) Name(s) and Address(s) of Applicant(s):

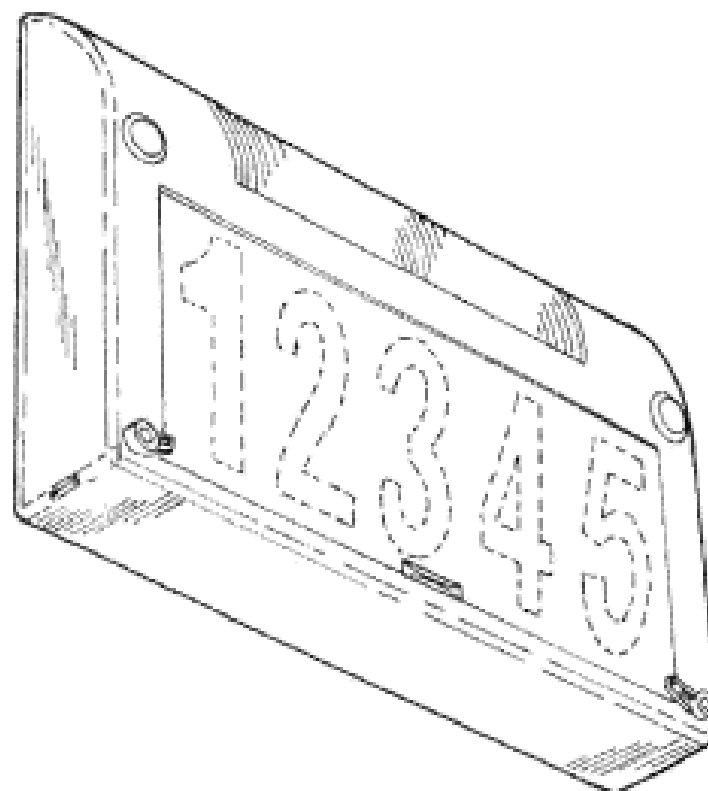
**Nirvan Soogrim
20 Winifred Street Algester Queensland 4115 Australia**

(72) Name(s) of Designer(s): **Nirvan Soogrim**

(45) Registration Date: **05 May 2010**

(56) Related Art Documents: **Not Applicable**

(57) Statement of Newness and Distinctiveness: **Nil**



- (21) Design Number: **11231/2010**
(22) Date of Filing Application: **07 April 2010**
(24) Date from which industrial property rights may have effect: **07 April 2010**
(54) Product in respect of which the design is registered: **1M cafe barrier**
(51) International Design Classification: **06-06NES**
(71) Name(s) and Address(s) of Applicant(s):
Balmark Pty Ltd
47 Norman Street Peakhurst New South Wales 2210 Australia
(72) Name(s) of Designer(s): **Jim Karpouzos**
(45) Registration Date: **05 May 2010**
(56) Related Art Documents: **Not Applicable**
(57) Statement of Newness and Distinctiveness: - **rectangular surround - 45 deg feet - center panel is inserted into the rectangular surround (no screws).**

