



Australian Government

IP Australia

AUSTRALIAN OFFICIAL JOURNAL

OF

DESIGNS

Did you know a searchable version of this journal is now available online?

It's FREE and EASY to SEARCH.

Find it at

<http://pericles.ipaustralia.gov.au/ols/epublish/content/olsEpublications.jsp>
or using the "Online Journals" link on the IP Australia home page.

This Page Left Intentionally Blank

Contents

General Information & Notices

Proceedings Under the Designs Act 1906 preserved as a result of the provisions of Chapter 12 Part 2 of the Designs Act 2003

Applications for Extension of Time	1086
Extension of Period of Registration of Designs	1086
Names Registered - Alterations and Amendments	1087
Registrations Ceased	1086
Subsequent Owners Registered	1086

Proceedings Under the Designs Act 2003

Applications Lapsed	1097
Applications Lodged	1091
Applications Withdrawn	1096
Certificate of Examination	1100
Designs Refused	1097
Extension of Period of Registration of Design	
Extension of Time Granted Under Section 137	1098
Names Registered - Alterations and Amendments	1099
Publication and Registration Proceedings	
Designs Registered 330570 to 330827.....	1101
Registrations Ceased	1098
Revocation of Design Registrations	1098
Subsequent Owners Registered	1098

This Page Left Intentionally Blank

For information on the following please see our website www.ipaustralia.gov.au or contact our Customer Service Network on 1300651010

[Editorial enquiries](#)

[Contact information](#)

[Freedom of Information ACT](#)

[Professional Standards Board](#)

[Sales](#)

[Requests for Information under Section 194 \(c\)](#)

[Country Codes](#)

[Trade Mark and Designs Hearing Sessions](#)

[INID \(Internationally agreed Numbers for the Identification of Data\)](#)

“INID” NUMBERS in use on Australian Design Documents

“INID” is an acronym for “Internationally agreed Numbers for the Identification of Data”.

(10) Data concerning the registration/renewal

- (11) Serial number of the registration and/or number of the design document
- (12) Plain language designation of the kind of published document
- (19) Identification, using the two-letter code according to WIPO Standard ST.3, of the authority publishing or registering the industrial design

(20) Data concerning the application

- (21) Serial number of the application
- (22) Date of filing of the application
- (24) Date from which the industrial design right has effect

(30) Data relating to priority under the Paris Convention

- (31) Serial number assigned to the priority application
- (32) Date of filing of the priority application
- (33) Two-letter code, according to WIPO Standard ST.3, identifying the authority with which the priority application was made

(40) Date(s) of making information available to the public

- (45) Date of publication of the registered industrial design by printing or similar process, or making it available to the public by any other means

(50) Miscellaneous Information

- (51) International Classification for Industrial Designs (class and subclass of the Locarno Classification)
- (54) Designation of article(s) or product(s) covered by the industrial design or title of the industrial design
- (55) Reproduction of the industrial design (e.g., drawing, photograph) and explanations relating to the reproduction
- (56) List of prior art documents, if separate from descriptive text
- (57) Description of characteristic features of the industrial design including indication of colours

(60) References to other legally related application(s) and registration(s)

- (62) Serial number(s) and, if available, filing date(s) of application(s), registration(s) or document(s) related by division
- (66) Serial number(s) of the application, or the registration, of the design(s) which is (are) a variant(s) of the present one

(70) Identification of parties concerned with the application or registration

- (71) Name(s) and address(es) of the applicant(s)
- (72) Name(s) of the creator(s) if known to be such
- (74) Name(s) and address(es) of the representative(s)

This Page Left Intentionally Blank

Nil notices for this journal issue.

**Proceedings under the Designs Act 1906 preserved as a
result of the provisions of Chapter 12 Part 2 of the Designs
Act 2003.**

This Page Left Intentionally Blank

Applications Lapsed

There were no Applications Lapsed under this section

Extension of Period of Registration of Designs

1st Period (Section 27A(8))

2nd Period (Section 27A(12))

157021	157024	157025
157026	157027	157239
157564	157613	158050
158369	158428	158466
158510	158511	158527
158566		

3rd Period (Section 27A(13))

138782	139674	139889
140228	142421	142422
144282	144283	144284
144285	144286	149709

Registrations Ceased

Note: Some of the following Registrations may have been previously advertised as ceased. In this instance, the previous advertisement still prevails.

120266	121904	121924
121965	122028	122030
122119	122278	122279
122280	122281	122392
122393	122507	123298
124318	124354	124691
124895	124930	125182
125863	125864	125865
126091	126092	126093
126094	126925	136039
136476	136920	137252
137257	137273	137280
137297	137298	137299
137308	137324	137339
137343	137369	137424
137445	137598	137600
137720	137790	138032
138089	138090	138380
138382	139086	139262
139624	139625	139760
140207	140758	140781
140995	140996	141307
141308	141309	141310
141564	142372	142505
142905	143741	148195
149650	153189	153864
153923	154001	154099
154620	154621	154634

154635	154654	154655
154656	154657	154658
154727	154728	154745
154777	154778	154808
154809	154810	154811
154812	154813	154814
154815	154816	154833
154834	154850	154851
154870	154947	154948
154949	155044	155069
155088	155089	155122
155193	155194	155225
155307	155378	155435
155592	155654	155778
155917	155994	156050
156092	156207	156292
156884	157420	157542
157543	157698	157934
158127	158300	158388

Applications for Extension of time

Applications for extension of time have been lodged. Objections must be lodged within 1 month from the date of this journal.

146589 **Security Products UK Limited** Extension of time to extend a registration. Address for Service: CPA Global Limited PO Box Q263 QVB Post Shop SYDNEY NSW 1230

Subsequent Owners Registered

(The name in parentheses is that of the subsequent owner)

139355	(Atlas Heavy Engineering Pty Ltd ACN 141 412 008) Atlas Heavy Engineering Pty Ltd
136569	(Atlas Heavy Engineering Pty Ltd ACN 141 412 008) Atlas Heavy Engineering Pty Ltd
136568	(Atlas Heavy Engineering Pty Ltd ACN 141 412 008) Atlas Heavy Engineering Pty Ltd
139354	(Atlas Heavy Engineering Pty Ltd ACN 141 412 008) Atlas Heavy Engineering Pty Ltd
139784	(Atlas Heavy Engineering Pty Ltd ACN 141 412 008) Atlas Heavy Engineering Pty Ltd
139678	(Atlas Heavy Engineering Pty Ltd ACN 141 412 008) Atlas Heavy Engineering Pty Ltd
141008	(Atlas Heavy Engineering Pty Ltd ACN 141 412 008) Atlas Heavy Engineering Pty Ltd
153774	(Concave Holdings Inc.) Alan Roy Gerrand
131251	(MTD Products Australia Pty Ltd) Rover Mowers Limited
131504	(MTD Products Australia Pty Ltd) Rover Mowers Limited
144291	(MTD Products Australia Pty Ltd) Rover Mowers Limited
144292	(MTD Products Australia Pty Ltd) Rover Mowers Limited
145603	(MTD Products Australia Pty Ltd) Rover Mowers Limited

Subsequent Owners Registered

- 145604 (**MTD Products Australia Pty Ltd**) Rover Mowers Limited
149916 (**MTD Products Australia Pty Ltd**) Rover Mowers Limited

Names Registered - Alterations and Amendments

(The name in parentheses is the new name of the proprietor)

- 138580 (**Panasonic Corporation**) Matsushita Electric Industrial Co. Ltd
157188 (**Panasonic Corporation**) Matsushita Electric Industrial Co. Ltd
132430 (**Diversey, Inc.**) S C Johnson Commercial Markets Inc.
139069 (**Clipsal Australia Pty Ltd**) Gerard Industries Pty Ltd
139068 (**Clipsal Australia Pty Ltd**) Gerard Industries Pty Ltd
139067 (**Clipsal Australia Pty Ltd**) Gerard Industries Pty Ltd
148626 (**C-Dax Limited**) C-Dax Systems Limited
150562 (**C-Dax Limited**) C-Dax Systems Limited
156272 (**C-Dax Limited**) C-Dax Systems Limited

This Page Left Intentionally Blank

Proceedings under the Designs Act 2003.

This Page Left Intentionally Blank

Applications Lodged

Lodgement information is in the following order: **Applicant's Name**; International Classification, Name of Product, Lodgement Date and **Design Number**. If the applicant claims an earlier priority date under an International Convention, the Convention Country and the associated filing date are shown in parentheses before the Lodgement Date. Divisional information will also appear in parentheses before the Lodgement Date.

A Plus Plastics & Tooling Pty Ltd; 12-02, A trolley base, 11 May 2010	11851/2010	Becton Dickinson and Company; 24-02, Needle hub, (US, 22 Feb 2010) 06 May 2010	11816/2010
Acco Australia Pty Ltd; 19-04, Book cover, 12 May 2010	11902/2010	Becton Dickinson and Company; 24-02, Needle hub, (US, 22 Feb 2010) 06 May 2010	11817/2010
Allan Block Corporation; 25-01A, Multi-component retaining wall block, (US, 28 Aug 2009) 26 Feb 2010	11740/2010	Brady, Rex; Ilex Engineering; 25-02C, A gate and shaped fence, (NZ, 12 Apr 2010) 10 May 2010	11794/2010
Allan Block Corporation; 25-01A, Multi-component retaining wall block, (US, 28 Aug 2009) 26 Feb 2010	11746/2010	Braun GmbH; 31-00, Hand blender and hand blender with combined holder and charger and combined holder and charger for a hand blender, (WO, 26 Nov 2009) 12 May 2010	11863/2010
Allan Block Corporation; 25-01A, Multi-component retaining wall block, (US, 28 Aug 2009) 26 Feb 2010	11747/2010	Bublak, Markus; 02-02NES, A clothing article, (EM, 13 Nov 2009) 10 May 2010	11788/2010
Allan Block Corporation; 25-01A, Multi-component retaining wall block, (US, 28 Aug 2009) 26 Feb 2010	11741/2010	Bublak, Markus; 02-02NES, A clothing article, (EM, 13 Nov 2009) 10 May 2010	11789/2010
Allan Block Corporation; 25-01A, Multi-component retaining wall block, (US, 28 Aug 2009) 26 Feb 2010	11742/2010	Butterworth, Steve; Frasca, Frank Joseph; Hohensee, Lorry; 21-02D, Family fun board from 2 to 82 years of age, 07 May 2010	11764/2010
Allan Block Corporation; 25-01A, Multi-component retaining wall block, (US, 28 Aug 2009) 26 Feb 2010	11743/2010	Carter, Paul; 12-16NES, Vehicle number plate surround incorporating a tubular registration label holder, 30 Apr 2010	11671/2010
Allan Block Corporation; 25-01A, Multi-component retaining wall block, (US, 28 Aug 2009) 26 Feb 2010	11744/2010	Carty, Christine Maree; 24-04, Arm sling, 13 May 2010	11859/2010
Allan Block Corporation; 25-01A, Multi-component retaining wall block, (US, 28 Aug 2009) 26 Feb 2010	11745/2010	Cerebos (Australia) Limited; 07-06C, A grinder, 07 May 2010	11797/2010
Allergan, Inc.; 24-01, Combination handheld delivery device and controller unit, (US, 04 Nov 2009) 04 May 2010	11730/2010	Charlesworth, Ellen; 19-06, 08-08C, Beaded pen clip, 07 May 2010	11798/2010
Ambic Equipment Limited; 08-08B, Plate assembly, (GB, 11 Feb 2010) 11 May 2010	11853/2010	Charlesworth, Ellen; 19-06, 08-08C, Elongate slot pen clip, 07 May 2010	11799/2010
Aurora Limited; 26-05D, 29-99, Fire rated downlighter cover, (EM, 09 Nov 2009) 10 May 2010	11821/2010	Charlesworth, Ellen; 19-06, Pen button, 07 May 2010	11800/2010
Bacon, Danielle Jane; Bacon, Simon Luke; 25-02C, Grille, 04 May 2010	11731/2010	Charlesworth, Ellen; 19-06, Pen tip, 07 May 2010	11801/2010
Bacon, Simon Luke; Bacon, Danielle Jane; 25-02C, Grille, 04 May 2010	11731/2010	Chic Collections Pty Ltd; 02-02C, Dress, 13 May 2010	11868/2010
Barfield, Susan Annemarie; 03-01A, Reusable bag, 07 May 2010	11783/2010	Chic Collections Pty Ltd; 02-02C, Dress, 13 May 2010	11869/2010
Beba Enterprises Pty Ltd, as trustee for Danielle Vagner Family Trust; 02-02C, Women's clothing, 06 May 2010	11779/2010	Chic Collections Pty Ltd; 02-02C, Evening dress, 13 May 2010	11870/2010
Becton Dickinson and Company; 24-02, Needle hub, (US, 22 Feb 2010) 06 May 2010	11815/2010	Chou, Chi-Liang; 05-05A, Textile, 10 May 2010	11795/2010
		Conair Corporation; 31-00, Food processor, (US, 20 Jan 2010) 12 May 2010	11865/2010

Conair Corporation; 07-02L, Coffee maker, (US, 20 Jan 2010) 12 May 2010	11866/2010	Fabmetal Pty Ltd; 27-03, Ash tray, 10 May 2010	11792/2010
Conair Corporation; 07-02L, Coffee maker, (US, 19 Nov 2009) 12 May 2010	11867/2010	Ferno-Washington Inc.; 06-06C, Castor and castor wheel, (US, 13 Nov 2009) 12 May 2010	11877/2010
Conair Corporation; 31-00, Blender, (US, 11 Nov 2009) 10 May 2010	11808/2010	Fickling, Robert Vernon trading as Frontier Adventure Products; 05-05A, Fabric, 13 May 2010	11864/2010
Concept Fasteners Pty Ltd; 08-07, 08-05NES, Fastening device, 03 May 2010	11721/2010	Foshan Shunde Everteam Industrial Co. Ltd; 07-02E, Cooking apparatus, (CN, 27 Jan 2010) 12 May 2010	11881/2010
Continental Reifen Deutschland GmbH; 12-15A, Tyre, (EM, 02 Feb 2010) 04 May 2010	11736/2010	Foshan Shunde Everteam Industrial Co. Ltd; 07-02E, Cooking apparatus, (CN, 27 Jan 2010) 12 May 2010	11882/2010
Continental Reifen Deutschland GmbH; 12-15A, Tyre, (EM, 02 Feb 2010) 04 May 2010	11737/2010	Foshan Shunde Everteam Industrial Co. Ltd; 07-02E, Cooking apparatus, (CN, 25 Jan 2010) 12 May 2010	11883/2010
Corcel IP Limited; 09-03NES, A box, (NZ, 13 Nov 2009) 11 May 2010	11856/2010	Foshan Shunde Everteam Industrial Co. Ltd; 07-02E, Cooking apparatus, (CN, 25 Jan 2010) 12 May 2010	11884/2010
Crown Packaging Technology, Inc; 09-07B, Closure cap, (EM, 11 Nov 2009) 11 May 2010	11845/2010	Foshan Shunde Everteam Industrial Co. Ltd; 07-02E, Cooking apparatus, (CN, 27 Jan 2010) 12 May 2010	11885/2010
CENTRIX, INC; 24-03, 24-99, Symmetrical dental bilateral bite block, (US, 25 Nov 2009) 14 May 2010	11897/2010	Frasca, Frank Joseph; Butterworth, Steve; Hohensee, Lorry; 21-02D, Family fun board from 2 to 82 years of age, 07 May 2010	11764/2010
David Stuckey Investments Pty Ltd; 12-16L, Plate, 05 May 2010	11754/2010	Fuji Xerox Co., Ltd.; 09-01NES, 14-02, Waste toner bottle, (JP, 20 Nov 2009) 04 May 2010	11728/2010
David Stuckey Investments Pty Ltd; 23-01A, Coupler member, 05 May 2010	11755/2010	FunDigital Pty Ltd; 21-01NES, Toy clock, 26 Mar 2010	11649/2010
David Stuckey Investments Pty Ltd; 12-16L, Coupler shaft, 05 May 2010	11753/2010	Gidyea Grids Pty Ltd; 12-16NES, Stock motor grid, 05 May 2010	11759/2010
Deere & Company; 23-01E, Apparatus for irrigation of plants, (EM, 18 Nov 2009) 03 May 2010	11662/2010	Gidyea Grids Pty Ltd; 12-16NES, Stock/motor grids, 05 May 2010	11780/2010
Denneroll Industries International Pty Ltd; 02-04A, An orthotic device, 03 May 2010	11723/2010	Gidyea Grids Pty Ltd; 12-16NES, Stock/motor grids, 05 May 2010	11781/2010
Denneroll Industries International Pty Ltd; 02-04A, An orthotic device, 03 May 2010	11672/2010	Global Rotomoulding Pty Ltd; 23-02B, 29-99, Emergency wash-down shower, 14 May 2010	11893/2010
Diageo Ireland; 07-01C, Glassware, (EM, 11 Feb 2010) 13 May 2010	11890/2010	Graco Minnesota Inc.; 08-03, Fiberglass cutting apparatus, (US, 23 Nov 2009) 04 May 2010	11724/2010
Dyson Limited; 15-05, Floor tool for a vacuum cleaner, (GB, 20 Nov 2009) 12 May 2010	11879/2010	Gravolin, Dennis; Gravolin, Sandra; 12-16L, Trailer adapters, 12 May 2010	11718/2010
DNA Genotek Inc.; 09-07NES, Double-ended closure, 04 May 2010	11729/2010	Gravolin, Dennis; Gravolin, Sandra; 12-16L, 12-16NES, Trailer adaptors, 12 May 2010	11857/2010
Education Projects Pty Ltd; 11-02NES, Jellyfish, 05 May 2010	11760/2010	Gravolin, Sandra; Gravolin, Dennis; 12-16L, 12-16NES, Trailer adaptors, 12 May 2010	11857/2010
Elfblend Pty Ltd; 23-02E, Drain outlet, 04 May 2010	11674/2010	Gravolin, Sandra; Gravolin, Dennis; 12-16L, Trailer adapters, 12 May 2010	11718/2010
Eveready Battery Company, Inc.; 26-02, A lighting device, (US, 11 Jan 2010) 13 May 2010	11899/2010	GHD Korea, Inc.; 28-03B, Hair iron, (KR, 07 Apr 2010) 10 May 2010	11807/2010
Eveready Battery Company, Inc.; 26-04, Lighting device, (US, 08 Dec 2009) 04 May 2010	11739/2010		

GHD Korea, Inc.; 28-03B, Hair iron, (KR, 07 Apr 2010) 10 May 2010	11809/2010	GM Global Technology Operations, Inc; 12-16B, Vehicle fascia grille, 14 May 2010	11911/2010
GHD Korea, Inc.; 28-03B, Hair iron, (KR, 07 Apr 2010) 10 May 2010	11810/2010	GM Global Technology Operations, Inc; 12-16A, Vehicle wheel centre cap, 14 May 2010	11912/2010
GHD Korea, Inc.; 28-03B, Hair iron, (KR, 07 Apr 2010) 10 May 2010	11811/2010	GM Global Technology Operations, Inc; 12-16B, Vehicle radiator grille, 14 May 2010	11913/2010
GM Global Technology Operations, Inc; 12-08, 21-01C, Vehicle body and model vehicle body, (US, 23 Nov 2009) 06 May 2010	11822/2010	Hall, Jason Hamilton; 02-03, Ventilated protective hat attachment, 29 Apr 2010	11640/2010
GM Global Technology Operations, Inc; 12-16NES, Vehicle deck lid handle, 14 May 2010	11907/2010	Handiy Products Pty Ltd; 09-03H, , 10 May 2010	11793/2010
GM Global Technology Operations, Inc; 12-16B, Vehicle rear compartment lid, 14 May 2010	11914/2010	Hohensee, Lorry; Frasca, Frank Joseph; Butterworth, Steve; 21-02D, Family fun board from 2 to 82 years of age, 07 May 2010	11764/2010
GM Global Technology Operations, Inc; 12-16B, Vehicle rear compartment lid spoiler, 14 May 2010	11915/2010	Huhtamaki Nederland B.V.; 09-03D, Egg tray, (Divisional of 11641/2010) 29 Apr 2010	11841/2010
GM Global Technology Operations, Inc; 12-16C, Vehicle front fascia, 14 May 2010	11916/2010	Huhtamaki Nederland B.V.; 09-03D, Egg tray, (Divisional of 11641/2010) 29 Apr 2010	11842/2010
GM Global Technology Operations, Inc; 12-16A, Vehicle wheel, 14 May 2010	11917/2010	Huhtamaki Nederland B.V.; 09-03D, Egg tray, (Divisional of 11641/2010) 29 Apr 2010	11840/2010
GM Global Technology Operations, Inc; 12-16A, Vehicle wheel, 14 May 2010	11918/2010	Huhtamaki Nederland B.V.; 09-03D, Egg tray, (EM, 29 Oct 2009) 29 Apr 2010	11641/2010
GM Global Technology Operations, Inc; 12-16A, Vehicle wheel, 14 May 2010	11919/2010	Ilex Engineering; Brady, Rex; 25-02C, A gate and shaped fence, (NZ, 12 Apr 2010) 10 May 2010	11794/2010
GM Global Technology Operations, Inc; 12-16A, Vehicle wheel, 14 May 2010	11920/2010	Insphere Pty Ltd; 06-01F, 06-01E, 06-03B, Cafe table, stool, coffee table, chair, 28 Apr 2010	11637/2010
GM Global Technology Operations, Inc; 12-16A, Vehicle wheel, 14 May 2010	11921/2010	Invacare Corporation; 12-12, Wheelchair, (US, 15 Nov 2009) 13 May 2010	11900/2010
GM Global Technology Operations, Inc; 12-16A, Vehicle wheel, 14 May 2010	11922/2010	J. Bloch Pty Ltd; 02-04NES, Dance footwear, (US, 22 Dec 2009) 13 May 2010	11891/2010
GM Global Technology Operations, Inc; 12-16A, Vehicle wheel, 14 May 2010	11923/2010	J. Bloch Pty Ltd; 02-04NES, Dance footwear, (US, 22 Dec 2009) 13 May 2010	11892/2010
GM Global Technology Operations, Inc; 12-16A, Vehicle wheel, 14 May 2010	11924/2010	Jura Elektroapparate AG; 07-02L, Coffee maker, (EM, 17 Nov 2009) 11 May 2010	11838/2010
GM Global Technology Operations, Inc; 12-16A, Vehicle wheel, 14 May 2010	11925/2010	JJ Fraser Engineering Limited; 23-01NES, A hose reel conduit, 13 May 2010	11886/2010
GM Global Technology Operations, Inc; 12-16A, Vehicle wheel, 14 May 2010	11926/2010	JJ Fraser Engineering Limited; 23-01NES, A hose reel conduit, 13 May 2010	11887/2010
GM Global Technology Operations, Inc; 12-16A, Vehicle wheel, 14 May 2010	11927/2010	JJ Fraser Engineering Limited; 08-08D, A clamp, 12 May 2010	11873/2010
GM Global Technology Operations, Inc; 12-16E, Vehicle headlamp lens, 14 May 2010	11905/2010	JJ Fraser Engineering Limited; 08-08D, A clamp, 12 May 2010	11858/2010
GM Global Technology Operations, Inc; 12-16E, Vehicle headlamp bezel, 14 May 2010	11906/2010	Kahler, Louise Ann; 21-01F, Ride-on Cassowary, 12 May 2010	11839/2010
GM Global Technology Operations, Inc; 12-16B, Vehicle radiator grille, 14 May 2010	11908/2010	Keating, Geoffrey Francis; 02-07C, Hat, 12 May 2010	11871/2010
GM Global Technology Operations, Inc; 12-16B, Vehicle radiator grille, 14 May 2010	11909/2010		
GM Global Technology Operations, Inc; 12-16E, Vehicle fog lamp cover, 14 May 2010	11910/2010		

Kenwood Limited; 07-02F, Toaster, (EM, 11 Nov 2009) 07 May 2010	11786/2010	Lysanda Limited; 14-99, Display devices for vehicles, (EM, 11 Nov 2009) 11 May 2010	11872/2010
Kenwood Limited; 07-02K, Electric kettles, (EM, 10 Nov 2009) 07 May 2010	11785/2010	LG Electronics Inc.; 14-01, Speaker for home theater, (KR, 05 Nov 2009) 04 May 2010	11675/2010
Kenwood Limited; 31-00, Tools for hand-held electric blenders, (EM, 10 Nov 2009) 05 May 2010	11750/2010	LG Electronics Inc.; 15-05, Vacuum cleaner, (KR, 02 Nov 2009) 03 May 2010	11670/2010
Koninklijke Philips Electronics N.V.; 14-03NES, Remote control unit, (EM, 12 Nov 2009) 10 May 2010	11818/2010	LINPAC Environmental Limited; 25-02A, 25-02NES, Part of a bollard, (EM, 09 Apr 2010) 29 Apr 2010	11643/2010
Koninklijke Philips Electronics N.V.; 14-03NES, Remote control unit, (EM, 12 Nov 2009) 10 May 2010	11819/2010	LRC Products Limited; 24-01, Container, (EM, 13 Nov 2009) 12 May 2010	11878/2010
Koninklijke Philips Electronics N.V.; 14-03NES, Remote control unit, (EM, 12 Nov 2009) 10 May 2010	11820/2010	LRC Products Limited; 24-01, Container, (EM, 13 Nov 2009) 12 May 2010	11876/2010
Koninklijke Philips Electronics N.V.; 26-05NES, 26-05C, Luminaire, (EM, 05 Nov 2009) 03 May 2010	11659/2010	Majic Beauty Pty Ltd; 03-01D, Container and lid, 06 May 2010	11773/2010
Lava, Aaron; Lava, Joel; 08-05NES, Housing for a blind control mechanism pull element, 03 May 2010	11722/2010	Mam, Sothy; Mam, Mana; 08-01, A weeding tool, 04 May 2010	11673/2010
Lava, Joel; Lava, Aaron; 08-05NES, Housing for a blind control mechanism pull element, 03 May 2010	11722/2010	Mam, Mana; Mam, Sothy; 08-01, A weeding tool, 04 May 2010	11673/2010
Lee, Alan Sian Ghee; 06-06A, Base for adjustable pedestal, 12 May 2010	11880/2010	Marcuccio, Robert; 19-01, Class 16 - The writing paper ruled solid and dashed lines arranged for annotating music notation, which can be, written at different sizes and arranged to suit the musical subject for students, musicians, arrangers and composers, 12 May 2010	11848/2010
Lenton, Jess; 26-05B, Floor lamp, 07 May 2010	11765/2010	Mars Incorporated; 09-03NES, Package, (US, 28 Jan 2010) 11 May 2010	11852/2010
Leppington Speedy Seedlings & Supplies Pty Ltd; 06-04NES, Stillage, 07 May 2010	11784/2010	Metlam Australia Pty. Limited; 08-09, Door bumper, 11 May 2010	11843/2010
Li, Jianfang; 15-05, Steam cleaning machine, (CN, 13 Nov 2009) 06 May 2010	11762/2010	Metlam Australia Pty. Limited; 08-07, Lock cover, 11 May 2010	11844/2010
LiteSteel Products Pty Ltd; 25-02A, 25-01E, Post sleeve, 10 May 2010	11823/2010	Metlam Australia Pty. Limited; 08-07, Toilet lock assembly, 05 May 2010	11752/2010
LiteSteel Products Pty Ltd; 08-08NES, 08-08B, 08-08L, Female support component, 10 May 2010	11824/2010	Michelin Recherche et Technique S.A.; Societe De Technologie Michelin; 12-15A, A tyre, (FR, 06 Nov 2009) 04 May 2010	11660/2010
LiteSteel Products Pty Ltd; 25-02A, 25-01E, Post sleeve, 10 May 2010	11825/2010	Multi Packaging Solutions; 09-03M, An ornamental design for a foldable packaging, (US, 24 Nov 2009) 05 May 2010	11758/2010
LiteSteel Products Pty Ltd; 25-02NES, End connection component, 10 May 2010	11826/2010	Nokia Corporation; 14-03E, Handset, (US, 29 Jan 2010) 10 May 2010	11812/2010
LiteSteel Products Pty Ltd; 25-02NES, Corner connection component, 10 May 2010	11827/2010	Nokia Corporation; 14-03E, Handset, (US, 11 Jan 2010) 10 May 2010	11813/2010
LiteSteel Products Pty Ltd; 25-02NES, Stirrup component, 10 May 2010	11828/2010	Nokia Corporation; 14-03E, Handset, (US, 11 Jan 2010) 10 May 2010	11814/2010
Locke, Ian; 09-03F, Packaging for produce, 06 May 2010	11748/2010	Ofess Limited; 03-03, Umbrella handle with suction cup, (HK, 11 Nov 2009) 11 May 2010	11847/2010
Locke, Ian; 09-03F, Packaging for produce, 06 May 2010	11749/2010		

Ofess Limited; 03-03, Umbrella, (HK, 11 Nov 2009) 11 May 2010	11855/2010	Shop Vac Corporation; 15-05, Vacuum cleaner, (US, 11 Nov 2009) 04 May 2010	11735/2010
Pavlidis, James; 25-02NES, 06-04NES, Australia electrical 240 volt mains outlet. Audio visual system cabling., 14 May 2010	11898/2010	Shop Vac Corporation; 15-05, Vacuum cleaner, (US, 12 Nov 2009) 07 May 2010	11802/2010
Pellow, Leslie Valentine; 25-02A, A running rail post, 11 May 2010	11854/2010	Shop Vac Corporation; 15-05, Vacuum cleaner, (US, 11 Nov 2009) 07 May 2010	11803/2010
Pellow, Leslie Valentine; 08-08NES, A running rail clip, 11 May 2010	11846/2010	Shop Vac Corporation; 15-05, Vacuum cleaner, (US, 13 Nov 2009) 07 May 2010	11804/2010
Pi-Design AG; 11-02B, Self-watering flower pot, (WO, 23 Nov 2009) 13 May 2010	11860/2010	Shop Vac Corporation; 15-05, Vacuum cleaner, (US, 05 Nov 2009) 29 Apr 2010	11642/2010
Pi-Design AG; 11-02B, Self-watering flower pot, (WO, 23 Nov 2009) 13 May 2010	11861/2010	Simmons, Richard; 06-06E, A furniture item, (NZ, 17 Nov 2009) 13 May 2010	11888/2010
Pi-Design AG; 11-02B, Self-watering flower pot, (WO, 19 Jan 2010) 13 May 2010	11862/2010	Simmons, Richard; 06-03B, A furniture item, (NZ, 17 Nov 2009) 13 May 2010	11901/2010
Pigeon Corporation; 07-01E, Teat, (JP, 09 Nov 2009) 07 May 2010	11796/2010	Smash Enterprises Pty Ltd; 07-01NES, Lunch box, 04 May 2010	11727/2010
Problem Management Engineering Pty Ltd; 12-16NES, Steering knob, hand control, accessory controller, 27 Apr 2010	11639/2010	Societe des Produits Nestle S.A.; 07-02L, Coffee machine, (CH, 15 Feb 2010) 30 Apr 2010	11644/2010
Prodrome Designs Pty Ltd; 25-02K, Louvre mounting clip, 05 May 2010	11756/2010	Societe De Technologie Michelin; Michelin Recherche et Technique S.A.; 12-15A, A tyre, (FR, 06 Nov 2009) 04 May 2010	11660/2010
Prodrome Designs Pty Ltd; 25-02K, Louvre mounting clip, 05 May 2010	11757/2010	Sony Ericsson Mobile Communications AB; 14-01, Microphone housing, (EM, 18 Dec 2009) 04 May 2010	11661/2010
PZ Cussons (International) Limited; 09-01K, Bottle, (GB, 05 Nov 2009) 06 May 2010	11777/2010	Spacer Co Pty Ltd, The; 08-08D, A clamp device, 07 May 2010	11782/2010
Rado Uhren AG (Rado Watch Co Ltd) (Montres Rado SA); 10-02, Wrist watch, (CH, 22 Jan 2010) 05 May 2010	11732/2010	SpynnBak Limited; 20-01, Vending machine, 04 May 2010	11738/2010
Rado Uhren AG (Rado Watch Co Ltd) (Montres Rado SA); 10-02, Wrist watch, (CH, 22 Jan 2010) 05 May 2010	11733/2010	Steady Vision; 16-05, 16-99, Camera stabilization rig, 05 May 2010	11681/2010
Rado Uhren AG (Rado Watch Co Ltd) (Montres Rado SA); 10-02, Wrist watch, (CH, 22 Jan 2010) 05 May 2010	11734/2010	SwitchEasy Limited; 03-01NES, 14-02, Protective casing for portable handheld electronic device, (HK, 13 Nov 2009) 13 May 2010	11903/2010
Research In Motion Limited; 13-03D, Plug, (US, 25 Nov 2009) 11 May 2010	11850/2010	SwitchEasy Limited; 03-01NES, 14-02, Protective casing for portable handheld electronic device, (HK, 13 Nov 2009) 13 May 2010	11904/2010
Ruth Tarvydas International; 02-02C, Peaked bust dress, 10 May 2010	11834/2010	SEB S.A.S.; 07-02F, Toaster, (US, 12 Nov 2009) 05 May 2010	11769/2010
Ruth Tarvydas International; 02-02C, Hot curves fluted bodysuit, 10 May 2010	11835/2010	SULO MGB Australia Pty Ltd; 07-01NES, Container, 07 May 2010	11805/2010
Ruth Tarvydas International; 02-02C, Hot curves fluted dress, 10 May 2010	11836/2010	SULO MGB Australia Pty Ltd; 07-01NES, Container, 07 May 2010	11806/2010
Shop Vac Corporation; 15-05, Vacuum cleaner, (US, 11 Nov 2009) 11 May 2010	11837/2010	Tangle Teezer Limited; 04-02, Hair brush holder, (EM, 07 Nov 2009) 05 May 2010	11772/2010

Tangle Teezer Limited; 04-02, Hair brush and holder, (EM, 07 Nov 2009) 05 May 2010	11770/2010	Vosc Pty. Ltd.; 06-01E, Seating, 10 May 2010	11829/2010
Tangle Teezer Limited; 04-02, Hair brush, (EM, 07 Nov 2009) 05 May 2010	11771/2010	Vosc Pty. Ltd.; 06-01E, Seating, 10 May 2010	11830/2010
Tattle Ventures; 02-02C, One shoulder brown animal spangle mini dress (sequin), 12 May 2010	11874/2010	Vosc Pty. Ltd.; 06-01E, Seating, 10 May 2010	11831/2010
Tattle Ventures; 02-02C, Militia epaulette print tee, 12 May 2010	11875/2010	Vosc Pty. Ltd.; 06-01E, Seating, 10 May 2010	11832/2010
Teeton Pty Ltd; 02-05, Female ties, 30 Apr 2010	11638/2010	Vosc Pty. Ltd.; 06-03A, 06-03NES, Dining table, 10 May 2010	11833/2010
Teva Pharmaceuticals Ireland; 24-04, Inhaler, (EM, 20 Nov 2009) 05 May 2010	11761/2010	Walters, Robert James; 06-01E, Stool, rocking stool, bar stool, 06 May 2010	11778/2010
Thane International, Inc.; 21-02F, Exercise appartus, (EM, 03 Sep 2009) (Divisional of 10708/2010) 02 Mar 2010	11719/2010	Whitworth, Barry Leslie; 12-16B, Camping canopy, 05 May 2010	11751/2010
Thermos L.L.C.; 09-07C, Stopper/lid for a bottle, (US, 08 Feb 2010) 11 May 2010	11849/2010	Yerevan Brandy Company, CJSC; 09-01K, A bottle, (CH, 23 Nov 2009) 06 May 2010	11774/2010
Thermos L.L.C.; 07-01C, Tumbler, (US, 24 Nov 2009) 07 May 2010	11787/2010	Yerevan Brandy Company, CJSC; 09-01K, A bottle, (CH, 23 Nov 2009) 06 May 2010	11775/2010
Trevaskis, Romola Judith; 03-01A, Reusable shopping bag carrier, 06 May 2010	11790/2010	Yerevan Brandy Company, CJSC; 09-01K, A bottle, (CH, 23 Nov 2009) 06 May 2010	11776/2010
Trevaskis, Romola Judith; 03-01A, Reusable shopping bag carrier, 06 May 2010	11791/2010	3M Innovative Properties Company; 24-99, Turbo unit cover, (US, 04 Nov 2009) 04 May 2010	11725/2010
Trevaskis, Romola Judith; 03-01A, Bag to store and dispense reusable shopping bags, 03 May 2010	11720/2010	3M Innovative Properties Company; 24-99, Turbo unit cover with window, (US, 04 Nov 2009) 04 May 2010	11726/2010
Trigar, Alyson; 24-99, 02-04A, An orthopaedic brace boot cover, 13 May 2010	11889/2010	3M Innovative Properties Company; 02-03, Headgear, (EM, 03 Nov 2009) 03 May 2010	11668/2010
Tuff Turf 'N' Co Pty Ltd; 25-01A, Turf tile, 13 May 2010	11894/2010	3M Innovative Properties Company; 02-03, 24-03, 24-99, Head harness, (EM, 03 Nov 2009) 03 May 2010	11663/2010
Tuff Turf 'N' Co Pty Ltd; 25-01A, Turf tile, 13 May 2010	11895/2010	3M Innovative Properties Company; 02-03, 23-04, 24-99, Headgear, (EM, 03 Nov 2009) 03 May 2010	11664/2010
Tuff Turf 'N' Co Pty Ltd; 25-01A, Turf tile, 13 May 2010	11896/2010	3M Innovative Properties Company; 24-03, 24-99, 02-03, Headgear with hearing protectors, (EM, 03 Nov 2009) 03 May 2010	11665/2010
Universal Leather Pty Ltd; 03-01B, Bag, 06 May 2010	11766/2010	3M Innovative Properties Company; 10-05, Noise monitor, (US, 30 Oct 2009) 29 Apr 2010	11635/2010
Universal Leather Pty Ltd; 03-01B, Bag, 06 May 2010	11767/2010	3M Innovative Properties Company; 10-05, Noise monitor with red surface lighting, (US, 30 Oct 2009) 29 Apr 2010	11636/2010
Universal Leather Pty Ltd; 03-01B, Bag, 06 May 2010	11768/2010		
Vogel's Holding B.V.; 21-01K, Holder for games, (EM, 15 Apr 2010) 06 May 2010	11763/2010		

Applications Withdrawn

Applications Lapsed

14152 / 2009 (02-02C)	14182 / 2009 (03-01B)	10640 / 2010 (06-07)	10653 / 2010 (25-01K)
14220 / 2009 (19-04)	14276 / 2009 (07-07A)	10703 / 2010 (12-16N)	10935 / 2010 (02-04A)
10573 / 2010 (08-99)	10575 / 2010 (30-03)		
10585 / 2010 (07-04)	10613 / 2010 (03-01B)		
10630 / 2010 (21-01M)	10639 / 2010 (06-07)		

Designs Refused

10477 / 2010 (11-03)	10478 / 2010 (11-02F)
----------------------	-----------------------

Extension of Period of Registration of Designs

303630	303631	303632
303804	303828	303896
303897	303910	303917
303993	303998	304051
304079	304142	304164
304224	304225	304230
304237	304244	304245
304380	304381	304403
304423	304424	304425
304506	304637	304724
304725	304726	304751
304792	304795	304796
304824	304914	304953
305025	305067	305068
305069	305070	305388
305408	305410	305598
305599	305645	305936
305937	306091	306212
306325	306608	306631
306703	306725	306726
306742	306743	306744
306745	306810	306813
307027	307235	309691
309734		

Revocation of Design Registrations

The following Design Registration(s) have been revoked and are taken never to have been registered:

325051 24-02
328302 09-07NES
328616 09-07NES

Registrations Ceased

300940	301390	301407
301408	301422	301423
301438	301439	301441
301445	301446	301447
301448	301449	301451
301452	301453	301454
301458	301461	301462
301463	301467	301474
301475	301476	301502
301503	301530	301533
301534	301539	301542
301546	301558	301559
301560	301592	301642
301643	301644	301680

301759	301760	301806
301807	301832	301833
301834	301868	301869
301871	301872	302252
302253	302366	302368
302369	302370	302371
302372	302373	302375
302384	302406	302518
302519	302663	302858
303194	303252	304701
304776	327306	

Extensions of time granted under Section 137

Applications lodged under section 137 for extension of time have been granted.

- 300204 **Pleasure State Pty Ltd**
- 304230 **Sportservice Pty Ltd**
- 13735/2009 **Hatzis Holdings Pty Ltd**
- 14433/2009 **dt saddlery GmbH**
- 14434/2009 **dt saddlery GmbH**
- 14438/2009 **dt saddlery GmbH**
- 14439/2009 **dt saddlery GmbH**
- 14440/2009 **dt saddlery GmbH**
- 14554/2009 **Alan Nuttall Limited**
- 10095/2010 **Sporty Keys Pty Ltd**
- 10229/2010 **Robert Zander**
- 10230/2010 **Robert Zander**
- 10231/2010 **Robert Zander**
- 10232/2010 **Robert Zander**
- 10233/2010 **Robert Zander**
- 10234/2010 **Robert Zander**
- 10235/2010 **Robert Zander**
- 10236/2010 **Robert Zander**
- 10237/2010 **Robert Zander**
- 10238/2010 **Robert Zander**
- 10573/2010 **JVN Holdings Pty Ltd**

Subsequent Owners Registered

(The name in parentheses is that of the subsequent owner)

- 300090 **(MTD Products Australia Pty Ltd)** Rover Mowers Limited
- 321468 **(MTD Products Australia Pty Ltd)** Rover Mowers Limited
- 321469 **(MTD Products Australia Pty Ltd)** Rover Mowers Limited
- 321470 **(MTD Products Australia Pty Ltd)** Rover Mowers

	Limited	320232	(Diversey, Inc.) JohnsonDiversey, Inc.
321471	(MTD Products Australia Pty Ltd) Rover Mowers Limited		
321617	(MTD Products Australia Pty Ltd) Rover Mowers Limited		
321618	(MTD Products Australia Pty Ltd) Rover Mowers Limited		
321619	(MTD Products Australia Pty Ltd) Rover Mowers Limited		
323575	(MTD Products Australia Pty Ltd) Rover Mowers Ltd		

Names Registered - Alterations and Amendments

(The name in parentheses is that of the subsequent applicant)

307749	(Diversey, Inc.) JohnsonDiversey, Inc.
307751	(Diversey, Inc.) JohnsonDiversey, Inc.
308902	(Diversey, Inc.) JohnsonDiversey, Inc.
309205	(Diversey, Inc.) JohnsonDiversey, Inc.
309920	(Diversey, Inc.) JohnsonDiversey, Inc.
310158	(Diversey, Inc.) JohnsonDiversey, Inc.
310919	(Diversey, Inc.) JohnsonDiversey, Inc.
311559	(Diversey, Inc.) JohnsonDiversey, Inc.
311560	(Diversey, Inc.) JohnsonDiversey, Inc.
311561	(Diversey, Inc.) JohnsonDiversey, Inc.
313147	(Diversey, Inc.) JohnsonDiversey, Inc.
316533	(Diversey, Inc.) JohnsonDiversey, Inc.
316538	(Diversey, Inc.) JohnsonDiversey, Inc.
318213	(Diversey, Inc.) JohnsonDiversey, Inc.
318220	(Diversey, Inc.) JohnsonDiversey, Inc.
318221	(Diversey, Inc.) JohnsonDiversey, Inc.
318828	(Diversey, Inc.) JohnsonDiversey, Inc.
319326	(Diversey, Inc.) JohnsonDiversey, Inc.
320231	(Diversey, Inc.) JohnsonDiversey, Inc.
328607	(Diversey, Inc.) JohnsonDiversey, Inc.
328608	(Diversey, Inc.) JohnsonDiversey, Inc.
303597	(Diversey, Inc.) JohnsonDiversey, Inc.
307750	(Diversey, Inc.) JohnsonDiversey, Inc.
308903	(Diversey, Inc.) JohnsonDiversey, Inc.
310555	(Diversey, Inc.) JohnsonDiversey, Inc.
310556	(Diversey, Inc.) JohnsonDiversey, Inc.
310557	(Diversey, Inc.) JohnsonDiversey, Inc.
310879	(Diversey, Inc.) JohnsonDiversey, Inc.
311506	(Diversey, Inc.) JohnsonDiversey, Inc.
311507	(Diversey, Inc.) JohnsonDiversey, Inc.
311508	(Diversey, Inc.) JohnsonDiversey, Inc.
311509	(Diversey, Inc.) JohnsonDiversey, Inc.
311530	(Diversey, Inc.) JohnsonDiversey, Inc.
311531	(Diversey, Inc.) JohnsonDiversey, Inc.
311558	(Diversey, Inc.) JohnsonDiversey, Inc.
313222	(Diversey, Inc.) JohnsonDiversey, Inc.
317228	(Diversey, Inc.) JohnsonDiversey, Inc.

Certificate(s) of Examination

Examination of the following Design Registration(s) has been completed. Infringement proceedings may now be commenced.

316661	25-01F	12/05/2010
321273	08-05F	14/05/2010
323722	26-03	13/05/2010
324151	06-09	18/05/2010
325189	08-08B	10/05/2010
326923	25-03	12/05/2010
327141	26-02	06/05/2010
327671	19-99	07/05/2010
327672	19-99	07/05/2010
327673	19-99	07/05/2010
327800	09-01B	10/05/2010
328027	09-07A	11/05/2010
328181	14-02	06/05/2010
328717	03-01B	17/05/2010
328749	09-05	14/05/2010
328757	09-05	14/05/2010
328758	09-03M	14/05/2010
328839	03-01B	17/05/2010
328906	14-01	13/05/2010
329130	12-06NES	13/05/2010
329131	12-06NES	13/05/2010
329132	12-06NES	13/05/2010
329133	12-06NES	13/05/2010
329375	09-05	10/05/2010
329656	02-04B	17/05/2010
329657	02-04B	17/05/2010
329865	10-04	13/05/2010
329889	09-07A	18/05/2010

Publication and Registration Proceedings

Designs Registered

This section provides a concordance between design number and registration number of Designs covered in this journal. It also shows the main class and registration date.

This section covers Registration numbers 330570 to 330827 .

The registration number shown below should be used in all future correspondence.

Design Number	Registration Number	International Classification Code (IDC)	Registration Date	Design Number	Registration Number	International Classification Code (IDC)	Registration Date
12845/2009	330665	06-01E	06/05/2010	11236/2010	330619	14-02	11/05/2010
12860/2009	330667	26-05B	06/05/2010	11237/2010	330620	14-02	11/05/2010
13168/2009	330811	03-01NES	18/05/2010	11238/2010	330621	14-02	11/05/2010
13212/2009	330812	02-03	18/05/2010	11240/2010	330622	07-01NES	11/05/2010
13943/2009	330654	03-01B	07/05/2010	11244/2010	330642	16-99	06/05/2010
14111/2009	330570	25-01D	05/05/2010	11248/2010	330643	23-04	06/05/2010
14112/2009	330571	25-01D	05/05/2010	11249/2010	330644	23-04	06/05/2010
14113/2009	330572	25-01D	05/05/2010	11250/2010	330645	23-04	06/05/2010
14114/2009	330573	25-01D	05/05/2010	11252/2010	330623	28-99	11/05/2010
14115/2009	330574	25-01D	05/05/2010	11253/2010	330624	25-02G	11/05/2010
14116/2009	330575	25-01D	05/05/2010	11254/2010	330625	06-01E	11/05/2010
14117/2009	330576	25-01D	05/05/2010	11255/2010	330626	06-06G	11/05/2010
14173/2009	330671	02-02NES	06/05/2010	11256/2010	330627	06-06G	11/05/2010
15099/2009	330759	06-01G	17/05/2010	11257/2010	330602	25-02C	07/05/2010
10041/2010	330722	26-06	11/05/2010	11258/2010	330628	10-05	11/05/2010
10042/2010	330723	12-16C	11/05/2010	11259/2010	330651	19-02	11/05/2010
10462/2010	330629	09-01B	06/05/2010	11260/2010	330652	19-02	11/05/2010
10485/2010	330630	21-01B	06/05/2010	11261/2010	330653	19-02	11/05/2010
10526/2010	330678	21-02F	07/05/2010	11267/2010	330646	03-01B	06/05/2010
10527/2010	330813	21-02F	18/05/2010	11268/2010	330647	03-01B	06/05/2010
10535/2010	330656	26-06	07/05/2010	11269/2010	330648	03-01B	06/05/2010
10615/2010	330631	08-08K	06/05/2010	11278/2010	330649	08-06	06/05/2010
10634/2010	330632	23-01A	06/05/2010	11279/2010	330650	08-09	06/05/2010
10635/2010	330634	23-01A	06/05/2010	11286/2010	330734	09-01H	13/05/2010
10645/2010	330814	25-01A	18/05/2010	11287/2010	330735	09-01H	13/05/2010
10646/2010	330818	25-01A	18/05/2010	11288/2010	330736	09-01H	13/05/2010
10647/2010	330824	15-07	18/05/2010	11289/2010	330737	09-01NES	13/05/2010
10648/2010	330825	15-07	18/05/2010	11294/2010	330738	07-04	13/05/2010
10654/2010	330636	23-01A	06/05/2010	11295/2010	330739	07-04	13/05/2010
10655/2010	330638	23-01A	06/05/2010	11296/2010	330740	07-01NES	13/05/2010
10684/2010	330679	21-01NES	07/05/2010	11297/2010	330657	07-01NES	07/05/2010
10709/2010	330611	23-01A	05/05/2010	11298/2010	330658	07-01NES	07/05/2010
10813/2010	330724	09-09	11/05/2010	11299/2010	330659	07-01NES	07/05/2010
10834/2010	330725	12-16NES	11/05/2010	11300/2010	330660	07-01NES	07/05/2010
10835/2010	330640	10-99	06/05/2010	11301/2010	330661	07-01NES	07/05/2010
10848/2010	330726	09-07A	11/05/2010	11302/2010	330662	07-01NES	07/05/2010
10850/2010	330727	13-03D	11/05/2010	11303/2010	330663	07-01NES	07/05/2010
10851/2010	330728	13-03D	11/05/2010	11304/2010	330664	07-01NES	07/05/2010
10852/2010	330729	16-06	11/05/2010	11313/2010	330741	26-05D	13/05/2010
10877/2010	330730	12-10	11/05/2010	11314/2010	330742	09-02B	13/05/2010
10899/2010	330731	24-99	11/05/2010	11315/2010	330743	15-99	13/05/2010
10968/2010	330655	15-03B	07/05/2010	11316/2010	330744	31-00	13/05/2010
10976/2010	330680	08-08L	07/05/2010	11317/2010	330745	23-01H	13/05/2010
10985/2010	330641	28-03D	06/05/2010	11319/2010	330746	03-01A	13/05/2010
11054/2010	330681	13-03NES	07/05/2010	11320/2010	330747	03-01A	13/05/2010
11144/2010	330600	25-02H	07/05/2010	11321/2010	330748	03-01A	13/05/2010
11146/2010	330718	02-02NES	11/05/2010	11322/2010	330749	03-01A	13/05/2010
11150/2010	330682	24-02	07/05/2010	11323/2010	330750	11-02NES	13/05/2010
11202/2010	330733	25-01C	13/05/2010	11324/2010	330751	06-13A	13/05/2010
11217/2010	330601	13-02	07/05/2010	11325/2010	330752	06-13NES	13/05/2010
11233/2010	330616	25-01A	11/05/2010	11326/2010	330753	06-11	13/05/2010
11234/2010	330617	09-01NES	11/05/2010	11333/2010	330685	10-06	07/05/2010
11235/2010	330618	14-02	11/05/2010	11334/2010	330686	14-03B	07/05/2010

Publication and Registration Proceedings - Designs Registered cont'd

Design Number	Registration Number	International Classification Code (IDC)	Registration Date	Design Number	Registration Number	International Classification Code (IDC)	Registration Date
11336/2010	330732	26-05D	11/05/2010	11420/2010	330788	28-99	13/05/2010
11337/2010	330687	14-03B	07/05/2010	11421/2010	330789	06-06E	13/05/2010
11338/2010	330688	07-02N	07/05/2010	11422/2010	330790	06-11	13/05/2010
11339/2010	330689	07-02N	07/05/2010	11425/2010	330765	23-01F	17/05/2010
11340/2010	330690	07-02N	07/05/2010	11426/2010	330766	23-01F	17/05/2010
11341/2010	330691	07-02N	07/05/2010	11427/2010	330767	23-01F	17/05/2010
11343/2010	330692	08-99	07/05/2010	11428/2010	330768	25-01K	17/05/2010
11347/2010	330703	13-03D	10/05/2010	11429/2010	330769	25-02NES	17/05/2010
11349/2010	330704	26-04	10/05/2010	11430/2010	330770	25-01K	17/05/2010
11350/2010	330705	09-01K	10/05/2010	11431/2010	330771	25-01K	17/05/2010
11351/2010	330706	09-01K	10/05/2010	11432/2010	330772	25-01K	17/05/2010
11352/2010	330707	25-02C	10/05/2010	11433/2010	330773	25-01K	17/05/2010
11353/2010	330708	12-15A	10/05/2010	11434/2010	330774	25-01K	17/05/2010
11356/2010	330603	23-01A	07/05/2010	11435/2010	330775	25-01K	17/05/2010
11357/2010	330604	23-01A	07/05/2010	11436/2010	330776	09-03F	17/05/2010
11360/2010	330719	09-01NES	11/05/2010	11437/2010	330777	09-03F	17/05/2010
11361/2010	330720	09-01NES	11/05/2010	11438/2010	330778	09-03F	17/05/2010
11362/2010	330721	09-01NES	11/05/2010	11440/2010	330779	09-03H	17/05/2010
11363/2010	330693	25-01K	10/05/2010	11441/2010	330780	19-06	17/05/2010
11364/2010	330694	25-01K	10/05/2010	11442/2010	330791	12-07	13/05/2010
11365/2010	330695	25-01K	10/05/2010	11443/2010	330792	08-05NES	13/05/2010
11366/2010	330696	25-01K	10/05/2010	11444/2010	330793	10-06	13/05/2010
11367/2010	330697	25-01K	10/05/2010	11445/2010	330609	06-05	07/05/2010
11368/2010	330698	25-01K	10/05/2010	11446/2010	330610	06-05	07/05/2010
11369/2010	330699	25-01K	10/05/2010	11455/2010	330794	09-07B	13/05/2010
11370/2010	330700	25-01K	10/05/2010	11456/2010	330795	06-01L	13/05/2010
11371/2010	330701	25-01K	10/05/2010	11458/2010	330796	09-01H	13/05/2010
11372/2010	330702	27-01	10/05/2010	11459/2010	330797	09-01H	13/05/2010
11373/2010	330709	27-01	10/05/2010	11460/2010	330798	19-06	13/05/2010
11374/2010	330710	27-01	10/05/2010	11464/2010	330799	25-01K	17/05/2010
11375/2010	330711	27-01	10/05/2010	11467/2010	330800	08-08L	17/05/2010
11376/2010	330712	27-01	10/05/2010	11468/2010	330801	08-08L	17/05/2010
11377/2010	330713	27-01	10/05/2010	11469/2010	330802	25-01K	17/05/2010
11378/2010	330714	27-01	10/05/2010	11470/2010	330803	25-01K	17/05/2010
11379/2010	330715	27-01	10/05/2010	11471/2010	330804	25-01C	17/05/2010
11381/2010	330716	01-06	10/05/2010	11472/2010	330805	25-01C	17/05/2010
11382/2010	330717	01-06	10/05/2010	11473/2010	330806	07-07B	17/05/2010
11386/2010	330760	14-03B	17/05/2010	11474/2010	330807	12-15A	17/05/2010
11387/2010	330761	19-01	17/05/2010	11475/2010	330808	06-10	17/05/2010
11391/2010	330762	25-01K	17/05/2010	11478/2010	330809	09-01A	17/05/2010
11392/2010	330763	19-01	17/05/2010	11479/2010	330810	09-01A	17/05/2010
11393/2010	330764	19-01	17/05/2010	11577/2010	330826	02-02C	18/05/2010
11397/2010	330754	21-01F	13/05/2010	11579/2010	330827	22-05	18/05/2010
11400/2010	330755	23-01E	13/05/2010	11599/2010	330633	23-01A	06/05/2010
11402/2010	330756	24-01	13/05/2010	11600/2010	330635	23-01A	06/05/2010
11403/2010	330757	25-02A	13/05/2010	11601/2010	330637	23-01A	06/05/2010
11404/2010	330758	19-04	13/05/2010	11602/2010	330639	23-01A	06/05/2010
11408/2010	330605	23-01A	07/05/2010	11609/2010	330683	24-02	07/05/2010
11409/2010	330606	23-01A	07/05/2010	11610/2010	330684	24-02	07/05/2010
11410/2010	330607	23-01A	07/05/2010	11611/2010	330666	06-01E	06/05/2010
11411/2010	330608	23-01A	07/05/2010	11612/2010	330668	26-05B	06/05/2010
11413/2010	330781	03-01NES	13/05/2010	11614/2010	330669	07-02A	06/05/2010
11414/2010	330782	26-05C	13/05/2010	11615/2010	330670	07-02A	06/05/2010
11415/2010	330783	26-05C	13/05/2010	11616/2010	330672	02-02NES	06/05/2010
11416/2010	330784	28-99	13/05/2010	11617/2010	330673	02-02NES	06/05/2010
11417/2010	330785	28-99	13/05/2010	11618/2010	330674	02-02NES	06/05/2010
11418/2010	330786	28-99	13/05/2010	11619/2010	330675	02-02NES	06/05/2010
11419/2010	330787	28-99	13/05/2010	11620/2010	330676	02-02C	06/05/2010

Publication and Registration Proceedings - Designs Registered cont'd

Design Number	Registration Number	International Classification Code (IDC)	Registration Date	Design Number	Registration Number	International Classification Code (IDC)	Registration Date
11621/2010	330677	02-02C	06/05/2010	11742/2010	330817	25-01A	18/05/2010
11714/2010	330612	23-01A	05/05/2010	11743/2010	330819	25-01A	18/05/2010
11715/2010	330613	23-01A	05/05/2010	11744/2010	330820	25-01A	18/05/2010
11716/2010	330614	23-01A	05/05/2010	11745/2010	330821	25-01A	18/05/2010
11717/2010	330615	23-01A	05/05/2010	11746/2010	330822	25-01A	18/05/2010
11740/2010	330815	25-01A	18/05/2010	11747/2010	330823	25-01A	18/05/2010
11741/2010	330816	25-01A	18/05/2010				

Publication and Registration Proceedings
Class Listing of Designs Published or Registered

The following section shows an International Classification Code listing of the Registered or Published Designs covered in this supplement.

Classification	Registration Number	Design Number	Classification	Registration Number	Design Number
01-06	330716	11381/2010	07-02 N	330689	11339/2010
01-06	330717	11382/2010	07-02 N	330690	11340/2010
02-02 C	330676	11620/2010	07-02 N	330691	11341/2010
02-02 C	330677	11621/2010	07-04	330738	11294/2010
02-02 C	330826	11577/2010	07-04	330739	11295/2010
02-02 NES	330671	14173/2009	07-07 B	330806	11473/2010
02-02 NES	330672	11616/2010	08-05 NES	330792	11443/2010
02-02 NES	330673	11617/2010	08-06	330649	11278/2010
02-02 NES	330674	11618/2010	08-07	330725	10834/2010
02-02 NES	330675	11619/2010	08-07	330746	11319/2010
02-02 NES	330718	11146/2010	08-07	330747	11320/2010
02-03	330812	13212/2009	08-07	330748	11321/2010
03-01 A	330746	11319/2010	08-07	330749	11322/2010
03-01 A	330747	11320/2010	08-08 K	330631	10615/2010
03-01 A	330748	11321/2010	08-08 L	330680	10976/2010
03-01 A	330749	11322/2010	08-08 L	330800	11467/2010
03-01 B	330646	11267/2010	08-08 L	330801	11468/2010
03-01 B	330647	11268/2010	08-09	330650	11279/2010
03-01 B	330648	11269/2010	08-99	330692	11343/2010
03-01 B	330654	13943/2009	09-01 A	330809	11478/2010
03-01 NES	330781	11413/2010	09-01 A	330810	11479/2010
03-01 NES	330811	13168/2009	09-01 B	330629	10462/2010
06-01 E	330625	11254/2010	09-01 H	330734	11286/2010
06-01 E	330665	12845/2009	09-01 H	330735	11287/2010
06-01 E	330666	11611/2010	09-01 H	330736	11288/2010
06-01 G	330759	15099/2009	09-01 H	330796	11458/2010
06-01 L	330625	11254/2010	09-01 H	330797	11459/2010
06-01 L	330795	11456/2010	09-01 K	330705	11350/2010
06-04 B	330746	11319/2010	09-01 K	330706	11351/2010
06-04 B	330747	11320/2010	09-01 NES	330617	11234/2010
06-04 B	330748	11321/2010	09-01 NES	330719	11360/2010
06-04 B	330749	11322/2010	09-01 NES	330720	11361/2010
06-05	330609	11445/2010	09-01 NES	330721	11362/2010
06-05	330610	11446/2010	09-01 NES	330737	11289/2010
06-06 E	330789	11421/2010	09-02 B	330742	11314/2010
06-06 G	330626	11255/2010	09-03 F	330776	11436/2010
06-06 G	330627	11256/2010	09-03 F	330777	11437/2010
06-10	330808	11475/2010	09-03 F	330778	11438/2010
06-11	330753	11326/2010	09-03 H	330779	11440/2010
06-11	330790	11422/2010	09-03 NES	330738	11294/2010
06-13 A	330751	11324/2010	09-03 NES	330740	11296/2010
06-13 NES	330751	11324/2010	09-05	330731	10899/2010
06-13 NES	330752	11325/2010	09-07 A	330726	10848/2010
07-01 NES	330622	11240/2010	09-07 B	330794	11455/2010
07-01 NES	330657	11297/2010	09-09	330724	10813/2010
07-01 NES	330658	11298/2010	10-05	330628	11258/2010
07-01 NES	330659	11299/2010	10-06	330685	11333/2010
07-01 NES	330660	11300/2010	10-06	330793	11444/2010
07-01 NES	330661	11301/2010	10-99	330640	10835/2010
07-01 NES	330662	11302/2010	11-02 NES	330750	11323/2010
07-01 NES	330663	11303/2010	12-07	330791	11442/2010
07-01 NES	330664	11304/2010	12-10	330730	10877/2010
07-01 NES	330740	11296/2010	12-15 A	330708	11353/2010
07-02 A	330669	11614/2010	12-15 A	330807	11474/2010
07-02 A	330670	11615/2010	12-16 C	330723	10042/2010
07-02 N	330688	11338/2010	12-16 NES	330725	10834/2010

Registration Proceedings - Class Listing of Designs Published or Registered cont'd

Classification	Registration Number	Design Number	Classification	Registration Number	Design Number
13-02	330601	11217/2010	23-01 H	330745	11317/2010
13-03 D	330703	11347/2010	23-01 NES	330755	11400/2010
13-03 D	330727	10850/2010	23-04	330643	11248/2010
13-03 D	330728	10851/2010	23-04	330644	11249/2010
13-03 E	330727	10850/2010	23-04	330645	11250/2010
13-03 E	330728	10851/2010	24-01	330756	11402/2010
13-03 NES	330681	11054/2010	24-02	330682	11150/2010
14-02	330618	11235/2010	24-02	330683	11609/2010
14-02	330619	11236/2010	24-02	330684	11610/2010
14-02	330620	11237/2010	24-99	330731	10899/2010
14-02	330621	11238/2010	25-01 A	330616	11233/2010
14-03 B	330686	11334/2010	25-01 A	330814	10645/2010
14-03 B	330687	11337/2010	25-01 A	330815	11740/2010
14-03 B	330760	11386/2010	25-01 A	330816	11741/2010
14-03 NES	330628	11258/2010	25-01 A	330817	11742/2010
15-03 B	330655	10968/2010	25-01 A	330818	10646/2010
15-07	330824	10647/2010	25-01 A	330819	11743/2010
15-07	330825	10648/2010	25-01 A	330820	11744/2010
15-99	330743	11315/2010	25-01 A	330821	11745/2010
16-06	330729	10852/2010	25-01 A	330822	11746/2010
16-99	330642	11244/2010	25-01 A	330823	11747/2010
19-01	330761	11387/2010	25-01 C	330733	11202/2010
19-01	330763	11392/2010	25-01 C	330802	11469/2010
19-01	330764	11393/2010	25-01 C	330803	11470/2010
19-02	330651	11259/2010	25-01 C	330804	11471/2010
19-02	330652	11260/2010	25-01 C	330805	11472/2010
19-02	330653	11261/2010	25-01 D	330570	14111/2009
19-04	330758	11404/2010	25-01 D	330571	14112/2009
19-06	330780	11441/2010	25-01 D	330572	14113/2009
19-06	330798	11460/2010	25-01 D	330573	14114/2009
21-01 B	330630	10485/2010	25-01 D	330574	14115/2009
21-01 F	330754	11397/2010	25-01 D	330575	14116/2009
21-01 NES	330679	10684/2010	25-01 D	330576	14117/2009
21-02 F	330678	10526/2010	25-01 K	330649	11278/2010
21-02 F	330813	10527/2010	25-01 K	330693	11363/2010
22-05	330827	11579/2010	25-01 K	330694	11364/2010
23-01 A	330603	11356/2010	25-01 K	330695	11365/2010
23-01 A	330604	11357/2010	25-01 K	330696	11366/2010
23-01 A	330605	11408/2010	25-01 K	330697	11367/2010
23-01 A	330606	11409/2010	25-01 K	330698	11368/2010
23-01 A	330607	11410/2010	25-01 K	330699	11369/2010
23-01 A	330608	11411/2010	25-01 K	330700	11370/2010
23-01 A	330611	10709/2010	25-01 K	330701	11371/2010
23-01 A	330612	11714/2010	25-01 K	330762	11391/2010
23-01 A	330613	11715/2010	25-01 K	330768	11428/2010
23-01 A	330614	11716/2010	25-01 K	330770	11430/2010
23-01 A	330615	11717/2010	25-01 K	330771	11431/2010
23-01 A	330632	10634/2010	25-01 K	330772	11432/2010
23-01 A	330633	11599/2010	25-01 K	330773	11433/2010
23-01 A	330634	10635/2010	25-01 K	330774	11434/2010
23-01 A	330635	11600/2010	25-01 K	330775	11435/2010
23-01 A	330636	10654/2010	25-01 K	330799	11464/2010
23-01 A	330637	11601/2010	25-01 K	330802	11469/2010
23-01 A	330638	10655/2010	25-01 K	330803	11470/2010
23-01 A	330639	11602/2010	25-01 K	330804	11471/2010
23-01 E	330755	11400/2010	25-02 A	330757	11403/2010
23-01 F	330765	11425/2010	25-02 A	330793	11444/2010
23-01 F	330766	11426/2010	25-02 B	330650	11279/2010
23-01 F	330767	11427/2010	25-02 C	330602	11257/2010

Registration Proceedings - Class Listing of Designs Published or Registered cont'd

Classification	Registration Number	Design Number	Classification	Registration Number	Design Number
25-02 C	330707	11352/2010	27-01	330702	11372/2010
25-02 G	330624	11253/2010	27-01	330709	11373/2010
25-02 H	330600	11144/2010	27-01	330710	11374/2010
25-02 NES	330570	14111/2009	27-01	330711	11375/2010
25-02 NES	330571	14112/2009	27-01	330712	11376/2010
25-02 NES	330572	14113/2009	27-01	330713	11377/2010
25-02 NES	330573	14114/2009	27-01	330714	11378/2010
25-02 NES	330574	14115/2009	27-01	330715	11379/2010
25-02 NES	330575	14116/2009	28-03 D	330641	10985/2010
25-02 NES	330576	14117/2009	28-99	330623	11252/2010
25-02 NES	330769	11429/2010	28-99	330784	11416/2010
26-04	330704	11349/2010	28-99	330785	11417/2010
26-05 B	330667	12860/2009	28-99	330786	11418/2010
26-05 B	330668	11612/2010	28-99	330787	11419/2010
26-05 C	330782	11414/2010	28-99	330788	11420/2010
26-05 C	330783	11415/2010	28-99	330809	11478/2010
26-05 D	330732	11336/2010	28-99	330810	11479/2010
26-05 D	330741	11313/2010	31-00	330601	11217/2010
26-06	330656	10535/2010	31-00	330744	11316/2010
26-06	330722	10041/2010			

(21) Design Number: **14111/2009**

(22) Date of Filing Application: **23 October 2009**

(24) Date from which industrial property rights may have effect: **23 October 2009**

(54) Product in respect of which the design is registered: **A wall panel - Case 1**

(51) International Design Classification: **25-01D, 25-02NES**

(71) Name(s) and Address(s) of Applicant(s):

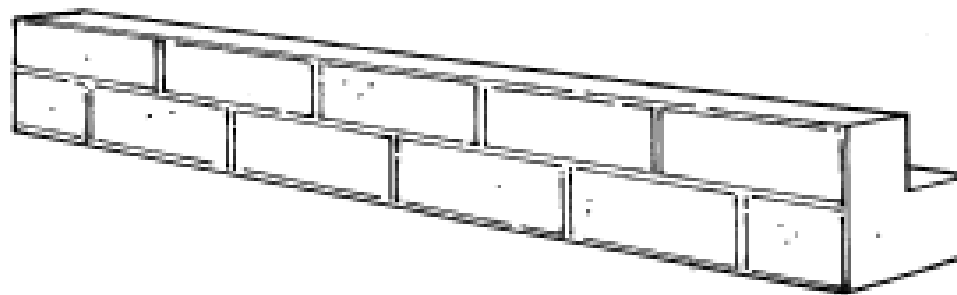
Big Hit Enterprises Pty Ltd
137 High Road Wanneroo Western Australia 6065 Australia

(72) Name(s) of Designer(s): **Martin Daniel Murphy**

(45) Registration Date: **05 May 2010**

(56) Related Art Documents: **Not Applicable**

(57) Statement of Newness and Distinctiveness: **The particular visual features of the design which are new and distinctive are shape or configuration.**



(21) Design Number: **14112/2009**

(22) Date of Filing Application: **23 October 2009**

(24) Date from which industrial property rights may have effect: **23 October 2009**

(54) Product in respect of which the design is registered: **A wall panel - case 2**

(51) International Design Classification: **25-01D, 25-02NES**

(71) Name(s) and Address(s) of Applicant(s):

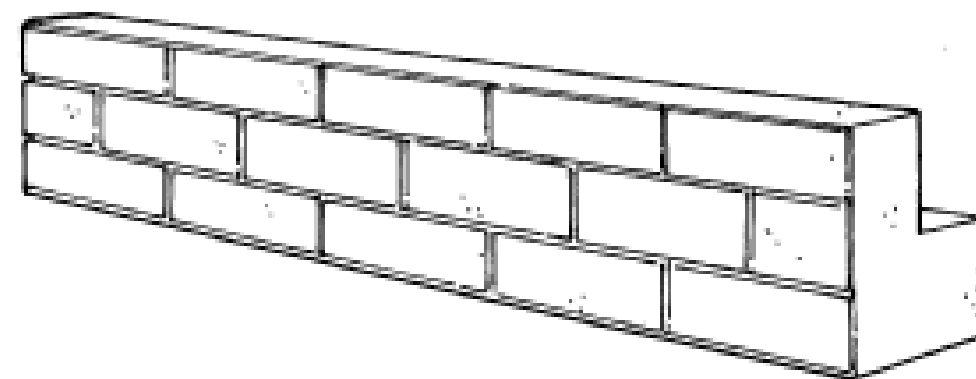
Big Hit Enterprises Pty Ltd
137 High Road Wanneroo Western Australia 6065 Australia

(72) Name(s) of Designer(s): **Martin Daniel Murphy**

(45) Registration Date: **05 May 2010**

(56) Related Art Documents: **Not Applicable**

(57) Statement of Newness and Distinctiveness: **The particular visual features of the design which are new and distinctive are shape OR configuration.**



(21) Design Number: **14113/2009**

(22) Date of Filing Application: **23 October 2009**

(24) Date from which industrial property rights may have effect: **23 October 2009**

(54) Product in respect of which the design is registered: **A wall panel - case 3**

(51) International Design Classification: **25-01D, 25-02NES**

(71) Name(s) and Address(s) of Applicant(s):

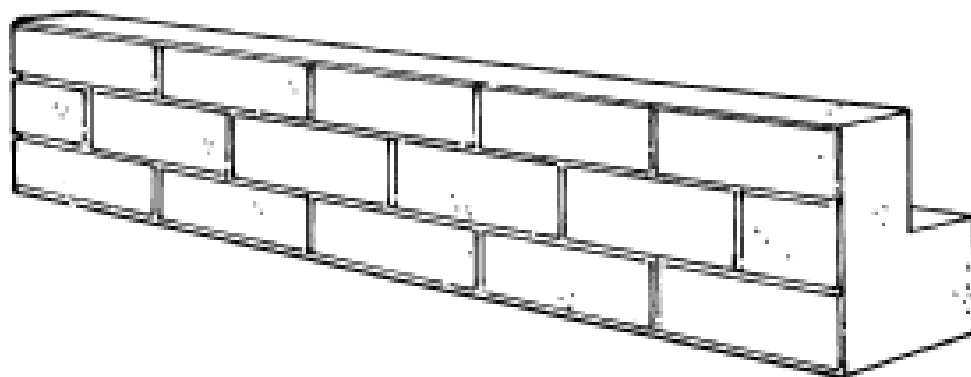
Big Hit Enterprises Pty Ltd
137 High Road Wanneroo Western Australia 6065 Australia

(72) Name(s) of Designer(s): **Martin Daniel Murphy**

(45) Registration Date: **05 May 2010**

(56) Related Art Documents: **Not Applicable**

(57) Statement of Newness and Distinctiveness: **The particular visual features of the design which are new and distinctive are shape OR configuration.**



(21) Design Number: **14114/2009**

(22) Date of Filing Application: **23 October 2009**

(24) Date from which industrial property rights may have effect: **23 October 2009**

(54) Product in respect of which the design is registered: **A wall panel - case 4**

(51) International Design Classification: **25-01D, 25-02NES**

(71) Name(s) and Address(s) of Applicant(s):

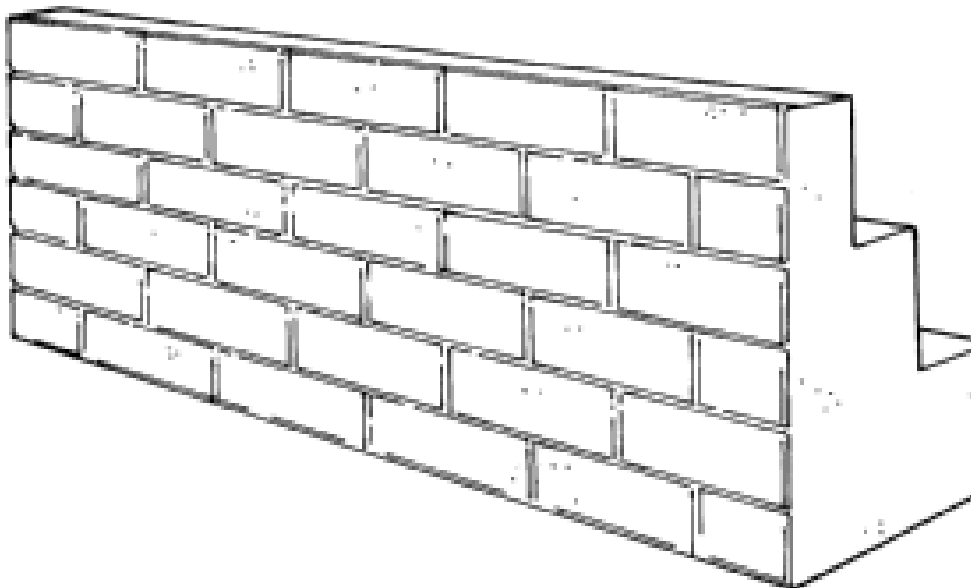
Big Hit Enterprises Pty Ltd
137 High Road Wanneroo Western Australia 6065 Australia

(72) Name(s) of Designer(s): **Martin Daniel Murphy**

(45) Registration Date: **05 May 2010**

(56) Related Art Documents: **Not Applicable**

(57) Statement of Newness and Distinctiveness: **The particular visual features of the design which are new and distinctive are shape OR configuration.**



(21) Design Number: **14115/2009**

(22) Date of Filing Application: **23 October 2009**

(24) Date from which industrial property rights may have effect: **23 October 2009**

(54) Product in respect of which the design is registered: **A wall panel - case 5**

(51) International Design Classification: **25-01D, 25-02NES**

(71) Name(s) and Address(s) of Applicant(s):

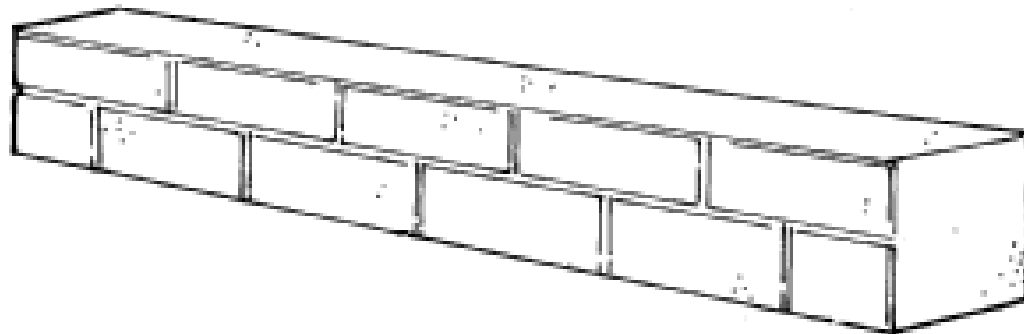
Big Hit Enterprises Pty Ltd
137 High Road Wanneroo Western Australia 6065 Australia

(72) Name(s) of Designer(s): **Martin Daniel Murphy**

(45) Registration Date: **05 May 2010**

(56) Related Art Documents: **Not Applicable**

(57) Statement of Newness and Distinctiveness: **The particular visual features of the design which are new and distinctive are shape OR configuration.**



(21) Design Number: **14116/2009**

(22) Date of Filing Application: **23 October 2009**

(24) Date from which industrial property rights may have effect: **23 October 2009**

(54) Product in respect of which the design is registered: **A wall panel - case 6**

(51) International Design Classification: **25-01D, 25-02NES**

(71) Name(s) and Address(s) of Applicant(s):

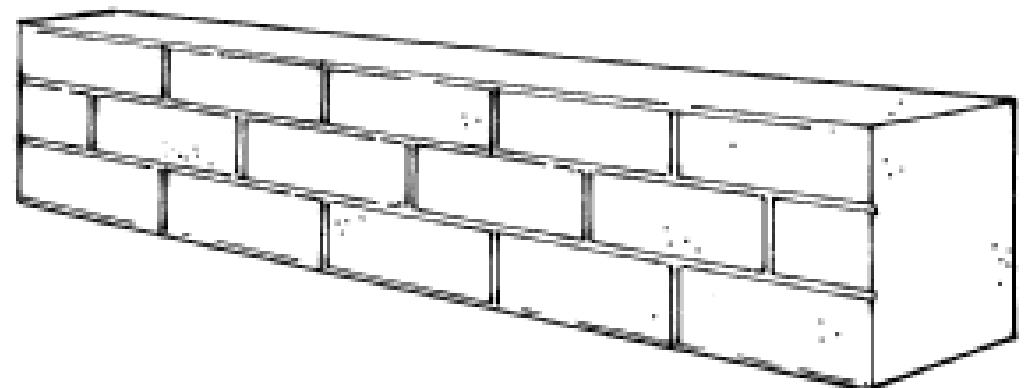
Big Hit Enterprises Pty Ltd
137 High Road Wanneroo Western Australia 6065 Australia

(72) Name(s) of Designer(s): **Martin Daniel Murphy**

(45) Registration Date: **05 May 2010**

(56) Related Art Documents: **Not Applicable**

(57) Statement of Newness and Distinctiveness: **The particular visual features of the design which are new and distinctive are shape OR configuration.**



(21) Design Number: **14117/2009**

(22) Date of Filing Application: **23 October 2009**

(24) Date from which industrial property rights may have effect: **23 October 2009**

(54) Product in respect of which the design is registered: **A wall panel - case 7**

(51) International Design Classification: **25-01D, 25-02NES**

(71) Name(s) and Address(s) of Applicant(s):

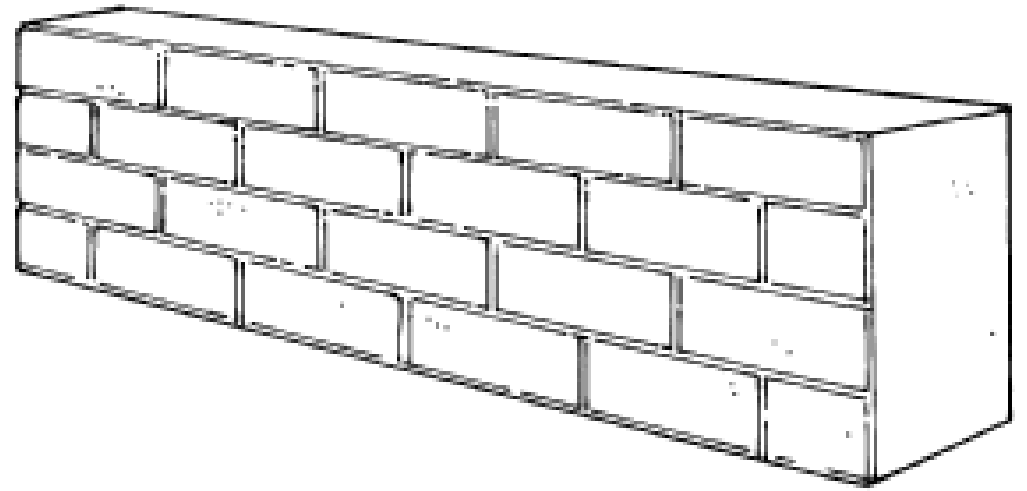
Big Hit Enterprises Pty Ltd
137 High Road Wanneroo Western Australia 6065 Australia

(72) Name(s) of Designer(s): **Martin Daniel Murphy**

(45) Registration Date: **05 May 2010**

(56) Related Art Documents: **Not Applicable**

(57) Statement of Newness and Distinctiveness: **The particular visual features of the design which are new and distinctive are shape OR configuration.**



(21) Design Number: **11144/2010**

(22) Date of Filing Application: **30 March 2010**

(24) Date from which industrial property rights may have effect: **30 March 2010**

(54) Product in respect of which the design is registered: **Awning and casement window for residential homes, (new and existing)**

(51) International Design Classification: **25-02H**

(71) Name(s) and Address(s) of Applicant(s):

Grant Faulmann
PO Box 86 Campbellfield 3061 Victoria Australia

Nick Makris
PO Box 86 Campbellfield 3061 Victoria Australia

John Makris
PO Box 86 Campbellfield 3061 Victoria Australia

Nigel Khan
PO Box 86 Campbellfield 3061 Victoria Australia

(72) Name(s) of Designer(s): **Grant Faulmann and Nick Makris**

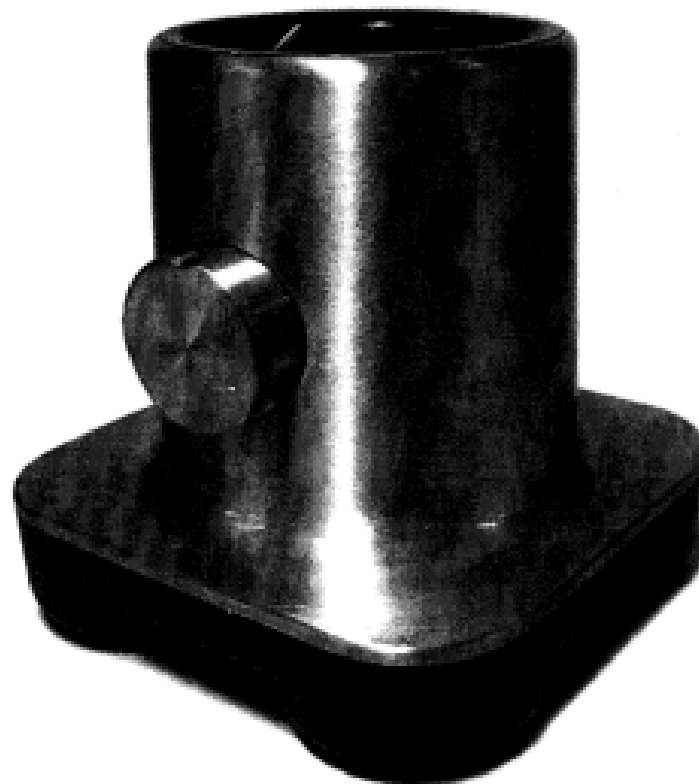
(45) Registration Date: **07 May 2010**

(56) Related Art Documents: **Not Applicable**

(57) Statement of Newness and Distinctiveness: **Offers an overlapping sash design with minimal profiles required, that achieves a very high windload and energy rating.**



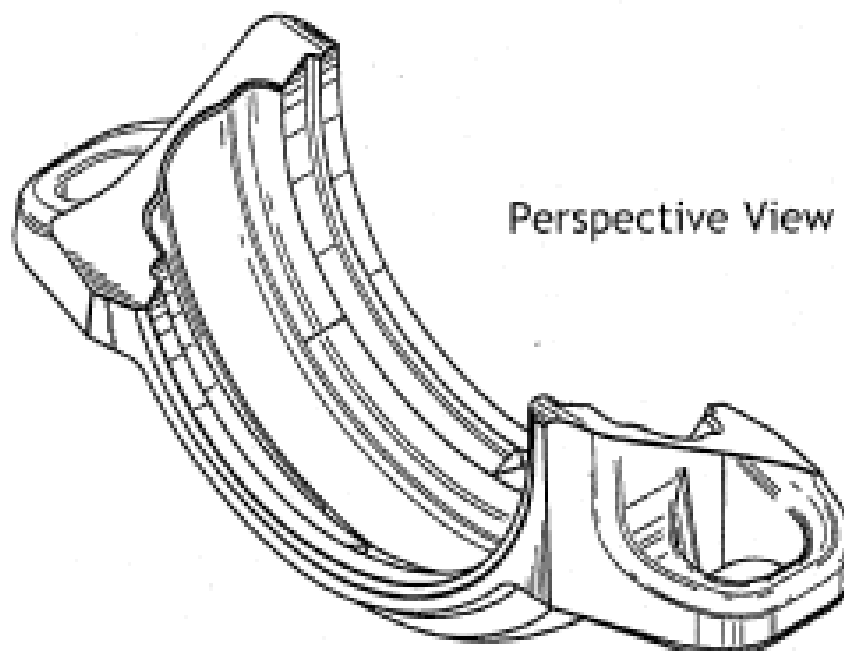
(21) Design Number: **11217/2010**
(22) Date of Filing Application: **06 April 2010**
(24) Date from which industrial property rights may have effect: **06 April 2010**
(54) Product in respect of which the design is registered: **Powered base for kitchen blender**
(51) International Design Classification: **13-02, 31-00**
(71) Name(s) and Address(s) of Applicant(s):
Kenwood Limited
New Lane Havant Hampshire PO9 2NH United Kingdom
(72) Name(s) of Designer(s): **Jamie Weaden**
(45) Registration Date: **07 May 2010**
(30) Convention priority data:
(31) Number (32) Date (33) Country
001168652-0001 05 Oct 2009 EUROPEAN COMMUNITY
(56) Related Art Documents: **Not Applicable**
(57) Statement of Newness and Distinctiveness: **Nil**



(21) Design Number: **11257/2010**
(22) Date of Filing Application: **12 April 2010**
(24) Date from which industrial property rights may have effect: **12 April 2010**
(54) Product in respect of which the design is registered: **Wooden lattice screen**
(51) International Design Classification: **25-02C**
(71) Name(s) and Address(s) of Applicant(s):
Clive Whitworth
153 The Avenue Ocean Grove Victoria 3226 Australia
(72) Name(s) of Designer(s): **Clive Whitworth**
(45) Registration Date: **07 May 2010**
(56) Related Art Documents: **Not Applicable**
(57) Statement of Newness and Distinctiveness: **The pattern is extendable over the any length and breadth in one individual panel. The design is unique and distinctive due to the fact that the individual elements (lathes) are interlocked in such a way to produce a curve in the wood. The pattern is symmetrical and the panels designed to be adjoined to form a continuous pattern of curves. The design is unique in that the lathes are arranged with the narrowest part of the lathe facing out, so giving the lattice a 3 dimensional aspect. Design RAD01 is distinct in that the (nominally) vertical lathes are arranged in a radical pattern with respect to the (nominally) horizontal curved lathes to which they are joined to produce a continuous and repeatable pattern.**

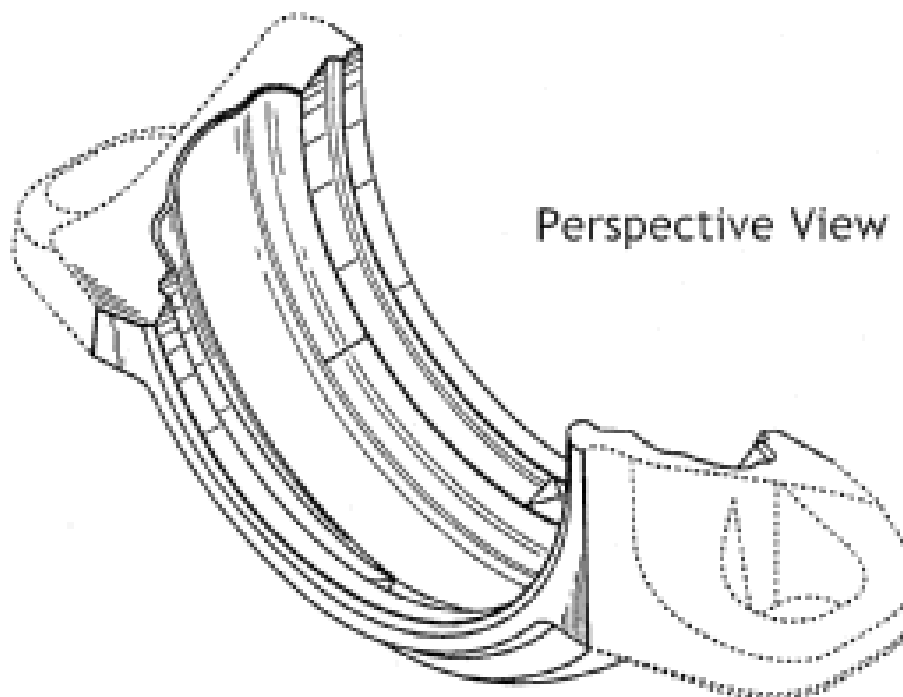


(21) Design Number: **11356/2010**
 (22) Date of Filing Application: **15 April 2010**
 (24) Date from which industrial property rights may have effect: **15 April 2010**
 (54) Product in respect of which the design is registered: **Pipe coupling segment**
 (51) International Design Classification: **23-01A**
 (71) Name(s) and Address(s) of Applicant(s):
Victaulic Company
4901 Kesslersville Road Easton Pennsylvania 18040 United States of America
 (72) Name(s) of Designer(s): **Michael V. Porter and Scott D. Madara and Amit R. Shah**
 (45) Registration Date: **07 May 2010**
 (30) Convention priority data:
 (31) Number (32) Date (33) Country
29/345,578 19 Oct 2009 UNITED STATES OF AMERICA
 (56) Related Art Documents: **Not Applicable**
 (57) Statement of Newness and Distinctiveness: **Newness and distinctiveness is claimed in the features of shape and/or configuration of a pipe coupling segment as shown in the representations.**



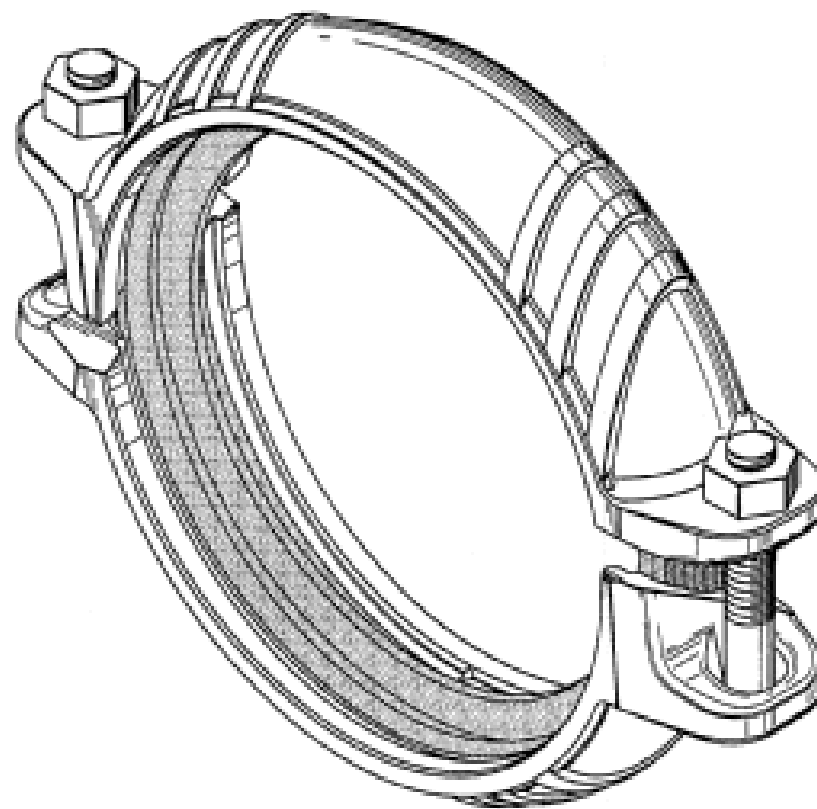
Perspective View

(21) Design Number: **11357/2010**
 (22) Date of Filing Application: **15 April 2010**
 (24) Date from which industrial property rights may have effect: **15 April 2010**
 (54) Product in respect of which the design is registered: **Pipe coupling segment**
 (51) International Design Classification: **23-01A**
 (71) Name(s) and Address(s) of Applicant(s):
Victaulic Company
4901 Kesslersville Road Easton Pennsylvania 18040 United States of America
 (72) Name(s) of Designer(s): **Michael V. Porter and Scott D. Madara and Amit R. Shah**
 (45) Registration Date: **07 May 2010**
 (30) Convention priority data:
 (31) Number (32) Date (33) Country
29/345,578 19 Oct 2009 UNITED STATES OF AMERICA
 (56) Related Art Documents: **Not Applicable**
 (57) Statement of Newness and Distinctiveness: **Newness and distinctiveness is claimed in the features of shape and/or configuration of a pipe coupling segment as shown in the representations. Where broken lines are shown in the representations, the broken lines are for illustrative purposes only and form no part of the claimed design.**

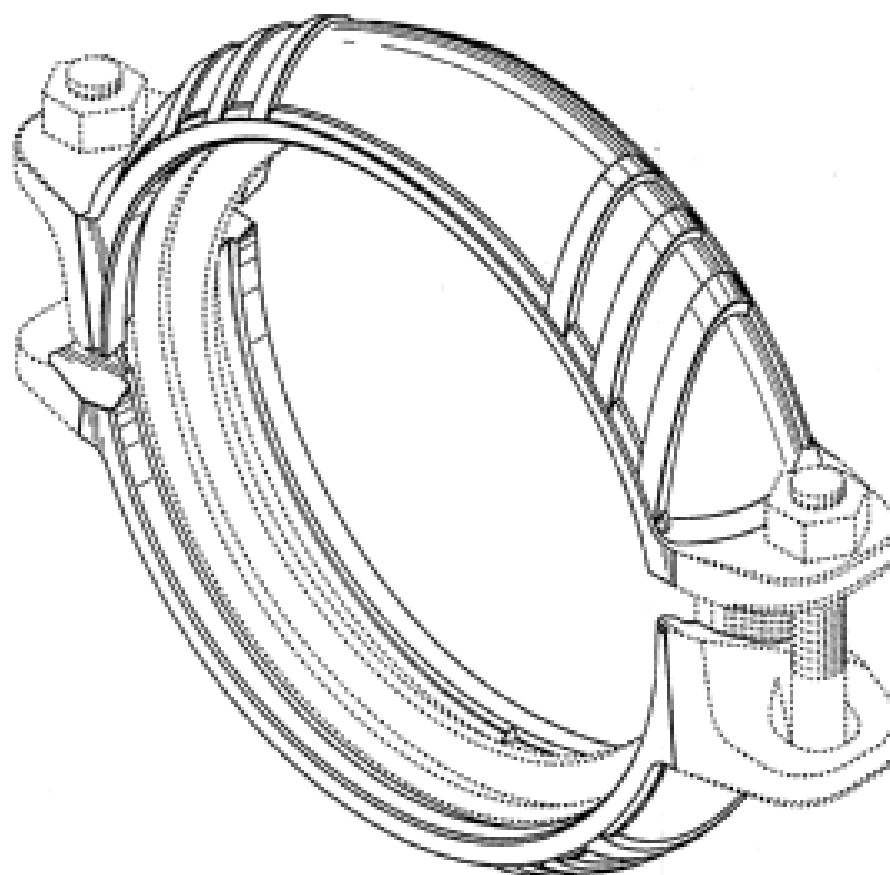


Perspective View

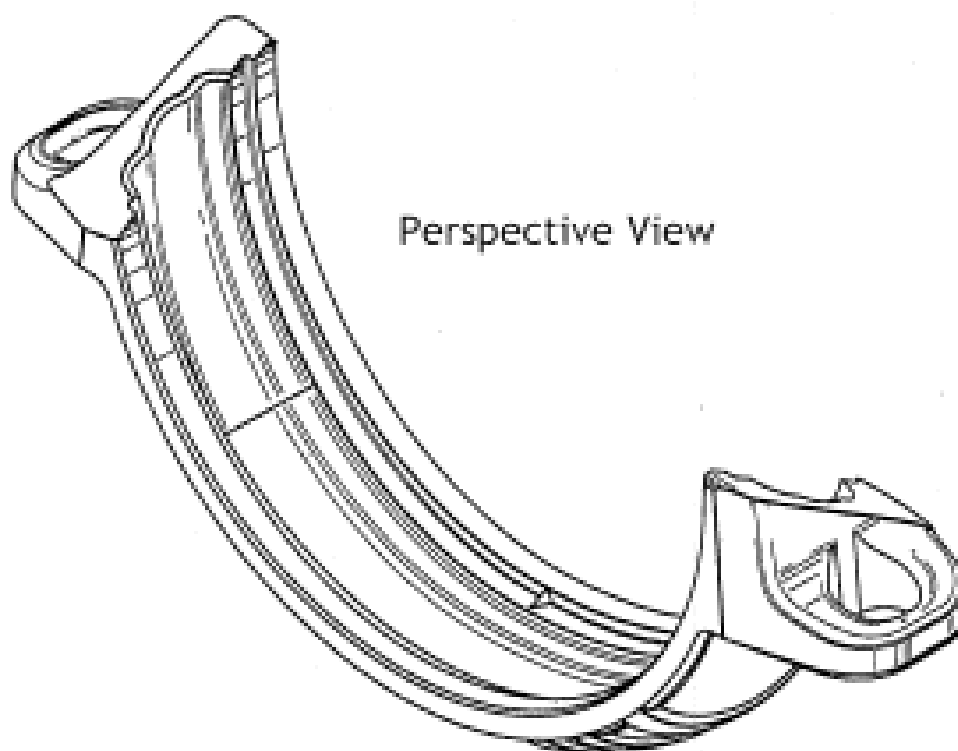
- (21) Design Number: **11408/2010**
(22) Date of Filing Application: **15 April 2010**
(24) Date from which industrial property rights may have effect: **15 April 2010**
(54) Product in respect of which the design is registered: **Pipe coupling**
(51) International Design Classification: **23-01A**
(71) Name(s) and Address(s) of Applicant(s):
Victaulic Company
4901 Kesslersville Road Easton Pennsylvania 18040 United States of America
(72) Name(s) of Designer(s): **Scott D. Madara and Amit R. Shah and Michael V. Porter**
(45) Registration Date: **07 May 2010**
(30) Convention priority data:
(31) Number (32) Date (33) Country
29/345,569 19 Oct 2009 UNITED STATES OF AMERICA
(56) Related Art Documents: **Not Applicable**
(57) Statement of Newness and Distinctiveness: **Newness and distinctiveness is claimed in the features of shape and/or configuration of a pipe coupling as shown in the accompanying representations.**



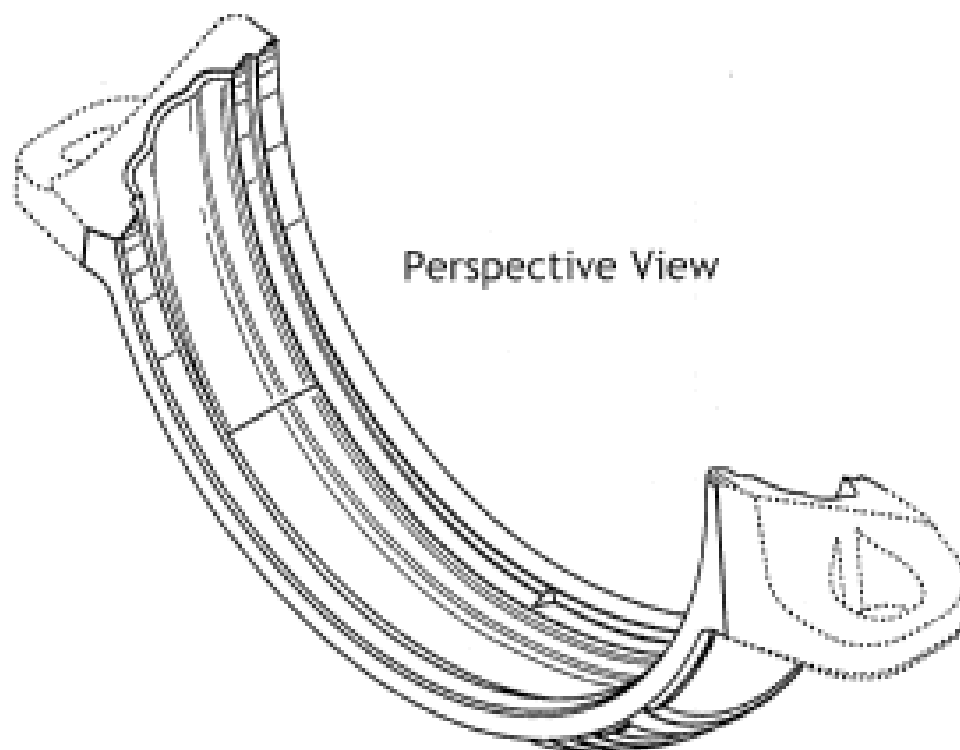
- (21) Design Number: **11409/2010**
(22) Date of Filing Application: **15 April 2010**
(24) Date from which industrial property rights may have effect: **15 April 2010**
(54) Product in respect of which the design is registered: **Pipe coupling**
(51) International Design Classification: **23-01A**
(71) Name(s) and Address(s) of Applicant(s):
Victaulic Company
4901 Kesslersville Road Easton Pennsylvania 18040 United States of America
(72) Name(s) of Designer(s): **Scott D. Madara and Amit R. Shah and Michael V. Porter**
(45) Registration Date: **07 May 2010**
(30) Convention priority data:
(31) Number (32) Date (33) Country
29/345,569 19 Oct 2009 UNITED STATES OF AMERICA
(56) Related Art Documents: **Not Applicable**
(57) Statement of Newness and Distinctiveness: **Newness and distinctiveness is claimed in the features of shape and/or configuration of a pipe coupling as shown in the accompanying representations. Where broken lines are shown in the representations, the broken lines are for illustrative purposes only and form no part of the claimed design.**



(21) Design Number: **11410/2010**
 (22) Date of Filing Application: **15 April 2010**
 (24) Date from which industrial property rights may have effect: **15 April 2010**
 (54) Product in respect of which the design is registered: **Pipe coupling segment**
 (51) International Design Classification: **23-01A**
 (71) Name(s) and Address(s) of Applicant(s):
Victaulic Company
4901 Kesslersville Road Easton Pennsylvania 18040 United States of America
 (72) Name(s) of Designer(s): **Scott D. Madara and Amit R. Shah and Michael V. Porter**
 (45) Registration Date: **07 May 2010**
 (30) Convention priority data:
 (31) Number (32) Date (33) Country
29/345,570 19 Oct 2009 UNITED STATES OF AMERICA
 (56) Related Art Documents: **Not Applicable**
 (57) Statement of Newness and Distinctiveness: **Newness and distinctiveness is claimed in the features of shape and/or configuration of a pipe coupling segment as shown in the accompanying representations.**



(21) Design Number: **11411/2010**
 (22) Date of Filing Application: **15 April 2010**
 (24) Date from which industrial property rights may have effect: **15 April 2010**
 (54) Product in respect of which the design is registered: **Pipe coupling segment**
 (51) International Design Classification: **23-01A**
 (71) Name(s) and Address(s) of Applicant(s):
Victaulic Company
4901 Kesslersville Road Easton Pennsylvania 18040 United States of America
 (72) Name(s) of Designer(s): **Scott D. Madara and Amit R. Shah and Michael V. Porter**
 (45) Registration Date: **07 May 2010**
 (30) Convention priority data:
 (31) Number (32) Date (33) Country
29/345,570 19 Oct 2009 UNITED STATES OF AMERICA
 (56) Related Art Documents: **Not Applicable**
 (57) Statement of Newness and Distinctiveness: **Newness and distinctiveness is claimed in the features of shape and/or configuration of a pipe coupling segment as shown in the accompanying representations. Where broken lines are shown in the representations, the broken lines are for illustrative purposes only and form no part of the claimed design.**



(21) Design Number: **11445/2010**

(22) Date of Filing Application: **19 April 2010**

(24) Date from which industrial property rights may have effect: **19 April 2010**

(54) Product in respect of which the design is registered: **Outdoor seating**

(51) International Design Classification: **06-05**

(71) Name(s) and Address(s) of Applicant(s):

BGK Contech Pty Ltd

34/422 Pulteney Street Adelaide South Australia 5000 Australia

(72) Name(s) of Designer(s): **Ben Geoffrey Klingberg**

(45) Registration Date: **07 May 2010**

(56) Related Art Documents: **Not Applicable**

(57) Statement of Newness and Distinctiveness: **Table is designed in such a manner that the seat and table are joined and work as one piece.**



(21) Design Number: **11446/2010**

(22) Date of Filing Application: **19 April 2010**

(24) Date from which industrial property rights may have effect: **19 April 2010**

(54) Product in respect of which the design is registered: **Outdoor seating**

(51) International Design Classification: **06-05**

(71) Name(s) and Address(s) of Applicant(s):

BGK Contech Pty Ltd

34/422 Pulteney Street Adelaide South Australia 5000 Australia

(72) Name(s) of Designer(s): **Ben Geoffrey Klingberg**

(45) Registration Date: **07 May 2010**

(56) Related Art Documents: **Not Applicable**

(57) Statement of Newness and Distinctiveness: **Table is designed in such a manner that the seat and table are joined and work as one piece.**



(21) Design Number: **10709/2010**
(22) Date of Filing Application: **02 March 2010**
(24) Date from which industrial property rights may have effect: **02 March 2010**
(54) Product in respect of which the design is registered: **Joints for pipes**
(51) International Design Classification: **23-01A**
(71) Name(s) and Address(s) of Applicant(s):
Wavin B.V.
Stationsplein 3 8011 CW Zwolle The Netherlands
(72) Name(s) of Designer(s): **Geert Brookman and Adrian David Bristow and Steven Sutcliffe and Raymond Fisher**
(45) Registration Date: **05 May 2010**
(30) Convention priority data:
(31) Number (32) Date (33) Country
001164396-0001 02 Sep 2009 EUROPEAN COMMUNITY
(56) Related Art Documents: **Not Applicable**
(57) Statement of Newness and Distinctiveness: **Nil**



(21) Design Number: **11714/2010**
(22) Date of Filing Application: **02 March 2010**
(24) Date from which industrial property rights may have effect: **02 March 2010**
(54) Product in respect of which the design is registered: **Joints for pipes**
(51) International Design Classification: **23-01A**
(71) Name(s) and Address(s) of Applicant(s):
Wavin B.V.
Stationsplein 3 8011 CW Zwolle The Netherlands
(72) Name(s) of Designer(s): **Geert Brookman and Adrian David Bristow and Steven Sutcliffe and Raymond Fisher**
(45) Registration Date: **05 May 2010**
(30) Convention priority data:
(31) Number (32) Date (33) Country
001164396-0001 02 Sep 2009 EUROPEAN COMMUNITY
(56) Related Art Documents: **Not Applicable**
(57) Statement of Newness and Distinctiveness: **Nil**



- (21) Design Number: **11715/2010**
(22) Date of Filing Application: **02 March 2010**
(24) Date from which industrial property rights may have effect: **02 March 2010**
(54) Product in respect of which the design is registered: **Joints for pipes**
(51) International Design Classification: **23-01A**
(71) Name(s) and Address(s) of Applicant(s):
Wavin B.V.
Stationsplein 3 8011 CW Zwolle The Netherlands
(72) Name(s) of Designer(s): **Geert Brookman and Adrian David Bristow and Steven Sutcliffe and Raymond Fisher**
(45) Registration Date: **05 May 2010**
(30) Convention priority data:
(31) Number (32) Date (33) Country
001164396-0001 02 Sep 2009 EUROPEAN COMMUNITY
(56) Related Art Documents: **Not Applicable**
(57) Statement of Newness and Distinctiveness: **Nil**



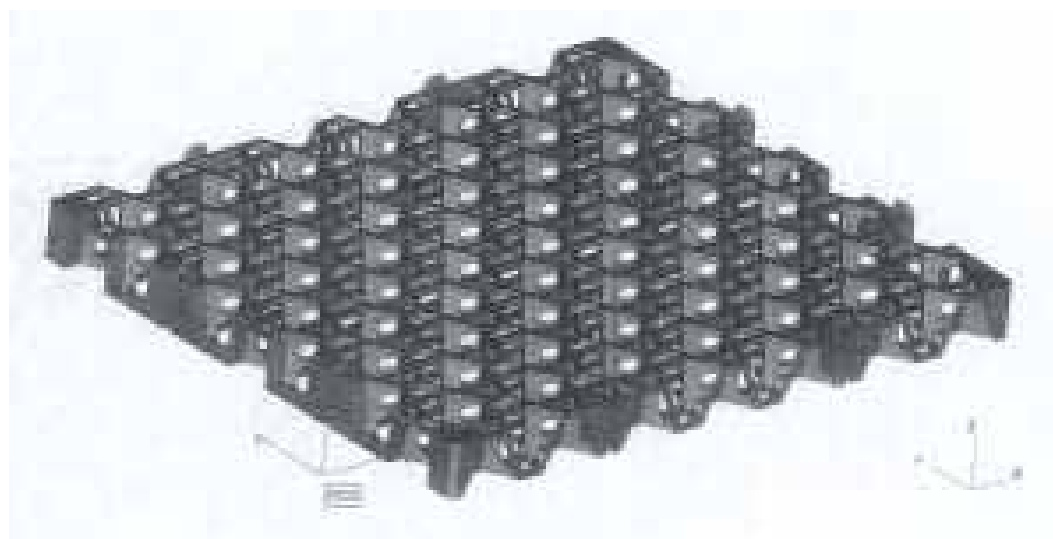
- (21) Design Number: **11716/2010**
(22) Date of Filing Application: **02 March 2010**
(24) Date from which industrial property rights may have effect: **02 March 2010**
(54) Product in respect of which the design is registered: **Joints for pipes**
(51) International Design Classification: **23-01A**
(71) Name(s) and Address(s) of Applicant(s):
Wavin B.V.
Stationsplein 3 8011 CW Zwolle The Netherlands
(72) Name(s) of Designer(s): **Geert Brookman and Adrian David Bristow and Steven Sutcliffe and Raymond Fisher**
(45) Registration Date: **05 May 2010**
(30) Convention priority data:
(31) Number (32) Date (33) Country
001164396-0001 02 Sep 2009 EUROPEAN COMMUNITY
(56) Related Art Documents: **Not Applicable**
(57) Statement of Newness and Distinctiveness: **Nil**



- (21) Design Number: **11717/2010**
(22) Date of Filing Application: **02 March 2010**
(24) Date from which industrial property rights may have effect: **02 March 2010**
(54) Product in respect of which the design is registered: **Joints for pipes**
(51) International Design Classification: **23-01A**
(71) Name(s) and Address(s) of Applicant(s):
Wavin B.V.
Stationsplein 3 8011 CW Zwolle The Netherlands
(72) Name(s) of Designer(s): **Geert Brookman and Adrian David Bristow and Steven Sutcliffe and Raymond Fisher**
(45) Registration Date: **05 May 2010**
(30) Convention priority data:
(31) Number (32) Date (33) Country
001164396-0001 02 Sep 2009 EUROPEAN COMMUNITY
(56) Related Art Documents: **Not Applicable**
(57) Statement of Newness and Distinctiveness: **Nil**



- (21) Design Number: **11233/2010**
(22) Date of Filing Application: **09 April 2010**
(24) Date from which industrial property rights may have effect: **09 April 2010**
(54) Product in respect of which the design is registered: **Permeable grass paver/gravel paver**
(51) International Design Classification: **25-01A**
(71) Name(s) and Address(s) of Applicant(s):
Minon Kumar A. Desai
34 Ashcott Street Kings Langley New South Wales 2147 Australia
(72) Name(s) of Designer(s): **Minon Kumar A. Desai**
(45) Registration Date: **11 May 2010**
(56) Related Art Documents: **Not Applicable**
(57) Statement of Newness and Distinctiveness: **Each feature of the design considered separately or in combination with any other feature or features, in attached representations.**



- (21) Design Number: **11234/2010**
- (22) Date of Filing Application: **08 April 2010**
- (24) Date from which industrial property rights may have effect: **08 April 2010**
- (54) Product in respect of which the design is registered: **Bottle**
- (51) International Design Classification: **09-01NES**
- (71) Name(s) and Address(s) of Applicant(s):
Asahi Soft Drinks Co., Ltd.
23-1 Azumabashi 1-chome Sumida-ku Tokyo 130-8602 Japan
Asahi Breweries, Ltd.
23-1 Azumabashi 1-chome Sumida-ku Tokyo 130-8602 Japan
- (72) Name(s) of Designer(s): **Tsutomu Konishi and Satoru Maekawa**
- (45) Registration Date: **11 May 2010**
- (30) Convention priority data:

(31) Number	(32) Date	(33) Country
2009-024818	23 Oct 2009	JAPAN
- (56) Related Art Documents: **Not Applicable**
- (57) Statement of Newness and Distinctiveness: **The newness and distinctiveness of the design resides in the sections of the bottle marked 'A' and 'B' on the front view in the attached representations.**



- (21) Design Number: **11235/2010**
- (22) Date of Filing Application: **08 April 2010**
- (24) Date from which industrial property rights may have effect: **08 April 2010**
- (54) Product in respect of which the design is registered: **Electronic device**
- (51) International Design Classification: **14-02**
- (71) Name(s) and Address(s) of Applicant(s):
Apple Inc.
1 Infinite Loop Cupertino California 95014 United States of America
- (72) Name(s) of Designer(s): **Jody Akana and Bartley K. Andre and Jeremy Bataillou and Daniel J. Coster and Daniele De Iuliis and Evans Hankey and Richard P. Howarth and Jonathan P. Ive and Duncan Robert Kerr and Shin Nishibori and Matthew Dean Rohrbach and Peter Russell-Clarke and Christopher J. Stringer and Eugene Antony Whang and Rico Zorkendorfer**
- (45) Registration Date: **11 May 2010**
- (30) Convention priority data:

(31) Number	(32) Date	(33) Country
29/345277	13 Oct 2009	UNITED STATES OF AMERICA
- (56) Related Art Documents: **Not Applicable**
- (57) Statement of Newness and Distinctiveness: **Newness and distinctiveness resides in the features of shape and or configuration of the electronic device that are shown in solid lines in the accompanying representations. In the representations thin shade lines illustrate contour and not surface ornamentation.**

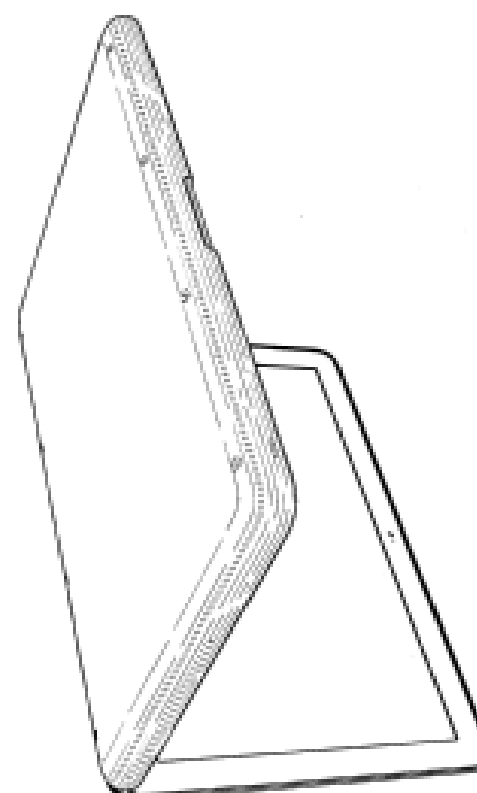
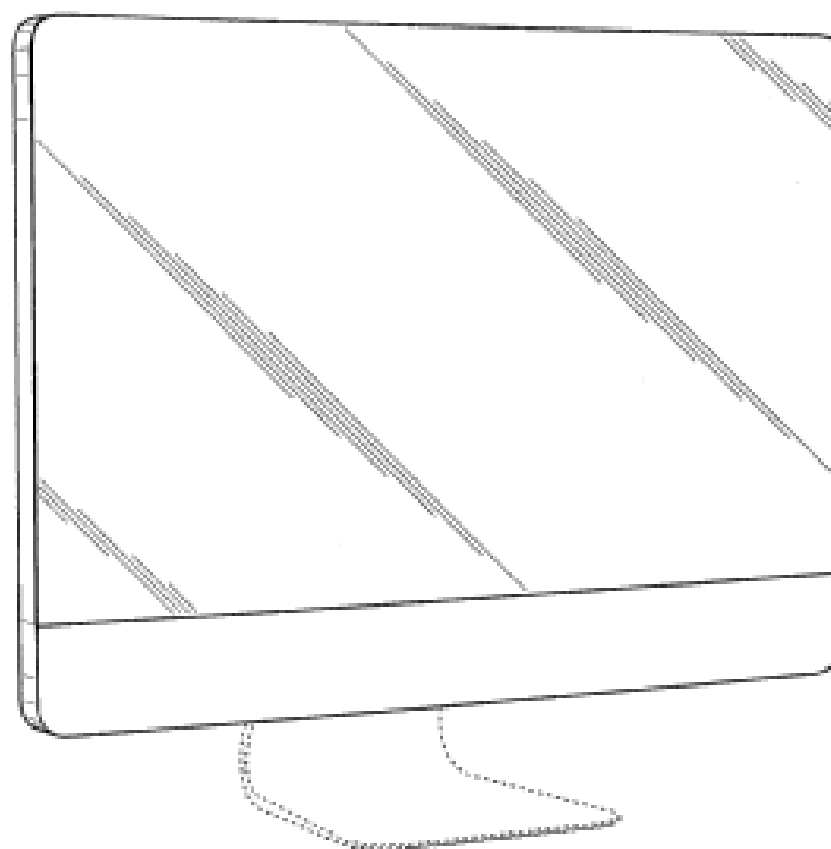


Fig. 10

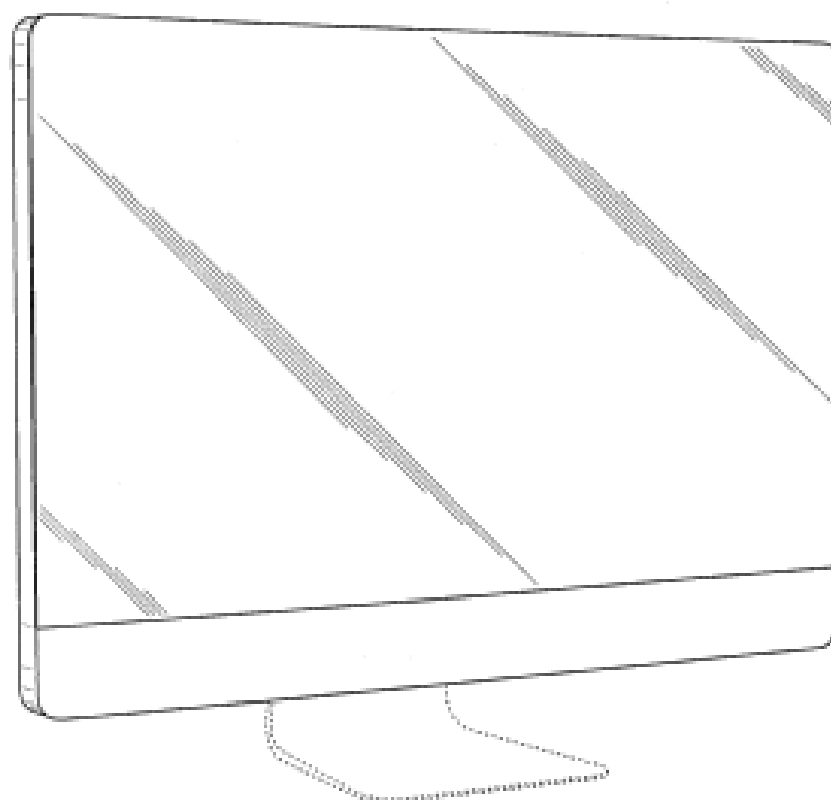
- (21) Design Number: **11236/2010**
- (22) Date of Filing Application: **08 April 2010**
- (24) Date from which industrial property rights may have effect: **08 April 2010**
- (54) Product in respect of which the design is registered: **Electronic device**
- (51) International Design Classification: **14-02**
- (71) Name(s) and Address(s) of Applicant(s):
Apple Inc.
1 Infinite Loop Cupertino California 95014 United States of America
- (72) Name(s) of Designer(s): **Jody Akana and Bartley K. Andre and Jeremy Bataillou and Daniel J. Coster and Daniele De Iuliis and Evans Hankey and Richard P. Howarth and Jonathan P. Ive and Duncan Robert Kerr and Shin Nishibori and Matthew Dean Rohrbach and Peter Russell-Clarke and Christopher J. Stringer and Eugene Antony Whang and Rico Zorkendorfer**
- (45) Registration Date: **11 May 2010**
- (30) Convention priority data:

(31) Number	(32) Date	(33) Country
29/345282	13 Oct 2009	UNITED STATES OF AMERICA
- (56) Related Art Documents: **Not Applicable**
- (57) Statement of Newness and Distinctiveness: **Newness and distinctiveness resides in the features of shape and/or configuration of the electronic device that are shown in solid lines in the accompanying representations. In the representations thin shade lines illustrate contour and not surface ornamentation.**



- (21) Design Number: **11237/2010**
- (22) Date of Filing Application: **08 April 2010**
- (24) Date from which industrial property rights may have effect: **08 April 2010**
- (54) Product in respect of which the design is registered: **Electronic device**
- (51) International Design Classification: **14-02**
- (71) Name(s) and Address(s) of Applicant(s):
Apple Inc.
1 Infinite Loop Cupertino California 95014 United States of America
- (72) Name(s) of Designer(s): **Jody Akana and Bartley K. Andre and Jeremy Bataillou and Daniel J. Coster and Daniele De Iuliis and Evans Hankey and Richard P. Howarth and Jonathan P. Ive and Duncan Robert Kerr and Shin Nishibori and Matthew Dean Rohrbach and Peter Russell-Clarke and Christopher J. Stringer and Eugene Antony Whang and Rico Zorkendorfer**
- (45) Registration Date: **11 May 2010**
- (30) Convention priority data:

(31) Number	(32) Date	(33) Country
29/345282	13 Oct 2009	UNITED STATES OF AMERICA
- (56) Related Art Documents: **Not Applicable**
- (57) Statement of Newness and Distinctiveness: **Newness and distinctiveness resides in the features of shape and/or configuration of the electronic device that are shown in solid lines in the accompanying representations. In the representations thin shade lines illustrate contour and not surface ornamentation.**



(19) AU

- (21) Design Number: **11238/2010**
- (22) Date of Filing Application: **08 April 2010**
- (24) Date from which industrial property rights may have effect: **08 April 2010**
- (54) Product in respect of which the design is registered: **Magnetic connector**
- (51) International Design Classification: **14-02**
- (71) Name(s) and Address(s) of Applicant(s):

Apple Inc.
1 Infinite Loop Cupertino California 95014 United States of America

- (72) Name(s) of Designer(s): **Jody Akana and Bartley K. Andre and Jeremy Bataillou and Daniel J. Coster and Daniele De Iuliis and Evans Hankey and Richard P. Howarth and Jonathan P. Ive and Duncan Robert Kerr and Shin Nishibori and Matthew Dean Rohrbach and Peter Russell-Clarke and Christopher J. Stringer and Eugene Antony Whang and Rico Zorkendorfer**

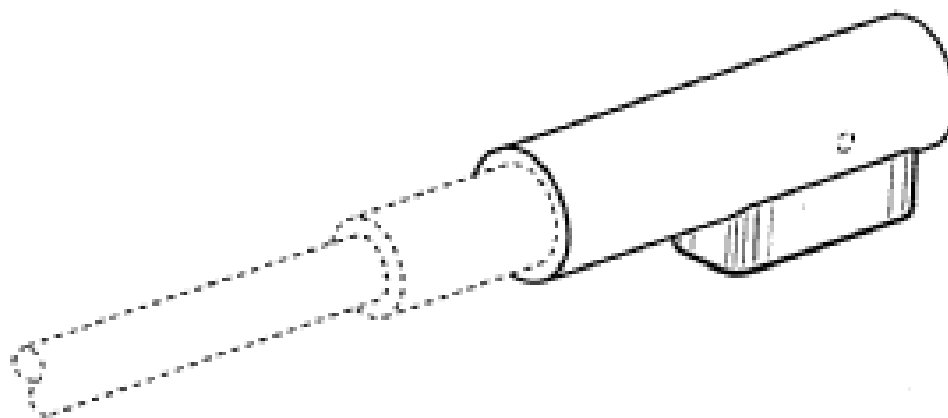
(45) Registration Date: **11 May 2010**

(30) Convention priority data:

(31) Number	(32) Date	(33) Country
29/345272	13 Oct 2009	UNITED STATES OF AMERICA

(56) Related Art Documents: **Not Applicable**

(57) Statement of Newness and Distinctiveness: **Newness and distinctiveness resides in the features of shape and or configuration of the electronic device that are shown in solid lines in the accompanying representations. In the representations thin shade lines illustrate contour and not surface ornamentation.**



(19) AU

- (21) Design Number: **11240/2010**
- (22) Date of Filing Application: **08 April 2010**
- (24) Date from which industrial property rights may have effect: **08 April 2010**
- (54) Product in respect of which the design is registered: **Containers**
- (51) International Design Classification: **07-01NES**
- (71) Name(s) and Address(s) of Applicant(s):

Dart Industries Inc
14901 S. Orange Blossom Trail Orlando Florida 32837 United States of America

- (72) Name(s) of Designer(s): **Vincent Jalet and Christian Olivari**

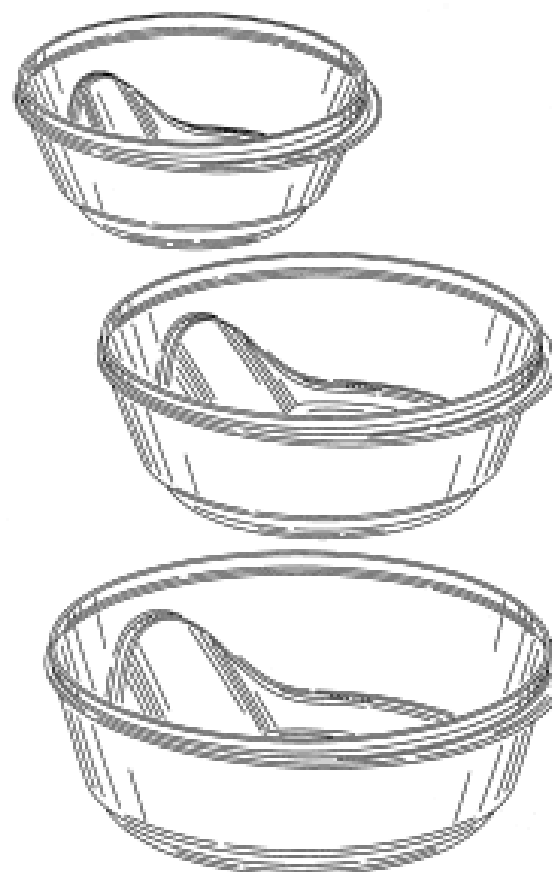
(45) Registration Date: **11 May 2010**

(30) Convention priority data:

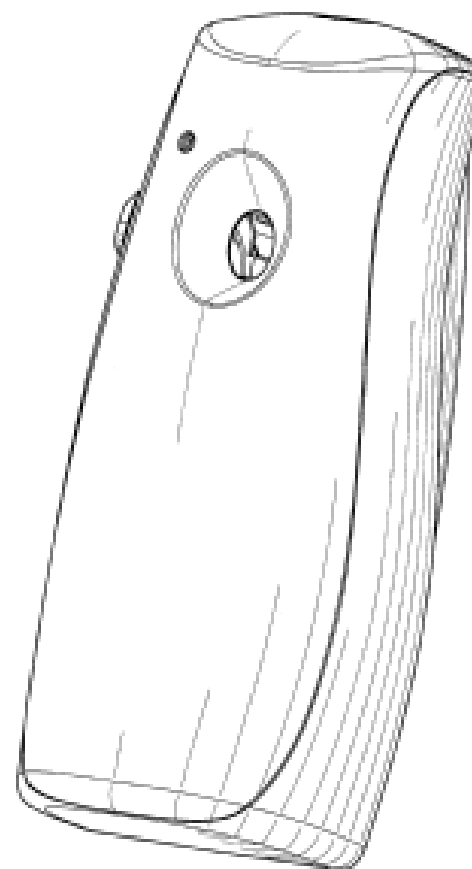
(31) Number	(32) Date	(33) Country
29/348,187	08 Dec 2009	UNITED STATES OF AMERICA

(56) Related Art Documents: **Not Applicable**

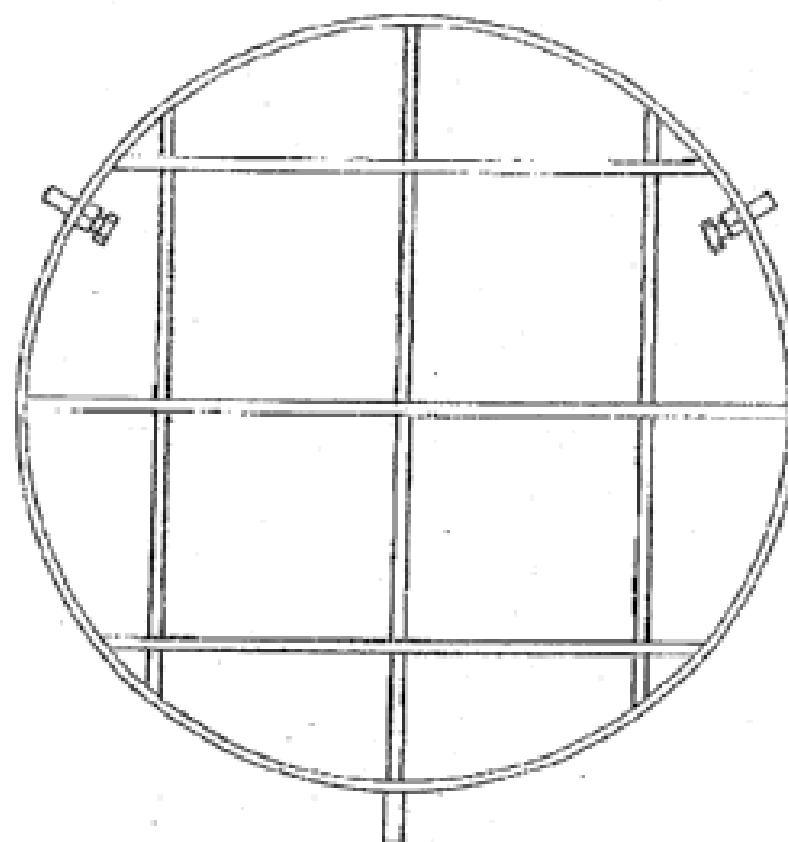
(57) Statement of Newness and Distinctiveness: **Those features of the containers depicted in the representations that are new and distinctive are the shape and/or configuration.**



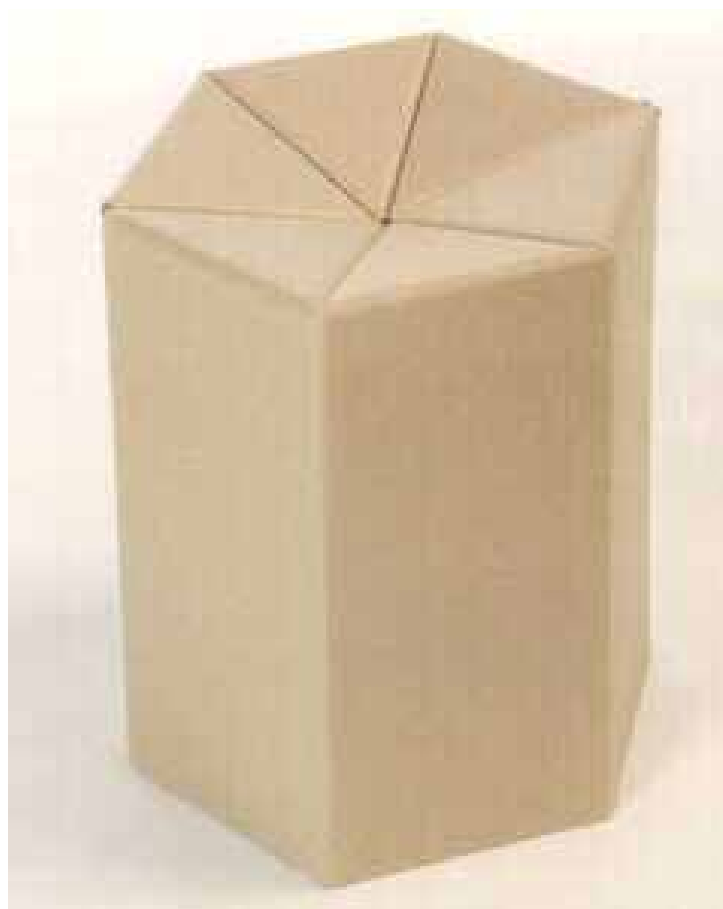
(21) Design Number: **11252/2010**
(22) Date of Filing Application: **09 April 2010**
(24) Date from which industrial property rights may have effect: **09 April 2010**
(54) Product in respect of which the design is registered: **Air freshener device**
(51) International Design Classification: **28-99**
(71) Name(s) and Address(s) of Applicant(s):
Reckitt & Colman (Overseas) Limited
103-105 Bath Road Slough Berkshire SL1 3UH United Kingdom
(72) Name(s) of Designer(s): **Marcus Blachford and James Holt and David Law**
and Tom Peach and Tim Sharpe
(45) Registration Date: **11 May 2010**
(30) Convention priority data:
(31) Number (32) Date (33) Country
001660275-0001 22 Jan 2010 EUROPEAN COMMUNITY
(56) Related Art Documents: **Not Applicable**
(57) Statement of Newness and Distinctiveness: **Nil**



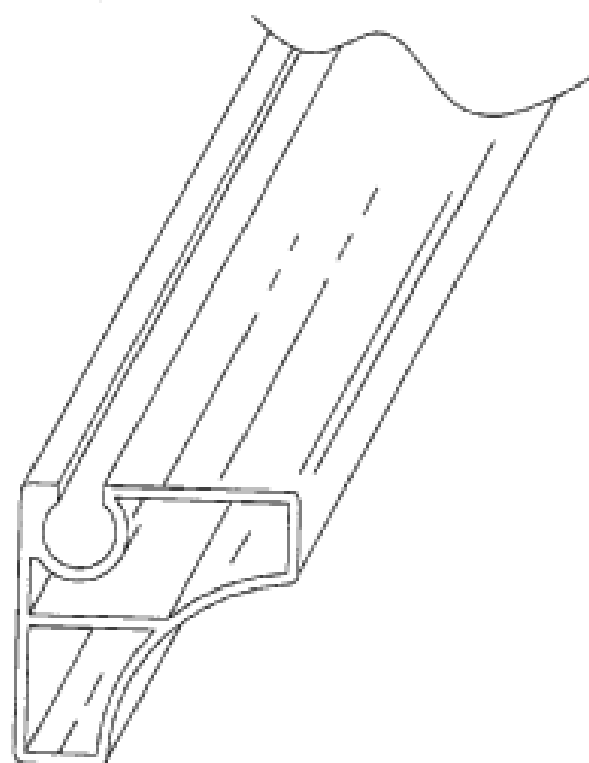
(21) Design Number: **11253/2010**
(22) Date of Filing Application: **12 April 2010**
(24) Date from which industrial property rights may have effect: **12 April 2010**
(54) Product in respect of which the design is registered: **A safety grate**
(51) International Design Classification: **25-02G**
(71) Name(s) and Address(s) of Applicant(s):
Kevin Douglas Maskell
2/14A Herd Road Mt Roskill Auckland New Zealand
(72) Name(s) of Designer(s): **Kevin Douglas Maskell**
(45) Registration Date: **11 May 2010**
(30) Convention priority data:
(31) Number (32) Date (33) Country
412823 20 Oct 2009 NEW ZEALAND
(56) Related Art Documents: **Not Applicable**
(57) Statement of Newness and Distinctiveness: **Nil**



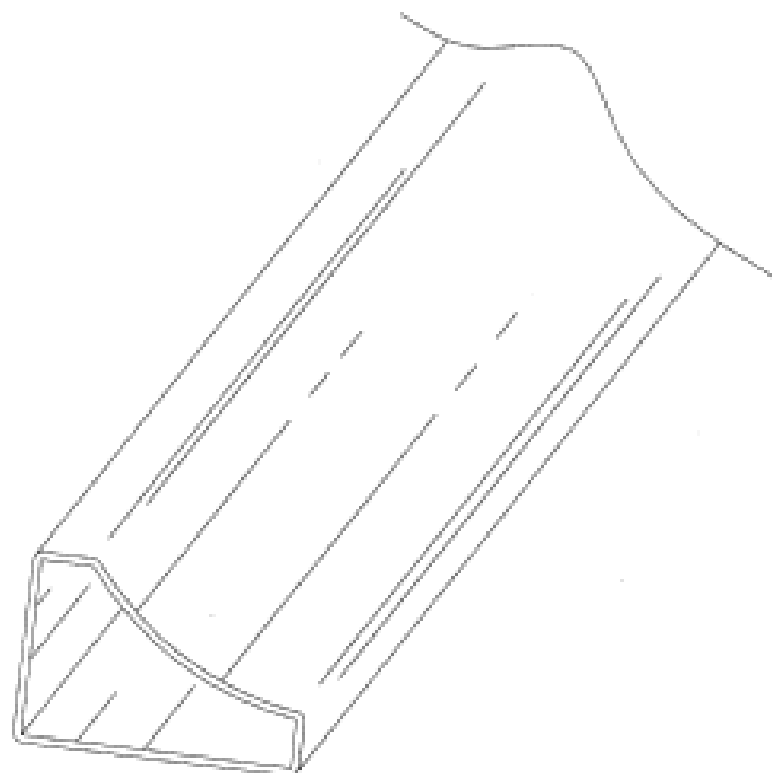
- (21) Design Number: **11254/2010**
(22) Date of Filing Application: **12 April 2010**
(24) Date from which industrial property rights may have effect: **12 April 2010**
(54) Product in respect of which the design is registered: **Chair**
(51) International Design Classification: **06-01E, 06-01L**
(71) Name(s) and Address(s) of Applicant(s):
Zsuzsa Kun
173/416 St Kilda Road Melbourne 3004 Australia
(72) Name(s) of Designer(s): **Zsuzsa Kun**
(45) Registration Date: **11 May 2010**
(56) Related Art Documents: **Not Applicable**
(57) Statement of Newness and Distinctiveness: **The folding of a sheet material that results in a 3+ sided prism ending in a segmented polygon of 3+ segments.**



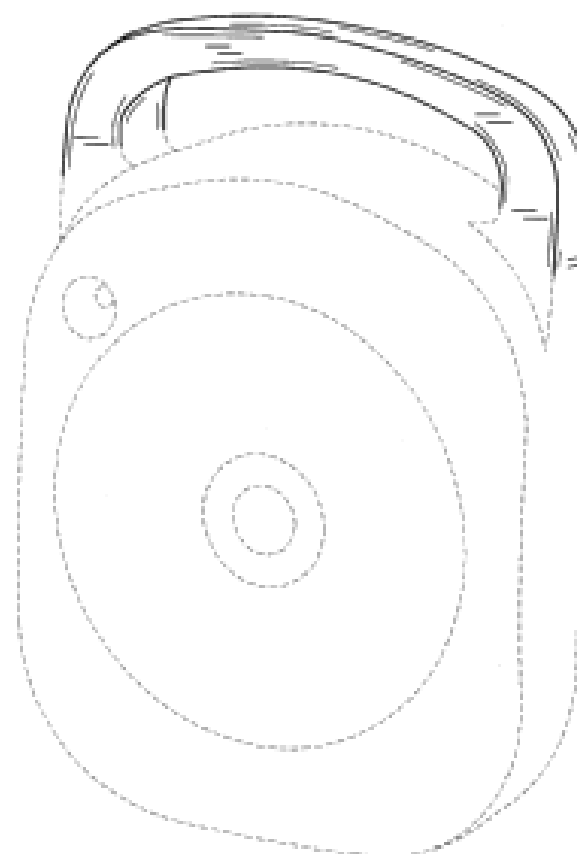
- (21) Design Number: **11255/2010**
(22) Date of Filing Application: **09 April 2010**
(24) Date from which industrial property rights may have effect: **09 April 2010**
(54) Product in respect of which the design is registered: **Pipe for making chair frame**
(51) International Design Classification: **06-06G**
(71) Name(s) and Address(s) of Applicant(s):
Hangzhou China Arts Industrial Corp., Ltd
No. 25 Bld. JinDu New City No. 326 West Wensan Road Xihu District
Hangzhou Zhejiang Province P.C. 310012 China
(72) Name(s) of Designer(s): **Ren Li**
(45) Registration Date: **11 May 2010**
(30) Convention priority data:
(31) Number (32) Date (33) Country
200930319815.6 13 Oct 2009 CHINA
(56) Related Art Documents: **Not Applicable**
(57) Statement of Newness and Distinctiveness: **Nil**



- (21) Design Number: **11256/2010**
(22) Date of Filing Application: **09 April 2010**
(24) Date from which industrial property rights may have effect: **09 April 2010**
(54) Product in respect of which the design is registered: **Pipe for making chair frame**
(51) International Design Classification: **06-06G**
(71) Name(s) and Address(s) of Applicant(s):
Hangzhou China Arts Industrial Corp., Ltd
No. 25 Bld. JinDu New City No. 326 West Wensan Road Xihu District
Hangzhou Zhejiang Province P.C. 310012 China
(72) Name(s) of Designer(s): **Ren Li**
(45) Registration Date: **11 May 2010**
(30) Convention priority data:
(31) Number (32) Date (33) Country
200930319817.5 13 Oct 2009 CHINA
(56) Related Art Documents: **Not Applicable**
(57) Statement of Newness and Distinctiveness: **Nil**



- (21) Design Number: **11258/2010**
(22) Date of Filing Application: **09 April 2010**
(24) Date from which industrial property rights may have effect: **09 April 2010**
(54) Product in respect of which the design is registered: **Noise monitor having a handle**
(51) International Design Classification: **10-05, 14-03NES**
(71) Name(s) and Address(s) of Applicant(s):
3M Innovative Properties Company
3M Center Saint Paul Minnesota 55133-3427 United States of America
(72) Name(s) of Designer(s): **Patrick J. Kilps and Thomas E. King and Michael G. Wurm and Jeffrey M. Smits**
(45) Registration Date: **11 May 2010**
(30) Convention priority data:
(31) Number (32) Date (33) Country
29/346366 30 Oct 2009 UNITED STATES OF AMERICA
(56) Related Art Documents: **Not Applicable**
(57) Statement of Newness and Distinctiveness: **Newness and distinctiveness resides in the features of shape and/or configuration of a noise monitor having a handle as shown in solid outline in the accompanying representations.**



(21) Design Number: **10462/2010**

(22) Date of Filing Application: **11 February 2010**

(24) Date from which industrial property rights may have effect: **11 February 2010**

(54) Product in respect of which the design is registered: **Container**

(51) International Design Classification: **09-01B**

(71) Name(s) and Address(s) of Applicant(s):

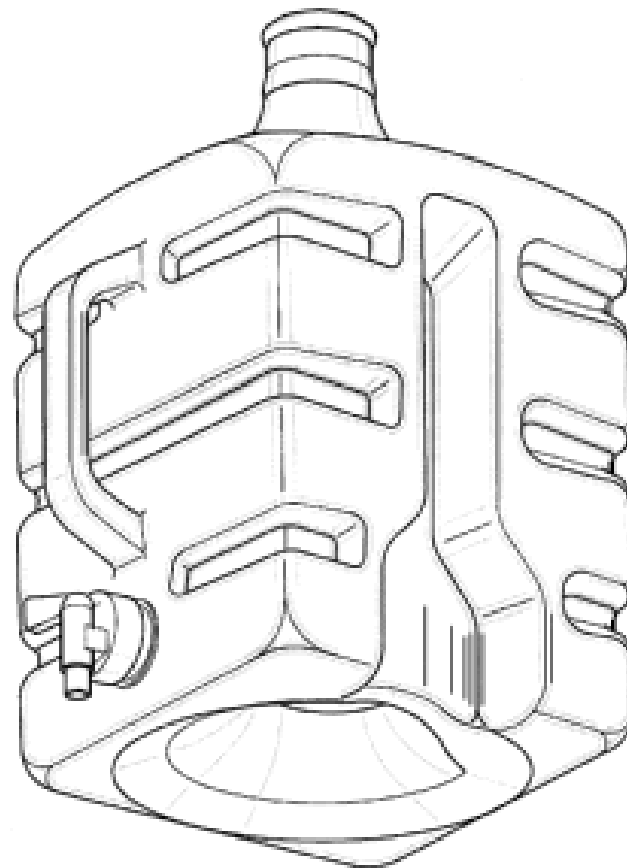
Mangrove Mountain Springs Organic Pty Ltd Trading as Mangrove Mountain Springs
522 Peats Ridge Road Calga New South Wales 2250 Australia

(72) Name(s) of Designer(s): **Michael Pizzata**

(45) Registration Date: **06 May 2010**

(56) Related Art Documents: **Not Applicable**

(57) Statement of Newness and Distinctiveness: **Newness and distinctiveness is claimed in the visual features shown in solid lines in the representations.**



(21) Design Number: **10485/2010**

(22) Date of Filing Application: **15 February 2010**

(24) Date from which industrial property rights may have effect: **15 February 2010**

(54) Product in respect of which the design is registered: **Barbara Gudgeon's, original artist doll**

(51) International Design Classification: **21-01B**

(71) Name(s) and Address(s) of Applicant(s):

Barabara Gudgeon
14 Lysaght Street North Wollongong New South Wales 2500 Australia

(72) Name(s) of Designer(s): **Barabara Gudgeon**

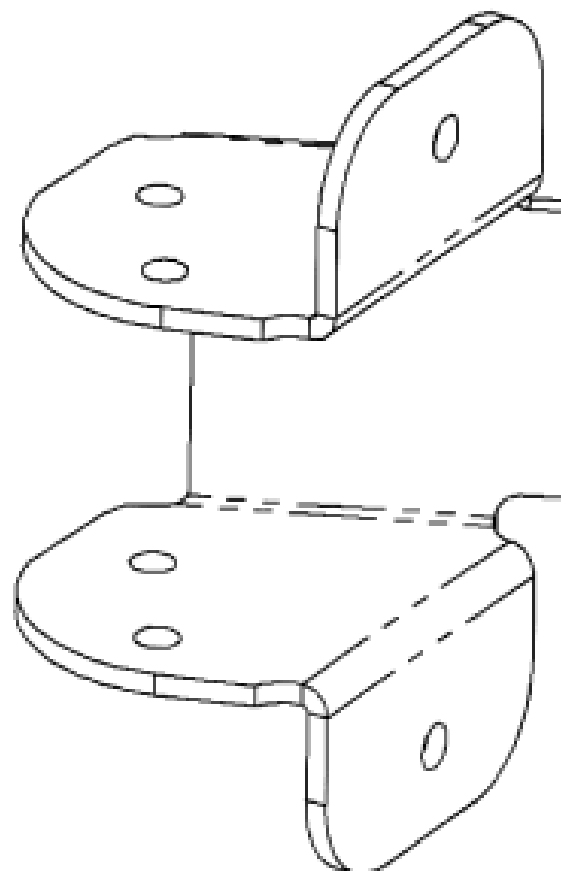
(45) Registration Date: **06 May 2010**

(56) Related Art Documents: **Not Applicable**

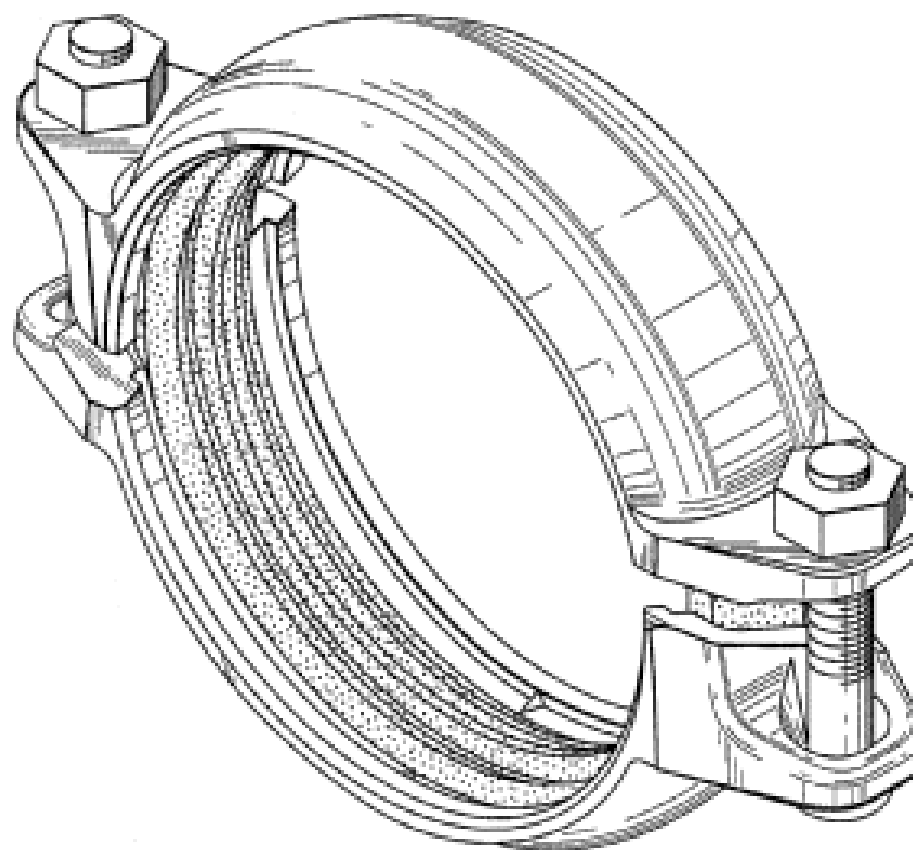
(57) Statement of Newness and Distinctiveness: **Nil**



(21) Design Number: **10615/2010**
(22) Date of Filing Application: **22 February 2010**
(24) Date from which industrial property rights may have effect: **22 February 2010**
(54) Product in respect of which the design is registered: **Fence rail support bracket**
(51) International Design Classification: **08-08K**
(71) Name(s) and Address(s) of Applicant(s):
Bluedog Fences Australia Pty Ltd
Unit 3/119 Wicks Road North Ryde New South Wales 2113 Australia
(72) Name(s) of Designer(s): **James D.F. West**
(45) Registration Date: **06 May 2010**
(56) Related Art Documents: **Not Applicable**
(57) Statement of Newness and Distinctiveness: **Nil**



(21) Design Number: **10634/2010**
(22) Date of Filing Application: **26 February 2010**
(24) Date from which industrial property rights may have effect: **26 February 2010**
(54) Product in respect of which the design is registered: **Pipe coupling**
(51) International Design Classification: **23-01A**
(71) Name(s) and Address(s) of Applicant(s):
Victaulic Company
4901 Kesslersville Road Easton Pennsylvania 18040 United States of America
(72) Name(s) of Designer(s): **Scott D. Madara and Matthew A. Bowman**
(45) Registration Date: **06 May 2010**
(30) Convention priority data:
(31) Number (32) Date (33) Country
29/342,665 28 Aug 2009 UNITED STATES OF AMERICA
(56) Related Art Documents: **Not Applicable**
(57) Statement of Newness and Distinctiveness: **Newness and distinctiveness is claimed in the features of shape and/or configuration of a pipe coupling as shown in the representations.**



- (21) Design Number: **11599/2010**
- (22) Date of Filing Application: **26 February 2010**
- (24) Date from which industrial property rights may have effect: **26 February 2010**
- (54) Product in respect of which the design is registered: **Pipe coupling**
- (51) International Design Classification: **23-01A**
- (71) Name(s) and Address(s) of Applicant(s):

Victaulic Company
4901 Kesslersville Road Easton Pennsylvania 18040 United States of America

(72) Name(s) of Designer(s): **Matthew A. Bowman and Scott D. Madara**

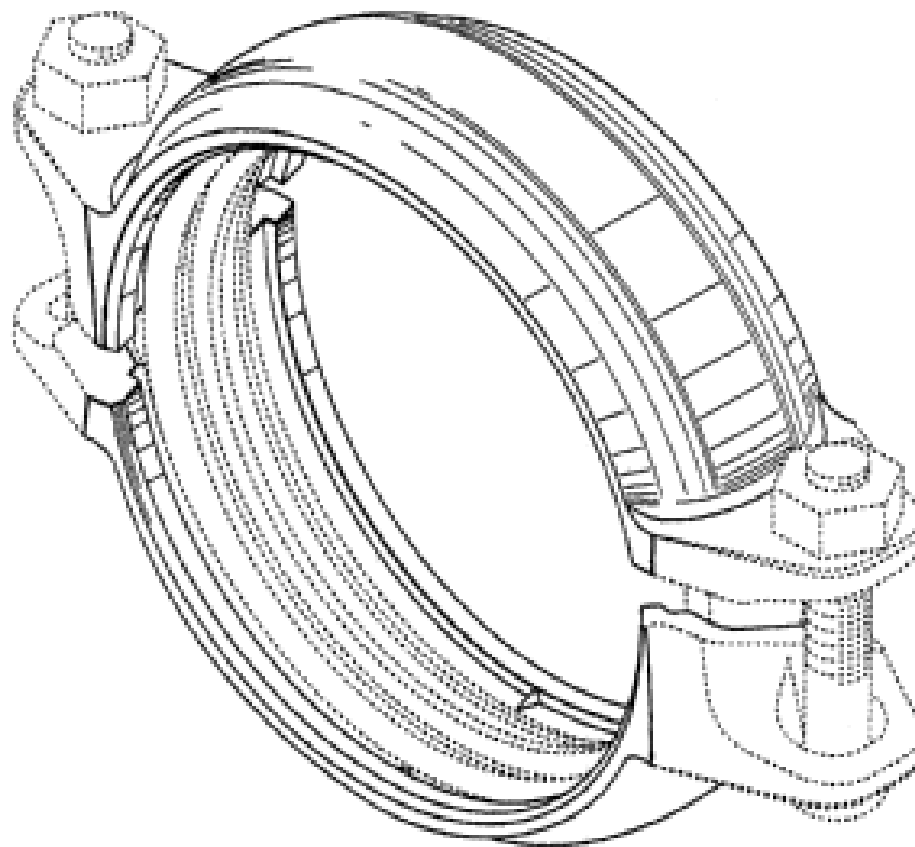
(45) Registration Date: **06 May 2010**

(30) Convention priority data:

(31) Number	(32) Date	(33) Country
29/342,665	28 Aug 2009	UNITED STATES OF AMERICA

(56) Related Art Documents: **Not Applicable**

(57) Statement of Newness and Distinctiveness: **Newness and distinctiveness is claimed in the features of shape and/or configuration of a pipe coupling as shown in the representations. The broken lines shown in the representations are for illustrative purposes only and form no part of the claimed design.**



- (21) Design Number: **10635/2010**
- (22) Date of Filing Application: **26 February 2010**
- (24) Date from which industrial property rights may have effect: **26 February 2010**
- (54) Product in respect of which the design is registered: **Pipe coupling segment**
- (51) International Design Classification: **23-01A**
- (71) Name(s) and Address(s) of Applicant(s):

Victaulic Company
4901 Kesslersville Road Easton Pennsylvania 18040 United States of America

(72) Name(s) of Designer(s): **Matthew A. Bowman and Scott D. Madara**

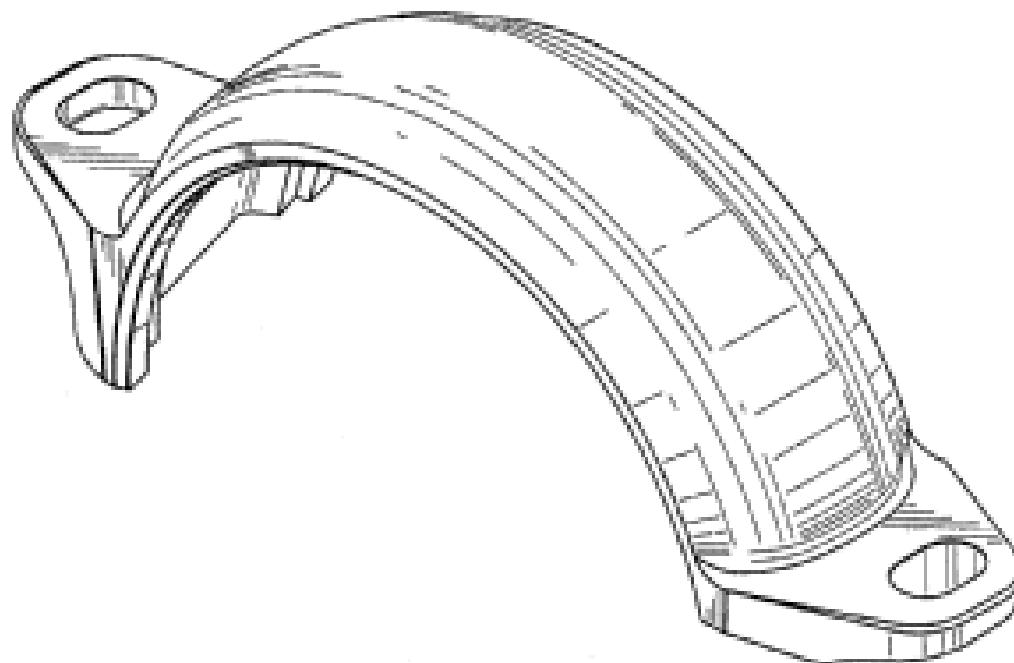
(45) Registration Date: **06 May 2010**

(30) Convention priority data:

(31) Number	(32) Date	(33) Country
29/342,667	28 Aug 2009	UNITED STATES OF AMERICA

(56) Related Art Documents: **Not Applicable**

(57) Statement of Newness and Distinctiveness: **Newness and distinctiveness is claimed in the features of shape and/or configuration of a pipe coupling segment as shown in the representations.**



(21) Design Number: **11600/2010**
 (22) Date of Filing Application: **26 February 2010**
 (24) Date from which industrial property rights may have effect: **26 February 2010**
 (54) Product in respect of which the design is registered: **Pipe coupling segment**
 (51) International Design Classification: **23-01A**
 (71) Name(s) and Address(s) of Applicant(s):

Victaulic Company
4901 Kesslersville Road Easton Pennsylvania 18040 United States of America

(72) Name(s) of Designer(s): **Matthew A. Bowman and Scott D. Madara**

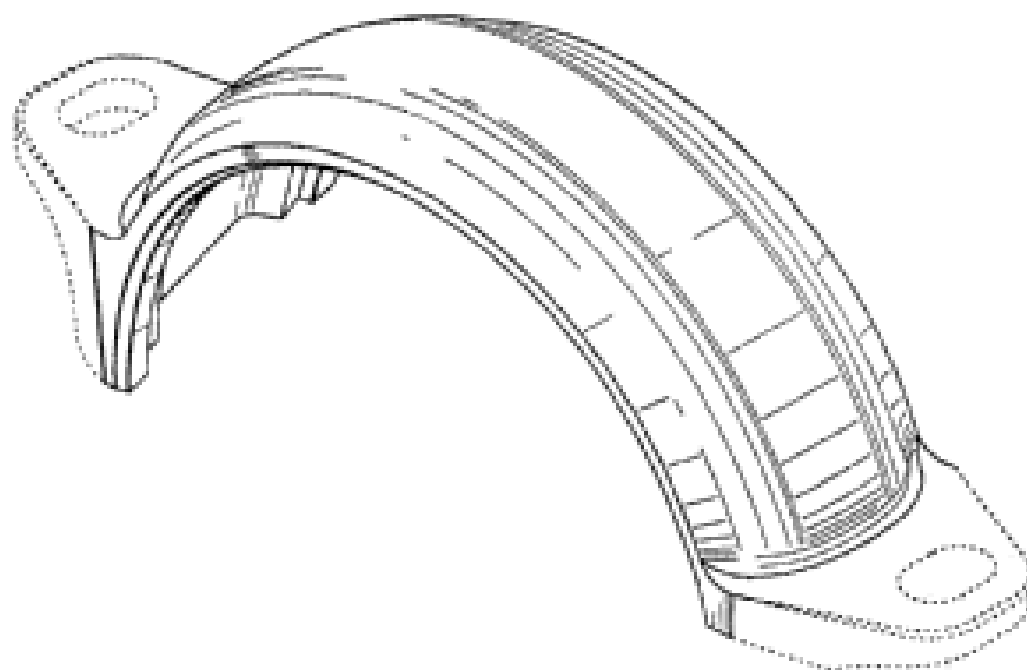
(45) Registration Date: **06 May 2010**

(30) Convention priority data:

(31) Number	(32) Date	(33) Country
29/342,667	28 Aug 2009	UNITED STATES OF AMERICA

(56) Related Art Documents: **Not Applicable**

(57) Statement of Newness and Distinctiveness: **Newness and distinctiveness is claimed in the features of shape and/or configuration of a pipe coupling segment as shown in the representations. The broken lines shown in the representations are for illustrative purposes only and form no part of the claimed design.**



(21) Design Number: **10654/2010**
 (22) Date of Filing Application: **26 February 2010**
 (24) Date from which industrial property rights may have effect: **26 February 2010**
 (54) Product in respect of which the design is registered: **Pipe coupling**
 (51) International Design Classification: **23-01A**
 (71) Name(s) and Address(s) of Applicant(s):

Victaulic Company
4901 Kesslersville Road Easton Pennsylvania 18040 United States of America

(72) Name(s) of Designer(s): **Matthew A. Bowman and Scott D. Madara**

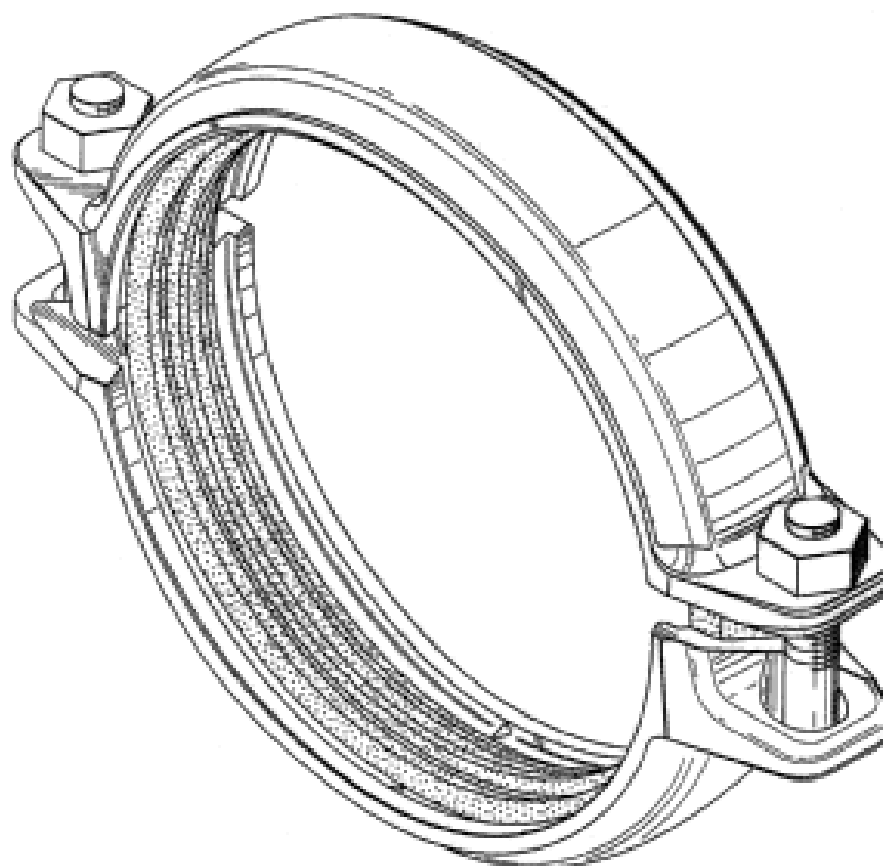
(45) Registration Date: **06 May 2010**

(30) Convention priority data:

(31) Number	(32) Date	(33) Country
29/342,641	28 Aug 2009	UNITED STATES OF AMERICA

(56) Related Art Documents: **Not Applicable**

(57) Statement of Newness and Distinctiveness: **Newness and distinctiveness is claimed in the features of shape and/or configuration of a pipe coupling as shown in the representations.**



- (21) Design Number: **11601/2010**
- (22) Date of Filing Application: **26 February 2010**
- (24) Date from which industrial property rights may have effect: **26 February 2010**
- (54) Product in respect of which the design is registered: **Pipe coupling**
- (51) International Design Classification: **23-01A**
- (71) Name(s) and Address(s) of Applicant(s):

Victaulic Company
4901 Kesslersville Road Easton Pennsylvania 18040 United States of America

(72) Name(s) of Designer(s): **Matthew A. Bowman and Scott D. Madara**

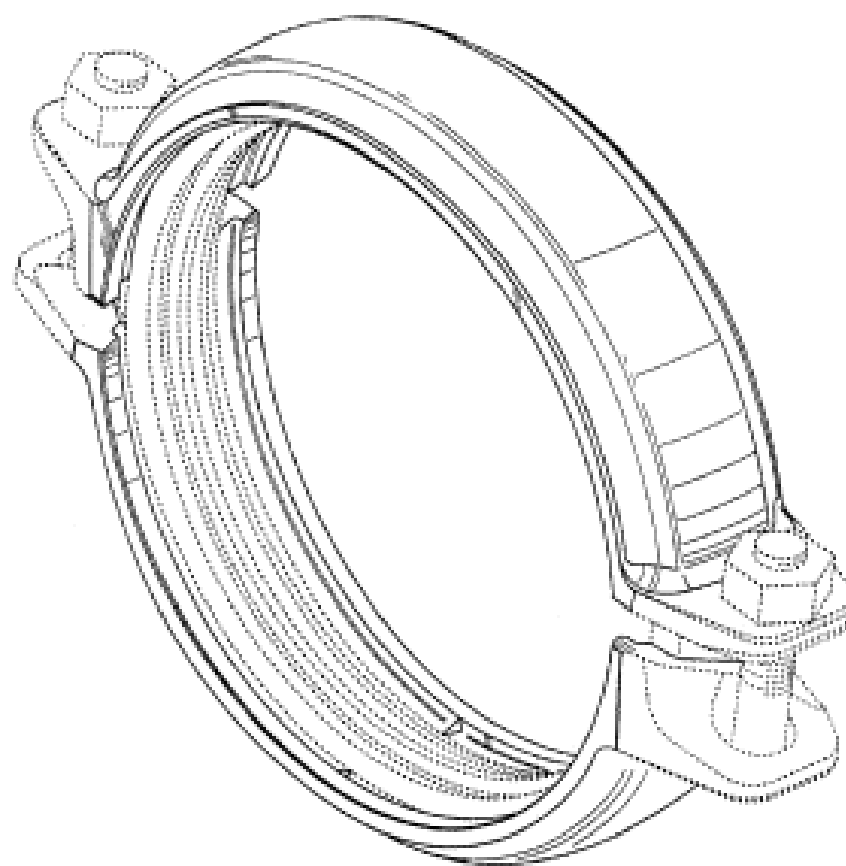
(45) Registration Date: **06 May 2010**

(30) Convention priority data:

(31) Number	(32) Date	(33) Country
29/342,641	28 Aug 2009	UNITED STATES OF AMERICA

(56) Related Art Documents: **Not Applicable**

(57) Statement of Newness and Distinctiveness: **Newness and distinctiveness is claimed in the features of shape and/or configuration of a pipe coupling as shown in the representations. The broken lines shown in the representations are for illustrative purposes only and form no part of the claimed design.**



- (21) Design Number: **10655/2010**
- (22) Date of Filing Application: **26 February 2010**
- (24) Date from which industrial property rights may have effect: **26 February 2010**
- (54) Product in respect of which the design is registered: **Pipe coupling segment**
- (51) International Design Classification: **23-01A**
- (71) Name(s) and Address(s) of Applicant(s):

Victaulic Company
4901 Kesslersville Road Easton Pennsylvania 18040 United States of America

(72) Name(s) of Designer(s): **Matthew A. Bowman and Scott D. Madara**

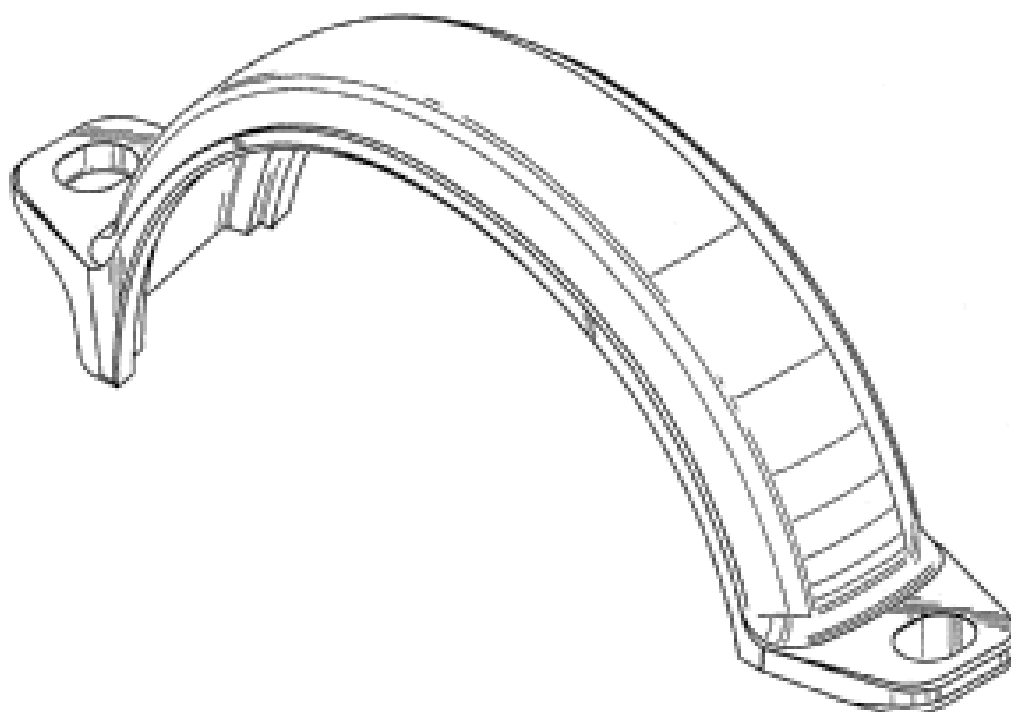
(45) Registration Date: **06 May 2010**

(30) Convention priority data:

(31) Number	(32) Date	(33) Country
29/342,646	28 Aug 2009	UNITED STATES OF AMERICA

(56) Related Art Documents: **Not Applicable**

(57) Statement of Newness and Distinctiveness: **Newness and distinctiveness is claimed in the features of shape and/or configuration of a pipe coupling segment as shown in the representations.**



(21) Design Number: **11602/2010**

(22) Date of Filing Application: **26 February 2010**

(24) Date from which industrial property rights may have effect: **26 February 2010**

(54) Product in respect of which the design is registered: **Pipe coupling segment**

(51) International Design Classification: **23-01A**

(71) Name(s) and Address(s) of Applicant(s):

Victaulic Company

4901 Kesslersville Road Easton Pennsylvania 18040 United States of America

(72) Name(s) of Designer(s): **Matthew A. Bowman and Scott D. Madara**

(45) Registration Date: **06 May 2010**

(30) Convention priority data:

(31) Number

(32) Date

(33) Country

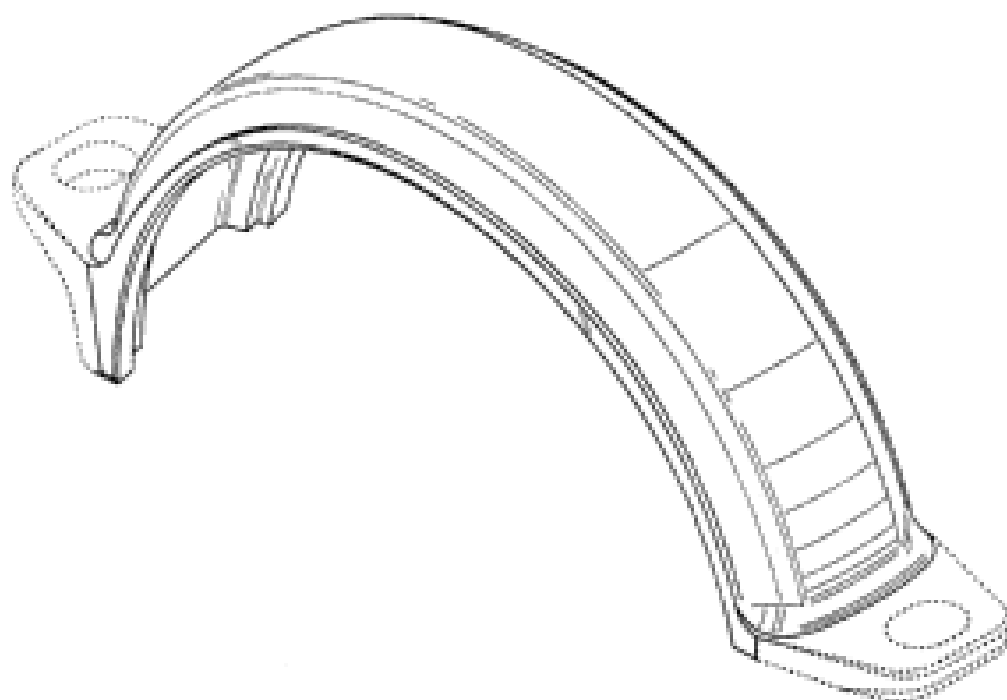
29/342,646

28 Aug 2009

UNITED STATES OF AMERICA

(56) Related Art Documents: **Not Applicable**

(57) Statement of Newness and Distinctiveness: **Newness and distinctiveness is claimed in the features of shape and/or configuration of a pipe coupling segment as shown in the representations. The broken lines shown in the representations are for illustrative purposes only and form no part of the claimed design.**



(21) Design Number: **10835/2010**

(22) Date of Filing Application: **11 March 2010**

(24) Date from which industrial property rights may have effect: **11 March 2010**

(54) Product in respect of which the design is registered: **Digital laser goniometer**

(51) International Design Classification: **10-99**

(71) Name(s) and Address(s) of Applicant(s):

Hayley Warren

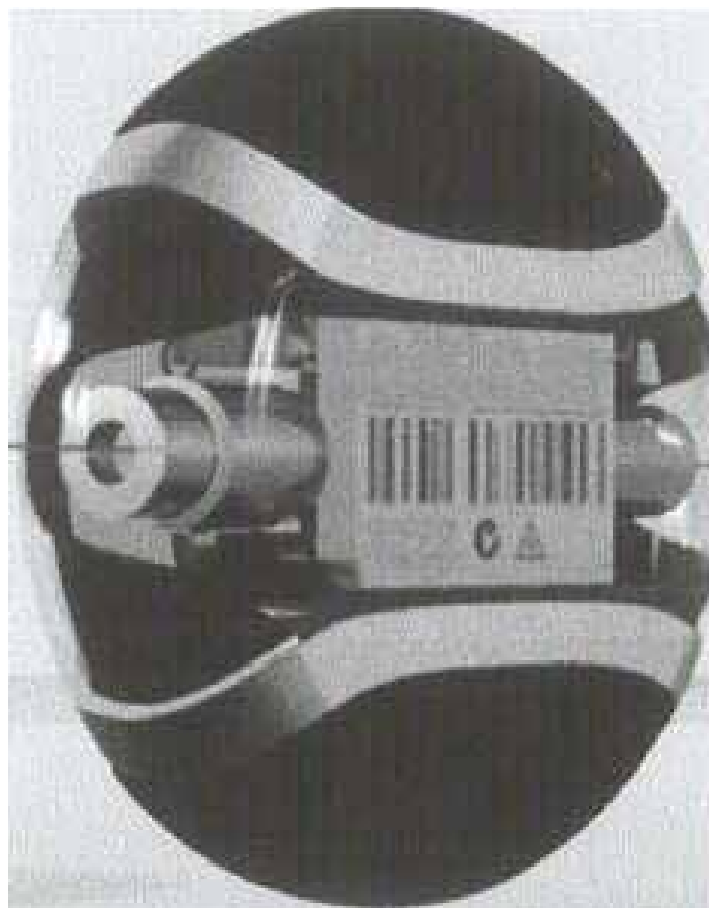
105 Roberts Road Subiaco Western Australia 6008 Australia

(72) Name(s) of Designer(s): **Hayley Warren**

(45) Registration Date: **06 May 2010**

(56) Related Art Documents: **Not Applicable**

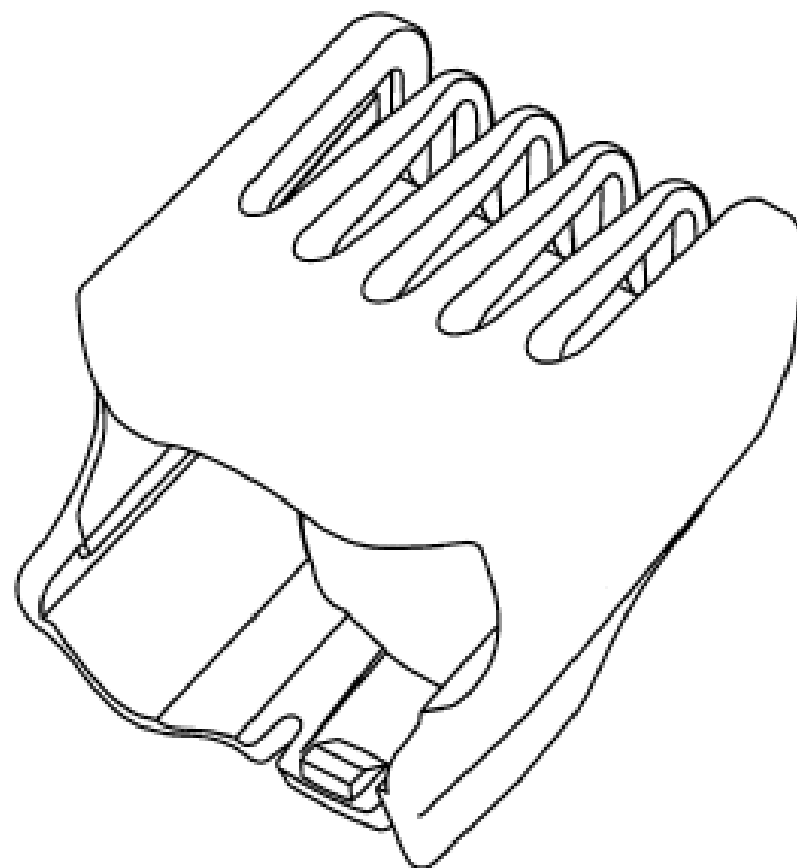
(57) Statement of Newness and Distinctiveness: **Nil**



(21) Design Number: **10985/2010**
 (22) Date of Filing Application: **22 March 2010**
 (24) Date from which industrial property rights may have effect: **22 March 2010**
 (54) Product in respect of which the design is registered: **Trimmer comb**
 (51) International Design Classification: **28-03D**
 (71) Name(s) and Address(s) of Applicant(s):
Eveready Battery Company, Inc.
533 Maryville University Drive St Louis Missouri 63141 United States of America
 (72) Name(s) of Designer(s): **Jia Jun Shen**
 (45) Registration Date: **06 May 2010**
 (30) Convention priority data:

(31) Number	(32) Date	(33) Country
29/343930	22 Sep 2009	UNITED STATES OF AMERICA

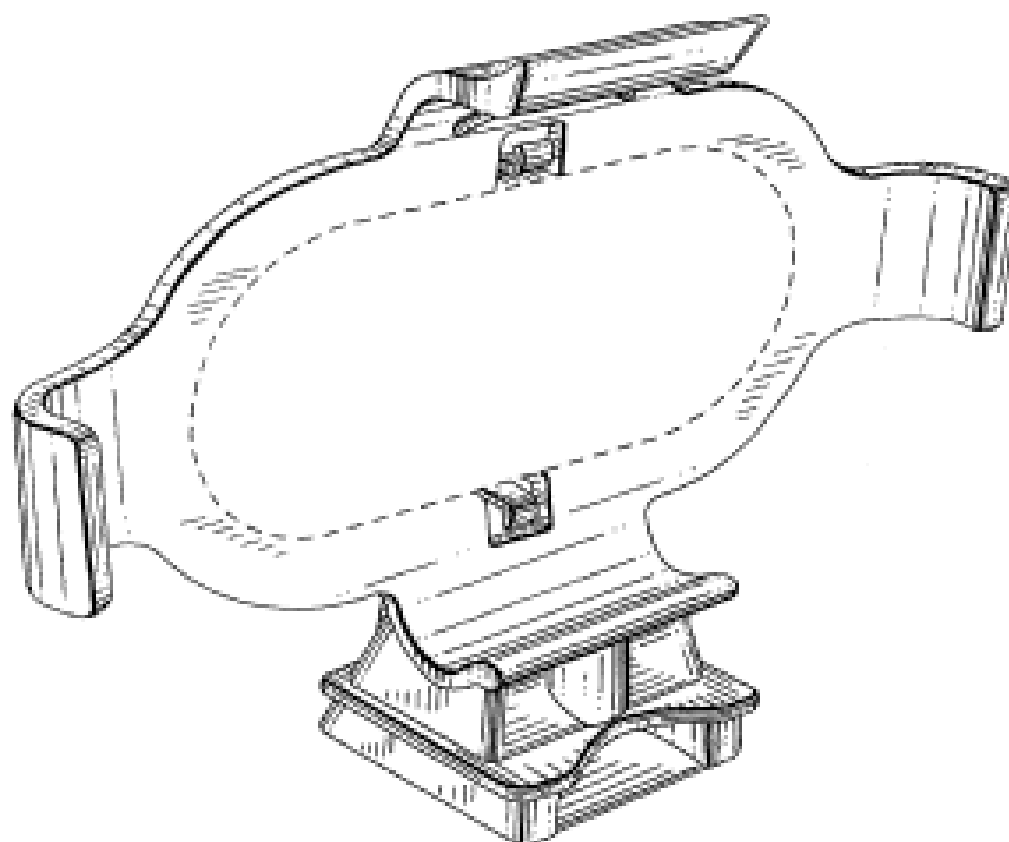
 (56) Related Art Documents: **Not Applicable**
 (57) Statement of Newness and Distinctiveness: **Newness and distinctiveness is claimed in those features of shape and or configuration of a Trimmer Comb as depicted in the representations in unbroken lines. The representations use broken lines, contour lines and shading to assist in the illustration of features of shape and or configuration. Such broken lines, contour lines and shading do not form part of the design.**



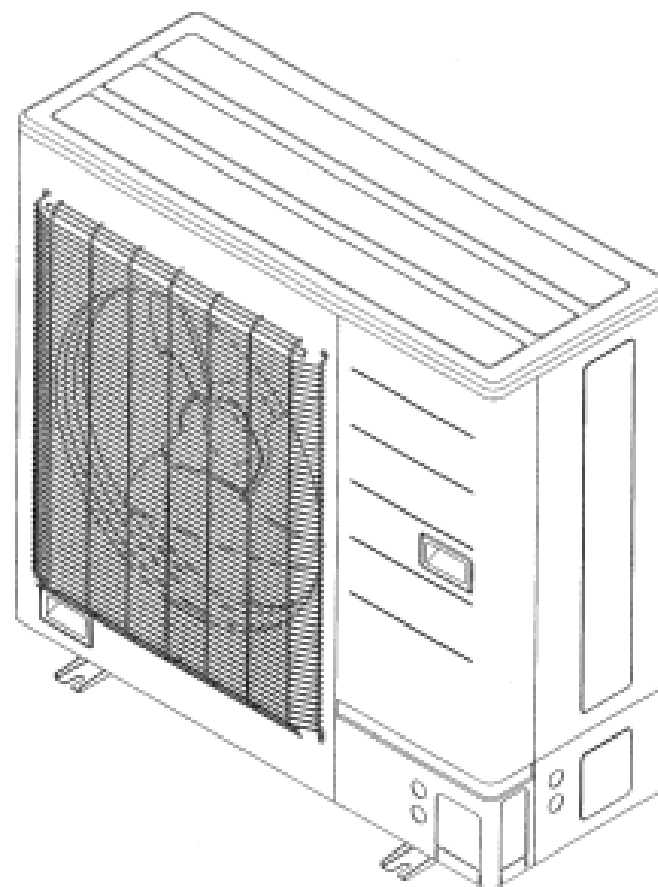
(21) Design Number: **11244/2010**
 (22) Date of Filing Application: **08 April 2010**
 (24) Date from which industrial property rights may have effect: **08 April 2010**
 (54) Product in respect of which the design is registered: **Holder**
 (51) International Design Classification: **16-99**
 (71) Name(s) and Address(s) of Applicant(s):
The Tiffen Company, L.L.C.
90 Oser Avenue Hauppauge NY 11788 United States of America
 (72) Name(s) of Designer(s): **Hans Robert Orf**
 (45) Registration Date: **06 May 2010**
 (30) Convention priority data:

(31) Number	(32) Date	(33) Country
29/350024	10 Nov 2009	UNITED STATES OF AMERICA

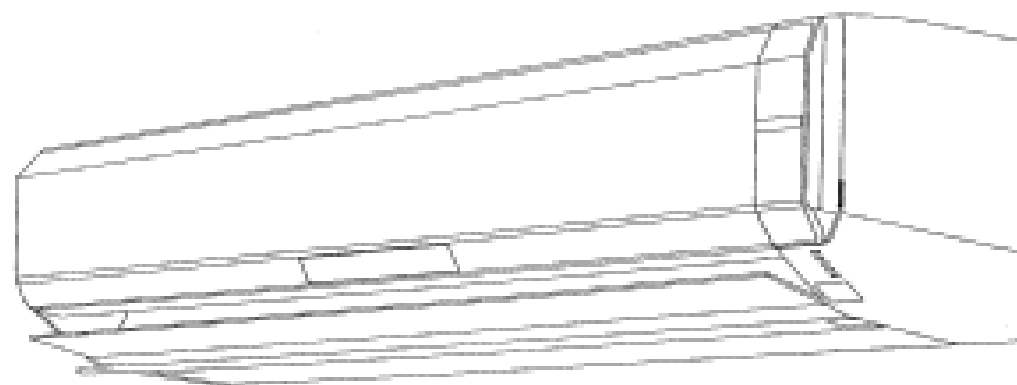
 (56) Related Art Documents: **Not Applicable**
 (57) Statement of Newness and Distinctiveness: **The shape or configuration of those portions of the product shown with solid lines is new and distinctive.**



- (21) Design Number: **11248/2010**
(22) Date of Filing Application: **08 April 2010**
(24) Date from which industrial property rights may have effect: **08 April 2010**
(54) Product in respect of which the design is registered: **Outdoor unit of air conditioner**
(51) International Design Classification: **23-04**
(71) Name(s) and Address(s) of Applicant(s):
Fujitsu General Limited
1116 Suenaga Takatsu-Ku Kawasaki-Shi Kanagawa Japan
(72) Name(s) of Designer(s): **Katsuhiko Hayashi and Hiroshi Kobayashi**
(45) Registration Date: **06 May 2010**
(30) Convention priority data:
(31) Number (32) Date (33) Country
2009-028855 11 Dec 2009 JAPAN
(56) Related Art Documents: **Not Applicable**
(57) Statement of Newness and Distinctiveness: **Newness and distinctiveness is claimed in the features of shape and/or configuration of an outdoor unit of air conditioner as illustrated in the accompanying representations.**



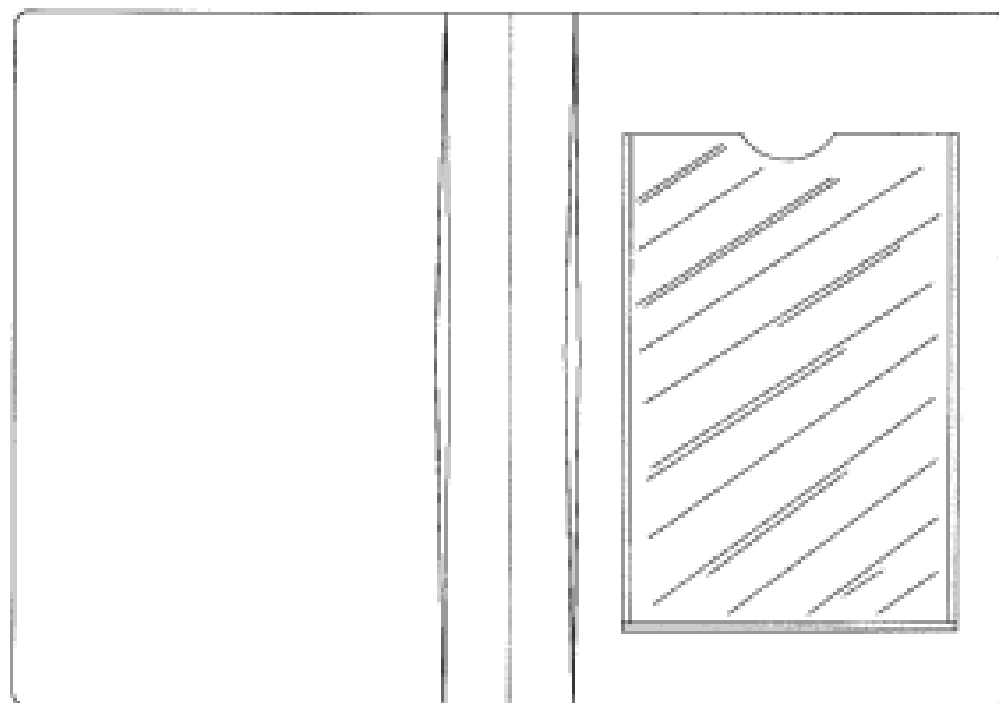
- (21) Design Number: **11249/2010**
(22) Date of Filing Application: **08 April 2010**
(24) Date from which industrial property rights may have effect: **08 April 2010**
(54) Product in respect of which the design is registered: **Air conditioner**
(51) International Design Classification: **23-04**
(71) Name(s) and Address(s) of Applicant(s):
Fujitsu General Limited
1116 Suenaga Takatsu-Ku Kawasaki-Shi Kanagawa Japan
(72) Name(s) of Designer(s): **Hajime Kuge**
(45) Registration Date: **06 May 2010**
(30) Convention priority data:
(31) Number (32) Date (33) Country
2010-000369 08 Jan 2010 JAPAN
(56) Related Art Documents: **Not Applicable**
(57) Statement of Newness and Distinctiveness: **Newness and distinctiveness is claimed in the features of shape and/or configuration of an air conditioner as illustrated in the accompanying representations.**



(21) Design Number: **11250/2010**
(22) Date of Filing Application: **08 April 2010**
(24) Date from which industrial property rights may have effect: **08 April 2010**
(54) Product in respect of which the design is registered: **Air conditioner**
(51) International Design Classification: **23-04**
(71) Name(s) and Address(s) of Applicant(s):
Fujitsu General Limited
1116 Suenaga Takatsu-Ku Kawasaki-Shi Kanagawa Japan
(72) Name(s) of Designer(s): **Takayuki Kudo**
(45) Registration Date: **06 May 2010**
(30) Convention priority data:
(31) Number (32) Date (33) Country
2009-026817 17 Nov 2009 JAPAN
(56) Related Art Documents: **Not Applicable**
(57) Statement of Newness and Distinctiveness: **Newness and distinctiveness is claimed in the features of shape and/or configuration of an air conditioner as illustrated in the accompanying representations.**



(21) Design Number: **11267/2010**
(22) Date of Filing Application: **12 April 2010**
(24) Date from which industrial property rights may have effect: **12 April 2010**
(54) Product in respect of which the design is registered: **Passport jacket**
(51) International Design Classification: **03-01B**
(71) Name(s) and Address(s) of Applicant(s):
Adnaan Solomon
136 Harvest Fields Way Sutton Coldfield West Midlands B75 5TJ
United Kingdom
(72) Name(s) of Designer(s): **Adnaan Solomon**
(45) Registration Date: **06 May 2010**
(30) Convention priority data:
(31) Number (32) Date (33) Country
WIPO3506 25 Mar 2010 WORLD INTELLECTUAL PROPERTY ORGANIZATION (WIPO)
(56) Related Art Documents: **Not Applicable**
(57) Statement of Newness and Distinctiveness: **Nil**



(19) AU

(21) Design Number: **11268/2010**
 (22) Date of Filing Application: **12 April 2010**
 (24) Date from which industrial property rights may have effect: **12 April 2010**
 (54) Product in respect of which the design is registered: **Passport jacket**
 (51) International Design Classification: **03-01B**
 (71) Name(s) and Address(s) of Applicant(s):

Adnaan Solomon
136 Harvest Fields Way Sutton Coldfield West Midlands B75 5TJ
United Kingdom

(72) Name(s) of Designer(s): **Adnaan Solomon**

(45) Registration Date: **06 May 2010**

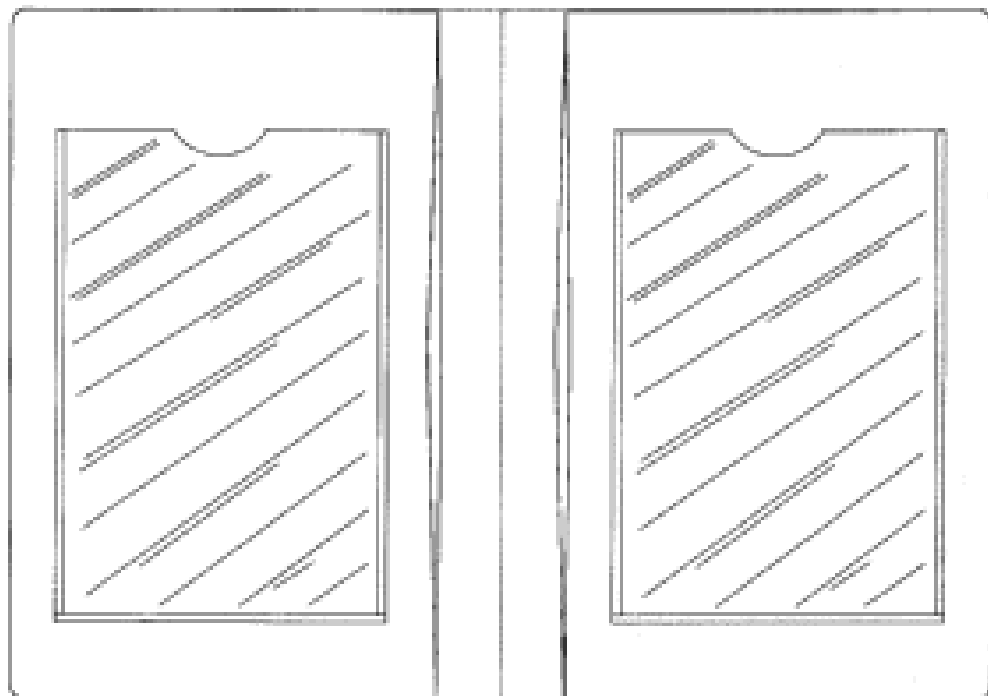
(30) Convention priority data:

(31) Number (32) Date
WIPO3506 25 Mar 2010

(33) Country
**WORLD INTELLECTUAL
 PROPERTY ORGANIZATION
 (WIPO)**

(56) Related Art Documents: **Not Applicable**

(57) Statement of Newness and Distinctiveness: **Nil**



(19) AU

(21) Design Number: **11269/2010**
 (22) Date of Filing Application: **12 April 2010**
 (24) Date from which industrial property rights may have effect: **12 April 2010**
 (54) Product in respect of which the design is registered: **Passport jacket**
 (51) International Design Classification: **03-01B**
 (71) Name(s) and Address(s) of Applicant(s):

Adnaan Solomon
136 Harvest Fields Way Sutton Coldfield West Midlands B75 5TJ
United Kingdom

(72) Name(s) of Designer(s): **Adnaan Solomon**

(45) Registration Date: **06 May 2010**

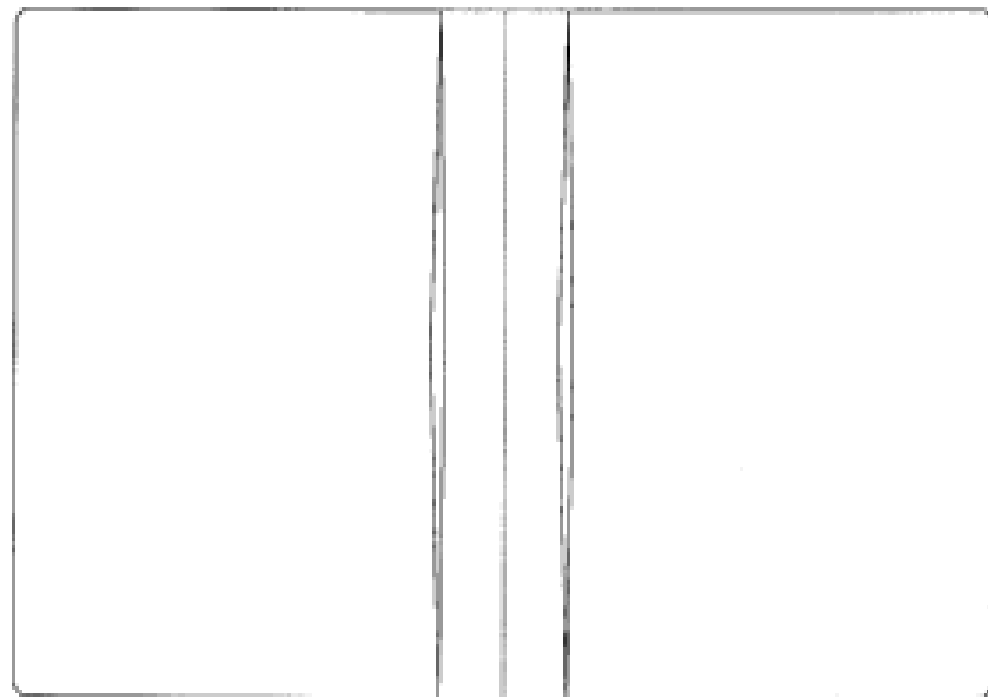
(30) Convention priority data:

(31) Number (32) Date
WIPO3506 25 Mar 2010

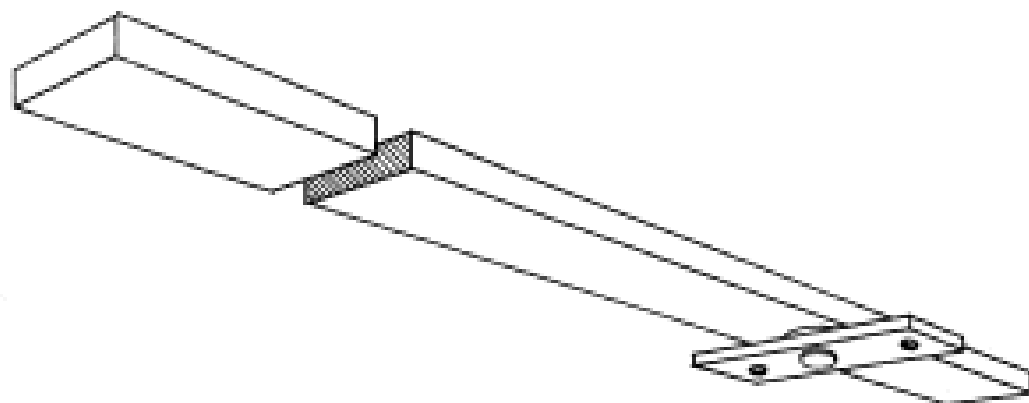
(33) Country
**WORLD INTELLECTUAL
 PROPERTY ORGANIZATION
 (WIPO)**

(56) Related Art Documents: **Not Applicable**

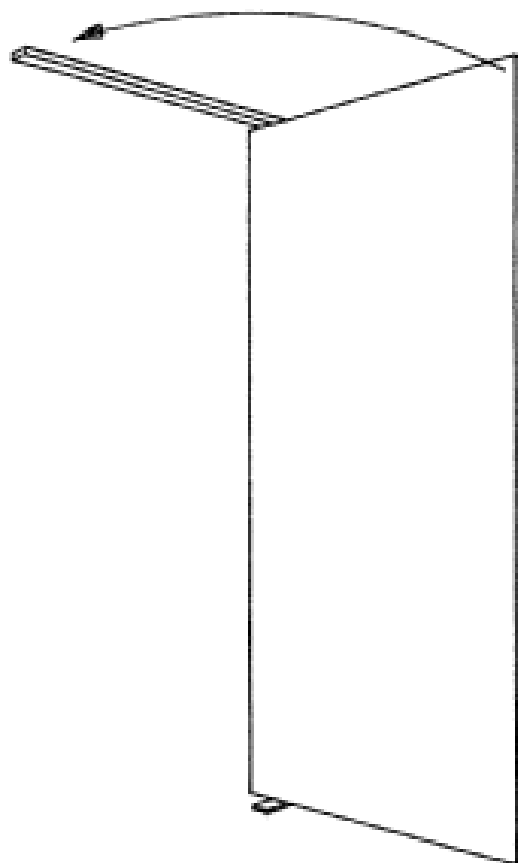
(57) Statement of Newness and Distinctiveness: **Nil**



- (21) Design Number: **11278/2010**
(22) Date of Filing Application: **12 April 2010**
(24) Date from which industrial property rights may have effect: **12 April 2010**
(54) Product in respect of which the design is registered: **Pivot hinge with integral transom or threshold bar**
(51) International Design Classification: **08-06, 25-01K**
(71) Name(s) and Address(s) of Applicant(s):
John Howard Styles
25A 43-51 Giles Street Kingston ACT 2604 Australia
(72) Name(s) of Designer(s): **John Howard Styles**
(45) Registration Date: **06 May 2010**
(56) Related Art Documents: **Not Applicable**
(57) Statement of Newness and Distinctiveness: **Nil**



- (21) Design Number: **11279/2010**
(22) Date of Filing Application: **12 April 2010**
(24) Date from which industrial property rights may have effect: **12 April 2010**
(54) Product in respect of which the design is registered: **Pivot door assembly with integral head section**
(51) International Design Classification: **08-09, 25-02B**
(71) Name(s) and Address(s) of Applicant(s):
John Howard Styles
25A 43-51 Giles Street Kingston ACT 2604 Australia
(72) Name(s) of Designer(s): **John Howard Styles**
(45) Registration Date: **06 May 2010**
(56) Related Art Documents: **Not Applicable**
(57) Statement of Newness and Distinctiveness: **Nil**



(21) Design Number: **11259/2010**

(22) Date of Filing Application: **09 April 2010**

(24) Date from which industrial property rights may have effect: **09 April 2010**

(54) Product in respect of which the design is registered: **Storage tray**

(51) International Design Classification: **19-02**

(71) Name(s) and Address(s) of Applicant(s):

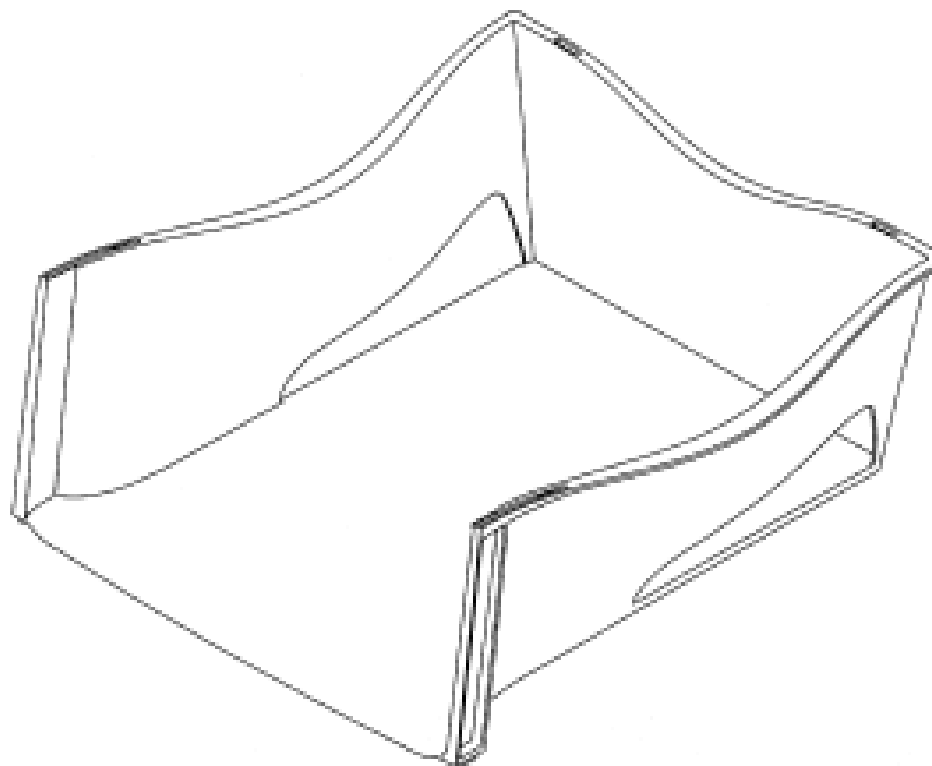
**Acco Australia Pty Ltd
The Lakes Business Park Level 2 8 Lord Street Botany New South
Wales 2019 Australia**

(72) Name(s) of Designer(s): **Adam Laws**

(45) Registration Date: **11 May 2010**

(56) Related Art Documents: **Not Applicable**

(57) Statement of Newness and Distinctiveness: **Newness and distinctiveness resides in the visual features, including shape, configuration, pattern and ornamentation, of the storage tray as shown in the solid outline in the accompanying drawings. When determining whether the storage tray design is substantially similar in overall impression to another design, no particular regard is to be had to those features shown in dotted outline in the accompanying drawings.**



(21) Design Number: **11260/2010**

(22) Date of Filing Application: **09 April 2010**

(24) Date from which industrial property rights may have effect: **09 April 2010**

(54) Product in respect of which the design is registered: **Storage tray**

(51) International Design Classification: **19-02**

(71) Name(s) and Address(s) of Applicant(s):

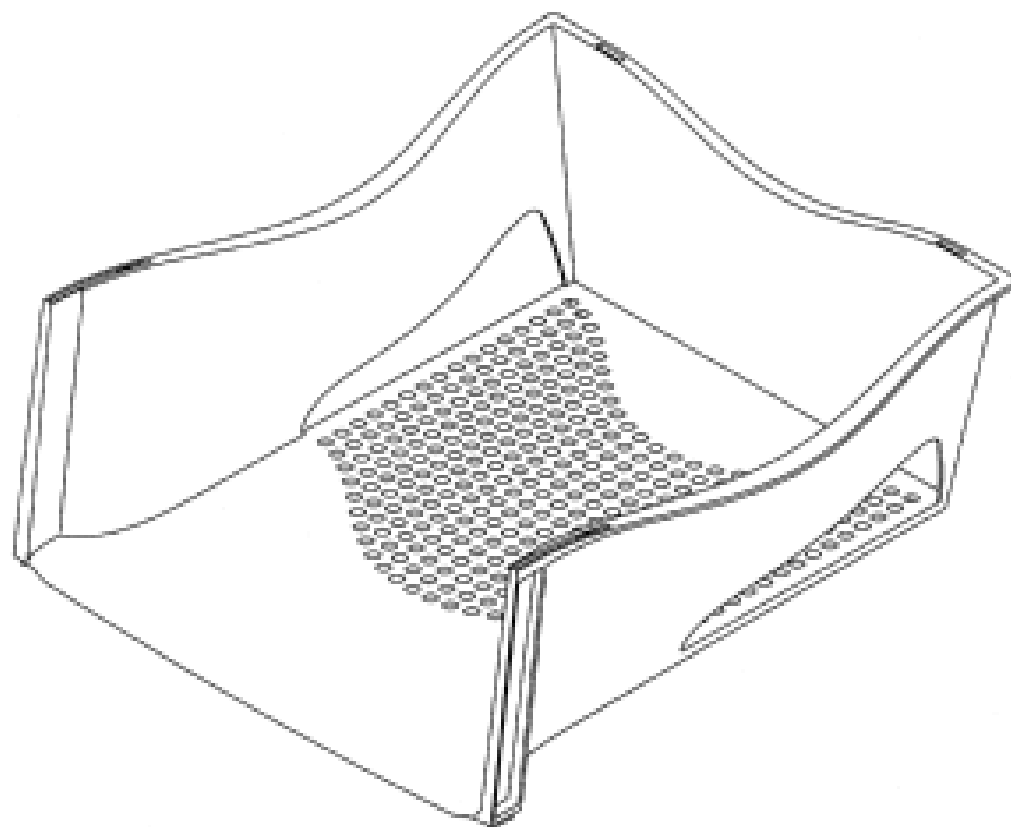
**Acco Australia Pty Ltd
The Lakes Business Park Level 2 8 Lord Street Botany New South
Wales 2019 Australia**

(72) Name(s) of Designer(s): **Adam Laws**

(45) Registration Date: **11 May 2010**

(56) Related Art Documents: **Not Applicable**

(57) Statement of Newness and Distinctiveness: **Newness and distinctiveness resides in the visual features, including shape, configuration, pattern and ornamentation, of the storage tray as shown in the solid outline in the accompanying drawings. When determining whether the storage tray design is substantially similar in overall impression to another design, no particular regard is to be had to those features shown in dotted outline in the accompanying drawings.**



(21) Design Number: **11261/2010**

(22) Date of Filing Application: **09 April 2010**

(24) Date from which industrial property rights may have effect: **09 April 2010**

(54) Product in respect of which the design is registered: **Storage tray**

(51) International Design Classification: **19-02**

(71) Name(s) and Address(s) of Applicant(s):

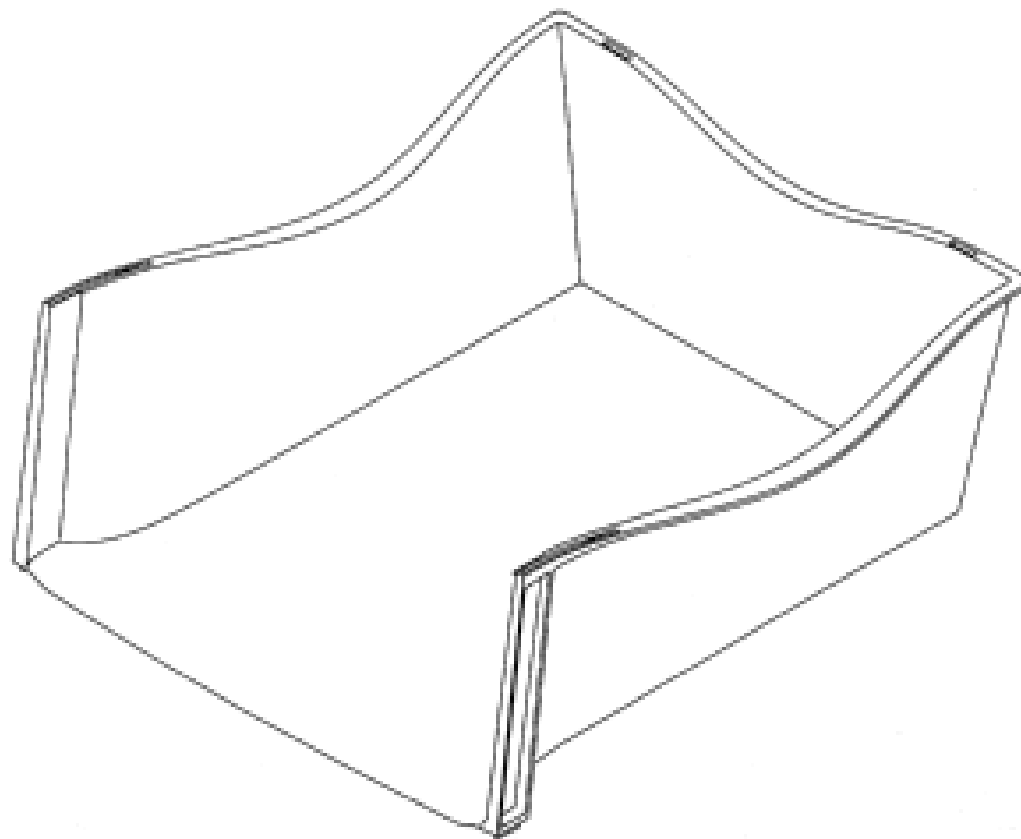
Acco Australia Pty Ltd
The Lakes Business Park Level 2 8 Lord Street Botany New South
Wales 2019 Australia

(72) Name(s) of Designer(s): **Adam Laws**

(45) Registration Date: **11 May 2010**

(56) Related Art Documents: **Not Applicable**

(57) Statement of Newness and Distinctiveness: **Newness and distinctiveness resides in the visual features, including shape, configuration, pattern and ornamentation, of the storage tray as shown in the solid outline in the accompanying drawings. When determining whether the storage tray design is substantially similar in overall impression to another design, no particular regard is to be had to those features shown in dotted outline in the accompanying drawings.**



(21) Design Number: **13943/2009**

(22) Date of Filing Application: **14 October 2009**

(24) Date from which industrial property rights may have effect: **14 October 2009**

(54) Product in respect of which the design is registered: **Multi-purpose detachable pouch with length adjustable denim lanyard, split ring, swivel clip and elastic cord**

(51) International Design Classification: **03-01B**

(71) Name(s) and Address(s) of Applicant(s):

Samantha Smith
17/165 Burwood Road Hawthorn East Victoria 3123 Australia

(72) Name(s) of Designer(s): **Samantha Smith and Andrew Forbes Smith**

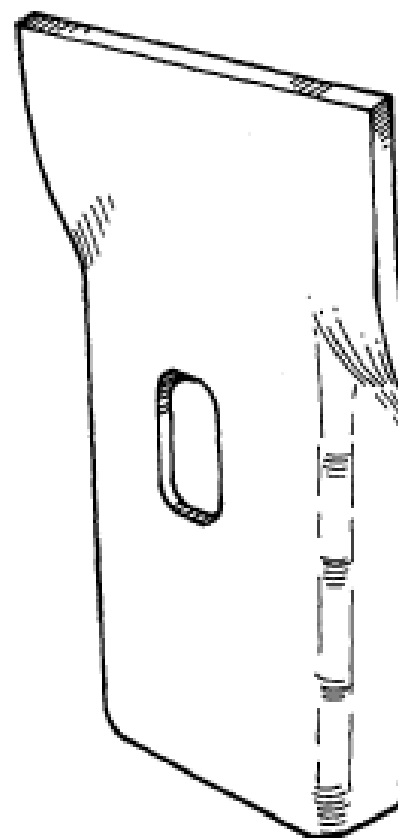
(45) Registration Date: **07 May 2010**

(56) Related Art Documents: **Not Applicable**

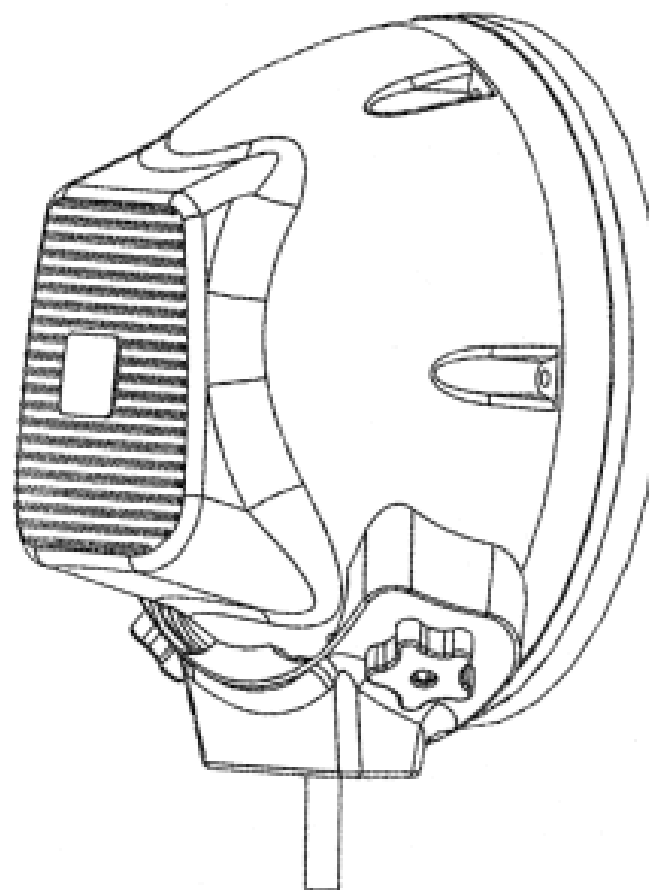
(57) Statement of Newness and Distinctiveness: **Length adjustable, pouch, hand made w stitching featured, detachable split ring, swivel clip and pouch, draw string to secure items, distinctive designer button to secure attachments.**



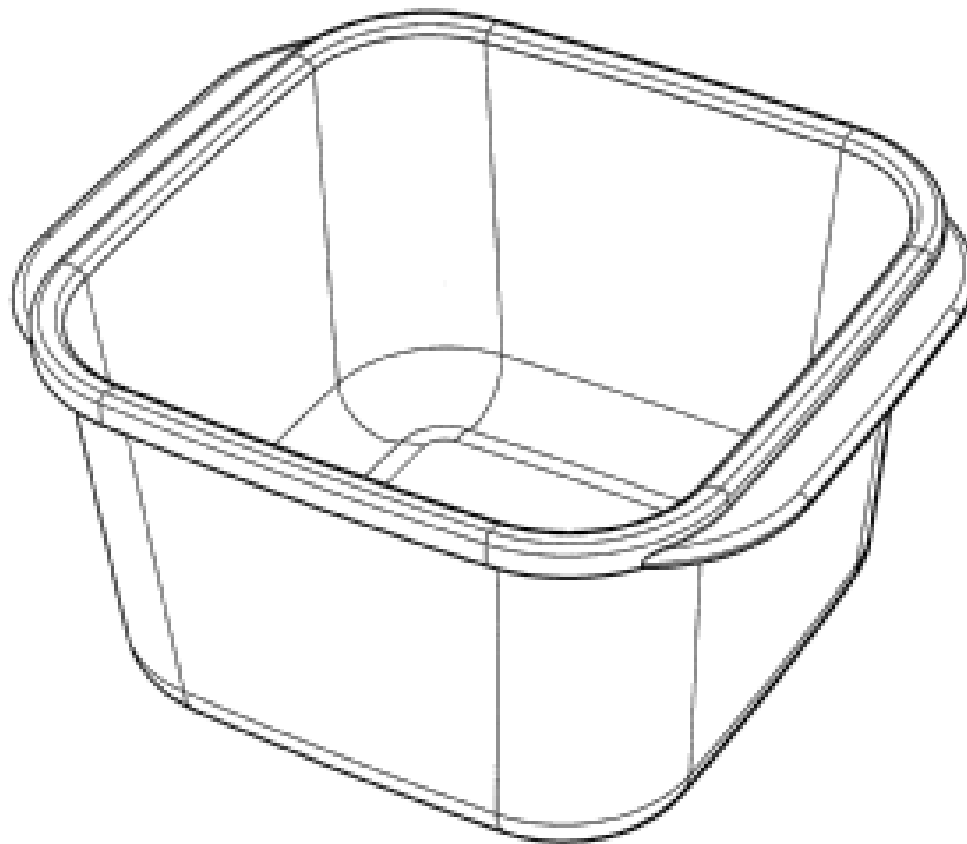
- (21) Design Number: **10968/2010**
(22) Date of Filing Application: **18 March 2010**
(24) Date from which industrial property rights may have effect: **18 March 2010**
(54) Product in respect of which the design is registered: **Combine harvester boom drum finger extension**
(51) International Design Classification: **15-03B**
(71) Name(s) and Address(s) of Applicant(s):
James Stewart Hollahan
"Thorndale" PALLAMALLAWA New South Wales 2399 Australia
Graham Thomas Haley
20 Generoi Street Pallamalla New South Wales 2399 Australia
(72) Name(s) of Designer(s): **James Stewart Hollahan and Graham Thomas Haley**
(45) Registration Date: **07 May 2010**
(56) Related Art Documents: **Not Applicable**
(57) Statement of Newness and Distinctiveness: **Newness and distinctiveness is claimed in the shape and/or configuration of the product illustrated in the accompanying representations.**



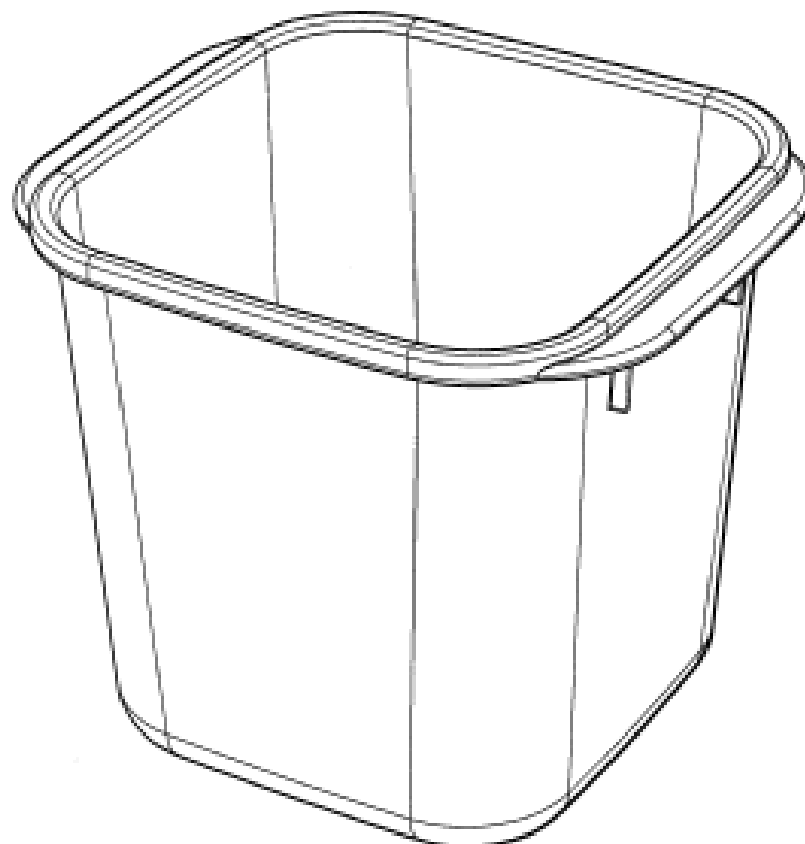
- (21) Design Number: **10535/2010**
(22) Date of Filing Application: **16 February 2010**
(24) Date from which industrial property rights may have effect: **16 February 2010**
(54) Product in respect of which the design is registered: **Vehicle light**
(51) International Design Classification: **26-06**
(71) Name(s) and Address(s) of Applicant(s):
Ultra Auto Australia
PO Box 1760 Swan Hill Victoria 3585 Australia
(72) Name(s) of Designer(s): **Terry Jurgens and Owen Jurgens**
(45) Registration Date: **07 May 2010**
(56) Related Art Documents: **Not Applicable**
(57) Statement of Newness and Distinctiveness: **Nil**



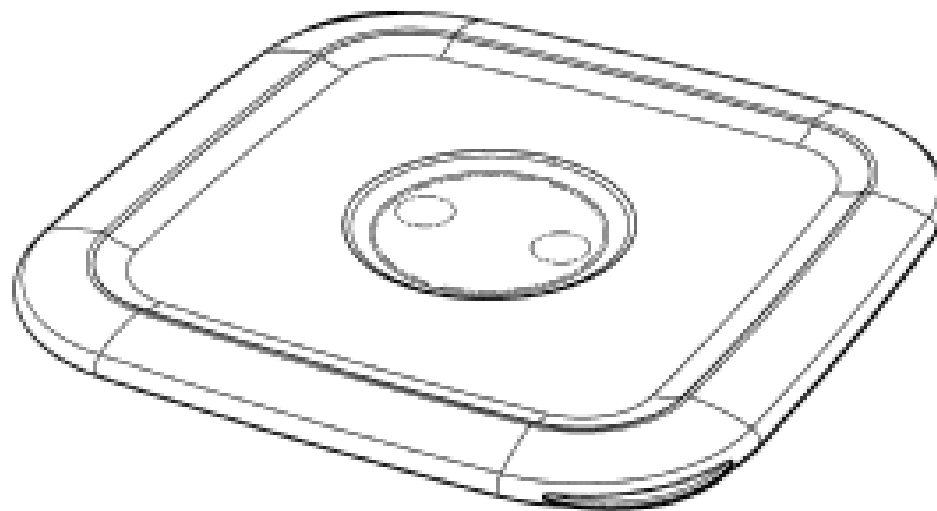
- (21) Design Number: **11297/2010**
(22) Date of Filing Application: **12 April 2010**
(24) Date from which industrial property rights may have effect: **12 April 2010**
(54) Product in respect of which the design is registered: **Container**
(51) International Design Classification: **07-01NES**
(71) Name(s) and Address(s) of Applicant(s):
The Decor Corporation Pty Ltd
1314 Ferntree Gully Road Scoresby Victoria 3179 Australia
(72) Name(s) of Designer(s): **Jim Samartgis**
(45) Registration Date: **07 May 2010**
(56) Related Art Documents: **Not Applicable**
(57) Statement of Newness and Distinctiveness: **Nil**



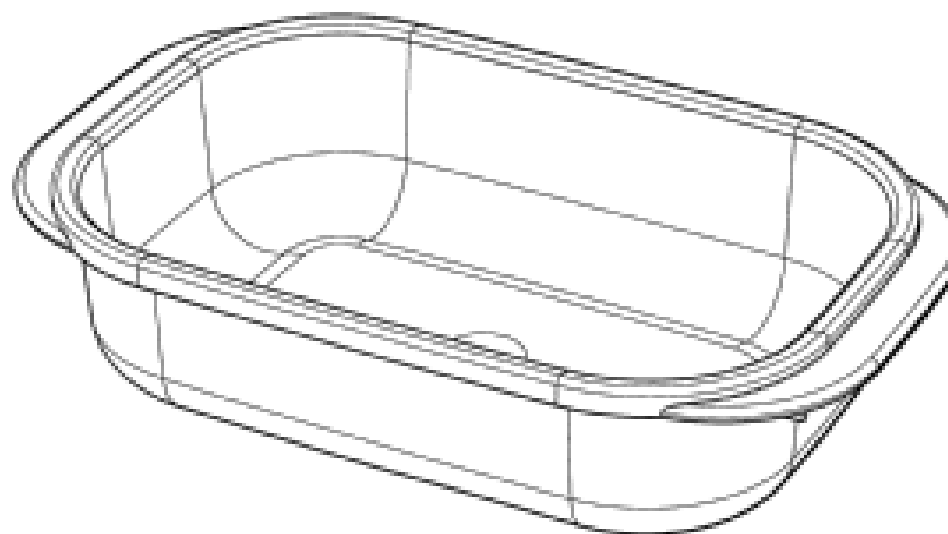
- (21) Design Number: **11298/2010**
(22) Date of Filing Application: **12 April 2010**
(24) Date from which industrial property rights may have effect: **12 April 2010**
(54) Product in respect of which the design is registered: **Container**
(51) International Design Classification: **07-01NES**
(71) Name(s) and Address(s) of Applicant(s):
The Decor Corporation Pty Ltd
1314 Ferntree Gully Road Scoresby Victoria 3179 Australia
(72) Name(s) of Designer(s): **Jim Samartgis**
(45) Registration Date: **07 May 2010**
(56) Related Art Documents: **Not Applicable**
(57) Statement of Newness and Distinctiveness: **Nil**



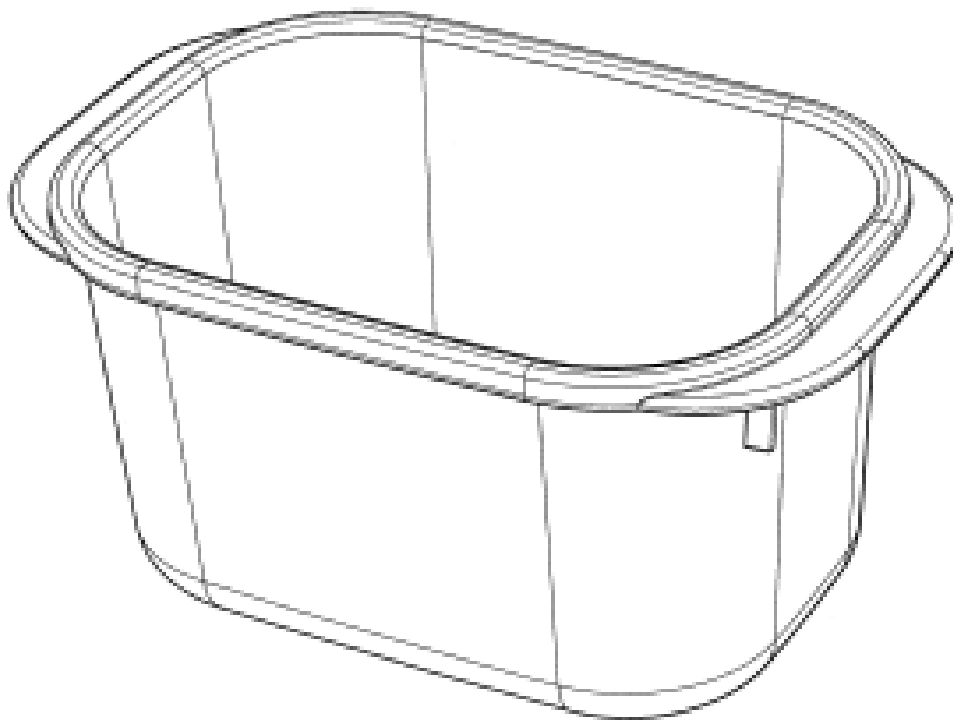
- (21) Design Number: **11299/2010**
(22) Date of Filing Application: **12 April 2010**
(24) Date from which industrial property rights may have effect: **12 April 2010**
(54) Product in respect of which the design is registered: **Lid and seal for container**
(51) International Design Classification: **07-01NES**
(71) Name(s) and Address(s) of Applicant(s):
The Decor Corporation Pty Ltd
1314 Ferntree Gully Road Scoresby Victoria 3179 Australia
(72) Name(s) of Designer(s): **Jim Samartgis**
(45) Registration Date: **07 May 2010**
(56) Related Art Documents: **Not Applicable**
(57) Statement of Newness and Distinctiveness: **The design resides in the application of the features of shape and configuration to a Lid for a Container (referred to in the representations as Item 1) and to a Seal (referred to in the representations as Item 2). Newness and originality is not claimed in features shown in broken lines.**



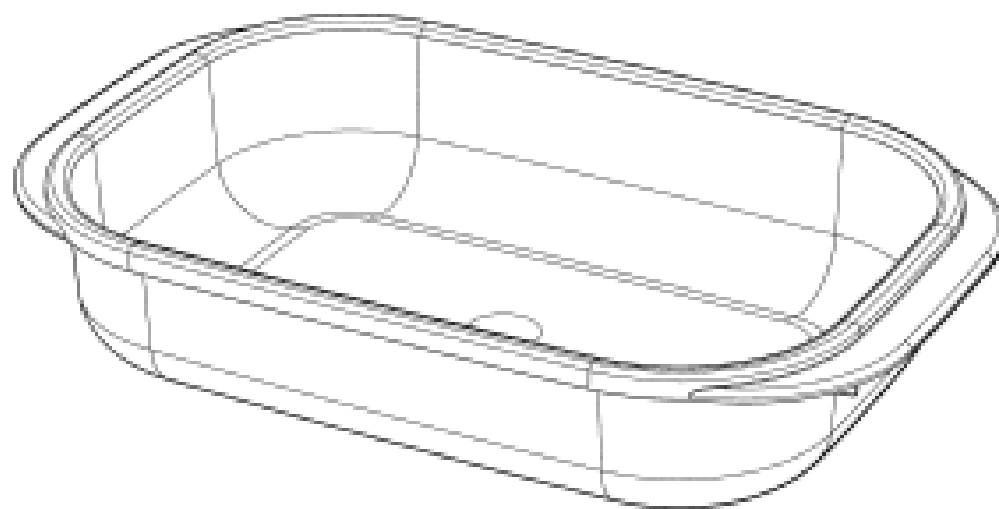
- (21) Design Number: **11300/2010**
(22) Date of Filing Application: **12 April 2010**
(24) Date from which industrial property rights may have effect: **12 April 2010**
(54) Product in respect of which the design is registered: **Container**
(51) International Design Classification: **07-01NES**
(71) Name(s) and Address(s) of Applicant(s):
The Decor Corporation Pty Ltd
1314 Ferntree Gully Road Scoresby Victoria 3179 Australia
(72) Name(s) of Designer(s): **Jim Samartgis**
(45) Registration Date: **07 May 2010**
(56) Related Art Documents: **Not Applicable**
(57) Statement of Newness and Distinctiveness: **Nil**



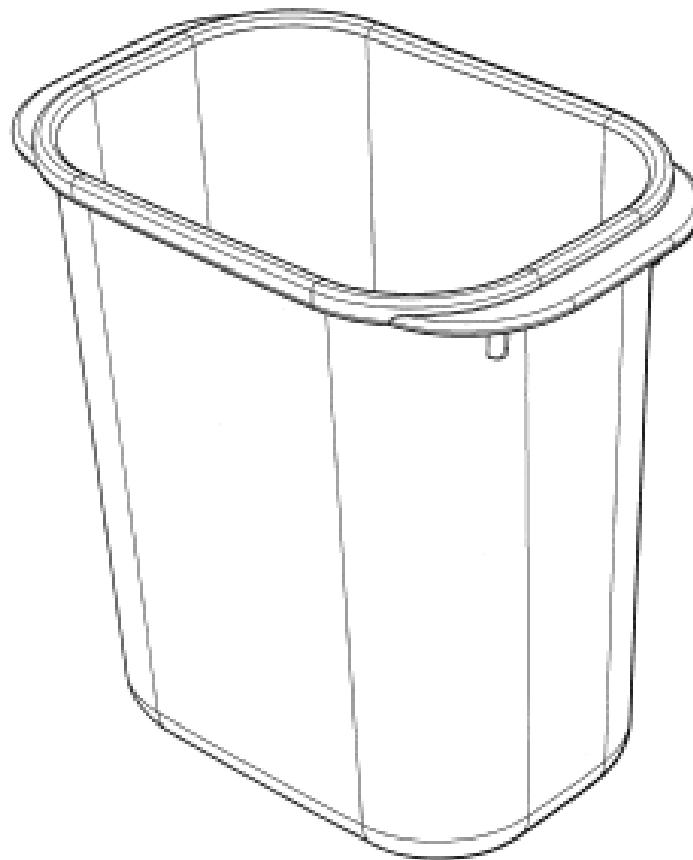
- (21) Design Number: **11301/2010**
(22) Date of Filing Application: **12 April 2010**
(24) Date from which industrial property rights may have effect: **12 April 2010**
(54) Product in respect of which the design is registered: **Container**
(51) International Design Classification: **07-01NES**
(71) Name(s) and Address(s) of Applicant(s):
The Decor Corporation Pty Ltd
1314 Ferntree Gully Road Scoresby Victoria 3179 Australia
(72) Name(s) of Designer(s): **Jim Samartgis**
(45) Registration Date: **07 May 2010**
(56) Related Art Documents: **Not Applicable**
(57) Statement of Newness and Distinctiveness: **Nil**



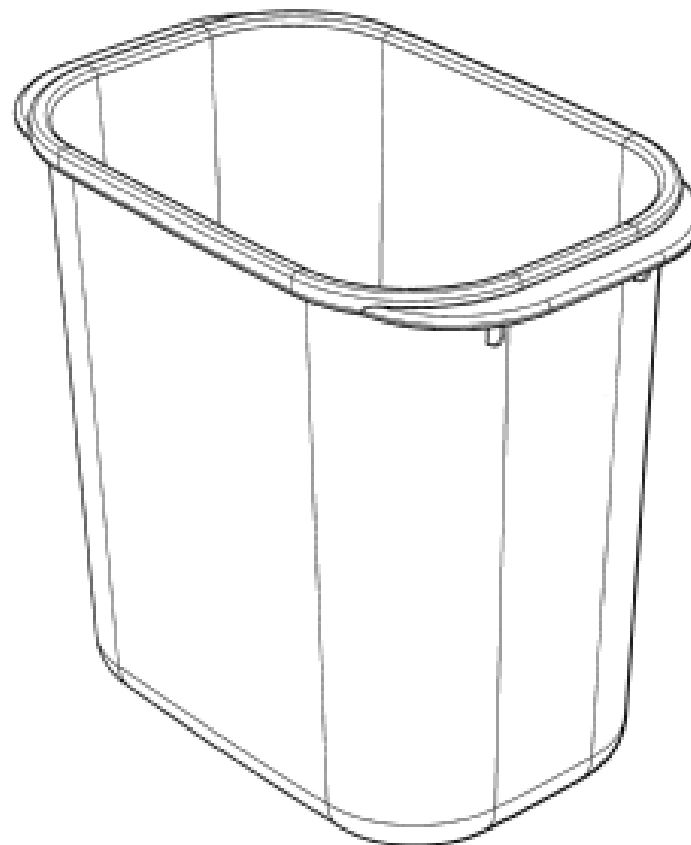
- (21) Design Number: **11302/2010**
(22) Date of Filing Application: **12 April 2010**
(24) Date from which industrial property rights may have effect: **12 April 2010**
(54) Product in respect of which the design is registered: **Container**
(51) International Design Classification: **07-01NES**
(71) Name(s) and Address(s) of Applicant(s):
The Decor Corporation Pty Ltd
1314 Ferntree Gully Road Scoresby Victoria 3179 Australia
(72) Name(s) of Designer(s): **Jim Samartgis**
(45) Registration Date: **07 May 2010**
(56) Related Art Documents: **Not Applicable**
(57) Statement of Newness and Distinctiveness: **Nil**



- (21) Design Number: **11303/2010**
(22) Date of Filing Application: **12 April 2010**
(24) Date from which industrial property rights may have effect: **12 April 2010**
(54) Product in respect of which the design is registered: **Container**
(51) International Design Classification: **07-01NES**
(71) Name(s) and Address(s) of Applicant(s):
The Decor Corporation Pty Ltd
1314 Ferntree Gully Road Scoresby Victoria 3179 Australia
(72) Name(s) of Designer(s): **Jim Samartgis**
(45) Registration Date: **07 May 2010**
(56) Related Art Documents: **Not Applicable**
(57) Statement of Newness and Distinctiveness: **Nil**



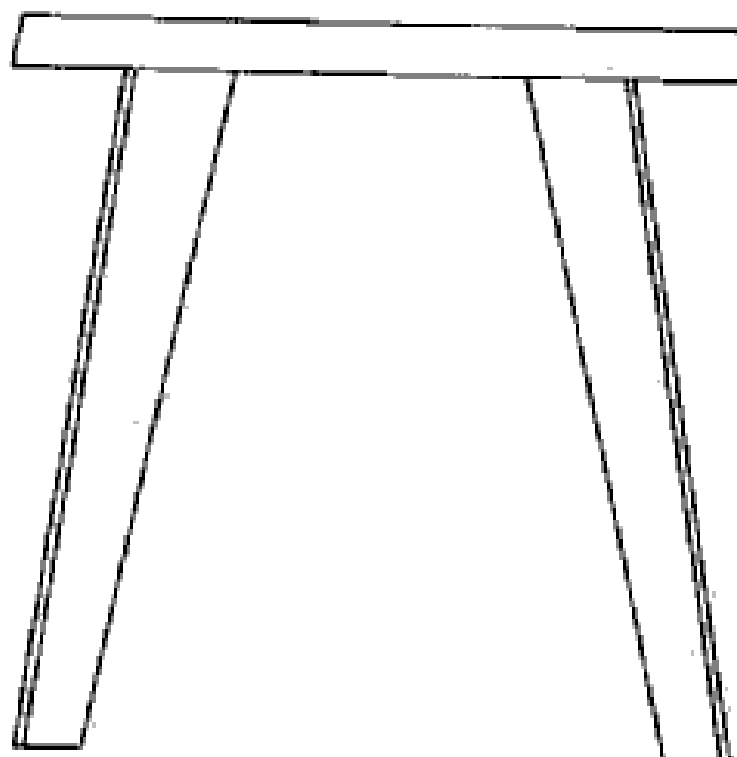
- (21) Design Number: **11304/2010**
(22) Date of Filing Application: **12 April 2010**
(24) Date from which industrial property rights may have effect: **12 April 2010**
(54) Product in respect of which the design is registered: **Container**
(51) International Design Classification: **07-01NES**
(71) Name(s) and Address(s) of Applicant(s):
The Decor Corporation Pty Ltd
1314 Ferntree Gully Road Scoresby Victoria 3179 Australia
(72) Name(s) of Designer(s): **Jim Samartgis**
(45) Registration Date: **07 May 2010**
(56) Related Art Documents: **Not Applicable**
(57) Statement of Newness and Distinctiveness: **Nil**



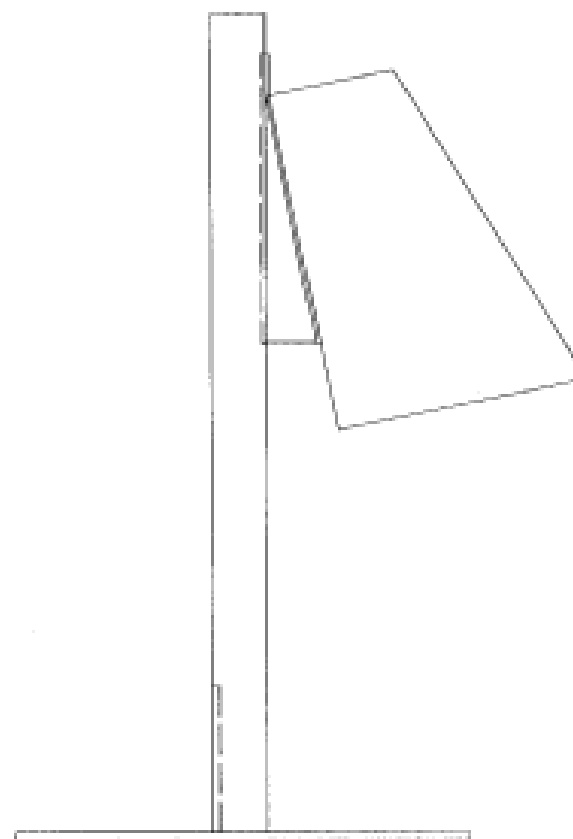
(21) Design Number: **12845/2009**
(22) Date of Filing Application: **31 July 2009**
(24) Date from which industrial property rights may have effect: **31 July 2009**
(54) Product in respect of which the design is registered: **Stool**
(51) International Design Classification: **06-01E**
(71) Name(s) and Address(s) of Applicant(s):
Dhiren Bhagwandas
20/116 Arthurton Road Northcote Victoria 3070 Australia
(72) Name(s) of Designer(s): **Dhiren Bhagwandas**
(45) Registration Date: **06 May 2010**
(56) Related Art Documents: **Not Applicable**
(57) Statement of Newness and Distinctiveness: **Nil**



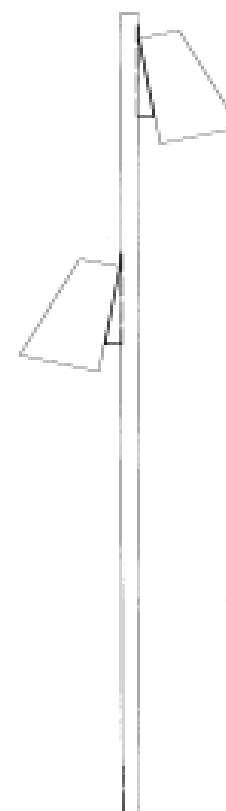
(21) Design Number: **11611/2010**
(22) Date of Filing Application: **31 July 2009**
(24) Date from which industrial property rights may have effect: **31 July 2009**
(54) Product in respect of which the design is registered: **Stool**
(51) International Design Classification: **06-01E**
(71) Name(s) and Address(s) of Applicant(s):
Dhiren Bhagwandas
Dhiren Bhagwandas Studio Studio MF2 1 St Heliers Street
ABBOTSFORD VIC 3067
(72) Name(s) of Designer(s): **Dhiren Bhagwandas**
(45) Registration Date: **06 May 2010**
(56) Related Art Documents: **Not Applicable**
(57) Statement of Newness and Distinctiveness: **Nil**



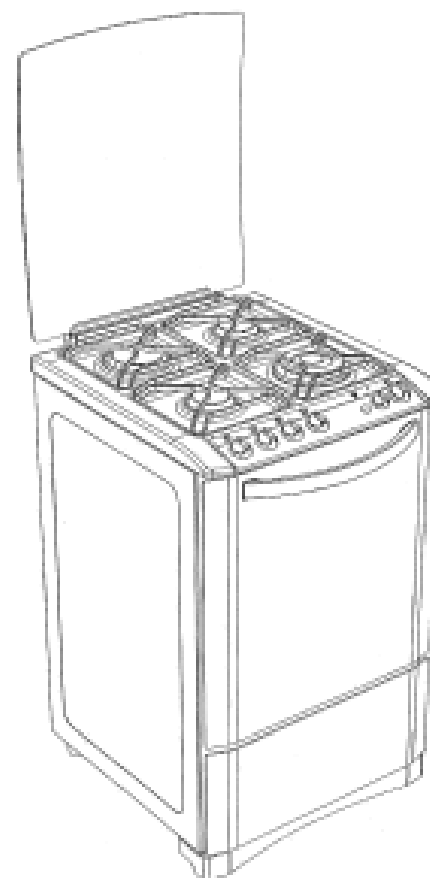
(21) Design Number: **12860/2009**
(22) Date of Filing Application: **31 July 2009**
(24) Date from which industrial property rights may have effect: **31 July 2009**
(54) Product in respect of which the design is registered: **Lamp**
(51) International Design Classification: **26-05B**
(71) Name(s) and Address(s) of Applicant(s):
Dhiren Bhagwandas
20/116 Arthurlton Road Northcote Victoria 3070 Australia
(72) Name(s) of Designer(s): **Dhiren Bhagwandas**
(45) Registration Date: **06 May 2010**
(56) Related Art Documents: **Not Applicable**
(57) Statement of Newness and Distinctiveness: **Nil**



(21) Design Number: **11612/2010**
(22) Date of Filing Application: **31 July 2009**
(24) Date from which industrial property rights may have effect: **31 July 2009**
(54) Product in respect of which the design is registered: **Lamp**
(51) International Design Classification: **26-05B**
(71) Name(s) and Address(s) of Applicant(s):
Dhiren Bhagwandas
Dhiren Bhagwandas Studio Studio MF2 1 St Heliers Street
ABBOTSFORD VIC 3067
(72) Name(s) of Designer(s): **Dhiren Bhagwandas**
(45) Registration Date: **06 May 2010**
(56) Related Art Documents: **Not Applicable**
(57) Statement of Newness and Distinctiveness: **Nil**



- (21) Design Number: **11614/2010**
(22) Date of Filing Application: **25 January 2010**
(24) Date from which industrial property rights may have effect: **25 January 2010**
(54) Product in respect of which the design is registered: **Stove**
(51) International Design Classification: **07-02A**
(71) Name(s) and Address(s) of Applicant(s):
Electrolux do Brasil S/A
Rua Ministro Gabriel Passos 360 81520900 Curitiba Parana Brazil
(72) Name(s) of Designer(s): **Gustavo Eugenio Monteiro Sindeaux and Marcos Dos Santos De Oliveira and Gabriel Gemael Polycarpo Lied**
(45) Registration Date: **06 May 2010**
(30) Convention priority data:
(31) Number (32) Date (33) Country
2009/0400 29 Jul 2009 SWEDEN
(56) Related Art Documents: **Not Applicable**
(57) Statement of Newness and Distinctiveness: **Nil**



- (21) Design Number: **11615/2010**
(22) Date of Filing Application: **25 January 2010**
(24) Date from which industrial property rights may have effect: **25 January 2010**
(54) Product in respect of which the design is registered: **Stove**
(51) International Design Classification: **07-02A**
(71) Name(s) and Address(s) of Applicant(s):
Electrolux do Brasil S/A
Rua Ministro Gabriel Passos 360 81520900 Curitiba Parana Brazil
(72) Name(s) of Designer(s): **Gustavo Eugenio Monteiro Sindeaux and Marcos Dos Santos De Oliveira and Gabriel Gemael Polycarpo Lied**
(45) Registration Date: **06 May 2010**
(30) Convention priority data:
(31) Number (32) Date (33) Country
2009/0400 29 Jul 2009 SWEDEN
(56) Related Art Documents: **Not Applicable**
(57) Statement of Newness and Distinctiveness: **Nil**



- (21) Design Number: **14173/2009**
(22) Date of Filing Application: **27 October 2009**
(24) Date from which industrial property rights may have effect: **27 October 2009**
(54) Product in respect of which the design is registered: **A jacket**
(51) International Design Classification: **02-02NES**
(71) Name(s) and Address(s) of Applicant(s):
Fifty-Fourth Rischell Pty Ltd
3-5 Claremont Street South Yarra Victoria 3141 Australia
(72) Name(s) of Designer(s): **Ty Henschke**
(45) Registration Date: **06 May 2010**
(56) Related Art Documents: **Not Applicable**
(57) Statement of Newness and Distinctiveness: **Nil**



- (21) Design Number: **11616/2010**
(22) Date of Filing Application: **27 October 2009**
(24) Date from which industrial property rights may have effect: **27 October 2009**
(54) Product in respect of which the design is registered: **A jacket**
(51) International Design Classification: **02-02NES**
(71) Name(s) and Address(s) of Applicant(s):
Fifty-Fourth Rischell Pty Ltd
3-5 Claremont Street South Yarra Victoria 3141 Australia
(72) Name(s) of Designer(s): **Ty Henschke**
(45) Registration Date: **06 May 2010**
(56) Related Art Documents: **Not Applicable**
(57) Statement of Newness and Distinctiveness: **Nil**



(21) Design Number: **11617/2010**

(22) Date of Filing Application: **27 October 2009**

(24) Date from which industrial property rights may have effect: **27 October 2009**

(54) Product in respect of which the design is registered: **A jacket**

(51) International Design Classification: **02-02NES**

(71) Name(s) and Address(s) of Applicant(s):

**Fifty-Fourth Rischell Pty Ltd
3-5 Claremont Street South Yarra Victoria 3141 Australia**

(72) Name(s) of Designer(s): **Ty Henschke**

(45) Registration Date: **06 May 2010**

(56) Related Art Documents: **Not Applicable**

(57) Statement of Newness and Distinctiveness: **Nil**



(21) Design Number: **11618/2010**

(22) Date of Filing Application: **27 October 2009**

(24) Date from which industrial property rights may have effect: **27 October 2009**

(54) Product in respect of which the design is registered: **A jacket**

(51) International Design Classification: **02-02NES**

(71) Name(s) and Address(s) of Applicant(s):

**Fifty-Fourth Rischell Pty Ltd
3-5 Claremont Street South Yarra Victoria 3141 Australia**

(72) Name(s) of Designer(s): **Ty Henschke**

(45) Registration Date: **06 May 2010**

(56) Related Art Documents: **Not Applicable**

(57) Statement of Newness and Distinctiveness: **Nil**



(21) Design Number: **11619/2010**

(22) Date of Filing Application: **27 October 2009**

(24) Date from which industrial property rights may have effect: **27 October 2009**

(54) Product in respect of which the design is registered: **A jacket**

(51) International Design Classification: **02-02NES**

(71) Name(s) and Address(s) of Applicant(s):

Fifty-Fourth Rischell Pty Ltd
3-5 Claremont Street South Yarra Victoria 3141 Australia

(72) Name(s) of Designer(s): **Ty Henschke**

(45) Registration Date: **06 May 2010**

(56) Related Art Documents: **Not Applicable**

(57) Statement of Newness and Distinctiveness: **Nil**



(21) Design Number: **11620/2010**

(22) Date of Filing Application: **27 October 2009**

(24) Date from which industrial property rights may have effect: **27 October 2009**

(54) Product in respect of which the design is registered: **A pair of pants**

(51) International Design Classification: **02-02C**

(71) Name(s) and Address(s) of Applicant(s):

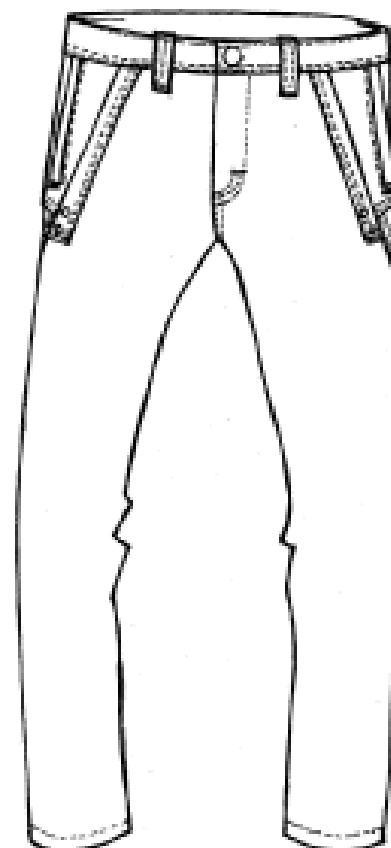
Fifty-Fourth Rischell Pty Ltd
3-5 Claremont Street South Yarra Victoria 3141 Australia

(72) Name(s) of Designer(s): **Ty Henschke**

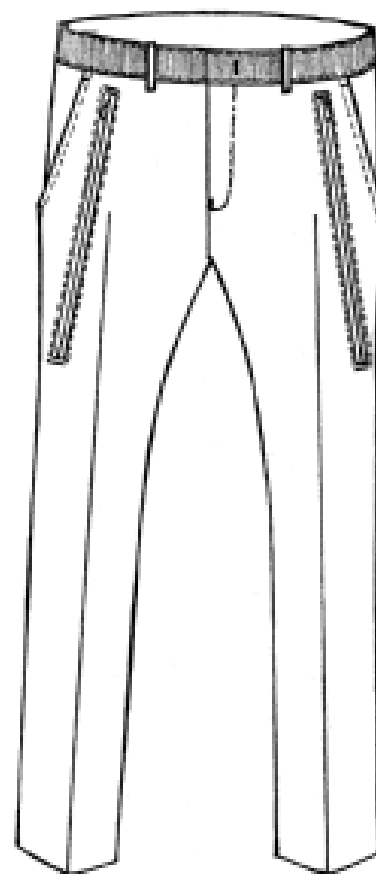
(45) Registration Date: **06 May 2010**

(56) Related Art Documents: **Not Applicable**

(57) Statement of Newness and Distinctiveness: **Nil**



- (21) Design Number: **11621/2010**
(22) Date of Filing Application: **27 October 2009**
(24) Date from which industrial property rights may have effect: **27 October 2009**
(54) Product in respect of which the design is registered: **A pair of pants**
(51) International Design Classification: **02-02C**
(71) Name(s) and Address(s) of Applicant(s):
Fifty-Fourth Rischell Pty Ltd
3-5 Claremont Street South Yarra Victoria 3141 Australia
(72) Name(s) of Designer(s): **Ty Henschke**
(45) Registration Date: **06 May 2010**
(56) Related Art Documents: **Not Applicable**
(57) Statement of Newness and Distinctiveness: **Nil**



- (21) Design Number: **10526/2010**
(22) Date of Filing Application: **15 February 2010**
(24) Date from which industrial property rights may have effect: **15 February 2010**
(54) Product in respect of which the design is registered: **Trampoline tent**
(51) International Design Classification: **21-02F**
(71) Name(s) and Address(s) of Applicant(s):
Vuly Pty Ltd
95 Ingleston Road Wakerley Queensland 4154 Australia
(72) Name(s) of Designer(s): **Von Glitschka**
(45) Registration Date: **07 May 2010**
(56) Related Art Documents: **Not Applicable**
(57) Statement of Newness and Distinctiveness: **Newness and distinctiveness resides in the shape and configuration of a trampoline tent as illustrated in the accompanying representations, mounted on a trampoline, wherein: Fig.1 is a perspective view of the trampoline tent from the front with the front door and left side window closed; Fig.2 is a perspective view of the trampoline tent corresponding to Fig.1 with the front door and left side window open; Fig.3 is a perspective view of the trampoline tent from the right side with the front door and right side window closed; Fig.4 is a perspective view of the trampoline tent corresponding to Fig.3 with the front door and right side window open; Fig.5 is a perspective view of the trampoline tent from the left side with the left side window closed; Fig.6 is a perspective view of the trampoline tent from the right side with the right side window open; Fig.7 is a perspective view of the trampoline tent from the rear showing drain outlets in the rear wall and the opposed adjacent side walls; Fig.8 is a perspective view of the trampoline tent when the tent is tilted to show the top with the drain inlets therein; Fig.9 is a perspective view of the trampoline tent from the bottom; and Fig.10 is a perspective view of the trampoline tent from inside of part of the top wall, rear wall and adjacent side walls showing the drain tubes connecting the drain inlets and outlets.**



(21) Design Number: **10684/2010**
(22) Date of Filing Application: **01 March 2010**
(24) Date from which industrial property rights may have effect: **01 March 2010**
(54) Product in respect of which the design is registered: **Educational toy**
(51) International Design Classification: **21-01NES**
(71) Name(s) and Address(s) of Applicant(s):

Polydron (UK) Limited
Kemble Cirencester Gloucestershire GL7 6BQ United Kingdom

(72) Name(s) of Designer(s): **Richard Hardstaff**

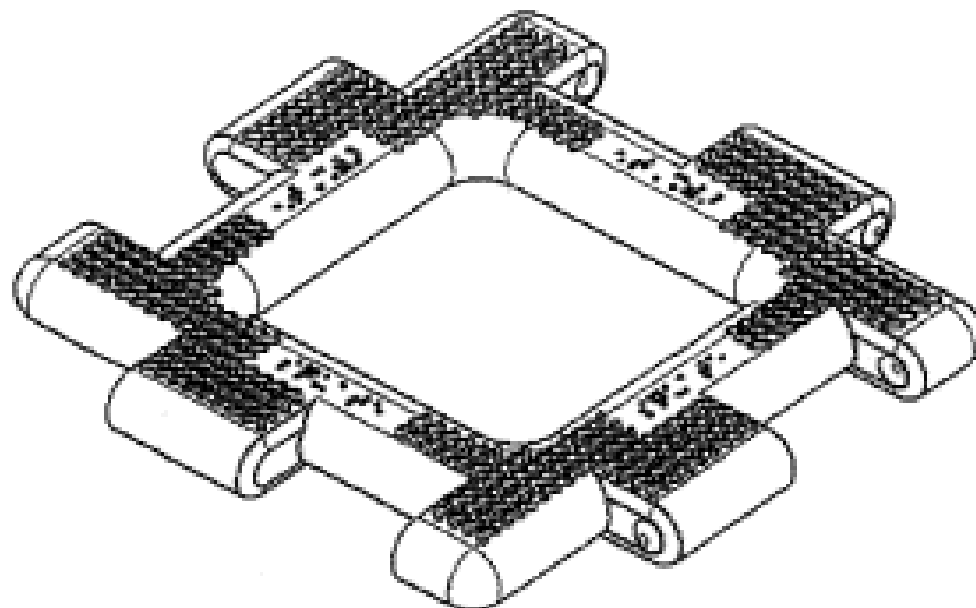
(45) Registration Date: **07 May 2010**

(30) Convention priority data:

(31) Number	(32) Date	(33) Country
001606823-0002	02 Sep 2009	EUROPEAN COMMUNITY

(56) Related Art Documents: **Not Applicable**

(57) Statement of Newness and Distinctiveness: **Nil**



(21) Design Number: **10976/2010**
(22) Date of Filing Application: **18 March 2010**
(24) Date from which industrial property rights may have effect: **18 March 2010**
(54) Product in respect of which the design is registered: **Combine harvester boom drum finger assembly**
(51) International Design Classification: **08-08L**
(71) Name(s) and Address(s) of Applicant(s):

James Stewart Hollahan
"Thorndale" Pallamallawa New South Wales 2399 Australia

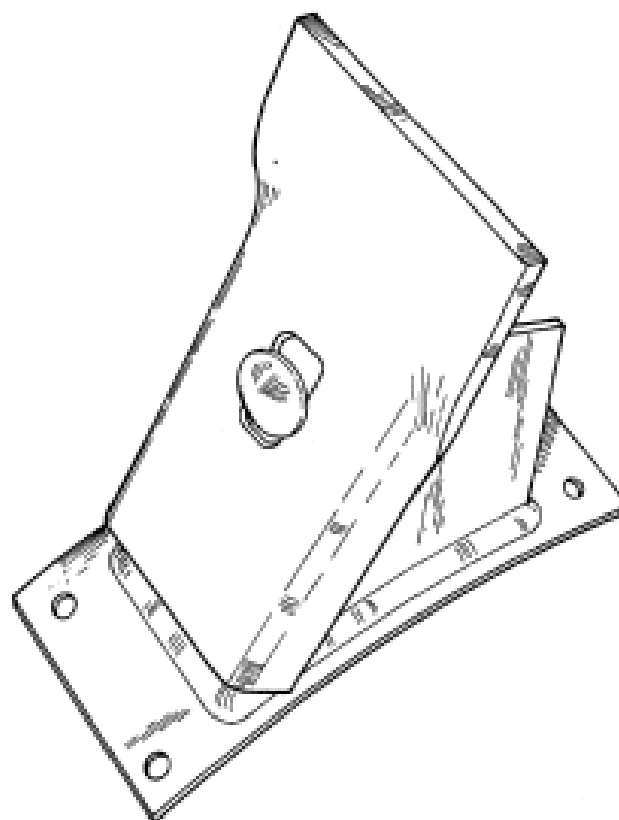
Graham Thomas Haley
20 Generoi Street Pallamalla New South Wales 2399 Australia

(72) Name(s) of Designer(s): **James Stewart Hollahan and Graham Thomas Haley**

(45) Registration Date: **07 May 2010**

(56) Related Art Documents: **Not Applicable**

(57) Statement of Newness and Distinctiveness: **Newness and distinctiveness is claimed in respect of the shape and/or configuration of the product illustrated in the accompanying representations.**



(21) Design Number: **11054/2010**

(22) Date of Filing Application: **26 March 2010**

(24) Date from which industrial property rights may have effect: **26 March 2010**

(54) Product in respect of which the design is registered: **Circuit breaker**

(51) International Design Classification: **13-03NES**

(71) Name(s) and Address(s) of Applicant(s):

David Mercuri

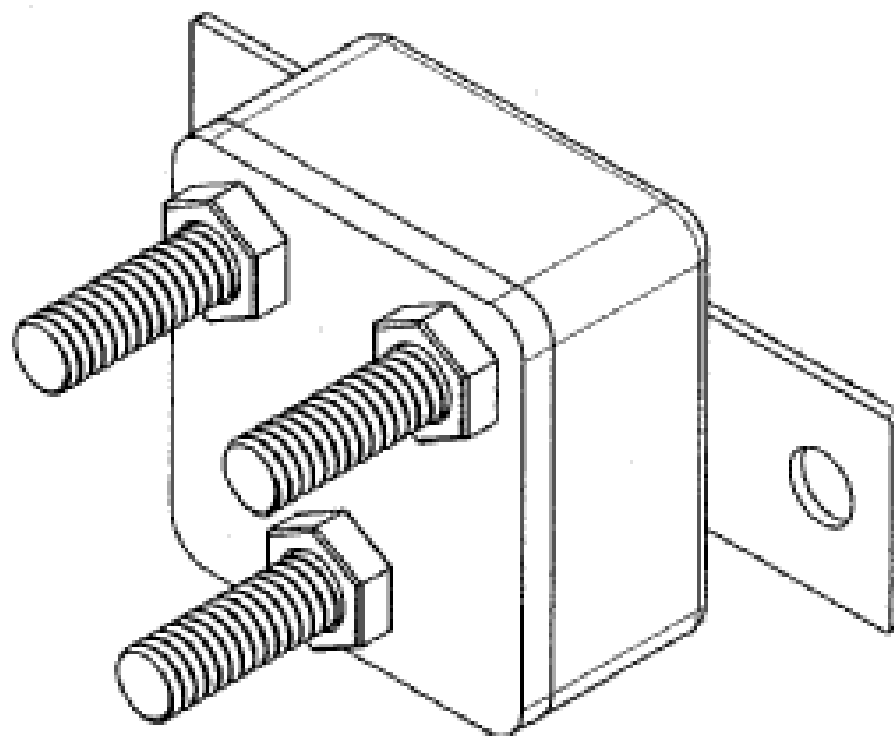
100 Bell Street Heidelberg Heights Victoria 3081 Australia

(72) Name(s) of Designer(s): **David Mercuri**

(45) Registration Date: **07 May 2010**

(56) Related Art Documents: **Not Applicable**

(57) Statement of Newness and Distinctiveness: **The newness of this design is that it is a dual output circuit breaker with one common input.**



(21) Design Number: **11150/2010**

(22) Date of Filing Application: **31 March 2010**

(24) Date from which industrial property rights may have effect: **31 March 2010**

(54) Product in respect of which the design is registered: **Medical dispensing device**

(51) International Design Classification: **24-02**

(71) Name(s) and Address(s) of Applicant(s):

F. Hoffmann-La Roche AG

124 Grenzacherstrasse CH-4070 Basel Switzerland

(72) Name(s) of Designer(s): **Sofia Galbraith and Simon Scheurer and Mike Unwin and Tom Walker**

(45) Registration Date: **07 May 2010**

(30) Convention priority data:

(31) Number	(32) Date	(33) Country
136,394	05 Oct 2009	SWEDEN

(56) Related Art Documents: **Not Applicable**

(57) Statement of Newness and Distinctiveness: **Those features of the medical dispensing device depicted in the representations that are new and distinctive are the shape and/or configuration.**



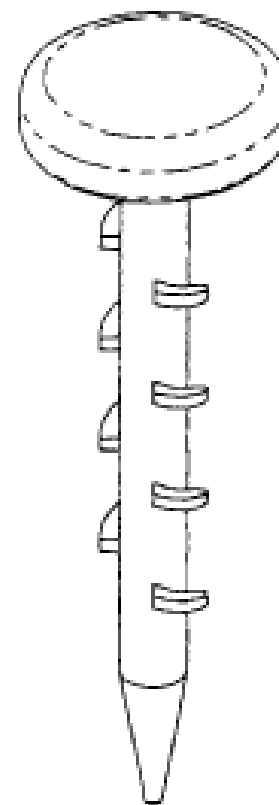
- (21) Design Number: **11609/2010**
(22) Date of Filing Application: **31 March 2010**
(24) Date from which industrial property rights may have effect: **31 March 2010**
(54) Product in respect of which the design is registered: **Medical dispensing device**
(51) International Design Classification: **24-02**
(71) Name(s) and Address(s) of Applicant(s):
F.Hoffmann-La Roche AG
124 Grenzacherstrasse CH-4070 Basel Switzerland
(72) Name(s) of Designer(s): **Sofia Galbraith and Simon Scheurer and Mike Unwin and Tom Walker**
(45) Registration Date: **07 May 2010**
(30) Convention priority data:
(31) Number (32) Date (33) Country
136,394 05 Oct 2009 SWEDEN
(62) Divisional of: **330682**
(56) Related Art Documents: **Not Applicable**
(57) Statement of Newness and Distinctiveness: **Those features of the medical dispensing device depicted in the representations that are new and distinctive are the shape and/or configuration.**



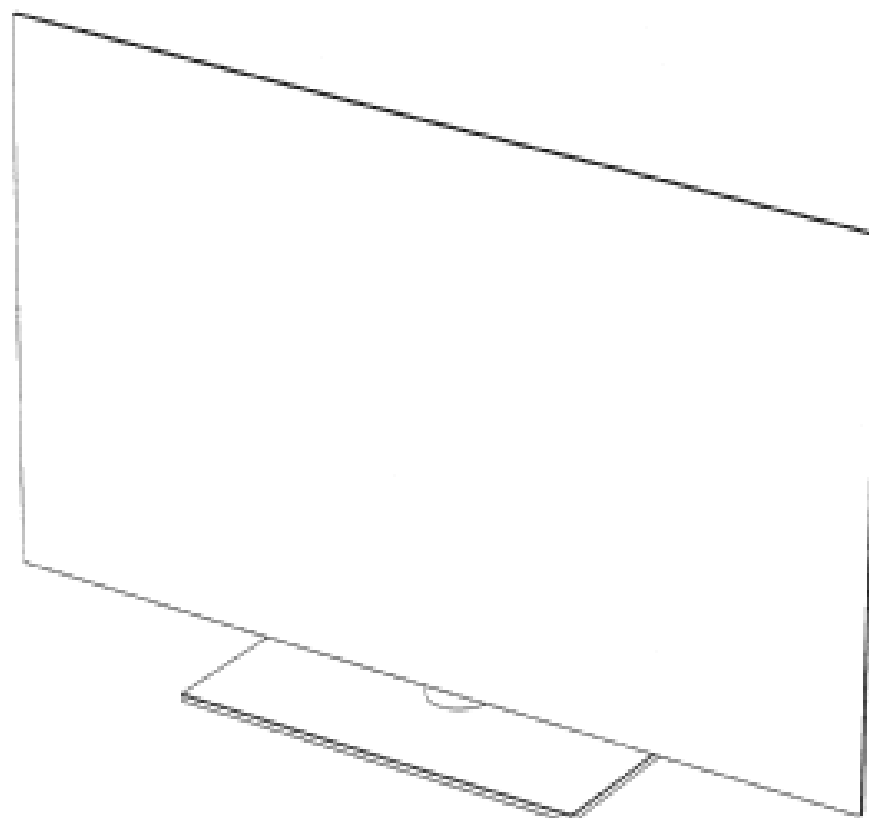
- (21) Design Number: **11610/2010**
(22) Date of Filing Application: **31 March 2010**
(24) Date from which industrial property rights may have effect: **31 March 2010**
(54) Product in respect of which the design is registered: **Medical dispensing device**
(51) International Design Classification: **24-02**
(71) Name(s) and Address(s) of Applicant(s):
F.Hoffmann-La Roche AG
124 Grenzacherstrasse CH-4070 Basel Switzerland
(72) Name(s) of Designer(s): **Sofia Galbraith and Simon Scheurer and Mike Unwin and Tom Walker**
(45) Registration Date: **07 May 2010**
(30) Convention priority data:
(31) Number (32) Date (33) Country
136,394 05 Oct 2009 SWEDEN
(62) Divisional of: **330682**
(56) Related Art Documents: **Not Applicable**
(57) Statement of Newness and Distinctiveness: **Those features of the medical dispensing device depicted in the representations that are new and distinctive are the shape and/or configuration.**



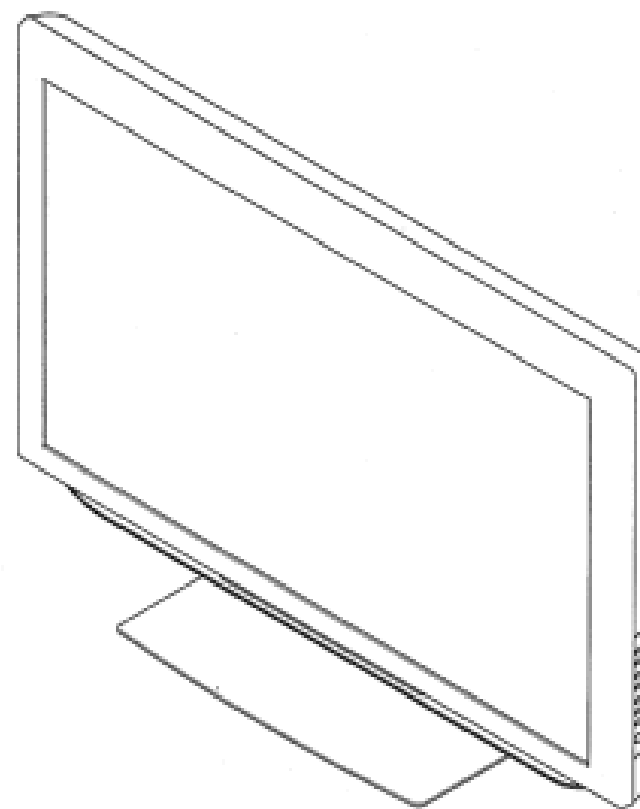
- (21) Design Number: **11333/2010**
(22) Date of Filing Application: **13 April 2010**
(24) Date from which industrial property rights may have effect: **13 April 2010**
(54) Product in respect of which the design is registered: **Ground marker**
(51) International Design Classification: **10-06**
(71) Name(s) and Address(s) of Applicant(s):
John Wakem
11 The Rampart Umina New South Wales 2257 Australia
(72) Name(s) of Designer(s): **John Wakem**
(45) Registration Date: **07 May 2010**
(56) Related Art Documents: **Not Applicable**
(57) Statement of Newness and Distinctiveness: **Newness and distinctiveness reside in the features of the shape and configuration of the design as shown in the representations.**



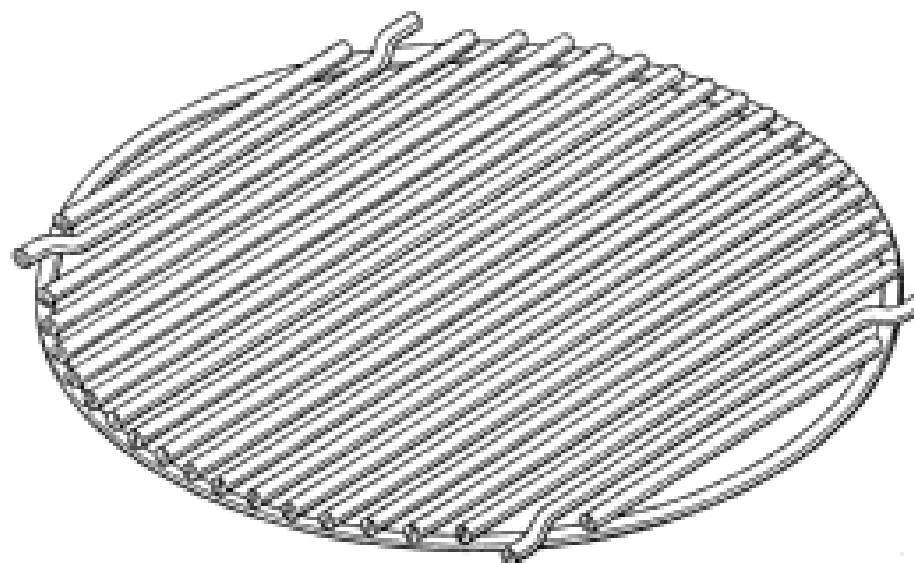
- (21) Design Number: **11334/2010**
(22) Date of Filing Application: **13 April 2010**
(24) Date from which industrial property rights may have effect: **13 April 2010**
(54) Product in respect of which the design is registered: **PDP television receiver**
(51) International Design Classification: **14-03B**
(71) Name(s) and Address(s) of Applicant(s):
LG Electronics Inc.
20 Yeouido-dong Yeongdeungpo-gu Seoul 150-721 Republic of Korea
(72) Name(s) of Designer(s): **Ja Young Kim and Sung Gu Joe and Sung Hoon Oh and In Koo Shim**
(45) Registration Date: **07 May 2010**
(56) Related Art Documents: **Not Applicable**
(57) Statement of Newness and Distinctiveness: **Newness and distinctiveness reside in the features of the design as shown in the representations.**



(21) Design Number: **11337/2010**
(22) Date of Filing Application: **13 April 2010**
(24) Date from which industrial property rights may have effect: **13 April 2010**
(54) Product in respect of which the design is registered: **Television monitor**
(51) International Design Classification: **14-03B**
(71) Name(s) and Address(s) of Applicant(s):
LG Electronics Inc.
20 Yeouido-dong Yeongdeungpo-gu Seoul 150-721 Republic of Korea
(72) Name(s) of Designer(s): **Yeon Ui Jung and Byung Ju Lee and Sun Jung Park and Seong Su Jun**
(45) Registration Date: **07 May 2010**
(30) Convention priority data:
(31) Number (32) Date (33) Country
30-2009-0045097 13 Oct 2009 REPUBLIC OF KOREA
(56) Related Art Documents: **Not Applicable**
(57) Statement of Newness and Distinctiveness: **Nil**

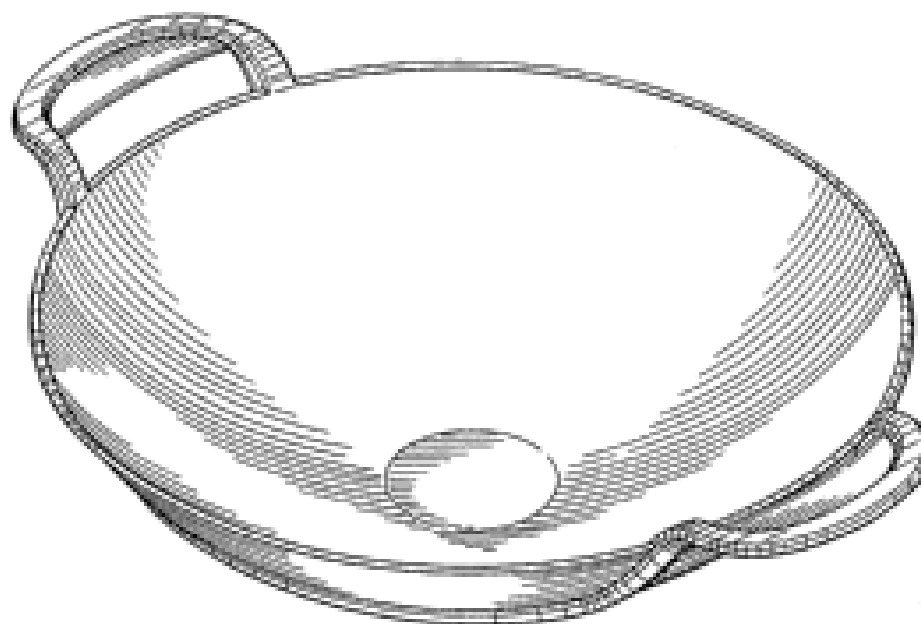


(21) Design Number: **11338/2010**
(22) Date of Filing Application: **12 April 2010**
(24) Date from which industrial property rights may have effect: **12 April 2010**
(54) Product in respect of which the design is registered: **Grate insert**
(51) International Design Classification: **07-02N**
(71) Name(s) and Address(s) of Applicant(s):
Weber-Stephen Products Co.
200 E. Daniels Road Palatine Illinois 60067 United States of America
(72) Name(s) of Designer(s): **J. Michael Alden and Erich Schlosser and Charles Choi and Daniel S. Choi**
(45) Registration Date: **07 May 2010**
(30) Convention priority data:
(31) Number (32) Date (33) Country
29/345204 12 Oct 2009 UNITED STATES OF AMERICA
(56) Related Art Documents: **Not Applicable**
(57) Statement of Newness and Distinctiveness: **Newness and distinctiveness is claimed in the features of shape and/or configuration of a grate insert as illustrated in the accompanying representations.**



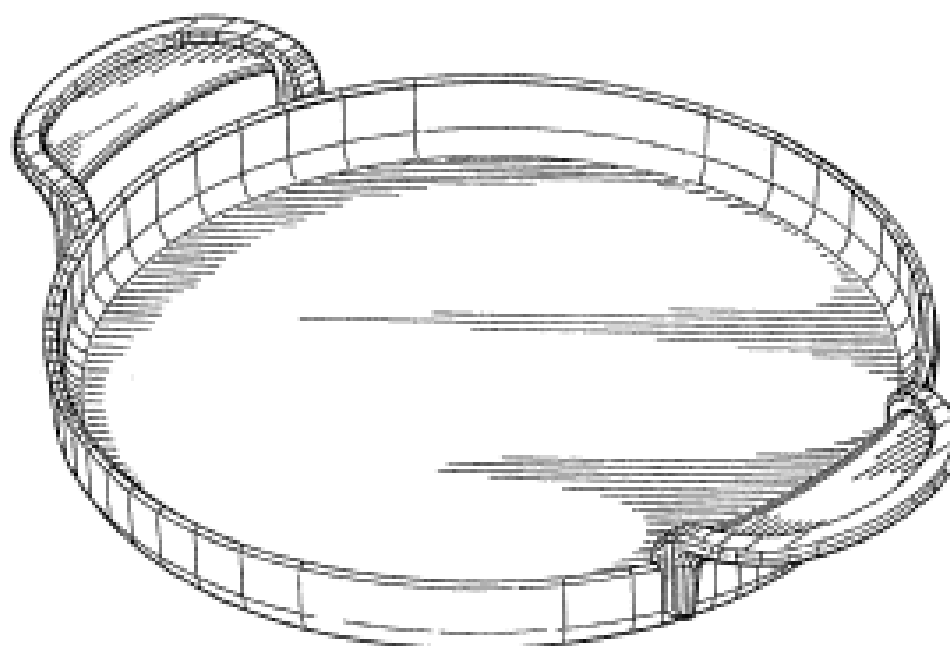
- (21) Design Number: **11339/2010**
- (22) Date of Filing Application: **12 April 2010**
- (24) Date from which industrial property rights may have effect: **12 April 2010**
- (54) Product in respect of which the design is registered: **Wok insert**
- (51) International Design Classification: **07-02N**
- (71) Name(s) and Address(s) of Applicant(s):
Weber-Stephen Products Co.
200 E. Daniels Road Palatine Illinois 60067 United States of America
- (72) Name(s) of Designer(s): **J. Michael Alden and Erich Schlosser and Charles Choi and Daniel S. Choi**
- (45) Registration Date: **07 May 2010**
- (30) Convention priority data:

(31) Number	(32) Date	(33) Country
29/345203	12 Oct 2009	UNITED STATES OF AMERICA
- (56) Related Art Documents: **Not Applicable**
- (57) Statement of Newness and Distinctiveness: **Newness and distinctiveness is claimed in the features of shape and/or configuration of a wok insert as illustrated in the accompanying representations.**

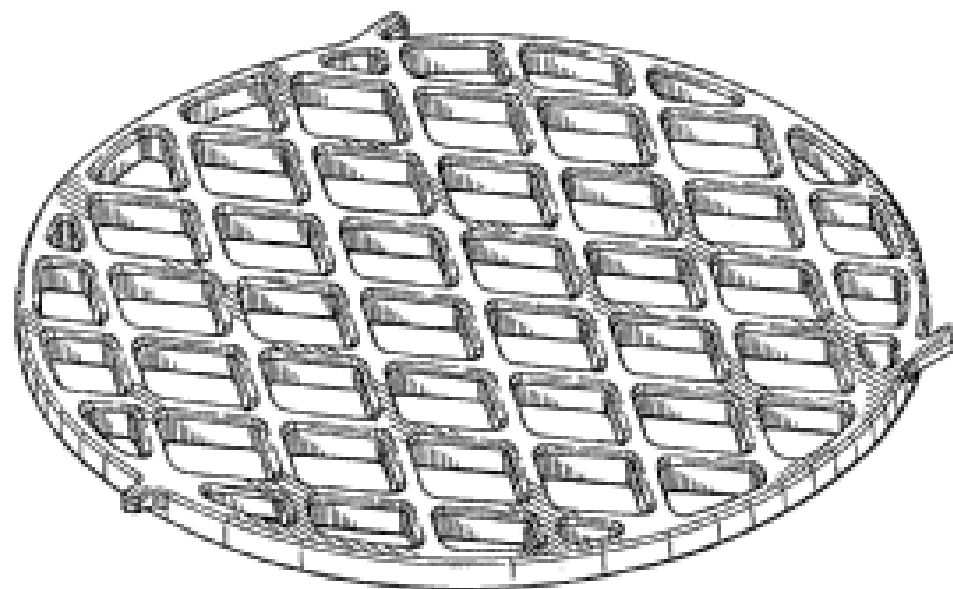


- (21) Design Number: **11340/2010**
- (22) Date of Filing Application: **12 April 2010**
- (24) Date from which industrial property rights may have effect: **12 April 2010**
- (54) Product in respect of which the design is registered: **Griddle insert**
- (51) International Design Classification: **07-02N**
- (71) Name(s) and Address(s) of Applicant(s):
Weber-Stephen Products Co.
200 E. Daniels Road Palatine Illinois 60067 United States of America
- (72) Name(s) of Designer(s): **J. Michael Alden and Erich Schlosser and Charles Choi and Daniel S. Choi**
- (45) Registration Date: **07 May 2010**
- (30) Convention priority data:

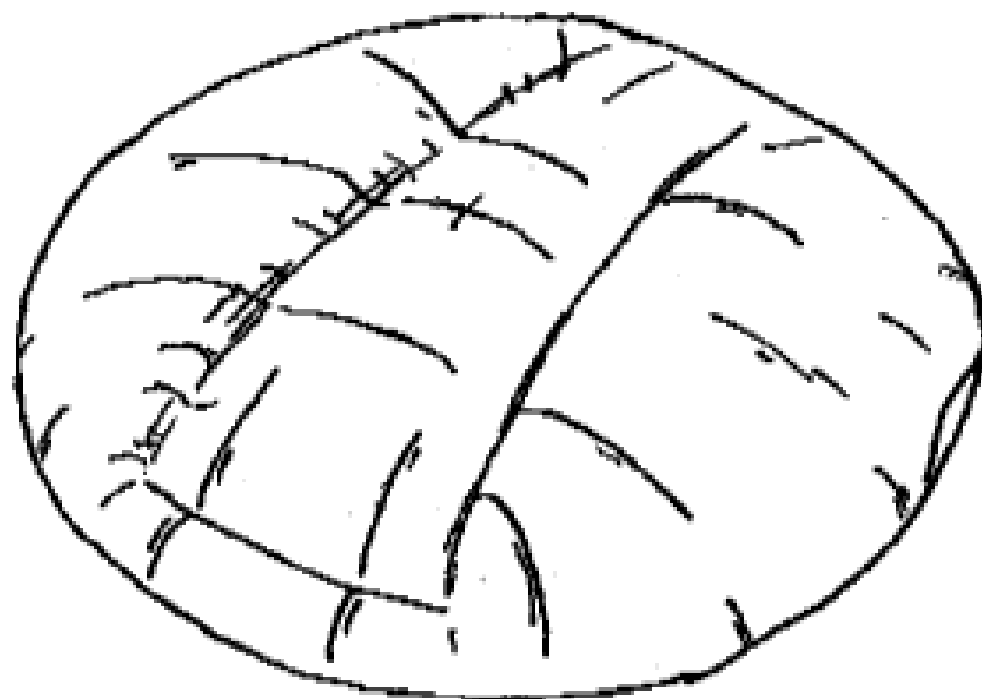
(31) Number	(32) Date	(33) Country
29/345201	12 Oct 2009	UNITED STATES OF AMERICA
- (56) Related Art Documents: **Not Applicable**
- (57) Statement of Newness and Distinctiveness: **Newness and distinctiveness is claimed in the features of shape and/or configuration of a griddle insert as illustrated in the accompanying representations.**



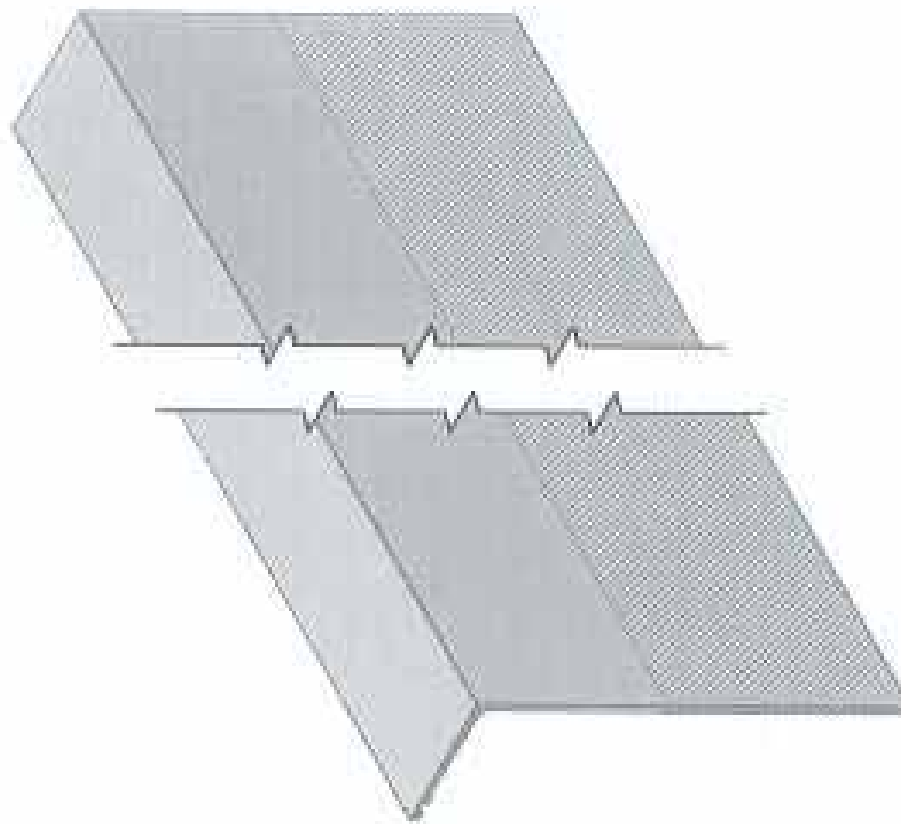
- (21) Design Number: **11341/2010**
(22) Date of Filing Application: **12 April 2010**
(24) Date from which industrial property rights may have effect: **12 April 2010**
(54) Product in respect of which the design is registered: **Sear grate insert**
(51) International Design Classification: **07-02N**
(71) Name(s) and Address(s) of Applicant(s):
Weber-Stephen Products Co.
200 E. Daniels Road Palatine Illinois 60067 United States of America
(72) Name(s) of Designer(s): **J. Michael Alden and Erich Schlosser and Charles Choi and Daniel S. Choi**
(45) Registration Date: **07 May 2010**
(30) Convention priority data:
(31) Number (32) Date (33) Country
29/345200 12 Oct 2009 UNITED STATES OF AMERICA
(56) Related Art Documents: **Not Applicable**
(57) Statement of Newness and Distinctiveness: **Newness and distinctiveness is claimed in the features of shape and/or configuration of a sear grate insert as illustrated in the accompanying representations.**



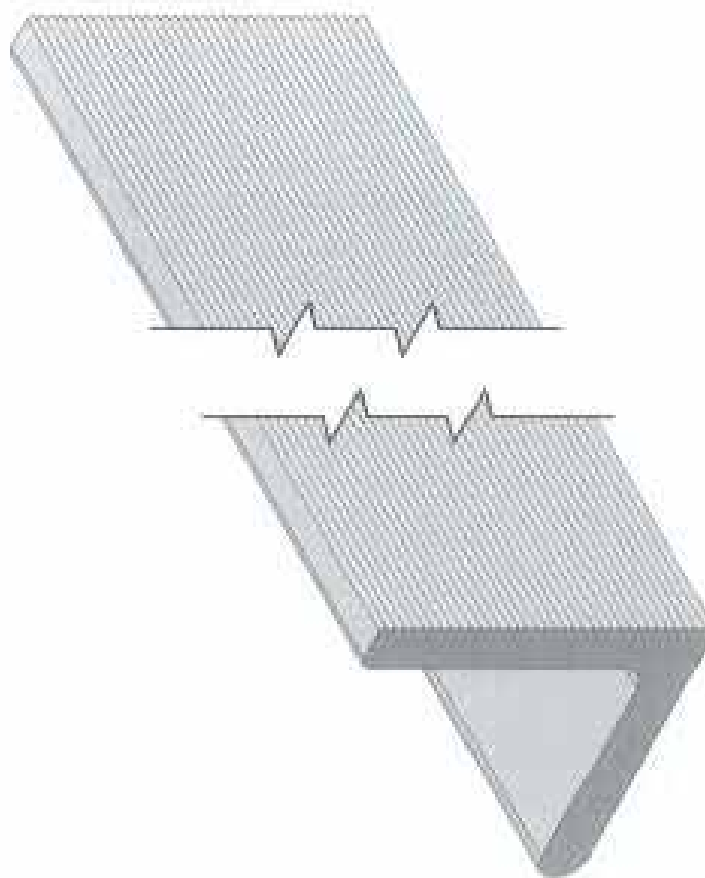
- (21) Design Number: **11343/2010**
(22) Date of Filing Application: **13 April 2010**
(24) Date from which industrial property rights may have effect: **13 April 2010**
(54) Product in respect of which the design is registered: **Road stud**
(51) International Design Classification: **08-99**
(71) Name(s) and Address(s) of Applicant(s):
Timothy Breandan Culley
10A Main Street Killarney Vale New South Wales 2261 Australia
(72) Name(s) of Designer(s): **Timothy Breandan Culley**
(45) Registration Date: **07 May 2010**
(56) Related Art Documents: **Not Applicable**
(57) Statement of Newness and Distinctiveness: **Nil**



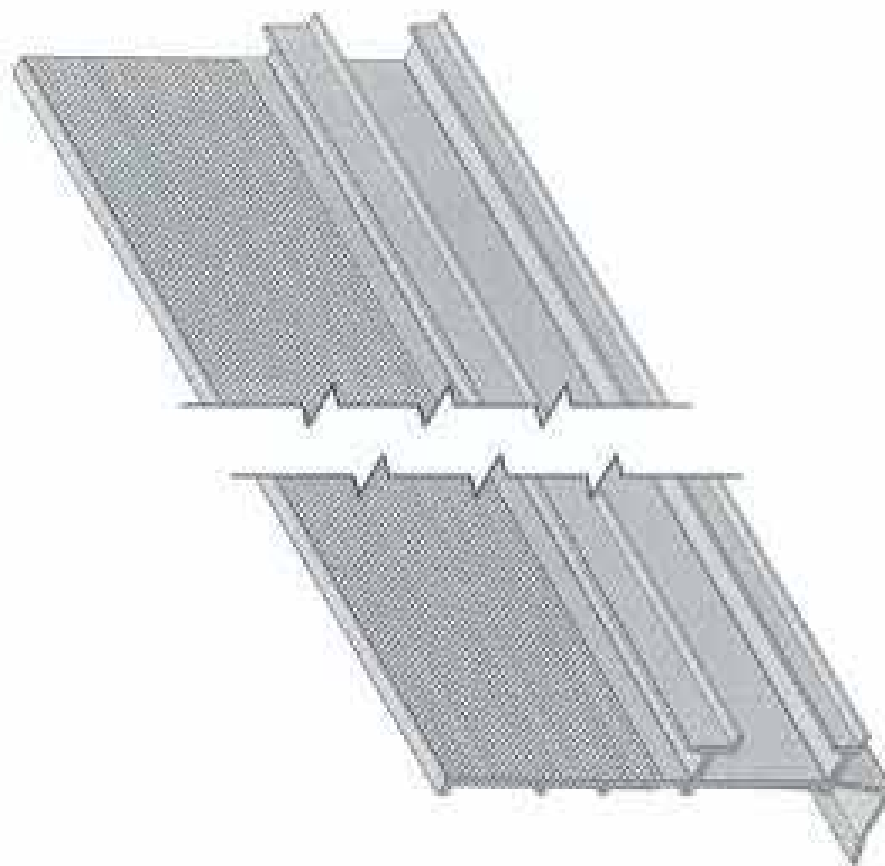
- (21) Design Number: **11363/2010**
(22) Date of Filing Application: **14 April 2010**
(24) Date from which industrial property rights may have effect: **14 April 2010**
(54) Product in respect of which the design is registered: **An extrusion**
(51) International Design Classification: **25-01K**
(71) Name(s) and Address(s) of Applicant(s):
Aluminium Specialities Group Pty Ltd
3 Alspec Place Eastern Creek New South Wales 2766 Australia
(72) Name(s) of Designer(s): **Wally Zygmund**
(45) Registration Date: **10 May 2010**
(56) Related Art Documents: **Not Applicable**
(57) Statement of Newness and Distinctiveness: **Newness and distinctiveness resides in the features of shape and/or configuration of an extrusion of indefinite length as shown in the accompanying drawings.**



- (21) Design Number: **11364/2010**
(22) Date of Filing Application: **14 April 2010**
(24) Date from which industrial property rights may have effect: **14 April 2010**
(54) Product in respect of which the design is registered: **An extrusion**
(51) International Design Classification: **25-01K**
(71) Name(s) and Address(s) of Applicant(s):
Aluminium Specialities Group Pty Ltd
3 Alspec Place Eastern Creek New South Wales 2766 Australia
(72) Name(s) of Designer(s): **Wally Zygmund**
(45) Registration Date: **10 May 2010**
(56) Related Art Documents: **Not Applicable**
(57) Statement of Newness and Distinctiveness: **Newness and distinctiveness resides in the features of shape and/or configuration of an extrusion of indefinite length as shown in the accompanying drawings.**



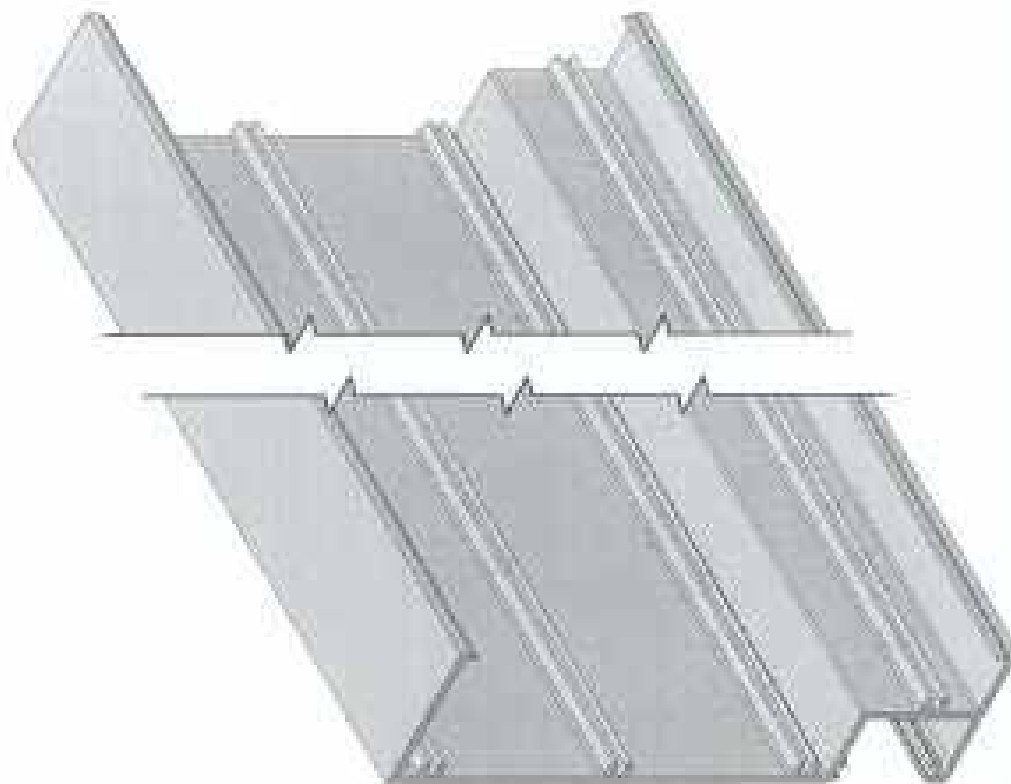
- (21) Design Number: **11365/2010**
(22) Date of Filing Application: **14 April 2010**
(24) Date from which industrial property rights may have effect: **14 April 2010**
(54) Product in respect of which the design is registered: **An extrusion**
(51) International Design Classification: **25-01K**
(71) Name(s) and Address(s) of Applicant(s):
Aluminium Specialities Group Pty Ltd
3 Alspec Place Eastern Creek New South Wales 2766 Australia
(72) Name(s) of Designer(s): **Wally Zygmund**
(45) Registration Date: **10 May 2010**
(56) Related Art Documents: **Not Applicable**
(57) Statement of Newness and Distinctiveness: **Newness and distinctiveness resides in the features of shape and/or configuration of an extrusion of indefinite length as shown in the accompanying drawings.**



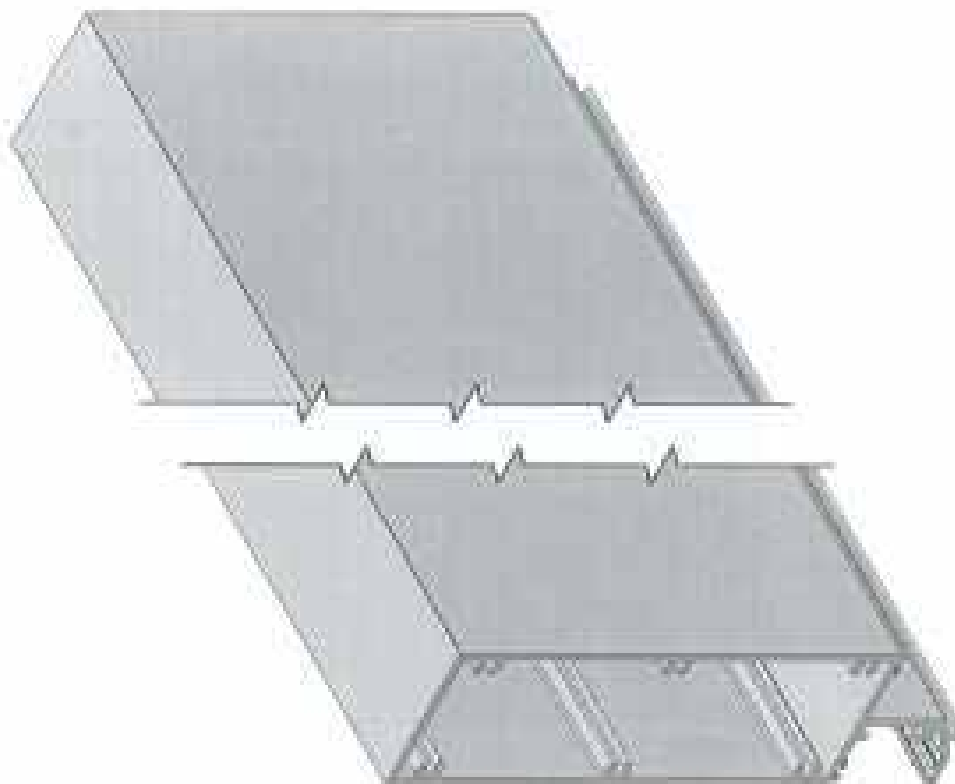
- (21) Design Number: **11366/2010**
(22) Date of Filing Application: **14 April 2010**
(24) Date from which industrial property rights may have effect: **14 April 2010**
(54) Product in respect of which the design is registered: **An extrusion**
(51) International Design Classification: **25-01K**
(71) Name(s) and Address(s) of Applicant(s):
Aluminium Specialities Group Pty Ltd
3 Alspec Place Eastern Creek New South Wales 2766 Australia
(72) Name(s) of Designer(s): **Wally Zygmund**
(45) Registration Date: **10 May 2010**
(56) Related Art Documents: **Not Applicable**
(57) Statement of Newness and Distinctiveness: **Newness and distinctiveness resides in the features of shape and/or configuration of an extrusion of indefinite length as shown in the accompanying drawings.**



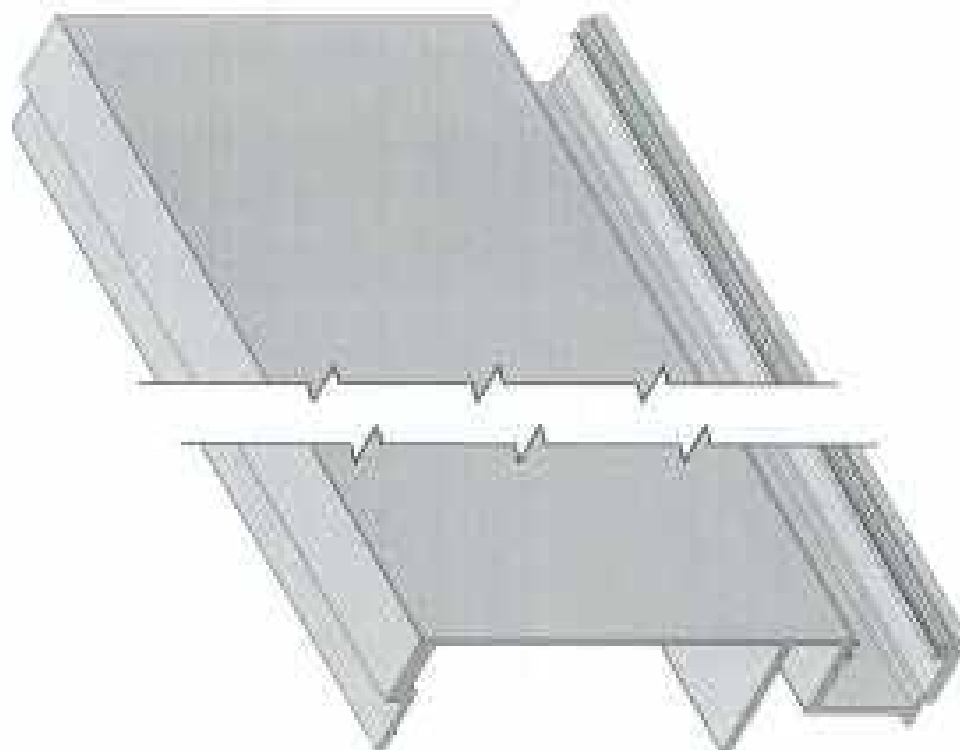
- (21) Design Number: **11367/2010**
(22) Date of Filing Application: **14 April 2010**
(24) Date from which industrial property rights may have effect: **14 April 2010**
(54) Product in respect of which the design is registered: **An extrusion**
(51) International Design Classification: **25-01K**
(71) Name(s) and Address(s) of Applicant(s):
Aluminium Specialities Group Pty Ltd
3 Alspec Place Eastern Creek New South Wales 2766 Australia
(72) Name(s) of Designer(s): **Wally Zygmund**
(45) Registration Date: **10 May 2010**
(56) Related Art Documents: **Not Applicable**
(57) Statement of Newness and Distinctiveness: **Newness and distinctiveness resides in the features of shape and/or configuration of an extrusion of indefinite length as shown in the accompanying drawings.**



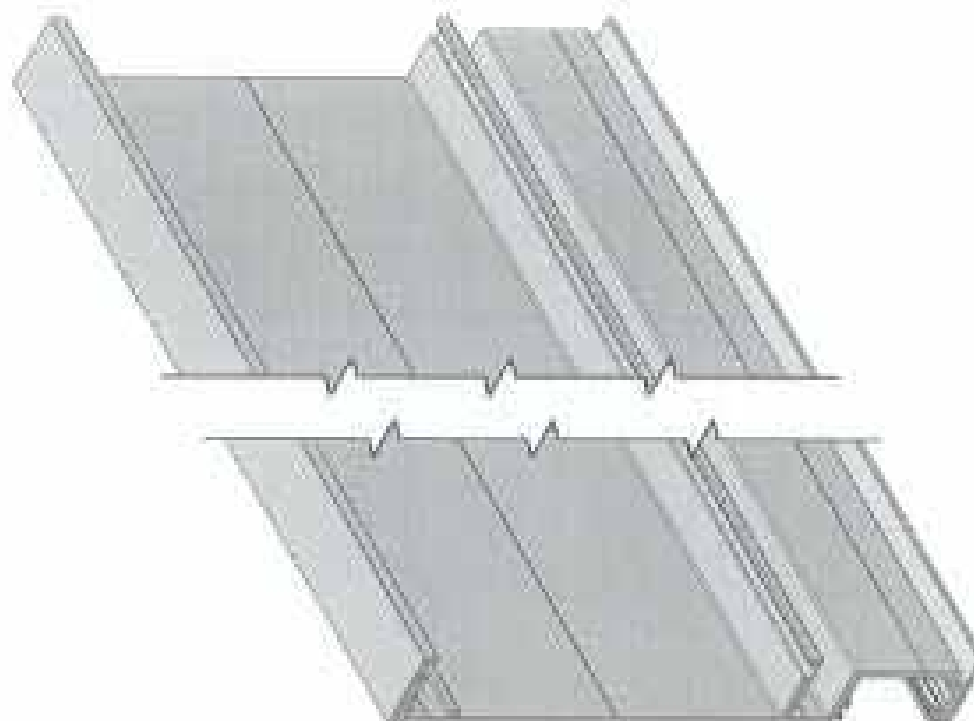
- (21) Design Number: **11368/2010**
(22) Date of Filing Application: **14 April 2010**
(24) Date from which industrial property rights may have effect: **14 April 2010**
(54) Product in respect of which the design is registered: **An extrusion**
(51) International Design Classification: **25-01K**
(71) Name(s) and Address(s) of Applicant(s):
Aluminium Specialities Group Pty Ltd
3 Alspec Place Eastern Creek New South Wales 2766 Australia
(72) Name(s) of Designer(s): **Wally Zygmund**
(45) Registration Date: **10 May 2010**
(56) Related Art Documents: **Not Applicable**
(57) Statement of Newness and Distinctiveness: **Newness and distinctiveness resides in the features of shape and/or configuration of an extrusion of indefinite length as shown in the accompanying drawings.**



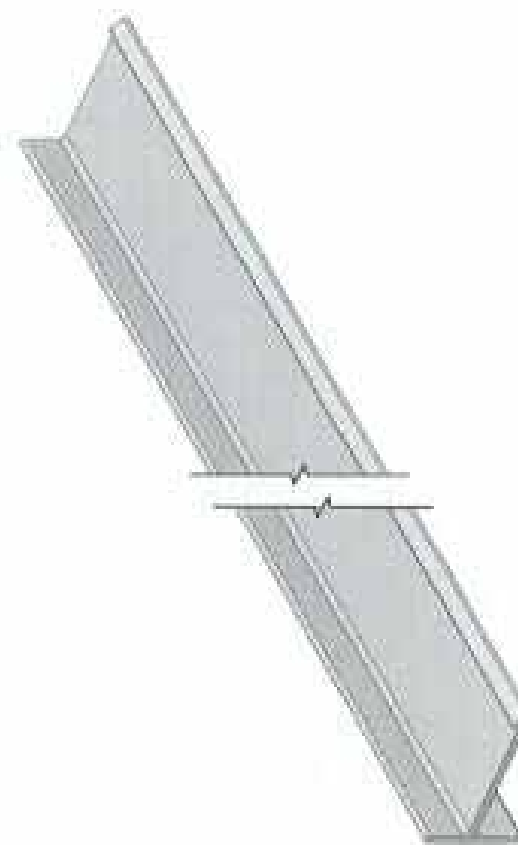
- (21) Design Number: **11369/2010**
(22) Date of Filing Application: **14 April 2010**
(24) Date from which industrial property rights may have effect: **14 April 2010**
(54) Product in respect of which the design is registered: **An extrusion**
(51) International Design Classification: **25-01K**
(71) Name(s) and Address(s) of Applicant(s):
Aluminium Specialities Group Pty Ltd
3 Alspec Place Eastern Creek New South Wales 2766 Australia
(72) Name(s) of Designer(s): **Wally Zygmund**
(45) Registration Date: **10 May 2010**
(56) Related Art Documents: **Not Applicable**
(57) Statement of Newness and Distinctiveness: **Newness and distinctiveness resides in the features of shape and/or configuration of an extrusion of indefinite length as shown in the accompanying drawings.**



- (21) Design Number: **11370/2010**
(22) Date of Filing Application: **14 April 2010**
(24) Date from which industrial property rights may have effect: **14 April 2010**
(54) Product in respect of which the design is registered: **An extrusion**
(51) International Design Classification: **25-01K**
(71) Name(s) and Address(s) of Applicant(s):
Aluminium Specialities Group Pty Ltd
3 Alspec Place Eastern Creek New South Wales 2766 Australia
(72) Name(s) of Designer(s): **Wally Zygmund**
(45) Registration Date: **10 May 2010**
(56) Related Art Documents: **Not Applicable**
(57) Statement of Newness and Distinctiveness: **Newness and distinctiveness resides in the features of shape and/or configuration of an extrusion of indefinite length as shown in the accompanying drawings.**



- (21) Design Number: **11371/2010**
(22) Date of Filing Application: **14 April 2010**
(24) Date from which industrial property rights may have effect: **14 April 2010**
(54) Product in respect of which the design is registered: **An extrusion**
(51) International Design Classification: **25-01K**
(71) Name(s) and Address(s) of Applicant(s):
Aluminium Specialities Group Pty Ltd
3 Alspeg Place Eastern Creek New South Wales 2766 Australia
(72) Name(s) of Designer(s): **Wally Zygmund**
(45) Registration Date: **10 May 2010**
(56) Related Art Documents: **Not Applicable**
(57) Statement of Newness and Distinctiveness: **Newness and distinctiveness resides in the features of shape and/or configuration of an extrusion of indefinite length as shown in the accompanying drawings.**



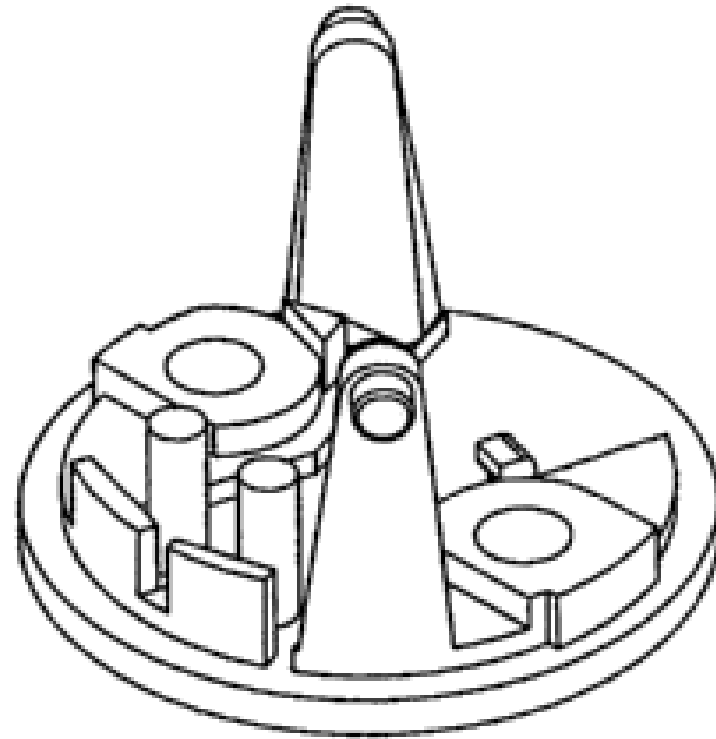
- (21) Design Number: **11372/2010**
(22) Date of Filing Application: **14 April 2010**
(24) Date from which industrial property rights may have effect: **14 April 2010**
(54) Product in respect of which the design is registered: **Cigarette**
(51) International Design Classification: **27-01**
(71) Name(s) and Address(s) of Applicant(s):
Philip Morris Products S.A.
Quai Jeanrenaud 3 2000 Neuchatel Switzerland
(72) Name(s) of Designer(s): **Jacques Weiss**
(45) Registration Date: **10 May 2010**
(30) Convention priority data:

(31) Number	(32) Date	(33) Country
001624438	15 Oct 2009	EUROPEAN COMMUNITY

(56) Related Art Documents: **Not Applicable**
(57) Statement of Newness and Distinctiveness: **Newness and distinctiveness is claimed in the colour of the tipping paper of the cigarette.**

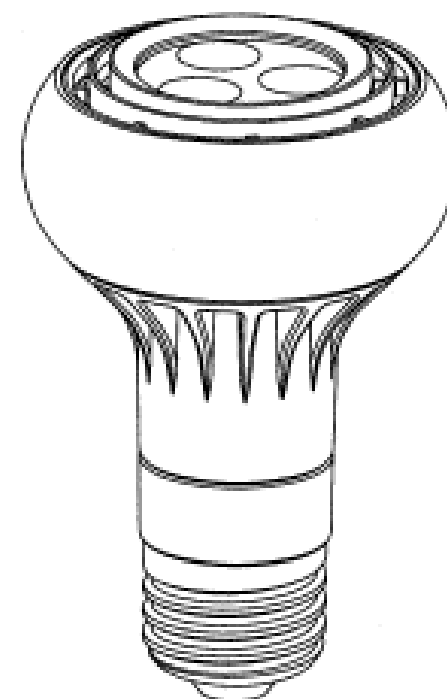


- (21) Design Number: **11347/2010**
- (22) Date of Filing Application: **14 April 2010**
- (24) Date from which industrial property rights may have effect: **14 April 2010**
- (54) Product in respect of which the design is registered: **Photoelectric cell base**
- (51) International Design Classification: **13-03D**
- (71) Name(s) and Address(s) of Applicant(s):
Hendon Semiconductors Pty Ltd
1 Butler Drive Hendon South Australia 5041 Australia
- (72) Name(s) of Designer(s): **Steve Fraser and Laurance Dahdah**
- (45) Registration Date: **10 May 2010**
- (56) Related Art Documents: **Not Applicable**
- (57) Statement of Newness and Distinctiveness: **Newness and distinctiveness is claimed in the features of shape and/or configuration of a key of a photoelectric cell base as illustrated in the accompanying representations and marked 'A' in the right, left and bottom elevation views.**



- (21) Design Number: **11349/2010**
- (22) Date of Filing Application: **14 April 2010**
- (24) Date from which industrial property rights may have effect: **14 April 2010**
- (54) Product in respect of which the design is registered: **Solid state lighting spot**
- (51) International Design Classification: **26-04**
- (71) Name(s) and Address(s) of Applicant(s):
Koninklijke Philips Electronics N.V.
Groenewoudseweg 1 5621 BA Eindhoven The Netherlands
- (72) Name(s) of Designer(s): **Jin-Young Song and Yongsu Bi**
- (45) Registration Date: **10 May 2010**
- (30) Convention priority data:

(31) Number	(32) Date	(33) Country
001623976-0001	14 Oct 2009	EUROPEAN COMMUNITY
- (56) Related Art Documents: **Not Applicable**
- (57) Statement of Newness and Distinctiveness: **Newness and distinctiveness reside in the features of shape and configuration of the design as shown in the representations.**



(21) Design Number: **11350/2010**

(22) Date of Filing Application: **14 April 2010**

(24) Date from which industrial property rights may have effect: **14 April 2010**

(54) Product in respect of which the design is registered: **Bottle**

(51) International Design Classification: **09-01K**

(71) Name(s) and Address(s) of Applicant(s):

SAVERGLASS

3 rue de la Gare 60960 Feuquieres France

(72) Name(s) of Designer(s): **Richard Lauret**

(45) Registration Date: **10 May 2010**

(30) Convention priority data:

(31) Number

(32) Date

(33) Country

001624008-0001 14 Oct 2009

EUROPEAN COMMUNITY

(56) Related Art Documents: **Not Applicable**

(57) Statement of Newness and Distinctiveness: **Newness and distinctiveness reside in the features of the design shown in solid lines in the representations and, in particular, the cylindrical, thickset bottle with a slanting shoulder and a punt repeating the slanting shape of the shoulder and the cylindrical neck but excluding those features shown in broken lines.**



(21) Design Number: **11351/2010**

(22) Date of Filing Application: **14 April 2010**

(24) Date from which industrial property rights may have effect: **14 April 2010**

(54) Product in respect of which the design is registered: **Bottle**

(51) International Design Classification: **09-01K**

(71) Name(s) and Address(s) of Applicant(s):

SAVERGLASS

3 rue de la Gare 60960 Feuquieres France

(72) Name(s) of Designer(s): **Richard Lauret**

(45) Registration Date: **10 May 2010**

(30) Convention priority data:

(31) Number

(32) Date

(33) Country

001626060-0001 20 Oct 2009

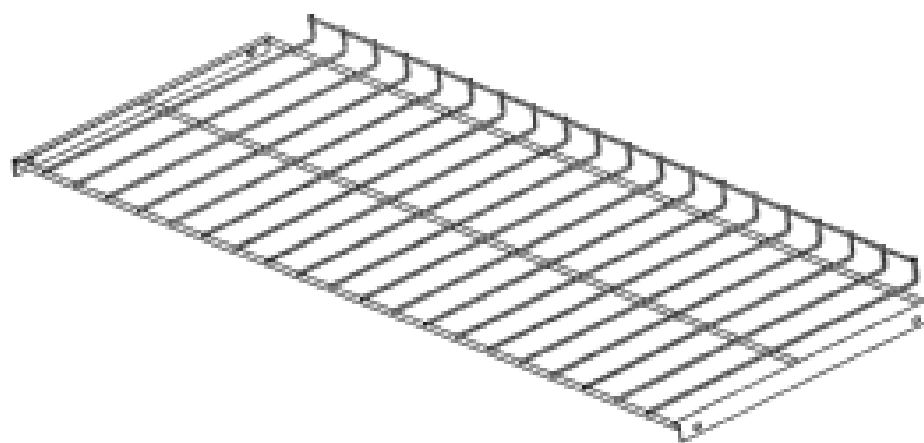
EUROPEAN COMMUNITY

(56) Related Art Documents: **Not Applicable**

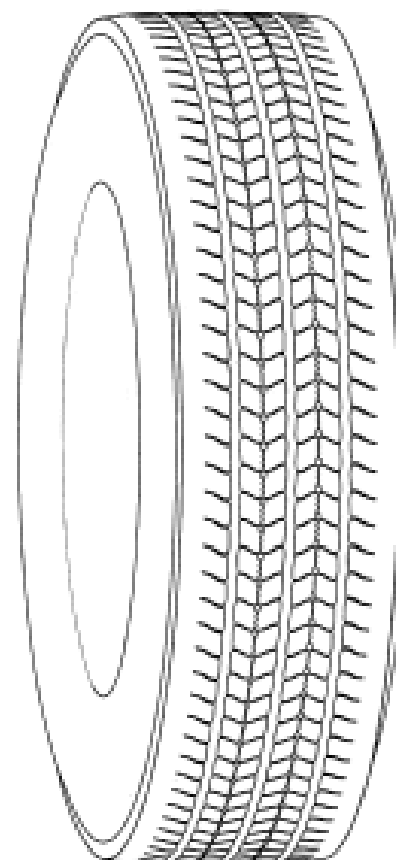
(57) Statement of Newness and Distinctiveness: **Newness and distinctiveness reside in the features of the design shown in solid lines in the representations and, in particular, the substantially cylindrical and oblong body with rounded shoulders and the thick, curved base, but excluding those features shown in broken lines.**



- (21) Design Number: **11352/2010**
(22) Date of Filing Application: **14 April 2010**
(24) Date from which industrial property rights may have effect: **14 April 2010**
(54) Product in respect of which the design is registered: **Shelf**
(51) International Design Classification: **25-02C**
(71) Name(s) and Address(s) of Applicant(s):
Delta Shelving Systems Pty Ltd
32 Regent Crescent Moorebank New South Wales 2170 Australia
(72) Name(s) of Designer(s): **Stephen Eddowes**
(45) Registration Date: **10 May 2010**
(56) Related Art Documents: **Not Applicable**
(57) Statement of Newness and Distinctiveness: **Newness and distinctiveness reside in the features of the shape and configuration of the product as shown in the representations and in particular in the appearance of the combination of a mesh deck with a sheet metal profile located at each side of the deck. The holes in the profile are optional and may be omitted.**



- (21) Design Number: **11353/2010**
(22) Date of Filing Application: **15 April 2010**
(24) Date from which industrial property rights may have effect: **15 April 2010**
(54) Product in respect of which the design is registered: **A tyre**
(51) International Design Classification: **12-15A**
(71) Name(s) and Address(s) of Applicant(s):
Societe De Technologie Michelin
23 rue Breschet F-63000 Clermont-Ferrand Cedex France
Michelin Recherche et Technique S.A.
Route Louis-Braille 10 et 12 CH-1763 Granges-Paccot Switzerland
(72) Name(s) of Designer(s): **Richard Audigier and Stepane Oraison**
(45) Registration Date: **10 May 2010**
(30) Convention priority data:
(31) Number (32) Date (33) Country
09/5035 19 Oct 2009 FRANCE
(56) Related Art Documents: **Not Applicable**
(57) Statement of Newness and Distinctiveness: **Newness and distinctiveness resides in the shape and appearance of the tread region of the tyre as shown in the representations, the remainder of the tyre forming no part of the design.**



(21) Design Number: **11373/2010**

(22) Date of Filing Application: **14 April 2010**

(24) Date from which industrial property rights may have effect: **14 April 2010**

(54) Product in respect of which the design is registered: **Cigarette**

(51) International Design Classification: **27-01**

(71) Name(s) and Address(s) of Applicant(s):

Philip Morris Products S.A.
Quai Jeanrenaud 3 2000 Neuchatel Switzerland

(72) Name(s) of Designer(s): **Jacques Weiss**

(45) Registration Date: **10 May 2010**

(30) Convention priority data:

(31) Number	(32) Date	(33) Country
001624438	15 Oct 2009	EUROPEAN COMMUNITY

(56) Related Art Documents: **Not Applicable**

(57) Statement of Newness and Distinctiveness: **Newness and distinctiveness is claimed in the colour of the tipping paper of the cigarette.**



(21) Design Number: **11374/2010**

(22) Date of Filing Application: **14 April 2010**

(24) Date from which industrial property rights may have effect: **14 April 2010**

(54) Product in respect of which the design is registered: **Cigarette**

(51) International Design Classification: **27-01**

(71) Name(s) and Address(s) of Applicant(s):

Philip Morris Products S.A.
Quai Jeanrenaud 3 2000 Neuchatel Switzerland

(72) Name(s) of Designer(s): **Jacques Weiss**

(45) Registration Date: **10 May 2010**

(30) Convention priority data:

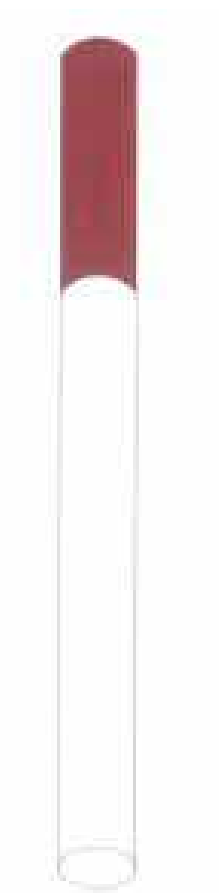
(31) Number	(32) Date	(33) Country
001624438	15 Oct 2009	EUROPEAN COMMUNITY

(56) Related Art Documents: **Not Applicable**

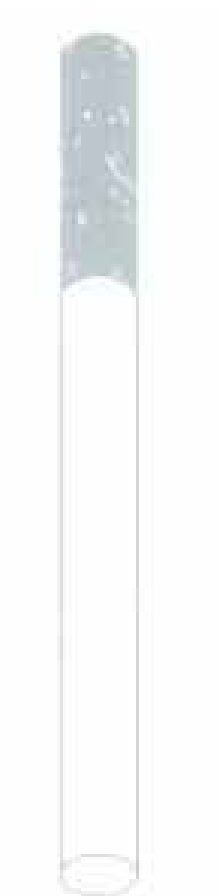
(57) Statement of Newness and Distinctiveness: **Newness and distinctiveness is claimed in the colour of the tipping paper of the cigarette.**



- (21) Design Number: **11375/2010**
(22) Date of Filing Application: **14 April 2010**
(24) Date from which industrial property rights may have effect: **14 April 2010**
(54) Product in respect of which the design is registered: **Cigarette**
(51) International Design Classification: **27-01**
(71) Name(s) and Address(s) of Applicant(s):
Philip Morris Products S.A.
Quai Jeanrenaud 3 2000 Neuchatel Switzerland
(72) Name(s) of Designer(s): **Jacques Weiss**
(45) Registration Date: **10 May 2010**
(30) Convention priority data:
(31) Number (32) Date (33) Country
001624438 15 Oct 2009 EUROPEAN COMMUNITY
(56) Related Art Documents: **Not Applicable**
(57) Statement of Newness and Distinctiveness: **Newness and distinctiveness is claimed in the colour of the tipping paper of the cigarette.**



- (21) Design Number: **11376/2010**
(22) Date of Filing Application: **14 April 2010**
(24) Date from which industrial property rights may have effect: **14 April 2010**
(54) Product in respect of which the design is registered: **Cigarette**
(51) International Design Classification: **27-01**
(71) Name(s) and Address(s) of Applicant(s):
Philip Morris Products S.A.
Quai Jeanrenaud 3 2000 Neuchatel Switzerland
(72) Name(s) of Designer(s): **Jacques Weiss**
(45) Registration Date: **10 May 2010**
(30) Convention priority data:
(31) Number (32) Date (33) Country
001624438 15 Oct 2009 EUROPEAN COMMUNITY
(56) Related Art Documents: **Not Applicable**
(57) Statement of Newness and Distinctiveness: **Newness and distinctiveness is claimed in the colour of the tipping paper of the cigarette.**



- (21) Design Number: **11377/2010**
(22) Date of Filing Application: **14 April 2010**
(24) Date from which industrial property rights may have effect: **14 April 2010**
(54) Product in respect of which the design is registered: **Cigarette**
(51) International Design Classification: **27-01**
(71) Name(s) and Address(s) of Applicant(s):
Philip Morris Products S.A.
Quai Jeanrenaud 3 2000 Neuchatel Switzerland
(72) Name(s) of Designer(s): **Jacques Weiss**
(45) Registration Date: **10 May 2010**
(30) Convention priority data:
(31) Number (32) Date (33) Country
001624438 15 Oct 2009 EUROPEAN COMMUNITY
(56) Related Art Documents: **Not Applicable**
(57) Statement of Newness and Distinctiveness: **Newness and distinctiveness is claimed in the colour of the tipping paper of the cigarette.**



- (21) Design Number: **11378/2010**
(22) Date of Filing Application: **14 April 2010**
(24) Date from which industrial property rights may have effect: **14 April 2010**
(54) Product in respect of which the design is registered: **Cigarette**
(51) International Design Classification: **27-01**
(71) Name(s) and Address(s) of Applicant(s):
Philip Morris Products S.A.
Quai Jeanrenaud 3 2000 Neuchatel Switzerland
(72) Name(s) of Designer(s): **Jacques Weiss**
(45) Registration Date: **10 May 2010**
(30) Convention priority data:
(31) Number (32) Date (33) Country
001624438 15 Oct 2009 EUROPEAN COMMUNITY
(56) Related Art Documents: **Not Applicable**
(57) Statement of Newness and Distinctiveness: **Newness and distinctiveness is claimed in the colour of the tipping paper of the cigarette.**



(21) Design Number: **11379/2010**

(22) Date of Filing Application: **14 April 2010**

(24) Date from which industrial property rights may have effect: **14 April 2010**

(54) Product in respect of which the design is registered: **Cigarette**

(51) International Design Classification: **27-01**

(71) Name(s) and Address(s) of Applicant(s):

**Philip Morris Products S.A.
Quai Jeanrenaud 3 2000 Neuchatel Switzerland**

(72) Name(s) of Designer(s): **Jacques Weiss**

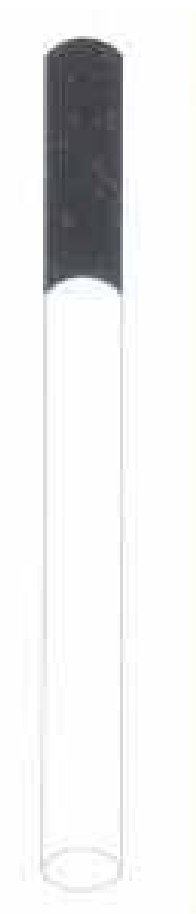
(45) Registration Date: **10 May 2010**

(30) Convention priority data:

(31) Number	(32) Date	(33) Country
001624438	15 Oct 2009	EUROPEAN COMMUNITY

(56) Related Art Documents: **Not Applicable**

(57) Statement of Newness and Distinctiveness: **Newness and distinctiveness is claimed in the colour of the tipping paper of the cigarette.**



(21) Design Number: **11381/2010**

(22) Date of Filing Application: **14 April 2010**

(24) Date from which industrial property rights may have effect: **14 April 2010**

(54) Product in respect of which the design is registered: **Pet treat**

(51) International Design Classification: **01-06**

(71) Name(s) and Address(s) of Applicant(s):

**Mars, Incorporated
6885 Elm Street McLean Virginia 22101 United States of America**

(72) Name(s) of Designer(s): **Emine Unlu and Cari Ann Enot and William Gharibian**

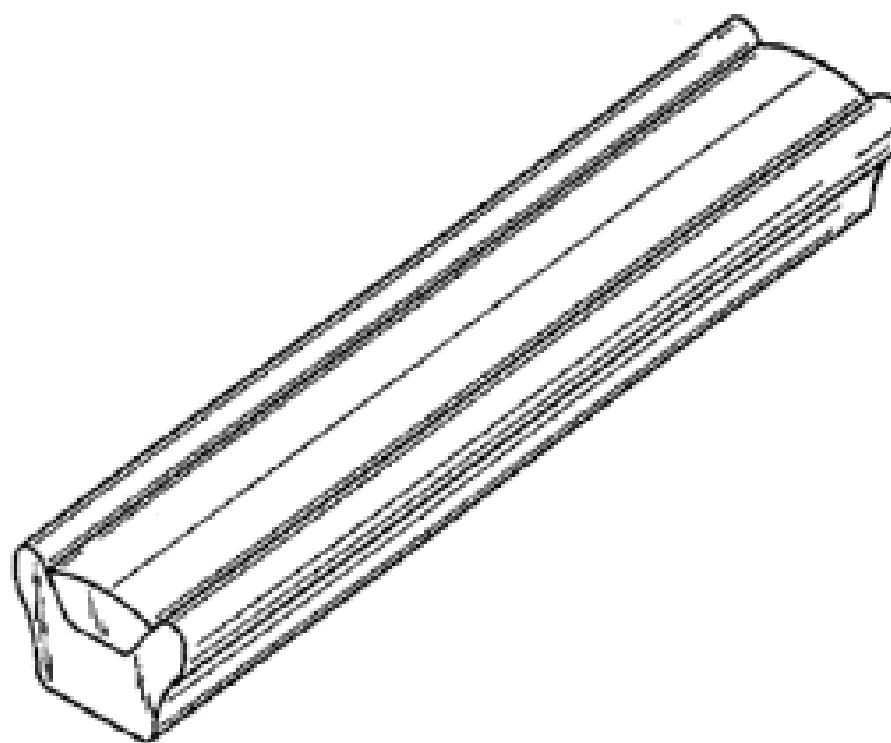
(45) Registration Date: **10 May 2010**

(30) Convention priority data:

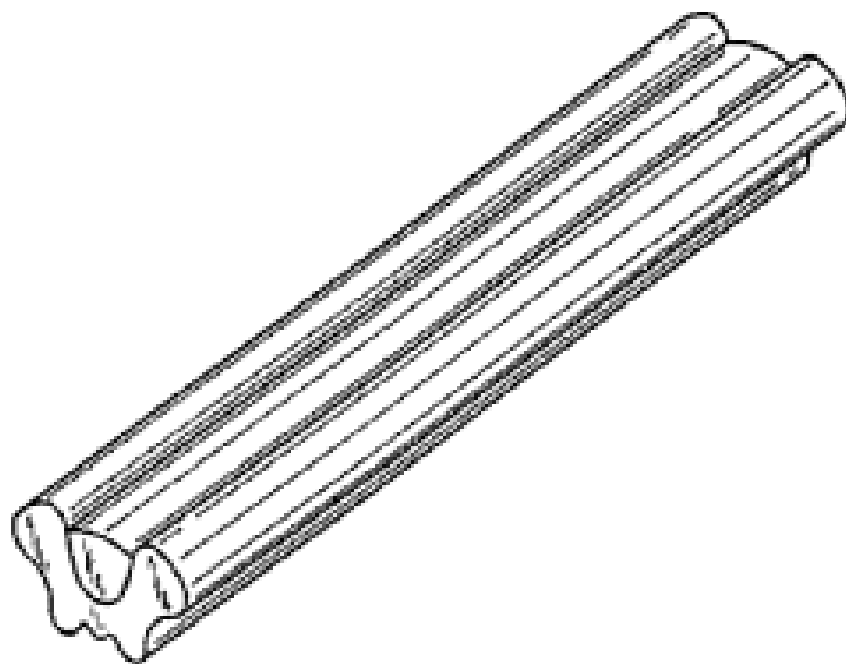
(31) Number	(32) Date	(33) Country
29/354,376	22 Jan 2010	UNITED STATES OF AMERICA

(56) Related Art Documents: **Not Applicable**

(57) Statement of Newness and Distinctiveness: **Nil**



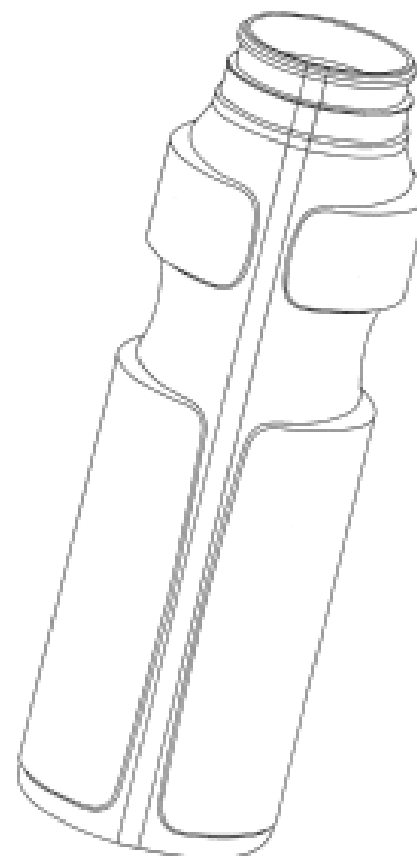
- (21) Design Number: **11382/2010**
(22) Date of Filing Application: **14 April 2010**
(24) Date from which industrial property rights may have effect: **14 April 2010**
(54) Product in respect of which the design is registered: **Pet treat**
(51) International Design Classification: **01-06**
(71) Name(s) and Address(s) of Applicant(s):
Mars, Incorporated
6885 Elm Street McLean Virginia 22101 United States of America
(72) Name(s) of Designer(s): **Emine Unlu and Cari Ann Enot and William Gharibian**
(45) Registration Date: **10 May 2010**
(30) Convention priority data:
(31) Number (32) Date (33) Country
29/353,792 14 Jan 2010 UNITED STATES OF AMERICA
(56) Related Art Documents: **Not Applicable**
(57) Statement of Newness and Distinctiveness: **Nil**



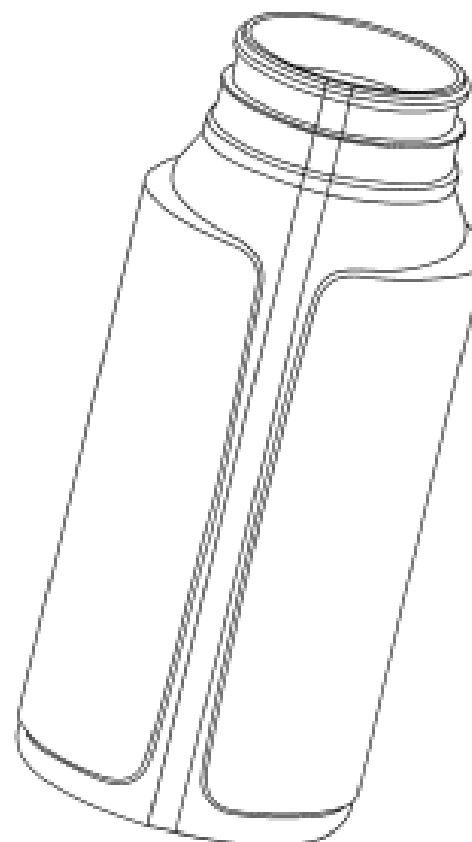
- (21) Design Number: **11146/2010**
(22) Date of Filing Application: **26 March 2010**
(24) Date from which industrial property rights may have effect: **26 March 2010**
(54) Product in respect of which the design is registered: **Sarong**
(51) International Design Classification: **02-02NES**
(71) Name(s) and Address(s) of Applicant(s):
Marina Hanson
112 Bardon Avenue Miami Queensland 4220 Australia
(72) Name(s) of Designer(s): **Marina Juliette Hanson**
(45) Registration Date: **11 May 2010**
(56) Related Art Documents: **Not Applicable**
(57) Statement of Newness and Distinctiveness: **The fabric is held up by both velcro and an elasticised top section, either position just above the bust or around the waist. I had the idea, designed, sewed and produced the product in the beginning of March of 2010.**



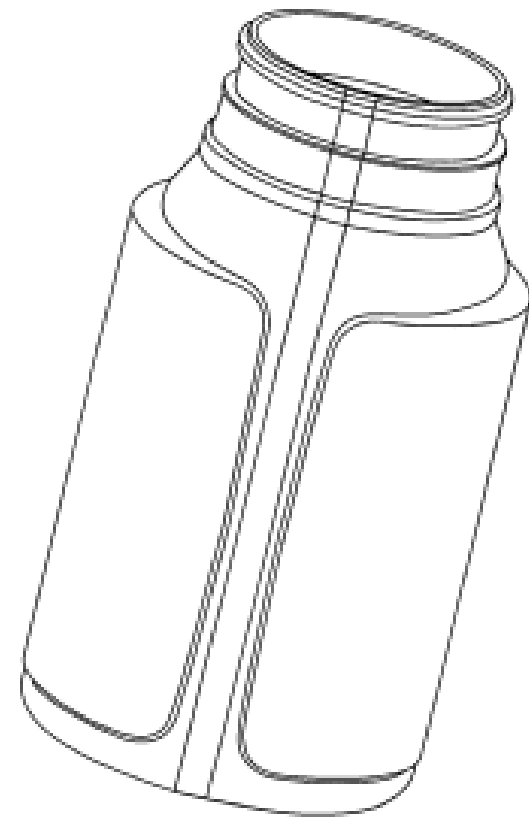
- (21) Design Number: **11360/2010**
(22) Date of Filing Application: **15 April 2010**
(24) Date from which industrial property rights may have effect: **15 April 2010**
(54) Product in respect of which the design is registered: **Multi-purpose drink bottle**
(51) International Design Classification: **09-01NES**
(71) Name(s) and Address(s) of Applicant(s):
Bottles of Australia Pty Limited
Units 1-5 6 Sleigh Place Hume ACT 2620 Australia
(72) Name(s) of Designer(s): **Daniel Armstrong and Nick Robinson**
(45) Registration Date: **11 May 2010**
(56) Related Art Documents: **Not Applicable**
(57) Statement of Newness and Distinctiveness: **Nil**



- (21) Design Number: **11361/2010**
(22) Date of Filing Application: **15 April 2010**
(24) Date from which industrial property rights may have effect: **15 April 2010**
(54) Product in respect of which the design is registered: **Multi-purpose drink bottle**
(51) International Design Classification: **09-01NES**
(71) Name(s) and Address(s) of Applicant(s):
Bottles of Australia Pty Limited
Units 1-5 6 Sleigh Place Hume ACT 2620 Australia
(72) Name(s) of Designer(s): **Daniel Armstrong and Nick Robinson**
(45) Registration Date: **11 May 2010**
(56) Related Art Documents: **Not Applicable**
(57) Statement of Newness and Distinctiveness: **Nil**



- (21) Design Number: **11362/2010**
(22) Date of Filing Application: **15 April 2010**
(24) Date from which industrial property rights may have effect: **15 April 2010**
(54) Product in respect of which the design is registered: **Multi-purpose drink bottle**
(51) International Design Classification: **09-01NES**
(71) Name(s) and Address(s) of Applicant(s):
Bottles of Australia Pty Limited
Units 1-5 6 Sleigh Place Hume ACT 2620 Australia
(72) Name(s) of Designer(s): **Daniel Armstrong and Nick Robinson**
(45) Registration Date: **11 May 2010**
(56) Related Art Documents: **Not Applicable**
(57) Statement of Newness and Distinctiveness: **Nil**



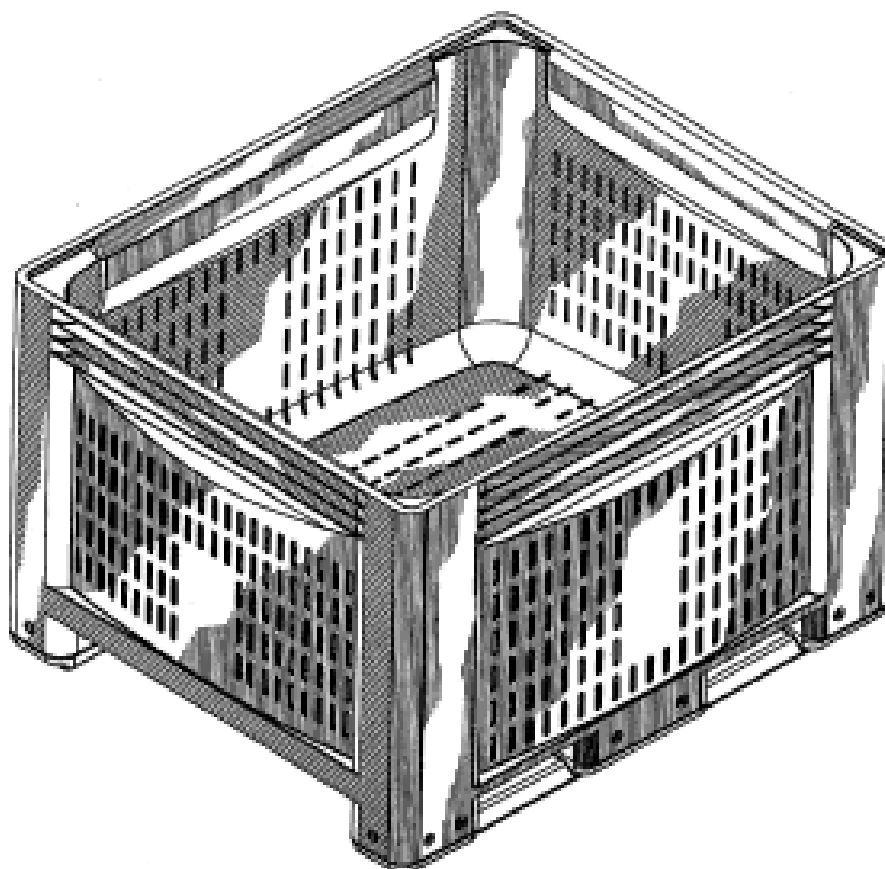
- (21) Design Number: **10041/2010**
(22) Date of Filing Application: **07 January 2010**
(24) Date from which industrial property rights may have effect: **07 January 2010**
(54) Product in respect of which the design is registered: **Rear combination lamp for an automobile**
(51) International Design Classification: **26-06**
(71) Name(s) and Address(s) of Applicant(s):
Toyota Jidosha Kabushiki Kaisha
1 Toyota-cho Toyota-shi Aichi-ken 471-8571 Japan
(72) Name(s) of Designer(s): **Saburo Hazumi and Atsushi Gomi**
(45) Registration Date: **11 May 2010**
(56) Related Art Documents: **Not Applicable**
(57) Statement of Newness and Distinctiveness: **Newness and distinctiveness is claimed in the features of shape and/or configuration of a rear combination lamp for an automobile as illustrated in the accompanying representations.**



- (21) Design Number: **10042/2010**
(22) Date of Filing Application: **07 January 2010**
(24) Date from which industrial property rights may have effect: **07 January 2010**
(54) Product in respect of which the design is registered: **Front bumper for an automobile**
(51) International Design Classification: **12-16C**
(71) Name(s) and Address(s) of Applicant(s):
Toyota Jidosha Kabushiki Kaisha
1 Toyota-cho Toyota-shi Aichi-ken 471-8571 Japan
(72) Name(s) of Designer(s): **Hideo Koyama**
(45) Registration Date: **11 May 2010**
(56) Related Art Documents: **Not Applicable**
(57) Statement of Newness and Distinctiveness: **Newness and distinctiveness is claimed in the features of shape and/or configuration of a front bumper for an automobile as illustrated in the accompanying representations.**



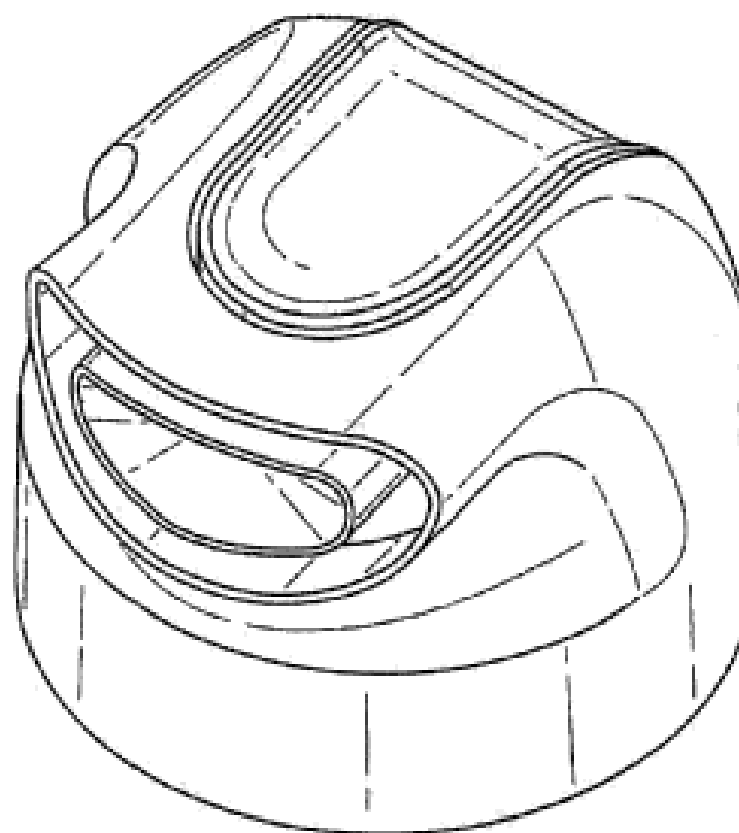
- (21) Design Number: **10813/2010**
(22) Date of Filing Application: **08 March 2010**
(24) Date from which industrial property rights may have effect: **08 March 2010**
(54) Product in respect of which the design is registered: **Bin**
(51) International Design Classification: **09-09**
(71) Name(s) and Address(s) of Applicant(s):
Elvinco Technologies Inc.
Suite 1400-1500 West Georgia Street Vancouver British Columbia V6G 2Z6 Canada
(72) Name(s) of Designer(s): **Flemming Elvin-Jensen**
(45) Registration Date: **11 May 2010**
(56) Related Art Documents: **Not Applicable**
(57) Statement of Newness and Distinctiveness: **The newness and distinctiveness of the design resides in the shape and configuration of a bin as depicted in the representations without regard to the arrays of slots.**



- (21) Design Number: **10834/2010**
(22) Date of Filing Application: **11 March 2010**
(24) Date from which industrial property rights may have effect: **11 March 2010**
(54) Product in respect of which the design is registered: **Remote control key for Land Rover Discovery Series 3 and Range Rover**
(51) International Design Classification: **12-16NES, 08-07**
(71) Name(s) and Address(s) of Applicant(s):
Irena Niewiarowski
115 Paramatta Road Doubleview Western Australia 6018 Australia
Wieslaw Niewiarowski
115 Paramatta Road Doubleview Western Australia 6018 Australia
(72) Name(s) of Designer(s): **Wieslaw Niewiarowski**
(45) Registration Date: **11 May 2010**
(56) Related Art Documents: **Not Applicable**
(57) Statement of Newness and Distinctiveness: **Uniquely shaped key pad made from flexible material type like Silicone, to be inserted in hard shell of Land Rover Discovery 3/Range Rover key replacing worn square/oval button, incorporating 3 Dome shaped buttons separated by thin dividing line, each encircled by narrow flat surface that enhances button shape and gives it elevated effect.**



- (21) Design Number: **10848/2010**
(22) Date of Filing Application: **11 March 2010**
(24) Date from which industrial property rights may have effect: **11 March 2010**
(54) Product in respect of which the design is registered: **Spray cap for aerosol container**
(51) International Design Classification: **09-07A**
(71) Name(s) and Address(s) of Applicant(s):
Reckitt Benckiser Inc.
Morris Corporate Centre IV 399 Interpace Parkway Parisippany 07054
New Jersey United States of America
(72) Name(s) of Designer(s): **Arnoldus Johannus Claassen**
(45) Registration Date: **11 May 2010**
(30) Convention priority data:
(31) Number (32) Date (33) Country
001611401-0001 15 Sep 2009 EUROPEAN COMMUNITY
(56) Related Art Documents: **Not Applicable**
(57) Statement of Newness and Distinctiveness: **Newness and distinctiveness resides in the shape and configuration of a spray cap for aerosol container as shown in the accompanying representations.**



(21) Design Number: **10850/2010**

(22) Date of Filing Application: **11 March 2010**

(24) Date from which industrial property rights may have effect: **11 March 2010**

(54) Product in respect of which the design is registered: **Electrical socket**

(51) International Design Classification: **13-03D, 13-03E**

(71) Name(s) and Address(s) of Applicant(s):

Legrand Australia Pty Ltd

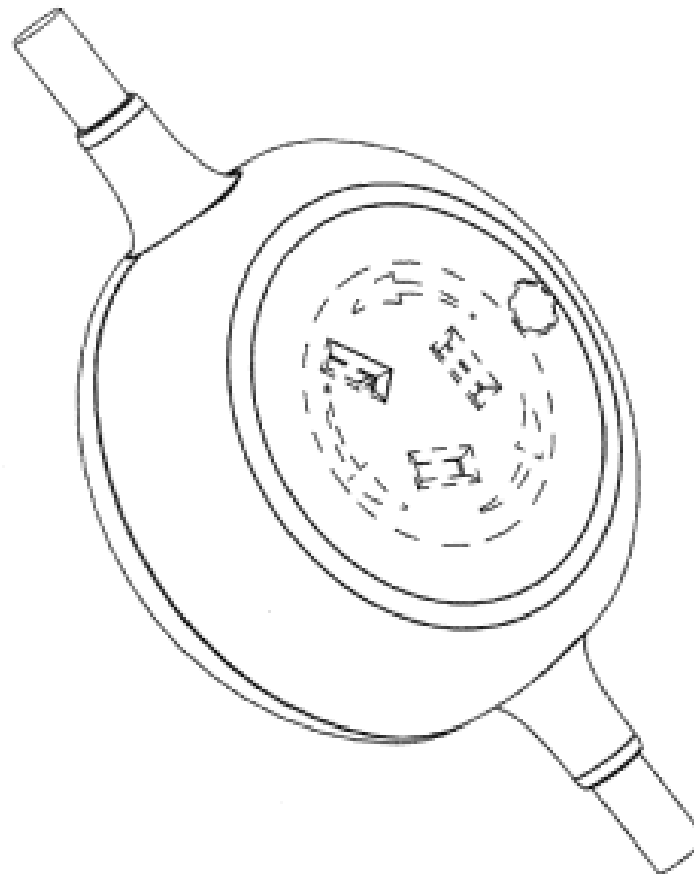
Unit 99 79-99 St Hilliers Road Auburn New South Wales 2144 Australia

(72) Name(s) of Designer(s): **Pradeep Anirudhan and Florent Glennison**

(45) Registration Date: **11 May 2010**

(56) Related Art Documents: **Not Applicable**

(57) Statement of Newness and Distinctiveness: **For the purpose of assessing newness and distinctiveness particular regard should be had to the features of the electrical socket shown in solid outline.**



(21) Design Number: **10851/2010**

(22) Date of Filing Application: **11 March 2010**

(24) Date from which industrial property rights may have effect: **11 March 2010**

(54) Product in respect of which the design is registered: **Electrical plug**

(51) International Design Classification: **13-03D, 13-03E**

(71) Name(s) and Address(s) of Applicant(s):

Legrand Australia Pty Ltd

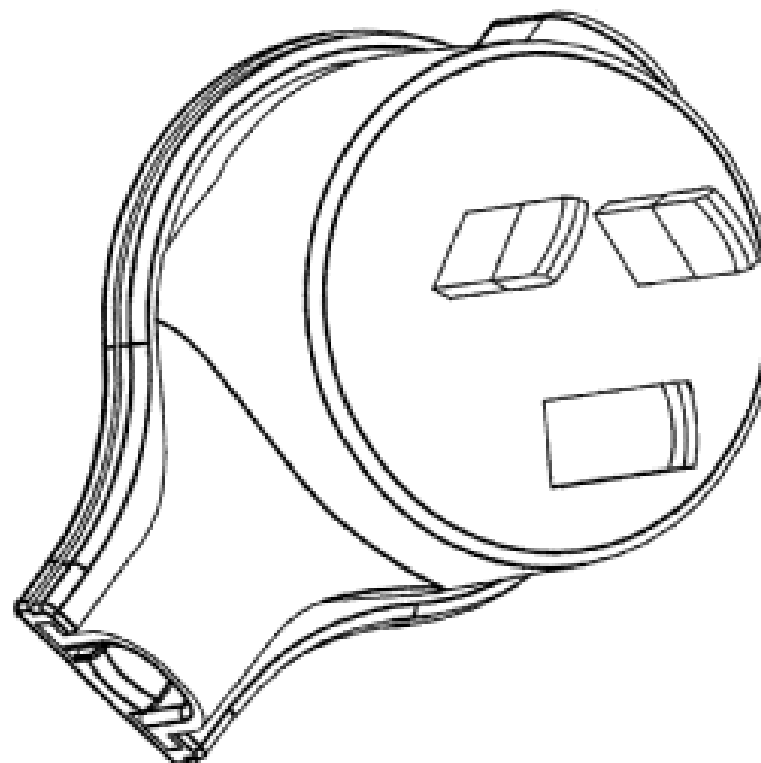
Unit 99 79-99 St Hilliers Road Auburn New South Wales 2144 Australia

(72) Name(s) of Designer(s): **Pradeep Anirudhan and Dennis Galvin**

(45) Registration Date: **11 May 2010**

(56) Related Art Documents: **Not Applicable**

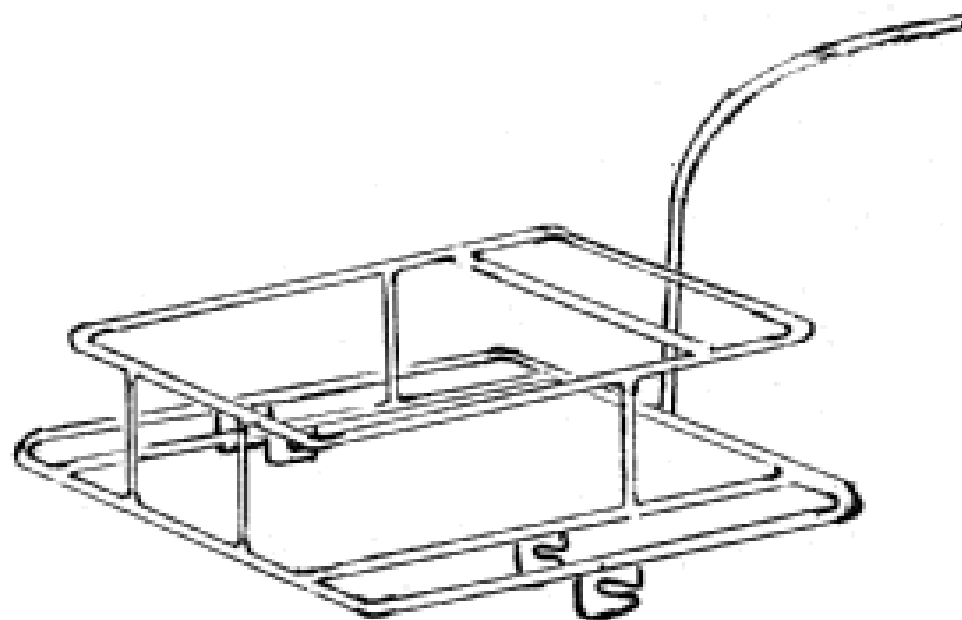
(57) Statement of Newness and Distinctiveness: **When assessing newness and distinctiveness particular regard should be had to the features of the electrical plug shown in solid outline.**



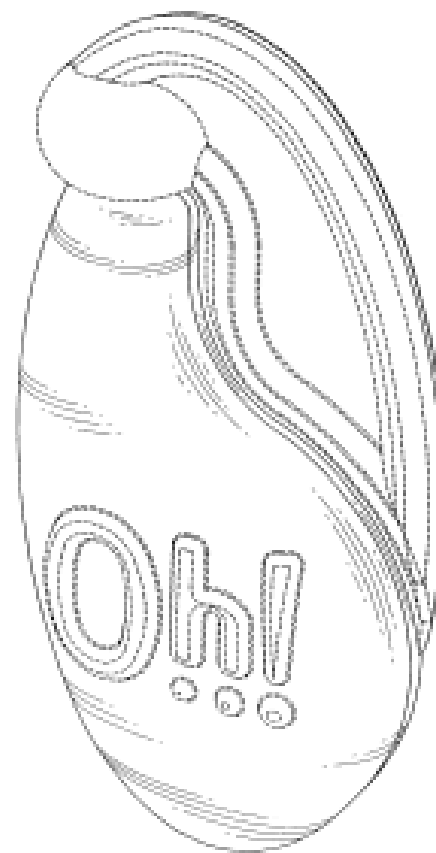
- (21) Design Number: **10852/2010**
(22) Date of Filing Application: **11 March 2010**
(24) Date from which industrial property rights may have effect: **11 March 2010**
(54) Product in respect of which the design is registered: **Eyeglasses**
(51) International Design Classification: **16-06**
(71) Name(s) and Address(s) of Applicant(s):
Panasonic Corporation
1006 Oaza Kadoma Kadoma-shi Osaka 571-8501 Japan
(72) Name(s) of Designer(s): **Masao Yoshikawa and Shigeyuki Takao and Amao Takahashi**
(45) Registration Date: **11 May 2010**
(30) Convention priority data:
(31) Number (32) Date (33) Country
2009-021005 11 Sep 2009 JAPAN
(56) Related Art Documents: **Not Applicable**
(57) Statement of Newness and Distinctiveness: **Newness and distinctiveness is claimed in the features of shape and/or configuration of eyeglasses as illustrated in the accompanying representations.**



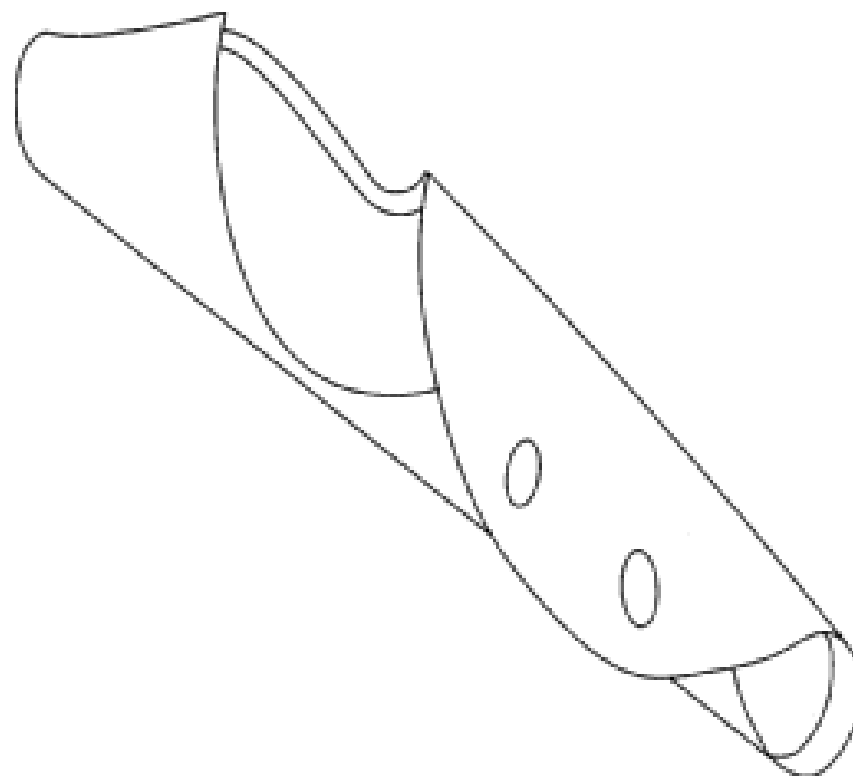
- (21) Design Number: **10877/2010**
(22) Date of Filing Application: **12 March 2010**
(24) Date from which industrial property rights may have effect: **12 March 2010**
(54) Product in respect of which the design is registered: **Bicycle trailer**
(51) International Design Classification: **12-10**
(71) Name(s) and Address(s) of Applicant(s):
John Kulasalu
11 Sadler Drive Maida Vale Perth 6057 Australia
(72) Name(s) of Designer(s): **John Kulasalu**
(45) Registration Date: **11 May 2010**
(56) Related Art Documents: **Not Applicable**
(57) Statement of Newness and Distinctiveness: **Nil**



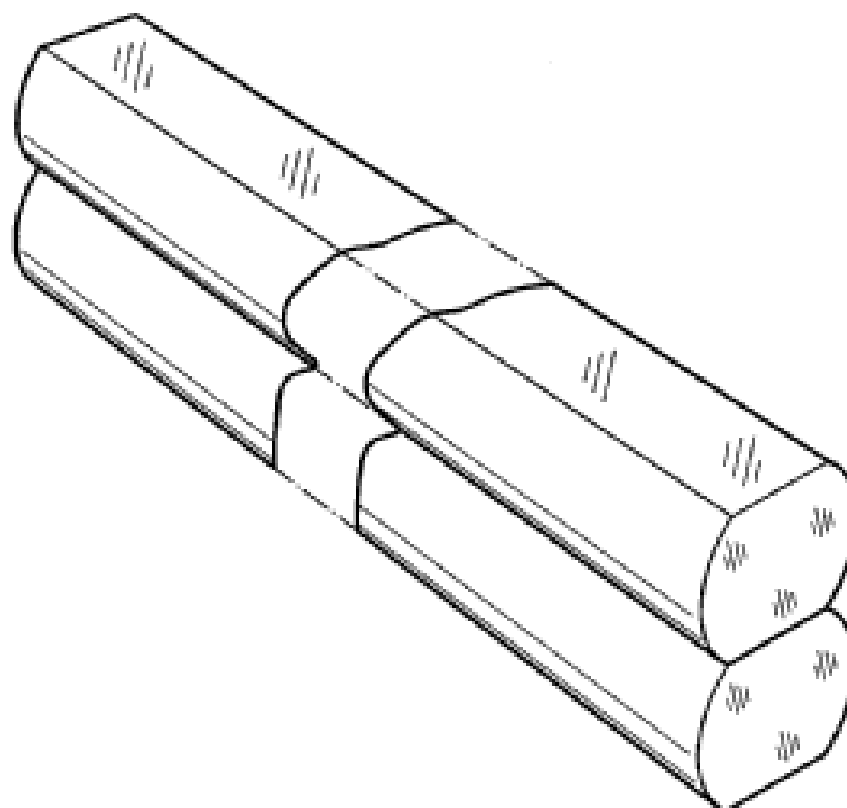
- (21) Design Number: **10899/2010**
(22) Date of Filing Application: **16 March 2010**
(24) Date from which industrial property rights may have effect: **16 March 2010**
(54) Product in respect of which the design is registered: **Ampoule**
(51) International Design Classification: **24-99, 09-05**
(71) Name(s) and Address(s) of Applicant(s):
Ultradent Products, Inc.
505 West 10200 South South Jordan UT 84095 United States of America
(72) Name(s) of Designer(s): **Lynn Peaslee**
(45) Registration Date: **11 May 2010**
(30) Convention priority data:
(31) Number (32) Date (33) Country
29/343,911 21 Sep 2009 UNITED STATES OF AMERICA
(56) Related Art Documents: **Not Applicable**
(57) Statement of Newness and Distinctiveness: **The shape and configuration of those parts of the design shown by means of solid lines in the representations are new and distinctive.**



- (21) Design Number: **11336/2010**
(22) Date of Filing Application: **13 April 2010**
(24) Date from which industrial property rights may have effect: **13 April 2010**
(54) Product in respect of which the design is registered: **A lamp shade**
(51) International Design Classification: **26-05D**
(71) Name(s) and Address(s) of Applicant(s):
Telesa Pirrello
15 Budawang Drive Ulladulla New South Wales 2539 Australia
(72) Name(s) of Designer(s): **Telesa Pirrello**
(45) Registration Date: **11 May 2010**
(56) Related Art Documents: **Not Applicable**
(57) Statement of Newness and Distinctiveness: **Newness and distinctiveness is claimed in the visual features shown in solid lines in the representations.**



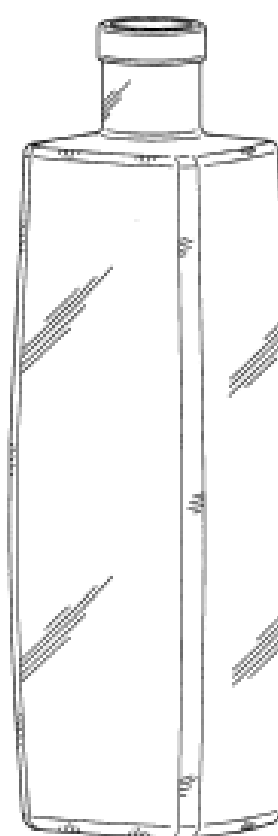
(21) Design Number: **11202/2010**
 (22) Date of Filing Application: **06 April 2010**
 (24) Date from which industrial property rights may have effect: **06 April 2010**
 (54) Product in respect of which the design is registered: **Structural member**
 (51) International Design Classification: **25-01C**
 (71) Name(s) and Address(s) of Applicant(s):
Patrick Thornton
33 Bridge Avenue Oak Flats New South Wales 2529 Australia
 (72) Name(s) of Designer(s): **Patrick Thornton**
 (45) Registration Date: **13 May 2010**
 (56) Related Art Documents: **Not Applicable**
 (57) Statement of Newness and Distinctiveness: **Newness and distinctiveness resides in the features of shape and/or configuration of the cross-sectional profile of a structural member of indefinite length as shown in the accompanying representations.**



(21) Design Number: **11286/2010**
 (22) Date of Filing Application: **12 April 2010**
 (24) Date from which industrial property rights may have effect: **12 April 2010**
 (54) Product in respect of which the design is registered: **Container**
 (51) International Design Classification: **09-01H**
 (71) Name(s) and Address(s) of Applicant(s):
Owens-Brockway Glass Container Inc.
One Michael Owens Way Perrysburg Ohio 43551 United States of America
 (72) Name(s) of Designer(s): **Craig L. Potts**
 (45) Registration Date: **13 May 2010**
 (30) Convention priority data:

(31) Number	(32) Date	(33) Country
29/345333	14 Oct 2009	UNITED STATES OF AMERICA

 (56) Related Art Documents: **Not Applicable**
 (57) Statement of Newness and Distinctiveness: **Nil**



(21) Design Number: **11287/2010**

(22) Date of Filing Application: **12 April 2010**

(24) Date from which industrial property rights may have effect: **12 April 2010**

(54) Product in respect of which the design is registered: **Container**

(51) International Design Classification: **09-01H**

(71) Name(s) and Address(s) of Applicant(s):

**Owens-Brockway Glass Container Inc.
One Michael Owens Way Perrysburg Ohio 43551 United States of
America**

(72) Name(s) of Designer(s): **Craig L. Potts**

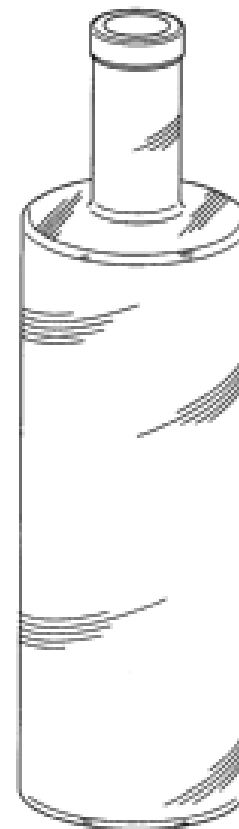
(45) Registration Date: **13 May 2010**

(30) Convention priority data:

(31) Number	(32) Date	(33) Country
29/345334	14 Oct 2009	UNITED STATES OF AMERICA

(56) Related Art Documents: **Not Applicable**

(57) Statement of Newness and Distinctiveness: **Nil**



(21) Design Number: **11288/2010**

(22) Date of Filing Application: **12 April 2010**

(24) Date from which industrial property rights may have effect: **12 April 2010**

(54) Product in respect of which the design is registered: **Container**

(51) International Design Classification: **09-01H**

(71) Name(s) and Address(s) of Applicant(s):

**Owens-Brockway Glass Container Inc.
One Michael Owens Way Perrysburg Ohio 43551 United States of
America**

(72) Name(s) of Designer(s): **Craig L. Potts**

(45) Registration Date: **13 May 2010**

(30) Convention priority data:

(31) Number	(32) Date	(33) Country
29/345336	14 Oct 2009	UNITED STATES OF AMERICA

(56) Related Art Documents: **Not Applicable**

(57) Statement of Newness and Distinctiveness: **Nil**



(21) Design Number: 11289/2010

(22) Date of Filing Application: 12 April 2010

(24) Date from which industrial property rights may have effect: 12 April 2010

(54) Product in respect of which the design is registered: Container

(51) International Design Classification: 09-01NES

(71) Name(s) and Address(s) of Applicant(s):

Owens-Brockway Glass Container Inc.
One Michael Owens Way Perrysburg Ohio 43551 United States of America

(72) Name(s) of Designer(s): Craig L. Potts

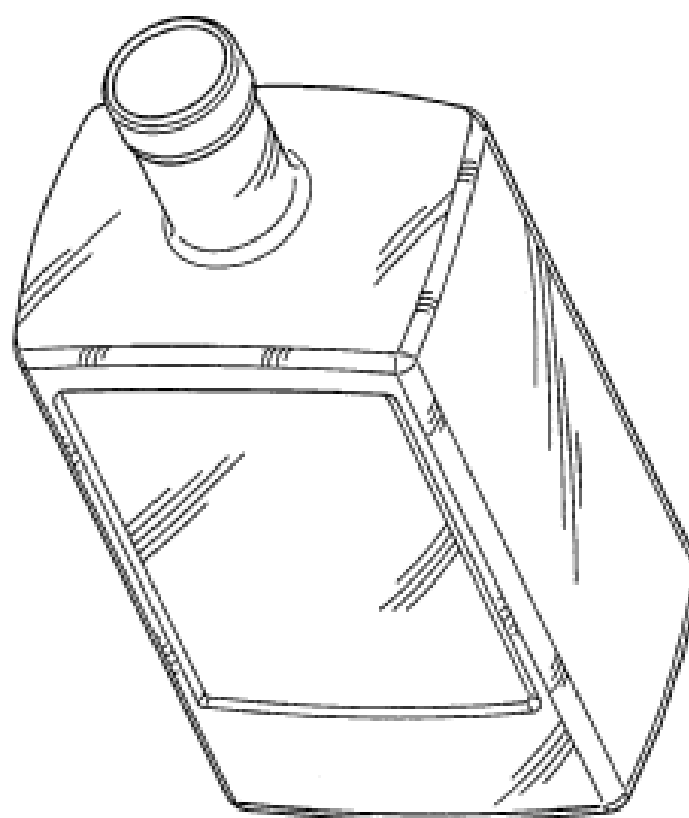
(45) Registration Date: 13 May 2010

(30) Convention priority data:

(31) Number	(32) Date	(33) Country
29/345338	14 Oct 2009	UNITED STATES OF AMERICA

(56) Related Art Documents: Not Applicable

(57) Statement of Newness and Distinctiveness: Nil



(21) Design Number: 11294/2010

(22) Date of Filing Application: 12 April 2010

(24) Date from which industrial property rights may have effect: 12 April 2010

(54) Product in respect of which the design is registered: Cheese grater & storer

(51) International Design Classification: 07-04, 09-03NES

(71) Name(s) and Address(s) of Applicant(s):

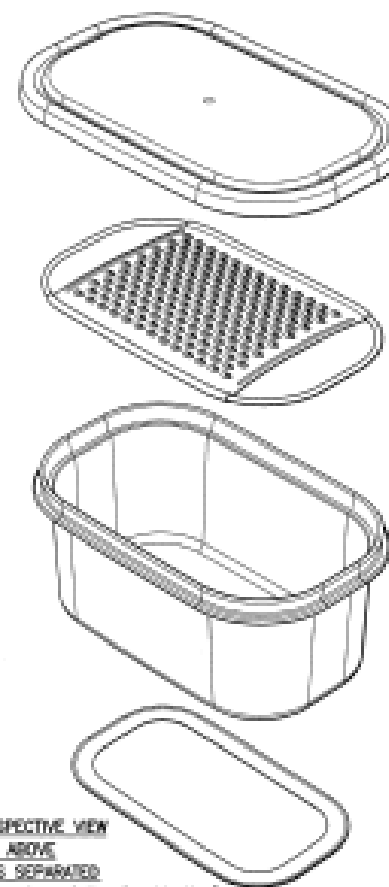
The Decor Corporation Pty Ltd
1314 Ferntree Gully Road Scoresby Victoria 3179 Australia

(72) Name(s) of Designer(s): Tony Wolfenden

(45) Registration Date: 13 May 2010

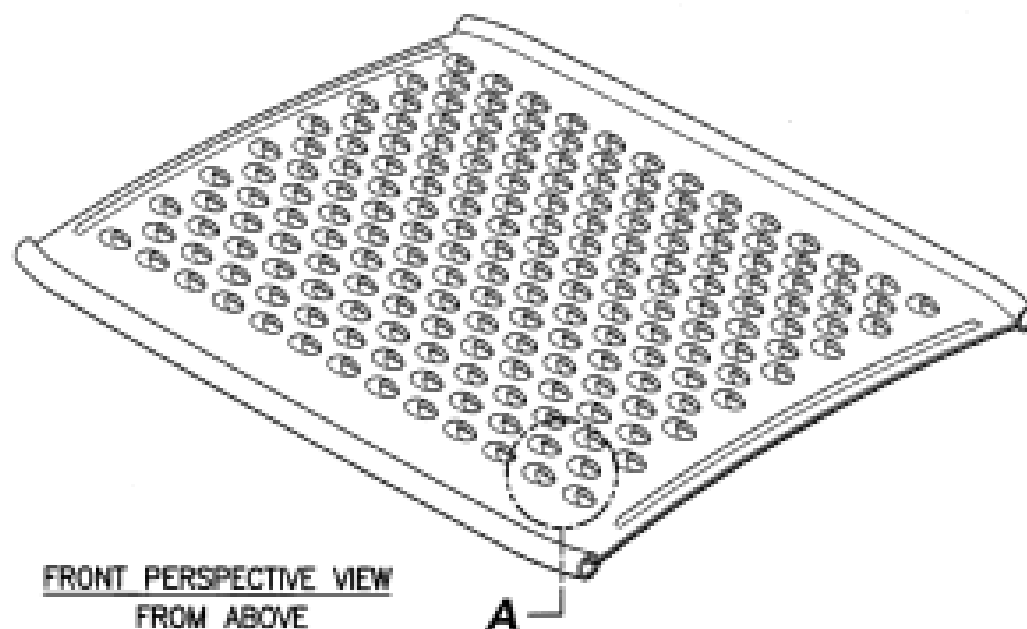
(56) Related Art Documents: Not Applicable

(57) Statement of Newness and Distinctiveness: Newness and distinctiveness are provided by the shape and/or configuration of the design shown in the representations. In this design newness and originality is not claimed in the shape and/or configuration of the grater.

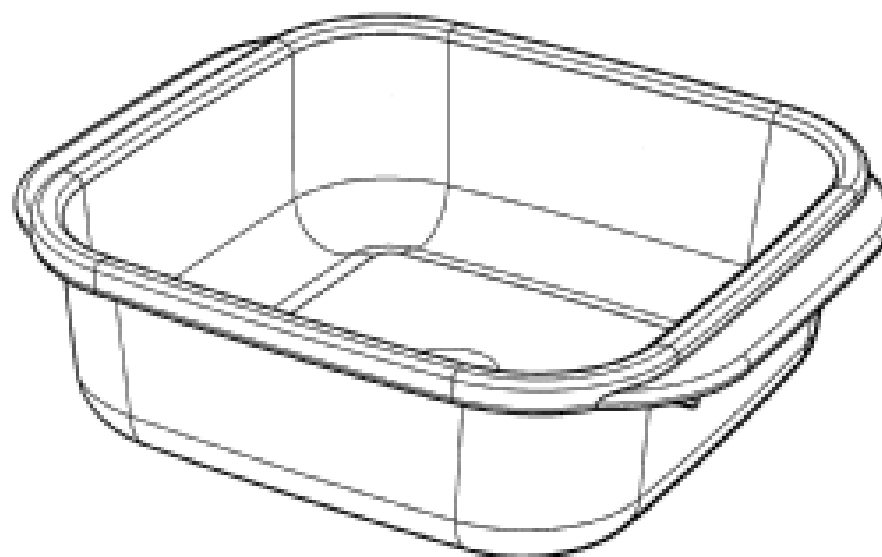


SPECTIVE VIEW
I ABOVE
S SEPARATED
(In view of the Combination)

- (21) Design Number: **11295/2010**
- (22) Date of Filing Application: **12 April 2010**
- (24) Date from which industrial property rights may have effect: **12 April 2010**
- (54) Product in respect of which the design is registered: **Cheese grater**
- (51) International Design Classification: **07-04**
- (71) Name(s) and Address(s) of Applicant(s):
The Decor Corporation Pty Ltd
1314 Ferntree Gully Road Scoresby Victoria 3179 Australia
- (72) Name(s) of Designer(s): **Tony Wolfenden**
- (45) Registration Date: **13 May 2010**
- (56) Related Art Documents: **Not Applicable**
- (57) Statement of Newness and Distinctiveness: **Newness and distinctiveness are provided by the shape and/or configuration of the design shown in the representations.**



- (21) Design Number: **11296/2010**
- (22) Date of Filing Application: **12 April 2010**
- (24) Date from which industrial property rights may have effect: **12 April 2010**
- (54) Product in respect of which the design is registered: **Container**
- (51) International Design Classification: **07-01NES, 09-03NES**
- (71) Name(s) and Address(s) of Applicant(s):
The Decor Corporation Pty Ltd
1314 Ferntree Gully Road Scoresby Victoria 3179 Australia
- (72) Name(s) of Designer(s): **Jim Samartgis**
- (45) Registration Date: **13 May 2010**
- (56) Related Art Documents: **Not Applicable**
- (57) Statement of Newness and Distinctiveness: **Nil**



(21) Design Number: **11313/2010**

(22) Date of Filing Application: **13 April 2010**

(24) Date from which industrial property rights may have effect: **13 April 2010**

(54) Product in respect of which the design is registered: **Pendant light**

(51) International Design Classification: **26-05D**

(71) Name(s) and Address(s) of Applicant(s):

Tristan Kent Gratton
54 Swan Terrace Windsor Queensland 4030 Australia

(72) Name(s) of Designer(s): **Tristan Kent Gratton**

(45) Registration Date: **13 May 2010**

(56) Related Art Documents: **Not Applicable**

(57) Statement of Newness and Distinctiveness: **The new and distinctive features of the design are the x-shaped overlapping sides combined in two square shapes.**



(21) Design Number: **11314/2010**

(22) Date of Filing Application: **13 April 2010**

(24) Date from which industrial property rights may have effect: **13 April 2010**

(54) Product in respect of which the design is registered: **A container**

(51) International Design Classification: **09-02B**

(71) Name(s) and Address(s) of Applicant(s):

A & C Packers Pty Ltd
126 Delta Street Geebung Queensland 4034 Australia

(72) Name(s) of Designer(s): **Mark Stone**

(45) Registration Date: **13 May 2010**

(56) Related Art Documents: **Not Applicable**

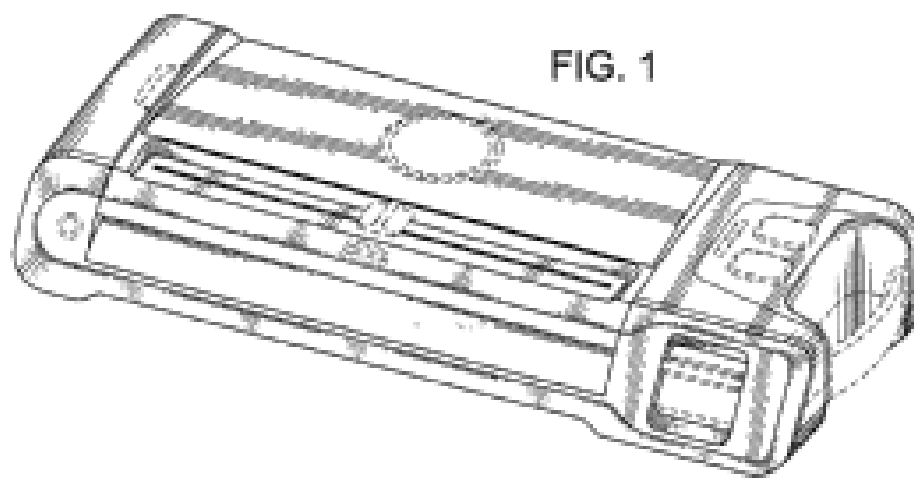
(57) Statement of Newness and Distinctiveness: **Newness and distinctiveness resides in the shape and configuration of the container shown in the accompanying representations. The shape and configuration of the caps for the container are to be disregarded for the purpose of newness and distinctiveness.**



(19) AU

- (21) Design Number: **11315/2010**
- (22) Date of Filing Application: **13 April 2010**
- (24) Date from which industrial property rights may have effect: **13 April 2010**
- (54) Product in respect of which the design is registered: **Vacuum packaging device**
- (51) International Design Classification: **15-99**
- (71) Name(s) and Address(s) of Applicant(s):
Sunbeam Products Inc.
2381 Executive Center Drive Boca Raton FL 33431 United States of America
- (72) Name(s) of Designer(s): **Christopher Hageman and David Mathieu and James Sener and Scott Smith**
- (45) Registration Date: **13 May 2010**
- (30) Convention priority data:

(31) Number	(32) Date	(33) Country
29/345,627	20 Oct 2009	UNITED STATES OF AMERICA
- (56) Related Art Documents: **Not Applicable**
- (57) Statement of Newness and Distinctiveness: **The shape and configuration of those parts of the design shown by means of solid lines in the representations are new and distinctive.**



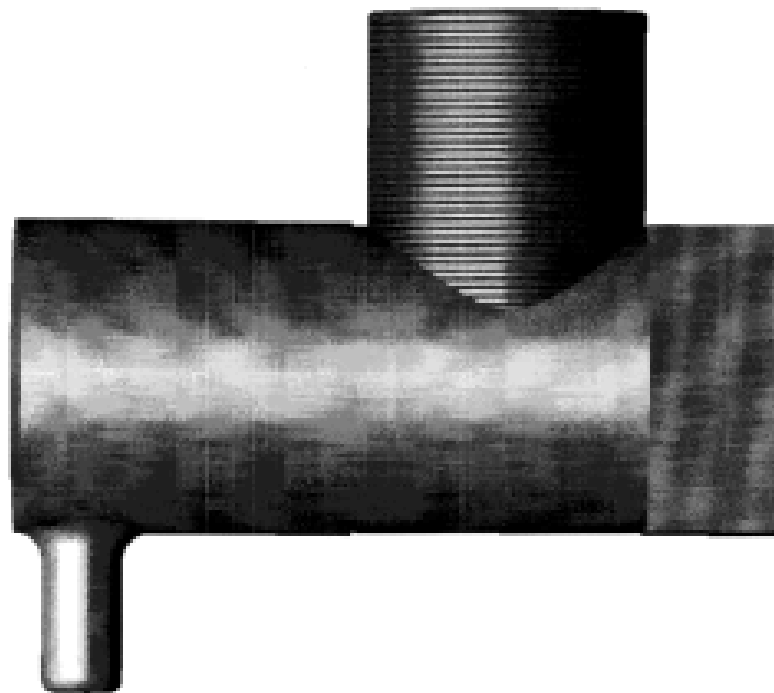
(19) AU

- (21) Design Number: **11316/2010**
- (22) Date of Filing Application: **13 April 2010**
- (24) Date from which industrial property rights may have effect: **13 April 2010**
- (54) Product in respect of which the design is registered: **Blender**
- (51) International Design Classification: **31-00**
- (71) Name(s) and Address(s) of Applicant(s):
Santos (a French societe par actions simpliffee)
140/150 avenue Roger Salengro Vaulx En Velin 69120 France
- (72) Name(s) of Designer(s): **Nicolas Fouquet**
- (45) Registration Date: **13 May 2010**
- (30) Convention priority data:

(31) Number	(32) Date	(33) Country
001170880-0001	15 Oct 2009	EUROPEAN COMMUNITY
- (56) Related Art Documents: **Not Applicable**
- (57) Statement of Newness and Distinctiveness: **We submit a Statement of Newness and Distinctiveness (set out below) in respect of particular visual features of "the design", but in doing so do not imply that other visual features of the design lack newness or distinctiveness. Statement of Newness and Distinctiveness The shape, configuration, shape and configuration, pattern, ornamentation, pattern and ornamentation of the design of the product(s) is/are new and distinctive. When determining the newness and distinctiveness and the monopoly of the design, the alpha numeric information and graduations depicted in the representations do not form part of the design and may be disregarded.**

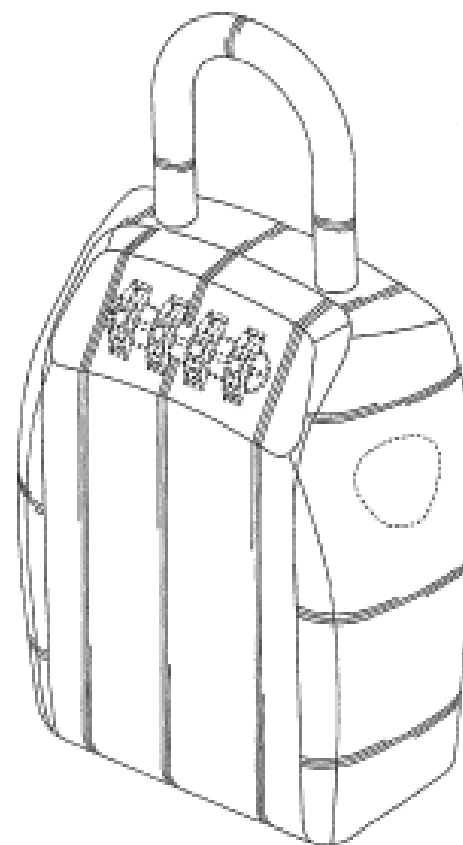


- (21) Design Number: **11317/2010**
- (22) Date of Filing Application: **14 April 2010**
- (24) Date from which industrial property rights may have effect: **14 April 2010**
- (54) Product in respect of which the design is registered: **Tap**
- (51) International Design Classification: **23-01H**
- (71) Name(s) and Address(s) of Applicant(s):
Warren Ewing
19 Lockyer Drive Bray Park Queensland 4500 Australia
- (72) Name(s) of Designer(s): **Warren Ewing**
- (45) Registration Date: **13 May 2010**
- (56) Related Art Documents: **Not Applicable**
- (57) Statement of Newness and Distinctiveness: **Newness and distinctiveness are claimed in the shape and configuration of the tap handle depicted in the accompanying representations.**

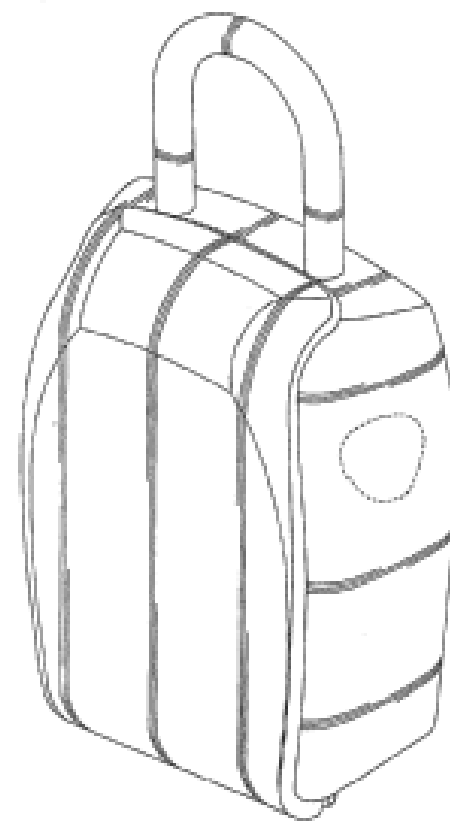


- (21) Design Number: **11319/2010**
- (22) Date of Filing Application: **13 April 2010**
- (24) Date from which industrial property rights may have effect: **13 April 2010**
- (54) Product in respect of which the design is registered: **Safe**
- (51) International Design Classification: **03-01A, 06-04B, 08-07**
- (71) Name(s) and Address(s) of Applicant(s):
Master Lock Company LLC
137 W. Forest Hill Avenue Oak Creek Wisconsin 53154 United States of America
- (72) Name(s) of Designer(s): **Glenn P. Meeka and Dean D. Hacker and Scott B. Stevens**
- (45) Registration Date: **13 May 2010**
- (30) Convention priority data:

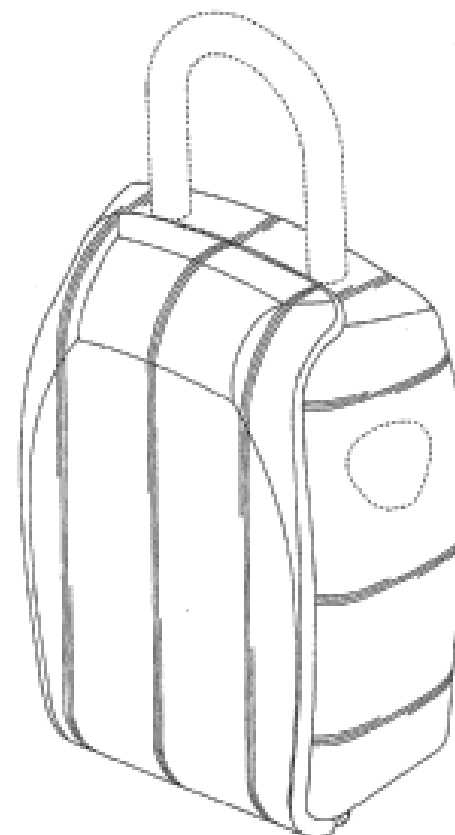
(31) Number	(32) Date	(33) Country
29/346,502	02 Nov 2009	UNITED STATES OF AMERICA
- (56) Related Art Documents: **Not Applicable**
- (57) Statement of Newness and Distinctiveness: **Newness and distinctiveness are provided by the shape and/or configuration of the design shown in the representations. The features shown in broken lines in the representations are for illustrative purposes only and should not be considered when construing visual features of the design.**



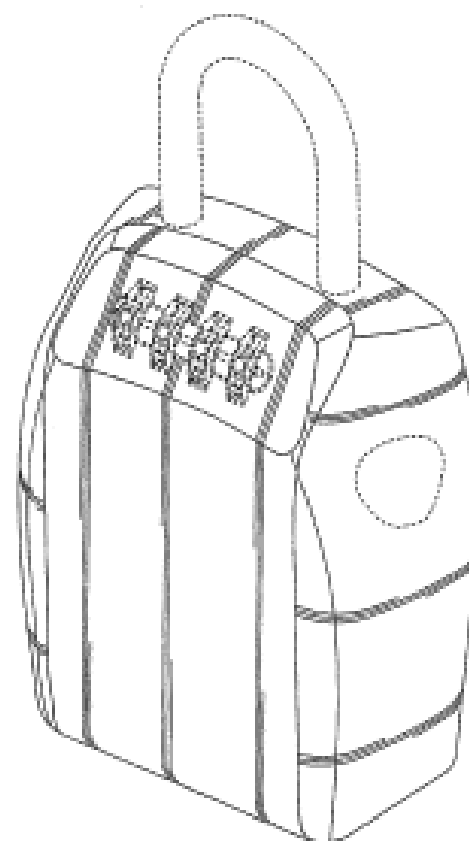
- (21) Design Number: **11320/2010**
(22) Date of Filing Application: **13 April 2010**
(24) Date from which industrial property rights may have effect: **13 April 2010**
(54) Product in respect of which the design is registered: **Safe**
(51) International Design Classification: **03-01A, 06-04B, 08-07**
(71) Name(s) and Address(s) of Applicant(s):
Master Lock Company LLC
137 W. Forest Hill Avenue Oak Creek Wisconsin 53154 United States of America
(72) Name(s) of Designer(s): **Glenn P. Meeka and Dean D. Hacker and Scott B. Stevens**
(45) Registration Date: **13 May 2010**
(30) Convention priority data:
(31) Number (32) Date (33) Country
29/346,502 02 Nov 2009 UNITED STATES OF AMERICA
(56) Related Art Documents: **Not Applicable**
(57) Statement of Newness and Distinctiveness: **Newness and distinctiveness are provided by the shape and/or configuration of the design shown in the representations. The features shown in broken lines in the representations are for illustrative purposes only and should not be considered when construing visual features of the design.**



- (21) Design Number: **11321/2010**
(22) Date of Filing Application: **13 April 2010**
(24) Date from which industrial property rights may have effect: **13 April 2010**
(54) Product in respect of which the design is registered: **Safe**
(51) International Design Classification: **03-01A, 06-04B, 08-07**
(71) Name(s) and Address(s) of Applicant(s):
Master Lock Company LLC
137 W. Forest Hill Avenue Oak Creek Wisconsin 53154 United States of America
(72) Name(s) of Designer(s): **Glenn P. Meeka and Dean D. Hacker and Scott B. Stevens**
(45) Registration Date: **13 May 2010**
(30) Convention priority data:
(31) Number (32) Date (33) Country
29/346,502 02 Nov 2009 UNITED STATES OF AMERICA
(56) Related Art Documents: **Not Applicable**
(57) Statement of Newness and Distinctiveness: **Newness and distinctiveness are provided by the shape and/or configuration of the design shown in the representations. The features shown in broken lines in the representations are for illustrative purposes only and should not be considered when construing visual features of the design.**



- (21) Design Number: **11322/2010**
(22) Date of Filing Application: **13 April 2010**
(24) Date from which industrial property rights may have effect: **13 April 2010**
(54) Product in respect of which the design is registered: **Safe**
(51) International Design Classification: **03-01A, 06-04B, 08-07**
(71) Name(s) and Address(s) of Applicant(s):
Master Lock Company LLC
137 W. Forest Hill Avenue Oak Creek Wisconsin 53154 United States of America
(72) Name(s) of Designer(s): **Glenn P. Meeka and Dean D. Hacker and Scott B. Stevens**
(45) Registration Date: **13 May 2010**
(30) Convention priority data:
(31) Number (32) Date (33) Country
29/346,502 02 Nov 2009 UNITED STATES OF AMERICA
(56) Related Art Documents: **Not Applicable**
(57) Statement of Newness and Distinctiveness: **Newness and distinctiveness are provided by the shape and/or configuration of the design shown in the representations. The features shown in broken lines in the representations are for illustrative purposes only and should not be considered when construing visual features of the design.**



- (21) Design Number: **11323/2010**
(22) Date of Filing Application: **13 April 2010**
(24) Date from which industrial property rights may have effect: **13 April 2010**
(54) Product in respect of which the design is registered: **Ornament**
(51) International Design Classification: **11-02NES**
(71) Name(s) and Address(s) of Applicant(s):
Frank A. Lloyd
PO Box 56 Riverstone New South Wales 2765 Australia
(72) Name(s) of Designer(s): **Frank A. Lloyd**
(45) Registration Date: **13 May 2010**
(56) Related Art Documents: **Not Applicable**
(57) Statement of Newness and Distinctiveness: **Newness and distinctiveness resides in the features of shape and/or configuration of an ornament as illustrated in the accompanying representations.**



(21) Design Number: **11324/2010**

(22) Date of Filing Application: **13 April 2010**

(24) Date from which industrial property rights may have effect: **13 April 2010**

(54) Product in respect of which the design is registered: **Covering**

(51) International Design Classification: **06-13A, 06-13NES**

(71) Name(s) and Address(s) of Applicant(s):

Chilewich Sultan LLC

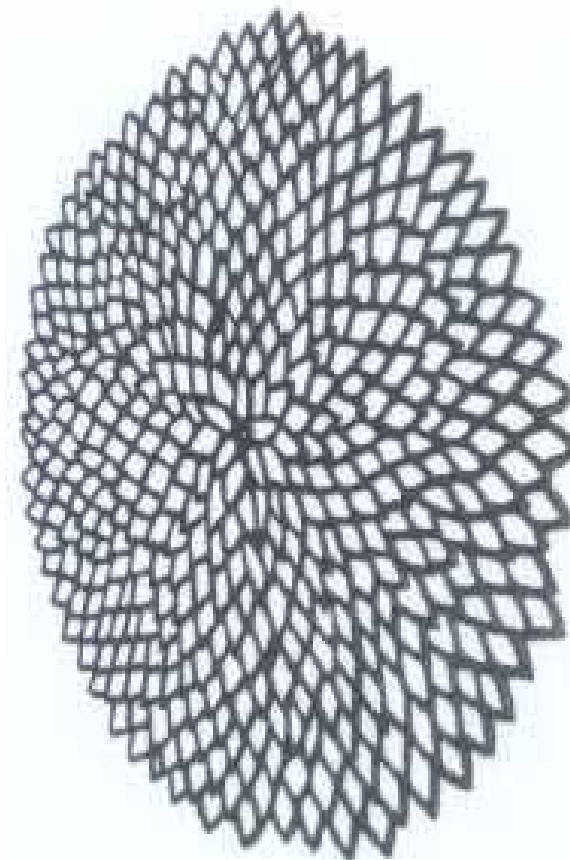
44 East 32nd Street New York New York 10016 United States of America

(72) Name(s) of Designer(s): **Sandra Chilewich**

(45) Registration Date: **13 May 2010**

(56) Related Art Documents: **Not Applicable**

(57) Statement of Newness and Distinctiveness: **Newness and distinctiveness resides in the features of a repetitive pattern and/or ornamentation of a covering having one or more indefinite dimensions as illustrated in the accompanying representations.**



(21) Design Number: **11325/2010**

(22) Date of Filing Application: **13 April 2010**

(24) Date from which industrial property rights may have effect: **13 April 2010**

(54) Product in respect of which the design is registered: **Covering**

(51) International Design Classification: **06-13NES**

(71) Name(s) and Address(s) of Applicant(s):

Chilewich Sultan LLC

44 East 32nd Street New York New York 10016 United States of America

(72) Name(s) of Designer(s): **Sandra Chilewich**

(45) Registration Date: **13 May 2010**

(56) Related Art Documents: **Not Applicable**

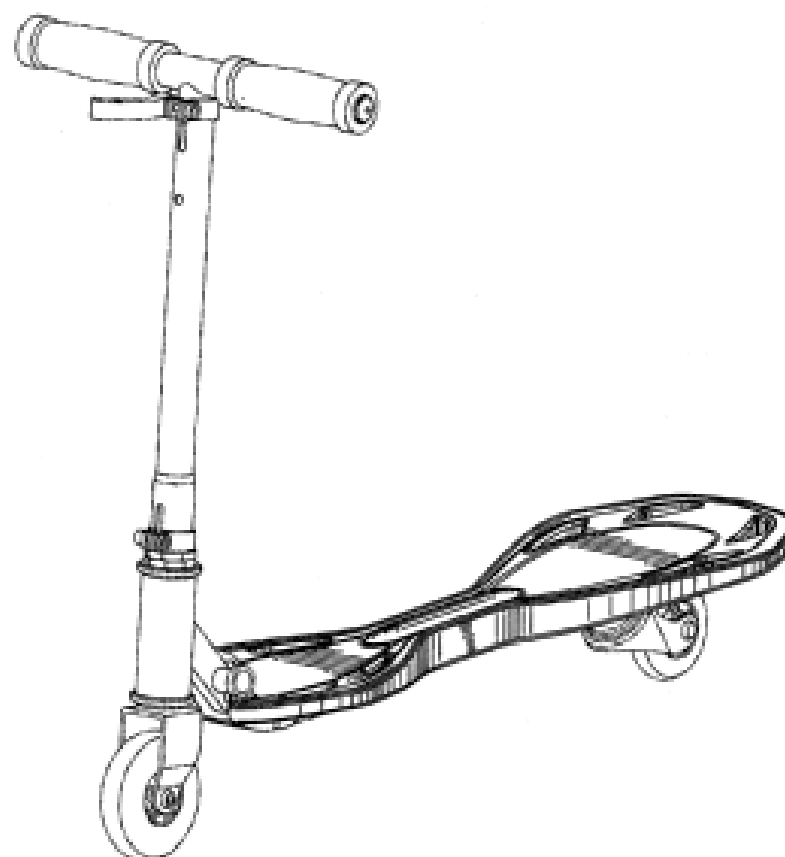
(57) Statement of Newness and Distinctiveness: **Newness and distinctiveness resides in the features of a repetitive pattern and/or ornamentation of a covering having one or more indefinite dimensions as illustrated in the accompanying representations.**



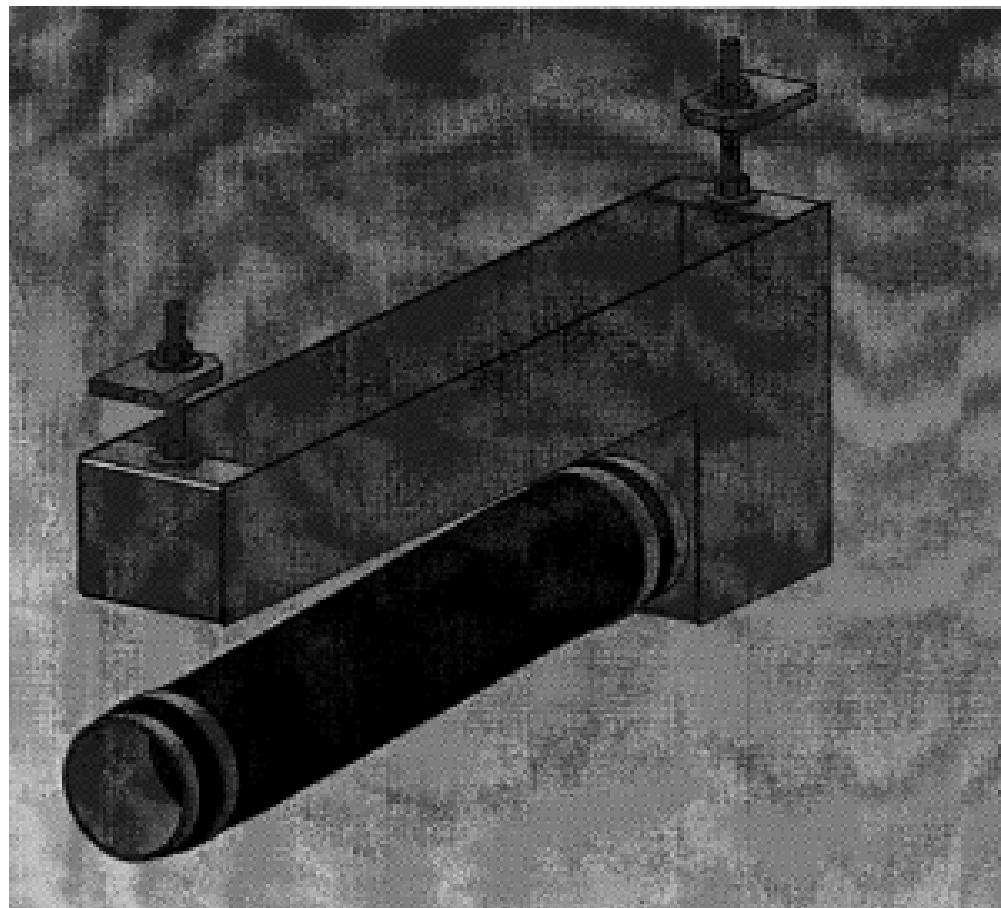
- (21) Design Number: **11326/2010**
(22) Date of Filing Application: **13 April 2010**
(24) Date from which industrial property rights may have effect: **13 April 2010**
(54) Product in respect of which the design is registered: **Covering**
(51) International Design Classification: **06-11**
(71) Name(s) and Address(s) of Applicant(s):
Chilewich Sultan LLC
44 East 32nd Street New York New York 10016 United States of America
(72) Name(s) of Designer(s): **Sandra Chilewich**
(45) Registration Date: **13 May 2010**
(56) Related Art Documents: **Not Applicable**
(57) Statement of Newness and Distinctiveness: **Newness and distinctiveness resides in the features of a repetitive pattern and/or ornamentation of a covering having one or more indefinite dimensions as illustrated in the accompanying representations.**



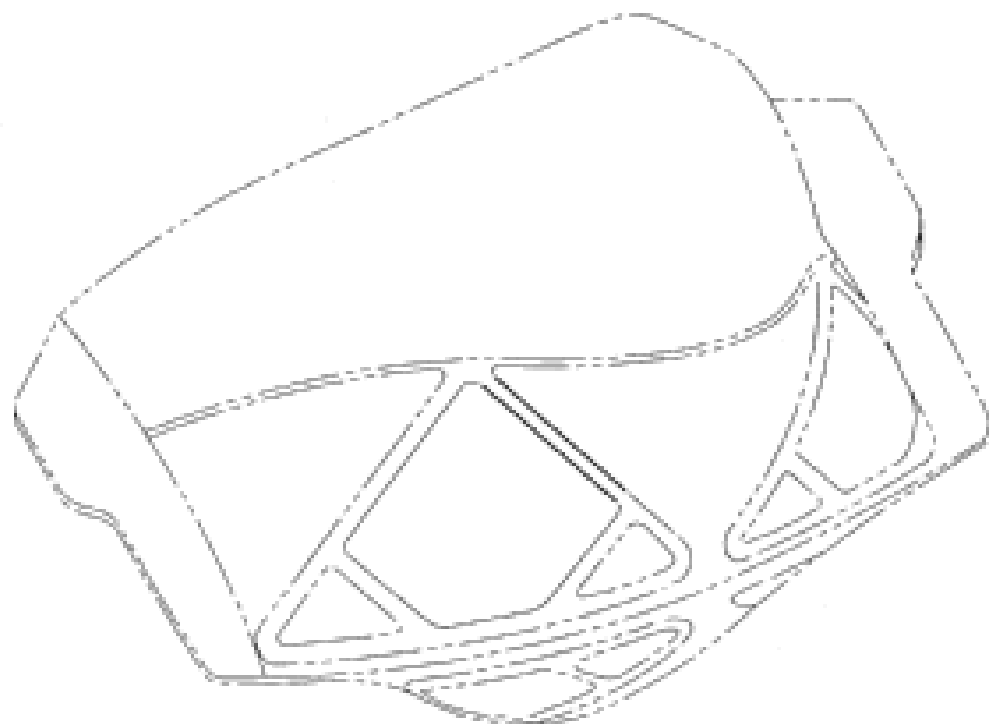
- (21) Design Number: **11397/2010**
(22) Date of Filing Application: **15 April 2010**
(24) Date from which industrial property rights may have effect: **15 April 2010**
(54) Product in respect of which the design is registered: **Scooter**
(51) International Design Classification: **21-01F**
(71) Name(s) and Address(s) of Applicant(s):
Jasun Weiner
456 Bent Street Laguna Beach California 92651 United States of America
(72) Name(s) of Designer(s): **Martin Dalgaard and James Ibon**
(45) Registration Date: **13 May 2010**
(30) Convention priority data:
(31) Number (32) Date (33) Country
29/345,597 19 Oct 2009 UNITED STATES OF AMERICA
(56) Related Art Documents: **Not Applicable**
(57) Statement of Newness and Distinctiveness: **Newness and distinctiveness resides in the visual features of shape and/or configuration of the deck of the scooter. The deck of the scooter is shown in solid lines in the representations and the remainder of the scooter is shown in broken lines in the representations.**



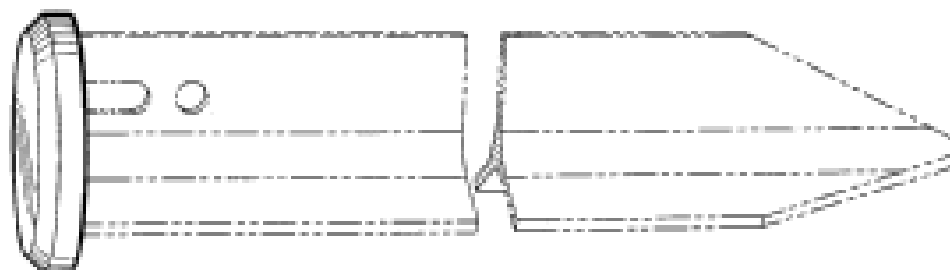
- (21) Design Number: **11400/2010**
(22) Date of Filing Application: **15 April 2010**
(24) Date from which industrial property rights may have effect: **15 April 2010**
(54) Product in respect of which the design is registered: **Universal weir**
(51) International Design Classification: **23-01E, 23-01NES**
(71) Name(s) and Address(s) of Applicant(s):
Sepa Pty. Ltd.
71 Glencoe Street Sutherland New South Wales 2232 Australia
(72) Name(s) of Designer(s): **Roger Andrew Minshull**
(45) Registration Date: **13 May 2010**
(56) Related Art Documents: **Not Applicable**
(57) Statement of Newness and Distinctiveness: **The design pictured comprises a weir with flexible transfer pipe to allow adjustment of height by attached bolts.**



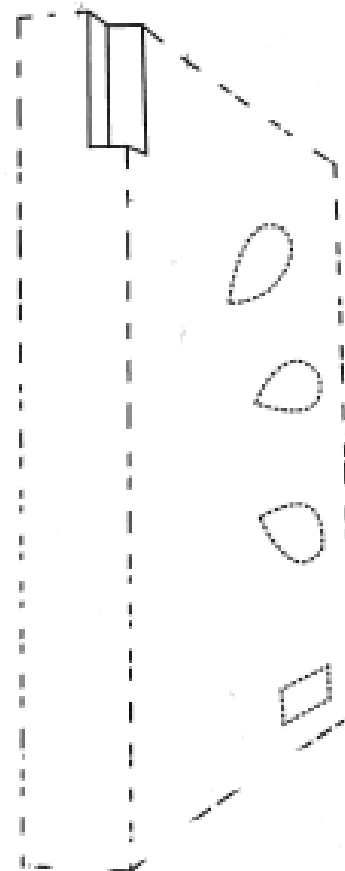
- (21) Design Number: **11402/2010**
(22) Date of Filing Application: **15 April 2010**
(24) Date from which industrial property rights may have effect: **15 April 2010**
(54) Product in respect of which the design is registered: **Fibrous filtration face mask**
(51) International Design Classification: **24-01**
(71) Name(s) and Address(s) of Applicant(s):
3M Innovative Properties Company
3M Center Post Office Box 33427 Saint Paul Minnesota 55133-3427
United States of America
(72) Name(s) of Designer(s): **Dean R. Duffy**
(45) Registration Date: **13 May 2010**
(30) Convention priority data:
(31) Number (32) Date (33) Country
29/345876 23 Oct 2009 UNITED STATES OF AMERICA
(56) Related Art Documents: **Not Applicable**
(57) Statement of Newness and Distinctiveness: **Newness and distinctiveness is claimed in the features of shape and/or configuration of a fibrous filtration face mask having parallel bond lines as shown in solid outline in the accompanying representations.**



- (21) Design Number: **11403/2010**
(22) Date of Filing Application: **15 April 2010**
(24) Date from which industrial property rights may have effect: **15 April 2010**
(54) Product in respect of which the design is registered: **Post**
(51) International Design Classification: **25-02A**
(71) Name(s) and Address(s) of Applicant(s):
Infratec International Pty Ltd
Unit 19 114 Merrindale Drive Croydon Victoria 3136 Australia
(72) Name(s) of Designer(s): **Phil Thompson**
(45) Registration Date: **13 May 2010**
(56) Related Art Documents: **Not Applicable**
(57) Statement of Newness and Distinctiveness: **Newness and originality is claimed in the features of shape and configuration as applied to a post as shown in the representation. Features shown in phantom/dotted lines do not constitute part of the design.**



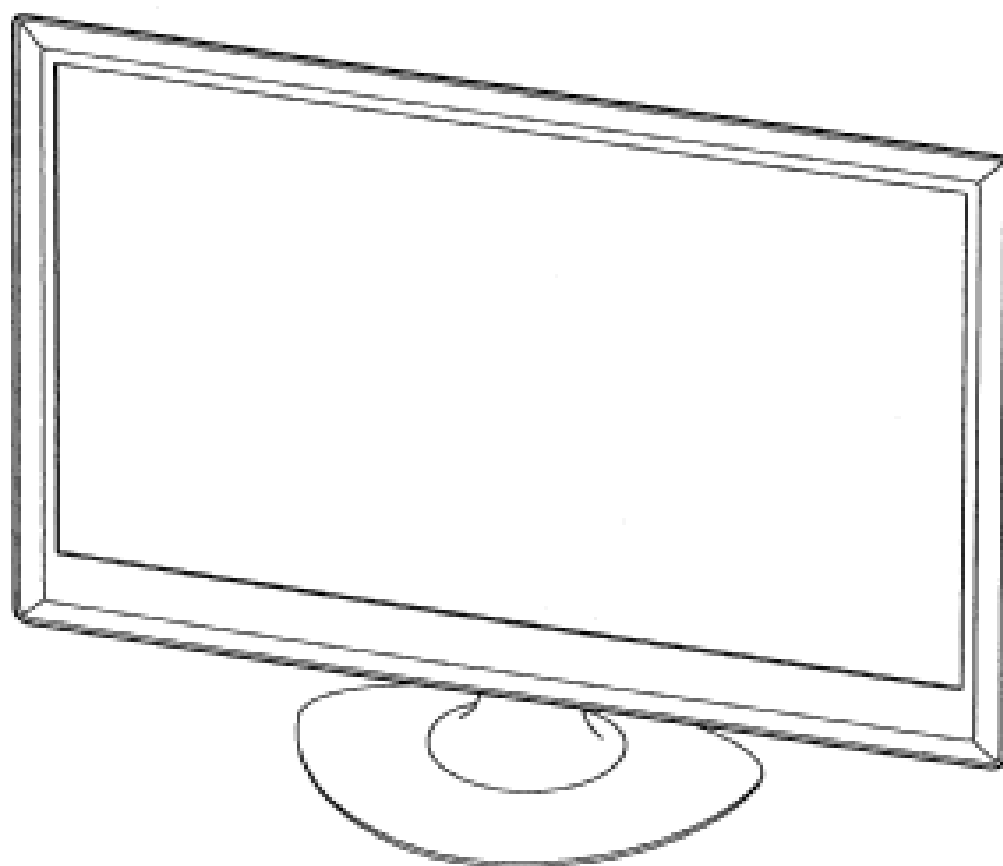
- (21) Design Number: **11404/2010**
(22) Date of Filing Application: **14 April 2010**
(24) Date from which industrial property rights may have effect: **14 April 2010**
(54) Product in respect of which the design is registered: **Document folder**
(51) International Design Classification: **19-04**
(71) Name(s) and Address(s) of Applicant(s):
Acco Australia Pty Ltd
The Lakes Business Park Level 2 8 Lord Street Botany New South Wales 2019 Australia
(72) Name(s) of Designer(s): **Allan Bookin**
(45) Registration Date: **13 May 2010**
(56) Related Art Documents: **Not Applicable**
(57) Statement of Newness and Distinctiveness: **Newness and distinctiveness resides in the visual features, including shape, configuration, pattern and ornamentation, of the recess of the document folder as shown in solid outline in the accompanying drawings. When determining whether the document folder design is substantially similar in overall impression to another design, no particular regard is to be had to those features shown in dotted outline in the accompanying drawings.**



- (21) Design Number: **15099/2009**
(22) Date of Filing Application: **18 December 2009**
(24) Date from which industrial property rights may have effect: **18 December 2009**
(54) Product in respect of which the design is registered: **A chair**
(51) International Design Classification: **06-01G**
(71) Name(s) and Address(s) of Applicant(s):
S2DIO Pty Ltd
30 Cloris Avenue Beaumaris Victoria 3193 Australia
(72) Name(s) of Designer(s): **Andre Schoenmakers**
(45) Registration Date: **17 May 2010**
(56) Related Art Documents: **Not Applicable**
(57) Statement of Newness and Distinctiveness: **Nil**



- (21) Design Number: **11386/2010**
(22) Date of Filing Application: **15 April 2010**
(24) Date from which industrial property rights may have effect: **15 April 2010**
(54) Product in respect of which the design is registered: **LCD television receiver**
(51) International Design Classification: **14-03B**
(71) Name(s) and Address(s) of Applicant(s):
LG Electronics Inc.
20 Yeouido-dong Yeongdeungpo-gu Seoul 150-721 Republic of Korea
(72) Name(s) of Designer(s): **Hyung Yuel Kim and Jun Ki Kim and Sang Gi Kim and Mi Sun Park**
(45) Registration Date: **17 May 2010**
(30) Convention priority data:
(31) Number (32) Date (33) Country
30-2009-0045782 16 Oct 2009 REPUBLIC OF KOREA
(56) Related Art Documents: **Not Applicable**
(57) Statement of Newness and Distinctiveness: **Newness and distinctiveness reside in the features of the shape and configuration of the design as shown in the representations.**



(21) Design Number: **11387/2010**

(22) Date of Filing Application: **14 April 2010**

(24) Date from which industrial property rights may have effect: **14 April 2010**

(54) Product in respect of which the design is registered: **Document folder**

(51) International Design Classification: **19-01**

(71) Name(s) and Address(s) of Applicant(s):

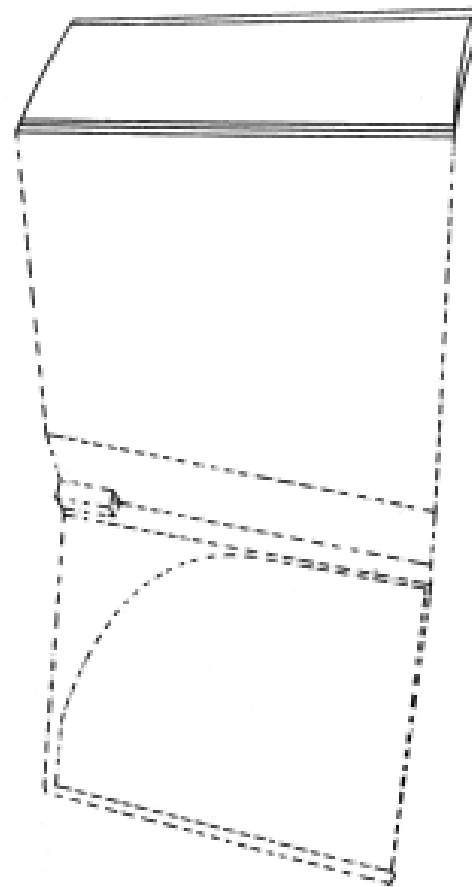
Acco Australia Pty Ltd
The Lakes Business Park Level 2 8 Lord Street Botany New South
Wales 2019 Australia

(72) Name(s) of Designer(s): **Allan Boolkin**

(45) Registration Date: **17 May 2010**

(56) Related Art Documents: **Not Applicable**

(57) Statement of Newness and Distinctiveness: **Newness and distinctiveness resides in the visual features, including shape, configuration, pattern and ornamentation, of the rewritable surface of the document folder as shown in solid outline in the accompanying drawings. When determining whether the document folder design is substantially similar in overall impression to another design, no particular regard is to be had to those features shown in dotted outline in the accompanying drawings.**



(21) Design Number: **11391/2010**

(22) Date of Filing Application: **14 April 2010**

(24) Date from which industrial property rights may have effect: **14 April 2010**

(54) Product in respect of which the design is registered: **Extrusion**

(51) International Design Classification: **25-01K**

(71) Name(s) and Address(s) of Applicant(s):

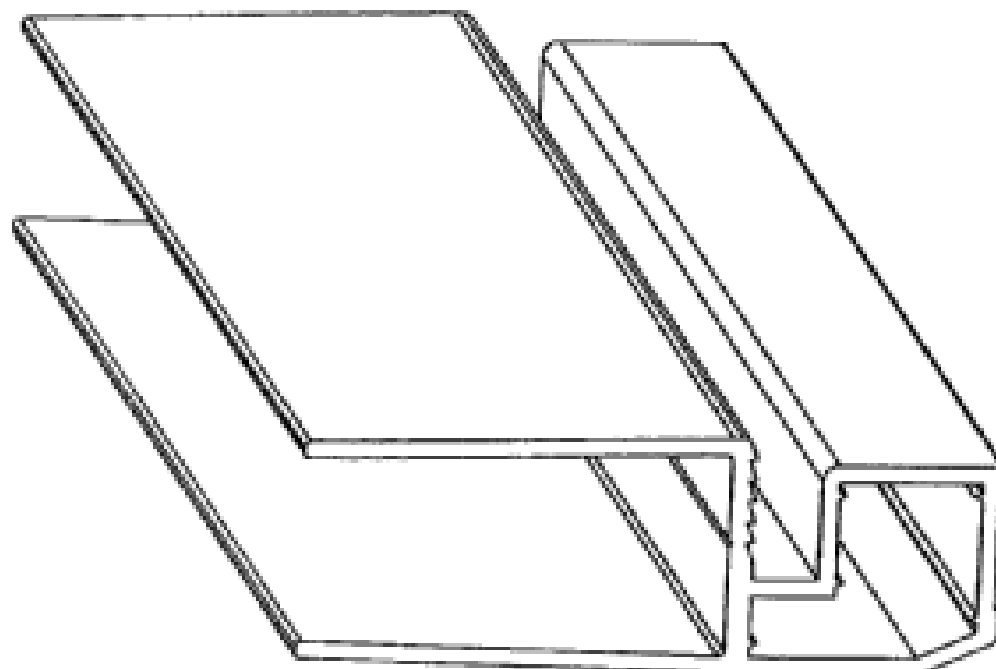
Watts Hardware Mfg Pty Ltd
Level 6 167 Queen Street Melbourne Victoria 3000 Australia

(72) Name(s) of Designer(s): **John Russell Watts**

(45) Registration Date: **17 May 2010**

(56) Related Art Documents: **Not Applicable**

(57) Statement of Newness and Distinctiveness: **Nil**



(21) Design Number: 11392/2010

(22) Date of Filing Application: 14 April 2010

(24) Date from which industrial property rights may have effect: 14 April 2010

(54) Product in respect of which the design is registered: Document folder

(51) International Design Classification: 19-01

(71) Name(s) and Address(s) of Applicant(s):

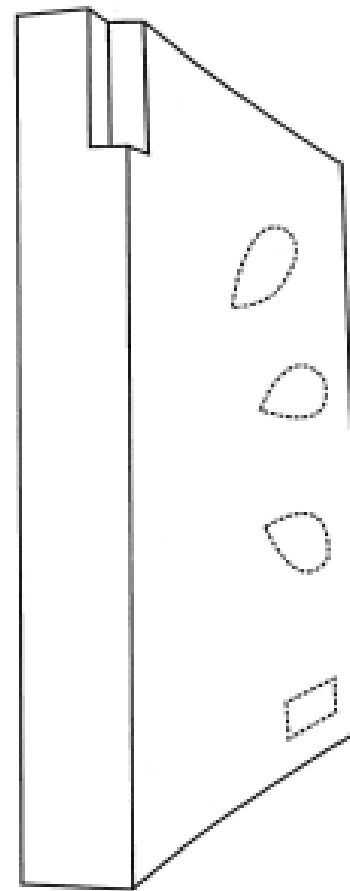
Acco Australia Pty Ltd
The Lakes Business Park Level 2 8 Lord Street Botany New South
Wales 2019 Australia

(72) Name(s) of Designer(s): Allan Boolkin

(45) Registration Date: 17 May 2010

(56) Related Art Documents: Not Applicable

(57) Statement of Newness and Distinctiveness: **Newness and distinctiveness resides in the visual features, including shape, configuration, pattern and ornamentation, of the document folder as shown in solid outline in the accompanying drawings. When determining whether the document folder design is substantially similar in overall impression to another design, no particular regard is to be had to those features shown in dotted outline in the accompanying drawings.**



(21) Design Number: 11393/2010

(22) Date of Filing Application: 14 April 2010

(24) Date from which industrial property rights may have effect: 14 April 2010

(54) Product in respect of which the design is registered: Document folder

(51) International Design Classification: 19-01

(71) Name(s) and Address(s) of Applicant(s):

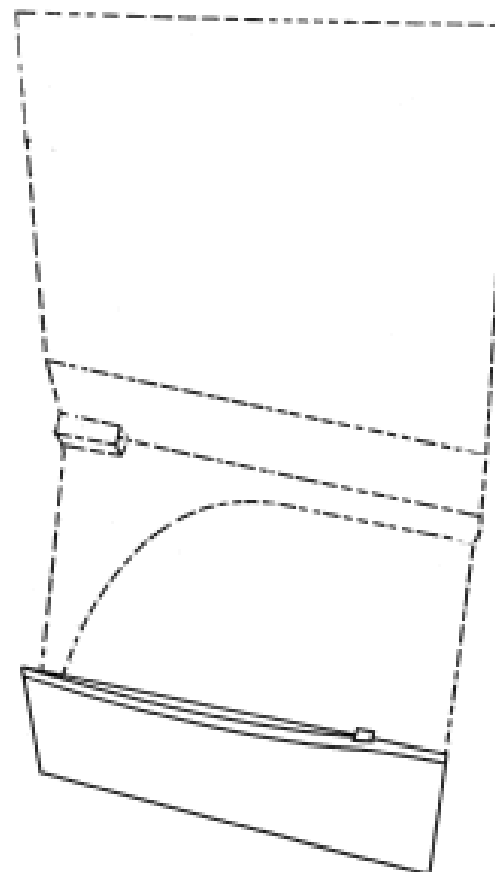
Acco Australia Pty Ltd
The Lakes Business Park Level 2 8 Lord Street Botany New South
Wales 2019 Australia

(72) Name(s) of Designer(s): Allan Boolkin

(45) Registration Date: 17 May 2010

(56) Related Art Documents: Not Applicable

(57) Statement of Newness and Distinctiveness: **Newness and distinctiveness resides in the visual features, including shape, configuration, pattern and ornamentation, of the implement container of the document folder as shown in solid outline in the accompanying drawings. When determining whether the document folder design is substantially similar in overall impression to another design, no particular regard is to be had to those features shown in dotted outline in the accompanying drawings.**



(21) Design Number: **11425/2010**

(22) Date of Filing Application: **19 April 2010**

(24) Date from which industrial property rights may have effect: **19 April 2010**

(54) Product in respect of which the design is registered: **Tank**

(51) International Design Classification: **23-01F**

(71) Name(s) and Address(s) of Applicant(s):

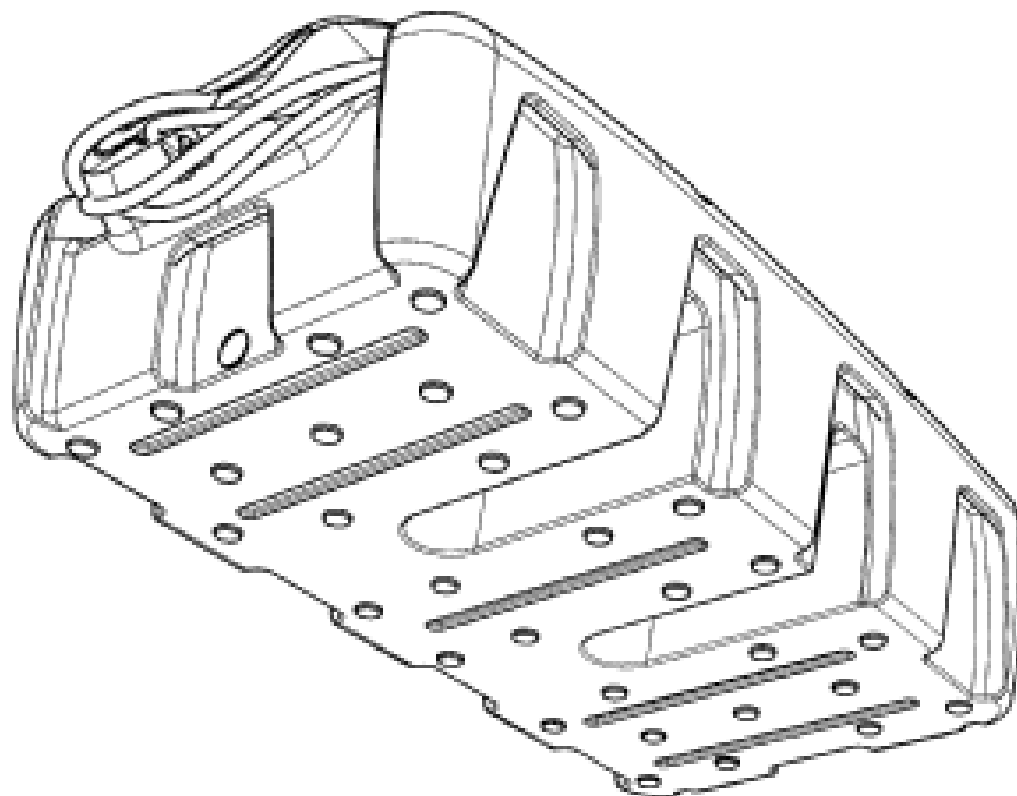
**Global Rotomoulding Pty Ltd
774 Koorlong Avenue Irymple Victoria 3498 Australia**

(72) Name(s) of Designer(s): **Howard Ferry**

(45) Registration Date: **17 May 2010**

(56) Related Art Documents: **Not Applicable**

(57) Statement of Newness and Distinctiveness: **The design of the product is new and distinctive in its appearance and function. The upper/raised area at one end (front) of the product allows for a hose to be wrapped and located around this feature, including under the front protrusion.**



(21) Design Number: **11426/2010**

(22) Date of Filing Application: **19 April 2010**

(24) Date from which industrial property rights may have effect: **19 April 2010**

(54) Product in respect of which the design is registered: **Tank**

(51) International Design Classification: **23-01F**

(71) Name(s) and Address(s) of Applicant(s):

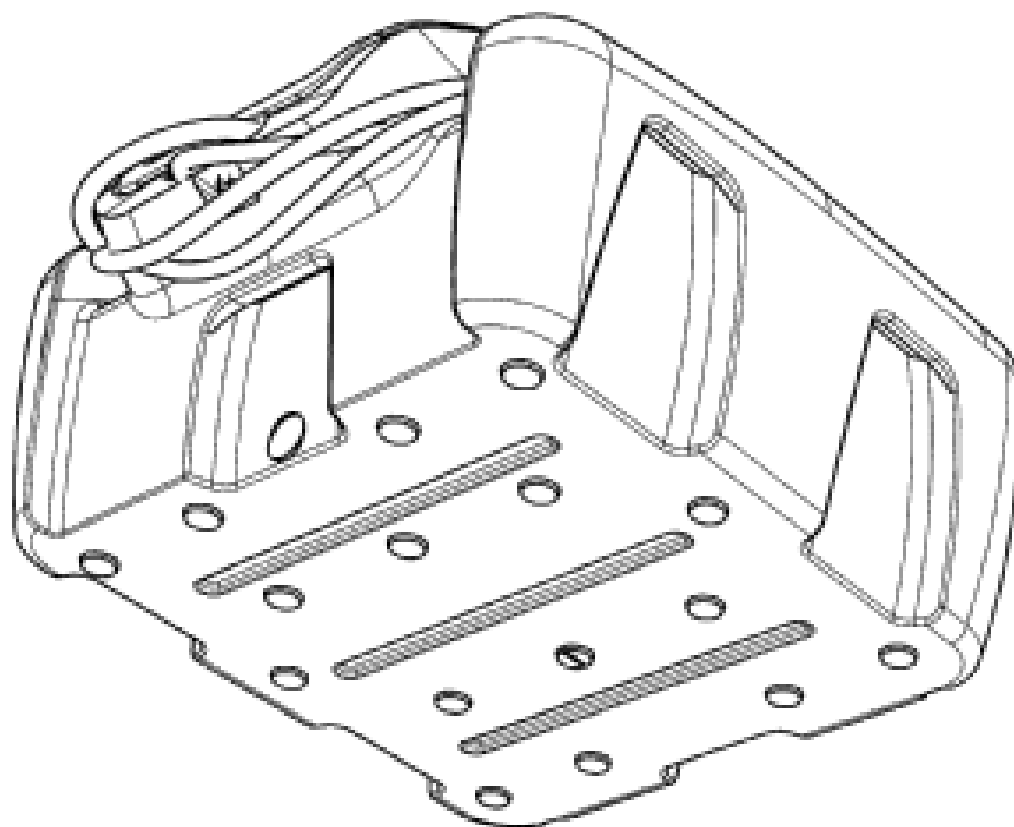
**Global Rotomoulding Pty Ltd
774 Koorlong Avenue Irymple Victoria 3498 Australia**

(72) Name(s) of Designer(s): **Howard Ferry**

(45) Registration Date: **17 May 2010**

(56) Related Art Documents: **Not Applicable**

(57) Statement of Newness and Distinctiveness: **The design of the product is new and distinctive in its appearance and function. The upper/raised area at one end (front) of the product allows for a hose to be wrapped and located around this feature, including under the front protrusion.**



(21) Design Number: **11427/2010**

(22) Date of Filing Application: **19 April 2010**

(24) Date from which industrial property rights may have effect: **19 April 2010**

(54) Product in respect of which the design is registered: **Tank**

(51) International Design Classification: **23-01F**

(71) Name(s) and Address(s) of Applicant(s):

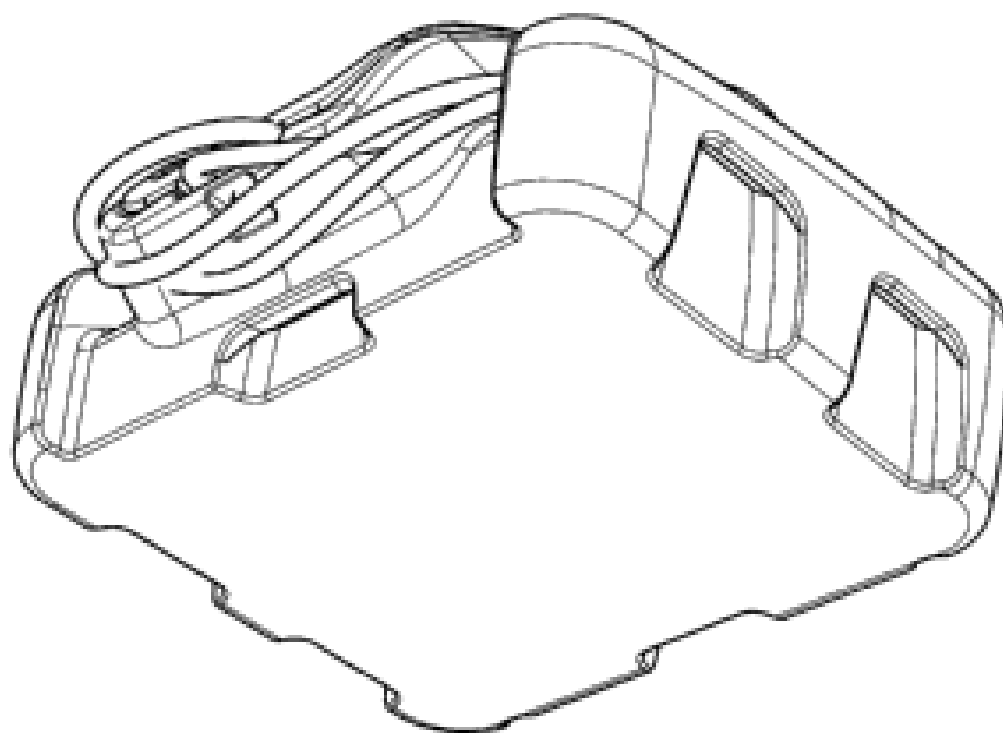
Global Rotomoulding Pty Ltd
774 Koorlong Avenue Irymple Victoria 3498 Australia

(72) Name(s) of Designer(s): **Howard Ferry**

(45) Registration Date: **17 May 2010**

(56) Related Art Documents: **Not Applicable**

(57) Statement of Newness and Distinctiveness: **The design of the product is new and distinctive in its appearance and function. The upper/raised area at one end (front) of the product allows for a hose to be wrapped and located around this feature, including under the front protrusion.**



(21) Design Number: **11428/2010**

(22) Date of Filing Application: **16 April 2010**

(24) Date from which industrial property rights may have effect: **16 April 2010**

(54) Product in respect of which the design is registered: **Wall beam extrusion**

(51) International Design Classification: **25-01K**

(71) Name(s) and Address(s) of Applicant(s):

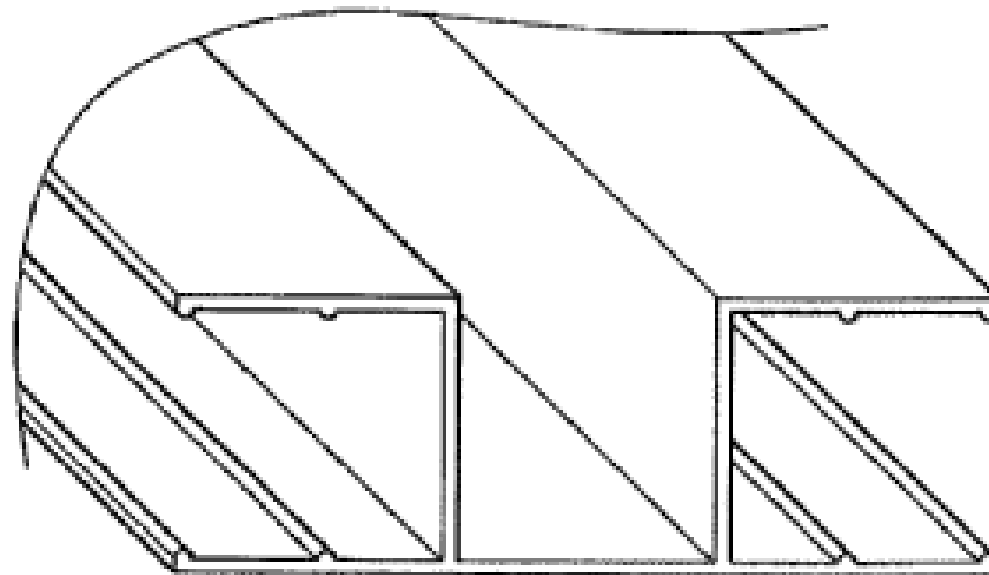
Francesco Antonio Martino
25 Old Princess Highway Monarto South Australia 5254 Australia

(72) Name(s) of Designer(s): **Francesco Antonio Martino**

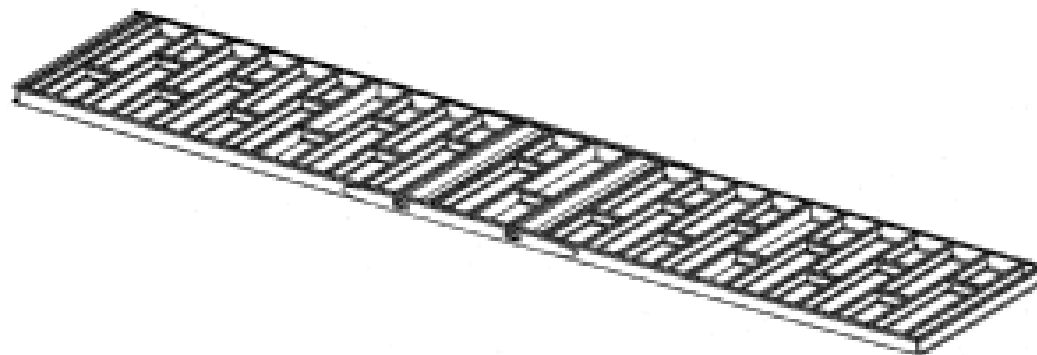
(45) Registration Date: **17 May 2010**

(56) Related Art Documents: **Not Applicable**

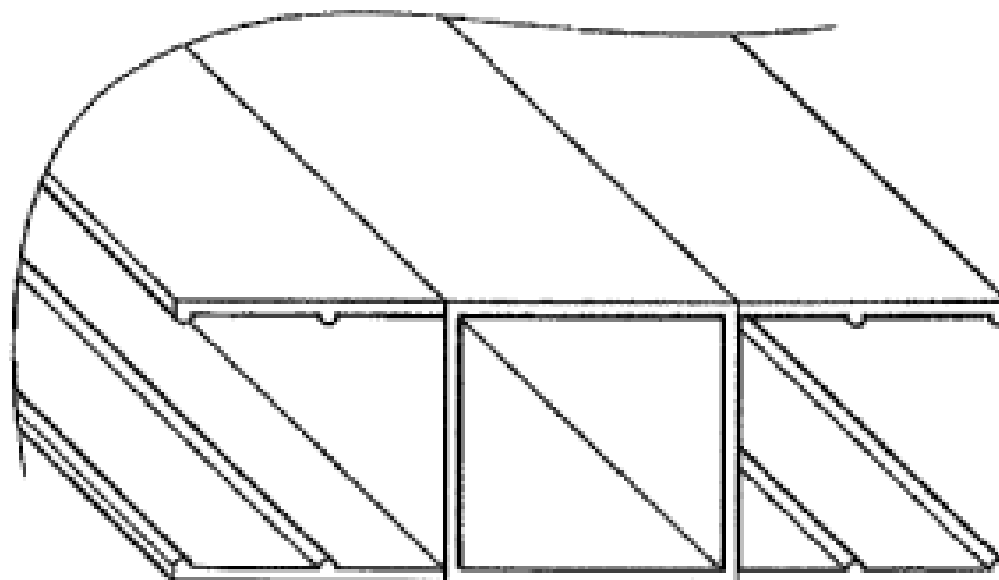
(57) Statement of Newness and Distinctiveness: **Nil**



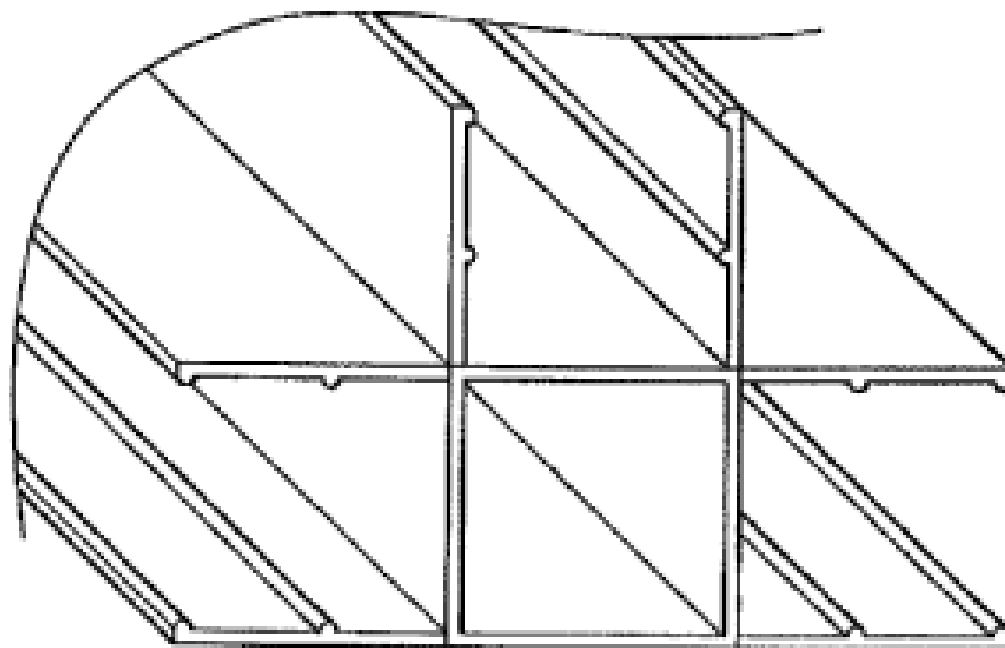
(21) Design Number: **11429/2010**
(22) Date of Filing Application: **16 April 2010**
(24) Date from which industrial property rights may have effect: **16 April 2010**
(54) Product in respect of which the design is registered: **A base chassis for a transportable building**
(51) International Design Classification: **25-02NES**
(71) Name(s) and Address(s) of Applicant(s):
Francesco Antonio Martino
25 Old Princess Highway Monarto South Australia 5254 Australia
(72) Name(s) of Designer(s): **Francesco Antonio Martino**
(45) Registration Date: **17 May 2010**
(56) Related Art Documents: **Not Applicable**
(57) Statement of Newness and Distinctiveness: **Nil**



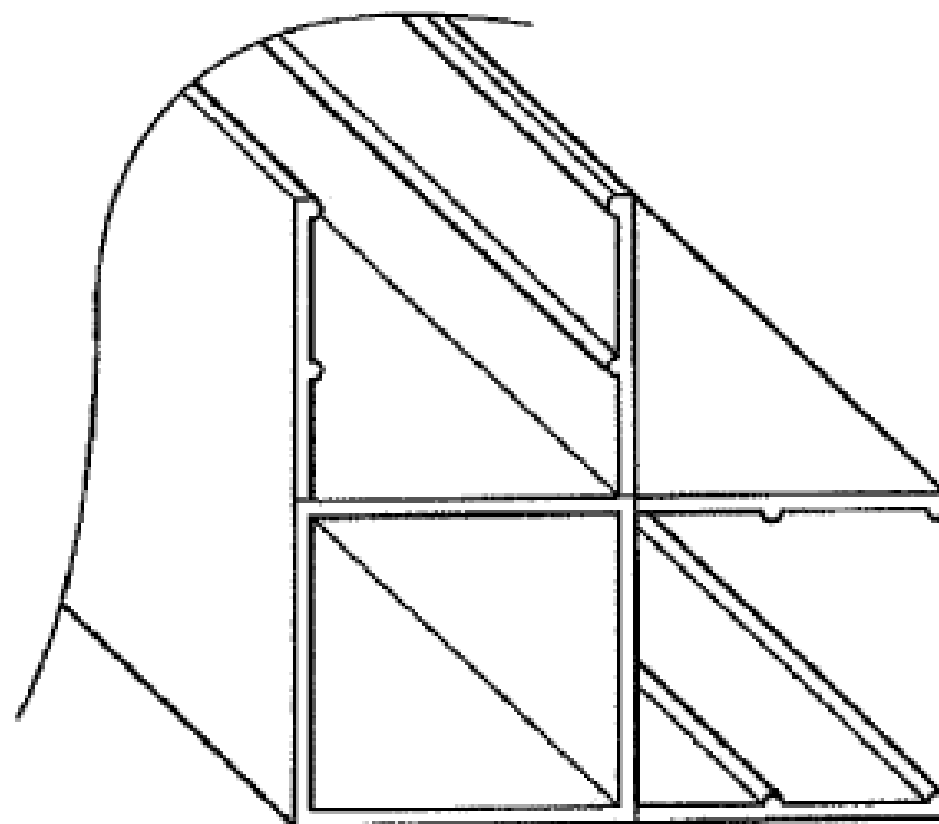
(21) Design Number: **11430/2010**
(22) Date of Filing Application: **16 April 2010**
(24) Date from which industrial property rights may have effect: **16 April 2010**
(54) Product in respect of which the design is registered: **Wall beam extrusion**
(51) International Design Classification: **25-01K**
(71) Name(s) and Address(s) of Applicant(s):
Francesco Antonio Martino
25 Old Princess Highway Monarto South Australia 5254 Australia
(72) Name(s) of Designer(s): **Francesco Antonio Martino**
(45) Registration Date: **17 May 2010**
(56) Related Art Documents: **Not Applicable**
(57) Statement of Newness and Distinctiveness: **Nil**



(21) Design Number: **11431/2010**
(22) Date of Filing Application: **16 April 2010**
(24) Date from which industrial property rights may have effect: **16 April 2010**
(54) Product in respect of which the design is registered: **Wall beam extrusion**
(51) International Design Classification: **25-01K**
(71) Name(s) and Address(s) of Applicant(s):
Francesco Antonio Martino
25 Old Princess Highway Monarto South Australia 5254 Australia
(72) Name(s) of Designer(s): **Francesco Antonio Martino**
(45) Registration Date: **17 May 2010**
(56) Related Art Documents: **Not Applicable**
(57) Statement of Newness and Distinctiveness: **Nil**



(21) Design Number: **11432/2010**
(22) Date of Filing Application: **16 April 2010**
(24) Date from which industrial property rights may have effect: **16 April 2010**
(54) Product in respect of which the design is registered: **Wall beam extrusion**
(51) International Design Classification: **25-01K**
(71) Name(s) and Address(s) of Applicant(s):
Francesco Antonio Martino
25 Old Princess Highway Monarto South Australia 5254 Australia
(72) Name(s) of Designer(s): **Francesco Antonio Martino**
(45) Registration Date: **17 May 2010**
(56) Related Art Documents: **Not Applicable**
(57) Statement of Newness and Distinctiveness: **Nil**



(21) Design Number: **11433/2010**

(22) Date of Filing Application: **16 April 2010**

(24) Date from which industrial property rights may have effect: **16 April 2010**

(54) Product in respect of which the design is registered: **Wall beam extrusion**

(51) International Design Classification: **25-01K**

(71) Name(s) and Address(s) of Applicant(s):

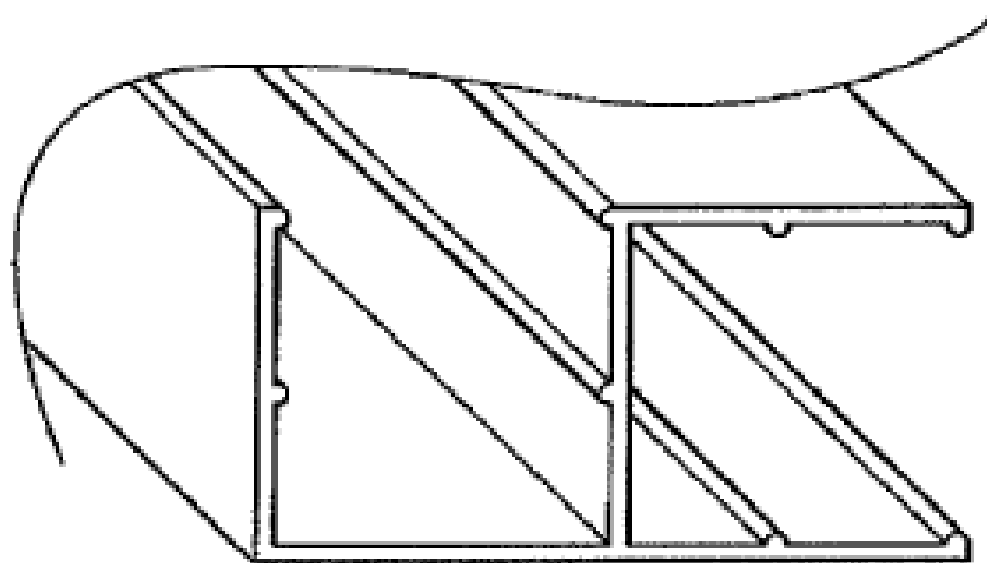
Francesco Antonio Martino
25 Old Princess Highway Monarto South Australia 5254 Australia

(72) Name(s) of Designer(s): **Francesco Antonio Martino**

(45) Registration Date: **17 May 2010**

(56) Related Art Documents: **Not Applicable**

(57) Statement of Newness and Distinctiveness: **Nil**



(21) Design Number: **11434/2010**

(22) Date of Filing Application: **16 April 2010**

(24) Date from which industrial property rights may have effect: **16 April 2010**

(54) Product in respect of which the design is registered: **Wall beam extrusion**

(51) International Design Classification: **25-01K**

(71) Name(s) and Address(s) of Applicant(s):

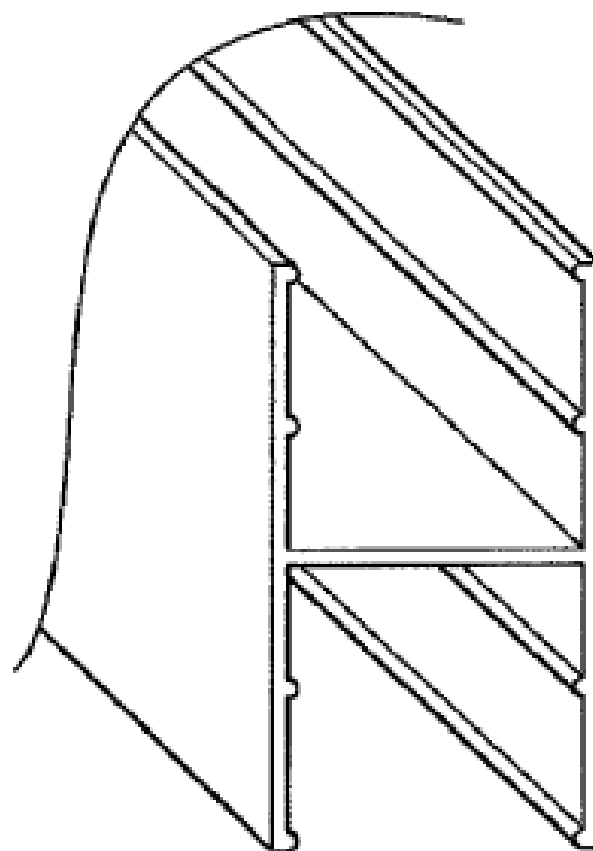
Francesco Antonio Martino
25 Old Princess Highway Monarto South Australia 5254 Australia

(72) Name(s) of Designer(s): **Francesco Antonio Martino**

(45) Registration Date: **17 May 2010**

(56) Related Art Documents: **Not Applicable**

(57) Statement of Newness and Distinctiveness: **Nil**



(21) Design Number: **11435/2010**

(22) Date of Filing Application: **16 April 2010**

(24) Date from which industrial property rights may have effect: **16 April 2010**

(54) Product in respect of which the design is registered: **Wall beam extrusion**

(51) International Design Classification: **25-01K**

(71) Name(s) and Address(s) of Applicant(s):

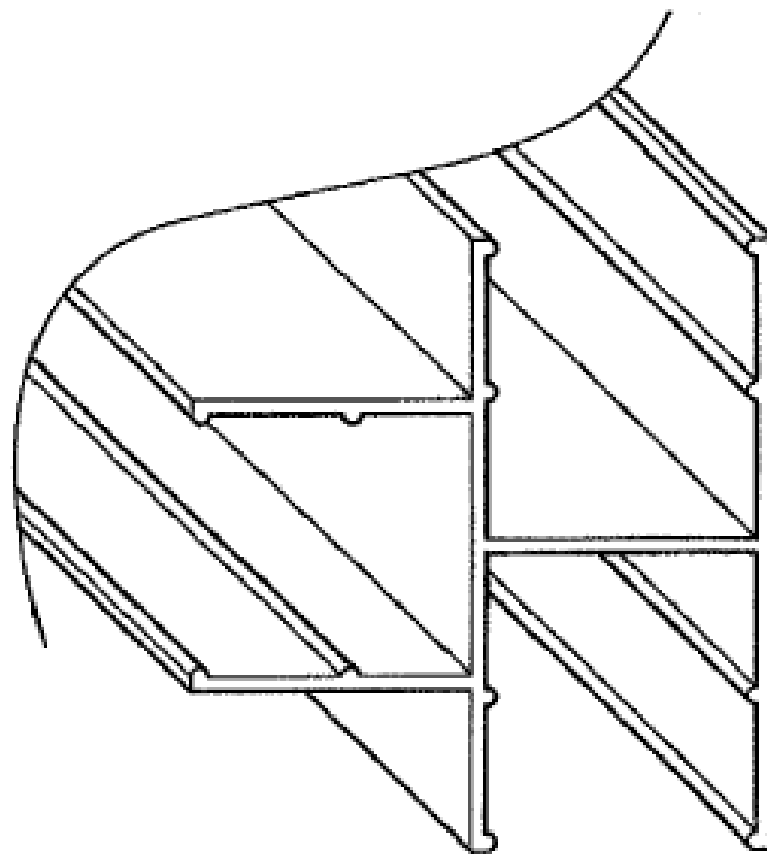
Francesco Antonio Martino
25 Old Princess Highway Monarto South Australia 5254 Australia

(72) Name(s) of Designer(s): **Francesco Antonio Martino**

(45) Registration Date: **17 May 2010**

(56) Related Art Documents: **Not Applicable**

(57) Statement of Newness and Distinctiveness: **Nil**



(21) Design Number: **11436/2010**

(22) Date of Filing Application: **16 April 2010**

(24) Date from which industrial property rights may have effect: **16 April 2010**

(54) Product in respect of which the design is registered: **Storage tray**

(51) International Design Classification: **09-03F**

(71) Name(s) and Address(s) of Applicant(s):

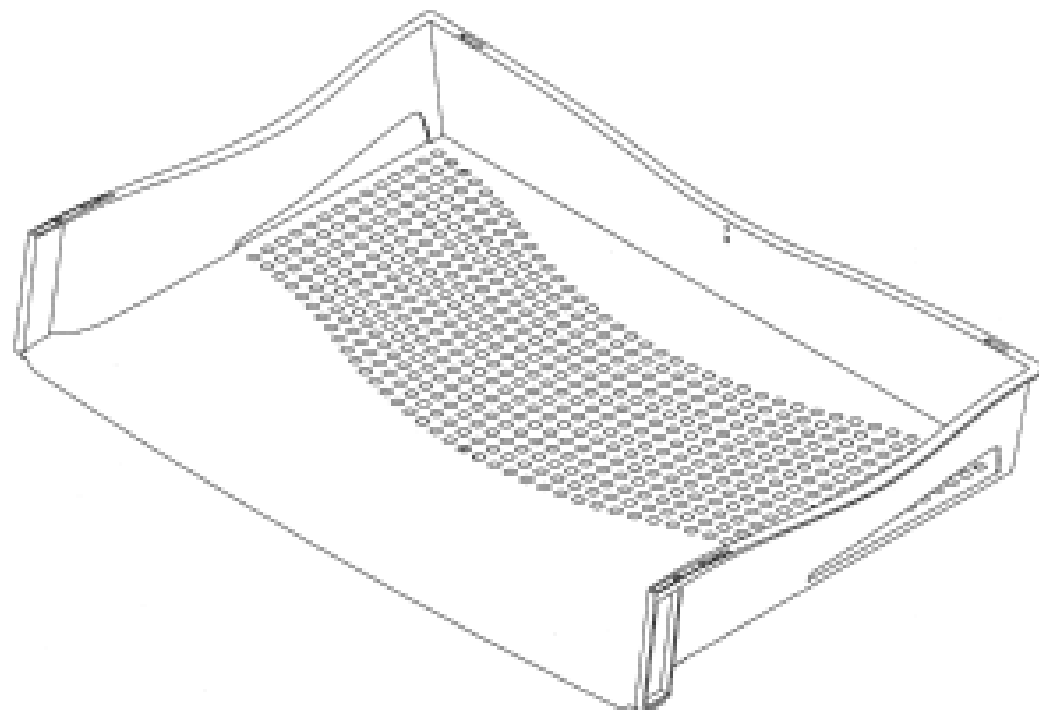
Acco Australia Pty Ltd
The Lakes Business Park Level 2 8 Lord Street Botany New South Wales 2019 Australia

(72) Name(s) of Designer(s): **Adam Laws**

(45) Registration Date: **17 May 2010**

(56) Related Art Documents: **Not Applicable**

(57) Statement of Newness and Distinctiveness: **Newness and distinctiveness resides in the visual features, including shape, configuration, pattern and ornamentation, of the storage tray as shown in solid outline in the accompanying drawings. When determining whether the storage tray design is substantially similar in overall impression to another design, no particular regard is to be had to those features shown in dotted outline in the accompanying drawings.**



(21) Design Number: **11437/2010**

(22) Date of Filing Application: **16 April 2010**

(24) Date from which industrial property rights may have effect: **16 April 2010**

(54) Product in respect of which the design is registered: **Storage tray**

(51) International Design Classification: **09-03F**

(71) Name(s) and Address(s) of Applicant(s):

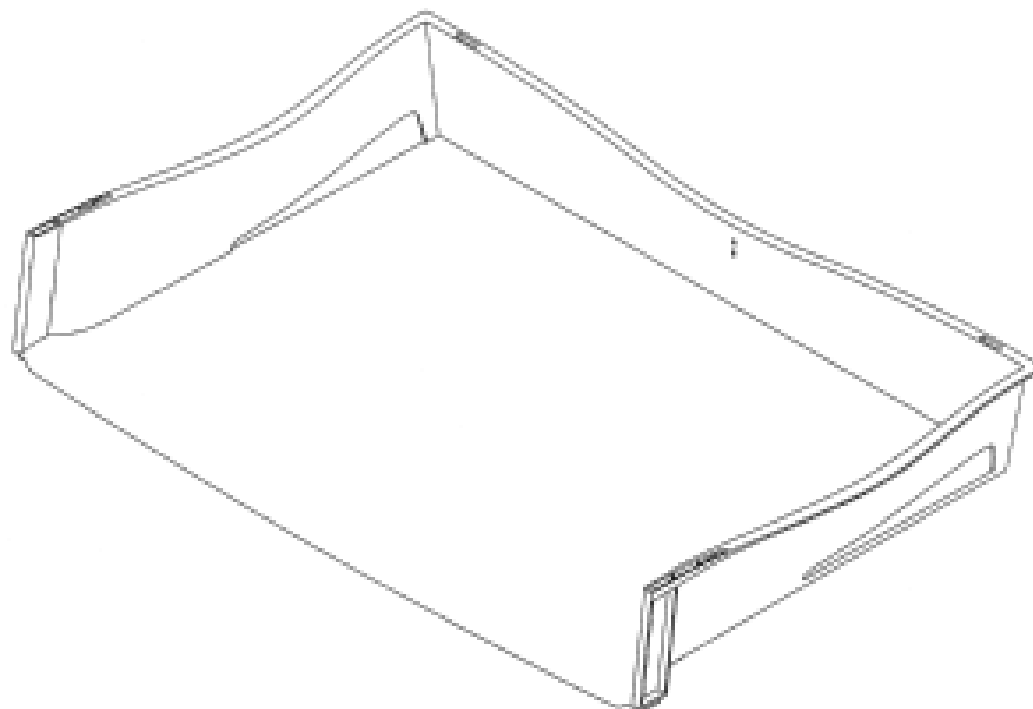
Acco Australia Pty Ltd
The Lakes Business Park Level 2 8 Lord Street Botany New South
Wales 2019 Australia

(72) Name(s) of Designer(s): **Adam Laws**

(45) Registration Date: **17 May 2010**

(56) Related Art Documents: **Not Applicable**

(57) Statement of Newness and Distinctiveness: **Newness and distinctiveness resides in the visual features, including shape, configuration, pattern and ornamentation, of the storage tray as shown in solid outline in the accompanying drawings. When determining whether the storage tray design is substantially similar in overall impression to another design, no particular regard is to be had to those features shown in dotted outline in the accompanying drawings.**



(21) Design Number: **11438/2010**

(22) Date of Filing Application: **16 April 2010**

(24) Date from which industrial property rights may have effect: **16 April 2010**

(54) Product in respect of which the design is registered: **Storage tray**

(51) International Design Classification: **09-03F**

(71) Name(s) and Address(s) of Applicant(s):

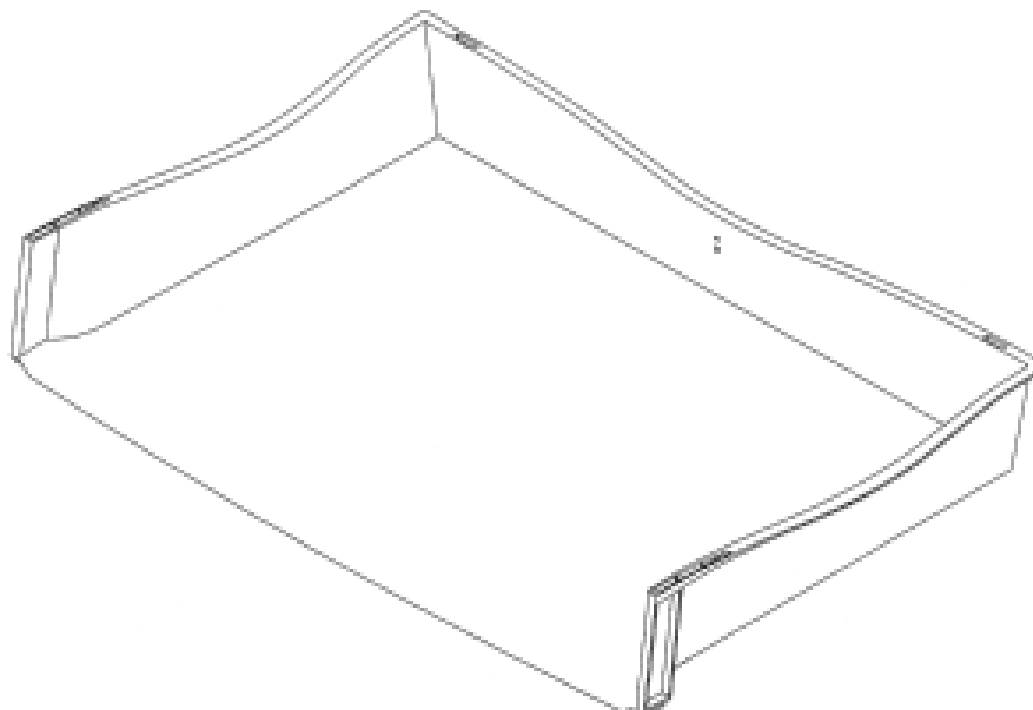
Acco Australia Pty Ltd
The Lakes Business Park Level 2 8 Lord Street Botany New South
Wales 2019 Australia

(72) Name(s) of Designer(s): **Adam Laws**

(45) Registration Date: **17 May 2010**

(56) Related Art Documents: **Not Applicable**

(57) Statement of Newness and Distinctiveness: **Newness and distinctiveness resides in the visual features, including shape, configuration, pattern and ornamentation, of the storage tray as shown in solid outline in the accompanying drawings. When determining whether the storage tray design is substantially similar in overall impression to another design, no particular regard is to be had to those features shown in dotted outline in the accompanying drawings.**



(21) Design Number: **11440/2010**

(22) Date of Filing Application: **16 April 2010**

(24) Date from which industrial property rights may have effect: **16 April 2010**

(54) Product in respect of which the design is registered: **Tray divider**

(51) International Design Classification: **09-03H**

(71) Name(s) and Address(s) of Applicant(s):

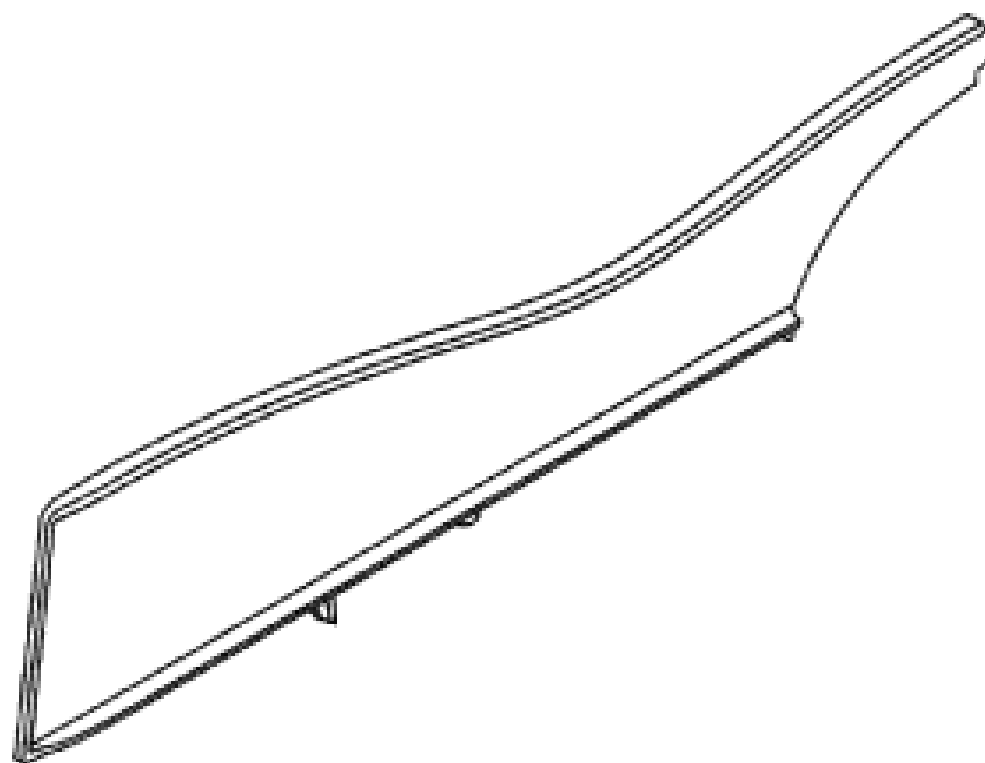
Acco Australia Pty Ltd
The Lakes Business Park Level 2 8 Lord Street Botany New South
Wales 2019 Australia

(72) Name(s) of Designer(s): **Adam Laws**

(45) Registration Date: **17 May 2010**

(56) Related Art Documents: **Not Applicable**

(57) Statement of Newness and Distinctiveness: **Newness and distinctiveness resides in the visual features, including shape, configuration, pattern and ornamentation, of the tray divider as shown in the accompanying drawings. When determining whether the tray divider design is substantially similar in overall impression to another design, particular regard is to be had to shape, configuration, pattern and ornamentation of the lugs as shown and labelled in the accompanying drawings.**



(21) Design Number: **11441/2010**

(22) Date of Filing Application: **16 April 2010**

(24) Date from which industrial property rights may have effect: **16 April 2010**

(54) Product in respect of which the design is registered: **Ballpoint pen**

(51) International Design Classification: **19-06**

(71) Name(s) and Address(s) of Applicant(s):

Pentel Kabushiki Kaisha
7-2 Nihonbashi Koami-Cho Chuo-Ku Tokyo Japan

(72) Name(s) of Designer(s): **Hidekazu Nakazawa**

(45) Registration Date: **17 May 2010**

(30) Convention priority data:

(31) Number	(32) Date	(33) Country
2009-024379	16 Oct 2009	JAPAN

(56) Related Art Documents: **Not Applicable**

(57) Statement of Newness and Distinctiveness: **Newness and distinctiveness resides in the visual features of shape, configuration, pattern and ornamentation as applied to a ballpoint pen as shown in the representations.**



(21) Design Number: **11413/2010**

(22) Date of Filing Application: **16 April 2010**

(24) Date from which industrial property rights may have effect: **16 April 2010**

(54) Product in respect of which the design is registered: **Arm band storage device**

(51) International Design Classification: **03-01NES**

(71) Name(s) and Address(s) of Applicant(s):

Nigroh Enterprises Pty Ltd
205/17 Peninsula Drive Breakfast Point New South Wales 2137
Australia

(72) Name(s) of Designer(s): **Rima Roxanne Dinuccio**

(45) Registration Date: **13 May 2010**

(56) Related Art Documents: **Not Applicable**

(57) Statement of Newness and Distinctiveness: **Newness and distinctiveness is claimed in the features of shape and/or configuration of an arm band storage device as depicted in the accompanying drawings.**



(21) Design Number: **11414/2010**

(22) Date of Filing Application: **16 April 2010**

(24) Date from which industrial property rights may have effect: **16 April 2010**

(54) Product in respect of which the design is registered: **Light fitting**

(51) International Design Classification: **26-05C**

(71) Name(s) and Address(s) of Applicant(s):

JCC Lighting Products Limited
Lamplighter House Beeding Close Southern Cross Trading Estate
Bognor Regis West Sussex PO22 9TS United Kingdom

(72) Name(s) of Designer(s): **Richard Kemp**

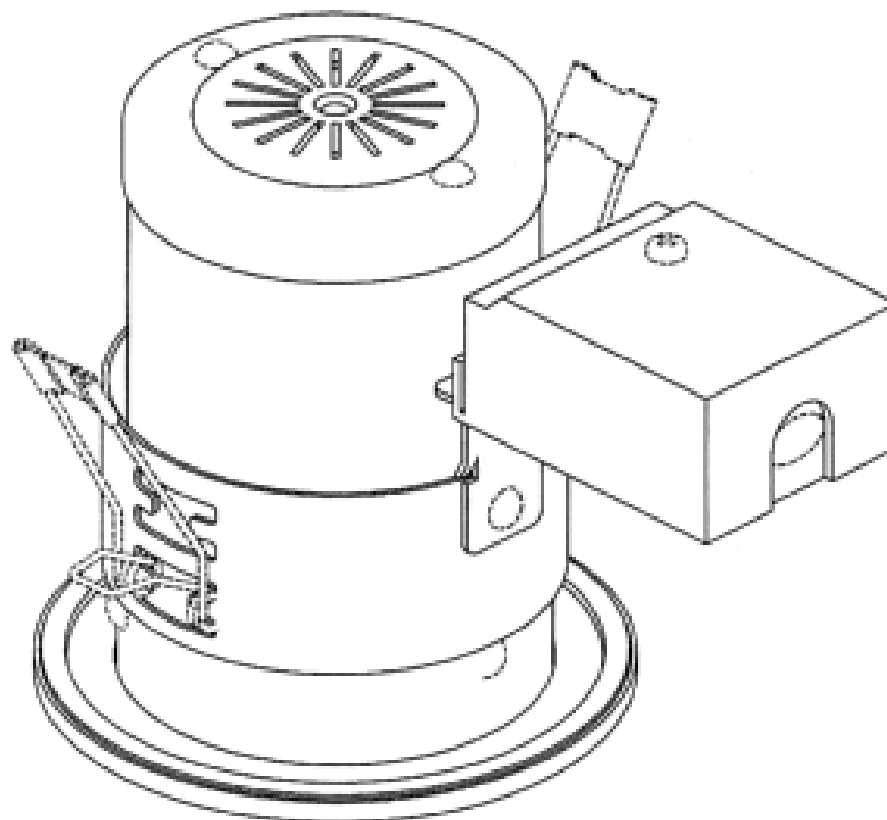
(45) Registration Date: **13 May 2010**

(30) Convention priority data:

(31) Number	(32) Date	(33) Country
001625161	16 Oct 2009	EUROPEAN COMMUNITY

(56) Related Art Documents: **Not Applicable**

(57) Statement of Newness and Distinctiveness: **Newness and distinctiveness is claimed in the features of shape and/or configuration of a light fitting as depicted in continuous lines in the accompanying drawings, while those features depicted in broken lines, such as the spring clips and fasteners, are to be disregarded.**



(21) Design Number: **11415/2010**

(22) Date of Filing Application: **16 April 2010**

(24) Date from which industrial property rights may have effect: **16 April 2010**

(54) Product in respect of which the design is registered: **Light fitting cap**

(51) International Design Classification: **26-05C**

(71) Name(s) and Address(s) of Applicant(s):

**JCC Lighting Products Limited
Lamplighter House Beeding Close Southern Cross Trading Estate
Bognor Regis West Sussex PO22 9TS United Kingdom**

(72) Name(s) of Designer(s): **Richard Kemp**

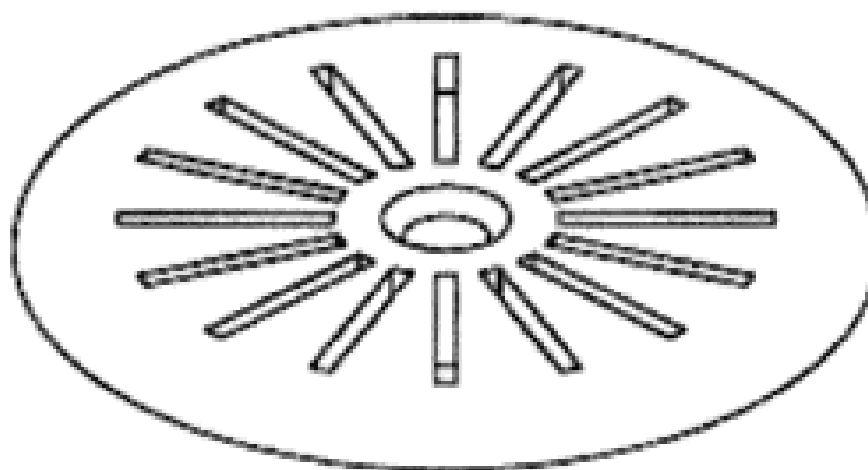
(45) Registration Date: **13 May 2010**

(30) Convention priority data:

(31) Number	(32) Date	(33) Country
001625161	16 Oct 2009	EUROPEAN COMMUNITY

(56) Related Art Documents: **Not Applicable**

(57) Statement of Newness and Distinctiveness: **Newness and distinctiveness is claimed in the features of shape and/or configuration of a light fitting cap as depicted in the accompanying drawings.**



(21) Design Number: **11416/2010**

(22) Date of Filing Application: **16 April 2010**

(24) Date from which industrial property rights may have effect: **16 April 2010**

(54) Product in respect of which the design is registered: **Air freshener device grill**

(51) International Design Classification: **28-99**

(71) Name(s) and Address(s) of Applicant(s):

**Reckitt & Colman (Overseas) Limited
103-105 Bath Road Slough Berkshire SL1 3UH United Kingdom**

(72) Name(s) of Designer(s): **Dennis Chan and Mark Fernandes and Peter Kay and Stuart King and Paul Marrs and Dan Tyce and Chris Wiitty and Simon Woolley**

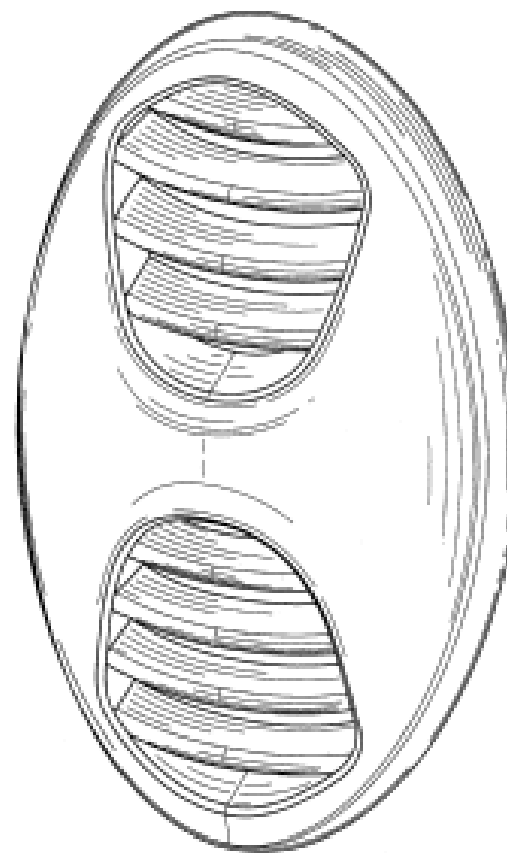
(45) Registration Date: **13 May 2010**

(30) Convention priority data:

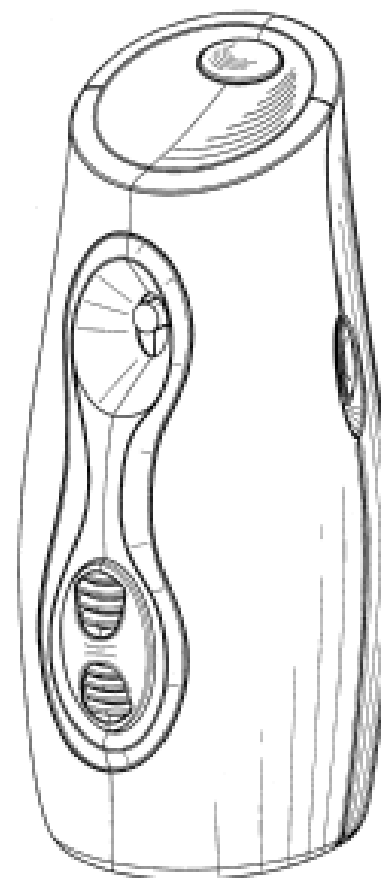
(31) Number	(32) Date	(33) Country
001171656-0001	19 Oct 2009	EUROPEAN COMMUNITY

(56) Related Art Documents: **Not Applicable**

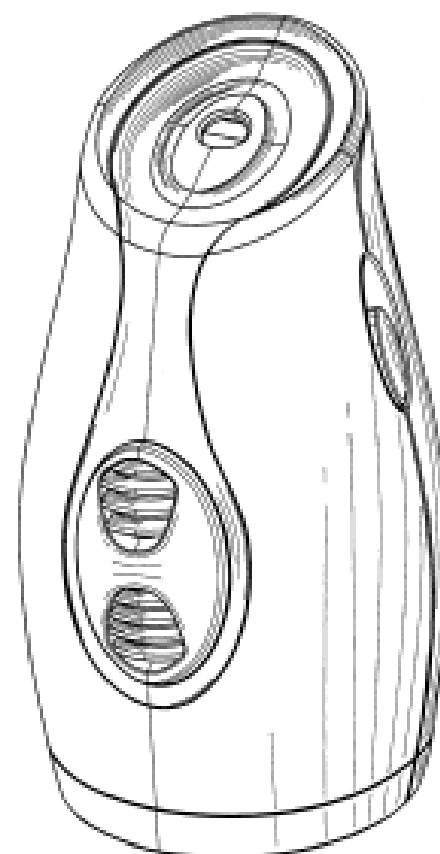
(57) Statement of Newness and Distinctiveness: **Newness and distinctiveness reside in the shape and configuration of the design shown in the representations.**



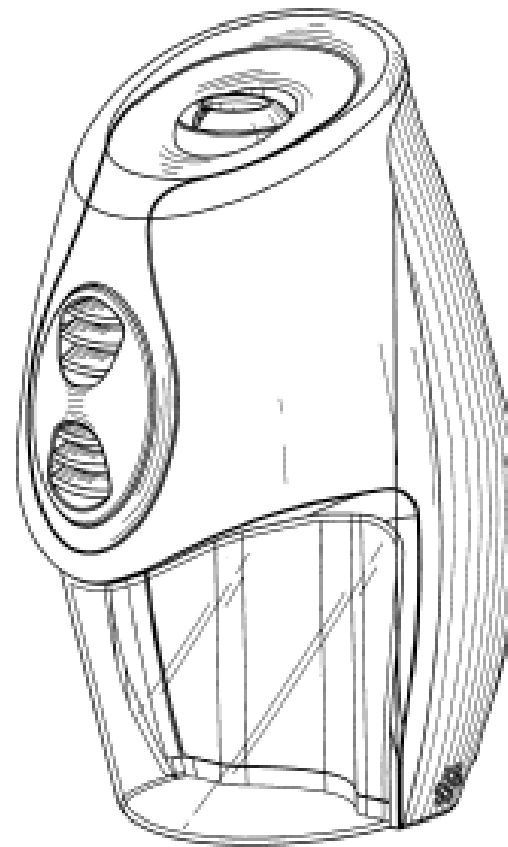
- (21) Design Number: **11417/2010**
(22) Date of Filing Application: **16 April 2010**
(24) Date from which industrial property rights may have effect: **16 April 2010**
(54) Product in respect of which the design is registered: **Air freshener device**
(51) International Design Classification: **28-99**
(71) Name(s) and Address(s) of Applicant(s):
Reckitt & Colman (Overseas) Limited
103-105 Bath Road Slough Berkshire SL1 3UH United Kingdom
(72) Name(s) of Designer(s): **Dennis Chan and Mark Fernandes and Peter Kay and Stuart King and Paul Marrs and Dan Tyce and Chris Wiitty and Simon Woolley**
(45) Registration Date: **13 May 2010**
(30) Convention priority data:
(31) Number (32) Date (33) Country
001171656-0003 19 Oct 2009 EUROPEAN COMMUNITY
(56) Related Art Documents: **Not Applicable**
(57) Statement of Newness and Distinctiveness: **Newness and distinctiveness reside in the shape and configuration of the design shown in the representations.**



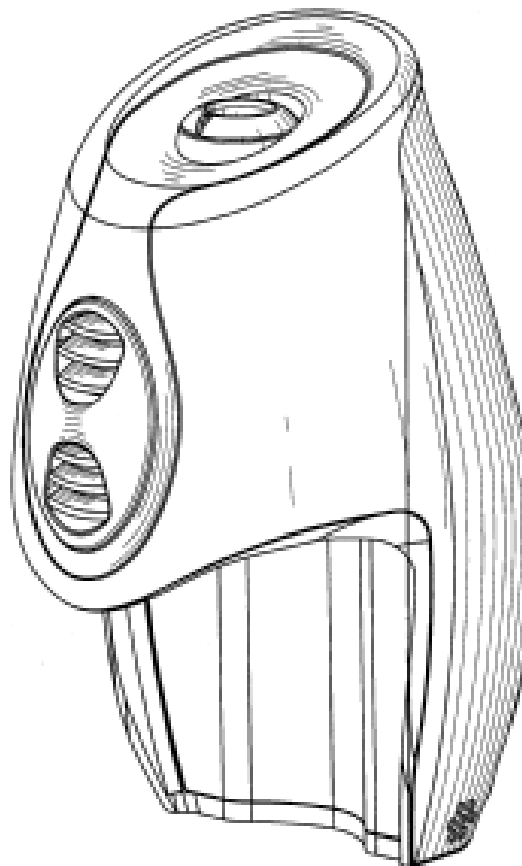
- (21) Design Number: **11418/2010**
(22) Date of Filing Application: **16 April 2010**
(24) Date from which industrial property rights may have effect: **16 April 2010**
(54) Product in respect of which the design is registered: **Air freshener device**
(51) International Design Classification: **28-99**
(71) Name(s) and Address(s) of Applicant(s):
Reckitt & Colman (Overseas) Limited
103-105 Bath Road Slough Berkshire SL1 3UH United Kingdom
(72) Name(s) of Designer(s): **Dennis Chan and Mark Fernandes and Peter Kay and Stuart King and Paul Marrs and Dan Tyce and Chris Wiitty and Simon Woolley**
(45) Registration Date: **13 May 2010**
(30) Convention priority data:
(31) Number (32) Date (33) Country
001171656-0004 19 Oct 2009 EUROPEAN COMMUNITY
(56) Related Art Documents: **Not Applicable**
(57) Statement of Newness and Distinctiveness: **Newness and distinctiveness reside in the shape and configuration of the design shown in the representations.**



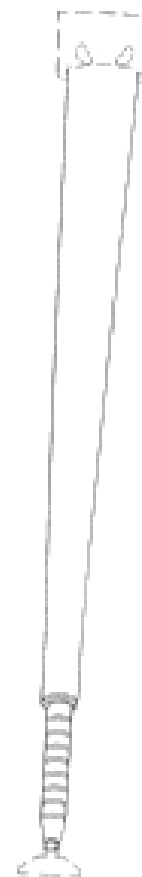
- (21) Design Number: **11419/2010**
(22) Date of Filing Application: **16 April 2010**
(24) Date from which industrial property rights may have effect: **16 April 2010**
(54) Product in respect of which the design is registered: **Air freshener device**
(51) International Design Classification: **28-99**
(71) Name(s) and Address(s) of Applicant(s):
Reckitt & Colman (Overseas) Limited
103-105 Bath Road Slough Berkshire SL1 3UH United Kingdom
(72) Name(s) of Designer(s): **Dennis Chan and Mark Fernandes and Peter Kay and Stuart King and Paul Marrs and Dan Tyce and Chris Wiitty and Simon Woolley**
(45) Registration Date: **13 May 2010**
(30) Convention priority data:
(31) Number (32) Date (33) Country
001171656-0012 19 Oct 2009 EUROPEAN COMMUNITY
(56) Related Art Documents: **Not Applicable**
(57) Statement of Newness and Distinctiveness: **Newness and distinctiveness reside in the shape and configuration of the design shown in the representations.**



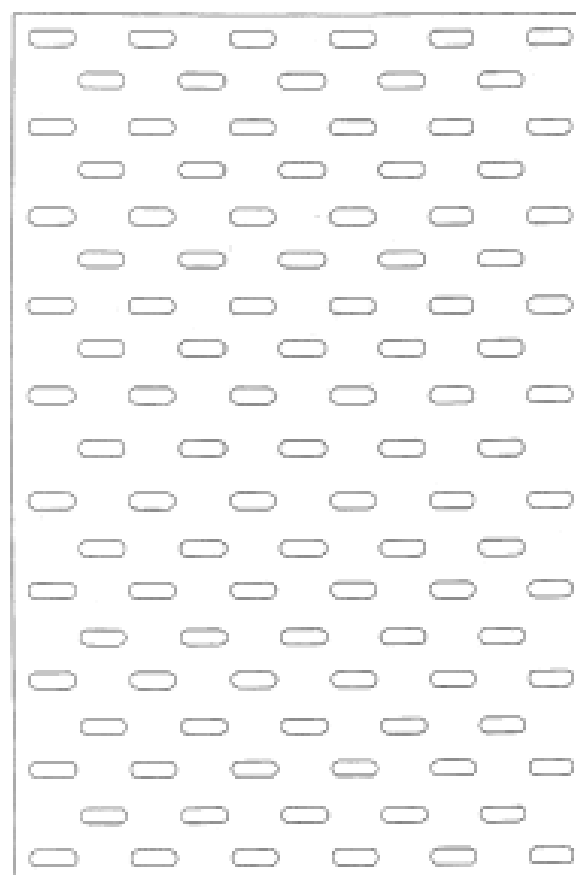
- (21) Design Number: **11420/2010**
(22) Date of Filing Application: **16 April 2010**
(24) Date from which industrial property rights may have effect: **16 April 2010**
(54) Product in respect of which the design is registered: **Air freshener device**
(51) International Design Classification: **28-99**
(71) Name(s) and Address(s) of Applicant(s):
Reckitt & Colman (Overseas) Limited
103-105 Bath Road Slough Berkshire SL1 3UH United Kingdom
(72) Name(s) of Designer(s): **Dennis Chan and Mark Fernandes and Peter Kay and Stuart King and Paul Marrs and Dan Tyce and Chris Wiitty and Simon Woolley**
(45) Registration Date: **13 May 2010**
(30) Convention priority data:
(31) Number (32) Date (33) Country
001171656-0016 19 Oct 2009 EUROPEAN COMMUNITY
(56) Related Art Documents: **Not Applicable**
(57) Statement of Newness and Distinctiveness: **Newness and distinctiveness reside in the shape and configuration of the design shown in the representations.**



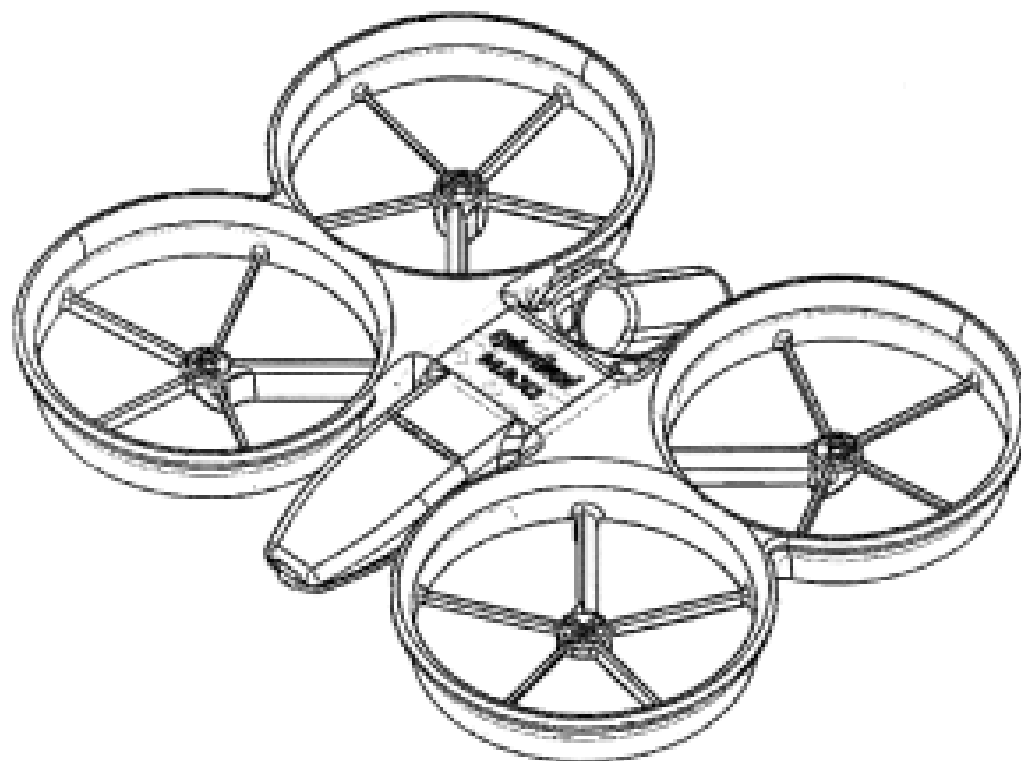
- (21) Design Number: **11421/2010**
- (22) Date of Filing Application: **16 April 2010**
- (24) Date from which industrial property rights may have effect: **16 April 2010**
- (54) Product in respect of which the design is registered: **Furniture leg**
- (51) International Design Classification: **06-06E**
- (71) Name(s) and Address(s) of Applicant(s):
Eveready Partitions Pty Ltd
101 Tulip Street Sandringham Victoria 3191 Australia
- (72) Name(s) of Designer(s): **Perry McNeilage**
- (45) Registration Date: **13 May 2010**
- (56) Related Art Documents: **Not Applicable**
- (57) Statement of Newness and Distinctiveness: **We wish to submit a Statement of Newness and Distinctiveness (set out below) in respect of particular visual features of the design but in so doing do not imply that other visual features of the design lack newness or distinctiveness. The shape and configuration of those parts of the design shown by means of solid (i.e. not dashed) lines in the representations are new and distinctive.**



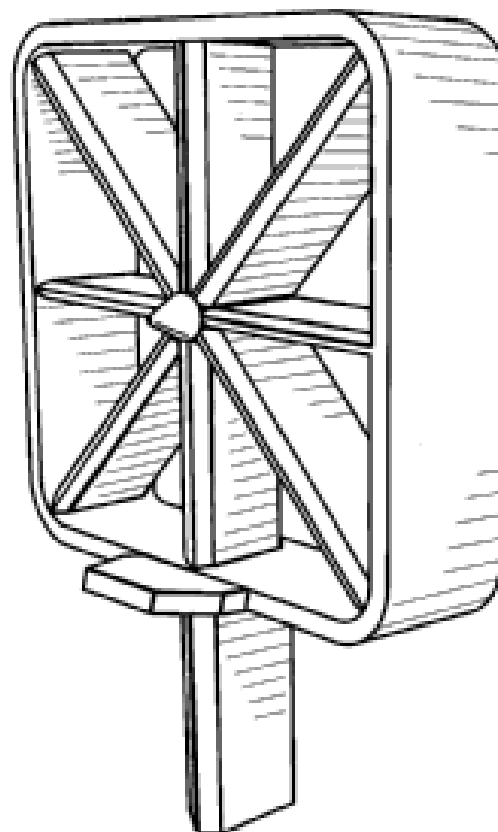
- (21) Design Number: **11422/2010**
- (22) Date of Filing Application: **16 April 2010**
- (24) Date from which industrial property rights may have effect: **16 April 2010**
- (54) Product in respect of which the design is registered: **Slip sheet**
- (51) International Design Classification: **06-11**
- (71) Name(s) and Address(s) of Applicant(s):
Visy R & D Pty Ltd
Level 11 2 Southbank Boulevard Southbank Victoria 3006 Australia
- (72) Name(s) of Designer(s): **Adrian Dalgleish**
- (45) Registration Date: **13 May 2010**
- (56) Related Art Documents: **Not Applicable**
- (57) Statement of Newness and Distinctiveness: **Newness and distinctiveness is claimed in the visual features as illustrated in the accompanying representations.**



- (21) Design Number: **11442/2010**
(22) Date of Filing Application: **16 April 2010**
(24) Date from which industrial property rights may have effect: **16 April 2010**
(54) Product in respect of which the design is registered: **Unmanned aerial vehicle airframe**
(51) International Design Classification: **12-07**
(71) Name(s) and Address(s) of Applicant(s):
Joshua Portlock
40 Hampshire Street East Victoria Park Western Australia 6101
Australia
(72) Name(s) of Designer(s): **Joshua Portlock**
(45) Registration Date: **13 May 2010**
(56) Related Art Documents: **Not Applicable**
(57) Statement of Newness and Distinctiveness: **Newness and distinctiveness are claimed in respect of the shape and configuration of the unmanned aerial airframe depicted in the accompanying representations.**



- (21) Design Number: **11443/2010**
(22) Date of Filing Application: **19 April 2010**
(24) Date from which industrial property rights may have effect: **19 April 2010**
(54) Product in respect of which the design is registered: **Wood splitter head**
(51) International Design Classification: **08-05NES**
(71) Name(s) and Address(s) of Applicant(s):
Brett Cyril Rostron
60 Sunrise Lane Leyburn Queensland 4365 Australia
(72) Name(s) of Designer(s): **Brett Cyril Rostron**
(45) Registration Date: **13 May 2010**
(56) Related Art Documents: **Not Applicable**
(57) Statement of Newness and Distinctiveness: **The newness and distinctiveness of the design resides in the shape and/or configuration of the wood splitter head shown in the representations.**



(21) Design Number: **11444/2010**

(22) Date of Filing Application: **19 April 2010**

(24) Date from which industrial property rights may have effect: **19 April 2010**

(54) Product in respect of which the design is registered: **Bollard**

(51) International Design Classification: **10-06, 25-02A**

(71) Name(s) and Address(s) of Applicant(s):

LINPAC Environmental Limited
3180 Birmingham Business Park Birmingham B37 7YN United Kingdom

(72) Name(s) of Designer(s): **David Alan Bray**

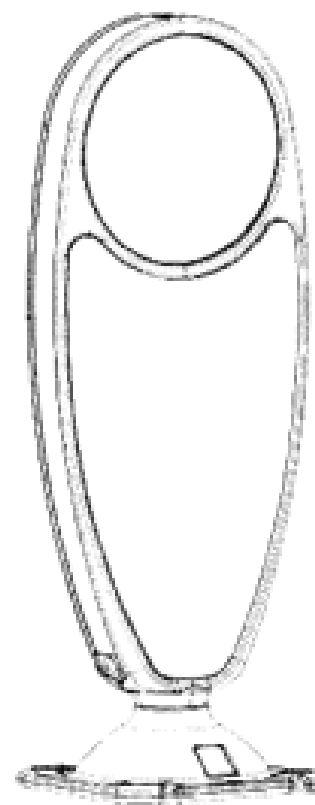
(45) Registration Date: **13 May 2010**

(30) Convention priority data:

(31) Number	(32) Date	(33) Country
001173462	21 Oct 2009	EUROPEAN COMMUNITY

(56) Related Art Documents: **Not Applicable**

(57) Statement of Newness and Distinctiveness: **Nil**



(21) Design Number: **11455/2010**

(22) Date of Filing Application: **16 April 2010**

(24) Date from which industrial property rights may have effect: **16 April 2010**

(54) Product in respect of which the design is registered: **Transparent cup lid**

(51) International Design Classification: **09-07B**

(71) Name(s) and Address(s) of Applicant(s):

Andrew Folos
47 Millewa Avenue Malvern East Victoria 3145 Australia

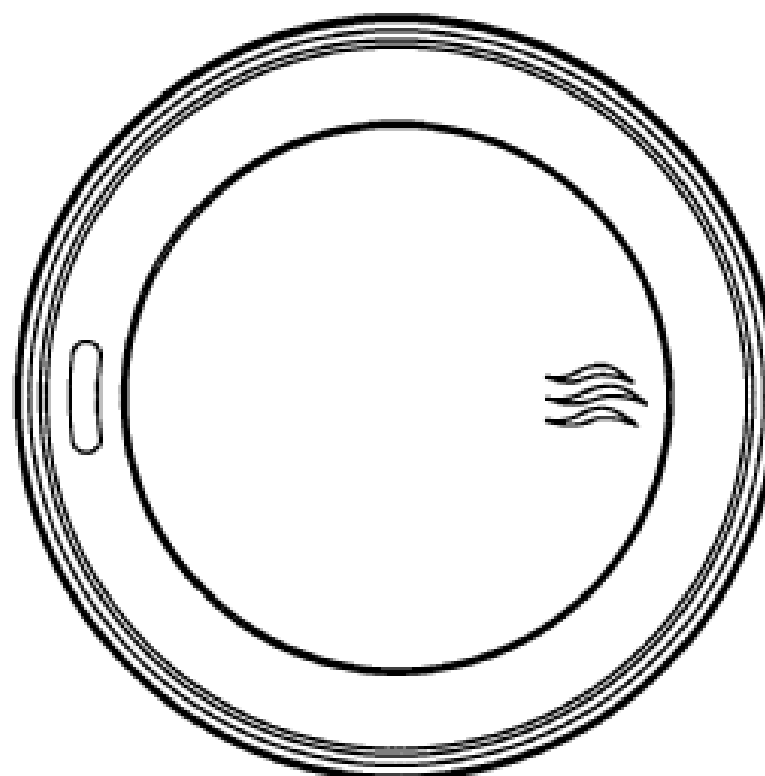
Aristomenis Argyropoulos
13 Kathrin Avenue Dingley Village Victoria 3172 Australia

(72) Name(s) of Designer(s): **Andrew Folos and Aristomenis Argyropoulos**

(45) Registration Date: **13 May 2010**

(56) Related Art Documents: **Not Applicable**

(57) Statement of Newness and Distinctiveness: **Newness and distinctiveness resides in the features of shape and/or configuration of a transparent cup lid as shown in solid lines in the accompanying representations. Amongst other features, regard should be given to the domed portion of the lid as best seen in the front, back and side views of the accompanying representations.**



(21) Design Number: **11456/2010**

(22) Date of Filing Application: **19 April 2010**

(24) Date from which industrial property rights may have effect: **19 April 2010**

(54) Product in respect of which the design is registered: **Chair**

(51) International Design Classification: **06-01L**

(71) Name(s) and Address(s) of Applicant(s):

Hugh Oliveiro

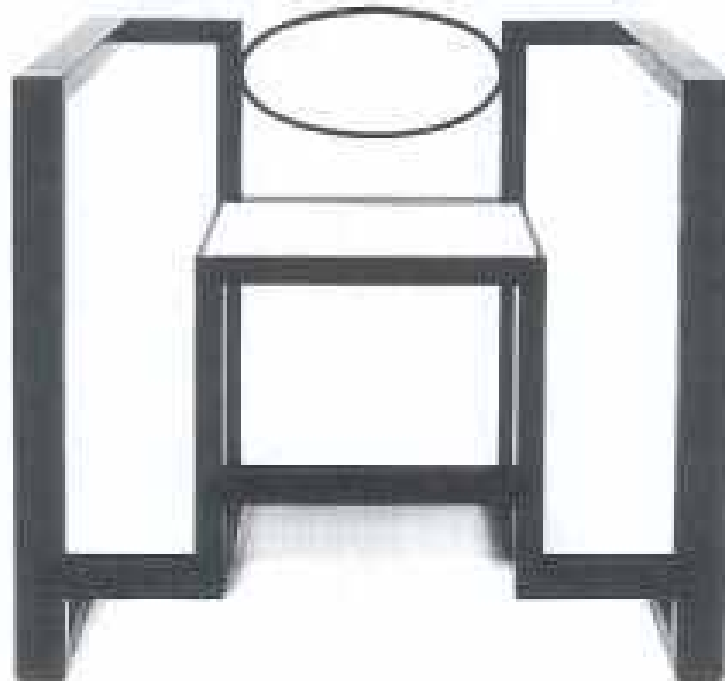
120 Station Street Newtown New South Wales 2042 Australia

(72) Name(s) of Designer(s): **Hugh Oliveiro**

(45) Registration Date: **13 May 2010**

(56) Related Art Documents: **Not Applicable**

(57) Statement of Newness and Distinctiveness: **The whole shape of the frame is designed for the purpose of various design interpretations within the seating area - it is sculptural, and exclusive to the artist.**



(21) Design Number: **11458/2010**

(22) Date of Filing Application: **20 April 2010**

(24) Date from which industrial property rights may have effect: **20 April 2010**

(54) Product in respect of which the design is registered: **A bottle**

(51) International Design Classification: **09-01H**

(71) Name(s) and Address(s) of Applicant(s):

Quality Blow Moulders Pty Ltd

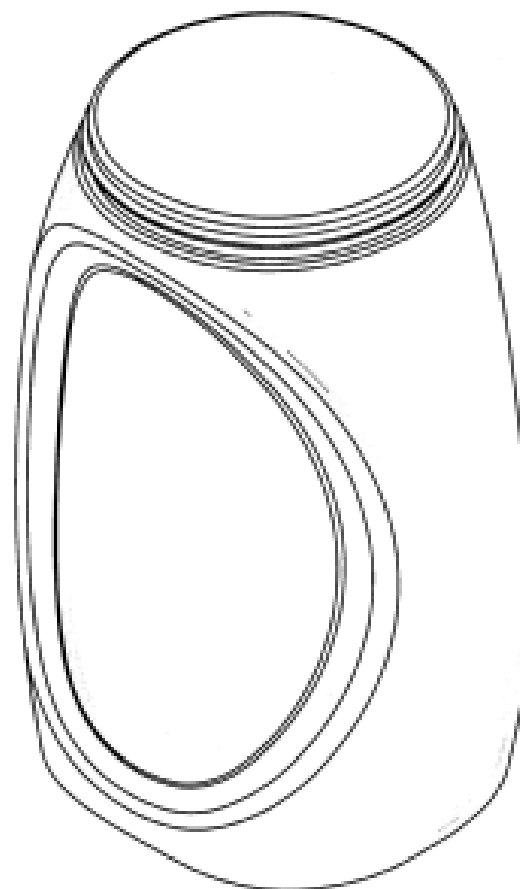
13-19 Kilkenny Court Dandenong South Victoria 3175 Australia

(72) Name(s) of Designer(s): **George Psaras**

(45) Registration Date: **13 May 2010**

(56) Related Art Documents: **Not Applicable**

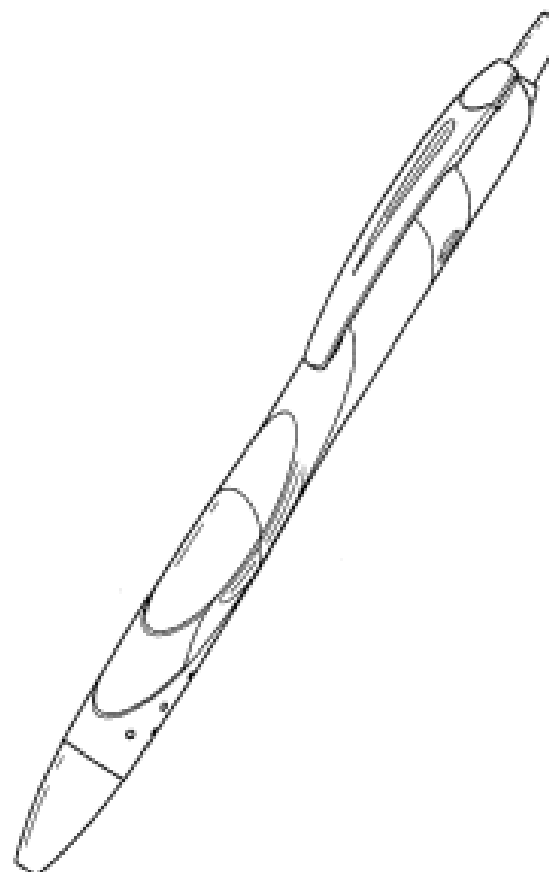
(57) Statement of Newness and Distinctiveness: **Nil**



- (21) Design Number: **11459/2010**
(22) Date of Filing Application: **20 April 2010**
(24) Date from which industrial property rights may have effect: **20 April 2010**
(54) Product in respect of which the design is registered: **A bottle**
(51) International Design Classification: **09-01H**
(71) Name(s) and Address(s) of Applicant(s):
Quality Blow Moulders Pty Ltd
13-19 Kilkenny Court Dandenong South Victoria 3175 Australia
(72) Name(s) of Designer(s): **George Psaras**
(45) Registration Date: **13 May 2010**
(56) Related Art Documents: **Not Applicable**
(57) Statement of Newness and Distinctiveness: **Nil**



- (21) Design Number: **11460/2010**
(22) Date of Filing Application: **19 April 2010**
(24) Date from which industrial property rights may have effect: **19 April 2010**
(54) Product in respect of which the design is registered: **Writing instrument**
(51) International Design Classification: **19-06**
(71) Name(s) and Address(s) of Applicant(s):
Societe Bic
14 rue Jeanne d'Asnieres 92110 Clichy France
(72) Name(s) of Designer(s): **Franck Vadenne and Franck Rolion**
(45) Registration Date: **13 May 2010**
(30) Convention priority data:
(31) Number (32) Date (33) Country
001688223-0001 26 Oct 2009 EUROPEAN COMMUNITY
(56) Related Art Documents: **Not Applicable**
(57) Statement of Newness and Distinctiveness: **Those features of the writing instrument depicted in the representations that are new and distinctive are the shape and/or configuration.**



(21) Design Number: **11464/2010**

(22) Date of Filing Application: **19 April 2010**

(24) Date from which industrial property rights may have effect: **19 April 2010**

(54) Product in respect of which the design is registered: **An edging**

(51) International Design Classification: **25-01K**

(71) Name(s) and Address(s) of Applicant(s):

Neil Ellery

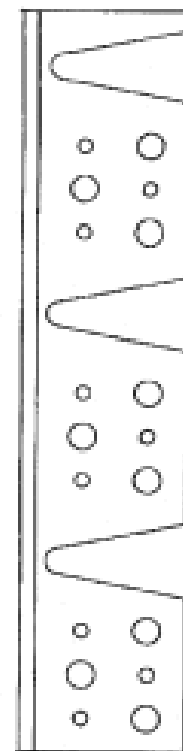
1A Cambridge Avenue Narraweena New South Wales 2099 Australia

(72) Name(s) of Designer(s): **Neil Ellery**

(45) Registration Date: **17 May 2010**

(56) Related Art Documents: **Not Applicable**

(57) Statement of Newness and Distinctiveness: **Nil**



(21) Design Number: **11467/2010**

(22) Date of Filing Application: **20 April 2010**

(24) Date from which industrial property rights may have effect: **20 April 2010**

(54) Product in respect of which the design is registered: **Attachment plate**

(51) International Design Classification: **08-08L**

(71) Name(s) and Address(s) of Applicant(s):

Colin Richard Malcolm Fitzgerald

1/33 Hazel Street Como Western Australia 6152 Australia

Steven Rex Thomas

30 Clarkson Street Bullsbrook Western Australia 6084 Australia

(72) Name(s) of Designer(s): **Colin Richard Malcolm Fitzgerald and Steven Rex Thomas**

(45) Registration Date: **17 May 2010**

(56) Related Art Documents: **Not Applicable**

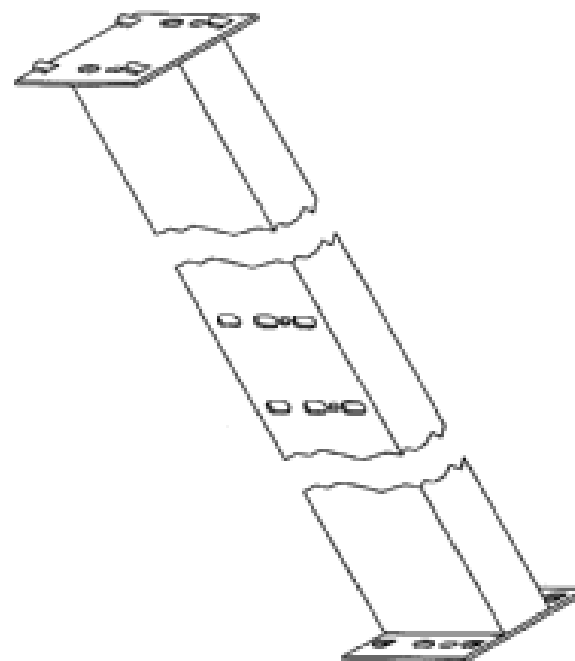
(57) Statement of Newness and Distinctiveness: **Nil**



- (21) Design Number: **11468/2010**
(22) Date of Filing Application: **20 April 2010**
(24) Date from which industrial property rights may have effect: **20 April 2010**
(54) Product in respect of which the design is registered: **Attachment plate**
(51) International Design Classification: **08-08L**
(71) Name(s) and Address(s) of Applicant(s):
Colin Richard Malcolm Fitzgerald
1/33 Hazel Street Como Western Australia 6152 Australia
Steven Rex Thomas
30 Clarkson Street Bullsbrook Western Australia 6084 Australia
(72) Name(s) of Designer(s): **Colin Richard Malcolm Fitzgerald and Steven Rex Thomas**
(45) Registration Date: **17 May 2010**
(56) Related Art Documents: **Not Applicable**
(57) Statement of Newness and Distinctiveness: **Nil**



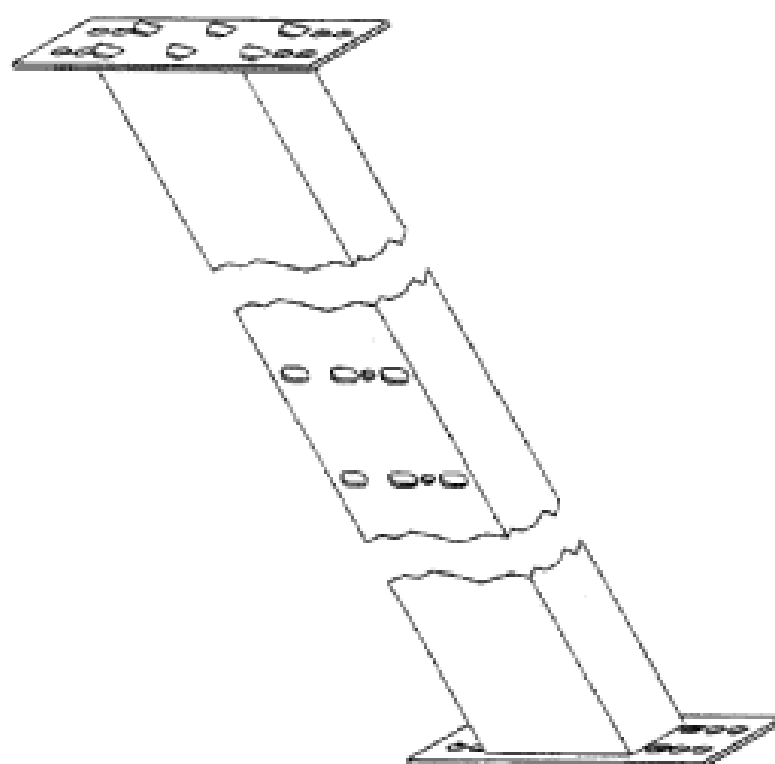
- (21) Design Number: **11469/2010**
(22) Date of Filing Application: **20 April 2010**
(24) Date from which industrial property rights may have effect: **20 April 2010**
(54) Product in respect of which the design is registered: **Beam**
(51) International Design Classification: **25-01K, 25-01C**
(71) Name(s) and Address(s) of Applicant(s):
Colin Richard Malcolm Fitzgerald
1/33 Hazel Street Como Western Australia 6152 Australia
Steven Rex Thomas
30 Clarkson Street Bullsbrook Western Australia 6084 Australia
(72) Name(s) of Designer(s): **Colin Richard Malcolm Fitzgerald and Steven Rex Thomas**
(45) Registration Date: **17 May 2010**
(56) Related Art Documents: **Not Applicable**
(57) Statement of Newness and Distinctiveness: **Newness and distinctiveness is claimed in the shape and configuration of a beam of indefinite length as shown in the representations.**



- (21) Design Number: **11470/2010**
- (22) Date of Filing Application: **20 April 2010**
- (24) Date from which industrial property rights may have effect: **20 April 2010**
- (54) Product in respect of which the design is registered: **Column**
- (51) International Design Classification: **25-01K, 25-01C**
- (71) Name(s) and Address(s) of Applicant(s):
Colin Richard Malcolm Fitzgerald
1/33 Hazel Street Como Western Australia 6152 Australia
Steven Rex Thomas
30 Clarkson Street Bullsbrook Western Australia 6084 Australia
- (72) Name(s) of Designer(s): **Colin Richard Malcolm Fitzgerald and Steven Rex Thomas**
- (45) Registration Date: **17 May 2010**
- (56) Related Art Documents: **Not Applicable**
- (57) Statement of Newness and Distinctiveness: **Newness and distinctiveness is claimed in the arrangement of apertures on at least one face of a column of indefinite length as shown in the representations.**



- (21) Design Number: **11471/2010**
- (22) Date of Filing Application: **20 April 2010**
- (24) Date from which industrial property rights may have effect: **20 April 2010**
- (54) Product in respect of which the design is registered: **Beam**
- (51) International Design Classification: **25-01C, 25-01K**
- (71) Name(s) and Address(s) of Applicant(s):
Colin Richard Malcolm Fitzgerald
1/33 Hazel Street Como Western Australia 6152 Australia
Steven Rex Thomas
30 Clarkson Street Bullsbrook Western Australia 6084 Australia
- (72) Name(s) of Designer(s): **Colin Richard Malcolm Fitzgerald and Steven Rex Thomas**
- (45) Registration Date: **17 May 2010**
- (56) Related Art Documents: **Not Applicable**
- (57) Statement of Newness and Distinctiveness: **Newness and distinctiveness is claimed in the shape and configuration of a beam of indefinite length as shown in the representations.**



(21) Design Number: **11472/2010**

(22) Date of Filing Application: **20 April 2010**

(24) Date from which industrial property rights may have effect: **20 April 2010**

(54) Product in respect of which the design is registered: **Beam**

(51) International Design Classification: **25-01C**

(71) Name(s) and Address(s) of Applicant(s):

Colin Richard Malcolm Fitzgerald
1/33 Hazel Street Como Western Australia 6152 Australia

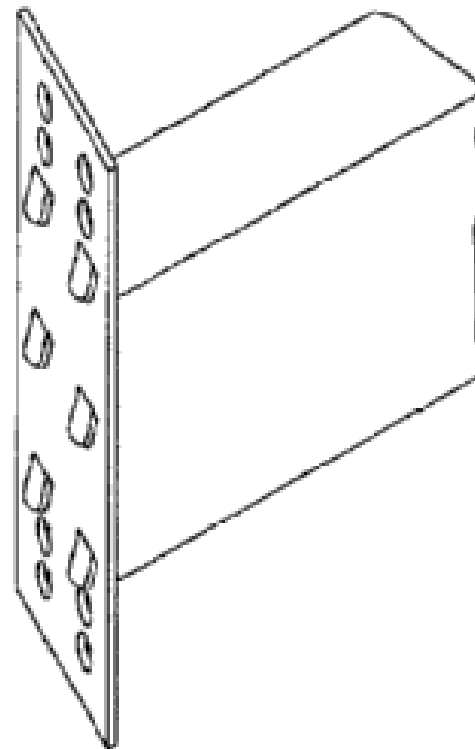
Steven Rex Thomas
30 Clarkson Street Bullsbrook Western Australia 6084 Australia

(72) Name(s) of Designer(s): **Colin Richard Malcolm Fitzgerald and Steven Rex Thomas**

(45) Registration Date: **17 May 2010**

(56) Related Art Documents: **Not Applicable**

(57) Statement of Newness and Distinctiveness: **Newness and distinctiveness is claimed in the shaped and configuration of a beam of indefinite length as shown in the representations.**



(21) Design Number: **11473/2010**

(22) Date of Filing Application: **20 April 2010**

(24) Date from which industrial property rights may have effect: **20 April 2010**

(54) Product in respect of which the design is registered: **Mop bucket**

(51) International Design Classification: **07-07B**

(71) Name(s) and Address(s) of Applicant(s):

Edgar Edmondson Imports Pty Ltd
22 Garden Street Marrickville New South Wales 2204 Australia

(72) Name(s) of Designer(s): **Timothy Edmondson**

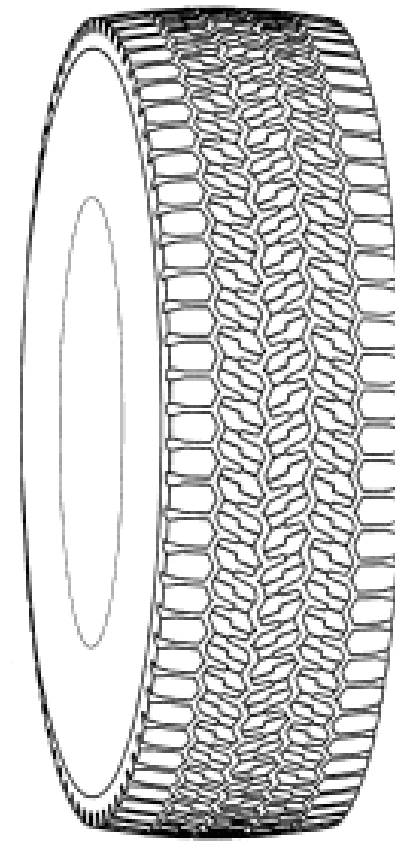
(45) Registration Date: **17 May 2010**

(56) Related Art Documents: **Not Applicable**

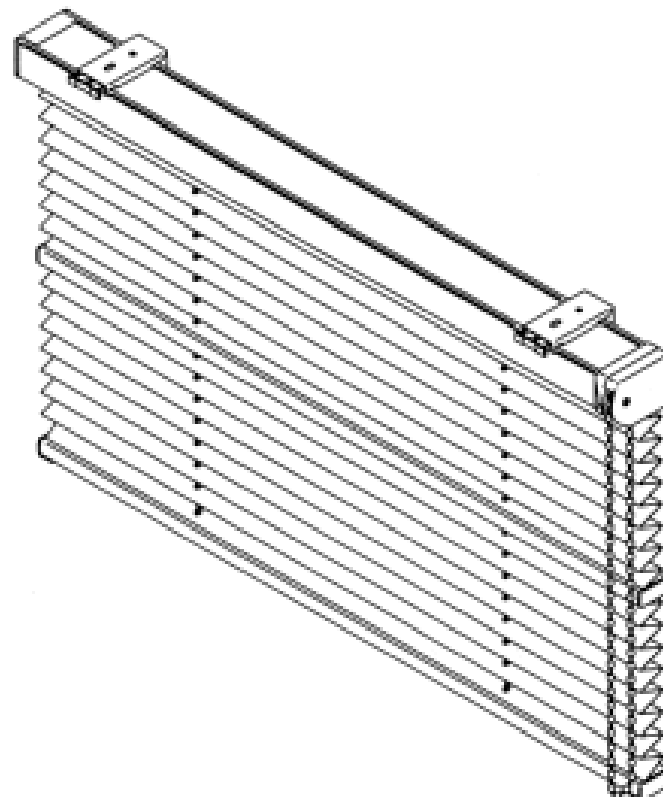
(57) Statement of Newness and Distinctiveness: **Newness and distinctiveness reside in the features of the shape and configuration of the design as shown in the representations.**



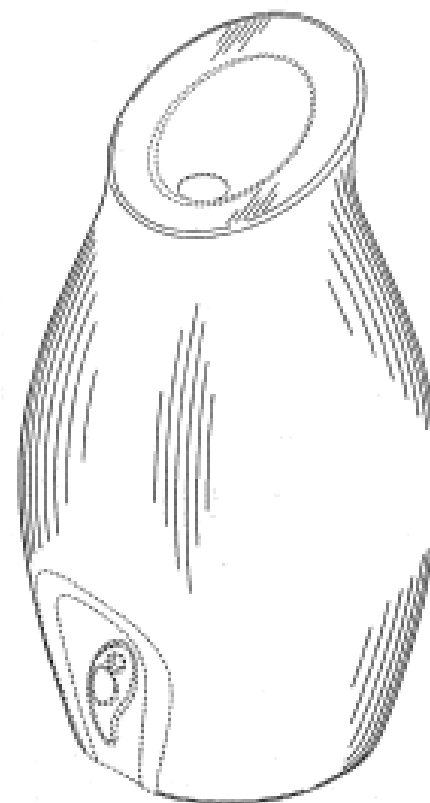
- (21) Design Number: **11474/2010**
(22) Date of Filing Application: **21 April 2010**
(24) Date from which industrial property rights may have effect: **21 April 2010**
(54) Product in respect of which the design is registered: **A tyre**
(51) International Design Classification: **12-15A**
(71) Name(s) and Address(s) of Applicant(s):
Societe De Technologie Michelin
23 rue Breschet F-63000 Clermont-Ferrand Cedex France
Michelin Recherche et Technique S.A.
Route Louis Braille 10 et 12 CH-1763 Granges-Paccot Switzerland
(72) Name(s) of Designer(s): **Didier Michel Martin**
(45) Registration Date: **17 May 2010**
(30) Convention priority data:
(31) Number (32) Date (33) Country
09/5449 06 Nov 2009 FRANCE
(56) Related Art Documents: **Not Applicable**
(57) Statement of Newness and Distinctiveness: **Newness and distinctiveness resides in the pattern and appearance of the tread region of the tyre, the remainder of the tyre not forming part of the design.**



- (21) Design Number: **11475/2010**
(22) Date of Filing Application: **20 April 2010**
(24) Date from which industrial property rights may have effect: **20 April 2010**
(54) Product in respect of which the design is registered: **Pleated curtain**
(51) International Design Classification: **06-10**
(71) Name(s) and Address(s) of Applicant(s):
Tachikawa Corporation
3-1-12 Mita Minato-ku Tokyo 1088334 Japan
(72) Name(s) of Designer(s): **Hajime Nakamura**
(45) Registration Date: **17 May 2010**
(30) Convention priority data:
(31) Number (32) Date (33) Country
2009-25429 29 Oct 2009 JAPAN
(56) Related Art Documents: **Not Applicable**
(57) Statement of Newness and Distinctiveness: **Nil**



- (21) Design Number: **11478/2010**
(22) Date of Filing Application: **20 April 2010**
(24) Date from which industrial property rights may have effect: **20 April 2010**
(54) Product in respect of which the design is registered: **Air fragrance housing**
(51) International Design Classification: **09-01A, 28-99**
(71) Name(s) and Address(s) of Applicant(s):
S.C. Johnson & Son, Inc.
1525 Howe Street Racine Wisconsin 53403 United States of America
(72) Name(s) of Designer(s): **Matthew Abbondanzio and Glenn Walters and Vladlena Belozerova and Claudia Gamboa and Marilyn M. Johnson and Megan C. Sorrell and Fuk Yuen Cheng**
(45) Registration Date: **17 May 2010**
(30) Convention priority data:
(31) Number (32) Date (33) Country
29/346432 30 Oct 2009 UNITED STATES OF AMERICA
(56) Related Art Documents: **Not Applicable**
(57) Statement of Newness and Distinctiveness: **Newness and distinctiveness is claimed in those features of shape and/or configuration of an air fragrance housing as illustrated in continuous lines in the accompanying representations.**



- (21) Design Number: **11479/2010**
(22) Date of Filing Application: **20 April 2010**
(24) Date from which industrial property rights may have effect: **20 April 2010**
(54) Product in respect of which the design is registered: **Air fragrance housing**
(51) International Design Classification: **09-01A, 28-99**
(71) Name(s) and Address(s) of Applicant(s):
S.C. Johnson & Son, Inc.
1525 Howe Street Racine Wisconsin 53403 United States of America
(72) Name(s) of Designer(s): **Matthew Abbondanzio and Glenn Walters and Vladlena Belozerova and Claudia Gamboa and Marilyn M. Johnson and Megan C. Sorrell and Fuk Yuen Cheng**
(45) Registration Date: **17 May 2010**
(30) Convention priority data:
(31) Number (32) Date (33) Country
29/346432 30 Oct 2009 UNITED STATES OF AMERICA
(56) Related Art Documents: **Not Applicable**
(57) Statement of Newness and Distinctiveness: **Newness and distinctiveness is claimed in those features of shape and/or configuration of an air fragrance housing as illustrated in continuous lines in the accompanying representations.**



(21) Design Number: **13168/2009**

(22) Date of Filing Application: **20 August 2009**

(24) Date from which industrial property rights may have effect: **20 August 2009**

(54) Product in respect of which the design is registered: **Jewellery packaging**

(51) International Design Classification: **03-01NES**

(71) Name(s) and Address(s) of Applicant(s):

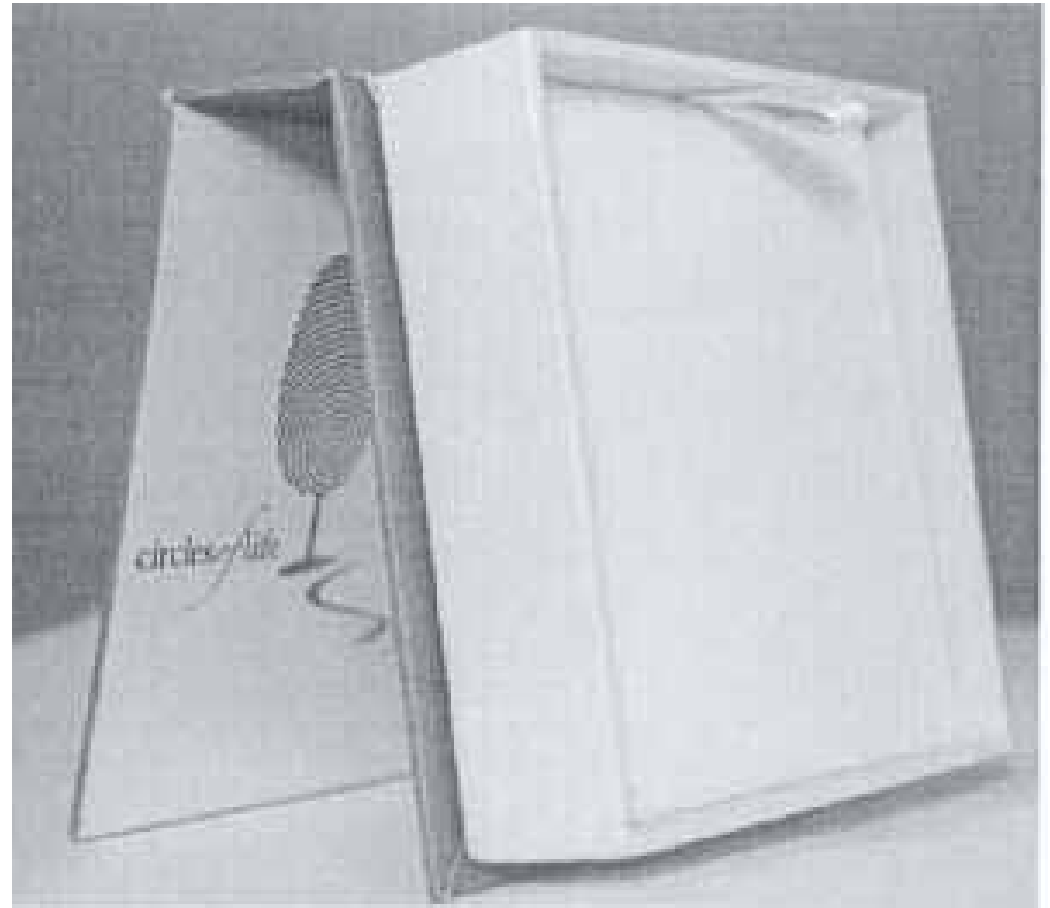
Faith Insignias Pty Ltd
PO Box 7202 Baulkham Hills BC New South Wales 2153 Australia

(72) Name(s) of Designer(s): **Roslyna Reifler**

(45) Registration Date: **18 May 2010**

(56) Related Art Documents: **Not Applicable**

(57) Statement of Newness and Distinctiveness: **Ribbon closure fastening. Ribbon wraps around rivet on front of box to close, and on rivet inside of box to enable box to stand for display. Greeting card pocket within box to hold greeting card.**



(21) Design Number: **13212/2009**

(22) Date of Filing Application: **21 August 2009**

(24) Date from which industrial property rights may have effect: **21 August 2009**

(54) Product in respect of which the design is registered: **A helmet**

(51) International Design Classification: **02-03**

(71) Name(s) and Address(s) of Applicant(s):

D-Zone International Pty Ltd
19 Como Parade Como New South Wales 2226 Australia

(72) Name(s) of Designer(s): **Jason Evlogosis**

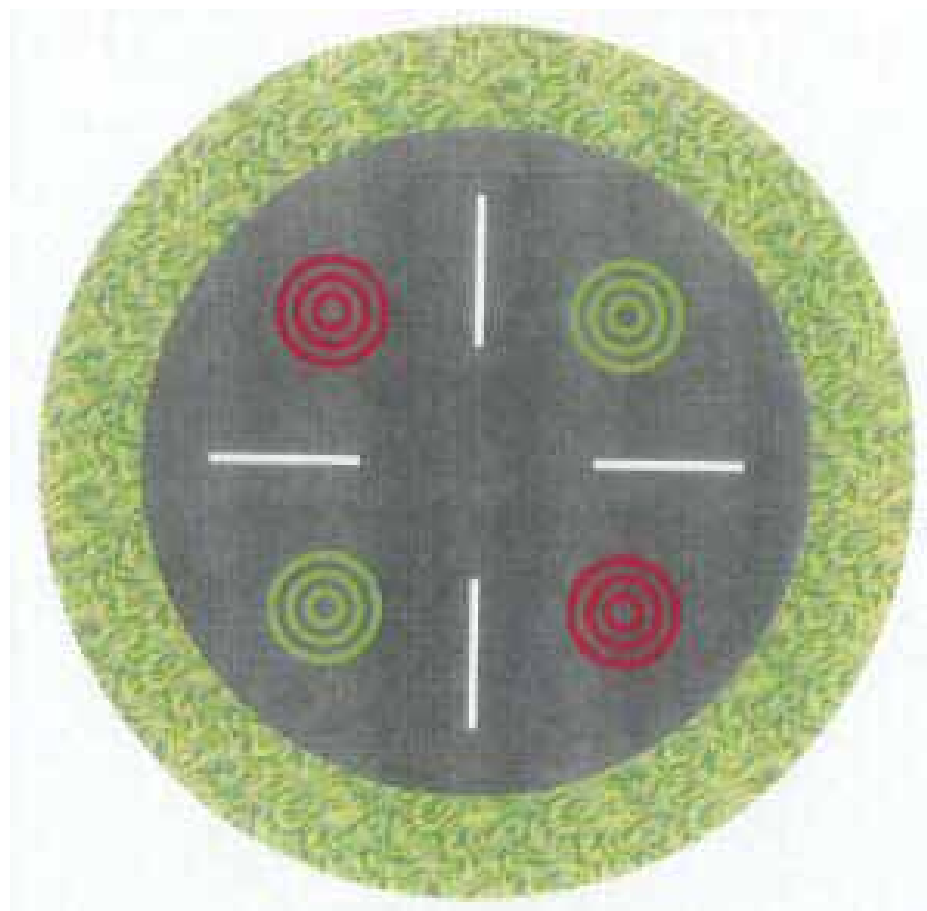
(45) Registration Date: **18 May 2010**

(56) Related Art Documents: **Not Applicable**

(57) Statement of Newness and Distinctiveness: **Newness and distinctiveness is claimed in those features of shape and or configuration of a helmet as depicted in the representations. Colours, rendering and shading are used to illustrate shape and configuration and do not form part of the design.**



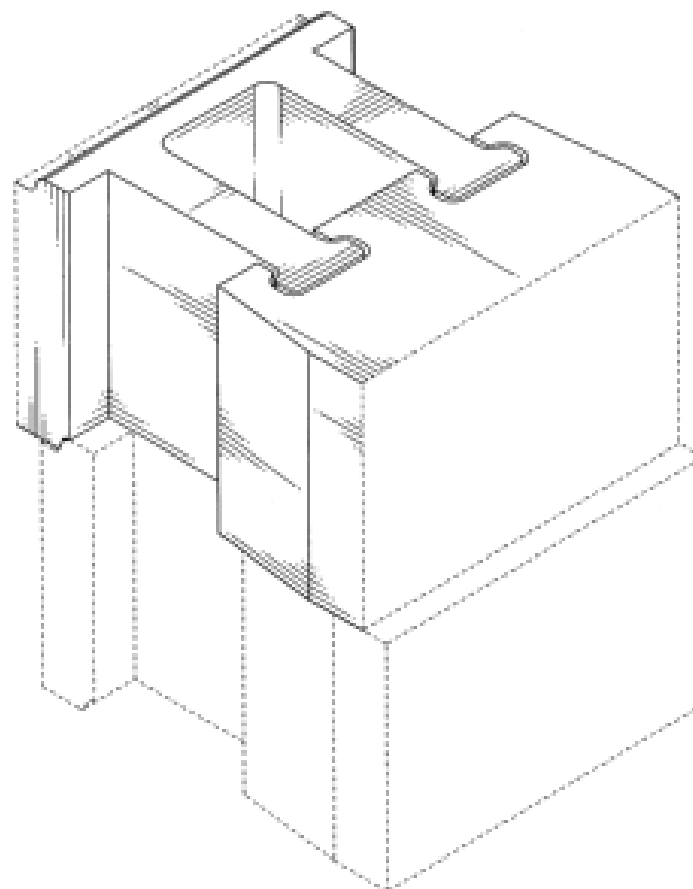
(21) Design Number: **10527/2010**
 (22) Date of Filing Application: **15 February 2010**
 (24) Date from which industrial property rights may have effect: **15 February 2010**
 (54) Product in respect of which the design is registered: **Trampoline mat**
 (51) International Design Classification: **21-02F**
 (71) Name(s) and Address(s) of Applicant(s):
Vuly Pty Ltd
95 Ingleston Road Wakerley Queensland 4154 Australia
 (72) Name(s) of Designer(s): **Von Glitschka**
 (45) Registration Date: **18 May 2010**
 (56) Related Art Documents: **Not Applicable**
 (57) Statement of Newness and Distinctiveness: **Newness and distinctiveness resides in the pattern and ornamentation applied to a sheet of material as illustrated in Fig.1.**



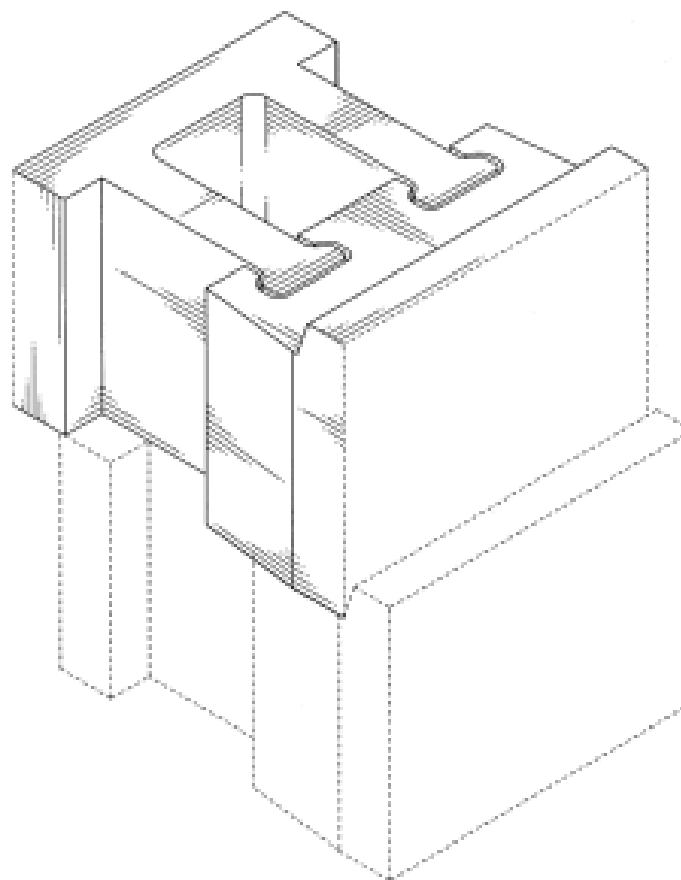
(21) Design Number: **10645/2010**
 (22) Date of Filing Application: **26 February 2010**
 (24) Date from which industrial property rights may have effect: **26 February 2010**
 (54) Product in respect of which the design is registered: **Multi-component retaining wall block**
 (51) International Design Classification: **25-01A**
 (71) Name(s) and Address(s) of Applicant(s):
Allan Block Corporation
5300 Edina Industrial Boulevard Edina MN 55439 United States of America
 (72) Name(s) of Designer(s): **Timothy A. Bott**
 (45) Registration Date: **18 May 2010**
 (30) Convention priority data:

(31) Number	(32) Date	(33) Country
29/342670	28 Aug 2009	UNITED STATES OF AMERICA

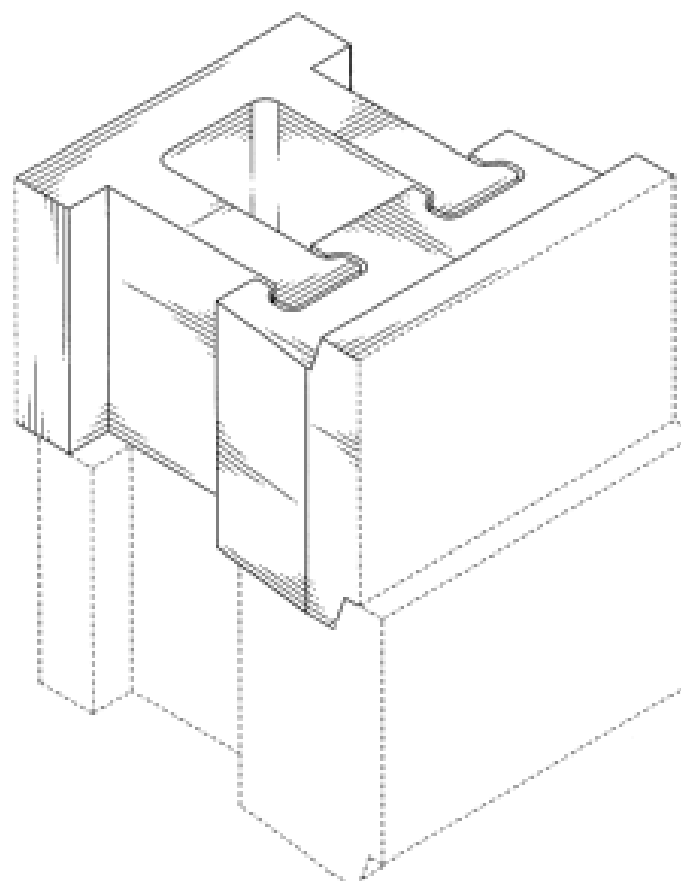
 (56) Related Art Documents: **Not Applicable**
 (57) Statement of Newness and Distinctiveness: **When determining whether the MULTI-COMPONENT RETAINING WALL BLOCK is substantially similar in overall impression to another design, no regard is to be had to those features shown in dotted outline, which features are provided for illustrative purposes only.**



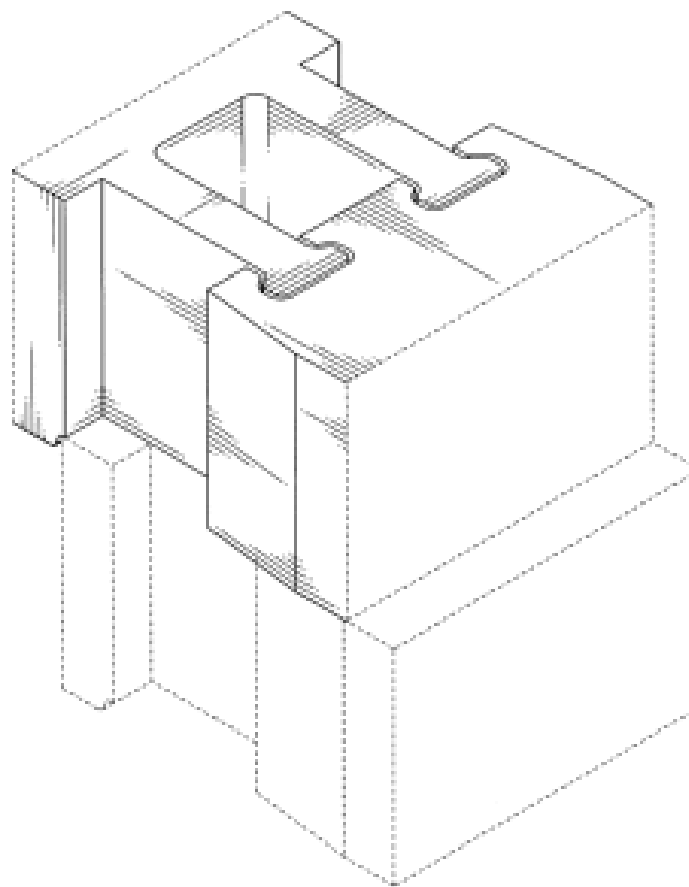
- (21) Design Number: **11740/2010**
(22) Date of Filing Application: **26 February 2010**
(24) Date from which industrial property rights may have effect: **26 February 2010**
(54) Product in respect of which the design is registered: **Multi-component retaining wall block**
(51) International Design Classification: **25-01A**
(71) Name(s) and Address(s) of Applicant(s):
Allan Block Corporation
5300 Edina Industrial Boulevard Edina MN 55439 United States of America
(72) Name(s) of Designer(s): **Timothy A. Bott**
(45) Registration Date: **18 May 2010**
(30) Convention priority data:
(31) Number (32) Date (33) Country
29/342670 28 Aug 2009 UNITED STATES OF AMERICA
(56) Related Art Documents: **Not Applicable**
(57) Statement of Newness and Distinctiveness: **When determining whether the MULTI-COMPONENT RETAINING WALL BLOCK is substantially similar in overall impression to another design, no regard is to be had to those features shown in dotted outline, which features are provided for illustrative purposes only.**



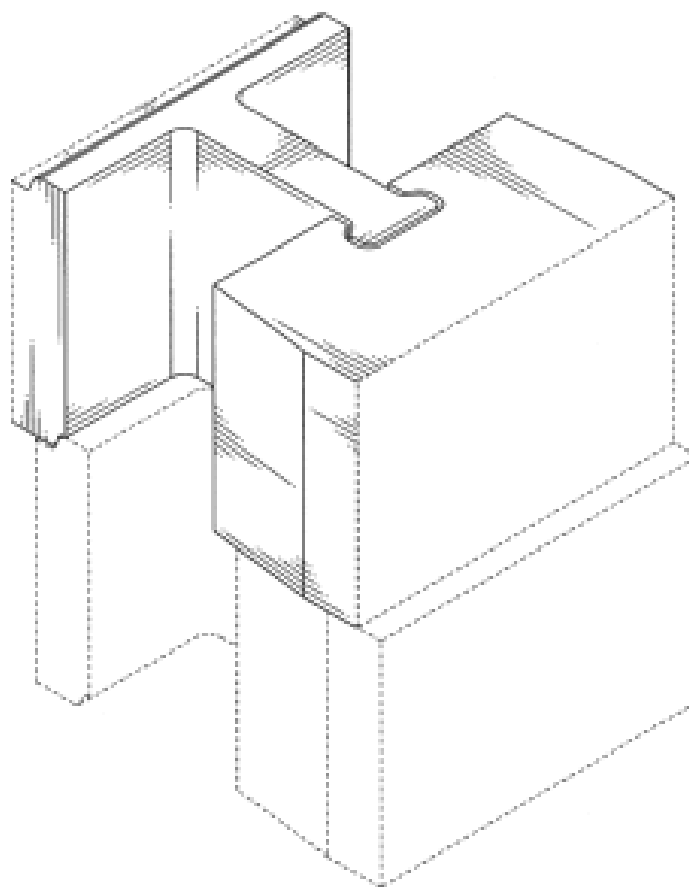
- (21) Design Number: **11741/2010**
(22) Date of Filing Application: **26 February 2010**
(24) Date from which industrial property rights may have effect: **26 February 2010**
(54) Product in respect of which the design is registered: **Multi-component retaining wall block**
(51) International Design Classification: **25-01A**
(71) Name(s) and Address(s) of Applicant(s):
Allan Block Corporation
5300 Edina Industrial Boulevard Edina MN 55439 United States of America
(72) Name(s) of Designer(s): **Timothy A. Bott**
(45) Registration Date: **18 May 2010**
(30) Convention priority data:
(31) Number (32) Date (33) Country
29/342670 28 Aug 2009 UNITED STATES OF AMERICA
(56) Related Art Documents: **Not Applicable**
(57) Statement of Newness and Distinctiveness: **When determining whether the MULTI-COMPONENT RETAINING WALL BLOCK is substantially similar in overall impression to another design, no regard is to be had to those features shown in dotted outline, which features are provided for illustrative purposes only.**



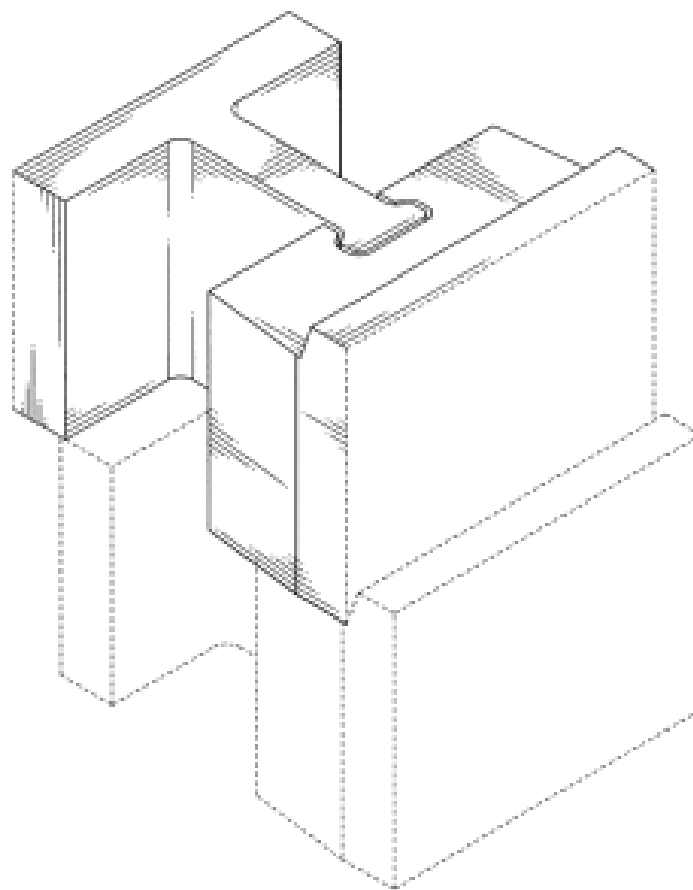
(21) Design Number: **11742/2010**
 (22) Date of Filing Application: **26 February 2010**
 (24) Date from which industrial property rights may have effect: **26 February 2010**
 (54) Product in respect of which the design is registered: **Multi-component retaining wall block**
 (51) International Design Classification: **25-01A**
 (71) Name(s) and Address(s) of Applicant(s):
Allan Block Corporation
5300 Edina Industrial Boulevard Edina MN 55439 United States of America
 (72) Name(s) of Designer(s): **Timothy A. Bott**
 (45) Registration Date: **18 May 2010**
 (30) Convention priority data:
 (31) Number (32) Date (33) Country
29/342670 28 Aug 2009 UNITED STATES OF AMERICA
 (56) Related Art Documents: **Not Applicable**
 (57) Statement of Newness and Distinctiveness: **When determining whether the MULTI-COMPONENT RETAINING WALL BLOCK is substantially similar in overall impression to another design, no regard is to be had to those features shown in dotted outline, which features are provided for illustrative purposes only.**



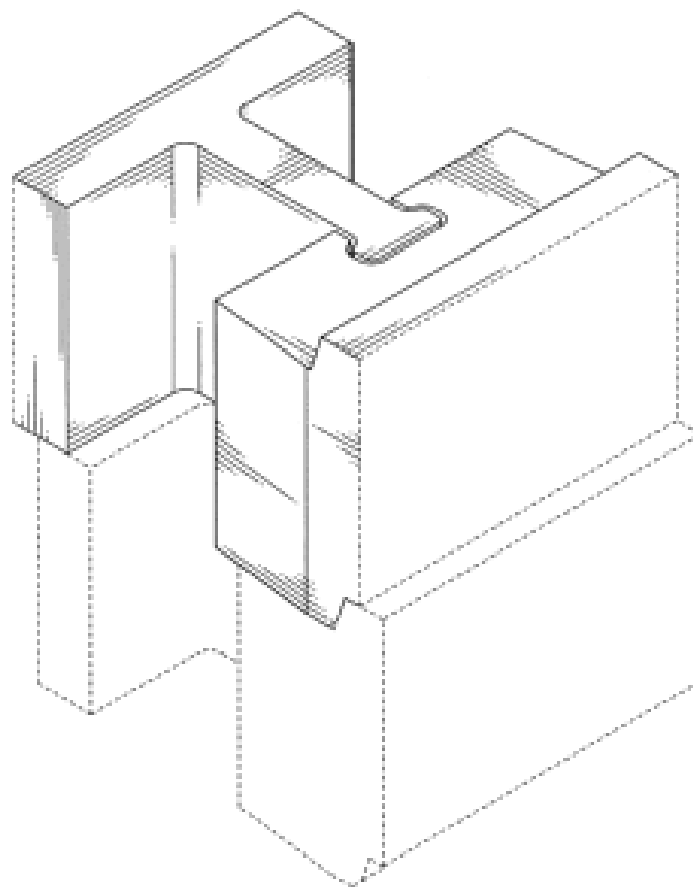
(21) Design Number: **10646/2010**
 (22) Date of Filing Application: **26 February 2010**
 (24) Date from which industrial property rights may have effect: **26 February 2010**
 (54) Product in respect of which the design is registered: **Multi-component retaining wall block**
 (51) International Design Classification: **25-01A**
 (71) Name(s) and Address(s) of Applicant(s):
Allan Block Corporation
5300 Edina Industrial Boulevard Edina MN 55439 United States of America
 (72) Name(s) of Designer(s): **Timothy A. Bott**
 (45) Registration Date: **18 May 2010**
 (30) Convention priority data:
 (31) Number (32) Date (33) Country
29/342671 28 Aug 2009 UNITED STATES OF AMERICA
 (56) Related Art Documents: **Not Applicable**
 (57) Statement of Newness and Distinctiveness: **When determining whether the MULTI-COMPONENT RETAINING WALL BLOCK is substantially similar in overall impression to another design, no regard is to be had to those features shown in dotted outline, which features are provided for illustrative purposes only.**



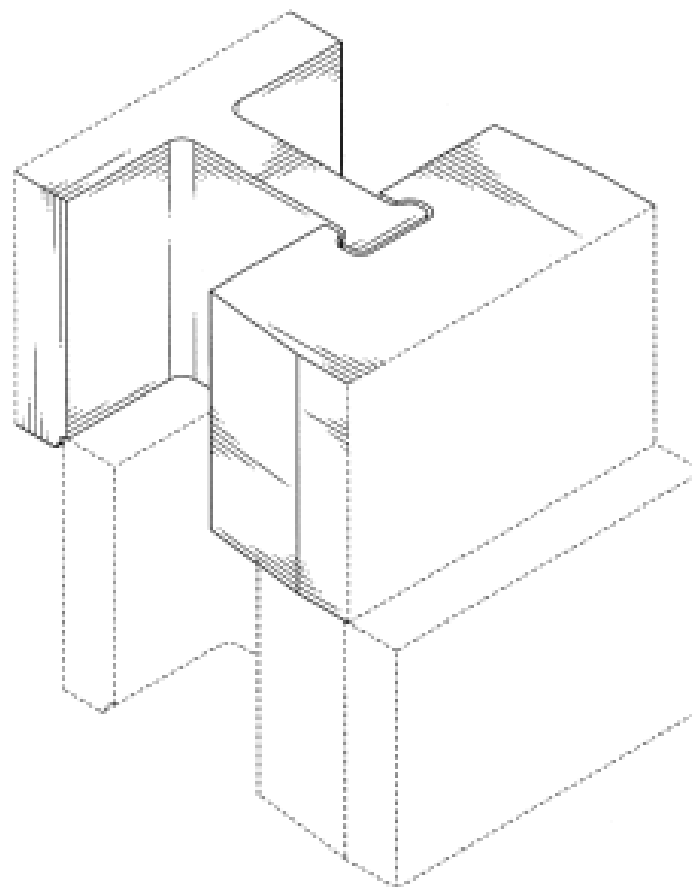
(21) Design Number: **11743/2010**
(22) Date of Filing Application: **26 February 2010**
(24) Date from which industrial property rights may have effect: **26 February 2010**
(54) Product in respect of which the design is registered: **Multi-component retaining wall block**
(51) International Design Classification: **25-01A**
(71) Name(s) and Address(s) of Applicant(s):
Allan Block Corporation
5300 Edina Industrial Boulevard Edina MN 55439 United States of America
(72) Name(s) of Designer(s): **Timothy A. Bott**
(45) Registration Date: **18 May 2010**
(30) Convention priority data:
(31) Number (32) Date (33) Country
29/342670 28 Aug 2009 UNITED STATES OF AMERICA
(56) Related Art Documents: **Not Applicable**
(57) Statement of Newness and Distinctiveness: **When determining whether the MULTI-COMPONENT RETAINING WALL BLOCK is substantially similar in overall impression to another design, no regard is to be had to those features shown in dotted outline, which features are provided for illustrative purposes only.**



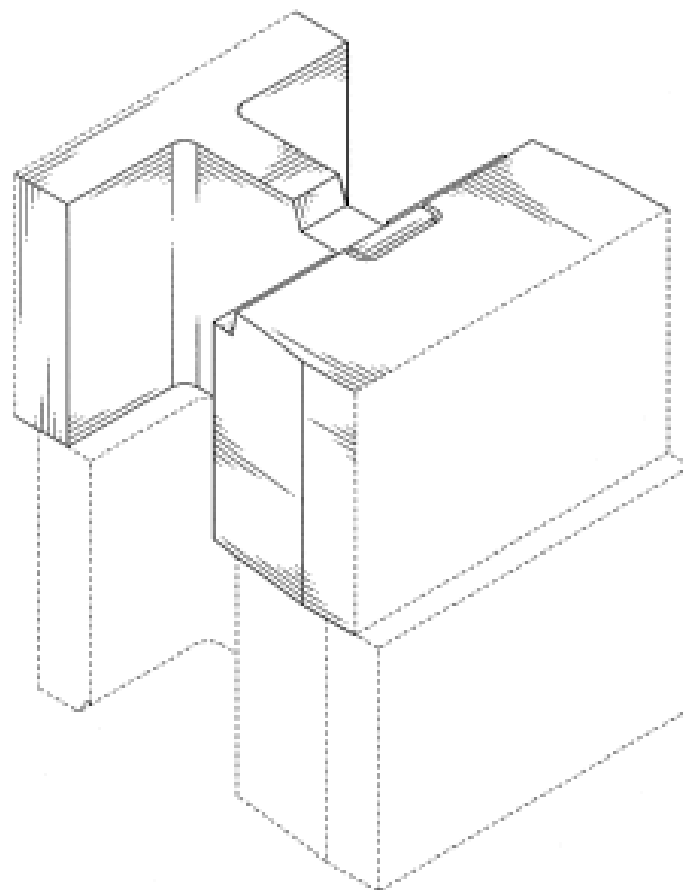
(21) Design Number: **11744/2010**
(22) Date of Filing Application: **26 February 2010**
(24) Date from which industrial property rights may have effect: **26 February 2010**
(54) Product in respect of which the design is registered: **Multi-component retaining wall block**
(51) International Design Classification: **25-01A**
(71) Name(s) and Address(s) of Applicant(s):
Allan Block Corporation
5300 Edina Industrial Boulevard Edina MN 55439 United States of America
(72) Name(s) of Designer(s): **Timothy A. Bott**
(45) Registration Date: **18 May 2010**
(30) Convention priority data:
(31) Number (32) Date (33) Country
29/342670 28 Aug 2009 UNITED STATES OF AMERICA
(56) Related Art Documents: **Not Applicable**
(57) Statement of Newness and Distinctiveness: **When determining whether the MULTI-COMPONENT RETAINING WALL BLOCK is substantially similar in overall impression to another design, no regard is to be had to those features shown in dotted outline, which features are provided for illustrative purposes only.**



- (21) Design Number: **11745/2010**
(22) Date of Filing Application: **26 February 2010**
(24) Date from which industrial property rights may have effect: **26 February 2010**
(54) Product in respect of which the design is registered: **Multi-component retaining wall block**
(51) International Design Classification: **25-01A**
(71) Name(s) and Address(s) of Applicant(s):
Allan Block Corporation
5300 Edina Industrial Boulevard Edina MN 55439 United States of America
(72) Name(s) of Designer(s): **Timothy A. Bott**
(45) Registration Date: **18 May 2010**
(30) Convention priority data:
(31) Number (32) Date (33) Country
29/342670 28 Aug 2009 UNITED STATES OF AMERICA
(56) Related Art Documents: **Not Applicable**
(57) Statement of Newness and Distinctiveness: **When determining whether the MULTI-COMPONENT RETAINING WALL BLOCK is substantially similar in overall impression to another design, no regard is to be had to those features shown in dotted outline, which features are provided for illustrative purposes only.**



- (21) Design Number: **11746/2010**
(22) Date of Filing Application: **26 February 2010**
(24) Date from which industrial property rights may have effect: **26 February 2010**
(54) Product in respect of which the design is registered: **Multi-component retaining wall block**
(51) International Design Classification: **25-01A**
(71) Name(s) and Address(s) of Applicant(s):
Allan Block Corporation
5300 Edina Industrial Boulevard Edina MN 55439 United States of America
(72) Name(s) of Designer(s): **Timothy A. Bott**
(45) Registration Date: **18 May 2010**
(30) Convention priority data:
(31) Number (32) Date (33) Country
29/342670 28 Aug 2009 UNITED STATES OF AMERICA
(56) Related Art Documents: **Not Applicable**
(57) Statement of Newness and Distinctiveness: **When determining whether the MULTI-COMPONENT RETAINING WALL BLOCK is substantially similar in overall impression to another design, no regard is to be had to those features shown in dotted outline, which features are provided for illustrative purposes only.**



(21) Design Number: 11747/2010

(22) Date of Filing Application: 26 February 2010

(24) Date from which industrial property rights may have effect: 26 February 2010

(54) Product in respect of which the design is registered: Multi-component retaining wall block

(51) International Design Classification: 25-01A

(71) Name(s) and Address(s) of Applicant(s):

Allan Block Corporation
5300 Edina Industrial Boulevard Edina MN 55439 United States of America

(72) Name(s) of Designer(s): Timothy A. Bott

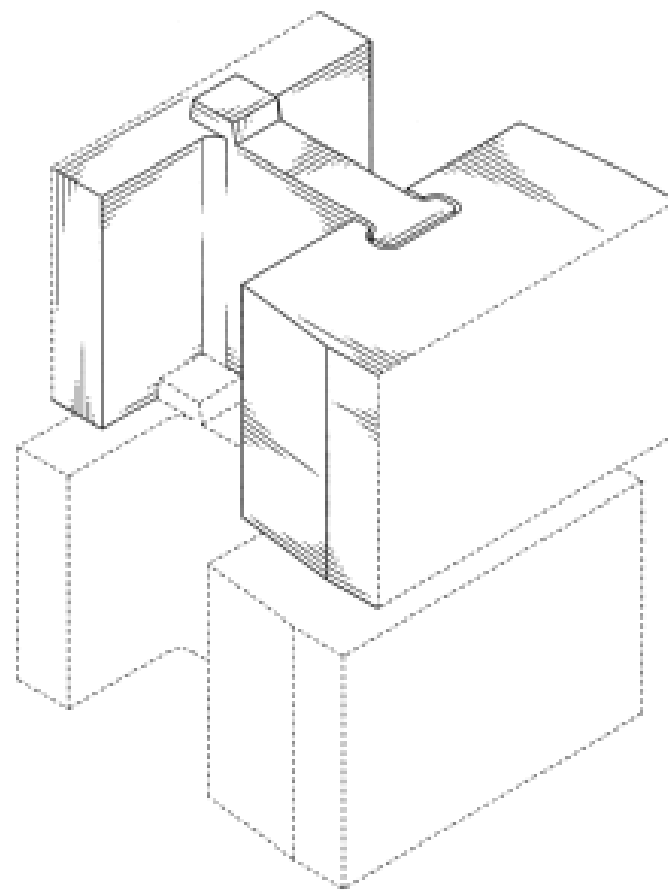
(45) Registration Date: 18 May 2010

(30) Convention priority data:

(31) Number	(32) Date	(33) Country
29/342670	28 Aug 2009	UNITED STATES OF AMERICA

(56) Related Art Documents: Not Applicable

(57) Statement of Newness and Distinctiveness: When determining whether the MULTI-COMPONENT RETAINING WALL BLOCK is substantially similar in overall impression to another design, no regard is to be had to those features shown in dotted outline, which features are provided for illustrative purposes only.



(21) Design Number: 10647/2010

(22) Date of Filing Application: 26 February 2010

(24) Date from which industrial property rights may have effect: 26 February 2010

(54) Product in respect of which the design is registered: Refrigerator

(51) International Design Classification: 15-07

(71) Name(s) and Address(s) of Applicant(s):

Mitsubishi Electric Corporation
7-3 Marunouchi 2-chome Chiyoda-ku Tokyo 100-8310 Japan

(72) Name(s) of Designer(s): Jason Ammerman and Hitomi Yotsuya

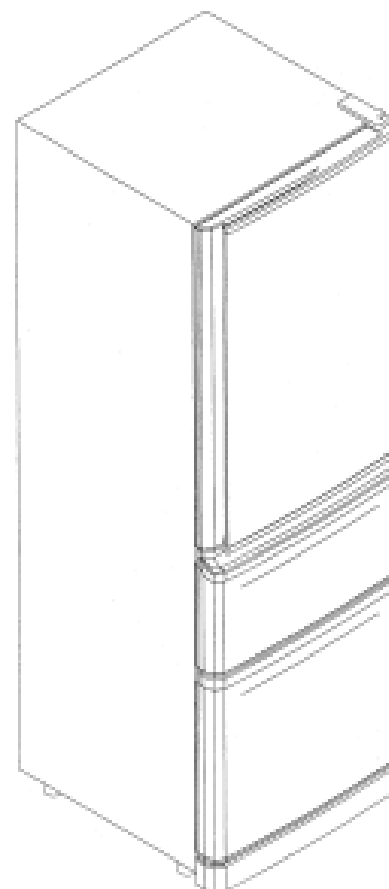
(45) Registration Date: 18 May 2010

(30) Convention priority data:

(31) Number	(32) Date	(33) Country
2009-022755	30 Sep 2009	JAPAN

(56) Related Art Documents: Not Applicable

(57) Statement of Newness and Distinctiveness: Newness and Distinctiveness resides in those features of shape and/or configuration of a REFRIGERATOR as illustrated in the accompanying representations.



(21) Design Number: **10648/2010**

(22) Date of Filing Application: **26 February 2010**

(24) Date from which industrial property rights may have effect: **26 February 2010**

(54) Product in respect of which the design is registered: **Refrigerator**

(51) International Design Classification: **15-07**

(71) Name(s) and Address(s) of Applicant(s):

Mitsubishi Electric Corporation

7-3 Marunouchi 2-chome Chiyoda-ku Tokyo 100-8310 Japan

(72) Name(s) of Designer(s): **Hitomi Yotsuya and Jason Ammerman**

(45) Registration Date: **18 May 2010**

(30) Convention priority data:

(31) Number

(32) Date

(33) Country

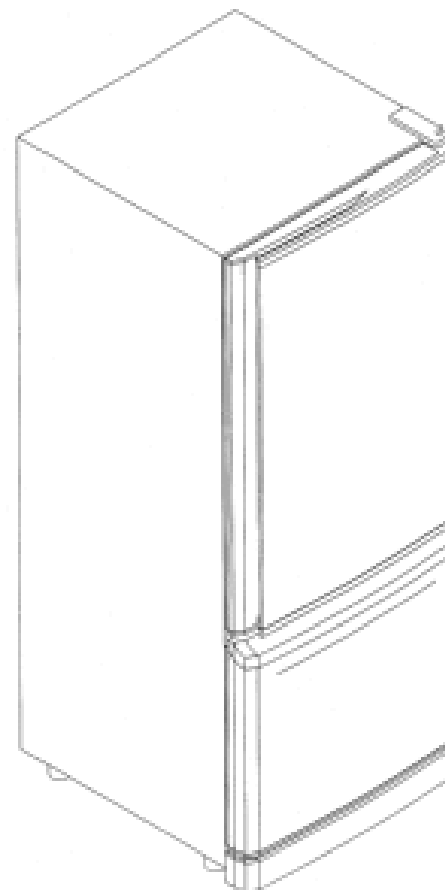
2009-022756

30 Sep 2009

JAPAN

(56) Related Art Documents: **Not Applicable**

(57) Statement of Newness and Distinctiveness: **Newness and Distinctiveness resides in those features of shape and/or configuration of a REFRIGERATOR as illustrated in the accompanying representations.**



(21) Design Number: **11577/2010**

(22) Date of Filing Application: **23 April 2010**

(24) Date from which industrial property rights may have effect: **23 April 2010**

(54) Product in respect of which the design is registered: **Evening dress**

(51) International Design Classification: **02-02C**

(71) Name(s) and Address(s) of Applicant(s):

Chick Collections Pty Ltd

356 Military Road Cremorne New South Wales 2090 Australia

(72) Name(s) of Designer(s): **Rainy ziwei Qiu**

(45) Registration Date: **18 May 2010**

(56) Related Art Documents: **Not Applicable**

(57) Statement of Newness and Distinctiveness: **With bust detail and cross at the back.**



(21) Design Number: **11579/2010**

(22) Date of Filing Application: **23 April 2010**

(24) Date from which industrial property rights may have effect: **23 April 2010**

(54) Product in respect of which the design is registered: **Hybrid fishing lure**

(51) International Design Classification: **22-05**

(71) Name(s) and Address(s) of Applicant(s):

Lively Lures Pty Ltd

110 Grigor Street Moffat Beach Queensland 4551 Australia

(72) Name(s) of Designer(s): **Alan Graham Dolan**

(45) Registration Date: **18 May 2010**

(56) Related Art Documents: **Not Applicable**

(57) Statement of Newness and Distinctiveness: **This is a new concept of fishing lure design which incorporates hard front section and soft rear section. This invention in design allows the changing of coloured tails to suit different heads on fishing lures.**

