



Australian Government

IP Australia

AUSTRALIAN OFFICIAL JOURNAL

OF

DESIGNS

Did you know a searchable version of this journal is now available online?

It's FREE and EASY to SEARCH.

Find it at

<http://pericles.ipaustralia.gov.au/ols/epublish/content/olsEpublications.jsp>
or using the "Online Journals" link on the IP Australia home page.

This Page Left Intentionally Blank

Contents

General Information & Notices

Proceedings Under the Designs Act 1906 preserved as a result of the provisions of Chapter 12 Part 2 of the Designs Act 2003

Extension of Period of Registration of Designs	1226
Extensions of Time Granted	1226
Names Registered - Alterations and Amendments	1226
Registrations Ceased	1226

Proceedings Under the Designs Act 2003

Applications Lapsed	1238
Applications Lodged	1231
Certificate of Examination	1241
Extension of Period of Registration of Design	
Extension of Time Granted Under Section 137	1239
Names Registered - Alterations and Amendments	1240
Publication and Registration Proceedings	
Designs Registered 330828 to 331169.....	1242
Registrations Ceased	1239
Revocation of Design Registrations	1239
Subsequent Owners Registered	1240

This Page Left Intentionally Blank

For information on the following please see our website www.ipaustralia.gov.au or contact our Customer Service Network on 1300651010

[Editorial enquiries](#)

[Contact information](#)

[Freedom of Information ACT](#)

[Professional Standards Board](#)

[Sales](#)

[Requests for Information under Section 194 \(c\)](#)

[Country Codes](#)

[Trade Mark and Designs Hearing Sessions](#)

[INID \(Internationally agreed Numbers for the Identification of Data\)](#)

“INID” NUMBERS in use on Australian Design Documents

“INID” is an acronym for “Internationally agreed Numbers for the Identification of Data”.

(10) Data concerning the registration/renewal

- (11) Serial number of the registration and/or number of the design document
- (12) Plain language designation of the kind of published document
- (19) Identification, using the two-letter code according to WIPO Standard ST.3, of the authority publishing or registering the industrial design

(20) Data concerning the application

- (21) Serial number of the application
- (22) Date of filing of the application
- (24) Date from which the industrial design right has effect

(30) Data relating to priority under the Paris Convention

- (31) Serial number assigned to the priority application
- (32) Date of filing of the priority application
- (33) Two-letter code, according to WIPO Standard ST.3, identifying the authority with which the priority application was made

(40) Date(s) of making information available to the public

- (45) Date of publication of the registered industrial design by printing or similar process, or making it available to the public by any other means

(50) Miscellaneous Information

- (51) International Classification for Industrial Designs (class and subclass of the Locarno Classification)
- (54) Designation of article(s) or product(s) covered by the industrial design or title of the industrial design
- (55) Reproduction of the industrial design (e.g., drawing, photograph) and explanations relating to the reproduction
- (56) List of prior art documents, if separate from descriptive text
- (57) Description of characteristic features of the industrial design including indication of colours

(60) References to other legally related application(s) and registration(s)

- (62) Serial number(s) and, if available, filing date(s) of application(s), registration(s) or document(s) related by division
- (66) Serial number(s) of the application, or the registration, of the design(s) which is (are) a variant(s) of the present one

(70) Identification of parties concerned with the application or registration

- (71) Name(s) and address(es) of the applicant(s)
- (72) Name(s) of the creator(s) if known to be such
- (74) Name(s) and address(es) of the representative(s)

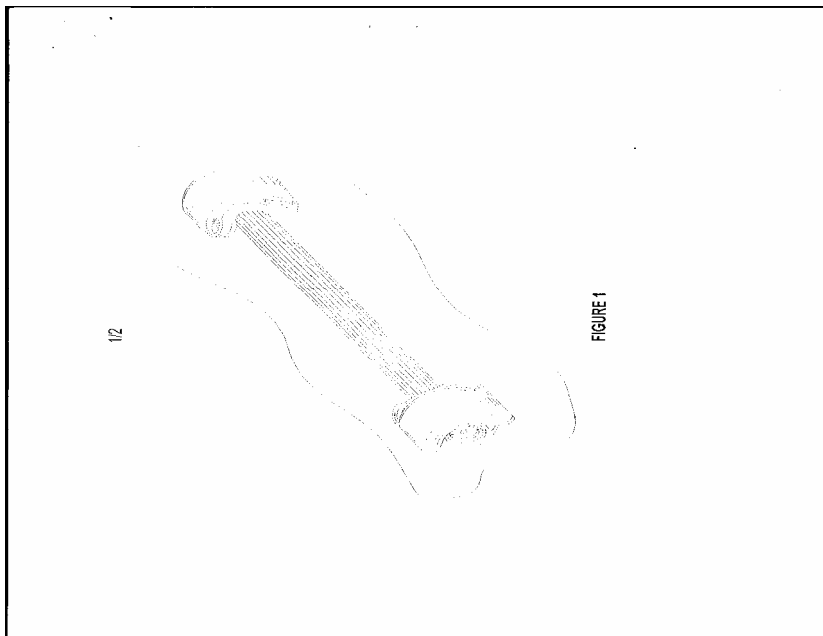
This Page Left Intentionally Blank

Official Notice

**Designs Act 2003
Correction of Register**

The following corrections under Regulation 9.05 (1) have been made to details previously published in the Australian Official Journal of Designs:

Registration Number	Amendment type	New details
325189	Representations	Representations as below



22



FIGURE 2

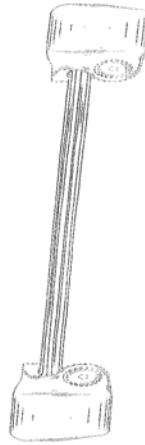


FIGURE 3

Queries: Contact: Gary Flint
Section: Trademarks and Designs Administration
+61 2 6283 2023

Contact: IP Australia
Phone: 1300 651 010
Fax: +61 2 6283 7999
E-mail: assist@ipaustrialia.gov.au
Web: www.ipaustrialia.gov.au

**Proceedings under the Designs Act 1906 preserved as a
result of the provisions of Chapter 12 Part 2 of the Designs
Act 2003.**

This Page Left Intentionally Blank

Applications Lapsed

There were no Applications Lapsed under this section

Extension of Period of Registration of Designs

1st Period (Section 27A(8))

2nd Period (Section 27A(12))

156520	156836	156840
156859	156860	157000
157005	157071	157077
157114	157132	157134
157276	157304	157314
157343	157370	157381
157415	157416	157417
157442	157511	157512
157594	157608	157704
157705	157775	157777
157787	157803	157856
157857	157858	157859
157860	157861	157862
157863	157864	157958
157976	158091	158094
158095	158136	158149
158157	158176	158177
158209	158210	158324
158325	158326	158327
158335	158352	158358
158430	158496	158500
158502	158503	158517

3rd Period (Section 27A(13))

138316	139051	139066
139067	139068	139069
139105	139107	139149
139182	139325	139348
139361	139365	139418
139491	139526	139691
139692	139693	139728
139759	139778	139779
139796	139862	139863
139881	139882	139883
139924	140046	140068
140167	140497	140522
140587	141127	141315
141599	142419	142662
143301	143302	145423
146050	146051	146600
152618		

Registrations Ceased

Note: Some of the following Registrations may have been previously advertised as ceased. In this instance, the previous advertisement still prevails.

122089	122106	122157
122169	122170	122176
122190	122191	122216
122233	122427	122685
122686	122699	122704
122721	122722	122723
122738	122739	122784
122798	122799	122800
122801	122841	123050
123051	123052	123054
123150	123301	123336
123384	123586	123913
125696	125764	125944
126131	126171	126669
127901	128195	128939
128940	128941	136190
137198	137344	137480
137481	137482	137549
137848	137992	137993
138240	138241	138242
138283	138521	140184
142166	154122	154221
154222	154835	154908
154910	154912	154937
154938	154939	154941
154942	154969	154970
154971	154972	154993
155011	155012	155013
155034	155046	155047
155128	155195	155197
155236	155255	155284
155285	155288	155299
155343	155362	155403
155410	155556	155557
155558	155632	155633
155801	155823	156014
156015	156149	156885
156957	157165	157183
157333	157334	157422
157423	157727	157818
157819	157844	158100

Extensions of time granted

Applications lodged for extension of time have been granted.

136958 **Andrea Jane Crouch** An Extension of time to extend a registration has been granted to 03/05/2010

Names Registered - Alterations and Amendments

(The name in parentheses is the new name of the proprietor)

155903	(Dold Manufacturing Limited) Dold Industries Limited
157344	(Panasonic Corporation) Matsushita Electric Industrial Co. Ltd
149555	(Rhino Rack Australia Pty Limited) Rhino-Rack Australia Pty Ltd

- 145427 **(Rhino Rack Australia Pty Limited)** Rhino-Rack
Australia Pty Ltd
- 141569 **(Rhino Rack Australia Pty Limited)** Rhino-Rack
Australia Pty Ltd
- 156051 **(Rhino Rack Australia Pty Limited)** Rhino-Rack
Australia Pty Ltd
- 133441 **(Jaram Products Pty Ltd)** Jaram Products Pty
- 133840 **(Jaram Products Pty Ltd)** Jaram Products Pty
- 134063 **(Jaram Products Pty Ltd)** Jaram Products Pty
- 138729 **(Jaram Products Pty Ltd)** Jaram Products Pty
- 145453 **(Jaram Products Pty Ltd)** Jaram Products Pty
- 145454 **(Jaram Products Pty Ltd)** Jaram Products Pty
- 153200 **(Jaram Products Pty Ltd)** Jaram Products Pty
- 158415 **(Jaram Products Pty Ltd)** Jaram Products Pty
- 158545 **(Jaram Products Pty Ltd)** Jaram Products Pty
- 158546 **(Jaram Products Pty Ltd)** Jaram Products Pty

This Page Left Intentionally Blank

Proceedings under the Designs Act 2003.

This Page Left Intentionally Blank

Applications Lodged

Lodgement information is in the following order: **Applicant's Name**; International Classification, Name of Product, Lodgement Date and **Design Number**. If the applicant claims an earlier priority date under an International Convention, the Convention Country and the associated filing date are shown in parentheses before the Lodgement Date. Divisional information will also appear in parentheses before the Lodgement Date.

van Aanholt, Hans Anton; 02-03, Sun visor, (EM, 11 Dec 2009) 24 May 2010	12085/2010	Baker, Donna Ann; Baker, Michael Arthur Keith; New Zealand Trustee Services Limited; 08-08B, Anchor, 21 May 2010	12018/2010
A-DEC, Inc.; 06-13NES, Chair base cover, (US, 10 Dec 2009) 26 May 2010	12121/2010	Bayer Schering Pharma Aktiengesellschaft; 03-01NES, 09-03NES, Pill dispenser, (EM, 30 Sep 2009) 29 Mar 2010	12201/2010
Abader, Fareedah; 02-04C, Sock, hoisery, 25 May 2010	12091/2010	Bayer Schering Pharma Aktiengesellschaft; 03-01NES, 09-03NES, Pill dispenser, (EM, 30 Sep 2009) 29 Mar 2010	12208/2010
Adworks Australia Pty Ltd; 20-02NES, Promotional material holder, 27 May 2010	12147/2010	Bayer Schering Pharma Aktiengesellschaft; 03-01NES, 09-03NES, Pill dispenser, (EM, 30 Sep 2009) 29 Mar 2010	12209/2010
Adworks Australia Pty Ltd; 20-02NES, Promotional material holder, 27 May 2010	12148/2010	Bayer Schering Pharma Aktiengesellschaft; 03-01NES, 09-03NES, Pill dispenser, (EM, 30 Sep 2009) 29 Mar 2010	12200/2010
Allegretta, Elio; Stella, Calogero; 22-05, Octopus pot, 28 May 2010	12194/2010	Bayer Schering Pharma Aktiengesellschaft; 03-01NES, 09-03NES, Pill dispenser, (EM, 30 Sep 2009) 29 Mar 2010	12199/2010
Ansell Healthcare Products LLC; 02-06, Glove, (US, 13 Apr 2010) 31 May 2010	12210/2010	Bayer Schering Pharma Aktiengesellschaft; 03-01NES, 09-03NES, Pill dispenser, (EM, 30 Sep 2009) 29 Mar 2010	12198/2010
Ansell Healthcare Products LLC; 02-06, Glove, (US, 13 Apr 2010) 31 May 2010	12211/2010	Bayer Schering Pharma Aktiengesellschaft; 03-01NES, 09-03NES, Pill dispenser, (EM, 30 Sep 2009) 29 Mar 2010	12202/2010
Ansell Healthcare Products LLC; 02-06, Glove, (US, 13 Apr 2010) 31 May 2010	12212/2010	Bayer Schering Pharma Aktiengesellschaft; 03-01NES, 09-03NES, Pill dispenser, (EM, 30 Sep 2009) 29 Mar 2010	12203/2010
Anzpac Services (Australia) Pty Limited; 09-03NES, A container with detachable cap, 28 May 2010	12164/2010	Bayer Schering Pharma Aktiengesellschaft; 03-01NES, 09-03NES, Pill dispenser, (EM, 30 Sep 2009) 29 Mar 2010	12204/2010
Aok Tooling Limited; 29-02, Three dimensional face mask, 26 May 2010	12115/2010	Bayer Schering Pharma Aktiengesellschaft; 03-01NES, 09-03NES, Pill dispenser, (EM, 30 Sep 2009) 29 Mar 2010	12205/2010
Apple Inc.; 14-02, Docking station, (US, 06 Jan 2010) 14 May 2010	11952/2010	Bayer Schering Pharma Aktiengesellschaft; 03-01NES, 09-03NES, Pill dispenser, (EM, 30 Sep 2009) 29 Mar 2010	12206/2010
Apple Inc.; 14-02, Docking station, (US, 06 Jan 2010) 14 May 2010	11951/2010	Bayer Schering Pharma Aktiengesellschaft; 03-01NES, 09-03NES, Pill dispenser, (EM, 30 Sep 2009) 29 Mar 2010	12207/2010
Austral Lock Pty Ltd; 08-07, Lock, 21 May 2010	12010/2010	Beba Enterprises Pty Ltd, as trustee for Danielle Vagner Family Trust; 02-02C, Women's clothing, 28 May 2010	12195/2010
Austral Lock Pty Ltd; 08-07, Lock, 21 May 2010	12011/2010	Becton, Dickinson and Company; 24-01, Cassette for a medical device, (US, 18 Nov 2009) 17 May 2010	11961/2010
Austral Lock Pty Ltd; 08-07, Lock pull, 21 May 2010	12012/2010	Beitmanas, Simone; 25-02NES, 99-00, Plant shade, 24 May 2010	12049/2010
AM & SK Holdings Pty Ltd; 25-01NES, A modified batten, 25 May 2010	12108/2010	Bickerton, Rodney John; 12-06A, F21S Speedboat - 21 foot Sterndrive, 27 May 2010	12141/2010
BabyBjorn AB; 07-01C, Drinking vessel, (EM, 14 Dec 2009) 14 May 2010	11930/2010	Bicycle Corporation, The; 12-16K, Bicycle luggage carrier, 24 May 2010	12083/2010
Baker, Michael Arthur Keith; Baker, Donna Ann; New Zealand Trustee Services Limited; 08-08B, Anchor, 21 May 2010	12018/2010		

Binder Production Pty Ltd; 02-04NES, An article of footwear, 26 May 2010	12144/2010	Caroma Industries Limited; 23-02C, A toilet suite, 28 May 2010	12172/2010
Binder Production Pty Ltd; 02-04B, A footwear sole, 26 May 2010	12145/2010	Caroma Industries Limited; 23-02F, A basin, 28 May 2010	12171/2010
Bissell Homecare, Inc.; 15-05, Vacuum cleaner foot, (US, 26 Jan 2010) 18 May 2010	11974/2010	Carter, Paul; 12-16NES, Vehicle number plate surround incorporating a tubular registration label holder, 18 May 2010	12008/2010
Bissell Homecare, Inc.; 15-05, Vacuum cleaner module, (US, 27 Jan 2010) 18 May 2010	11975/2010	Carter, Paul; 12-16NES, Vehicle registration label holder, 18 May 2010	11969/2010
Black & Decker Inc.; 13-02, Charger base for a hand-held vacuum cleaner, (EM, 11 Dec 2009) 27 May 2010	12149/2010	Casts Australia Pty Ltd; 08-08B, Expansion anchor assembly, 14 May 2010	11928/2010
Black & Decker Inc.; 08-08L, Wall mounting bracket for a hand-held vacuum cleaner, (EM, 14 Dec 2009) 27 May 2010	12150/2010	Casts Australia Pty Ltd; 08-08B, Fastener, 14 May 2010	11929/2010
Black & Decker Inc.; 15-05, Powered brush head for a hand-held vacuum cleaner, (EM, 10 Dec 2009) 25 May 2010	12114/2010	Chic Collections Pty Ltd; 02-02C, Cocktail dress, 28 May 2010	12189/2010
Black & Decker Inc.; 15-05, Hand-held vacuum cleaner, (EM, 11 Dec 2009) 25 May 2010	12112/2010	Chic Collections Pty Ltd; 02-02C, Cocktail dress, 28 May 2010	12190/2010
Black & Decker, Inc.; 15-05, Hand-held vacuum cleaner, (EM, 10 Dec 2009) 17 May 2010	11959/2010	Chic Collections Pty Ltd; 02-02C, Long evening dress, 28 May 2010	12191/2010
Black & Decker, Inc.; 15-05, Hand-held vacuum cleaner, (EM, 10 Dec 2009) 17 May 2010	11960/2010	Chic Collections Pty Ltd; 02-02C, Cocktail dress, 28 May 2010	12192/2010
Black & Decker, Inc.; 15-05, Hand-held vacuum cleaner, (EM, 10 Dec 2009) 17 May 2010	11960/2010	Chic Collections Pty Ltd; 02-02C, Cocktail dress, 28 May 2010	12185/2010
Bobby Bebe Pty Ltd; 06-13B, A mattress cover, 24 May 2010	12090/2010	Chic Collections Pty Ltd; 02-02C, Evening dress, 28 May 2010	12186/2010
Bobux International Limited; 09-03M, Packaging, 14 May 2010	11957/2010	Chic Collections Pty Ltd; 02-02C, Evening dress, 28 May 2010	12187/2010
Bobux International Limited; 09-03M, Packaging, 14 May 2010	11956/2010	Chic Collections Pty Ltd; 02-02C, Evening dress, 28 May 2010	12188/2010
Bridgestone Corporation; 12-15A, Automobile tyre, 25 May 2010	12102/2010	Chic Collections Pty Ltd; 02-02C, Evening dress, 28 May 2010	12183/2010
Bridgestone Corporation; 12-15A, Automobile tyre, 25 May 2010	12103/2010	Chic Collections Pty Ltd; 02-02C, Cocktail dress, 28 May 2010	12184/2010
Bridgestone Corporation; 12-15A, Automobile tyre, 25 May 2010	12101/2010	Church of Spiritual Technology; 25-02NES, Cover for electric meter, 26 May 2010	12132/2010
Calandrino, Natasha; 11-01NES, Part of Jewellery, (EM, 30 Nov 2009) 24 May 2010	12068/2010	Church of Spiritual Technology; 10-04, Meter, 26 May 2010	12133/2010
Calor; 07-05A, Soleplate for laundry iron, (EM, 01 Dec 2009) 27 May 2010	12146/2010	Colgate-Palmolive Company; 04-02, Toothbrush, (US, 15 Dec 2009) 25 May 2010	12095/2010
Caroma Industries Limited; 23-02F, A basin, 28 May 2010	12173/2010	Colgate-Palmolive Company; 04-02, Toothbrush, (US, 15 Dec 2009) 27 May 2010	12154/2010
Caroma Industries Limited; 06-01NES, A back rest, 28 May 2010	12170/2010	Colgate-Palmolive Company; 04-02, Toothbrush, (US, 15 Dec 2009) 27 May 2010	12155/2010
Caroma Industries Limited; 23-02B, A showerhead, 28 May 2010	12174/2010	Colgate-Palmolive Company; 04-02, Toothbrush, (US, 15 Dec 2009) 27 May 2010	12156/2010
Caroma Industries Limited; 23-02B, A showerhead, 28 May 2010	12175/2010	Colgate-Palmolive Company; 04-02, Toothbrush, (US, 15 Dec 2009) 25 May 2010	12096/2010

Concateno PLC; 24-99, Swab for taking mucus smears, (EM, 16 Nov 2009) 17 May 2010	11963/2010	Eustis, Robert H.; 31-00, Wine and spirits fermentation vessel, (US, 29 Sep 2009) 26 Mar 2010	12181/2010
Cooper Tire & Rubber Company; 12-15A, Tire, (US, 08 Dec 2009) 31 May 2010	12214/2010	Fairbrother Industries Limited; 15-04, A base for a post or pile driver, (NZ, 25 Nov 2009) 25 May 2010	12127/2010
Cooper Tire & Rubber Company; 12-15A, Tire, (US, 08 Dec 2009) 31 May 2010	12215/2010	Ferrari S.p.A.; 12-08, 21-01C, Car and toy-car, (EM, 25 Nov 2009) 17 May 2010	11965/2010
Cooper Tire & Rubber Company; 12-15A, Tire, (US, 08 Dec 2009) 31 May 2010	12216/2010	Fifty-Fourth Rischell Pty Ltd; 02-02C, 02-02NES, Men's clothing, 18 May 2010	11972/2010
Core Surgical Limited; E-Medix Limited; Packard, Richard; 24-02, Blade support, (EM, 29 Sep 2009) 24 Mar 2010	12069/2010	Fissell, Jeremy; 07-01D, Illuminating cup rim, (US, 02 Mar 2010) 20 May 2010	11993/2010
Coull, David; Gardner, Chris; 02-04C, A right or left handed sock, 17 May 2010	11964/2010	Fissell, Jeremy; 07-01D, Illuminating cup rim, (US, 02 Mar 2010) 20 May 2010	11994/2010
Culley, Timothy Breandan; 10-06, Internally illuminated raised pavement marker, 30 Apr 2010	11991/2010	Fissell, Jeremy; 07-01D, Illuminating cup rim, (US, 02 Mar 2010) 20 May 2010	11992/2010
CQMS Pty Ltd; 08-05P, An excavator rigging socket, 24 May 2010	12089/2010	Flanagan, Simone; Dickson, Carie-Anne; 02-03, Designer hair bows and bands for children, 19 May 2010	11998/2010
Dart Industries Inc.; 09-03L, Housing for filter, (US, 10 Dec 2009) 18 May 2010	11977/2010	Flanagan, Simone; Dickson, Carie-Anne; 02-03, Designer hair bows and bands for children, 19 May 2010	11999/2010
Decina Bathroomware Pty Ltd; 23-02B, A bath, 21 May 2010	12088/2010	Forever New Clothing Pty Ltd; 02-02C, Dress, 16 Nov 2009	12159/2010
Decina Bathroomware Pty. Ltd.; 23-02B, A bath, 21 May 2010	12084/2010	Forever New Clothing Pty Ltd; 03-01B, Handbag, 28 Oct 2009	12104/2010
Dickson, Carie-Anne; Flanagan, Simone; 02-03, Designer hair bows and bands for children, 19 May 2010	11999/2010	Forever New Clothing Pty Ltd; 03-01B, Handbag, 28 Oct 2009	12105/2010
Dickson, Carie-Anne; Flanagan, Simone; 02-03, Designer hair bows and bands for children, 19 May 2010	11998/2010	Forever New Clothing Pty Ltd; 03-01B, Handbag, 28 Oct 2009	12106/2010
E-Medix Limited; Core Surgical Limited; Packard, Richard; 24-02, Blade support, (EM, 29 Sep 2009) 24 Mar 2010	12069/2010	Forever New Clothing Pty Ltd; 03-01B, Handbag, 28 Oct 2009	12107/2010
Eaton Corporation; 21-02C, Golf grip, (Divisional of 11563/2010) 23 Apr 2010	12178/2010	Foshan Shunde Everteam Industrial Co. Ltd.; 07-02E, Cooking apparatus, (CN, 27 Jan 2010) 24 May 2010	12070/2010
Eaton Corporation; 21-02C, Golf grip, (US, 23 Nov 2009) 21 May 2010	12040/2010	Foshan Shunde Everteam Industrial Co. Ltd.; 07-02E, Cooking apparatus, (CN, 27 Jan 2010) 24 May 2010	12071/2010
Ellison Educational Equipment, Inc.; 14-02, Plug-in data storage cartidge, (US, 04 Dec 2009) 31 May 2010	12220/2010	Foshan Shunde Everteam Industrial Co. Ltd.; 07-02E, Cooking apparatus, (CN, 27 Jan 2010) 24 May 2010	12072/2010
Ellison Educational Equipment, Inc.; 14-02, Hand-held electronic controller, (US, 04 Dec 2009) 31 May 2010	12221/2010	Foshan Shunde Everteam Industrial Co. Ltd.; 07-02E, Cooking apparatus, (CN, 27 Jan 2010) 24 May 2010	12073/2010
Ellison Educational Equipment, Inc.; 14-01, Electronic media cutter, (US, 04 Dec 2009) 31 May 2010	12222/2010	Foshan Shunde Everteam Industrial Co. Ltd.; 07-02E, Cooking apparatus, (CN, 27 Jan 2010) 24 May 2010	12074/2010
Ellison Educational Equipment, Inc.; 14-01, Blade holder for an electronic media cutter, (US, 04 Dec 2009) 31 May 2010	12219/2010	Foshan Shunde Everteam Industrial Co. Ltd.; 07-02E, Cooking apparatus, (CN, 27 Jan 2010) 24 May 2010	12075/2010
		Foshan Shunde Everteam Industrial Co. Ltd.; 07-02E, Cooking apparatus, (CN, 27 Jan 2010) 24 May 2010	12076/2010

Foshan Shunde Everteam Industrial Co. Ltd; 07-02E, Cooking apparatus, (CN, 27 Jan 2010) 24 May 2010	12077/2010	Godfrey, Stephen; 02-03, Rimmed sun hat which is designed to attach onto a cricket batting or wicket keeping helmet to shade, 31 May 2010	12176/2010
Foshan Shunde Everteam Industrial Co. Ltd; 07-02E, Cooking apparatus, (CN, 05 Feb 2010) 24 May 2010	12078/2010	Graco Minnesota Inc.; 23-01NES, Plural component mechanical purge applicator., (US, 29 Dec 2009) 14 May 2010	11942/2010
Foshan Shunde Everteam Industrial Co. Ltd; 07-02E, Cooking apparatus, (CN, 05 Feb 2010) 24 May 2010	12079/2010	Gravolin, Dennis Ronald; Gravolin, Sandra Lorraine; 12-16L, Trailer plugs and sockets, 17 May 2010	11953/2010
Foshan Shunde Everteam Industrial Co. Ltd; 07-02E, Cooking apparatus, (CN, 05 Feb 2010) 24 May 2010	12080/2010	Gravolin, Sandra Lorraine; Gravolin, Dennis Ronald; 12-16L, Trailer plugs and sockets, 17 May 2010	11953/2010
Foshan Shunde Everteam Industrial Co. Ltd; 07-02E, Cooking apparatus, (CN, 05 Feb 2010) 24 May 2010	12081/2010	Haigh Australia Pty Ltd; 12-05, A system with a frame and levers operated by a hydraulic ram that tilts and supports the rear axle of a ride-on, mower, 21 May 2010	12025/2010
Foshan Shunde Everteam Industrial Co. Ltd; 07-02B, 07-02E, Cooking apparatus, (CN, 27 Jan 2010) 19 May 2010	12000/2010	Healthy World Lifestyle SDN BHD; 06-01NES, Massage chair, 20 May 2010	12017/2010
Foshan Shunde Everteam Industrial Co. Ltd; 07-02E, Cooking apparatus, (CN, 27 Jan 2010) 21 May 2010	12041/2010	Hillaldam Coburn Systems (Pty) Ltd; 08-09, Bottom roller for a sliding and folding door system, (ZA, 24 Nov 2009) 21 May 2010	12039/2010
Foshan Shunde Everteam Industrial Co. Ltd; 07-02E, Cooking apparatus, (CN, 27 Jan 2010) 21 May 2010	12042/2010	Hubco Automotive Ltd; 12-16K, Connection assembly, (NZ, 01 Dec 2009) 25 May 2010	12100/2010
Foshan Shunde Everteam Industrial Co. Ltd; 07-02E, Cooking apparatus, (CN, 27 Jan 2010) 21 May 2010	12043/2010	Hubco Automotive Ltd; 12-16K, A crossbar end fitting, (NZ, 01 Dec 2009) 25 May 2010	12098/2010
Foshan Shunde Everteam Industrial Co. Ltd; 07-02E, Cooking apparatus, (CN, 27 Jan 2010) 21 May 2010	12044/2010	Hubco Automotive Ltd; 12-16K, A crossbar, (NZ, 01 Dec 2009) 25 May 2010	12099/2010
Foshan Shunde Everteam Industrial Co. Ltd; 07-02E, Cooking apparatus, (CN, 27 Jan 2010) 21 May 2010	12045/2010	Jackson Industries Pty Limited; 13-03D, A power board, 20 May 2010	12013/2010
Foshan Shunde Everteam Industrial Co. Ltd; 07-02E, Cooking apparatus, (CN, 27 Jan 2010) 19 May 2010	12001/2010	Jackson Industries Pty Limited; 13-03D, A power board, 20 May 2010	12014/2010
Foshan Shunde Everteam Industrial Co. Ltd; 07-02E, Cooking apparatus, (CN, 27 Jan 2010) 19 May 2010	12002/2010	Jackson Industries Pty Limited; 13-03D, A power board, 20 May 2010	12015/2010
Foshan Shunde Everteam Industrial Co. Ltd; 07-02E, Cooking apparatus, (CN, 27 Jan 2010) 19 May 2010	12003/2010	Jackson Industries Pty Limited; 13-03D, A rack mountable power distribution device, 17 May 2010	12016/2010
Foshan Shunde Everteam Industrial Co. Ltd; 07-02E, Cooking apparatus, (CN, 27 Jan 2010) 19 May 2010	12004/2010	Jackson Industries Pty Limited; 13-03D, A rack mountable power distribution device, 17 May 2010	11966/2010
Frigrite Limited; 07-07A, Split door display freezer, 18 May 2010	11970/2010	Jaram Products Pty Ltd; 12-16K, 12-16NES, Side frame, 25 May 2010	12113/2010
Frunique Pty Ltd; 20-02E, 11-01D, Earring stand 01 (Base), 17 May 2010	11931/2010	Jeggo Industries Pty Ltd; 25-02NES, 25-01D, Building sheet, 26 May 2010	12140/2010
Gardner, Chris; Coull, David; 02-04C, A right or left handed sock, 17 May 2010	11964/2010	Jiangxi Tonggu Jiangqiao Timber & Bamboo Industry Co., Ltd; 14-02, Keyboard, (CN, 14 Nov 2009) 14 May 2010	11950/2010
Georgini Holdings Pty Ltd; 11-01A, Design R191 - ring, 28 May 2010	12160/2010	Jura Elektroapparate AG; 07-02L, Coffee maker, (EM, 30 Nov 2009) 25 May 2010	12110/2010
Georgini Holdings Pty Ltd; 11-01NES, Design P366 - pendant, 28 May 2010	12161/2010		

Just Stone Pty Ltd; 08-08L, Bracket, 19 May 2010	12006/2010	Koninklijke Philips Electronics N.V.; 28-03NES, Epilator, (EM, 30 Nov 2009) 27 May 2010	12152/2010
JDA (Australia) Pty Ltd; 99-00, "Nine Cat" logo is a logo of the internet cafe in Chinatown, Melbourne. It is relates to internet cafe., 14 May 2010	11933/2010	Koninklijke Philips Electronics N.V.; 14-01, Digital audio player, (EM, 25 Nov 2009) 18 May 2010	11985/2010
Kao Corporation; 09-07C, Cap for a bottle, (JP, 01 Dec 2009) 27 May 2010	12124/2010	Koninklijke Philips Electronics N.V.; 14-01, Digital audio player, (EM, 25 Nov 2009) 18 May 2010	11983/2010
Karsten Manufacturing Corporation; 21-02C, Golf club head, (US, 08 Mar 2010) 19 May 2010	11996/2010	Koninklijke Philips Electronics N.V.; 14-01, Digital audio player, (EM, 25 Nov 2009) 18 May 2010	11986/2010
Karsten Manufacturing Corporation; 21-02C, Golf club head, (US, 08 Mar 2010) 19 May 2010	11997/2010	Koninklijke Philips Electronics N.V.; 14-01, Digital audio player, (EM, 25 Nov 2009) 18 May 2010	11987/2010
Kerckhaert B.V.; 30-99, Horseshoe, (EM, 24 Nov 2009) 21 May 2010	12055/2010	Koninklijke Philips Electronics N.V.; 14-01, Digital audio player, (EM, 25 Nov 2009) 18 May 2010	11988/2010
Kerckhaert B.V.; 30-99, Horseshoe, (EM, 24 Dec 2009) 21 May 2010	12059/2010	Koninklijke Philips Electronics N.V.; 14-01, Digital audio player, (EM, 25 Nov 2009) 18 May 2010	11989/2010
Kerckhaert B.V.; 30-99, Horseshoe, (EM, 24 Nov 2009) 21 May 2010	12060/2010	Koninklijke Philips Electronics N.V.; 14-01, Digital audio player, (EM, 25 Nov 2009) 18 May 2010	11990/2010
Kerckhaert B.V.; 30-99, Horseshoe, (EM, 24 Nov 2009) 21 May 2010	12061/2010	KE Imports Ltd; 02-01NES, Men's undergarment, (CA, 26 Nov 2009) 21 May 2010	12036/2010
Kerckhaert B.V.; 30-99, Horseshoe, (EM, 24 Nov 2009) 21 May 2010	12062/2010	Lacoste; 02-04NES, Shoe (upper), (EM, 20 May 2010) 21 May 2010	12027/2010
Kerckhaert B.V.; 30-99, Horseshoe, (EM, 24 Nov 2009) 21 May 2010	12063/2010	Lacoste; 02-04B, Shoe sole, (EM, 20 May 2010) 21 May 2010	12028/2010
Kerckhaert B.V.; 30-99, Horseshoe, (EM, 24 Nov 2009) 21 May 2010	12064/2010	Lacoste; 02-04NES, Shoe (upper), (EM, 20 May 2010) 21 May 2010	12030/2010
Kerckhaert B.V.; 30-99, Horseshoe, (EM, 24 Nov 2009) 21 May 2010	12065/2010	Lacoste; 02-04NES, Shoe (upper), (EM, 20 May 2010) 21 May 2010	12031/2010
Kerckhaert B.V.; 30-99, Horseshoe, (EM, 24 Nov 2009) 21 May 2010	12057/2010	Lacoste; 02-04NES, Shoe (upper), (EM, 20 May 2010) 21 May 2010	12029/2010
Kerckhaert B.V.; 30-99, Horseshoe, (EM, 24 Nov 2009) 21 May 2010	12058/2010	Lacoste; 02-04B, Shoe sole, (EM, 20 May 2010) 21 May 2010	12026/2010
Kerckhaert B.V.; 30-99, Horseshoe, (EM, 24 Nov 2009) 21 May 2010	12056/2010	Landmark Engineering & Design; 25-03, Toilet building, 17 May 2010	11935/2010
Koninklijke Philips Electronics N.V.; 28-03D, Hair clipper, (EM, 02 Dec 2009) 25 May 2010	12097/2010	Landmark Engineering & Design; 25-03, Park shelter, 17 May 2010	11936/2010
Koninklijke Philips Electronics N.V.; 14-01, Digital audio player, (EM, 25 Nov 2009) 18 May 2010	11984/2010	Landmark Engineering & Design; 06-01C, Park bench seat, 17 May 2010	11937/2010
Koninklijke Philips Electronics N.V.; 28-03NES, Epilator, (EM, 30 Nov 2009) 27 May 2010	12151/2010	Landmark Engineering & Design; 25-03, Toilet building, 17 May 2010	11938/2010
			11939/2010

Larkey, Benedict James; 17-99, 19-07, Musical instrument - guitar instruction tool - chord card sticker, 19 May 2010	11968/2010	Metalflex Pty Ltd; 23-04, Grille, 24 May 2010	12050/2010
Likiardopoulos, Steve; 25-01NES, 08-08NES, A template, 18 May 2010	11976/2010	Metalflex Pty Ltd; 23-04, Housing, 24 May 2010	12051/2010
Likiardopoulos, Steve; 25-01NES, 08-08NES, A template, 18 May 2010	11973/2010	Metalflex Pty Ltd; 23-04, Vent assembly, 24 May 2010	12052/2010
LiteSteel Products Pty Ltd; 08-08L, Bracket, 31 May 2010	12218/2010	Miami Stainless Pty Ltd; 08-08NES, 08-08B, An anchor, 27 May 2010	12142/2010
Lolitta Clothing; 02-02NES, 02-02C, , 19 May 2010	11980/2010	Mladenova, Stefka; 11-02NES, 11-02C, 11-02E, Necklaces, bracelets and anklets, 18 May 2010	11962/2010
Longyear TM, Inc.; 08-01, Core lifter, (US, 29 Jan 2010) 30 Apr 2010	12117/2010	New Zealand Trustee Services Limited; Baker, Michael Arthur Keith; Baker, Donna Ann; 08-08B, Anchor, 21 May 2010	12018/2010
Longyear TM, Inc.; 08-01, Core lifter, (US, 29 Jan 2010) 30 Apr 2010	12118/2010	Nilfisk-Advance A/S; 15-05, High pressure washer, (EM, 26 Nov 2009) 17 May 2010	11940/2010
Longyear TM, Inc.; 08-01, Drill bit with tapered waterway, (US, 26 Jan 2010) 24 May 2010	12082/2010	North Country Steel; 15-03A, Rotaspread manure spreader, 24 May 2010	12032/2010
Lucidity Enterprise Co., Ltd.; 26-06, Vehicle lamp, 24 May 2010	12038/2010	Oki Data Corporation; 18-02, Toner cartridge, (JP, 30 Apr 2010) 14 May 2010	11945/2010
LED Roadway Lighting Ltd.; 26-05NES, Light fixture housing, (CA, 20 Nov 2009) 14 May 2010	11941/2010	Oki Data Corporation; 18-02, Image drum cartridge, (JP, 30 Apr 2010) 14 May 2010	11946/2010
Madd Gear Pty Ltd; 12-11, Scooter frame, 21 May 2010	12037/2010	Oki Data Corporation; 18-02, Toner cartridge, (JP, 30 Apr 2010) 14 May 2010	11947/2010
Madd Gear Pty Ltd; 12-16M, 12-11, Scooter brake system, 28 May 2010	12182/2010	Oki Data Corporation; 18-02, Image drum cartridge, (JP, 30 Apr 2010) 14 May 2010	11948/2010
Mai, Tao; 12-16NES, Number plate frame/cover, 20 May 2010	11995/2010	Oki Data Corporation; 18-02, Toner cartridge, (JP, 30 Apr 2010) 14 May 2010	11949/2010
Majic Beauty Pty Ltd; 28-03NES, 28-02, Cosmetic applicator, 26 May 2010	12143/2010	Oki Data Corporation; 18-02, Toner cartridge, (JP, 30 Apr 2010) 14 May 2010	11944/2010
Marinis, Alexander; 26-05C, Suspension/ceiling lamp, 21 May 2010	12048/2010	One Eleven Pty. Ltd.; 06-04B, Multi-drawer cabinet, 21 May 2010	12019/2010
Marinis, Alexander; 06-02, Bed, 14 May 2010	11932/2010	One Eleven Pty. Ltd.; 06-04B, Multi-drawer cabinet, 21 May 2010	12020/2010
Max-Inf (Ningbo) Baby Product Co., Ltd.; 06-01D, Car seat, (CN, 12 Jan 2010) 28 May 2010	12167/2010	One Eleven Pty. Ltd.; 06-04B, Multi-drawer cabinet, 21 May 2010	12021/2010
Max-Inf (Ningbo) Baby Product Co., Ltd.; 06-01D, Car seat with head rest, (CN, 05 Apr 2010) 28 May 2010	12168/2010	One Eleven Pty. Ltd.; 06-04B, Multi-drawer cabinet, 21 May 2010	12022/2010
Max-Inf (Ningbo) Baby Product Co., Ltd.; 06-01D, Car seat base, (CN, 06 Mar 2010) 28 May 2010	12169/2010	One Eleven Pty. Ltd.; 06-04B, Multi-drawer cabinet, 21 May 2010	12023/2010
McD Asia Pacific LLC; 09-03NES, A box, (Divisional of 10942/2010) 18 Mar 2010	12223/2010	Oxford EME (Aust) Pty Ltd; 12-02, Computerised medication distribution cart, 17 Feb 2010	12158/2010
Mehta, Paras Paresh; 11-01NES, Cut diamond, (SG, 01 Dec 2009) 28 May 2010	12196/2010	Oxford EME (Aust) Pty Ltd; 12-02, Computerised medication distribution cart, 17 Feb 2010	12157/2010

Packard, Richard; Core Surgical Limited; E-Medix Limited; 24-02, Blade support, (EM, 29 Sep 2009) 24 Mar 2010	12069/2010	Sim, Boon Khiang; 02-03, Kangaroo winter plush hat, 26 May 2010	12139/2010
Partyware Pty Ltd; 07-03, Plastic spoon, knife and fork, 18 May 2010	11958/2010	Sim, Boon Khiang; 02-03, Koala winter plush hat, 24 May 2010	12086/2010
Protective Fencing Pty Ltd; 25-01E, Fence post, 27 May 2010	12122/2010	Smith & Nephew Plc; 24-04, Canister, (US, 04 Dec 2009) 26 May 2010	12120/2010
Reckitt & Colman (Overseas) Limited; 09-01K, Bottle, (EM, 26 Nov 2009) 21 May 2010	12035/2010	Smith & Nephew Plc; 24-04, Canister, (US, 04 Dec 2009) 26 May 2010	12119/2010
Reckitt & Colman (Overseas) Limited; 09-01K, Bottle with cap, (EM, 26 Nov 2009) 21 May 2010	12034/2010	Steel Storage Holdings Pty Ltd; 08-07, Door latch, 21 May 2010	12093/2010
Reckitt & Colman (Overseas) Limited; 28-02, Soap bar, (EM, 23 Nov 2009) 21 May 2010	12047/2010	Steel Storage Holdings Pty Ltd; 08-07, Latch plate, 21 May 2010	12087/2010
Reckitt & Colman (Overseas) Limited; 09-01K, Bottle, (EM, 26 Nov 2009) 21 May 2010	12033/2010	Stella, Calogero; Allegretta, Elio; 22-05, Octopus pot, 28 May 2010	12194/2010
Reckitt & Colman (Overseas) Limited; 28-02, Soap bar, (EM, 23 Nov 2009) 21 May 2010	12046/2010	SWT Tanks Pty Ltd; 25-02C, Water tank fence, 18 May 2010	11982/2010
Research In Motion Limited; 14-03NES, Handheld electronic device, (US, 03 Dec 2009) 18 May 2010	11979/2010	Tanner, Glenda; 02-04C, Two piece panty hose, 20 May 2010	12024/2010
Riddleston, Gregory John; 11-01A, Rings - gold/silver, 01 Jun 2010	12217/2010	Team Poly Pty Ltd; 12-16C, Front bumper for a vehicle, 14 May 2010	11954/2010
Ritek Building Solutions Pty Ltd; 25-01G, Roof panel, 26 May 2010	12116/2010	The Bicycle Corporation Pty Ltd; 12-16K, Bicycle carrier adaptor bar, 24 May 2010	12092/2010
Roberts, Patricia Alida; 07-05D, Portable clothes line, 25 May 2010	12094/2010	The Daylight Company (Holdings) Limited; 26-05B, Easel lamp, (EM, 18 Jan 2010) 31 May 2010	12177/2010
Robinson, Kay; 07-02L, Keg warmer, 26 May 2010	12128/2010	Thermo King Corporation; 23-04, HVAC COVER, 21 May 2010	12066/2010
Rope & Plastic Products Pty Ltd; 08-08NES, A two piece clip for clipping together a strap, 14 May 2010	11955/2010	Thermo King Corporation; 23-04, TWO-PEICE HVAC COVER, 21 May 2010	12067/2010
RMD Industries Pty Ltd; 08-07, Top pull latching device with lock for use on security barriers, 14 May 2010	11943/2010	Toyota Jidosha Kabushiki Kaisha; 26-06, Rear combination lamp for an automobile, 26 May 2010	12129/2010
Sansai Australia Pty Ltd; 13-03D, Power outlet with USB type connections, 31 May 2010	12213/2010	Toyota Jidosha Kabushiki Kaisha; 12-16B, Front grille for an automobile, 26 May 2010	12137/2010
Schot, Neville; 05-06NES, Pressed metal sheet, 27 May 2010	12123/2010	Toyota Jidosha Kabushiki Kaisha; 12-16C, Front bumper bar for an automobile, 26 May 2010	12138/2010
Scott, Stephen John; 12-16K, Kayaks, canoes and other light watercraft carried on the vehicle roof, 28 May 2010	12197/2010	Toyota Jidosha Kabushiki Kaisha; 12-08, Automobile, 26 May 2010	12134/2010
Sharmut Fashion S.A.; 05-05B, Textile, (EM, 18 Nov 2009) 18 May 2010	11978/2010	Toyota Jidosha Kabushiki Kaisha; 26-06, Front combination lamp for an automobile, 26 May 2010	12130/2010
Shire Plastics; 09-01A, 23-01A, Rubber ring various size to fit around base of all aerosol and paint cans, 19 May 2010	12007/2010	Toyota Jidosha Kabushiki Kaisha; 12-16C, Front bumper for an automobile, 26 May 2010	12131/2010
		Toyota Jidosha Kabushiki Kaisha; 12-16B, Front grille for an automobile, 26 May 2010	12136/2010
		Toyota Jidosha Kabushiki Kaisha; 12-08, Automobile, 26 May 2010	12135/2010

Turner, Scott David; 21-01C, Model remote control aircraft/gliders etc..., 17 May 2010	12009/2010	Unique Product & Design Co., Ltd.; 12-02, Golf cart, 14 May 2010	11934/2010
Turner Leisure Products; 07-02A, Clay pizza oven CKD Design, 19 May 2010	11981/2010	Ute Australia Pty. Ltd.; 19-99, Blackboard wall decal, 21 May 2010	12054/2010
Turner Leisure Products; 23-03NES, Stove trivett, 19 May 2010	11971/2010	Van Leuvan, Chris; 14-02, Touch screen computer case, 28 May 2010	12153/2010
TWM Group Pty Ltd.; 13-03D, Electrical plug, 28 May 2010	12162/2010	Victorian Temporary Fencing Pty Ltd.; 25-02NES, Panel for a pedestrian barrier, 18 May 2010	12005/2010
TWM Group Pty Ltd.; 13-03D, Electrical plug, 28 May 2010	12163/2010	Water for Life Pty Ltd.; 09-01NES, Collapsible container for a liquid, 28 May 2010	12180/2010
Unilever PLC.; 09-07C, Cap, (GB, 14 Dec 2009) 28 May 2010	12165/2010	Whites Wires Australia Pty Ltd.; 25-01E, Fence post, 28 May 2010	12179/2010
Unilever PLC.; 09-01C, Jar, (GB, 14 Dec 2009) 28 May 2010	12166/2010	Wisdom Equipment Services Pty Ltd.; 99-00, Company logo, 27 May 2010	12193/2010
Unilever PLC.; 28-02, Soap bar, (GB, 08 Dec 2009) 21 May 2010	12053/2010	WPC Corporation.; 25-01F, Floor board fixture, (JP, 12 Feb 2010) 25 May 2010	12109/2010
Unilever PLC.; 09-01K, Bottle, (GB, 14 Dec 2009) 26 May 2010	12125/2010	Zaf, Andrew.; 08-01, 08-99, Head plate for jackhammer, 25 May 2010	12111/2010
Unilever PLC.; 09-01K, Bottle, (GB, 14 Dec 2009) 26 May 2010	12126/2010		

Applications Lapsed

14471 / 2009 (02-02C)	14552 / 2009 (02-02C)
14553 / 2009 (99-00)	14581 / 2009 (26-99)
10742 / 2010 (23-02B)	10806 / 2010 (21-01NES)
10807 / 2010 (21-01NES)	10872 / 2010 (25-04)
10956 / 2010 (06-04B)	10999 / 2010 (11-01NES)
11000 / 2010 (11-01NES)	11001 / 2010 (11-01NES)

Extension of Period of Registration of Designs

300204	301238	302766
303411	303412	303737
303754	303756	303757
303758	303760	303761
303762	303763	303767
303769	303772	303773
303774	303775	303776
303777	303853	303854
303859	303871	303872
303873	303878	303882
303905	303906	303907
303908	303911	303912
303951	303961	303971
303972	303973	303974
303986	303987	303990
303991	304000	304007
304019	304038	304080
304099	304109	304113
304143	304166	304177
304178	304236	304240
304246	304248	304265
304269	304339	304362
304503	304504	304505
304535	304566	304569
304640	304645	304715
304756	304793	304794
304802	304807	304881
304897	305046	305047
305154	305201	305210
305211	305212	305537
305688	305750	306124
306720	306721	306734
306737	306820	306883
306905	306972	307214
307215	307336	308034
310608	311280	317235

Revocation of Design Registrations

The following Design Registration(s) have been revoked and are taken never to have been registered:

329290 21-02F

Registrations Ceased

300730	301238	301485
301487	301488	301489
301490	301491	301493
301494	301495	301496

301497	301498	301499
301500	301501	301590
301593	301599	301600
301606	301607	301608
301611	301613	301614
301615	301616	301659
301660	301698	301699
301700	301743	301744
301747	301748	301749
301750	301764	301771
301773	301774	301775
301808	301810	301836
301837	301873	301874
301875	301877	301881
301885	301886	301887
301893	301897	301898
301899	301900	301901
301902	301903	301904
301905	301926	301927
301928	301934	301935
302200	302255	302256
302264	302385	302860
303679	304302	304480
304549	304600	304601
304613	304702	305687
319210	320165	322168
322641	324737	

Extensions of time granted under Section 137

Applications lodged under section 137 for extension of time have been granted.

301238 **I-Nova Consulting Pty Ltd**

303754 **DEDON GmbH**

303756 **DEDON GmbH**

303757 **DEDON GmbH**

303758 **DEDON GmbH**

303760 **DEDON GmbH**

303761 **DEDON GmbH**

303762 **DEDON GmbH**

303763 **DEDON GmbH**

303767 **DEDON GmbH**

303769 **DEDON GmbH**

303772 **DEDON GmbH**

303773 **DEDON GmbH**

303774 **DEDON GmbH**

303775 **DEDON GmbH**

303776 **DEDON GmbH**

303777 **DEDON GmbH**

309348 Onesteel Trading Pty Limited		(The name in parentheses is that of the subsequent applicant)
322725 Fizbag Ltd		
327134 Colgate-Palmolive Company	320704	(Dold Manufacturing Limited) Dold Industries Limited
327136 Colgate-Palmolive Company	320705	(Dold Manufacturing Limited) Dold Industries Limited
14182/2009 Forever New Clothing Pty Ltd	330582	(British-American Tobacco (Holdings) Limited) British American Tobacco (Holdings) Limited
14276/2009 Powersource Investments Pty Ltd	330597	(British-American Tobacco (Holdings) Limited) British American Tobacco (Holdings) Limited
14471/2009 Forever New Clothing Pty Ltd	306025	(topac GmbH) topac MultimediaPrint GmbH
10639/2010 ecoMaster Pty Ltd	327223	(British-American Tobacco (Holdings) Limited) British American Tobacco (Holdings) Limited
10640/2010 ecoMaster Pty Ltd	327224	(British-American Tobacco (Holdings) Limited) British American Tobacco (Holdings) Limited
10830/2010 Cassandra le Brocque		
10935/2010 Foot Supports International Limited	327225	(British-American Tobacco (Holdings) Limited) British American Tobacco (Holdings) Limited

Subsequent Owners Registered

(The name in parentheses is that of the subsequent owner)

322089	(Mantzis Holdings Pty Ltd) Sleeppezee Bedding (Aust.) Pty Ltd
322090	(Mantzis Holdings Pty Ltd) Sleeppezee Bedding (Aust.) Pty Ltd
326702	(Mantzis Holdings Pty Ltd) Sleeppezee Bedding (Aust.) Pty Ltd
318472	(DKH RETAIL LIMITED) Laundry Athletics LLP
330003	(DKH RETAIL LIMITED) Laundry Athletics LLP
330004	(DKH RETAIL LIMITED) Laundry Athletics LLP
330005	(DKH RETAIL LIMITED) Laundry Athletics LLP
330006	(DKH RETAIL LIMITED) Laundry Athletics LLP
330007	(DKH RETAIL LIMITED) Laundry Athletics LLP
309185	(Buerkert Werke GmbH) Burkert Werke GmbH & Co. KG
309186	(Buerkert Werke GmbH) Burkert Werke GmbH & Co. KG
309187	(Buerkert Werke GmbH) Burkert Werke GmbH & Co. KG
309207	(Buerkert Werke GmbH) Burkert Werke GmbH & Co. KG
309208	(Buerkert Werke GmbH) Burkert Werke GmbH & Co. KG
309209	(Buerkert Werke GmbH) Burkert Werke GmbH & Co. KG
309210	(Buerkert Werke GmbH) Burkert Werke GmbH & Co. KG
309211	(Buerkert Werke GmbH) Burkert Werke GmbH & Co. KG
309212	(Buerkert Werke GmbH) Burkert Werke GmbH & Co. KG
309213	(Buerkert Werke GmbH) Burkert Werke GmbH & Co. KG
309214	(Buerkert Werke GmbH) Burkert Werke GmbH & Co. KG

Names Registered - Alterations and Amendments

Certificate(s) of Examination

Examination of the following Design Registration(s) has been completed. Infringement proceedings may now be commenced.

322725	09-05	24/05/2010
323373	10-04	20/05/2010
326667	07-02L	20/05/2010
327720	22-05	25/05/2010
327724	08-01	20/05/2010
328654	07-01C	31/05/2010
328655	07-01D	31/05/2010
328660	07-01C	31/05/2010
328719	26-05NES	19/05/2010
328812	07-01D	31/05/2010
328841	09-01NES	31/05/2010
328842	09-01NES	31/05/2010
328843	09-01NES	31/05/2010
328844	09-01NES	31/05/2010
328845	09-01NES	31/05/2010
328846	09-01NES	31/05/2010
328847	09-01NES	31/05/2010
328848	09-01NES	31/05/2010
328849	09-01NES	31/05/2010
328852	25-01K	02/06/2010
328937	25-01NES	02/06/2010
329124	12-16NES	21/05/2010
329125	12-16NES	21/05/2010
329126	12-16NES	21/05/2010
329243	18-02	19/05/2010
329626	09-07C	21/05/2010
329627	09-07C	21/05/2010
329816	31-00	25/05/2010
329823	20-02NES	19/05/2010
329836	06-02	24/05/2010
329837	06-02	24/05/2010
329838	06-02	24/05/2010
329839	06-02	24/05/2010
329840	06-02	24/05/2010
329863	09-07C	21/05/2010
329866	06-02	24/05/2010
329888	02-02B	21/05/2010
329928	12-15NES	25/05/2010
329946	12-16L	01/06/2010
329953	21-01N	19/05/2010
329972	09-07B	02/06/2010
329973	09-07B	02/06/2010
329985	02-01B	19/05/2010
330006	02-02NES	31/05/2010
330047	07-01NES	31/05/2010
330048	07-01NES	31/05/2010
330049	09-01NES	31/05/2010
330050	07-01D	31/05/2010
330100	13-02	31/05/2010
330102	09-03NES	31/05/2010
330103	09-03NES	31/05/2010
330117	07-02N	21/05/2010
330118	07-02N	21/05/2010

Publication and Registration Proceedings

Designs Registered

This section provides a concordance between design number and registration number of Designs covered in this journal. It also shows the main class and registration date.

This section covers Registration numbers 330828 to 331169 .

The registration number shown below should be used in all future correspondence.

Design Number	Registration Number	International Classification Code (IDC)	Registration Date	Design Number	Registration Number	International Classification Code (IDC)	Registration Date
13691/2009	331058	04-01	31/05/2010	10812/2010	330990	02-04A	26/05/2010
14182/2009	331059	03-01B	31/05/2010	10814/2010	331031	03-01NES	26/05/2010
14238/2009	331098	21-02NES	31/05/2010	10830/2010	331097	02-05	31/05/2010
14264/2009	331099	07-02H	31/05/2010	10841/2010	330991	03-01A	26/05/2010
14265/2009	331100	07-02H	31/05/2010	10869/2010	330970	19-07	25/05/2010
14433/2009	330998	30-04	26/05/2010	10880/2010	330971	19-08	25/05/2010
14434/2009	330999	02-04C	26/05/2010	10881/2010	330972	09-01K	25/05/2010
14438/2009	331000	30-04	26/05/2010	10882/2010	330973	09-01K	25/05/2010
14439/2009	331001	30-04	26/05/2010	10902/2010	331064	21-02C	31/05/2010
14440/2009	331002	30-04	26/05/2010	10940/2010	330887	30-04	20/05/2010
14554/2009	330966	06-03NES	25/05/2010	10941/2010	330888	30-04	20/05/2010
10095/2010	331028	08-07	26/05/2010	10943/2010	330889	05-05NES	20/05/2010
10518/2010	330882	12-10	20/05/2010	10944/2010	330890	05-05NES	20/05/2010
10617/2010	331126	12-08	02/06/2010	10973/2010	330891	28-03NES	20/05/2010
10618/2010	331127	12-08	02/06/2010	10987/2010	331047	25-03	27/05/2010
10619/2010	331128	12-08	02/06/2010	10989/2010	330892	23-02B	20/05/2010
10681/2010	331003	23-04	26/05/2010	10993/2010	331131	23-01NES	02/06/2010
10682/2010	331004	23-04	26/05/2010	10994/2010	331132	23-01NES	02/06/2010
10683/2010	331005	23-01NES	26/05/2010	11003/2010	330974	02-07NES	25/05/2010
10689/2010	330883	23-04	20/05/2010	11019/2010	330893	23-02B	20/05/2010
10694/2010	330884	09-01NES	20/05/2010	11028/2010	331065	24-02	31/05/2010
10696/2010	330962	09-01B	25/05/2010	11053/2010	331133	21-02C	02/06/2010
10707/2010	330885	08-05NES	20/05/2010	11084/2010	330894	21-01B	21/05/2010
10708/2010	330886	21-02F	20/05/2010	11092/2010	331101	07-01A	31/05/2010
10722/2010	331029	25-02NES	26/05/2010	11111/2010	330895	09-07NES	21/05/2010
10723/2010	331030	25-02NES	26/05/2010	11112/2010	330896	09-01K	21/05/2010
10724/2010	331129	25-01E	02/06/2010	11135/2010	330897	23-01H	21/05/2010
10725/2010	331130	25-01E	02/06/2010	11136/2010	330898	23-01H	21/05/2010
10730/2010	330988	08-05NES	26/05/2010	11139/2010	330922	08-06	24/05/2010
10758/2010	330967	23-03D	25/05/2010	11143/2010	330899	10-01	21/05/2010
10759/2010	330968	23-03D	25/05/2010	11161/2010	330993	21-02D	26/05/2010
10767/2010	331070	02-02A	31/05/2010	11172/2010	330975	23-04	25/05/2010
10768/2010	331071	02-02A	31/05/2010	11173/2010	330976	09-01K	25/05/2010
10769/2010	331072	02-02A	31/05/2010	11174/2010	330977	09-01B	25/05/2010
10770/2010	331073	02-02A	31/05/2010	11175/2010	330978	09-01NES	25/05/2010
10771/2010	331074	02-02A	31/05/2010	11210/2010	331032	16-99	26/05/2010
10772/2010	331075	02-02A	31/05/2010	11245/2010	331006	07-05E	26/05/2010
10773/2010	331076	02-02A	31/05/2010	11246/2010	331007	02-04A	26/05/2010
10774/2010	331077	02-02A	31/05/2010	11247/2010	330994	07-01D	26/05/2010
10775/2010	331078	02-02A	31/05/2010	11251/2010	330900	12-06A	21/05/2010
10776/2010	331079	02-02A	31/05/2010	11280/2010	331134	24-01	02/06/2010
10777/2010	331080	02-02A	31/05/2010	11281/2010	331135	24-01	02/06/2010
10778/2010	331081	02-02A	31/05/2010	11335/2010	330901	26-05D	21/05/2010
10779/2010	331082	02-02A	31/05/2010	11354/2010	330902	23-01A	21/05/2010
10780/2010	331083	02-02A	31/05/2010	11355/2010	330903	23-01A	21/05/2010
10781/2010	331084	02-02A	31/05/2010	11359/2010	330963	06-01L	25/05/2010
10782/2010	331085	02-02A	31/05/2010	11394/2010	331048	09-03M	27/05/2010
10783/2010	331086	02-02A	31/05/2010	11395/2010	331049	09-03NES	27/05/2010
10784/2010	331087	02-02A	31/05/2010	11396/2010	331067	09-03M	31/05/2010
10785/2010	331088	02-02A	31/05/2010	11398/2010	330904	31-00	21/05/2010
10786/2010	331089	02-02A	31/05/2010	11399/2010	330979	24-04	25/05/2010
10787/2010	330969	06-07	25/05/2010	11405/2010	330980	25-02B	25/05/2010
10811/2010	330989	02-04A	26/05/2010	11406/2010	330981	25-02B	25/05/2010

Publication and Registration Proceedings - Designs Registered cont'd

Design Number	Registration Number	International Classification Code (IDC)	Registration Date	Design Number	Registration Number	International Classification Code (IDC)	Registration Date
11407/2010	330982	25-02B	25/05/2010	11556/2010	330842	28-03A	19/05/2010
11423/2010	330983	09-01K	25/05/2010	11560/2010	330843	28-03D	19/05/2010
11424/2010	330984	09-01K	25/05/2010	11561/2010	330844	28-03D	19/05/2010
11447/2010	330905	23-01A	21/05/2010	11562/2010	330845	14-03NES	19/05/2010
11448/2010	330906	23-01A	21/05/2010	11565/2010	330876	07-02B	21/05/2010
11449/2010	330907	23-01A	21/05/2010	11566/2010	330877	07-02B	21/05/2010
11450/2010	330908	23-01A	21/05/2010	11567/2010	330878	12-15A	21/05/2010
11451/2010	330909	23-01A	21/05/2010	11568/2010	330879	10-04	21/05/2010
11452/2010	330910	23-01A	21/05/2010	11570/2010	330985	07-01C	25/05/2010
11453/2010	330995	23-01A	26/05/2010	11571/2010	330986	09-01B	25/05/2010
11454/2010	330996	23-01A	26/05/2010	11578/2010	331053	02-02C	28/05/2010
11465/2010	331052	25-02C	28/05/2010	11581/2010	330915	05-05A	21/05/2010
11480/2010	330846	25-01K	20/05/2010	11583/2010	330916	12-15A	21/05/2010
11482/2010	330847	23-03E	20/05/2010	11584/2010	330917	12-15A	21/05/2010
11483/2010	330848	23-03E	20/05/2010	11585/2010	330918	02-06	21/05/2010
11485/2010	330849	13-03D	20/05/2010	11586/2010	330919	02-06	21/05/2010
11490/2010	330850	21-01H	20/05/2010	11590/2010	330920	07-01D	21/05/2010
11491/2010	330851	13-02	20/05/2010	11591/2010	330921	07-01D	21/05/2010
11495/2010	330911	20-03NES	21/05/2010	11592/2010	331144	10-04	03/06/2010
11496/2010	330912	20-03NES	21/05/2010	11606/2010	330880	23-01H	21/05/2010
11497/2010	330852	23-03E	20/05/2010	11607/2010	330881	23-01H	21/05/2010
11498/2010	330853	23-03E	20/05/2010	11613/2010	330964	12-15A	25/05/2010
11499/2010	330854	08-05L	20/05/2010	11623/2010	330965	13-02	25/05/2010
11500/2010	330855	06-04B	20/05/2010	11624/2010	330930	13-01	24/05/2010
11501/2010	330856	06-04B	20/05/2010	11625/2010	330931	13-01	24/05/2010
11502/2010	330857	08-07	20/05/2010	11626/2010	330932	23-01A	24/05/2010
11503/2010	330858	21-02C	20/05/2010	11627/2010	330933	26-05C	24/05/2010
11504/2010	330859	03-01NES	20/05/2010	11628/2010	330934	14-03E	24/05/2010
11505/2010	330860	24-03	20/05/2010	11629/2010	330935	25-01A	24/05/2010
11506/2010	330861	24-03	20/05/2010	11630/2010	330936	25-01A	24/05/2010
11508/2010	330862	24-04	20/05/2010	11631/2010	330937	28-03NES	24/05/2010
11509/2010	330863	24-04	20/05/2010	11632/2010	330938	28-03NES	24/05/2010
11510/2010	331068	26-04	31/05/2010	11633/2010	330939	28-03NES	24/05/2010
11525/2010	330830	23-01B	19/05/2010	11634/2010	331102	25-01K	31/05/2010
11527/2010	330831	16-01	19/05/2010	11641/2010	331140	09-03D	02/06/2010
11528/2010	330832	02-03	19/05/2010	11644/2010	330923	07-02L	24/05/2010
11529/2010	330997	08-09	26/05/2010	11645/2010	330924	07-02L	24/05/2010
11530/2010	330833	08-09	19/05/2010	11646/2010	330925	04-02	24/05/2010
11535/2010	330834	07-02E	19/05/2010	11647/2010	330926	04-02	24/05/2010
11536/2010	330835	07-02E	19/05/2010	11648/2010	330927	04-02	24/05/2010
11537/2010	330836	28-02	19/05/2010	11649/2010	330913	21-01NES	21/05/2010
11538/2010	330837	28-02	19/05/2010	11651/2010	330928	08-05NES	24/05/2010
11539/2010	330838	09-01G	19/05/2010	11652/2010	331136	13-03NES	02/06/2010
11540/2010	330864	12-15B	21/05/2010	11653/2010	331137	13-03NES	02/06/2010
11541/2010	330865	13-03D	21/05/2010	11654/2010	330929	12-16NES	24/05/2010
11542/2010	330866	13-03D	21/05/2010	11657/2010	331008	10-99	26/05/2010
11543/2010	330867	13-03D	21/05/2010	11658/2010	331138	02-07D	02/06/2010
11544/2010	330868	13-03D	21/05/2010	11659/2010	331009	26-05NES	26/05/2010
11545/2010	330869	13-03D	21/05/2010	11660/2010	331010	12-15A	26/05/2010
11546/2010	330870	09-01H	21/05/2010	11661/2010	331011	14-01	26/05/2010
11547/2010	330871	09-01H	21/05/2010	11662/2010	331012	23-01E	26/05/2010
11548/2010	330872	09-07C	21/05/2010	11664/2010	331013	02-03	26/05/2010
11549/2010	330873	23-01A	21/05/2010	11665/2010	331014	24-03	26/05/2010
11550/2010	330874	15-05	21/05/2010	11666/2010	331015	07-02NES	26/05/2010
11551/2010	330875	15-05	21/05/2010	11667/2010	331016	07-01F	26/05/2010
11552/2010	330839	29-99	19/05/2010	11668/2010	331017	02-03	26/05/2010
11553/2010	330840	29-02	19/05/2010	11669/2010	331018	07-01F	26/05/2010
11555/2010	330841	28-03A	19/05/2010	11670/2010	331019	15-05	26/05/2010

Publication and Registration Proceedings - Designs Registered cont'd

Design Number	Registration Number	International Classification Code (IDC)	Registration Date	Design Number	Registration Number	International Classification Code (IDC)	Registration Date
11671/2010	331020	12-16NES	26/05/2010	11748/2010	330828	09-03F	19/05/2010
11673/2010	331021	08-01	26/05/2010	11749/2010	330829	09-03F	19/05/2010
11674/2010	331022	23-02E	26/05/2010	11757/2010	331055	25-02K	28/05/2010
11675/2010	331023	14-01	26/05/2010	11758/2010	331056	09-03M	28/05/2010
11676/2010	331024	07-07A	26/05/2010	11761/2010	331057	24-04	28/05/2010
11677/2010	331025	26-04	26/05/2010	11762/2010	331090	15-05	31/05/2010
11678/2010	331050	02-04NES	27/05/2010	11763/2010	331091	21-01K	31/05/2010
11679/2010	331051	02-04NES	27/05/2010	11765/2010	331092	26-05B	31/05/2010
11682/2010	331026	07-02E	26/05/2010	11769/2010	331093	07-02F	31/05/2010
11683/2010	331027	21-01B	26/05/2010	11774/2010	331094	09-01K	31/05/2010
11685/2010	330940	21-01B	25/05/2010	11775/2010	331095	09-01K	31/05/2010
11686/2010	330941	21-01B	25/05/2010	11776/2010	331096	09-01K	31/05/2010
11687/2010	330942	03-01D	25/05/2010	11782/2010	331120	08-08D	01/06/2010
11688/2010	330943	21-01B	25/05/2010	11783/2010	331121	03-01A	01/06/2010
11689/2010	330944	21-01B	25/05/2010	11784/2010	331122	06-04NES	01/06/2010
11690/2010	330945	07-02E	25/05/2010	11785/2010	331123	07-02K	01/06/2010
11691/2010	330946	07-02E	25/05/2010	11786/2010	331124	07-02F	01/06/2010
11692/2010	330947	21-01B	25/05/2010	11787/2010	331125	07-01C	01/06/2010
11693/2010	330948	21-01B	25/05/2010	11796/2010	331115	07-01E	01/06/2010
11694/2010	330949	21-01B	25/05/2010	11797/2010	331116	07-06C	01/06/2010
11695/2010	330950	21-01B	25/05/2010	11802/2010	331117	15-05	01/06/2010
11696/2010	330951	21-01B	25/05/2010	11803/2010	331118	15-05	01/06/2010
11697/2010	331105	23-04	31/05/2010	11804/2010	331119	15-05	01/06/2010
11698/2010	331106	23-04	31/05/2010	11807/2010	331107	28-03B	31/05/2010
11699/2010	331033	21-02NES	27/05/2010	11808/2010	331108	31-00	31/05/2010
11700/2010	330953	02-05	25/05/2010	11809/2010	331109	28-03B	31/05/2010
11701/2010	330952	02-05	25/05/2010	11810/2010	331110	28-03B	31/05/2010
11702/2010	330954	02-05	25/05/2010	11811/2010	331111	28-03B	31/05/2010
11703/2010	331141	08-01	02/06/2010	11812/2010	331112	14-03E	31/05/2010
11707/2010	330955	25-01D	25/05/2010	11813/2010	331113	14-03E	31/05/2010
11708/2010	330956	25-01D	25/05/2010	11814/2010	331114	14-03E	31/05/2010
11709/2010	330957	25-01D	25/05/2010	11815/2010	331164	24-02	03/06/2010
11710/2010	330958	25-01D	25/05/2010	11816/2010	331165	24-02	03/06/2010
11711/2010	330959	25-01D	25/05/2010	11817/2010	331166	24-02	03/06/2010
11712/2010	330960	25-01D	25/05/2010	11818/2010	331167	14-03NES	03/06/2010
11713/2010	330961	25-01D	25/05/2010	11819/2010	331168	14-03NES	03/06/2010
11719/2010	330914	21-02F	21/05/2010	11820/2010	331169	14-03NES	03/06/2010
11720/2010	330992	03-01A	26/05/2010	11826/2010	331145	25-02NES	03/06/2010
11721/2010	330987	08-07	25/05/2010	11827/2010	331146	25-02NES	03/06/2010
11722/2010	331103	08-05NES	31/05/2010	11828/2010	331147	25-02NES	03/06/2010
11724/2010	331042	08-03	27/05/2010	11880/2010	331054	25-01B	28/05/2010
11725/2010	331043	24-99	27/05/2010	11965/2010	331139	12-08	02/06/2010
11726/2010	331044	24-99	27/05/2010	12005/2010	331069	25-02NES	31/05/2010
11727/2010	331045	07-01NES	27/05/2010	12069/2010	331066	24-02	31/05/2010
11728/2010	331046	09-01NES	27/05/2010	12104/2010	331060	03-01B	31/05/2010
11729/2010	331104	09-07NES	31/05/2010	12105/2010	331061	03-01B	31/05/2010
11732/2010	331034	10-02	27/05/2010	12106/2010	331062	03-01B	31/05/2010
11733/2010	331035	10-02	27/05/2010	12107/2010	331063	03-01B	31/05/2010
11734/2010	331036	10-02	27/05/2010	12117/2010	331142	08-01	02/06/2010
11735/2010	331037	15-05	27/05/2010	12118/2010	331143	08-01	02/06/2010
11736/2010	331038	12-15A	27/05/2010				
11737/2010	331039	12-15A	27/05/2010				
11738/2010	331040	20-01	27/05/2010				
11739/2010	331041	26-04	27/05/2010				

Publication and Registration Proceedings
Class Listing of Designs Published or Registered

The following section shows an International Classification Code listing of the Registered or Published Designs covered in this supplement.

Classification	Registration Number	Design Number	Classification	Registration Number	Design Number
02-02 A	331070	10767/2010	05-05 A	330915	11581/2010
02-02 A	331071	10768/2010	05-05 NES	330889	10943/2010
02-02 A	331072	10769/2010	05-05 NES	330890	10944/2010
02-02 A	331073	10770/2010	06-01 L	330963	11359/2010
02-02 A	331074	10771/2010	06-03 NES	330966	14554/2009
02-02 A	331075	10772/2010	06-04 B	330855	11500/2010
02-02 A	331076	10773/2010	06-04 B	330856	11501/2010
02-02 A	331077	10774/2010	06-04 NES	331122	11784/2010
02-02 A	331078	10775/2010	06-07	330969	10787/2010
02-02 A	331079	10776/2010	07-01 A	331101	11092/2010
02-02 A	331080	10777/2010	07-01 B	331101	11092/2010
02-02 A	331081	10778/2010	07-01 C	330985	11570/2010
02-02 A	331082	10779/2010	07-01 C	331125	11787/2010
02-02 A	331083	10780/2010	07-01 D	330920	11590/2010
02-02 A	331084	10781/2010	07-01 D	330921	11591/2010
02-02 A	331085	10782/2010	07-01 D	330994	11247/2010
02-02 A	331086	10783/2010	07-01 D	331101	11092/2010
02-02 A	331087	10784/2010	07-01 E	331115	11796/2010
02-02 A	331088	10785/2010	07-01 F	331016	11667/2010
02-02 A	331089	10786/2010	07-01 F	331018	11669/2010
02-02 C	331053	11578/2010	07-01 NES	331045	11727/2010
02-03	330832	11528/2010	07-02 B	330876	11565/2010
02-03	331013	11664/2010	07-02 B	330877	11566/2010
02-03	331014	11665/2010	07-02 E	330834	11535/2010
02-03	331017	11668/2010	07-02 E	330835	11536/2010
02-03	331097	10830/2010	07-02 E	330945	11690/2010
02-04 A	330989	10811/2010	07-02 E	330946	11691/2010
02-04 A	330990	10812/2010	07-02 E	331026	11682/2010
02-04 A	331007	11246/2010	07-02 F	331093	11769/2010
02-04 C	330999	14434/2009	07-02 F	331124	11786/2010
02-04 NES	331050	11678/2010	07-02 H	331099	14264/2009
02-04 NES	331051	11679/2010	07-02 H	331100	14265/2009
02-05	330952	11701/2010	07-02 K	331123	11785/2010
02-05	330953	11700/2010	07-02 L	330923	11644/2010
02-05	330954	11702/2010	07-02 L	330924	11645/2010
02-05	331097	10830/2010	07-02 NES	331015	11666/2010
02-06	330918	11585/2010	07-05 E	331006	11245/2010
02-06	330919	11586/2010	07-06 C	331116	11797/2010
02-07 D	331138	11658/2010	07-07 A	331024	11676/2010
02-07 NES	330974	11003/2010	08-01	331021	11673/2010
03-01 A	330991	10841/2010	08-01	331141	11703/2010
03-01 A	330992	11720/2010	08-01	331142	12117/2010
03-01 A	331121	11783/2010	08-01	331143	12118/2010
03-01 B	331059	14182/2009	08-03	331042	11724/2010
03-01 B	331060	12104/2010	08-05 L	330854	11499/2010
03-01 B	331061	12105/2010	08-05 NES	330885	10707/2010
03-01 B	331062	12106/2010	08-05 NES	330928	11651/2010
03-01 B	331063	12107/2010	08-05 NES	330987	11721/2010
03-01 D	330929	11654/2010	08-05 NES	330988	10730/2010
03-01 D	330942	11687/2010	08-05 NES	331103	11722/2010
03-01 NES	330859	11504/2010	08-06	330922	11139/2010
03-01 NES	331031	10814/2010	08-07	330855	11500/2010
04-01	331058	13691/2009	08-07	330856	11501/2010
04-02	330925	11646/2010	08-07	330857	11502/2010
04-02	330926	11647/2010	08-07	330987	11721/2010
04-02	330927	11648/2010	08-07	331028	10095/2010

Registration Proceedings - Class Listing of Designs Published or Registered cont'd

Classification	Registration Number	Design Number	Classification	Registration Number	Design Number
08-08 D	331120	11782/2010	13-02	330851	11491/2010
08-09	330833	11530/2010	13-02	330965	11623/2010
08-09	330997	11529/2010	13-03 D	330849	11485/2010
09-01 B	330962	10696/2010	13-03 D	330865	11541/2010
09-01 B	330977	11174/2010	13-03 D	330866	11542/2010
09-01 B	330986	11571/2010	13-03 D	330867	11543/2010
09-01 G	330838	11539/2010	13-03 D	330868	11544/2010
09-01 H	330870	11546/2010	13-03 D	330869	11545/2010
09-01 H	330871	11547/2010	13-03 NES	331136	11652/2010
09-01 K	330896	11112/2010	13-03 NES	331137	11653/2010
09-01 K	330972	10881/2010	14-01	331011	11661/2010
09-01 K	330973	10882/2010	14-01	331023	11675/2010
09-01 K	330976	11173/2010	14-02	331046	11728/2010
09-01 K	330983	11423/2010	14-03 E	330934	11628/2010
09-01 K	330984	11424/2010	14-03 E	331112	11812/2010
09-01 K	331094	11774/2010	14-03 E	331113	11813/2010
09-01 K	331095	11775/2010	14-03 E	331114	11814/2010
09-01 K	331096	11776/2010	14-03 NES	330845	11562/2010
09-01 NES	330884	10694/2010	14-03 NES	331167	11818/2010
09-01 NES	330978	11175/2010	14-03 NES	331168	11819/2010
09-01 NES	331046	11728/2010	14-03 NES	331169	11820/2010
09-02 NES	331131	10993/2010	15-05	330874	11550/2010
09-02 NES	331132	10994/2010	15-05	330875	11551/2010
09-03 D	331140	11641/2010	15-05	331019	11670/2010
09-03 F	330828	11748/2010	15-05	331037	11735/2010
09-03 F	330829	11749/2010	15-05	331047	10987/2010
09-03 M	331048	11394/2010	15-05	331090	11762/2010
09-03 M	331056	11758/2010	15-05	331117	11802/2010
09-03 M	331067	11396/2010	15-05	331118	11803/2010
09-03 NES	331049	11395/2010	15-05	331119	11804/2010
09-07 C	330872	11548/2010	15-99	330928	11651/2010
09-07 NES	330895	11111/2010	16-01	330831	11527/2010
09-07 NES	331104	11729/2010	16-99	331032	11210/2010
10-01	330899	11143/2010	19-07	330970	10869/2010
10-02	331034	11732/2010	19-08	330971	10880/2010
10-02	331035	11733/2010	20-01	331040	11738/2010
10-02	331036	11734/2010	20-02 NES	331008	11657/2010
10-04	330879	11568/2010	20-03 NES	330911	11495/2010
10-04	331144	11592/2010	20-03 NES	330912	11496/2010
10-99	331008	11657/2010	21-01 B	330894	11084/2010
12-06 A	330900	11251/2010	21-01 B	330940	11685/2010
12-06 C	330900	11251/2010	21-01 B	330941	11686/2010
12-08	331126	10617/2010	21-01 B	330943	11688/2010
12-08	331127	10618/2010	21-01 B	330944	11689/2010
12-08	331128	10619/2010	21-01 B	330947	11692/2010
12-08	331139	11965/2010	21-01 B	330948	11693/2010
12-10	330882	10518/2010	21-01 B	330949	11694/2010
12-15 A	330878	11567/2010	21-01 B	330950	11695/2010
12-15 A	330916	11583/2010	21-01 B	330951	11696/2010
12-15 A	330917	11584/2010	21-01 B	331027	11683/2010
12-15 A	330964	11613/2010	21-01 C	331139	11965/2010
12-15 A	331010	11660/2010	21-01 H	330850	11490/2010
12-15 A	331038	11736/2010	21-01 K	331091	11763/2010
12-15 A	331039	11737/2010	21-01 NES	330913	11649/2010
12-15 B	330864	11540/2010	21-02 C	330858	11503/2010
12-16 NES	330929	11654/2010	21-02 C	331064	10902/2010
12-16 NES	331020	11671/2010	21-02 C	331133	11053/2010
13-01	330930	11624/2010	21-02 D	330993	11161/2010
13-01	330931	11625/2010	21-02 F	330886	10708/2010

Registration Proceedings - Class Listing of Designs Published or Registered cont'd

Classification	Registration Number	Design Number	Classification	Registration Number	Design Number
21-02 F	330914	11719/2010	25-01 A	330935	11629/2010
21-02 NES	331033	11699/2010	25-01 A	330936	11630/2010
21-02 NES	331098	14238/2009	25-01 B	331054	11880/2010
22-05	331033	11699/2010	25-01 D	330955	11707/2010
23-01 A	330873	11549/2010	25-01 D	330956	11708/2010
23-01 A	330902	11354/2010	25-01 D	330957	11709/2010
23-01 A	330903	11355/2010	25-01 D	330958	11710/2010
23-01 A	330905	11447/2010	25-01 D	330959	11711/2010
23-01 A	330906	11448/2010	25-01 D	330960	11712/2010
23-01 A	330907	11449/2010	25-01 D	330961	11713/2010
23-01 A	330908	11450/2010	25-01 E	331129	10724/2010
23-01 A	330909	11451/2010	25-01 E	331130	10725/2010
23-01 A	330910	11452/2010	25-01 K	330846	11480/2010
23-01 A	330932	11626/2010	25-01 K	331102	11634/2010
23-01 A	330995	11453/2010	25-02 B	330980	11405/2010
23-01 A	330996	11454/2010	25-02 B	330981	11406/2010
23-01 B	330830	11525/2010	25-02 B	330982	11407/2010
23-01 E	331012	11662/2010	25-02 C	331052	11465/2010
23-01 H	330880	11606/2010	25-02 K	331055	11757/2010
23-01 H	330881	11607/2010	25-02 NES	331029	10722/2010
23-01 H	330897	11135/2010	25-02 NES	331030	10723/2010
23-01 H	330898	11136/2010	25-02 NES	331069	12005/2010
23-01 NES	331005	10683/2010	25-02 NES	331145	11826/2010
23-01 NES	331131	10993/2010	25-02 NES	331146	11827/2010
23-01 NES	331132	10994/2010	25-02 NES	331147	11828/2010
23-02 B	330892	10989/2010	25-03	331047	10987/2010
23-02 B	330893	11019/2010	25-04	331029	10722/2010
23-02 E	331022	11674/2010	25-04	331030	10723/2010
23-03 D	330967	10758/2010	26-04	331025	11677/2010
23-03 D	330968	10759/2010	26-04	331041	11739/2010
23-03 E	330847	11482/2010	26-04	331068	11510/2010
23-03 E	330848	11483/2010	26-05 B	331092	11765/2010
23-03 E	330852	11497/2010	26-05 C	330933	11627/2010
23-03 E	330853	11498/2010	26-05 C	331009	11659/2010
23-04	330883	10689/2010	26-05 D	330901	11335/2010
23-04	330975	11172/2010	26-05 NES	331009	11659/2010
23-04	331003	10681/2010	28-02	330836	11537/2010
23-04	331004	10682/2010	28-02	330837	11538/2010
23-04	331013	11664/2010	28-03 A	330841	11555/2010
23-04	331105	11697/2010	28-03 A	330842	11556/2010
23-04	331106	11698/2010	28-03 B	331107	11807/2010
24-01	331134	11280/2010	28-03 B	331109	11809/2010
24-01	331135	11281/2010	28-03 B	331110	11810/2010
24-02	331065	11028/2010	28-03 B	331111	11811/2010
24-02	331066	12069/2010	28-03 D	330843	11560/2010
24-02	331164	11815/2010	28-03 D	330844	11561/2010
24-02	331165	11816/2010	28-03 NES	330837	11538/2010
24-02	331166	11817/2010	28-03 NES	330891	10973/2010
24-03	330860	11505/2010	28-03 NES	330937	11631/2010
24-03	330861	11506/2010	28-03 NES	330938	11632/2010
24-03	331014	11665/2010	28-03 NES	330939	11633/2010
24-04	330862	11508/2010	29-02	330840	11553/2010
24-04	330863	11509/2010	29-02	331033	11699/2010
24-04	330979	11399/2010	29-99	330839	11552/2010
24-04	331057	11761/2010	30-04	330887	10940/2010
24-99	331013	11664/2010	30-04	330888	10941/2010
24-99	331014	11665/2010	30-04	330998	14433/2009
24-99	331043	11725/2010	30-04	331000	14438/2009
24-99	331044	11726/2010	30-04	331001	14439/2009

Registration Proceedings - Class Listing of Designs Published or Registered cont'd

Classification	Registration Number	Design Number	Classification	Registration Number	Design Number
30-04	331002	14440/2009	31-00	331108	11808/2010
31-00	330904	11398/2010			

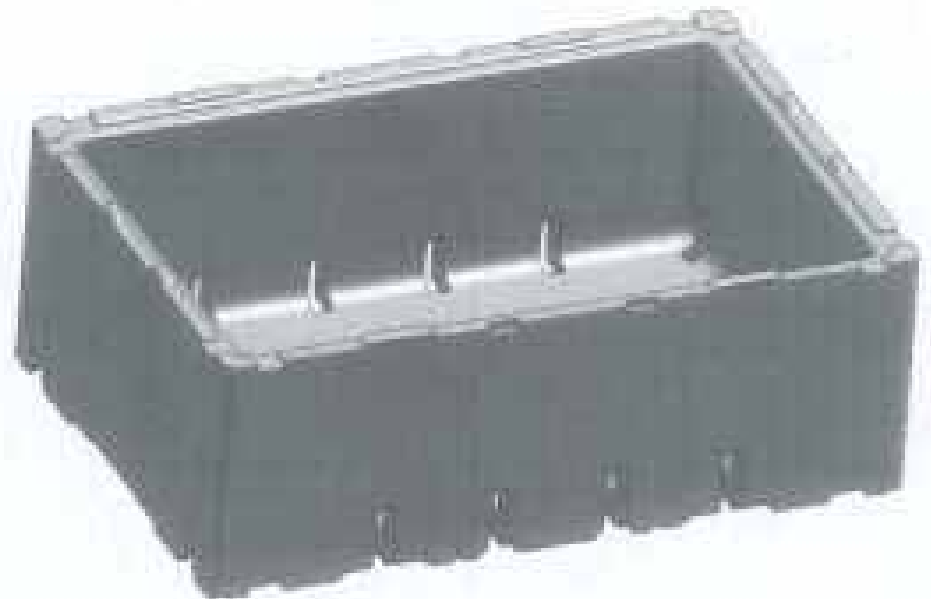
- (21) Design Number: **11748/2010**
(22) Date of Filing Application: **06 May 2010**
(24) Date from which industrial property rights may have effect: **06 May 2010**
(54) Product in respect of which the design is registered: **Packaging for produce**
(51) International Design Classification: **09-03F**
(71) Name(s) and Address(s) of Applicant(s):
Ian Locke
161 Allport Street (East) Leith Tasmania 7315 Australia
(72) Name(s) of Designer(s): **Ian Locke**
(45) Registration Date: **19 May 2010**
(56) Related Art Documents: **Not Applicable**

(57) Statement of Newness and Distinctiveness: **Background Traditionally, expanded polystyrene [EPS] that has been heated, compressed and moulded into a box or crate shape has been designed for: [a] a commodity group [e.g. seafood] [b] a specific produce [e.g. broccoli] [c] a particular transport type [e.g. airfreight] [d] a generic pallet [e.g. AS4068-1993] Furthermore, the design has sought to utilise the thermal conductivity of EPS by adjusting the thickness of the floor and walls of the package to achieve a balance between temperature transfer [loss] and the integral strength of the box. That is, the period that temperature penetrates to or from produce inside the box is balanced against the structural integrity of the box to avoid damage. Conversely, if 10-kilos of chilled broccoli are packed with ice in an EPS package, the thickness of the floor and walls and structural construction of the moulding of the box must be: [a] strong enough to hold and transport the produce without breaking [b] moulded using compaction and thickness to maximise the thermal conductivity properties of EPS packaging**
Newness The design of ASPER-04 exhibits newness over ASPER-01, ASPER-02 and ASPER-03 because it exhibits: [a] ASPER-04 has greater depth than ASPER-01, ASPER-02 and ASPER-03 [b] ASPER-01 and ASPER-03 do not have a lid Distinctiveness The design is distinctive to ASPER-01 because of the depth, lid and label guides.



- (21) Design Number: **11749/2010**
(22) Date of Filing Application: **06 May 2010**
(24) Date from which industrial property rights may have effect: **06 May 2010**
(54) Product in respect of which the design is registered: **Packaging for produce**
(51) International Design Classification: **09-03F**
(71) Name(s) and Address(s) of Applicant(s):
Ian Locke
161 Allport Street (East) Leith Tasmania 7315 Australia
(72) Name(s) of Designer(s): **Ian Locke**
(45) Registration Date: **19 May 2010**
(56) Related Art Documents: **Not Applicable**

(57) Statement of Newness and Distinctiveness: **Background Traditionally, expanded polystyrene [EPS] that has been heated, compressed and moulded into a box or crate shape has been designed for: [a] a commodity group [e.g. seafood] [b] a specific produce [e.g. broccoli] [c] a particular transport type [e.g. airfreight] [d] a generic pallet [e.g. AS4068-1993] Furthermore, the design has sought to utilise the thermal conductivity of EPS by adjusting the thickness of the floor and walls of the package to achieve a balance between temperature transfer [loss] and the integral strength of the box. That is, the period that temperature penetrates to or from produce inside the box is balanced against the structural integrity of the box to avoid damage. Conversely, if 10-kilos of chilled broccoli are packed with ice in an EPS package, the thickness of the floor and walls and structural construction of the moulding of the box must be: [a] strong enough to hold and transport the produce without breaking [b] moulded using compaction and thickness to maximise the thermal conductivity properties of EPS packaging**
Newness The design of ASPER-03 exhibits newness over ASPER-01 and ASPER-02 because it exhibits: [a] Vent [side] and holes [floor] have been added making it a crate [b] ASPER-03 has a greater depth than ASPER-01 and ASPER-02 [c] ASPER-03 does not have a lid Distinctiveness The design is distinctive to ASPER-01 because of the depth, lid and label guides.

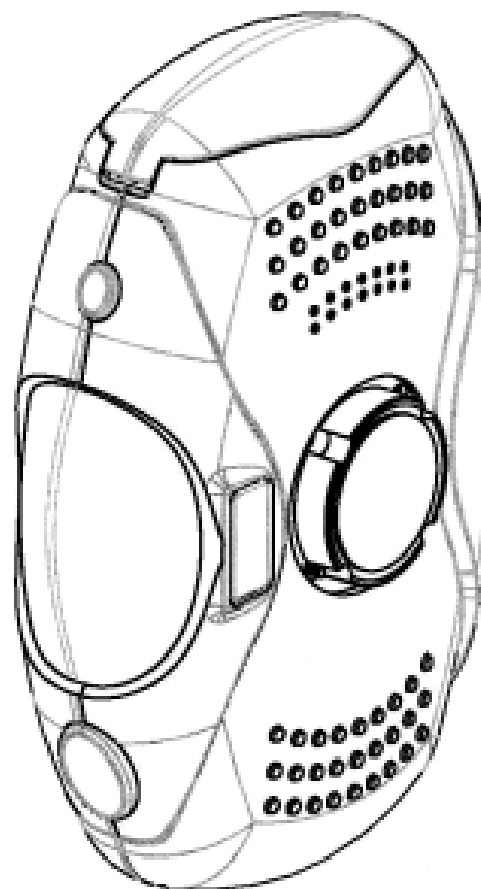


- (21) Design Number: **11525/2010**
- (22) Date of Filing Application: **23 April 2010**
- (24) Date from which industrial property rights may have effect: **23 April 2010**
- (54) Product in respect of which the design is registered: **Water diverter**
- (51) International Design Classification: **23-01B**
- (71) Name(s) and Address(s) of Applicant(s):
Iain Ewing
14 Bluebell Street Mansfield Queensland 4122 Australia
- (72) Name(s) of Designer(s): **Iain Ewing**
- (45) Registration Date: **19 May 2010**
- (56) Related Art Documents: **Not Applicable**
- (57) Statement of Newness and Distinctiveness: **Newness and distinctiveness are claimed in the shape of the diverter.**



- (21) Design Number: **11527/2010**
- (22) Date of Filing Application: **22 April 2010**
- (24) Date from which industrial property rights may have effect: **22 April 2010**
- (54) Product in respect of which the design is registered: **Camera**
- (51) International Design Classification: **16-01**
- (71) Name(s) and Address(s) of Applicant(s):
Speedo International Limited
8 Manchester Square London W1U 3PH United Kingdom
- (72) Name(s) of Designer(s): **Christopher Booker and Carly Stephenson**
- (45) Registration Date: **19 May 2010**
- (30) Convention priority data:

(31) Number	(32) Date	(33) Country
001651050-0001	22 Dec 2009	EUROPEAN COMMUNITY
- (56) Related Art Documents: **Not Applicable**
- (57) Statement of Newness and Distinctiveness: **Newness and distinctiveness reside in the features of the design as shown in the representations.**



(21) Design Number: **11528/2010**

(22) Date of Filing Application: **23 April 2010**

(24) Date from which industrial property rights may have effect: **23 April 2010**

(54) Product in respect of which the design is registered: **Headwear**

(51) International Design Classification: **02-03**

(71) Name(s) and Address(s) of Applicant(s):

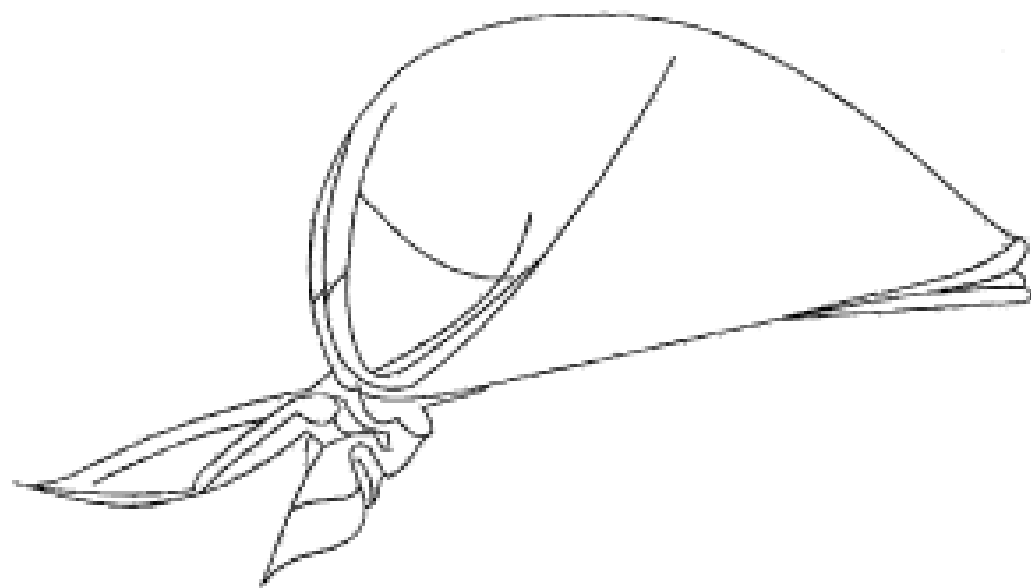
Candice Alley Pty Ltd
5307/1 Queensbridge Square Southbank Victoria 3006 Australia

(72) Name(s) of Designer(s): **Candice Hackett**

(45) Registration Date: **19 May 2010**

(56) Related Art Documents: **Not Applicable**

(57) Statement of Newness and Distinctiveness: **Newness and distinctiveness resides in the shape and configuration of a headwear as shown in the accompanying representations. In considering newness and distinctiveness, particular regard is to be given to the peak of the headwear. The form of the knot can vary.**



(21) Design Number: **11530/2010**

(22) Date of Filing Application: **20 April 2010**

(24) Date from which industrial property rights may have effect: **20 April 2010**

(54) Product in respect of which the design is registered: **Door hook**

(51) International Design Classification: **08-09**

(71) Name(s) and Address(s) of Applicant(s):

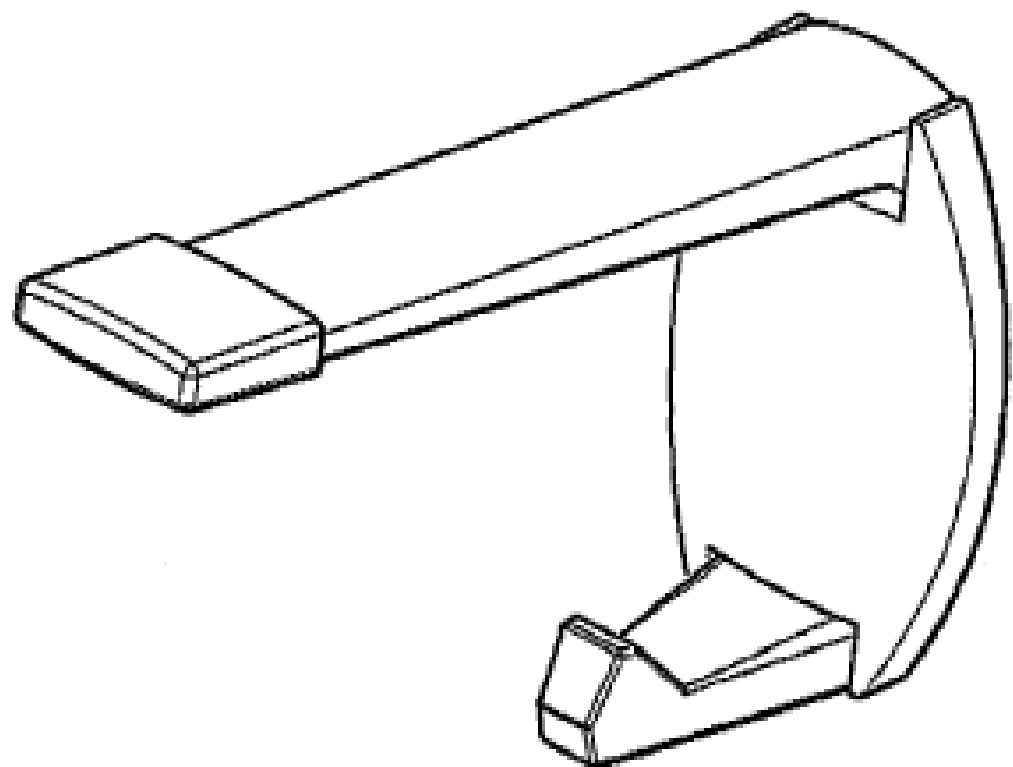
Metlam Australia Pty. Limited
PO Box 835 Gisborne Victoria 3437 Australia

(72) Name(s) of Designer(s): **Brian Bishop**

(45) Registration Date: **19 May 2010**

(56) Related Art Documents: **Not Applicable**

(57) Statement of Newness and Distinctiveness: **Nil**



(21) Design Number: **11535/2010**

(22) Date of Filing Application: **22 April 2010**

(24) Date from which industrial property rights may have effect: **22 April 2010**

(54) Product in respect of which the design is registered: **Cooking apparatus**

(51) International Design Classification: **07-02E**

(71) Name(s) and Address(s) of Applicant(s):

**Foshan Shunde Everteam Industrial Co. Ltd
No. 27 East Rongqi Dadao Ronggui Shunde District Foshan City
Guangdong Province China**

(72) Name(s) of Designer(s): **Zhiqiang Liang**

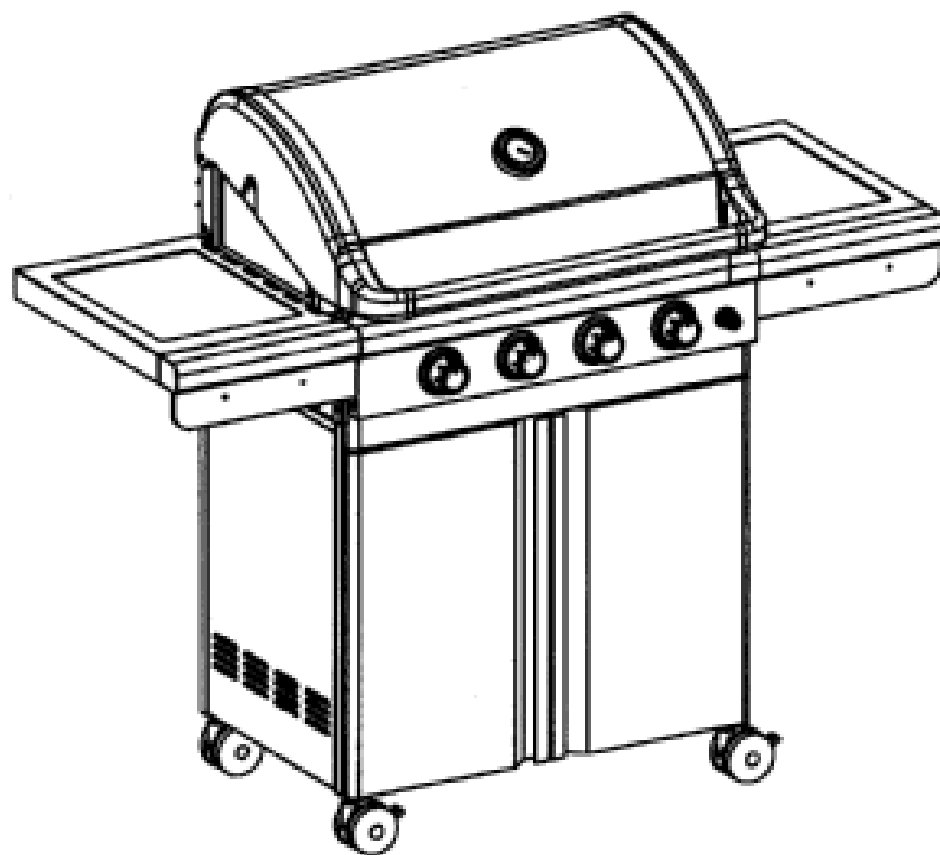
(45) Registration Date: **19 May 2010**

(30) Convention priority data:

(31) Number	(32) Date	(33) Country
200930251532.2	27 Oct 2009	CHINA

(56) Related Art Documents: **Not Applicable**

(57) Statement of Newness and Distinctiveness: **The newness and distinctiveness is claimed in the feature of the shape and/or configuration of a cooking apparatus as illustrated in the accompanying representations.**



(21) Design Number: **11536/2010**

(22) Date of Filing Application: **22 April 2010**

(24) Date from which industrial property rights may have effect: **22 April 2010**

(54) Product in respect of which the design is registered: **Cooking apparatus**

(51) International Design Classification: **07-02E**

(71) Name(s) and Address(s) of Applicant(s):

**Foshan Shunde Everteam Industrial Co. Ltd
No. 27 East Rongqi Dadao Ronggui Shunde District Foshan City
Guangdong Province China**

(72) Name(s) of Designer(s): **Zhiqiang Liang**

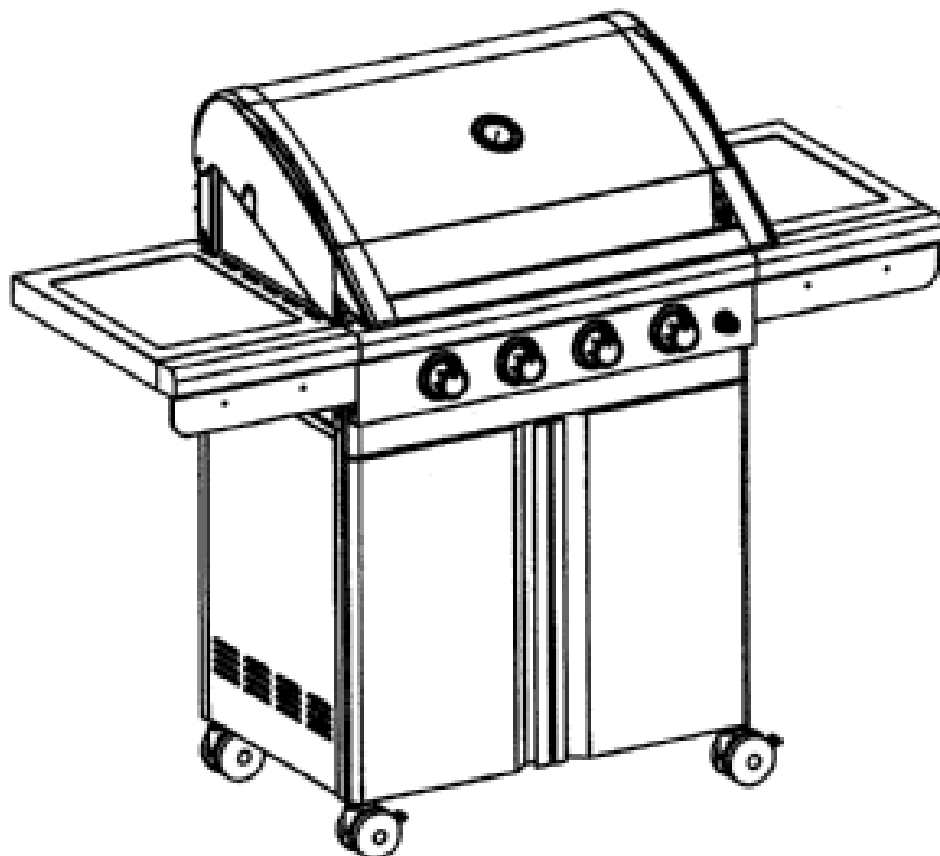
(45) Registration Date: **19 May 2010**

(30) Convention priority data:

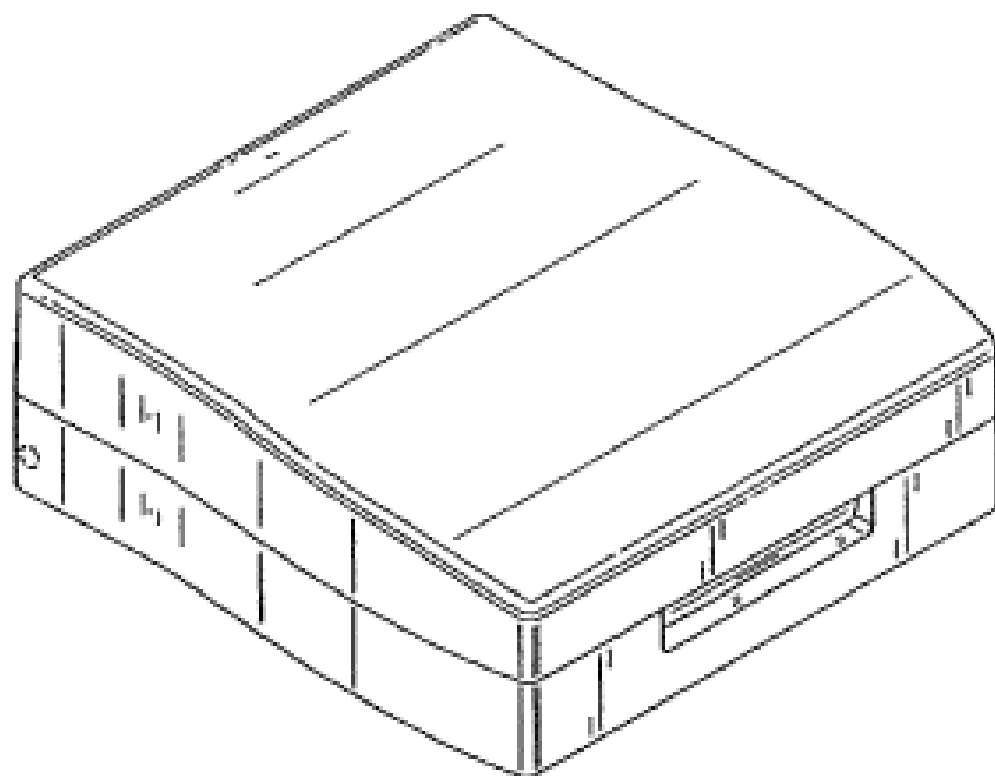
(31) Number	(32) Date	(33) Country
200930251532.2	27 Oct 2009	CHINA

(56) Related Art Documents: **Not Applicable**

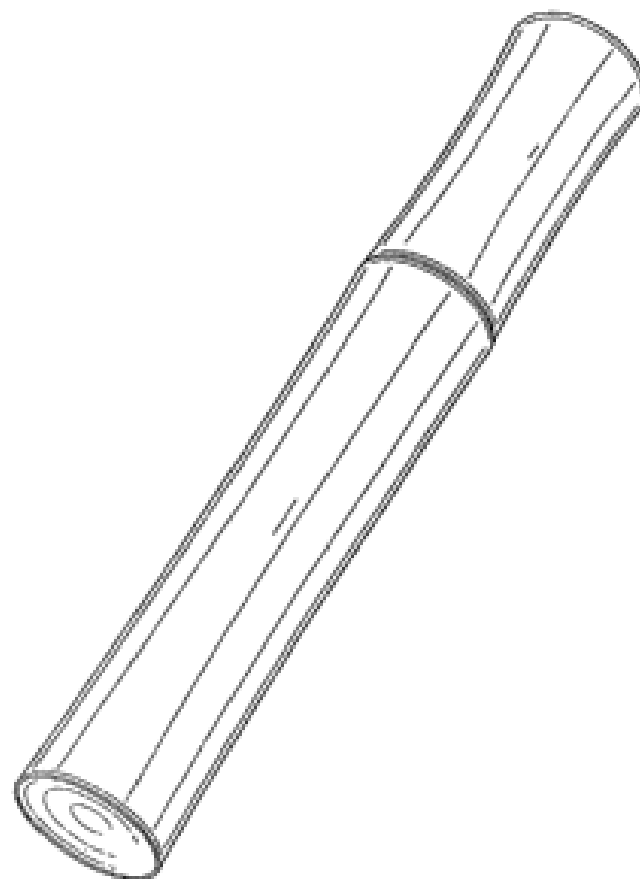
(57) Statement of Newness and Distinctiveness: **The newness and distinctiveness is claimed in the feature of the shape and/or configuration of a cooking apparatus as illustrated in the accompanying representations.**



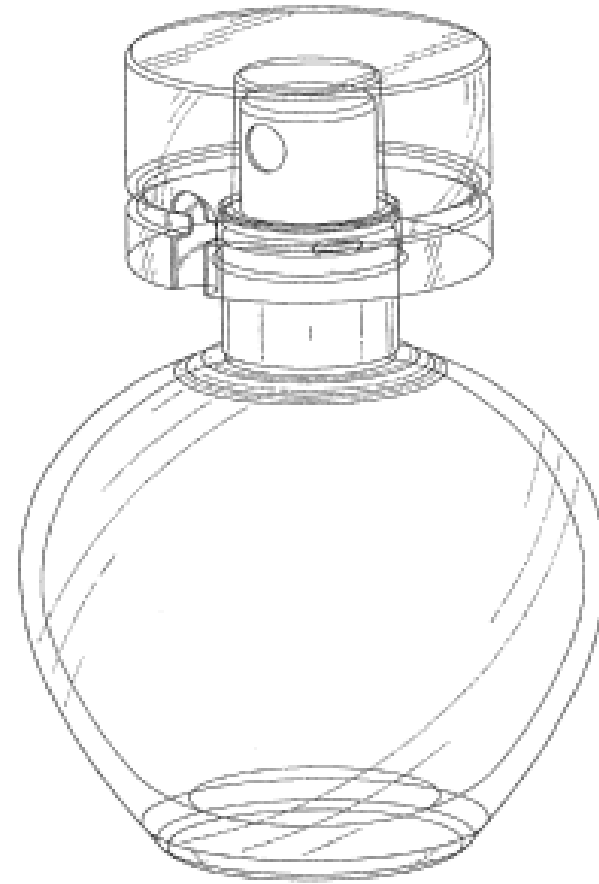
(21) Design Number: **11537/2010**
(22) Date of Filing Application: **23 April 2010**
(24) Date from which industrial property rights may have effect: **23 April 2010**
(54) Product in respect of which the design is registered: **Container**
(51) International Design Classification: **28-02**
(71) Name(s) and Address(s) of Applicant(s):
Mary Kay Inc.
16251 N. Dallas Parkway Addison TX 75001 United States of America
(72) Name(s) of Designer(s): **Jenny DeMarco**
(45) Registration Date: **19 May 2010**
(30) Convention priority data:
(31) Number (32) Date (33) Country
29/354,799 28 Jan 2010 UNITED STATES OF AMERICA
(56) Related Art Documents: **Not Applicable**
(57) Statement of Newness and Distinctiveness: **Nil**



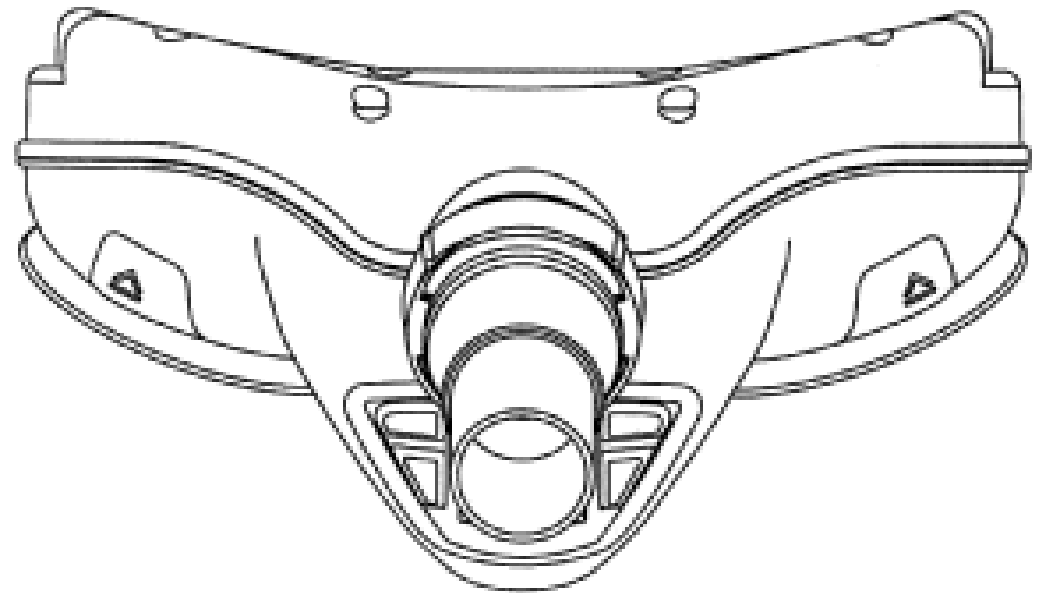
(21) Design Number: **11538/2010**
(22) Date of Filing Application: **23 April 2010**
(24) Date from which industrial property rights may have effect: **23 April 2010**
(54) Product in respect of which the design is registered: **Mascara container**
(51) International Design Classification: **28-02, 28-03NES**
(71) Name(s) and Address(s) of Applicant(s):
Mary Kay Inc.
16251 N. Dallas Parkway Addison TX 75001 United States of America
(72) Name(s) of Designer(s): **Timothy Maddy**
(45) Registration Date: **19 May 2010**
(30) Convention priority data:
(31) Number (32) Date (33) Country
29/346,048 26 Oct 2009 UNITED STATES OF AMERICA
(56) Related Art Documents: **Not Applicable**
(57) Statement of Newness and Distinctiveness: **Nil**



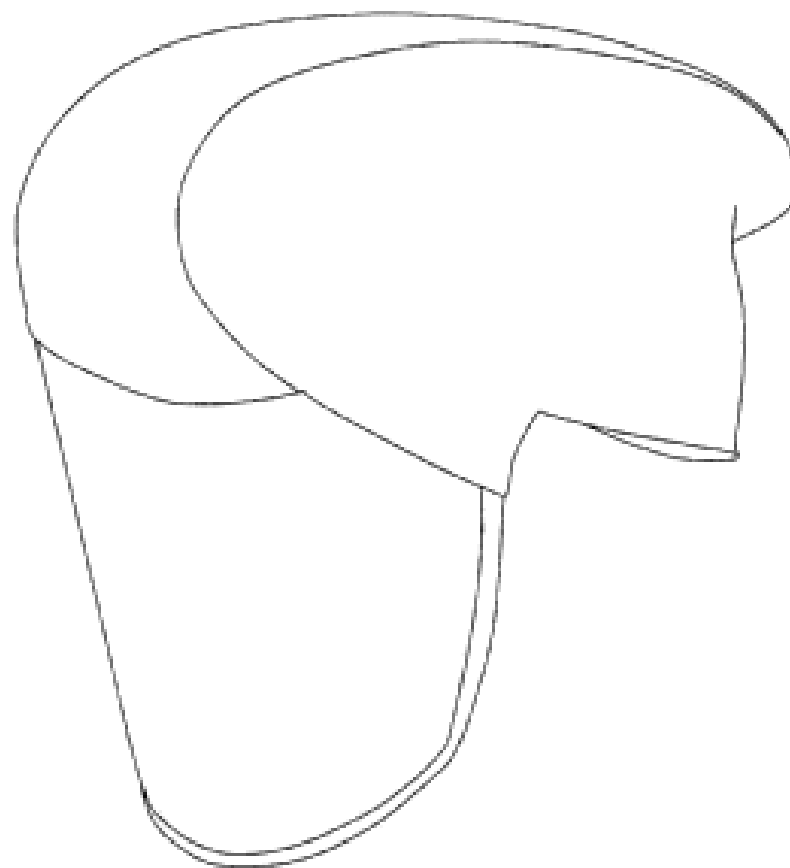
(21) Design Number: **11539/2010**
(22) Date of Filing Application: **23 April 2010**
(24) Date from which industrial property rights may have effect: **23 April 2010**
(54) Product in respect of which the design is registered: **Container; cap, and base**
(51) International Design Classification: **09-01G**
(71) Name(s) and Address(s) of Applicant(s):
Mary Kay Inc.
16251 N. Dallas Parkway Addison TX 75001 United States of America
(72) Name(s) of Designer(s): **Jenny DeMarco**
(45) Registration Date: **19 May 2010**
(30) Convention priority data:
(31) Number (32) Date (33) Country
29/352,060 15 Dec 2009 UNITED STATES OF AMERICA
(56) Related Art Documents: **Not Applicable**
(57) Statement of Newness and Distinctiveness: **Nil**



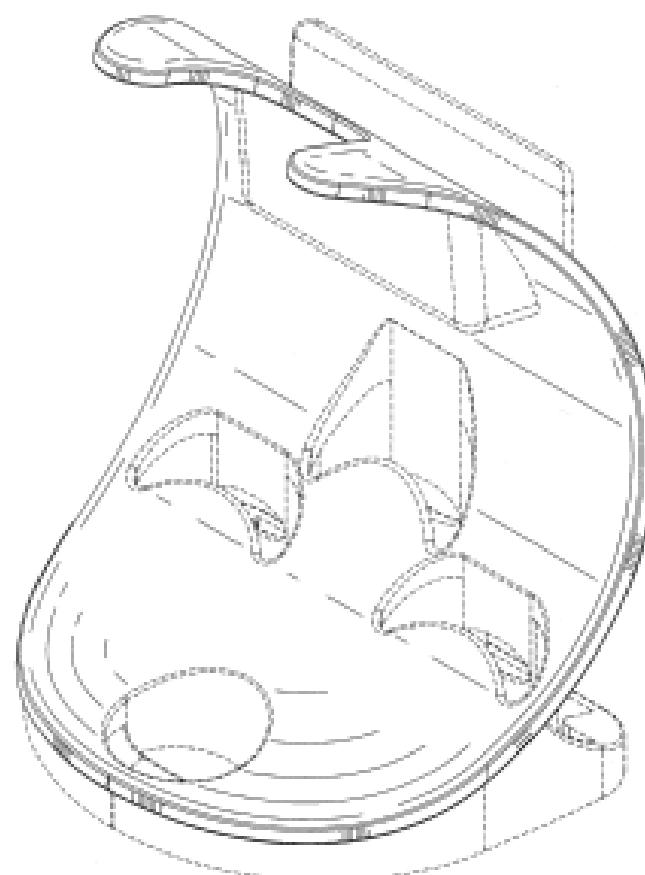
(21) Design Number: **11552/2010**
(22) Date of Filing Application: **23 April 2010**
(24) Date from which industrial property rights may have effect: **23 April 2010**
(54) Product in respect of which the design is registered: **Blower unit for breathing mask**
(51) International Design Classification: **29-99**
(71) Name(s) and Address(s) of Applicant(s):
Scott Health & Safety Ltd
Pimbo Road West Pimbo Skelmersdale Lancs WN8 9RA United Kingdom
(72) Name(s) of Designer(s): **Albert F. Zwolinsky and Christopher G. Hall and Richard D. Marshal and Sally Leyland and Robert Carr and Frank Angear**
(45) Registration Date: **19 May 2010**
(30) Convention priority data:
(31) Number (32) Date (33) Country
001176051-0002 02 Nov 2009 EUROPEAN COMMUNITY
(56) Related Art Documents: **Not Applicable**
(57) Statement of Newness and Distinctiveness: **The shape, configuration, and shape and configuration of the design of the blower unit for breathing mask depicted in the representations is/are new and distinctive.**



- (21) Design Number: **11553/2010**
(22) Date of Filing Application: **23 April 2010**
(24) Date from which industrial property rights may have effect: **23 April 2010**
(54) Product in respect of which the design is registered: **Breathing mask**
(51) International Design Classification: **29-02**
(71) Name(s) and Address(s) of Applicant(s):
Scott Health & Safety Ltd
Pimbo Road West Pimbo Skelmersdale Lancs WN8 9RA United Kingdom
(72) Name(s) of Designer(s): **Albert F. Zwolinsky and Kevin Dolan and Sally Leyland and Robert Carr**
(45) Registration Date: **19 May 2010**
(30) Convention priority data:
(31) Number (32) Date (33) Country
001176051-0003 02 Nov 2009 EUROPEAN COMMUNITY
(56) Related Art Documents: **Not Applicable**
(57) Statement of Newness and Distinctiveness: **The shape, configuration, and shape and configuration of the design of the breathing mask depicted in the representations is/are new and distinctive.**



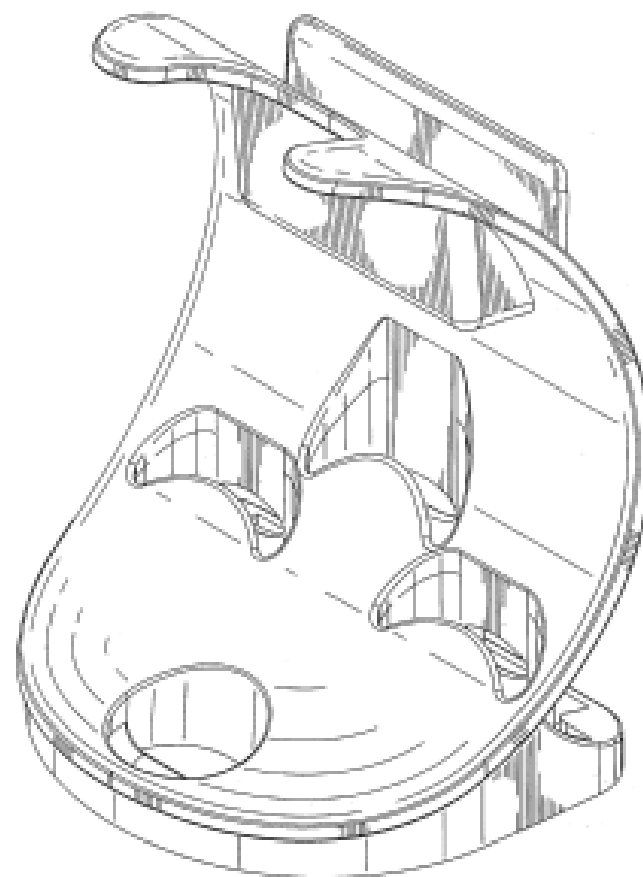
- (21) Design Number: **11555/2010**
(22) Date of Filing Application: **23 April 2010**
(24) Date from which industrial property rights may have effect: **23 April 2010**
(54) Product in respect of which the design is registered: **Organizer tray**
(51) International Design Classification: **28-03A**
(71) Name(s) and Address(s) of Applicant(s):
The Gillette Company
Prudential Tower Building Boston Massachusetts 02199 United States of America
(72) Name(s) of Designer(s): **James Arthur Meech and Ionut Cirstea**
(45) Registration Date: **19 May 2010**
(30) Convention priority data:
(31) Number (32) Date (33) Country
29/346,242 29 Oct 2009 UNITED STATES OF AMERICA
(56) Related Art Documents: **Not Applicable**
(57) Statement of Newness and Distinctiveness: **Those features of the organizer tray depicted in the representations that are new and distinctive are the shape and/or configuration. The features shown in broken line are not part of the design and are to be disregarded when considering the overall impression of the design.**



(21) Design Number: **11556/2010**
 (22) Date of Filing Application: **23 April 2010**
 (24) Date from which industrial property rights may have effect: **23 April 2010**
 (54) Product in respect of which the design is registered: **Organizer tray**
 (51) International Design Classification: **28-03A**
 (71) Name(s) and Address(s) of Applicant(s):
The Gillette Company
Prudential Tower Building Boston Massachusetts 02199 United States of America
 (72) Name(s) of Designer(s): **Marc Philip Ortins and Kristopher William Schulz and James Arthur Meech and Jiong Hui Li and Ionut Cirstea**
 (45) Registration Date: **19 May 2010**
 (30) Convention priority data:

(31) Number	(32) Date	(33) Country
29/346,243	29 Oct 2009	UNITED STATES OF AMERICA

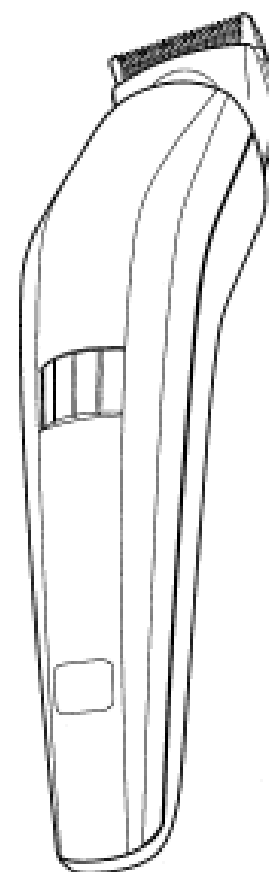
 (56) Related Art Documents: **Not Applicable**
 (57) Statement of Newness and Distinctiveness: **Those features of the organizer tray depicted in the representations that are new and distinctive are the shape and/or configuration. The features shown in broken line are not part of the design and are to be disregarded when considering the overall impression of the design.**



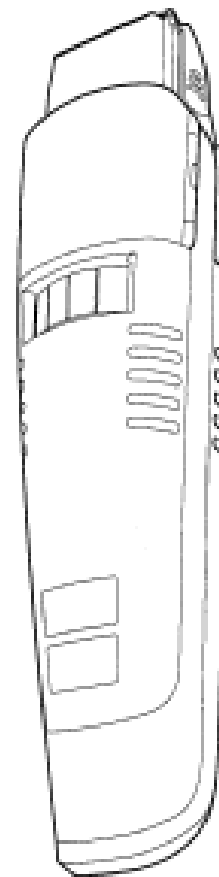
(21) Design Number: **11560/2010**
 (22) Date of Filing Application: **23 April 2010**
 (24) Date from which industrial property rights may have effect: **23 April 2010**
 (54) Product in respect of which the design is registered: **Hair clipper**
 (51) International Design Classification: **28-03D**
 (71) Name(s) and Address(s) of Applicant(s):
Koninklijke Philips Electronics N.V.
Groenewoudseweg 1 5621 BA Eindhoven The Netherlands
 (72) Name(s) of Designer(s): **Saskia Henrica Petronella Maria Dingelstad**
 (45) Registration Date: **19 May 2010**
 (30) Convention priority data:

(31) Number	(32) Date	(33) Country
001628090-0002	26 Oct 2009	EUROPEAN COMMUNITY

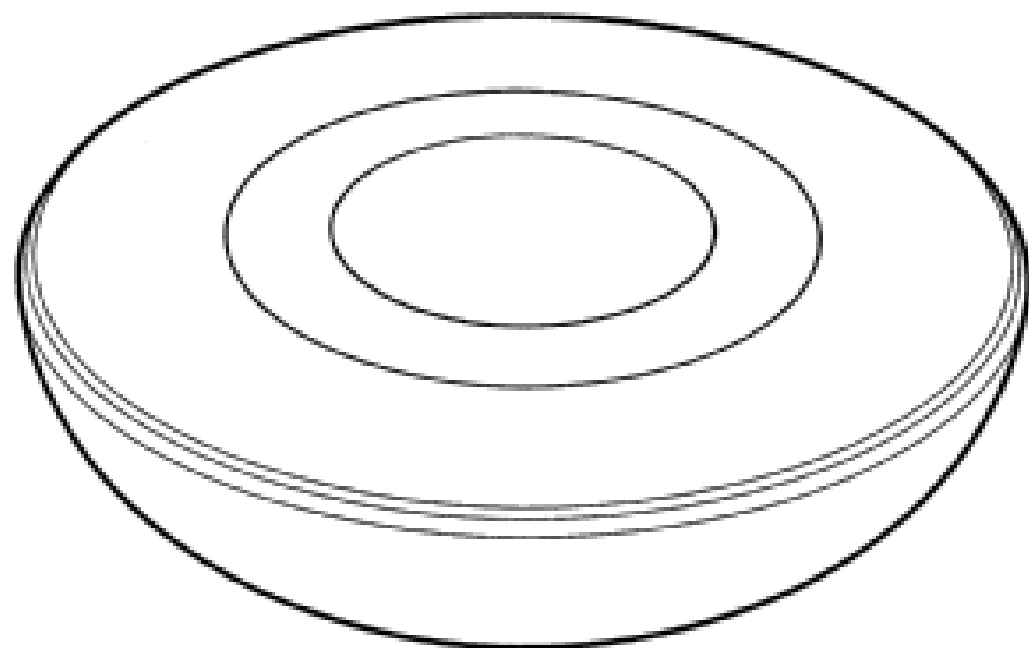
 (56) Related Art Documents: **Not Applicable**
 (57) Statement of Newness and Distinctiveness: **Newness and distinctiveness reside in the features of shape and configuration of the design as shown in the representations.**



- (21) Design Number: **11561/2010**
(22) Date of Filing Application: **23 April 2010**
(24) Date from which industrial property rights may have effect: **23 April 2010**
(54) Product in respect of which the design is registered: **Hair clipper**
(51) International Design Classification: **28-03D**
(71) Name(s) and Address(s) of Applicant(s):
Koninklijke Philips Electronics N.V.
Groenewoudseweg 1 5621 BA Eindhoven The Netherlands
(72) Name(s) of Designer(s): **Annina Nicole Goetschi**
(45) Registration Date: **19 May 2010**
(30) Convention priority data:
(31) Number (32) Date (33) Country
001628090-0001 26 Oct 2009 EUROPEAN COMMUNITY
(56) Related Art Documents: **Not Applicable**
(57) Statement of Newness and Distinctiveness: **Newness and distinctiveness reside in the features of shape and configuration of the design as shown in the representations.**



- (21) Design Number: **11562/2010**
(22) Date of Filing Application: **23 April 2010**
(24) Date from which industrial property rights may have effect: **23 April 2010**
(54) Product in respect of which the design is registered: **Remote control unit**
(51) International Design Classification: **14-03NES**
(71) Name(s) and Address(s) of Applicant(s):
Koninklijke Philips Electronics N.V.
Groenewoudseweg 1 5621 BA Eindhoven The Netherlands
(72) Name(s) of Designer(s): **Daniel Karl Pezzutti and Abraham Antonius Arnoldus Bos**
(45) Registration Date: **19 May 2010**
(30) Convention priority data:
(31) Number (32) Date (33) Country
001629007 27 Oct 2009 EUROPEAN COMMUNITY
(56) Related Art Documents: **Not Applicable**
(57) Statement of Newness and Distinctiveness: **Newness and distinctiveness reside in the features of shape and configuration of the design as shown in the representations.**



(21) Design Number: **11480/2010**

(22) Date of Filing Application: **20 April 2010**

(24) Date from which industrial property rights may have effect: **20 April 2010**

(54) Product in respect of which the design is registered: **An extrusion**

(51) International Design Classification: **25-01K**

(71) Name(s) and Address(s) of Applicant(s):

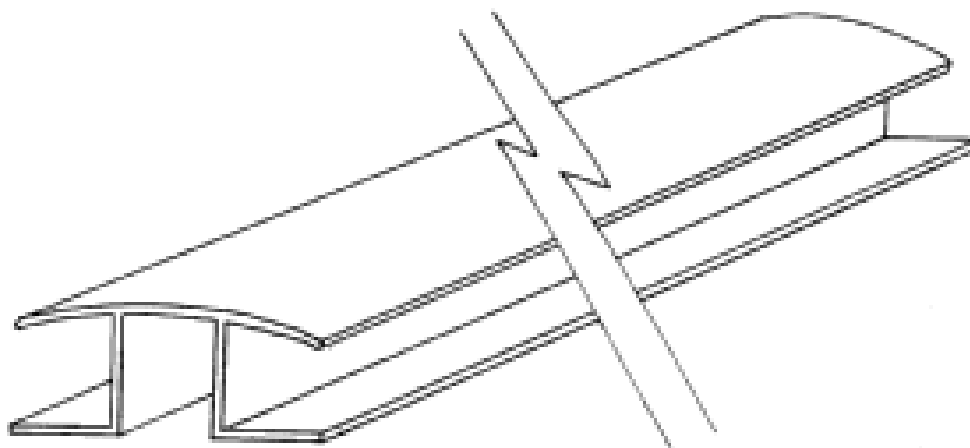
**BGC (Australia) Pty Ltd
6th Floor 18 Mount Street Perth Western Australia 6000 Australia**

(72) Name(s) of Designer(s): **Robert Alexander O'Neil**

(45) Registration Date: **20 May 2010**

(56) Related Art Documents: **Not Applicable**

(57) Statement of Newness and Distinctiveness: **We wish to submit a Statement of Newness and Distinctiveness (set out below) in respect of particular visual features of the design, but in so doing do not imply that other visual features of the design lack newness or distinctiveness. Statement of Newness and Distinctiveness The shape and configuration of the product is new and distinctive. The product is of indefinite length.**



(21) Design Number: **11482/2010**

(22) Date of Filing Application: **21 April 2010**

(24) Date from which industrial property rights may have effect: **21 April 2010**

(54) Product in respect of which the design is registered: **Fireplace**

(51) International Design Classification: **23-03E**

(71) Name(s) and Address(s) of Applicant(s):

**Foshan Shunde Everteam Industrial Co. Ltd
No. 27 East Rongqi Dadao Ronggui Shunde District Foshan City
Guangdong Province China**

(72) Name(s) of Designer(s): **Zhiqiang Liang**

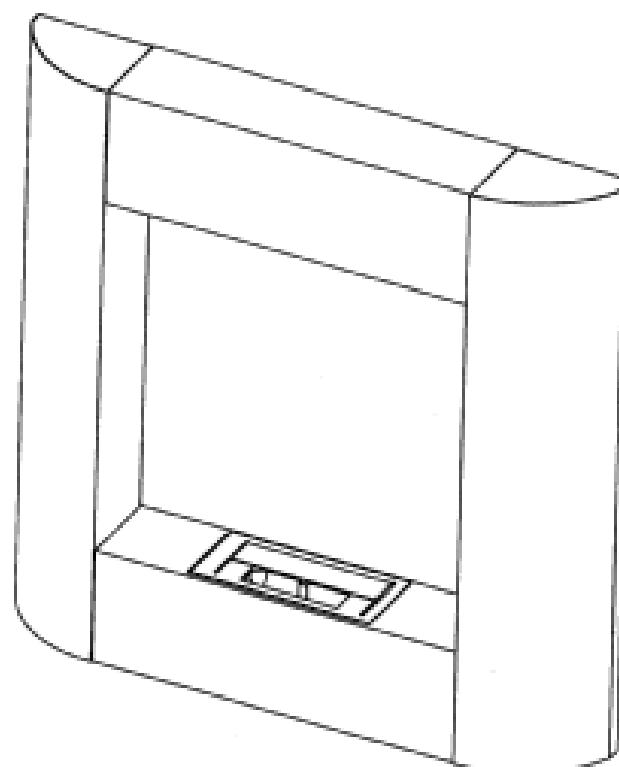
(45) Registration Date: **20 May 2010**

(30) Convention priority data:

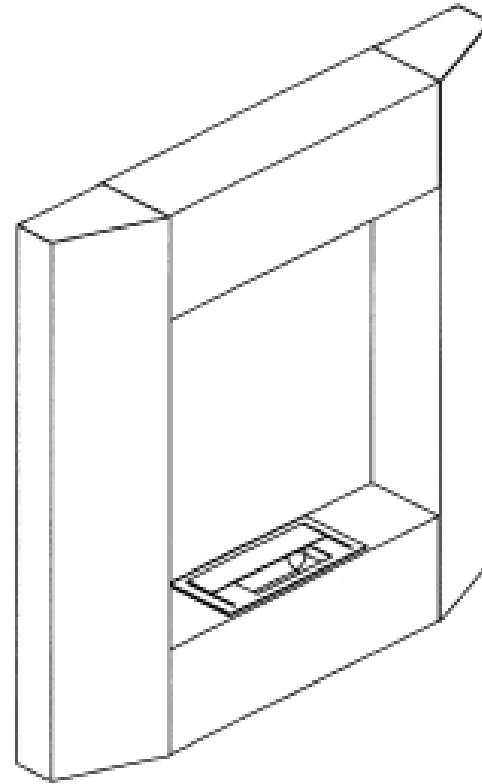
(31) Number	(32) Date	(33) Country
200930251531.8	27 Oct 2009	CHINA

(56) Related Art Documents: **Not Applicable**

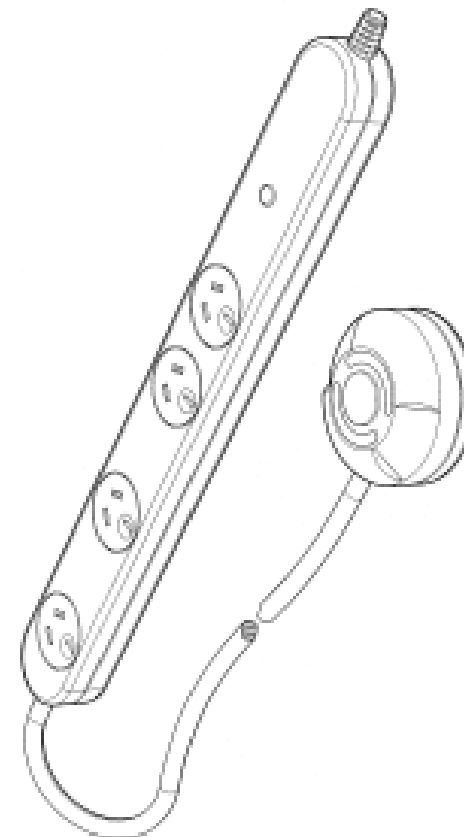
(57) Statement of Newness and Distinctiveness: **The newness and distinctiveness is claimed in the feature of the shape and/or configuration of a fireplace as illustrated in the accompanying representations.**



- (21) Design Number: **11483/2010**
(22) Date of Filing Application: **21 April 2010**
(24) Date from which industrial property rights may have effect: **21 April 2010**
(54) Product in respect of which the design is registered: **Fireplace**
(51) International Design Classification: **23-03E**
(71) Name(s) and Address(s) of Applicant(s):
Foshan Shunde Everteam Industrial Co. Ltd
No. 27 East Rongqi Dadao Ronggui Shunde District Foshan City
Guangdong Province China
(72) Name(s) of Designer(s): **Zhiqiang Liang**
(45) Registration Date: **20 May 2010**
(30) Convention priority data:
(31) Number (32) Date (33) Country
200930251531.8 **27 Oct 2009** **CHINA**
(56) Related Art Documents: **Not Applicable**
(57) Statement of Newness and Distinctiveness: **The newness and distinctiveness is claimed in the feature of the shape and/or configuration of a fireplace as illustrated in the accompanying representations.**



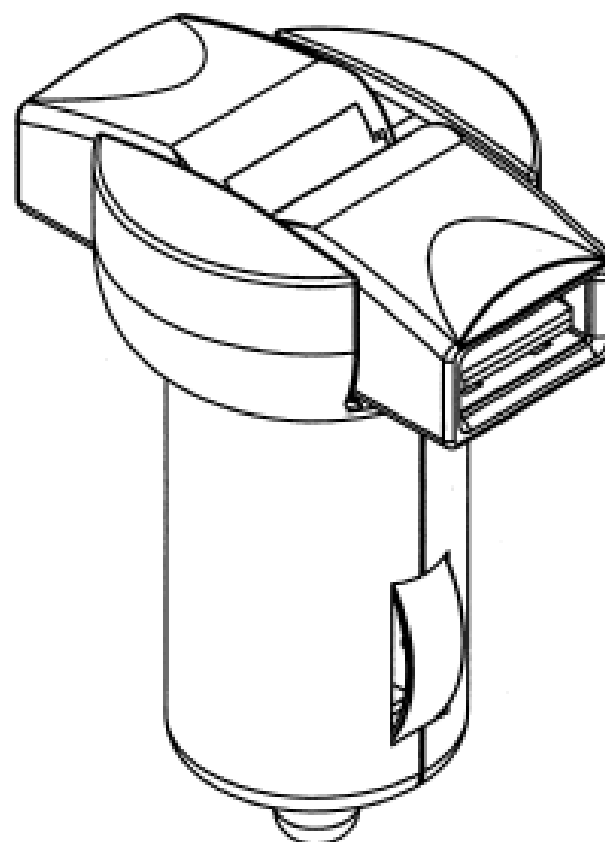
- (21) Design Number: **11485/2010**
(22) Date of Filing Application: **21 April 2010**
(24) Date from which industrial property rights may have effect: **21 April 2010**
(54) Product in respect of which the design is registered: **A foot switch operated powerboard**
(51) International Design Classification: **13-03D**
(71) Name(s) and Address(s) of Applicant(s):
Mort Bay Traders Pty Ltd
191 Darling Street Balmain New South Wales 2041 Australia
(72) Name(s) of Designer(s): **Simon Grigg**
(45) Registration Date: **20 May 2010**
(56) Related Art Documents: **Not Applicable**
(57) Statement of Newness and Distinctiveness: **Newness and distinctiveness is claimed in the shape and configuration applied to the foot switch of the foot switch operated powerboard as illustrated in the accompanying representations.**



(21) Design Number: **11490/2010**
(22) Date of Filing Application: **22 April 2010**
(24) Date from which industrial property rights may have effect: **22 April 2010**
(54) Product in respect of which the design is registered: **Rocket toy**
(51) International Design Classification: **21-01H**
(71) Name(s) and Address(s) of Applicant(s):
Jim Routzong
7 Seafox Lane Gloucester MA 01930 United States of America
(72) Name(s) of Designer(s): **Jim Routzong**
(45) Registration Date: **20 May 2010**
(30) Convention priority data:
(31) Number (32) Date (33) Country
29/349,360 26 Mar 2010 UNITED STATES OF AMERICA
(56) Related Art Documents: **Not Applicable**
(57) Statement of Newness and Distinctiveness: **Nil**



(21) Design Number: **11491/2010**
(22) Date of Filing Application: **21 April 2010**
(24) Date from which industrial property rights may have effect: **21 April 2010**
(54) Product in respect of which the design is registered: **Car charger**
(51) International Design Classification: **13-02**
(71) Name(s) and Address(s) of Applicant(s):
SwitchEasy Limited
Rm. 314 Sing Win Factory Bldg. No. 15-17 Shing Yip Street Kwun Tong Kowloon Hong Kong
(72) Name(s) of Designer(s): **Steven Chi Yun Bau**
(45) Registration Date: **20 May 2010**
(30) Convention priority data:
(31) Number (32) Date (33) Country
29/346057 26 Oct 2009 UNITED STATES OF AMERICA
(56) Related Art Documents: **Not Applicable**
(57) Statement of Newness and Distinctiveness: **Newness and distinctiveness is claimed in the features of shape and/or configuration of the top region of a car charger having two pivotable charging ports as illustrated in the accompanying representations.**



(21) Design Number: **11497/2010**

(22) Date of Filing Application: **20 April 2010**

(24) Date from which industrial property rights may have effect: **20 April 2010**

(54) Product in respect of which the design is registered: **Fireplace**

(51) International Design Classification: **23-03E**

(71) Name(s) and Address(s) of Applicant(s):

**Foshan Shunde Everteam Industrial Co. Ltd
No. 27 East Rongqi Dadao Ronggui Shunde District Foshan City
Guangdong Province China**

(72) Name(s) of Designer(s): **Zhiqiang Liang**

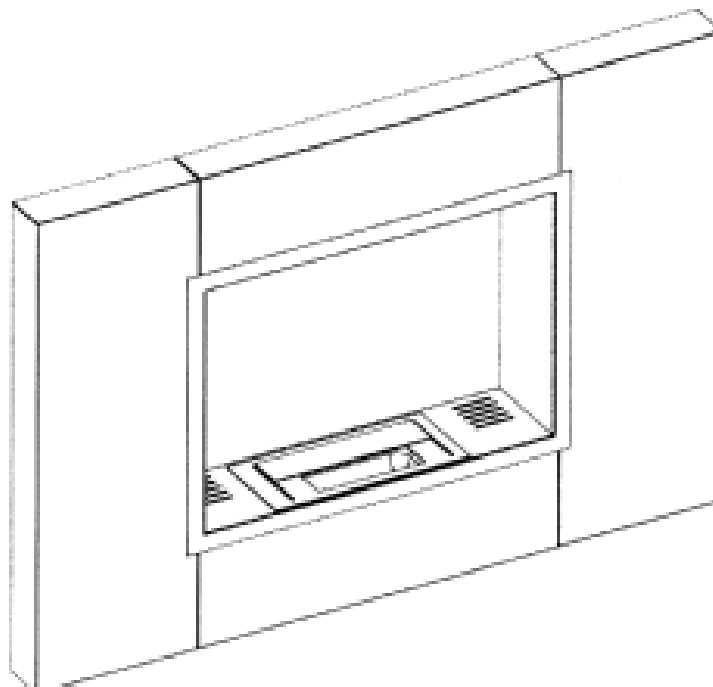
(45) Registration Date: **20 May 2010**

(30) Convention priority data:

(31) Number	(32) Date	(33) Country
200930251529.0	27 Oct 2009	CHINA

(56) Related Art Documents: **Not Applicable**

(57) Statement of Newness and Distinctiveness: **The newness and distinctiveness is claimed in the feature of the shape and/or configuration of a fireplace as illustrated in the accompanying representations.**



(21) Design Number: **11498/2010**

(22) Date of Filing Application: **20 April 2010**

(24) Date from which industrial property rights may have effect: **20 April 2010**

(54) Product in respect of which the design is registered: **Fireplace**

(51) International Design Classification: **23-03E**

(71) Name(s) and Address(s) of Applicant(s):

**Foshan Shunde Everteam Industrial Co. Ltd
No. 27 East Rongqi Dadao Ronggui Shunde District Foshan City
Guangdong Province China**

(72) Name(s) of Designer(s): **Zhiqiang Liang**

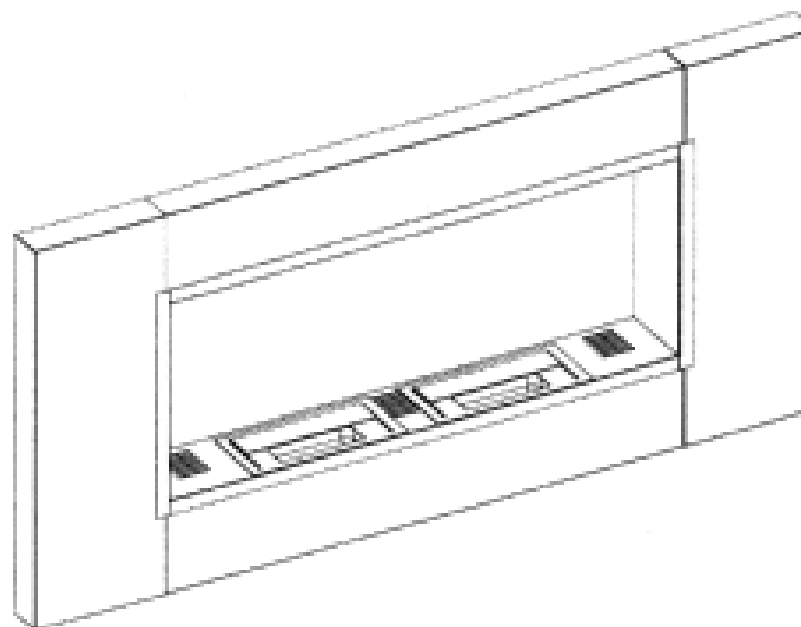
(45) Registration Date: **20 May 2010**

(30) Convention priority data:

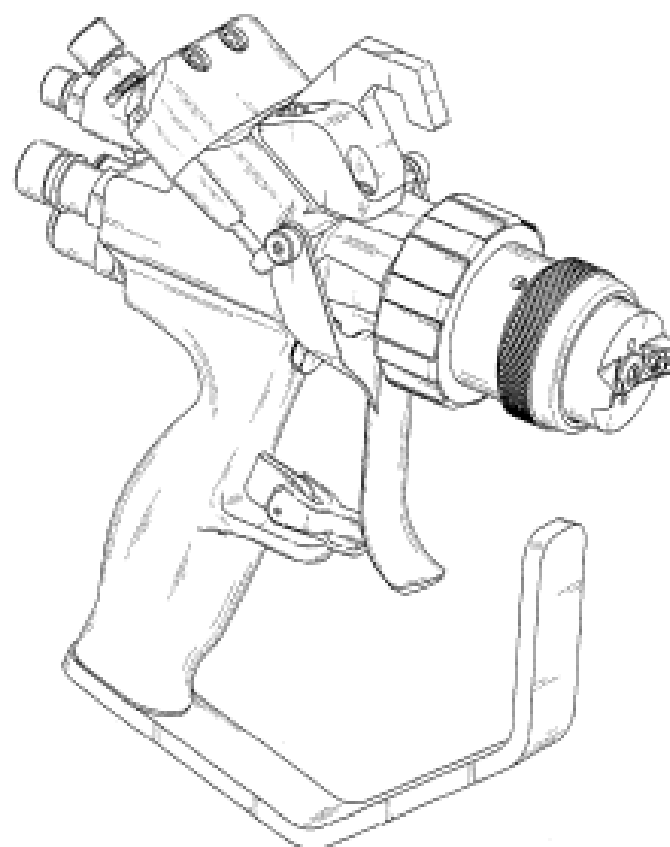
(31) Number	(32) Date	(33) Country
200930251529.0	27 Oct 2009	CHINA

(56) Related Art Documents: **Not Applicable**

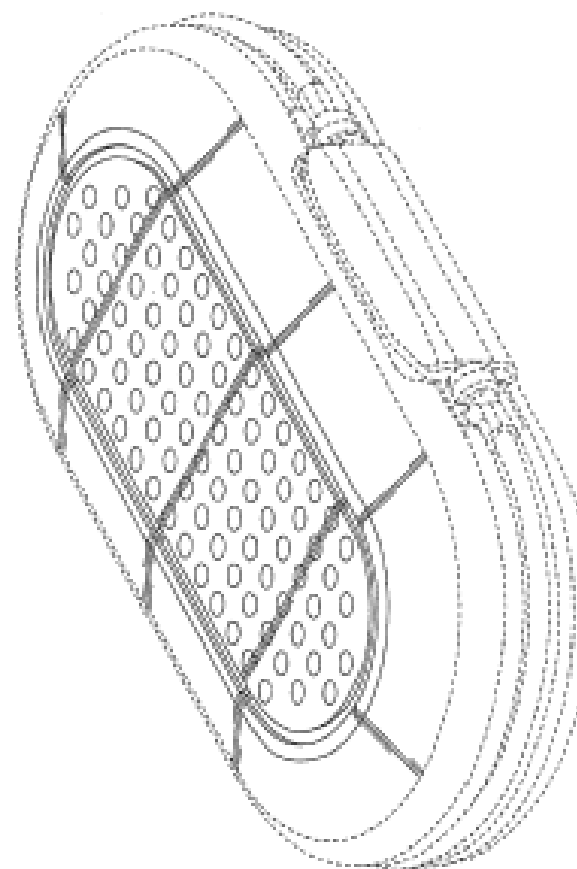
(57) Statement of Newness and Distinctiveness: **The newness and distinctiveness is claimed in the feature of the shape and/or configuration of a fireplace as illustrated in the accompanying representations.**



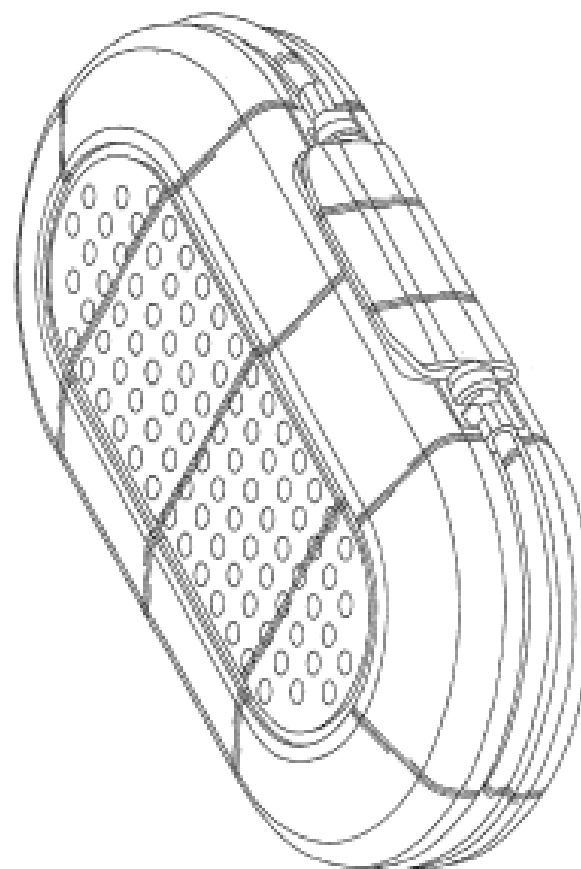
(21) Design Number: **11499/2010**
 (22) Date of Filing Application: **20 April 2010**
 (24) Date from which industrial property rights may have effect: **20 April 2010**
 (54) Product in respect of which the design is registered: **Fibreglass spraying apparatus**
 (51) International Design Classification: **08-05L**
 (71) Name(s) and Address(s) of Applicant(s):
Graco Minnesota Inc.
88 11th Avenue NE Minneapolis Minnesota 55440-1441 United States of America
 (72) Name(s) of Designer(s): **Steven R. Sinderson and Jonathan R. McMichael and Corey Dean Johnson and James H. Rohrer and Ronald W. Mangus**
 (45) Registration Date: **20 May 2010**
 (30) Convention priority data:
 (31) Number (32) Date (33) Country
29/350,779 23 Nov 2009 UNITED STATES OF AMERICA
 (56) Related Art Documents: **Not Applicable**
 (57) Statement of Newness and Distinctiveness: **Nil**



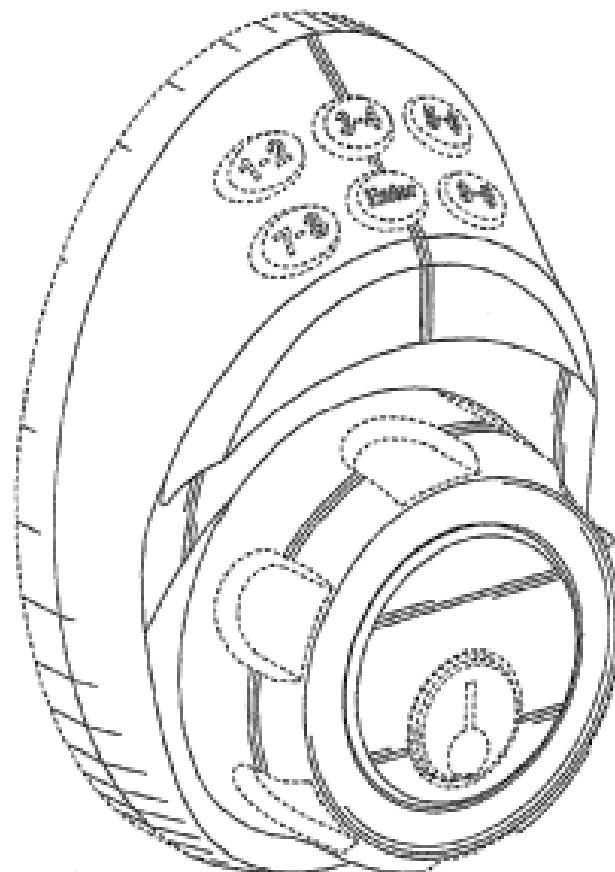
(21) Design Number: **11500/2010**
 (22) Date of Filing Application: **20 April 2010**
 (24) Date from which industrial property rights may have effect: **20 April 2010**
 (54) Product in respect of which the design is registered: **Safe**
 (51) International Design Classification: **06-04B, 08-07**
 (71) Name(s) and Address(s) of Applicant(s):
Master Lock Company LLC
137 W. Forest Hill Avenue Oak Creek Wisconsin 53154 United States of America
 (72) Name(s) of Designer(s): **Lea Marie Plato**
 (45) Registration Date: **20 May 2010**
 (30) Convention priority data:
 (31) Number (32) Date (33) Country
29/345,870 23 Oct 2009 UNITED STATES OF AMERICA
 (56) Related Art Documents: **Not Applicable**
 (57) Statement of Newness and Distinctiveness: **Newness and distinctiveness are provided by the shape and/or configuration of the design shown in the representations. The features shown in broken lines in the representations are for illustrative purposes only and should not be considered when construing visual features of the design.**



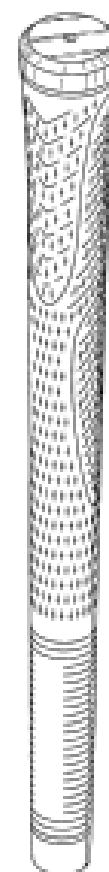
(21) Design Number: **11501/2010**
 (22) Date of Filing Application: **20 April 2010**
 (24) Date from which industrial property rights may have effect: **20 April 2010**
 (54) Product in respect of which the design is registered: **Safe**
 (51) International Design Classification: **06-04B, 08-07**
 (71) Name(s) and Address(s) of Applicant(s):
Master Lock Company LLC
137 W. Forest Hill Avenue Oak Creek Wisconsin 53154 United States of America
 (72) Name(s) of Designer(s): **Lea Marie Plato**
 (45) Registration Date: **20 May 2010**
 (30) Convention priority data:
 (31) Number (32) Date (33) Country
29/345,870 23 Oct 2009 UNITED STATES OF AMERICA
 (56) Related Art Documents: **Not Applicable**
 (57) Statement of Newness and Distinctiveness: **Nil**



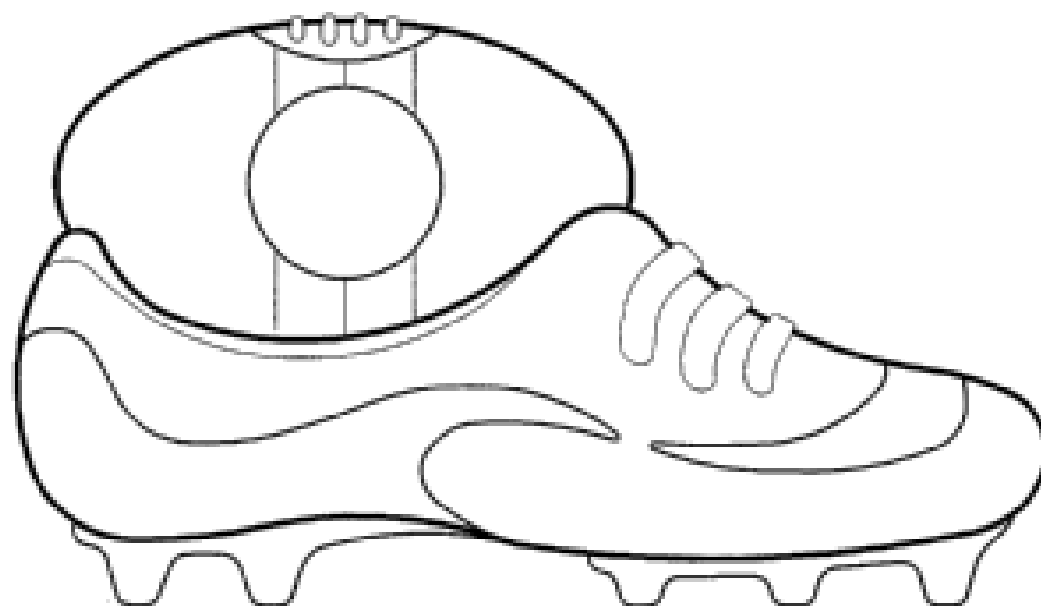
(21) Design Number: **11502/2010**
 (22) Date of Filing Application: **20 April 2010**
 (24) Date from which industrial property rights may have effect: **20 April 2010**
 (54) Product in respect of which the design is registered: **Lock**
 (51) International Design Classification: **08-07**
 (71) Name(s) and Address(s) of Applicant(s):
Master Lock Company LLC
137 W. Forest Hill Avenue Oak Creek Wisconsin 53154 United States of America
 (72) Name(s) of Designer(s): **Scott B. Stevens and David Kearns**
 (45) Registration Date: **20 May 2010**
 (30) Convention priority data:
 (31) Number (32) Date (33) Country
29/354,035 19 Jan 2010 UNITED STATES OF AMERICA
 (56) Related Art Documents: **Not Applicable**
 (57) Statement of Newness and Distinctiveness: **Newness and distinctiveness are provided by the shape and/or configuration of the design shown in the representations. The features shown in broken lines in the representations are for illustrative purposes only and should not be considered when construing visual features of the design.**



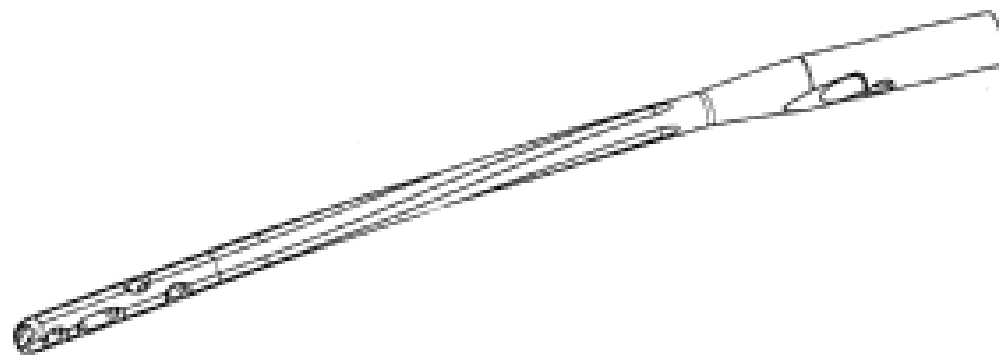
- (21) Design Number: **11503/2010**
(22) Date of Filing Application: **21 April 2010**
(24) Date from which industrial property rights may have effect: **21 April 2010**
(54) Product in respect of which the design is registered: **Golf grip**
(51) International Design Classification: **21-02C**
(71) Name(s) and Address(s) of Applicant(s):
Eaton Corporation
Eaton Center 1111 Superior Avenue Cleveland Ohio 44114-2584
United States of America
(72) Name(s) of Designer(s): **Ling Yu Hsu**
(45) Registration Date: **20 May 2010**
(30) Convention priority data:
(31) Number (32) Date (33) Country
29/345771 22 Oct 2009 UNITED STATES OF AMERICA
(56) Related Art Documents: **Not Applicable**
(57) Statement of Newness and Distinctiveness: **Newness and distinctiveness reside in the features of the design as shown in the representations.**



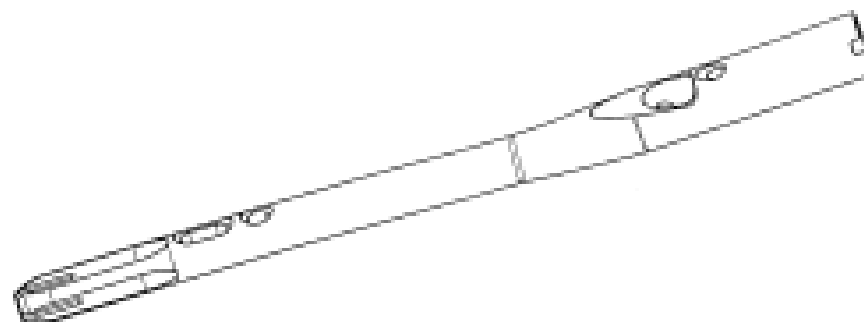
- (21) Design Number: **11504/2010**
(22) Date of Filing Application: **21 April 2010**
(24) Date from which industrial property rights may have effect: **21 April 2010**
(54) Product in respect of which the design is registered: **A money box**
(51) International Design Classification: **03-01NES**
(71) Name(s) and Address(s) of Applicant(s):
Dimitrios Theodoropoulos
3 Hawes Street Dudley Park South Australia 5008 Australia
(72) Name(s) of Designer(s): **Dimitrios Theodoropoulos**
(45) Registration Date: **20 May 2010**
(56) Related Art Documents: **Not Applicable**
(57) Statement of Newness and Distinctiveness: **Nil**



(21) Design Number: **11505/2010**
(22) Date of Filing Application: **21 April 2010**
(24) Date from which industrial property rights may have effect: **21 April 2010**
(54) Product in respect of which the design is registered: **Intermedullary nails**
(51) International Design Classification: **24-03**
(71) Name(s) and Address(s) of Applicant(s):
Zimmer GmbH
Sulzer-Allee 8 CH-8404 Winterthur Switzerland
(72) Name(s) of Designer(s): **Jordan Velikov**
(45) Registration Date: **20 May 2010**
(30) Convention priority data:
(31) Number (32) Date (33) Country
001184352-0001 25 Nov 2009 EUROPEAN COMMUNITY
(56) Related Art Documents: **Not Applicable**
(57) Statement of Newness and Distinctiveness: **Nil**



(21) Design Number: **11506/2010**
(22) Date of Filing Application: **21 April 2010**
(24) Date from which industrial property rights may have effect: **21 April 2010**
(54) Product in respect of which the design is registered: **Intermedullary nails**
(51) International Design Classification: **24-03**
(71) Name(s) and Address(s) of Applicant(s):
Zimmer GmbH
Sulzer-Allee 8 CH-8404 Winterthur Switzerland
(72) Name(s) of Designer(s): **Jordan Velikov**
(45) Registration Date: **20 May 2010**
(30) Convention priority data:
(31) Number (32) Date (33) Country
001184352-0002 25 Nov 2009 EUROPEAN COMMUNITY
(56) Related Art Documents: **Not Applicable**
(57) Statement of Newness and Distinctiveness: **Nil**



(21) Design Number: **11508/2010**

(22) Date of Filing Application: **22 April 2010**

(24) Date from which industrial property rights may have effect: **22 April 2010**

(54) Product in respect of which the design is registered: **Earplug**

(51) International Design Classification: **24-04**

(71) Name(s) and Address(s) of Applicant(s):

Sperian Hearing Protection, LLC
7828 Waterville Road San Diego CA 92154 United States of America

(72) Name(s) of Designer(s): **Jim Tiemens**

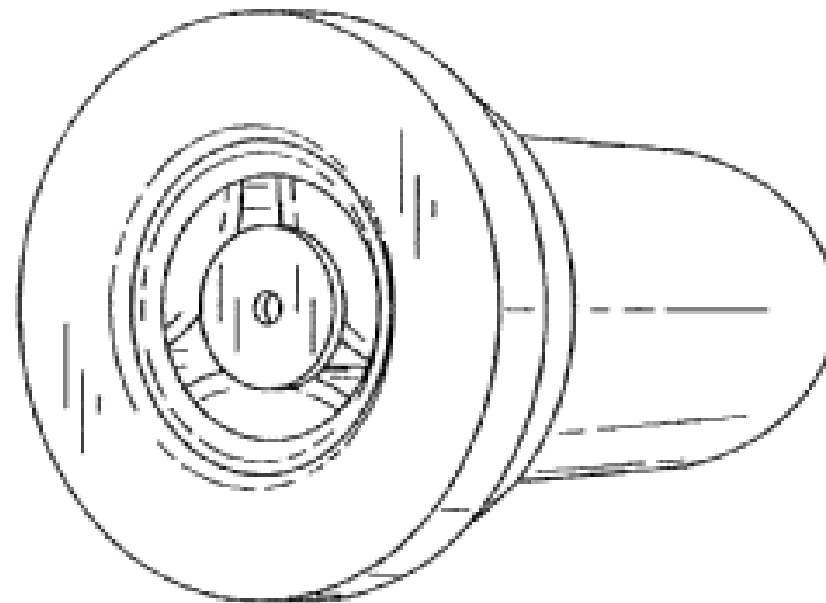
(45) Registration Date: **20 May 2010**

(30) Convention priority data:

(31) Number	(32) Date	(33) Country
29/345,845	22 Oct 2009	UNITED STATES OF AMERICA

(56) Related Art Documents: **Not Applicable**

(57) Statement of Newness and Distinctiveness: **Nil**



(21) Design Number: **11509/2010**

(22) Date of Filing Application: **22 April 2010**

(24) Date from which industrial property rights may have effect: **22 April 2010**

(54) Product in respect of which the design is registered: **Earplug**

(51) International Design Classification: **24-04**

(71) Name(s) and Address(s) of Applicant(s):

Sperian Hearing Protection, LLC
7828 Waterville Road San Diego CA 92154 United States of America

(72) Name(s) of Designer(s): **Jim Tiemens**

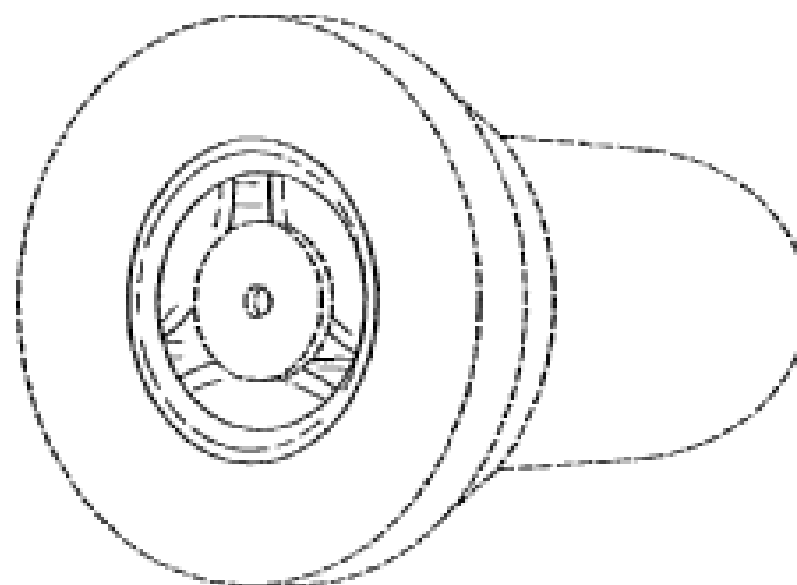
(45) Registration Date: **20 May 2010**

(30) Convention priority data:

(31) Number	(32) Date	(33) Country
29/345,845	22 Oct 2009	UNITED STATES OF AMERICA

(56) Related Art Documents: **Not Applicable**

(57) Statement of Newness and Distinctiveness: **Nil**



(21) Design Number: **11540/2010**

(22) Date of Filing Application: **23 April 2010**

(24) Date from which industrial property rights may have effect: **23 April 2010**

(54) Product in respect of which the design is registered: **Tyre**

(51) International Design Classification: **12-15B**

(71) Name(s) and Address(s) of Applicant(s):

**Continental Reifen Deutschland GmbH
Vahrenwalder Strasse 9 30165 Hannover Germany**

(72) Name(s) of Designer(s): **Ulrich Behr**

(45) Registration Date: **21 May 2010**

(30) Convention priority data:

(31) Number	(32) Date	(33) Country
001648817	17 Dec 2009	EUROPEAN COMMUNITY

(56) Related Art Documents: **Not Applicable**

(57) Statement of Newness and Distinctiveness: **Newness and distinctiveness resides in the visual features, including shape, configuration and pattern of a tread for a tyre as shown in the accompanying representations.**



(21) Design Number: **11541/2010**

(22) Date of Filing Application: **23 April 2010**

(24) Date from which industrial property rights may have effect: **23 April 2010**

(54) Product in respect of which the design is registered: **Adapter base**

(51) International Design Classification: **13-03D**

(71) Name(s) and Address(s) of Applicant(s):

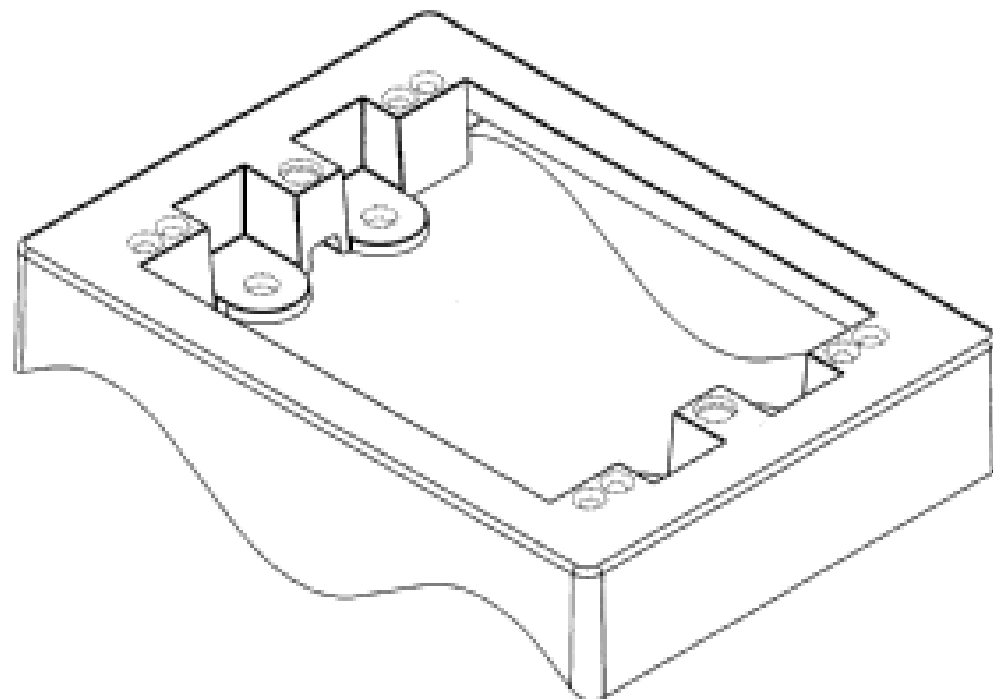
**Clipsal Australia Pty Ltd
2 Solent Circuit Norwest Business Park Baulkham Hills New South
Wales 2153 Australia**

(72) Name(s) of Designer(s): **David Sailsbury**

(45) Registration Date: **21 May 2010**

(56) Related Art Documents: **Not Applicable**

(57) Statement of Newness and Distinctiveness: **Newness and distinctiveness resides in the shape and configuration of an adapter base as shown in the attached drawings. Those portions shown in dotted lines form no part of the design and are to be disregarded.**



(21) Design Number: **11542/2010**

(22) Date of Filing Application: **23 April 2010**

(24) Date from which industrial property rights may have effect: **23 April 2010**

(54) Product in respect of which the design is registered: **Adapter base**

(51) International Design Classification: **13-03D**

(71) Name(s) and Address(s) of Applicant(s):

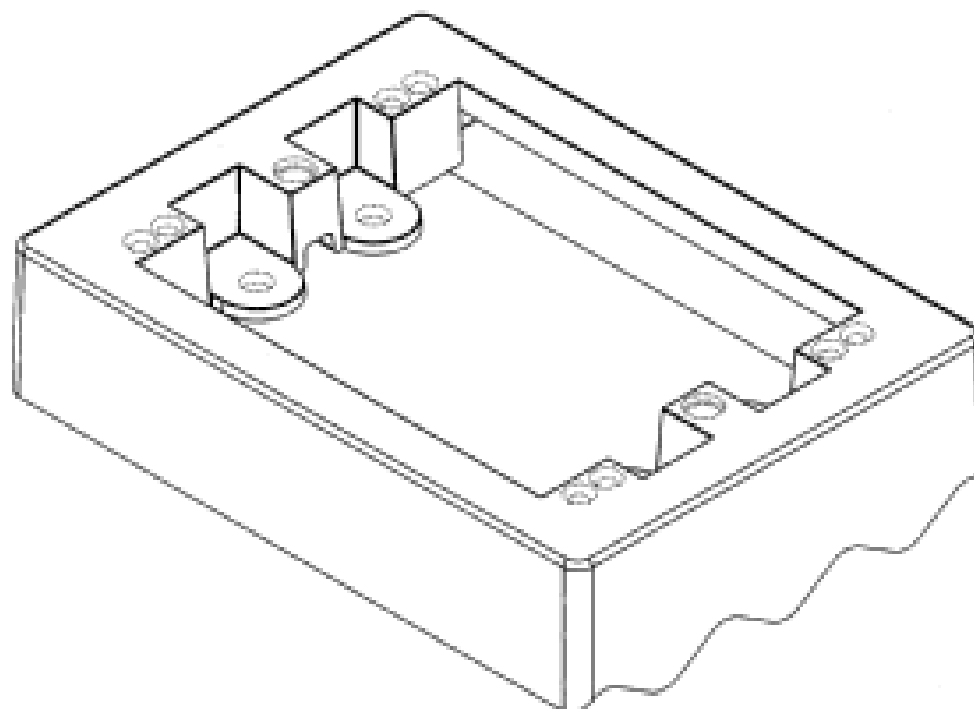
**Clipsal Australia Pty Ltd
2 Solent Circuit Norwest Business Park Baulkham Hills New South
Wales 2153 Australia**

(72) Name(s) of Designer(s): **David Sailsbury**

(45) Registration Date: **21 May 2010**

(56) Related Art Documents: **Not Applicable**

(57) Statement of Newness and Distinctiveness: **Newness and distinctiveness resides in the shape and configuration of an adapter base as shown in the attached drawings. Those portions shown in dotted lines form no part of the design and are to be disregarded.**



(21) Design Number: **11543/2010**

(22) Date of Filing Application: **23 April 2010**

(24) Date from which industrial property rights may have effect: **23 April 2010**

(54) Product in respect of which the design is registered: **Adapter base**

(51) International Design Classification: **13-03D**

(71) Name(s) and Address(s) of Applicant(s):

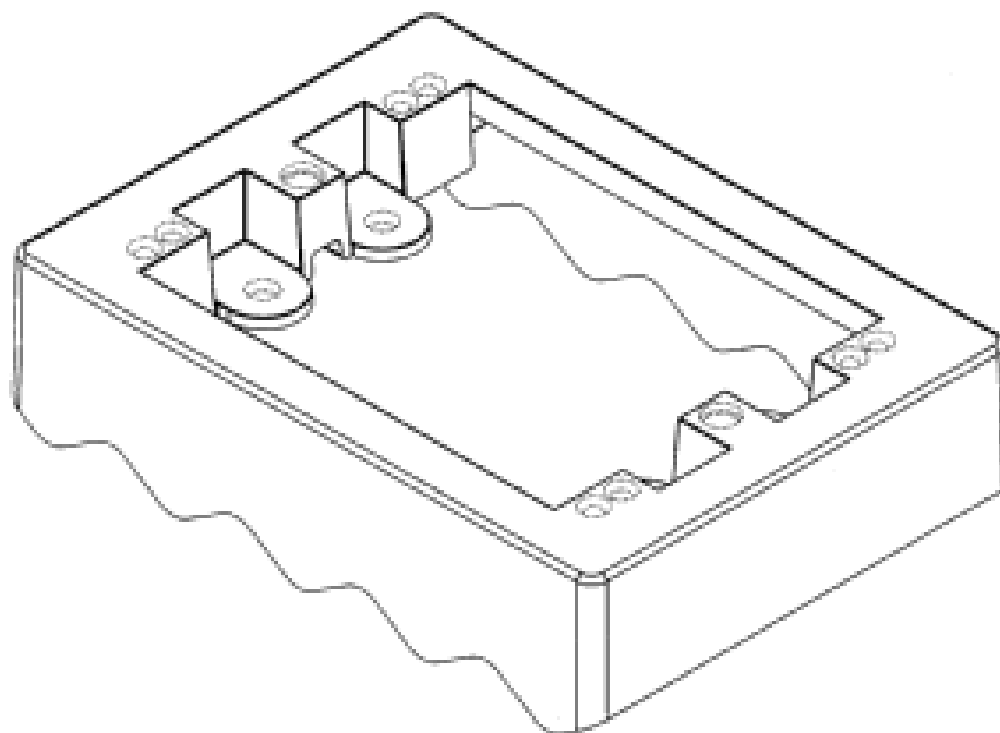
**Clipsal Australia Pty Ltd
2 Solent Circuit Norwest Business Park Baulkham Hills New South
Wales 2153 Australia**

(72) Name(s) of Designer(s): **David Sailsbury**

(45) Registration Date: **21 May 2010**

(56) Related Art Documents: **Not Applicable**

(57) Statement of Newness and Distinctiveness: **Newness and distinctiveness resides in the shape and configuration of an adapter base as shown in the attached drawings. Those portions shown in dotted lines form no part of the design and are to be disregarded.**



(21) Design Number: **11544/2010**

(22) Date of Filing Application: **23 April 2010**

(24) Date from which industrial property rights may have effect: **23 April 2010**

(54) Product in respect of which the design is registered: **Adapter base**

(51) International Design Classification: **13-03D**

(71) Name(s) and Address(s) of Applicant(s):

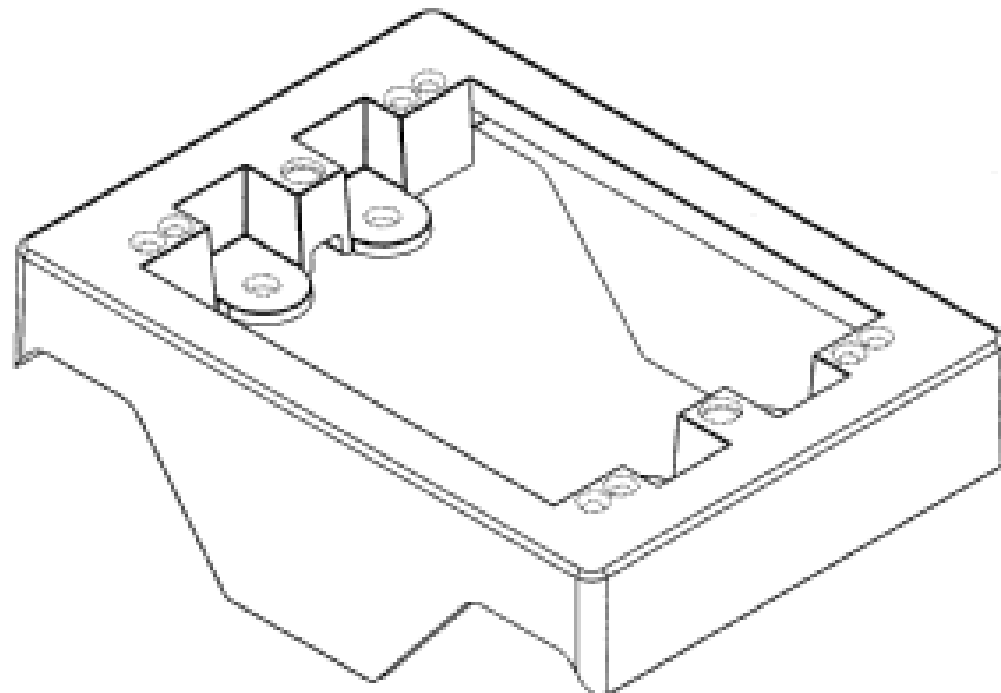
**Clipsal Australia Pty Ltd
2 Solent Circuit Norwest Business Park Baulkham Hills New South
Wales 2153 Australia**

(72) Name(s) of Designer(s): **David Sailsbury**

(45) Registration Date: **21 May 2010**

(56) Related Art Documents: **Not Applicable**

(57) Statement of Newness and Distinctiveness: **Newness and distinctiveness resides in the shape and configuration of an adapter base as shown in the attached drawings. Those portions shown in dotted lines form no part of the design and are to be disregarded.**



(21) Design Number: **11545/2010**

(22) Date of Filing Application: **23 April 2010**

(24) Date from which industrial property rights may have effect: **23 April 2010**

(54) Product in respect of which the design is registered: **Adapter base**

(51) International Design Classification: **13-03D**

(71) Name(s) and Address(s) of Applicant(s):

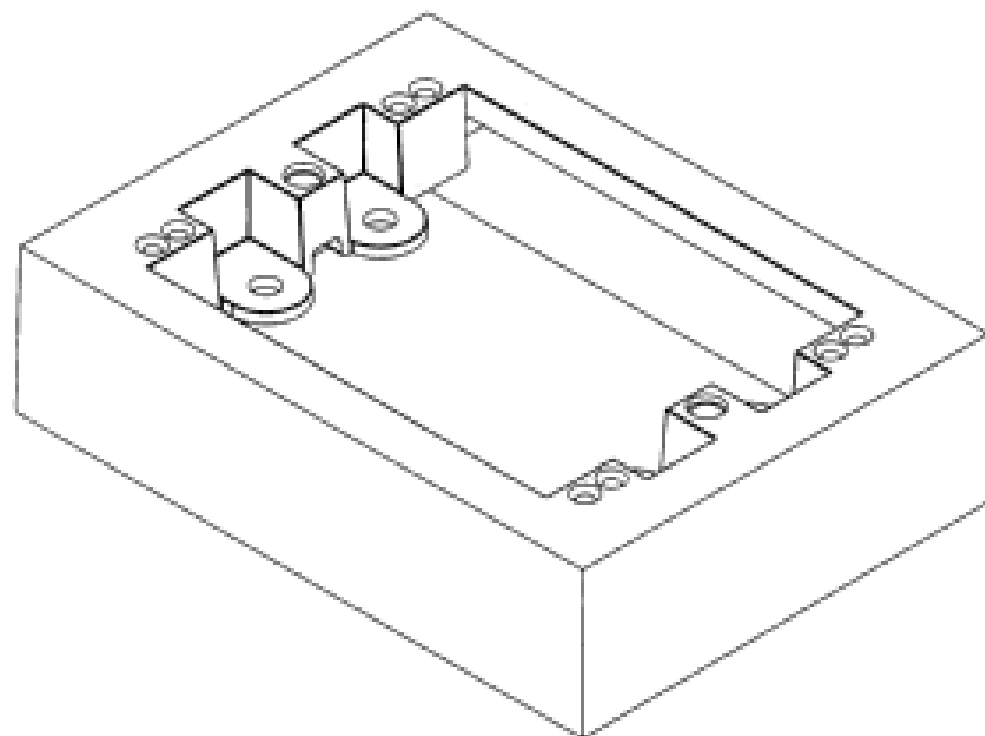
**Clipsal Australia Pty Ltd
2 Solent Circuit Norwest Business Park Baulkham Hills New South
Wales 2153 Australia**

(72) Name(s) of Designer(s): **David Sailsbury**

(45) Registration Date: **21 May 2010**

(56) Related Art Documents: **Not Applicable**

(57) Statement of Newness and Distinctiveness: **Nil**



(21) Design Number: **11546/2010**

(22) Date of Filing Application: **23 April 2010**

(24) Date from which industrial property rights may have effect: **23 April 2010**

(54) Product in respect of which the design is registered: **Bottle**

(51) International Design Classification: **09-01H**

(71) Name(s) and Address(s) of Applicant(s):

**The Drambuie Liqueur Company Limited
18 Westerton Road Broxburn EH52 5AQ United kingdom**

(72) Name(s) of Designer(s): **Janet Dumas**

(45) Registration Date: **21 May 2010**

(30) Convention priority data:

(31) Number	(32) Date	(33) Country
001627787-0003	23 Oct 2009	EUROPEAN COMMUNITY

(56) Related Art Documents: **Not Applicable**

(57) Statement of Newness and Distinctiveness: **Nil**



(21) Design Number: **11547/2010**

(22) Date of Filing Application: **23 April 2010**

(24) Date from which industrial property rights may have effect: **23 April 2010**

(54) Product in respect of which the design is registered: **Bottle**

(51) International Design Classification: **09-01H**

(71) Name(s) and Address(s) of Applicant(s):

**The Drambuie Liqueur Company Limited
18 Westerton Road Broxburn EH52 5AQ United kingdom**

(72) Name(s) of Designer(s): **Janet Dumas**

(45) Registration Date: **21 May 2010**

(30) Convention priority data:

(31) Number	(32) Date	(33) Country
001627787-0001	23 Oct 2009	EUROPEAN COMMUNITY

(56) Related Art Documents: **Not Applicable**

(57) Statement of Newness and Distinctiveness: **Nil**



(21) Design Number: **11548/2010**

(22) Date of Filing Application: **23 April 2010**

(24) Date from which industrial property rights may have effect: **23 April 2010**

(54) Product in respect of which the design is registered: **Bottle stopper**

(51) International Design Classification: **09-07C**

(71) Name(s) and Address(s) of Applicant(s):

**The Drambuie Liqueur Company Limited
18 Westerton Road Broxburn EH52 5AQ United kingdom**

(72) Name(s) of Designer(s): **Janet Dumas**

(45) Registration Date: **21 May 2010**

(30) Convention priority data:

(31) Number	(32) Date	(33) Country
001627787-0005	23 Oct 2009	EUROPEAN COMMUNITY

(56) Related Art Documents: **Not Applicable**

(57) Statement of Newness and Distinctiveness: **Nil**



(21) Design Number: **11549/2010**

(22) Date of Filing Application: **23 April 2010**

(24) Date from which industrial property rights may have effect: **23 April 2010**

(54) Product in respect of which the design is registered: **Sleeve for joining pipe/hose**

(51) International Design Classification: **23-01A**

(71) Name(s) and Address(s) of Applicant(s):

**Rehau AG + Co
Rheniumhaus 95111 Rehau Germany**

(72) Name(s) of Designer(s): **Ehrenfried Bonhag and Karl-Heinz Haunstetter**

(45) Registration Date: **21 May 2010**

(30) Convention priority data:

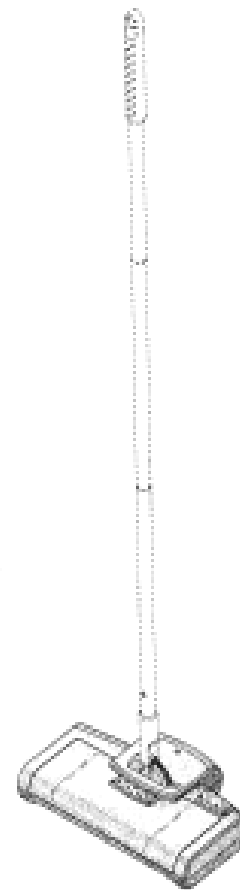
(31) Number	(32) Date	(33) Country
00 117 3090	26 Oct 2009	EUROPEAN PATENT OFFICE (EPO)

(56) Related Art Documents: **Not Applicable**

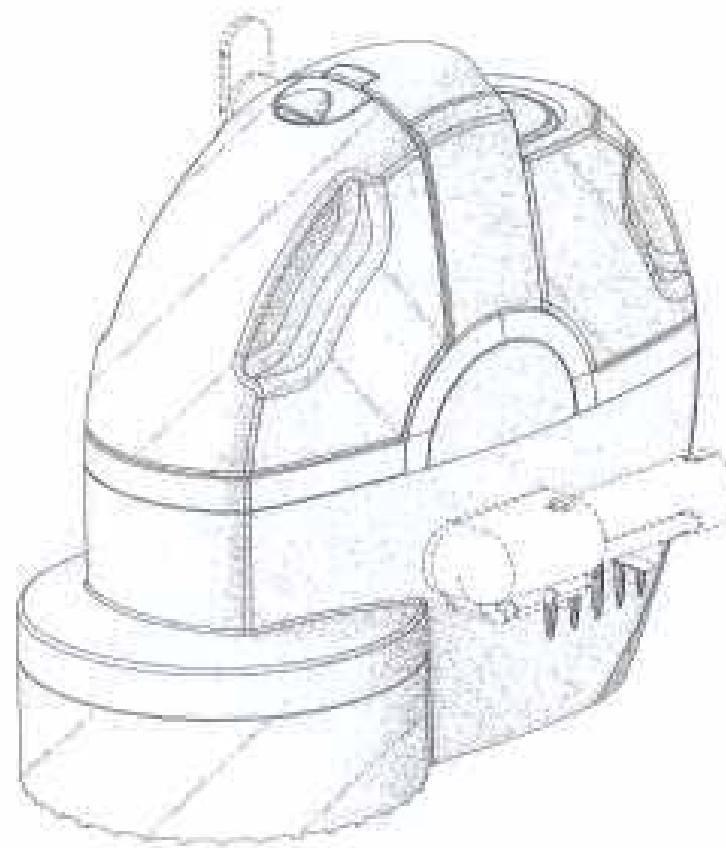
(57) Statement of Newness and Distinctiveness: **Nil**



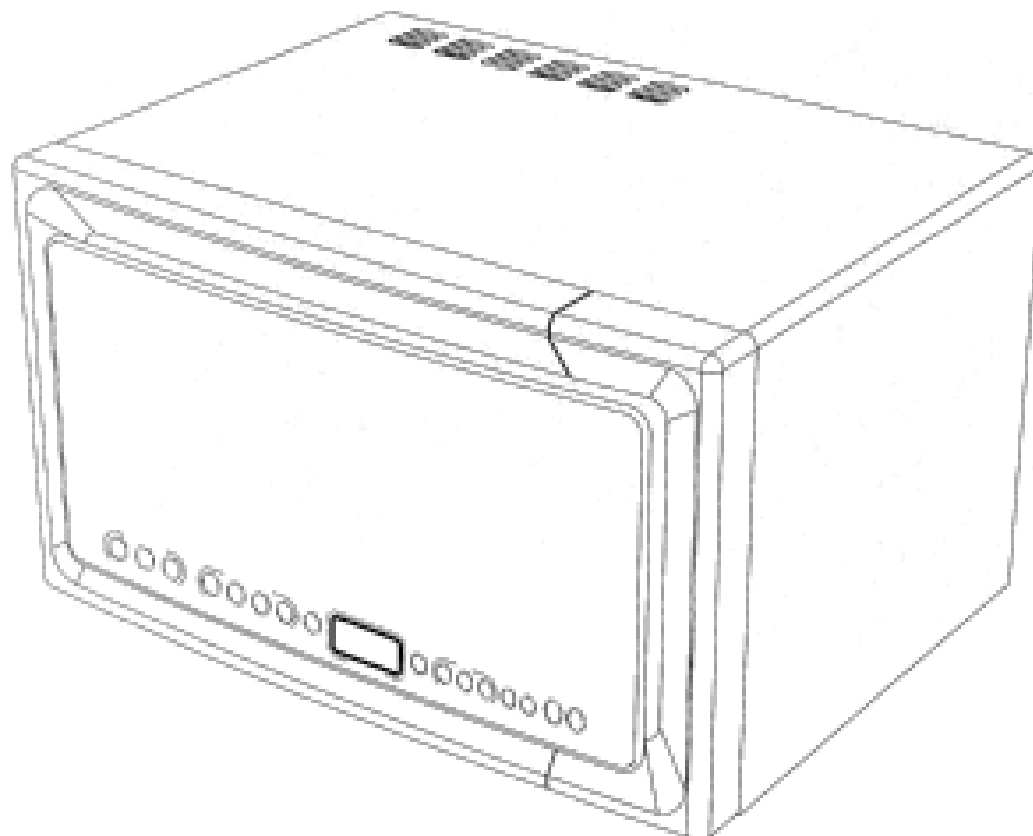
- (21) Design Number: **11550/2010**
(22) Date of Filing Application: **23 April 2010**
(24) Date from which industrial property rights may have effect: **23 April 2010**
(54) Product in respect of which the design is registered: **Compact rechargeable sweeper**
(51) International Design Classification: **15-05**
(71) Name(s) and Address(s) of Applicant(s):
BISSELL Homecare, Inc
2345 Walker Avenue N.W. Grand Rapids MI 49544 United States of America
(72) Name(s) of Designer(s): **Michael Luyckx**
(45) Registration Date: **21 May 2010**
(30) Convention priority data:
(31) Number (32) Date (33) Country
29/354,386 22 Jan 2010 UNITED STATES OF AMERICA
(56) Related Art Documents: **Not Applicable**
(57) Statement of Newness and Distinctiveness: **The shape and configuration of those parts of the design shown by means of lines in the representations are new and distinctive.**



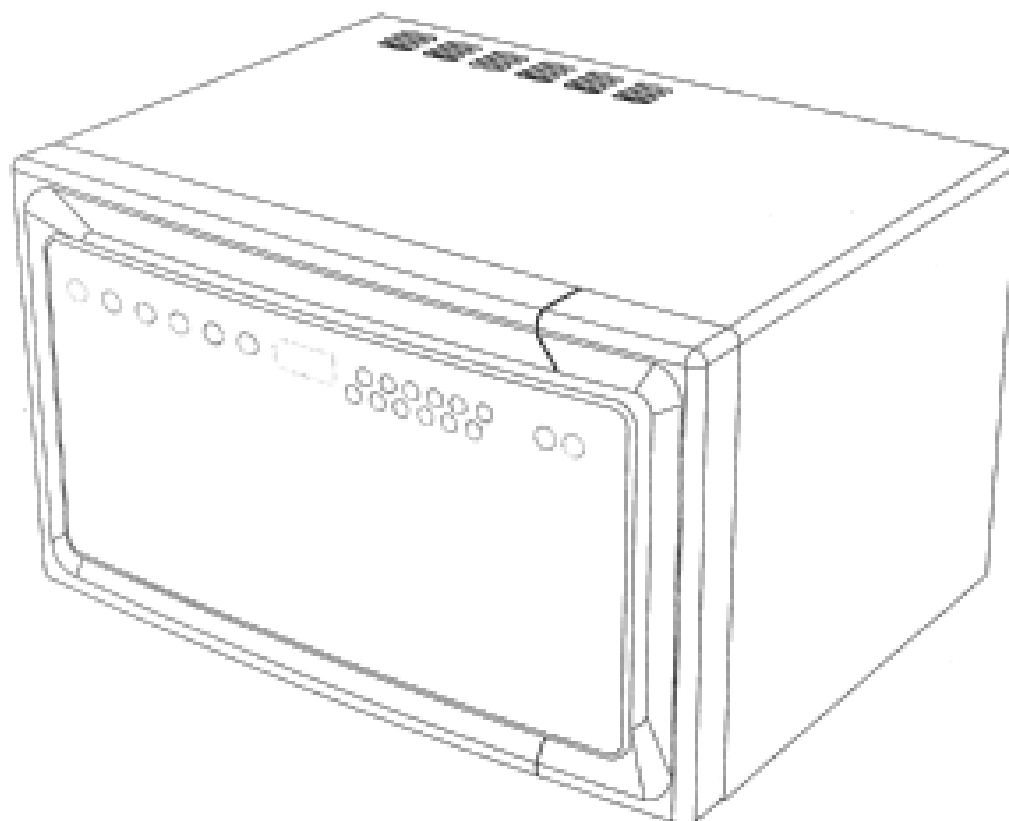
- (21) Design Number: **11551/2010**
(22) Date of Filing Application: **23 April 2010**
(24) Date from which industrial property rights may have effect: **23 April 2010**
(54) Product in respect of which the design is registered: **Deep injection portable deep cleaner**
(51) International Design Classification: **15-05**
(71) Name(s) and Address(s) of Applicant(s):
BISSELL Homecare, Inc
2345 Walker Avenue N.W. Grand Rapids MI 49544 United States of America
(72) Name(s) of Designer(s): **Justin Benacquisto and Michael Luyckx and Douglas J. Medema**
(45) Registration Date: **21 May 2010**
(30) Convention priority data:
(31) Number (32) Date (33) Country
29/354,792 28 Jan 2010 UNITED STATES OF AMERICA
(56) Related Art Documents: **Not Applicable**
(57) Statement of Newness and Distinctiveness: **The shape and configuration of those parts of the design shown by means of lines in the representations are new and distinctive.**



- (21) Design Number: **11565/2010**
(22) Date of Filing Application: **22 April 2010**
(24) Date from which industrial property rights may have effect: **22 April 2010**
(54) Product in respect of which the design is registered: **A microwave oven**
(51) International Design Classification: **07-02B**
(71) Name(s) and Address(s) of Applicant(s):
Electrolux do Brasil S/A
Rua Ministro Gabriel Passos 360 81520900 Curitiba Parana Brazil
(72) Name(s) of Designer(s): **Alexandre Cahuffaille Drummond and Gabriel Gemael Polycarpo Lied and Gustavo Eugenio Monteiro Sindeaux**
(45) Registration Date: **21 May 2010**
(30) Convention priority data:
(31) Number (32) Date (33) Country
D16904263-2 03 Nov 2009 BRAZIL
(56) Related Art Documents: **Not Applicable**
(57) Statement of Newness and Distinctiveness: **Nil**

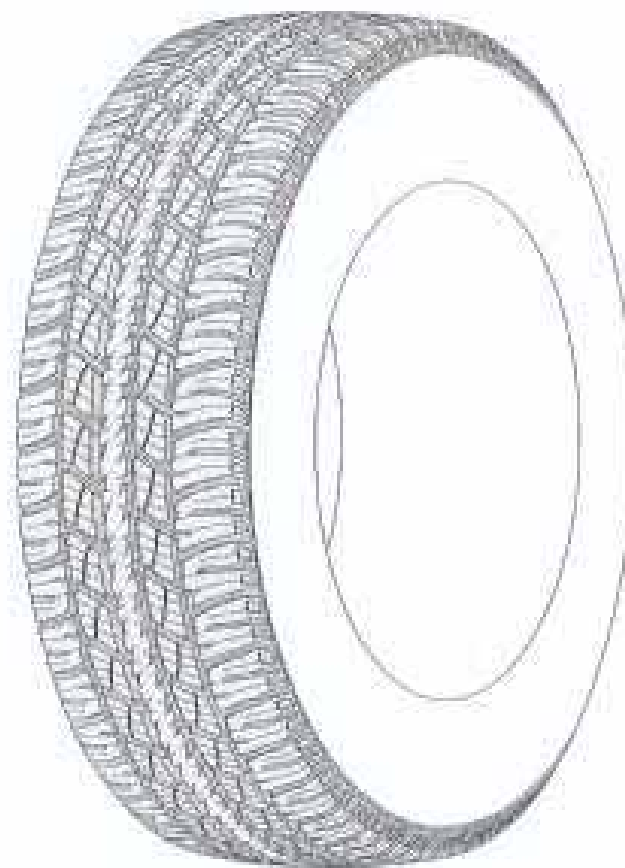


- (21) Design Number: **11566/2010**
(22) Date of Filing Application: **22 April 2010**
(24) Date from which industrial property rights may have effect: **22 April 2010**
(54) Product in respect of which the design is registered: **A microwave oven**
(51) International Design Classification: **07-02B**
(71) Name(s) and Address(s) of Applicant(s):
Electrolux do Brasil S/A
Rua Ministro Gabriel Passos 360 81520900 Curitiba Parana Brazil
(72) Name(s) of Designer(s): **Alexandre Cahuffaille Drummond and Gabriel Gemael Polycarpo Lied and Gustavo Eugenio Monteiro Sindeaux**
(45) Registration Date: **21 May 2010**
(30) Convention priority data:
(31) Number (32) Date (33) Country
D16904263-2 03 Nov 2009 BRAZIL
(56) Related Art Documents: **Not Applicable**
(57) Statement of Newness and Distinctiveness: **Nil**



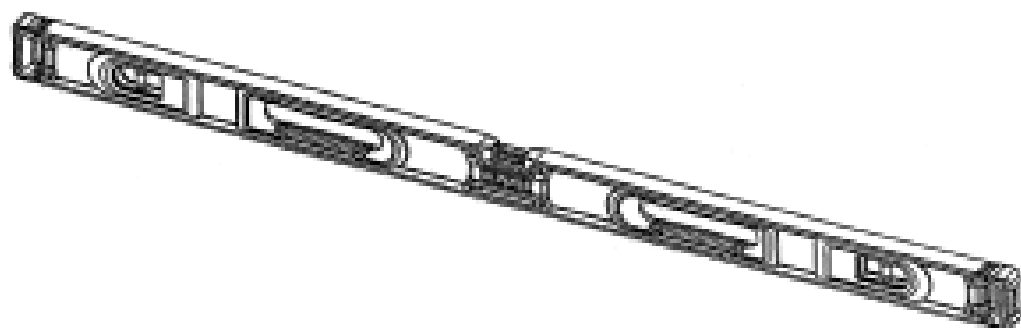
- (21) Design Number: **11567/2010**
- (22) Date of Filing Application: **22 April 2010**
- (24) Date from which industrial property rights may have effect: **22 April 2010**
- (54) Product in respect of which the design is registered: **Tyre**
- (51) International Design Classification: **12-15A**
- (71) Name(s) and Address(s) of Applicant(s):
The Goodyear Tire & Rubber Company
1144 East Market Street Akron Ohio 44316-0001 United States of America
- (72) Name(s) of Designer(s): **Delwyn Lovell Harvey and Charles Joseph Ashton and John David Renner and Max Harold Dixon and Jonathan James Shondel and Richard Mark Wieland**
- (45) Registration Date: **21 May 2010**
- (30) Convention priority data:

(31) Number	(32) Date	(33) Country
29/346676	04 Nov 2009	UNITED STATES OF AMERICA
- (56) Related Art Documents: **Not Applicable**
- (57) Statement of Newness and Distinctiveness: **Newness and distinctiveness is claimed in the features of shape and/or configuration of the tread of a tyre as illustrated in the accompanying representations, wherein the shape and/or configuration of the tread is repeated throughout the circumference of the tyre.**

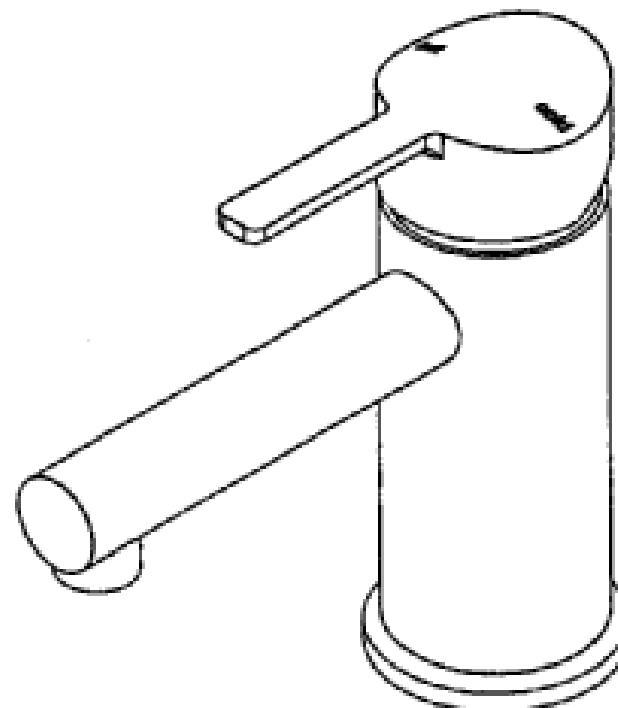


- (21) Design Number: **11568/2010**
- (22) Date of Filing Application: **22 April 2010**
- (24) Date from which industrial property rights may have effect: **22 April 2010**
- (54) Product in respect of which the design is registered: **Box level**
- (51) International Design Classification: **10-04**
- (71) Name(s) and Address(s) of Applicant(s):
Empire Level Mfg. Corp.
929 Empire Drive PO Box 800 Mukwonago Wisconsin 53149 United States of America
- (72) Name(s) of Designer(s): **John Christianson and Charles Dunn Kim and Ryan Sprouse Dart and Steven Wayne Bockmann**
- (45) Registration Date: **21 May 2010**
- (30) Convention priority data:

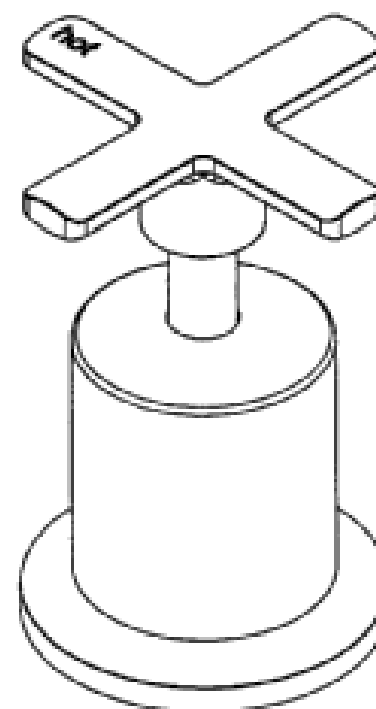
(31) Number	(32) Date	(33) Country
29/346312	29 Oct 2009	UNITED STATES OF AMERICA
- (56) Related Art Documents: **Not Applicable**
- (57) Statement of Newness and Distinctiveness: **Newness and distinctiveness is claimed in the features of shape and/or configuration of a box level as illustrated in the accompanying representations, apart from the word 'DeWALT(R)'.**



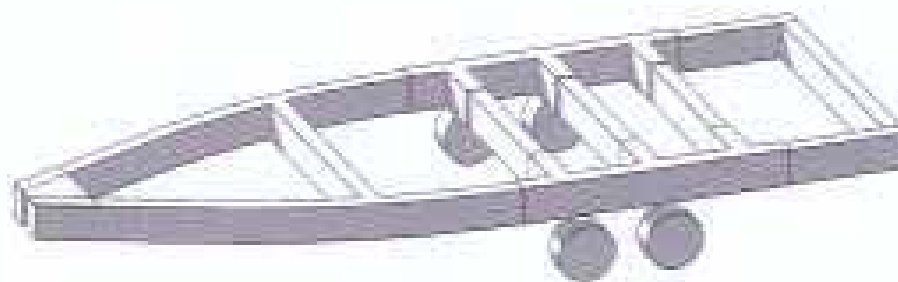
- (21) Design Number: **11606/2010**
- (22) Date of Filing Application: **27 April 2010**
- (24) Date from which industrial property rights may have effect: **27 April 2010**
- (54) Product in respect of which the design is registered: **Basin mixer**
- (51) International Design Classification: **23-01H**
- (71) Name(s) and Address(s) of Applicant(s):
Phoenix Industries Pty Ltd
20-22 Trade Place Vermont Victoria 3133 Australia
- (72) Name(s) of Designer(s): **Andrew Cocks**
- (45) Registration Date: **21 May 2010**
- (56) Related Art Documents: **Not Applicable**
- (57) Statement of Newness and Distinctiveness: **Nil**



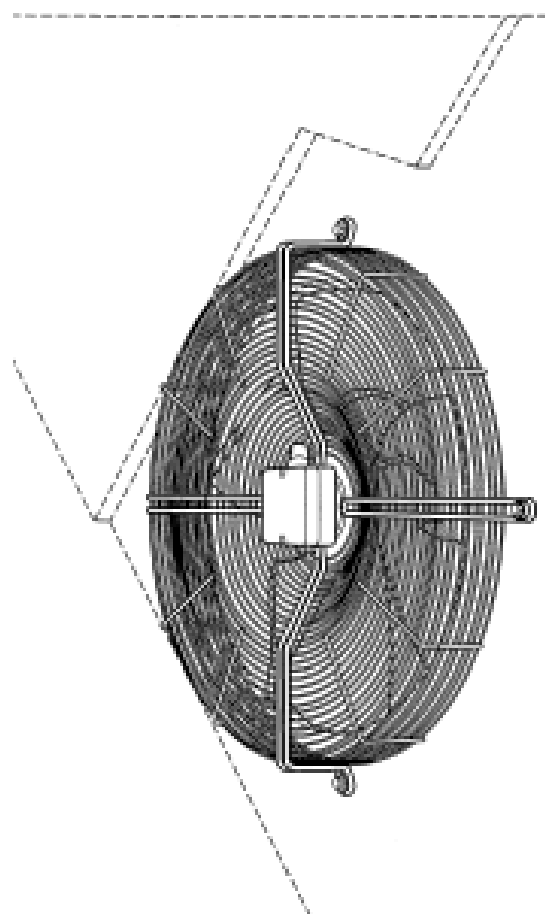
- (21) Design Number: **11607/2010**
- (22) Date of Filing Application: **27 April 2010**
- (24) Date from which industrial property rights may have effect: **27 April 2010**
- (54) Product in respect of which the design is registered: **Basin tap**
- (51) International Design Classification: **23-01H**
- (71) Name(s) and Address(s) of Applicant(s):
Phoenix Industries Pty Ltd
20-22 Trade Place Vermont Victoria 3133 Australia
- (72) Name(s) of Designer(s): **Andrew Cocks**
- (45) Registration Date: **21 May 2010**
- (56) Related Art Documents: **Not Applicable**
- (57) Statement of Newness and Distinctiveness: **Nil**



- (21) Design Number: **10518/2010**
- (22) Date of Filing Application: **11 February 2010**
- (24) Date from which industrial property rights may have effect: **11 February 2010**
- (54) Product in respect of which the design is registered: **Caravan chassis**
- (51) International Design Classification: **12-10**
- (71) Name(s) and Address(s) of Applicant(s):
Aero Design & Development Pty Ltd t/a Freespirit Caravans
2-4 Progress Road Maroochydore Queensland 4558 Australia
- (72) Name(s) of Designer(s): **Ralf Brosch**
- (45) Registration Date: **20 May 2010**
- (56) Related Art Documents: **Not Applicable**
- (57) Statement of Newness and Distinctiveness: **This design incorporates a specific roll into a manufacturing process that will eliminate the need for a weld area in the A Frame to the chassis - this will in turn create a strong durable chassis with no weak spots.**



- (21) Design Number: **10689/2010**
- (22) Date of Filing Application: **01 March 2010**
- (24) Date from which industrial property rights may have effect: **01 March 2010**
- (54) Product in respect of which the design is registered: **Fan arrangement for an air conditioner**
- (51) International Design Classification: **23-04**
- (71) Name(s) and Address(s) of Applicant(s):
Actron Engineering Pty Ltd
5 Irvine Place Bella Vista New South Wales 2153 Australia
- (72) Name(s) of Designer(s): **Garry Clifford Mundy**
- (45) Registration Date: **20 May 2010**
- (56) Related Art Documents: **Not Applicable**
- (57) Statement of Newness and Distinctiveness: **Newness and distinctiveness is claimed in the arrangement of the fans of the air conditioner shown in solid lines in the representations. In considering the extent of the design rights, the broken lines shown in the representations are for illustrative purposes only and do not form part of the design.**



(21) Design Number: **10694/2010**

(22) Date of Filing Application: **26 February 2010**

(24) Date from which industrial property rights may have effect: **26 February 2010**

(54) Product in respect of which the design is registered: **Water bottle**

(51) International Design Classification: **09-01NES**

(71) Name(s) and Address(s) of Applicant(s):

**Move Collective LLC
319 Lafayette Street #210 New York NY 10012 United States of
America**

(72) Name(s) of Designer(s): **Richard Smiedt and Karim Rashid**

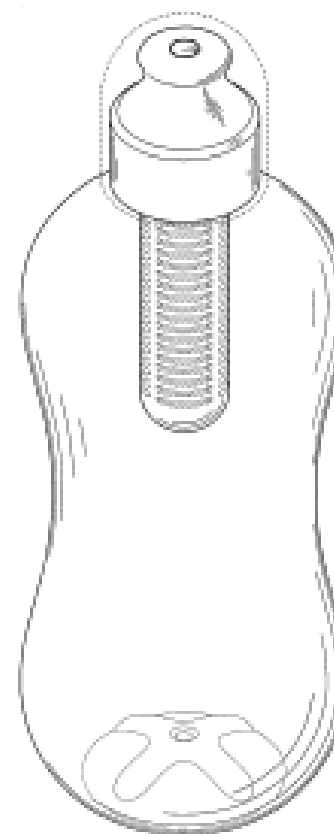
(45) Registration Date: **20 May 2010**

(30) Convention priority data:

(31) Number	(32) Date	(33) Country
29/354,750	28 Jan 2010	UNITED STATES OF AMERICA

(56) Related Art Documents: **Not Applicable**

(57) Statement of Newness and Distinctiveness: **The newness and distinctiveness of the design resides in the features of a shape and/or configuration of the water bottle shown in unbroken lines in the accompanying representations.**



(21) Design Number: **10707/2010**

(22) Date of Filing Application: **02 March 2010**

(24) Date from which industrial property rights may have effect: **02 March 2010**

(54) Product in respect of which the design is registered: **Apparatus for mechanically cleaving a stripped end section of an optic fibre core**

(51) International Design Classification: **08-05NES**

(71) Name(s) and Address(s) of Applicant(s):

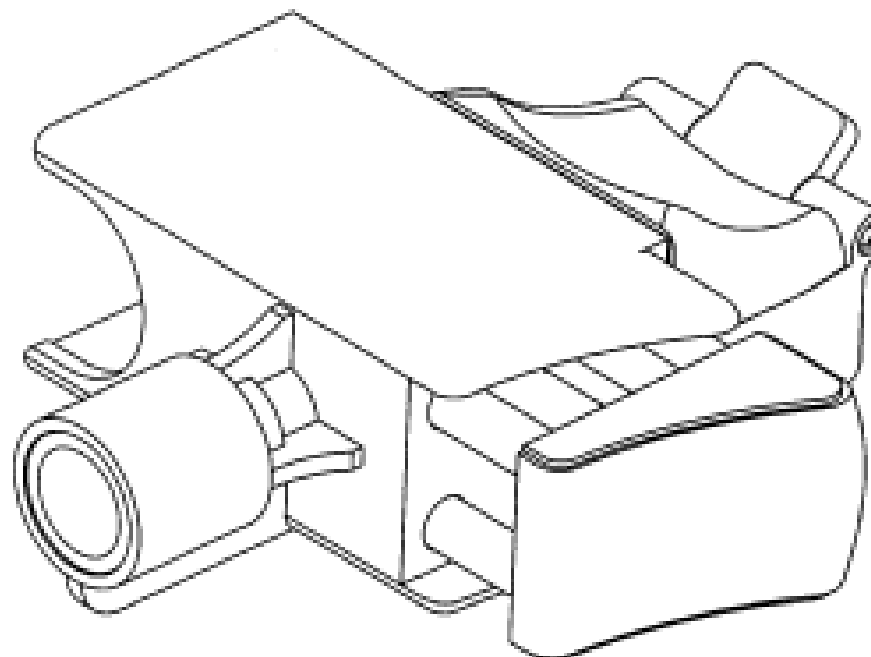
**ADC Communications (Australia) Pty Limited
2 Hereford Street Berkeley Vale New South Wales 2261 Australia**

(72) Name(s) of Designer(s): **Brent David Allwood and Brett Hoe Slater and Bryce Lindsay Nicholls**

(45) Registration Date: **20 May 2010**

(56) Related Art Documents: **Not Applicable**

(57) Statement of Newness and Distinctiveness: **The features of shape and configuration of the apparatus for mechanically cleaving a stripped end section of an optic fibre core shown in the accompanying representations are considered to be new and distinctive.**



(21) Design Number: **10708/2010**

(22) Date of Filing Application: **02 March 2010**

(24) Date from which industrial property rights may have effect: **02 March 2010**

(54) Product in respect of which the design is registered: **Exercise apparatus**

(51) International Design Classification: **21-02F**

(71) Name(s) and Address(s) of Applicant(s):

Thane International, Inc.

74-180 Calle Tampico La Quinta CA 92253 United States of America

(72) Name(s) of Designer(s): **John S. Abdo**

(45) Registration Date: **20 May 2010**

(30) Convention priority data:

(31) Number

(32) Date

(33) Country

001162127-0001 03 Sep 2009

EUROPEAN COMMUNITY

(56) Related Art Documents: **Not Applicable**

(57) Statement of Newness and Distinctiveness: **Nil**



(21) Design Number: **10940/2010**

(22) Date of Filing Application: **18 March 2010**

(24) Date from which industrial property rights may have effect: **18 March 2010**

(54) Product in respect of which the design is registered: **A removable/relocatable block for application to a saddle flap**

(51) International Design Classification: **30-04**

(71) Name(s) and Address(s) of Applicant(s):

Hammersmith Nominees Pty Ltd

430 Newcastle Street West Perth Western Australia 6005 Australia

(72) Name(s) of Designer(s): **Kenneth John Bates**

(45) Registration Date: **20 May 2010**

(56) Related Art Documents: **Not Applicable**

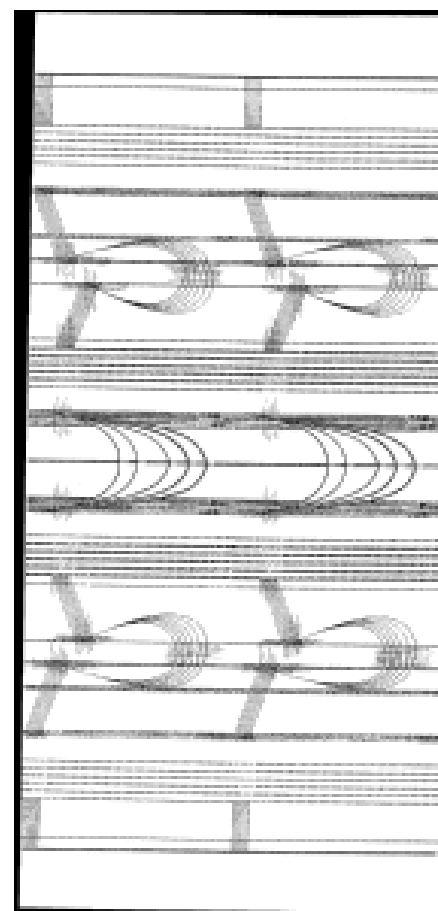
(57) Statement of Newness and Distinctiveness: **Newness and distinctiveness is claimed in the shape of the removable/relocatable block as shown in the representations. The saddle flap to which the block is applied does not form part of the design and is to be disregarded.**



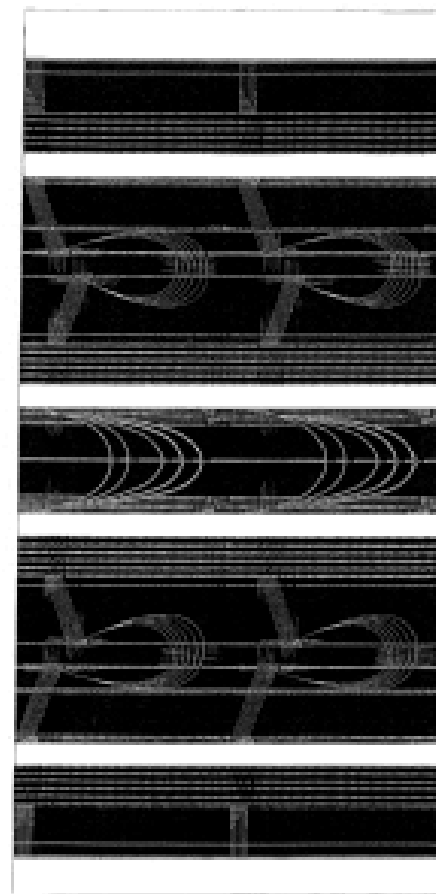
- (21) Design Number: **10941/2010**
(22) Date of Filing Application: **18 March 2010**
(24) Date from which industrial property rights may have effect: **18 March 2010**
(54) Product in respect of which the design is registered: **Saddle flap with removable/relocatable block**
(51) International Design Classification: **30-04**
(71) Name(s) and Address(s) of Applicant(s):
Hammersmith Nominees Pty Ltd
430 Newcastle Street West Perth Western Australia 6005 Australia
(72) Name(s) of Designer(s): **Kenneth John Bates**
(45) Registration Date: **20 May 2010**
(56) Related Art Documents: **Not Applicable**
(57) Statement of Newness and Distinctiveness: **Newness and distinctiveness is claimed in the shape and configuration of the saddle flap with removable/relocatable block as shown in the representations but not the peripheral shape of the flap as shown in phantom lines in the representations and not in the shape of the removable/relocatable block as shown in phantom lines in the representations.**



- (21) Design Number: **10943/2010**
(22) Date of Filing Application: **18 March 2010**
(24) Date from which industrial property rights may have effect: **18 March 2010**
(54) Product in respect of which the design is registered: **Fabric**
(51) International Design Classification: **05-05NES**
(71) Name(s) and Address(s) of Applicant(s):
Material By Product Pty Ltd
337 Gore Street Fitzroy Victoria 3065 Australia
(72) Name(s) of Designer(s): **Chantal McDonald and Susan Dimasi**
(45) Registration Date: **20 May 2010**
(56) Related Art Documents: **Not Applicable**
(57) Statement of Newness and Distinctiveness: **The pattern and ornamentation of the fabric is new and distinctive. The pattern or ornamentation is repeated over fabric of any desired length. The fabric may have the pattern or ornamentation reproduced in any desired colour or combinations of colours.**



- (21) Design Number: **10944/2010**
- (22) Date of Filing Application: **18 March 2010**
- (24) Date from which industrial property rights may have effect: **18 March 2010**
- (54) Product in respect of which the design is registered: **Fabric**
- (51) International Design Classification: **05-05NES**
- (71) Name(s) and Address(s) of Applicant(s):
Material By Product Pty Ltd
337 Gore Street Fitzroy Victoria 3065 Australia
- (72) Name(s) of Designer(s): **Chantal McDonald and Susan Dimasi**
- (45) Registration Date: **20 May 2010**
- (56) Related Art Documents: **Not Applicable**
- (57) Statement of Newness and Distinctiveness: **The pattern and ornamentation of the fabric is new and distinctive. The pattern or ornamentation is repeated over fabric of any desired length. The fabric may have the pattern or ornamentation reproduced in any desired colour or combinations of colours.**



- (21) Design Number: **10973/2010**
- (22) Date of Filing Application: **19 March 2010**
- (24) Date from which industrial property rights may have effect: **19 March 2010**
- (54) Product in respect of which the design is registered: **Combination cuticle pusher and gel stirrer**
- (51) International Design Classification: **28-03NES**
- (71) Name(s) and Address(s) of Applicant(s):
OPI Products, Inc.
13034 Saticoy Street North Hollywood California 91605 United States of America
- (72) Name(s) of Designer(s): **George W. Schaeffer**
- (45) Registration Date: **20 May 2010**
- (30) Convention priority data:

(31) Number	(32) Date	(33) Country
29/351613	08 Dec 2009	UNITED STATES OF AMERICA
- (56) Related Art Documents: **Not Applicable**
- (57) Statement of Newness and Distinctiveness: **Nil**



(21) Design Number: **10989/2010**
(22) Date of Filing Application: **23 March 2010**
(24) Date from which industrial property rights may have effect: **23 March 2010**
(54) Product in respect of which the design is registered: **Shower head**
(51) International Design Classification: **23-02B**
(71) Name(s) and Address(s) of Applicant(s):
Hansa Metallwerke AG
Sigmaringer Str. 107 D-70567 Stuttgart Germany
(72) Name(s) of Designer(s): **Michael Zeisel and Michael Lammel**
(45) Registration Date: **20 May 2010**
(30) Convention priority data:
(31) Number (32) Date (33) Country
001618893-001 02 Oct 2009 EUROPEAN COMMUNITY
(56) Related Art Documents: **Not Applicable**
(57) Statement of Newness and Distinctiveness: **Nil**



(21) Design Number: **11019/2010**
(22) Date of Filing Application: **23 March 2010**
(24) Date from which industrial property rights may have effect: **23 March 2010**
(54) Product in respect of which the design is registered: **Shower head**
(51) International Design Classification: **23-02B**
(71) Name(s) and Address(s) of Applicant(s):
Hansa Metallwerke AG
Sigmaringer Str. 107 D-70567 Stuttgart Germany
(72) Name(s) of Designer(s): **Michael Zeisel and Michael Lammel**
(45) Registration Date: **20 May 2010**
(30) Convention priority data:
(31) Number (32) Date (33) Country
001618893-003 02 Oct 2009 EUROPEAN COMMUNITY
(56) Related Art Documents: **Not Applicable**
(57) Statement of Newness and Distinctiveness: **Nil**



(21) Design Number: **11084/2010**

(22) Date of Filing Application: **26 March 2010**

(24) Date from which industrial property rights may have effect: **26 March 2010**

(54) Product in respect of which the design is registered: **Transformable toy**

(51) International Design Classification: **21-01B**

(71) Name(s) and Address(s) of Applicant(s):

Spin Master Ltd

450 Front Street West Toronto Ontario M5V 1B6 Canada

(72) Name(s) of Designer(s): **Wataru Sato and Kohji Hirose and Richard Keuter**

(45) Registration Date: **21 May 2010**

(30) Convention priority data:

(31) Number
132769

(32) Date
03 Nov 2009

(33) Country
CANADA

(56) Related Art Documents: **Not Applicable**

(57) Statement of Newness and Distinctiveness: **The newness and distinctiveness of the design resides in the shape and/or configuration of the transformable toy as shown in the representations.**



(21) Design Number: **11111/2010**

(22) Date of Filing Application: **29 March 2010**

(24) Date from which industrial property rights may have effect: **29 March 2010**

(54) Product in respect of which the design is registered: **Part of container**

(51) International Design Classification: **09-07NES**

(71) Name(s) and Address(s) of Applicant(s):

Unilever PLC

Unilever House 100 Victoria Embankment London EC4Y 0DY United Kingdom

(72) Name(s) of Designer(s): **Raymond Michael Flaig and Benjamin Phalan Oates and John David Almstead Jr and John Scott Gruver and Wanrudee Siriwatwechakul and Michael Lyons and Bjoern Uematsu**

(45) Registration Date: **21 May 2010**

(30) Convention priority data:

(31) Number
4012908

(32) Date
16 Oct 2009

(33) Country
UNITED KINGDOM

(56) Related Art Documents: **Not Applicable**

(57) Statement of Newness and Distinctiveness: **Newness and distinctiveness is claimed in the visual features shown in solid lines in the representations.**



(21) Design Number: **11112/2010**

(22) Date of Filing Application: **29 March 2010**

(24) Date from which industrial property rights may have effect: **29 March 2010**

(54) Product in respect of which the design is registered: **Part of container**

(51) International Design Classification: **09-01K**

(71) Name(s) and Address(s) of Applicant(s):

Unilever PLC

Unilever House 100 Victoria Embankment London EC4Y ODY United Kingdom

(72) Name(s) of Designer(s): **Raymond Michael Flaig and Benjamin Phalan Oates and John David Almstead Jr and John Scott Gruver and Wanrudee Siriwatwechakul and Michael Lyons and Bjoern Uematsu**

(45) Registration Date: **21 May 2010**

(30) Convention priority data:

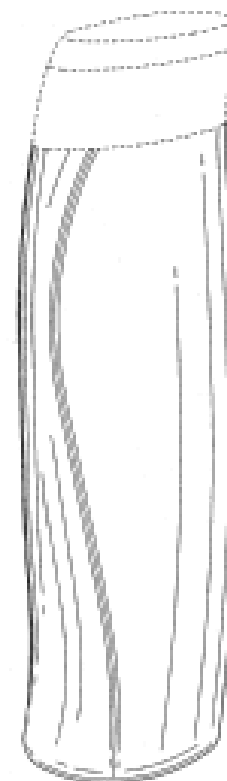
(31) Number
4012910

(32) Date
16 Oct 2009

(33) Country
UNITED KINGDOM

(56) Related Art Documents: **Not Applicable**

(57) Statement of Newness and Distinctiveness: **Newness and distinctiveness is claimed in the visual features shown in solid lines in the representations.**



(21) Design Number: **11135/2010**

(22) Date of Filing Application: **29 March 2010**

(24) Date from which industrial property rights may have effect: **29 March 2010**

(54) Product in respect of which the design is registered: **Tap**

(51) International Design Classification: **23-01H**

(71) Name(s) and Address(s) of Applicant(s):

Hansa Metallwerke AG

Sigmaringer Str. 107 D-70567 Stuttgart Germany

(72) Name(s) of Designer(s): **Michael Zeisel and Michael Lammel**

(45) Registration Date: **21 May 2010**

(30) Convention priority data:

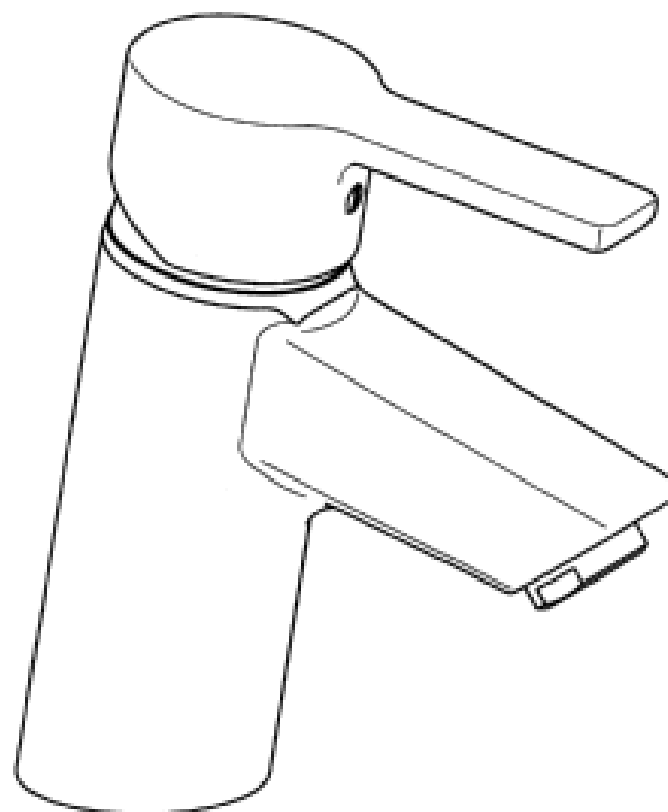
(31) Number
001618414-001

(32) Date
01 Oct 2009

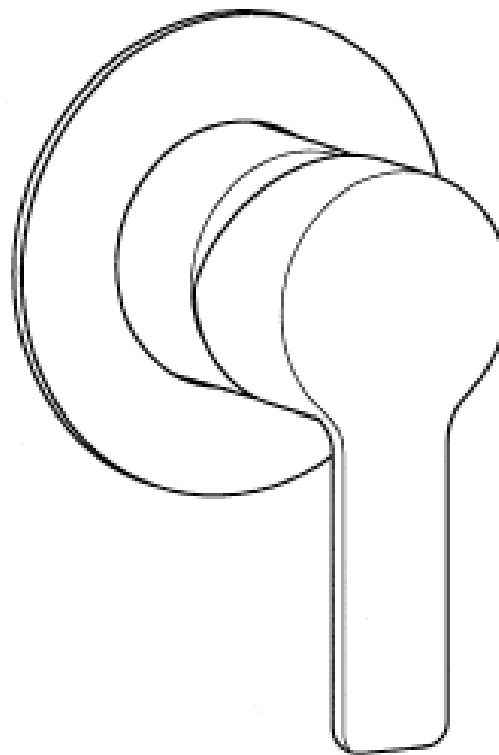
(33) Country
EUROPEAN COMMUNITY

(56) Related Art Documents: **Not Applicable**

(57) Statement of Newness and Distinctiveness: **Nil**



(21) Design Number: **11136/2010**
(22) Date of Filing Application: **29 March 2010**
(24) Date from which industrial property rights may have effect: **29 March 2010**
(54) Product in respect of which the design is registered: **Tap**
(51) International Design Classification: **23-01H**
(71) Name(s) and Address(s) of Applicant(s):
Hansa Metallwerke AG
Sigmaringer Str. 107 D-70567 Stuttgart Germany
(72) Name(s) of Designer(s): **Michael Zeisel and Michael Lammel**
(45) Registration Date: **21 May 2010**
(30) Convention priority data:
(31) Number (32) Date (33) Country
001618414-002 01 Oct 2009 EUROPEAN COMMUNITY
(56) Related Art Documents: **Not Applicable**
(57) Statement of Newness and Distinctiveness: **Nil**



(21) Design Number: **11143/2010**
(22) Date of Filing Application: **26 March 2010**
(24) Date from which industrial property rights may have effect: **26 March 2010**
(54) Product in respect of which the design is registered: **Clock**
(51) International Design Classification: **10-01**
(71) Name(s) and Address(s) of Applicant(s):
FunDigital Pty Ltd
27 Oceanic Drive Dawesville Western Australia 6211 Australia
(72) Name(s) of Designer(s): **Kathryn du Buisson and Jean du Buisson**
(45) Registration Date: **21 May 2010**
(56) Related Art Documents: **Not Applicable**
(57) Statement of Newness and Distinctiveness: **Nil**



(21) Design Number: **11251/2010**
 (22) Date of Filing Application: **09 April 2010**
 (24) Date from which industrial property rights may have effect: **09 April 2010**
 (54) Product in respect of which the design is registered: **Combination manually driven and motor driven watercraft**
 (51) International Design Classification: **12-06A, 12-06C**
 (71) Name(s) and Address(s) of Applicant(s):
Magna Marque International Inc.
337 Magna Drive Aurora Ontario L4G 7K1 Canada
 (72) Name(s) of Designer(s): **Matthew James Finbow**
 (45) Registration Date: **21 May 2010**
 (30) Convention priority data:

(31) Number	(32) Date	(33) Country
29/345116	09 Oct 2009	UNITED STATES OF AMERICA

 (56) Related Art Documents: **Not Applicable**
 (57) Statement of Newness and Distinctiveness: **Newness and distinctiveness is claimed in the visual features shown in solid lines in the representations.**

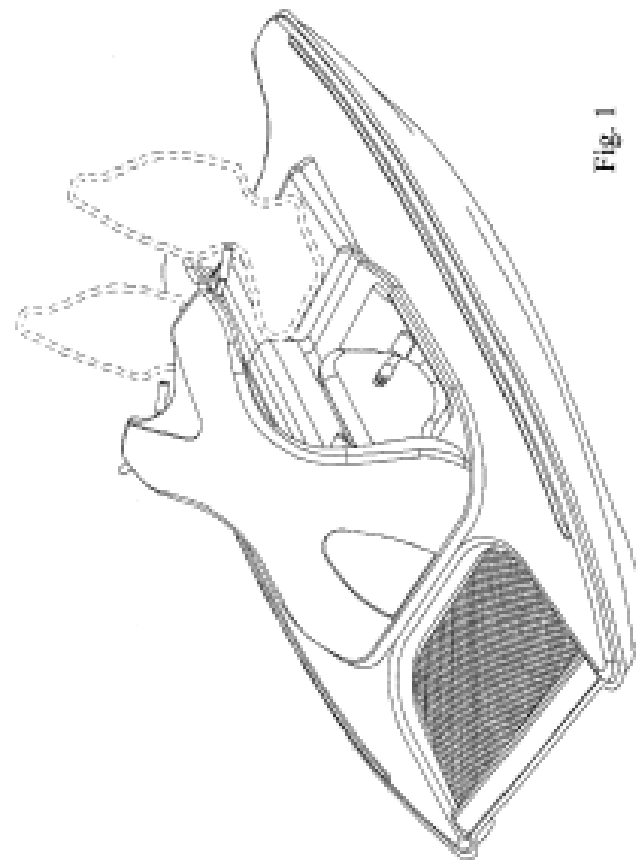
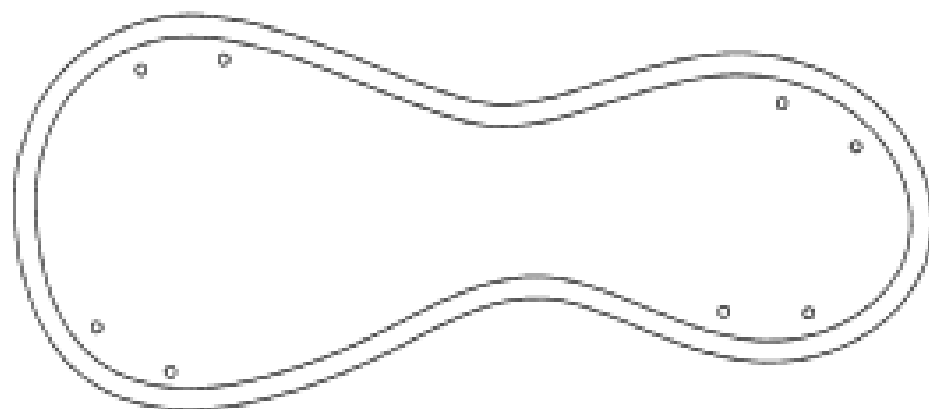


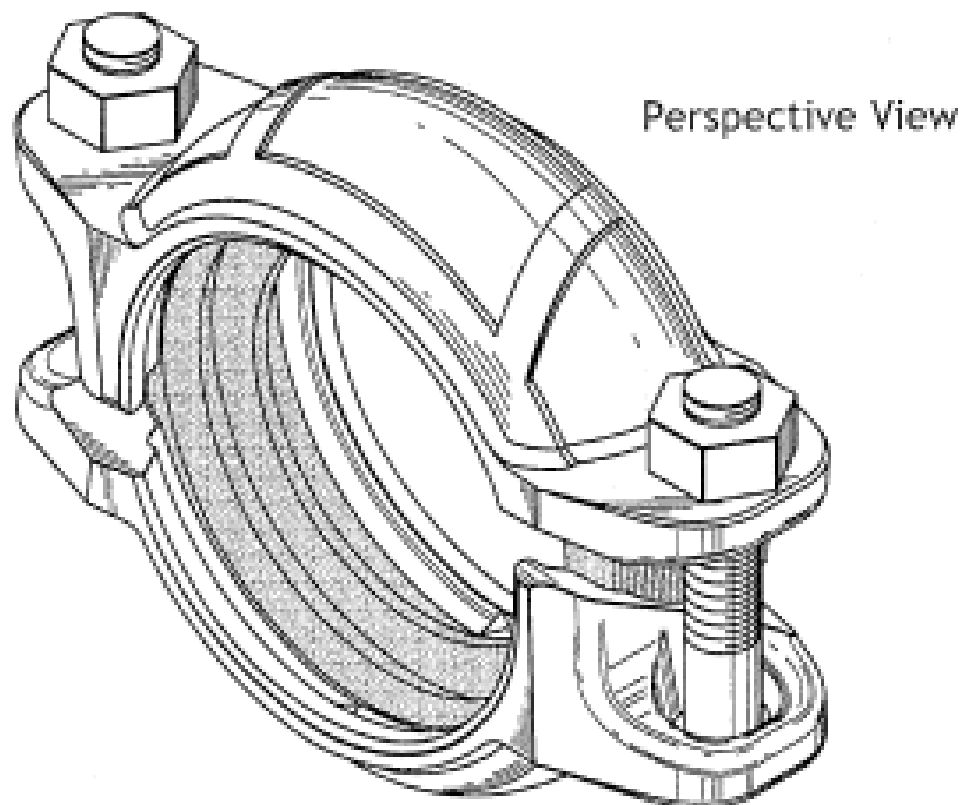
Fig. 1

(21) Design Number: **11335/2010**
 (22) Date of Filing Application: **13 April 2010**
 (24) Date from which industrial property rights may have effect: **13 April 2010**
 (54) Product in respect of which the design is registered: **A lamp shade blank**
 (51) International Design Classification: **26-05D**
 (71) Name(s) and Address(s) of Applicant(s):
Telesa Pirrello
15 Budawang Drive Ulladulla New South Wales 2539 Australia
 (72) Name(s) of Designer(s): **Telesa Pirrello**
 (45) Registration Date: **21 May 2010**
 (56) Related Art Documents: **Not Applicable**
 (57) Statement of Newness and Distinctiveness: **Newness and distinctiveness is claimed in the visual features shown in solid lines in the representations.**



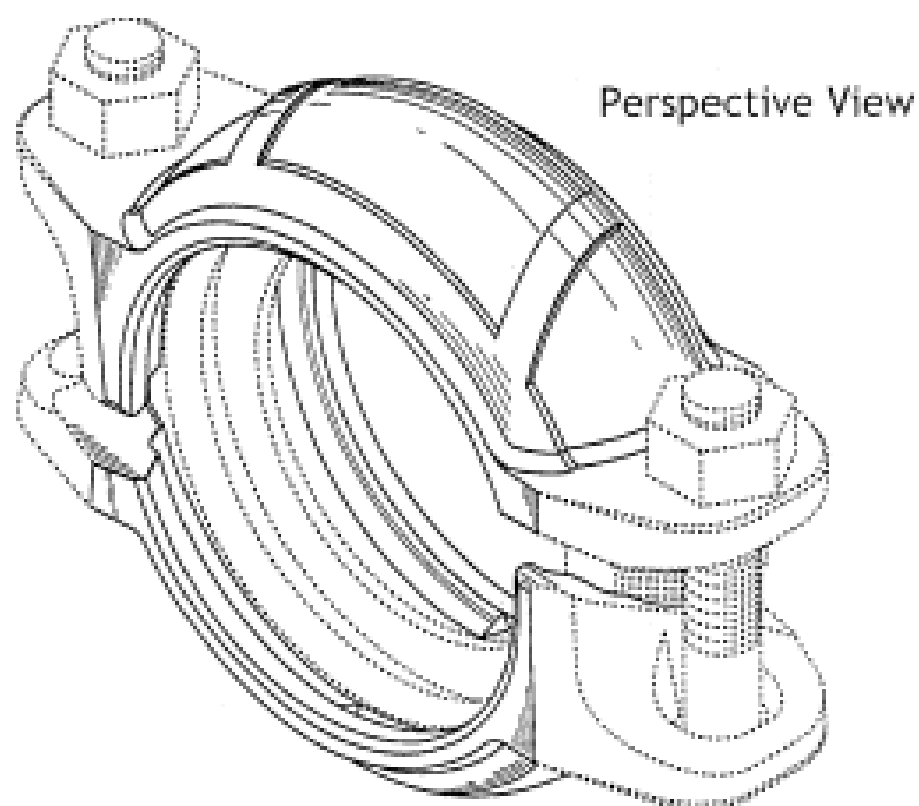
- (21) Design Number: **11354/2010**
- (22) Date of Filing Application: **15 April 2010**
- (24) Date from which industrial property rights may have effect: **15 April 2010**
- (54) Product in respect of which the design is registered: **Pipe coupling**
- (51) International Design Classification: **23-01A**
- (71) Name(s) and Address(s) of Applicant(s):
Victaulic Company
4901 Kesslersville Road Easton Pennsylvania 18040 United States of America
- (72) Name(s) of Designer(s): **Michael V. Porter and Scott D. Madara and Amit R. Shah**
- (45) Registration Date: **21 May 2010**
- (30) Convention priority data:

(31) Number	(32) Date	(33) Country
29/345,573	19 Oct 2009	UNITED STATES OF AMERICA
- (56) Related Art Documents: **Not Applicable**
- (57) Statement of Newness and Distinctiveness: **Newness and distinctiveness is claimed in the features of shape and/or configuration of a pipe coupling as shown in the representations.**

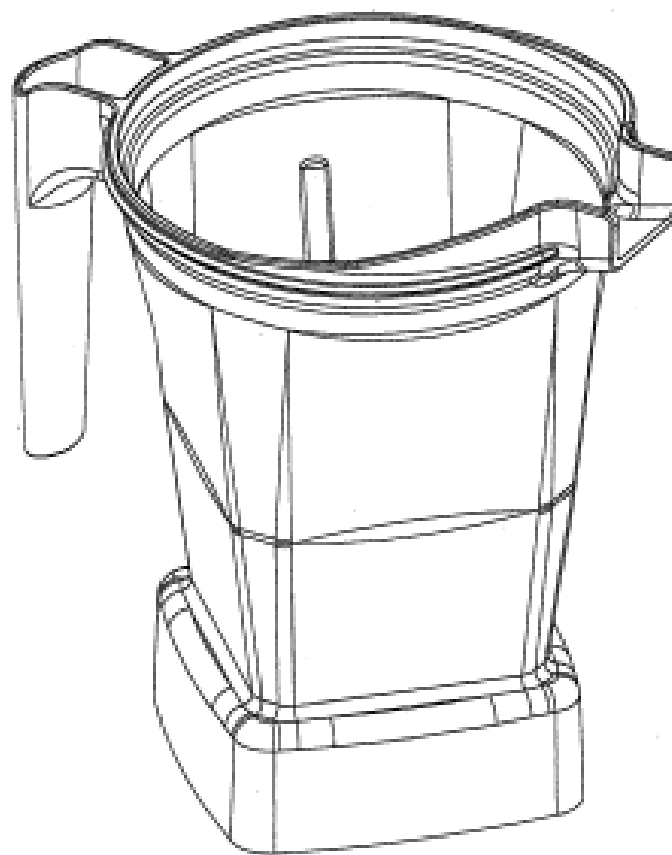


- (21) Design Number: **11355/2010**
- (22) Date of Filing Application: **15 April 2010**
- (24) Date from which industrial property rights may have effect: **15 April 2010**
- (54) Product in respect of which the design is registered: **Pipe coupling**
- (51) International Design Classification: **23-01A**
- (71) Name(s) and Address(s) of Applicant(s):
Victaulic Company
4901 Kesslersville Road Easton Pennsylvania 18040 United States of America
- (72) Name(s) of Designer(s): **Michael V. Porter and Scott D. Madara and Amit R. Shah**
- (45) Registration Date: **21 May 2010**
- (30) Convention priority data:

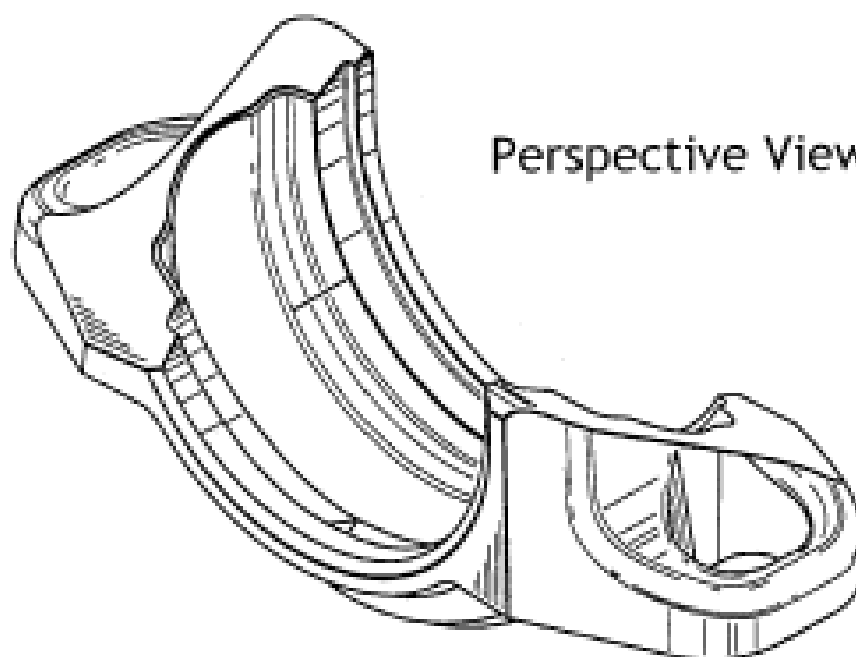
(31) Number	(32) Date	(33) Country
29/345,573	19 Oct 2009	UNITED STATES OF AMERICA
- (56) Related Art Documents: **Not Applicable**
- (57) Statement of Newness and Distinctiveness: **Newness and distinctiveness is claimed in the features of shape and/or configuration of a pipe coupling as shown in the representations. Where broken lines are shown in the representations, the broken lines are for illustrative purposes only and form no part of the claimed design.**



(21) Design Number: **11398/2010**
 (22) Date of Filing Application: **15 April 2010**
 (24) Date from which industrial property rights may have effect: **15 April 2010**
 (54) Product in respect of which the design is registered: **Blender container**
 (51) International Design Classification: **31-00**
 (71) Name(s) and Address(s) of Applicant(s):
Vita-Mix Corporation
8615 Usher Road Cleveland Ohio 44138 United States of America
 (72) Name(s) of Designer(s): **Robert M. Ulanski and Richard D. Boozer and Michael D. Anton**
 (45) Registration Date: **21 May 2010**
 (30) Convention priority data:
 (31) Number (32) Date (33) Country
29/316792 02 Nov 2009 UNITED STATES OF AMERICA
 (56) Related Art Documents: **Not Applicable**
 (57) Statement of Newness and Distinctiveness: **Nil**

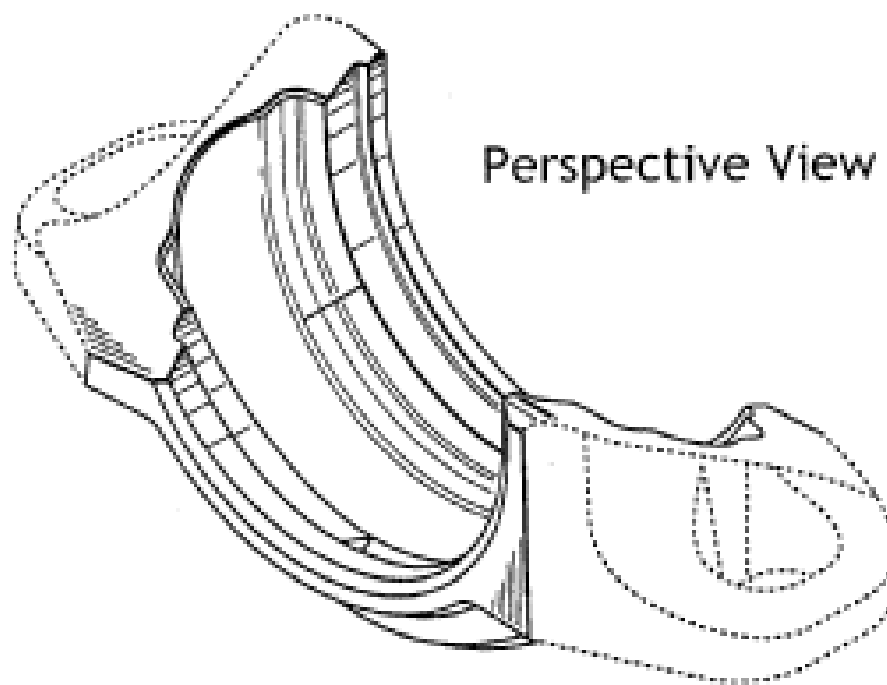


(21) Design Number: **11447/2010**
 (22) Date of Filing Application: **16 April 2010**
 (24) Date from which industrial property rights may have effect: **16 April 2010**
 (54) Product in respect of which the design is registered: **Pipe coupling segment**
 (51) International Design Classification: **23-01A**
 (71) Name(s) and Address(s) of Applicant(s):
Victaulic Company
4901 Kesslersville Road Easton Pennsylvania 18040 United States of America
 (72) Name(s) of Designer(s): **Scott D. Madara and Amit R. Shah and Michael V. Porter**
 (45) Registration Date: **21 May 2010**
 (30) Convention priority data:
 (31) Number (32) Date (33) Country
29/345,583 19 Oct 2009 UNITED STATES OF AMERICA
 (56) Related Art Documents: **Not Applicable**
 (57) Statement of Newness and Distinctiveness: **Newness and distinctiveness is claimed in the features of shape and/or configuration of a pipe coupling segment as shown in the representations.**

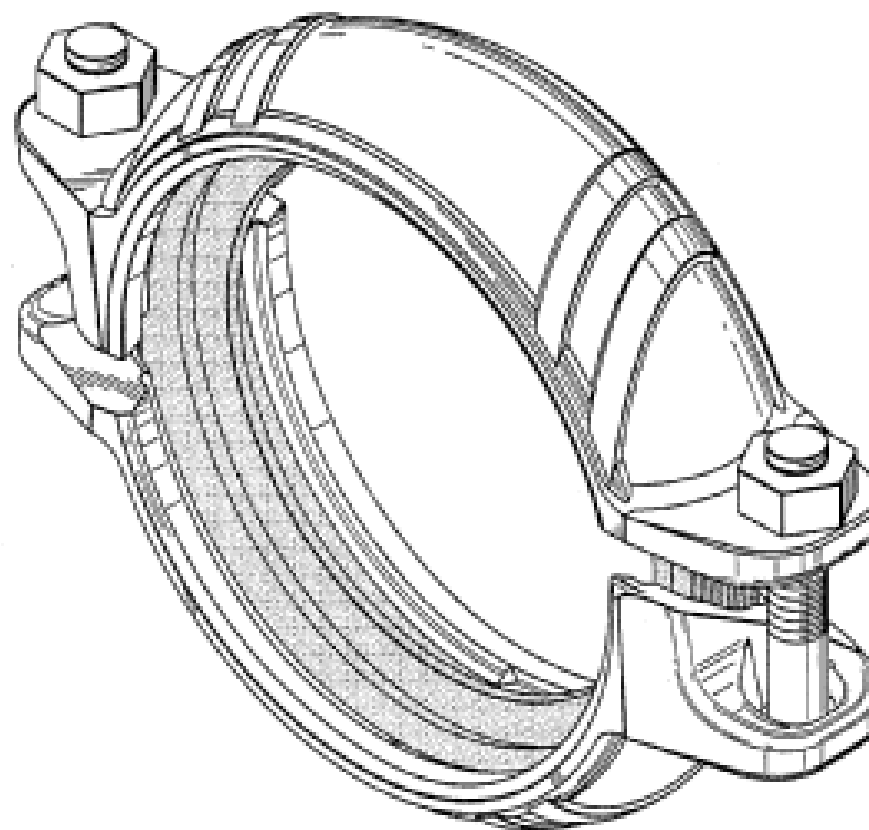


Perspective View

(21) Design Number: **11448/2010**
 (22) Date of Filing Application: **16 April 2010**
 (24) Date from which industrial property rights may have effect: **16 April 2010**
 (54) Product in respect of which the design is registered: **Pipe coupling segment**
 (51) International Design Classification: **23-01A**
 (71) Name(s) and Address(s) of Applicant(s):
Victaulic Company
4901 Kesslersville Road Easton Pennsylvania 18040 United States of America
 (72) Name(s) of Designer(s): **Scott D. Madara and Amit R. Shah and Michael V. Porter**
 (45) Registration Date: **21 May 2010**
 (30) Convention priority data:
 (31) Number (32) Date (33) Country
29/345,583 19 Oct 2009 UNITED STATES OF AMERICA
 (56) Related Art Documents: **Not Applicable**
 (57) Statement of Newness and Distinctiveness: **Newness and distinctiveness is claimed in the features of shape and/or configuration of a pipe coupling segment as shown in the representations. Where broken lines are shown in the representations, the broken lines are for illustrative purposes only and form no part of the claimed design.**



(21) Design Number: **11449/2010**
 (22) Date of Filing Application: **16 April 2010**
 (24) Date from which industrial property rights may have effect: **16 April 2010**
 (54) Product in respect of which the design is registered: **Pipe coupling**
 (51) International Design Classification: **23-01A**
 (71) Name(s) and Address(s) of Applicant(s):
Victaulic Company
4901 Kesslersville Road Easton Pennsylvania 18040 United States of America
 (72) Name(s) of Designer(s): **Scott D. Madara and Amit R. Shah and Michael V. Porter**
 (45) Registration Date: **21 May 2010**
 (30) Convention priority data:
 (31) Number (32) Date (33) Country
29/345,584 19 Oct 2009 UNITED STATES OF AMERICA
 (56) Related Art Documents: **Not Applicable**
 (57) Statement of Newness and Distinctiveness: **Newness and distinctiveness is claimed in the features of shape and/or configuration of a pipe coupling as shown in the representations.**



(21) Design Number: 11450/2010

(22) Date of Filing Application: 16 April 2010

(24) Date from which industrial property rights may have effect: 16 April 2010

(54) Product in respect of which the design is registered: Pipe coupling

(51) International Design Classification: 23-01A

(71) Name(s) and Address(s) of Applicant(s):

Victaulic Company
4901 Kesslersville Road Easton Pennsylvania 18040 United States of America

(72) Name(s) of Designer(s): Scott D. Madara and Amit R. Shah and Michael V. Porter

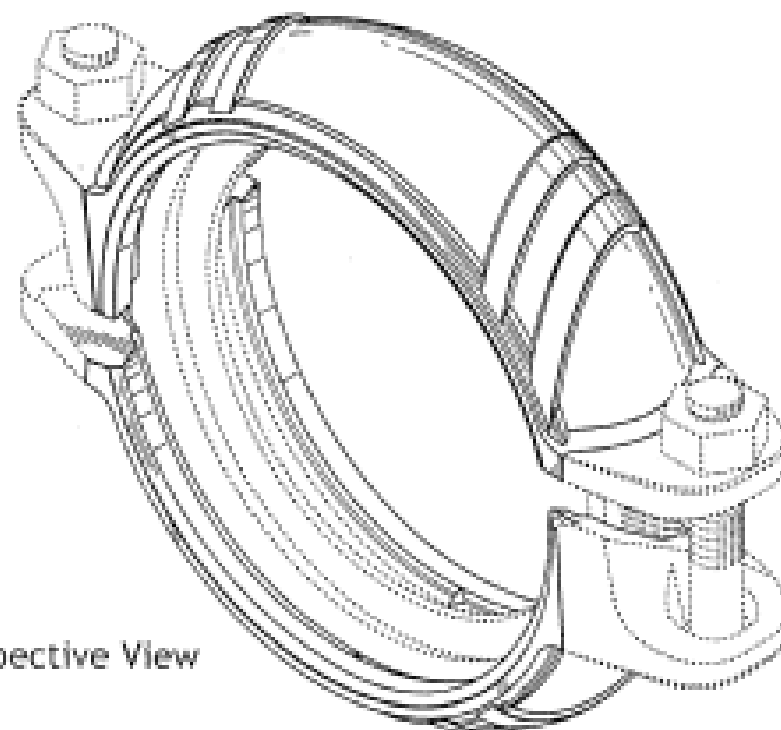
(45) Registration Date: 21 May 2010

(30) Convention priority data:

(31) Number	(32) Date	(33) Country
29/345,584	19 Oct 2009	UNITED STATES OF AMERICA

(56) Related Art Documents: Not Applicable

(57) Statement of Newness and Distinctiveness: **Newness and distinctiveness is claimed in the features of shape and/or configuration of a pipe coupling as shown in the representations. Where broken lines are shown in the representations, the broken lines are for illustrative purposes only and form no part of the claimed design.**



Perspective View

(21) Design Number: 11451/2010

(22) Date of Filing Application: 16 April 2010

(24) Date from which industrial property rights may have effect: 16 April 2010

(54) Product in respect of which the design is registered: Pipe coupling segment

(51) International Design Classification: 23-01A

(71) Name(s) and Address(s) of Applicant(s):

Victaulic Company
4901 Kesslersville Road Easton Pennsylvania 18040 United States of America

(72) Name(s) of Designer(s): Scott D. Madara and Amit R. Shah and Michael V. Porter

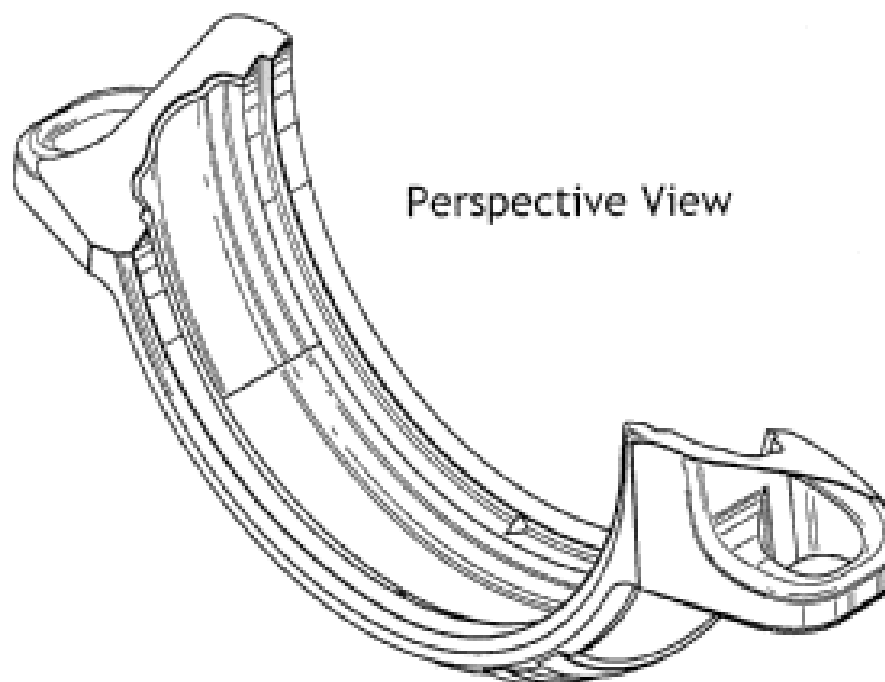
(45) Registration Date: 21 May 2010

(30) Convention priority data:

(31) Number	(32) Date	(33) Country
29/345,587	19 Oct 2009	UNITED STATES OF AMERICA

(56) Related Art Documents: Not Applicable

(57) Statement of Newness and Distinctiveness: **Newness and distinctiveness is claimed in the features of shape and/or configuration of a pipe coupling segment as shown in the representations.**

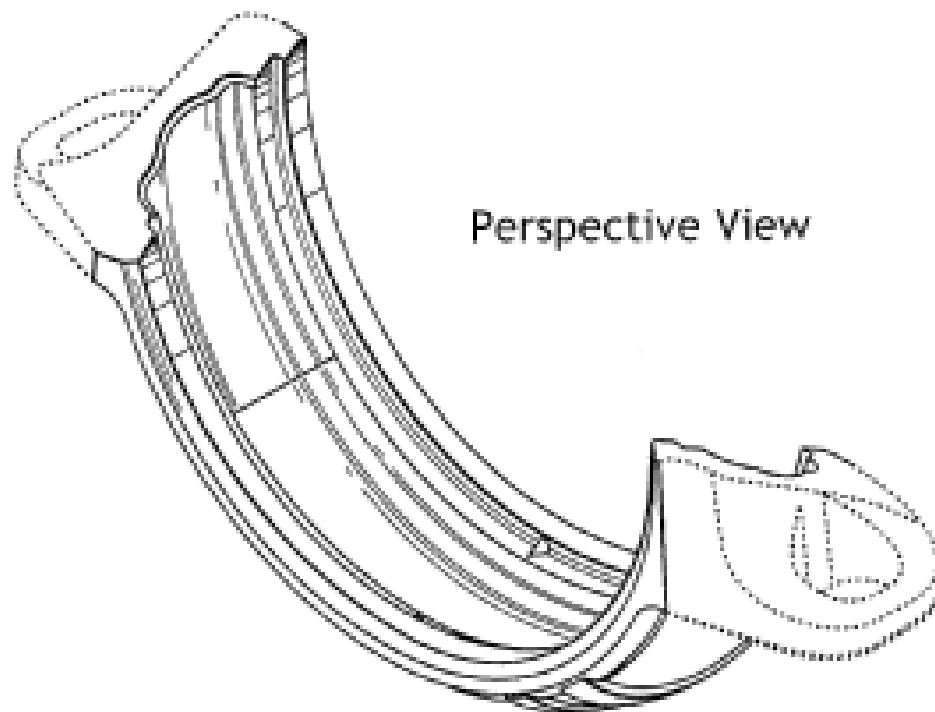


Perspective View

(19) AU

- (21) Design Number: **11452/2010**
- (22) Date of Filing Application: **16 April 2010**
- (24) Date from which industrial property rights may have effect: **16 April 2010**
- (54) Product in respect of which the design is registered: **Pipe coupling segment**
- (51) International Design Classification: **23-01A**
- (71) Name(s) and Address(s) of Applicant(s):
Victaulic Company
4901 Kesslersville Road Easton Pennsylvania 18040 United States of America
- (72) Name(s) of Designer(s): **Scott D. Madara and Amit R. Shah and Michael V. Porter**
- (45) Registration Date: **21 May 2010**
- (30) Convention priority data:

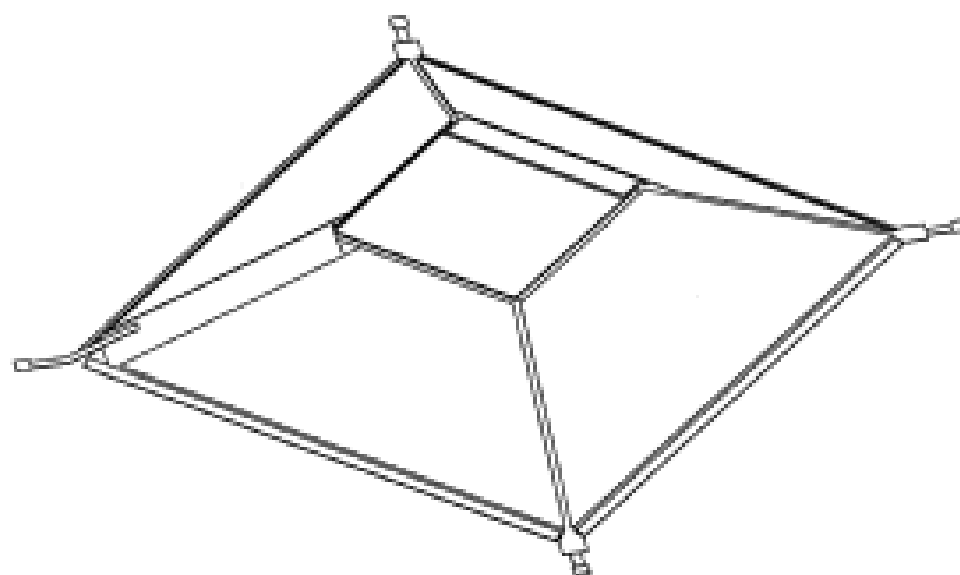
(31) Number	(32) Date	(33) Country
29/345,587	19 Oct 2009	UNITED STATES OF AMERICA
- (56) Related Art Documents: **Not Applicable**
- (57) Statement of Newness and Distinctiveness: **Newness and distinctiveness is claimed in the features of shape and/or configuration of a pipe coupling segment as shown in the representations. Where broken lines are shown in the representations, the broken lines are for illustrative purposes only and form no part of the claimed design.**



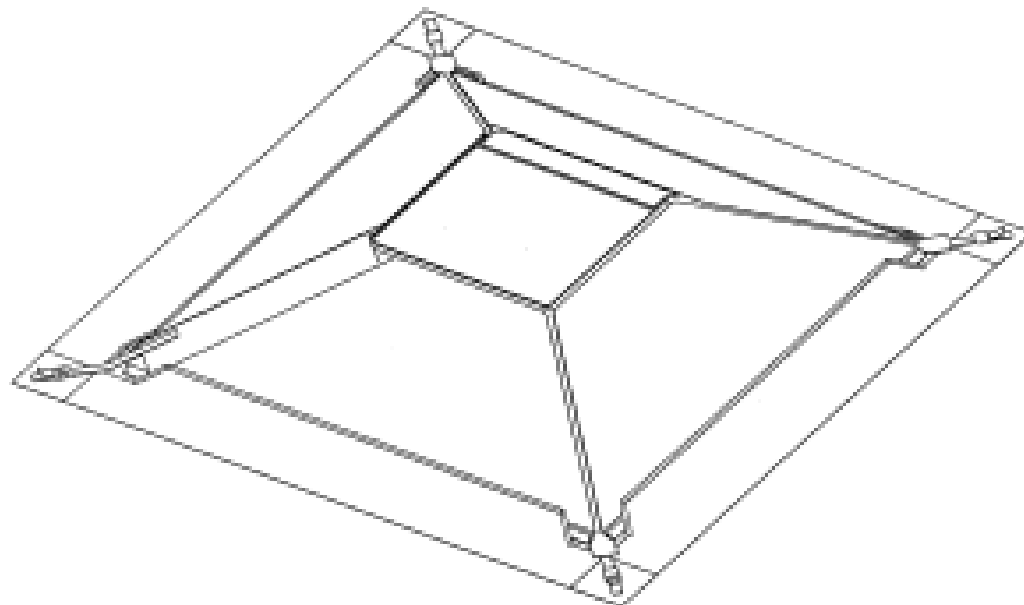
(19) AU

- (21) Design Number: **11495/2010**
- (22) Date of Filing Application: **20 April 2010**
- (24) Date from which industrial property rights may have effect: **20 April 2010**
- (54) Product in respect of which the design is registered: **Identification panel assembly**
- (51) International Design Classification: **20-03NES**
- (71) Name(s) and Address(s) of Applicant(s):
QinetiQ Limited
Cody Technology Park Ively Road Farnborough Hampshire GU14 0LX United Kingdom
- (72) Name(s) of Designer(s): **Eoin Seiorse O'Keefe and Loftus Richard Hall and Ross James McSherry**
- (45) Registration Date: **21 May 2010**
- (30) Convention priority data:

(31) Number	(32) Date	(33) Country
4012988	22 Oct 2009	UNITED KINGDOM
- (56) Related Art Documents: **Not Applicable**
- (57) Statement of Newness and Distinctiveness: **Nil**



(21) Design Number: **11496/2010**
(22) Date of Filing Application: **20 April 2010**
(24) Date from which industrial property rights may have effect: **20 April 2010**
(54) Product in respect of which the design is registered: **Identification panel assembly**
(51) International Design Classification: **20-03NES**
(71) Name(s) and Address(s) of Applicant(s):
QinetiQ Limited
Cody Technology Park Ively Road Farnborough Hampshire GU14 0LX
United Kingdom
(72) Name(s) of Designer(s): **Eoin Seiorse O'Keefe and Loftus Richard Hall and**
Ross James McSherry
(45) Registration Date: **21 May 2010**
(30) Convention priority data:
(31) Number (32) Date (33) Country
4012989 22 Oct 2009 UNITED KINGDOM
(56) Related Art Documents: **Not Applicable**
(57) Statement of Newness and Distinctiveness: **Nil**



(21) Design Number: **11649/2010**
(22) Date of Filing Application: **26 March 2010**
(24) Date from which industrial property rights may have effect: **26 March 2010**
(54) Product in respect of which the design is registered: **Toy clock**
(51) International Design Classification: **21-01NES**
(71) Name(s) and Address(s) of Applicant(s):
FunDigital Pty Ltd
27 Oceanic Drive Dawesville Western Australia 6211 Australia
(72) Name(s) of Designer(s): **Kathryn du Buisson and Jean du Buisson**
(45) Registration Date: **21 May 2010**
(56) Related Art Documents: **Not Applicable**
(57) Statement of Newness and Distinctiveness: **Nil**



(21) Design Number: **11719/2010**

(22) Date of Filing Application: **02 March 2010**

(24) Date from which industrial property rights may have effect: **02 March 2010**

(54) Product in respect of which the design is registered: **Exercise appartus**

(51) International Design Classification: **21-02F**

(71) Name(s) and Address(s) of Applicant(s):

Thane International, Inc.

74-180 Calle Tampico La Quinta CA 92253 United States of America

(72) Name(s) of Designer(s): **John S. Abdo**

(45) Registration Date: **21 May 2010**

(30) Convention priority data:

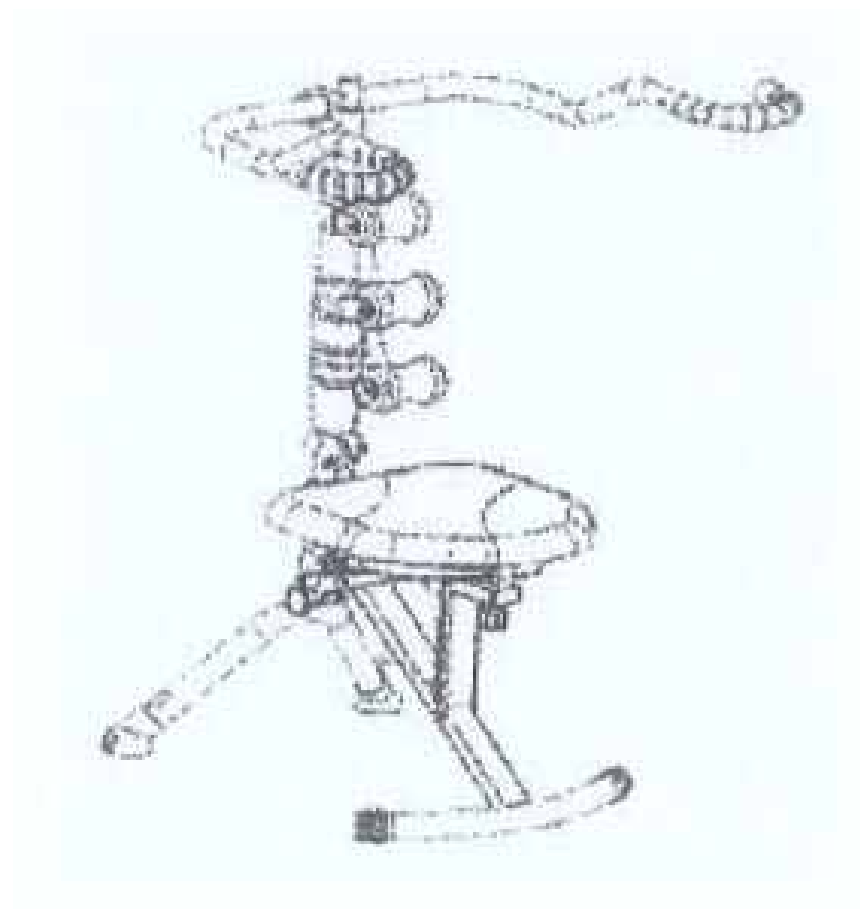
(31) Number (32) Date
001162127-0001 03 Sep 2009

(33) Country
EUROPEAN COMMUNITY

(62) Divisional of: **330886**

(56) Related Art Documents: **Not Applicable**

(57) Statement of Newness and Distinctiveness: **Nil**



(21) Design Number: **11581/2010**

(22) Date of Filing Application: **20 April 2010**

(24) Date from which industrial property rights may have effect: **20 April 2010**

(54) Product in respect of which the design is registered: **Decorative surface pattern**

(51) International Design Classification: **05-05A**

(71) Name(s) and Address(s) of Applicant(s):

Katherine Brennan

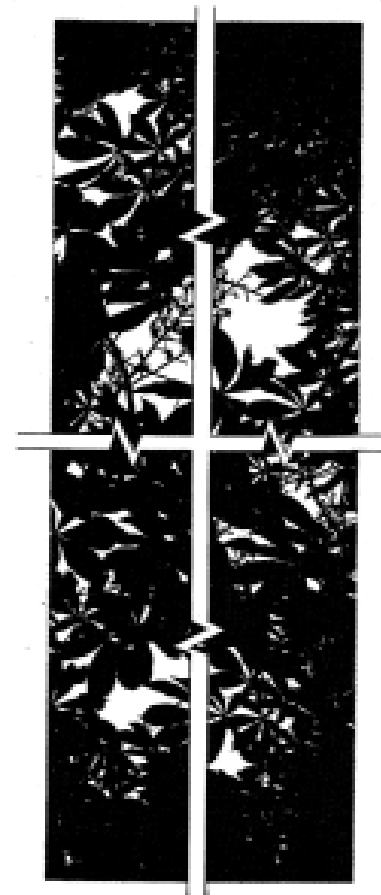
526 Malvern Road Prahran Victoria 3181 Australia

(72) Name(s) of Designer(s): **Katherine Brennan**

(45) Registration Date: **21 May 2010**

(56) Related Art Documents: **Not Applicable**

(57) Statement of Newness and Distinctiveness: **Nil**



(21) Design Number: **11583/2010**

(22) Date of Filing Application: **27 April 2010**

(24) Date from which industrial property rights may have effect: **27 April 2010**

(54) Product in respect of which the design is registered: **Tyre**

(51) International Design Classification: **12-15A**

(71) Name(s) and Address(s) of Applicant(s):

**Continental Reifen Deutschland GmbH
Vahrenwalder Strasse 9 30165 Hannover Germany**

(72) Name(s) of Designer(s): **Ulrich Behr and Holger Berkmann and Markus Fischer**

(45) Registration Date: **21 May 2010**

(30) Convention priority data:

(31) Number	(32) Date	(33) Country
001675521	01 Mar 2010	EUROPEAN COMMUNITY

(56) Related Art Documents: **Not Applicable**

(57) Statement of Newness and Distinctiveness: **Newness and distinctiveness resides in the visual features, including shape, configuration and pattern of a tread for a TYRE as shown in the accompanying representations.**



(21) Design Number: **11584/2010**

(22) Date of Filing Application: **27 April 2010**

(24) Date from which industrial property rights may have effect: **27 April 2010**

(54) Product in respect of which the design is registered: **Tyre**

(51) International Design Classification: **12-15A**

(71) Name(s) and Address(s) of Applicant(s):

**Continental Reifen Deutschland GmbH
Vahrenwalder Strasse 9 30165 Hannover Germany**

(72) Name(s) of Designer(s): **Ulrich Behr and Holger Berkmann and Markus Fischer**

(45) Registration Date: **21 May 2010**

(30) Convention priority data:

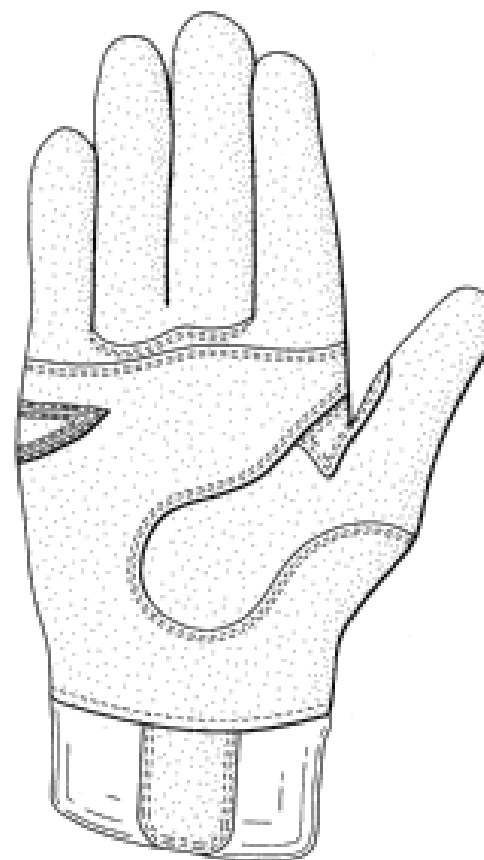
(31) Number	(32) Date	(33) Country
001675521	01 Mar 2010	EUROPEAN COMMUNITY

(56) Related Art Documents: **Not Applicable**

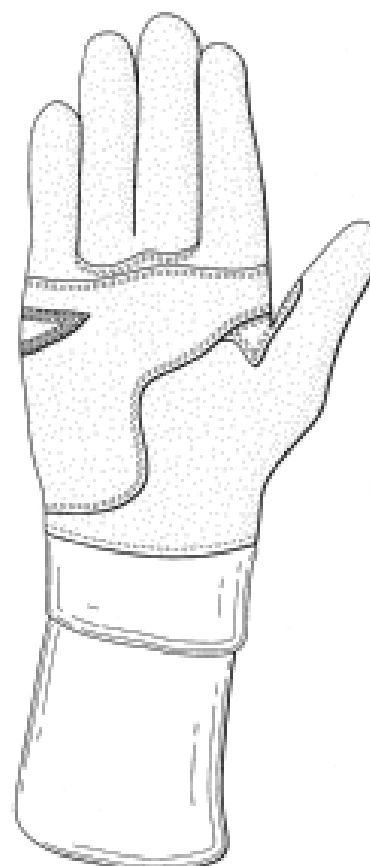
(57) Statement of Newness and Distinctiveness: **Newness and distinctiveness resides in the visual features, including shape, configuration and pattern of a tread for a TYRE as shown in the accompanying representations.**



(21) Design Number: **11585/2010**
 (22) Date of Filing Application: **27 April 2010**
 (24) Date from which industrial property rights may have effect: **27 April 2010**
 (54) Product in respect of which the design is registered: **Protective glove**
 (51) International Design Classification: **02-06**
 (71) Name(s) and Address(s) of Applicant(s):
Ansell Healthcare Products LLC
200 Schulz Drive Red Bank NJ 07701 United States of America
 (72) Name(s) of Designer(s): **Todd R. Carroll and Lee Khommanyvong**
 (45) Registration Date: **21 May 2010**
 (30) Convention priority data:
 (31) Number (32) Date (33) Country
29/360,434 26 Apr 2010 UNITED STATES OF AMERICA
 (56) Related Art Documents: **Not Applicable**
 (57) Statement of Newness and Distinctiveness: **The newness and distinctiveness of the design resides in the features of shape, configuration, pattern and/or ornamentation shown in unbroken lines in the accompanying representations. The broken lines shown on the accompanying representations are included for the purpose of illustrating conventional stitching and form no part of the design.**



(21) Design Number: **11586/2010**
 (22) Date of Filing Application: **27 April 2010**
 (24) Date from which industrial property rights may have effect: **27 April 2010**
 (54) Product in respect of which the design is registered: **Protective glove**
 (51) International Design Classification: **02-06**
 (71) Name(s) and Address(s) of Applicant(s):
Ansell Healthcare Products LLC
200 Schulz Drive Red Bank NJ 07701 United States of America
 (72) Name(s) of Designer(s): **Todd R. Carroll and Lee Khommanyvong**
 (45) Registration Date: **21 May 2010**
 (30) Convention priority data:
 (31) Number (32) Date (33) Country
29/360,434 26 Apr 2010 UNITED STATES OF AMERICA
 (56) Related Art Documents: **Not Applicable**
 (57) Statement of Newness and Distinctiveness: **The newness and distinctiveness of the design resides in the features of shape, configuration, pattern and/or ornamentation shown in unbroken lines in the accompanying representations. The broken lines shown on the accompanying representations are included for the purpose of illustrating conventional stitching and form no part of the design.**



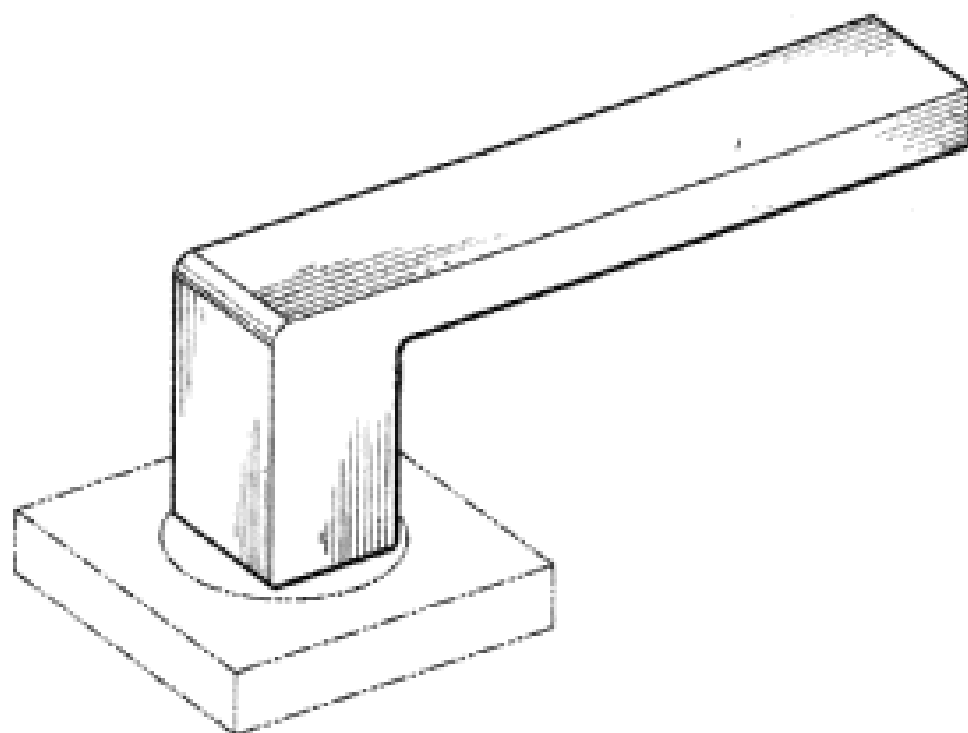
- (21) Design Number: **11590/2010**
(22) Date of Filing Application: **28 April 2010**
(24) Date from which industrial property rights may have effect: **28 April 2010**
(54) Product in respect of which the design is registered: **Coffee cup**
(51) International Design Classification: **07-01D**
(71) Name(s) and Address(s) of Applicant(s):
Hookturn Industries Pty Ltd
14 Holbrook Crescent Brunswick West Victoria 3055 Australia
(72) Name(s) of Designer(s): **Saskia Heath**
(45) Registration Date: **21 May 2010**
(56) Related Art Documents: **Not Applicable**
(57) Statement of Newness and Distinctiveness: **Reusable coffee cup made of silicone. Silicone is new and distinctive in this category.**



- (21) Design Number: **11591/2010**
(22) Date of Filing Application: **28 April 2010**
(24) Date from which industrial property rights may have effect: **28 April 2010**
(54) Product in respect of which the design is registered: **Coffee cup**
(51) International Design Classification: **07-01D**
(71) Name(s) and Address(s) of Applicant(s):
Hookturn Industries Pty Ltd
14 Holbrook Crescent Brunswick West Victoria 3055 Australia
(72) Name(s) of Designer(s): **Saskia Heath**
(45) Registration Date: **21 May 2010**
(56) Related Art Documents: **Not Applicable**
(57) Statement of Newness and Distinctiveness: **Reusable coffee cup made of silicone.**



- (21) Design Number: **11139/2010**
(22) Date of Filing Application: **29 March 2010**
(24) Date from which industrial property rights may have effect: **29 March 2010**
(54) Product in respect of which the design is registered: **Handle**
(51) International Design Classification: **08-06**
(71) Name(s) and Address(s) of Applicant(s):
Pittella Imports Pty Ltd
796 Glenferrie Road Hawthorn Victoria 3122 Australia
(72) Name(s) of Designer(s): **Simone Pittella**
(45) Registration Date: **24 May 2010**
(56) Related Art Documents: **Not Applicable**
(57) Statement of Newness and Distinctiveness: **Newness and distinctiveness are provided by the shape and/or configuration of the design shown in the representations. The features shown in broken lines in the representations are for illustrative purposes only and should not be considered when construing visual features of the design.**



- (21) Design Number: **11644/2010**
(22) Date of Filing Application: **30 April 2010**
(24) Date from which industrial property rights may have effect: **30 April 2010**
(54) Product in respect of which the design is registered: **Coffee machine**
(51) International Design Classification: **07-02L**
(71) Name(s) and Address(s) of Applicant(s):
Societe des Produits Nestle S.A.
1800 Vevey Switzerland
(72) Name(s) of Designer(s): **Antoine Cahen**
(45) Registration Date: **24 May 2010**
(30) Convention priority data:

(31) Number	(32) Date	(33) Country
136675	15 Feb 2010	SWITZERLAND

(56) Related Art Documents: **Not Applicable**
(57) Statement of Newness and Distinctiveness: **Nil**



(21) Design Number: **11645/2010**

(22) Date of Filing Application: **30 April 2010**

(24) Date from which industrial property rights may have effect: **30 April 2010**

(54) Product in respect of which the design is registered: **Coffee machine**

(51) International Design Classification: **07-02L**

(71) Name(s) and Address(s) of Applicant(s):

**Societe des Produits Nestle S.A.
1800 Vevey Switzerland**

(72) Name(s) of Designer(s): **Antoine Cahen**

(45) Registration Date: **24 May 2010**

(30) Convention priority data:

(31) Number	(32) Date	(33) Country
136675	15 Feb 2010	SWITZERLAND

(56) Related Art Documents: **Not Applicable**

(57) Statement of Newness and Distinctiveness: **Nil**



(21) Design Number: **11646/2010**

(22) Date of Filing Application: **29 April 2010**

(24) Date from which industrial property rights may have effect: **29 April 2010**

(54) Product in respect of which the design is registered: **Toothbrush handle**

(51) International Design Classification: **04-02**

(71) Name(s) and Address(s) of Applicant(s):

**Braun GmbH
Frankfurter Strasse 145 61476 Kronberg im Taunus Germany**

(72) Name(s) of Designer(s): **Duy Phong Vu and Uwe Jungnickel and Wolfgang Stegmann**

(45) Registration Date: **24 May 2010**

(30) Convention priority data:

(31) Number	(32) Date	(33) Country
519783001	03 Nov 2009	WORLD INTELLECTUAL PROPERTY ORGANIZATION (WIPO)

(56) Related Art Documents: **Not Applicable**

(57) Statement of Newness and Distinctiveness: **Nil**



(21) Design Number: **11647/2010**
 (22) Date of Filing Application: **29 April 2010**
 (24) Date from which industrial property rights may have effect: **29 April 2010**
 (54) Product in respect of which the design is registered: **Toothbrush handle**
 (51) International Design Classification: **04-02**
 (71) Name(s) and Address(s) of Applicant(s):
Braun GmbH
Frankfurter Strasse 145 61476 Kronberg im Taunus Germany
 (72) Name(s) of Designer(s): **Duy Phong Vu and Uwe Jungnickel and Wolfgang Stegmann**
 (45) Registration Date: **24 May 2010**
 (30) Convention priority data:

(31) Number	(32) Date	(33) Country
519783001	03 Nov 2009	WORLD INTELLECTUAL PROPERTY ORGANIZATION (WIPO)

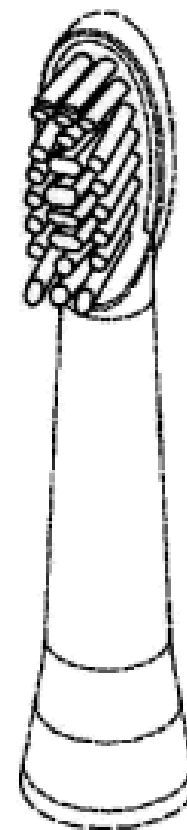
 (56) Related Art Documents: **Not Applicable**
 (57) Statement of Newness and Distinctiveness: **Nil**



(21) Design Number: **11648/2010**
 (22) Date of Filing Application: **29 April 2010**
 (24) Date from which industrial property rights may have effect: **29 April 2010**
 (54) Product in respect of which the design is registered: **Toothbrush head**
 (51) International Design Classification: **04-02**
 (71) Name(s) and Address(s) of Applicant(s):
Braun GmbH
Frankfurter Strasse 145 61476 Kronberg im Taunus Germany
 (72) Name(s) of Designer(s): **Benedikt Heil and Uwe Jungnickel and Wolfgang Stegmann**
 (45) Registration Date: **24 May 2010**
 (30) Convention priority data:

(31) Number	(32) Date	(33) Country
519782701	03 Nov 2009	WORLD INTELLECTUAL PROPERTY ORGANIZATION (WIPO)

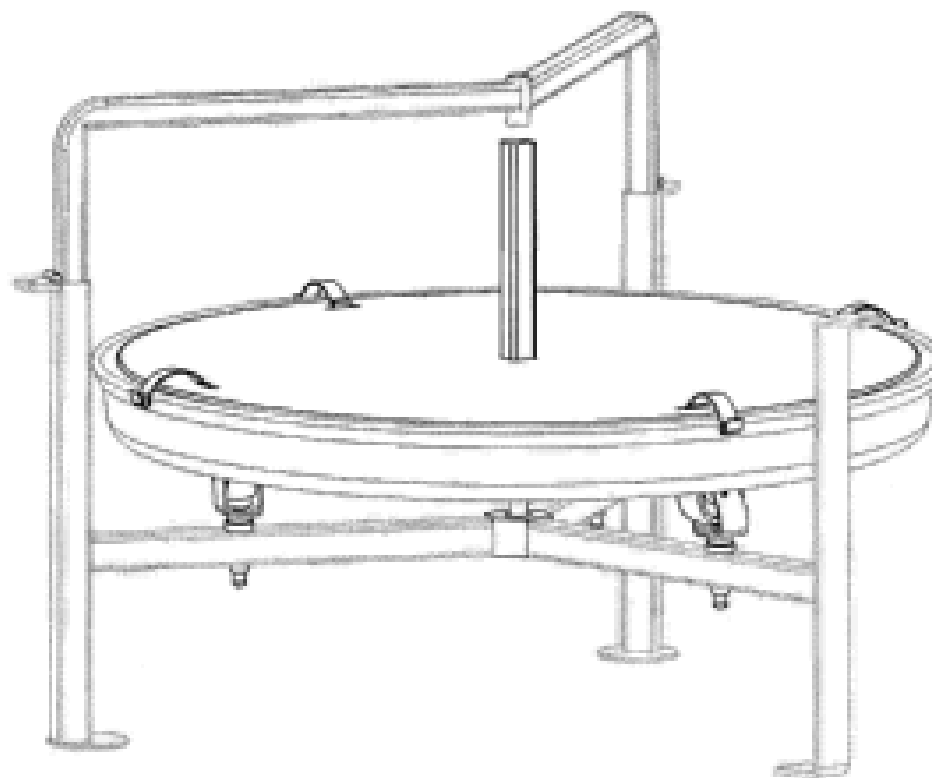
 (56) Related Art Documents: **Not Applicable**
 (57) Statement of Newness and Distinctiveness: **Those features of the toothbrush head depicted in the representations that are new and distinctive are the shape and/or configuration. The features shown in broken lines are not part of the design and are to be disregarded when considering the overall impression of the design.**



- (21) Design Number: **11651/2010**
- (22) Date of Filing Application: **29 April 2010**
- (24) Date from which industrial property rights may have effect: **29 April 2010**
- (54) Product in respect of which the design is registered: **Sluicing apparatus**
- (51) International Design Classification: **08-05NES, 15-99**
- (71) Name(s) and Address(s) of Applicant(s):

Courtney Field
46 Verner Street South Geelong Victoria 3220 Australia

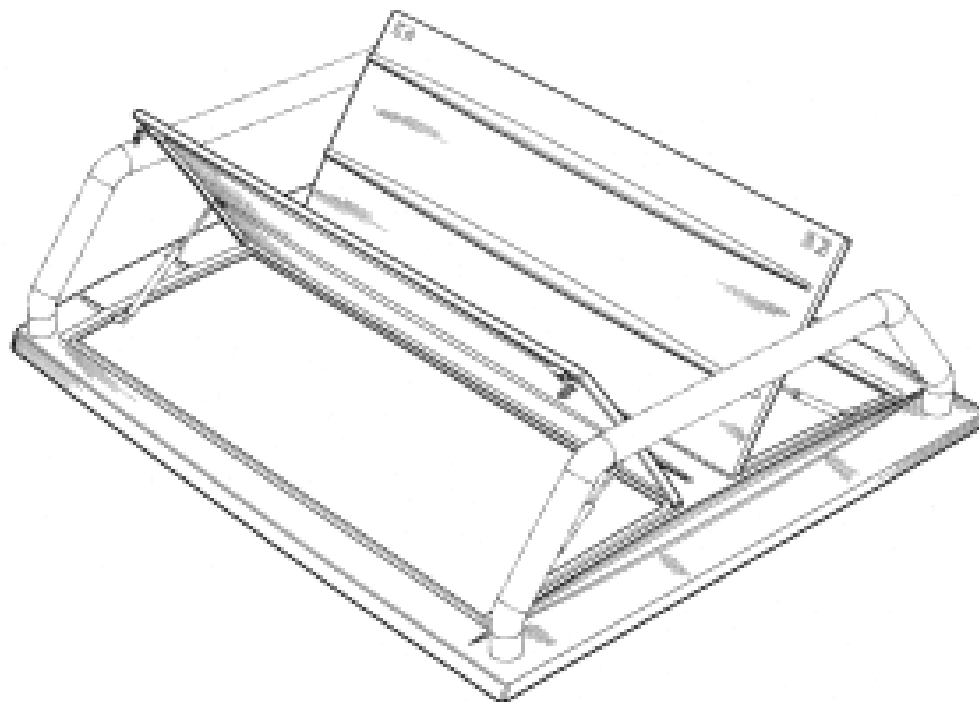
- (72) Name(s) of Designer(s): **Courtney Field**
- (45) Registration Date: **24 May 2010**
- (56) Related Art Documents: **Not Applicable**
- (57) Statement of Newness and Distinctiveness: **Nil**



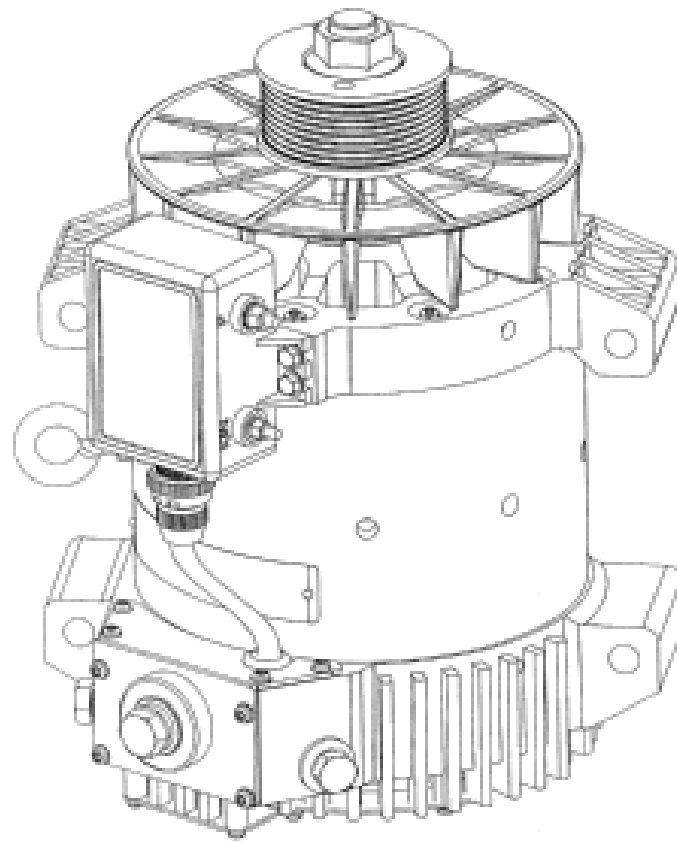
- (21) Design Number: **11654/2010**
- (22) Date of Filing Application: **29 April 2010**
- (24) Date from which industrial property rights may have effect: **29 April 2010**
- (54) Product in respect of which the design is registered: **Automotive ute lid / tool box**
- (51) International Design Classification: **12-16NES, 03-01D**
- (71) Name(s) and Address(s) of Applicant(s):

Remigije Milohanic
6 Ennersdale Court Templestowe Victoria 3106 Australia

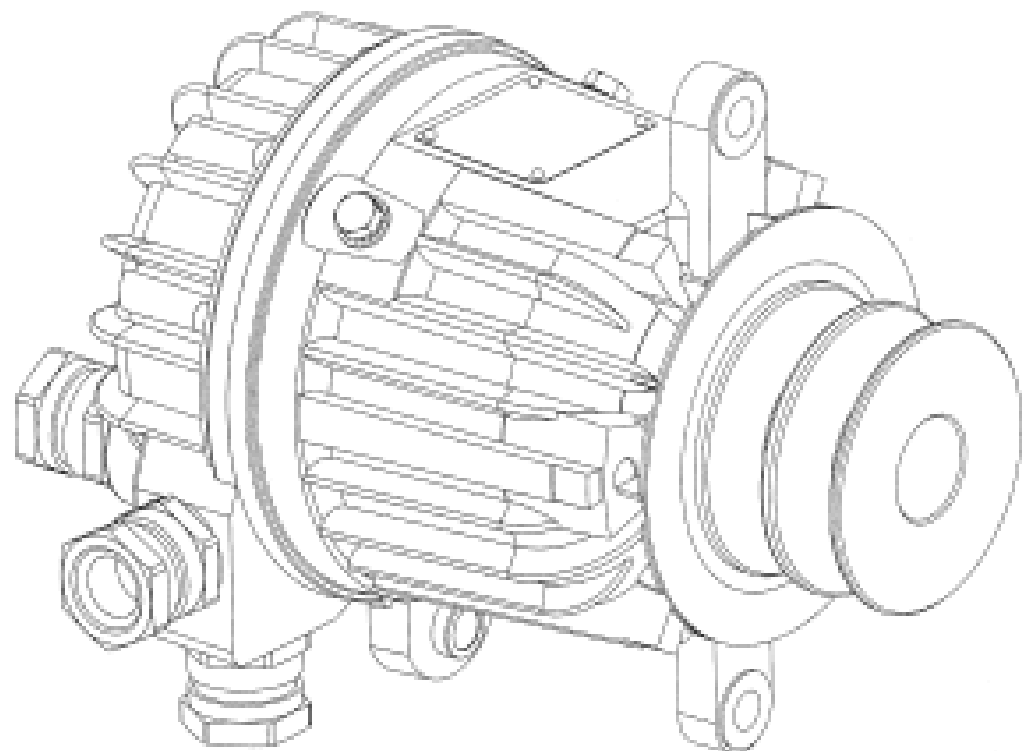
- (72) Name(s) of Designer(s): **Remigije Milohanic**
- (45) Registration Date: **24 May 2010**
- (56) Related Art Documents: **Not Applicable**
- (57) Statement of Newness and Distinctiveness: **Nil**



- (21) Design Number: **11624/2010**
- (22) Date of Filing Application: **28 April 2010**
- (24) Date from which industrial property rights may have effect: **28 April 2010**
- (54) Product in respect of which the design is registered: **Electric generator**
- (51) International Design Classification: **13-01**
- (71) Name(s) and Address(s) of Applicant(s):
C.E. Niehoff & Co.
2021 Lee Street Evanston Illinois 60202 United States of America
- (72) Name(s) of Designer(s): **Nisvet Basic and Majid Naghshineh**
- (45) Registration Date: **24 May 2010**
- (30) Convention priority data:
(31) Number (32) Date (33) Country
29/316791 30 Oct 2009 UNITED STATES OF AMERICA
- (56) Related Art Documents: **Not Applicable**
- (57) Statement of Newness and Distinctiveness: **Newness and distinctiveness is claimed in the features of shape and/or configuration of an electric generator as illustrated in the accompanying representations.**



- (21) Design Number: **11625/2010**
- (22) Date of Filing Application: **28 April 2010**
- (24) Date from which industrial property rights may have effect: **28 April 2010**
- (54) Product in respect of which the design is registered: **Electric generator**
- (51) International Design Classification: **13-01**
- (71) Name(s) and Address(s) of Applicant(s):
C.E. Niehoff & Co.
2021 Lee Street Evanston Illinois 60202 United States of America
- (72) Name(s) of Designer(s): **Gerald Miller**
- (45) Registration Date: **24 May 2010**
- (30) Convention priority data:
(31) Number (32) Date (33) Country
29/316779 29 Oct 2009 UNITED STATES OF AMERICA
- (56) Related Art Documents: **Not Applicable**
- (57) Statement of Newness and Distinctiveness: **Newness and distinctiveness is claimed in the features of shape and/or configuration of an electric generator as illustrated in the accompanying representations.**



(21) Design Number: **11626/2010**

(22) Date of Filing Application: **28 April 2010**

(24) Date from which industrial property rights may have effect: **28 April 2010**

(54) Product in respect of which the design is registered: **Collar for pipes**

(51) International Design Classification: **23-01A**

(71) Name(s) and Address(s) of Applicant(s):

Legris SAS

74 rue de Paris 35000 Rennes France

(72) Name(s) of Designer(s): **Christophe Texier**

(45) Registration Date: **24 May 2010**

(30) Convention priority data:

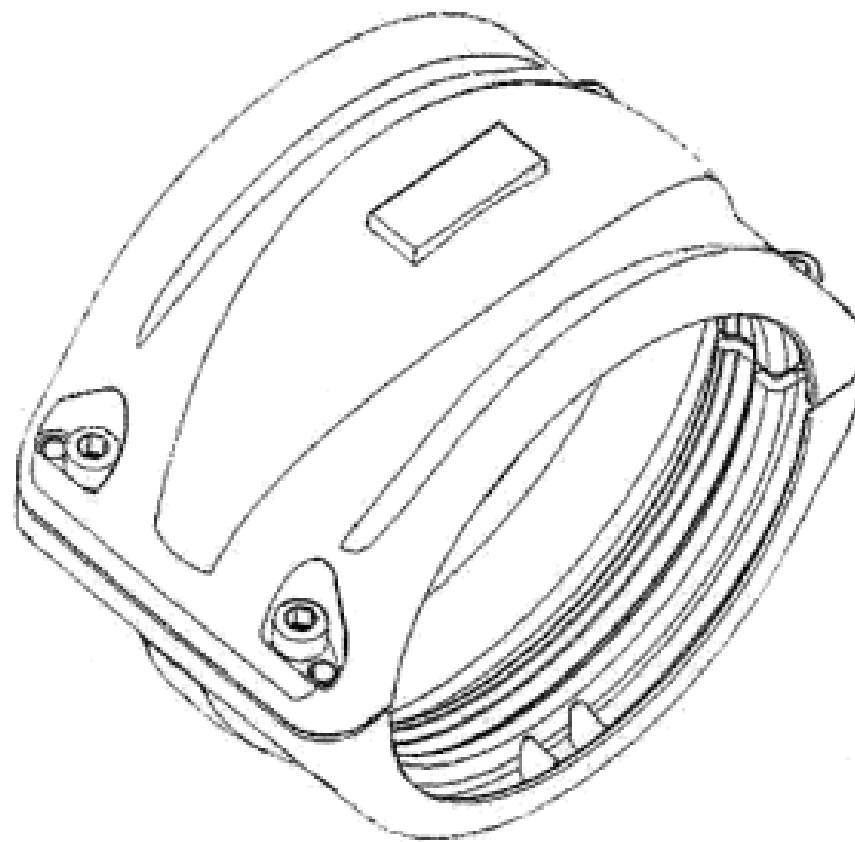
(31) Number
001654476

(32) Date
06 Jan 2010

(33) Country
EUROPEAN COMMUNITY

(56) Related Art Documents: **Not Applicable**

(57) Statement of Newness and Distinctiveness: **Nil**



(21) Design Number: **11627/2010**

(22) Date of Filing Application: **28 April 2010**

(24) Date from which industrial property rights may have effect: **28 April 2010**

(54) Product in respect of which the design is registered: **Luminaire**

(51) International Design Classification: **26-05C**

(71) Name(s) and Address(s) of Applicant(s):

Koninklijke Philips Electronics N.V.

Groenewoudseweg 1 5621 BA Eindhoven The Netherlands

(72) Name(s) of Designer(s): **Stefan Eberle**

(45) Registration Date: **24 May 2010**

(30) Convention priority data:

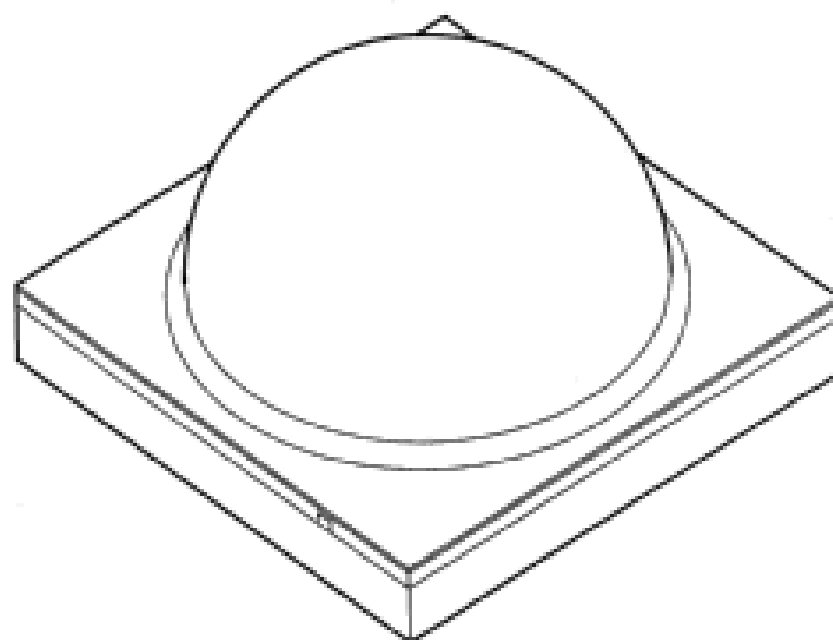
(31) Number
001629593

(32) Date
29 Oct 2009

(33) Country
EUROPEAN COMMUNITY

(56) Related Art Documents: **Not Applicable**

(57) Statement of Newness and Distinctiveness: **Newness and distinctiveness reside in the features of shape and configuration of the design as shown in the representations.**



(21) Design Number: **11628/2010**

(22) Date of Filing Application: **28 April 2010**

(24) Date from which industrial property rights may have effect: **28 April 2010**

(54) Product in respect of which the design is registered: **Mobile phone**

(51) International Design Classification: **14-03E**

(71) Name(s) and Address(s) of Applicant(s):

LG Electronics Inc.

20 Yeouido-dong Yeongdeungpo-gu Seoul 150-721 Republic of Korea

(72) Name(s) of Designer(s): **Sung Lyong Kim**

(45) Registration Date: **24 May 2010**

(30) Convention priority data:

(31) Number

(32) Date

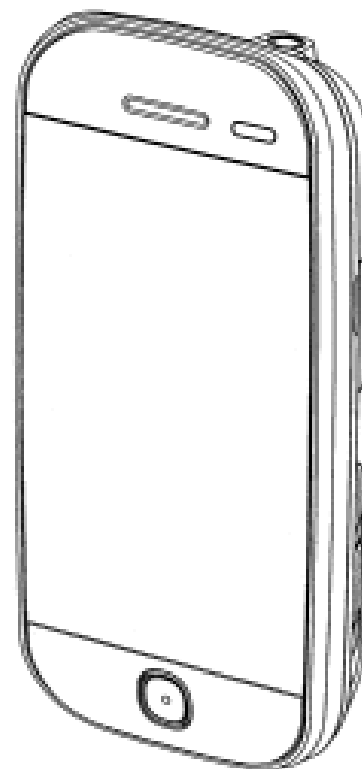
(33) Country

30-2010-003783 28 Jan 2010

REPUBLIC OF KOREA

(56) Related Art Documents: **Not Applicable**

(57) Statement of Newness and Distinctiveness: **Newness and distinctiveness reside in the features of the design as shown in the representations.**



(21) Design Number: **11629/2010**

(22) Date of Filing Application: **28 April 2010**

(24) Date from which industrial property rights may have effect: **28 April 2010**

(54) Product in respect of which the design is registered: **Brick**

(51) International Design Classification: **25-01A**

(71) Name(s) and Address(s) of Applicant(s):

The Austral Brick Company Pty Ltd

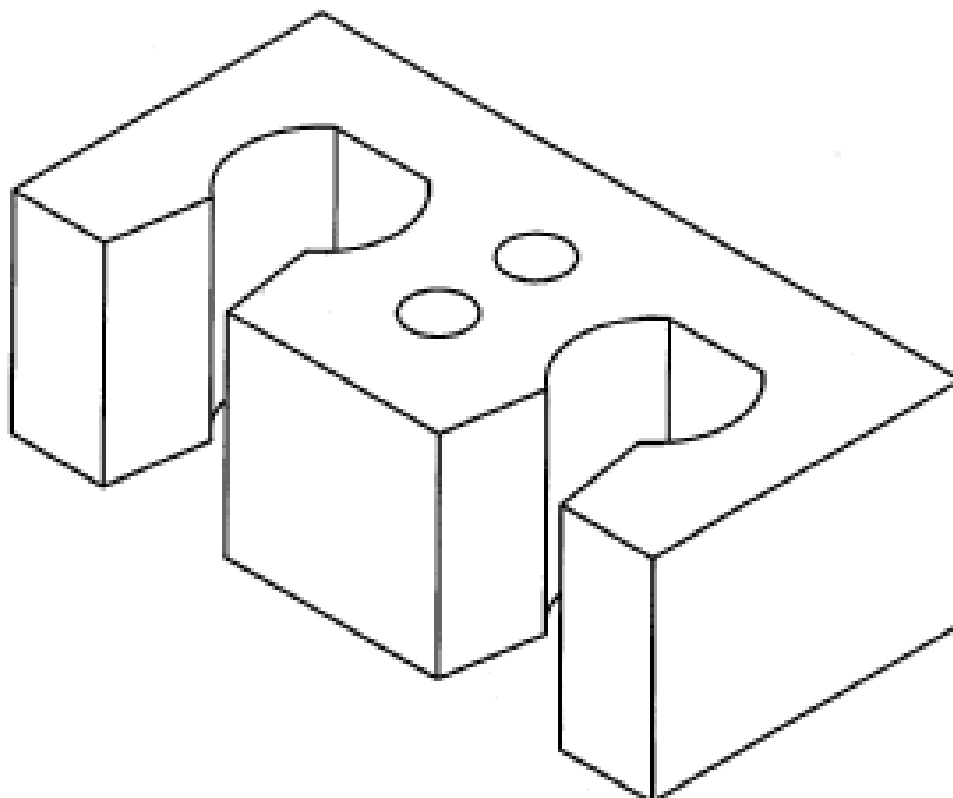
**738-780 Wallgrove Road Horsley Park New South Wales 2175
Australia**

(72) Name(s) of Designer(s): **Catherine Mary Inglis and Stephen Wall**

(45) Registration Date: **24 May 2010**

(56) Related Art Documents: **Not Applicable**

(57) Statement of Newness and Distinctiveness: **Those features of the brick depicted in the representations that are new and distinctive are the shape and/or configuration.**



(21) Design Number: **11630/2010**

(22) Date of Filing Application: **28 April 2010**

(24) Date from which industrial property rights may have effect: **28 April 2010**

(54) Product in respect of which the design is registered: **Brick**

(51) International Design Classification: **25-01A**

(71) Name(s) and Address(s) of Applicant(s):

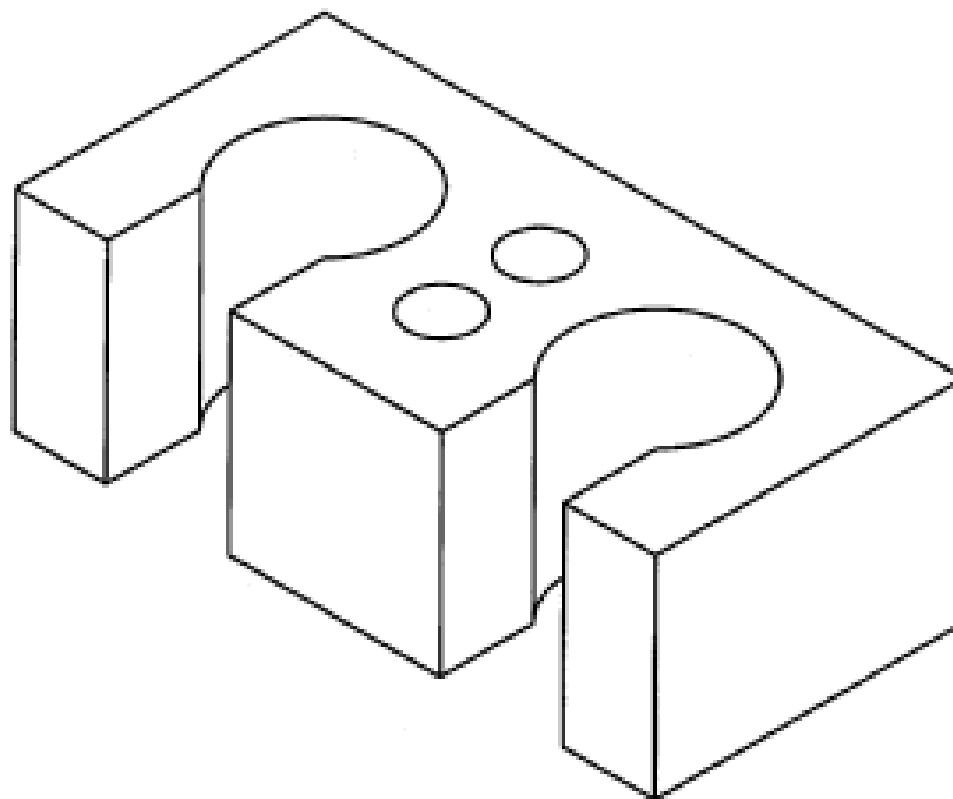
**The Austral Brick Company Pty Ltd
738-780 Wallgrove Road Horsley Park New South Wales 2175
Australia**

(72) Name(s) of Designer(s): **Catherine Mary Inglis and Stephen Wall**

(45) Registration Date: **24 May 2010**

(56) Related Art Documents: **Not Applicable**

(57) Statement of Newness and Distinctiveness: **Those features of the brick depicted in the representations that are new and distinctive are the shape and/or configuration.**



(21) Design Number: **11631/2010**

(22) Date of Filing Application: **28 April 2010**

(24) Date from which industrial property rights may have effect: **28 April 2010**

(54) Product in respect of which the design is registered: **Toothbrush handle**

(51) International Design Classification: **28-03NES**

(71) Name(s) and Address(s) of Applicant(s):

**Braun GmbH
Frankfurter Strasse 145 61476 Kronberg im Taunus Germany**

(72) Name(s) of Designer(s): **Uwe Jungnickel and Wolfgang Stegmann**

(45) Registration Date: **24 May 2010**

(30) Convention priority data:

(31) Number
519782601

(32) Date
03 Nov 2009

(33) Country
**WORLD INTELLECTUAL
PROPERTY ORGANIZATION
(WIPO)**

(56) Related Art Documents: **Not Applicable**

(57) Statement of Newness and Distinctiveness: **Nil**



(21) Design Number: **11632/2010**

(22) Date of Filing Application: **28 April 2010**

(24) Date from which industrial property rights may have effect: **28 April 2010**

(54) Product in respect of which the design is registered: **Toothbrush handle**

(51) International Design Classification: **28-03NES**

(71) Name(s) and Address(s) of Applicant(s):

Braun GmbH
Frankfurter Strasse 145 61476 Kronberg im Taunus Germany

(72) Name(s) of Designer(s): **Uwe Jungnickel and Wolfgang Stegmann**

(45) Registration Date: **24 May 2010**

(30) Convention priority data:

(31) Number	(32) Date	(33) Country
519782601	03 Nov 2009	WORLD INTELLECTUAL PROPERTY ORGANIZATION (WIPO)

(56) Related Art Documents: **Not Applicable**

(57) Statement of Newness and Distinctiveness: **Nil**



(21) Design Number: **11633/2010**

(22) Date of Filing Application: **28 April 2010**

(24) Date from which industrial property rights may have effect: **28 April 2010**

(54) Product in respect of which the design is registered: **Toothbrush**

(51) International Design Classification: **28-03NES**

(71) Name(s) and Address(s) of Applicant(s):

Braun GmbH
Frankfurter Strasse 145 61476 Kronberg im Taunus Germany

(72) Name(s) of Designer(s): **Uwe Jungnickel and Wolfgang Stegmann and
Benedikt Heil**

(45) Registration Date: **24 May 2010**

(30) Convention priority data:

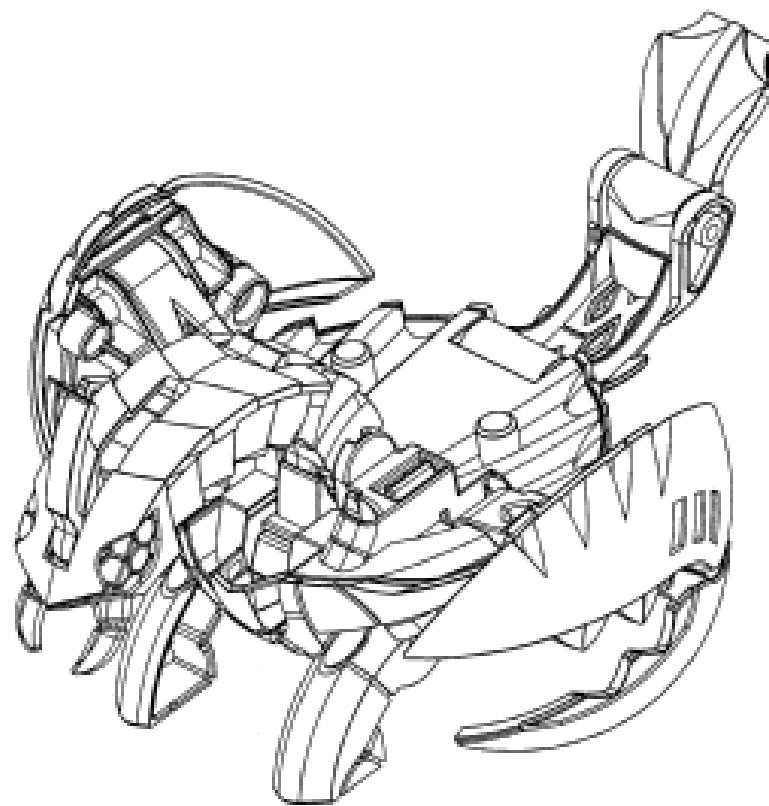
(31) Number	(32) Date	(33) Country
519782601	03 Nov 2009	WORLD INTELLECTUAL PROPERTY ORGANIZATION (WIPO)

(56) Related Art Documents: **Not Applicable**

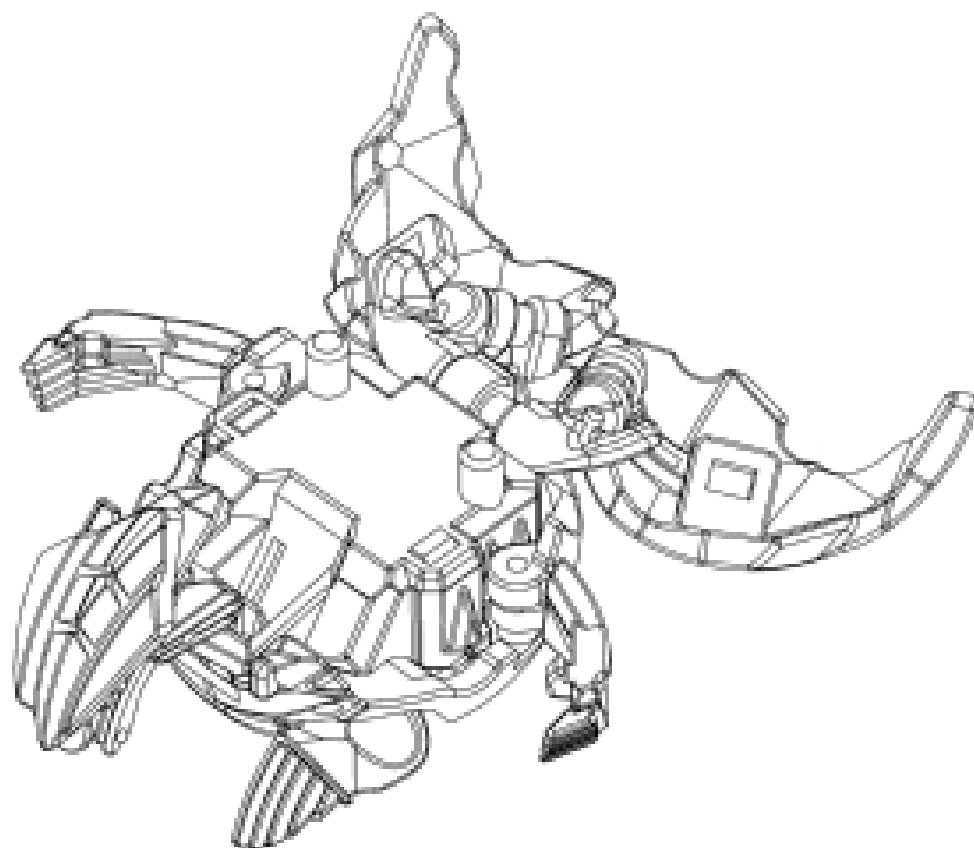
(57) Statement of Newness and Distinctiveness: **Nil**



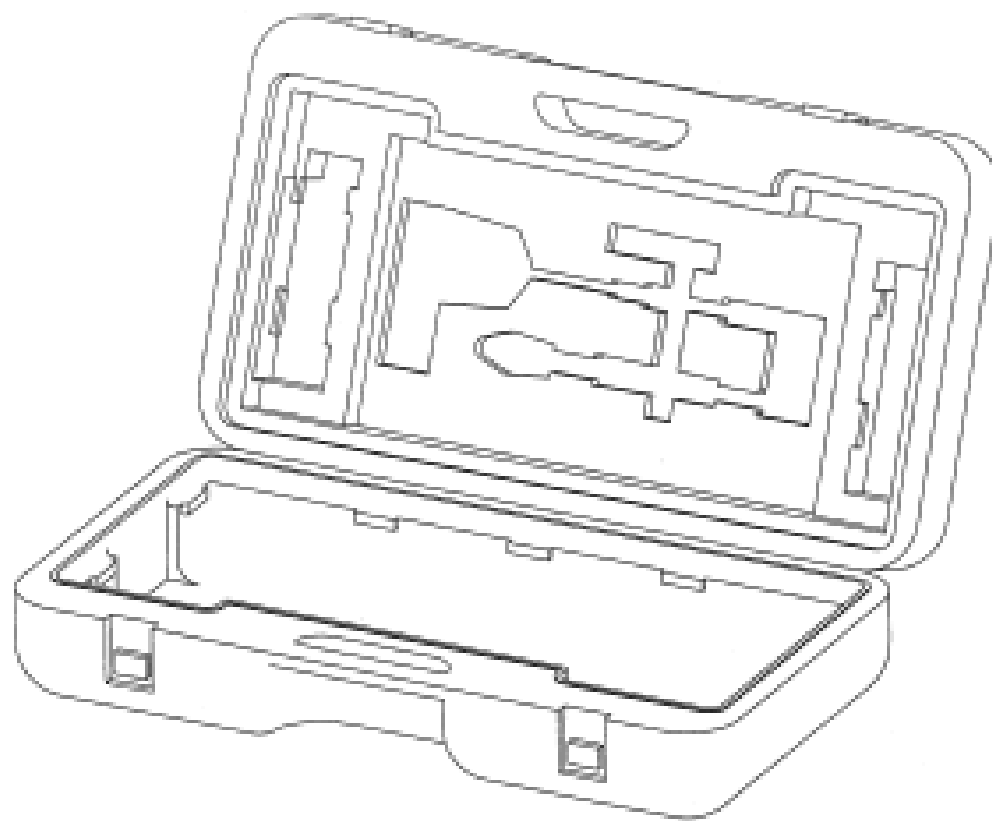
(21) Design Number: **11685/2010**
(22) Date of Filing Application: **30 April 2010**
(24) Date from which industrial property rights may have effect: **30 April 2010**
(54) Product in respect of which the design is registered: **Transformable toy**
(51) International Design Classification: **21-01B**
(71) Name(s) and Address(s) of Applicant(s):
Spin Master Ltd.
450 Front Street West Toronto ON M5V 1B6 Canada
(72) Name(s) of Designer(s): **Kohji Hirose and Richard Keuter and Wataru Sato**
(45) Registration Date: **25 May 2010**
(30) Convention priority data:
(31) Number (32) Date (33) Country
132795 04 Nov 2009 CANADA
(56) Related Art Documents: **Not Applicable**
(57) Statement of Newness and Distinctiveness: **Nil**



(21) Design Number: **11686/2010**
(22) Date of Filing Application: **30 April 2010**
(24) Date from which industrial property rights may have effect: **30 April 2010**
(54) Product in respect of which the design is registered: **Transformable toy**
(51) International Design Classification: **21-01B**
(71) Name(s) and Address(s) of Applicant(s):
Spin Master Ltd.
450 Front Street West Toronto ON M5V 1B6 Canada
(72) Name(s) of Designer(s): **Kohji Hirose and Richard Keuter and Wataru Sato**
(45) Registration Date: **25 May 2010**
(30) Convention priority data:
(31) Number (32) Date (33) Country
132797 04 Nov 2009 CANADA
(56) Related Art Documents: **Not Applicable**
(57) Statement of Newness and Distinctiveness: **Nil**



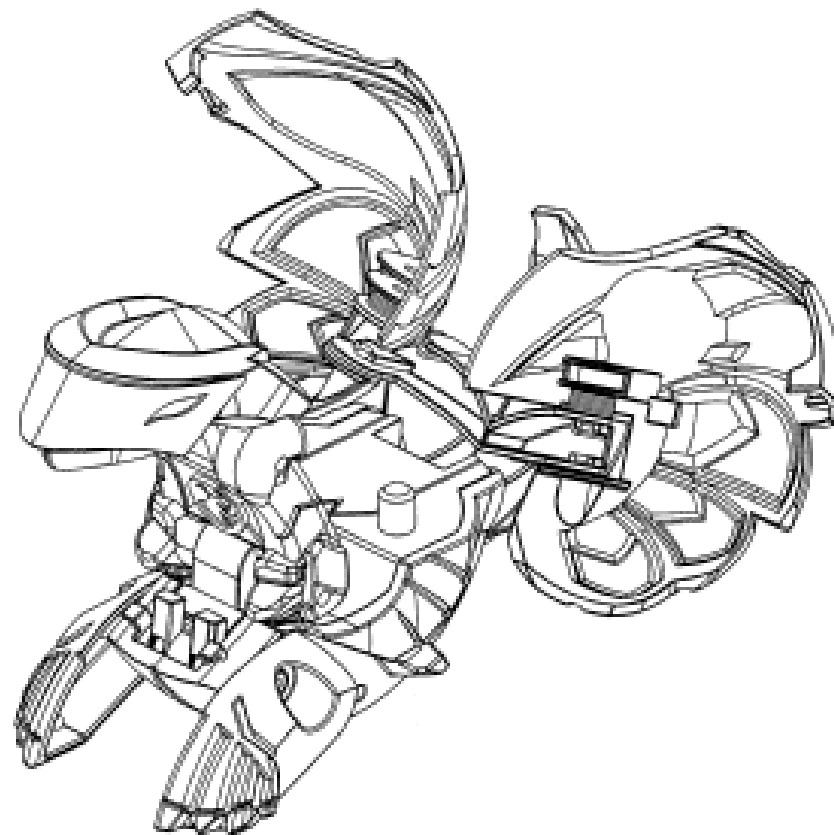
- (21) Design Number: **11687/2010**
(22) Date of Filing Application: **03 May 2010**
(24) Date from which industrial property rights may have effect: **03 May 2010**
(54) Product in respect of which the design is registered: **Case**
(51) International Design Classification: **03-01D**
(71) Name(s) and Address(s) of Applicant(s):
U-Bute International Pty Ltd
35 Greens Road Dandenong Victoria 3175 Australia
(72) Name(s) of Designer(s): **Andrew John Gannell**
(45) Registration Date: **25 May 2010**
(56) Related Art Documents: **Not Applicable**
(57) Statement of Newness and Distinctiveness: **Newness and distinctiveness is claimed in the features and configuration of the design illustrated in the accompanying representations, but excluding the shape of the fastening clips on the outside of the case.**



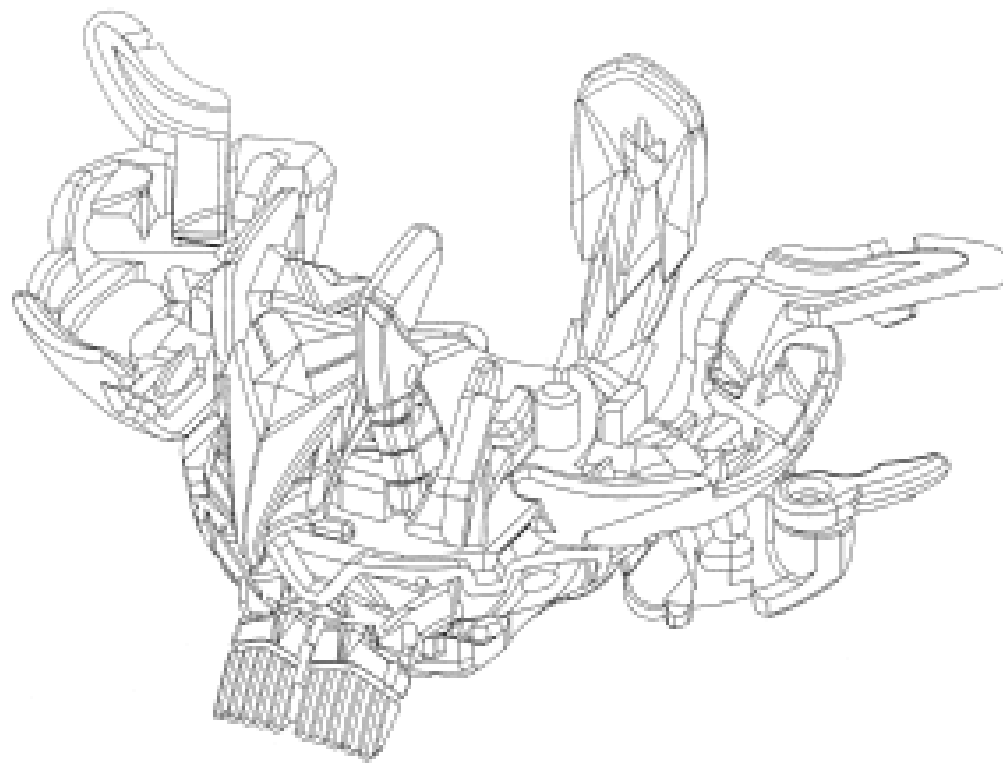
- (21) Design Number: **11688/2010**
(22) Date of Filing Application: **30 April 2010**
(24) Date from which industrial property rights may have effect: **30 April 2010**
(54) Product in respect of which the design is registered: **Transformable toy**
(51) International Design Classification: **21-01B**
(71) Name(s) and Address(s) of Applicant(s):
Spin Master Ltd.
450 Front Street West Toronto ON M5V 1B6 Canada
(72) Name(s) of Designer(s): **Kohji Hirose and Richard Keuter and Wataru Sato**
(45) Registration Date: **25 May 2010**
(30) Convention priority data:

(31) Number	(32) Date	(33) Country
132771	03 Nov 2009	CANADA

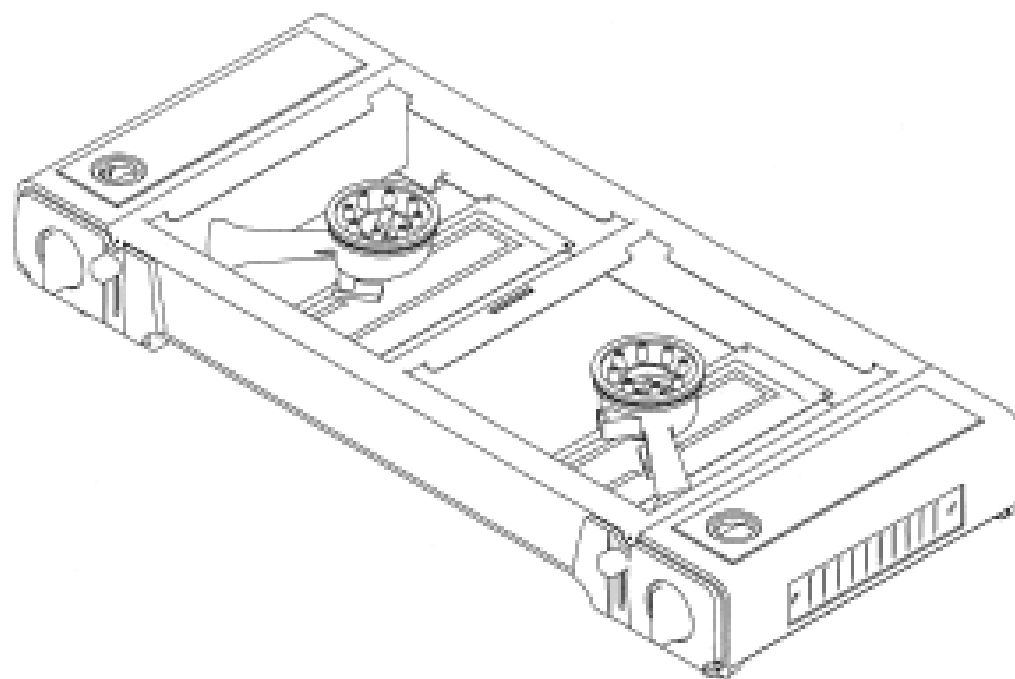
(56) Related Art Documents: **Not Applicable**
(57) Statement of Newness and Distinctiveness: **Nil**



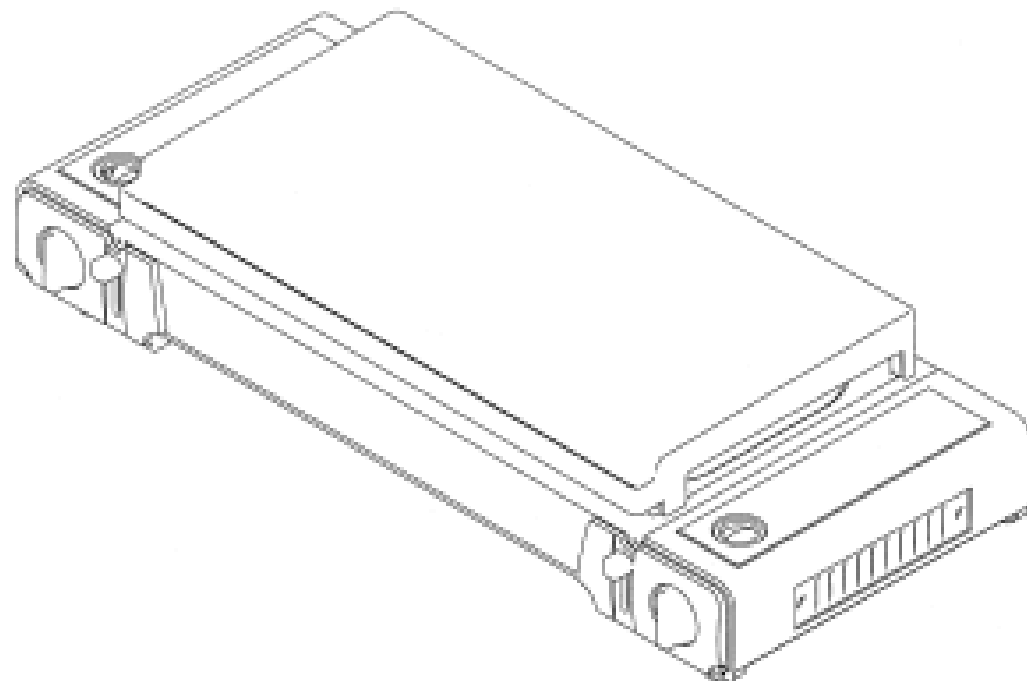
(21) Design Number: **11689/2010**
(22) Date of Filing Application: **30 April 2010**
(24) Date from which industrial property rights may have effect: **30 April 2010**
(54) Product in respect of which the design is registered: **Transformable toy**
(51) International Design Classification: **21-01B**
(71) Name(s) and Address(s) of Applicant(s):
Spin Master Ltd.
450 Front Street West Toronto ON M5V 1B6 Canada
(72) Name(s) of Designer(s): **Kohji Hirose and Richard Keuter and Wataru Sato**
(45) Registration Date: **25 May 2010**
(30) Convention priority data:
(31) Number (32) Date (33) Country
132838 05 Nov 2009 CANADA
(56) Related Art Documents: **Not Applicable**
(57) Statement of Newness and Distinctiveness: **Nil**



(21) Design Number: **11690/2010**
(22) Date of Filing Application: **03 May 2010**
(24) Date from which industrial property rights may have effect: **03 May 2010**
(54) Product in respect of which the design is registered: **Barbeque**
(51) International Design Classification: **07-02E**
(71) Name(s) and Address(s) of Applicant(s):
U-Bute International Pty Ltd
35 Greens Road Dandenong Victoria 3175 Australia
(72) Name(s) of Designer(s): **Andrew John Gannell**
(45) Registration Date: **25 May 2010**
(56) Related Art Documents: **Not Applicable**
(57) Statement of Newness and Distinctiveness: **Nil**



(21) Design Number: **11691/2010**
(22) Date of Filing Application: **03 May 2010**
(24) Date from which industrial property rights may have effect: **03 May 2010**
(54) Product in respect of which the design is registered: **Barbeque with plate**
(51) International Design Classification: **07-02E**
(71) Name(s) and Address(s) of Applicant(s):
U-Bute International Pty Ltd
35 Greens Road Dandenong Victoria 3175 Australia
(72) Name(s) of Designer(s): **Andrew John Gannell**
(45) Registration Date: **25 May 2010**
(56) Related Art Documents: **Not Applicable**
(57) Statement of Newness and Distinctiveness: **Nil**



(21) Design Number: **11692/2010**
(22) Date of Filing Application: **30 April 2010**
(24) Date from which industrial property rights may have effect: **30 April 2010**
(54) Product in respect of which the design is registered: **Transformable toy**
(51) International Design Classification: **21-01B**
(71) Name(s) and Address(s) of Applicant(s):
Spin Master Ltd.
450 Front Street West Toronto ON M5V 1B6 Canada
(72) Name(s) of Designer(s): **Kohji Hirose and Richard Keuter and Wataru Sato**
(45) Registration Date: **25 May 2010**
(30) Convention priority data:

(31) Number	(32) Date	(33) Country
133292	11 Dec 2009	CANADA

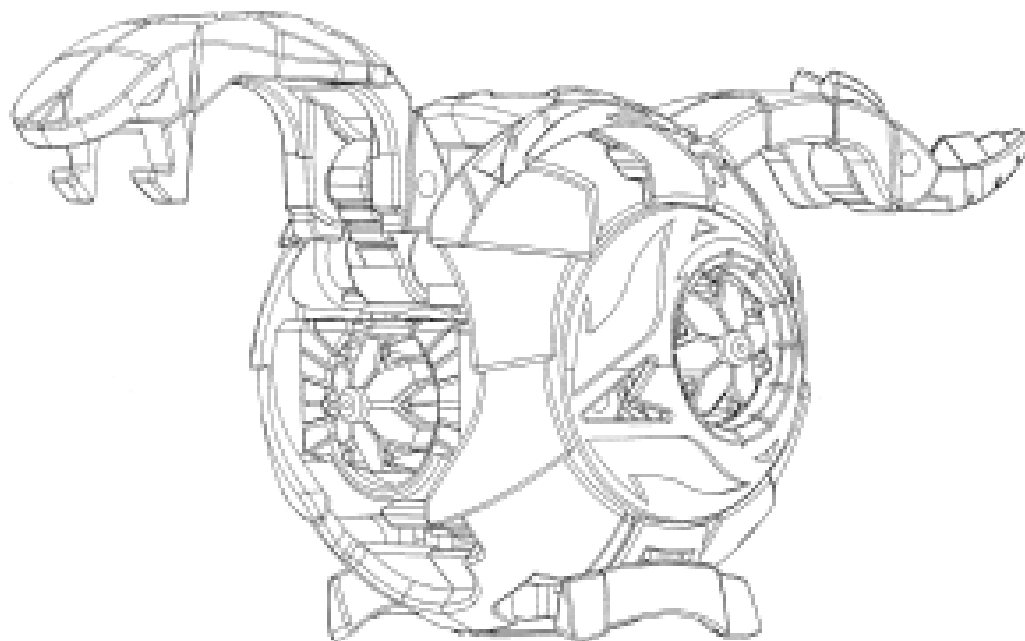
(56) Related Art Documents: **Not Applicable**
(57) Statement of Newness and Distinctiveness: **Nil**



(21) Design Number: **11693/2010**
 (22) Date of Filing Application: **30 April 2010**
 (24) Date from which industrial property rights may have effect: **30 April 2010**
 (54) Product in respect of which the design is registered: **Transformable toy**
 (51) International Design Classification: **21-01B**
 (71) Name(s) and Address(s) of Applicant(s):
Spin Master Ltd.
450 Front Street West Toronto ON M5V 1B6 Canada
 (72) Name(s) of Designer(s): **Kohji Hirose and Richard Keuter and Wataru Sato**
 (45) Registration Date: **25 May 2010**
 (30) Convention priority data:

(31) Number	(32) Date	(33) Country
133199	04 Dec 2009	CANADA

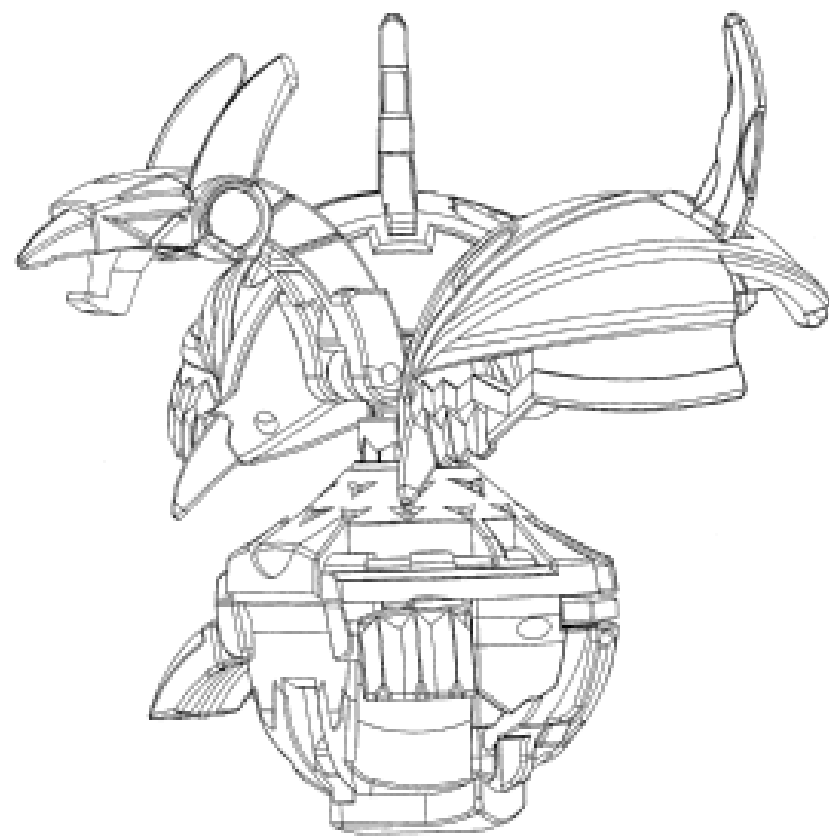
 (56) Related Art Documents: **Not Applicable**
 (57) Statement of Newness and Distinctiveness: **Nil**



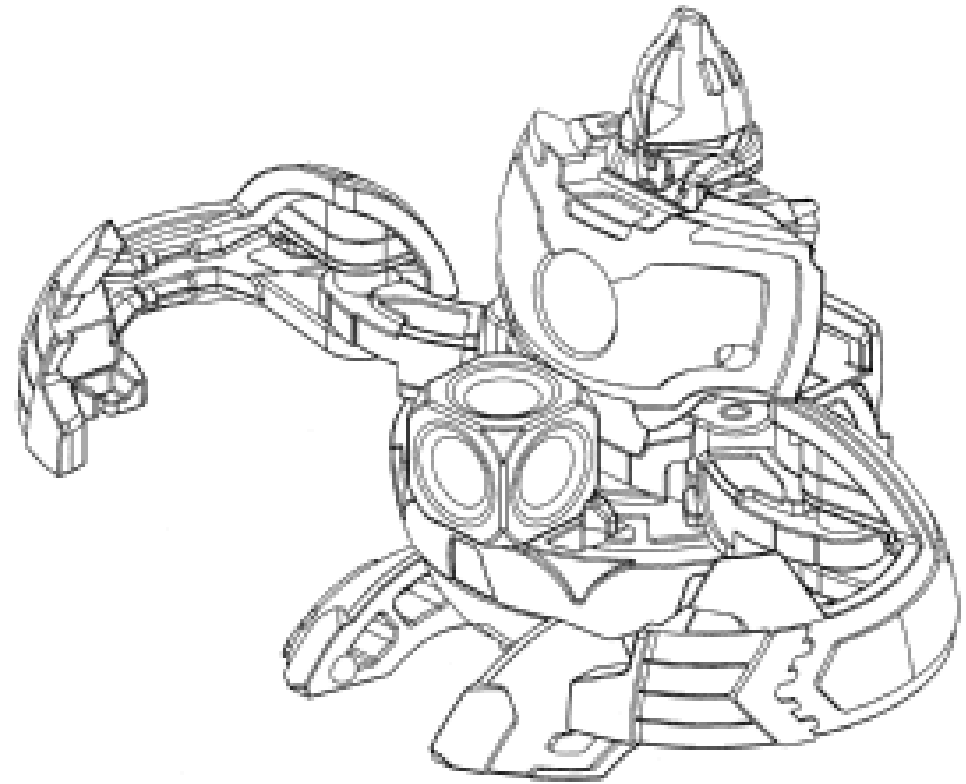
(21) Design Number: **11694/2010**
 (22) Date of Filing Application: **30 April 2010**
 (24) Date from which industrial property rights may have effect: **30 April 2010**
 (54) Product in respect of which the design is registered: **Transformable toy**
 (51) International Design Classification: **21-01B**
 (71) Name(s) and Address(s) of Applicant(s):
Spin Master Ltd.
450 Front Street West Toronto ON M5V 1B6 Canada
 (72) Name(s) of Designer(s): **Kohji Hirose and Richard Keuter and Wataru Sato**
 (45) Registration Date: **25 May 2010**
 (30) Convention priority data:

(31) Number	(32) Date	(33) Country
133294	11 Dec 2009	CANADA

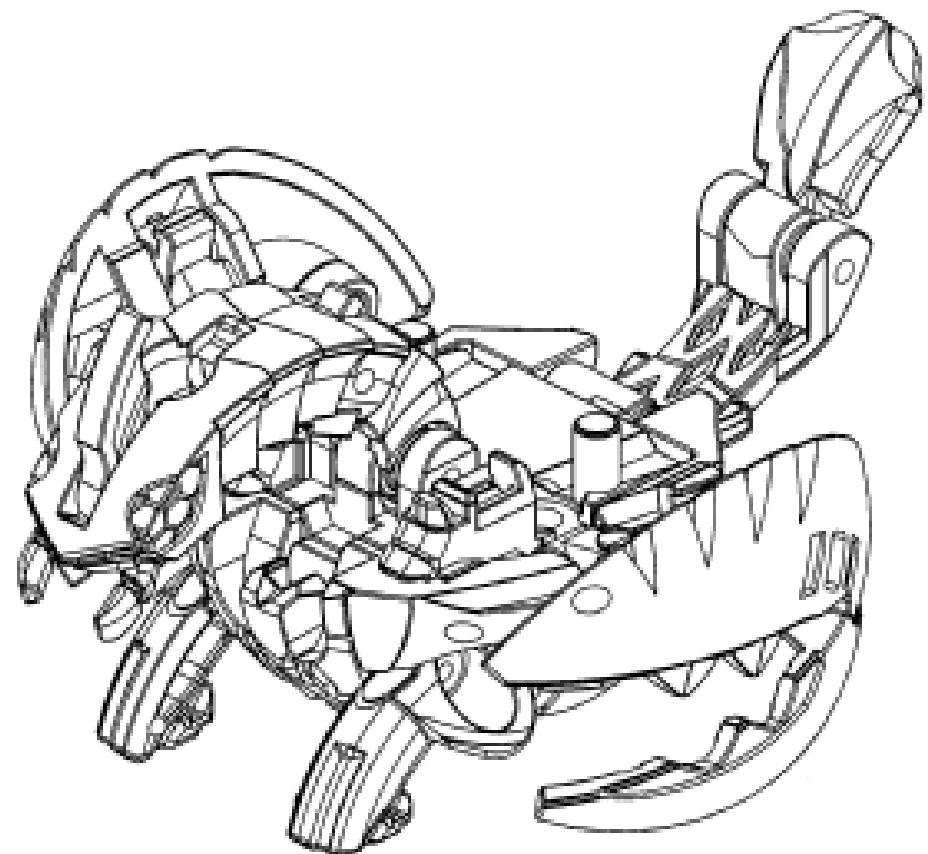
 (56) Related Art Documents: **Not Applicable**
 (57) Statement of Newness and Distinctiveness: **Nil**



(21) Design Number: **11695/2010**
(22) Date of Filing Application: **30 April 2010**
(24) Date from which industrial property rights may have effect: **30 April 2010**
(54) Product in respect of which the design is registered: **Transformable toy**
(51) International Design Classification: **21-01B**
(71) Name(s) and Address(s) of Applicant(s):
Spin Master Ltd.
450 Front Street West Toronto ON M5V 1B6 Canada
(72) Name(s) of Designer(s): **Kohji Hirose and Richard Keuter and Wataru Sato**
(45) Registration Date: **25 May 2010**
(30) Convention priority data:
(31) Number (32) Date (33) Country
133198 04 Dec 2009 CANADA
(56) Related Art Documents: **Not Applicable**
(57) Statement of Newness and Distinctiveness: **Nil**



(21) Design Number: **11696/2010**
(22) Date of Filing Application: **30 April 2010**
(24) Date from which industrial property rights may have effect: **30 April 2010**
(54) Product in respect of which the design is registered: **Transformable toy**
(51) International Design Classification: **21-01B**
(71) Name(s) and Address(s) of Applicant(s):
Spin Master Ltd.
450 Front Street West Toronto ON M5V 1B6 Canada
(72) Name(s) of Designer(s): **Kohji Hirose and Richard Keuter and Wataru Sato**
(45) Registration Date: **25 May 2010**
(30) Convention priority data:
(31) Number (32) Date (33) Country
132796 04 Nov 2009 CANADA
(56) Related Art Documents: **Not Applicable**
(57) Statement of Newness and Distinctiveness: **Nil**



(21) Design Number: **11701/2010**

(22) Date of Filing Application: **03 May 2010**

(24) Date from which industrial property rights may have effect: **03 May 2010**

(54) Product in respect of which the design is registered: **Neck ties**

(51) International Design Classification: **02-05**

(71) Name(s) and Address(s) of Applicant(s):

Roger Thyvane Ouk

46 Palmerston Street Carlton Victoria 3053 Australia

(72) Name(s) of Designer(s): **Roger Thyvane Ouk**

(45) Registration Date: **25 May 2010**

(56) Related Art Documents: **Not Applicable**

(57) Statement of Newness and Distinctiveness: **Neck ties made with perforated leather.**



(21) Design Number: **11700/2010**

(22) Date of Filing Application: **03 May 2010**

(24) Date from which industrial property rights may have effect: **03 May 2010**

(54) Product in respect of which the design is registered: **Neck ties**

(51) International Design Classification: **02-05**

(71) Name(s) and Address(s) of Applicant(s):

Roger Thyvane Ouk

46 Palmerston Street Carlton Victoria 3053 Australia

(72) Name(s) of Designer(s): **Roger Thyvane Ouk**

(45) Registration Date: **25 May 2010**

(56) Related Art Documents: **Not Applicable**

(57) Statement of Newness and Distinctiveness: **Neck ties with beading and/or semi precious and precious stones.**



(21) Design Number: **11702/2010**

(22) Date of Filing Application: **03 May 2010**

(24) Date from which industrial property rights may have effect: **03 May 2010**

(54) Product in respect of which the design is registered: **Neck ties**

(51) International Design Classification: **02-05**

(71) Name(s) and Address(s) of Applicant(s):

Roger Thyvane Ouk
46 Palmerston Street Carlton Victoria 3053 Australia

(72) Name(s) of Designer(s): **Roger Thyvane Ouk**

(45) Registration Date: **25 May 2010**

(56) Related Art Documents: **Not Applicable**

(57) Statement of Newness and Distinctiveness: **Neck ties made using lace and/or lace like overlay.**



(21) Design Number: **11707/2010**

(22) Date of Filing Application: **29 April 2010**

(24) Date from which industrial property rights may have effect: **29 April 2010**

(54) Product in respect of which the design is registered: **Elongate engineered timber product**

(51) International Design Classification: **25-01D**

(71) Name(s) and Address(s) of Applicant(s):

Wood Engineering Technology Limited
80 Hastie Avenue Mangerc Bridge Auckland New Zealand

(72) Name(s) of Designer(s): **Warwick Bosson and Roger Harrison**

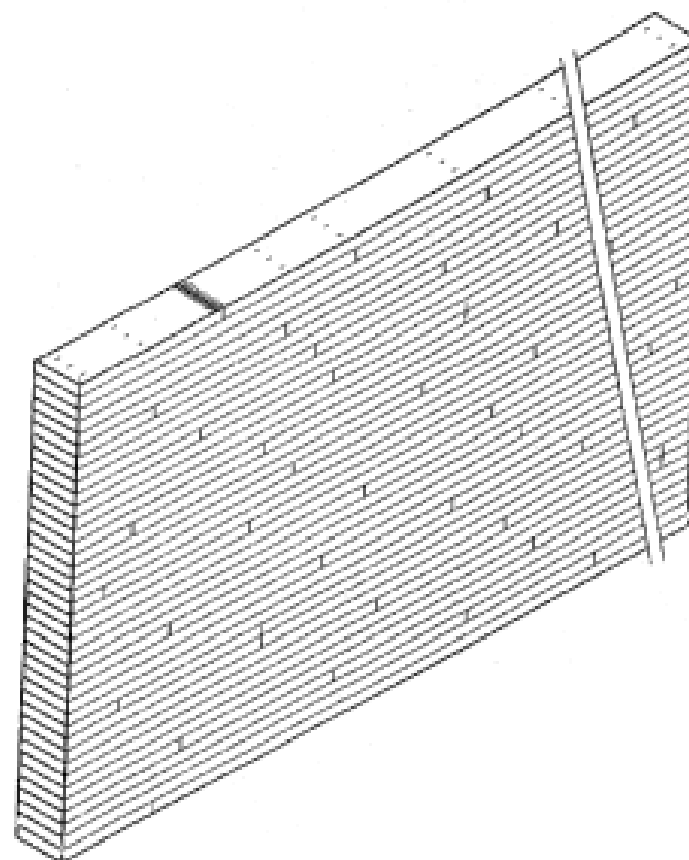
(45) Registration Date: **25 May 2010**

(30) Convention priority data:

(31) Number	(32) Date	(33) Country
413000	25 Nov 2009	NEW ZEALAND

(56) Related Art Documents: **Not Applicable**

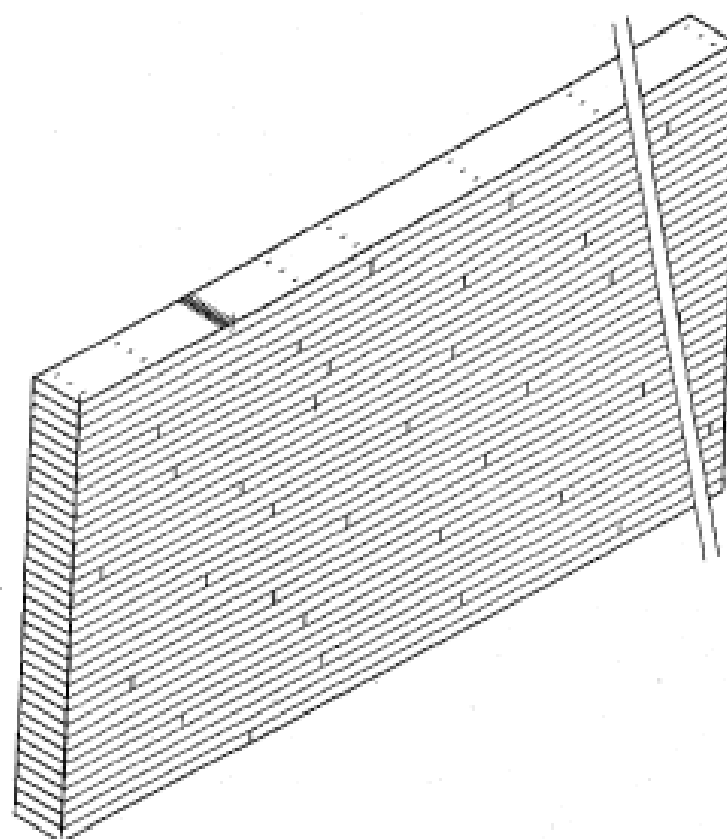
(57) Statement of Newness and Distinctiveness: **The novelty resides in the features of pattern and/or ornament arising from the series of transversely sets of markings spaced across at least one face of an outside engineered lamina as shown of the elongate engineered timber product shown in the representations. The product can be of any length. No novelty is claimed in the number of markings of each set of markings provided some are at least of three, and nor in respect of the consistency of the spacing of the transverse sets of such markings along the length of the product. The appearance of the product can include finger joint appearance features but no novelty resides where, of an individual engineered lamina, any finger joint features appear.**



- (21) Design Number: **11708/2010**
- (22) Date of Filing Application: **29 April 2010**
- (24) Date from which industrial property rights may have effect: **29 April 2010**
- (54) Product in respect of which the design is registered: **Elongate engineered timber product**
- (51) International Design Classification: **25-01D**
- (71) Name(s) and Address(s) of Applicant(s):
Wood Engineering Technology Limited
80 Hastie Avenue Mangerc Bridge Auckland New Zealand
- (72) Name(s) of Designer(s): **Warwick Bosson and Roger Harrison**
- (45) Registration Date: **25 May 2010**
- (30) Convention priority data:

(31) Number	(32) Date	(33) Country
413000	25 Nov 2009	NEW ZEALAND

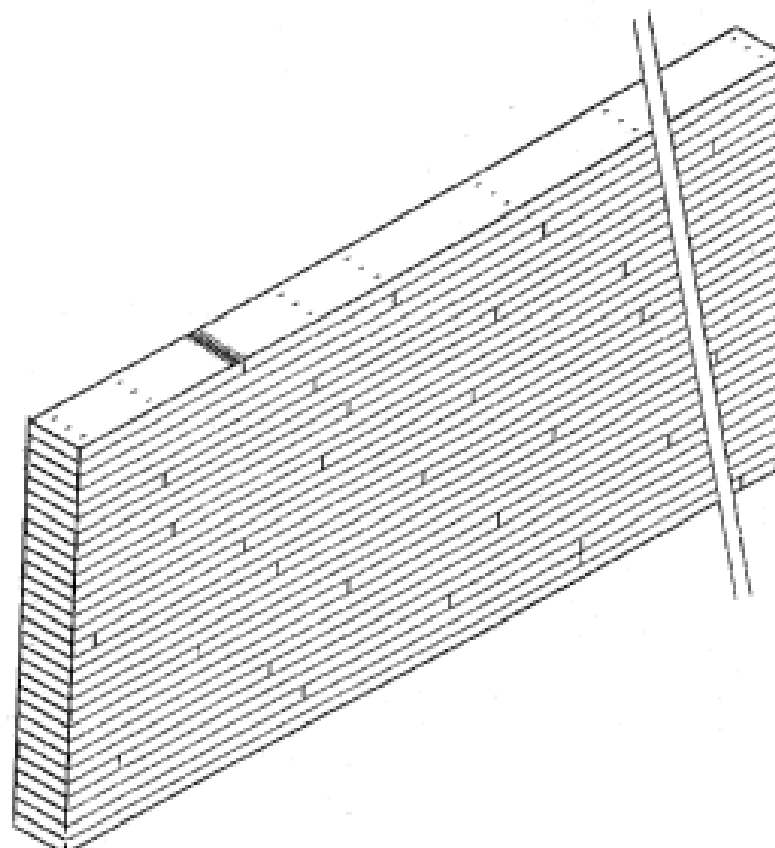
- (56) Related Art Documents: **Not Applicable**
- (57) Statement of Newness and Distinctiveness: **The novelty resides in the features of pattern and/or ornament arising from the series of transversely sets of markings spaced across at least one face of an outside engineered lamina as shown of the elongate engineered timber product shown in the representations. The product can be of any length. No novelty is claimed in the number of markings of each set of markings provided some are at least of three, and nor in respect of the consistency of the spacing of the transverse sets of such markings along the length of the product. The appearance of the product can include finger joint appearance features but no novelty resides where, of an individual engineered lamina, any finger joint features appear.**



- (21) Design Number: **11709/2010**
- (22) Date of Filing Application: **29 April 2010**
- (24) Date from which industrial property rights may have effect: **29 April 2010**
- (54) Product in respect of which the design is registered: **Elongate engineered timber product**
- (51) International Design Classification: **25-01D**
- (71) Name(s) and Address(s) of Applicant(s):
Wood Engineering Technology Limited
80 Hastie Avenue Mangerc Bridge Auckland New Zealand
- (72) Name(s) of Designer(s): **Warwick Bosson and Roger Harrison**
- (45) Registration Date: **25 May 2010**
- (30) Convention priority data:

(31) Number	(32) Date	(33) Country
413000	25 Nov 2009	NEW ZEALAND

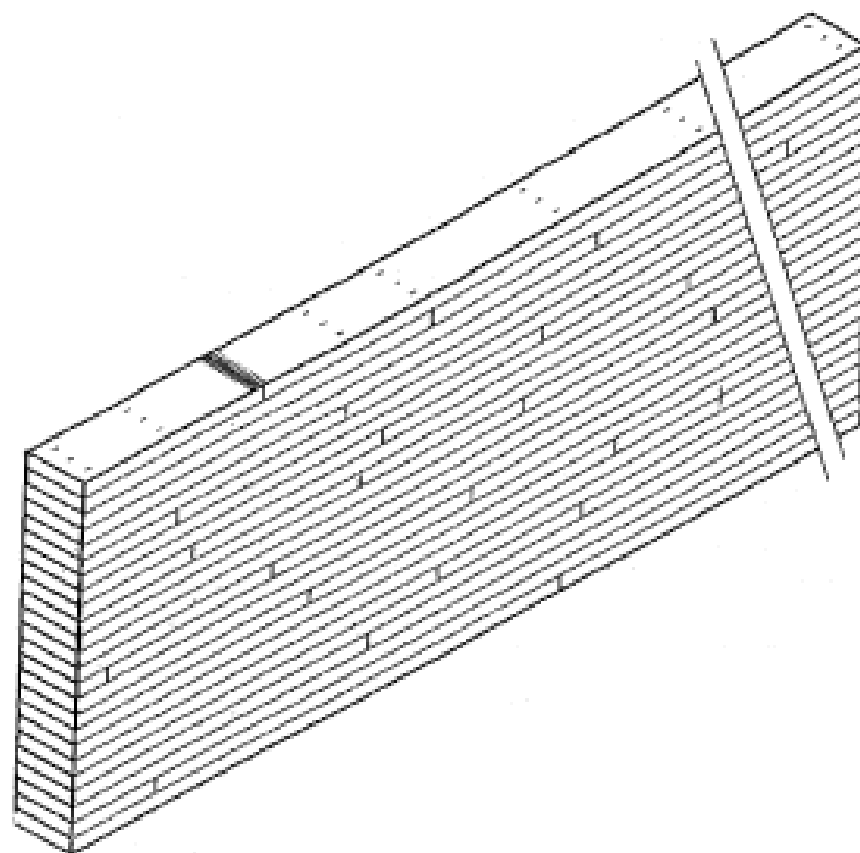
- (56) Related Art Documents: **Not Applicable**
- (57) Statement of Newness and Distinctiveness: **The novelty resides in the features of pattern and/or ornament arising from the series of transversely sets of markings spaced across at least one face of an outside engineered lamina as shown of the elongate engineered timber product shown in the representations. The product can be of any length. No novelty is claimed in the number of markings of each set of markings provided some are at least of three, and nor in respect of the consistency of the spacing of the transverse sets of such markings along the length of the product. The appearance of the product can include finger joint appearance features but no novelty resides where, of an individual engineered lamina, any finger joint features appear.**



- (21) Design Number: **11710/2010**
- (22) Date of Filing Application: **29 April 2010**
- (24) Date from which industrial property rights may have effect: **29 April 2010**
- (54) Product in respect of which the design is registered: **Elongate engineered timber product**
- (51) International Design Classification: **25-01D**
- (71) Name(s) and Address(s) of Applicant(s):
Wood Engineering Technology Limited
80 Hastie Avenue Mangerc Bridge Auckland New Zealand
- (72) Name(s) of Designer(s): **Warwick Bosson and Roger Harrison**
- (45) Registration Date: **25 May 2010**
- (30) Convention priority data:

(31) Number	(32) Date	(33) Country
413000	25 Nov 2009	NEW ZEALAND

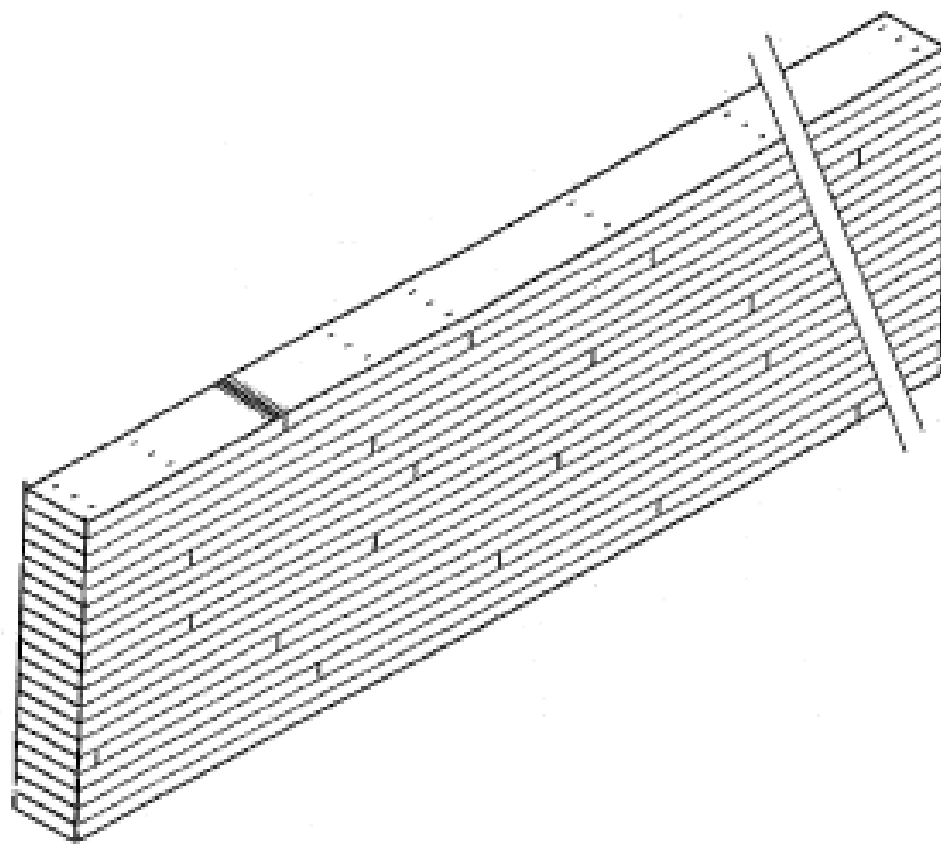
- (56) Related Art Documents: **Not Applicable**
- (57) Statement of Newness and Distinctiveness: **The novelty resides in the features of pattern and/or ornament arising from the series of transversely sets of markings spaced across at least one face of an outside engineered lamina as shown of the elongate engineered timber product shown in the representations. The product can be of any length. No novelty is claimed in the number of markings of each set of markings provided some are at least of three, and nor in respect of the consistency of the spacing of the transverse sets of such markings along the length of the product. The appearance of the product can include finger joint appearance features but no novelty resides where, of an individual engineered lamina, any finger joint features appear.**



- (21) Design Number: **11711/2010**
- (22) Date of Filing Application: **29 April 2010**
- (24) Date from which industrial property rights may have effect: **29 April 2010**
- (54) Product in respect of which the design is registered: **Elongate engineered timber product**
- (51) International Design Classification: **25-01D**
- (71) Name(s) and Address(s) of Applicant(s):
Wood Engineering Technology Limited
80 Hastie Avenue Mangerc Bridge Auckland New Zealand
- (72) Name(s) of Designer(s): **Warwick Bosson and Roger Harrison**
- (45) Registration Date: **25 May 2010**
- (30) Convention priority data:

(31) Number	(32) Date	(33) Country
413000	25 Nov 2009	NEW ZEALAND

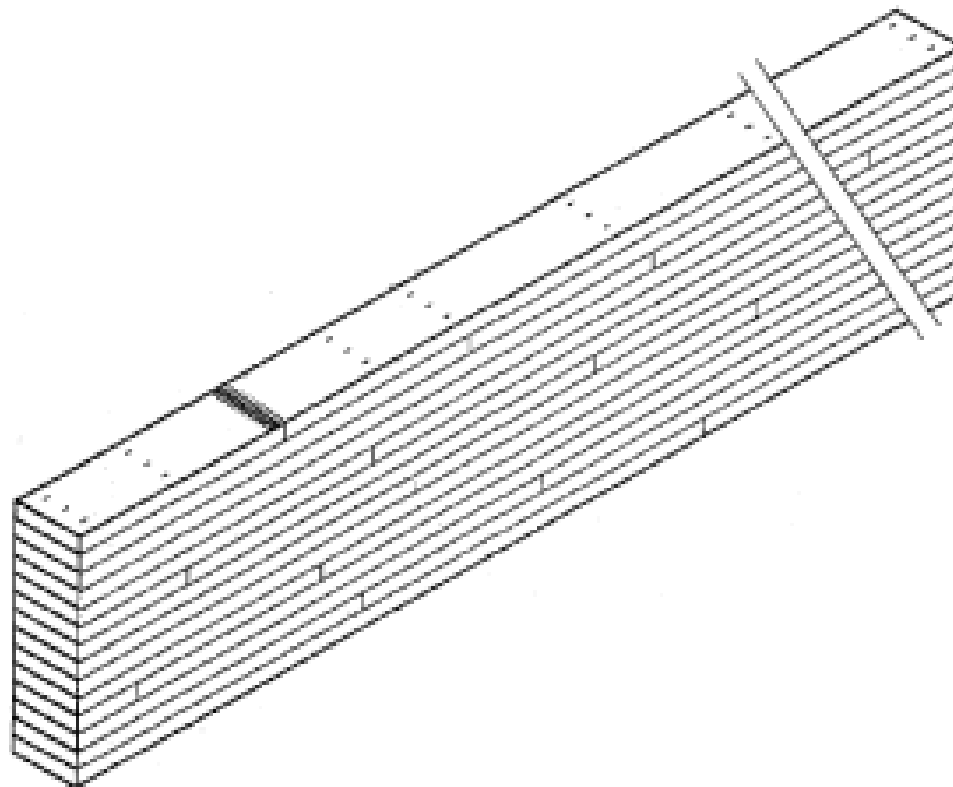
- (56) Related Art Documents: **Not Applicable**
- (57) Statement of Newness and Distinctiveness: **The novelty resides in the features of pattern and/or ornament arising from the series of transversely sets of markings spaced across at least one face of an outside engineered lamina as shown of the elongate engineered timber product shown in the representations. The product can be of any length. No novelty is claimed in the number of markings of each set of markings provided some are at least of three, and nor in respect of the consistency of the spacing of the transverse sets of such markings along the length of the product. The appearance of the product can include finger joint appearance features but no novelty resides where, of an individual engineered lamina, any finger joint features appear.**



- (21) Design Number: **11712/2010**
- (22) Date of Filing Application: **29 April 2010**
- (24) Date from which industrial property rights may have effect: **29 April 2010**
- (54) Product in respect of which the design is registered: **Elongate engineered timber product**
- (51) International Design Classification: **25-01D**
- (71) Name(s) and Address(s) of Applicant(s):
Wood Engineering Technology Limited
80 Hastie Avenue Mangerc Bridge Auckland New Zealand
- (72) Name(s) of Designer(s): **Warwick Bosson and Roger Harrison**
- (45) Registration Date: **25 May 2010**
- (30) Convention priority data:

(31) Number	(32) Date	(33) Country
413000	25 Nov 2009	NEW ZEALAND

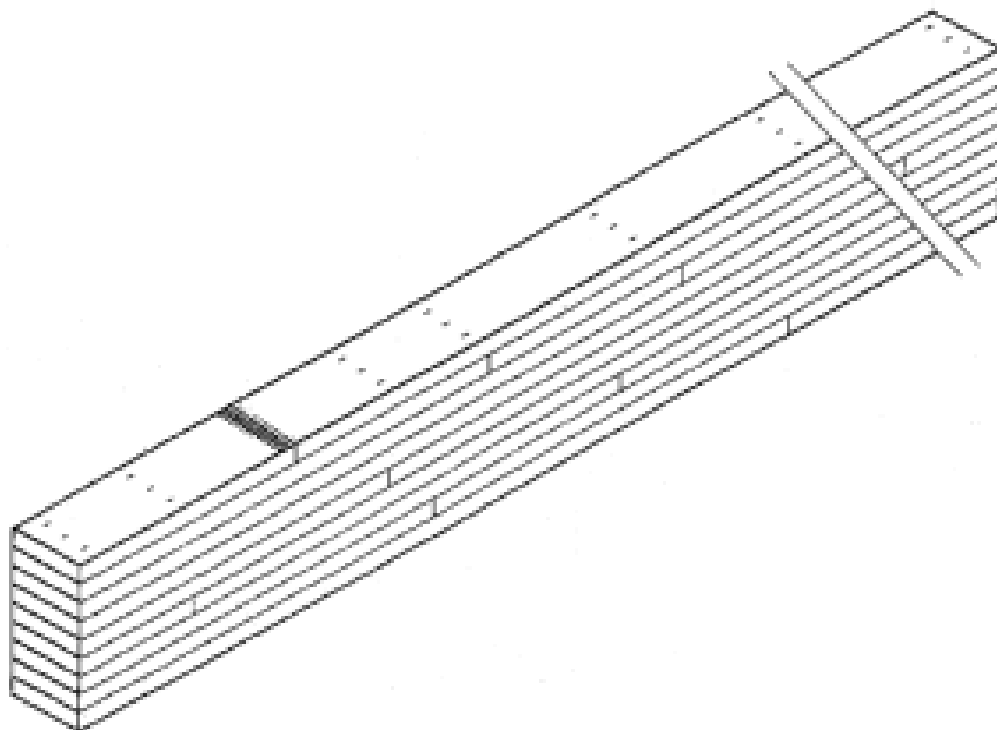
- (56) Related Art Documents: **Not Applicable**
- (57) Statement of Newness and Distinctiveness: **The novelty resides in the features of pattern and/or ornament arising from the series of transversely sets of markings spaced across at least one face of an outside engineered lamina as shown of the elongate engineered timber product shown in the representations. The product can be of any length. No novelty is claimed in the number of markings of each set of markings provided some are at least of three, and nor in respect of the consistency of the spacing of the transverse sets of such markings along the length of the product. The appearance of the product can include finger joint appearance features but no novelty resides where, of an individual engineered lamina, any finger joint features appear.**



- (21) Design Number: **11713/2010**
- (22) Date of Filing Application: **29 April 2010**
- (24) Date from which industrial property rights may have effect: **29 April 2010**
- (54) Product in respect of which the design is registered: **Elongate engineered timber product**
- (51) International Design Classification: **25-01D**
- (71) Name(s) and Address(s) of Applicant(s):
Wood Engineering Technology Limited
80 Hastie Avenue Mangerc Bridge Auckland New Zealand
- (72) Name(s) of Designer(s): **Warwick Bosson and Roger Harrison**
- (45) Registration Date: **25 May 2010**
- (30) Convention priority data:

(31) Number	(32) Date	(33) Country
413000	25 Nov 2009	NEW ZEALAND

- (56) Related Art Documents: **Not Applicable**
- (57) Statement of Newness and Distinctiveness: **The novelty resides in the features of pattern and/or ornament arising from the series of transversely sets of markings spaced across at least one face of an outside engineered lamina as shown of the elongate engineered timber product shown in the representations. The product can be of any length. No novelty is claimed in the number of markings of each set of markings provided some are at least of three, and nor in respect of the consistency of the spacing of the transverse sets of such markings along the length of the product. The appearance of the product can include finger joint appearance features but no novelty resides where, of an individual engineered lamina, any finger joint features appear.**



(21) Design Number: **10696/2010**

(22) Date of Filing Application: **01 March 2010**

(24) Date from which industrial property rights may have effect: **01 March 2010**

(54) Product in respect of which the design is registered: **Bottle design**

(51) International Design Classification: **09-01B**

(71) Name(s) and Address(s) of Applicant(s):

Stillhouse LLC
8455 Beverly Boulevard Los Angeles 90048 California United States of America

(72) Name(s) of Designer(s): **Brad Beckerman**

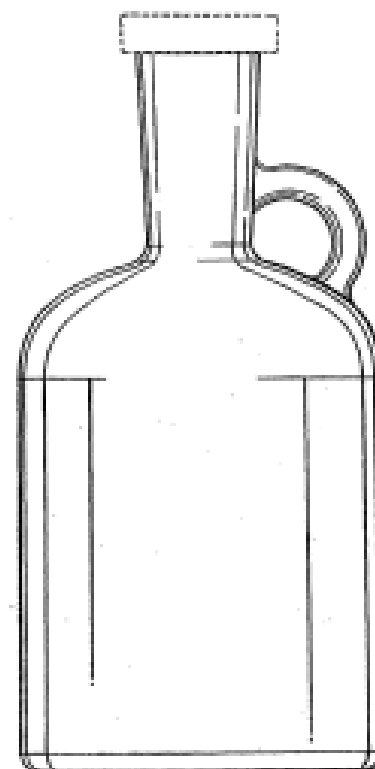
(45) Registration Date: **25 May 2010**

(30) Convention priority data:

(31) Number	(32) Date	(33) Country
29/342804	01 Sep 2009	UNITED STATES OF AMERICA

(56) Related Art Documents: **Not Applicable**

(57) Statement of Newness and Distinctiveness: **In determining the scope of the monopoly, the lines inside the bottle figure are intended to indicate contour and shading of the bottle only. Additionally, the features of shape and configuration identified using broken lines in Figures 1 to 4 are to be disregarded.**



(21) Design Number: **11359/2010**

(22) Date of Filing Application: **14 April 2010**

(24) Date from which industrial property rights may have effect: **14 April 2010**

(54) Product in respect of which the design is registered: **Chair**

(51) International Design Classification: **06-01L**

(71) Name(s) and Address(s) of Applicant(s):

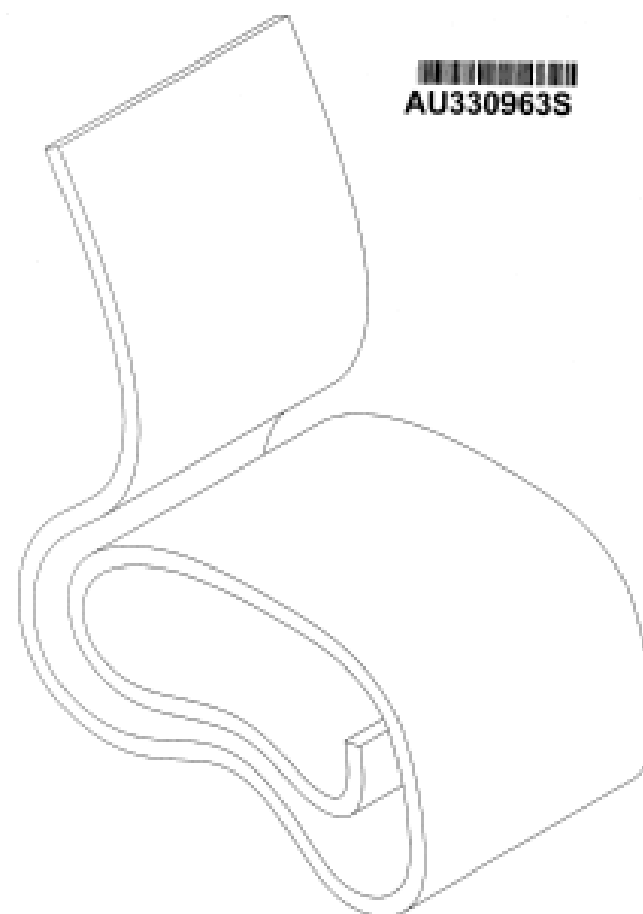
Tichatonga Nhundu
420A Wanneroo Road Westminister Perth Western Australia 6061 Australia

(72) Name(s) of Designer(s): **Tichatonga Josphat Nhundu**

(45) Registration Date: **25 May 2010**

(56) Related Art Documents: **Not Applicable**

(57) Statement of Newness and Distinctiveness: **It has a very distinctive springy look with a whirl type visual appeal.**



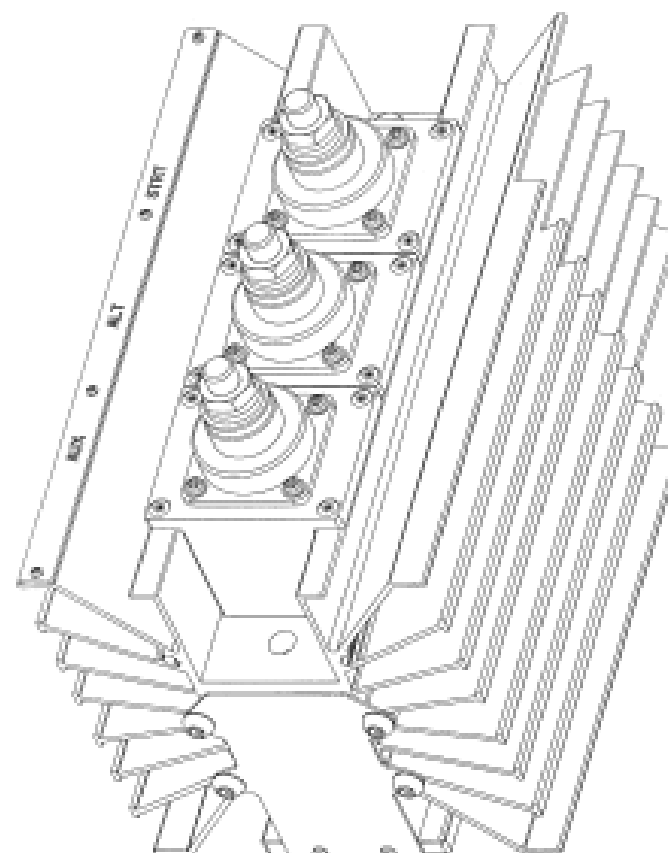
- (21) Design Number: **11613/2010**
- (22) Date of Filing Application: **06 April 2010**
- (24) Date from which industrial property rights may have effect: **06 April 2010**
- (54) Product in respect of which the design is registered: **A tyre**
- (51) International Design Classification: **12-15A**
- (71) Name(s) and Address(s) of Applicant(s):
Michelin Recherche et Technique SA
Route Louis Braille 10 et 12 CH-1763 Granges-Paccot Switzerland
Societe De Technologie Michelin
23 rue Breschet F-63000 Clermont-Ferrand Cedex France
- (72) Name(s) of Designer(s): **Jason P Carter and Joseph A. Stain and Paul Phillip Grosskopf**
- (45) Registration Date: **25 May 2010**
- (30) Convention priority data:

(31) Number	(32) Date	(33) Country
29/344,960	07 Oct 2009	UNITED STATES OF AMERICA
- (56) Related Art Documents: **Not Applicable**
- (57) Statement of Newness and Distinctiveness: **Newness and distinctiveness resides in the appearance of the tread pattern region of the tyre which repeats circumferentially throughout the outer circumference and shoulder of the tyre, the side walls of the tyre form no part of the design and are disclaimed hereby.**



- (21) Design Number: **11623/2010**
- (22) Date of Filing Application: **28 April 2010**
- (24) Date from which industrial property rights may have effect: **28 April 2010**
- (54) Product in respect of which the design is registered: **Battery isolator device**
- (51) International Design Classification: **13-02**
- (71) Name(s) and Address(s) of Applicant(s):
C.E. Niehoff & Co.
2021 Lee Street Evanston Illinois 60202 United States of America
- (72) Name(s) of Designer(s): **Ciaran Patterson**
- (45) Registration Date: **25 May 2010**
- (30) Convention priority data:

(31) Number	(32) Date	(33) Country
29/316778	29 Oct 2009	UNITED STATES OF AMERICA
- (56) Related Art Documents: **Not Applicable**
- (57) Statement of Newness and Distinctiveness: **Newness and distinctiveness is claimed in the features of shape and/or configuration of a battery isolator device as illustrated in the accompanying representations.**



- (21) Design Number: **14554/2009**
(22) Date of Filing Application: **20 November 2009**
(24) Date from which industrial property rights may have effect: **20 November 2009**
(54) Product in respect of which the design is registered: **Food cabinet**
(51) International Design Classification: **06-03NES**
(71) Name(s) and Address(s) of Applicant(s):

Alan Nuttall Limited
Orchard House Dodwells Road Hinckley Leicestershire LE10 3BZ
United Kingdom

(72) Name(s) of Designer(s): **Lee Martin**

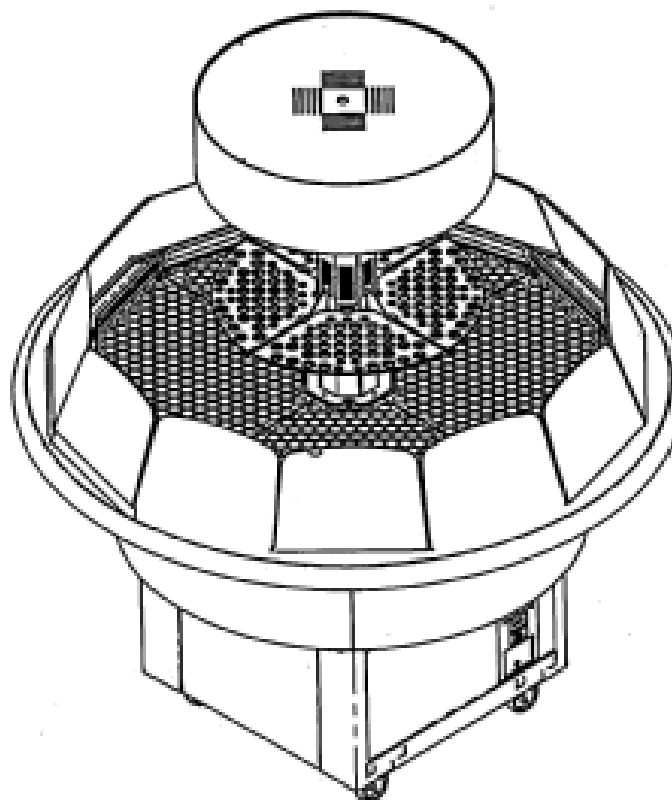
(45) Registration Date: **25 May 2010**

(30) Convention priority data:

(31) Number	(32) Date	(33) Country
001172548	16 Oct 2009	EUROPEAN COMMUNITY

(56) Related Art Documents: **Not Applicable**

(57) Statement of Newness and Distinctiveness: **Those features of the food cabinet depicted in the representations that are new and distinctive are the shape and/or configuration.**



- (21) Design Number: **10758/2010**
(22) Date of Filing Application: **08 March 2010**
(24) Date from which industrial property rights may have effect: **08 March 2010**
(54) Product in respect of which the design is registered: **Frame for glass/solar panel(s)**
(51) International Design Classification: **23-03D**
(71) Name(s) and Address(s) of Applicant(s):

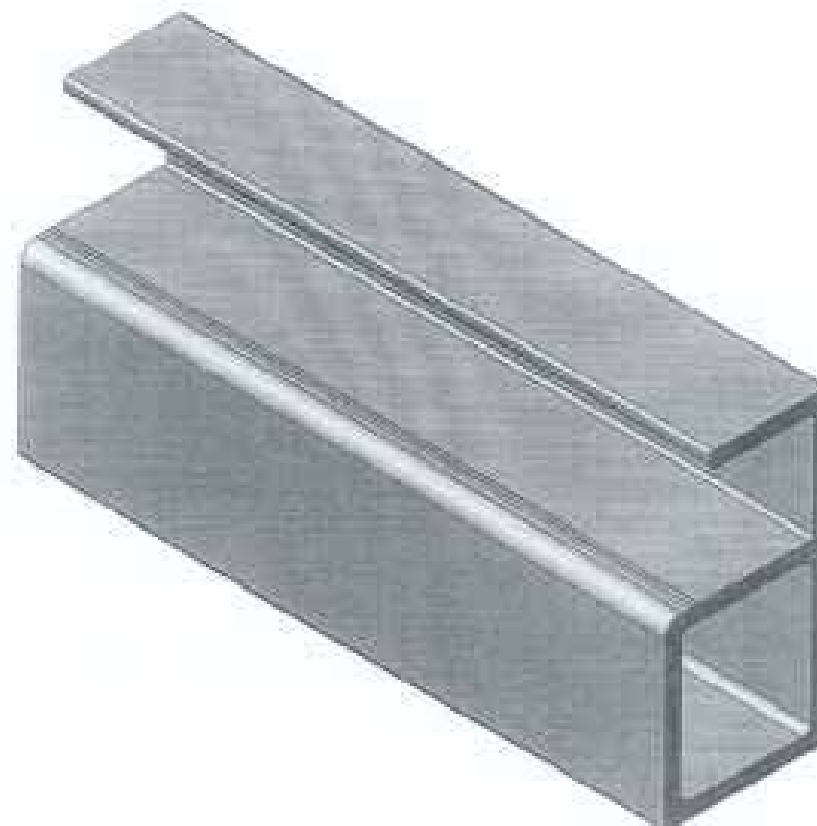
Preformed Line Products (Australia) Pty Ltd
190 Power Street Glendenning New South Wales 2761 Australia

(72) Name(s) of Designer(s): **Adam Hart and Dan McGonigal and Jason Ryan and Philip Timbrell**

(45) Registration Date: **25 May 2010**

(56) Related Art Documents: **Not Applicable**

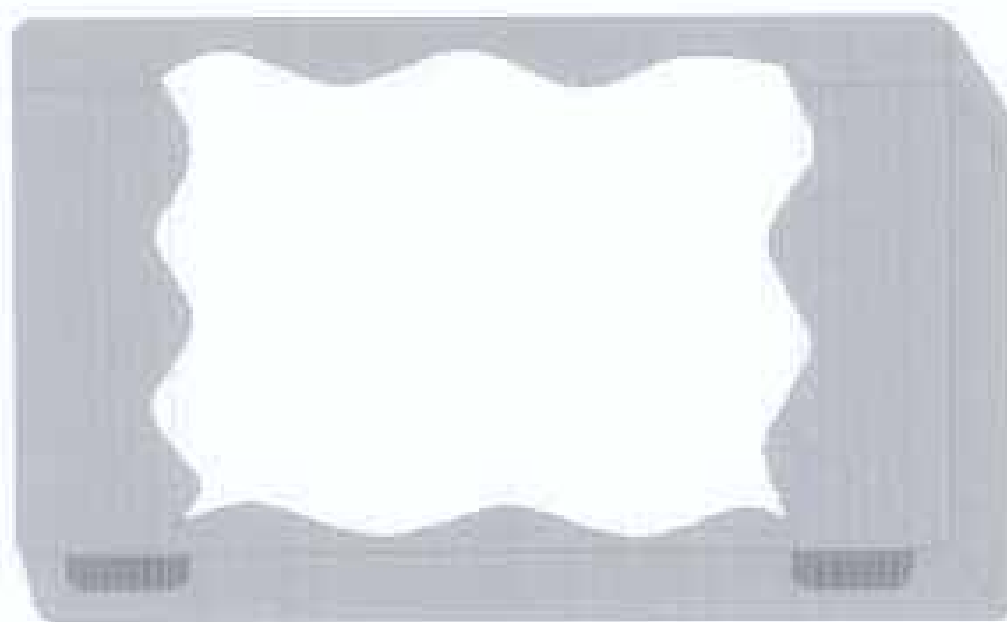
(57) Statement of Newness and Distinctiveness: **Newness and distinctiveness resides in the shape and/or configuration of the frame shown in the drawings which is of indefinite length. Further, for the purposes of assessing newness and distinctiveness, no regard is to be had to the cushion as shown in dotted outline in Figures 5 and 6, which cushion is included merely for illustrative purposes and which forms no part of the design.**



- (21) Design Number: **10759/2010**
(22) Date of Filing Application: **08 March 2010**
(24) Date from which industrial property rights may have effect: **08 March 2010**
(54) Product in respect of which the design is registered: **Cushion for glass/solar panel frame**
(51) International Design Classification: **23-03D**
(71) Name(s) and Address(s) of Applicant(s):
Preformed Line Products (Australia) Pty Ltd
190 Power Street Glendenning New South Wales 2761 Australia
(72) Name(s) of Designer(s): **Adam Hart and Dan McGonigal and Jason Ryan and Philip Timbrell**
(45) Registration Date: **25 May 2010**
(56) Related Art Documents: **Not Applicable**
(57) Statement of Newness and Distinctiveness: **Newness and distinctiveness resides in the shape and/or configuration of the cushion shown in the illustrations which is of indefinite length. Further, for the purpose of assessing newness and distinctiveness, no regard is to be had to the frame as shown in dotted outline in Figures 5 and 6, which frame is included merely for illustrative purposes and which forms no part of the design.**



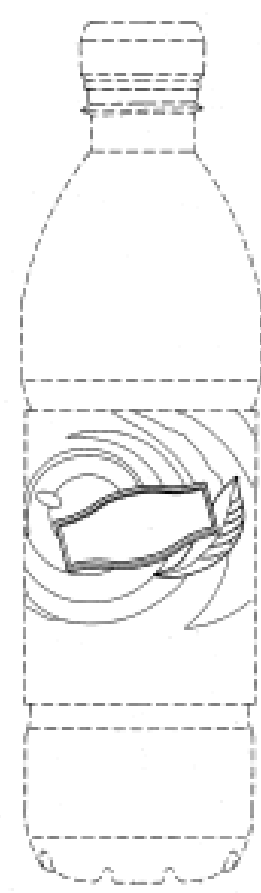
- (21) Design Number: **10787/2010**
(22) Date of Filing Application: **09 March 2010**
(24) Date from which industrial property rights may have effect: **09 March 2010**
(54) Product in respect of which the design is registered: **Scrolling painting/picture frame**
(51) International Design Classification: **06-07**
(71) Name(s) and Address(s) of Applicant(s):
Nick Agrimakis
13 John Hunter Court Mill Park Victoria 3082 Australia
(72) Name(s) of Designer(s): **Nick Agrimakis**
(45) Registration Date: **25 May 2010**
(56) Related Art Documents: **Not Applicable**
(57) Statement of Newness and Distinctiveness: **Manual scrolling system of clear plastic sleeve in which kids artwork and pictures can be displayed.**



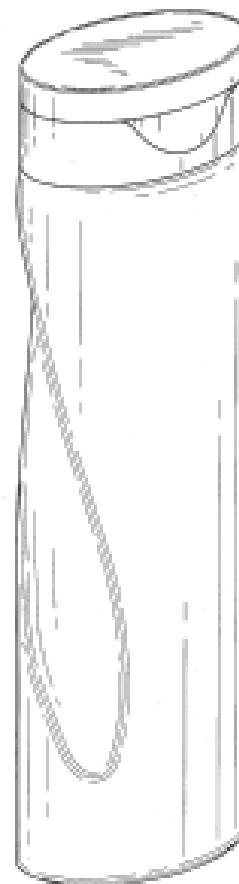
(21) Design Number: **10869/2010**
(22) Date of Filing Application: **11 March 2010**
(24) Date from which industrial property rights may have effect: **11 March 2010**
(54) Product in respect of which the design is registered: **A teaching apparatus**
(51) International Design Classification: **19-07**
(71) Name(s) and Address(s) of Applicant(s):
Sitech Systems (N.Z.) Limited
67 Kent Street Frankton Hamilton New Zealand
(72) Name(s) of Designer(s): **Newman Garryck Leet**
(45) Registration Date: **25 May 2010**
(30) Convention priority data:
(31) Number (32) Date (33) Country
413317 23 Feb 2010 NEW ZEALAND
(56) Related Art Documents: **Not Applicable**
(57) Statement of Newness and Distinctiveness: **Design to be applied to teaching apparatus, the novelty resides in features of shape and configuration, pattern or ornament of the article, as shown in representations.**



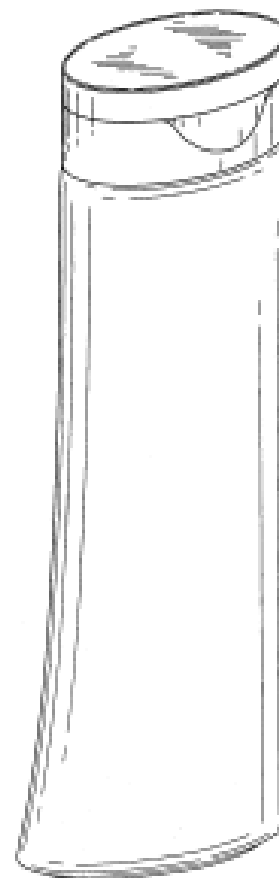
(21) Design Number: **10880/2010**
(22) Date of Filing Application: **16 March 2010**
(24) Date from which industrial property rights may have effect: **16 March 2010**
(54) Product in respect of which the design is registered: **Graphic label for a bottle**
(51) International Design Classification: **19-08**
(71) Name(s) and Address(s) of Applicant(s):
Unilever PLC
Unilever House 100 Victoria Embankment London EC4Y 0DY United Kingdom
(72) Name(s) of Designer(s): **Philippe Delmotte and Stephen Morley**
(45) Registration Date: **25 May 2010**
(30) Convention priority data:
(31) Number (32) Date (33) Country
4014294 27 Jan 2010 UNITED KINGDOM
(56) Related Art Documents: **Not Applicable**
(57) Statement of Newness and Distinctiveness: **Newness and distinctiveness is claimed in the visual features shown in solid lines in the representations.**



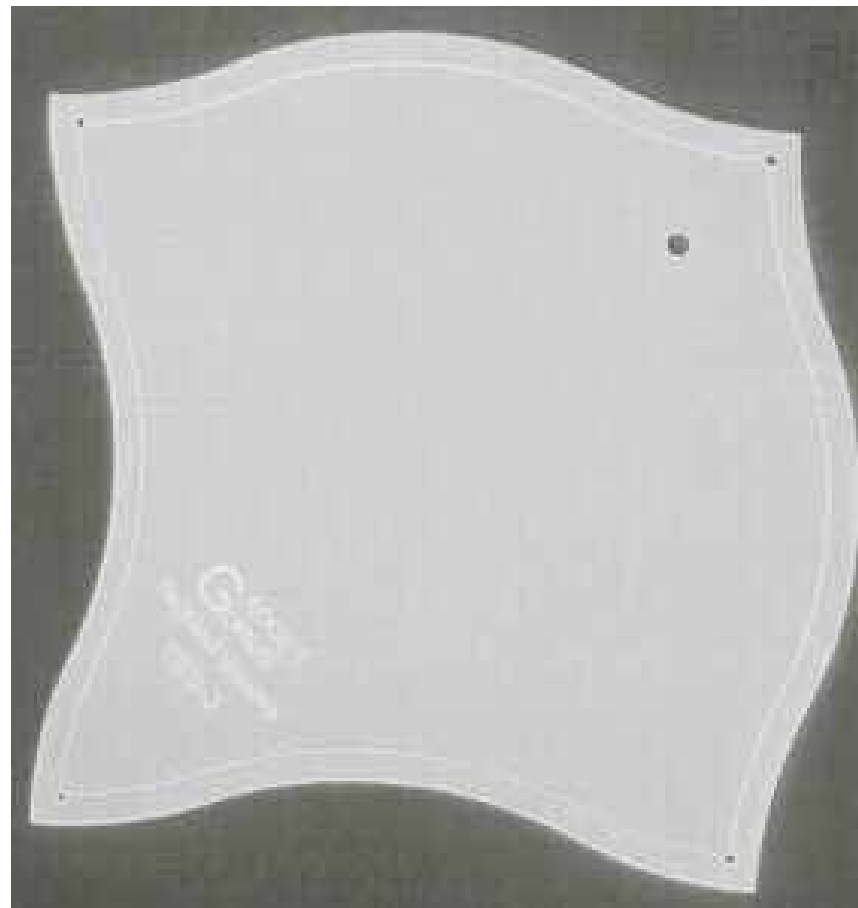
- (21) Design Number: **10881/2010**
(22) Date of Filing Application: **16 March 2010**
(24) Date from which industrial property rights may have effect: **16 March 2010**
(54) Product in respect of which the design is registered: **Container**
(51) International Design Classification: **09-01K**
(71) Name(s) and Address(s) of Applicant(s):
Unilever PLC
Unilever House 100 Victoria Embankment London EC4Y 0DY United Kingdom
(72) Name(s) of Designer(s): **Neil Hirst and Gilbert Rodney Balaram and Tanja Ingrid Langgner and Scot Lawrence Forrest and Luis Ernesto Ribadeneira Mejia**
(45) Registration Date: **25 May 2010**
(30) Convention priority data:
(31) Number (32) Date (33) Country
4012788 03 Oct 2009 UNITED KINGDOM
(56) Related Art Documents: **Not Applicable**
(57) Statement of Newness and Distinctiveness: **Newness and distinctiveness is claimed in the orientation of the elliptical groove on the side.**



- (21) Design Number: **10882/2010**
(22) Date of Filing Application: **16 March 2010**
(24) Date from which industrial property rights may have effect: **16 March 2010**
(54) Product in respect of which the design is registered: **Container**
(51) International Design Classification: **09-01K**
(71) Name(s) and Address(s) of Applicant(s):
Unilever PLC
Unilever House 100 Victoria Embankment London EC4Y 0DY United Kingdom
(72) Name(s) of Designer(s): **John David Almstead Jr and Gilbert Rodney Balaram and Neil Hirst and Charlotte Kirk and Susanna K. Plume**
(45) Registration Date: **25 May 2010**
(30) Convention priority data:
(31) Number (32) Date (33) Country
4012789 03 Oct 2009 UNITED KINGDOM
(56) Related Art Documents: **Not Applicable**
(57) Statement of Newness and Distinctiveness: **Newness and distinctiveness is claimed in the asymmetrically slanting side profiles of the container.**



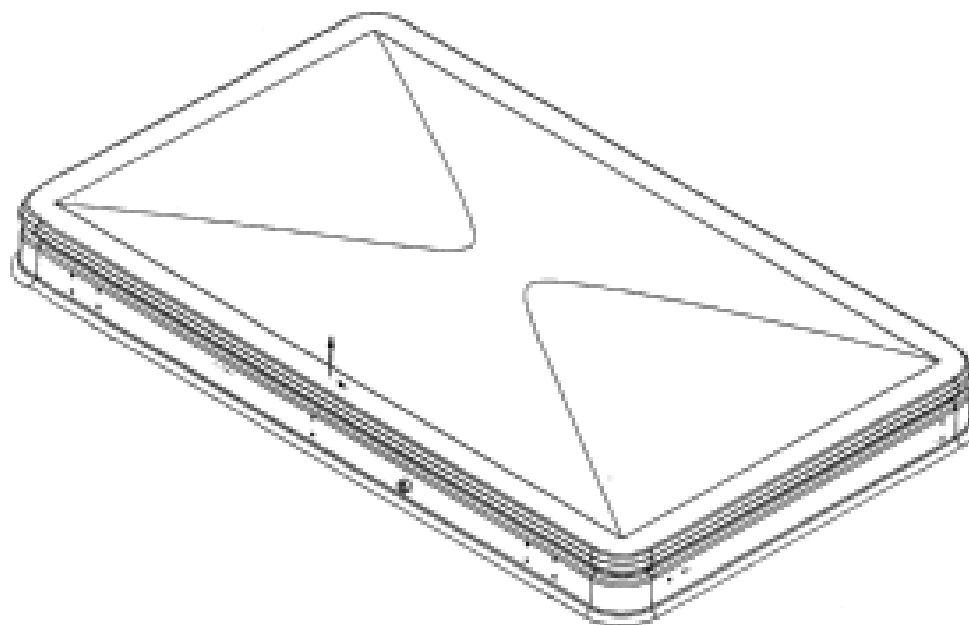
(21) Design Number: **11003/2010**
(22) Date of Filing Application: **23 March 2010**
(24) Date from which industrial property rights may have effect: **23 March 2010**
(54) Product in respect of which the design is registered: **Quilting ruler**
(51) International Design Classification: **02-07NES**
(71) Name(s) and Address(s) of Applicant(s):
Glen Edwin Pettiford
382 Glenrock Parade Tascott New South Wales 2250 Australia
(72) Name(s) of Designer(s): **Glen Edwin Pettiford**
(45) Registration Date: **25 May 2010**
(56) Related Art Documents: **Not Applicable**
(57) Statement of Newness and Distinctiveness: **The ruler is used in patchwork/quilting to provide a unique curved effect to fabric squares.**



(21) Design Number: **11172/2010**
(22) Date of Filing Application: **01 April 2010**
(24) Date from which industrial property rights may have effect: **01 April 2010**
(54) Product in respect of which the design is registered: **Smoke ventilation hatch**
(51) International Design Classification: **23-04**
(71) Name(s) and Address(s) of Applicant(s):
Alsynite NZ Limited
Barnett Place Te Rapa Park Hamilton New Zealand
(72) Name(s) of Designer(s): **Craig John Roulston**
(45) Registration Date: **25 May 2010**
(30) Convention priority data:

(31) Number	(32) Date	(33) Country
412744	02 Oct 2009	NEW ZEALAND

(56) Related Art Documents: **Not Applicable**
(57) Statement of Newness and Distinctiveness: **Nil**



(21) Design Number: **11173/2010**

(22) Date of Filing Application: **01 April 2010**

(24) Date from which industrial property rights may have effect: **01 April 2010**

(54) Product in respect of which the design is registered: **Container**

(51) International Design Classification: **09-01K**

(71) Name(s) and Address(s) of Applicant(s):

Unilever PLC

Unilever House 100 Victoria Embankment London EC4Y 0DY United Kingdom

(72) Name(s) of Designer(s): **Raymond Michael Flaig and Benjamin Phalan Oates and John David Almstead Jr and John Scott Gruver and Wanrudee Siriwatwechakul and Michael Lyons and Bjoern Uematsu**

(45) Registration Date: **25 May 2010**

(30) Convention priority data:

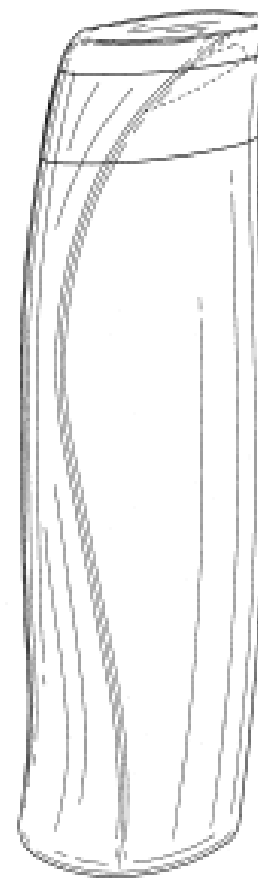
(31) Number
4012909

(32) Date
16 Oct 2009

(33) Country
UNITED KINGDOM

(56) Related Art Documents: **Not Applicable**

(57) Statement of Newness and Distinctiveness: **Newness and distinctiveness is claimed in the combination of the slanting upper surface with side profiles of the container.**



(21) Design Number: **11174/2010**

(22) Date of Filing Application: **01 April 2010**

(24) Date from which industrial property rights may have effect: **01 April 2010**

(54) Product in respect of which the design is registered: **Container**

(51) International Design Classification: **09-01B**

(71) Name(s) and Address(s) of Applicant(s):

Irwin and Sheehan Pty Ltd

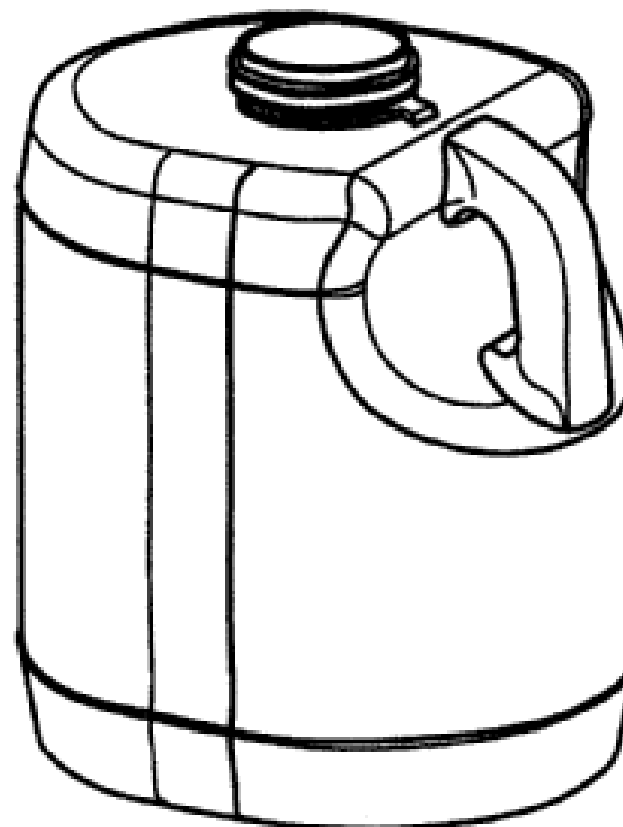
Cnr Joynton & O'Dea Avenue Waterloo New South Wales 2017 Australia

(72) Name(s) of Designer(s): **Paul Ronald Madden and John Seymour Irwin**

(45) Registration Date: **25 May 2010**

(56) Related Art Documents: **Not Applicable**

(57) Statement of Newness and Distinctiveness: **Nil**



(21) Design Number: **11175/2010**

(22) Date of Filing Application: **01 April 2010**

(24) Date from which industrial property rights may have effect: **01 April 2010**

(54) Product in respect of which the design is registered: **Container**

(51) International Design Classification: **09-01NES**

(71) Name(s) and Address(s) of Applicant(s):

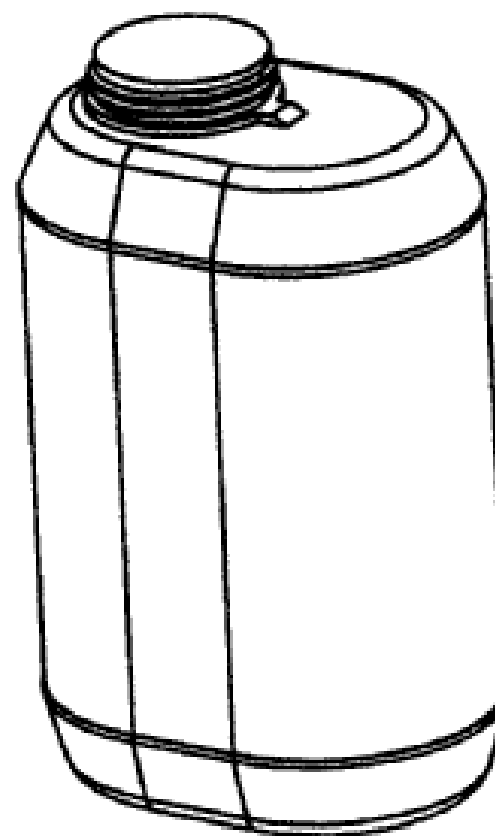
**Irwin and Sheehan Pty Ltd
Cnr Joynton & O'Dea Avenue Waterloo New South Wales 2017
Australia**

(72) Name(s) of Designer(s): **Paul Ronald Madden and John Seymour Irwin**

(45) Registration Date: **25 May 2010**

(56) Related Art Documents: **Not Applicable**

(57) Statement of Newness and Distinctiveness: **Nil**



(21) Design Number: **11399/2010**

(22) Date of Filing Application: **15 April 2010**

(24) Date from which industrial property rights may have effect: **15 April 2010**

(54) Product in respect of which the design is registered: **Cuff assembly and liner assembly for use therewith**

(51) International Design Classification: **24-04**

(71) Name(s) and Address(s) of Applicant(s):

**Hanger Orthopedic Group, Inc.
Two Bethesda Metro Center Suite 1200 Bethesda Maryland 20814
United States of America**

(72) Name(s) of Designer(s): **Joseph P. Moser and David Nieves and Mary-Kate Ennis**

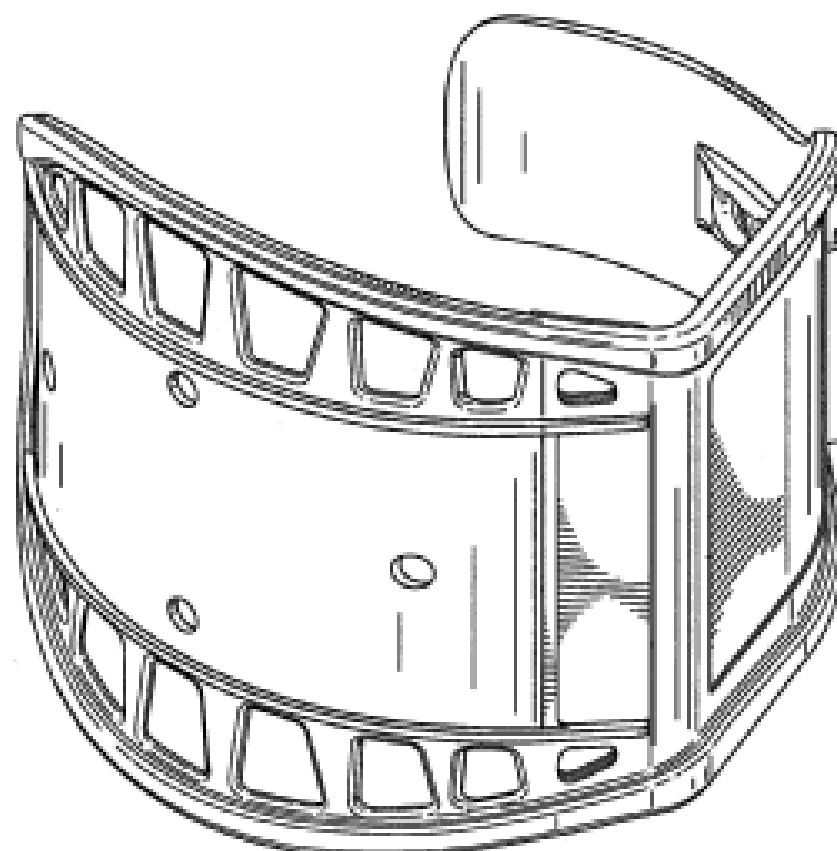
(45) Registration Date: **25 May 2010**

(30) Convention priority data:

(31) Number	(32) Date	(33) Country
12/581059	16 Oct 2009	UNITED STATES OF AMERICA

(56) Related Art Documents: **Not Applicable**

(57) Statement of Newness and Distinctiveness: **The newness and distinctiveness of the design reside in the features of shape or configuration of the cuff assembly and liner assembly in use therewith as illustrated in the accompanying representations.**



- (21) Design Number: **11405/2010**
(22) Date of Filing Application: **14 April 2010**
(24) Date from which industrial property rights may have effect: **14 April 2010**
(54) Product in respect of which the design is registered: **Door**
(51) International Design Classification: **25-02B**
(71) Name(s) and Address(s) of Applicant(s):
Watts Hardware Mfg Pty Ltd
L6 167 Queen Street Melbourne Victoria 3000 Australia
(72) Name(s) of Designer(s): **John Russell Watts**
(45) Registration Date: **25 May 2010**
(56) Related Art Documents: **Not Applicable**
(57) Statement of Newness and Distinctiveness: **Nil**



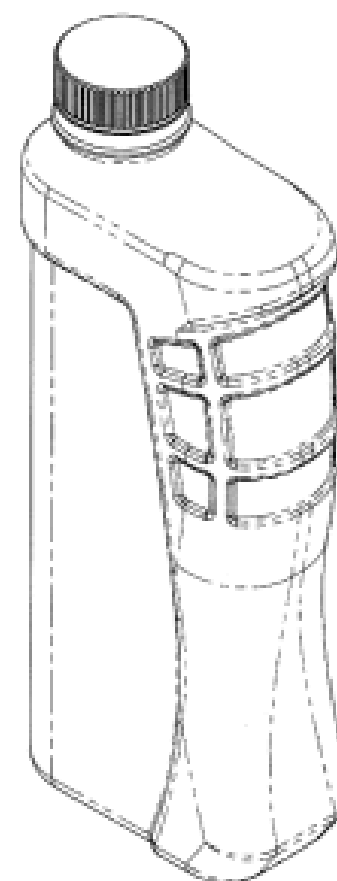
- (21) Design Number: **11406/2010**
(22) Date of Filing Application: **14 April 2010**
(24) Date from which industrial property rights may have effect: **14 April 2010**
(54) Product in respect of which the design is registered: **Door**
(51) International Design Classification: **25-02B**
(71) Name(s) and Address(s) of Applicant(s):
Watts Hardware Mfg Pty Ltd
L6 167 Queen Street Melbourne Victoria 3000 Australia
(72) Name(s) of Designer(s): **John Russell Watts**
(45) Registration Date: **25 May 2010**
(56) Related Art Documents: **Not Applicable**
(57) Statement of Newness and Distinctiveness: **Nil**



- (21) Design Number: **11407/2010**
(22) Date of Filing Application: **14 April 2010**
(24) Date from which industrial property rights may have effect: **14 April 2010**
(54) Product in respect of which the design is registered: **Door**
(51) International Design Classification: **25-02B**
(71) Name(s) and Address(s) of Applicant(s):
Watts Hardware Mfg Pty Ltd
L6 167 Queen Street Melbourne Victoria 3000 Australia
(72) Name(s) of Designer(s): **John Russell Watts**
(45) Registration Date: **25 May 2010**
(56) Related Art Documents: **Not Applicable**
(57) Statement of Newness and Distinctiveness: **Nil**



- (21) Design Number: **11423/2010**
(22) Date of Filing Application: **16 April 2010**
(24) Date from which industrial property rights may have effect: **16 April 2010**
(54) Product in respect of which the design is registered: **Container**
(51) International Design Classification: **09-01K**
(71) Name(s) and Address(s) of Applicant(s):
Dulux Group (Australia) Pty Ltd
1 Gow Street Padstow New South Wales 2211 Australia
(72) Name(s) of Designer(s): **Sean Lewis**
(45) Registration Date: **25 May 2010**
(56) Related Art Documents: **Not Applicable**
(57) Statement of Newness and Distinctiveness: **Newness and distinctiveness is claimed in the visual features of shape and configuration of a container shown in the representations, but not in the cap fitted to the top of the container.**



(21) Design Number: **11424/2010**

(22) Date of Filing Application: **16 April 2010**

(24) Date from which industrial property rights may have effect: **16 April 2010**

(54) Product in respect of which the design is registered: **Container**

(51) International Design Classification: **09-01K**

(71) Name(s) and Address(s) of Applicant(s):

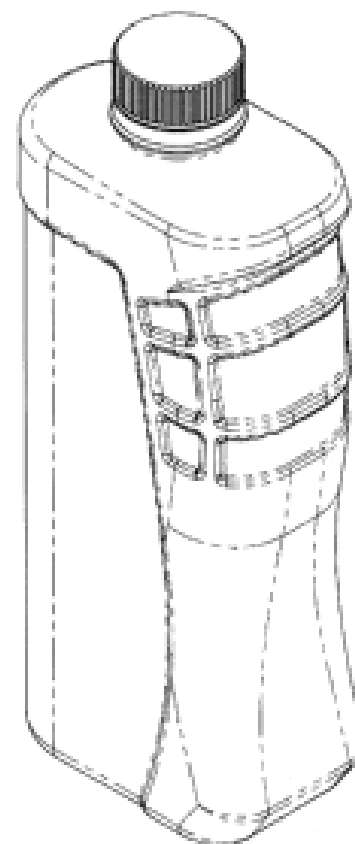
Dulux Group (Australia) Pty Ltd
1 Gow Street Padstow New South Wales 2211 Australia

(72) Name(s) of Designer(s): **Sean Lewis**

(45) Registration Date: **25 May 2010**

(56) Related Art Documents: **Not Applicable**

(57) Statement of Newness and Distinctiveness: **Newness and distinctiveness is claimed in the visual features of shape and configuration of a container shown in the representations, but not in the cap fitted to the top of the container.**



(21) Design Number: **11570/2010**

(22) Date of Filing Application: **22 April 2010**

(24) Date from which industrial property rights may have effect: **22 April 2010**

(54) Product in respect of which the design is registered: **Drinking vessel**

(51) International Design Classification: **07-01C**

(71) Name(s) and Address(s) of Applicant(s):

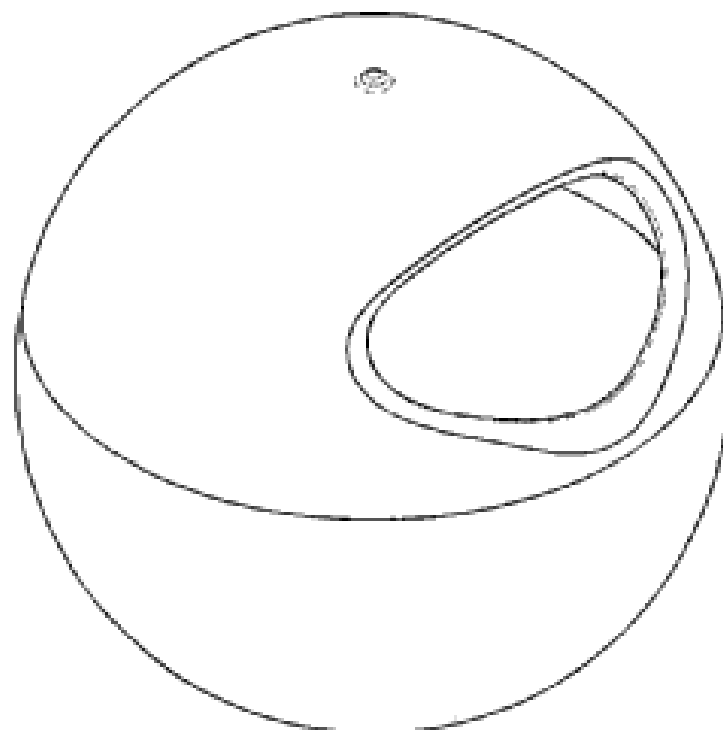
Sean Randall
16 Drury Street West End Queensland 4101 Australia

(72) Name(s) of Designer(s): **Sean Randall**

(45) Registration Date: **25 May 2010**

(56) Related Art Documents: **Not Applicable**

(57) Statement of Newness and Distinctiveness: **Monopoly is claimed in the shape and/or configuration of a drinking vessel as shown in the representations.**



(21) Design Number: **11571/2010**

(22) Date of Filing Application: **22 April 2010**

(24) Date from which industrial property rights may have effect: **22 April 2010**

(54) Product in respect of which the design is registered: **Bottle**

(51) International Design Classification: **09-01B**

(71) Name(s) and Address(s) of Applicant(s):

**General Mills International Sarl
8 Avenue Reverdil Nyon France**

(72) Name(s) of Designer(s): **Christina Koelman and Gabriel Phang**

(45) Registration Date: **25 May 2010**

(56) Related Art Documents: **Not Applicable**

(57) Statement of Newness and Distinctiveness: **Newness and distinctiveness resides in the shape and configuration of the bottle, excluding the portions shown in broken line.**



(21) Design Number: **11721/2010**

(22) Date of Filing Application: **03 May 2010**

(24) Date from which industrial property rights may have effect: **03 May 2010**

(54) Product in respect of which the design is registered: **Fastening device**

(51) International Design Classification: **08-07, 08-05NES**

(71) Name(s) and Address(s) of Applicant(s):

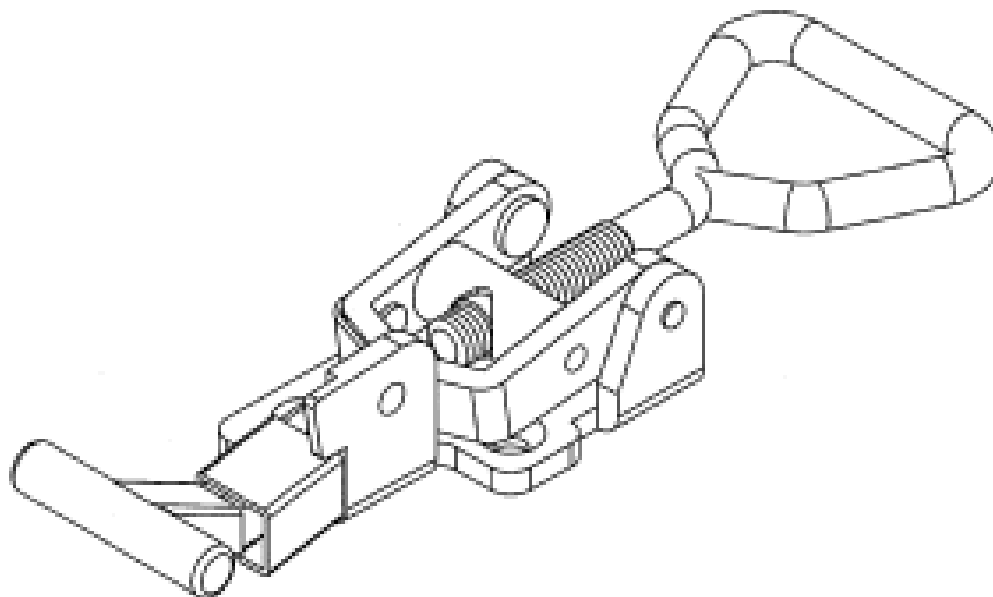
**Concept Fasteners Pty Ltd
8 Flight Drive Tullamarine Victoria 3043 Australia**

(72) Name(s) of Designer(s): **Mario Micalleff**

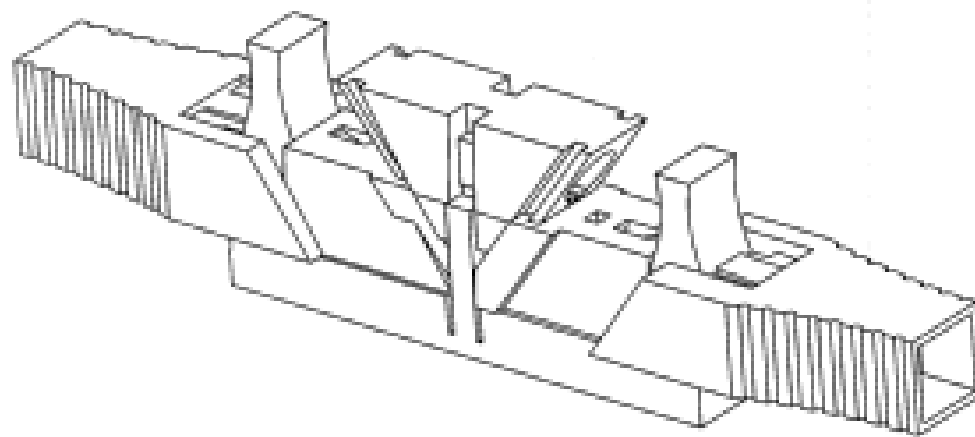
(45) Registration Date: **25 May 2010**

(56) Related Art Documents: **Not Applicable**

(57) Statement of Newness and Distinctiveness: **Those features of the fastening device depicted in the representations that are new and distinctive are the shape and/or configuration.**



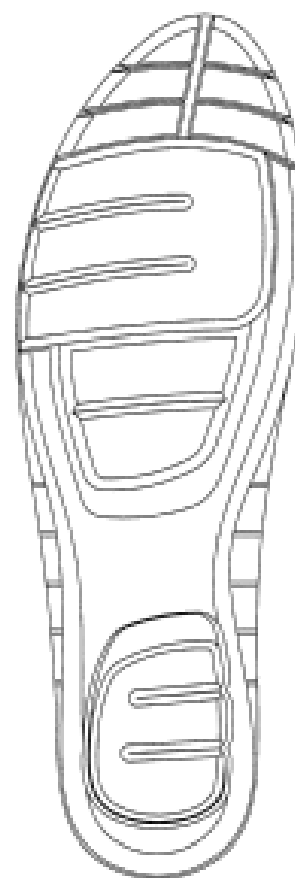
(21) Design Number: **10730/2010**
 (22) Date of Filing Application: **03 March 2010**
 (24) Date from which industrial property rights may have effect: **03 March 2010**
 (54) Product in respect of which the design is registered: **Apparatus for mechanically splicing optic fibres**
 (51) International Design Classification: **08-05NES**
 (71) Name(s) and Address(s) of Applicant(s):
ADC Communications (Australia) Pty Limited
2 Hereford Street Berkeley Vale New South Wales 2261 Australia
 (72) Name(s) of Designer(s): **Brent David Allwood and Bryce Lindsay Nicholls and Brett Hoe Slater**
 (45) Registration Date: **26 May 2010**
 (56) Related Art Documents: **Not Applicable**
 (57) Statement of Newness and Distinctiveness: **The features of shape and configuration of the apparatus for mechanically splicing optic fibres shown in the accompanying representations are considered to be new and distinctive.**



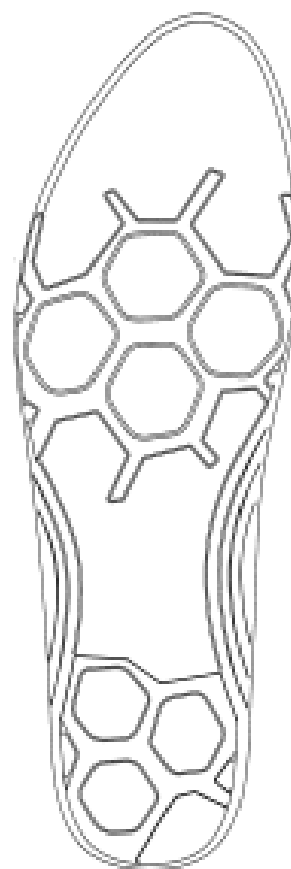
(21) Design Number: **10811/2010**
 (22) Date of Filing Application: **09 March 2010**
 (24) Date from which industrial property rights may have effect: **09 March 2010**
 (54) Product in respect of which the design is registered: **Insole**
 (51) International Design Classification: **02-04A**
 (71) Name(s) and Address(s) of Applicant(s):
Samar, LLC
70 West Madison Chicago IL 60602 United States of America
 (72) Name(s) of Designer(s): **Arnoldus Johannes Claassen**
 (45) Registration Date: **26 May 2010**
 (30) Convention priority data:

(31) Number	(32) Date	(33) Country
001608613-001	08 Sep 2009	EUROPEAN COMMUNITY

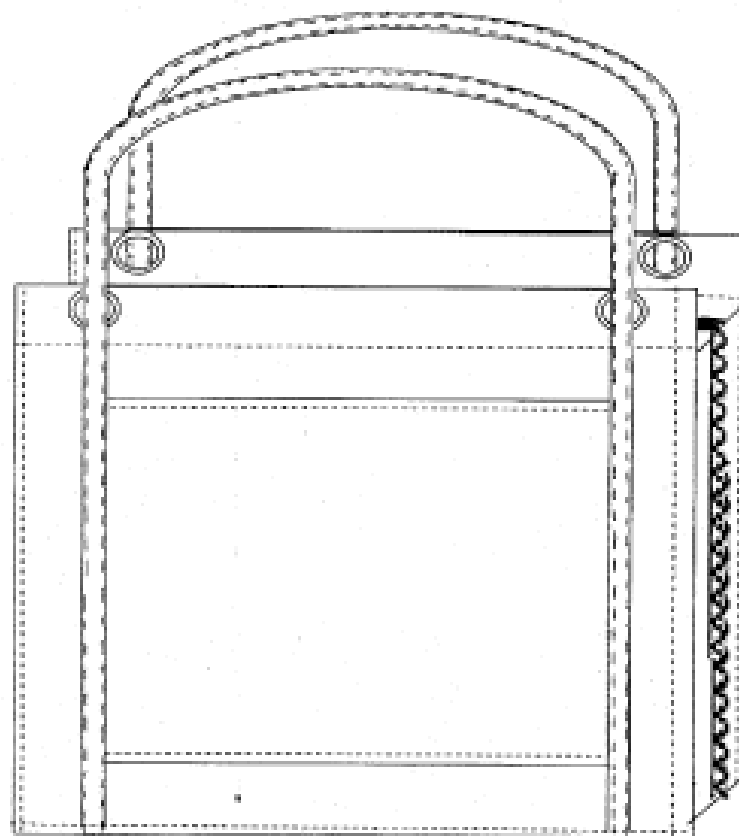
 (56) Related Art Documents: **Not Applicable**
 (57) Statement of Newness and Distinctiveness: **Nil**



- (21) Design Number: **10812/2010**
(22) Date of Filing Application: **09 March 2010**
(24) Date from which industrial property rights may have effect: **09 March 2010**
(54) Product in respect of which the design is registered: **Insole**
(51) International Design Classification: **02-04A**
(71) Name(s) and Address(s) of Applicant(s):
Samar, LLC
70 West Madison Chicago IL 60602 United States of America
(72) Name(s) of Designer(s): **Arnoldus Johannes Claassen**
(45) Registration Date: **26 May 2010**
(30) Convention priority data:
(31) Number (32) Date (33) Country
001608613-002 08 Sep 2009 EUROPEAN COMMUNITY
(56) Related Art Documents: **Not Applicable**
(57) Statement of Newness and Distinctiveness: **Nil**



- (21) Design Number: **10841/2010**
(22) Date of Filing Application: **04 March 2010**
(24) Date from which industrial property rights may have effect: **04 March 2010**
(54) Product in respect of which the design is registered: **Bag to store and dispense reusable shopping bags**
(51) International Design Classification: **03-01A**
(71) Name(s) and Address(s) of Applicant(s):
Romola Judith Trevaskis
48 Lamilla Street Glenfield Park New South Wales 2650 Australia
(72) Name(s) of Designer(s): **Romola Trevaskis**
(45) Registration Date: **26 May 2010**
(56) Related Art Documents: **Not Applicable**
(57) Statement of Newness and Distinctiveness: **The distinctive features are 1. The two way zipper ensures the bag can be fully opened so the Green reusable shopping bags can be easily placed into Bag. 2. The use of eyelets at the top of the bag are used so the bag can be hung on your shopping trolley handle until you reach the checkout and need your reusable shopping bags.**



(21) Design Number: **11720/2010**

(22) Date of Filing Application: **04 March 2010**

(24) Date from which industrial property rights may have effect: **04 March 2010**

(54) Product in respect of which the design is registered: **Bag to store and dispense reusable shopping bags**

(51) International Design Classification: **03-01A**

(71) Name(s) and Address(s) of Applicant(s):

Romola Judith Trevaskis

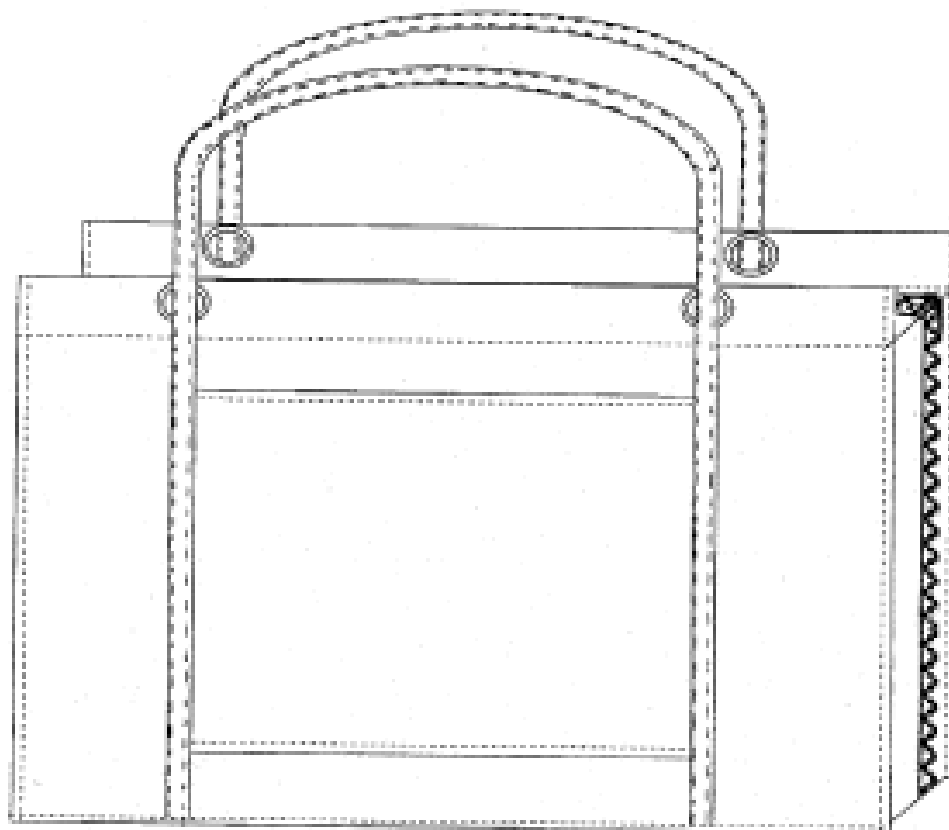
48 Lamilla Street Glenfield Park New South Wales 2650 Australia

(72) Name(s) of Designer(s): **Romola Trevaskis**

(45) Registration Date: **26 May 2010**

(56) Related Art Documents: **Not Applicable**

(57) Statement of Newness and Distinctiveness: **The distinctive features are 1. The two way zipper ensures the bag can be fully opened so the Green reusable shopping bags can be easily placed into Bag. 2. The use of eyelets at the top of the bag are used so the bag can be hung on your shopping trolley handle until you reach the checkout and need your reusable shopping bags.**



(21) Design Number: **11161/2010**

(22) Date of Filing Application: **01 April 2010**

(24) Date from which industrial property rights may have effect: **01 April 2010**

(54) Product in respect of which the design is registered: **Surfboard - new longboard design**

(51) International Design Classification: **21-02D**

(71) Name(s) and Address(s) of Applicant(s):

Graham Allen

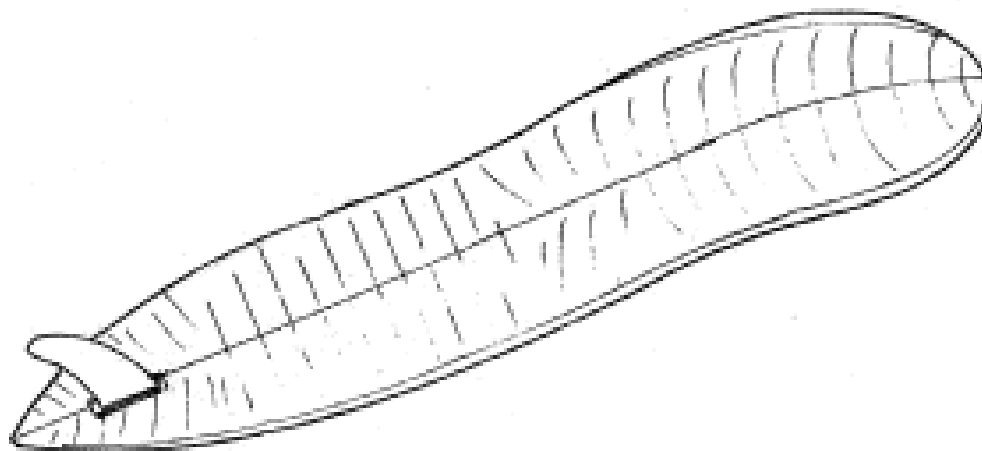
19 Towers Road Shoalhaven Heads New South Wales 2535 Australia

(72) Name(s) of Designer(s): **Graham Allen**

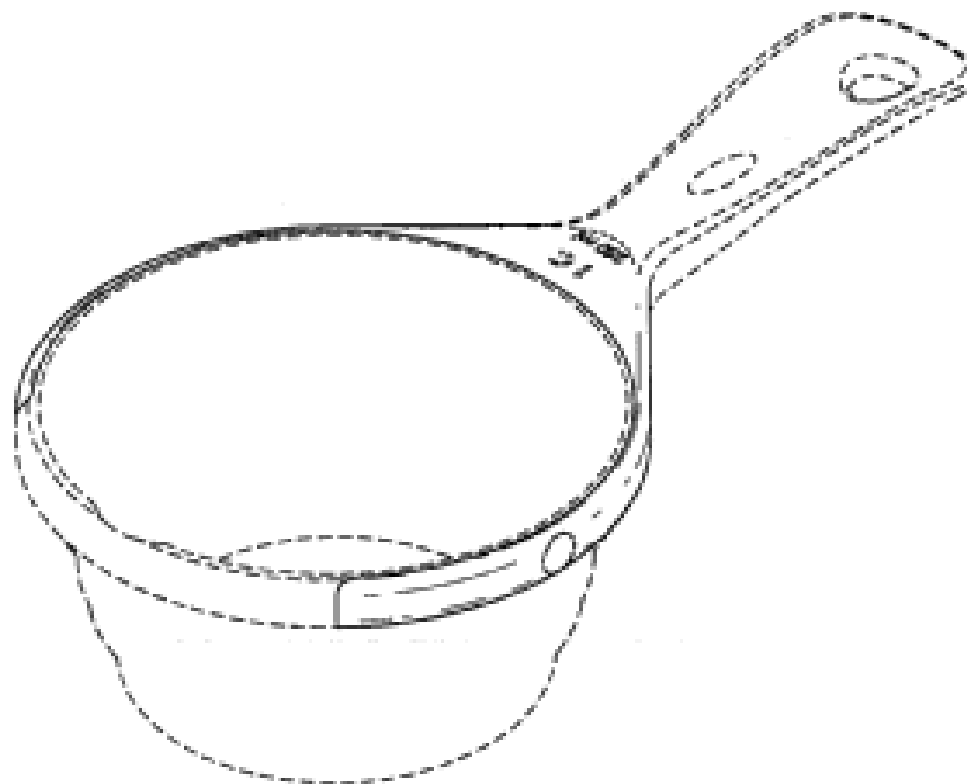
(45) Registration Date: **26 May 2010**

(56) Related Art Documents: **Not Applicable**

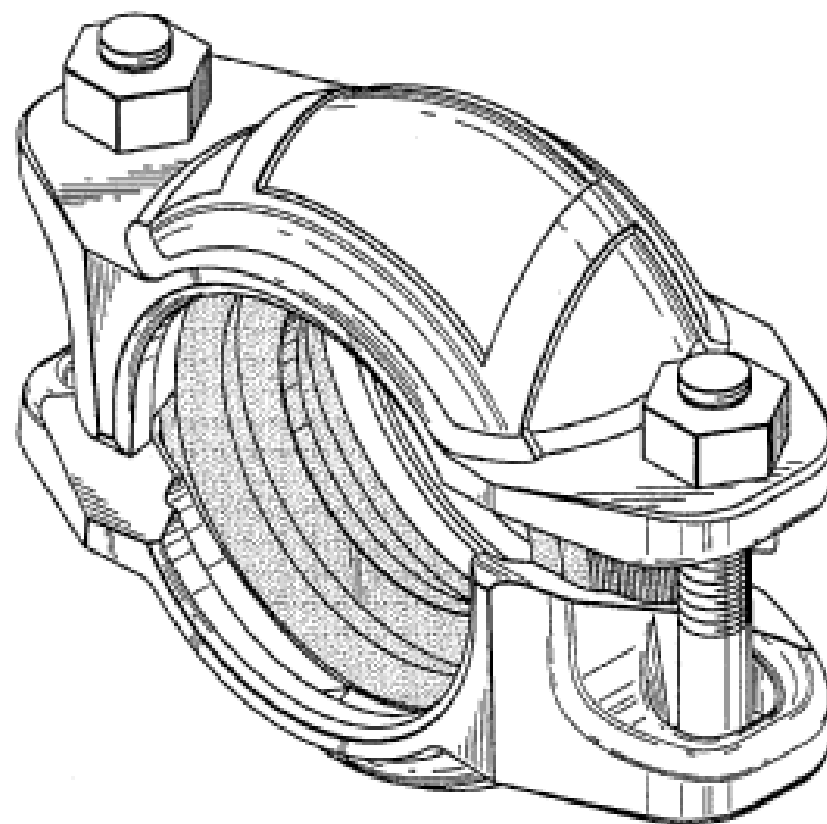
(57) Statement of Newness and Distinctiveness: **I have designed a new longboard shape which has a much wider than normal nose (front area) which improves greatly the nose riding capabilities.**



(21) Design Number: **11247/2010**
 (22) Date of Filing Application: **08 April 2010**
 (24) Date from which industrial property rights may have effect: **08 April 2010**
 (54) Product in respect of which the design is registered: **Cup with deformable pour spout**
 (51) International Design Classification: **07-01D**
 (71) Name(s) and Address(s) of Applicant(s):
Chef'n Corporation
1520 4th Avenue 3rd Floor Seattle Washington 98101 United States of America
 (72) Name(s) of Designer(s): **David Hull and David A. Holcomb**
 (45) Registration Date: **26 May 2010**
 (30) Convention priority data:
 (31) Number (32) Date (33) Country
29/345370 14 Oct 2009 UNITED STATES OF AMERICA
 (56) Related Art Documents: **Not Applicable**
 (57) Statement of Newness and Distinctiveness: **Newness and distinctiveness is claimed in the visual features shown in solid lines in the representations.**



(21) Design Number: **11453/2010**
 (22) Date of Filing Application: **16 April 2010**
 (24) Date from which industrial property rights may have effect: **16 April 2010**
 (54) Product in respect of which the design is registered: **Pipe coupling**
 (51) International Design Classification: **23-01A**
 (71) Name(s) and Address(s) of Applicant(s):
Victaulic Company
4901 Kesslersville Road Easton Pennsylvania 18040 United States of America
 (72) Name(s) of Designer(s): **Scott D. Madara and Amit R. Shah and Michael V. Porter**
 (45) Registration Date: **26 May 2010**
 (30) Convention priority data:
 (31) Number (32) Date (33) Country
29/345,581 19 Oct 2009 UNITED STATES OF AMERICA
 (56) Related Art Documents: **Not Applicable**
 (57) Statement of Newness and Distinctiveness: **Newness and distinctiveness is claimed in the features of shape and/or configuration of a pipe coupling as shown in the representations.**



(21) Design Number: **11454/2010**

(22) Date of Filing Application: **16 April 2010**

(24) Date from which industrial property rights may have effect: **16 April 2010**

(54) Product in respect of which the design is registered: **Pipe coupling**

(51) International Design Classification: **23-01A**

(71) Name(s) and Address(s) of Applicant(s):

Victaulic Company

4901 Kesslersville Road Easton Pennsylvania 18040 United States of America

(72) Name(s) of Designer(s): **Scott D. Madara and Amit R. Shah and Michael V. Porter**

(45) Registration Date: **26 May 2010**

(30) Convention priority data:

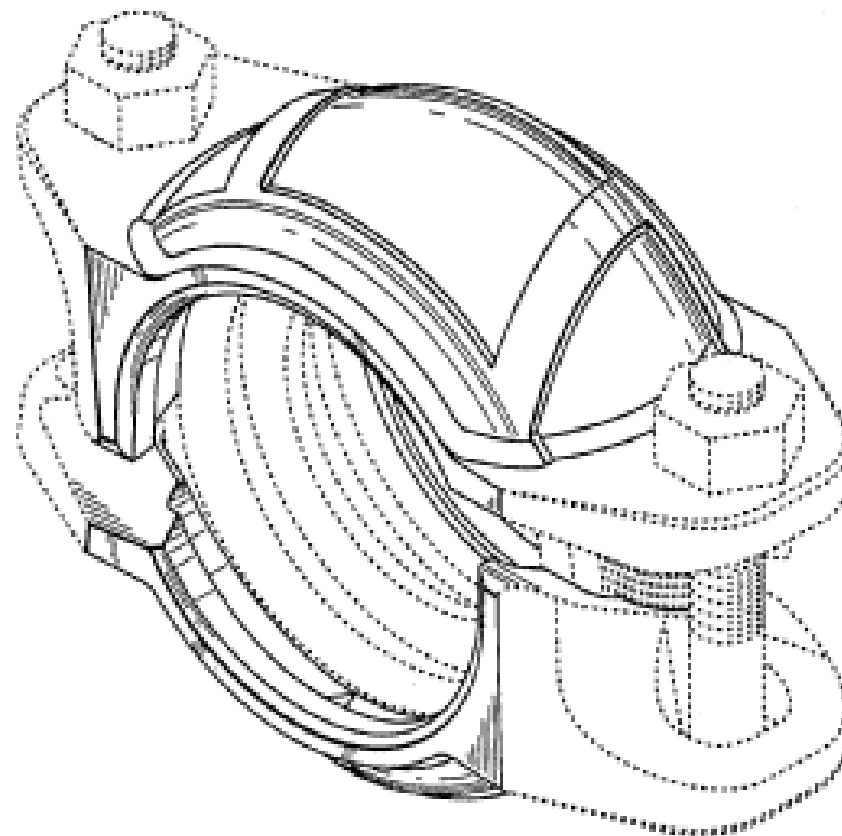
(31) Number
29/345,581

(32) Date
19 Oct 2009

(33) Country
UNITED STATES OF AMERICA

(56) Related Art Documents: **Not Applicable**

(57) Statement of Newness and Distinctiveness: **Newness and distinctiveness is claimed in the features of shape and/or configuration of a pipe coupling as shown in the representations. Where broken lines are shown in the representations, the broken lines are for illustrative purposes only and form no part of the claimed design.**



(21) Design Number: **11529/2010**

(22) Date of Filing Application: **20 April 2010**

(24) Date from which industrial property rights may have effect: **20 April 2010**

(54) Product in respect of which the design is registered: **Door bumper**

(51) International Design Classification: **08-09**

(71) Name(s) and Address(s) of Applicant(s):

Metlam Australia Pty. Limited

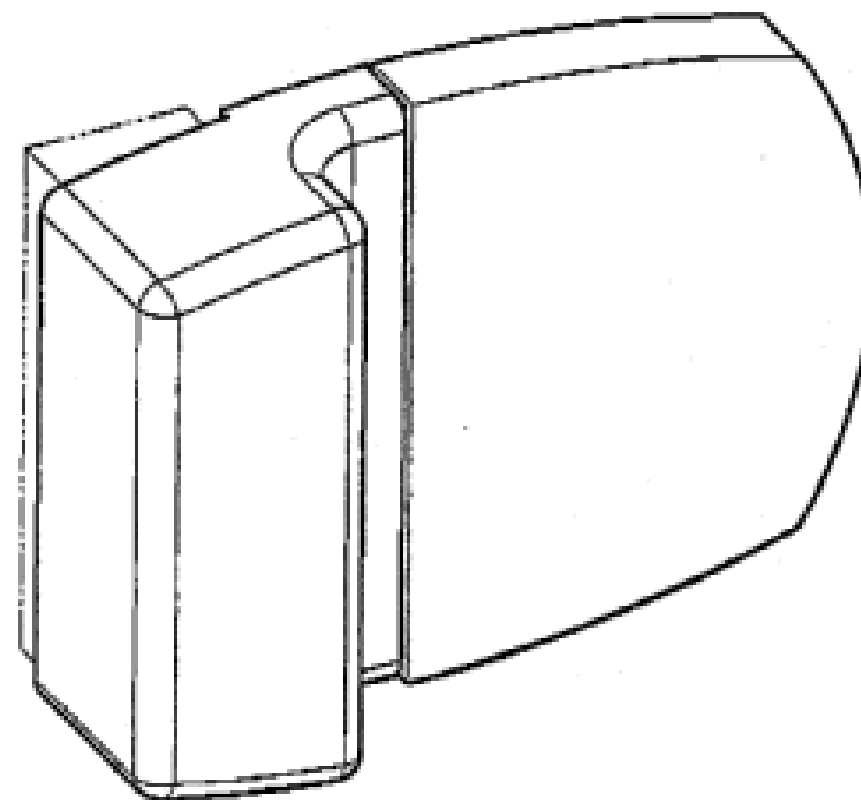
PO Box 835 Gisborne Victoria 3437 Australia

(72) Name(s) of Designer(s): **Brian Bishop**

(45) Registration Date: **26 May 2010**

(56) Related Art Documents: **Not Applicable**

(57) Statement of Newness and Distinctiveness: **Nil**



(21) Design Number: **14433/2009**

(22) Date of Filing Application: **11 November 2009**

(24) Date from which industrial property rights may have effect: **11 November 2009**

(54) Product in respect of which the design is registered: **Halter**

(51) International Design Classification: **30-04**

(71) Name(s) and Address(s) of Applicant(s):

**dt saddlery GmbH
Ziegelstrasse 1 Weyarn 83629 Germany**

(72) Name(s) of Designer(s): **Hjalmar Konzet**

(45) Registration Date: **26 May 2010**

(30) Convention priority data:

(31) Number	(32) Date	(33) Country
40	10 Jun 2009	GERMANY
2009002682.1		

(56) Related Art Documents: **Not Applicable**

(57) Statement of Newness and Distinctiveness: **Halter in Lemico an alternative to leather (more tearproof and easy-care) or in leather with blue, red, green, yellow, brown, beige, golden, silver, grey, pink or purple piping and stitching and rustproof fittings.**



(21) Design Number: **14434/2009**

(22) Date of Filing Application: **11 November 2009**

(24) Date from which industrial property rights may have effect: **11 November 2009**

(54) Product in respect of which the design is registered: **Chaps**

(51) International Design Classification: **02-04C**

(71) Name(s) and Address(s) of Applicant(s):

**dt saddlery GmbH
Ziegelstr. 1 Weyarn 83629 Germany**

(72) Name(s) of Designer(s): **Hjalmar Konzet**

(45) Registration Date: **26 May 2010**

(30) Convention priority data:

(31) Number	(32) Date	(33) Country
40	04 Sep 2009	GERMANY
2009004251.7		

(56) Related Art Documents: **Not Applicable**

(57) Statement of Newness and Distinctiveness: **Chaps in Lemico an alternative to leather (more tearproof and easy-care) or in leather with blue, red, green, yellow, brown, beige, golden, silver, grey, pink or purple piping and stitching.**



(21) Design Number: **14438/2009**

(22) Date of Filing Application: **11 November 2009**

(24) Date from which industrial property rights may have effect: **11 November 2009**

(54) Product in respect of which the design is registered: **Snaffle bridle**

(51) International Design Classification: **30-04**

(71) Name(s) and Address(s) of Applicant(s):

**dt saddlery GmbH
Ziegelstrasse 1 Weyarn 83629 Germany**

(72) Name(s) of Designer(s): **Hjalmar Konzet**

(45) Registration Date: **26 May 2010**

(30) Convention priority data:

(31) Number	(32) Date	(33) Country
402009002682.1	27 May 2009	GERMANY

(56) Related Art Documents: **Not Applicable**

(57) Statement of Newness and Distinctiveness: **Snaffle bridle in lemico an alternative to leather (more tearproof and easy-care) or in leather with blue, red, green, yellow, brown, beige, golden, silver, grey, pink, or purple piping and stitching. With English style cavesson noseband.**



(21) Design Number: **14439/2009**

(22) Date of Filing Application: **11 November 2009**

(24) Date from which industrial property rights may have effect: **11 November 2009**

(54) Product in respect of which the design is registered: **Snaffle bridle**

(51) International Design Classification: **30-04**

(71) Name(s) and Address(s) of Applicant(s):

**dt saddlery GmbH
Ziegelstrasse 1 Weyarn 83629 Germany**

(72) Name(s) of Designer(s): **Hjalmar Konzet**

(45) Registration Date: **26 May 2010**

(30) Convention priority data:

(31) Number	(32) Date	(33) Country
402009002682.1	27 May 2009	GERMANY

(56) Related Art Documents: **Not Applicable**

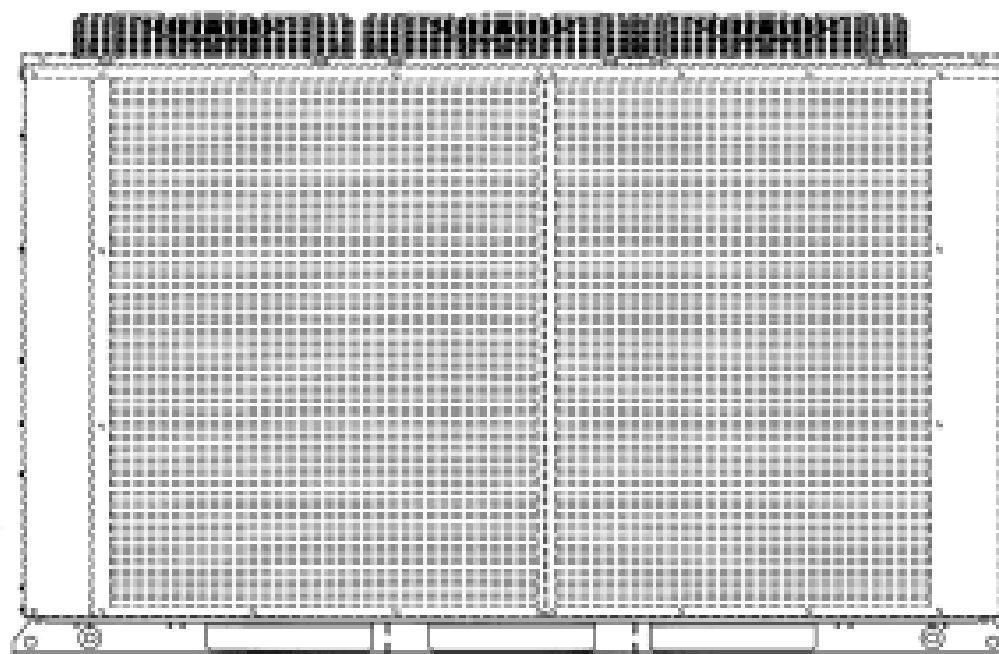
(57) Statement of Newness and Distinctiveness: **Snaffle bridle in lemico an alternative to leather (more tearproof and easy-care) or in leather with blue, red, green, yellow, brown, beige, golden, silver, grey, pink, or purple piping and stitching. With Swedish cavesson/crank noseband.**



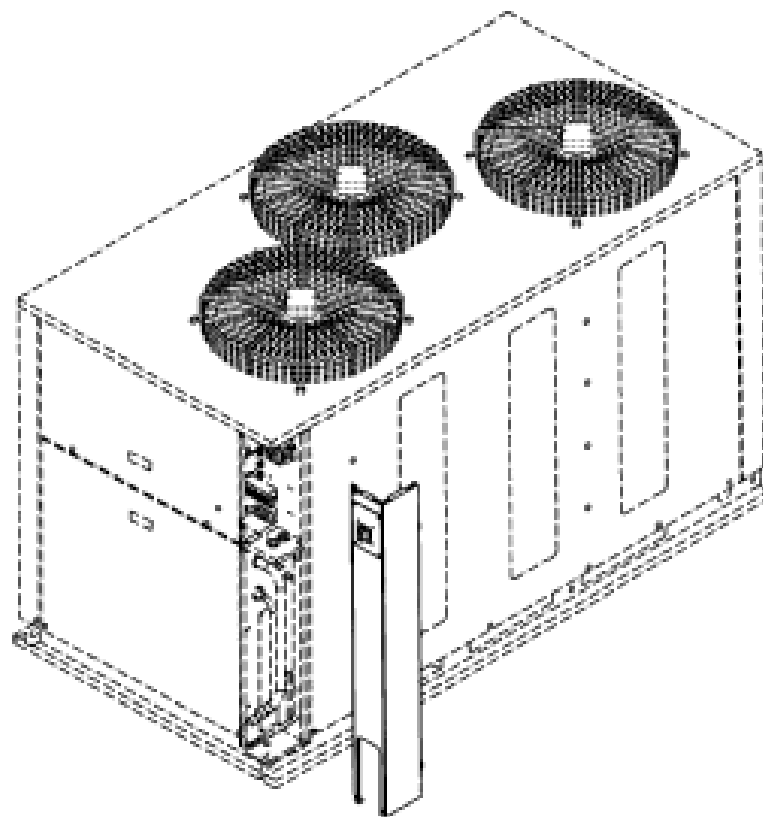
- (21) Design Number: **14440/2009**
(22) Date of Filing Application: **11 November 2009**
(24) Date from which industrial property rights may have effect: **11 November 2009**
(54) Product in respect of which the design is registered: **Snaffle bridle**
(51) International Design Classification: **30-04**
(71) Name(s) and Address(s) of Applicant(s):
dt saddlery GmbH
Ziegelstrasse 1 Weyarn 83629 Germany
(72) Name(s) of Designer(s): **Hjalmar Konzet**
(45) Registration Date: **26 May 2010**
(30) Convention priority data:
(31) Number (32) Date (33) Country
402009002682.1 27 May 2009 GERMANY
(56) Related Art Documents: **Not Applicable**
(57) Statement of Newness and Distinctiveness: **Snaffle bridle in lemico an alternative to leather (more tearproof and easy-care) or in leather with blue, red, green, yellow, brown, beige, golden, silver, grey, pink, or purple piping and stitching. With drop noseband.**



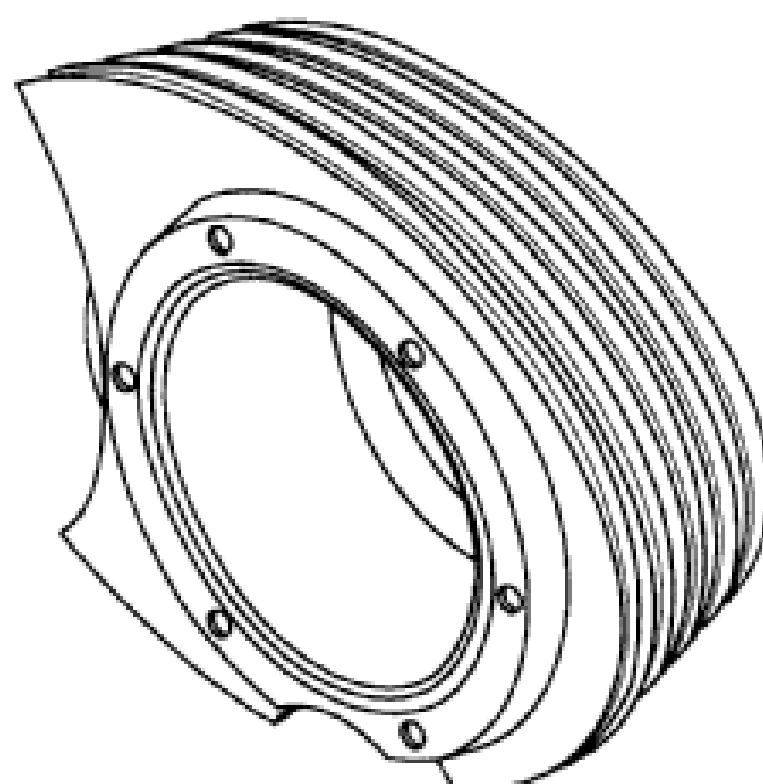
- (21) Design Number: **10681/2010**
(22) Date of Filing Application: **01 March 2010**
(24) Date from which industrial property rights may have effect: **01 March 2010**
(54) Product in respect of which the design is registered: **Footing for an air conditioner**
(51) International Design Classification: **23-04**
(71) Name(s) and Address(s) of Applicant(s):
Actron Engineering Pty Ltd
5 Irvine Place Bella Vista New South Wales 2153 Australia
(72) Name(s) of Designer(s): **Gary Clifford Mundy**
(45) Registration Date: **26 May 2010**
(56) Related Art Documents: **Not Applicable**
(57) Statement of Newness and Distinctiveness: **Newness and distinctiveness is claimed in the footing of the air conditioner shown in solid lines in the representations. In considering the extent of the design rights, the broken lines shown in the representations are for illustrative purposes only and do not form part of the design.**



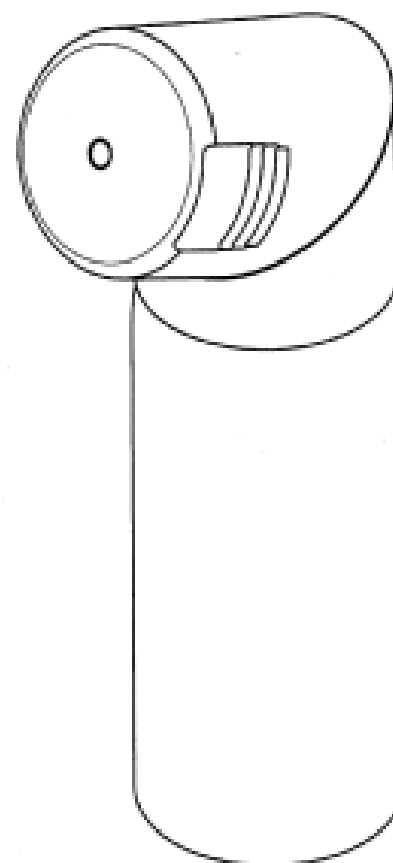
- (21) Design Number: **10682/2010**
(22) Date of Filing Application: **01 March 2010**
(24) Date from which industrial property rights may have effect: **01 March 2010**
(54) Product in respect of which the design is registered: **Panel for an air conditioner**
(51) International Design Classification: **23-04**
(71) Name(s) and Address(s) of Applicant(s):
Actron Engineering Pty Ltd
5 Irvine Place Bella Vista New South Wales 2153 Australia
(72) Name(s) of Designer(s): **Kevin Brian Mundy**
(45) Registration Date: **26 May 2010**
(56) Related Art Documents: **Not Applicable**
(57) Statement of Newness and Distinctiveness: **Newness and distinctiveness is claimed in the panel of the air conditioner shown in solid lines in the representations. In considering the extent of the design rights, the broken lines shown in the representations are for illustrative purposes only and do not form part of the design.**



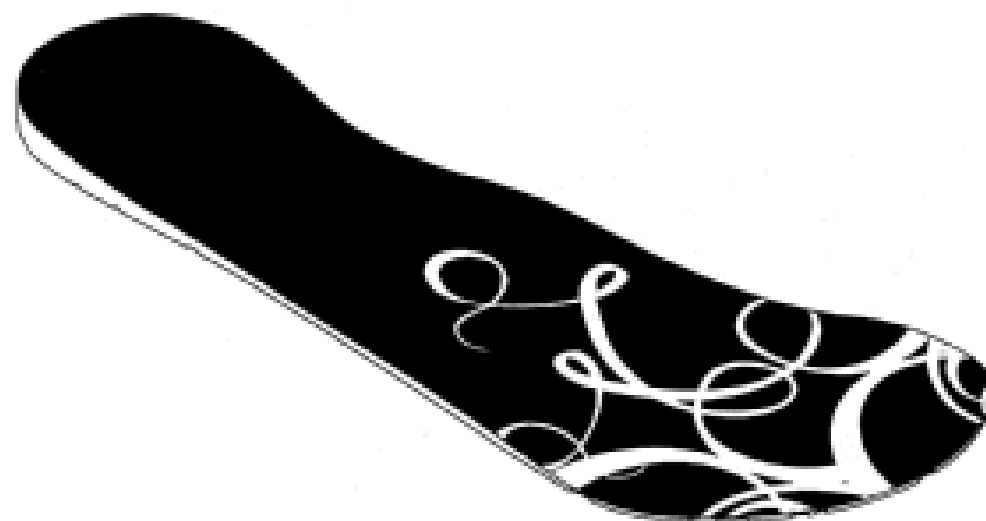
- (21) Design Number: **10683/2010**
(22) Date of Filing Application: **01 March 2010**
(24) Date from which industrial property rights may have effect: **01 March 2010**
(54) Product in respect of which the design is registered: **Fluid chamber head of a bicycle fluid resistance trainer unit**
(51) International Design Classification: **23-01NES**
(71) Name(s) and Address(s) of Applicant(s):
Jet Black Products Pty Limited
PO Box 6564 Baulkham Hills New South Wales 2153 Australia
(72) Name(s) of Designer(s): **Gary Sullivan**
(45) Registration Date: **26 May 2010**
(56) Related Art Documents: **Not Applicable**
(57) Statement of Newness and Distinctiveness: **Nil**



(21) Design Number: **11245/2010**
(22) Date of Filing Application: **09 April 2010**
(24) Date from which industrial property rights may have effect: **09 April 2010**
(54) Product in respect of which the design is registered: **Shoe polish applicator**
(51) International Design Classification: **07-05E**
(71) Name(s) and Address(s) of Applicant(s):
Samar, LLC
70 West Madison Chicago IL 60602 United States of America
(72) Name(s) of Designer(s): **Fons Broess**
(45) Registration Date: **26 May 2010**
(30) Convention priority data:
(31) Number (32) Date (33) Country
001635467-0001 12 Nov 2009 EUROPEAN COMMUNITY
(56) Related Art Documents: **Not Applicable**
(57) Statement of Newness and Distinctiveness: **Nil**



(21) Design Number: **11246/2010**
(22) Date of Filing Application: **09 April 2010**
(24) Date from which industrial property rights may have effect: **09 April 2010**
(54) Product in respect of which the design is registered: **Insole**
(51) International Design Classification: **02-04A**
(71) Name(s) and Address(s) of Applicant(s):
Samar, LLC
70 West Madison Chicago IL 60602 United States of America
(72) Name(s) of Designer(s): **Arnoldus Johannes Claassen**
(45) Registration Date: **26 May 2010**
(30) Convention priority data:
(31) Number (32) Date (33) Country
001628967-0001 27 Oct 2009 EUROPEAN COMMUNITY
(56) Related Art Documents: **Not Applicable**
(57) Statement of Newness and Distinctiveness: **Nil**



(21) Design Number: **11657/2010**

(22) Date of Filing Application: **30 April 2010**

(24) Date from which industrial property rights may have effect: **30 April 2010**

(54) Product in respect of which the design is registered: **Display**

(51) International Design Classification: **10-99, 20-02NES**

(71) Name(s) and Address(s) of Applicant(s):

**NEC Display Solutions, Ltd.
13-23 Shibaura 4-chome Minato-ku Tokyo Japan**

(72) Name(s) of Designer(s): **Renichi Mitsuhashi**

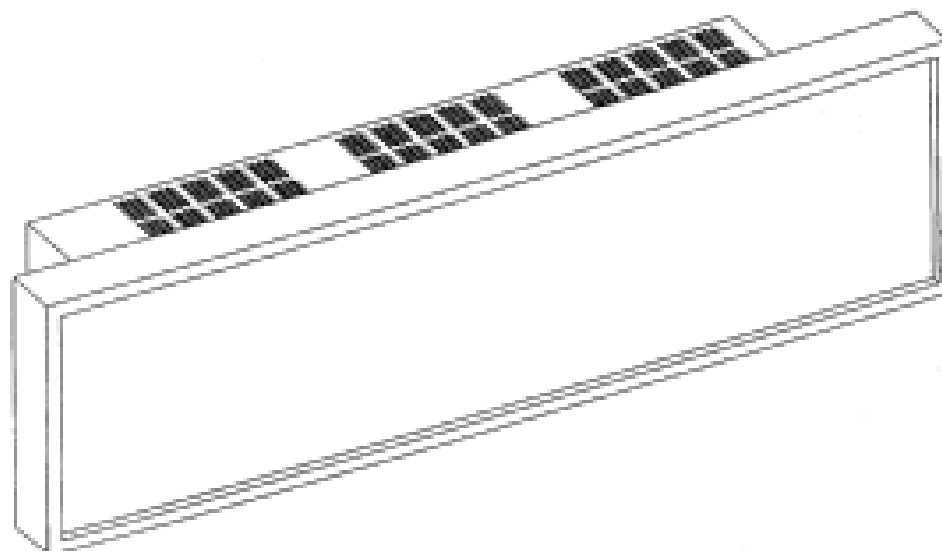
(45) Registration Date: **26 May 2010**

(30) Convention priority data:

(31) Number	(32) Date	(33) Country
2009-25785	04 Nov 2009	JAPAN

(56) Related Art Documents: **Not Applicable**

(57) Statement of Newness and Distinctiveness: **Newness and distinctiveness is claimed in the features of shape and/or configuration of a display as illustrated in the accompanying representations.**



(21) Design Number: **11659/2010**

(22) Date of Filing Application: **03 May 2010**

(24) Date from which industrial property rights may have effect: **03 May 2010**

(54) Product in respect of which the design is registered: **Luminaire**

(51) International Design Classification: **26-05NES, 26-05C**

(71) Name(s) and Address(s) of Applicant(s):

**Koninklijke Philips Electronics N.V.
Groenewoudseweg 1 5621 BA Eindhoven The Netherlands**

(72) Name(s) of Designer(s): **Wim Gielen**

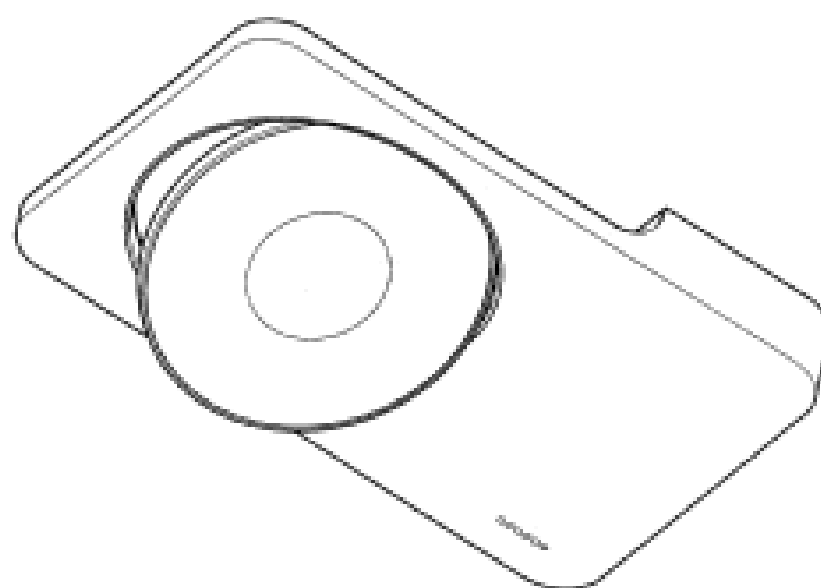
(45) Registration Date: **26 May 2010**

(30) Convention priority data:

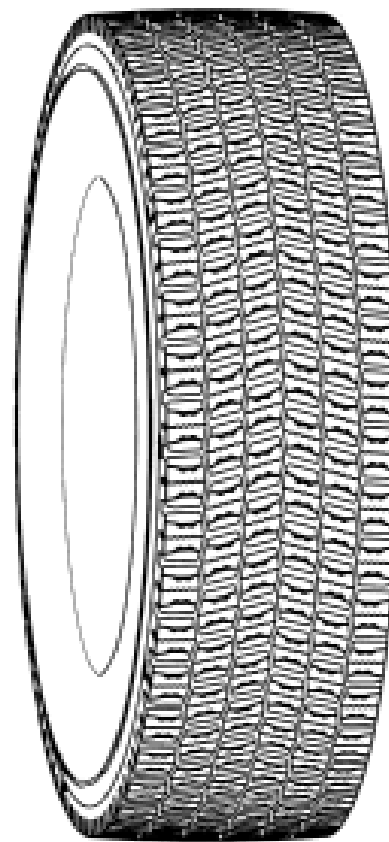
(31) Number	(32) Date	(33) Country
001632670	05 Nov 2009	EUROPEAN COMMUNITY

(56) Related Art Documents: **Not Applicable**

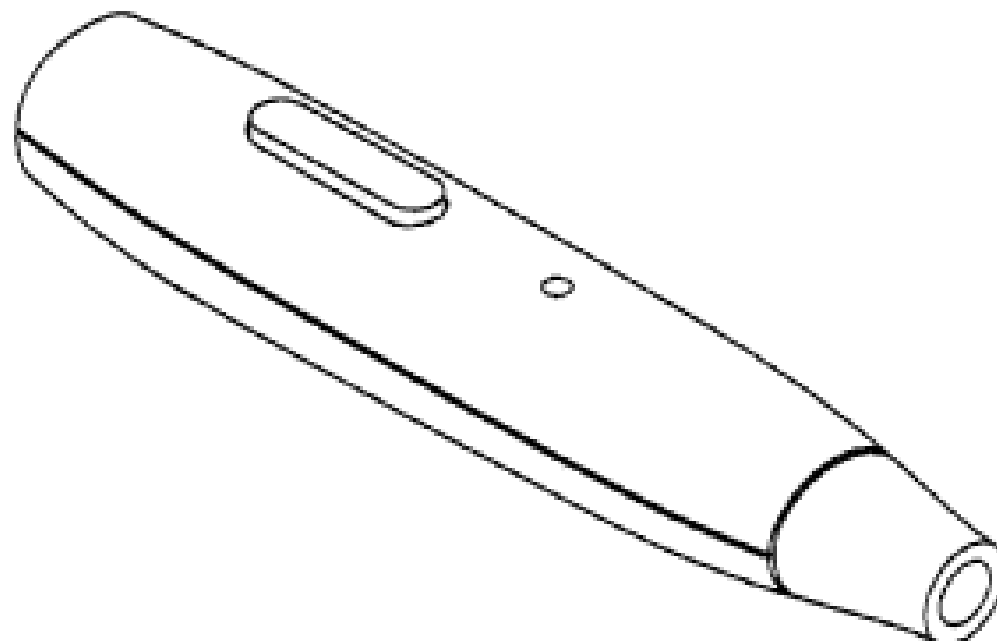
(57) Statement of Newness and Distinctiveness: **Newness and distinctiveness reside in the features of the shape and configuration of the design as shown in the representations.**



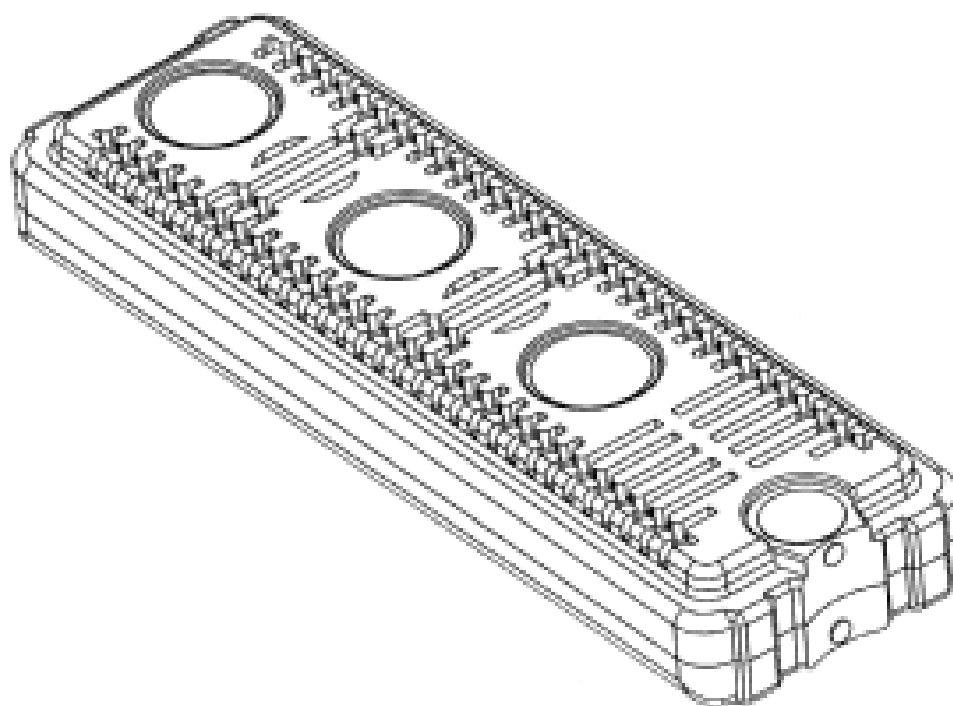
- (21) Design Number: **11660/2010**
(22) Date of Filing Application: **04 May 2010**
(24) Date from which industrial property rights may have effect: **04 May 2010**
(54) Product in respect of which the design is registered: **A tyre**
(51) International Design Classification: **12-15A**
(71) Name(s) and Address(s) of Applicant(s):
Societe De Technologie Michelin
23 rue Breschet F-63000 Clermont-Ferrand Cedex France
Michelin Recherche et Technique S.A.
Route Louis Braille 10 et 12 CH-1763 Granges-Paccot Switzerland
(72) Name(s) of Designer(s): **Gilles Godeau and Fabien Chatignoux**
(45) Registration Date: **26 May 2010**
(30) Convention priority data:
(31) Number (32) Date (33) Country
09/5450 06 Nov 2009 FRANCE
(56) Related Art Documents: **Not Applicable**
(57) Statement of Newness and Distinctiveness: **Newness and distinctiveness resides in the pattern and appearance of the tread region of the tyre, the remainder of the tyre not forming part of the design.**



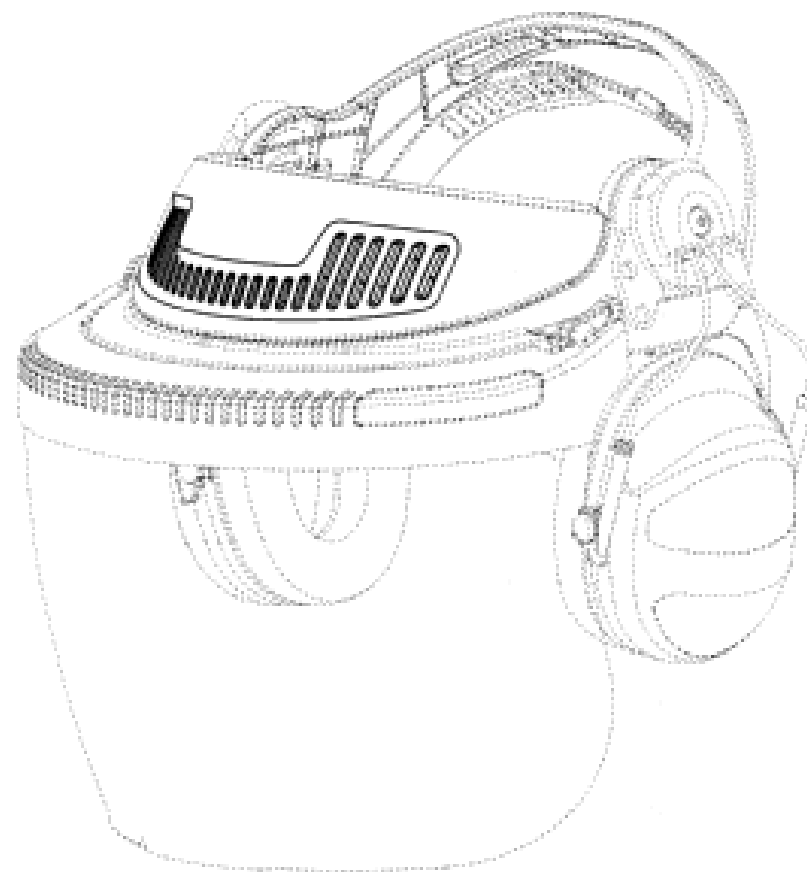
- (21) Design Number: **11661/2010**
(22) Date of Filing Application: **04 May 2010**
(24) Date from which industrial property rights may have effect: **04 May 2010**
(54) Product in respect of which the design is registered: **Microphone housing**
(51) International Design Classification: **14-01**
(71) Name(s) and Address(s) of Applicant(s):
Sony Ericsson Mobile Communications AB
Nya Vattentorget SE 221 88 Lund Sweden
(72) Name(s) of Designer(s): **Elin Anneback**
(45) Registration Date: **26 May 2010**
(30) Convention priority data:
(31) Number (32) Date (33) Country
001649526-0001 18 Dec 2009 EUROPEAN COMMUNITY
(56) Related Art Documents: **Not Applicable**
(57) Statement of Newness and Distinctiveness: **Nil**



- (21) Design Number: **11662/2010**
(22) Date of Filing Application: **03 May 2010**
(24) Date from which industrial property rights may have effect: **03 May 2010**
(54) Product in respect of which the design is registered: **Apparatus for irrigation of plants**
(51) International Design Classification: **23-01E**
(71) Name(s) and Address(s) of Applicant(s):
Deere & Company
One John Deere Place Moline IL 61265-8098 United States of America
(72) Name(s) of Designer(s): **Zvika Einav**
(45) Registration Date: **26 May 2010**
(30) Convention priority data:
(31) Number (32) Date (33) Country
001637620-0001 18 Nov 2009 EUROPEAN COMMUNITY
(56) Related Art Documents: **Not Applicable**
(57) Statement of Newness and Distinctiveness: **Newness and distinctiveness is claimed in the visual features shown in solid lines in the representations.**

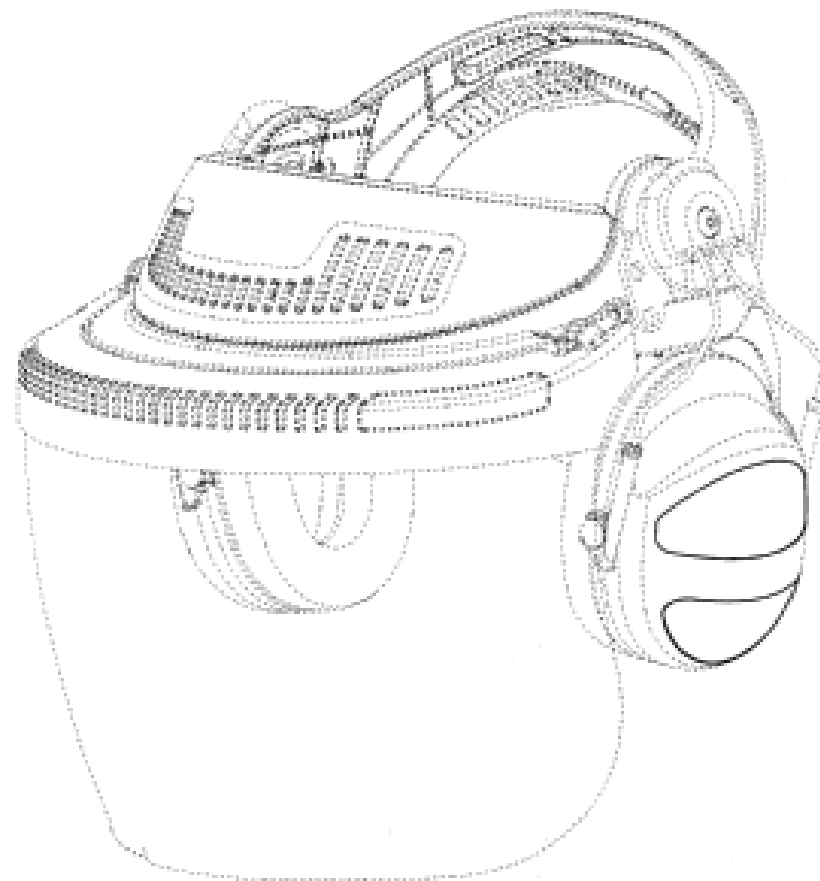


- (21) Design Number: **11664/2010**
(22) Date of Filing Application: **03 May 2010**
(24) Date from which industrial property rights may have effect: **03 May 2010**
(54) Product in respect of which the design is registered: **Headgear**
(51) International Design Classification: **02-03, 23-04, 24-99**
(71) Name(s) and Address(s) of Applicant(s):
3M Innovative Properties Company
3M Center Saint Paul Minnesota 55133-3427 United States of America
(72) Name(s) of Designer(s): **Jan L. Folkesson and Martin Sallander**
(45) Registration Date: **26 May 2010**
(30) Convention priority data:
(31) Number (32) Date (33) Country
1175616 03 Nov 2009 EUROPEAN COMMUNITY
(56) Related Art Documents: **Not Applicable**
(57) Statement of Newness and Distinctiveness: **Newness and distinctiveness is claimed in the features of shape and/or configuration of headgear as shown in solid outline in the accompanying representations.**



- (21) Design Number: **11665/2010**
- (22) Date of Filing Application: **03 May 2010**
- (24) Date from which industrial property rights may have effect: **03 May 2010**
- (54) Product in respect of which the design is registered: **Headgear with hearing protectors**
- (51) International Design Classification: **24-03, 24-99, 02-03**
- (71) Name(s) and Address(s) of Applicant(s):
3M Innovative Properties Company
3M Center Saint Paul Minnesota 55133-3427 United States of America
- (72) Name(s) of Designer(s): **Jan L. Folkesson and Martin Sallander**
- (45) Registration Date: **26 May 2010**
- (30) Convention priority data:

(31) Number	(32) Date	(33) Country
001175525	03 Nov 2009	EUROPEAN COMMUNITY
- (56) Related Art Documents: **Not Applicable**
- (57) Statement of Newness and Distinctiveness: **Newness and distinctiveness is claimed in the features of shape and/or configuration of headgear with hearing protectors as shown in solid outline in the accompanying drawings.**



- (21) Design Number: **11666/2010**
- (22) Date of Filing Application: **30 April 2010**
- (24) Date from which industrial property rights may have effect: **30 April 2010**
- (54) Product in respect of which the design is registered: **Dispenser**
- (51) International Design Classification: **07-02NES**
- (71) Name(s) and Address(s) of Applicant(s):
Pi-Design AG
Kantonsstrasse 100 6234 Triengen Switzerland
- (72) Name(s) of Designer(s): **Jorgen Bodum**
- (45) Registration Date: **26 May 2010**
- (30) Convention priority data:

(31) Number	(32) Date	(33) Country
DM/072 506	02 Nov 2009	WORLD INTELLECTUAL PROPERTY ORGANIZATION (WIPO)
- (56) Related Art Documents: **Not Applicable**
- (57) Statement of Newness and Distinctiveness: **The following visual features of the design are new and distinctive: the shape and configuration of the vessel and lid.**



(21) Design Number: **11667/2010**
(22) Date of Filing Application: **30 April 2010**
(24) Date from which industrial property rights may have effect: **30 April 2010**
(54) Product in respect of which the design is registered: **Jug**
(51) International Design Classification: **07-01F**
(71) Name(s) and Address(s) of Applicant(s):

Pi-Design AG
Kantonsstrasse 100 6234 Triengen Switzerland

(72) Name(s) of Designer(s): **Jorgen Bodum**

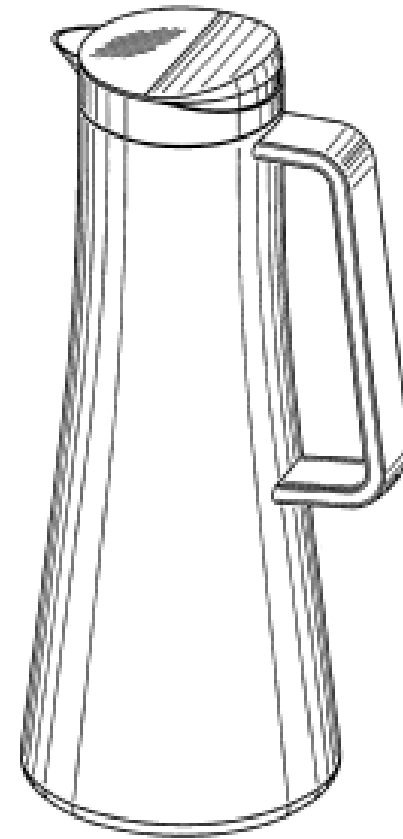
(45) Registration Date: **26 May 2010**

(30) Convention priority data:

(31) Number	(32) Date	(33) Country
DM/072 506	02 Nov 2009	WORLD INTELLECTUAL PROPERTY ORGANIZATION (WIPO)

(56) Related Art Documents: **Not Applicable**

(57) Statement of Newness and Distinctiveness: **The following visual features of the design are new and distinctive: the shape and configuration of the vessel and lid.**



(21) Design Number: **11668/2010**
(22) Date of Filing Application: **03 May 2010**
(24) Date from which industrial property rights may have effect: **03 May 2010**
(54) Product in respect of which the design is registered: **Headgear**
(51) International Design Classification: **02-03**
(71) Name(s) and Address(s) of Applicant(s):

3M Innovative Properties Company
3M Center Saint Paul Minnesota 55133-3427 United States of America

(72) Name(s) of Designer(s): **Jan L. Folkesson and Martin Sallander**

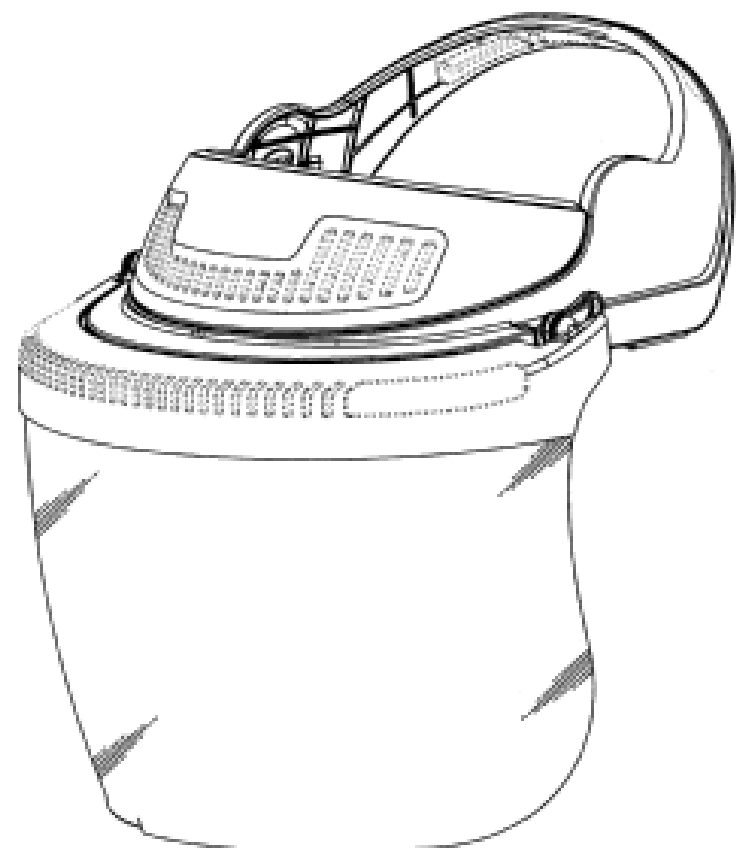
(45) Registration Date: **26 May 2010**

(30) Convention priority data:

(31) Number	(32) Date	(33) Country
1175533	03 Nov 2009	EUROPEAN COMMUNITY

(56) Related Art Documents: **Not Applicable**

(57) Statement of Newness and Distinctiveness: **Newness and Distinctiveness is claimed in the features of shape and/or configurations of a headgear as shown in solid outline in the accompanying drawings.**



- (21) Design Number: **11669/2010**
- (22) Date of Filing Application: **30 April 2010**
- (24) Date from which industrial property rights may have effect: **30 April 2010**
- (54) Product in respect of which the design is registered: **Carafe**
- (51) International Design Classification: **07-01F**
- (71) Name(s) and Address(s) of Applicant(s):

Pi-Design AG
Kantonsstrasse 100 6234 Triengen Switzerland

(72) Name(s) of Designer(s): **Jorgen Bodum**

(45) Registration Date: **26 May 2010**

(30) Convention priority data:

(31) Number	(32) Date	(33) Country
DM/072 506	02 Nov 2009	WORLD INTELLECTUAL PROPERTY ORGANIZATION (WIPO)

(56) Related Art Documents: **Not Applicable**

(57) Statement of Newness and Distinctiveness: **The following visual features of the design are new and distinctive: the shape and configuration of the vessel and lid.**



- (21) Design Number: **11670/2010**
- (22) Date of Filing Application: **03 May 2010**
- (24) Date from which industrial property rights may have effect: **03 May 2010**
- (54) Product in respect of which the design is registered: **Vacuum cleaner**
- (51) International Design Classification: **15-05**
- (71) Name(s) and Address(s) of Applicant(s):

LG Electronics Inc.
20 Yeouido-dong Yeongdeungpo-gu Seoul 150-721 Republic of Korea

(72) Name(s) of Designer(s): **Hyon Seon Shin and Yong Gyun Ghim and Jee Hoon Shin**

(45) Registration Date: **26 May 2010**

(30) Convention priority data:

(31) Number	(32) Date	(33) Country
30-2009-0048262	02 Nov 2009	REPUBLIC OF KOREA

(56) Related Art Documents: **Not Applicable**

(57) Statement of Newness and Distinctiveness: **Newness and distinctiveness resides in the visual features of shape and/or configuration of a vacuum cleaner as illustrated in the accompanying representations.**



(21) Design Number: **11671/2010**

(22) Date of Filing Application: **30 April 2010**

(24) Date from which industrial property rights may have effect: **30 April 2010**

(54) Product in respect of which the design is registered: **Vehicle number plate surround incorporating a tubular registration label holder**

(51) International Design Classification: **12-16NES**

(71) Name(s) and Address(s) of Applicant(s):

Paul Carter

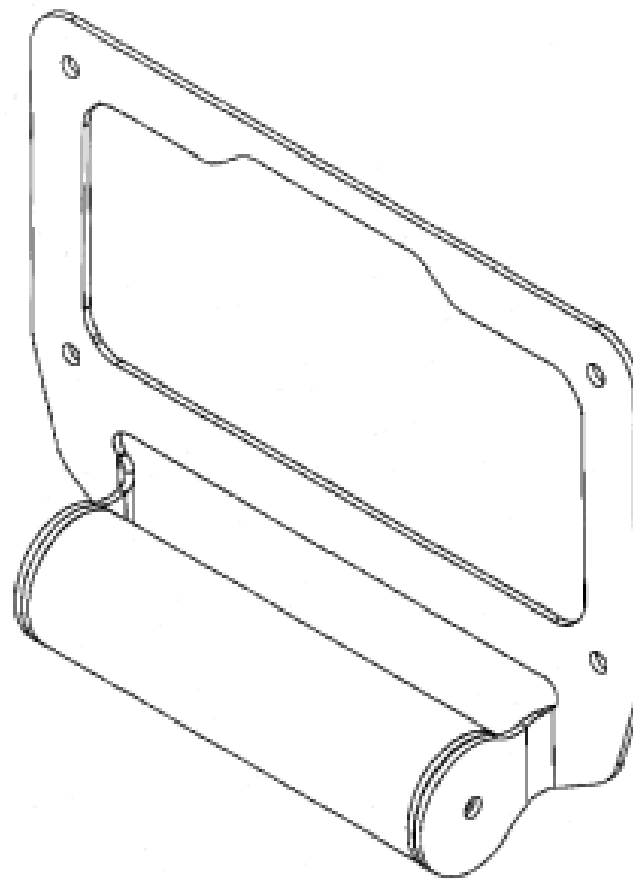
PO Box 248 Ingle Farm South Australia 5098 Australia

(72) Name(s) of Designer(s): **Paul Carter**

(45) Registration Date: **26 May 2010**

(56) Related Art Documents: **Not Applicable**

(57) Statement of Newness and Distinctiveness: **Nil**



(21) Design Number: **11673/2010**

(22) Date of Filing Application: **04 May 2010**

(24) Date from which industrial property rights may have effect: **04 May 2010**

(54) Product in respect of which the design is registered: **A weeding tool**

(51) International Design Classification: **08-01**

(71) Name(s) and Address(s) of Applicant(s):

Sothy Mam

56 Natalie Avenue Salisbury Downs South Australia 5108 Australia

Mana Mam

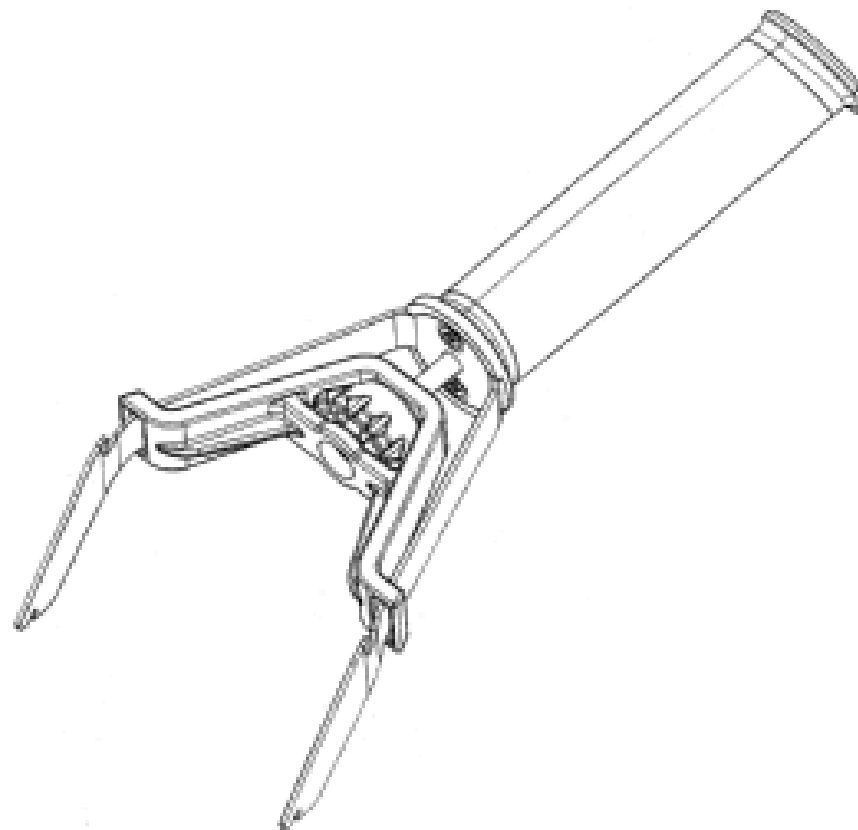
9 Longleit Road Elizabeth Vale South Australia 5112 Australia

(72) Name(s) of Designer(s): **Sothy Mam and Mana Mam**

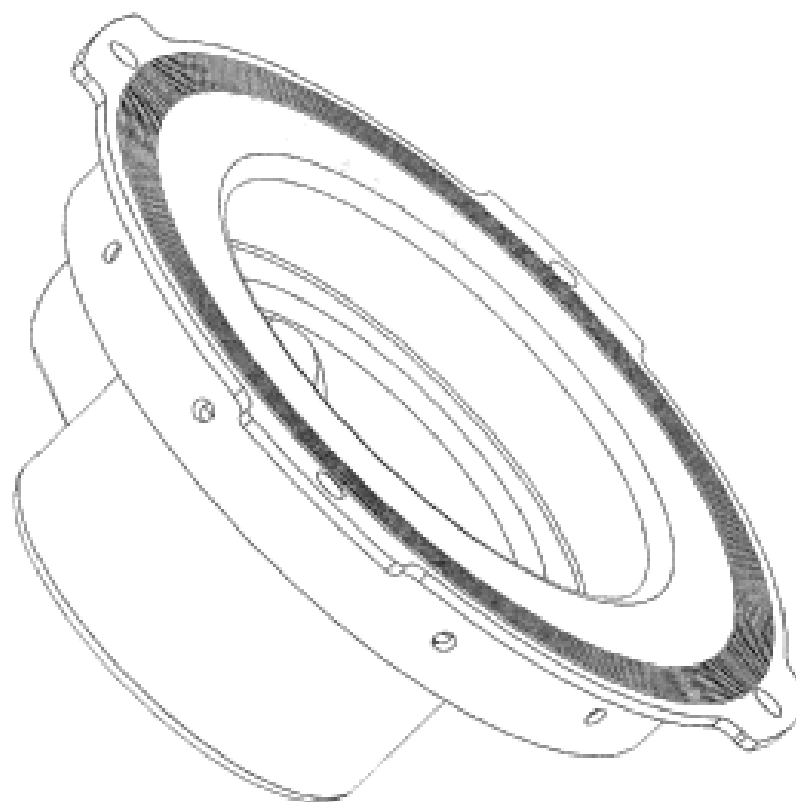
(45) Registration Date: **26 May 2010**

(56) Related Art Documents: **Not Applicable**

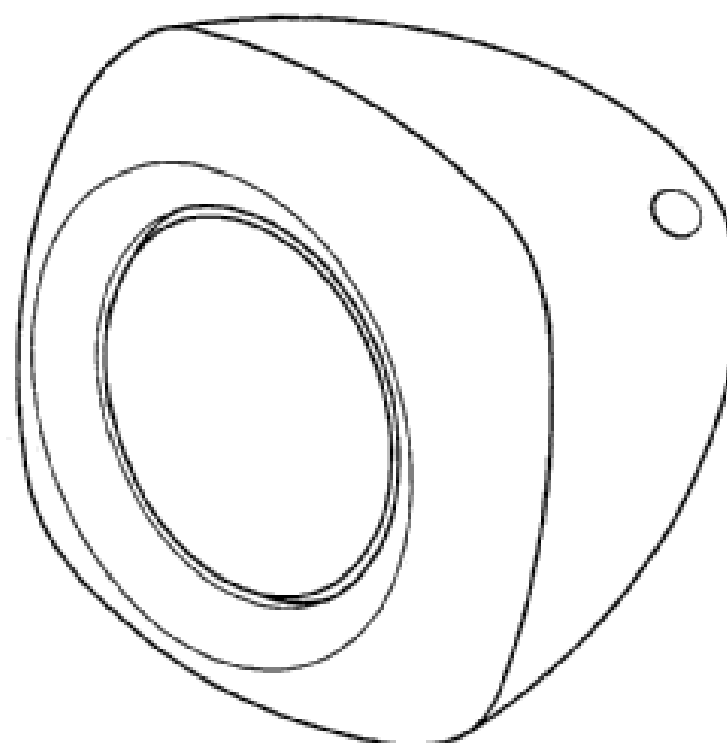
(57) Statement of Newness and Distinctiveness: **Nil**



(21) Design Number: **11674/2010**
(22) Date of Filing Application: **04 May 2010**
(24) Date from which industrial property rights may have effect: **04 May 2010**
(54) Product in respect of which the design is registered: **Drain outlet**
(51) International Design Classification: **23-02E**
(71) Name(s) and Address(s) of Applicant(s):
Eifblend Pty Ltd
C/- Level 10 Seabank Building 12-14 Marine Parade Southport 4215
Queensland Australia
(72) Name(s) of Designer(s): **Leslie Lawrence Howson**
(45) Registration Date: **26 May 2010**
(56) Related Art Documents: **Not Applicable**
(57) Statement of Newness and Distinctiveness: **Nil**



(21) Design Number: **11675/2010**
(22) Date of Filing Application: **04 May 2010**
(24) Date from which industrial property rights may have effect: **04 May 2010**
(54) Product in respect of which the design is registered: **Speaker for home theater**
(51) International Design Classification: **14-01**
(71) Name(s) and Address(s) of Applicant(s):
LG Electronics Inc.
20 Yeouido-dong Yeongdeungpo-gu Seoul 150-721 Republic of Korea
(72) Name(s) of Designer(s): **Mi Kyung Kim**
(45) Registration Date: **26 May 2010**
(30) Convention priority data:
(31) Number (32) Date (33) Country
30-2009-0048764 05 Nov 2009 REPUBLIC OF KOREA
(56) Related Art Documents: **Not Applicable**
(57) Statement of Newness and Distinctiveness: **Nil**



(21) Design Number: **11676/2010**

(22) Date of Filing Application: **30 April 2010**

(24) Date from which industrial property rights may have effect: **30 April 2010**

(54) Product in respect of which the design is registered: **Carafe (with jacket)**

(51) International Design Classification: **07-07A**

(71) Name(s) and Address(s) of Applicant(s):

Pi-Design AG
Kantonsstrasse 100 6234 Triengen Switzerland

(72) Name(s) of Designer(s): **Jorgen Bodum**

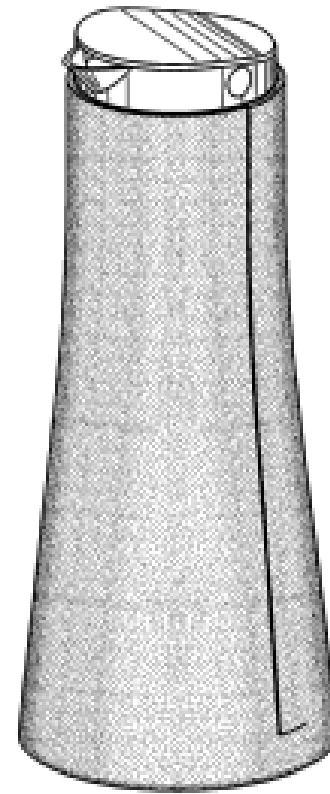
(45) Registration Date: **26 May 2010**

(30) Convention priority data:

(31) Number	(32) Date	(33) Country
DM/072 506	02 Nov 2009	WORLD INTELLECTUAL PROPERTY ORGANIZATION (WIPO)

(56) Related Art Documents: **Not Applicable**

(57) Statement of Newness and Distinctiveness: **The following visual features of the design are new and distinctive: the shape and configuration of the vessel and lid as well as the shape and material of the jacket.**



(21) Design Number: **11677/2010**

(22) Date of Filing Application: **30 April 2010**

(24) Date from which industrial property rights may have effect: **30 April 2010**

(54) Product in respect of which the design is registered: **LED module**

(51) International Design Classification: **26-04**

(71) Name(s) and Address(s) of Applicant(s):

Koninklijke Philips Electronics N.V.
Groenewoudseweg 1 5621 BA Eindhoven The Netherlands

(72) Name(s) of Designer(s): **Manfred Nitsch and Mat Bembridge**

(45) Registration Date: **26 May 2010**

(30) Convention priority data:

(31) Number	(32) Date	(33) Country
001634726	11 Nov 2009	EUROPEAN COMMUNITY

(56) Related Art Documents: **Not Applicable**

(57) Statement of Newness and Distinctiveness: **Newness and distinctiveness reside in the features of shape and configuration of the design as shown in the representations.**



(21) Design Number: **11682/2010**

(22) Date of Filing Application: **30 April 2010**

(24) Date from which industrial property rights may have effect: **30 April 2010**

(54) Product in respect of which the design is registered: **Cooking apparatus**

(51) International Design Classification: **07-02E**

(71) Name(s) and Address(s) of Applicant(s):

**Foshan Shunde Everteam Industrial Co. Ltd
No. 27 East Rongqi Dadao Ronggui Shunde District Foshan City
Guangdong Province China**

(72) Name(s) of Designer(s): **Zhiqiang Liang**

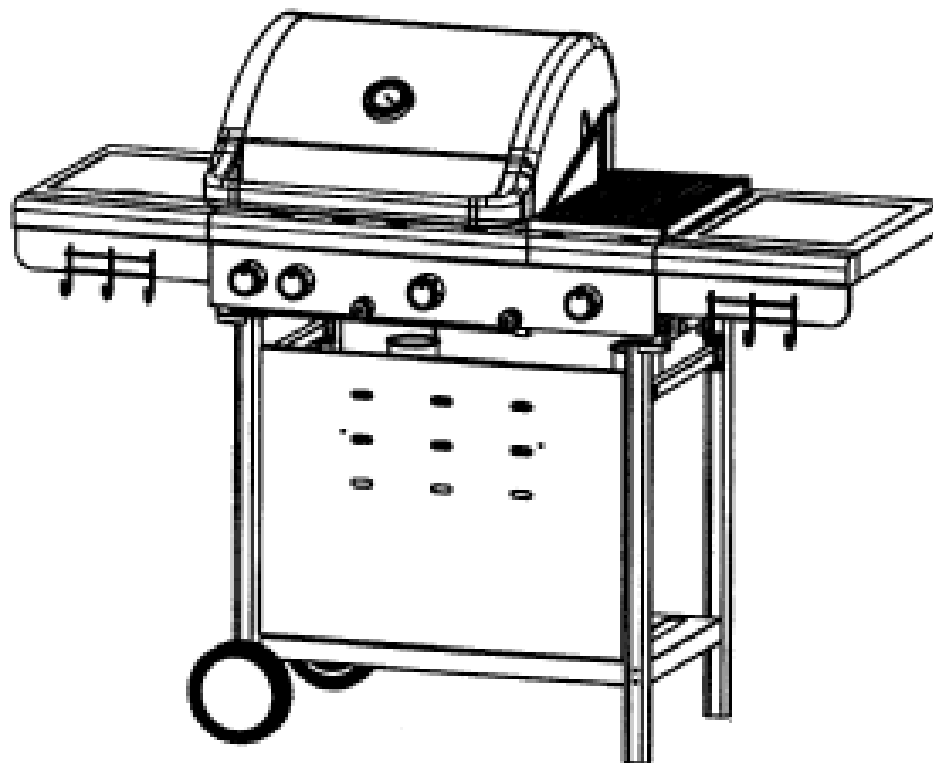
(45) Registration Date: **26 May 2010**

(30) Convention priority data:

(31) Number	(32) Date	(33) Country
200930258896.3	06 Nov 2009	CHINA

(56) Related Art Documents: **Not Applicable**

(57) Statement of Newness and Distinctiveness: **The newness and distinctiveness is claimed in the feature of the shape and/or configuration of a cooking apparatus as illustrated in the accompanying representations.**



(21) Design Number: **11683/2010**

(22) Date of Filing Application: **30 April 2010**

(24) Date from which industrial property rights may have effect: **30 April 2010**

(54) Product in respect of which the design is registered: **Transformable toy**

(51) International Design Classification: **21-01B**

(71) Name(s) and Address(s) of Applicant(s):

**Spin Master Ltd.
450 Front Street West Toronto ON M5V 1B6 Canada**

(72) Name(s) of Designer(s): **Kohji Hirose and Richard Keuter and Wataru Sato**

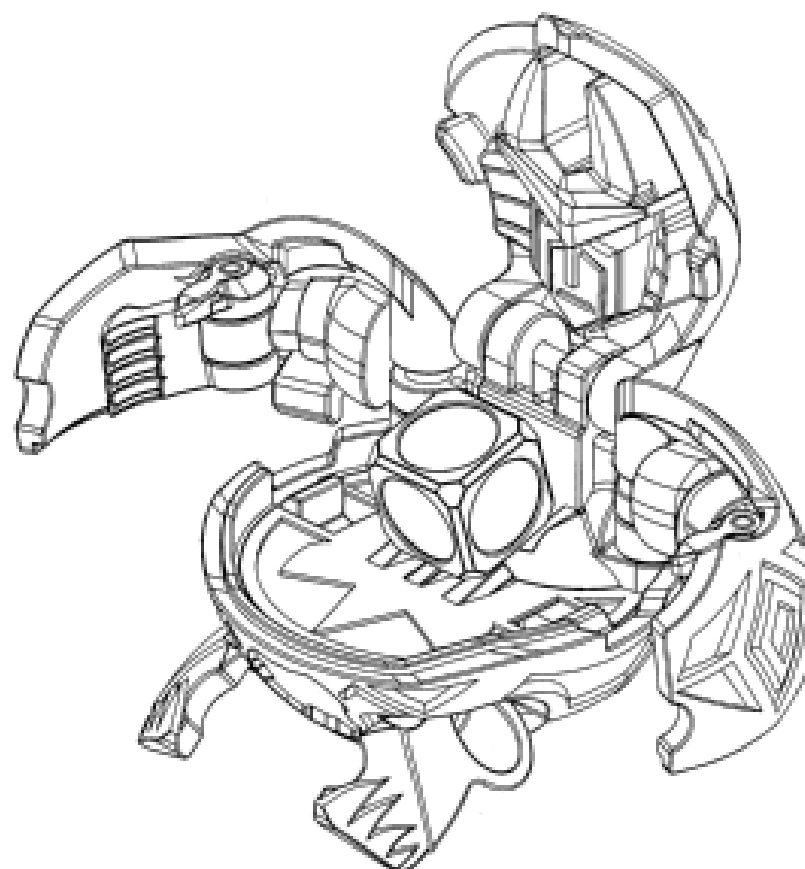
(45) Registration Date: **26 May 2010**

(30) Convention priority data:

(31) Number	(32) Date	(33) Country
133293	11 Dec 2009	CANADA

(56) Related Art Documents: **Not Applicable**

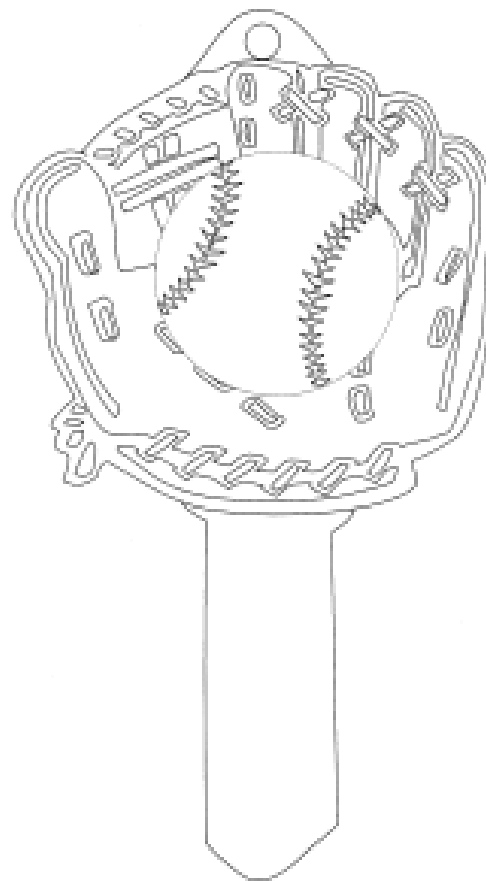
(57) Statement of Newness and Distinctiveness: **Nil**



- (21) Design Number: **10095/2010**
- (22) Date of Filing Application: **13 January 2010**
- (24) Date from which industrial property rights may have effect: **13 January 2010**
- (54) Product in respect of which the design is registered: **Key blank**
- (51) International Design Classification: **08-07**
- (71) Name(s) and Address(s) of Applicant(s):

Sporty Keys Pty Ltd
c/- Actuate IP 9/140 Queen Street Melbourne Victoria 3000 Australia

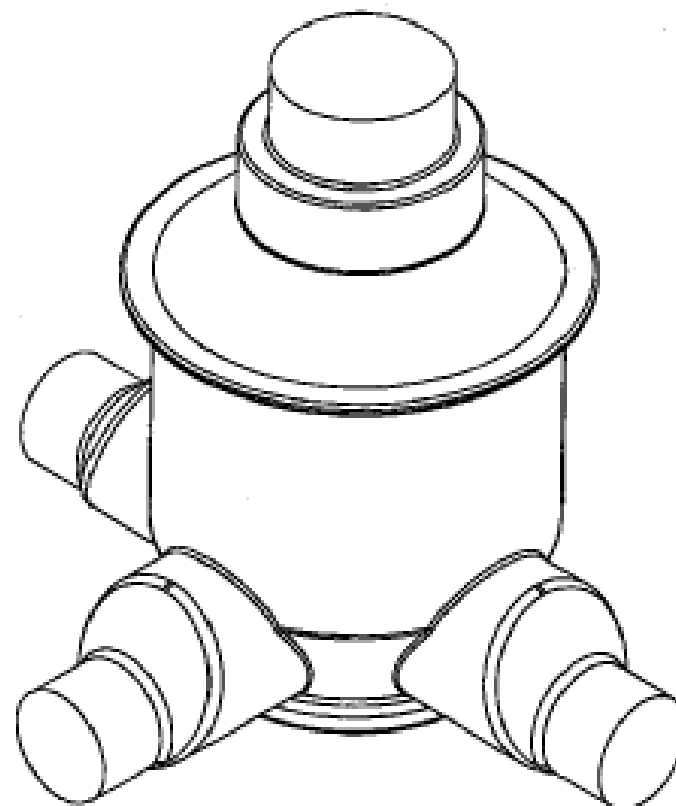
- (72) Name(s) of Designer(s): **William Bona**
- (45) Registration Date: **26 May 2010**
- (56) Related Art Documents: **Not Applicable**
- (57) Statement of Newness and Distinctiveness: **Newness and distinctiveness are claimed in the features of shape and/or configuration of the top of the key blank as illustrated in the accompanying representations. No monopoly is claimed in the shaft of the key blank that may incorporate any standard shaft.**



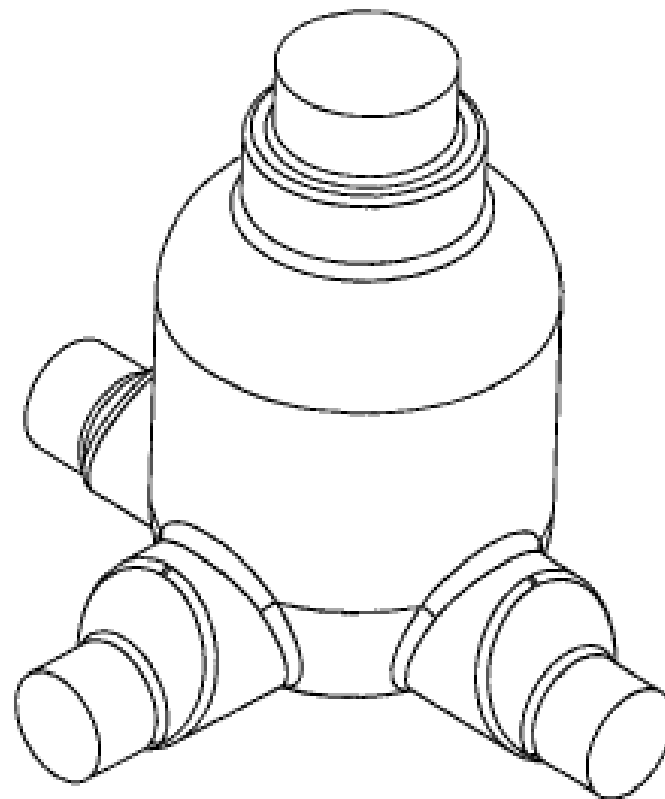
- (21) Design Number: **10722/2010**
- (22) Date of Filing Application: **03 March 2010**
- (24) Date from which industrial property rights may have effect: **03 March 2010**
- (54) Product in respect of which the design is registered: **Maintenance shaft**
- (51) International Design Classification: **25-02NES, 25-04**
- (71) Name(s) and Address(s) of Applicant(s):

Industrial Steps and Ladders Pty Ltd
40 McCallum Crescent Ardross Western Australia 6153 Australia

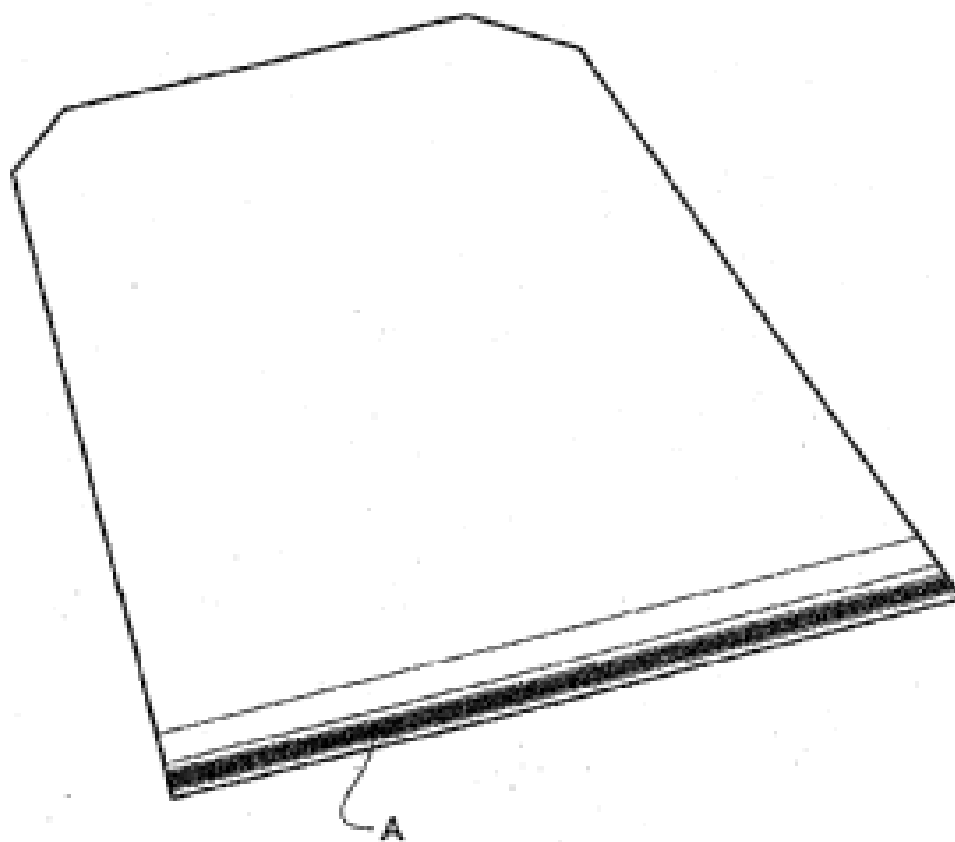
- (72) Name(s) of Designer(s): **James Leslie Mann and Nick Harpantidis**
- (45) Registration Date: **26 May 2010**
- (56) Related Art Documents: **Not Applicable**
- (57) Statement of Newness and Distinctiveness: **Nil**



(21) Design Number: **10723/2010**
(22) Date of Filing Application: **03 March 2010**
(24) Date from which industrial property rights may have effect: **03 March 2010**
(54) Product in respect of which the design is registered: **Maintenance shaft**
(51) International Design Classification: **25-02NES, 25-04**
(71) Name(s) and Address(s) of Applicant(s):
Industrial Steps and Ladders Pty Ltd
40 McCallum Crescent Ardross Western Australia 6153 Australia
(72) Name(s) of Designer(s): **James Leslie Mann and Nick Harpantidis**
(45) Registration Date: **26 May 2010**
(56) Related Art Documents: **Not Applicable**
(57) Statement of Newness and Distinctiveness: **Nil**



(21) Design Number: **10814/2010**
(22) Date of Filing Application: **05 March 2010**
(24) Date from which industrial property rights may have effect: **05 March 2010**
(54) Product in respect of which the design is registered: **A lie flat bag with heat activatable adhesive band**
(51) International Design Classification: **03-01NES**
(71) Name(s) and Address(s) of Applicant(s):
Carter Holt Harvey Limited
173 Captain Springs Road Onehunga Auckland New Zealand
(72) Name(s) of Designer(s): **Vinay Kaul**
(45) Registration Date: **26 May 2010**
(30) Convention priority data:
(31) Number (32) Date (33) Country
412768 07 Oct 2009 NEW ZEALAND
(56) Related Art Documents: **Not Applicable**
(57) Statement of Newness and Distinctiveness: **The novelty resides in the features of ornamentation in profile of an adhesive band shown as 'A' in the attached representation.**



(21) Design Number: **11210/2010**
 (22) Date of Filing Application: **07 April 2010**
 (24) Date from which industrial property rights may have effect: **07 April 2010**
 (54) Product in respect of which the design is registered: **Portable photo booth, portable photo tower, portable photo kiosk**
 (51) International Design Classification: **16-99**
 (71) Name(s) and Address(s) of Applicant(s):

Photorazzi Pty Ltd
10 Drumbeat Place Coomera Queensland 4209 Australia

(72) Name(s) of Designer(s): **Charles Magno**

(45) Registration Date: **26 May 2010**

(56) Related Art Documents: **Not Applicable**

(57) Statement of Newness and Distinctiveness: **Terms. Performer(s) - person(s) in front of the photo tower. Observer(s) - person(s) in general vicinity of photo tower. Form and Visual Features. The "L-shaped" form provides a clean definitive shape - establishing visual continuity between all the portioned segments of the design, essentially this acts as a structural wall and base for the photo tower. The front face of the "L" form, acts as privacy barrier between performer(s) and observer(s) - providing a brief private moment in front of the photo tower. In addition, the "L-shaped" form is a separation of function, as it shows what needs to be seen - the viewing window, capture window and ambient light is visible from this form. Texture and colour to the "L-shaped" form, provide distinction to the "Service Column". The ambient light's form, essentially marries the two forms together - this is particularly clear from the left and right elevations, as its face protrudes out and is skewed slightly towards the performer(s). The "Service Column" form, to the rear of the design - establishes the service side of the photo tower, which is to be hidden from public view, yet provides a much needed visual interest to the observer(s) through its illuminated visual amenity. Texture and colour, to the "Service Column" form, provides distinction to the "L-shaped" form. The choice of certain finish and materials, give the design a distinct branding - specific to the field of which the business operates. The design adds to the current branding for the company. The modular form is derived from a need for portability as well as aesthetics - a blend of these two necessities provides a subtle and stylish balance in the design.**



(21) Design Number: **11699/2010**
 (22) Date of Filing Application: **30 April 2010**
 (24) Date from which industrial property rights may have effect: **30 April 2010**
 (54) Product in respect of which the design is registered: **A rotor**
 (51) International Design Classification: **21-02NES, 22-05, 29-02**
 (71) Name(s) and Address(s) of Applicant(s):

Holmes Solutions Limited
123 Victoria Street Christchurch New Zealand

(72) Name(s) of Designer(s): **Andrew Karl Diehl and Bruce John Robertson and Christopher James Allington**

(45) Registration Date: **27 May 2010**

(30) Convention priority data:

(31) Number	(32) Date	(33) Country
413510	12 Apr 2010	NEW ZEALAND

(56) Related Art Documents: **Not Applicable**

(57) Statement of Newness and Distinctiveness: **We wish to submit a Statement of Newness and Distinctiveness (set out below) in respect of particular visual features of the design shown in figures 1 to 7, but in so doing do not imply that other visual features of the design lack newness or distinctiveness. The shape and configuration of the Rotor is new and distinctive.**



(21) Design Number: **11732/2010**
(22) Date of Filing Application: **05 May 2010**
(24) Date from which industrial property rights may have effect: **05 May 2010**
(54) Product in respect of which the design is registered: **Wrist watch**
(51) International Design Classification: **10-02**
(71) Name(s) and Address(s) of Applicant(s):
Rado Uhren AG (Rado Watch Co Ltd) (Montres Rado SA)
Bielstrasse 45 Lengnau Switzerland
(72) Name(s) of Designer(s): **Alessandra Furetta**
(45) Registration Date: **27 May 2010**
(30) Convention priority data:
(31) Number (32) Date (33) Country
DM/072 950 22 Jan 2010 SWITZERLAND
(56) Related Art Documents: **Not Applicable**
(57) Statement of Newness and Distinctiveness: **Nil**



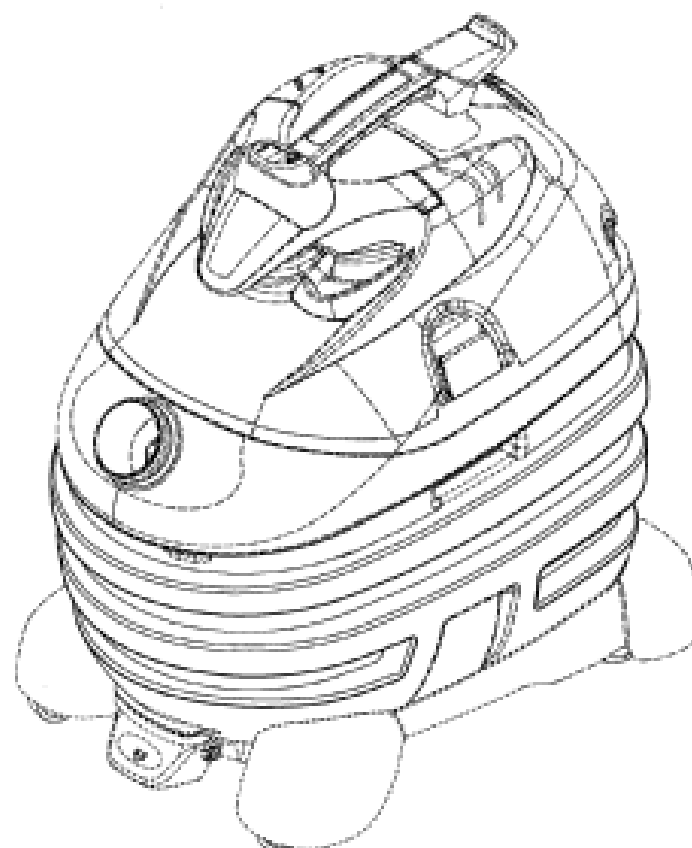
(21) Design Number: **11733/2010**
(22) Date of Filing Application: **05 May 2010**
(24) Date from which industrial property rights may have effect: **05 May 2010**
(54) Product in respect of which the design is registered: **Wrist watch**
(51) International Design Classification: **10-02**
(71) Name(s) and Address(s) of Applicant(s):
Rado Uhren AG (Rado Watch Co Ltd) (Montres Rado SA)
Bielstrasse 45 Lengnau Switzerland
(72) Name(s) of Designer(s): **Alessandra Furetta**
(45) Registration Date: **27 May 2010**
(30) Convention priority data:
(31) Number (32) Date (33) Country
DM/072 950 22 Jan 2010 SWITZERLAND
(56) Related Art Documents: **Not Applicable**
(57) Statement of Newness and Distinctiveness: **Nil**



- (21) Design Number: **11734/2010**
(22) Date of Filing Application: **05 May 2010**
(24) Date from which industrial property rights may have effect: **05 May 2010**
(54) Product in respect of which the design is registered: **Wrist watch**
(51) International Design Classification: **10-02**
(71) Name(s) and Address(s) of Applicant(s):
Rado Uhren AG (Rado Watch Co Ltd) (Montres Rado SA)
Bielstrasse 45 Lengnau Switzerland
(72) Name(s) of Designer(s): **Alessandra Furetta**
(45) Registration Date: **27 May 2010**
(30) Convention priority data:
(31) Number (32) Date (33) Country
DM/072 950 22 Jan 2010 SWITZERLAND
(56) Related Art Documents: **Not Applicable**
(57) Statement of Newness and Distinctiveness: **Nil**



- (21) Design Number: **11735/2010**
(22) Date of Filing Application: **04 May 2010**
(24) Date from which industrial property rights may have effect: **04 May 2010**
(54) Product in respect of which the design is registered: **Vacuum cleaner**
(51) International Design Classification: **15-05**
(71) Name(s) and Address(s) of Applicant(s):
Shop Vac Corporation
2323 Reach Road Williamsport PA 17701 United States of America
(72) Name(s) of Designer(s): **Robert Lent Crevling and Kevin D. Fry and John Griffin**
(45) Registration Date: **27 May 2010**
(30) Convention priority data:
(31) Number (32) Date (33) Country
29/350098 11 Nov 2009 UNITED STATES OF AMERICA
(56) Related Art Documents: **Not Applicable**
(57) Statement of Newness and Distinctiveness: **When determining whether the design 1 is substantially similar in overall impression to another design, no regard is to be had to those features shown in dotted outline in the accompanying drawings.**



(21) Design Number: **11736/2010**

(22) Date of Filing Application: **04 May 2010**

(24) Date from which industrial property rights may have effect: **04 May 2010**

(54) Product in respect of which the design is registered: **Tyre**

(51) International Design Classification: **12-15A**

(71) Name(s) and Address(s) of Applicant(s):

**Continental Reifen Deutschland GmbH
Vahrenwalderstrasse 9 30165 Hannover Germany**

(72) Name(s) of Designer(s): **Ulrich Behr**

(45) Registration Date: **27 May 2010**

(30) Convention priority data:

(31) Number	(32) Date	(33) Country
001664285	02 Feb 2010	EUROPEAN COMMUNITY

(56) Related Art Documents: **Not Applicable**

(57) Statement of Newness and Distinctiveness: **Newness and distinctiveness resides in the visual features, including shape, configuration and pattern of a tread for a TYRE as shown in the accompanying representations.**



(21) Design Number: **11737/2010**

(22) Date of Filing Application: **04 May 2010**

(24) Date from which industrial property rights may have effect: **04 May 2010**

(54) Product in respect of which the design is registered: **Tyre**

(51) International Design Classification: **12-15A**

(71) Name(s) and Address(s) of Applicant(s):

**Continental Reifen Deutschland GmbH
Vahrenwalderstrasse 9 30165 Hannover Germany**

(72) Name(s) of Designer(s): **Ulrich Behr**

(45) Registration Date: **27 May 2010**

(30) Convention priority data:

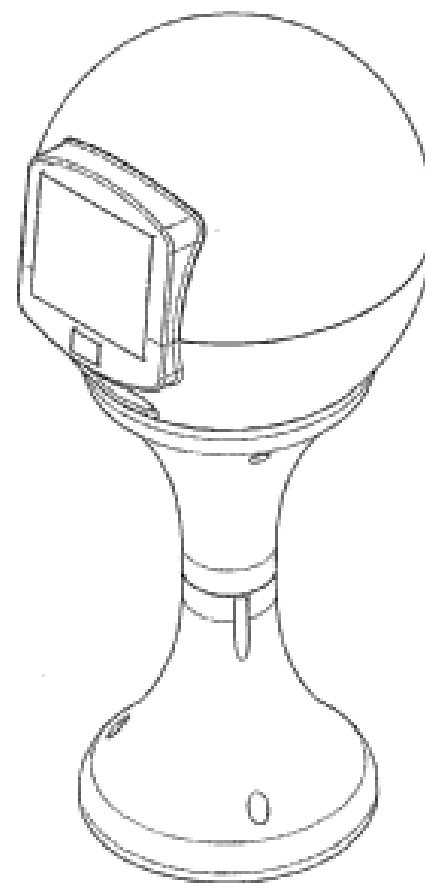
(31) Number	(32) Date	(33) Country
001664285	02 Feb 2010	EUROPEAN COMMUNITY

(56) Related Art Documents: **Not Applicable**

(57) Statement of Newness and Distinctiveness: **Newness and distinctiveness resides in the visual features, including shape, configuration and pattern of a tread for a TYRE as shown in the accompanying representations.**



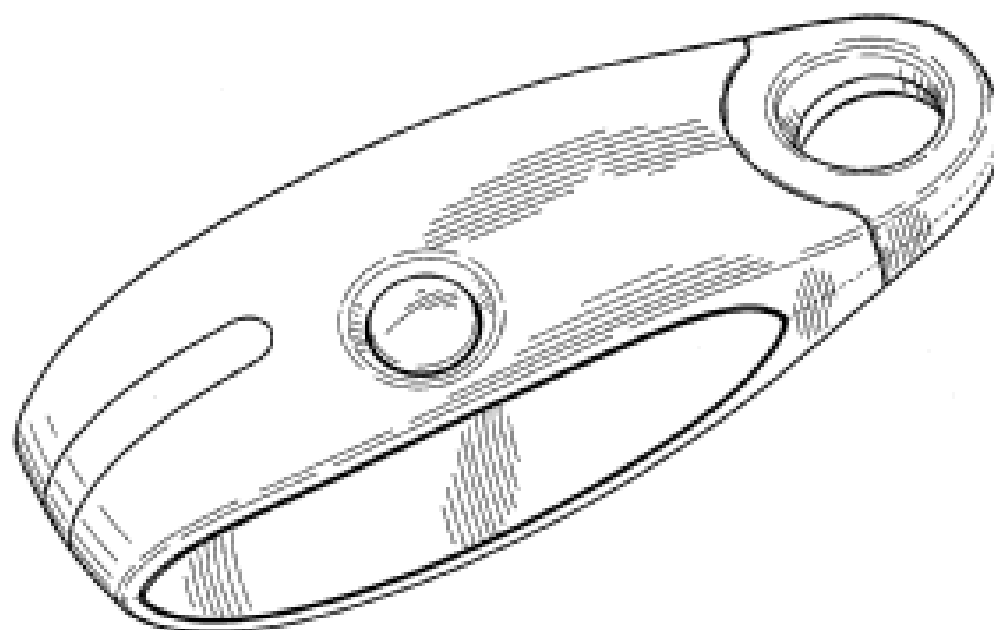
(21) Design Number: **11738/2010**
 (22) Date of Filing Application: **04 May 2010**
 (24) Date from which industrial property rights may have effect: **04 May 2010**
 (54) Product in respect of which the design is registered: **Vending machine**
 (51) International Design Classification: **20-01**
 (71) Name(s) and Address(s) of Applicant(s):
SpynnBak Limited
29 Hillcrest Road Otumoetai Tauranga 3110 New Zealand
 (72) Name(s) of Designer(s): **Robert Tehuia-Arangi Sanders and Joanna Marie Sanders**
 (45) Registration Date: **27 May 2010**
 (56) Related Art Documents: **Not Applicable**
 (57) Statement of Newness and Distinctiveness: **Nil**



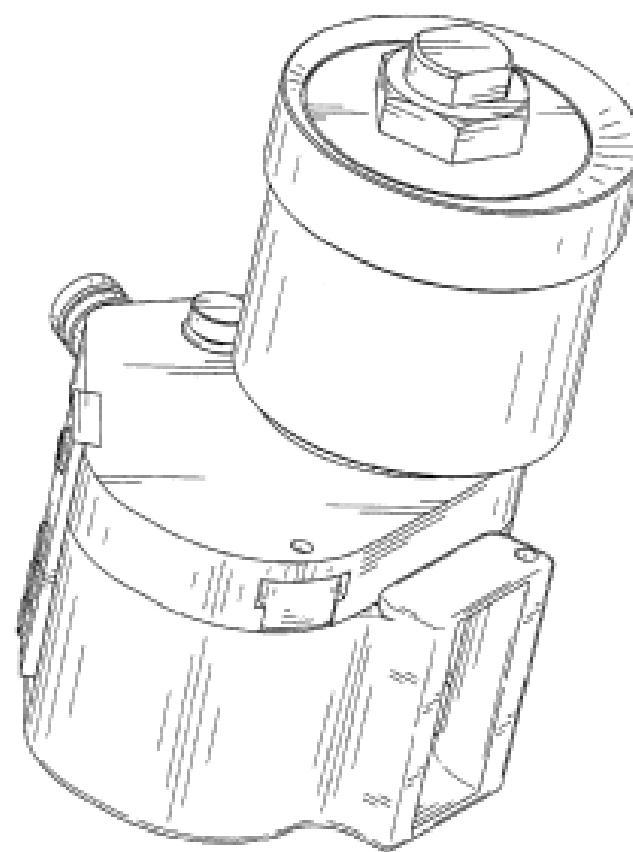
(21) Design Number: **11739/2010**
 (22) Date of Filing Application: **04 May 2010**
 (24) Date from which industrial property rights may have effect: **04 May 2010**
 (54) Product in respect of which the design is registered: **Lighting device**
 (51) International Design Classification: **26-04**
 (71) Name(s) and Address(s) of Applicant(s):
Eveready Battery Company, Inc.
533 Maryville University Drive St Louis Missouri 63141 United States of America
 (72) Name(s) of Designer(s): **Donwoong Kang and Mark A. Ferguson**
 (45) Registration Date: **27 May 2010**
 (30) Convention priority data:

(31) Number	(32) Date	(33) Country
29/351574	08 Dec 2009	UNITED STATES OF AMERICA

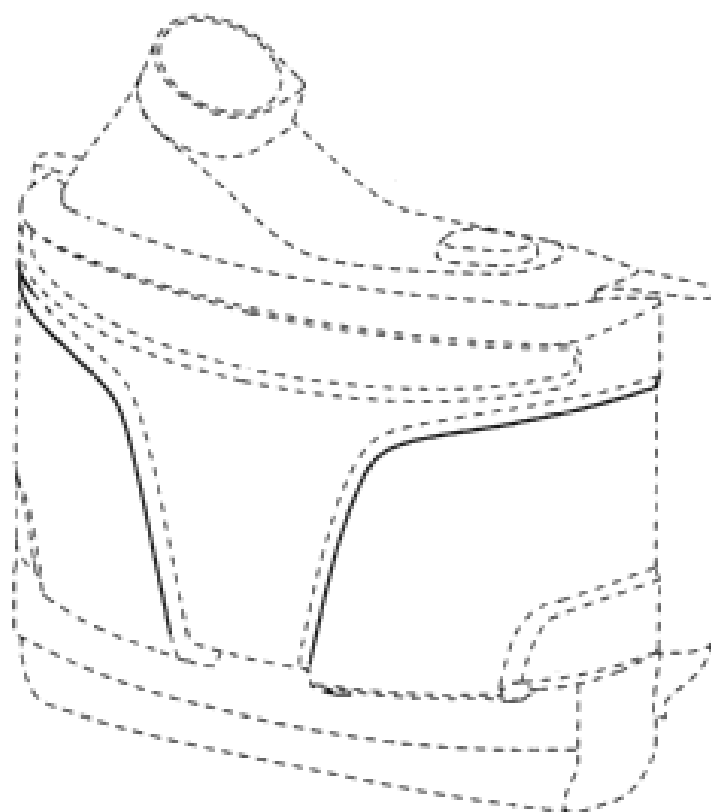
 (56) Related Art Documents: **Not Applicable**
 (57) Statement of Newness and Distinctiveness: **Newness and distinctiveness is claimed in those features of shape and or configuration of a Lighting Device as depicted in the representations. The representations use shading to assist in the illustration of features of shape and or configuration. Such shading does not form part of the design. The features shown in broken lines do not form part of the design.**



(21) Design Number: **11724/2010**
 (22) Date of Filing Application: **04 May 2010**
 (24) Date from which industrial property rights may have effect: **04 May 2010**
 (54) Product in respect of which the design is registered: **Fiberglass cutting apparatus**
 (51) International Design Classification: **08-03**
 (71) Name(s) and Address(s) of Applicant(s):
Graco Minnesota Inc.
88 11th Avenue NE Minneapolis Minnesota 55440-1441 United States of America
 (72) Name(s) of Designer(s): **Steven R. Sindors and Jonathan R. McMichael and Corey Dean Johnson and James H. Rohrer and Ronald W. Mangus**
 (45) Registration Date: **27 May 2010**
 (30) Convention priority data:
 (31) Number (32) Date (33) Country
29/350,782 23 Nov 2009 UNITED STATES OF AMERICA
 (56) Related Art Documents: **Not Applicable**
 (57) Statement of Newness and Distinctiveness: **Nil**



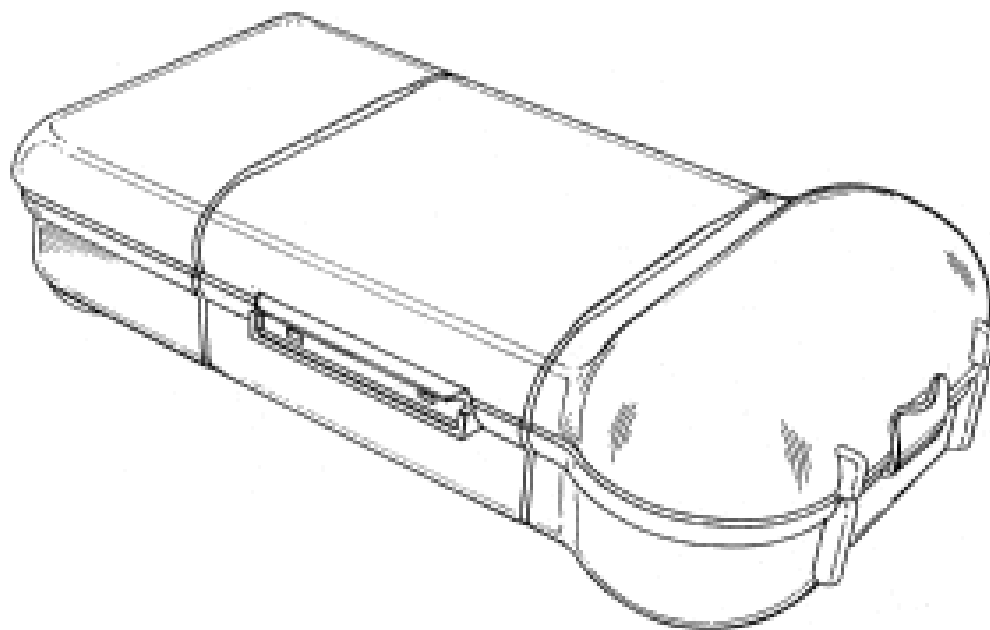
(21) Design Number: **11725/2010**
 (22) Date of Filing Application: **04 May 2010**
 (24) Date from which industrial property rights may have effect: **04 May 2010**
 (54) Product in respect of which the design is registered: **Turbo unit cover**
 (51) International Design Classification: **24-99**
 (71) Name(s) and Address(s) of Applicant(s):
3M Innovative Properties Company
3M Center Saint Paul Minnesota 55133-3427 United States of America
 (72) Name(s) of Designer(s): **Michael C. Bainton and Oskar E. Juhlin and Martin L.E. Birath and Stuart J. King**
 (45) Registration Date: **27 May 2010**
 (30) Convention priority data:
 (31) Number (32) Date (33) Country
29/346689 04 Nov 2009 UNITED STATES OF AMERICA
 (56) Related Art Documents: **Not Applicable**
 (57) Statement of Newness and Distinctiveness: **Newness and distinctiveness resides in the features of shape and/or configuration of a turbo unit cover as shown in solid outline in the accompanying representations.**



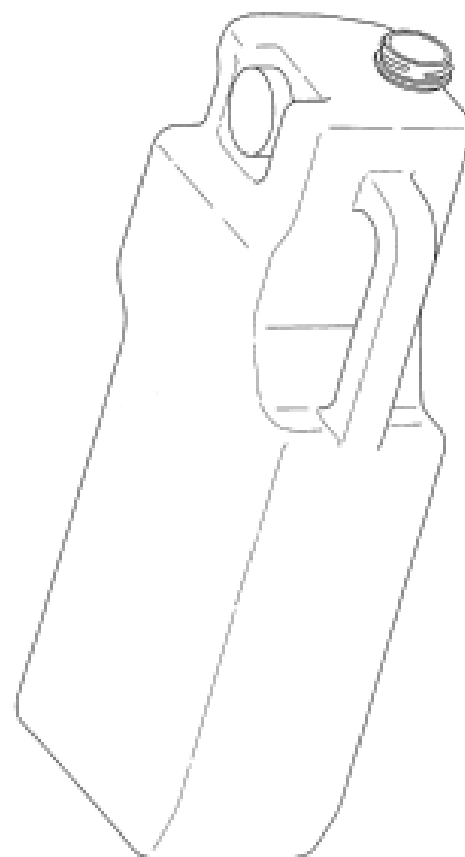
- (21) Design Number: **11726/2010**
(22) Date of Filing Application: **04 May 2010**
(24) Date from which industrial property rights may have effect: **04 May 2010**
(54) Product in respect of which the design is registered: **Turbo unit cover with window**
(51) International Design Classification: **24-99**
(71) Name(s) and Address(s) of Applicant(s):
3M Innovative Properties Company
3M Center Saint Paul Minnesota 55133-3427 United States of America
(72) Name(s) of Designer(s): **Michael C. Bainton and Desmond T. Curran and Martin L.E. Birath and Oskar E. Juhlin and Stuart J. King and Andrew Murphy**
(45) Registration Date: **27 May 2010**
(30) Convention priority data:
(31) Number (32) Date (33) Country
29/346692 04 Nov 2009 UNITED STATES OF AMERICA
(56) Related Art Documents: **Not Applicable**
(57) Statement of Newness and Distinctiveness: **Newness and distinctiveness resides in the features of shape and/or configuration of a turbo unit cover with window as shown in solid outline in the accompanying representations.**



- (21) Design Number: **11727/2010**
(22) Date of Filing Application: **04 May 2010**
(24) Date from which industrial property rights may have effect: **04 May 2010**
(54) Product in respect of which the design is registered: **Lunch box**
(51) International Design Classification: **07-01NES**
(71) Name(s) and Address(s) of Applicant(s):
Smash Enterprises Pty Ltd
11 Redland Drive Mitcham Victoria 3132 Australia
(72) Name(s) of Designer(s): **Dale Harbinson**
(45) Registration Date: **27 May 2010**
(56) Related Art Documents: **Not Applicable**
(57) Statement of Newness and Distinctiveness: **Newness and distinctiveness resides in the shape and configuration of a lunch box as shown in the accompanying representations.**



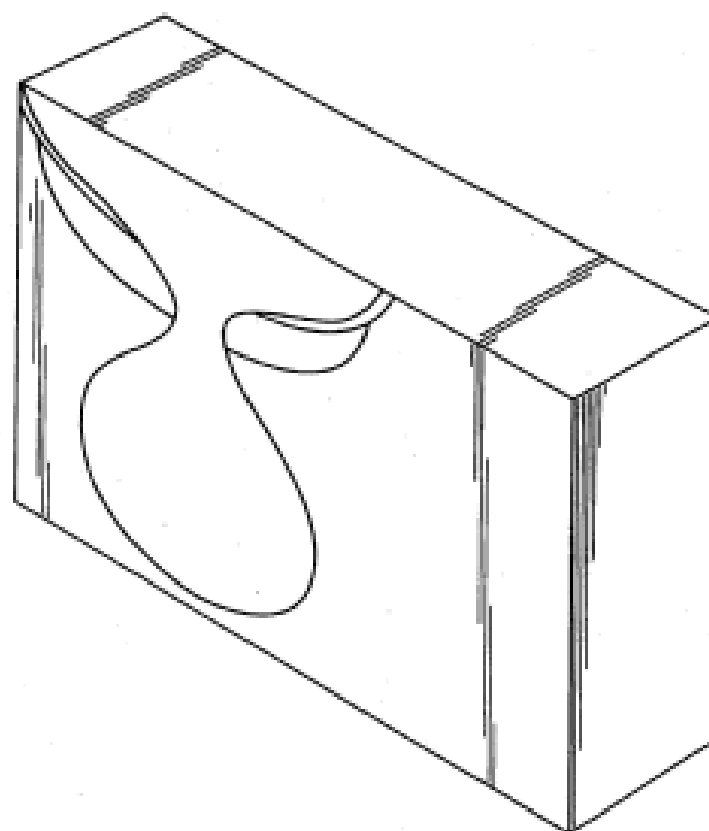
- (21) Design Number: **11728/2010**
(22) Date of Filing Application: **04 May 2010**
(24) Date from which industrial property rights may have effect: **04 May 2010**
(54) Product in respect of which the design is registered: **Waste toner bottle**
(51) International Design Classification: **09-01NES, 14-02**
(71) Name(s) and Address(s) of Applicant(s):
Fuji Xerox Co., Ltd.
7-3 Akasaka 9-chome Minato-ku Tokyo Japan
(72) Name(s) of Designer(s): **Satoshi Shigezaki and Mihoko Tanaka**
(45) Registration Date: **27 May 2010**
(30) Convention priority data:
(31) Number (32) Date (33) Country
2009-027214 20 Nov 2009 JAPAN
(56) Related Art Documents: **Not Applicable**
(57) Statement of Newness and Distinctiveness: **Newness and distinctiveness resides in the features of shape and/or configuration of the waste toner bottle as shown in the accompanying representations.**



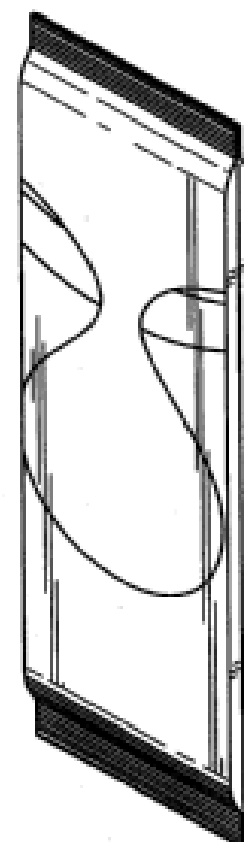
- (21) Design Number: **10987/2010**
(22) Date of Filing Application: **23 March 2010**
(24) Date from which industrial property rights may have effect: **23 March 2010**
(54) Product in respect of which the design is registered: **Trolley washer**
(51) International Design Classification: **25-03, 15-05**
(71) Name(s) and Address(s) of Applicant(s):
Neil Andre Ammon
46 Meneely Street Warwick Queensland 4370 Australia
(72) Name(s) of Designer(s): **Neil Ammon and D. Wade and Reece Morrish and Kelvin Morrish**
(45) Registration Date: **27 May 2010**
(56) Related Art Documents: **Not Applicable**
(57) Statement of Newness and Distinctiveness: **Nil**



(21) Design Number: **11394/2010**
(22) Date of Filing Application: **15 April 2010**
(24) Date from which industrial property rights may have effect: **15 April 2010**
(54) Product in respect of which the design is registered: **Box**
(51) International Design Classification: **09-03M**
(71) Name(s) and Address(s) of Applicant(s):
Unilever PLC
Unilever House 100 Victoria Embankment London EC4Y 0DY United Kingdom
(72) Name(s) of Designer(s): **Sean Richard Harvey and Adam Derek Kershaw Swan**
(45) Registration Date: **27 May 2010**
(30) Convention priority data:
(31) Number (32) Date (33) Country
4013043 28 Oct 2009 UNITED KINGDOM
(56) Related Art Documents: **Not Applicable**
(57) Statement of Newness and Distinctiveness: **Newness and distinctiveness is claimed in the visual features shown in solid lines in the representations.**



(21) Design Number: **11395/2010**
(22) Date of Filing Application: **15 April 2010**
(24) Date from which industrial property rights may have effect: **15 April 2010**
(54) Product in respect of which the design is registered: **Sachet**
(51) International Design Classification: **09-03NES**
(71) Name(s) and Address(s) of Applicant(s):
Unilever PLC
Unilever House 100 Victoria Embankment London EC4Y 0DY United Kingdom
(72) Name(s) of Designer(s): **Sean Richard Harvey and Adam Derek Kershaw Swan**
(45) Registration Date: **27 May 2010**
(30) Convention priority data:
(31) Number (32) Date (33) Country
4013053 28 Oct 2009 UNITED KINGDOM
(56) Related Art Documents: **Not Applicable**
(57) Statement of Newness and Distinctiveness: **Newness and distinctiveness is claimed in the visual features shown in solid lines in the representations.**



(21) Design Number: **11678/2010**

(22) Date of Filing Application: **30 April 2010**

(24) Date from which industrial property rights may have effect: **30 April 2010**

(54) Product in respect of which the design is registered: **Sport shoe**

(51) International Design Classification: **02-04NES**

(71) Name(s) and Address(s) of Applicant(s):

Asics Corporation

**1-1 Minatojima-Nakamachi 7 Chome Chuo-Ku Kobe-Shi Hyogo
6508555 Japan**

(72) Name(s) of Designer(s): **Hiroaki Nishimura and Kentaro Takahama and
Takayuki Ueda**

(45) Registration Date: **27 May 2010**

(56) Related Art Documents: **Not Applicable**

(57) Statement of Newness and Distinctiveness: **Nil**



(21) Design Number: **11679/2010**

(22) Date of Filing Application: **30 April 2010**

(24) Date from which industrial property rights may have effect: **30 April 2010**

(54) Product in respect of which the design is registered: **Sport shoe**

(51) International Design Classification: **02-04NES**

(71) Name(s) and Address(s) of Applicant(s):

Asics Corporation

**1-1 Minatojima-Nakamachi 7 Chome Chuo-Ku Kobe-Shi Hyogo
6508555 Japan**

(72) Name(s) of Designer(s): **Tomohiro Nagasue and Yasuyuki Takada and
Yoshiyasu Ando**

(45) Registration Date: **27 May 2010**

(56) Related Art Documents: **Not Applicable**

(57) Statement of Newness and Distinctiveness: **Nil**



(21) Design Number: **11465/2010**

(22) Date of Filing Application: **19 April 2010**

(24) Date from which industrial property rights may have effect: **19 April 2010**

(54) Product in respect of which the design is registered: **Fence panel**

(51) International Design Classification: **25-02C**

(71) Name(s) and Address(s) of Applicant(s):

John Clement Preston

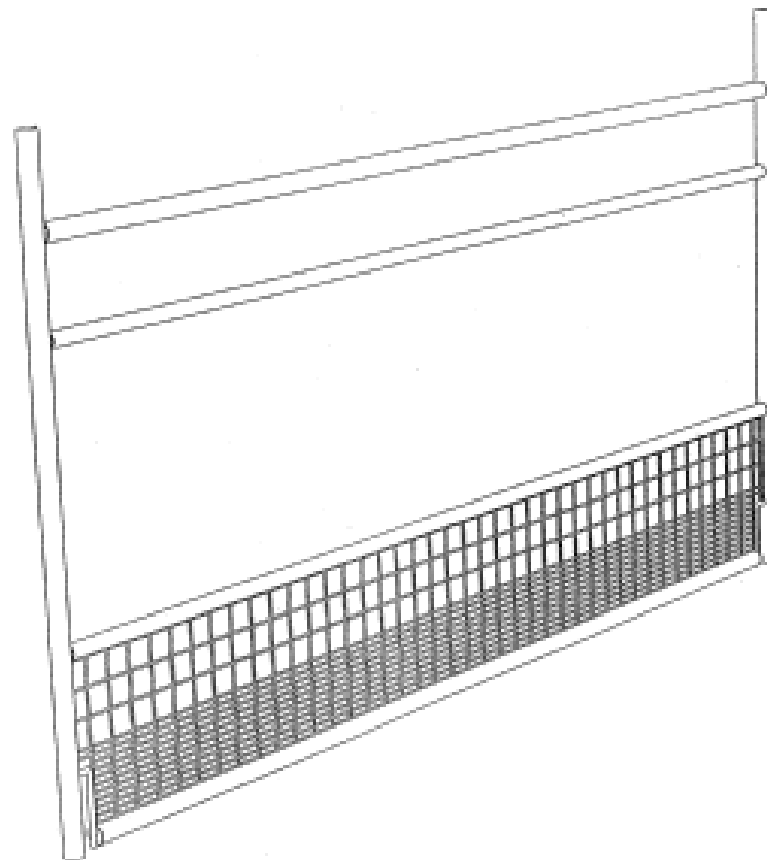
196 Silverwater Road Silverwater New South Wales 2128 Australia

(72) Name(s) of Designer(s): **John Clement Preston**

(45) Registration Date: **28 May 2010**

(56) Related Art Documents: **Not Applicable**

(57) Statement of Newness and Distinctiveness: **Newness and distinctiveness lies in the shape and configuration of a fence panel. The footing blocks shown in the figures illustrating the fence panel "in use" are for illustrative purposes only and do not form part of the design.**



(21) Design Number: **11578/2010**

(22) Date of Filing Application: **23 April 2010**

(24) Date from which industrial property rights may have effect: **23 April 2010**

(54) Product in respect of which the design is registered: **Evening dress**

(51) International Design Classification: **02-02C**

(71) Name(s) and Address(s) of Applicant(s):

Chic Collections Pty Ltd

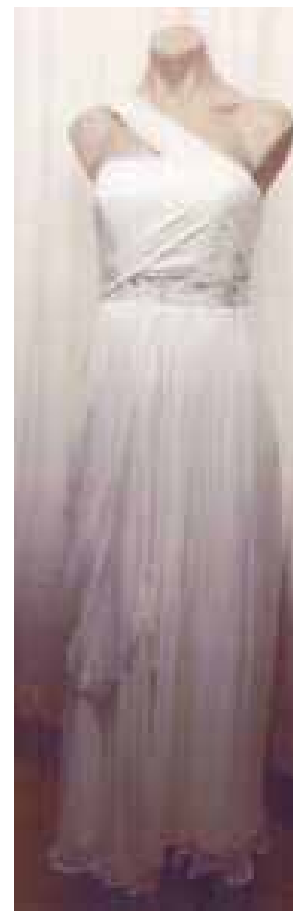
356 Military Road Cremorne New South Wales 2090 Australia

(72) Name(s) of Designer(s): **Rainy ziwei Qiu**

(45) Registration Date: **28 May 2010**

(56) Related Art Documents: **Not Applicable**

(57) Statement of Newness and Distinctiveness: **One shoulder dress, bead on waist band and uneven skirt.**



(21) Design Number: **11880/2010**

(22) Date of Filing Application: **12 May 2010**

(24) Date from which industrial property rights may have effect: **12 May 2010**

(54) Product in respect of which the design is registered: **Base for adjustable pedestal**

(51) International Design Classification: **25-01B**

(71) Name(s) and Address(s) of Applicant(s):

Alan Sian Ghee Lee

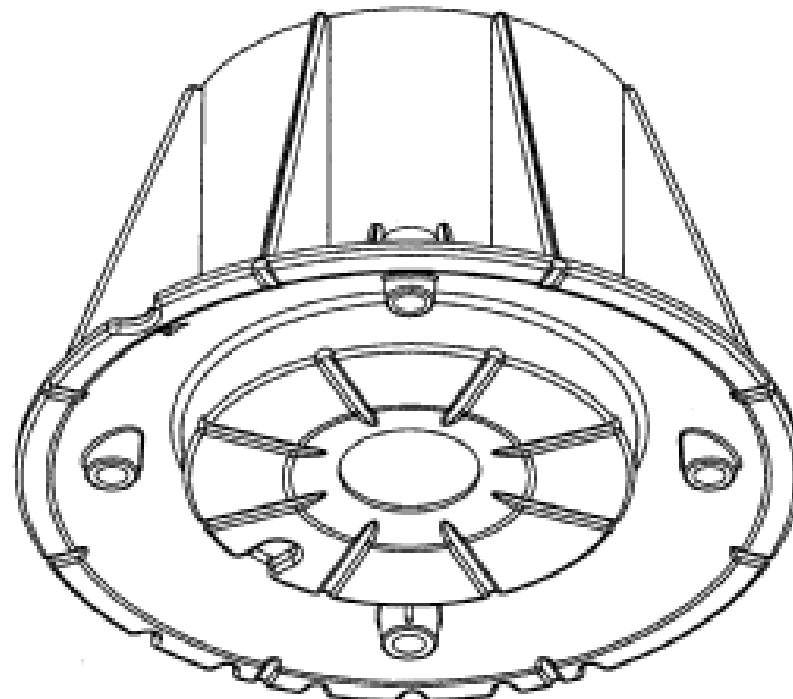
15 Joan Road Singapore 298899 Singapore

(72) Name(s) of Designer(s): **Alan Sian Ghee Lee and Henry Greaves**

(45) Registration Date: **28 May 2010**

(56) Related Art Documents: **Not Applicable**

(57) Statement of Newness and Distinctiveness: **Newness and distinctiveness resides in the features of the design shown in solid lines in the representations excluding those features shown in broken lines.**



(21) Design Number: **11757/2010**

(22) Date of Filing Application: **05 May 2010**

(24) Date from which industrial property rights may have effect: **05 May 2010**

(54) Product in respect of which the design is registered: **Louvre mounting clip**

(51) International Design Classification: **25-02K**

(71) Name(s) and Address(s) of Applicant(s):

Prodrome Designs Pty Ltd

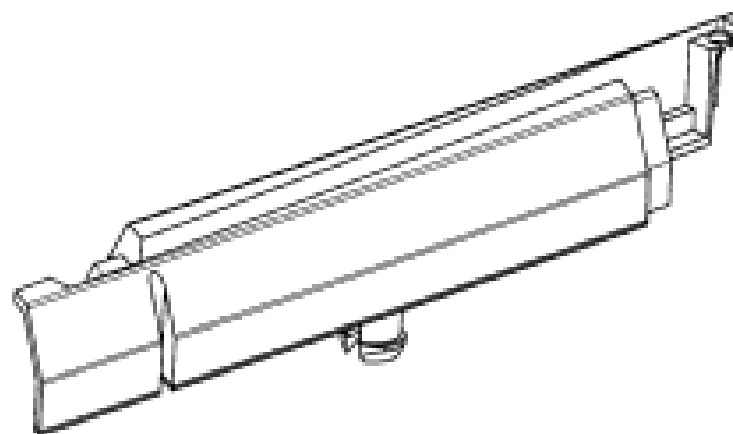
468 Stuart Highway Winnellie Northern Territory 0820 Australia

(72) Name(s) of Designer(s): **John Koukouvas**

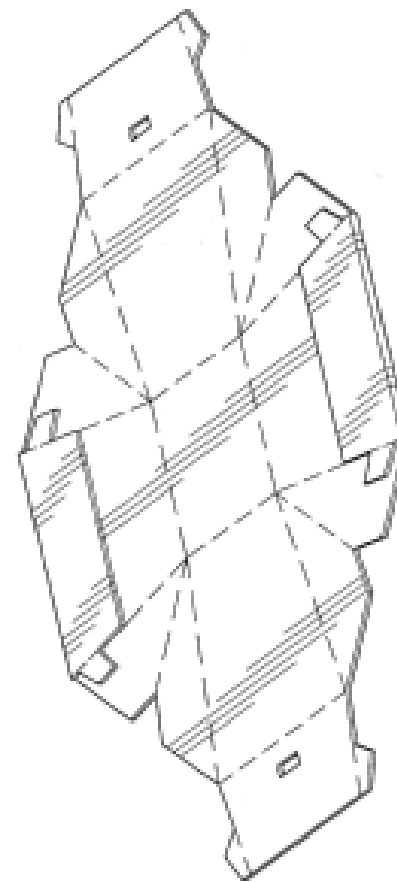
(45) Registration Date: **28 May 2010**

(56) Related Art Documents: **Not Applicable**

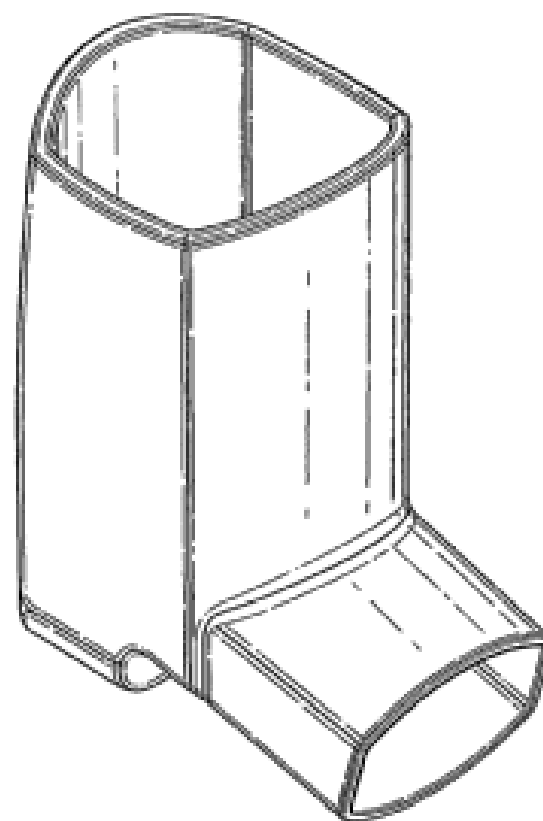
(57) Statement of Newness and Distinctiveness: **Newness and distinctiveness reside in the shape and configuration of the design shown in the representations.**



- (21) Design Number: **11758/2010**
- (22) Date of Filing Application: **05 May 2010**
- (24) Date from which industrial property rights may have effect: **05 May 2010**
- (54) Product in respect of which the design is registered: **An ornamental design for a foldable packaging**
- (51) International Design Classification: **09-03M**
- (71) Name(s) and Address(s) of Applicant(s):
Multi Packaging Solutions
5800 West Grand River Avenue Lansing Michigan 48901 United States of America
- (72) Name(s) of Designer(s): **Dennis M. Kaltman and Richard C. Thibault and John R. Widener and Carol J. Moore**
- (45) Registration Date: **28 May 2010**
- (30) Convention priority data:
 - (31) Number (32) Date (33) Country
 - 29/350841 24 Nov 2009 UNITED STATES OF AMERICA**
- (56) Related Art Documents: **Not Applicable**
- (57) Statement of Newness and Distinctiveness: **Nil**



- (21) Design Number: **11761/2010**
- (22) Date of Filing Application: **05 May 2010**
- (24) Date from which industrial property rights may have effect: **05 May 2010**
- (54) Product in respect of which the design is registered: **Inhaler**
- (51) International Design Classification: **24-04**
- (71) Name(s) and Address(s) of Applicant(s):
Teva Pharmaceuticals Ireland
Computerweg 10 NL-3542 DR Utrecht Netherlands
- (72) Name(s) of Designer(s): **Robert Sheehy**
- (45) Registration Date: **28 May 2010**
- (30) Convention priority data:
 - (31) Number (32) Date (33) Country
 - 001178859-0001 20 Nov 2009 EUROPEAN COMMUNITY**
- (56) Related Art Documents: **Not Applicable**
- (57) Statement of Newness and Distinctiveness: **Nil**



- (21) Design Number: **13691/2009**
(22) Date of Filing Application: **28 September 2009**
(24) Date from which industrial property rights may have effect: **28 September 2009**
(54) Product in respect of which the design is registered: **Cleaning implement**
(51) International Design Classification: **04-01**
(71) Name(s) and Address(s) of Applicant(s):
E.D. Oates Pty Ltd
Maygar Boulevard Broadmeadows Victoria 3047 Australia
(72) Name(s) of Designer(s): **Paul Charlwood and Luca Abate**
(45) Registration Date: **31 May 2010**
(56) Related Art Documents: **Not Applicable**
(57) Statement of Newness and Distinctiveness: **Newness and distinctiveness resides in the visual features of shape and/or configuration of a cleaning implement as illustrated in the accompanying representations. In considering the newness and distinctiveness of the design, the word 'Oates' and the water drop logo are to be disregarded.**



- (21) Design Number: **14182/2009**
(22) Date of Filing Application: **28 October 2009**
(24) Date from which industrial property rights may have effect: **28 October 2009**
(54) Product in respect of which the design is registered: **Handbag**
(51) International Design Classification: **03-01B**
(71) Name(s) and Address(s) of Applicant(s):
Forever New Clothing Pty Ltd
Ground Floor 718 High Street Kew Victoria 3101 Australia
(72) Name(s) of Designer(s): **Sarah Saxty**
(45) Registration Date: **31 May 2010**
(56) Related Art Documents: **Not Applicable**
(57) Statement of Newness and Distinctiveness: **The particular visual features of the design which the applicant hereby identifies as new and distinctiveness are as follows: A handbag as illustrated in the accompanying representations.**



(21) Design Number: **12104/2010**

(22) Date of Filing Application: **28 October 2009**

(24) Date from which industrial property rights may have effect: **28 October 2009**

(54) Product in respect of which the design is registered: **Handbag**

(51) International Design Classification: **03-01B**

(71) Name(s) and Address(s) of Applicant(s):

**Forever New Clothing Pty Ltd
Ground Floor 718 High Street Kew Victoria 3101 Australia**

(72) Name(s) of Designer(s): **Sarah Saxty**

(45) Registration Date: **31 May 2010**

(56) Related Art Documents: **Not Applicable**

(57) Statement of Newness and Distinctiveness: **The particular visual features of the design which the applicant hereby identifies as new and distinctiveness are as follows: A handbag as illustrated in the accompanying representations.**



(21) Design Number: **12105/2010**

(22) Date of Filing Application: **28 October 2009**

(24) Date from which industrial property rights may have effect: **28 October 2009**

(54) Product in respect of which the design is registered: **Handbag**

(51) International Design Classification: **03-01B**

(71) Name(s) and Address(s) of Applicant(s):

**Forever New Clothing Pty Ltd
Ground Floor 718 High Street Kew Victoria 3101 Australia**

(72) Name(s) of Designer(s): **Sarah Saxty**

(45) Registration Date: **31 May 2010**

(56) Related Art Documents: **Not Applicable**

(57) Statement of Newness and Distinctiveness: **The particular visual features of the design which the applicant hereby identifies as new and distinctiveness are as follows: A handbag as illustrated in the accompanying representations.**



- (21) Design Number: **12106/2010**
(22) Date of Filing Application: **28 October 2009**
(24) Date from which industrial property rights may have effect: **28 October 2009**
(54) Product in respect of which the design is registered: **Handbag**
(51) International Design Classification: **03-01B**
(71) Name(s) and Address(s) of Applicant(s):
Forever New Clothing Pty Ltd
Ground Floor 718 High Street Kew Victoria 3101 Australia
(72) Name(s) of Designer(s): **Sarah Saxty**
(45) Registration Date: **31 May 2010**
(56) Related Art Documents: **Not Applicable**
(57) Statement of Newness and Distinctiveness: **The particular visual features of the design which the applicant hereby identifies as new and distinctiveness are as follows: A handbag as illustrated in the accompanying representations.**



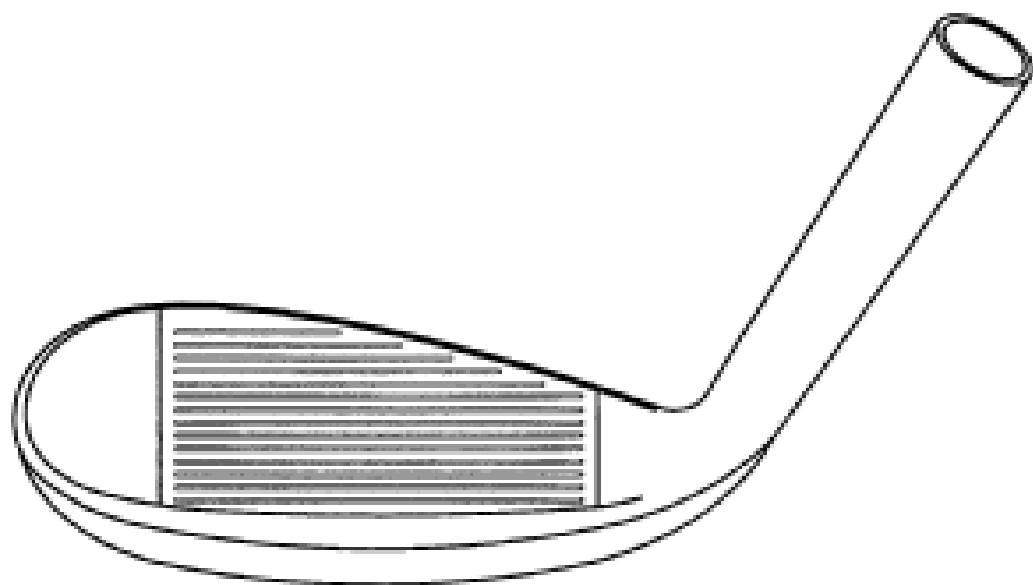
- (21) Design Number: **12107/2010**
(22) Date of Filing Application: **28 October 2009**
(24) Date from which industrial property rights may have effect: **28 October 2009**
(54) Product in respect of which the design is registered: **Handbag**
(51) International Design Classification: **03-01B**
(71) Name(s) and Address(s) of Applicant(s):
Forever New Clothing Pty Ltd
Ground Floor 718 High Street Kew Victoria 3101 Australia
(72) Name(s) of Designer(s): **Sarah Saxty**
(45) Registration Date: **31 May 2010**
(56) Related Art Documents: **Not Applicable**
(57) Statement of Newness and Distinctiveness: **The particular visual features of the design which the applicant hereby identifies as new and distinctiveness are as follows: A handbag as illustrated in the accompanying representations.**



(19) AU

- (21) Design Number: **10902/2010**
- (22) Date of Filing Application: **12 March 2010**
- (24) Date from which industrial property rights may have effect: **12 March 2010**
- (54) Product in respect of which the design is registered: **Wedge type golf club head**
- (51) International Design Classification: **21-02C**
- (71) Name(s) and Address(s) of Applicant(s):
Callaway Golf Company
2180 Rutherford Road Carlsbad California 92008-7328 United States of America
- (72) Name(s) of Designer(s): **Roger Cleveland**
- (45) Registration Date: **31 May 2010**
- (30) Convention priority data:

(31) Number	(32) Date	(33) Country
29/343569	15 Sep 2009	UNITED STATES OF AMERICA
- (56) Related Art Documents: **Not Applicable**
- (57) Statement of Newness and Distinctiveness: **Newness and distinctiveness is claimed in the features of shape and/or configuration of a wedge type golf club head as illustrated in the accompanying representations.**



(19) AU

- (21) Design Number: **11028/2010**
- (22) Date of Filing Application: **24 March 2010**
- (24) Date from which industrial property rights may have effect: **24 March 2010**
- (54) Product in respect of which the design is registered: **Knife**
- (51) International Design Classification: **24-02**
- (71) Name(s) and Address(s) of Applicant(s):
Core Surgical Limited
Unit B5 Station Yard Thame Oxfordshire OX9 3UH United Kingdom
E-Medix Limited
B2 2 Bowyer Street Bordesley Birmingham B10 0SA United Kingdom
Richard Packard
Lynton Cottage Westley Mill Nr. Binfield Bracknell Berkshire RG42 5QU United Kingdom
- (72) Name(s) of Designer(s): **Simon Checkley and Ian Hutchinson and Richard Packard**
- (45) Registration Date: **31 May 2010**
- (30) Convention priority data:

(31) Number	(32) Date	(33) Country
001169171-0001	29 Sep 2009	EUROPEAN COMMUNITY
- (56) Related Art Documents: **Not Applicable**
- (57) Statement of Newness and Distinctiveness: **Those features of the knife depicted in the representations that are new and distinctive are the shape and/or configuration. The handle is not part part of the design and should be disregarded when considering the overall impression of the design.**



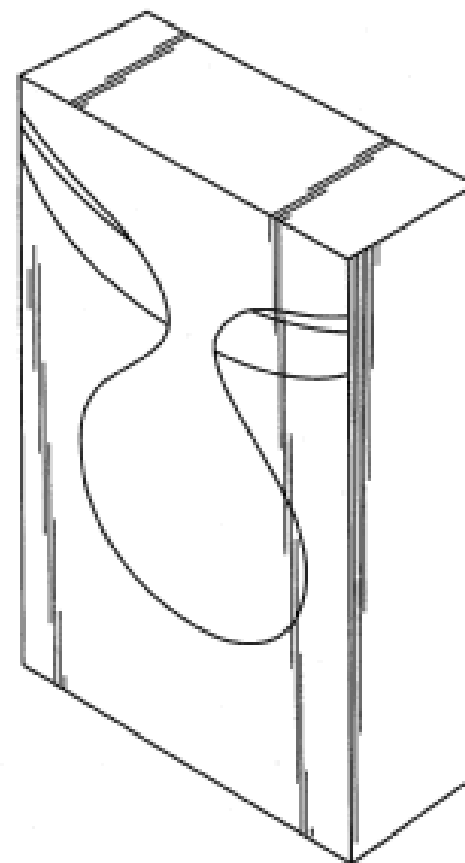
(19) AU

- (21) Design Number: **12069/2010**
(22) Date of Filing Application: **24 March 2010**
(24) Date from which industrial property rights may have effect: **24 March 2010**
(54) Product in respect of which the design is registered: **Blade support**
(51) International Design Classification: **24-02**
(71) Name(s) and Address(s) of Applicant(s):
Core Surgical Limited
Unit B5 Station Yard Thame Oxfordshire OX9 3UH United Kingdom
E-Medix Limited
B2 2 Bowyer Street Bordesley Birmingham B10 0SA United Kingdom
Richard Packard
Lynton Cottage Westley Mill Nr. Binfield Bracknell Berkshire RG42
5QU United Kingdom
(72) Name(s) of Designer(s): **Simon Checkley and Ian Hutchinson and Richard Packard**
(45) Registration Date: **31 May 2010**
(30) Convention priority data:
(31) Number (32) Date (33) Country
001169171-0002 29 Sep 2009 EUROPEAN COMMUNITY
(56) Related Art Documents: **Not Applicable**
(57) Statement of Newness and Distinctiveness: **Those features of the blade support depicted in the representations that are new and distinctive are the shape and/or configuration.**



(19) AU

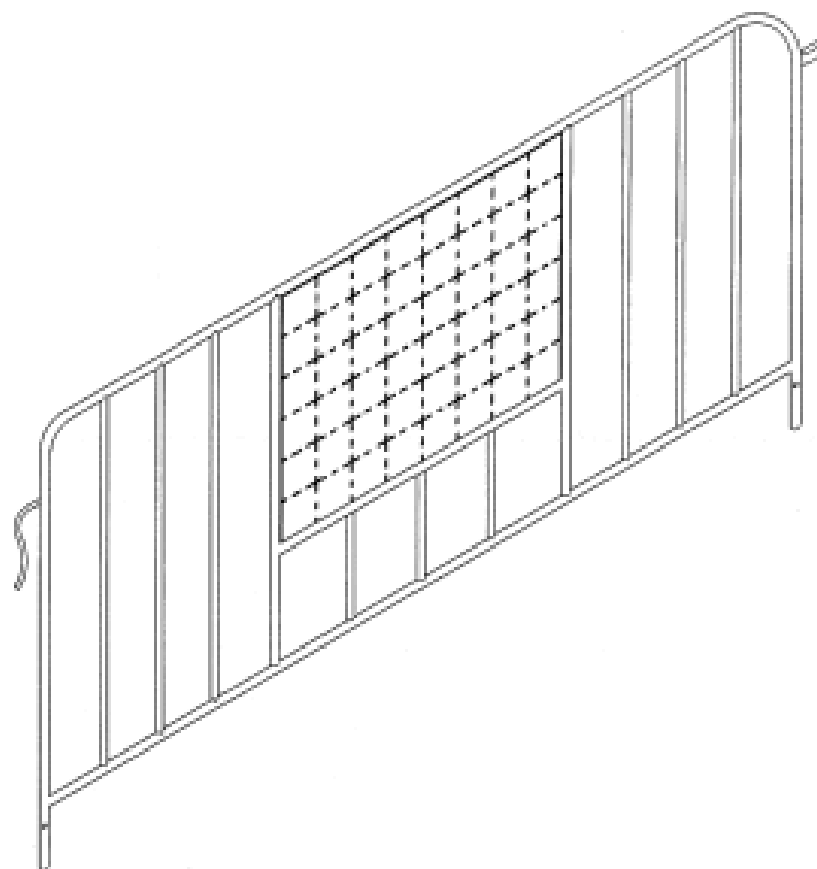
- (21) Design Number: **11396/2010**
(22) Date of Filing Application: **15 April 2010**
(24) Date from which industrial property rights may have effect: **15 April 2010**
(54) Product in respect of which the design is registered: **Box**
(51) International Design Classification: **09-03M**
(71) Name(s) and Address(s) of Applicant(s):
Unilever PLC
Unilever House 100 Victoria Embankment London EC4Y 0DY United Kingdom
(72) Name(s) of Designer(s): **Sean Richard Harvey and Adam Derek Kershaw Swan**
(45) Registration Date: **31 May 2010**
(30) Convention priority data:
(31) Number (32) Date (33) Country
4013052 28 Oct 2009 UNITED KINGDOM
(56) Related Art Documents: **Not Applicable**
(57) Statement of Newness and Distinctiveness: **Newness and distinctiveness is claimed in the visual features shown in solid lines in the representations.**



- (21) Design Number: **11510/2010**
(22) Date of Filing Application: **22 April 2010**
(24) Date from which industrial property rights may have effect: **22 April 2010**
(54) Product in respect of which the design is registered: **The design relates to a new LED downlight with a unique aesthetic to its lens**
(51) International Design Classification: **26-04**
(71) Name(s) and Address(s) of Applicant(s):
Brightgreen Pty Ltd.
104/30 The Esplanade St Kilda Victoria 3182 Australia
(72) Name(s) of Designer(s): **David O'Driscoll**
(45) Registration Date: **31 May 2010**
(56) Related Art Documents: **Not Applicable**
(57) Statement of Newness and Distinctiveness: **The design has a unique conical recess in the centre of the lens that uses the angle of refraction to give the impression it is reflective. The outer of the lens has a matt treatment that makes the centre of the lens relatively more reflective and give the impression of an eye.**



- (21) Design Number: **12005/2010**
(22) Date of Filing Application: **18 May 2010**
(24) Date from which industrial property rights may have effect: **18 May 2010**
(54) Product in respect of which the design is registered: **Panel for a pedestrian barrier**
(51) International Design Classification: **25-02NES**
(71) Name(s) and Address(s) of Applicant(s):
Victorian Temporary Fencing Pty Ltd
6/70 Chifley Drive Preston Victoria 3072 Australia
(72) Name(s) of Designer(s): **Damian Lee**
(45) Registration Date: **31 May 2010**
(56) Related Art Documents: **Not Applicable**
(57) Statement of Newness and Distinctiveness: **The panel includes a central pocket into which signage may be inserted. When considering the extent of monopoly of protection, the configuration of the mesh forming each face of the pocket, which are shown as broken lines, should be disregarded.**



(21) Design Number: **10767/2010**

(22) Date of Filing Application: **05 March 2010**

(24) Date from which industrial property rights may have effect: **05 March 2010**

(54) Product in respect of which the design is registered: **Swimwear garment**

(51) International Design Classification: **02-02A**

(71) Name(s) and Address(s) of Applicant(s):

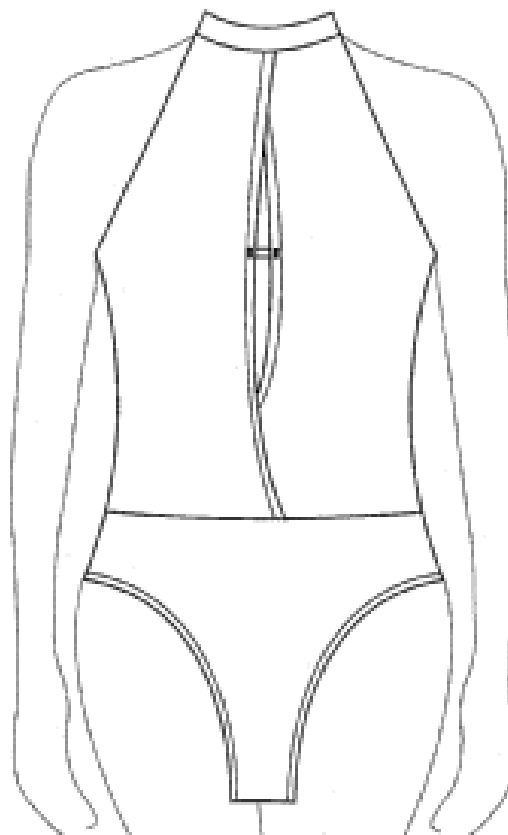
JETS Swimwear Pty Limited
8-18 Bowden Street Alexandria New South Wales 2015 Australia

(72) Name(s) of Designer(s): **Jessica Allen**

(45) Registration Date: **31 May 2010**

(56) Related Art Documents: **Not Applicable**

(57) Statement of Newness and Distinctiveness: **Newness and distinctiveness is claimed in the features of shape and/or configuration of the swimwear garment illustrated in the representations. In considering newness and distinctiveness of the garment, the back strap in the rear view as indicated at "A" is to be disregarded.**



(21) Design Number: **10768/2010**

(22) Date of Filing Application: **05 March 2010**

(24) Date from which industrial property rights may have effect: **05 March 2010**

(54) Product in respect of which the design is registered: **Swimwear garment**

(51) International Design Classification: **02-02A**

(71) Name(s) and Address(s) of Applicant(s):

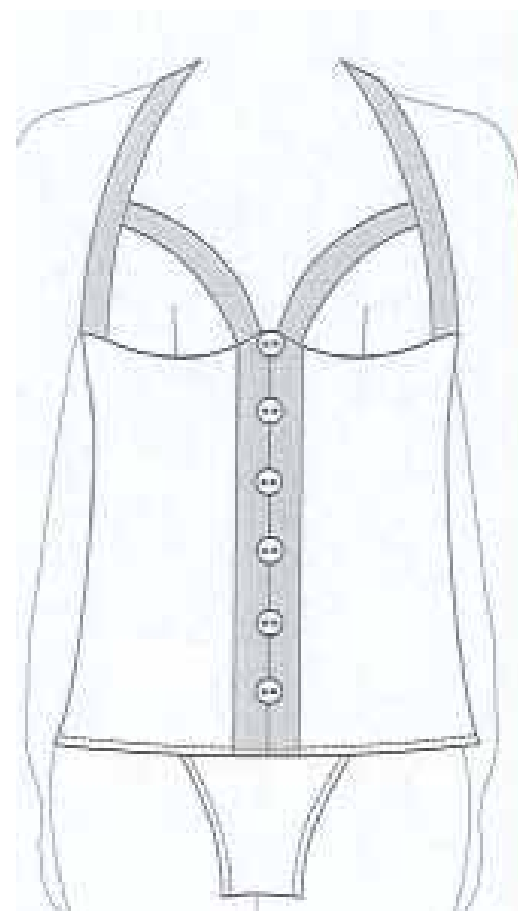
JETS Swimwear Pty Limited
8-18 Bowden Street Alexandria New South Wales 2015 Australia

(72) Name(s) of Designer(s): **Jessica Allen**

(45) Registration Date: **31 May 2010**

(56) Related Art Documents: **Not Applicable**

(57) Statement of Newness and Distinctiveness: **Newness and distinctiveness is claimed in the features of shape and/or configuration of the swimwear garment illustrated in the representations. In considering newness and distinctiveness of the garment, the portion of the neck strap in the rear view, as indicated at "A", is to be disregarded.**



(21) Design Number: **10769/2010**

(22) Date of Filing Application: **05 March 2010**

(24) Date from which industrial property rights may have effect: **05 March 2010**

(54) Product in respect of which the design is registered: **Swimwear garment**

(51) International Design Classification: **02-02A**

(71) Name(s) and Address(s) of Applicant(s):

JETS Swimwear Pty Limited

8-18 Bowden Street Alexandria New South Wales 2015 Australia

(72) Name(s) of Designer(s): **Jessica Allen**

(45) Registration Date: **31 May 2010**

(56) Related Art Documents: **Not Applicable**

(57) Statement of Newness and Distinctiveness: **Newness and distinctiveness is claimed in the features of shape and/or configuration of the swimwear garment illustrated in the representations. In considering newness and distinctiveness of the garment, the portion of the neck strap in the rear view, as indicated at "A", is to be disregarded.**



(21) Design Number: **10770/2010**

(22) Date of Filing Application: **05 March 2010**

(24) Date from which industrial property rights may have effect: **05 March 2010**

(54) Product in respect of which the design is registered: **Swimwear garment**

(51) International Design Classification: **02-02A**

(71) Name(s) and Address(s) of Applicant(s):

JETS Swimwear Pty Limited

8-18 Bowden Street Alexandria New South Wales 2015 Australia

(72) Name(s) of Designer(s): **Jessica Allen**

(45) Registration Date: **31 May 2010**

(56) Related Art Documents: **Not Applicable**

(57) Statement of Newness and Distinctiveness: **Newness and distinctiveness is claimed in the features of shape and/or configuration of the swimwear garment illustrated in the representations.**



- (21) Design Number: **10771/2010**
(22) Date of Filing Application: **05 March 2010**
(24) Date from which industrial property rights may have effect: **05 March 2010**
(54) Product in respect of which the design is registered: **Swimwear garment**
(51) International Design Classification: **02-02A**
(71) Name(s) and Address(s) of Applicant(s):
JETS Swimwear Pty Limited
8-18 Bowden Street Alexandria New South Wales 2015 Australia
(72) Name(s) of Designer(s): **Jessica Allen**
(45) Registration Date: **31 May 2010**
(56) Related Art Documents: **Not Applicable**
(57) Statement of Newness and Distinctiveness: **Newness and distinctiveness is claimed in the features of shape and/or configuration of the swimwear garment illustrated in the representations. In considering newness and distinctiveness of the garment, the straps in the rear view, extending from the shoulder down the back as indicated at "A", are to be disregarded.**



- (21) Design Number: **10772/2010**
(22) Date of Filing Application: **05 March 2010**
(24) Date from which industrial property rights may have effect: **05 March 2010**
(54) Product in respect of which the design is registered: **Swimwear garment**
(51) International Design Classification: **02-02A**
(71) Name(s) and Address(s) of Applicant(s):
JETS Swimwear Pty Limited
8-18 Bowden Street Alexandria New South Wales 2015 Australia
(72) Name(s) of Designer(s): **Jessica Allen**
(45) Registration Date: **31 May 2010**
(56) Related Art Documents: **Not Applicable**
(57) Statement of Newness and Distinctiveness: **Newness and distinctiveness is claimed only in the features of shape and/or configuration of the swimwear garment illustrated and marked "A" in the representations.**



(21) Design Number: **10773/2010**

(22) Date of Filing Application: **05 March 2010**

(24) Date from which industrial property rights may have effect: **05 March 2010**

(54) Product in respect of which the design is registered: **Swimwear garment**

(51) International Design Classification: **02-02A**

(71) Name(s) and Address(s) of Applicant(s):

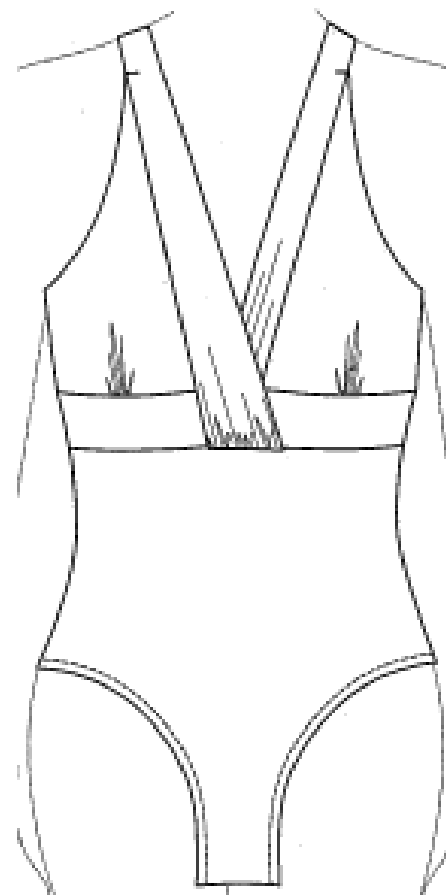
JETS Swimwear Pty Limited
8-18 Bowden Street Alexandria New South Wales 2015 Australia

(72) Name(s) of Designer(s): **Jessica Allen**

(45) Registration Date: **31 May 2010**

(56) Related Art Documents: **Not Applicable**

(57) Statement of Newness and Distinctiveness: **Newness and distinctiveness is claimed in the features of shape and/or configuration of the swimwear garment illustrated in the representations. In considering newness and distinctiveness of the garment, the straps in the rear view, extending from the shoulder down the back as indicated at "A", are to be disregarded.**



(21) Design Number: **10774/2010**

(22) Date of Filing Application: **05 March 2010**

(24) Date from which industrial property rights may have effect: **05 March 2010**

(54) Product in respect of which the design is registered: **Swimwear garment**

(51) International Design Classification: **02-02A**

(71) Name(s) and Address(s) of Applicant(s):

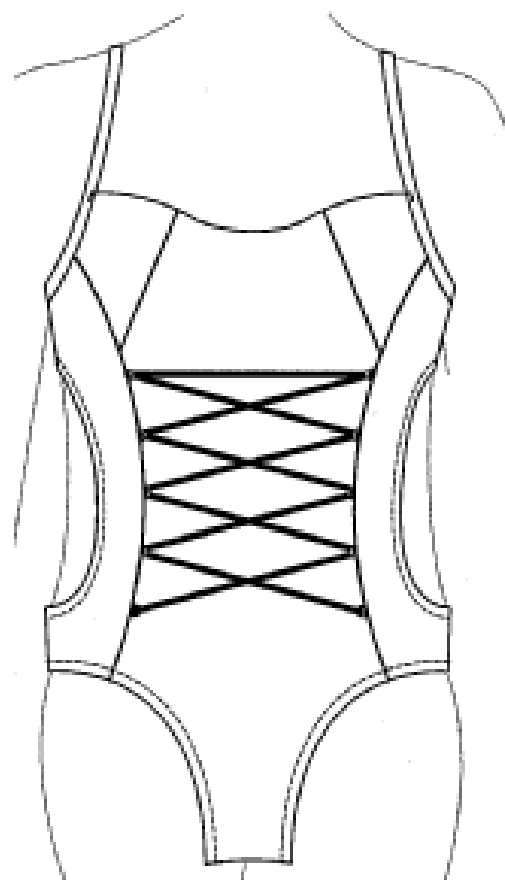
JETS Swimwear Pty Limited
8-18 Bowden Street Alexandria New South Wales 2015 Australia

(72) Name(s) of Designer(s): **Jessica Allen**

(45) Registration Date: **31 May 2010**

(56) Related Art Documents: **Not Applicable**

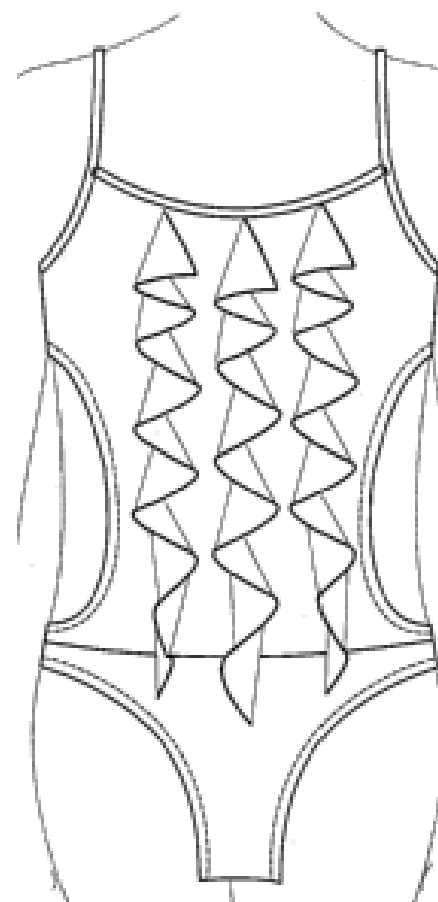
(57) Statement of Newness and Distinctiveness: **Newness and distinctiveness is claimed in the features of shape and/or configuration of the swimwear garment illustrated in the representations.**



- (21) Design Number: **10775/2010**
- (22) Date of Filing Application: **05 March 2010**
- (24) Date from which industrial property rights may have effect: **05 March 2010**
- (54) Product in respect of which the design is registered: **Swimwear garment**
- (51) International Design Classification: **02-02A**
- (71) Name(s) and Address(s) of Applicant(s):
JETS Swimwear Pty Limited
8-18 Bowden Street Alexandria New South Wales 2015 Australia
- (72) Name(s) of Designer(s): **Jessica Allen**
- (45) Registration Date: **31 May 2010**
- (56) Related Art Documents: **Not Applicable**
- (57) Statement of Newness and Distinctiveness: **Newness and distinctiveness is claimed in the features of shape and/or configuration of the swimwear garment illustrated in the representations.**



- (21) Design Number: **10776/2010**
- (22) Date of Filing Application: **05 March 2010**
- (24) Date from which industrial property rights may have effect: **05 March 2010**
- (54) Product in respect of which the design is registered: **Swimwear garment**
- (51) International Design Classification: **02-02A**
- (71) Name(s) and Address(s) of Applicant(s):
JETS Swimwear Pty Limited
8-18 Bowden Street Alexandria New South Wales 2015 Australia
- (72) Name(s) of Designer(s): **Jessica Allen**
- (45) Registration Date: **31 May 2010**
- (56) Related Art Documents: **Not Applicable**
- (57) Statement of Newness and Distinctiveness: **Newness and distinctiveness is claimed in the features of shape and/or configuration of the swimwear garment illustrated in the representations. In considering newness and distinctiveness of the garment, the straps in the rear view, extending from the shoulder down the back as indicated at "A", are to be disregarded.**



(21) Design Number: **10777/2010**

(22) Date of Filing Application: **05 March 2010**

(24) Date from which industrial property rights may have effect: **05 March 2010**

(54) Product in respect of which the design is registered: **Swimwear garment**

(51) International Design Classification: **02-02A**

(71) Name(s) and Address(s) of Applicant(s):

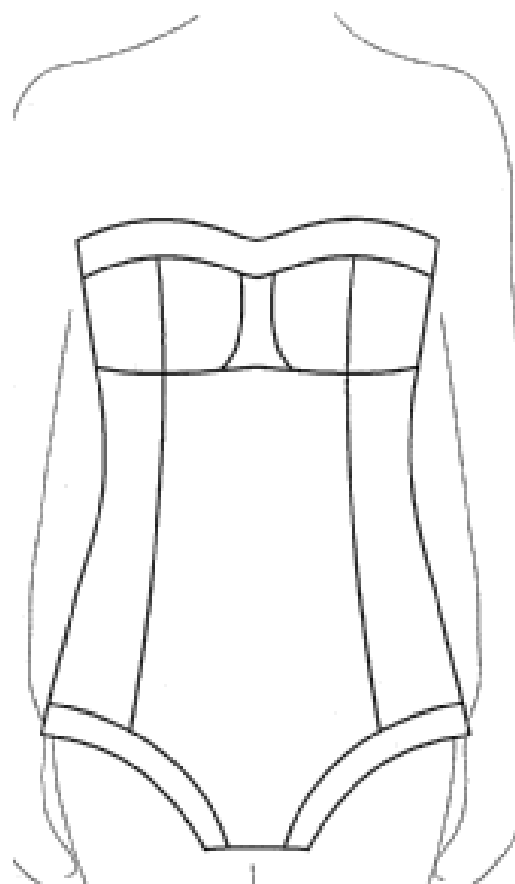
JETS Swimwear Pty Limited
8-18 Bowden Street Alexandria New South Wales 2015 Australia

(72) Name(s) of Designer(s): **Jessica Allen**

(45) Registration Date: **31 May 2010**

(56) Related Art Documents: **Not Applicable**

(57) Statement of Newness and Distinctiveness: **Newness and distinctiveness is claimed in the features of shape and/or configuration of the swimwear garment illustrated in the representations.**



(21) Design Number: **10778/2010**

(22) Date of Filing Application: **05 March 2010**

(24) Date from which industrial property rights may have effect: **05 March 2010**

(54) Product in respect of which the design is registered: **Swimwear garment**

(51) International Design Classification: **02-02A**

(71) Name(s) and Address(s) of Applicant(s):

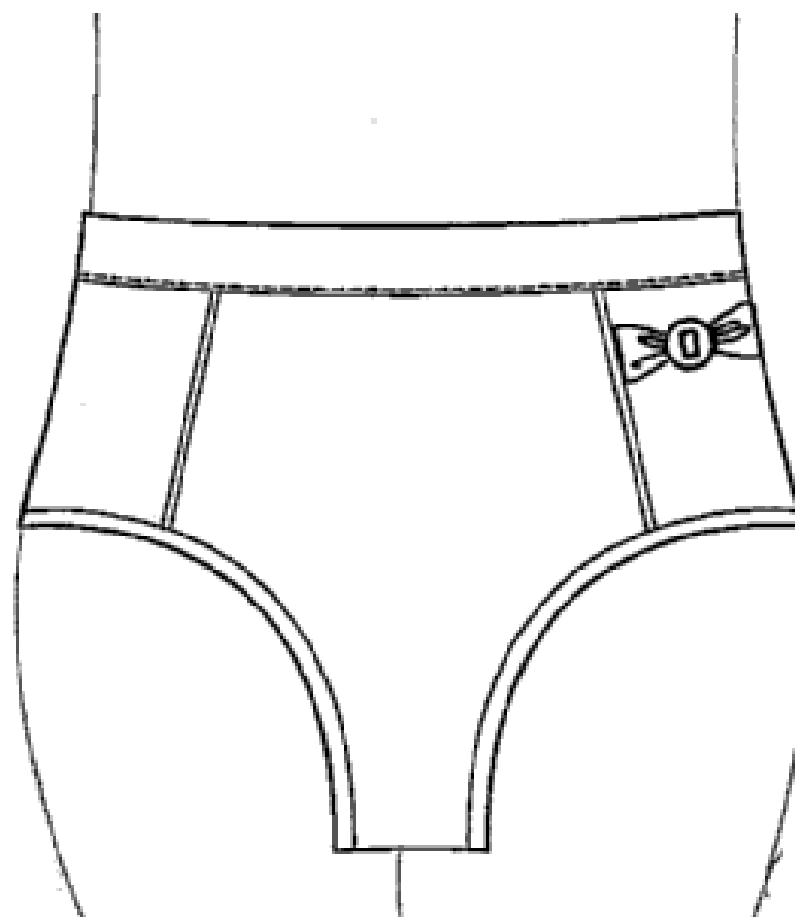
JETS Swimwear Pty Limited
8-18 Bowden Street Alexandria New South Wales 2015 Australia

(72) Name(s) of Designer(s): **Jessica Allen**

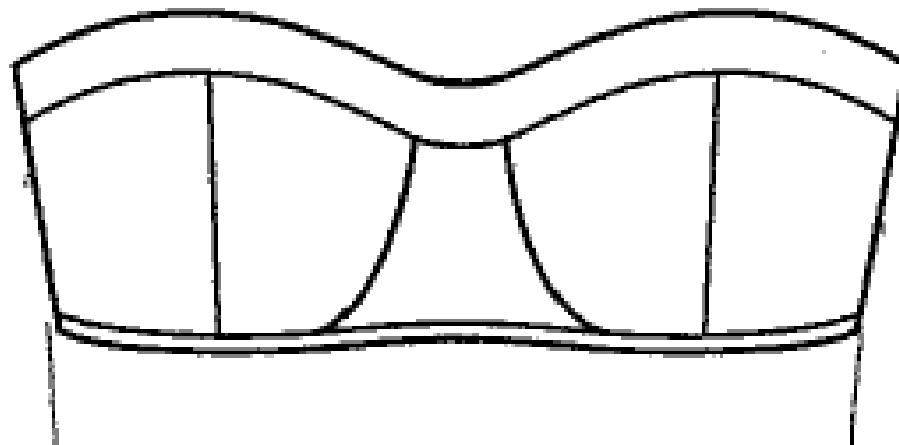
(45) Registration Date: **31 May 2010**

(56) Related Art Documents: **Not Applicable**

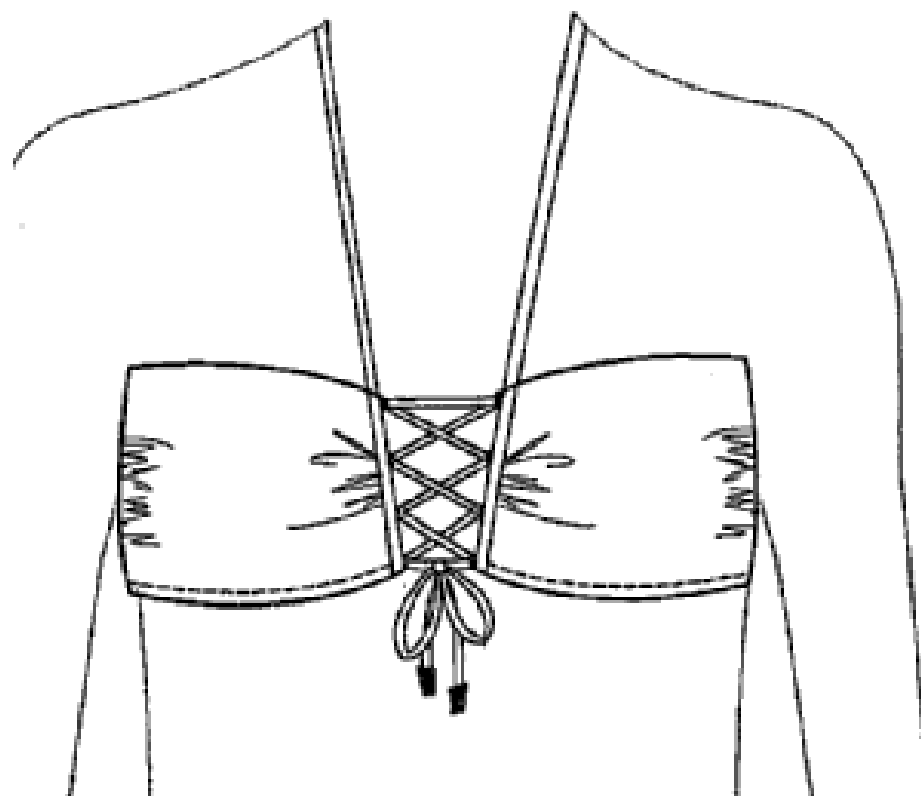
(57) Statement of Newness and Distinctiveness: **Newness and distinctiveness is claimed in the features of shape and/or configuration of the swimwear garment illustrated in the representations.**



- (21) Design Number: **10779/2010**
(22) Date of Filing Application: **05 March 2010**
(24) Date from which industrial property rights may have effect: **05 March 2010**
(54) Product in respect of which the design is registered: **Swimwear garment**
(51) International Design Classification: **02-02A**
(71) Name(s) and Address(s) of Applicant(s):
JETS Swimwear Pty Limited
8-18 Bowden Street Alexandria New South Wales 2015 Australia
(72) Name(s) of Designer(s): **Jessica Allen**
(45) Registration Date: **31 May 2010**
(56) Related Art Documents: **Not Applicable**
(57) Statement of Newness and Distinctiveness: **Newness and distinctiveness is claimed in the features of shape and/or configuration of the swimwear garment illustrated in the representations.**



- (21) Design Number: **10780/2010**
(22) Date of Filing Application: **05 March 2010**
(24) Date from which industrial property rights may have effect: **05 March 2010**
(54) Product in respect of which the design is registered: **Swimwear garment**
(51) International Design Classification: **02-02A**
(71) Name(s) and Address(s) of Applicant(s):
JETS Swimwear Pty Limited
8-18 Bowden Street Alexandria New South Wales 2015 Australia
(72) Name(s) of Designer(s): **Jessica Allen**
(45) Registration Date: **31 May 2010**
(56) Related Art Documents: **Not Applicable**
(57) Statement of Newness and Distinctiveness: **Newness and distinctiveness is claimed in the features of shape and/or configuration of the swimwear garment illustrated in the representations.**



(21) Design Number: **10781/2010**

(22) Date of Filing Application: **05 March 2010**

(24) Date from which industrial property rights may have effect: **05 March 2010**

(54) Product in respect of which the design is registered: **Swimwear garment**

(51) International Design Classification: **02-02A**

(71) Name(s) and Address(s) of Applicant(s):

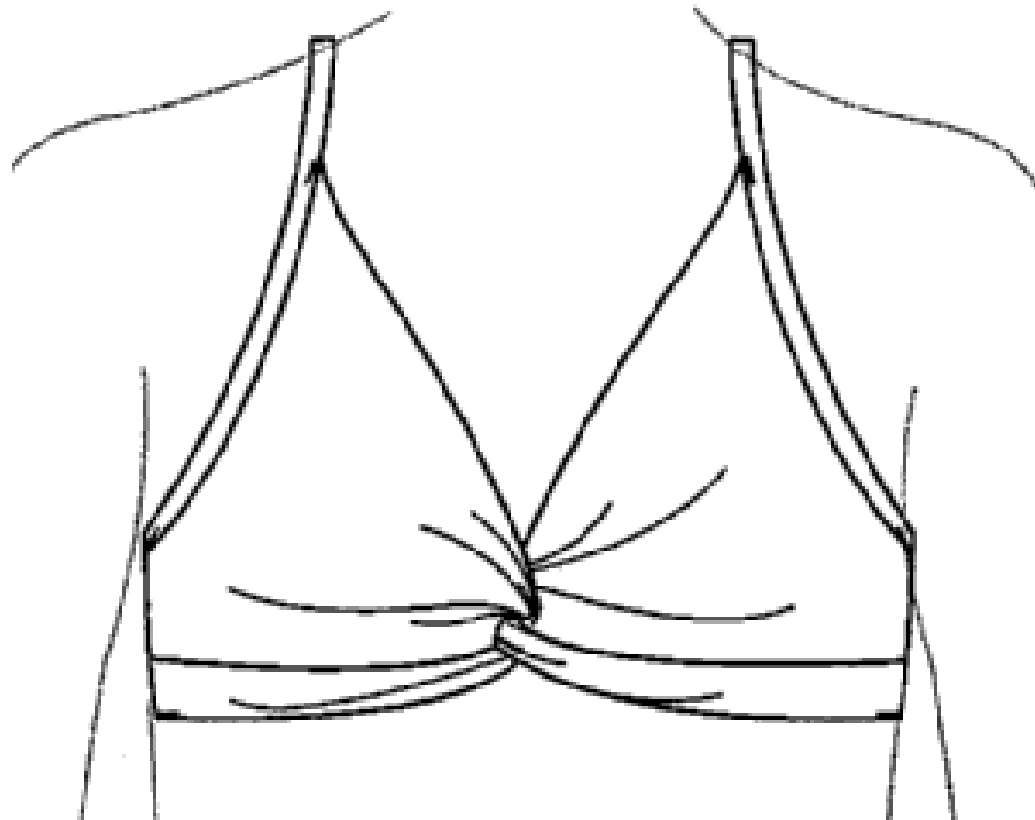
JETS Swimwear Pty Limited
8-18 Bowden Street Alexandria New South Wales 2015 Australia

(72) Name(s) of Designer(s): **Jessica Allen**

(45) Registration Date: **31 May 2010**

(56) Related Art Documents: **Not Applicable**

(57) Statement of Newness and Distinctiveness: **Newness and distinctiveness is claimed in the features of shape and/or configuration of the swimwear garment illustrated in the representations. In considering newness and distinctiveness of the garment, the straps in the rear view, extending from the shoulder down the back as indicated at "A", are to be disregarded.**



(21) Design Number: **10782/2010**

(22) Date of Filing Application: **05 March 2010**

(24) Date from which industrial property rights may have effect: **05 March 2010**

(54) Product in respect of which the design is registered: **Swimwear garment**

(51) International Design Classification: **02-02A**

(71) Name(s) and Address(s) of Applicant(s):

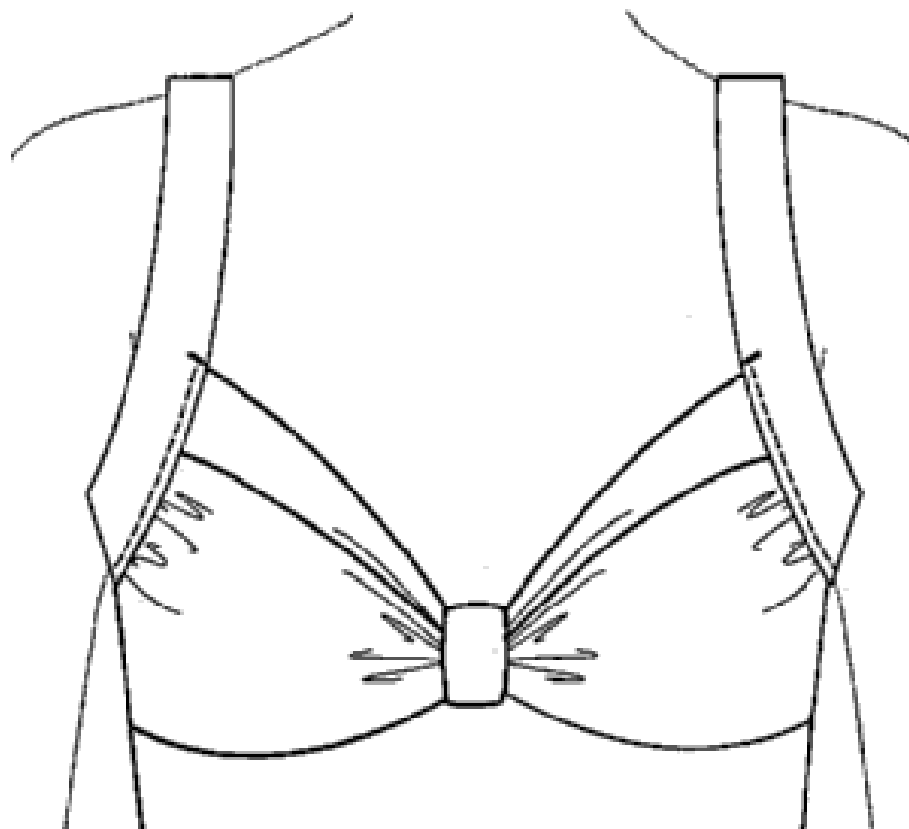
JETS Swimwear Pty Limited
8-18 Bowden Street Alexandria New South Wales 2015 Australia

(72) Name(s) of Designer(s): **Jessica Allen**

(45) Registration Date: **31 May 2010**

(56) Related Art Documents: **Not Applicable**

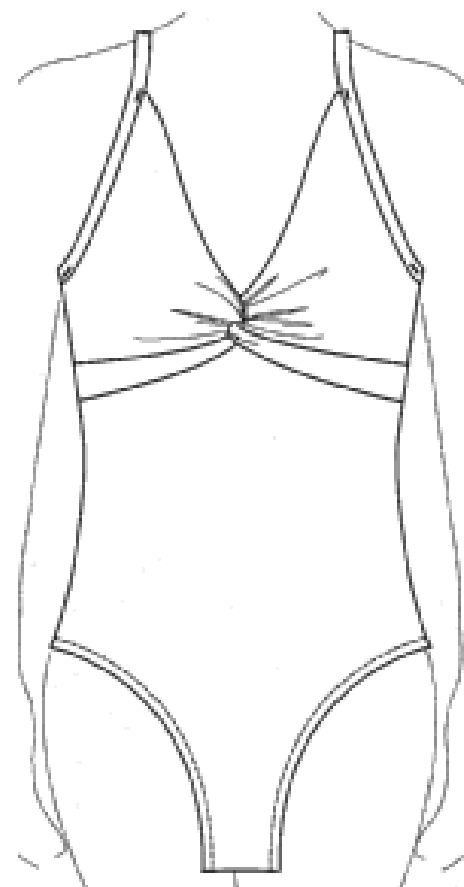
(57) Statement of Newness and Distinctiveness: **Newness and distinctiveness is claimed in the features of shape and/or configuration of the swimwear garment illustrated in the representations. In considering newness and distinctiveness of the garment, the straps in the rear view, extending from the shoulder down the back as indicated at "A", are to be disregarded.**



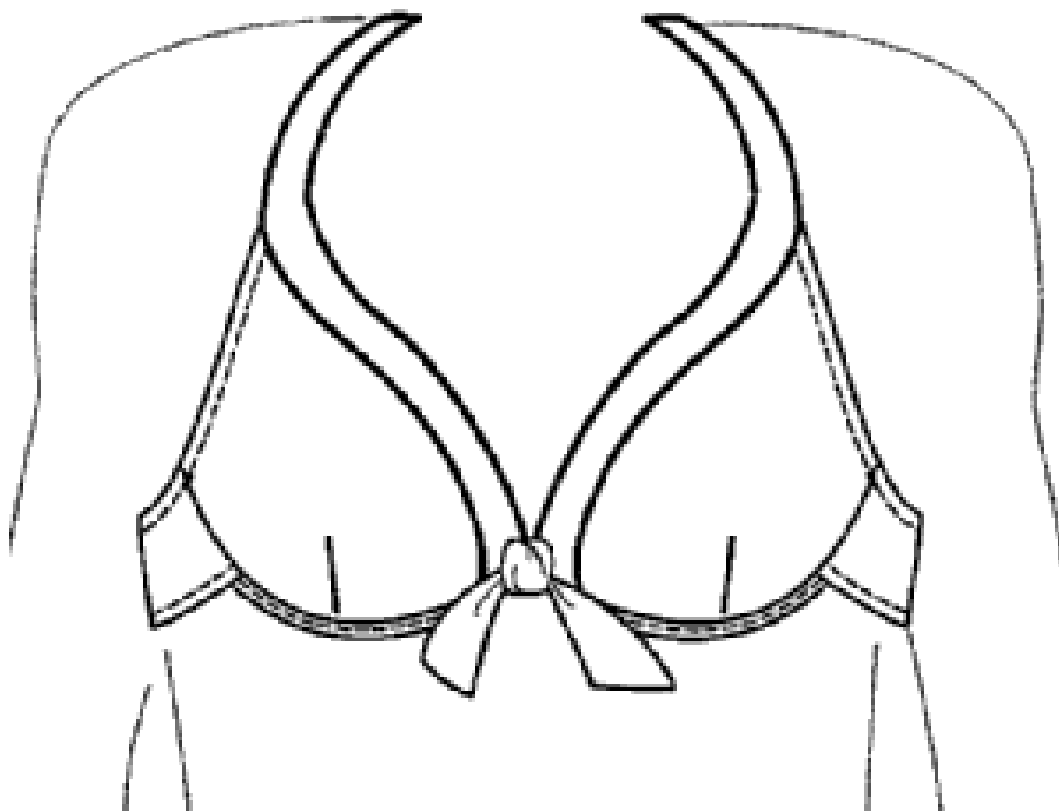
- (21) Design Number: **10783/2010**
(22) Date of Filing Application: **05 March 2010**
(24) Date from which industrial property rights may have effect: **05 March 2010**
(54) Product in respect of which the design is registered: **Swimwear garment**
(51) International Design Classification: **02-02A**
(71) Name(s) and Address(s) of Applicant(s):
JETS Swimwear Pty Limited
8-18 Bowden Street Alexandria New South Wales 2015 Australia
(72) Name(s) of Designer(s): **Jessica Allen**
(45) Registration Date: **31 May 2010**
(56) Related Art Documents: **Not Applicable**
(57) Statement of Newness and Distinctiveness: **Newness and distinctiveness is claimed in the features of shape and/or configuration of the swimwear garment illustrated in the representations.**



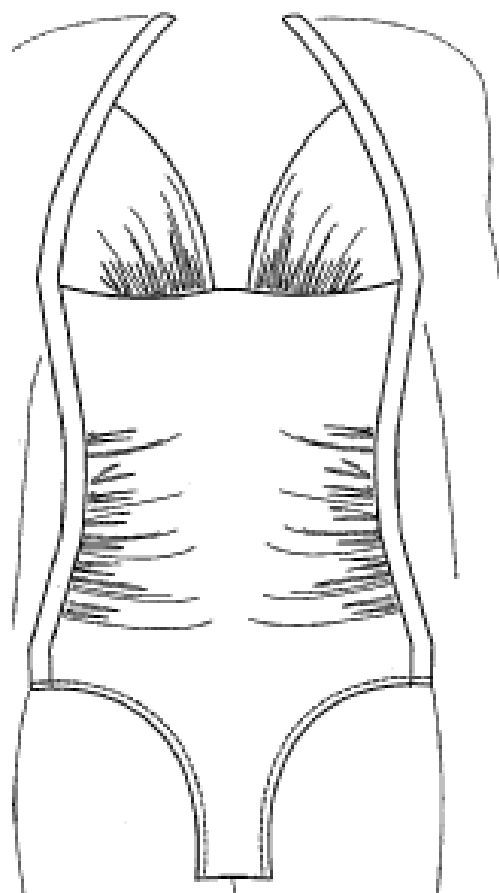
- (21) Design Number: **10784/2010**
(22) Date of Filing Application: **05 March 2010**
(24) Date from which industrial property rights may have effect: **05 March 2010**
(54) Product in respect of which the design is registered: **Swimwear garment**
(51) International Design Classification: **02-02A**
(71) Name(s) and Address(s) of Applicant(s):
JETS Swimwear Pty Limited
8-18 Bowden Street Alexandria New South Wales 2015 Australia
(72) Name(s) of Designer(s): **Jessica Allen**
(45) Registration Date: **31 May 2010**
(56) Related Art Documents: **Not Applicable**
(57) Statement of Newness and Distinctiveness: **Newness and distinctiveness is claimed in the features of shape and/or configuration of the swimwear garment illustrated in the representations. In considering newness and distinctiveness of the garment, the straps in the rear view, extending from the shoulder down the back as indicated at "A", are to be disregarded.**



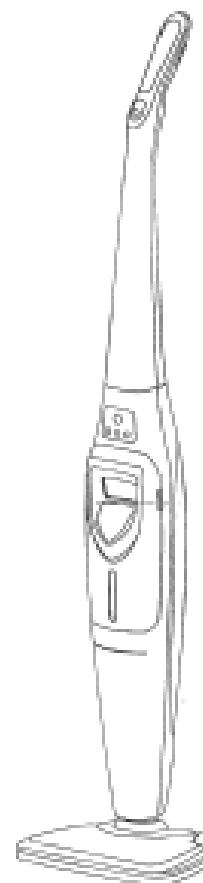
- (21) Design Number: **10785/2010**
- (22) Date of Filing Application: **05 March 2010**
- (24) Date from which industrial property rights may have effect: **05 March 2010**
- (54) Product in respect of which the design is registered: **Swimwear garment**
- (51) International Design Classification: **02-02A**
- (71) Name(s) and Address(s) of Applicant(s):
JETS Swimwear Pty Limited
8-18 Bowden Street Alexandria New South Wales 2015 Australia
- (72) Name(s) of Designer(s): **Jessica Allen**
- (45) Registration Date: **31 May 2010**
- (56) Related Art Documents: **Not Applicable**
- (57) Statement of Newness and Distinctiveness: **Newness and distinctiveness is claimed in the features of shape and/or configuration of the swimwear garment illustrated in the representations.**



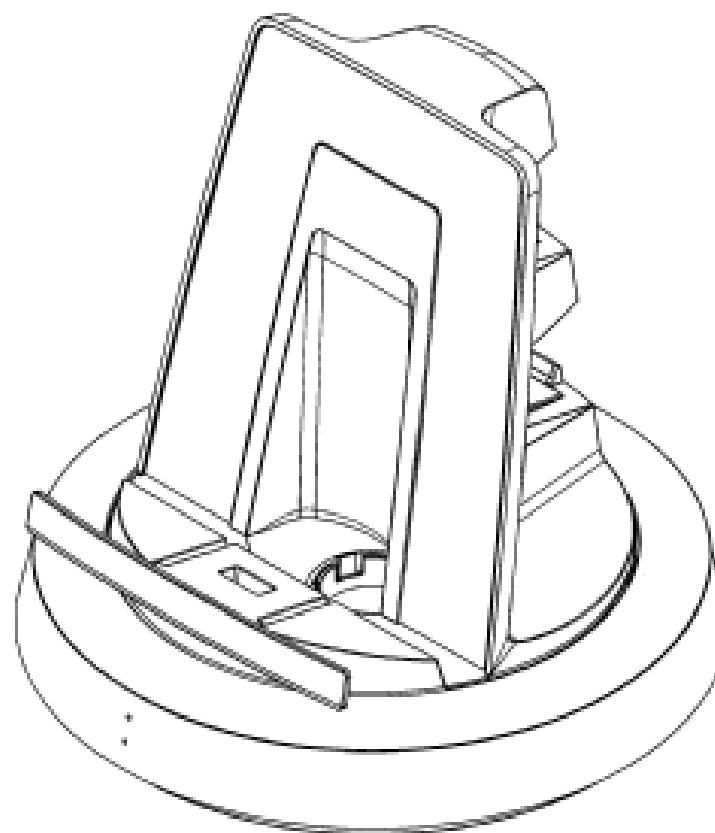
- (21) Design Number: **10786/2010**
- (22) Date of Filing Application: **05 March 2010**
- (24) Date from which industrial property rights may have effect: **05 March 2010**
- (54) Product in respect of which the design is registered: **Swimwear garment**
- (51) International Design Classification: **02-02A**
- (71) Name(s) and Address(s) of Applicant(s):
JETS Swimwear Pty Limited
8-18 Bowden Street Alexandria New South Wales 2015 Australia
- (72) Name(s) of Designer(s): **Jessica Allen**
- (45) Registration Date: **31 May 2010**
- (56) Related Art Documents: **Not Applicable**
- (57) Statement of Newness and Distinctiveness: **Newness and distinctiveness is claimed in the features of shape and/or configuration of the swimwear garment illustrated in the representations.**



(21) Design Number: **11762/2010**
(22) Date of Filing Application: **06 May 2010**
(24) Date from which industrial property rights may have effect: **06 May 2010**
(54) Product in respect of which the design is registered: **Steam cleaning machine**
(51) International Design Classification: **15-05**
(71) Name(s) and Address(s) of Applicant(s):
Jianfang Li
No 63 Guoxiangqiao Middle Road Lanjiang Street Yuyao City Zhejiang Province 315409 China
(72) Name(s) of Designer(s): **Jianfang Li**
(45) Registration Date: **31 May 2010**
(30) Convention priority data:
(31) Number (32) Date (33) Country
200930263189.3 13 Nov 2009 CHINA
(56) Related Art Documents: **Not Applicable**
(57) Statement of Newness and Distinctiveness: **Nil**



(21) Design Number: **11763/2010**
(22) Date of Filing Application: **06 May 2010**
(24) Date from which industrial property rights may have effect: **06 May 2010**
(54) Product in respect of which the design is registered: **Holder for games**
(51) International Design Classification: **21-01K**
(71) Name(s) and Address(s) of Applicant(s):
Vogel's Holding B.V.
Hondsruglaan 93 5628 DB Eindhoven Netherlands
(72) Name(s) of Designer(s): **Stefan Luijben**
(45) Registration Date: **31 May 2010**
(30) Convention priority data:
(31) Number (32) Date (33) Country
001696014 15 Apr 2010 EUROPEAN COMMUNITY
(56) Related Art Documents: **Not Applicable**
(57) Statement of Newness and Distinctiveness: **Nil**



- (21) Design Number: **11765/2010**
- (22) Date of Filing Application: **07 May 2010**
- (24) Date from which industrial property rights may have effect: **07 May 2010**
- (54) Product in respect of which the design is registered: **Floor lamp**
- (51) International Design Classification: **26-05B**
- (71) Name(s) and Address(s) of Applicant(s):

Jess Lenton
42 Bernhard Street Paddington Queensland 4064 Australia

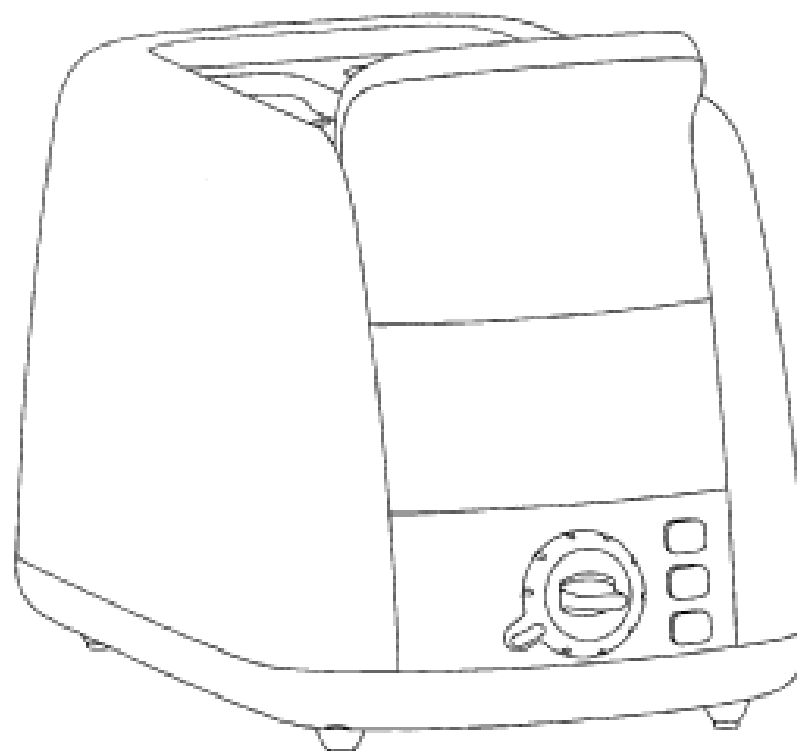
- (72) Name(s) of Designer(s): **Jess Lenton**
- (45) Registration Date: **31 May 2010**
- (56) Related Art Documents: **Not Applicable**
- (57) Statement of Newness and Distinctiveness: **Unlike conventional lamps, PHIA comes together sculpturally by eliminating the need for unnecessary components or fixings, steel wires forming legs that extend up in one sweeping motion to hold both the light fitting and lamp shade. The structure forms intricate aesthetic line details that are unique to PHIA.**



- (21) Design Number: **11769/2010**
- (22) Date of Filing Application: **05 May 2010**
- (24) Date from which industrial property rights may have effect: **05 May 2010**
- (54) Product in respect of which the design is registered: **Toaster**
- (51) International Design Classification: **07-02F**
- (71) Name(s) and Address(s) of Applicant(s):

SEB S.A.S.
Selongey 21260 France

- (72) Name(s) of Designer(s): **Russell Blanchard and Joern Vicari and Agente Enga and Paul Katz and Anthony Di Bitonto**
- (45) Registration Date: **31 May 2010**
- (30) Convention priority data:
 - (31) Number (32) Date (33) Country
 - 29/350,185 12 Nov 2009 UNITED STATES OF AMERICA**
- (56) Related Art Documents: **Not Applicable**
- (57) Statement of Newness and Distinctiveness: **Nil**



- (21) Design Number: **11774/2010**
(22) Date of Filing Application: **06 May 2010**
(24) Date from which industrial property rights may have effect: **06 May 2010**
(54) Product in respect of which the design is registered: **A bottle**
(51) International Design Classification: **09-01K**
(71) Name(s) and Address(s) of Applicant(s):
Yerevan Brandy Company, CJSC
2 Admiral Isakov Avenue 0082 Yerevan Armenia
(72) Name(s) of Designer(s): **Francesco Bonadio**
(45) Registration Date: **31 May 2010**
(30) Convention priority data:
(31) Number (32) Date (33) Country
DM/072608 23 Nov 2009 SWITZERLAND
(56) Related Art Documents: **Not Applicable**
(57) Statement of Newness and Distinctiveness: **Newness and distinctiveness is claimed in those features of shape and/or configuration of a bottle as illustrated in the accompanying representations.**



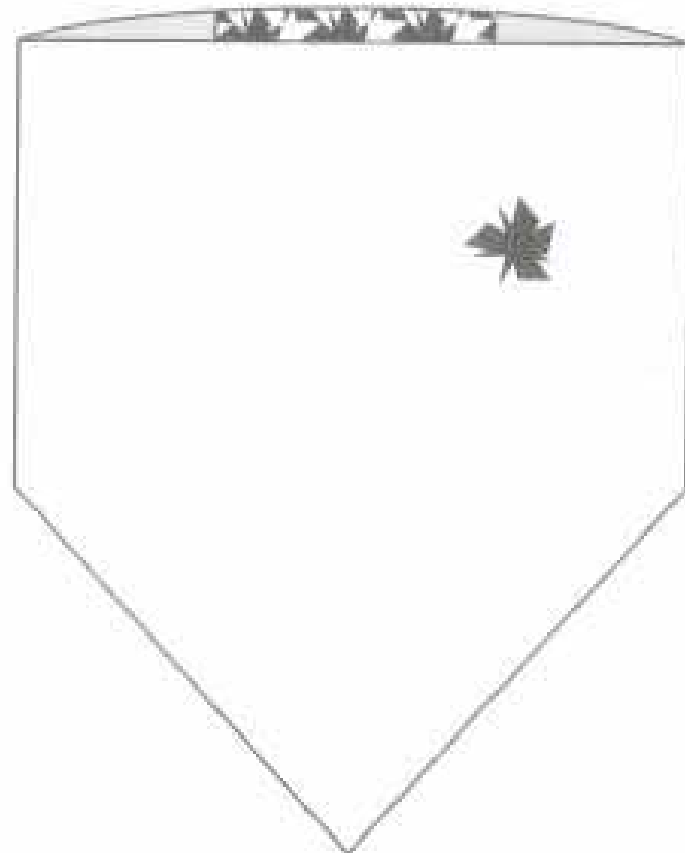
- (21) Design Number: **11775/2010**
(22) Date of Filing Application: **06 May 2010**
(24) Date from which industrial property rights may have effect: **06 May 2010**
(54) Product in respect of which the design is registered: **A bottle**
(51) International Design Classification: **09-01K**
(71) Name(s) and Address(s) of Applicant(s):
Yerevan Brandy Company, CJSC
2 Admiral Isakov Avenue 0082 Yerevan Armenia
(72) Name(s) of Designer(s): **Francesco Bonadio**
(45) Registration Date: **31 May 2010**
(30) Convention priority data:
(31) Number (32) Date (33) Country
DM/072608 23 Nov 2009 SWITZERLAND
(56) Related Art Documents: **Not Applicable**
(57) Statement of Newness and Distinctiveness: **Newness and distinctiveness is claimed in those features of shape and/or configuration of a bottle as illustrated in the accompanying representations.**



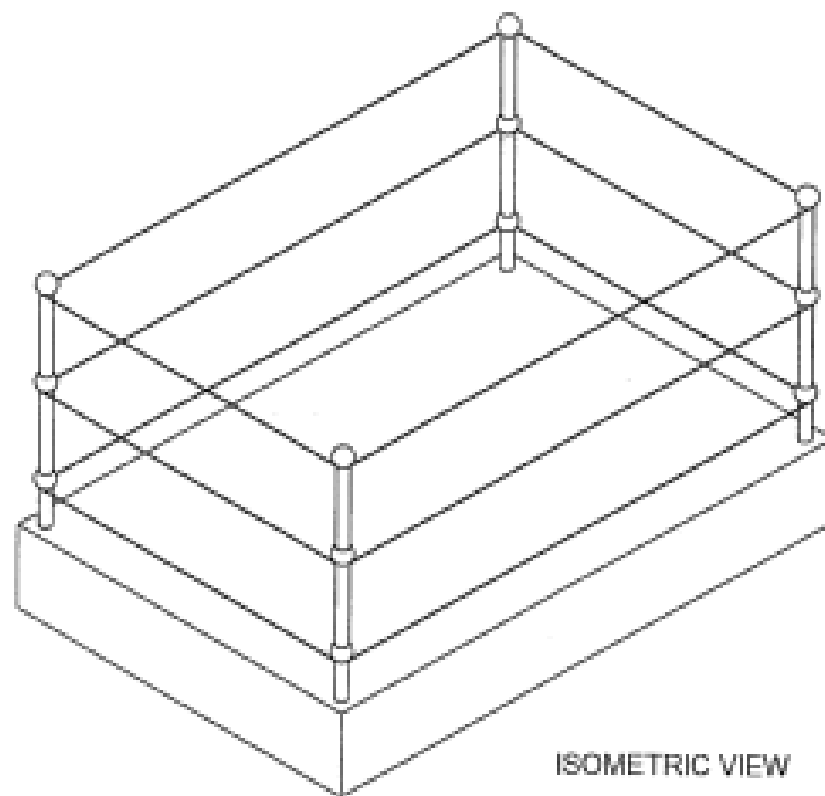
- (21) Design Number: **11776/2010**
(22) Date of Filing Application: **06 May 2010**
(24) Date from which industrial property rights may have effect: **06 May 2010**
(54) Product in respect of which the design is registered: **A bottle**
(51) International Design Classification: **09-01K**
(71) Name(s) and Address(s) of Applicant(s):
Yerevan Brandy Company, CJSC
2 Admiral Isakov Avenue 0082 Yerevan Armenia
(72) Name(s) of Designer(s): **Francesco Bonadio**
(45) Registration Date: **31 May 2010**
(30) Convention priority data:
(31) Number (32) Date (33) Country
DM/072608 23 Nov 2009 SWITZERLAND
(56) Related Art Documents: **Not Applicable**
(57) Statement of Newness and Distinctiveness: **Newness and distinctiveness is claimed in those features of shape and/or configuration of a bottle as illustrated in the accompanying representations.**



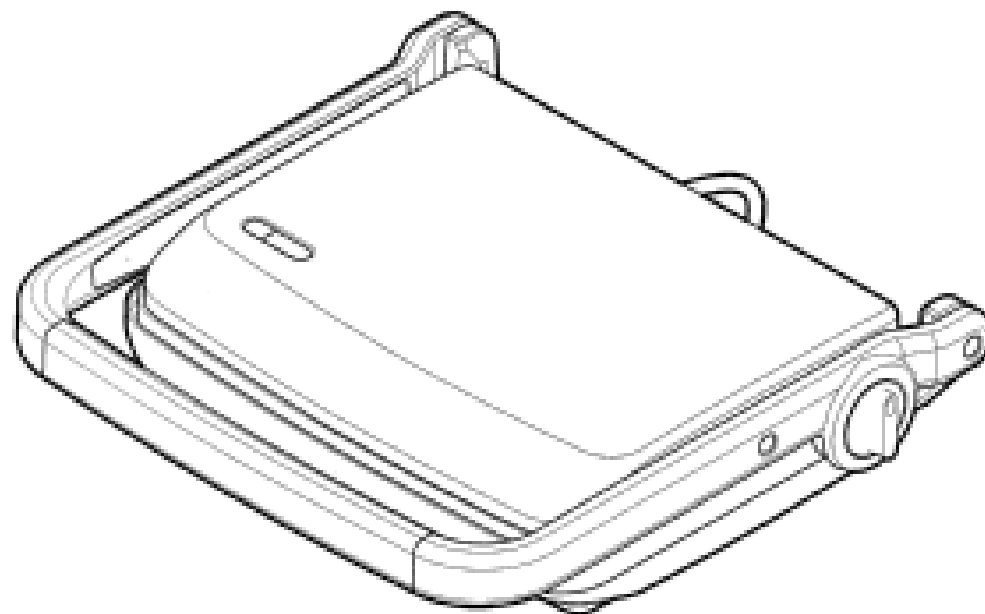
- (21) Design Number: **10830/2010**
(22) Date of Filing Application: **11 March 2010**
(24) Date from which industrial property rights may have effect: **11 March 2010**
(54) Product in respect of which the design is registered: **Pull over face/neck warmer used to keep warm in extreme weather conditions**
(51) International Design Classification: **02-05, 02-03**
(71) Name(s) and Address(s) of Applicant(s):
Cassandra le Brocque
17/200 Fitzmaurice Street Wagga Wagga New South Wales 2650
Australia
Rebecca Layton
17/200 Fitzmaurice Street Wagga Wagga New South Wales 2650
Australia
(72) Name(s) of Designer(s): **Cassandra le Brocque and Rebecca Layton**
(45) Registration Date: **31 May 2010**
(56) Related Art Documents: **Not Applicable**
(57) Statement of Newness and Distinctiveness: **There are four distinct and consistent features to our product. The use of sublimated Lycra in our uniquely designed White Ninja houndstooth pattern, the specific placement of the White Ninja woven label, the zigzag stitching and embroidered logo symbol.**



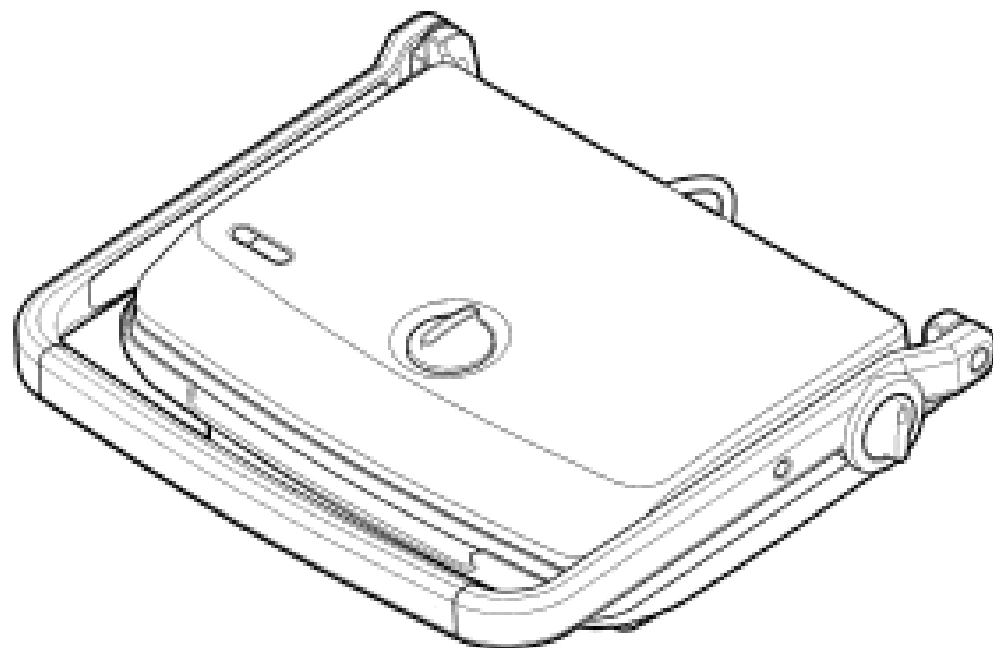
- (21) Design Number: **14238/2009**
- (22) Date of Filing Application: **29 October 2009**
- (24) Date from which industrial property rights may have effect: **29 October 2009**
- (54) Product in respect of which the design is registered: **Arena for a combat sport**
- (51) International Design Classification: **21-02NES**
- (71) Name(s) and Address(s) of Applicant(s):
Michael Slavin
50 Albury Street Yagoona New South Wales 2199 Australia
- (72) Name(s) of Designer(s): **Michael Slavin**
- (45) Registration Date: **31 May 2010**
- (56) Related Art Documents: **Not Applicable**
- (57) Statement of Newness and Distinctiveness: **Nil**



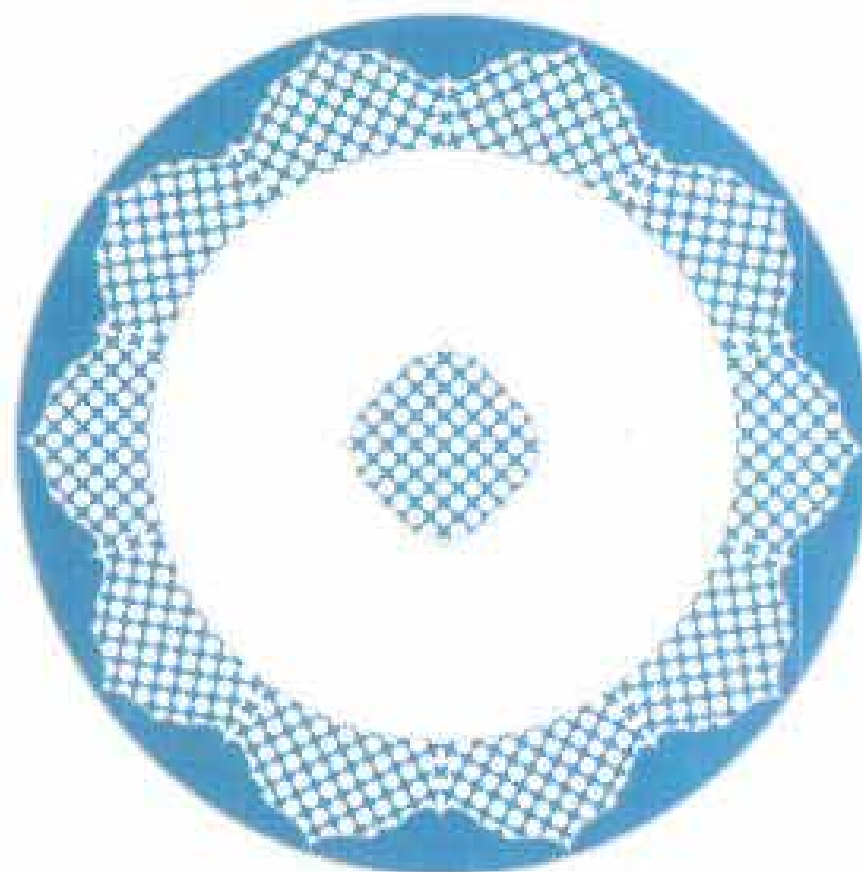
- (21) Design Number: **14264/2009**
- (22) Date of Filing Application: **29 October 2009**
- (24) Date from which industrial property rights may have effect: **29 October 2009**
- (54) Product in respect of which the design is registered: **Grill**
- (51) International Design Classification: **07-02H**
- (71) Name(s) and Address(s) of Applicant(s):
Sunbeam Corporation Limited
Units 5 & 6 13 Lord Street Botany New South Wales 2019 Australia
- (72) Name(s) of Designer(s): **Mark Whitcombe**
- (45) Registration Date: **31 May 2010**
- (56) Related Art Documents: **Not Applicable**
- (57) Statement of Newness and Distinctiveness: **Newness and distinctiveness resides in the features of shape and/or configuration of a grill as shown in the accompanying representations.**



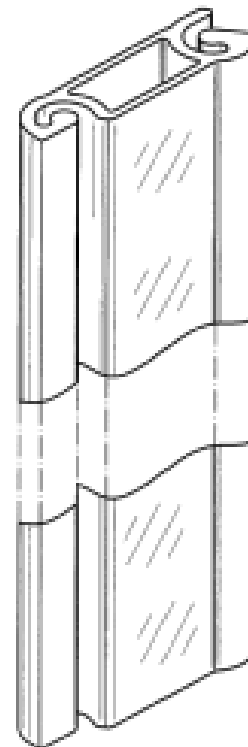
- (21) Design Number: **14265/2009**
(22) Date of Filing Application: **29 October 2009**
(24) Date from which industrial property rights may have effect: **29 October 2009**
(54) Product in respect of which the design is registered: **Grill**
(51) International Design Classification: **07-02H**
(71) Name(s) and Address(s) of Applicant(s):
Sunbeam Corporation Limited
Units 5 & 6 13 Lord Street Botany New South Wales 2019 Australia
(72) Name(s) of Designer(s): **Mark Whitcombe**
(45) Registration Date: **31 May 2010**
(56) Related Art Documents: **Not Applicable**
(57) Statement of Newness and Distinctiveness: **Newness and distinctiveness resides in the features of shape and/or configuration of a grill as shown in the accompanying representations.**



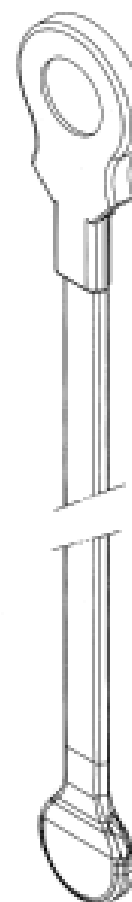
- (21) Design Number: **11092/2010**
(22) Date of Filing Application: **29 March 2010**
(24) Date from which industrial property rights may have effect: **29 March 2010**
(54) Product in respect of which the design is registered: **Dinner plate, soup bowl, entree plate, tea cup and saucer**
(51) International Design Classification: **07-01A, 07-01B, 07-01D**
(71) Name(s) and Address(s) of Applicant(s):
Elly Meltzer
21 Callantina Road Hawthorn Victoria 3122 Australia
(72) Name(s) of Designer(s): **Elly Meltzer**
(45) Registration Date: **31 May 2010**
(56) Related Art Documents: **Not Applicable**
(57) Statement of Newness and Distinctiveness: **The entire design is new and distinctive as I have drawn each element by hand, revised the total design many times over, and finalized what is now the final, 'fez collection' look and feel, and design, including Royal Hamams branding, look and feel.**



- (21) Design Number: **11634/2010**
(22) Date of Filing Application: **21 April 2010**
(24) Date from which industrial property rights may have effect: **21 April 2010**
(54) Product in respect of which the design is registered: **Extrusion**
(51) International Design Classification: **25-01K**
(71) Name(s) and Address(s) of Applicant(s):
Dynamic Closures (Aust) Pty Ltd
58 Industrial Park Drive Lilydale Victoria 3140 Australia
(72) Name(s) of Designer(s): **Robert Horner and Michael Aistrope**
(45) Registration Date: **31 May 2010**
(56) Related Art Documents: **Not Applicable**
(57) Statement of Newness and Distinctiveness: **Nil**



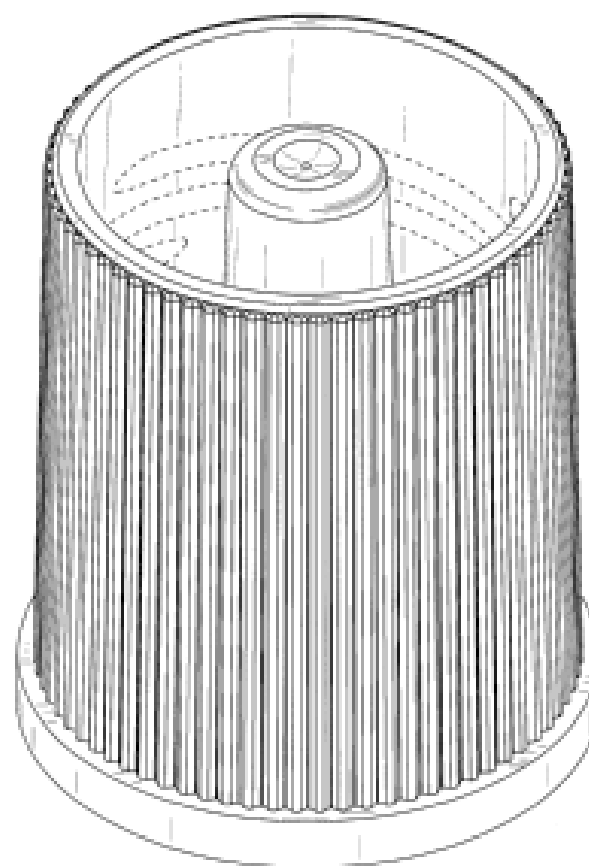
- (21) Design Number: **11722/2010**
(22) Date of Filing Application: **03 May 2010**
(24) Date from which industrial property rights may have effect: **03 May 2010**
(54) Product in respect of which the design is registered: **Housing for a blind control mechanism pull element**
(51) International Design Classification: **08-05NES**
(71) Name(s) and Address(s) of Applicant(s):
Aaron Lava
5 Lamark Court Greenvale 3059 Victoria Australia
Joel Lava
5 Lamark Court Greenvale Victoria 3059 Australia
(72) Name(s) of Designer(s): **Graeme Whitty**
(45) Registration Date: **31 May 2010**
(56) Related Art Documents: **Not Applicable**
(57) Statement of Newness and Distinctiveness: **Those features of the housing for a blind control mechanism pull element depicted in the representations that are new and distinctive are the shape and/or configuration. The housing is of indefinite length.**



- (21) Design Number: **11729/2010**
- (22) Date of Filing Application: **26 February 2010**
- (24) Date from which industrial property rights may have effect: **26 February 2010**
- (54) Product in respect of which the design is registered: **Double-ended closure**
- (51) International Design Classification: **09-07NES**
- (71) Name(s) and Address(s) of Applicant(s):

DNA Genotek Inc.
2 Beaverbrook Road Kanata Ontario K2K 1L1 Canada

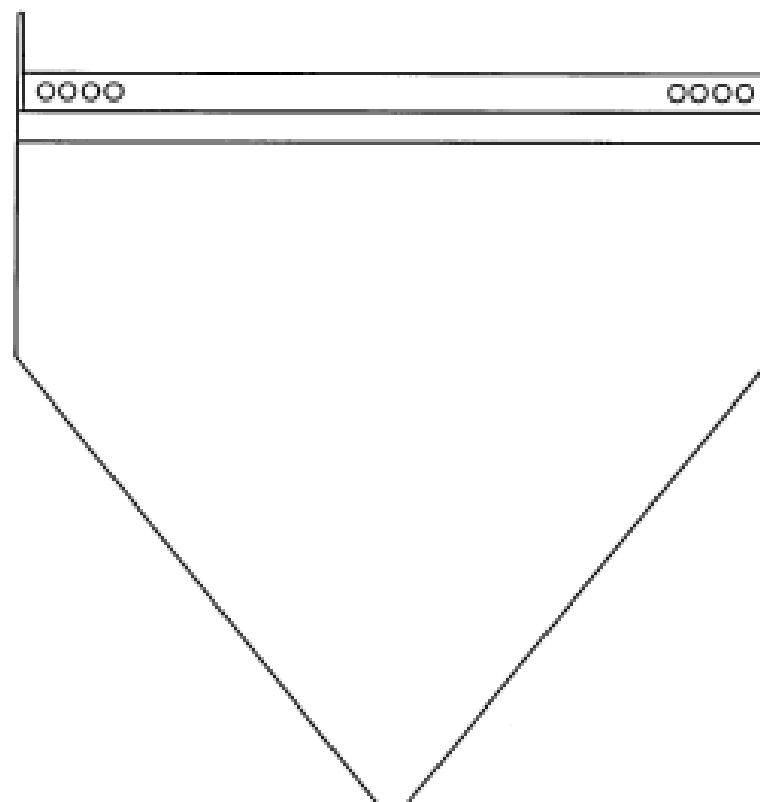
- (72) Name(s) of Designer(s): **Michael Beach and Luc Boucher**
- (45) Registration Date: **31 May 2010**
- (62) Divisional of: **331199**
- (56) Related Art Documents: **Not Applicable**
- (57) Statement of Newness and Distinctiveness: **Newness and distinctiveness reside in the shape and/or configuration of a double-ended closure illustrated by solid lines in the accompanying representations. The features shown in the discontinuous lines or in broken outline are illustrative purposes only and form no part of the design.**



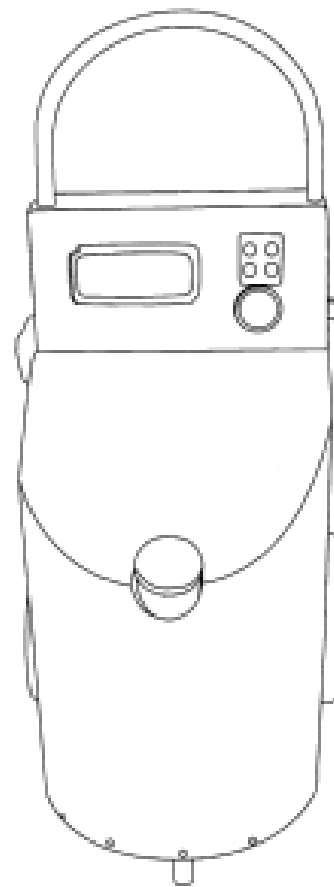
- (21) Design Number: **11697/2010**
- (22) Date of Filing Application: **03 May 2010**
- (24) Date from which industrial property rights may have effect: **03 May 2010**
- (54) Product in respect of which the design is registered: **Bag collection unit**
- (51) International Design Classification: **23-04**
- (71) Name(s) and Address(s) of Applicant(s):

Hydrokleen International Pty Ltd
21/16 Charlton Court Woolner Northern Territory 0820 Australia

- (72) Name(s) of Designer(s): **Dean Andrew Gebert and John David Sanders**
- (45) Registration Date: **31 May 2010**
- (56) Related Art Documents: **Not Applicable**
- (57) Statement of Newness and Distinctiveness: **Nil**

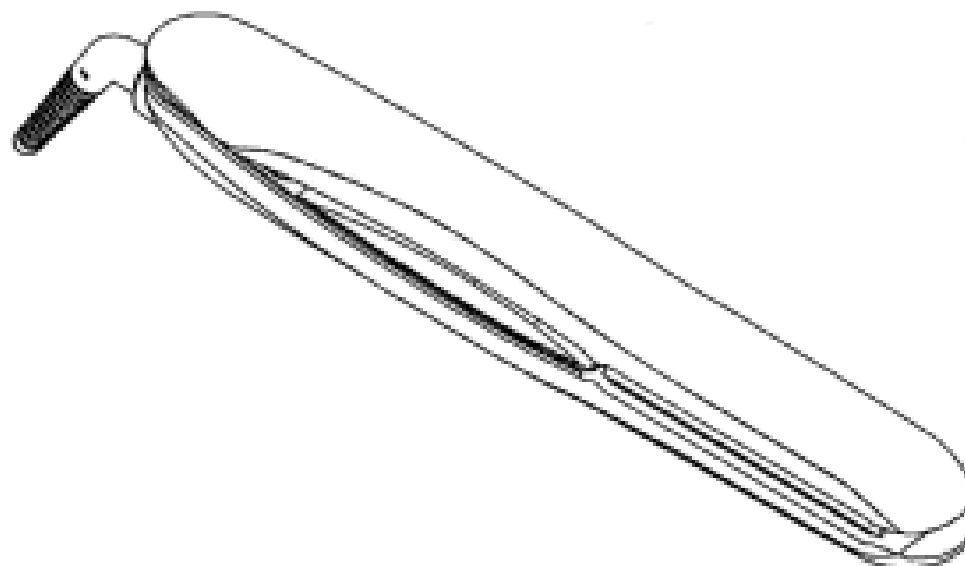


- (21) Design Number: **11698/2010**
- (22) Date of Filing Application: **03 May 2010**
- (24) Date from which industrial property rights may have effect: **03 May 2010**
- (54) Product in respect of which the design is registered: **Water collection unit**
- (51) International Design Classification: **23-04**
- (71) Name(s) and Address(s) of Applicant(s):
Hydrokleen International Pty Ltd
21/16 Charlton Court Woolner Northern Territory 0820 Australia
- (72) Name(s) of Designer(s): **Dean Andrew Gebert and John David Sanders**
- (45) Registration Date: **31 May 2010**
- (56) Related Art Documents: **Not Applicable**
- (57) Statement of Newness and Distinctiveness: **Newness and distinctiveness is claimed in those features of shape and/or configuration of an air conditioning cleaning water collection bag as illustrated in the accompanying representations.**



- (21) Design Number: **11807/2010**
- (22) Date of Filing Application: **10 May 2010**
- (24) Date from which industrial property rights may have effect: **10 May 2010**
- (54) Product in respect of which the design is registered: **Hair iron**
- (51) International Design Classification: **28-03B**
- (71) Name(s) and Address(s) of Applicant(s):
GHD Korea, Inc.
110-2 Samgok-ri Seonggeo-eup Cheonan-si ChungCheongNam-do
Republic of Korea
- (72) Name(s) of Designer(s): **Hae Jin Kim**
- (45) Registration Date: **31 May 2010**
- (30) Convention priority data:

(31) Number	(32) Date	(33) Country
30-2010-0015255	07 Apr 2010	REPUBLIC OF KOREA
- (56) Related Art Documents: **Not Applicable**
- (57) Statement of Newness and Distinctiveness: **Newness and distinctiveness is claimed in the features of shape and/or configuration of a hair iron as illustrated in the accompanying representations.**

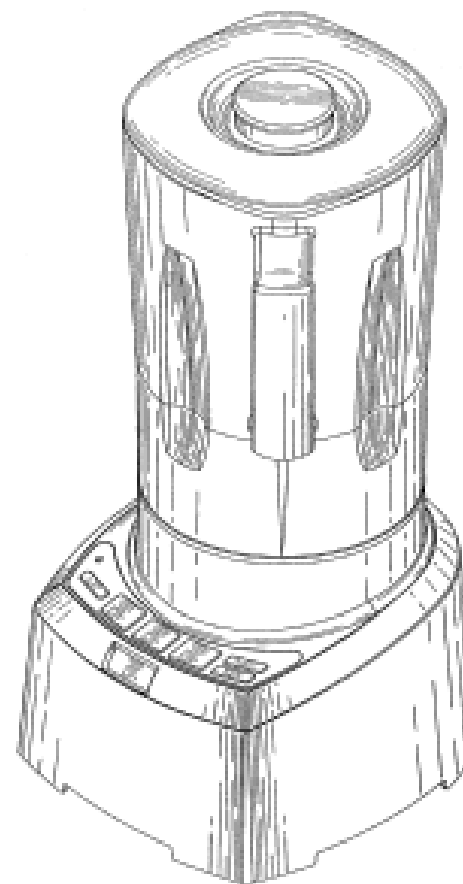


(19) AU

(21) Design Number: **11808/2010**
 (22) Date of Filing Application: **10 May 2010**
 (24) Date from which industrial property rights may have effect: **10 May 2010**
 (54) Product in respect of which the design is registered: **Blender**
 (51) International Design Classification: **31-00**
 (71) Name(s) and Address(s) of Applicant(s):
Conair Corporation
One Cummings Point Road Stamford Connecticut 06902 United States of America
 (72) Name(s) of Designer(s): **Devin Lee Moore**
 (45) Registration Date: **31 May 2010**
 (30) Convention priority data:

(31) Number	(32) Date	(33) Country
29/350103	11 Nov 2009	UNITED STATES OF AMERICA

 (56) Related Art Documents: **Not Applicable**
 (57) Statement of Newness and Distinctiveness: **Newness and distinctiveness is claimed in those features of shape and/or configuration of a blender as illustrated in continuous lines in the accompanying representations.**

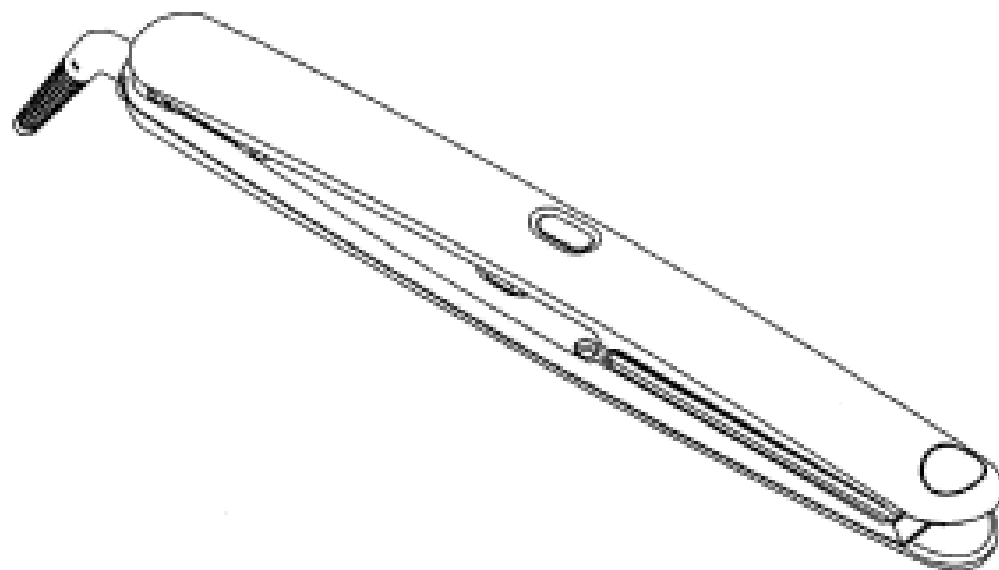


(19) AU

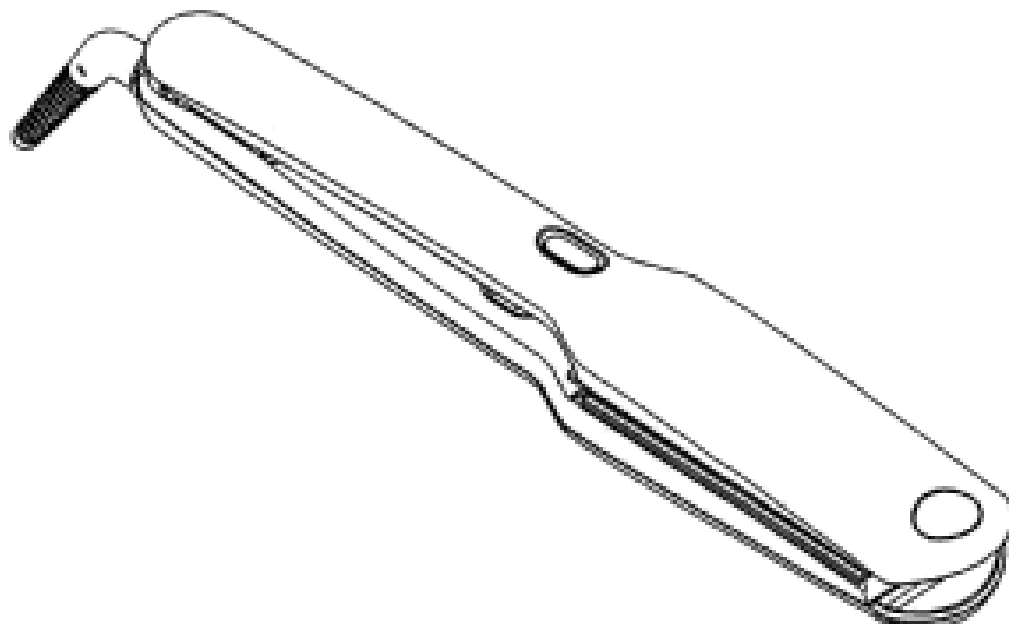
(21) Design Number: **11809/2010**
 (22) Date of Filing Application: **10 May 2010**
 (24) Date from which industrial property rights may have effect: **10 May 2010**
 (54) Product in respect of which the design is registered: **Hair iron**
 (51) International Design Classification: **28-03B**
 (71) Name(s) and Address(s) of Applicant(s):
GHD Korea, Inc.
110-2 Samgok-ri Seonggeo-eup Cheonan-si ChungCheongNam-do Republic of Korea
 (72) Name(s) of Designer(s): **Hae Jin Kim**
 (45) Registration Date: **31 May 2010**
 (30) Convention priority data:

(31) Number	(32) Date	(33) Country
30-2010-0015257	07 Apr 2010	REPUBLIC OF KOREA

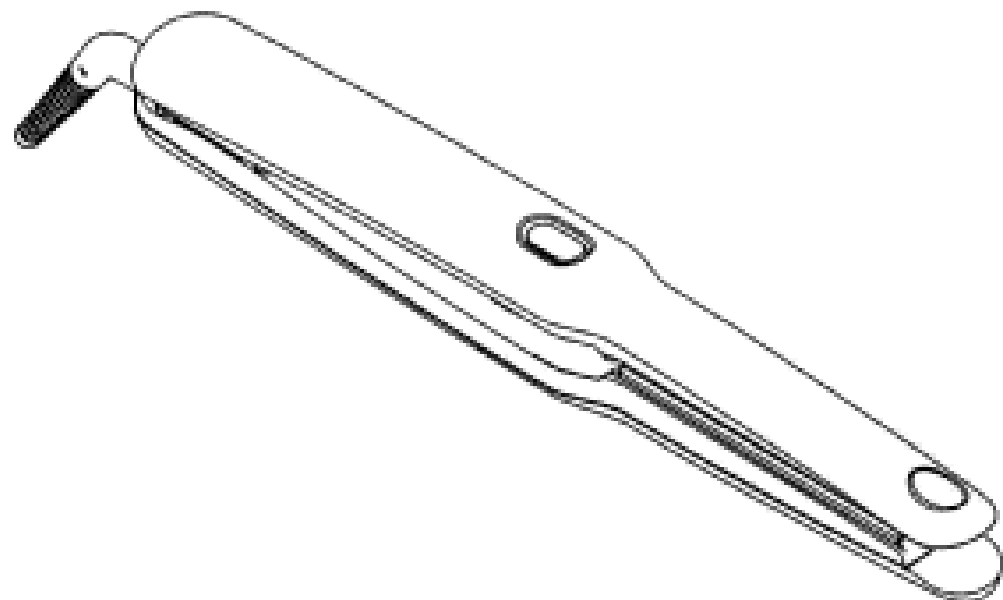
 (56) Related Art Documents: **Not Applicable**
 (57) Statement of Newness and Distinctiveness: **Newness and distinctiveness is claimed in the features of shape and/or configuration of a hair iron as illustrated in the accompanying representations.**



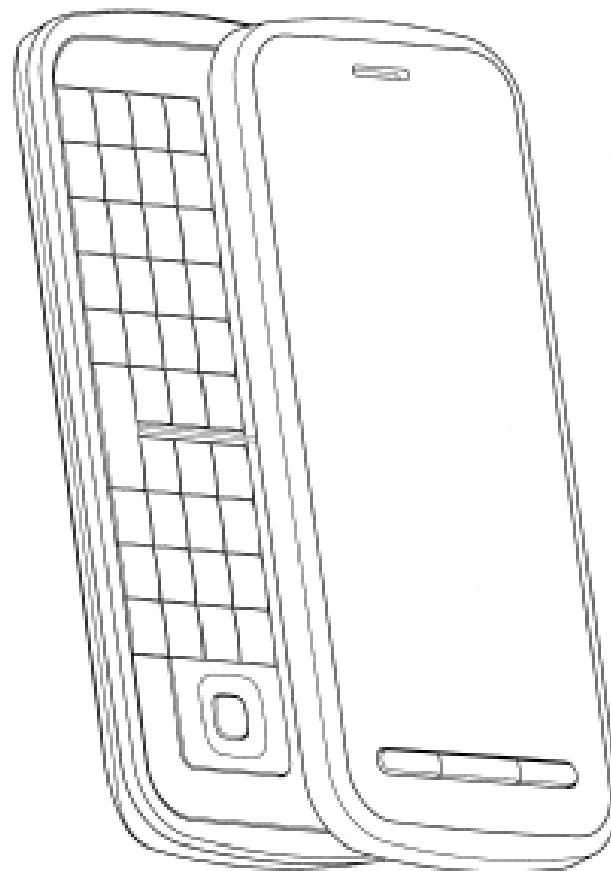
- (21) Design Number: **11810/2010**
(22) Date of Filing Application: **10 May 2010**
(24) Date from which industrial property rights may have effect: **10 May 2010**
(54) Product in respect of which the design is registered: **Hair iron**
(51) International Design Classification: **28-03B**
(71) Name(s) and Address(s) of Applicant(s):
GHD Korea, Inc.
110-2 Samgok-ri Seonggeo-eup Cheonan-si ChungCheongNam-do
Republic of Korea
(72) Name(s) of Designer(s): **Hae Jin Kim**
(45) Registration Date: **31 May 2010**
(30) Convention priority data:
(31) Number (32) Date (33) Country
30-2010-0015258 07 Apr 2010 REPUBLIC OF KOREA
(56) Related Art Documents: **Not Applicable**
(57) Statement of Newness and Distinctiveness: **Newness and distinctiveness is claimed in the features of shape and/or configuration of a hair iron as illustrated in the accompanying representations.**



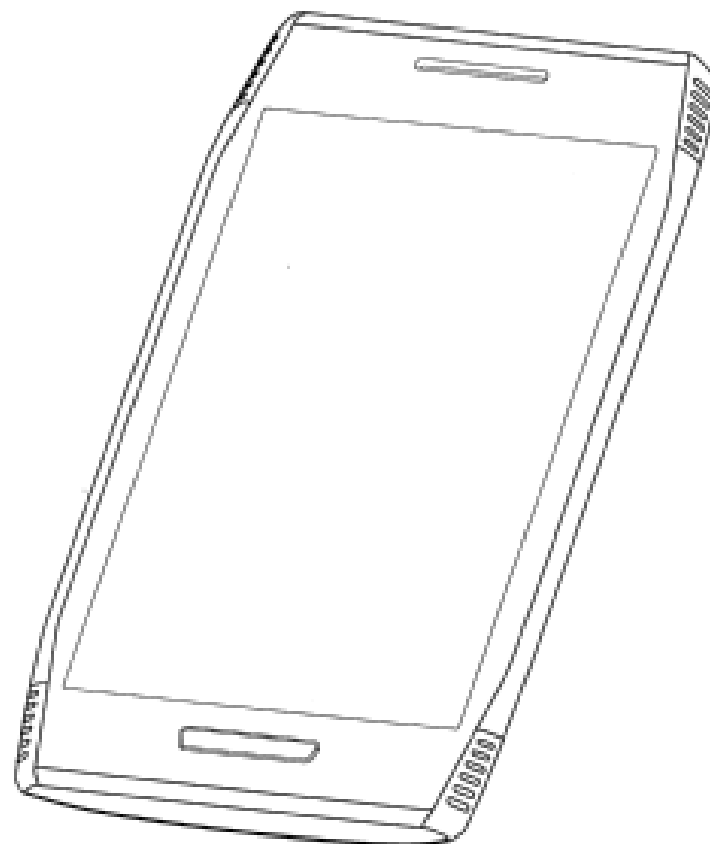
- (21) Design Number: **11811/2010**
(22) Date of Filing Application: **10 May 2010**
(24) Date from which industrial property rights may have effect: **10 May 2010**
(54) Product in respect of which the design is registered: **Hair iron**
(51) International Design Classification: **28-03B**
(71) Name(s) and Address(s) of Applicant(s):
GHD Korea, Inc.
110-2 Samgok-ri Seonggeo-eup Cheonan-si ChungCheongNam-do
Republic of Korea
(72) Name(s) of Designer(s): **Hae Jin Kim**
(45) Registration Date: **31 May 2010**
(30) Convention priority data:
(31) Number (32) Date (33) Country
30-2010-0015259 07 Apr 2010 REPUBLIC OF KOREA
(56) Related Art Documents: **Not Applicable**
(57) Statement of Newness and Distinctiveness: **Newness and distinctiveness is claimed in the features of shape and/or configuration of a hair iron as illustrated in the accompanying representations.**



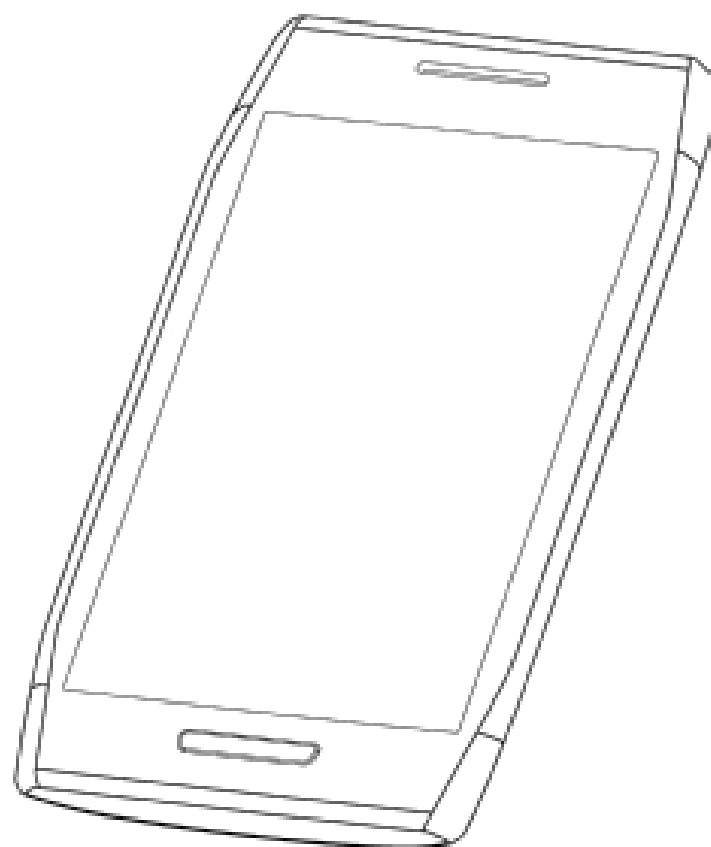
(21) Design Number: **11812/2010**
(22) Date of Filing Application: **10 May 2010**
(24) Date from which industrial property rights may have effect: **10 May 2010**
(54) Product in respect of which the design is registered: **Handset**
(51) International Design Classification: **14-03E**
(71) Name(s) and Address(s) of Applicant(s):
Nokia Corporation
Keilalahdentie 4 FIN-02150 Espoo Finland
(72) Name(s) of Designer(s): **Petri Montin and Evalena Sandberg**
(45) Registration Date: **31 May 2010**
(30) Convention priority data:
(31) Number (32) Date (33) Country
29/354883 29 Jan 2010 UNITED STATES OF AMERICA
(56) Related Art Documents: **Not Applicable**
(57) Statement of Newness and Distinctiveness: **Newness and distinctiveness is claimed in the features of shape and/or configuration of a handset as illustrated in the accompanying representations.**



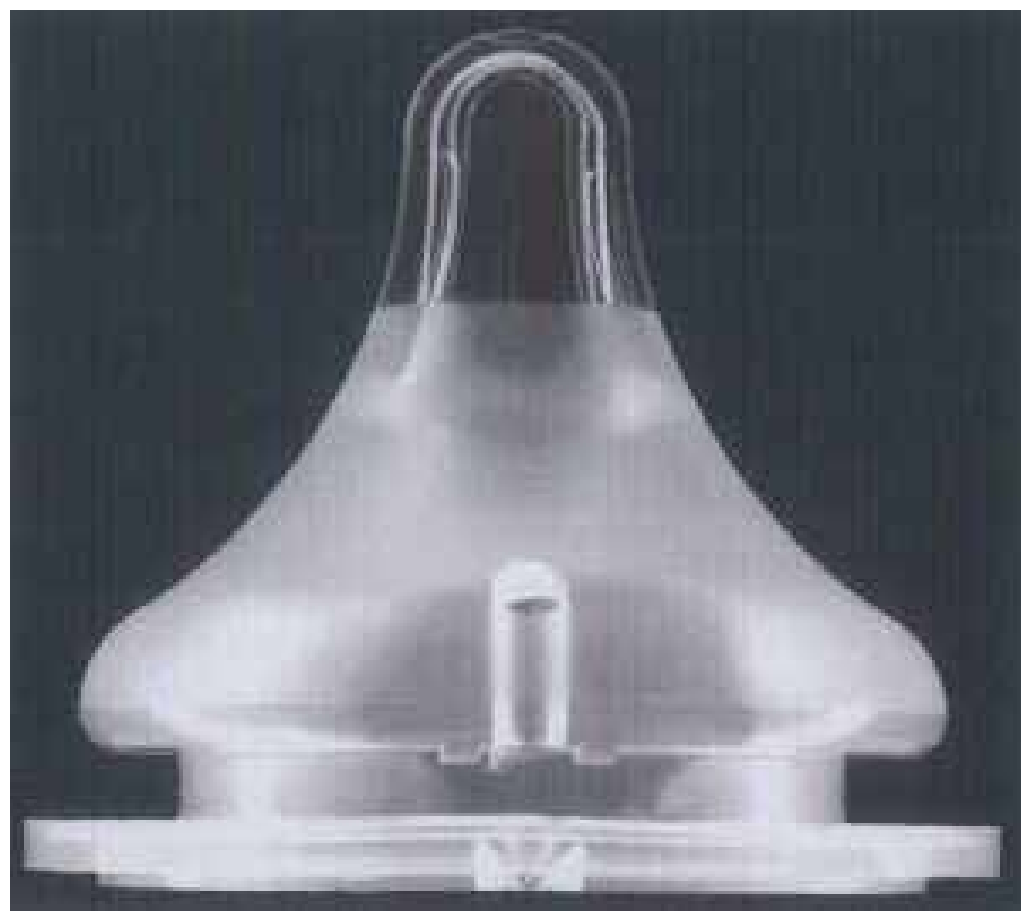
(21) Design Number: **11813/2010**
(22) Date of Filing Application: **10 May 2010**
(24) Date from which industrial property rights may have effect: **10 May 2010**
(54) Product in respect of which the design is registered: **Handset**
(51) International Design Classification: **14-03E**
(71) Name(s) and Address(s) of Applicant(s):
Nokia Corporation
Keilalahdentie 4 FIN-02150 Espoo Finland
(72) Name(s) of Designer(s): **Boris Landwehr**
(45) Registration Date: **31 May 2010**
(30) Convention priority data:
(31) Number (32) Date (33) Country
29/353564 11 Jan 2010 UNITED STATES OF AMERICA
(56) Related Art Documents: **Not Applicable**
(57) Statement of Newness and Distinctiveness: **Newness and distinctiveness is claimed in the features of shape and/or configuration of a handset as illustrated in the accompanying representations.**



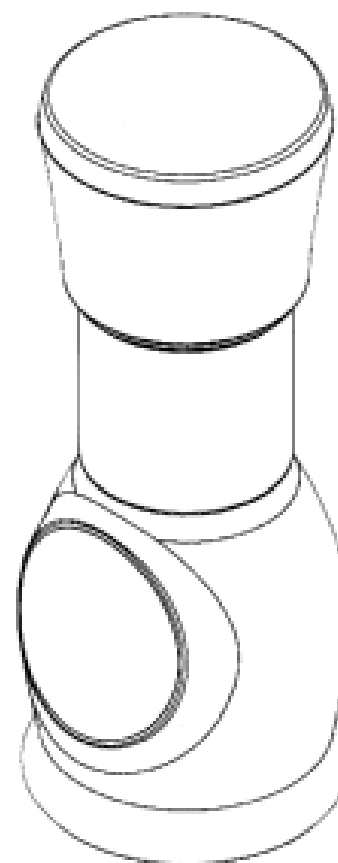
- (21) Design Number: **11814/2010**
(22) Date of Filing Application: **10 May 2010**
(24) Date from which industrial property rights may have effect: **10 May 2010**
(54) Product in respect of which the design is registered: **Handset**
(51) International Design Classification: **14-03E**
(71) Name(s) and Address(s) of Applicant(s):
Nokia Corporation
Keilalahdentie 4 FIN-02150 Espoo Finland
(72) Name(s) of Designer(s): **Boris Landwehr**
(45) Registration Date: **31 May 2010**
(30) Convention priority data:
(31) Number (32) Date (33) Country
29/353564 11 Jan 2010 UNITED STATES OF AMERICA
(56) Related Art Documents: **Not Applicable**
(57) Statement of Newness and Distinctiveness: **Newness and distinctiveness is claimed in the features of shape and/or configuration of a handset as illustrated in the accompanying representations.**



- (21) Design Number: **11796/2010**
(22) Date of Filing Application: **07 May 2010**
(24) Date from which industrial property rights may have effect: **07 May 2010**
(54) Product in respect of which the design is registered: **Teat**
(51) International Design Classification: **07-01E**
(71) Name(s) and Address(s) of Applicant(s):
Pigeon Corporation
4-4 Nihonbashi Hisamatsu-cho Chuo-ku Tokyo Japan
(72) Name(s) of Designer(s): **Daisuke Yamashita and Satoru Saito**
(45) Registration Date: **01 June 2010**
(30) Convention priority data:
(31) Number (32) Date (33) Country
2009-026134 09 Nov 2009 JAPAN
(56) Related Art Documents: **Not Applicable**
(57) Statement of Newness and Distinctiveness: **Newness and distinctiveness reside in the translucent portion of the teat, the fine unevenness over the surface of the translucent portion, the shape and/or configuration of the teat portion indicated by the red circle or any combination thereof, as illustrated by solid lines in the accompanying representations.**



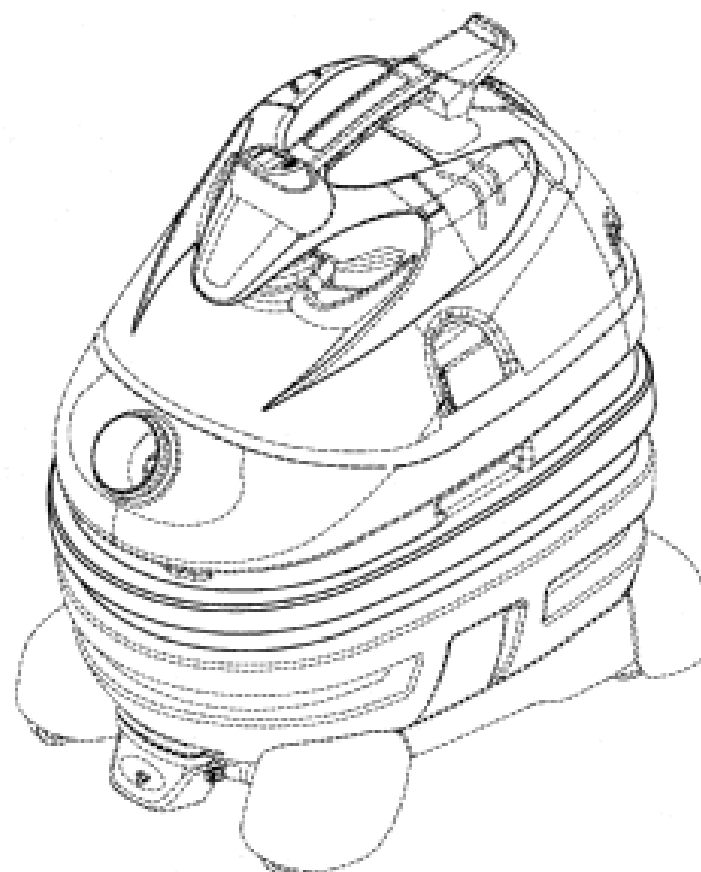
(21) Design Number: **11797/2010**
 (22) Date of Filing Application: **07 May 2010**
 (24) Date from which industrial property rights may have effect: **07 May 2010**
 (54) Product in respect of which the design is registered: **A grinder**
 (51) International Design Classification: **07-06C**
 (71) Name(s) and Address(s) of Applicant(s):
Cerebos (Australia) Limited
2 Costello Place Seven Hills New South Wales 2147 Australia
 (72) Name(s) of Designer(s): **Stan Odesse and David Francis**
 (45) Registration Date: **01 June 2010**
 (56) Related Art Documents: **Not Applicable**
 (57) Statement of Newness and Distinctiveness: **Newness and distinctiveness is claimed in the features of shape and/or configuration of a grinder as illustrated in the accompanying representations.**



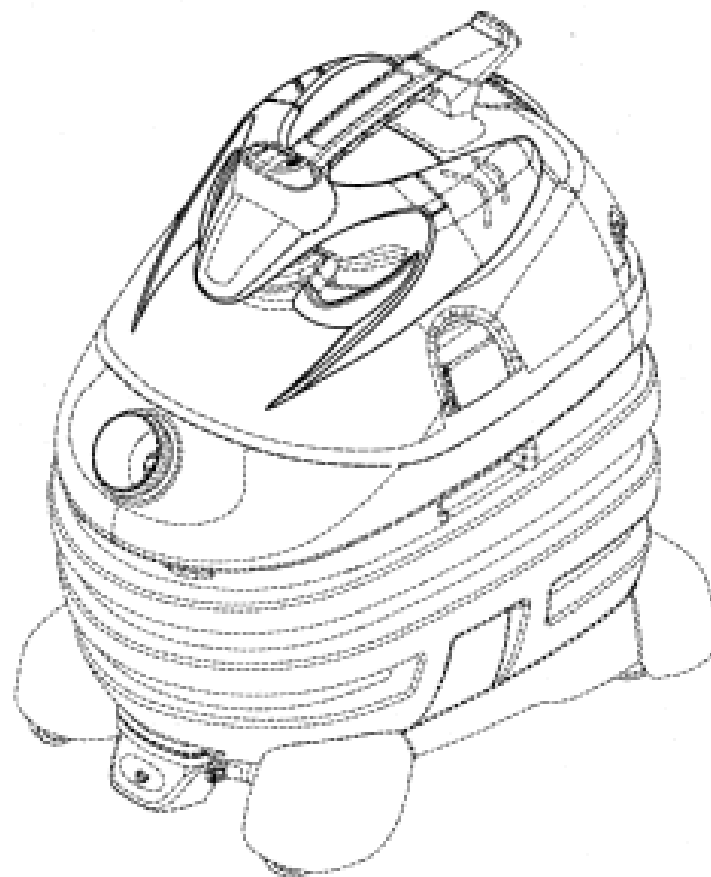
(21) Design Number: **11802/2010**
 (22) Date of Filing Application: **07 May 2010**
 (24) Date from which industrial property rights may have effect: **07 May 2010**
 (54) Product in respect of which the design is registered: **Vacuum cleaner**
 (51) International Design Classification: **15-05**
 (71) Name(s) and Address(s) of Applicant(s):
Shop Vac Corporation
2323 Reach Road Williamsport PA 17701 United States of America
 (72) Name(s) of Designer(s): **Robert L. Crevling and Kevin D. Fry and John Griffin**
 (45) Registration Date: **01 June 2010**
 (30) Convention priority data:

(31) Number	(32) Date	(33) Country
29/350176	12 Nov 2009	UNITED STATES OF AMERICA

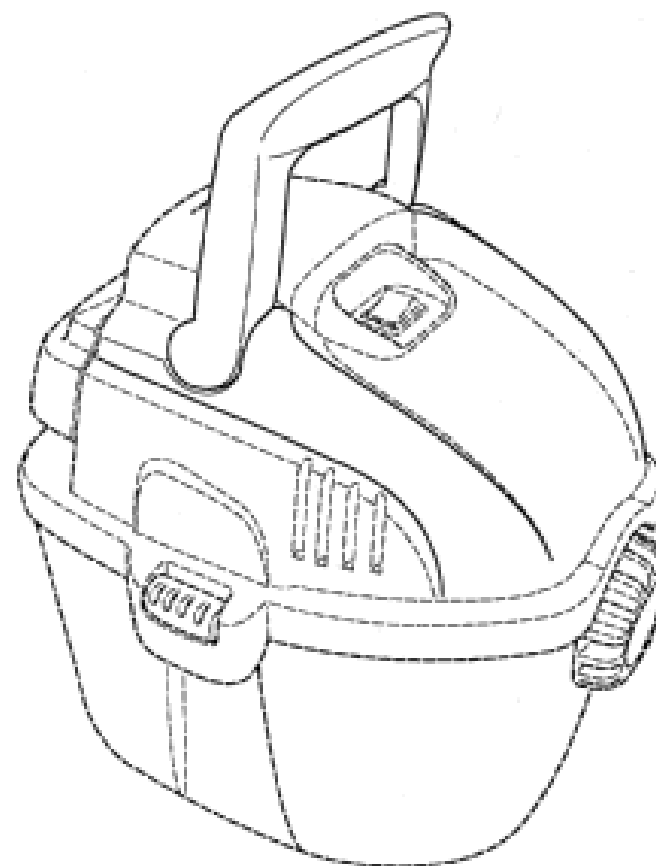
 (56) Related Art Documents: **Not Applicable**
 (57) Statement of Newness and Distinctiveness: **Newness and distinctiveness resides in the visual features shown in solid outline in the accompanying drawings. When determining whether the design is substantially similar in overall impression to another design, no regard is to be had to those features shown in dotted outline in the accompanying drawings.**



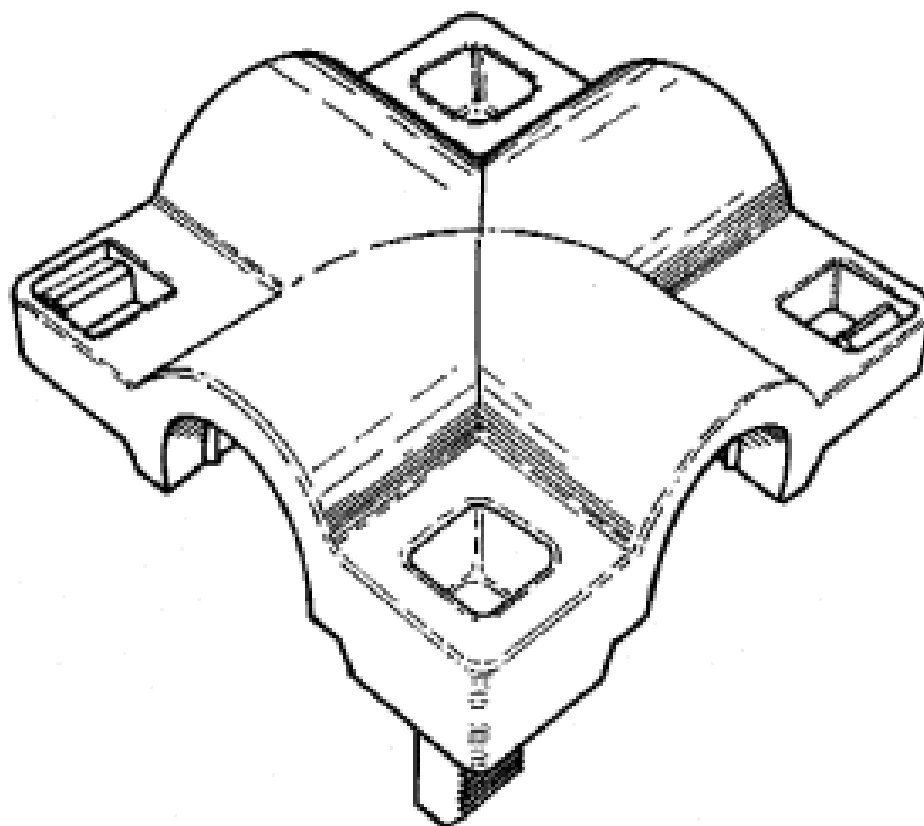
(21) Design Number: **11803/2010**
 (22) Date of Filing Application: **07 May 2010**
 (24) Date from which industrial property rights may have effect: **07 May 2010**
 (54) Product in respect of which the design is registered: **Vacuum cleaner**
 (51) International Design Classification: **15-05**
 (71) Name(s) and Address(s) of Applicant(s):
Shop Vac Corporation
2323 Reach Road Williamsport PA 17701 United States of America
 (72) Name(s) of Designer(s): **Robert L. Crevling and Kevin D. Fry and John Griffin**
 (45) Registration Date: **01 June 2010**
 (30) Convention priority data:
 (31) Number (32) Date (33) Country
29/350118 11 Nov 2009 UNITED STATES OF AMERICA
 (56) Related Art Documents: **Not Applicable**
 (57) Statement of Newness and Distinctiveness: **Newness and distinctiveness resides in the visual features shown in solid outline in the accompanying drawings. When determining whether the design is substantially similar in overall impression to another design, no regard is to be had to those features shown in dotted outline in the accompanying drawings.**



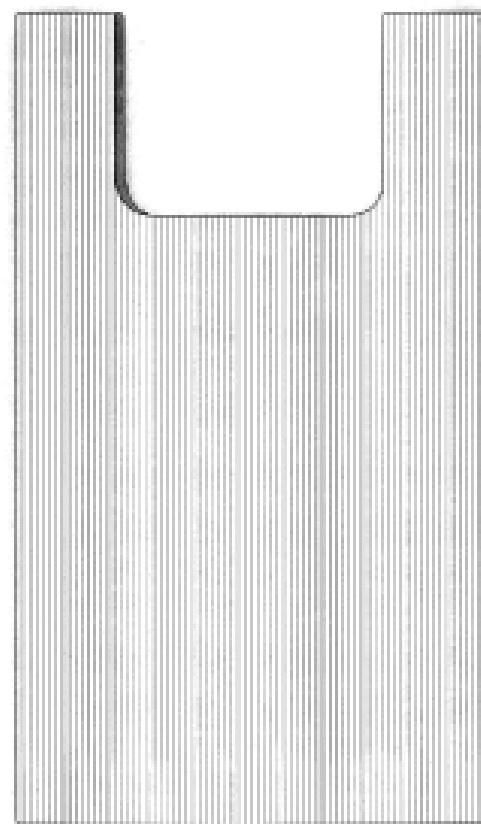
(21) Design Number: **11804/2010**
 (22) Date of Filing Application: **07 May 2010**
 (24) Date from which industrial property rights may have effect: **07 May 2010**
 (54) Product in respect of which the design is registered: **Vacuum cleaner**
 (51) International Design Classification: **15-05**
 (71) Name(s) and Address(s) of Applicant(s):
Shop Vac Corporation
2323 Reach Road Williamsport PA 17701 United States of America
 (72) Name(s) of Designer(s): **Li Liu and Robert Lent Crevling Jr. and John Griffin**
 (45) Registration Date: **01 June 2010**
 (30) Convention priority data:
 (31) Number (32) Date (33) Country
29/350,295 13 Nov 2009 UNITED STATES OF AMERICA
 (56) Related Art Documents: **Not Applicable**
 (57) Statement of Newness and Distinctiveness: **Newness and distinctiveness resides in the visual features of the design as shown in solid outline in the accompanying drawings. When determining whether the design is substantially similar in overall impression to another design, no regard is to be had to those features shown in dotted outline in the accompanying drawings.**



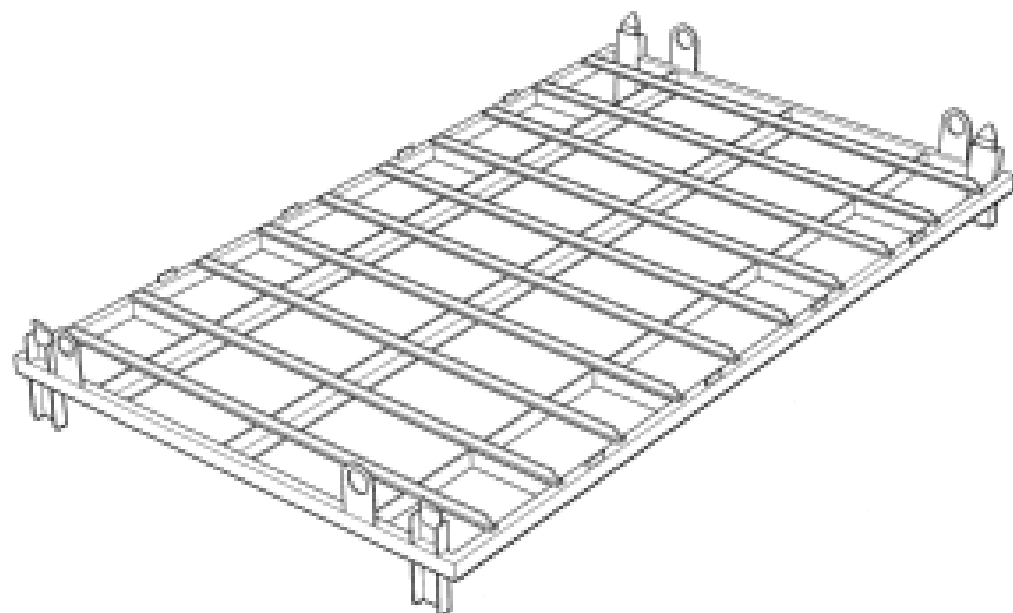
- (21) Design Number: **11782/2010**
(22) Date of Filing Application: **07 May 2010**
(24) Date from which industrial property rights may have effect: **07 May 2010**
(54) Product in respect of which the design is registered: **A clamp device**
(51) International Design Classification: **08-08D**
(71) Name(s) and Address(s) of Applicant(s):
The Spacer Co Pty Ltd
PO Box 279 Sumner Park Queensland 4074 Australia
(72) Name(s) of Designer(s): **Dennis J. Mee**
(45) Registration Date: **01 June 2010**
(56) Related Art Documents: **Not Applicable**
(57) Statement of Newness and Distinctiveness: **Nil**



- (21) Design Number: **11783/2010**
(22) Date of Filing Application: **07 May 2010**
(24) Date from which industrial property rights may have effect: **07 May 2010**
(54) Product in respect of which the design is registered: **Reusable bag**
(51) International Design Classification: **03-01A**
(71) Name(s) and Address(s) of Applicant(s):
Susan Annemarie Barfield
1 Church Street Woodville South South Australia 5011 Australia
(72) Name(s) of Designer(s): **Susan Annemarie Barfield**
(45) Registration Date: **01 June 2010**
(56) Related Art Documents: **Not Applicable**
(57) Statement of Newness and Distinctiveness: **Newness and distinctiveness is claimed in the features of pattern and/or ornamentation of the pleated profile of the bag with handles as shown in the accompanying drawings.**



- (21) Design Number: **11784/2010**
(22) Date of Filing Application: **07 May 2010**
(24) Date from which industrial property rights may have effect: **07 May 2010**
(54) Product in respect of which the design is registered: **Stillage**
(51) International Design Classification: **06-04NES**
(71) Name(s) and Address(s) of Applicant(s):
Leppington Speedy Seedlings & Supplies Pty Ltd
35 Riley Road Leppington New South Wales 2171 Australia
(72) Name(s) of Designer(s): **John Vella**
(45) Registration Date: **01 June 2010**
(56) Related Art Documents: **Not Applicable**
(57) Statement of Newness and Distinctiveness: **Nil**



- (21) Design Number: **11785/2010**
(22) Date of Filing Application: **07 May 2010**
(24) Date from which industrial property rights may have effect: **07 May 2010**
(54) Product in respect of which the design is registered: **Electric kettles**
(51) International Design Classification: **07-02K**
(71) Name(s) and Address(s) of Applicant(s):
Kenwood Limited
New Lane Havant Hampshire PO9 2NH United Kingdom
(72) Name(s) of Designer(s): **Darren Mullen**
(45) Registration Date: **01 June 2010**
(30) Convention priority data:
(31) Number (32) Date (33) Country
001634213-0001 10 Nov 2009 EUROPEAN COMMUNITY
(56) Related Art Documents: **Not Applicable**
(57) Statement of Newness and Distinctiveness: **Nil**



(21) Design Number: **11786/2010**
(22) Date of Filing Application: **07 May 2010**
(24) Date from which industrial property rights may have effect: **07 May 2010**
(54) Product in respect of which the design is registered: **Toaster**
(51) International Design Classification: **07-02F**
(71) Name(s) and Address(s) of Applicant(s):

Kenwood Limited
New Lane Havant Hampshire PO9 2NH United Kingdom

(72) Name(s) of Designer(s): **Darren Mullen**

(45) Registration Date: **01 June 2010**

(30) Convention priority data:

(31) Number	(32) Date	(33) Country
001634700-0001	11 Nov 2009	EUROPEAN COMMUNITY

(56) Related Art Documents: **Not Applicable**

(57) Statement of Newness and Distinctiveness: **Nil**



(21) Design Number: **11787/2010**
(22) Date of Filing Application: **07 May 2010**
(24) Date from which industrial property rights may have effect: **07 May 2010**
(54) Product in respect of which the design is registered: **Tumbler**
(51) International Design Classification: **07-01C**
(71) Name(s) and Address(s) of Applicant(s):

Thermos L.L.C.
2550 West Golf Road Suite 800 Rolling Meadows Illinois 60008 United States of America

(72) Name(s) of Designer(s): **Alfredo Carreno**

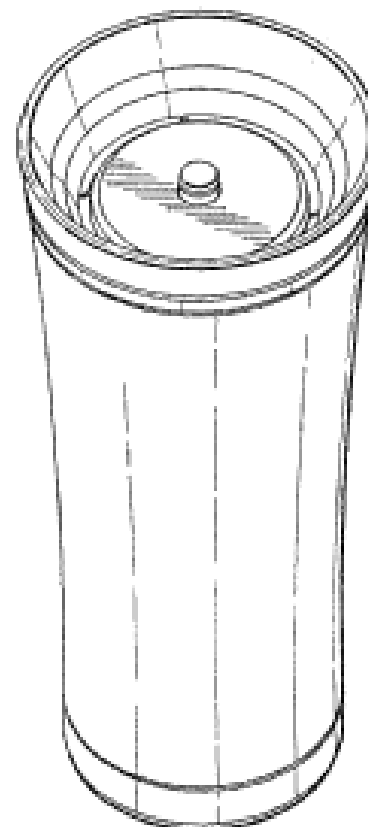
(45) Registration Date: **01 June 2010**

(30) Convention priority data:

(31) Number	(32) Date	(33) Country
29/350858	24 Nov 2009	UNITED STATES OF AMERICA

(56) Related Art Documents: **Not Applicable**

(57) Statement of Newness and Distinctiveness: **Newness and distinctiveness is claimed in the features of shape and/or configuration of a tumbler as illustrated in the accompanying representations.**



(19) AU

- (21) Design Number: **10617/2010**
(22) Date of Filing Application: **24 February 2010**
(24) Date from which industrial property rights may have effect: **24 February 2010**
(54) Product in respect of which the design is registered: **Automobile**
(51) International Design Classification: **12-08**
(71) Name(s) and Address(s) of Applicant(s):
Toyota Jidosha Kabushiki Kaisha
1 Toyota-cho Toyota-shi Aichi-ken 471-8571 Japan
(72) Name(s) of Designer(s): **Masaaki Yagi and Kenichi Hirai and Tokuharu Mino and Tomonori Matsumoto and Alexander Wen Shen**
(45) Registration Date: **02 June 2010**
(30) Convention priority data:
(31) Number (32) Date (33) Country
30-2009-0040218 10 Sep 2009 REPUBLIC OF KOREA
(56) Related Art Documents: **Not Applicable**
(57) Statement of Newness and Distinctiveness: **Newness and distinctiveness is claimed in the features of shape and/or configuration of an Automobile as illustrated in the accompanying representations.**



(19) AU

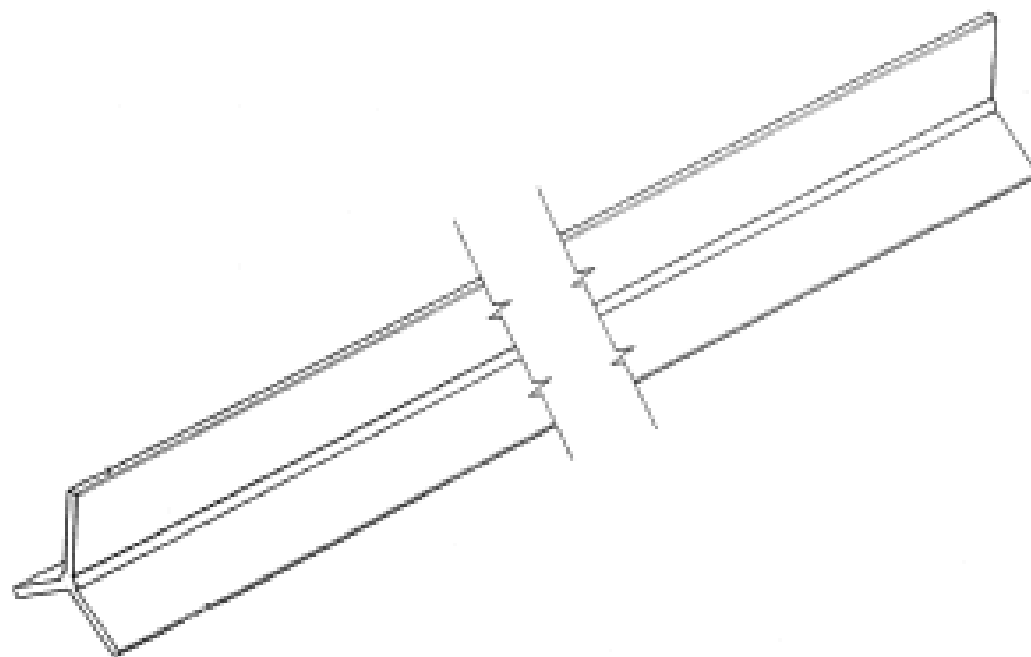
- (21) Design Number: **10618/2010**
(22) Date of Filing Application: **24 February 2010**
(24) Date from which industrial property rights may have effect: **24 February 2010**
(54) Product in respect of which the design is registered: **Automobile**
(51) International Design Classification: **12-08**
(71) Name(s) and Address(s) of Applicant(s):
Toyota Jidosha Kabushiki Kaisha
1 Toyota-cho Toyota-shi Aichi-ken 471-8571 Japan
(72) Name(s) of Designer(s): **Masaaki Yagi and Tokuharu Mino and Kenichi Hirai and Tomonori Matsumoto and Alexander Wen Shen**
(45) Registration Date: **02 June 2010**
(30) Convention priority data:
(31) Number (32) Date (33) Country
30-2009-0040219 10 Sep 2009 REPUBLIC OF KOREA
(56) Related Art Documents: **Not Applicable**
(57) Statement of Newness and Distinctiveness: **Newness and distinctiveness is claimed in the features of the front portion of an automobile as illustrated in the accompanying representations, the front portion being emphasised in the additional views.**



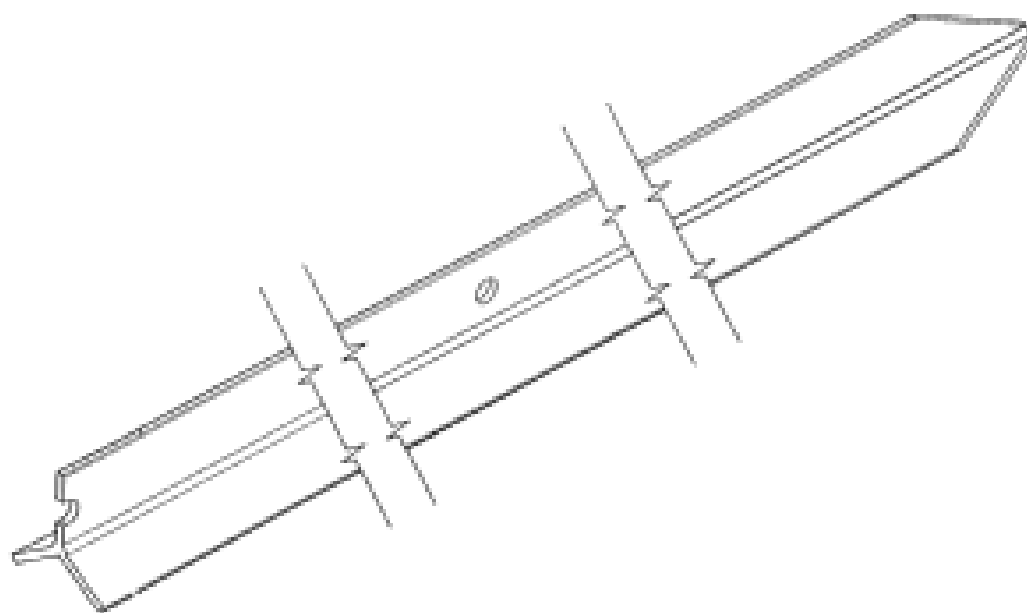
- (21) Design Number: **10619/2010**
(22) Date of Filing Application: **24 February 2010**
(24) Date from which industrial property rights may have effect: **24 February 2010**
(54) Product in respect of which the design is registered: **Automobile**
(51) International Design Classification: **12-08**
(71) Name(s) and Address(s) of Applicant(s):
Toyota Jidosha Kabushiki Kaisha
1 Toyota-cho Toyota-shi Aichi-ken 471-8571 Japan
(72) Name(s) of Designer(s): **Masaaki Yagi and Kenichi Hirai and Hideaki Iida and Tomonori Matsumoto and Alexander Wen Shen**
(45) Registration Date: **02 June 2010**
(30) Convention priority data:
(31) Number (32) Date (33) Country
30-2009-0040220 10 Sep 2009 REPUBLIC OF KOREA
(57) Statement of Newness and Distinctiveness: **Newness and distinctiveness is claimed in the features of the rear portion of an automobile as illustrated in the accompanying representations, the rear portion being emphasised in the additional views.**



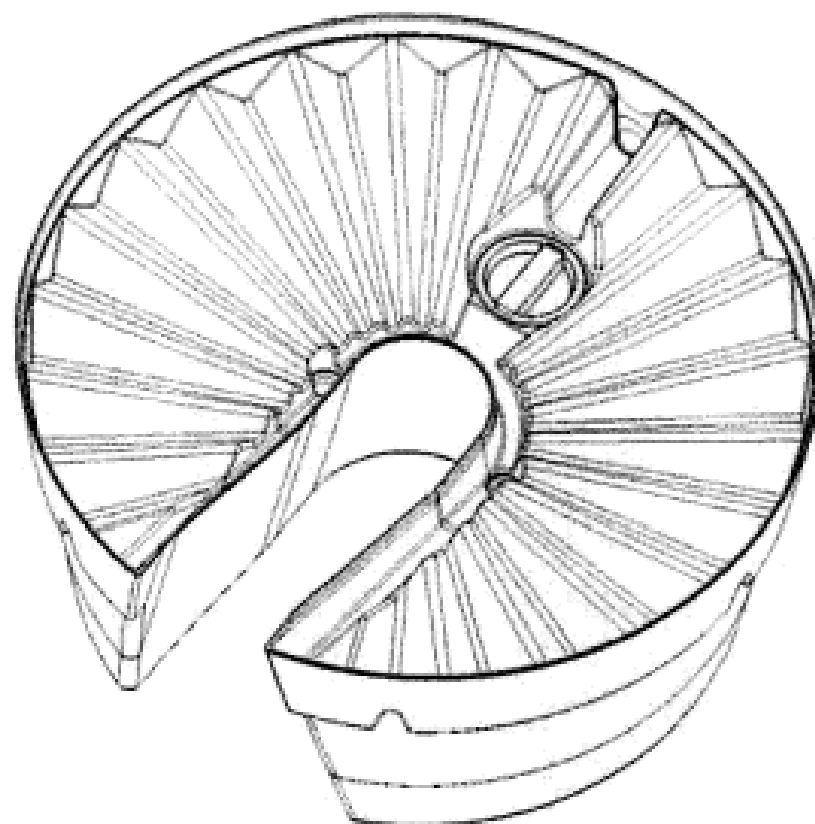
- (21) Design Number: **10724/2010**
(22) Date of Filing Application: **02 March 2010**
(24) Date from which industrial property rights may have effect: **02 March 2010**
(54) Product in respect of which the design is registered: **Post**
(51) International Design Classification: **25-01E**
(71) Name(s) and Address(s) of Applicant(s):
Ashley Dean Olsson
989 Crookwell Road Goulburn New South Wales 2580 Australia
Ashley Norman Olsson
989 Crookwell Road Goulburn New South Wales 2580 Australia
Nathanael Dean Olsson
989 Crookwell Road Goulburn New South Wales 2580 Australia
(72) Name(s) of Designer(s): **Ashley Dean Olsson and Ashley Norman Olsson and Nathanael Dean Olsson**
(45) Registration Date: **02 June 2010**
(56) Related Art Documents: **Not Applicable**
(57) Statement of Newness and Distinctiveness: **Newness and distinctiveness resides in a post as shown in the accompanying representations, wherein the post is of indefinite length and has a substantially uniform cross section throughout its length.**



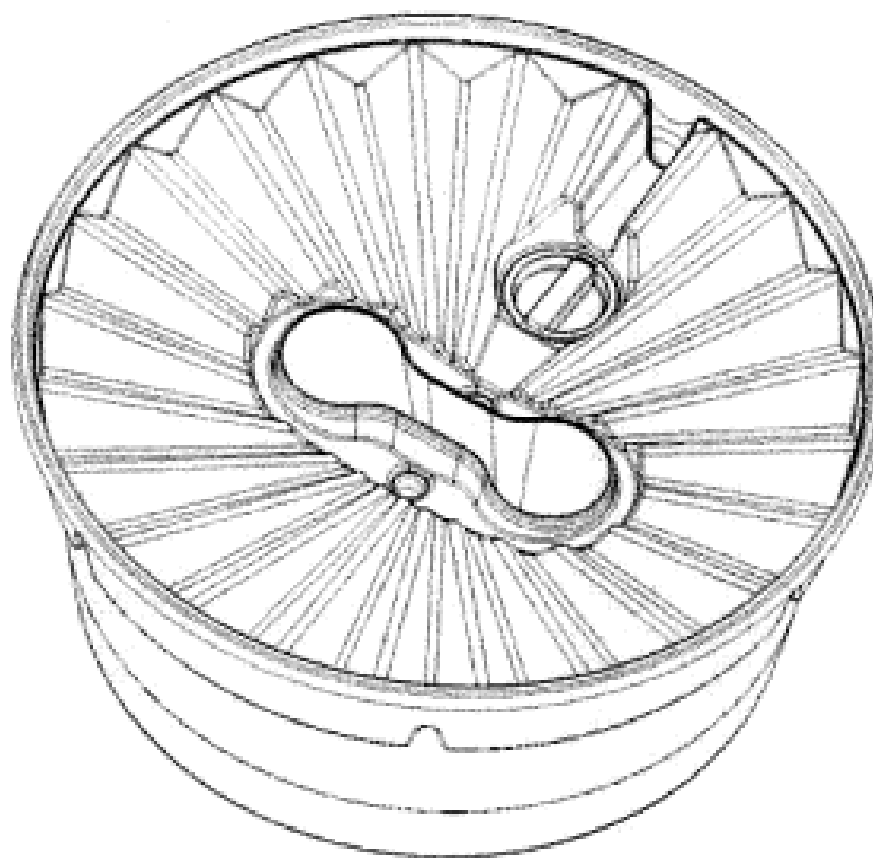
- (21) Design Number: **10725/2010**
(22) Date of Filing Application: **02 March 2010**
(24) Date from which industrial property rights may have effect: **02 March 2010**
(54) Product in respect of which the design is registered: **Fence post**
(51) International Design Classification: **25-01E**
(71) Name(s) and Address(s) of Applicant(s):
Ashley Dean Olsson
989 Crookwell Road Goulburn New South Wales 2580 Australia
Ashley Norman Olsson
989 Crookwell Road Goulburn New South Wales 2580 Australia
Nathanael Dean Olsson
989 Crookwell Road Goulburn New South Wales 2580 Australia
(72) Name(s) of Designer(s): **Ashley Dean Olsson and Ashley Norman Olsson and Nathanael Dean Olsson**
(45) Registration Date: **02 June 2010**
(56) Related Art Documents: **Not Applicable**
(57) Statement of Newness and Distinctiveness: **In determining the newness and distinctiveness of the design as applied to a fence post of indefinite length but of substantially uniform cross section throughout most of its length, less attention or no attention is to be paid to the features of shape and configuration of the openings that are spaced along the length of the fence post.**



- (21) Design Number: **10993/2010**
(22) Date of Filing Application: **22 March 2010**
(24) Date from which industrial property rights may have effect: **22 March 2010**
(54) Product in respect of which the design is registered: **Waterbox**
(51) International Design Classification: **23-01NES, 09-02NES**
(71) Name(s) and Address(s) of Applicant(s):
Holding P.M.M. Hoff B.V.
Franseweg 9 4651 PV Steenbergen The Netherlands
(72) Name(s) of Designer(s): **Petrus Mattheus Mario Hoff**
(45) Registration Date: **02 June 2010**
(30) Convention priority data:
(31) Number (32) Date (33) Country
001613886-0001 21 Sep 2009 EUROPEAN COMMUNITY
(56) Related Art Documents: **Not Applicable**
(57) Statement of Newness and Distinctiveness: **Newness and distinctiveness reside in the features of shape and configuration of the design as shown in the representations.**



(21) Design Number: **10994/2010**
(22) Date of Filing Application: **22 March 2010**
(24) Date from which industrial property rights may have effect: **22 March 2010**
(54) Product in respect of which the design is registered: **Waterbox**
(51) International Design Classification: **23-01NES, 09-02NES**
(71) Name(s) and Address(s) of Applicant(s):
Holding P.M.M. Hoff B.V.
Franseweg 9 4651 PV Steenbergen The Netherlands
(72) Name(s) of Designer(s): **Petrus Mattheus Mario Hoff**
(45) Registration Date: **02 June 2010**
(30) Convention priority data:
(31) Number (32) Date (33) Country
001613886-0002 21 Sep 2009 EUROPEAN COMMUNITY
(56) Related Art Documents: **Not Applicable**
(57) Statement of Newness and Distinctiveness: **Newness and distinctiveness reside in the features of shape and configuration of the design as shown in the representations.**



(21) Design Number: **11053/2010**
(22) Date of Filing Application: **25 March 2010**
(24) Date from which industrial property rights may have effect: **25 March 2010**
(54) Product in respect of which the design is registered: **Golf practice devices**
(51) International Design Classification: **21-02C**
(71) Name(s) and Address(s) of Applicant(s):
Range Servant AB
Skallebackavagen 11 Halmstad SE-302 41 SWEDEN
(72) Name(s) of Designer(s): **Par Bergstrom**
(45) Registration Date: **02 June 2010**
(30) Convention priority data:
(31) Number (32) Date (33) Country
001616178 25 Sep 2009 EUROPEAN COMMUNITY
(56) Related Art Documents: **Not Applicable**
(57) Statement of Newness and Distinctiveness: **The shape, configuration, shape and configuration, pattern, ornamentation, pattern and ornamentation of the design of the product(s) is/are new and distinctive.**



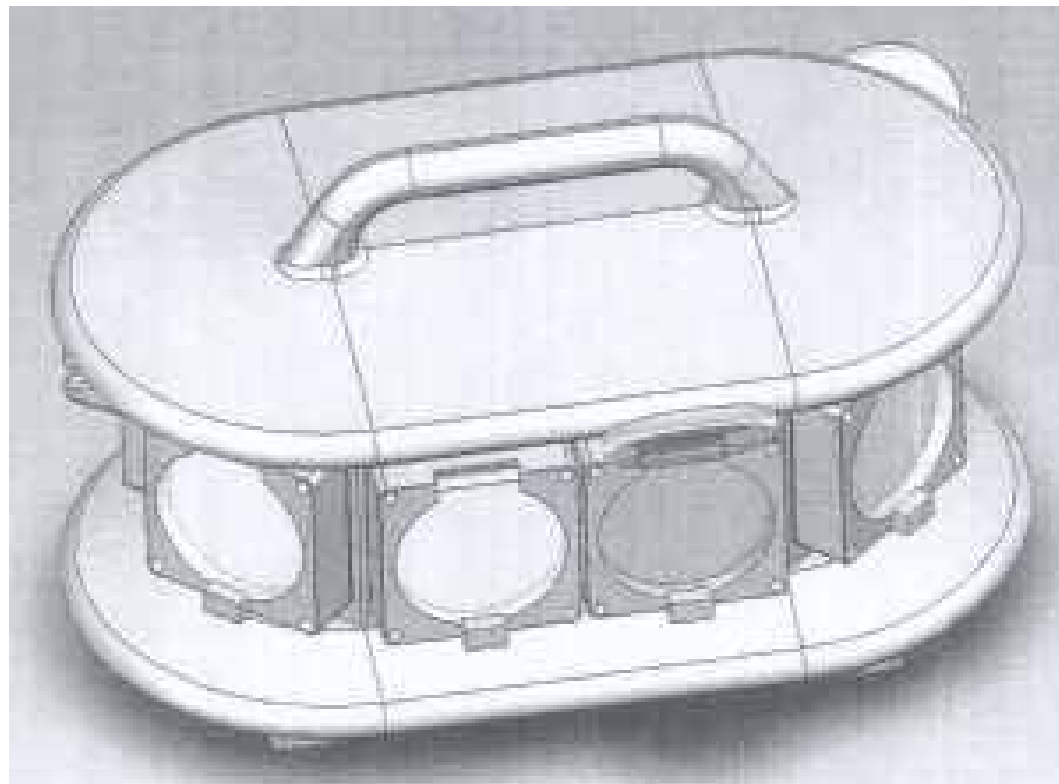
(21) Design Number: **11280/2010**
(22) Date of Filing Application: **08 April 2010**
(24) Date from which industrial property rights may have effect: **08 April 2010**
(54) Product in respect of which the design is registered: **Inhaler with cover**
(51) International Design Classification: **24-01**
(71) Name(s) and Address(s) of Applicant(s):
Vectura Delivery Devices Limited
1 Prospect West Chippenham Wiltshire SN14 6FH United Kingdom
(72) Name(s) of Designer(s): **Roger William Clarke and Matthew Neil Sarker and Ivan Milivojevic**
(45) Registration Date: **02 June 2010**
(30) Convention priority data:
(31) Number (32) Date (33) Country
001621830-0005 09 Oct 2009 EUROPEAN COMMUNITY
(56) Related Art Documents: **Not Applicable**
(57) Statement of Newness and Distinctiveness: **Nil**



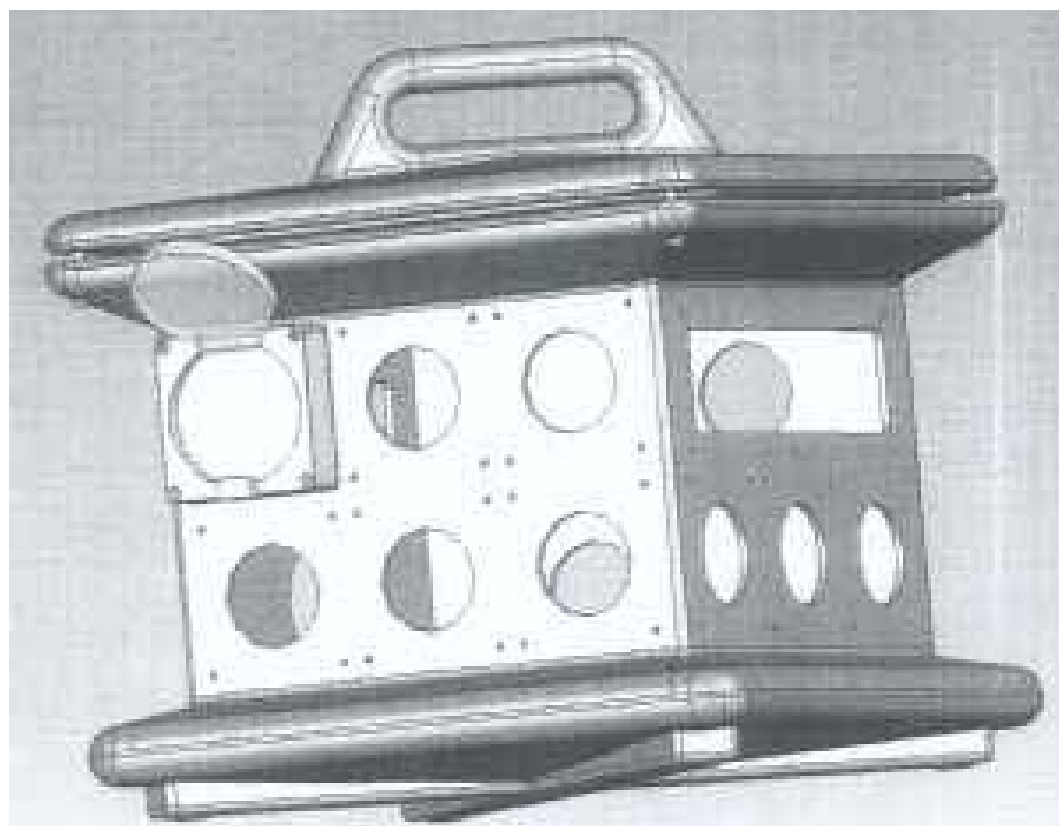
(21) Design Number: **11281/2010**
(22) Date of Filing Application: **08 April 2010**
(24) Date from which industrial property rights may have effect: **08 April 2010**
(54) Product in respect of which the design is registered: **Inhaler with cover**
(51) International Design Classification: **24-01**
(71) Name(s) and Address(s) of Applicant(s):
Vectura Delivery Devices Limited
1 Prospect West Chippenham Wiltshire SN14 6FH United Kingdom
(72) Name(s) of Designer(s): **Roger William Clarke and Matthew Paul Wright and Mike Paul Sheldon and Oliver Taylor Harvey**
(45) Registration Date: **02 June 2010**
(30) Convention priority data:
(31) Number (32) Date (33) Country
001621830-0001 09 Oct 2009 EUROPEAN COMMUNITY
(56) Related Art Documents: **Not Applicable**
(57) Statement of Newness and Distinctiveness: **Nil**



- (21) Design Number: **11652/2010**
(22) Date of Filing Application: **30 April 2010**
(24) Date from which industrial property rights may have effect: **30 April 2010**
(54) Product in respect of which the design is registered: **Small portable power distribution board**
(51) International Design Classification: **13-03NES**
(71) Name(s) and Address(s) of Applicant(s):
Vicjan Pty Ltd
51 Link Crescent Coolum Beach Queensland 4573 Australia
(72) Name(s) of Designer(s): **Victor Knight**
(45) Registration Date: **02 June 2010**
(56) Related Art Documents: **Not Applicable**
(57) Statement of Newness and Distinctiveness: **Plastic molded power board with multiple outlets and/or inlets. Unique design preventing damage to outlets if dropped or knocked over etc.**



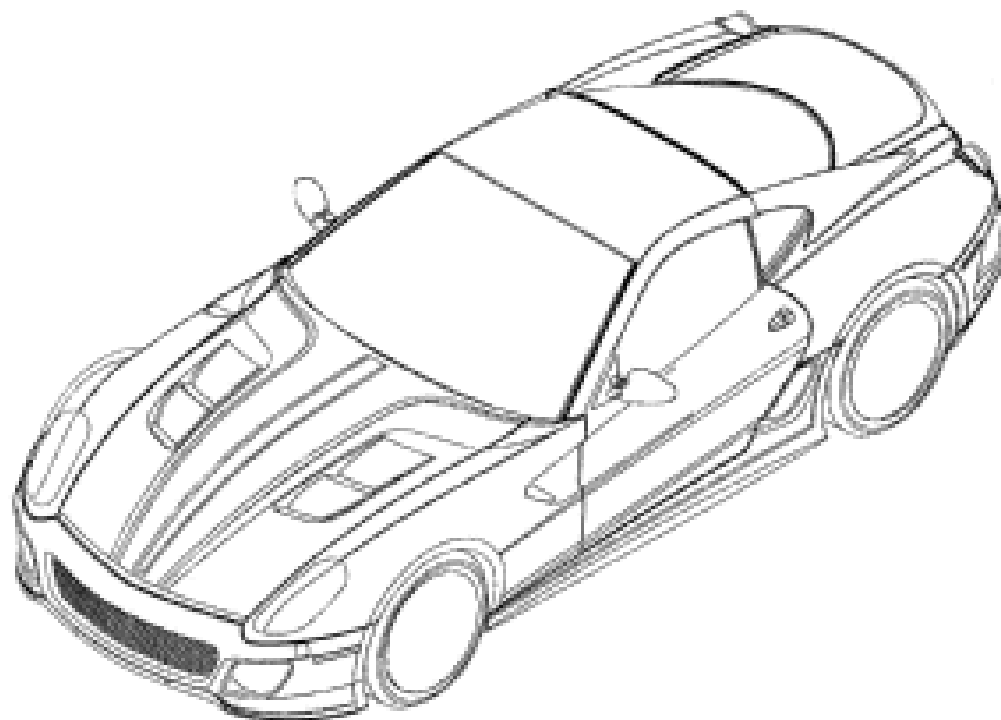
- (21) Design Number: **11653/2010**
(22) Date of Filing Application: **30 April 2010**
(24) Date from which industrial property rights may have effect: **30 April 2010**
(54) Product in respect of which the design is registered: **Large portable power distribution board**
(51) International Design Classification: **13-03NES**
(71) Name(s) and Address(s) of Applicant(s):
Vicjan Pty Ltd
51 Link Crescent Coolum Beach Queensland 4573 Australia
(72) Name(s) of Designer(s): **Victor Knight**
(45) Registration Date: **02 June 2010**
(56) Related Art Documents: **Not Applicable**
(57) Statement of Newness and Distinctiveness: **Plastic molded power board with multiple outlets and/or inlets. Unique design preventing damage to outlets if dropped or knocked over etc.**



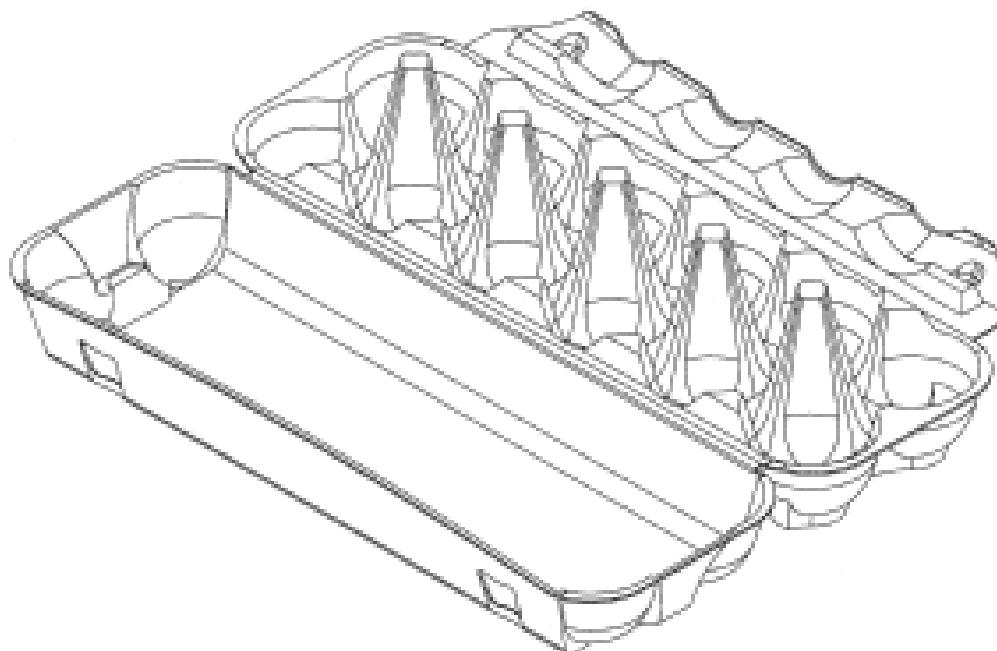
- (21) Design Number: **11658/2010**
(22) Date of Filing Application: **03 May 2010**
(24) Date from which industrial property rights may have effect: **03 May 2010**
(54) Product in respect of which the design is registered: **Fabric cupcake pincushion**
(51) International Design Classification: **02-07D**
(71) Name(s) and Address(s) of Applicant(s):
Kay Renn
194 Cardigan Road Mooroolbark Victoria 3138 Australia
(72) Name(s) of Designer(s): **Kay Renn**
(45) Registration Date: **02 June 2010**
(56) Related Art Documents: **Not Applicable**
(57) Statement of Newness and Distinctiveness: **Newness and distinctiveness is claimed in the construction of the fabric cupcake as illustrated in the attached photos. There should be no regard to color or decoration of cupcake.**



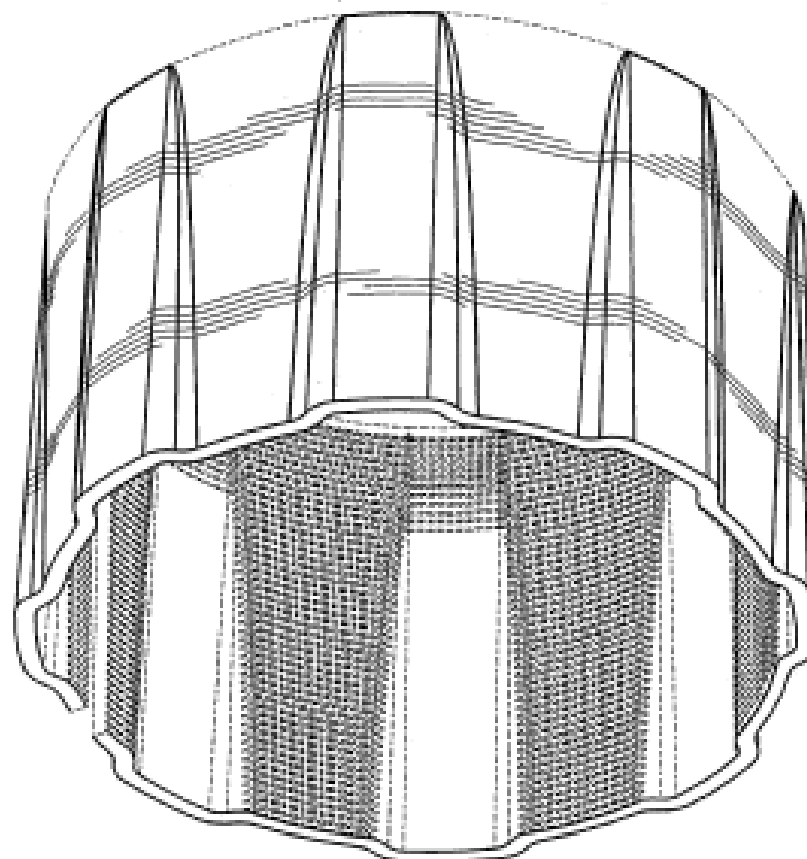
- (21) Design Number: **11965/2010**
(22) Date of Filing Application: **17 May 2010**
(24) Date from which industrial property rights may have effect: **17 May 2010**
(54) Product in respect of which the design is registered: **Car and toy-car**
(51) International Design Classification: **12-08, 21-01C**
(71) Name(s) and Address(s) of Applicant(s):
Ferrari S.p.A.
Via Emilia Est 1163 I-41100 Modena Italy
(72) Name(s) of Designer(s): **Flavio Manzoni**
(45) Registration Date: **02 June 2010**
(30) Convention priority data:
(31) Number (32) Date (33) Country
001639972 25 Nov 2009 EUROPEAN COMMUNITY
(56) Related Art Documents: **Not Applicable**
(57) Statement of Newness and Distinctiveness: **Those features of the car and toy-car depicted in the representations that are new and distinctive are the shape and/or configuration.**



(21) Design Number: **11641/2010**
 (22) Date of Filing Application: **29 April 2010**
 (24) Date from which industrial property rights may have effect: **29 April 2010**
 (54) Product in respect of which the design is registered: **Egg tray**
 (51) International Design Classification: **09-03D**
 (71) Name(s) and Address(s) of Applicant(s):
Huhtamaki Nederland B.V.
Zuidelijke Industrieweg 3-7 JB Franeker NL-8801 Netherlands
 (72) Name(s) of Designer(s): **Wijbe Dijkstra and Hendrik Freerk Kloosterman and Christian Niemarkt**
 (45) Registration Date: **02 June 2010**
 (30) Convention priority data:
 (31) Number (32) Date (33) Country
001630005 29 Oct 2009 EUROPEAN COMMUNITY
 (56) Related Art Documents: **Not Applicable**
 (57) Statement of Newness and Distinctiveness: **Nil**

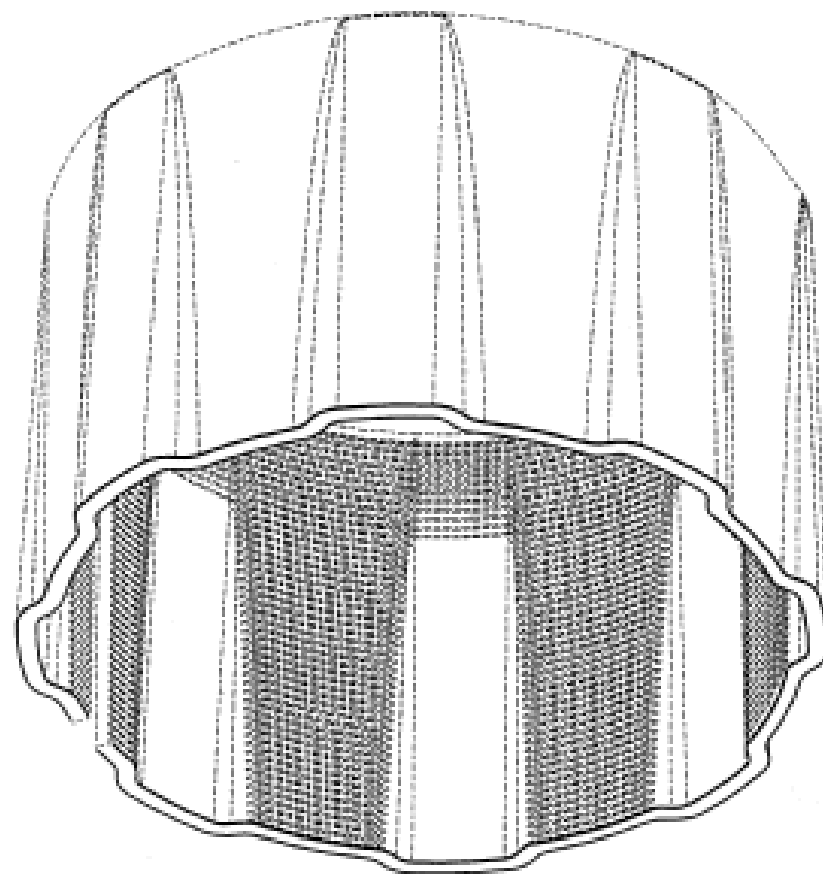


(21) Design Number: **11703/2010**
 (22) Date of Filing Application: **30 April 2010**
 (24) Date from which industrial property rights may have effect: **30 April 2010**
 (54) Product in respect of which the design is registered: **Core lifter**
 (51) International Design Classification: **08-01**
 (71) Name(s) and Address(s) of Applicant(s):
Longyear TM, Inc.
10808 South River Front Parkway Suite 600 South Jordan Utah 84095
United States of America
 (72) Name(s) of Designer(s): **Christopher L. Drenth and Hongyan Zhang**
 (45) Registration Date: **02 June 2010**
 (30) Convention priority data:
 (31) Number (32) Date (33) Country
29/354,930 29 Jan 2010 UNITED STATES OF AMERICA
 (56) Related Art Documents: **Not Applicable**
 (57) Statement of Newness and Distinctiveness: **Those features of the core lifter depicted in the representations that are new and distinctive are the shape and/or configuration. The features shown in broken lines are not part of the design and are to be disregarded when considering the overall impression of the design.**



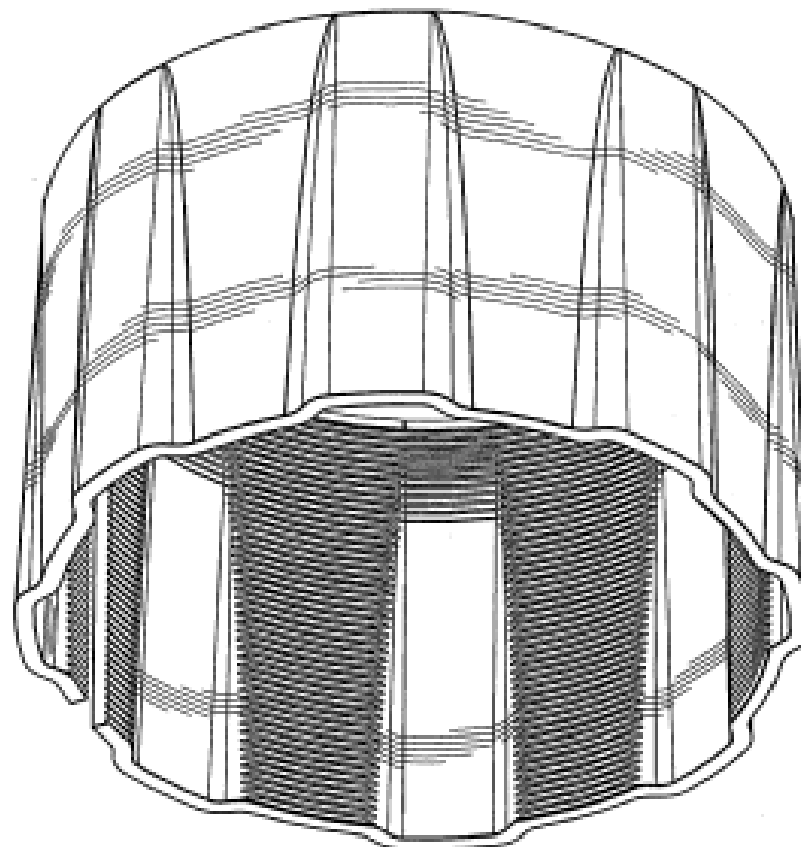
- (21) Design Number: **12117/2010**
- (22) Date of Filing Application: **30 April 2010**
- (24) Date from which industrial property rights may have effect: **30 April 2010**
- (54) Product in respect of which the design is registered: **Core lifter**
- (51) International Design Classification: **08-01**
- (71) Name(s) and Address(s) of Applicant(s):
Longyear TM, Inc.
10808 South River Front Parkway Suite 600 South Jordan Utah 84095
United States of America
- (72) Name(s) of Designer(s): **Christopher L. Drenth and Hongyan Zhang**
- (45) Registration Date: **02 June 2010**
- (30) Convention priority data:

(31) Number	(32) Date	(33) Country
29/354,931	29 Jan 2010	UNITED STATES OF AMERICA
- (56) Related Art Documents: **Not Applicable**
- (57) Statement of Newness and Distinctiveness: **Those features of the core lifter depicted in the representations that are new and distinctive are the shape and/or the configuration. The features shown in broken lines are not part of the design and are to be disregarded when considering the overall impression of the design.**

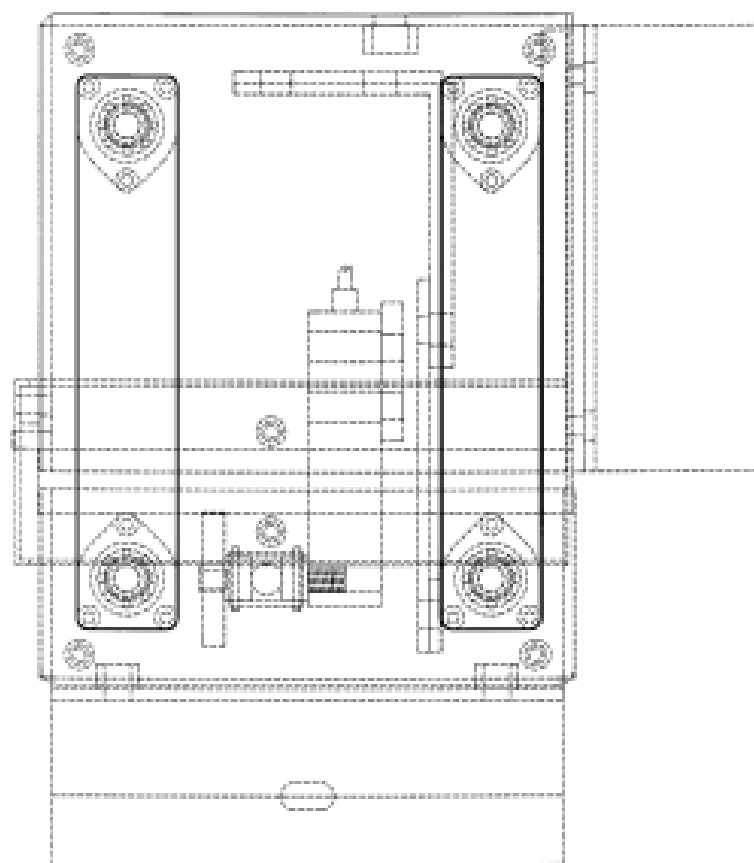


- (21) Design Number: **12118/2010**
- (22) Date of Filing Application: **30 April 2010**
- (24) Date from which industrial property rights may have effect: **30 April 2010**
- (54) Product in respect of which the design is registered: **Core lifter**
- (51) International Design Classification: **08-01**
- (71) Name(s) and Address(s) of Applicant(s):
Longyear TM, Inc.
10808 South River Front Parkway Suite 600 South Jordan Utah 84095
United States of America
- (72) Name(s) of Designer(s): **Christopher L. Drenth and Hongyan Zhang**
- (45) Registration Date: **02 June 2010**
- (30) Convention priority data:

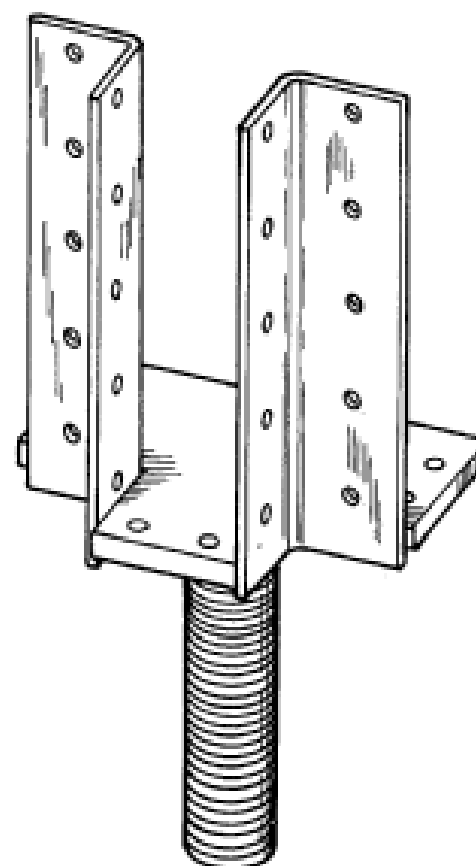
(31) Number	(32) Date	(33) Country
29/354,935	29 Jan 2010	UNITED STATES OF AMERICA
- (56) Related Art Documents: **Not Applicable**
- (57) Statement of Newness and Distinctiveness: **Those features of the core lifter depicted in the representations that are new and distinctive are the shape and/or the configuration.**



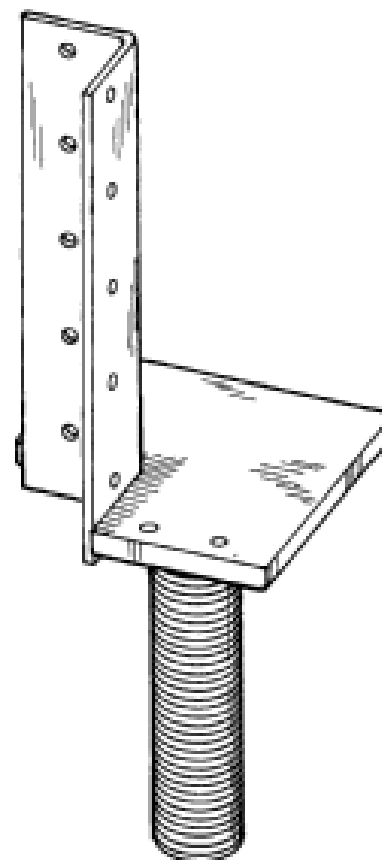
- (21) Design Number: **11592/2010**
(22) Date of Filing Application: **27 April 2010**
(24) Date from which industrial property rights may have effect: **27 April 2010**
(54) Product in respect of which the design is registered: **Weighing apparatus**
(51) International Design Classification: **10-04**
(71) Name(s) and Address(s) of Applicant(s):
Famdra Industrial Weighing CC
25 Johannesburg Road Modderfontein Gauteng Province South Africa
(72) Name(s) of Designer(s): **Narandra Naidu**
(45) Registration Date: **03 June 2010**
(30) Convention priority data:
(31) Number (32) Date (33) Country
F2009/01629 26 Oct 2009 SOUTH AFRICA
(56) Related Art Documents: **Not Applicable**
(57) Statement of Newness and Distinctiveness: **Newness and distinctiveness is claimed in the features of shape and/or configuration of a weighing apparatus as shown in solid outline in the accompanying representation. As shown in solid outline, the weighing apparatus includes a pair of vertically spaced, pivotally mounted bars.**



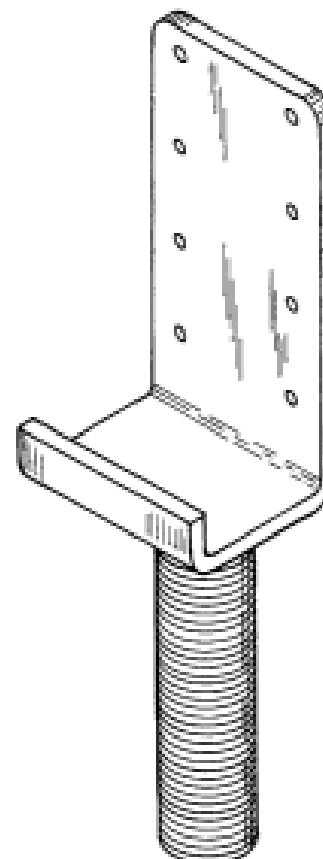
- (21) Design Number: **11826/2010**
(22) Date of Filing Application: **10 May 2010**
(24) Date from which industrial property rights may have effect: **10 May 2010**
(54) Product in respect of which the design is registered: **End connection component**
(51) International Design Classification: **25-02NES**
(71) Name(s) and Address(s) of Applicant(s):
LiteSteel Products Pty Ltd
Level 40 259 George Street Sydney New South Wales 2000 Australia
(72) Name(s) of Designer(s): **Gordon Van Der Est and Brett Willcox and Hayden Dagg and Stuart Penberthy and Ross Dempsey**
(45) Registration Date: **03 June 2010**



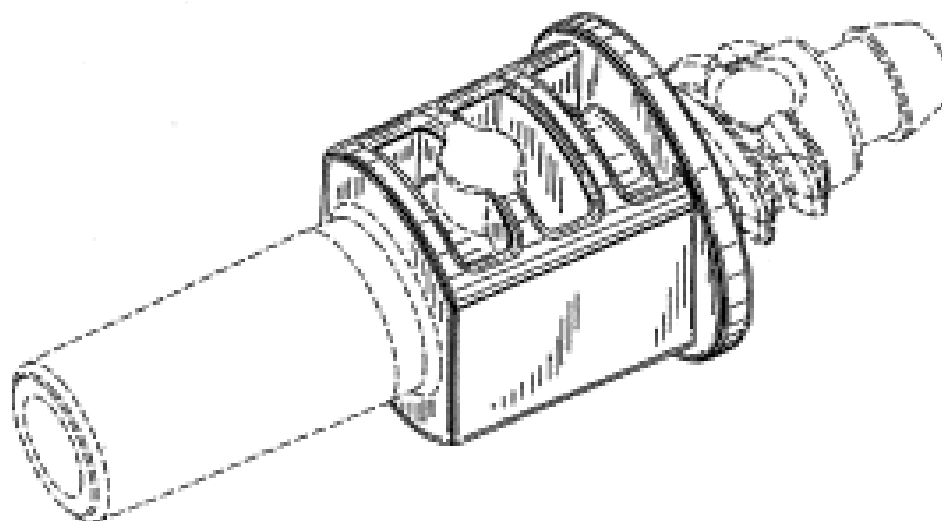
- (21) Design Number: **11827/2010**
(22) Date of Filing Application: **10 May 2010**
(24) Date from which industrial property rights may have effect: **10 May 2010**
(54) Product in respect of which the design is registered: **Corner connection component**
(51) International Design Classification: **25-02NES**
(71) Name(s) and Address(s) of Applicant(s):
LiteSteel Products Pty Ltd
Level 40 259 George Street Sydney New South Wales 2000 Australia
(72) Name(s) of Designer(s): **Gordon Van Der Est and Brett Willcox and Hayden Dagg and Stuart Penberthy and Ross Dempsey**
(45) Registration Date: **03 June 2010**
(56) Related Art Documents: **Not Applicable**
(57) Statement of Newness and Distinctiveness: **Nil**



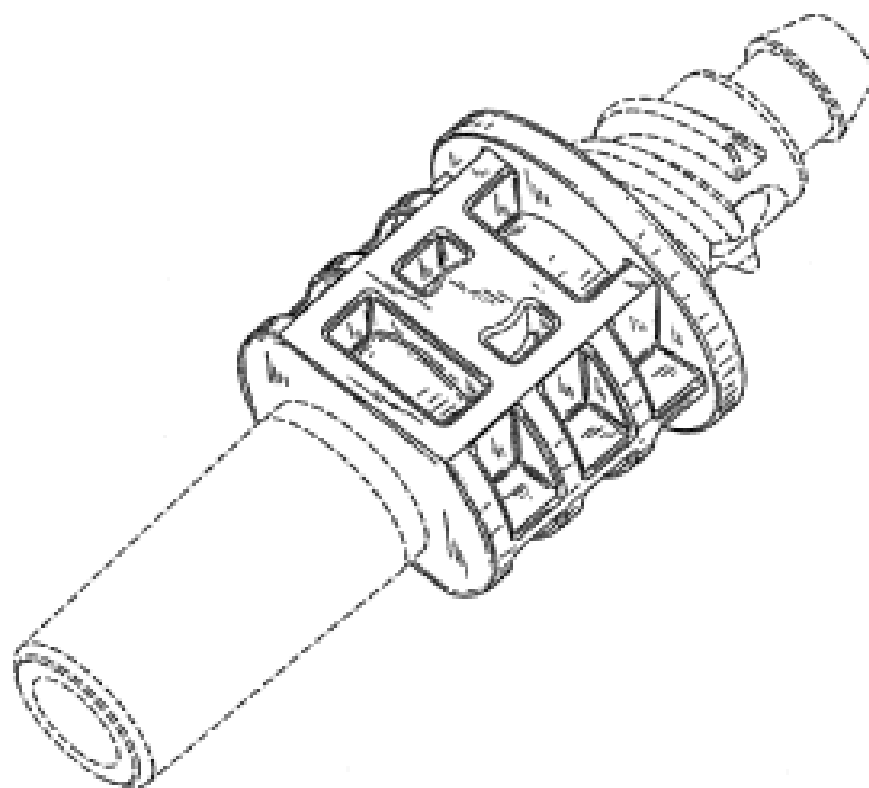
- (21) Design Number: **11828/2010**
(22) Date of Filing Application: **10 May 2010**
(24) Date from which industrial property rights may have effect: **10 May 2010**
(54) Product in respect of which the design is registered: **Stirrup component**
(51) International Design Classification: **25-02NES**
(71) Name(s) and Address(s) of Applicant(s):
LiteSteel Products Pty Ltd
Level 40 259 George Street Sydney New South Wales 2000 Australia
(72) Name(s) of Designer(s): **Hayden Dagg and Stuart Penberthy and Ross Dempsey and Gordon Van Der Est and Brett Willcox**
(45) Registration Date: **03 June 2010**
(56) Related Art Documents: **Not Applicable**
(57) Statement of Newness and Distinctiveness: **Nil**



- (21) Design Number: **11815/2010**
(22) Date of Filing Application: **06 May 2010**
(24) Date from which industrial property rights may have effect: **06 May 2010**
(54) Product in respect of which the design is registered: **Needle hub**
(51) International Design Classification: **24-02**
(71) Name(s) and Address(s) of Applicant(s):
Becton Dickinson and Company
1 Becton Drive Franklin Lakes New Jersey 07417-1880 United States of America
(72) Name(s) of Designer(s): **Robert G. Ellis and Anthony Economou**
(45) Registration Date: **03 June 2010**
(30) Convention priority data:
(31) Number (32) Date (33) Country
29/356203 22 Feb 2010 UNITED STATES OF AMERICA
(56) Related Art Documents: **Not Applicable**
(57) Statement of Newness and Distinctiveness: **Newness and distinctiveness reside in the features of shape and configuration of the design shown in solid lines in the representations but excluding those features shown in broken lines.**



- (21) Design Number: **11816/2010**
(22) Date of Filing Application: **06 May 2010**
(24) Date from which industrial property rights may have effect: **06 May 2010**
(54) Product in respect of which the design is registered: **Needle hub**
(51) International Design Classification: **24-02**
(71) Name(s) and Address(s) of Applicant(s):
Becton Dickinson and Company
One Becton Drive Franklin Lakes New Jersey 07417 United States of America
(72) Name(s) of Designer(s): **Robert G. Ellis and Anthony Economou**
(45) Registration Date: **03 June 2010**
(30) Convention priority data:
(31) Number (32) Date (33) Country
29/356207 22 Feb 2010 UNITED STATES OF AMERICA
(56) Related Art Documents: **Not Applicable**
(57) Statement of Newness and Distinctiveness: **Newness and distinctiveness reside in the features of shape and configuration of the design shown in solid lines in the representations but excluding those features shown in broken lines.**



(21) Design Number: **11817/2010**

(22) Date of Filing Application: **06 May 2010**

(24) Date from which industrial property rights may have effect: **06 May 2010**

(54) Product in respect of which the design is registered: **Needle hub**

(51) International Design Classification: **24-02**

(71) Name(s) and Address(s) of Applicant(s):

Becton Dickinson and Company
1 Becton Drive Franklin Lakes New Jersey 07417 United States of America

(72) Name(s) of Designer(s): **Robert G. Ellis and Anthony Economou**

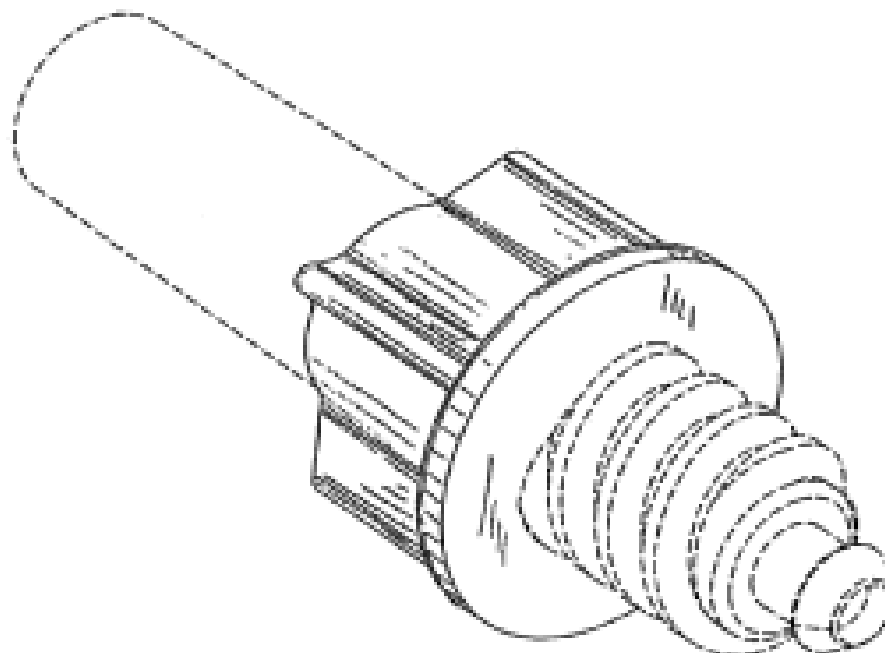
(45) Registration Date: **03 June 2010**

(30) Convention priority data:

(31) Number	(32) Date	(33) Country
29/356209	22 Feb 2010	UNITED STATES OF AMERICA

(56) Related Art Documents: **Not Applicable**

(57) Statement of Newness and Distinctiveness: **Newness and distinctiveness reside in the features of shape and configuration of the design shown in solid lines in the representations but excluding those features shown in broken lines.**



(21) Design Number: **11818/2010**

(22) Date of Filing Application: **10 May 2010**

(24) Date from which industrial property rights may have effect: **10 May 2010**

(54) Product in respect of which the design is registered: **Remote control unit**

(51) International Design Classification: **14-03NES**

(71) Name(s) and Address(s) of Applicant(s):

Koninklijke Philips Electronics N.V.
Groenewoudseweg 1 5621 BA Eindhoven The Netherlands

(72) Name(s) of Designer(s): **Wilfried Johan Paul Ferdinand**

(45) Registration Date: **03 June 2010**

(30) Convention priority data:

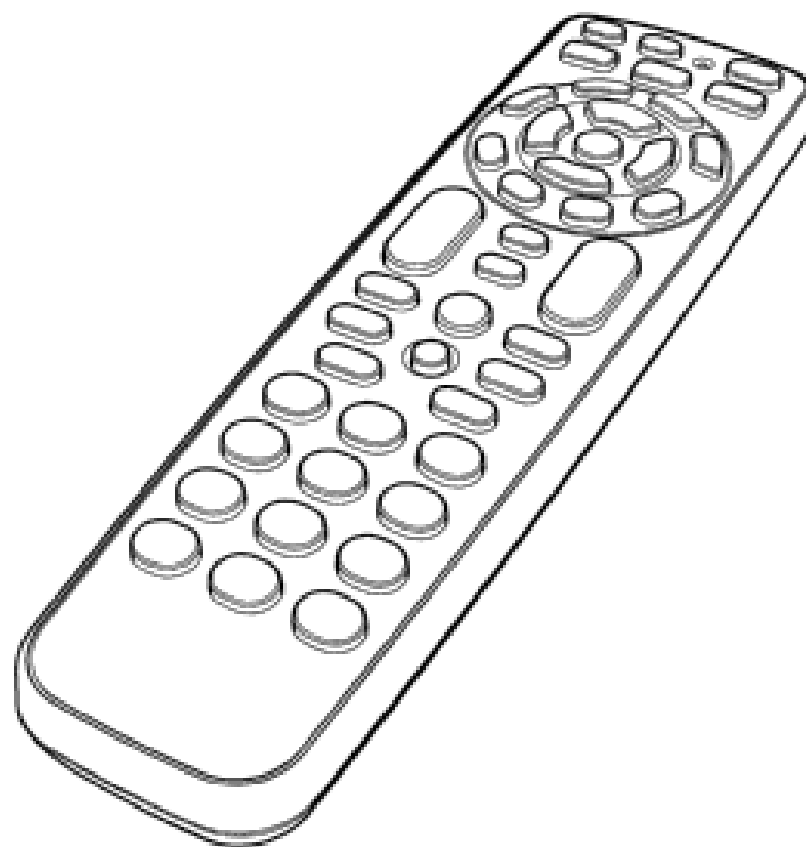
(31) Number	(32) Date	(33) Country
001635442-0003	12 Nov 2009	EUROPEAN COMMUNITY

(56) Related Art Documents: **Not Applicable**

(57) Statement of Newness and Distinctiveness: **Newness and distinctiveness reside in the features of shape and configuration of the design as shown in the representations.**



- (21) Design Number: **11819/2010**
(22) Date of Filing Application: **10 May 2010**
(24) Date from which industrial property rights may have effect: **10 May 2010**
(54) Product in respect of which the design is registered: **Remote control unit**
(51) International Design Classification: **14-03NES**
(71) Name(s) and Address(s) of Applicant(s):
Koninklijke Philips Electronics N.V.
Groenewoudseweg 1 5621 BA Eindhoven The Netherlands
(72) Name(s) of Designer(s): **Wilfried Johan Paul Ferdinand**
(45) Registration Date: **03 June 2010**
(30) Convention priority data:
(31) Number (32) Date (33) Country
001635442-0001 12 Nov 2009 EUROPEAN COMMUNITY
(56) Related Art Documents: **Not Applicable**
(57) Statement of Newness and Distinctiveness: **Newness and distinctiveness reside in the features of shape and configuration of the design as shown in the representations.**



- (21) Design Number: **11820/2010**
(22) Date of Filing Application: **10 May 2010**
(24) Date from which industrial property rights may have effect: **10 May 2010**
(54) Product in respect of which the design is registered: **Remote control unit**
(51) International Design Classification: **14-03NES**
(71) Name(s) and Address(s) of Applicant(s):
Koninklijke Philips Electronics N.V.
Groenewoudseweg 1 5621 BA Eindhoven The Netherlands
(72) Name(s) of Designer(s): **Wilfried Johan Paul Ferdinand**
(45) Registration Date: **03 June 2010**
(30) Convention priority data:
(31) Number (32) Date (33) Country
001635442-0002 12 Nov 2009 EUROPEAN COMMUNITY
(56) Related Art Documents: **Not Applicable**
(57) Statement of Newness and Distinctiveness: **Newness and distinctiveness reside in the features of shape and configuration of the design as shown in the representations.**

