



Australian Government

IP Australia

AUSTRALIAN OFFICIAL JOURNAL

OF

DESIGNS

Did you know a searchable version of this journal is now available online?

It's FREE and EASY to SEARCH.

Find it at

<http://pericles.ipaustralia.gov.au/ols/epublish/content/olsEpublications.jsp>
or using the "Online Journals" link on the IP Australia home page.

This Page Left Intentionally Blank

Contents

General Information & Notices

Proceedings Under the Designs Act 1906 preserved as a result of the provisions of Chapter 12 Part 2 of the Designs Act 2003

Extension of Period of Registration of Designs	1414
Extensions of Time Granted	1414
Registrations Ceased	1414

Proceedings Under the Designs Act 2003

Applications for Extension of Time Under Section 137	1424
Applications Lapsed	1423
Applications Lodged	1419
Certificate of Examination	1426
Extension of Period of Registration of Design	
Extension of Time Granted Under Section 137	1424
Names Registered - Alterations and Amendments	1425
Publication and Registration Proceedings	
Designs Registered 331148 to 331333.....	1427
Registrations Ceased	1424
Subsequent Owners Registered	1424

This Page Left Intentionally Blank

For information on the following please see our website www.ipaustralia.gov.au or contact our Customer Service Network on 1300651010

[Editorial enquiries](#)

[Contact information](#)

[Freedom of Information ACT](#)

[Professional Standards Board](#)

[Sales](#)

[Requests for Information under Section 194 \(c\)](#)

[Country Codes](#)

[Trade Mark and Designs Hearing Sessions](#)

[INID \(Internationally agreed Numbers for the Identification of Data\)](#)

“INID” NUMBERS in use on Australian Design Documents

“INID” is an acronym for “Internationally agreed Numbers for the Identification of Data”.

(10) Data concerning the registration/renewal

- (11) Serial number of the registration and/or number of the design document
- (12) Plain language designation of the kind of published document
- (19) Identification, using the two-letter code according to WIPO Standard ST.3, of the authority publishing or registering the industrial design

(20) Data concerning the application

- (21) Serial number of the application
- (22) Date of filing of the application
- (24) Date from which the industrial design right has effect

(30) Data relating to priority under the Paris Convention

- (31) Serial number assigned to the priority application
- (32) Date of filing of the priority application
- (33) Two-letter code, according to WIPO Standard ST.3, identifying the authority with which the priority application was made

(40) Date(s) of making information available to the public

- (45) Date of publication of the registered industrial design by printing or similar process, or making it available to the public by any other means

(50) Miscellaneous Information

- (51) International Classification for Industrial Designs (class and subclass of the Locarno Classification)
- (54) Designation of article(s) or product(s) covered by the industrial design or title of the industrial design
- (55) Reproduction of the industrial design (e.g., drawing, photograph) and explanations relating to the reproduction
- (56) List of prior art documents, if separate from descriptive text
- (57) Description of characteristic features of the industrial design including indication of colours

(60) References to other legally related application(s) and registration(s)

- (62) Serial number(s) and, if available, filing date(s) of application(s), registration(s) or document(s) related by division
- (66) Serial number(s) of the application, or the registration, of the design(s) which is (are) a variant(s) of the present one

(70) Identification of parties concerned with the application or registration

- (71) Name(s) and address(es) of the applicant(s)
- (72) Name(s) of the creator(s) if known to be such
- (74) Name(s) and address(es) of the representative(s)

This Page Left Intentionally Blank



Australian Government

IP Australia

OFFICIAL NOTICE

9 JUNE 2010 - INTERRUPTION TO FILING SERVICES – HOBART

In accordance with legislation, the Director General declared the Tasmanian sub-office not open for business on 9 June 2010.

This action was a result of an incident at Australia Post which closed the facility in Hobart for several hours.

This close down was effective for 9 June 2010.

If you were in Tasmania and you had a transaction deadline that fell on 9 June 2010, the relevant Acts allowed for lodgements to be made the next day the office was open for business (10 June 2010).

For more information on close down arrangements please contact IP Australia on 1300 651 010 or email assist@ipaustralia.gov.au

Official Notice**Designs Act 2003
Amendments to Registered Designs at Examination**

The following amendments have been made to details previously published in the Australian Official Journal of Designs during the Examination process:

Registration Number	Amendment type	New details
328859	Classification	11-05

Contact: IP Australia
Phone: 1300 651 010
Fax: +61 2 6283 7999
E-Mail: assist@ipaustralia.gov.au
Web: www.ipaustralia.gov.au

Proceedings under the Designs Act 1906 preserved as a result of the provisions of Chapter 12 Part 2 of the Designs Act 2003.

This Page Left Intentionally Blank

Applications Lapsed

There were no Applications Lapsed under this section

Extension of Period of Registration of Designs

155802	155825	156106
156307	156308	157688
158072	158101	158258

1st Period (Section 27A(8))

Extensions of time granted

2nd Period (Section 27A(12))

Applications lodged for extension of time have been granted.

150667	153864	156203
156710	156983	157126
157195	157229	157230
157231	157279	157295
157321	157344	157364
157385	157399	157400
157401	157402	157403
157404	157405	157406
157502	157503	157504
157505	157506	157507
157508	157534	157565
157567	157569	157570
157571	157572	157573
157574	157624	157789
157865	157866	157867
158427	158474	158567

133278 **McNeil AB** An Extension of time to extend a registration has been granted to 06/06/2010

137131 **McNeil AB** An Extension of time to extend a registration has been granted to 10/04/2010

138594 **Johnson & Johnson Research Pty Limited** An Extension of time to extend a registration has been granted to 25/04/2010

156203 **Salton Inc.** An Extension of time to extend a registration has been granted to 16/03/2010

153864 **J. Glassey & Sons Pty Ltd** An Extension of time to extend a registration has been granted to 03/06/2010

3rd Period (Section 27A(13))

133278	136958	137131
138223	138594	138619
139354	139355	139396
139397	139398	139438
139520	139528	139529
139530	139560	139660
139678	139710	139765
139784	139900	140091
140106	140107	140118
140451	141023	142373
142694	143401	143446
148345	148491	

Registrations Ceased

Note: Some of the following Registrations may have been previously advertised as ceased. In this instance, the previous advertisement still prevails.

122263	122286	122356
125517	126193	126312
137390	137484	137485
137509	137685	137792
137821	137959	137996
138584	138747	139267
139268	141682	154415
154416	154417	154992
155071	155093	155094
155107	155130	155436

This Page Left Intentionally Blank

Proceedings under the Designs Act 2003.

This Page Left Intentionally Blank

Applications Lodged

Lodgement information is in the following order: **Applicant's Name**; International Classification, Name of Product, Lodgement Date and **Design Number**. If the applicant claims an earlier priority date under an International Convention, the Convention Country and the associated filing date are shown in parentheses before the Lodgement Date. Divisional information will also appear in parentheses before the Lodgement Date.

Action Fasteners; 08-08B, , 07 Jun 2010	12384/2010	Bluedog Fences Australia Pty Ltd; 08-08M, 08-06, Hinge bracket, 31 May 2010	12248/2010
Action Fasteners; 08-08B, , 07 Jun 2010	12385/2010	Bluedog Fences Australia Pty Ltd; 08-08K, Fence rail internal mounting clip, 31 May 2010	12249/2010
Ainsworth Game Technology Limited; 21-03, Display unit for gaming machine, (Divisional of 11151/2010) 31 Mar 2010	12277/2010	Bluedog Fences Australia Pty Ltd; 08-08K, Fence rail support bracket, 31 May 2010	12246/2010
Ainsworth Game Technology Limited; 21-03, User interface for gaming machine, (Divisional of 11152/2010) 31 Mar 2010	12275/2010	Bluedog Fences Australia Pty Ltd; 08-08K, Fence rail support bracket, 31 May 2010	12250/2010
Ainsworth Game Technology Limited; 21-03, Gaming machine, (Divisional of 11152/2010) 31 Mar 2010	12278/2010	Bluedog Fences Australia Pty Ltd; 25-01E, Fence post, 31 May 2010	12243/2010
Ainsworth Game Technology Limited; 21-03, Keypad assembly for gaming machine, (Divisional of 11152/2010) 31 Mar 2010	12274/2010	Bluedog Fences Australia Pty Ltd; 08-08K, Fence rail support bracket, 31 May 2010	12251/2010
Ainsworth Game Technology Limited; 21-03, Door assembly for gaming machine, (Divisional of 11152/2010) 31 Mar 2010	12276/2010	Bluedog Fences Australia Pty Ltd; 08-06, Gate hinge spigot, 31 May 2010	12247/2010
Ainsworth Game Technology Limited; 21-03, Component for gaming machine, (Divisional of 11152/2010) 31 Mar 2010	12273/2010	Bortolin, Peter; 11-05, Flag, 02 Jun 2010	12270/2010
Arena Distribution S.A.; 21-02D, A swim fin, (EM, 14 Dec 2009) 09 Jun 2010	12376/2010	Boundy, Stanley Gordon; 24-03, 02-04B, A leg apparel aid in putting on leg apparel, 04 Jun 2010	12311/2010
Atkinson, Michael Andrew; 26-05NES, 11-04, Crystal flower art light, 08 Jun 2010	12324/2010	Boylan, Rosalie; 02-05, 02-03, Head wear and apparel, 04 Jun 2010	12318/2010
Atkinson, Michael Andrew; 26-05NES, 11-02A, Bowl with food and utensil art light, 08 Jun 2010	12325/2010	Brand, Rolf; 15-01, Wind turbine blades, 01 Jun 2010	12241/2010
Australian Mobile Mining Equipment Systems and Accessories Pty. Limited; 12-05, A device for lifting and rotating containers, 07 Jun 2010	12339/2010	Byd Company Limited; 12-08, Automobile, (CN, 26 Dec 2009) 09 Jun 2010	12369/2010
Automatic Bar Controls, Inc.; 07-04, Bar gun, (US, 05 May 2010) 09 Jun 2010	12377/2010	Cacic, Dijana; 08-02, Scaffold hammer - B, 03 Jun 2010	12291/2010
Ayles, Robert Stanley; 12-16NES, Caravan vent cover, 09 Jun 2010	12378/2010	Cacic, Dijana; 08-02, Scaffold hammer - C, 03 Jun 2010	12292/2010
ADC Communications (Australia) Pty Limited; 08-05NES, Apparatus for mechanically splicing two optic fibres, 04 Jun 2010	12313/2010	Cacic, Dijana; 08-02, Scaffold hammer - A, 03 Jun 2010	12290/2010
Bennett, John David; 21-02A, Weighted ball, (GB, 22 Mar 2010) 03 Jun 2010	12304/2010	Carlson, Donald G.; Jewett, Ethan; 09-07C, Cap for reusable bottle, (US, 19 Jan 2010) 31 May 2010	12353/2010
Blissful Centany International Limited; 09-05, Packaging, 02 Jun 2010	12271/2010	Carlson, Donald G.; Jewett, Ethan; 09-07B, Cap for reusable bottle, (US, 19 Jan 2010) 31 May 2010	12244/2010
Bluedog Fences Australia Pty Ltd; 08-08L, Fence rail support bracket, 31 May 2010	12245/2010	Chesson, Corey; 25-03, Swimming pool shell, 31 May 2010	12224/2010
		Emami, Arman; 14-02, USB flash memory drive, (DE, 04 Dec 2009) 03 Jun 2010	12286/2010
		Emporium Hotels Pty Ltd; 02-05, Tie, 07 Jun 2010	12326/2010

Eveready Battery Company, Inc.; 28-03A, 28-03D, Blade set for a safety razor with trimmer, (US, 22 Sep 2009) 22 Mar 2010	12239/2010	Henkel AG & Co. KGaA; 09-07B, 09-01K, Bottle, (EM, 18 Mar 2010) 07 Jun 2010	12330/2010
Exlites Pty Ltd; 26-03, Solar bollard, 07 Jun 2010	12310/2010	Herrmans Oy Ab; 26-03, Worklight, (EM, 03 Mar 2010) 09 Jun 2010	12355/2010
Farbey, Andrew; 23-02C, The product to which the design relates is a toilet seat, with an added urine deflector as a part of the front, underside of the seat, fitting into the front of the toilet bowl rim., 09 Jun 2010	12370/2010	Herrmans Oy Ab; 26-03, Worklight, (EM, 03 Mar 2010) 09 Jun 2010	12356/2010
Forever New Clothing Pty Ltd; 02-02C, Women's fashion clothing, 07 Jun 2010	12332/2010	Herrmans Oy Ab; 26-03, Worklight, (EM, 03 Mar 2010) 09 Jun 2010	12357/2010
Freedom Screens of Australia Pty Ltd; 25-01K, Retractable screen, 31 May 2010	12240/2010	Hobel, Michael; 01-01, Soccer ball - shaped baked product, (EM, 22 Dec 2009) 01 Jun 2010	12225/2010
Gainsborough Hardware Industries Limited; 08-09, An escutcheon, 04 Jun 2010	12321/2010	Hobel, Michael; 01-01, Handball - shaped baked product, (EM, 22 Dec 2009) 01 Jun 2010	12233/2010
Gainsborough Hardware Industries Limited; 08-09, An escutcheon, 04 Jun 2010	12322/2010	Hobel, Michael; 01-01, Baseball - shaped baked product, (EM, 22 Dec 2009) 01 Jun 2010	12234/2010
GM Global Technology Operations, Inc; 12-16A, Vehicle wheel, 01 Jun 2010	12252/2010	Hobel, Michael; 01-01, Tennis ball - shaped baked product, (EM, 22 Dec 2009) 01 Jun 2010	12235/2010
GSM (Operations) Pty Ltd; 02-02C, Boardshorts, 02 Jun 2010	12259/2010	Hobel, Michael; 01-01, Golf ball - shaped baked product, (EM, 22 Dec 2009) 01 Jun 2010	12236/2010
GSM (Operations) Pty Ltd; 02-02C, Boardshorts, 02 Jun 2010	12262/2010	Hobel, Michael; 01-01, Soccer ball - shaped baked product, (EM, 22 Dec 2009) 01 Jun 2010	12237/2010
GSM (Operations) Pty Ltd; 02-02C, Boardshorts, 02 Jun 2010	12263/2010	Hobel, Michael; 01-01, Basketball - shaped baked product, (EM, 22 Dec 2009) 01 Jun 2010	12230/2010
GSM (Operations) Pty Ltd; 02-02C, Boardshorts, 02 Jun 2010	12264/2010	Hobel, Michael; 01-01, Volleyball - shaped baked product, (EM, 22 Dec 2009) 01 Jun 2010	12231/2010
GSM (Operations) Pty Ltd; 02-02C, Boardshorts, 02 Jun 2010	12258/2010	Hobel, Michael; 01-01, Volleyball - shaped baked product, (EM, 22 Dec 2009) 01 Jun 2010	12232/2010
GSM (Operations) Pty Ltd; 02-02C, Boardshorts, 02 Jun 2010	12260/2010	Hobel, Michael; 01-01, Football - shaped baked product, (EM, 22 Dec 2009) 01 Jun 2010	12228/2010
GSM (Operations) Pty Ltd; 02-02C, Boardshorts, 02 Jun 2010	12261/2010	Hobel, Michael; 01-01, Rugby ball - shaped baked product, (EM, 22 Dec 2009) 01 Jun 2010	12229/2010
Halco Pty Ltd; 22-05, Fishing lure, 02 Jun 2010	12267/2010	Hobel, Michael; 01-01, Soccer ball - shaped baked product, (EM, 22 Dec 2009) 01 Jun 2010	12226/2010
Hanish, Cody; 06-09, Therapeutic pillow, 10 Jun 2010	12351/2010	Hobel, Michael; 01-01, Football - shaped baked product, (EM, 22 Dec 2009) 01 Jun 2010	12227/2010
Hatzis Holdings Pty Ltd; 02-02NES, Ladies garments, 30 Sep 2009	12253/2010	Home Events Pty Limited; 03-01A, 03-01D, Portable tool and craft benchtop workstation with adjustable shoulder strap, 04 Jun 2010	12296/2010
Hatzis Holdings Pty Ltd; 02-02C, Ladies garments, 30 Sep 2009	12254/2010	Home Events Pty Limited; 03-01NES, Tool and craft belt (small), 04 Jun 2010	12297/2010
Hatzis Holdings Pty Ltd; 02-02C, Ladies garments, 30 Sep 2009	12255/2010		
Hatzis Holdings Pty Ltd; 02-02C, Ladies garment, 30 Sep 2009	12256/2010		
Henkel AG & Co. KGaA; 09-01K, 09-07B, Bottle, (EM, 15 Dec 2009) 07 Jun 2010	12331/2010		
Henkel AG & Co. KGaA; 09-07B, 09-01K, Bottle, (EM, 18 Mar 2010) 07 Jun 2010	12329/2010		
Henkel AG & Co. KGaA; 09-01H, Bottle, (EM, 18 Mar 2010) 07 Jun 2010	12328/2010		

Home Events Pty Limited; 03-01NES, Tool and craft belt (standard to large), 04 Jun 2010	12298/2010	Meyer Intellectual Properties Limited; 07-02R, Thumb grip cookware handle, (US, 07 Dec 2009) 06 Jun 2010	12338/2010
Huisman, Richard Johannes Cornelis; 23-01F, Water storage tank in shipping container, 08 Jun 2010	12323/2010	Multisteps Pty Ltd; 07-02NES, Produce container, 07 Jun 2010	12327/2010
Jewett, Ethan; Carlson, Donald G.; 09-07B, Cap for reusable bottle, (US, 19 Jan 2010) 31 May 2010	12244/2010	Murphy, Russell Edward; 08-08L, Bracket, 02 Jun 2010	12269/2010
Jewett, Ethan; Carlson, Donald G.; 09-07C, Cap for reusable bottle, (US, 19 Jan 2010) 31 May 2010	12353/2010	MGPotton; 25-02C, Horse panels, 03 Jun 2010	12305/2010
Jordin, Kate; McClellan, Leo; 07-06B, Drink coasters, 10 Jun 2010	12354/2010	Nautilus Hyosung Inc.; 20-01, Automated teller machine, 03 Jun 2010	12306/2010
Koninklijke Philips Electronics N.V.; 28-03A, Stand for three head dry shaver, (EM, 07 Dec 2009) 03 Jun 2010	12302/2010	Nautilus Hyosung Inc.; 20-01, Automated teller machine, 03 Jun 2010	12285/2010
Koninklijke Philips Electronics N.V.; 28-03A, Three head dry shaver, (EM, 07 Dec 2009) 03 Jun 2010	12303/2010	Nichiha Corporation; 08-08NES, Metal fitting, 01 Jun 2010	12238/2010
Korber, James; 28-03NES, Massage tool, 08 Jun 2010	12344/2010	Niewiarowski, Wieslaw; Niewiarowski, Irena; 12-16NES, 14-03NES, Car remote control for Ford BA/BF and Territory, 08 Jun 2010	12340/2010
Kowald, Luke; 07-02NES, Infuser, 08 Jun 2010	12345/2010	Niewiarowski, Irena; Niewiarowski, Wieslaw; 12-16NES, 14-03NES, Car remote control for Ford BA/BF and Territory, 08 Jun 2010	12340/2010
Layfield, Stephen; 07-01NES, Sealable container, 24 Mar 2010	12352/2010	Niewiarowski, Wieslaw; Niewiarowski, Irena; 12-16NES, 14-03NES, Car remote control for Ford BA/BF and Territory, 08 Jun 2010	12341/2010
Life+Gear, Inc.; 09-03NES, Light device packaging, (US, 09 Dec 2009) 08 Jun 2010	12347/2010	Niewiarowski, Irena; Niewiarowski, Wieslaw; 12-16NES, 14-03NES, Car remote control for Ford BA/BF and Territory, 08 Jun 2010	12341/2010
Life+Gear, Inc.; 26-02, Key chain mountable light device, (US, 09 Dec 2009) 08 Jun 2010	12348/2010	Nokia Corporation; 14-03E, Handset, 08 Jun 2010	12342/2010
LG Electronics Inc.; 07-02C, Gas cooktop, (KR, 11 Dec 2009) 09 Jun 2010	12374/2010	Odell, James; 12-06NES, Wakeboard rack, 08 Jun 2010	12333/2010
LG Electronics Inc.; 15-05, Washing machine, (KR, 11 Dec 2009) 09 Jun 2010	12373/2010	Odell, James; 12-06NES, Kneeboard wakeboard combo rack, 08 Jun 2010	12334/2010
LG Electronics Inc.; 14-03E, Mobile phone, (KR, 04 Dec 2009) 02 Jun 2010	12266/2010	Orion Corporation; 09-03NES, A container for confectionery, (KR, 04 Dec 2009) 04 Jun 2010	12319/2010
Machine Design Pty Ltd on behalf of The Peter Rinaudo Family Trust; 06-03C, Workstation, 02 Jun 2010	12279/2010	Orion Corporation; 09-03NES, A container for confectionery, (KR, 04 Dec 2009) 04 Jun 2010	12320/2010
Magna Marque International Inc.; 13-02, 12-16NES, Bicycle docking station, (US, 11 Dec 2009) 09 Jun 2010	12383/2010	Pan Air Electric Co., Ltd.; 23-04, Ceiling fan blade, 02 Jun 2010	12265/2010
McClellan, Leo; Jordin, Kate; 07-06B, Drink coasters, 10 Jun 2010	12354/2010	Pasquale Alvaro Trading as Securalux; 25-02H, Aluminium louvre shutter, 03 Jun 2010	12299/2010
Meyer Intellectual Properties Limited; 07-02R, Bottom grip cookware handle, (US, 07 Dec 2009) 06 Jun 2010	12335/2010	Pasquale Alvaro Trading as Securalux; 25-02B, 25-02H, Aluminium door and window, 03 Jun 2010	12300/2010
Meyer Intellectual Properties Limited; 07-02R, Full grip cookware top handle, (US, 28 Jan 2010) 06 Jun 2010	12336/2010	Pasquale Alvaro Trading as Securalux; 25-02B, 25-02H, Aluminium sliding door and window, 03 Jun 2010	12301/2010
Meyer Intellectual Properties Limited; 07-02R, Full grip cookware side handle, (US, 28 Jan 2010) 06 Jun 2010	12337/2010	Peligroso Spirits Company, LLC; 09-01K, Bottle, (US, 04 Dec 2009) 03 Jun 2010	12289/2010
		Peng Australia Pty Ltd; 08-08D, 23-01A, Hose clamp, 09 Jun 2010	12381/2010

Pleysier, David J.; 25-02B, Cupboard doors, drawer fronts end panels etc for kitchen cupboards and furniture, 10 Jun 2010	12382/2010	Spin Master Ltd; 21-01B, Transformable toy, (CA, 11 Dec 2009) 08 Jun 2010	12366/2010
Procter, Andrew; 09-07B, Beverage container sealing lid, 03 Jun 2010	12288/2010	Spin Master Ltd; 21-01B, Transformable toy, (CA, 11 Dec 2009) 08 Jun 2010	12367/2010
Raschi, Carlo; 19-04, Printed publication, (IT, 16 Nov 2009) 04 Jun 2010	12308/2010	Spin Master Ltd; 21-01A, Transformable toy, (CA, 21 Dec 2009) 08 Jun 2010	12361/2010
Reckitt & Colman (Overseas) Limited; 28-03NES, Depilatory device, (EM, 04 Dec 2009) 04 Jun 2010	12314/2010	Spin Master Ltd; 21-01A, Transformable toy, (CA, 22 Dec 2009) 08 Jun 2010	12362/2010
Red Dale Holdings Pty Ltd, trading as Westernex Supply; 08-05L, 08-08NES, Paint pole fitting, 01 Jun 2010	12242/2010	Spin Master Ltd; 21-01A, Transformable toy, (CA, 22 Dec 2009) 08 Jun 2010	12363/2010
Rella, Mauro; 24-02, Micro suction tip, 09 Jun 2010	12379/2010	Spin Master Ltd; 21-01A, Transformable toy, (CA, 30 Dec 2009) 08 Jun 2010	12364/2010
Reln Pty Ltd; 23-01NES, Drainage grate frame, 04 Jun 2010	12309/2010	Spin Master Ltd; 21-02A, Transformable toy, (CA, 21 Dec 2009) 08 Jun 2010	12358/2010
ResMed Ltd; 24-01, Positive airway pressure delivery device and/or humidifier and/or components thereof, (US, 19 Jun 2008) (Divisional of 11010/2010) 19 Dec 2008	12312/2010	Sunbeam Corporation Limited; 07-02K, Kettle, 09 Jun 2010	12368/2010
Roberts, Jock M.; 24-01, Oestrus detector, 05 May 2010	12350/2010	Sureguard Safety Australia Pty Ltd; 08-05F, Utility grip/glove grip, 09 Jun 2010	12346/2010
Roberts Radio Limited; 14-03D, Radio, (EM, 28 May 2010) 02 Jun 2010	12307/2010	Thane International, Inc.; 13-02, Derma Seta - charging apparatus, (EM, 22 Apr 2010) 04 Jun 2010	12293/2010
Roberts Radio Limited; 14-03D, Radio, (EM, 28 May 2010) 02 Jun 2010	12287/2010	Thane International, Inc.; 28-03A, Hand-held unit (Derma Seta), (EM, 22 Apr 2010) 04 Jun 2010	12294/2010
Schreder S.A.; 26-99, Lighting device, (EM, 08 Dec 2009) 03 Jun 2010	12280/2010	Thane International, Inc.; 13-02, 28-03A, Hand-held unit with charging apparatus (Derma Seta), (EM, 22 Apr 2010) 04 Jun 2010	12295/2010
Schreder S.A.; 26-99, Lighting device, (EM, 08 Dec 2009) 03 Jun 2010	12281/2010	The Austral Brick Company Pty Ltd; 25-01A, Brick, 09 Jun 2010	12371/2010
Schreder S.A.; 26-99, Lighting device, (EM, 08 Dec 2009) 03 Jun 2010	12282/2010	Toseski, Vince; 08-08NES, 08-08L, 08-08M, Hanging bracket, 09 Jun 2010	12375/2010
Siemens Aktiengesellschaft; 13-03E, Disconnecter, (DE, 08 Dec 2009) 08 Jun 2010	12343/2010	Unilever PLC; 09-01K, Bottle, (GB, 14 Dec 2009) 03 Jun 2010	12283/2010
Societe Bic; 27-05, Lighter, (EM, 21 Dec 2009) 09 Jun 2010	12372/2010	Unilever PLC; 09-01K, Bottle, (GB, 14 Dec 2009) 03 Jun 2010	12284/2010
Spin Master Ltd; 21-01A, Transformable toy, (CA, 29 Dec 2009) 08 Jun 2010	12359/2010	Wainwright, Conrad; 06-01E, Foot stool, 02 Jun 2010	12257/2010
Spin Master Ltd; 21-01A, Transformable toy, (CA, 29 Dec 2009) 08 Jun 2010	12360/2010	Weber, Paul Joseph; 08-08L, Electronic article security device. Restraint for an electronic device such as a laptop, 07 Jun 2010	12315/2010
Spin Master Ltd; 21-01B, Transformable toy, (CA, 29 Dec 2009) 08 Jun 2010	12365/2010	Weber, Paul Joseph; 08-08L, Electronic article security device. More adjustable restraint for an electronic device such as a laptop, 07 Jun 2010	12316/2010
		Weber, Paul Joseph; 08-08L, Electronic article security device. Reduced-gosset restraint for an electronic device such as a laptop, 07 Jun 2010	12317/2010

<p>Wilhelm Reuss GmbH & Co. KG Lebensmittelwerk; 09-01NES, Bottle, (DE, 10 Feb 2010) 09 Jun 2010</p>	<p>12380/2010</p>	<p>Xmas-Mil Display Products Pty Ltd; 11-05, 26-05E, Illumination internal or rear of flexible substrates banners, flags, fabric, vinyls, 03 Jun 2010</p>	<p>12272/2010</p>
<p>WIRTGEN GmbH; 15-09, Milling machine component, (EM, 07 Jan 2010) 08 Jun 2010</p>	<p>12349/2010</p>	<p>Xmas-Mil Display Products Pty Ltd; 26-04, Illumination of flexible substrates, banners, flags, fabrics, vinyls, 03 Jun 2010</p>	<p>12268/2010</p>

Applications Lapsed

13364 / 2009 (09-03NES)	10978 / 2010 (23-01H)
10979 / 2010 (09-03M)	10995 / 2010 (02-02C)
10996 / 2010 (02-02C)	10997 / 2010 (02-02C)
10998 / 2010 (02-02C)	11067 / 2010 (25-02A)

Extension of Period of Registration of Designs

303078	303079	303292
303803	303860	303886
304054	304055	304056
304057	304058	304065
304076	304077	304078
304083	304096	304097
304104	304105	304125
304126	304228	304239
304303	304305	304306
304309	304310	304322
304326	304327	304336
304346	304405	304406
304407	304415	304416
304426	304452	304453
304454	304455	304571
304657	304766	304814
304815	304816	304844
304845	305127	305214
305215	305216	305217
305218	305232	305319
305320	305321	305323
305324	305325	305326
305327	305328	305329
305330	305331	305454
305455	305456	305459
305461	305462	305463
305751	305827	306055
306450	306602	306606
306678	306679	306680
306681	306682	306853
309236	312818	

Registrations Ceased

300729	301767	301776
301777	301778	301781
301782	301783	301793
301794	301795	301797
301798	301799	301800
301907	301908	301909
301910	301911	301912
301913	301914	301915
301925	301931	301932
301933	301947	301948
302266	302272	302273
302274	302275	302278
302803	302805	302806
303393	304703	305900
305901	305902	307461
315759		

Applications for Extension of time under Section 137

Applications under section 137 for extension of time have been lodged. Objections must be lodged within 1 month from the date of this journal.

14894/2009 **Metlam Australia Pty. Limited** Address for Service: A Tatlock & Associates PO Box 155 CARLTON SOUTH VIC 3053

Extensions of time granted under Section 137

Applications lodged under section 137 for extension of time have been granted.

303962 **Ovenu (Franchising) Limited**

14766/2009 **Sporty Keys Pty Ltd**

10229/2010 **Robert Zander**

10230/2010 **Robert Zander**

10231/2010 **Robert Zander**

10232/2010 **Robert Zander**

10233/2010 **Robert Zander**

10234/2010 **Robert Zander**

10235/2010 **Robert Zander**

10236/2010 **Robert Zander**

10237/2010 **Robert Zander**

10238/2010 **Robert Zander**

10298/2010 **Robert Zander**

10299/2010 **Robert Zander**

10300/2010 **Robert Zander**

10301/2010 **Robert Zander**

10302/2010 **Robert Zander**

10303/2010 **Robert Zander**

10304/2010 **Robert Zander**

10305/2010 **Robert Zander**

10306/2010 **Robert Zander**

10307/2010 **Robert Zander**

10308/2010 **Robert Zander**

10613/2010 **Miche Bag LLC**

11093/2010 **Coca-Cola Amatil (Aust) Limited**

Subsequent Owners Registered

(The name in parentheses is that of the subsequent owner)

315015 (**Shop Investor Pty Ltd**) Design Display Initiative Pty Ltd

326403 (**Expanded Polystyrene Australia Incorporated**) Ian

Locke
 330315 (**Expanded Polystyrene Australia Incorporated**) Ian
 Locke
 330828 (**Expanded Polystyrene Australia Incorporated**) Ian
 Locke
 330829 (**Expanded Polystyrene Australia Incorporated**) Ian
 Locke

**Names Registered - Alterations and
 Amendments**

(The name in parentheses is that of the subsequent
 applicant)

310379 (**Atos Worldwide**) Banksys
 310380 (**Atos Worldwide**) Banksys
 304373 (**T-ARTS Company, Ltd**) Yujin Company Ltd

Certificate(s) of Examination

Examination of the following Design Registration(s) has been completed. Infringement proceedings may now be commenced.

306960	06-06F	04/06/2010
306961	06-06F	04/06/2010
311406	12-16B	08/06/2010
316920	14-04	09/06/2010
316921	28-03NES	09/06/2010
316922	28-03NES	09/06/2010
316923	28-03NES	09/06/2010
316924	28-03NES	09/06/2010
316925	28-03NES	09/06/2010
316926	28-03NES	09/06/2010
316927	28-03NES	09/06/2010
318713	06-03NES	15/06/2010
320099	12-16A	04/06/2010
325155	12-16A	04/06/2010
329927	14-03NES	03/06/2010
330109	21-01L	03/06/2010
330110	21-01L	03/06/2010
330111	21-01L	03/06/2010
330228	23-01K	03/06/2010
330265	26-05D	03/06/2010
330271	25-01E	08/06/2010
330316	26-05NES	08/06/2010
330339	13-03D	08/06/2010

Publication and Registration Proceedings

Designs Registered

This section provides a concordance between design number and registration number of Designs covered in this journal. It also shows the main class and registration date.

This section covers Registration numbers 331148 to 331333 .

The registration number shown below should be used in all future correspondence.

Design Number	Registration Number	International Classification Code (IDC)	Registration Date	Design Number	Registration Number	International Classification Code (IDC)	Registration Date
14394/2009	331183	02-04NES	03/06/2010	11752/2010	331240	08-07	08/06/2010
14471/2009	331185	02-02C	03/06/2010	11756/2010	331210	25-02K	04/06/2010
14587/2009	331184	07-02N	03/06/2010	11778/2010	331326	06-01E	15/06/2010
10613/2010	331296	03-01B	11/06/2010	11822/2010	331154	12-08	03/06/2010
10622/2010	331297	26-06	11/06/2010	11823/2010	331155	25-02A	03/06/2010
10639/2010	331229	06-07	04/06/2010	11824/2010	331156	08-08NES	03/06/2010
10640/2010	331230	06-07	04/06/2010	11825/2010	331157	25-02A	03/06/2010
10643/2010	331199	09-07NES	04/06/2010	11829/2010	331235	06-01E	07/06/2010
10676/2010	331187	28-03NES	03/06/2010	11830/2010	331236	06-01E	07/06/2010
10801/2010	331231	12-10	04/06/2010	11831/2010	331237	06-01E	07/06/2010
10942/2010	331278	09-03NES	10/06/2010	11832/2010	331238	06-01E	07/06/2010
11010/2010	331272	24-01	09/06/2010	11833/2010	331239	06-03A	07/06/2010
11011/2010	331300	09-07B	11/06/2010	11837/2010	331149	15-05	03/06/2010
11027/2010	331319	07-01NES	11/06/2010	11839/2010	331150	21-01F	03/06/2010
11031/2010	331209	08-06	04/06/2010	11840/2010	331151	09-03D	03/06/2010
11103/2010	331188	31-00	03/06/2010	11841/2010	331152	09-03D	03/06/2010
11113/2010	331170	09-03NES	03/06/2010	11842/2010	331153	09-03D	03/06/2010
11126/2010	331299	20-01	11/06/2010	11843/2010	331158	08-09	03/06/2010
11127/2010	331279	20-01	10/06/2010	11847/2010	331265	03-03	09/06/2010
11151/2010	331222	21-03	04/06/2010	11849/2010	331159	09-07C	03/06/2010
11152/2010	331223	21-03	04/06/2010	11850/2010	331160	13-03D	03/06/2010
11154/2010	331193	19-04	03/06/2010	11851/2010	331161	12-02	03/06/2010
11159/2010	331233	28-03NES	07/06/2010	11855/2010	331266	03-03	09/06/2010
11176/2010	331310	07-01F	11/06/2010	11856/2010	331162	09-03NES	03/06/2010
11177/2010	331311	23-01G	11/06/2010	11857/2010	331163	12-16L	03/06/2010
11178/2010	331312	09-01B	11/06/2010	11858/2010	331211	08-08D	04/06/2010
11179/2010	331313	23-01G	11/06/2010	11859/2010	331212	24-04	04/06/2010
11209/2010	331234	07-07A	07/06/2010	11860/2010	331213	11-02B	04/06/2010
11262/2010	331190	25-04	03/06/2010	11861/2010	331214	11-02B	04/06/2010
11263/2010	331191	25-04	03/06/2010	11862/2010	331215	11-02B	04/06/2010
11270/2010	331280	12-08	10/06/2010	11865/2010	331216	31-00	04/06/2010
11271/2010	331262	12-16C	09/06/2010	11866/2010	331217	07-02L	04/06/2010
11272/2010	331263	26-06	09/06/2010	11867/2010	331218	07-02L	04/06/2010
11273/2010	331264	26-06	09/06/2010	11868/2010	331219	02-02C	04/06/2010
11285/2010	331192	08-08L	03/06/2010	11869/2010	331220	02-02C	04/06/2010
11327/2010	331314	25-01F	11/06/2010	11870/2010	331221	02-02C	04/06/2010
11329/2010	331315	25-01F	11/06/2010	11873/2010	331200	08-08D	04/06/2010
11330/2010	331316	25-01F	11/06/2010	11876/2010	331201	24-01	04/06/2010
11331/2010	331317	25-01F	11/06/2010	11877/2010	331202	06-06C	04/06/2010
11332/2010	331318	25-01F	11/06/2010	11879/2010	331203	15-05	04/06/2010
11531/2010	331321	10-99	15/06/2010	11881/2010	331204	07-02E	04/06/2010
11532/2010	331322	10-99	15/06/2010	11882/2010	331205	07-02E	04/06/2010
11533/2010	331323	10-99	15/06/2010	11883/2010	331206	07-02E	04/06/2010
11534/2010	331324	10-99	15/06/2010	11884/2010	331207	07-02E	04/06/2010
11563/2010	331325	21-02C	15/06/2010	11885/2010	331208	07-02E	04/06/2010
11564/2010	331194	25-02G	03/06/2010	11889/2010	331241	24-99	08/06/2010
11569/2010	331224	12-08	04/06/2010	11891/2010	331242	02-04NES	08/06/2010
11573/2010	331195	02-02C	03/06/2010	11892/2010	331243	02-04NES	08/06/2010
11574/2010	331196	02-02C	03/06/2010	11893/2010	331244	23-02B	08/06/2010
11575/2010	331197	02-02C	03/06/2010	11894/2010	331245	25-01A	08/06/2010
11576/2010	331198	02-02C	03/06/2010	11895/2010	331246	25-01A	08/06/2010
11718/2010	331148	12-16L	03/06/2010	11896/2010	331247	25-01A	08/06/2010
11751/2010	331295	12-16B	10/06/2010	11897/2010	331248	24-03	08/06/2010

Publication and Registration Proceedings - Designs Registered cont'd

Design Number	Registration Number	International Classification Code (IDC)	Registration Date	Design Number	Registration Number	International Classification Code (IDC)	Registration Date
11899/2010	331249	26-02	08/06/2010	12004/2010	331305	07-02E	11/06/2010
11900/2010	331250	12-12	08/06/2010	12006/2010	331306	08-08L	11/06/2010
11902/2010	331251	19-04	08/06/2010	12007/2010	331298	09-01A	11/06/2010
11928/2010	331273	08-08B	09/06/2010	12018/2010	331327	08-08B	15/06/2010
11929/2010	331274	08-08B	09/06/2010	12019/2010	331328	06-04B	15/06/2010
11930/2010	331275	07-01C	09/06/2010	12020/2010	331329	06-04B	15/06/2010
11940/2010	331276	15-05	09/06/2010	12021/2010	331330	06-04B	15/06/2010
11942/2010	331277	23-01NES	09/06/2010	12022/2010	331331	06-04B	15/06/2010
11944/2010	331253	18-02	10/06/2010	12023/2010	331332	06-04B	15/06/2010
11945/2010	331254	18-02	10/06/2010	12024/2010	331252	02-04C	08/06/2010
11946/2010	331255	18-02	10/06/2010	12076/2010	331225	07-02E	04/06/2010
11947/2010	331256	18-02	10/06/2010	12077/2010	331226	07-02E	04/06/2010
11948/2010	331257	18-02	10/06/2010	12078/2010	331227	07-02E	04/06/2010
11949/2010	331258	18-02	10/06/2010	12079/2010	331228	07-02E	04/06/2010
11951/2010	331259	14-02	10/06/2010	12159/2010	331186	02-02C	03/06/2010
11952/2010	331260	14-02	10/06/2010	12178/2010	331333	21-02C	15/06/2010
11954/2010	331261	12-16C	10/06/2010	12181/2010	331189	31-00	03/06/2010
11958/2010	331267	07-03	09/06/2010	12198/2010	331171	03-01NES	03/06/2010
11961/2010	331268	24-01	09/06/2010	12199/2010	331172	03-01NES	03/06/2010
11964/2010	331269	02-04C	09/06/2010	12200/2010	331173	03-01NES	03/06/2010
11966/2010	331270	13-03D	09/06/2010	12201/2010	331174	03-01NES	03/06/2010
11967/2010	331271	13-03D	09/06/2010	12202/2010	331175	03-01NES	03/06/2010
11971/2010	331282	23-03NES	10/06/2010	12203/2010	331176	03-01NES	03/06/2010
11974/2010	331283	15-05	10/06/2010	12204/2010	331177	03-01NES	03/06/2010
11975/2010	331284	15-05	10/06/2010	12205/2010	331178	03-01NES	03/06/2010
11978/2010	331285	05-05B	10/06/2010	12206/2010	331179	03-01NES	03/06/2010
11979/2010	331286	14-03NES	10/06/2010	12207/2010	331180	03-01NES	03/06/2010
11982/2010	331287	25-02C	10/06/2010	12208/2010	331181	03-01NES	03/06/2010
11984/2010	331288	14-01	10/06/2010	12209/2010	331182	03-01NES	03/06/2010
11985/2010	331289	14-01	10/06/2010	12223/2010	331281	09-03NES	10/06/2010
11986/2010	331290	14-01	10/06/2010	12273/2010	331232	21-03	04/06/2010
11987/2010	331291	14-01	10/06/2010	12290/2010	331307	08-02	11/06/2010
11988/2010	331292	14-01	10/06/2010	12291/2010	331308	08-02	11/06/2010
11989/2010	331293	14-01	10/06/2010	12292/2010	331309	08-02	11/06/2010
11990/2010	331294	14-01	10/06/2010	12352/2010	331320	07-01NES	11/06/2010
12000/2010	331301	07-02B	11/06/2010				
12001/2010	331302	07-02E	11/06/2010				
12002/2010	331303	07-02E	11/06/2010				
12003/2010	331304	07-02E	11/06/2010				

Publication and Registration Proceedings
Class Listing of Designs Published or Registered

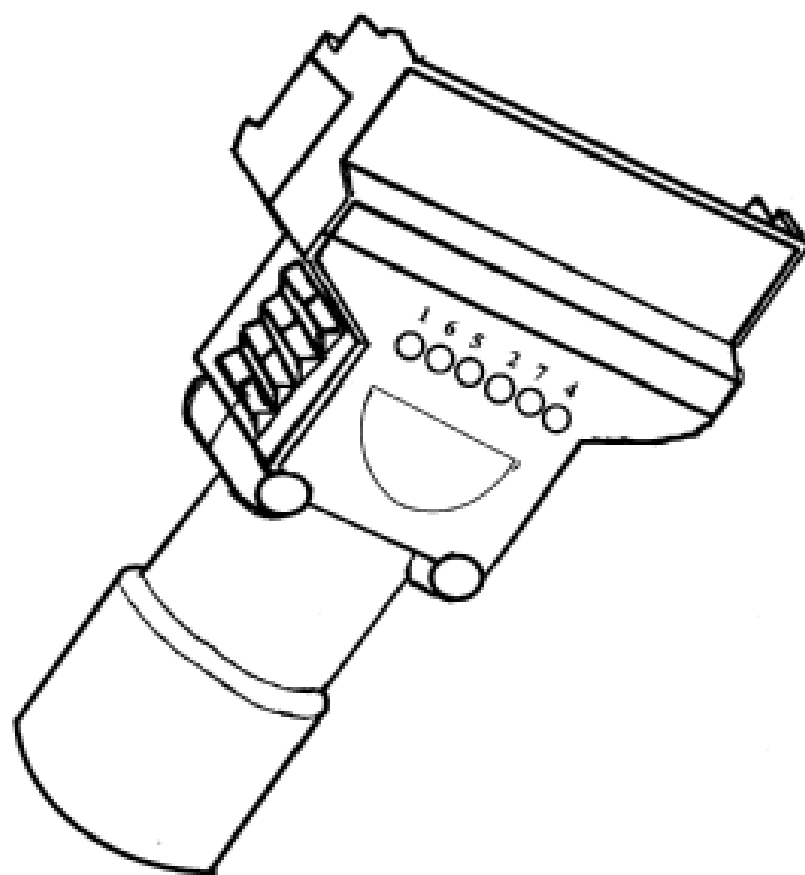
The following section shows an International Classification Code listing of the Registered or Published Designs covered in this supplement.

Classification	Registration Number	Design Number	Classification	Registration Number	Design Number
02-02 C	331185	14471/2009	07-02 E	331208	11885/2010
02-02 C	331186	12159/2010	07-02 E	331225	12076/2010
02-02 C	331195	11573/2010	07-02 E	331226	12077/2010
02-02 C	331196	11574/2010	07-02 E	331227	12078/2010
02-02 C	331197	11575/2010	07-02 E	331228	12079/2010
02-02 C	331198	11576/2010	07-02 E	331301	12000/2010
02-02 C	331219	11868/2010	07-02 E	331302	12001/2010
02-02 C	331220	11869/2010	07-02 E	331303	12002/2010
02-02 C	331221	11870/2010	07-02 E	331304	12003/2010
02-04 A	331241	11889/2010	07-02 E	331305	12004/2010
02-04 C	331252	12024/2010	07-02 L	331217	11866/2010
02-04 C	331269	11964/2010	07-02 L	331218	11867/2010
02-04 NES	331183	14394/2009	07-02 N	331184	14587/2009
02-04 NES	331242	11891/2010	07-03	331267	11958/2010
02-04 NES	331243	11892/2010	07-07 A	331234	11209/2010
03-01 B	331296	10613/2010	08-02	331307	12290/2010
03-01 NES	331170	11113/2010	08-02	331308	12291/2010
03-01 NES	331171	12198/2010	08-02	331309	12292/2010
03-01 NES	331172	12199/2010	08-06	331209	11031/2010
03-01 NES	331173	12200/2010	08-07	331240	11752/2010
03-01 NES	331174	12201/2010	08-08 B	331156	11824/2010
03-01 NES	331175	12202/2010	08-08 B	331199	10643/2010
03-01 NES	331176	12203/2010	08-08 B	331273	11928/2010
03-01 NES	331177	12204/2010	08-08 B	331274	11929/2010
03-01 NES	331178	12205/2010	08-08 B	331327	12018/2010
03-01 NES	331179	12206/2010	08-08 D	331200	11873/2010
03-01 NES	331180	12207/2010	08-08 D	331211	11858/2010
03-01 NES	331181	12208/2010	08-08 L	331156	11824/2010
03-01 NES	331182	12209/2010	08-08 L	331192	11285/2010
03-03	331265	11847/2010	08-08 L	331306	12006/2010
03-03	331266	11855/2010	08-08 NES	331156	11824/2010
05-05 B	331285	11978/2010	08-09	331158	11843/2010
06-01 E	331235	11829/2010	09-01 A	331298	12007/2010
06-01 E	331236	11830/2010	09-01 B	331312	11178/2010
06-01 E	331237	11831/2010	09-03 D	331151	11840/2010
06-01 E	331238	11832/2010	09-03 D	331152	11841/2010
06-01 E	331326	11778/2010	09-03 D	331153	11842/2010
06-03 A	331239	11833/2010	09-03 NES	331162	11856/2010
06-03 NES	331239	11833/2010	09-03 NES	331170	11113/2010
06-04 B	331328	12019/2010	09-03 NES	331171	12198/2010
06-04 B	331329	12020/2010	09-03 NES	331172	12199/2010
06-04 B	331330	12021/2010	09-03 NES	331173	12200/2010
06-04 B	331331	12022/2010	09-03 NES	331174	12201/2010
06-04 B	331332	12023/2010	09-03 NES	331175	12202/2010
06-06 C	331202	11877/2010	09-03 NES	331176	12203/2010
06-07	331229	10639/2010	09-03 NES	331177	12204/2010
06-07	331230	10640/2010	09-03 NES	331178	12205/2010
07-01 C	331275	11930/2010	09-03 NES	331179	12206/2010
07-01 F	331310	11176/2010	09-03 NES	331180	12207/2010
07-01 NES	331319	11027/2010	09-03 NES	331181	12208/2010
07-01 NES	331320	12352/2010	09-03 NES	331182	12209/2010
07-02 B	331301	12000/2010	09-03 NES	331278	10942/2010
07-02 E	331204	11881/2010	09-03 NES	331281	12223/2010
07-02 E	331205	11882/2010	09-07 B	331300	11011/2010
07-02 E	331206	11883/2010	09-07 C	331159	11849/2010
07-02 E	331207	11884/2010	09-07 NES	331199	10643/2010

Registration Proceedings - Class Listing of Designs Published or Registered cont'd

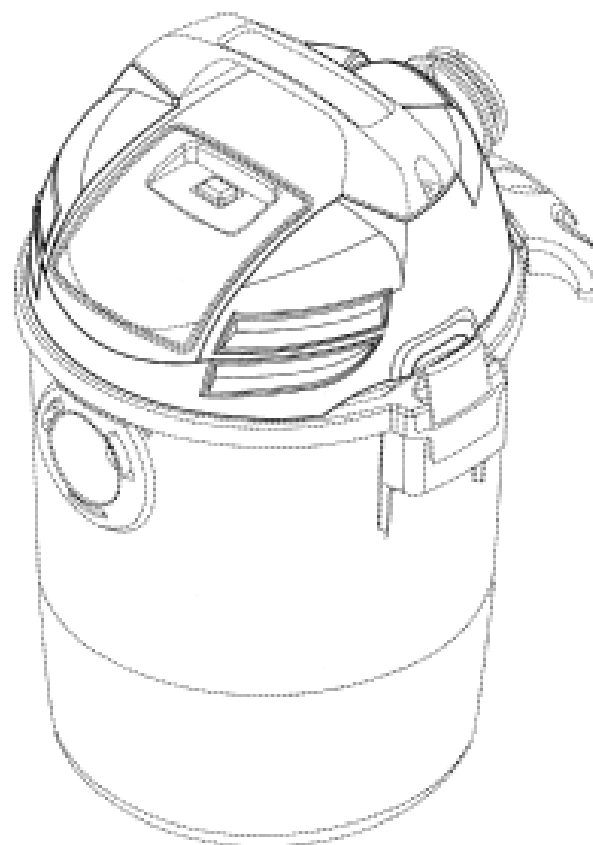
Classification	Registration Number	Design Number	Classification	Registration Number	Design Number
10-99	331321	11531/2010	21-02 C	331325	11563/2010
10-99	331322	11532/2010	21-02 C	331333	12178/2010
10-99	331323	11533/2010	21-03	331222	11151/2010
10-99	331324	11534/2010	21-03	331223	11152/2010
11-02 B	331213	11860/2010	21-03	331232	12273/2010
11-02 B	331214	11861/2010	23-01 A	331298	12007/2010
11-02 B	331215	11862/2010	23-01 G	331311	11177/2010
12-02	331161	11851/2010	23-01 G	331313	11179/2010
12-08	331154	11822/2010	23-01 NES	331277	11942/2010
12-08	331224	11569/2010	23-02 B	331244	11893/2010
12-08	331280	11270/2010	23-03 NES	331282	11971/2010
12-10	331231	10801/2010	24-01	331201	11876/2010
12-12	331250	11900/2010	24-01	331268	11961/2010
12-16 B	331295	11751/2010	24-01	331272	11010/2010
12-16 C	331261	11954/2010	24-03	331248	11897/2010
12-16 C	331262	11271/2010	24-04	331212	11859/2010
12-16 L	331148	11718/2010	24-99	331241	11889/2010
12-16 L	331163	11857/2010	24-99	331248	11897/2010
12-16 NES	331163	11857/2010	25-01 A	331245	11894/2010
13-03 D	331160	11850/2010	25-01 A	331246	11895/2010
13-03 D	331270	11966/2010	25-01 A	331247	11896/2010
13-03 D	331271	11967/2010	25-01 E	331155	11823/2010
14-01	331288	11984/2010	25-01 E	331157	11825/2010
14-01	331289	11985/2010	25-01 F	331314	11327/2010
14-01	331290	11986/2010	25-01 F	331315	11329/2010
14-01	331291	11987/2010	25-01 F	331316	11330/2010
14-01	331292	11988/2010	25-01 F	331317	11331/2010
14-01	331293	11989/2010	25-01 F	331318	11332/2010
14-01	331294	11990/2010	25-02 A	331155	11823/2010
14-02	331259	11951/2010	25-02 A	331157	11825/2010
14-02	331260	11952/2010	25-02 C	331287	11982/2010
14-03 NES	331286	11979/2010	25-02 G	331194	11564/2010
15-05	331149	11837/2010	25-02 K	331210	11756/2010
15-05	331203	11879/2010	25-04	331190	11262/2010
15-05	331276	11940/2010	25-04	331191	11263/2010
15-05	331283	11974/2010	26-02	331249	11899/2010
15-05	331284	11975/2010	26-06	331263	11272/2010
18-02	331253	11944/2010	26-06	331264	11273/2010
18-02	331254	11945/2010	26-06	331297	10622/2010
18-02	331255	11946/2010	28-03 NES	331187	10676/2010
18-02	331256	11947/2010	28-03 NES	331233	11159/2010
18-02	331257	11948/2010	29-99	331244	11893/2010
18-02	331258	11949/2010	31-00	331188	11103/2010
19-04	331193	11154/2010	31-00	331189	12181/2010
19-04	331251	11902/2010	31-00	331216	11865/2010
20-01	331279	11127/2010			
20-01	331299	11126/2010			
21-01 C	331154	11822/2010			
21-01 F	331150	11839/2010			

- (21) Design Number: **11718/2010**
- (22) Date of Filing Application: **12 May 2010**
- (24) Date from which industrial property rights may have effect: **12 May 2010**
- (54) Product in respect of which the design is registered: **Trailer adapters**
- (51) International Design Classification: **12-16L**
- (71) Name(s) and Address(s) of Applicant(s):
Dennis Gravalin
271 River Street Maclean New South Wales 2463 Australia
Sandra Gravalin
271 River Street Maclean New South Wales 2463 Australia
- (72) Name(s) of Designer(s): **Dennis Ronald Gravalin and Sandra Lorraine Gravalin**
- (45) Registration Date: **03 June 2010**
- (56) Related Art Documents: **Not Applicable**
- (57) Statement of Newness and Distinctiveness: **Newness and Distinctiveness is claimed in the visual features of the design in the shape and configuration shown in solid lines as illustrated in the accompanying representations attached.**



- (21) Design Number: **11837/2010**
- (22) Date of Filing Application: **11 May 2010**
- (24) Date from which industrial property rights may have effect: **11 May 2010**
- (54) Product in respect of which the design is registered: **Vacuum cleaner**
- (51) International Design Classification: **15-05**
- (71) Name(s) and Address(s) of Applicant(s):
Shop Vac Corporation
2323 Reach Road Williamsport PA 17701 United States of America
- (72) Name(s) of Designer(s): **Robert Lent Crevling and Jason Gottschall and John Griffin**
- (45) Registration Date: **03 June 2010**
- (30) Convention priority data:

(31) Number	(32) Date	(33) Country
29/350099	11 Nov 2009	UNITED STATES OF AMERICA
- (56) Related Art Documents: **Not Applicable**
- (57) Statement of Newness and Distinctiveness: **Newness and Distinctiveness resides in the visual features of the design as shown in solid outline in the accompanying drawings. When determining whether the design is substantially similar in overall impression to another design, no regard is to be had to those features shown in dotted outline in the accompanying drawings.**



(21) Design Number: **11839/2010**

(22) Date of Filing Application: **12 May 2010**

(24) Date from which industrial property rights may have effect: **12 May 2010**

(54) Product in respect of which the design is registered: **Ride-on Cassowary**

(51) International Design Classification: **21-01F**

(71) Name(s) and Address(s) of Applicant(s):

Louise Ann Kahler

2 Cuffe Court Edmonton Queensland 4869 Australia

(72) Name(s) of Designer(s): **Louise Ann Kahler**

(45) Registration Date: **03 June 2010**

(56) Related Art Documents: **Not Applicable**

(57) Statement of Newness and Distinctiveness: **Nil**



(21) Design Number: **11840/2010**

(22) Date of Filing Application: **29 April 2010**

(24) Date from which industrial property rights may have effect: **29 April 2010**

(54) Product in respect of which the design is registered: **Egg tray**

(51) International Design Classification: **09-03D**

(71) Name(s) and Address(s) of Applicant(s):

Huhtamaki Nederland B.V.

Zuidelijke Industrieweg 3-7 JB Franeker NL-8801 Netherlands

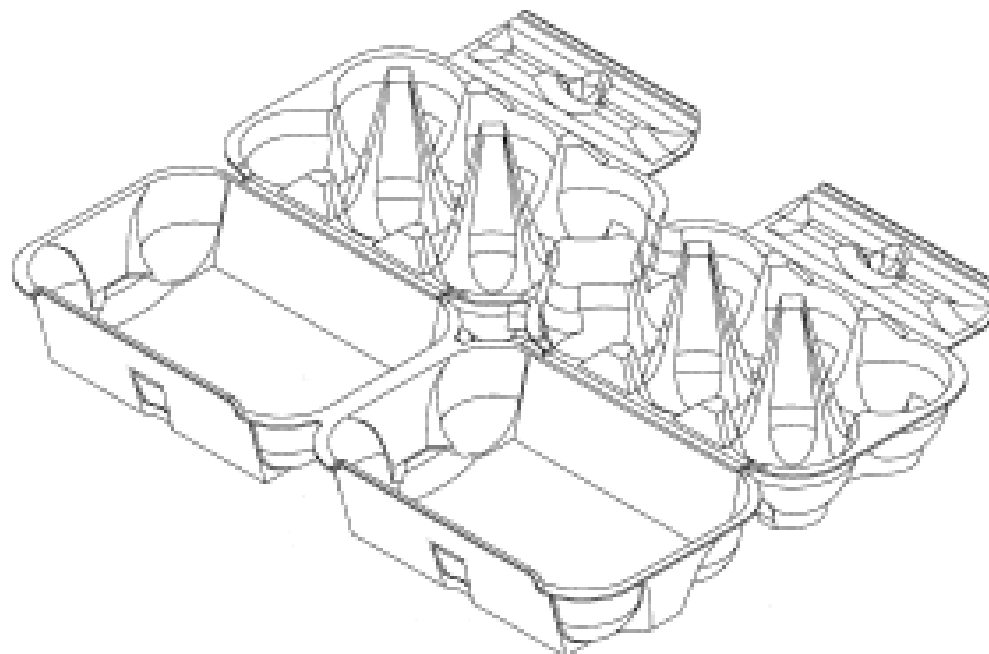
(72) Name(s) of Designer(s): **Wijbe Dijkstra and Hendrik Freerk Kloosterman and Christian Niemarkt**

(45) Registration Date: **03 June 2010**

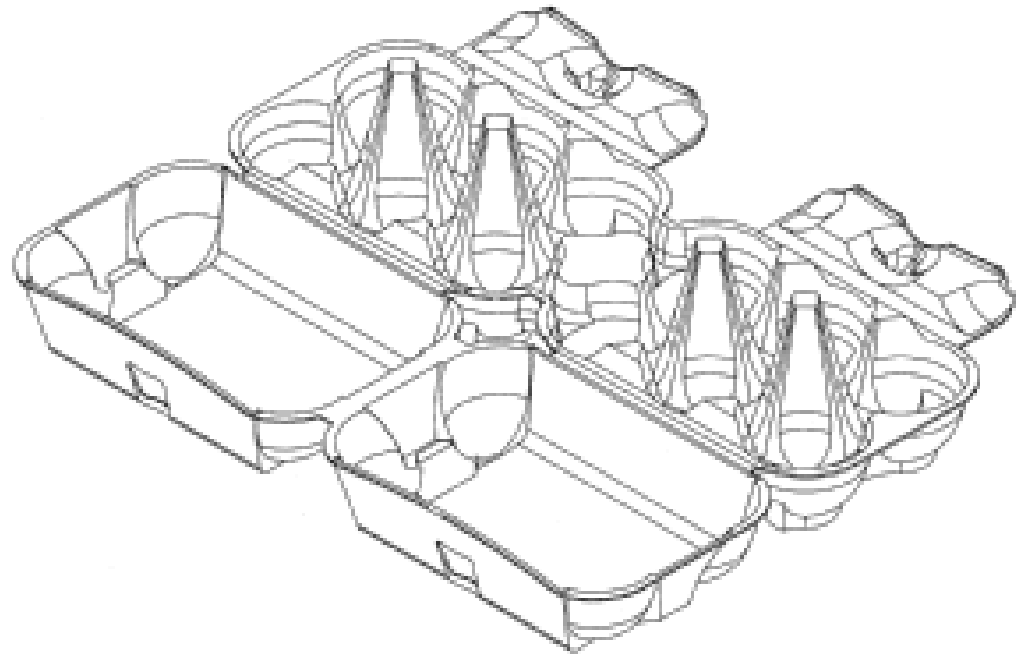
(62) Divisional of: **331140**

(56) Related Art Documents: **Not Applicable**

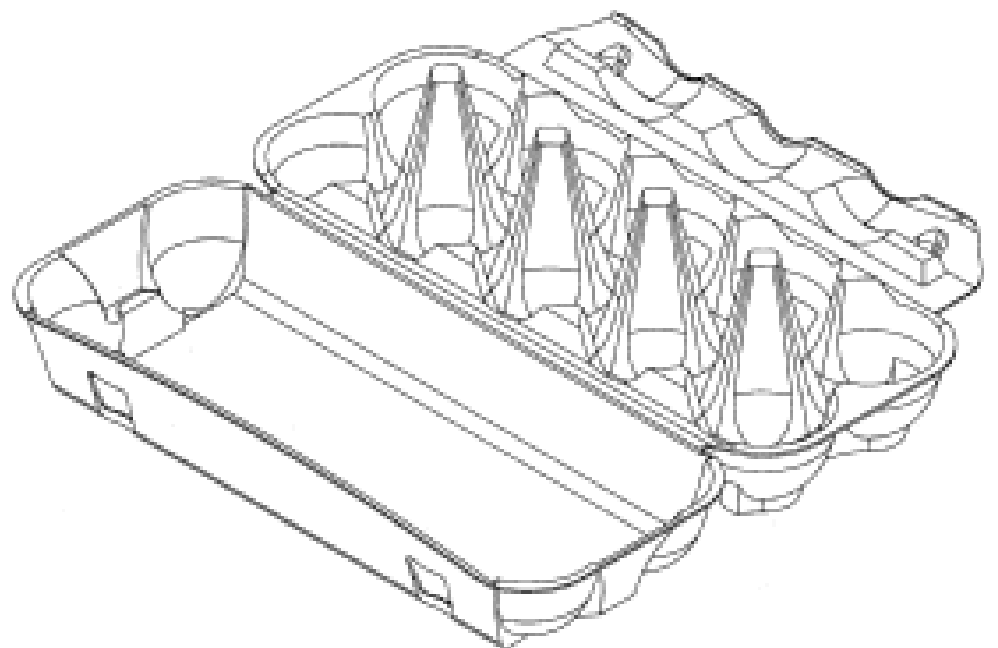
(57) Statement of Newness and Distinctiveness: **Nil**



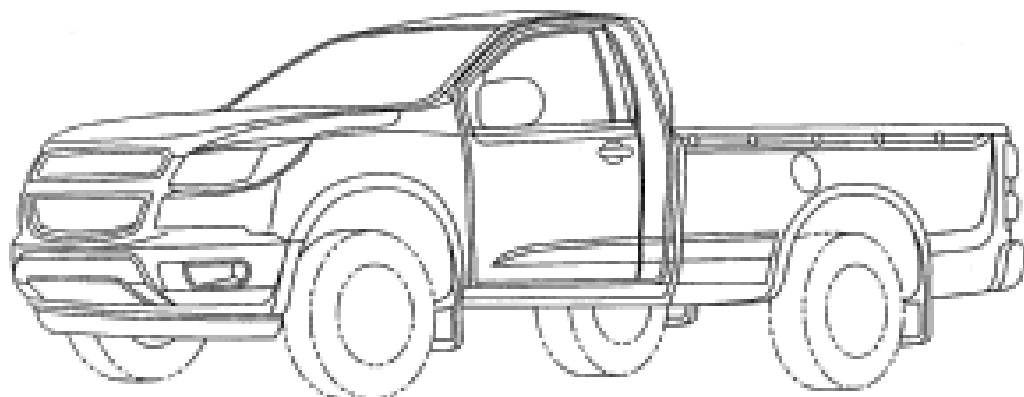
- (21) Design Number: **11841/2010**
(22) Date of Filing Application: **29 April 2010**
(24) Date from which industrial property rights may have effect: **29 April 2010**
(54) Product in respect of which the design is registered: **Egg tray**
(51) International Design Classification: **09-03D**
(71) Name(s) and Address(s) of Applicant(s):
Huhtamaki Nederland B.V.
Zuidelijke Industrieweg 3-7 JB Franeker NL-8801 Netherlands
(72) Name(s) of Designer(s): **Wijbe Dijkstra and Hendrik Freerk Kloosterman and Christian Niemarkt**
(45) Registration Date: **03 June 2010**
(62) Divisional of: **331140**
(56) Related Art Documents: **Not Applicable**
(57) Statement of Newness and Distinctiveness: **Nil**



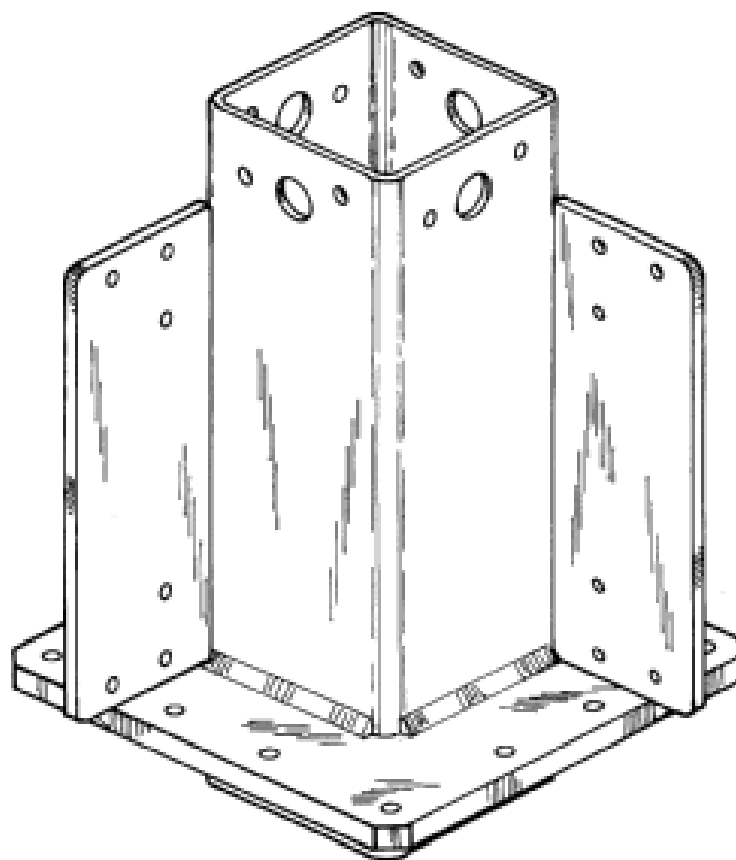
- (21) Design Number: **11842/2010**
(22) Date of Filing Application: **29 April 2010**
(24) Date from which industrial property rights may have effect: **29 April 2010**
(54) Product in respect of which the design is registered: **Egg tray**
(51) International Design Classification: **09-03D**
(71) Name(s) and Address(s) of Applicant(s):
Huhtamaki Nederland B.V.
Zuidelijke Industrieweg 3-7 JB Franeker NL-8801 Netherlands
(72) Name(s) of Designer(s): **Wijbe Dijkstra and Hendrik Freerk Kloosterman and Christian Niemarkt**
(45) Registration Date: **03 June 2010**
(62) Divisional of: **331140**
(56) Related Art Documents: **Not Applicable**
(57) Statement of Newness and Distinctiveness: **Nil**



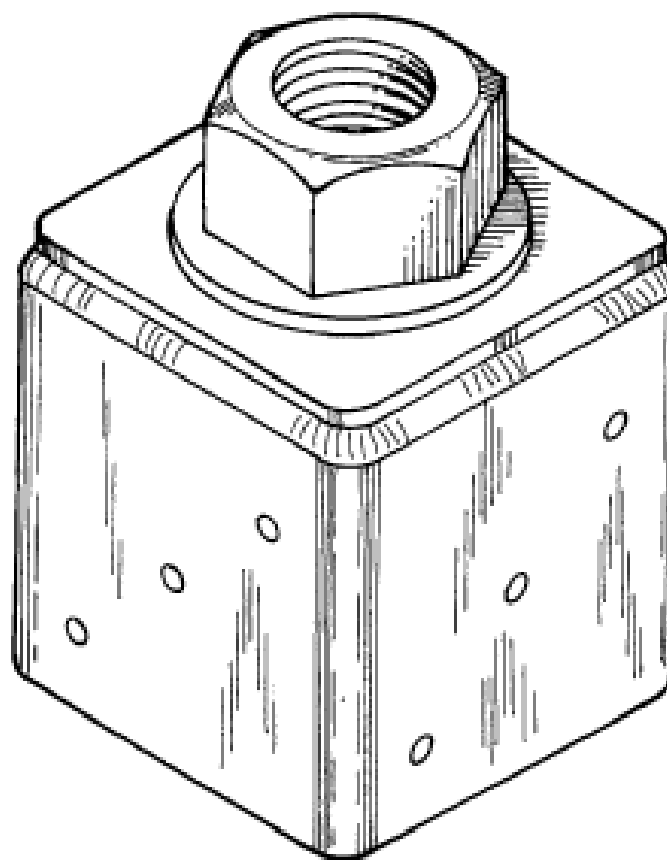
- (21) Design Number: **11822/2010**
(22) Date of Filing Application: **06 May 2010**
(24) Date from which industrial property rights may have effect: **06 May 2010**
(54) Product in respect of which the design is registered: **Vehicle body and model vehicle body**
(51) International Design Classification: **12-08, 21-01C**
(71) Name(s) and Address(s) of Applicant(s):
GM Global Technology Operations, Inc
300 Renaissance Center Detroit Michigan 48265-3000 United States of America
(72) Name(s) of Designer(s): **John H. Ware and Matthew J. Noone and Steve S. Kim and Daniel Sizuo Nozaki and Carlos M. Barba**
(45) Registration Date: **03 June 2010**
(30) Convention priority data:
(31) Number (32) Date (33) Country
29/350,749 23 Nov 2009 UNITED STATES OF AMERICA
(56) Related Art Documents: **Not Applicable**
(57) Statement of Newness and Distinctiveness: **Those features of the vehicle body and model vehicle body depicted in the representations that are new and distinctive are the shape and/or configuration. The features shown in broken lines are not part of the design and are to be disregarded when considering the overall impression of the design.**



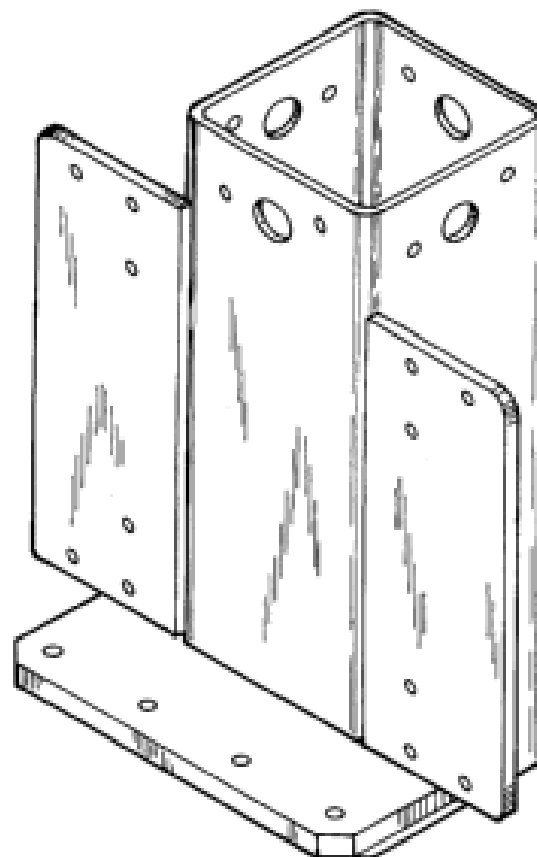
- (21) Design Number: **11823/2010**
(22) Date of Filing Application: **10 May 2010**
(24) Date from which industrial property rights may have effect: **10 May 2010**
(54) Product in respect of which the design is registered: **Post sleeve**
(51) International Design Classification: **25-02A, 25-01E**
(71) Name(s) and Address(s) of Applicant(s):
LiteSteel Products Pty Ltd
Level 40 259 George Street Sydney New South Wales 2000 Australia
(72) Name(s) of Designer(s): **Gordon Van Der Est and Brett Willcox and Hayden Dagg and Stuart Penberthy and Ross Dempsey**
(45) Registration Date: **03 June 2010**
(56) Related Art Documents: **Not Applicable**
(57) Statement of Newness and Distinctiveness: **Nil**



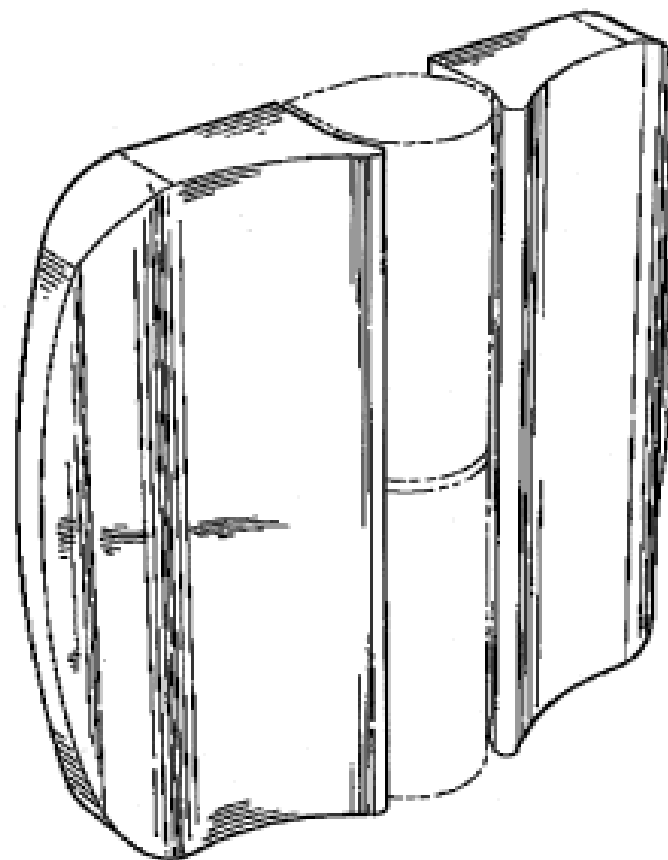
- (21) Design Number: **11824/2010**
(22) Date of Filing Application: **10 May 2010**
(24) Date from which industrial property rights may have effect: **10 May 2010**
(54) Product in respect of which the design is registered: **Female support component**
(51) International Design Classification: **08-08NES, 08-08B, 08-08L**
(71) Name(s) and Address(s) of Applicant(s):
LiteSteel Products Pty Ltd
Level 40 259 George Street Sydney New South Wales 2000 Australia
(72) Name(s) of Designer(s): **Gordon Van Der Est and Brett Willcox and Hayden Dagg and Stuart Penberthy and Ross Dempsey**
(45) Registration Date: **03 June 2010**
(56) Related Art Documents: **Not Applicable**
(57) Statement of Newness and Distinctiveness: **Nil**



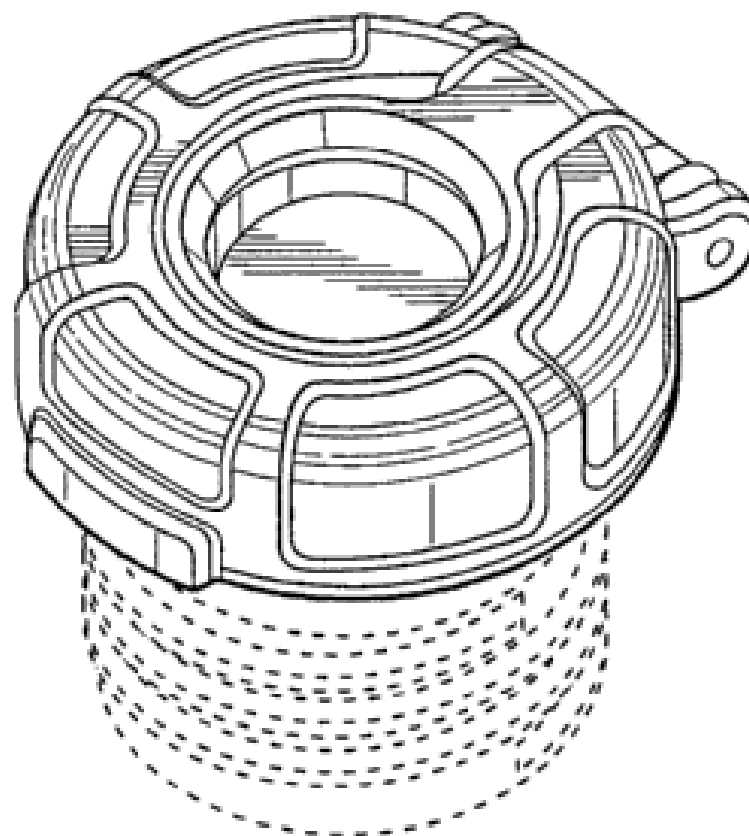
- (21) Design Number: **11825/2010**
(22) Date of Filing Application: **10 May 2010**
(24) Date from which industrial property rights may have effect: **10 May 2010**
(54) Product in respect of which the design is registered: **Post sleeve**
(51) International Design Classification: **25-02A, 25-01E**
(71) Name(s) and Address(s) of Applicant(s):
LiteSteel Products Pty Ltd
Level 40 259 George Street Sydney New South Wales 2000 Australia
(72) Name(s) of Designer(s): **Gordon Van Der Est and Brett Willcox and Hayden Dagg and Stuart Penberthy and Ross Dempsey**
(45) Registration Date: **03 June 2010**
(56) Related Art Documents: **Not Applicable**
(57) Statement of Newness and Distinctiveness: **Nil**



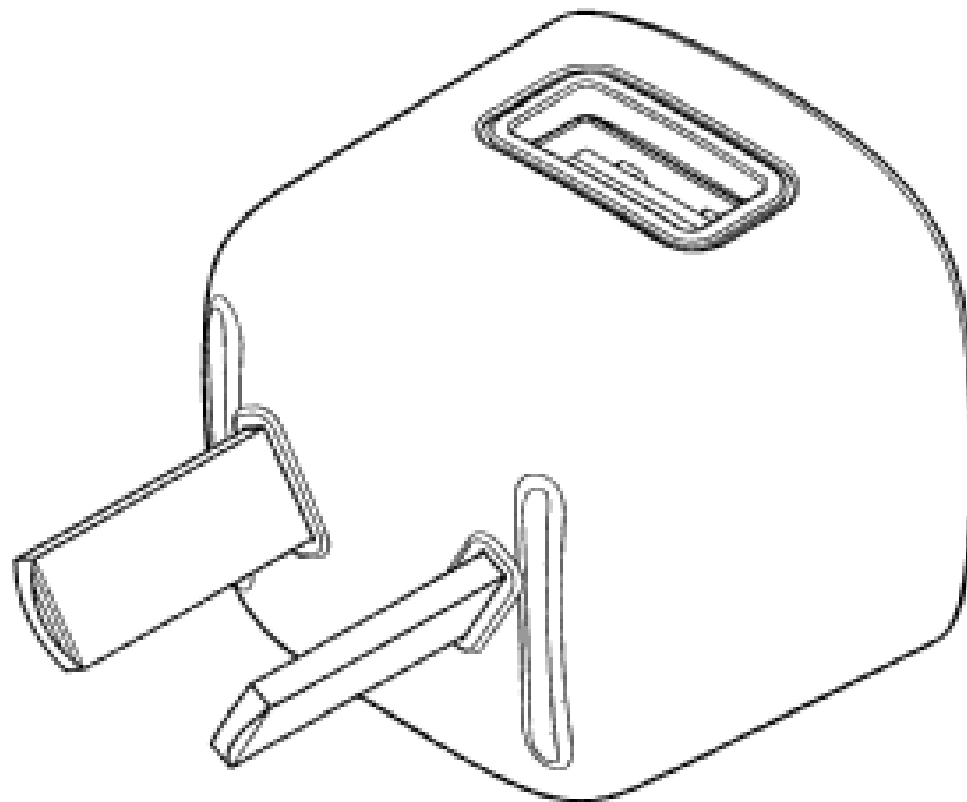
(21) Design Number: **11843/2010**
(22) Date of Filing Application: **11 May 2010**
(24) Date from which industrial property rights may have effect: **11 May 2010**
(54) Product in respect of which the design is registered: **Door bumper**
(51) International Design Classification: **08-09**
(71) Name(s) and Address(s) of Applicant(s):
Metlam Australia Pty. Limited
17 Parker Road New Gisborne Victoria 3438 Australia
(72) Name(s) of Designer(s): **Brian Bishop**
(45) Registration Date: **03 June 2010**
(56) Related Art Documents: **Not Applicable**
(57) Statement of Newness and Distinctiveness: **Nil**



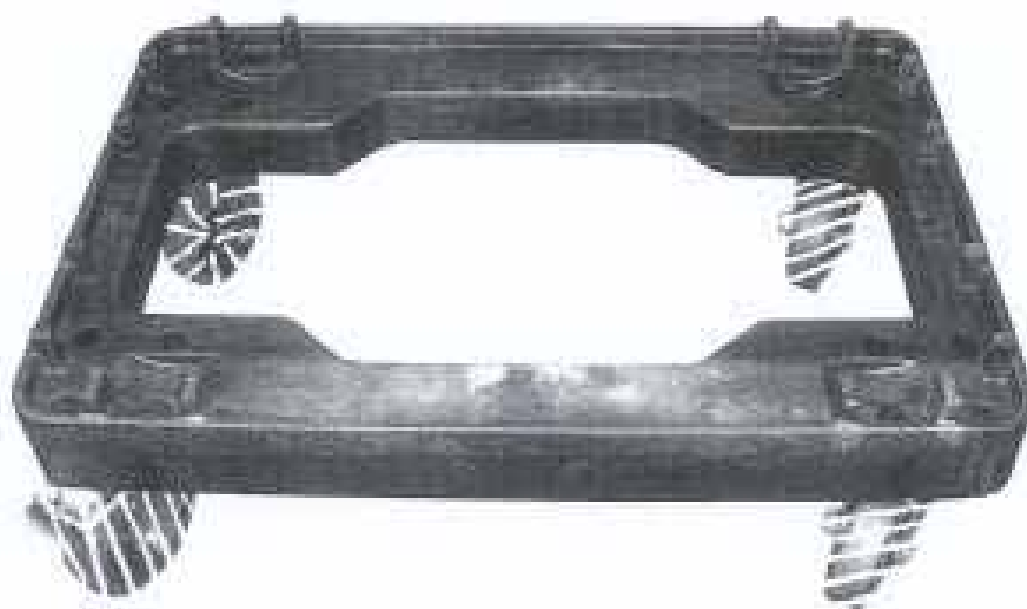
(21) Design Number: **11849/2010**
(22) Date of Filing Application: **11 May 2010**
(24) Date from which industrial property rights may have effect: **11 May 2010**
(54) Product in respect of which the design is registered: **Stopper/lid for a bottle**
(51) International Design Classification: **09-07C**
(71) Name(s) and Address(s) of Applicant(s):
Thermos L.L.C.
2550 West Golf Road Suite 800 Rolling Meadows Illinois 60008 United States of America
(72) Name(s) of Designer(s): **Marvin Lane and Dwayne Boroski and Shawn Young**
(45) Registration Date: **03 June 2010**
(30) Convention priority data:
(31) Number (32) Date (33) Country
29/355464 08 Feb 2010 UNITED STATES OF AMERICA
(56) Related Art Documents: **Not Applicable**
(57) Statement of Newness and Distinctiveness: **Newness and distinctiveness is claimed in those features of shape and/or configuration of a stopper/lid for a bottle illustrated in continuous lines in the accompanying representations.**



- (21) Design Number: **11850/2010**
(22) Date of Filing Application: **11 May 2010**
(24) Date from which industrial property rights may have effect: **11 May 2010**
(54) Product in respect of which the design is registered: **Plug**
(51) International Design Classification: **13-03D**
(71) Name(s) and Address(s) of Applicant(s):
Research In Motion Limited
295 Phillip Street Waterloo Ontario N2L 3W8 Canada
(72) Name(s) of Designer(s): **Dustin Jonathan Smith and Anders Fahrendorff and Sergei Streltsov and Todd Andrew Wood**
(45) Registration Date: **03 June 2010**
(30) Convention priority data:
(31) Number (32) Date (33) Country
29/350977 25 Nov 2009 UNITED STATES OF AMERICA
(56) Related Art Documents: **Not Applicable**
(57) Statement of Newness and Distinctiveness: **Newness and distinctiveness is claimed in the features of shape and/or configuration of a plug as illustrated in the accompanying representations.**



- (21) Design Number: **11851/2010**
(22) Date of Filing Application: **11 May 2010**
(24) Date from which industrial property rights may have effect: **11 May 2010**
(54) Product in respect of which the design is registered: **A trolley base**
(51) International Design Classification: **12-02**
(71) Name(s) and Address(s) of Applicant(s):
A Plus Plastics & Tooling Pty Ltd
4 Huntsmore Road Minto New South Wales 2566 Australia
(72) Name(s) of Designer(s): **Matthew Holloway**
(45) Registration Date: **03 June 2010**
(56) Related Art Documents: **Not Applicable**
(57) Statement of Newness and Distinctiveness: **Newness and distinctiveness is claimed in those features of shape and/or configuration of a trolley base as illustrated in continuous lines in the accompanying representations.**



(21) Design Number: **11856/2010**

(22) Date of Filing Application: **11 May 2010**

(24) Date from which industrial property rights may have effect: **11 May 2010**

(54) Product in respect of which the design is registered: **A box**

(51) International Design Classification: **09-03NES**

(71) Name(s) and Address(s) of Applicant(s):

Corcel IP Limited
c/o Level 12 KPMG Centre 85 Alexandra Street Hamilton 3204 New Zealand

(72) Name(s) of Designer(s): **Patrick Petrus Antonius Maria van Berlo**

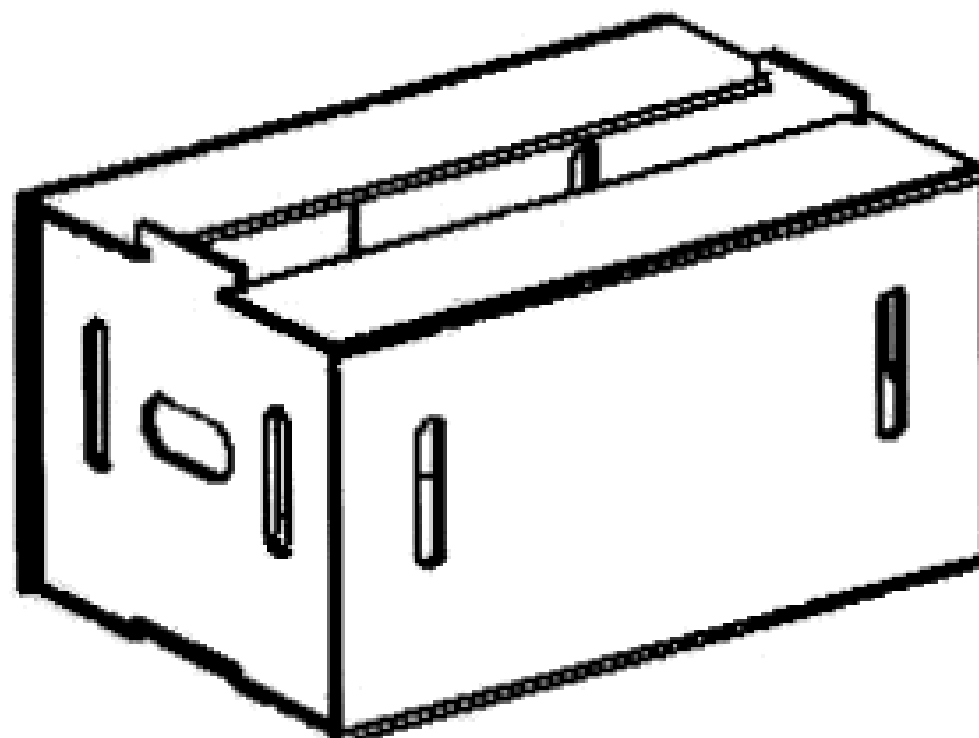
(45) Registration Date: **03 June 2010**

(30) Convention priority data:

(31) Number	(32) Date	(33) Country
412954	13 Nov 2009	NEW ZEALAND

(56) Related Art Documents: **Not Applicable**

(57) Statement of Newness and Distinctiveness: **This design is to be applied to a box and the novelty resides in the features of shape and configuration, all as shown in the accompanying representations.**



(21) Design Number: **11857/2010**

(22) Date of Filing Application: **12 May 2010**

(24) Date from which industrial property rights may have effect: **12 May 2010**

(54) Product in respect of which the design is registered: **Trailer adaptors**

(51) International Design Classification: **12-16L, 12-16NES**

(71) Name(s) and Address(s) of Applicant(s):

Dennis Gravalin
271 River Street Maclean New South Wales 2463 Australia

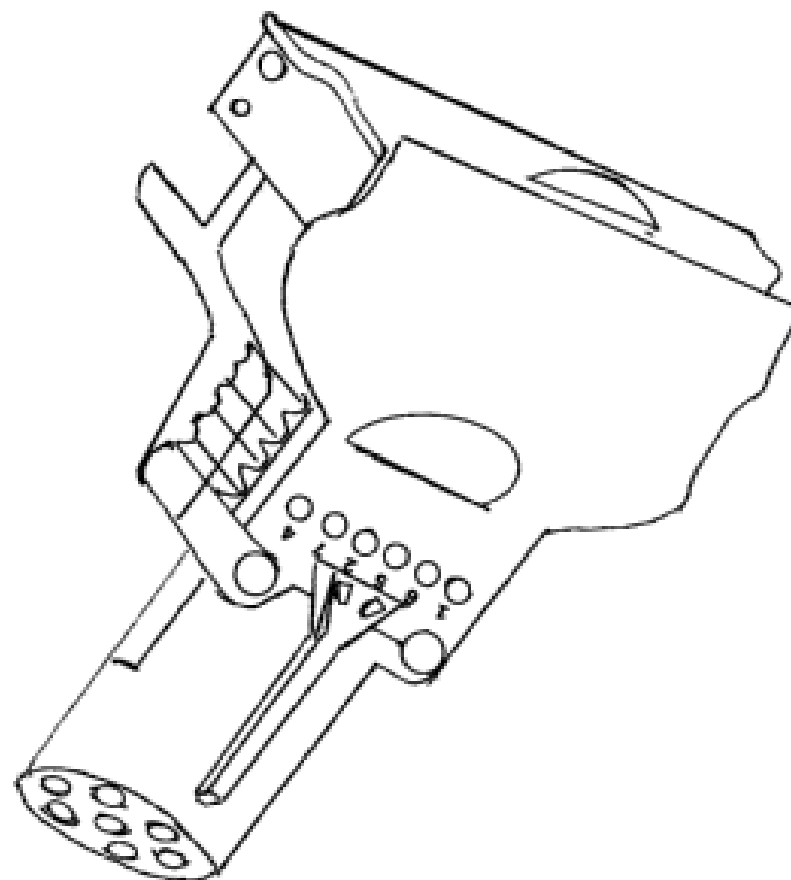
Sandra Gravalin
271 River Street Maclean New South Wales 2463 Australia

(72) Name(s) of Designer(s): **Dennis Ronald Gravalin and Sandra Lorraine Gravalin**

(45) Registration Date: **03 June 2010**

(56) Related Art Documents: **Not Applicable**

(57) Statement of Newness and Distinctiveness: **Newness and distinctiveness is claimed in the visual features of the design in the shape and configuration shown in solid lines as illustrated in the accompanying representations attached.**



- (21) Design Number: **11113/2010**
(22) Date of Filing Application: **29 March 2010**
(24) Date from which industrial property rights may have effect: **29 March 2010**
(54) Product in respect of which the design is registered: **Pill dispenser**
(51) International Design Classification: **09-03NES, 03-01NES**
(71) Name(s) and Address(s) of Applicant(s):
Bayer Schering Pharma Aktiengesellschaft
Mullerstr. 178 13353 Berlin Germany
(72) Name(s) of Designer(s): **Sabine Leifeld and Heike Ranze and Parviz Bazargani**
(45) Registration Date: **03 June 2010**
(30) Convention priority data:
(31) Number (32) Date (33) Country
001168058-0001 30 Sep 2009 EUROPEAN COMMUNITY
(56) Related Art Documents: **Not Applicable**
(57) Statement of Newness and Distinctiveness: **Newness and distinctiveness is claimed in the features of shape and configuration, and/or, pattern and ornamentation of the pill dispenser shown in the representations.**



- (21) Design Number: **12198/2010**
(22) Date of Filing Application: **29 March 2010**
(24) Date from which industrial property rights may have effect: **29 March 2010**
(54) Product in respect of which the design is registered: **Pill dispenser**
(51) International Design Classification: **03-01NES, 09-03NES**
(71) Name(s) and Address(s) of Applicant(s):
Bayer Schering Pharma Aktiengesellschaft
Mullerstr. 178 13353 Berlin Germany
(72) Name(s) of Designer(s): **Sabine Leifeld and Heike Ranze and Parviz Bazargani and Michael Wiklund**
(45) Registration Date: **03 June 2010**
(30) Convention priority data:
(31) Number (32) Date (33) Country
001168058-0001 30 Sep 2009 EUROPEAN COMMUNITY
(56) Related Art Documents: **Not Applicable**
(57) Statement of Newness and Distinctiveness: **Newness and distinctiveness is claimed in the features of shape and configuration, and/or, pattern and ornamentation of the pill dispenser shown in the representations. In considering the newness and distinctiveness, particular attention should be given to any icons/displays depicted on the display screen of the article.**



- (21) Design Number: **12199/2010**
(22) Date of Filing Application: **29 March 2010**
(24) Date from which industrial property rights may have effect: **29 March 2010**
(54) Product in respect of which the design is registered: **Pill dispenser**
(51) International Design Classification: **03-01NES, 09-03NES**
(71) Name(s) and Address(s) of Applicant(s):
Bayer Schering Pharma Aktiengesellschaft
Mullerstr. 178 13353 Berlin Germany
(72) Name(s) of Designer(s): **Sabine Leifeld and Heike Ranze and Parviz Bazargani and Michael Wiklund**
(45) Registration Date: **03 June 2010**
(30) Convention priority data:
(31) Number (32) Date (33) Country
001168058-0001 30 Sep 2009 EUROPEAN COMMUNITY
(56) Related Art Documents: **Not Applicable**
(57) Statement of Newness and Distinctiveness: **Newness and distinctiveness is claimed in the features of shape and configuration, and/or, pattern and ornamentation of the pill dispenser shown in the representations. In considering the newness and distinctiveness, particular attention should be given to any icons/displays depicted on the display screen of the article.**



- (21) Design Number: **12200/2010**
(22) Date of Filing Application: **29 March 2010**
(24) Date from which industrial property rights may have effect: **29 March 2010**
(54) Product in respect of which the design is registered: **Pill dispenser**
(51) International Design Classification: **03-01NES, 09-03NES**
(71) Name(s) and Address(s) of Applicant(s):
Bayer Schering Pharma Aktiengesellschaft
Mullerstr. 178 13353 Berlin Germany
(72) Name(s) of Designer(s): **Sabine Leifeld and Heike Ranze and Parviz Bazargani and Michael Wiklund**
(45) Registration Date: **03 June 2010**
(30) Convention priority data:
(31) Number (32) Date (33) Country
001168058-0001 30 Sep 2009 EUROPEAN COMMUNITY
(56) Related Art Documents: **Not Applicable**
(57) Statement of Newness and Distinctiveness: **Newness and distinctiveness is claimed in the features of shape and configuration, and/or, pattern and ornamentation of the pill dispenser shown in the representations. In considering the newness and distinctiveness, particular attention should be given to any icons/displays depicted on the display screen of the article.**



- (21) Design Number: **12201/2010**
(22) Date of Filing Application: **29 March 2010**
(24) Date from which industrial property rights may have effect: **29 March 2010**
(54) Product in respect of which the design is registered: **Pill dispenser**
(51) International Design Classification: **03-01NES, 09-03NES**
(71) Name(s) and Address(s) of Applicant(s):
Bayer Schering Pharma Aktiengesellschaft
Mullerstr. 178 13353 Berlin Germany
(72) Name(s) of Designer(s): **Sabine Leifeld and Heike Ranze and Parviz Bazargani and Michael Wiklund**
(45) Registration Date: **03 June 2010**
(30) Convention priority data:
(31) Number (32) Date (33) Country
001168058-0001 30 Sep 2009 EUROPEAN COMMUNITY
(56) Related Art Documents: **Not Applicable**
(57) Statement of Newness and Distinctiveness: **Newness and distinctiveness is claimed in the features of shape and configuration, and/or, pattern and ornamentation of the pill dispenser shown in the representations. In considering the newness and distinctiveness, particular attention should be given to any icons/displays depicted on the display screen of the article.**



- (21) Design Number: **12202/2010**
(22) Date of Filing Application: **29 March 2010**
(24) Date from which industrial property rights may have effect: **29 March 2010**
(54) Product in respect of which the design is registered: **Pill dispenser**
(51) International Design Classification: **03-01NES, 09-03NES**
(71) Name(s) and Address(s) of Applicant(s):
Bayer Schering Pharma Aktiengesellschaft
Mullerstr. 178 13353 Berlin Germany
(72) Name(s) of Designer(s): **Sabine Leifeld and Heike Ranze and Parviz Bazargani and Michael Wiklund**
(45) Registration Date: **03 June 2010**
(30) Convention priority data:
(31) Number (32) Date (33) Country
001168058-0001 30 Sep 2009 EUROPEAN COMMUNITY
(56) Related Art Documents: **Not Applicable**
(57) Statement of Newness and Distinctiveness: **Newness and distinctiveness is claimed in the features of shape and configuration, and/or, pattern and ornamentation of the pill dispenser shown in the representations. In considering the newness and distinctiveness, particular attention should be given to any icons/displays depicted on the display screen of the article.**



- (21) Design Number: **12203/2010**
(22) Date of Filing Application: **29 March 2010**
(24) Date from which industrial property rights may have effect: **29 March 2010**
(54) Product in respect of which the design is registered: **Pill dispenser**
(51) International Design Classification: **03-01NES, 09-03NES**
(71) Name(s) and Address(s) of Applicant(s):
Bayer Schering Pharma Aktiengesellschaft
Mullerstr. 178 13353 Berlin Germany
(72) Name(s) of Designer(s): **Sabine Leifeld and Heike Ranze and Parviz Bazargani and Michael Wiklund**
(45) Registration Date: **03 June 2010**
(30) Convention priority data:
(31) Number (32) Date (33) Country
001168058-0001 30 Sep 2009 EUROPEAN COMMUNITY
(56) Related Art Documents: **Not Applicable**
(57) Statement of Newness and Distinctiveness: **Newness and distinctiveness is claimed in the features of shape and configuration, and/or, pattern and ornamentation of the pill dispenser shown in the representations. In considering the newness and distinctiveness, particular attention should be given to any icons/displays depicted on the display screen of the article.**



- (21) Design Number: **12204/2010**
(22) Date of Filing Application: **29 March 2010**
(24) Date from which industrial property rights may have effect: **29 March 2010**
(54) Product in respect of which the design is registered: **Pill dispenser**
(51) International Design Classification: **03-01NES, 09-03NES**
(71) Name(s) and Address(s) of Applicant(s):
Bayer Schering Pharma Aktiengesellschaft
Mullerstr. 178 13353 Berlin Germany
(72) Name(s) of Designer(s): **Sabine Leifeld and Heike Ranze and Parviz Bazargani and Michael Wiklund**
(45) Registration Date: **03 June 2010**
(30) Convention priority data:
(31) Number (32) Date (33) Country
001168058-0001 30 Sep 2009 EUROPEAN COMMUNITY
(56) Related Art Documents: **Not Applicable**
(57) Statement of Newness and Distinctiveness: **Newness and distinctiveness is claimed in the features of shape and configuration, and/or, pattern and ornamentation of the pill dispenser shown in the representations. In considering the newness and distinctiveness, particular attention should be given to any icons/displays depicted on the display screen of the article.**



- (21) Design Number: **12205/2010**
(22) Date of Filing Application: **29 March 2010**
(24) Date from which industrial property rights may have effect: **29 March 2010**
(54) Product in respect of which the design is registered: **Pill dispenser**
(51) International Design Classification: **03-01NES, 09-03NES**
(71) Name(s) and Address(s) of Applicant(s):
Bayer Schering Pharma Aktiengesellschaft
Mullerstr. 178 13353 Berlin Germany
(72) Name(s) of Designer(s): **Sabine Leifeld and Heike Ranze and Parviz Bazargani and Michael Wiklund**
(45) Registration Date: **03 June 2010**
(30) Convention priority data:
(31) Number (32) Date (33) Country
001168058-0001 30 Sep 2009 EUROPEAN COMMUNITY
(56) Related Art Documents: **Not Applicable**
(57) Statement of Newness and Distinctiveness: **Newness and distinctiveness is claimed in the features of shape and configuration, and/or, pattern and ornamentation of the pill dispenser shown in the representations. In considering the newness and distinctiveness, particular attention should be given to any icons/displays depicted on the display screen of the article.**



- (21) Design Number: **12206/2010**
(22) Date of Filing Application: **29 March 2010**
(24) Date from which industrial property rights may have effect: **29 March 2010**
(54) Product in respect of which the design is registered: **Pill dispenser**
(51) International Design Classification: **03-01NES, 09-03NES**
(71) Name(s) and Address(s) of Applicant(s):
Bayer Schering Pharma Aktiengesellschaft
Mullerstr. 178 13353 Berlin Germany
(72) Name(s) of Designer(s): **Sabine Leifeld and Heike Ranze and Parviz Bazargani and Michael Wiklund**
(45) Registration Date: **03 June 2010**
(30) Convention priority data:
(31) Number (32) Date (33) Country
001168058-0001 30 Sep 2009 EUROPEAN COMMUNITY
(56) Related Art Documents: **Not Applicable**
(57) Statement of Newness and Distinctiveness: **Newness and distinctiveness is claimed in the features of shape and configuration, and/or, pattern and ornamentation of the pill dispenser shown in the representations. In considering the newness and distinctiveness, particular attention should be given to any icons/displays depicted on the display screen of the article.**



- (21) Design Number: **12207/2010**
(22) Date of Filing Application: **29 March 2010**
(24) Date from which industrial property rights may have effect: **29 March 2010**
(54) Product in respect of which the design is registered: **Pill dispenser**
(51) International Design Classification: **03-01NES, 09-03NES**
(71) Name(s) and Address(s) of Applicant(s):
Bayer Schering Pharma Aktiengesellschaft
Mullerstr. 178 13353 Berlin Germany
(72) Name(s) of Designer(s): **Sabine Leifeld and Heike Ranze and Parviz Bazargani and Michael Wiklund**
(45) Registration Date: **03 June 2010**
(30) Convention priority data:
(31) Number (32) Date (33) Country
001168058-0001 30 Sep 2009 EUROPEAN COMMUNITY
(56) Related Art Documents: **Not Applicable**
(57) Statement of Newness and Distinctiveness: **Newness and distinctiveness is claimed in the features of shape and configuration, and/or, pattern and ornamentation of the pill dispenser shown in the representations. In considering the newness and distinctiveness, particular attention should be given to any icons/displays depicted on the display screen of the article.**



- (21) Design Number: **12208/2010**
(22) Date of Filing Application: **29 March 2010**
(24) Date from which industrial property rights may have effect: **29 March 2010**
(54) Product in respect of which the design is registered: **Pill dispenser**
(51) International Design Classification: **03-01NES, 09-03NES**
(71) Name(s) and Address(s) of Applicant(s):
Bayer Schering Pharma Aktiengesellschaft
Mullerstr. 178 13353 Berlin Germany
(72) Name(s) of Designer(s): **Sabine Leifeld and Heike Ranze and Parviz Bazargani and Michael Wiklund**
(45) Registration Date: **03 June 2010**
(30) Convention priority data:
(31) Number (32) Date (33) Country
001168058-0001 30 Sep 2009 EUROPEAN COMMUNITY
(56) Related Art Documents: **Not Applicable**
(57) Statement of Newness and Distinctiveness: **Newness and distinctiveness is claimed in the features of shape and configuration, and/or, pattern and ornamentation of the pill dispenser shown in the representations. In considering the newness and distinctiveness, particular attention should be given to any icons/displays depicted on the display screen of the article.**



- (21) Design Number: **12209/2010**
(22) Date of Filing Application: **29 March 2010**
(24) Date from which industrial property rights may have effect: **29 March 2010**
(54) Product in respect of which the design is registered: **Pill dispenser**
(51) International Design Classification: **03-01NES, 09-03NES**
(71) Name(s) and Address(s) of Applicant(s):
Bayer Schering Pharma Aktiengesellschaft
Mullerstr. 178 13353 Berlin Germany
(72) Name(s) of Designer(s): **Sabine Leifeld and Heike Ranze and Parviz Bazargani and Michael Wiklund**
(45) Registration Date: **03 June 2010**
(30) Convention priority data:
(31) Number (32) Date (33) Country
001168058-0001 30 Sep 2009 EUROPEAN COMMUNITY
(56) Related Art Documents: **Not Applicable**
(57) Statement of Newness and Distinctiveness: **Newness and distinctiveness is claimed in the features of shape and configuration, and/or, pattern and ornamentation of the pill dispenser shown in the representations. In considering the newness and distinctiveness, particular attention should be given to any icons/displays depicted on the display screen of the article.**



- (21) Design Number: **14394/2009**
(22) Date of Filing Application: **11 November 2009**
(24) Date from which industrial property rights may have effect: **11 November 2009**
(54) Product in respect of which the design is registered: **Footwear**
(51) International Design Classification: **02-04NES**
(71) Name(s) and Address(s) of Applicant(s):
O & S Holdings (Vic) Pty Ltd
Cnr Prest & Humffray Streets Ballarat Victoria 3350 Australia
(72) Name(s) of Designer(s): **Andrew Oliver**
(45) Registration Date: **03 June 2010**
(56) Related Art Documents: **Not Applicable**
(57) Statement of Newness and Distinctiveness: **Those features of the footwear depicted in the representations that are new and distinctive are the shape and/or configuration. The features of the inside of the footwear are to be disregarded when considering the overall impression of the design.**



(21) Design Number: **14587/2009**

(22) Date of Filing Application: **24 November 2009**

(24) Date from which industrial property rights may have effect: **24 November 2009**

(54) Product in respect of which the design is registered: **Cooker**

(51) International Design Classification: **07-02N**

(71) Name(s) and Address(s) of Applicant(s):

Sunbeam Corporation Limited
Unit 5 & 6 13 Lord Street Botany New South Wales 2019 Australia

(72) Name(s) of Designer(s): **Phil Rose**

(45) Registration Date: **03 June 2010**

(56) Related Art Documents: **Not Applicable**

(57) Statement of Newness and Distinctiveness: **Newness and distinctiveness resides in the features of shape and/or configuration of a cooker as shown in the accompanying drawings.**



(21) Design Number: **14471/2009**

(22) Date of Filing Application: **16 November 2009**

(24) Date from which industrial property rights may have effect: **16 November 2009**

(54) Product in respect of which the design is registered: **Dress**

(51) International Design Classification: **02-02C**

(71) Name(s) and Address(s) of Applicant(s):

Forever New Clothing Pty Ltd
Ground Floor 718 High Street Kew Victoria 3101 Australia

(72) Name(s) of Designer(s): **Tristan Melle**

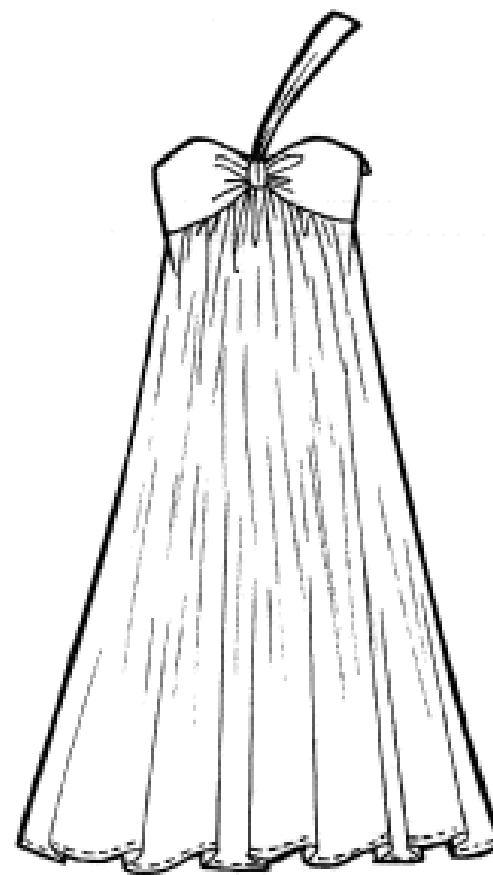
(45) Registration Date: **03 June 2010**

(56) Related Art Documents: **Not Applicable**

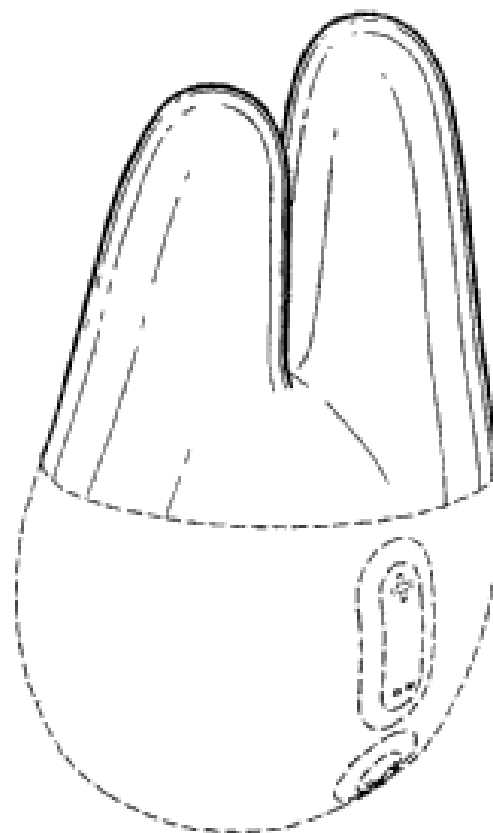
(57) Statement of Newness and Distinctiveness: **The particular visual features of the design which the applicant hereby identifies as new and distinctiveness are as follows: A dress as illustrated in the accompanying representations.**



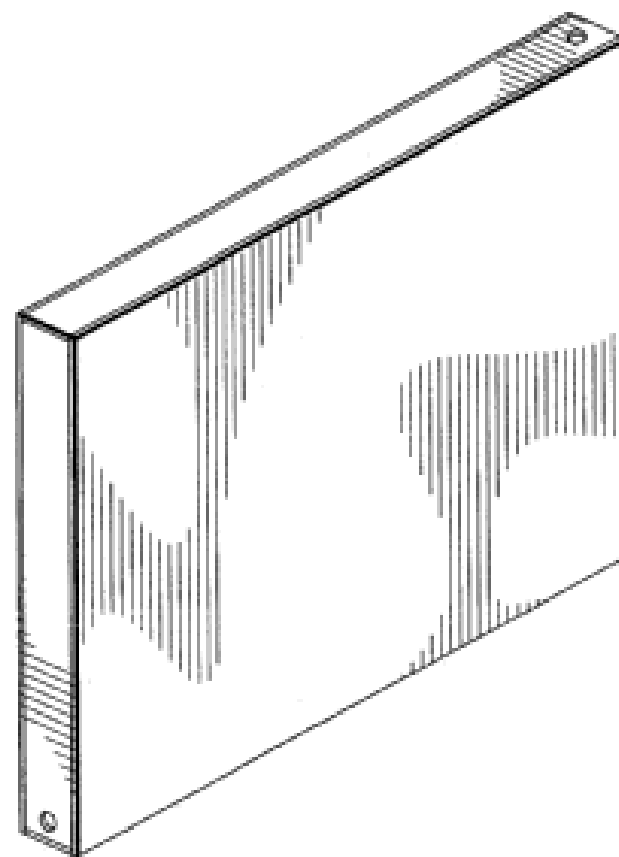
(21) Design Number: **12159/2010**
 (22) Date of Filing Application: **16 November 2009**
 (24) Date from which industrial property rights may have effect: **16 November 2009**
 (54) Product in respect of which the design is registered: **Dress**
 (51) International Design Classification: **02-02C**
 (71) Name(s) and Address(s) of Applicant(s):
Forever New Clothing Pty Ltd
Ground Floor 718 High Street Kew Victoria 3101 Australia
 (72) Name(s) of Designer(s): **Tristan Melle**
 (45) Registration Date: **03 June 2010**
 (56) Related Art Documents: **Not Applicable**
 (57) Statement of Newness and Distinctiveness: **The particular visual features of the design which the applicant hereby identifies as new and distinctiveness are as follows: A dress as illustrated in the accompanying representations.**



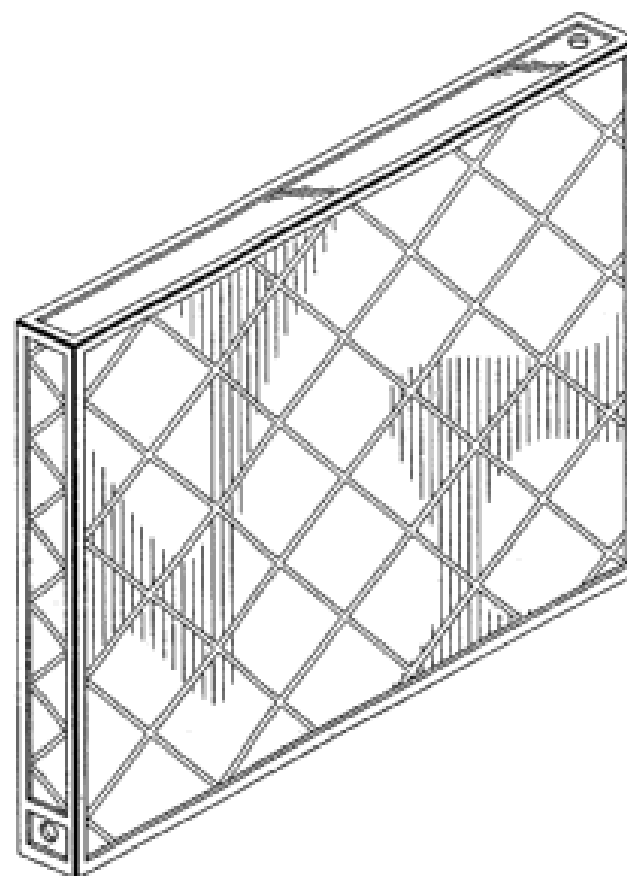
(21) Design Number: **10676/2010**
 (22) Date of Filing Application: **26 February 2010**
 (24) Date from which industrial property rights may have effect: **26 February 2010**
 (54) Product in respect of which the design is registered: **Massage device**
 (51) International Design Classification: **28-03NES**
 (71) Name(s) and Address(s) of Applicant(s):
Jimmyjane, Inc.
702 15th Street San Francisco CA 94103 United States of America
 (72) Name(s) of Designer(s): **Ethan Frederic Imboden and Jeffrey Roland Wyatt and Josh Morenstein and Yves Behar**
 (45) Registration Date: **03 June 2010**
 (30) Convention priority data:
 (31) Number (32) Date (33) Country
29/342,528 26 Aug 2009 UNITED STATES OF AMERICA
 (56) Related Art Documents: **Not Applicable**
 (57) Statement of Newness and Distinctiveness: **The shape and configuration of those parts of the design shown by means of solid lines are new and distinctive.**



- (21) Design Number: **11103/2010**
(22) Date of Filing Application: **26 March 2010**
(24) Date from which industrial property rights may have effect: **26 March 2010**
(54) Product in respect of which the design is registered: **Wine and spirits fermentation vessel**
(51) International Design Classification: **31-00**
(71) Name(s) and Address(s) of Applicant(s):
Robert H. Eustis
862 Lathrop Drive California 94305 United States Of America
(72) Name(s) of Designer(s): **Robert H. Eustis**
(45) Registration Date: **03 June 2010**
(30) Convention priority data:
(31) Number (32) Date (33) Country
29/344,386 29 Sep 2009 UNITED STATES OF AMERICA
(56) Related Art Documents: **Not Applicable**
(57) Statement of Newness and Distinctiveness: **Visual features of the design which are new and distinctive are the features of shape, configuration, pattern and ornamentation of a wine and spirits fermentation vessel as illustrated in the representations.**



- (21) Design Number: **12181/2010**
(22) Date of Filing Application: **26 March 2010**
(24) Date from which industrial property rights may have effect: **26 March 2010**
(54) Product in respect of which the design is registered: **Wine and spirits fermentation vessel**
(51) International Design Classification: **31-00**
(71) Name(s) and Address(s) of Applicant(s):
Robert H. Eustis
862 Lathrop Drive California 94305 United States Of America
(72) Name(s) of Designer(s): **Robert H. Eustis**
(45) Registration Date: **03 June 2010**
(30) Convention priority data:
(31) Number (32) Date (33) Country
29/334,386 29 Sep 2009 UNITED STATES OF AMERICA
(56) Related Art Documents: **Not Applicable**
(57) Statement of Newness and Distinctiveness: **Visual features of the design which are new and distinctive are the features of shape, configuration, pattern and ornamentation of a wine and spirits fermentation vessel as illustrated in the representations.**



(21) Design Number: **11262/2010**

(22) Date of Filing Application: **09 April 2010**

(24) Date from which industrial property rights may have effect: **09 April 2010**

(54) Product in respect of which the design is registered: **Scaffolding module frame**

(51) International Design Classification: **25-04**

(71) Name(s) and Address(s) of Applicant(s):

John Clement Preston

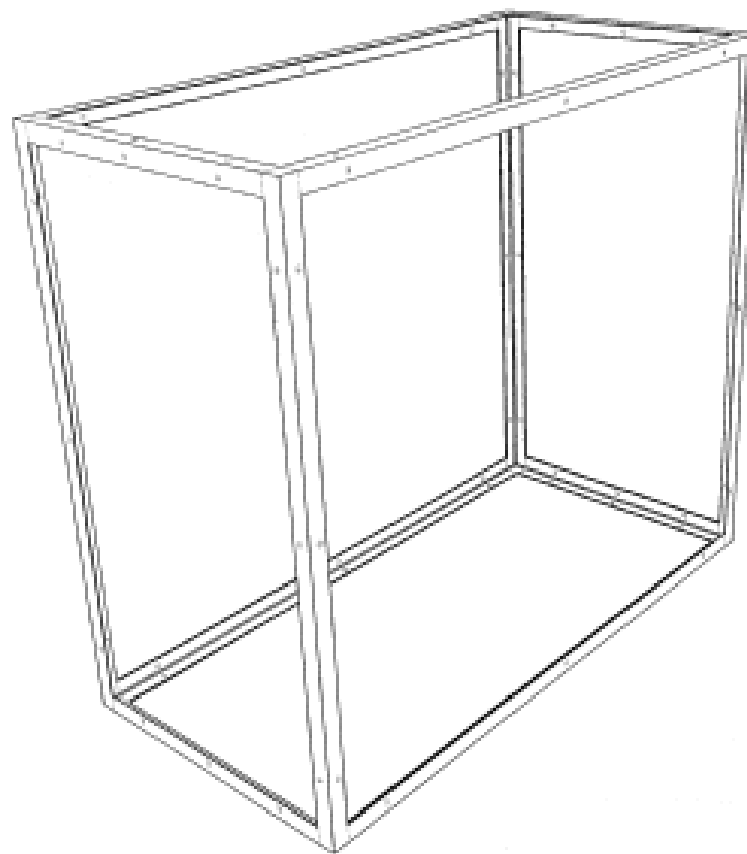
196 Silverwater Road Silverwater New South Wales 2128 Australia

(72) Name(s) of Designer(s): **John Clement Preston**

(45) Registration Date: **03 June 2010**

(56) Related Art Documents: **Not Applicable**

(57) Statement of Newness and Distinctiveness: **Newness and distinctiveness resides in the visual features of the scaffolding module frame shown in solid outline in figures 1 to 8. When determining whether the design is substantially similar in overall impression to another design no regard is to be had to those features shown in broken lines (which appear as lighter shade) in figures 1 to 8.**



(21) Design Number: **11263/2010**

(22) Date of Filing Application: **09 April 2010**

(24) Date from which industrial property rights may have effect: **09 April 2010**

(54) Product in respect of which the design is registered: **Scaffolding module**

(51) International Design Classification: **25-04**

(71) Name(s) and Address(s) of Applicant(s):

John Clement Preston

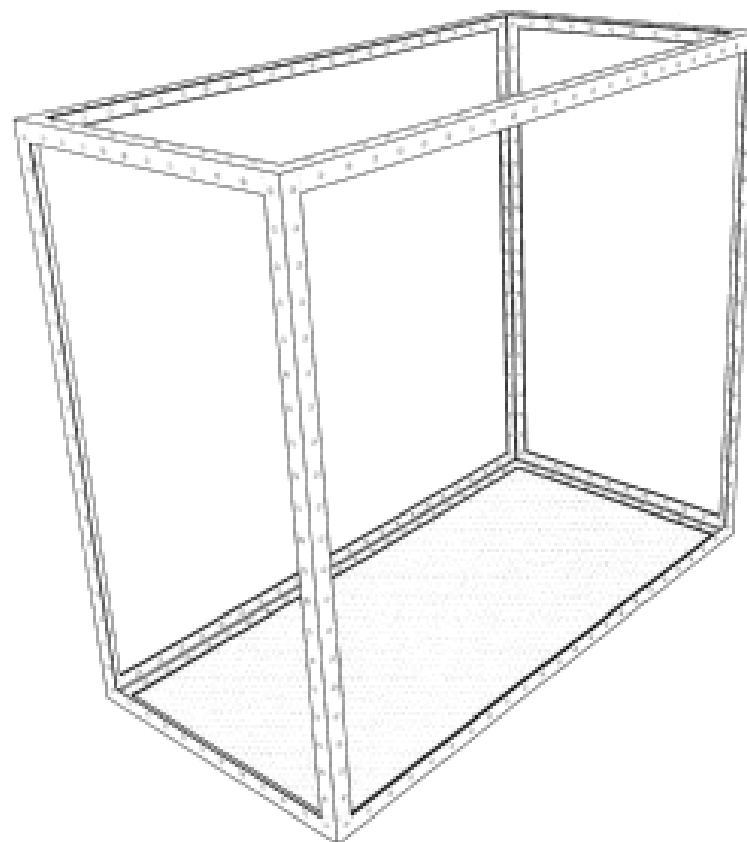
196 Silverwater Road Silverwater New South Wales 2128 Australia

(72) Name(s) of Designer(s): **John Clement Preston**

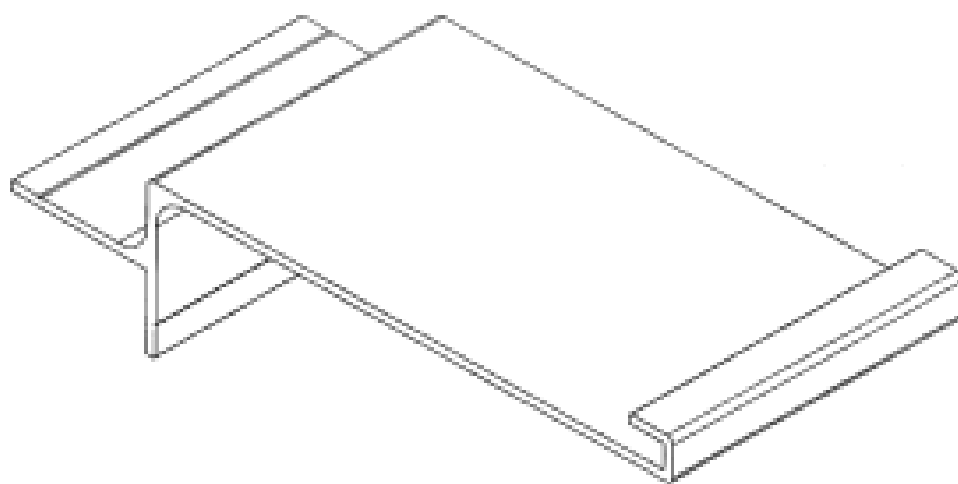
(45) Registration Date: **03 June 2010**

(56) Related Art Documents: **Not Applicable**

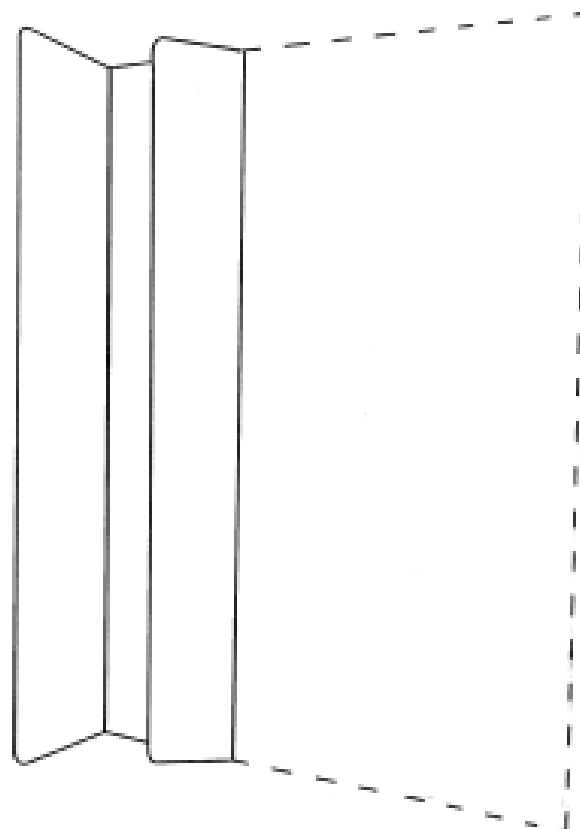
(57) Statement of Newness and Distinctiveness: **Newness and distinctiveness resides in the visual features of the scaffolding module shown in solid outline in figures 9 to 21. When determining whether the design is substantially similar in overall impression to another design no regard is to be had to those features shown in broken lines (which appear lighter as shade) in figures 9 to 21.**



- (21) Design Number: **11285/2010**
- (22) Date of Filing Application: **12 April 2010**
- (24) Date from which industrial property rights may have effect: **12 April 2010**
- (54) Product in respect of which the design is registered: **A bracket**
- (51) International Design Classification: **08-08L**
- (71) Name(s) and Address(s) of Applicant(s):
Stratco (Australia) Pty Limited
125 Cavan Road Gepps Cross South Australia 5094 Australia
- (72) Name(s) of Designer(s): **Michael Robert Farr**
- (45) Registration Date: **03 June 2010**
- (56) Related Art Documents: **Not Applicable**
- (57) Statement of Newness and Distinctiveness: **Newness and distinctiveness is claimed in the shape and configuration of the locating portion of the bracket that is used to locate the bracket on a batten. As circled in the representations and marked "A", the locating portion includes a first planar portion and a second planar portion extending substantially at right angles to one another.**



- (21) Design Number: **11154/2010**
- (22) Date of Filing Application: **31 March 2010**
- (24) Date from which industrial property rights may have effect: **31 March 2010**
- (54) Product in respect of which the design is registered: **Folder**
- (51) International Design Classification: **19-04**
- (71) Name(s) and Address(s) of Applicant(s):
Acco Australia Pty Ltd
The Lakes Business Park Level 2 8 Lord Street Botany New South Wales 2019 Australia
- (72) Name(s) of Designer(s): **Wayne Abrahamse**
- (45) Registration Date: **03 June 2010**
- (56) Related Art Documents: **Not Applicable**
- (57) Statement of Newness and Distinctiveness: **Newness and distinctiveness resides in the visual features, including shape, configuration, pattern and ornamentation, of the closable/openable flap configuration of the folder as shown in solid outline in the accompanying drawings. When determining whether the folder design is substantially similar in overall impression to another design, no particular regard is to be had to those features shown in dotted outline in the accompanying drawings.**



- (21) Design Number: **11564/2010**
(22) Date of Filing Application: **16 April 2010**
(24) Date from which industrial property rights may have effect: **16 April 2010**
(54) Product in respect of which the design is registered: **Air vent face plate**
(51) International Design Classification: **25-02G**
(71) Name(s) and Address(s) of Applicant(s):
Neville Schot
30 Fermanagh Road Camberwell Victoria 3124 Australia
(72) Name(s) of Designer(s): **Neville Schot**
(45) Registration Date: **03 June 2010**
(56) Related Art Documents: **Not Applicable**
(57) Statement of Newness and Distinctiveness: **Monoply is claimed in the features of pattern or ornamentation of air vent as illustrated in the attached presentation.**



- (21) Design Number: **11573/2010**
(22) Date of Filing Application: **23 April 2010**
(24) Date from which industrial property rights may have effect: **23 April 2010**
(54) Product in respect of which the design is registered: **Dress**
(51) International Design Classification: **02-02C**
(71) Name(s) and Address(s) of Applicant(s):
Chic Collections Pty Ltd
356 Military Road Cremorne New South Wales 2090 Australia
(72) Name(s) of Designer(s): **Rainy ziwei Qiu**
(45) Registration Date: **03 June 2010**
(56) Related Art Documents: **Not Applicable**
(57) Statement of Newness and Distinctiveness: **One shoulder dress with detail on strap and layer on left side of skirt.**



(21) Design Number: **11574/2010**

(22) Date of Filing Application: **23 April 2010**

(24) Date from which industrial property rights may have effect: **23 April 2010**

(54) Product in respect of which the design is registered: **Evening dress**

(51) International Design Classification: **02-02C**

(71) Name(s) and Address(s) of Applicant(s):

Chic Collections Pty Ltd
356 Military Road Cremorne New South Wales 2090 Australia

(72) Name(s) of Designer(s): **Rainy ziwei Qiu**

(45) Registration Date: **03 June 2010**

(56) Related Art Documents: **Not Applicable**

(57) Statement of Newness and Distinctiveness: **One shoulder with organza and chiffon flower detail.**



(21) Design Number: **11575/2010**

(22) Date of Filing Application: **23 April 2010**

(24) Date from which industrial property rights may have effect: **23 April 2010**

(54) Product in respect of which the design is registered: **Evening dress**

(51) International Design Classification: **02-02C**

(71) Name(s) and Address(s) of Applicant(s):

Chic Collections Pty Ltd
356 Military Road Cremorne New South Wales 2090 Australia

(72) Name(s) of Designer(s): **Rainy ziwei Qiu**

(45) Registration Date: **03 June 2010**

(56) Related Art Documents: **Not Applicable**

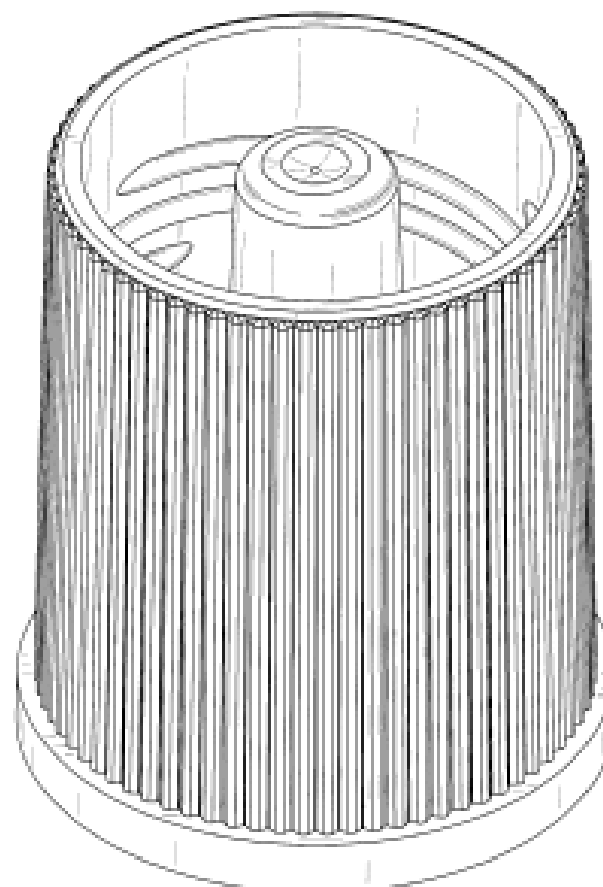
(57) Statement of Newness and Distinctiveness: **One shoulder with ruffle strap and layers skirt.**



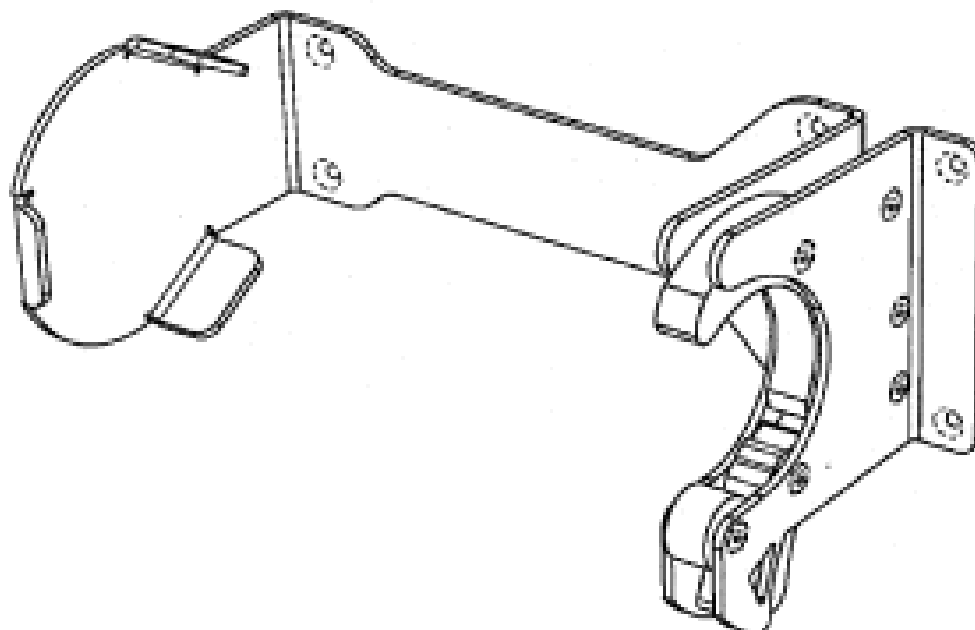
- (21) Design Number: **11576/2010**
(22) Date of Filing Application: **23 April 2010**
(24) Date from which industrial property rights may have effect: **23 April 2010**
(54) Product in respect of which the design is registered: **Evening dress**
(51) International Design Classification: **02-02C**
(71) Name(s) and Address(s) of Applicant(s):
Chic Collections Pty Ltd
356 Military Road Cremorne New South Wales 2090 Australia
(72) Name(s) of Designer(s): **Rainy ziwei Qiu**
(45) Registration Date: **03 June 2010**
(56) Related Art Documents: **Not Applicable**
(57) Statement of Newness and Distinctiveness: **One shoulder dress with twist strap and pleated detail on bust.**



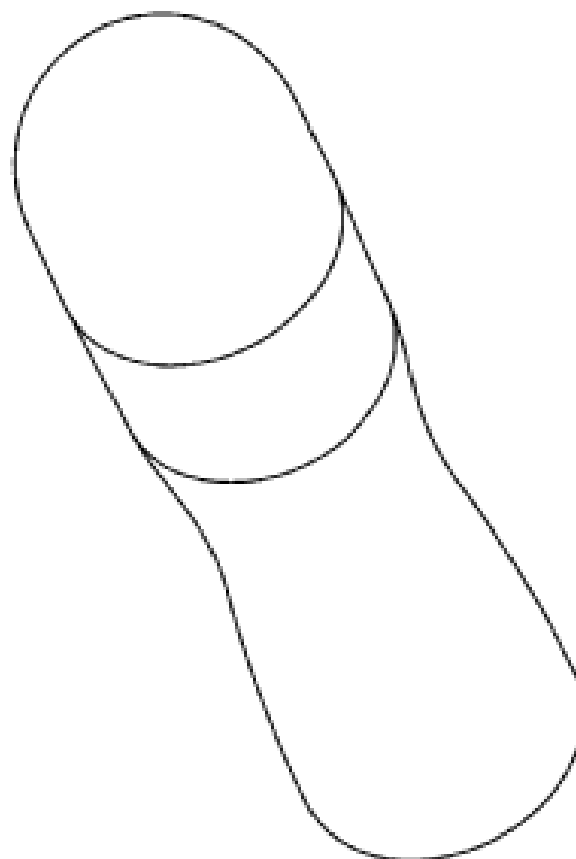
- (21) Design Number: **10643/2010**
(22) Date of Filing Application: **26 February 2010**
(24) Date from which industrial property rights may have effect: **26 February 2010**
(54) Product in respect of which the design is registered: **Double-ended closure**
(51) International Design Classification: **09-07NES, 08-08B**
(71) Name(s) and Address(s) of Applicant(s):
DNA Genotek Inc.
2 Beaverbrook Road Kanata Ontario K2K 1L1 Canada
(72) Name(s) of Designer(s): **Michael Beach and Luc Boucher**
(45) Registration Date: **04 June 2010**
(30) Convention priority data:
(31) Number (32) Date (33) Country
29/342799 01 Sep 2009 UNITED STATES OF AMERICA
(56) Related Art Documents: **Not Applicable**
(57) Statement of Newness and Distinctiveness: **Newness and distinctiveness reside in the shape and/or configuration of a double-ended closure illustrated by solid lines in the accompanying representations. The features shown in discontinuous lines or in broken outline are for illustrative purposes only and form no part of the design.**



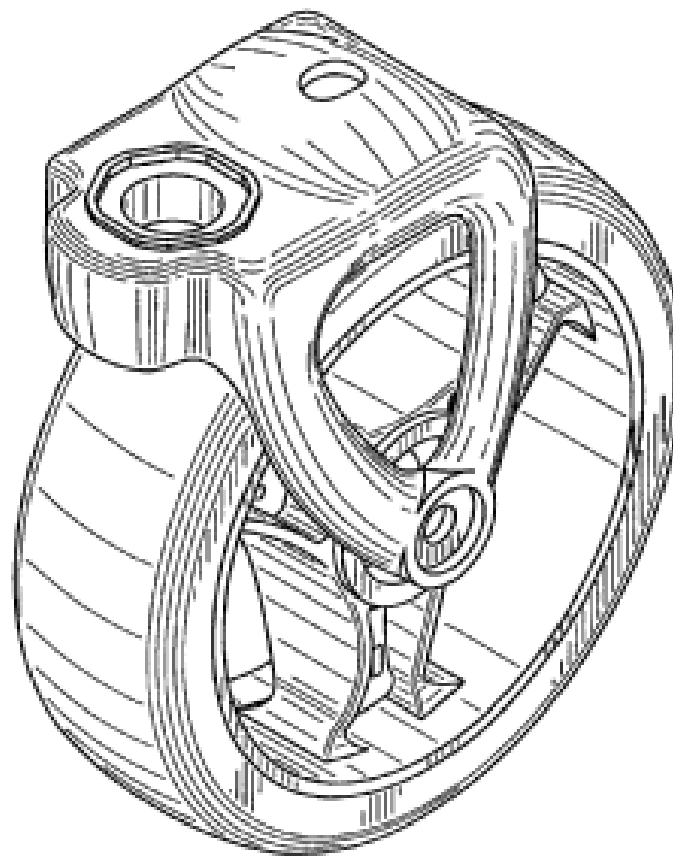
- (21) Design Number: **11873/2010**
(22) Date of Filing Application: **12 May 2010**
(24) Date from which industrial property rights may have effect: **12 May 2010**
(54) Product in respect of which the design is registered: **A clamp**
(51) International Design Classification: **08-08D**
(71) Name(s) and Address(s) of Applicant(s):
JJ Fraser Engineering Limited
18 Peterkin Street Wingate Lower Hutt New Zealand
(72) Name(s) of Designer(s): **Martin Simpson and John James Fraser and Nathan Marchant and Clinton Matthews**
(45) Registration Date: **04 June 2010**
(56) Related Art Documents: **Not Applicable**
(57) Statement of Newness and Distinctiveness: **Newness and distinctiveness reside in the features of shape and/or configuration of the clamp as shown in the representations. Newness and distinctiveness are not claimed for the features shown in broken lines, which are shown for illustrative purposes only.**



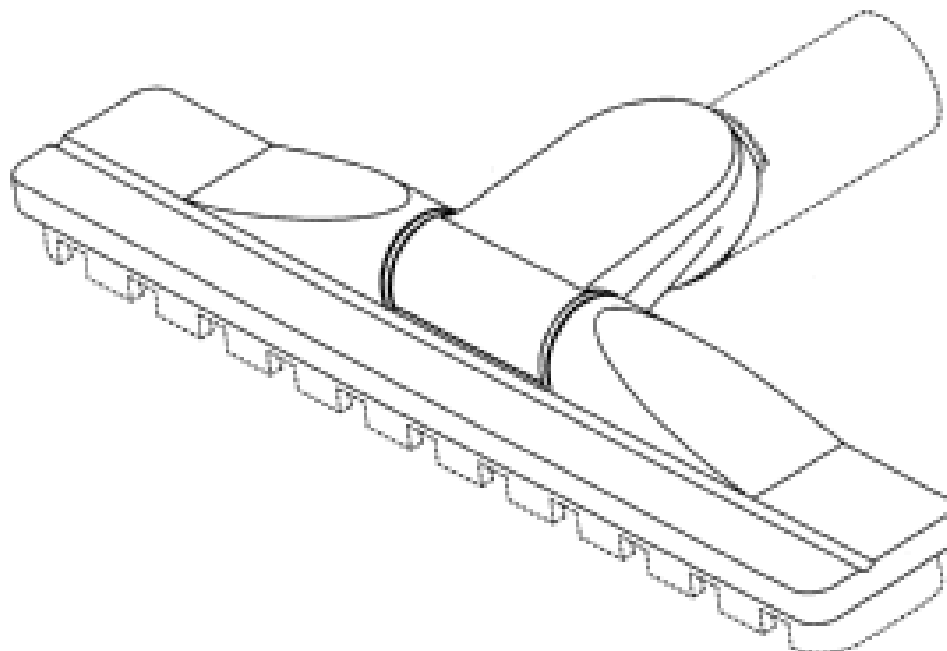
- (21) Design Number: **11876/2010**
(22) Date of Filing Application: **12 May 2010**
(24) Date from which industrial property rights may have effect: **12 May 2010**
(54) Product in respect of which the design is registered: **Container**
(51) International Design Classification: **24-01**
(71) Name(s) and Address(s) of Applicant(s):
LRC Products Limited
35 New Bridge Street London EC4V 6BW United Kingdom
(72) Name(s) of Designer(s): **John David Lamb and Mark Watson and Martin Christopher Bunce**
(45) Registration Date: **04 June 2010**
(30) Convention priority data:
(31) Number (32) Date (33) Country
001179550-0001 13 Nov 2009 EUROPEAN COMMUNITY
(56) Related Art Documents: **Not Applicable**
(57) Statement of Newness and Distinctiveness: **Nil**



(21) Design Number: **11877/2010**
(22) Date of Filing Application: **12 May 2010**
(24) Date from which industrial property rights may have effect: **12 May 2010**
(54) Product in respect of which the design is registered: **Castor and castor wheel**
(51) International Design Classification: **06-06C**
(71) Name(s) and Address(s) of Applicant(s):
Ferno-Washington Inc.
70 Weil Way Wilmington OH 45177-9371 United States of America
(72) Name(s) of Designer(s): **Brian Michael Magill and Kemal Burc Oz**
(45) Registration Date: **04 June 2010**
(30) Convention priority data:
(31) Number (32) Date (33) Country
29/350,286 13 Nov 2009 UNITED STATES OF AMERICA
(56) Related Art Documents: **Not Applicable**
(57) Statement of Newness and Distinctiveness: **Nil**



(21) Design Number: **11879/2010**
(22) Date of Filing Application: **12 May 2010**
(24) Date from which industrial property rights may have effect: **12 May 2010**
(54) Product in respect of which the design is registered: **Floor tool for a vacuum cleaner**
(51) International Design Classification: **15-05**
(71) Name(s) and Address(s) of Applicant(s):
Dyson Limited
Tetbury Hill Malmesbury Wiltshire SN16 0RP United Kingdom
(72) Name(s) of Designer(s): **Giles Ashbee and Stephen Robert Dimbylow and Peter David Gammack and James Dyson**
(45) Registration Date: **04 June 2010**
(30) Convention priority data:
(31) Number (32) Date (33) Country
4013354 20 Nov 2009 UNITED KINGDOM
(56) Related Art Documents: **Not Applicable**
(57) Statement of Newness and Distinctiveness: **Newness and distinctiveness resides in the features of shape and configuration as shown in solid lines in the accompanying representations of a floor tool for a vacuum cleaner.**



(21) Design Number: **11881/2010**

(22) Date of Filing Application: **12 May 2010**

(24) Date from which industrial property rights may have effect: **12 May 2010**

(54) Product in respect of which the design is registered: **Cooking apparatus**

(51) International Design Classification: **07-02E**

(71) Name(s) and Address(s) of Applicant(s):

**Foshan Shunde Everteam Industrial Co. Ltd
No. 27 East Rongqi Dadao Ronggui Shunde District Foshan City
Guangdong Province China**

(72) Name(s) of Designer(s): **Zhiqiang Liang**

(45) Registration Date: **04 June 2010**

(30) Convention priority data:

(31) Number	(32) Date	(33) Country
201030102940.4	27 Jan 2010	CHINA

(56) Related Art Documents: **Not Applicable**

(57) Statement of Newness and Distinctiveness: **The newness and distinctiveness is claimed in the feature of the shape and/or configuration of a cooking apparatus as illustrated in the accompanying representations.**



(21) Design Number: **11882/2010**

(22) Date of Filing Application: **12 May 2010**

(24) Date from which industrial property rights may have effect: **12 May 2010**

(54) Product in respect of which the design is registered: **Cooking apparatus**

(51) International Design Classification: **07-02E**

(71) Name(s) and Address(s) of Applicant(s):

**Foshan Shunde Everteam Industrial Co. Ltd
No. 27 East Rongqi Dadao Ronggui Shunde District Foshan City
Guangdong Province China**

(72) Name(s) of Designer(s): **Zhiqiang Liang**

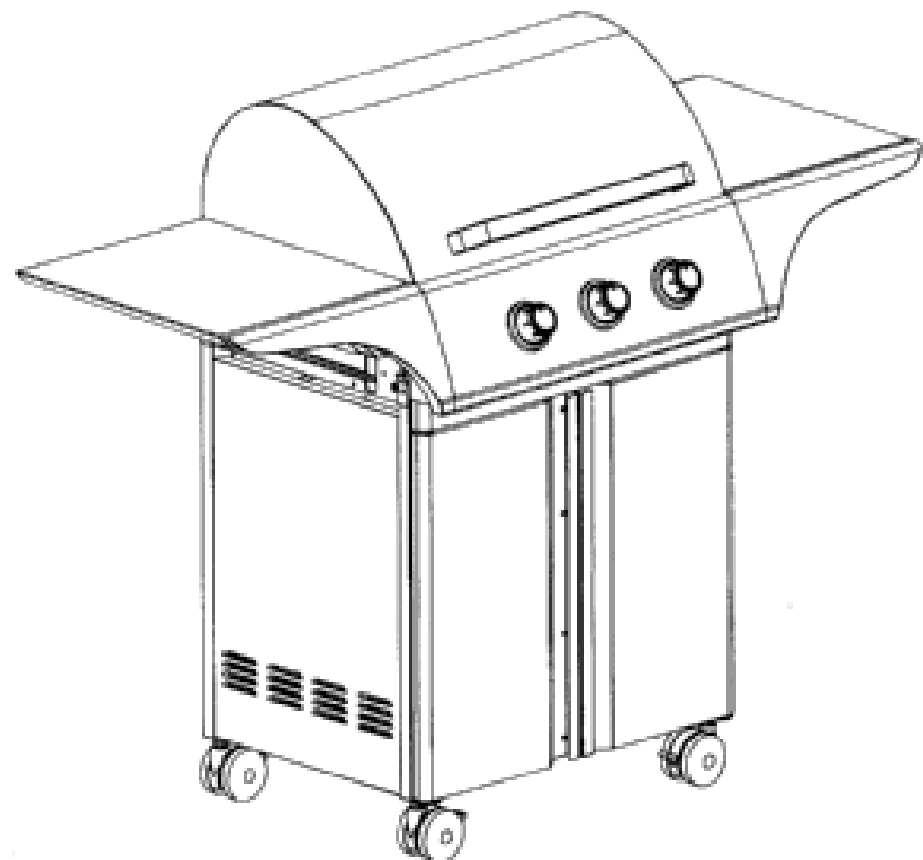
(45) Registration Date: **04 June 2010**

(30) Convention priority data:

(31) Number	(32) Date	(33) Country
201030102940.4	27 Jan 2010	CHINA

(56) Related Art Documents: **Not Applicable**

(57) Statement of Newness and Distinctiveness: **The newness and distinctiveness is claimed in the feature of the shape and/or configuration of a cooking apparatus as illustrated in the accompanying representations.**



(21) Design Number: **11883/2010**

(22) Date of Filing Application: **12 May 2010**

(24) Date from which industrial property rights may have effect: **12 May 2010**

(54) Product in respect of which the design is registered: **Cooking apparatus**

(51) International Design Classification: **07-02E**

(71) Name(s) and Address(s) of Applicant(s):

**Foshan Shunde Everteam Industrial Co. Ltd
No. 27 East Rongqi Dadao Ronggui Shunde District Foshan City
Guangdong Province China**

(72) Name(s) of Designer(s): **Zhiqiang Liang**

(45) Registration Date: **04 June 2010**

(30) Convention priority data:

(31) Number	(32) Date	(33) Country
201030103714.8	25 Jan 2010	CHINA

(56) Related Art Documents: **Not Applicable**

(57) Statement of Newness and Distinctiveness: **The newness and distinctiveness is claimed in the feature of the shape and/or configuration of a cooking apparatus as illustrated in the accompanying representations.**



(21) Design Number: **11884/2010**

(22) Date of Filing Application: **12 May 2010**

(24) Date from which industrial property rights may have effect: **12 May 2010**

(54) Product in respect of which the design is registered: **Cooking apparatus**

(51) International Design Classification: **07-02E**

(71) Name(s) and Address(s) of Applicant(s):

**Foshan Shunde Everteam Industrial Co. Ltd
No. 27 East Rongqi Dadao Ronggui Shunde District Foshan City
Guangdong Province China**

(72) Name(s) of Designer(s): **Zhiqiang Liang**

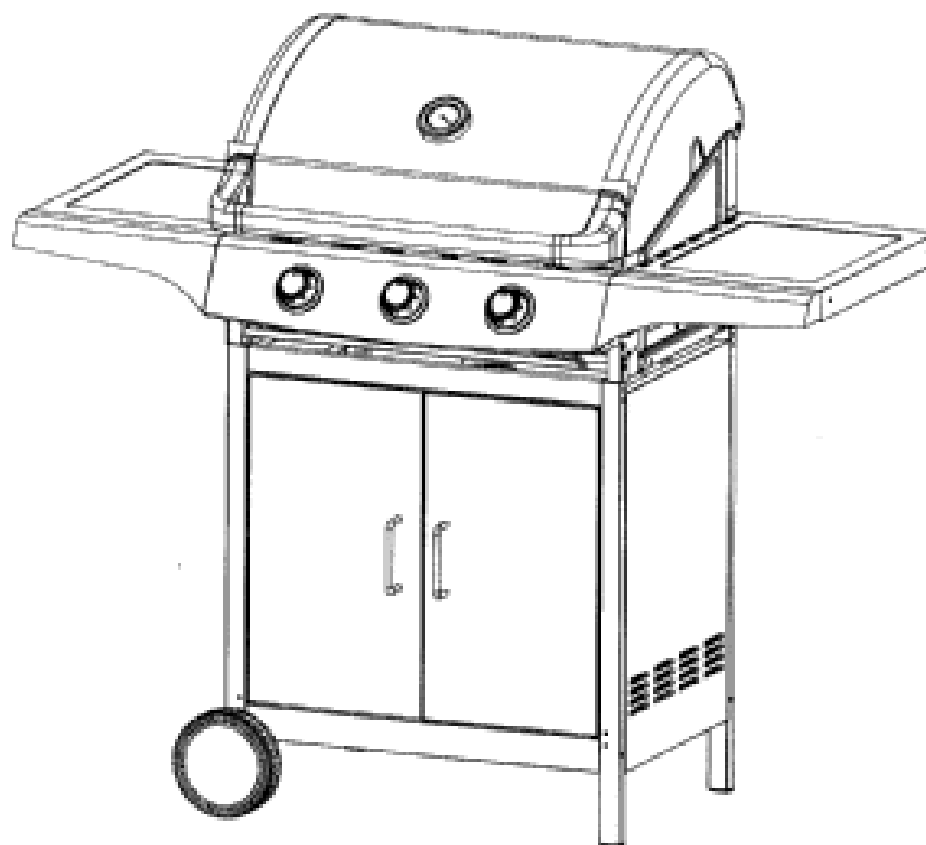
(45) Registration Date: **04 June 2010**

(30) Convention priority data:

(31) Number	(32) Date	(33) Country
201030103714.8	25 Jan 2010	CHINA

(56) Related Art Documents: **Not Applicable**

(57) Statement of Newness and Distinctiveness: **The newness and distinctiveness is claimed in the feature of the shape and/or configuration of a cooking apparatus as illustrated in the accompanying representations.**



(21) Design Number: **11885/2010**

(22) Date of Filing Application: **12 May 2010**

(24) Date from which industrial property rights may have effect: **12 May 2010**

(54) Product in respect of which the design is registered: **Cooking apparatus**

(51) International Design Classification: **07-02E**

(71) Name(s) and Address(s) of Applicant(s):

**Foshan Shunde Everteam Industrial Co. Ltd
No. 27 East Rongqi Dadao Ronggui Shunde District Foshan City
Guangdong Province China**

(72) Name(s) of Designer(s): **Zhiqiang Liang**

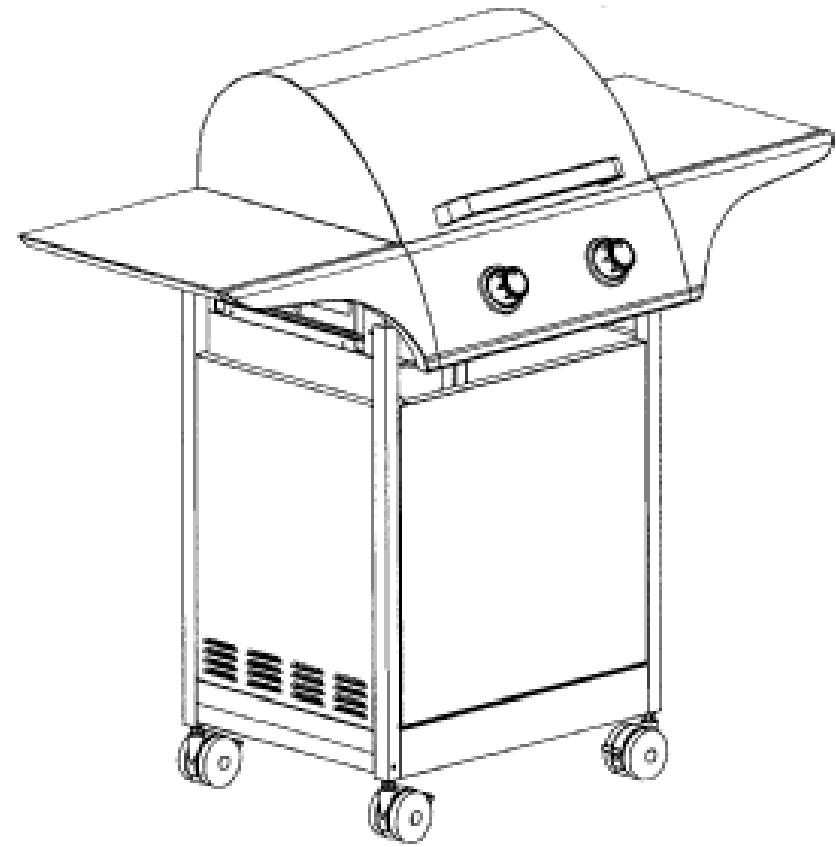
(45) Registration Date: **04 June 2010**

(30) Convention priority data:

(31) Number	(32) Date	(33) Country
201030102940.4	27 Jan 2010	CHINA

(56) Related Art Documents: **Not Applicable**

(57) Statement of Newness and Distinctiveness: **The newness and distinctiveness is claimed in the feature of the shape and/or configuration of a cooking apparatus as illustrated in the accompanying representations.**



(21) Design Number: **11031/2010**

(22) Date of Filing Application: **24 March 2010**

(24) Date from which industrial property rights may have effect: **24 March 2010**

(54) Product in respect of which the design is registered: **Hinge**

(51) International Design Classification: **08-06**

(71) Name(s) and Address(s) of Applicant(s):

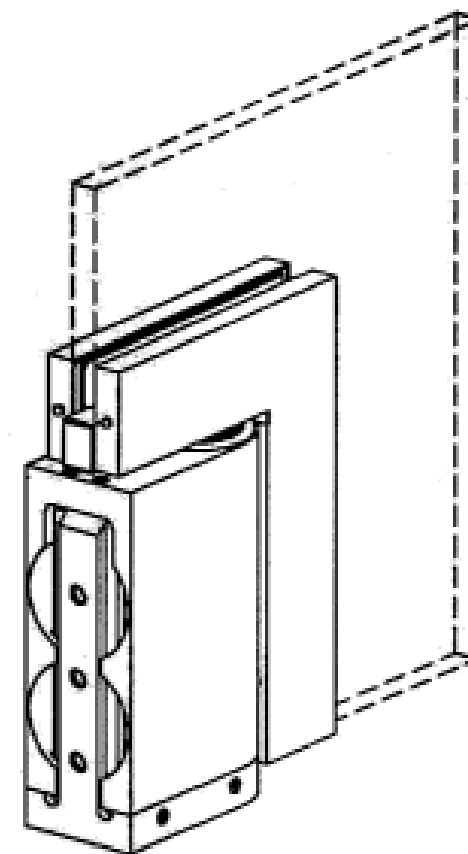
**Chow Chung
Unit 3 3rd Floor Block A Po Lung Centre 11 Wang Chui Road Kowloon
Bay Kowloon Hong Kong**

(72) Name(s) of Designer(s): **Chow Chung**

(45) Registration Date: **04 June 2010**

(56) Related Art Documents: **Not Applicable**

(57) Statement of Newness and Distinctiveness: **Nil**



(21) Design Number: **11756/2010**

(22) Date of Filing Application: **05 May 2010**

(24) Date from which industrial property rights may have effect: **05 May 2010**

(54) Product in respect of which the design is registered: **Louvre mounting clip**

(51) International Design Classification: **25-02K**

(71) Name(s) and Address(s) of Applicant(s):

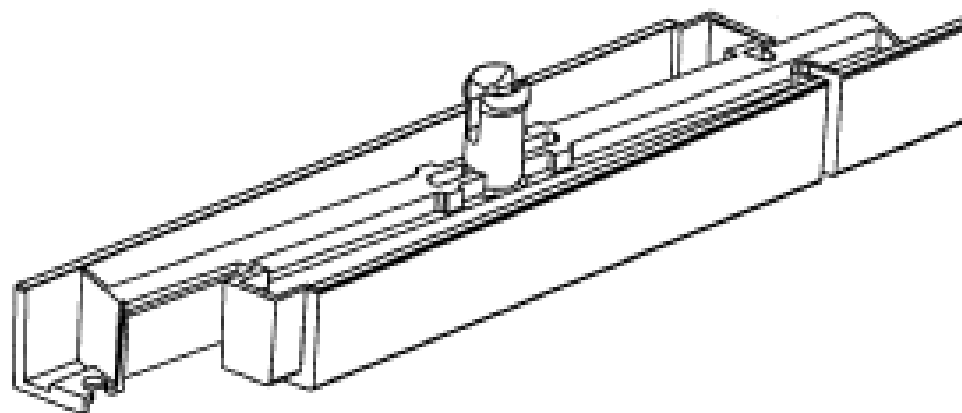
Prodrome Designs Pty Ltd
468 Stuart Highway Winnellie Northern Territory 0820 Australia

(72) Name(s) of Designer(s): **John Koukouvas**

(45) Registration Date: **04 June 2010**

(56) Related Art Documents: **Not Applicable**

(57) Statement of Newness and Distinctiveness: **Newness and distinctiveness reside in the shape and configuration of the design shown in the representations.**



(21) Design Number: **11858/2010**

(22) Date of Filing Application: **12 May 2010**

(24) Date from which industrial property rights may have effect: **12 May 2010**

(54) Product in respect of which the design is registered: **A clamp**

(51) International Design Classification: **08-08D**

(71) Name(s) and Address(s) of Applicant(s):

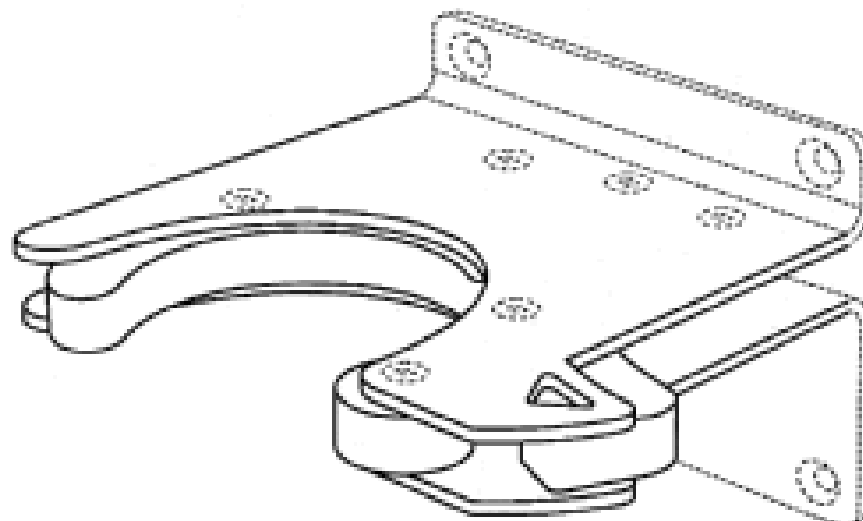
JJ Fraser Engineering Limited
18 Peterkin Street Wingate Lower Hutt New Zealand

(72) Name(s) of Designer(s): **Martin Simpson and John James Fraser and Nathan Marchant and Clinton Matthews**

(45) Registration Date: **04 June 2010**

(56) Related Art Documents: **Not Applicable**

(57) Statement of Newness and Distinctiveness: **Newness and distinctiveness reside in the features of shape and/or configuration of the clamp as shown in the representations. Newness and distinctiveness are not claimed for the features shown in broken lines, which are shown for illustrative purposes only.**

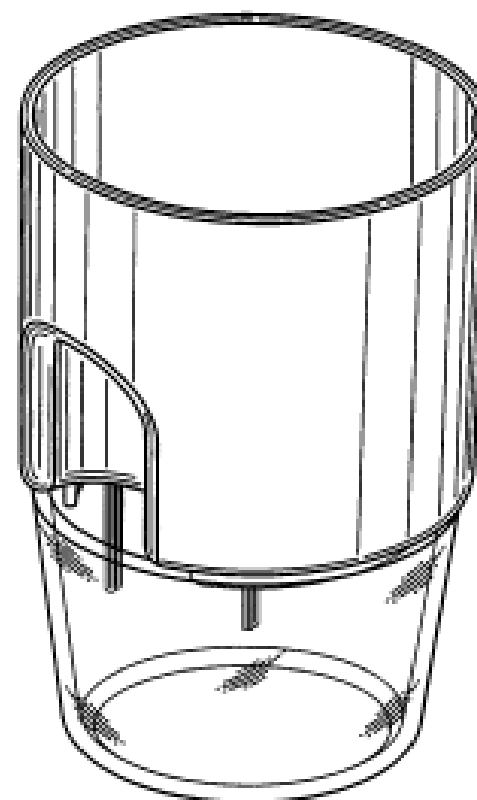


- (21) Design Number: **11859/2010**
- (22) Date of Filing Application: **13 May 2010**
- (24) Date from which industrial property rights may have effect: **13 May 2010**
- (54) Product in respect of which the design is registered: **Arm sling**
- (51) International Design Classification: **24-04**
- (71) Name(s) and Address(s) of Applicant(s):
Christine Maree Carty
210 Mayreef Road Goornong Victoria 3557 Australia
- (72) Name(s) of Designer(s): **Christine Maree Carty**
- (45) Registration Date: **04 June 2010**
- (56) Related Art Documents: **Not Applicable**
- (57) Statement of Newness and Distinctiveness: **The sling has a distinctive "cross over" design that eliminates pressure on the neck. Please see attached.**



- (21) Design Number: **11860/2010**
- (22) Date of Filing Application: **13 May 2010**
- (24) Date from which industrial property rights may have effect: **13 May 2010**
- (54) Product in respect of which the design is registered: **Self-watering flower pot**
- (51) International Design Classification: **11-02B**
- (71) Name(s) and Address(s) of Applicant(s):
Pi-Design AG
Kantonsstrasse 100 6234 Triengen Switzerland
- (72) Name(s) of Designer(s): **Jorgen Bodum**
- (45) Registration Date: **04 June 2010**
- (30) Convention priority data:

(31) Number	(32) Date	(33) Country
DM/072 578	23 Nov 2009	WORLD INTELLECTUAL PROPERTY ORGANIZATION (WIPO)
- (56) Related Art Documents: **Not Applicable**
- (57) Statement of Newness and Distinctiveness: **Nil**



(21) Design Number: **11861/2010**
(22) Date of Filing Application: **13 May 2010**
(24) Date from which industrial property rights may have effect: **13 May 2010**
(54) Product in respect of which the design is registered: **Self-watering flower pot**
(51) International Design Classification: **11-02B**
(71) Name(s) and Address(s) of Applicant(s):

Pi-Design AG
Kantonsstrasse 100 6234 Triengen Switzerland

(72) Name(s) of Designer(s): **Jorgen Bodum**

(45) Registration Date: **04 June 2010**

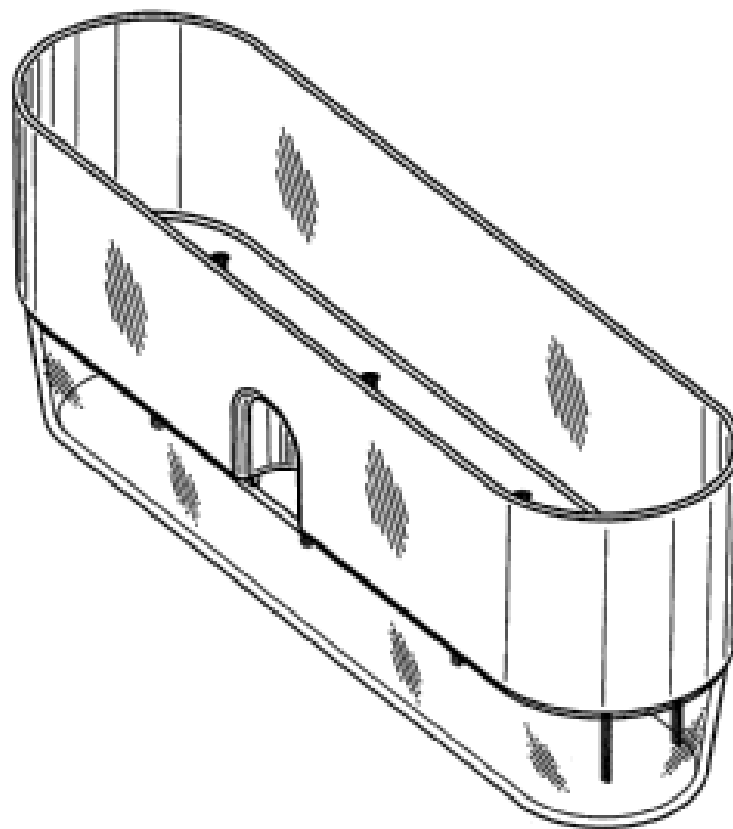
(30) Convention priority data:

(31) Number (32) Date
DM/072 578 23 Nov 2009

(33) Country
**WORLD INTELLECTUAL
PROPERTY ORGANIZATION
(WIPO)**

(56) Related Art Documents: **Not Applicable**

(57) Statement of Newness and Distinctiveness: **Nil**



(21) Design Number: **11862/2010**
(22) Date of Filing Application: **13 May 2010**
(24) Date from which industrial property rights may have effect: **13 May 2010**
(54) Product in respect of which the design is registered: **Self-watering flower pot**
(51) International Design Classification: **11-02B**
(71) Name(s) and Address(s) of Applicant(s):

Pi-Design AG
Kantonsstrasse 100 6234 Triengen Switzerland

(72) Name(s) of Designer(s): **Jorgen Bodum**

(45) Registration Date: **04 June 2010**

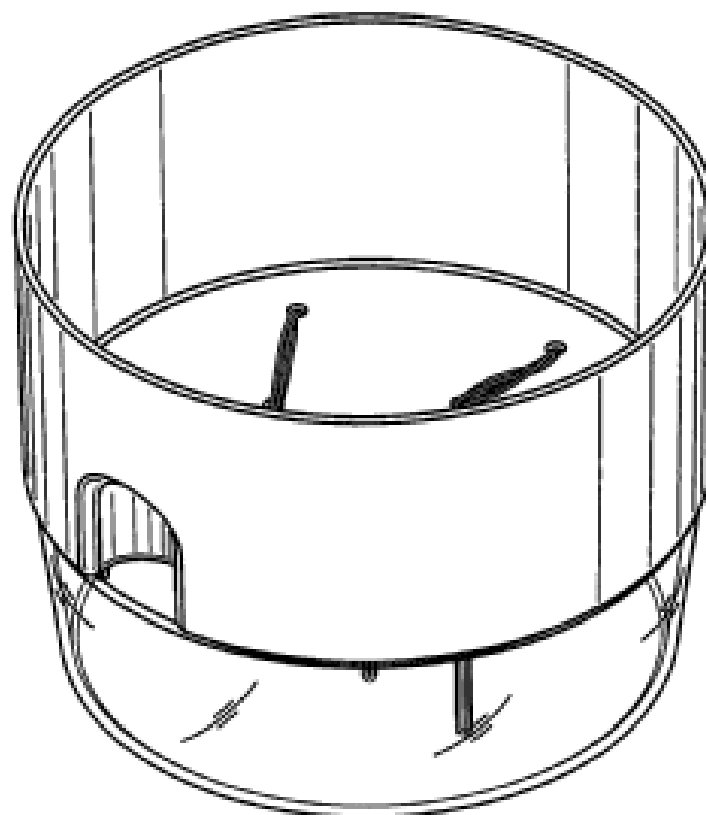
(30) Convention priority data:

(31) Number (32) Date
DM/072 963 19 Jan 2010

(33) Country
**WORLD INTELLECTUAL
PROPERTY ORGANIZATION
(WIPO)**

(56) Related Art Documents: **Not Applicable**

(57) Statement of Newness and Distinctiveness: **Nil**



(21) Design Number: **11865/2010**

(22) Date of Filing Application: **12 May 2010**

(24) Date from which industrial property rights may have effect: **12 May 2010**

(54) Product in respect of which the design is registered: **Food processor**

(51) International Design Classification: **31-00**

(71) Name(s) and Address(s) of Applicant(s):

Conair Corporation
One Cummings Point Road Stamford Connecticut 06902 United States of America

(72) Name(s) of Designer(s): **Devin Lee Moore and Jill Kreutzer Orent and Barbara Lynn Schnabel and Maria Caruso and Charles Z. Krasznai and Chi Tong Chan**

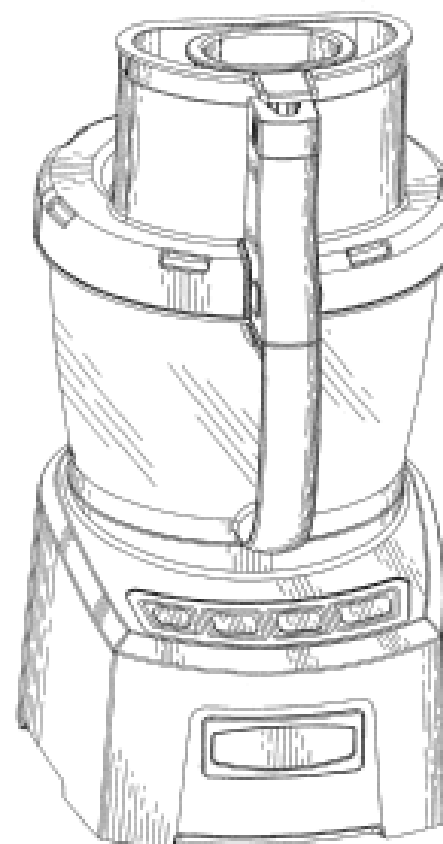
(45) Registration Date: **04 June 2010**

(30) Convention priority data:

(31) Number	(32) Date	(33) Country
29/354159	20 Jan 2010	UNITED STATES OF AMERICA

(56) Related Art Documents: **Not Applicable**

(57) Statement of Newness and Distinctiveness: **Newness and distinctiveness is claimed in those features of shape and/or configuration of a food processor as illustrated in continuous lines in the accompanying representations.**



(21) Design Number: **11866/2010**

(22) Date of Filing Application: **12 May 2010**

(24) Date from which industrial property rights may have effect: **12 May 2010**

(54) Product in respect of which the design is registered: **Coffee maker**

(51) International Design Classification: **07-02L**

(71) Name(s) and Address(s) of Applicant(s):

Conair Corporation
One Cummings Point Road Stamford Connecticut 06902 United States of America

(72) Name(s) of Designer(s): **Devin Lee Moore and Erick Eladio Rios and Shun Keith Chung Tse**

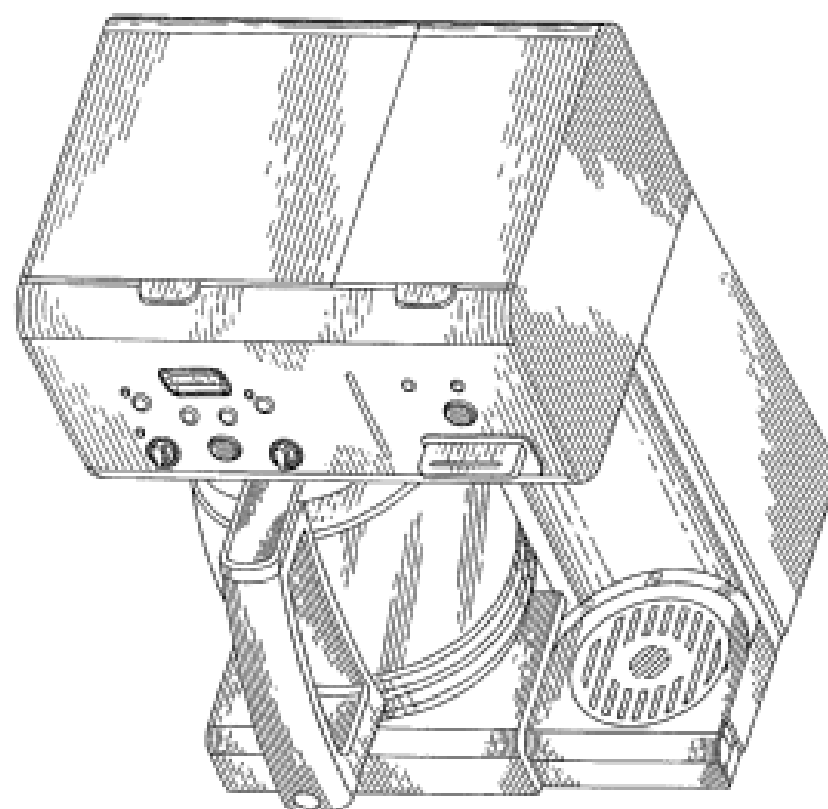
(45) Registration Date: **04 June 2010**

(30) Convention priority data:

(31) Number	(32) Date	(33) Country
29/354167	20 Jan 2010	UNITED STATES OF AMERICA

(56) Related Art Documents: **Not Applicable**

(57) Statement of Newness and Distinctiveness: **Newness and distinctiveness is claimed in those features of shape and/or configuration of a coffee maker as illustrated in continuous lines in the accompanying representations.**



(21) Design Number: **11867/2010**

(22) Date of Filing Application: **12 May 2010**

(24) Date from which industrial property rights may have effect: **12 May 2010**

(54) Product in respect of which the design is registered: **Coffee maker**

(51) International Design Classification: **07-02L**

(71) Name(s) and Address(s) of Applicant(s):

Conair Corporation

One Cummings Point Road Stamford Connecticut 06902 United States of America

(72) Name(s) of Designer(s): **Devin Lee Moore and Erick Eladio Rios**

(45) Registration Date: **04 June 2010**

(30) Convention priority data:

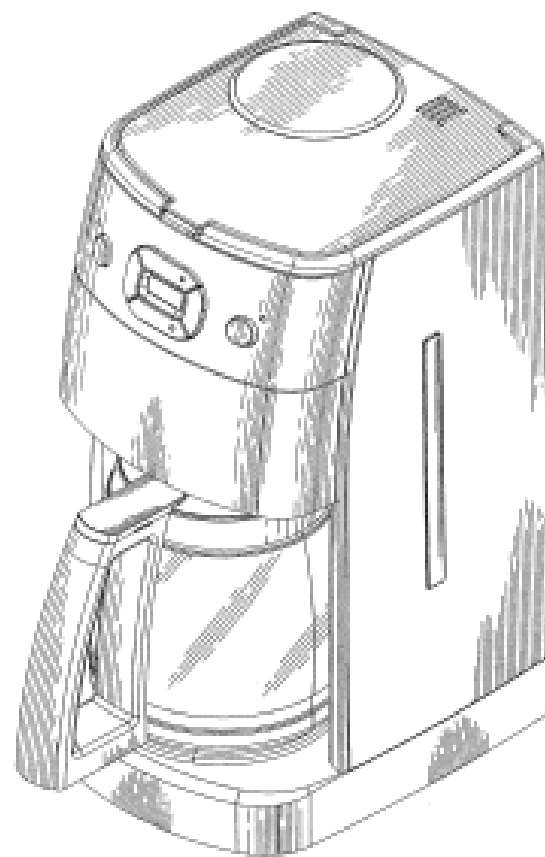
(31) Number
29/350583

(32) Date
19 Nov 2009

(33) Country
UNITED STATES OF AMERICA

(56) Related Art Documents: **Not Applicable**

(57) Statement of Newness and Distinctiveness: **Newness and distinctiveness is claimed in those features of shape and/or configuration of a coffee maker as illustrated in continuous lines in the accompanying representations.**



(21) Design Number: **11868/2010**

(22) Date of Filing Application: **13 May 2010**

(24) Date from which industrial property rights may have effect: **13 May 2010**

(54) Product in respect of which the design is registered: **Dress**

(51) International Design Classification: **02-02C**

(71) Name(s) and Address(s) of Applicant(s):

Chic Collections Pty Ltd

356 Military Road Cremorne New South Wales 2090 Australia

(72) Name(s) of Designer(s): **Rainy ziwei Qiu**

(45) Registration Date: **04 June 2010**

(56) Related Art Documents: **Not Applicable**

(57) Statement of Newness and Distinctiveness: **Cross bust and skirt detail.**



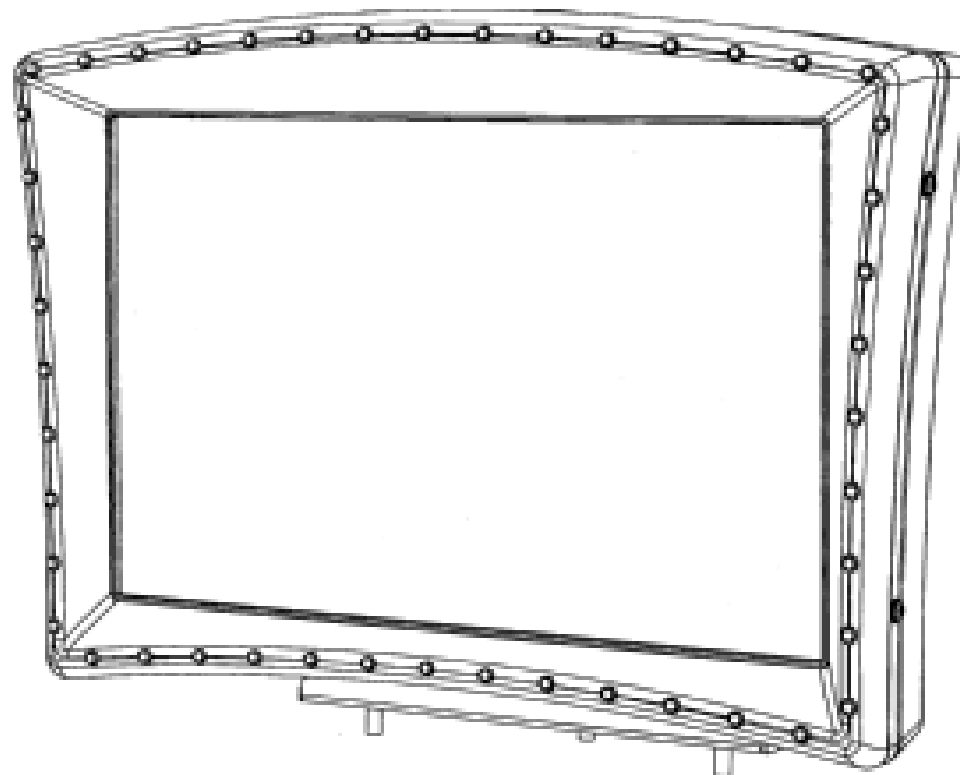
- (21) Design Number: **11869/2010**
(22) Date of Filing Application: **13 May 2010**
(24) Date from which industrial property rights may have effect: **13 May 2010**
(54) Product in respect of which the design is registered: **Dress**
(51) International Design Classification: **02-02C**
(71) Name(s) and Address(s) of Applicant(s):
Chic Collections Pty Ltd
356 Military Road Cremorne New South Wales 2090 Australia
(72) Name(s) of Designer(s): **Rainy ziwei Qiu**
(45) Registration Date: **04 June 2010**
(56) Related Art Documents: **Not Applicable**
(57) Statement of Newness and Distinctiveness: **Cowlneck with bead and back cross.**



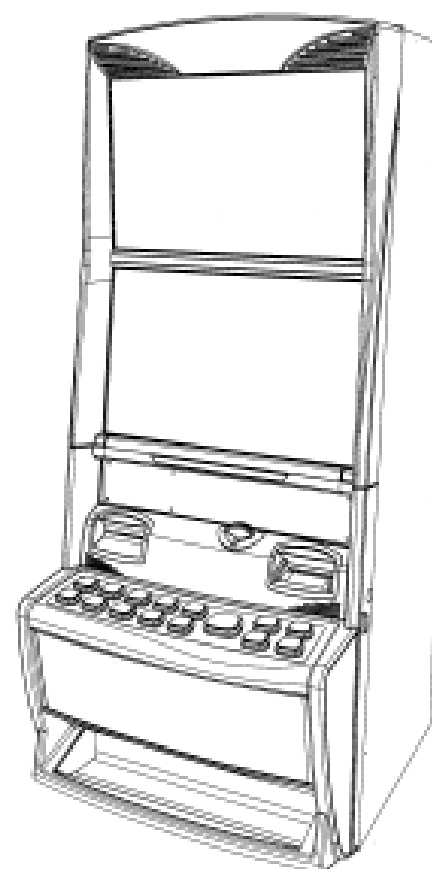
- (21) Design Number: **11870/2010**
(22) Date of Filing Application: **13 May 2010**
(24) Date from which industrial property rights may have effect: **13 May 2010**
(54) Product in respect of which the design is registered: **Evening dress**
(51) International Design Classification: **02-02C**
(71) Name(s) and Address(s) of Applicant(s):
Chic Collections Pty Ltd
356 Military Road Cremorne New South Wales 2090 Australia
(72) Name(s) of Designer(s): **Rainy ziwei Qiu**
(45) Registration Date: **04 June 2010**
(56) Related Art Documents: **Not Applicable**
(57) Statement of Newness and Distinctiveness: **Strapless with triangle bust line.**



- (21) Design Number: **11151/2010**
(22) Date of Filing Application: **31 March 2010**
(24) Date from which industrial property rights may have effect: **31 March 2010**
(54) Product in respect of which the design is registered: **Display unit for a gaming machine**
(51) International Design Classification: **21-03**
(71) Name(s) and Address(s) of Applicant(s):
Ainsworth Game Technology Limited
10 Holker Street Newington New South Wales 2127 Australia
(72) Name(s) of Designer(s): **Vince Carmelo Bruzzese and Scott Paul Shelley and Philip Clive Crouch**
(45) Registration Date: **04 June 2010**
(56) Related Art Documents: **Not Applicable**
(57) Statement of Newness and Distinctiveness: **Newness and distinctiveness resides in the features of shape and/or configuration of a display unit for gaming machine as illustrated in the accompanying representations.**



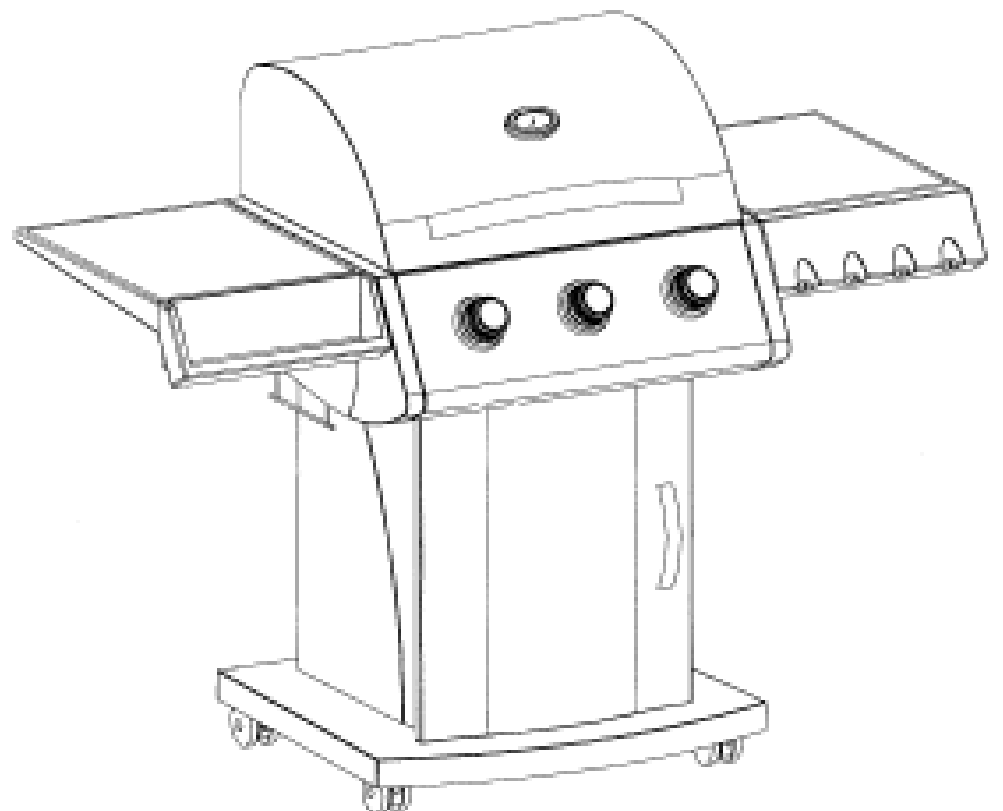
- (21) Design Number: **11152/2010**
(22) Date of Filing Application: **31 March 2010**
(24) Date from which industrial property rights may have effect: **31 March 2010**
(54) Product in respect of which the design is registered: **Gaming machine**
(51) International Design Classification: **21-03**
(71) Name(s) and Address(s) of Applicant(s):
Ainsworth Game Technology Limited
10 Holker Street Newington New South Wales 2127 Australia
(72) Name(s) of Designer(s): **Vince Carmelo Bruzzese and Scott Paul Shelley and Philip Clive Crouch**
(45) Registration Date: **04 June 2010**
(56) Related Art Documents: **Not Applicable**
(57) Statement of Newness and Distinctiveness: **Newness and distinctiveness resides in the features of shape and/or configuration of a gaming machine as illustrated in the accompanying representations.**



(21) Design Number: **11569/2010**
(22) Date of Filing Application: **20 April 2010**
(24) Date from which industrial property rights may have effect: **20 April 2010**
(54) Product in respect of which the design is registered: **Vehicle**
(51) International Design Classification: **12-08**
(71) Name(s) and Address(s) of Applicant(s):
BYD Company Limited
No. 3001 Hengping Road Pingshan Longgang Shenzhen 518118 China
(72) Name(s) of Designer(s): **Yubo Lian and Hao Zeng and Xiaodi Xu and Min Zhang**
(45) Registration Date: **04 June 2010**
(30) Convention priority data:
(31) Number (32) Date (33) Country
200930170122.5 23 Oct 2009 CHINA
(56) Related Art Documents: **Not Applicable**
(57) Statement of Newness and Distinctiveness: **Nil**



(21) Design Number: **12076/2010**
(22) Date of Filing Application: **24 May 2010**
(24) Date from which industrial property rights may have effect: **24 May 2010**
(54) Product in respect of which the design is registered: **Cooking apparatus**
(51) International Design Classification: **07-02E**
(71) Name(s) and Address(s) of Applicant(s):
Foshan Shunde Everteam Industrial Co. Ltd
No. 27 East Rongqi Dadao Ronggui Shunde District Foshan City
Guangdong Province China
(72) Name(s) of Designer(s): **Zhiqiang Liang**
(45) Registration Date: **04 June 2010**
(30) Convention priority data:
(31) Number (32) Date (33) Country
201030102957.X 27 Jan 2010 CHINA
(56) Related Art Documents: **Not Applicable**
(57) Statement of Newness and Distinctiveness: **The newness and distinctiveness is claimed in the feature of the shape and/or configuration of a cooking apparatus as illustrated in the accompanying representations.**



(21) Design Number: **12077/2010**

(22) Date of Filing Application: **24 May 2010**

(24) Date from which industrial property rights may have effect: **24 May 2010**

(54) Product in respect of which the design is registered: **Cooking apparatus**

(51) International Design Classification: **07-02E**

(71) Name(s) and Address(s) of Applicant(s):

**Foshan Shunde Everteam Industrial Co. Ltd
No. 27 East Rongqi Dadao Ronggui Shunde District Foshan City
Guangdong Province China**

(72) Name(s) of Designer(s): **Zhiqiang Liang**

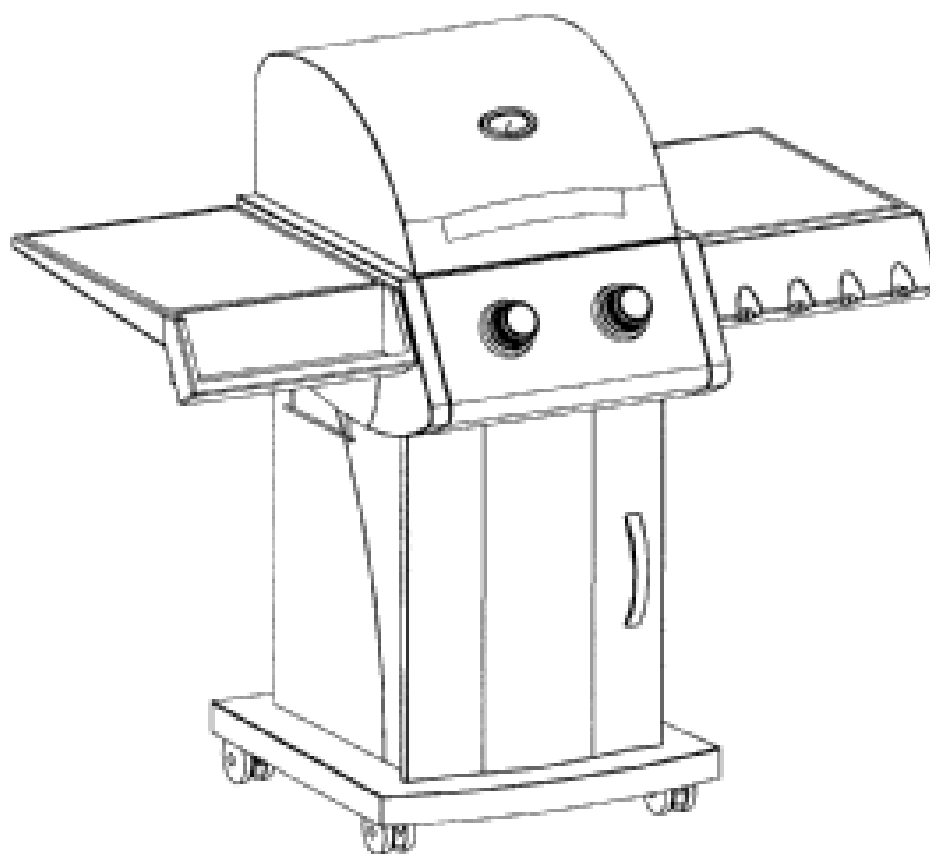
(45) Registration Date: **04 June 2010**

(30) Convention priority data:

(31) Number	(32) Date	(33) Country
201030102957.X	27 Jan 2010	CHINA

(56) Related Art Documents: **Not Applicable**

(57) Statement of Newness and Distinctiveness: **The newness and distinctiveness is claimed in the feature of the shape and/or configuration of a cooking apparatus as illustrated in the accompanying representations.**



(21) Design Number: **12078/2010**

(22) Date of Filing Application: **24 May 2010**

(24) Date from which industrial property rights may have effect: **24 May 2010**

(54) Product in respect of which the design is registered: **Cooking apparatus**

(51) International Design Classification: **07-02E**

(71) Name(s) and Address(s) of Applicant(s):

**Foshan Shunde Everteam Industrial Co. Ltd
No. 27 East Rongqi Dadao Ronggui Shunde District Foshan City
Guangdong Province China**

(72) Name(s) of Designer(s): **Zhiqiang Liang**

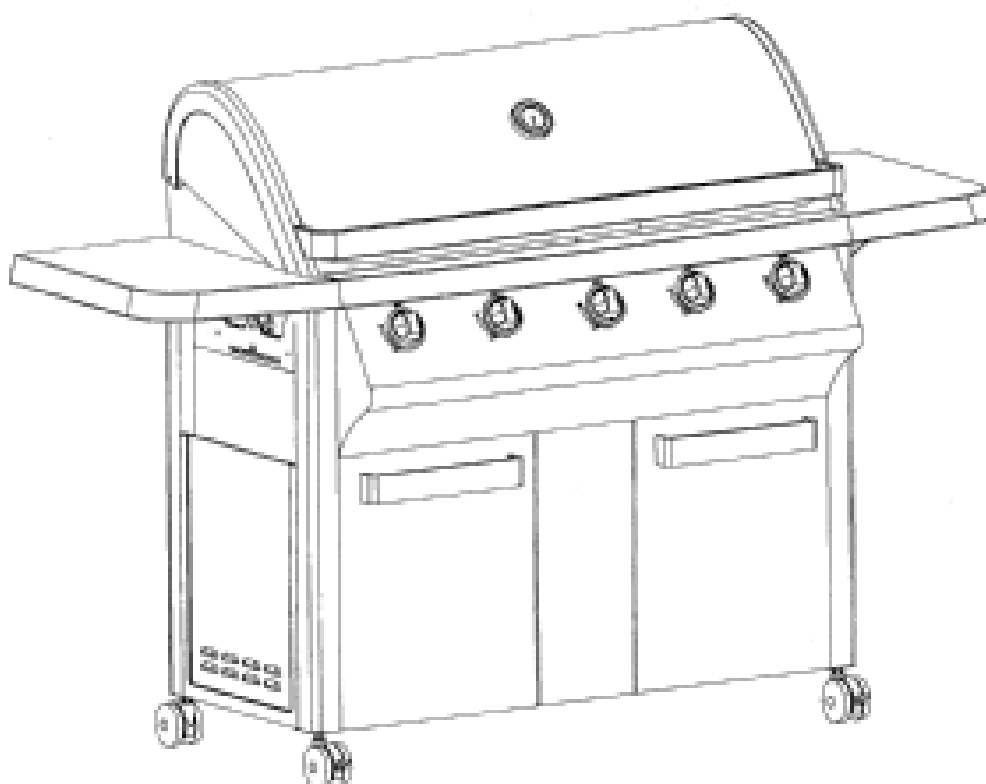
(45) Registration Date: **04 June 2010**

(30) Convention priority data:

(31) Number	(32) Date	(33) Country
201030107500.8	05 Feb 2010	CHINA

(56) Related Art Documents: **Not Applicable**

(57) Statement of Newness and Distinctiveness: **The newness and distinctiveness is claimed in the feature of the shape and/or configuration of a cooking apparatus as illustrated in the accompanying representations.**



(21) Design Number: **12079/2010**

(22) Date of Filing Application: **24 May 2010**

(24) Date from which industrial property rights may have effect: **24 May 2010**

(54) Product in respect of which the design is registered: **Cooking apparatus**

(51) International Design Classification: **07-02E**

(71) Name(s) and Address(s) of Applicant(s):

**Foshan Shunde Everteam Industrial Co. Ltd
No. 27 East Rongqi Dadao Ronggui Shunde District Foshan City
Guangdong Province China**

(72) Name(s) of Designer(s): **Zhiqiang Liang**

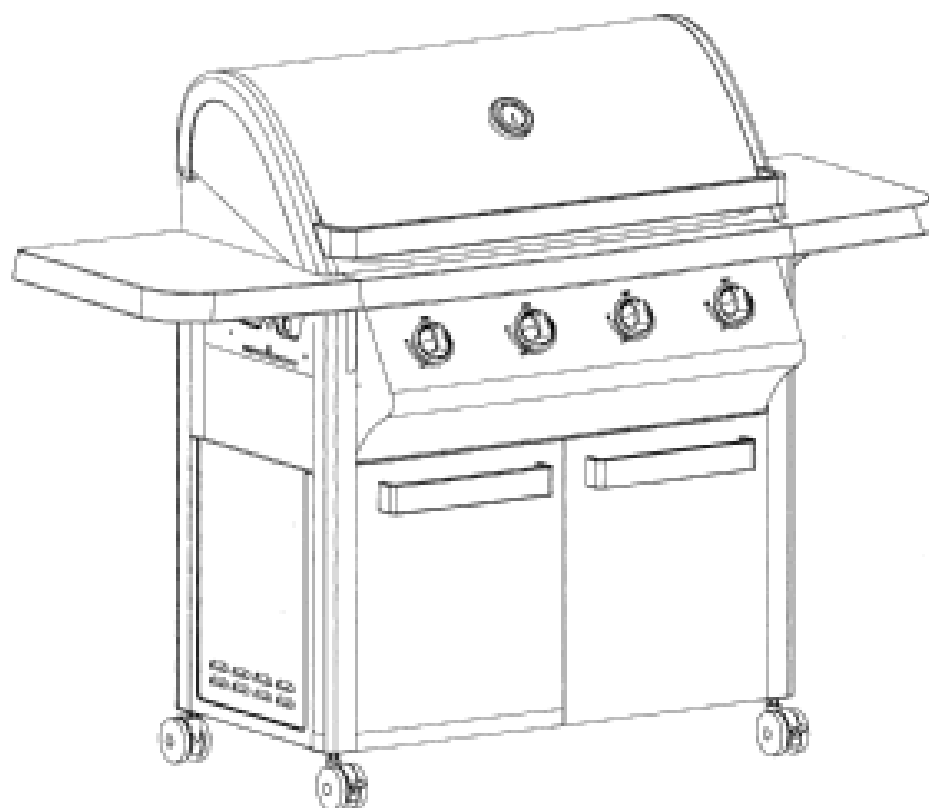
(45) Registration Date: **04 June 2010**

(30) Convention priority data:

(31) Number	(32) Date	(33) Country
201030107500.8	05 Feb 2010	CHINA

(56) Related Art Documents: **Not Applicable**

(57) Statement of Newness and Distinctiveness: **The newness and distinctiveness is claimed in the feature of the shape and/or configuration of a cooking apparatus as illustrated in the accompanying representations.**



(21) Design Number: **10639/2010**

(22) Date of Filing Application: **25 February 2010**

(24) Date from which industrial property rights may have effect: **25 February 2010**

(54) Product in respect of which the design is registered: **Secondary glazing bead moulding for securing secondary glazing to existing fixed glazing frames**

(51) International Design Classification: **06-07**

(71) Name(s) and Address(s) of Applicant(s):

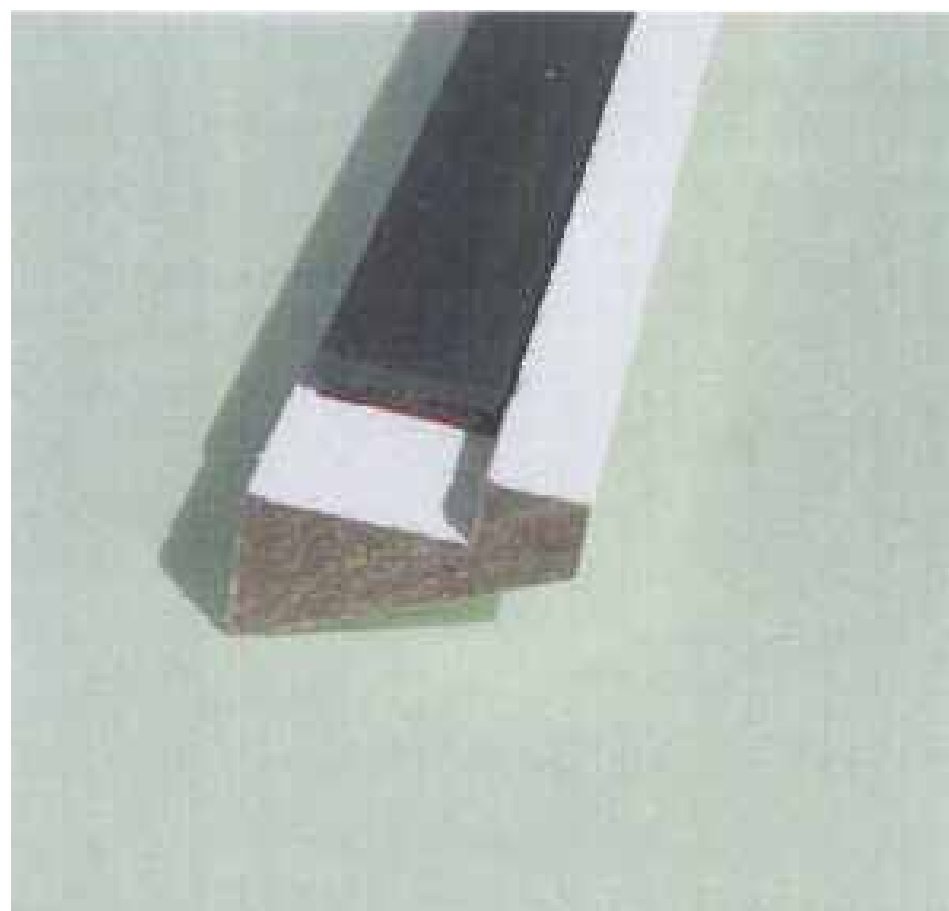
**ecoMaster Pty Ltd
200 Hamilton Road New Gisborne Victoria 3438 Australia**

(72) Name(s) of Designer(s): **Maurice Beinat and Calem Pope**

(45) Registration Date: **04 June 2010**

(56) Related Art Documents: **Not Applicable**

(57) Statement of Newness and Distinctiveness: **Cross sectional profile of moulding to suit securing of secondary glazing via two part strip magnets. The moulding is designed with a rebate to hide the magnets from view of the occupants of the building. The bevelled upper surface is designed to facilitate corner joins without the need of performing mitre joins.**



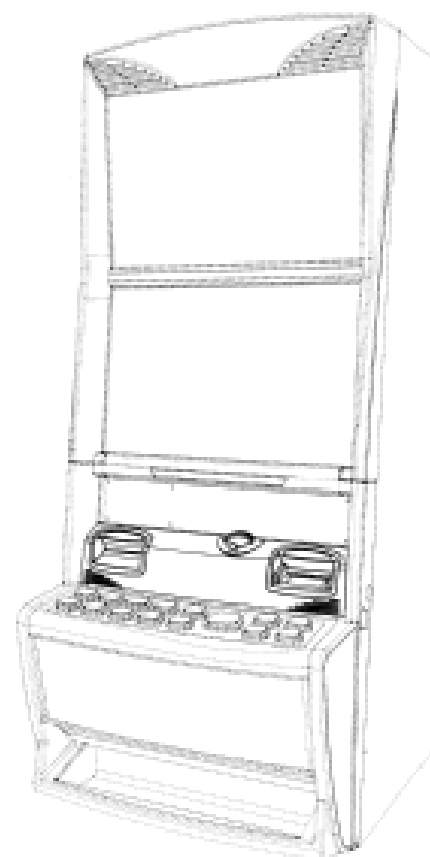
- (21) Design Number: **10640/2010**
(22) Date of Filing Application: **25 February 2010**
(24) Date from which industrial property rights may have effect: **25 February 2010**
(54) Product in respect of which the design is registered: **Secondary glazing bead moulding for securing secondary glazing by fixing to the existing glass**
(51) International Design Classification: **06-07**
(71) Name(s) and Address(s) of Applicant(s):
ecoMaster Pty Ltd
200 Hamilton Road New Gisborne Victoria 3438 Australia
(72) Name(s) of Designer(s): **Maurice Beinat**
(45) Registration Date: **04 June 2010**
(56) Related Art Documents: **Not Applicable**
(57) Statement of Newness and Distinctiveness: **Cross sectional profile of 2 part moulding including spacer and cover "T" mould for use with two part strip magnets. The "T" moulding is designed to present a flat surface to the building occupants, hiding the magnets from view. The visible face of the spacer moulding is designed to be level with the inner edge of the "T" for aesthetics.**



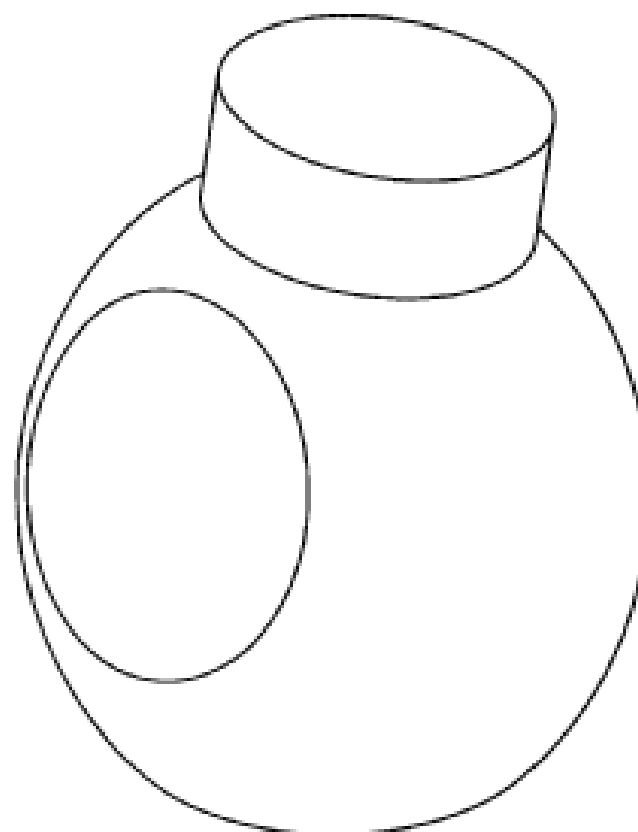
- (21) Design Number: **10801/2010**
(22) Date of Filing Application: **09 March 2010**
(24) Date from which industrial property rights may have effect: **09 March 2010**
(54) Product in respect of which the design is registered: **Caravans**
(51) International Design Classification: **12-10**
(71) Name(s) and Address(s) of Applicant(s):
JUSLU-HEIDRIAN PTY. LTD.
2a Badenoch Circuit Highton Victoria 3216 Australia
(72) Name(s) of Designer(s): **Steven Mellar**
(45) Registration Date: **04 June 2010**
(56) Related Art Documents: **Not Applicable**
(57) Statement of Newness and Distinctiveness: **Raised rear roofline to accomodate triple bunks.**



- (21) Design Number: **12273/2010**
- (22) Date of Filing Application: **31 March 2010**
- (24) Date from which industrial property rights may have effect: **31 March 2010**
- (54) Product in respect of which the design is registered: **Component for gaming machine**
- (51) International Design Classification: **21-03**
- (71) Name(s) and Address(s) of Applicant(s):
Ainsworth Game Technology Limited
10 Holker Street Newington New South Wales 2127 Australia
- (72) Name(s) of Designer(s): **Vince Carmelo Bruzzese and Scott Paul Shelley and Philip Clive Crouch**
- (45) Registration Date: **04 June 2010**
- (62) Divisional of: **331223**
- (56) Related Art Documents: **Not Applicable**
- (57) Statement of Newness and Distinctiveness: **Newness and distinctiveness resides in the solid features of shape and/or configuration of a component for gaming machine as illustrated in the accompanying representations.**



- (21) Design Number: **11159/2010**
- (22) Date of Filing Application: **30 March 2010**
- (24) Date from which industrial property rights may have effect: **30 March 2010**
- (54) Product in respect of which the design is registered: **Powder applicator**
- (51) International Design Classification: **28-03NES**
- (71) Name(s) and Address(s) of Applicant(s):
Container Pty Ltd
Level 3 255 Riley Street Surry Hills New South Wales 2010 Australia
- (72) Name(s) of Designer(s): **Brenan Liston**
- (45) Registration Date: **07 June 2010**
- (56) Related Art Documents: **Not Applicable**
- (57) Statement of Newness and Distinctiveness: **Nil**



(21) Design Number: **11209/2010**

(22) Date of Filing Application: **06 April 2010**

(24) Date from which industrial property rights may have effect: **06 April 2010**

(54) Product in respect of which the design is registered: **Insulated bottle**

(51) International Design Classification: **07-07A**

(71) Name(s) and Address(s) of Applicant(s):

Pacific Market International, LLC
2401 Elliott Avenue Fourth Floor Seattle WA 98121 United States of America

(72) Name(s) of Designer(s): **Tyler Sean Gilbert**

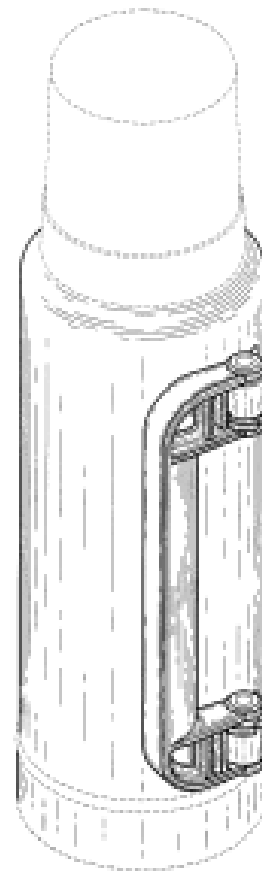
(45) Registration Date: **07 June 2010**

(30) Convention priority data:

(31) Number	(32) Date	(33) Country
29/345,052	08 Oct 2009	UNITED STATES OF AMERICA

(56) Related Art Documents: **Not Applicable**

(57) Statement of Newness and Distinctiveness: **The shape and configuration of those parts of the product shown other than by means of broken lines in the representations are new and distinctive.**



(21) Design Number: **11829/2010**

(22) Date of Filing Application: **10 May 2010**

(24) Date from which industrial property rights may have effect: **10 May 2010**

(54) Product in respect of which the design is registered: **Seating**

(51) International Design Classification: **06-01E**

(71) Name(s) and Address(s) of Applicant(s):

Vosc Pty. Ltd.
106 Moreland Road Brunswick Victoria 3056 Australia

(72) Name(s) of Designer(s): **Jim Stepancic**

(45) Registration Date: **07 June 2010**

(56) Related Art Documents: **Not Applicable**

(57) Statement of Newness and Distinctiveness: **The timber construction and design style are meant to resemble a timber chopping block.**



(21) Design Number: **11830/2010**

(22) Date of Filing Application: **10 May 2010**

(24) Date from which industrial property rights may have effect: **10 May 2010**

(54) Product in respect of which the design is registered: **Seating**

(51) International Design Classification: **06-01E**

(71) Name(s) and Address(s) of Applicant(s):

Vosc Pty. Ltd.

106 Moreland Road Brunswick Victoria 3056 Australia

(72) Name(s) of Designer(s): **Jim Stepancic**

(45) Registration Date: **07 June 2010**

(56) Related Art Documents: **Not Applicable**

(57) Statement of Newness and Distinctiveness: **The timber construction and design style are meant to resemble a timber chopping block.**



(21) Design Number: **11831/2010**

(22) Date of Filing Application: **10 May 2010**

(24) Date from which industrial property rights may have effect: **10 May 2010**

(54) Product in respect of which the design is registered: **Seating**

(51) International Design Classification: **06-01E**

(71) Name(s) and Address(s) of Applicant(s):

Vosc Pty. Ltd.

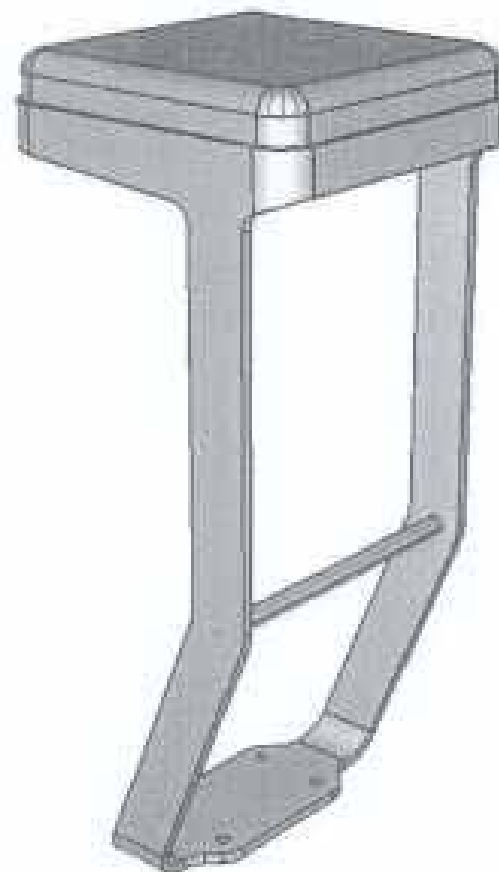
106 Moreland Road Brunswick Victoria 3056 Australia

(72) Name(s) of Designer(s): **Jim Stepancic**

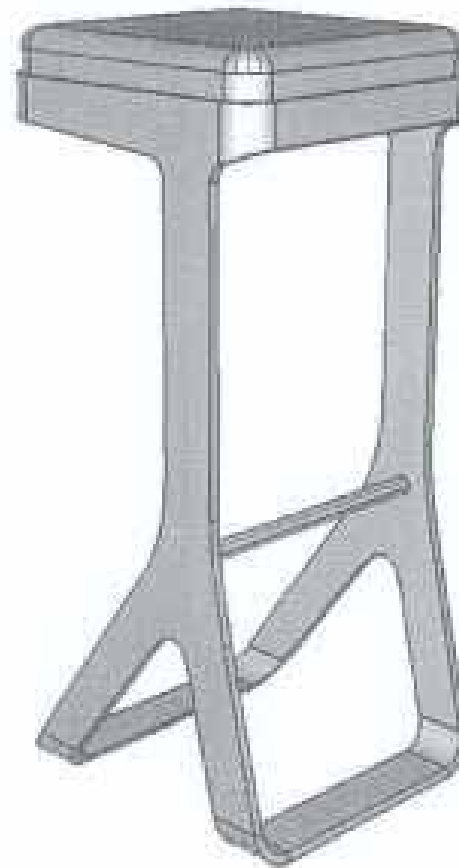
(45) Registration Date: **07 June 2010**

(56) Related Art Documents: **Not Applicable**

(57) Statement of Newness and Distinctiveness: **Nil**



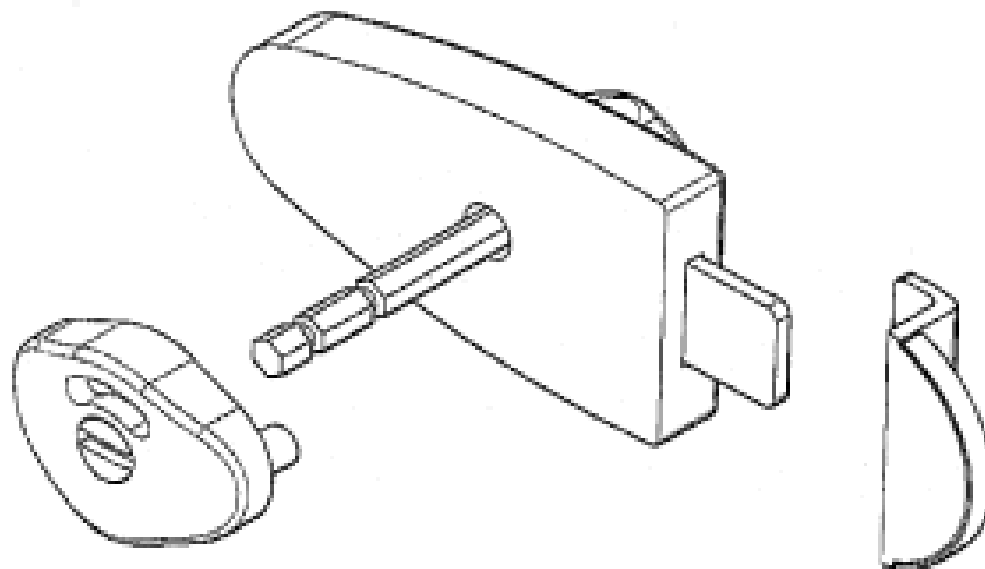
(21) Design Number: **11832/2010**
(22) Date of Filing Application: **10 May 2010**
(24) Date from which industrial property rights may have effect: **10 May 2010**
(54) Product in respect of which the design is registered: **Seating**
(51) International Design Classification: **06-01E**
(71) Name(s) and Address(s) of Applicant(s):
Vosc Pty. Ltd.
106 Moreland Road Brunswick Victoria 3056 Australia
(72) Name(s) of Designer(s): **Jim Stepancic**
(45) Registration Date: **07 June 2010**
(56) Related Art Documents: **Not Applicable**
(57) Statement of Newness and Distinctiveness: **Nil**



(21) Design Number: **11833/2010**
(22) Date of Filing Application: **10 May 2010**
(24) Date from which industrial property rights may have effect: **10 May 2010**
(54) Product in respect of which the design is registered: **Dining table**
(51) International Design Classification: **06-03A, 06-03NES**
(71) Name(s) and Address(s) of Applicant(s):
Vosc Pty. Ltd.
106 Moreland Road Brunswick Victoria 3056 Australia
(72) Name(s) of Designer(s): **Jim Stepancic**
(45) Registration Date: **07 June 2010**
(56) Related Art Documents: **Not Applicable**
(57) Statement of Newness and Distinctiveness: **The metal hoop frame which wraps over the surface of the table is inspired by wine barrels.**



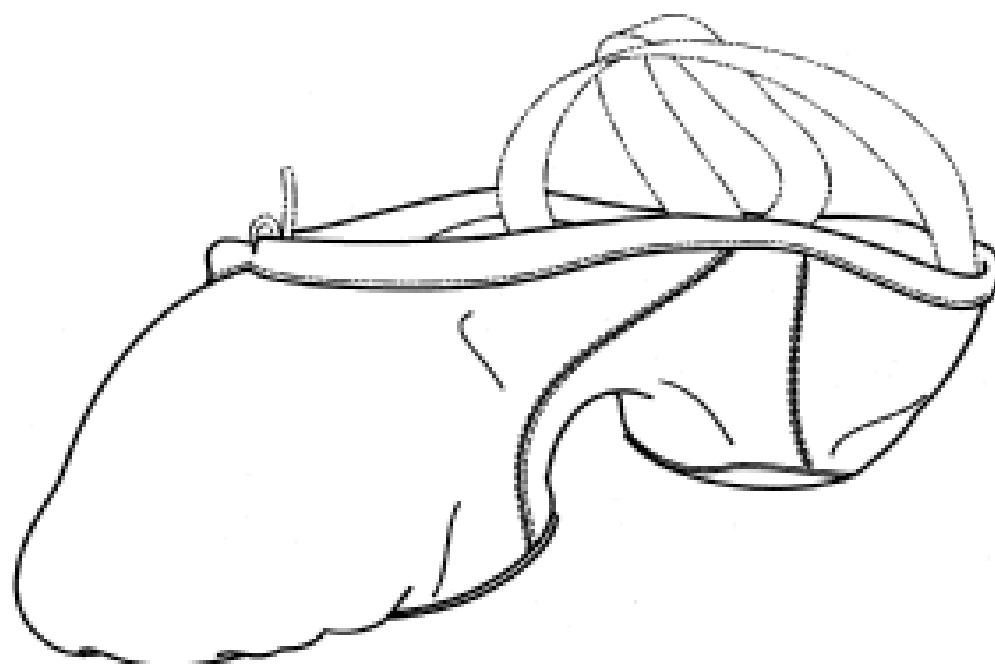
- (21) Design Number: **11752/2010**
(22) Date of Filing Application: **05 May 2010**
(24) Date from which industrial property rights may have effect: **05 May 2010**
(54) Product in respect of which the design is registered: **Toilet lock assembly**
(51) International Design Classification: **08-07**
(71) Name(s) and Address(s) of Applicant(s):
Metlam Australia Pty. Limited
17 Parker Road New Gisborne Victoria 3438 Australia
(72) Name(s) of Designer(s): **Brian Bishop**
(45) Registration Date: **08 June 2010**
(56) Related Art Documents: **Not Applicable**
(57) Statement of Newness and Distinctiveness: **Nil**



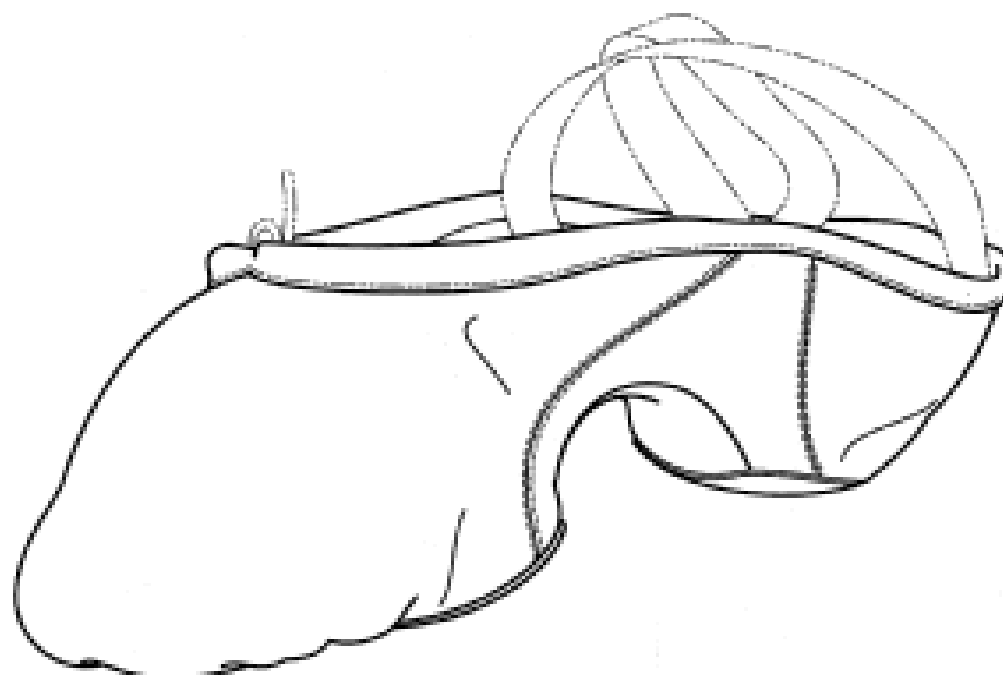
- (21) Design Number: **11889/2010**
(22) Date of Filing Application: **13 May 2010**
(24) Date from which industrial property rights may have effect: **13 May 2010**
(54) Product in respect of which the design is registered: **An orthopaedic brace boot cover**
(51) International Design Classification: **24-99, 02-04A**
(71) Name(s) and Address(s) of Applicant(s):
Alyson Trigar
537 Boundary Street Spring Hill Queensland 4000 Australia
(72) Name(s) of Designer(s): **Alyson Trigar and Kenneth Healy**
(45) Registration Date: **08 June 2010**
(56) Related Art Documents: **Not Applicable**
(57) Statement of Newness and Distinctiveness: **The newness and distinctiveness of the design resides in the shape and/or configuration of the AN ORTHOPAEDIC BRACE BOOT COVER shown in the representations.**



- (21) Design Number: **11891/2010**
(22) Date of Filing Application: **13 May 2010**
(24) Date from which industrial property rights may have effect: **13 May 2010**
(54) Product in respect of which the design is registered: **Dance footwear**
(51) International Design Classification: **02-04NES**
(71) Name(s) and Address(s) of Applicant(s):
J. Bloch Pty Ltd
8-18 William Street Beaconsfield New South Wales 2015 Australia
(72) Name(s) of Designer(s): **David Wilkenfeld**
(45) Registration Date: **08 June 2010**
(30) Convention priority data:
(31) Number (32) Date (33) Country
29352590 22 Dec 2009 UNITED STATES OF AMERICA
(56) Related Art Documents: **Not Applicable**
(57) Statement of Newness and Distinctiveness: **The shape and configuration of the dance shoe are new and distinctive. The dot-dash sections are included to show placement only and are not a part of the design.**



- (21) Design Number: **11892/2010**
(22) Date of Filing Application: **13 May 2010**
(24) Date from which industrial property rights may have effect: **13 May 2010**
(54) Product in respect of which the design is registered: **Dance footwear**
(51) International Design Classification: **02-04NES**
(71) Name(s) and Address(s) of Applicant(s):
J. Bloch Pty Ltd
8-18 William Street Beaconsfield New South Wales 2015 Australia
(72) Name(s) of Designer(s): **David Wilkenfeld**
(45) Registration Date: **08 June 2010**
(30) Convention priority data:
(31) Number (32) Date (33) Country
29352590 22 Dec 2009 UNITED STATES OF AMERICA
(56) Related Art Documents: **Not Applicable**
(57) Statement of Newness and Distinctiveness: **The shape and configuration of the dance shoe are new and distinctive. The dot-dash sections are included to show placement only and are not a part of the design.**



(21) Design Number: **11893/2010**

(22) Date of Filing Application: **14 May 2010**

(24) Date from which industrial property rights may have effect: **14 May 2010**

(54) Product in respect of which the design is registered: **Emergency wash-down shower**

(51) International Design Classification: **23-02B, 29-99**

(71) Name(s) and Address(s) of Applicant(s):

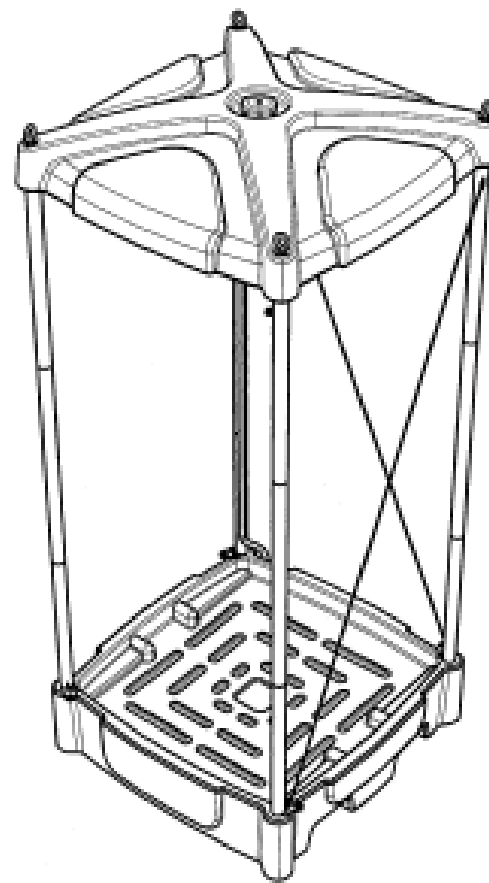
**Global Rotomoulding Pty Ltd
774 Koorlong Avenue Irymple Victoria 3498 Australia**

(72) Name(s) of Designer(s): **Lester Ferry**

(45) Registration Date: **08 June 2010**

(56) Related Art Documents: **Not Applicable**

(57) Statement of Newness and Distinctiveness: **This product is new & distinctive in both its physical appearance & its structure. The upper moulding is of similar width & length to the lower moulding & of similar capacity. The vertical posts are removable & thus pack into the rebate in the lower moulding. The packaged assembly of these items are new & distinctive in physical appearance & proportions.**



(21) Design Number: **11894/2010**

(22) Date of Filing Application: **13 May 2010**

(24) Date from which industrial property rights may have effect: **13 May 2010**

(54) Product in respect of which the design is registered: **Turf tile**

(51) International Design Classification: **25-01A**

(71) Name(s) and Address(s) of Applicant(s):

**Tuff Turf 'N' Co Pty Ltd
53 Shearson Street Mentone Victoria 3194 Australia**

(72) Name(s) of Designer(s): **Fraser Gehrig and Tanya Neville**

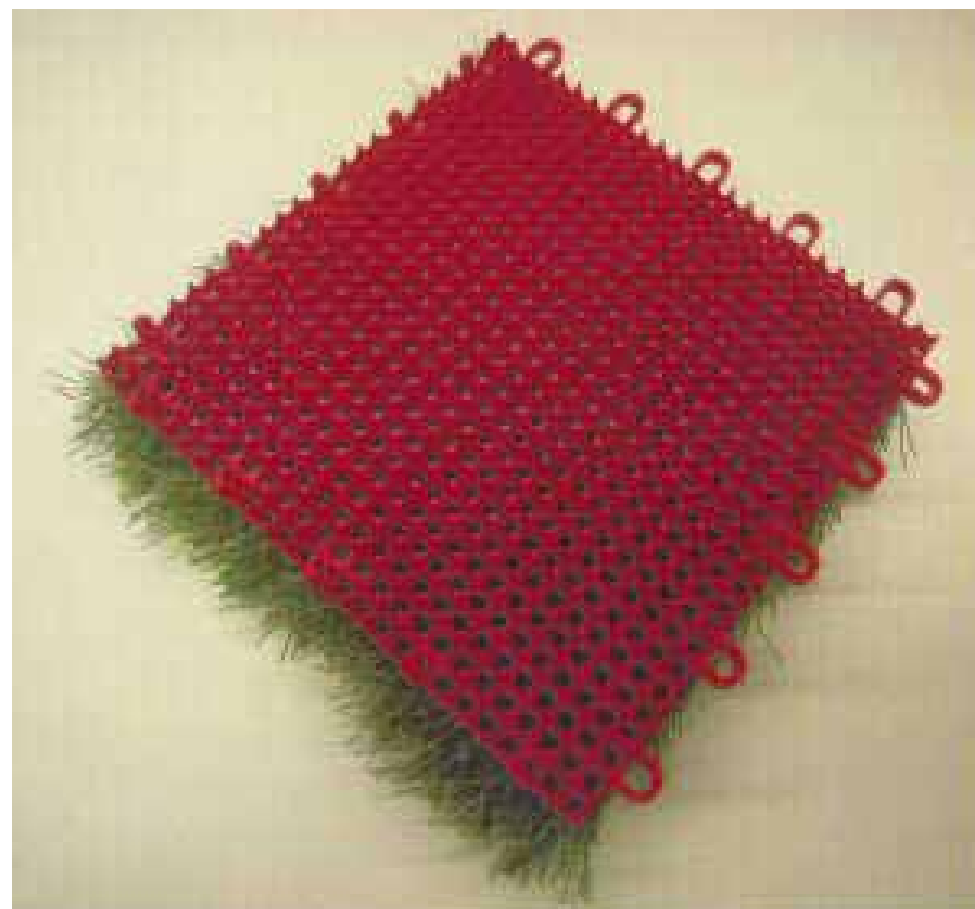
(45) Registration Date: **08 June 2010**

(56) Related Art Documents: **Not Applicable**

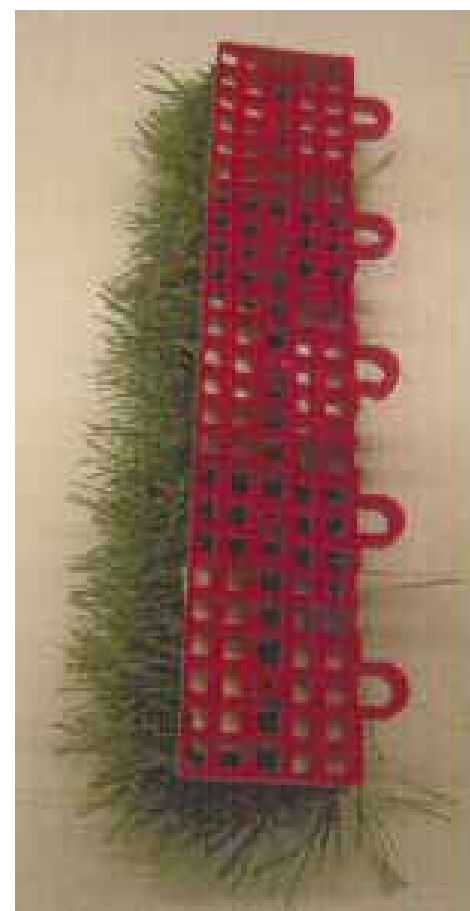
(57) Statement of Newness and Distinctiveness: **Nil**



(21) Design Number: **11895/2010**
(22) Date of Filing Application: **13 May 2010**
(24) Date from which industrial property rights may have effect: **13 May 2010**
(54) Product in respect of which the design is registered: **Turf tile**
(51) International Design Classification: **25-01A**
(71) Name(s) and Address(s) of Applicant(s):
Tuff Turf 'N' Co Pty Ltd
53 Shearson Street Mentone Victoria 3194 Australia
(72) Name(s) of Designer(s): **Fraser Gehrig and Tanya Neville**
(45) Registration Date: **08 June 2010**
(56) Related Art Documents: **Not Applicable**
(57) Statement of Newness and Distinctiveness: **Nil**



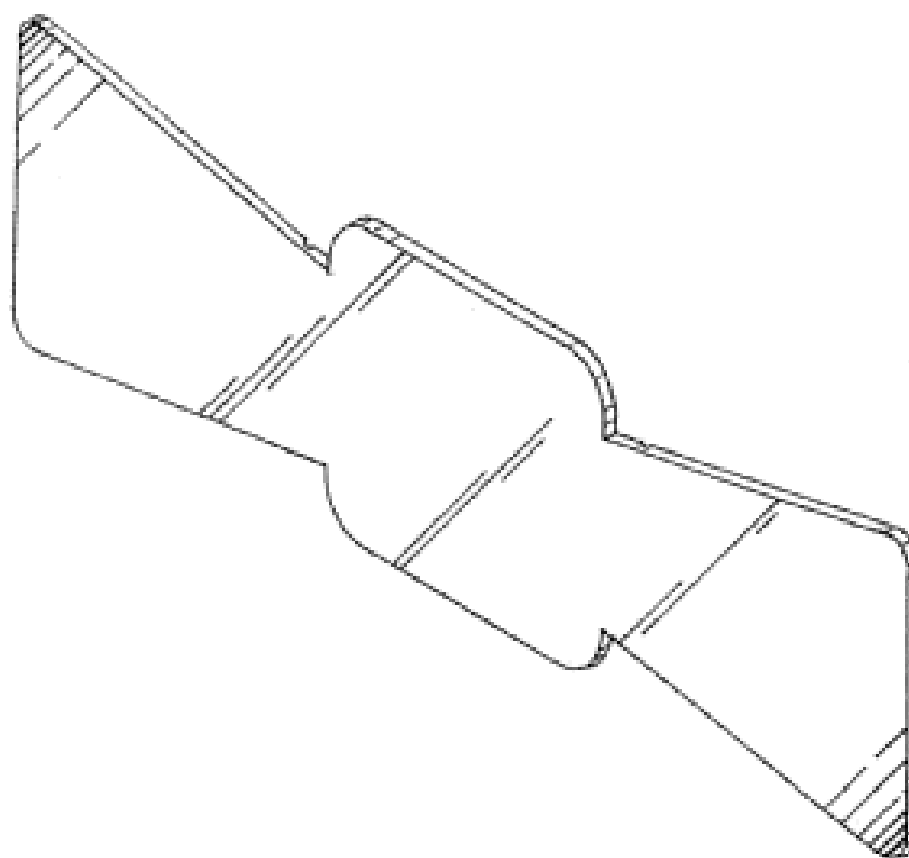
(21) Design Number: **11896/2010**
(22) Date of Filing Application: **13 May 2010**
(24) Date from which industrial property rights may have effect: **13 May 2010**
(54) Product in respect of which the design is registered: **Turf tile**
(51) International Design Classification: **25-01A**
(71) Name(s) and Address(s) of Applicant(s):
Tuff Turf 'N' Co Pty Ltd
53 Shearson Street Mentone Victoria 3194 Australia
(72) Name(s) of Designer(s): **Fraser Gehrig and Tanya Neville**
(45) Registration Date: **08 June 2010**
(56) Related Art Documents: **Not Applicable**
(57) Statement of Newness and Distinctiveness: **Nil**



(21) Design Number: **11897/2010**
 (22) Date of Filing Application: **14 May 2010**
 (24) Date from which industrial property rights may have effect: **14 May 2010**
 (54) Product in respect of which the design is registered: **Symmetrical dental bilateral bite block**
 (51) International Design Classification: **24-03, 24-99**
 (71) Name(s) and Address(s) of Applicant(s):
CENTRIX, INC
770 River Road Shelton Connecticut 06484 United States of America
 (72) Name(s) of Designer(s): **Cotsworth P. Fishburne Jr.**
 (45) Registration Date: **08 June 2010**
 (30) Convention priority data:

(31) Number	(32) Date	(33) Country
29/348,095	25 Nov 2009	UNITED STATES OF AMERICA

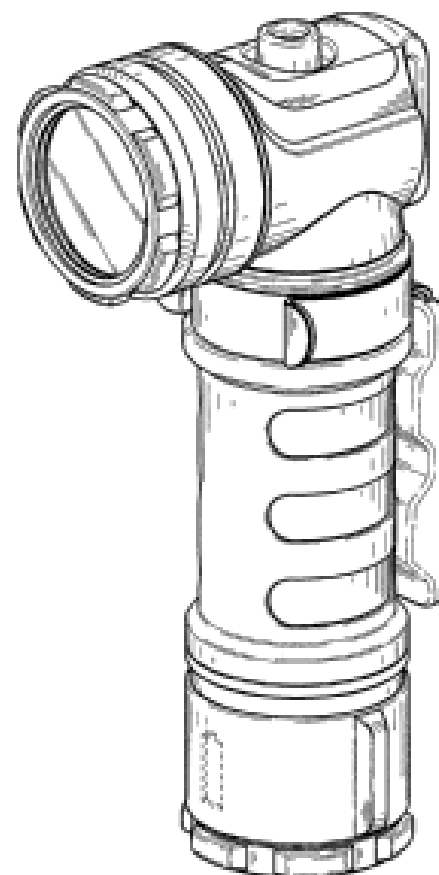
 (56) Related Art Documents: **Not Applicable**
 (57) Statement of Newness and Distinctiveness: **Visual features of the design which are new and distinctive are the features of shape and configuration of SYMMETRICAL DENTAL BILATERAL BITE BLOCK as illustrated in the representations.**



(21) Design Number: **11899/2010**
 (22) Date of Filing Application: **13 May 2010**
 (24) Date from which industrial property rights may have effect: **13 May 2010**
 (54) Product in respect of which the design is registered: **A lighting device**
 (51) International Design Classification: **26-02**
 (71) Name(s) and Address(s) of Applicant(s):
Eveready Battery Company, Inc.
533 Maryville University Drive St Louis Missouri 63141 United States of America
 (72) Name(s) of Designer(s): **Donwoong Kang and Scott W. Osiecki and David A. Spartano**
 (45) Registration Date: **08 June 2010**
 (30) Convention priority data:

(31) Number	(32) Date	(33) Country
29/353538	11 Jan 2010	UNITED STATES OF AMERICA

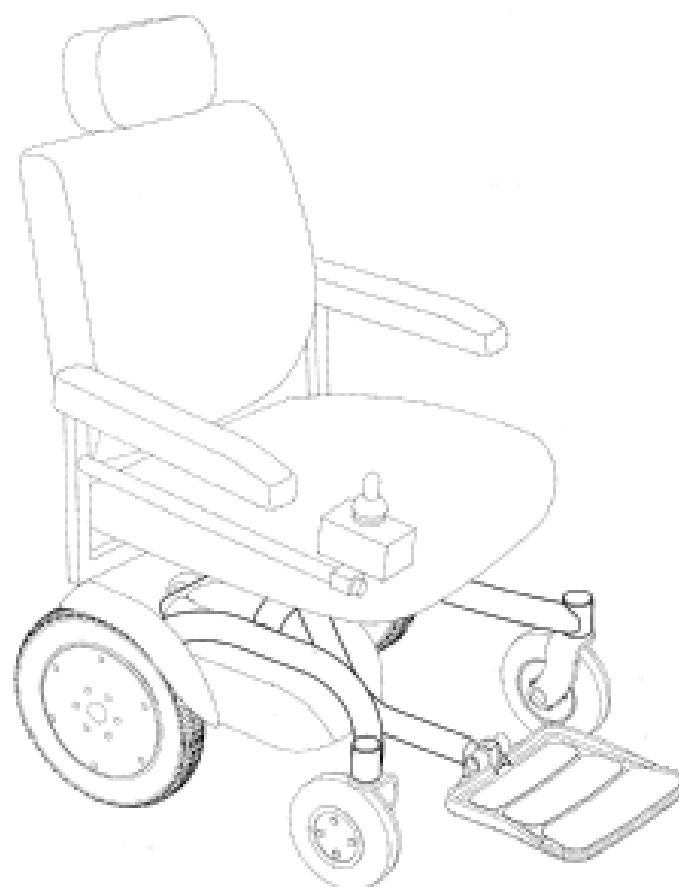
 (56) Related Art Documents: **Not Applicable**
 (57) Statement of Newness and Distinctiveness: **Nil**



(19) AU

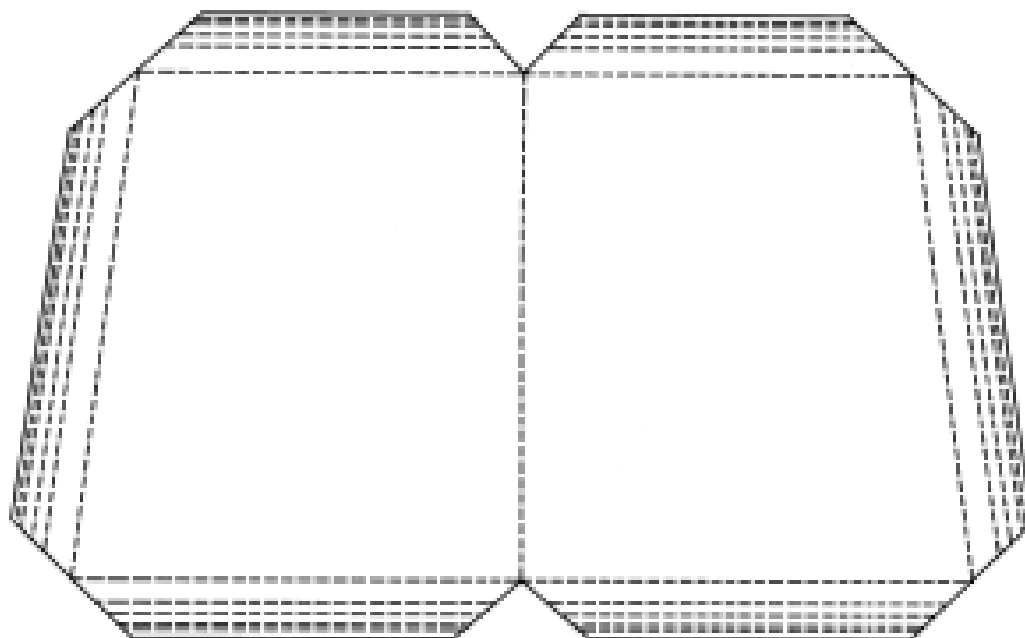
- (21) Design Number: **11900/2010**
- (22) Date of Filing Application: **13 May 2010**
- (24) Date from which industrial property rights may have effect: **13 May 2010**
- (54) Product in respect of which the design is registered: **Wheelchair**
- (51) International Design Classification: **12-12**
- (71) Name(s) and Address(s) of Applicant(s):
Invacare Corporation
One Invacare Way Elyria Ohio 44036-2125 United States of America
- (72) Name(s) of Designer(s): **Damon Jurkiewicz and Joshua Hamilton Greiner and Daniel James Yee**
- (45) Registration Date: **08 June 2010**
- (30) Convention priority data:

(31) Number	(32) Date	(33) Country
29/350345	15 Nov 2009	UNITED STATES OF AMERICA
- (56) Related Art Documents: **Not Applicable**
- (57) Statement of Newness and Distinctiveness: **Newness and distinctiveness reside in the features shape and configuration of the design shown in solid lines in the representations excluding those features shown in broken lines.**

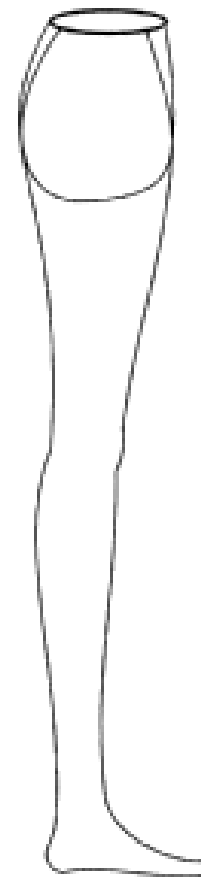


(19) AU

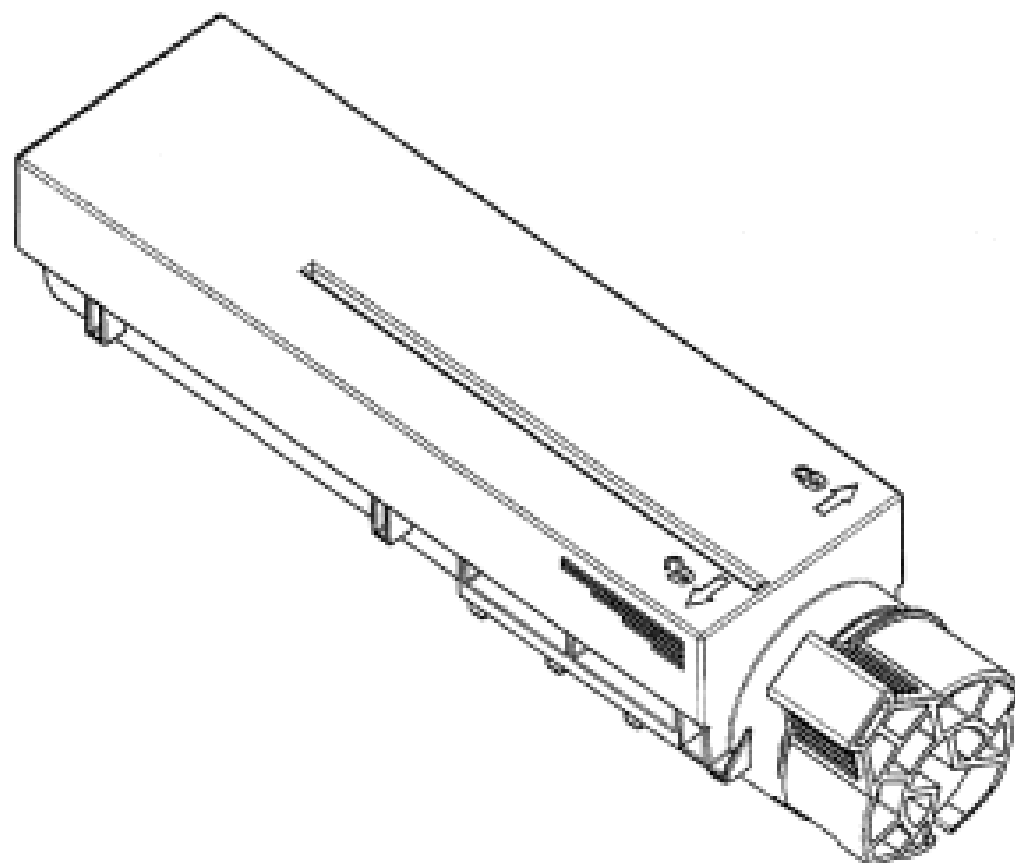
- (21) Design Number: **11902/2010**
- (22) Date of Filing Application: **12 May 2010**
- (24) Date from which industrial property rights may have effect: **12 May 2010**
- (54) Product in respect of which the design is registered: **Book cover**
- (51) International Design Classification: **19-04**
- (71) Name(s) and Address(s) of Applicant(s):
Acco Australia Pty Ltd
The Lakes Business Park Level 2 8 Lord Street Botany New South Wales 2019 Australia
- (72) Name(s) of Designer(s): **Allan Bookin**
- (45) Registration Date: **08 June 2010**
- (56) Related Art Documents: **Not Applicable**
- (57) Statement of Newness and Distinctiveness: **Newness and distinctiveness resides in the visual features of the BOOK COVER as shown in solid outline in the accompanying drawings. When determining whether the BOOK COVER design is substantially similar in overall impression to another design, no particular regard is to be had to those features shown in dotted outline in the accompanying drawings.**



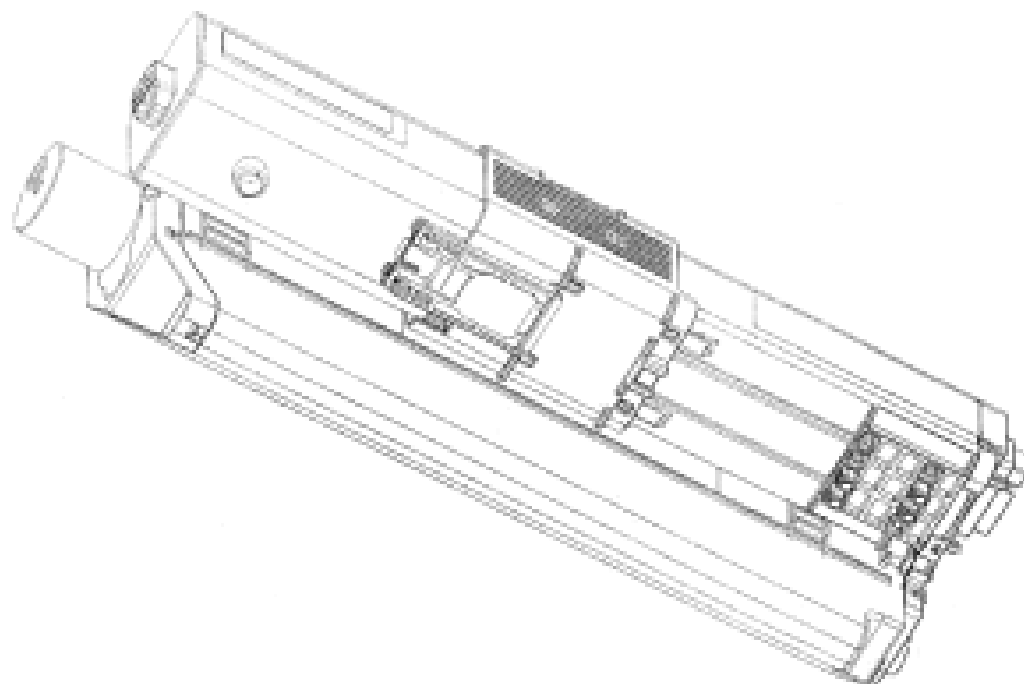
(21) Design Number: **12024/2010**
(22) Date of Filing Application: **20 May 2010**
(24) Date from which industrial property rights may have effect: **20 May 2010**
(54) Product in respect of which the design is registered: **Two piece panty hose**
(51) International Design Classification: **02-04C**
(71) Name(s) and Address(s) of Applicant(s):
Glenda Tanner
37 Oak Street Shailer Park Queensland 4128 Australia
(72) Name(s) of Designer(s): **Glenda Tanner**
(45) Registration Date: **08 June 2010**
(56) Related Art Documents: **Not Applicable**
(57) Statement of Newness and Distinctiveness: **Nil**



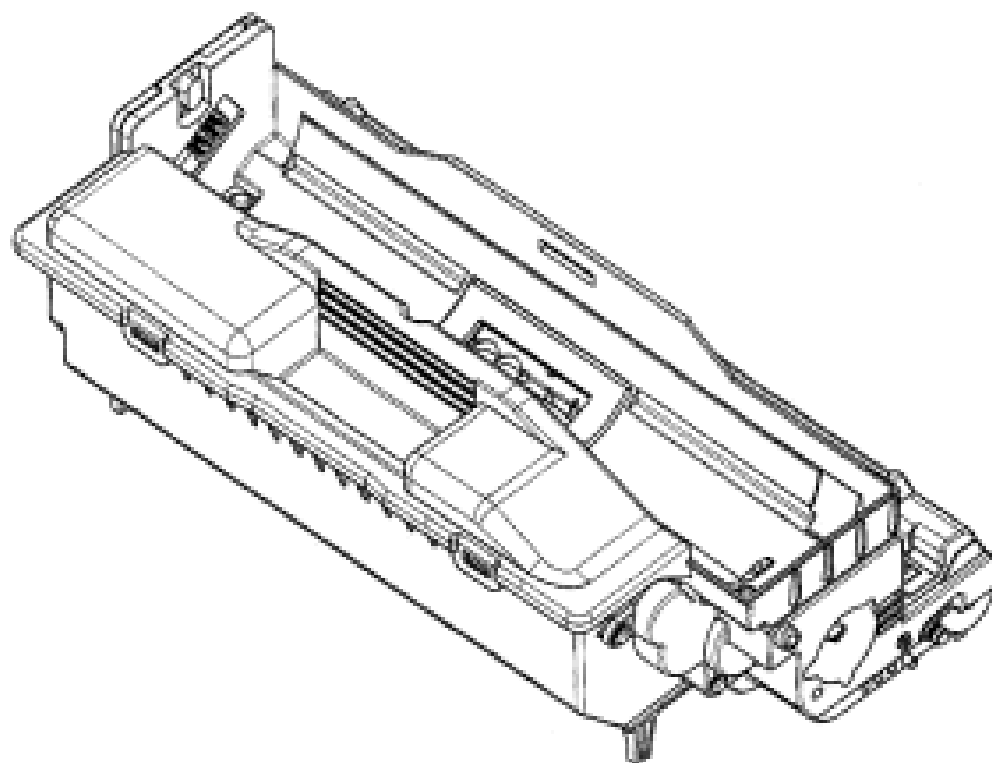
(21) Design Number: **11944/2010**
(22) Date of Filing Application: **14 May 2010**
(24) Date from which industrial property rights may have effect: **14 May 2010**
(54) Product in respect of which the design is registered: **Toner cartridge**
(51) International Design Classification: **18-02**
(71) Name(s) and Address(s) of Applicant(s):
Oki Data Corporation
11-22 Shibaura 4-chome Minato-ku Tokyo Japan
(72) Name(s) of Designer(s): **Osamu Teramura and Tatsuhiko Shimomura and Junichi Ushikubo**
(45) Registration Date: **10 June 2010**
(30) Convention priority data:
(31) Number (32) Date (33) Country
2010-10895 30 Apr 2010 JAPAN
(56) Related Art Documents: **Not Applicable**
(57) Statement of Newness and Distinctiveness: **When considering newness and distinctiveness of the product, all indicia are to be disregarded.**



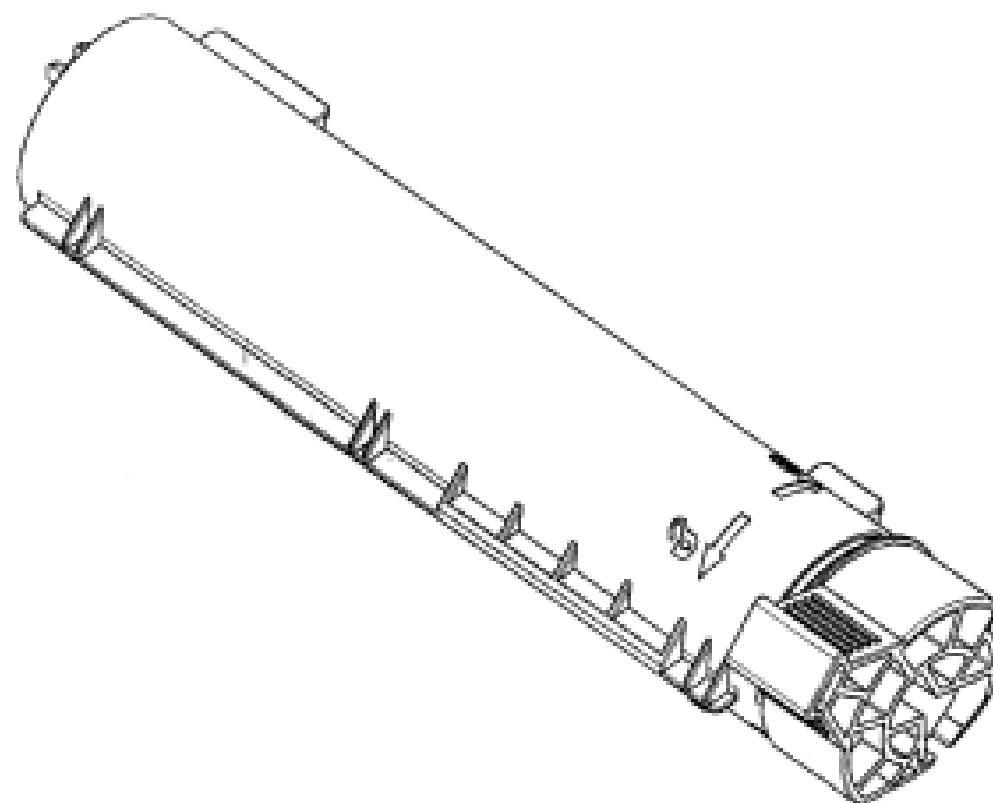
- (21) Design Number: **11945/2010**
(22) Date of Filing Application: **14 May 2010**
(24) Date from which industrial property rights may have effect: **14 May 2010**
(54) Product in respect of which the design is registered: **Toner cartridge**
(51) International Design Classification: **18-02**
(71) Name(s) and Address(s) of Applicant(s):
Oki Data Corporation
11-22 Shibaura 4-chome Minato-ku Tokyo Japan
(72) Name(s) of Designer(s): **Ken Nozawa and Yukiyoishi Oda and Atsushi Ohta**
(45) Registration Date: **10 June 2010**
(30) Convention priority data:
(31) Number (32) Date (33) Country
2010-10936 30 Apr 2010 JAPAN
(56) Related Art Documents: **Not Applicable**
(57) Statement of Newness and Distinctiveness: **When considering newness and distinctiveness of the product, all indicia are to be disregarded.**



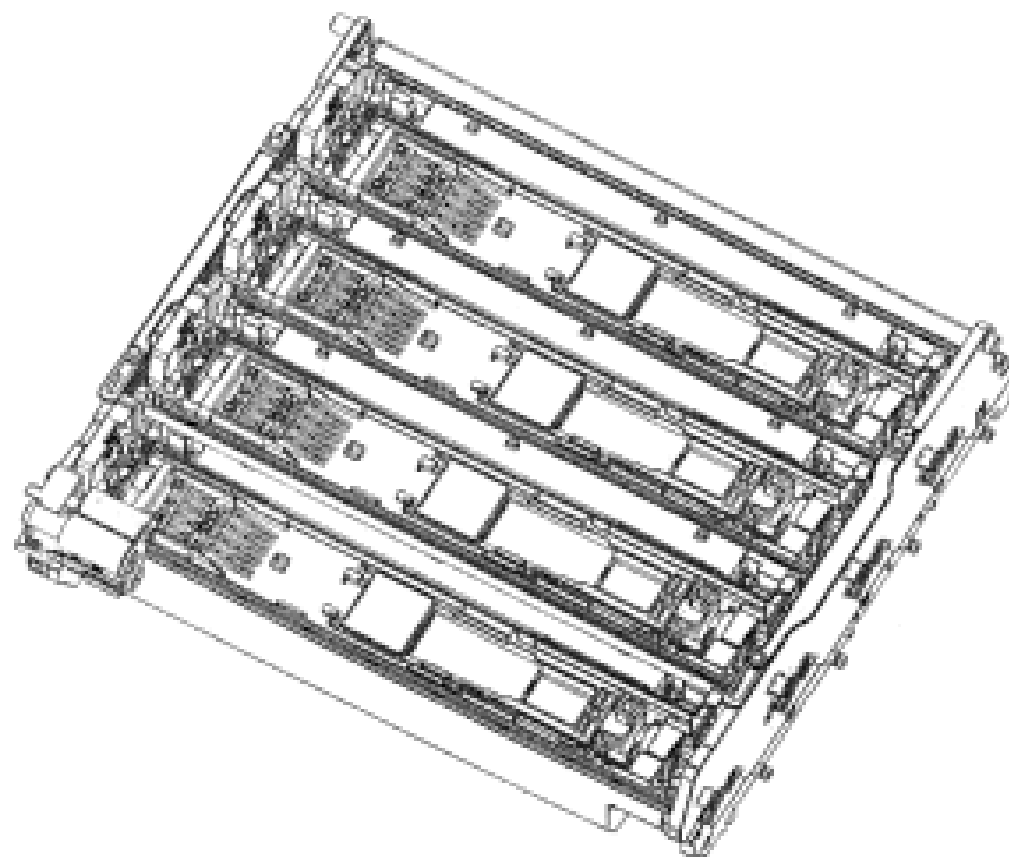
- (21) Design Number: **11946/2010**
(22) Date of Filing Application: **14 May 2010**
(24) Date from which industrial property rights may have effect: **14 May 2010**
(54) Product in respect of which the design is registered: **Image drum cartridge**
(51) International Design Classification: **18-02**
(71) Name(s) and Address(s) of Applicant(s):
Oki Data Corporation
11-22 Shibaura 4-chome Minato-ku Tokyo Japan
(72) Name(s) of Designer(s): **Osamu Teramura and Tatsuhiko Shimomura and Junichi Ushikubo**
(45) Registration Date: **10 June 2010**
(30) Convention priority data:
(31) Number (32) Date (33) Country
2010-10884 30 Apr 2010 JAPAN
(56) Related Art Documents: **Not Applicable**
(57) Statement of Newness and Distinctiveness: **Nil**



- (21) Design Number: **11947/2010**
(22) Date of Filing Application: **14 May 2010**
(24) Date from which industrial property rights may have effect: **14 May 2010**
(54) Product in respect of which the design is registered: **Toner cartridge**
(51) International Design Classification: **18-02**
(71) Name(s) and Address(s) of Applicant(s):
Oki Data Corporation
11-22 Shibaura 4-chome Minato-ku Tokyo Japan
(72) Name(s) of Designer(s): **Osamu Teramura and Tatsuhiko Shimomura and Junichi Ushikubo**
(45) Registration Date: **10 June 2010**
(30) Convention priority data:
(31) Number (32) Date (33) Country
2010-10896 30 Apr 2010 JAPAN
(56) Related Art Documents: **Not Applicable**
(57) Statement of Newness and Distinctiveness: **When considering newness and distinctiveness of the product, all indicia are to be disregarded.**

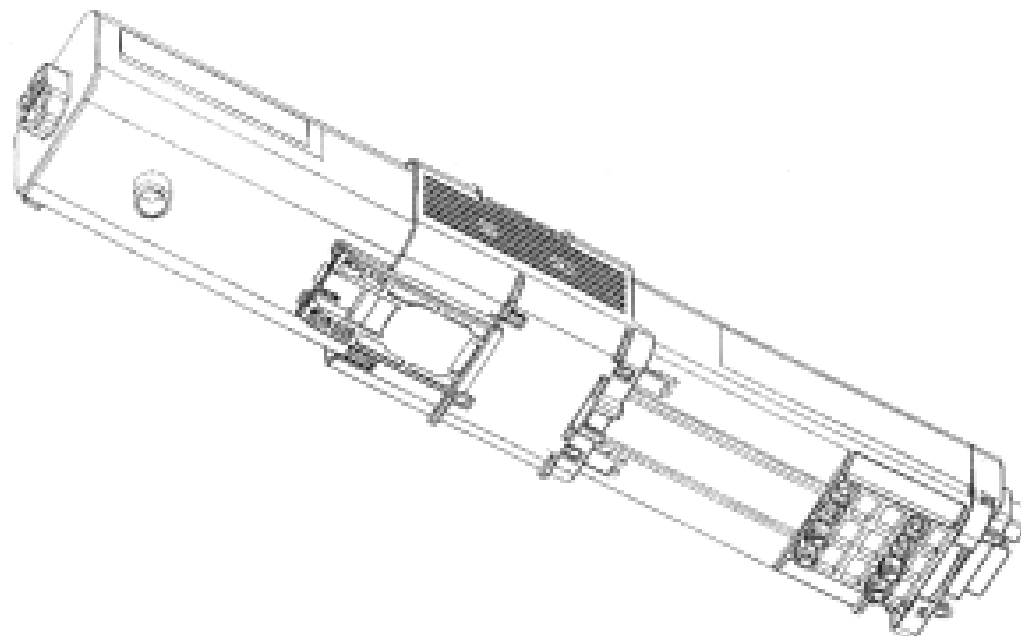


- (21) Design Number: **11948/2010**
(22) Date of Filing Application: **14 May 2010**
(24) Date from which industrial property rights may have effect: **14 May 2010**
(54) Product in respect of which the design is registered: **Image drum cartridge**
(51) International Design Classification: **18-02**
(71) Name(s) and Address(s) of Applicant(s):
Oki Data Corporation
11-22 Shibaura 4-chome Minato-ku Tokyo Japan
(72) Name(s) of Designer(s): **Ken Nozawa and Yuki Yoshi Oda and Atsushi Ohta**
(45) Registration Date: **10 June 2010**
(30) Convention priority data:
(31) Number (32) Date (33) Country
2010-10905 30 Apr 2010 JAPAN
(56) Related Art Documents: **Not Applicable**
(57) Statement of Newness and Distinctiveness: **Nil**



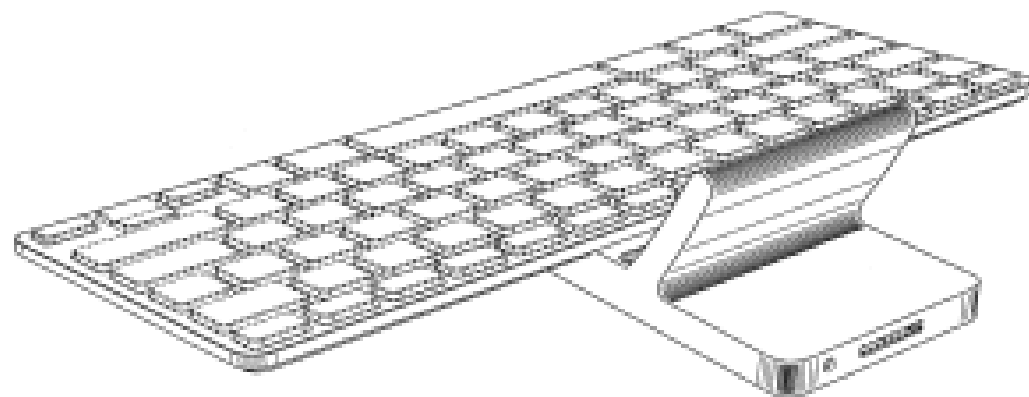
(19) AU

- (21) Design Number: **11949/2010**
(22) Date of Filing Application: **14 May 2010**
(24) Date from which industrial property rights may have effect: **14 May 2010**
(54) Product in respect of which the design is registered: **Toner cartridge**
(51) International Design Classification: **18-02**
(71) Name(s) and Address(s) of Applicant(s):
Oki Data Corporation
11-22 Shibaura 4-chome Minato-ku Tokyo Japan
(72) Name(s) of Designer(s): **Ken Nozawa and Yukiyoishi Oda and Atsushi Ohta**
(45) Registration Date: **10 June 2010**
(30) Convention priority data:
(31) Number (32) Date (33) Country
2010-10928 30 Apr 2010 JAPAN
(56) Related Art Documents: **Not Applicable**
(57) Statement of Newness and Distinctiveness: **When considering newness and distinctiveness of the product, all indicia are to be disregarded.**



(19) AU

- (21) Design Number: **11951/2010**
(22) Date of Filing Application: **14 May 2010**
(24) Date from which industrial property rights may have effect: **14 May 2010**
(54) Product in respect of which the design is registered: **Docking station**
(51) International Design Classification: **14-02**
(71) Name(s) and Address(s) of Applicant(s):
Apple Inc.
1 Infinite Loop Cupertino California 95014 United States of America
(72) Name(s) of Designer(s): **Jody Akana and Bartley K. Andre and Jeremy Bataillou and Daniel J. Coster and Daniele De Iuliis and Evans Hankey and Richard P. Howarth and Jonathan P. Ive and Duncan Robert Kerr and Shin Nishibori and Matthew Dean Rohrbach and Peter Russell-Clarke and Christopher J. Stringer and Eugene Antony Whang and Rico Zorkendorfer**
(45) Registration Date: **10 June 2010**
(30) Convention priority data:
(31) Number (32) Date (33) Country
29/353323 06 Jan 2010 UNITED STATES OF AMERICA
(56) Related Art Documents: **Not Applicable**
(57) Statement of Newness and Distinctiveness: **Newness and distinctiveness resides in the features of shape and configuration shown in solid lines in the accompanying representations. The shade lines in the representations show contour and not surface ornamentation.**



- (21) Design Number: **11952/2010**
- (22) Date of Filing Application: **14 May 2010**
- (24) Date from which industrial property rights may have effect: **14 May 2010**
- (54) Product in respect of which the design is registered: **Docking station**
- (51) International Design Classification: **14-02**
- (71) Name(s) and Address(s) of Applicant(s):

Apple Inc.
1 Infinite Loop Cupertino California 95014 United States of America

- (72) Name(s) of Designer(s): **Jody Akana and Bartley K. Andre and Jeremy Bataillou and Daniel J. Coster and Daniele De Iuliis and Evans Hankey and Richard P. Howarth and Jonathan P. Ive and Duncan Robert Kerr and Shin Nishibori and Matthew Dean Rohrbach and Peter Russell-Clarke and Christopher J. Stringer and Eugene Antony Whang and Rico Zorkendorfer**

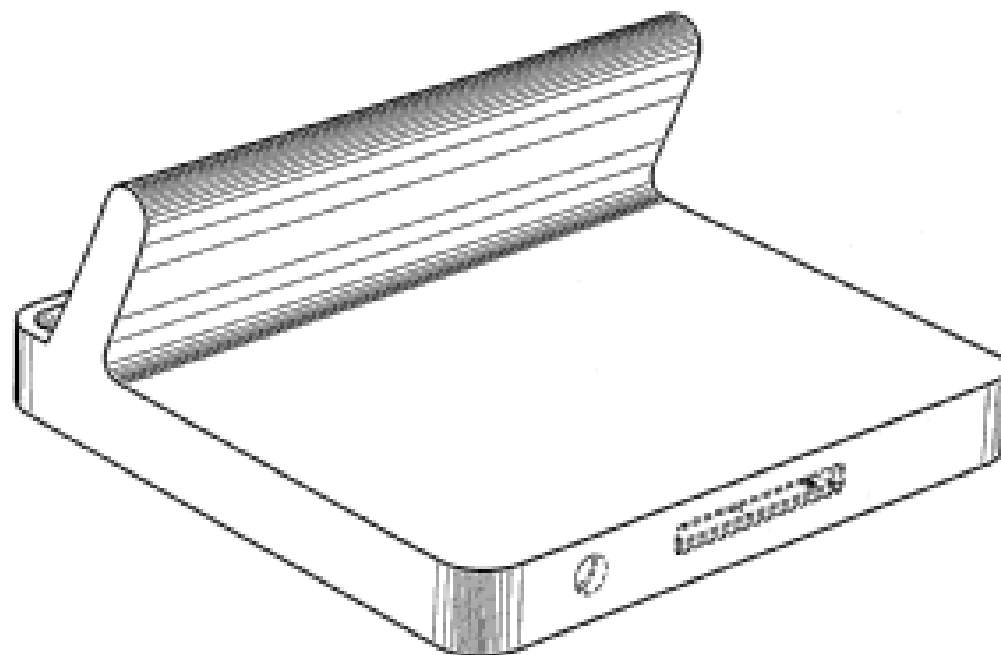
- (45) Registration Date: **10 June 2010**

- (30) Convention priority data:

(31) Number	(32) Date	(33) Country
29/353321	06 Jan 2010	UNITED STATES OF AMERICA

- (56) Related Art Documents: **Not Applicable**

- (57) Statement of Newness and Distinctiveness: **Newness and distinctiveness resides in the features of shape and configuration shown in solid lines in the accompanying representations. The shade lines in the representations show contour and not surface ornamentation.**



- (21) Design Number: **11954/2010**
- (22) Date of Filing Application: **14 May 2010**
- (24) Date from which industrial property rights may have effect: **14 May 2010**
- (54) Product in respect of which the design is registered: **Front bumper for a vehicle**
- (51) International Design Classification: **12-16C**
- (71) Name(s) and Address(s) of Applicant(s):

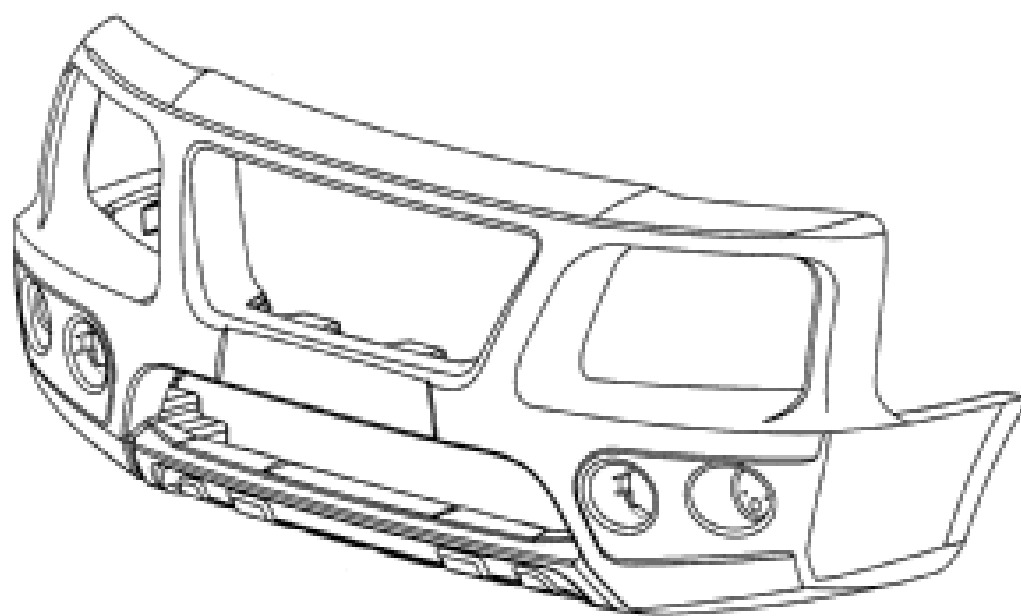
Team Poly Pty Ltd
36 Waddikee Road Lonsdale South Australia 5160 Australia

- (72) Name(s) of Designer(s): **Kieran Michael Jenkins**

- (45) Registration Date: **10 June 2010**

- (56) Related Art Documents: **Not Applicable**

- (57) Statement of Newness and Distinctiveness: **Newness and distinctiveness resides in the features of shape and configuration of a front bumper for a vehicle as shown in the accompanying representations.**



- (21) Design Number: **11271/2010**
(22) Date of Filing Application: **09 April 2010**
(24) Date from which industrial property rights may have effect: **09 April 2010**
(54) Product in respect of which the design is registered: **Front bumper with front grille for an automobile**
(51) International Design Classification: **12-16C**
(71) Name(s) and Address(s) of Applicant(s):
Toyota Jidosha Kabushiki Kaisha
1 Toyota-cho Toyota-shi Aichi-ken 471-8571 Japan
(72) Name(s) of Designer(s): **Tatsurou Koshino and Tetsuya Nakagawa and Takeo Okuno**
(45) Registration Date: **09 June 2010**
(56) Related Art Documents: **Not Applicable**
(57) Statement of Newness and Distinctiveness: **Newness and distinctiveness is claimed in the features of shape and/or configuration of a front bumper with front grille for an automobile as illustrated in the accompanying representations.**



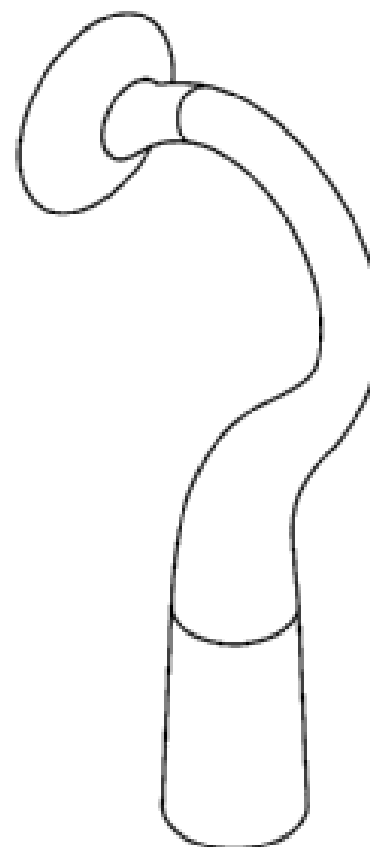
- (21) Design Number: **11272/2010**
(22) Date of Filing Application: **09 April 2010**
(24) Date from which industrial property rights may have effect: **09 April 2010**
(54) Product in respect of which the design is registered: **Rear combination lamp for an automobile**
(51) International Design Classification: **26-06**
(71) Name(s) and Address(s) of Applicant(s):
Toyota Jidosha Kabushiki Kaisha
1 Toyota-cho Toyota-shi Aichi-ken 471-8571 Japan
(72) Name(s) of Designer(s): **Tatsurou Koshino and Rikiya Yoshinaga**
(45) Registration Date: **09 June 2010**
(56) Related Art Documents: **Not Applicable**
(57) Statement of Newness and Distinctiveness: **Newness and distinctiveness is claimed in the features of shape and/or configuration of a rear combination lamp for an automobile as illustrated in the accompanying representations.**



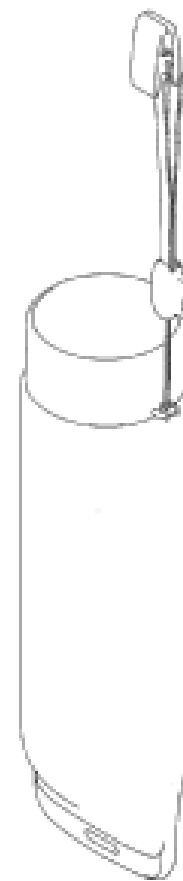
- (21) Design Number: **11273/2010**
(22) Date of Filing Application: **09 April 2010**
(24) Date from which industrial property rights may have effect: **09 April 2010**
(54) Product in respect of which the design is registered: **Front combination lamp for an automobile**
(51) International Design Classification: **26-06**
(71) Name(s) and Address(s) of Applicant(s):
Toyota Jidosha Kabushiki Kaisha
1 Toyota-cho Toyota-shi Aichi-ken 471-8571 Japan
(72) Name(s) of Designer(s): **Takeo Okuno and Tetsuya Nakagawa**
(45) Registration Date: **09 June 2010**
(56) Related Art Documents: **Not Applicable**
(57) Statement of Newness and Distinctiveness: **Newness and distinctiveness is claimed in the features of shape and/or configuration of a front combination lamp for an automobile as illustrated in the accompanying representations.**



- (21) Design Number: **11847/2010**
(22) Date of Filing Application: **11 May 2010**
(24) Date from which industrial property rights may have effect: **11 May 2010**
(54) Product in respect of which the design is registered: **Umbrella handle with suction cup**
(51) International Design Classification: **03-03**
(71) Name(s) and Address(s) of Applicant(s):
Ofess Limited
Unit B1 21/F Galaxy Factory Building 25-27 Luk Hop Street San Po Kong Kowloon Hong Kong
(72) Name(s) of Designer(s): **Pak Keung David Leung and Pui Kay Mo Mou**
(45) Registration Date: **09 June 2010**
(30) Convention priority data:
(31) Number (32) Date (33) Country
0901887.0M002 11 Nov 2009 HONG KONG
(56) Related Art Documents: **Not Applicable**
(57) Statement of Newness and Distinctiveness: **Nil**



(21) Design Number: **11855/2010**
(22) Date of Filing Application: **11 May 2010**
(24) Date from which industrial property rights may have effect: **11 May 2010**
(54) Product in respect of which the design is registered: **Umbrella**
(51) International Design Classification: **03-03**
(71) Name(s) and Address(s) of Applicant(s):
Ofess Limited
Unit B1 21/F Galaxy Factory Building 25-27 Luk Hop Street San Po
Kong Kowloon Hong Kong
(72) Name(s) of Designer(s): **Pak Keung David Leung and Pui Kay Mo Mou**
(45) Registration Date: **09 June 2010**
(30) Convention priority data:
(31) Number (32) Date (33) Country
0901887.0M001 11 Nov 2009 HONG KONG
(56) Related Art Documents: **Not Applicable**
(57) Statement of Newness and Distinctiveness: **Nil**



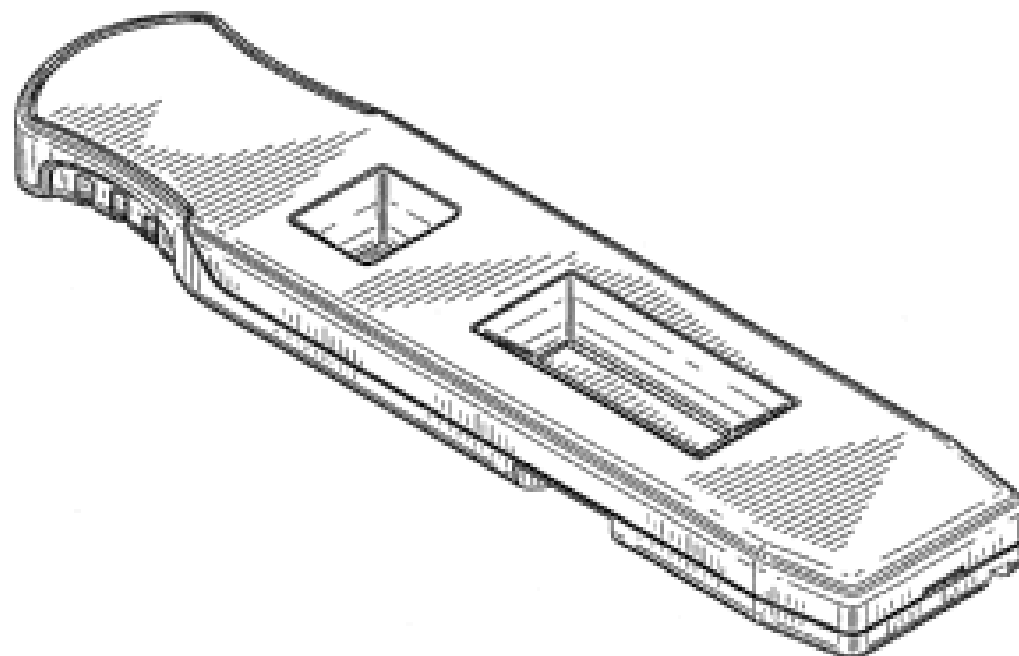
(21) Design Number: **11958/2010**
(22) Date of Filing Application: **18 May 2010**
(24) Date from which industrial property rights may have effect: **18 May 2010**
(54) Product in respect of which the design is registered: **Plastic spoon, knife and fork**
(51) International Design Classification: **07-03**
(71) Name(s) and Address(s) of Applicant(s):
Partyware Pty Ltd
10 University Place Clayton North Victoria 3168 Australia
(72) Name(s) of Designer(s): **Aron Segev**
(45) Registration Date: **09 June 2010**
(56) Related Art Documents: **Not Applicable**
(57) Statement of Newness and Distinctiveness: **Plastic disposable cutlery with coloured handle and stainless steel replica prongs, knife and spoon head.**



(19) AU

- (21) Design Number: **11961/2010**
- (22) Date of Filing Application: **17 May 2010**
- (24) Date from which industrial property rights may have effect: **17 May 2010**
- (54) Product in respect of which the design is registered: **Cassette for a medical device**
- (51) International Design Classification: **24-01**
- (71) Name(s) and Address(s) of Applicant(s):
Becton, Dickinson and Company
One Becton Drive Mail Code 110 Franklin Lakes New Jersey
07417-1880 United States of America
- (72) Name(s) of Designer(s): **Scott E. Castanon and Martin J. Bouliane and Richard R. Anderson and John J. Carrino and Brian P. Dwyer and Gregory K. Bond**
- (45) Registration Date: **09 June 2010**
- (30) Convention priority data:

(31) Number	(32) Date	(33) Country
29/350550	18 Nov 2009	UNITED STATES OF AMERICA
- (56) Related Art Documents: **Not Applicable**
- (57) Statement of Newness and Distinctiveness: **Newness and distinctiveness reside in the visual features of the shape and configuration of the design shown in solid lines in the representations excluding those features shown broken lines.**

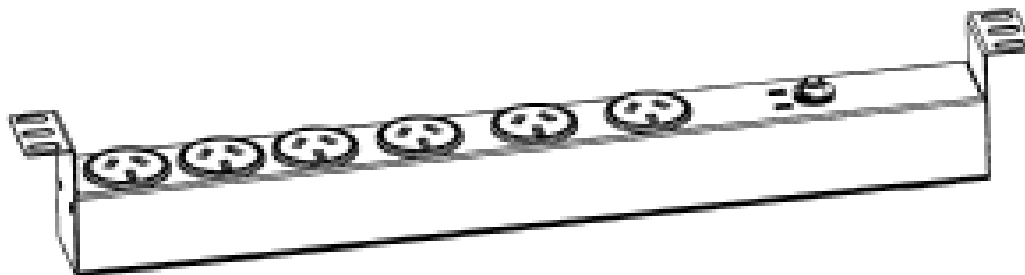


(19) AU

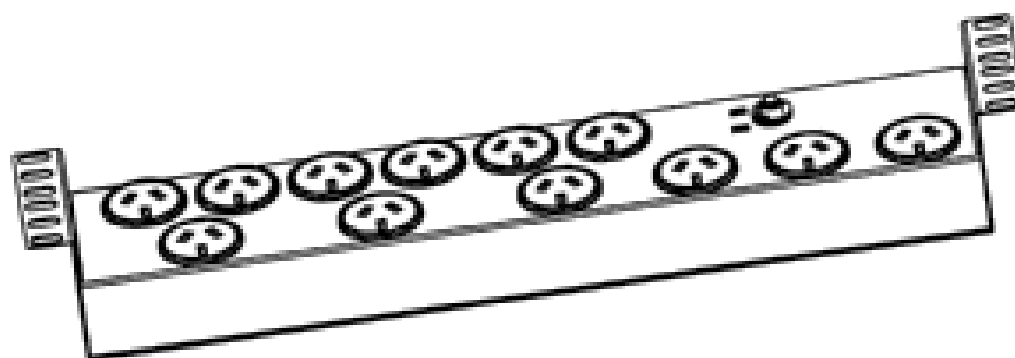
- (21) Design Number: **11964/2010**
- (22) Date of Filing Application: **17 May 2010**
- (24) Date from which industrial property rights may have effect: **17 May 2010**
- (54) Product in respect of which the design is registered: **A right or left handed sock**
- (51) International Design Classification: **02-04C**
- (71) Name(s) and Address(s) of Applicant(s):
Chris Gardner
1 Aroha Crescent Camberwell Victoria 3126 Australia
David Coull
6 Sunray Court Eltham Victoria 3095 Australia
- (72) Name(s) of Designer(s): **Chris Gardner**
- (45) Registration Date: **09 June 2010**
- (56) Related Art Documents: **Not Applicable**
- (57) Statement of Newness and Distinctiveness: **Newness and distinctiveness is claimed in the pattern or ornamentation as applied to a handed sock being the word LEFT as applied to a left handed sock and RIGHT as applied to a right handed sock and the numerals 1 to 5 as applied to the toe region of the sock corresponding with the position of the wearers' toes.**



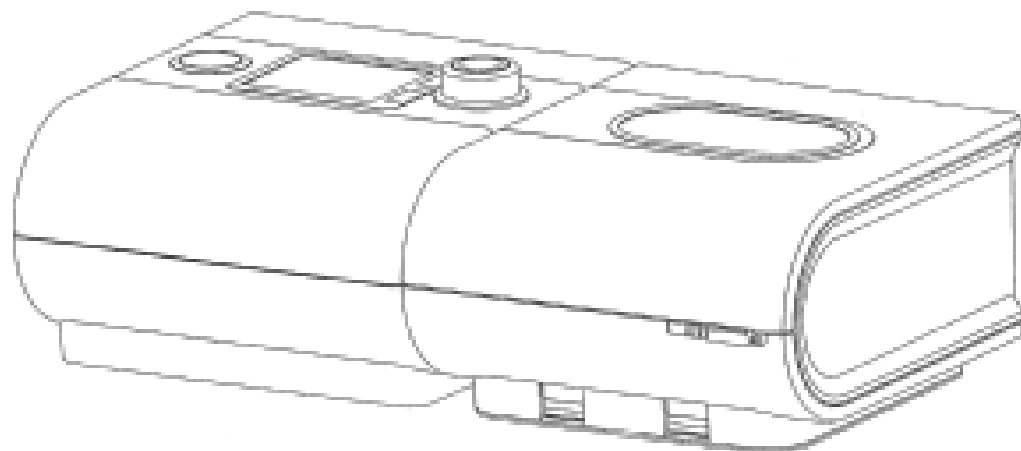
- (21) Design Number: **11966/2010**
- (22) Date of Filing Application: **17 May 2010**
- (24) Date from which industrial property rights may have effect: **17 May 2010**
- (54) Product in respect of which the design is registered: **A rack mountable power distribution device**
- (51) International Design Classification: **13-03D**
- (71) Name(s) and Address(s) of Applicant(s):
Jackson Industries Pty Limited
16 Brookhollow Avenue Norwest Business Park Baulkham Hills New South Wales 2153 Australia
- (72) Name(s) of Designer(s): **Ross Alec Jackson**
- (45) Registration Date: **09 June 2010**
- (56) Related Art Documents: **Not Applicable**
- (57) Statement of Newness and Distinctiveness: **Newness and distinctiveness is claimed in the features of a radiused casing, mounting brackets and socket positioning of a rack mountable power distribution device as illustrated in the accompanying representations.**



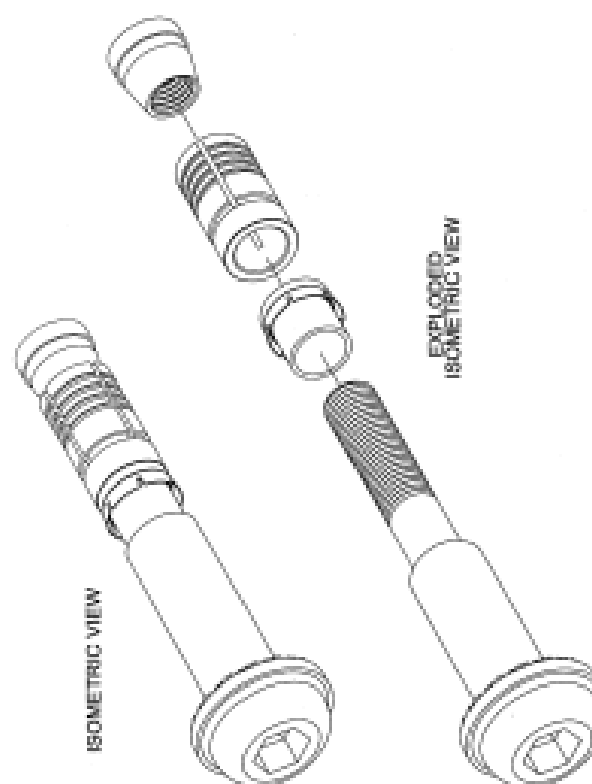
- (21) Design Number: **11967/2010**
- (22) Date of Filing Application: **17 May 2010**
- (24) Date from which industrial property rights may have effect: **17 May 2010**
- (54) Product in respect of which the design is registered: **A rack mountable power distribution device**
- (51) International Design Classification: **13-03D**
- (71) Name(s) and Address(s) of Applicant(s):
Jackson Industries Pty Limited
16 Brookhollow Avenue Norwest Business Park Baulkham Hills New South Wales 2153 Australia
- (72) Name(s) of Designer(s): **Ross Alec Jackson**
- (45) Registration Date: **09 June 2010**
- (56) Related Art Documents: **Not Applicable**
- (57) Statement of Newness and Distinctiveness: **Newness and distinctiveness is claimed in the features of a radiused casing, mounting brackets and socket positioning of a rack mountable power distribution device as illustrated in the accompanying representations.**



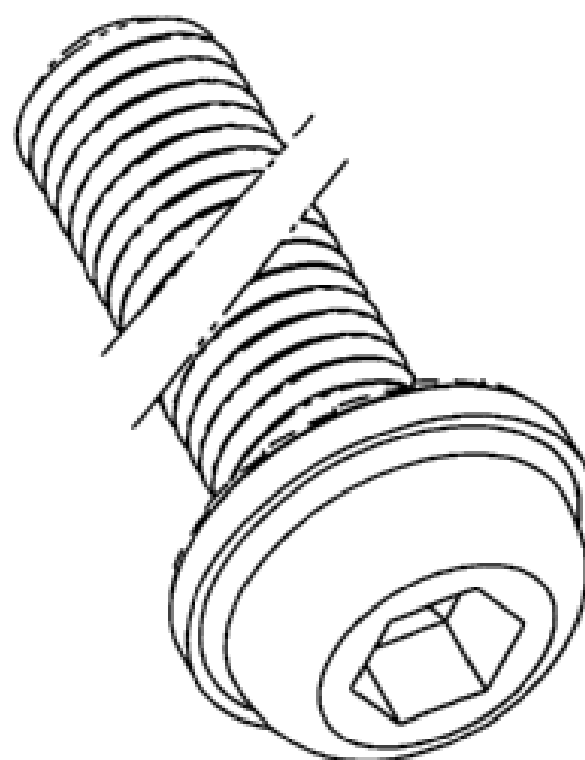
- (21) Design Number: **11010/2010**
(22) Date of Filing Application: **19 December 2008**
(24) Date from which industrial property rights may have effect: **19 December 2008**
(54) Product in respect of which the design is registered: **Positive airway pressure delivery device and humidifier**
(51) International Design Classification: **24-01**
(71) Name(s) and Address(s) of Applicant(s):
ResMed Ltd
1 Elizabeth Macarthur Drive Bella Vista New South Wales 2153
Australia
(72) Name(s) of Designer(s): **Perry Lithgow and Phoebe Hill and Ian Smith and Rohan Primrose and Mark Bertinetti and Saad Nasr and Richard Jones and Dimitri Maurer and Alex Virr and Henri Spaile and Mark Armstrong and Kenneth Lam and Justin Wagemakers and Nick Earl**
(45) Registration Date: **09 June 2010**
(62) Divisional of: **330142**
(56) Related Art Documents: **Not Applicable**
(57) Statement of Newness and Distinctiveness: **Nil**



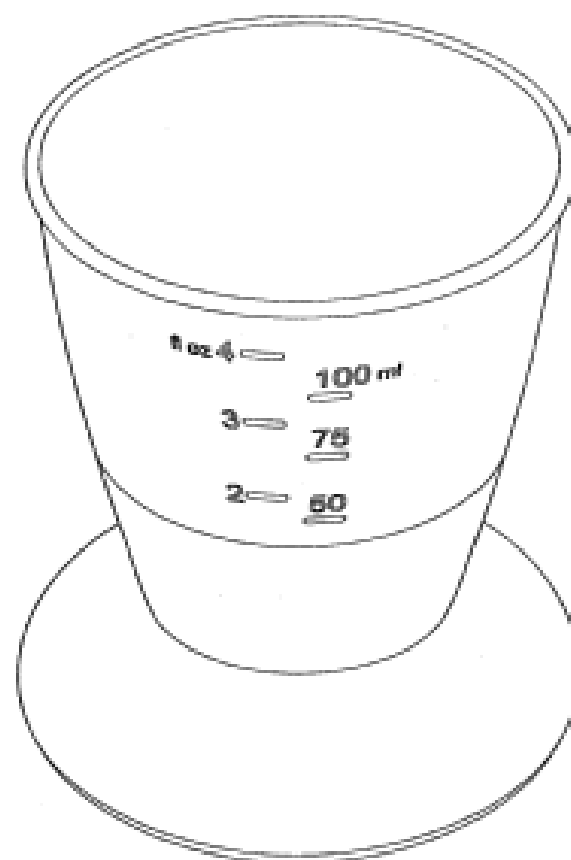
- (21) Design Number: **11928/2010**
(22) Date of Filing Application: **14 May 2010**
(24) Date from which industrial property rights may have effect: **14 May 2010**
(54) Product in respect of which the design is registered: **Expansion anchor assembly**
(51) International Design Classification: **08-08B**
(71) Name(s) and Address(s) of Applicant(s):
Casts Australia Pty Ltd
13 Oban Court Greenvale Victoria 3059 Australia
(72) Name(s) of Designer(s): **John Van Wissen**
(45) Registration Date: **09 June 2010**
(56) Related Art Documents: **Not Applicable**
(57) Statement of Newness and Distinctiveness: **Those features of the expansion anchor assembly depicted in the representations that are new and distinctive are the shape and/or configuration.**



- (21) Design Number: **11929/2010**
(22) Date of Filing Application: **14 May 2010**
(24) Date from which industrial property rights may have effect: **14 May 2010**
(54) Product in respect of which the design is registered: **Fastener**
(51) International Design Classification: **08-08B**
(71) Name(s) and Address(s) of Applicant(s):
Casts Australia Pty Ltd
13 Oban Court Greenvale Victoria 3059 Australia
(72) Name(s) of Designer(s): **John Van Wissen**
(45) Registration Date: **09 June 2010**
(56) Related Art Documents: **Not Applicable**
(57) Statement of Newness and Distinctiveness: **Those features of the fastener depicted in the representations that are new and distinctive are the shape and/or configuration. The feature shown in broken line is not part of the design and is to be disregarded when considering the overall impression of the design.**



- (21) Design Number: **11930/2010**
(22) Date of Filing Application: **14 May 2010**
(24) Date from which industrial property rights may have effect: **14 May 2010**
(54) Product in respect of which the design is registered: **Drinking vessel**
(51) International Design Classification: **07-01C**
(71) Name(s) and Address(s) of Applicant(s):
BabyBjorn AB
Box 913 170 09 Solna Sweden
(72) Name(s) of Designer(s): **Filip Sauer and Jonas Samrelius**
(45) Registration Date: **09 June 2010**
(30) Convention priority data:
(31) Number (32) Date (33) Country
001647025-0001 14 Dec 2009 EUROPEAN COMMUNITY
(56) Related Art Documents: **Not Applicable**
(57) Statement of Newness and Distinctiveness: **Newness and distinctiveness is claimed in the features of shape and/or configuration of a drinking vessel as illustrated in the accompanying representations.**



(21) Design Number: **11940/2010**

(22) Date of Filing Application: **17 May 2010**

(24) Date from which industrial property rights may have effect: **17 May 2010**

(54) Product in respect of which the design is registered: **High pressure washer**

(51) International Design Classification: **15-05**

(71) Name(s) and Address(s) of Applicant(s):

**Nilfisk-Advance A/S
Sognevej 25 DK-2605 Brondby Denmark**

(72) Name(s) of Designer(s): **Jens Jorgen Fuglsang**

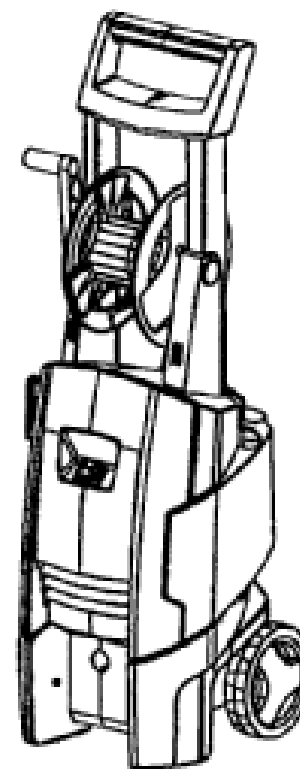
(45) Registration Date: **09 June 2010**

(30) Convention priority data:

(31) Number	(32) Date	(33) Country
001180459	26 Nov 2009	EUROPEAN COMMUNITY

(56) Related Art Documents: **Not Applicable**

(57) Statement of Newness and Distinctiveness: **Nil**



(21) Design Number: **11942/2010**

(22) Date of Filing Application: **14 May 2010**

(24) Date from which industrial property rights may have effect: **14 May 2010**

(54) Product in respect of which the design is registered: **Plural component mechanical purge applicator.**

(51) International Design Classification: **23-01NES**

(71) Name(s) and Address(s) of Applicant(s):

**Graco Minnesota Inc.
88 11th Avenue NE Minneapolis Minnesota 55440-1441 United States of America**

(72) Name(s) of Designer(s): **Michael A. Cryer and John S. Lihwa and Charles E. Moser and Heath I. McCartney**

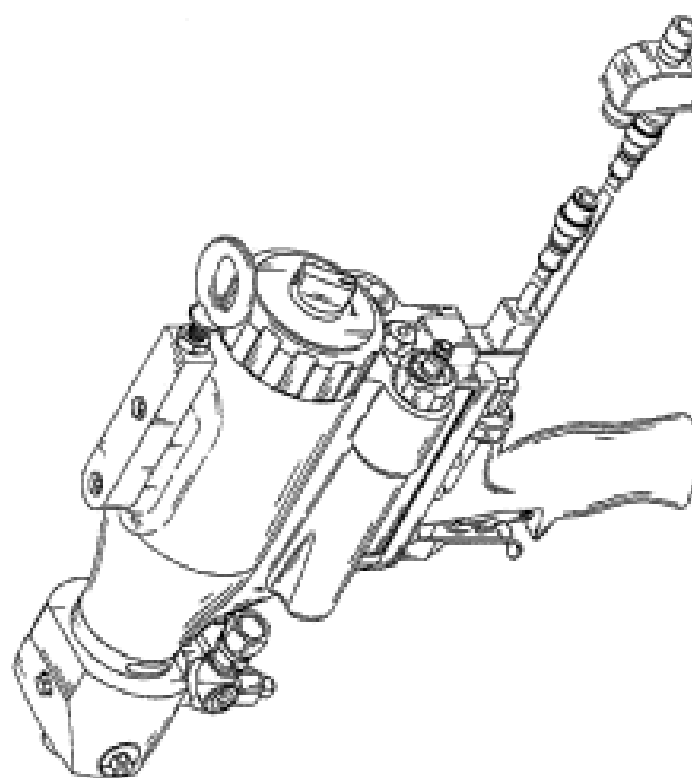
(45) Registration Date: **09 June 2010**

(30) Convention priority data:

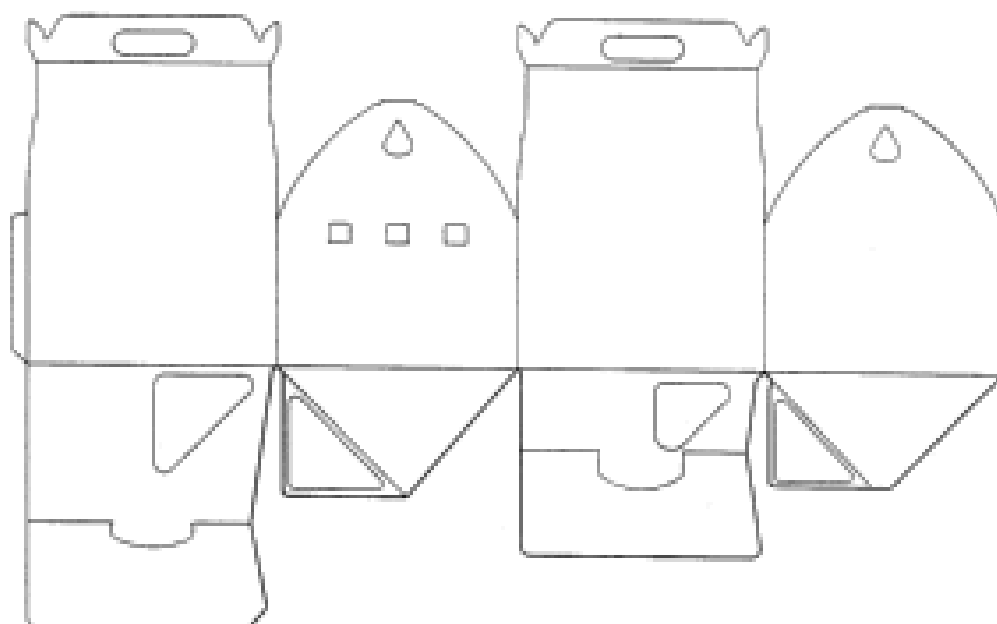
(31) Number	(32) Date	(33) Country
29/352,872	29 Dec 2009	UNITED STATES OF AMERICA

(56) Related Art Documents: **Not Applicable**

(57) Statement of Newness and Distinctiveness: **Nil**



- (21) Design Number: **10942/2010**
(22) Date of Filing Application: **18 March 2010**
(24) Date from which industrial property rights may have effect: **18 March 2010**
(54) Product in respect of which the design is registered: **A box**
(51) International Design Classification: **09-03NES**
(71) Name(s) and Address(s) of Applicant(s):
McD Asia Pacific LLC
1 Kim Seng Promenade #08-01 Great World City East Tower
Singapore 237994 Singapore
(72) Name(s) of Designer(s): **Silvio Bugelli**
(45) Registration Date: **10 June 2010**
(56) Related Art Documents: **Not Applicable**
(57) Statement of Newness and Distinctiveness: **Newness and distinctiveness is claimed in the features of shape and/or configuration of a box as illustrated in the accompanying representations.**



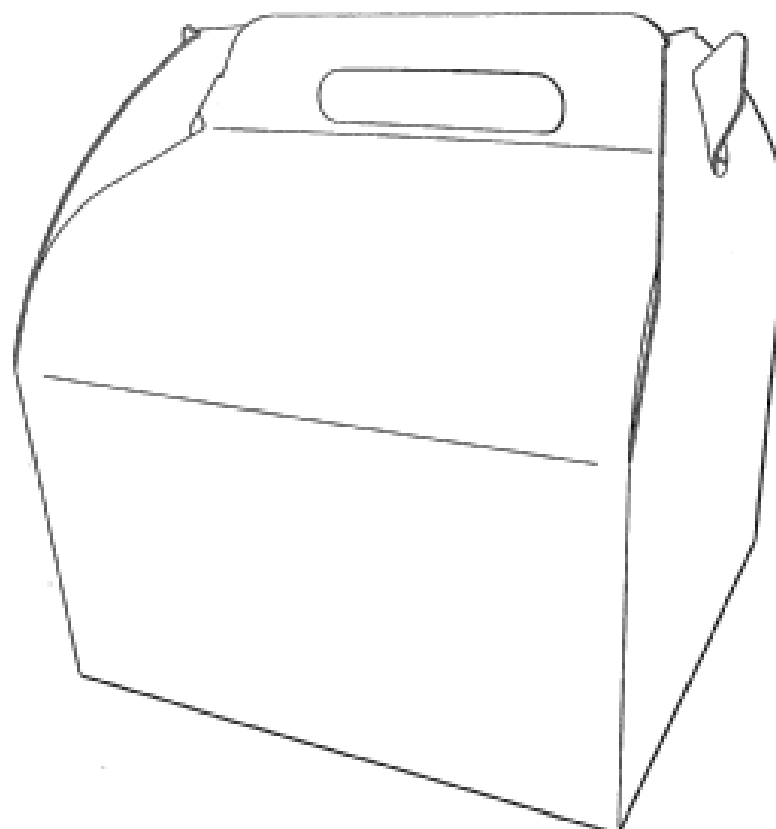
- (21) Design Number: **11127/2010**
(22) Date of Filing Application: **30 March 2010**
(24) Date from which industrial property rights may have effect: **30 March 2010**
(54) Product in respect of which the design is registered: **Automatic vending machine**
(51) International Design Classification: **20-01**
(71) Name(s) and Address(s) of Applicant(s):
PARKEON
Le Barjac 1 Boulevard Victor Paris 75015 France
(72) Name(s) of Designer(s): **Adrien Adeline**
(45) Registration Date: **10 June 2010**
(30) Convention priority data:
(31) Number (32) Date (33) Country
001166961-0002 30 Sep 2009 EUROPEAN COMMUNITY
(56) Related Art Documents: **Not Applicable**
(57) Statement of Newness and Distinctiveness: **The shape, configuration, shape and configuration, pattern, ornamentation, pattern and ornamentation of the design of the product(s) is/are new and distinctive. When considering the newness and distinctiveness of the design, the indicia appearing on the article to which the design article is applied, such as the letter "P" towards the upper and lower parts of the article and the information displayed on the visual display screen are to be disregarded as not forming part of the design.**



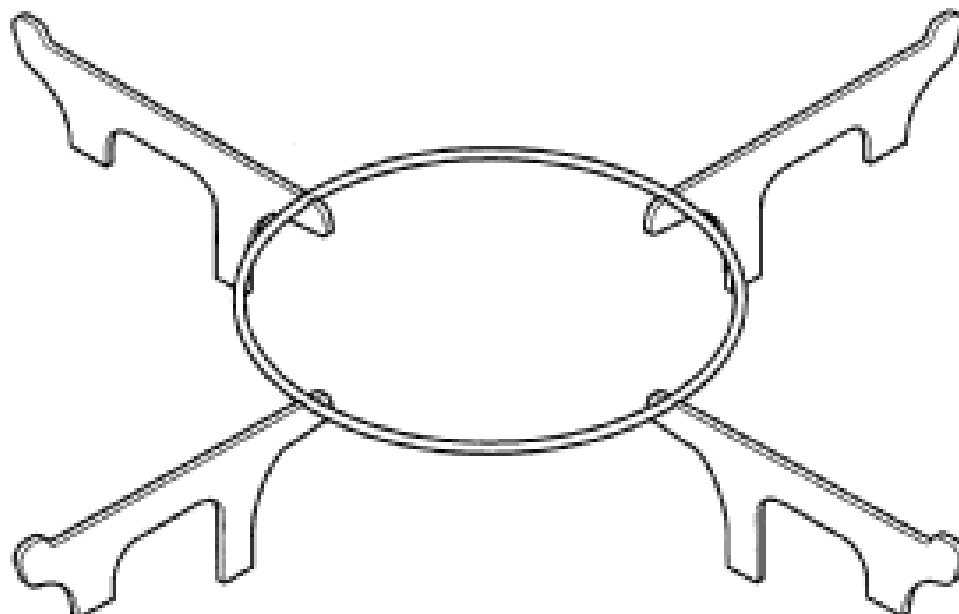
- (21) Design Number: **11270/2010**
(22) Date of Filing Application: **09 April 2010**
(24) Date from which industrial property rights may have effect: **09 April 2010**
(54) Product in respect of which the design is registered: **Automobile**
(51) International Design Classification: **12-08**
(71) Name(s) and Address(s) of Applicant(s):
Toyota Jidosha Kabushiki Kaisha
1 Toyota-cho Toyota-shi Aichi-ken 471-8571 Japan
(72) Name(s) of Designer(s): **Tatsuro Koshino and Tetsuya Nakagawa and Jun Takahashi**
(45) Registration Date: **10 June 2010**
(56) Related Art Documents: **Not Applicable**
(57) Statement of Newness and Distinctiveness: **Newness and distinctiveness is claimed in the features of shape and/or configuration of an automobile as illustrated in the accompanying representations.**



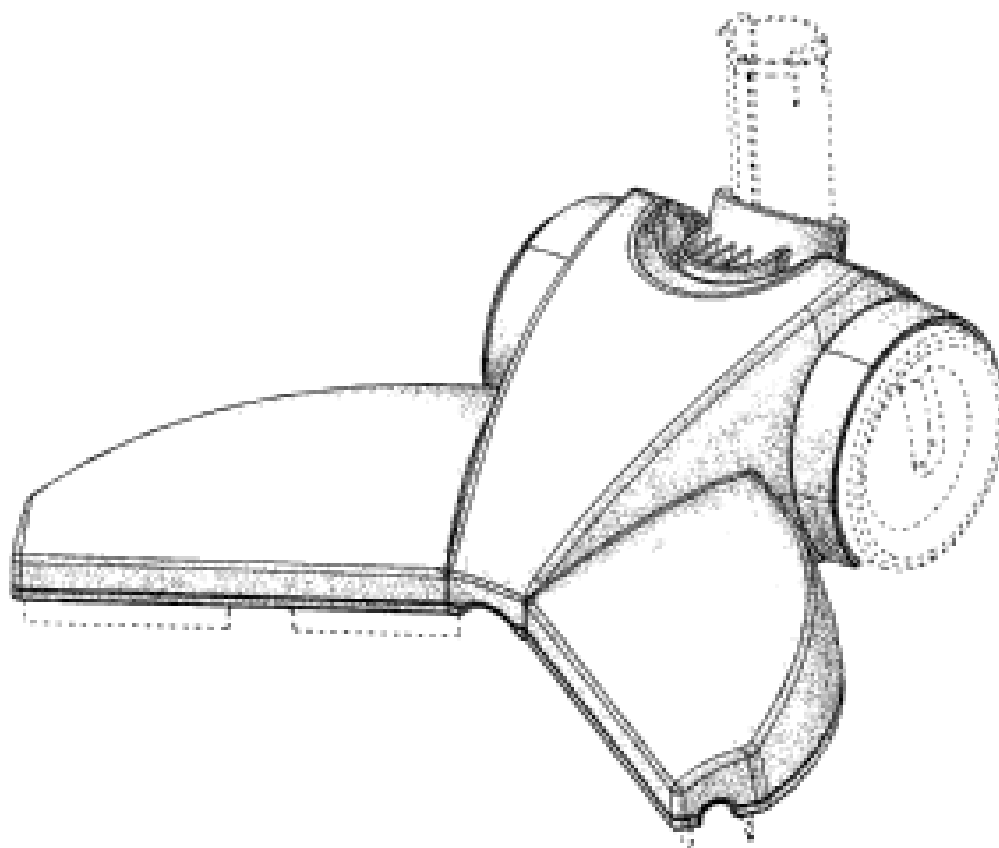
- (21) Design Number: **12223/2010**
(22) Date of Filing Application: **18 March 2010**
(24) Date from which industrial property rights may have effect: **18 March 2010**
(54) Product in respect of which the design is registered: **A box**
(51) International Design Classification: **09-03NES**
(71) Name(s) and Address(s) of Applicant(s):
McD Asia Pacific LLC
1 Kim Seng Promenade #08-01 Great World City East Tower
Singapore 237994 Singapore
(72) Name(s) of Designer(s): **Silvio Bugelli**
(45) Registration Date: **10 June 2010**
(62) Divisional of: **331278**
(56) Related Art Documents: **Not Applicable**
(57) Statement of Newness and Distinctiveness: **Newness and distinctiveness is claimed in the features of shape and/or configuration of a box as illustrated in the accompanying representations.**



- (21) Design Number: **11971/2010**
(22) Date of Filing Application: **19 May 2010**
(24) Date from which industrial property rights may have effect: **19 May 2010**
(54) Product in respect of which the design is registered: **Stove trivet**
(51) International Design Classification: **23-03NES**
(71) Name(s) and Address(s) of Applicant(s):
Turner Leisure Products Pty Ltd
33-35 Lionel Road Mt Waverley Victoria 3149 Australia
(72) Name(s) of Designer(s): **Daniel Cook**
(45) Registration Date: **10 June 2010**
(56) Related Art Documents: **Not Applicable**
(57) Statement of Newness and Distinctiveness: **Newness and distinctiveness is claimed in those features of shape being circle addition to 4 trivet legs.**



- (21) Design Number: **11974/2010**
(22) Date of Filing Application: **18 May 2010**
(24) Date from which industrial property rights may have effect: **18 May 2010**
(54) Product in respect of which the design is registered: **Vacuum cleaner foot**
(51) International Design Classification: **15-05**
(71) Name(s) and Address(s) of Applicant(s):
Bissell Homecare, Inc
2345 Walker Avenue N.W. Grand Rapids MI 49544 United States of America
(72) Name(s) of Designer(s): **Meghan L. McNeil and Michael Luyckx and Douglas J. Medema**
(45) Registration Date: **10 June 2010**
(30) Convention priority data:
(31) Number (32) Date (33) Country
29/354,550 26 Jan 2010 UNITED STATES OF AMERICA
(56) Related Art Documents: **Not Applicable**
(57) Statement of Newness and Distinctiveness: **The shape and/or configuration, of those parts of the design shown by means of solid lines in the representations are new and distinctive.**



- (21) Design Number: **11975/2010**
- (22) Date of Filing Application: **18 May 2010**
- (24) Date from which industrial property rights may have effect: **18 May 2010**
- (54) Product in respect of which the design is registered: **Vacuum cleaner module**
- (51) International Design Classification: **15-05**
- (71) Name(s) and Address(s) of Applicant(s):

Bissell Homecare, Inc
2345 Walker Avenue N.W. Grand Rapids MI 49544 United States of America

- (72) Name(s) of Designer(s): **Meghan L. McNeil and Michael Luyckx and Douglas J. Medema**

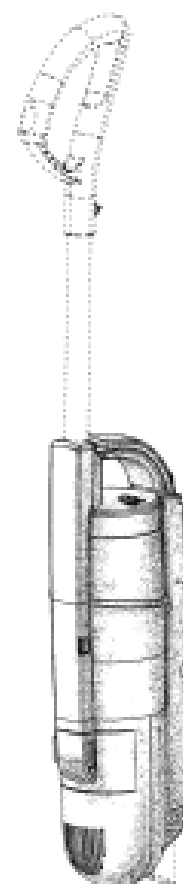
- (45) Registration Date: **10 June 2010**

- (30) Convention priority data:

(31) Number	(32) Date	(33) Country
29/354,623	27 Jan 2010	UNITED STATES OF AMERICA

- (56) Related Art Documents: **Not Applicable**

- (57) Statement of Newness and Distinctiveness: **The shape and/or configuration, of those parts of the design shown by means of solid lines in the representations are new and distinctive.**



- (21) Design Number: **11978/2010**
- (22) Date of Filing Application: **18 May 2010**
- (24) Date from which industrial property rights may have effect: **18 May 2010**
- (54) Product in respect of which the design is registered: **Textile**
- (51) International Design Classification: **05-05B**
- (71) Name(s) and Address(s) of Applicant(s):

Sharmut Fashion S.A.
23 avenue de la Porte-Neuve L-2227 Luxembourg Luxembourg

- (72) Name(s) of Designer(s): **Giacomo Scarcella**

- (45) Registration Date: **10 June 2010**

- (30) Convention priority data:

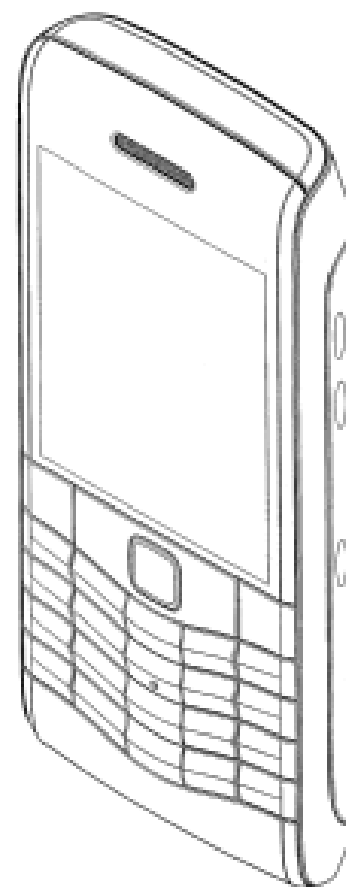
(31) Number	(32) Date	(33) Country
001637232-0001	18 Nov 2009	EUROPEAN COMMUNITY

- (56) Related Art Documents: **Not Applicable**

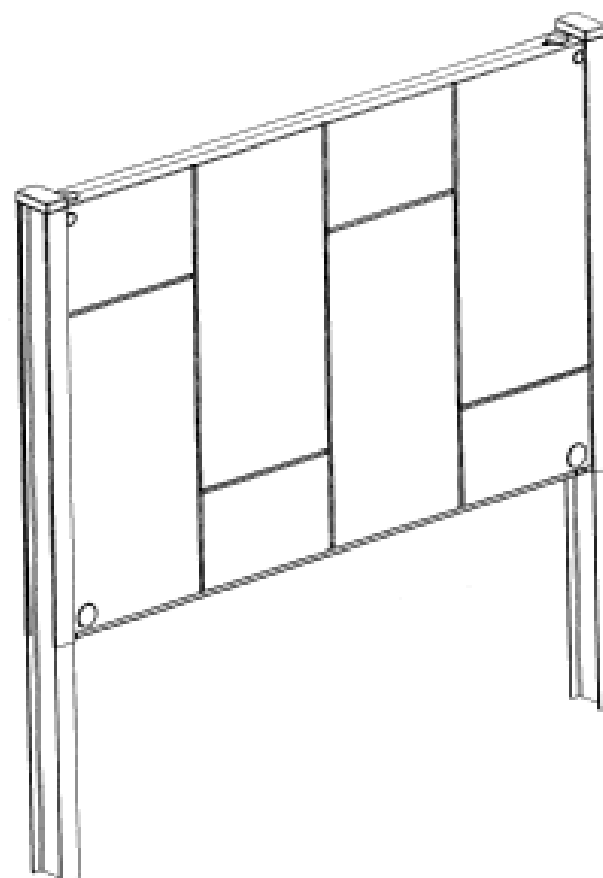
- (57) Statement of Newness and Distinctiveness: **Newness and distinctiveness is claimed in the features of pattern and/or ornamentation of a textile as illustrated in the accompanying representations.**



- (21) Design Number: **11979/2010**
(22) Date of Filing Application: **18 May 2010**
(24) Date from which industrial property rights may have effect: **18 May 2010**
(54) Product in respect of which the design is registered: **Handheld electronic device**
(51) International Design Classification: **14-03NES**
(71) Name(s) and Address(s) of Applicant(s):
Research In Motion Limited
295 Phillip Street Waterloo Ontario N2L 3W8 Canada
(72) Name(s) of Designer(s): **Cortez Corley and Todd Andrew Wood and Norman Miner Ladouceur**
(45) Registration Date: **10 June 2010**
(30) Convention priority data:
(31) Number (32) Date (33) Country
29/351331 03 Dec 2009 UNITED STATES OF AMERICA
(56) Related Art Documents: **Not Applicable**
(57) Statement of Newness and Distinctiveness: **Newness and distinctiveness is claimed in the features of shape and/or configuration of a handheld electronic device as illustrated in the accompanying representations.**



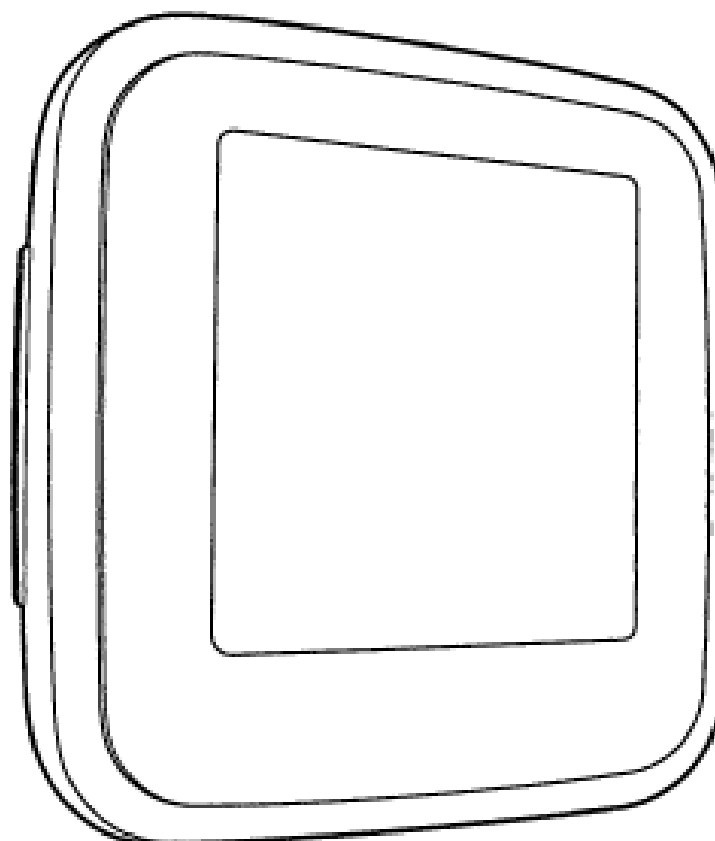
- (21) Design Number: **11982/2010**
(22) Date of Filing Application: **18 May 2010**
(24) Date from which industrial property rights may have effect: **18 May 2010**
(54) Product in respect of which the design is registered: **Water tank fence**
(51) International Design Classification: **25-02C**
(71) Name(s) and Address(s) of Applicant(s):
SWT Tanks Pty Ltd
2 Botany Court Clarinda Victoria 3169 Australia
(72) Name(s) of Designer(s): **Neil Taylor**
(45) Registration Date: **10 June 2010**
(56) Related Art Documents: **Not Applicable**
(57) Statement of Newness and Distinctiveness: **Newness and distinctiveness resides in the features of shape and/or configuration of a water tank fence as shown the accompanying representations.**



(21) Design Number: **11984/2010**
(22) Date of Filing Application: **18 May 2010**
(24) Date from which industrial property rights may have effect: **18 May 2010**
(54) Product in respect of which the design is registered: **Digital audio player**
(51) International Design Classification: **14-01**
(71) Name(s) and Address(s) of Applicant(s):
Koninklijke Philips Electronics N.V.
Groenewoudseweg 1 5621 BA Eindhoven The Netherlands
(72) Name(s) of Designer(s): **Wai Chung David Lee**
(45) Registration Date: **10 June 2010**
(30) Convention priority data:
(31) Number (32) Date (33) Country
001640228-0006 25 Nov 2009 EUROPEAN COMMUNITY
(56) Related Art Documents: **Not Applicable**
(57) Statement of Newness and Distinctiveness: **Newness and distinctiveness reside in the features of shape and configuration of the design as shown in the representations.**



(21) Design Number: **11985/2010**
(22) Date of Filing Application: **18 May 2010**
(24) Date from which industrial property rights may have effect: **18 May 2010**
(54) Product in respect of which the design is registered: **Digital audio player**
(51) International Design Classification: **14-01**
(71) Name(s) and Address(s) of Applicant(s):
Koninklijke Philips Electronics N.V.
Groenewoudseweg 1 5621 BA Eindhoven The Netherlands
(72) Name(s) of Designer(s): **Wai Chung David Lee**
(45) Registration Date: **10 June 2010**
(30) Convention priority data:
(31) Number (32) Date (33) Country
001640228-0007 25 Nov 2009 EUROPEAN COMMUNITY
(56) Related Art Documents: **Not Applicable**
(57) Statement of Newness and Distinctiveness: **Newness and distinctiveness reside in the features of shape and configuration of the design as shown in the representations.**



(21) Design Number: **11986/2010**

(22) Date of Filing Application: **18 May 2010**

(24) Date from which industrial property rights may have effect: **18 May 2010**

(54) Product in respect of which the design is registered: **Digital audio player**

(51) International Design Classification: **14-01**

(71) Name(s) and Address(s) of Applicant(s):

**Koninklijke Philips Electronics N.V.
Groenewoudseweg 1 5621 BA Eindhoven The Netherlands**

(72) Name(s) of Designer(s): **Wai Chung David Lee**

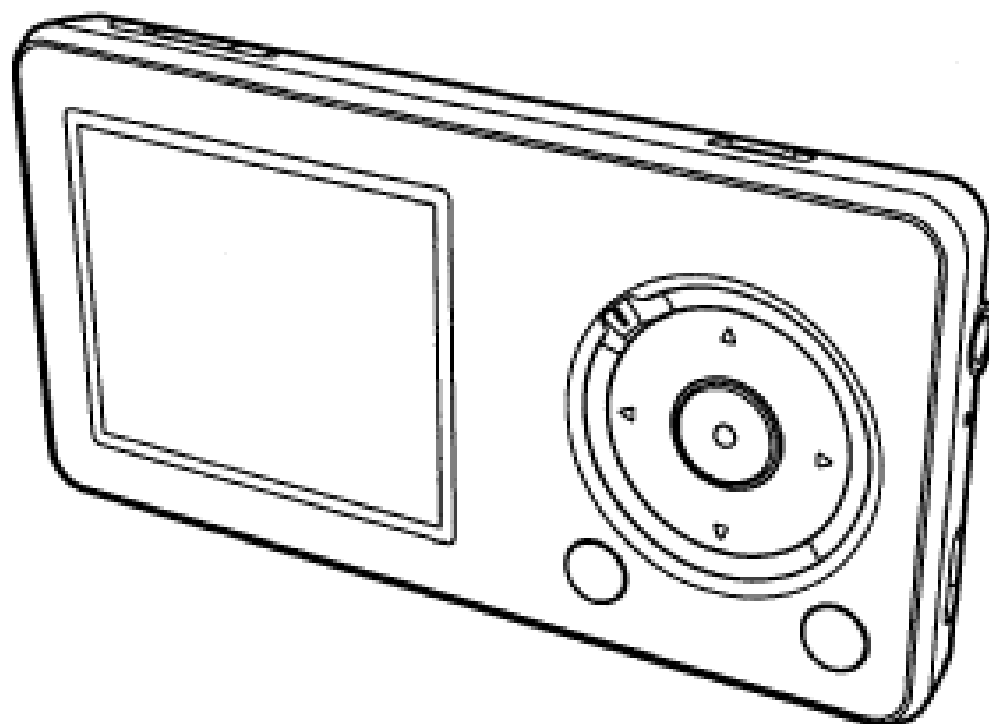
(45) Registration Date: **10 June 2010**

(30) Convention priority data:

(31) Number	(32) Date	(33) Country
001640228-0008	25 Nov 2009	EUROPEAN COMMUNITY

(56) Related Art Documents: **Not Applicable**

(57) Statement of Newness and Distinctiveness: **Newness and distinctiveness reside in the features of shape and configuration of the design as shown in the representations.**



(21) Design Number: **11987/2010**

(22) Date of Filing Application: **18 May 2010**

(24) Date from which industrial property rights may have effect: **18 May 2010**

(54) Product in respect of which the design is registered: **Digital audio player**

(51) International Design Classification: **14-01**

(71) Name(s) and Address(s) of Applicant(s):

**Koninklijke Philips Electronics N.V.
Groenewoudseweg 1 5621 BA Eindhoven The Netherlands**

(72) Name(s) of Designer(s): **Wai Chung David Lee**

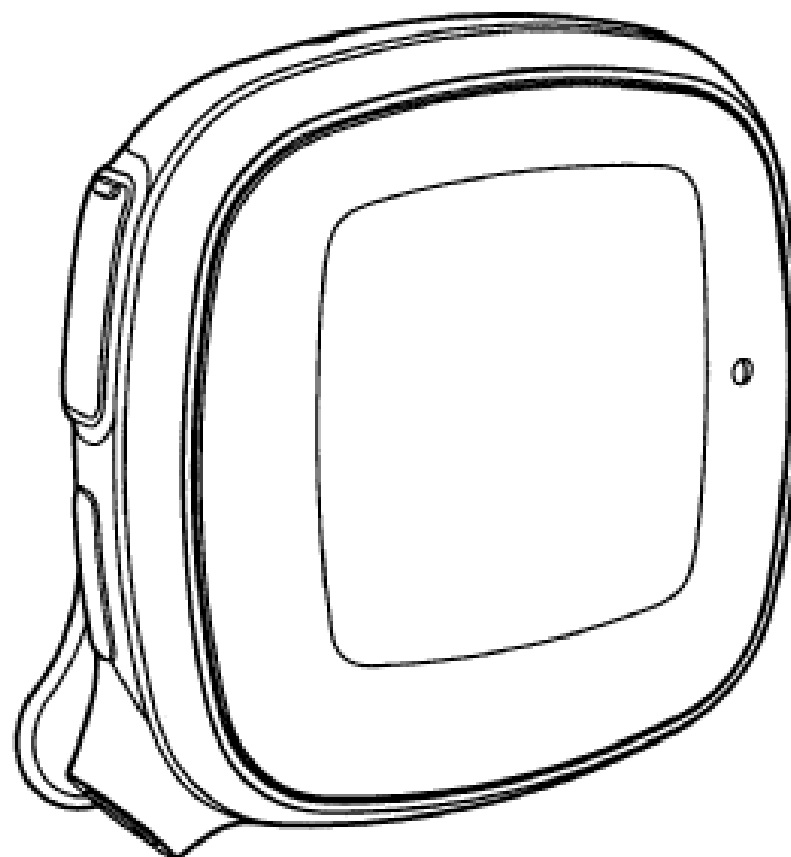
(45) Registration Date: **10 June 2010**

(30) Convention priority data:

(31) Number	(32) Date	(33) Country
001640228-0001	25 Nov 2009	EUROPEAN COMMUNITY

(56) Related Art Documents: **Not Applicable**

(57) Statement of Newness and Distinctiveness: **Newness and distinctiveness reside in the features of shape and configuration of the design as shown in the representations.**



(21) Design Number: **11988/2010**

(22) Date of Filing Application: **18 May 2010**

(24) Date from which industrial property rights may have effect: **18 May 2010**

(54) Product in respect of which the design is registered: **Digital audio player**

(51) International Design Classification: **14-01**

(71) Name(s) and Address(s) of Applicant(s):

**Koninklijke Philips Electronics N.V.
Groenewoudseweg 1 5621 BA Eindhoven The Netherlands**

(72) Name(s) of Designer(s): **Wai Chung David Lee**

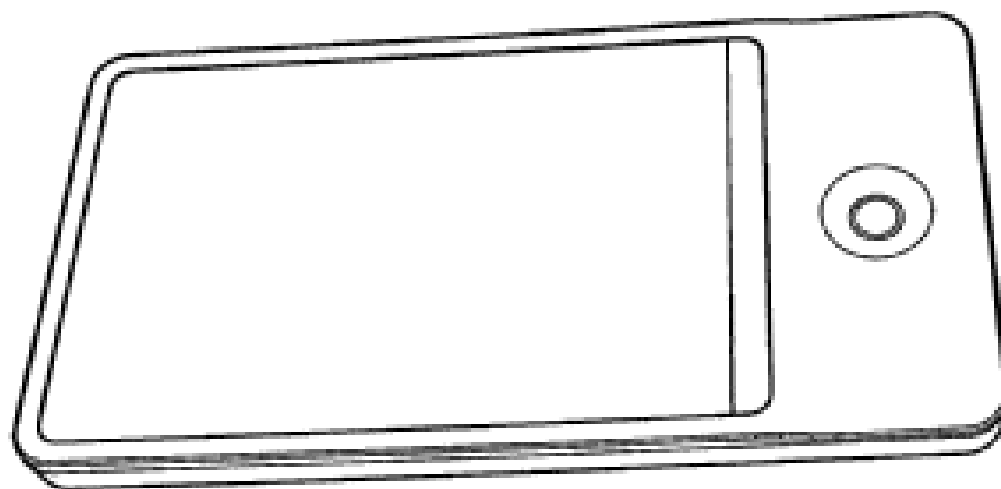
(45) Registration Date: **10 June 2010**

(30) Convention priority data:

(31) Number	(32) Date	(33) Country
001640228-0002	25 Nov 2009	EUROPEAN COMMUNITY

(56) Related Art Documents: **Not Applicable**

(57) Statement of Newness and Distinctiveness: **Newness and distinctiveness reside in the features of shape and configuration of the design as shown in the representations.**



(21) Design Number: **11989/2010**

(22) Date of Filing Application: **18 May 2010**

(24) Date from which industrial property rights may have effect: **18 May 2010**

(54) Product in respect of which the design is registered: **Digital audio player**

(51) International Design Classification: **14-01**

(71) Name(s) and Address(s) of Applicant(s):

**Koninklijke Philips Electronics N.V.
Groenewoudseweg 1 5621 BA Eindhoven The Netherlands**

(72) Name(s) of Designer(s): **Wai Chung David Lee**

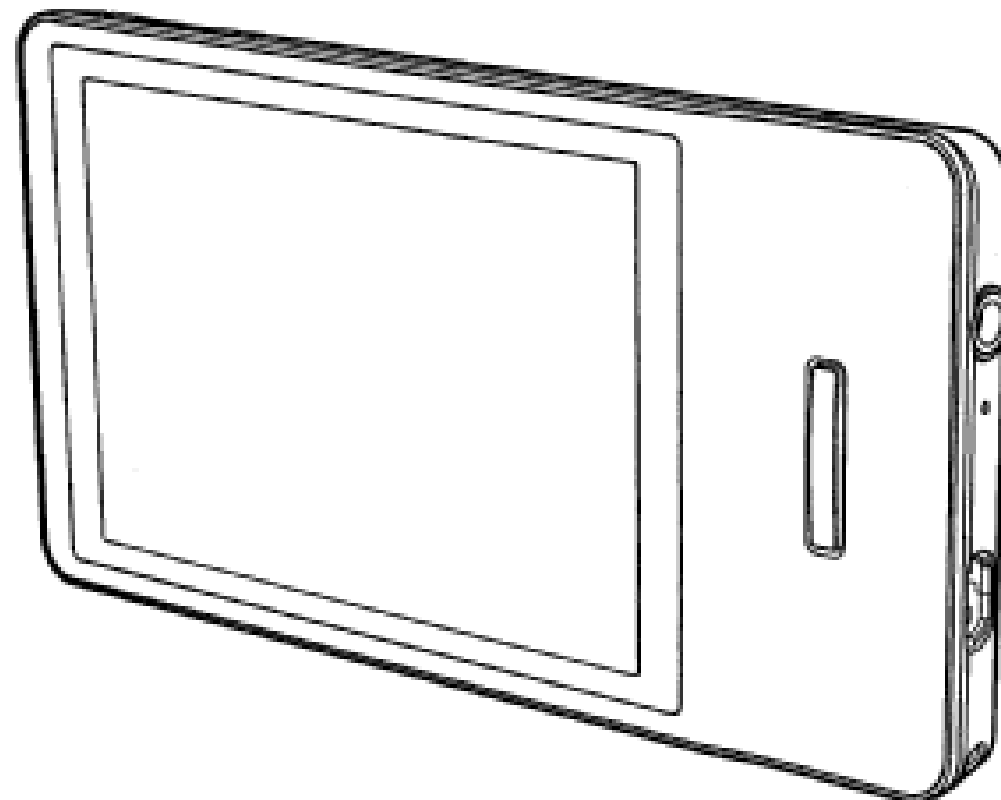
(45) Registration Date: **10 June 2010**

(30) Convention priority data:

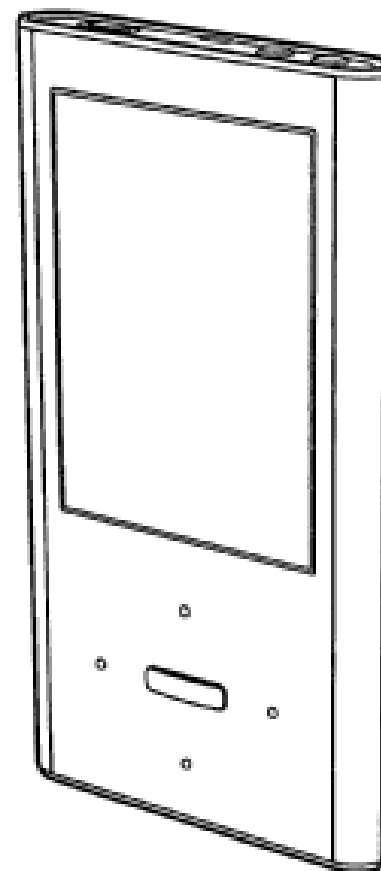
(31) Number	(32) Date	(33) Country
001640228-0003	25 Nov 2009	EUROPEAN COMMUNITY

(56) Related Art Documents: **Not Applicable**

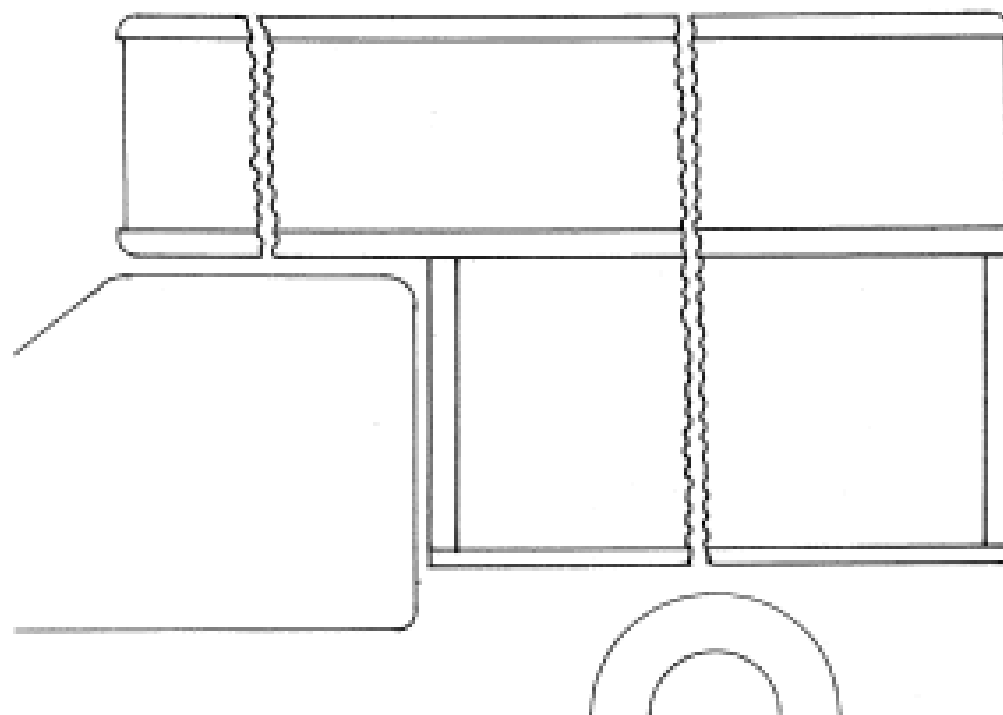
(57) Statement of Newness and Distinctiveness: **Newness and distinctiveness reside in the features of shape and configuration of the design as shown in the representations.**



(21) Design Number: **11990/2010**
 (22) Date of Filing Application: **18 May 2010**
 (24) Date from which industrial property rights may have effect: **18 May 2010**
 (54) Product in respect of which the design is registered: **Digital audio player**
 (51) International Design Classification: **14-01**
 (71) Name(s) and Address(s) of Applicant(s):
Koninklijke Philips Electronics N.V.
Groenewoudseweg 1 5621 BA Eindhoven The Netherlands
 (72) Name(s) of Designer(s): **Wai Chung David Lee**
 (45) Registration Date: **10 June 2010**
 (30) Convention priority data:
 (31) Number (32) Date (33) Country
001640228-0004 25 Nov 2009 EUROPEAN COMMUNITY
 (56) Related Art Documents: **Not Applicable**
 (57) Statement of Newness and Distinctiveness: **Newness and distinctiveness reside in the features of shape and configuration of the design as shown in the representations.**



(21) Design Number: **11751/2010**
 (22) Date of Filing Application: **05 May 2010**
 (24) Date from which industrial property rights may have effect: **05 May 2010**
 (54) Product in respect of which the design is registered: **Camping canopy**
 (51) International Design Classification: **12-16B**
 (71) Name(s) and Address(s) of Applicant(s):
Barry Leslie Whitworth
U3-124 Pohlman Street Southport Queensland 4215 Australia
 (72) Name(s) of Designer(s): **Barry Leslie Whitworth**
 (45) Registration Date: **10 June 2010**
 (56) Related Art Documents: **Not Applicable**
 (57) Statement of Newness and Distinctiveness: **Ute top camper, changing from ute to camper. Using floor of ute to stand up with full head height. Camper is stored at roof height to regane, the use of the ute without removing the camper. As a permanent semipermanent fixture.**

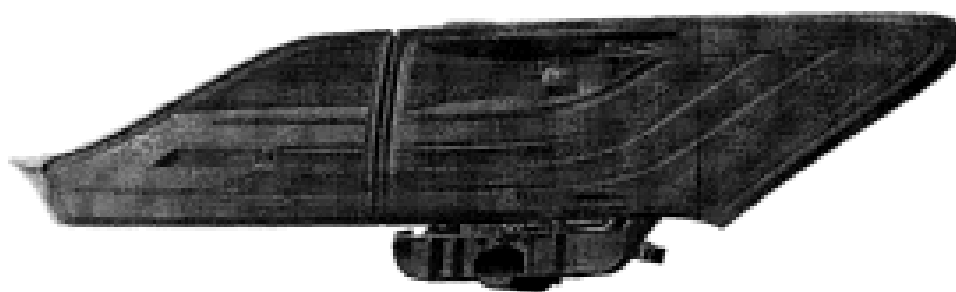


- (21) Design Number: **10613/2010**
(22) Date of Filing Application: **23 February 2010**
(24) Date from which industrial property rights may have effect: **23 February 2010**
(54) Product in respect of which the design is registered: **Handbag with interchangeable covers**
(51) International Design Classification: **03-01B**
(71) Name(s) and Address(s) of Applicant(s):
Miche Bag LLC
10701 South River Front Parkway Suite 110 Jordan Utah 84095 United States of America
(72) Name(s) of Designer(s): **Christian J. Seegmiller and Jennie Platt and Corbin Church**
(45) Registration Date: **11 June 2010**
(30) Convention priority data:
(31) Number (32) Date (33) Country
PCT/US09/54896 25 Aug 2009 UNITED STATES OF AMERICA
(56) Related Art Documents: **Not Applicable**
(57) Statement of Newness and Distinctiveness: **Those features of the handbag with interchangeable covers depicted in the representations that are new and distinctive are the shape and/or configuration. The features of the upper flaps of the handbag shown in circular broken lines in sheet 4 depict magnetic elements within the lining of the flaps.**

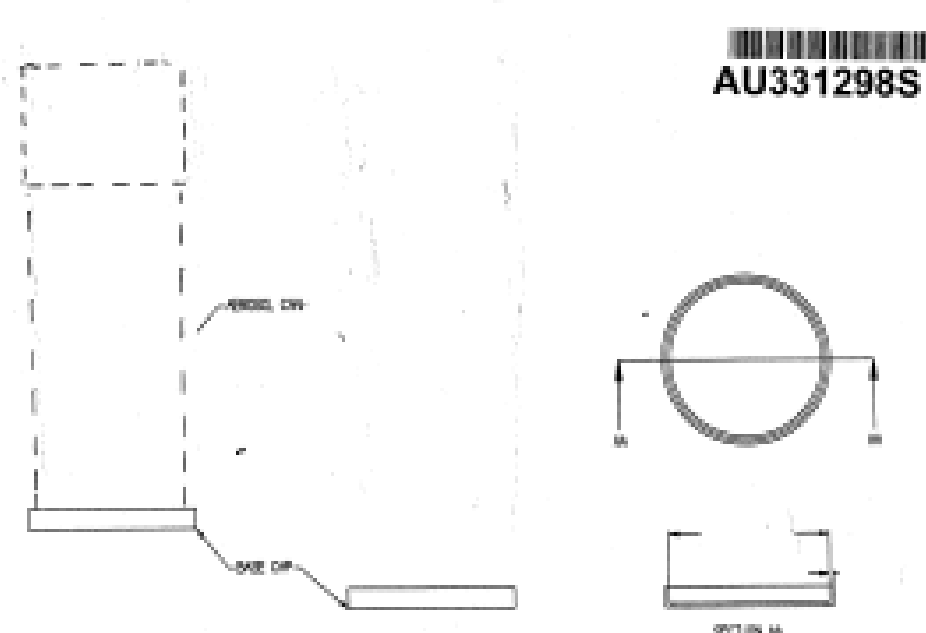


FRONT PERSPECTIVE VIEW

- (21) Design Number: **10622/2010**
(22) Date of Filing Application: **24 February 2010**
(24) Date from which industrial property rights may have effect: **24 February 2010**
(54) Product in respect of which the design is registered: **Rear combination lamp for an automobile**
(51) International Design Classification: **26-06**
(71) Name(s) and Address(s) of Applicant(s):
Toyota Jidosha Kabushiki Kaisha
1 Toyota-cho Toyota-shi Aichi-Ken 471-8571 Japan
(72) Name(s) of Designer(s): **Hideaki Iida**
(45) Registration Date: **11 June 2010**
(56) Related Art Documents: **Not Applicable**
(57) Statement of Newness and Distinctiveness: **Newness and distinctiveness is claimed in the features of shape and/or configuration of a rear combination lamp for an automobile as illustrated in the accompanying representations.**



- (21) Design Number: **12007/2010**
(22) Date of Filing Application: **19 May 2010**
(24) Date from which industrial property rights may have effect: **19 May 2010**
(54) Product in respect of which the design is registered: **Rubber ring various size to fit around base of all aerosol and paint cans**
(51) International Design Classification: **09-01A, 23-01A**
(71) Name(s) and Address(s) of Applicant(s):
Michele Rattenbury
2/2 Mentone Avenue Cronulla New South Wales 2230 Australia
(72) Name(s) of Designer(s): **Michele Rattenbury**
(45) Registration Date: **11 June 2010**
(56) Related Art Documents: **Not Applicable**
(57) Statement of Newness and Distinctiveness: **Nil**



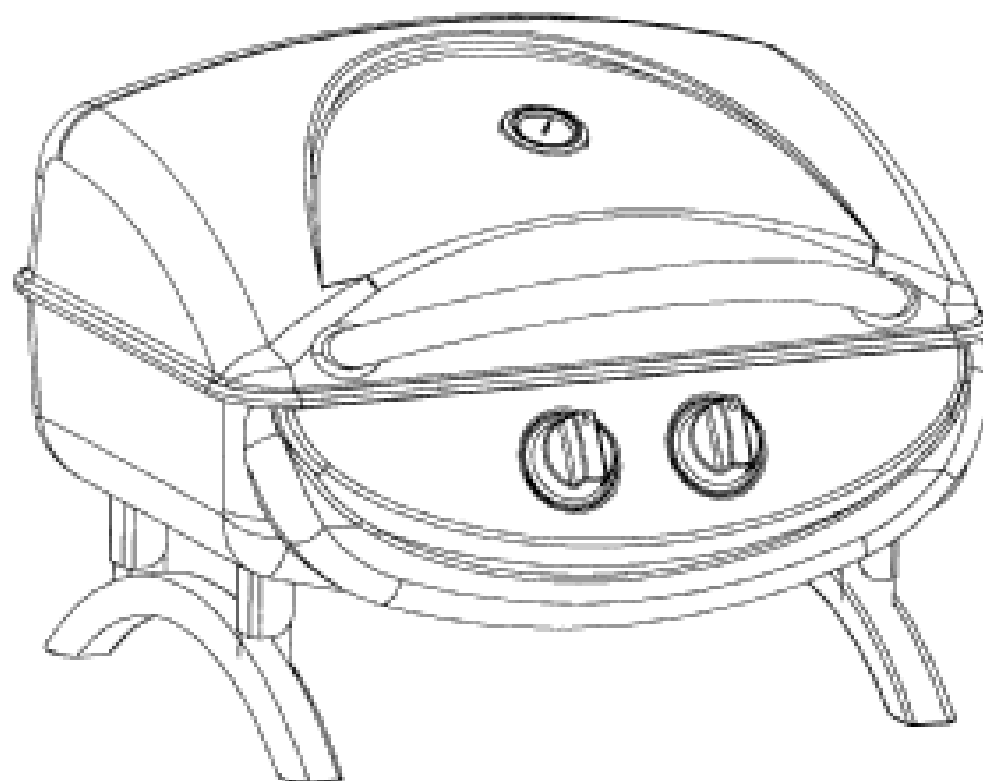
- (21) Design Number: **11126/2010**
(22) Date of Filing Application: **30 March 2010**
(24) Date from which industrial property rights may have effect: **30 March 2010**
(54) Product in respect of which the design is registered: **Automatic vending machine**
(51) International Design Classification: **20-01**
(71) Name(s) and Address(s) of Applicant(s):
Parkeon A French [Societe par actions simplifiee]
Le Barjac 1 boulevard Victor Paris 75015 France
(72) Name(s) of Designer(s): **Adrien Adeline**
(45) Registration Date: **11 June 2010**
(30) Convention priority data:
(31) Number (32) Date (33) Country
001166961-0001 30 Sep 2009 EUROPEAN COMMUNITY
(56) Related Art Documents: **Not Applicable**
(57) Statement of Newness and Distinctiveness: **The shape, configuration, shape and configuration, pattern, ornamentation, pattern and ornamentation of the design of the product(s) is/are new and distinctive. When considering the newness and distinctiveness of the design, the indicia appearing on the article to which the design is applied, such as the letter "P" towards the upper and lower parts of the article and the information displayed on the visual display screen are to be disregarded as not forming part of the design.**



- (21) Design Number: **11011/2010**
- (22) Date of Filing Application: **22 March 2010**
- (24) Date from which industrial property rights may have effect: **22 March 2010**
- (54) Product in respect of which the design is registered: **Lid**
- (51) International Design Classification: **09-07B**
- (71) Name(s) and Address(s) of Applicant(s):
Tracey Leigh Smith
160 Burys Road Beerwah Queensland 4519 Australia
- (72) Name(s) of Designer(s): **Tracey Leigh Smith**
- (45) Registration Date: **11 June 2010**
- (56) Related Art Documents: **Not Applicable**
- (57) Statement of Newness and Distinctiveness: **Newness and distinctiveness reside in the features of shape and/or configuration of the portion of the lid containing diamantes. The brush does not form part of the design. Newness and distinctiveness is not claimed in the upper portion of the lid.**



- (21) Design Number: **12000/2010**
- (22) Date of Filing Application: **19 May 2010**
- (24) Date from which industrial property rights may have effect: **19 May 2010**
- (54) Product in respect of which the design is registered: **Cooking apparatus**
- (51) International Design Classification: **07-02B, 07-02E**
- (71) Name(s) and Address(s) of Applicant(s):
Foshan Shunde Everteam Industrial Co. Ltd
No. 27 East Rongqi Dadao Ronggui Shunde District Foshan City
Guangdong Province China
- (72) Name(s) of Designer(s): **Zhiqiang Liang**
- (45) Registration Date: **11 June 2010**
- (30) Convention priority data:
(31) Number (32) Date (33) Country
201030102959.9 27 Jan 2010 CHINA
- (56) Related Art Documents: **Not Applicable**
- (57) Statement of Newness and Distinctiveness: **The newness and distinctiveness is claimed in the feature of the shape and/or configuration of a cooking apparatus as illustrated in the accompanying representations.**



(21) Design Number: **12001/2010**

(22) Date of Filing Application: **19 May 2010**

(24) Date from which industrial property rights may have effect: **19 May 2010**

(54) Product in respect of which the design is registered: **Cooking apparatus**

(51) International Design Classification: **07-02E**

(71) Name(s) and Address(s) of Applicant(s):

**Foshan Shunde Everteam Industrial Co. Ltd
No. 27 East Rongqi Dadao Ronggui Shunde District Foshan City
Guangdong Province China**

(72) Name(s) of Designer(s): **Zhiqiang Liang**

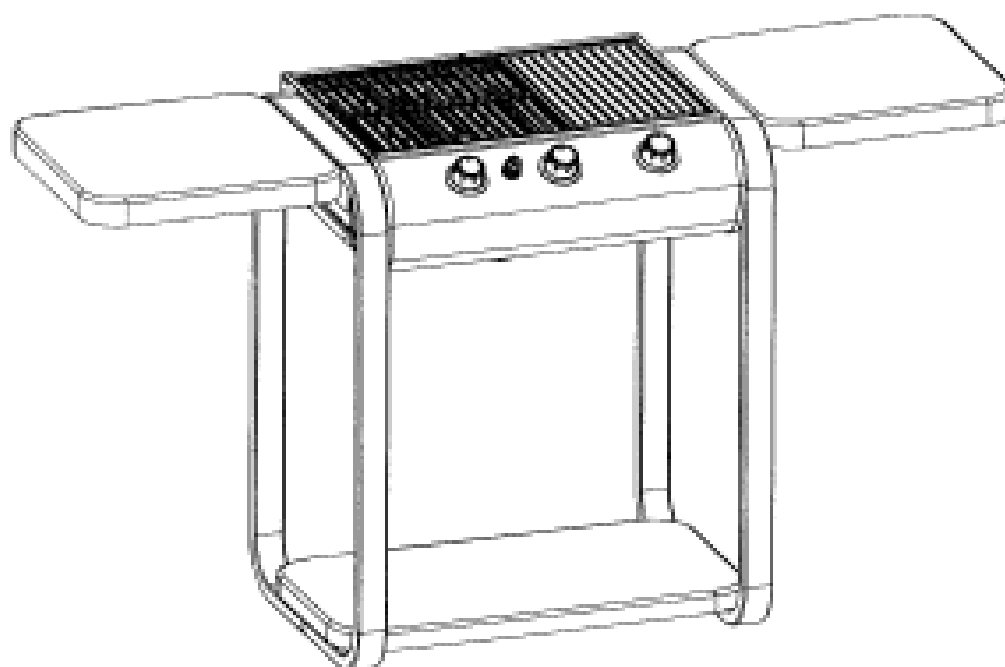
(45) Registration Date: **11 June 2010**

(30) Convention priority data:

(31) Number	(32) Date	(33) Country
201030102958.4	27 Jan 2010	CHINA

(56) Related Art Documents: **Not Applicable**

(57) Statement of Newness and Distinctiveness: **The newness and distinctiveness is claimed in the feature of the shape and/or configuration of a cooking apparatus as illustrated in the accompanying representations.**



(21) Design Number: **12002/2010**

(22) Date of Filing Application: **19 May 2010**

(24) Date from which industrial property rights may have effect: **19 May 2010**

(54) Product in respect of which the design is registered: **Cooking apparatus**

(51) International Design Classification: **07-02E**

(71) Name(s) and Address(s) of Applicant(s):

**Foshan Shunde Everteam Industrial Co. Ltd
No. 27 East Rongqi Dadao Ronggui Shunde District Foshan City
Guangdong Province China**

(72) Name(s) of Designer(s): **Zhiqiang Liang**

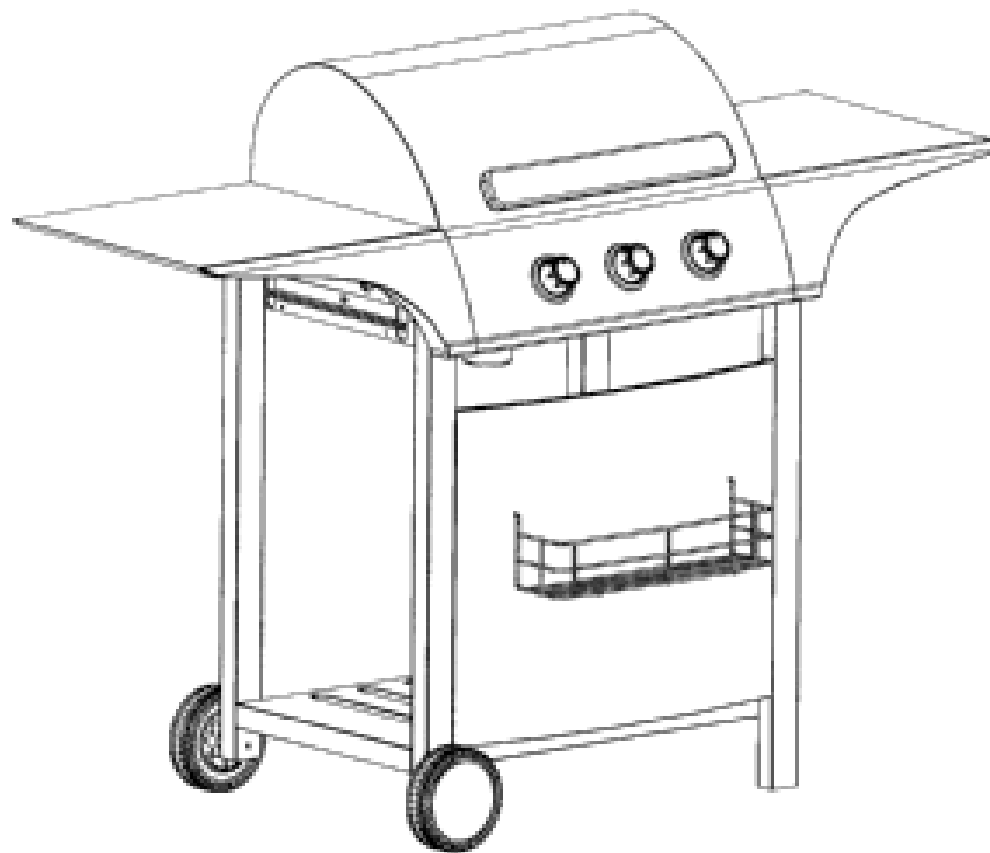
(45) Registration Date: **11 June 2010**

(30) Convention priority data:

(31) Number	(32) Date	(33) Country
201030102940.4	27 Jan 2010	CHINA

(56) Related Art Documents: **Not Applicable**

(57) Statement of Newness and Distinctiveness: **The newness and distinctiveness is claimed in the feature of the shape and/or configuration of a cooking apparatus as illustrated in the accompanying representations.**



(21) Design Number: 12003/2010

(22) Date of Filing Application: 19 May 2010

(24) Date from which industrial property rights may have effect: 19 May 2010

(54) Product in respect of which the design is registered: **Cooking apparatus**

(51) International Design Classification: 07-02E

(71) Name(s) and Address(s) of Applicant(s):

**Foshan Shunde Everteam Industrial Co. Ltd
No. 27 East Rongqi Dadao Ronggui Shunde District Foshan City
Guangdong Province China**

(72) Name(s) of Designer(s): **Zhiqiang Liang**

(45) Registration Date: 11 June 2010

(30) Convention priority data:

(31) Number	(32) Date	(33) Country
201030102940.4	27 Jan 2010	CHINA

(56) Related Art Documents: **Not Applicable**

(57) Statement of Newness and Distinctiveness: **The newness and distinctiveness is claimed in the feature of the shape and/or configuration of a cooking apparatus as illustrated in the accompanying representations.**



(21) Design Number: 12004/2010

(22) Date of Filing Application: 19 May 2010

(24) Date from which industrial property rights may have effect: 19 May 2010

(54) Product in respect of which the design is registered: **Cooking apparatus**

(51) International Design Classification: 07-02E

(71) Name(s) and Address(s) of Applicant(s):

**Foshan Shunde Everteam Industrial Co. Ltd
No. 27 East Rongqi Dadao Ronggui Shunde District Foshan City
Guangdong Province China**

(72) Name(s) of Designer(s): **Zhiqiang Liang**

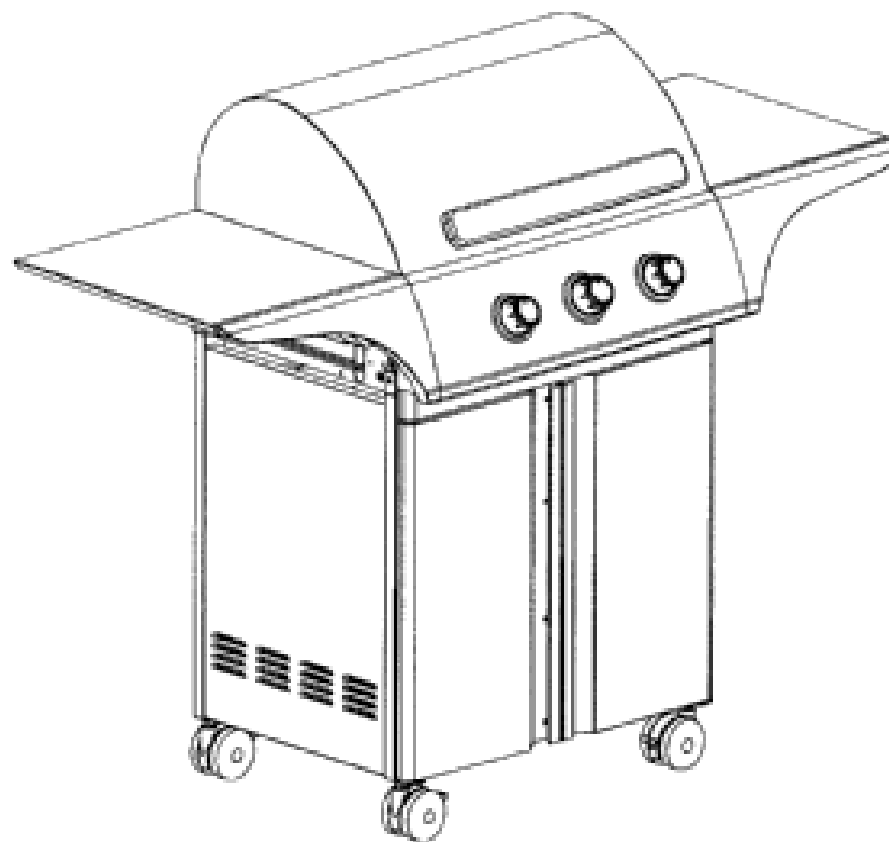
(45) Registration Date: 11 June 2010

(30) Convention priority data:

(31) Number	(32) Date	(33) Country
201030102940.4	27 Jan 2010	CHINA

(56) Related Art Documents: **Not Applicable**

(57) Statement of Newness and Distinctiveness: **The newness and distinctiveness is claimed in the feature of the shape and/or configuration of a cooking apparatus as illustrated in the accompanying representations.**



(21) Design Number: **12006/2010**

(22) Date of Filing Application: **19 May 2010**

(24) Date from which industrial property rights may have effect: **19 May 2010**

(54) Product in respect of which the design is registered: **Bracket**

(51) International Design Classification: **08-08L**

(71) Name(s) and Address(s) of Applicant(s):

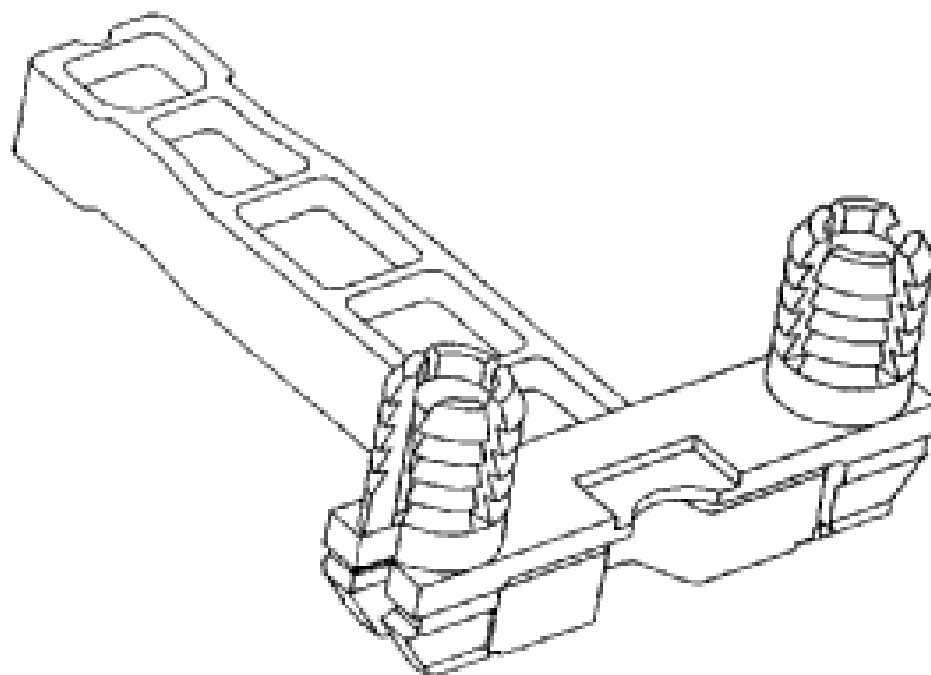
Just Stone Pty Ltd
Unit B 13-21 Mandible Street Alexandria New South Wales 2015
Australia

(72) Name(s) of Designer(s): **Peter Bazos**

(45) Registration Date: **11 June 2010**

(56) Related Art Documents: **Not Applicable**

(57) Statement of Newness and Distinctiveness: **Newness and distinctiveness is claimed in the features of shape and/or configuration of a bracket as illustrated in the accompanying representations.**



(21) Design Number: **12290/2010**

(22) Date of Filing Application: **03 June 2010**

(24) Date from which industrial property rights may have effect: **03 June 2010**

(54) Product in respect of which the design is registered: **Scaffold hammer - A**

(51) International Design Classification: **08-02**

(71) Name(s) and Address(s) of Applicant(s):

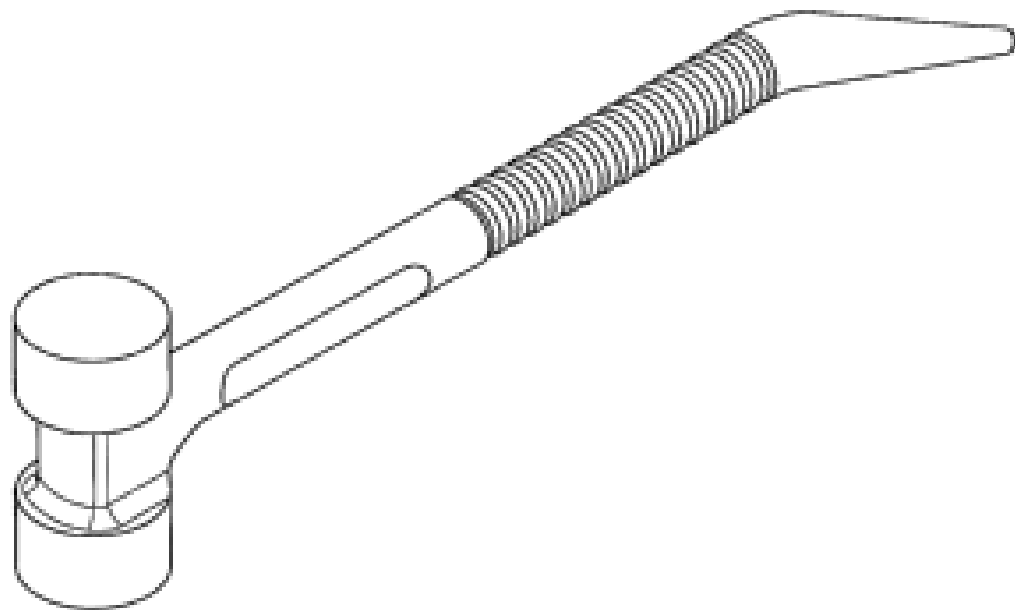
Dijana Cacic
33 Mainsbridge Avenue Liverpool New South Wales 2170 Australia

(72) Name(s) of Designer(s): **Jim Rozakis**

(45) Registration Date: **11 June 2010**

(56) Related Art Documents: **Not Applicable**

(57) Statement of Newness and Distinctiveness: **Nil**



(21) Design Number: **12291/2010**

(22) Date of Filing Application: **03 June 2010**

(24) Date from which industrial property rights may have effect: **03 June 2010**

(54) Product in respect of which the design is registered: **Scaffold hammer - B**

(51) International Design Classification: **08-02**

(71) Name(s) and Address(s) of Applicant(s):

Dijana Cacic

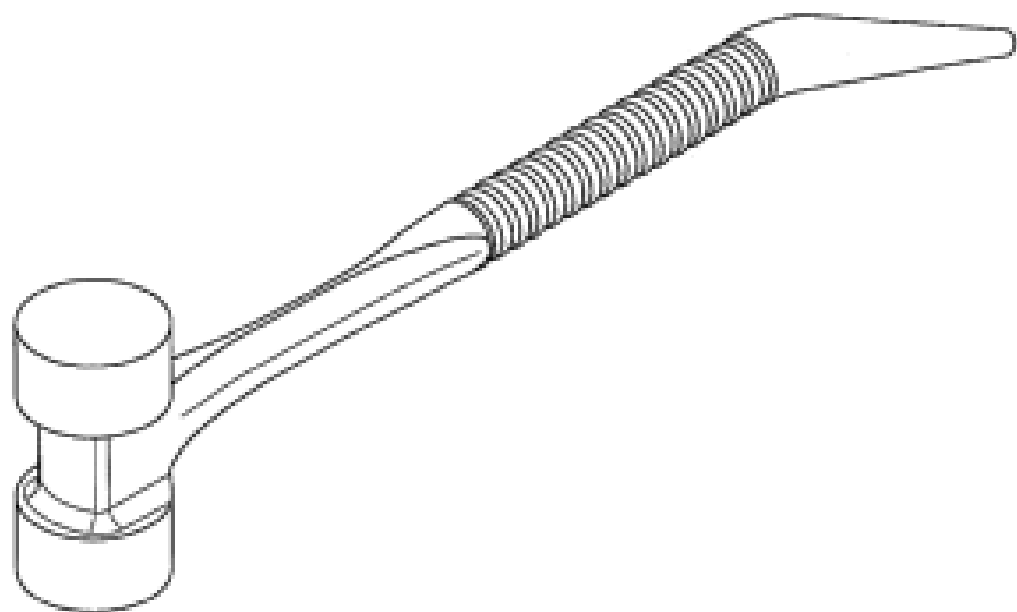
33 Mainsbridge Avenue Liverpool New South Wales 2170 Australia

(72) Name(s) of Designer(s): **Jim Rozakis**

(45) Registration Date: **11 June 2010**

(56) Related Art Documents: **Not Applicable**

(57) Statement of Newness and Distinctiveness: **Nil**



(21) Design Number: **12292/2010**

(22) Date of Filing Application: **03 June 2010**

(24) Date from which industrial property rights may have effect: **03 June 2010**

(54) Product in respect of which the design is registered: **Scaffold hammer - C**

(51) International Design Classification: **08-02**

(71) Name(s) and Address(s) of Applicant(s):

Dijana Cacic

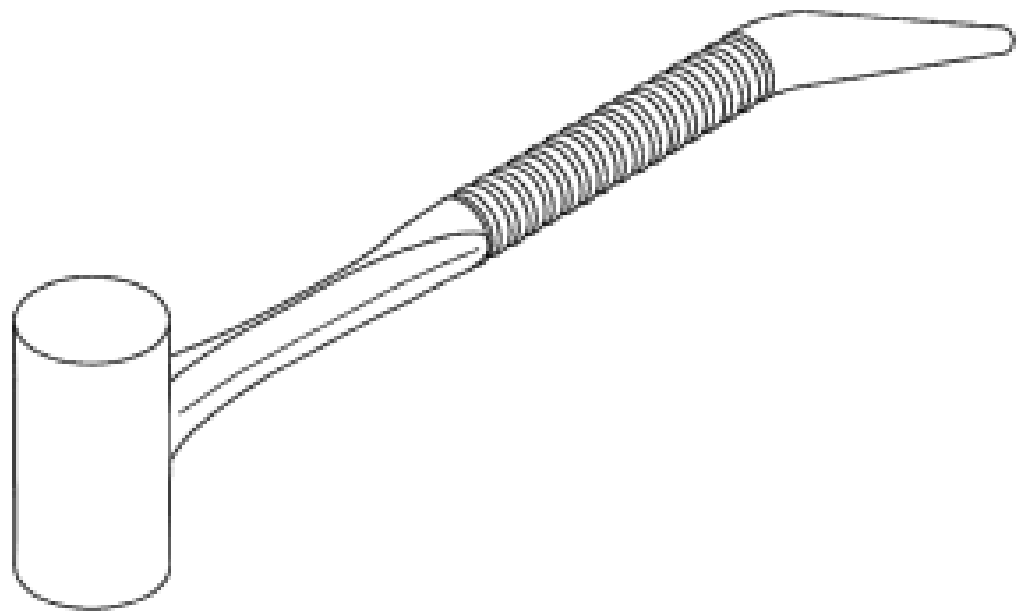
33 Mainsbridge Avenue Liverpool New South Wales 2170 Australia

(72) Name(s) of Designer(s): **Jim Rozakis**

(45) Registration Date: **11 June 2010**

(56) Related Art Documents: **Not Applicable**

(57) Statement of Newness and Distinctiveness: **Nil**



(21) Design Number: 11176/2010

(22) Date of Filing Application: 01 April 2010

(24) Date from which industrial property rights may have effect: 01 April 2010

(54) Product in respect of which the design is registered: Water pitcher

(51) International Design Classification: 07-01F

(71) Name(s) and Address(s) of Applicant(s):

3M Innovative Properties Company
3M Center Saint Paul Minnesota 55133-3427 United States of America

(72) Name(s) of Designer(s): Judd D. Olson and Kent E. Lageson and Sean C. McGreevy and Kevin E. Kinzer and James M. Cooper and Martin E. Broen and Emanuele Teobaldo and Gretchen A. Hauble and Federico Ferretti

(45) Registration Date: 11 June 2010

(30) Convention priority data:

(31) Number	(32) Date	(33) Country
29/344701	02 Oct 2009	UNITED STATES OF AMERICA

(56) Related Art Documents: Not Applicable

(57) Statement of Newness and Distinctiveness: Nil



(21) Design Number: 11177/2010

(22) Date of Filing Application: 01 April 2010

(24) Date from which industrial property rights may have effect: 01 April 2010

(54) Product in respect of which the design is registered: Water treatment device

(51) International Design Classification: 23-01G

(71) Name(s) and Address(s) of Applicant(s):

3M Innovative Properties Company
3M Center Saint Paul Minnesota 55133-3427 United States of America

(72) Name(s) of Designer(s): Judd D. Olson and Kent E. Lageson and Sean C. McGreevy and Kevin E. Kinzer and James M. Cooper and Benjamin P. Williams and Paula A. Marrs and Anastasios G. Karahalios and Paul J. Cobian and Carly R. Price and Gretchen A. Hauble and Jeremiah P. O'Leary and Shu Kun Chang and Elizabeth R. Kelly and Huyn Jin Ko

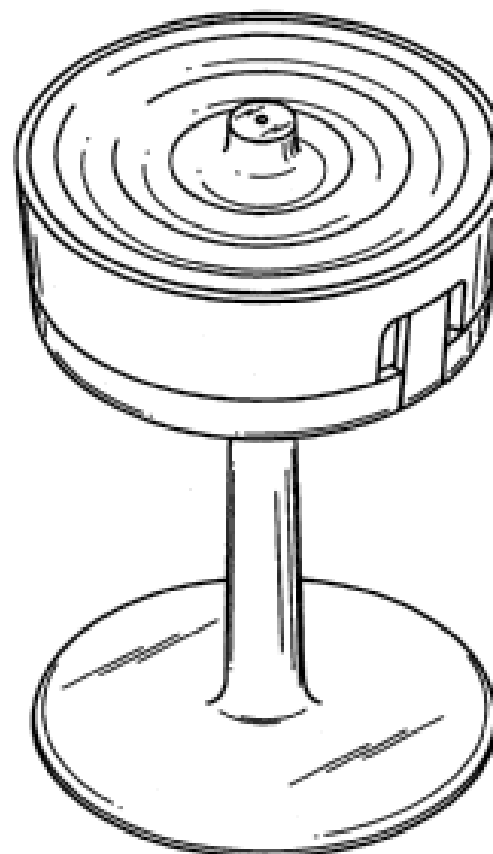
(45) Registration Date: 11 June 2010

(30) Convention priority data:

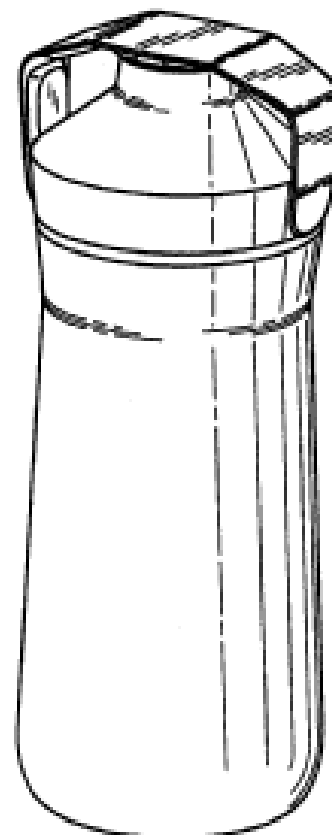
(31) Number	(32) Date	(33) Country
29/344698	02 Oct 2009	UNITED STATES OF AMERICA

(56) Related Art Documents: Not Applicable

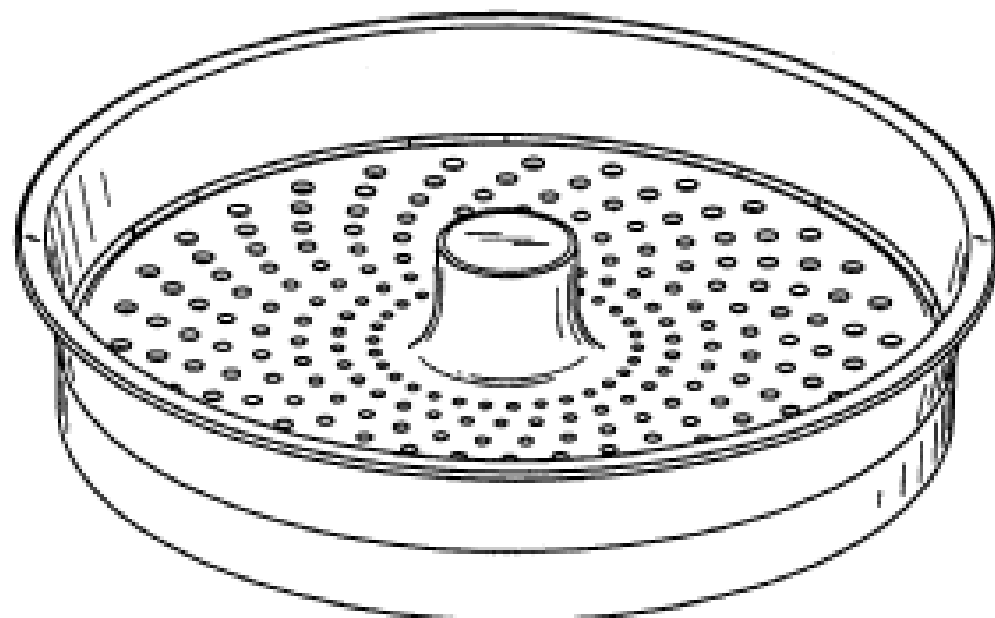
(57) Statement of Newness and Distinctiveness: Nil



(21) Design Number: **11178/2010**
(22) Date of Filing Application: **01 April 2010**
(24) Date from which industrial property rights may have effect: **01 April 2010**
(54) Product in respect of which the design is registered: **Water bottle**
(51) International Design Classification: **09-01B**
(71) Name(s) and Address(s) of Applicant(s):
3M Innovative Properties Company
3M Center Saint Paul Minnesota 55133-3427 United States of America
(72) Name(s) of Designer(s): **Judd D. Olson and Kent E. Lageson and Sean C. McGreevy and Kevin E. Kinzer and James M. Cooper and Benjamin P. Williams and Paula A. Marrs and Anastasios G. Karahalios and Paul J. Cobian and Carly R. Price and Gretchen A. Hauble and Jeremiah P. O'Leary and Shu Kun Chang and Elizabeth R. Kelly and Huyn Jin Ko**
(45) Registration Date: **11 June 2010**
(30) Convention priority data:
(31) Number (32) Date (33) Country
29/344696 02 Oct 2009 UNITED STATES OF AMERICA
(56) Related Art Documents: **Not Applicable**
(57) Statement of Newness and Distinctiveness: **Nil**



(21) Design Number: **11179/2010**
(22) Date of Filing Application: **01 April 2010**
(24) Date from which industrial property rights may have effect: **01 April 2010**
(54) Product in respect of which the design is registered: **Water treatment cartridge**
(51) International Design Classification: **23-01G**
(71) Name(s) and Address(s) of Applicant(s):
3M Innovative Properties Company
3M Center Saint Paul Minnesota 55133-3427 United States of America
(72) Name(s) of Designer(s): **Judd D. Olson and Kent E. Lageson and Sean C. McGreevy and Kevin E. Kinzer and James M. Cooper and Benjamin P. Williams and Paula A. Marrs and Anastasios G. Karahalios and Paul J. Cobian and Carly R. Price and Gretchen A. Hauble and Jeremiah P. O'Leary and Shu Kun Chang and Elizabeth R. Kelly and Huyn Jin Ko**
(45) Registration Date: **11 June 2010**
(30) Convention priority data:
(31) Number (32) Date (33) Country
29/344697 02 Oct 2009 UNITED STATES OF AMERICA
(56) Related Art Documents: **Not Applicable**
(57) Statement of Newness and Distinctiveness: **Nil**



- (21) Design Number: **11327/2010**
(22) Date of Filing Application: **13 April 2010**
(24) Date from which industrial property rights may have effect: **13 April 2010**
(54) Product in respect of which the design is registered: **Quartz slab**
(51) International Design Classification: **25-01F**
(71) Name(s) and Address(s) of Applicant(s):
Caesarstone Sdot Yam Ltd.
Kibbutz Sdot Yam 38805 Moblie Post Menashe Israel
(72) Name(s) of Designer(s): **Ruti Harel**
(45) Registration Date: **11 June 2010**
(56) Related Art Documents: **Not Applicable**
(57) Statement of Newness and Distinctiveness: **Nil**



- (21) Design Number: **11329/2010**
(22) Date of Filing Application: **13 April 2010**
(24) Date from which industrial property rights may have effect: **13 April 2010**
(54) Product in respect of which the design is registered: **Quartz slab**
(51) International Design Classification: **25-01F**
(71) Name(s) and Address(s) of Applicant(s):
Caesarstone Sdot Yam Ltd.
Kibbutz Sdot Yam 38805 Moblie Post Menashe Israel
(72) Name(s) of Designer(s): **Ruti Harel**
(45) Registration Date: **11 June 2010**
(56) Related Art Documents: **Not Applicable**
(57) Statement of Newness and Distinctiveness: **Nil**



- (21) Design Number: **11330/2010**
(22) Date of Filing Application: **13 April 2010**
(24) Date from which industrial property rights may have effect: **13 April 2010**
(54) Product in respect of which the design is registered: **Quartz slab**
(51) International Design Classification: **25-01F**
(71) Name(s) and Address(s) of Applicant(s):
Caesarstone Sdot Yam Ltd.
Kibbutz Sdot Yam 38805 Moblie Post Menashe Israel
(72) Name(s) of Designer(s): **Ruti Harel**
(45) Registration Date: **11 June 2010**
(56) Related Art Documents: **Not Applicable**
(57) Statement of Newness and Distinctiveness: **Nil**



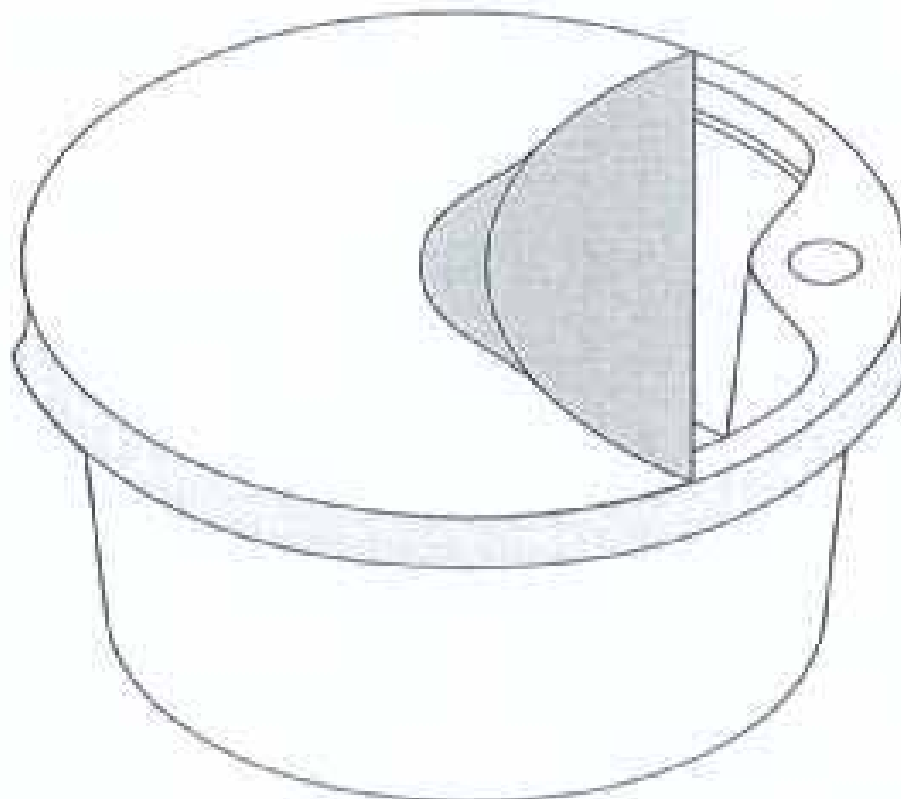
- (21) Design Number: **11331/2010**
(22) Date of Filing Application: **13 April 2010**
(24) Date from which industrial property rights may have effect: **13 April 2010**
(54) Product in respect of which the design is registered: **Quartz slab**
(51) International Design Classification: **25-01F**
(71) Name(s) and Address(s) of Applicant(s):
Caesarstone Sdot Yam Ltd.
Kibbutz Sdot Yam 38805 Moblie Post Menashe Israel
(72) Name(s) of Designer(s): **Ruti Harel**
(45) Registration Date: **11 June 2010**
(56) Related Art Documents: **Not Applicable**
(57) Statement of Newness and Distinctiveness: **Nil**



(21) Design Number: **11332/2010**
(22) Date of Filing Application: **13 April 2010**
(24) Date from which industrial property rights may have effect: **13 April 2010**
(54) Product in respect of which the design is registered: **Quartz slab**
(51) International Design Classification: **25-01F**
(71) Name(s) and Address(s) of Applicant(s):
Caesarstone Sdot Yam Ltd.
Kibbutz Sdot Yam 38805 Moblie Post Menashe Israel
(72) Name(s) of Designer(s): **Ruti Harel**
(45) Registration Date: **11 June 2010**
(56) Related Art Documents: **Not Applicable**
(57) Statement of Newness and Distinctiveness: **Nil**



(21) Design Number: **11027/2010**
(22) Date of Filing Application: **24 March 2010**
(24) Date from which industrial property rights may have effect: **24 March 2010**
(54) Product in respect of which the design is registered: **Sealable container**
(51) International Design Classification: **07-01NES**
(71) Name(s) and Address(s) of Applicant(s):
Stephen Layfield
802/85 Macleay Street Potts Point New South Wales 2011 Australia
(72) Name(s) of Designer(s): **Stephen Layfield**
(45) Registration Date: **11 June 2010**
(56) Related Art Documents: **Not Applicable**
(57) Statement of Newness and Distinctiveness: **Nil**



(21) Design Number: **12352/2010**

(22) Date of Filing Application: **24 March 2010**

(24) Date from which industrial property rights may have effect: **24 March 2010**

(54) Product in respect of which the design is registered: **Sealable container**

(51) International Design Classification: **07-01NES**

(71) Name(s) and Address(s) of Applicant(s):

Stephen Layfield

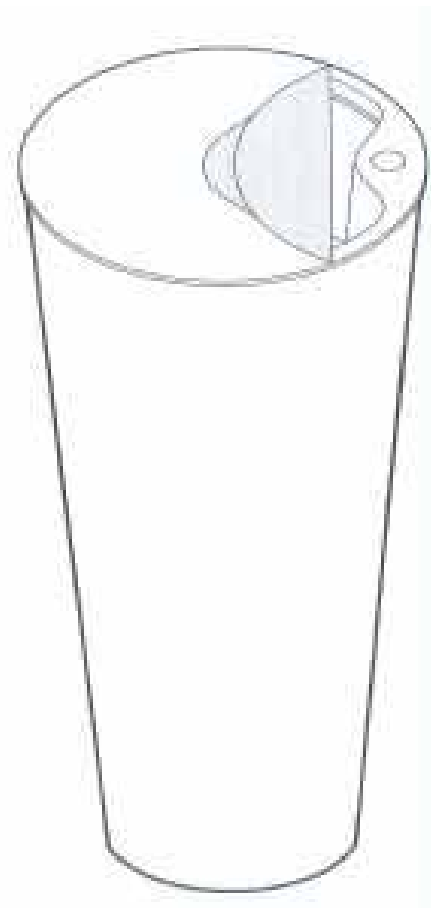
802/85 Macleay Street Potts Point New South Wales 2011 Australia

(72) Name(s) of Designer(s): **Stephen Layfield**

(45) Registration Date: **11 June 2010**

(56) Related Art Documents: **Not Applicable**

(57) Statement of Newness and Distinctiveness: **Nil**



(21) Design Number: **11531/2010**

(22) Date of Filing Application: **22 April 2010**

(24) Date from which industrial property rights may have effect: **22 April 2010**

(54) Product in respect of which the design is registered: **Tactile ground surface indicator**

(51) International Design Classification: **10-99**

(71) Name(s) and Address(s) of Applicant(s):

CTA Australia Pty Ltd

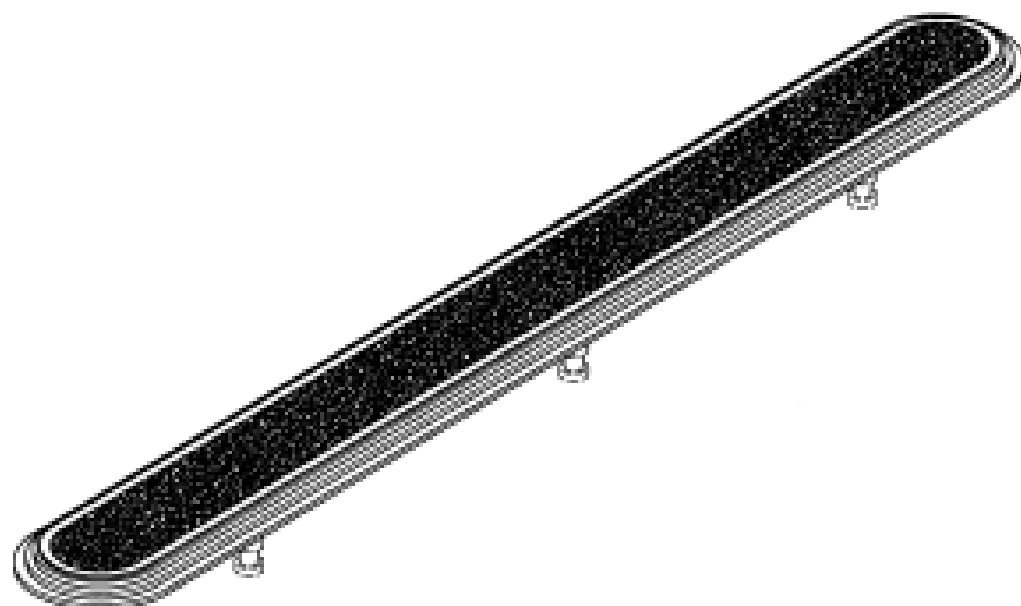
Unit 4 7 Commercial Court Tullamarine Victoria 3043 Australia

(72) Name(s) of Designer(s): **Daniel DeDomenico**

(45) Registration Date: **15 June 2010**

(56) Related Art Documents: **Not Applicable**

(57) Statement of Newness and Distinctiveness: **Newness and distinctiveness is claimed in the visual features of the tactile ground surface indicator in which the length dimension L is indeterminate. In an assessment as to newness and distinctiveness, the features shown in broken lines are to be disregarded.**



(21) Design Number: **11532/2010**

(22) Date of Filing Application: **22 April 2010**

(24) Date from which industrial property rights may have effect: **22 April 2010**

(54) Product in respect of which the design is registered: **Tactile ground surface indicator**

(51) International Design Classification: **10-99**

(71) Name(s) and Address(s) of Applicant(s):

CTA Australia Pty Ltd

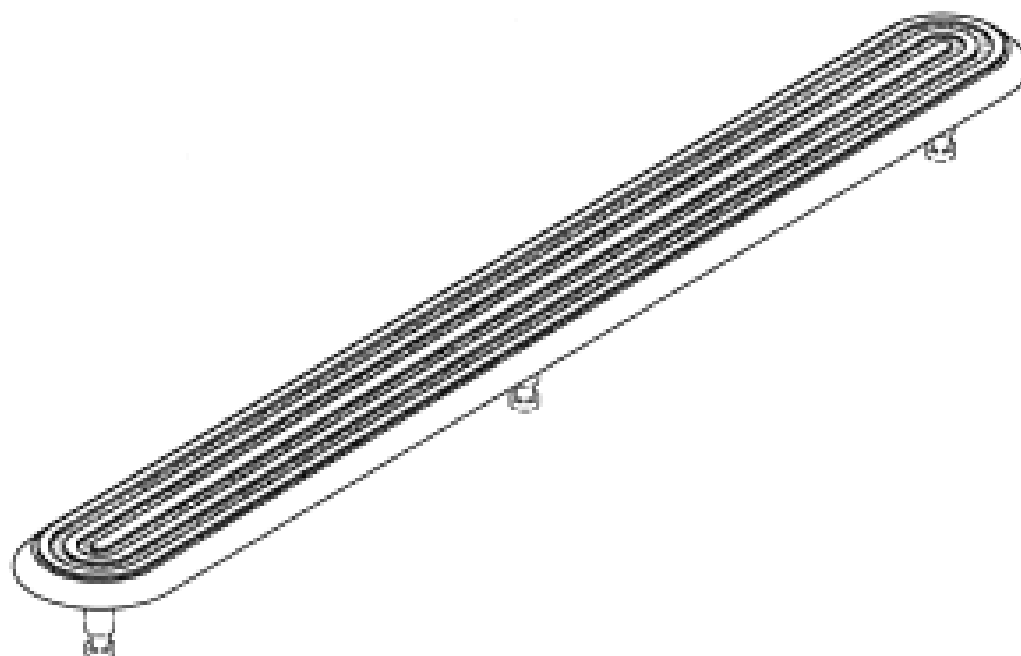
Unit 4 7 Commercial Court Tullamarine Victoria 3043 Australia

(72) Name(s) of Designer(s): **Daniel DeDomenico**

(45) Registration Date: **15 June 2010**

(56) Related Art Documents: **Not Applicable**

(57) Statement of Newness and Distinctiveness: **Newness and distinctiveness is claimed in the visual features of the tactile ground surface indicator in which the length dimension L is indeterminate. In an assessment as to newness and distinctiveness, the features shown in broken lines are to be disregarded.**



(21) Design Number: **11533/2010**

(22) Date of Filing Application: **22 April 2010**

(24) Date from which industrial property rights may have effect: **22 April 2010**

(54) Product in respect of which the design is registered: **Tactile ground surface indicator**

(51) International Design Classification: **10-99**

(71) Name(s) and Address(s) of Applicant(s):

CTA Australia Pty Ltd

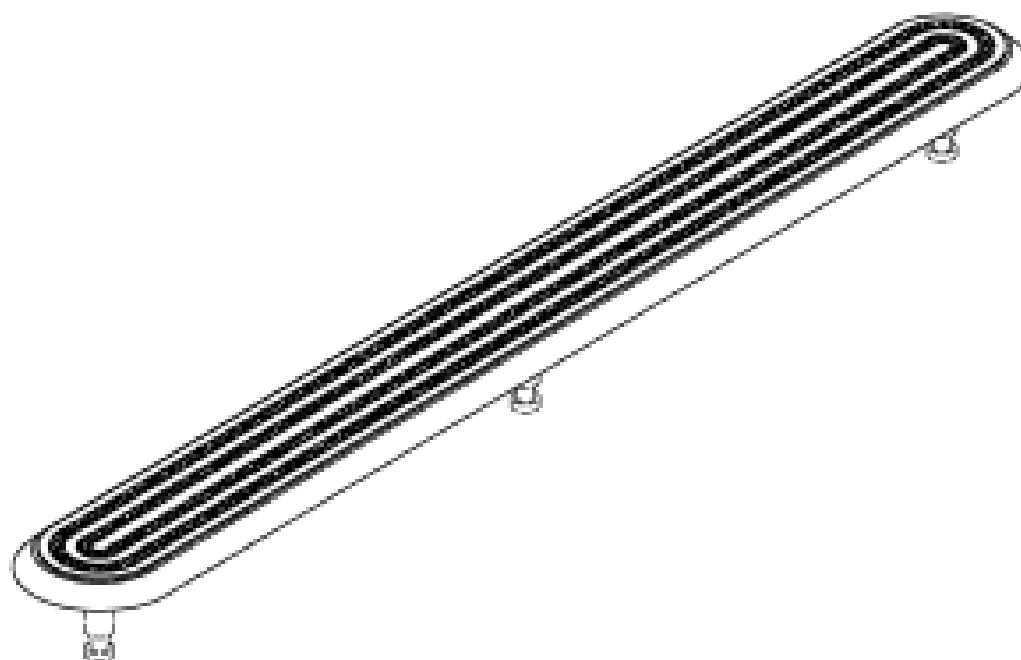
Unit 4 7 Commercial Court Tullamarine Victoria 3043 Australia

(72) Name(s) of Designer(s): **Daniel DeDomenico**

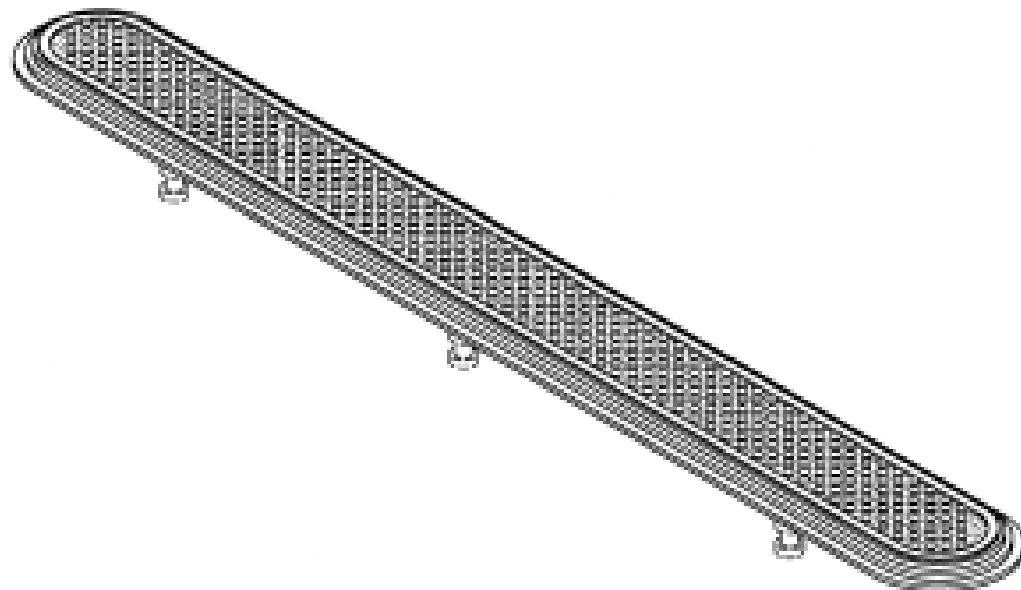
(45) Registration Date: **15 June 2010**

(56) Related Art Documents: **Not Applicable**

(57) Statement of Newness and Distinctiveness: **Newness and distinctiveness is claimed in the visual features of the tactile ground surface indicator in which the length dimension L is indeterminate. In an assessment as to newness and distinctiveness, the features shown in broken lines are to be disregarded.**



- (21) Design Number: **11534/2010**
(22) Date of Filing Application: **22 April 2010**
(24) Date from which industrial property rights may have effect: **22 April 2010**
(54) Product in respect of which the design is registered: **Tactile ground surface indicator**
(51) International Design Classification: **10-99**
(71) Name(s) and Address(s) of Applicant(s):
CTA Australia Pty Ltd
Unit 4 7 Commercial Court Tullamarine Victoria 3043 Australia
(72) Name(s) of Designer(s): **Daniel DeDomenico**
(45) Registration Date: **15 June 2010**
(56) Related Art Documents: **Not Applicable**
(57) Statement of Newness and Distinctiveness: **Newness and distinctiveness is claimed in the visual features of the tactile ground surface indicator in which the length dimension L is indeterminate. In an assessment as to newness and distinctiveness, the features shown in broken lines are to be disregarded.**



- (21) Design Number: **11563/2010**
(22) Date of Filing Application: **23 April 2010**
(24) Date from which industrial property rights may have effect: **23 April 2010**
(54) Product in respect of which the design is registered: **Golf grip**
(51) International Design Classification: **21-02C**
(71) Name(s) and Address(s) of Applicant(s):
Eaton Corporation
Eaton Center 1111 Superior Avenue Cleveland Ohio 44114-2584
United States of America
(72) Name(s) of Designer(s): **Billy Wood and David Gill**
(45) Registration Date: **15 June 2010**
(30) Convention priority data:
(31) Number (32) Date (33) Country
29/345872 23 Oct 2009 UNITED STATES OF AMERICA
(56) Related Art Documents: **Not Applicable**
(57) Statement of Newness and Distinctiveness: **Newness and distinctiveness reside in the pattern and ornamentation of the design as shown in the representations.**



(21) Design Number: **11778/2010**

(22) Date of Filing Application: **06 May 2010**

(24) Date from which industrial property rights may have effect: **06 May 2010**

(54) Product in respect of which the design is registered: **A stool**

(51) International Design Classification: **06-01E**

(71) Name(s) and Address(s) of Applicant(s):

Robert James Walters

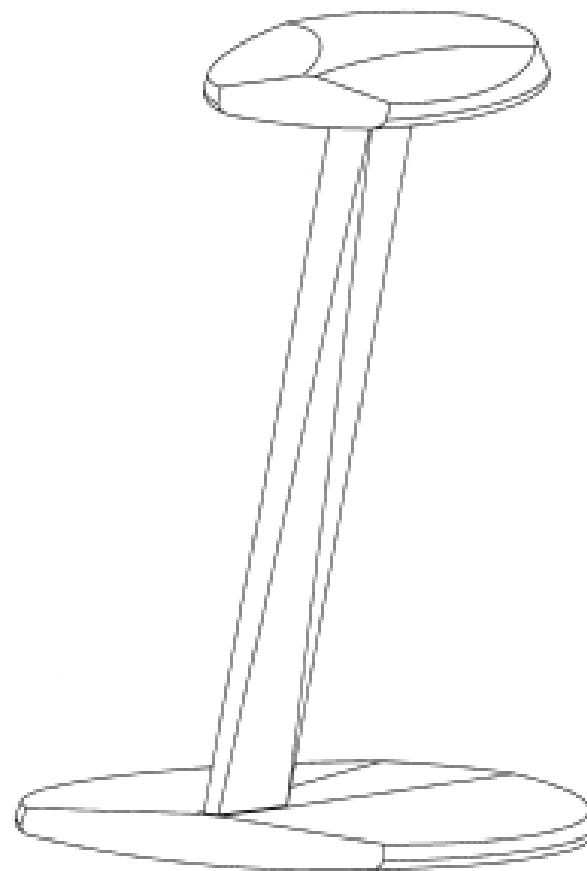
5 Little Craigie Street Birkenhead South Australia 5015 Australia

(72) Name(s) of Designer(s): **Robert James Walters**

(45) Registration Date: **15 June 2010**

(56) Related Art Documents: **Not Applicable**

(57) Statement of Newness and Distinctiveness: **Monopoly is claimed in the shape and configuration of a seating item as shown in the representations.**



(21) Design Number: **12018/2010**

(22) Date of Filing Application: **21 May 2010**

(24) Date from which industrial property rights may have effect: **21 May 2010**

(54) Product in respect of which the design is registered: **Anchor**

(51) International Design Classification: **08-08B**

(71) Name(s) and Address(s) of Applicant(s):

Michael Arthur Keith Baker

43 Moana View Road Waikawa Picton New Zealand

Donna Ann Baker

43 Moana View Road Waikawa Picton New Zealand

New Zealand Trustee Services Limited

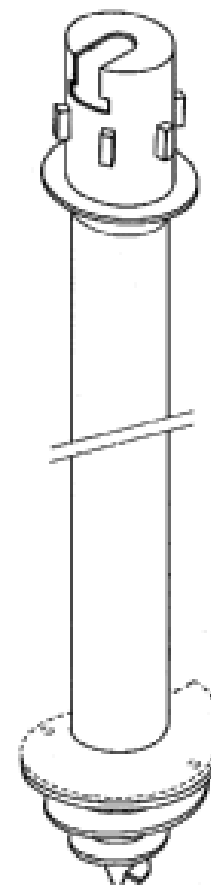
Unit 1 142 Ferry Road Christchurch New Zealand

(72) Name(s) of Designer(s): **Michael Arthur Keith Baker**

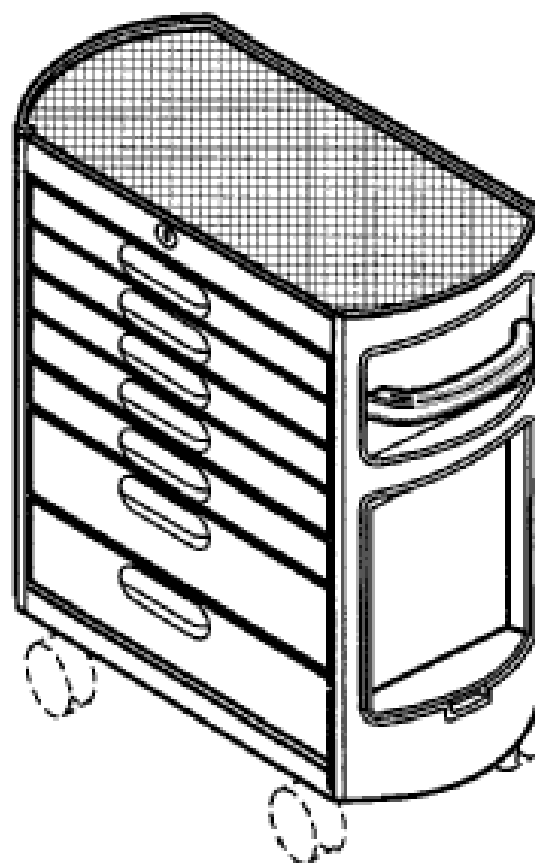
(45) Registration Date: **15 June 2010**

(56) Related Art Documents: **Not Applicable**

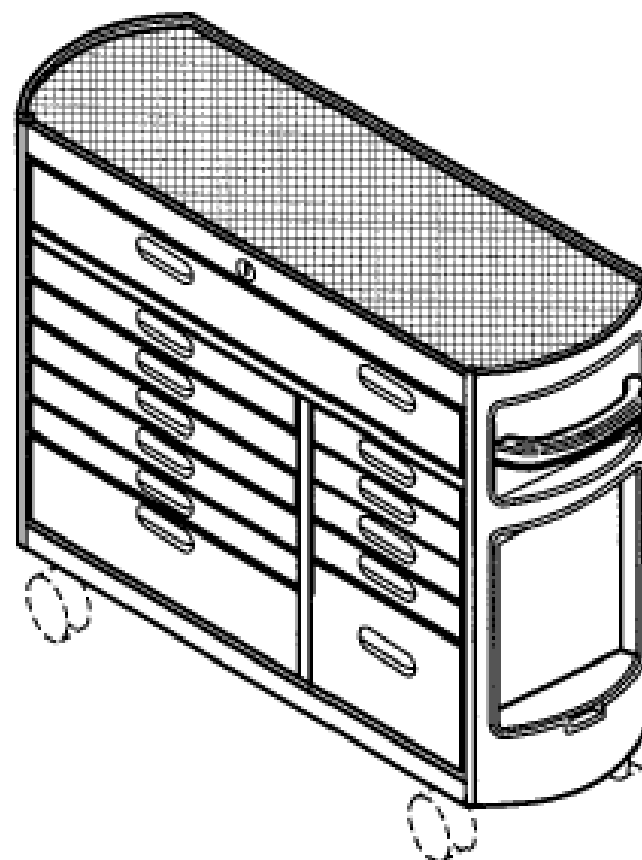
(57) Statement of Newness and Distinctiveness: **Newness and distinctiveness reside in the features of shape and/or configuration of the anchor as shown in the representations. Newness and distinctiveness are not claimed for the features shown in broken lines, which are shown for illustrative purposes only. The anchor is of indefinite length.**



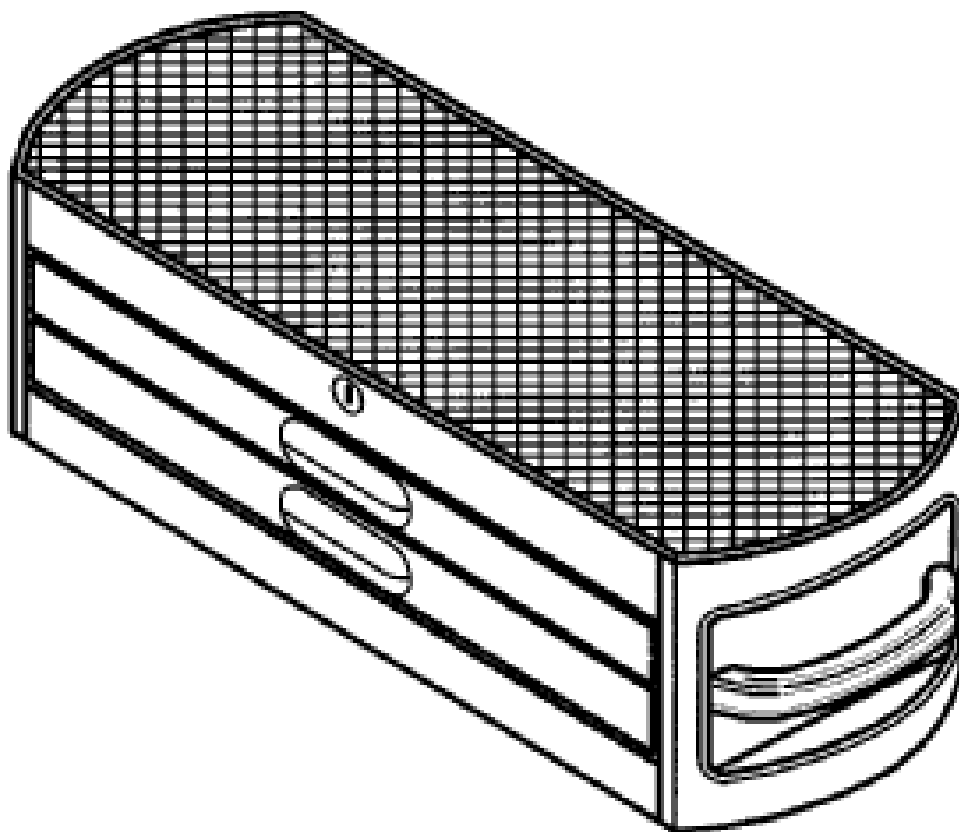
- (21) Design Number: **12019/2010**
(22) Date of Filing Application: **21 May 2010**
(24) Date from which industrial property rights may have effect: **21 May 2010**
(54) Product in respect of which the design is registered: **Multi-drawer cabinet**
(51) International Design Classification: **06-04B**
(71) Name(s) and Address(s) of Applicant(s):
One Eleven Pty. Ltd.
Rear 716 Geelong Road Brooklyn Victoria 3012 Australia
(72) Name(s) of Designer(s): **Chris Peters**
(45) Registration Date: **15 June 2010**
(56) Related Art Documents: **Not Applicable**
(57) Statement of Newness and Distinctiveness: **Newness and Distinctiveness reside in the features of shape and configuration of the multi-drawer cabinet as shown in the accompanying representations.**



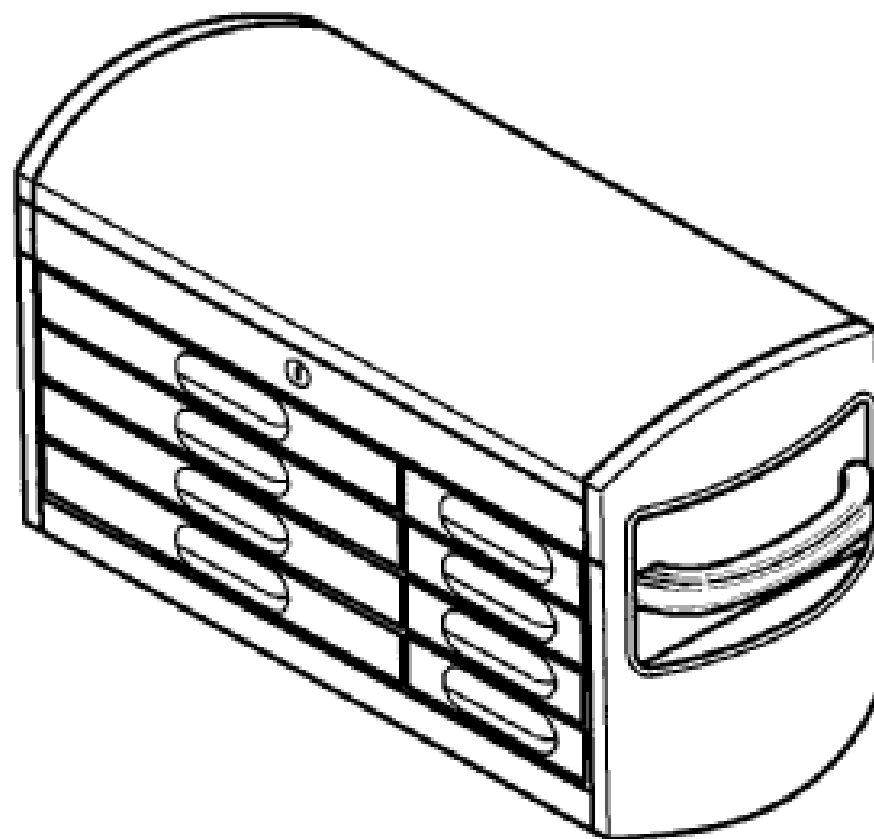
- (21) Design Number: **12020/2010**
(22) Date of Filing Application: **21 May 2010**
(24) Date from which industrial property rights may have effect: **21 May 2010**
(54) Product in respect of which the design is registered: **Multi-drawer cabinet**
(51) International Design Classification: **06-04B**
(71) Name(s) and Address(s) of Applicant(s):
One Eleven Pty. Ltd.
Rear 716 Geelong Road Brooklyn Victoria 3012 Australia
(72) Name(s) of Designer(s): **Chris Peters**
(45) Registration Date: **15 June 2010**
(56) Related Art Documents: **Not Applicable**
(57) Statement of Newness and Distinctiveness: **Newness and Distinctiveness reside in the features of shape and configuration of the multi-drawer cabinet as shown in the accompanying representations.**



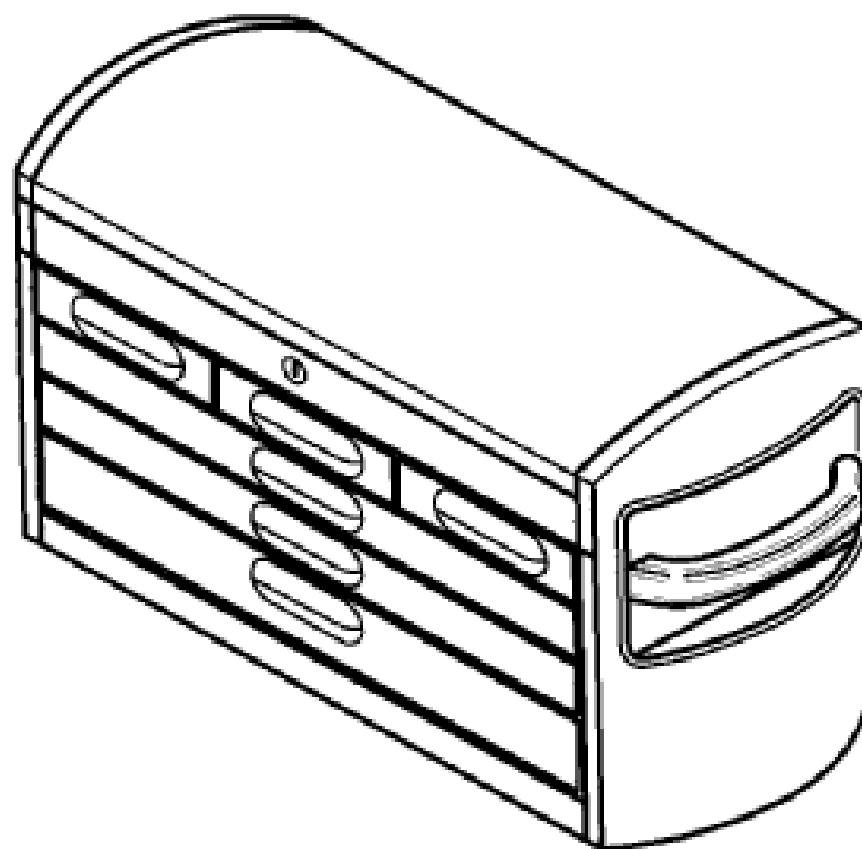
- (21) Design Number: **12021/2010**
(22) Date of Filing Application: **21 May 2010**
(24) Date from which industrial property rights may have effect: **21 May 2010**
(54) Product in respect of which the design is registered: **Multi-drawer cabinet**
(51) International Design Classification: **06-04B**
(71) Name(s) and Address(s) of Applicant(s):
One Eleven Pty. Ltd.
Rear 716 Geelong Road Brooklyn Victoria 3012 Australia
(72) Name(s) of Designer(s): **Chris Peters**
(45) Registration Date: **15 June 2010**
(56) Related Art Documents: **Not Applicable**
(57) Statement of Newness and Distinctiveness: **Newness and Distinctiveness reside in the features of shape and configuration of the multi-drawer cabinet as shown in the accompanying representations.**



- (21) Design Number: **12022/2010**
(22) Date of Filing Application: **21 May 2010**
(24) Date from which industrial property rights may have effect: **21 May 2010**
(54) Product in respect of which the design is registered: **Multi-drawer cabinet**
(51) International Design Classification: **06-04B**
(71) Name(s) and Address(s) of Applicant(s):
One Eleven Pty. Ltd.
Rear 716 Geelong Road Brooklyn Victoria 3012 Australia
(72) Name(s) of Designer(s): **Chris Peters**
(45) Registration Date: **15 June 2010**
(56) Related Art Documents: **Not Applicable**
(57) Statement of Newness and Distinctiveness: **Newness and Distinctiveness reside in the features of shape and configuration of the multi-drawer cabinet as shown in the accompanying representations.**



- (21) Design Number: **12023/2010**
(22) Date of Filing Application: **21 May 2010**
(24) Date from which industrial property rights may have effect: **21 May 2010**
(54) Product in respect of which the design is registered: **Multi-drawer cabinet**
(51) International Design Classification: **06-04B**
(71) Name(s) and Address(s) of Applicant(s):
One Eleven Pty. Ltd.
Rear 716 Geelong Road Brooklyn Victoria 3012 Australia
(72) Name(s) of Designer(s): **Chris Peters**
(45) Registration Date: **15 June 2010**
(56) Related Art Documents: **Not Applicable**
(57) Statement of Newness and Distinctiveness: **Newness and Distinctiveness reside in the features of shape and configuration of the multi-drawer cabinet as shown in the accompanying representations.**



- (21) Design Number: **12178/2010**
(22) Date of Filing Application: **23 April 2010**
(24) Date from which industrial property rights may have effect: **23 April 2010**
(54) Product in respect of which the design is registered: **Golf grip**
(51) International Design Classification: **21-02C**
(71) Name(s) and Address(s) of Applicant(s):
Eaton Corporation
Eaton Center 1111 Superior Avenue Cleveland Ohio 44114-2584
United States of America
(72) Name(s) of Designer(s): **Billy Wood and David Gill**
(45) Registration Date: **15 June 2010**
(62) Divisional of: **331325**
(56) Related Art Documents: **Not Applicable**
(57) Statement of Newness and Distinctiveness: **Newness and distinctiveness reside in the pattern and ornamentation of the design as shown in the representations.**

