



Australian Government

IP Australia

AUSTRALIAN OFFICIAL JOURNAL

OF

DESIGNS

Did you know a searchable version of this journal is now available online?

It's FREE and EASY to SEARCH.

Find it at

<http://pericles.ipaustralia.gov.au/ols/epublish/content/olsEpublications.jsp>
or using the "Online Journals" link on the IP Australia home page.

This Page Left Intentionally Blank

Contents

General Information & Notices

Proceedings Under the Designs Act 1906 preserved as a result of the provisions of Chapter 12 Part 2 of the Designs Act 2003

Extension of Period of Registration of Designs	1522
Names Registered - Alterations and Amendments	1522
Registrations Ceased	1522
Subsequent Owners Registered	1522

Proceedings Under the Designs Act 2003

Applications Lapsed	1532
Applications Lodged	1527
Certificate of Examination	1536
Corrigenda	1535
Extension of Period of Registration of Design	
Extension of Time Granted Under Section 137	1533
Names Registered - Alterations and Amendments	1534
Publication and Registration Proceedings	
Designs Registered 331334 to 331522.....	1537
Registrations Ceased	1533
Subsequent Owners Registered	1533

This Page Left Intentionally Blank

For information on the following please see our website www.ipaustralia.gov.au or contact our Customer Service Network on 1300651010

[Editorial enquiries](#)

[Contact information](#)

[Freedom of Information ACT](#)

[Professional Standards Board](#)

[Sales](#)

[Requests for Information under Section 194 \(c\)](#)

[Country Codes](#)

[Trade Mark and Designs Hearing Sessions](#)

[INID \(Internationally agreed Numbers for the Identification of Data\)](#)

“INID” NUMBERS in use on Australian Design Documents

“INID” is an acronym for “Internationally agreed Numbers for the Identification of Data”.

(10) Data concerning the registration/renewal

- (11) Serial number of the registration and/or number of the design document
- (12) Plain language designation of the kind of published document
- (19) Identification, using the two-letter code according to WIPO Standard ST.3, of the authority publishing or registering the industrial design

(20) Data concerning the application

- (21) Serial number of the application
- (22) Date of filing of the application
- (24) Date from which the industrial design right has effect

(30) Data relating to priority under the Paris Convention

- (31) Serial number assigned to the priority application
- (32) Date of filing of the priority application
- (33) Two-letter code, according to WIPO Standard ST.3, identifying the authority with which the priority application was made

(40) Date(s) of making information available to the public

- (45) Date of publication of the registered industrial design by printing or similar process, or making it available to the public by any other means

(50) Miscellaneous Information

- (51) International Classification for Industrial Designs (class and subclass of the Locarno Classification)
- (54) Designation of article(s) or product(s) covered by the industrial design or title of the industrial design
- (55) Reproduction of the industrial design (e.g., drawing, photograph) and explanations relating to the reproduction
- (56) List of prior art documents, if separate from descriptive text
- (57) Description of characteristic features of the industrial design including indication of colours

(60) References to other legally related application(s) and registration(s)

- (62) Serial number(s) and, if available, filing date(s) of application(s), registration(s) or document(s) related by division
- (66) Serial number(s) of the application, or the registration, of the design(s) which is (are) a variant(s) of the present one

(70) Identification of parties concerned with the application or registration

- (71) Name(s) and address(es) of the applicant(s)
- (72) Name(s) of the creator(s) if known to be such
- (74) Name(s) and address(es) of the representative(s)

This Page Left Intentionally Blank

Nil notices for this journal issue.

Proceedings under the Designs Act 1906 preserved as a result of the provisions of Chapter 12 Part 2 of the Designs Act 2003.

This Page Left Intentionally Blank

Applications Lapsed

There were no Applications Lapsed under this section

Extension of Period of Registration of Designs

1st Period (Section 27A(8))

2nd Period (Section 27A(12))

156474	157052	157053
157157	157243	157593
157790	158429	158473
158475	158477	158495
158499	158537	158538

3rd Period (Section 27A(13))

138486	139329	139360
139388	139419	139420
139436	139437	139457
139465	139532	139574
139615	139657	139677
139764	139842	139843
139844	139845	139849
139928	139937	140010
140218	140357	140471
141207	141671	142198
143142	143143	143444
143921	148500	

Registrations Ceased

Note: Some of the following Registrations may have been previously advertised as ceased. In this instance, the previous advertisement still prevails.

120761	120784	121306
122055	122186	122320
122324	122325	122326
122327	122349	122456
122457	122458	122468
122600	122773	122846
122852	122853	122854
122910	122911	122992
123074	123387	123776
124178	124641	125698
125765	126007	128866
130509	136298	136545
137528	137529	137530
137531	137556	137642
137643	137644	137902
137903	137904	137905
138387	140556	140570
141019	142047	142175
144928	154072	154073
154074	154100	154102
154818	155049	155050

155051	155095	155132
155133	155140	155141
155142	155143	155171
155172	155173	155214
155215	155216	155240
155257	155266	155379
155392	155418	155420
155561	155593	155659
155660	155679	155711
155742	155744	155745
155860	155861	155879
155973	156013	156093
156107	156151	156249
156250	156251	156252
156253	156254	156533
156746	156747	156905
156938	156969	157288
157306	157742	157970
158021	158192	158194
158196	158383	158384
158385		

Subsequent Owners Registered

(The name in parentheses is that of the subsequent owner)

127875	(Ecohome Pty Ltd) Carrier air Conditioning Pty Ltd
133946	(Ecohome Pty Ltd) Carrier air Conditioning Pty Ltd
149510	(Ecohome Pty Ltd) Carrier air Conditioning Pty Ltd
149511	(Ecohome Pty Ltd) Carrier air Conditioning Pty Ltd
133965	(Ecohome Pty Ltd) Carrier Air Conditioning Pty Ltd
151291	(Thoratee Corporation) Ventrassist Pty Ltd
152187	(Thoratee Corporation) Ventrassist Pty Ltd
152190	(Thoratee Corporation) Ventrassist Pty Ltd
150790	(Thoratee Corporation) Ventrassist Pty Ltd
157255	(Thoratee Corporation) Ventrassist Pty Ltd
157256	(Thoratee Corporation) Ventrassist Pty Ltd
158270	(Societe des Produits Nestle S.A.) The KraMar Pet Company
157073	(Societe des Produits Nestle S.A.) The KraMar Pet Company
145510	(Saito Australia Pty Limited) HandiTags Ltd
143471	(CSR Building Products Limited) Comprador Pacific Pty Ltd
156959	(Pfizer Limited) Meridica Limited
136594	(West Barrows Mix Pty Ltd Trading as Westmix of Versaci's) Hills Industries Limited
153394	(West Barrows Mix Pty Ltd Trading as Westmix of Versaci's) Hills Industries Ltd
153715	(West Barrows Mix Pty Ltd Trading as Westmix of Versaci's) Hills Industries Ltd
141001	(DuluxGroup (Australia) Pty Ltd) Orica Australia Pty Ltd

Names Registered - Alterations and Amendments

(The name in parentheses is the new name of the proprietor)

127875	(Brivis Climate Systems Pty Ltd) Ecohome Pty Ltd
133946	(Brivis Climate Systems Pty Ltd) Ecohome Pty Ltd
149510	(Brivis Climate Systems Pty Ltd) Ecohome Pty Ltd
149511	(Brivis Climate Systems Pty Ltd) Ecohome Pty Ltd
133965	(Brivis Climate Systems Pty Ltd) Ecohome Pty Ltd
124601	(Holcim (Australia) Pty Ltd) CEMEX Australia Pty Ltd
124602	(Holcim (Australia) Pty Ltd) CEMEX Australia Pty Ltd

This Page Left Intentionally Blank

Proceedings under the Designs Act 2003.

This Page Left Intentionally Blank

Applications Lodged

Lodgement information is in the following order: **Applicant's Name**; International Classification, Name of Product, Lodgement Date and **Design Number**. If the applicant claims an earlier priority date under an International Convention, the Convention Country and the associated filing date are shown in parentheses before the Lodgement Date. Divisional information will also appear in parentheses before the Lodgement Date.

Ackermann Australia Pty Ltd; 24-02, Medical device, 11 Jun 2010	12404/2010	Braun, Corie; 08-06, Handle, 15 Jun 2010	12431/2010
Aero Investments Pty Ltd; 12-08, A motor vehicle body, 15 Jun 2010	12448/2010	Braun, Corie; 08-08D, Clamping bar, 15 Jun 2010	12432/2010
African Explosives Limited; 10-05, Borehole condition monitors, (ZA, 24 Dec 2009) 23 Jun 2010	12579/2010	Bulgari S.p.A.; 09-01G, Perfume container, (CH, 25 Mar 2010) 24 Jun 2010	12600/2010
Agro Technic Pte. Ltd.; 08-05A, Insecticide dust applicator, (SG, 27 May 2010) 16 Jun 2010	12443/2010	Bulgari S.p.A.; 09-01G, Perfume container, (CH, 25 Mar 2010) 24 Jun 2010	12602/2010
Aire Cut Company Limited; 15-03B, Quad-blade mower blade, (NZ, 18 Dec 2009) 16 Jun 2010	12471/2010	Bulgari S.p.A.; 11-01A, Ring, (CH, 28 Dec 2009) 24 Jun 2010	12601/2010
Aire Cut Company Limited; 15-03B, Tri-blade mower blade, (NZ, 18 Dec 2009) 16 Jun 2010	12470/2010	BISSELL Homecare, Inc.; 15-05, Cyclone module for vacuum cleaner, (US, 12 Feb 2010) 10 Jun 2010	12393/2010
Alive Girl Pty Ltd; 02-02NES, Apparel, 17 Jun 2010	12496/2010	BISSELL Homecare, Inc.; 15-05, Sweeper foot, (US, 19 Feb 2010) 10 Jun 2010	12390/2010
Apple Inc.; 14-01, Portable display device, (US, 06 Jan 2010) 16 Jun 2010	12462/2010	BISSELL Homecare, Inc.; 15-05, Canister body for vacuum cleaner, (US, 12 Feb 2010) 10 Jun 2010	12392/2010
Apple Inc.; 14-01, Portable display device, (US, 06 Jan 2010) 16 Jun 2010	12463/2010	BISSELL Homecare, Inc.; 15-05, Vacuum cleaner canister, (US, 12 Feb 2010) 10 Jun 2010	12391/2010
Apple Inc.; 14-01, Portable display device, (US, 26 Jan 2010) 16 Jun 2010	12464/2010	BISSELL Homecare, Inc.; 15-05, Sweeper module, (US, 19 Feb 2010) 10 Jun 2010	12389/2010
Armitage, Angela; Armitage, Barry; 12-02, Motorcycle turntable, 21 Jun 2010	12530/2010	Canturi Corporation Pty Ltd; 11-02E, 11-01NES, 11-01D, Pendant/earrings/brooch, 15 Jun 2010	12452/2010
Armitage, Barry; Armitage, Angela; 12-02, Motorcycle turntable, 21 Jun 2010	12530/2010	Channer, Mark; 13-99, 23-03D, Solar panel unit 120 watt folding, 16 Jun 2010	12474/2010
Art Plastics Pty Ltd; 23-01G, Square basket waste, 16 Jun 2010	12442/2010	Channer, Mark; 13-99, 23-03D, Solar power unit 80 watt folding, 16 Jun 2010	12473/2010
Art Plastics Pty Ltd; 23-01B, Adjustable pan connector, 16 Jun 2010	12441/2010	Chyon, Gyungju; 05-05NES, Two-layer fabric, 17 Jun 2010	12499/2010
Arthurson, Kingsley; 09-09, A waste bin with pivot lid opener, 16 Jun 2010	12501/2010	Colgate-Palmolive Company; 04-02, Toothbrush, (US, 18 Dec 2009) 17 Jun 2010	12482/2010
Arthurson, Kingsley; 09-09, A waste bin with twisting lid opener, 16 Jun 2010	12500/2010	Colgate-Palmolive Company; 04-02, Toothbrush handle with tissue cleaner, (US, 18 Dec 2009) 17 Jun 2010	12483/2010
Astra Tech AB; 24-01, Infusion pump, (EM, 02 Feb 2010) 24 Jun 2010	12597/2010	Colgate-Palmolive Company; 04-02, Toothbrush handle with tissue cleaner, (US, 18 Dec 2009) 16 Jun 2010	12453/2010
Australian Institute of Environment; 07-02A, Oven/smokehouse, 22 Jun 2010	12559/2010	Colgate-Palmolive Company; 04-02, Tissue cleaner, (US, 23 Dec 2009) 21 Jun 2010	12547/2010
Black & Decker, Inc.; 15-05, Hand held vacuum cleaner, (EM, 18 Dec 2009) 11 Jun 2010	12417/2010		
Braun, Corie; 08-08G, Hook, 15 Jun 2010	12444/2010		

Colgate-Palmolive Company; 04-02, Toothbrush, (US, 23 Dec 2009) 21 Jun 2010	12548/2010	Fifty-Fourth Rischell Pty Ltd; 02-02NES, Men's clothing, 18 Dec 2009	12504/2010
Colgate-Palmolive Company; 04-02, Toothbrush handle, (US, 18 Dec 2009) 16 Jun 2010	12454/2010	Fifty-Fourth Rischell Pty Ltd; 02-02C, Men's clothing, 18 Dec 2009	12508/2010
Columbia Insurance Company; 07-01B, Cake stand, (US, 23 Dec 2009) 15 Jun 2010	12445/2010	Fifty-Fourth Rischell Pty Ltd; 02-02C, Men's clothing, 18 Dec 2009	12509/2010
Continental Reifen Deutschland GmbH; 12-15B, Tyre, (EM, 25 Mar 2010) 17 Jun 2010	12479/2010	Fifty-Fourth Rischell Pty Ltd; 02-02NES, Men's clothing, 18 Dec 2009	12510/2010
Continental Reifen Deutschland GmbH; 12-15B, Tyre, (EM, 25 Mar 2010) 17 Jun 2010	12477/2010	Fifty-Fourth Rischell Pty Ltd; 02-02NES, Men's clothing, 17 Jun 2010	12511/2010
Cooper, Wayne Charles; 12-10, A trailer, 22 Jun 2010	12580/2010	Fifty-Fourth Rischell Pty Ltd; 02-02NES, Men's clothing, 18 Dec 2009	12512/2010
Counselling Help Pty Ltd; 21-02A, A football kicking tee, 15 Jun 2010	12406/2010	Fifty-Fourth Rischell Pty Ltd; 02-02NES, Men's clothing, 18 Dec 2009	12513/2010
Dalla Libera, Simone; Zanella, Michele; 10-02, Wristwatch, (EM, 23 Dec 2009) 16 Jun 2010	12459/2010	Fifty-Fourth Rischell Pty Ltd; 02-02NES, Men's clothing, 18 Dec 2009	12514/2010
Donnelly, Margaret Mary; 30-99, Liner for horse's boot, 24 Jun 2010	12594/2010	Fifty-Fourth Rischell Pty Ltd; 02-02NES, Men's clothing, 18 Dec 2009	12515/2010
Dream Property GmbH; 14-03NES, 14-01, Receivers, (EM, 23 Dec 2009) 11 Jun 2010	12419/2010	Fifty-Fourth Rischell Pty Ltd; 02-02NES, Men's clothing, 18 Dec 2009	12516/2010
Dwyer, Jason Paul; Gale, Benedict Donald; 14-03A, SIM card holder, 10 Jun 2010	12398/2010	Fifty-Fourth Rischell Pty Ltd; 02-02NES, Men's clothing, 18 Dec 2009	12517/2010
Eco Guardians Pty Ltd; 23-02E, Both products are waste outlet fittings required to be fitted to the underside of kitchen food troughs, 22 Jun 2010	12581/2010	Fifty-Fourth Rischell Pty Ltd; 02-02NES, Men's clothing, 18 Dec 2009	12518/2010
Eveready Battery Company, Inc.; 26-02, Lighting device, (US, 18 Jan 2010) 17 Jun 2010	12488/2010	Fifty-Fourth Rischell Pty Ltd; 02-02NES, Men's clothing, 18 Dec 2009	12519/2010
Eveready Battery Company, Inc.; 26-02, Lighting device, (US, 18 Jan 2010) 17 Jun 2010	12489/2010	Fifty-Fourth Rischell Pty Ltd; 02-02NES, Men's clothing, 18 Dec 2009	12520/2010
Eveready Battery Company, Inc.; 26-03, Lighting device, (US, 18 Jan 2010) 17 Jun 2010	12490/2010	Fifty-Fourth Rischell Pty Ltd; 02-02NES, Men's clothing, 18 Dec 2009	12521/2010
EREDU, S. Coop.; 06-01F, Chair, 24 Jun 2010	12596/2010	Fifty-Fourth Rischell Pty Ltd; 02-02NES, Men's clothing, 18 Dec 2009	12522/2010
Fantasy Diamond Corporation; 11-01NES, Thirteen gemstones in an arrangement in a jewelry, (US, 06 Oct 2009) 30 Mar 2010	12576/2010	Fifty-Fourth Rischell Pty Ltd; 02-02NES, Men's clothing, 18 Dec 2009	12523/2010
Fantasy Diamond Corporation; 11-01NES, Eleven gemstones in an arrangement in a jewelry setting, (US, 06 Oct 2009) 30 Mar 2010	12577/2010	Fifty-Fourth Rischell Pty Ltd; 02-02NES, Men's clothing, 18 Dec 2009	12524/2010
Fantasy Diamond Corporation; 11-01NES, Nine gemstone in an arrangement in a jewelry setting, (US, 06 Oct 2009) 30 Mar 2010	12578/2010	Fifty-Fourth Rischell Pty Ltd; 02-02NES, Men's clothing, 18 Dec 2009	12525/2010
Fantasy Diamond Corporation; 11-01NES, Fifteen gemstones in an arrangement in a jewelry setting, (US, 06 Oct 2009) 30 Mar 2010	12449/2010	Fifty-Fourth Rischell Pty Ltd; 02-02C, Men's clothing, 18 Dec 2009	12526/2010
		Fifty-Fourth Rischell Pty Ltd; 02-02NES, Men's clothing, 18 Dec 2009	12527/2010
		Fifty-Fourth Rischell Pty Ltd; 02-02NES, Men's clothing, 18 Dec 2009	12528/2010
		Fifty-Fourth Rischell Pty Ltd; 02-02NES, Men's clothing, 18 Dec 2009	12529/2010
		Fifty-Fourth Rischell Pty Ltd; 02-02C, Men's clothing, 18 Dec 2009	12505/2010
		Fifty-Fourth Rischell Pty Ltd; 02-02C, Men's clothing, 18 Dec 2009	12506/2010
		Fifty-Fourth Rischell Pty Ltd; 02-02C, Men's clothing, 18 Dec 2009	12507/2010
		Fifty-Fourth Rischell Pty Ltd; 02-02NES, Men's clothing, 18 Dec 2009	12503/2010

Fitness Brands Inc.; 21-02F, Exercise device, (US, 17 Mar 2010) 10 Jun 2010	12388/2010	Hill, Dawn Patricia; Hill, Keith Lawrence; 21-99, The punters mate the punters tool, 21 Jun 2010	12592/2010
Fitness Brands Inc.; 21-02F, Exercise device, (US, 17 Mar 2010) 10 Jun 2010	12387/2010	Hill, Keith Lawrence; Hill, Dawn Patricia; 21-99, The punters mate the punters tool, 21 Jun 2010	12593/2010
Fitzgerald, Peter Michael; 08-08NES, Anchor, 24 Jun 2010	12599/2010	Hill, Dawn Patricia; Hill, Keith Lawrence; 21-99, The punters mate the punters tool, 21 Jun 2010	12593/2010
Forever New Clothing Pty Ltd; 02-02NES, Women's fashion clothing, 16 Jun 2010	12461/2010	Hollister Incorporated; 24-03, One-piece disposable ostomy pouch, (EM, 18 Dec 2009) 17 Jun 2010	12549/2010
Gale, Benedict Donald; Dwyer, Jason Paul; 14-03A, SIM card holder, 10 Jun 2010	12398/2010	Hollister Incorporated; 24-03, Mini-sized disposable ostomy pouch for a two-piece ostomy appliance, (EM, 18 Dec 2009) 17 Jun 2010	12550/2010
GlaxoSmithKline LLC; 24-02, Nasal dilator, (US, 23 Dec 2009) 21 Jun 2010	12541/2010	Hollister Incorporated; 24-03, Mini-sized drainable ostomy pouch for a two-piece ostomy appliance, (EM, 18 Dec 2009) 17 Jun 2010	12551/2010
GlaxoSmithKline LLC; 24-02, Nasal dilator, (US, 23 Dec 2009) 21 Jun 2010	12542/2010	Hollister Incorporated; 24-99, An adhesive base plate for an ostomy pouch, (EM, 18 Dec 2009) 17 Jun 2010	12552/2010
GlaxoSmithKline LLC; 24-02, Nasal dilator, (US, 23 Dec 2009) 21 Jun 2010	12543/2010	Holster Fashion Pty Ltd; 02-04B, A sole, 22 Jun 2010	12566/2010
GlaxoSmithKline LLC; 24-02, Nasal dilator, (US, 23 Dec 2009) 21 Jun 2010	12544/2010	Holster Fashion Pty Ltd; 02-04B, A sole, 22 Jun 2010	12567/2010
Guerlain Societe Anonyme; 09-01G, Flask for perfumery product, (EM, 28 Dec 2009) 23 Jun 2010	12587/2010	Holster Fashion Pty Ltd; 02-04B, A sole, 22 Jun 2010	12568/2010
GM Global Technology Operations, Inc.; 12-16B, Vehicle rear fascia, 11 Jun 2010	12400/2010	Holster Fashion Pty Ltd; 02-04NES, An upper for footwear, 22 Jun 2010	12570/2010
GM Global Technology Operations, Inc.; 12-16E, Left-side and right-side vehicle foglamp surround, 11 Jun 2010	12401/2010	Holster Fashion Pty Ltd; 02-04NES, An upper for footwear, 22 Jun 2010	12571/2010
GM Global Technology Operations, Inc.; 12-16C, Vehicle front fascia, 11 Jun 2010	12402/2010	Holster Fashion Pty Ltd; 02-04NES, An upper for footwear, 22 Jun 2010	12572/2010
GM Global Technology Operations, Inc.; 12-16B, Vehicle grille mesh insert, 11 Jun 2010	12403/2010	Holster Fashion Pty Ltd; 02-04NES, An upper for footwear, 22 Jun 2010	12569/2010
Hartz Industries Limited; 25-02G, Horizontal brick weephole vent for building construction, 15 Jun 2010	12450/2010	Honda Motor Co., Ltd.; 12-08, An automobile, (JP, 25 Dec 2009) 24 Jun 2010	12603/2010
Heland IP Pty Ltd; 26-05E, LED downlight, 15 Jun 2010	12435/2010	Honeywell International Inc.; 16-06, Eye protector, (US, 23 Dec 2009) 23 Jun 2010	12584/2010
Heland IP Pty Ltd; 26-05E, LED downlight, 15 Jun 2010	12436/2010	Horton, Michael Charles; 12-05, 09-02B, Lifting aid, 10 Jun 2010	12399/2010
Heland IP Pty Ltd; 26-05E, LED traffic light lamp, 15 Jun 2010	12434/2010	Independence Studios Pty Ltd; 07-01D, 10-04, Measuring cups, 15 Jun 2010	12438/2010
Heland IP Pty Ltd; 26-05E, Diffuser for LED lighting apparatus, 15 Jun 2010	12433/2010	Island Block & Paving Pty Ltd; 25-01A, A block for building a wall, 11 Jun 2010	12418/2010
High Point Trading 393 cc; 25-04, Support platform, (ZA, 05 May 2010) 15 Jun 2010	12440/2010	Island Block & Paving Pty Ltd; 25-01A, A block for building a wall, 17 Jun 2010	12497/2010
High Point Trading 393 cc; 25-04, Support platform, (ZA, 15 Dec 2009) 15 Jun 2010	12439/2010	Island Block & Paving Pty Ltd; 25-01A, A block for building a wall, 17 Jun 2010	12498/2010
Hill, Keith Lawrence; Hill, Dawn Patricia; 21-99, The punters mate the punters tool, 21 Jun 2010	12592/2010	Jacket Bracket Pty Ltd; 08-08L, A bracket, 31 Mar 2010	12427/2010
		Jacket Bracket Pty Ltd; 08-08L, A bracket, 31 Mar 2010	12428/2010

Jones, Trevor; 08-08NES, A clip, 21 Jun 2010	12558/2010	Melloe; 23-02C, Bathroom, 21 Jun 2010	12534/2010
Kabushiki Kaisha Audio-Technica; 14-01, Headphone, (JP, 24 Dec 2009) 17 Jun 2010	12484/2010	Methven Limited; 23-01H, A mixer tap, (NZ, 18 Dec 2009) 18 Jun 2010	12539/2010
Kabushiki Kaisha Audio-Technica; 14-01, Earphone, (JP, 25 Dec 2009) 17 Jun 2010	12485/2010	Michelin Recherche et Technique S.A.; Societe De Technologie Michelin; 12-15A, A tyre, (FR, 18 Jan 2010) 23 Jun 2010	12562/2010
Kabushiki Kaisha Audio-Technica; 08-08NES, Cord holder for earphones and headphones, (JP, 28 Dec 2009) 17 Jun 2010	12486/2010	Mucic, Ivica; 08-08NES, 14-02, Sliding and turning 12" touch screen/monitor mount for the passenger car, 18 Jun 2010	12536/2010
Kabushiki Kaisha Audio-Technica; 14-01, Headphone, (JP, 24 Dec 2009) 17 Jun 2010	12487/2010	Nu-Poly; 23-01F, 11-02B, Water tank planter box, 18 Jun 2010	12537/2010
Kennametal Inc.; 08-03, Cutting insert, (US, 03 Nov 2009) 30 Apr 2010	12540/2010	Nu-Poly; 23-01F, 11-02B, Water tank planter box, 18 Jun 2010	12538/2010
Keto IP Pty Ltd as trustee for the Keto IP Trust; 15-02, Impeller, 11 Jun 2010	12420/2010	Pan Air Electric Co., Ltd.; 23-04, Ceiling fan, 17 Jun 2010	12495/2010
Koninklijke Philips Electronics N.V.; 24-01, Defibrillator, (EM, 21 Dec 2009) 15 Jun 2010	12446/2010	Patron Spirits International AG; 09-01H, Bottle, (US, 24 Dec 2009) 17 Jun 2010	12478/2010
Koninklijke Philips Electronics N.V.; 26-05D, Lamp, (EM, 15 Dec 2009) 15 Jun 2010	12447/2010	Pi-Designs AG; 07-02L, Coffee maker, (WO, 29 Dec 2009) 15 Jun 2010	12421/2010
Leatherman Tool Group, Inc.; 03-01D, Accessory tool holder for a hand tool, (US, 18 Dec 2009) 11 Jun 2010	12408/2010	Pi-Designs AG; 07-02K, Tea maker, (WO, 29 Dec 2009) 15 Jun 2010	12422/2010
Leatherman Tool Group, Inc.; 08-05P, Portion of a hand tool, (US, 18 Dec 2009) 11 Jun 2010	12410/2010	Protective Fencing Pty Ltd; 25-02C, Fence security mesh, 15 Jun 2010	12407/2010
Leatherman Tool Group, Inc.; 08-05P, Portion of a hand tool, (US, 18 Dec 2009) 11 Jun 2010	12411/2010	Q Products LLC; 06-03C, School desk, 11 Jun 2010	12405/2010
Leatherman Tool Group, Inc.; 08-05P, Hand tool, (US, 18 Dec 2009) 11 Jun 2010	12412/2010	QinetiQ Limited; 10-06, 02-03, Identification device, (GB, 18 Dec 2009) 18 Jun 2010	12533/2010
Leatherman Tool Group, Inc.; 08-05P, Hand tool, (US, 18 Dec 2009) 11 Jun 2010	12413/2010	Quarry Mining and Construction Equipment Pty Ltd; 08-05P, Roof bolt spanner, 18 Jun 2010	12553/2010
Leatherman Tool Group, Inc.; 08-05P, Portion of a hand tool, (US, 18 Feb 2009) 11 Jun 2010	12409/2010	Random Games Limited; 21-01L, Gaming cloth, (EM, 23 Dec 2009) 22 Jun 2010	12573/2010
Levin, Sandra; Rock, Brian; 09-99, Bag carrying handle, 10 Jun 2010	12425/2010	Random Games Limited; 21-01L, Gaming cloth, (EM, 23 Dec 2009) 22 Jun 2010	12574/2010
Levy, Julie; 28-99, Cosmetic enhancement device, 21 Jun 2010	12555/2010	Rapala VMC Oyj; 22-05, Fishing lure, (EM, 04 Jun 2010) 24 Jun 2010	12598/2010
Libera, Simone Dalla; Zanella, Michele; 10-02, Wristwatch, (EM, 23 Dec 2009) 16 Jun 2010	12460/2010	ResMed Ltd; 24-01, Humidifier tub, (US, 18 Dec 2009) 15 Jun 2010	12429/2010
LG Electronics Inc.; 14-03B, Television receiver, 15 Jun 2010	12426/2010	ResMed Ltd; 24-01, Humidifier tub, (US, 18 Dec 2009) 15 Jun 2010	12430/2010
LG Electronics Inc.; 14-03E, Mobile phone, (KR, 23 Dec 2009) 17 Jun 2010	12480/2010	Rock, Brian; Levin, Sandra; 09-99, Bag carrying handle, 10 Jun 2010	12425/2010
Markowicz, Wanda Joan; 02-04C, Stocking / sock, 23 Jun 2010	12575/2010		

Safe Concepts; 20-03NES, The safety weight is specifically designed to hold down temporary road traffic management signs., 19 Jun 2010	12554/2010	Syrinx Environmental Pty Ltd; 03-03, A component of a shade structure, 11 Jun 2010	12415/2010
Salts Healthcare Limited; 24-04, Device for use with an ostomy appliance, (EM, 24 Dec 2009) 17 Jun 2010	12481/2010	Syrinx Environmental Pty Ltd; 03-03, A shade structure, 11 Jun 2010	12416/2010
Samsung Electronics Co., Ltd.; 23-04, Air conditioner, 17 Jun 2010	12465/2010	T.F.H. Publications, Inc.; 01-06, Pet chew, (US, 23 Dec 2009) 22 Jun 2010	12565/2010
See, Elizabeth Maree; 02-07D, Threading applicators, 17 Jun 2010	12467/2010	Taylor, Sylvia; 06-01E, Child seat, (NZ, 23 Dec 2009) 22 Jun 2010	12588/2010
Seriously Functional Ltd; 07-04, 2 interlocking food chopping boards, (EM, 03 Feb 2010) 10 Jun 2010	12397/2010	Tektum Pty Ltd; 25-01D, Building panel of indefinite width and height, 10 Jun 2010	12386/2010
Shapers (Aust.) Pty Ltd; 21-02D, Fin plug for a surfcraft, 11 Jun 2010	12472/2010	The Assassin Group; 07-05D, Clothes line / washing line / drying rack, 22 Jun 2010	12583/2010
Sharp Kabushiki Kaisha; 14-01, Digital video disk recorder, (JP, 28 Dec 2009) 15 Jun 2010	12437/2010	The Company of Animals Limited; 30-04, Harness, (EM, 24 Dec 2009) 24 Jun 2010	12595/2010
Smart Openers Pty Ltd; 12-05, Roll up door operator assembly, 10 Jun 2010	12394/2010	The Procter & Gamble Company; 09-03L, Container, (US, 17 Dec 2009) 17 Jun 2010	12491/2010
Smit, Alexandre N.L.; 07-07A, 07-06A, Accessory for bottle or drink can holder used to maintain cold temperature, 22 Mar 2010	12476/2010	The Procter & Gamble Company; 09-03L, Container, (US, 17 Dec 2009) 17 Jun 2010	12492/2010
Societe des Produits Nestle S.A.; 23-01NES, A water dispenser, (CH, 30 Mar 2010) 11 Jun 2010	12396/2010	The Procter & Gamble Company; 09-03L, Container, (US, 17 Dec 2009) 17 Jun 2010	12493/2010
Societe De Technologie Michelin; Michelin Recherche et Technique S.A.; 12-15A, A tyre, (FR, 18 Jan 2010) 23 Jun 2010	12562/2010	The Procter & Gamble Company; 09-03L, Container, (US, 17 Dec 2009) 17 Jun 2010	12494/2010
Solarark Pty Ltd; 23-03D, A heat exchanger for a solar panel, 16 Jun 2010	12466/2010	The Procter & Gamble Company; 09-03NES, Dispenser, (US, 31 Dec 2009) 23 Jun 2010	12589/2010
Special Products Limited; 24-02, Droppers, (EM, 22 Dec 2009) 21 Jun 2010	12556/2010	The Procter & Gamble Company; 09-03NES, Dispenser, (US, 31 Dec 2009) 23 Jun 2010	12590/2010
Special Products Limited; 24-02, Droppers, (EM, 22 Dec 2009) 21 Jun 2010	12557/2010	The Procter & Gamble Company; 09-03NES, Dispenser, (US, 31 Dec 2009) 23 Jun 2010	12591/2010
Specialty Group International Ltd; 08-08H, Commercial grade curtain track runner, 10 Jun 2010	12423/2010	The Ride, Inc.; 12-08, A bus having an exterior and interior, (US, 14 Dec 2009) 11 Jun 2010	12395/2010
Specialty Group International Ltd; 08-08H, Medium duty commercial grade curtain track, 10 Jun 2010	12424/2010	The Stanley Works Israel, Ltd.; 09-03NES, A container, (US, 22 Dec 2009) 21 Jun 2010	12545/2010
Sud-Chemie Australia Pty Ltd; 09-07B, A lid, 22 Jun 2010	12563/2010	The Stanley Works Israel, Ltd.; 09-03NES, A container, (US, 22 Dec 2009) 21 Jun 2010	12546/2010
Swan, Richard E.; 22-01, Low profile flip up sight, (US, 06 Jan 2010) 16 Jun 2010	12451/2010	Toymonster Intellectual Property Limited; 12-11, Tricycle, (IL, 02 Feb 2010) 16 Jun 2010	12455/2010
Swan, Richard E.; 22-01, 16-99, Low profile sight base for a flip up sight, (US, 06 Jan 2010) 16 Jun 2010	12468/2010	Toymonster Intellectual Property Limited; 12-11, Tricycle, (IL, 02 Feb 2010) 16 Jun 2010	12456/2010
Swan, Richard E.; 22-01, 16-99, Low profile flip up front sight, (US, 15 Jan 2010) 16 Jun 2010	12469/2010	Toymonster Intellectual Property Limited; 12-11, Tricycle, (IL, 02 Feb 2010) 16 Jun 2010	12457/2010
		Toymonster Intellectual Property Limited; 12-11, Tricycle, (IL, 02 Feb 2010) 16 Jun 2010	12458/2010

Ultralast Australia Pty Ltd; 20-03NES, 10-99, Ground markers/signs, 18 Jun 2010	12535/2010	Wright, Ronald; 08-07, Window and door latch, 23 Jun 2010	12585/2010
Unilever PLC; 09-07NES, Lid for icecream cone, (GB, 22 Dec 2009) 11 Jun 2010	12414/2010	Zanella, Michele; Dalla Libera, Simone; 10-02, Wristwatch, (EM, 23 Dec 2009) 16 Jun 2010	12459/2010
Volkswagen Aktiengesellschaft; 12-08, Motor vehicle, 22 Jun 2010	12564/2010	Zanella, Michele; Libera, Simone Dalla; 10-02, Wristwatch, (EM, 23 Dec 2009) 16 Jun 2010	12460/2010
Wakeham, Luke Andrew Stuart; 12-06A, Outboard anti cavitation plate, 21 Jun 2010	12582/2010	3M Innovative Properties Company; 24-04, Unidirectional valve, (US, 16 Dec 2009) 11 Jun 2010	12560/2010
Williams, David Daniel; 08-08K, 25-01E, Temporary fence base, 24 Jun 2010	12604/2010	3M Innovative Properties Company; 08-08G, Hook, (US, 18 Dec 2009) 18 Jun 2010	12531/2010
Williams, David Daniel; 08-08K, 25-01E, Temporary fence base, 24 Jun 2010	12605/2010	3M Innovative Properties Company; 08-08G, Hook, (US, 18 Dec 2009) 18 Jun 2010	12532/2010
Wright, Ronald; 08-07, Window and door latch, 23 Jun 2010	12586/2010	3M Innovative Properties Company; 23-01K, Unidirectional valve, (US, 16 Dec 2009) 11 Jun 2010	12475/2010

Applications Lapsed

14803 / 2009 (23-02NES)	14824 / 2009 (06-01G)
14872 / 2009 (02-02C)	14899 / 2009 (11-02NES)
14900 / 2009 (11-02NES)	14901 / 2009 (11-02NES)
14902 / 2009 (11-02NES)	11024 / 2010 (03-01A)
11158 / 2010 (07-01D)	11165 / 2010 (11-01NES)
11345 / 2010 (02-02NES)	11346 / 2010 (02-02NES)

Extension of Period of Registration of Designs

302382	302383	302815
302816	302817	303285
303563	303806	303807
303808	303810	303962
303994	303995	303999
304006	304009	304010
304028	304030	304063
304081	304151	304173
304174	304175	304209
304251	304256	304257
304288	304289	304290
304292	304301	304308
304323	304331	304340
304341	304342	304343
304354	304357	304373
304409	304412	304413
304458	304753	304761
304762	304831	304860
304861	305020	305022
305077	305083	305128
305229	305262	305263
305365	305460	305464
305474	305479	305519
305816	306050	306051
306164	306200	306317
306600	306827	306829
306830	307039	307186
307277	307278	307393
307570	308059	315529

Registrations Ceased

301627	301628	301629
301768	301786	301787
301789	301790	301838
301955	301956	301957
301958	301959	301960
301975	301983	301987
301988	301989	301990
301991	301992	301994
301995	301996	301997
301998	301999	302000
302002	302004	302006
302007	302008	302009
302011	302012	302013
302014	302015	302021
302024	302025	302026
302027	302119	302120
302121	302175	302176
302178	302179	302187
302205	302206	302210

302211	302212	302213
302222	302223	302224
302225	302228	302280
302308	302309	302311
302388	302389	302496
302498	302576	302577
302578	302579	302580
302581	302582	302583
302676	302677	302768
302769	302770	302773
302774	302775	302776
302807	302808	302866
302867	302868	302869
303041	303042	303043
303044	303045	303191
303196	303197	303699
303952	303953	303954
303955	303956	303957
303958	303959	304481
304482	304483	304484
304485	304603	304777
304778	304779	304780
304781	305149	305150
305151	305152	305419
306470	306900	307331
316870		

Extensions of time granted under Section 137

Applications lodged under section 137 for extension of time have been granted.

10979/2010 **Louisa Rima Checchin**

11040/2010 **Coca-Cola Amatil (Aust) Limited**

11041/2010 **Coca-Cola Amatil (Aust) Limited**

11073/2010 **Coca-Cola Amatil (Aust) Limited**

11102/2010 **Nardia Baskerville**

11230/2010 **Susan Kahil**

11344/2010 **Grocorp**

Subsequent Owners Registered

(The name in parentheses is that of the subsequent owner)

327215	(Ekebol Pty Ltd) Ekebol Engineering Pty Ltd
329042	(Metroll Technology Pty Ltd) Metroll Queensland Pty Ltd
329045	(Metroll Technology Pty Ltd) Metroll Queensland Pty Ltd
329046	(Metroll Technology Pty Ltd) Metroll Queensland Pty Ltd
329048	(Metroll Technology Pty Ltd) Metroll Queensland Pty Ltd
329043	(Metroll Technology Pty Ltd) Metroll Queensland Pty Ltd
308592	(Thoratee Corporation) Ventrassist Pty Ltd

310056	(Thoratee Corporation) Ventrassist Pty Ltd
311984	(Thoratee Corporation) Ventrassist Pty Ltd
311985	(Thoratee Corporation) Ventrassist Pty Ltd
315554	(Thoratee Corporation) Ventrassist Pty Ltd
315728	(Thoratee Corporation) Ventrassist Pty Ltd
316472	(Thoratee Corporation) Ventrassist Pty Ltd
317052	(Thoratee Corporation) Ventrassist Pty Ltd
319681	(Thoratee Corporation) Ventrassist Pty Ltd
319682	(Thoratee Corporation) Ventrassist Pty Ltd
305050	(Societe des Produits Nestle S.A.) The KraMar Pet Company
318090	(Societe des Produits Nestle S.A.) The KraMar Pet Company Pty Ltd
318089	(Societe des Produits Nestle S.A.) The KraMar Pet Company Pty Ltd
330374	(New Zealand Milk Brands Limited) Fonterra Brands (New Zealand) Limited
330375	(New Zealand Milk Brands Limited) Fonterra Brands (New Zealand) Limited
323343	(Earthset Number Two Limited) Kenneth Steel
317753	(G.James Glass & Aluminium Pty Ltd) Berkana Holdings Pty Ltd
321300	(G.James Glass & Aluminium Pty Ltd) Berkana Holdings Pty Ltd
321301	(G.James Glass & Aluminium Pty Ltd) Berkana Holdings Pty Ltd
323042	(G.James Glass & Aluminium Pty Ltd) Berkana Holdings Pty Ltd
313199	(DuluxGroup (Australia) Pty Ltd) Orica Australia Pty Ltd
313200	(DuluxGroup (Australia) Pty Ltd) Orica Australia Pty Ltd
323006	(DuluxGroup (Australia) Pty Ltd) Orica Australia Pty Ltd
323007	(DuluxGroup (Australia) Pty Ltd) Orica Australia Pty Ltd
329263	(DuluxGroup (Australia) Pty Ltd) Orica Australia Pty Ltd

Names Registered - Alterations and Amendments

(The name in parentheses is that of the subsequent applicant)

315162	(Jaram Products Pty Ltd) Jaram Products Pty
315163	(Jaram Products Pty Ltd) Jaram Products Pty
315164	(Jaram Products Pty Ltd) Jaram Products Pty
315165	(Jaram Products Pty Ltd) Jaram Products Pty
316577	(Jaram Products Pty Ltd) Jaram Products Pty
326406	(Jaram Products Pty Ltd) Jaram Products Pty

Corrigenda

Number 306025

In Vol 24 , No 12 , page 1240 under the heading **Names Registered - Alterations and** 306025 (topac GmbH) topac MultimediaPrint GmbH - should be deleted.

Certificate(s) of Examination

Examination of the following Design Registration(s) has been completed. Infringement proceedings may now be commenced.

307726	07-01G	28/06/2010
308073	07-01G	28/06/2010
310483	09-03F	22/06/2010
310524	09-03F	22/06/2010
318999	07-01G	28/06/2010
326795	08-05M	23/06/2010
326796	08-05M	23/06/2010
327591	07-01C	28/06/2010
327984	21-02F	29/06/2010
329616	02-04NES	22/06/2010
329617	02-04NES	22/06/2010
329618	02-04NES	22/06/2010
329619	02-04NES	22/06/2010
329623	02-04NES	22/06/2010
329624	02-04NES	22/06/2010
329625	02-04NES	22/06/2010
329795	19-02	28/06/2010
330094	15-09	25/06/2010
330158	09-03F	25/06/2010
330159	09-03F	25/06/2010
330488	06-02	18/06/2010
330490	06-02	17/06/2010
330491	06-02	17/06/2010
330492	06-02	18/06/2010
330493	06-02	18/06/2010
330494	06-02	17/06/2010

Publication and Registration Proceedings

Designs Registered

This section provides a concordance between design number and registration number of Designs covered in this journal. It also shows the main class and registration date.

This section covers Registration numbers 331334 to 331522 .

The registration number shown below should be used in all future correspondence.

Design Number	Registration Number	International Classification Code (IDC)	Registration Date	Design Number	Registration Number	International Classification Code (IDC)	Registration Date
13735/2009	331381	02-02C	16/06/2010	11997/2010	331380	21-02C	17/06/2010
14766/2009	331393	08-07	18/06/2010	12010/2010	331334	08-07	15/06/2010
14820/2009	331499	06-02	28/06/2010	12011/2010	331335	08-07	15/06/2010
10098/2010	331468	25-04	24/06/2010	12012/2010	331336	08-07	15/06/2010
10115/2010	331500	06-01D	28/06/2010	12013/2010	331337	13-03D	15/06/2010
10116/2010	331501	06-01D	28/06/2010	12014/2010	331338	13-03D	15/06/2010
10251/2010	331345	06-09	17/06/2010	12015/2010	331339	13-03D	15/06/2010
10330/2010	331395	28-03A	18/06/2010	12016/2010	331340	13-03D	15/06/2010
10331/2010	331396	28-03A	18/06/2010	12017/2010	331341	06-01NES	15/06/2010
10332/2010	331397	28-03A	18/06/2010	12025/2010	331479	12-05	24/06/2010
10333/2010	331398	28-03A	18/06/2010	12026/2010	331352	02-04B	17/06/2010
10334/2010	331399	28-03A	18/06/2010	12027/2010	331353	02-04NES	17/06/2010
10335/2010	331400	28-03A	18/06/2010	12028/2010	331354	02-04B	17/06/2010
10497/2010	331346	06-06NES	17/06/2010	12029/2010	331355	02-04NES	17/06/2010
10515/2010	331347	06-06NES	17/06/2010	12030/2010	331356	02-04NES	17/06/2010
10516/2010	331429	06-06NES	24/06/2010	12031/2010	331357	02-04NES	17/06/2010
10568/2010	331480	12-02	25/06/2010	12033/2010	331359	09-01K	16/06/2010
10573/2010	331394	08-99	18/06/2010	12034/2010	331360	09-01K	16/06/2010
10710/2010	331428	08-08N	24/06/2010	12035/2010	331361	09-01K	16/06/2010
10798/2010	331342	12-10	16/06/2010	12036/2010	331362	02-01NES	16/06/2010
10799/2010	331343	10-04	16/06/2010	12037/2010	331363	12-11	16/06/2010
10800/2010	331344	30-03	16/06/2010	12038/2010	331364	26-06	16/06/2010
10975/2010	331505	07-07A	29/06/2010	12039/2010	331365	08-09	16/06/2010
11162/2010	331408	08-08L	21/06/2010	12040/2010	331366	21-02C	16/06/2010
11163/2010	331411	08-08L	21/06/2010	12041/2010	331367	07-02E	16/06/2010
11164/2010	331506	11-01NES	29/06/2010	12042/2010	331368	07-02E	16/06/2010
11195/2010	331412	13-03B	21/06/2010	12043/2010	331369	07-02E	16/06/2010
11225/2010	331507	24-99	29/06/2010	12044/2010	331370	07-02E	16/06/2010
11232/2010	331508	05-05D	29/06/2010	12046/2010	331371	28-02	16/06/2010
11264/2010	331422	02-02NES	22/06/2010	12047/2010	331372	28-02	16/06/2010
11293/2010	331413	26-05A	21/06/2010	12049/2010	331374	25-02NES	16/06/2010
11412/2010	331430	02-02NES	24/06/2010	12054/2010	331414	19-99	21/06/2010
11507/2010	331431	25-04	24/06/2010	12066/2010	331373	23-04	16/06/2010
11557/2010	331348	19-06	17/06/2010	12068/2010	331514	11-01NES	29/06/2010
11558/2010	331349	19-06	17/06/2010	12071/2010	331386	07-02E	17/06/2010
11559/2010	331350	14-02	17/06/2010	12072/2010	331387	07-02E	17/06/2010
11582/2010	331509	09-03M	29/06/2010	12073/2010	331388	07-02E	17/06/2010
11608/2010	331502	25-01G	28/06/2010	12074/2010	331389	07-02E	17/06/2010
11622/2010	331510	08-08L	29/06/2010	12075/2010	331390	07-02E	17/06/2010
11643/2010	331469	25-02A	24/06/2010	12080/2010	331391	07-02E	17/06/2010
11650/2010	331511	08-08L	29/06/2010	12081/2010	331392	07-02E	17/06/2010
11655/2010	331512	06-09	29/06/2010	12085/2010	331401	02-03	18/06/2010
11704/2010	331477	03-01B	24/06/2010	12087/2010	331402	08-07	18/06/2010
11705/2010	331478	03-01B	24/06/2010	12089/2010	331403	08-05P	18/06/2010
11845/2010	331470	09-07B	24/06/2010	12090/2010	331404	06-13B	18/06/2010
11853/2010	331471	30-99	24/06/2010	12092/2010	331405	12-16K	18/06/2010
11872/2010	331423	14-99	22/06/2010	12094/2010	331415	07-05D	21/06/2010
11950/2010	331351	14-02	17/06/2010	12095/2010	331416	04-02	21/06/2010
11977/2010	331513	09-03L	29/06/2010	12096/2010	331417	04-02	21/06/2010
11992/2010	331376	07-01D	17/06/2010	12097/2010	331418	28-03D	21/06/2010
11993/2010	331377	07-01D	17/06/2010	12098/2010	331419	12-16K	21/06/2010
11994/2010	331378	07-01D	17/06/2010	12099/2010	331420	12-16K	21/06/2010
11996/2010	331379	21-02C	17/06/2010	12100/2010	331421	12-16K	21/06/2010

Publication and Registration Proceedings - Designs Registered cont'd

Design Number	Registration Number	International Classification Code (IDC)	Registration Date	Design Number	Registration Number	International Classification Code (IDC)	Registration Date
12108/2010	331406	25-01NES	18/06/2010	12213/2010	331504	13-03D	28/06/2010
12109/2010	331407	25-01F	18/06/2010	12214/2010	331465	12-15A	24/06/2010
12119/2010	331432	24-04	24/06/2010	12215/2010	331466	12-15A	24/06/2010
12120/2010	331433	24-04	24/06/2010	12216/2010	331467	12-15A	24/06/2010
12121/2010	331434	06-13NES	24/06/2010	12218/2010	331472	08-08L	24/06/2010
12122/2010	331435	25-01E	24/06/2010	12219/2010	331473	14-01	24/06/2010
12123/2010	331436	05-06NES	24/06/2010	12220/2010	331474	14-02	24/06/2010
12124/2010	331437	09-07C	24/06/2010	12221/2010	331475	14-02	24/06/2010
12128/2010	331375	07-02L	16/06/2010	12222/2010	331476	14-01	24/06/2010
12132/2010	331438	25-02NES	24/06/2010	12225/2010	331483	01-01	25/06/2010
12133/2010	331424	10-04	22/06/2010	12226/2010	331484	01-01	25/06/2010
12142/2010	331425	08-08NES	22/06/2010	12227/2010	331485	01-01	25/06/2010
12144/2010	331426	02-04NES	22/06/2010	12228/2010	331486	01-01	25/06/2010
12145/2010	331427	02-04B	22/06/2010	12229/2010	331487	01-01	25/06/2010
12147/2010	331449	20-02NES	24/06/2010	12230/2010	331488	01-01	25/06/2010
12148/2010	331450	20-02NES	24/06/2010	12231/2010	331489	01-01	25/06/2010
12151/2010	331451	28-03NES	24/06/2010	12232/2010	331490	01-01	25/06/2010
12152/2010	331452	28-03NES	24/06/2010	12233/2010	331491	01-01	25/06/2010
12153/2010	331439	14-02	24/06/2010	12234/2010	331492	01-01	25/06/2010
12154/2010	331440	04-02	24/06/2010	12235/2010	331493	01-01	25/06/2010
12155/2010	331441	04-02	24/06/2010	12236/2010	331494	01-01	25/06/2010
12156/2010	331442	04-02	24/06/2010	12237/2010	331495	01-01	25/06/2010
12157/2010	331481	12-02	25/06/2010	12238/2010	331515	08-08NES	29/06/2010
12158/2010	331482	12-02	25/06/2010	12240/2010	331516	25-01K	29/06/2010
12164/2010	331443	09-03NES	24/06/2010	12241/2010	331517	15-01	29/06/2010
12167/2010	331444	06-01D	24/06/2010	12242/2010	331518	08-05L	29/06/2010
12168/2010	331445	06-01D	24/06/2010	12244/2010	331519	09-07B	29/06/2010
12169/2010	331446	06-01D	24/06/2010	12253/2010	331382	02-02NES	16/06/2010
12170/2010	331447	06-01NES	24/06/2010	12254/2010	331383	02-02C	16/06/2010
12171/2010	331453	23-02F	24/06/2010	12255/2010	331384	02-02C	16/06/2010
12172/2010	331454	23-02C	24/06/2010	12256/2010	331385	02-02C	16/06/2010
12173/2010	331455	23-02F	24/06/2010	12257/2010	331448	06-01E	24/06/2010
12174/2010	331456	23-02B	24/06/2010	12288/2010	331520	09-07B	29/06/2010
12175/2010	331457	23-02B	24/06/2010	12296/2010	331496	03-01A	25/06/2010
12176/2010	331358	02-03	17/06/2010	12297/2010	331497	03-01NES	25/06/2010
12177/2010	331458	26-05B	24/06/2010	12298/2010	331498	03-01NES	25/06/2010
12179/2010	331459	25-01E	24/06/2010	12427/2010	331409	08-08L	21/06/2010
12180/2010	331460	09-01NES	24/06/2010	12428/2010	331410	08-08L	21/06/2010
12182/2010	331461	12-16M	24/06/2010	12449/2010	331521	11-01NES	29/06/2010
12194/2010	331503	22-05	28/06/2010	12476/2010	331522	07-07A	29/06/2010
12210/2010	331462	02-06	24/06/2010				
12211/2010	331463	02-06	24/06/2010				
12212/2010	331464	02-06	24/06/2010				

Publication and Registration Proceedings
Class Listing of Designs Published or Registered

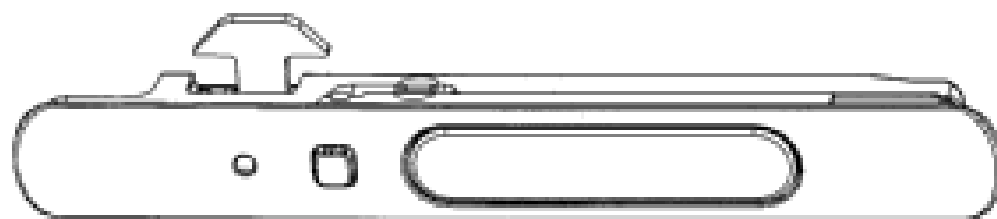
The following section shows an International Classification Code listing of the Registered or Published Designs covered in this supplement.

Classification	Registration Number	Design Number	Classification	Registration Number	Design Number
01-01	331483	12225/2010	06-06 NES	331346	10497/2010
01-01	331484	12226/2010	06-06 NES	331347	10515/2010
01-01	331485	12227/2010	06-06 NES	331429	10516/2010
01-01	331486	12228/2010	06-09	331345	10251/2010
01-01	331487	12229/2010	06-09	331512	11655/2010
01-01	331488	12230/2010	06-13 B	331404	12090/2010
01-01	331489	12231/2010	06-13 NES	331434	12121/2010
01-01	331490	12232/2010	07-01 D	331376	11992/2010
01-01	331491	12233/2010	07-01 D	331377	11993/2010
01-01	331492	12234/2010	07-01 D	331378	11994/2010
01-01	331493	12235/2010	07-02 E	331367	12041/2010
01-01	331494	12236/2010	07-02 E	331368	12042/2010
01-01	331495	12237/2010	07-02 E	331369	12043/2010
02-01 NES	331362	12036/2010	07-02 E	331370	12044/2010
02-02 C	331381	13735/2009	07-02 E	331386	12071/2010
02-02 C	331383	12254/2010	07-02 E	331387	12072/2010
02-02 C	331384	12255/2010	07-02 E	331388	12073/2010
02-02 C	331385	12256/2010	07-02 E	331389	12074/2010
02-02 NES	331382	12253/2010	07-02 E	331390	12075/2010
02-02 NES	331422	11264/2010	07-02 E	331391	12080/2010
02-02 NES	331430	11412/2010	07-02 E	331392	12081/2010
02-03	331358	12176/2010	07-02 L	331375	12128/2010
02-03	331401	12085/2010	07-05 D	331415	12094/2010
02-04 B	331352	12026/2010	07-06 A	331505	10975/2010
02-04 B	331354	12028/2010	07-06 A	331512	11655/2010
02-04 B	331427	12145/2010	07-06 A	331522	12476/2010
02-04 NES	331353	12027/2010	07-07 A	331505	10975/2010
02-04 NES	331355	12029/2010	07-07 A	331522	12476/2010
02-04 NES	331356	12030/2010	08-05 L	331518	12242/2010
02-04 NES	331357	12031/2010	08-05 P	331403	12089/2010
02-04 NES	331426	12144/2010	08-07	331334	12010/2010
02-06	331462	12210/2010	08-07	331335	12011/2010
02-06	331463	12211/2010	08-07	331336	12012/2010
02-06	331464	12212/2010	08-07	331393	14766/2009
03-01 A	331496	12296/2010	08-07	331402	12087/2010
03-01 B	331477	11704/2010	08-08 B	331425	12142/2010
03-01 B	331478	11705/2010	08-08 L	331408	11162/2010
03-01 D	331496	12296/2010	08-08 L	331409	12427/2010
03-01 NES	331497	12297/2010	08-08 L	331410	12428/2010
03-01 NES	331498	12298/2010	08-08 L	331411	11163/2010
04-02	331416	12095/2010	08-08 L	331472	12218/2010
04-02	331417	12096/2010	08-08 L	331510	11622/2010
04-02	331440	12154/2010	08-08 L	331511	11650/2010
04-02	331441	12155/2010	08-08 N	331428	10710/2010
04-02	331442	12156/2010	08-08 NES	331425	12142/2010
05-05 D	331508	11232/2010	08-08 NES	331515	12238/2010
05-06 NES	331436	12123/2010	08-08 NES	331518	12242/2010
06-01 D	331444	12167/2010	08-09	331365	12039/2010
06-01 D	331445	12168/2010	08-99	331394	10573/2010
06-01 D	331446	12169/2010	09-01 K	331359	12033/2010
06-01 D	331500	10115/2010	09-01 K	331360	12034/2010
06-01 D	331501	10116/2010	09-01 K	331361	12035/2010
06-01 E	331448	12257/2010	09-01 NES	331460	12180/2010
06-01 NES	331341	12017/2010	09-03 L	331513	11977/2010
06-01 NES	331447	12170/2010	09-03 M	331509	11582/2010
06-02	331499	14820/2009	09-03 NES	331443	12164/2010

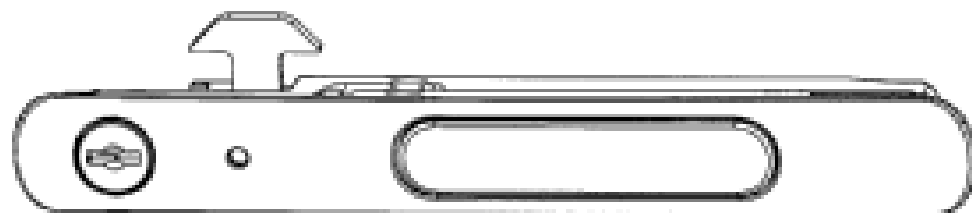
Registration Proceedings - Class Listing of Designs Published or Registered cont'd

Classification	Registration Number	Design Number	Classification	Registration Number	Design Number
09-07 B	331470	11845/2010	21-02 C	331379	11996/2010
09-07 B	331519	12244/2010	21-02 C	331380	11997/2010
09-07 B	331520	12288/2010	22-05	331503	12194/2010
09-07 C	331437	12124/2010	22-99	331394	10573/2010
10-04	331343	10799/2010	23-01 L	331510	11622/2010
10-04	331424	12133/2010	23-02 B	331456	12174/2010
11-01 NES	331506	11164/2010	23-02 B	331457	12175/2010
11-01 NES	331514	12068/2010	23-02 C	331454	12172/2010
11-01 NES	331521	12449/2010	23-02 F	331453	12171/2010
12-02	331480	10568/2010	23-02 F	331455	12173/2010
12-02	331481	12157/2010	23-04	331373	12066/2010
12-02	331482	12158/2010	24-04	331430	11412/2010
12-05	331479	12025/2010	24-04	331432	12119/2010
12-10	331342	10798/2010	24-04	331433	12120/2010
12-11	331363	12037/2010	24-99	331507	11225/2010
12-11	331461	12182/2010	25-01 E	331435	12122/2010
12-15 A	331465	12214/2010	25-01 E	331459	12179/2010
12-15 A	331466	12215/2010	25-01 F	331407	12109/2010
12-15 A	331467	12216/2010	25-01 G	331502	11608/2010
12-16 K	331405	12092/2010	25-01 K	331516	12240/2010
12-16 K	331419	12098/2010	25-01 NES	331406	12108/2010
12-16 K	331420	12099/2010	25-02 A	331469	11643/2010
12-16 K	331421	12100/2010	25-02 NES	331374	12049/2010
12-16 M	331461	12182/2010	25-02 NES	331438	12132/2010
13-03 B	331412	11195/2010	25-02 NES	331469	11643/2010
13-03 D	331337	12013/2010	25-04	331431	11507/2010
13-03 D	331338	12014/2010	25-04	331468	10098/2010
13-03 D	331339	12015/2010	26-05 A	331413	11293/2010
13-03 D	331340	12016/2010	26-05 B	331458	12177/2010
13-03 D	331504	12213/2010	26-06	331364	12038/2010
14-01	331473	12219/2010	28-02	331371	12046/2010
14-01	331476	12222/2010	28-02	331372	12047/2010
14-02	331348	11557/2010	28-03 A	331395	10330/2010
14-02	331349	11558/2010	28-03 A	331396	10331/2010
14-02	331350	11559/2010	28-03 A	331397	10332/2010
14-02	331351	11950/2010	28-03 A	331398	10333/2010
14-02	331439	12153/2010	28-03 A	331399	10334/2010
14-02	331474	12220/2010	28-03 A	331400	10335/2010
14-02	331475	12221/2010	28-03 D	331418	12097/2010
14-99	331423	11872/2010	28-03 NES	331451	12151/2010
15-01	331517	12241/2010	28-03 NES	331452	12152/2010
19-06	331348	11557/2010	30-03	331344	10800/2010
19-06	331349	11558/2010	30-99	331471	11853/2010
19-99	331414	12054/2010	99-00	331374	12049/2010
20-02 NES	331449	12147/2010			
20-02 NES	331450	12148/2010			
21-02 C	331366	12040/2010			

(21) Design Number: **12010/2010**
(22) Date of Filing Application: **21 May 2010**
(24) Date from which industrial property rights may have effect: **21 May 2010**
(54) Product in respect of which the design is registered: **Lock**
(51) International Design Classification: **08-07**
(71) Name(s) and Address(s) of Applicant(s):
Austral Lock Pty Ltd
31-33 Alfred Street Blackburn Victoria 3130 Australia
(72) Name(s) of Designer(s): **Brendan George**
(45) Registration Date: **15 June 2010**
(56) Related Art Documents: **Not Applicable**
(57) Statement of Newness and Distinctiveness: **Nil**



(21) Design Number: **12011/2010**
(22) Date of Filing Application: **21 May 2010**
(24) Date from which industrial property rights may have effect: **21 May 2010**
(54) Product in respect of which the design is registered: **Lock**
(51) International Design Classification: **08-07**
(71) Name(s) and Address(s) of Applicant(s):
Austral Lock Pty Ltd
31-33 Alfred Street Blackburn Victoria 3130 Australia
(72) Name(s) of Designer(s): **Brendan George**
(45) Registration Date: **15 June 2010**
(56) Related Art Documents: **Not Applicable**
(57) Statement of Newness and Distinctiveness: **Nil**



- (21) Design Number: **12012/2010**
- (22) Date of Filing Application: **21 May 2010**
- (24) Date from which industrial property rights may have effect: **21 May 2010**
- (54) Product in respect of which the design is registered: **Lock pull**
- (51) International Design Classification: **08-07**
- (71) Name(s) and Address(s) of Applicant(s):

Austral Lock Pty Ltd
31-33 Alfred Street Blackburn Victoria 3130 Australia

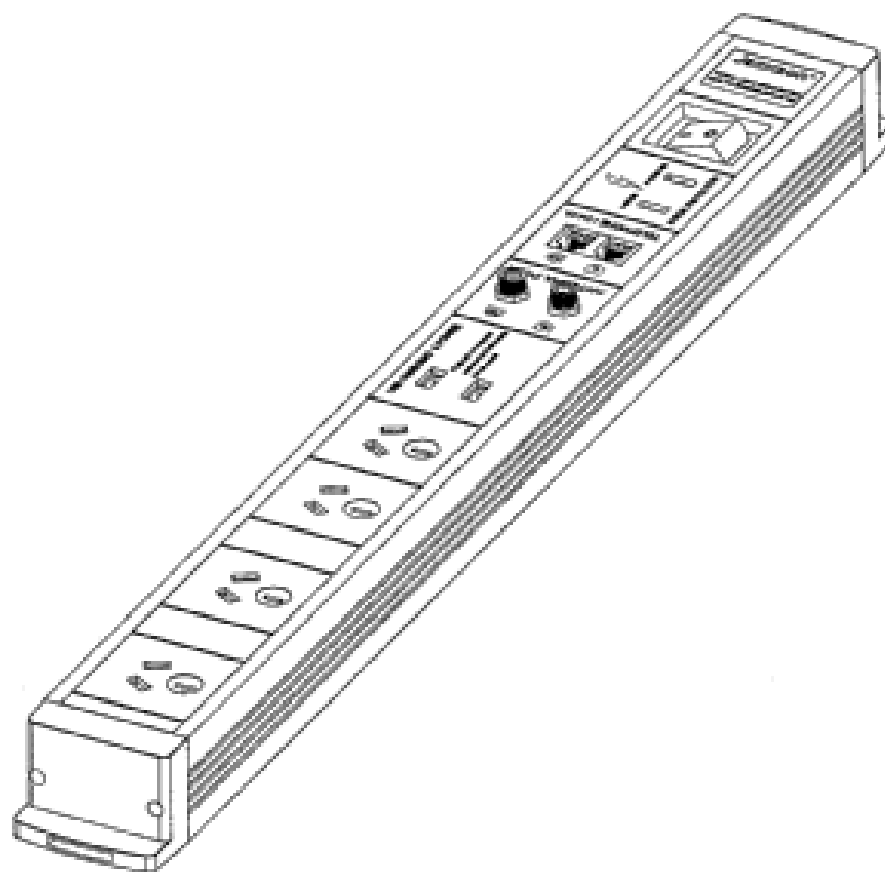
- (72) Name(s) of Designer(s): **Brendan George**
- (45) Registration Date: **15 June 2010**
- (56) Related Art Documents: **Not Applicable**
- (57) Statement of Newness and Distinctiveness: **Nil**



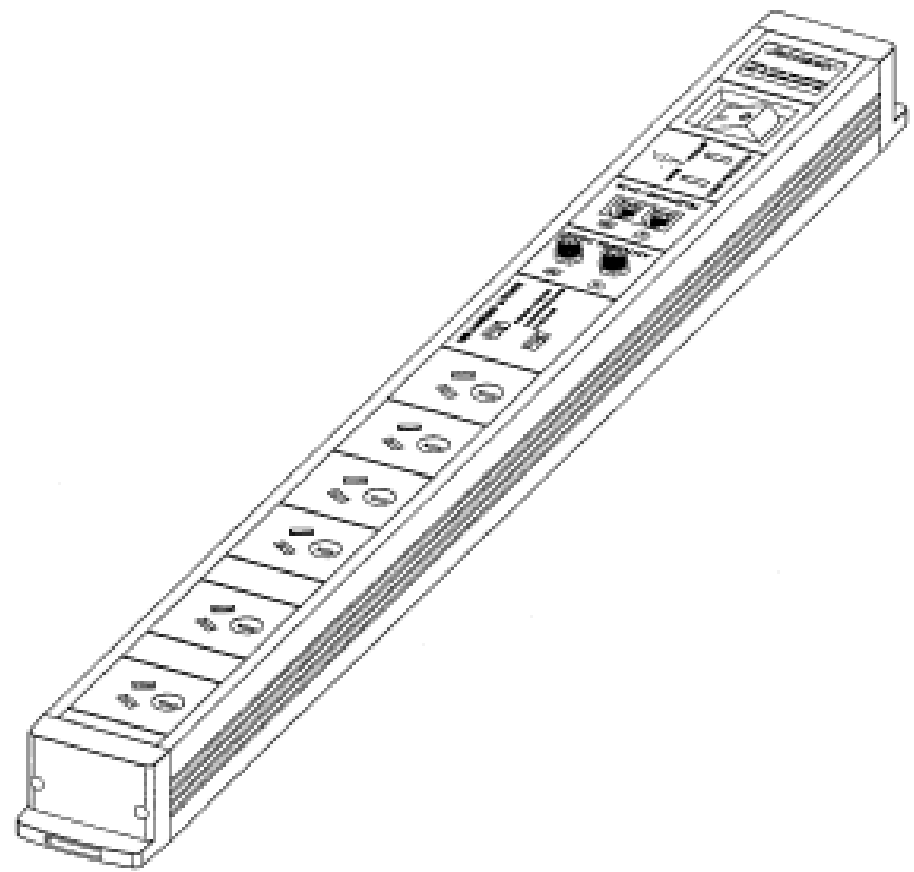
- (21) Design Number: **12013/2010**
- (22) Date of Filing Application: **20 May 2010**
- (24) Date from which industrial property rights may have effect: **20 May 2010**
- (54) Product in respect of which the design is registered: **A power board**
- (51) International Design Classification: **13-03D**
- (71) Name(s) and Address(s) of Applicant(s):

Jackson Industries Pty Limited
16 Brookhollow Avenue Norwest Business Park Baulkham Hills New South Wales 2153 Australia

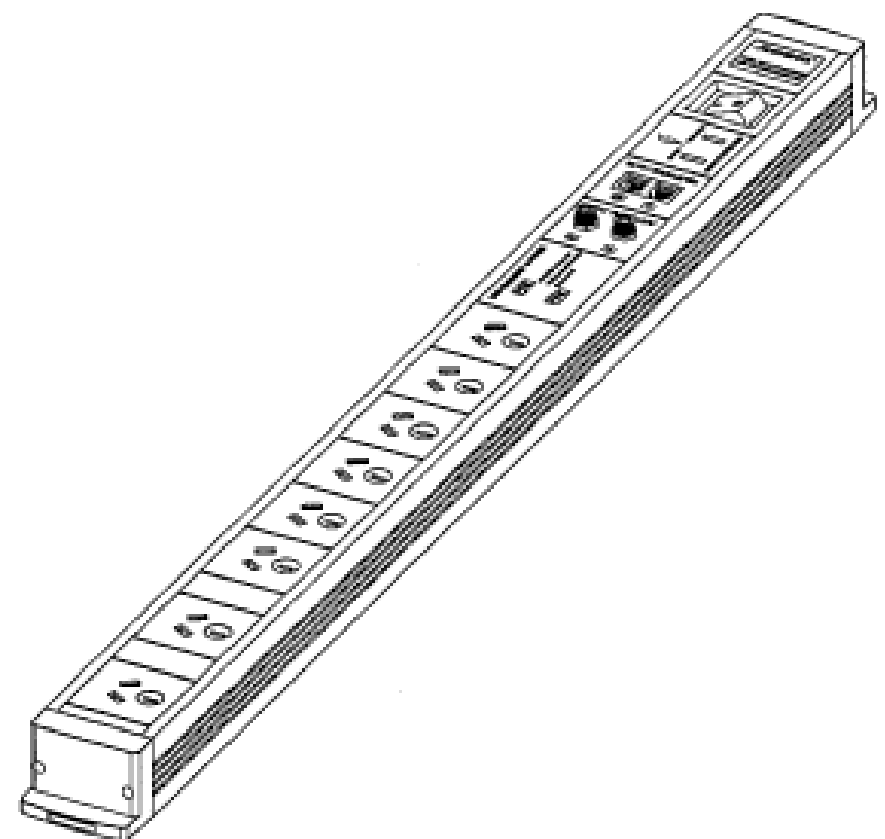
- (72) Name(s) of Designer(s): **Ross Alec Jackson**
- (45) Registration Date: **15 June 2010**
- (56) Related Art Documents: **Not Applicable**
- (57) Statement of Newness and Distinctiveness: **Newness and distinctiveness is claimed in the features of shape and/or configuration of a radiussed casing, USB socket positioning and plug socket positioning of a power board as illustrated in the accompanying representations.**



- (21) Design Number: **12014/2010**
(22) Date of Filing Application: **20 May 2010**
(24) Date from which industrial property rights may have effect: **20 May 2010**
(54) Product in respect of which the design is registered: **A power board**
(51) International Design Classification: **13-03D**
(71) Name(s) and Address(s) of Applicant(s):
Jackson Industries Pty Limited
16 Brookhollow Avenue Norwest Business Park Baulkham Hills New
South Wales 2153 Australia
(72) Name(s) of Designer(s): **Ross Alec Jackson**
(45) Registration Date: **15 June 2010**
(56) Related Art Documents: **Not Applicable**
(57) Statement of Newness and Distinctiveness: **Newness and distinctiveness is claimed in the features of shape and/or configuration of a radiussed casing, USB socket positioning and plug socket positioning of a power board as illustrated in the accompanying representations.**



- (21) Design Number: **12015/2010**
(22) Date of Filing Application: **20 May 2010**
(24) Date from which industrial property rights may have effect: **20 May 2010**
(54) Product in respect of which the design is registered: **A power board**
(51) International Design Classification: **13-03D**
(71) Name(s) and Address(s) of Applicant(s):
Jackson Industries Pty Limited
16 Brookhollow Avenue Norwest Business Park Baulkham Hills New
South Wales 2153 Australia
(72) Name(s) of Designer(s): **Ross Alec Jackson**
(45) Registration Date: **15 June 2010**
(56) Related Art Documents: **Not Applicable**
(57) Statement of Newness and Distinctiveness: **Newness and distinctiveness is claimed in the features of shape and/or configuration of a radiussed casing, USB socket positioning and plug socket positioning of a power board as illustrated in the accompanying representations.**



(21) Design Number: **12016/2010**

(22) Date of Filing Application: **20 May 2010**

(24) Date from which industrial property rights may have effect: **20 May 2010**

(54) Product in respect of which the design is registered: **A power board**

(51) International Design Classification: **13-03D**

(71) Name(s) and Address(s) of Applicant(s):

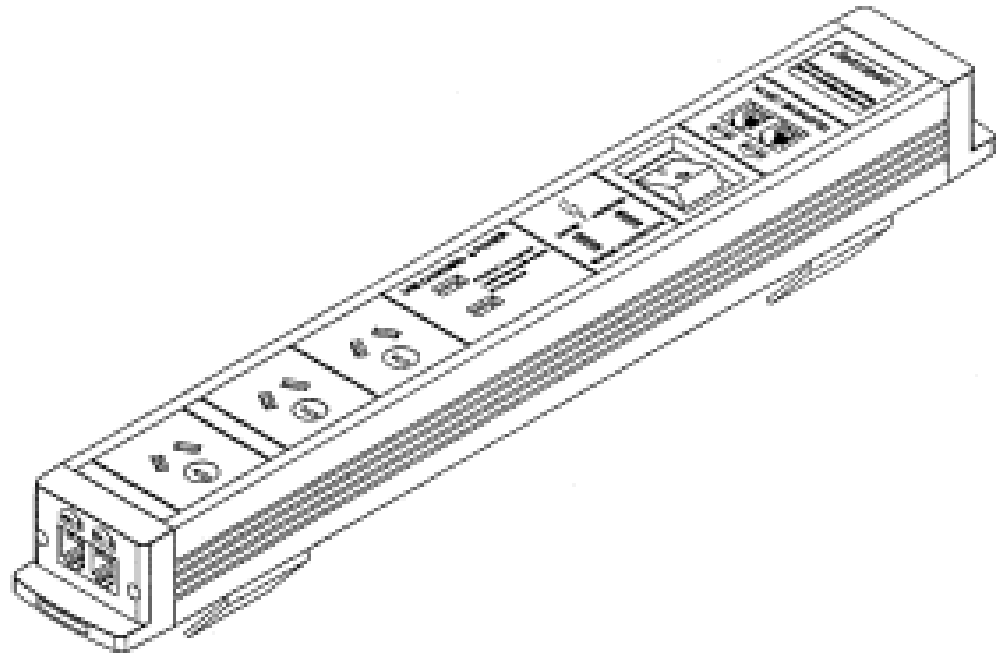
**Jackson Industries Pty Limited
16 Brookhollow Avenue Norwest Business Park Baulkham Hills New
South Wales 2153 Australia**

(72) Name(s) of Designer(s): **Ross Alec Jackson**

(45) Registration Date: **15 June 2010**

(56) Related Art Documents: **Not Applicable**

(57) Statement of Newness and Distinctiveness: **Newness and distinctiveness is claimed in the features of shape and/or configuration of a radiussed casing, USB socket positioning and plug socket positioning of a power board as illustrated in the accompanying representations.**



(21) Design Number: **12017/2010**

(22) Date of Filing Application: **20 May 2010**

(24) Date from which industrial property rights may have effect: **20 May 2010**

(54) Product in respect of which the design is registered: **Massage chair**

(51) International Design Classification: **06-01NES**

(71) Name(s) and Address(s) of Applicant(s):

**Healthy World Lifestyle SDN BHD
No. 22 Jalan Anggerik Mokara 31/47 Kota Kemuning 40460 Shah Alam
Selangor Darul Ehsan Malaysia**

(72) Name(s) of Designer(s): **Lee Keong Wong**

(45) Registration Date: **15 June 2010**

(56) Related Art Documents: **Not Applicable**

(57) Statement of Newness and Distinctiveness: **The newness and distinctiveness of the design resides in the shape and/or configuration of the massage chair shown in the representations.**



(21) Design Number: **10798/2010**

(22) Date of Filing Application: **05 March 2010**

(24) Date from which industrial property rights may have effect: **05 March 2010**

(54) Product in respect of which the design is registered: **Pivot trailer**

(51) International Design Classification: **12-10**

(71) Name(s) and Address(s) of Applicant(s):

Advantage Feeders Pty Ltd
10/1517 Malvern Road Glen Iris Victoria 3146 Australia

(72) Name(s) of Designer(s): **Gerard Anthony Roney**

(45) Registration Date: **16 June 2010**

(56) Related Art Documents: **Not Applicable**

(57) Statement of Newness and Distinctiveness: **Trailer provides a way to winch Advantage Feeders grain feeders onto trailer and be fastened and transported.**



(21) Design Number: **10799/2010**

(22) Date of Filing Application: **05 March 2010**

(24) Date from which industrial property rights may have effect: **05 March 2010**

(54) Product in respect of which the design is registered: **Adjustor gauge**

(51) International Design Classification: **10-04**

(71) Name(s) and Address(s) of Applicant(s):

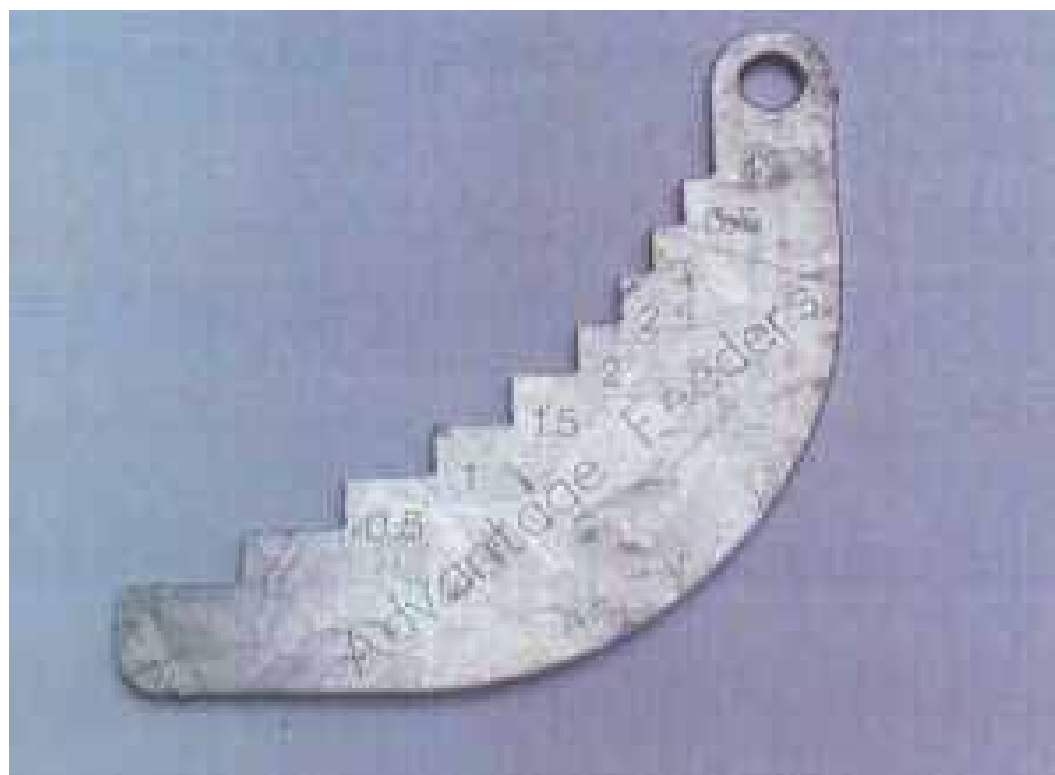
Advantage Feeders Pty Ltd
10/1517 Malvern Road Glen Iris Victoria 3146 Australia

(72) Name(s) of Designer(s): **Gerard Anthony Roney**

(45) Registration Date: **16 June 2010**

(56) Related Art Documents: **Not Applicable**

(57) Statement of Newness and Distinctiveness: **Keyring made of steel with notches cut out of it - to be used to measure slides on Advantage Feeders grain feeders.**



(21) Design Number: **10800/2010**

(22) Date of Filing Application: **05 March 2010**

(24) Date from which industrial property rights may have effect: **05 March 2010**

(54) Product in respect of which the design is registered: **Lifting kit for grain feeder**

(51) International Design Classification: **30-03**

(71) Name(s) and Address(s) of Applicant(s):

**Advantage Feeders Pty Ltd
10/1517 Malvern Road Glen Iris Victoria 3146 Australia**

(72) Name(s) of Designer(s): **Gerard Anthony Roney**

(45) Registration Date: **16 June 2010**

(56) Related Art Documents: **Not Applicable**

(57) Statement of Newness and Distinctiveness: **Frame is to sit under Advantage Feeders grain feeders and provide support when being moved around. The new feature is that it can be completely assembled by tec screws with a tab system and the lifting channels provide support on the top of the channel.**



(21) Design Number: **10251/2010**

(22) Date of Filing Application: **25 January 2010**

(24) Date from which industrial property rights may have effect: **25 January 2010**

(54) Product in respect of which the design is registered: **A pillow**

(51) International Design Classification: **06-09**

(71) Name(s) and Address(s) of Applicant(s):

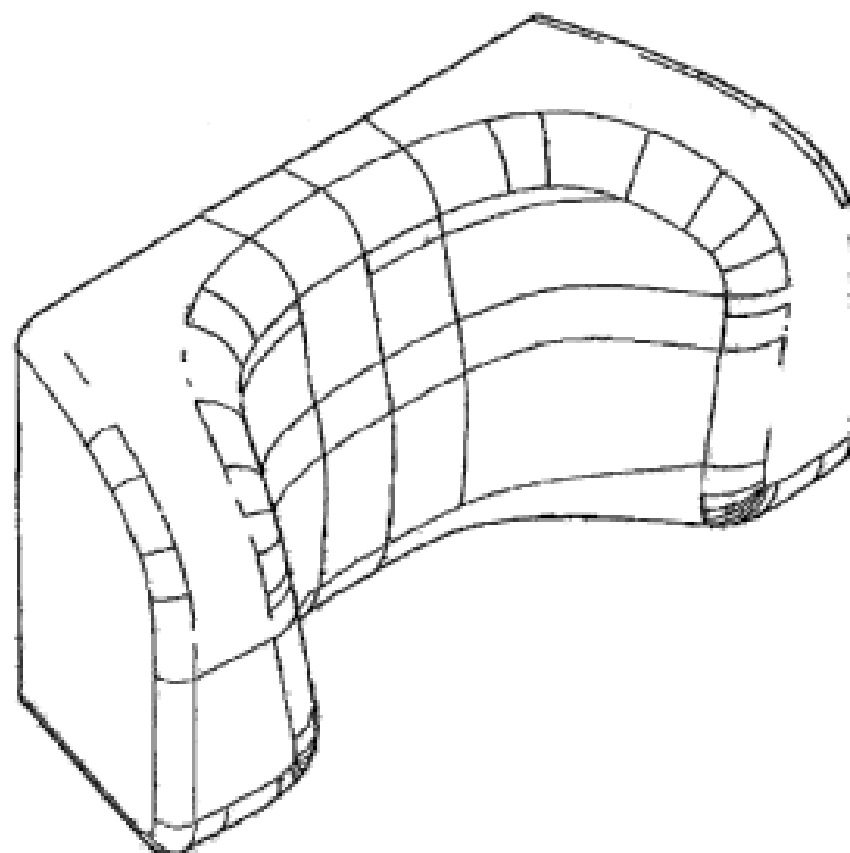
**Air New Zealand Limited
185 Fanshawe Street Auckland 1010 New Zealand**

(72) Name(s) of Designer(s): **Victoria Anne Bamford and James Dominic France**

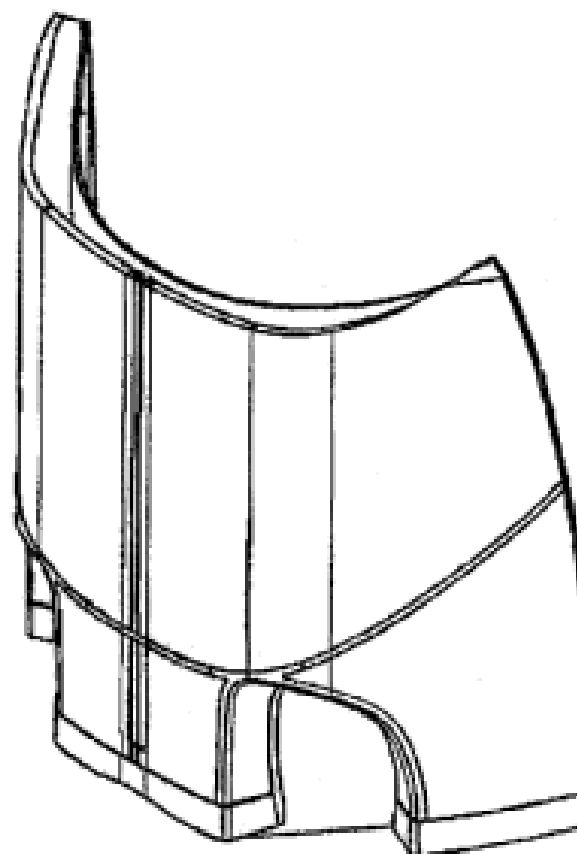
(45) Registration Date: **17 June 2010**

(56) Related Art Documents: **Not Applicable**

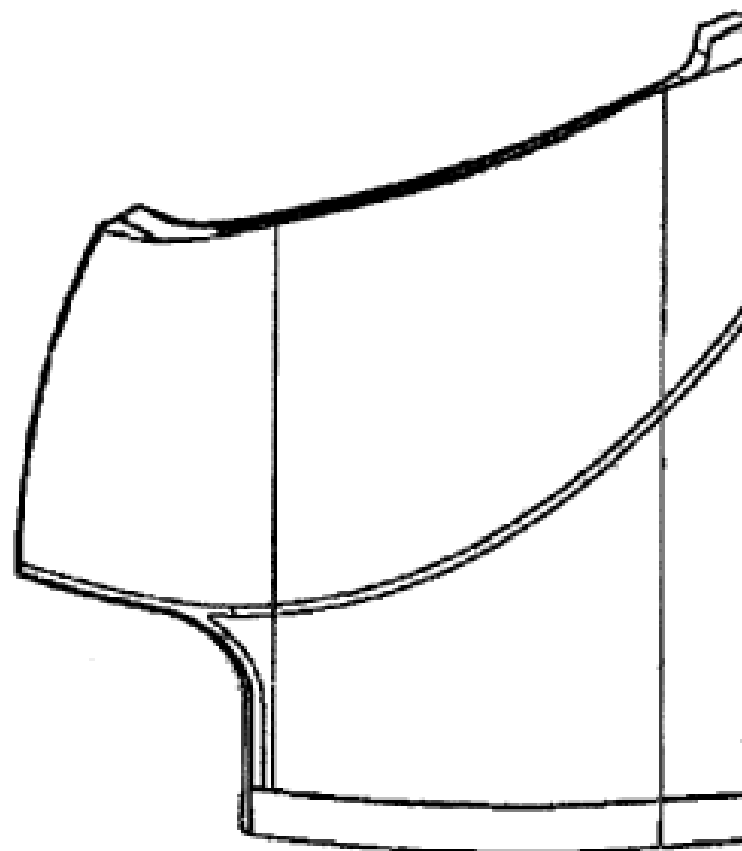
(57) Statement of Newness and Distinctiveness: **Nil**



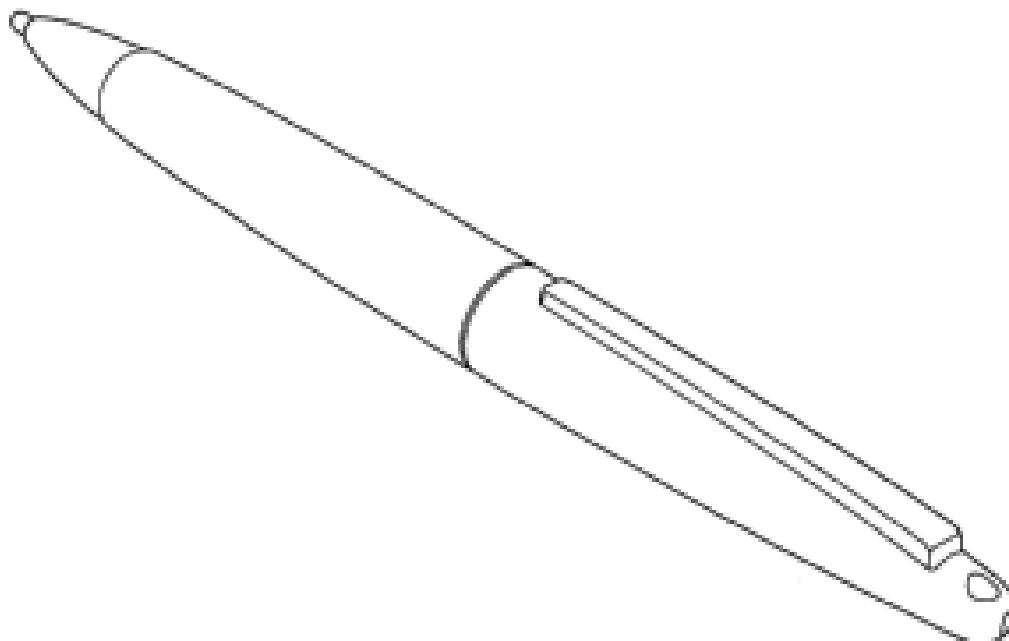
- (21) Design Number: **10497/2010**
(22) Date of Filing Application: **12 February 2010**
(24) Date from which industrial property rights may have effect: **12 February 2010**
(54) Product in respect of which the design is registered: **Class divider**
(51) International Design Classification: **06-06NES**
(71) Name(s) and Address(s) of Applicant(s):
Air New Zealand Limited
185 Fanshawe Street Auckland 1010 New Zealand
(72) Name(s) of Designer(s): **James Dominic France and Maurice Trevor Benner and Alistair Pilditch and Pierre Jean Lecussan and Marcus Drysdale Graney**
(45) Registration Date: **17 June 2010**
(56) Related Art Documents: **Not Applicable**
(57) Statement of Newness and Distinctiveness: **The novelty claimed for the design resides in the features of shape and/or configuration all as shown in the representations.**



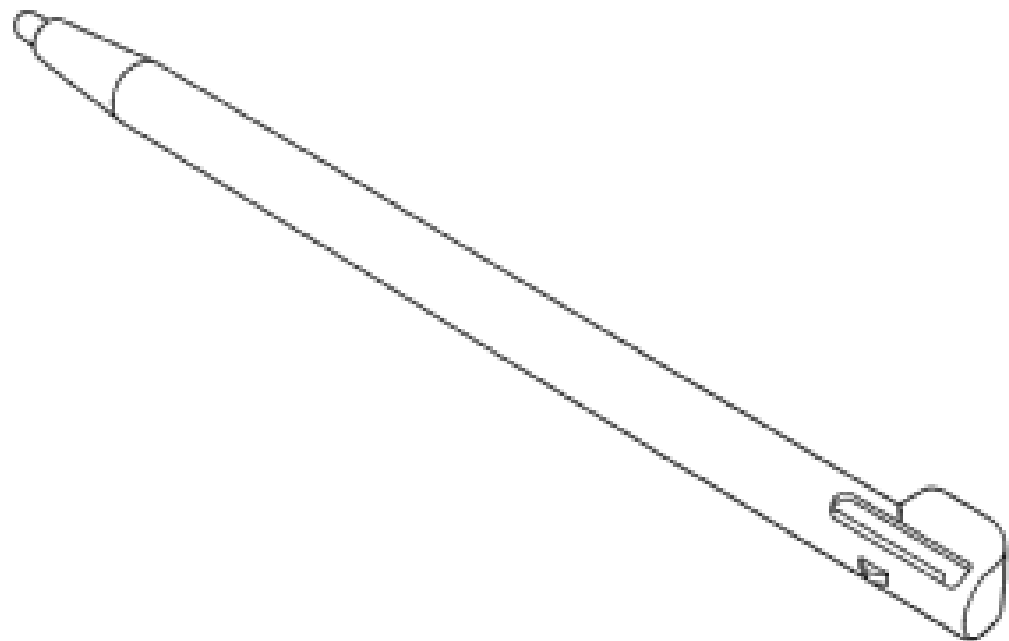
- (21) Design Number: **10515/2010**
(22) Date of Filing Application: **12 February 2010**
(24) Date from which industrial property rights may have effect: **12 February 2010**
(54) Product in respect of which the design is registered: **Class divider**
(51) International Design Classification: **06-06NES**
(71) Name(s) and Address(s) of Applicant(s):
Air New Zealand Limited
185 Fanshawe Street Auckland 1010 New Zealand
(72) Name(s) of Designer(s): **James Dominic France and Maurice Trevor Benner and Alistair Pilditch and Pierre Jean Lecussan and Marcus Drysdale Graney**
(45) Registration Date: **17 June 2010**
(56) Related Art Documents: **Not Applicable**
(57) Statement of Newness and Distinctiveness: **The novelty claimed for the design resides in the features of shape and/or configuration all as shown in the representations.**



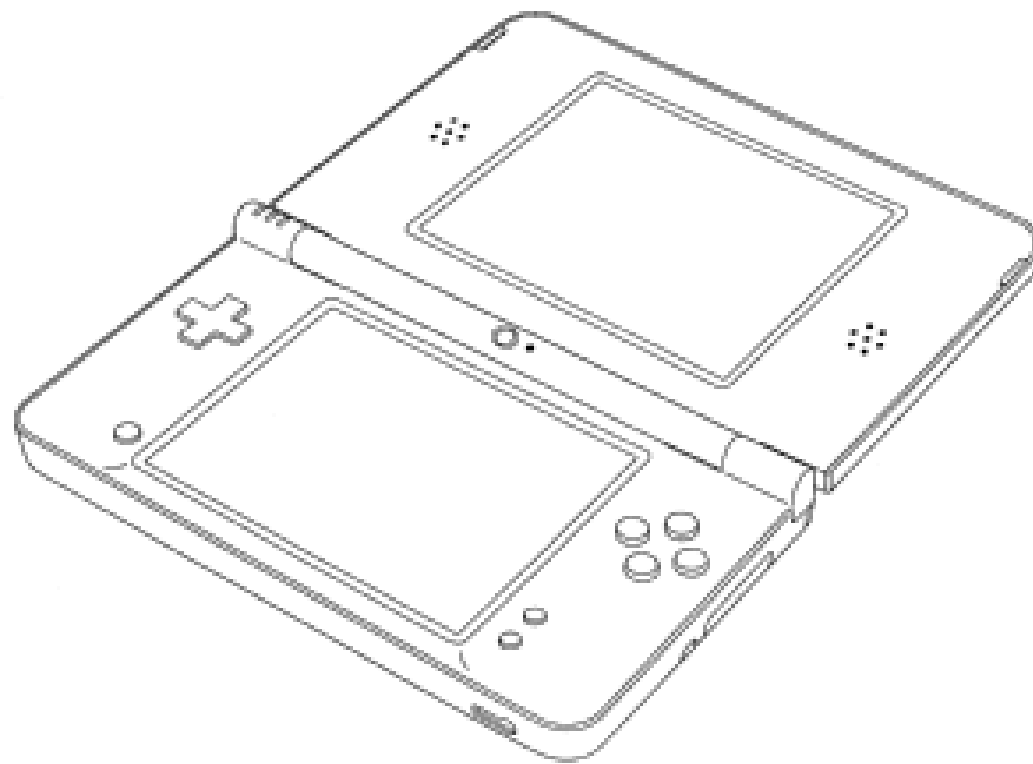
(21) Design Number: **11557/2010**
(22) Date of Filing Application: **23 April 2010**
(24) Date from which industrial property rights may have effect: **23 April 2010**
(54) Product in respect of which the design is registered: **Stylus pen for use with a touch panel**
(51) International Design Classification: **19-06, 14-02**
(71) Name(s) and Address(s) of Applicant(s):
Nintendo Co., Ltd.
11-1 Hokotate-cho Kamitoba Minami-ku Kyoto-shi Kyoto Japan
(72) Name(s) of Designer(s): **Takaki Fujino and Kochi Kawai and Yuko Zenri**
(45) Registration Date: **17 June 2010**
(30) Convention priority data:
(31) Number (32) Date (33) Country
2009-024971 26 Oct 2009 JAPAN
(56) Related Art Documents: **Not Applicable**
(57) Statement of Newness and Distinctiveness: **Nil**



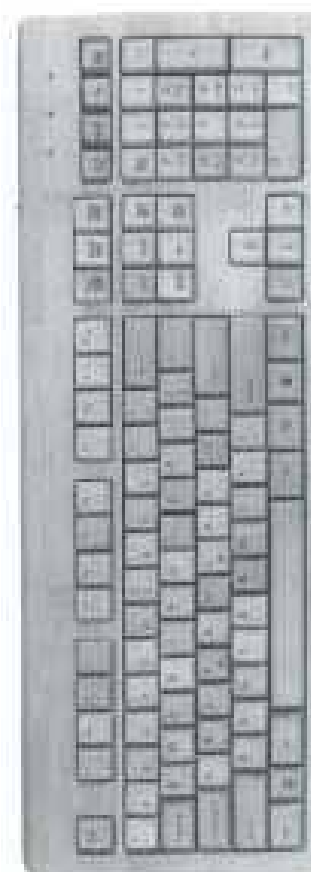
(21) Design Number: **11558/2010**
(22) Date of Filing Application: **23 April 2010**
(24) Date from which industrial property rights may have effect: **23 April 2010**
(54) Product in respect of which the design is registered: **Stylus pen for use with a touch panel**
(51) International Design Classification: **19-06, 14-02**
(71) Name(s) and Address(s) of Applicant(s):
Nintendo Co., Ltd.
11-1 Hokotate-cho Kamitoba Minami-ku Kyoto-shi Kyoto Japan
(72) Name(s) of Designer(s): **Yuko Zenri and Kochi Kawai**
(45) Registration Date: **17 June 2010**
(30) Convention priority data:
(31) Number (32) Date (33) Country
2009-024972 26 Oct 2009 JAPAN
(56) Related Art Documents: **Not Applicable**
(57) Statement of Newness and Distinctiveness: **Nil**



- (21) Design Number: **11559/2010**
(22) Date of Filing Application: **23 April 2010**
(24) Date from which industrial property rights may have effect: **23 April 2010**
(54) Product in respect of which the design is registered: **Portable electronic computer**
(51) International Design Classification: **14-02**
(71) Name(s) and Address(s) of Applicant(s):
Nintendo Co., Ltd.
11-1 Hokotate-cho Kamitoba Minami-ku Kyoto-shi Kyoto Japan
(72) Name(s) of Designer(s): **Takaki Fujino and Masaki Amano and Kochi Kawai and Satoshi Ishibashi**
(45) Registration Date: **17 June 2010**
(30) Convention priority data:
(31) Number (32) Date (33) Country
2009-024973 26 Oct 2009 JAPAN
(56) Related Art Documents: **Not Applicable**
(57) Statement of Newness and Distinctiveness: **Nil**



- (21) Design Number: **11950/2010**
(22) Date of Filing Application: **14 May 2010**
(24) Date from which industrial property rights may have effect: **14 May 2010**
(54) Product in respect of which the design is registered: **Keyboard**
(51) International Design Classification: **14-02**
(71) Name(s) and Address(s) of Applicant(s):
Jiangxi Tonggu Jiangqiao Timber & Bamboo Industry Co., Ltd
No. 658 West Dingjiang Road Tonggu County Jiangxi Province 336000
China
(72) Name(s) of Designer(s): **Xuquan Feng**
(45) Registration Date: **17 June 2010**
(30) Convention priority data:
(31) Number (32) Date (33) Country
200930271933.4 14 Nov 2009 CHINA
(56) Related Art Documents: **Not Applicable**
(57) Statement of Newness and Distinctiveness: **Newness and distinctiveness resides in the features of pattern and/or ornamentation of a keyboard with surfaces having a wood-grain finish as shown in the accompanying figures.**



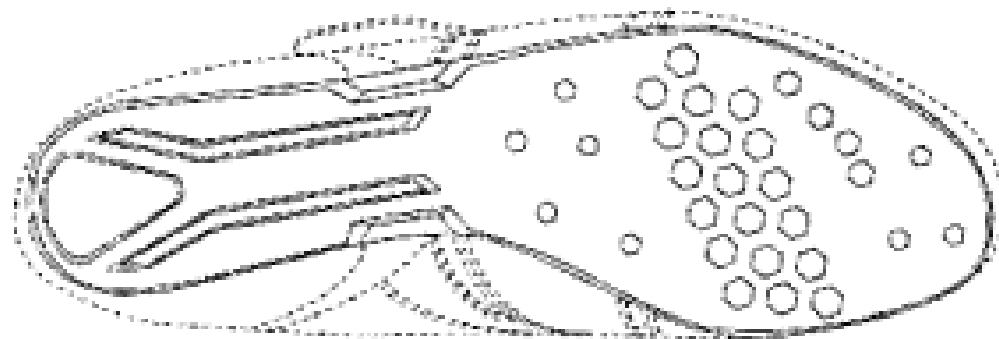
(21) Design Number: **12026/2010**
(22) Date of Filing Application: **21 May 2010**
(24) Date from which industrial property rights may have effect: **21 May 2010**
(54) Product in respect of which the design is registered: **Shoe sole**
(51) International Design Classification: **02-04B**
(71) Name(s) and Address(s) of Applicant(s):
Lacoste
8 rue de Castiglione 75001 Paris France
(72) Name(s) of Designer(s): **Sara Pope**
(45) Registration Date: **17 June 2010**
(30) Convention priority data:
(31) Number (32) Date (33) Country
001710062 20 May 2010 EUROPEAN COMMUNITY
(56) Related Art Documents: **Not Applicable**
(57) Statement of Newness and Distinctiveness: **Nil**



(21) Design Number: **12027/2010**
(22) Date of Filing Application: **21 May 2010**
(24) Date from which industrial property rights may have effect: **21 May 2010**
(54) Product in respect of which the design is registered: **Shoe (upper)**
(51) International Design Classification: **02-04NES**
(71) Name(s) and Address(s) of Applicant(s):
Lacoste
8 rue de Castiglione 75001 Paris France
(72) Name(s) of Designer(s): **Mark Walton**
(45) Registration Date: **17 June 2010**
(30) Convention priority data:
(31) Number (32) Date (33) Country
001710062 20 May 2010 EUROPEAN COMMUNITY
(56) Related Art Documents: **Not Applicable**
(57) Statement of Newness and Distinctiveness: **Nil**



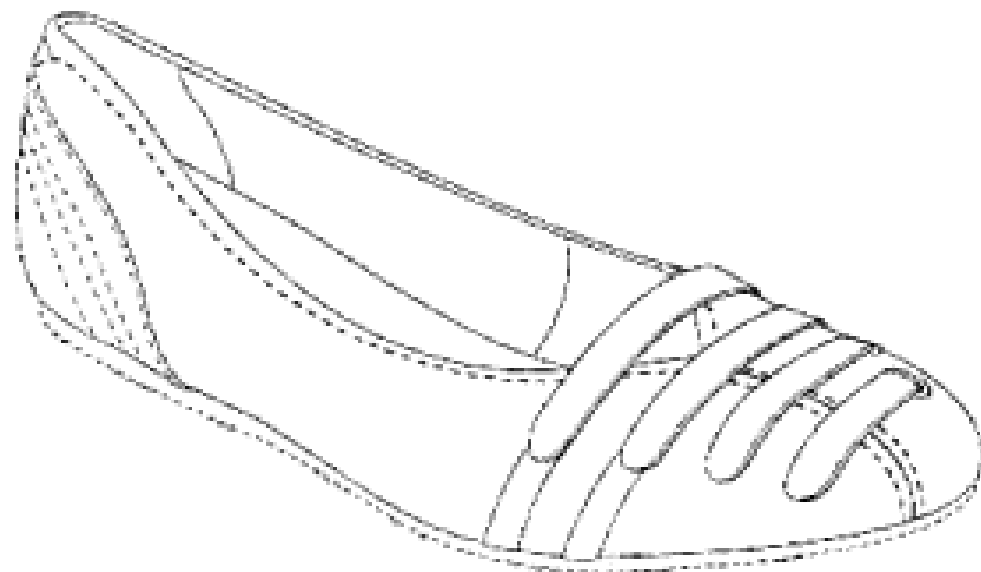
(21) Design Number: **12028/2010**
(22) Date of Filing Application: **21 May 2010**
(24) Date from which industrial property rights may have effect: **21 May 2010**
(54) Product in respect of which the design is registered: **Shoe sole**
(51) International Design Classification: **02-04B**
(71) Name(s) and Address(s) of Applicant(s):
Lacoste
8 rue de Castiglione 75001 Paris France
(72) Name(s) of Designer(s): **Mark Walton**
(45) Registration Date: **17 June 2010**
(30) Convention priority data:
(31) Number (32) Date (33) Country
001710062 20 May 2010 EUROPEAN COMMUNITY
(56) Related Art Documents: **Not Applicable**
(57) Statement of Newness and Distinctiveness: **Nil**



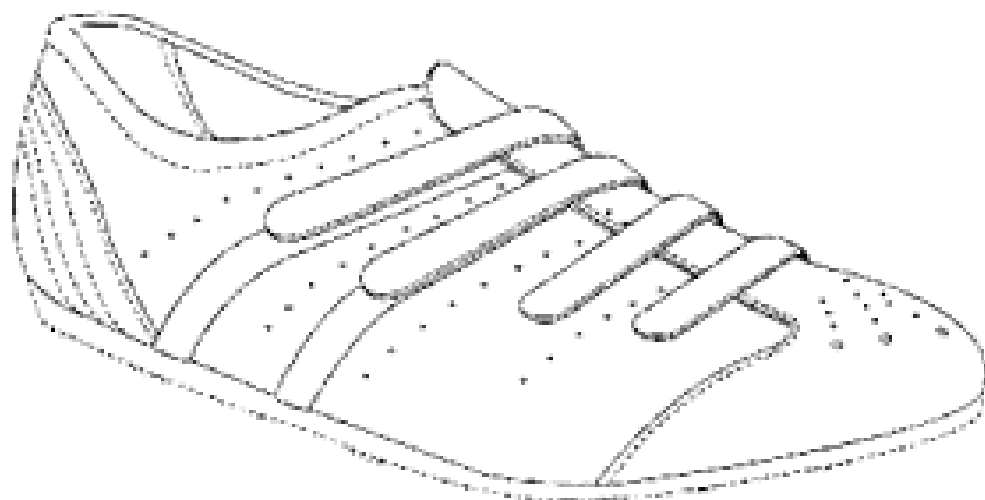
(21) Design Number: **12029/2010**
(22) Date of Filing Application: **21 May 2010**
(24) Date from which industrial property rights may have effect: **21 May 2010**
(54) Product in respect of which the design is registered: **Shoe (upper)**
(51) International Design Classification: **02-04NES**
(71) Name(s) and Address(s) of Applicant(s):
Lacoste
8 rue de Castiglione 75001 Paris France
(72) Name(s) of Designer(s): **Astrid Andreassen**
(45) Registration Date: **17 June 2010**
(30) Convention priority data:
(31) Number (32) Date (33) Country
001710062 20 May 2010 EUROPEAN COMMUNITY
(56) Related Art Documents: **Not Applicable**
(57) Statement of Newness and Distinctiveness: **Nil**



(21) Design Number: **12030/2010**
(22) Date of Filing Application: **21 May 2010**
(24) Date from which industrial property rights may have effect: **21 May 2010**
(54) Product in respect of which the design is registered: **Shoe (upper)**
(51) International Design Classification: **02-04NES**
(71) Name(s) and Address(s) of Applicant(s):
Lacoste
8 rue de Castiglione 75001 Paris France
(72) Name(s) of Designer(s): **Kirsty Bradford**
(45) Registration Date: **17 June 2010**
(30) Convention priority data:
(31) Number (32) Date (33) Country
001710062 20 May 2010 EUROPEAN COMMUNITY
(56) Related Art Documents: **Not Applicable**
(57) Statement of Newness and Distinctiveness: **Nil**



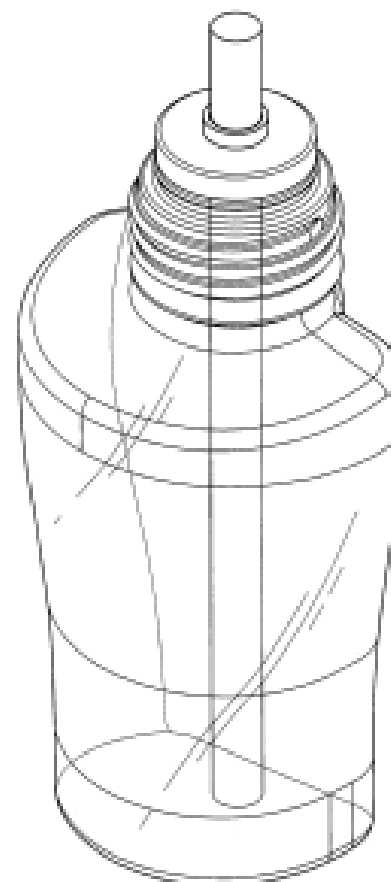
(21) Design Number: **12031/2010**
(22) Date of Filing Application: **21 May 2010**
(24) Date from which industrial property rights may have effect: **21 May 2010**
(54) Product in respect of which the design is registered: **Shoe (upper)**
(51) International Design Classification: **02-04NES**
(71) Name(s) and Address(s) of Applicant(s):
Lacoste
8 rue de Castiglione 75001 Paris France
(72) Name(s) of Designer(s): **Kirsty Bradford**
(45) Registration Date: **17 June 2010**
(30) Convention priority data:
(31) Number (32) Date (33) Country
001710062 20 May 2010 EUROPEAN COMMUNITY
(56) Related Art Documents: **Not Applicable**
(57) Statement of Newness and Distinctiveness: **Nil**



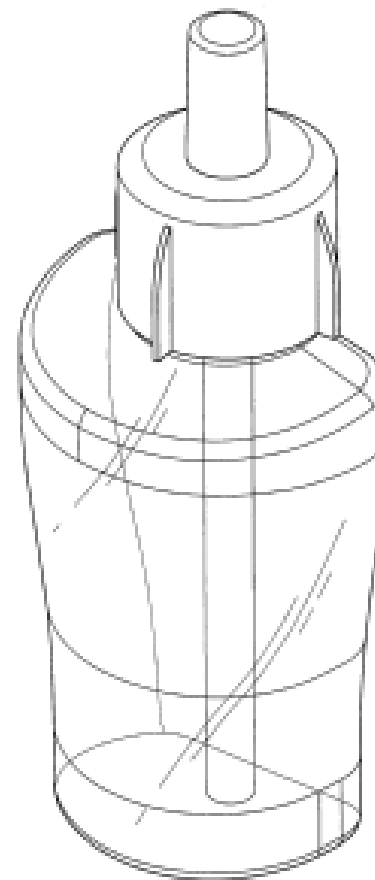
- (21) Design Number: **12176/2010**
(22) Date of Filing Application: **31 May 2010**
(24) Date from which industrial property rights may have effect: **31 May 2010**
(54) Product in respect of which the design is registered: **Rimmed sun hat which is designed to attach onto a cricket batting or wicket keeping helmet to shade**
(51) International Design Classification: **02-03**
(71) Name(s) and Address(s) of Applicant(s):
Stephen Godfrey
10 Little Page Street Albert Park Victoria 3206 Australia
(72) Name(s) of Designer(s): **Stephen Godfrey and Peter Godfrey**
(45) Registration Date: **17 June 2010**
(56) Related Art Documents: **Not Applicable**
(57) Statement of Newness and Distinctiveness: **The rim of a floppy sun hat has two(2) clips sewn into the rear of the rim, elastic on both sides and a pouch sewn into the front of the rim. The clips at the rear pull down and clip under the helmet. The pouch at the front of the rimmed hat is for the peck of the cricket helmet to slot into.**



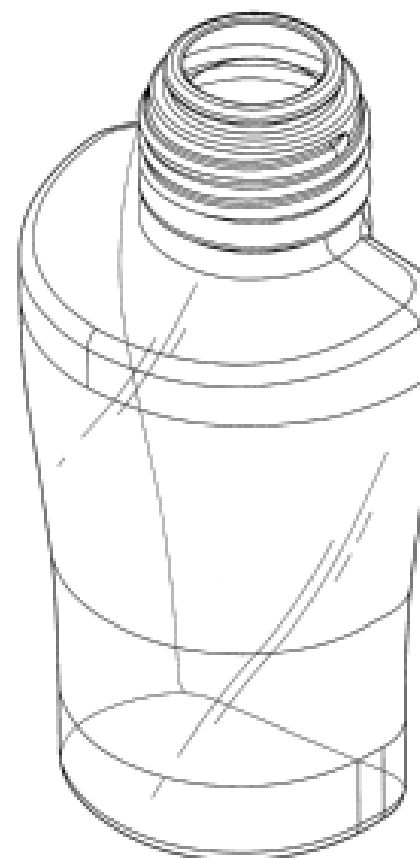
- (21) Design Number: **12033/2010**
(22) Date of Filing Application: **21 May 2010**
(24) Date from which industrial property rights may have effect: **21 May 2010**
(54) Product in respect of which the design is registered: **Bottle**
(51) International Design Classification: **09-01K**
(71) Name(s) and Address(s) of Applicant(s):
Reckitt & Colman (Overseas) Limited
103-105 Bath Road Slough Berkshire SL1 3UH United Kingdom
(72) Name(s) of Designer(s): **Paul Newton**
(45) Registration Date: **16 June 2010**
(30) Convention priority data:
(31) Number (32) Date (33) Country
001640657-0002 26 Nov 2009 EUROPEAN COMMUNITY
(56) Related Art Documents: **Not Applicable**
(57) Statement of Newness and Distinctiveness: **The novelty resides in the shape and configuration of the article.**



- (21) Design Number: **12034/2010**
(22) Date of Filing Application: **21 May 2010**
(24) Date from which industrial property rights may have effect: **21 May 2010**
(54) Product in respect of which the design is registered: **Bottle with cap**
(51) International Design Classification: **09-01K**
(71) Name(s) and Address(s) of Applicant(s):
Reckitt & Colman (Overseas) Limited
103-105 Bath Road Slough Berkshire SL1 3UH United Kingdom
(72) Name(s) of Designer(s): **Paul Newton**
(45) Registration Date: **16 June 2010**
(30) Convention priority data:
(31) Number (32) Date (33) Country
001640657-0003 26 Nov 2009 EUROPEAN COMMUNITY
(56) Related Art Documents: **Not Applicable**
(57) Statement of Newness and Distinctiveness: **The novelty resides in the shape and configuration of the article.**



- (21) Design Number: **12035/2010**
(22) Date of Filing Application: **21 May 2010**
(24) Date from which industrial property rights may have effect: **21 May 2010**
(54) Product in respect of which the design is registered: **Bottle**
(51) International Design Classification: **09-01K**
(71) Name(s) and Address(s) of Applicant(s):
Reckitt & Colman (Overseas) Limited
103-105 Bath Road Slough Berkshire SL1 3UH United Kingdom
(72) Name(s) of Designer(s): **Paul Newton**
(45) Registration Date: **16 June 2010**
(30) Convention priority data:
(31) Number (32) Date (33) Country
001640657-0001 26 Nov 2009 EUROPEAN COMMUNITY
(56) Related Art Documents: **Not Applicable**
(57) Statement of Newness and Distinctiveness: **The novelty resides in the shape and configuration of the article.**



(21) Design Number: **12036/2010**
(22) Date of Filing Application: **21 May 2010**
(24) Date from which industrial property rights may have effect: **21 May 2010**
(54) Product in respect of which the design is registered: **Men's undergarment**
(51) International Design Classification: **02-01NES**
(71) Name(s) and Address(s) of Applicant(s):

KE Imports Ltd
1036 Richter Street Kelowna British Columbia V1Y 2K5 Canada

(72) Name(s) of Designer(s): **Shawn Ellis**

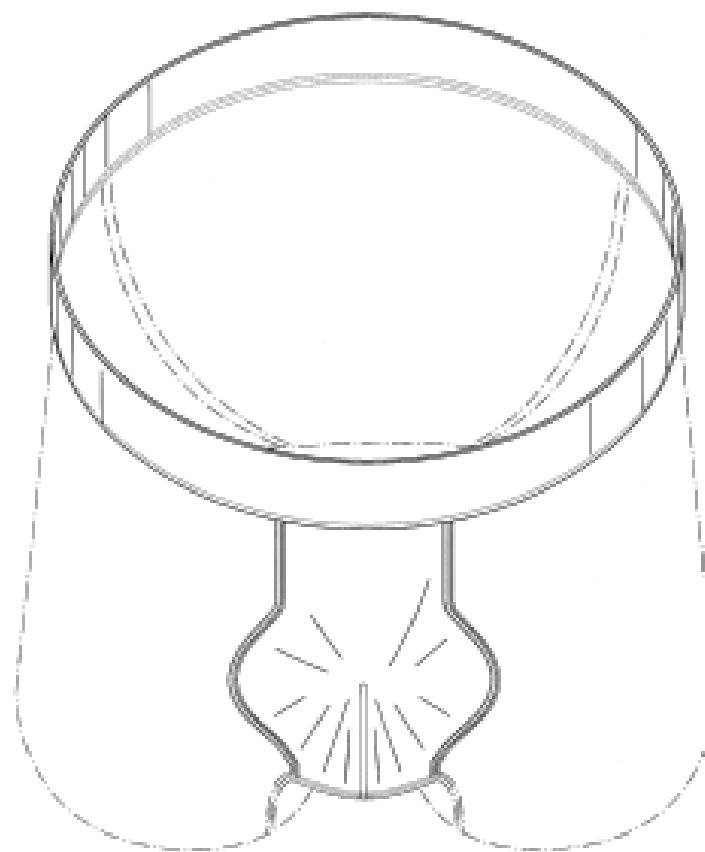
(45) Registration Date: **16 June 2010**

(30) Convention priority data:

(31) Number	(32) Date	(33) Country
133058	26 Nov 2009	CANADA

(56) Related Art Documents: **Not Applicable**

(57) Statement of Newness and Distinctiveness: **Newness and distinctiveness are claimed in the shape, configuration, ornamentation and pattern of the portion of the men's undergarment shown in solid lines in the drawings. The portions shown in stippled lines do not form part of the design. The broken lines formed of dashes of even length represent stitching and do not form part of the design.**



(21) Design Number: **12037/2010**
(22) Date of Filing Application: **21 May 2010**
(24) Date from which industrial property rights may have effect: **21 May 2010**
(54) Product in respect of which the design is registered: **Scooter frame**
(51) International Design Classification: **12-11**
(71) Name(s) and Address(s) of Applicant(s):

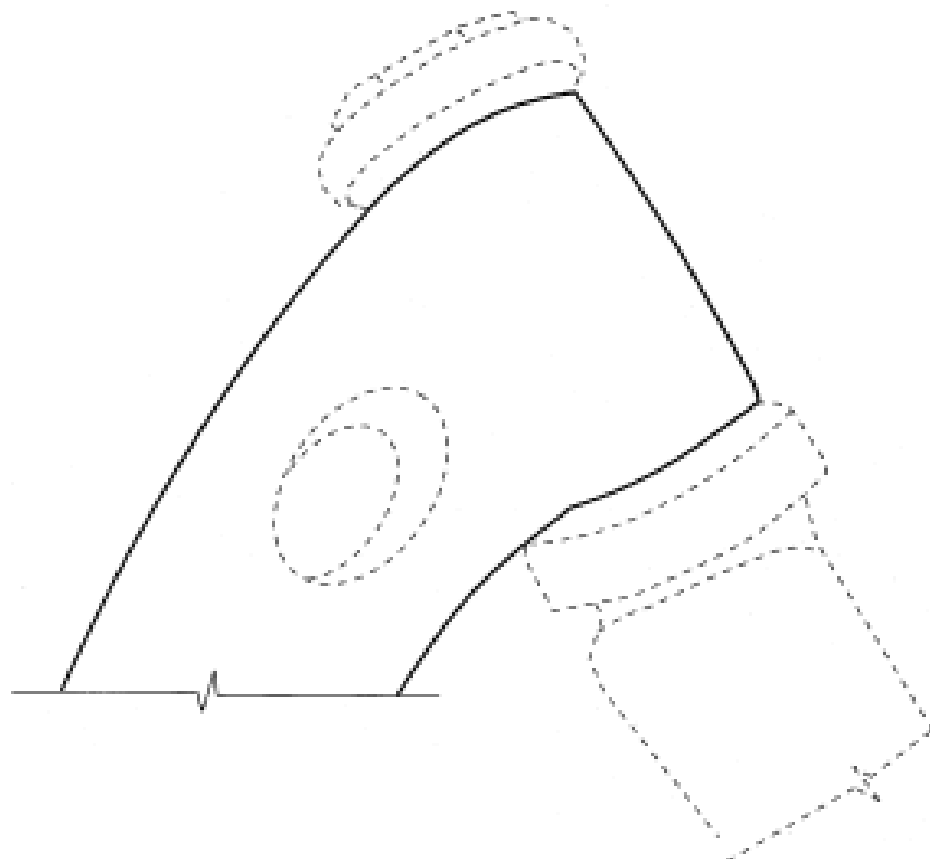
Madd Gear Pty Ltd
12/35 Garden Road Clayton Victoria 3168 Australia

(72) Name(s) of Designer(s): **Michael Horne**

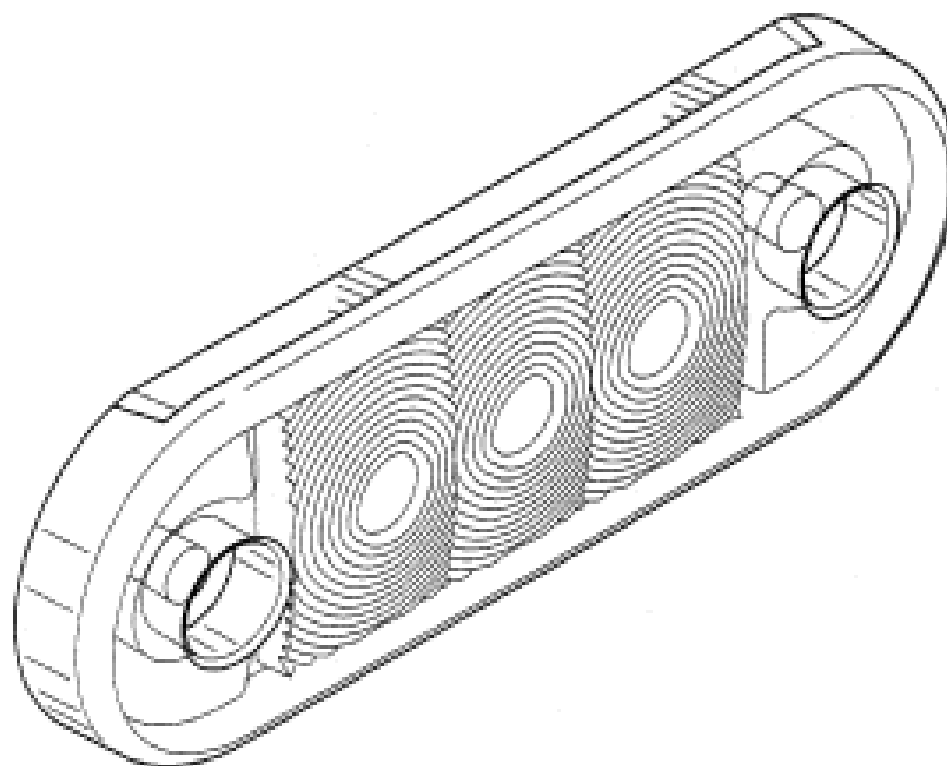
(45) Registration Date: **16 June 2010**

(56) Related Art Documents: **Not Applicable**

(57) Statement of Newness and Distinctiveness: **Head tube and down tube as shown in the photo/figure, the down tube being of indefinite length, excluding the broken lines.**



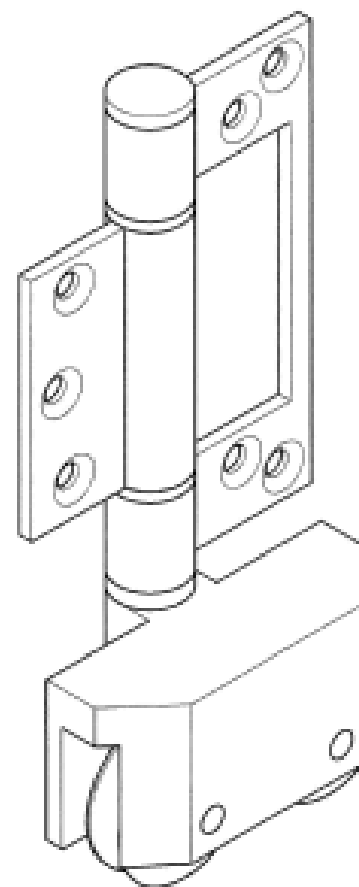
- (21) Design Number: **12038/2010**
(22) Date of Filing Application: **24 May 2010**
(24) Date from which industrial property rights may have effect: **24 May 2010**
(54) Product in respect of which the design is registered: **Vehicle lamp**
(51) International Design Classification: **26-06**
(71) Name(s) and Address(s) of Applicant(s):
Lucidity Enterprise Co., Ltd.
No. 18 Gongye 1st Road Annan Dist. Tainan City Taiwan
(72) Name(s) of Designer(s): **Hsi-Hsien Tsai**
(45) Registration Date: **16 June 2010**
(56) Related Art Documents: **Not Applicable**
(57) Statement of Newness and Distinctiveness: **Nil**



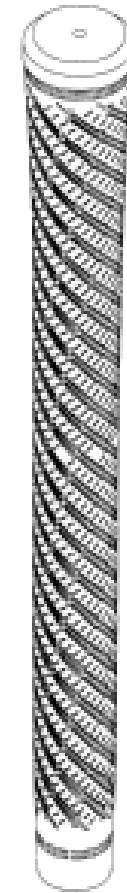
- (21) Design Number: **12039/2010**
(22) Date of Filing Application: **21 May 2010**
(24) Date from which industrial property rights may have effect: **21 May 2010**
(54) Product in respect of which the design is registered: **Bottom roller for a sliding and folding door system**
(51) International Design Classification: **08-09**
(71) Name(s) and Address(s) of Applicant(s):
Hillaldam Coburn Systems (Pty) Ltd
28 Bessemer Road Heriotdale Johannesburg 2000 South Africa
(72) Name(s) of Designer(s): **Richard Errol Dancer**
(45) Registration Date: **16 June 2010**
(30) Convention priority data:

(31) Number	(32) Date	(33) Country
A2009/01794	24 Nov 2009	SOUTH AFRICA

(56) Related Art Documents: **Not Applicable**
(57) Statement of Newness and Distinctiveness: **Nil**



- (21) Design Number: **12040/2010**
- (22) Date of Filing Application: **21 May 2010**
- (24) Date from which industrial property rights may have effect: **21 May 2010**
- (54) Product in respect of which the design is registered: **Golf grip**
- (51) International Design Classification: **21-02C**
- (71) Name(s) and Address(s) of Applicant(s):
Eaton Corporation
Eaton Center 1111 Superior Avenue Cleveland Ohio 44114-2584
United States of America
- (72) Name(s) of Designer(s): **David Keith Gill and Billy Dee Wood and Richard Andrew Black**
- (45) Registration Date: **16 June 2010**
- (30) Convention priority data:
(31) Number (32) Date (33) Country
29/350760 23 Nov 2009 UNITED STATES OF AMERICA
- (56) Related Art Documents: **Not Applicable**
- (57) Statement of Newness and Distinctiveness: **Newness and distinctiveness reside in the pattern and ornamentation of the design as shown in the representations.**



- (21) Design Number: **12041/2010**
- (22) Date of Filing Application: **21 May 2010**
- (24) Date from which industrial property rights may have effect: **21 May 2010**
- (54) Product in respect of which the design is registered: **Cooking apparatus**
- (51) International Design Classification: **07-02E**
- (71) Name(s) and Address(s) of Applicant(s):
Foshan Shunde Everteam Industrial Co. Ltd
No. 27 East Rongqi Dadao Ronggui Shunde District Foshan City
Guangdong Province China
- (72) Name(s) of Designer(s): **Zhiqiang Liang**
- (45) Registration Date: **16 June 2010**
- (30) Convention priority data:
(31) Number (32) Date (33) Country
201030102959.9 27 Jan 2010 CHINA
- (56) Related Art Documents: **Not Applicable**
- (57) Statement of Newness and Distinctiveness: **The newness and distinctiveness is claimed in the feature of the shape and/or configuration of a cooking apparatus as illustrated in the accompanying representations.**



(21) Design Number: 12042/2010

(22) Date of Filing Application: 21 May 2010

(24) Date from which industrial property rights may have effect: 21 May 2010

(54) Product in respect of which the design is registered: **Cooking apparatus**

(51) International Design Classification: 07-02E

(71) Name(s) and Address(s) of Applicant(s):

Foshan Shunde Everteam Industrial Co. Ltd
No. 27 East Rongqi Dadao Ronggui Shunde District Foshan City
Guangdong Province China

(72) Name(s) of Designer(s): **Zhiqiang Liang**

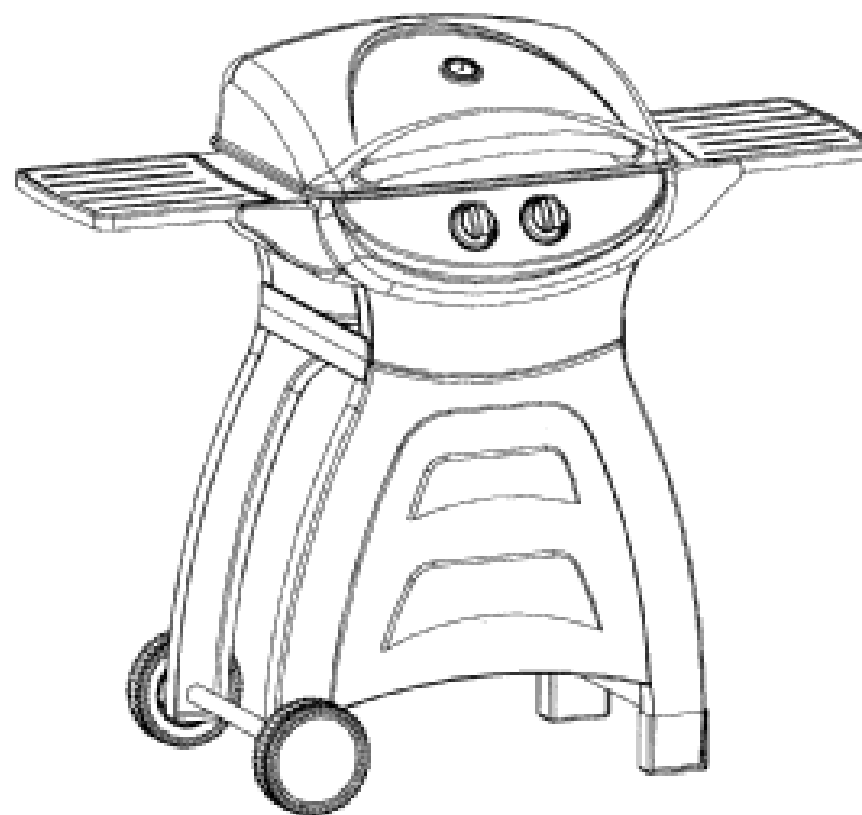
(45) Registration Date: 16 June 2010

(30) Convention priority data:

(31) Number	(32) Date	(33) Country
201030102959.9	27 Jan 2010	CHINA

(56) Related Art Documents: **Not Applicable**

(57) Statement of Newness and Distinctiveness: **The newness and distinctiveness is claimed in the feature of the shape and/or configuration of a cooking apparatus as illustrated in the accompanying representations.**



(21) Design Number: 12043/2010

(22) Date of Filing Application: 21 May 2010

(24) Date from which industrial property rights may have effect: 21 May 2010

(54) Product in respect of which the design is registered: **Cooking apparatus**

(51) International Design Classification: 07-02E

(71) Name(s) and Address(s) of Applicant(s):

Foshan Shunde Everteam Industrial Co. Ltd
No. 27 East Rongqi Dadao Ronggui Shunde District Foshan City
Guangdong Province China

(72) Name(s) of Designer(s): **Zhiqiang Liang**

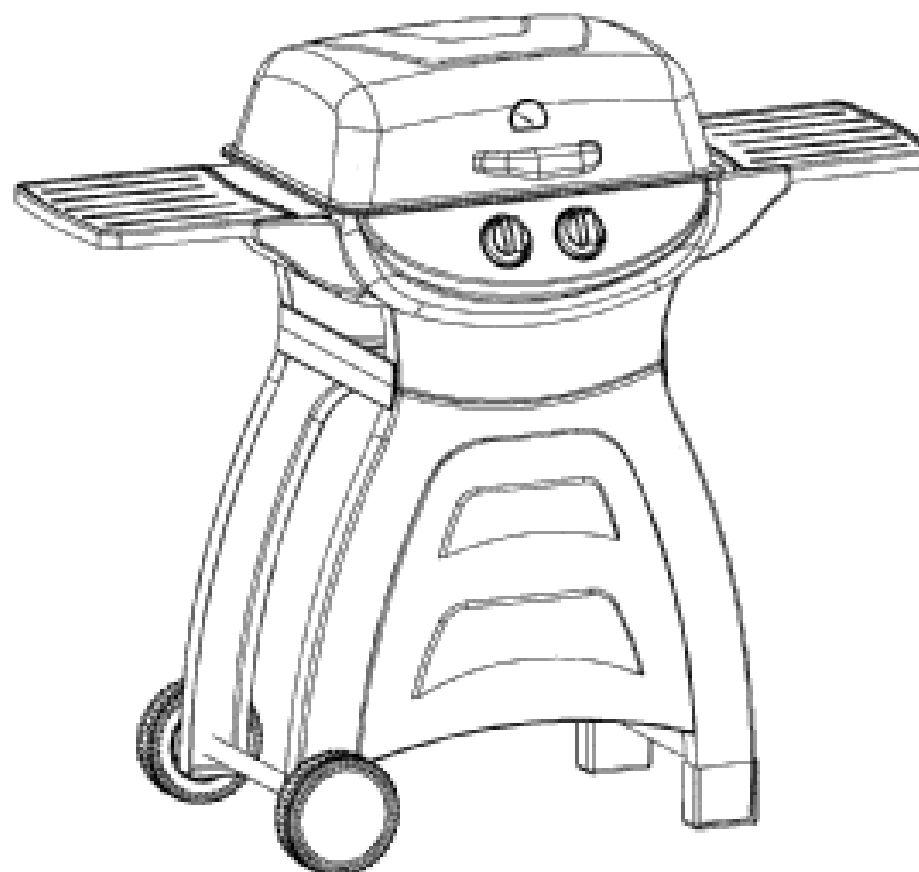
(45) Registration Date: 16 June 2010

(30) Convention priority data:

(31) Number	(32) Date	(33) Country
201030102956.5	27 Jan 2010	CHINA

(56) Related Art Documents: **Not Applicable**

(57) Statement of Newness and Distinctiveness: **The newness and distinctiveness is claimed in the feature of the shape and/or configuration of a cooking apparatus as illustrated in the accompanying representations.**



(21) Design Number: **12044/2010**

(22) Date of Filing Application: **21 May 2010**

(24) Date from which industrial property rights may have effect: **21 May 2010**

(54) Product in respect of which the design is registered: **Cooking apparatus**

(51) International Design Classification: **07-02E**

(71) Name(s) and Address(s) of Applicant(s):

**Foshan Shunde Everteam Industrial Co. Ltd
No. 27 East Rongqi Dadao Ronggui Shunde District Foshan City
Guangdong Province China**

(72) Name(s) of Designer(s): **Zhiqiang Liang**

(45) Registration Date: **16 June 2010**

(30) Convention priority data:

(31) Number	(32) Date	(33) Country
201030102959.9	27 Jan 2010	CHINA

(56) Related Art Documents: **Not Applicable**

(57) Statement of Newness and Distinctiveness: **The newness and distinctiveness is claimed in the feature of the shape and/or configuration of a cooking apparatus as illustrated in the accompanying representations.**



(21) Design Number: **12046/2010**

(22) Date of Filing Application: **21 May 2010**

(24) Date from which industrial property rights may have effect: **21 May 2010**

(54) Product in respect of which the design is registered: **Soap bar**

(51) International Design Classification: **28-02**

(71) Name(s) and Address(s) of Applicant(s):

**Reckitt & Colman (Overseas) Limited
103-105 Bath Road Slough Berks SL1 3UH United Kingdom**

(72) Name(s) of Designer(s): **Andy Linton**

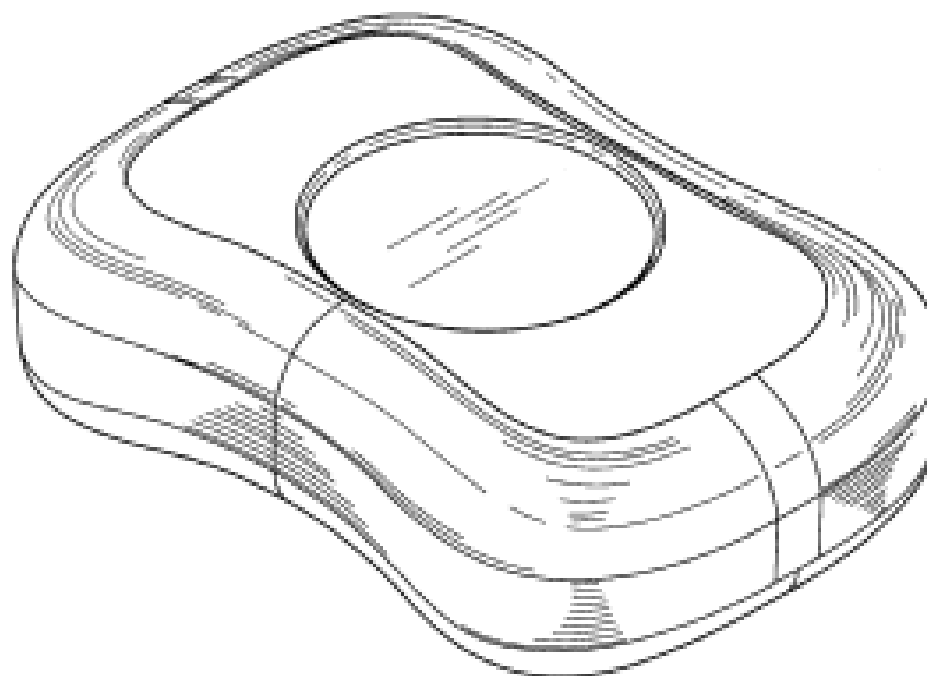
(45) Registration Date: **16 June 2010**

(30) Convention priority data:

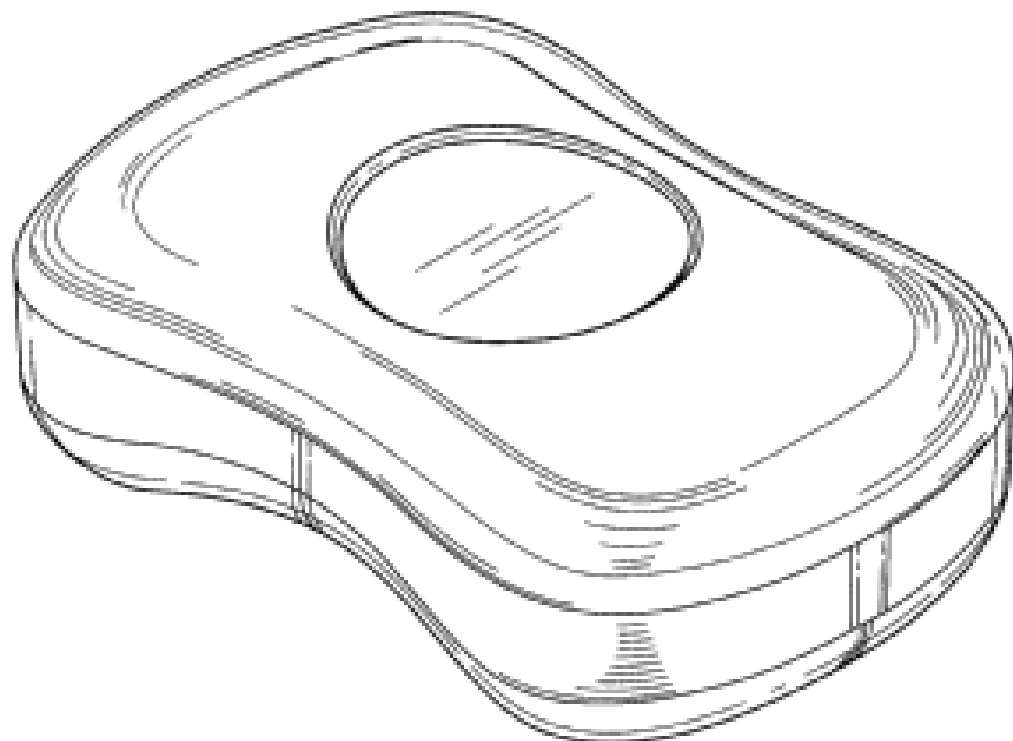
(31) Number	(32) Date	(33) Country
001639170-0001	23 Nov 2009	EUROPEAN COMMUNITY

(56) Related Art Documents: **Not Applicable**

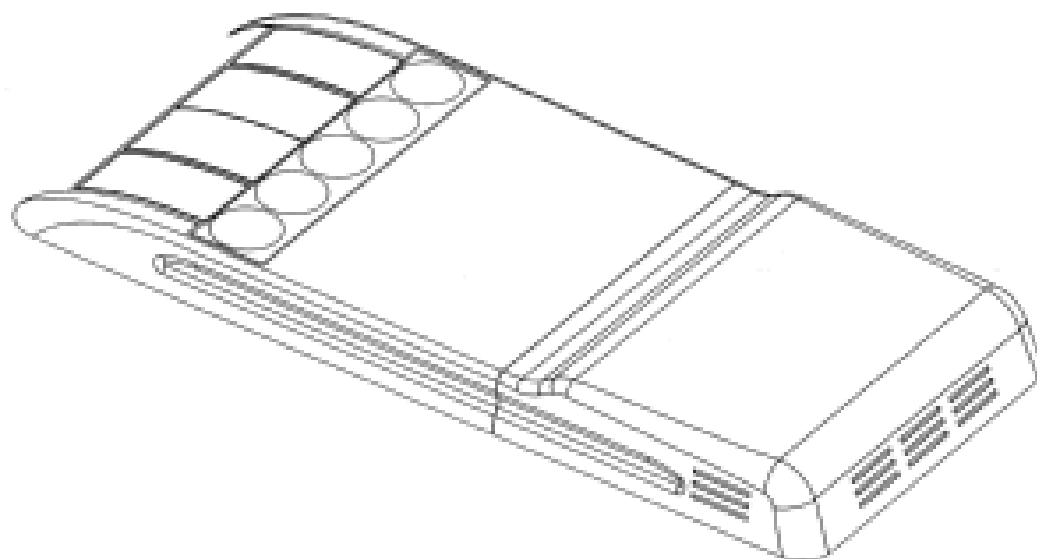
(57) Statement of Newness and Distinctiveness: **The shape and configuration of the soap bar as shown in the accompanying drawings is new and distinctive.**



- (21) Design Number: **12047/2010**
(22) Date of Filing Application: **21 May 2010**
(24) Date from which industrial property rights may have effect: **21 May 2010**
(54) Product in respect of which the design is registered: **Soap bar**
(51) International Design Classification: **28-02**
(71) Name(s) and Address(s) of Applicant(s):
Reckitt & Colman (Overseas) Limited
103-105 Bath Road Slough Berks SL1 3UH United Kingdom
(72) Name(s) of Designer(s): **Andy Linton**
(45) Registration Date: **16 June 2010**
(30) Convention priority data:
(31) Number (32) Date (33) Country
001639170-0002 23 Nov 2009 EUROPEAN COMMUNITY
(56) Related Art Documents: **Not Applicable**
(57) Statement of Newness and Distinctiveness: **The shape and configuration of the soap bar as shown in the accompanying drawings is new and distinctive.**



- (21) Design Number: **12066/2010**
(22) Date of Filing Application: **21 May 2010**
(24) Date from which industrial property rights may have effect: **21 May 2010**
(54) Product in respect of which the design is registered: **HVAC COVER**
(51) International Design Classification: **23-04**
(71) Name(s) and Address(s) of Applicant(s):
Thermo King Corporation
314 West 90th Street Minneapolis Minnesota 55420-3693 United States of America
(72) Name(s) of Designer(s): **Rongxiao Ju and Guohui Zhong and Wei Wu and Dan Wang**
(45) Registration Date: **16 June 2010**
(56) Related Art Documents: **Not Applicable**
(57) Statement of Newness and Distinctiveness: -



(21) Design Number: **12049/2010**

(22) Date of Filing Application: **24 May 2010**

(24) Date from which industrial property rights may have effect: **24 May 2010**

(54) Product in respect of which the design is registered: **Plant shade**

(51) International Design Classification: **25-02NES, 99-00**

(71) Name(s) and Address(s) of Applicant(s):

Simone Beitmanas

4 Burr ridge Way Hamilton Hill Western Australia 6163 Australia

(72) Name(s) of Designer(s): **Simone Beitmanas**

(45) Registration Date: **16 June 2010**

(56) Related Art Documents: **Not Applicable**

(57) Statement of Newness and Distinctiveness: **Nil**



(21) Design Number: **12128/2010**

(22) Date of Filing Application: **26 May 2010**

(24) Date from which industrial property rights may have effect: **26 May 2010**

(54) Product in respect of which the design is registered: **Keg warmer**

(51) International Design Classification: **07-02L**

(71) Name(s) and Address(s) of Applicant(s):

Kay Robinson

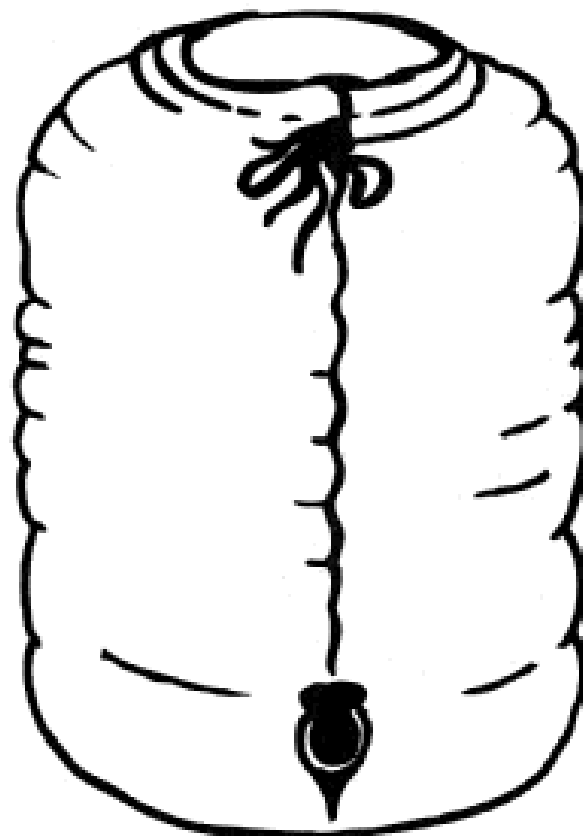
33 Idriess Street Oxley Queensland 4075 Australia

(72) Name(s) of Designer(s): **Kay Robinson**

(45) Registration Date: **16 June 2010**

(56) Related Art Documents: **Not Applicable**

(57) Statement of Newness and Distinctiveness: **Novelty resides in the keg warmer and not the keg enclosed as shown in Figure 2.**



(21) Design Number: **11992/2010**

(22) Date of Filing Application: **20 May 2010**

(24) Date from which industrial property rights may have effect: **20 May 2010**

(54) Product in respect of which the design is registered: **Illuminating cup rim**

(51) International Design Classification: **07-01D**

(71) Name(s) and Address(s) of Applicant(s):

Jeremy Fissell
1301 Carmel Street San Luis Obispo California 93401 United States of America

(72) Name(s) of Designer(s): **Jeremy Fissell**

(45) Registration Date: **17 June 2010**

(30) Convention priority data:

(31) Number	(32) Date	(33) Country
29356764	02 Mar 2010	UNITED STATES OF AMERICA

(56) Related Art Documents: **Not Applicable**

(57) Statement of Newness and Distinctiveness: **Newness and distinctiveness is claimed in the visual features of the illuminating cup rim. The features shown in broken lines form no part of the claimed design.**



(21) Design Number: **11993/2010**

(22) Date of Filing Application: **20 May 2010**

(24) Date from which industrial property rights may have effect: **20 May 2010**

(54) Product in respect of which the design is registered: **Illuminating cup rim**

(51) International Design Classification: **07-01D**

(71) Name(s) and Address(s) of Applicant(s):

Jeremy Fissell
1301 Carmel Street San Luis Obispo California 93401 United States of America

(72) Name(s) of Designer(s): **Jeremy Fissell**

(45) Registration Date: **17 June 2010**

(30) Convention priority data:

(31) Number	(32) Date	(33) Country
29356764	02 Mar 2010	UNITED STATES OF AMERICA

(56) Related Art Documents: **Not Applicable**

(57) Statement of Newness and Distinctiveness: **Newness and distinctiveness is claimed in the visual features of the illuminating cup rim. The features shown in broken lines form no part of the claimed design.**



(19) AU

(21) Design Number: 11994/2010

(22) Date of Filing Application: 20 May 2010

(24) Date from which industrial property rights may have effect: 20 May 2010

(54) Product in respect of which the design is registered: Illuminating cup rim

(51) International Design Classification: 07-01D

(71) Name(s) and Address(s) of Applicant(s):

Jeremy Fissell
1301 Carmel Street San Luis Obispo California 93401 United States of America

(72) Name(s) of Designer(s): Jeremy Fissell

(45) Registration Date: 17 June 2010

(30) Convention priority data:

(31) Number	(32) Date	(33) Country
29356764	02 Mar 2010	UNITED STATES OF AMERICA

(56) Related Art Documents: Not Applicable

(57) Statement of Newness and Distinctiveness: Newness and distinctiveness is claimed in the visual features of the illuminating cup rim. The features shown in broken lines form no part of the claimed design.



(19) AU

(21) Design Number: 11996/2010

(22) Date of Filing Application: 19 May 2010

(24) Date from which industrial property rights may have effect: 19 May 2010

(54) Product in respect of which the design is registered: Golf club head

(51) International Design Classification: 21-02C

(71) Name(s) and Address(s) of Applicant(s):

Karsten Manufacturing Corporation
2201 West Desert Cove Phoenix Arizona 85029 United States of America

(72) Name(s) of Designer(s): Bradley D. Schweigert and Xiaojian Chen and Michael R. Nicolette and John A. Solheim

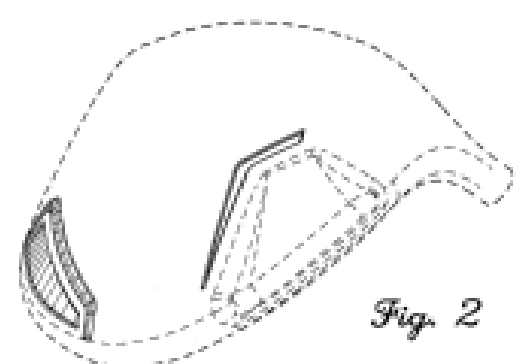
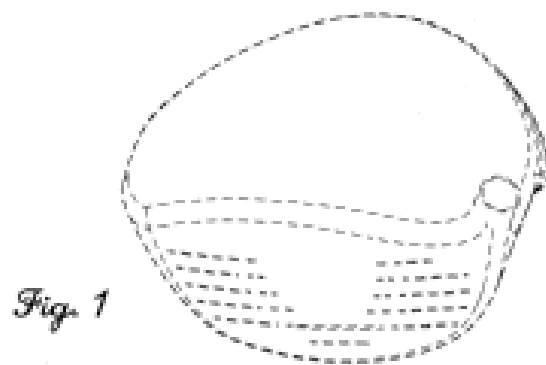
(45) Registration Date: 17 June 2010

(30) Convention priority data:

(31) Number	(32) Date	(33) Country
29/357167	08 Mar 2010	UNITED STATES OF AMERICA

(56) Related Art Documents: Not Applicable

(57) Statement of Newness and Distinctiveness: Newness and distinctiveness is claimed in the visual features shown in solid lines in the representations. In considering the extent of the design rights, the broken lines shown in the representations are for illustrative purposes only and do not form part of the design.



(19) AU

(21) Design Number: 11997/2010

(22) Date of Filing Application: 19 May 2010

(24) Date from which industrial property rights may have effect: 19 May 2010

(54) Product in respect of which the design is registered: Golf club head

(51) International Design Classification: 21-02C

(71) Name(s) and Address(s) of Applicant(s):

**Karsten Manufacturing Corporation
2201 West Desert Cove Phoenix Arizona 85029 United States of America**

(72) Name(s) of Designer(s): **Bradley D. Schweigert and Xiaojian Chen and Michael R. Nicolette and John A. Solheim**

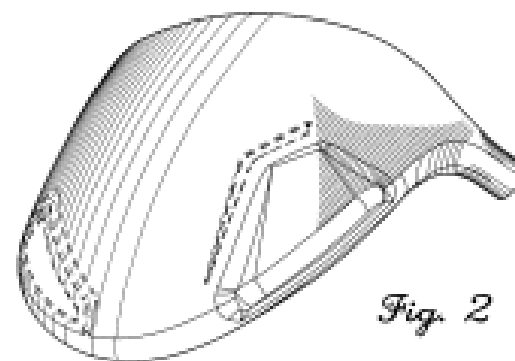
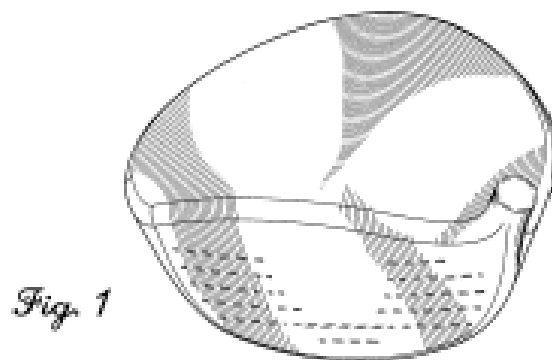
(45) Registration Date: 17 June 2010

(30) Convention priority data:

(31) Number	(32) Date	(33) Country
29/357169	08 Mar 2010	UNITED STATES OF AMERICA

(56) Related Art Documents: **Not Applicable**

(57) Statement of Newness and Distinctiveness: **Newness and distinctiveness is claimed in the visual features shown in solid lines in the representations. In considering the extent of the design rights, the broken lines shown in the representations are for illustrative purposes only and do not form part of the design.**



(19) AU

(21) Design Number: 13735/2009

(22) Date of Filing Application: 30 September 2009

(24) Date from which industrial property rights may have effect: 30 September 2009

(54) Product in respect of which the design is registered: Ladies garments

(51) International Design Classification: 02-02C

(71) Name(s) and Address(s) of Applicant(s):

**Hatzis Holdings Pty Ltd
Level 3 2-12 Foveaux Street Surry Hills New South Wales 2010 Australia**

(72) Name(s) of Designer(s): **Marie Hatzis**

(45) Registration Date: 16 June 2010

(56) Related Art Documents: **Not Applicable**

(57) Statement of Newness and Distinctiveness: **Nil**



- (21) Design Number: **12253/2010**
(22) Date of Filing Application: **30 September 2009**
(24) Date from which industrial property rights may have effect: **30 September 2009**
(54) Product in respect of which the design is registered: **Ladies garments**
(51) International Design Classification: **02-02NES**
(71) Name(s) and Address(s) of Applicant(s):
Hatzis Holdings Pty Ltd
Level 3 2-12 Foveaux Street Surry Hills New South Wales 2010
Australia
(72) Name(s) of Designer(s): **Marie Hatzis**
(45) Registration Date: **16 June 2010**
(56) Related Art Documents: **Not Applicable**
(57) Statement of Newness and Distinctiveness: **Nil**



- (21) Design Number: **12254/2010**
(22) Date of Filing Application: **30 September 2009**
(24) Date from which industrial property rights may have effect: **30 September 2009**
(54) Product in respect of which the design is registered: **Ladies garments**
(51) International Design Classification: **02-02C**
(71) Name(s) and Address(s) of Applicant(s):
Hatzis Holdings Pty Ltd
Level 3 2-12 Foveaux Street Surry Hills New South Wales 2010
Australia
(72) Name(s) of Designer(s): **Marie Hatzis**
(45) Registration Date: **16 June 2010**
(56) Related Art Documents: **Not Applicable**
(57) Statement of Newness and Distinctiveness: **Nil**



- (21) Design Number: **12255/2010**
(22) Date of Filing Application: **30 September 2009**
(24) Date from which industrial property rights may have effect: **30 September 2009**
(54) Product in respect of which the design is registered: **Ladies garments**
(51) International Design Classification: **02-02C**
(71) Name(s) and Address(s) of Applicant(s):
Hatzis Holdings Pty Ltd
Level 3 2-12 Foveaux Street Surry Hills New South Wales 2010
Australia
(72) Name(s) of Designer(s): **Marie Hatzis**
(45) Registration Date: **16 June 2010**
(56) Related Art Documents: **Not Applicable**
(57) Statement of Newness and Distinctiveness: **Nil**



- (21) Design Number: **12256/2010**
(22) Date of Filing Application: **30 September 2009**
(24) Date from which industrial property rights may have effect: **30 September 2009**
(54) Product in respect of which the design is registered: **Ladies garment**
(51) International Design Classification: **02-02C**
(71) Name(s) and Address(s) of Applicant(s):
Hatzis Holdings Pty Ltd
Level 3 2-12 Foveaux Street Surry Hills New South Wales 2010
Australia
(72) Name(s) of Designer(s): **Marie Hatzis**
(45) Registration Date: **16 June 2010**
(56) Related Art Documents: **Not Applicable**
(57) Statement of Newness and Distinctiveness: **Nil**



(21) Design Number: **12071/2010**

(22) Date of Filing Application: **24 May 2010**

(24) Date from which industrial property rights may have effect: **24 May 2010**

(54) Product in respect of which the design is registered: **Cooking apparatus**

(51) International Design Classification: **07-02E**

(71) Name(s) and Address(s) of Applicant(s):

**Foshan Shunde Everteam Industrial Co. Ltd
No. 27 East Rongqi Dadao Ronggui Shunde District Foshan City
Guangdong Province China**

(72) Name(s) of Designer(s): **Zhiqiang Liang**

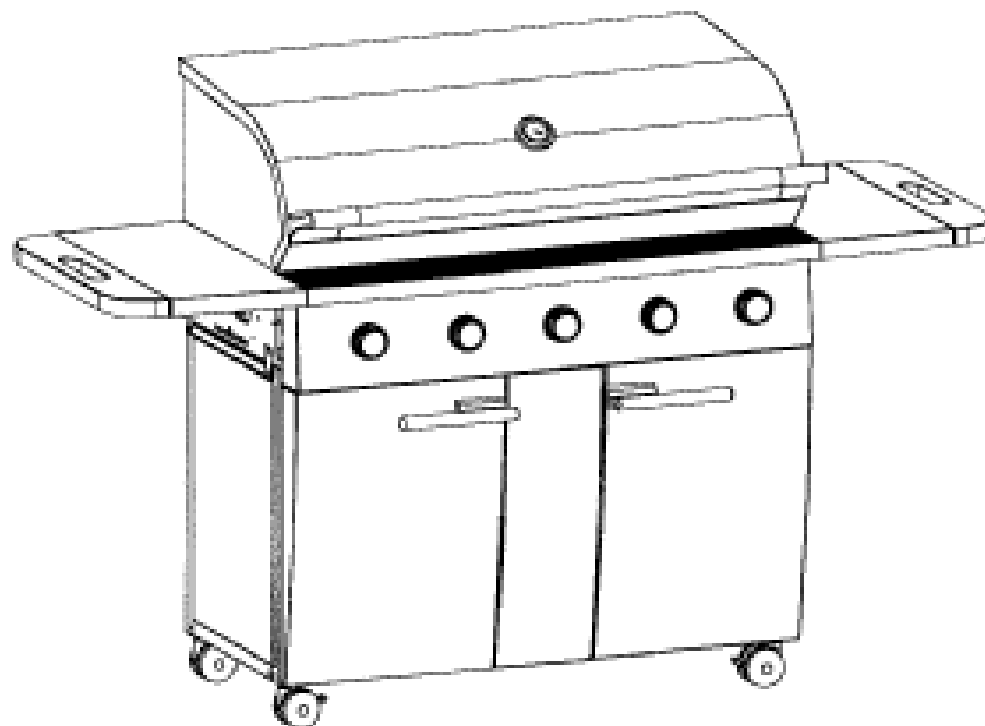
(45) Registration Date: **17 June 2010**

(30) Convention priority data:

(31) Number	(32) Date	(33) Country
201030102960.1	27 Jan 2010	CHINA

(56) Related Art Documents: **Not Applicable**

(57) Statement of Newness and Distinctiveness: **The newness and distinctiveness is claimed in the feature of the shape and/or configuration of a cooking apparatus as illustrated in the accompanying representations.**



(21) Design Number: **12072/2010**

(22) Date of Filing Application: **24 May 2010**

(24) Date from which industrial property rights may have effect: **24 May 2010**

(54) Product in respect of which the design is registered: **Cooking apparatus**

(51) International Design Classification: **07-02E**

(71) Name(s) and Address(s) of Applicant(s):

**Foshan Shunde Everteam Industrial Co. Ltd
No. 27 East Rongqi Dadao Ronggui Shunde District Foshan City
Guangdong Province China**

(72) Name(s) of Designer(s): **Zhiqiang Liang**

(45) Registration Date: **17 June 2010**

(30) Convention priority data:

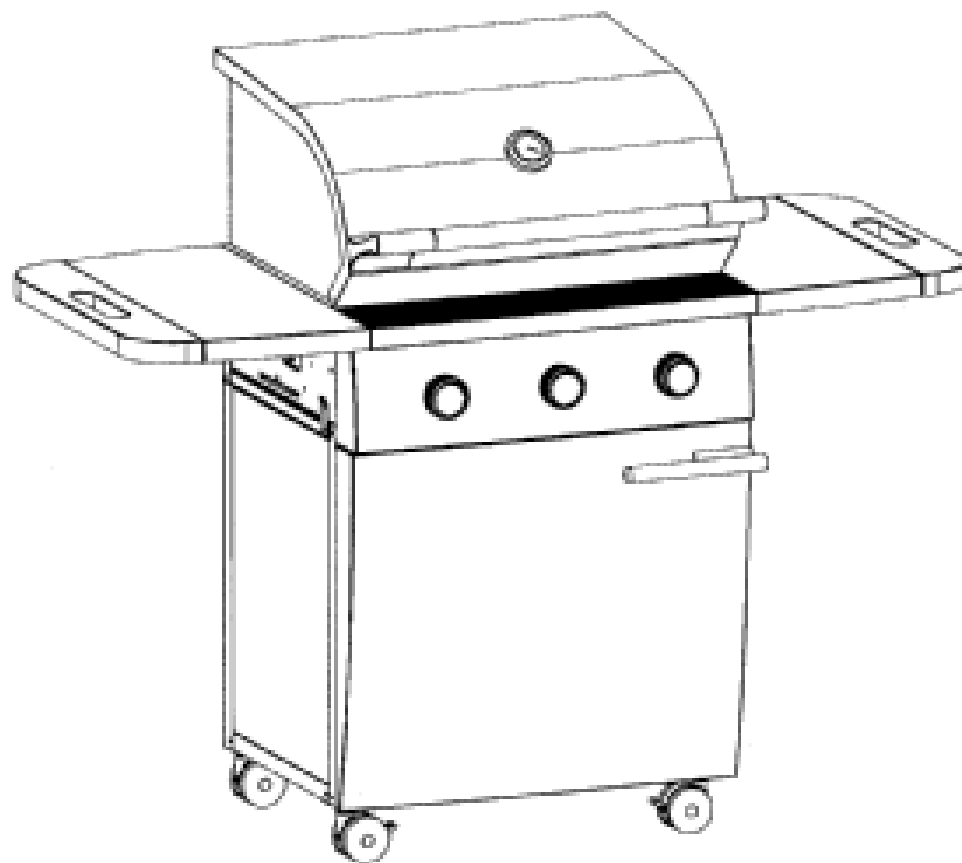
(31) Number	(32) Date	(33) Country
201030102960.1	27 Jan 2010	CHINA

(56) Related Art Documents: **Not Applicable**

(57) Statement of Newness and Distinctiveness: **The newness and distinctiveness is claimed in the feature of the shape and/or configuration of a cooking apparatus as illustrated in the accompanying representations.**



- (21) Design Number: **12073/2010**
(22) Date of Filing Application: **24 May 2010**
(24) Date from which industrial property rights may have effect: **24 May 2010**
(54) Product in respect of which the design is registered: **Cooking apparatus**
(51) International Design Classification: **07-02E**
(71) Name(s) and Address(s) of Applicant(s):
Foshan Shunde Everteam Industrial Co. Ltd
No. 27 East Rongqi Dadao Ronggui Shunde District Foshan City
Guangdong Province China
(72) Name(s) of Designer(s): **Zhiqiang Liang**
(45) Registration Date: **17 June 2010**
(30) Convention priority data:
(31) Number (32) Date (33) Country
201030102960.1 **27 Jan 2010** **CHINA**
(56) Related Art Documents: **Not Applicable**
(57) Statement of Newness and Distinctiveness: **The newness and distinctiveness is claimed in the feature of the shape and/or configuration of a cooking apparatus as illustrated in the accompanying representations.**



- (21) Design Number: **12074/2010**
(22) Date of Filing Application: **24 May 2010**
(24) Date from which industrial property rights may have effect: **24 May 2010**
(54) Product in respect of which the design is registered: **Cooking apparatus**
(51) International Design Classification: **07-02E**
(71) Name(s) and Address(s) of Applicant(s):
Foshan Shunde Everteam Industrial Co. Ltd
No. 27 East Rongqi Dadao Ronggui Shunde District Foshan City
Guangdong Province China
(72) Name(s) of Designer(s): **Zhiqiang Liang**
(45) Registration Date: **17 June 2010**
(30) Convention priority data:
(31) Number (32) Date (33) Country
201030102960.1 **27 Jan 2010** **CHINA**
(56) Related Art Documents: **Not Applicable**
(57) Statement of Newness and Distinctiveness: **The newness and distinctiveness is claimed in the feature of the shape and/or configuration of a cooking apparatus as illustrated in the accompanying representations.**



(21) Design Number: 12075/2010

(22) Date of Filing Application: 24 May 2010

(24) Date from which industrial property rights may have effect: 24 May 2010

(54) Product in respect of which the design is registered: **Cooking apparatus**

(51) International Design Classification: 07-02E

(71) Name(s) and Address(s) of Applicant(s):

Foshan Shunde Everteam Industrial Co. Ltd
No. 27 East Rongqi Dadao Ronggui Shunde District Foshan City
Guangdong Province China

(72) Name(s) of Designer(s): **Zhiqiang Liang**

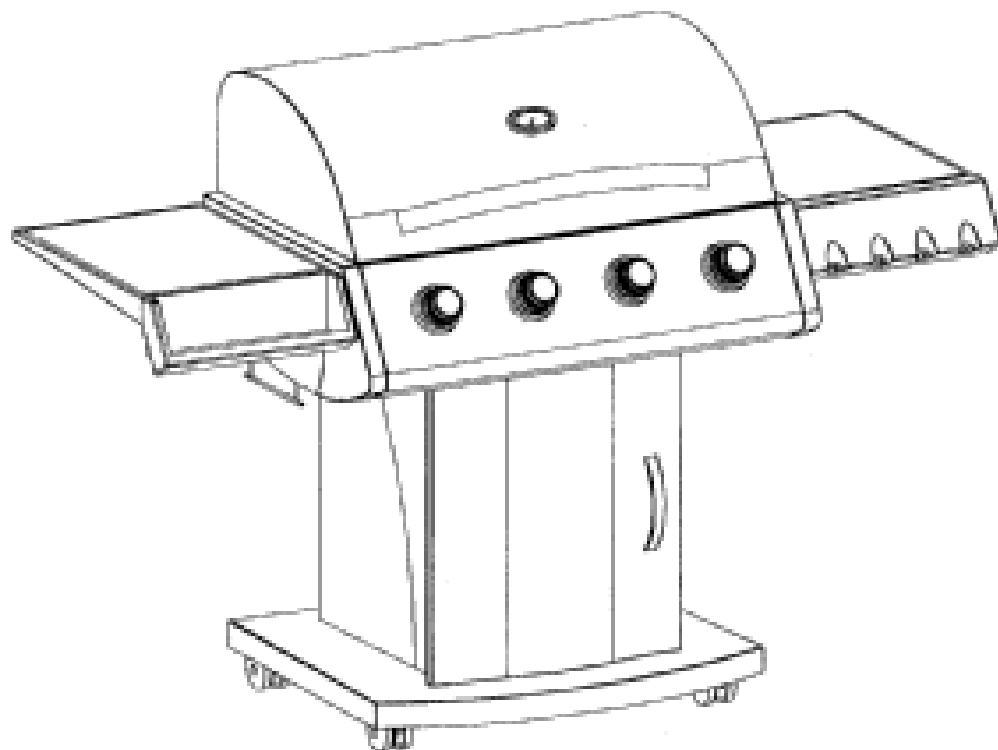
(45) Registration Date: 17 June 2010

(30) Convention priority data:

(31) Number	(32) Date	(33) Country
201030102957.X	27 Jan 2010	CHINA

(56) Related Art Documents: **Not Applicable**

(57) Statement of Newness and Distinctiveness: **The newness and distinctiveness is claimed in the feature of the shape and/or configuration of a cooking apparatus as illustrated in the accompanying representations.**



(21) Design Number: 12080/2010

(22) Date of Filing Application: 24 May 2010

(24) Date from which industrial property rights may have effect: 24 May 2010

(54) Product in respect of which the design is registered: **Cooking apparatus**

(51) International Design Classification: 07-02E

(71) Name(s) and Address(s) of Applicant(s):

Foshan Shunde Everteam Industrial Co. Ltd
No. 27 East Rongqi Dadao Ronggui Shunde District Foshan City
Guangdong Province China

(72) Name(s) of Designer(s): **Zhiqiang Liang**

(45) Registration Date: 17 June 2010

(30) Convention priority data:

(31) Number	(32) Date	(33) Country
201030107500.8	05 Feb 2010	CHINA

(56) Related Art Documents: **Not Applicable**

(57) Statement of Newness and Distinctiveness: **The newness and distinctiveness is claimed in the feature of the shape and/or configuration of a cooking apparatus as illustrated in the accompanying representations.**



(21) Design Number: **12081/2010**

(22) Date of Filing Application: **24 May 2010**

(24) Date from which industrial property rights may have effect: **24 May 2010**

(54) Product in respect of which the design is registered: **Cooking apparatus**

(51) International Design Classification: **07-02E**

(71) Name(s) and Address(s) of Applicant(s):

**Foshan Shunde Everteam Industrial Co. Ltd
No. 27 East Rongqi Dadao Ronggui Shunde District Foshan City
Guangdong Province China**

(72) Name(s) of Designer(s): **Zhiqiang Liang**

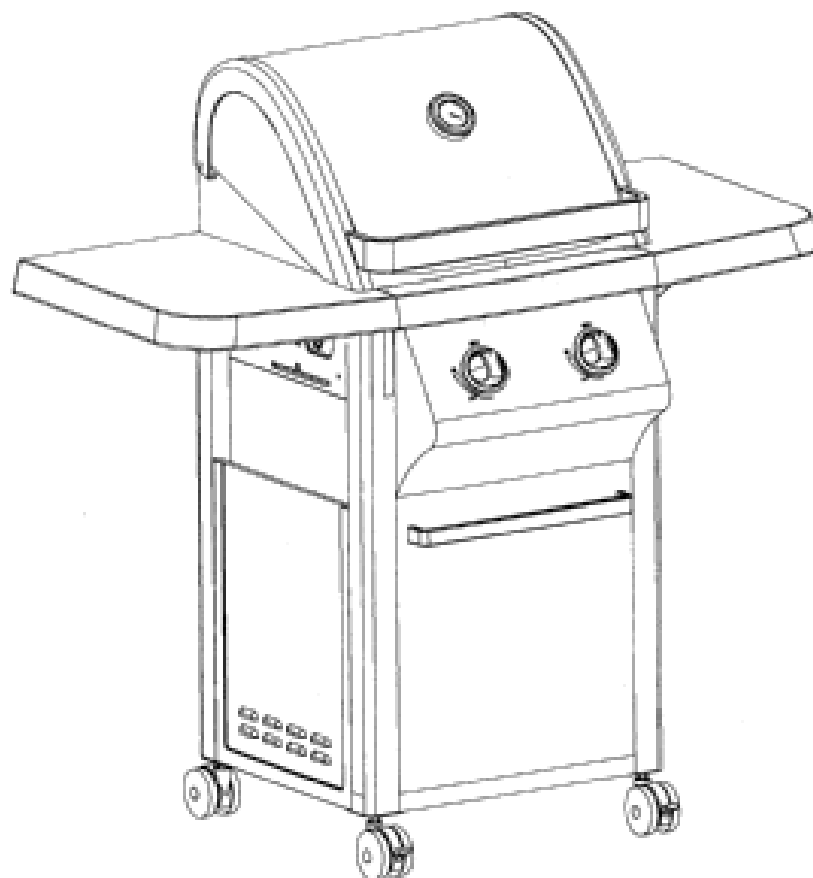
(45) Registration Date: **17 June 2010**

(30) Convention priority data:

(31) Number	(32) Date	(33) Country
201030107500.8	05 Feb 2010	CHINA

(56) Related Art Documents: **Not Applicable**

(57) Statement of Newness and Distinctiveness: **The newness and distinctiveness is claimed in the feature of the shape and/or configuration of a cooking apparatus as illustrated in the accompanying representations.**



(21) Design Number: **14766/2009**

(22) Date of Filing Application: **04 December 2009**

(24) Date from which industrial property rights may have effect: **04 December 2009**

(54) Product in respect of which the design is registered: **Key Blank**

(51) International Design Classification: **08-07**

(71) Name(s) and Address(s) of Applicant(s):

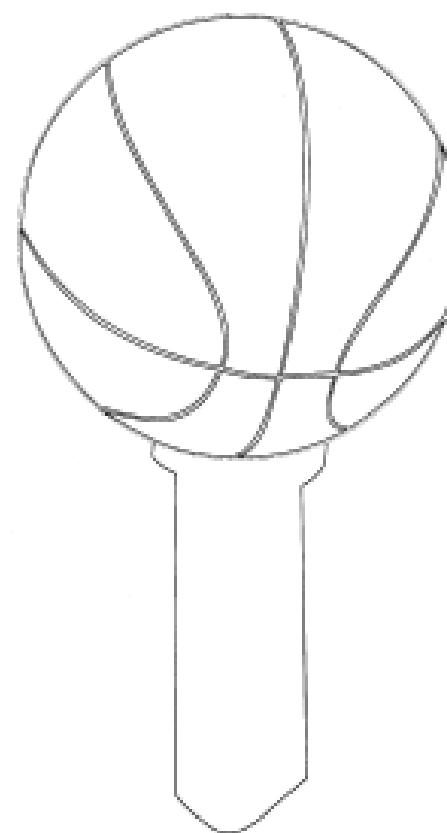
**Sporty Keys Pty Ltd
c/- Actuate IP 9/140 Queen Street Melbourne Victoria 3000 Australia**

(72) Name(s) of Designer(s): **William Bona**

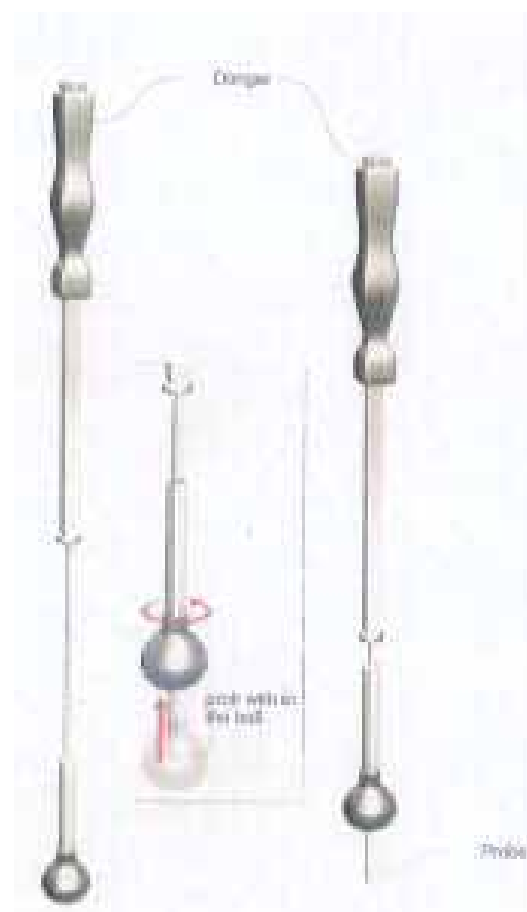
(45) Registration Date: **18 June 2010**

(56) Related Art Documents: **Not Applicable**

(57) Statement of Newness and Distinctiveness: **Newness and Distinctiveness are claimed in the features of shape and/or configuration of the top of the key blank as illustrated in the accompanying representations. No monopoly is claimed in the shaft of the key blank that may incorporate any standard shaft and no monopoly is claimed in the devil figure and trident.**



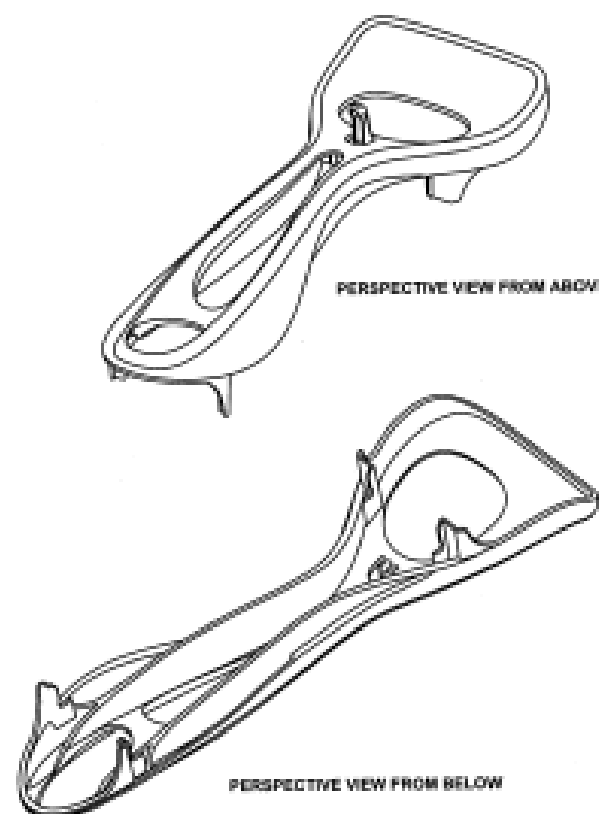
(21) Design Number: **10573/2010**
 (22) Date of Filing Application: **18 February 2010**
 (24) Date from which industrial property rights may have effect: **18 February 2010**
 (54) Product in respect of which the design is registered: **Pest detection device**
 (51) International Design Classification: **08-99, 22-99**
 (71) Name(s) and Address(s) of Applicant(s):
JVN Holdings Pty Ltd
28 Birch Crescent Corrimal New South Wales 2518 Australia
 (72) Name(s) of Designer(s): **Joseph L. Neubauer**
 (45) Registration Date: **18 June 2010**
 (56) Related Art Documents: **Not Applicable**
 (57) Statement of Newness and Distinctiveness: **Extendable probe with metal probe tip.**



(21) Design Number: **10330/2010**
 (22) Date of Filing Application: **29 January 2010**
 (24) Date from which industrial property rights may have effect: **29 January 2010**
 (54) Product in respect of which the design is registered: **Razor holder**
 (51) International Design Classification: **28-03A**
 (71) Name(s) and Address(s) of Applicant(s):
Eveready Battery Company, Inc.
533 Maryville University Drive St Louis Missouri 63141 United States of America
 (72) Name(s) of Designer(s): **Sean Lukan and Donald P. Roche**
 (45) Registration Date: **18 June 2010**
 (30) Convention priority data:

(31) Number	(32) Date	(33) Country
29/342727	31 Aug 2009	UNITED STATES OF AMERICA

 (56) Related Art Documents: **Not Applicable**
 (57) Statement of Newness and Distinctiveness: **Nil**



(21) Design Number: 10331/2010

(22) Date of Filing Application: 29 January 2010

(24) Date from which industrial property rights may have effect: 29 January 2010

(54) Product in respect of which the design is registered: Razor cartridge holder

(51) International Design Classification: 28-03A

(71) Name(s) and Address(s) of Applicant(s):

Eveready Battery Company, Inc.
533 Maryville University Drive St Louis Missouri 63141 United States of America

(72) Name(s) of Designer(s): Mark S. Peyser and Wes Rhoad

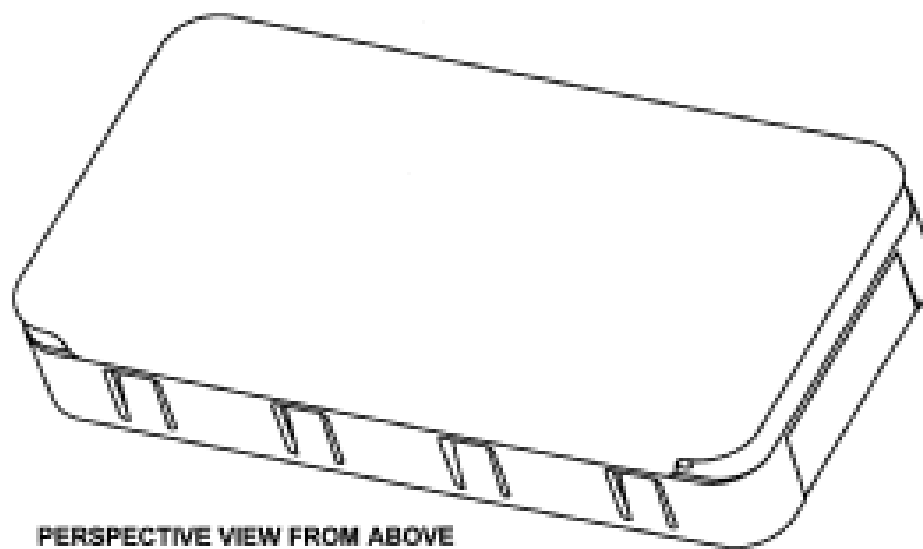
(45) Registration Date: 18 June 2010

(30) Convention priority data:

(31) Number	(32) Date	(33) Country
29/342722	31 Aug 2009	UNITED STATES OF AMERICA

(56) Related Art Documents: Not Applicable

(57) Statement of Newness and Distinctiveness: Nil



(21) Design Number: 10332/2010

(22) Date of Filing Application: 29 January 2010

(24) Date from which industrial property rights may have effect: 29 January 2010

(54) Product in respect of which the design is registered: Razor cartridge

(51) International Design Classification: 28-03A

(71) Name(s) and Address(s) of Applicant(s):

Eveready Battery Company, Inc.
533 Maryville University Drive St Louis Missouri 63141 United States of America

(72) Name(s) of Designer(s): Sean Lukan and Andrew T. Hitchcock

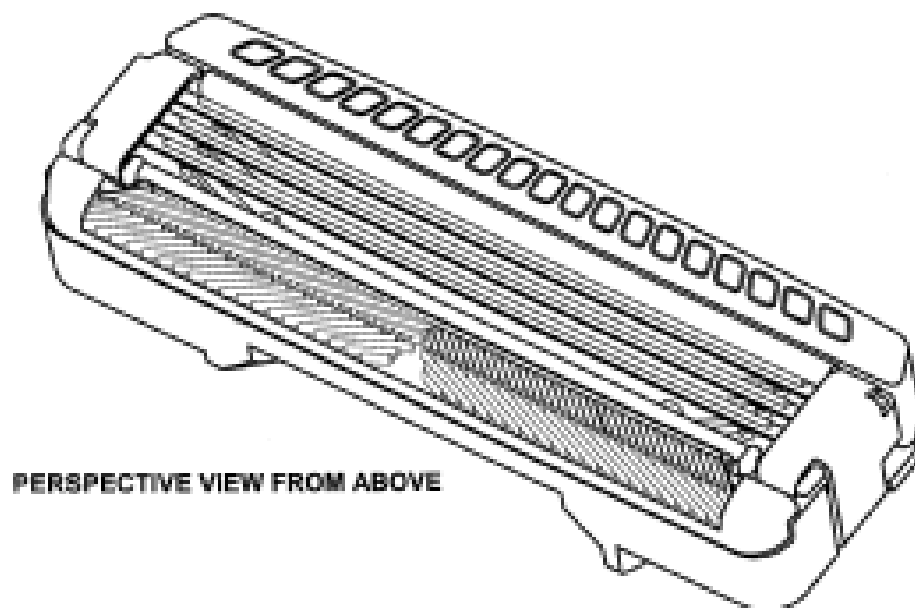
(45) Registration Date: 18 June 2010

(30) Convention priority data:

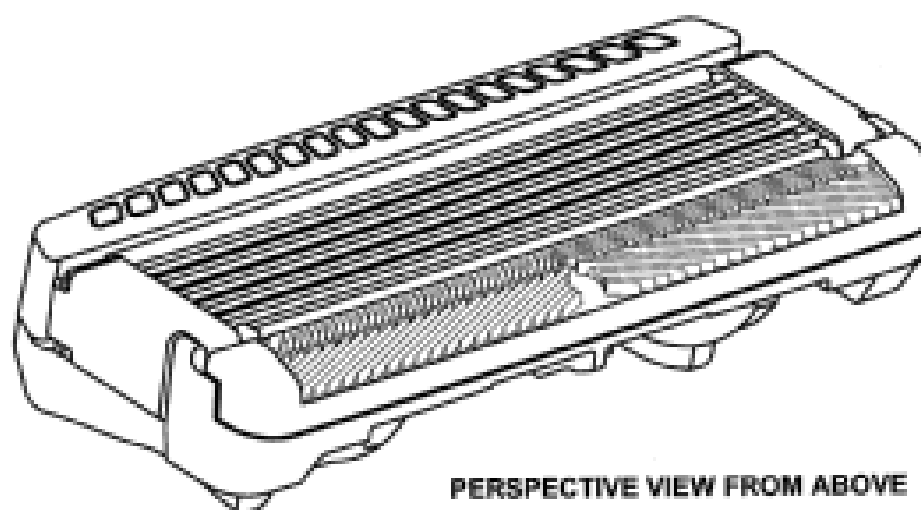
(31) Number	(32) Date	(33) Country
29/342715	31 Aug 2009	UNITED STATES OF AMERICA

(56) Related Art Documents: Not Applicable

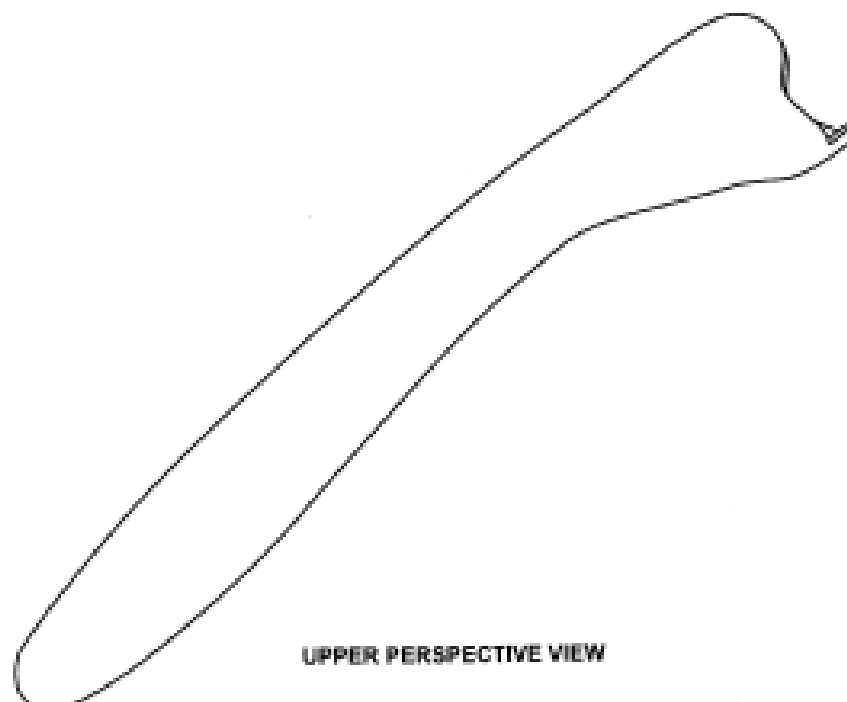
(57) Statement of Newness and Distinctiveness: Nil



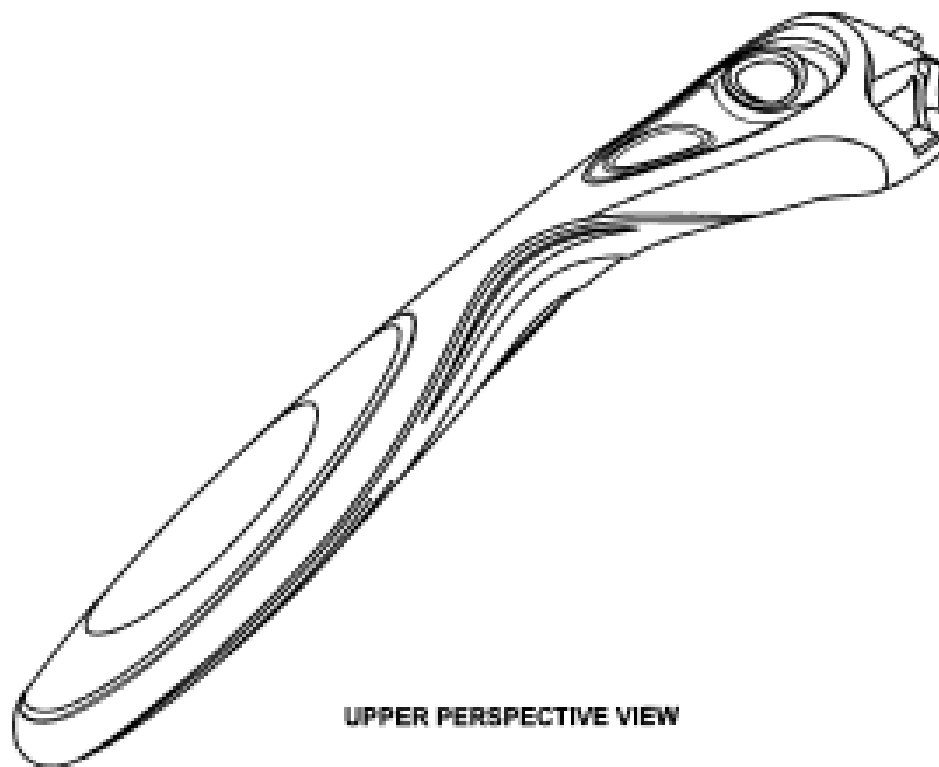
(21) Design Number: **10333/2010**
(22) Date of Filing Application: **29 January 2010**
(24) Date from which industrial property rights may have effect: **29 January 2010**
(54) Product in respect of which the design is registered: **Razor cartridge**
(51) International Design Classification: **28-03A**
(71) Name(s) and Address(s) of Applicant(s):
Eveready Battery Company, Inc.
533 Maryville University Drive St Louis Missouri 63141 United States of America
(72) Name(s) of Designer(s): **Sean Lukan and Nathan Venskytis**
(45) Registration Date: **18 June 2010**
(30) Convention priority data:
(31) Number (32) Date (33) Country
29/342707 31 Aug 2009 UNITED STATES OF AMERICA
(56) Related Art Documents: **Not Applicable**
(57) Statement of Newness and Distinctiveness: **Nil**



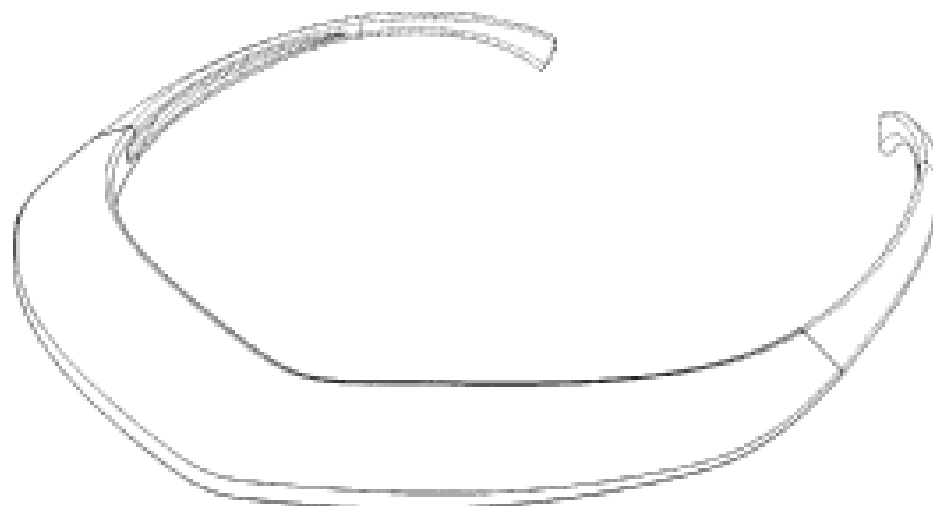
(21) Design Number: **10334/2010**
(22) Date of Filing Application: **29 January 2010**
(24) Date from which industrial property rights may have effect: **29 January 2010**
(54) Product in respect of which the design is registered: **Safety razor handle**
(51) International Design Classification: **28-03A**
(71) Name(s) and Address(s) of Applicant(s):
Eveready Battery Company, Inc.
533 Maryville University Drive St Louis Missouri 63141 United States of America
(72) Name(s) of Designer(s): **Sean Lukan**
(45) Registration Date: **18 June 2010**
(30) Convention priority data:
(31) Number (32) Date (33) Country
29/342704 31 Aug 2009 UNITED STATES OF AMERICA
(56) Related Art Documents: **Not Applicable**
(57) Statement of Newness and Distinctiveness: **Nil**



(21) Design Number: **10335/2010**
(22) Date of Filing Application: **29 January 2010**
(24) Date from which industrial property rights may have effect: **29 January 2010**
(54) Product in respect of which the design is registered: **Safety razor handle**
(51) International Design Classification: **28-03A**
(71) Name(s) and Address(s) of Applicant(s):
Eveready Battery Company, Inc.
533 Maryville University Drive St Louis Missouri 63141 United States of America
(72) Name(s) of Designer(s): **Sean Lukan**
(45) Registration Date: **18 June 2010**
(30) Convention priority data:
(31) Number (32) Date (33) Country
29/342701 31 Aug 2009 UNITED STATES OF AMERICA
(56) Related Art Documents: **Not Applicable**
(57) Statement of Newness and Distinctiveness: **Nil**



(21) Design Number: **12085/2010**
(22) Date of Filing Application: **24 May 2010**
(24) Date from which industrial property rights may have effect: **24 May 2010**
(54) Product in respect of which the design is registered: **Sun visor**
(51) International Design Classification: **02-03**
(71) Name(s) and Address(s) of Applicant(s):
Hans Anton van Aanholt
Gezichtslaan 37 3723 GB Bilthoven The Netherlands
(72) Name(s) of Designer(s): **Hans Anton van Aanholt**
(45) Registration Date: **18 June 2010**
(30) Convention priority data:
(31) Number (32) Date (33) Country
001646753-0001 11 Dec 2009 EUROPEAN COMMUNITY
(56) Related Art Documents: **Not Applicable**
(57) Statement of Newness and Distinctiveness: **Nil**



(21) Design Number: **12087/2010**

(22) Date of Filing Application: **21 May 2010**

(24) Date from which industrial property rights may have effect: **21 May 2010**

(54) Product in respect of which the design is registered: **Latch plate**

(51) International Design Classification: **08-07**

(71) Name(s) and Address(s) of Applicant(s):

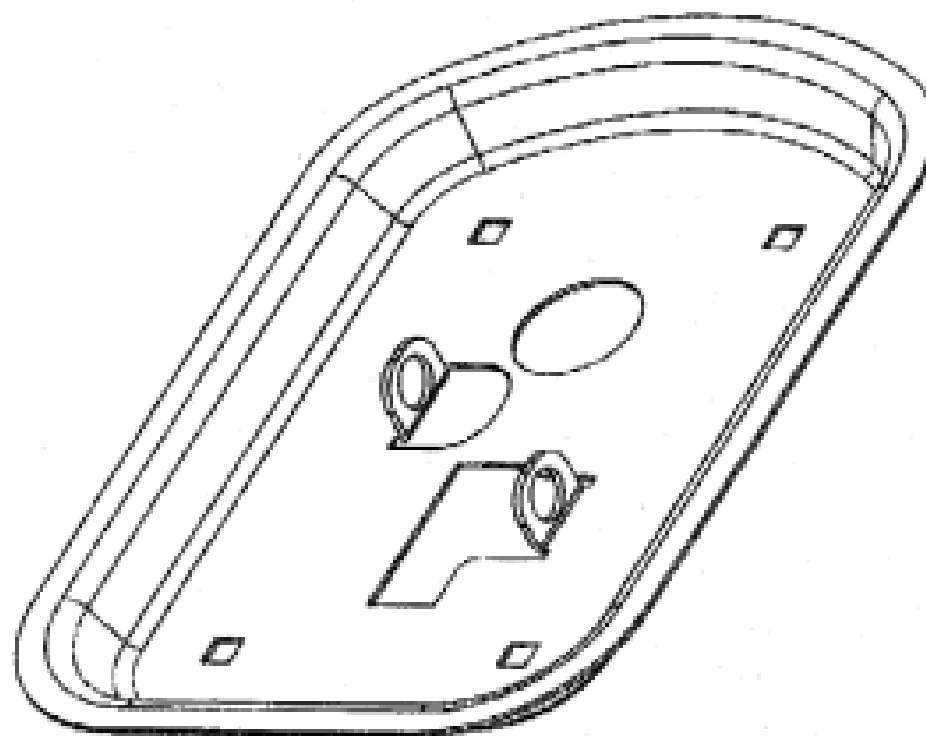
**Steel Storage Holdings Pty Ltd
Northport Business Park Unit 1 425 Nudgee Road Hendra Brisbane
Queensland 4011 Australia**

(72) Name(s) of Designer(s): **Gerard Michael Ryan and Jon Perrins**

(45) Registration Date: **18 June 2010**

(56) Related Art Documents: **Not Applicable**

(57) Statement of Newness and Distinctiveness: **Monopoly is claimed in the shape and configuration of a latch plate as illustrated in the accompanying representations.**



(21) Design Number: **12089/2010**

(22) Date of Filing Application: **24 May 2010**

(24) Date from which industrial property rights may have effect: **24 May 2010**

(54) Product in respect of which the design is registered: **An excavator rigging socket**

(51) International Design Classification: **08-05P**

(71) Name(s) and Address(s) of Applicant(s):

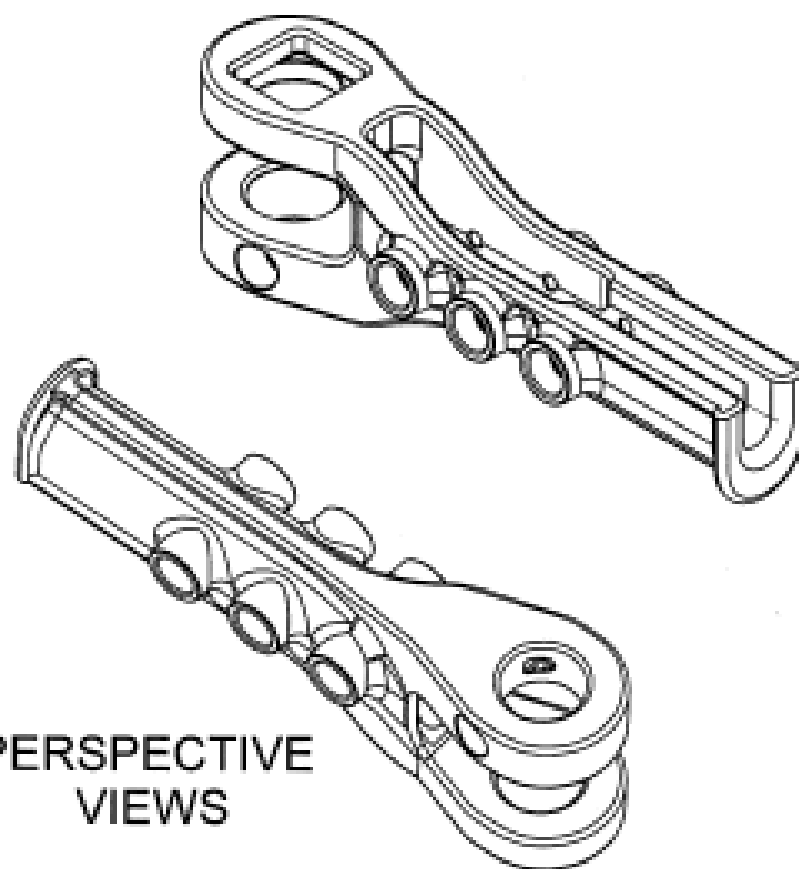
**CQMS Pty Ltd
36 Enterprise Street Mackay Queensland 4740 Australia**

(72) Name(s) of Designer(s): **Bevan Hall and John De Wit and Robert Moloney**

(45) Registration Date: **18 June 2010**

(56) Related Art Documents: **Not Applicable**

(57) Statement of Newness and Distinctiveness: **The newness and distinctiveness of the design resides in the shape and/or configuration of an excavator rigging socket as shown in the representations.**



(21) Design Number: **12090/2010**

(22) Date of Filing Application: **24 May 2010**

(24) Date from which industrial property rights may have effect: **24 May 2010**

(54) Product in respect of which the design is registered: **A mattress cover**

(51) International Design Classification: **06-13B**

(71) Name(s) and Address(s) of Applicant(s):

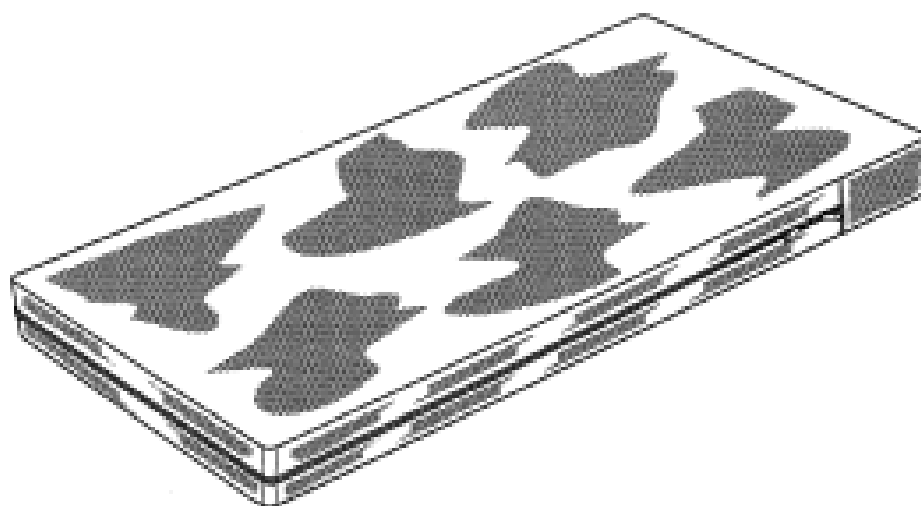
Bobby Bebe Pty Ltd
132-134 Compton Road Woodridge Queensland 4114 Australia

(72) Name(s) of Designer(s): **Fazila Bhamjee**

(45) Registration Date: **18 June 2010**

(56) Related Art Documents: **Not Applicable**

(57) Statement of Newness and Distinctiveness: **The newness and distinctiveness of the design resides in the shape and/or configuration of a mattress cover as shown in the representations.**



(21) Design Number: **12092/2010**

(22) Date of Filing Application: **24 May 2010**

(24) Date from which industrial property rights may have effect: **24 May 2010**

(54) Product in respect of which the design is registered: **Bicycle carrier adaptor bar**

(51) International Design Classification: **12-16K**

(71) Name(s) and Address(s) of Applicant(s):

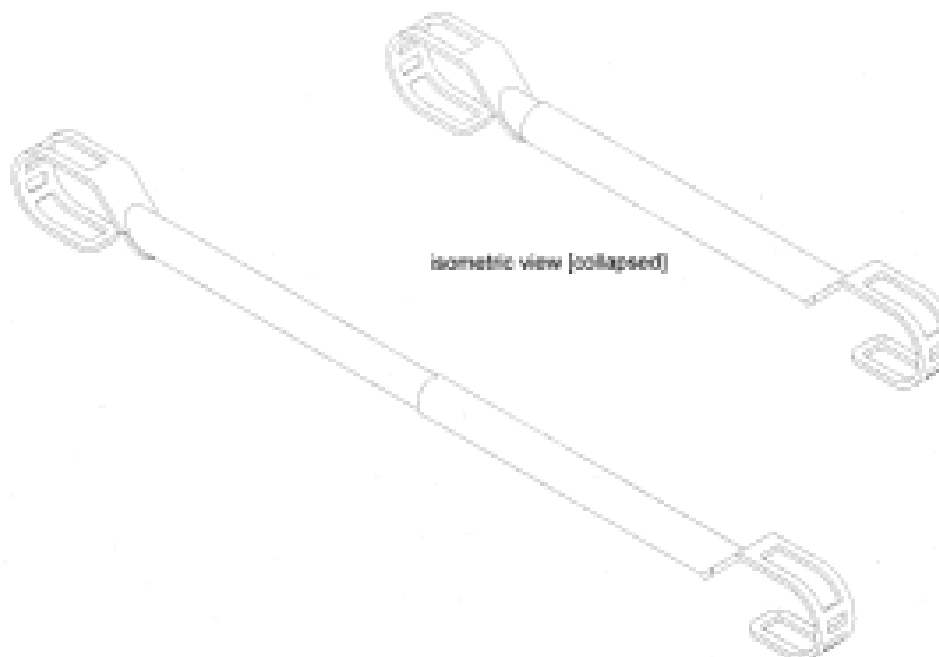
The Bicycle Corporation Pty Ltd
9 Villa Road Springvale Victoria 3171 Australia

(72) Name(s) of Designer(s): **David William Lugton**

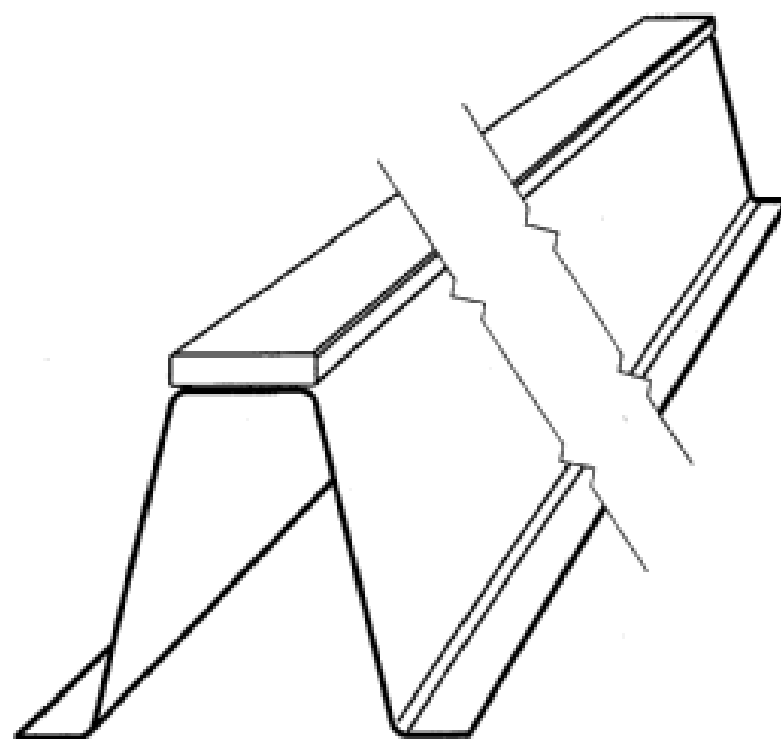
(45) Registration Date: **18 June 2010**

(56) Related Art Documents: **Not Applicable**

(57) Statement of Newness and Distinctiveness: **Newness and distinctiveness reside in the overall shape as indicated by the attached illustrations.**

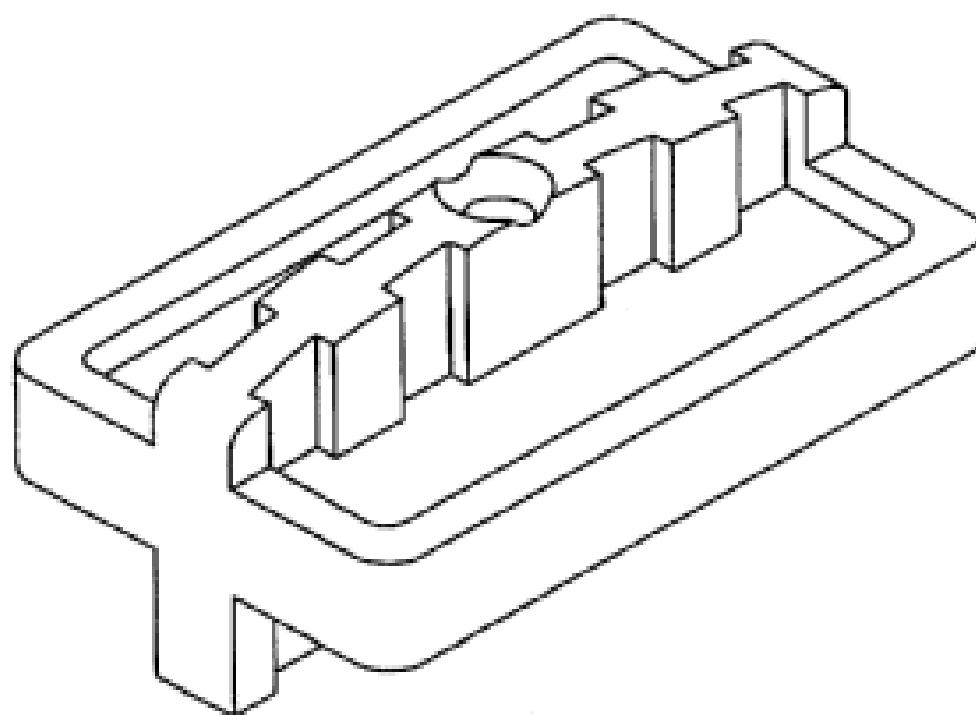


- (21) Design Number: **12108/2010**
(22) Date of Filing Application: **25 May 2010**
(24) Date from which industrial property rights may have effect: **25 May 2010**
(54) Product in respect of which the design is registered: **A modified batten**
(51) International Design Classification: **25-01NES**
(71) Name(s) and Address(s) of Applicant(s):
AM & SK Holdings Pty Ltd
5/3 Dalton Street Coomera Queensland 4209 Australia
(72) Name(s) of Designer(s): **Sean Alan Kelly**
(45) Registration Date: **18 June 2010**
(56) Related Art Documents: **Not Applicable**
(57) Statement of Newness and Distinctiveness: **The newness and distinctiveness of the design resides in the shape and/or configuration of a modified batten shown in the representations.**

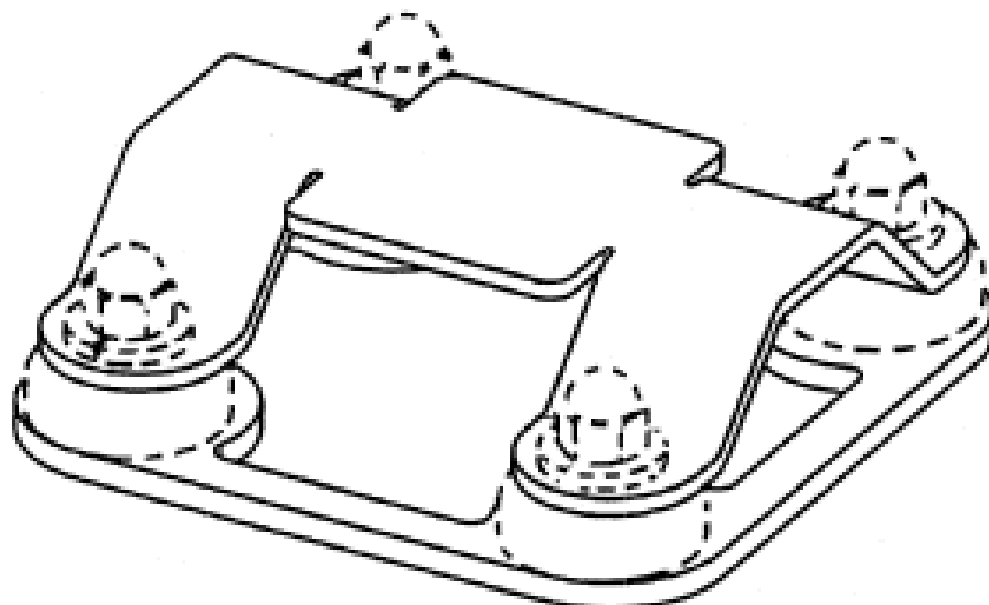


PERSPECTIVE VIEW

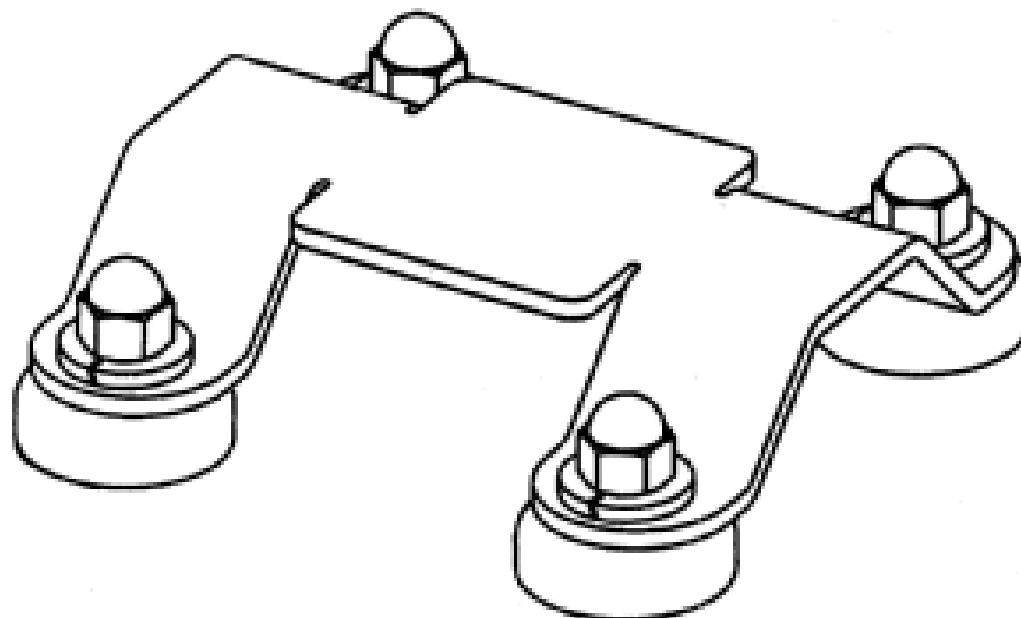
- (21) Design Number: **12109/2010**
(22) Date of Filing Application: **25 May 2010**
(24) Date from which industrial property rights may have effect: **25 May 2010**
(54) Product in respect of which the design is registered: **Floor board fixture**
(51) International Design Classification: **25-01F**
(71) Name(s) and Address(s) of Applicant(s):
WPC Corporation
No. 7-12-604 Mita 5-chome Minato-ku Tokyo Japan
(72) Name(s) of Designer(s): **Takeyasu Kikuchi**
(45) Registration Date: **18 June 2010**
(30) Convention priority data:
(31) Number (32) Date (33) Country
2010-3253 12 Feb 2010 JAPAN
(56) Related Art Documents: **Not Applicable**
(57) Statement of Newness and Distinctiveness: **The newness and distinctiveness of the design resides in the shape and/or configuration of the floor board fixture shown in the representations.**



- (21) Design Number: **11162/2010**
(22) Date of Filing Application: **31 March 2010**
(24) Date from which industrial property rights may have effect: **31 March 2010**
(54) Product in respect of which the design is registered: **A bracket**
(51) International Design Classification: **08-08L**
(71) Name(s) and Address(s) of Applicant(s):
Jacket Bracket Pty Ltd
C/- PO Box 275 Mornington Victoria 3931 Australia
(72) Name(s) of Designer(s): **William Donald Monro and Bradley Frazer Smits and Hamish Scott Falconer**
(45) Registration Date: **21 June 2010**
(56) Related Art Documents: **Not Applicable**
(57) Statement of Newness and Distinctiveness: **Newness and distinctiveness is claimed in the features of shape, form and configuration as shown in solid line in accompanying representations.**



- (21) Design Number: **12427/2010**
(22) Date of Filing Application: **31 March 2010**
(24) Date from which industrial property rights may have effect: **31 March 2010**
(54) Product in respect of which the design is registered: **A bracket**
(51) International Design Classification: **08-08L**
(71) Name(s) and Address(s) of Applicant(s):
Jacket Bracket Pty Ltd
C/- PO Box 275 Mornington Victoria 3931 Australia
(72) Name(s) of Designer(s): **William Donald Monro and Bradley Frazer Smits and Hamish Scott Falconer**
(45) Registration Date: **21 June 2010**
(56) Related Art Documents: **Not Applicable**
(57) Statement of Newness and Distinctiveness: **Newness and distinctiveness resides in the visual features of shape and/or configuration of the bracket as shown in solid line in the accompanying representations.**



(21) Design Number: **12428/2010**

(22) Date of Filing Application: **31 March 2010**

(24) Date from which industrial property rights may have effect: **31 March 2010**

(54) Product in respect of which the design is registered: **A bracket**

(51) International Design Classification: **08-08L**

(71) Name(s) and Address(s) of Applicant(s):

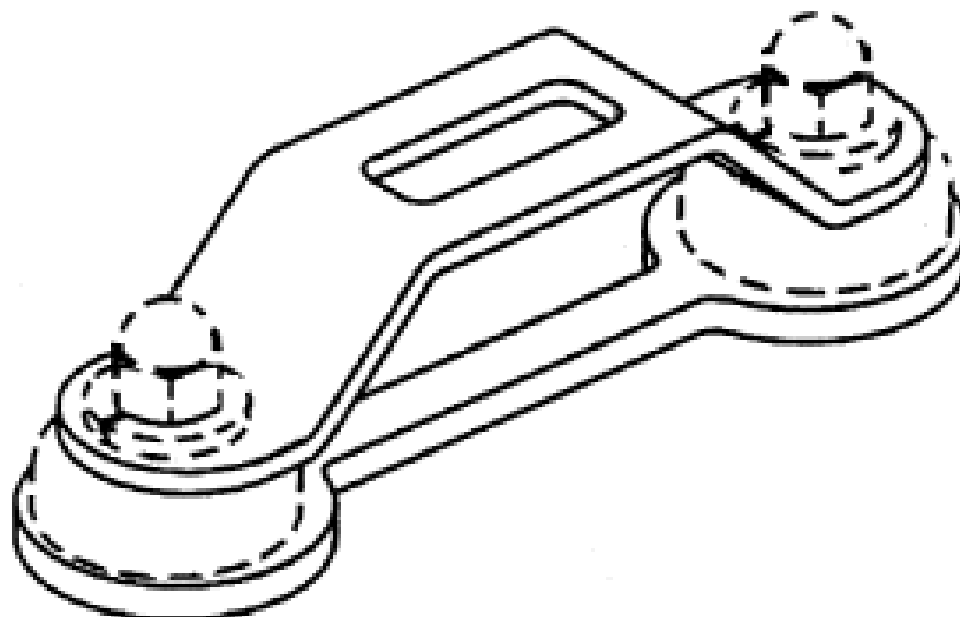
**Jacket Bracket Pty Ltd
C/- PO Box 275 Mornington Victoria 3931 Australia**

(72) Name(s) of Designer(s): **William Donald Monro and Bradley Frazer Smits and Hamish Scott Falconer**

(45) Registration Date: **21 June 2010**

(56) Related Art Documents: **Not Applicable**

(57) Statement of Newness and Distinctiveness: **Newness and distinctiveness resides in the visual features of shape and/or configuration of the bracket as shown in solid line in the accompanying representations.**



(21) Design Number: **11163/2010**

(22) Date of Filing Application: **31 March 2010**

(24) Date from which industrial property rights may have effect: **31 March 2010**

(54) Product in respect of which the design is registered: **A bracket**

(51) International Design Classification: **08-08L**

(71) Name(s) and Address(s) of Applicant(s):

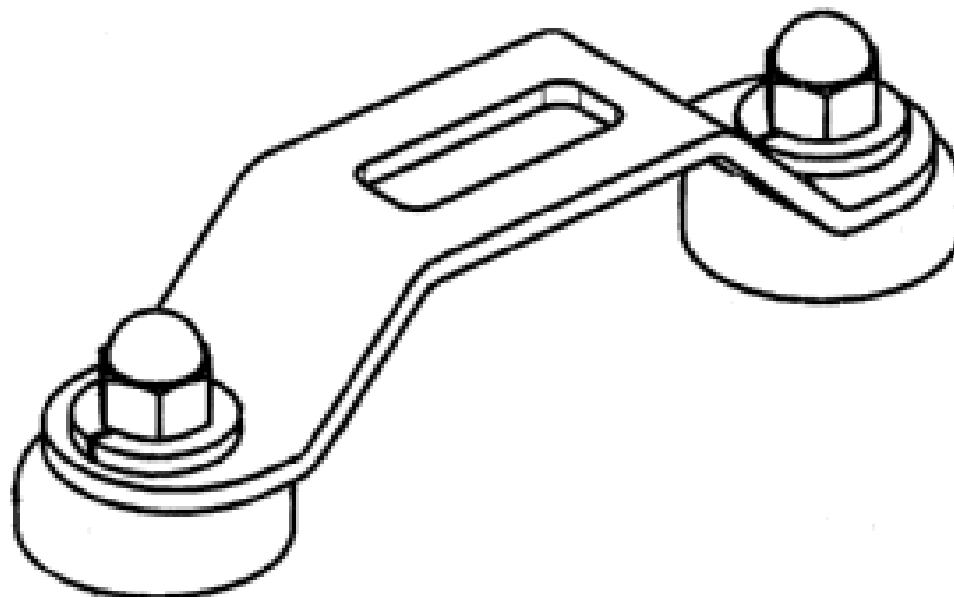
**Jacket Bracket Pty Ltd
C/- PO Box 275 Mornington Victoria 3931 Australia**

(72) Name(s) of Designer(s): **William Donald Monro and Bradley Frazer Smits and Hamish Scott Falconer**

(45) Registration Date: **21 June 2010**

(56) Related Art Documents: **Not Applicable**

(57) Statement of Newness and Distinctiveness: **Newness and distinctiveness resides in the visual features of shape and/or configuration of the bracket as shown in solid line in the accompanying representations.**



(21) Design Number: **11195/2010**
(22) Date of Filing Application: **06 April 2010**
(24) Date from which industrial property rights may have effect: **06 April 2010**
(54) Product in respect of which the design is registered: **Cable tie**
(51) International Design Classification: **13-03B**
(71) Name(s) and Address(s) of Applicant(s):

Ceangal Lite Limited
C/- 63 Park Boulevard Tyrrelstown Dublin 15 Ireland

(72) Name(s) of Designer(s): **Christopher Dunne**

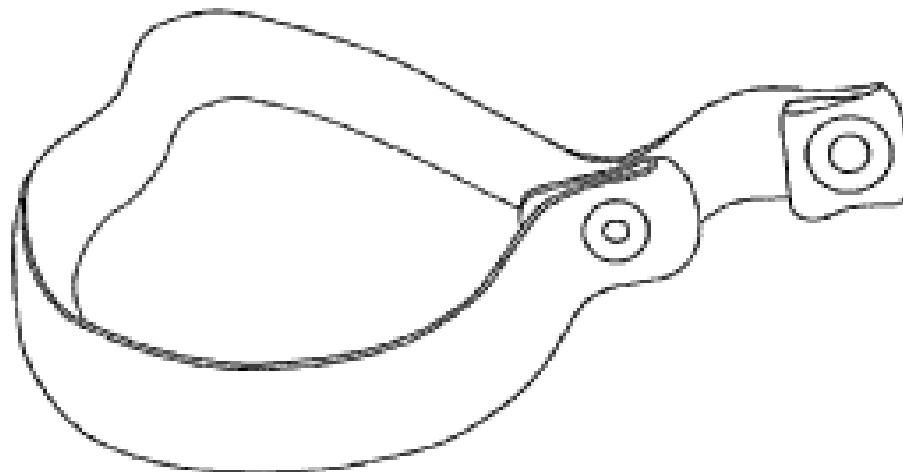
(45) Registration Date: **21 June 2010**

(30) Convention priority data:

(31) Number	(32) Date	(33) Country
412748	05 Oct 2009	NEW ZEALAND

(56) Related Art Documents: **Not Applicable**

(57) Statement of Newness and Distinctiveness: **Nil**



(21) Design Number: **11293/2010**
(22) Date of Filing Application: **08 April 2010**
(24) Date from which industrial property rights may have effect: **08 April 2010**
(54) Product in respect of which the design is registered: **Fluorescent light fixture**
(51) International Design Classification: **26-05A**
(71) Name(s) and Address(s) of Applicant(s):

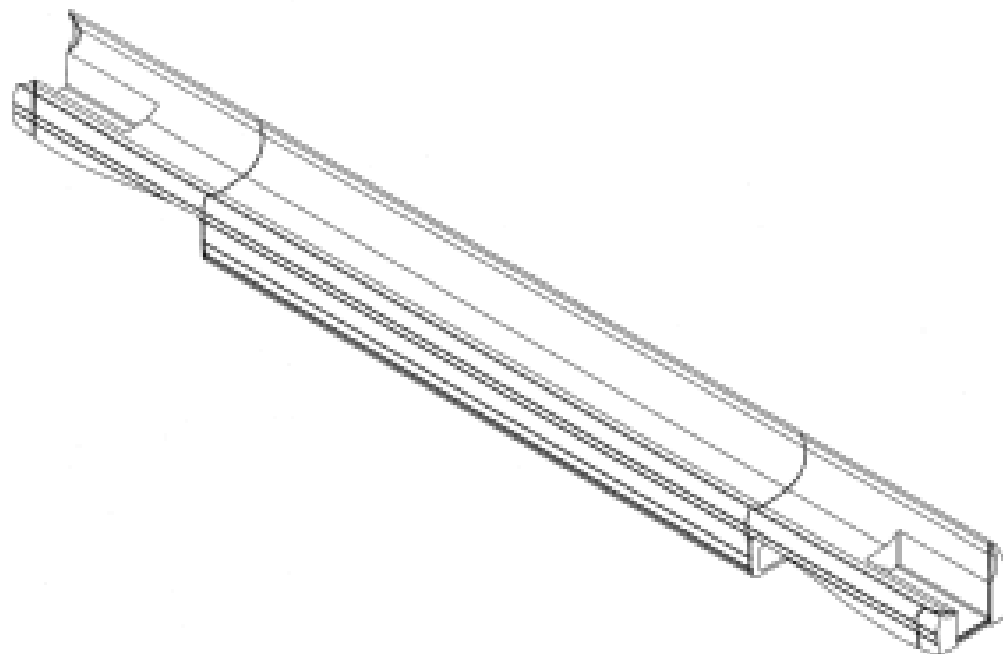
Intralux Australia Pty Ltd
23 Enterprise Street Richlands Queensland 4077 Australia

(72) Name(s) of Designer(s): **Jenny Loqvist**

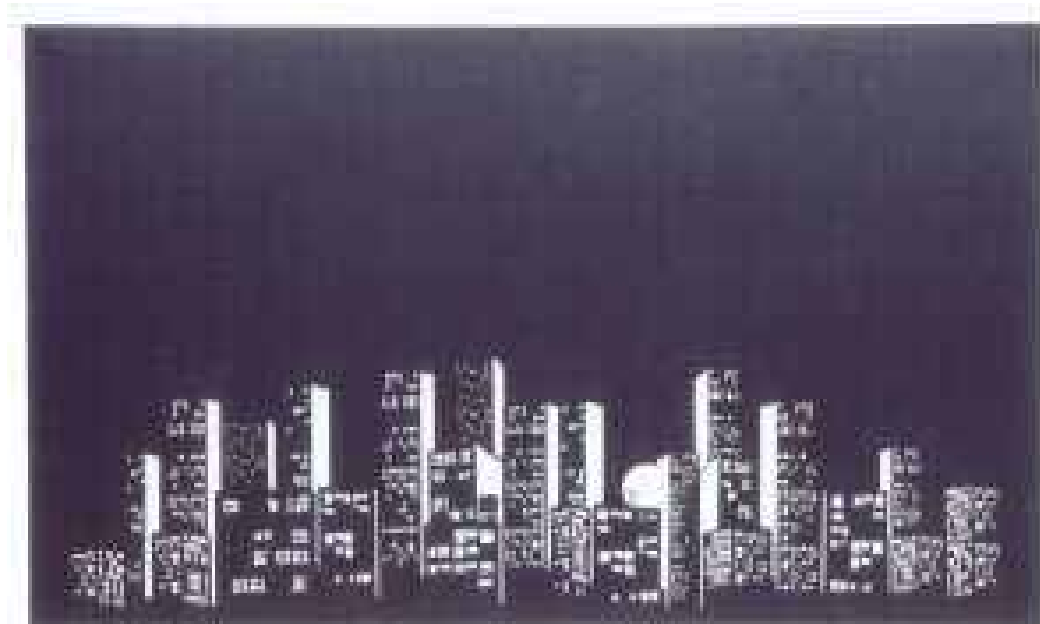
(45) Registration Date: **21 June 2010**

(56) Related Art Documents: **Not Applicable**

(57) Statement of Newness and Distinctiveness: **Ability of fitting to provide shadow free illumination in straight, radius and corner arrangements due to adaptable end caps. Light fixture is of indefinite length.**



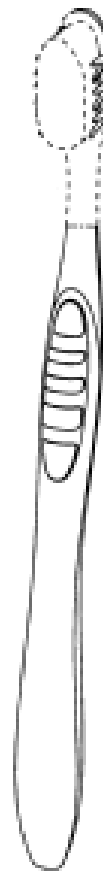
- (21) Design Number: **12054/2010**
(22) Date of Filing Application: **21 May 2010**
(24) Date from which industrial property rights may have effect: **21 May 2010**
(54) Product in respect of which the design is registered: **Blackboard wall decal**
(51) International Design Classification: **19-99**
(71) Name(s) and Address(s) of Applicant(s):
Ute Australia Pty. Ltd
1/8 Yardley Street Maidstone Victoria 3012 Australia
(72) Name(s) of Designer(s): **Kain Lucas and David Potts**
(45) Registration Date: **21 June 2010**
(56) Related Art Documents: **Not Applicable**
(57) Statement of Newness and Distinctiveness: **Stencil artwork cut out of the sheet to create city scape design.**



- (21) Design Number: **12094/2010**
(22) Date of Filing Application: **25 May 2010**
(24) Date from which industrial property rights may have effect: **25 May 2010**
(54) Product in respect of which the design is registered: **Portable clothes line**
(51) International Design Classification: **07-05D**
(71) Name(s) and Address(s) of Applicant(s):
Patricia Alida Roberts
9 Auburn Avenue Myrtle Bank South Australia 5064 Australia
(72) Name(s) of Designer(s): **Andrew William Whittaker and Giles Cameron McDonald and Andrew Paul Kumnick**
(45) Registration Date: **21 June 2010**
(56) Related Art Documents: **Not Applicable**
(57) Statement of Newness and Distinctiveness: **Nil**



- (21) Design Number: **12095/2010**
(22) Date of Filing Application: **25 May 2010**
(24) Date from which industrial property rights may have effect: **25 May 2010**
(54) Product in respect of which the design is registered: **Toothbrush**
(51) International Design Classification: **04-02**
(71) Name(s) and Address(s) of Applicant(s):
Colgate-Palmolive Company
300 Park Avenue New York New York 10022 United States of America
(72) Name(s) of Designer(s): **Armin Baertschi and Robert Moskovich**
(45) Registration Date: **21 June 2010**
(30) Convention priority data:
(31) Number (32) Date (33) Country
29/352000 15 Dec 2009 UNITED STATES OF AMERICA
(56) Related Art Documents: **Not Applicable**
(57) Statement of Newness and Distinctiveness: **Newness and distinctiveness reside in the features of the design shown in solid lines in the representations excluding those features shown in broken lines.**



- (21) Design Number: **12096/2010**
(22) Date of Filing Application: **25 May 2010**
(24) Date from which industrial property rights may have effect: **25 May 2010**
(54) Product in respect of which the design is registered: **Toothbrush**
(51) International Design Classification: **04-02**
(71) Name(s) and Address(s) of Applicant(s):
Colgate-Palmolive Company
300 Park Avenue New York New York 10022 United States of America
(72) Name(s) of Designer(s): **Armin Baertschi and Robert Moskovich**
(45) Registration Date: **21 June 2010**
(30) Convention priority data:
(31) Number (32) Date (33) Country
29/351994 15 Dec 2009 UNITED STATES OF AMERICA
(56) Related Art Documents: **Not Applicable**
(57) Statement of Newness and Distinctiveness: **Newness and distinctiveness reside in the features of the design shown in solid lines in the representations excluding those features shown in broken lines.**



(21) Design Number: **12097/2010**

(22) Date of Filing Application: **25 May 2010**

(24) Date from which industrial property rights may have effect: **25 May 2010**

(54) Product in respect of which the design is registered: **Hair clipper**

(51) International Design Classification: **28-03D**

(71) Name(s) and Address(s) of Applicant(s):

**Koninklijke Philips Electronics N.V.
Groenewoudseweg 1 5621 BA Eindhoven The Netherlands**

(72) Name(s) of Designer(s): **Ozgur Tasar**

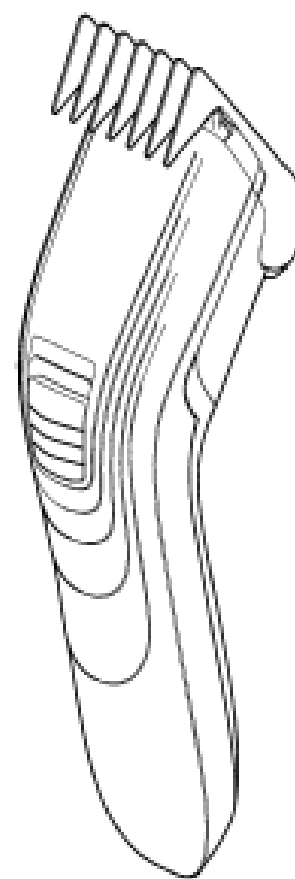
(45) Registration Date: **21 June 2010**

(30) Convention priority data:

(31) Number	(32) Date	(33) Country
001642760	02 Dec 2009	EUROPEAN COMMUNITY

(56) Related Art Documents: **Not Applicable**

(57) Statement of Newness and Distinctiveness: **Newness and distinctiveness reside in the features of shape and configuration of the design as shown in the representations.**



(21) Design Number: **12098/2010**

(22) Date of Filing Application: **25 May 2010**

(24) Date from which industrial property rights may have effect: **25 May 2010**

(54) Product in respect of which the design is registered: **A crossbar end fitting**

(51) International Design Classification: **12-16K**

(71) Name(s) and Address(s) of Applicant(s):

**Hubco Automotive Ltd
102-112 Daniell Street Newtown Wellington New Zealand**

(72) Name(s) of Designer(s): **Bruce John Robertson**

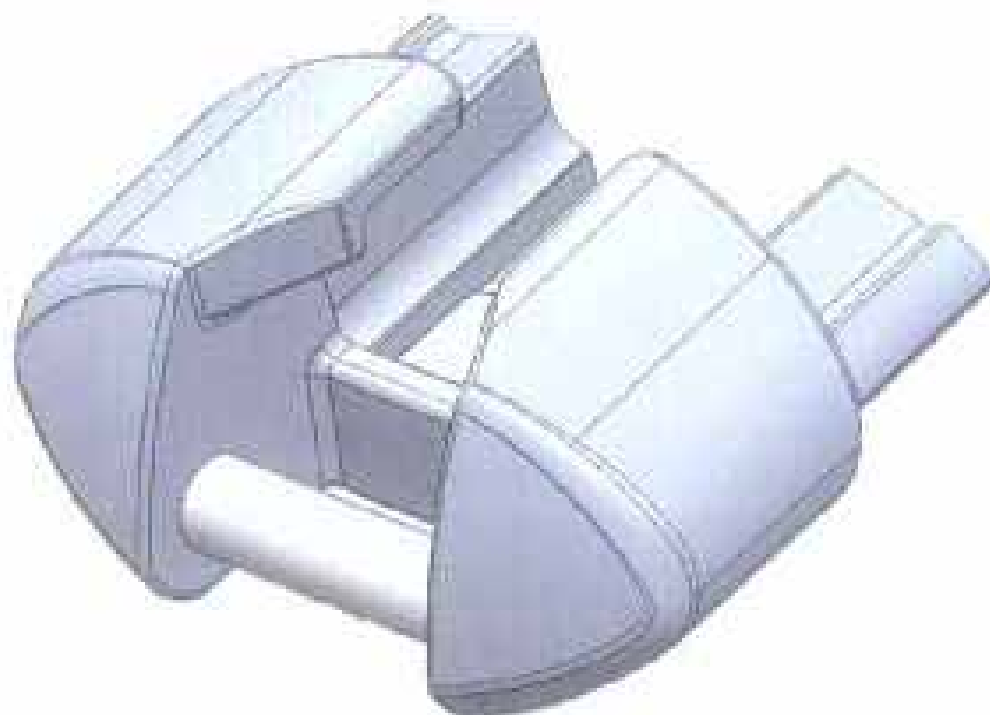
(45) Registration Date: **21 June 2010**

(30) Convention priority data:

(31) Number	(32) Date	(33) Country
413016	01 Dec 2009	NEW ZEALAND

(56) Related Art Documents: **Not Applicable**

(57) Statement of Newness and Distinctiveness: **Nil**



(21) Design Number: **12099/2010**
(22) Date of Filing Application: **25 May 2010**
(24) Date from which industrial property rights may have effect: **25 May 2010**
(54) Product in respect of which the design is registered: **A crossbar**
(51) International Design Classification: **12-16K**
(71) Name(s) and Address(s) of Applicant(s):

Hubco Automotive Ltd
102-112 Daniell Street Newtown Wellington New Zealand

(72) Name(s) of Designer(s): **Bruce John Robertson**

(45) Registration Date: **21 June 2010**

(30) Convention priority data:

(31) Number	(32) Date	(33) Country
413015	01 Dec 2009	NEW ZEALAND

(56) Related Art Documents: **Not Applicable**

(57) Statement of Newness and Distinctiveness: **Nil**



(21) Design Number: **12100/2010**
(22) Date of Filing Application: **25 May 2010**
(24) Date from which industrial property rights may have effect: **25 May 2010**
(54) Product in respect of which the design is registered: **Connection assembly**
(51) International Design Classification: **12-16K**
(71) Name(s) and Address(s) of Applicant(s):

Hubco Automotive Ltd
102-112 Daniell Street Newtown Wellington New Zealand

(72) Name(s) of Designer(s): **Bruce John Robertson**

(45) Registration Date: **21 June 2010**

(30) Convention priority data:

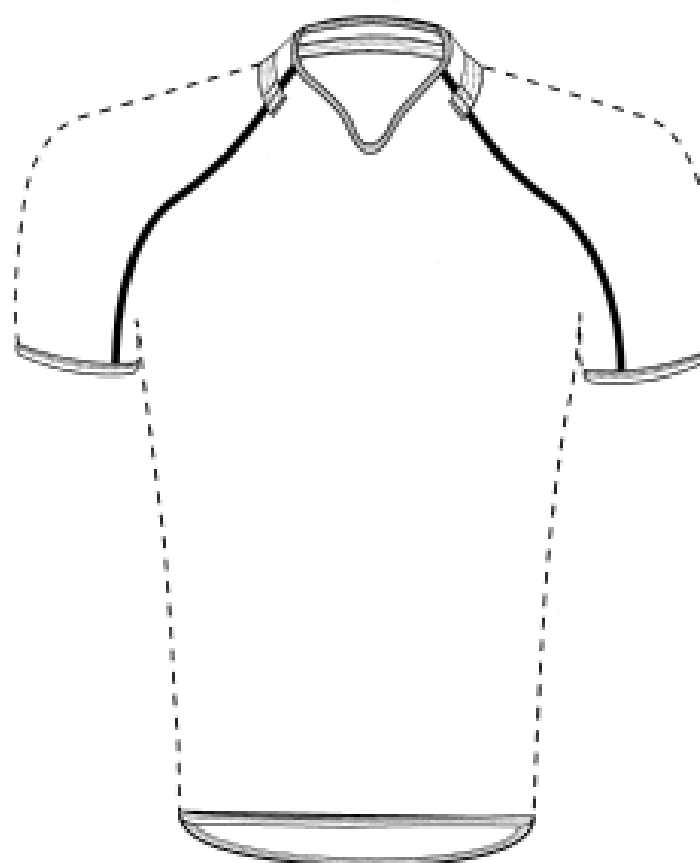
(31) Number	(32) Date	(33) Country
413014	01 Dec 2009	NEW ZEALAND

(56) Related Art Documents: **Not Applicable**

(57) Statement of Newness and Distinctiveness: **Nil**



(21) Design Number: **11264/2010**
(22) Date of Filing Application: **08 April 2010**
(24) Date from which industrial property rights may have effect: **08 April 2010**
(54) Product in respect of which the design is registered: **Neck collar for a T-shirt**
(51) International Design Classification: **02-02NES**
(71) Name(s) and Address(s) of Applicant(s):
Canterbury Limited
Hollinsbrook Way Pilsworth Bury Lancashire BL9 8RR United Kingdom
(72) Name(s) of Designer(s): **Sidney Dean King**
(45) Registration Date: **22 June 2010**
(30) Convention priority data:
(31) Number (32) Date (33) Country
001691049 06 Apr 2010 EUROPEAN COMMUNITY
(56) Related Art Documents: **Not Applicable**
(57) Statement of Newness and Distinctiveness: **Nil**



(21) Design Number: **11872/2010**
(22) Date of Filing Application: **11 May 2010**
(24) Date from which industrial property rights may have effect: **11 May 2010**
(54) Product in respect of which the design is registered: **An instrument display device for a vehicle**
(51) International Design Classification: **14-99**
(71) Name(s) and Address(s) of Applicant(s):
Lysanda Limited
Tintagel House London Road Kelvedon Essex CO5 9BP United Kingdom
(72) Name(s) of Designer(s): **Alexander Willard**
(45) Registration Date: **22 June 2010**
(30) Convention priority data:
(31) Number (32) Date (33) Country
001634908 11 Nov 2009 EUROPEAN COMMUNITY
(56) Related Art Documents: **Not Applicable**
(57) Statement of Newness and Distinctiveness: **Monopoly is claimed in the shape and configuration of a display device for a vehicle as illustrated in the accompanying representations.**



(21) Design Number: **12133/2010**

(22) Date of Filing Application: **26 May 2010**

(24) Date from which industrial property rights may have effect: **26 May 2010**

(54) Product in respect of which the design is registered: **Meter**

(51) International Design Classification: **10-04**

(71) Name(s) and Address(s) of Applicant(s):

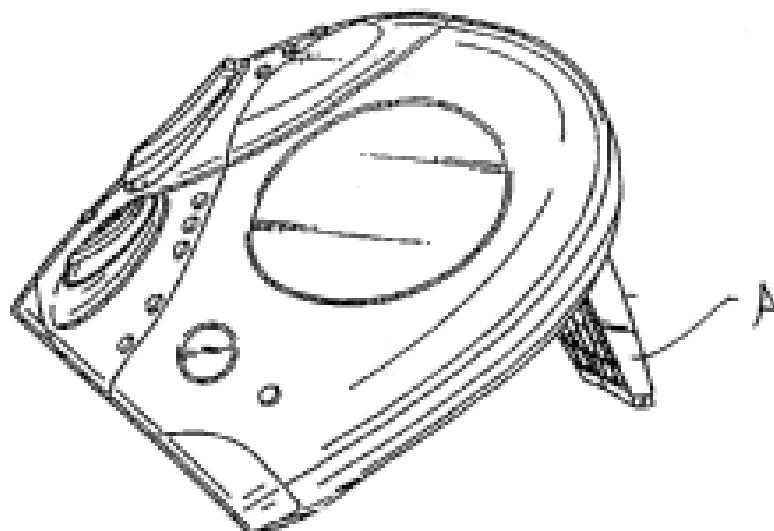
**Church of Spiritual Technology
419 N. Larchmont Suite 86 Los Angeles California 90004 United States
of America**

(72) Name(s) of Designer(s): **Russell D. Bellin Garland and Reiko Abo Tylor**

(45) Registration Date: **22 June 2010**

(56) Related Art Documents: **Not Applicable**

(57) Statement of Newness and Distinctiveness: **Newness and distinctiveness is claimed in the features of shape and/or configuration of all parts of a meter as illustrated in the accompanying representations, apart from the foldable leg labelled "A".**



(21) Design Number: **12142/2010**

(22) Date of Filing Application: **27 May 2010**

(24) Date from which industrial property rights may have effect: **27 May 2010**

(54) Product in respect of which the design is registered: **An anchor**

(51) International Design Classification: **08-08NES, 08-08B**

(71) Name(s) and Address(s) of Applicant(s):

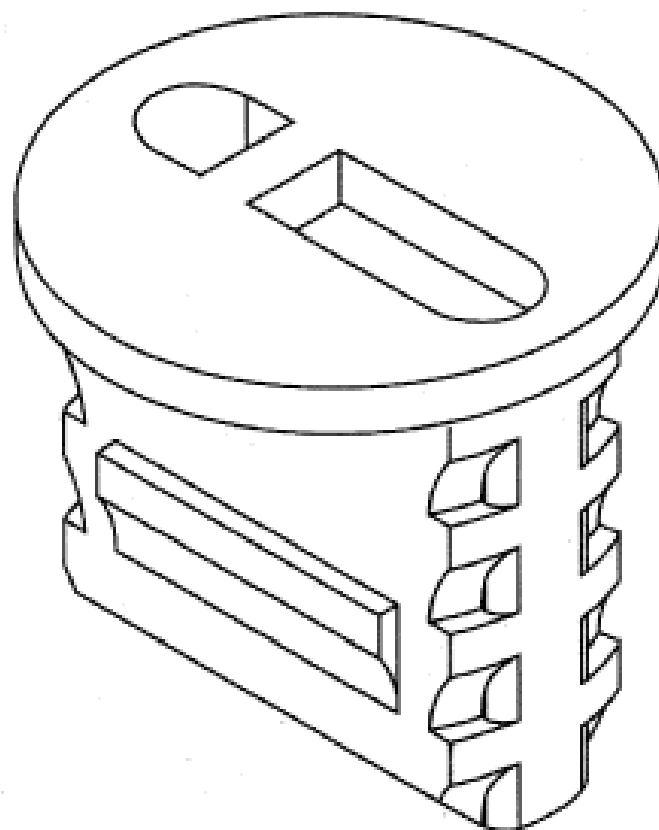
**Miami Stainless Pty Ltd
Unit 3 99 West Burleigh Road Burleigh Heads Queensland 4210
Australia**

(72) Name(s) of Designer(s): **David Finn**

(45) Registration Date: **22 June 2010**

(56) Related Art Documents: **Not Applicable**

(57) Statement of Newness and Distinctiveness: **The newness and distinctiveness of the anchor resides in the shape and configuration of the head portion of the anchor.**



(21) Design Number: **12144/2010**

(22) Date of Filing Application: **26 May 2010**

(24) Date from which industrial property rights may have effect: **26 May 2010**

(54) Product in respect of which the design is registered: **An article of footwear**

(51) International Design Classification: **02-04NES**

(71) Name(s) and Address(s) of Applicant(s):

Binder Production Pty Ltd

1 Keys Road Moorabbin Victoria 3189 Australia

(72) Name(s) of Designer(s): **Michael Kaper**

(45) Registration Date: **22 June 2010**

(56) Related Art Documents: **Not Applicable**

(57) Statement of Newness and Distinctiveness: **Newness and distinctiveness is claimed in the features of shape and configuration of the article shown in the representations, but not the colour of the article.**



(21) Design Number: **12145/2010**

(22) Date of Filing Application: **26 May 2010**

(24) Date from which industrial property rights may have effect: **26 May 2010**

(54) Product in respect of which the design is registered: **A footwear sole**

(51) International Design Classification: **02-04B**

(71) Name(s) and Address(s) of Applicant(s):

Binder Production Pty Ltd

1 Keys Road Moorabbin Victoria 3189 Australia

(72) Name(s) of Designer(s): **Michael Kaper**

(45) Registration Date: **22 June 2010**

(56) Related Art Documents: **Not Applicable**

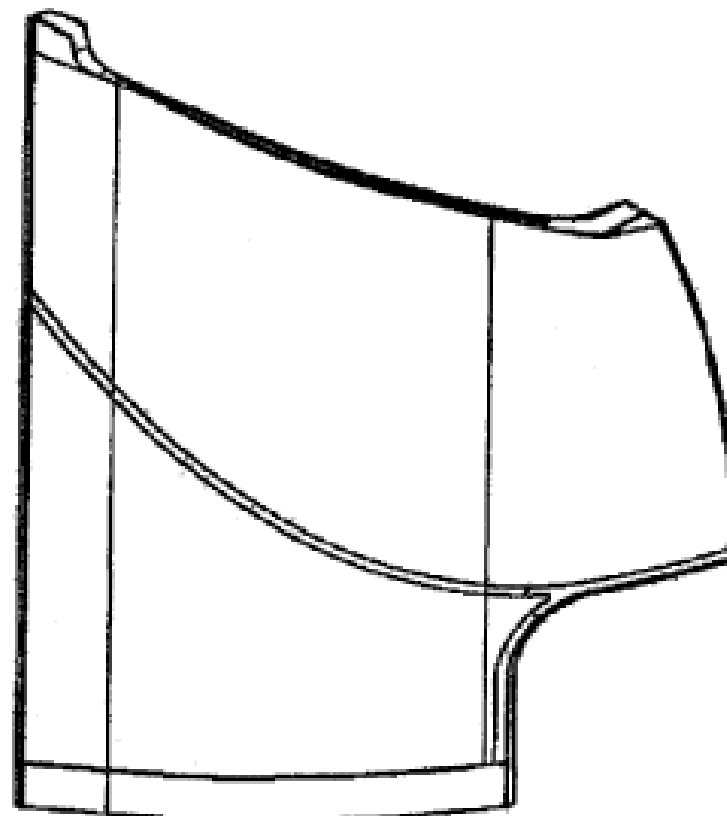
(57) Statement of Newness and Distinctiveness: **Newness and distinctiveness is claimed in the shape and configuration of the zones marked A and in the features of pattern or ornamentation within the zones marked B. No newness or distinctiveness is claimed in the colours of the sole shown in the representations.**



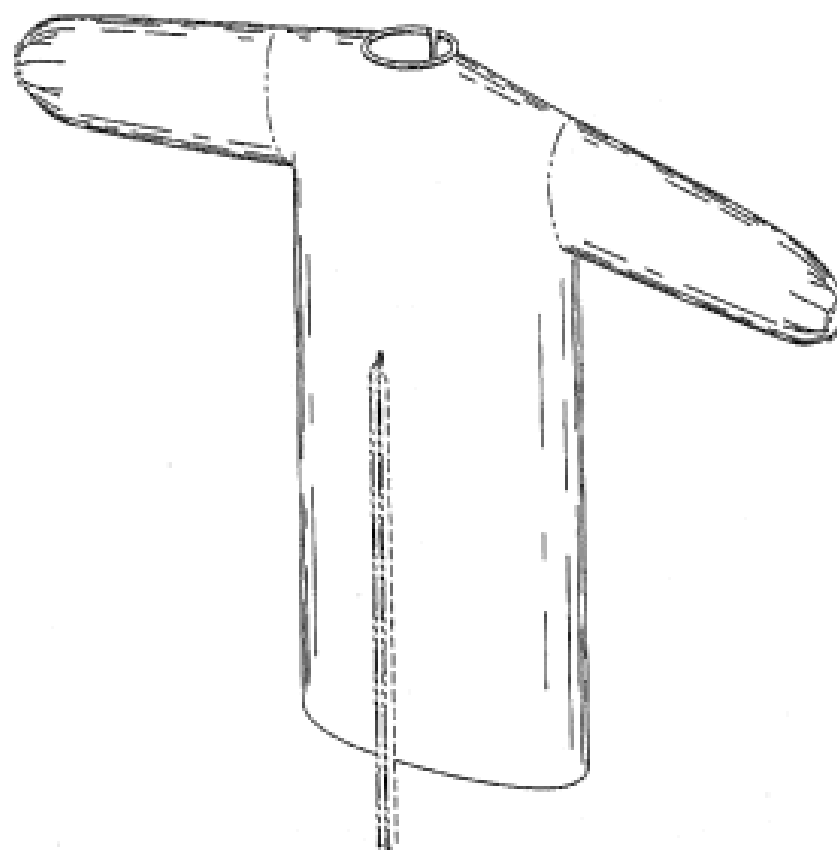
- (21) Design Number: **10710/2010**
(22) Date of Filing Application: **26 February 2010**
(24) Date from which industrial property rights may have effect: **26 February 2010**
(54) Product in respect of which the design is registered: **Bracket for shelving**
(51) International Design Classification: **08-08N**
(71) Name(s) and Address(s) of Applicant(s):
Specialised Systems and Consult. Services Pty Ltd
11 Jesmond Avenue Vacluse New South Wales 2030 Australia
(72) Name(s) of Designer(s): **Rodney Bassetti**
(45) Registration Date: **24 June 2010**
(56) Related Art Documents: **Not Applicable**
(57) Statement of Newness and Distinctiveness: **We wish to claim the shape and configuration of the bracket for shelving. But with the exclusion of any colour shown in the representations. And we would ask that colour not to be taken into the design application in any way.**



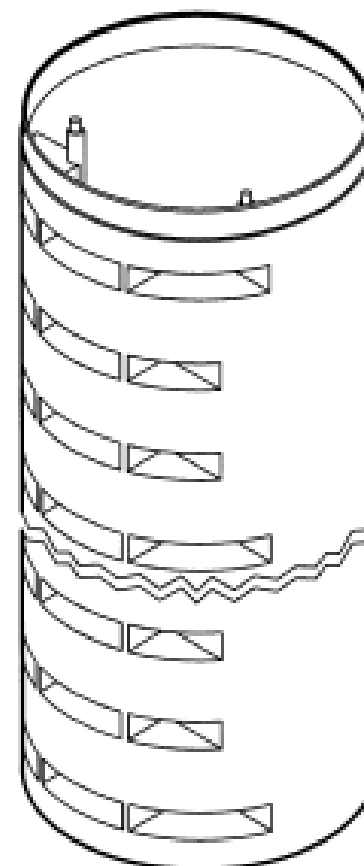
- (21) Design Number: **10516/2010**
(22) Date of Filing Application: **12 February 2010**
(24) Date from which industrial property rights may have effect: **12 February 2010**
(54) Product in respect of which the design is registered: **Class divider**
(51) International Design Classification: **06-06NES**
(71) Name(s) and Address(s) of Applicant(s):
Air New Zealand Limited
185 Fanshawe Street Auckland 1010 New Zealand
(72) Name(s) of Designer(s): **James Dominic France and Maurice Trevor Benner and Alistair Pilditch and Pierre Jean Lecussan and Marcus Drysdale Graney**
(45) Registration Date: **24 June 2010**
(56) Related Art Documents: **Not Applicable**
(57) Statement of Newness and Distinctiveness: **The novelty claimed for the design resides in the features of shape and/or configuration all as shown in the representations.**



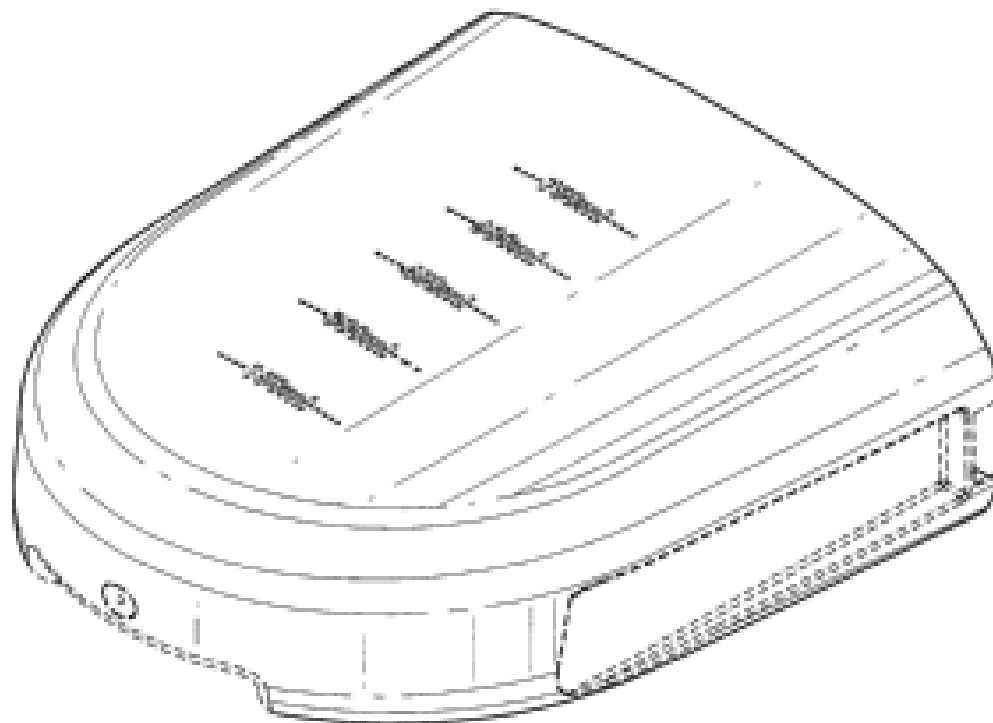
(21) Design Number: **11412/2010**
 (22) Date of Filing Application: **15 April 2010**
 (24) Date from which industrial property rights may have effect: **15 April 2010**
 (54) Product in respect of which the design is registered: **Medical gown having a flexible collar**
 (51) International Design Classification: **02-02NES, 24-04**
 (71) Name(s) and Address(s) of Applicant(s):
S2S Design, Inc.
31121 Via Colinas Westlake Village CA 91362 United States of America
 (72) Name(s) of Designer(s): **Thor R. Halseth**
 (45) Registration Date: **24 June 2010**
 (30) Convention priority data:
 (31) Number (32) Date (33) Country
29/345,448 15 Oct 2009 UNITED STATES OF AMERICA
 (56) Related Art Documents: **Not Applicable**
 (57) Statement of Newness and Distinctiveness: **Nil**



(21) Design Number: **11507/2010**
 (22) Date of Filing Application: **21 April 2010**
 (24) Date from which industrial property rights may have effect: **21 April 2010**
 (54) Product in respect of which the design is registered: **Underground ladderway system**
 (51) International Design Classification: **25-04**
 (71) Name(s) and Address(s) of Applicant(s):
Hiram (WA) Pty Ltd
110 O'Halloran Drive Mandurang Victoria 3551 Australia
 (72) Name(s) of Designer(s): **Steven Peter Durkin**
 (45) Registration Date: **24 June 2010**
 (56) Related Art Documents: **Not Applicable**
 (57) Statement of Newness and Distinctiveness: **Newness and distinctiveness is claimed in the shape and/or configuration of an underground ladderway system of indefinite length as illustrated in the accompanying representations.**



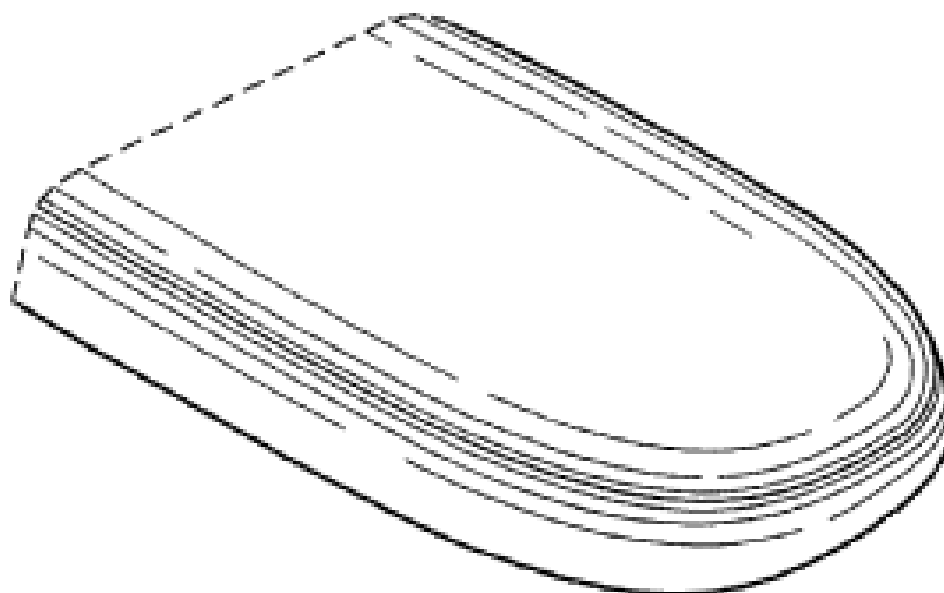
- (21) Design Number: **12119/2010**
(22) Date of Filing Application: **26 May 2010**
(24) Date from which industrial property rights may have effect: **26 May 2010**
(54) Product in respect of which the design is registered: **Canister**
(51) International Design Classification: **24-04**
(71) Name(s) and Address(s) of Applicant(s):
Smith & Nephew Plc
15 Adam Street London WC2N 6LA United Kingdom
(72) Name(s) of Designer(s): **Mario Gonzalez**
(45) Registration Date: **24 June 2010**
(30) Convention priority data:
(31) Number (32) Date (33) Country
29/351,416 04 Dec 2009 UNITED STATES OF AMERICA
(56) Related Art Documents: **Not Applicable**
(57) Statement of Newness and Distinctiveness: **The shape and/or configuration of those parts of the design shown by means of solid lines in the representations are new and distinctive.**



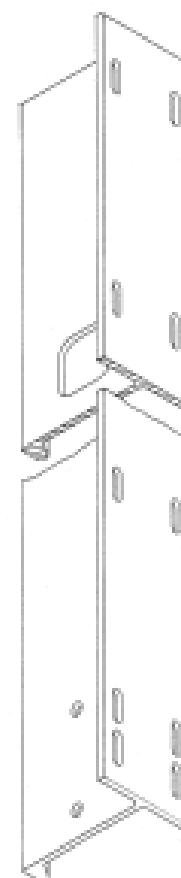
- (21) Design Number: **12120/2010**
(22) Date of Filing Application: **26 May 2010**
(24) Date from which industrial property rights may have effect: **26 May 2010**
(54) Product in respect of which the design is registered: **Canister**
(51) International Design Classification: **24-04**
(71) Name(s) and Address(s) of Applicant(s):
Smith & Nephew Plc
15 Adam Street London WC2N 6LA United Kingdom
(72) Name(s) of Designer(s): **Mario Gonzalez**
(45) Registration Date: **24 June 2010**
(30) Convention priority data:
(31) Number (32) Date (33) Country
29/351,416 04 Dec 2009 UNITED STATES OF AMERICA
(56) Related Art Documents: **Not Applicable**
(57) Statement of Newness and Distinctiveness: **Nil**



- (21) Design Number: **12121/2010**
(22) Date of Filing Application: **26 May 2010**
(24) Date from which industrial property rights may have effect: **26 May 2010**
(54) Product in respect of which the design is registered: **Chair base cover**
(51) International Design Classification: **06-13NES**
(71) Name(s) and Address(s) of Applicant(s):
 A-DEC, Inc.
 PO Box 111 Newberg OR 97132 United States of America
(72) Name(s) of Designer(s): **Jason Alvarez**
(45) Registration Date: **24 June 2010**
(30) Convention priority data:
 (31) Number (32) Date (33) Country
 29/351,762 10 Dec 2009 UNITED STATES OF AMERICA
(56) Related Art Documents: **Not Applicable**
(57) Statement of Newness and Distinctiveness: **The shape or configuration of the product, which has an indefinite rearward extent as shown with dashed lines, is new and distinctive.**



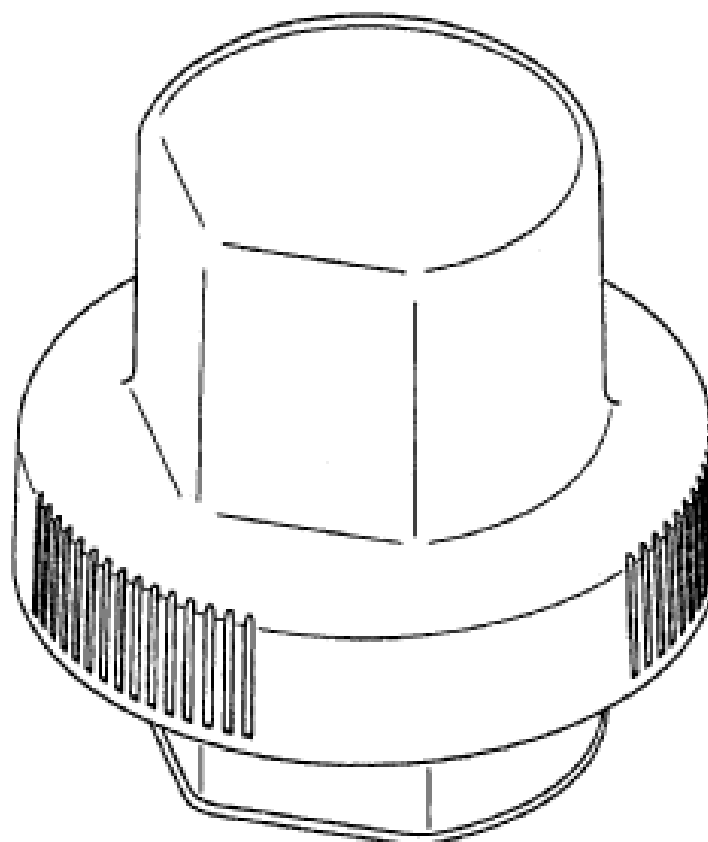
- (21) Design Number: **12122/2010**
(22) Date of Filing Application: **27 May 2010**
(24) Date from which industrial property rights may have effect: **27 May 2010**
(54) Product in respect of which the design is registered: **Fence post**
(51) International Design Classification: **25-01E**
(71) Name(s) and Address(s) of Applicant(s):
 Protective Fencing Pty Ltd
 16 Pile Road Somersby New South Wales 2250 Australia
(72) Name(s) of Designer(s): **Trevor Buwalda and Allan Masters**
(45) Registration Date: **24 June 2010**
(56) Related Art Documents: **Not Applicable**
(57) Statement of Newness and Distinctiveness: **Monopoly is claimed in the shape and configuration of the fence post of indefinite length with apertures repeated at varying intervals as shown in the representations.**



- (21) Design Number: **12123/2010**
(22) Date of Filing Application: **27 May 2010**
(24) Date from which industrial property rights may have effect: **27 May 2010**
(54) Product in respect of which the design is registered: **Pressed metal sheet**
(51) International Design Classification: **05-06NES**
(71) Name(s) and Address(s) of Applicant(s):
Neville Schot
30 Fermanagh Road Camberwell Victoria 3124 Australia
(72) Name(s) of Designer(s): **Neville Schot**
(45) Registration Date: **24 June 2010**
(56) Related Art Documents: **Not Applicable**
(57) Statement of Newness and Distinctiveness: **Monopoly is claimed in the features of the pattern or ornamentation of the pressed metal sheet as illustrated in the attached presentation.**



- (21) Design Number: **12124/2010**
(22) Date of Filing Application: **27 May 2010**
(24) Date from which industrial property rights may have effect: **27 May 2010**
(54) Product in respect of which the design is registered: **Cap for a bottle**
(51) International Design Classification: **09-07C**
(71) Name(s) and Address(s) of Applicant(s):
Kao Corporation
14-10 Nihonbashi Kayaba-Cho 1-Chome Chuo-Ku Tokyo 103-8210
Japan
(72) Name(s) of Designer(s): **Susumu Fujinami**
(45) Registration Date: **24 June 2010**
(30) Convention priority data:
(31) Number (32) Date (33) Country
2009-028053 01 Dec 2009 JAPAN
(56) Related Art Documents: **Not Applicable**
(57) Statement of Newness and Distinctiveness: **Nil features shown in solid lines in the representations.**



(21) Design Number: **12132/2010**

(22) Date of Filing Application: **26 May 2010**

(24) Date from which industrial property rights may have effect: **26 May 2010**

(54) Product in respect of which the design is registered: **Cover for electric meter**

(51) International Design Classification: **25-02NES**

(71) Name(s) and Address(s) of Applicant(s):

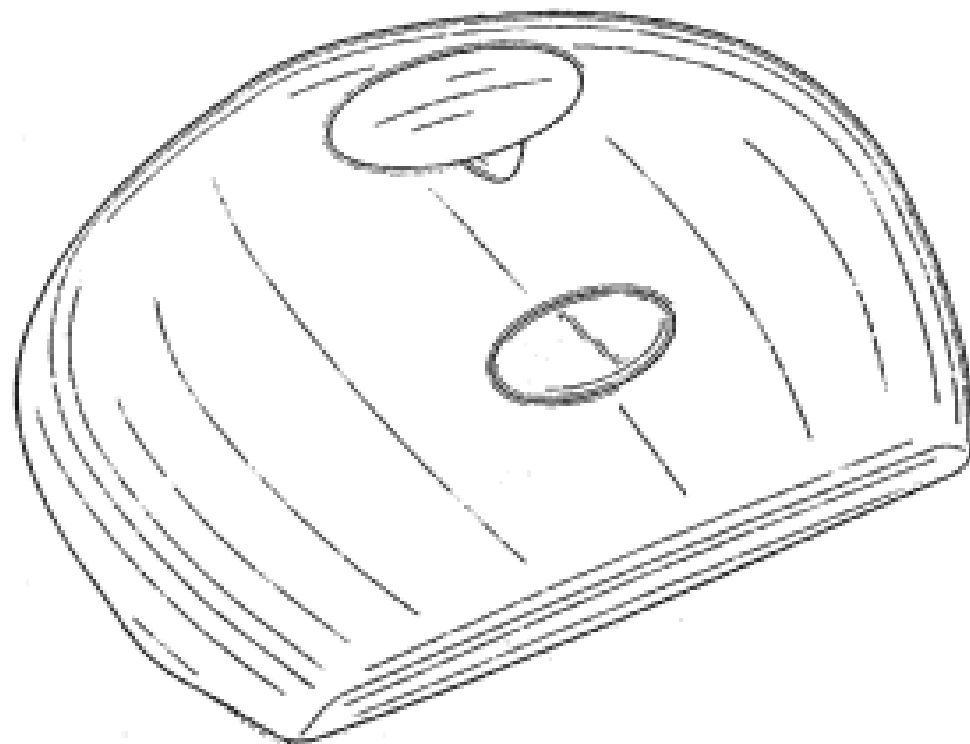
Church of Spiritual Technology
419 N. Larchmont Suite 86 Los Angeles California 90004 United States of America

(72) Name(s) of Designer(s): **Russell D. Bellin and Reiko Abo and Tyler Garland**

(45) Registration Date: **24 June 2010**

(56) Related Art Documents: **Not Applicable**

(57) Statement of Newness and Distinctiveness: **Newness and distinctiveness is claimed in the features of shape and/or configuration of all parts of a cover for electric meter as illustrated in continuous lines in the accompanying representations, apart from the interior of the cover shown in the rear elevation view and the right rear perspective view.**



(21) Design Number: **12153/2010**

(22) Date of Filing Application: **28 May 2010**

(24) Date from which industrial property rights may have effect: **28 May 2010**

(54) Product in respect of which the design is registered: **Touch screen computer case**

(51) International Design Classification: **14-02**

(71) Name(s) and Address(s) of Applicant(s):

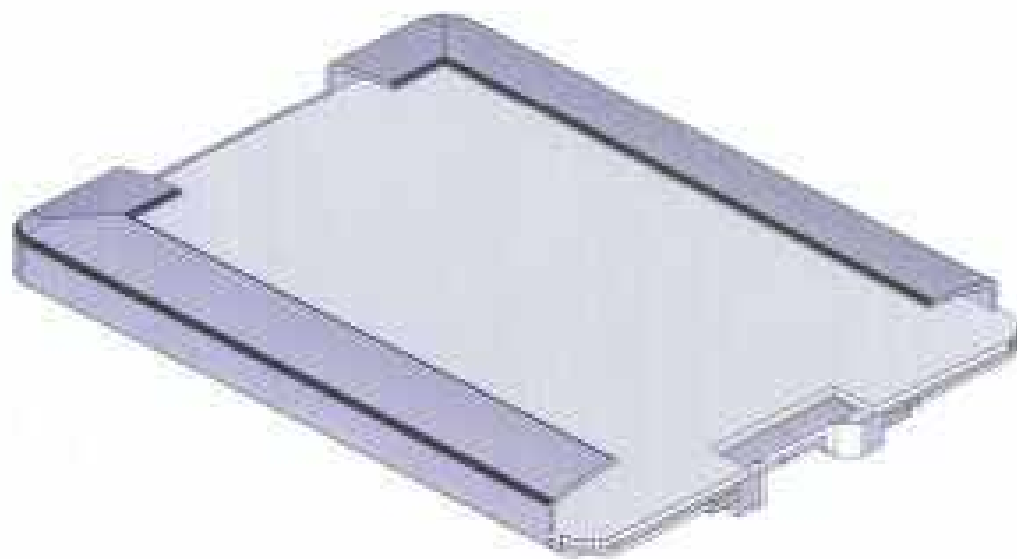
Chris Van Leuvan
11/156 Clive Steele Avenue Monash ACT 2904 Australia

(72) Name(s) of Designer(s): **Chris Van Leuvan**

(45) Registration Date: **24 June 2010**

(56) Related Art Documents: **Not Applicable**

(57) Statement of Newness and Distinctiveness: **Newness and distinctiveness in the features of the shape and/or configuration of a touch screen computer case as illustrated in the accompanying representations, particular regard is to be had to: The sloped nature and separation of the bilateral arms.**



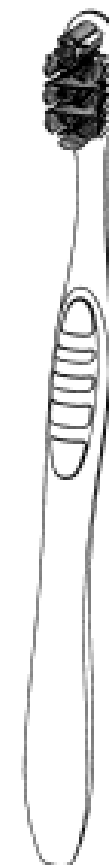
(21) Design Number: **12154/2010**
(22) Date of Filing Application: **27 May 2010**
(24) Date from which industrial property rights may have effect: **27 May 2010**
(54) Product in respect of which the design is registered: **Toothbrush**
(51) International Design Classification: **04-02**
(71) Name(s) and Address(s) of Applicant(s):
Colgate-Palmolive Company
300 Park Avenue New York New York 10022 United States of America
(72) Name(s) of Designer(s): **Armin Baertschi and Robert Moskovich**
(45) Registration Date: **24 June 2010**
(30) Convention priority data:
(31) Number (32) Date (33) Country
29/351997 15 Dec 2009 UNITED STATES OF AMERICA
(56) Related Art Documents: **Not Applicable**
(57) Statement of Newness and Distinctiveness: **Newness and distinctiveness reside in the features of the design shown in solid lines in the representations excluding those features shown in broken lines.**



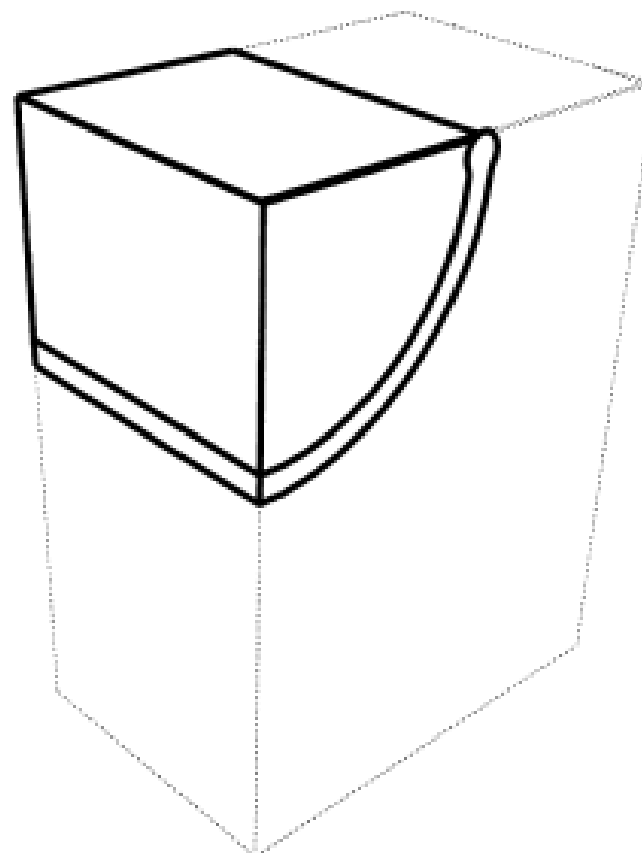
(21) Design Number: **12155/2010**
(22) Date of Filing Application: **27 May 2010**
(24) Date from which industrial property rights may have effect: **27 May 2010**
(54) Product in respect of which the design is registered: **Toothbrush**
(51) International Design Classification: **04-02**
(71) Name(s) and Address(s) of Applicant(s):
Colgate-Palmolive Company
300 Park Avenue New York New York 10022 United States of America
(72) Name(s) of Designer(s): **Armin Baertschi and Robert Moskovich**
(45) Registration Date: **24 June 2010**
(30) Convention priority data:
(31) Number (32) Date (33) Country
29/352004 15 Dec 2009 UNITED STATES OF AMERICA
(56) Related Art Documents: **Not Applicable**
(57) Statement of Newness and Distinctiveness: **Newness and distinctiveness reside in the features of the design as shown in the representations.**



- (21) Design Number: **12156/2010**
(22) Date of Filing Application: **27 May 2010**
(24) Date from which industrial property rights may have effect: **27 May 2010**
(54) Product in respect of which the design is registered: **Toothbrush**
(51) International Design Classification: **04-02**
(71) Name(s) and Address(s) of Applicant(s):
Colgate-Palmolive Company
300 Park Avenue New York New York 10022 United States of America
(72) Name(s) of Designer(s): **Armin Baertschi and Robert Moskovich**
(45) Registration Date: **24 June 2010**
(30) Convention priority data:
(31) Number (32) Date (33) Country
29/352007 15 Dec 2009 UNITED STATES OF AMERICA
(56) Related Art Documents: **Not Applicable**
(57) Statement of Newness and Distinctiveness: **Newness and distinctiveness reside in the features of the design as shown in the representations.**



- (21) Design Number: **12164/2010**
(22) Date of Filing Application: **28 May 2010**
(24) Date from which industrial property rights may have effect: **28 May 2010**
(54) Product in respect of which the design is registered: **A container with detachable cap**
(51) International Design Classification: **09-03NES**
(71) Name(s) and Address(s) of Applicant(s):
Anzpac Services (Australia) Pty Limited
32 Britton Street Smithfield New South Wales 2164 Australia
(72) Name(s) of Designer(s): **Glenn Brailey**
(45) Registration Date: **24 June 2010**
(56) Related Art Documents: **Not Applicable**
(57) Statement of Newness and Distinctiveness: **Newness and distinctiveness is claimed in the visual features of the portion of the container and detachable cap as shown in solid lines in the representations. In considering the extent of the design rights, the broken lines shown in the representations are for illustrative purposes only and do not form part of the design.**



- (21) Design Number: **12167/2010**
(22) Date of Filing Application: **28 May 2010**
(24) Date from which industrial property rights may have effect: **28 May 2010**
(54) Product in respect of which the design is registered: **Car seat**
(51) International Design Classification: **06-01D**
(71) Name(s) and Address(s) of Applicant(s):
Max-Inf (Ningbo) Baby Product Co., Ltd.
No. 188 West Jinhui Road Yinzhou Investment & Business Incubation
of Ningbo Zhejiang Province China
(72) Name(s) of Designer(s): **Lihong Xu and Miao Ye**
(45) Registration Date: **24 June 2010**
(30) Convention priority data:
(31) Number (32) Date (33) Country
201030001456.2 12 Jan 2010 CHINA
(56) Related Art Documents: **Not Applicable**
(57) Statement of Newness and Distinctiveness: **Newness and distinctiveness resides in the features of shape and/or configuration of a car seat as shown in the accompanying representations.**



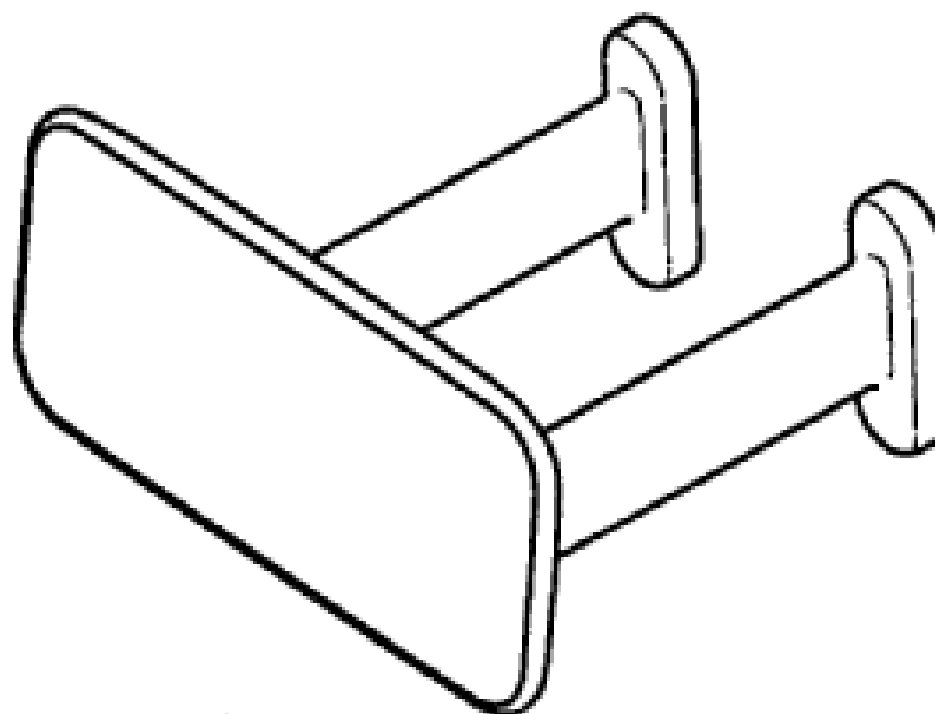
- (21) Design Number: **12168/2010**
(22) Date of Filing Application: **28 May 2010**
(24) Date from which industrial property rights may have effect: **28 May 2010**
(54) Product in respect of which the design is registered: **Car seat with head rest**
(51) International Design Classification: **06-01D**
(71) Name(s) and Address(s) of Applicant(s):
Max-Inf (Ningbo) Baby Product Co., Ltd.
No. 188 West Jinhui Road Yinzhou Investment & Business Incubation
of Ningbo Zhejiang Province China
(72) Name(s) of Designer(s): **Lihong Xu and Miao Ye**
(45) Registration Date: **24 June 2010**
(30) Convention priority data:
(31) Number (32) Date (33) Country
201030114692.X 05 Apr 2010 CHINA
(56) Related Art Documents: **Not Applicable**
(57) Statement of Newness and Distinctiveness: **Newness and distinctiveness resides in the features of shape and/or configuration of a car seat with head rest as shown in the accompanying representations.**



(21) Design Number: **12169/2010**
(22) Date of Filing Application: **28 May 2010**
(24) Date from which industrial property rights may have effect: **28 May 2010**
(54) Product in respect of which the design is registered: **Car seat base**
(51) International Design Classification: **06-01D**
(71) Name(s) and Address(s) of Applicant(s):
Max-Inf (Ningbo) Baby Product Co., Ltd.
No. 188 West Jinhui Road Yinzhou Investment & Business Incubation
of Ningbo Zhejiang Province China
(72) Name(s) of Designer(s): **Lihong Xu and Miao Ye**
(45) Registration Date: **24 June 2010**
(30) Convention priority data:
(31) Number (32) Date (33) Country
201030125166.9 06 Mar 2010 CHINA
(56) Related Art Documents: **Not Applicable**
(57) Statement of Newness and Distinctiveness: **Newness and distinctiveness resides in the features of shape and/or configuration of a car seat base as shown in the accompanying representations.**



(21) Design Number: **12170/2010**
(22) Date of Filing Application: **28 May 2010**
(24) Date from which industrial property rights may have effect: **28 May 2010**
(54) Product in respect of which the design is registered: **A back rest**
(51) International Design Classification: **06-01NES**
(71) Name(s) and Address(s) of Applicant(s):
Caroma Industries Limited
10 Market Street Brisbane Queensland 4000 Australia
(72) Name(s) of Designer(s): **Stephen John Cummings and Vincent Kai Hong Ho**
(45) Registration Date: **24 June 2010**
(56) Related Art Documents: **Not Applicable**
(57) Statement of Newness and Distinctiveness: **Newness and distinctiveness is claimed in the features of shape and/or configuration of a back rest as illustrated in the accompanying representations.**



(21) Design Number: **12257/2010**

(22) Date of Filing Application: **02 June 2010**

(24) Date from which industrial property rights may have effect: **02 June 2010**

(54) Product in respect of which the design is registered: **Foot stool**

(51) International Design Classification: **06-01E**

(71) Name(s) and Address(s) of Applicant(s):

Conrad Wainwright

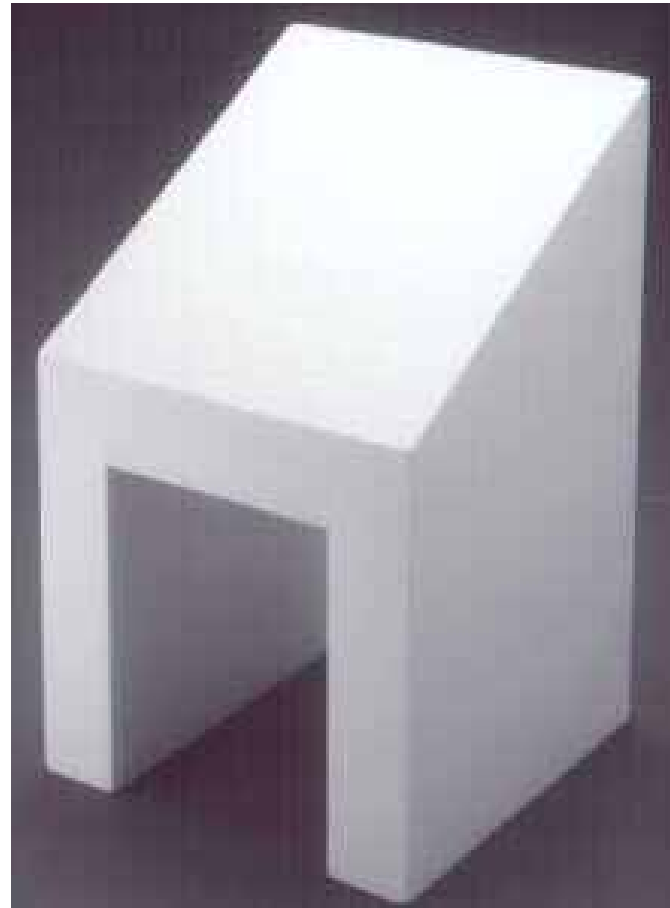
1504/43 Morehead Street Redfern New South Wales 2016 Australia

(72) Name(s) of Designer(s): **Conrad Wainwright**

(45) Registration Date: **24 June 2010**

(56) Related Art Documents: **Not Applicable**

(57) Statement of Newness and Distinctiveness: **Stool embodies an angled surface.**



(21) Design Number: **12147/2010**

(22) Date of Filing Application: **27 May 2010**

(24) Date from which industrial property rights may have effect: **27 May 2010**

(54) Product in respect of which the design is registered: **Promotional material holder**

(51) International Design Classification: **20-02NES**

(71) Name(s) and Address(s) of Applicant(s):

Adworks Australia Pty Ltd

Suite 317 20 Dale Street Brookvale New South Wales 2100 Australia

(72) Name(s) of Designer(s): **Chris Caruana**

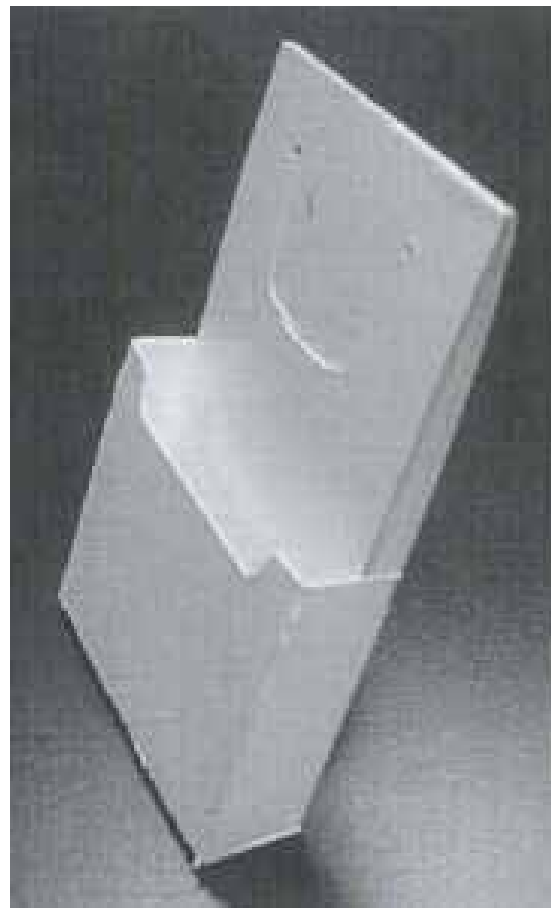
(45) Registration Date: **24 June 2010**

(56) Related Art Documents: **Not Applicable**

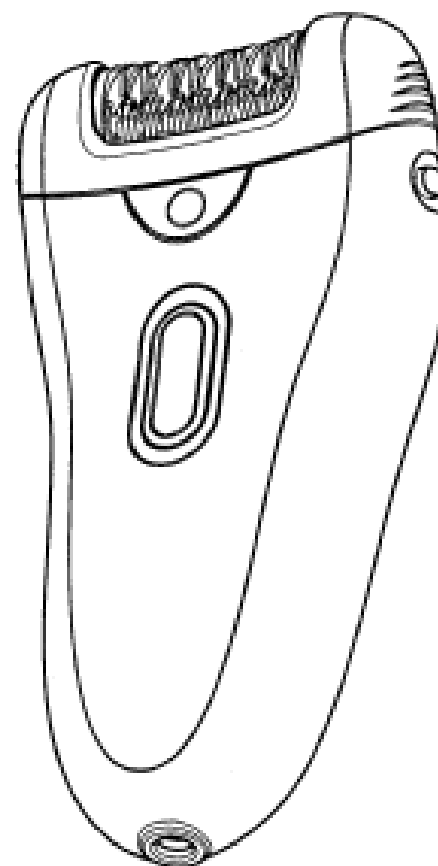
(57) Statement of Newness and Distinctiveness: **Nil**



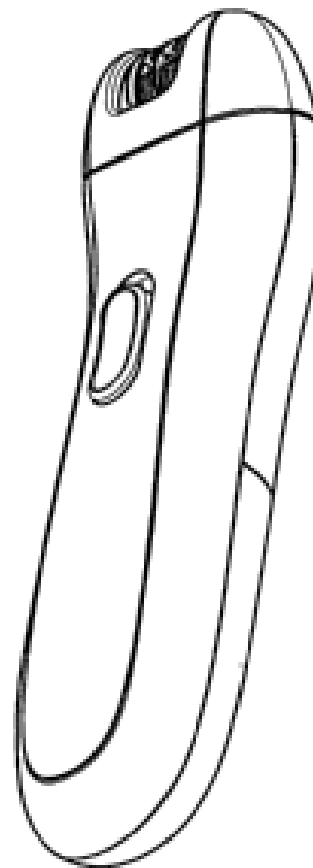
- (21) Design Number: **12148/2010**
(22) Date of Filing Application: **27 May 2010**
(24) Date from which industrial property rights may have effect: **27 May 2010**
(54) Product in respect of which the design is registered: **Promotional material holder**
(51) International Design Classification: **20-02NES**
(71) Name(s) and Address(s) of Applicant(s):
Adworks Australia Pty Ltd
Suite 317 20 Dale Street Brookvale New South Wales 2100 Australia
(72) Name(s) of Designer(s): **Chris Caruana**
(45) Registration Date: **24 June 2010**
(56) Related Art Documents: **Not Applicable**
(57) Statement of Newness and Distinctiveness: **Nil**



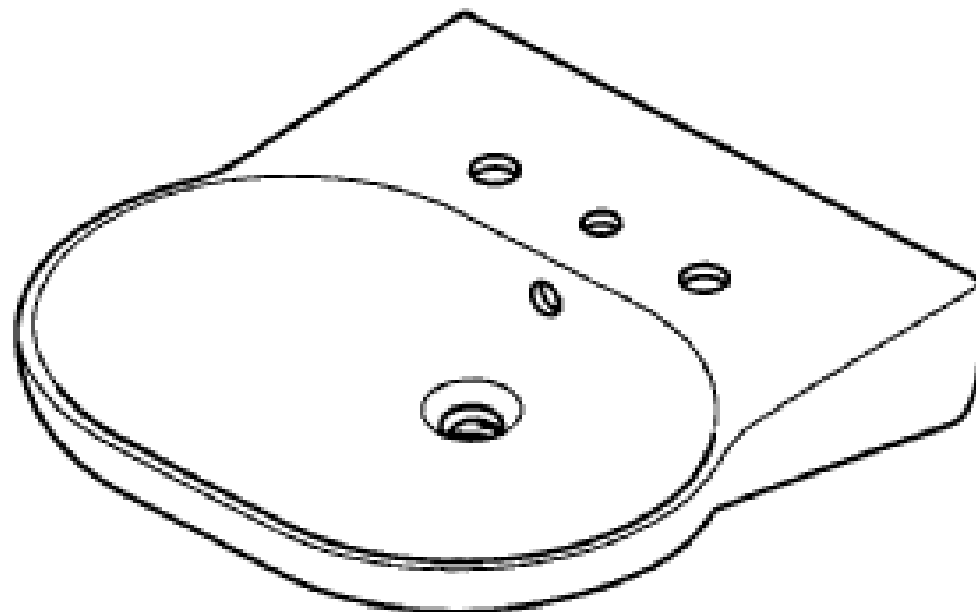
- (21) Design Number: **12151/2010**
(22) Date of Filing Application: **27 May 2010**
(24) Date from which industrial property rights may have effect: **27 May 2010**
(54) Product in respect of which the design is registered: **Epilator**
(51) International Design Classification: **28-03NES**
(71) Name(s) and Address(s) of Applicant(s):
Koninklijke Philips Electronics N.V.
Groenewoudseweg 1 5621 BA Eindhoven The Netherlands
(72) Name(s) of Designer(s): **Martyn Beedham**
(45) Registration Date: **24 June 2010**
(30) Convention priority data:
(31) Number (32) Date (33) Country
001641648-0001 30 Nov 2009 EUROPEAN COMMUNITY
(56) Related Art Documents: **Not Applicable**
(57) Statement of Newness and Distinctiveness: **Newness and distinctiveness reside in the features of shape and configuration of the design as shown in the representations.**



- (21) Design Number: **12152/2010**
(22) Date of Filing Application: **27 May 2010**
(24) Date from which industrial property rights may have effect: **27 May 2010**
(54) Product in respect of which the design is registered: **Epilator**
(51) International Design Classification: **28-03NES**
(71) Name(s) and Address(s) of Applicant(s):
Koninklijke Philips Electronics N.V.
Groenewoudseweg 1 5621 BA Eindhoven The Netherlands
(72) Name(s) of Designer(s): **Patrick Douloubakas**
(45) Registration Date: **24 June 2010**
(30) Convention priority data:
(31) Number (32) Date (33) Country
001641648-0002 30 Nov 2009 EUROPEAN COMMUNITY
(56) Related Art Documents: **Not Applicable**
(57) Statement of Newness and Distinctiveness: **Newness and distinctiveness reside in the features of shape and configuration of the design as shown in the representations.**



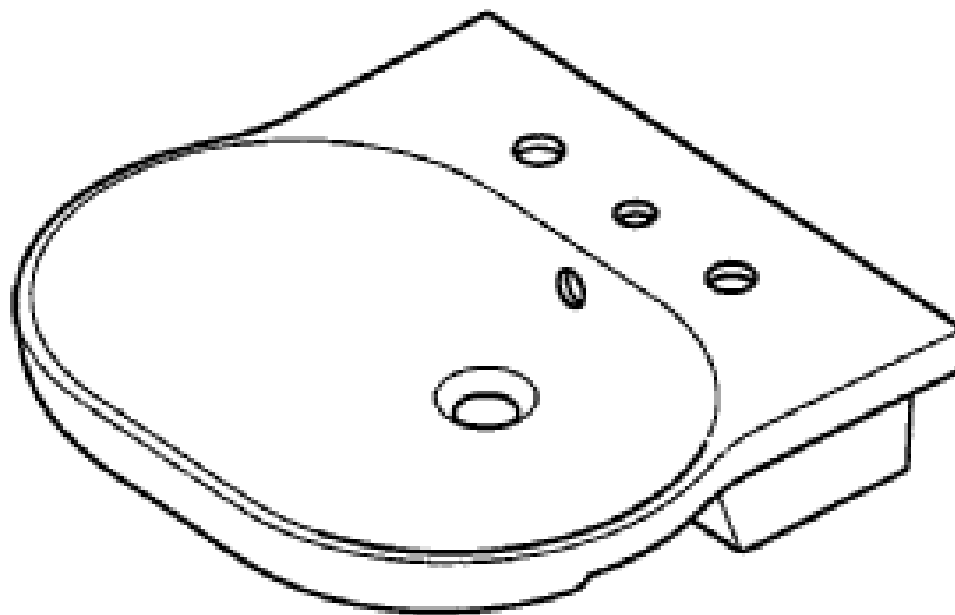
- (21) Design Number: **12171/2010**
(22) Date of Filing Application: **28 May 2010**
(24) Date from which industrial property rights may have effect: **28 May 2010**
(54) Product in respect of which the design is registered: **A basin**
(51) International Design Classification: **23-02F**
(71) Name(s) and Address(s) of Applicant(s):
Caroma Industries Limited
10 Market Street Brisbane Queensland 4000 Australia
(72) Name(s) of Designer(s): **Stephen John Cummings and Vincent Kai Hong Ho**
(45) Registration Date: **24 June 2010**
(56) Related Art Documents: **Not Applicable**
(57) Statement of Newness and Distinctiveness: **Newness and distinctiveness is claimed in the features of shape and/or configuration of a basin as illustrated in the accompanying representations.**



- (21) Design Number: **12172/2010**
(22) Date of Filing Application: **28 May 2010**
(24) Date from which industrial property rights may have effect: **28 May 2010**
(54) Product in respect of which the design is registered: **A toilet suite**
(51) International Design Classification: **23-02C**
(71) Name(s) and Address(s) of Applicant(s):
Caroma Industries Limited
10 Market Street Brisbane Queensland 4000 Australia
(72) Name(s) of Designer(s): **Stephen John Cummings and Vincent Kai Hong Ho**
(45) Registration Date: **24 June 2010**
(56) Related Art Documents: **Not Applicable**
(57) Statement of Newness and Distinctiveness: **Newness and distinctiveness is claimed in the features of shape and/or configuration of armrests of a toilet suite as illustrated in the accompanying representations.**



- (21) Design Number: **12173/2010**
(22) Date of Filing Application: **28 May 2010**
(24) Date from which industrial property rights may have effect: **28 May 2010**
(54) Product in respect of which the design is registered: **A basin**
(51) International Design Classification: **23-02F**
(71) Name(s) and Address(s) of Applicant(s):
Caroma Industries Limited
10 Market Street Brisbane Queensland 4000 Australia
(72) Name(s) of Designer(s): **Stephen John Cummings and Vincent Kai Hong Ho**
(45) Registration Date: **24 June 2010**
(56) Related Art Documents: **Not Applicable**
(57) Statement of Newness and Distinctiveness: **Newness and distinctiveness is claimed in the features of shape and/or configuration of a basin as illustrated in the accompanying representations.**



(21) Design Number: **12174/2010**

(22) Date of Filing Application: **28 May 2010**

(24) Date from which industrial property rights may have effect: **28 May 2010**

(54) Product in respect of which the design is registered: **A showerhead**

(51) International Design Classification: **23-02B**

(71) Name(s) and Address(s) of Applicant(s):

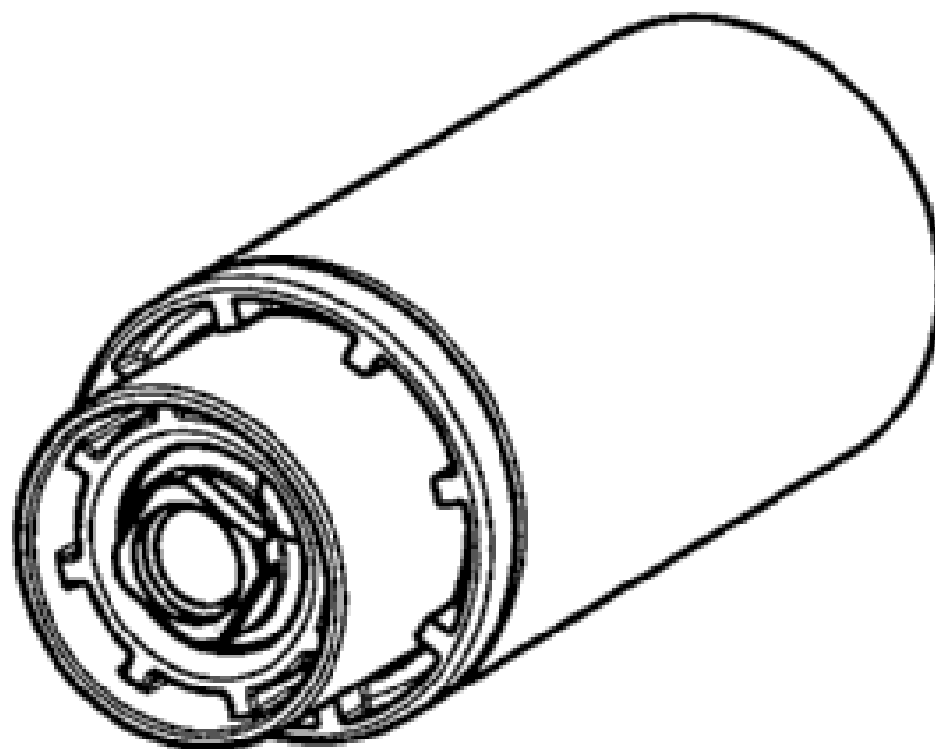
Caroma Industries Limited
10 Market Street Brisbane Queensland 4000 Australia

(72) Name(s) of Designer(s): **Stephen John Cummings and David Giorgio**

(45) Registration Date: **24 June 2010**

(56) Related Art Documents: **Not Applicable**

(57) Statement of Newness and Distinctiveness: **Newness and distinctiveness is claimed in the features of shape and/or configuration of a showerhead as illustrated in the accompanying representations.**



(21) Design Number: **12175/2010**

(22) Date of Filing Application: **28 May 2010**

(24) Date from which industrial property rights may have effect: **28 May 2010**

(54) Product in respect of which the design is registered: **A showerhead**

(51) International Design Classification: **23-02B**

(71) Name(s) and Address(s) of Applicant(s):

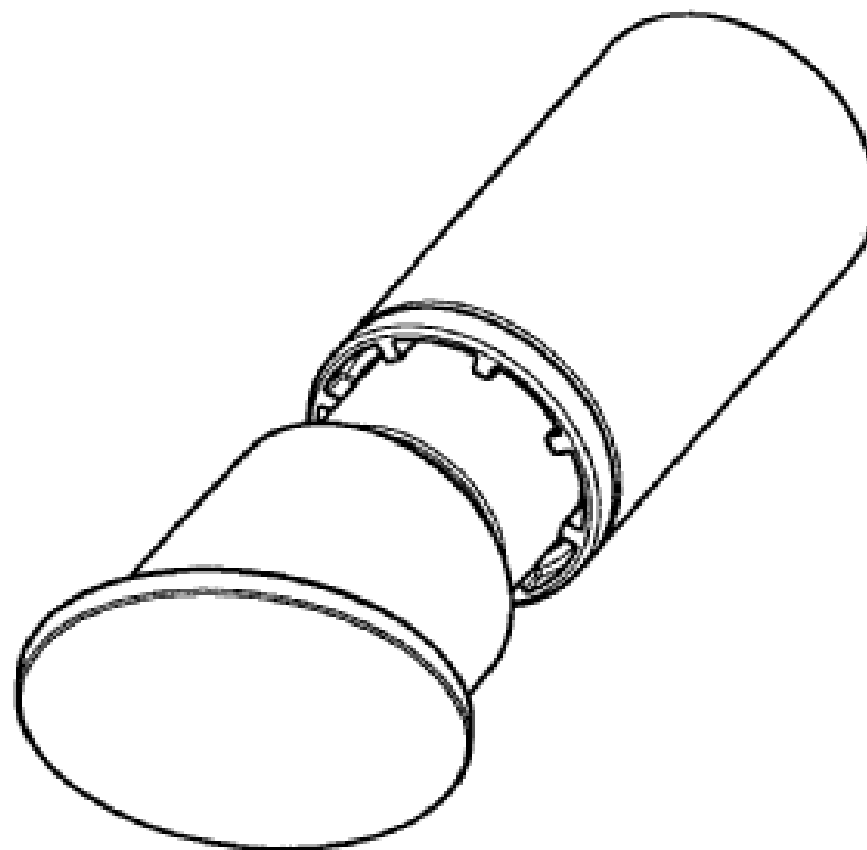
Caroma Industries Limited
10 Market Street Brisbane Queensland 4000 Australia

(72) Name(s) of Designer(s): **Stephen John Cummings and David Giorgio**

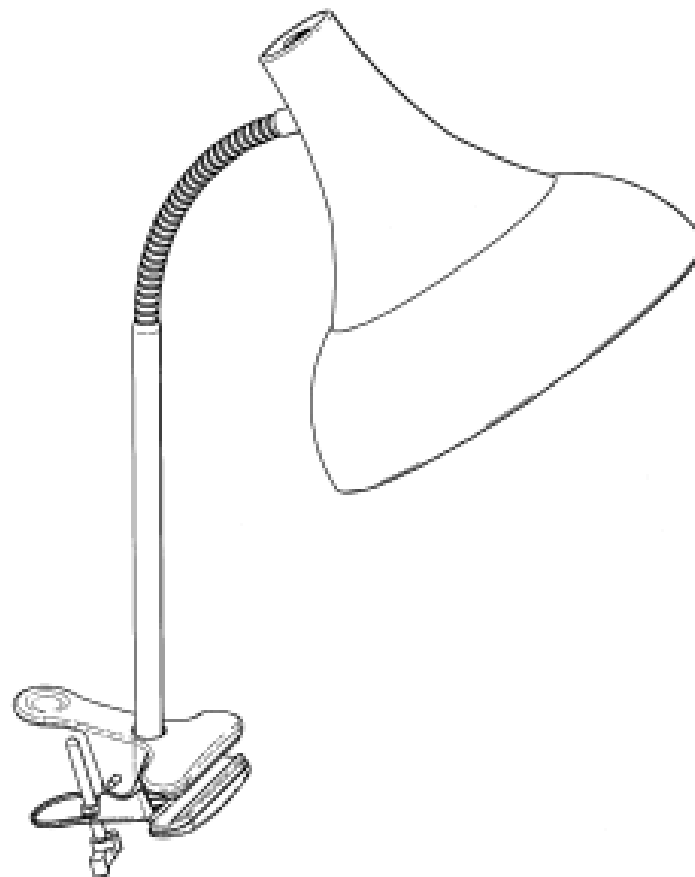
(45) Registration Date: **24 June 2010**

(56) Related Art Documents: **Not Applicable**

(57) Statement of Newness and Distinctiveness: **Newness and distinctiveness is claimed in the features of shape and/or configuration of a showerhead as illustrated in the accompanying representations.**



- (21) Design Number: **12177/2010**
(22) Date of Filing Application: **31 May 2010**
(24) Date from which industrial property rights may have effect: **31 May 2010**
(54) Product in respect of which the design is registered: **Easel lamp**
(51) International Design Classification: **26-05B**
(71) Name(s) and Address(s) of Applicant(s):
The Daylight Company (Holdings) Limited
89-91 Scrubs Lane London NW10 6QU United Kingdom
(72) Name(s) of Designer(s): **Fraser Hodgson**
(45) Registration Date: **24 June 2010**
(30) Convention priority data:
(31) Number (32) Date (33) Country
001657917-0001 18 Jan 2010 EUROPEAN COMMUNITY
(56) Related Art Documents: **Not Applicable**
(57) Statement of Newness and Distinctiveness: **Newness and distinctiveness is claimed in the shape and/or configuration of an easel lamp as illustrated by the unbroken lines in the accompanying representations.**



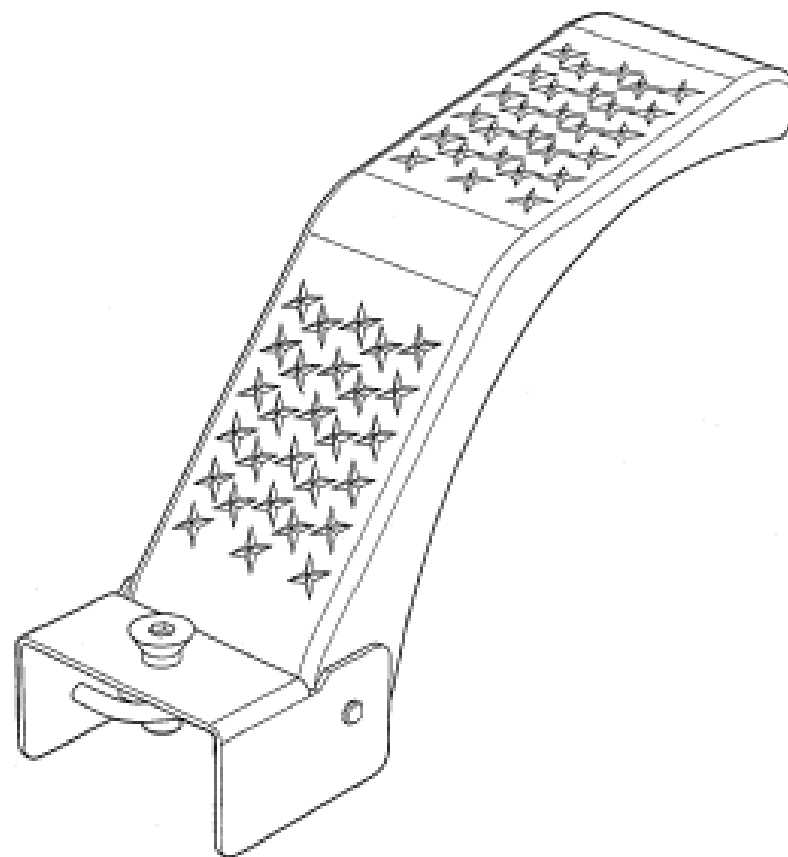
- (21) Design Number: **12179/2010**
(22) Date of Filing Application: **28 May 2010**
(24) Date from which industrial property rights may have effect: **28 May 2010**
(54) Product in respect of which the design is registered: **Fence post**
(51) International Design Classification: **25-01E**
(71) Name(s) and Address(s) of Applicant(s):
Whites Wires Australia Pty Ltd
4 Decker Place Huntingwood New South Wales 2148 Australia
(72) Name(s) of Designer(s): **Brian Gray and Peter Kelly**
(45) Registration Date: **24 June 2010**
(56) Related Art Documents: **Not Applicable**
(57) Statement of Newness and Distinctiveness: **Newness and distinctiveness reside in the features of the pattern and ornamentation of the design as shown in the representations and in particular in the silver coloured lower part of the post and the contrasting darker top portion.**



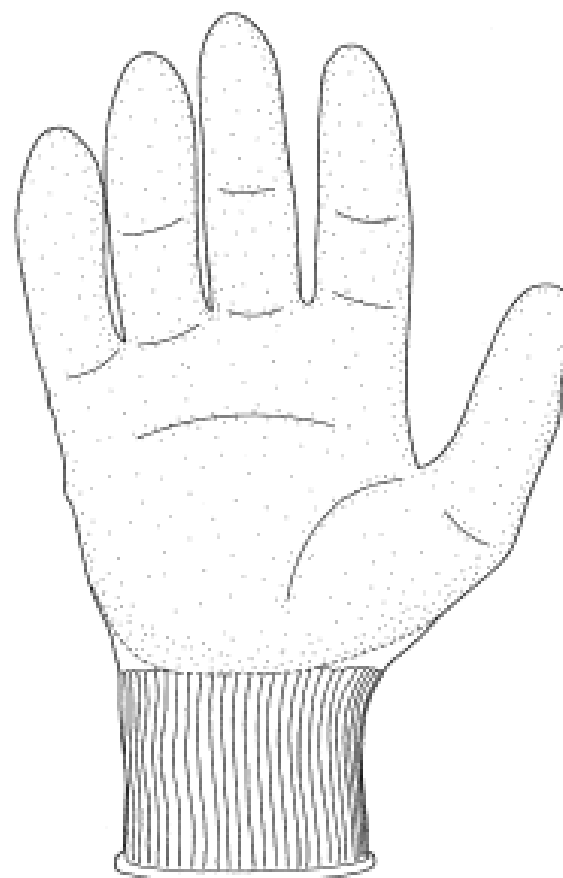
- (21) Design Number: **12180/2010**
(22) Date of Filing Application: **28 May 2010**
(24) Date from which industrial property rights may have effect: **28 May 2010**
(54) Product in respect of which the design is registered: **Collapsible container for a liquid**
(51) International Design Classification: **09-01NES**
(71) Name(s) and Address(s) of Applicant(s):
Water for Life Pty Ltd
244 Grange Road Flinders Park South Australia 5025 Australia
(72) Name(s) of Designer(s): **Domenic Mercuri**
(45) Registration Date: **24 June 2010**
(56) Related Art Documents: **Not Applicable**
(57) Statement of Newness and Distinctiveness: **Newness and distinctiveness is claimed in the visual features of a collapsible container for a liquid shown in the representations.**



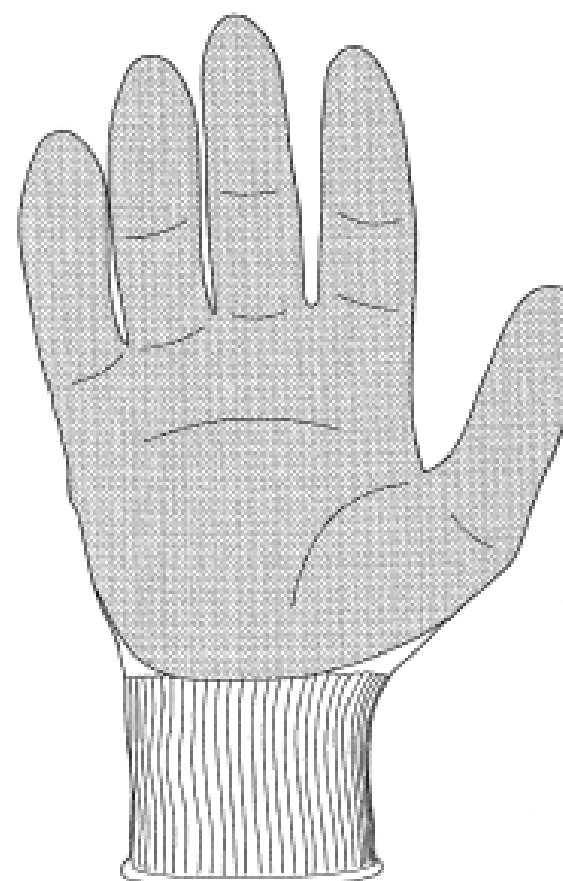
- (21) Design Number: **12182/2010**
(22) Date of Filing Application: **28 May 2010**
(24) Date from which industrial property rights may have effect: **28 May 2010**
(54) Product in respect of which the design is registered: **Scooter brake system**
(51) International Design Classification: **12-16M, 12-11**
(71) Name(s) and Address(s) of Applicant(s):
Madd Gear Pty Ltd
12/35 Garden Road Clayton Victoria 3168 Australia
(72) Name(s) of Designer(s): **Michael Horne**
(45) Registration Date: **24 June 2010**
(56) Related Art Documents: **Not Applicable**
(57) Statement of Newness and Distinctiveness: **Newness and distinctiveness is claimed in the shape and configuration of the brake pedal mechanism as shown in the drawings, excluding the portions in dashed lines.**



(21) Design Number: **12210/2010**
 (22) Date of Filing Application: **31 May 2010**
 (24) Date from which industrial property rights may have effect: **31 May 2010**
 (54) Product in respect of which the design is registered: **Glove**
 (51) International Design Classification: **02-06**
 (71) Name(s) and Address(s) of Applicant(s):
Ansell Healthcare Products LLC
200 Schulz Drive Red Bank NJ 07701 United States of America
 (72) Name(s) of Designer(s): **Eric Thompson and Gerardo Rodriguez Garay and Hafsah Binti Modh Ghazaly and Norman Washington Keane**
 (45) Registration Date: **24 June 2010**
 (30) Convention priority data:
 (31) Number (32) Date (33) Country
29/359,582 13 Apr 2010 UNITED STATES OF AMERICA
 (56) Related Art Documents: **Not Applicable**
 (57) Statement of Newness and Distinctiveness: **The newness and distinctiveness of the design resides in the features of pattern, ornamentation, shape and/or configuration shown in solid outline in the accompanying representations. The thin broken line illustrates the transition between the coating and the underlying knit glove and forms no part of the design.**

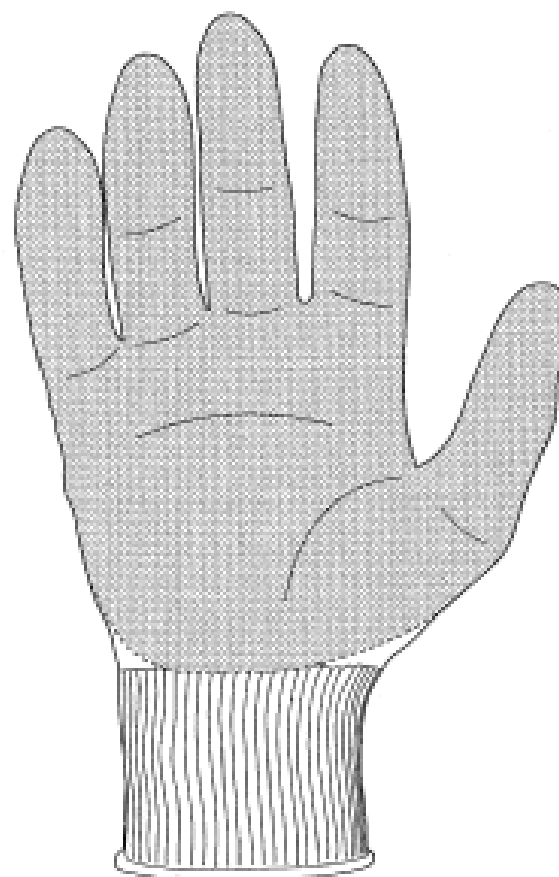


(21) Design Number: **12211/2010**
 (22) Date of Filing Application: **31 May 2010**
 (24) Date from which industrial property rights may have effect: **31 May 2010**
 (54) Product in respect of which the design is registered: **Glove**
 (51) International Design Classification: **02-06**
 (71) Name(s) and Address(s) of Applicant(s):
Ansell Healthcare Products LLC
200 Schulz Drive Red Bank NJ 07701 United States of America
 (72) Name(s) of Designer(s): **Eric Thompson and Gerardo Rodriguez Garay and Hafsah Binti Modh Ghazaly and Norman Washington Keane**
 (45) Registration Date: **24 June 2010**
 (30) Convention priority data:
 (31) Number (32) Date (33) Country
29/359,582 13 Apr 2010 UNITED STATES OF AMERICA
 (56) Related Art Documents: **Not Applicable**
 (57) Statement of Newness and Distinctiveness: **The newness and distinctiveness of the design resides in the features of pattern, ornamentation, shape and/or configuration shown in solid outline in the accompanying representations. The portion of the glove shown in gray shading represents a metallic-looking coating on the palm portion of the knit glove. The bold broken double lines illustrate regions of the knit glove where the stitches are larger than the surrounding.**



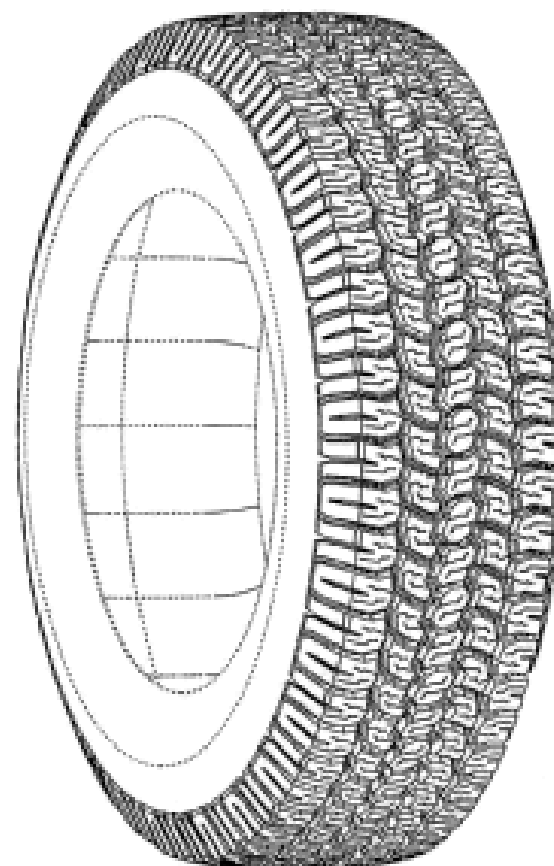
- (21) Design Number: **12212/2010**
- (22) Date of Filing Application: **31 May 2010**
- (24) Date from which industrial property rights may have effect: **31 May 2010**
- (54) Product in respect of which the design is registered: **Glove**
- (51) International Design Classification: **02-06**
- (71) Name(s) and Address(s) of Applicant(s):
Ansell Healthcare Products LLC
200 Schulz Drive Red Bank NJ 07701 United States of America
- (72) Name(s) of Designer(s): **Eric Thompson and Gerardo Rodriguez Garay and Hafsah Binti Modh Ghazaly and Norman Washington Keane**
- (45) Registration Date: **24 June 2010**
- (30) Convention priority data:

(31) Number	(32) Date	(33) Country
29/359,582	13 Apr 2010	UNITED STATES OF AMERICA
- (56) Related Art Documents: **Not Applicable**
- (57) Statement of Newness and Distinctiveness: **The newness and distinctiveness of the design resides in the features of pattern, ornamentation, shape and/or configuration shown in solid outline in the accompanying representations. The portion of the glove shown in gray shading represents a metallic-looking coating on the palm portion of the knit glove. The bold broken double lines illustrate regions of the knit glove where the stitches are larger than the surrounding. The thin broken line illustrates the transition between the coating and the underlying knit glove and forms no part of the design.**



- (21) Design Number: **12214/2010**
- (22) Date of Filing Application: **31 May 2010**
- (24) Date from which industrial property rights may have effect: **31 May 2010**
- (54) Product in respect of which the design is registered: **Tire**
- (51) International Design Classification: **12-15A**
- (71) Name(s) and Address(s) of Applicant(s):
Cooper Tire & Rubber Company
701 Lima Avenue Findlay Ohio 45840 United States of America
- (72) Name(s) of Designer(s): **Jeremy J. Jacobs**
- (45) Registration Date: **24 June 2010**
- (30) Convention priority data:

(31) Number	(32) Date	(33) Country
29/348,197	08 Dec 2009	UNITED STATES OF AMERICA
- (56) Related Art Documents: **Not Applicable**
- (57) Statement of Newness and Distinctiveness: **Those features of the tire depicted in the representations that are new and distinctive are the shape and/or configuration of the tread of the tire. The features shown in broken line are not part of the design and are to be disregarded when considering the overall impression of the design.**



(21) Design Number: **12215/2010**
 (22) Date of Filing Application: **31 May 2010**
 (24) Date from which industrial property rights may have effect: **31 May 2010**
 (54) Product in respect of which the design is registered: **Tire**
 (51) International Design Classification: **12-15A**
 (71) Name(s) and Address(s) of Applicant(s):

Cooper Tire & Rubber Company
701 Lima Avenue Findlay Ohio 45840 United States of America

(72) Name(s) of Designer(s): **Jeremy J. Jacobs**

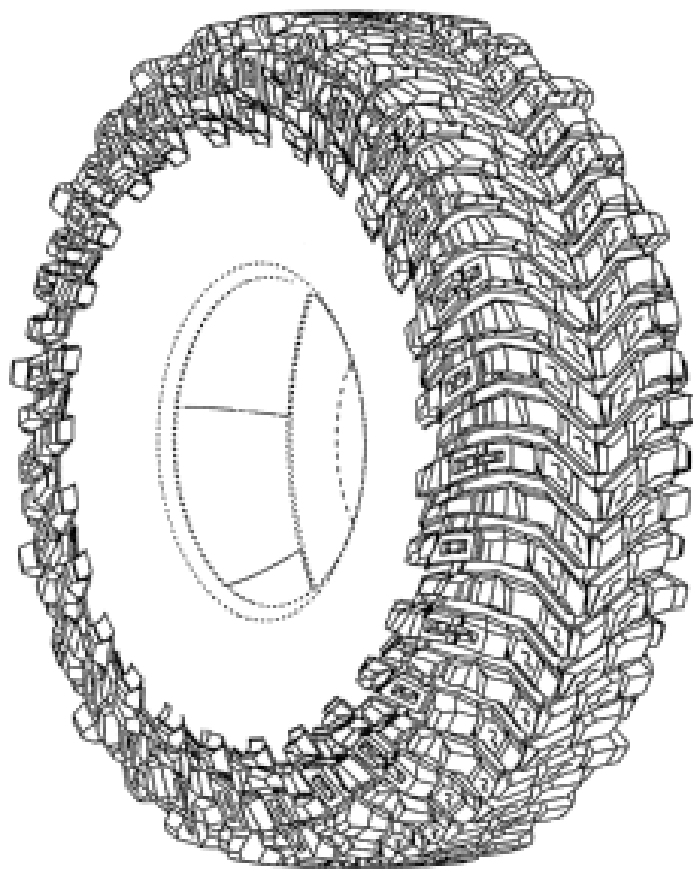
(45) Registration Date: **24 June 2010**

(30) Convention priority data:

(31) Number	(32) Date	(33) Country
29/348,196	08 Dec 2009	UNITED STATES OF AMERICA

(56) Related Art Documents: **Not Applicable**

(57) Statement of Newness and Distinctiveness: **Those features of the tire depicted in the representations that are new and distinctive are the shape and/or configuration of the tread of the tire. The features shown in broken line are not part of the design and are to be disregarded when considering the overall impression of the design.**



(21) Design Number: **12216/2010**
 (22) Date of Filing Application: **31 May 2010**
 (24) Date from which industrial property rights may have effect: **31 May 2010**
 (54) Product in respect of which the design is registered: **Tire**
 (51) International Design Classification: **12-15A**
 (71) Name(s) and Address(s) of Applicant(s):

Cooper Tire & Rubber Company
701 Lima Avenue Findlay Ohio 45840 United States of America

(72) Name(s) of Designer(s): **Jeremy J. Jacobs**

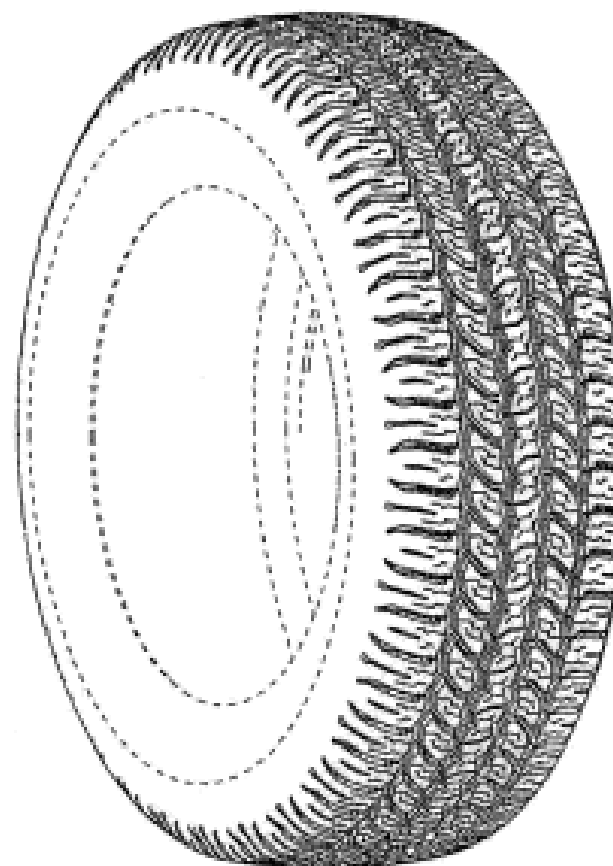
(45) Registration Date: **24 June 2010**

(30) Convention priority data:

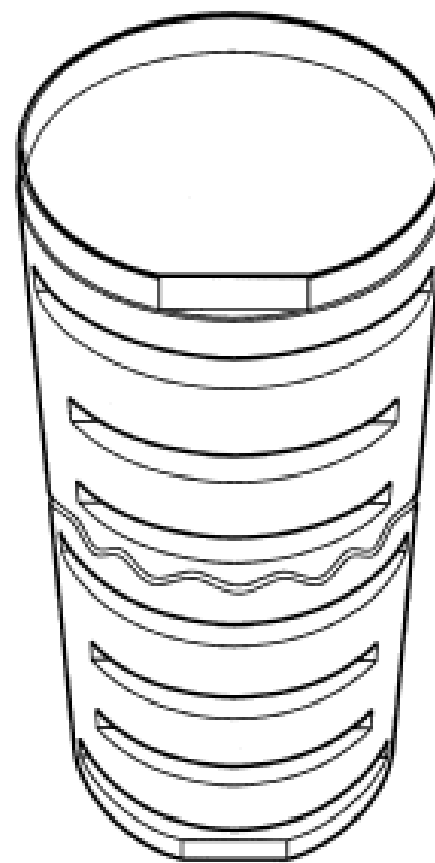
(31) Number	(32) Date	(33) Country
29/348,195	08 Dec 2009	UNITED STATES OF AMERICA

(56) Related Art Documents: **Not Applicable**

(57) Statement of Newness and Distinctiveness: **Those features of the tire depicted in the representations that are new and distinctive are the shape and/or configuration of the tread of the tire. The features shown in broken line are not part of the design and are to be disregarded when considering the overall impression of the design.**

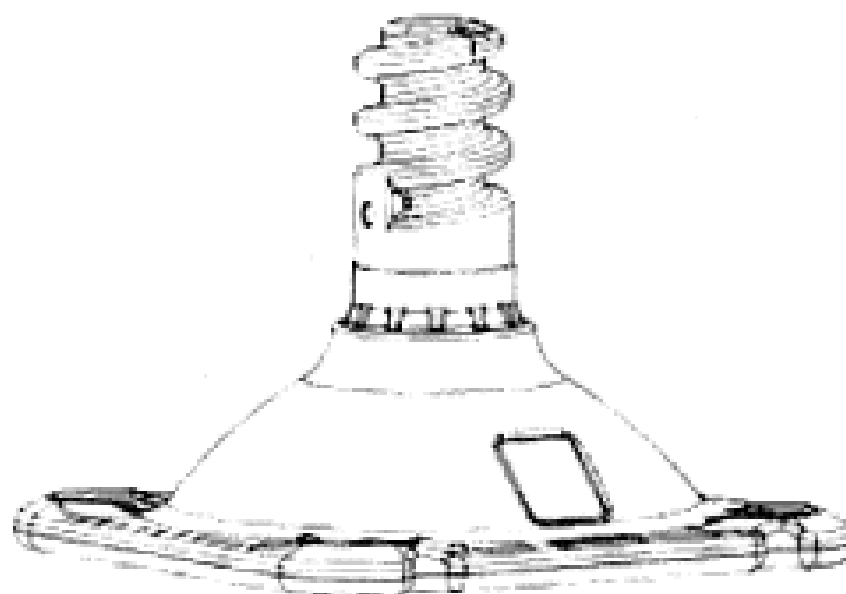


- (21) Design Number: **10098/2010**
- (22) Date of Filing Application: **13 January 2010**
- (24) Date from which industrial property rights may have effect: **13 January 2010**
- (54) Product in respect of which the design is registered: **Underground ladderway system**
- (51) International Design Classification: **25-04**
- (71) Name(s) and Address(s) of Applicant(s):
Hiram (WA) Pty Ltd
110 O'Halloran Drive Mandurang Victoria 3551 Australia
- (72) Name(s) of Designer(s): **Steven Peter Durkin**
- (45) Registration Date: **24 June 2010**
- (56) Related Art Documents: **Not Applicable**
- (57) Statement of Newness and Distinctiveness: **Newness and distinctiveness is claimed in the shape and/or configuration of a Underground Ladderway System of indefinite length as illustrated in the accompanying representations.**



- (21) Design Number: **11643/2010**
- (22) Date of Filing Application: **29 April 2010**
- (24) Date from which industrial property rights may have effect: **29 April 2010**
- (54) Product in respect of which the design is registered: **Part of a bollard**
- (51) International Design Classification: **25-02A, 25-02NES**
- (71) Name(s) and Address(s) of Applicant(s):
LINPAC Environmental Limited
3180 Birmingham Business Park Birmingham B37 7YN United Kingdom
- (72) Name(s) of Designer(s): **David Bray**
- (45) Registration Date: **24 June 2010**
- (30) Convention priority data:

(31) Number	(32) Date	(33) Country
001209027	09 Apr 2010	EUROPEAN COMMUNITY
- (56) Related Art Documents: **Not Applicable**
- (57) Statement of Newness and Distinctiveness: **Newness and distinctiveness resides in the shape and/or configuration of a part of a bollard, as illustrated in the accompanying representations.**



(21) Design Number: **11845/2010**

(22) Date of Filing Application: **11 May 2010**

(24) Date from which industrial property rights may have effect: **11 May 2010**

(54) Product in respect of which the design is registered: **Closure cap**

(51) International Design Classification: **09-07B**

(71) Name(s) and Address(s) of Applicant(s):

Crown Packaging Technology, Inc
11535 S. Central Avenue Alsip Illinois 60803-2599 United States of America

(72) Name(s) of Designer(s): **Paul Robert Dunwoody**

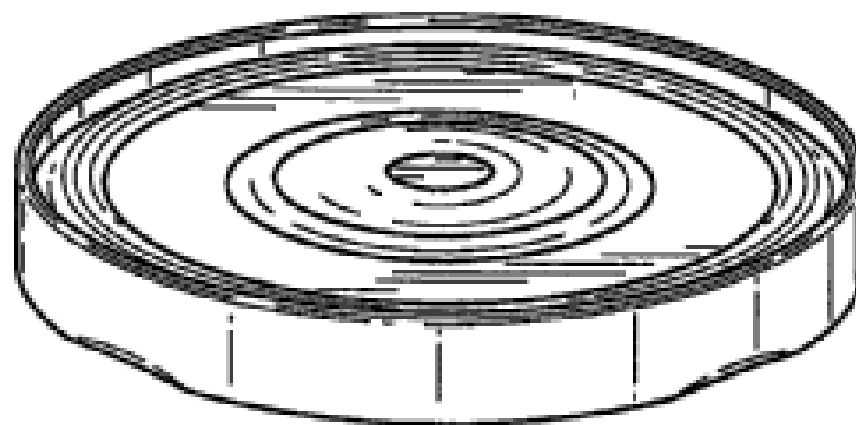
(45) Registration Date: **24 June 2010**

(30) Convention priority data:

(31) Number	(32) Date	(33) Country
001634775	11 Nov 2009	EUROPEAN COMMUNITY

(56) Related Art Documents: **Not Applicable**

(57) Statement of Newness and Distinctiveness: **Nil**



(21) Design Number: **11853/2010**

(22) Date of Filing Application: **11 May 2010**

(24) Date from which industrial property rights may have effect: **11 May 2010**

(54) Product in respect of which the design is registered: **Plate assembly**

(51) International Design Classification: **30-99**

(71) Name(s) and Address(s) of Applicant(s):

Ambic Equipment Limited
Avenue Four Station Lane Witney Oxfordshire OX28 4XT United Kingdom

(72) Name(s) of Designer(s): **Richard James Hiley**

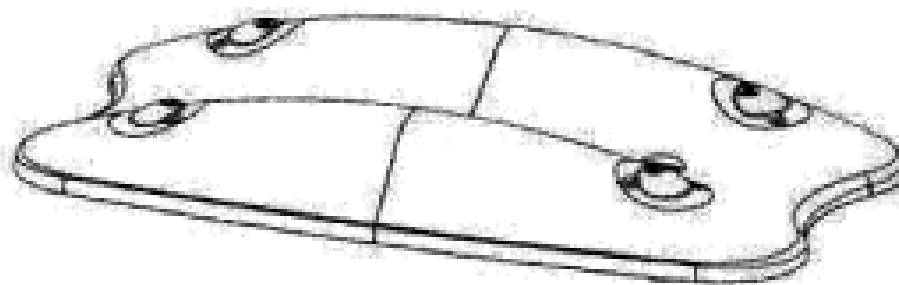
(45) Registration Date: **24 June 2010**

(30) Convention priority data:

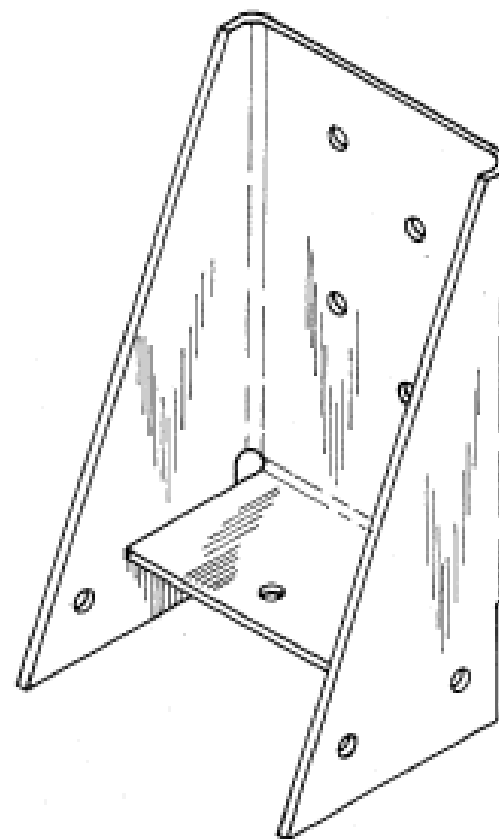
(31) Number	(32) Date	(33) Country
4014490	11 Feb 2010	UNITED KINGDOM

(56) Related Art Documents: **Not Applicable**

(57) Statement of Newness and Distinctiveness: **Newness and distinctiveness resides in the features of shape and/or configuration of a plate assembly as illustrated in the accompanying representations.**

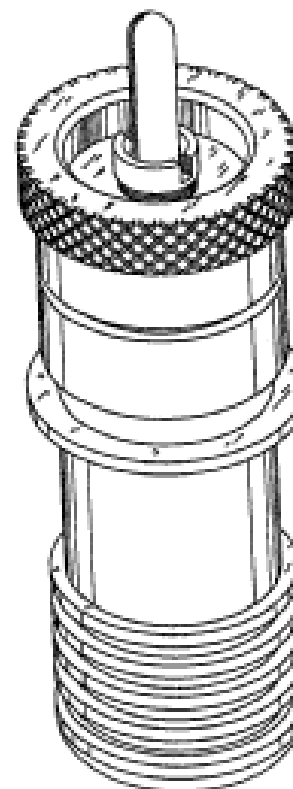


- (21) Design Number: **12218/2010**
- (22) Date of Filing Application: **31 May 2010**
- (24) Date from which industrial property rights may have effect: **31 May 2010**
- (54) Product in respect of which the design is registered: **Bracket**
- (51) International Design Classification: **08-08L**
- (71) Name(s) and Address(s) of Applicant(s):
LiteSteel Products Pty Ltd
Level 40 259 George Street Sydney New South Wales 2000 Australia
- (72) Name(s) of Designer(s): **Gordon Van Der Est and Brett Willcox and Hayden Dagg and Stuart Penberthy and Ross Dempsey**
- (45) Registration Date: **24 June 2010**
- (56) Related Art Documents: **Not Applicable**
- (57) Statement of Newness and Distinctiveness: **Newness and distinctiveness resides in the visual features, including shape and configuration, of the legs (side flanges) of the bracket as shown in the accompanying drawings, including the increased leg length, and hole orientation.**



- (21) Design Number: **12219/2010**
- (22) Date of Filing Application: **31 May 2010**
- (24) Date from which industrial property rights may have effect: **31 May 2010**
- (54) Product in respect of which the design is registered: **Blade holder for an electronic media cutter**
- (51) International Design Classification: **14-01**
- (71) Name(s) and Address(s) of Applicant(s):
Ellison Educational Equipment, Inc.
25862 Commercentre Drive Lake Forest CA 92630 United States of America
- (72) Name(s) of Designer(s): **Kevin L. Corcoran**
- (45) Registration Date: **24 June 2010**
- (30) Convention priority data:

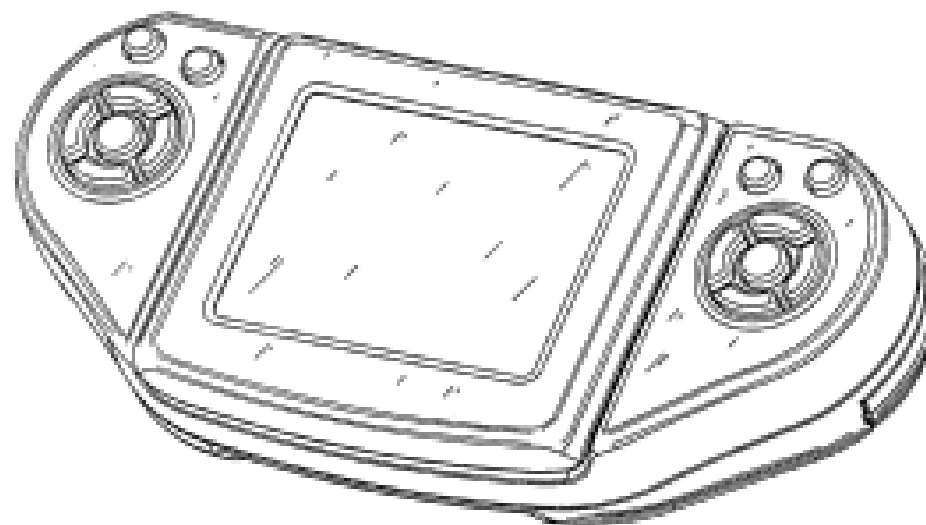
(31) Number	(32) Date	(33) Country
29/348163	04 Dec 2009	UNITED STATES OF AMERICA
- (56) Related Art Documents: **Not Applicable**
- (57) Statement of Newness and Distinctiveness: **Nil**



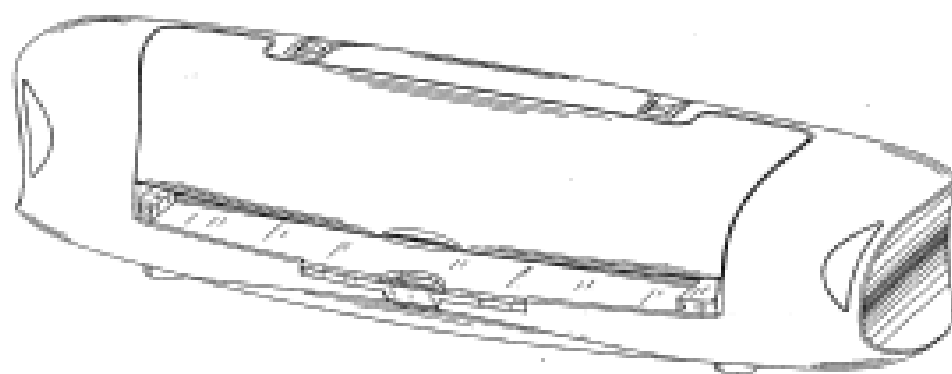
(21) Design Number: **12220/2010**
(22) Date of Filing Application: **31 May 2010**
(24) Date from which industrial property rights may have effect: **31 May 2010**
(54) Product in respect of which the design is registered: **Plug-in data storage cartridge**
(51) International Design Classification: **14-02**
(71) Name(s) and Address(s) of Applicant(s):
Ellison Educational Equipment, Inc.
25862 Commercentre Drive Lake Forest CA 92630 United States of America
(72) Name(s) of Designer(s): **Kevin L. Corcoran**
(45) Registration Date: **24 June 2010**
(30) Convention priority data:
(31) Number (32) Date (33) Country
29/348165 04 Dec 2009 UNITED STATES OF AMERICA
(56) Related Art Documents: **Not Applicable**
(57) Statement of Newness and Distinctiveness: **Nil**



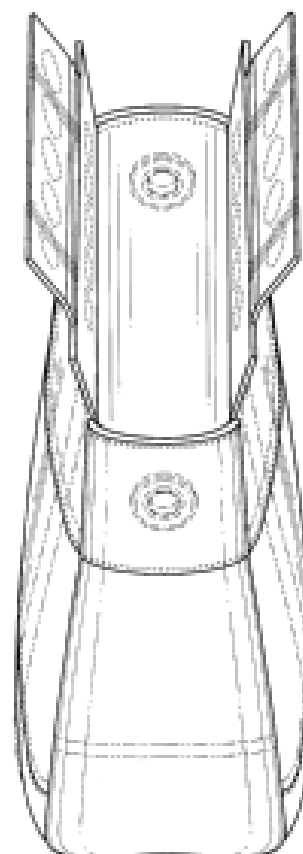
(21) Design Number: **12221/2010**
(22) Date of Filing Application: **31 May 2010**
(24) Date from which industrial property rights may have effect: **31 May 2010**
(54) Product in respect of which the design is registered: **Hand-held electronic controller**
(51) International Design Classification: **14-02**
(71) Name(s) and Address(s) of Applicant(s):
Ellison Educational Equipment, Inc.
25862 Commercentre Drive Lake Forest CA 92630 United States of America
(72) Name(s) of Designer(s): **Kevin L. Corcoran and Jared B. Wilson and Gerald Ayala**
(45) Registration Date: **24 June 2010**
(30) Convention priority data:
(31) Number (32) Date (33) Country
29/348164 04 Dec 2009 UNITED STATES OF AMERICA
(56) Related Art Documents: **Not Applicable**
(57) Statement of Newness and Distinctiveness: **Nil**



- (21) Design Number: **12222/2010**
(22) Date of Filing Application: **31 May 2010**
(24) Date from which industrial property rights may have effect: **31 May 2010**
(54) Product in respect of which the design is registered: **Electronic media cutter**
(51) International Design Classification: **14-01**
(71) Name(s) and Address(s) of Applicant(s):
Ellison Educational Equipment, Inc.
25862 Commercentre Drive Lake Forest CA 92630 United States of America
(72) Name(s) of Designer(s): **Kevin L. Corcoran and Jared B. Wilson and Gerald Ayala**
(45) Registration Date: **24 June 2010**
(30) Convention priority data:
(31) Number (32) Date (33) Country
29/348166 04 Dec 2009 UNITED STATES OF AMERICA
(56) Related Art Documents: **Not Applicable**
(57) Statement of Newness and Distinctiveness: **Nil**



- (21) Design Number: **11704/2010**
(22) Date of Filing Application: **23 February 2010**
(24) Date from which industrial property rights may have effect: **23 February 2010**
(54) Product in respect of which the design is registered: **Cover for handbag**
(51) International Design Classification: **03-01B**
(71) Name(s) and Address(s) of Applicant(s):
Miche Bag LLC
10701 South River Front Parkway Suite 110 Jordan Utah 84095 United States of America
(72) Name(s) of Designer(s): **Christian J. Seegmiller and Jennie Platt and Corbin Church**
(45) Registration Date: **24 June 2010**
(30) Convention priority data:
(31) Number (32) Date (33) Country
PCT/US09/54896 25 Aug 2009 UNITED STATES OF AMERICA
(62) Divisional of: **331296**
(56) Related Art Documents: **Not Applicable**
(57) Statement of Newness and Distinctiveness: **Those features of the cover for handbag depicted in the representations that are new and distinctive are the shape and/or configuration. The features of the upper flaps of the handbag cover shown in circular broken lines in sheet 1 depict magnetic elements within the lining of the flaps.**



(21) Design Number: **11705/2010**

(22) Date of Filing Application: **23 February 2010**

(24) Date from which industrial property rights may have effect: **23 February 2010**

(54) Product in respect of which the design is registered: **Handbag base**

(51) International Design Classification: **03-01B**

(71) Name(s) and Address(s) of Applicant(s):

Miche Bag LLC
10701 South River Front Parkway Suite 110 Jordan Utah 84095 United States of America

(72) Name(s) of Designer(s): **Christian J. Seegmiller and Jennie Platt and Corbin Church**

(45) Registration Date: **24 June 2010**

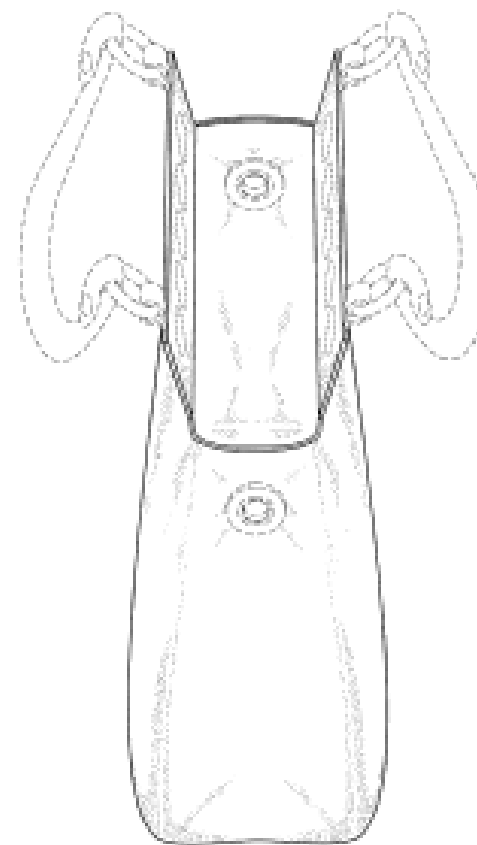
(30) Convention priority data:

(31) Number	(32) Date	(33) Country
PCT/US09/54896	25 Aug 2009	UNITED STATES OF AMERICA

(62) Divisional of: **331296**

(56) Related Art Documents: **Not Applicable**

(57) Statement of Newness and Distinctiveness: **Those features of the handbag base depicted in the representations that are new and distinctive are the shape and/or configuration. The features of the upper flaps of the handbag base shown in circular broken lines depict magnetic elements within the lining of the flaps. The handles shown in broken lines are not part of the design and are to be disregarded when considering the overall impression of the design.**



(21) Design Number: **12025/2010**

(22) Date of Filing Application: **21 May 2010**

(24) Date from which industrial property rights may have effect: **21 May 2010**

(54) Product in respect of which the design is registered: **Hydraulic tilting mechanism**

(51) International Design Classification: **12-05**

(71) Name(s) and Address(s) of Applicant(s):

Haigh Australia Pty Ltd
64 Argyle Parade Darra Queensland 4076 Australia

(72) Name(s) of Designer(s): **Zhou Ai Xing**

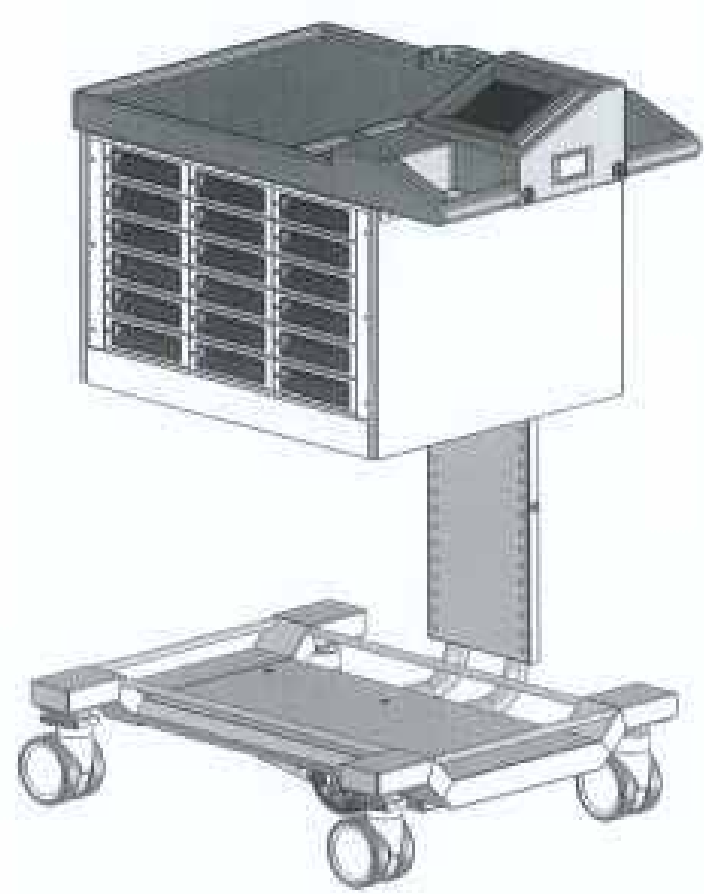
(45) Registration Date: **24 June 2010**

(56) Related Art Documents: **Not Applicable**

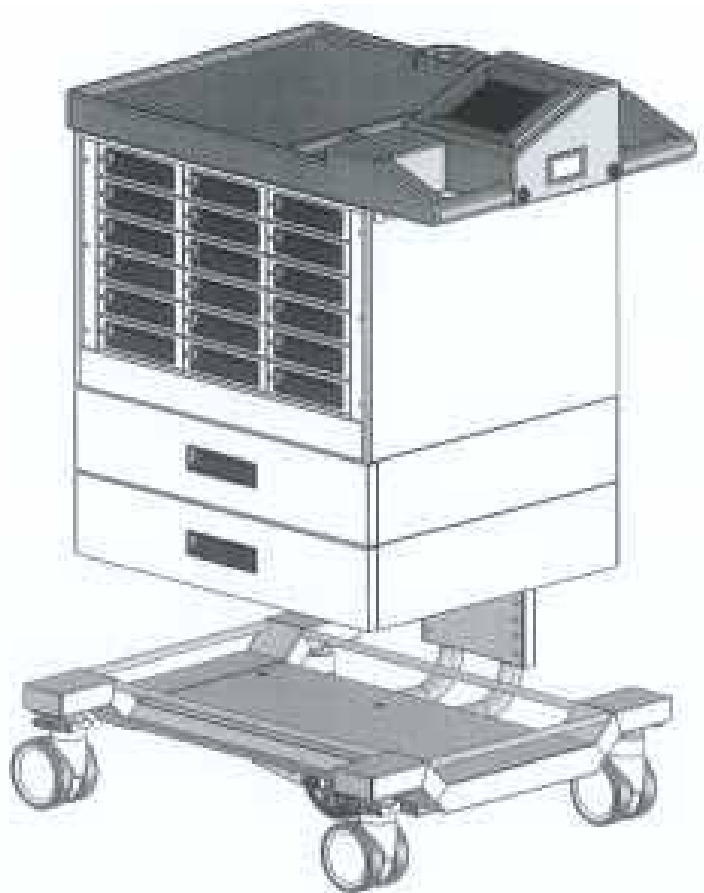
(57) Statement of Newness and Distinctiveness: **The frame supports rear axle and a hydraulic ram is used to tilt mower so that it can be located in a tilted position. The frame has wheels that allow easy movement of the tilt; a brace to secure the mower in tilted position; foot operated hydraulic ram; sloped edges allow mower wheels to easily run onto lift.**



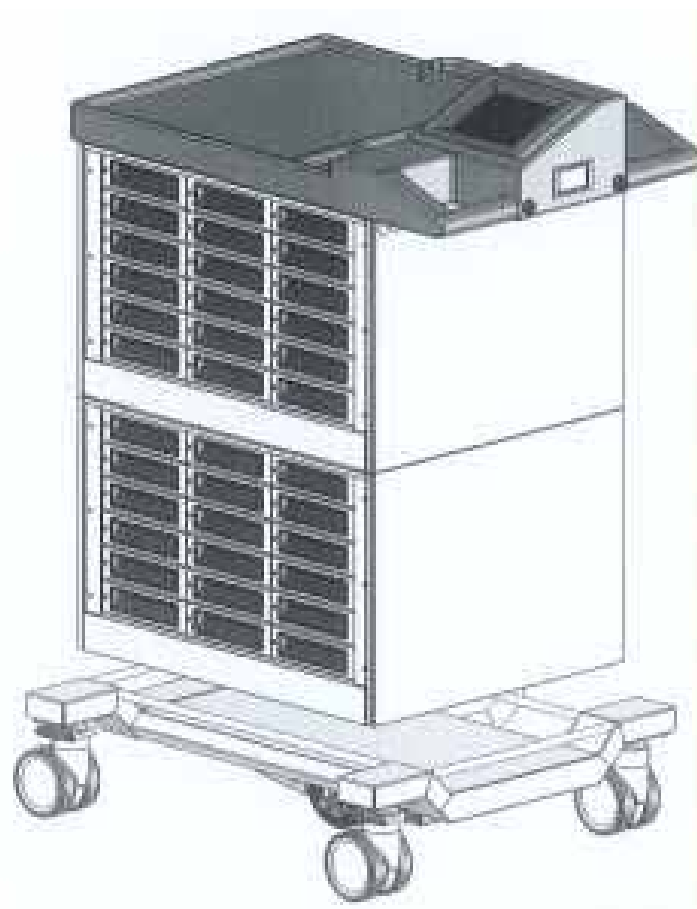
- (21) Design Number: **10568/2010**
(22) Date of Filing Application: **17 February 2010**
(24) Date from which industrial property rights may have effect: **17 February 2010**
(54) Product in respect of which the design is registered: **Computerised medication distribution cart**
(51) International Design Classification: **12-02**
(71) Name(s) and Address(s) of Applicant(s):
Oxford EME (Aust) Pty Ltd
2 Shale Place Eastern Creek New South Wales 2766 Australia
(72) Name(s) of Designer(s): **Roderick McKay and Grant Clark**
(45) Registration Date: **25 June 2010**
(56) Related Art Documents: **Not Applicable**
(57) Statement of Newness and Distinctiveness: **Computerised cart capable of storing and allocating drugs to patients. 7 inch touchscreen monitor, individual locking and unlocking drawers. User security authentication software driven.**



- (21) Design Number: **12157/2010**
(22) Date of Filing Application: **17 February 2010**
(24) Date from which industrial property rights may have effect: **17 February 2010**
(54) Product in respect of which the design is registered: **Computerised medication distribution cart**
(51) International Design Classification: **12-02**
(71) Name(s) and Address(s) of Applicant(s):
Oxford EME (Aust) Pty Ltd
2 Shale Place Eastern Creek New South Wales 2766 Australia
(72) Name(s) of Designer(s): **Roderick McKay and Grant Clark**
(45) Registration Date: **25 June 2010**
(56) Related Art Documents: **Not Applicable**
(57) Statement of Newness and Distinctiveness: **Computerised cart capable of storing and allocating drugs to patients. 7 inch touchscreen monitor, individual locking and unlocking drawers. User security authentication software driven.**



- (21) Design Number: **12158/2010**
(22) Date of Filing Application: **17 February 2010**
(24) Date from which industrial property rights may have effect: **17 February 2010**
(54) Product in respect of which the design is registered: **Computerised medication distribution cart**
(51) International Design Classification: **12-02**
(71) Name(s) and Address(s) of Applicant(s):
Oxford EME (Aust) Pty Ltd
2 Shale Place Eastern Creek New South Wales 2766 Australia
(72) Name(s) of Designer(s): **Roderick McKay and Grant Clark**
(45) Registration Date: **25 June 2010**
(56) Related Art Documents: **Not Applicable**
(57) Statement of Newness and Distinctiveness: **Computerised cart capable of storing and allocating drugs to patients. 7 inch touchscreen monitor, individual locking and unlocking drawers. User security authentication software driven.**



- (21) Design Number: **12225/2010**
(22) Date of Filing Application: **01 June 2010**
(24) Date from which industrial property rights may have effect: **01 June 2010**
(54) Product in respect of which the design is registered: **Soccer ball - shaped baked product**
(51) International Design Classification: **01-01**
(71) Name(s) and Address(s) of Applicant(s):
Michael Hobel
Feldweg 50 Horsching 4063 Austria
(72) Name(s) of Designer(s): **Michael Hobel**
(45) Registration Date: **25 June 2010**
(30) Convention priority data:
(31) Number (32) Date (33) Country
001651118-0001 22 Dec 2009 EUROPEAN COMMUNITY
(56) Related Art Documents: **Not Applicable**
(57) Statement of Newness and Distinctiveness: **Newness and distinctiveness resides in providing a baked product with the visual features of a type of sports ball as shown in the accompanying representations.**



- (21) Design Number: **12226/2010**
(22) Date of Filing Application: **01 June 2010**
(24) Date from which industrial property rights may have effect: **01 June 2010**
(54) Product in respect of which the design is registered: **Soccer ball - shaped baked product**
(51) International Design Classification: **01-01**
(71) Name(s) and Address(s) of Applicant(s):
Michael Hobel
Feldweg 50 Horsching 4063 Austria
(72) Name(s) of Designer(s): **Michael Hobel**
(45) Registration Date: **25 June 2010**
(30) Convention priority data:
(31) Number (32) Date (33) Country
001651118-0002 22 Dec 2009 EUROPEAN COMMUNITY
(56) Related Art Documents: **Not Applicable**
(57) Statement of Newness and Distinctiveness: **Newness and distinctiveness resides in providing a baked product with the visual features of a type of sports ball as shown in the accompanying representations.**



- (21) Design Number: **12227/2010**
(22) Date of Filing Application: **01 June 2010**
(24) Date from which industrial property rights may have effect: **01 June 2010**
(54) Product in respect of which the design is registered: **Football - shaped baked product**
(51) International Design Classification: **01-01**
(71) Name(s) and Address(s) of Applicant(s):
Michael Hobel
Feldweg 50 Horsching 4063 Austria
(72) Name(s) of Designer(s): **Michael Hobel**
(45) Registration Date: **25 June 2010**
(30) Convention priority data:
(31) Number (32) Date (33) Country
001651118-0003 22 Dec 2009 EUROPEAN COMMUNITY
(56) Related Art Documents: **Not Applicable**
(57) Statement of Newness and Distinctiveness: **Newness and distinctiveness resides in providing a baked product with the visual features of a type of sports ball as shown in the accompanying representations.**



- (21) Design Number: **12228/2010**
(22) Date of Filing Application: **01 June 2010**
(24) Date from which industrial property rights may have effect: **01 June 2010**
(54) Product in respect of which the design is registered: **Football - shaped baked product**
(51) International Design Classification: **01-01**
(71) Name(s) and Address(s) of Applicant(s):
Michael Hobel
Feldweg 50 Horsching 4063 Austria
(72) Name(s) of Designer(s): **Michael Hobel**
(45) Registration Date: **25 June 2010**
(30) Convention priority data:
(31) Number (32) Date (33) Country
001651118-0004 22 Dec 2009 EUROPEAN COMMUNITY
(56) Related Art Documents: **Not Applicable**
(57) Statement of Newness and Distinctiveness: **Newness and distinctiveness resides in providing a baked product with the visual features of a type of sports ball as shown in the accompanying representations.**



- (21) Design Number: **12229/2010**
(22) Date of Filing Application: **01 June 2010**
(24) Date from which industrial property rights may have effect: **01 June 2010**
(54) Product in respect of which the design is registered: **Rugby ball - shaped baked product**
(51) International Design Classification: **01-01**
(71) Name(s) and Address(s) of Applicant(s):
Michael Hobel
Feldweg 50 Horsching 4063 Austria
(72) Name(s) of Designer(s): **Michael Hobel**
(45) Registration Date: **25 June 2010**
(30) Convention priority data:
(31) Number (32) Date (33) Country
001651118-0005 22 Dec 2009 EUROPEAN COMMUNITY
(56) Related Art Documents: **Not Applicable**
(57) Statement of Newness and Distinctiveness: **Newness and distinctiveness resides in providing a baked product with the visual features of a type of sports ball as shown in the accompanying representations.**



(21) Design Number: **12230/2010**

(22) Date of Filing Application: **01 June 2010**

(24) Date from which industrial property rights may have effect: **01 June 2010**

(54) Product in respect of which the design is registered: **Basketball - shaped baked product**

(51) International Design Classification: **01-01**

(71) Name(s) and Address(s) of Applicant(s):

**Michael Hobel
Feldweg 50 Horsching 4063 Austria**

(72) Name(s) of Designer(s): **Michael Hobel**

(45) Registration Date: **25 June 2010**

(30) Convention priority data:

(31) Number	(32) Date	(33) Country
001651118-0006	22 Dec 2009	EUROPEAN COMMUNITY

(56) Related Art Documents: **Not Applicable**

(57) Statement of Newness and Distinctiveness: **Newness and distinctiveness resides in providing a baked product with the visual features of a type of sports ball as shown in the accompanying representations.**



(21) Design Number: **12231/2010**

(22) Date of Filing Application: **01 June 2010**

(24) Date from which industrial property rights may have effect: **01 June 2010**

(54) Product in respect of which the design is registered: **Volleyball - shaped baked product**

(51) International Design Classification: **01-01**

(71) Name(s) and Address(s) of Applicant(s):

**Michael Hobel
Feldweg 50 Horsching 4063 Austria**

(72) Name(s) of Designer(s): **Michael Hobel**

(45) Registration Date: **25 June 2010**

(30) Convention priority data:

(31) Number	(32) Date	(33) Country
001651118-0007	22 Dec 2009	EUROPEAN COMMUNITY

(56) Related Art Documents: **Not Applicable**

(57) Statement of Newness and Distinctiveness: **Newness and distinctiveness resides in providing a baked product with the visual features of a type of sports ball as shown in the accompanying representations.**



(21) Design Number: **12232/2010**

(22) Date of Filing Application: **01 June 2010**

(24) Date from which industrial property rights may have effect: **01 June 2010**

(54) Product in respect of which the design is registered: **Volleyball - shaped baked product**

(51) International Design Classification: **01-01**

(71) Name(s) and Address(s) of Applicant(s):

Michael Hobel

Feldweg 50 Horsching 4063 Austria

(72) Name(s) of Designer(s): **Michael Hobel**

(45) Registration Date: **25 June 2010**

(30) Convention priority data:

(31) Number

(32) Date

(33) Country

001651118-0008 22 Dec 2009

EUROPEAN COMMUNITY

(56) Related Art Documents: **Not Applicable**

(57) Statement of Newness and Distinctiveness: **Newness and distinctiveness resides in providing a baked product with the visual features of a type of sports ball as shown in the accompanying representations.**



(21) Design Number: **12233/2010**

(22) Date of Filing Application: **01 June 2010**

(24) Date from which industrial property rights may have effect: **01 June 2010**

(54) Product in respect of which the design is registered: **Handball - shaped baked product**

(51) International Design Classification: **01-01**

(71) Name(s) and Address(s) of Applicant(s):

Michael Hobel

Feldweg 50 Horsching 4063 Austria

(72) Name(s) of Designer(s): **Michael Hobel**

(45) Registration Date: **25 June 2010**

(30) Convention priority data:

(31) Number

(32) Date

(33) Country

001651118-0009 22 Dec 2009

EUROPEAN COMMUNITY

(56) Related Art Documents: **Not Applicable**

(57) Statement of Newness and Distinctiveness: **Newness and distinctiveness resides in providing a baked product with the visual features of a type of sports ball as shown in the accompanying representations.**



- (21) Design Number: **12234/2010**
(22) Date of Filing Application: **01 June 2010**
(24) Date from which industrial property rights may have effect: **01 June 2010**
(54) Product in respect of which the design is registered: **Baseball - shaped baked product**
(51) International Design Classification: **01-01**
(71) Name(s) and Address(s) of Applicant(s):
Michael Hobel
Feldweg 50 Horsching 4063 Austria
(72) Name(s) of Designer(s): **Michael Hobel**
(45) Registration Date: **25 June 2010**
(30) Convention priority data:
(31) Number (32) Date (33) Country
001651118-0010 22 Dec 2009 EUROPEAN COMMUNITY
(56) Related Art Documents: **Not Applicable**
(57) Statement of Newness and Distinctiveness: **Newness and distinctiveness resides in providing a baked product with the visual features of a type of sports ball as shown in the accompanying representations.**



- (21) Design Number: **12235/2010**
(22) Date of Filing Application: **01 June 2010**
(24) Date from which industrial property rights may have effect: **01 June 2010**
(54) Product in respect of which the design is registered: **Tennis ball - shaped baked product**
(51) International Design Classification: **01-01**
(71) Name(s) and Address(s) of Applicant(s):
Michael Hobel
Feldweg 50 Horsching 4063 Austria
(72) Name(s) of Designer(s): **Michael Hobel**
(45) Registration Date: **25 June 2010**
(30) Convention priority data:
(31) Number (32) Date (33) Country
001651118-0011 22 Dec 2009 EUROPEAN COMMUNITY
(56) Related Art Documents: **Not Applicable**
(57) Statement of Newness and Distinctiveness: **Newness and distinctiveness resides in providing a baked product with the visual features of a type of sports ball as shown in the accompanying representations.**



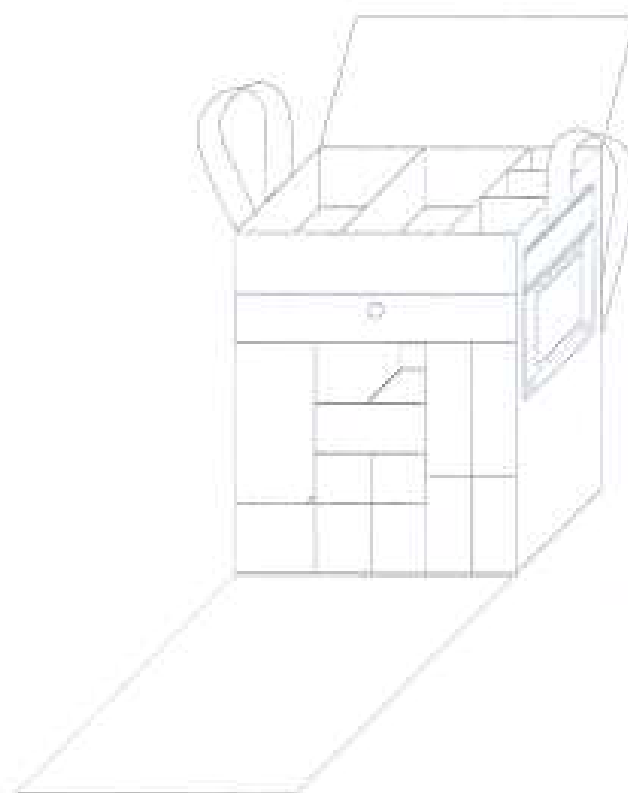
- (21) Design Number: **12236/2010**
(22) Date of Filing Application: **01 June 2010**
(24) Date from which industrial property rights may have effect: **01 June 2010**
(54) Product in respect of which the design is registered: **Golf ball - shaped baked product**
(51) International Design Classification: **01-01**
(71) Name(s) and Address(s) of Applicant(s):
Michael Hobel
Feldweg 50 Horsching 4063 Austria
(72) Name(s) of Designer(s): **Michael Hobel**
(45) Registration Date: **25 June 2010**
(30) Convention priority data:
(31) Number (32) Date (33) Country
001651118-0012 22 Dec 2009 EUROPEAN COMMUNITY
(56) Related Art Documents: **Not Applicable**
(57) Statement of Newness and Distinctiveness: **Newness and distinctiveness resides in providing a baked product with the visual features of a type of sports ball as shown in the accompanying representations.**



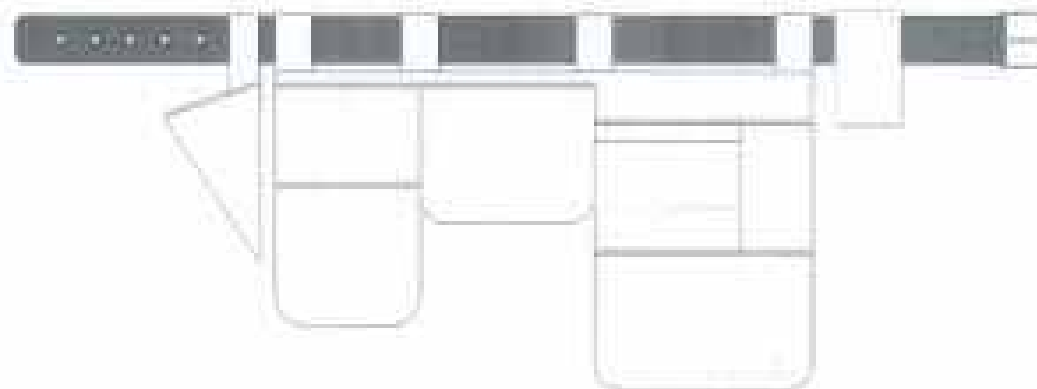
- (21) Design Number: **12237/2010**
(22) Date of Filing Application: **01 June 2010**
(24) Date from which industrial property rights may have effect: **01 June 2010**
(54) Product in respect of which the design is registered: **Soccer ball - shaped baked product**
(51) International Design Classification: **01-01**
(71) Name(s) and Address(s) of Applicant(s):
Michael Hobel
Feldweg 50 Horsching 4063 Austria
(72) Name(s) of Designer(s): **Michael Hobel**
(45) Registration Date: **25 June 2010**
(30) Convention priority data:
(31) Number (32) Date (33) Country
001651118-0013 22 Dec 2009 EUROPEAN COMMUNITY
(56) Related Art Documents: **Not Applicable**
(57) Statement of Newness and Distinctiveness: **Newness and distinctiveness resides in providing a baked product with the visual features of a type of sports ball as shown in the accompanying representations.**



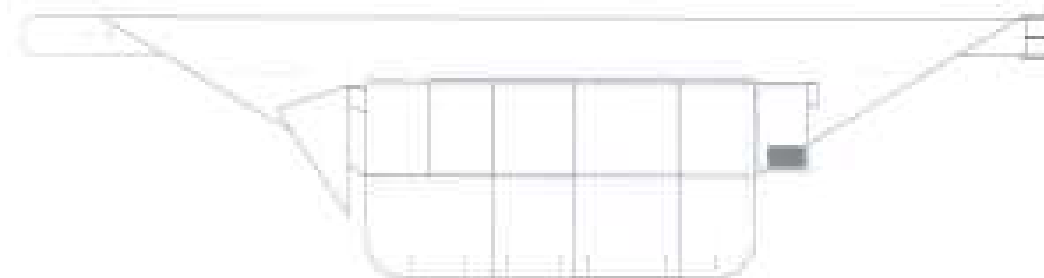
(21) Design Number: **12296/2010**
(22) Date of Filing Application: **04 June 2010**
(24) Date from which industrial property rights may have effect: **04 June 2010**
(54) Product in respect of which the design is registered: **Portable tool and craft benchtop workstation with adjustable shoulder strap**
(51) International Design Classification: **03-01A, 03-01D**
(71) Name(s) and Address(s) of Applicant(s):
Home Events Pty Limited
34 Coolong Road Vaucluse New South Wales 2030 Australia
(72) Name(s) of Designer(s): **Sharon Michelle Malouf**
(45) Registration Date: **25 June 2010**
(56) Related Art Documents: **Not Applicable**
(57) Statement of Newness and Distinctiveness: **Nil**



(21) Design Number: **12297/2010**
(22) Date of Filing Application: **04 June 2010**
(24) Date from which industrial property rights may have effect: **04 June 2010**
(54) Product in respect of which the design is registered: **Tool and craft belt (small)**
(51) International Design Classification: **03-01NES**
(71) Name(s) and Address(s) of Applicant(s):
Home Events Pty Limited
34 Coolong Road Vaucluse New South Wales 2030 Australia
(72) Name(s) of Designer(s): **Sharon Michelle Malouf**
(45) Registration Date: **25 June 2010**
(56) Related Art Documents: **Not Applicable**
(57) Statement of Newness and Distinctiveness: **Nil**



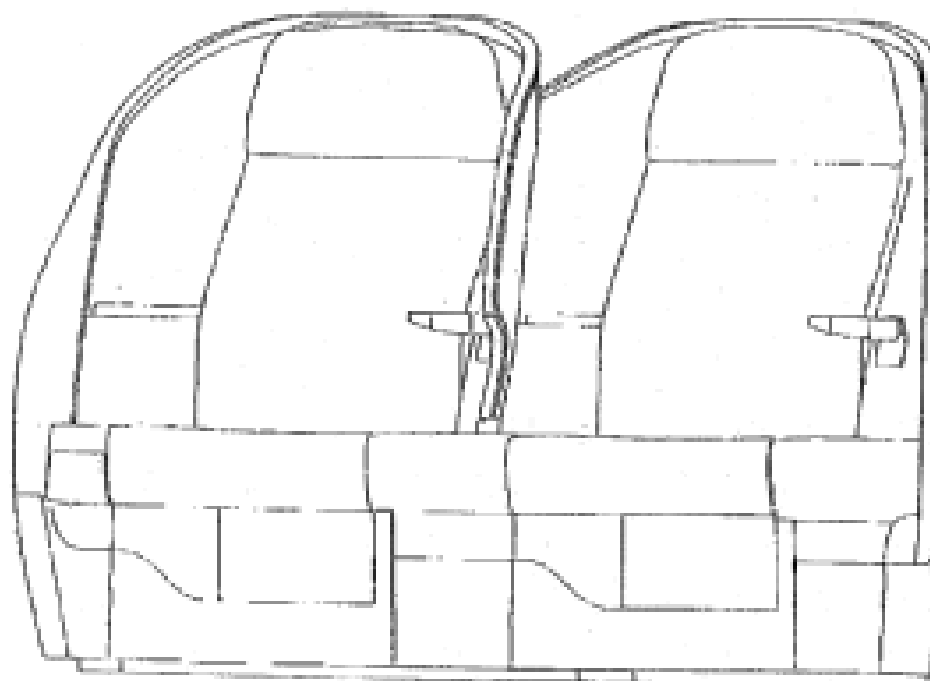
(21) Design Number: **12298/2010**
(22) Date of Filing Application: **04 June 2010**
(24) Date from which industrial property rights may have effect: **04 June 2010**
(54) Product in respect of which the design is registered: **Tool and craft belt (standard to large)**
(51) International Design Classification: **03-01NES**
(71) Name(s) and Address(s) of Applicant(s):
Home Events Pty Limited
34 Coolong Road Vaucluse New South Wales 2030 Australia
(72) Name(s) of Designer(s): **Sharon Michelle Malouf**
(45) Registration Date: **25 June 2010**
(56) Related Art Documents: **Not Applicable**
(57) Statement of Newness and Distinctiveness: **Nil**



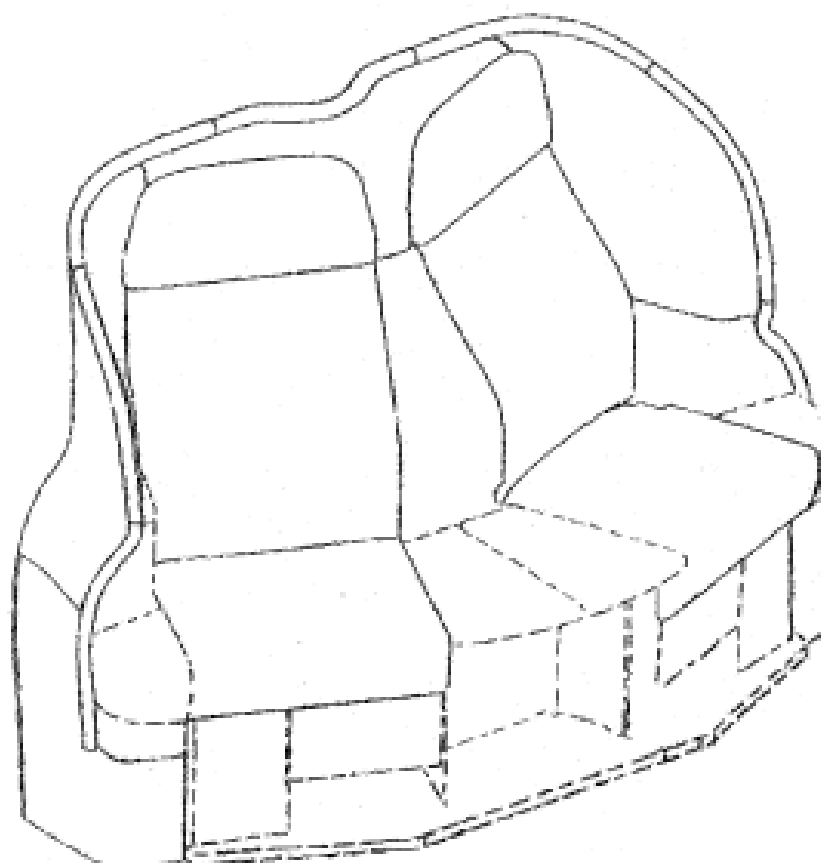
(21) Design Number: **14820/2009**
(22) Date of Filing Application: **09 December 2009**
(24) Date from which industrial property rights may have effect: **09 December 2009**
(54) Product in respect of which the design is registered: **Furniture**
(51) International Design Classification: **06-02**
(71) Name(s) and Address(s) of Applicant(s):
Sacha Design Pty Ltd
182 Johnston Street Fitzroy Victoria 3065 Australia
(72) Name(s) of Designer(s): **Sacha Allen**
(45) Registration Date: **28 June 2010**
(56) Related Art Documents: **Not Applicable**
(57) Statement of Newness and Distinctiveness: **Nil**



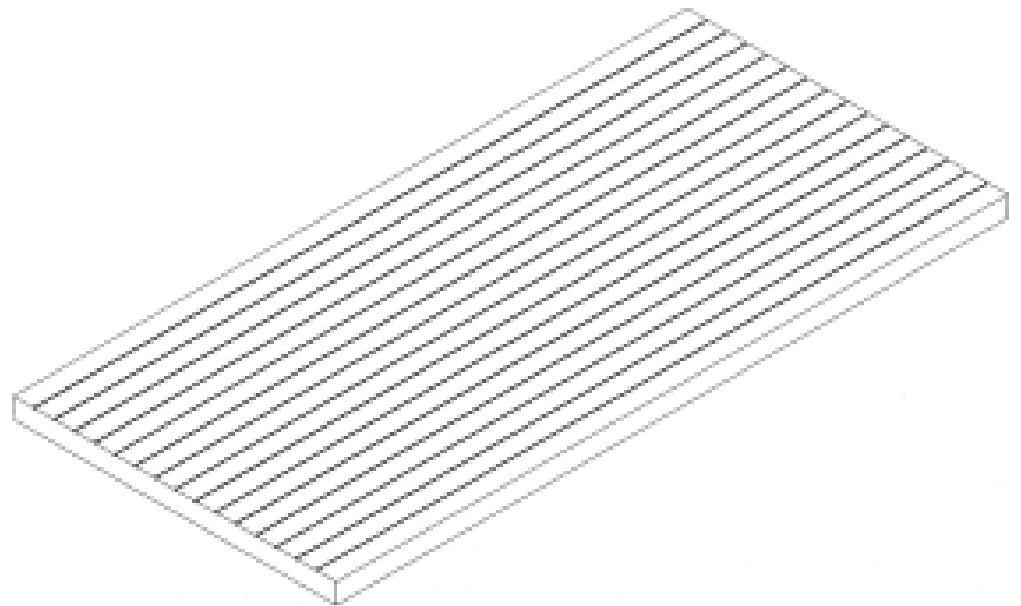
- (21) Design Number: **10115/2010**
(22) Date of Filing Application: **14 January 2010**
(24) Date from which industrial property rights may have effect: **14 January 2010**
(54) Product in respect of which the design is registered: **Aircraft seat**
(51) International Design Classification: **06-01D**
(71) Name(s) and Address(s) of Applicant(s):
Air New Zealand Limited
185 Fanshawe Street Auckland 1010 New Zealand
(72) Name(s) of Designer(s): **Glen Wilson Porter and Victoria Anne Bamford and Kerry Alan Reeves and Stuart Anthony Eric Hilton**
(45) Registration Date: **28 June 2010**
(30) Convention priority data:
(31) Number (32) Date (33) Country
413108 16 Dec 2009 NEW ZEALAND
(56) Related Art Documents: **Not Applicable**
(57) Statement of Newness and Distinctiveness: **Nil**



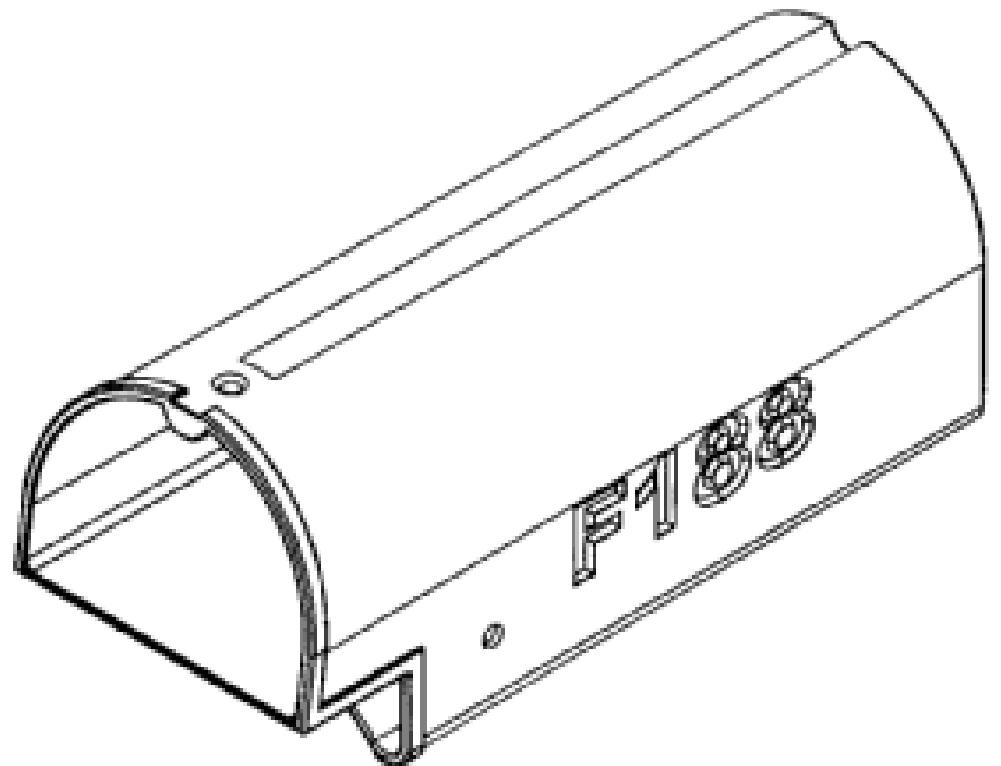
- (21) Design Number: **10116/2010**
(22) Date of Filing Application: **14 January 2010**
(24) Date from which industrial property rights may have effect: **14 January 2010**
(54) Product in respect of which the design is registered: **Aircraft seat**
(51) International Design Classification: **06-01D**
(71) Name(s) and Address(s) of Applicant(s):
Air New Zealand Limited
185 Fanshawe Street Auckland 1010 New Zealand
(72) Name(s) of Designer(s): **Glen Wilson Porter and Victoria Anne Bamford and Kerry Alan Reeves and Stuart Anthony Eric Hilton**
(45) Registration Date: **28 June 2010**
(30) Convention priority data:
(31) Number (32) Date (33) Country
413080 10 Dec 2009 NEW ZEALAND
(56) Related Art Documents: **Not Applicable**
(57) Statement of Newness and Distinctiveness: **Newness and distinctiveness is claimed in the shape and/or configuration of all the features illustrated in continuous lines in the accompanying drawings.**



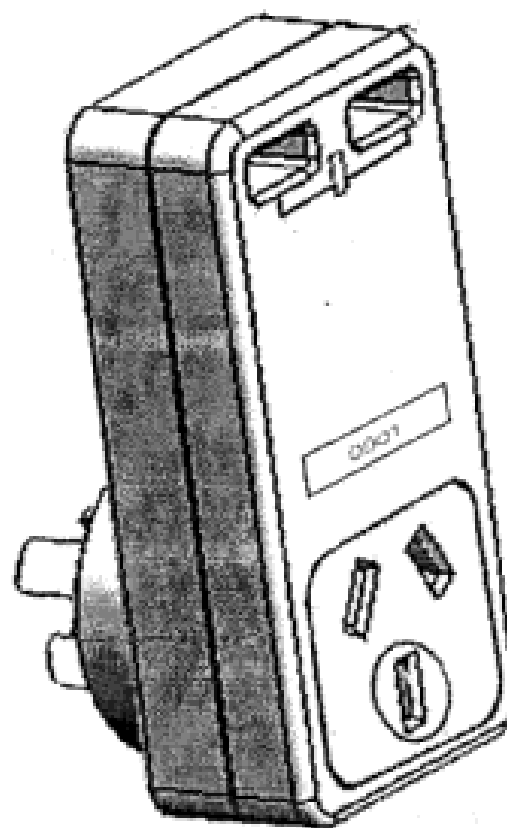
- (21) Design Number: **11608/2010**
(22) Date of Filing Application: **22 April 2010**
(24) Date from which industrial property rights may have effect: **22 April 2010**
(54) Product in respect of which the design is registered: **Expanded polystyrene cladding**
(51) International Design Classification: **25-01G**
(71) Name(s) and Address(s) of Applicant(s):
**RMAX A division of Huntsman Chemical Company Australia Pty Limited
Somerville Road West Footscray Victoria 3012 Australia**
(72) Name(s) of Designer(s): **Merv Staader-Brown**
(45) Registration Date: **28 June 2010**
(56) Related Art Documents: **Not Applicable**
(57) Statement of Newness and Distinctiveness: **Vertical notches running the full length of board. Notches of negative draft section to aid keying of render coats.**



- (21) Design Number: **12194/2010**
(22) Date of Filing Application: **28 May 2010**
(24) Date from which industrial property rights may have effect: **28 May 2010**
(54) Product in respect of which the design is registered: **Octopus pot**
(51) International Design Classification: **22-05**
(71) Name(s) and Address(s) of Applicant(s):
**Elio Allegretta
4 Sandford Avenue Munster Western Australia 6166 Australia
Calogero Stella
4 Sandford Avenue Munster Western Australia 6166 Australia**
(72) Name(s) of Designer(s): **Elio Allegretta and Calogero Stella**
(45) Registration Date: **28 June 2010**
(56) Related Art Documents: **Not Applicable**
(57) Statement of Newness and Distinctiveness: **Round shape pot with rounded edges. Interstacking with visual concaved recess and bottom nib. Reinforced rope hole. Water drainage opening (slotted) at rear.**



- (21) Design Number: **12213/2010**
(22) Date of Filing Application: **31 May 2010**
(24) Date from which industrial property rights may have effect: **31 May 2010**
(54) Product in respect of which the design is registered: **Power outlet with USB type connections**
(51) International Design Classification: **13-03D**
(71) Name(s) and Address(s) of Applicant(s):
Sansai Australia Pty Ltd
3 Fiveways Boulevard Keysborough Victoria 3173 Australia
(72) Name(s) of Designer(s): **Tony Chen**
(45) Registration Date: **28 June 2010**
(56) Related Art Documents: **Not Applicable**
(57) Statement of Newness and Distinctiveness: **Newness and Distinctiveness are claimed in the features of shape and configuration of a power outlet with USB type connections, as illustrated in the accompanying representations.**

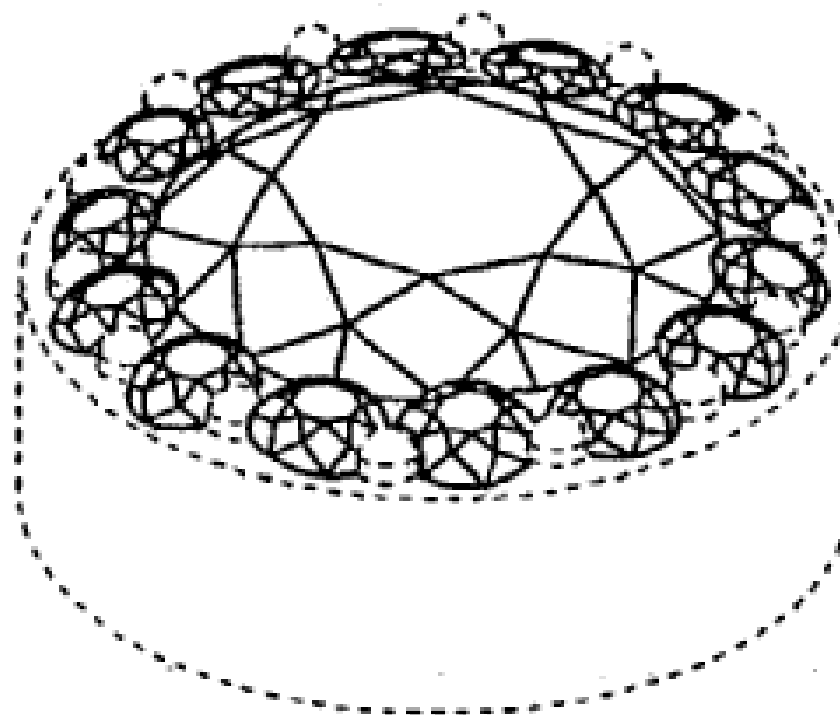


- (21) Design Number: **10975/2010**
(22) Date of Filing Application: **22 March 2010**
(24) Date from which industrial property rights may have effect: **22 March 2010**
(54) Product in respect of which the design is registered: **Accessory for bottle or drink can holder used to maintain cold temperature**
(51) International Design Classification: **07-07A, 07-06A**
(71) Name(s) and Address(s) of Applicant(s):
Alexandre N.L. Smit
418 North Street Albury New South Wales 2640 Australia
(72) Name(s) of Designer(s): **Alexandre N.L. Smit**
(45) Registration Date: **29 June 2010**
(56) Related Art Documents: **Not Applicable**
(57) Statement of Newness and Distinctiveness: **New features include a reusable accessory for a can or bottle holder (aka: stubby holder), and use of refreezable gels and thermo-ink which changes colour depending on temperature, these are new.**



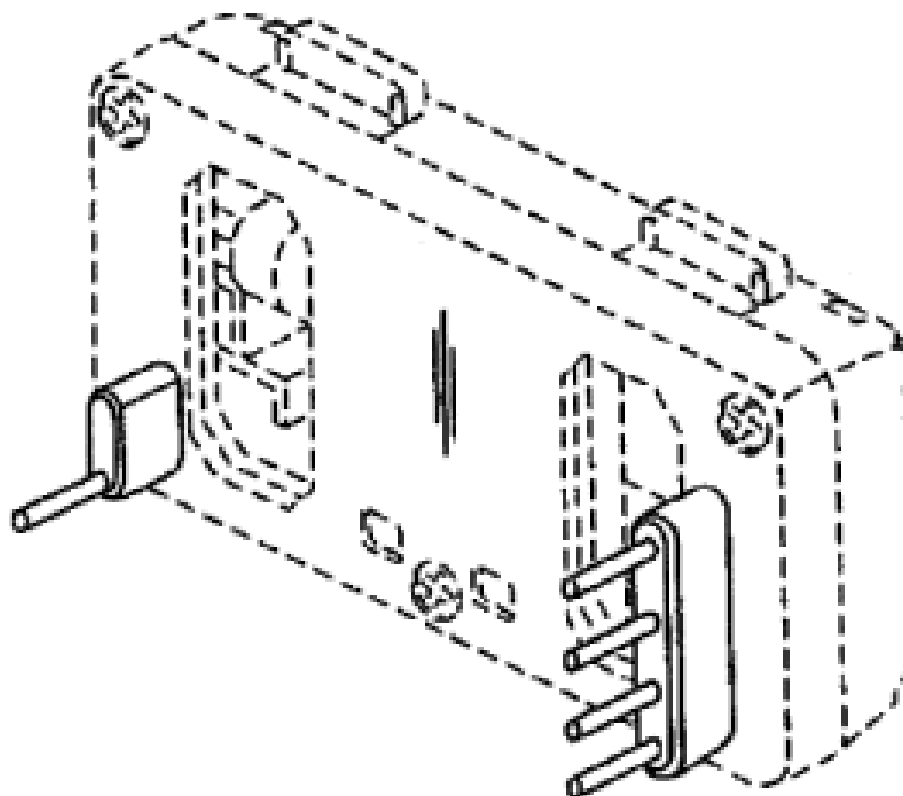
- (21) Design Number: **11164/2010**
- (22) Date of Filing Application: **30 March 2010**
- (24) Date from which industrial property rights may have effect: **30 March 2010**
- (54) Product in respect of which the design is registered: **Fifteen gemstone in an arrangement in a jewelry setting**
- (51) International Design Classification: **11-01NES**
- (71) Name(s) and Address(s) of Applicant(s):
Fantasy Diamond Corporation
1550 West Carroll Avenue Chicago 60607 IL United States of America
- (72) Name(s) of Designer(s): **Stephen A. Roehl and Carlos Lopez**
- (45) Registration Date: **29 June 2010**
- (30) Convention priority data:

(31) Number	(32) Date	(33) Country
29/344,947	06 Oct 2009	UNITED STATES OF AMERICA
- (56) Related Art Documents: **Not Applicable**
- (57) Statement of Newness and Distinctiveness: **The new and distinct features are the features of shape and configuration of a Fifteen Gemstone Arrangement in Jewelry Setting as shown in the representations. The features shown in broken outline in the representations do not form new and distinct features of the design.**



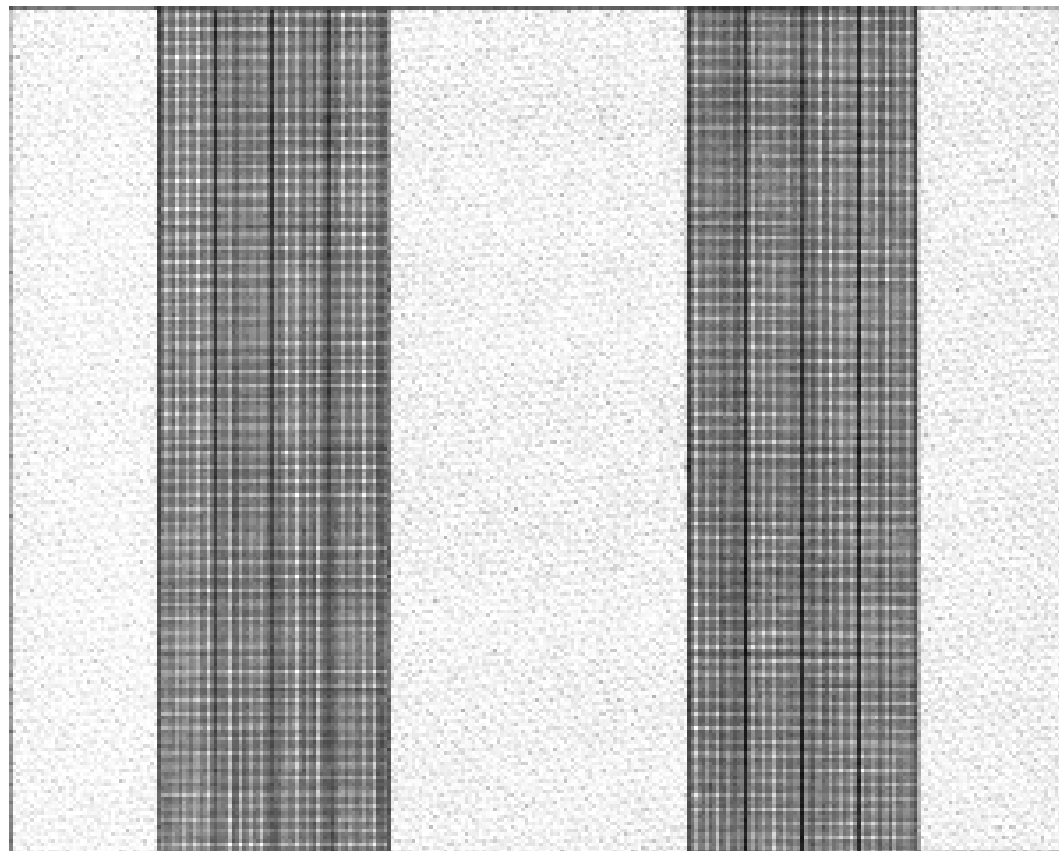
- (21) Design Number: **11225/2010**
- (22) Date of Filing Application: **07 April 2010**
- (24) Date from which industrial property rights may have effect: **07 April 2010**
- (54) Product in respect of which the design is registered: **Replaceable cartridge for light-based dermatologic treatment devices**
- (51) International Design Classification: **24-99**
- (71) Name(s) and Address(s) of Applicant(s):
Shaser, Inc.
130 New Boston Street Suite 201 Woburn Massachusetts 01801
United States of America
- (72) Name(s) of Designer(s): **Douglas Ely and Bikram Yonjan and Arthur Aaron and William Owens and Victor Lazarev**
- (45) Registration Date: **29 June 2010**
- (30) Convention priority data:

(31) Number	(32) Date	(33) Country
29/345041	08 Oct 2009	UNITED STATES OF AMERICA
- (56) Related Art Documents: **Not Applicable**
- (57) Statement of Newness and Distinctiveness: **Newness and Distinctiveness resides in the features of shape and/or configuration of a replaceable cartridge for light-based dermatologic treatment devices shown in solid lines as illustrated in the accompanying representations. Features shown in broken outline are included for illustrative purposes only and do not form part of the design.**



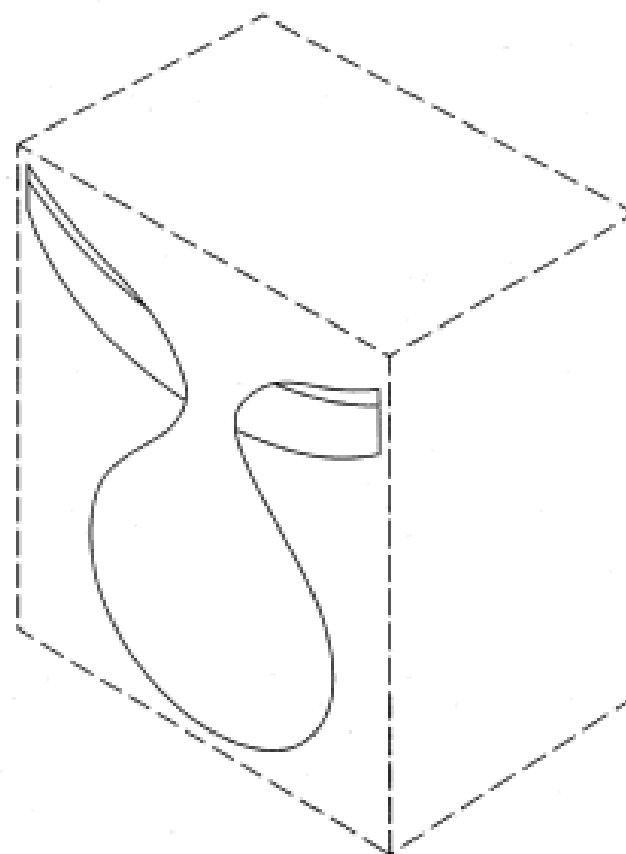
(19) AU

(21) Design Number: **11232/2010**
(22) Date of Filing Application: **07 April 2010**
(24) Date from which industrial property rights may have effect: **07 April 2010**
(54) Product in respect of which the design is registered: **Fabric for blind**
(51) International Design Classification: **05-05D**
(71) Name(s) and Address(s) of Applicant(s):
Jung-Min Kim
193-12 Gyeongsin-ri Nam-myeon Yangju-si Gyeonggi-do 482-871
Republic of Korea
(72) Name(s) of Designer(s): **Jung-Min Kim**
(45) Registration Date: **29 June 2010**
(30) Convention priority data:
(31) Number (32) Date (33) Country
30-2009-0043939 07 Oct 2009 REPUBLIC OF KOREA
(56) Related Art Documents: **Not Applicable**
(57) Statement of Newness and Distinctiveness: **Nil**

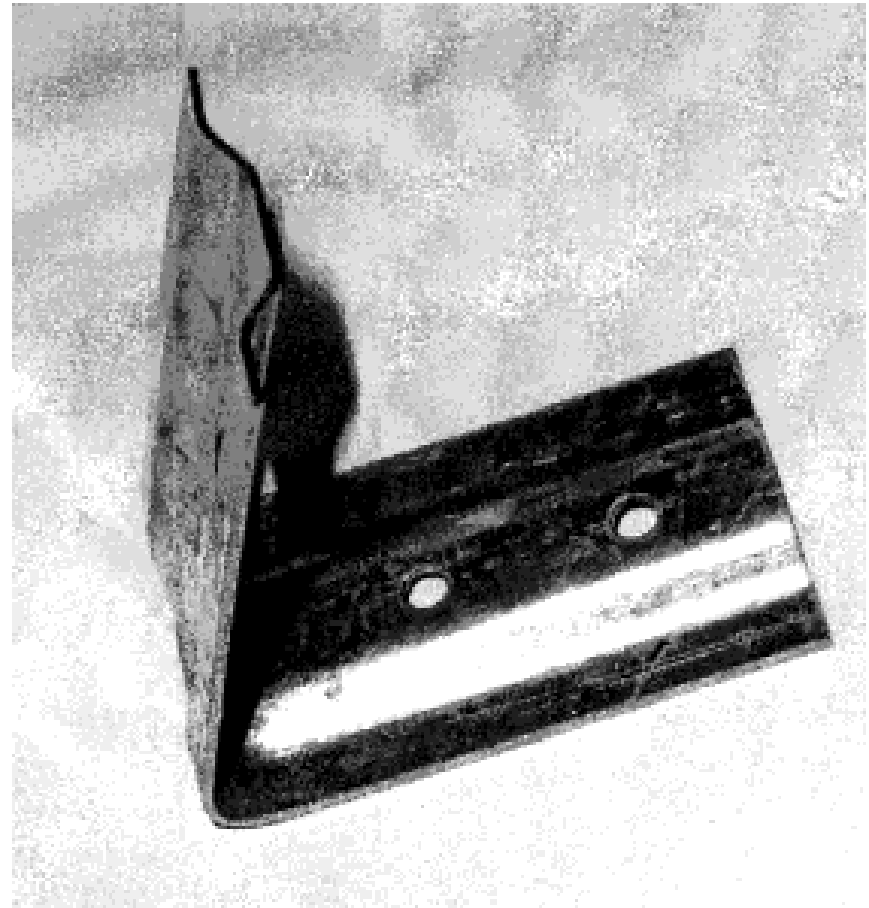


(19) AU

(21) Design Number: **11582/2010**
(22) Date of Filing Application: **27 April 2010**
(24) Date from which industrial property rights may have effect: **27 April 2010**
(54) Product in respect of which the design is registered: **Packaging including logo**
(51) International Design Classification: **09-03M**
(71) Name(s) and Address(s) of Applicant(s):
Unilever PLC
Unilever House 100 Victoria Embankment London EC4Y 0DY United Kingdom
(72) Name(s) of Designer(s): **Sean Richard Harvey and Adam Derek Kershaw Swan**
(45) Registration Date: **29 June 2010**
(30) Convention priority data:
(31) Number (32) Date (33) Country
4013044 28 Oct 2009 UNITED KINGDOM
(56) Related Art Documents: **Not Applicable**
(57) Statement of Newness and Distinctiveness: **Newness and distinctiveness is claimed in the visual features shown in solid lines in the representations.**



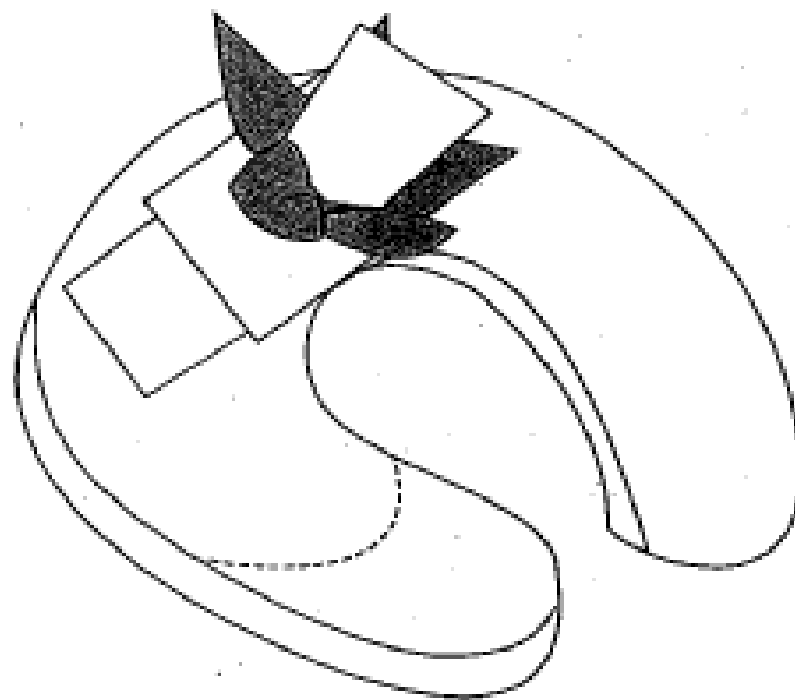
(21) Design Number: **11622/2010**
(22) Date of Filing Application: **28 April 2010**
(24) Date from which industrial property rights may have effect: **28 April 2010**
(54) Product in respect of which the design is registered: **Gutter guard mount bracket**
(51) International Design Classification: **08-08L, 23-01L**
(71) Name(s) and Address(s) of Applicant(s):
Scott Deane
14 South Esk Drive Hadspen Tasmania 7290 Australia
(72) Name(s) of Designer(s): **Scott Deane**
(45) Registration Date: **29 June 2010**
(56) Related Art Documents: **Not Applicable**
(57) Statement of Newness and Distinctiveness: **Nil**



(21) Design Number: **11650/2010**
(22) Date of Filing Application: **29 April 2010**
(24) Date from which industrial property rights may have effect: **29 April 2010**
(54) Product in respect of which the design is registered: **Bracket for shelving**
(51) International Design Classification: **08-08L**
(71) Name(s) and Address(s) of Applicant(s):
Specialised Systems and Consulting Services Pty Ltd
11 Jesmond Avenue Vaucluse Sydney New South Wales 2030
Australia
(72) Name(s) of Designer(s): **David Bassetti**
(45) Registration Date: **29 June 2010**
(56) Related Art Documents: **Not Applicable**
(57) Statement of Newness and Distinctiveness: **At the date of application we have not marketed or advertised the existence of the "Da-Vid" Bracket1, or total Wave Shelving System.**

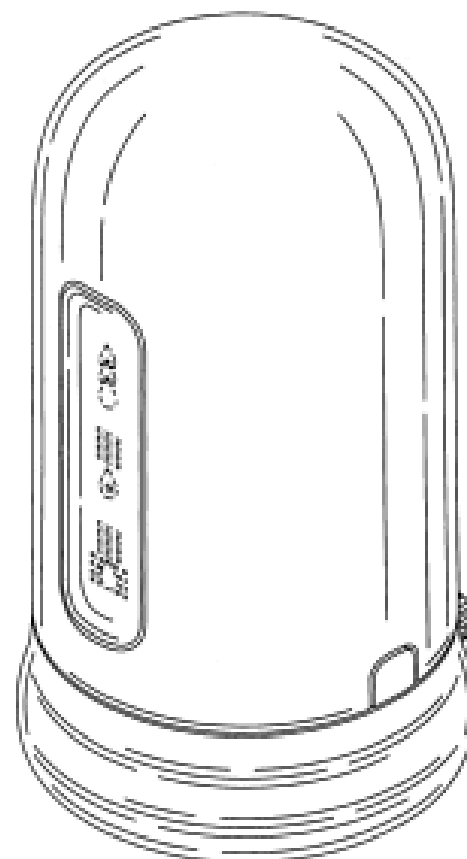


- (21) Design Number: **11655/2010**
- (22) Date of Filing Application: **29 April 2010**
- (24) Date from which industrial property rights may have effect: **29 April 2010**
- (54) Product in respect of which the design is registered: **Hands free infant bottle feeder**
- (51) International Design Classification: **06-09, 07-06A**
- (71) Name(s) and Address(s) of Applicant(s):
Nadia Schutt
PO Box 668 Prospect East South Australia 5082 Australia
- (72) Name(s) of Designer(s): **Nadia Schutt**
- (45) Registration Date: **29 June 2010**
- (56) Related Art Documents: **Not Applicable**
- (57) Statement of Newness and Distinctiveness: **Novelty resides in the shape AND configuration of the design as shown in the drawings attached.**

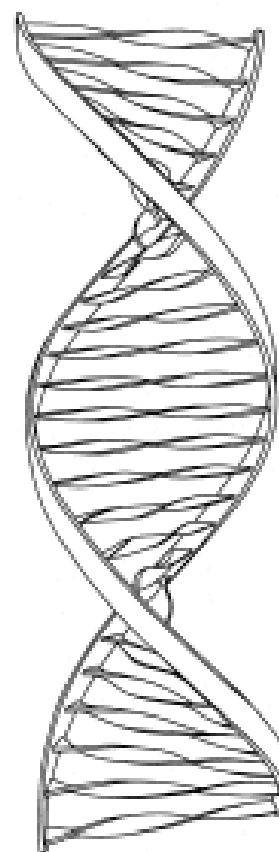


- (21) Design Number: **11977/2010**
- (22) Date of Filing Application: **18 May 2010**
- (24) Date from which industrial property rights may have effect: **18 May 2010**
- (54) Product in respect of which the design is registered: **Housing for filter**
- (51) International Design Classification: **09-03L**
- (71) Name(s) and Address(s) of Applicant(s):
Dart Industries Inc
14901 S. Orange Blossom Trail Orlando Florida 32837 United States of America
- (72) Name(s) of Designer(s): **Rui Yuan Chen**
- (45) Registration Date: **29 June 2010**
- (30) Convention priority data:

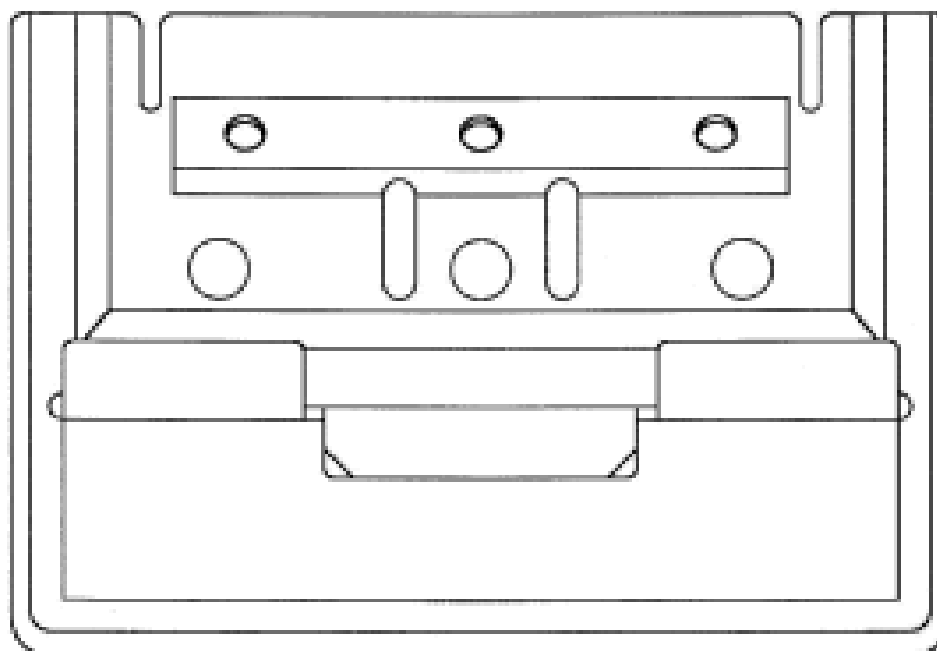
(31) Number	(32) Date	(33) Country
29/348,234	10 Dec 2009	UNITED STATES OF AMERICA
- (56) Related Art Documents: **Not Applicable**
- (57) Statement of Newness and Distinctiveness: **Those features of the housing for filter depicted in the representations that are new and distinctive are the shape and/or configuration. The features shown in broken lines are not part of the design and are to be disregarded when considering the overall impression of the design.**



(21) Design Number: **12068/2010**
(22) Date of Filing Application: **24 May 2010**
(24) Date from which industrial property rights may have effect: **24 May 2010**
(54) Product in respect of which the design is registered: **Jewellery**
(51) International Design Classification: **11-01NES**
(71) Name(s) and Address(s) of Applicant(s):
Natasha Calandrino
Via Cola Montano 6 20159 Milano Italy
(72) Name(s) of Designer(s): **Natasha Calandrino**
(45) Registration Date: **29 June 2010**
(30) Convention priority data:
(31) Number (32) Date (33) Country
001641747 30 Nov 2009 EUROPEAN COMMUNITY
(56) Related Art Documents: **Not Applicable**
(57) Statement of Newness and Distinctiveness: -



(21) Design Number: **12238/2010**
(22) Date of Filing Application: **01 June 2010**
(24) Date from which industrial property rights may have effect: **01 June 2010**
(54) Product in respect of which the design is registered: **Metal fitting**
(51) International Design Classification: **08-08NES**
(71) Name(s) and Address(s) of Applicant(s):
Nichiha Corporation
12 Shiodome-cho Minato-ku Nagoya-shi Aichi 455-8550 Japan
(72) Name(s) of Designer(s): **Satoshi Hikai**
(45) Registration Date: **29 June 2010**
(56) Related Art Documents: **Not Applicable**
(57) Statement of Newness and Distinctiveness: **Nil**



(21) Design Number: **12240/2010**

(22) Date of Filing Application: **31 May 2010**

(24) Date from which industrial property rights may have effect: **31 May 2010**

(54) Product in respect of which the design is registered: **Retractable screen**

(51) International Design Classification: **25-01K**

(71) Name(s) and Address(s) of Applicant(s):

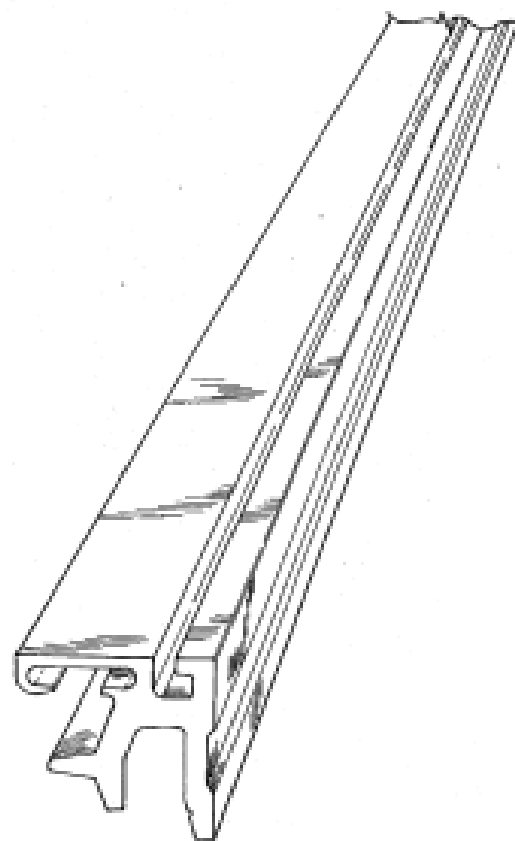
Freedom Screens of Australia Pty Ltd
Unit 2/28 Hutchison Street Burleigh Heads Queensland 4220 Australia

(72) Name(s) of Designer(s): **Aaron Rodd**

(45) Registration Date: **29 June 2010**

(56) Related Art Documents: **Not Applicable**

(57) Statement of Newness and Distinctiveness: **Newness and distinctiveness is claimed in the features of shape and/or configuration of the cross-section of an extrusion as illustrated in the accompanying representations, wherein the cross-section of the extrusion is constant along its length.**



(21) Design Number: **12241/2010**

(22) Date of Filing Application: **01 June 2010**

(24) Date from which industrial property rights may have effect: **01 June 2010**

(54) Product in respect of which the design is registered: **Wind turbine blades**

(51) International Design Classification: **15-01**

(71) Name(s) and Address(s) of Applicant(s):

Rolf Brand
82 Soho Road Drysdale Victoria 3222 Australia

(72) Name(s) of Designer(s): **Rolf Brand**

(45) Registration Date: **29 June 2010**

(56) Related Art Documents: **Not Applicable**

(57) Statement of Newness and Distinctiveness: **Nil**



(21) Design Number: **12242/2010**

(22) Date of Filing Application: **01 June 2010**

(24) Date from which industrial property rights may have effect: **01 June 2010**

(54) Product in respect of which the design is registered: **Paint pole fitting**

(51) International Design Classification: **08-05L, 08-08NES**

(71) Name(s) and Address(s) of Applicant(s):

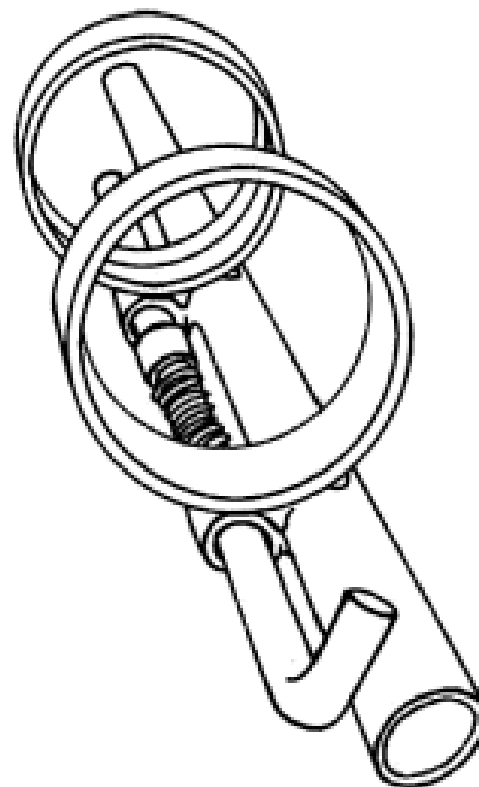
**Red Dale Holdings Pty Ltd trading as Westernex Supply
19 Katanning Road Bayswater Western Australia 6053 Australia**

(72) Name(s) of Designer(s): **John Wilder**

(45) Registration Date: **29 June 2010**

(56) Related Art Documents: **Not Applicable**

(57) Statement of Newness and Distinctiveness: **The particular visual features of the design which are new and distinctive are shape or configuration.**



(21) Design Number: **12244/2010**

(22) Date of Filing Application: **31 May 2010**

(24) Date from which industrial property rights may have effect: **31 May 2010**

(54) Product in respect of which the design is registered: **Cap for reusable bottle**

(51) International Design Classification: **09-07B**

(71) Name(s) and Address(s) of Applicant(s):

**Ethan Jewett
1934 NE Junior Street Portland OR 97211 United States of America**

**Donald G. Carlson
391 Highland Drive Eastsound WA 98245 United States of America**

(72) Name(s) of Designer(s): **Ethan Jewett and Donald G. Carlson**

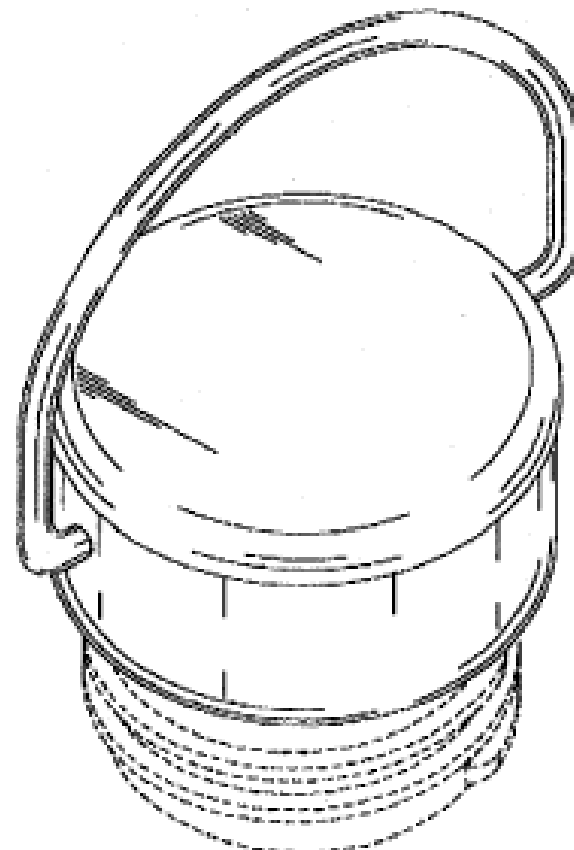
(45) Registration Date: **29 June 2010**

(30) Convention priority data:

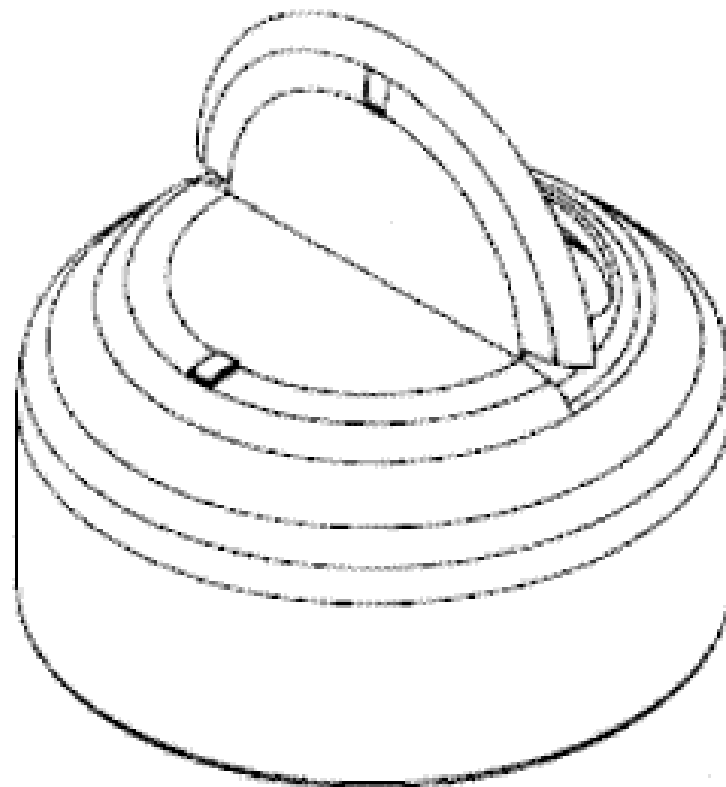
(31) Number	(32) Date	(33) Country
29/354,102	19 Jan 2010	UNITED STATES OF AMERICA

(56) Related Art Documents: **Not Applicable**

(57) Statement of Newness and Distinctiveness: **In considering the newness or distinctiveness of the design, regard is to be given to the overall shape and/or configuration of the Cap as shown in the representations.**

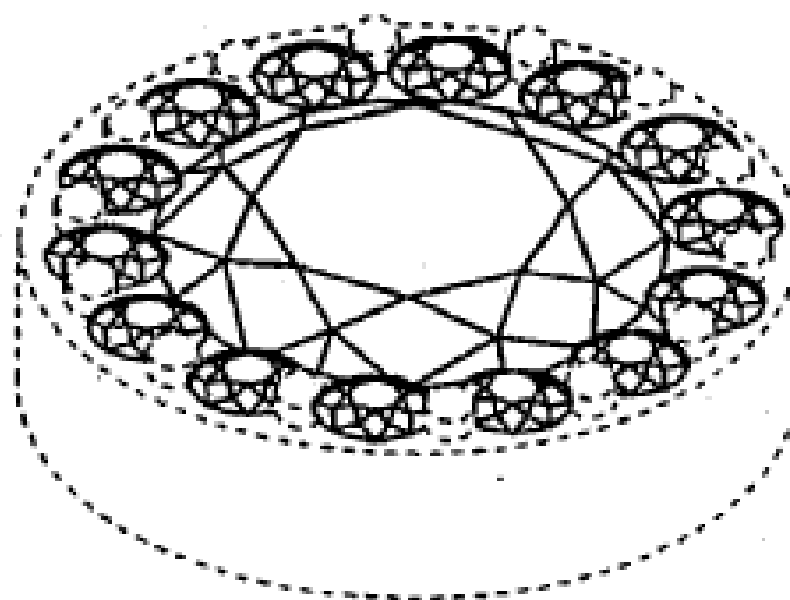


- (21) Design Number: **12288/2010**
- (22) Date of Filing Application: **03 June 2010**
- (24) Date from which industrial property rights may have effect: **03 June 2010**
- (54) Product in respect of which the design is registered: **Beverage container sealing lid**
- (51) International Design Classification: **09-07B**
- (71) Name(s) and Address(s) of Applicant(s):
Andrew Procter
2/12 Mooney Close Goodna Queensland 4300 Australia
- (72) Name(s) of Designer(s): **Robert Halsall**
- (45) Registration Date: **29 June 2010**
- (56) Related Art Documents: **Not Applicable**
- (57) Statement of Newness and Distinctiveness: **The shape and configuration of a beverage sealing lid as illustrated in the accompanying representations which show the beverage sealing lid in closed, partially opened and fully opened configuration.**



- (21) Design Number: **12449/2010**
- (22) Date of Filing Application: **30 March 2010**
- (24) Date from which industrial property rights may have effect: **30 March 2010**
- (54) Product in respect of which the design is registered: **Fifteen gemstones in an arrangement in a jewelry setting**
- (51) International Design Classification: **11-01NES**
- (71) Name(s) and Address(s) of Applicant(s):
Fantasy Diamond Corporation
1550 West Carroll Avenue Chicago 60607 IL United States of America
- (72) Name(s) of Designer(s): **Stephen A. Roehl and Carlos Lopez**
- (45) Registration Date: **29 June 2010**
- (30) Convention priority data:

(31) Number	(32) Date	(33) Country
29/344,947	06 Oct 2009	UNITED STATES OF AMERICA
- (56) Related Art Documents: **Not Applicable**
- (57) Statement of Newness and Distinctiveness: **The new and distinct features are features of shape and configuration of a fifteen gemstone arrangement in jewelry setting as shown in the representations. The features shown in broken outline in the representations do not form new and distinct features of the design.**



(21) Design Number: **12476/2010**

(22) Date of Filing Application: **22 March 2010**

(24) Date from which industrial property rights may have effect: **22 March 2010**

(54) Product in respect of which the design is registered: **Accessory for bottle or drink can holder used to maintain cold temperature**

(51) International Design Classification: **07-07A, 07-06A**

(71) Name(s) and Address(s) of Applicant(s):

Alexandre N.L. Smit

418 North Street Albury New South Wales 2640 Australia

(72) Name(s) of Designer(s): **Alexandre N.L. Smit**

(45) Registration Date: **29 June 2010**

(56) Related Art Documents: **Not Applicable**

(57) Statement of Newness and Distinctiveness: **New features include a reusable accessory for a can or bottle holder (aka: stubby holder), and use of refreezable gels and thermo-ink which changes colour depending on temperature, these are new.**

