



Australian Government

IP Australia

AUSTRALIAN OFFICIAL JOURNAL

OF

DESIGNS

Did you know a searchable version of this journal is now available online?
It's FREE and EASY to SEARCH.

Find it at

<http://pericles.ipaustralia.gov.au/ols/epublish/content/olsEpublications.jsp>
or using the "Online Journals" link on the IP Australia home page.

This Page Left Intentionally Blank

Contents

General Information & Notices

Proceedings Under the Designs Act 1906 preserved as a result of the provisions of Chapter 12 Part 2 of the Designs Act 2003

Corrigenda	1640
Extension of Period of Registration of Designs	1638
Extensions of Time Granted	1638
Names Registered - Alterations and Amendments	1639
Registrations Ceased	1638
Subsequent Owners Registered	1639

Proceedings Under the Designs Act 2003

Applications Lapsed	1651
Applications Lodged	1645
Applications Withdrawn	1651
Certificate of Examination	1656
Corrigenda	1655
Extension of Period of Registration of Design	
Extension of Time Granted Under Section 137	1653
Mortgages Registered	1654
Names Registered - Alterations and Amendments	1654
Publication and Registration Proceedings	
Designs Registered 331523 to 331788.....	1657
Registrations Ceased	1653
Subsequent Owners Registered	1654

This Page Left Intentionally Blank

For information on the following please see our website www.ipaustralia.gov.au or contact our Customer Service Network on 1300651010

[Editorial enquiries](#)

[Contact information](#)

[Freedom of Information ACT](#)

[Professional Standards Board](#)

[Sales](#)

[Requests for Information under Section 194 \(c\)](#)

[Country Codes](#)

[Trade Mark and Designs Hearing Sessions](#)

[INID \(Internationally agreed Numbers for the Identification of Data\)](#)

“INID” NUMBERS in use on Australian Design Documents

“INID” is an acronym for “Internationally agreed Numbers for the Identification of Data”.

(10) Data concerning the registration/renewal

- (11) Serial number of the registration and/or number of the design document
- (12) Plain language designation of the kind of published document
- (19) Identification, using the two-letter code according to WIPO Standard ST.3, of the authority publishing or registering the industrial design

(20) Data concerning the application

- (21) Serial number of the application
- (22) Date of filing of the application
- (24) Date from which the industrial design right has effect

(30) Data relating to priority under the Paris Convention

- (31) Serial number assigned to the priority application
- (32) Date of filing of the priority application
- (33) Two-letter code, according to WIPO Standard ST.3, identifying the authority with which the priority application was made

(40) Date(s) of making information available to the public

- (45) Date of publication of the registered industrial design by printing or similar process, or making it available to the public by any other means

(50) Miscellaneous Information

- (51) International Classification for Industrial Designs (class and subclass of the Locarno Classification)
- (54) Designation of article(s) or product(s) covered by the industrial design or title of the industrial design
- (55) Reproduction of the industrial design (e.g., drawing, photograph) and explanations relating to the reproduction
- (56) List of prior art documents, if separate from descriptive text
- (57) Description of characteristic features of the industrial design including indication of colours

(60) References to other legally related application(s) and registration(s)

- (62) Serial number(s) and, if available, filing date(s) of application(s), registration(s) or document(s) related by division
- (66) Serial number(s) of the application, or the registration, of the design(s) which is (are) a variant(s) of the present one

(70) Identification of parties concerned with the application or registration

- (71) Name(s) and address(es) of the applicant(s)
- (72) Name(s) of the creator(s) if known to be such
- (74) Name(s) and address(es) of the representative(s)

This Page Left Intentionally Blank

Nil notices for this journal issue.

Proceedings under the Designs Act 1906 preserved as a result of the provisions of Chapter 12 Part 2 of the Designs Act 2003.

This Page Left Intentionally Blank

Applications Lapsed

There were no Applications Lapsed under this section

Extension of Period of Registration of Designs

1st Period (Section 27A(8))

2nd Period (Section 27A(12))

156217	156234	156235
156894	156896	156897
157152	157153	157154
157156	157198	157533
157743	157977	158518
158548	158549	158550
158551		

3rd Period (Section 27A(13))

137198	138160	138199
138335	139389	139390
139392	139399	139497
139593	139697	139718
139719	139787	139790
139833	139890	139906
139908	139954	140011
140017	140049	140058
140110	140111	140153
140169	140170	140171
140172	140192	140279
140358	140414	140472
140582	140660	140670
140694	140723	140795
140816	140859	140877
141001	141126	141695
141861	141864	142271
142425	142426	142500
142723	142804	143144
143161	143681	143701
143881	143994	144721
144722		

Registrations Ceased

Note: Some of the following Registrations may have been previously advertised as ceased. In this instance, the previous advertisement still prevails.

121455	121677	121912
122465	122513	122515
122533	122535	122536
122541	122672	122673
122674	122680	122681
122741	122756	122757
122758	122760	122774
122802	122808	122810
122822	122823	122865

122868	123014	123089
123114	123115	123123
123278	123279	123303
123410	123416	123428
123456	123457	123458
123581	123582	123677
123789	123856	124750
124996	125283	126820
127024	137605	137606
137607	137630	137631
137632	137633	137664
137665	137668	137669
137687	137688	137794
137826	137827	137828
137829	137830	137831
137832	137908	137930
138217	138246	138247
138248	138391	138392
138393	138395	138399
138528	138602	138751
138752	139089	139547
139584	140105	140185
140951	154559	154601
154818	155203	155204
155242	155243	155244
155245	155246	155247
155248	155268	155269
155318	155322	155323
155324	155325	155327
155328	155329	155357
155395	155396	155399
155406	155536	155539
155594	155827	155882
155904	155943	155944
155945	155946	155947
156016	156029	156053
156094	156109	156110
156169	156293	156294
156310	156311	156330
156371	156607	156647
156648	156765	156907
157102	157166	157424
157797	157798	157799
158075	158078	158116
158117	158195	

Extensions of time granted

Applications lodged for extension of time have been granted.

157688 **Holden Ltd** An Extension of time to renew a registration has been granted to 28/07/2010

154818 **Australian Security Fencing Pty Ltd** An Extension of time to extend a registration has been granted to 04/07/2010

Subsequent Owners Registered

(The name in parentheses is that of the subsequent owner)

- 147011 (**Konni Holdings Inc**) Bayshore Financial No. 21 Corp. as the Trustee of the Random Products Trust
- 147772 (**Konni Holdings Inc**) Bayshore Financial No. 21 Corp
- 123874 (**A & A Fabrications Pty Limited**) Trafalgar Building Products Pty Limited
- 123875 (**A & A Fabrications Pty Limited**) Trafalgar Building Products Pty Limited
- 123876 (**A & A Fabrications Pty Limited**) Trafalgar Building Products Pty Limited
- 126726 (**Clean Air Wood Heating Pty Ltd**) Kenneth John Egan
- 152706 (**Clean Air Wood Heating Pty Ltd**) Kenneth John Egan
- 152765 (**Alexander Martin Cox**) Philip Alexander Cox
- 154586 (**Power Logic South Africa (Pty) Ltd**) Power Logic Holdings A.G.
- 154587 (**Power Logic South Africa (Pty) Ltd**) Power Logic Holdings A.G.
- 154588 (**Power Logic South Africa (Pty) Ltd**) Power Logic Holdings A.G.
- 154589 (**Power Logic South Africa (Pty) Ltd**) Power Logic Holdings A.G.
- 143790 (**Techpack America, Inc**) Pechiney Plastic Packaging Inc.
- 157157 (**Power Farming Cultivation Limited**) Thian Agri Manufacturing Limited
- 124286 (**INAX CORPORATION**) Ideal Standard International BVBA
- 124812 (**INAX CORPORATION**) Ideal Standard International BVBA
- 127517 (**INAX CORPORATION**) Ideal Standard International BVBA
- 127518 (**INAX CORPORATION**) Ideal Standard International BVBA
- 129557 (**INAX CORPORATION**) Ideal Standard International BVBA
- 143513 (**INAX CORPORATION**) Ideal Standard International BVBA
- 143525 (**INAX CORPORATION**) Ideal Standard International BVBA
- 143526 (**INAX CORPORATION**) Ideal Standard International BVBA
- 143523 (**INAX CORPORATION**) Ideal Standard International BVBA
- 143524 (**INAX CORPORATION**) Ideal Standard International BVBA
- 145179 (**INAX CORPORATION**) Ideal Standard International BVBA
- 145178 (**INAX CORPORATION**) Ideal Standard International BVBA
- 144522 (**INAX CORPORATION**) Ideal Standard International BVBA
- 143619 (**INAX CORPORATION**) Ideal Standard International BVBA
- 145294 (**INAX CORPORATION**) Ideal Standard International BVBA

Subsequent Owners Registered

- 144759 (**INAX CORPORATION**) Ideal Standard International BVBA
- 144760 (**INAX CORPORATION**) Ideal Standard International BVBA
- 148070 (**INAX CORPORATION**) Ideal Standard International BVBA
- 148115 (**INAX CORPORATION**) Ideal Standard International BVBA
- 148796 (**INAX CORPORATION**) Ideal Standard International BVBA
- 148795 (**INAX CORPORATION**) Ideal Standard International BVBA
- 148801 (**INAX CORPORATION**) Ideal Standard International BVBA

Names Registered - Alterations and Amendments

(The name in parentheses is the new name of the proprietor)

- 158551 (**Waterproof Windows Pty Ltd**) Camden Catering Pty Ltd
- 158550 (**Waterproof Windows Pty Ltd**) Camden Catering Pty Ltd
- 158549 (**Waterproof Windows Pty Ltd**) Camden Catering Pty Ltd
- 158548 (**Waterproof Windows Pty Ltd**) Camden Catering Pty Ltd

Corrigenda

Number

In Vol 24 , No 12 , page 1226 under the heading **Registrations Ceased**; Registration 137198 should be deleted.

This Page Left Intentionally Blank

Proceedings under the Designs Act 2003.

This Page Left Intentionally Blank

Applications Lodged

Lodgement information is in the following order: **Applicant's Name**; International Classification, Name of Product, Lodgement Date and **Design Number**. If the applicant claims an earlier priority date under an International Convention, the Convention Country and the associated filing date are shown in parentheses before the Lodgement Date. Divisional information will also appear in parentheses before the Lodgement Date.

A W Faber-Castell (Aust) Pty Limited; 08-03, Scissors, 08 Jul 2010	12801/2010	Australian Furniture Importers & Wholesalers Pty Ltd; 06-02, 06-04D, Bedroom suite, 25 Jun 2010	12640/2010
Agabow Pty Ltd, Trading as Central Tablelands Commercial Industries; 25-01K, 90 degree single piece extrusion, 13 Jul 2010	12866/2010	Australian Furniture Importers & Wholesalers Pty Ltd; 06-02, 06-04D, Bedroom suite, 25 Jun 2010	12641/2010
Agabow Pty Ltd, Trading as Central Tablelands Commercial Industries; 25-01K, Four piece - double sided - radius extrusion, 13 Jul 2010	12867/2010	Australian Furniture Importers & Wholesalers Pty Ltd; 06-02, 06-04D, Bedroom suite, 25 Jun 2010	12642/2010
Agabow Pty Ltd, Trading as Central Tablelands Commercial Industries; 25-01K, Three piece rectangular extrusion, 13 Jul 2010	12868/2010	Australian Furniture Importers & Wholesalers Pty Ltd; 06-02, 06-04D, Bedroom suite, 25 Jun 2010	12643/2010
Air New Zealand Limited; 06-01D, Aircraft seat unit, (NZ, 14 Jan 2010) 08 Jul 2010	12805/2010	Australian Furniture Importers & Wholesalers Pty Ltd; 06-02, 06-04D, Bedroom suite, 25 Jun 2010	12644/2010
Air New Zealand Limited; 06-01D, Aircraft seat unit, (NZ, 14 Jan 2010) 08 Jul 2010	12807/2010	Australian Performance Development Pty Ltd; 12-16NES, Air intake snorkel for a vehicle, 25 Jun 2010	12502/2010
Air New Zealand Limited; 06-01D, Aircraft seat unit, (NZ, 14 Jan 2010) 08 Jul 2010	12808/2010	ASSA ABLOY Australia Pty Limited; 08-07, Key blank, 08 Jul 2010	12802/2010
Airspresso Pty Ltd; 07-02L, Airspresso back pack coffee brewer, 30 Jun 2010	12679/2010	Bar Icon Group; Randall, Sean; 07-06A, Drinking vessel/stubbie cooler, 30 Jun 2010	12732/2010
Angus, Mark Christian; 08-08G, Hammer hook/hammer holder (toolbelt mounted), 02 Jul 2010	12707/2010	Barnes, Rachel; 06-06F, Plywood headboard handcrafted relief image of Rangitoto Volcanoe with text 'Aotearoa Our Heartland', 30 Jun 2010	12671/2010
Annemasse Avenue Pty Ltd; 08-08NES, Apparatus for supporting an item on a wall, 05 Jul 2010	12759/2010	Beats Electronics, LLC; 14-01, Audio listening system, (US, 04 Jan 2010) 02 Jul 2010	12728/2010
Annemasse Avenue Pty Ltd; 08-08NES, Apparatus for supporting an item on a wall, 05 Jul 2010	12760/2010	Beats Electronics, LLC; 14-01, Headphone, (US, 04 Jan 2010) 02 Jul 2010	12729/2010
Annemasse Avenue Pty Ltd; 08-08NES, Apparatus for supporting an item on a wall, 05 Jul 2010	12761/2010	Beba Enterprises Pty Ltd, as trustee for Danielle Vagner Family Trust; 02-02C, 02-02NES, Women's clothing, 05 Jul 2010	12733/2010
Annemasse Avenue Pty Ltd; 08-08NES, Apparatus for supporting an item on a wall, 05 Jul 2010	12758/2010	Bedford, Steven John; Trower, Stephen John; 25-01K, Building panel, 28 Jun 2010	12648/2010
Ashby, Sean; Holland, Guyon; 02-02C, Yoga pants, yoga shorts, 01 Jul 2010	12721/2010	Bermel Business Systems Pty Ltd; 18-02, Bermel print and copy self serve station on a custom built secure stand with lockable rear component area, 30 Jun 2010	12711/2010
Australian Furniture Importers & Wholesalers Pty Ltd; 06-02, 06-04D, Bedroom suite, 25 Jun 2010	12645/2010	Beta Vision Products Australia Pty Ltd; 25-01A, Blockout device, 06 Jul 2010	12774/2010
Australian Furniture Importers & Wholesalers Pty Ltd; 06-02, 06-04D, Bedroom suite, 25 Jun 2010	12646/2010	Beta Vision Products Australia Pty Ltd; 25-01A, Blockout device, 06 Jul 2010	12775/2010
Australian Furniture Importers & Wholesalers Pty Ltd; 06-02, 06-04F, 06-06B, 06-06F, Bedroom suite, 25 Jun 2010	12609/2010	Bomi Furniture Pty Ltd; 06-02, 25-01K, Bed slat base hardware, 09 Jul 2010	12852/2010

Bomi Furniture Pty Ltd; 06-02, Bed slat base, 09 Jul 2010	12822/2010	Cutting Edges Equipment Parts Pty Ltd; 15-04, A wear component base, 28 Jun 2010	12629/2010
Boori International Pty Ltd; 06-02, Furniture, 06 Jul 2010	12740/2010	Cutting Edges Equipment Parts Pty Ltd; 15-04, A wear component, 28 Jun 2010	12630/2010
Boori International Pty Ltd; 06-02, Furniture, 06 Jul 2010	12739/2010	Daikin Industries Ltd.; 23-04, Air conditioner, 25 Jun 2010	12612/2010
Botanical Food Company Pty Ltd; 09-05, Capped container, 12 Jul 2010	12859/2010	Daikin Industries Ltd.; 14-03NES, 23-04, Remote control for air conditioner, 05 Jul 2010	12752/2010
Botanical Food Company Pty Ltd; 09-05, Capped container, 12 Jul 2010	12857/2010	Daikin Industries Ltd.; 14-03NES, 23-04, Remote control for air conditioner, 05 Jul 2010	12753/2010
Botanical Food Company Pty Ltd; 09-05, Capped container, 12 Jul 2010	12858/2010	Daikin Industries Ltd.; 23-04, Controller for air conditioner, (JP, 26 Jan 2010) 30 Jun 2010	12681/2010
Bradken Resources Pty Limited; 08-07, Link, 29 Jun 2010	12664/2010	Dezinal Pty Ltd; 25-01K, 25-02B, Bottom rolling bi-fold head, 05 Jul 2010	12779/2010
Bulgari S.p.A.; 11-01A, Ring, (CH, 28 Jan 2010) 29 Jun 2010	12653/2010	Dezinal Pty Ltd; 25-01K, 25-02B, Bottom rolling bi-fold weathered sill, 05 Jul 2010	12780/2010
Bulgari Time (Switzerland) SA; 10-02, Watch, (CH, 26 Jan 2010) 02 Jul 2010	12727/2010	Dezinal Pty Ltd; 25-01K, 25-02B, Bottom rolling bi-fold weathered sill insert, 05 Jul 2010	12781/2010
Caroma Industries Limited; 23-01H, A tap assembly, 05 Jul 2010	12748/2010	Drew, Warren Phillip; Evans, Chad Arthur; 14-03NES, Hand actuated controller, 30 Jun 2010	12709/2010
Caroma Industries Limited; 23-01H, A spout assembly, 05 Jul 2010	12749/2010	Ebony Developments Coffs Harbour Pty Ltd; 13-03D, Spacer for a switch/outlet, 06 Jul 2010	12778/2010
Caroma Industries Limited; 23-01H, A mixer tap assembly, 05 Jul 2010	12750/2010	Eichhorn, Gregg; 14-02, A universal hand grip device that can be attached to any tablet computer - iTAB_GRIP, 09 Jul 2010	12810/2010
Caroma Industries Limited; 23-01H, A tap assembly, 05 Jul 2010	12751/2010	Evans, Chad Arthur; Drew, Warren Phillip; 14-03NES, Hand actuated controller, 30 Jun 2010	12709/2010
Carter, Paul; 13-01, 13-03NES, Electric motor generator coil stator segment, 07 Jul 2010	12851/2010	Ewing, Iain; 07-05D, Bathroom accessory, 29 Jun 2010	12674/2010
Charles Robert Gust as trustee for the Putt Master Primary IP Trust; Mark Purvis as trustee for the Putt Master Primary IP Trust; 06-11, Mat, 28 Jun 2010	12649/2010	ED Oates Pty Ltd; 23-02A, Toilet roll holder caddy, 09 Jul 2010	12837/2010
Chatsworth Products, Inc.; 13-03C, Cover for cable management raceway, (US, 16 Jan 2010) 12 Jul 2010	12855/2010	ED Oates Pty Ltd; 04-01, Broom head, 09 Jul 2010	12838/2010
Chatsworth Products, Inc.; 13-03C, Cover for cable management raceway, (US, 16 Jan 2010) 12 Jul 2010	12856/2010	ED Oates Pty Ltd; 04-01, 23-02A, Toilet brush set, 09 Jul 2010	12839/2010
Clipsal Australia Pty Ltd; 13-03NES, DALI controller, 07 Jul 2010	12782/2010	ED Oates Pty Ltd; 23-02A, Toilet roll holder, 09 Jul 2010	12840/2010
Concept Solutions - Improving Business Resource Efficiency; 99-00, Business Consultancy Services, 30 Jun 2010	12680/2010	ED Oates Pty Ltd; 04-01, 23-02A, Toilet brush set, 09 Jul 2010	12841/2010
Consolidated Plastics & Epoxy; Meyer, Greg; 08-08NES, 08-01, A safety guard - anti drop - working at heights for hand held crow bar, 28 Jun 2010	12637/2010	ED Oates Pty Ltd; 07-07B, Mop socket, 09 Jul 2010	12843/2010
Continental Reifen Deutschland GmbH; 12-15A, Tyre, (EM, 26 Mar 2010) 25 Jun 2010	12607/2010	ED Oates Pty Ltd; 07-07B, Wringer bucket, 09 Jul 2010	12844/2010
Creeren Pty Ltd; 07-99A, Beverage server, 29 Jun 2010	12672/2010	ED Oates Pty Ltd; 07-07B, Wringer bucket, 09 Jul 2010	12845/2010
Creeren Pty Ltd; 07-99A, Beverage server, 29 Jun 2010	12673/2010	ED Oates Pty Ltd; 04-01, 08-06, Squeeze mop handle, 09 Jul 2010	12846/2010

ED Oates Pty Ltd; 04-01, Mop head, 09 Jul 2010	12847/2010	Hermans, Ty Gerard; 25-01B, 25-02A, Plinth, 08 Jul 2010	12799/2010
ED Oates Pty Ltd; 07-07B, Mop wringer, 09 Jul 2010	12836/2010	Hochiki Corporation; 10-05, Fire dectector, 02 Jul 2010	12730/2010
ED Oates Pty Ltd; 07-07B, Wringer bucket, 09 Jul 2010	12842/2010	Holland, Guyon; Ashby, Sean; 02-02C, Yoga pants, yoga shorts, 01 Jul 2010	12721/2010
Fielders Australia Pty Ltd; 25-02K, Louvre vent blade, 28 Jun 2010	12636/2010	Hornsey, Michael Kym; 25-01B, Bar chair, 07 Jul 2010	12806/2010
Fifty-Fourth Rischell Pty Ltd; 02-02C, 02-02NES, Men's clothing, 05 Jul 2010	12737/2010	Icon Plastics Pty Ltd; 13-03C, Duct section, 08 Jul 2010	12560/2010
Foot Supports International Limited; 02-04A, Foot support apparatus, (NZ, 15 Sep 2009) 09 Mar 2010	12790/2010	Illinois Tool Works Inc.; 08-01, Drill bit, (EM, 18 Feb 2010) 25 Jun 2010	12610/2010
Foot Supports International Limited; 02-04A, Foot support apparatus, (NZ, 15 Sep 2009) 09 Mar 2010	12791/2010	Innowood International Australia Pty Ltd; 25-01K, Batten of indefinite length, 08 Jul 2010	12816/2010
Foshan Shunde Everteam Industrial Co., Ltd; 07-02E, Cooking apparatus, (CN, 16 Apr 2010) 12 Jul 2010	12864/2010	Innowood International Australia Pty Ltd; 25-01K, Cladding of indefinite length, 08 Jul 2010	12817/2010
Foshan Shunde Everteam Industrial Co., Ltd; 07-02E, Cooking apparatus, (CN, 16 Apr 2010) 12 Jul 2010	12865/2010	Insphere Pty Ltd; 06-03B, 2 tier media unit, 3 tier media unit, 4 tier media unit, 02 Jul 2010	12722/2010
Foshan Shunde Everteam Industrial Co., Ltd; 07-02E, Cooking apparatus, (CN, 16 Apr 2010) 12 Jul 2010	12863/2010	Insphere Pty Ltd; 06-01E, 2 tier media unit, 3 tier media unit, 4 tier media unit, 02 Jul 2010	12723/2010
Foshan Shunde Everteam Industrial Co., Ltd; 07-02H, Cooking apparatus, (CN, 30 Apr 2010) 12 Jul 2010	12863/2010	Insphere Pty Ltd; 06-04NES, 2 tier media unit, 3 tier media unit, 4 tier media unit, 02 Jul 2010	12724/2010
Frigrite Limited; 20-02NES, Product display apparatus, 23 Apr 2010	12725/2010	Interseal Pty Ltd; 08-08B, "Bear shield" protective guard for roller bearings, 29 Jun 2010	12650/2010
Gallagher, Leeann; 25-01B, Plastic barchairs used to chair-up reinforcing steel prior to concrete pour, 02 Jul 2010	12718/2010	Island Block & Paving Pty Ltd; 25-01A, A block for building a wall, 01 Jul 2010	12717/2010
Gallagher, Leeann; 25-01B, Plastic barchairs used to chair-up reinforcing steel prior to concrete pour, 02 Jul 2010	12719/2010	Jar Furniture Imports Pty Ltd; 06-02, 06-06B, 06-04D, Hugo dining table; Hugo Buffet; Hugo television units; Hugo coffee table; Hugo lamp table; Hugo bed; Hugo bedside;, Hugo tallboy, 08 Jul 2010	12793/2010
Gallagher, Leeann; 25-01B, Plastic barchairs used to chair-up reinforcing steel prior to concrete pour, 02 Jul 2010	12720/2010	Jar Furniture Imports Pty Ltd; 06-02, 06-04F, Dining table; buffet; television units; coffee table; lamp table; bed; bedside; tallboy; dressing table; mirror;, sofas; dining chair; narrow shelf unit; narrow display unit, 08 Jul 2010	12797/2010
Gambley, Maria Alicia; 06-06H, Mayan legacy universal frame, 29 Jun 2010	12676/2010	Jar Furniture Imports Pty Ltd; 06-02, 06-01G, 06-03A, Dining table; dining chair; sideboard; television units; coffee tables; lamp tables; bed; bedside; tallboy;, dressing table; mirror; sofas, 08 Jul 2010	12798/2010
Gambley, Maria Alicia; 06-06H, Steel roman arc, 29 Jun 2010	12677/2010	Jar Furniture Imports Pty Ltd; 06-04D, Luca dining table; Luca buffet; Luca television units; Luca coffee table; Luca lamp table; Luca display cabinet, 08 Jul 2010	12795/2010
Globeworks Pty Ltd; 06-01F, Kids chair, 29 Jun 2010	12704/2010	Jar Furniture Imports Pty Ltd; 06-04D, Dining table; buffet; television units; coffee table; lamp table; bed; bedside; tallboy; dressing table; mirror;, sofas; ottomans, 08 Jul 2010	12796/2010
Golden Circle Limited; 09-01B, A bottle, 05 Jul 2010	12736/2010		
Guerlain Societe Anonyme; 09-01G, Flask for perfumery products, (EM, 07 Jan 2010) 06 Jul 2010	12769/2010		
Heat Surge, LLC; 23-03E, Fireplace with narrow vent, 29 Jun 2010	12705/2010		

Jar Furniture Imports Pty Ltd; 06-04D, Domus dining table; Domus buffet; Domus television units; Domus coffee table; Domus lamp table; Domus bed; Domus, bedside; Domus tallboy; Domus display cabinet, 08 Jul 2010	12794/2010	Leatherman Tool Group, Inc.; 08-05P, Portion of a hand tool, (US, 18 Dec 2009) 11 Jun 2010	12815/2010
Jebson, Richard Selwyn; 03-03, Walking and pickup stick, (NZ, 24 Dec 2009) 24 Jun 2010	12608/2010	Live Board Holdings Pty Ltd; 20-03C, Advertising board, 05 Jul 2010	12735/2010
Jolt Corporation Australia Pty Ltd; 03-01D, A carrier for containers, 08 Jul 2010	12850/2010	Locker Group Pty Ltd; 25-02K, 08-08NES, Louvre fixing clip assembly, 06 Jul 2010	12776/2010
Karsten Manufacturing Corporation; 21-02C, Golf club head, (US, 31 Mar 2010) 05 Jul 2010	12763/2010	Love N Care Pty Ltd; 12-12, A buggy, 05 Jul 2010	12726/2010
Karsten Manufacturing Corporation; 21-02C, Golf club head, (US, 31 Mar 2010) 05 Jul 2010	12764/2010	LG Electronics Inc.; 14-03B, LCD television receiver, (KR, 05 Jan 2010) 05 Jul 2010	12755/2010
Karsten Manufacturing Corporation; 21-02C, Golf club head, (US, 31 Mar 2010) 05 Jul 2010	12765/2010	LG Electronics Inc.; 14-03B, LCD television receiver, (KR, 05 Jan 2010) 05 Jul 2010	12754/2010
Karsten Manufacturing Corporation; 21-02C, Golf club head, (US, 31 Mar 2010) 05 Jul 2010	12766/2010	M & L Scott Pty. Ltd.; 23-04, Air duct connector, 28 Jun 2010	12638/2010
Karsten Manufacturing Corporation; 21-02C, Golf club head, (US, 31 Mar 2010) 05 Jul 2010	12767/2010	M & L Scott Pty. Ltd.; 23-04, Air duct strap, 28 Jun 2010	12639/2010
Karsten Manufacturing Corporation; 21-02C, Golf club head, (US, 31 Mar 2010) 05 Jul 2010	12762/2010	Mark Purvis as trustee for the Putt Master Primary IP Trust; Charles Robert Gust as trustee for the Putt Master Primary IP Trust; 06-11, Mat, 28 Jun 2010	12649/2010
Kimberly-Clark Worldwide, Inc.; 02-01B, Fastener tab for an absorbent article, (US, 29 Jan 2010) 28 Jun 2010	12647/2010	MarshN PWB Limited; 12-16NES, An axle, (Divisional of 11481/2010) 20 Apr 2010	12633/2010
King Furniture (Australia) Pty Ltd; 06-06E, 06-06G, A leg for an article of furniture, 30 Jun 2010	12683/2010	MarshN PWB Limited; 12-16NES, An axle, (Divisional of 11481/2010) 20 Apr 2010	12631/2010
King Furniture (Australia) Pty Ltd; 06-06E, 06-06G, A leg for an article of furniture, 30 Jun 2010	12684/2010	MarshN PWB Limited; 12-16NES, An axle, (Divisional of 11481/2010) 20 Apr 2010	12632/2010
King Furniture (Australia) Pty Ltd; 06-01E, A sofa, 30 Jun 2010	12685/2010	McNeil AB; 09-01NES, Container, (US, 10 Jun 2010) 30 Jun 2010	12692/2010
King Furniture (Australia) Pty Ltd; 06-01G, A sofa assembly, 30 Jun 2010	12686/2010	McNeil-PPC Inc.; 09-05, Blister card, (US, 08 Jan 2010) 08 Jul 2010	12800/2010
King Furniture (Australia) Pty Ltd; 06-01G, A sofa assembly, 30 Jun 2010	12682/2010	Meher Trailer Products Pty Ltd; 12-99, V-block, 01 Jul 2010	12731/2010
Koninklijke Philips Electronics N.V.; 07-02N, Air fryer, (EM, 14 Jan 2010) 12 Jul 2010	12854/2010	Melrose, David Murray; 09-01K, A container, (NZ, 24 Feb 2010) 02 Jul 2010	12706/2010
Koninklijke Philips Electronics N.V.; 07-02N, Air fryer, (EM, 07 Jan 2010) 07 Jul 2010	12785/2010	Meyer, Greg; Consolidated Plastics & Epoxy; 08-08NES, 08-01, A safety guard - anti drop - working at heights for hand held crow bar, 28 Jun 2010	12637/2010
Koninklijke Philips Electronics N.V.; 26-03, Luminaire for road lighting, (EM, 07 Jan 2010) 07 Jul 2010	12786/2010	Microsoft Corporation; 10-05, Motion sensor, (US, 07 Jan 2010) 07 Jul 2010	12783/2010
Lambert, Terese; 19-04, A blank for adhesive spines for covers/folders, 08 Jul 2010	12813/2010	Microsoft Corporation; 10-05, Motion sensor, (US, 07 Jan 2010) 07 Jul 2010	12784/2010
Lambert, Terese; 19-04, A blank for adhesive spines for covers/folders, 08 Jul 2010	12814/2010	Miller, Rodney L.; 11-02B, Planter pots for gardens, 05 Jul 2010	12306/2010

MAM Babyartikel Gesellschaft m.b.H; 24-04, Pacifier, (EM, 11 Jan 2010) 29 Jun 2010	12654/2010	Patsos, Vincent; Patsos, Matthew; 07-06D, Bottle top and speed pourer remover, 28 Jun 2010	12628/2010
MAM Babyartikel Gesellschaft m.b.H; 24-04, Pacifier, (EM, 11 Jan 2010) 29 Jun 2010	12655/2010	Patsos, Matthew; Patsos, Vincent; 07-06D, Bottle top and speed pourer remover, 28 Jun 2010	12628/2010
MHCS; 07-06A, Bottle holder, (EM, 07 Jan 2010) 01 Jul 2010	12710/2010	Paxx Pty Ltd; 06-02, 06-03A, A convertible bed, 05 Jul 2010	12789/2010
MIP Engineering Pty Ltd; 12-16M, Extension for a brake cover for a vehicle driveline brake. It fits to drive shafts of vehicles and protects the, brake calipers and the universal joint, 30 Jun 2010	12678/2010	Pi-Design AG; 07-03, Knife, (WO, 01 Apr 2010) 29 Jun 2010	12675/2010
MSA Gallet; 02-03, Helmet, (DE, 02 Mar 2010) 29 Jun 2010	12663/2010	Plushy Feely Corporation; 21-01A, Plush toy, (US, 29 Jan 2010) 12 Jul 2010	12860/2010
Newitt, Johnathon Geoffrey; 08-08NES, Roof anchor, 12 Jul 2010	12853/2010	Plushy Feely Corporation; 21-01A, Plush toy, (US, 29 Jan 2010) 12 Jul 2010	12861/2010
Norwood Industries Pty Ltd; 11-02B, Container, 05 Jul 2010	12741/2010	Poly Industries Pty Ltd; 07-04, Colander, 30 Jun 2010	12688/2010
Ontera Modular Carpets Pty Ltd; 06-11, Carpet, 09 Jul 2010	12823/2010	Poly Industries Pty Ltd; 07-04, Colander, 30 Jun 2010	12689/2010
Ontera Modular Carpets Pty Ltd; 06-11, Carpet, 09 Jul 2010	12824/2010	Poly Industries Pty Ltd; 07-99A, Tray, 30 Jun 2010	12690/2010
Ontera Modular Carpets Pty Ltd; 06-11, Carpet, 09 Jul 2010	12825/2010	Poly Industries Pty Ltd; 07-99A, Tray, 30 Jun 2010	12691/2010
Ontera Modular Carpets Pty Ltd; 06-11, Carpet, 09 Jul 2010	12826/2010	R.S.V. Enterprises Pty Ltd; 20-02C, Design of kiosk for retail sunglasses, 09 Jul 2010	12811/2010
Ontera Modular Carpets Pty Ltd; 06-11, Carpet, 09 Jul 2010	12832/2010	R.S.V. Enterprises Pty Ltd; 20-02C, Design of kiosk for retail sunglasses, 09 Jul 2010	12812/2010
Ontera Modular Carpets Pty Ltd; 06-11, Carpet, 09 Jul 2010	12827/2010	Randall, Sean; Bar Icon Group; 07-06A, Drinking vessel/stubbie cooler, 30 Jun 2010	12732/2010
Ontera Modular Carpets Pty Ltd; 06-11, Carpet, 09 Jul 2010	12828/2010	Research In Motion Limited; 14-03E, Handheld electronic device, (US, 18 Jan 2010) 25 Jun 2010	12606/2010
Ontera Modular Carpets Pty Ltd; 06-11, Carpet, 09 Jul 2010	12829/2010	Research Medical Pty Ltd; 24-02, Wound drainage flow control device, 09 Jul 2010	12809/2010
Ontera Modular Carpets Pty Ltd; 06-11, Carpet, 09 Jul 2010	12830/2010	Responsive Engineering Australia Pty Ltd; 15-01, Water watch water detection system, 07 Jul 2010	12771/2010
Ontera Modular Carpets Pty Ltd; 06-11, Carpet, 09 Jul 2010	12831/2010	Responsive Engineering Australia Pty Ltd; 15-01, Water watch water detection system, 07 Jul 2010	12772/2010
Ontera Modular Carpets Pty Ltd; 06-11, Carpet, 09 Jul 2010	12834/2010	Responsive Engineering Australia Pty Ltd; 15-01, Water watch water detection system, 07 Jul 2010	12773/2010
Ontera Modular Carpets Pty Ltd; 06-11, Carpet, 09 Jul 2010	12835/2010	Rhino Rack Australia Pty Limited; 12-16K, Vehicle cargo tray, 29 Jun 2010	12660/2010
Ontera Modular Carpets Pty Ltd; 06-11, Carpet, 09 Jul 2010	12833/2010	Rhino Rack Australia Pty Limited; 12-16K, Vehicle cargo tray rail element, 29 Jun 2010	12662/2010
Pan Air Electric Co., Ltd.; 23-04, Ceiling fan blade, 06 Jul 2010	12768/2010	Rhino Rack Australia Pty Limited; 12-16K, Vehicle cargo tray base support, 29 Jun 2010	12661/2010
Pang, Chunhui; 11-02E, An ornament, 05 Jul 2010	12756/2010	Sanford, L.P.; 14-02, Tray, (US, 30 Dec 2009) 28 Jun 2010	12625/2010
Pang, Chunhui; 11-02E, An ornament, 05 Jul 2010	12757/2010		
Papoutsidis, Kyriacos Jack; 06-03B, Table, 06 Jul 2010	12734/2010		
Parnham & Associates Pty Ltd; 06-09, Pillows and cushions, 09 Jul 2010	12803/2010		

Sanford, L.P.; 14-02, Capture bar, (US, 30 Dec 2009) 28 Jun 2010	12626/2010	Spin Master Ltd; 21-01B, Transformable toy, (CA, 06 Jan 2010) 30 Jun 2010	12700/2010
Sanford, L.P.; 14-02, Capture bar, (US, 30 Dec 2009) 28 Jun 2010	12627/2010	Spin Master Ltd; 21-01B, Transformable toy, (CA, 04 Jan 2010) 30 Jun 2010	12701/2010
Sanford, L.P.; 14-02, 19-06, Stylus, (US, 30 Dec 2009) 28 Jun 2010	12614/2010	Spin Master Ltd; 21-01B, Transformable toy, (CA, 06 Jan 2010) 30 Jun 2010	12697/2010
Sanford, L.P.; 19-06, 14-02, Stylus, (US, 30 Dec 2009) 28 Jun 2010	12615/2010	Spin Master Ltd; 21-01B, Transformable toy, (CA, 14 Jan 2010) 30 Jun 2010	12698/2010
Sanford, L.P.; 14-03NES, Remote, (US, 30 Dec 2009) 28 Jun 2010	12616/2010	Spin Master Ltd; 21-01B, Transformable toy, (CA, 06 Jan 2010) 30 Jun 2010	12702/2010
Sanford, L.P.; 14-03NES, Remote, (US, 30 Dec 2009) 28 Jun 2010	12617/2010	Spin Master Ltd; 21-01B, Transformable toy, (CA, 15 Feb 2010) 30 Jun 2010	12694/2010
Sanford, L.P.; 13-02, Charging station, (US, 30 Dec 2009) 28 Jun 2010	12618/2010	Spin Master Ltd; 21-01B, Transformable toy, (CA, 22 Feb 2010) 30 Jun 2010	12695/2010
Sanford, L.P.; 13-02, Charging station, (US, 30 Dec 2009) 28 Jun 2010	12619/2010	Spin Master Ltd; 21-01B, Transformable toy, (CA, 01 Mar 2010) 30 Jun 2010	12696/2010
Sanford, L.P.; 16-02, Projector, (US, 30 Dec 2009) 28 Jun 2010	12620/2010	Star Maid International Pty. Ltd.; 23-02B, Bath, 01 Jul 2010	12715/2010
Sanford, L.P.; 16-02, Projector, (US, 30 Dec 2009) 28 Jun 2010	12621/2010	Star Maid International Pty. Ltd.; 07-07B, Bucket, 01 Jul 2010	12716/2010
Sanford, L.P.; 14-03NES, Receiver, (US, 30 Dec 2009) 28 Jun 2010	12622/2010	Stiefel Laboratories, Inc.; 09-07NES, 09-07A, Jar venting disc, (US, 31 Dec 2009) 28 Jun 2010	12635/2010
Sanford, L.P.; 14-03NES, Receiver, (US, 30 Dec 2009) 28 Jun 2010	12623/2010	Stiefel Laboratories, Inc.; 09-07NES, 09-07A, Jar venting disc, (US, 31 Dec 2009) 28 Jun 2010	12634/2010
Sanford, L.P.; 14-03NES, Receiver, (US, 30 Dec 2009) 28 Jun 2010	12624/2010	Stokke AS; 12-12, Stroller, (NO, 19 Jan 2010) 29 Jun 2010	12666/2010
Sanford, L.P.; 14-02, Tray, (US, 30 Dec 2009) 28 Jun 2010	12624/2010	Stokke AS; 12-12, Baby capsule for stroller, (NO, 19 Jan 2010) 29 Jun 2010	12667/2010
Sharp Kabushiki Kaisha; 07-02B, Cooking oven, (JP, 24 Mar 2010) 06 Jul 2010	12777/2010	Stokke AS; 12-12, Stroller, (NO, 19 Jan 2010) 29 Jun 2010	12668/2010
Slidetrack Blinds Pty Ltd; 08-08H, A top tube for a blind assembly, 01 Jul 2010	12713/2010	Stokke AS; 12-12, Baby capsule for stroller, (NO, 19 Jan 2010) 29 Jun 2010	12669/2010
Societe de velo en libre-service; 12-11, Bicycle rear wheel cover, (EM, 26 Mar 2010) 29 Jun 2010	12651/2010	Stokke AS; 12-12, Stroller, (NO, 19 Jan 2010) 29 Jun 2010	12670/2010
Societe de velo en libre-service; 12-11, Bicycle basket, (EM, 26 Mar 2010) 29 Jun 2010	12652/2010	Stokke AS; 12-12, Baby capsule for stroller, (NO, 19 Jan 2010) 29 Jun 2010	12665/2010
Specified Electrical Process Heating Co. Australia Pty Ltd; 23-03NES, Heater, 01 Jul 2010	12714/2010	Suzuki Motor Corporation; 12-11, Motorcycle, (JP, 12 Jan 2010) 09 Jul 2010	12804/2010
Spin Master Ltd; 21-01B, Transformable toy, (CA, 15 Feb 2010) 30 Jun 2010	12693/2010	Teva Pharmaceuticals Ireland; 24-04, Inhaler, (EM, 08 Jan 2010) 06 Jul 2010	12770/2010
Spin Master Ltd; 21-01B, Transformable toy, (CA, 06 Jan 2010) 30 Jun 2010	12699/2010	The Decor Corporation Pty Ltd; 07-01NES, Cake container storer and lifter base, 05 Jul 2010	12745/2010

The Decor Corporation Pty Ltd; 07-01NES, Cake container storer and lifter lid, 05 Jul 2010	12746/2010	TIC Group Europe Ltd; 06-08, Hanger with recess for removable label plate, (EM, 15 Jan 2010) 01 Jul 2010	12712/2010
The Decor Corporation Pty Ltd; 07-01NES, Cake container storer and lifter plate, 05 Jul 2010	12747/2010	Unique Product & Design Co., Ltd.; 06-04NES, Umbrella holder, 06 Jul 2010	12787/2010
The Decor Corporation Pty Ltd; 07-01NES, Base for cup cake storer, 05 Jul 2010	12742/2010	Unique Product & Design Co., Ltd.; 20-02C, Holder for an information display unit, 06 Jul 2010	12788/2010
The Decor Corporation Pty Ltd; 07-01NES, Lid for cup cake storer, 05 Jul 2010	12743/2010	Walser GmbH; 03-01NES, Bag with frames, (EM, 11 Jan 2010) 30 Jun 2010	12687/2010
The Decor Corporation Pty Ltd; 07-01NES, Grid for cup cake storer, 05 Jul 2010	12744/2010	Webforge Australia Pty Ltd; 25-02C, Fence, 29 Jun 2010	12657/2010
The Procter & Gamble Company; 28-01, Tablet, (US, 31 Dec 2009) 29 Jun 2010	12658/2010	Williams, David Daniel; Wilson, David James; 08-08K, Temporary fence base, 24 Jun 2010	12611/2010
The Procter & Gamble Company; 09-05, Cartridge, (US, 31 Dec 2009) 29 Jun 2010	12659/2010	Wilson, David James; Williams, David Daniel; 08-08K, Temporary fence base, 24 Jun 2010	12611/2010
The Stanley Works Israel, Ltd.; 03-01D, A toolbox, (US, 11 Jan 2010) 09 Jul 2010	12849/2010	Wu, Shuiyun; 21-01A, Soft toy, 25 Jun 2010	12613/2010
Treasure House Aus Pty Ltd; 06-09, 11-99, Bedrunner decorative, 08 Jul 2010	12820/2010	Wu, Liangju; 26-05C, Downlights, (CN, 05 Jan 2010) 05 Jul 2010	12738/2010
Treasure House Aus Pty Ltd; 06-09, 11-99, Decorative snazzy cushions, 08 Jul 2010	12821/2010	X6D Ltd; 16-06, Temple for viewing 3D glasses, (US, 05 Jan 2010) 29 Jun 2010	12656/2010
Treasure House Aus Pty Ltd; 06-09, 11-99, Decorative round cushion, 08 Jul 2010	12818/2010	X6D Ltd; 14-03NES, Improved emitter for viewing 3D with shutter glasses, (US, 05 Jan 2010) 30 Jun 2010	12703/2010
Treasure House Aus Pty Ltd; 06-09, 11-99, Combination of square and rectangle decorative bedroom cushions, 08 Jul 2010	12819/2010	Yip, Romuald; 08-05A, A watering can, 09 Jul 2010	12848/2010
Trower, Stephen John; Bedford, Steven John; 25-01K, Building panel, 28 Jun 2010	12648/2010	Zhifan, Zhang; 02-01A, A holder for a brassiere while in a washing machine, 13 Jul 2010	12862/2010
Tulip Corporation Pty Ltd; 15-99, Recycling disc, 30 Jun 2010	12708/2010		

Applications Withdrawn

12418 / 2010 (25-01A)

Applications Lapsed

15034 / 2009 (29-02)	11167 / 2010 (11-01NES)	11388 / 2010 (12-06A)	11389 / 2010 (12-06A)
11169 / 2010 (11-01NES)	11171 / 2010 (11-01NES)	11390 / 2010 (25-01K)	11511 / 2010 (19-07)
11182 / 2010 (07-04)	11241 / 2010 (19-01)	11512 / 2010 (19-07)	11513 / 2010 (19-07)
11242 / 2010 (19-01)	11243 / 2010 (19-01)	11514 / 2010 (19-07)	11515 / 2010 (19-07)
11282 / 2010 (30-04)	11283 / 2010 (30-04)	11516 / 2010 (19-07)	11517 / 2010 (19-07)
11284 / 2010 (30-04)	11328 / 2010 (25-01F)	11518 / 2010 (19-07)	11519 / 2010 (19-07)

11520 / 2010 (19-07)
11522 / 2010 (19-07)
11604 / 2010 (06-01F)
11723 / 2010 (02-04A)

11521 / 2010 (19-07)
11589 / 2010 (06-01C)
11605 / 2010 (06-01G)
11760 / 2010 (11-02NES)

Extension of Period of Registration of Designs

301823	301824	302388
303449	303790	303791
303792	303793	303794
303795	303796	303797
303798	303805	303809
303811	303812	303813
303845	303846	303847
303874	304124	304150
304156	304179	304184
304185	304188	304189
304190	304191	304192
304193	304203	304247
304249	304252	304253
304258	304259	304260
304261	304262	304281
304282	304291	304297
304298	304304	304307
304338	304348	304350
304351	304352	304355
304390	304392	304395
304396	304399	304410
304411	304435	304439
304484	304514	304576
304583	304623	304644
304662	304663	304664
304720	304727	304728
304729	304732	304750
304758	304759	304760
304763	304764	304765
304770	304771	304822
304840	304867	304884
304885	304912	304950
304951	304952	304954
305084	305085	305086
305230	305231	305244
305270	305343	305351
305352	305353	305354
305355	305389	305390
305392	305393	305394
305395	305467	305507
305518	305541	305543
305544	305545	305546
305559	305568	305569
305570	305571	305650
305689	305775	305776
305823	305828	305849
305850	305851	305852
305943	305944	305945
305946	305947	305948
305949	305950	305951
305952	305953	305979
305980	306092	306094
306095	306096	306097

306146	306147	306157
306185	306201	306213
306216	306239	306268
306269	306451	306505
306690	306718	306802
306828	307022	307394
307395	307480	307481
307521	307672	308010
308624	308684	308685

Registrations Ceased

302029	302030	302032
302038	302039	302041
302045	302046	302047
302049	302055	302056
302057	302062	302063
302064	302066	302069
302070	302071	302072
302073	302074	302075
302078	302079	302080
302081	302082	302083
302084	302085	302086
302087	302088	302097
302098	302099	302101
302115	302122	302140
302141	302142	302143
302150	302151	302190
302191	302192	302193
302194	302231	302293
302312	302313	302314
302315	302316	302317
302319	302323	302327
302337	302338	302339
302557	302586	302587
302588	302589	302590
302591	302592	302593
302594	302595	302596
302597	302598	302599
302600	302605	302643
302678	302782	302784
302809	302810	302811
303046	303047	303093
303094	303095	303322
303323	303324	303326
303327	303328	303329
303330	303331	303332
303333	303334	304319
304614	305322	305376
305531	305662	325373
326689	327178	327345

Extensions of time granted under Section 137

Applications lodged under section 137 for extension of time

have been granted.

301823 **George Braoudakis**

301824 **George Braoudakis**

302388 **Loi & Tran Pty Limited**

304484 **Timothy G. Lucas**

325849 **James Odell**

13364/2009 **Container Pty Ltd**

10978/2010 **Rogers Seller & Myhill Pty Ltd**

10995/2010 **Discovery Group**

10996/2010 **Discovery Group**

10997/2010 **Discovery Group**

10998/2010 **Discovery Group**

11004/2010 **Delta System AS**

11071/2010 **Lock & Load**

11072/2010 **Lock & Load**

Mortgages Registered

308676 A mortgage has been granted to **The Royal Bank of Scotland plc**

Subsequent Owners Registered

(The name in parentheses is that of the subsequent owner)

319573 (**Clean Air Wood Heating Pty Ltd**) Kenneth John Egan

329047 (**Metroll Technology Pty Ltd**) Metroll Queensland Pty Ltd

306205 (**Capital Safety Group (Australia) Pty Ltd**) Alice Wendy Wilks; Bruce Ellis Wilks

308268 (**The University of New South Wales; Thoratee Corporation**) Ventrassist Pty Ltd; The University of New South Wales

308591 (**University of NSW; Thoratee Corporation**) Ventrassist Pty Ltd; University of NSW

321435 (**Garden Pallets Pty Ltd**) Peter K Pty Ltd

305343 (**Harry Keith Thomas**) Chris Rhall

Names Registered - Alterations and Amendments

(The name in parentheses is that of the subsequent applicant)

308676 (**Samsonite IP Holdings S.a.r.l.**) Delilah International S.a.r.l.

Corrigenda

Number 12306/2010

In Vol 24 , No 13 , page 1421 under the heading **Applications Lodged;** Application no. 12306/2010 should be deleted.

Certificate(s) of Examination

Examination of the following Design Registration(s) has been completed. Infringement proceedings may now be commenced.

325381	12-16L	02/07/2010
327680	06-01E	13/07/2010
327750	24-04	14/07/2010
327822	06-01E	13/07/2010
327823	06-01E	13/07/2010
327868	24-02	14/07/2010
327923	26-06	30/06/2010
328356	24-02	14/07/2010
328641	24-02	14/07/2010
329378	14-01	29/06/2010
329379	10-01	30/06/2010
330003	02-02NES	13/07/2010
330004	02-02NES	13/07/2010
330005	02-04NES	14/07/2010
330201	09-01G	01/07/2010
330245	12-15B	08/07/2010
330489	06-03NES	02/07/2010
330577	07-02E	09/07/2010

Publication and Registration Proceedings

Designs Registered

This section provides a concordance between design number and registration number of Designs covered in this journal. It also shows the main class and registration date.

This section covers Registration numbers 331523 to 331788 .

The registration number shown below should be used in all future correspondence.

Design Number	Registration Number	International Classification Code (IDC)	Registration Date	Design Number	Registration Number	International Classification Code (IDC)	Registration Date
13364/2009	331756	09-03NES	14/07/2010	11848/2010	331685	19-01	08/07/2010
13915/2009	331647	24-02	08/07/2010	11852/2010	331686	09-03F	08/07/2010
14484/2009	331700	08-05L	12/07/2010	11864/2010	331571	05-05A	01/07/2010
14873/2009	331533	02-02A	29/06/2010	11871/2010	331758	02-07C	14/07/2010
14874/2009	331534	02-02A	29/06/2010	11878/2010	331707	24-01	12/07/2010
10020/2010	331628	12-08	06/07/2010	11898/2010	331687	13-03D	08/07/2010
10132/2010	331629	08-08A	06/07/2010	11903/2010	331595	03-01NES	05/07/2010
10133/2010	331630	08-08A	06/07/2010	11904/2010	331596	03-01NES	05/07/2010
10134/2010	331631	08-08A	06/07/2010	11931/2010	331523	20-02E	29/06/2010
10135/2010	331749	06-01D	13/07/2010	11935/2010	331688	25-03	08/07/2010
10400/2010	331772	25-01K	15/07/2010	11936/2010	331689	25-03	08/07/2010
10616/2010	331773	12-16C	15/07/2010	11937/2010	331690	06-01C	08/07/2010
10620/2010	331774	12-16H	15/07/2010	11938/2010	331691	25-03	08/07/2010
10621/2010	331775	26-06	15/07/2010	11939/2010	331692	25-03	08/07/2010
10978/2010	331667	23-01H	08/07/2010	11941/2010	331708	26-05NES	12/07/2010
10979/2010	331549	09-03NES	01/07/2010	11953/2010	331650	12-16L	08/07/2010
11166/2010	331558	11-01NES	01/07/2010	11962/2010	331585	11-02NES	05/07/2010
11168/2010	331560	11-01NES	01/07/2010	11963/2010	331738	24-99	14/07/2010
11170/2010	331562	11-01NES	01/07/2010	11968/2010	331572	17-99	01/07/2010
11277/2010	331541	30-99	30/06/2010	11973/2010	331620	25-01NES	06/07/2010
11305/2010	331618	23-02C	06/07/2010	11976/2010	331621	25-01NES	06/07/2010
11311/2010	331668	08-06	08/07/2010	11991/2010	331709	10-06	12/07/2010
11342/2010	331543	09-07C	30/06/2010	12045/2010	331759	07-02E	14/07/2010
11384/2010	331735	26-05D	14/07/2010	12053/2010	331721	28-02	12/07/2010
11401/2010	331619	12-16H	06/07/2010	12070/2010	331669	07-02E	08/07/2010
11439/2010	331570	09-03F	01/07/2010	12083/2010	331693	12-16K	08/07/2010
11457/2010	331680	11-05	08/07/2010	12093/2010	331710	08-07	12/07/2010
11481/2010	331750	12-16NES	13/07/2010	12116/2010	331524	25-01G	29/06/2010
11486/2010	331542	21-01NES	30/06/2010	12125/2010	331734	09-01K	12/07/2010
11487/2010	331550	08-04	01/07/2010	12127/2010	331632	15-04	06/07/2010
11488/2010	331551	08-04	01/07/2010	12146/2010	331547	07-05A	30/06/2010
11489/2010	331552	03-01D	01/07/2010	12196/2010	331670	11-01NES	08/07/2010
11523/2010	331736	09-09	14/07/2010	12258/2010	331785	02-02C	15/07/2010
11524/2010	331737	09-05	14/07/2010	12265/2010	331525	23-04	29/06/2010
11554/2010	331638	20-02NES	06/07/2010	12266/2010	331526	14-03E	29/06/2010
11587/2010	331648	06-02	08/07/2010	12269/2010	331527	08-08L	29/06/2010
11635/2010	331701	10-05	12/07/2010	12271/2010	331528	09-05	29/06/2010
11636/2010	331702	10-05	12/07/2010	12272/2010	331586	26-05E	05/07/2010
11638/2010	331703	02-05	12/07/2010	12274/2010	331529	21-03	29/06/2010
11640/2010	331704	02-03	12/07/2010	12275/2010	331530	21-03	29/06/2010
11642/2010	331705	15-05	12/07/2010	12276/2010	331531	21-03	29/06/2010
11656/2010	331757	12-16NES	14/07/2010	12278/2010	331532	21-03	29/06/2010
11706/2010	331649	08-03	08/07/2010	12280/2010	331651	26-99	08/07/2010
11750/2010	331776	31-00	15/07/2010	12281/2010	331652	26-99	08/07/2010
11766/2010	331681	03-01B	08/07/2010	12282/2010	331653	26-99	08/07/2010
11767/2010	331682	03-01B	08/07/2010	12285/2010	331535	20-01	29/06/2010
11768/2010	331683	03-01B	08/07/2010	12286/2010	331536	14-02	29/06/2010
11770/2010	331544	04-02	30/06/2010	12287/2010	331548	14-03D	30/06/2010
11771/2010	331545	04-02	30/06/2010	12289/2010	331537	09-01K	29/06/2010
11772/2010	331546	04-02	30/06/2010	12302/2010	331538	28-03A	29/06/2010
11792/2010	331706	27-03	12/07/2010	12303/2010	331539	28-03A	29/06/2010
11821/2010	331684	26-05D	08/07/2010	12304/2010	331540	21-02A	29/06/2010
11838/2010	331777	07-02L	15/07/2010	12307/2010	331553	14-03D	01/07/2010

Publication and Registration Proceedings - Designs Registered cont'd

Design Number	Registration Number	International Classification Code (IDC)	Registration Date	Design Number	Registration Number	International Classification Code (IDC)	Registration Date
12311/2010	331573	24-03	01/07/2010	12391/2010	331622	15-05	06/07/2010
12314/2010	331576	28-03NES	01/07/2010	12392/2010	331623	15-05	06/07/2010
12315/2010	331577	08-08L	01/07/2010	12393/2010	331624	15-05	06/07/2010
12316/2010	331578	08-08L	01/07/2010	12394/2010	331625	12-05	06/07/2010
12317/2010	331579	08-08L	01/07/2010	12396/2010	331626	23-01NES	06/07/2010
12318/2010	331754	02-05	13/07/2010	12399/2010	331627	12-05	06/07/2010
12319/2010	331554	09-03NES	01/07/2010	12404/2010	331671	24-02	08/07/2010
12320/2010	331555	09-03NES	01/07/2010	12407/2010	331672	25-02C	08/07/2010
12321/2010	331556	08-09	01/07/2010	12408/2010	331673	03-01D	08/07/2010
12322/2010	331557	08-09	01/07/2010	12409/2010	331640	08-05P	07/07/2010
12324/2010	331739	26-05NES	14/07/2010	12410/2010	331641	08-05P	07/07/2010
12325/2010	331740	26-05NES	14/07/2010	12411/2010	331741	08-05P	14/07/2010
12327/2010	331565	09-03F	01/07/2010	12412/2010	331642	08-05P	07/07/2010
12328/2010	331564	09-01H	01/07/2010	12413/2010	331643	08-05P	07/07/2010
12329/2010	331580	09-07B	01/07/2010	12414/2010	331644	09-07NES	07/07/2010
12330/2010	331581	09-07B	01/07/2010	12415/2010	331645	03-03	07/07/2010
12331/2010	331582	09-01K	01/07/2010	12416/2010	331646	03-03	07/07/2010
12333/2010	331583	12-06NES	01/07/2010	12421/2010	331711	07-02L	12/07/2010
12334/2010	331584	12-06NES	01/07/2010	12422/2010	331712	07-02K	12/07/2010
12335/2010	331566	07-02R	01/07/2010	12425/2010	331760	09-99	14/07/2010
12336/2010	331567	07-02R	01/07/2010	12426/2010	331675	14-03B	08/07/2010
12337/2010	331568	07-02R	01/07/2010	12429/2010	331676	24-01	08/07/2010
12338/2010	331569	07-02R	01/07/2010	12430/2010	331677	24-01	08/07/2010
12340/2010	331574	12-16NES	01/07/2010	12431/2010	331674	08-06	08/07/2010
12341/2010	331575	12-16NES	01/07/2010	12433/2010	331678	26-05E	08/07/2010
12342/2010	331597	14-03E	05/07/2010	12434/2010	331679	26-05E	08/07/2010
12343/2010	331598	13-03E	05/07/2010	12435/2010	331654	26-05E	08/07/2010
12344/2010	331599	28-03NES	05/07/2010	12436/2010	331655	26-05E	08/07/2010
12347/2010	331600	09-03NES	05/07/2010	12438/2010	331656	07-01D	08/07/2010
12348/2010	331601	26-02	05/07/2010	12439/2010	331657	25-04	08/07/2010
12349/2010	331602	15-09	05/07/2010	12440/2010	331658	25-04	08/07/2010
12353/2010	331587	09-07C	05/07/2010	12441/2010	331659	23-01B	08/07/2010
12358/2010	331588	21-02A	05/07/2010	12442/2010	331660	23-01G	08/07/2010
12359/2010	331589	21-01A	05/07/2010	12445/2010	331661	07-01B	08/07/2010
12360/2010	331590	21-01A	05/07/2010	12446/2010	331662	24-01	08/07/2010
12361/2010	331591	21-01A	05/07/2010	12447/2010	331663	26-05D	08/07/2010
12362/2010	331592	21-01A	05/07/2010	12448/2010	331664	12-08	08/07/2010
12363/2010	331593	21-01A	05/07/2010	12451/2010	331665	22-01	08/07/2010
12364/2010	331594	21-01A	05/07/2010	12453/2010	331694	04-02	09/07/2010
12365/2010	331603	21-01B	05/07/2010	12455/2010	331695	12-11	09/07/2010
12366/2010	331604	21-01B	05/07/2010	12456/2010	331696	12-11	09/07/2010
12367/2010	331605	21-01B	05/07/2010	12457/2010	331697	12-11	09/07/2010
12369/2010	331606	12-08	05/07/2010	12458/2010	331698	12-11	09/07/2010
12371/2010	331607	25-01A	05/07/2010	12459/2010	331699	10-02	09/07/2010
12372/2010	331608	27-05	05/07/2010	12460/2010	331713	10-02	12/07/2010
12373/2010	331609	15-05	05/07/2010	12462/2010	331714	14-01	12/07/2010
12374/2010	331610	07-02C	05/07/2010	12463/2010	331715	14-01	12/07/2010
12375/2010	331611	08-08NES	05/07/2010	12464/2010	331716	14-01	12/07/2010
12376/2010	331612	21-02D	05/07/2010	12465/2010	331717	23-04	12/07/2010
12377/2010	331613	07-04	05/07/2010	12468/2010	331718	22-01	12/07/2010
12378/2010	331614	12-16NES	05/07/2010	12469/2010	331719	22-01	12/07/2010
12379/2010	331615	24-02	05/07/2010	12470/2010	331761	15-03B	14/07/2010
12380/2010	331616	09-01NES	05/07/2010	12471/2010	331762	15-03B	14/07/2010
12381/2010	331617	08-08D	05/07/2010	12472/2010	331720	21-02D	12/07/2010
12387/2010	331633	21-02F	06/07/2010	12473/2010	331763	13-03NES	14/07/2010
12388/2010	331634	21-02F	06/07/2010	12474/2010	331764	13-03NES	14/07/2010
12389/2010	331635	15-05	06/07/2010	12477/2010	331722	12-15B	12/07/2010
12390/2010	331636	15-05	06/07/2010	12478/2010	331723	09-01H	12/07/2010

Publication and Registration Proceedings - Designs Registered cont'd

Design Number	Registration Number	International Classification Code (IDC)	Registration Date	Design Number	Registration Number	International Classification Code (IDC)	Registration Date
12479/2010	331724	12-15B	12/07/2010	12549/2010	331780	24-03	15/07/2010
12480/2010	331725	14-03E	12/07/2010	12550/2010	331781	24-03	15/07/2010
12481/2010	331726	24-04	12/07/2010	12551/2010	331782	24-03	15/07/2010
12484/2010	331727	14-01	12/07/2010	12552/2010	331768	24-99	14/07/2010
12485/2010	331728	14-01	12/07/2010	12553/2010	331769	08-05P	14/07/2010
12486/2010	331729	08-08NES	12/07/2010	12556/2010	331770	24-02	14/07/2010
12487/2010	331730	14-01	12/07/2010	12557/2010	331771	24-02	14/07/2010
12488/2010	331731	26-02	12/07/2010	12560/2010	331788	13-03C	15/07/2010
12489/2010	331732	26-02	12/07/2010	12573/2010	331786	21-01L	15/07/2010
12490/2010	331743	26-03	14/07/2010	12574/2010	331787	21-01L	15/07/2010
12495/2010	331744	23-04	14/07/2010	12576/2010	331559	11-01NES	01/07/2010
12497/2010	331745	25-01A	14/07/2010	12577/2010	331561	11-01NES	01/07/2010
12498/2010	331746	25-01A	14/07/2010	12578/2010	331563	11-01NES	01/07/2010
12500/2010	331747	09-09	14/07/2010	12579/2010	331783	10-05	15/07/2010
12502/2010	331755	12-16NES	13/07/2010	12580/2010	331784	12-10	15/07/2010
12531/2010	331748	08-08G	14/07/2010	12611/2010	331733	08-08K	12/07/2010
12537/2010	331765	23-01F	14/07/2010	12631/2010	331751	12-16NES	13/07/2010
12538/2010	331766	23-01F	14/07/2010	12632/2010	331752	12-16NES	13/07/2010
12539/2010	331767	23-01H	14/07/2010	12633/2010	331753	12-16NES	13/07/2010
12540/2010	331666	08-03	08/07/2010	12679/2010	331637	07-02L	06/07/2010
12547/2010	331778	04-02	15/07/2010	12725/2010	331639	20-02NES	06/07/2010
12548/2010	331779	04-02	15/07/2010	12815/2010	331742	08-05P	14/07/2010

Publication and Registration Proceedings
Class Listing of Designs Published or Registered

The following section shows an International Classification Code listing of the Registered or Published Designs covered in this supplement.

Classification	Registration Number	Design Number	Classification	Registration Number	Design Number
02-02 A	331533	14873/2009	08-06	331674	12431/2010
02-02 A	331534	14874/2009	08-07	331710	12093/2010
02-02 C	331785	12258/2010	08-08 A	331629	10132/2010
02-03	331704	11640/2010	08-08 A	331630	10133/2010
02-03	331754	12318/2010	08-08 A	331631	10134/2010
02-04 B	331573	12311/2010	08-08 D	331617	12381/2010
02-05	331703	11638/2010	08-08 G	331748	12531/2010
02-05	331754	12318/2010	08-08 K	331733	12611/2010
02-07 C	331758	11871/2010	08-08 L	331527	12269/2010
03-01 B	331681	11766/2010	08-08 L	331577	12315/2010
03-01 B	331682	11767/2010	08-08 L	331578	12316/2010
03-01 B	331683	11768/2010	08-08 L	331579	12317/2010
03-01 D	331552	11489/2010	08-08 L	331611	12375/2010
03-01 D	331673	12408/2010	08-08 M	331611	12375/2010
03-01 NES	331595	11903/2010	08-08 NES	331611	12375/2010
03-01 NES	331596	11904/2010	08-08 NES	331620	11973/2010
03-03	331645	12415/2010	08-08 NES	331621	11976/2010
03-03	331646	12416/2010	08-08 NES	331729	12486/2010
04-02	331544	11770/2010	08-09	331556	12321/2010
04-02	331545	11771/2010	08-09	331557	12322/2010
04-02	331546	11772/2010	09-01 H	331564	12328/2010
04-02	331694	12453/2010	09-01 H	331723	12478/2010
04-02	331778	12547/2010	09-01 K	331537	12289/2010
04-02	331779	12548/2010	09-01 K	331580	12329/2010
05-05 A	331571	11864/2010	09-01 K	331581	12330/2010
06-01 C	331690	11937/2010	09-01 K	331582	12331/2010
06-01 D	331749	10135/2010	09-01 K	331734	12125/2010
06-02	331648	11587/2010	09-01 NES	331616	12380/2010
07-01 B	331661	12445/2010	09-02 B	331627	12399/2010
07-01 D	331656	12438/2010	09-03 F	331565	12327/2010
07-02 C	331610	12374/2010	09-03 F	331570	11439/2010
07-02 E	331669	12070/2010	09-03 F	331686	11852/2010
07-02 E	331759	12045/2010	09-03 NES	331549	10979/2010
07-02 K	331712	12422/2010	09-03 NES	331554	12319/2010
07-02 L	331637	12679/2010	09-03 NES	331555	12320/2010
07-02 L	331711	12421/2010	09-03 NES	331600	12347/2010
07-02 L	331777	11838/2010	09-03 NES	331756	13364/2009
07-02 R	331566	12335/2010	09-05	331528	12271/2010
07-02 R	331567	12336/2010	09-05	331737	11524/2010
07-02 R	331568	12337/2010	09-07 B	331580	12329/2010
07-02 R	331569	12338/2010	09-07 B	331581	12330/2010
07-04	331613	12377/2010	09-07 B	331582	12331/2010
07-05 A	331547	12146/2010	09-07 C	331543	11342/2010
08-03	331649	11706/2010	09-07 C	331587	12353/2010
08-03	331666	12540/2010	09-07 NES	331644	12414/2010
08-04	331550	11487/2010	09-09	331736	11523/2010
08-04	331551	11488/2010	09-09	331747	12500/2010
08-05 L	331700	14484/2009	09-99	331760	12425/2010
08-05 P	331640	12409/2010	10-02	331699	12459/2010
08-05 P	331641	12410/2010	10-02	331713	12460/2010
08-05 P	331642	12412/2010	10-04	331656	12438/2010
08-05 P	331643	12413/2010	10-05	331701	11635/2010
08-05 P	331741	12411/2010	10-05	331702	11636/2010
08-05 P	331742	12815/2010	10-05	331783	12579/2010
08-05 P	331769	12553/2010	10-06	331709	11991/2010
08-06	331668	11311/2010	11-01 D	331523	11931/2010

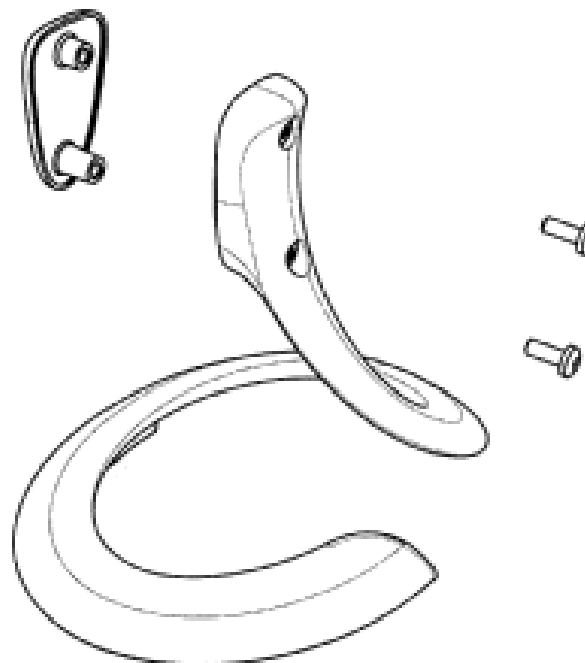
Registration Proceedings - Class Listing of Designs Published or Registered cont'd

Classification	Registration Number	Design Number	Classification	Registration Number	Design Number
11-01 NES	331558	11166/2010	14-03 D	331553	12307/2010
11-01 NES	331559	12576/2010	14-03 E	331526	12266/2010
11-01 NES	331560	11168/2010	14-03 E	331597	12342/2010
11-01 NES	331561	12577/2010	14-03 E	331725	12480/2010
11-01 NES	331562	11170/2010	14-03 NES	331574	12340/2010
11-01 NES	331563	12578/2010	14-03 NES	331575	12341/2010
11-01 NES	331670	12196/2010	15-03 B	331761	12470/2010
11-02 A	331740	12325/2010	15-03 B	331762	12471/2010
11-02 B	331765	12537/2010	15-04	331632	12127/2010
11-02 B	331766	12538/2010	15-05	331609	12373/2010
11-02 C	331585	11962/2010	15-05	331622	12391/2010
11-02 E	331585	11962/2010	15-05	331623	12392/2010
11-02 NES	331585	11962/2010	15-05	331624	12393/2010
11-04	331739	12324/2010	15-05	331635	12389/2010
11-05	331680	11457/2010	15-05	331636	12390/2010
12-05	331625	12394/2010	15-05	331705	11642/2010
12-05	331627	12399/2010	15-09	331602	12349/2010
12-06 NES	331583	12333/2010	16-06	331647	13915/2009
12-06 NES	331584	12334/2010	16-99	331718	12468/2010
12-08	331606	12369/2010	16-99	331719	12469/2010
12-08	331628	10020/2010	17-99	331572	11968/2010
12-08	331664	12448/2010	19-01	331685	11848/2010
12-10	331784	12580/2010	19-07	331572	11968/2010
12-11	331695	12455/2010	20-01	331535	12285/2010
12-11	331696	12456/2010	20-02 E	331523	11931/2010
12-11	331697	12457/2010	20-02 NES	331638	11554/2010
12-11	331698	12458/2010	20-02 NES	331639	12725/2010
12-15 B	331722	12477/2010	21-01 A	331589	12359/2010
12-15 B	331724	12479/2010	21-01 A	331590	12360/2010
12-16 C	331773	10616/2010	21-01 A	331591	12361/2010
12-16 H	331619	11401/2010	21-01 A	331592	12362/2010
12-16 H	331774	10620/2010	21-01 A	331593	12363/2010
12-16 K	331693	12083/2010	21-01 A	331594	12364/2010
12-16 L	331650	11953/2010	21-01 B	331603	12365/2010
12-16 NES	331574	12340/2010	21-01 B	331604	12366/2010
12-16 NES	331575	12341/2010	21-01 B	331605	12367/2010
12-16 NES	331614	12378/2010	21-01 L	331786	12573/2010
12-16 NES	331750	11481/2010	21-01 L	331787	12574/2010
12-16 NES	331751	12631/2010	21-01 NES	331541	11277/2010
12-16 NES	331752	12632/2010	21-01 NES	331542	11486/2010
12-16 NES	331753	12633/2010	21-02 A	331540	12304/2010
12-16 NES	331755	12502/2010	21-02 A	331588	12358/2010
12-16 NES	331757	11656/2010	21-02 D	331612	12376/2010
13-03 C	331788	12560/2010	21-02 D	331720	12472/2010
13-03 D	331687	11898/2010	21-02 F	331633	12387/2010
13-03 E	331598	12343/2010	21-02 F	331634	12388/2010
13-03 NES	331763	12473/2010	21-03	331529	12274/2010
13-03 NES	331764	12474/2010	21-03	331530	12275/2010
14-01	331714	12462/2010	21-03	331531	12276/2010
14-01	331715	12463/2010	21-03	331532	12278/2010
14-01	331716	12464/2010	22-01	331665	12451/2010
14-01	331727	12484/2010	22-01	331718	12468/2010
14-01	331728	12485/2010	22-01	331719	12469/2010
14-01	331730	12487/2010	23-01 A	331617	12381/2010
14-02	331536	12286/2010	23-01 B	331659	12441/2010
14-02	331595	11903/2010	23-01 F	331765	12537/2010
14-02	331596	11904/2010	23-01 F	331766	12538/2010
14-03 B	331675	12426/2010	23-01 G	331660	12442/2010
14-03 D	331548	12287/2010	23-01 H	331667	10978/2010

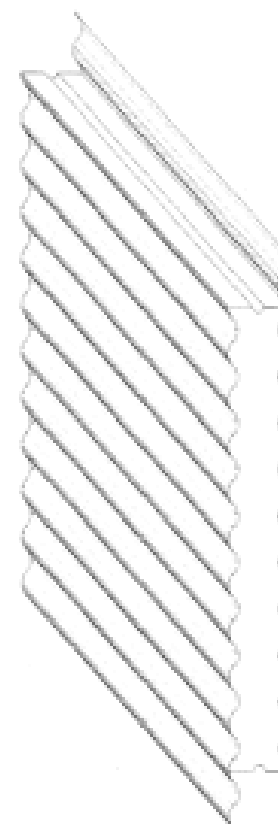
Registration Proceedings - Class Listing of Designs Published or Registered cont'd

Classification	Registration Number	Design Number	Classification	Registration Number	Design Number
23-01 H	331767	12539/2010	25-04	331658	12440/2010
23-01 NES	331626	12396/2010	26-02	331601	12348/2010
23-02 C	331618	11305/2010	26-02	331731	12488/2010
23-04	331525	12265/2010	26-02	331732	12489/2010
23-04	331717	12465/2010	26-03	331743	12490/2010
23-04	331744	12495/2010	26-05 D	331663	12447/2010
24-01	331662	12446/2010	26-05 D	331684	11821/2010
24-01	331676	12429/2010	26-05 D	331735	11384/2010
24-01	331677	12430/2010	26-05 E	331586	12272/2010
24-01	331707	11878/2010	26-05 E	331654	12435/2010
24-02	331615	12379/2010	26-05 E	331655	12436/2010
24-02	331647	13915/2009	26-05 E	331678	12433/2010
24-02	331671	12404/2010	26-05 E	331679	12434/2010
24-02	331770	12556/2010	26-05 NES	331708	11941/2010
24-02	331771	12557/2010	26-05 NES	331739	12324/2010
24-03	331573	12311/2010	26-05 NES	331740	12325/2010
24-03	331780	12549/2010	26-06	331775	10621/2010
24-03	331781	12550/2010	26-99	331651	12280/2010
24-03	331782	12551/2010	26-99	331652	12281/2010
24-04	331726	12481/2010	26-99	331653	12282/2010
24-99	331738	11963/2010	27-03	331706	11792/2010
24-99	331768	12552/2010	27-05	331608	12372/2010
25-01 A	331607	12371/2010	28-02	331721	12053/2010
25-01 A	331745	12497/2010	28-03 A	331538	12302/2010
25-01 A	331746	12498/2010	28-03 A	331539	12303/2010
25-01 G	331524	12116/2010	28-03 NES	331576	12314/2010
25-01 K	331772	10400/2010	28-03 NES	331599	12344/2010
25-01 NES	331620	11973/2010	29-99	331684	11821/2010
25-01 NES	331621	11976/2010	30-99	331541	11277/2010
25-02 C	331672	12407/2010	30-99	331542	11486/2010
25-03	331688	11935/2010	31-00	331776	11750/2010
25-03	331689	11936/2010			
25-03	331691	11938/2010			
25-03	331692	11939/2010			
25-04	331657	12439/2010			

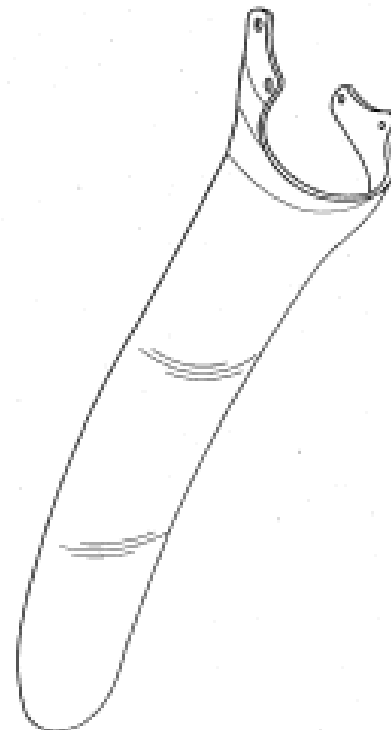
- (21) Design Number: **11931/2010**
- (22) Date of Filing Application: **17 May 2010**
- (24) Date from which industrial property rights may have effect: **17 May 2010**
- (54) Product in respect of which the design is registered: **Earring stand base**
- (51) International Design Classification: **20-02E, 11-01D**
- (71) Name(s) and Address(s) of Applicant(s):
Frunique Pty Ltd
Unit 6 36 Bream Street Coogee New South Wales 2034 Australia
- (72) Name(s) of Designer(s): **Alecia Braven**
- (45) Registration Date: **29 June 2010**
- (56) Related Art Documents: **Not Applicable**
- (57) Statement of Newness and Distinctiveness: **Newness and distinctiveness is claimed in the features of shape and/or configuration of a earring stand as illustrated in the accompanying representations.**



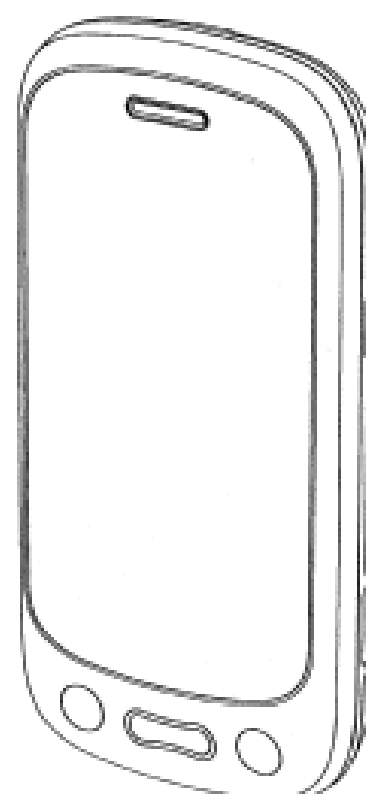
- (21) Design Number: **12116/2010**
- (22) Date of Filing Application: **26 May 2010**
- (24) Date from which industrial property rights may have effect: **26 May 2010**
- (54) Product in respect of which the design is registered: **Building panel**
- (51) International Design Classification: **25-01G**
- (71) Name(s) and Address(s) of Applicant(s):
Building Solutions Pty Ltd
19 Lower Mill Road Cooroy Queensland 4563 Australia
- (72) Name(s) of Designer(s): **Ian Lana Kilpatrick and Alan Gayne Emblin**
- (45) Registration Date: **29 June 2010**
- (56) Related Art Documents: **Not Applicable**
- (57) Statement of Newness and Distinctiveness: **Nil**



- (21) Design Number: **12265/2010**
- (22) Date of Filing Application: **02 June 2010**
- (24) Date from which industrial property rights may have effect: **02 June 2010**
- (54) Product in respect of which the design is registered: **Ceiling fan blade**
- (51) International Design Classification: **23-04**
- (71) Name(s) and Address(s) of Applicant(s):
Pan Air Electric Co., Ltd.
No. 198 Sec. 5 Fengyuan Blvd Fengyuan City Taichung County 42084
Taiwan
- (72) Name(s) of Designer(s): **Ching-Wen Liu**
- (45) Registration Date: **29 June 2010**
- (56) Related Art Documents: **Not Applicable**
- (57) Statement of Newness and Distinctiveness: **Nil**



- (21) Design Number: **12266/2010**
- (22) Date of Filing Application: **02 June 2010**
- (24) Date from which industrial property rights may have effect: **02 June 2010**
- (54) Product in respect of which the design is registered: **Mobile phone**
- (51) International Design Classification: **14-03E**
- (71) Name(s) and Address(s) of Applicant(s):
LG Electronics Inc.
20 Yeouido-dong Yeongdeungpo-gu Seoul 150-721 Republic of Korea
- (72) Name(s) of Designer(s): **Sung Lyong Kim**
- (45) Registration Date: **29 June 2010**
- (30) Convention priority data:
 - (31) Number (32) Date (33) Country
 - 30-2009-0053586** **04 Dec 2009** **REPUBLIC OF KOREA**
- (56) Related Art Documents: **Not Applicable**
- (57) Statement of Newness and Distinctiveness: **Newness and distinctiveness resides in the visual features of shape and/or configuration of a mobile phone as illustrated in the accompanying representations.**



(21) Design Number: **12269/2010**

(22) Date of Filing Application: **02 June 2010**

(24) Date from which industrial property rights may have effect: **02 June 2010**

(54) Product in respect of which the design is registered: **Bracket**

(51) International Design Classification: **08-08L**

(71) Name(s) and Address(s) of Applicant(s):

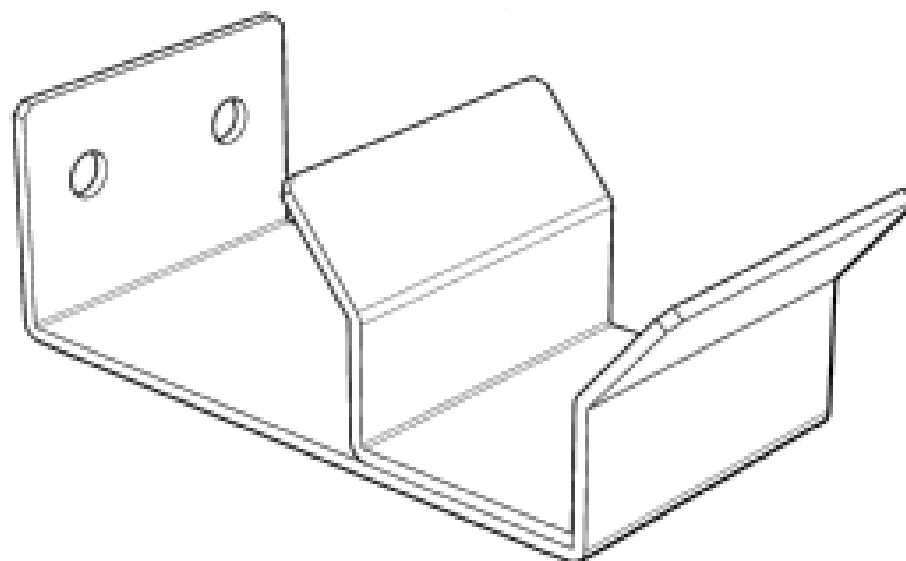
Russell Edward Murphy
61A Carween Avenue Mitcham Victoria 3132 Australia

(72) Name(s) of Designer(s): **Russell Edward Murphy**

(45) Registration Date: **29 June 2010**

(56) Related Art Documents: **Not Applicable**

(57) Statement of Newness and Distinctiveness: **Newness and distinctiveness reside in the features of the design as shown in the representations.**



(21) Design Number: **12271/2010**

(22) Date of Filing Application: **02 June 2010**

(24) Date from which industrial property rights may have effect: **02 June 2010**

(54) Product in respect of which the design is registered: **Packaging**

(51) International Design Classification: **09-05**

(71) Name(s) and Address(s) of Applicant(s):

Blissful Centany International Limited
2nd Floor ABC Centre Military Road Port Louis Mauritius

(72) Name(s) of Designer(s): **Soeharto Djojonegoro**

(45) Registration Date: **29 June 2010**

(56) Related Art Documents: **Not Applicable**

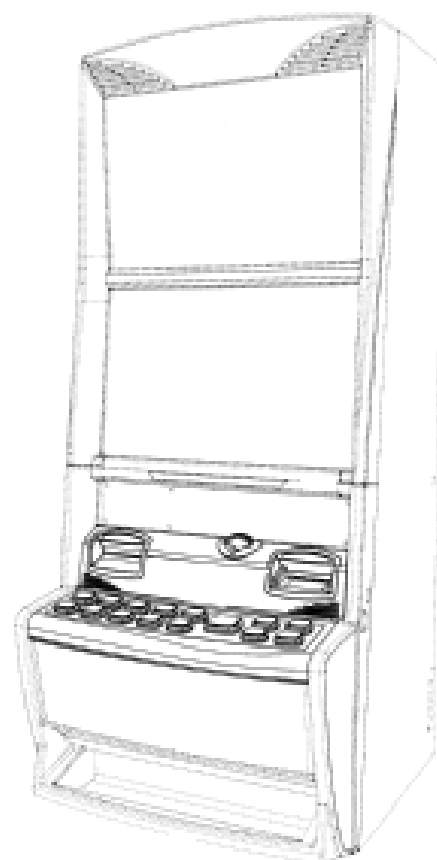
(57) Statement of Newness and Distinctiveness: **The newness and distinctiveness of the design resides in the pattern and/or ornamentation of the packaging shown in the representations.**



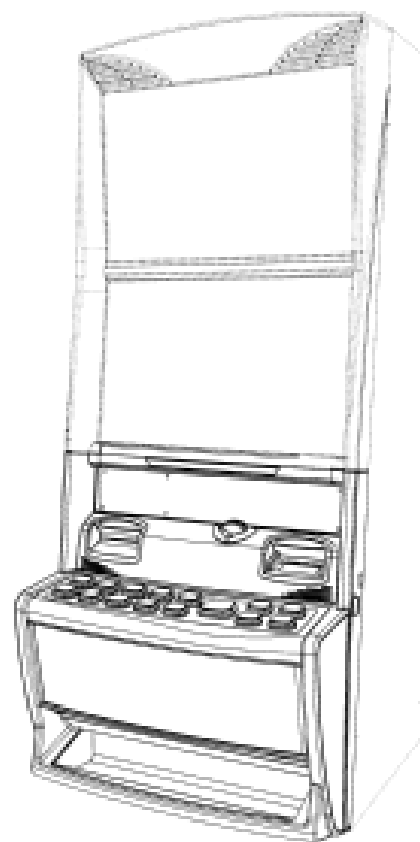
- (21) Design Number: **12274/2010**
(22) Date of Filing Application: **31 March 2010**
(24) Date from which industrial property rights may have effect: **31 March 2010**
(54) Product in respect of which the design is registered: **Keypad assembly for gaming machine**
(51) International Design Classification: **21-03**
(71) Name(s) and Address(s) of Applicant(s):
Ainsworth Game Technology Limited
10 Holker Street Newington New South Wales 2127 Australia
(72) Name(s) of Designer(s): **Vince Carmelo Bruzzese and Scott Paul Shelley and Philip Clive Crouch**
(45) Registration Date: **29 June 2010**
(62) Divisional of: **331223**
(56) Related Art Documents: **Not Applicable**
(57) Statement of Newness and Distinctiveness: **Newness and distinctiveness resides in the features of shape and/or configuration of a KEYPAD ASSEMBLY FOR GAMING MACHINE as illustrated in the accompanying representations in solid lines.**



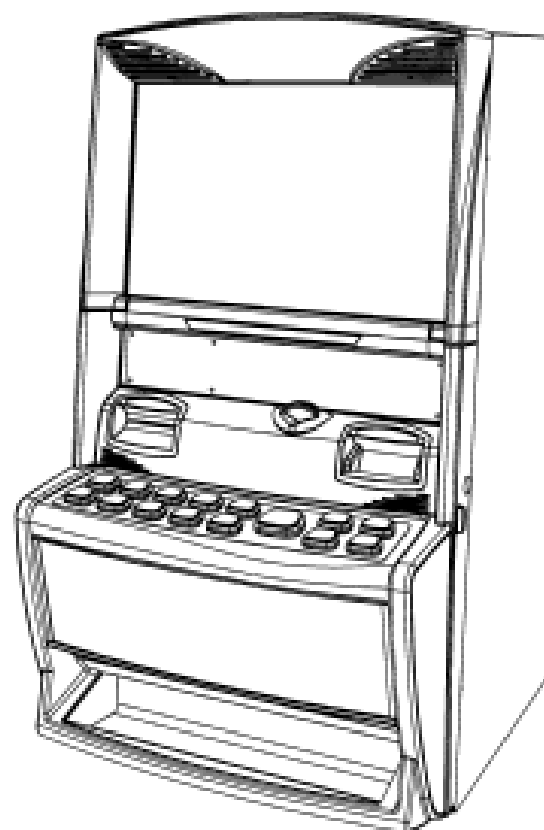
- (21) Design Number: **12275/2010**
(22) Date of Filing Application: **31 March 2010**
(24) Date from which industrial property rights may have effect: **31 March 2010**
(54) Product in respect of which the design is registered: **User interface for gaming machine**
(51) International Design Classification: **21-03**
(71) Name(s) and Address(s) of Applicant(s):
Ainsworth Game Technology Limited
10 Holker Street Newington New South Wales 2127 Australia
(72) Name(s) of Designer(s): **Vince Carmelo Bruzzese and Scott Paul Shelley and Philip Clive Crouch**
(45) Registration Date: **29 June 2010**
(62) Divisional of: **331223**
(56) Related Art Documents: **Not Applicable**
(57) Statement of Newness and Distinctiveness: **Newness and distinctiveness resides in the solid line features of shape and/or configuration of a USER INTERFACE FOR GAMING MACHINE as illustrated in the accompanying representations.**



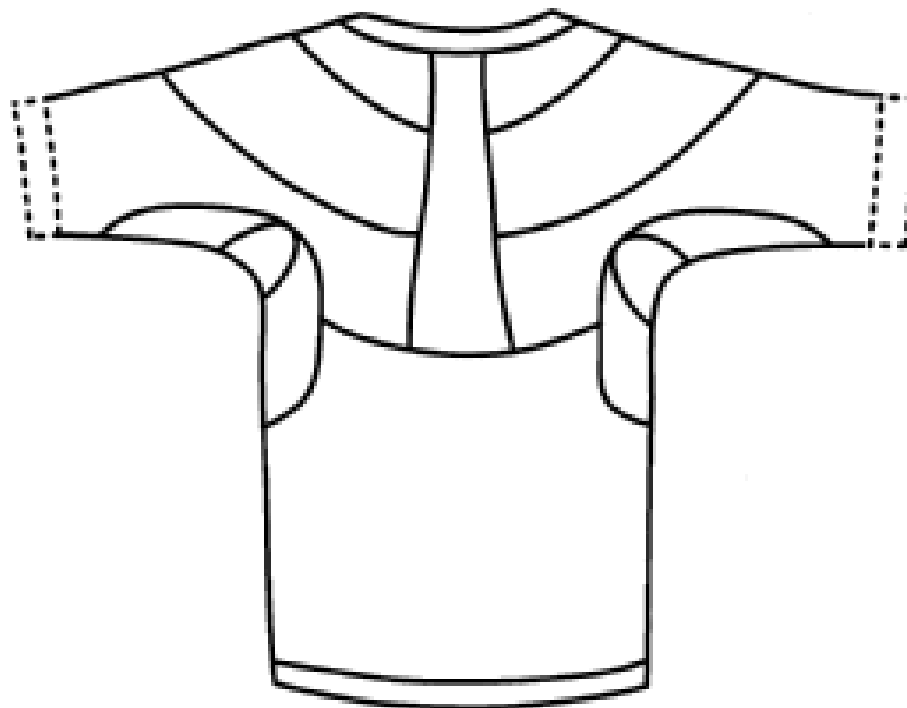
- (21) Design Number: **12276/2010**
(22) Date of Filing Application: **31 March 2010**
(24) Date from which industrial property rights may have effect: **31 March 2010**
(54) Product in respect of which the design is registered: **Door assembly for gaming machine**
(51) International Design Classification: **21-03**
(71) Name(s) and Address(s) of Applicant(s):
Ainsworth Game Technology Limited
10 Holker Street Newington New South Wales 2127 Australia
(72) Name(s) of Designer(s): **Vince Carmelo Bruzzese and Scott Paul Shelley and Philip Clive Crouch**
(45) Registration Date: **29 June 2010**
(62) Divisional of: **331223**
(56) Related Art Documents: **Not Applicable**
(57) Statement of Newness and Distinctiveness: **Newness and distinctiveness resides in the solid line features of shape and/or configuration of a DOOR ASSEMBLY FOR GAMING MACHINE as illustrated in the accompanying representations.**



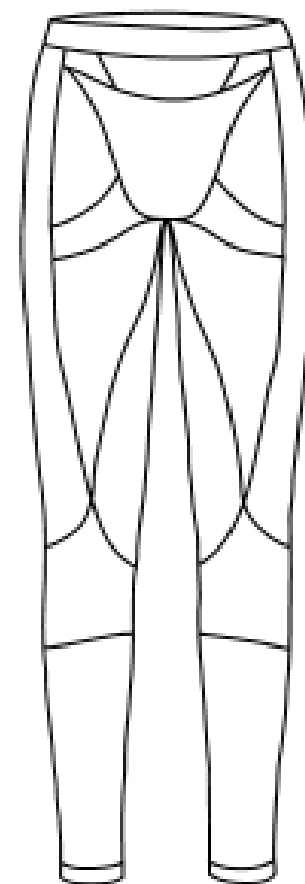
- (21) Design Number: **12278/2010**
(22) Date of Filing Application: **31 March 2010**
(24) Date from which industrial property rights may have effect: **31 March 2010**
(54) Product in respect of which the design is registered: **Gaming machine**
(51) International Design Classification: **21-03**
(71) Name(s) and Address(s) of Applicant(s):
Ainsworth Game Technology Limited
10 Holker Street Newington New South Wales 2127 Australia
(72) Name(s) of Designer(s): **Vince Carmelo Bruzzese and Scott Paul Shelley and Philip Clive Crouch**
(45) Registration Date: **29 June 2010**
(62) Divisional of: **331223**
(56) Related Art Documents: **Not Applicable**
(57) Statement of Newness and Distinctiveness: **Newness and distinctiveness resides in the features of shape and/or configuration of a gaming machine as illustrated in the accompanying representations.**



- (21) Design Number: **14873/2009**
(22) Date of Filing Application: **14 December 2009**
(24) Date from which industrial property rights may have effect: **14 December 2009**
(54) Product in respect of which the design is registered: **Sports compression top**
(51) International Design Classification: **02-02A**
(71) Name(s) and Address(s) of Applicant(s):
New Balance Australia Pty Ltd
47 Wangara Road Cheltenham Victoria 3192 Australia
(72) Name(s) of Designer(s): **Stephen Roach and Kylie Chaffer and Travis McCombe and Konrad Slavinskis**
(45) Registration Date: **29 June 2010**
(56) Related Art Documents: **Not Applicable**
(57) Statement of Newness and Distinctiveness: **Newness and distinctiveness is claimed in the features of the sports compression top shown in solid lines in the representations.**



- (21) Design Number: **14874/2009**
(22) Date of Filing Application: **14 December 2009**
(24) Date from which industrial property rights may have effect: **14 December 2009**
(54) Product in respect of which the design is registered: **Sports compression leggings**
(51) International Design Classification: **02-02A**
(71) Name(s) and Address(s) of Applicant(s):
New Balance Australia Pty Ltd
47 Wangara Road Cheltenham Victoria 3192 Australia
(72) Name(s) of Designer(s): **Stephen Roach and Kylie Chaffer and Travis McCombe and Konrad Slavinskis**
(45) Registration Date: **29 June 2010**
(56) Related Art Documents: **Not Applicable**
(57) Statement of Newness and Distinctiveness: **Nil**

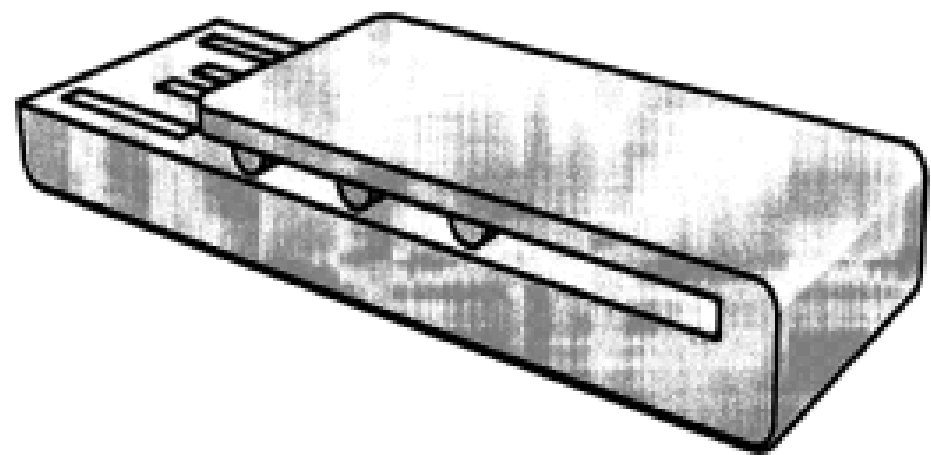


- (21) Design Number: **12285/2010**
- (22) Date of Filing Application: **03 June 2010**
- (24) Date from which industrial property rights may have effect: **03 June 2010**
- (54) Product in respect of which the design is registered: **Automated teller machine**
- (51) International Design Classification: **20-01**
- (71) Name(s) and Address(s) of Applicant(s):
Nautilus Hyosung Inc.
Cheongdam Building 52 Cheongdam-dong Gangnamgu Seoul Korea
- (72) Name(s) of Designer(s): **Hee Yeon Lee**
- (45) Registration Date: **29 June 2010**
- (56) Related Art Documents: **Not Applicable**
- (57) Statement of Newness and Distinctiveness: **Newness and distinctiveness reside in the features of shape and/or configuration of the automated teller machine, as shown in the representations.**



- (21) Design Number: **12286/2010**
- (22) Date of Filing Application: **03 June 2010**
- (24) Date from which industrial property rights may have effect: **03 June 2010**
- (54) Product in respect of which the design is registered: **USB flash memory drive**
- (51) International Design Classification: **14-02**
- (71) Name(s) and Address(s) of Applicant(s):
Arman Emami
Kollwitzstrasse 80 D-10435 Berlin Germany
- (72) Name(s) of Designer(s): **Arman Emami**
- (45) Registration Date: **29 June 2010**
- (30) Convention priority data:

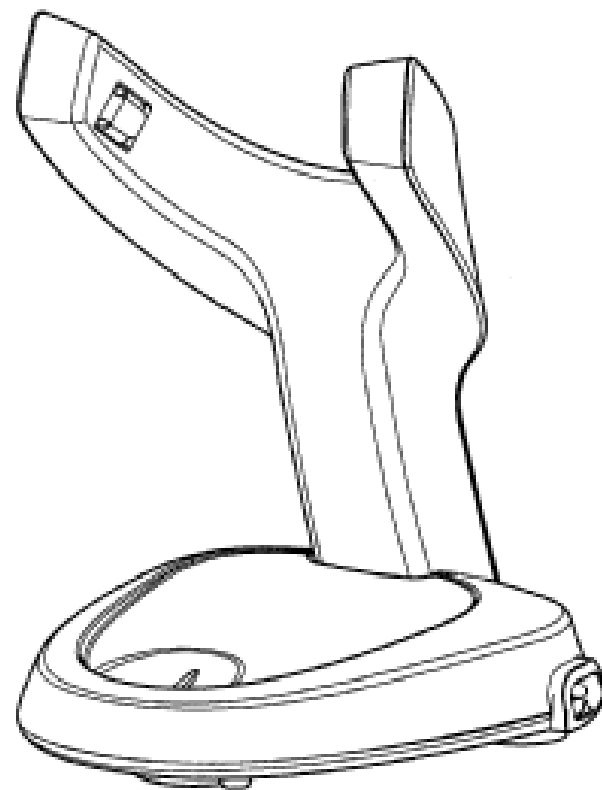
(31) Number	(32) Date	(33) Country
40	04 Dec 2009	GERMANY
2009005893-1		
- (56) Related Art Documents: **Not Applicable**
- (57) Statement of Newness and Distinctiveness: **Nil**



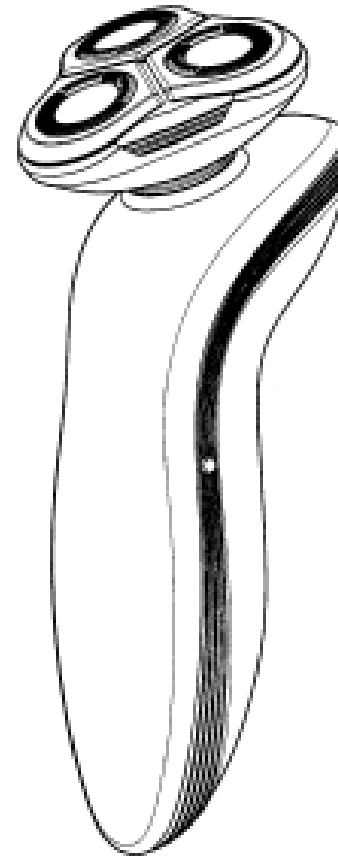
- (21) Design Number: **12289/2010**
(22) Date of Filing Application: **03 June 2010**
(24) Date from which industrial property rights may have effect: **03 June 2010**
(54) Product in respect of which the design is registered: **Bottle**
(51) International Design Classification: **09-01K**
(71) Name(s) and Address(s) of Applicant(s):
Peligroso Spirits Company, LLC
3 Park Plaza Suite 1490 Irvine California 92614 United States of America
(72) Name(s) of Designer(s): **Keith Ross and Bruce Beach and Eric Crane**
(45) Registration Date: **29 June 2010**
(30) Convention priority data:
(31) Number (32) Date (33) Country
29/351,421 04 Dec 2009 UNITED STATES OF AMERICA
(56) Related Art Documents: **Not Applicable**
(57) Statement of Newness and Distinctiveness: **Newness and distinctiveness reside in the features of shape and/or configuration of the bottle and of the features shown on the bottle, as shown in the representations. Newness and distinctiveness are not claimed in relation to the features shown in broken lines in the representations, which are shown for illustrative purposes only.**



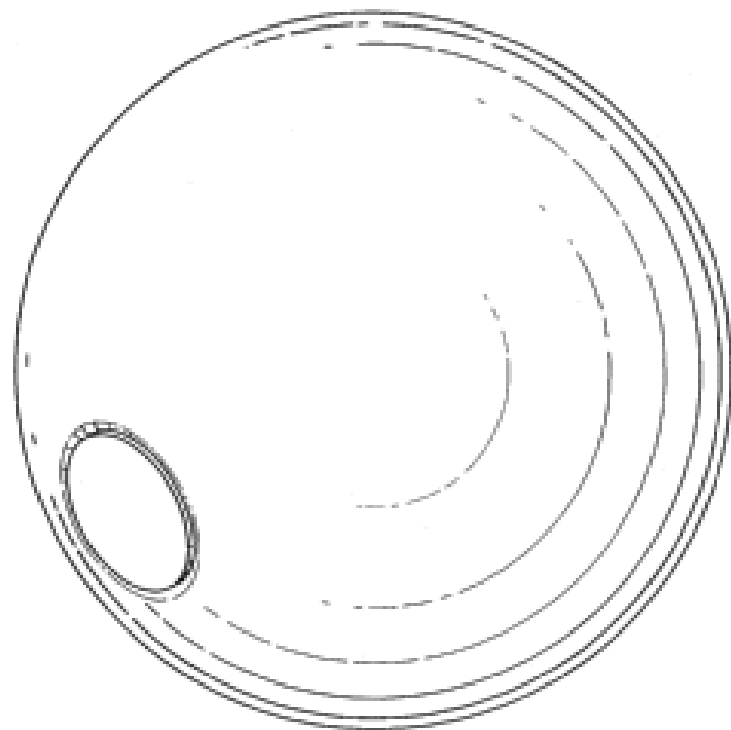
- (21) Design Number: **12302/2010**
(22) Date of Filing Application: **03 June 2010**
(24) Date from which industrial property rights may have effect: **03 June 2010**
(54) Product in respect of which the design is registered: **Stand for three head dry shaver**
(51) International Design Classification: **28-03A**
(71) Name(s) and Address(s) of Applicant(s):
Koninklijke Philips Electronics N.V.
Groenewoudseweg 1 5621 BA Eindhoven The Netherlands
(72) Name(s) of Designer(s): **Gael Prat-Pfister**
(45) Registration Date: **29 June 2010**
(30) Convention priority data:
(31) Number (32) Date (33) Country
001644220-0003 07 Dec 2009 EUROPEAN COMMUNITY
(56) Related Art Documents: **Not Applicable**
(57) Statement of Newness and Distinctiveness: **Newness and distinctiveness reside in the features of shape and configuration of the design as shown in the representations.**



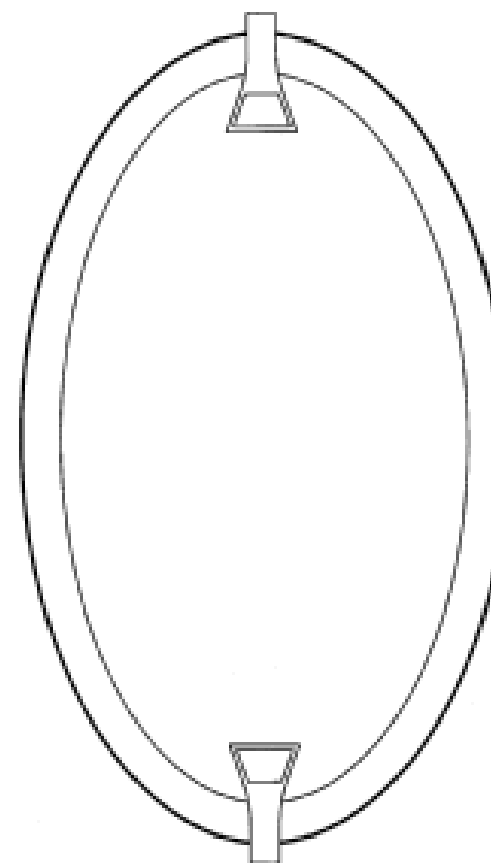
- (21) Design Number: **12303/2010**
(22) Date of Filing Application: **03 June 2010**
(24) Date from which industrial property rights may have effect: **03 June 2010**
(54) Product in respect of which the design is registered: **Three head dry shaver**
(51) International Design Classification: **28-03A**
(71) Name(s) and Address(s) of Applicant(s):
Koninklijke Philips Electronics N.V.
Groenewoudseweg 1 5621 BA Eindhoven The Netherlands
(72) Name(s) of Designer(s): **Gael Prat-Pfister**
(45) Registration Date: **29 June 2010**
(30) Convention priority data:
(31) Number (32) Date (33) Country
001644220-0002 07 Dec 2009 EUROPEAN COMMUNITY
(56) Related Art Documents: **Not Applicable**
(57) Statement of Newness and Distinctiveness: **Newness and distinctiveness reside in the features of shape and configuration of the design as shown in the representations.**



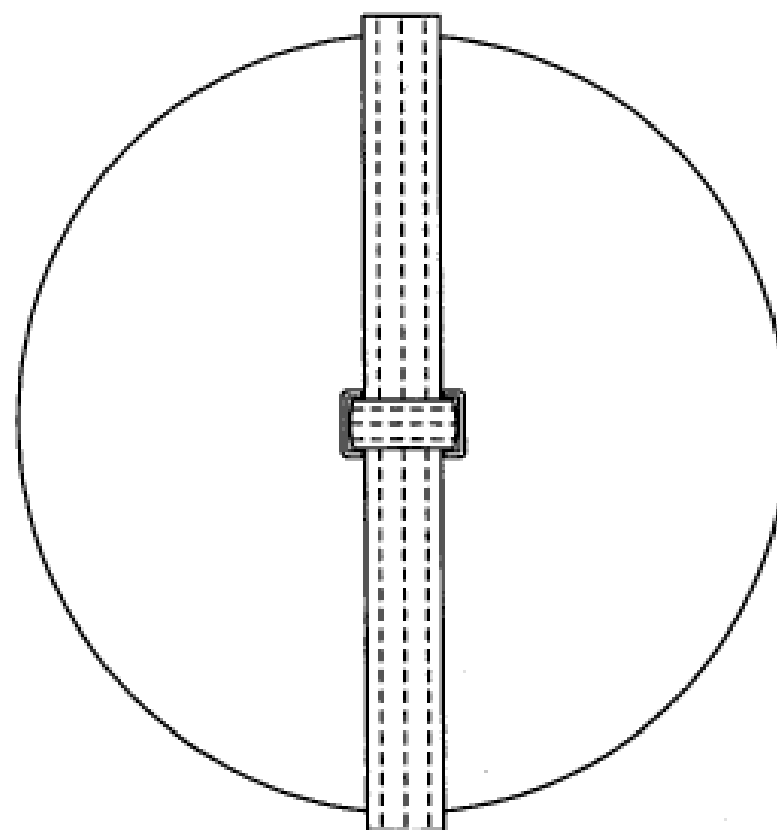
- (21) Design Number: **12304/2010**
(22) Date of Filing Application: **03 June 2010**
(24) Date from which industrial property rights may have effect: **03 June 2010**
(54) Product in respect of which the design is registered: **Weighted ball**
(51) International Design Classification: **21-02A**
(71) Name(s) and Address(s) of Applicant(s):
John David Bennett
5 Lower Sands Dymchurch Kent TN29 0NE United Kingdom
(72) Name(s) of Designer(s): **John David Bennett**
(45) Registration Date: **29 June 2010**
(30) Convention priority data:
(31) Number (32) Date (33) Country
4015087 22 Mar 2010 UNITED KINGDOM
(56) Related Art Documents: **Not Applicable**
(57) Statement of Newness and Distinctiveness: **Newness and distinctiveness is claimed in the shape and/or configuration of a weighted ball as illustrated in the accompanying representations, and in particular in the shape and/or configuration of the small part-spherical disc on the surface of the weighted ball.**



(21) Design Number: **11277/2010**
(22) Date of Filing Application: **09 April 2010**
(24) Date from which industrial property rights may have effect: **09 April 2010**
(54) Product in respect of which the design is registered: **Toy**
(51) International Design Classification: **30-99, 21-01NES**
(71) Name(s) and Address(s) of Applicant(s):
Euro Fur Fabric Limited
J H Walker House Calder Road Ravensthorpe Dewsbury WF13 3JS
United Kingdom
(72) Name(s) of Designer(s): **Ravi Sharma**
(45) Registration Date: **30 June 2010**
(30) Convention priority data:
(31) Number (32) Date (33) Country
001170583-0001 09 Oct 2009 EUROPEAN COMMUNITY
(56) Related Art Documents: **Not Applicable**
(57) Statement of Newness and Distinctiveness: **Nil**



(21) Design Number: **11486/2010**
(22) Date of Filing Application: **09 April 2010**
(24) Date from which industrial property rights may have effect: **09 April 2010**
(54) Product in respect of which the design is registered: **Toy**
(51) International Design Classification: **21-01NES, 30-99**
(71) Name(s) and Address(s) of Applicant(s):
Euro Fur Fabric Limited
J H Walker House Calder Road Ravensthorpe Dewsbury WF13 3JS
United Kingdom
(72) Name(s) of Designer(s): **Ravi Sharma**
(45) Registration Date: **30 June 2010**
(30) Convention priority data:
(31) Number (32) Date (33) Country
001170583-0002 09 Oct 2009 EUROPEAN COMMUNITY
(56) Related Art Documents: **Not Applicable**
(57) Statement of Newness and Distinctiveness: **Nil**



(21) Design Number: **11342/2010**

(22) Date of Filing Application: **12 April 2010**

(24) Date from which industrial property rights may have effect: **12 April 2010**

(54) Product in respect of which the design is registered: **Shoe stopper**

(51) International Design Classification: **09-07C**

(71) Name(s) and Address(s) of Applicant(s):

Broplenty Pty Ltd
206 Wises Road Buderim Queensland 4556 Australia

(72) Name(s) of Designer(s): **Jane Brown**

(45) Registration Date: **30 June 2010**

(56) Related Art Documents: **Not Applicable**

(57) Statement of Newness and Distinctiveness: **Shoe made of resin sitting on metal plate on top of metal wine stopper. Shoe handpainted. Rubber on stopper - hot pink.**



(21) Design Number: **11770/2010**

(22) Date of Filing Application: **05 May 2010**

(24) Date from which industrial property rights may have effect: **05 May 2010**

(54) Product in respect of which the design is registered: **Hair brush and holder**

(51) International Design Classification: **04-02**

(71) Name(s) and Address(s) of Applicant(s):

Tangle Teezer Limited
Office 301 143 Acre Lane London SW2 5UA England

(72) Name(s) of Designer(s): **Julian Lesley Meagher and Cameron Bruce William Treeby**

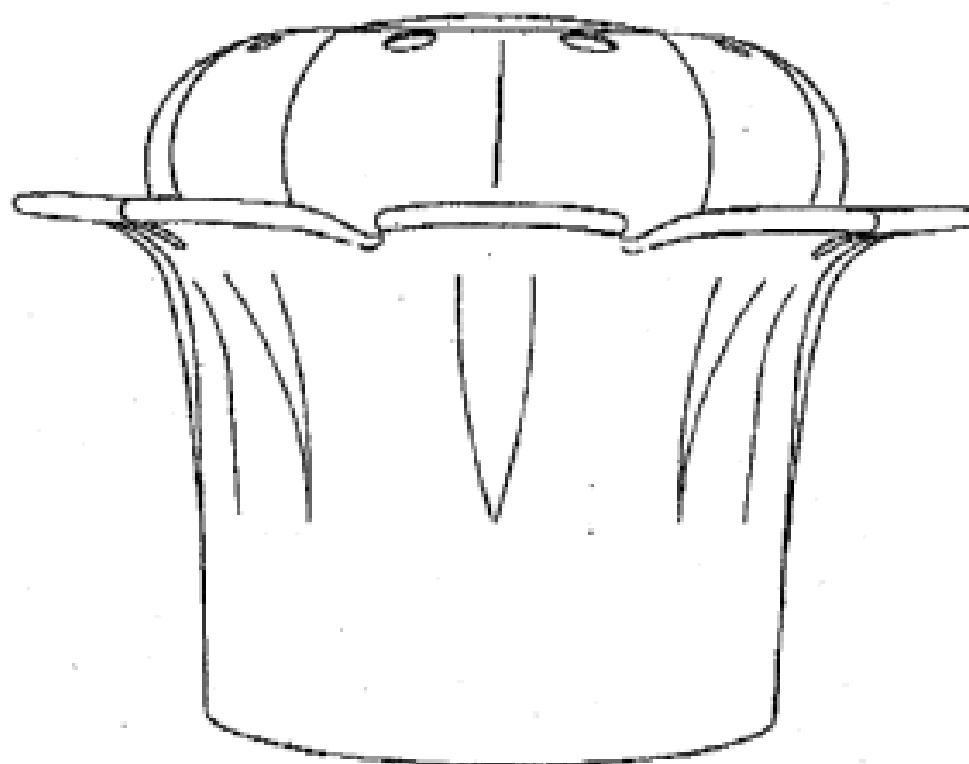
(45) Registration Date: **30 June 2010**

(30) Convention priority data:

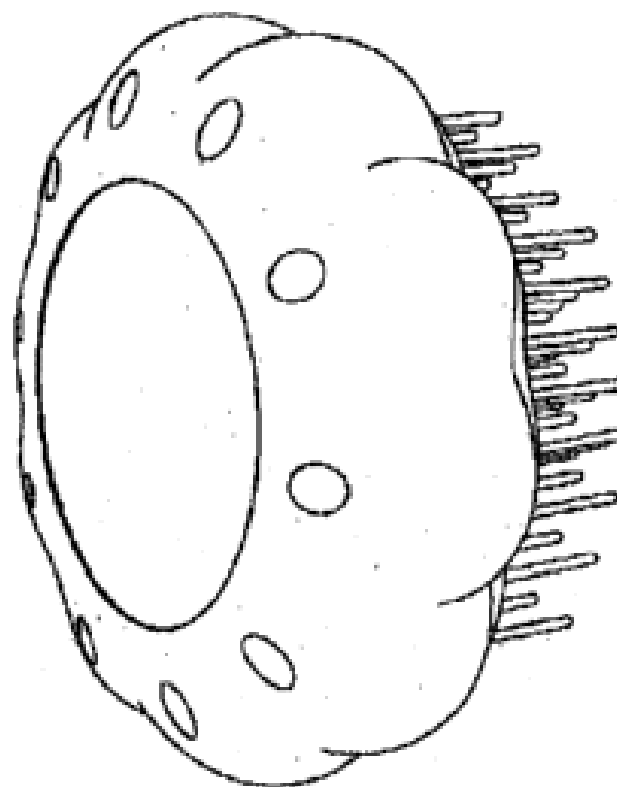
(31) Number	(32) Date	(33) Country
001177190	07 Nov 2009	EUROPEAN COMMUNITY

(56) Related Art Documents: **Not Applicable**

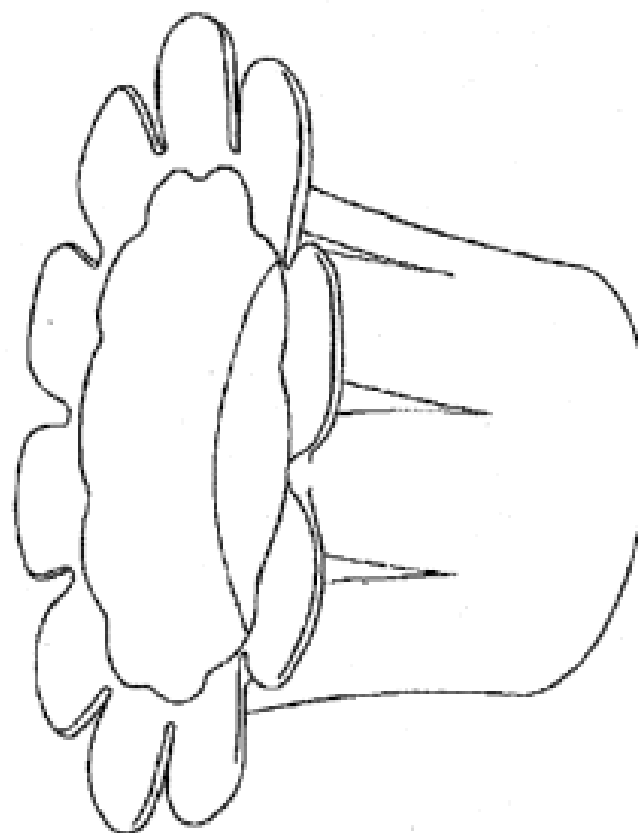
(57) Statement of Newness and Distinctiveness: **Nil**



(21) Design Number: **11771/2010**
(22) Date of Filing Application: **05 May 2010**
(24) Date from which industrial property rights may have effect: **05 May 2010**
(54) Product in respect of which the design is registered: **Hair brush**
(51) International Design Classification: **04-02**
(71) Name(s) and Address(s) of Applicant(s):
Tangle Teezer Limited
Office 301 143 Acre Lane London SW2 5UA England
(72) Name(s) of Designer(s): **Julian Lesley Meagher and Cameron Bruce**
William Treeby
(45) Registration Date: **30 June 2010**
(30) Convention priority data:
(31) Number (32) Date (33) Country
001177190 07 Nov 2009 EUROPEAN COMMUNITY
(56) Related Art Documents: **Not Applicable**
(57) Statement of Newness and Distinctiveness: **Nil**



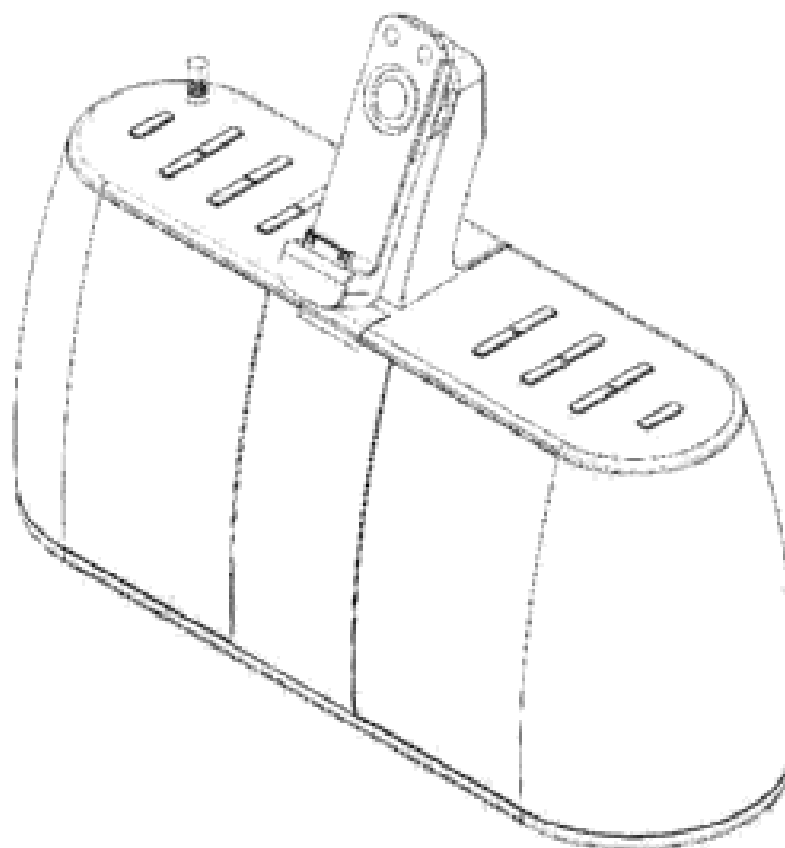
(21) Design Number: **11772/2010**
(22) Date of Filing Application: **05 May 2010**
(24) Date from which industrial property rights may have effect: **05 May 2010**
(54) Product in respect of which the design is registered: **Hair brush holder**
(51) International Design Classification: **04-02**
(71) Name(s) and Address(s) of Applicant(s):
Tangle Teezer Limited
Office 301 143 Acre Lane London SW2 5UA England
(72) Name(s) of Designer(s): **Julian Lesley Meagher and Cameron Bruce**
William Treeby
(45) Registration Date: **30 June 2010**
(30) Convention priority data:
(31) Number (32) Date (33) Country
001177190 07 Nov 2009 EUROPEAN COMMUNITY
(56) Related Art Documents: **Not Applicable**
(57) Statement of Newness and Distinctiveness: **Nil**



(21) Design Number: **12146/2010**
(22) Date of Filing Application: **27 May 2010**
(24) Date from which industrial property rights may have effect: **27 May 2010**
(54) Product in respect of which the design is registered: **Soleplate for laundry iron**
(51) International Design Classification: **07-05A**
(71) Name(s) and Address(s) of Applicant(s):
Calor
Place Ambroise Courtois Lyon 69008 France
(72) Name(s) of Designer(s): **Fabrice Renault**
(45) Registration Date: **30 June 2010**
(30) Convention priority data:
(31) Number (32) Date (33) Country
001181911-0003 01 Dec 2009 EUROPEAN COMMUNITY
(56) Related Art Documents: **Not Applicable**
(57) Statement of Newness and Distinctiveness: **The shape, configuration and/or brown colour of the design is new and distinctive.**



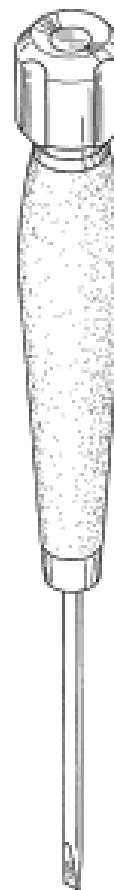
(21) Design Number: **12287/2010**
(22) Date of Filing Application: **02 June 2010**
(24) Date from which industrial property rights may have effect: **02 June 2010**
(54) Product in respect of which the design is registered: **Radio**
(51) International Design Classification: **14-03D**
(71) Name(s) and Address(s) of Applicant(s):
Roberts Radio Limited
Talbot Road Mexborough South Yorkshire S64 8AJ United Kingdom
(72) Name(s) of Designer(s): **Charlie Colquhoun**
(45) Registration Date: **30 June 2010**
(30) Convention priority data:
(31) Number (32) Date (33) Country
001713207-0001 28 May 2010 EUROPEAN COMMUNITY
(56) Related Art Documents: **Not Applicable**
(57) Statement of Newness and Distinctiveness: **Nil**



- (21) Design Number: **10979/2010**
(22) Date of Filing Application: **17 March 2010**
(24) Date from which industrial property rights may have effect: **17 March 2010**
(54) Product in respect of which the design is registered: **Packaging**
(51) International Design Classification: **09-03NES**
(71) Name(s) and Address(s) of Applicant(s):
Louisa Rima Checchin
3/68 Johnston Crescent Lane Cove North New South Wales 2066
Australia
(72) Name(s) of Designer(s): **Louisa Rima Checchin**
(45) Registration Date: **01 July 2010**
(56) Related Art Documents: **Not Applicable**
(57) Statement of Newness and Distinctiveness: **The distinctive feature of this product is that it appears to be of stainless steel appearance but is made of high quality plastic using a technique that is new. The colour is silver and has a high gloss finish.**



- (21) Design Number: **11487/2010**
(22) Date of Filing Application: **21 April 2010**
(24) Date from which industrial property rights may have effect: **21 April 2010**
(54) Product in respect of which the design is registered: **Driving Tool (I)**
(51) International Design Classification: **08-04**
(71) Name(s) and Address(s) of Applicant(s):
Tong Lee Industrial Co., Ltd.
No. 15 Lane 160 Cheng Pei 1st Road Yung Kang City 710 Tainan
County Taiwan
(72) Name(s) of Designer(s): **Simon Kao**
(45) Registration Date: **01 July 2010**
(56) Related Art Documents: **Not Applicable**
(57) Statement of Newness and Distinctiveness: **Newness and distinctiveness is claimed in those features of shape and or configuration of a driving tool as depicted in the representations. The representations use shading to assist in the illustration of features of shape and or configuration. Such shading does not form part of the design.**



(21) Design Number: **11488/2010**

(22) Date of Filing Application: **21 April 2010**

(24) Date from which industrial property rights may have effect: **21 April 2010**

(54) Product in respect of which the design is registered: **Driving tool (II)**

(51) International Design Classification: **08-04**

(71) Name(s) and Address(s) of Applicant(s):

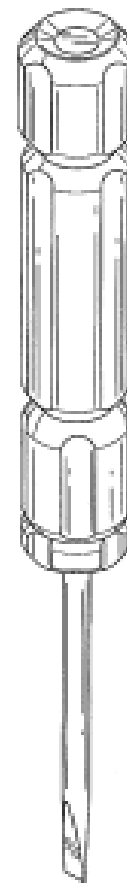
Tong Lee Industrial Co., Ltd.
No. 15 Lane 160 Cheng Pei 1st Road Yung Kang City 710 Tainan
County Taiwan

(72) Name(s) of Designer(s): **Simon Kao**

(45) Registration Date: **01 July 2010**

(56) Related Art Documents: **Not Applicable**

(57) Statement of Newness and Distinctiveness: **Newness and distinctiveness is claimed in those features of shape and or configuration of a driving tool as depicted in the representations. The representations use shading to assist in the illustration of features of shape and or configuration. Such shading does not form part of the design.**



(21) Design Number: **11489/2010**

(22) Date of Filing Application: **21 April 2010**

(24) Date from which industrial property rights may have effect: **21 April 2010**

(54) Product in respect of which the design is registered: **A tool box**

(51) International Design Classification: **03-01D**

(71) Name(s) and Address(s) of Applicant(s):

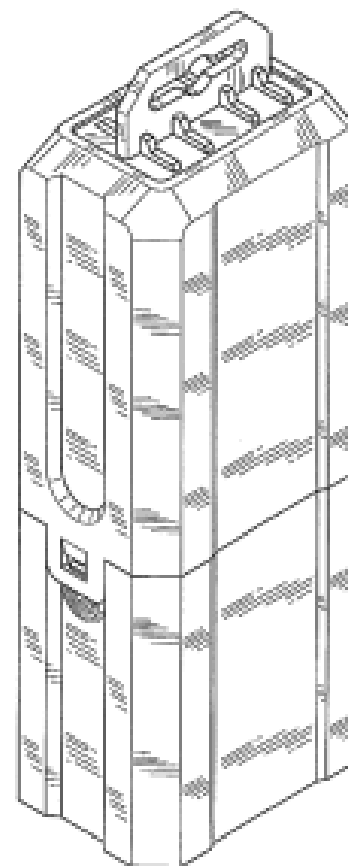
Tong Lee Industrial Co., Ltd.
No. 15 Lane 160 Cheng Pei 1st Road Yung Kang City 710 Tainan
County Taiwan

(72) Name(s) of Designer(s): **Simon Kao**

(45) Registration Date: **01 July 2010**

(56) Related Art Documents: **Not Applicable**

(57) Statement of Newness and Distinctiveness: **Newness and distinctiveness is claimed in those features of shape and or configuration of a tool box as depicted in the representations. The representations use shading to assist in the illustration of features of shape and or configuration. Such shading does not form part of the design.**



(21) Design Number: **12307/2010**

(22) Date of Filing Application: **02 June 2010**

(24) Date from which industrial property rights may have effect: **02 June 2010**

(54) Product in respect of which the design is registered: **Radio**

(51) International Design Classification: **14-03D**

(71) Name(s) and Address(s) of Applicant(s):

Roberts Radio Limited
Talbot Road Mexborough South Yorkshire S64 8AJ United Kingdom

(72) Name(s) of Designer(s): **Charlie Colquhoun**

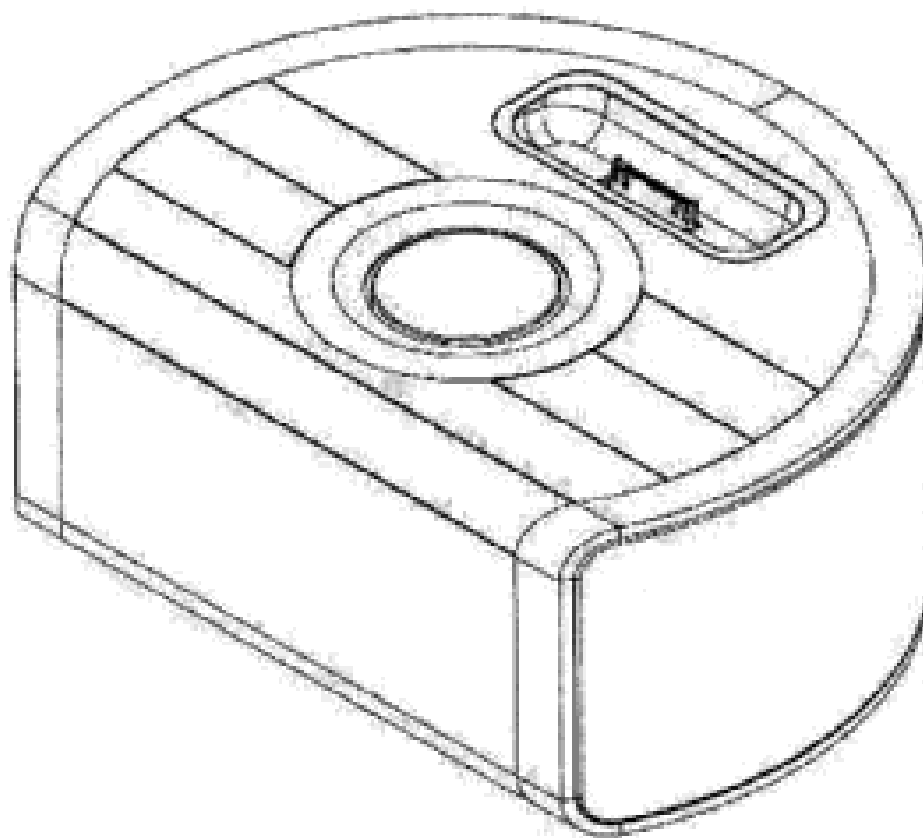
(45) Registration Date: **01 July 2010**

(30) Convention priority data:

(31) Number	(32) Date	(33) Country
001713207-0002	28 May 2010	EUROPEAN COMMUNITY

(56) Related Art Documents: **Not Applicable**

(57) Statement of Newness and Distinctiveness: **Nil**



(21) Design Number: **12319/2010**

(22) Date of Filing Application: **04 June 2010**

(24) Date from which industrial property rights may have effect: **04 June 2010**

(54) Product in respect of which the design is registered: **A container for confectionery**

(51) International Design Classification: **09-03NES**

(71) Name(s) and Address(s) of Applicant(s):

Orion Corporation
30-10 Munbae-Dong Yongsan-Gu Seoul Republic of Korea

(72) Name(s) of Designer(s): **Hwa-Kyung Lee**

(45) Registration Date: **01 July 2010**

(30) Convention priority data:

(31) Number	(32) Date	(33) Country
30-2009-0053589	04 Dec 2009	REPUBLIC OF KOREA

(56) Related Art Documents: **Not Applicable**

(57) Statement of Newness and Distinctiveness: **The newness and distinctiveness of the design resides in the features of shape and/or configuration of the container in combination with ornamentation in the form of a green colour as shown in the accompanying representations.**



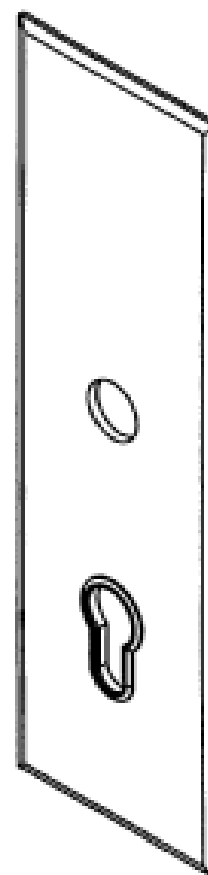
(19) AU

- (21) Design Number: **12320/2010**
(22) Date of Filing Application: **04 June 2010**
(24) Date from which industrial property rights may have effect: **04 June 2010**
(54) Product in respect of which the design is registered: **A container for confectionery**
(51) International Design Classification: **09-03NES**
(71) Name(s) and Address(s) of Applicant(s):
Orion Corporation
30-10 Munbae-Dong Yongsan-Gu Seoul Republic of Korea
(72) Name(s) of Designer(s): **Hwa-Kyung Lee**
(45) Registration Date: **01 July 2010**
(30) Convention priority data:
(31) Number (32) Date (33) Country
30-2009-0053590 04 Dec 2009 REPUBLIC OF KOREA
(56) Related Art Documents: **Not Applicable**
(57) Statement of Newness and Distinctiveness: **The newness and distinctiveness of the design resides in the features of shape and/or configuration of the container in combination with ornamentation in the form of a blue colour as shown in the accompanying representations.**

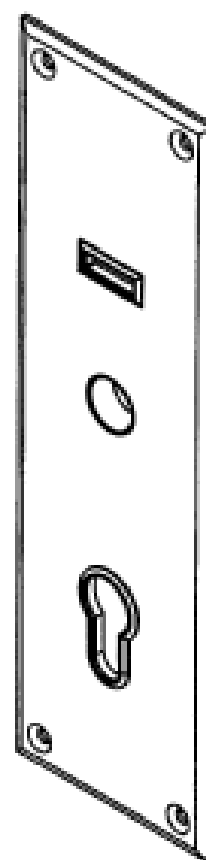


(19) AU

- (21) Design Number: **12321/2010**
(22) Date of Filing Application: **04 June 2010**
(24) Date from which industrial property rights may have effect: **04 June 2010**
(54) Product in respect of which the design is registered: **An escutcheon**
(51) International Design Classification: **08-09**
(71) Name(s) and Address(s) of Applicant(s):
Gainsborough Hardware Industries Limited
31-33 Alfred Street Blackburn Victoria 3130 Australia
(72) Name(s) of Designer(s): **Harris Lambrou and Geoff Williamson**
(45) Registration Date: **01 July 2010**
(56) Related Art Documents: **Not Applicable**
(57) Statement of Newness and Distinctiveness: **Newness and distinctiveness is claimed in the features of shape and/or configuration of bevelled edges surrounding the exterior and the keyhole of an escutcheon as illustrated in the accompanying representations.**

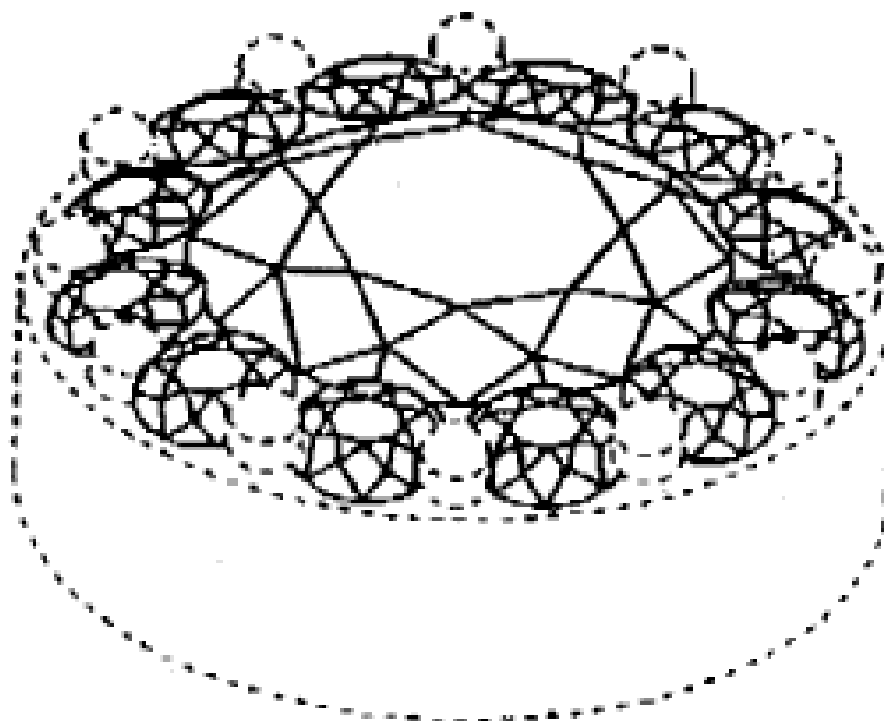


- (21) Design Number: **12322/2010**
- (22) Date of Filing Application: **04 June 2010**
- (24) Date from which industrial property rights may have effect: **04 June 2010**
- (54) Product in respect of which the design is registered: **An escutcheon**
- (51) International Design Classification: **08-09**
- (71) Name(s) and Address(s) of Applicant(s):
Gainsborough Hardware Industries Limited
31-33 Alfred Street Blackburn Victoria 3130 Australia
- (72) Name(s) of Designer(s): **Harris Lambrou and Geoff Williamson**
- (45) Registration Date: **01 July 2010**
- (56) Related Art Documents: **Not Applicable**
- (57) Statement of Newness and Distinctiveness: **Newness and distinctiveness is claimed in the features of shape and/or configuration of bevelled edges surrounding the exterior and the keyhole of an escutcheon as illustrated in the accompanying representations.**



- (21) Design Number: **11166/2010**
- (22) Date of Filing Application: **30 March 2010**
- (24) Date from which industrial property rights may have effect: **30 March 2010**
- (54) Product in respect of which the design is registered: **Thirteen gemstone arrangement in jewelry setting**
- (51) International Design Classification: **11-01NES**
- (71) Name(s) and Address(s) of Applicant(s):
Fantasy Diamond Corporation
1550 West Carroll Avenue Chicago 60607 IL United States of America
- (72) Name(s) of Designer(s): **Stephen A. Roehl and Carlos Lopez**
- (45) Registration Date: **01 July 2010**
- (30) Convention priority data:

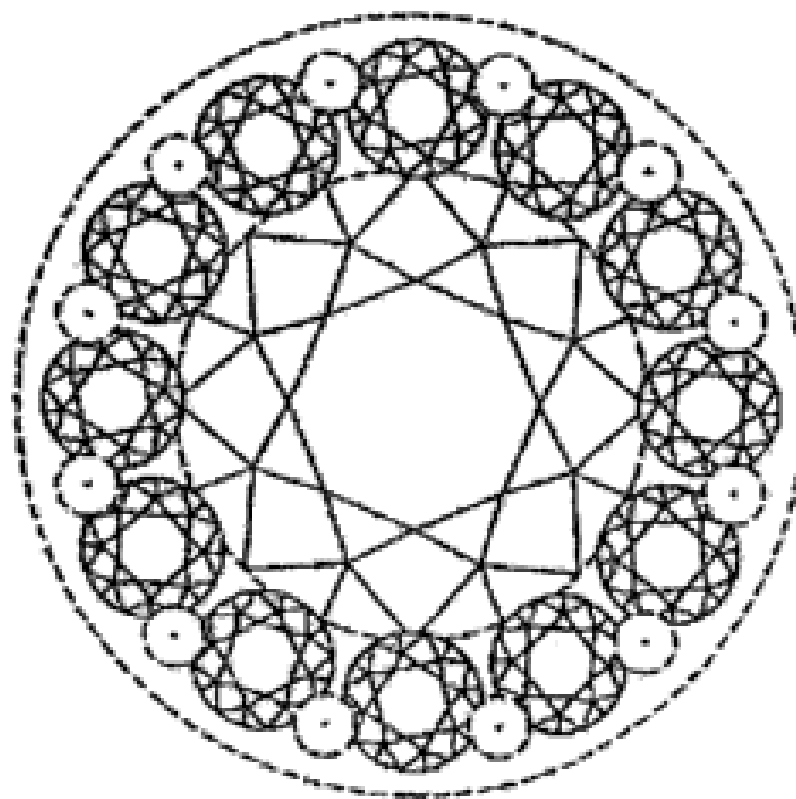
(31) Number	(32) Date	(33) Country
29/344,945	06 Oct 2009	UNITED STATES OF AMERICA
- (56) Related Art Documents: **Not Applicable**
- (57) Statement of Newness and Distinctiveness: **The new and distinct features are the features of shape and configuration of a thirteen gemstone arrangement in jewelry setting as shown in the representations. The features shown in broken outline in the representations do not form new and distinct features of the design.**



(21) Design Number: **12576/2010**
 (22) Date of Filing Application: **30 March 2010**
 (24) Date from which industrial property rights may have effect: **30 March 2010**
 (54) Product in respect of which the design is registered: **Thirteen gemstones in an arrangement in a jewelry**
 (51) International Design Classification: **11-01NES**
 (71) Name(s) and Address(s) of Applicant(s):
Fantasy Diamond Corporation
1550 West Carroll Avenue Chicago 60607 IL United States of America
 (72) Name(s) of Designer(s): **Stephen A. Roehl and Carlos Lopez**
 (45) Registration Date: **01 July 2010**
 (30) Convention priority data:

(31) Number	(32) Date	(33) Country
29/344,945	06 Oct 2009	UNITED STATES OF AMERICA

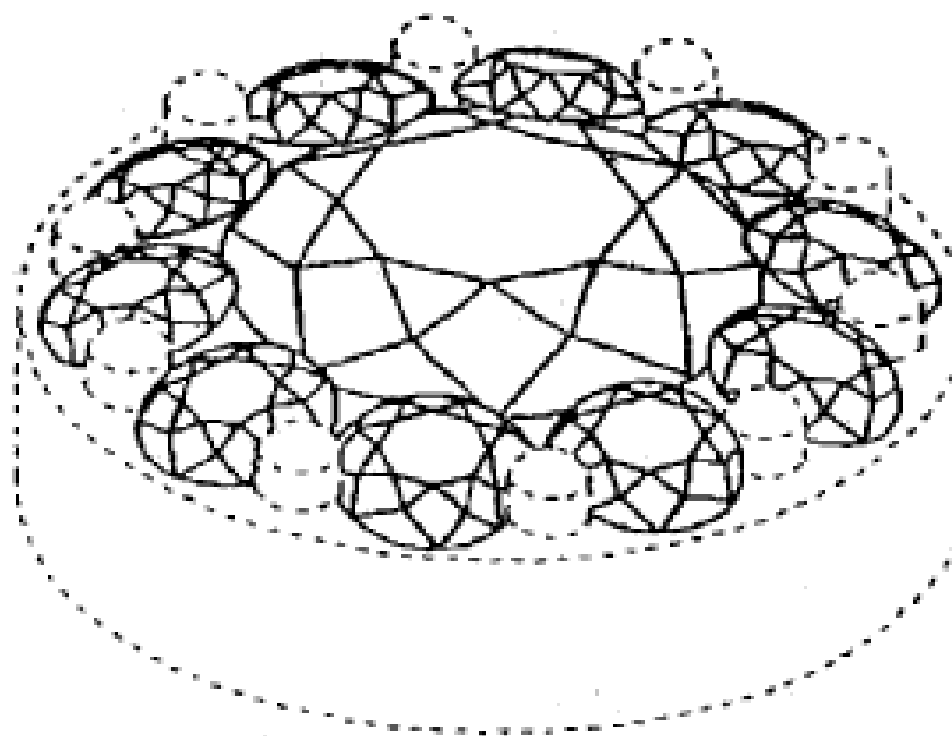
 (56) Related Art Documents: **Not Applicable**
 (57) Statement of Newness and Distinctiveness: **The new and distinct features are the features of shape and configuration of a thirteen gemstone arrangement in jewelry setting as shown in the representations. The features shown in broken outline in the representations do not form new and distinct features of the design.**



(21) Design Number: **11168/2010**
 (22) Date of Filing Application: **30 March 2010**
 (24) Date from which industrial property rights may have effect: **30 March 2010**
 (54) Product in respect of which the design is registered: **Eleven gemstone arrangement in jewelry setting**
 (51) International Design Classification: **11-01NES**
 (71) Name(s) and Address(s) of Applicant(s):
Fantasy Diamond Corporation
1550 West Carroll Avenue Chicago 60607 IL United States of America
 (72) Name(s) of Designer(s): **Stephen A. Roehl and Carlos Lopez**
 (45) Registration Date: **01 July 2010**
 (30) Convention priority data:

(31) Number	(32) Date	(33) Country
29/344,943	06 Oct 2009	UNITED STATES OF AMERICA

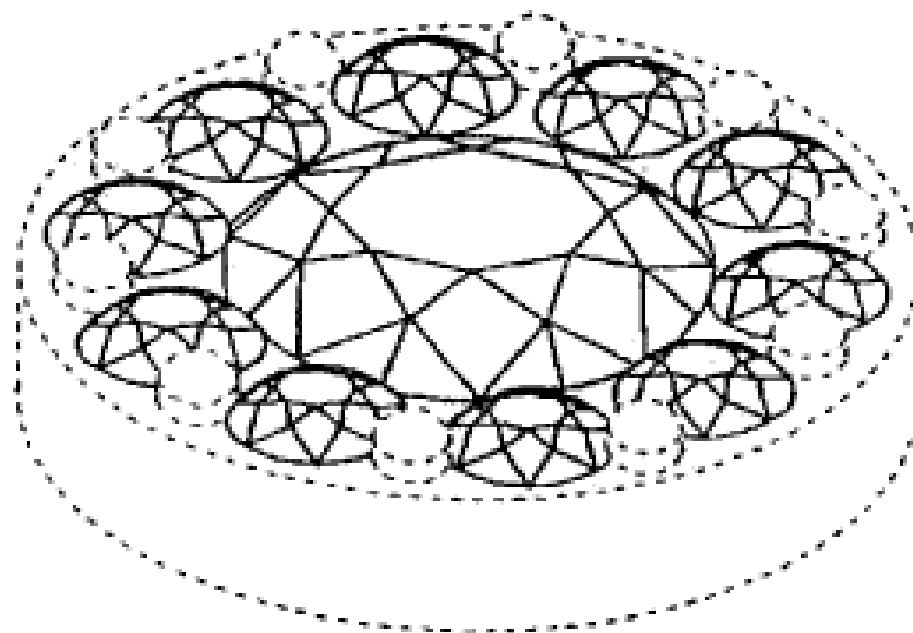
 (56) Related Art Documents: **Not Applicable**
 (57) Statement of Newness and Distinctiveness: **The new and distinct features are the features of shape and configuration of an eleven gemstone arrangement in jewelry setting as shown in the representations. The features shown in broken outline in the representations do not form new and distinct features of the design.**



(19) AU

- (21) Design Number: **12577/2010**
- (22) Date of Filing Application: **30 March 2010**
- (24) Date from which industrial property rights may have effect: **30 March 2010**
- (54) Product in respect of which the design is registered: **Eleven gemstones in an arrangement in a jewelry setting**
- (51) International Design Classification: **11-01NES**
- (71) Name(s) and Address(s) of Applicant(s):
Fantasy Diamond Corporation
1550 West Carroll Avenue Chicago 60607 IL United States of America
- (72) Name(s) of Designer(s): **Stephen A. Roehl and Carlos Lopez**
- (45) Registration Date: **01 July 2010**
- (30) Convention priority data:

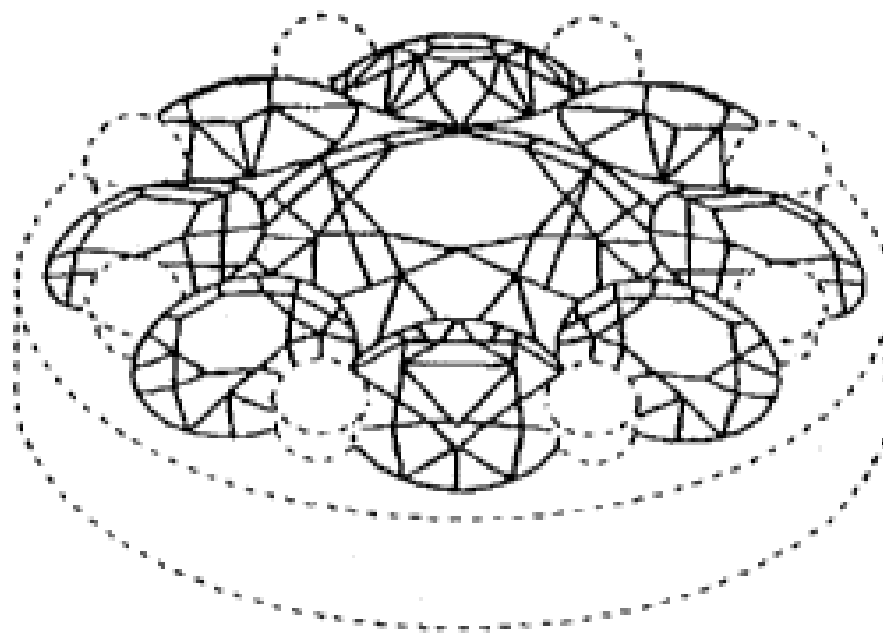
(31) Number	(32) Date	(33) Country
29/344,943	06 Oct 2009	UNITED STATES OF AMERICA
- (56) Related Art Documents: **Not Applicable**
- (57) Statement of Newness and Distinctiveness: **The new and distinct features are the features of shape and configuration of an eleven gemstone arrangement in jewelry setting as shown in the representations. The features shown in broken outline in the representations do not form new and distinct features of the design.**



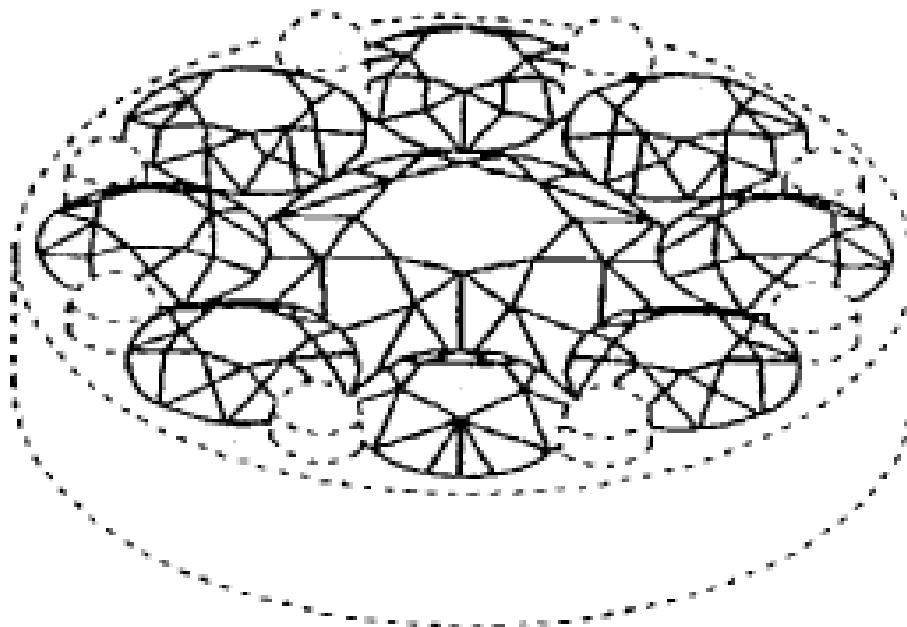
(19) AU

- (21) Design Number: **11170/2010**
- (22) Date of Filing Application: **30 March 2010**
- (24) Date from which industrial property rights may have effect: **30 March 2010**
- (54) Product in respect of which the design is registered: **Nine gemstone arrangement in jewelry setting**
- (51) International Design Classification: **11-01NES**
- (71) Name(s) and Address(s) of Applicant(s):
Fantasy Diamond Corporation
1550 West Carroll Avenue Chicago 60607 IL United States of America
- (72) Name(s) of Designer(s): **Stephen A. Roehl and Carlos Lopez**
- (45) Registration Date: **01 July 2010**
- (30) Convention priority data:

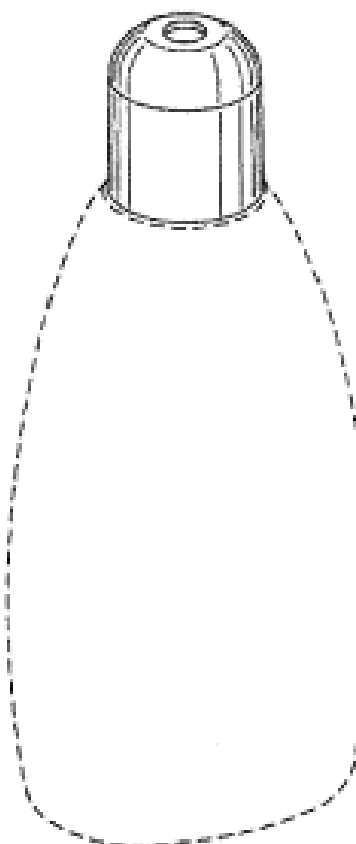
(31) Number	(32) Date	(33) Country
29/344,941	06 Oct 2009	UNITED STATES OF AMERICA
- (56) Related Art Documents: **Not Applicable**
- (57) Statement of Newness and Distinctiveness: **The new and distinct features are the features of shape and configuration of a nine gemstone arrangement in jewelry setting as shown in the representations. The features shown in broken outline in the representations do not form new and distinct features of the design.**



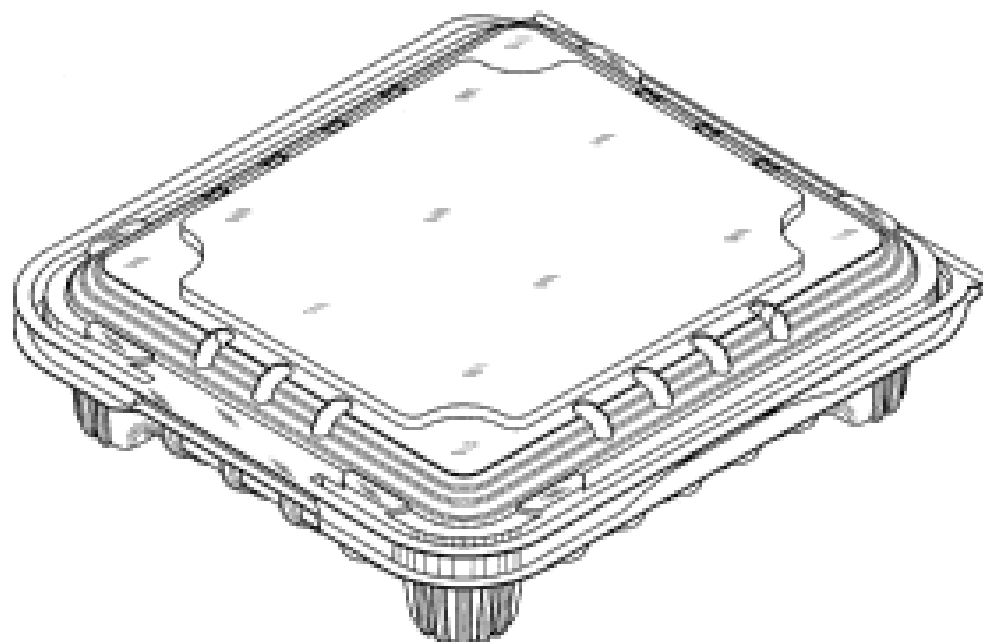
- (21) Design Number: **12578/2010**
(22) Date of Filing Application: **30 March 2010**
(24) Date from which industrial property rights may have effect: **30 March 2010**
(54) Product in respect of which the design is registered: **Nine gemstone in an arrangement in a jewelry setting**
(51) International Design Classification: **11-01NES**
(71) Name(s) and Address(s) of Applicant(s):
Fantasy Diamond Corporation
1550 West Carroll Avenue Chicago 60607 IL United States of America
(72) Name(s) of Designer(s): **Stephen A. Roehl and Carlos Lopez**
(45) Registration Date: **01 July 2010**
(30) Convention priority data:
(31) Number (32) Date (33) Country
29/344,941 06 Oct 2009 UNITED STATES OF AMERICA
(56) Related Art Documents: **Not Applicable**
(57) Statement of Newness and Distinctiveness: **The new and distinct features are the features of shape and configuration of a nine gemstone arrangement in jewelry setting as shown in the representations. The features shown in broken outline in the representations do not form new and distinct features of the design.**



- (21) Design Number: **12328/2010**
(22) Date of Filing Application: **07 June 2010**
(24) Date from which industrial property rights may have effect: **07 June 2010**
(54) Product in respect of which the design is registered: **Bottle**
(51) International Design Classification: **09-01H**
(71) Name(s) and Address(s) of Applicant(s):
Henkel AG & Co. KGaA
Henkelstrasse 67 40589 Dusseldorf Germany
(72) Name(s) of Designer(s): **Anett Kaplan and Monika Nilles and Jens Hainmuller**
(45) Registration Date: **01 July 2010**
(30) Convention priority data:
(31) Number (32) Date (33) Country
001683343 18 Mar 2010 EUROPEAN COMMUNITY
(56) Related Art Documents: **Not Applicable**
(57) Statement of Newness and Distinctiveness: **Newness and distinctiveness is claimed in the features of shape and/or configuration of the dispenser cap of a bottle as illustrated in continuous lines in the accompanying representations.**

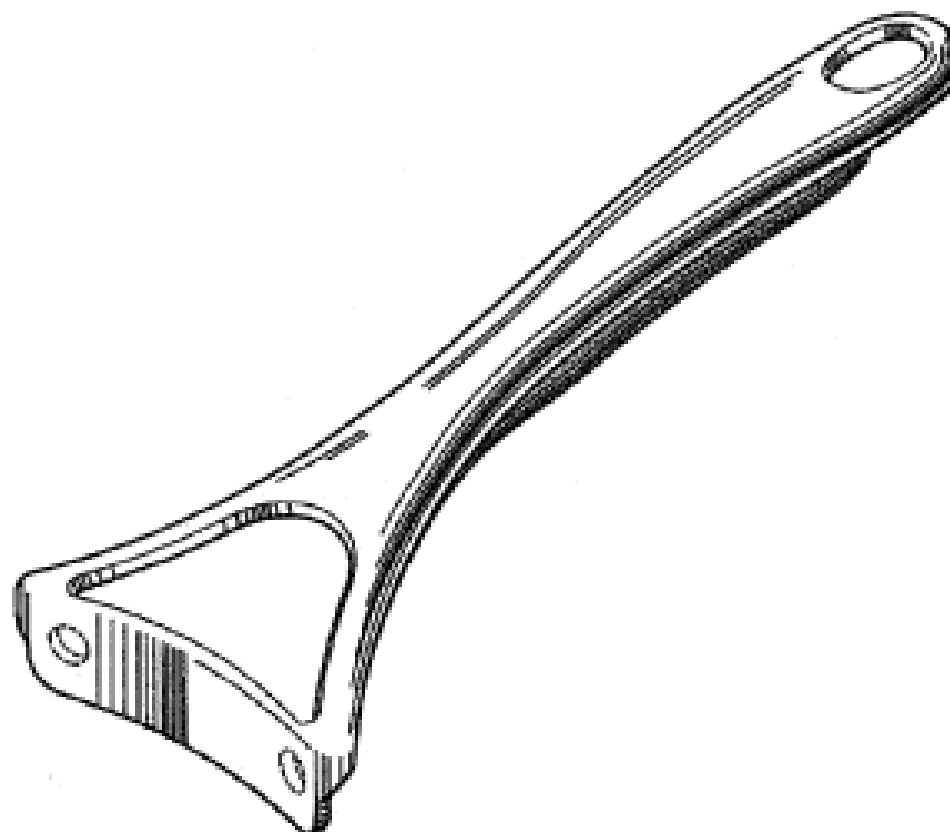


- (21) Design Number: **12327/2010**
- (22) Date of Filing Application: **07 June 2010**
- (24) Date from which industrial property rights may have effect: **07 June 2010**
- (54) Product in respect of which the design is registered: **Produce container**
- (51) International Design Classification: **09-03F**
- (71) Name(s) and Address(s) of Applicant(s):
Multisteps Pty Ltd
Unit 1 & 2/4 Richmond Road Homebush West New South Wales 2140
Australia
- (72) Name(s) of Designer(s): **John Lam**
- (45) Registration Date: **01 July 2010**
- (56) Related Art Documents: **Not Applicable**
- (57) Statement of Newness and Distinctiveness: **Newness and distinctiveness reside in the features of the design as shown in the representations.**



- (21) Design Number: **12335/2010**
- (22) Date of Filing Application: **06 June 2010**
- (24) Date from which industrial property rights may have effect: **06 June 2010**
- (54) Product in respect of which the design is registered: **Bottom grip cookware handle**
- (51) International Design Classification: **07-02R**
- (71) Name(s) and Address(s) of Applicant(s):
Meyer Intellectual Properties Limited
382 Kwun Tong Road Hong Kong
- (72) Name(s) of Designer(s): **Robert A. Rae**
- (45) Registration Date: **01 July 2010**
- (30) Convention priority data:

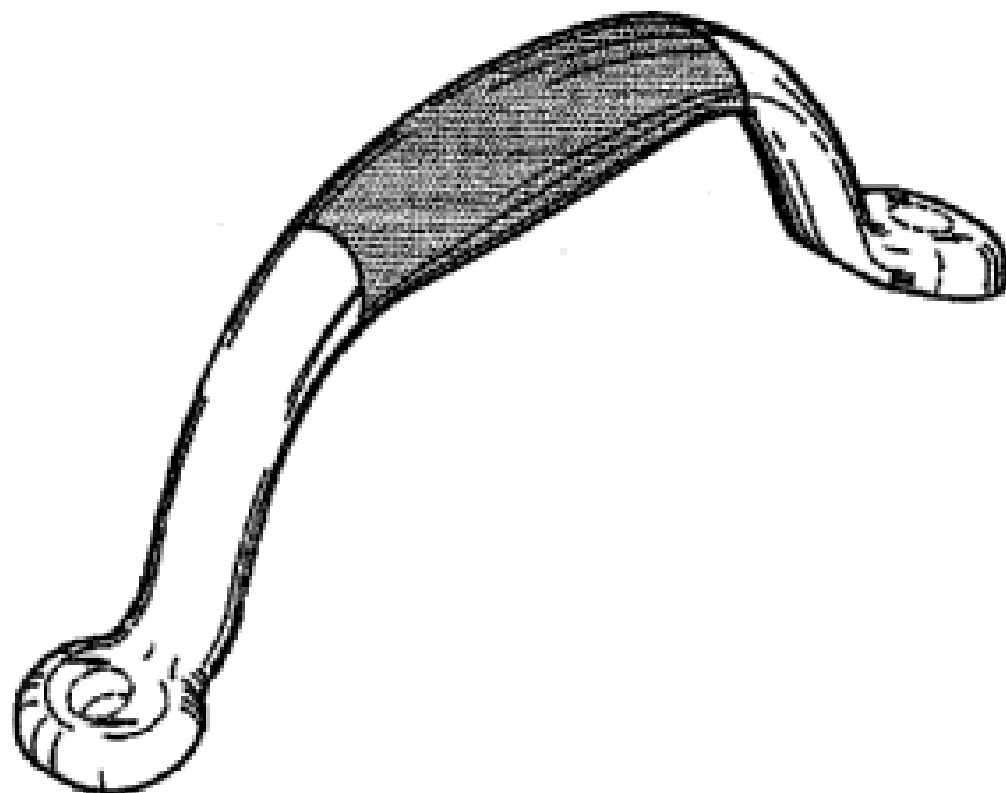
(31) Number	(32) Date	(33) Country
29/348,186	07 Dec 2009	UNITED STATES OF AMERICA
- (56) Related Art Documents: **Not Applicable**
- (57) Statement of Newness and Distinctiveness: **This design is to be applied to a bottom grip cookware handle and the novelty resides in the features of shape and configuration of the article shown in the accompanying representations. No novelty is claimed for the features shown in broken lines - those are for illustrative purposes only and depict the environment of the design.**



(21) Design Number: **12336/2010**
 (22) Date of Filing Application: **06 June 2010**
 (24) Date from which industrial property rights may have effect: **06 June 2010**
 (54) Product in respect of which the design is registered: **Full grip cookware top handle**
 (51) International Design Classification: **07-02R**
 (71) Name(s) and Address(s) of Applicant(s):
Meyer Intellectual Properties Limited
382 Kwun Tong Road Hong Kong
 (72) Name(s) of Designer(s): **Robert A. Rae**
 (45) Registration Date: **01 July 2010**
 (30) Convention priority data:

(31) Number	(32) Date	(33) Country
29/348,715	28 Jan 2010	UNITED STATES OF AMERICA

(56) Related Art Documents: **Not Applicable**

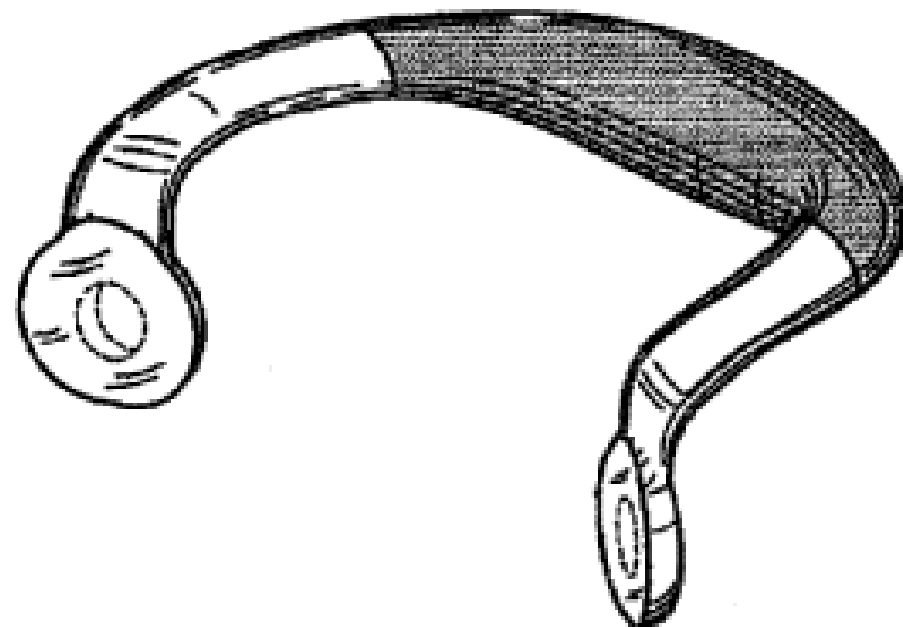


(57) Statement of Newness and Distinctiveness: **This design is to be applied to a full grip cookware top handle and the novelty resides in the features of shape and configuration of the article shown in the accompanying representations. No novelty is claimed for the features shown in broken lines - those are for illustrative purposes only and depict the environment of the design.**

(21) Design Number: **12337/2010**
 (22) Date of Filing Application: **06 June 2010**
 (24) Date from which industrial property rights may have effect: **06 June 2010**
 (54) Product in respect of which the design is registered: **Full grip cookware side handle**
 (51) International Design Classification: **07-02R**
 (71) Name(s) and Address(s) of Applicant(s):
Meyer Intellectual Properties Limited
382 Kwun Tong Road Hong Kong
 (72) Name(s) of Designer(s): **Robert A. Rae**
 (45) Registration Date: **01 July 2010**
 (30) Convention priority data:

(31) Number	(32) Date	(33) Country
29/348,714	28 Jan 2010	UNITED STATES OF AMERICA

(56) Related Art Documents: **Not Applicable**



(57) Statement of Newness and Distinctiveness: **This design is to be applied to a full grip cookware side handle and the novelty resides in the features of shape and configuration of the article shown in the accompanying representations. No novelty is claimed for the features shown in broken lines - those are for illustrative purposes only and depict the environment of the design.**

(19) AU

(21) Design Number: **12338/2010**

(22) Date of Filing Application: **06 June 2010**

(24) Date from which industrial property rights may have effect: **06 June 2010**

(54) Product in respect of which the design is registered: **Thumb grip cookware handle**

(51) International Design Classification: **07-02R**

(71) Name(s) and Address(s) of Applicant(s):

**Meyer Intellectual Properties Limited
382 Kwun Tong Road Hong Kong**

(72) Name(s) of Designer(s): **Robert A. Rae**

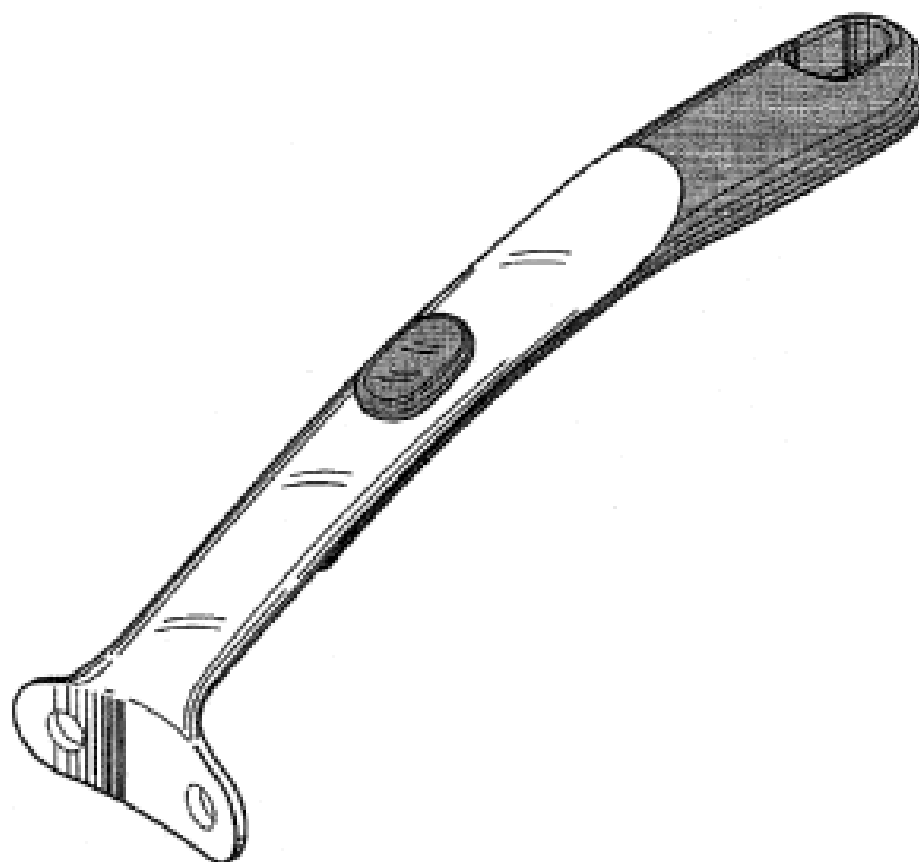
(45) Registration Date: **01 July 2010**

(30) Convention priority data:

(31) Number	(32) Date	(33) Country
29/348,184	07 Dec 2009	UNITED STATES OF AMERICA

(56) Related Art Documents: **Not Applicable**

(57) Statement of Newness and Distinctiveness: **This design is to be applied to a thumb grip cookware handle and the novelty resides in the features of shape and configuration of the article shown in the accompanying representations. No novelty is claimed for the features shown in broken lines - those are for illustrative purposes only and depict the environment of the design.**



(19) AU

(21) Design Number: **11439/2010**

(22) Date of Filing Application: **16 April 2010**

(24) Date from which industrial property rights may have effect: **16 April 2010**

(54) Product in respect of which the design is registered: **Storage tray**

(51) International Design Classification: **09-03F**

(71) Name(s) and Address(s) of Applicant(s):

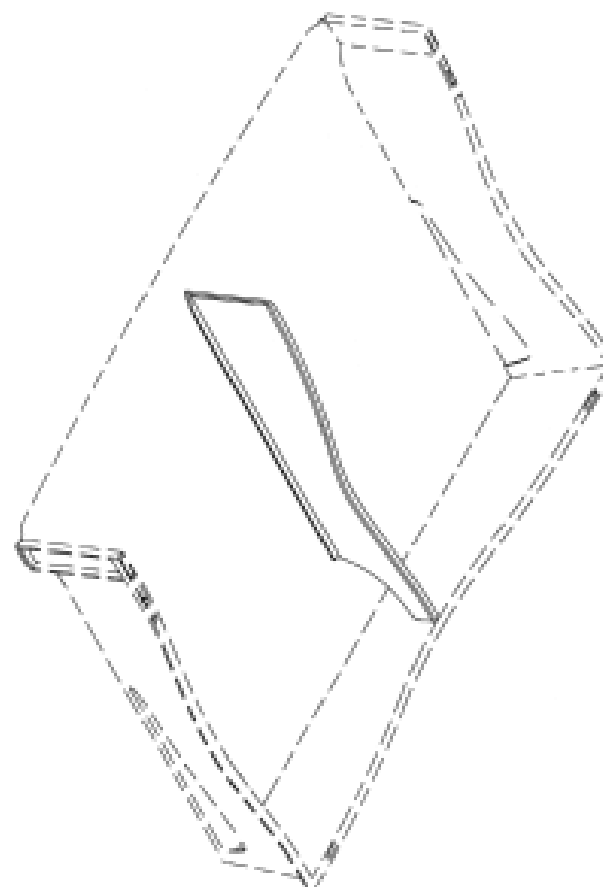
**Acco Australia Pty Ltd
The Lakes Business Park Level 2 8 Lord Street Botany New South
Wales 2019 Australia**

(72) Name(s) of Designer(s): **Adam Laws**

(45) Registration Date: **01 July 2010**

(56) Related Art Documents: **Not Applicable**

(57) Statement of Newness and Distinctiveness: **Newness and distinctiveness resides in the visual features, including shape, configuration, pattern and ornamentation, of the tray divider of the storage tray as shown in solid outline in the accompanying drawings. When determining whether the storage tray design is substantially similar in overall impression to another design, no particular regard is to be had to those features shown in dotted outline in the accompanying drawings.**



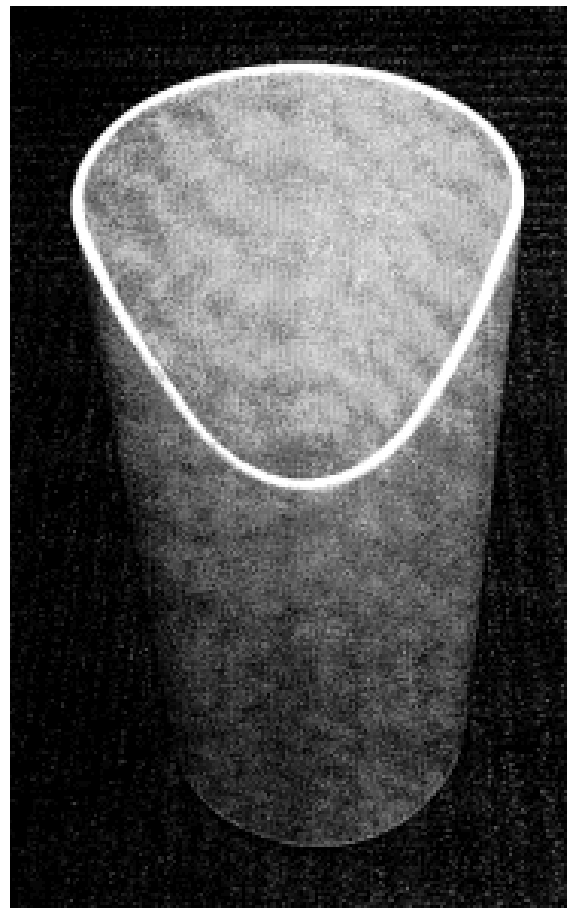
- (21) Design Number: **11864/2010**
(22) Date of Filing Application: **13 May 2010**
(24) Date from which industrial property rights may have effect: **13 May 2010**
(54) Product in respect of which the design is registered: **Fabric**
(51) International Design Classification: **05-05A**
(71) Name(s) and Address(s) of Applicant(s):
Robert Vernon Fickling trading as Frontier Adventure Products
35 Norwarran Way Langwarrin Victoria 3910 Australia
(72) Name(s) of Designer(s): **Robert Vernon Fickling**
(45) Registration Date: **01 July 2010**
(56) Related Art Documents: **Not Applicable**
(57) Statement of Newness and Distinctiveness: **Newness and distinctiveness reside in the fabric as shown in the accompanying representations.**



- (21) Design Number: **11968/2010**
(22) Date of Filing Application: **19 May 2010**
(24) Date from which industrial property rights may have effect: **19 May 2010**
(54) Product in respect of which the design is registered: **Musical instrument - guitar instruction tool - chord card sticker**
(51) International Design Classification: **17-99, 19-07**
(71) Name(s) and Address(s) of Applicant(s):
Benedict James Larkey
10 Alfred Street Kew Victoria 3101 Australia
(72) Name(s) of Designer(s): **Benedict James Larkey**
(45) Registration Date: **01 July 2010**
(56) Related Art Documents: **Not Applicable**
(57) Statement of Newness and Distinctiveness: **1. Strum zone - coloured shape matches the chord and covers the strings to be played. 2. Chord menu. 3. Rotated and numbered chord dots. 4. Sticker based. 5. Cuts outs. 6. Size and layout.**



- (21) Design Number: **12311/2010**
(22) Date of Filing Application: **04 June 2010**
(24) Date from which industrial property rights may have effect: **04 June 2010**
(54) Product in respect of which the design is registered: **A leg apparel aid in putting on leg apparel**
(51) International Design Classification: **24-03, 02-04B**
(71) Name(s) and Address(s) of Applicant(s):
Stanley Gordon Boundy
8 Frank McCauley Street Mundubbera Queensland 4626 Australia
(72) Name(s) of Designer(s): **Stanley Gordon Boundy**
(45) Registration Date: **01 July 2010**
(56) Related Art Documents: **Not Applicable**
(57) Statement of Newness and Distinctiveness: **Newness and distinctiveness is claimed in the shape and/or configuration of the leg apparel aid as shown in the accompanying representations. The leg apparel aid is of indefinite length.**



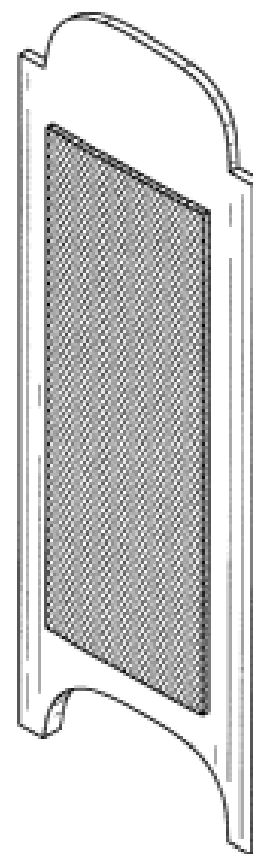
- (21) Design Number: **12340/2010**
(22) Date of Filing Application: **08 June 2010**
(24) Date from which industrial property rights may have effect: **08 June 2010**
(54) Product in respect of which the design is registered: **Car remote control for Ford BA/BF and Territory**
(51) International Design Classification: **12-16NES, 14-03NES**
(71) Name(s) and Address(s) of Applicant(s):
Wieslaw Niewiarowski
115 Paramatta Road Doubleview Western Australia 6018 Australia
Irena Niewiarowski
115 Paramatta Road Doubleview Western Australia 6018 Australia
(72) Name(s) of Designer(s): **Wieslaw Niewiarowski**
(45) Registration Date: **01 July 2010**
(56) Related Art Documents: **Not Applicable**
(57) Statement of Newness and Distinctiveness: **Uniquely shaped key pad made from flexible material type like silicone, to be inserted in hard shell of Ford BA/BF and Territory remote, replacing worn buttons and incorporating 1 raised large rectangle button with 2 dome shape tops, 1 raised small rectangle and 1 raised circular button with single dome shape tops for accurate pressing location.**



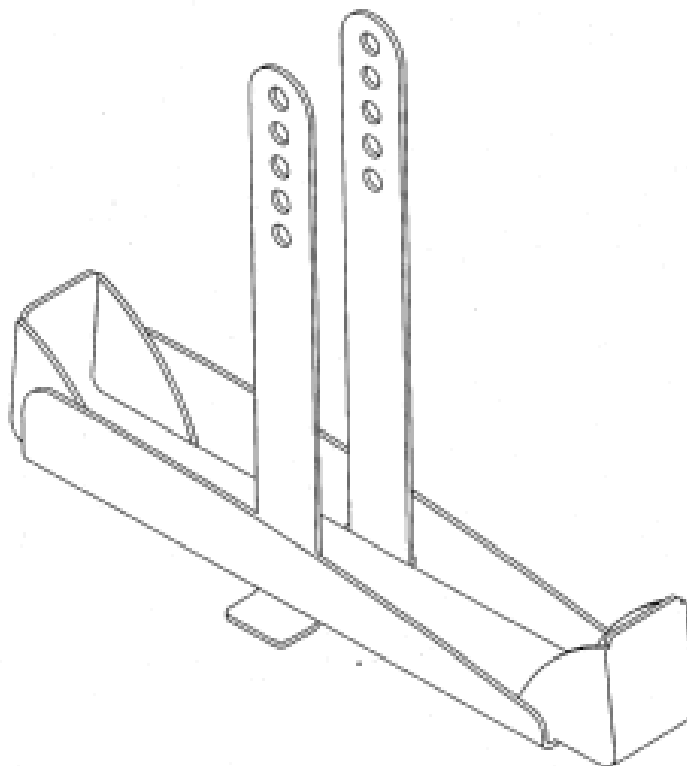
- (21) Design Number: **12341/2010**
(22) Date of Filing Application: **08 June 2010**
(24) Date from which industrial property rights may have effect: **08 June 2010**
(54) Product in respect of which the design is registered: **Car remote control for Ford BA/BF and Territory**
(51) International Design Classification: **12-16NES, 14-03NES**
(71) Name(s) and Address(s) of Applicant(s):
Wieslaw Niewiarowski
115 Paramatta Road Doubleview Western Australia 6018 Australia
Irena Niewiarowski
115 Paramatta Road Doubleview Western Australia 6018 Australia
(72) Name(s) of Designer(s): **Wieslaw Niewiarowski**
(45) Registration Date: **01 July 2010**
(56) Related Art Documents: **Not Applicable**
(57) Statement of Newness and Distinctiveness: **Uniquely shaped key pad made from flexible material type like silicone, to be inserted in hard shell of Ford BA/BF and Territory remote control, replacing worn buttons and incorporating 1 raised large rectangle button with 2 dome shape tops, and 1 raised circular button with single dome shape top added for accurate pressing location.**



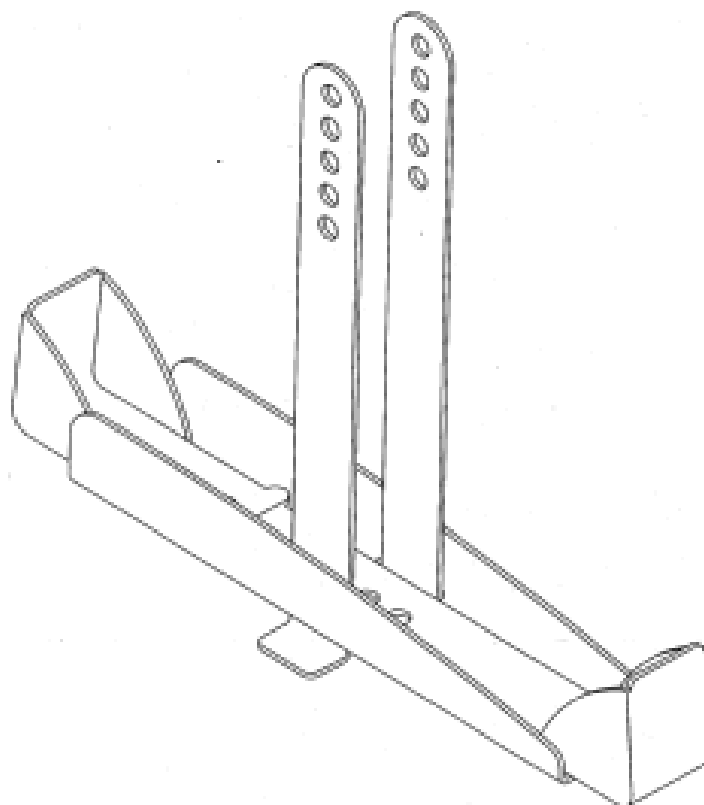
- (21) Design Number: **12314/2010**
(22) Date of Filing Application: **04 June 2010**
(24) Date from which industrial property rights may have effect: **04 June 2010**
(54) Product in respect of which the design is registered: **Depilatory device**
(51) International Design Classification: **28-03NES**
(71) Name(s) and Address(s) of Applicant(s):
Reckitt & Colman (Overseas) Limited
103-105 Bath Road Slough Berks SL1 3UH United Kingdom
(72) Name(s) of Designer(s): **Simon Campbell**
(45) Registration Date: **01 July 2010**
(30) Convention priority data:
(31) Number (32) Date (33) Country
001182448-0001 04 Dec 2009 EUROPEAN COMMUNITY
(56) Related Art Documents: **Not Applicable**
(57) Statement of Newness and Distinctiveness: **Newness and distinctiveness resides in the shape and configuration of the DEPILATORY DEVICE as shown in the accompanying representations.**



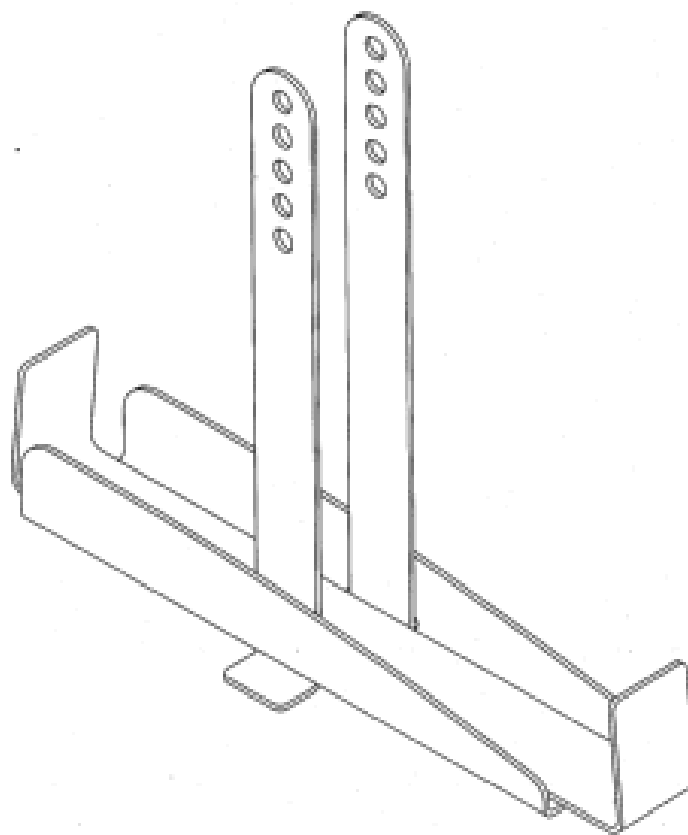
- (21) Design Number: **12315/2010**
- (22) Date of Filing Application: **07 June 2010**
- (24) Date from which industrial property rights may have effect: **07 June 2010**
- (54) Product in respect of which the design is registered: **Electronic article security device. Restraint for an electronic device such as a laptop**
- (51) International Design Classification: **08-08L**
- (71) Name(s) and Address(s) of Applicant(s):
Paul Joseph Weber
18 Merlewood Avenue Cashmere Christchurch 8022 New Zealand
- (72) Name(s) of Designer(s): **Paul Joseph Weber**
- (45) Registration Date: **01 July 2010**
- (56) Related Art Documents: **Not Applicable**
- (57) Statement of Newness and Distinctiveness: **Nil**



- (21) Design Number: **12316/2010**
- (22) Date of Filing Application: **07 June 2010**
- (24) Date from which industrial property rights may have effect: **07 June 2010**
- (54) Product in respect of which the design is registered: **Electronic article security device. More adjustable restraint for an electronic device such as a laptop**
- (51) International Design Classification: **08-08L**
- (71) Name(s) and Address(s) of Applicant(s):
Paul Joseph Weber
18 Merlewood Avenue Cashmere Christchurch 8022 New Zealand
- (72) Name(s) of Designer(s): **Paul Joseph Weber**
- (45) Registration Date: **01 July 2010**
- (56) Related Art Documents: **Not Applicable**
- (57) Statement of Newness and Distinctiveness: **Nil**

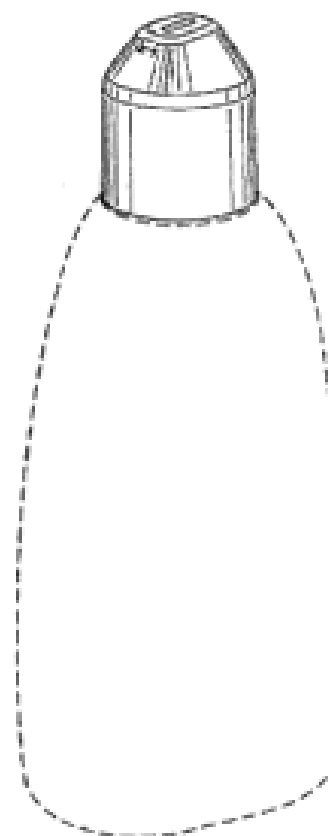


- (21) Design Number: **12317/2010**
- (22) Date of Filing Application: **07 June 2010**
- (24) Date from which industrial property rights may have effect: **07 June 2010**
- (54) Product in respect of which the design is registered: **Electronic article security device. Reduced-gosset restraint for an electronic device such as a laptop**
- (51) International Design Classification: **08-08L**
- (71) Name(s) and Address(s) of Applicant(s):
Paul Joseph Weber
18 Merlewood Avenue Cashmere Christchurch 8022 New Zealand
- (72) Name(s) of Designer(s): **Paul Joseph Weber**
- (45) Registration Date: **01 July 2010**
- (56) Related Art Documents: **Not Applicable**
- (57) Statement of Newness and Distinctiveness: **Nil**

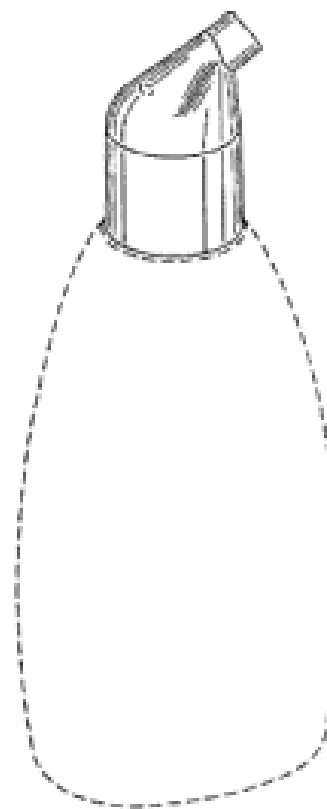


- (21) Design Number: **12329/2010**
- (22) Date of Filing Application: **07 June 2010**
- (24) Date from which industrial property rights may have effect: **07 June 2010**
- (54) Product in respect of which the design is registered: **Bottle**
- (51) International Design Classification: **09-07B, 09-01K**
- (71) Name(s) and Address(s) of Applicant(s):
Henkel AG & Co. KGaA
Henkelstrasse 67 Dusseldorf 40589 Germany
- (72) Name(s) of Designer(s): **Anett Kaplan and Monika Nilles and Jens Hainmuller**
- (45) Registration Date: **01 July 2010**
- (30) Convention priority data:

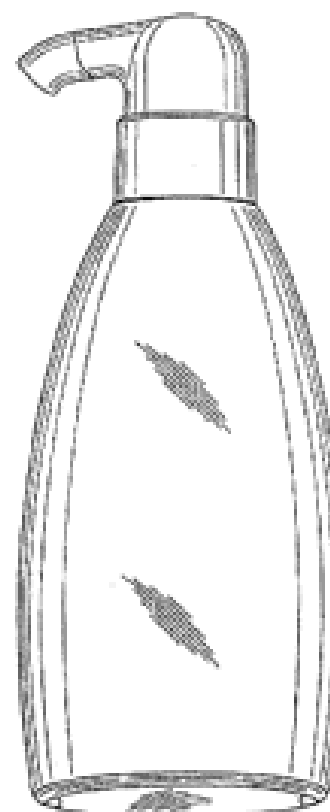
(31) Number	(32) Date	(33) Country
001683343	18 Mar 2010	EUROPEAN COMMUNITY
- (56) Related Art Documents: **Not Applicable**
- (57) Statement of Newness and Distinctiveness: **Newness and distinctiveness is claimed in the features of shape and/or configuration of the dispenser cap of a bottle as illustrated in continuous lines in the accompanying representations.**



- (21) Design Number: **12330/2010**
(22) Date of Filing Application: **07 June 2010**
(24) Date from which industrial property rights may have effect: **07 June 2010**
(54) Product in respect of which the design is registered: **Bottle**
(51) International Design Classification: **09-07B, 09-01K**
(71) Name(s) and Address(s) of Applicant(s):
Henkel AG & Co. KGaA
Henkelstrasse 67 Dusseldorf 40589 Germany
(72) Name(s) of Designer(s): **Anett Kaplan and Monika Nilles and Jens Hainmuller**
(45) Registration Date: **01 July 2010**
(30) Convention priority data:
(31) Number (32) Date (33) Country
001683343 18 Mar 2010 EUROPEAN COMMUNITY
(56) Related Art Documents: **Not Applicable**
(57) Statement of Newness and Distinctiveness: **Newness and distinctiveness is claimed in the features of shape and/or configuration of the dispenser cap of a bottle as illustrated in continuous lines in the accompanying representations.**



- (21) Design Number: **12331/2010**
(22) Date of Filing Application: **07 June 2010**
(24) Date from which industrial property rights may have effect: **07 June 2010**
(54) Product in respect of which the design is registered: **Bottle**
(51) International Design Classification: **09-01K, 09-07B**
(71) Name(s) and Address(s) of Applicant(s):
Henkel AG & Co. KGaA
Henkelstrasse 67 Dusseldorf 40589 Germany
(72) Name(s) of Designer(s): **Anett Kaplan and Monika Nilles and Jens Hainmuller**
(45) Registration Date: **01 July 2010**
(30) Convention priority data:
(31) Number (32) Date (33) Country
001647702 15 Dec 2009 EUROPEAN COMMUNITY
(56) Related Art Documents: **Not Applicable**
(57) Statement of Newness and Distinctiveness: **Newness and distinctiveness is claimed in the features of shape and/or configuration of the dispenser cap of a bottle as illustrated in the accompanying representations.**



(21) Design Number: 12333/2010

(22) Date of Filing Application: 08 June 2010

(24) Date from which industrial property rights may have effect: 08 June 2010

(54) Product in respect of which the design is registered: **Wakeboard rack**

(51) International Design Classification: 12-06NES

(71) Name(s) and Address(s) of Applicant(s):

James Odell

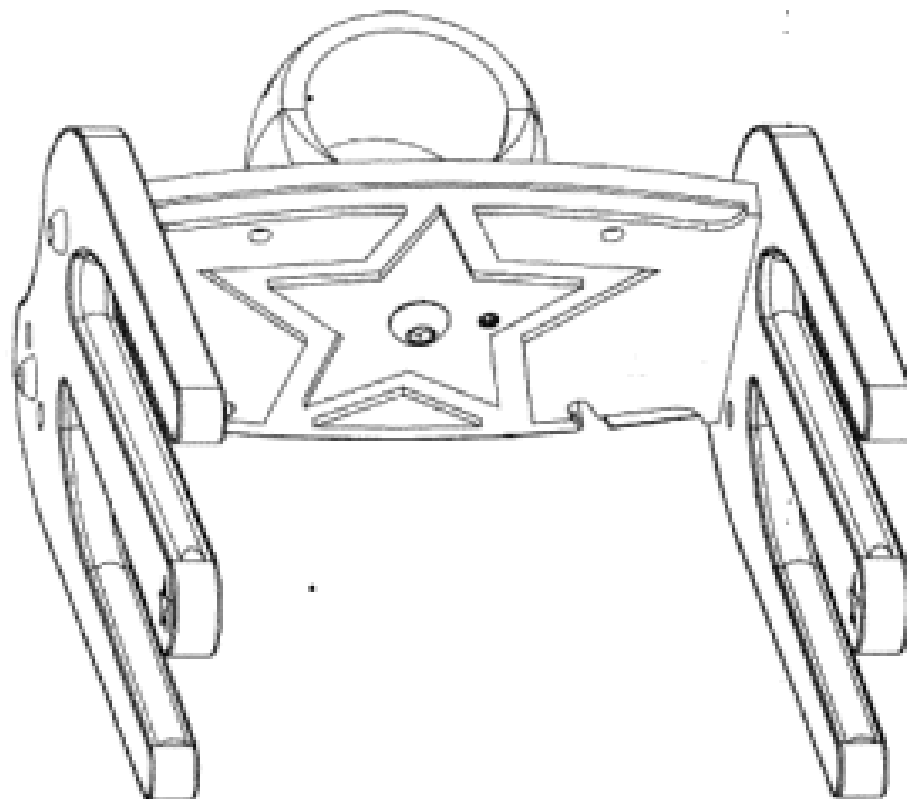
Unit 25/45 Powers Road Seven Hills New South Wales 2147 Australia

(72) Name(s) of Designer(s): **James Odell**

(45) Registration Date: 01 July 2010

(56) Related Art Documents: **Not Applicable**

(57) Statement of Newness and Distinctiveness: **The new wakeboard rack holds 2 x wakeboards and is attached to a wakeboard tower on a boat. The new design has contoured, curved and stylized fingers with rubber inserts to follow the shape of the wakeboards edge when inserted to hold the board firmly in place. The new shape of the middle finger and angle of the fingers hold the boards in a position they do not hit each other. The fingers are attached to the base plate from the side there are extra holes in the fingers allowing the fingers to be positioned on different angles. The design has a new shape clamp and base attachment, with a new one bolt and set screw system allowing the base to rotate and level the boards out whilst on the boat.**



(21) Design Number: 12334/2010

(22) Date of Filing Application: 08 June 2010

(24) Date from which industrial property rights may have effect: 08 June 2010

(54) Product in respect of which the design is registered: **Kneeboard wakeboard combo rack**

(51) International Design Classification: 12-06NES

(71) Name(s) and Address(s) of Applicant(s):

James Odell

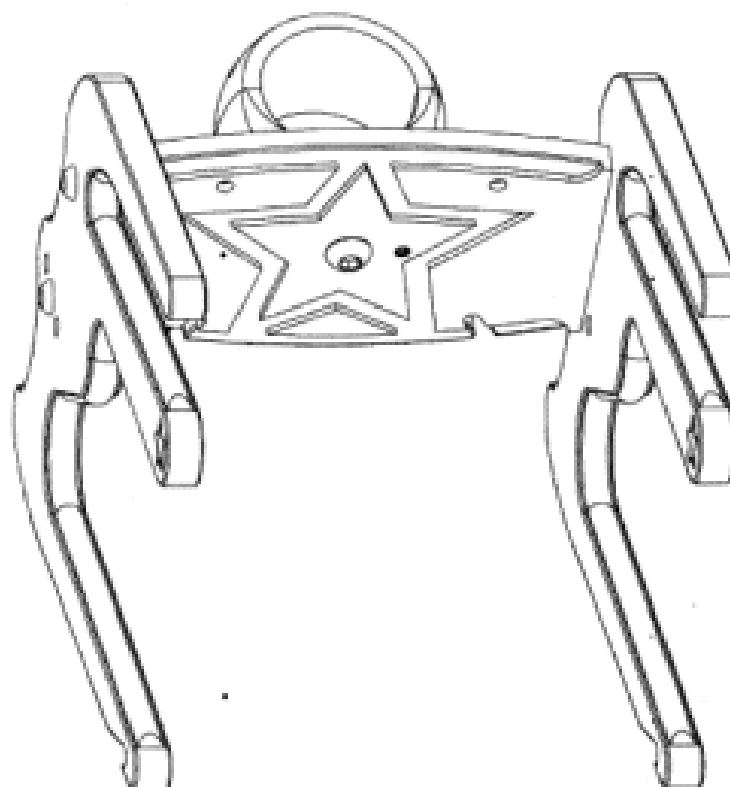
Unit 25/45 Powers Road Seven Hills New South Wales 2147 Australia

(72) Name(s) of Designer(s): **James Odell**

(45) Registration Date: 01 July 2010

(56) Related Art Documents: **Not Applicable**

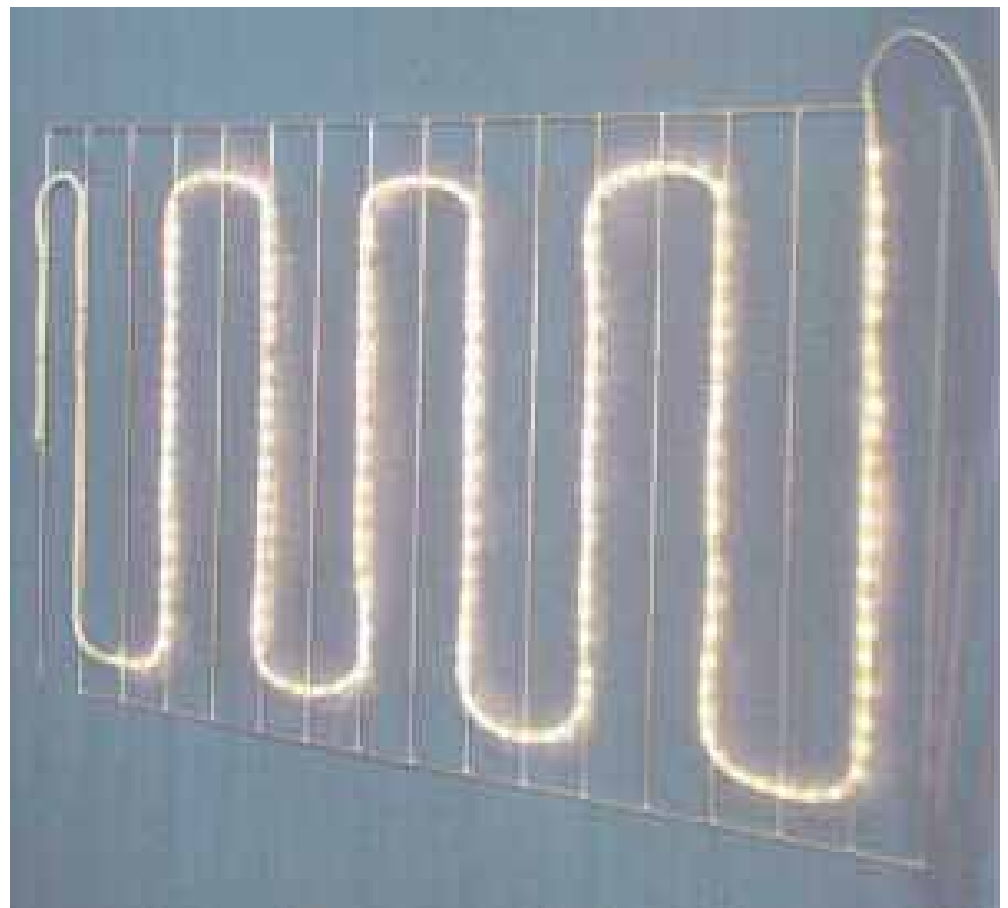
(57) Statement of Newness and Distinctiveness: **The new kneeboard combo rack holds 1 x kneeboard and 1 x wakeboard. It is attached to a wakeboard tower on a boat. The new design has contoured, curved and stylized fingers with rubber inserts to follow the shape of the kneeboards edge and wakeboards edge when inserted to hold the boat firmly in place. The kneeboard is inserted between the middle and bottom fingers facing upwards. The wakeboard is inserted between the middle and top fingers facing upwards. The new shape of the middle middle finger and angle of the fingers hold the boards in a position they do not hit each other. The fingers are attached to the base plate from the side there are extra holes in the fingers allowing the fingers to be positioned on different angles. The design has a new shape clamp and base plate attachment, with a new one bolt and set screw system allowing the base to rotate and level the boards out whilst on the boat.**



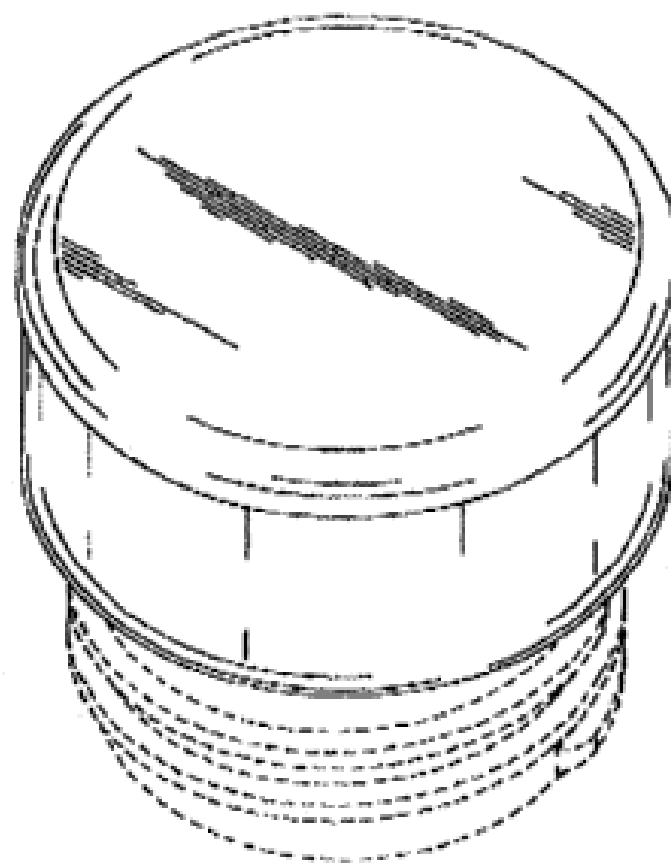
- (21) Design Number: **11962/2010**
(22) Date of Filing Application: **18 May 2010**
(24) Date from which industrial property rights may have effect: **18 May 2010**
(54) Product in respect of which the design is registered: **Necklaces, bracelets and anklets**
(51) International Design Classification: **11-02NES, 11-02C, 11-02E**
(71) Name(s) and Address(s) of Applicant(s):
Stefka Mladenova
14 Columba Street Inala Queensland 4077 Australia
(72) Name(s) of Designer(s): **Stefka Mladenova**
(45) Registration Date: **05 July 2010**
(56) Related Art Documents: **Not Applicable**
(57) Statement of Newness and Distinctiveness: **It is a cluster of semiprecious stones/chips I work with to create elegant jewellery. The cluster of chips will be repeated many times to complete the item. Seed beads/fillers will be used in between the clusters. See diagram included. It is the cluster design that I thought of I would like to register.**



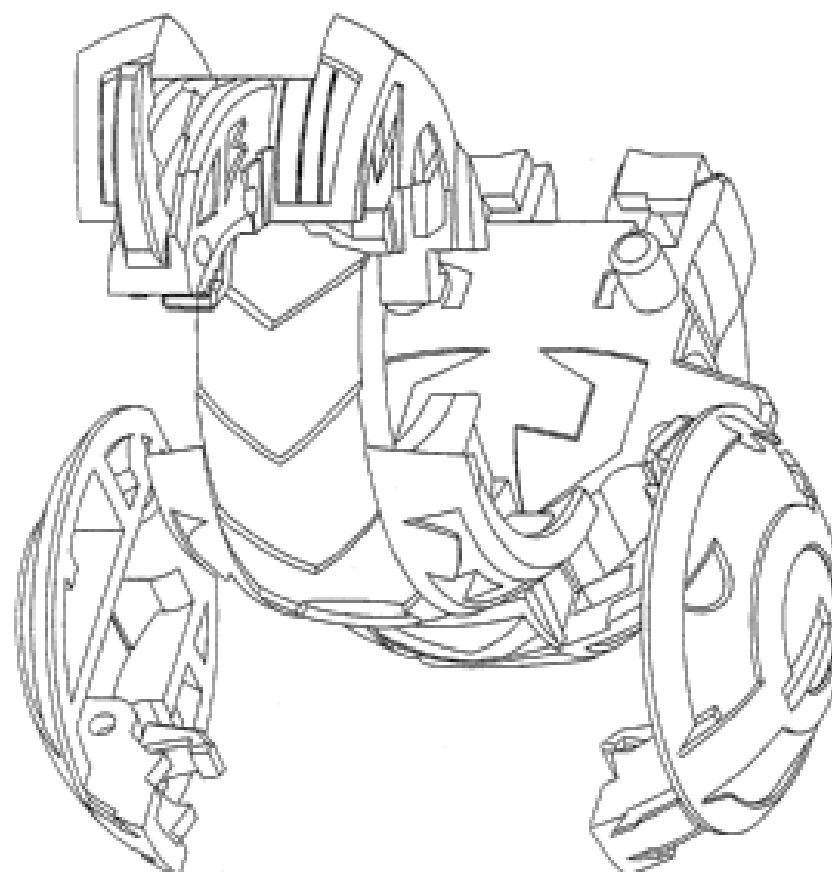
- (21) Design Number: **12272/2010**
(22) Date of Filing Application: **03 June 2010**
(24) Date from which industrial property rights may have effect: **03 June 2010**
(54) Product in respect of which the design is registered: **A support mechanism for a low voltage LED tube or string light attached to a flexible substrate**
(51) International Design Classification: **26-05E**
(71) Name(s) and Address(s) of Applicant(s):
Xmas-Mil Display Products Pty Ltd
1 Melrich Road Bayswater Victoria 3153 Australia
(72) Name(s) of Designer(s): **Rodney L. Miller**
(45) Registration Date: **05 July 2010**
(56) Related Art Documents: **Not Applicable**
(57) Statement of Newness and Distinctiveness: **A support mechanism for flexible low voltage LED tube or string light attached to or incorporated within the flexible substrate.**



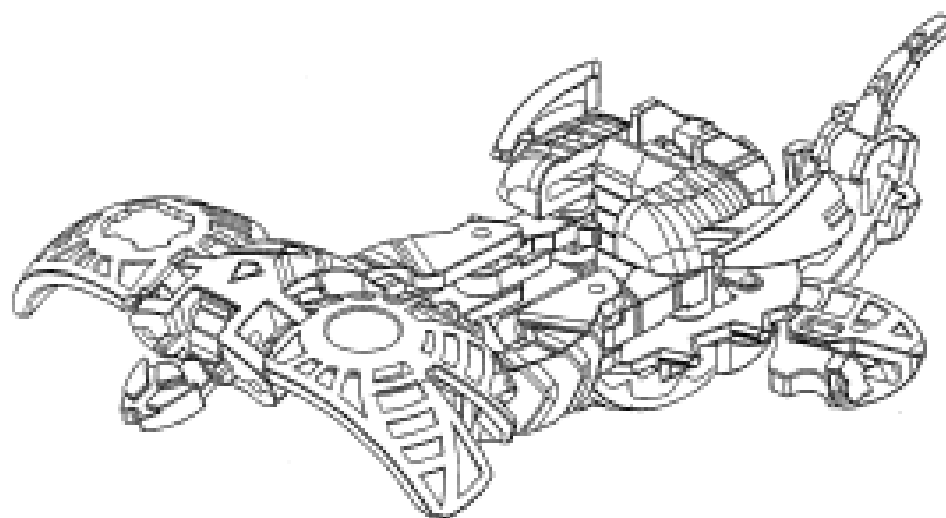
- (21) Design Number: **12353/2010**
(22) Date of Filing Application: **31 May 2010**
(24) Date from which industrial property rights may have effect: **31 May 2010**
(54) Product in respect of which the design is registered: **Cap for reusable bottle**
(51) International Design Classification: **09-07C**
(71) Name(s) and Address(s) of Applicant(s):
 Ethan Jewett
 1934 NE Junior Street Portland OR 97211 United States of America
 Donald G. Carlson
 391 Highland Drive Eastsound WA 98245 United States of America
(72) Name(s) of Designer(s): **Ethan Jewett and Donald G. Carlson**
(45) Registration Date: **05 July 2010**
(30) Convention priority data:
 (31) Number (32) Date (33) Country
 29/354,103 19 Jan 2010 UNITED STATES OF AMERICA
(56) Related Art Documents: **Not Applicable**
(57) Statement of Newness and Distinctiveness: **In considering the newness or distinctiveness of the design, regard is to be given to the overall shape and/or configuration of the cap as shown in the representations.**



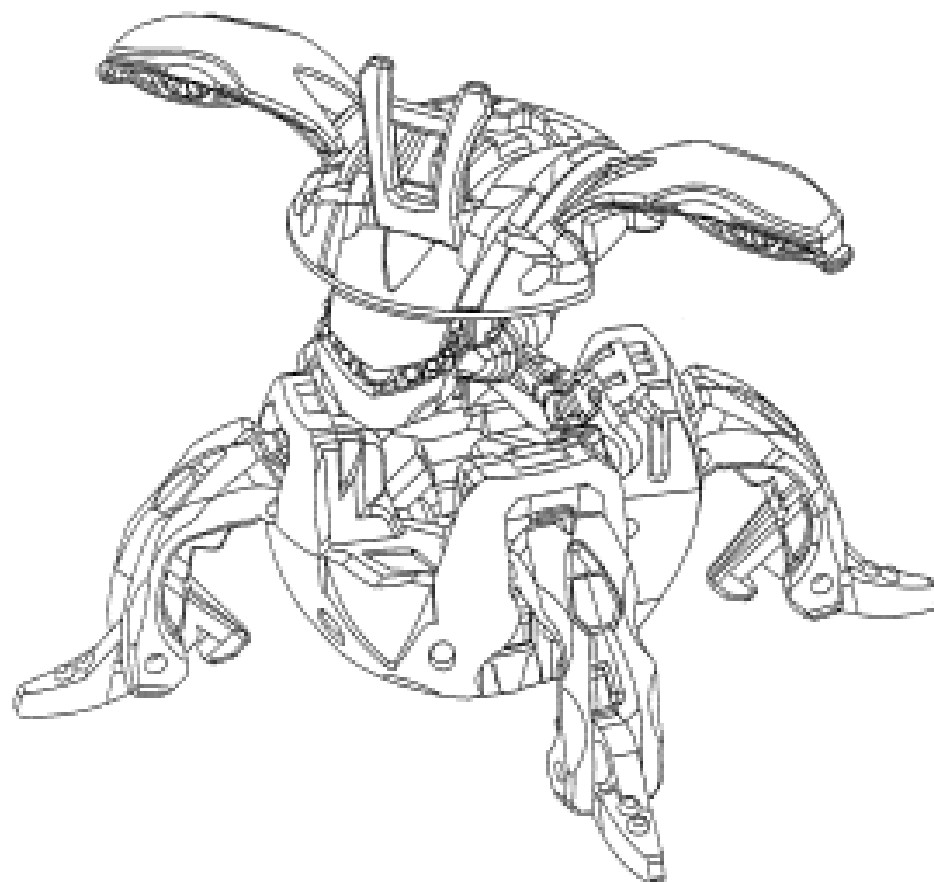
- (21) Design Number: **12358/2010**
(22) Date of Filing Application: **08 June 2010**
(24) Date from which industrial property rights may have effect: **08 June 2010**
(54) Product in respect of which the design is registered: **Transformable toy**
(51) International Design Classification: **21-02A**
(71) Name(s) and Address(s) of Applicant(s):
 Spin Master Ltd
 450 Front Street West Toronto M5V 1B6 Ontario Canada
(72) Name(s) of Designer(s): **Wataru Sato and Kohji Hirose and Richard Keuter**
(45) Registration Date: **05 July 2010**
(30) Convention priority data:
 (31) Number (32) Date (33) Country
 133380 21 Dec 2009 CANADA
(56) Related Art Documents: **Not Applicable**
(57) Statement of Newness and Distinctiveness: **The newness and distinctiveness of the design resides in the shape and/or configuration of the transformable toy shown in the representations.**



- (21) Design Number: **12359/2010**
(22) Date of Filing Application: **08 June 2010**
(24) Date from which industrial property rights may have effect: **08 June 2010**
(54) Product in respect of which the design is registered: **Transformable toy**
(51) International Design Classification: **21-01A**
(71) Name(s) and Address(s) of Applicant(s):
Spin Master Ltd
450 Front Street West Toronto M5V 1B6 Ontario Canada
(72) Name(s) of Designer(s): **Wataru Sato and Kohji Hirose and Richard Keuter**
(45) Registration Date: **05 July 2010**
(30) Convention priority data:
(31) Number (32) Date (33) Country
133500 29 Dec 2009 CANADA
(56) Related Art Documents: **Not Applicable**
(57) Statement of Newness and Distinctiveness: **The newness and distinctiveness of the design resides in the shape and/or configuration of the transformable toy shown in the representations.**



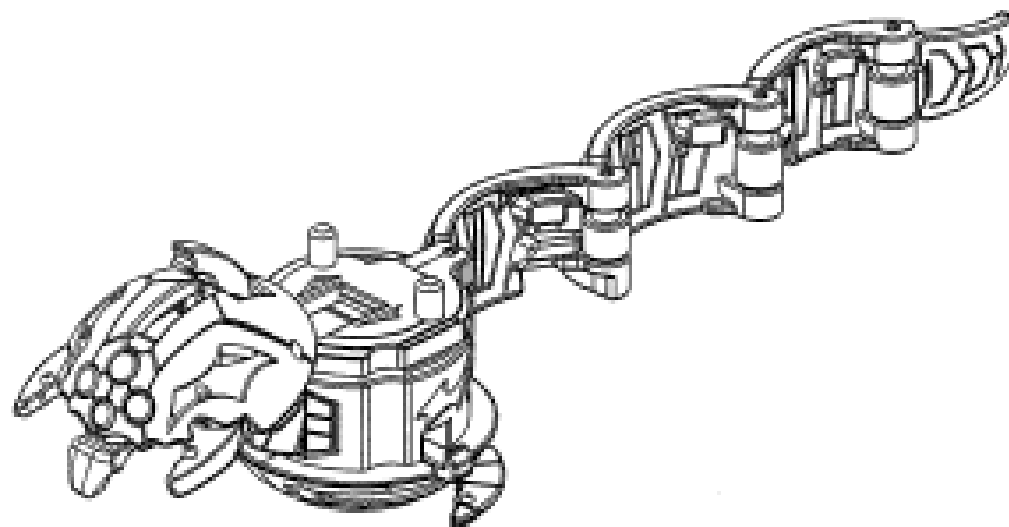
- (21) Design Number: **12360/2010**
(22) Date of Filing Application: **08 June 2010**
(24) Date from which industrial property rights may have effect: **08 June 2010**
(54) Product in respect of which the design is registered: **Transformable toy**
(51) International Design Classification: **21-01A**
(71) Name(s) and Address(s) of Applicant(s):
Spin Master Ltd
450 Front Street West Toronto M5V 1B6 Ontario Canada
(72) Name(s) of Designer(s): **Wataru Sato and Kohji Hirose and Richard Keuter**
(45) Registration Date: **05 July 2010**
(30) Convention priority data:
(31) Number (32) Date (33) Country
133498 29 Dec 2009 CANADA
(56) Related Art Documents: **Not Applicable**
(57) Statement of Newness and Distinctiveness: **The newness and distinctiveness of the design resides in the shape and/or configuration of the transformable toy shown in the representations.**



- (21) Design Number: **12361/2010**
(22) Date of Filing Application: **08 June 2010**
(24) Date from which industrial property rights may have effect: **08 June 2010**
(54) Product in respect of which the design is registered: **Transformable toy**
(51) International Design Classification: **21-01A**
(71) Name(s) and Address(s) of Applicant(s):
Spin Master Ltd
450 Front Street West Toronto M5V 1B6 Ontario Canada
(72) Name(s) of Designer(s): **Wataru Sato and Kohji Hirose and Richard Keuter**
(45) Registration Date: **05 July 2010**
(30) Convention priority data:
(31) Number (32) Date (33) Country
133381 21 Dec 2009 CANADA
(56) Related Art Documents: **Not Applicable**
(57) Statement of Newness and Distinctiveness: **The newness and distinctiveness of the design resides in the shape and/or configuration of the transformable toy shown in the representations.**



- (21) Design Number: **12362/2010**
(22) Date of Filing Application: **08 June 2010**
(24) Date from which industrial property rights may have effect: **08 June 2010**
(54) Product in respect of which the design is registered: **Transformable toy**
(51) International Design Classification: **21-01A**
(71) Name(s) and Address(s) of Applicant(s):
Spin Master Ltd
450 Front Street West Toronto M5V 1B6 Ontario Canada
(72) Name(s) of Designer(s): **Wataru Sato and Kohji Hirose and Richard Keuter**
(45) Registration Date: **05 July 2010**
(30) Convention priority data:
(31) Number (32) Date (33) Country
133383 22 Dec 2009 CANADA
(56) Related Art Documents: **Not Applicable**
(57) Statement of Newness and Distinctiveness: **The newness and distinctiveness of the design resides in the shape and/or configuration of the transformable toy shown in the representations.**



(21) Design Number: **12363/2010**

(22) Date of Filing Application: **08 June 2010**

(24) Date from which industrial property rights may have effect: **08 June 2010**

(54) Product in respect of which the design is registered: **Transformable toy**

(51) International Design Classification: **21-01A**

(71) Name(s) and Address(s) of Applicant(s):

Spin Master Ltd
450 Front Street West Toronto M5V 1B6 Ontario Canada

(72) Name(s) of Designer(s): **Wataru Sato and Kohji Hirose and Richard Keuter**

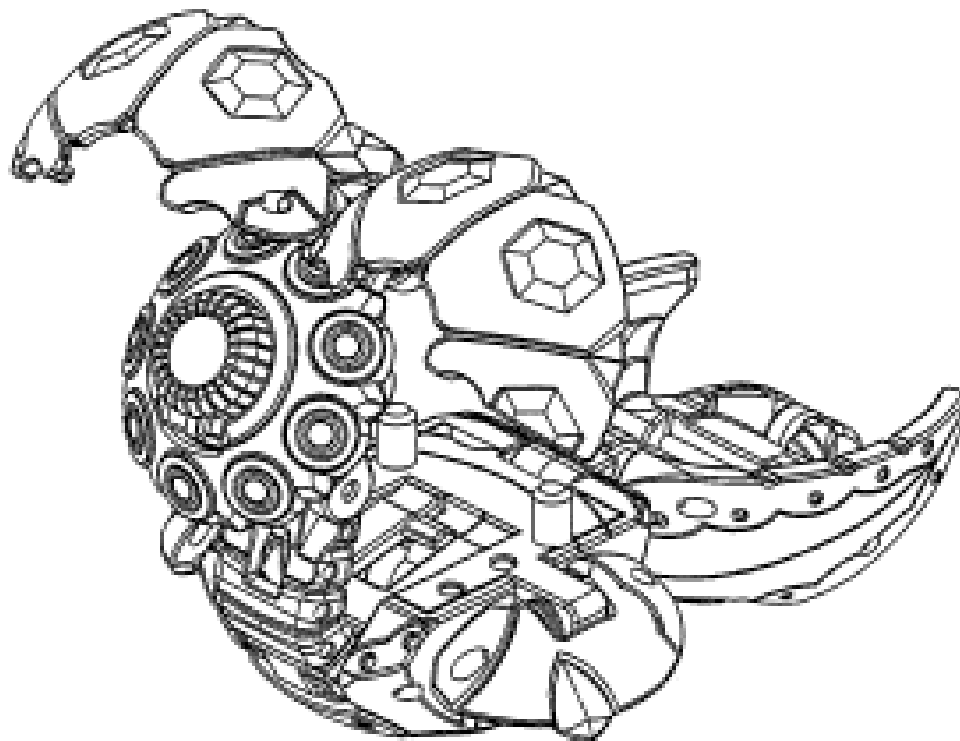
(45) Registration Date: **05 July 2010**

(30) Convention priority data:

(31) Number	(32) Date	(33) Country
133384	22 Dec 2009	CANADA

(56) Related Art Documents: **Not Applicable**

(57) Statement of Newness and Distinctiveness: **The newness and distinctiveness of the design resides in the shape and/or configuration of the transformable toy shown in the representations.**



(21) Design Number: **12364/2010**

(22) Date of Filing Application: **08 June 2010**

(24) Date from which industrial property rights may have effect: **08 June 2010**

(54) Product in respect of which the design is registered: **Transformable toy**

(51) International Design Classification: **21-01A**

(71) Name(s) and Address(s) of Applicant(s):

Spin Master Ltd
450 Front Street West Toronto M5V 1B6 Ontario Canada

(72) Name(s) of Designer(s): **Wataru Sato and Kohji Hirose and Richard Keuter**

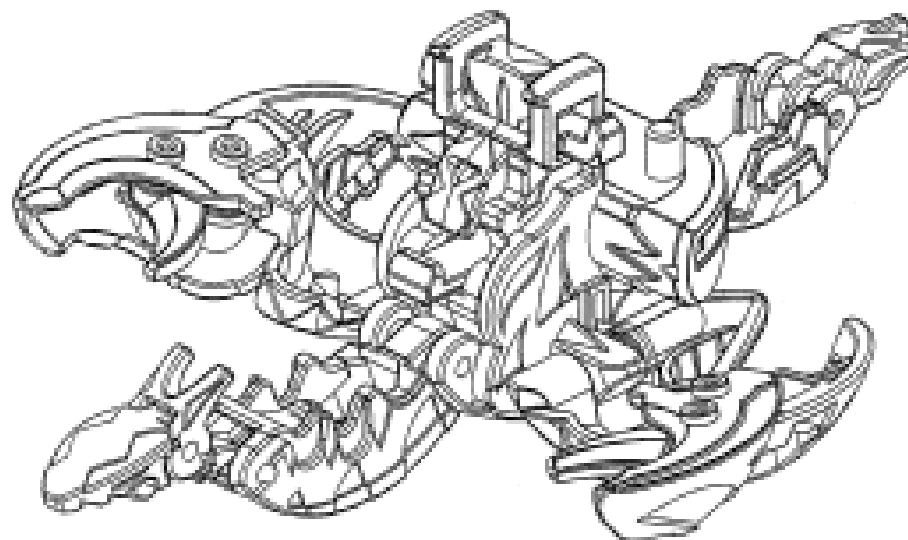
(45) Registration Date: **05 July 2010**

(30) Convention priority data:

(31) Number	(32) Date	(33) Country
133542	30 Dec 2009	CANADA

(56) Related Art Documents: **Not Applicable**

(57) Statement of Newness and Distinctiveness: **The newness and distinctiveness of the design resides in the shape and/or configuration of the transformable toy shown in the representations.**



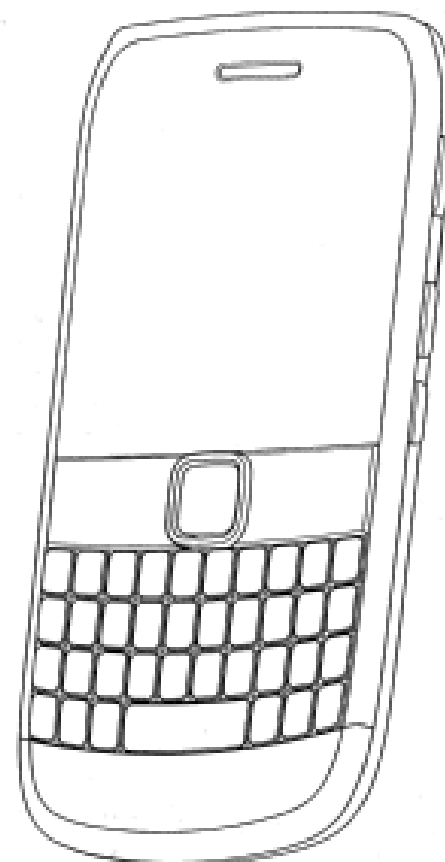
(21) Design Number: **11903/2010**
(22) Date of Filing Application: **13 May 2010**
(24) Date from which industrial property rights may have effect: **13 May 2010**
(54) Product in respect of which the design is registered: **Protective casing for portable handheld electronic device**
(51) International Design Classification: **03-01NES, 14-02**
(71) Name(s) and Address(s) of Applicant(s):
SwitchEasy Limited
Rm. 314 Sing Win Factory Bldg. No. 15-17 Shing Yip Street Kwun Tong Kowloon Hong Kong
(72) Name(s) of Designer(s): **Chi Vun Steven Bau**
(45) Registration Date: **05 July 2010**
(30) Convention priority data:
(31) Number (32) Date (33) Country
0901903.5M001 13 Nov 2009 HONG KONG
(56) Related Art Documents: **Not Applicable**
(57) Statement of Newness and Distinctiveness: **Nil**



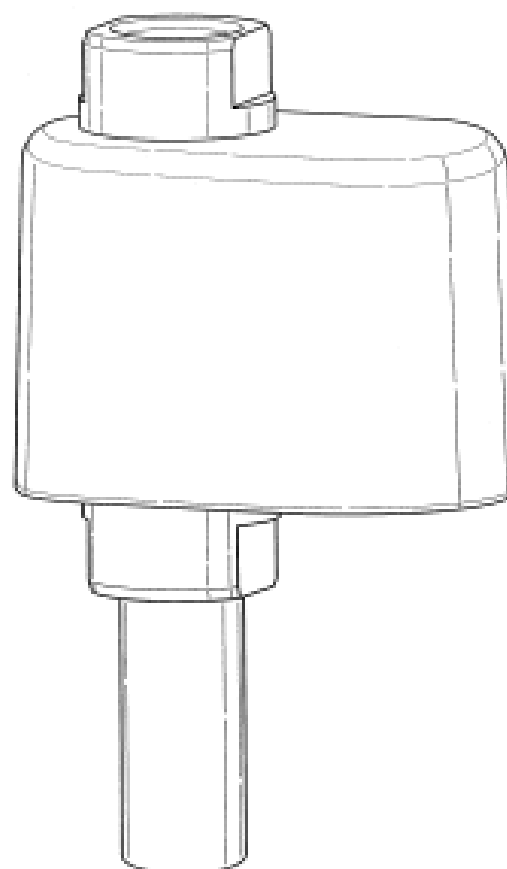
(21) Design Number: **11904/2010**
(22) Date of Filing Application: **13 May 2010**
(24) Date from which industrial property rights may have effect: **13 May 2010**
(54) Product in respect of which the design is registered: **Protective casing for portable handheld electronic device**
(51) International Design Classification: **03-01NES, 14-02**
(71) Name(s) and Address(s) of Applicant(s):
SwitchEasy Limited
Rm. 314 Sing Win Factory Bldg. No. 15-17 Shing Yip Street Kwun Tong Kowloon Hong Kong
(72) Name(s) of Designer(s): **Chi Vun Steven Bau**
(45) Registration Date: **05 July 2010**
(30) Convention priority data:
(31) Number (32) Date (33) Country
0901903.5M002 13 Nov 2009 HONG KONG
(56) Related Art Documents: **Not Applicable**
(57) Statement of Newness and Distinctiveness: **Nil**



- (21) Design Number: **12342/2010**
(22) Date of Filing Application: **08 June 2010**
(24) Date from which industrial property rights may have effect: **08 June 2010**
(54) Product in respect of which the design is registered: **Handset**
(51) International Design Classification: **14-03E**
(71) Name(s) and Address(s) of Applicant(s):
Nokia Corporation
Keilalahdentie 4 FIN-02150 Espoo Finland
(72) Name(s) of Designer(s): **Tuomas Reivo**
(45) Registration Date: **05 July 2010**
(56) Related Art Documents: **Not Applicable**
(57) Statement of Newness and Distinctiveness: **Newness and distinctiveness is claimed in the features of shape and/or configuration of a handset as illustrated in the accompanying representations.**



- (21) Design Number: **12343/2010**
(22) Date of Filing Application: **08 June 2010**
(24) Date from which industrial property rights may have effect: **08 June 2010**
(54) Product in respect of which the design is registered: **Disconnecter**
(51) International Design Classification: **13-03E**
(71) Name(s) and Address(s) of Applicant(s):
Siemens Aktiengesellschaft
Wittelsbacherplatz 2 80333 Munchen Germany
(72) Name(s) of Designer(s): **Erhard Pippert and Dirk Springborn**
(45) Registration Date: **05 July 2010**
(30) Convention priority data:
(31) Number (32) Date (33) Country
40 **08 Dec 2009** **GERMANY**
2009006081.7
(56) Related Art Documents: **Not Applicable**
(57) Statement of Newness and Distinctiveness: **Newness and distinctiveness is claimed in the features of shape and/or configuration of a disconnecter as illustrated in the accompanying representations.**



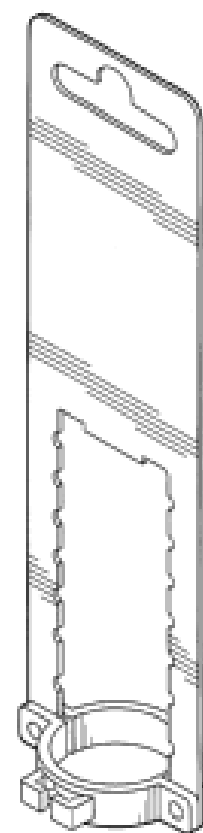
(21) Design Number: **12344/2010**
 (22) Date of Filing Application: **08 June 2010**
 (24) Date from which industrial property rights may have effect: **08 June 2010**
 (54) Product in respect of which the design is registered: **Massage tool**
 (51) International Design Classification: **28-03NES**
 (71) Name(s) and Address(s) of Applicant(s):
James Korber
PO Box 989 Paddington Queensland 4064 Australia
 (72) Name(s) of Designer(s): **James Korber**
 (45) Registration Date: **05 July 2010**
 (56) Related Art Documents: **Not Applicable**
 (57) Statement of Newness and Distinctiveness: **I wish to submit a Statement of Newness and Distinctiveness (set out below) in respect of particular visual features of "the design" but in so doing do not imply that other visual features of the design lack newness or distinctiveness. STATEMENT OF NEWNESS AND DISTINCTIVENESS. The shape and configuration of the design is new and distinctive. Newness and distinctiveness is not claimed in respect of surface decoration features shown on a cylindrical handle portion of the product.**



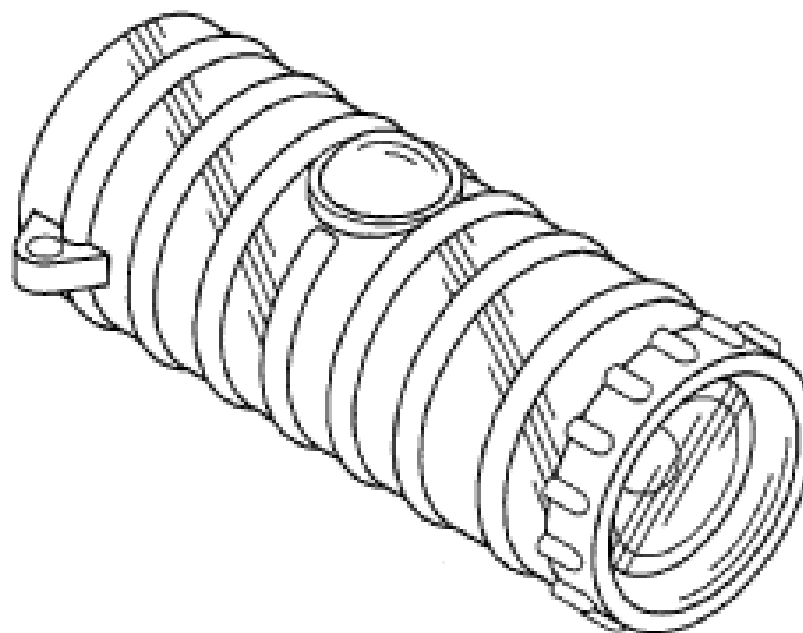
(21) Design Number: **12347/2010**
 (22) Date of Filing Application: **08 June 2010**
 (24) Date from which industrial property rights may have effect: **08 June 2010**
 (54) Product in respect of which the design is registered: **Light device packaging**
 (51) International Design Classification: **09-03NES**
 (71) Name(s) and Address(s) of Applicant(s):
Life+Gear, Inc.
742 Genevieve Street Suite O Solana Beach California 92075 United States of America
 (72) Name(s) of Designer(s): **Dennis Bertken**
 (45) Registration Date: **05 July 2010**
 (30) Convention priority data:

(31) Number	(32) Date	(33) Country
29/351,696	09 Dec 2009	UNITED STATES OF AMERICA

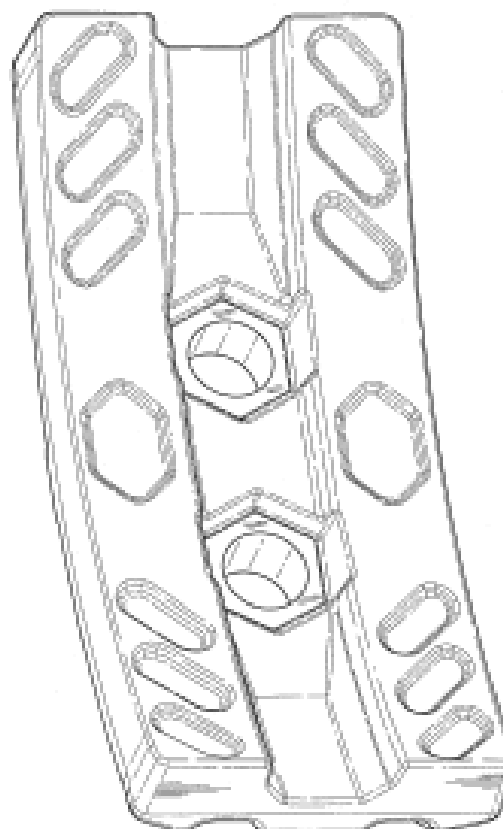
 (56) Related Art Documents: **Not Applicable**
 (57) Statement of Newness and Distinctiveness: **Nil**



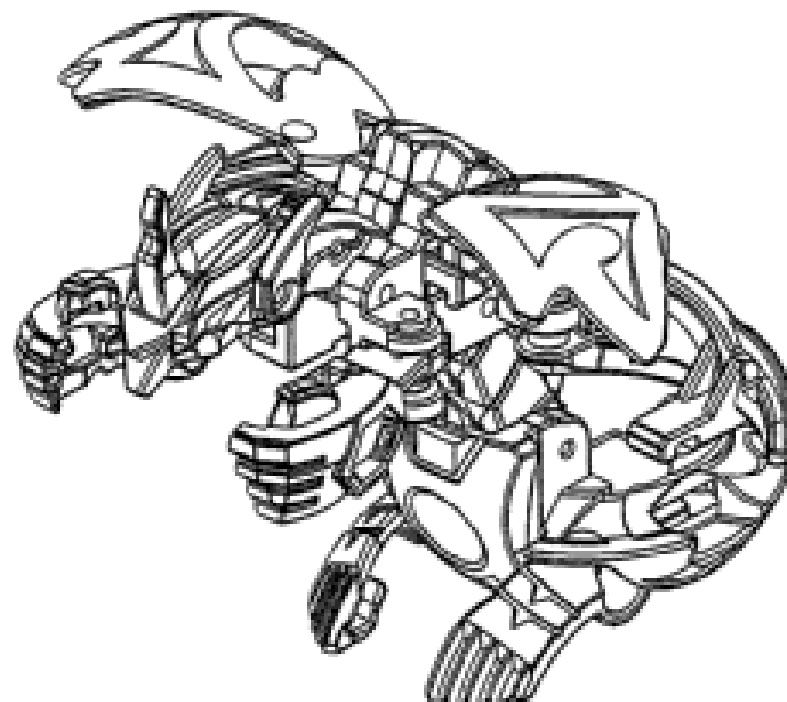
(21) Design Number: **12348/2010**
(22) Date of Filing Application: **08 June 2010**
(24) Date from which industrial property rights may have effect: **08 June 2010**
(54) Product in respect of which the design is registered: **Key chain mountable light device**
(51) International Design Classification: **26-02**
(71) Name(s) and Address(s) of Applicant(s):
Life+Gear, Inc.
742 Genevieve Street Suite O Solana Beach California 92075 United States of America
(72) Name(s) of Designer(s): **Dennis Bertken**
(45) Registration Date: **05 July 2010**
(30) Convention priority data:
(31) Number (32) Date (33) Country
29/351,691 09 Dec 2009 UNITED STATES OF AMERICA
(56) Related Art Documents: **Not Applicable**
(57) Statement of Newness and Distinctiveness: **Nil**



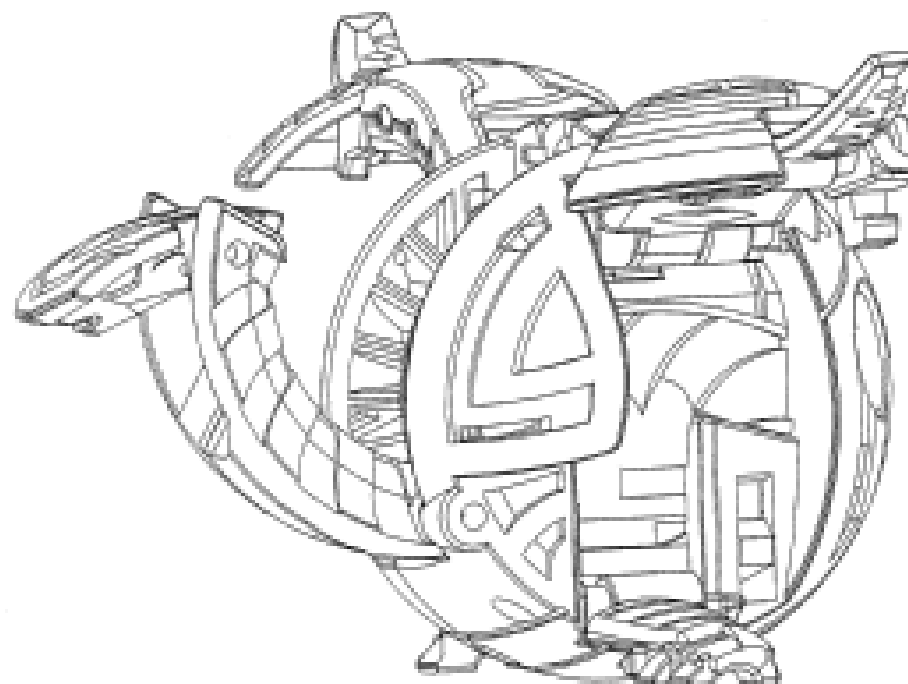
(21) Design Number: **12349/2010**
(22) Date of Filing Application: **08 June 2010**
(24) Date from which industrial property rights may have effect: **08 June 2010**
(54) Product in respect of which the design is registered: **Milling machine component**
(51) International Design Classification: **15-09**
(71) Name(s) and Address(s) of Applicant(s):
WIRTGEN GmbH
Reinhard-Wirtgen-Str. 2 53578 Windhagen Germany
(72) Name(s) of Designer(s): **Karsten Buhr and Stefan Abresch and Thomas Lehnert and Guenter Haehn and Cyrus Barimani**
(45) Registration Date: **05 July 2010**
(30) Convention priority data:
(31) Number (32) Date (33) Country
001654567 07 Jan 2010 EUROPEAN COMMUNITY
(56) Related Art Documents: **Not Applicable**
(57) Statement of Newness and Distinctiveness: **Nil**



(21) Design Number: **12365/2010**
(22) Date of Filing Application: **08 June 2010**
(24) Date from which industrial property rights may have effect: **08 June 2010**
(54) Product in respect of which the design is registered: **Transformable toy**
(51) International Design Classification: **21-01B**
(71) Name(s) and Address(s) of Applicant(s):
Spin Master Ltd
450 Front Street West Toronto M5V 1B6 Ontario Canada
(72) Name(s) of Designer(s): **Wataru Sato and Kohji Hirose and Richard Keuter**
(45) Registration Date: **05 July 2010**
(30) Convention priority data:
(31) Number (32) Date (33) Country
133499 29 Dec 2009 CANADA
(56) Related Art Documents: **Not Applicable**
(57) Statement of Newness and Distinctiveness: **The newness and distinctiveness of the design resides in the shape and/or configuration of the transformable toy shown in the representations.**



(21) Design Number: **12366/2010**
(22) Date of Filing Application: **08 June 2010**
(24) Date from which industrial property rights may have effect: **08 June 2010**
(54) Product in respect of which the design is registered: **Transformable toy**
(51) International Design Classification: **21-01B**
(71) Name(s) and Address(s) of Applicant(s):
Spin Master Ltd
450 Front Street West Toronto M5V 1B6 Ontario Canada
(72) Name(s) of Designer(s): **Wataru Sato and Kohji Hirose and Richard Keuter**
(45) Registration Date: **05 July 2010**
(30) Convention priority data:
(31) Number (32) Date (33) Country
133290 11 Dec 2009 CANADA
(56) Related Art Documents: **Not Applicable**
(57) Statement of Newness and Distinctiveness: **The newness and distinctiveness of the design resides in the shape and/or configuration of the transformable toy shown in the representations.**



(21) Design Number: **12367/2010**

(22) Date of Filing Application: **08 June 2010**

(24) Date from which industrial property rights may have effect: **08 June 2010**

(54) Product in respect of which the design is registered: **Transformable toy**

(51) International Design Classification: **21-01B**

(71) Name(s) and Address(s) of Applicant(s):

Spin Master Ltd

450 Front Street West Toronto M5V 1B6 Ontario Canada

(72) Name(s) of Designer(s): **Wataru Sato and Kohji Hirose and Richard Keuter**

(45) Registration Date: **05 July 2010**

(30) Convention priority data:

(31) Number

(32) Date

(33) Country

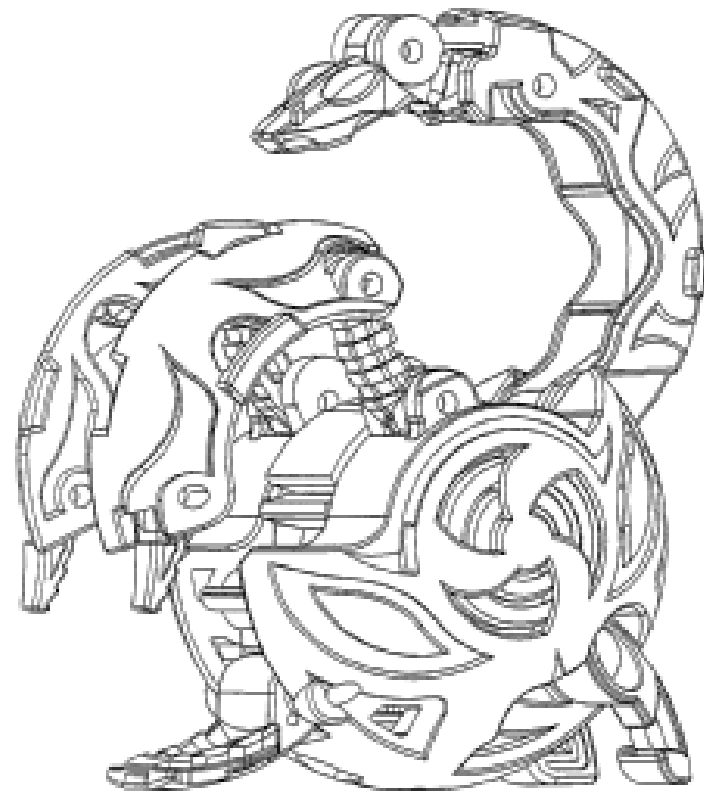
133291

11 Dec 2009

CANADA

(56) Related Art Documents: **Not Applicable**

(57) Statement of Newness and Distinctiveness: **The newness and distinctiveness of the design resides in the shape and/or configuration of the transformable toy shown in the representations.**



(21) Design Number: **12369/2010**

(22) Date of Filing Application: **09 June 2010**

(24) Date from which industrial property rights may have effect: **09 June 2010**

(54) Product in respect of which the design is registered: **Automobile**

(51) International Design Classification: **12-08**

(71) Name(s) and Address(s) of Applicant(s):

Byd Company Limited

No. 3001 Hengping Road Pingshan Longgan Shenzhen 518118 China

(72) Name(s) of Designer(s): **Yubo Lian and Shibin Xie and Dongjing Wang and Wenquan Tang and Lei Wang**

(45) Registration Date: **05 July 2010**

(30) Convention priority data:

(31) Number

(32) Date

(33) Country

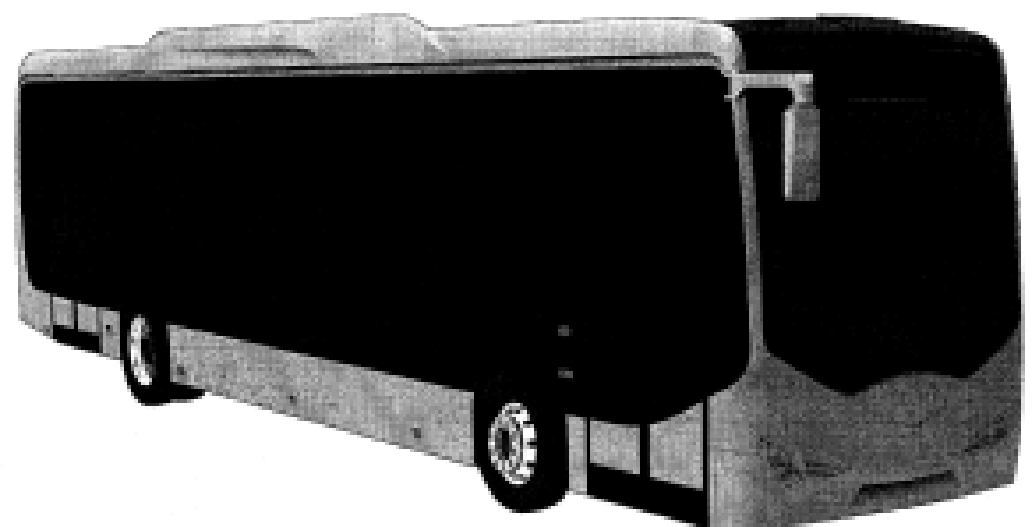
200930289695.X

26 Dec 2009

CHINA

(56) Related Art Documents: **Not Applicable**

(57) Statement of Newness and Distinctiveness: **Newness and distinctiveness is claimed in the features of shape and/or configuration of an automobile as shown in the accompanying representations.**



(21) Design Number: **12371/2010**

(22) Date of Filing Application: **09 June 2010**

(24) Date from which industrial property rights may have effect: **09 June 2010**

(54) Product in respect of which the design is registered: **Brick**

(51) International Design Classification: **25-01A**

(71) Name(s) and Address(s) of Applicant(s):

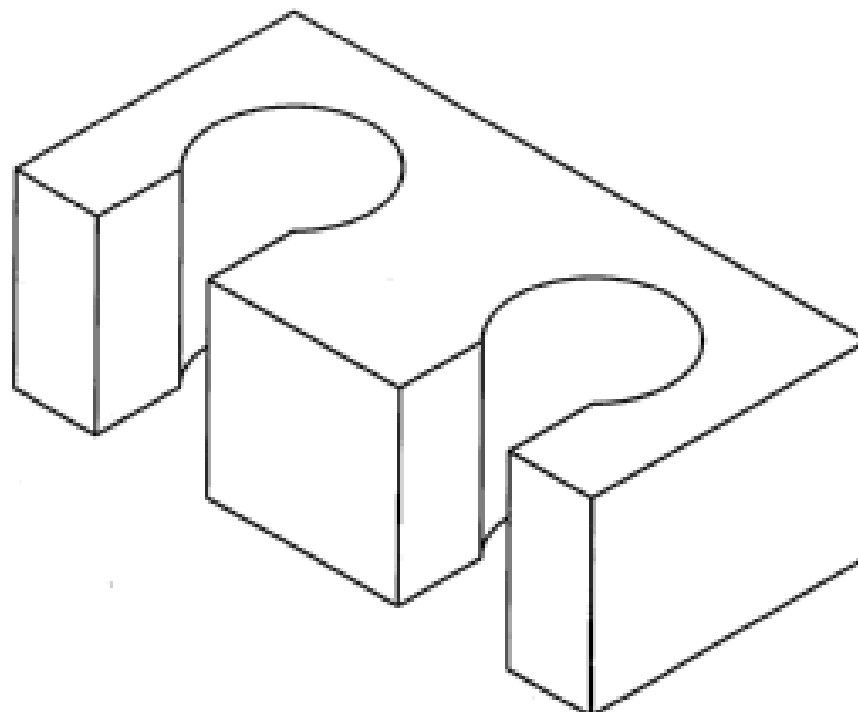
**The Austral Brick Company Pty Ltd
738-780 Wallgrove Road Horsley Park New South Wales 2175
Australia**

(72) Name(s) of Designer(s): **Catherine Mary Inglis and Stephen Wall**

(45) Registration Date: **05 July 2010**

(56) Related Art Documents: **Not Applicable**

(57) Statement of Newness and Distinctiveness: **Those features of the brick depicted in the representations that are new and distinctive are the shape and/or configuration.**



(21) Design Number: **12372/2010**

(22) Date of Filing Application: **09 June 2010**

(24) Date from which industrial property rights may have effect: **09 June 2010**

(54) Product in respect of which the design is registered: **Lighter**

(51) International Design Classification: **27-05**

(71) Name(s) and Address(s) of Applicant(s):

**Societe Bic
14 rue Jeanne d'Asnieres 92110 Clichy France**

(72) Name(s) of Designer(s): **Guy Lefebvre and Jordi Muste**

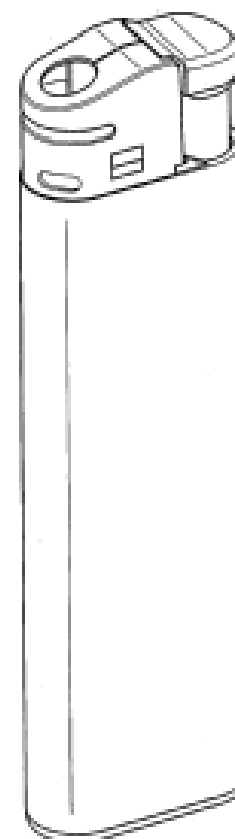
(45) Registration Date: **05 July 2010**

(30) Convention priority data:

(31) Number	(32) Date	(33) Country
001649963-0001	21 Dec 2009	EUROPEAN COMMUNITY

(56) Related Art Documents: **Not Applicable**

(57) Statement of Newness and Distinctiveness: **The features of the lighter depicted in the representations that are new and distinctive are the shape and/or configuration of the activation switch and the flame guard.**



(19) AU

(21) Design Number: **12373/2010**

(22) Date of Filing Application: **09 June 2010**

(24) Date from which industrial property rights may have effect: **09 June 2010**

(54) Product in respect of which the design is registered: **Washing machine**

(51) International Design Classification: **15-05**

(71) Name(s) and Address(s) of Applicant(s):

LG Electronics Inc.

20 Yeouido-dong Yeongdeungpo-gu Seoul 150-721 Republic of Korea

(72) Name(s) of Designer(s): **Eun Young Jee**

(45) Registration Date: **05 July 2010**

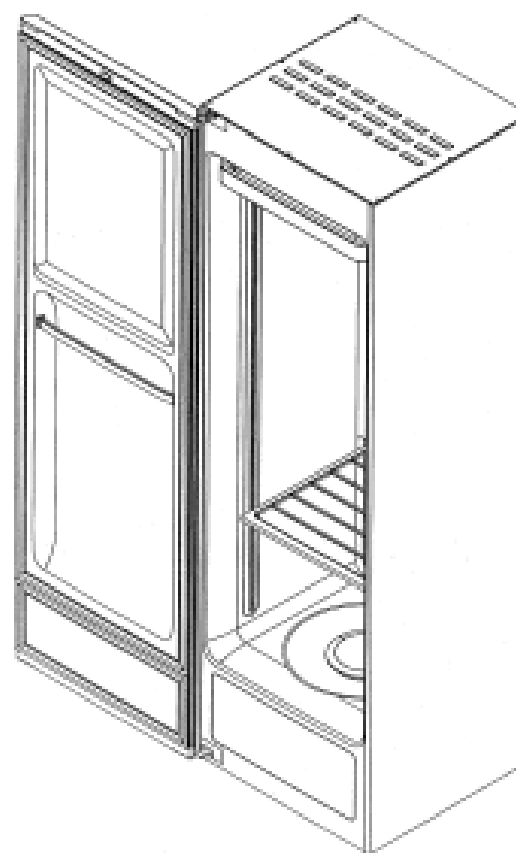
(30) Convention priority data:

(31) Number (32) Date
30-2009-0054648 11 Dec 2009

(33) Country
REPUBLIC OF KOREA

(56) Related Art Documents: **Not Applicable**

(57) Statement of Newness and Distinctiveness: **Newness and distinctiveness resides in the visual features of shape and/or configuration of a washing machine as illustrated in the accompanying representations.**



(19) AU

(21) Design Number: **12374/2010**

(22) Date of Filing Application: **09 June 2010**

(24) Date from which industrial property rights may have effect: **09 June 2010**

(54) Product in respect of which the design is registered: **Gas cooktop**

(51) International Design Classification: **07-02C**

(71) Name(s) and Address(s) of Applicant(s):

LG Electronics Inc.

20 Yeouido-dong Yeongdeungpo-gu Seoul 150-721 Republic of Korea

(72) Name(s) of Designer(s): **Sang Hun Kim and Hyoung Jun Lee and Jung Kyu Son and Mi Young Kim**

(45) Registration Date: **05 July 2010**

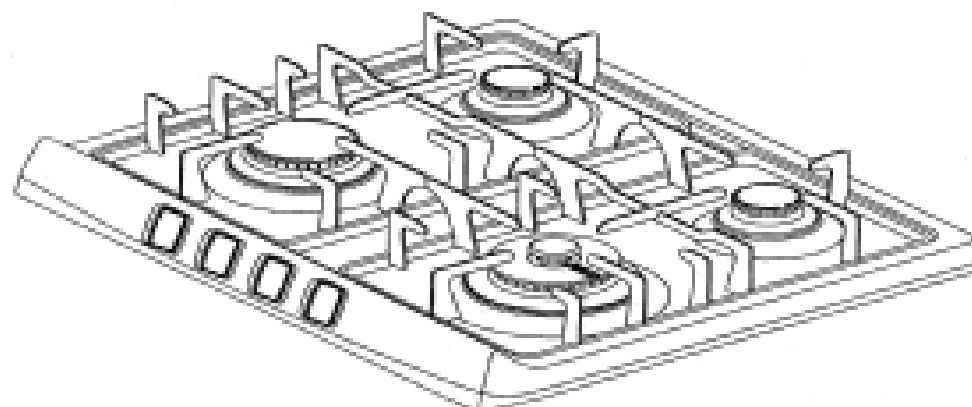
(30) Convention priority data:

(31) Number (32) Date
30-2009-0054644 11 Dec 2009

(33) Country
REPUBLIC OF KOREA

(56) Related Art Documents: **Not Applicable**

(57) Statement of Newness and Distinctiveness: **Newness and distinctiveness resides in the visual features of shape and/or configuration of a gas cooktop as illustrated in the accompanying representations.**



(21) Design Number: **12375/2010**

(22) Date of Filing Application: **09 June 2010**

(24) Date from which industrial property rights may have effect: **09 June 2010**

(54) Product in respect of which the design is registered: **Hanging bracket**

(51) International Design Classification: **08-08NES, 08-08L, 08-08M**

(71) Name(s) and Address(s) of Applicant(s):

Vince Toseski

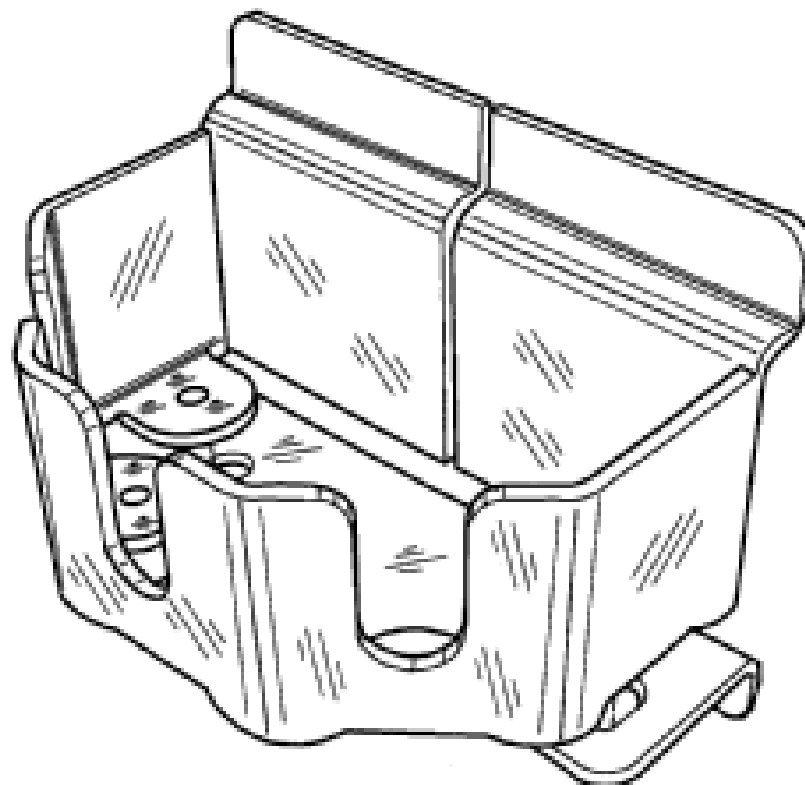
Unit 29 2 Bishop Street St Peters New South Wales 2044 Australia

(72) Name(s) of Designer(s): **Vince Toseski**

(45) Registration Date: **05 July 2010**

(56) Related Art Documents: **Not Applicable**

(57) Statement of Newness and Distinctiveness: **Nil**



(21) Design Number: **12376/2010**

(22) Date of Filing Application: **09 June 2010**

(24) Date from which industrial property rights may have effect: **09 June 2010**

(54) Product in respect of which the design is registered: **A swim fin**

(51) International Design Classification: **21-02D**

(71) Name(s) and Address(s) of Applicant(s):

Arena Distribution S.A.

Via Maggio, 1 CH-6900 Lugano Switzerland

(72) Name(s) of Designer(s): **Cristiano Portas**

(45) Registration Date: **05 July 2010**

(30) Convention priority data:

(31) Number

(32) Date

(33) Country

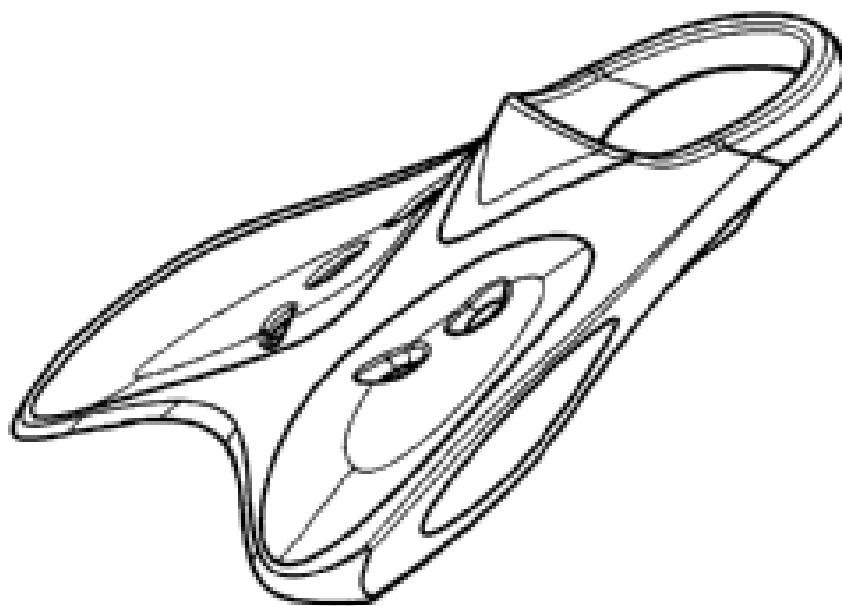
001647017

14 Dec 2009

EUROPEAN COMMUNITY

(56) Related Art Documents: **Not Applicable**

(57) Statement of Newness and Distinctiveness: **Nil**



(21) Design Number: **12377/2010**

(22) Date of Filing Application: **09 June 2010**

(24) Date from which industrial property rights may have effect: **09 June 2010**

(54) Product in respect of which the design is registered: **Bar gun**

(51) International Design Classification: **07-04**

(71) Name(s) and Address(s) of Applicant(s):

**Automatic Bar Controls, Inc.
790 Eubanks Drive Vacaville California 94688 United States of
America**

(72) Name(s) of Designer(s): **Richard A. Martindale and James M. Tuyls**

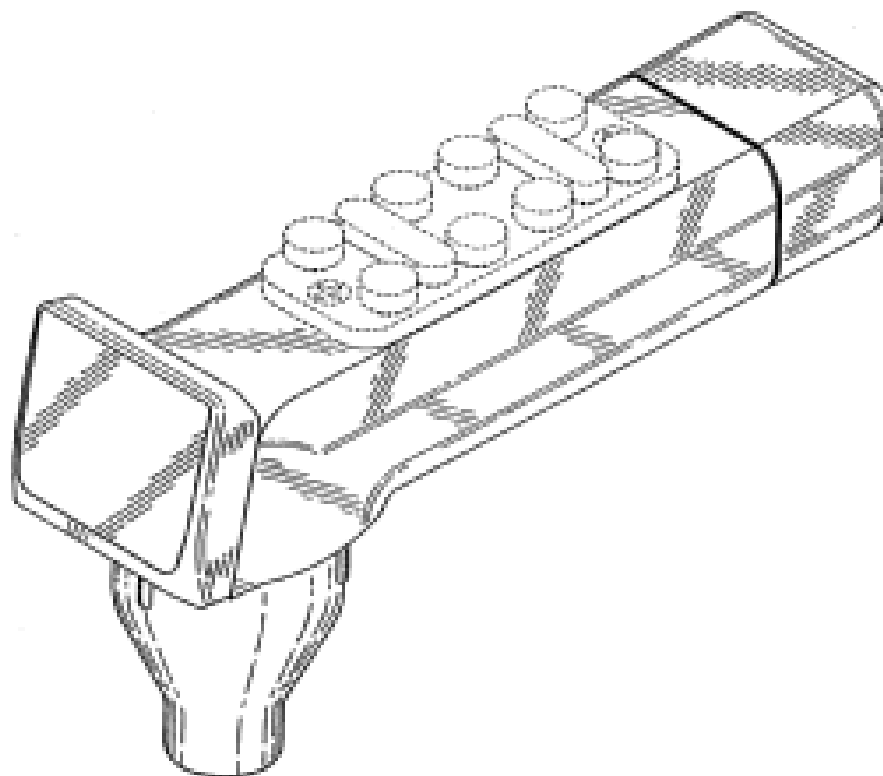
(45) Registration Date: **05 July 2010**

(30) Convention priority data:

(31) Number	(32) Date	(33) Country
29/361127	05 May 2010	UNITED STATES OF AMERICA

(56) Related Art Documents: **Not Applicable**

(57) Statement of Newness and Distinctiveness: **Newness and distinctiveness is claimed in those features of shape and/or configuration of a bar gun illustrated in continuous lines in the accompanying representations.**



(21) Design Number: **12378/2010**

(22) Date of Filing Application: **09 June 2010**

(24) Date from which industrial property rights may have effect: **09 June 2010**

(54) Product in respect of which the design is registered: **Caravan vent cover**

(51) International Design Classification: **12-16NES**

(71) Name(s) and Address(s) of Applicant(s):

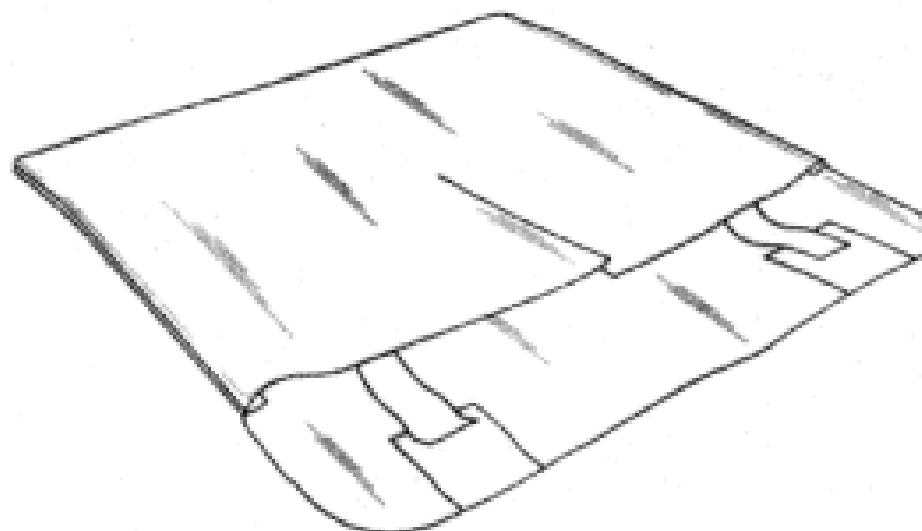
**Robert Stanley Ayles
34 Gladstone Road Brighton South Australia 5048 Australia**

(72) Name(s) of Designer(s): **Robert Stanley Ayles**

(45) Registration Date: **05 July 2010**

(56) Related Art Documents: **Not Applicable**

(57) Statement of Newness and Distinctiveness: **Newness and distinctiveness resides in the shape and configuration of the caravan vent cover as illustrated in the representations, excluding the items illustrated with broken lines.**



(21) Design Number: **12379/2010**

(22) Date of Filing Application: **09 June 2010**

(24) Date from which industrial property rights may have effect: **09 June 2010**

(54) Product in respect of which the design is registered: **Micro suction tip**

(51) International Design Classification: **24-02**

(71) Name(s) and Address(s) of Applicant(s):

Mauro Rella

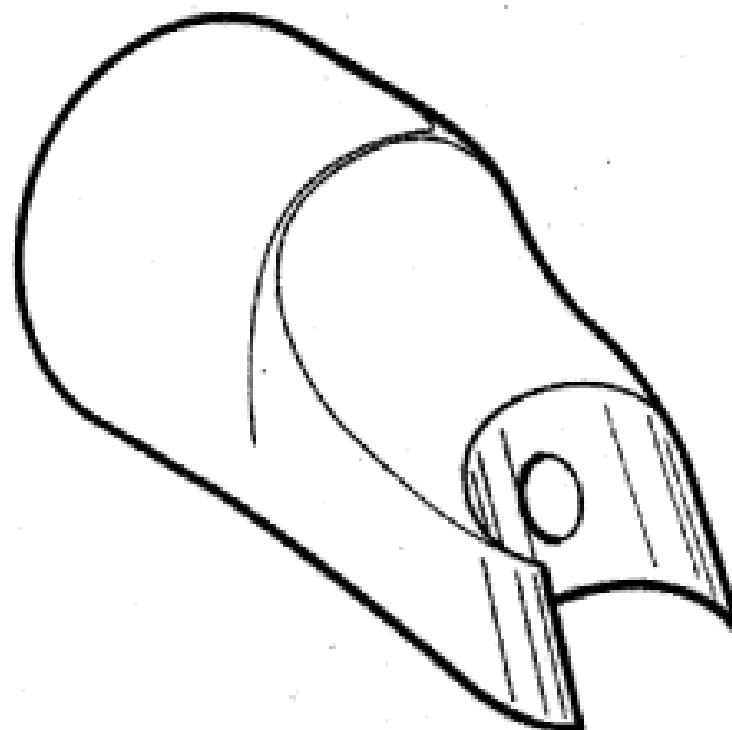
1 Osborne Street Campbelltown South Australia 5074 Australia

(72) Name(s) of Designer(s): **Mauro Rella**

(45) Registration Date: **05 July 2010**

(56) Related Art Documents: **Not Applicable**

(57) Statement of Newness and Distinctiveness: **The newness and distinctiveness resides in the shape and configuration of the tip as shown in the figures.**



(21) Design Number: **12380/2010**

(22) Date of Filing Application: **09 June 2010**

(24) Date from which industrial property rights may have effect: **09 June 2010**

(54) Product in respect of which the design is registered: **Bottle**

(51) International Design Classification: **09-01NES**

(71) Name(s) and Address(s) of Applicant(s):

Wilhelm Reuss GmbH & Co. KG Lebensmittelwerk

Sonnenallee 227 Berlin 12057 Germany

(72) Name(s) of Designer(s): **Kirsten Segalt**

(45) Registration Date: **05 July 2010**

(30) Convention priority data:

(31) Number

(32) Date

(33) Country

DM/073 098

10 Feb 2010

GERMANY

(56) Related Art Documents: **Not Applicable**

(57) Statement of Newness and Distinctiveness: **Nil**



(21) Design Number: 12381/2010

(22) Date of Filing Application: 09 June 2010

(24) Date from which industrial property rights may have effect: 09 June 2010

(54) Product in respect of which the design is registered: Hose clamp

(51) International Design Classification: 08-08D, 23-01A

(71) Name(s) and Address(s) of Applicant(s):

Peng Australia Pty Ltd
2/25 Activity Crescent Molendinar Queensland 4214 Australia

(72) Name(s) of Designer(s): Chris Alan Riordan and Benjamin Patrick Bailey

(45) Registration Date: 05 July 2010

(56) Related Art Documents: Not Applicable

(57) Statement of Newness and Distinctiveness: Nil



(21) Design Number: 11305/2010

(22) Date of Filing Application: 18 March 2010

(24) Date from which industrial property rights may have effect: 18 March 2010

(54) Product in respect of which the design is registered: Portable urinal sanitation unit

(51) International Design Classification: 23-02C

(71) Name(s) and Address(s) of Applicant(s):

Denis Sheahan Event Management Pty Ltd
C/- Macdonnells Law BOQ Centre 259 Queens Street Queensland
4169 Australia

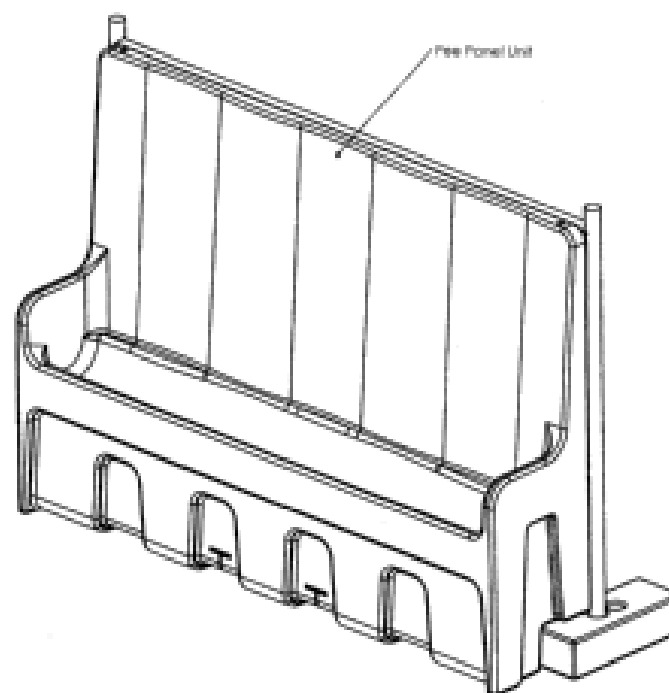
Jebb Pty Ltd
C/- Macdonnells Law BOQ Centre 259 Queens Street Queensland
4169 Australia

(72) Name(s) of Designer(s): Scott Beilenberg and Denis Sheahan

(45) Registration Date: 06 July 2010

(56) Related Art Documents: Not Applicable

(57) Statement of Newness and Distinctiveness: The Pee Panel set out in the drawing attached to this application has the following attributes of Newness and Distinctiveness: 1. The product has been designed around temporary fence panelling which is commonly used to encircle events for security purposes (See Sheet One). The dimensions of the product are such that it will fit within the industry recognised standard width of a fence segment, thus ensuring minimal space is taken up by the product. 2. Further to point one, the mould has been designed to fit flush with the segment of fencing, again taking into account the industry standard for temporary fence panel blocks (See Sheet two) to improve stability and reduce space. 3. Further to points 1 and 2, the fabricated clamping handle (See Sheet 3) has been designed for firm attachment to the fencing segment for increased stability and to avoid tampering with the product by users. 4. Unlike many modular units, the product does not require external support to freestand when not placed next to a fence (See Sheet 4). The products can be placed flush back to back or stand alone in addition to being mounted on a fence. 5. Current products on the market require an external waste storage unit which requires additional space and cost to the end user. The product has been designed to incorporate a waste storage facility which can be easily accessed through a rear 2 inch BSP Drain/Connection Point (See Sheet 5). 6. For increased handling efficiency and safety, the product has been



designed with easily accessed forklift points at the rear of the product for assistance with storage and quick placement around the venue (See Sheet 6). The Forklift points also allow for the product to be moved without the requirement for it to be first emptied. 7. As the product contains a waste storage facility, it includes an easily accessible cleaning which is located on the top of the product (See Sheet 7). 8. For improved hygiene and safety, the product incorporates carry handles in the sides to avoid lifting injuries (See Sheet 8). 9. The product mould allows for the products to be extremely space efficient and allows for easy stacking (See Sheet 9). 10. The contouring of the urinal face is designed for both aesthetics and increased strength (See Sheet 10).

(12) AUSTRALIAN REGISTERED DESIGN
(19) AU

(11) AU-S- 331619

(21) Design Number: **11401/2010**

(22) Date of Filing Application: **14 April 2010**

(24) Date from which industrial property rights may have effect: **14 April 2010**

(54) Product in respect of which the design is registered: **Vehicle mirror**

(51) International Design Classification: **12-16H**

(71) Name(s) and Address(s) of Applicant(s):

Brendan Madden

1 Arras Street Spotswood Victoria 3015 Australia

Milo Angel

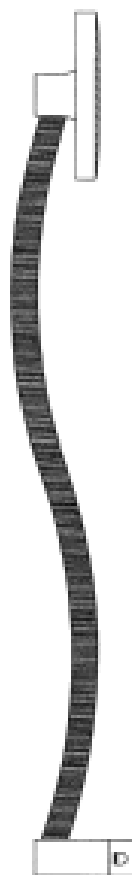
1 Arras Street Spotswood Victoria 3015 Australia

(72) Name(s) of Designer(s): **Brendan Madden and Milo Angel**

(45) Registration Date: **06 July 2010**

(56) Related Art Documents: **Not Applicable**

(57) Statement of Newness and Distinctiveness: **Vehicle mirror has flexible arm for convenient adjustment while staying securely in place and for easy storage.**



(21) Design Number: **11973/2010**

(22) Date of Filing Application: **18 May 2010**

(24) Date from which industrial property rights may have effect: **18 May 2010**

(54) Product in respect of which the design is registered: **A template**

(51) International Design Classification: **25-01NES, 08-08NES**

(71) Name(s) and Address(s) of Applicant(s):

Steve Likiardopoulos

2 Chersey Street Surrey Hills Victoria 3127 Australia

(72) Name(s) of Designer(s): **Steve Likiardopoulos**

(45) Registration Date: **06 July 2010**

(56) Related Art Documents: **Not Applicable**

(57) Statement of Newness and Distinctiveness: **The shape and configuration of the product are new and distinctive.**



(21) Design Number: **11976/2010**

(22) Date of Filing Application: **18 May 2010**

(24) Date from which industrial property rights may have effect: **18 May 2010**

(54) Product in respect of which the design is registered: **A template**

(51) International Design Classification: **25-01NES, 08-08NES**

(71) Name(s) and Address(s) of Applicant(s):

Steve Likiardopoulos

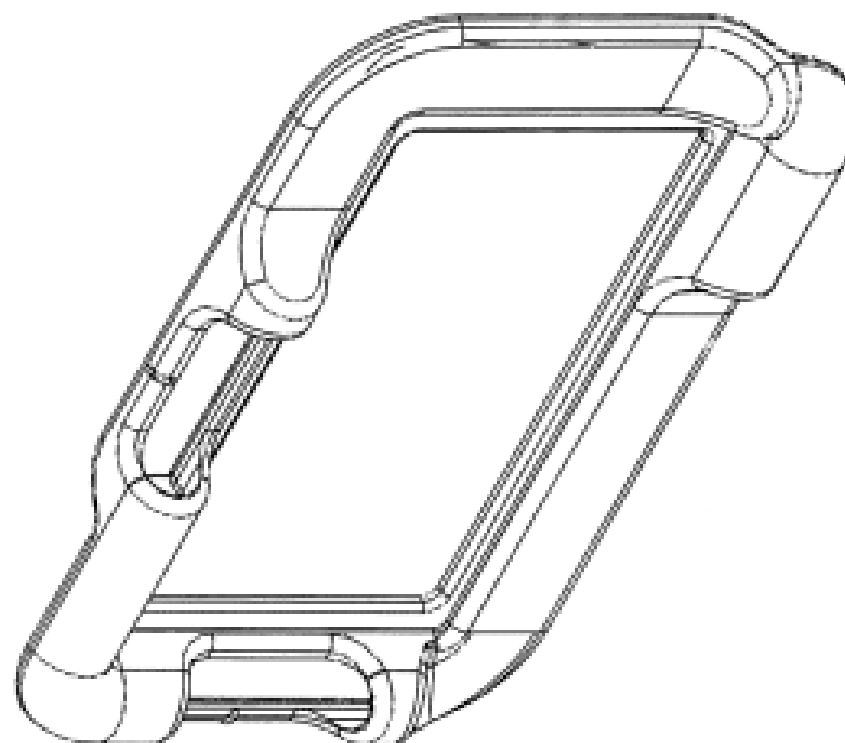
2 Chertsey Street Surrey Hills Victoria 3127 Australia

(72) Name(s) of Designer(s): **Steve Likiardopoulos**

(45) Registration Date: **06 July 2010**

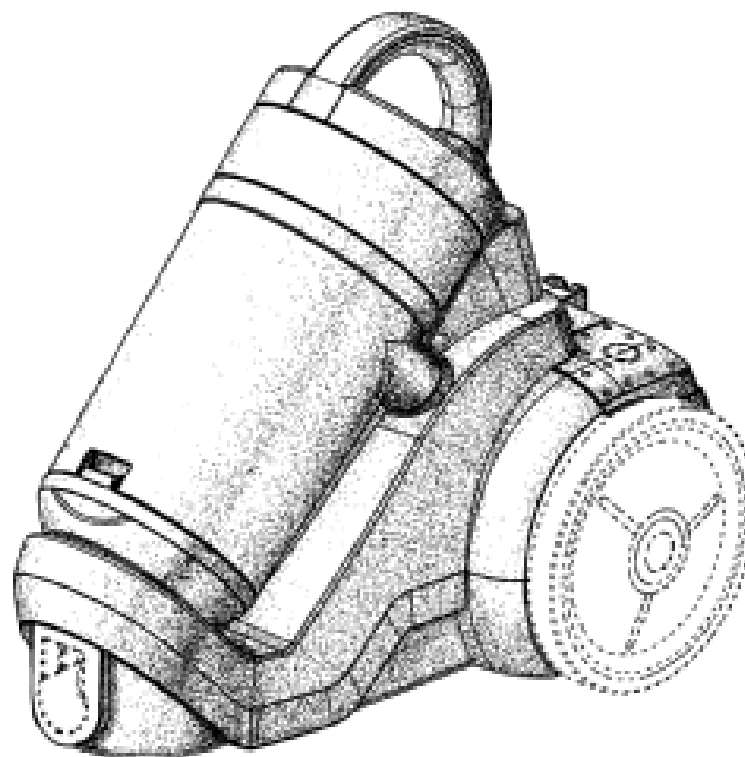
(56) Related Art Documents: **Not Applicable**

(57) Statement of Newness and Distinctiveness: **The shape and configuration of the product are new and distinctive.**



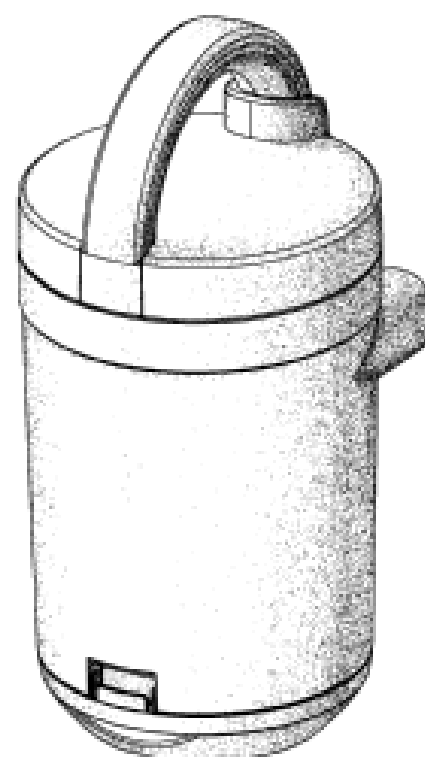
- (21) Design Number: **12391/2010**
- (22) Date of Filing Application: **10 June 2010**
- (24) Date from which industrial property rights may have effect: **10 June 2010**
- (54) Product in respect of which the design is registered: **Vacuum cleaner canister**
- (51) International Design Classification: **15-05**
- (71) Name(s) and Address(s) of Applicant(s):
BISSELL Homecare, Inc
2345 Walker Avenue N.W. Grand Rapids MI 49544 United States of America
- (72) Name(s) of Designer(s): **Adam G. Carr and Michael Luyckx and Douglas J. Medema and Lawrence Chun-Hei Chu and Wendy Hui Wu**
- (45) Registration Date: **06 July 2010**
- (30) Convention priority data:

(31) Number	(32) Date	(33) Country
29/355,722	12 Feb 2010	UNITED STATES OF AMERICA
- (56) Related Art Documents: **Not Applicable**
- (57) Statement of Newness and Distinctiveness: **The shape and/or configuration of those parts of the design shown by means of solid lines in the representations are new and distinctive.**

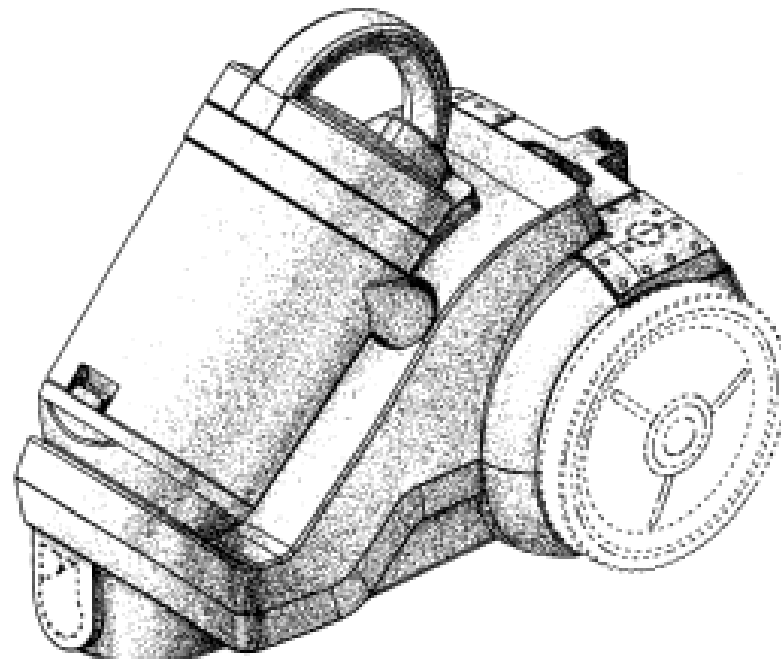


- (21) Design Number: **12392/2010**
- (22) Date of Filing Application: **10 June 2010**
- (24) Date from which industrial property rights may have effect: **10 June 2010**
- (54) Product in respect of which the design is registered: **Canister body for vacuum cleaner**
- (51) International Design Classification: **15-05**
- (71) Name(s) and Address(s) of Applicant(s):
BISSELL Homecare, Inc
2345 Walker Avenue N.W. Grand Rapids MI 49544 United States of America
- (72) Name(s) of Designer(s): **Adam G. Carr and Michael Luyckx and Douglas J. Medema and Lawrence Chun-Hei Chu and Wendy Hui Wu**
- (45) Registration Date: **06 July 2010**
- (30) Convention priority data:

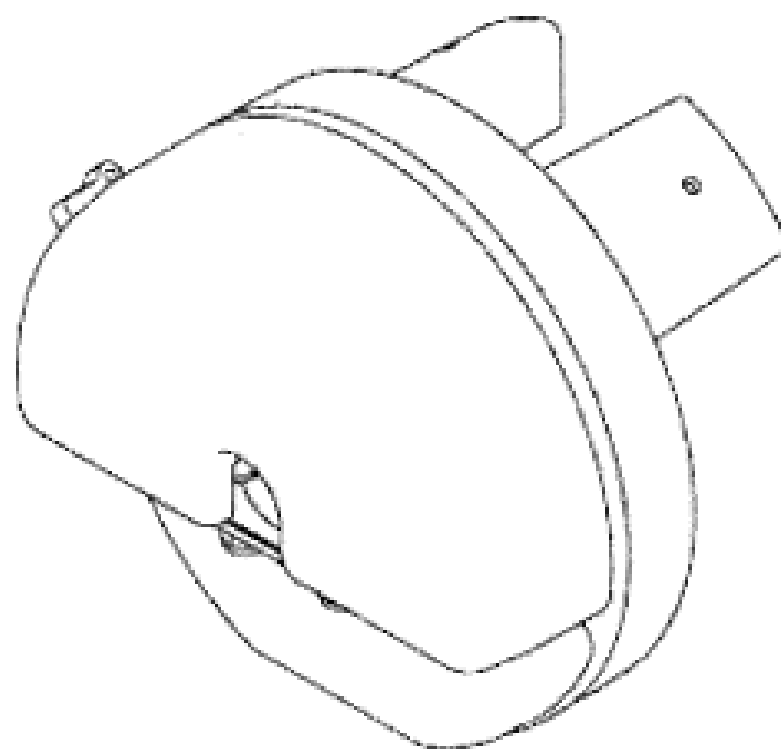
(31) Number	(32) Date	(33) Country
29/355,720	12 Feb 2010	UNITED STATES OF AMERICA
- (56) Related Art Documents: **Not Applicable**
- (57) Statement of Newness and Distinctiveness: **The shape and/or configuration of those parts of the design shown by means of solid lines in the representations are new and distinctive.**



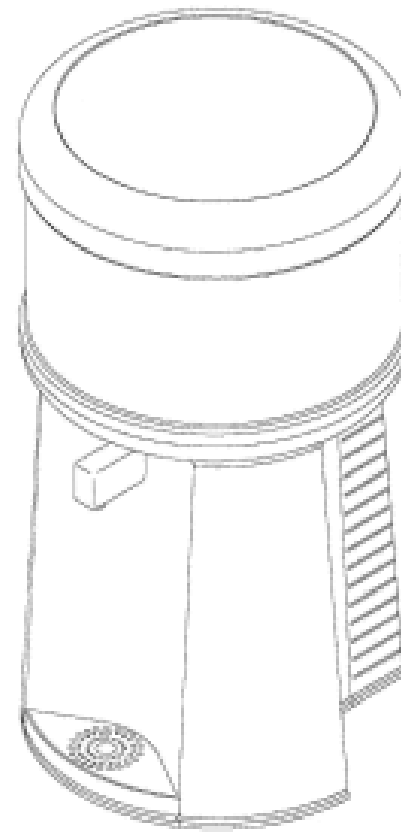
- (21) Design Number: **12393/2010**
(22) Date of Filing Application: **10 June 2010**
(24) Date from which industrial property rights may have effect: **10 June 2010**
(54) Product in respect of which the design is registered: **Cyclone module for vacuum cleaner**
(51) International Design Classification: **15-05**
(71) Name(s) and Address(s) of Applicant(s):
BISSELL Homecare, Inc
2345 Walker Avenue N.W. Grand Rapids MI 49544 United States of America
(72) Name(s) of Designer(s): **Adam G. Carr and Michael Luyckx and Douglas J. Medema and Lawrence Chun-Hei Chu and Wendy Hui Wu**
(45) Registration Date: **06 July 2010**
(30) Convention priority data:
(31) Number (32) Date (33) Country
29/355,719 12 Feb 2010 UNITED STATES OF AMERICA
(56) Related Art Documents: **Not Applicable**
(57) Statement of Newness and Distinctiveness: **The shape and/or configuration of those parts of the design shown by means of solid lines in the representations are new and distinctive.**



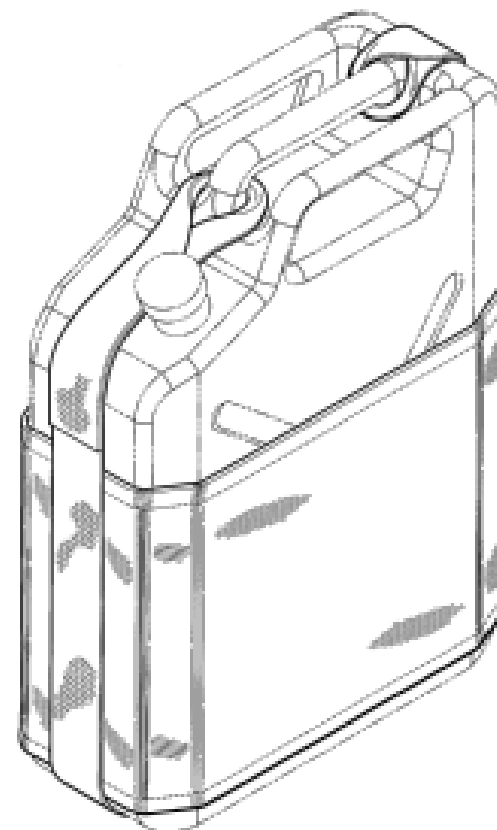
- (21) Design Number: **12394/2010**
(22) Date of Filing Application: **10 June 2010**
(24) Date from which industrial property rights may have effect: **10 June 2010**
(54) Product in respect of which the design is registered: **Roll up door operator assembly**
(51) International Design Classification: **12-05**
(71) Name(s) and Address(s) of Applicant(s):
Smart Openers Pty Ltd
Suite 3 1-3 Albert Street Blackburn Victoria 3130 Australia
(72) Name(s) of Designer(s): **Benjamin James Flemming and Glen Edward Flemming and Jack Leivenzon**
(45) Registration Date: **06 July 2010**
(56) Related Art Documents: **Not Applicable**
(57) Statement of Newness and Distinctiveness: **Newness and Distinctiveness resides in the visual features of shape and configuration of the Roll up Door Operator.**



(21) Design Number: **12396/2010**
(22) Date of Filing Application: **11 June 2010**
(24) Date from which industrial property rights may have effect: **11 June 2010**
(54) Product in respect of which the design is registered: **A water dispenser**
(51) International Design Classification: **23-01NES**
(71) Name(s) and Address(s) of Applicant(s):
Societe des Produits Nestle S.A.
1800 Vevey Switzerland
(72) Name(s) of Designer(s): **Jerzy Porebski and Grzegorz Niwinski**
(45) Registration Date: **06 July 2010**
(30) Convention priority data:
(31) Number **136819** (32) Date **30 Mar 2010** (33) Country **SWITZERLAND**
(56) Related Art Documents: **Not Applicable**
(57) Statement of Newness and Distinctiveness: **Nil**



(21) Design Number: **12399/2010**
(22) Date of Filing Application: **10 June 2010**
(24) Date from which industrial property rights may have effect: **10 June 2010**
(54) Product in respect of which the design is registered: **Lifting aid**
(51) International Design Classification: **12-05, 09-02B**
(71) Name(s) and Address(s) of Applicant(s):
Michael Charles Horton
199 Inglewood-Salisbury Road Salisbury West Victoria 3517 Australia
(72) Name(s) of Designer(s): **Michael Charles Horton**
(45) Registration Date: **06 July 2010**
(56) Related Art Documents: **Not Applicable**
(57) Statement of Newness and Distinctiveness: **Nil**



- (21) Design Number: **10020/2010**
(22) Date of Filing Application: **06 January 2010**
(24) Date from which industrial property rights may have effect: **06 January 2010**
(54) Product in respect of which the design is registered: **Motor vehicle**
(51) International Design Classification: **12-08**
(71) Name(s) and Address(s) of Applicant(s):
Volkswagen Aktiengesellschaft
38436 Wolfsburg Germany
(72) Name(s) of Designer(s): **Klaus Bischoff and Oliver Stefani and Marco Antonio Pavone**
(45) Registration Date: **06 July 2010**
(56) Related Art Documents: **Not Applicable**
(57) Statement of Newness and Distinctiveness: **Newness and distinctiveness is claimed in the features of shape and/or configuration of a motor vehicle as illustrated in the accompanying representations.**



- (21) Design Number: **10132/2010**
(22) Date of Filing Application: **15 January 2010**
(24) Date from which industrial property rights may have effect: **15 January 2010**
(54) Product in respect of which the design is registered: **A split-pin**
(51) International Design Classification: **08-08A**
(71) Name(s) and Address(s) of Applicant(s):
Farm Innovations Pty Ltd
12 Rio Street Bayswater Western Australia 6053 Australia
(72) Name(s) of Designer(s): **Henry Frank Jarvis**
(45) Registration Date: **06 July 2010**
(56) Related Art Documents: **Not Applicable**
(57) Statement of Newness and Distinctiveness: **The particular visual features of the design which are new and distinctive are shape or configuration.**



(21) Design Number: **10133/2010**

(22) Date of Filing Application: **15 January 2010**

(24) Date from which industrial property rights may have effect: **15 January 2010**

(54) Product in respect of which the design is registered: **A split-pin**

(51) International Design Classification: **08-08A**

(71) Name(s) and Address(s) of Applicant(s):

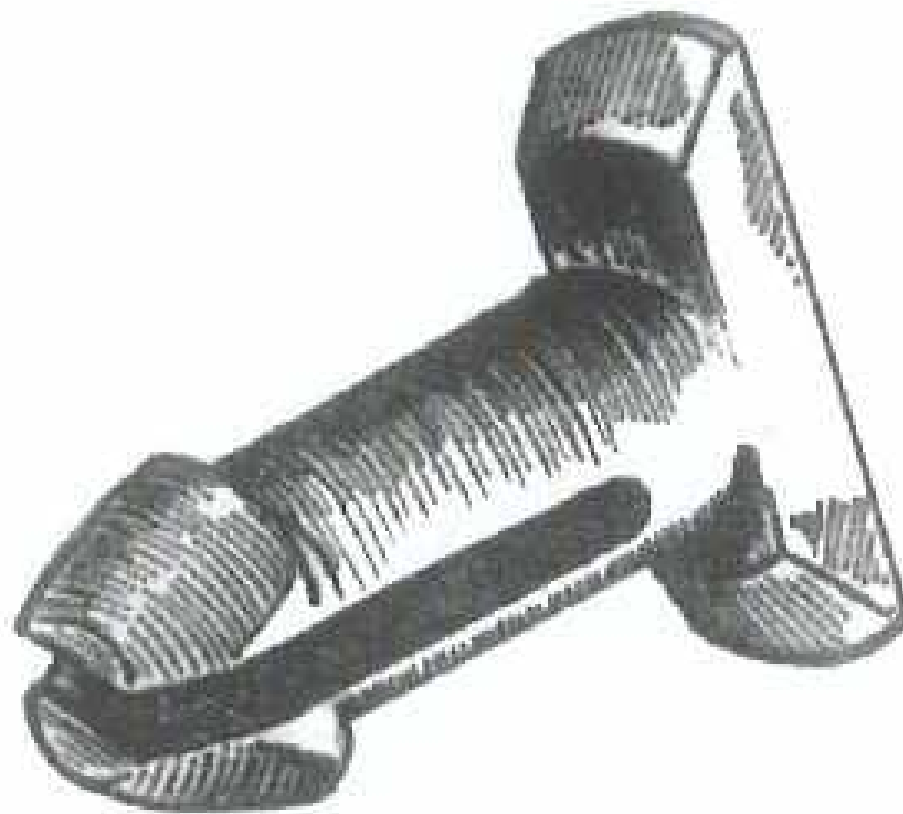
Farm Innovations Pty Ltd
12 Rio Street Bayswater Western Australia 6053 Australia

(72) Name(s) of Designer(s): **Henry Frank Jarvis**

(45) Registration Date: **06 July 2010**

(56) Related Art Documents: **Not Applicable**

(57) Statement of Newness and Distinctiveness: **The particular visual features of the design which are new and distinctive are shape or configuration.**



(21) Design Number: **10134/2010**

(22) Date of Filing Application: **15 January 2010**

(24) Date from which industrial property rights may have effect: **15 January 2010**

(54) Product in respect of which the design is registered: **A split-pin**

(51) International Design Classification: **08-08A**

(71) Name(s) and Address(s) of Applicant(s):

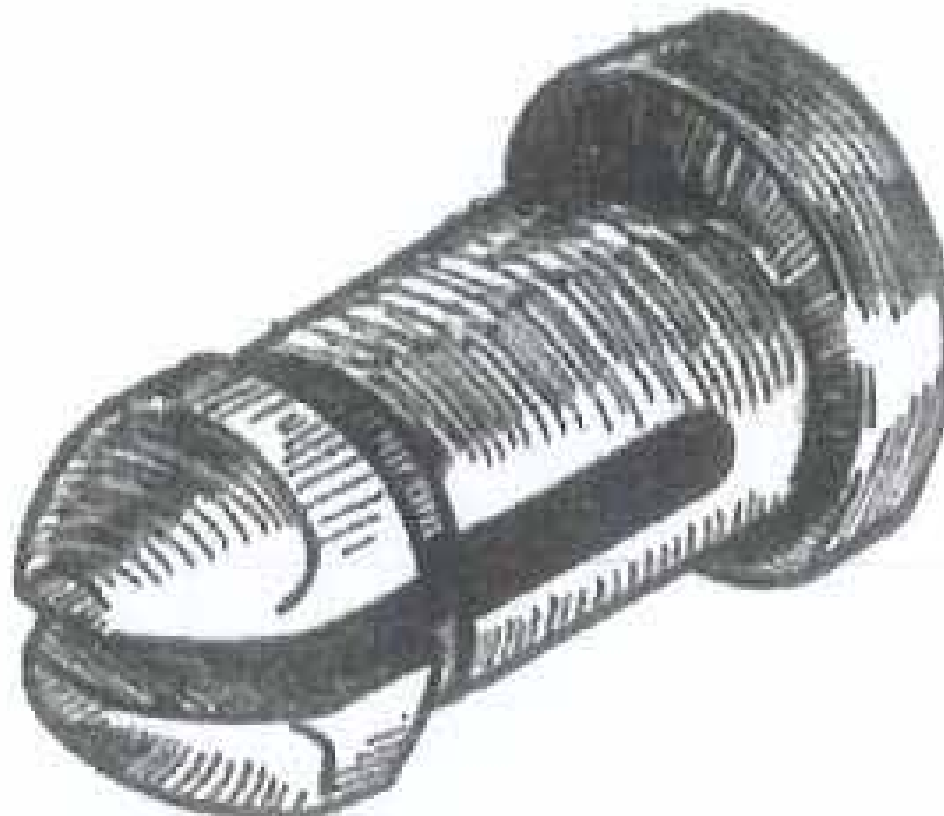
Farm Innovations Pty Ltd
12 Rio Street Bayswater Western Australia 6053 Australia

(72) Name(s) of Designer(s): **Henry Frank Jarvis**

(45) Registration Date: **06 July 2010**

(56) Related Art Documents: **Not Applicable**

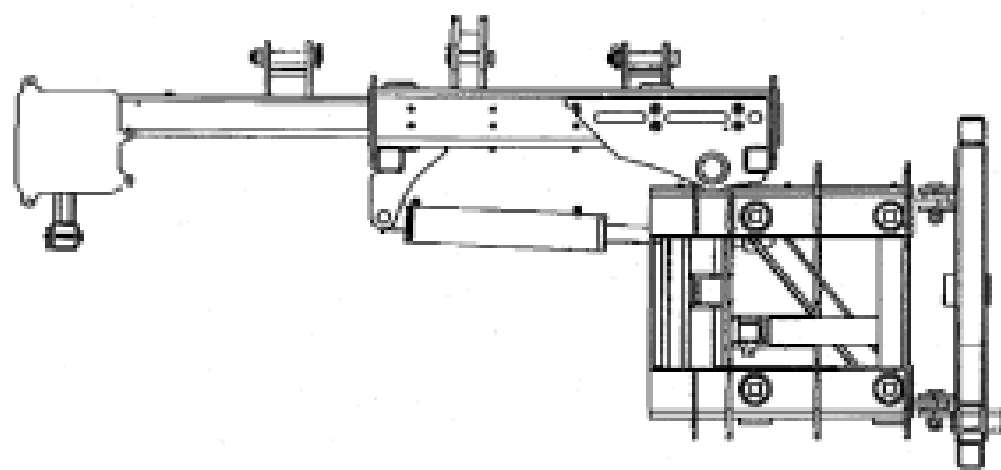
(57) Statement of Newness and Distinctiveness: **The particular visual features of the design which are new and distinctive are shape or configuration.**



(19) AU

- (21) Design Number: **12127/2010**
- (22) Date of Filing Application: **25 May 2010**
- (24) Date from which industrial property rights may have effect: **25 May 2010**
- (54) Product in respect of which the design is registered: **A base for a post or pile driver**
- (51) International Design Classification: **15-04**
- (71) Name(s) and Address(s) of Applicant(s):
Fairbrother Industries Limited
9 Bay Park Place Beachhaven Auckland New Zealand
- (72) Name(s) of Designer(s): **James Ernest Fairbrother and Craig Russell**
- (45) Registration Date: **06 July 2010**
- (30) Convention priority data:

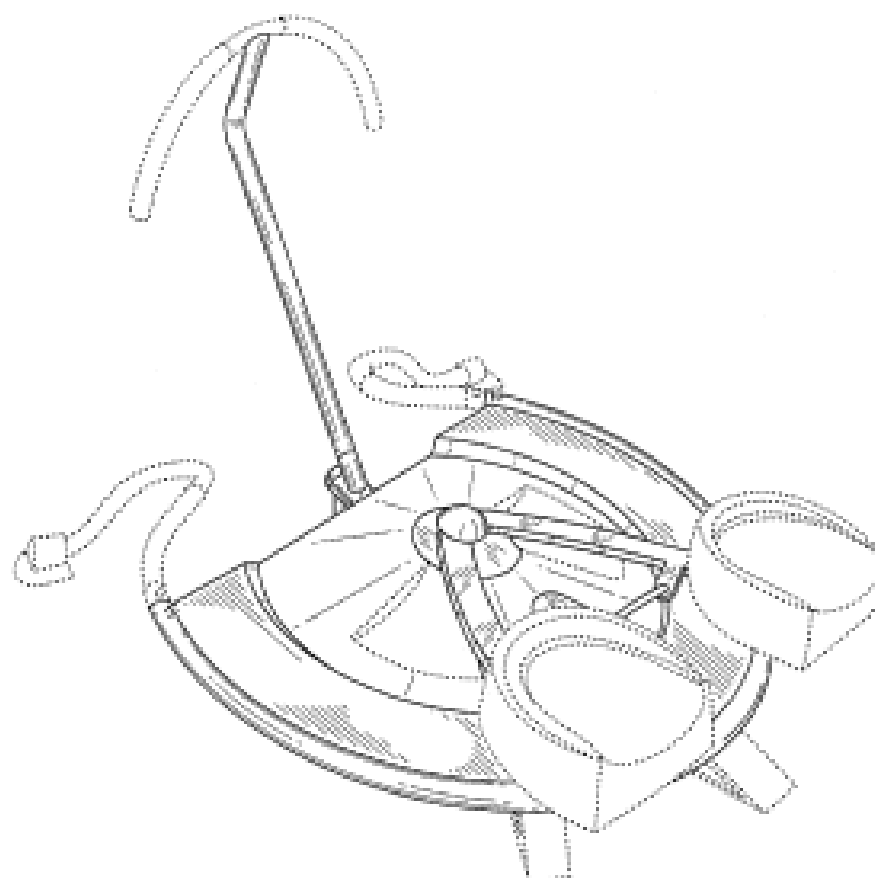
(31) Number	(32) Date	(33) Country
413001	25 Nov 2009	NEW ZEALAND
- (56) Related Art Documents: **Not Applicable**
- (57) Statement of Newness and Distinctiveness: **The novelty claimed for the design resides in the features of shape and/or configuration all as shown in the representations which shows the base in different modes.**



(19) AU

- (21) Design Number: **12387/2010**
- (22) Date of Filing Application: **10 June 2010**
- (24) Date from which industrial property rights may have effect: **10 June 2010**
- (54) Product in respect of which the design is registered: **Exercise device**
- (51) International Design Classification: **21-02F**
- (71) Name(s) and Address(s) of Applicant(s):
Fitness Brands Inc.
3400 Ranch Road 620 South Unit 12101 Austin TX 78738 United States of America
- (72) Name(s) of Designer(s): **Michael Casey and David Brodess**
- (45) Registration Date: **06 July 2010**
- (30) Convention priority data:

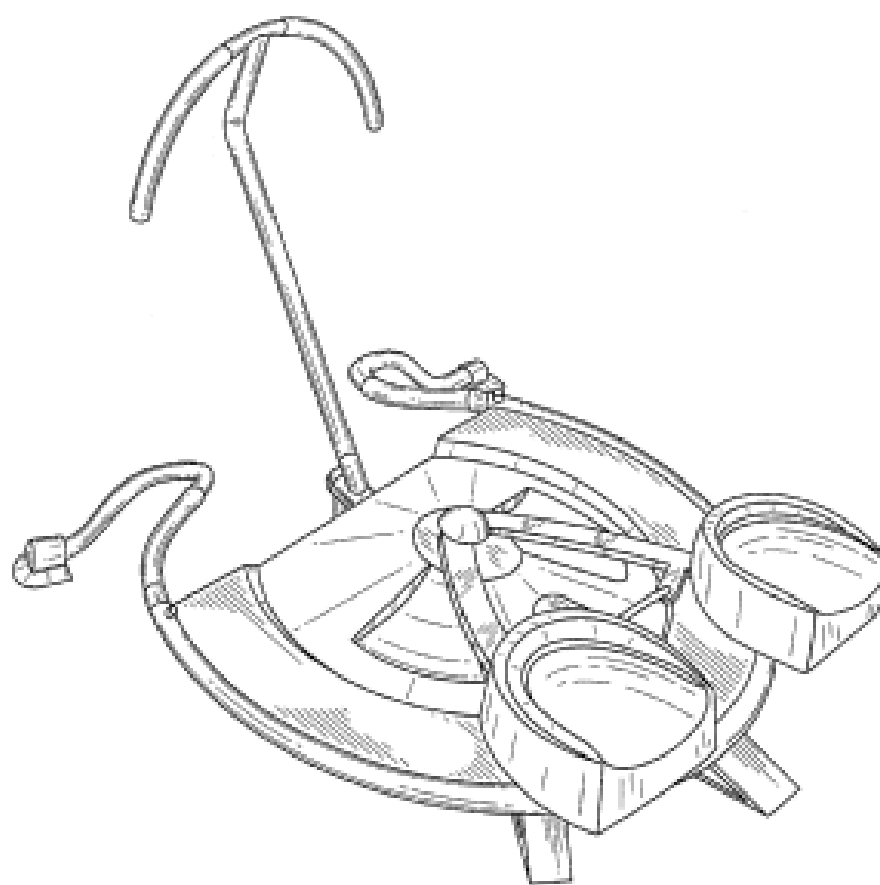
(31) Number	(32) Date	(33) Country
29/357821	17 Mar 2010	UNITED STATES OF AMERICA
- (56) Related Art Documents: **Not Applicable**
- (57) Statement of Newness and Distinctiveness: **Newness and distinctiveness resides in the visual features, including shape and/or configuration, of the exercise device as shown in solid outline in the accompanying drawings. When determining whether the design is substantially similar in overall impression to another design no regard is to be had to these features shown in broken lines.**



(21) Design Number: **12388/2010**
 (22) Date of Filing Application: **10 June 2010**
 (24) Date from which industrial property rights may have effect: **10 June 2010**
 (54) Product in respect of which the design is registered: **Exercise device**
 (51) International Design Classification: **21-02F**
 (71) Name(s) and Address(s) of Applicant(s):
Fitness Brands Inc.
3400 Ranch Road 620 South Unit 12101 Austin TX 78738 United States of America
 (72) Name(s) of Designer(s): **Michael Casey and David Brodess**
 (45) Registration Date: **06 July 2010**
 (30) Convention priority data:

(31) Number	(32) Date	(33) Country
29/357821	17 Mar 2010	UNITED STATES OF AMERICA

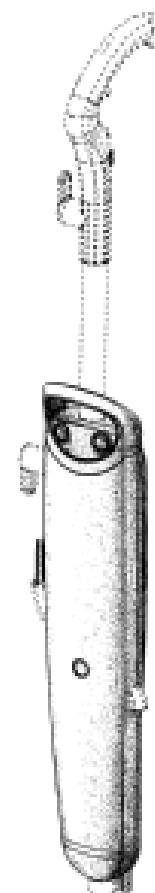
 (56) Related Art Documents: **Not Applicable**
 (57) Statement of Newness and Distinctiveness: **Newness and distinctiveness resides in the visual features, including shape and/or configuration, of the exercise device as shown in solid outline in the accompanying drawings.**



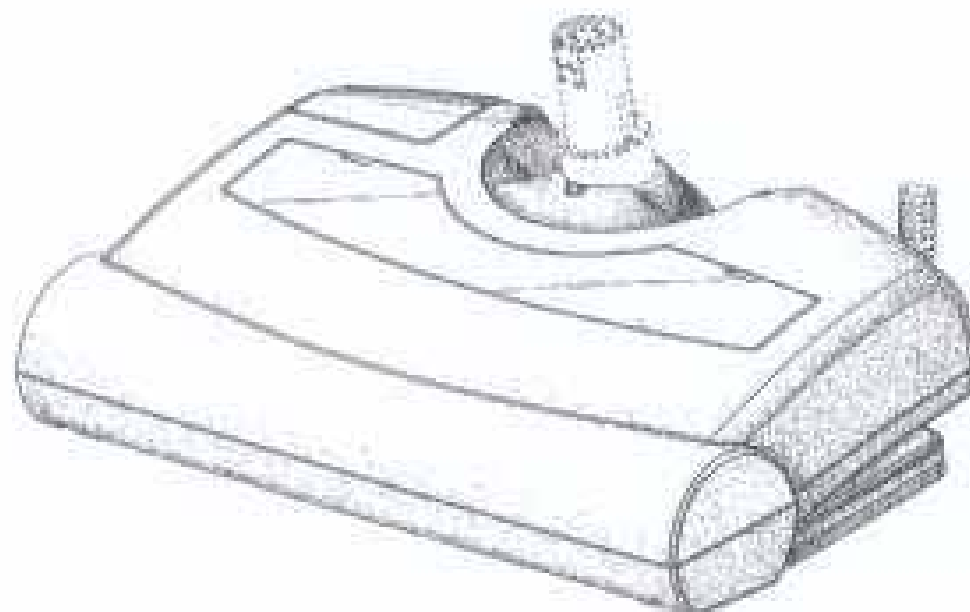
(21) Design Number: **12389/2010**
 (22) Date of Filing Application: **10 June 2010**
 (24) Date from which industrial property rights may have effect: **10 June 2010**
 (54) Product in respect of which the design is registered: **Sweeper module**
 (51) International Design Classification: **15-05**
 (71) Name(s) and Address(s) of Applicant(s):
BISSELL Homecare, Inc
2345 Walker Avenue N.W. Grand Rapids MI 49544 United States of America
 (72) Name(s) of Designer(s): **Meghan M. Raven and Douglas J. Medema and Jose Carlito Santiago**
 (45) Registration Date: **06 July 2010**
 (30) Convention priority data:

(31) Number	(32) Date	(33) Country
29/356,091	19 Feb 2010	UNITED STATES OF AMERICA

 (56) Related Art Documents: **Not Applicable**
 (57) Statement of Newness and Distinctiveness: **The shape and/or configuration of those parts of the design shown by means of solid lines in the representations are new and distinctive.**



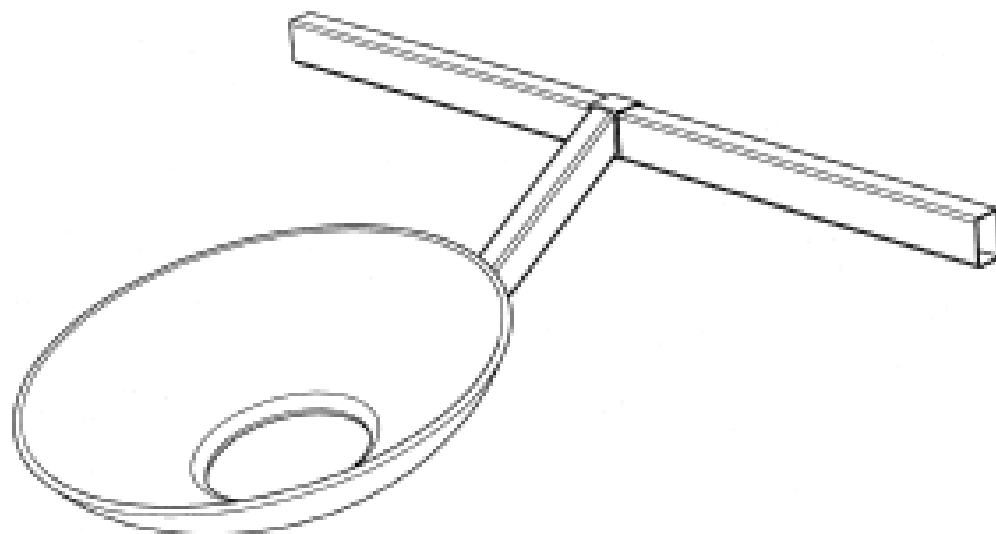
- (21) Design Number: **12390/2010**
(22) Date of Filing Application: **10 June 2010**
(24) Date from which industrial property rights may have effect: **10 June 2010**
(54) Product in respect of which the design is registered: **Sweeper foot**
(51) International Design Classification: **15-05**
(71) Name(s) and Address(s) of Applicant(s):
BISSELL Homecare, Inc
2345 Walker Avenue N.W. Grand Rapids MI 49544 United States of America
(72) Name(s) of Designer(s): **Meghan M. Raven and Douglas J. Medema and Jose Carlito Santiago**
(45) Registration Date: **06 July 2010**
(30) Convention priority data:
(31) Number (32) Date (33) Country
29/356,089 19 Feb 2010 UNITED STATES OF AMERICA
(56) Related Art Documents: **Not Applicable**
(57) Statement of Newness and Distinctiveness: **The shape and/or configuration of those parts of the design shown by means of solid lines in the representations are new and distinctive.**



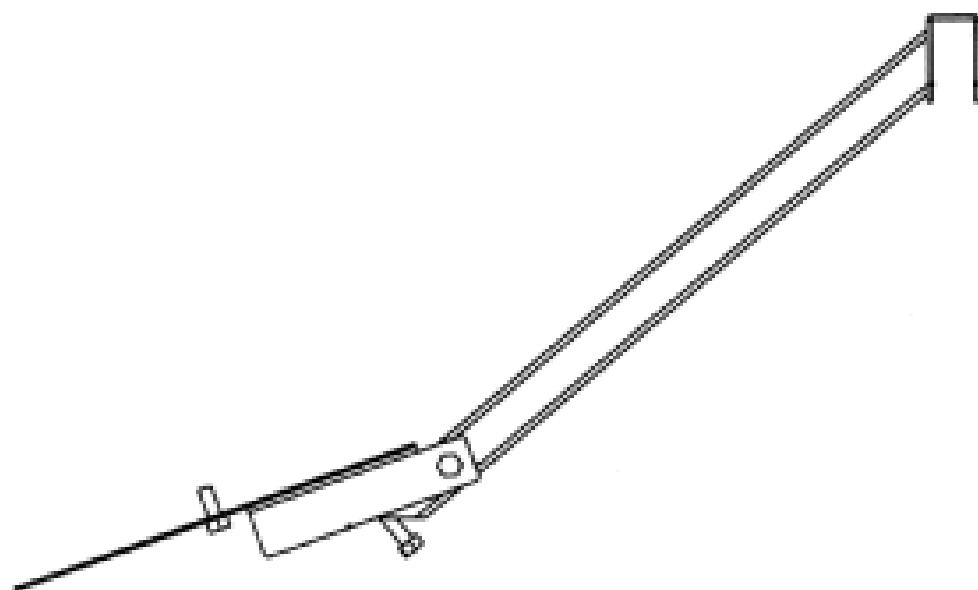
- (21) Design Number: **12679/2010**
(22) Date of Filing Application: **30 June 2010**
(24) Date from which industrial property rights may have effect: **30 June 2010**
(54) Product in respect of which the design is registered: **Airspresso back pack coffee brewer**
(51) International Design Classification: **07-02L**
(71) Name(s) and Address(s) of Applicant(s):
Airspresso Pty Ltd
100-102 Exeter Road Croydon North Victoria 3136 Australia
(72) Name(s) of Designer(s): **Steve Bolto**
(45) Registration Date: **06 July 2010**
(56) Related Art Documents: **Not Applicable**
(57) Statement of Newness and Distinctiveness: **Dimples for cap and coffee basket. Shower screen integration with barrel. Barrel skirt extension for basket coverage.**



- (21) Design Number: **11554/2010**
(22) Date of Filing Application: **23 April 2010**
(24) Date from which industrial property rights may have effect: **23 April 2010**
(54) Product in respect of which the design is registered: **Product display apparatus**
(51) International Design Classification: **20-02NES**
(71) Name(s) and Address(s) of Applicant(s):
Frigrite Limited
27-43 Grange Road Cheltenham Victoria 3192 Australia
(72) Name(s) of Designer(s): **Robert Darroch**
(45) Registration Date: **06 July 2010**
(56) Related Art Documents: **Not Applicable**
(57) Statement of Newness and Distinctiveness: **Newness and distinctiveness is claimed in the visual features of the angled arm shown in the representations. In considering the extent of the design rights, the visual features of the receptacle for holding products and also of the bracket bar are for illustrative purposes.**

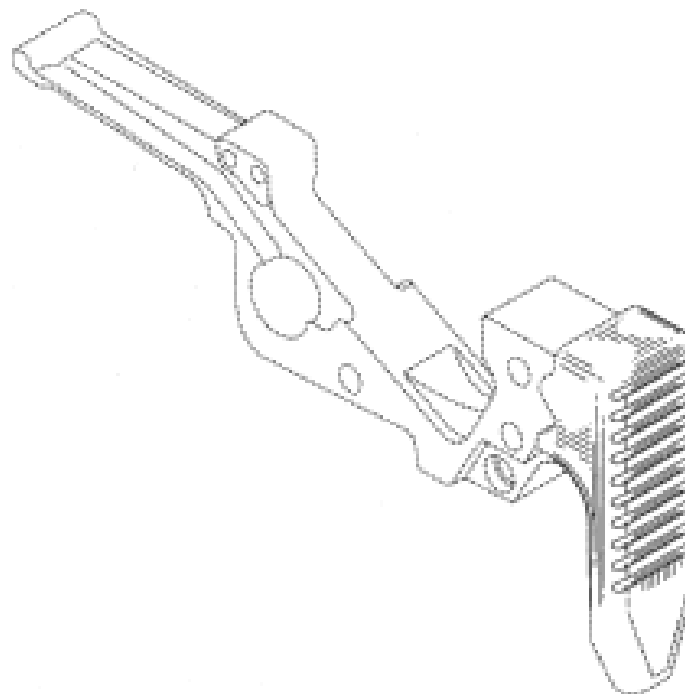


- (21) Design Number: **12725/2010**
(22) Date of Filing Application: **23 April 2010**
(24) Date from which industrial property rights may have effect: **23 April 2010**
(54) Product in respect of which the design is registered: **Product display apparatus**
(51) International Design Classification: **20-02NES**
(71) Name(s) and Address(s) of Applicant(s):
Frigrite Limited
27-43 Grange Road Cheltenham Victoria 3192 Australia
(72) Name(s) of Designer(s): **Robert Darroch**
(45) Registration Date: **06 July 2010**
(56) Related Art Documents: **Not Applicable**
(57) Statement of Newness and Distinctiveness: **Newness and distinctiveness is claimed in the visual features of the angled arm shown in the representations.**



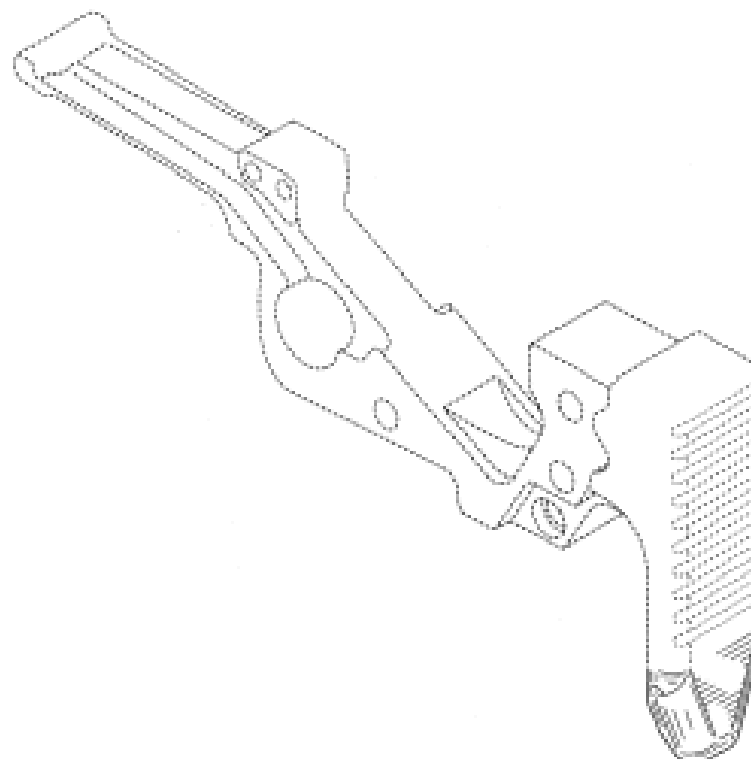
- (21) Design Number: **12409/2010**
- (22) Date of Filing Application: **11 June 2010**
- (24) Date from which industrial property rights may have effect: **11 June 2010**
- (54) Product in respect of which the design is registered: **Portion of a hand tool**
- (51) International Design Classification: **08-05P**
- (71) Name(s) and Address(s) of Applicant(s):
Leatherman Tool Group, Inc.
12106 NE Ainsworth Circle Portland OR 97220 United States of America
- (72) Name(s) of Designer(s): **Blair Scott Barnes and Jeffrey L. Caniparoli and Jeffrey B. Castro and Benjamin C. Rivera**
- (45) Registration Date: **07 July 2010**
- (30) Convention priority data:

(31) Number	(32) Date	(33) Country
29/352,326	18 Feb 2009	UNITED STATES OF AMERICA
- (56) Related Art Documents: **Not Applicable**
- (57) Statement of Newness and Distinctiveness: **The newness and distinctiveness of the design resides in the features of shape and/or configuration of the hand tool portion shown in unbroken lines in the accompanying representations.**

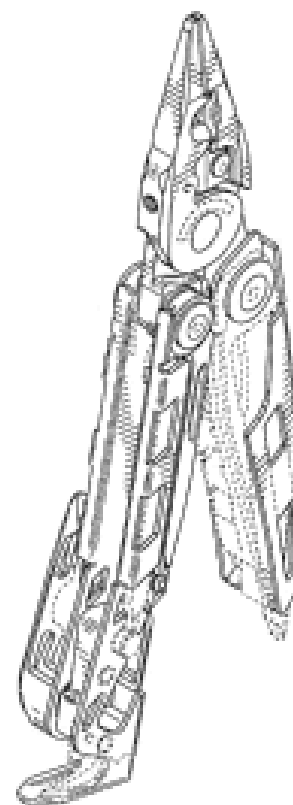


- (21) Design Number: **12410/2010**
- (22) Date of Filing Application: **11 June 2010**
- (24) Date from which industrial property rights may have effect: **11 June 2010**
- (54) Product in respect of which the design is registered: **Portion of a hand tool**
- (51) International Design Classification: **08-05P**
- (71) Name(s) and Address(s) of Applicant(s):
Leatherman Tool Group, Inc.
12106 NE Ainsworth Circle Portland OR 97220 United States of America
- (72) Name(s) of Designer(s): **Blair Scott Barnes and Jeffrey L. Caniparoli and Jeffrey B. Castro and Benjamin C. Rivera**
- (45) Registration Date: **07 July 2010**
- (30) Convention priority data:

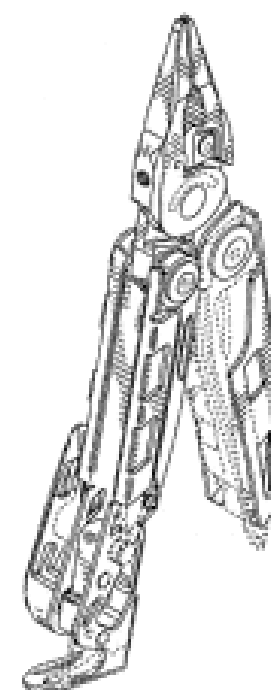
(31) Number	(32) Date	(33) Country
29/352,325	18 Dec 2009	UNITED STATES OF AMERICA
- (56) Related Art Documents: **Not Applicable**
- (57) Statement of Newness and Distinctiveness: **The newness and distinctiveness of the design resides in the features of shape and/or configuration of the hand tool portion shown in unbroken lines in the accompanying representations.**



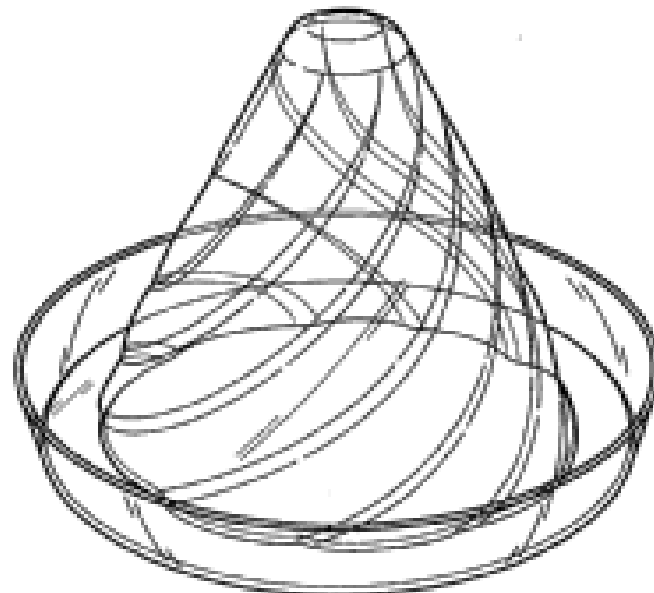
- (21) Design Number: **12412/2010**
(22) Date of Filing Application: **11 June 2010**
(24) Date from which industrial property rights may have effect: **11 June 2010**
(54) Product in respect of which the design is registered: **Hand tool**
(51) International Design Classification: **08-05P**
(71) Name(s) and Address(s) of Applicant(s):
Leatherman Tool Group, Inc.
12106 NE Ainsworth Circle Portland OR 97220 United States of America
(72) Name(s) of Designer(s): **Blair Scott Barnes and Jeffrey L. Caniparoli and Jeffrey B. Castro and Benjamin C. Rivera**
(45) Registration Date: **07 July 2010**
(30) Convention priority data:
(31) Number (32) Date (33) Country
29/352,321 18 Dec 2009 UNITED STATES OF AMERICA
(56) Related Art Documents: **Not Applicable**
(57) Statement of Newness and Distinctiveness: **The newness and distinctiveness of the design resides in the features of shape and/or configuration of the hand tool shown in unbroken lines in the accompanying representations.**



- (21) Design Number: **12413/2010**
(22) Date of Filing Application: **11 June 2010**
(24) Date from which industrial property rights may have effect: **11 June 2010**
(54) Product in respect of which the design is registered: **Hand tool**
(51) International Design Classification: **08-05P**
(71) Name(s) and Address(s) of Applicant(s):
Leatherman Tool Group, Inc.
12106 NE Ainsworth Circle Portland OR 97220 United States of America
(72) Name(s) of Designer(s): **Blair Scott Barnes and Jeffrey L. Caniparoli and Jeffrey B. Castro and Benjamin C. Rivera**
(45) Registration Date: **07 July 2010**
(30) Convention priority data:
(31) Number (32) Date (33) Country
29/352,321 18 Dec 2009 UNITED STATES OF AMERICA
(56) Related Art Documents: **Not Applicable**
(57) Statement of Newness and Distinctiveness: **The newness and distinctiveness of the design resides in the features of shape and/or configuration of the hand tool shown in unbroken lines in the accompanying representations.**



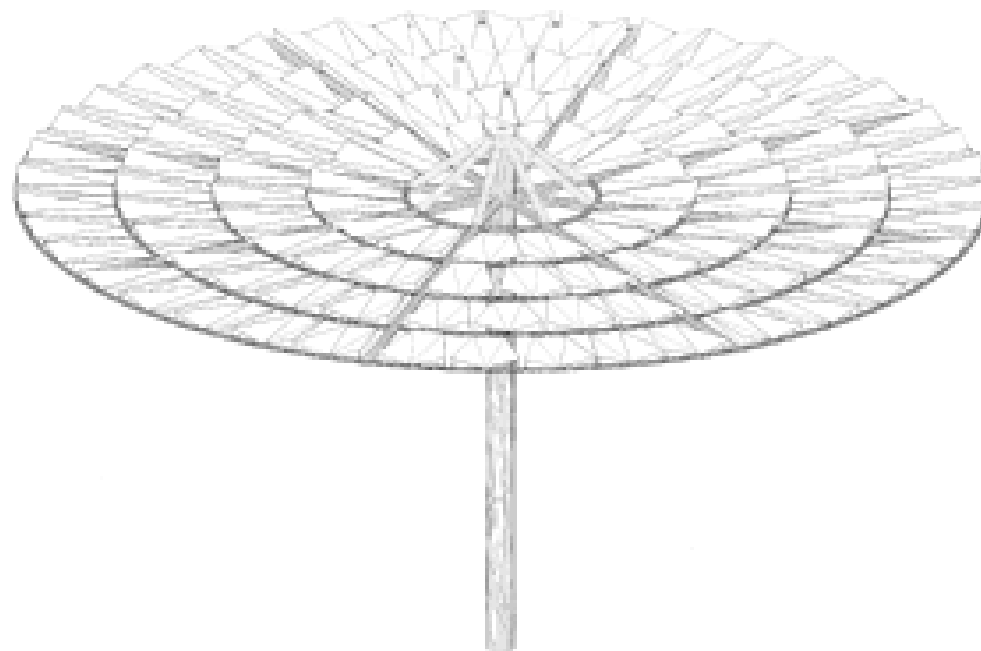
- (21) Design Number: **12414/2010**
(22) Date of Filing Application: **11 June 2010**
(24) Date from which industrial property rights may have effect: **11 June 2010**
(54) Product in respect of which the design is registered: **Lid for icecream cone**
(51) International Design Classification: **09-07NES**
(71) Name(s) and Address(s) of Applicant(s):
Unilever PLC
100 Victoria Embankment London EC4Y 0DY United Kingdom
(72) Name(s) of Designer(s): **Gianluca Nardiello and Gianluca Miele and Adele Staro**
(45) Registration Date: **07 July 2010**
(30) Convention priority data:
(31) Number (32) Date (33) Country
4013862 22 Dec 2009 UNITED KINGDOM
(56) Related Art Documents: **Not Applicable**
(57) Statement of Newness and Distinctiveness: **Newness and distinctiveness resides in the visual features, including shape and configuration, of the LID FOR ICE CREAM CONE as shown in the representations.**



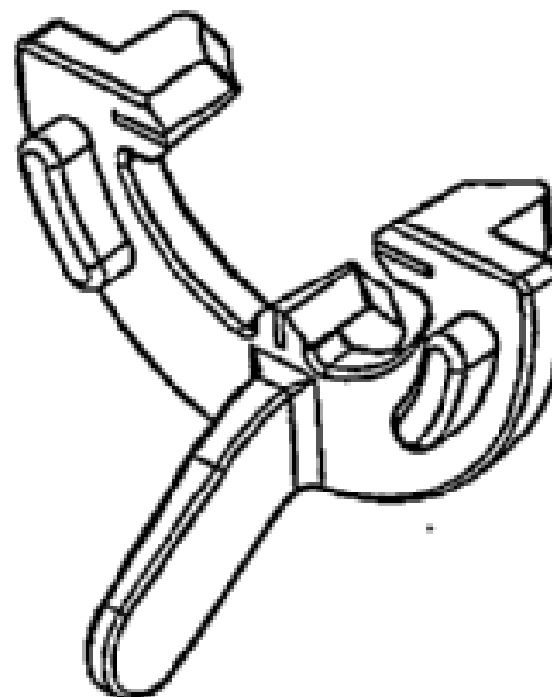
- (21) Design Number: **12415/2010**
(22) Date of Filing Application: **11 June 2010**
(24) Date from which industrial property rights may have effect: **11 June 2010**
(54) Product in respect of which the design is registered: **A component of a shade structure**
(51) International Design Classification: **03-03**
(71) Name(s) and Address(s) of Applicant(s):
Syrinx Environmental Pty Ltd
12 Monger Street Perth Western Australia 6000 Australia
(72) Name(s) of Designer(s): **Deborah Kuh**
(45) Registration Date: **07 July 2010**
(56) Related Art Documents: **Not Applicable**
(57) Statement of Newness and Distinctiveness: **Nil**



- (21) Design Number: **12416/2010**
(22) Date of Filing Application: **11 June 2010**
(24) Date from which industrial property rights may have effect: **11 June 2010**
(54) Product in respect of which the design is registered: **A shade structure**
(51) International Design Classification: **03-03**
(71) Name(s) and Address(s) of Applicant(s):
Syrinx Environmental Pty Ltd
12 Monger Street Perth Western Australia 6000 Australia
(72) Name(s) of Designer(s): **Deborah Kuh**
(45) Registration Date: **07 July 2010**
(56) Related Art Documents: **Not Applicable**
(57) Statement of Newness and Distinctiveness: **The shape and/or configuration, of those parts of the design shown by means of solid lines in the representations are new and distinctive.**



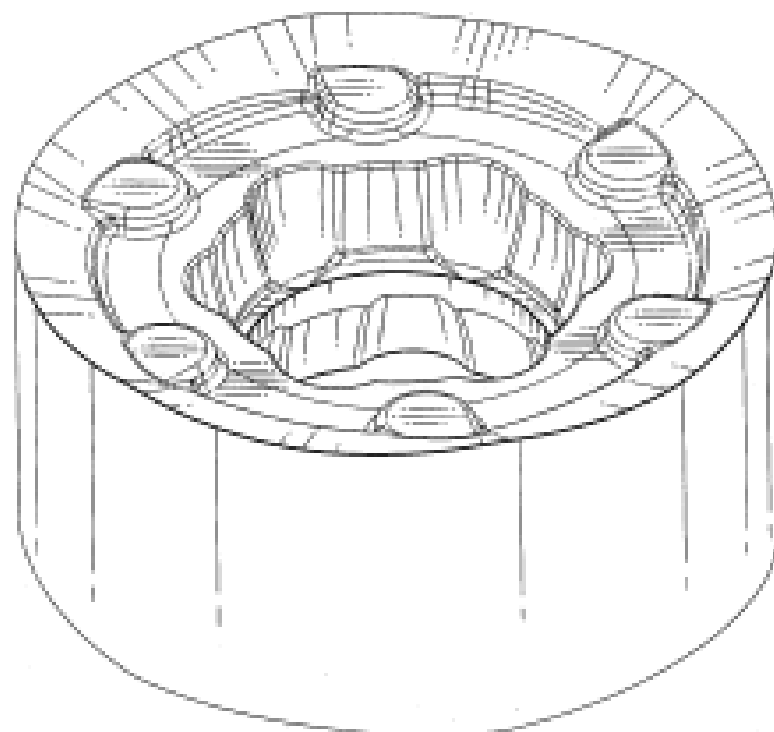
- (21) Design Number: **13915/2009**
(22) Date of Filing Application: **09 October 2009**
(24) Date from which industrial property rights may have effect: **09 October 2009**
(54) Product in respect of which the design is registered: **Eye marker for eye surgery**
(51) International Design Classification: **24-02, 16-06**
(71) Name(s) and Address(s) of Applicant(s):
Peter Leo Macken
Suite 8, 70 Bowral Street Bowral New South Wales 2576 Australia
(72) Name(s) of Designer(s): **Peter Leo Macken and Bryan Terry and Fred Blochlinger**
(45) Registration Date: **08 July 2010**
(56) Related Art Documents: **Not Applicable**
(57) Statement of Newness and Distinctiveness: **Nil**



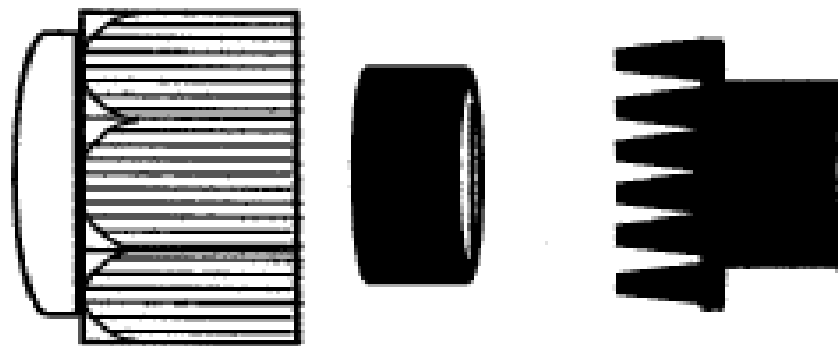
(21) Design Number: **11587/2010**
(22) Date of Filing Application: **27 April 2010**
(24) Date from which industrial property rights may have effect: **27 April 2010**
(54) Product in respect of which the design is registered: **Sun bed**
(51) International Design Classification: **06-02**
(71) Name(s) and Address(s) of Applicant(s):
Barry Horsfall
624 Grange Road Henley Beach South Australia 5022 Australia
(72) Name(s) of Designer(s): **Barry Horsfall**
(45) Registration Date: **08 July 2010**
(56) Related Art Documents: **Not Applicable**
(57) Statement of Newness and Distinctiveness: **Nil**



(21) Design Number: **11706/2010**
(22) Date of Filing Application: **30 April 2010**
(24) Date from which industrial property rights may have effect: **30 April 2010**
(54) Product in respect of which the design is registered: **Cutting insert**
(51) International Design Classification: **08-03**
(71) Name(s) and Address(s) of Applicant(s):
Kennametal Inc.
1600 Technology Way Latrobe Pennsylvania 15650 United States of America
(72) Name(s) of Designer(s): **Thomas Jerry Long and Jeffrey Francis Kovac and Lewis Ray Morrison and Suresh Mali and Kumar Reddy Mylavaram Nikhilesh**
(45) Registration Date: **08 July 2010**
(30) Convention priority data:
(31) Number (32) Date (33) Country
29/346581 03 Nov 2009 UNITED STATES OF AMERICA
(56) Related Art Documents: **Not Applicable**
(57) Statement of Newness and Distinctiveness: **Newness and distinctiveness is claimed in the shape and/or configuration and pattern and/or ornamentation of a cutting insert as shown in the accompanying drawings.**



- (21) Design Number: **11953/2010**
(22) Date of Filing Application: **17 May 2010**
(24) Date from which industrial property rights may have effect: **17 May 2010**
(54) Product in respect of which the design is registered: **Retaining nut for trailer plugs and sockets**
(51) International Design Classification: **12-16L**
(71) Name(s) and Address(s) of Applicant(s):
Dennis Ronald Gravalin
271 River Street Maclean New South Wales 2463 Australia
Sandra Lorraine Gravalin
271 River Street Maclean New South Wales 2463 Australia
(72) Name(s) of Designer(s): **Dennis Ronald Gravalin and Sandra Lorraine Gravalin**
(45) Registration Date: **08 July 2010**
(56) Related Art Documents: **Not Applicable**
(57) Statement of Newness and Distinctiveness: **Newness and Distinctiveness, a universal cable gripping assembly device with trapezoids that fold down when tighten by a hexagon nut is claimed in the visual features of the design in the shape and configuration thereof as illustrated in the accompanying representations shown in solid lines.**



- (21) Design Number: **12280/2010**
(22) Date of Filing Application: **03 June 2010**
(24) Date from which industrial property rights may have effect: **03 June 2010**
(54) Product in respect of which the design is registered: **Lighting device**
(51) International Design Classification: **26-99**
(71) Name(s) and Address(s) of Applicant(s):
Schreder S.A.
Rue de Lusambo 67 B-1190 Brussels Belgium
(72) Name(s) of Designer(s): **Michel Tortel**
(45) Registration Date: **08 July 2010**
(30) Convention priority data:
(31) Number (32) Date (33) Country
001182539-0001 08 Dec 2009 EUROPEAN COMMUNITY
(56) Related Art Documents: **Not Applicable**
(57) Statement of Newness and Distinctiveness: **Those features of the lighting device depicted in the representations that are new and distinctive are the shape and/or configuration.**



(21) Design Number: **12281/2010**

(22) Date of Filing Application: **03 June 2010**

(24) Date from which industrial property rights may have effect: **03 June 2010**

(54) Product in respect of which the design is registered: **Lighting device**

(51) International Design Classification: **26-99**

(71) Name(s) and Address(s) of Applicant(s):

Schreder S.A.

Rue de Lusambo 67 B-1190 Brussels Belgium

(72) Name(s) of Designer(s): **Michel Tortel**

(45) Registration Date: **08 July 2010**

(30) Convention priority data:

(31) Number

(32) Date

(33) Country

001182539-0002 08 Dec 2009

EUROPEAN COMMUNITY

(56) Related Art Documents: **Not Applicable**

(57) Statement of Newness and Distinctiveness: **Those features of the lighting device depicted in the representations that are new and distinctive are the shape and/or configuration.**



(21) Design Number: **12282/2010**

(22) Date of Filing Application: **03 June 2010**

(24) Date from which industrial property rights may have effect: **03 June 2010**

(54) Product in respect of which the design is registered: **Lighting device**

(51) International Design Classification: **26-99**

(71) Name(s) and Address(s) of Applicant(s):

Schreder S.A.

Rue de Lusambo 67 B-1190 Brussels Belgium

(72) Name(s) of Designer(s): **Michel Tortel**

(45) Registration Date: **08 July 2010**

(30) Convention priority data:

(31) Number

(32) Date

(33) Country

001182539-0003 08 Dec 2009

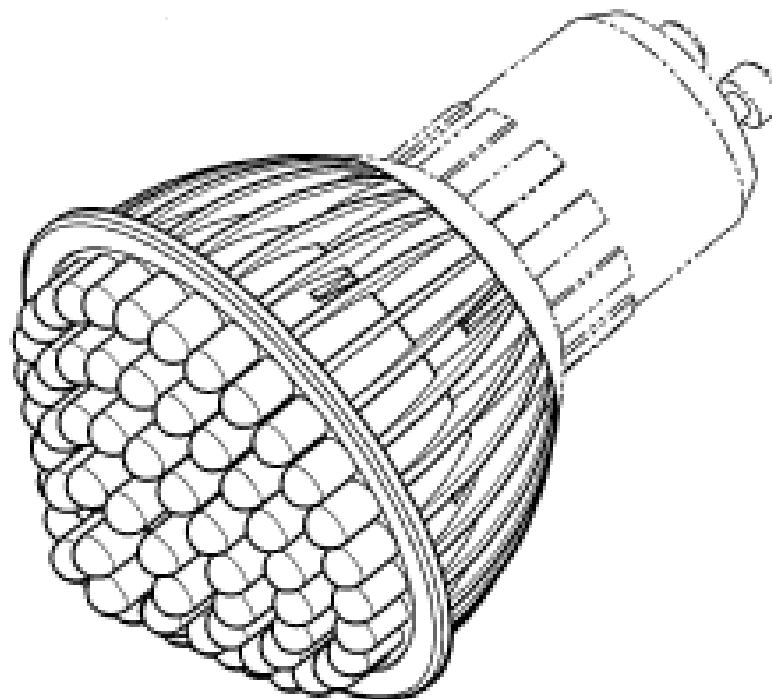
EUROPEAN COMMUNITY

(56) Related Art Documents: **Not Applicable**

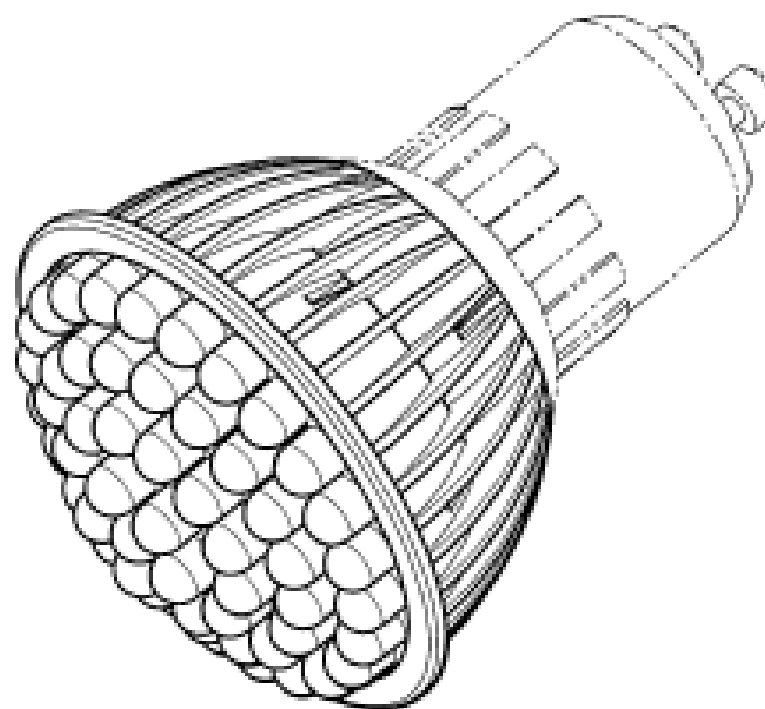
(57) Statement of Newness and Distinctiveness: **Those features of the lighting device depicted in the representations that are new and distinctive are the shape and/or configuration.**



- (21) Design Number: **12435/2010**
- (22) Date of Filing Application: **15 June 2010**
- (24) Date from which industrial property rights may have effect: **15 June 2010**
- (54) Product in respect of which the design is registered: **LED downlight**
- (51) International Design Classification: **26-05E**
- (71) Name(s) and Address(s) of Applicant(s):
Heland IP Pty Ltd
275 Perry Road Keysborough Victoria 3173 Australia
- (72) Name(s) of Designer(s): **Anthony Keller**
- (45) Registration Date: **08 July 2010**
- (56) Related Art Documents: **Not Applicable**
- (57) Statement of Newness and Distinctiveness: **Newness and distinctiveness resides in the features of shape and/or configuration of an LED Downlight as shown in solid lines in the accompanying representations.**



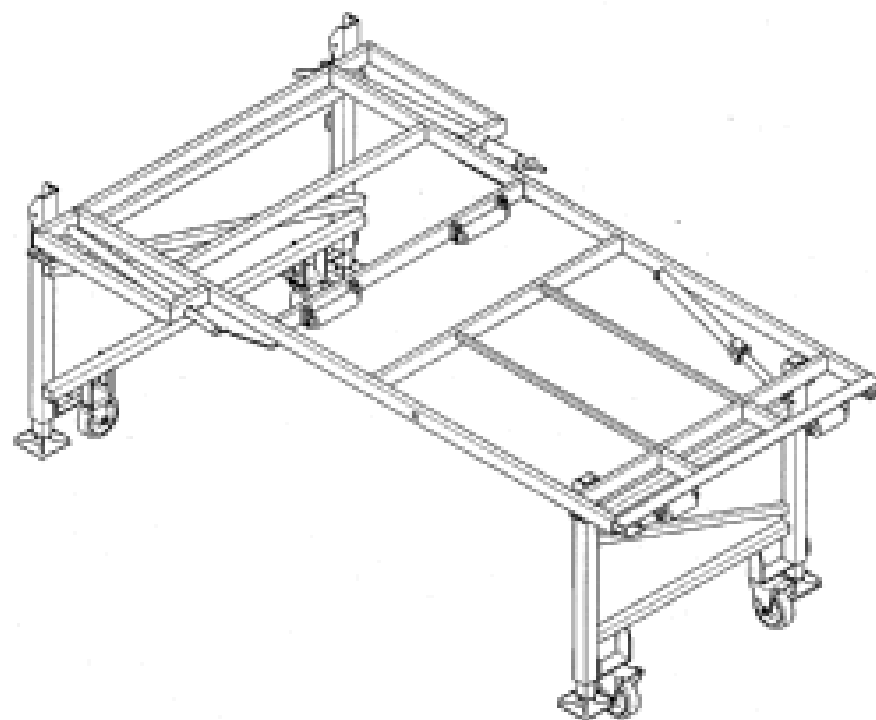
- (21) Design Number: **12436/2010**
- (22) Date of Filing Application: **15 June 2010**
- (24) Date from which industrial property rights may have effect: **15 June 2010**
- (54) Product in respect of which the design is registered: **LED downlight**
- (51) International Design Classification: **26-05E**
- (71) Name(s) and Address(s) of Applicant(s):
Heland IP Pty Ltd
275 Perry Road Keysborough Victoria 3173 Australia
- (72) Name(s) of Designer(s): **Anthony Keller**
- (45) Registration Date: **08 July 2010**
- (56) Related Art Documents: **Not Applicable**
- (57) Statement of Newness and Distinctiveness: **Newness and distinctiveness resides in the features of shape and/or configuration of an LED Downlight as shown in solid lines in the accompanying representations.**



- (21) Design Number: **12438/2010**
(22) Date of Filing Application: **15 June 2010**
(24) Date from which industrial property rights may have effect: **15 June 2010**
(54) Product in respect of which the design is registered: **Measuring cups**
(51) International Design Classification: **07-01D, 10-04**
(71) Name(s) and Address(s) of Applicant(s):
Independence Studios Pty Ltd
PO Box 409 Brookvale New South Wales 2100 Australia
(72) Name(s) of Designer(s): **Carl Mitsch**
(45) Registration Date: **08 July 2010**
(56) Related Art Documents: **Not Applicable**
(57) Statement of Newness and Distinctiveness: **Monopoly is claimed in the shape and configuration of the article as illustrated in the representations.**



- (21) Design Number: **12439/2010**
(22) Date of Filing Application: **15 June 2010**
(24) Date from which industrial property rights may have effect: **15 June 2010**
(54) Product in respect of which the design is registered: **Support platform**
(51) International Design Classification: **25-04**
(71) Name(s) and Address(s) of Applicant(s):
High Point Trading 393 cc
37A Lower Station Road Maitland 7405 Cape Town Western Cape
South Africa
(72) Name(s) of Designer(s): **Johan Lombard and Ronald Ralph Wamback**
(45) Registration Date: **08 July 2010**
(30) Convention priority data:
(31) Number (32) Date (33) Country
A2009/01936 15 Dec 2009 SOUTH AFRICA
(56) Related Art Documents: **Not Applicable**
(57) Statement of Newness and Distinctiveness: **Newness and distinctiveness is claimed for the features of shape and/or configuration of a support platform substantially as shown in the accompanying representations.**



(21) Design Number: **12440/2010**

(22) Date of Filing Application: **15 June 2010**

(24) Date from which industrial property rights may have effect: **15 June 2010**

(54) Product in respect of which the design is registered: **Support platform**

(51) International Design Classification: **25-04**

(71) Name(s) and Address(s) of Applicant(s):

**High Point Trading 393 cc
37A Lower Station Road Maitland 7405 Cape Town Western Cape
South Africa**

(72) Name(s) of Designer(s): **Johan Lombard and Ronald Ralph Wamback**

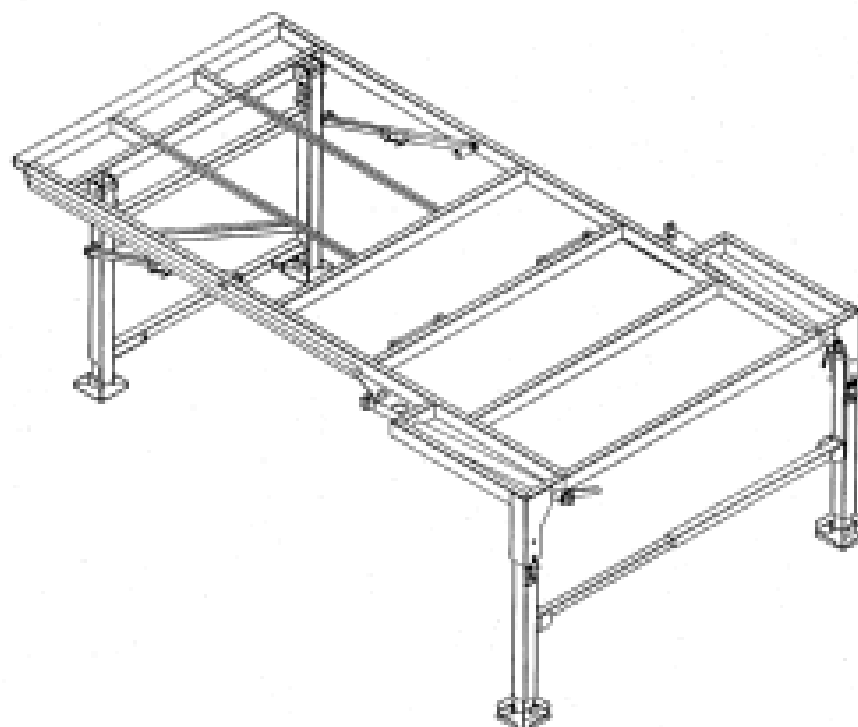
(45) Registration Date: **08 July 2010**

(30) Convention priority data:

(31) Number	(32) Date	(33) Country
A2010/00656	05 May 2010	SOUTH AFRICA

(56) Related Art Documents: **Not Applicable**

(57) Statement of Newness and Distinctiveness: **Newness and distinctiveness is claimed for the features of shape and/or configuration of a support platform substantially as shown in the accompanying representations.**



(21) Design Number: **12441/2010**

(22) Date of Filing Application: **16 June 2010**

(24) Date from which industrial property rights may have effect: **16 June 2010**

(54) Product in respect of which the design is registered: **Adjustable pan connector**

(51) International Design Classification: **23-01B**

(71) Name(s) and Address(s) of Applicant(s):

**Art Plastics Pty Ltd
14 White Street Bayswater Western Australia 6053 Australia**

(72) Name(s) of Designer(s): **Tim Lucas**

(45) Registration Date: **08 July 2010**

(56) Related Art Documents: **Not Applicable**

(57) Statement of Newness and Distinctiveness: **Nil**



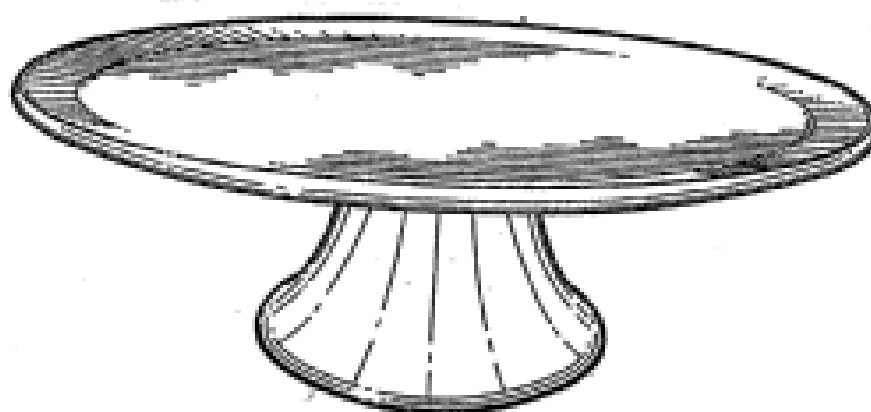
- (21) Design Number: **12442/2010**
(22) Date of Filing Application: **16 June 2010**
(24) Date from which industrial property rights may have effect: **16 June 2010**
(54) Product in respect of which the design is registered: **Square basket waste**
(51) International Design Classification: **23-01G**
(71) Name(s) and Address(s) of Applicant(s):
Art Plastics Pty Ltd
14 White Street Bayswater Western Australia 6053 Australia
(72) Name(s) of Designer(s): **Scott Johnstone**
(45) Registration Date: **08 July 2010**
(56) Related Art Documents: **Not Applicable**
(57) Statement of Newness and Distinctiveness: **Nil**



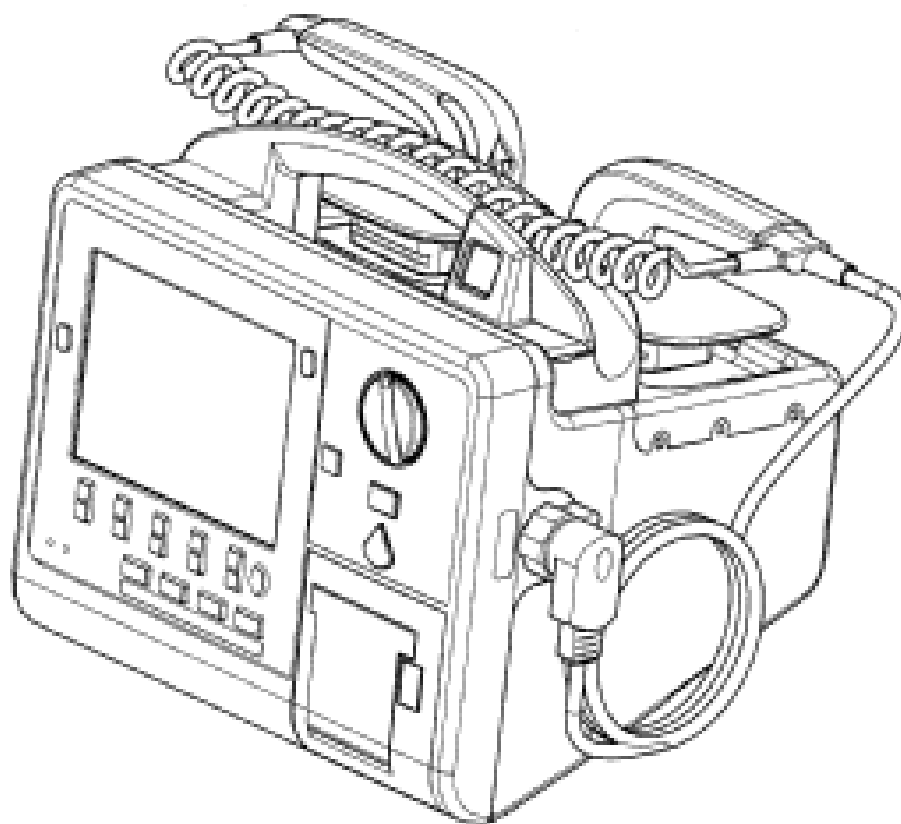
- (21) Design Number: **12445/2010**
(22) Date of Filing Application: **15 June 2010**
(24) Date from which industrial property rights may have effect: **15 June 2010**
(54) Product in respect of which the design is registered: **Cake stand**
(51) International Design Classification: **07-01B**
(71) Name(s) and Address(s) of Applicant(s):
Columbia Insurance Company
3024 Harney Street Omaha Nebraska 68131 United States of America
(72) Name(s) of Designer(s): **William Lupkes and James Lee**
(45) Registration Date: **08 July 2010**
(30) Convention priority data:

(31) Number	(32) Date	(33) Country
29/352639	23 Dec 2009	UNITED STATES OF AMERICA

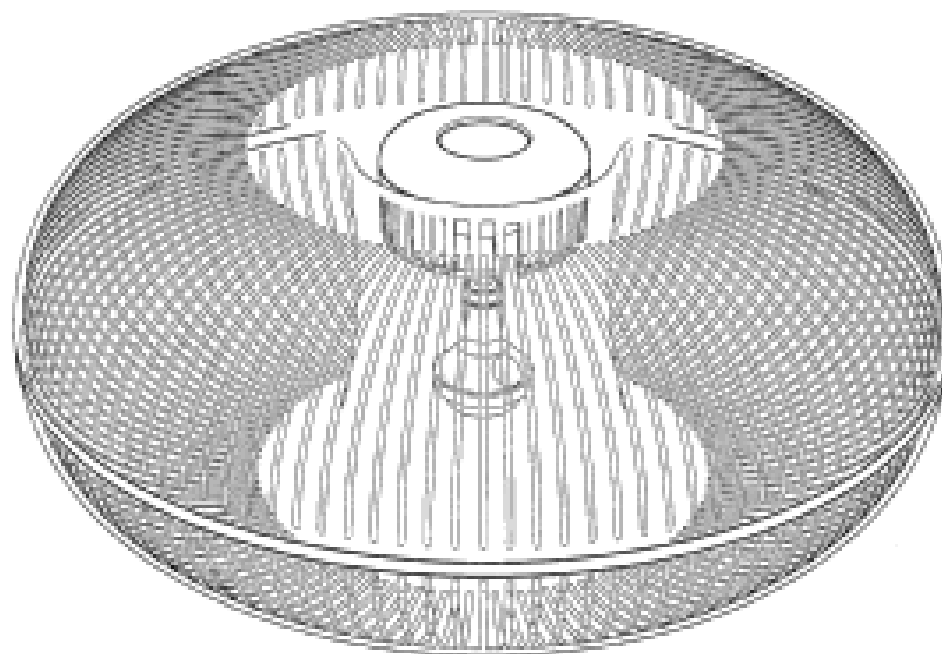
(56) Related Art Documents: **Not Applicable**
(57) Statement of Newness and Distinctiveness: **Newness and distinctiveness is claimed in the features of shape and/or configuration of a cake stand as illustrated in the accompanying representations.**



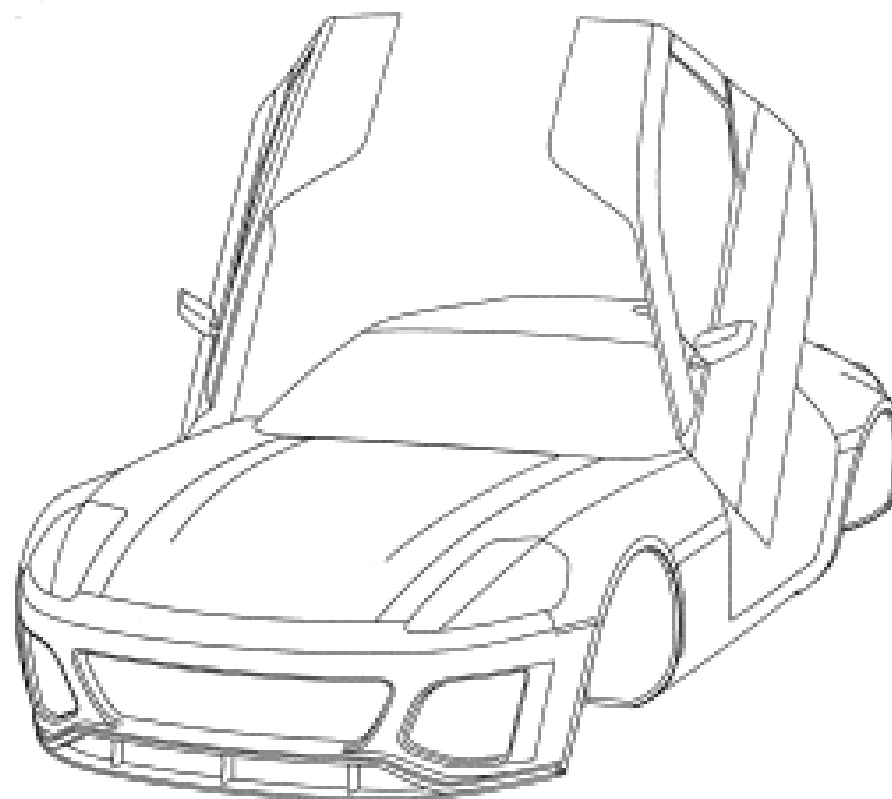
- (21) Design Number: **12446/2010**
(22) Date of Filing Application: **15 June 2010**
(24) Date from which industrial property rights may have effect: **15 June 2010**
(54) Product in respect of which the design is registered: **Defibrillator**
(51) International Design Classification: **24-01**
(71) Name(s) and Address(s) of Applicant(s):
Koninklijke Philips Electronics N.V.
Groenewoudseweg 1 5621 BA Eindhoven The Netherlands
(72) Name(s) of Designer(s): **Anthony Matheson**
(45) Registration Date: **08 July 2010**
(30) Convention priority data:
(31) Number (32) Date (33) Country
001650292 21 Dec 2009 EUROPEAN COMMUNITY
(56) Related Art Documents: **Not Applicable**
(57) Statement of Newness and Distinctiveness: **Newness and distinctiveness reside in the shape and configuration of the design as shown in the representations.**



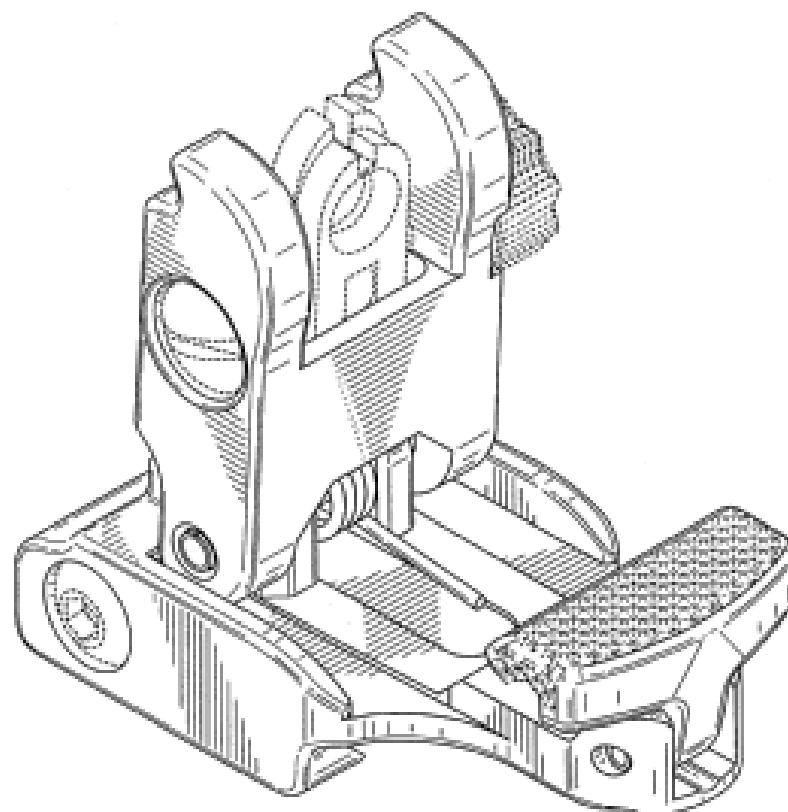
- (21) Design Number: **12447/2010**
(22) Date of Filing Application: **15 June 2010**
(24) Date from which industrial property rights may have effect: **15 June 2010**
(54) Product in respect of which the design is registered: **Lamp**
(51) International Design Classification: **26-05D**
(71) Name(s) and Address(s) of Applicant(s):
Koninklijke Philips Electronics N.V.
Groenewoudseweg 1 5621 BA Eindhoven The Netherlands
(72) Name(s) of Designer(s): **Paul Georges Arnold Karel Bas**
(45) Registration Date: **08 July 2010**
(30) Convention priority data:
(31) Number (32) Date (33) Country
001647637 15 Dec 2009 EUROPEAN COMMUNITY
(56) Related Art Documents: **Not Applicable**
(57) Statement of Newness and Distinctiveness: **Newness and distinctiveness reside in the shape and configuration of the design as shown in the representations.**



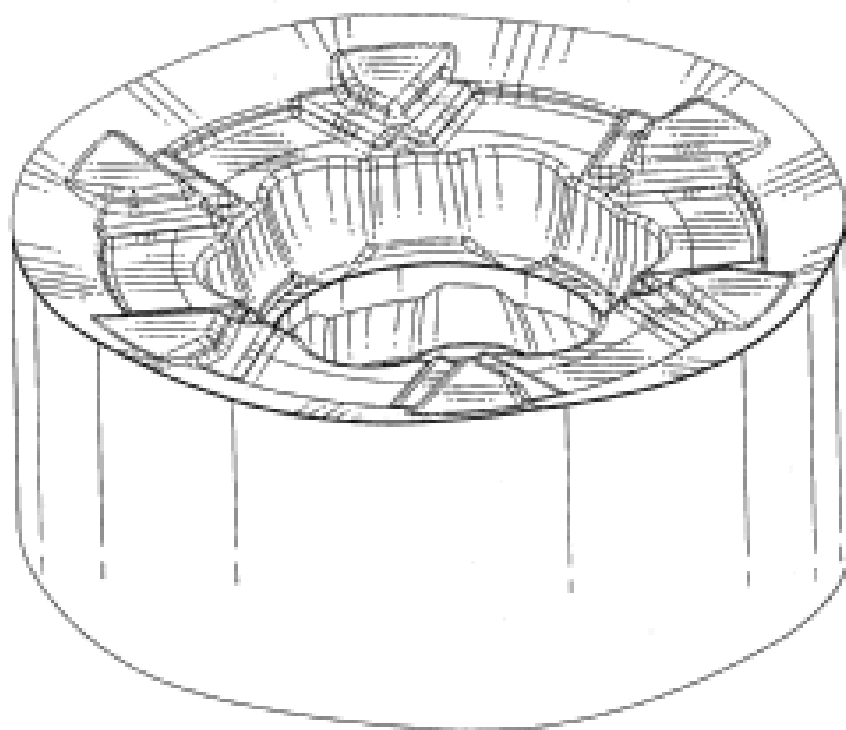
- (21) Design Number: **12448/2010**
(22) Date of Filing Application: **15 June 2010**
(24) Date from which industrial property rights may have effect: **15 June 2010**
(54) Product in respect of which the design is registered: **A motor vehicle body**
(51) International Design Classification: **12-08**
(71) Name(s) and Address(s) of Applicant(s):
Aero Investments Pty Ltd
c/- Lovetts Suite 18 Level 2 25 Mary Street Brisbane Queensland 4000
Australia
(72) Name(s) of Designer(s): **Peter Tony Ransom and Todd Ransom and Brian MacDonald and Michael Hinchy**
(45) Registration Date: **08 July 2010**
(56) Related Art Documents: **Not Applicable**
(57) Statement of Newness and Distinctiveness: **Nil**



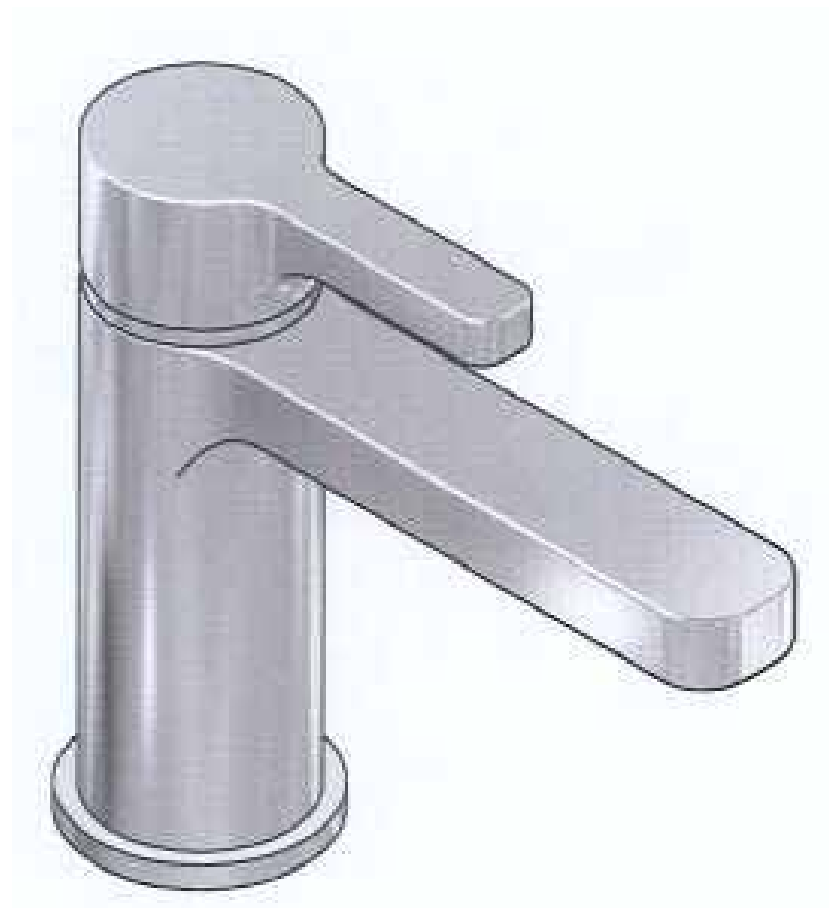
- (21) Design Number: **12451/2010**
(22) Date of Filing Application: **16 June 2010**
(24) Date from which industrial property rights may have effect: **16 June 2010**
(54) Product in respect of which the design is registered: **Low profile flip up sight**
(51) International Design Classification: **22-01**
(71) Name(s) and Address(s) of Applicant(s):
Richard E. Swan
171 West Street E. Bridgewater Massachusetts 02333 United States of America
(72) Name(s) of Designer(s): **Richard E. Swan**
(45) Registration Date: **08 July 2010**
(30) Convention priority data:
(31) Number (32) Date (33) Country
29/353273 06 Jan 2010 UNITED STATES OF AMERICA
(56) Related Art Documents: **Not Applicable**
(57) Statement of Newness and Distinctiveness: **Newness and distinctiveness is claimed in those features of shape and/or configuration of a low profile flip up sight illustrated in continuous lines in the accompanying representations.**



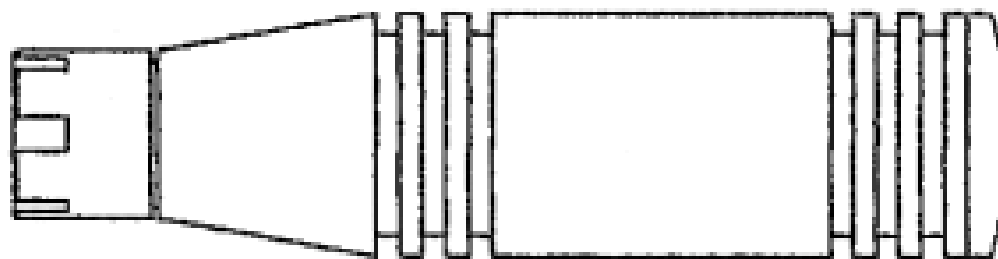
- (21) Design Number: **12540/2010**
(22) Date of Filing Application: **30 April 2010**
(24) Date from which industrial property rights may have effect: **30 April 2010**
(54) Product in respect of which the design is registered: **Cutting insert**
(51) International Design Classification: **08-03**
(71) Name(s) and Address(s) of Applicant(s):
Kennametal Inc.
PO Box 231 Latrobe Pennsylvania 15650-0231 United States of America
(72) Name(s) of Designer(s): **Thomas Jerry Long and Jeffrey Francis Kovac and Lewis Ray Morrison and Suresh Mali and Kumar Reddy Mylavaram Nikhilesh**
(45) Registration Date: **08 July 2010**
(30) Convention priority data:
(31) Number (32) Date (33) Country
29/346,581 03 Nov 2009 UNITED STATES OF AMERICA
(56) Related Art Documents: **Not Applicable**
(57) Statement of Newness and Distinctiveness: **Those features of the cutting insert depicted in the representations that are new and distinctive are the shape and/or configuration.**



- (21) Design Number: **10978/2010**
(22) Date of Filing Application: **22 March 2010**
(24) Date from which industrial property rights may have effect: **22 March 2010**
(54) Product in respect of which the design is registered: **Bathroom and kitchen taps**
(51) International Design Classification: **23-01H**
(71) Name(s) and Address(s) of Applicant(s):
Rogers Seller & Myhill Pty Ltd
173-177 Barkly Avenue Burnley Victoria 3121 Australia
(72) Name(s) of Designer(s): **Lien Giang and James Edmonds**
(45) Registration Date: **08 July 2010**
(56) Related Art Documents: **Not Applicable**
(57) Statement of Newness and Distinctiveness: **The mixer tap features an arc underneath the outlet which cuts into the basin mixer body. The design positions the mixer cartridge at the top of the body so that there is no step at the outlet point.**



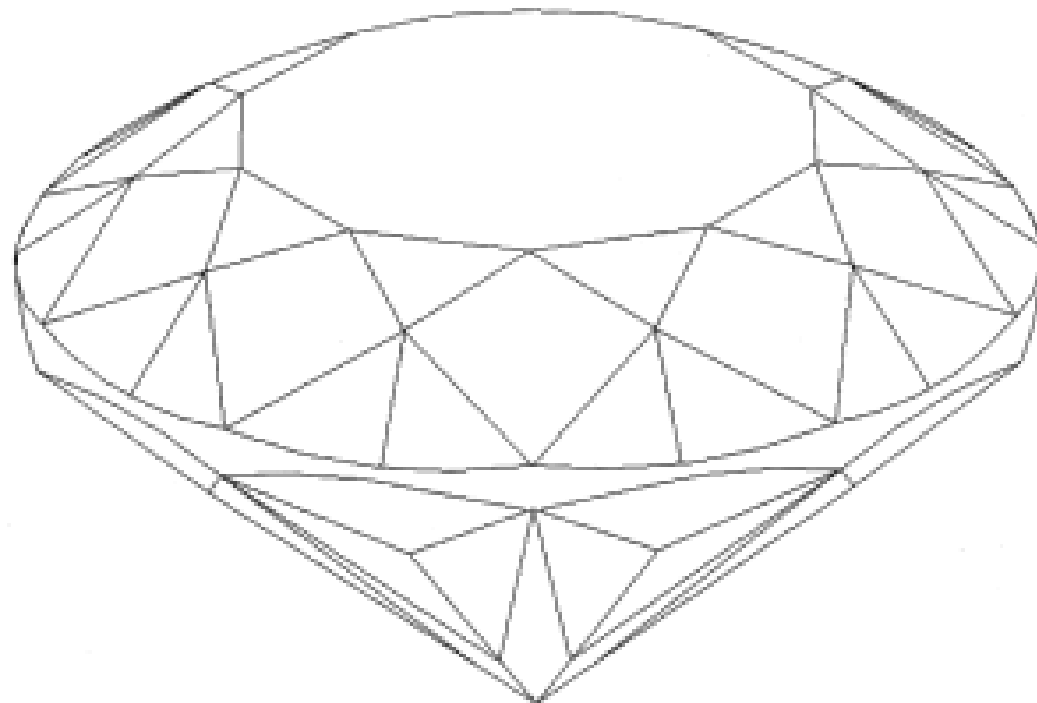
- (21) Design Number: **11311/2010**
(22) Date of Filing Application: **01 April 2010**
(24) Date from which industrial property rights may have effect: **01 April 2010**
(54) Product in respect of which the design is registered: **Multi-purpose handle for a hand tool**
(51) International Design Classification: **08-06**
(71) Name(s) and Address(s) of Applicant(s):
Pro Tip Tools Pty Ltd
60 Belford Drive Wellington Point Queensland 4160 Australia
(72) Name(s) of Designer(s): **Darren Robb and Glenn Bolger and Paul Beavon**
(45) Registration Date: **08 July 2010**
(56) Related Art Documents: **Not Applicable**
(57) Statement of Newness and Distinctiveness: **The handle is a light weight machined alloy handle with multiple grooves to take O rings for grip and a steel drive pin through the centre. It has a gradual tapered end for fixing of multiple size collets and collet nuts. The handle is available with multiple grips and in multiple colours and has a steel strike plate at top of handle.**



- (21) Design Number: **12070/2010**
(22) Date of Filing Application: **24 May 2010**
(24) Date from which industrial property rights may have effect: **24 May 2010**
(54) Product in respect of which the design is registered: **Cooking apparatus**
(51) International Design Classification: **07-02E**
(71) Name(s) and Address(s) of Applicant(s):
Foshan Shunde Everteam Industrial Co. Ltd
No. 27 East Rongqi Dadao Ronggui Shunde District Foshan City
Guangdong Province China
(72) Name(s) of Designer(s): **Zhiqiang Liang**
(45) Registration Date: **08 July 2010**
(30) Convention priority data:
(31) Number (32) Date (33) Country
201030102959.9 27 Jan 2010 CHINA
(56) Related Art Documents: **Not Applicable**
(57) Statement of Newness and Distinctiveness: **The newness and distinctiveness is claimed in the feature of the shape and/or configuration of a cooking apparatus as illustrated in the accompanying representations.**



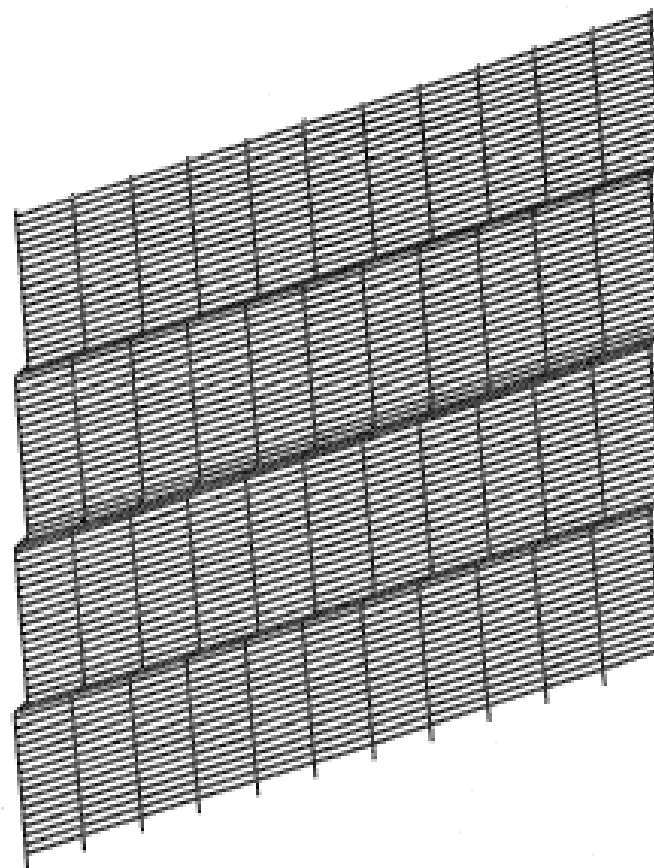
(21) Design Number: **12196/2010**
(22) Date of Filing Application: **28 May 2010**
(24) Date from which industrial property rights may have effect: **28 May 2010**
(54) Product in respect of which the design is registered: **Cut diamond**
(51) International Design Classification: **11-01NES**
(71) Name(s) and Address(s) of Applicant(s):
Paras Paresh Mehta
Flt. No. 114 11th Floor Tahnee Heights Neapean Sea Road Petit Hall
Complex Malabar Hill Mumbai 400006 India
(72) Name(s) of Designer(s): **Paras Paresh Mehta**
(45) Registration Date: **08 July 2010**
(30) Convention priority data:
(31) Number (32) Date (33) Country
D2009/1072/E 01 Dec 2009 SINGAPORE
(56) Related Art Documents: **Not Applicable**
(57) Statement of Newness and Distinctiveness: **Nil**



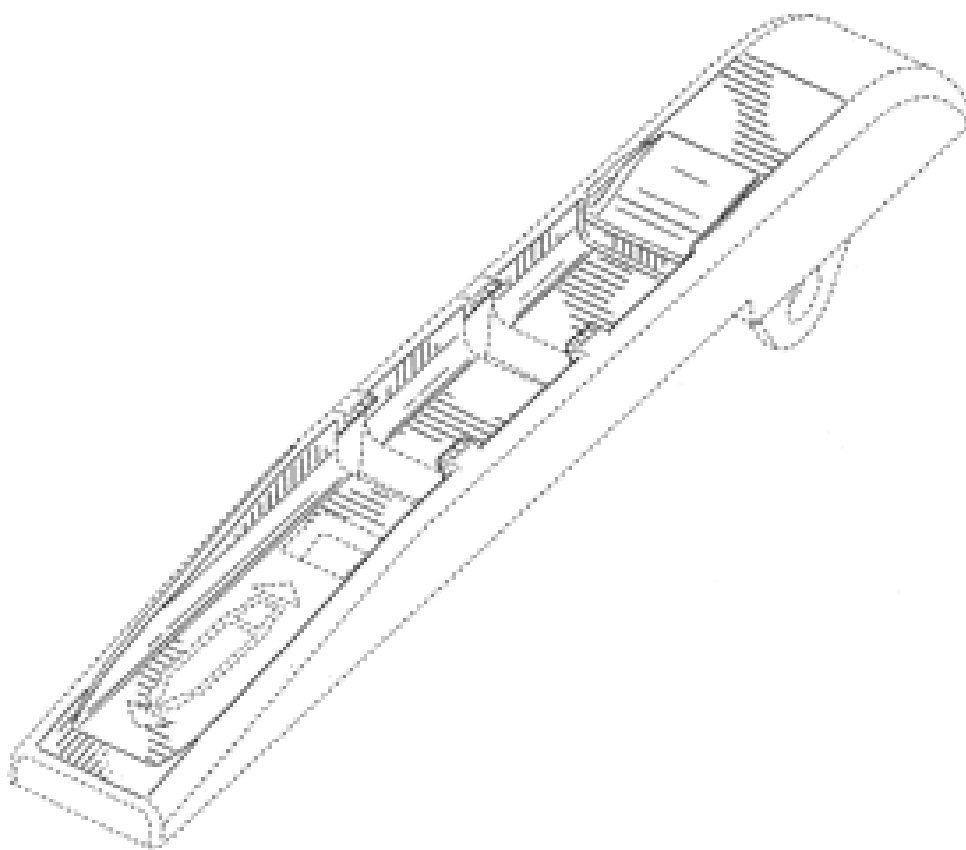
(21) Design Number: **12404/2010**
(22) Date of Filing Application: **11 June 2010**
(24) Date from which industrial property rights may have effect: **11 June 2010**
(54) Product in respect of which the design is registered: **Medical device**
(51) International Design Classification: **24-02**
(71) Name(s) and Address(s) of Applicant(s):
Ackermann Australia Pty Ltd
25 Mitchell Road Lilydale Victoria 3140 Australia
(72) Name(s) of Designer(s): **Mario Cutts**
(45) Registration Date: **08 July 2010**
(56) Related Art Documents: **Not Applicable**
(57) Statement of Newness and Distinctiveness: **Newness and distinctiveness lies in the handle of the device as shown in the representations. Monopoly is not claimed in the shaft and clamp jaws remote from the handle.**



- (21) Design Number: **12407/2010**
(22) Date of Filing Application: **15 June 2010**
(24) Date from which industrial property rights may have effect: **15 June 2010**
(54) Product in respect of which the design is registered: **Fence security mesh**
(51) International Design Classification: **25-02C**
(71) Name(s) and Address(s) of Applicant(s):
Protective Fencing Pty Ltd
16 Pile Road Somersby New South Wales 2250 Australia
(72) Name(s) of Designer(s): **Allan Masters**
(45) Registration Date: **08 July 2010**
(56) Related Art Documents: **Not Applicable**
(57) Statement of Newness and Distinctiveness: **Monopoly is claimed in the shape and configuration of the fence mesh profile varying in proportion and of interminate length and width.**



- (21) Design Number: **12408/2010**
(22) Date of Filing Application: **11 June 2010**
(24) Date from which industrial property rights may have effect: **11 June 2010**
(54) Product in respect of which the design is registered: **Accessory tool holder for a hand tool**
(51) International Design Classification: **03-01D**
(71) Name(s) and Address(s) of Applicant(s):
Leatherman Tool Group, Inc.
12106 NE Ainsworth Circle Portland OR 97220 United States of America
(72) Name(s) of Designer(s): **Blair Scott Barnes and Jeffrey L. Caniparoli and Jeffrey B. Castro and Benjamin C. Rivera**
(45) Registration Date: **08 July 2010**
(30) Convention priority data:
(31) Number (32) Date (33) Country
29/352,328 18 Dec 2009 UNITED STATES OF AMERICA
(56) Related Art Documents: **Not Applicable**
(57) Statement of Newness and Distinctiveness: **The newness and distinctiveness of the design resides in the features of shape and/or configuration of the accessory tool holder shown in unbroken lines in the accompanying representations.**



(21) Design Number: **12431/2010**

(22) Date of Filing Application: **15 June 2010**

(24) Date from which industrial property rights may have effect: **15 June 2010**

(54) Product in respect of which the design is registered: **Handle**

(51) International Design Classification: **08-06**

(71) Name(s) and Address(s) of Applicant(s):

Corie Braun

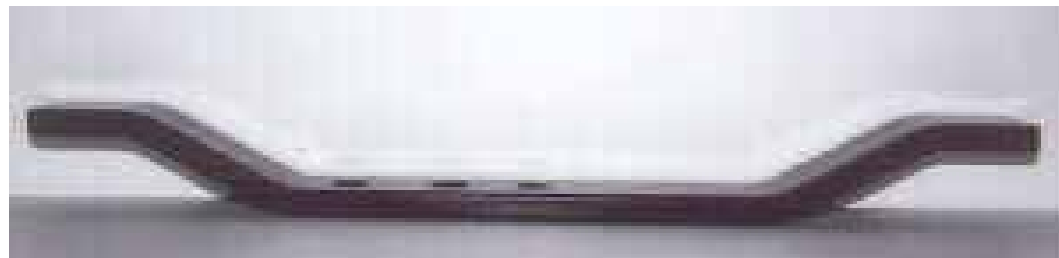
10-12 Sandstone Road Greenbank Queensland 4124 Australia

(72) Name(s) of Designer(s): **Corie Braun**

(45) Registration Date: **08 July 2010**

(56) Related Art Documents: **Not Applicable**

(57) Statement of Newness and Distinctiveness: **The new feature of this handle is that the centred hole is threaded and the outside holes are to suit a shackle padlock.**



(21) Design Number: **12426/2010**

(22) Date of Filing Application: **15 June 2010**

(24) Date from which industrial property rights may have effect: **15 June 2010**

(54) Product in respect of which the design is registered: **Television receiver**

(51) International Design Classification: **14-03B**

(71) Name(s) and Address(s) of Applicant(s):

LG Electronics Inc.

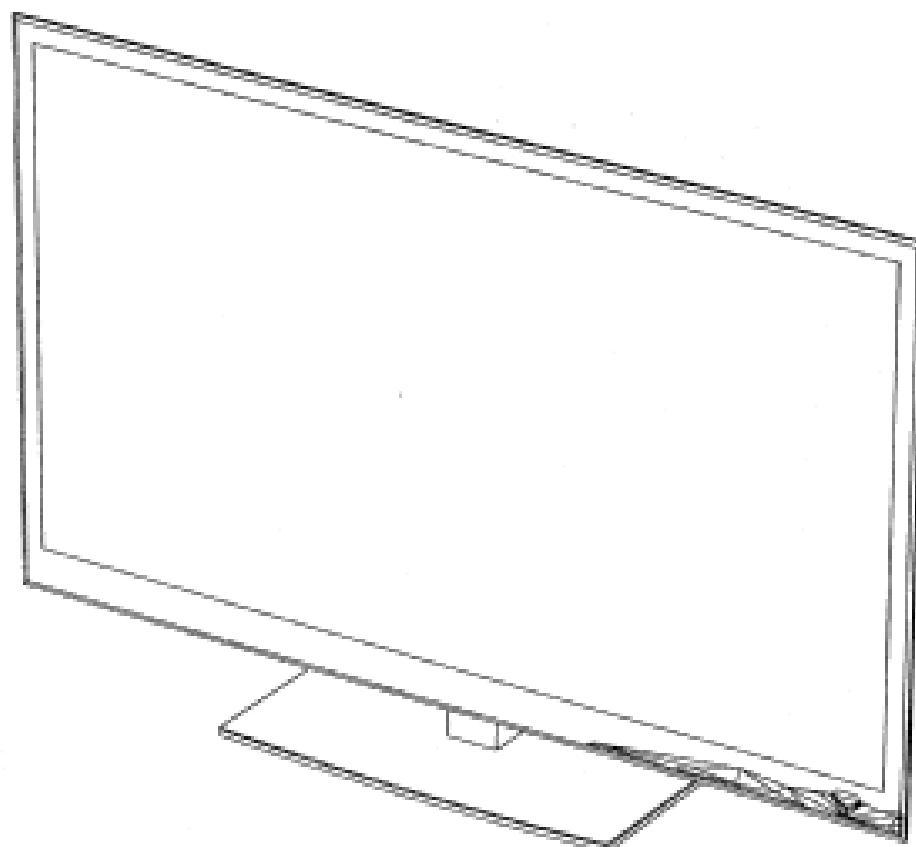
20 Yeouido-dong Yeongdeungpo-gu Seoul 150-721 Republic of Korea

(72) Name(s) of Designer(s): **Tae Uk Kim and Jin Kim and Jeong Rok Lee and Hyun Byung Cha**

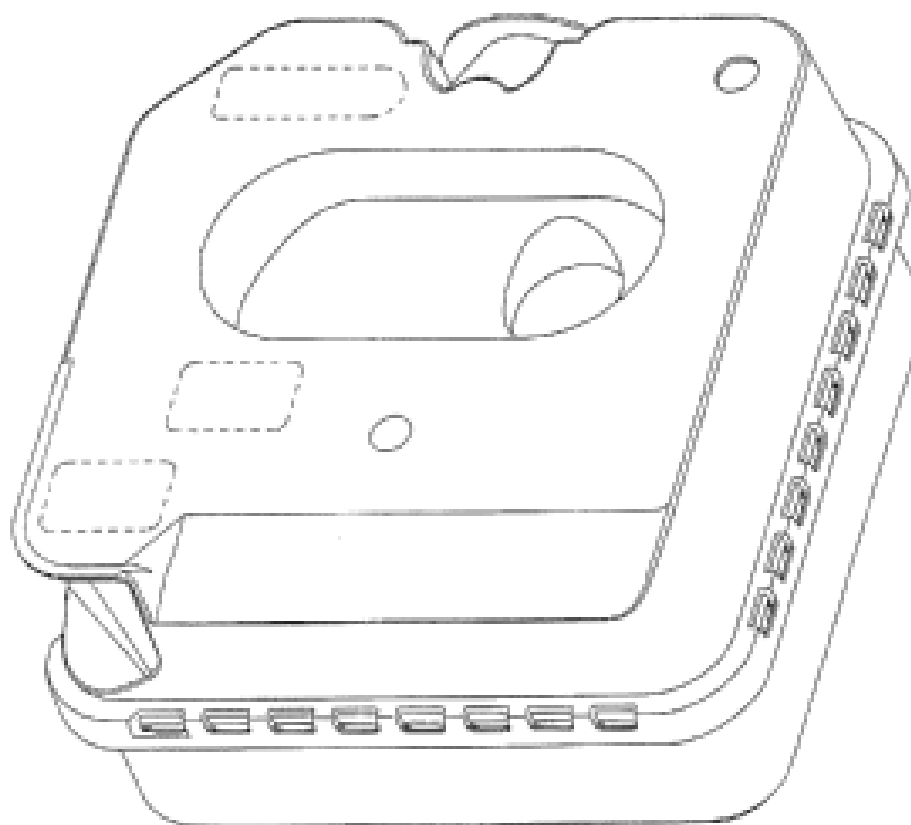
(45) Registration Date: **08 July 2010**

(56) Related Art Documents: **Not Applicable**

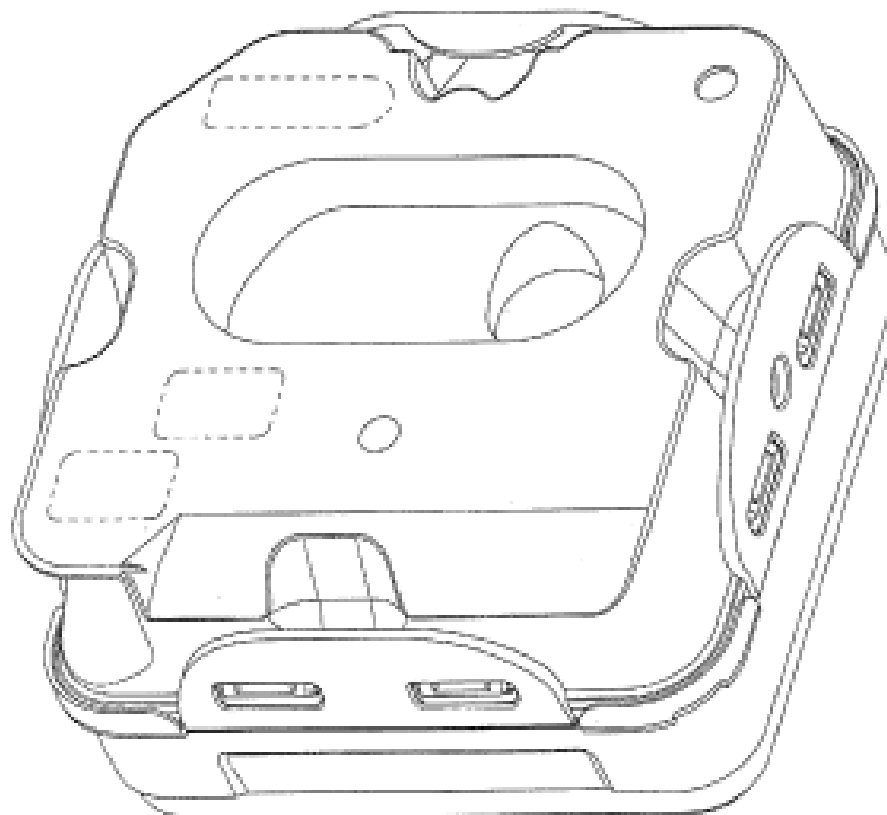
(57) Statement of Newness and Distinctiveness: **Newness and distinctiveness resides in the visual features of shape, configuration, pattern and/or ornamentation of a television receiver as illustrated in the accompanying representations.**



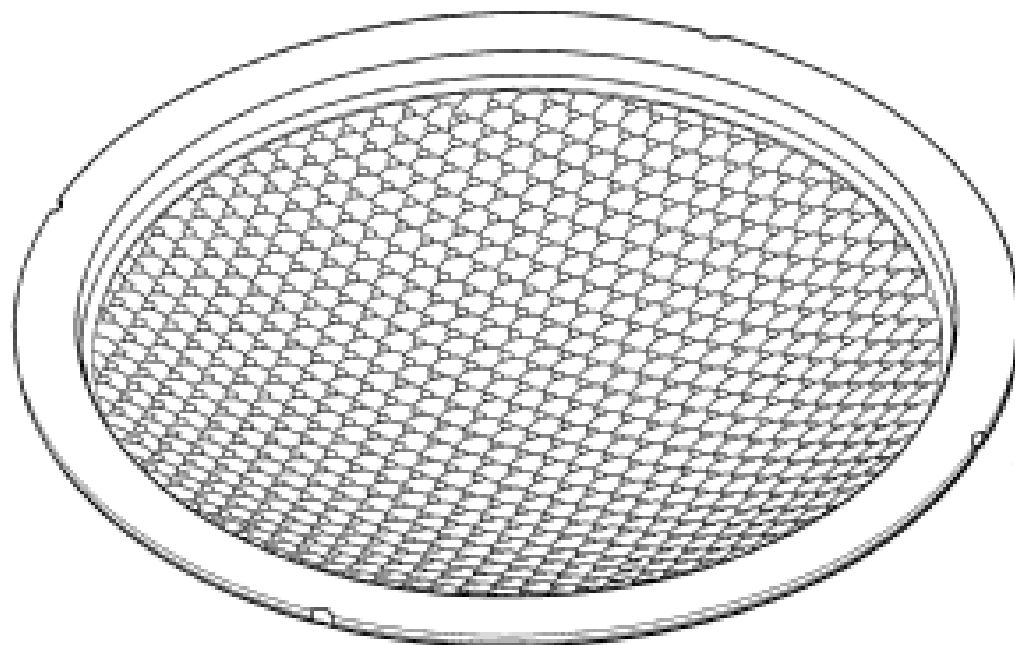
- (21) Design Number: **12429/2010**
- (22) Date of Filing Application: **15 June 2010**
- (24) Date from which industrial property rights may have effect: **15 June 2010**
- (54) Product in respect of which the design is registered: **Humidifier tub**
- (51) International Design Classification: **24-01**
- (71) Name(s) and Address(s) of Applicant(s):
ResMed Ltd
1 Elizabeth Macarthur Drive Bella Vista New South Wales 2153
Australia
- (72) Name(s) of Designer(s): **Alexander Virr and John Michael Snow and Mark Bertinetti and Dan Kao and Hargopal Verma and Richard Llewelyn Jones and Ernie Wei-Chih Tsai**
- (45) Registration Date: **08 July 2010**
- (30) Convention priority data:
(31) Number (32) Date (33) Country
29/347382 18 Dec 2009 UNITED STATES OF AMERICA
- (56) Related Art Documents: **Not Applicable**
- (57) Statement of Newness and Distinctiveness: **Newness and distinctiveness is claimed in those visual features depicted in unbroken lines.**



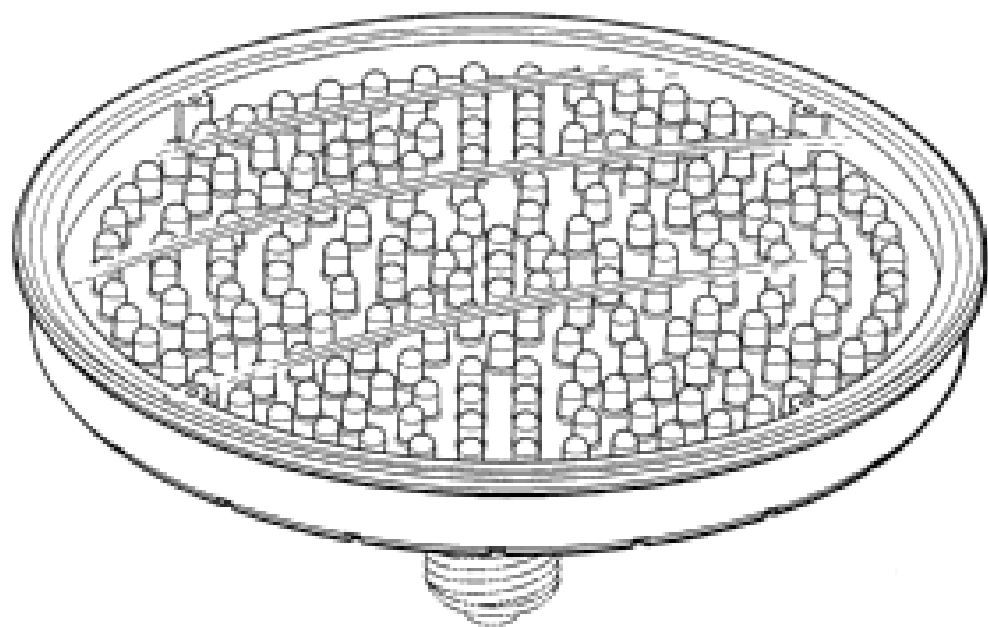
- (21) Design Number: **12430/2010**
- (22) Date of Filing Application: **15 June 2010**
- (24) Date from which industrial property rights may have effect: **15 June 2010**
- (54) Product in respect of which the design is registered: **Humidifier tub**
- (51) International Design Classification: **24-01**
- (71) Name(s) and Address(s) of Applicant(s):
ResMed Ltd
1 Elizabeth Macarthur Drive Bella Vista New South Wales 2153
Australia
- (72) Name(s) of Designer(s): **Alexander Virr and John Michael Snow and Mark Bertinetti and Dan Kao and Hargopal Verma and Richard Llewelyn Jones and Ernie Wei-Chih Tsai**
- (45) Registration Date: **08 July 2010**
- (30) Convention priority data:
(31) Number (32) Date (33) Country
29/347381 18 Dec 2009 UNITED STATES OF AMERICA
- (56) Related Art Documents: **Not Applicable**
- (57) Statement of Newness and Distinctiveness: **Newness and distinctiveness is claimed in those visual features depicted in unbroken lines.**



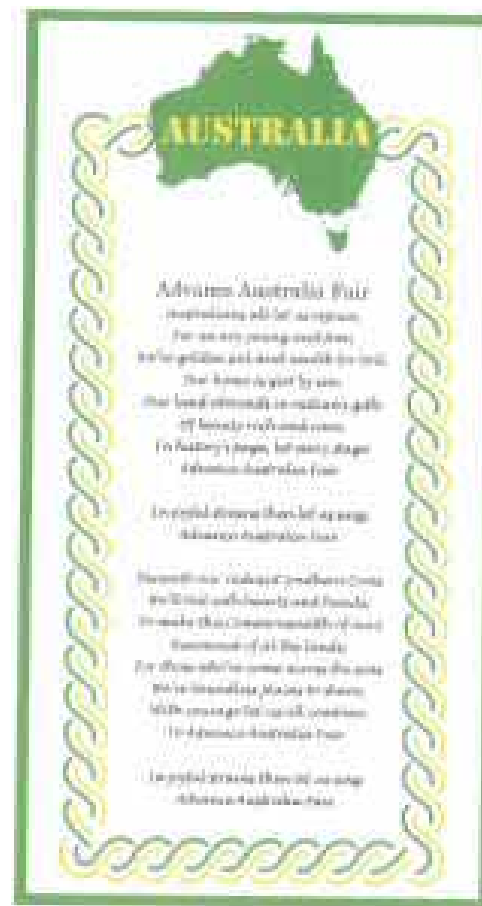
- (21) Design Number: **12433/2010**
(22) Date of Filing Application: **15 June 2010**
(24) Date from which industrial property rights may have effect: **15 June 2010**
(54) Product in respect of which the design is registered: **Diffuser for LED lighting apparatus**
(51) International Design Classification: **26-05E**
(71) Name(s) and Address(s) of Applicant(s):
Heland IP Pty Ltd
275 Perry Road Keysborough Victoria 3173 Australia
(72) Name(s) of Designer(s): **Anthony Keller**
(45) Registration Date: **08 July 2010**
(56) Related Art Documents: **Not Applicable**
(57) Statement of Newness and Distinctiveness: **Newness and distinctiveness resides in the features of shape and/or configuration of a diffuser for an LED lighting apparatus as shown in the accompanying representations.**



- (21) Design Number: **12434/2010**
(22) Date of Filing Application: **15 June 2010**
(24) Date from which industrial property rights may have effect: **15 June 2010**
(54) Product in respect of which the design is registered: **LED traffic light lamp**
(51) International Design Classification: **26-05E**
(71) Name(s) and Address(s) of Applicant(s):
Heland IP Pty Ltd
275 Perry Road Keysborough Victoria 3173 Australia
(72) Name(s) of Designer(s): **Anthony Keller**
(45) Registration Date: **08 July 2010**
(56) Related Art Documents: **Not Applicable**
(57) Statement of Newness and Distinctiveness: **Newness and distinctiveness resides in the features of shape and/or configuration of an LED traffic light lamp as shown in solid lines in the accompanying representations.**



- (21) Design Number: **11457/2010**
- (22) Date of Filing Application: **16 April 2010**
- (24) Date from which industrial property rights may have effect: **16 April 2010**
- (54) Product in respect of which the design is registered: **A banner**
- (51) International Design Classification: **11-05**
- (71) Name(s) and Address(s) of Applicant(s):
Anna Dominikovic
19 Hatfield Street Blakehurst New South Wales 2221 Australia
- (72) Name(s) of Designer(s): **Anna Dominikovic**
- (45) Registration Date: **08 July 2010**
- (56) Related Art Documents: **Not Applicable**
- (57) Statement of Newness and Distinctiveness: **It will have Australia above the writing with Australia in it. The border around it will be green and yellow and the lining on the edges will be green.**



- (21) Design Number: **11766/2010**
- (22) Date of Filing Application: **06 May 2010**
- (24) Date from which industrial property rights may have effect: **06 May 2010**
- (54) Product in respect of which the design is registered: **Bag**
- (51) International Design Classification: **03-01B**
- (71) Name(s) and Address(s) of Applicant(s):
Universal Leather Pty Ltd
70 Keys Road Moorabbin Victoria 3189 Australia
- (72) Name(s) of Designer(s): **Kira Umansky**
- (45) Registration Date: **08 July 2010**
- (56) Related Art Documents: **Not Applicable**
- (57) Statement of Newness and Distinctiveness: **The ornamentation on a major face of the bag illustrated in the representations is new and distinctive. When considering whether this design is substantially similar in overall impression to another design, features of shape and/or configuration are to be disregarded.**



(21) Design Number: **11767/2010**

(22) Date of Filing Application: **06 May 2010**

(24) Date from which industrial property rights may have effect: **06 May 2010**

(54) Product in respect of which the design is registered: **Bag**

(51) International Design Classification: **03-01B**

(71) Name(s) and Address(s) of Applicant(s):

**Universal Leather Pty Ltd
70 Keys Road Moorabbin Victoria 3189 Australia**

(72) Name(s) of Designer(s): **Kira Umansky**

(45) Registration Date: **08 July 2010**

(56) Related Art Documents: **Not Applicable**

(57) Statement of Newness and Distinctiveness: **The ornamentation on a major face of the bag illustrated in the representations is new and distinctive. When considering whether this design is substantially similar in overall impression to another design, features of shape and/or configuration are to be disregarded.**



(21) Design Number: **11768/2010**

(22) Date of Filing Application: **06 May 2010**

(24) Date from which industrial property rights may have effect: **06 May 2010**

(54) Product in respect of which the design is registered: **Bag**

(51) International Design Classification: **03-01B**

(71) Name(s) and Address(s) of Applicant(s):

**Universal Leather Pty Ltd
70 Keys Road Moorabbin Victoria 3189 Australia**

(72) Name(s) of Designer(s): **Kira Umansky**

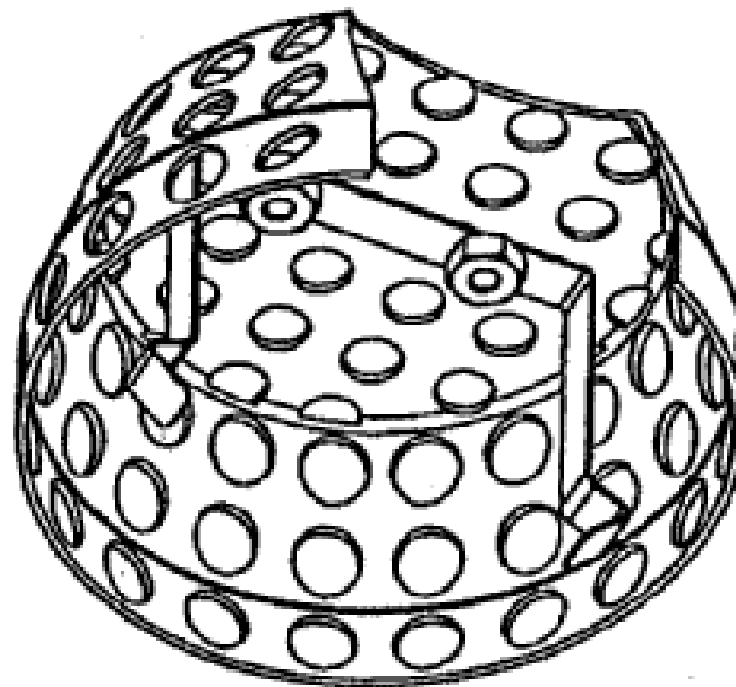
(45) Registration Date: **08 July 2010**

(56) Related Art Documents: **Not Applicable**

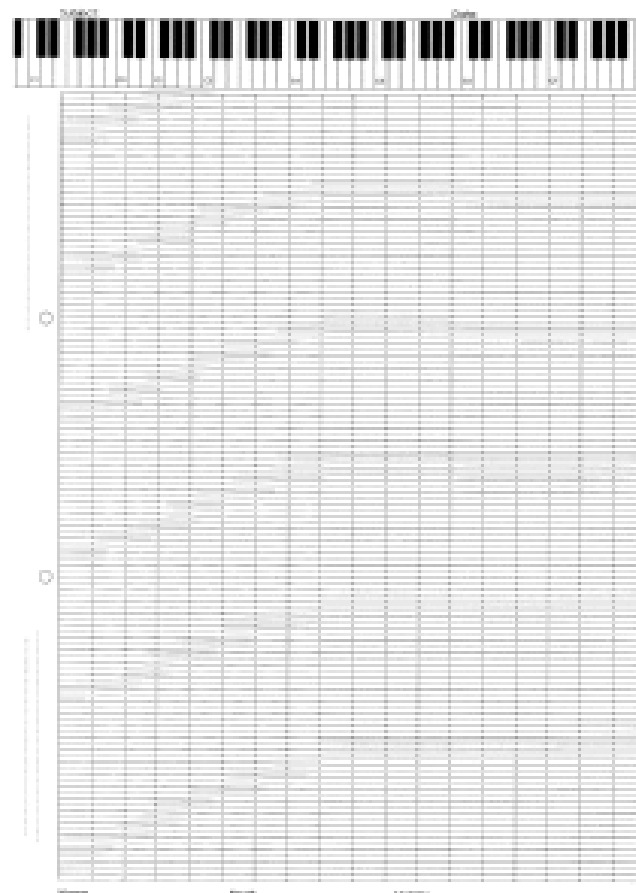
(57) Statement of Newness and Distinctiveness: **The ornamentation on a major face of the bag illustrated in the representations is new and distinctive. When considering whether this design is substantially similar in overall impression to another design, features of shape and/or configuration are to be disregarded.**



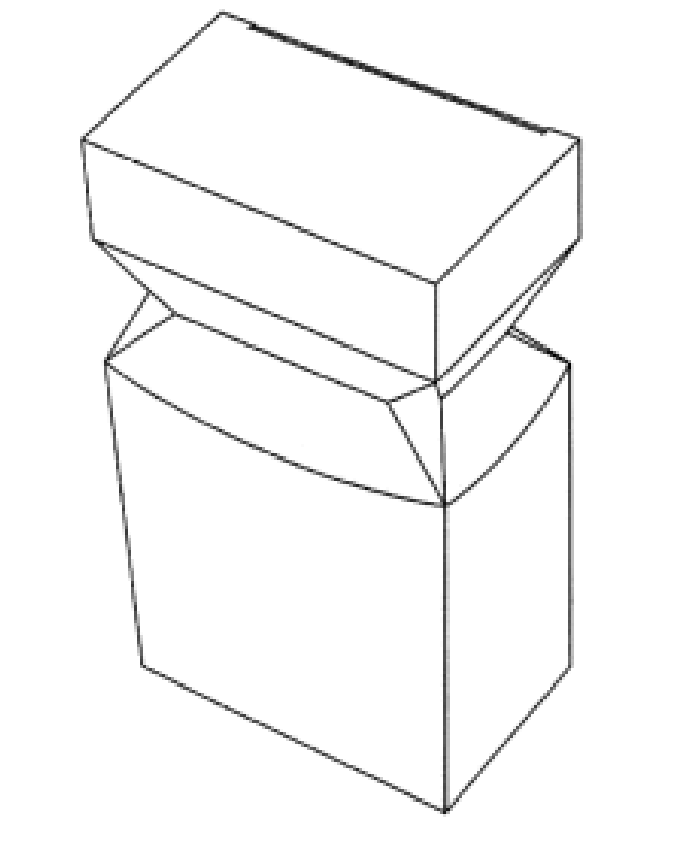
(21) Design Number: **11821/2010**
 (22) Date of Filing Application: **10 May 2010**
 (24) Date from which industrial property rights may have effect: **10 May 2010**
 (54) Product in respect of which the design is registered: **Fire rated downlighter cover**
 (51) International Design Classification: **26-05D, 29-99**
 (71) Name(s) and Address(s) of Applicant(s):
Aurora Limited
16 Alban Park Hatfield Road St Albans Hertfordshire AL4 0JJ United Kingdom
 (72) Name(s) of Designer(s): **Jack Shih-Ming Huang**
 (45) Registration Date: **08 July 2010**
 (30) Convention priority data:
 (31) Number (32) Date (33) Country
001177208-0002 09 Nov 2009 EUROPEAN COMMUNITY
 (56) Related Art Documents: **Not Applicable**
 (57) Statement of Newness and Distinctiveness: **Newness and distinctiveness reside in the features of the design as shown in the representations.**



(21) Design Number: **11848/2010**
 (22) Date of Filing Application: **12 May 2010**
 (24) Date from which industrial property rights may have effect: **12 May 2010**
 (54) Product in respect of which the design is registered: **Writing paper designed for music and text notation**
 (51) International Design Classification: **19-01**
 (71) Name(s) and Address(s) of Applicant(s):
Robert Marcuccio
4019/550 Lygon Street Carlton Melbourne Victoria 3053 Australia
 (72) Name(s) of Designer(s): **Robert Marcuccio**
 (45) Registration Date: **08 July 2010**
 (56) Related Art Documents: **Not Applicable**
 (57) Statement of Newness and Distinctiveness: **The statement of newness and distinctiveness is amended to explain the visual features of the design. The image on the following page is an example of the use of the writing paper, offering a new and distinctive way to consolidate musical notation and written text on one sheet of paper, instead of the current way of having a separate sheet of music manuscript and separate conventional writing paper for note taking.**



(21) Design Number: **11852/2010**
(22) Date of Filing Application: **11 May 2010**
(24) Date from which industrial property rights may have effect: **11 May 2010**
(54) Product in respect of which the design is registered: **Packaging for food products**
(51) International Design Classification: **09-03F**
(71) Name(s) and Address(s) of Applicant(s):
Mars Incorporated
6885 Elm Street McLean Virginia 22101 United States of America
(72) Name(s) of Designer(s): **Tom Oravez and Robert Friedman and JoAnne Risiko**
(45) Registration Date: **08 July 2010**
(30) Convention priority data:
(31) Number (32) Date (33) Country
29/354,802 28 Jan 2010 UNITED STATES OF AMERICA
(56) Related Art Documents: **Not Applicable**
(57) Statement of Newness and Distinctiveness: **Nil**



(21) Design Number: **11898/2010**
(22) Date of Filing Application: **14 May 2010**
(24) Date from which industrial property rights may have effect: **14 May 2010**
(54) Product in respect of which the design is registered: **Casing for an electrical mains outlet**
(51) International Design Classification: **13-03D**
(71) Name(s) and Address(s) of Applicant(s):
James Pavlidis
128 Gold Street Clifton Hill Victoria 3068 Australia
(72) Name(s) of Designer(s): **James Pavlidis**
(45) Registration Date: **08 July 2010**
(56) Related Art Documents: **Not Applicable**
(57) Statement of Newness and Distinctiveness: **The design allows for the flush mounting of Australia Electrical 240 volt mains outlets within a wall cavity, whilst providing a bull nosed aperture for concealment of excess electrical cable from the appliance within the wall cavity. The design allows for absolute flush mounting of LED Tv's and Projectors to walls and ceilings.**



- (21) Design Number: **11935/2010**
(22) Date of Filing Application: **17 May 2010**
(24) Date from which industrial property rights may have effect: **17 May 2010**
(54) Product in respect of which the design is registered: **Toilet building**
(51) International Design Classification: **25-03**
(71) Name(s) and Address(s) of Applicant(s):

Gavin Cook
26 Wildfire Road Maddington Western Australia 6109 Australia
Belinda Cook
26 Wildfire Road Maddington Western Australia 6109 Australia
Jonathan Cook
26 Wildfire Road Maddington Western Australia 6109 Australia
Teresa Cook
26 Wildfire Road Maddington Western Australia 6109 Australia

- (72) Name(s) of Designer(s): **Gavin Mark Cook**
(45) Registration Date: **08 July 2010**
(56) Related Art Documents: **Not Applicable**
(57) Statement of Newness and Distinctiveness: **Nil**



- (21) Design Number: **11936/2010**
(22) Date of Filing Application: **17 May 2010**
(24) Date from which industrial property rights may have effect: **17 May 2010**
(54) Product in respect of which the design is registered: **Park shelter**
(51) International Design Classification: **25-03**
(71) Name(s) and Address(s) of Applicant(s):

Gavin Cook
26 Wildfire Road Maddington Western Australia 6109 Australia
Belinda Cook
26 Wildfire Road Maddington Western Australia 6109 Australia
Jonathan Cook
26 Wildfire Road Maddington Western Australia 6109 Australia
Teresa Cook
26 Wildfire Road Maddington Western Australia 6109 Australia

- (72) Name(s) of Designer(s): **Gavin Mark Cook**
(45) Registration Date: **08 July 2010**
(56) Related Art Documents: **Not Applicable**
(57) Statement of Newness and Distinctiveness: **Nil**



(21) Design Number: **11937/2010**
(22) Date of Filing Application: **17 May 2010**
(24) Date from which industrial property rights may have effect: **17 May 2010**
(54) Product in respect of which the design is registered: **Park bench seat**
(51) International Design Classification: **06-01C**
(71) Name(s) and Address(s) of Applicant(s):

Gavin Cook
26 Wildfire Road Maddington Western Australia 6109 Australia
Belinda Cook
26 Wildfire Road Maddington Western Australia 6109 Australia
Jonathan Cook
26 Wildfire Road Maddington Western Australia 6109 Australia
Teresa Cook
26 Wildfire Road Maddington Western Australia 6109 Australia

(72) Name(s) of Designer(s): **Gavin Mark Cook**
(45) Registration Date: **08 July 2010**
(56) Related Art Documents: **Not Applicable**
(57) Statement of Newness and Distinctiveness: **Nil**



(21) Design Number: **11938/2010**
(22) Date of Filing Application: **17 May 2010**
(24) Date from which industrial property rights may have effect: **17 May 2010**
(54) Product in respect of which the design is registered: **Park shelter**
(51) International Design Classification: **25-03**
(71) Name(s) and Address(s) of Applicant(s):

Gavin Cook
26 Wildfire Road Maddington Western Australia 6109 Australia
Belinda Cook
26 Wildfire Road Maddington Western Australia 6109 Australia
Jonathan Cook
26 Wildfire Road Maddington Western Australia 6109 Australia
Teresa Cook
26 Wildfire Road Maddington Western Australia 6109 Australia

(72) Name(s) of Designer(s): **Gavin Mark Cook**
(45) Registration Date: **08 July 2010**
(56) Related Art Documents: **Not Applicable**
(57) Statement of Newness and Distinctiveness: **Nil**



- (21) Design Number: **11939/2010**
(22) Date of Filing Application: **17 May 2010**
(24) Date from which industrial property rights may have effect: **17 May 2010**
(54) Product in respect of which the design is registered: **Toilet building**
(51) International Design Classification: **25-03**
(71) Name(s) and Address(s) of Applicant(s):

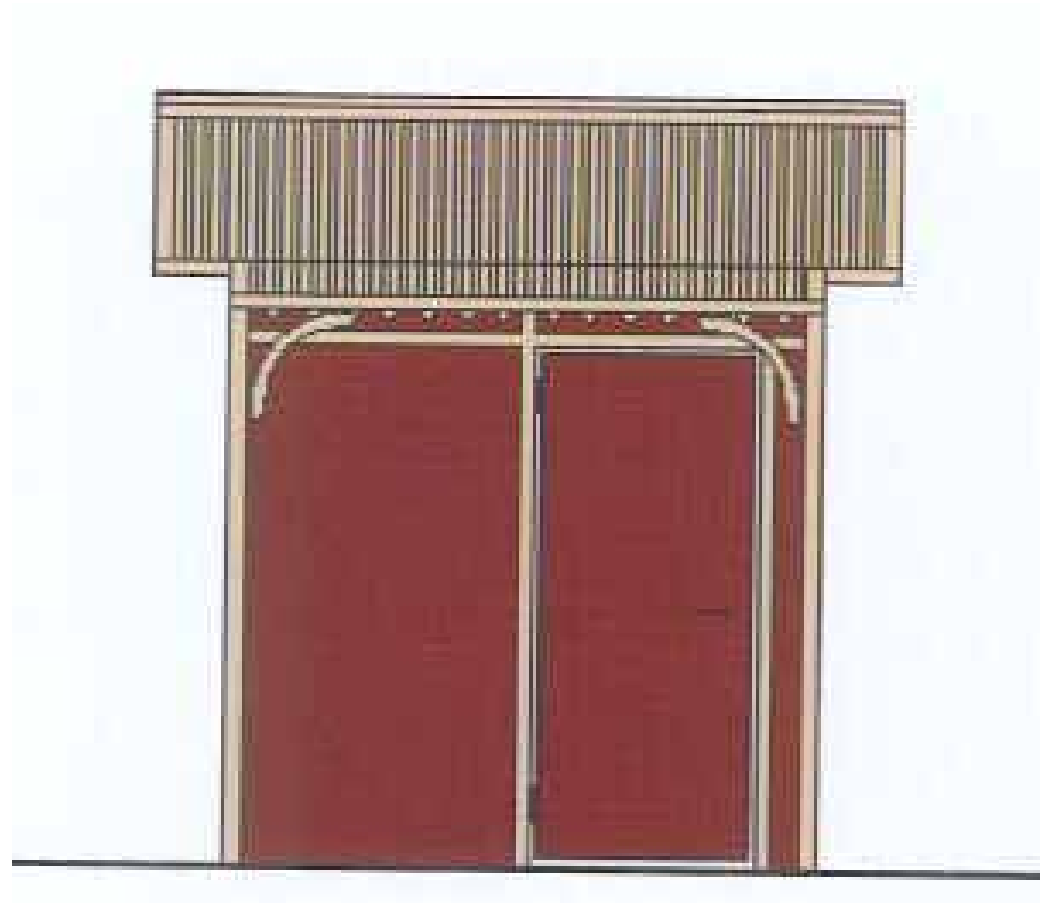
Gavin Cook
26 Wildfire Road Maddington Western Australia 6109 Australia

Belinda Cook
26 Wildfire Road Maddington Western Australia 6109 Australia

Jonathan Cook
26 Wildfire Road Maddington Western Australia 6109 Australia

Teresa Cook
26 Wildfire Road Maddington Western Australia 6109 Australia

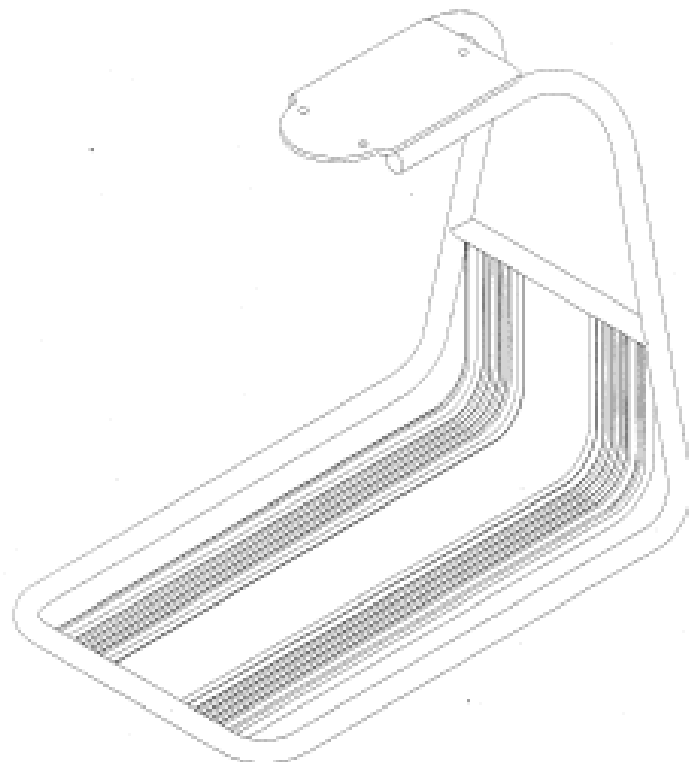
- (72) Name(s) of Designer(s): **Gavin Mark Cook**
(45) Registration Date: **08 July 2010**
(56) Related Art Documents: **Not Applicable**
(57) Statement of Newness and Distinctiveness: **Nil**



- (21) Design Number: **12083/2010**
(22) Date of Filing Application: **24 May 2010**
(24) Date from which industrial property rights may have effect: **24 May 2010**
(54) Product in respect of which the design is registered: **Bicycle luggage carrier**
(51) International Design Classification: **12-16K**
(71) Name(s) and Address(s) of Applicant(s):

The Bicycle Corporation Pty Ltd
9 Villa Road Springvale Victoria 3171 Australia

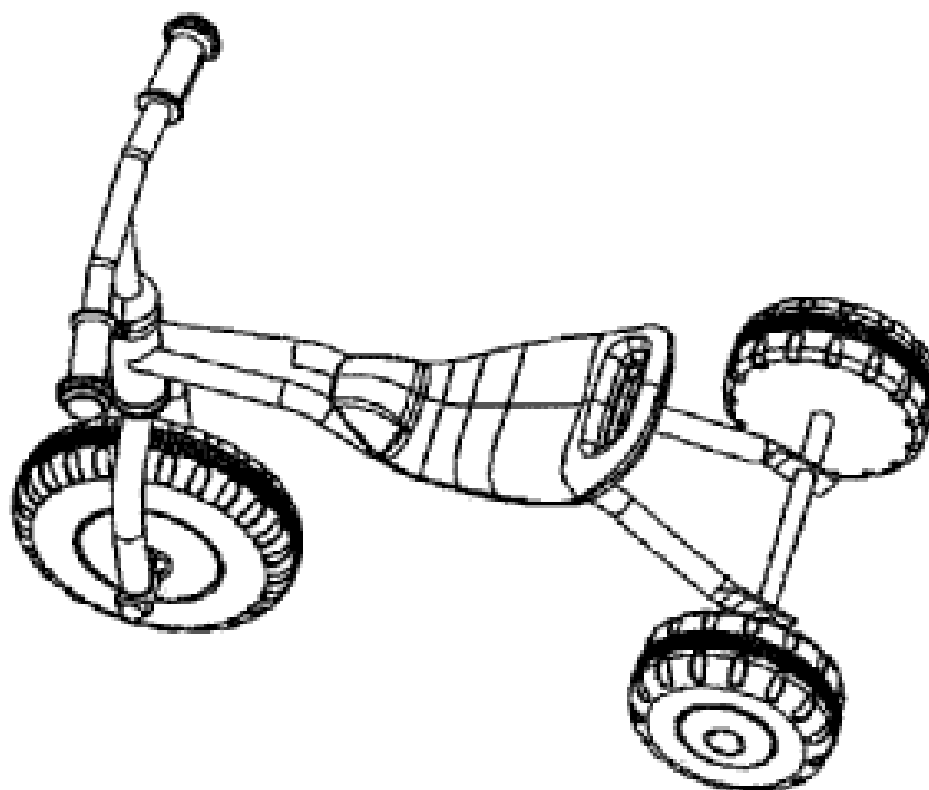
- (72) Name(s) of Designer(s): **David William Lugton**
(45) Registration Date: **08 July 2010**
(56) Related Art Documents: **Not Applicable**
(57) Statement of Newness and Distinctiveness: **Newness and distinctiveness reside in the overall shape as indicated by the attached illustrations.**



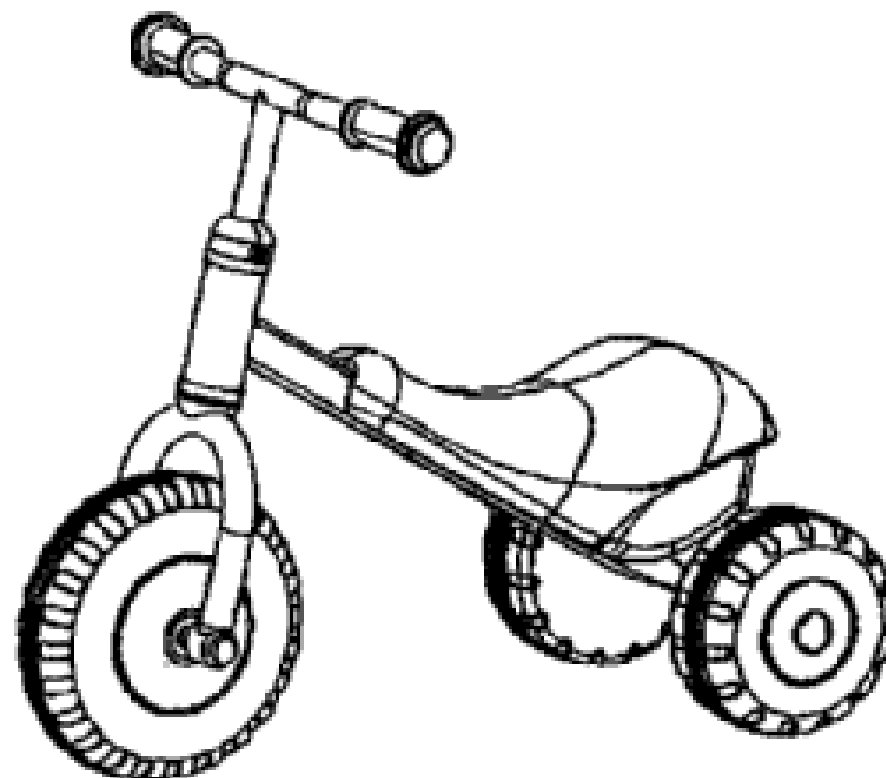
(21) Design Number: **12453/2010**
(22) Date of Filing Application: **16 June 2010**
(24) Date from which industrial property rights may have effect: **16 June 2010**
(54) Product in respect of which the design is registered: **Toothbrush handle with tissue cleaner**
(51) International Design Classification: **04-02**
(71) Name(s) and Address(s) of Applicant(s):
Colgate-Palmolive Company
300 Park Avenue New York New York 10022 United States of America
(72) Name(s) of Designer(s): **Eduardo Jimenez and Michael Rooney and Robert Moskovich and Andreas Wechsler and Joachim Storz and Raimund Klaussegger**
(45) Registration Date: **09 July 2010**
(30) Convention priority data:
(31) Number (32) Date (33) Country
29/352270 18 Dec 2009 UNITED STATES OF AMERICA
(56) Related Art Documents: **Not Applicable**
(57) Statement of Newness and Distinctiveness: **Newness and distinctiveness reside in the features of shape and configuration of the design shown in solid lines in the representations excluding those features shown in broken lines.**



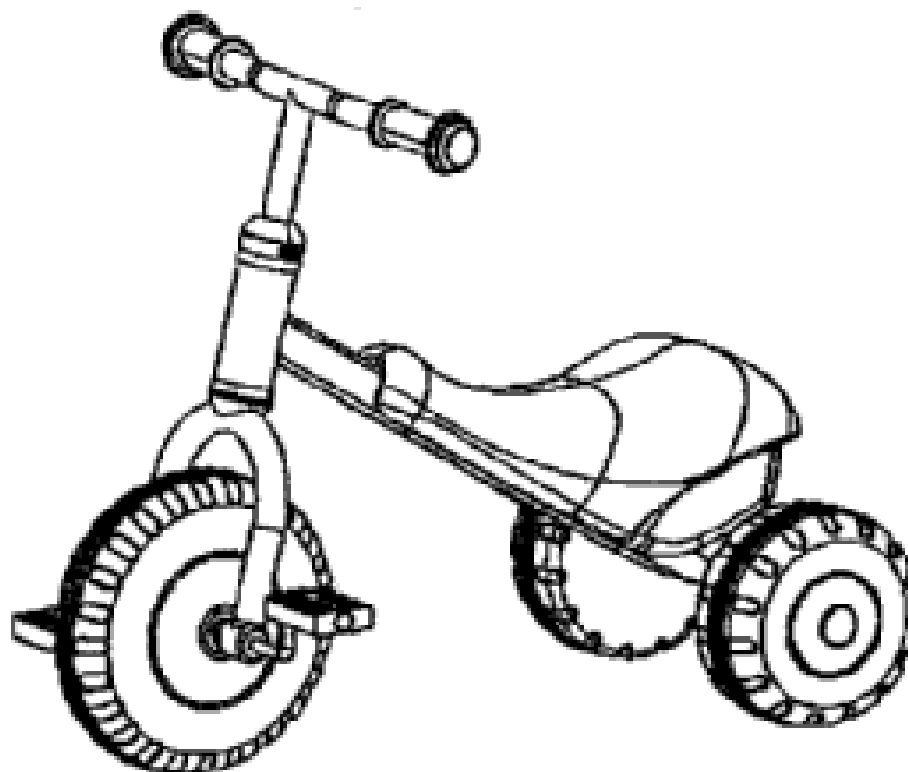
(21) Design Number: **12455/2010**
(22) Date of Filing Application: **16 June 2010**
(24) Date from which industrial property rights may have effect: **16 June 2010**
(54) Product in respect of which the design is registered: **Tricycle**
(51) International Design Classification: **12-11**
(71) Name(s) and Address(s) of Applicant(s):
Toymonster Intellectual Property Limited
PO Box 957 Offshore Incorporations Centre Road Town Tortola
British Virgin Islands
(72) Name(s) of Designer(s): **Ariel Badanjo**
(45) Registration Date: **09 July 2010**
(30) Convention priority data:
(31) Number (32) Date (33) Country
48968 02 Feb 2010 ISRAEL
(56) Related Art Documents: **Not Applicable**
(57) Statement of Newness and Distinctiveness: **Nil**



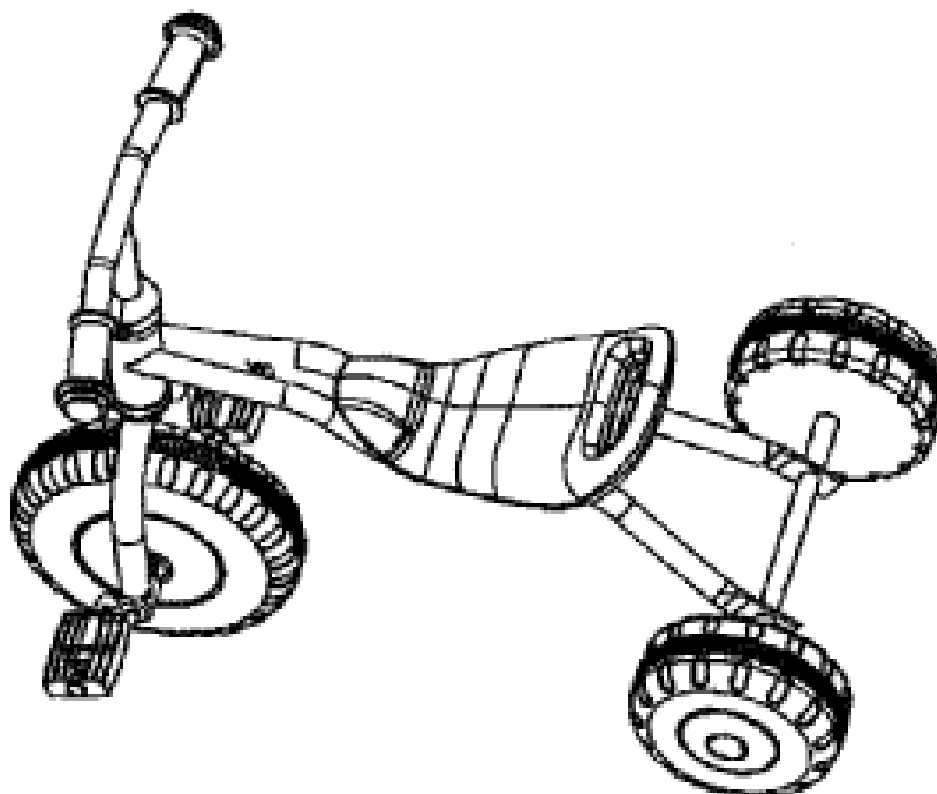
(21) Design Number: **12456/2010**
(22) Date of Filing Application: **16 June 2010**
(24) Date from which industrial property rights may have effect: **16 June 2010**
(54) Product in respect of which the design is registered: **Tricycle**
(51) International Design Classification: **12-11**
(71) Name(s) and Address(s) of Applicant(s):
Toymonster Intellectual Property Limited
PO Box 957 Offshore Incorporations Centre Road Town Tortola
British Virgin Islands
(72) Name(s) of Designer(s): **Ariel Badanjo**
(45) Registration Date: **09 July 2010**
(30) Convention priority data:
(31) Number (32) Date (33) Country
48969 02 Feb 2010 ISRAEL
(56) Related Art Documents: **Not Applicable**
(57) Statement of Newness and Distinctiveness: **Nil**



(21) Design Number: **12457/2010**
(22) Date of Filing Application: **16 June 2010**
(24) Date from which industrial property rights may have effect: **16 June 2010**
(54) Product in respect of which the design is registered: **Tricycle**
(51) International Design Classification: **12-11**
(71) Name(s) and Address(s) of Applicant(s):
Toymonster Intellectual Property Limited
PO Box 957 Offshore Incorporations Centre Road Town Tortola
British Virgin Islands
(72) Name(s) of Designer(s): **Ariel Badanjo**
(45) Registration Date: **09 July 2010**
(30) Convention priority data:
(31) Number (32) Date (33) Country
48969 02 Feb 2010 ISRAEL
(56) Related Art Documents: **Not Applicable**
(57) Statement of Newness and Distinctiveness: **Nil**



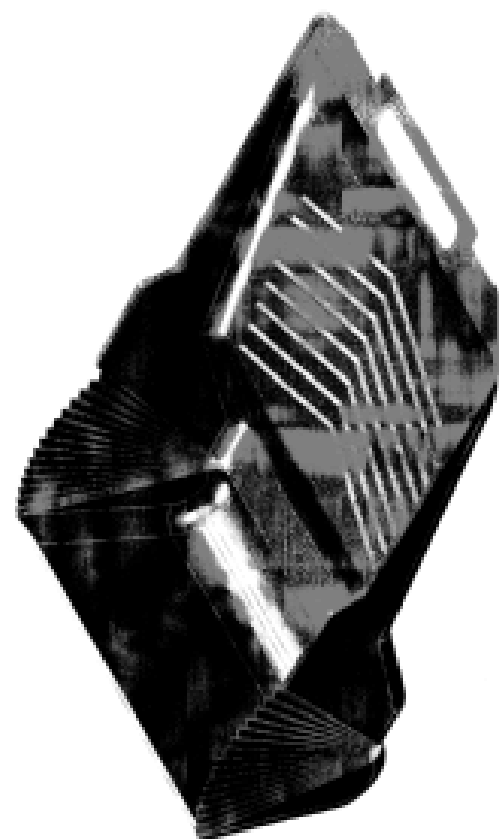
(21) Design Number: **12458/2010**
(22) Date of Filing Application: **16 June 2010**
(24) Date from which industrial property rights may have effect: **16 June 2010**
(54) Product in respect of which the design is registered: **Tricycle**
(51) International Design Classification: **12-11**
(71) Name(s) and Address(s) of Applicant(s):
Toymonster Intellectual Property Limited
PO Box 957 Offshore Incorporations Centre Road Town Tortola
British Virgin Islands
(72) Name(s) of Designer(s): **Ariel Badanjo**
(45) Registration Date: **09 July 2010**
(30) Convention priority data:
(31) Number (32) Date (33) Country
48968 **02 Feb 2010** **ISRAEL**
(56) Related Art Documents: **Not Applicable**
(57) Statement of Newness and Distinctiveness: **Nil**



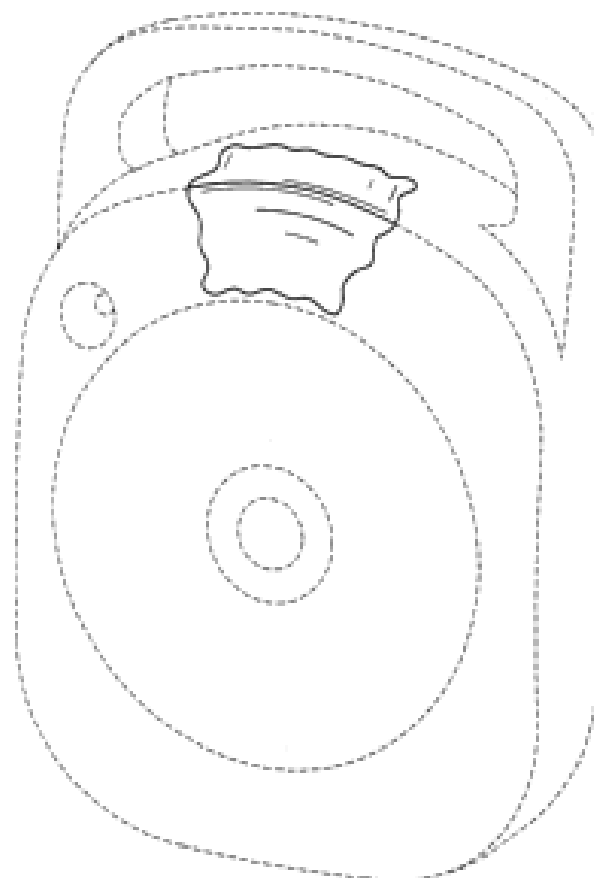
(21) Design Number: **12459/2010**
(22) Date of Filing Application: **16 June 2010**
(24) Date from which industrial property rights may have effect: **16 June 2010**
(54) Product in respect of which the design is registered: **Wristwatch**
(51) International Design Classification: **10-02**
(71) Name(s) and Address(s) of Applicant(s):
Simone Dalla Libera
Via Barbarigo 13 35010 Vigonza (PD) Italy
Michele Zanella
Via Ugo Foscolo 4 30039 Stra (VE) Italy
(72) Name(s) of Designer(s): **Simone Dalla Libera and Michele Zanella**
(45) Registration Date: **09 July 2010**
(30) Convention priority data:
(31) Number (32) Date (33) Country
001651738 **23 Dec 2009** **EUROPEAN COMMUNITY**
(56) Related Art Documents: **Not Applicable**
(57) Statement of Newness and Distinctiveness: **Nil**



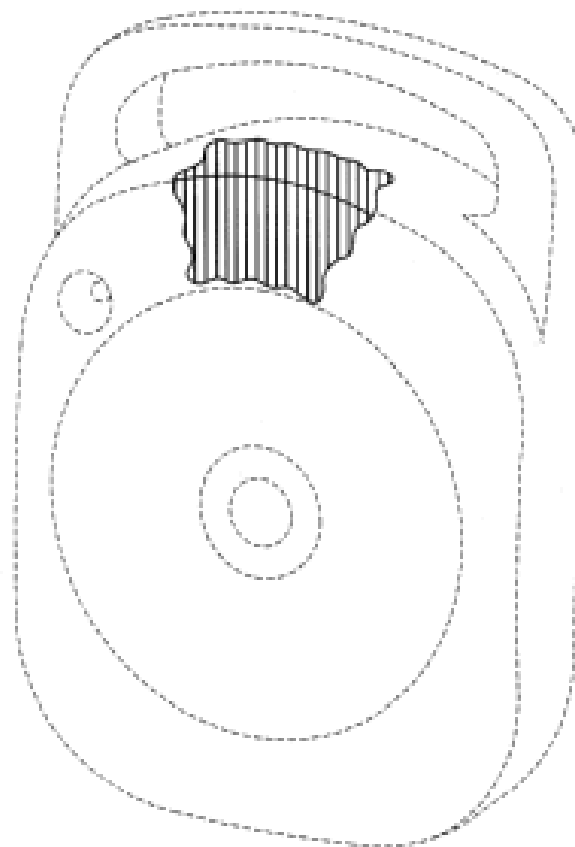
- (21) Design Number: **14484/2009**
(22) Date of Filing Application: **16 November 2009**
(24) Date from which industrial property rights may have effect: **16 November 2009**
(54) Product in respect of which the design is registered: **Paint tray liner**
(51) International Design Classification: **08-05L**
(71) Name(s) and Address(s) of Applicant(s):
UNI-PRO Painting Equipment Pty Ltd
Factory 9/11 144-150 Canterbury Road Kilsyth Victoria 3137 Australia
(72) Name(s) of Designer(s): **Ken Simpson**
(45) Registration Date: **12 July 2010**
(56) Related Art Documents: **Not Applicable**
(57) Statement of Newness and Distinctiveness: **The shape and configuration of the concertina portion of the paint tray liner is new and distinctive.**



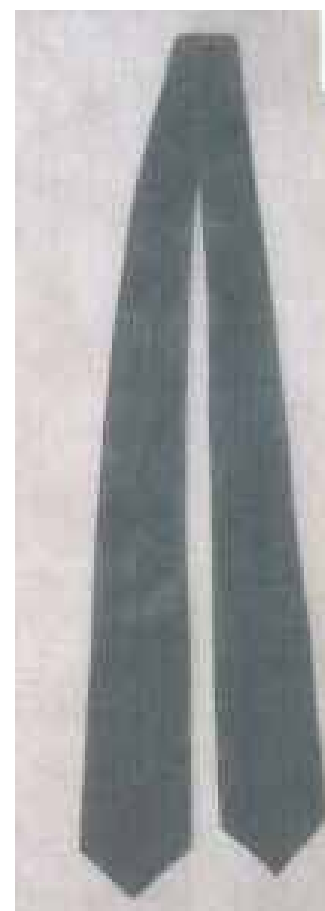
- (21) Design Number: **11635/2010**
(22) Date of Filing Application: **29 April 2010**
(24) Date from which industrial property rights may have effect: **29 April 2010**
(54) Product in respect of which the design is registered: **Noise monitor**
(51) International Design Classification: **10-05**
(71) Name(s) and Address(s) of Applicant(s):
3M Innovative Properties Company
3M Center Saint Paul Minnesota 55133-3427 United States of America
(72) Name(s) of Designer(s): **Philip J. Battenberg and Thomas E. King and Patrick J. Kilps and William J. Nielsen and Jeffrey M. Smits and Michael G. Wurm**
(45) Registration Date: **12 July 2010**
(30) Convention priority data:
(31) Number (32) Date (33) Country
29/346,362 30 Oct 2009 UNITED STATES OF AMERICA
(56) Related Art Documents: **Not Applicable**
(57) Statement of Newness and Distinctiveness: **Newness and distinctiveness is claimed in the features of pattern and/or ornamentation of a noise monitor as shown in solid outline in the accompanying representations. The solid outline defines a translucent surface portion of the noise monitor which acts as an indicator.**



- (21) Design Number: **11636/2010**
(22) Date of Filing Application: **29 April 2010**
(24) Date from which industrial property rights may have effect: **29 April 2010**
(54) Product in respect of which the design is registered: **Noise monitor with red surface lighting**
(51) International Design Classification: **10-05**
(71) Name(s) and Address(s) of Applicant(s):
3M Innovative Properties Company
3M Center Saint Paul Minnesota 55133-3427 United States of America
(72) Name(s) of Designer(s): **Philip J. Battenberg and Michael G. Wurm and William J. Nielsen and Patrick J. Kilps and Thomas E. King and Jeffrey M. Smits**
(45) Registration Date: **12 July 2010**
(30) Convention priority data:
(31) Number (32) Date (33) Country
29/346,365 30 Oct 2009 UNITED STATES OF AMERICA
(56) Related Art Documents: **Not Applicable**
(57) Statement of Newness and Distinctiveness: **Newness and distinctiveness is claimed in the features of pattern and/or ornamentation of a noise monitor with red surface lighting as shown in solid outline in the accompanying representations. The solid outline defines a surface portion of the noise monitor which is coloured red.**



- (21) Design Number: **11638/2010**
(22) Date of Filing Application: **30 April 2010**
(24) Date from which industrial property rights may have effect: **30 April 2010**
(54) Product in respect of which the design is registered: **Female ties**
(51) International Design Classification: **02-05**
(71) Name(s) and Address(s) of Applicant(s):
Teeton Pty Ltd
30 Whiteley Parade Taylors Lakes Victoria 3038 Australia
(72) Name(s) of Designer(s): **Chez Ulutas**
(45) Registration Date: **12 July 2010**
(56) Related Art Documents: **Not Applicable**
(57) Statement of Newness and Distinctiveness: **This female tie is completely symmetrical. There are triangular shaped ends and the tie gets gradually thinner as it gets to the middle of the tie.**

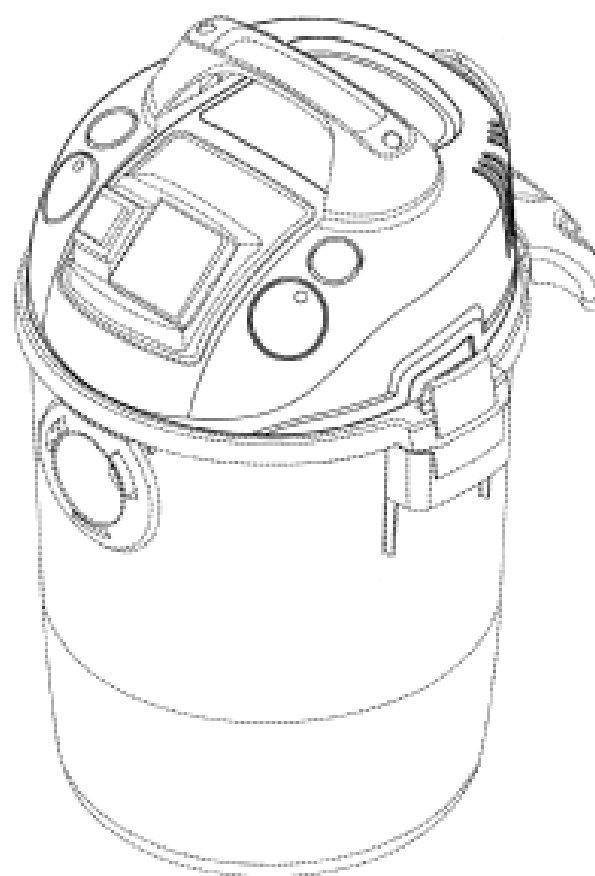


- (21) Design Number: **11640/2010**
- (22) Date of Filing Application: **29 April 2010**
- (24) Date from which industrial property rights may have effect: **29 April 2010**
- (54) Product in respect of which the design is registered: **Ventilated protective hat attachment**
- (51) International Design Classification: **02-03**
- (71) Name(s) and Address(s) of Applicant(s):
Jason Hamilton Hall
58 Manning Street Scarborough Western Australia 6019 Australia
- (72) Name(s) of Designer(s): **Jason Hamilton Hall**
- (45) Registration Date: **12 July 2010**
- (56) Related Art Documents: **Not Applicable**
- (57) Statement of Newness and Distinctiveness: **Newness and distinctiveness are claimed in the features of shape and/or configuration of a ventilated protective hat attachment as shown in the accompanying representations. Versions A and B differ only in terms of the material used for the crown portion of the hat attachment.**



- (21) Design Number: **11642/2010**
- (22) Date of Filing Application: **29 April 2010**
- (24) Date from which industrial property rights may have effect: **29 April 2010**
- (54) Product in respect of which the design is registered: **Vacuum cleaner**
- (51) International Design Classification: **15-05**
- (71) Name(s) and Address(s) of Applicant(s):
Shop Vac Corporation
2323 Reach Road Williamsport PA 17701 United States of America
- (72) Name(s) of Designer(s): **Robert Lent Crevling Jr. and Jason S. Gottschall and Craig A. Seasholtz and John Griffin**
- (45) Registration Date: **12 July 2010**
- (30) Convention priority data:

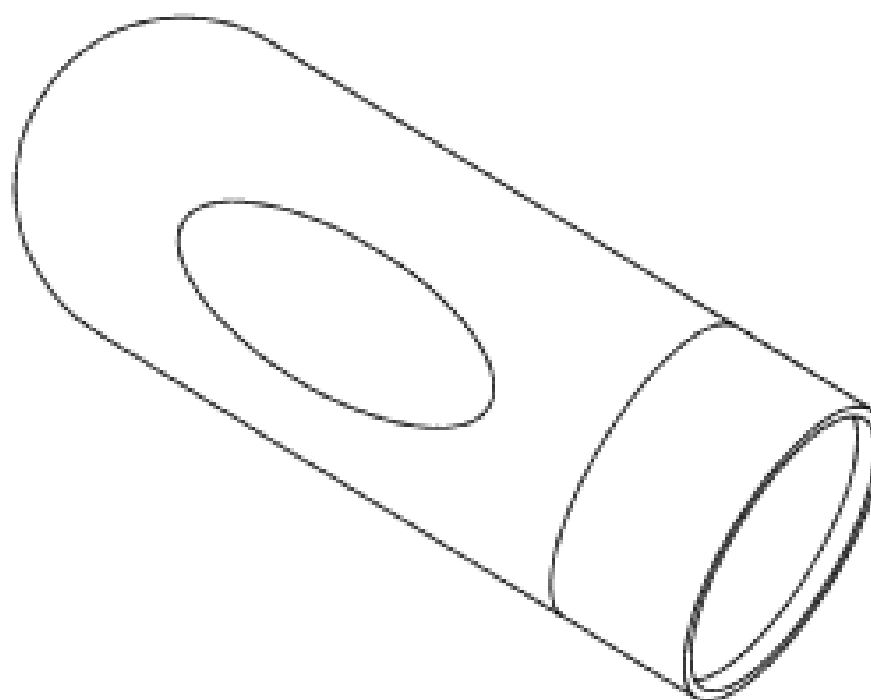
(31) Number	(32) Date	(33) Country
29/346770	05 Nov 2009	UNITED STATES OF AMERICA
- (56) Related Art Documents: **Not Applicable**
- (57) Statement of Newness and Distinctiveness: **When determining whether the design 1 is substantially similar in overall impression to another design, no regard is to be had to those features shown in dotted outline in the accompanying drawings.**



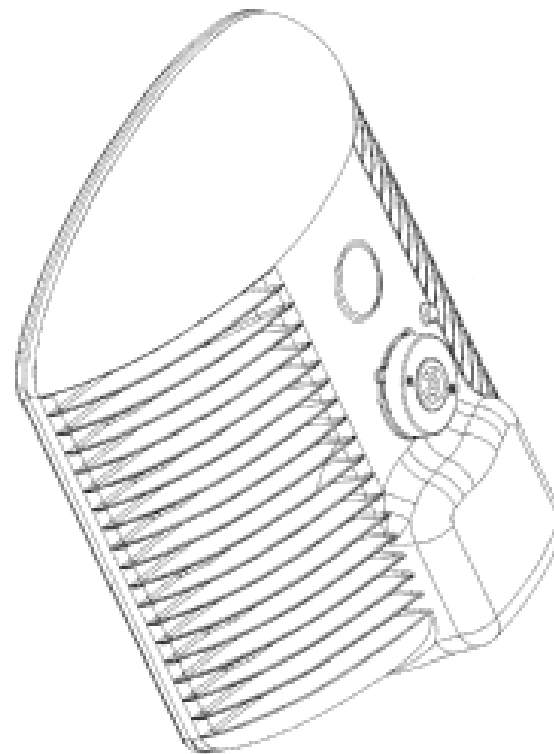
- (21) Design Number: **11792/2010**
(22) Date of Filing Application: **10 May 2010**
(24) Date from which industrial property rights may have effect: **10 May 2010**
(54) Product in respect of which the design is registered: **Ash tray**
(51) International Design Classification: **27-03**
(71) Name(s) and Address(s) of Applicant(s):
Fab Metal Specialists Pty Ltd
18 Brunsdon Street Bayswater Victoria 3153 Australia
(72) Name(s) of Designer(s): **Gordon Heald**
(45) Registration Date: **12 July 2010**
(56) Related Art Documents: **Not Applicable**
(57) Statement of Newness and Distinctiveness: **Nil**



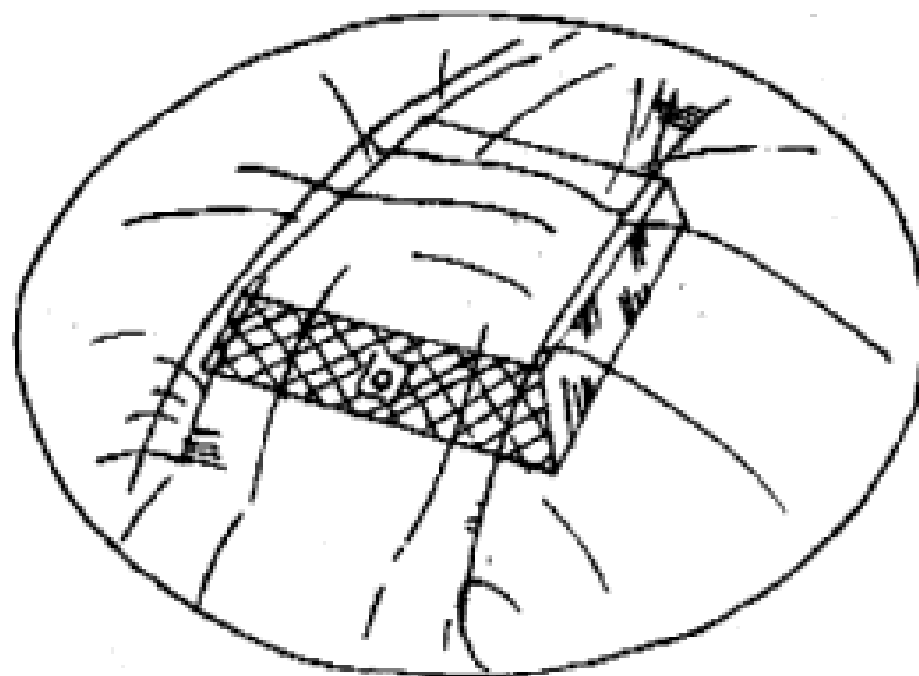
- (21) Design Number: **11878/2010**
(22) Date of Filing Application: **12 May 2010**
(24) Date from which industrial property rights may have effect: **12 May 2010**
(54) Product in respect of which the design is registered: **Container**
(51) International Design Classification: **24-01**
(71) Name(s) and Address(s) of Applicant(s):
LRC Products Limited
35 New Bridge Street London EC4V 6BW United Kingdom
(72) Name(s) of Designer(s): **John David Lamb and Mark Watson and Martin Christopher Bunce**
(45) Registration Date: **12 July 2010**
(30) Convention priority data:
(31) Number (32) Date (33) Country
001178925-0001 13 Nov 2009 EUROPEAN COMMUNITY
(56) Related Art Documents: **Not Applicable**
(57) Statement of Newness and Distinctiveness: **The shape and configuration of the following features of the design are new and distinctive: The dome shaped end of the container; and The two curved indentations, oppositely disposed on the circumferential surface of the container, as illustrated in Figures 1 to 4, and 7.**



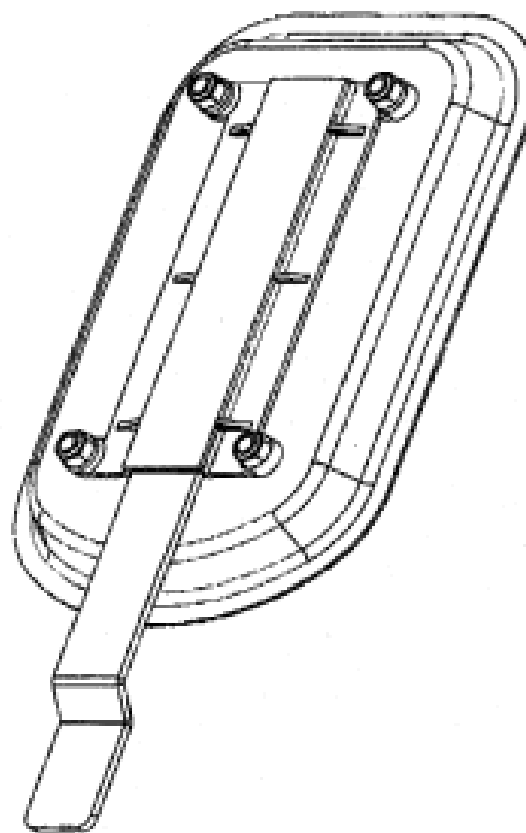
(21) Design Number: **11941/2010**
(22) Date of Filing Application: **14 May 2010**
(24) Date from which industrial property rights may have effect: **14 May 2010**
(54) Product in respect of which the design is registered: **Light fixture housing**
(51) International Design Classification: **26-05NES**
(71) Name(s) and Address(s) of Applicant(s):
LED Roadway Lighting Ltd.
35 Ash Lake Court Bayers Lake Business Park Halifax NS B3S 1B7
Canada
(72) Name(s) of Designer(s): **Jack Yitzhak Josefowicz and Matthew Francis Durdle and Tristan Roland Laan**
(45) Registration Date: **12 July 2010**
(30) Convention priority data:
(31) Number (32) Date (33) Country
132997 20 Nov 2009 CANADA
(56) Related Art Documents: **Not Applicable**
(57) Statement of Newness and Distinctiveness: **Nil**



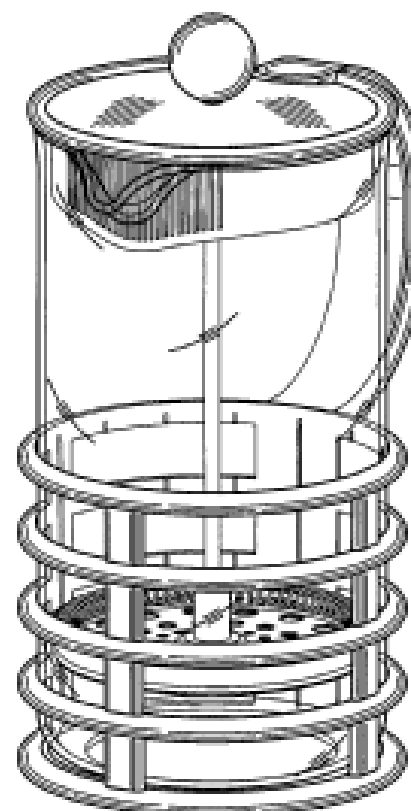
(21) Design Number: **11991/2010**
(22) Date of Filing Application: **30 April 2010**
(24) Date from which industrial property rights may have effect: **30 April 2010**
(54) Product in respect of which the design is registered: **Internally illuminated raised pavement marker**
(51) International Design Classification: **10-06**
(71) Name(s) and Address(s) of Applicant(s):
Timothy Breandan Culley
10A Main Street Killarney Vale New South Wales 2261 Australia
(72) Name(s) of Designer(s): **Timothy Breandan Culley**
(45) Registration Date: **12 July 2010**
(56) Related Art Documents: **Not Applicable**
(57) Statement of Newness and Distinctiveness: **Nil**



- (21) Design Number: **12093/2010**
(22) Date of Filing Application: **21 May 2010**
(24) Date from which industrial property rights may have effect: **21 May 2010**
(54) Product in respect of which the design is registered: **Door latch**
(51) International Design Classification: **08-07**
(71) Name(s) and Address(s) of Applicant(s):
Steel Storage Holdings Pty Ltd
Northport Business Park Unit 1 425 Nudgee Road Hendra Brisbane
Queensland 4011 Australia
(72) Name(s) of Designer(s): **Gerard Michael Ryan and Jon Perrins**
(45) Registration Date: **12 July 2010**
(56) Related Art Documents: **Not Applicable**
(57) Statement of Newness and Distinctiveness: **Monopoly is claimed in the shape and configuration of a door latch as illustrated in the accompanying representations.**



- (21) Design Number: **12421/2010**
(22) Date of Filing Application: **15 June 2010**
(24) Date from which industrial property rights may have effect: **15 June 2010**
(54) Product in respect of which the design is registered: **Coffee maker**
(51) International Design Classification: **07-02L**
(71) Name(s) and Address(s) of Applicant(s):
Pi-Design AG
Kantonsstrasse 100 6234 Triengen Switzerland
(72) Name(s) of Designer(s): **Jorgen Bodum**
(45) Registration Date: **12 July 2010**
(30) Convention priority data:
(31) Number (32) Date (33) Country
DM/072 810 29 Dec 2009 WORLD INTELLECTUAL
PROPERTY ORGANIZATION
(WIPO)
(56) Related Art Documents: **Not Applicable**
(57) Statement of Newness and Distinctiveness: **Nil**



(21) Design Number: **12422/2010**

(22) Date of Filing Application: **15 June 2010**

(24) Date from which industrial property rights may have effect: **15 June 2010**

(54) Product in respect of which the design is registered: **Tea maker**

(51) International Design Classification: **07-02K**

(71) Name(s) and Address(s) of Applicant(s):

Pi-Design AG
Kantonsstrasse 100 6234 Triengen Switzerland

(72) Name(s) of Designer(s): **Jorgen Bodum**

(45) Registration Date: **12 July 2010**

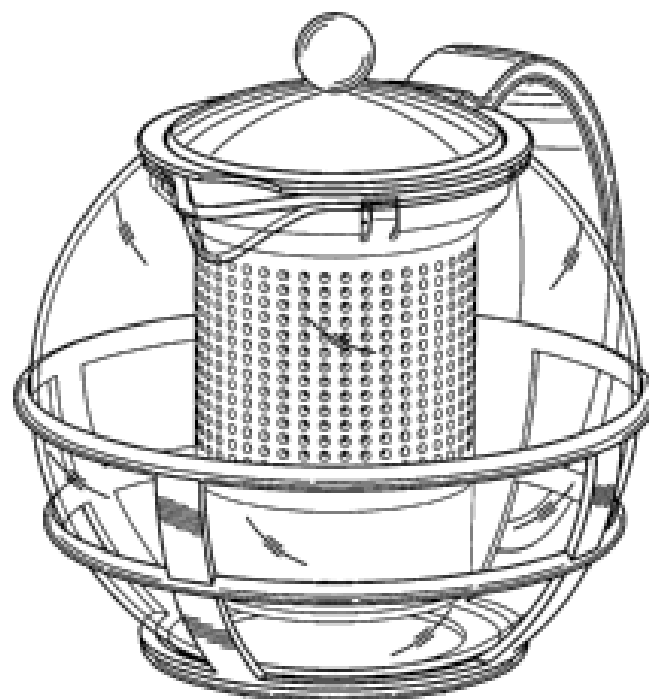
(30) Convention priority data:

(31) Number (32) Date
DM/702 810 29 Dec 2009

(33) Country
**WORLD INTELLECTUAL
PROPERTY ORGANIZATION
(WIPO)**

(56) Related Art Documents: **Not Applicable**

(57) Statement of Newness and Distinctiveness: **Nil**



(21) Design Number: **12460/2010**

(22) Date of Filing Application: **16 June 2010**

(24) Date from which industrial property rights may have effect: **16 June 2010**

(54) Product in respect of which the design is registered: **Wristwatch**

(51) International Design Classification: **10-02**

(71) Name(s) and Address(s) of Applicant(s):

Simone Dalla Libera
Via Barbarigo 13 35010 Vigonza (PD) Italy

Michele Zanella
Via Ugo Foscolo 4 30039 Stra (VE) Italy

(72) Name(s) of Designer(s): **Simone Dalla Libera and Michele Zanella**

(45) Registration Date: **12 July 2010**

(30) Convention priority data:

(31) Number (32) Date
001651738 23 Dec 2009

(33) Country
EUROPEAN COMMUNITY

(56) Related Art Documents: **Not Applicable**

(57) Statement of Newness and Distinctiveness: **Nil**



- (21) Design Number: **12462/2010**
- (22) Date of Filing Application: **16 June 2010**
- (24) Date from which industrial property rights may have effect: **16 June 2010**
- (54) Product in respect of which the design is registered: **Portable display device**
- (51) International Design Classification: **14-01**
- (71) Name(s) and Address(s) of Applicant(s):

Apple Inc.
1 Infinite Loop Cupertino California 95014 United States of America

- (72) Name(s) of Designer(s): **Jody Akana and Bartley K. Andre and Jeremy Bataillou and Daniel J. Coster and Daniele De Iuliis and Evans Hankey and Richard P. Howarth and Jonathan P. Ive and Steve Jobs and Duncan Robert Kerr and Shin Nishibori and Matthew Dean Rohrbach and Peter Russell-Clarke and Christopher J. Stringer and Eugene Antony Whang and Rico Zorkendorfer**

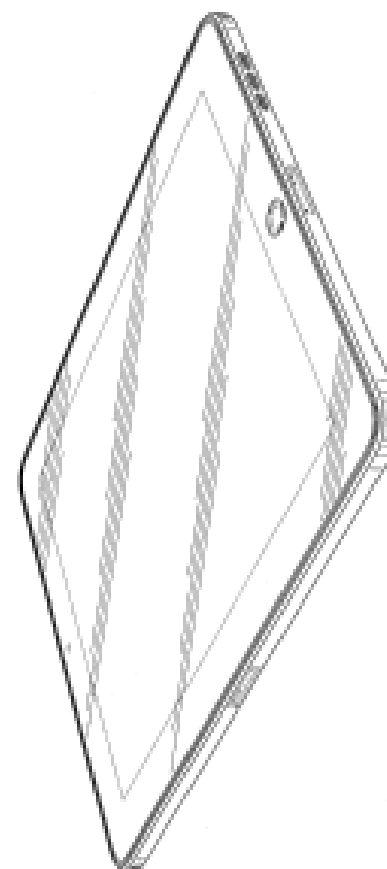
- (45) Registration Date: **12 July 2010**

- (30) Convention priority data:

(31) Number	(32) Date	(33) Country
29/353307	06 Jan 2010	UNITED STATES OF AMERICA

- (56) Related Art Documents: **Not Applicable**

- (57) Statement of Newness and Distinctiveness: **Newness and distinctiveness resides in the combination of: the features of shape of the portable display device that are represented by the solid outline lines; and the features of shape of the portable display device that are represented by the solid contour lines in the accompanying figures and the dashed contour lines in Figures 2, 4 and 5 to 8 of the accompanying figures; and the transparent surface together with the boundary line visible through the transparent surface and marked A in Figures 1 and 3 of the accompanying figures; and the shape of the feature marked B in Figures 1 and 3 of the accompanying figures.**



- (21) Design Number: **12463/2010**
- (22) Date of Filing Application: **16 June 2010**
- (24) Date from which industrial property rights may have effect: **16 June 2010**
- (54) Product in respect of which the design is registered: **Portable display device**
- (51) International Design Classification: **14-01**
- (71) Name(s) and Address(s) of Applicant(s):

Apple Inc.
1 Infinite Loop Cupertino California 95014 United States of America

- (72) Name(s) of Designer(s): **Jody Akana and Bartley K. Andre and Jeremy Bataillou and Daniel J. Coster and Daniele De Iuliis and Evans Hankey and Richard P. Howarth and Jonathan P. Ive and Steve Jobs and Duncan Robert Kerr and Shin Nishibori and Matthew Dean Rohrbach and Peter Russell-Clarke and Christopher J. Stringer and Eugene Antony Whang and Rico Zorkendorfer**

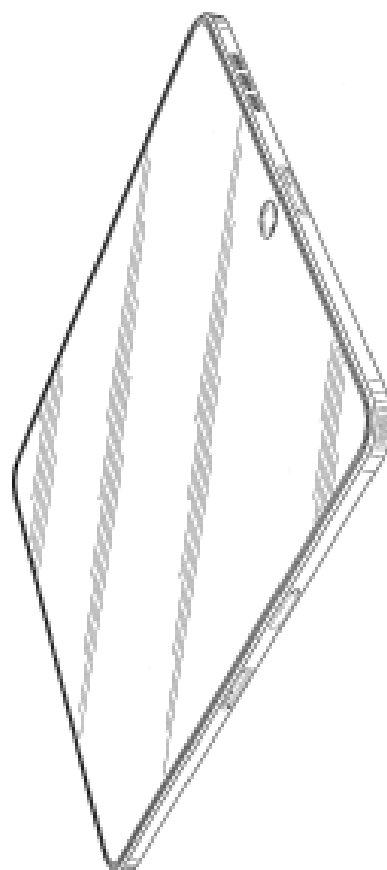
- (45) Registration Date: **12 July 2010**

- (30) Convention priority data:

(31) Number	(32) Date	(33) Country
29/353311	06 Jan 2010	UNITED STATES OF AMERICA

- (56) Related Art Documents: **Not Applicable**

- (57) Statement of Newness and Distinctiveness: **Newness and distinctiveness resides in the combination of: the features of shape of the portable display device that are represented by the solid outline lines and the solid contour lines in the accompanying figures; and the features of shape of the portable display device that are represented by the dashed contour lines in Figures 2, 4 and 5 to 8 of the accompanying figures; and the feature marked A in Figures 1 and 3 of the accompanying figures; and the feature marked B in Figures 4 and 5 of the accompanying figures.**



- (21) Design Number: **12464/2010**
(22) Date of Filing Application: **16 June 2010**
(24) Date from which industrial property rights may have effect: **16 June 2010**
(54) Product in respect of which the design is registered: **Portable display device**
(51) International Design Classification: **14-01**
(71) Name(s) and Address(s) of Applicant(s):

Apple Inc.
1 Infinite Loop Cupertino California 95014 United States of America

- (72) Name(s) of Designer(s): **Jody Akana and Bartley K. Andre and Jeremy Bataillou and Daniel J. Coster and Daniele De Iuliis and Evans Hankey and Richard P. Howarth and Jonathan P. Ive and Steve Jobs and Duncan Robert Kerr and Shin Nishibori and Matthew Dean Rohrbach and Peter Russell-Clarke and Christopher J. Stringer and Eugene Antony Whang and Rico Zorkendorfer**

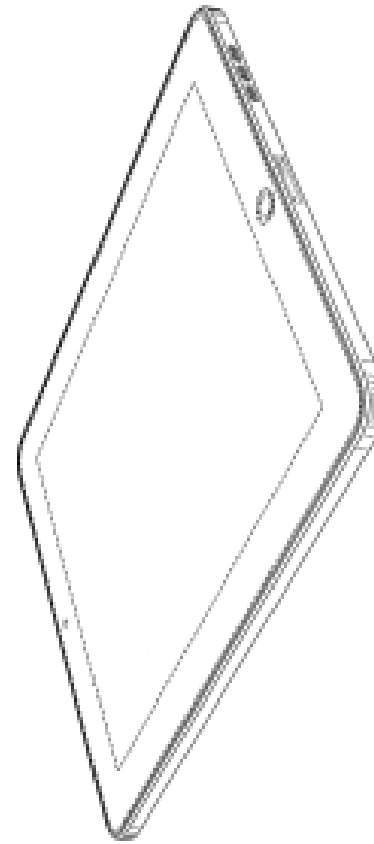
- (45) Registration Date: **12 July 2010**

- (30) Convention priority data:

(31) Number	(32) Date	(33) Country
29/354,599	26 Jan 2010	UNITED STATES OF AMERICA

- (56) Related Art Documents: **Not Applicable**

- (57) Statement of Newness and Distinctiveness: **Newness and distinctiveness resides in: the features of shape of the portable display device that are represented by the solid outline lines and the solid contour lines in the accompanying figures; and the features of shape of the portable display device that are represented by the dashed contour lines in Figures 2, 4 and 5 to 8 of the accompanying figures.**



- (21) Design Number: **12465/2010**
(22) Date of Filing Application: **17 June 2010**
(24) Date from which industrial property rights may have effect: **17 June 2010**
(54) Product in respect of which the design is registered: **Air conditioner**
(51) International Design Classification: **23-04**
(71) Name(s) and Address(s) of Applicant(s):

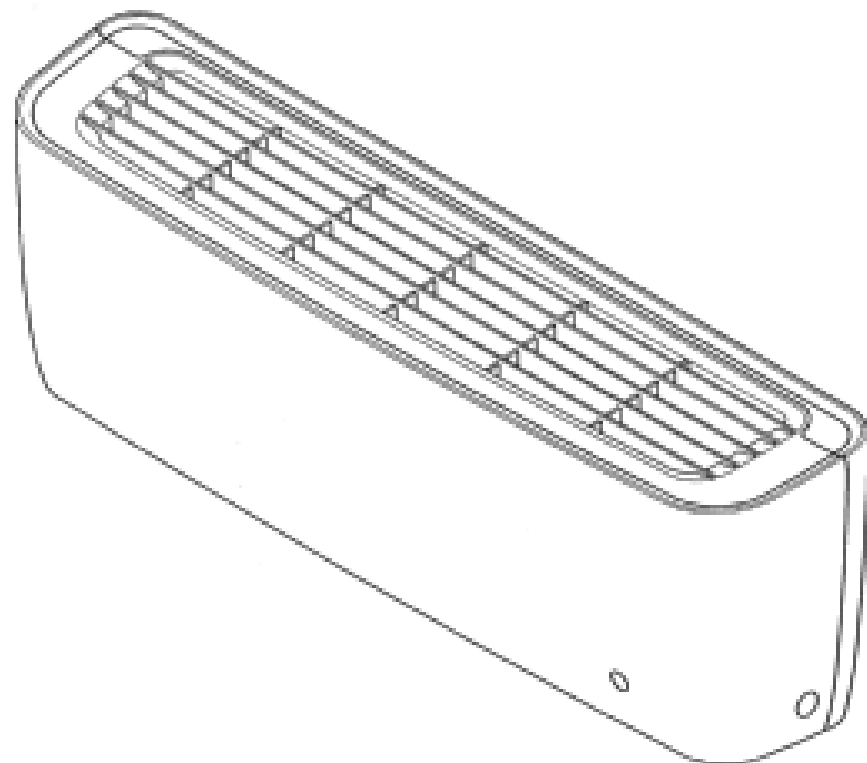
Samsung Electronics Co., Ltd.
416 Maetan-Dong Yeongtong-Gu Suwon-Si Gyeonggi-Do Republic of Korea

- (72) Name(s) of Designer(s): **Joohee Ryu and Sanghoon Yoon**

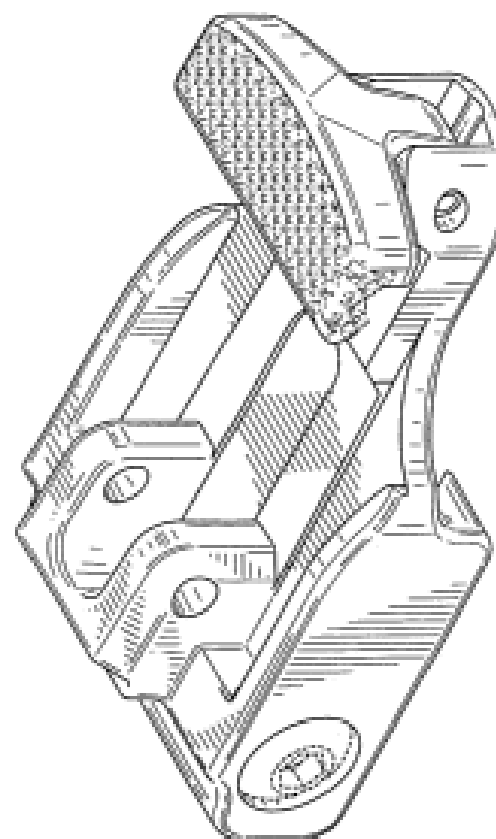
- (45) Registration Date: **12 July 2010**

- (56) Related Art Documents: **Not Applicable**

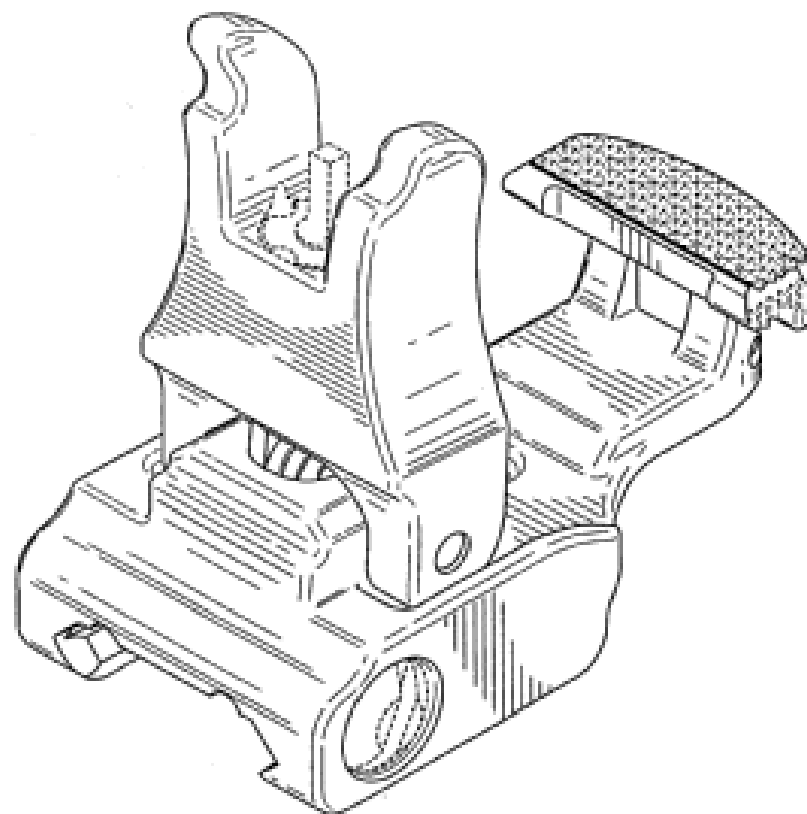
- (57) Statement of Newness and Distinctiveness: **The newness and distinctiveness of the design resides in the features of shape and/or configuration of an air conditioner as illustrated in the accompanying representations.**



(21) Design Number: **12468/2010**
(22) Date of Filing Application: **16 June 2010**
(24) Date from which industrial property rights may have effect: **16 June 2010**
(54) Product in respect of which the design is registered: **Low profile sight base for a flip up sight**
(51) International Design Classification: **22-01, 16-99**
(71) Name(s) and Address(s) of Applicant(s):
Richard E. Swan
171 West Street E. Bridgewater Massachusetts 02333 United States of America
(72) Name(s) of Designer(s): **Richard E. Swan**
(45) Registration Date: **12 July 2010**
(30) Convention priority data:
(31) Number (32) Date (33) Country
29/353273 06 Jan 2010 UNITED STATES OF AMERICA
(56) Related Art Documents: **Not Applicable**
(57) Statement of Newness and Distinctiveness: **Newness and distinctiveness is claimed in those features of shape and/or configuration of a low profile sight base for a flip up sight illustrated in continuous lines in the accompanying representations.**



(21) Design Number: **12469/2010**
(22) Date of Filing Application: **16 June 2010**
(24) Date from which industrial property rights may have effect: **16 June 2010**
(54) Product in respect of which the design is registered: **Low profile flip up front sight**
(51) International Design Classification: **22-01, 16-99**
(71) Name(s) and Address(s) of Applicant(s):
Richard E. Swan
171 West Street E. Bridgewater Massachusetts 02333 United States of America
(72) Name(s) of Designer(s): **Richard E. Swan**
(45) Registration Date: **12 July 2010**
(30) Convention priority data:
(31) Number (32) Date (33) Country
29/353894 15 Jan 2010 UNITED STATES OF AMERICA
(56) Related Art Documents: **Not Applicable**
(57) Statement of Newness and Distinctiveness: **Newness and distinctiveness is claimed in those features of shape and/or configuration of a low profile flip up front sight illustrated in continuous lines in the accompanying representations.**



(21) Design Number: **12472/2010**

(22) Date of Filing Application: **11 June 2010**

(24) Date from which industrial property rights may have effect: **11 June 2010**

(54) Product in respect of which the design is registered: **Fin plug for a surfcraft**

(51) International Design Classification: **21-02D**

(71) Name(s) and Address(s) of Applicant(s):

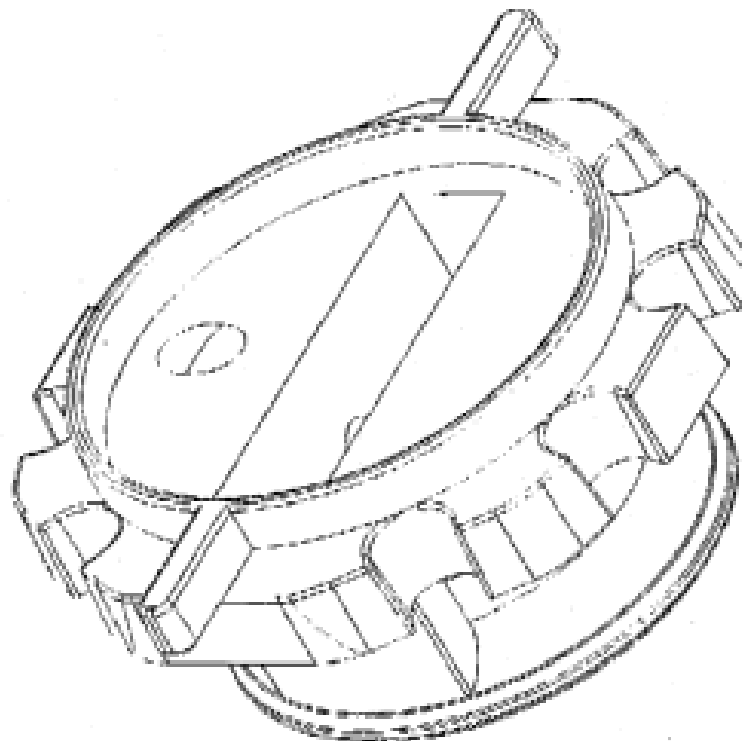
Shapers (Aust.) Pty Ltd
9/7 Traders Way Currumbin Queensland 4223 Australia

(72) Name(s) of Designer(s): **Daniel Holloway and Len Holloway**

(45) Registration Date: **12 July 2010**

(56) Related Art Documents: **Not Applicable**

(57) Statement of Newness and Distinctiveness: **Newness and distinctiveness resides in the visual features of shape and/or configuration of a fin plug for a surfcraft as shown in the accompanying representations.**



(21) Design Number: **12053/2010**

(22) Date of Filing Application: **21 May 2010**

(24) Date from which industrial property rights may have effect: **21 May 2010**

(54) Product in respect of which the design is registered: **Soap bar**

(51) International Design Classification: **28-02**

(71) Name(s) and Address(s) of Applicant(s):

Unilever PLC
Unilever House 100 Victoria Embankment London EC4Y 0DY United Kingdom

(72) Name(s) of Designer(s): **Benjamin Phalan Oates**

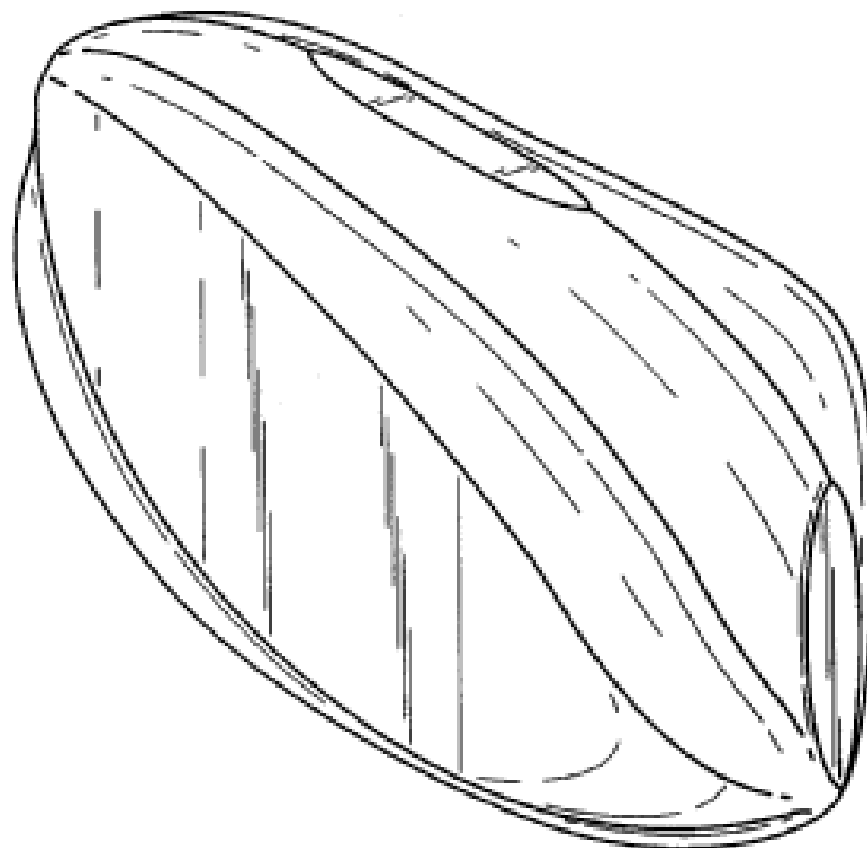
(45) Registration Date: **12 July 2010**

(30) Convention priority data:

(31) Number	(32) Date	(33) Country
4013535	08 Dec 2009	UNITED KINGDOM

(56) Related Art Documents: **Not Applicable**

(57) Statement of Newness and Distinctiveness: **Newness and distinctiveness is claimed in the visual features shown in solid lines in the representations.**



(21) Design Number: **12477/2010**

(22) Date of Filing Application: **17 June 2010**

(24) Date from which industrial property rights may have effect: **17 June 2010**

(54) Product in respect of which the design is registered: **Tyre**

(51) International Design Classification: **12-15B**

(71) Name(s) and Address(s) of Applicant(s):

**Continental Reifen Deutschland GmbH
Vahrenwalderstrasse 9 30165 Hannover Germany**

(72) Name(s) of Designer(s): **Meike Schmidt-Zum Berge and Stefan Rittweger**

(45) Registration Date: **12 July 2010**

(30) Convention priority data:

(31) Number	(32) Date	(33) Country
001686510	25 Mar 2010	EUROPEAN COMMUNITY

(56) Related Art Documents: **Not Applicable**

(57) Statement of Newness and Distinctiveness: **Newness and distinctiveness resides in the visual features, including shape, configuration and pattern of a tread for a tyre as illustrated in the accompanying representations.**



(21) Design Number: **12478/2010**

(22) Date of Filing Application: **17 June 2010**

(24) Date from which industrial property rights may have effect: **17 June 2010**

(54) Product in respect of which the design is registered: **Bottle**

(51) International Design Classification: **09-01H**

(71) Name(s) and Address(s) of Applicant(s):

**Patron Spirits International AG
Quaistrasse 11 8200 Schaffhausen Switzerland**

(72) Name(s) of Designer(s): **Edward M. Brown**

(45) Registration Date: **12 July 2010**

(30) Convention priority data:

(31) Number	(32) Date	(33) Country
29/352764	24 Dec 2009	UNITED STATES OF AMERICA

(56) Related Art Documents: **Not Applicable**

(57) Statement of Newness and Distinctiveness: **When determining whether the design is substantially similar in overall impression to another design, it should be noted that the broken lines and shading shown in the drawings of the bottle are provided for illustrative purposes only and form no part of the design.**



(21) Design Number: **12479/2010**

(22) Date of Filing Application: **17 June 2010**

(24) Date from which industrial property rights may have effect: **17 June 2010**

(54) Product in respect of which the design is registered: **Tyre**

(51) International Design Classification: **12-15B**

(71) Name(s) and Address(s) of Applicant(s):

**Continental Reifen Deutschland GmbH
Vahrenwalderstrasse 9 30165 Hannover Germany**

(72) Name(s) of Designer(s): **Meike Schmidt-Zum Berge and Stefan Rittweger**

(45) Registration Date: **12 July 2010**

(30) Convention priority data:

(31) Number	(32) Date	(33) Country
001686510	25 Mar 2010	EUROPEAN COMMUNITY

(56) Related Art Documents: **Not Applicable**

(57) Statement of Newness and Distinctiveness: **Newness and distinctiveness resides in the visual features, including shape, configuration and pattern of a tread for a tyre as illustrated in the accompanying representations.**



(21) Design Number: **12480/2010**

(22) Date of Filing Application: **17 June 2010**

(24) Date from which industrial property rights may have effect: **17 June 2010**

(54) Product in respect of which the design is registered: **Mobile phone**

(51) International Design Classification: **14-03E**

(71) Name(s) and Address(s) of Applicant(s):

**LG Electronics Inc.
20 Yeouido-dong Yeongdeungpo-gu Seoul 150-721 Republic of Korea**

(72) Name(s) of Designer(s): **Yoo Shin Ahn**

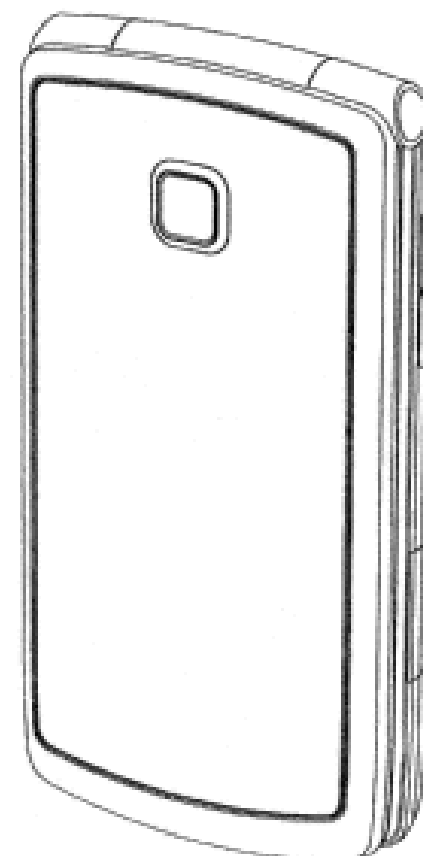
(45) Registration Date: **12 July 2010**

(30) Convention priority data:

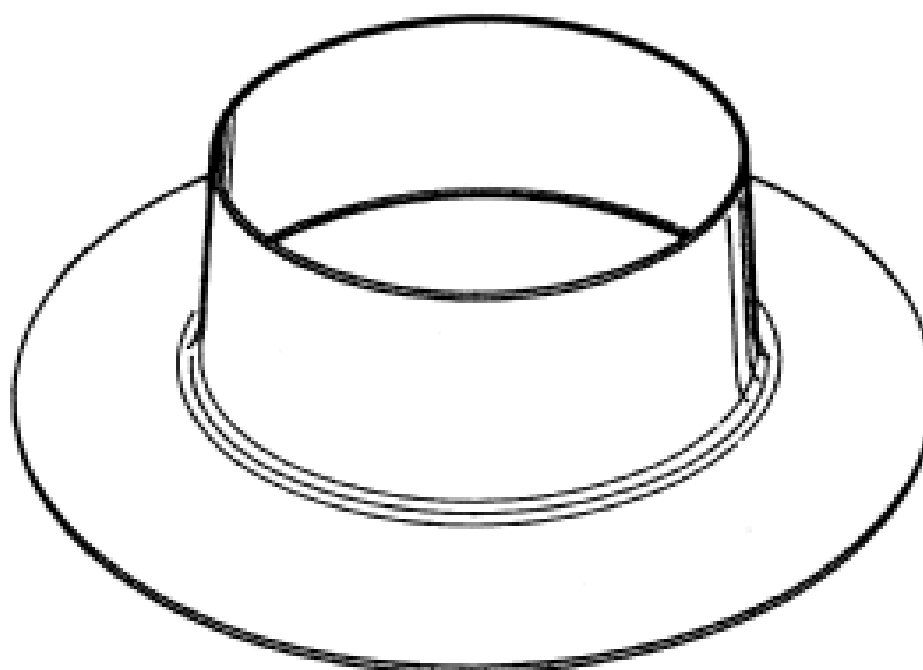
(31) Number	(32) Date	(33) Country
30-2009-0056635	23 Dec 2009	REPUBLIC OF KOREA

(56) Related Art Documents: **Not Applicable**

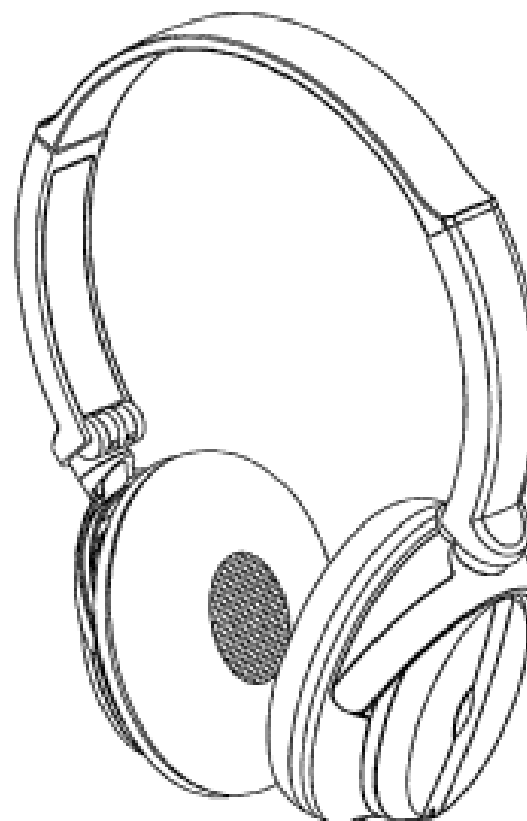
(57) Statement of Newness and Distinctiveness: **Newness and distinctiveness resides in the visual features of shape, configuration, pattern and/or ornamentation of a mobile phone as illustrated in the representations.**



(21) Design Number: **12481/2010**
(22) Date of Filing Application: **17 June 2010**
(24) Date from which industrial property rights may have effect: **17 June 2010**
(54) Product in respect of which the design is registered: **Device for use with an ostomy appliance**
(51) International Design Classification: **24-04**
(71) Name(s) and Address(s) of Applicant(s):
Salts Healthcare Limited
Richard Street Aston Birmingham W Mids B7 4AA United Kingdom
(72) Name(s) of Designer(s): **Peter Argent**
(45) Registration Date: **12 July 2010**
(30) Convention priority data:
(31) Number (32) Date (33) Country
001185656-0001 24 Dec 2009 EUROPEAN COMMUNITY
(56) Related Art Documents: **Not Applicable**
(57) Statement of Newness and Distinctiveness: **Nil**



(21) Design Number: **12484/2010**
(22) Date of Filing Application: **17 June 2010**
(24) Date from which industrial property rights may have effect: **17 June 2010**
(54) Product in respect of which the design is registered: **Headphone**
(51) International Design Classification: **14-01**
(71) Name(s) and Address(s) of Applicant(s):
Kabushiki Kaisha Audio-Technica
2206 Naruse Machida-shi Tokyo Japan
(72) Name(s) of Designer(s): **Jun Hamaura and Hiroyuki Ochiai**
(45) Registration Date: **12 July 2010**
(30) Convention priority data:
(31) Number (32) Date (33) Country
2009-030072 24 Dec 2009 JAPAN
(56) Related Art Documents: **Not Applicable**
(57) Statement of Newness and Distinctiveness: **Newness and distinctiveness is claimed in the features of shape and/or configuration of a headphone as illustrated in the accompanying representations in which particular regard is afforded to the soft impression of the entire headphone made by the gentle curve of the housings and ear pads and by the thinness of the longitudinal intermediate part of the headband.**



(21) Design Number: **12485/2010**

(22) Date of Filing Application: **17 June 2010**

(24) Date from which industrial property rights may have effect: **17 June 2010**

(54) Product in respect of which the design is registered: **Earphone**

(51) International Design Classification: **14-01**

(71) Name(s) and Address(s) of Applicant(s):

**Kabushiki Kaisha Audio-Technica
2206 Naruse Machida-shi Tokyo Japan**

(72) Name(s) of Designer(s): **Yuka Nagayama and Reiko Kakusaka**

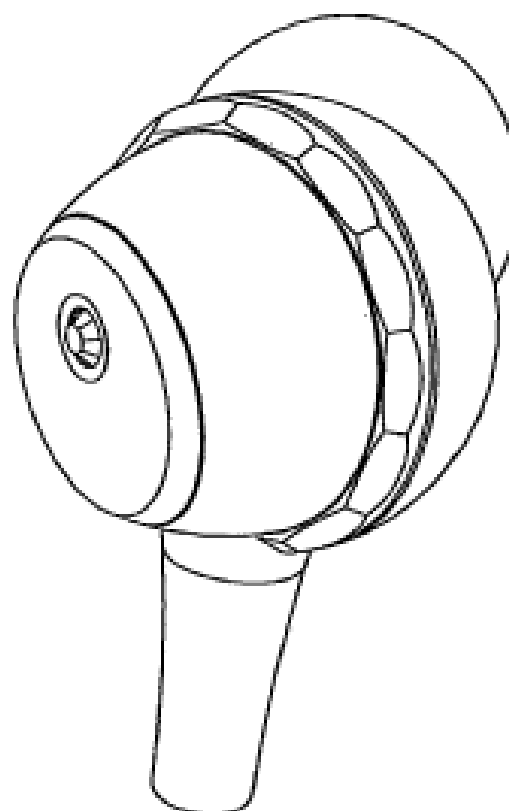
(45) Registration Date: **12 July 2010**

(30) Convention priority data:

(31) Number	(32) Date	(33) Country
2009-030257	25 Dec 2009	JAPAN

(56) Related Art Documents: **Not Applicable**

(57) Statement of Newness and Distinctiveness: **Newness and distinctiveness is claimed in the features of shape and/or configuration of an earphone as illustrated in the accompanying representations in which particular regard is afforded to the sphere-like housing and the faceted interconnection between the large diameter part and the small diameter part of the housing.**



(21) Design Number: **12486/2010**

(22) Date of Filing Application: **17 June 2010**

(24) Date from which industrial property rights may have effect: **17 June 2010**

(54) Product in respect of which the design is registered: **Cord holder for earphones and headphones**

(51) International Design Classification: **08-08NES**

(71) Name(s) and Address(s) of Applicant(s):

**Kabushiki Kaisha Audio-Technica
2206 Naruse Machida-shi Tokyo Japan**

(72) Name(s) of Designer(s): **Yuka Nagayama and Reiko Kakusaka**

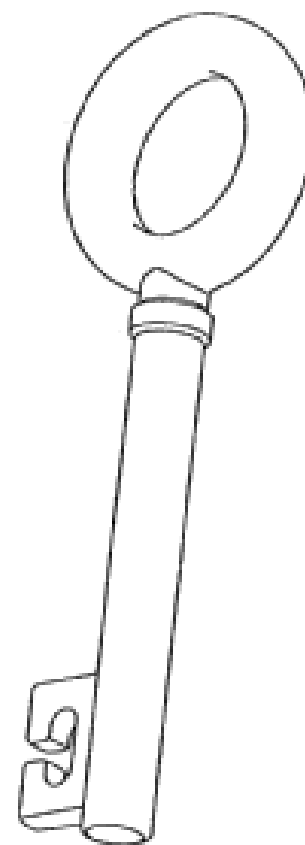
(45) Registration Date: **12 July 2010**

(30) Convention priority data:

(31) Number	(32) Date	(33) Country
2009-030563	28 Dec 2009	JAPAN

(56) Related Art Documents: **Not Applicable**

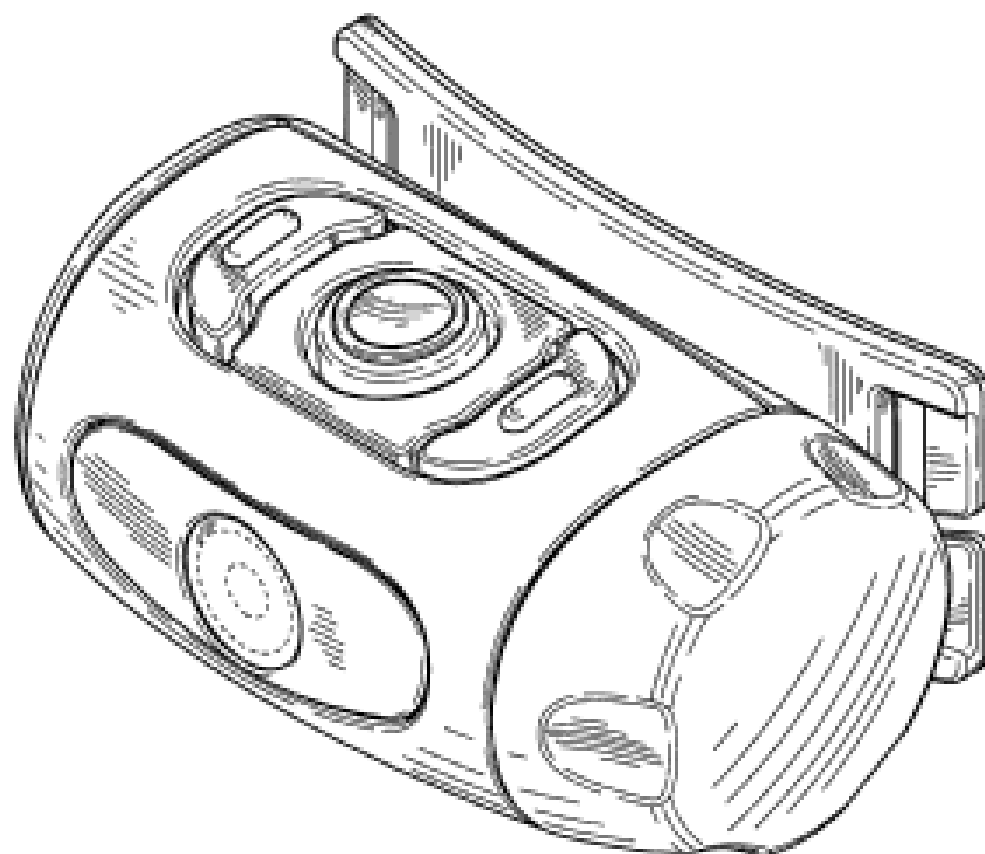
(57) Statement of Newness and Distinctiveness: **Newness and distinctiveness is claimed in the features of shape and/or configuration of a cord holder for earphones and headphones as illustrated in the accompanying representations excepting the "Referential View" which shows the cord holder in exemplary use.**



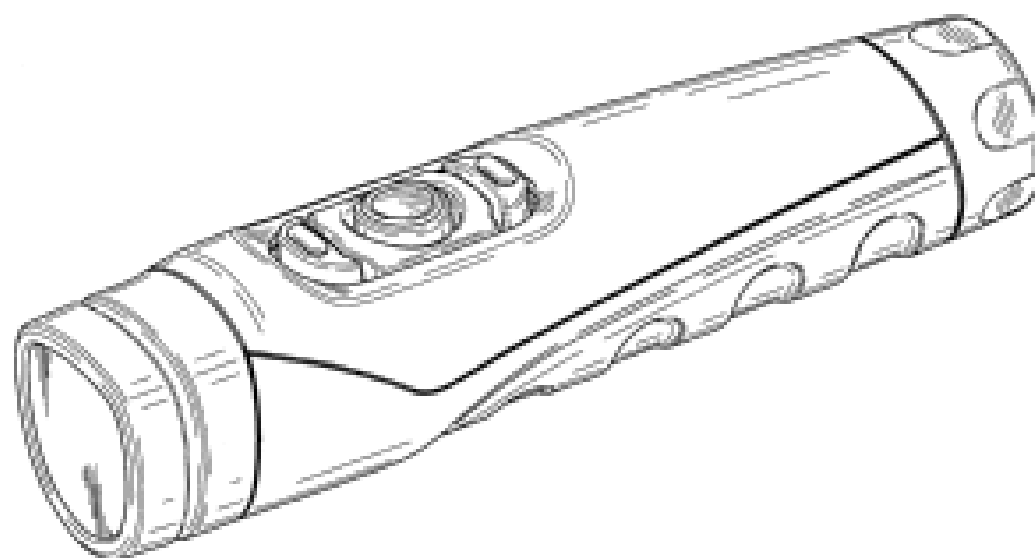
- (21) Design Number: **12487/2010**
(22) Date of Filing Application: **17 June 2010**
(24) Date from which industrial property rights may have effect: **17 June 2010**
(54) Product in respect of which the design is registered: **Headphone**
(51) International Design Classification: **14-01**
(71) Name(s) and Address(s) of Applicant(s):
Kabushiki Kaisha Audio-Technica
2206 Naruse Machida-shi Tokyo Japan
(72) Name(s) of Designer(s): **Shinji Horibe and Hiroyuki Ochiai**
(45) Registration Date: **12 July 2010**
(30) Convention priority data:
(31) Number (32) Date (33) Country
2009-030073 24 Dec 2009 JAPAN
(56) Related Art Documents: **Not Applicable**
(57) Statement of Newness and Distinctiveness: **Newness and distinctiveness is claimed in the features of shape and/or configuration of a headphone as illustrated in the accompanying representations in which particular regard is afforded to the thickness of the headband and transducer housings.**



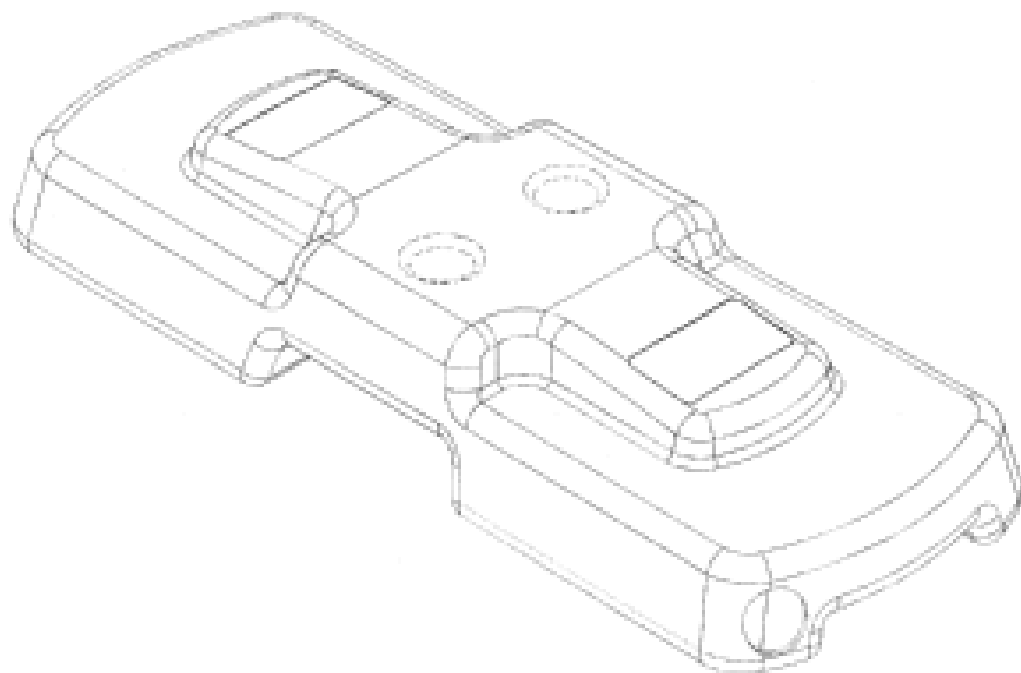
- (21) Design Number: **12488/2010**
(22) Date of Filing Application: **17 June 2010**
(24) Date from which industrial property rights may have effect: **17 June 2010**
(54) Product in respect of which the design is registered: **Lighting device**
(51) International Design Classification: **26-02**
(71) Name(s) and Address(s) of Applicant(s):
Eveready Battery Company, Inc.
533 Maryville University Drive St Louis Missouri 63141 United States of America
(72) Name(s) of Designer(s): **Donwoong Kang and Ronald J. Kingston**
(45) Registration Date: **12 July 2010**
(30) Convention priority data:
(31) Number (32) Date (33) Country
29/353969 18 Jan 2010 UNITED STATES OF AMERICA
(56) Related Art Documents: **Not Applicable**
(57) Statement of Newness and Distinctiveness: **Newness and distinctiveness is claimed in those features of shape and or configuration of a lighting device as depicted in the representations in unbroken lines. The representations use broken lines, contour lines and shading to assist in the illustration of features of shape and or configuration. Such broken lines, contour lines and shading do not form part of the design.**



- (21) Design Number: **12489/2010**
(22) Date of Filing Application: **17 June 2010**
(24) Date from which industrial property rights may have effect: **17 June 2010**
(54) Product in respect of which the design is registered: **Lighting device**
(51) International Design Classification: **26-02**
(71) Name(s) and Address(s) of Applicant(s):
Eveready Battery Company, Inc.
533 Maryville University Drive St Louis Missouri 63141 United States of America
(72) Name(s) of Designer(s): **Donwoong Kang and David J. Hine and Ronald J. Kingston**
(45) Registration Date: **12 July 2010**
(30) Convention priority data:
(31) Number (32) Date (33) Country
29/353968 18 Jan 2010 UNITED STATES OF AMERICA
(56) Related Art Documents: **Not Applicable**
(57) Statement of Newness and Distinctiveness: **Newness and distinctiveness is claimed in those features of shape and or configuration of a lighting device as depicted in the representations. The representations use contour lines and shading to assist in the illustration of features of shape and or configuration. Such contour lines and shading do not form part of the design.**



- (21) Design Number: **12611/2010**
(22) Date of Filing Application: **24 June 2010**
(24) Date from which industrial property rights may have effect: **24 June 2010**
(54) Product in respect of which the design is registered: **Temporary fence base**
(51) International Design Classification: **08-08K**
(71) Name(s) and Address(s) of Applicant(s):
David Daniel Williams
Unit 3 18 Gibberd Road Balcatta Western Australia 6021 Australia
David James Wilson
Unit 3 18 Gibberd Road Balcatta Western Australia 6021 Australia
(72) Name(s) of Designer(s): **Edward Joseph Khoury and Robert Culley and David Daniel Williams and David James Wilson**
(45) Registration Date: **12 July 2010**
(56) Related Art Documents: **Not Applicable**
(57) Statement of Newness and Distinctiveness: **Newness and distinctiveness is claimed in the features of shape and/or configuration of a temporary fence base shown in solid lines in the representations.**



(21) Design Number: **12125/2010**

(22) Date of Filing Application: **26 May 2010**

(24) Date from which industrial property rights may have effect: **26 May 2010**

(54) Product in respect of which the design is registered: **Bottle**

(51) International Design Classification: **09-01K**

(71) Name(s) and Address(s) of Applicant(s):

Unilever PLC

Unilever House 100 Victoria Embankment London EC4Y 0DY United Kingdom

(72) Name(s) of Designer(s): **Paul Lee Drake and Timothy Hope Jebb and Benjamin James Lambert and Philip Alan Marlow and Benjamin Phalan Oates**

(45) Registration Date: **12 July 2010**

(30) Convention priority data:

(31) Number
4013750

(32) Date
14 Dec 2009

(33) Country
UNITED KINGDOM

(56) Related Art Documents: **Not Applicable**

(57) Statement of Newness and Distinctiveness: **Newness and distinctiveness is claimed in the visual features shown in solid lines in the representations.**



(21) Design Number: **11384/2010**

(22) Date of Filing Application: **16 April 2010**

(24) Date from which industrial property rights may have effect: **16 April 2010**

(54) Product in respect of which the design is registered: **Light shade - pendant**

(51) International Design Classification: **26-05D**

(71) Name(s) and Address(s) of Applicant(s):

Cindy-Lee Davies

115 Abbotsford Street West Melbourne Victoria 3003 Australia

(72) Name(s) of Designer(s): **Cindy-Lee Davies**

(45) Registration Date: **14 July 2010**

(56) Related Art Documents: **Not Applicable**

(57) Statement of Newness and Distinctiveness: **Newness is the shape and size of the product, uniqueness is shape representing a bell shape in the resolution. Uniqueness is using the frame wire structure only as the bell shape light shade exposing the light source & newness. The lamp holder position also shows newness in the design representing a new position to hold the globe. Distinctiveness is also the availability of three sizes of the shape in a variety of colours.**



(21) Design Number: **11523/2010**

(22) Date of Filing Application: **22 April 2010**

(24) Date from which industrial property rights may have effect: **22 April 2010**

(54) Product in respect of which the design is registered: **Dual stream waste compacting baler consisting of two seperate chambers**

(51) International Design Classification: **09-09**

(71) Name(s) and Address(s) of Applicant(s):

Risoda Pty Ltd

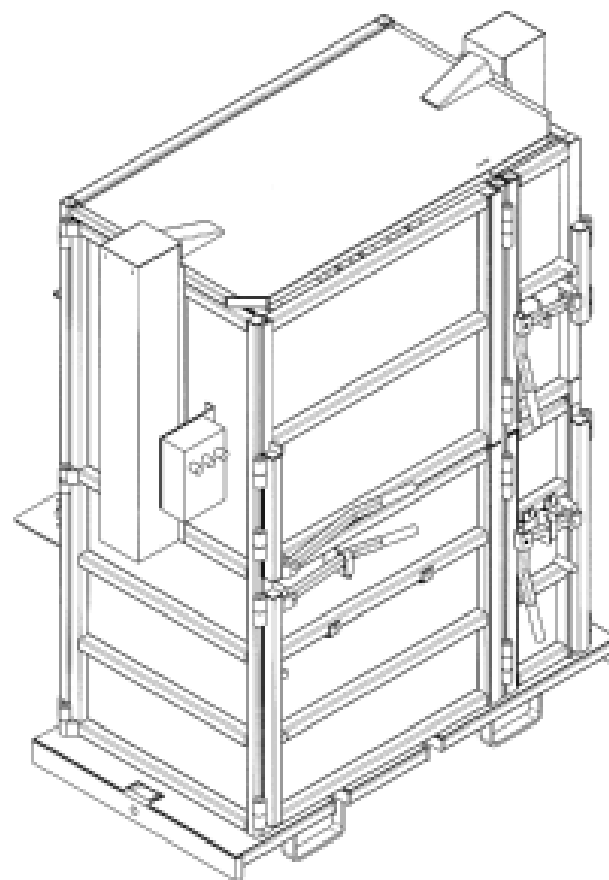
14 Carl Baer Court Deepwater New South Wales 2371 Australia

(72) Name(s) of Designer(s): **Reginald Trethewey**

(45) Registration Date: **14 July 2010**

(56) Related Art Documents: **Not Applicable**

(57) Statement of Newness and Distinctiveness: **Visually a oblong shaped unit with two large upper and lower doors and two smaller upper and lower doors.**



(21) Design Number: **11524/2010**

(22) Date of Filing Application: **23 April 2010**

(24) Date from which industrial property rights may have effect: **23 April 2010**

(54) Product in respect of which the design is registered: **Food packaging**

(51) International Design Classification: **09-05**

(71) Name(s) and Address(s) of Applicant(s):

Hafsaz Australia Pty Ltd Trading as Freshco Foods

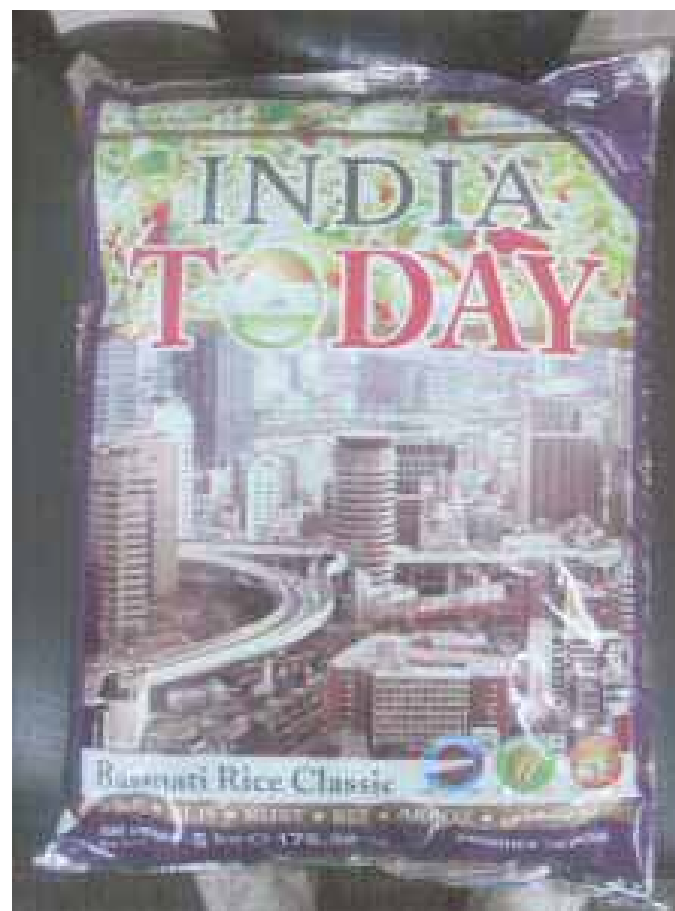
1 Harbord Street Granville New South Wales 2142 Australia

(72) Name(s) of Designer(s): **Abdul Hameed**

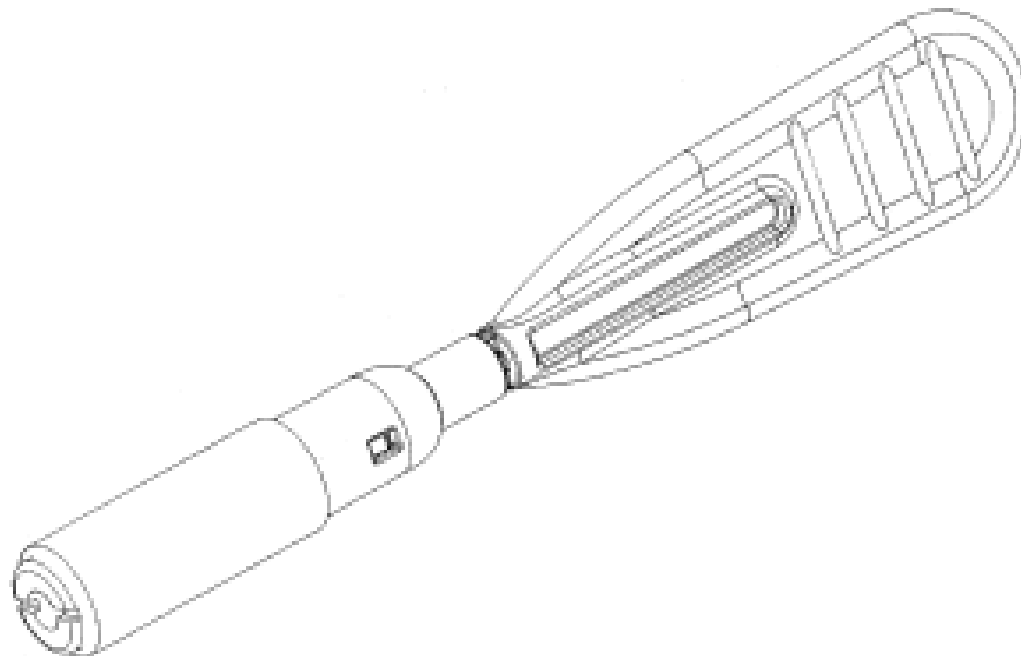
(45) Registration Date: **14 July 2010**

(56) Related Art Documents: **Not Applicable**

(57) Statement of Newness and Distinctiveness: **Nil**



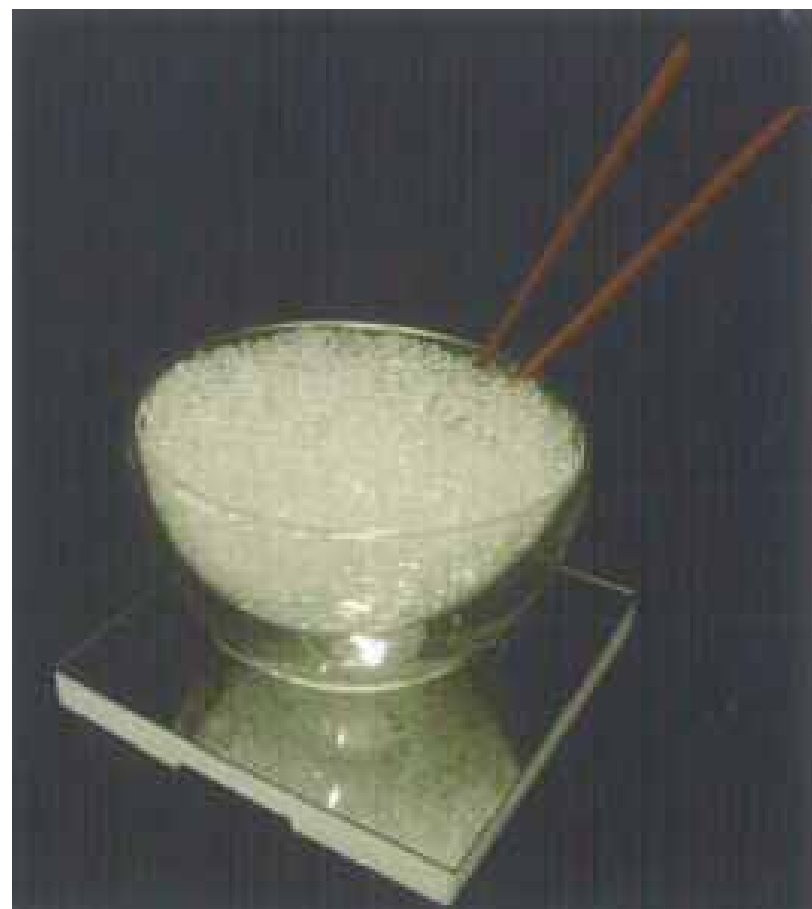
- (21) Design Number: **11963/2010**
(22) Date of Filing Application: **17 May 2010**
(24) Date from which industrial property rights may have effect: **17 May 2010**
(54) Product in respect of which the design is registered: **Swab for taking mucus smears**
(51) International Design Classification: **24-99**
(71) Name(s) and Address(s) of Applicant(s):
Concateno PLC
10 Buckingham Street London WC2N 6DF United Kingdom
(72) Name(s) of Designer(s): **Gordon Thomas Jowett and Andrew James Woodhead**
(45) Registration Date: **14 July 2010**
(30) Convention priority data:
(31) Number (32) Date (33) Country
001636325 16 Nov 2009 EUROPEAN COMMUNITY
(56) Related Art Documents: **Not Applicable**
(57) Statement of Newness and Distinctiveness: **Newness and distinctiveness is claimed in the visual features shown in solid lines in the representations.**



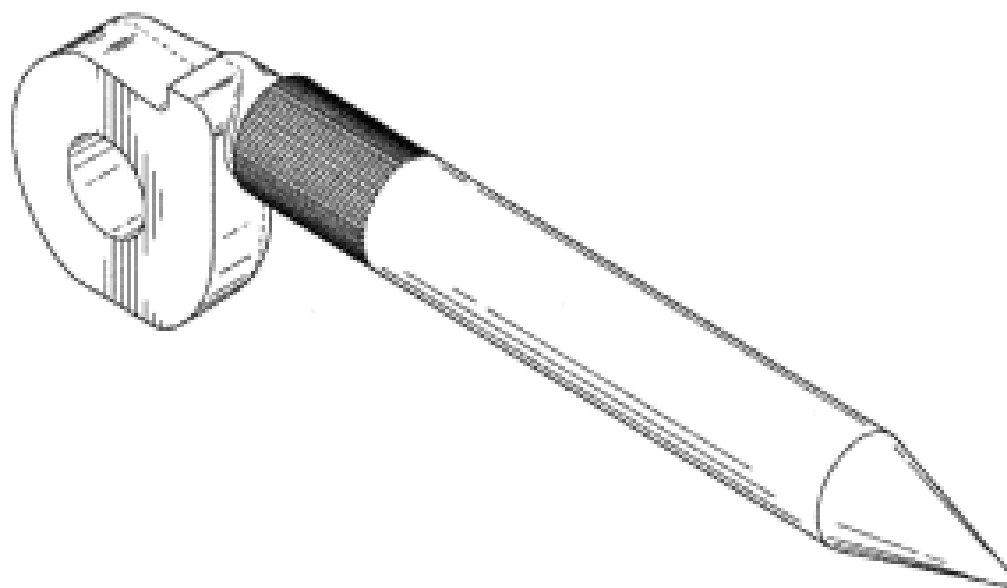
- (21) Design Number: **12324/2010**
(22) Date of Filing Application: **08 June 2010**
(24) Date from which industrial property rights may have effect: **08 June 2010**
(54) Product in respect of which the design is registered: **Crystal flower art light**
(51) International Design Classification: **26-05NES, 11-04**
(71) Name(s) and Address(s) of Applicant(s):
Michael Andrew Atkinson
2 Brookland Road Tinbeerwah Queensland 4563 Australia
(72) Name(s) of Designer(s): **Michael Andrew Atkinson**
(45) Registration Date: **14 July 2010**
(56) Related Art Documents: **Not Applicable**
(57) Statement of Newness and Distinctiveness: **Any number of crystal flower heads lit behind by LEDs mounted on fixed or flexible 'stalks' associated with a flower vase in a typical flower arrangement, mounted on a base which contains the LED controller and remote control for users to set their own lighting schemes.**



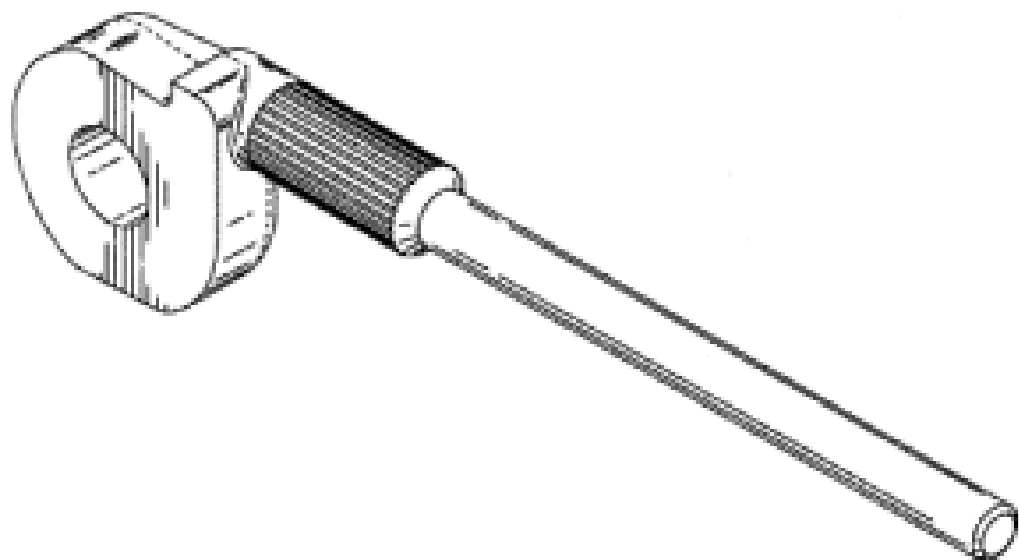
- (21) Design Number: **12325/2010**
(22) Date of Filing Application: **08 June 2010**
(24) Date from which industrial property rights may have effect: **08 June 2010**
(54) Product in respect of which the design is registered: **Bowl with food and utensil art light**
(51) International Design Classification: **26-05NES, 11-02A**
(71) Name(s) and Address(s) of Applicant(s):
Michael Andrew Atkinson
2 Brookland Road Tinbeerwah Queensland 4563 Australia
(72) Name(s) of Designer(s): **Michael Andrew Atkinson**
(45) Registration Date: **14 July 2010**
(56) Related Art Documents: **Not Applicable**
(57) Statement of Newness and Distinctiveness: **Arrangement of any style of vessel containing a simulated 'food' ingredient and appropriate eating utensil mounted on a base which contains a LED light source and the LED controller and remote control for users to set their own lighting schemes. Any number of vessels with any type of 'food' may be used in a group or individually.**



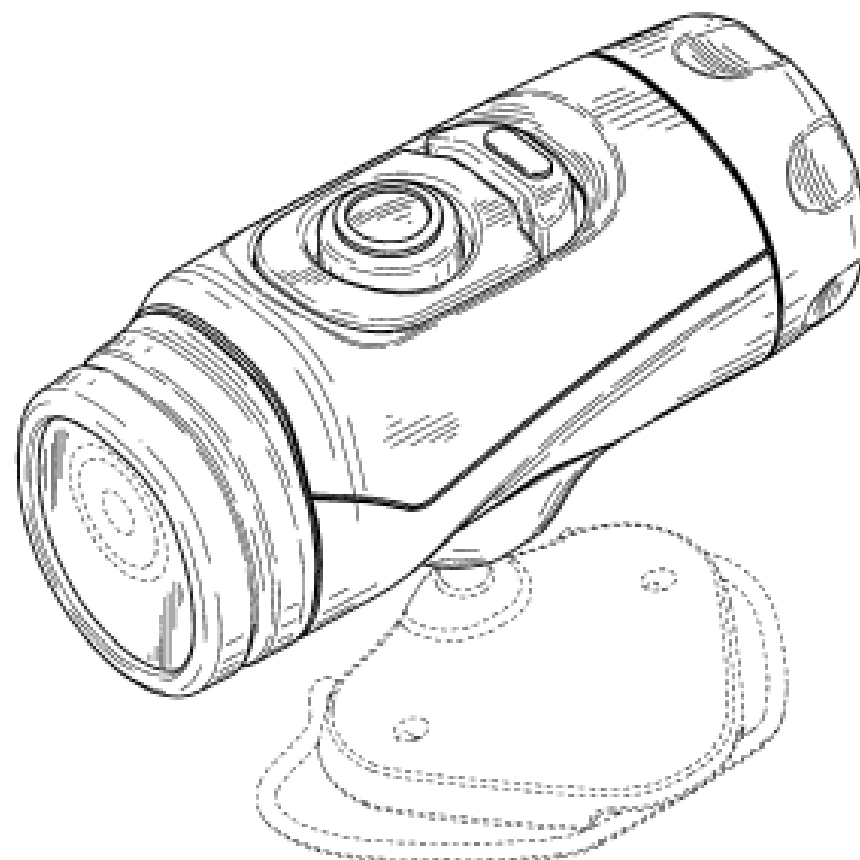
- (21) Design Number: **12411/2010**
(22) Date of Filing Application: **11 June 2010**
(24) Date from which industrial property rights may have effect: **11 June 2010**
(54) Product in respect of which the design is registered: **Portion of a hand tool**
(51) International Design Classification: **08-05P**
(71) Name(s) and Address(s) of Applicant(s):
Leatherman Tool Group, Inc.
12106 NE Ainsworth Circle Portland OR 97220 United States of America
(72) Name(s) of Designer(s): **Blair Scott Barnes and Jeffrey L. Caniparoli and Jeffrey B. Castro and Benjamin C. Rivera**
(45) Registration Date: **14 July 2010**
(30) Convention priority data:
(31) Number (32) Date (33) Country
29/352,327 18 Dec 2009 UNITED STATES OF AMERICA
(56) Related Art Documents: **Not Applicable**
(57) Statement of Newness and Distinctiveness: **The newness and distinctiveness of the designs reside in the features of shape and/or configuration of a hand tool portions shown in unbroken lines in the accompanying representations.**



(21) Design Number: **12815/2010**
 (22) Date of Filing Application: **11 June 2010**
 (24) Date from which industrial property rights may have effect: **11 June 2010**
 (54) Product in respect of which the design is registered: **Portion of a hand tool**
 (51) International Design Classification: **08-05P**
 (71) Name(s) and Address(s) of Applicant(s):
Leatherman Tool Group, Inc.
12106 NE Ainsworth Circle Portland OR 97220 United States of America
 (72) Name(s) of Designer(s): **Blair Scott Barnes and Jeffrey L. Caniparoli and Jeffrey B. Castro and Benjamin C. Rivera**
 (45) Registration Date: **14 July 2010**
 (30) Convention priority data:
 (31) Number (32) Date (33) Country
29/352,327 18 Dec 2009 UNITED STATES OF AMERICA
 (56) Related Art Documents: **Not Applicable**
 (57) Statement of Newness and Distinctiveness: **The newness and distinctiveness of the designs reside in the features of shape and/or configuration of a hand tool portions shown in unbroken lines in the accompanying representations.**



(21) Design Number: **12490/2010**
 (22) Date of Filing Application: **17 June 2010**
 (24) Date from which industrial property rights may have effect: **17 June 2010**
 (54) Product in respect of which the design is registered: **Lighting device**
 (51) International Design Classification: **26-03**
 (71) Name(s) and Address(s) of Applicant(s):
Eveready Battery Company, Inc.
533 Maryville University Drive St Louis Missouri 63141 United States of America
 (72) Name(s) of Designer(s): **Donwoong Kang and Ronald J. Kingston**
 (45) Registration Date: **14 July 2010**
 (30) Convention priority data:
 (31) Number (32) Date (33) Country
29/353970 18 Jan 2010 UNITED STATES OF AMERICA
 (56) Related Art Documents: **Not Applicable**
 (57) Statement of Newness and Distinctiveness: **Newness and distinctiveness is claimed in those features of shape and or configuration of a Lighting Device as depicted in the representations in unbroken lines. The representations use broken lines, contour lines and shading to assist in the illustration of features of shape and or configuration. Such broken lines, contour lines and shading do not form part of the design.**



(21) Design Number: **12495/2010**

(22) Date of Filing Application: **17 June 2010**

(24) Date from which industrial property rights may have effect: **17 June 2010**

(54) Product in respect of which the design is registered: **Ceiling fan**

(51) International Design Classification: **23-04**

(71) Name(s) and Address(s) of Applicant(s):

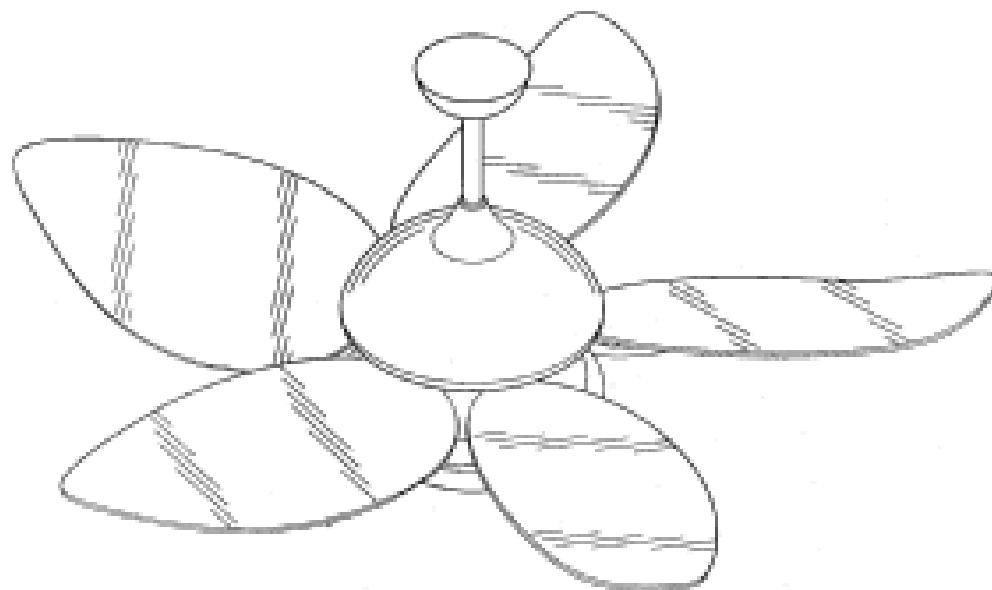
Pan Air Electric Co., Ltd.
No. 198 Sec. 5 Fengyuan Blvd Fengyuan City Taichung County 42084
Taiwan

(72) Name(s) of Designer(s): **Ching-Wen Liu**

(45) Registration Date: **14 July 2010**

(56) Related Art Documents: **Not Applicable**

(57) Statement of Newness and Distinctiveness: **Newness and distinctiveness resides in the shape and configuration of the ceiling fan as shown in the accompanying figures.**



(21) Design Number: **12497/2010**

(22) Date of Filing Application: **17 June 2010**

(24) Date from which industrial property rights may have effect: **17 June 2010**

(54) Product in respect of which the design is registered: **A block for building a wall**

(51) International Design Classification: **25-01A**

(71) Name(s) and Address(s) of Applicant(s):

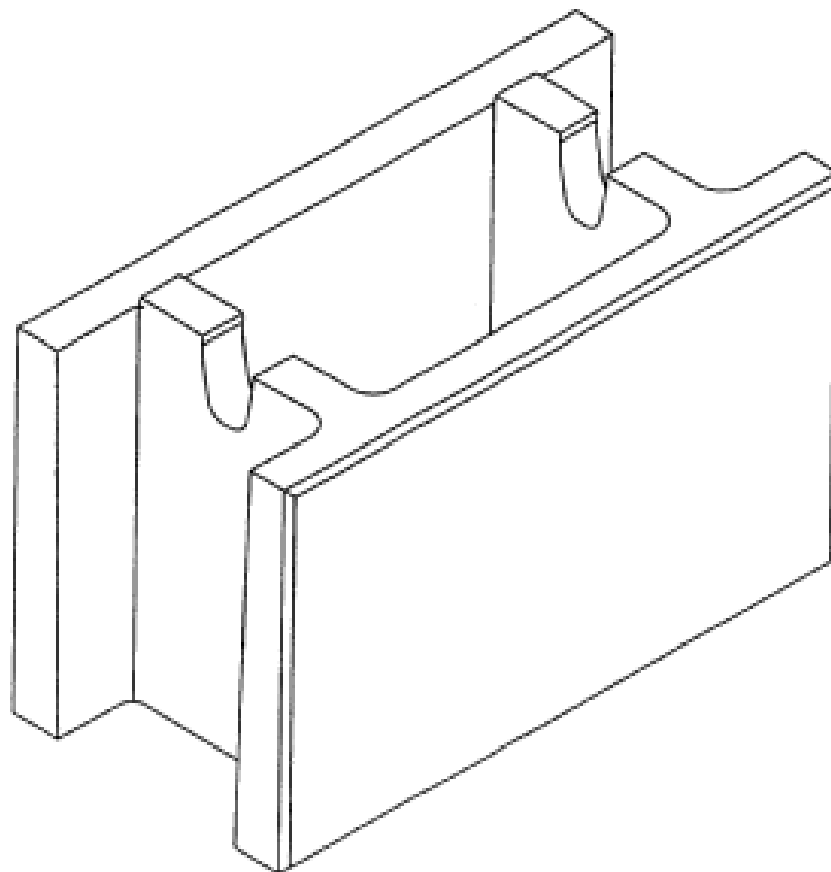
Island Block & Paving Pty Ltd
Midlands Highway Breadalbane Tasmania 7300 Australia

(72) Name(s) of Designer(s): **Phil Thurlow and Jason Bassett**

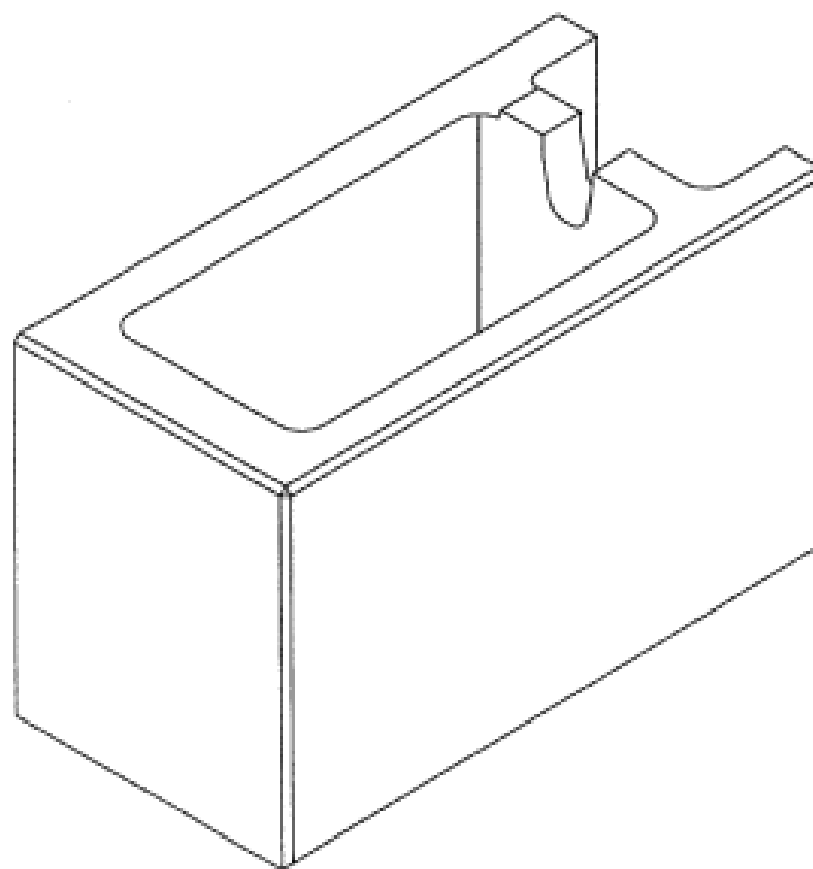
(45) Registration Date: **14 July 2010**

(56) Related Art Documents: **Not Applicable**

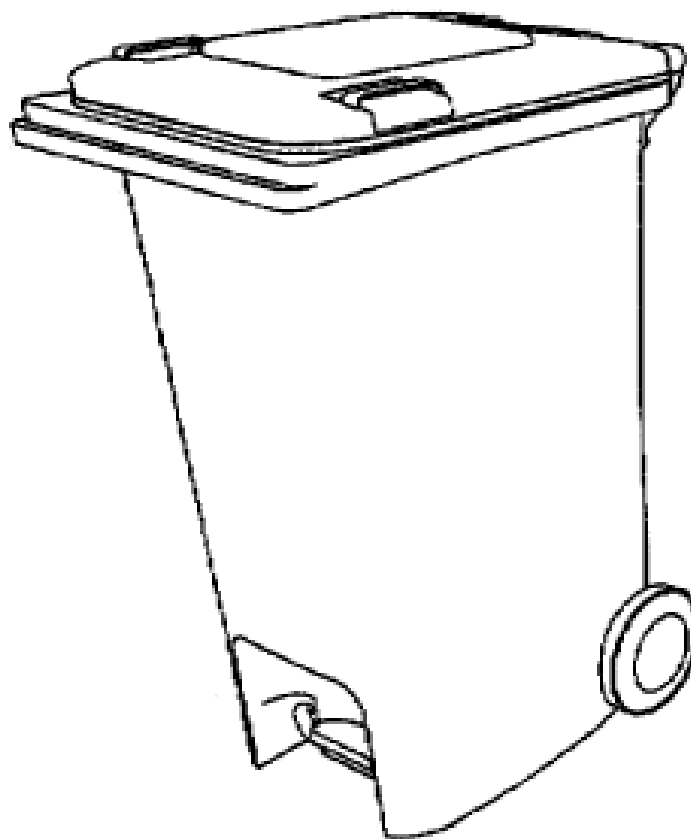
(57) Statement of Newness and Distinctiveness: **Newness and distinctiveness is claimed in the features of shape and configuration of the block shown in the representations.**



- (21) Design Number: **12498/2010**
(22) Date of Filing Application: **17 June 2010**
(24) Date from which industrial property rights may have effect: **17 June 2010**
(54) Product in respect of which the design is registered: **A block for building a wall**
(51) International Design Classification: **25-01A**
(71) Name(s) and Address(s) of Applicant(s):
Island Block & Paving Pty Ltd
Midlands Highway Breadalbane Tasmania 7300 Australia
(72) Name(s) of Designer(s): **Phil Thurlow and Jason Bassett**
(45) Registration Date: **14 July 2010**
(56) Related Art Documents: **Not Applicable**
(57) Statement of Newness and Distinctiveness: **Newness and distinctiveness is claimed in the features of shape and configuration of the block shown in the representations.**



- (21) Design Number: **12500/2010**
(22) Date of Filing Application: **16 June 2010**
(24) Date from which industrial property rights may have effect: **16 June 2010**
(54) Product in respect of which the design is registered: **A waste bin with twisting lid opener**
(51) International Design Classification: **09-09**
(71) Name(s) and Address(s) of Applicant(s):
Kingsley Arthurson
7 Celia Place Coogee Perth Western Australia 6166 Australia
(72) Name(s) of Designer(s): **Kingsley Arthurson**
(45) Registration Date: **14 July 2010**
(56) Related Art Documents: **Not Applicable**
(57) Statement of Newness and Distinctiveness: **Monopoly is claimed in the features in shape and configuration of a waste bin as illustrated in the accompanying representations.**



(19) AU

- (21) Design Number: **12531/2010**
- (22) Date of Filing Application: **18 June 2010**
- (24) Date from which industrial property rights may have effect: **18 June 2010**
- (54) Product in respect of which the design is registered: **Hook**
- (51) International Design Classification: **08-08G**
- (71) Name(s) and Address(s) of Applicant(s):
3M Innovative Properties Company
3M Center Post Office Box 33427 Saint Paul Minnesota 55133-3427
United States of America
- (72) Name(s) of Designer(s): **Sean Christopher McGreevy and Dagmara Siemieniec and Andrea Daelli**
- (45) Registration Date: **14 July 2010**
- (30) Convention priority data:

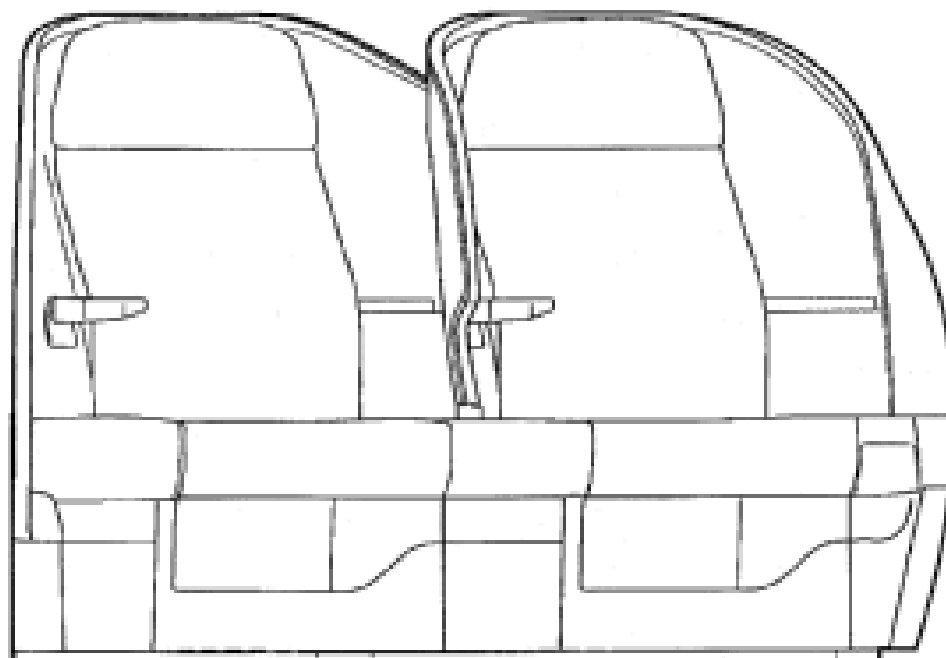
(31) Number	(32) Date	(33) Country
29/352250	18 Dec 2009	UNITED STATES OF AMERICA
- (56) Related Art Documents: **Not Applicable**
- (57) Statement of Newness and Distinctiveness: **Newness and distinctiveness resides in the features of shape and/or configuration of a hook as shown in the accompanying drawings.**



(19) AU

- (21) Design Number: **10135/2010**
- (22) Date of Filing Application: **14 January 2010**
- (24) Date from which industrial property rights may have effect: **14 January 2010**
- (54) Product in respect of which the design is registered: **Aircraft seat**
- (51) International Design Classification: **06-01D**
- (71) Name(s) and Address(s) of Applicant(s):
Air New Zealand Limited
185 Fanshawe Street Auckland 1010 New Zealand
- (72) Name(s) of Designer(s): **Glen Wilson Porter and Victoria Anne Bamford and Kerry Alan Reeves and Stuart Anthony Eric Hilton**
- (45) Registration Date: **13 July 2010**
- (30) Convention priority data:

(31) Number	(32) Date	(33) Country
413081	10 Dec 2009	NEW ZEALAND
- (56) Related Art Documents: **Not Applicable**
- (57) Statement of Newness and Distinctiveness: **Nil**



(21) Design Number: **11481/2010**
(22) Date of Filing Application: **20 April 2010**
(24) Date from which industrial property rights may have effect: **20 April 2010**
(54) Product in respect of which the design is registered: **An axle**
(51) International Design Classification: **12-16NES**
(71) Name(s) and Address(s) of Applicant(s):

MarshN PWB Limited
799 Old Coach Road RD 6 Te Puke 3186 New Zealand

(72) Name(s) of Designer(s): **Neville Marsh**

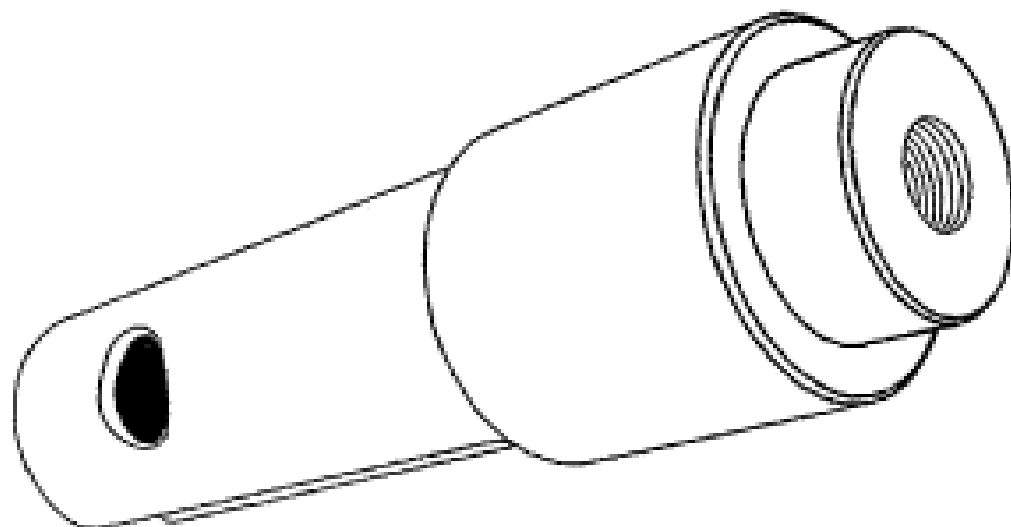
(45) Registration Date: **13 July 2010**

(30) Convention priority data:

(31) Number	(32) Date	(33) Country
412824	20 Oct 2009	NEW ZEALAND

(56) Related Art Documents: **Not Applicable**

(57) Statement of Newness and Distinctiveness: **Nil**



(21) Design Number: **12631/2010**
(22) Date of Filing Application: **20 April 2010**
(24) Date from which industrial property rights may have effect: **20 April 2010**
(54) Product in respect of which the design is registered: **An axle**
(51) International Design Classification: **12-16NES**
(71) Name(s) and Address(s) of Applicant(s):

MarshN PWB Limited
799 Old Coach Road RD 6 Te Puke 3186 New Zealand

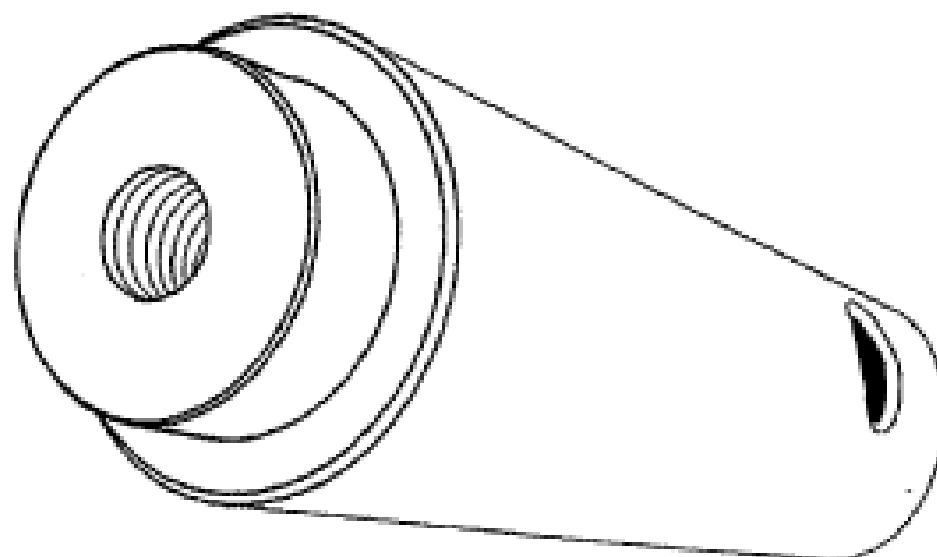
(72) Name(s) of Designer(s): **Neville Marsh**

(45) Registration Date: **13 July 2010**

(62) Divisional of: **331750**

(56) Related Art Documents: **Not Applicable**

(57) Statement of Newness and Distinctiveness: **Nil**



(21) Design Number: **12632/2010**

(22) Date of Filing Application: **20 April 2010**

(24) Date from which industrial property rights may have effect: **20 April 2010**

(54) Product in respect of which the design is registered: **An axle**

(51) International Design Classification: **12-16NES**

(71) Name(s) and Address(s) of Applicant(s):

MarshN PWB Limited
799 Old Coach Road RD 6 Te Puke 3186 New Zealand

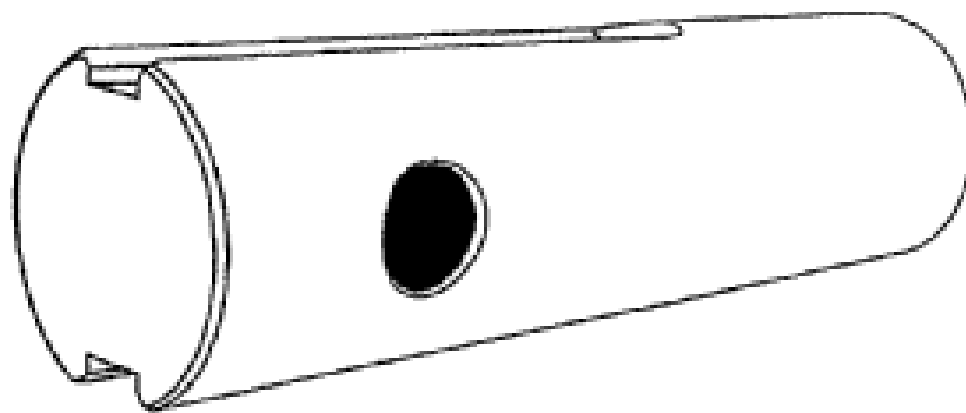
(72) Name(s) of Designer(s): **Neville Marsh**

(45) Registration Date: **13 July 2010**

(62) Divisional of: **331750**

(56) Related Art Documents: **Not Applicable**

(57) Statement of Newness and Distinctiveness: **Nil**



(21) Design Number: **12633/2010**

(22) Date of Filing Application: **20 April 2010**

(24) Date from which industrial property rights may have effect: **20 April 2010**

(54) Product in respect of which the design is registered: **An axle**

(51) International Design Classification: **12-16NES**

(71) Name(s) and Address(s) of Applicant(s):

MarshN PWB Limited
799 Old Coach Road RD 6 Te Puke 3186 New Zealand

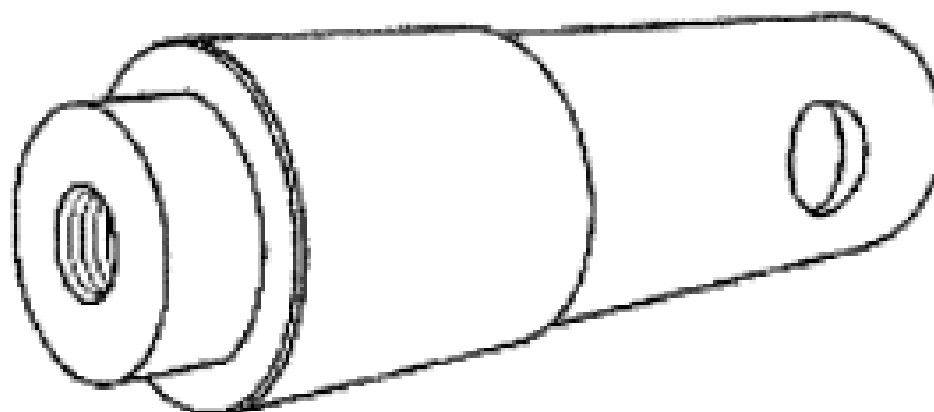
(72) Name(s) of Designer(s): **Neville Marsh**

(45) Registration Date: **13 July 2010**

(62) Divisional of: **331750**

(56) Related Art Documents: **Not Applicable**

(57) Statement of Newness and Distinctiveness: **Nil**



(21) Design Number: **12318/2010**

(22) Date of Filing Application: **04 June 2010**

(24) Date from which industrial property rights may have effect: **04 June 2010**

(54) Product in respect of which the design is registered: **Sun visor headwear**

(51) International Design Classification: **02-05, 02-03**

(71) Name(s) and Address(s) of Applicant(s):

Rosalie Boylan

273 Australia Street Newtown New South Wales 2042 Australia

(72) Name(s) of Designer(s): **Rosalie Boylan**

(45) Registration Date: **13 July 2010**

(56) Related Art Documents: **Not Applicable**

(57) Statement of Newness and Distinctiveness: **Novelty is claimed is the use of materials and in the variable shapes able to be formed by use of the demonstrated folding and tying techniques.**



(21) Design Number: **12502/2010**

(22) Date of Filing Application: **25 June 2010**

(24) Date from which industrial property rights may have effect: **25 June 2010**

(54) Product in respect of which the design is registered: **Air intake snorkel for a vehicle**

(51) International Design Classification: **12-16NES**

(71) Name(s) and Address(s) of Applicant(s):

Australian Performance Development Pty Ltd

73 Merrindale Drive South Croydon Victoria 3136 Australia

(72) Name(s) of Designer(s): **Peter Luxon and Manvir Randhawa**

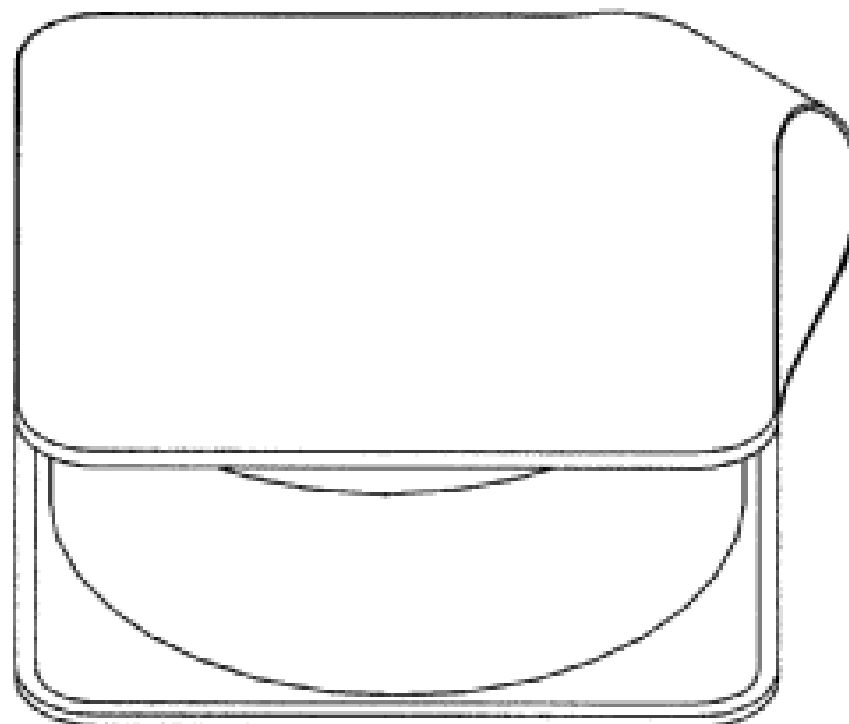
(45) Registration Date: **13 July 2010**

(56) Related Art Documents: **Not Applicable**

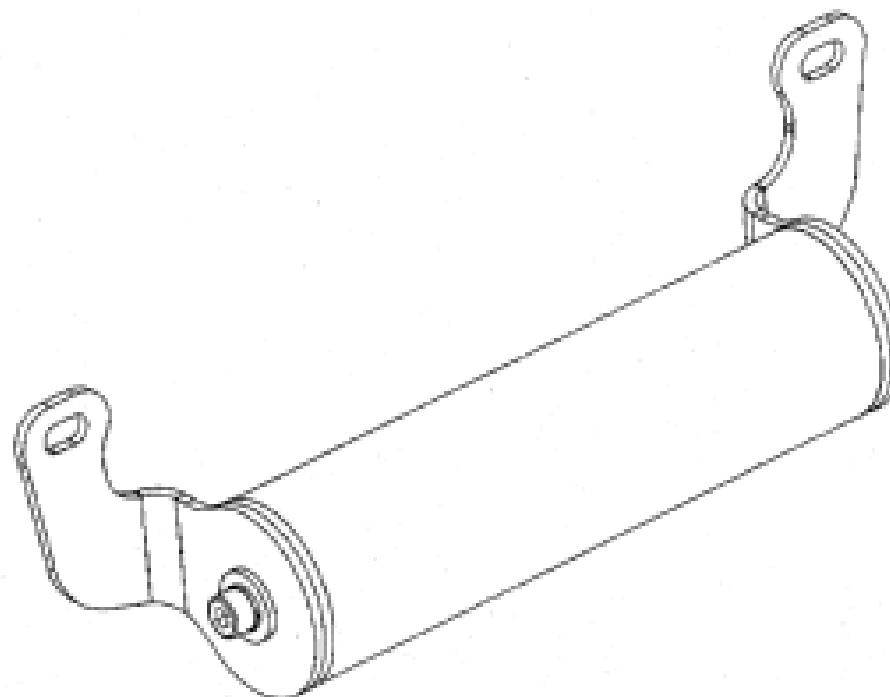
(57) Statement of Newness and Distinctiveness: **Newness and distinctiveness is claimed in the features of shape and/or configuration of an air intake snorkel for a vehicle as illustrated in the accompanying representations.**



(21) Design Number: **13364/2009**
(22) Date of Filing Application: **02 September 2009**
(24) Date from which industrial property rights may have effect: **02 September 2009**
(54) Product in respect of which the design is registered: **Container**
(51) International Design Classification: **09-03NES**
(71) Name(s) and Address(s) of Applicant(s):
Container Pty Ltd
Level 3 255 Riley Street Surry Hills New South Wales 2010 Australia
(72) Name(s) of Designer(s): **Brenan Liston**
(45) Registration Date: **14 July 2010**
(56) Related Art Documents: **Not Applicable**
(57) Statement of Newness and Distinctiveness: **Nil**



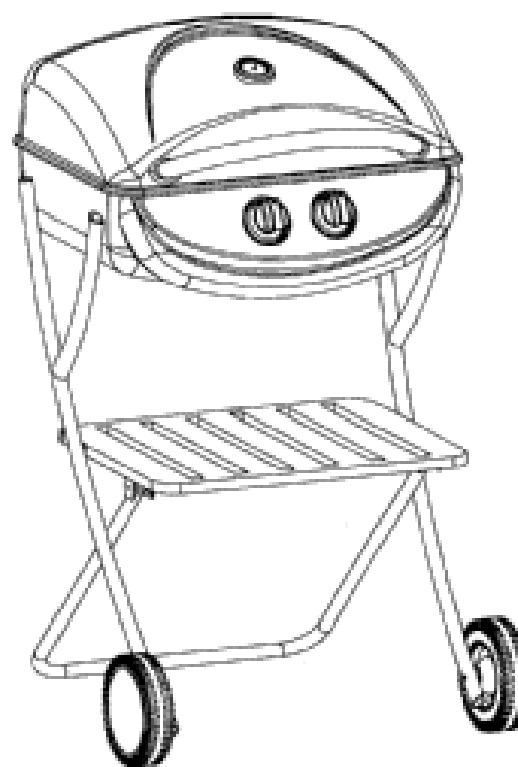
(21) Design Number: **11656/2010**
(22) Date of Filing Application: **27 April 2010**
(24) Date from which industrial property rights may have effect: **27 April 2010**
(54) Product in respect of which the design is registered: **Vehicle registration label holder**
(51) International Design Classification: **12-16NES**
(71) Name(s) and Address(s) of Applicant(s):
Paul Carter
PO Box 248 Ingle Farm South Australia 5098 Australia
(72) Name(s) of Designer(s): **Paul Carter**
(45) Registration Date: **14 July 2010**
(56) Related Art Documents: **Not Applicable**
(57) Statement of Newness and Distinctiveness: **Nil**



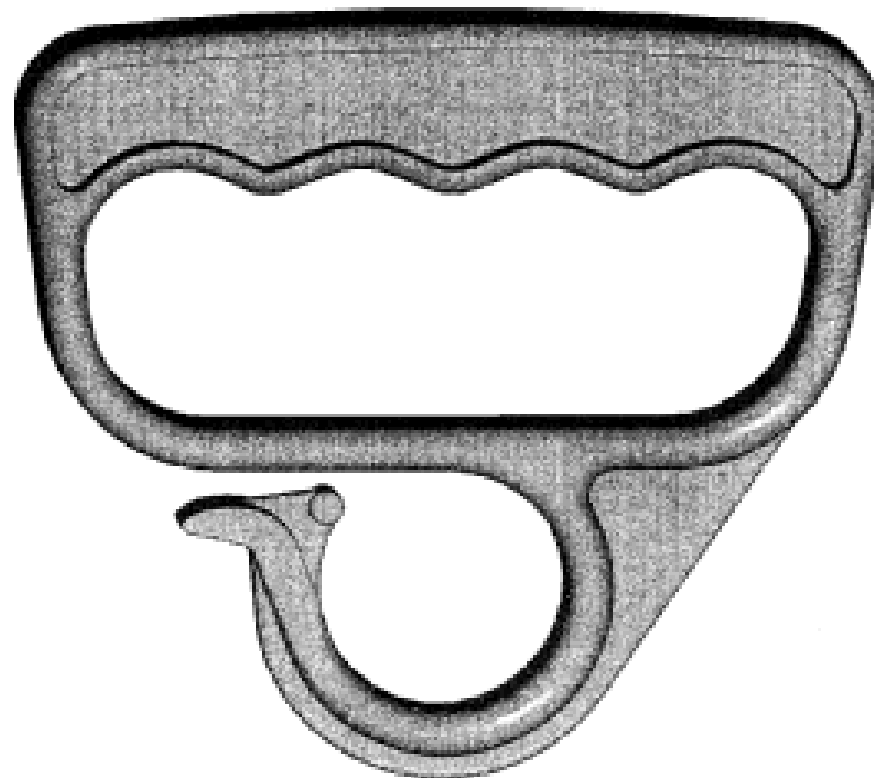
- (21) Design Number: **11871/2010**
(22) Date of Filing Application: **12 May 2010**
(24) Date from which industrial property rights may have effect: **12 May 2010**
(54) Product in respect of which the design is registered: **Hat**
(51) International Design Classification: **02-07C**
(71) Name(s) and Address(s) of Applicant(s):
Geoffrey Francis Keating
25 Amethyst Parkway Aveley Western Australia 6069 Australia
(72) Name(s) of Designer(s): **Geoffrey Francis Keating**
(45) Registration Date: **14 July 2010**
(56) Related Art Documents: **Not Applicable**
(57) Statement of Newness and Distinctiveness: **The brim can have the Australia shape at all positions around the hat and can be shaped so that the Australia shape is seen from below the hat.**



- (21) Design Number: **12045/2010**
(22) Date of Filing Application: **21 May 2010**
(24) Date from which industrial property rights may have effect: **21 May 2010**
(54) Product in respect of which the design is registered: **Cooking apparatus**
(51) International Design Classification: **07-02E**
(71) Name(s) and Address(s) of Applicant(s):
Foshan Shunde Everteam Industrial Co. Ltd
No. 27 East Rongqi Dadao Ronggui Shunde District Foshan City
Guangdong Province China
(72) Name(s) of Designer(s): **Zhiqiang Liang**
(45) Registration Date: **14 July 2010**
(30) Convention priority data:
(31) Number (32) Date (33) Country
201030102959.9 **27 Jan 2010** **CHINA**
(56) Related Art Documents: **Not Applicable**
(57) Statement of Newness and Distinctiveness: **The newness and distinctiveness is claimed in the feature of the shape and/or configuration of a cooking apparatus as illustrated in the accompanying representations.**



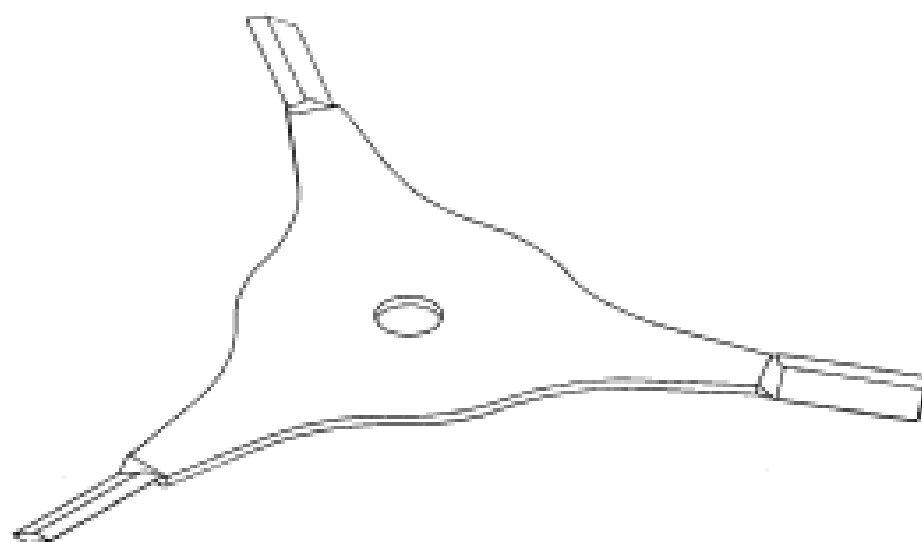
(21) Design Number: **12425/2010**
(22) Date of Filing Application: **10 June 2010**
(24) Date from which industrial property rights may have effect: **10 June 2010**
(54) Product in respect of which the design is registered: **Bag carrying handle**
(51) International Design Classification: **09-99**
(71) Name(s) and Address(s) of Applicant(s):
Brian Rock
1/23 Cooper Park Road Double Bay New South Wales 2028 Australia
Sandra Levin
1/23 Cooper Park Road Double Bay New South Wales 2028 Australia
(72) Name(s) of Designer(s): **Sandra Levin**
(45) Registration Date: **14 July 2010**
(56) Related Art Documents: **Not Applicable**
(57) Statement of Newness and Distinctiveness: **Nil**



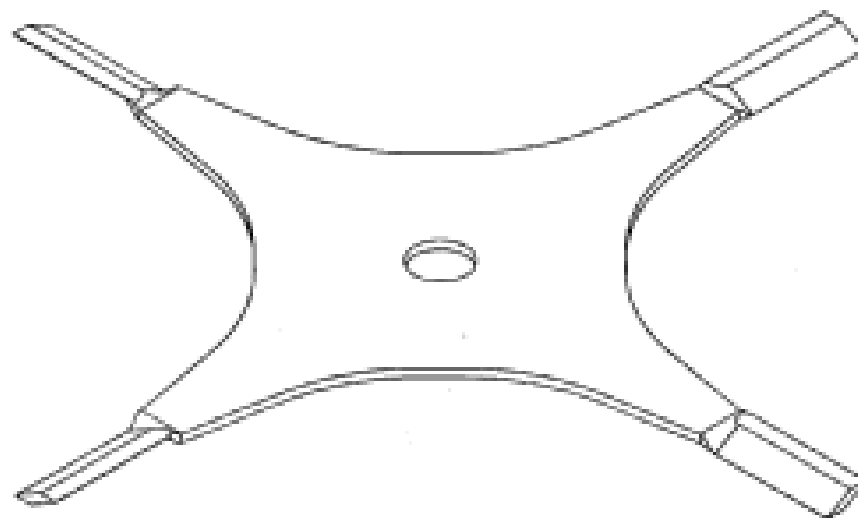
(21) Design Number: **12470/2010**
(22) Date of Filing Application: **16 June 2010**
(24) Date from which industrial property rights may have effect: **16 June 2010**
(54) Product in respect of which the design is registered: **Tri-blade mower blade**
(51) International Design Classification: **15-03B**
(71) Name(s) and Address(s) of Applicant(s):
Aire Cut Company Limited
c/- 4 Lockhart Place Mt Wellington Auckland New Zealand
(72) Name(s) of Designer(s): **Barry Herbert Funnell**
(45) Registration Date: **14 July 2010**
(30) Convention priority data:

(31) Number	(32) Date	(33) Country
413126	18 Dec 2009	NEW ZEALAND

(56) Related Art Documents: **Not Applicable**
(57) Statement of Newness and Distinctiveness: **Nil**



(21) Design Number: **12471/2010**
(22) Date of Filing Application: **16 June 2010**
(24) Date from which industrial property rights may have effect: **16 June 2010**
(54) Product in respect of which the design is registered: **Quad-blade mower blade**
(51) International Design Classification: **15-03B**
(71) Name(s) and Address(s) of Applicant(s):
Aire Cut Company Limited
c/- 4 Lockhart Place Mt Wellington Auckland New Zealand
(72) Name(s) of Designer(s): **Barry Herbert Funnell**
(45) Registration Date: **14 July 2010**
(30) Convention priority data:
(31) Number (32) Date (33) Country
413126 18 Dec 2009 NEW ZEALAND
(56) Related Art Documents: **Not Applicable**
(57) Statement of Newness and Distinctiveness: **Nil**



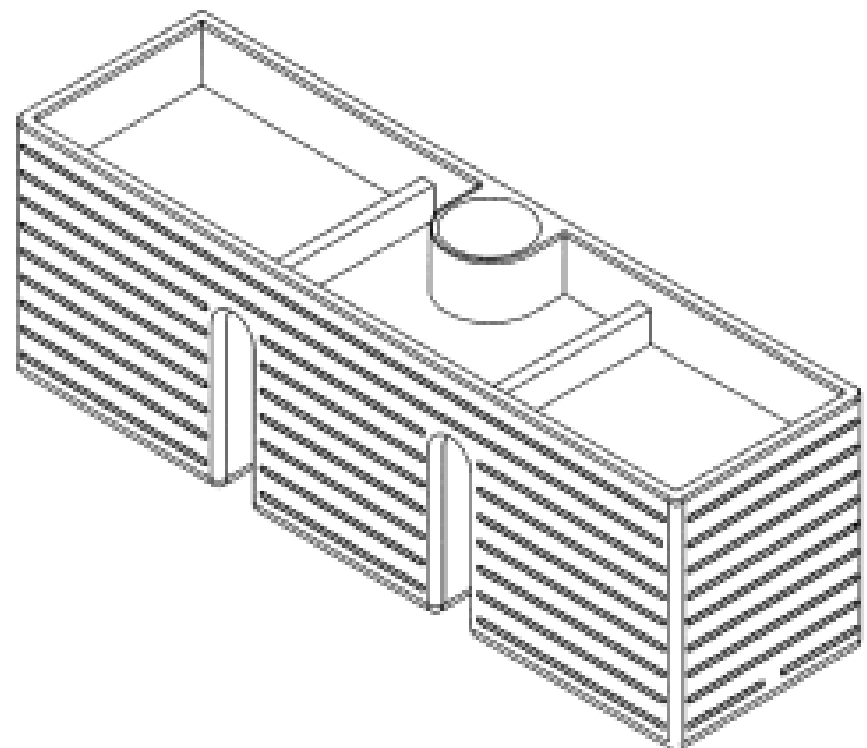
(21) Design Number: **12473/2010**
(22) Date of Filing Application: **16 June 2010**
(24) Date from which industrial property rights may have effect: **16 June 2010**
(54) Product in respect of which the design is registered: **Solar power unit 80 watt folding**
(51) International Design Classification: **13-03NES**
(71) Name(s) and Address(s) of Applicant(s):
Mark Channer
87 Old Chevallum Road Palmwoods Queensland 4555 Australia
(72) Name(s) of Designer(s): **Mark Channer**
(45) Registration Date: **14 July 2010**
(56) Related Art Documents: **Not Applicable**
(57) Statement of Newness and Distinctiveness: **Self locking, box tubing, stainless steel legs with rubber feet. Motion, shock sensing alarm. Insulated stainless steel battery clips.**



- (21) Design Number: **12474/2010**
(22) Date of Filing Application: **16 June 2010**
(24) Date from which industrial property rights may have effect: **16 June 2010**
(54) Product in respect of which the design is registered: **Solar power unit 120 watt folding**
(51) International Design Classification: **13-03NES**
(71) Name(s) and Address(s) of Applicant(s):
Mark Channer
87 Old Chevallum Road Palmwoods Queensland 4555 Australia
(72) Name(s) of Designer(s): **Mark Channer**
(45) Registration Date: **14 July 2010**
(56) Related Art Documents: **Not Applicable**
(57) Statement of Newness and Distinctiveness: **Self locking, box tubing, stainless steel legs with rubber feet. Motion, shock sensing alarm. Insulated stainless steel battery clips.**



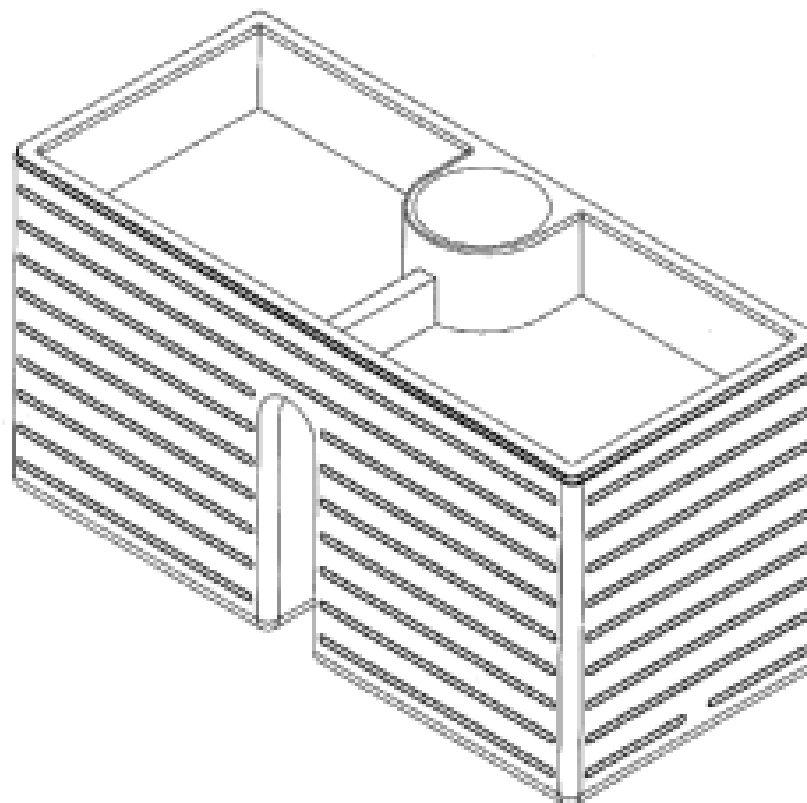
- (21) Design Number: **12537/2010**
(22) Date of Filing Application: **18 June 2010**
(24) Date from which industrial property rights may have effect: **18 June 2010**
(54) Product in respect of which the design is registered: **Water tank planter box**
(51) International Design Classification: **23-01F, 11-02B**
(71) Name(s) and Address(s) of Applicant(s):
Nu-Poly
23 William Palfrey Road Parkhurst Queensland 4702 Australia
(72) Name(s) of Designer(s): **Stephen Trail**
(45) Registration Date: **14 July 2010**
(56) Related Art Documents: **Not Applicable**
(57) Statement of Newness and Distinctiveness: **Nil**



(21) Design Number: **12538/2010**
(22) Date of Filing Application: **18 June 2010**
(24) Date from which industrial property rights may have effect: **18 June 2010**
(54) Product in respect of which the design is registered: **Water tank planter box**
(51) International Design Classification: **23-01F, 11-02B**
(71) Name(s) and Address(s) of Applicant(s):

Nu-Poly
23 William Palfrey Road Parkhurst Queensland 4702 Australia

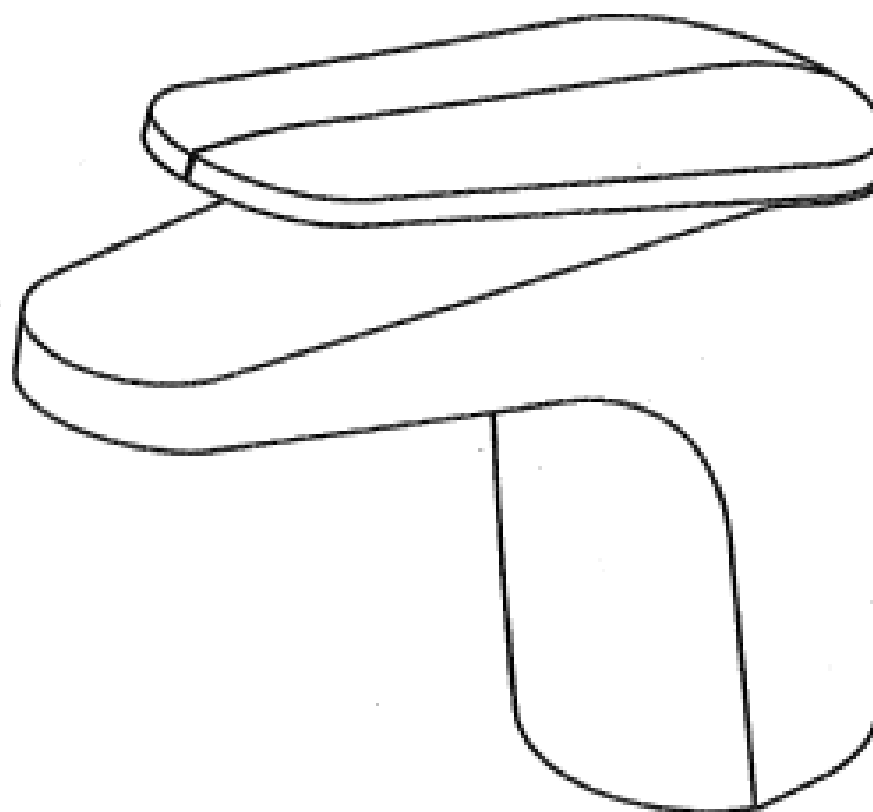
(72) Name(s) of Designer(s): **Stephen Trail**
(45) Registration Date: **14 July 2010**
(56) Related Art Documents: **Not Applicable**
(57) Statement of Newness and Distinctiveness: **Nil**



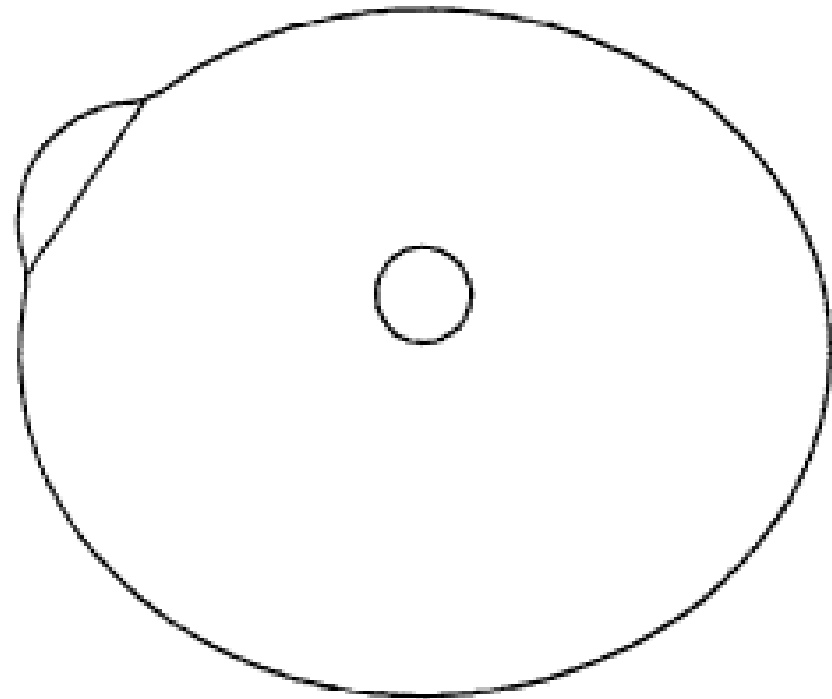
(21) Design Number: **12539/2010**
(22) Date of Filing Application: **18 June 2010**
(24) Date from which industrial property rights may have effect: **18 June 2010**
(54) Product in respect of which the design is registered: **A mixer tap**
(51) International Design Classification: **23-01H**
(71) Name(s) and Address(s) of Applicant(s):

Methven Limited
447 Rosebank Road Avondale Auckland 1026 New Zealand

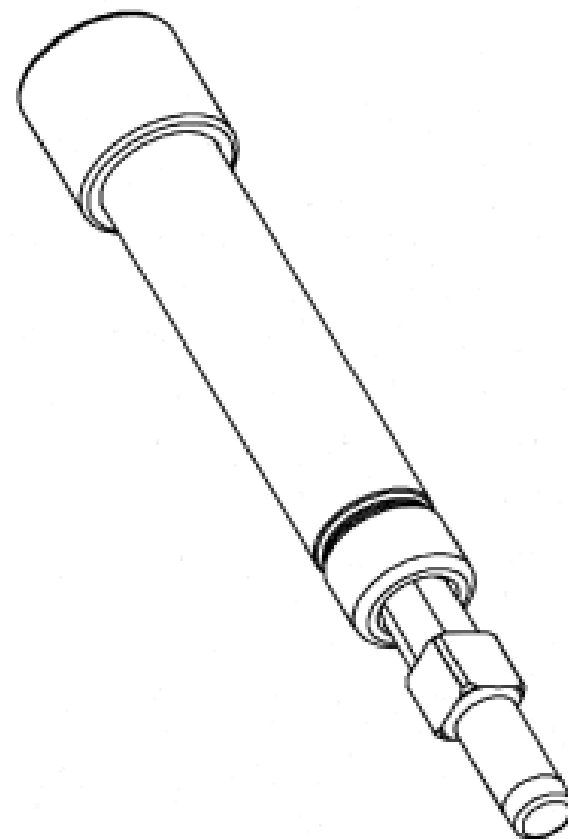
(72) Name(s) of Designer(s): **Kent Bradley Thomas Sneddon and Gemma Maria Rassic and Wendy Dimphena Carolina Schoutens**
(45) Registration Date: **14 July 2010**
(30) Convention priority data:
(31) Number (32) Date (33) Country
413121 18 Dec 2009 NEW ZEALAND
(56) Related Art Documents: **Not Applicable**
(57) Statement of Newness and Distinctiveness: **Nil**



- (21) Design Number: **12552/2010**
(22) Date of Filing Application: **17 June 2010**
(24) Date from which industrial property rights may have effect: **17 June 2010**
(54) Product in respect of which the design is registered: **An adhesive base plate for an ostomy pouch**
(51) International Design Classification: **24-99**
(71) Name(s) and Address(s) of Applicant(s):
Hollister Incorporated
2000 Hollister Drive Libertyville Illinois 60048-3781 United States of America
(72) Name(s) of Designer(s): **Sussie Richmann and Peter Moller-Jensen and Tue Kjaergaard Toft and Christen Grum-Schwensen**
(45) Registration Date: **14 July 2010**
(30) Convention priority data:
(31) Number (32) Date (33) Country
001649591 18 Dec 2009 EUROPEAN COMMUNITY
(56) Related Art Documents: **Not Applicable**
(57) Statement of Newness and Distinctiveness: **Newness and distinctiveness is claimed in the shape and/or configuration of an adhesive base plate for an ostomy pouch as illustrated by the unbroken lines in the accompanying representations.**



- (21) Design Number: **12553/2010**
(22) Date of Filing Application: **18 June 2010**
(24) Date from which industrial property rights may have effect: **18 June 2010**
(54) Product in respect of which the design is registered: **Roof bolt spanner**
(51) International Design Classification: **08-05P**
(71) Name(s) and Address(s) of Applicant(s):
Quarry Mining and Construction Equipment Pty Ltd
Unit 9 14 Yangan Drive Beresfield New South Wales 2322 Australia
(72) Name(s) of Designer(s): **Jeff Rankin**
(45) Registration Date: **14 July 2010**
(56) Related Art Documents: **Not Applicable**
(57) Statement of Newness and Distinctiveness: **Newness and distinctiveness resides in the features of shape and configuration of a roof bolt spanner having an elongated socket assembly and an extendible adaptor assembly engaged within the socket assembly.**



(21) Design Number: **12556/2010**

(22) Date of Filing Application: **21 June 2010**

(24) Date from which industrial property rights may have effect: **21 June 2010**

(54) Product in respect of which the design is registered: **Droppers**

(51) International Design Classification: **24-02**

(71) Name(s) and Address(s) of Applicant(s):

Special Products Limited
Unit 16 Trade City Avro Way Brooklands Business Park Weybridge
Surrey KT13 0YF United Kingdom

(72) Name(s) of Designer(s): **Graham Alan March**

(45) Registration Date: **14 July 2010**

(30) Convention priority data:

(31) Number	(32) Date	(33) Country
001650698	22 Dec 2009	EUROPEAN COMMUNITY

(56) Related Art Documents: **Not Applicable**

(57) Statement of Newness and Distinctiveness: **Newness and distinctiveness resides in the features of shape and/or configuration of a dropper as illustrated in the accompanying representations. The features shown in broken outline are illustrative only and do not form part of the design.**



(21) Design Number: **12557/2010**

(22) Date of Filing Application: **21 June 2010**

(24) Date from which industrial property rights may have effect: **21 June 2010**

(54) Product in respect of which the design is registered: **Droppers**

(51) International Design Classification: **24-02**

(71) Name(s) and Address(s) of Applicant(s):

Special Products Limited
Unit 16 Trade City Avro Way Brooklands Business Park Weybridge
Surrey KT13 0YF United Kingdom

(72) Name(s) of Designer(s): **Graham Alan March**

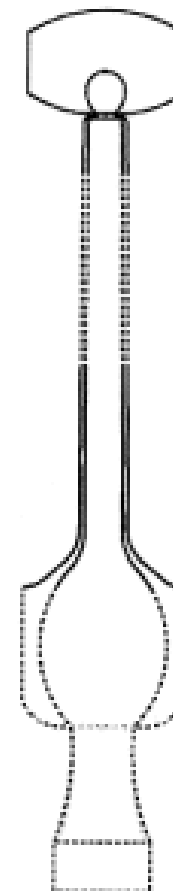
(45) Registration Date: **14 July 2010**

(30) Convention priority data:

(31) Number	(32) Date	(33) Country
001650698	22 Dec 2009	EUROPEAN COMMUNITY

(56) Related Art Documents: **Not Applicable**

(57) Statement of Newness and Distinctiveness: **Newness and distinctiveness resides in the features of shape and/or configuration of a dropper as illustrated in the accompanying representations. The features shown in broken outline are illustrative only and do not form part of the design.**



(21) Design Number: **10400/2010**

(22) Date of Filing Application: **05 February 2010**

(24) Date from which industrial property rights may have effect: **05 February 2010**

(54) Product in respect of which the design is registered: **Extrusion**

(51) International Design Classification: **25-01K**

(71) Name(s) and Address(s) of Applicant(s):

Mattane Pty Ltd

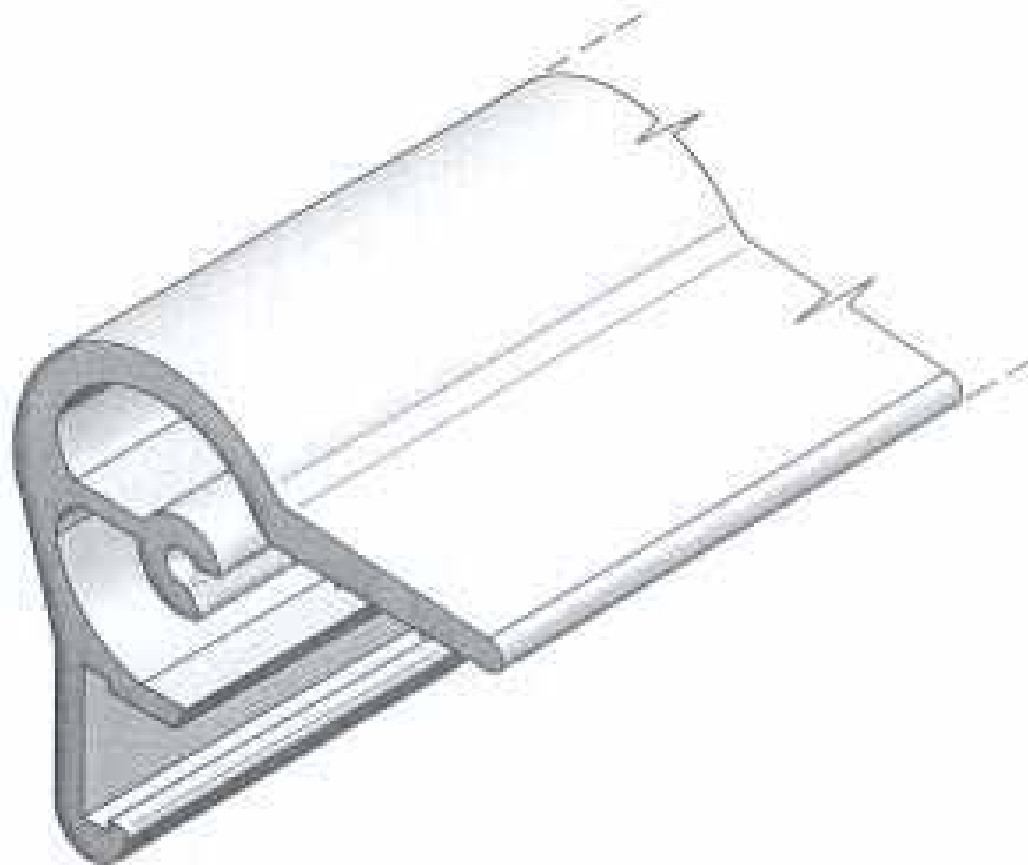
14 Binary Street Yatala Queensland 4207 Australia

(72) Name(s) of Designer(s): **David George Cook**

(45) Registration Date: **15 July 2010**

(56) Related Art Documents: **Not Applicable**

(57) Statement of Newness and Distinctiveness: **Newness and distinctiveness reside in the features of shape and configuration of an extrusion as shown in the accompanying representations. The extrusion is of indefinite length and constant cross section throughout its length.**



(21) Design Number: **10616/2010**

(22) Date of Filing Application: **24 February 2010**

(24) Date from which industrial property rights may have effect: **24 February 2010**

(54) Product in respect of which the design is registered: **Front bumper for an automobile**

(51) International Design Classification: **12-16C**

(71) Name(s) and Address(s) of Applicant(s):

Toyota Jidosha Kabushiki Kaisha

1 Toyota-cho Toyota-shi Aichi-ken Japan

(72) Name(s) of Designer(s): **Kenichi Hirai and Tokuharu Mino and Shin Miyata and Tomonori Matsumoto and Alexander Wen Shen**

(45) Registration Date: **15 July 2010**

(56) Related Art Documents: **Not Applicable**

(57) Statement of Newness and Distinctiveness: **Newness and distinctiveness is claimed in the features of shape and/or configuration of a front bumper for an automobile as illustrated in the accompanying representations.**



- (21) Design Number: **10620/2010**
(22) Date of Filing Application: **24 February 2010**
(24) Date from which industrial property rights may have effect: **24 February 2010**
(54) Product in respect of which the design is registered: **Door mirror for an automobile**
(51) International Design Classification: **12-16H**
(71) Name(s) and Address(s) of Applicant(s):
Toyota Jidosha Kabushiki Kaisha
1 Toyota-cho Toyota-shi Aichi-ken 471-8571 Japan
(72) Name(s) of Designer(s): **Hiroaki Hakamata**
(45) Registration Date: **15 July 2010**
(56) Related Art Documents: **Not Applicable**
(57) Statement of Newness and Distinctiveness: **Newness and distinctiveness is claimed in the features of shape and/or configuration of a door mirror for an automobile as illustrated in the accompanying representations.**



- (21) Design Number: **10621/2010**
(22) Date of Filing Application: **24 February 2010**
(24) Date from which industrial property rights may have effect: **24 February 2010**
(54) Product in respect of which the design is registered: **Front combination lamp for an automobile**
(51) International Design Classification: **26-06**
(71) Name(s) and Address(s) of Applicant(s):
Toyota Jidosha Kabushiki Kaisha
1 Toyota-cho Toyota-shi Aichi-ken 471-8571 Japan
(72) Name(s) of Designer(s): **Shin Miyata**
(45) Registration Date: **15 July 2010**
(56) Related Art Documents: **Not Applicable**
(57) Statement of Newness and Distinctiveness: **Newness and distinctiveness is claimed in the features of shape and/or configuration of a front combination lamp for an automobile as illustrated in the accompanying representations.**



(21) Design Number: **11750/2010**

(22) Date of Filing Application: **05 May 2010**

(24) Date from which industrial property rights may have effect: **05 May 2010**

(54) Product in respect of which the design is registered: **Tools for hand-held electric blenders**

(51) International Design Classification: **31-00**

(71) Name(s) and Address(s) of Applicant(s):

Kenwood Limited

New Lane Havant Hampshire PO9 2NH United Kingdom

(72) Name(s) of Designer(s): **Robin Ferraby**

(45) Registration Date: **15 July 2010**

(30) Convention priority data:

(31) Number

(32) Date

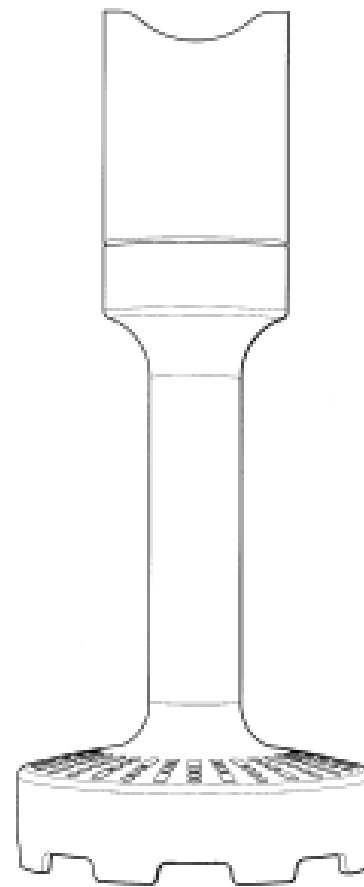
(33) Country

001634130-0001 10 Nov 2009

EUROPEAN COMMUNITY

(56) Related Art Documents: **Not Applicable**

(57) Statement of Newness and Distinctiveness: **Nil**



(21) Design Number: **11838/2010**

(22) Date of Filing Application: **11 May 2010**

(24) Date from which industrial property rights may have effect: **11 May 2010**

(54) Product in respect of which the design is registered: **Coffee maker**

(51) International Design Classification: **07-02L**

(71) Name(s) and Address(s) of Applicant(s):

Jura Elektroapparate AG

Kaffeeweltstrasse 10 4626 Niederbuchsiten Switzerland

(72) Name(s) of Designer(s): **Ronald Buttler**

(45) Registration Date: **15 July 2010**

(30) Convention priority data:

(31) Number

(32) Date

(33) Country

DM/072563 17 Nov 2009

EUROPEAN COMMUNITY

(56) Related Art Documents: **Not Applicable**

(57) Statement of Newness and Distinctiveness: **Nil**



- (21) Design Number: **12547/2010**
- (22) Date of Filing Application: **21 June 2010**
- (24) Date from which industrial property rights may have effect: **21 June 2010**
- (54) Product in respect of which the design is registered: **Tissue cleaner**
- (51) International Design Classification: **04-02**
- (71) Name(s) and Address(s) of Applicant(s):
Colgate-Palmolive Company
300 Park Avenue New York New York 10022 United States of America
- (72) Name(s) of Designer(s): **T.R. Ravindran and Rishi Srivastava and Aalok Vidyarthi and Wen Jin Xi and Xiangji Ding and Yanmei Ji and Douglas Hohlbein**
- (45) Registration Date: **15 July 2010**
- (30) Convention priority data:

(31) Number	(32) Date	(33) Country
29/352611	23 Dec 2009	UNITED STATES OF AMERICA
- (56) Related Art Documents: **Not Applicable**
- (57) Statement of Newness and Distinctiveness: **Newness and distinctiveness reside in the combination of the features of shape and configuration of the tissue cleaner situated on the head of an implement together with the pattern and ornamentation applied to the surface of the tissue cleaner. When determining whether the design is substantially similar in overall impression to another design, no regard is to be had to those features shown in the designs in dotted outline, which features are provided for illustrative purposes only. For instance, the handle as shown in dotted outline could have any known shape and configuration adapted for the manipulation of the tissue cleaner.**

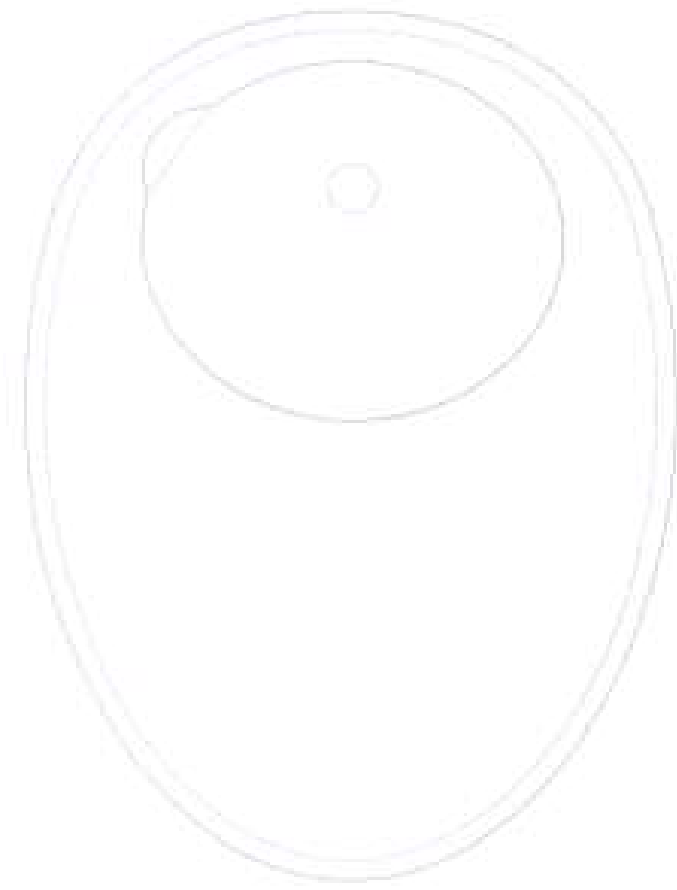


- (21) Design Number: **12548/2010**
- (22) Date of Filing Application: **21 June 2010**
- (24) Date from which industrial property rights may have effect: **21 June 2010**
- (54) Product in respect of which the design is registered: **Toothbrush**
- (51) International Design Classification: **04-02**
- (71) Name(s) and Address(s) of Applicant(s):
Colgate-Palmolive Company
300 Park Avenue New York New York 10022 United States of America
- (72) Name(s) of Designer(s): **Xiangji Ding and Yanmei Ji and Wen Jin Xi and Douglas Hohlbein and Robert Moskovich**
- (45) Registration Date: **15 July 2010**
- (30) Convention priority data:

(31) Number	(32) Date	(33) Country
29/352614	23 Dec 2009	UNITED STATES OF AMERICA
- (56) Related Art Documents: **Not Applicable**
- (57) Statement of Newness and Distinctiveness: **Newness and distinctiveness reside in the shape and configuration of the toothbrush in combination with the pattern and ornamentation applied to the elongate handle and tissue cleaner.**



- (21) Design Number: **12549/2010**
(22) Date of Filing Application: **17 June 2010**
(24) Date from which industrial property rights may have effect: **17 June 2010**
(54) Product in respect of which the design is registered: **One-piece disposable ostomy pouch**
(51) International Design Classification: **24-03**
(71) Name(s) and Address(s) of Applicant(s):
Hollister Incorporated
2000 Hollister Drive Libertyville Illinois 60048-3781 United States of America
(72) Name(s) of Designer(s): **Sussie Richmann and Peter Moller-Jensen and Tue Kjaergaard Toft and Christen Grum-Schwensen**
(45) Registration Date: **15 July 2010**
(30) Convention priority data:
(31) Number (32) Date (33) Country
001649591 18 Dec 2009 EUROPEAN COMMUNITY
(56) Related Art Documents: **Not Applicable**
(57) Statement of Newness and Distinctiveness: **Newness and distinctiveness is claimed in the shape and/or configuration of a ONE-PIECE DISPOSABLE OSTOMY POUCH as illustrated by the unbroken lines in the accompanying representation/s.**



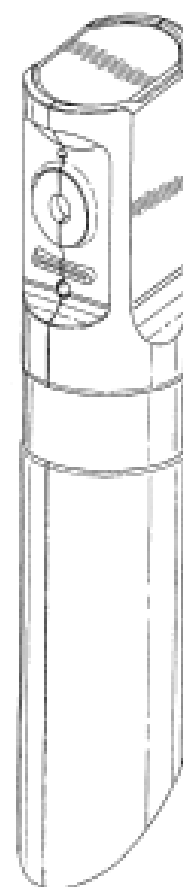
- (21) Design Number: **12550/2010**
(22) Date of Filing Application: **17 June 2010**
(24) Date from which industrial property rights may have effect: **17 June 2010**
(54) Product in respect of which the design is registered: **Mini-sized disposable ostomy pouch for a two-piece ostomy appliance**
(51) International Design Classification: **24-03**
(71) Name(s) and Address(s) of Applicant(s):
Hollister Incorporated
2000 Hollister Drive Libertyville Illinois 60048-3781 United States of America
(72) Name(s) of Designer(s): **Sussie Richmann and Peter Moller-Jensen and Tue Kjaergaard Toft and Christen Grum-Schwensen**
(45) Registration Date: **15 July 2010**
(30) Convention priority data:
(31) Number (32) Date (33) Country
001649591 18 Dec 2009 EUROPEAN COMMUNITY
(56) Related Art Documents: **Not Applicable**
(57) Statement of Newness and Distinctiveness: **Newness and distinctiveness is claimed in the shape and/or configuration of MINI-SIZED DISPOSABLE OSTOMY POUCH FOR A TWO-PIECE OSTOMY APPLIANCE as illustrated by the unbroken lines in the accompanying representation/s.**



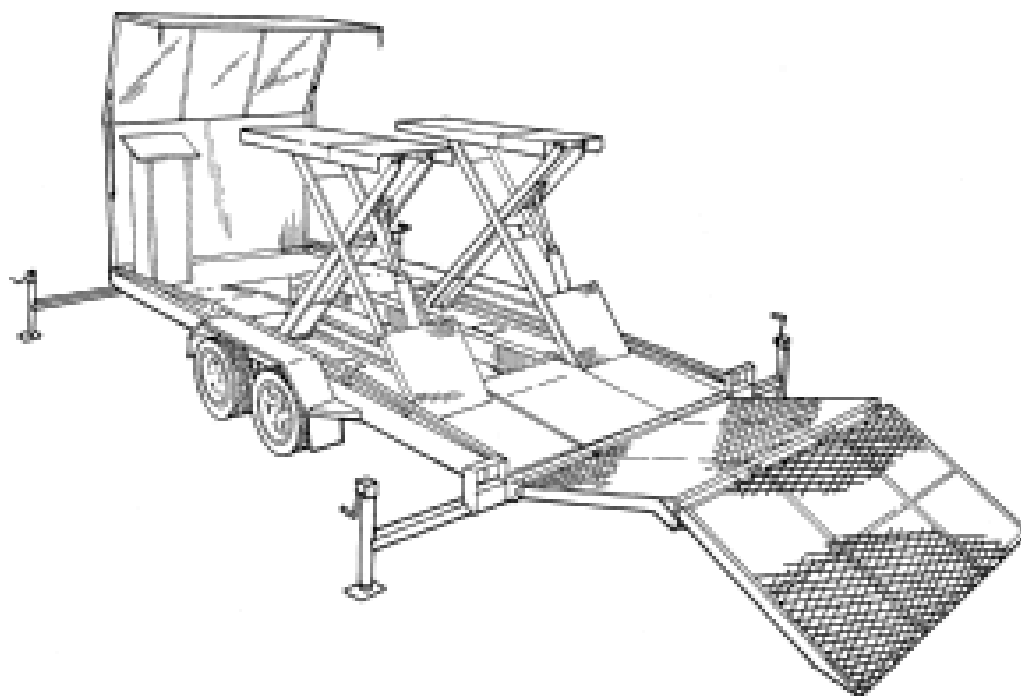
- (21) Design Number: **12551/2010**
(22) Date of Filing Application: **17 June 2010**
(24) Date from which industrial property rights may have effect: **17 June 2010**
(54) Product in respect of which the design is registered: **Mini-sized drainable ostomy pouch for a two-piece ostomy appliance**
(51) International Design Classification: **24-03**
(71) Name(s) and Address(s) of Applicant(s):
Hollister Incorporated
2000 Hollister Drive Libertyville Illinois 60048-3781 United States of America
(72) Name(s) of Designer(s): **Sussie Richmann and Peter Moller-Jensen and Tue Kjaergaard Toft and Christen Grum-Schwensen**
(45) Registration Date: **15 July 2010**
(30) Convention priority data:
(31) Number (32) Date (33) Country
001649591 18 Dec 2009 EUROPEAN COMMUNITY
(56) Related Art Documents: **Not Applicable**
(57) Statement of Newness and Distinctiveness: **Newness and distinctiveness is claimed in the shape and/or configuration of mini-sized drainable ostomy pouch for a two-piece ostomy appliance as illustrated by the unbroken lines in the accompanying representations.**



- (21) Design Number: **12579/2010**
(22) Date of Filing Application: **23 June 2010**
(24) Date from which industrial property rights may have effect: **23 June 2010**
(54) Product in respect of which the design is registered: **Borehole condition monitors**
(51) International Design Classification: **10-05**
(71) Name(s) and Address(s) of Applicant(s):
African Explosives Limited
AECI Place 23/24 The Woodlands Woodlands Drive Woodmead 2191 South Africa
(72) Name(s) of Designer(s): **Pieter Etienne Dreyer and Robert James Holdcroft and Neville Robert Marillier and Laurence Justin Pienaar Wilson**
(45) Registration Date: **15 July 2010**
(30) Convention priority data:
(31) Number (32) Date (33) Country
A2009/01977 24 Dec 2009 SOUTH AFRICA
(56) Related Art Documents: **Not Applicable**
(57) Statement of Newness and Distinctiveness: **No regard is to be had to the feature marked "A" shown in phantom outline in Fig. 1 and in solid form in Fig. 2.**



- (21) Design Number: **12580/2010**
(22) Date of Filing Application: **22 June 2010**
(24) Date from which industrial property rights may have effect: **22 June 2010**
(54) Product in respect of which the design is registered: **A trailer**
(51) International Design Classification: **12-10**
(71) Name(s) and Address(s) of Applicant(s):
Wayne Charles Cooper
849 Kingston Road Waterford West Queensland 4133 Australia
(72) Name(s) of Designer(s): **Wayne Charles Cooper**
(45) Registration Date: **15 July 2010**
(56) Related Art Documents: **Not Applicable**
(57) Statement of Newness and Distinctiveness: **The newness and distinctiveness of the design resides in the visual features of shape and/or configuration of a trailer as shown in the accompanying representations.**



- (21) Design Number: **12258/2010**
(22) Date of Filing Application: **02 June 2010**
(24) Date from which industrial property rights may have effect: **02 June 2010**
(54) Product in respect of which the design is registered: **Boardshorts**
(51) International Design Classification: **02-02C**
(71) Name(s) and Address(s) of Applicant(s):
GSM (Operations) Pty Ltd
1 Billabong Place Burleigh Heads Queensland 4220 Australia
(72) Name(s) of Designer(s): **Beau Campi**
(45) Registration Date: **15 July 2010**
(56) Related Art Documents: **Not Applicable**
(57) Statement of Newness and Distinctiveness: **The features of pattern and ornamentation are the new and distinct features of the design. The word BILLABONG and the WAVE device are not new and distinctive features.**



(19) AU

- (21) Design Number: **12573/2010**
- (22) Date of Filing Application: **22 June 2010**
- (24) Date from which industrial property rights may have effect: **22 June 2010**
- (54) Product in respect of which the design is registered: **Gaming cloth**
- (51) International Design Classification: **21-01L**
- (71) Name(s) and Address(s) of Applicant(s):

Random Games Limited
6B Parkway Porters Wood St Albans Hertfordshire AL3 6PA United Kingdom

(72) Name(s) of Designer(s): **Matthew Andrews**

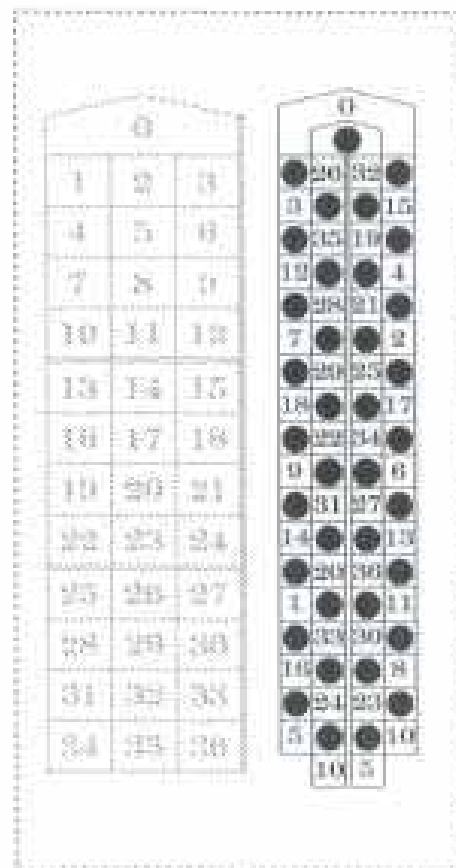
(45) Registration Date: **15 July 2010**

(30) Convention priority data:

(31) Number	(32) Date	(33) Country
001651803-0002	23 Dec 2009	EUROPEAN COMMUNITY

(56) Related Art Documents: **Not Applicable**

(57) Statement of Newness and Distinctiveness: **Newness and distinctiveness of the design resides in the pattern and/or ornamentation of the gaming cloth as shown in solid lines in the accompanying representations. The shape of the gaming cloth and the pattern and ornamentation shown in broken lines are to be disregarded when considering the overall impression of the design.**



(19) AU

- (21) Design Number: **12574/2010**
- (22) Date of Filing Application: **22 June 2010**
- (24) Date from which industrial property rights may have effect: **22 June 2010**
- (54) Product in respect of which the design is registered: **Gaming cloth**
- (51) International Design Classification: **21-01L**
- (71) Name(s) and Address(s) of Applicant(s):

Random Games Limited
6B Parkway Porters Wood St Albans Hertfordshire AL3 6PA United Kingdom

(72) Name(s) of Designer(s): **Matthew Andrews**

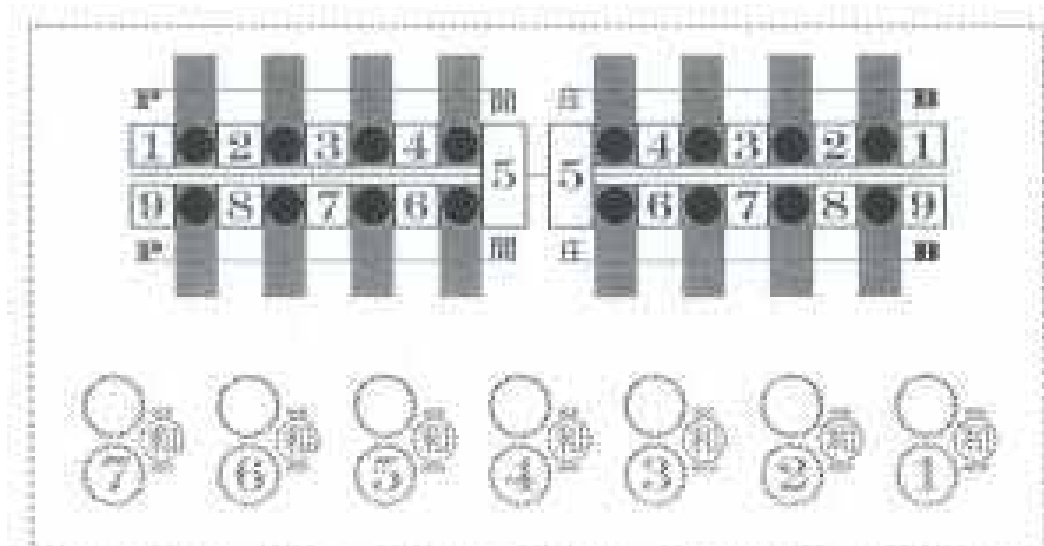
(45) Registration Date: **15 July 2010**

(30) Convention priority data:

(31) Number	(32) Date	(33) Country
001651803-0007	23 Dec 2009	EUROPEAN COMMUNITY

(56) Related Art Documents: **Not Applicable**

(57) Statement of Newness and Distinctiveness: **Newness and distinctiveness of the design resides in the pattern and/or ornamentation of the gaming cloth as shown in solid lines in the accompanying representations. The shape of the gaming cloth and the pattern and ornamentation shown in broken lines are to be disregarded when considering the overall impression of the design.**



- (21) Design Number: **12560/2010**
(22) Date of Filing Application: **08 July 2010**
(24) Date from which industrial property rights may have effect: **08 July 2010**
(54) Product in respect of which the design is registered: **Duct section**
(51) International Design Classification: **13-03C**
(71) Name(s) and Address(s) of Applicant(s):
Icon Plastics Pty Ltd
19 Hallam Road South Hallam Victoria 3803 Australia
(72) Name(s) of Designer(s): **Royston Douglas Bull**
(45) Registration Date: **15 July 2010**
(56) Related Art Documents: **Not Applicable**
(57) Statement of Newness and Distinctiveness: **Newness and distinctiveness resides in the opposed longitudinal end regions of the duct section shown in the annexed representations.**

