



**Australian Government**

---

**IP Australia**

**AUSTRALIAN OFFICIAL JOURNAL**

**OF**

**DESIGNS**

Did you know a searchable version of this journal is now available online?

It's FREE and EASY to SEARCH.

Find it at

<http://pericles.ipaustralia.gov.au/ols/epublish/content/olsEpublications.jsp>  
or using the "Online Journals" link on the IP Australia home page.

This Page Left Intentionally Blank

**Contents**

**General Information & Notices**

**Proceedings Under the Designs Act 1906 preserved as a result of the provisions of Chapter 12  
Part 2 of the Designs Act 2003**

<b>Extension of Period of Registration of Designs .....</b>	<b>1798</b>
<b>Registrations Ceased .....</b>	<b>1798</b>
<b>Subsequent Owners Registered .....</b>	<b>1798</b>

**Proceedings Under the Designs Act 2003**

<b>Applications Lapsed .....</b>	<b>1806</b>
<b>Applications Lodged .....</b>	<b>1803</b>
<b>Applications Withdrawn .....</b>	<b>1806</b>
<b>Certificate of Examination .....</b>	<b>1808</b>
<b>Extension of Period of Registration of Design .....</b>	
<b>Extension of Time Granted Under Section 137 .....</b>	<b>1807</b>
<b>Publication and Registration Proceedings</b>	
<b>Designs Registered 331789 to 331844.....</b>	<b>1809</b>
<b>Registrations Ceased .....</b>	<b>1807</b>
<b>Revocation of Design Registrations .....</b>	<b>1807</b>

This Page Left Intentionally Blank

For information on the following please see our website [www.ipaustralia.gov.au](http://www.ipaustralia.gov.au) or contact our Customer Service Network on 1300651010

[Editorial enquiries](#)

[Contact information](#)

[Freedom of Information ACT](#)

[Professional Standards Board](#)

[Sales](#)

[Requests for Information under Section 194 \(c\)](#)

[Country Codes](#)

[Trade Mark and Designs Hearing Sessions](#)

[INID \(Internationally agreed Numbers for the Identification of Data\)](#)

## “INID” NUMBERS in use on Australian Design Documents

“INID” is an acronym for “Internationally agreed Numbers for the Identification of Data”.

### (10) Data concerning the registration/renewal

- (11) Serial number of the registration and/or number of the design document
- (12) Plain language designation of the kind of published document
- (19) Identification, using the two-letter code according to WIPO Standard ST.3, of the authority publishing or registering the industrial design

### (20) Data concerning the application

- (21) Serial number of the application
- (22) Date of filing of the application
- (24) Date from which the industrial design right has effect

### (30) Data relating to priority under the Paris Convention

- (31) Serial number assigned to the priority application
- (32) Date of filing of the priority application
- (33) Two-letter code, according to WIPO Standard ST.3, identifying the authority with which the priority application was made

### (40) Date(s) of making information available to the public

- (45) Date of publication of the registered industrial design by printing or similar process, or making it available to the public by any other means

### (50) Miscellaneous Information

- (51) International Classification for Industrial Designs (class and subclass of the Locarno Classification)
- (54) Designation of article(s) or product(s) covered by the industrial design or title of the industrial design
- (55) Reproduction of the industrial design (e.g., drawing, photograph) and explanations relating to the reproduction
- (56) List of prior art documents, if separate from descriptive text
- (57) Description of characteristic features of the industrial design including indication of colours

### (60) References to other legally related application(s) and registration(s)

- (62) Serial number(s) and, if available, filing date(s) of application(s), registration(s) or document(s) related by division
- (66) Serial number(s) of the application, or the registration, of the design(s) which is (are) a variant(s) of the present one

### (70) Identification of parties concerned with the application or registration

- (71) Name(s) and address(es) of the applicant(s)
- (72) Name(s) of the creator(s) if known to be such
- (74) Name(s) and address(es) of the representative(s)

This Page Left Intentionally Blank

**Nil notices for this journal issue.**

**Proceedings under the Designs Act 1906 preserved as a result of the provisions of Chapter 12 Part 2 of the Designs Act 2003.**



This Page Left Intentionally Blank

**Applications Lapsed**

There were no Applications Lapsed under this section

**Extension of Period of Registration of Designs**

**1st Period (Section 27A(8))**

**2nd Period (Section 27A(12))**

156600	156612	156895
156913	157688	157936

**3rd Period (Section 27A(13))**

140277	140338	140379
140560	140935	141782
141802	141960	143124
143125	143126	143202

**Registrations Ceased**

Note: Some of the following Registrations may have been previously advertised as ceased. In this instance, the previous advertisement still prevails.

122595	122596	122725
122726	122730	122737
122761	122775	122835
122836	122838	123305
125825	125826	125827
125945	125970	126611
129567	130849	130850
130878	130879	137165
137661	137673	137707
137709	137750	137752
137753	137754	138054
138056	138101	139557
153569	155462	155662
155948	155949	155977
156412	157103	157379
157380	157825	157928
158009	158010	158011
158162	158224	158225
158226		

**Subsequent Owners Registered**

(The name in parentheses is that of the subsequent owner)

156421 ( West Barrows Mix Pty Ltd ) Westmix Pty Ltd

This Page Left Intentionally Blank



**Proceedings under the Designs Act 2003.**

This Page Left Intentionally Blank

**Applications Lodged**

Lodgement information is in the following order: **Applicant's Name**; International Classification, Name of Product, Lodgement Date and **Design Number**. If the applicant claims an earlier priority date under an International Convention, the Convention Country and the associated filing date are shown in parentheses before the Lodgement Date. Divisional information will also appear in parentheses before the Lodgement Date.

<b>A-Line Switchboards Pty Ltd;</b> 09-02NES, Mobile storage container, 13 Jul 2010	<b>12883/2010</b>	<b>D and D Shopfitting Pty Limited, As Trustee For SSE Shopfitting Trust;</b> 06-04NES, The back panel fixes to the heavy duty L post, 16 Jul 2010	<b>12973/2010</b>
<b>A-Line Switchboards Pty Ltd;</b> 09-02NES, Mobile storage container, 13 Jul 2010	<b>12882/2010</b>	<b>D and D Shopfitting Pty Limited, As Trustee For SSE Shopfitting Trust;</b> 06-04NES, The heavy duty shelf mounts onto the heavy duty bracket, 16 Jul 2010	<b>12970/2010</b>
<b>Ansell Healthcare Products LLC;</b> 02-06, Glove, (US, 15 Jan 2010) 15 Jul 2010	<b>12932/2010</b>	<b>D and D Shopfitting Pty Limited, As Trustee For SSE Shopfitting Trust;</b> 06-04NES, The heavy duty hinge bracket mounts onto the front of the post and enables the heavy duty hinge bumper swing, 16 Jul 2010	<b>12969/2010</b>
<b>Australian Football League;</b> 02-02NES, Garment, 16 Jul 2010	<b>12957/2010</b>	<b>D and D Shopfitting Pty Limited, As Trustee For SSE Shopfitting Trust;</b> 06-04NES, The heavy duty hinge bracket mounts onto the front of the post and enables the heavy duty hinge bumper swing, 16 Jul 2010	<b>12968/2010</b>
<b>Australian Football League;</b> 02-02NES, Garment, 16 Jul 2010	<b>12956/2010</b>	<b>Dart Industries Inc;</b> 11-02B, Planter, (US, 25 Mar 2010) 16 Jul 2010	<b>12947/2010</b>
<b>BabyBjorn AB;</b> 06-06C, Leg joint for furniture, (EM, 16 Mar 2010) 13 Jul 2010	<b>12884/2010</b>	<b>Davy, William John;</b> 06-01E, Child / baby feeding tray, 16 Jul 2010	<b>12935/2010</b>
<b>Beattie, Amanda; Buchanan, Joanne;</b> 03-01B, Carry bag with strap, 16 Jul 2010	<b>12976/2010</b>	<b>Deckers Outdoor Corporation;</b> 02-04A, Footwear portion, (US, 10 May 2010) 16 Jul 2010	<b>12975/2010</b>
<b>Boost Pty Ltd;</b> 02-03, The folder helmet, 20 Jul 2010	<b>12980/2010</b>	<b>Devaney, Christopher Bernard;</b> 25-02NES, Truss, 16 Jul 2010	<b>12937/2010</b>
<b>Buchanan, Joanne; Beattie, Amanda;</b> 03-01B, Carry bag with strap, 16 Jul 2010	<b>12976/2010</b>	<b>Dream Property GmbH;</b> 14-01, 14-03NES, Receiver, (EM, 23 Dec 2009) 11 Jun 2010	<b>12928/2010</b>
<b>BPW Bergische Achsen KG;</b> 12-16M, Brake drums, 14 Jul 2010	<b>12926/2010</b>	<b>Durance, David;</b> 06-02, Bed frame, 15 Jul 2010	<b>12954/2010</b>
<b>Charlesworth, Ellen;</b> 19-06, Pen clip, 13 Jul 2010	<b>12913/2010</b>	<b>Durance, David;</b> 06-02, Bed frame, 15 Jul 2010	<b>12955/2010</b>
<b>Charlesworth, Ellen;</b> 19-06, Pen button, 12 Jul 2010	<b>12879/2010</b>	<b>Evans, Paul;</b> 02-01A, Support receivable adjacent a female person's breasts, 16 Jul 2010	<b>12936/2010</b>
<b>Charlesworth, Ellen;</b> 19-06, Pen tip, 12 Jul 2010	<b>12878/2010</b>	<b>Eveready Battery Company, Inc.;</b> 26-02, A lighting device, (US, 09 Feb 2010) 13 Jul 2010	<b>12890/2010</b>
<b>Charlesworth, Ellen;</b> 19-06, Pen button, 12 Jul 2010	<b>12881/2010</b>	<b>Eveready Battery Company, Inc.;</b> 26-02, A lighting device, (US, 08 Feb 2010) 13 Jul 2010	<b>12891/2010</b>
<b>Charlesworth, Ellen;</b> 19-06, Pen button, 12 Jul 2010	<b>12880/2010</b>	<b>Eveready Battery Company, Inc.;</b> 26-02, A lighting device, (US, 08 Feb 2010) 13 Jul 2010	<b>12892/2010</b>
<b>Classbet Limited;</b> 21-03, Noise maker, (GB, 28 Jan 2010) 16 Jul 2010	<b>12974/2010</b>	<b>Eveready Battery Company, Inc.;</b> 26-04, A lighting device, (US, 08 Feb 2010) 13 Jul 2010	<b>12893/2010</b>
<b>Continental Reifen Deutschland GmbH;</b> 12-15A, Tyre, (EM, 27 Apr 2010) 20 Jul 2010	<b>13009/2010</b>		
<b>D and D Shopfitting Pty Limited, As Trustee For SSE Shopfitting Trust;</b> 06-04NES, The heavy duty bracket mounts adjustably into the heavy duty post and supports the heavy duty shelf, 16 Jul 2010	<b>12971/2010</b>		
<b>D and D Shopfitting Pty Limited, As Trustee For SSE Shopfitting Trust;</b> 06-04NES, The heavy duty post supports the back panels and heavy duty brackets, 16 Jul 2010	<b>12972/2010</b>		



<b>Ferrari S.p.A.;</b> 12-08, 21-01C, Car and toy-car, (EM, 18 Jan 2010) 13 Jul 2010	<b>12876/2010</b>	<b>Irwin Industrial Tool Company;</b> 08-03, Hole saw, (US, 13 Jan 2010) 13 Jul 2010	<b>12908/2010</b>
<b>Foodcap International Limited;</b> 09-03NES, 06-04NES, An insert for a container, 14 Jul 2010	<b>12911/2010</b>	<b>Irwin Industrial Tool Company;</b> 08-03, Hole saw, (US, 13 Jan 2010) 13 Jul 2010	<b>12959/2010</b>
<b>Foodcap International Limited;</b> 09-03NES, A container, 14 Jul 2010	<b>12912/2010</b>	<b>Irwin Industrial Tool Company;</b> 08-03, Hole saw, (US, 13 Jan 2010) 13 Jul 2010	<b>12960/2010</b>
<b>Frigrite Limited;</b> 07-07A, Split door display freezer, 18 May 2010	<b>12898/2010</b>	<b>Irwin Industrial Tool Company;</b> 08-03, Hole saw, (US, 13 Jan 2010) 13 Jul 2010	<b>12958/2010</b>
<b>Frigrite Limited;</b> 07-07A, Split door display freezer, 18 May 2010	<b>12899/2010</b>	<b>Irwin Industrial Tool Company;</b> 08-03, Hole saw, (US, 13 Jan 2010) 13 Jul 2010	<b>12914/2010</b>
<b>Frigrite Limited;</b> 07-07A, Split door display freezer, 18 May 2010	<b>12900/2010</b>	<b>Irwin Industrial Tool Company;</b> 08-03, Hole saw, (US, 13 Jan 2010) 13 Jul 2010	<b>12914/2010</b>
<b>Gwardar Australia;</b> 12-16E, GW1500 vehicle mounted lighting mast, 13 Jul 2010	<b>12897/2010</b>	<b>Irwin Industrial Tool Company;</b> 08-03, Hole saw, (US, 13 Jan 2010) 13 Jul 2010	<b>12927/2010</b>
<b>GHD Korea, Inc.;</b> 28-03B, Hair iron, (KR, 21 Jan 2010) 15 Jul 2010	<b>12921/2010</b>	<b>Irwin Industrial Tool Company;</b> 08-03, Hole saw, (US, 13 Jan 2010) 13 Jul 2010	<b>12916/2010</b>
<b>GM Global Technology Operations, Inc.;</b> 12-08, 21-01C, Vehicle body and model vehicle body, (US, 17 Feb 2010) 14 Jul 2010	<b>12924/2010</b>	<b>Irwin Industrial Tool Company;</b> 08-03, Hole saw, (US, 13 Jan 2010) 13 Jul 2010	<b>12917/2010</b>
<b>H&amp;H Asia Ltd.;</b> 07-02P, Mini loaf baking pan, 13 Jul 2010	<b>12870/2010</b>	<b>Irwin Industrial Tool Company;</b> 08-03, Hole saw, (US, 13 Jan 2010) 13 Jul 2010	<b>12918/2010</b>
<b>H&amp;H Asia Ltd.;</b> 07-02P, Mini tart baking pan, 13 Jul 2010	<b>12871/2010</b>	<b>Irwin Industrial Tool Company;</b> 08-03, Hole saw, (US, 13 Jan 2010) 13 Jul 2010	<b>12919/2010</b>
<b>H&amp;H Asia Ltd.;</b> 07-02P, Fluted 12-cup round muffin baking tray, 13 Jul 2010	<b>12872/2010</b>	<b>Irwin Industrial Tool Company;</b> 08-03, Hole saw, (US, 13 Jan 2010) 13 Jul 2010	<b>12920/2010</b>
<b>H&amp;H Asia Ltd.;</b> 07-02P, Fluted 12-cup square muffin baking tray, 13 Jul 2010	<b>12873/2010</b>	<b>J.C. Bamford Excavators Limited;</b> 15-03A, Excavator, (EM, 11 Feb 2010) 15 Jul 2010	<b>12901/2010</b>
<b>Haslet,Carolynn;</b> 02-06, 30-99, A mitt designed for pet owners which will be used to clean a pet's dirty feet, or wet feet, 15 Jul 2010	<b>12963/2010</b>	<b>J.C. Bamford Excavators Limited;</b> 15-03A, Excavator, (EM, 11 Feb 2010) 15 Jul 2010	<b>12902/2010</b>
<b>Honeywell (China) Co., Ltd.;</b> 14-03NES, Controller, (CN, 20 Jan 2010) 14 Jul 2010	<b>12903/2010</b>	<b>Jones, Gary Robert; Richards, Barry Joseph;</b> 25-02NES, Decking, 19 Jul 2010	<b>12943/2010</b>
<b>Ice Kool Promotions Pty Ltd;</b> 07-07A, Wine cooler, 15 Jul 2010	<b>12952/2010</b>	<b>Journee Lighting, Inc.;</b> 08-05P, 26-99, Socket and heat sink unit for use with a removable LED light module, (US, 15 Jan 2010) 14 Jul 2010	<b>12905/2010</b>
<b>Innowood International Australia Pty Ltd;</b> 25-01C, Facade of indefinite length, 13 Jul 2010	<b>12874/2010</b>	<b>Kabushiki Kaisha Audio-Technica, Japan;</b> 14-01, Earphone, (JP, 26 Feb 2010) 16 Jul 2010	<b>12940/2010</b>
<b>Insphere Pty Ltd;</b> 06-01F, Chair, 28 Apr 2010	<b>13015/2010</b>	<b>Kabushiki Kaisha Audio-Technica, Japan;</b> 14-01, Earphone, (JP, 26 Feb 2010) 16 Jul 2010	<b>12941/2010</b>
<b>Irwin Industrial Tool Company;</b> 08-03, Hole saw, (US, 13 Jan 2010) 13 Jul 2010	<b>12915/2010</b>	<b>Kara, Steven;</b> 12-16NES, Cover, 15 Jul 2010	<b>12931/2010</b>
<b>Irwin Industrial Tool Company;</b> 08-03, Hole saw, (US, 13 Jan 2010) 13 Jul 2010	<b>12906/2010</b>	<b>Karsten Manufacturing Corporation;</b> 21-02C, Golf club head, (US, 17 Mar 2010) 19 Jul 2010	<b>12994/2010</b>
<b>Irwin Industrial Tool Company;</b> 08-03, Hole saw, (US, 13 Jan 2010) 13 Jul 2010	<b>12907/2010</b>		

<b>Karsten Manufacturing Corporation;</b> 21-02C, Golf club head, (US, 17 Mar 2010) 19 Jul 2010	<b>12995/2010</b>	<b>Orion transport lamps ltd;</b> 26-06, CTL01,CTL02,CTL03,CTL04,CTLC01, 14 Jul 2010	<b>12950/2010</b>
<b>Karsten Manufacturing Corporation;</b> 21-02C, Golf club head, (US, 14 Jun 2010) 19 Jul 2010	<b>12993/2010</b>	<b>Orion transport lamps ltd;</b> 26-06, CTN01,CTN02,CTN03,CTN04,CTNC01, 14 Jul 2010	<b>12951/2010</b>
<b>Kemerer, Joanne;</b> 11-99, 02-03, Headband, costume, headdress, gimmick, merchandise, 19 Jul 2010	<b>12961/2010</b>	<b>Packaging Brands Limited;</b> 07-06NES, A pie holder, (NZ, 26 Jan 2010) 20 Jul 2010	<b>13014/2010</b>
<b>Kemerer, Joanne;</b> 02-03, 11-99, Headband, costume, headdress, gimmick, merchandise, 19 Jul 2010	<b>12962/2010</b>	<b>Pascale, Steven Patrick;</b> 19-02, Organizer clip, (US, 16 Jan 2010) 16 Jul 2010	<b>12944/2010</b>
<b>Lencom Antennas Pty Ltd;</b> 14-03NES, 02-4003-001 automatic HF antenna tuning unit, 20 Jul 2010	<b>12979/2010</b>	<b>Pascale, Steven Patrick;</b> 19-02, Organizer clip, (US, 16 Jan 2010) 16 Jul 2010	<b>12945/2010</b>
<b>Libman Company, The;</b> 04-01, Broom block, 16 Jul 2010	<b>12938/2010</b>	<b>Pascale, Steven Patrick;</b> 19-02, Organizer clip, (US, 16 Jan 2010) 16 Jul 2010	<b>12946/2010</b>
<b>Loadhog Limited;</b> 09-03K, Container for storage and transportation of goods, (EM, 12 Jul 2010) 14 Jul 2010	<b>12922/2010</b>	<b>Reefscape Australia;</b> 30-02, Aquarium made from PMMA, 15 Jul 2010	<b>12933/2010</b>
<b>Lysanda Limited;</b> 14-04, Screen display for driver feedback device, (EM, 15 Apr 2010) 16 Jul 2010	<b>12934/2010</b>	<b>Richards, Barry Joseph; Jones, Gary Robert;</b> 25-02NES, Decking, 19 Jul 2010	<b>12943/2010</b>
<b>Mort Bay Traders Pty Ltd;</b> 13-03D, 13-03E, A powerboard, (NZ, 23 Mar 2010) 13 Jul 2010	<b>12895/2010</b>	<b>S.A Concrete Systems Pty Ltd;</b> 12-16K, Drink holder adaptor for vehicles, 14 Jul 2010	<b>12925/2010</b>
<b>Newell, Thayer Trent; Wehrle, Geoffrey Edgar;</b> 25-03, Portable accommodation and/or office unit, 21 Jul 2010	<b>13012/2010</b>	<b>S.C. Johnson &amp; Son, Inc.;</b> 09-01B, Container with nozzle, (US, 14 Jan 2010) 13 Jul 2010	<b>12886/2010</b>
<b>Newell, Thayer Trent; Wehrle, Geoffrey Edgar;</b> 25-03, Portable accommodation and/or office unit, 21 Jul 2010	<b>13011/2010</b>	<b>S.C. Johnson &amp; Son, Inc.;</b> 09-07A, Actuator nozzle for a diffusion device, (US, 14 Jan 2010) 13 Jul 2010	<b>12887/2010</b>
<b>Newell, Thayer Trent; Wehrle, Geoffrey Edgar;</b> 25-03, Portable accommodation and/or office unit, 21 Jul 2010	<b>13013/2010</b>	<b>S.C. Johnson &amp; Son, Inc.;</b> 09-07A, Actuator nozzle for a diffusion device, (US, 14 Jan 2010) 13 Jul 2010	<b>12888/2010</b>
<b>Newell, Thayer Trent; Wehrle, Geoffrey Edgar;</b> 25-03, Portable accommodation and/or office, 21 Jul 2010	<b>13010/2010</b>	<b>S.C. Johnson &amp; Son, Inc.;</b> 09-07A, Actuator nozzle for a diffusion device, (US, 14 Jan 2010) 13 Jul 2010	<b>12889/2010</b>
<b>Newell, Thayer Trent; Wehrle, Geoffrey Edgar;</b> 25-03, Portable accommodation and/or office, 21 Jul 2010	<b>13010/2010</b>	<b>S.C. Johnson &amp; Son, Inc.;</b> 09-01B, Container with nozzle, (US, 14 Jan 2010) 13 Jul 2010	<b>12885/2010</b>
<b>Newton, Martin;</b> 08-08C, Building channel spring, 14 Jul 2010	<b>12923/2010</b>	<b>Santo Alessi Unique Pottery Australia;</b> 07-01D, 11-99, Stein or large mug in the shape of a Australian rules football, 24 Jun 2010	<b>12877/2010</b>
<b>O'Connor-Cowley, Elizabeth Ann;</b> 02-02C, Skirt legging, 19 Jul 2010	<b>12977/2010</b>	<b>Sistema Plastics Limited;</b> 09-07B, A sipper cap assembly, (NZ, 19 Jan 2010) 19 Jul 2010	<b>12992/2010</b>
<b>Ontera Modular Carpets Pty Ltd;</b> 06-11, Carpet, 19 Jul 2010	<b>12981/2010</b>	<b>Smash Enterprises Pty Ltd;</b> 03-01A, Bag, 19 Jul 2010	<b>12978/2010</b>
<b>Orion transport lamps ltd;</b> 26-06, BT101,BT102,BT103,BT104,BTC01,BTC01N, 14 Jul 2010	<b>12948/2010</b>	<b>Smith Optics, Inc.;</b> 02-03, A helmet, (US, 14 Jan 2010) 14 Jul 2010	<b>12909/2010</b>
<b>Orion transport lamps ltd;</b> 26-06, SDC01,SDC02,SDC03,SDC04,SDC05,SDCADR, 14 Jul 2010	<b>12949/2010</b>	<b>Smith Optics, Inc.;</b> 02-03, A helmet, (US, 14 Jan 2010) 14 Jul 2010	<b>12910/2010</b>
		<b>Snapware Corporation;</b> 07-01B, Divided dish, (US, 25 Jan 2010) 16 Jul 2010	<b>12939/2010</b>

<b>Solar Panels Australia Pty Ltd;</b> 25-01NES, 23-03D, Roof profiler, 16 Jul 2010	<b>12964/2010</b>	<b>Urmet Domus S.p.A.;</b> 14-03A, Intercom, (EM, 18 Jan 2010) 19 Jul 2010	<b>12983/2010</b>
<b>Solar Panels Australia Pty Ltd;</b> 08-08L, 23-03D, Mounting rail, 16 Jul 2010	<b>12965/2010</b>	<b>Urmet Domus S.p.A.;</b> 14-03A, Intercom, (EM, 18 Jan 2010) 19 Jul 2010	<b>12984/2010</b>
<b>Solar Panels Australia Pty Ltd;</b> 08-08NES, 23-03D, Joiner, 16 Jul 2010	<b>12966/2010</b>	<b>Urmet Domus S.p.A.;</b> 14-03A, Intercom, (EM, 18 Jan 2010) 19 Jul 2010	<b>12985/2010</b>
<b>Solar Panels Australia Pty Ltd;</b> 08-08D, 23-03D, Clamp nut, 16 Jul 2010	<b>12967/2010</b>	<b>Usafe Platforms;</b> 25-04, Podium, scaffold or steps, 09 Jul 2010	<b>12894/2010</b>
<b>Sophinity Pty Ltd, As trustee for Wellman Consolidated Trust;</b> 09-07NES, Microwave soup lid (plastic lid for ready to eat microwaveable soups), 19 Jul 2010	<b>12942/2010</b>	<b>Wehrle, Geoffrey Edgar; Newell, Thayer Trent;</b> 25-03, Portable accommodation and/or office unit, 21 Jul 2010	<b>13013/2010</b>
<b>Stanley, Robyn Lorraine;</b> 02-02NES, 24-99, Radiography or radiation treatment garment, 16 Jul 2010	<b>12953/2010</b>	<b>Wehrle, Geoffrey Edgar; Newell, Thayer Trent;</b> 25-03, Portable accommodation and/or office unit, 21 Jul 2010	<b>13011/2010</b>
<b>Sunbeam Corporation Limited;</b> 07-02H, Grill, 13 Jul 2010	<b>12869/2010</b>	<b>Wehrle, Geoffrey Edgar; Newell, Thayer Trent;</b> 25-03, Portable accommodation and/or office unit, 21 Jul 2010	<b>13012/2010</b>
<b>Suzuki Motor Corporation;</b> 12-08, Automobile, (JP, 19 Jan 2010) 14 Jul 2010	<b>12904/2010</b>	<b>Wehrle, Geoffrey Edgar; Newell, Thayer Trent;</b> 25-03, Portable accommodation and/or office unit, 21 Jul 2010	<b>13010/2010</b>
<b>Synder Industries Inc;</b> 06-04NES, Barrel racks, (US, 26 Jan 2010) 13 Jul 2010	<b>12875/2010</b>	<b>Zernich, Jayden Emerico;</b> 06-03NES, 06-01L, Table and/or chair, 13 Jul 2010	<b>12896/2010</b>
<b>The Glad Products Company;</b> 07-01NES, Container for food, (US, 19 Jan 2010) 14 Jul 2010	<b>12929/2010</b>		
<b>The Mainstreet Collection, Inc.;</b> 05-04, Patch, (US, 19 Jan 2010) 19 Jul 2010	<b>12991/2010</b>		
<b>Top Idea Australia Pty Ltd;</b> 08-08L, Deck saddle, 15 Jul 2010	<b>12930/2010</b>		
<b>Urmet Domus S.p.A.;</b> 14-03A, Intercom, (EM, 18 Jan 2010) 19 Jul 2010	<b>12982/2010</b>		

**Applications Withdrawn**

12754 / 2010 (14-03B)

**Applications Lapsed**

10229 / 2010 (11-01NES)	10230 / 2010 (11-01NES)
10231 / 2010 (11-01NES)	10232 / 2010 (11-01NES)
10233 / 2010 (11-01NES)	10234 / 2010 (11-01NES)
10235 / 2010 (11-01NES)	10236 / 2010 (11-01NES)
10237 / 2010 (11-01NES)	10238 / 2010 (11-01NES)
11764 / 2010 (21-02D)	11773 / 2010 (03-01D)
11874 / 2010 (02-02C)	11875 / 2010 (02-02C)

**Extension of Period of Registration of Designs**

302253	302812	303383
303384	303385	303789
303888	303889	303890
304084	304437	304438
304459	304460	304461
304582	304847	304848
304849	304858	304859
304903	304904	304905
305165	305572	305720
306003	306013	306907
307483	307485	307547
307575	307577	307578
309527		

**Revocation of Design Registrations**

The following Design Registration(s) have been revoked and are taken never to have been registered:

318769 12-06C

**Registrations Ceased**

302131	302133	302134
302135	302136	302152
302342	302343	302392
302393	302394	302395
302396	302397	302400
302401	302402	302403
302404	302405	302560
302561	302562	302680
302681	302682	302683
302813	302833	302898
302899	302963	303051
303052	303198	303199
303200	303201	303280
303303	303304	304550
304551	304631	304632
305905	317198	317204

**Extensions of time granted under Section 137**

Applications lodged under section 137 for extension of time have been granted.

11265/2010 Paar Enterprises Pty Ltd

11266/2010 Paar Enterprises Pty Ltd

**Certificate(s) of Examination**

Examination of the following Design Registration(s) has been completed. Infringement proceedings may now be commenced.

324955	06-03B	21/07/2010
324956	06-03B	21/07/2010
330578	07-02E	16/07/2010
330579	07-02E	16/07/2010
330580	07-02E	16/07/2010
330688	07-02N	16/07/2010
330689	07-02N	16/07/2010
330690	07-02N	16/07/2010
330691	07-02N	16/07/2010

**Publication and Registration Proceedings**

**Designs Registered**

This section provides a concordance between design number and registration number of Designs covered in this journal. It also shows the main class and registration date.

This section covers Registration numbers 331789 to 331844 .

The registration number shown below should be used in all future correspondence.

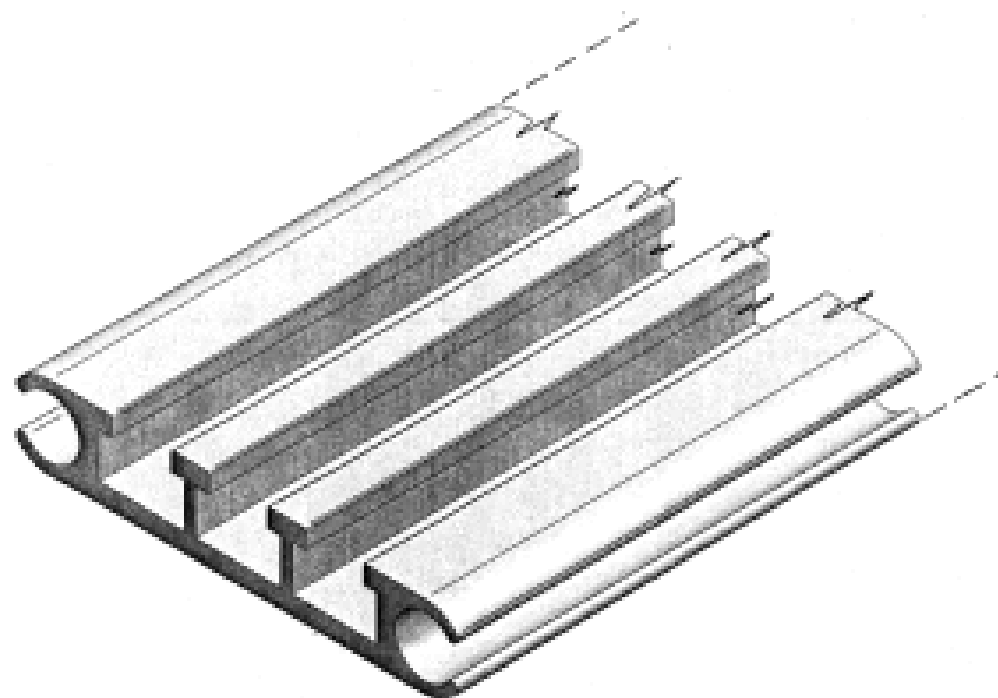
<b>Design Number</b>	<b>Registration Number</b>	<b>International Classification Code (IDC)</b>	<b>Registration Date</b>	<b>Design Number</b>	<b>Registration Number</b>	<b>International Classification Code (IDC)</b>	<b>Registration Date</b>
11218/2010	331809	15-99	19/07/2010	12530/2010	331836	12-02	22/07/2010
11312/2010	331789	25-01K	19/07/2010	12562/2010	331808	12-15A	19/07/2010
11466/2010	331814	02-02C	20/07/2010	12589/2010	331805	09-01K	19/07/2010
11730/2010	331790	24-01	19/07/2010	12590/2010	331806	09-01K	19/07/2010
11788/2010	331791	02-02NES	19/07/2010	12591/2010	331807	09-01K	19/07/2010
11789/2010	331792	02-02NES	19/07/2010	12600/2010	331810	09-01G	19/07/2010
11790/2010	331793	03-01A	19/07/2010	12601/2010	331811	11-01A	19/07/2010
11791/2010	331794	03-01A	19/07/2010	12602/2010	331812	09-01G	19/07/2010
11794/2010	331815	25-02C	20/07/2010	12603/2010	331813	12-08	19/07/2010
11795/2010	331832	05-05A	22/07/2010	12604/2010	331837	08-08K	22/07/2010
11959/2010	331795	15-05	19/07/2010	12605/2010	331838	08-08K	22/07/2010
11960/2010	331796	15-05	19/07/2010	12614/2010	331839	14-02	22/07/2010
11970/2010	331816	07-07A	20/07/2010	12615/2010	331840	19-06	22/07/2010
12086/2010	331797	02-03	19/07/2010	12616/2010	331841	14-03NES	22/07/2010
12112/2010	331798	15-05	19/07/2010	12617/2010	331842	14-03NES	22/07/2010
12113/2010	331799	12-16K	19/07/2010	12618/2010	331843	13-02	22/07/2010
12114/2010	331800	15-05	19/07/2010	12619/2010	331844	13-02	22/07/2010
12139/2010	331801	02-03	19/07/2010	12620/2010	331826	16-02	21/07/2010
12259/2010	331820	02-02C	20/07/2010	12621/2010	331827	16-02	21/07/2010
12260/2010	331821	02-02C	20/07/2010	12622/2010	331828	14-03NES	21/07/2010
12261/2010	331822	02-02C	20/07/2010	12623/2010	331829	14-03NES	21/07/2010
12262/2010	331823	02-02C	20/07/2010	12624/2010	331830	14-02	21/07/2010
12263/2010	331824	02-02C	20/07/2010	12625/2010	331831	14-02	21/07/2010
12264/2010	331825	02-02C	20/07/2010	12898/2010	331817	07-07A	20/07/2010
12277/2010	331802	21-03	19/07/2010	12899/2010	331818	07-07A	20/07/2010
12279/2010	331803	06-03C	19/07/2010	12900/2010	331819	07-07A	20/07/2010
12283/2010	331833	09-01K	22/07/2010				
12284/2010	331834	09-01K	22/07/2010				
12370/2010	331835	23-02C	22/07/2010				
12420/2010	331804	15-02	19/07/2010				

**Publication and Registration Proceedings**  
**Class Listing of Designs Published or Registered**

The following section shows an International Classification Code listing of the Registered or Published Designs covered in this supplement.

<b>Classification</b>	<b>Registration Number</b>	<b>Design Number</b>	<b>Classification</b>	<b>Registration Number</b>	<b>Design Number</b>
02-02 C	331814	11466/2010	12-16 NES	331799	12113/2010
02-02 C	331820	12259/2010	13-02	331843	12618/2010
02-02 C	331821	12260/2010	13-02	331844	12619/2010
02-02 C	331822	12261/2010	14-02	331830	12624/2010
02-02 C	331823	12262/2010	14-02	331831	12625/2010
02-02 C	331824	12263/2010	14-02	331839	12614/2010
02-02 C	331825	12264/2010	14-02	331840	12615/2010
02-02 NES	331791	11788/2010	14-03 NES	331828	12622/2010
02-02 NES	331792	11789/2010	14-03 NES	331829	12623/2010
02-03	331797	12086/2010	14-03 NES	331841	12616/2010
02-03	331801	12139/2010	14-03 NES	331842	12617/2010
03-01 A	331793	11790/2010	15-02	331804	12420/2010
03-01 A	331794	11791/2010	15-05	331795	11959/2010
05-05 A	331832	11795/2010	15-05	331796	11960/2010
06-03 C	331803	12279/2010	15-05	331798	12112/2010
07-07 A	331816	11970/2010	15-05	331800	12114/2010
07-07 A	331817	12898/2010	15-99	331809	11218/2010
07-07 A	331818	12899/2010	16-02	331826	12620/2010
07-07 A	331819	12900/2010	16-02	331827	12621/2010
08-01	331809	11218/2010	19-06	331839	12614/2010
08-08 K	331837	12604/2010	19-06	331840	12615/2010
08-08 K	331838	12605/2010	21-03	331802	12277/2010
09-01 G	331810	12600/2010	23-02 C	331835	12370/2010
09-01 G	331812	12602/2010	24-01	331790	11730/2010
09-01 K	331805	12589/2010	25-01 E	331837	12604/2010
09-01 K	331806	12590/2010	25-01 E	331838	12605/2010
09-01 K	331807	12591/2010	25-01 K	331789	11312/2010
09-01 K	331833	12283/2010	25-02 C	331815	11794/2010
09-01 K	331834	12284/2010	25-02 C	331837	12604/2010
11-01 A	331811	12601/2010	25-02 C	331838	12605/2010
12-02	331836	12530/2010			
12-08	331813	12603/2010			
12-15 A	331808	12562/2010			
12-16 K	331799	12113/2010			

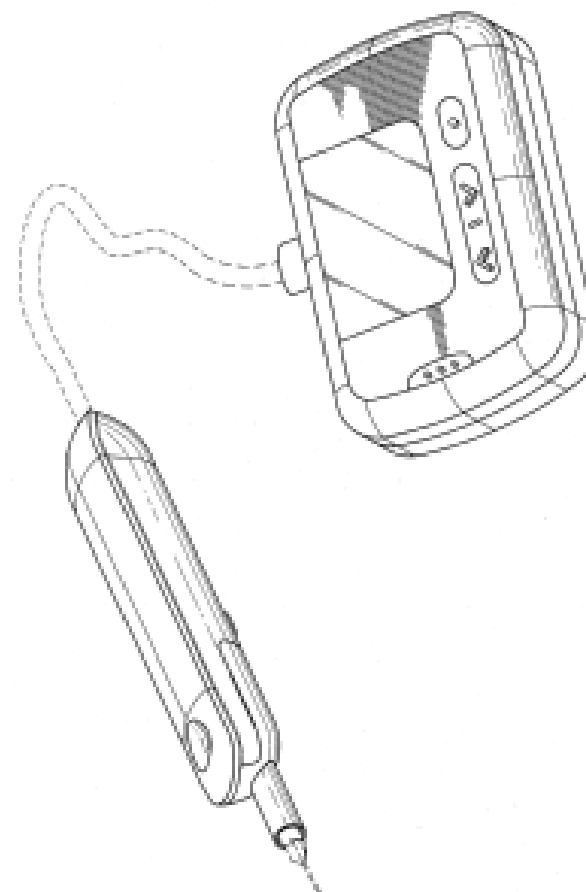
(21) Design Number: **11312/2010**  
 (22) Date of Filing Application: **12 April 2010**  
 (24) Date from which industrial property rights may have effect: **12 April 2010**  
 (54) Product in respect of which the design is registered: **Extrusion**  
 (51) International Design Classification: **25-01K**  
 (71) Name(s) and Address(s) of Applicant(s):  
**Mattane Pty Ltd**  
**14 Binary Street Yatala Queensland 4207 Australia**  
 (72) Name(s) of Designer(s): **David George Cook**  
 (45) Registration Date: **19 July 2010**  
 (56) Related Art Documents: **Not Applicable**  
 (57) Statement of Newness and Distinctiveness: **Newness and distinctiveness reside in the features of shape and configuration of an extrusion as shown in the accompanying representations. The extrusion is of indefinite length and constant cross section throughout its length.**



(21) Design Number: **11730/2010**  
 (22) Date of Filing Application: **04 May 2010**  
 (24) Date from which industrial property rights may have effect: **04 May 2010**  
 (54) Product in respect of which the design is registered: **Combination handheld delivery device and controller unit**  
 (51) International Design Classification: **24-01**  
 (71) Name(s) and Address(s) of Applicant(s):  
**Allergan, Inc.**  
**2525 Dupont Drive Irvine California 92612 United States of America**  
 (72) Name(s) of Designer(s): **Christopher S. Mudd and Ahmet Tezel**  
 (45) Registration Date: **19 July 2010**  
 (30) Convention priority data:  

(31) Number	(32) Date	(33) Country
<b>29/346343</b>	<b>04 Nov 2009</b>	<b>UNITED STATES OF AMERICA</b>

 (56) Related Art Documents: **Not Applicable**  
 (57) Statement of Newness and Distinctiveness: **Newness and distinctiveness is claimed in the visual features shown in solid lines in the representations.**





(21) Design Number: **11788/2010**

(22) Date of Filing Application: **10 May 2010**

(24) Date from which industrial property rights may have effect: **10 May 2010**

(54) Product in respect of which the design is registered: **A hooded top**

(51) International Design Classification: **02-02NES**

(71) Name(s) and Address(s) of Applicant(s):

**Markus Bublak**  
**Strassbergerstr. 47 80809 Munchen Germany**

(72) Name(s) of Designer(s): **Markus Bublak**

(45) Registration Date: **19 July 2010**

(30) Convention priority data:

(31) Number	(32) Date	(33) Country
<b>001177661</b>	<b>13 Nov 2009</b>	<b>EUROPEAN COMMUNITY</b>

(56) Related Art Documents: **Not Applicable**

(57) Statement of Newness and Distinctiveness: **Nil**



(21) Design Number: **11789/2010**

(22) Date of Filing Application: **10 May 2010**

(24) Date from which industrial property rights may have effect: **10 May 2010**

(54) Product in respect of which the design is registered: **A hood**

(51) International Design Classification: **02-02NES**

(71) Name(s) and Address(s) of Applicant(s):

**Markus Bublak**  
**Strassbergerstr. 47 80809 Munchen Germany**

(72) Name(s) of Designer(s): **Markus Bublak**

(45) Registration Date: **19 July 2010**

(30) Convention priority data:

(31) Number	(32) Date	(33) Country
<b>001177661</b>	<b>13 Nov 2009</b>	<b>EUROPEAN COMMUNITY</b>

(56) Related Art Documents: **Not Applicable**

(57) Statement of Newness and Distinctiveness: **Nil**



(21) Design Number: **11790/2010**

(22) Date of Filing Application: **06 May 2010**

(24) Date from which industrial property rights may have effect: **06 May 2010**

(54) Product in respect of which the design is registered: **Reusable shopping bag carrier**

(51) International Design Classification: **03-01A**

(71) Name(s) and Address(s) of Applicant(s):

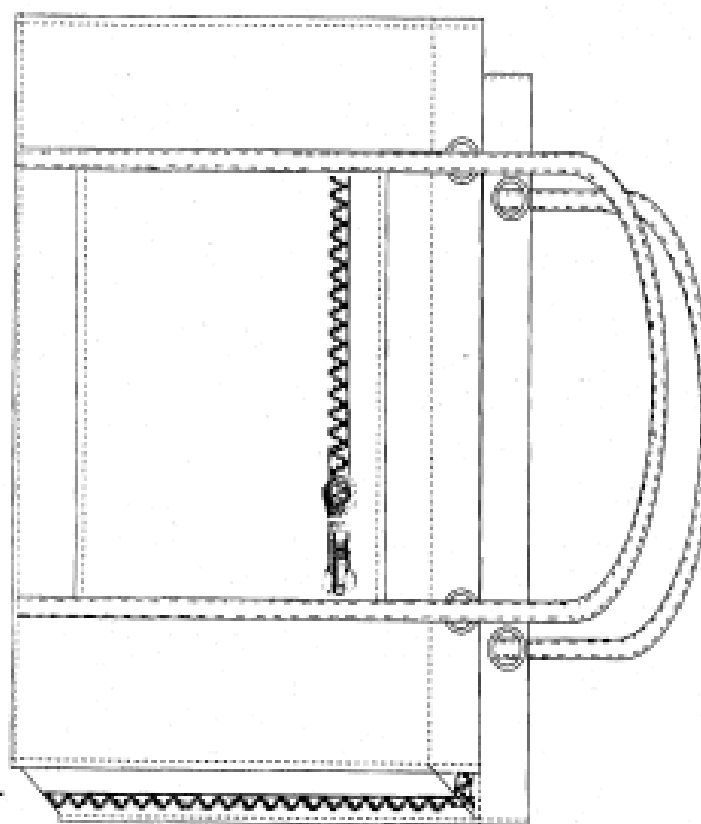
**Romola Judith Trevaskis**  
**48 Lamilla Street Glenfield Park New South Wales 2650 Australia**

(72) Name(s) of Designer(s): **Romola Trevakis**

(45) Registration Date: **19 July 2010**

(56) Related Art Documents: **Not Applicable**

(57) Statement of Newness and Distinctiveness: **The features are 1. The two way zipper ensures the bag can be fully opened so your reusable shopping bags can easily placed back into bag for storage. 2. The eyelets are used in conjunction with s-hooks to hang your bag onto your shopping trolley handle so your bag does not take up room in your shopping trolley. 3 pocket zipper is visible.**



(21) Design Number: **11791/2010**

(22) Date of Filing Application: **06 May 2010**

(24) Date from which industrial property rights may have effect: **06 May 2010**

(54) Product in respect of which the design is registered: **Reusable shopping bag carrier**

(51) International Design Classification: **03-01A**

(71) Name(s) and Address(s) of Applicant(s):

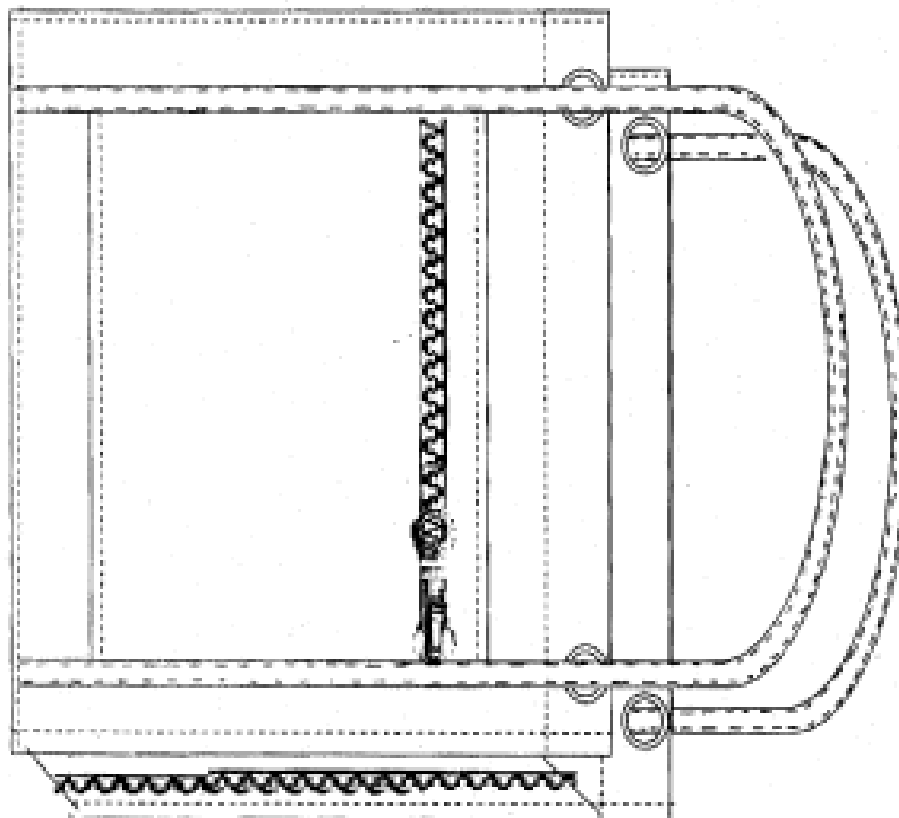
**Romola Judith Trevaskis**  
**48 Lamilla Street Glenfield Park New South Wales 2650 Australia**

(72) Name(s) of Designer(s): **Romola Trevakis**

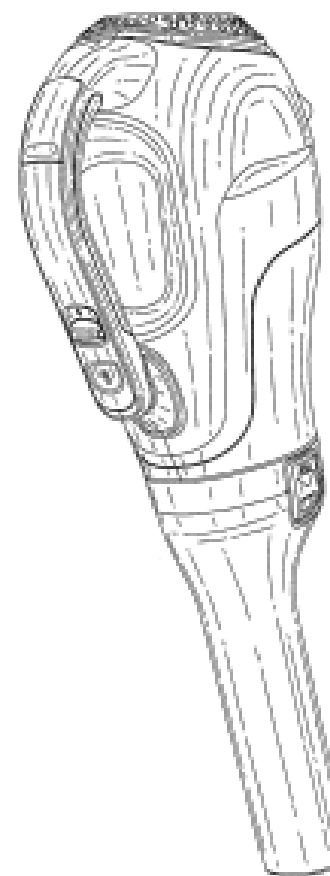
(45) Registration Date: **19 July 2010**

(56) Related Art Documents: **Not Applicable**

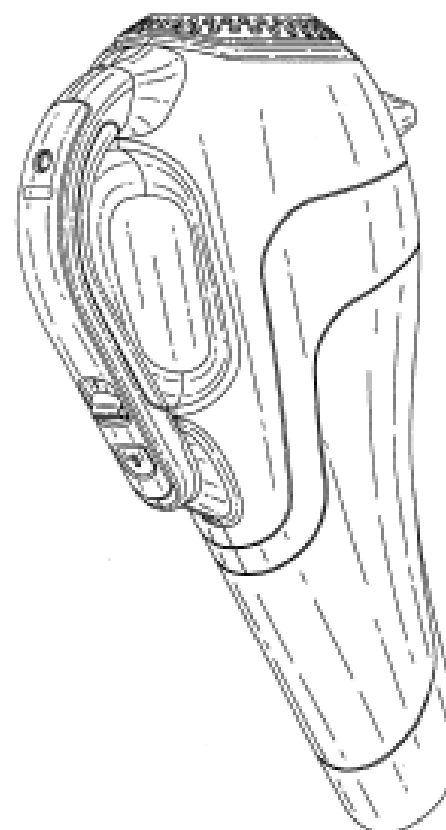
(57) Statement of Newness and Distinctiveness: **The features are 1. The two way zipper ensures the bag can be fully opened so your reusable shopping bags can easily placed back into bag for storage. 2. The eyelets are used in conjunction with s-hooks to hang your bag onto your shopping trolley handle so your bag does not take up room in your shopping trolley. 3 pocket zipper is visible.**



(21) Design Number: **11959/2010**  
(22) Date of Filing Application: **17 May 2010**  
(24) Date from which industrial property rights may have effect: **17 May 2010**  
(54) Product in respect of which the design is registered: **Hand-held vacuum cleaner**  
(51) International Design Classification: **15-05**  
(71) Name(s) and Address(s) of Applicant(s):  
**Black & Decker, Inc.**  
**1207 Drummond Plaza, Newark, Delaware, 19711, United States of America**  
(72) Name(s) of Designer(s): **Stephen Houghton**  
(45) Registration Date: **19 July 2010**  
(30) Convention priority data:  
(31) Number (32) Date (33) Country  
**001183602 10 Dec 2009 EUROPEAN COMMUNITY**  
(56) Related Art Documents: **Not Applicable**  
(57) Statement of Newness and Distinctiveness: **Nil**



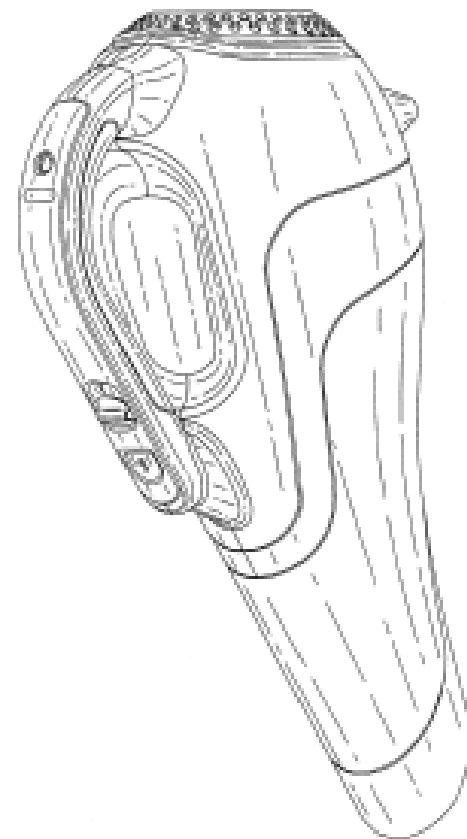
(21) Design Number: **11960/2010**  
(22) Date of Filing Application: **17 May 2010**  
(24) Date from which industrial property rights may have effect: **17 May 2010**  
(54) Product in respect of which the design is registered: **Hand-held vacuum cleaner**  
(51) International Design Classification: **15-05**  
(71) Name(s) and Address(s) of Applicant(s):  
**Black & Decker, Inc.**  
**1207 Drummond Plaza, Newark, Delaware, 19711, United States of America**  
(72) Name(s) of Designer(s): **Stephen Houghton**  
(45) Registration Date: **19 July 2010**  
(30) Convention priority data:  
(31) Number (32) Date (33) Country  
**001183610 10 Dec 2009 EUROPEAN COMMUNITY**  
(56) Related Art Documents: **Not Applicable**  
(57) Statement of Newness and Distinctiveness: **Nil**



(21) Design Number: **12086/2010**  
(22) Date of Filing Application: **24 May 2010**  
(24) Date from which industrial property rights may have effect: **24 May 2010**  
(54) Product in respect of which the design is registered: **Hat**  
(51) International Design Classification: **02-03**  
(71) Name(s) and Address(s) of Applicant(s):  
**Boon Kiang Sim**  
**10 William Street Wattle Grove Perth Western Australia 6107 Australia**  
(72) Name(s) of Designer(s): **Boon Kiang Sim**  
(45) Registration Date: **19 July 2010**  
(56) Related Art Documents: **Not Applicable**  
(57) Statement of Newness and Distinctiveness: **Koala face hat with attached ear warmer.**



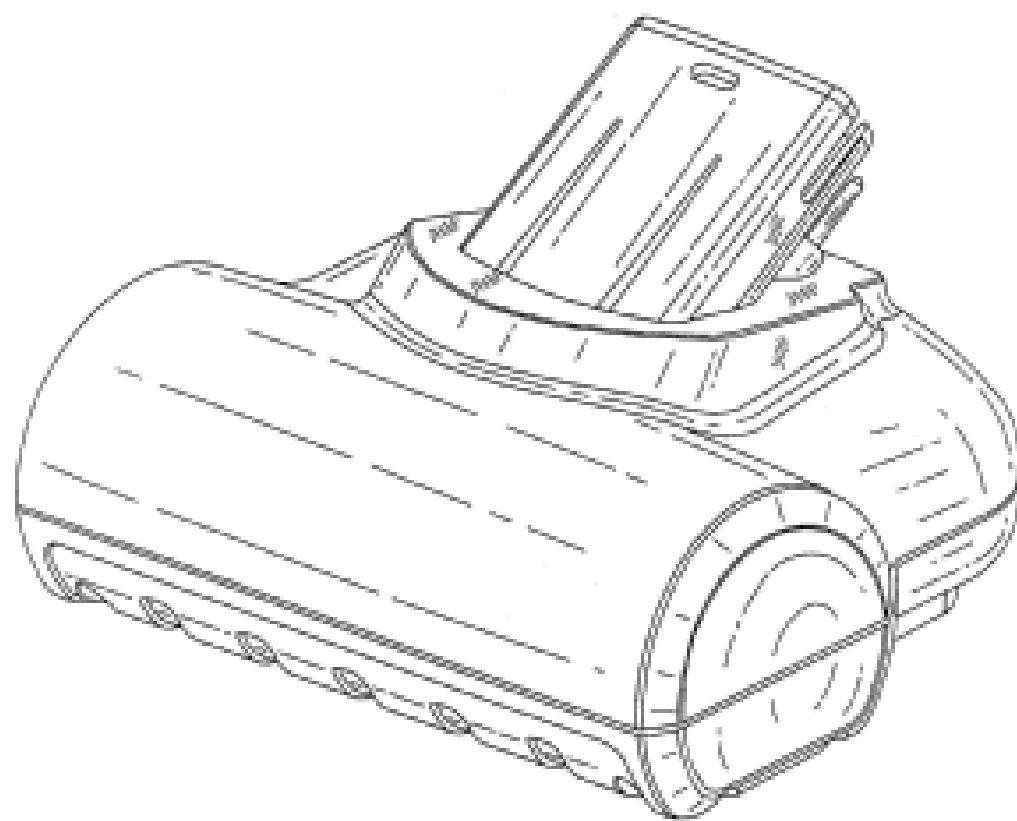
(21) Design Number: **12112/2010**  
(22) Date of Filing Application: **25 May 2010**  
(24) Date from which industrial property rights may have effect: **25 May 2010**  
(54) Product in respect of which the design is registered: **Hand-held vacuum cleaner**  
(51) International Design Classification: **15-05**  
(71) Name(s) and Address(s) of Applicant(s):  
**Black & Decker Inc.**  
**1207 Drummond Plaza Newark Delaware 19711 United States of America**  
(72) Name(s) of Designer(s): **Stephen Houghton**  
(45) Registration Date: **19 July 2010**  
(30) Convention priority data:  
(31) Number      (32) Date      (33) Country  
**001183933      11 Dec 2009      EUROPEAN COMMUNITY**  
(56) Related Art Documents: **Not Applicable**  
(57) Statement of Newness and Distinctiveness: **Nil**



(21) Design Number: **12113/2010**  
(22) Date of Filing Application: **25 May 2010**  
(24) Date from which industrial property rights may have effect: **25 May 2010**  
(54) Product in respect of which the design is registered: **Side frame for a roof rack**  
(51) International Design Classification: **12-16K, 12-16NES**  
(71) Name(s) and Address(s) of Applicant(s):  
**Jaram Products Pty Ltd**  
**12 Railway Parade Welshpool Western Australia 6106 Australia**  
(72) Name(s) of Designer(s): **Jonathan Lloyd McEwen**  
(45) Registration Date: **19 July 2010**  
(56) Related Art Documents: **Not Applicable**  
(57) Statement of Newness and Distinctiveness: **Newness and distinctiveness is claimed in the shaped and configuration of a side frame, the side frame is of indefinite length as shown in the representations.**



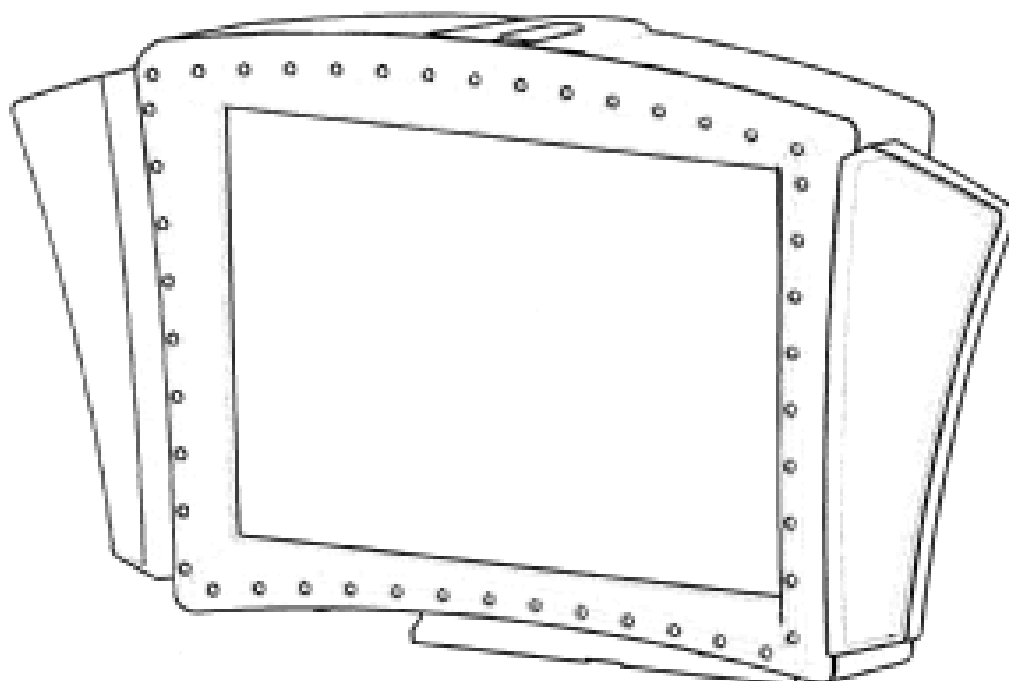
(21) Design Number: **12114/2010**  
(22) Date of Filing Application: **25 May 2010**  
(24) Date from which industrial property rights may have effect: **25 May 2010**  
(54) Product in respect of which the design is registered: **Powered brush head for a hand-held vacuum cleaner**  
(51) International Design Classification: **15-05**  
(71) Name(s) and Address(s) of Applicant(s):  
**Black & Decker Inc.**  
**1207 Drummond Plaza Newark Delaware 19711 United States of America**  
(72) Name(s) of Designer(s): **Stephen Houghton**  
(45) Registration Date: **19 July 2010**  
(30) Convention priority data:  
(31) Number (32) Date (33) Country  
**001183859 10 Dec 2009 EUROPEAN COMMUNITY**  
(56) Related Art Documents: **Not Applicable**  
(57) Statement of Newness and Distinctiveness: **Nil**



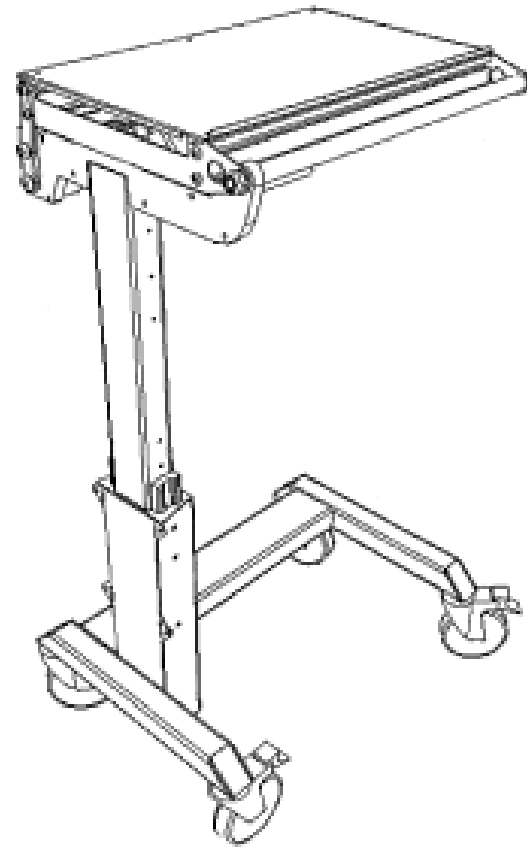
- (21) Design Number: **12139/2010**  
(22) Date of Filing Application: **26 May 2010**  
(24) Date from which industrial property rights may have effect: **26 May 2010**  
(54) Product in respect of which the design is registered: **Hat**  
(51) International Design Classification: **02-03**  
(71) Name(s) and Address(s) of Applicant(s):  
**Boon Kiang Sim**  
**10 William Street Wattle Grove Perth Western Australia 6107 Australia**  
(72) Name(s) of Designer(s): **Boon Kiang Sim**  
(45) Registration Date: **19 July 2010**  
(56) Related Art Documents: **Not Applicable**  
(57) Statement of Newness and Distinctiveness: **Kangaroo face hat with attached ear warmer.**



- (21) Design Number: **12277/2010**  
(22) Date of Filing Application: **31 March 2010**  
(24) Date from which industrial property rights may have effect: **31 March 2010**  
(54) Product in respect of which the design is registered: **Display unit for gaming machine**  
(51) International Design Classification: **21-03**  
(71) Name(s) and Address(s) of Applicant(s):  
**Ainsworth Game Technology Limited**  
**10 Holker Street Newington New South Wales 2127 Australia**  
(72) Name(s) of Designer(s): **Vince Carmelo Bruzzese and Scott Paul Shelley and Philip Clive Crouch**  
(45) Registration Date: **19 July 2010**  
(62) Divisional of: **331222**  
(56) Related Art Documents: **Not Applicable**  
(57) Statement of Newness and Distinctiveness: **Newness and distinctiveness resides in the features of shape and/or configuration of a display unit for gaming machine as illustrated in the accompanying representations.**



(21) Design Number: **12279/2010**  
(22) Date of Filing Application: **02 June 2010**  
(24) Date from which industrial property rights may have effect: **02 June 2010**  
(54) Product in respect of which the design is registered: **Workstation**  
(51) International Design Classification: **06-03C**  
(71) Name(s) and Address(s) of Applicant(s):  
**Machine Design Pty Ltd**  
**11 McGeehan Crescent Myrtleford Victoria 3737 Australia**  
(72) Name(s) of Designer(s): **Peter Rinaudo**  
(45) Registration Date: **19 July 2010**  
(56) Related Art Documents: **Not Applicable**  
(57) Statement of Newness and Distinctiveness: **Nil**

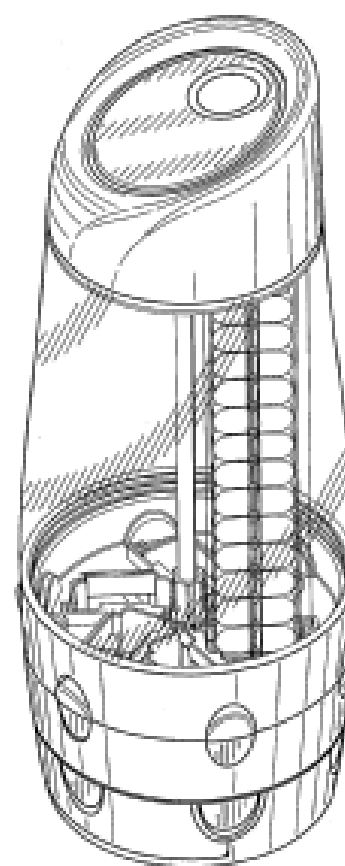


(21) Design Number: **12420/2010**  
(22) Date of Filing Application: **11 June 2010**  
(24) Date from which industrial property rights may have effect: **11 June 2010**  
(54) Product in respect of which the design is registered: **Impeller**  
(51) International Design Classification: **15-02**  
(71) Name(s) and Address(s) of Applicant(s):  
**Keto IP Pty Ltd**  
**1 Welsh Place Landsdale Western Australia 6065 Australia**  
(72) Name(s) of Designer(s): **Andrew Philip John Collins**  
(45) Registration Date: **19 July 2010**  
(56) Related Art Documents: **Not Applicable**  
(57) Statement of Newness and Distinctiveness: **Nil**



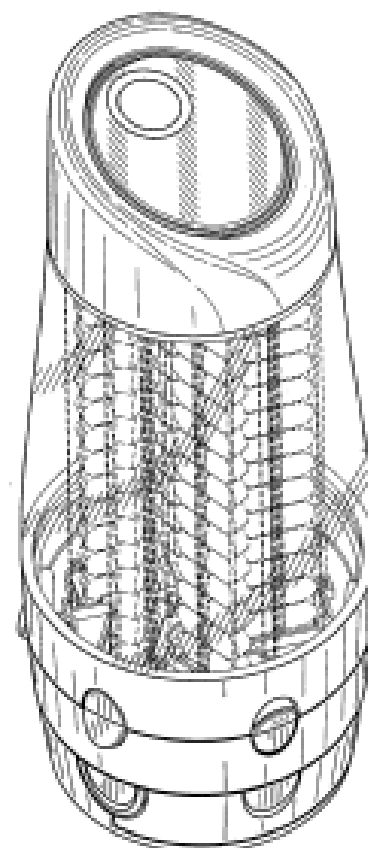
- (21) Design Number: **12589/2010**
- (22) Date of Filing Application: **23 June 2010**
- (24) Date from which industrial property rights may have effect: **23 June 2010**
- (54) Product in respect of which the design is registered: **Dispenser**
- (51) International Design Classification: **09-01K**
- (71) Name(s) and Address(s) of Applicant(s):  
**The Proctor & Gamble Company**  
**One Proctor & Gamble Plaza Cincinnati Ohio 45202 United States of America**
- (72) Name(s) of Designer(s): **Paul Leslie Barrass**
- (45) Registration Date: **19 July 2010**
- (30) Convention priority data:  

(31) Number	(32) Date	(33) Country
<b>29/353,081</b>	<b>31 Dec 2009</b>	<b>UNITED STATES OF AMERICA</b>
- (56) Related Art Documents: **Not Applicable**
- (57) Statement of Newness and Distinctiveness: **Those features of the dispenser depicted in the representations that are new and distinctive are the shape and/or configuration of a dispenser with transparent features as shown in the representations.**



- (21) Design Number: **12590/2010**
- (22) Date of Filing Application: **23 June 2010**
- (24) Date from which industrial property rights may have effect: **23 June 2010**
- (54) Product in respect of which the design is registered: **Dispenser**
- (51) International Design Classification: **09-01K**
- (71) Name(s) and Address(s) of Applicant(s):  
**The Proctor & Gamble Company**  
**One Proctor & Gamble Plaza Cincinnati Ohio 45202 United States of America**
- (72) Name(s) of Designer(s): **Paul Leslie Barrass**
- (45) Registration Date: **19 July 2010**
- (30) Convention priority data:  

(31) Number	(32) Date	(33) Country
<b>29/353,081</b>	<b>31 Dec 2009</b>	<b>UNITED STATES OF AMERICA</b>
- (56) Related Art Documents: **Not Applicable**
- (57) Statement of Newness and Distinctiveness: **Those features of the dispenser depicted in the representations that are new and distinctive are the shape and/or configuration of a dispenser with transparent features as shown in the representations. The features shown in broken lines are not part of the design and are to be disregarded when considering the overall impression of the design.**

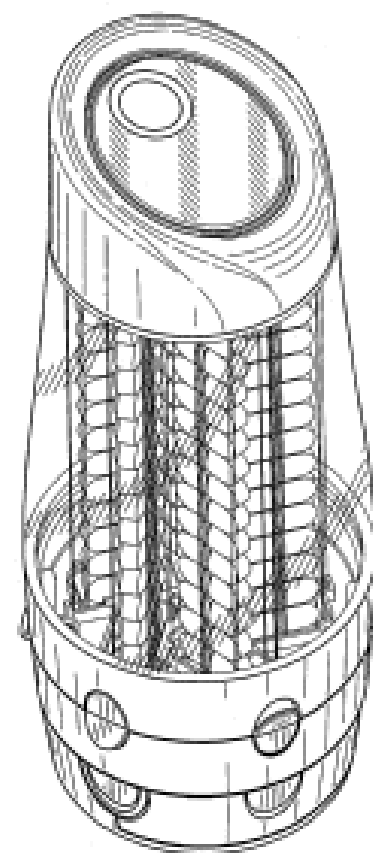




(21) Design Number: **12591/2010**  
 (22) Date of Filing Application: **23 June 2010**  
 (24) Date from which industrial property rights may have effect: **23 June 2010**  
 (54) Product in respect of which the design is registered: **Dispenser**  
 (51) International Design Classification: **09-01K**  
 (71) Name(s) and Address(s) of Applicant(s):  
**The Proctor & Gamble Company**  
**One Proctor & Gamble Plaza Cincinnati Ohio 45202 United States of America**  
 (72) Name(s) of Designer(s): **Paul Leslie Barrass**  
 (45) Registration Date: **19 July 2010**  
 (30) Convention priority data:  

(31) Number	(32) Date	(33) Country
<b>29/353,081</b>	<b>31 Dec 2009</b>	<b>UNITED STATES OF AMERICA</b>

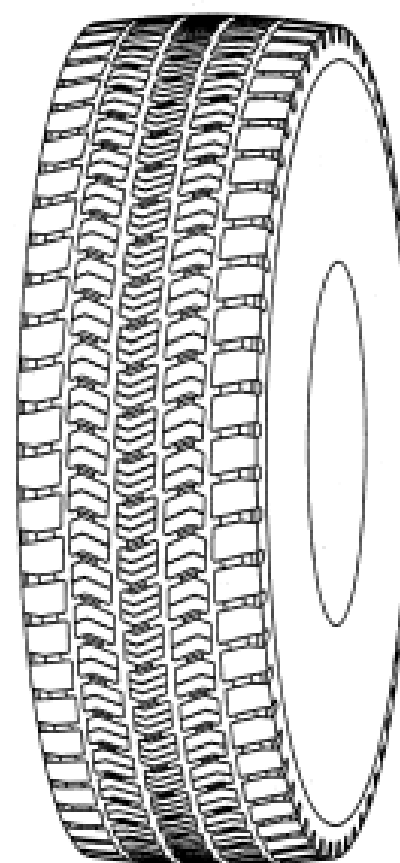
 (56) Related Art Documents: **Not Applicable**  
 (57) Statement of Newness and Distinctiveness: **Those features of the dispenser depicted in the representations that are new and distinctive are the shape and/or configuration of a dispenser with transparent features as shown in the representations.**



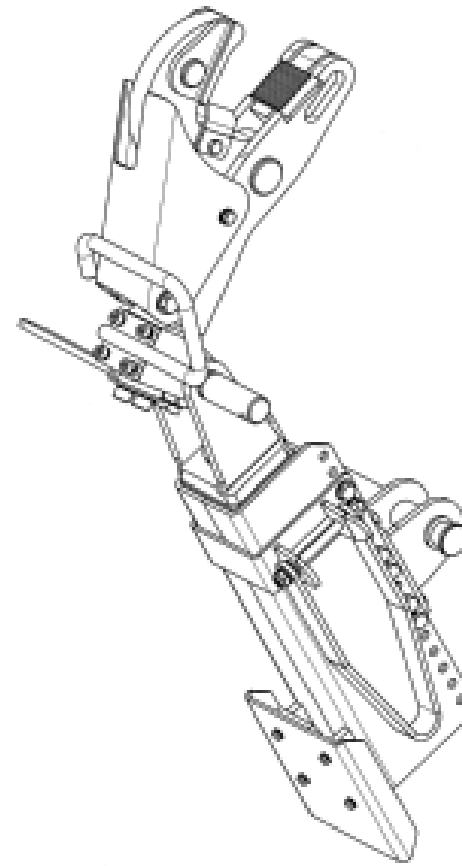
(21) Design Number: **12562/2010**  
 (22) Date of Filing Application: **23 June 2010**  
 (24) Date from which industrial property rights may have effect: **23 June 2010**  
 (54) Product in respect of which the design is registered: **A tyre**  
 (51) International Design Classification: **12-15A**  
 (71) Name(s) and Address(s) of Applicant(s):  
**Societe De Technologie Michelin**  
**23 rue Breschet F-63000 Clermont-Ferrand Cedex France**  
**Michelin Recherche et Technique S.A.**  
**Route Louis-Braille 10 et 12 CH-1763 Granges-Paccot Switzerland**  
 (72) Name(s) of Designer(s): **Didier Michel Martin**  
 (45) Registration Date: **19 July 2010**  
 (30) Convention priority data:  

(31) Number	(32) Date	(33) Country
<b>10/0230</b>	<b>18 Jan 2010</b>	<b>FRANCE</b>

 (56) Related Art Documents: **Not Applicable**  
 (57) Statement of Newness and Distinctiveness: **Newness and distinctiveness resides in the appearance of the tread region of the tyre, the remainder of the tyre not forming part of the design.**



- (21) Design Number: **11218/2010**  
(22) Date of Filing Application: **07 April 2010**  
(24) Date from which industrial property rights may have effect: **07 April 2010**  
(54) Product in respect of which the design is registered: **Drill rig component**  
(51) International Design Classification: **15-99, 08-01**  
(71) Name(s) and Address(s) of Applicant(s):  
**Burt Consolidated Engineering Pty Ltd**  
**27 Coulson Way Canning Vale Western Australia 6155 Australia**  
(72) Name(s) of Designer(s): **Matthew K. Leahy and Tomas Borg**  
(45) Registration Date: **19 July 2010**  
(56) Related Art Documents: **Not Applicable**  
(57) Statement of Newness and Distinctiveness: **Nil**



- (21) Design Number: **12600/2010**  
(22) Date of Filing Application: **24 June 2010**  
(24) Date from which industrial property rights may have effect: **24 June 2010**  
(54) Product in respect of which the design is registered: **Perfume container**  
(51) International Design Classification: **09-01G**  
(71) Name(s) and Address(s) of Applicant(s):  
**Bulgari S.p.A.**  
**11 Lungotevere Marzio Rome Italy**  
(72) Name(s) of Designer(s): **Aurel Aebi**  
(45) Registration Date: **19 July 2010**  
(30) Convention priority data:  

(31) Number	(32) Date	(33) Country
<b>DM/073409</b>	<b>25 Mar 2010</b>	<b>SWITZERLAND</b>

  
(56) Related Art Documents: **Not Applicable**  
(57) Statement of Newness and Distinctiveness: **Newness and distinctiveness is claimed in the features of shape and/or configuration of a perfume container as illustrated in the accompanying representations.**



(21) Design Number: **12601/2010**

(22) Date of Filing Application: **24 June 2010**

(24) Date from which industrial property rights may have effect: **24 June 2010**

(54) Product in respect of which the design is registered: **Ring**

(51) International Design Classification: **11-01A**

(71) Name(s) and Address(s) of Applicant(s):

**Bulgari S.p.A.**  
**11 Lungotevere Marzio Rome Italy**

(72) Name(s) of Designer(s): **Paolo Bulgari**

(45) Registration Date: **19 July 2010**

(30) Convention priority data:

(31) Number	(32) Date	(33) Country
<b>DM/072812</b>	<b>28 Dec 2009</b>	<b>SWITZERLAND</b>

(56) Related Art Documents: **Not Applicable**

(57) Statement of Newness and Distinctiveness: **Newness and distinctiveness is claimed in the features of shape and/or configuration of the following parts of a ring as illustrated in the accompanying representations: - the intermediate part and external protruding ring - the intermediate part having a spiral-like groove on its outer surface.**



(21) Design Number: **12602/2010**

(22) Date of Filing Application: **24 June 2010**

(24) Date from which industrial property rights may have effect: **24 June 2010**

(54) Product in respect of which the design is registered: **Perfume container**

(51) International Design Classification: **09-01G**

(71) Name(s) and Address(s) of Applicant(s):

**Bulgari S.p.A.**  
**11 Lungotevere Marzio Rome Italy**

(72) Name(s) of Designer(s): **Aurel Aebi**

(45) Registration Date: **19 July 2010**

(30) Convention priority data:

(31) Number	(32) Date	(33) Country
<b>DM/073408</b>	<b>25 Mar 2010</b>	<b>SWITZERLAND</b>

(56) Related Art Documents: **Not Applicable**

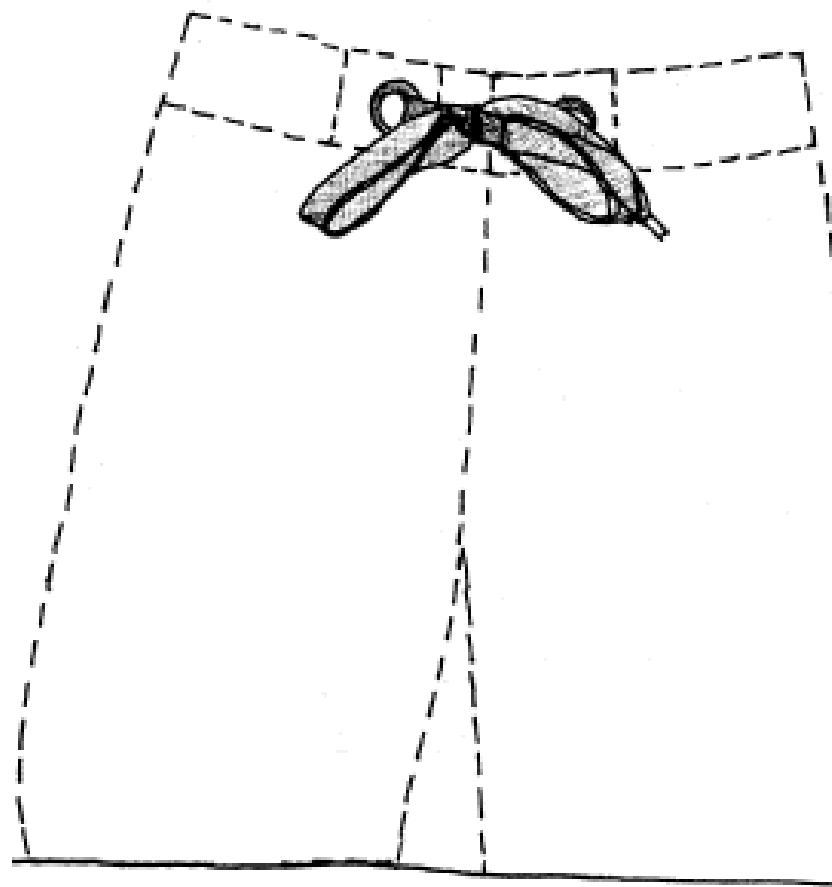
(57) Statement of Newness and Distinctiveness: **Newness and distinctiveness is claimed in the features of shape and/or configuration of a perfume container as illustrated in the accompanying representations.**



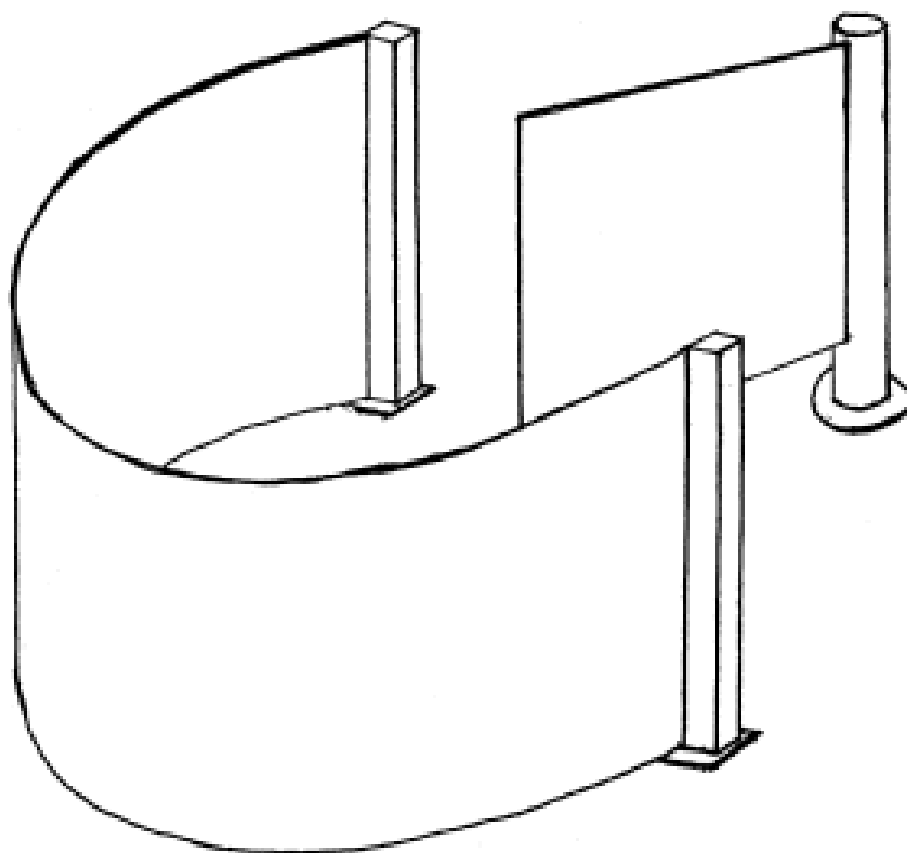
- (21) Design Number: **12603/2010**  
(22) Date of Filing Application: **24 June 2010**  
(24) Date from which industrial property rights may have effect: **24 June 2010**  
(54) Product in respect of which the design is registered: **An automobile**  
(51) International Design Classification: **12-08**  
(71) Name(s) and Address(s) of Applicant(s):  
**Honda Motor Co., Ltd.**  
**1-1 Minami-Aoyama 2-Chome Minato-ku Tokyo Japan**  
(72) Name(s) of Designer(s): **Keisuke Nakamura and Takeshi Aoki**  
(45) Registration Date: **19 July 2010**  
(30) Convention priority data:  
(31) Number      (32) Date      (33) Country  
**2009-030283      25 Dec 2009      JAPAN**  
(56) Related Art Documents: **Not Applicable**  
(57) Statement of Newness and Distinctiveness: **Newness and distinctiveness is claimed in the features of shape and/or configuration of an automobile as illustrated in the accompanying representations.**



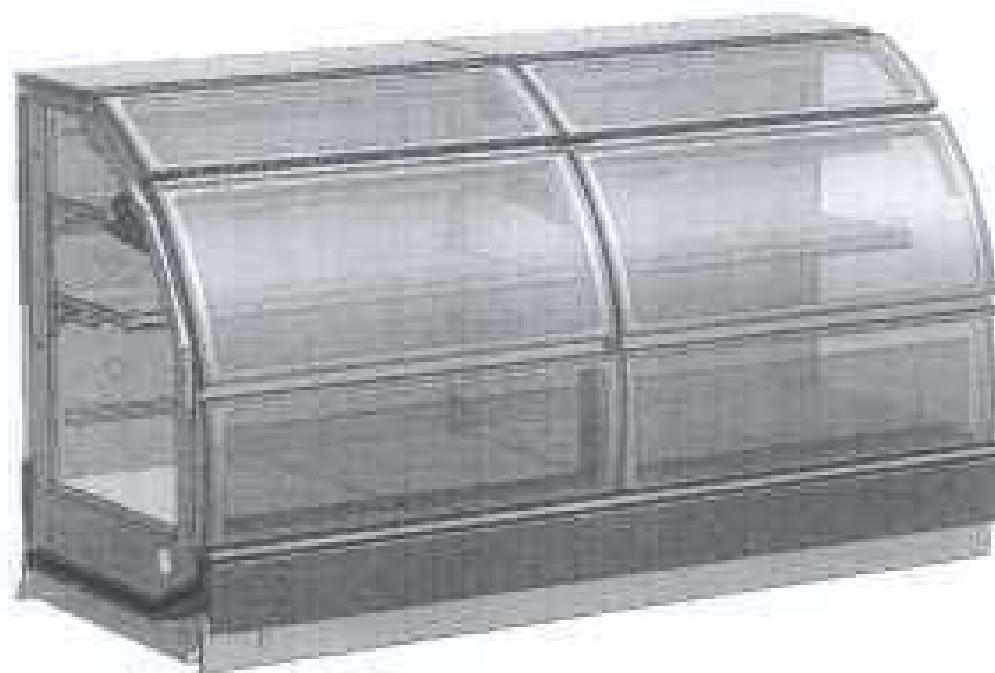
- (21) Design Number: **11466/2010**  
(22) Date of Filing Application: **21 April 2010**  
(24) Date from which industrial property rights may have effect: **21 April 2010**  
(54) Product in respect of which the design is registered: **Men's boardshorts**  
(51) International Design Classification: **02-02C**  
(71) Name(s) and Address(s) of Applicant(s):  
**Richard Skelton**  
**10/86 Milson Road Cremorne Point New South Wales 2090 Australia**  
(72) Name(s) of Designer(s): **Richard Skelton**  
(45) Registration Date: **20 July 2010**  
(56) Related Art Documents: **Not Applicable**  
(57) Statement of Newness and Distinctiveness: **The new and distinctive difference in this design lies in the large eyelets and the large lace to tie the boardshorts. Visual design uses four small eyelets with a thinner lace, or buttons, or a rubber belt.**



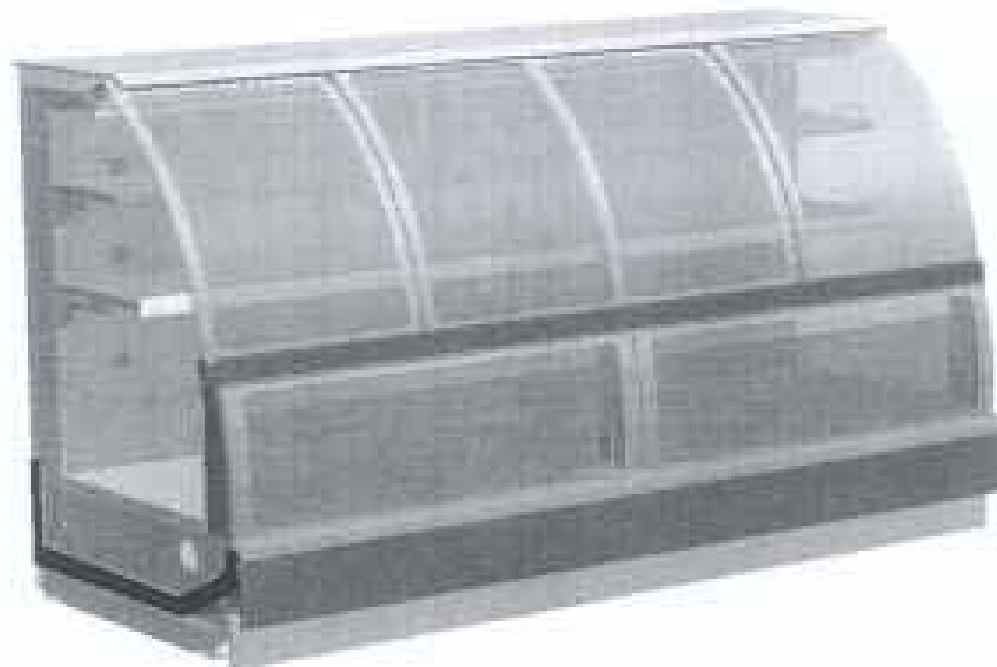
- (21) Design Number: **11794/2010**  
(22) Date of Filing Application: **10 May 2010**  
(24) Date from which industrial property rights may have effect: **10 May 2010**  
(54) Product in respect of which the design is registered: **A gate and shaped fence**  
(51) International Design Classification: **25-02C**  
(71) Name(s) and Address(s) of Applicant(s):  
    **Rex Brady**  
    **80 Ayton Drive Whitby Porirua 5024 New Zealand**  
    **Ilex Engineering**  
    **80 Ayton Drive Whitby Porirua 5024 New Zealand**  
(72) Name(s) of Designer(s): **Rex Robert Brady**  
(45) Registration Date: **20 July 2010**  
(30) Convention priority data:  
    (31) Number      (32) Date      (33) Country  
    **413525      12 Apr 2010      NEW ZEALAND**  
(56) Related Art Documents: **Not Applicable**  
(57) Statement of Newness and Distinctiveness: **The design is to be applied to a gate and shaped fence and the novelty resides in the features of shape and configuration as shown in the accompanying representations.**



- (21) Design Number: **11970/2010**  
(22) Date of Filing Application: **18 May 2010**  
(24) Date from which industrial property rights may have effect: **18 May 2010**  
(54) Product in respect of which the design is registered: **Split door display freezer**  
(51) International Design Classification: **07-07A**  
(71) Name(s) and Address(s) of Applicant(s):  
    **Frigrite Limited**  
    **27-43 Grange Road Cheltenham Victoria 3192 Australia**  
(72) Name(s) of Designer(s): **Kenneth Charteris and Jim McVicar**  
(45) Registration Date: **20 July 2010**  
(56) Related Art Documents: **Not Applicable**  
(57) Statement of Newness and Distinctiveness: **Newness and distinctiveness is claimed in the visual features of the transparent doors shown in the representations.**



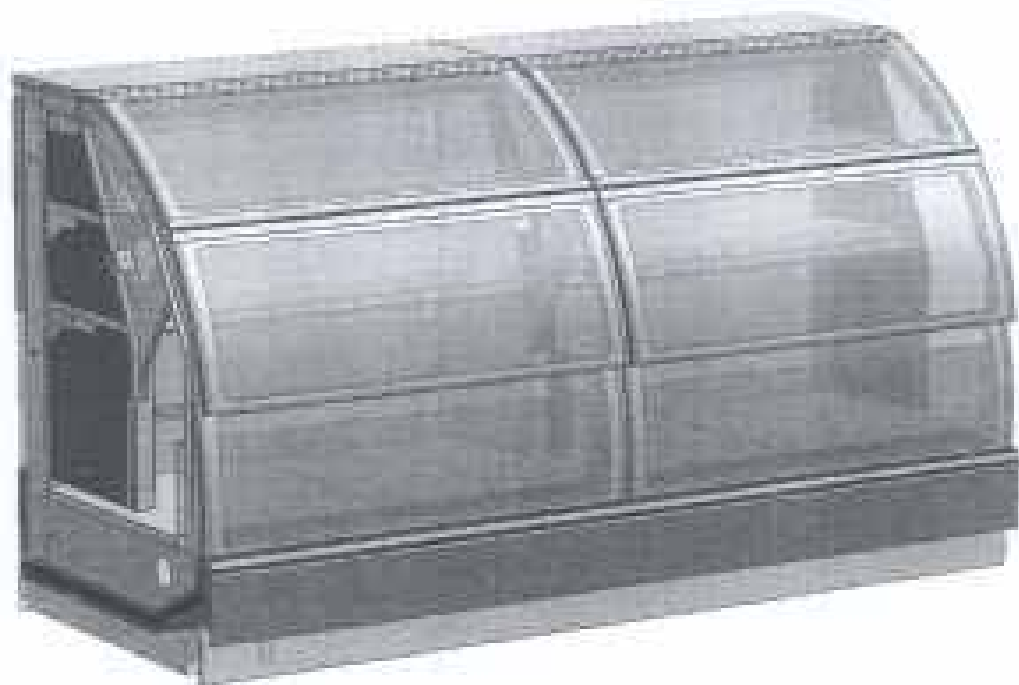
- (21) Design Number: **12898/2010**  
(22) Date of Filing Application: **18 May 2010**  
(24) Date from which industrial property rights may have effect: **18 May 2010**  
(54) Product in respect of which the design is registered: **Split door display freezer**  
(51) International Design Classification: **07-07A**  
(71) Name(s) and Address(s) of Applicant(s):  
**Frigrite Limited**  
**27-43 Grange Road Cheltenham Victoria 3192 Australia**  
(72) Name(s) of Designer(s): **Kenneth Charteris and Jim McVicar**  
(45) Registration Date: **20 July 2010**  
(56) Related Art Documents: **Not Applicable**  
(57) Statement of Newness and Distinctiveness: **Newness and distinctiveness is claimed in the visual features of the transparent doors shown in the representations.**



- (21) Design Number: **12899/2010**  
(22) Date of Filing Application: **18 May 2010**  
(24) Date from which industrial property rights may have effect: **18 May 2010**  
(54) Product in respect of which the design is registered: **Split door display freezer**  
(51) International Design Classification: **07-07A**  
(71) Name(s) and Address(s) of Applicant(s):  
**Frigrite Limited**  
**27-43 Grange Road Cheltenham Victoria 3192 Australia**  
(72) Name(s) of Designer(s): **Kenneth Charteris and Jim McVicar**  
(45) Registration Date: **20 July 2010**  
(56) Related Art Documents: **Not Applicable**  
(57) Statement of Newness and Distinctiveness: **Newness and distinctiveness is claimed in the visual features of the transparent doors shown in the representations.**



- (21) Design Number: **12900/2010**  
(22) Date of Filing Application: **18 May 2010**  
(24) Date from which industrial property rights may have effect: **18 May 2010**  
(54) Product in respect of which the design is registered: **Split door display freezer**  
(51) International Design Classification: **07-07A**  
(71) Name(s) and Address(s) of Applicant(s):  
**Frigrite Limited**  
**27-43 Grange Road Cheltenham Victoria 3192 Australia**  
(72) Name(s) of Designer(s): **Kenneth Charteris and Jim McVicar**  
(45) Registration Date: **20 July 2010**  
(56) Related Art Documents: **Not Applicable**  
(57) Statement of Newness and Distinctiveness: **Newness and distinctiveness is claimed in the visual features of the transparent doors shown in the representations.**



- (21) Design Number: **12259/2010**  
(22) Date of Filing Application: **02 June 2010**  
(24) Date from which industrial property rights may have effect: **02 June 2010**  
(54) Product in respect of which the design is registered: **Boardshorts**  
(51) International Design Classification: **02-02C**  
(71) Name(s) and Address(s) of Applicant(s):  
**GSM (Operations) Pty Ltd**  
**1 Billabong Place Burleigh Heads Queensland 4220 Australia**  
(72) Name(s) of Designer(s): **Beau Campi**  
(45) Registration Date: **20 July 2010**  
(56) Related Art Documents: **Not Applicable**  
(57) Statement of Newness and Distinctiveness: **The features of pattern and ornamentation are the new and distinct features of the design. The word BILLABONG and the WAVE device are not new and distinct features.**



(21) Design Number: **12260/2010**

(22) Date of Filing Application: **02 June 2010**

(24) Date from which industrial property rights may have effect: **02 June 2010**

(54) Product in respect of which the design is registered: **Boardshorts**

(51) International Design Classification: **02-02C**

(71) Name(s) and Address(s) of Applicant(s):

**GSM (Operations) Pty Ltd  
1 Billabong Place Burleigh Heads Queensland 4220 Australia**

(72) Name(s) of Designer(s): **Beau Campi**

(45) Registration Date: **20 July 2010**

(56) Related Art Documents: **Not Applicable**

(57) Statement of Newness and Distinctiveness: **The features of pattern and ornamentation are the new and distinct features of the design. The word BILLABONG and the WAVE device are not new and distinct features.**



(21) Design Number: **12261/2010**

(22) Date of Filing Application: **02 June 2010**

(24) Date from which industrial property rights may have effect: **02 June 2010**

(54) Product in respect of which the design is registered: **Boardshorts**

(51) International Design Classification: **02-02C**

(71) Name(s) and Address(s) of Applicant(s):

**GSM (Operations) Pty Ltd  
1 Billabong Place Burleigh Heads Queensland 4220 Australia**

(72) Name(s) of Designer(s): **Beau Campi**

(45) Registration Date: **20 July 2010**

(56) Related Art Documents: **Not Applicable**

(57) Statement of Newness and Distinctiveness: **The features of pattern and ornamentation are the new and distinct features of the design. The word BILLABONG and the WAVE device are not new and distinct features.**





(21) Design Number: **12262/2010**

(22) Date of Filing Application: **02 June 2010**

(24) Date from which industrial property rights may have effect: **02 June 2010**

(54) Product in respect of which the design is registered: **Boardshorts**

(51) International Design Classification: **02-02C**

(71) Name(s) and Address(s) of Applicant(s):

**GSM (Operations) Pty Ltd**  
**1 Billabong Place Burleigh Heads Queensland 4220 Australia**

(72) Name(s) of Designer(s): **Beau Campi**

(45) Registration Date: **20 July 2010**

(56) Related Art Documents: **Not Applicable**

(57) Statement of Newness and Distinctiveness: **The features of pattern and ornamentation are the new and distinct features of the design. The word BILLABONG and the WAVE device are not new and distinct features.**



(21) Design Number: **12263/2010**

(22) Date of Filing Application: **02 June 2010**

(24) Date from which industrial property rights may have effect: **02 June 2010**

(54) Product in respect of which the design is registered: **Boardshorts**

(51) International Design Classification: **02-02C**

(71) Name(s) and Address(s) of Applicant(s):

**GSM (Operations) Pty Ltd**  
**1 Billabong Place Burleigh Heads Queensland 4220 Australia**

(72) Name(s) of Designer(s): **Beau Campi**

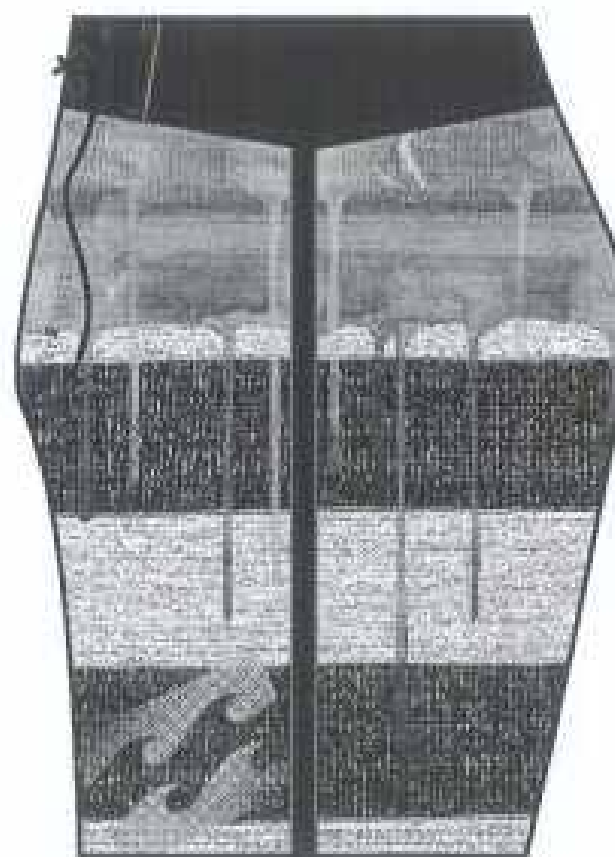
(45) Registration Date: **20 July 2010**

(56) Related Art Documents: **Not Applicable**

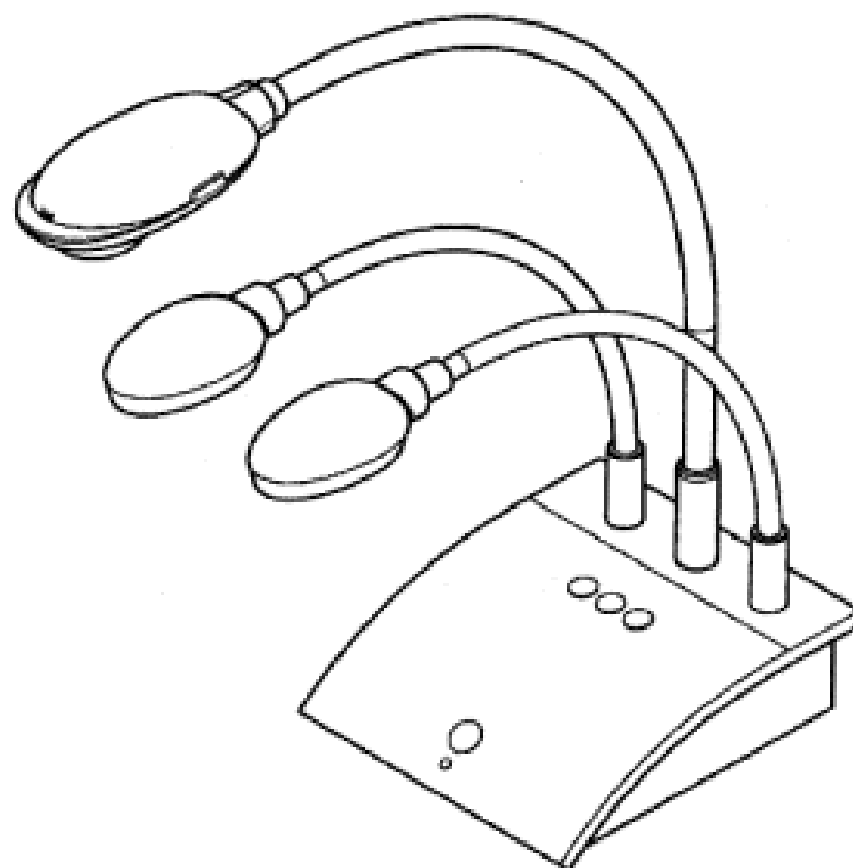
(57) Statement of Newness and Distinctiveness: **The features of pattern and ornamentation are the new and distinct features of the design. The word BILLABONG and the WAVE device are not new and distinct features.**



(21) Design Number: **12264/2010**  
 (22) Date of Filing Application: **02 June 2010**  
 (24) Date from which industrial property rights may have effect: **02 June 2010**  
 (54) Product in respect of which the design is registered: **Boardshorts**  
 (51) International Design Classification: **02-02C**  
 (71) Name(s) and Address(s) of Applicant(s):  
**GSM (Operations) Pty Ltd**  
**1 Billabong Place Burleigh Heads Queensland 4220 Australia**  
 (72) Name(s) of Designer(s): **Beau Campi**  
 (45) Registration Date: **20 July 2010**  
 (56) Related Art Documents: **Not Applicable**  
 (57) Statement of Newness and Distinctiveness: **The features of pattern and ornamentation are the new and distinct features of the design. The word BILLABONG and the WAVE device are not new and distinct features.**



(21) Design Number: **12620/2010**  
 (22) Date of Filing Application: **28 June 2010**  
 (24) Date from which industrial property rights may have effect: **28 June 2010**  
 (54) Product in respect of which the design is registered: **Projector**  
 (51) International Design Classification: **16-02**  
 (71) Name(s) and Address(s) of Applicant(s):  
**Sanford, L.P.**  
**2707 Butterfield Road Suite 100 Oak Brook IL 60523 United States of America**  
 (72) Name(s) of Designer(s): **Louis Frank Genatossio and Christopher M. Cacioppo and Manuel Perez and Hector Padilla and Timothy Higgins and Kevin Desmarais**  
 (45) Registration Date: **21 July 2010**  
 (30) Convention priority data:  
 (31) Number      (32) Date      (33) Country  
**29/352,996      30 Dec 2009      UNITED STATES OF AMERICA**  
 (56) Related Art Documents: **Not Applicable**  
 (57) Statement of Newness and Distinctiveness: **Nil**



(21) Design Number: 12621/2010

(22) Date of Filing Application: 28 June 2010

(24) Date from which industrial property rights may have effect: 28 June 2010

(54) Product in respect of which the design is registered: Projector

(51) International Design Classification: 16-02

(71) Name(s) and Address(s) of Applicant(s):

Sanford, L.P.  
2707 Butterfield Road Suite 100 Oak Brook IL 60523 United States of America

(72) Name(s) of Designer(s): Louis Frank Genatossio and Christopher M. Cacioppo and Manuel Perez and Hector Padilla and Timothy Higgins and Kevin Desmarais

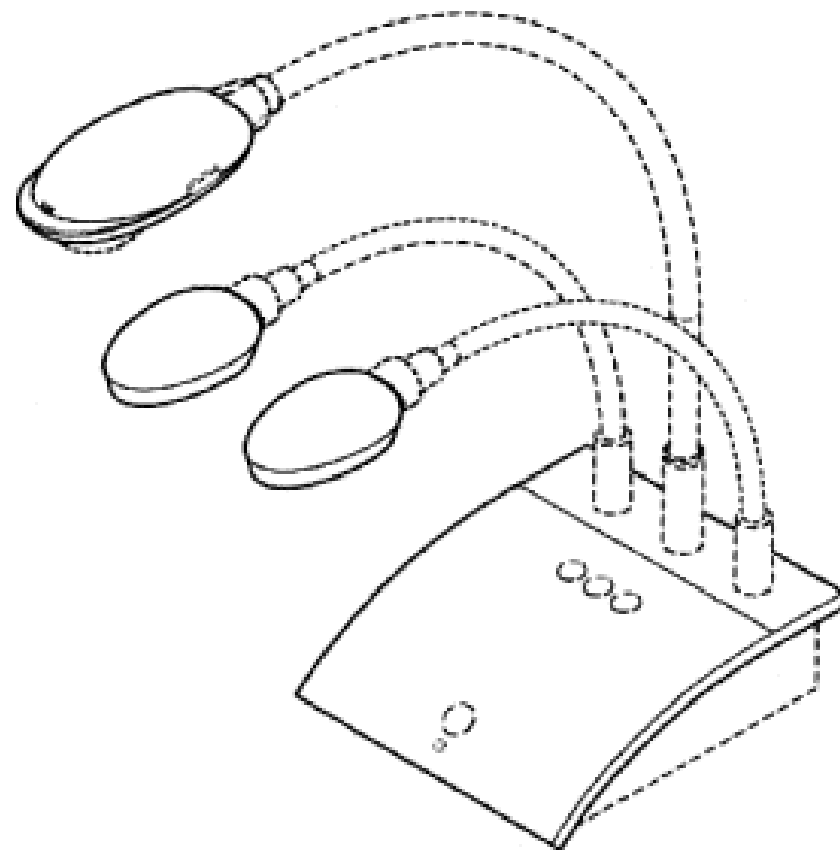
(45) Registration Date: 21 July 2010

(30) Convention priority data:

(31) Number	(32) Date	(33) Country
29/352,996	30 Dec 2009	UNITED STATES OF AMERICA

(56) Related Art Documents: Not Applicable

(57) Statement of Newness and Distinctiveness: Nil



(21) Design Number: 12622/2010

(22) Date of Filing Application: 28 June 2010

(24) Date from which industrial property rights may have effect: 28 June 2010

(54) Product in respect of which the design is registered: Receiver

(51) International Design Classification: 14-03NES

(71) Name(s) and Address(s) of Applicant(s):

Sanford, L.P.  
2707 Butterfield Road Suite 100 Oak Brook IL 60523 United States of America

(72) Name(s) of Designer(s): Louis Frank Genatossio and Christopher M. Cacioppo and Manuel Perez and Hector Padilla and Timothy Higgins and Rick Burnham and Dan DeOreo

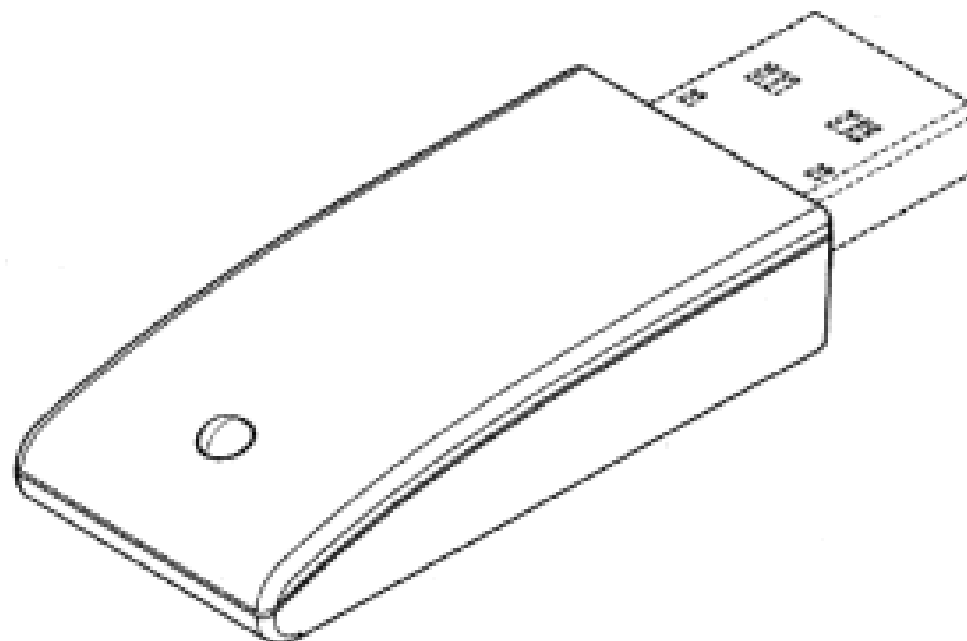
(45) Registration Date: 21 July 2010

(30) Convention priority data:

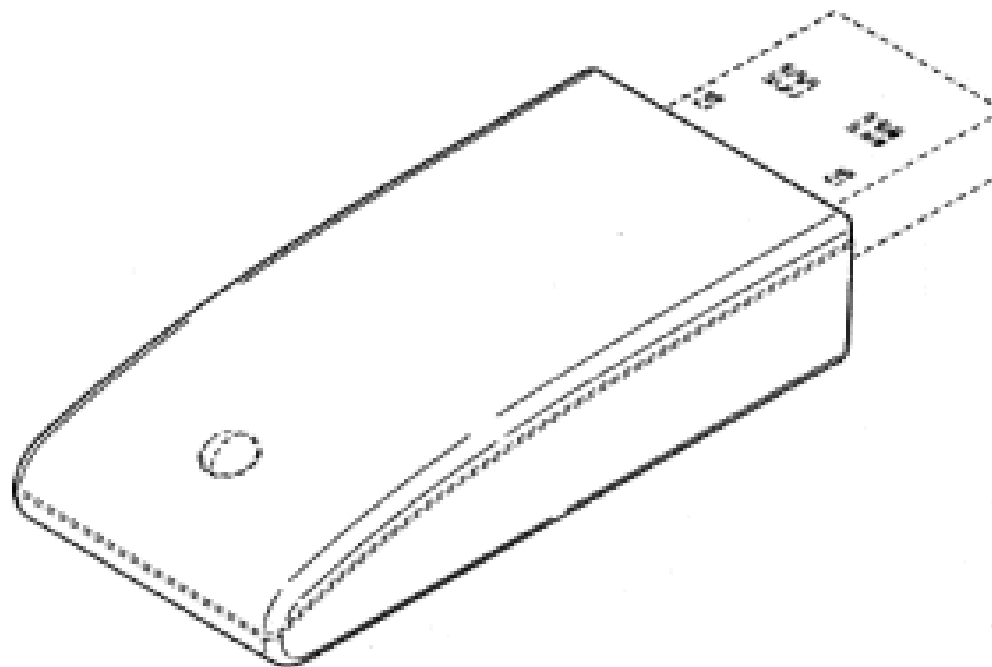
(31) Number	(32) Date	(33) Country
29/352,994	30 Dec 2009	UNITED STATES OF AMERICA

(56) Related Art Documents: Not Applicable

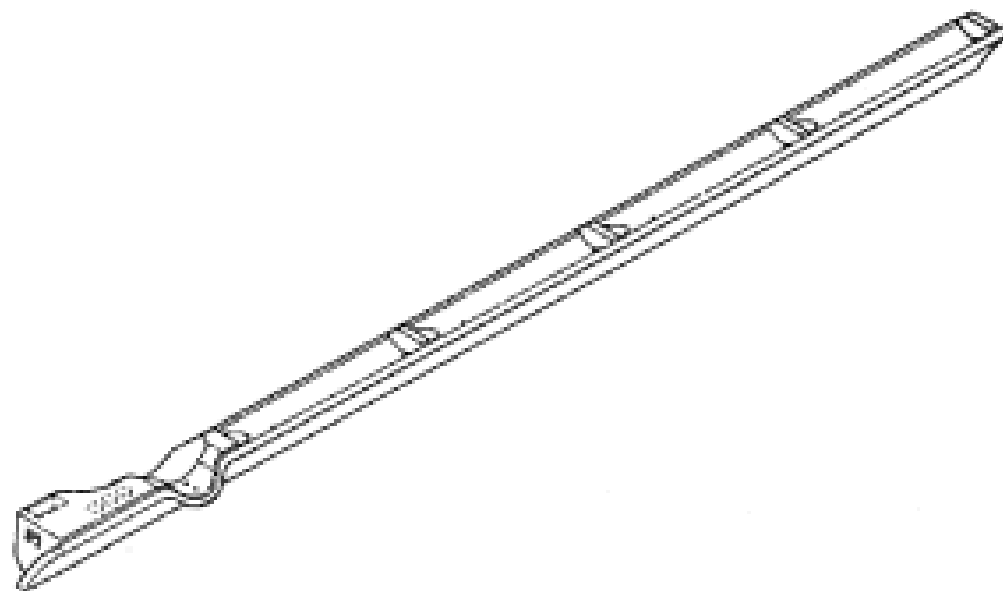
(57) Statement of Newness and Distinctiveness: Nil



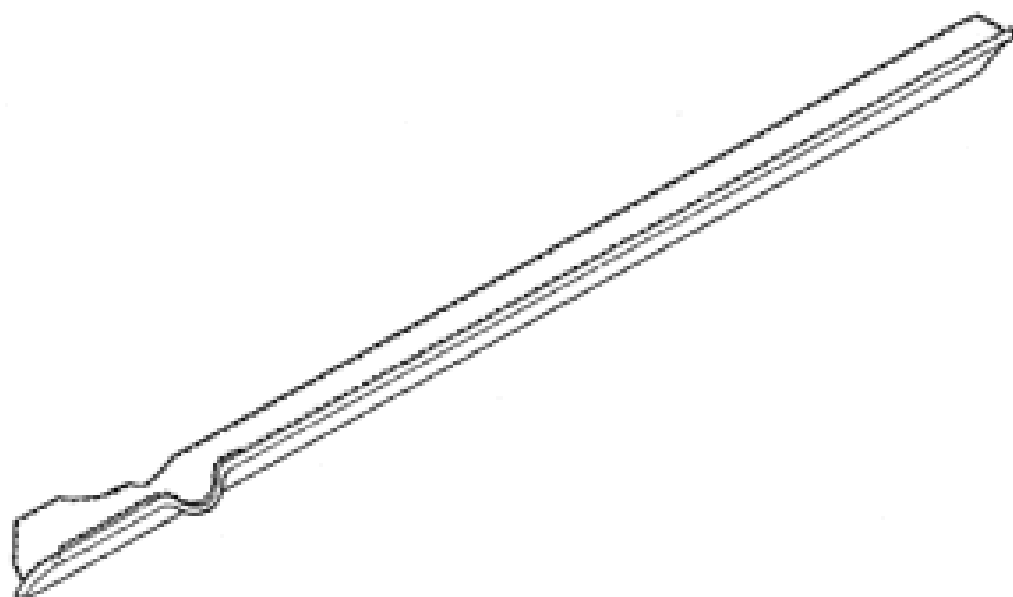
(21) Design Number: **12623/2010**  
(22) Date of Filing Application: **28 June 2010**  
(24) Date from which industrial property rights may have effect: **28 June 2010**  
(54) Product in respect of which the design is registered: **Receiver**  
(51) International Design Classification: **14-03NES**  
(71) Name(s) and Address(s) of Applicant(s):  
**Sanford, L.P.**  
**2707 Butterfield Road Suite 100 Oak Brook IL 60523 United States of America**  
(72) Name(s) of Designer(s): **Louis Frank Genatossio and Christopher M. Cacioppo and Manuel Perez and Hector Padilla and Timothy Higgins and Rick Burnham and Dan DeOreo**  
(45) Registration Date: **21 July 2010**  
(30) Convention priority data:  
(31) Number (32) Date (33) Country  
**29/352,994 30 Dec 2009 UNITED STATES OF AMERICA**  
(56) Related Art Documents: **Not Applicable**  
(57) Statement of Newness and Distinctiveness: **Nil**



(21) Design Number: **12624/2010**  
(22) Date of Filing Application: **28 June 2010**  
(24) Date from which industrial property rights may have effect: **28 June 2010**  
(54) Product in respect of which the design is registered: **Tray**  
(51) International Design Classification: **14-02**  
(71) Name(s) and Address(s) of Applicant(s):  
**Sanford, L.P.**  
**2707 Butterfield Road Suite 100 Oak Brook IL 60523 United States of America**  
(72) Name(s) of Designer(s): **Louis Frank Genatossio and Christopher M. Cacioppo and Manuel Perez and Hector Padilla and Timothy Higgins and Rick Burnham and Dan DeOreo**  
(45) Registration Date: **21 July 2010**  
(30) Convention priority data:  
(31) Number (32) Date (33) Country  
**29/352,988 30 Dec 2009 UNITED STATES OF AMERICA**  
(56) Related Art Documents: **Not Applicable**  
(57) Statement of Newness and Distinctiveness: **Nil**



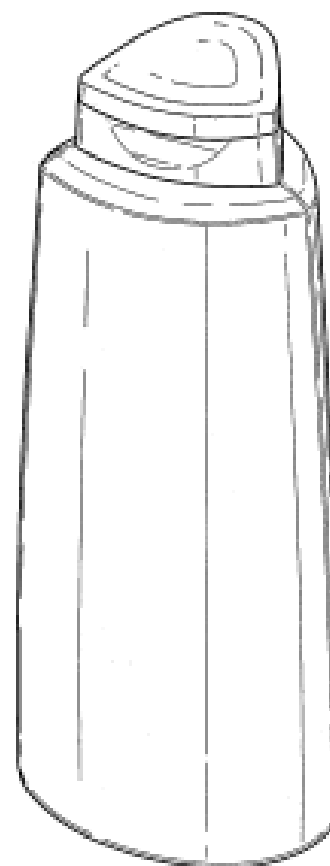
- (21) Design Number: **12625/2010**  
(22) Date of Filing Application: **28 June 2010**  
(24) Date from which industrial property rights may have effect: **28 June 2010**  
(54) Product in respect of which the design is registered: **Tray**  
(51) International Design Classification: **14-02**  
(71) Name(s) and Address(s) of Applicant(s):  
**Sanford, L.P.**  
**2707 Butterfield Road Suite 100 Oak Brook IL 60523 United States of America**  
(72) Name(s) of Designer(s): **Louis Frank Genatossio and Christopher M. Cacioppo and Manuel Perez and Hector Padilla and Timothy Higgins and Rick Burnham and Dan DeOreo**  
(45) Registration Date: **21 July 2010**  
(30) Convention priority data:  
(31) Number (32) Date (33) Country  
**29/352,988 30 Dec 2009 UNITED STATES OF AMERICA**  
(56) Related Art Documents: **Not Applicable**  
(57) Statement of Newness and Distinctiveness: **Nil**



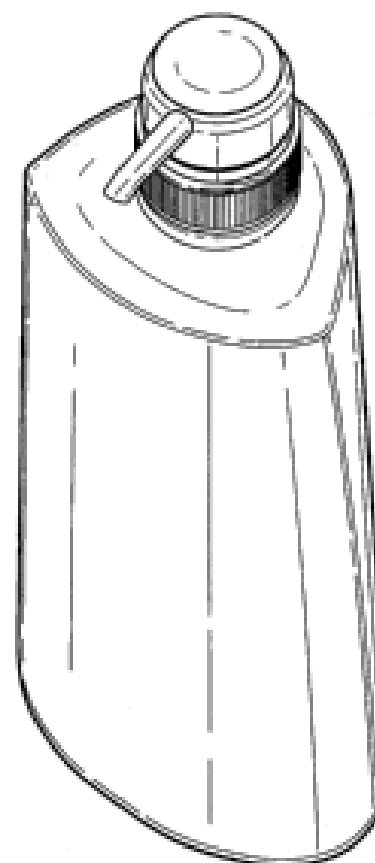
- (21) Design Number: **11795/2010**  
(22) Date of Filing Application: **10 May 2010**  
(24) Date from which industrial property rights may have effect: **10 May 2010**  
(54) Product in respect of which the design is registered: **Textile**  
(51) International Design Classification: **05-05A**  
(71) Name(s) and Address(s) of Applicant(s):  
**Chi-Liang Chou**  
**10F No. 15 Lane 190 YuCheng St. Nanggang District Taipei City (ZIP 115) Taiwan**  
(72) Name(s) of Designer(s): **Chi-Liang Chou**  
(45) Registration Date: **22 July 2010**  
(56) Related Art Documents: **Not Applicable**  
(57) Statement of Newness and Distinctiveness: **Newness and distinctiveness are claimed in relation to the features of pattern and ornament (including colour) of the textile, all as shown in the representation. Newness and distinctiveness are not claimed in relation to the wording shown in the representation. The shape of the textile is to be disregarded.**



- (21) Design Number: **12283/2010**
- (22) Date of Filing Application: **03 June 2010**
- (24) Date from which industrial property rights may have effect: **03 June 2010**
- (54) Product in respect of which the design is registered: **Bottle**
- (51) International Design Classification: **09-01K**
- (71) Name(s) and Address(s) of Applicant(s):  
**Unilever PLC**  
**Unilever House 100 Victoria Embankment London EC4Y 0DY United Kingdom**
- (72) Name(s) of Designer(s): **John Declan Gately and Timothy Hope Jebb and Benjamin James Lambert and Philip Alan Marlow and Benjamin Phalan Oates**
- (45) Registration Date: **22 July 2010**
- (30) Convention priority data:  
(31) Number      (32) Date      (33) Country  
**4013755      14 Dec 2009      UNITED KINGDOM**
- (56) Related Art Documents: **Not Applicable**
- (57) Statement of Newness and Distinctiveness: **Newness and distinctiveness is claimed in the visual features shown in solid lines in the representations.**



- (21) Design Number: **12284/2010**
- (22) Date of Filing Application: **03 June 2010**
- (24) Date from which industrial property rights may have effect: **03 June 2010**
- (54) Product in respect of which the design is registered: **Bottle**
- (51) International Design Classification: **09-01K**
- (71) Name(s) and Address(s) of Applicant(s):  
**Unilever PLC**  
**Unilever House 100 Victoria Embankment London EC4Y 0DY United Kingdom**
- (72) Name(s) of Designer(s): **Timothy Hope Jebb and Benjamin James Lambert and Philip Alan Marlow and Benjamin Phalan Oates**
- (45) Registration Date: **22 July 2010**
- (30) Convention priority data:  
(31) Number      (32) Date      (33) Country  
**4013757      14 Dec 2009      UNITED KINGDOM**
- (56) Related Art Documents: **Not Applicable**
- (57) Statement of Newness and Distinctiveness: **Newness and distinctiveness is claimed in the visual features shown in solid lines in the representations.**



(21) Design Number: **12370/2010**

(22) Date of Filing Application: **09 June 2010**

(24) Date from which industrial property rights may have effect: **09 June 2010**

(54) Product in respect of which the design is registered: **The product to which the design relates is a toilet seat, with an added urine deflector as a part of the front**

(51) International Design Classification: **23-02C**

(71) Name(s) and Address(s) of Applicant(s):

**Andrew Farbey**  
**36 Kestrel Way Thornlie Western Australia 6108 Australia**

(72) Name(s) of Designer(s): **Andrew Farbey**

(45) Registration Date: **22 July 2010**

(56) Related Art Documents: **Not Applicable**

(57) Statement of Newness and Distinctiveness: **The new and distinctive part of the design is the curved downward projection of the urine deflector as a part of the toilet seat which covers the front inside rim of the toilet bowl and prevents accidental splashing of urine over the top front edge of the bowl when the toilet is being used by a person in a seated position.**



(21) Design Number: **12530/2010**

(22) Date of Filing Application: **21 June 2010**

(24) Date from which industrial property rights may have effect: **21 June 2010**

(54) Product in respect of which the design is registered: **Motorcycle turntable**

(51) International Design Classification: **12-02**

(71) Name(s) and Address(s) of Applicant(s):

**Barry Armitage**  
**15 Foraker Drive Eagle Heights Queensland 4271 Australia**

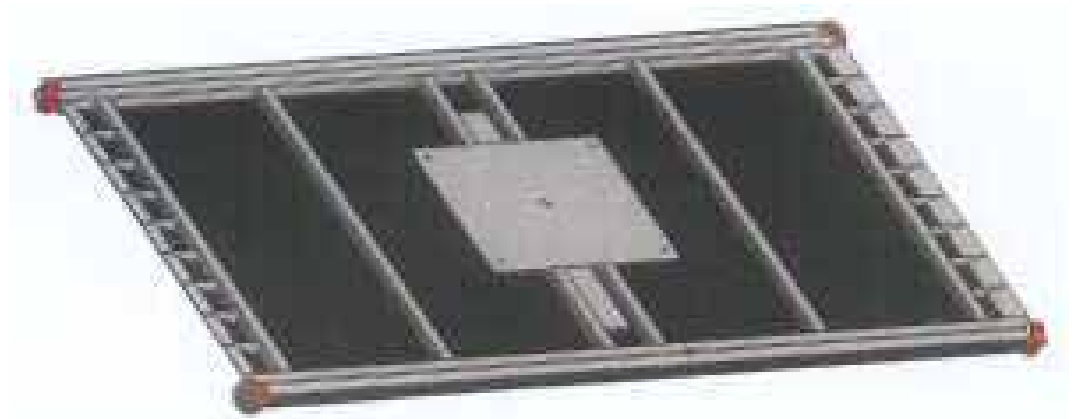
**Angela Armitage**  
**15 Foraker Drive Eagle Heights Queensland 4271 Australia**

(72) Name(s) of Designer(s): **Barry Armitage**

(45) Registration Date: **22 July 2010**

(56) Related Art Documents: **Not Applicable**

(57) Statement of Newness and Distinctiveness: **Rectangular shape table with an on ramp on two shorter sides, a wheel on each corner, an aluminium checker plate top, a three piece bearing mounted on a base plate under the centre of table.**



(21) Design Number: **12604/2010**

(22) Date of Filing Application: **24 June 2010**

(24) Date from which industrial property rights may have effect: **24 June 2010**

(54) Product in respect of which the design is registered: **Temporary fence base**

(51) International Design Classification: **08-08K, 25-01E, 25-02C**

(71) Name(s) and Address(s) of Applicant(s):

**David Daniel Williams**

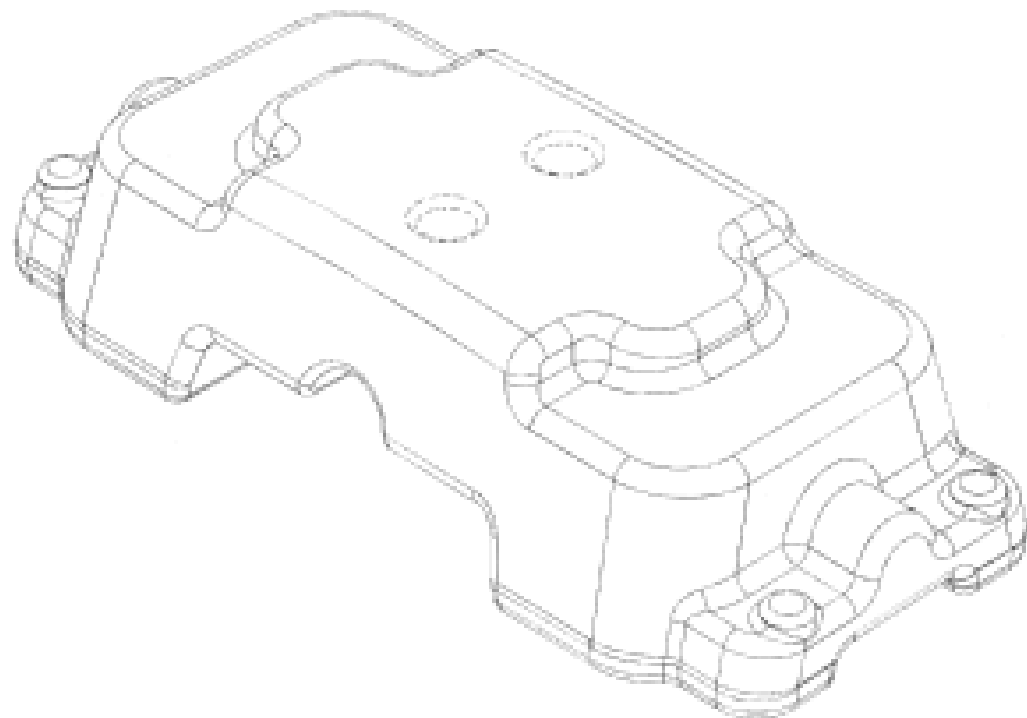
**Unit 3 18 Gibberd Road Balcatta Western Australia 6021 Australia**

(72) Name(s) of Designer(s): **Edward Joseph Khoury and Robert Culley and David Daniel Williams and David James Wilson**

(45) Registration Date: **22 July 2010**

(56) Related Art Documents: **Not Applicable**

(57) Statement of Newness and Distinctiveness: **Newness and distinctiveness is claimed in the features of shape and/or configuration of a temporary fence base shown in solid lines in the representations.**



(21) Design Number: **12605/2010**

(22) Date of Filing Application: **24 June 2010**

(24) Date from which industrial property rights may have effect: **24 June 2010**

(54) Product in respect of which the design is registered: **Temporary fence base**

(51) International Design Classification: **08-08K, 25-01E, 25-02C**

(71) Name(s) and Address(s) of Applicant(s):

**David Daniel Williams**

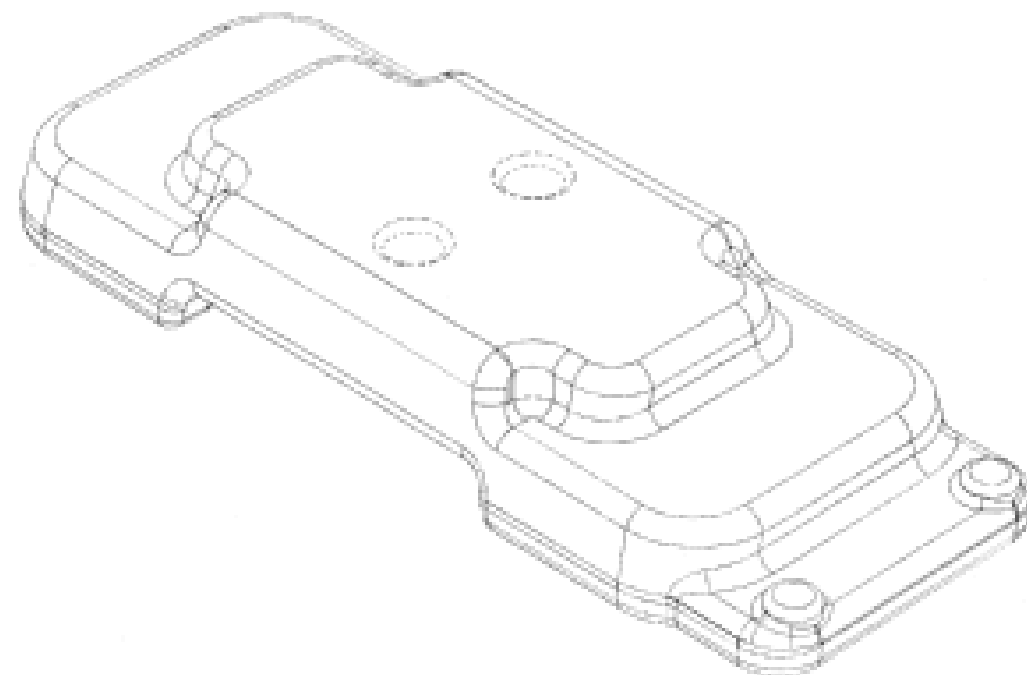
**Unit 3 18 Gibberd Road Balcatta Western Australia 6021 Australia**

(72) Name(s) of Designer(s): **Edward Joseph Khoury and Robert Culley and David Daniel Williams and David James Wilson**

(45) Registration Date: **22 July 2010**

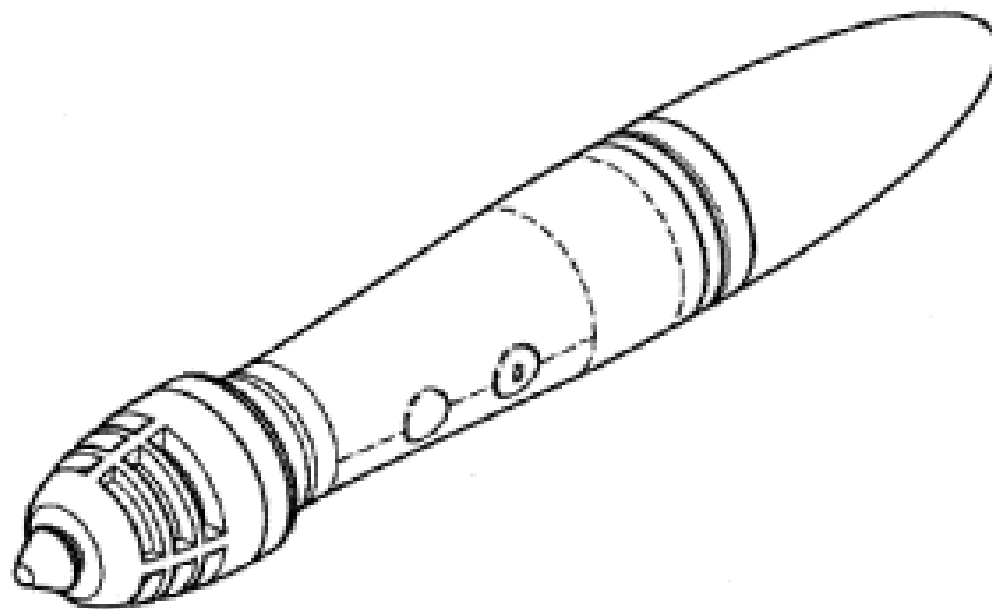
(56) Related Art Documents: **Not Applicable**

(57) Statement of Newness and Distinctiveness: **Newness and distinctiveness is claimed in the features of shape and/or configuration of a temporary fence base shown in solid lines in the representations.**

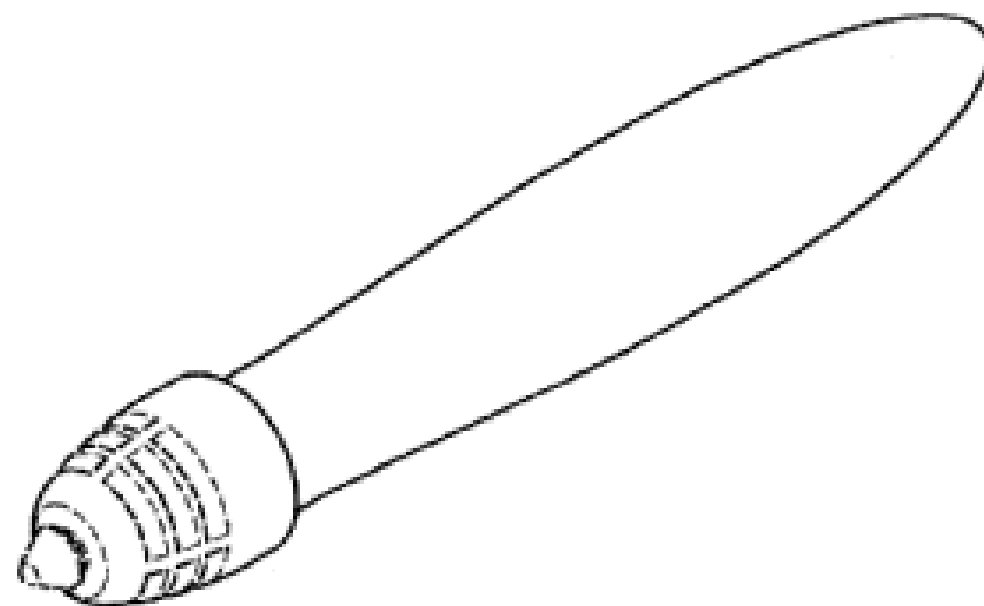




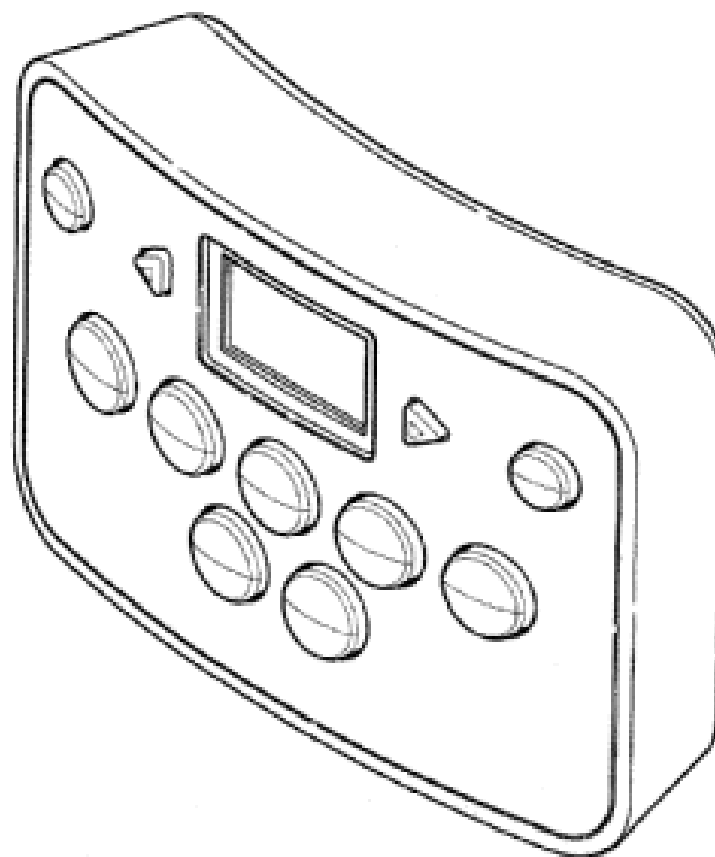
- (21) Design Number: **12614/2010**  
(22) Date of Filing Application: **28 June 2010**  
(24) Date from which industrial property rights may have effect: **28 June 2010**  
(54) Product in respect of which the design is registered: **Stylus**  
(51) International Design Classification: **14-02, 19-06**  
(71) Name(s) and Address(s) of Applicant(s):  
**Sanford, L.P.**  
**2707 Butterfield Road Suite 100 Oak Brook IL 60523 United States of America**  
(72) Name(s) of Designer(s): **Louis Frank Genatossio and Christopher M. Cacioppo and Manuel Perez and Hector Padilla and Timothy Higgins and Rick Burnham and Dan DeOreo**  
(45) Registration Date: **22 July 2010**  
(30) Convention priority data:  
(31) Number (32) Date (33) Country  
**29/352,985 30 Dec 2009 UNITED STATES OF AMERICA**  
(56) Related Art Documents: **Not Applicable**  
(57) Statement of Newness and Distinctiveness: **Nil**



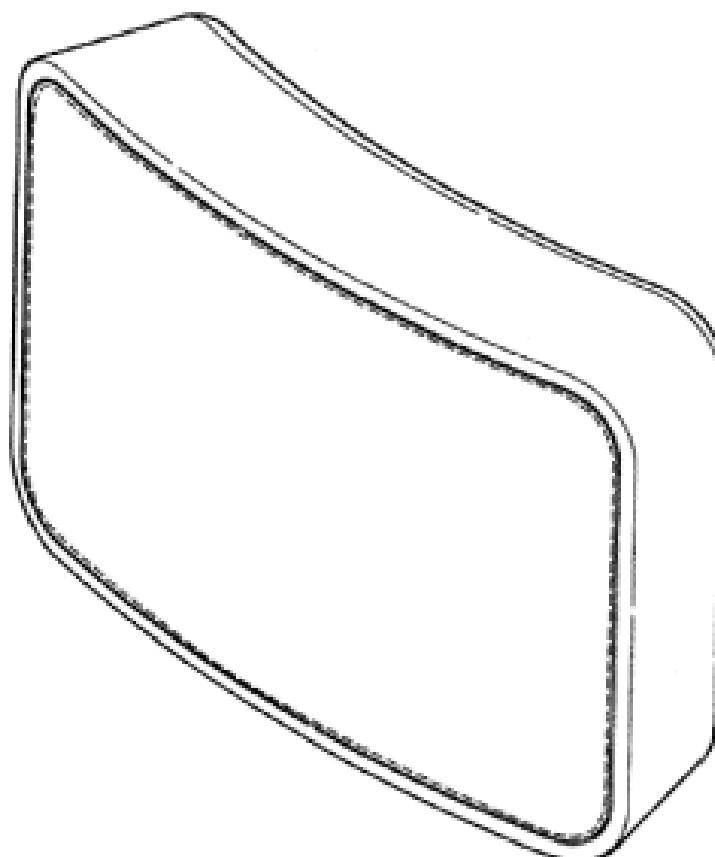
- (21) Design Number: **12615/2010**  
(22) Date of Filing Application: **28 June 2010**  
(24) Date from which industrial property rights may have effect: **28 June 2010**  
(54) Product in respect of which the design is registered: **Stylus**  
(51) International Design Classification: **19-06, 14-02**  
(71) Name(s) and Address(s) of Applicant(s):  
**Sanford, L.P.**  
**2707 Butterfield Road Suite 100 Oak Brook IL 60523 United States of America**  
(72) Name(s) of Designer(s): **Louis Frank Genatossio and Christopher M. Cacioppo and Manuel Perez and Hector Padilla and Timothy Higgins and Rick Burnham and Dan DeOreo**  
(45) Registration Date: **22 July 2010**  
(30) Convention priority data:  
(31) Number (32) Date (33) Country  
**29/352,985 30 Dec 2009 UNITED STATES OF AMERICA**  
(56) Related Art Documents: **Not Applicable**  
(57) Statement of Newness and Distinctiveness: **Nil**



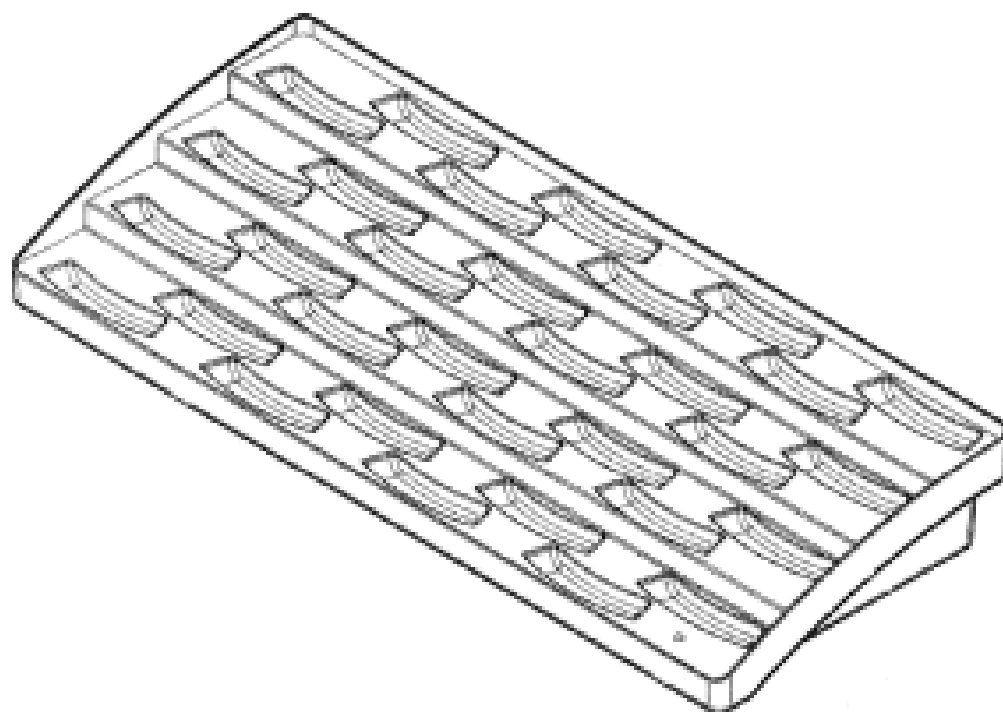
(21) Design Number: **12616/2010**  
 (22) Date of Filing Application: **28 June 2010**  
 (24) Date from which industrial property rights may have effect: **28 June 2010**  
 (54) Product in respect of which the design is registered: **Remote**  
 (51) International Design Classification: **14-03NES**  
 (71) Name(s) and Address(s) of Applicant(s):  
**Sanford, L.P.**  
**2707 Butterfield Road Suite 100 Oak Brook IL 60523 United States of America**  
 (72) Name(s) of Designer(s): **Louis Frank Genatossio and Christopher M. Cacioppo and Manuel Perez and Hector Padilla and Timothy Higgins and Rick Burnham and Dan DeOreo**  
 (45) Registration Date: **22 July 2010**  
 (30) Convention priority data:  
 (31) Number (32) Date (33) Country  
**29/353,000 30 Dec 2009 UNITED STATES OF AMERICA**  
 (56) Related Art Documents: **Not Applicable**  
 (57) Statement of Newness and Distinctiveness: **Nil**



(21) Design Number: **12617/2010**  
 (22) Date of Filing Application: **28 June 2010**  
 (24) Date from which industrial property rights may have effect: **28 June 2010**  
 (54) Product in respect of which the design is registered: **Remote**  
 (51) International Design Classification: **14-03NES**  
 (71) Name(s) and Address(s) of Applicant(s):  
**Sanford, L.P.**  
**2707 Butterfield Road Suite 100 Oak Brook IL 60523 United States of America**  
 (72) Name(s) of Designer(s): **Louis Frank Genatossio and Christopher M. Cacioppo and Manuel Perez and Hector Padilla and Timothy Higgins and Rick Burnham and Dan DeOreo**  
 (45) Registration Date: **22 July 2010**  
 (30) Convention priority data:  
 (31) Number (32) Date (33) Country  
**29/353,000 30 Dec 2009 UNITED STATES OF AMERICA**  
 (56) Related Art Documents: **Not Applicable**  
 (57) Statement of Newness and Distinctiveness: **Nil**



(21) Design Number: **12618/2010**  
(22) Date of Filing Application: **28 June 2010**  
(24) Date from which industrial property rights may have effect: **28 June 2010**  
(54) Product in respect of which the design is registered: **Charging station**  
(51) International Design Classification: **13-02**  
(71) Name(s) and Address(s) of Applicant(s):  
**Sanford, L.P.**  
**2707 Butterfield Road Suite 100 Oak Brook IL 60523 United States of America**  
(72) Name(s) of Designer(s): **Louis Frank Genatossio and Christopher M. Cacioppo and Manuel Perez and Hector Padilla and Timothy Higgins and Rick Burnham and Dan DeOreo**  
(45) Registration Date: **22 July 2010**  
(30) Convention priority data:  
(31) Number (32) Date (33) Country  
**29/352,998 30 Dec 2009 UNITED STATES OF AMERICA**  
(56) Related Art Documents: **Not Applicable**  
(57) Statement of Newness and Distinctiveness: **Nil**



(21) Design Number: **12619/2010**  
(22) Date of Filing Application: **28 June 2010**  
(24) Date from which industrial property rights may have effect: **28 June 2010**  
(54) Product in respect of which the design is registered: **Charging station**  
(51) International Design Classification: **13-02**  
(71) Name(s) and Address(s) of Applicant(s):  
**Sanford, L.P.**  
**2707 Butterfield Road Suite 100 Oak Brook IL 60523 United States of America**  
(72) Name(s) of Designer(s): **Louis Frank Genatossio and Christopher M. Cacioppo and Manuel Perez and Hector Padilla and Timothy Higgins and Rick Burnham and Dan DeOreo**  
(45) Registration Date: **22 July 2010**  
(30) Convention priority data:  
(31) Number (32) Date (33) Country  
**29/352,998 30 Dec 2009 UNITED STATES OF AMERICA**  
(56) Related Art Documents: **Not Applicable**  
(57) Statement of Newness and Distinctiveness: **Nil**

