



Australian Government

IP Australia

AUSTRALIAN OFFICIAL JOURNAL

OF

DESIGNS

Did you know a searchable version of this journal is now available online?

It's FREE and EASY to SEARCH.

Find it at

<http://pericles.ipaustralia.gov.au/ols/epublish/content/olsEpublications.jsp>
or using the "Online Journals" link on the IP Australia home page.

This Page Left Intentionally Blank

Contents

General Information & Notices

Proceedings Under the Designs Act 1906 preserved as a result of the provisions of Chapter 12 Part 2 of the Designs Act 2003

Applications for Extension of Time	1840
Extension of Period of Registration of Designs	1840
Extensions of Time Granted	1840
Names Registered - Alterations and Amendments	1841
Registrations Ceased	1840
Subsequent Owners Registered	1841

Proceedings Under the Designs Act 2003

Applications Lapsed	1854
Applications Lodged	1845
Applications Withdrawn	1853
Certificate of Examination	1858
Corrigenda	1857
Extension of Period of Registration of Design	
Extension of Time Granted Under Section 137	1855
Names Registered - Alterations and Amendments	1856
Publication and Registration Proceedings	
Designs Registered 331845 to 332179.....	1859
Registrations Ceased	1855
Subsequent Owners Registered	1856

This Page Left Intentionally Blank

For information on the following please see our website www.ipaustralia.gov.au or contact our Customer Service Network on 1300651010

[Editorial enquiries](#)

[Contact information](#)

[Freedom of Information ACT](#)

[Professional Standards Board](#)

[Sales](#)

[Requests for Information under Section 194 \(c\)](#)

[Country Codes](#)

[Trade Mark and Designs Hearing Sessions](#)

[INID \(Internationally agreed Numbers for the Identification of Data\)](#)

“INID” NUMBERS in use on Australian Design Documents

“INID” is an acronym for “Internationally agreed Numbers for the Identification of Data”.

(10) Data concerning the registration/renewal

- (11) Serial number of the registration and/or number of the design document
- (12) Plain language designation of the kind of published document
- (19) Identification, using the two-letter code according to WIPO Standard ST.3, of the authority publishing or registering the industrial design

(20) Data concerning the application

- (21) Serial number of the application
- (22) Date of filing of the application
- (24) Date from which the industrial design right has effect

(30) Data relating to priority under the Paris Convention

- (31) Serial number assigned to the priority application
- (32) Date of filing of the priority application
- (33) Two-letter code, according to WIPO Standard ST.3, identifying the authority with which the priority application was made

(40) Date(s) of making information available to the public

- (45) Date of publication of the registered industrial design by printing or similar process, or making it available to the public by any other means

(50) Miscellaneous Information

- (51) International Classification for Industrial Designs (class and subclass of the Locarno Classification)
- (54) Designation of article(s) or product(s) covered by the industrial design or title of the industrial design
- (55) Reproduction of the industrial design (e.g., drawing, photograph) and explanations relating to the reproduction
- (56) List of prior art documents, if separate from descriptive text
- (57) Description of characteristic features of the industrial design including indication of colours

(60) References to other legally related application(s) and registration(s)

- (62) Serial number(s) and, if available, filing date(s) of application(s), registration(s) or document(s) related by division
- (66) Serial number(s) of the application, or the registration, of the design(s) which is (are) a variant(s) of the present one

(70) Identification of parties concerned with the application or registration

- (71) Name(s) and address(es) of the applicant(s)
- (72) Name(s) of the creator(s) if known to be such
- (74) Name(s) and address(es) of the representative(s)

This Page Left Intentionally Blank

Official Notice

Surrender of Registration

135972

A request under Section 49 of the *Designs Act 2003* has been made by the registered owner of Design Registration No. 135972 to surrender the registration.

Any interested person may give notice to the Registrar that he or she wishes to be heard in relation to the above offer. This notice must be given within 1 month after 19 August 2010.

Your attention is drawn to Regulation 4.10 and 4.11 of the *Designs Regulations 2004*.

Address for Service: Allens Arthur Robinson Patent & Trade Marks Attorneys GPO
Box 1776Q MELBOURNE VIC 3001

Contact: IP Australia
Phone: 1300 651 010
Fax: +61 2 6283 7999
E-Mail: assist@ipaustralia.gov.au
Web: www.ipaustralia.gov.au

Proceedings under the Designs Act 1906 preserved as a result of the provisions of Chapter 12 Part 2 of the Designs Act 2003.

This Page Left Intentionally Blank

Applications Lapsed

There were no Applications Lapsed under this section

Extension of Period of Registration of Designs

1st Period (Section 27A(8))

2nd Period (Section 27A(12))

146589	156800	156909
157008	157009	157010
157411	157869	157938
158426		

3rd Period (Section 27A(13))

138334	138590	139711
139808	139910	139992
140154	140175	140293
140295	140318	140343
140372	140391	140452
140693	140818	140902
141065	141083	141167
141591	142033	142205
142423	142541	142781
143095	143545	143562
143843	144021	144128
144129	144543	145318
148133	149179	151749

Registrations Ceased

Note: Some of the following Registrations may have been previously advertised as ceased. In this instance, the previous advertisement still prevails.

121254	121943	122359
122706	122729	122837
122860	122897	122905
122914	122937	122943
122944	122945	122971
123034	123036	123059
123060	123062	123070
123071	123101	123128
123261	123405	123463
123587	123874	123875
123876	124023	124255
124492	124770	124771
124881	125422	126419
126660	126976	126977
126978	126979	127970
127971	137810	137811
137910	137914	137967
137968	138006	138007
138008	138009	138010
138011	138289	138415
138416	138417	138418

138535	138605	139090
139091	139604	139688
140724	140955	141418
141628	142049	142050
142051	142096	142145
142223	142839	146861
154458	154581	154706
154707	154747	154951
154952	155052	155053
155661	155716	155717
155718	155719	155726
155727	155728	155786
155808	155862	155863
155864	155906	155907
155908	155909	155952
155954	155955	155956
155957	155958	155980
155997	156017	156056
156057	156058	156059
156060	156095	156153
156196	156209	156313
156314	156316	156317
156318	156348	156349
156350	156351	156451
156452	156571	156572
156675	156729	156805
156866	156867	156922
156941	157168	157335
157336	157643	157728
157879	158002	158012
158013	158014	158048
158051	158052	158053
158054	158055	158079
158099	158102	158171
158301		

Applications for Extension of time

Applications for extension of time have been lodged. Objections must be lodged within 1 month from the date of this journal.

152741 **Darren Paul Blackberry** Extension of time to extend a registration. Address for Service: D.P. Blackberry 50 St Johns Wood Road BLAIRGOWRIE VIC 3942

Extensions of time granted

Applications lodged for extension of time have been granted.

146589 **Security Products UK Limited** An Extension of time to extend a registration has been granted to 10/05/2010

150667 **Cleopatra Lowden** An Extension of time to extend a registration has been granted to 14/04/2010

156909 **Rovcal Inc.** An Extension of time to renew a registration has been granted to 16/08/2010

Subsequent Owners Registered

(The name in parentheses is that of the subsequent owner)

- 145795 **(SS Inductions Pty Ltd)** Bellnet Pty Ltd
- 151536 **(SS Inductions Pty Ltd)** Bellnet Pty Ltd
- 151611 **(SS Inductions Pty Ltd)** Bellnet Pty Ltd
- 152645 **(SS Inductions Pty Ltd)** Bellnet Pty Ltd
- 152644 **(SS Inductions Pty Ltd)** Bellnet Pty Ltd
- 153292 **(SS Inductions Pty Ltd)** Bellnet Pty Ltd
- 154473 **(SS Inductions Pty Ltd)** Bellnet Pty Ltd
- 154474 **(SS Inductions Pty Ltd)** Bellnet Pty Ltd
- 154806 **(SS Inductions Pty Ltd)** Bellnet Pty Ltd
- 154807 **(SS Inductions Pty Ltd)** Bellnet Pty Ltd
- 155607 **(SS Inductions Pty Ltd)** Bellnet Pty Ltd
- 131251 **(MTD Products Inc)** MTD Products Australia Pty Ltd
- 131504 **(MTD Products Inc)** MTD Products Australia Pty Ltd
- 144291 **(MTD Products Inc)** MTD Products Australia Pty Ltd
- 144292 **(MTD Products Inc)** MTD Products Australia Pty Ltd
- 145603 **(MTD Products Inc)** MTD Products Australia Pty Ltd
- 145604 **(MTD Products Inc)** MTD Products Australia Pty Ltd
- 149916 **(MTD Products Inc)** MTD Products Australia Pty Ltd
- 151146 **(Ren Abalone Pty Ltd)** Rodney E. Crowther

Names Registered - Alterations and Amendments

(The name in parentheses is the new name of the proprietor)

- 148960 **(The Performance Products Group Pty Ltd)** Auger
Carcraft Pty Ltd
- 149269 **(The Performance Products Group Pty Ltd)** Auger
Carcraft Pty Ltd
- 153084 **(The Performance Products Group Pty Ltd)** Auger
Carcraft
- 153154 **(The Performance Products Group Pty Ltd)** Auger
Carcraft Pty Ltd
- 153155 **(The Performance Products Group Pty Ltd)** Auger
Carcraft Pty Ltd
- 153983 **(The Performance Products Group Pty Ltd)** Auger
Carcraft Pty Ltd
- 158482 **(The Performance Products Group Pty Ltd)** Auger
Carcraft Pty Ltd

This Page Left Intentionally Blank

Proceedings under the Designs Act 2003.

This Page Left Intentionally Blank

Applications Lodged

Lodgement information is in the following order: **Applicant's Name**; International Classification, Name of Product, Lodgement Date and **Design Number**. If the applicant claims an earlier priority date under an International Convention, the Convention Country and the associated filing date are shown in parentheses before the Lodgement Date. Divisional information will also appear in parentheses before the Lodgement Date.

Abloy Oy; 08-07, Key grip, (EM, 12 Feb 2010) 04 Aug 2010	13294/2010	Architectural Window Systems Pty Ltd; 25-01K, An extrusion assembly, 06 Aug 2010	13340/2010
Adbri Masonry Pty Ltd; 25-01A, A retaining wall block, 04 Aug 2010	13271/2010	Architectural Window Systems Pty Ltd; 25-01K, An extrusion assembly, 06 Aug 2010	13341/2010
Alive Girl Pty Ltd; 02-02NES, Top, (Divisional of 11035/2010) 24 Mar 2010	13254/2010	Architectural Window Systems Pty Ltd; 25-01K, An extrusion assembly, 06 Aug 2010	13342/2010
Alive Girl Pty Ltd; 02-02C, Dress, (Divisional of 11035/2010) 24 Mar 2010	13255/2010	Architectural Window Systems Pty Ltd; 25-01K, An extrusion assembly, 06 Aug 2010	13334/2010
Allen-Ankins, Wayne Kevin; Hill, Keith Lawrence; 15-07, The ultimate drink cooler, 27 Jul 2010	13157/2010	Architectural Window Systems Pty Ltd; 25-01K, An extrusion assembly, 06 Aug 2010	13344/2010
Almex Marketing (Aust); 28-03NES, 09-01C, Hair products such as hair gel, hair foods, & petroleum jelly, 28 Jul 2010	13161/2010	Architectural Window Systems Pty Ltd; 25-01K, An extrusion assembly, 06 Aug 2010	13345/2010
Alto Manufacturing Pty Ltd; 07-01NES, Container, 20 Jul 2010	13017/2010	Architectural Window Systems Pty Ltd; 25-01K, An extrusion assembly, 06 Aug 2010	13346/2010
Alto Manufacturing Pty Ltd; 07-01NES, Container lid, 20 Jul 2010	13018/2010	Arrid Power (Aust) Pty Ltd; 08-08NES, Solar PV mounting systems - Kliplok foot. Mounting foot for solar PV systems installed on a kliplok roof., 26 Jul 2010	13136/2010
Anning, Jeffrey; 12-14, 21-02E, Motorized skateboard, 05 Aug 2010	13300/2010	Arrid Power (Aust) Pty Ltd; 08-08NES, Solar PV mounting systems - large corrugated mounting bracket. Mounting foot for solar PV systems installed on, a custom orb roof or similar, 26 Jul 2010	13137/2010
Aqualutions Australia Pty Ltd; 08-08L, Bracket, 30 Jul 2010	13237/2010	Arrid Power (Aust) Pty Ltd; 08-08NES, Solar PV mounting systems - ground mount foot. Mounting foot for ground mounted solar PV arrays., 26 Jul 2010	13138/2010
Architectural Window Systems Pty Ltd; 25-01K, An extrusion assembly, 06 Aug 2010	13343/2010	Arrid Power (Aust) Pty Ltd; 08-08NES, Solar P.V. mounting system. Small corrugated mounting bracket. Mounting foot for solar P.V. systems installed, on custom orb roof or similar., 26 Jul 2010	13139/2010
Architectural Window Systems Pty Ltd; 25-01K, An extrusion assembly, 06 Aug 2010	13347/2010	Aussie Gutter Mate Pty Ltd; 23-01L, Gutter guard, 22 Jul 2010	13019/2010
Architectural Window Systems Pty Ltd; 25-01K, An extrusion assembly, 06 Aug 2010	13348/2010	Australian Performance Development Pty Ltd; 12-16NES, Air intake snorkel for a vehicle, 27 Jul 2010	13177/2010
Architectural Window Systems Pty Ltd; 25-01K, An extrusion assembly, 06 Aug 2010	13349/2010	Australian Steel Company (Operations) Pty Ltd, The; 25-01B, A bar chair, 06 Aug 2010	13333/2010
Architectural Window Systems Pty Ltd; 25-01K, An extrusion assembly, 06 Aug 2010	13350/2010	AL-KO International Pty Ltd; 12-16M, Locking brake device for a jockey wheel, 29 Jul 2010	13191/2010
Architectural Window Systems Pty Ltd; 08-09, A filler, 06 Aug 2010	13335/2010	ANJI WEIYU FURNITURE CO., LTD; 06-01E, Bar chair, (CN, 10 Feb 2010) 03 Aug 2010	13290/2010
Architectural Window Systems Pty Ltd; 25-01K, An extrusion, 06 Aug 2010	13336/2010	ARK Corporation Pty Ltd; 13-02, Charging apparatus and portable power supply, 27 Jul 2010	13185/2010
Architectural Window Systems Pty Ltd; 25-01K, An extrusion, 06 Aug 2010	13337/2010	ARK Corporation Pty Ltd; 12-16L, 13-03E, Electrical connector, 20 Jul 2010	13036/2010
Architectural Window Systems Pty Ltd; 25-01K, An extrusion assembly, 06 Aug 2010	13338/2010		
Architectural Window Systems Pty Ltd; 25-01K, An extrusion assembly, 06 Aug 2010	13332/2010		
Architectural Window Systems Pty Ltd; 25-01K, An extrusion assembly, 06 Aug 2010	13339/2010		
Architectural Window Systems Pty Ltd; 25-01K, An extrusion assembly, 06 Aug 2010	13351/2010		

ARK Corporation Pty Ltd; 12-16L, 13-03E, Electrical connector, 20 Jul 2010	13037/2010	BeautyBank Inc; 09-01NES, Bottle with cap, (US, 06 Apr 2010) 27 Jul 2010	13179/2010
ARK Corporation Pty Ltd; 12-16L, 13-03E, Electrical connector, 20 Jul 2010	13038/2010	Beba Enterprises Pty Ltd, as trustee for Danielle Vagner Family Trust; 02-02NES, Top, 05 Feb 2010	13304/2010
ARK Corporation Pty Ltd; 12-16L, 13-03E, Electrical connector, 20 Jul 2010	13039/2010	Beba Enterprises Pty Ltd, as trustee for Danielle Vagner Family Trust; 02-02NES, Top, 05 Feb 2010	13305/2010
ARK Corporation Pty Ltd; 12-16L, 13-03E, Electrical connector, 20 Jul 2010	13040/2010	Beba Enterprises Pty Ltd, as trustee for Danielle Vagner Family Trust; 02-02NES, Dress, 05 Feb 2010	13306/2010
ARK Corporation Pty Ltd; 12-16L, 13-03E, Electrical connector, 20 Jul 2010	13041/2010	Beba Enterprises Pty Ltd, as trustee for Danielle Vagner Family Trust; 02-02NES, Cardigan, 05 Feb 2010	13307/2010
ARK Corporation Pty Ltd; 12-16L, 13-03E, Electrical connector, 20 Jul 2010	13042/2010	Beba Enterprises Pty Ltd, as trustee for Danielle Vagner Family Trust; 02-02NES, Cardigan, 05 Feb 2010	13308/2010
ARK Corporation Pty Ltd; 12-16L, 13-03E, Electrical connector, 20 Jul 2010	13043/2010	Becton, Dickinson and Company; 24-01, Specimen collection container having a label, (US, 25 Jan 2010) 26 Jul 2010	13142/2010
ARK Corporation Pty Ltd; 12-16L, 13-03E, Electrical connector, 20 Jul 2010	13044/2010	Becton, Dickinson and Company; 09-03F, Transport tube holder assembly with internal and external ribs, (US, 19 Jan 2010) 19 Jul 2010	12988/2010
ARK Corporation Pty Ltd; 13-03B, Electrical connector, 20 Jul 2010	13045/2010	Becton, Dickinson and Company; 09-03F, Transport tube holder assembly with internal and external ribs, (US, 19 Jan 2010) 19 Jul 2010	12989/2010
ARK Corporation Pty Ltd; 13-03B, Electrical connector, 20 Jul 2010	13046/2010		
ARK Corporation Pty Ltd; 13-03B, Electrical connector, 20 Jul 2010	13047/2010	Birrell, Peter John; 14-03NES, Antennas, 03 Aug 2010	13291/2010
ARK Corporation Pty Ltd; 12-16A, Wheel, 20 Jul 2010	13048/2010	Bitek Pty Ltd; 13-03D, Media style bullnose wall plate recessed, 29 Jul 2010	13205/2010
ARK Corporation Pty Ltd; 12-16A, Wheel, 20 Jul 2010	13049/2010		
ARK Corporation Pty Ltd; 12-16L, Hitch cover, 20 Jul 2010	13050/2010	Blain, James David; 13-03NES, Vehicle recharge station, (US, 25 Jun 2010) 27 Jul 2010	13147/2010
ARK Corporation Pty Ltd; 12-16L, Tow bar shin protector, 20 Jul 2010	13051/2010	Bluescope Steel Limited; 25-01K, Panel, 02 Aug 2010	13269/2010
ARK Corporation Pty Ltd; 13-03B, Electrical connector pin, 20 Jul 2010	13052/2010	Bluescope Steel Limited; 25-01K, Panel, 02 Aug 2010	13270/2010
ARK Corporation Pty Ltd; 13-03E, Electrical connector socket, 20 Jul 2010	13053/2010	Braun GmbH; 31-00, Combined holder/charger for a hand blender, (WO, 26 Nov 2009) (Divisional of 11863/2010) 12 May 2010	13064/2010
Ballarino, Steven; 25-04, , 02 Aug 2010	13284/2010	Braun GmbH; 31-00, Hand blender with combined holder/charger, (WO, 26 Nov 2009) (Divisional of 11863/2010) 12 May 2010	13066/2010
Barker, Philip Leslie; 25-01K, Section of indeterminate length, 27 Jul 2010	13151/2010		
Baumann, Alexander; 12-16C, A bumper guard, 26 Jul 2010	13124/2010	Braun GmbH; 31-00, Combined holder/charger for a hand blender, (WO, 26 Nov 2009) (Divisional of 11863/2010) 12 May 2010	13065/2010
Baumann, Alexander; 12-16C, A bumper guard, 26 Jul 2010	13113/2010		
BeautyBank Inc; 28-03NES, Cosmetic container, (US, 12 Mar 2010) 27 Jul 2010	13180/2010	Bulk Connections Australia Pty Ltd; 09-03K, Intermodal shipping and domestic containers, 29 Jul 2010	13215/2010
		Carrosserie Hess AG; 12-08, A bus, (WO, 16 Jun 2010) 27 Jul 2010	13172/2010

Chef'n Corporation; 07-06NES, A hinge member for a tong handle, (US, 04 Feb 2010) 21 Jul 2010	13027/2010	D and D Shopfitting Pty Limited, As Trustee For SSE Shopfitting Trust; 06-04NES, The bag holder fits onto the freezer post, 22 Jul 2010	13062/2010
Chef'n Corporation; 07-04, Spatula head, (US, 05 Feb 2010) 22 Jul 2010	13032/2010	Daniel Roth et Gerald Genta Haute Horlogerie SA; 10-02, Bi-retro S1, (EM, 26 Jan 2010) 26 Jul 2010	13123/2010
Chef'n Corporation; 07-01B, Pinch bowl, (US, 05 Feb 2010) 22 Jul 2010	13033/2010	Das Werk Pty Ltd; 23-04, A fan/air moving device, 23 Jul 2010	13104/2010
Chef'n Corporation; 07-01C, Pinch beaker, (US, 05 Feb 2010) 22 Jul 2010	13034/2010	Das Werk Pty Ltd; 23-04, A fan/air moving device, 23 Jul 2010	13105/2010
Chef'n Corporation; 07-04, Handheld food slicer, (US, 04 Feb 2010) 21 Jul 2010	13025/2010	David Stuckey Investments Pty Ltd; 08-07, Disc member, 23 Jul 2010	13101/2010
Chef'n Corporation; 07-04, Pasta tong grippers, (US, 04 Feb 2010) 21 Jul 2010	13026/2010	David Stuckey Investments Pty Ltd; 08-07, Limiter, 23 Jul 2010	13102/2010
Chesson, Corey; 21-02D, Swimming pool shell, 20 Jul 2010	13022/2010	David Stuckey Investments Pty Ltd; 08-07, Insert, 23 Jul 2010	13103/2010
Chiam, Heng Foo; Gibbs, Nicholas James; 23-03D, Heat store and connector for solar water heater, 27 Jul 2010	13170/2010	Decina Bathroomware Pty. Ltd.; 23-02B, A bath (eclipse), 09 Aug 2010	13321/2010
Coastal Innovations Pty Ltd; Tech Plas Extrusions Pty Ltd; 25-01K, 25-01D, Quad (a type of panel joiner used in the building industry), 04 Aug 2010	12996/2010	Decina Bathroomware PTY. LTD.; 23-02B, A bath (eclipse), 05 Aug 2010	13327/2010
Continental Reifen Deutschland GmbH; 12-15C, Tyre, (EM, 26 Apr 2010) 21 Jul 2010	13020/2010	Delta System AS; 25-04, Constructional parts for building scaffolding, covering structures, tents, storage houses and other structures, (NO, 21 Sep 2009) (Divisional of 11004/2010) 22 Mar 2010	13131/2010
ConvaTec Technologies Inc.; 24-04, Medical compress, (EM, 01 Feb 2010) 28 Jul 2010	13196/2010	Dematic Pty Ltd; 06-04NES, Racking stop, 03 Aug 2010	13317/2010
Cook, Ross David; 12-06C, A canoe, 27 Jul 2010	13143/2010	Dematic Pty Ltd; 06-04NES, Racking stop, 03 Aug 2010	13288/2010
D and D Shopfitting Pty Limited, As Trustee For SSE Shopfitting Trust; 06-04NES, The posts support the shelves the shelf bracket and are held together by the back panels and cross rails, 22 Jul 2010	13056/2010	Desert Eco Systems Pty Ltd; 23-01A, Plumbing adaptor, 27 Jul 2010	13150/2010
D and D Shopfitting Pty Limited, As Trustee For SSE Shopfitting Trust; 06-04NES, The brackets secure the shelves to the post, 22 Jul 2010	13057/2010	Desert Eco Systems Pty Ltd; 23-01B, Plumbing trap assembly, 27 Jul 2010	13149/2010
D and D Shopfitting Pty Limited, As Trustee For SSE Shopfitting Trust; 06-04NES, The shelf is held to the post by the brackets, 22 Jul 2010	13058/2010	Design and Industry Pty Ltd; 14-02, Wireless financial terminal, 06 Aug 2010	13331/2010
D and D Shopfitting Pty Limited, As Trustee For SSE Shopfitting Trust; 06-04NES, The shelf is held to the post by the brackets, 22 Jul 2010	13059/2010	DeLaval Holding AB; 15-03C, Teat cup liner head, (EM, 26 Jan 2010) 23 Jul 2010	13110/2010
D and D Shopfitting Pty Limited, As Trustee For SSE Shopfitting Trust; 06-04NES, The cross rail fits in between the posts, 22 Jul 2010	13060/2010	DeLaval Holding AB; 15-03C, Teat cup liner head, (EM, 26 Jan 2010) 23 Jul 2010	13111/2010
D and D Shopfitting Pty Limited, As Trustee For SSE Shopfitting Trust; 06-04NES, The back panel locks onto the posts, 22 Jul 2010	13061/2010	DeLaval Holding AB; 15-03C, Teat cup liner head, (EM, 08 Apr 2010) 26 Jul 2010	13115/2010
		DeLaval Holding AB; 15-03C, Teat cup liner head, (EM, 08 Apr 2010) 26 Jul 2010	13114/2010
		Direct Pack, Inc; 09-03M, Food container, (US, 28 May 2010) 29 Jul 2010	13199/2010
		Don Kyatt Spare Parts (West Melbourne) Pty Ltd; 12-16B, Grill for a bonnet scoop, 21 Jul 2010	13031/2010
		Don Kyatt Spare Parts (West Melbourne) Pty Ltd; 12-16B, Under-vehicle guard, 02 Aug 2010	13258/2010

Don Kyatt Spare Parts (West Melbourne) Pty Ltd; 12-16B, Under-vehicle guard, 02 Aug 2010	13259/2010	Glidestore Freetrack Pty Ltd; 25-01K, An extrusion for supporting an edge of a cover plate, 04 Aug 2010	13303/2010
Dyson Limited; 15-05, Part of a vacuum cleaner, (GB, 01 Feb 2010) 26 Jul 2010	13133/2010	Goodbaby Child Products Co., Ltd; 12-12, Stroller, (CN, 17 Jun 2010) 03 Aug 2010	13286/2010
DESIGN STYLETTO INC.; 08-05L, Paint tray liner, (US, 26 Feb 2010) 05 Aug 2010	13289/2010	Grabba International Pty Ltd; 14-03A, Multifunction attachment for a handheld device, 27 Jul 2010	13188/2010
Eco Guardians Pty Ltd; 23-02E, See drawing "Eco Guardians Pty Ltd Model FT1600", 22 Jun 2010	13245/2010	Grabba International Pty Ltd; 14-03A, Multifunction attachment for a handheld device, 27 Jul 2010	13189/2010
Electrolux Home Products Pty Limited; 23-04, A range hood, 06 Aug 2010	13322/2010	Grabba International Pty Ltd; 14-03A, Multifunction attachment for a handheld device, 27 Jul 2010	13190/2010
Ewing, Warren; 23-01H, Adjustable tap seat extender, 28 Jul 2010	13152/2010	Grabba International Pty Ltd; 14-03A, Multifunction attachment for a handheld device, 27 Jul 2010	13187/2010
Ewing, Iain; 23-01H, Twinner mixer tap, 28 Jul 2010	13186/2010	Gravolin, Sandra Lorraine; Gravolin, Dennis Ronald; 13-03B, LED fused connector, 03 Aug 2010	13260/2010
Ewing, Iain; 23-01H, Twinner mixer tap, 28 Jul 2010	13182/2010	Gravolin, Dennis Ronald; Gravolin, Sandra Lorraine; 13-03B, LED fused connector, 03 Aug 2010	13260/2010
Fielders Australia Pty Ltd; 23-01L, Roof valley gutter guard, 04 Aug 2010	13287/2010	Gregory, Theresa; 09-05, Loose, decorative cover for musical instruments, in particular drums, or for the bag/case used to carry the, instrument, 27 Jul 2010	13181/2010
Finocard International Limited, trading as The Ninja Corporation; 21-04, Canopy, (EM, 29 Jan 2010) 27 Jul 2010	13126/2010	Groom, Stephen; 12-16L, Lockable towball attachment, 30 Jul 2010	13239/2010
Finocard International Limited, trading as The Ninja Corporation; 21-04, Canopy, (EM, 29 Jan 2010) 27 Jul 2010	13127/2010	GM Global Technology Operations, Inc; 12-08, 21-01C, Vehicle body and model vehicle body, (US, 17 Feb 2010) 22 Jul 2010	13067/2010
Fletcher, Melanie Jayne; Whitworth, Barry Leslie; Whitworth, Damian Morgon; 12-16B, Utility under tray mudguard, 26 Jul 2010	13128/2010	Hansgrohe AG; 23-01H, Sanitary faucet, (EM, 10 Feb 2010) 04 Aug 2010	13295/2010
Forever New Clothing Pty Ltd; 02-02NES, Women's fashion clothing, 14 Apr 2010	13221/2010	Hansgrohe AG; 23-01H, Sanitary fitting, (EM, 10 Feb 2010) 04 Aug 2010	13296/2010
Forever New Clothing Pty Ltd; 02-02NES, Women's fashion clothing, 14 Apr 2010	13222/2010	Hardy, Chris; 06-01L, Low chair, 03 Aug 2010	13266/2010
Forever New Clothing Pty Ltd; 02-02NES, Women's fashion clothing, 14 Apr 2010	13223/2010	Harezlak, Krzysztof Roman; 08-08L, A bracket, 04 Aug 2010	12998/2010
Fotopol Pty Limited; 16-05, Camera stand, 04 Aug 2010	13312/2010	Hatzis Holdings Pty Ltd; 02-02NES, Ladies dresses, 18 Feb 2010	13070/2010
FSP Holdings Pty Ltd; 25-01E, Picket, 30 Jul 2010	13235/2010	Hatzis Holdings Pty Ltd; 02-02NES, Ladies dresses, 18 Feb 2010	13071/2010
General Mills, Inc.; 01-01, Cereal piece, (US, 08 Feb 2010) 05 Aug 2010	13325/2010	Hatzis Holdings Pty Ltd; 02-02NES, Ladies dresses, 18 Feb 2010	13069/2010
Gibbs, Nicholas James; Chiam, Heng Foo; 23-03D, Heat store and connector for solar water heater, 27 Jul 2010	13170/2010	Hero Footwear & Apparel Development; 02-04NES, "Bello" Ballet style leather shoe for women, 27 Jul 2010	13153/2010
Glidestore Freetrack Pty Ltd; 25-01K, An extrusion for supporting an edge of a cover plate, 04 Aug 2010	13318/2010	Hero Footwear & Apparel Development; 02-04NES, "Baugrino" ballet style leather shoe for women, 27 Jul 2010	13154/2010
Glidestore Freetrack Pty Ltd; 25-01K, An extrusion for supporting the edges of two cover plates, 04 Aug 2010	13311/2010		

Hero Footwear & Apparel Development; 02-04NES, "Tokyo" ballet style canvas shoe for women, 27 Jul 2010	13155/2010	Kao Corporation; 04-01, Floor wiper, (JP, 10 Feb 2010) 06 Aug 2010	13309/2010
Hill, Keith Lawrence; Allen-Ankins, Wayne Kevin; 15-07, The ultimate drink cooler, 27 Jul 2010	13157/2010	Kathmandu Limited; 21-04, A tent, 26 Jul 2010	13144/2010
Honeywell International Inc.; 16-06, Eye protector, (US, 23 Dec 2009) (Divisional of 12584/2010) 23 Jun 2010	13208/2010	Kennedy, Kurt Alim; 28-03NES, Toothpick, 06 Aug 2010	13328/2010
Honeywell International Inc.; 16-06, Eye protector, (US, 23 Dec 2009) (Divisional of 12584/2010) 23 Jun 2010	13209/2010	Kohler Co.; 23-01H, Plumbing control, (US, 28 Jan 2010) 28 Jul 2010	13204/2010
Hood, Adam Brent; 12-16NES, Commodore air intake, 03 Aug 2010	13256/2010	Kokuyo Co., Ltd.; 06-01F, Chair, (JP, 12 Feb 2010) 27 Jul 2010	13176/2010
Hubco Automotive Ltd; 12-16K, Roof box, (NZ, 08 Feb 2010) 05 Aug 2010	13313/2010	Kokuyo Co., Ltd.; 06-01F, Chair, (JP, 12 Feb 2010) 27 Jul 2010	13173/2010
Hubco Automotive Ltd; 12-16K, Roof box, (NZ, 08 Feb 2010) 05 Aug 2010	13314/2010	Kokuyo Co., Ltd.; 06-01F, Chair, (JP, 12 Feb 2010) 27 Jul 2010	13174/2010
Hubco Automotive Ltd; 12-16K, Roof box, (NZ, 08 Feb 2010) 05 Aug 2010	13315/2010	Kokuyo Co., Ltd.; 06-01F, Chair, (JP, 12 Feb 2010) 27 Jul 2010	13175/2010
Hubco Automotive Ltd; 12-16K, Roof box, (NZ, 08 Feb 2010) 05 Aug 2010	13316/2010	Koninklijke Philips Electronics N.V.; 14-02, Mouse for notebook, (EM, 03 Feb 2010) 30 Jul 2010	13236/2010
Husband, Sam; 21-01L, A game board, 19 Jul 2010	12986/2010	Koninklijke Philips Electronics N.V.; 26-04, Lamp, (EM, 09 Feb 2010) 05 Aug 2010	13310/2010
Innowood International Australia Pty Ltd; 25-01G, Cladding of indefinite length, 06 Aug 2010	13324/2010	Kraskov, Leonid; 23-01NES, Plastering/drywall internal nozzle, 29 Jul 2010	13198/2010
Intheshed Australia Pty Ltd; 13-03D, A housing, 30 Jul 2010	13251/2010	Kukulies, Paul James; 12-02, Trolley, 04 Aug 2010	13302/2010
Intheshed Australia Pty Ltd; 13-03D, A housing, 30 Jul 2010	13252/2010	Kukulies, Paul James; 12-02, Trolley, 04 Aug 2010	13301/2010
Irwin and Sheehan Pty Ltd; 09-07NES, End closure for container, 03 Aug 2010	13276/2010	LeashLocket, Ltd.; 30-04, Retractable leash, (US, 05 Feb 2010) 19 Jul 2010	12987/2010
Irwin and Sheehan Pty Ltd; 09-07NES, End closure for container, 03 Aug 2010	13277/2010	Leisure Pools and Spas Manufacturing Pty Ltd; 25-03, Swimming pool and roller cover box, 27 Jul 2010	13166/2010
Irwin Industrial Tool Company; 08-03, Hole saw, (US, 13 Jan 2010) 13 Jul 2010	12997/2010	Leisure Pools and Spas Manufacturing Pty Ltd; 25-03, Roller cover box for swimming pool, 27 Jul 2010	13167/2010
Jonker, John; 26-03, 12-13, Mobile lighting apparatus, 04 Aug 2010	13297/2010	Leisure Pools and Spas Manufacturing Pty Ltd; 25-03, Swimming pool, 27 Jul 2010	13168/2010
K.W.A. Design Group Pty Ltd; 03-01B, Card holder, 27 Jul 2010	13194/2010	Libman Company, The; 07-05E, Cloth, (US, 10 Feb 2010) 06 Aug 2010	13330/2010
Kabushiki Kaisha Pilot Corporation; 19-06, Ballpoint pen, (JP, 26 Jan 2010) 23 Jul 2010	13072/2010	Libman Company, The; 24-04, Pad, (US, 10 Feb 2010) 06 Aug 2010	13329/2010
Kanck, Christopher; 09-07NES, 09-09, Sealed lid with compartment, 03 Aug 2010	13267/2010	Longyear TM, Inc.; 08-01, Drill bit, (US, 26 Jan 2010) 21 Jul 2010	13030/2010
Kanck, Christopher; 09-09, , 03 Aug 2010	13268/2010	Lynch, Chris; 21-01A, Model dragon kit, 30 Jul 2010	13241/2010
		Lynch, Chris; 21-01A, Model dragon kit, 30 Jul 2010	13242/2010
		Lynch, Chris; 21-01D, 11-04, Model tree kit, 30 Jul 2010	13243/2010

LG Electronics Inc.; 14-03E, Mobile phone, (KR, 05 Feb 2010) 02 Aug 2010	13257/2010	Moddejongen, Grant; 12-16B, An interior vehicle door panel with rectangular recesses, 23 Jul 2010	13086/2010
Mars, Incorporated; 01-01, Chocolate/Confectionery, (US, 26 Jan 2010) 23 Jul 2010	13077/2010	Moddejongen, Grant; 12-16B, An interior vehicle door panel with circular recesses, 23 Jul 2010	13087/2010
Mars, Incorporated; 01-01, Chocolate/Confectionery, (US, 26 Jan 2010) 23 Jul 2010	13078/2010	Moddejongen, Grant; 12-10, A motor home, 23 Jul 2010	13088/2010
Mars, Incorporated; 01-01, Chocolate/Confectionery, (US, 26 Jan 2010) 23 Jul 2010	13080/2010	Moddejongen, Grant; 12-16B, Vehicle spoiler for rear view camera, 23 Jul 2010	13084/2010
Mars, Incorporated; 01-06, Pet treat, (US, 26 Jan 2010) 23 Jul 2010	13081/2010	Mok, Timothy; 07-01NES, Oval food container with tamper-indicator, 29 Jul 2010	13216/2010
Mars, Incorporated; 01-01, Chocolate/Confectionery, (US, 19 Mar 2010) 23 Jul 2010	13083/2010	My Infinite Creations; 06-11, Hot yoga mat, 20 Jul 2010	13000/2010
Mars, Incorporated; 01-01, Chocolate/confectionery, (US, 26 Jan 2010) 23 Jul 2010	13075/2010	Nextinct Pty Ltd; 02-02NES, Article of clothing, 29 Jul 2010	13213/2010
Mattane Pty Ltd; 25-01E, 25-02A, Ground peg or anchor, 27 Jul 2010	13164/2010	Nextinct Pty Ltd; 02-02NES, Article of clothing, 29 Jul 2010	13214/2010
Maxwell, Jay A.; 21-04, Inflatable cinema, 27 Jul 2010	13134/2010	Nimmo, Craig Allan; 13-01, Motorized valve, 04 Aug 2010	13298/2010
Meco Australia Pty Limited; 23-01H, A spout and tap assembly, 03 Aug 2010	13263/2010	Nissan Jidosha Kabushiki Kaisha, also trading as Nissan Motor Co., Ltd.; 12-16B, Radiator grill for automobile, (JP, 01 Feb 2010) 27 Jul 2010	13148/2010
Meco Australia Pty Limited; 23-01H, A tap handle, 03 Aug 2010	13264/2010	Nokia Corporation; 14-03A, Handset, (US, 16 Apr 2010) 29 Jul 2010	13219/2010
Meco Australia Pty Limited; 23-01H, A tap, 03 Aug 2010	13265/2010	Nokia Corporation; 14-03A, Handset, (US, 13 May 2010) 29 Jul 2010	13220/2010
Melbourne Rebels Rugby Union Ltd; 02-02NES, Garment, 21 Jul 2010	13023/2010	Noronha, Louis Gregory; 06-03C, Fold flat bed desk, 02 Aug 2010	13261/2010
Melbourne Rebels Rugby Union Ltd; 02-02NES, Garment, 21 Jul 2010	13024/2010	Novetec Building Products Pty Ltd; 23-01H, Rounded spout, 28 Jul 2010	13201/2010
Michelin Recherche et Technique S.A.; Societe De Technologie Michelin; 12-15B, A tyre, (FR, 10 Feb 2010) 04 Aug 2010	13280/2010	Novetec Building Products Pty Ltd; 23-01H, Rounded spout, 06 Aug 2010	13323/2010
Michelin Recherche et Technique S.A.; Societe De Technologie Michelin; 12-15C, A tyre, (FR, 04 Feb 2010) 27 Jul 2010	13130/2010	Novetec Building Products Pty Ltd; 23-01C, Bathroom hosing, 28 Jul 2010	13202/2010
Michelin Recherche et Technique S.A.; Societe De Technologie Michelin; 12-15B, A tyre, (FR, 10 Feb 2010) 04 Aug 2010	13281/2010	Novotec Building Products Pty Ltd; 23-01H, Square spout, 28 Jul 2010	13200/2010
Michelin Recherche et Technique S.A.; Societe De Technologie Michelin; 12-15A, A tyre, (FR, 23 Feb 2010) 04 Aug 2010	13282/2010	NVB International UK Ltd; 08-05E, Bicycle pump/hose connection component for a bicycle pump, (DK, 26 Jan 2010) 26 Jul 2010	13132/2010
Michelin Recherche et Technique S.A.; Societe De Technologie Michelin; 12-15B, A tyre, (FR, 04 Feb 2010) 27 Jul 2010	13129/2010	Olbertz Holdings Pty Ltd; 13-03NES, Keystone wall plate, 28 Jul 2010	13217/2010
Miller, William Howard; 08-07, Remote mini reel locking plate, hose reel, 26 Jul 2010	13082/2010	Olbertz Holdings Pty Ltd; 13-03D, Keystone wall plate, 28 Jul 2010	13210/2010
Moddejongen, Grant; 12-16K, A sliding tray storage unit for a mobile home, 23 Jul 2010	13085/2010	Omega SA (Omega AG) (Omega Ltd); 10-02, Watch, (CH, 12 Feb 2010) 04 Aug 2010	13279/2010
		Oriton Pty Ltd; 06-08, Coat hanger hook, 20 Jul 2010	13001/2010
		Oriton Pty Ltd; 06-08, Coat hanger hook, 20 Jul 2010	13002/2010

Oriton Pty Ltd; 06-08, Coat hanger hook, 20 Jul 2010	13003/2010	Reckitt Benckiser N.V.; 07-05NES, Capsule containing washing products, (EM, 20 Jan 2010) 20 Jul 2010	13007/2010
Oriton Pty Ltd; 06-08, Coat hanger hook, 20 Jul 2010	13004/2010	Reckitt Benckiser N.V.; 07-05NES, Capsule containing washing products, (EM, 20 Jan 2010) 20 Jul 2010	13008/2010
P.S.L. Limited; 14-02, USB memory in figure shape, 27 Jul 2010	13195/2010	Red Bull GmbH; 09-01NES, Transparent bottle with cap, (EM, 27 Jan 2010) 23 Jul 2010	13108/2010
P.S.L. Limited; 10-02, Slap-on watch, 27 Jul 2010	13160/2010	Red Bull GmbH; 09-01NES, Bottle, (EM, 27 Jan 2010) 23 Jul 2010	13109/2010
Perfetti Van Melle S.p.A.; 01-01, Lollipops, (EM, 02 Feb 2010) 30 Jul 2010	13234/2010	Red Bull GmbH; 09-01NES, Bottle with cap and protective foil, (EM, 27 Jan 2010) 23 Jul 2010	13107/2010
Prime Industrial Products Pty Ltd; 99-00, A stand, 05 Aug 2010	13320/2010	Richardson, Elaine; 23-02A, Daisy shower caddy, 23 Jul 2010	13089/2010
Pro Performance Sports; 06-01H, 03-03, Folding canopy chair, (US, 12 Feb 2010) 28 Jul 2010	13203/2010	Richardson, Elaine; 23-02A, Soap shower caddy, 23 Jul 2010	13090/2010
Procter & Gamble Company, The; 09-03M, Packaging container with surface ornamentation, (US, 25 Jan 2010) 23 Jul 2010	13092/2010	Richardson, Elaine; 23-02A, , 23 Jul 2010	13091/2010
Procter & Gamble Company, The; 09-03M, Packaging container with surface ornamentation, (US, 25 Jan 2010) 23 Jul 2010	13093/2010	Rinehart Racing, Inc.; 12-16N, Baffle, (US, 03 Feb 2010) 03 Aug 2010	13283/2010
Procter & Gamble Company, The; 09-03M, Packaging container with surface ornamentation, (US, 25 Jan 2010) 23 Jul 2010	13096/2010	Scania CV AB; 12-16B, Decorative strip, (SE, 24 Feb 2010) 28 Jul 2010	13207/2010
Procter & Gamble Company, The; 09-03M, Packaging container with surface ornamentation, (US, 25 Jan 2010) 23 Jul 2010	13097/2010	Serderon The Plastic Man Pty Limited; 07-01B, Tray, 22 Jul 2010	13035/2010
Procter & Gamble Company, The; 09-03M, Packaging container with surface ornamentation, (US, 25 Jan 2010) 23 Jul 2010	13094/2010	Sharp Kabushiki Kaisha; 16-06, 3D glasses, (JP, 09 Apr 2010) 03 Aug 2010	13278/2010
Procter & Gamble Company, The; 09-03M, Packaging container with surface ornamentation, (US, 25 Jan 2010) 23 Jul 2010	13095/2010	Sialkowski, Olaf; 06-06A, Coat rack, 29 Jul 2010	13212/2010
Prodir S.A.; 19-06, Writing instrument, (WO, 25 Feb 2010) 30 Jul 2010	13238/2010	Societe des Produits Nestle S.A.; 09-05, Packaging, (CH, 17 May 2010) 05 Aug 2010	13292/2010
Qantas Airways Limited; 20-01, Kiosk, 26 Jul 2010	13141/2010	Societe De Technologie Michelin; Michelin Recherche et Technique S.A.; 12-15B, A tyre, (FR, 10 Feb 2010) 04 Aug 2010	13281/2010
Qantas Airways Limited; 03-01B, Tag, 26 Jul 2010	13140/2010	Societe De Technologie Michelin; Michelin Recherche et Technique S.A.; 12-15A, A tyre, (FR, 23 Feb 2010) 04 Aug 2010	13282/2010
Qian, Bin Xiong; 20-02NES, Banner stand, 29 Jul 2010	13192/2010	Societe De Technologie Michelin; Michelin Recherche et Technique S.A.; 12-15B, A tyre, (FR, 10 Feb 2010) 04 Aug 2010	13280/2010
Railblaza Limited; 08-08L, Mounting adapter, (NZ, 26 Jan 2010) 21 Jul 2010	13016/2010	Societe De Technologie Michelin; Michelin Recherche et Technique S.A.; 12-15B, A tyre, (FR, 04 Feb 2010) 27 Jul 2010	13129/2010
Railblaza Limited; 22-05, Mounting adapter, (NZ, 26 Jan 2010) 21 Jul 2010	13029/2010	Societe De Technologie Michelin; Michelin Recherche et Technique S.A.; 12-15C, A tyre, (FR, 04 Feb 2010) 27 Jul 2010	13130/2010
Railblaza Limited; 08-08L, Support, (NZ, 26 Jan 2010) 21 Jul 2010	13021/2010	Sony Corporation; 14-01, Video camcorder, (US, 13 Jul 2010) 29 Jul 2010	13224/2010
Reckitt Benckiser N.V.; 07-05NES, Capsule containing washing products, (EM, 20 Jan 2010) 20 Jul 2010	13005/2010	Spence, Sara Nicole; 09-01K, A container, 28 Jul 2010	13193/2010
Reckitt Benckiser N.V.; 07-05NES, Capsule containing washing products, (EM, 20 Jan 2010) 20 Jul 2010	13006/2010	Spinifex Fans Pty Ltd; 23-04, Ceiling fan, 26 Jul 2010	13156/2010

Steelcase Inc.; 06-01NES, Seating unit, (US, 01 Feb 2010) 26 Jul 2010	13122/2010	The Coleman Company, Inc.; 07-02L, Coffee maker, (US, 27 Jan 2010) 26 Jul 2010	13116/2010
Steelcase Inc.; 06-01NES, Seating unit, (US, 01 Feb 2010) 26 Jul 2010	13121/2010	The Gillette Company; 28-03A, Organizer tray, (US, 03 Feb 2010) 30 Jul 2010	13244/2010
Stone Directions Pty Ltd; 25-01E, 11-04, A landscape product, 03 Aug 2010	13285/2010	The Goodyear Tire & Rubber Company; 12-15B, Tyre, (US, 18 Feb 2010) 04 Aug 2010	13299/2010
Suzuki Motor Corporation; 12-08, Automobile, (JP, 09 Feb 2010) 06 Aug 2010	13353/2010	The Mainstreet Collection, Inc.; 11-03, Patch, (US, 19 Jan 2010) 19 Jul 2010	12990/2010
Synthesis Design and Display Pty Ltd; 20-02E, Large display hub, 28 Jul 2010	13211/2010	The Procter & Gamble Company; 09-03M, Packaging container with surface ornamentation, (US, 25 Jan 2010) 23 Jul 2010	13098/2010
Synthesis Design and Display Pty Ltd; 20-02NES, Display hub, 28 Jul 2010	13218/2010	The Procter & Gamble Company; 09-03NES, Container, (US, 29 Jan 2010) 27 Jul 2010	13178/2010
SEW-EURODRIVE GmbH & Co. KG; 13-01, Electric motor, (DE, 03 Feb 2010) 23 Jul 2010	13079/2010	The Procter & Gamble Company; 09-03M, Packaging container with surface ornamentation, (US, 25 Jan 2010) 23 Jul 2010	13099/2010
SEW-EURODRIVE GmbH & Co. KG; 13-01, Electric motor, (DE, 03 Feb 2010) 23 Jul 2010	13076/2010	The Procter & Gamble Company; 09-03M, Packaging container with surface ornamentation, (US, 25 Jan 2010) 23 Jul 2010	13100/2010
STABILA Messgerate Gustav Ullrich GmbH; 10-04, Spirit level, (EM, 16 Feb 2010) 27 Jul 2010	13125/2010	Transnet NZ Limited; 13-03NES, Cover, 23 Jul 2010	13074/2010
Tangle Teezer Limited; 04-02, Hair brush, (EM, 05 Feb 2010) 27 Jul 2010	13145/2010	Transnet NZ Limited; 10-04, Measuring gauge, 28 Jul 2010	13197/2010
Tangle Teezer Limited; 04-02, Hair brush and cover, (EM, 05 Feb 2010) 27 Jul 2010	13146/2010	Twylight Beach Pty Ltd; 08-09, Metal Louvres, 05 Aug 2010	13352/2010
Taylor, Michael; 12-16K, Surf craft holders/racks to hold surfboards, bodyboards, wave skis, paddle boards, 30 Jul 2010	13253/2010	THF Innovation Pty Ltd; 03-01NES, 22-01, Magazine pouch, 30 Jul 2010	13240/2010
Tech Plas Extrusions Pty Ltd; Coastal Innovations Pty Ltd; 25-01K, 25-01D, Quad (a type of panel joiner used in the building industry), 04 Aug 2010	12996/2010	TNBT Holdings Pty Ltd; 08-07, Roller door lock, 02 Aug 2010	13246/2010
The Australian National University; 21-01M, Puzzle, 03 Aug 2010	13272/2010	TNBT Holdings Pty Ltd; 08-07, Roller door lock, 02 Aug 2010	13247/2010
The Australian National University; 21-01M, Puzzle piece, 03 Aug 2010	13273/2010	TNBT Holdings Pty Ltd; 08-07, Roller door lock, 02 Aug 2010	13248/2010
The Coca-Cola Company; 31-00, Beverage dispenser, (US, 02 Feb 2010) 22 Jul 2010	13068/2010	TNBT Holdings Pty Ltd; 08-07, Roller door lock, 02 Aug 2010	13249/2010
The Coleman Company, Inc.; 13-02, Battery pack, (US, 27 Jan 2010) 26 Jul 2010	13117/2010	UD Trucks Corporation; 26-06, Fornt turn lamp for a truck, (JP, 08 Apr 2010) 27 Jul 2010	13162/2010
The Coleman Company, Inc.; 26-03, Light, (US, 27 Jan 2010) 26 Jul 2010	13118/2010	UD Trucks Corporation; 15-01, Engine cover for a truck, (JP, 08 Apr 2010) 27 Jul 2010	13169/2010
The Coleman Company, Inc.; 26-03, Container light, (US, 27 Jan 2010) 26 Jul 2010	13119/2010	UD Trucks Corporation; 15-01, Engine cover for a truck, (JP, 08 Apr 2010) 27 Jul 2010	13171/2010
The Coleman Company, Inc.; 26-03, Tent light, (US, 27 Jan 2010) 26 Jul 2010	13120/2010	UD Trucks Corporation; 12-16B, Cab for a truck, (JP, 08 Apr 2010) 27 Jul 2010	13165/2010
		UD Trucks Corporation; 06-01D, Driver's seat for a truck, (JP, 08 Apr 2010) 27 Jul 2010	13158/2010
		UD Trucks Corporation; 12-16NES, Instrument panel for a truck, (JP, 08 Apr 2010) 27 Jul 2010	13159/2010

UD Trucks Corporation; 12-16C, Bumper for a truck, (JP, 08 Apr 2010) 27 Jul 2010	13163/2010	Wentworth Furniture Pty Ltd; 06-06H, A chair frame, 05 Aug 2010	13293/2010
V & S Luksusowa Zielona Gora SA; 09-01H, Bottle, (EM, 22 Jan 2010) 22 Jul 2010	13063/2010	White, Paul; White, Isabel; 06-01F, Chair, 27 Jul 2010	13184/2010
Veivers, Bradley Mark; 25-01E, A post anchor, 22 Jul 2010	13054/2010	White, Isabel; White, Paul; 06-01F, Chair, 27 Jul 2010	13184/2010
Veivers, Bradley Mark; 25-01E, A post anchor, 22 Jul 2010	13055/2010	White, Paul; White, Isabel; 20-02C, Kiosk self check adjustable, 27 Jul 2010	13183/2010
Villeroy & Boch AG; 07-01B, Tableware, (EM, 29 Jan 2010) 29 Jul 2010	13225/2010	White, Isabel; White, Paul; 20-02C, Kiosk self check adjustable, 27 Jul 2010	13183/2010
Villeroy & Boch AG; 07-01B, Tableware, (EM, 29 Jan 2010) 29 Jul 2010	13226/2010	Whitworth, Barry Leslie; Fletcher, Melanie Jayne; Whitworth, Damian Morgon; 12-16B, Utility under tray mudguard, 26 Jul 2010	13128/2010
Villeroy & Boch AG; 07-01B, Tableware, (EM, 11 Feb 2010) 29 Jul 2010	13227/2010	Whitworth, Damian Morgon; Fletcher, Melanie Jayne; Whitworth, Barry Leslie; 12-16B, Utility under tray mudguard, 26 Jul 2010	13128/2010
Villeroy & Boch AG; 07-01B, Tableware, (EM, 11 Feb 2010) 29 Jul 2010	13228/2010	Wilton Industries, Inc.; 07-02K, Kettle, (US, 16 Feb 2010) 26 Jul 2010	13112/2010
Villeroy & Boch AG; 07-01B, Tableware, (EM, 11 Feb 2010) 29 Jul 2010	13229/2010	Xon Systems Limited; 21-02F, Chest exercise device, (EM, 16 Feb 2010) 05 Aug 2010	13319/2010
Villeroy & Boch AG; 07-01B, Tableware, (EM, 11 Feb 2010) 29 Jul 2010	13230/2010	X6D Ltd; 16-06, 3D glasses, (US, 04 Feb 2010) 02 Aug 2010	13262/2010
Villeroy & Boch AG; 07-01B, Tableware, (EM, 11 Feb 2010) 29 Jul 2010	13231/2010	Yellow Diva; 08-08M, Splint bracket, 06 Aug 2010	13326/2010
Villeroy & Boch AG; 07-01B, Tableware, (EM, 11 Feb 2010) 29 Jul 2010	13232/2010	Yellow Diva; 26-01, Yellow diva SpiraLite T - light holder, 21 Jul 2010	13135/2010
Villeroy & Boch AG; 07-01B, Tableware, (EM, 11 Feb 2010) 29 Jul 2010	13233/2010	Yellow Diva; 26-05D, FanDeck lampshade, 19 Jul 2010	12999/2010
Visy R & D Pty Ltd; 09-03F, Carton for pizza and like products and blank for forming same, 28 Jul 2010	13206/2010	Zagg Incorporated; 14-03A, A transparent protective cover, (US, 22 Jun 2010) 22 Jul 2010	13028/2010
Vogel's Holding B.V.; 08-08M, Thin series 315, (EM, 26 Jan 2010) 23 Jul 2010	13106/2010	Zhongshan Jia Bao Lu Kitchen & Bathroom Products Co., Ltd; 23-02F, Stainless steel sink, 02 Aug 2010	13250/2010
Waboba AB; 02-06, Sporting glove, (EM, 05 Feb 2010) 03 Aug 2010	13274/2010	Zodiac Pool Systems, Inc.; 23-01NES, Hose cuff, (US, 28 Jan 2010) 23 Jul 2010	13073/2010
Waboba AB; 02-06, Sporting glove, (EM, 05 Feb 2010) 03 Aug 2010	13275/2010		

Applications Withdrawn

10388 / 2010 (02-04A)

10389 / 2010 (02-04A)

Applications Lapsed

10298 / 2010 (11-01NES)	10299 / 2010 (11-01NES)
10300 / 2010 (11-01NES)	10301 / 2010 (11-01NES)
10302 / 2010 (11-01NES)	10303 / 2010 (11-01NES)
10304 / 2010 (11-01NES)	10305 / 2010 (11-01NES)
10306 / 2010 (11-01NES)	10307 / 2010 (11-01NES)
10308 / 2010 (11-01NES)	10323 / 2010 (21-01H)
11265 / 2010 (30-99)	11266 / 2010 (30-99)
11385 / 2010 (21-01B)	11492 / 2010 (09-09)
11493 / 2010 (09-09)	11494 / 2010 (09-09)
11580 / 2010 (09-09)	11588 / 2010 (23-03NES)
11680 / 2010 (06-10)	11805 / 2010 (07-01NES)
11932 / 2010 (06-02)	11998 / 2010 (02-03)
11999 / 2010 (02-03)	12009 / 2010 (21-01C)
12032 / 2010 (15-03A)	12048 / 2010 (26-05C)
12055 / 2010 (30-99)	12056 / 2010 (30-99)
12057 / 2010 (30-99)	12058 / 2010 (30-99)
12059 / 2010 (30-99)	12060 / 2010 (30-99)
12061 / 2010 (30-99)	12063 / 2010 (30-99)
12064 / 2010 (30-99)	12183 / 2010 (02-02C)
12184 / 2010 (02-02C)	12185 / 2010 (02-02C)
12186 / 2010 (02-02C)	12187 / 2010 (02-02C)
12188 / 2010 (02-02C)	12189 / 2010 (02-02C)
12190 / 2010 (02-02C)	12191 / 2010 (02-02C)
12192 / 2010 (02-02C)	12193 / 2010 (99-00)
12197 / 2010 (12-16K)	

Extension of Period of Registration of Designs

302350	302419	303799
303920	304180	304181
304182	304183	304194
304195	304196	304197
304198	304199	304200
304201	304202	304238
304317	304318	304446
304509	304510	304540
304541	304719	304721
304722	304826	304836
304838	304846	304862
304863	304889	304915
304916	304917	304918
304919	304920	304921
304922	304923	304924
304925	304939	304940
304941	304944	304946
304947	304948	304949
305027	305050	305087
305116	305158	305242
305266	305267	305268
305269	305373	305391
305397	305411	305482
305483	305564	305671
305717	305718	305729
305733	305734	305758
305773	305787	305817
305839	305875	305876
305956	305960	305961
305964	305965	305966
305967	305968	306027
306028	306069	306099
306110	306111	306115
306116	306117	306118
306119	306120	306136
306137	306138	306139
306140	306141	306192
306193	306194	306235
306236	306430	306455
306456	306471	306714
306806	306823	306979
307042	307223	307337
307462	307569	307898
309582	309873	310013
310327	310328	314002
317236	317237	317238

Registrations Ceased

300621	302348	302350
302353	302354	302355

302357	302358	302381
302407	302408	302409
302410	302419	302422
302425	302426	302429
302430	302432	302433
302434	302436	302437
302441	302442	302443
302444	302452	302454
302455	302458	302463
302464	302468	302469
302471	302472	302668
302669	302684	302703
302871	302903	302904
302905	302908	303024
303055	303056	303057
303102	303104	303118
303122	303123	303124
303126	303127	303128
303129	303131	303132
303133	303134	303135
303136	303138	303140
303141	303142	303143
303144	303180	303181
303353	303354	303355
303394	303396	303400
303417	303460	303475
303477	304035	304383
304384	304486	304552
304668	304669	304670
304671	304673	304674
304675	304676	304677
304678	304679	304681
304682	304683	304684
304685	304686	304687
304688	304689	304690
304691	304692	304693
304694	304695	304783
304784	304785	304786
304787	304893	305377
305378	305379	305421
305422	305711	315756
325753	327104	327919

Extensions of time granted under Section 137

Applications lodged under section 137 for extension of time have been granted.

316458 **Savant Systems LLC**

327597 **ED Oates Pty Ltd**

14894/2009 **Metlam Australia Pty. Limited**

10476/2010 **The Goldmakers of Australia Pty Ltd**

11102/2010 **Nardia Baskerville**

11182/2010 **Tom Warren**

11265/2010 **Paar Enterprises Pty Ltd**

11266/2010 Paar Enterprises Pty Ltd	311680	(The Performance Products Group Pty Ltd) Auger Carcraft Pty Ltd
11292/2010 SULO MGB Australia Pty Ltd	327037	(JamHub LLC.) BreezSong LLC.
11388/2010 Howard J. Vernals		
11389/2010 Howard J. Vernals		
11580/2010 Risoda Pty Ltd		
11777/2010 PZ Cussons (International) Limited		

Subsequent Owners Registered

(The name in parentheses is that of the subsequent owner)

302835	(SS Inductions Pty Ltd) Bellnet Pty Ltd
306184	(SS Inductions Pty Ltd) Bellnet Pty Ltd
306271	(SS Inductions Pty Ltd) Bellnet Pty Ltd
306272	(SS Inductions Pty Ltd) Bellnet Pty Ltd
308283	(SS Inductions Pty Ltd) Bellnet Pty Ltd
311317	(SS Inductions Pty Ltd) Bellnet Pty Ltd
312678	(SS Inductions Pty Ltd) Bellnet Pty Ltd
314953	(SS Inductions Pty Ltd) Bellnet Pty Ltd
316190	(SS Inductions Pty Ltd) Bellnet Pty Ltd
318979	(SS Inductions Pty Ltd) Bellnet Pty Ltd
318985	(SS Inductions Pty Ltd) Bellnet Pty Ltd
318986	(SS Inductions Pty Ltd) Bellnet Pty Ltd
322694	(SS Inductions Pty Ltd) Bellnet Pty Ltd
322895	(SS Inductions Pty Ltd) Bellnet Pty Ltd
322896	(SS Inductions Pty Ltd) Bellnet Pty Ltd
322897	(SS Inductions Pty Ltd) Bellnet Pty Ltd
323455	(SS Inductions Pty Ltd) Bellnet Pty Ltd
324754	(SS Inductions Pty Ltd) Bellnet Pty Ltd
324755	(SS Inductions Pty Ltd) Bellnet Pty Ltd
300090	(MTD Products Inc) MTD Products Australia Pty Ltd
321468	(MTD Products Inc) MTD Products Australia Pty Ltd
321469	(MTD Products Inc) MTD Products Australia Pty Ltd
321470	(MTD Products Inc) MTD Products Australia Pty Ltd
321471	(MTD Products Inc) MTD Products Australia Pty Ltd
321617	(MTD Products Inc) MTD Products Australia Pty Ltd
321618	(MTD Products Inc) MTD Products Australia Pty Ltd
321619	(MTD Products Inc) MTD Products Australia Pty Ltd
323575	(MTD Products Inc) MTD Products Australia Pty Ltd
326865	(Foster's Australia Limited) Foster's Group Limited
326895	(Foster's Australia Limited) Foster's Group Limited
328108	(Allen Young) Exform Industries Pty

Names Registered - Alterations and Amendments

(The name in parentheses is that of the subsequent applicant)

305843	(BROPAK PTY LTD) Accurate Cleaning and Maintenance Services Pty Ltd
306168	(The Performance Products Group Pty Ltd) Auger Carcraft Pty Ltd

Corrigenda

Number 302253

In Vol 24 , No 11 , page 1098 under the heading **Registrations Ceased**; This entry is to be deleted.

Certificate(s) of Examination

Examination of the following Design Registration(s) has been completed. Infringement proceedings may now be commenced.

319000	07-01G	09/08/2010
324046	26-03	09/08/2010
326532	21-01F	28/07/2010
327458	10-02	10/08/2010
327459	10-02	10/08/2010
328515	26-06	19/07/2010
329774	08-08D	09/08/2010
329797	22-05	30/07/2010
330186	12-16NES	30/07/2010
330187	12-16NES	30/07/2010
330188	15-04	09/08/2010
330374	09-03NES	05/08/2010
330375	09-03NES	05/08/2010
330425	02-02B	30/07/2010
330545	15-03B	10/08/2010
330552	07-06NES	30/07/2010
330655	15-03B	10/08/2010
330680	15-03B	10/08/2010
330855	06-04B	10/08/2010
330856	06-04B	10/08/2010
331358	02-03	09/08/2010
331461	21-01F	28/07/2010

Publication and Registration Proceedings

Designs Registered

This section provides a concordance between design number and registration number of Designs covered in this journal. It also shows the main class and registration date.

This section covers Registration numbers 331845 to 332179 .

The registration number shown below should be used in all future correspondence.

Design Number	Registration Number	International Classification Code (IDC)	Registration Date	Design Number	Registration Number	International Classification Code (IDC)	Registration Date
14462/2009	331892	25-02C	26/07/2010	12088/2010	332045	23-02B	04/08/2010
14463/2009	331891	25-01K	26/07/2010	12126/2010	332046	09-01K	04/08/2010
14723/2009	332108	12-05	06/08/2010	12141/2010	331897	12-06A	27/07/2010
14765/2009	332138	31-00	09/08/2010	12149/2010	332131	13-02	09/08/2010
14861/2009	332139	15-03B	09/08/2010	12150/2010	332132	08-08L	09/08/2010
14894/2009	332069	08-07	04/08/2010	12165/2010	332086	09-07C	04/08/2010
10003/2010	331965	08-05L	29/07/2010	12166/2010	331846	09-01C	22/07/2010
10117/2010	332140	06-01D	09/08/2010	12217/2010	332047	11-01A	04/08/2010
10118/2010	332141	06-01D	09/08/2010	12224/2010	331898	25-03	27/07/2010
10119/2010	332142	06-01D	09/08/2010	12239/2010	332144	28-03A	09/08/2010
10325/2010	332070	08-07	04/08/2010	12246/2010	331847	08-08K	22/07/2010
10476/2010	332027	09-01G	03/08/2010	12247/2010	331848	08-06	22/07/2010
10986/2010	332143	28-03A	09/08/2010	12248/2010	331849	08-08M	22/07/2010
11004/2010	332009	25-04	03/08/2010	12249/2010	331850	08-08K	22/07/2010
11035/2010	332066	02-02C	03/08/2010	12250/2010	331851	08-08K	22/07/2010
11040/2010	332010	09-01NES	03/08/2010	12251/2010	331852	08-08K	22/07/2010
11041/2010	332011	09-01NES	03/08/2010	12270/2010	332048	11-05	04/08/2010
11071/2010	331966	06-04NES	29/07/2010	12306/2010	331853	11-02B	22/07/2010
11072/2010	331967	06-04NES	29/07/2010	12313/2010	332072	08-05NES	04/08/2010
11073/2010	332125	09-07NES	09/08/2010	12323/2010	332133	23-01F	09/08/2010
11093/2010	332071	09-07NES	04/08/2010	12339/2010	332160	12-05	10/08/2010
11102/2010	332084	02-02B	04/08/2010	12346/2010	331899	08-05F	27/07/2010
11292/2010	332012	09-09	03/08/2010	12354/2010	332013	07-06B	03/08/2010
11380/2010	332126	02-02C	09/08/2010	12355/2010	332161	26-03	10/08/2010
11484/2010	332043	05-06NES	04/08/2010	12356/2010	332163	26-03	10/08/2010
11580/2010	332029	09-09	03/08/2010	12357/2010	332164	26-03	10/08/2010
11593/2010	331930	08-08B	27/07/2010	12386/2010	331968	25-01D	29/07/2010
11603/2010	332130	08-08C	09/08/2010	12397/2010	331854	07-04	22/07/2010
11637/2010	331873	06-01E	23/07/2010	12405/2010	332162	06-03C	10/08/2010
11663/2010	331983	02-03	03/08/2010	12419/2010	331855	14-03NES	22/07/2010
11681/2010	331984	16-05	03/08/2010	12423/2010	331900	08-08H	27/07/2010
11777/2010	332100	09-01K	06/08/2010	12424/2010	331901	08-08H	27/07/2010
11798/2010	331931	19-06	27/07/2010	12432/2010	332087	08-08D	04/08/2010
11799/2010	331932	19-06	27/07/2010	12475/2010	331875	24-04	23/07/2010
11800/2010	331933	19-06	27/07/2010	12501/2010	331999	09-09	30/07/2010
11801/2010	331934	19-06	27/07/2010	12533/2010	332073	10-06	04/08/2010
11806/2010	331935	07-01NES	27/07/2010	12541/2010	332074	24-02	04/08/2010
11844/2010	332085	08-07	04/08/2010	12542/2010	332075	24-02	04/08/2010
11863/2010	331926	31-00	27/07/2010	12543/2010	332076	24-02	04/08/2010
11886/2010	331954	23-01NES	28/07/2010	12544/2010	332077	24-02	04/08/2010
11887/2010	331955	23-01NES	28/07/2010	12545/2010	332034	09-03NES	03/08/2010
11890/2010	331845	07-01C	22/07/2010	12546/2010	332035	09-03NES	03/08/2010
11901/2010	332098	06-03B	06/08/2010	12558/2010	332049	08-08NES	04/08/2010
11956/2010	332030	09-03M	03/08/2010	12563/2010	332050	09-07B	04/08/2010
11957/2010	332031	09-03M	03/08/2010	12565/2010	332051	01-06	04/08/2010
11969/2010	332032	12-16NES	03/08/2010	12568/2010	332052	02-04B	04/08/2010
11983/2010	331896	14-01	27/07/2010	12584/2010	332014	16-06	03/08/2010
11995/2010	332124	12-16NES	09/08/2010	12585/2010	331856	08-07	22/07/2010
12008/2010	332033	12-16NES	03/08/2010	12586/2010	331857	08-07	22/07/2010
12062/2010	331997	30-99	30/07/2010	12587/2010	331876	09-01G	23/07/2010
12065/2010	331998	30-99	30/07/2010	12588/2010	331858	06-01E	22/07/2010
12067/2010	332001	23-04	02/08/2010	12594/2010	331859	30-99	22/07/2010
12084/2010	332044	23-02B	04/08/2010	12595/2010	331860	30-04	22/07/2010

Publication and Registration Proceedings - Designs Registered cont'd

Design Number	Registration Number	International Classification Code (IDC)	Registration Date	Design Number	Registration Number	International Classification Code (IDC)	Registration Date
12596/2010	331861	06-01F	22/07/2010	12706/2010	331921	09-01K	27/07/2010
12597/2010	331862	24-01	22/07/2010	12707/2010	332099	08-08G	06/08/2010
12606/2010	331863	14-03E	22/07/2010	12710/2010	331973	07-06A	29/07/2010
12607/2010	331864	12-15A	22/07/2010	12711/2010	331922	18-02	27/07/2010
12608/2010	331865	03-03	22/07/2010	12712/2010	331923	06-08	27/07/2010
12610/2010	331866	08-01	22/07/2010	12713/2010	331924	08-08H	27/07/2010
12612/2010	331867	23-04	22/07/2010	12714/2010	331925	23-03NES	27/07/2010
12626/2010	331887	14-02	26/07/2010	12715/2010	332017	23-02B	03/08/2010
12627/2010	331888	14-02	26/07/2010	12716/2010	332018	07-07B	03/08/2010
12628/2010	331889	07-06D	26/07/2010	12717/2010	331936	25-01A	27/07/2010
12636/2010	332053	25-02K	04/08/2010	12718/2010	331937	25-01B	27/07/2010
12637/2010	331902	08-08NES	27/07/2010	12719/2010	331938	25-01B	27/07/2010
12638/2010	331890	23-04	26/07/2010	12720/2010	331939	25-01B	27/07/2010
12639/2010	331893	23-04	26/07/2010	12721/2010	332019	02-02C	03/08/2010
12647/2010	331894	02-01B	26/07/2010	12724/2010	332165	06-04NES	10/08/2010
12648/2010	331895	25-01K	26/07/2010	12726/2010	331974	12-12	29/07/2010
12650/2010	331969	08-08B	29/07/2010	12727/2010	331940	10-02	27/07/2010
12651/2010	331943	12-11	28/07/2010	12728/2010	331941	14-01	27/07/2010
12652/2010	331944	12-11	28/07/2010	12729/2010	331942	14-01	27/07/2010
12653/2010	331945	11-01A	28/07/2010	12735/2010	331985	20-03C	03/08/2010
12654/2010	331946	24-04	28/07/2010	12736/2010	331986	09-01B	03/08/2010
12655/2010	331947	24-04	28/07/2010	12738/2010	331987	26-05C	03/08/2010
12657/2010	331948	25-02C	28/07/2010	12741/2010	331988	11-02B	03/08/2010
12658/2010	331949	28-01	28/07/2010	12742/2010	331989	07-01NES	03/08/2010
12659/2010	331950	09-05	28/07/2010	12743/2010	331990	07-01NES	03/08/2010
12660/2010	331951	12-16K	28/07/2010	12744/2010	331991	07-01NES	03/08/2010
12661/2010	331952	12-16K	28/07/2010	12745/2010	331956	07-01NES	28/07/2010
12662/2010	331953	12-16K	28/07/2010	12746/2010	331957	07-01NES	28/07/2010
12665/2010	331903	12-12	27/07/2010	12747/2010	331958	07-01NES	28/07/2010
12666/2010	331904	12-12	27/07/2010	12748/2010	331959	23-01H	28/07/2010
12667/2010	331905	12-12	27/07/2010	12749/2010	331960	23-01H	28/07/2010
12668/2010	331906	12-12	27/07/2010	12750/2010	331961	23-01H	28/07/2010
12669/2010	331907	12-12	27/07/2010	12751/2010	331962	23-01H	28/07/2010
12670/2010	331908	12-12	27/07/2010	12752/2010	331963	14-03NES	28/07/2010
12674/2010	331909	07-05D	27/07/2010	12753/2010	331964	14-03NES	28/07/2010
12676/2010	331970	06-06H	29/07/2010	12755/2010	331975	14-03B	29/07/2010
12677/2010	331971	06-06H	29/07/2010	12756/2010	331976	11-02E	29/07/2010
12681/2010	331878	23-04	23/07/2010	12762/2010	331977	21-02C	29/07/2010
12682/2010	331879	06-01G	23/07/2010	12763/2010	331978	21-02C	29/07/2010
12683/2010	331880	06-06E	23/07/2010	12764/2010	331979	21-02C	29/07/2010
12684/2010	331972	06-06E	29/07/2010	12765/2010	331980	21-02C	29/07/2010
12685/2010	331881	06-01G	23/07/2010	12766/2010	331981	21-02C	29/07/2010
12686/2010	331882	06-01G	23/07/2010	12767/2010	331982	21-02C	29/07/2010
12687/2010	331883	03-01NES	23/07/2010	12768/2010	332054	23-04	04/08/2010
12689/2010	331884	07-04	23/07/2010	12769/2010	332055	09-01G	04/08/2010
12690/2010	331885	07-99A	23/07/2010	12770/2010	332056	24-04	04/08/2010
12691/2010	331886	07-99A	23/07/2010	12771/2010	331868	15-01	22/07/2010
12693/2010	331910	21-01B	27/07/2010	12772/2010	331869	15-01	22/07/2010
12694/2010	331911	21-01B	27/07/2010	12773/2010	331870	15-01	22/07/2010
12695/2010	331912	21-01B	27/07/2010	12774/2010	331992	25-01A	30/07/2010
12696/2010	331913	21-01B	27/07/2010	12775/2010	331993	25-01A	30/07/2010
12697/2010	331914	21-01B	27/07/2010	12776/2010	331994	25-02K	30/07/2010
12698/2010	331915	21-01B	27/07/2010	12777/2010	331995	07-02B	30/07/2010
12699/2010	331916	21-01B	27/07/2010	12778/2010	331996	13-03D	30/07/2010
12700/2010	331917	21-01B	27/07/2010	12779/2010	332020	25-01K	03/08/2010
12701/2010	331918	21-01B	27/07/2010	12780/2010	332021	25-01K	03/08/2010
12702/2010	331919	21-01B	27/07/2010	12781/2010	332022	25-01K	03/08/2010
12704/2010	331920	06-01F	27/07/2010	12782/2010	332023	13-03NES	03/08/2010

Publication and Registration Proceedings - Designs Registered cont'd

Design Number	Registration Number	International Classification Code (IDC)	Registration Date	Design Number	Registration Number	International Classification Code (IDC)	Registration Date
12783/2010	332024	10-05	03/08/2010	12901/2010	332117	15-03A	06/08/2010
12784/2010	332025	10-05	03/08/2010	12902/2010	332118	15-03A	06/08/2010
12785/2010	332101	07-02N	06/08/2010	12904/2010	332119	12-08	06/08/2010
12786/2010	332000	26-03	30/07/2010	12905/2010	332120	08-05P	06/08/2010
12799/2010	331871	25-01B	22/07/2010	12909/2010	332080	02-03	04/08/2010
12800/2010	332026	09-05	03/08/2010	12910/2010	332081	02-03	04/08/2010
12802/2010	332002	08-07	02/08/2010	12911/2010	332121	09-03NES	06/08/2010
12804/2010	332003	12-11	02/08/2010	12912/2010	332122	09-03NES	06/08/2010
12805/2010	332004	06-01D	02/08/2010	12914/2010	332123	08-03	06/08/2010
12806/2010	332005	25-01B	02/08/2010	12921/2010	332102	28-03B	06/08/2010
12807/2010	332006	06-01D	02/08/2010	12922/2010	332103	09-03K	06/08/2010
12808/2010	332007	06-01D	02/08/2010	12923/2010	332104	08-08C	06/08/2010
12809/2010	332008	24-02	02/08/2010	12925/2010	332105	12-16K	06/08/2010
12810/2010	331877	14-02	23/07/2010	12927/2010	332106	08-03	06/08/2010
12813/2010	332036	19-04	03/08/2010	12928/2010	331872	14-01	22/07/2010
12814/2010	332037	19-04	03/08/2010	12929/2010	332107	07-01NES	06/08/2010
12816/2010	332038	25-01K	03/08/2010	12930/2010	332134	08-08L	09/08/2010
12817/2010	332039	25-01K	03/08/2010	12935/2010	332135	06-01E	09/08/2010
12823/2010	332057	06-11	04/08/2010	12937/2010	332145	25-02NES	11/08/2010
12824/2010	332058	06-11	04/08/2010	12938/2010	332146	04-01	11/08/2010
12825/2010	332059	06-11	04/08/2010	12939/2010	332147	07-01B	11/08/2010
12826/2010	332060	06-11	04/08/2010	12940/2010	332148	14-01	11/08/2010
12827/2010	332061	06-11	04/08/2010	12941/2010	332149	14-01	11/08/2010
12828/2010	332062	06-11	04/08/2010	12943/2010	332150	25-02NES	11/08/2010
12829/2010	332063	06-11	04/08/2010	12947/2010	332151	11-02B	11/08/2010
12830/2010	332064	06-11	04/08/2010	12952/2010	332152	07-07A	11/08/2010
12831/2010	332065	06-11	04/08/2010	12953/2010	332153	02-02NES	11/08/2010
12832/2010	332089	06-11	04/08/2010	12954/2010	332154	06-02	11/08/2010
12833/2010	332088	06-11	04/08/2010	12955/2010	332155	06-02	11/08/2010
12834/2010	332090	06-11	04/08/2010	12958/2010	332136	08-03	09/08/2010
12835/2010	332091	06-11	04/08/2010	12959/2010	332156	08-03	11/08/2010
12848/2010	332078	08-05A	04/08/2010	12960/2010	332137	08-03	09/08/2010
12850/2010	332079	03-01D	04/08/2010	12961/2010	332082	11-99	04/08/2010
12853/2010	332028	08-08NES	03/08/2010	12962/2010	332083	02-03	04/08/2010
12854/2010	332166	07-02N	10/08/2010	12975/2010	332157	02-04A	11/08/2010
12855/2010	332167	13-03C	10/08/2010	12977/2010	332158	02-02C	11/08/2010
12856/2010	332168	13-03C	10/08/2010	12978/2010	332174	03-01A	11/08/2010
12857/2010	332169	09-05	10/08/2010	12981/2010	332175	06-11	11/08/2010
12858/2010	332170	09-05	10/08/2010	12992/2010	332176	09-07B	11/08/2010
12859/2010	332171	09-05	10/08/2010	12993/2010	332177	21-02C	11/08/2010
12860/2010	332172	21-01A	10/08/2010	12994/2010	332178	21-02C	11/08/2010
12862/2010	332109	02-01A	06/08/2010	12995/2010	332179	21-02C	11/08/2010
12863/2010	332110	07-02H	06/08/2010	13015/2010	331874	06-01F	23/07/2010
12864/2010	332111	07-02E	06/08/2010	13064/2010	331927	31-00	27/07/2010
12865/2010	332112	07-02E	06/08/2010	13065/2010	331928	31-00	27/07/2010
12866/2010	332040	25-01K	03/08/2010	13066/2010	331929	31-00	27/07/2010
12867/2010	332041	25-01K	03/08/2010	13152/2010	332159	23-01H	11/08/2010
12868/2010	332042	25-01K	03/08/2010	13194/2010	332173	03-01B	10/08/2010
12870/2010	332092	07-02P	05/08/2010	13208/2010	332015	16-06	03/08/2010
12871/2010	332093	07-02P	05/08/2010	13209/2010	332016	16-06	03/08/2010
12872/2010	332094	07-02P	05/08/2010	13221/2010	332127	02-02NES	09/08/2010
12873/2010	332095	07-02P	05/08/2010	13222/2010	332128	02-02NES	09/08/2010
12874/2010	332096	25-01C	05/08/2010	13223/2010	332129	02-02NES	09/08/2010
12876/2010	332097	12-08	05/08/2010	13254/2010	332067	02-02NES	03/08/2010
12882/2010	332113	09-02NES	06/08/2010	13255/2010	332068	02-02C	03/08/2010
12883/2010	332114	09-02NES	06/08/2010				
12884/2010	332115	06-06C	06/08/2010				
12890/2010	332116	26-02	06/08/2010				

Publication and Registration Proceedings - Designs Registered cont'd

Publication and Registration Proceedings
Class Listing of Designs Published or Registered

The following section shows an International Classification Code listing of the Registered or Published Designs covered in this supplement.

Classification	Registration Number	Design Number	Classification	Registration Number	Design Number
01-06	332051	12565/2010	06-06 E	331972	12684/2010
02-01 A	332109	12862/2010	06-06 G	331880	12683/2010
02-01 B	331894	12647/2010	06-06 G	331972	12684/2010
02-02 B	332084	11102/2010	06-06 H	331970	12676/2010
02-02 C	332019	12721/2010	06-06 H	331971	12677/2010
02-02 C	332066	11035/2010	06-08	331923	12712/2010
02-02 C	332068	13255/2010	06-11	332057	12823/2010
02-02 C	332126	11380/2010	06-11	332058	12824/2010
02-02 C	332158	12977/2010	06-11	332059	12825/2010
02-02 NES	332067	13254/2010	06-11	332060	12826/2010
02-02 NES	332126	11380/2010	06-11	332061	12827/2010
02-02 NES	332127	13221/2010	06-11	332062	12828/2010
02-02 NES	332128	13222/2010	06-11	332063	12829/2010
02-02 NES	332129	13223/2010	06-11	332064	12830/2010
02-02 NES	332153	12953/2010	06-11	332065	12831/2010
02-03	331983	11663/2010	06-11	332088	12833/2010
02-03	332073	12533/2010	06-11	332089	12832/2010
02-03	332080	12909/2010	06-11	332090	12834/2010
02-03	332081	12910/2010	06-11	332091	12835/2010
02-03	332082	12961/2010	06-11	332175	12981/2010
02-03	332083	12962/2010	07-01 B	332147	12939/2010
02-04 A	332157	12975/2010	07-01 C	331845	11890/2010
02-04 B	332052	12568/2010	07-01 NES	331935	11806/2010
03-01 A	332174	12978/2010	07-01 NES	331956	12745/2010
03-01 B	332173	13194/2010	07-01 NES	331957	12746/2010
03-01 D	332079	12850/2010	07-01 NES	331958	12747/2010
03-01 NES	331883	12687/2010	07-01 NES	331989	12742/2010
03-03	331865	12608/2010	07-01 NES	331990	12743/2010
04-01	332146	12938/2010	07-01 NES	331991	12744/2010
05-06 NES	332043	11484/2010	07-01 NES	332107	12929/2010
06-01 D	332004	12805/2010	07-02 B	331995	12777/2010
06-01 D	332006	12807/2010	07-02 E	332111	12864/2010
06-01 D	332007	12808/2010	07-02 E	332112	12865/2010
06-01 D	332140	10117/2010	07-02 H	332110	12863/2010
06-01 D	332141	10118/2010	07-02 N	332101	12785/2010
06-01 D	332142	10119/2010	07-02 N	332166	12854/2010
06-01 E	331858	12588/2010	07-02 P	332092	12870/2010
06-01 E	331873	11637/2010	07-02 P	332093	12871/2010
06-01 E	332135	12935/2010	07-02 P	332094	12872/2010
06-01 F	331861	12596/2010	07-02 P	332095	12873/2010
06-01 F	331874	13015/2010	07-04	331854	12397/2010
06-01 F	331920	12704/2010	07-04	331884	12689/2010
06-01 G	331879	12682/2010	07-05 D	331909	12674/2010
06-01 G	331881	12685/2010	07-06 A	331973	12710/2010
06-01 G	331882	12686/2010	07-06 B	332013	12354/2010
06-02	332154	12954/2010	07-06 D	331889	12628/2010
06-02	332155	12955/2010	07-07 A	332152	12952/2010
06-03 B	331873	11637/2010	07-07 B	332018	12716/2010
06-03 B	332098	11901/2010	07-99 A	331885	12690/2010
06-03 C	332162	12405/2010	07-99 A	331886	12691/2010
06-04 NES	331966	11071/2010	08-01	331866	12610/2010
06-04 NES	331967	11072/2010	08-01	331902	12637/2010
06-04 NES	332121	12911/2010	08-03	332106	12927/2010
06-04 NES	332165	12724/2010	08-03	332123	12914/2010
06-06 C	332115	12884/2010	08-03	332136	12958/2010
06-06 E	331880	12683/2010	08-03	332137	12960/2010

Registration Proceedings - Class Listing of Designs Published or Registered cont'd

Classification	Registration Number	Design Number	Classification	Registration Number	Design Number
08-03	332156	12959/2010	09-05	332169	12857/2010
08-05 A	332078	12848/2010	09-05	332170	12858/2010
08-05 F	331899	12346/2010	09-05	332171	12859/2010
08-05 L	331965	10003/2010	09-07 B	332050	12563/2010
08-05 NES	332072	12313/2010	09-07 B	332176	12992/2010
08-05 P	332120	12905/2010	09-07 C	332086	12165/2010
08-06	331848	12247/2010	09-07 NES	332071	11093/2010
08-06	331849	12248/2010	09-07 NES	332125	11073/2010
08-07	331856	12585/2010	09-09	331999	12501/2010
08-07	331857	12586/2010	09-09	332012	11292/2010
08-07	332002	12802/2010	09-09	332029	11580/2010
08-07	332069	14894/2009	10-02	331940	12727/2010
08-07	332070	10325/2010	10-05	332024	12783/2010
08-07	332085	11844/2010	10-05	332025	12784/2010
08-08 B	331930	11593/2010	10-06	332073	12533/2010
08-08 B	331969	12650/2010	11-01 A	331945	12653/2010
08-08 C	331931	11798/2010	11-01 A	332047	12217/2010
08-08 C	331932	11799/2010	11-02 B	331853	12306/2010
08-08 C	332104	12923/2010	11-02 B	331988	12741/2010
08-08 C	332130	11603/2010	11-02 B	332151	12947/2010
08-08 D	332087	12432/2010	11-02 E	331976	12756/2010
08-08 G	332099	12707/2010	11-05	332048	12270/2010
08-08 H	331900	12423/2010	11-99	332082	12961/2010
08-08 H	331901	12424/2010	11-99	332083	12962/2010
08-08 H	331924	12713/2010	12-05	332108	14723/2009
08-08 K	331847	12246/2010	12-05	332160	12339/2010
08-08 K	331850	12249/2010	12-06 A	331897	12141/2010
08-08 K	331851	12250/2010	12-06 NES	332108	14723/2009
08-08 K	331852	12251/2010	12-08	332097	12876/2010
08-08 L	331967	11072/2010	12-08	332119	12904/2010
08-08 L	332132	12150/2010	12-11	331943	12651/2010
08-08 L	332134	12930/2010	12-11	331944	12652/2010
08-08 M	331849	12248/2010	12-11	332003	12804/2010
08-08 NES	331902	12637/2010	12-12	331903	12665/2010
08-08 NES	331994	12776/2010	12-12	331904	12666/2010
08-08 NES	332028	12853/2010	12-12	331905	12667/2010
08-08 NES	332049	12558/2010	12-12	331906	12668/2010
09-01 B	331986	12736/2010	12-12	331907	12669/2010
09-01 B	332071	11093/2010	12-12	331908	12670/2010
09-01 C	331846	12166/2010	12-12	331974	12726/2010
09-01 G	331876	12587/2010	12-15 A	331864	12607/2010
09-01 G	332027	10476/2010	12-16 K	331951	12660/2010
09-01 G	332055	12769/2010	12-16 K	331952	12661/2010
09-01 K	331921	12706/2010	12-16 K	331953	12662/2010
09-01 K	332046	12126/2010	12-16 K	332105	12925/2010
09-01 K	332100	11777/2010	12-16 NES	332032	11969/2010
09-01 NES	332010	11040/2010	12-16 NES	332033	12008/2010
09-01 NES	332011	11041/2010	12-16 NES	332124	11995/2010
09-02 NES	332113	12882/2010	13-02	332131	12149/2010
09-02 NES	332114	12883/2010	13-03 C	332167	12855/2010
09-03 K	332103	12922/2010	13-03 C	332168	12856/2010
09-03 M	332030	11956/2010	13-03 D	331996	12778/2010
09-03 M	332031	11957/2010	13-03 NES	332023	12782/2010
09-03 NES	332034	12545/2010	14-01	331855	12419/2010
09-03 NES	332035	12546/2010	14-01	331872	12928/2010
09-03 NES	332121	12911/2010	14-01	331896	11983/2010
09-03 NES	332122	12912/2010	14-01	331941	12728/2010
09-05	331950	12659/2010	14-01	331942	12729/2010
09-05	332026	12800/2010	14-01	332148	12940/2010

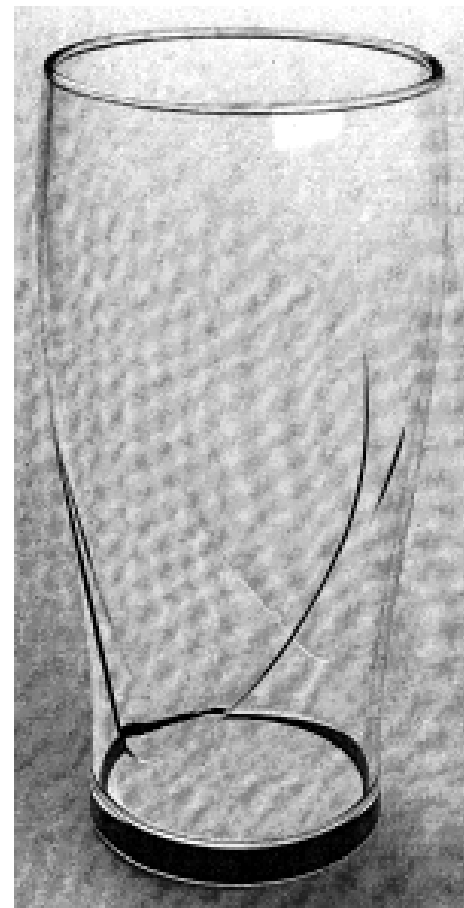
Registration Proceedings - Class Listing of Designs Published or Registered cont'd

Classification	Registration Number	Design Number	Classification	Registration Number	Design Number
14-01	332149	12941/2010	23-01 NES	331954	11886/2010
14-02	331877	12810/2010	23-01 NES	331955	11887/2010
14-02	331887	12626/2010	23-02 B	332017	12715/2010
14-02	331888	12627/2010	23-02 B	332044	12084/2010
14-03 B	331975	12755/2010	23-02 B	332045	12088/2010
14-03 E	331863	12606/2010	23-03 NES	331925	12714/2010
14-03 NES	331855	12419/2010	23-04	331867	12612/2010
14-03 NES	331872	12928/2010	23-04	331878	12681/2010
14-03 NES	331963	12752/2010	23-04	331890	12638/2010
14-03 NES	331964	12753/2010	23-04	331893	12639/2010
15-01	331868	12771/2010	23-04	331963	12752/2010
15-01	331869	12772/2010	23-04	331964	12753/2010
15-01	331870	12773/2010	23-04	332001	12067/2010
15-03 A	332117	12901/2010	23-04	332054	12768/2010
15-03 A	332118	12902/2010	24-01	331862	12597/2010
15-03 B	332139	14861/2009	24-02	332008	12809/2010
15-09	332071	11093/2010	24-02	332074	12541/2010
16-05	331984	11681/2010	24-02	332075	12542/2010
16-06	332014	12584/2010	24-02	332076	12543/2010
16-06	332015	13208/2010	24-02	332077	12544/2010
16-06	332016	13209/2010	24-03	331983	11663/2010
16-99	331984	11681/2010	24-04	331875	12475/2010
18-02	331922	12711/2010	24-04	331946	12654/2010
19-04	332036	12813/2010	24-04	331947	12655/2010
19-04	332037	12814/2010	24-04	332056	12770/2010
19-06	331931	11798/2010	24-99	331983	11663/2010
19-06	331932	11799/2010	24-99	332153	12953/2010
19-06	331933	11800/2010	25-01 A	331936	12717/2010
19-06	331934	11801/2010	25-01 A	331992	12774/2010
20-03 C	331985	12735/2010	25-01 A	331993	12775/2010
21-01 A	332172	12860/2010	25-01 B	331871	12799/2010
21-01 B	331910	12693/2010	25-01 B	331937	12718/2010
21-01 B	331911	12694/2010	25-01 B	331938	12719/2010
21-01 B	331912	12695/2010	25-01 B	331939	12720/2010
21-01 B	331913	12696/2010	25-01 B	332005	12806/2010
21-01 B	331914	12697/2010	25-01 C	332096	12874/2010
21-01 B	331915	12698/2010	25-01 D	331968	12386/2010
21-01 B	331916	12699/2010	25-01 K	331891	14463/2009
21-01 B	331917	12700/2010	25-01 K	331895	12648/2010
21-01 B	331918	12701/2010	25-01 K	332020	12779/2010
21-01 B	331919	12702/2010	25-01 K	332021	12780/2010
21-01 C	332097	12876/2010	25-01 K	332022	12781/2010
21-02 C	331977	12762/2010	25-01 K	332038	12816/2010
21-02 C	331978	12763/2010	25-01 K	332039	12817/2010
21-02 C	331979	12764/2010	25-01 K	332040	12866/2010
21-02 C	331980	12765/2010	25-01 K	332041	12867/2010
21-02 C	331981	12766/2010	25-01 K	332042	12868/2010
21-02 C	331982	12767/2010	25-02 A	331871	12799/2010
21-02 C	332177	12993/2010	25-02 B	332020	12779/2010
21-02 C	332178	12994/2010	25-02 B	332021	12780/2010
21-02 C	332179	12995/2010	25-02 B	332022	12781/2010
23-01 B	331954	11886/2010	25-02 C	331892	14462/2009
23-01 B	331955	11887/2010	25-02 C	331948	12657/2010
23-01 F	332133	12323/2010	25-02 K	331994	12776/2010
23-01 H	331959	12748/2010	25-02 K	332053	12636/2010
23-01 H	331960	12749/2010	25-02 NES	332145	12937/2010
23-01 H	331961	12750/2010	25-02 NES	332150	12943/2010
23-01 H	331962	12751/2010	25-03	331898	12224/2010
23-01 H	332159	13152/2010	25-04	332009	11004/2010

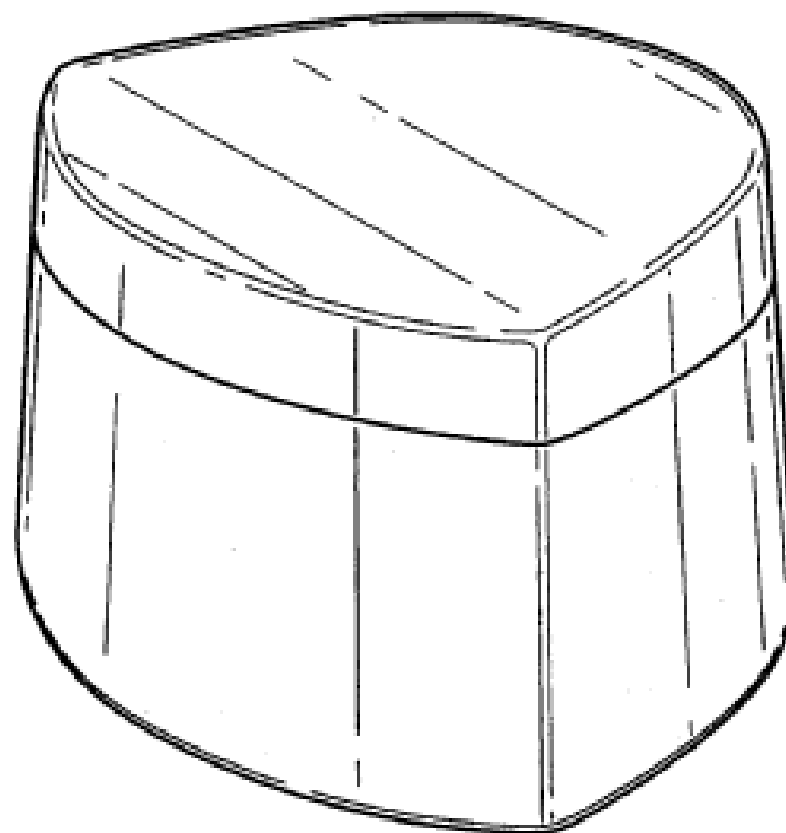
Registration Proceedings - Class Listing of Designs Published or Registered cont'd

Classification	Registration Number	Design Number	Classification	Registration Number	Design Number
25-99	332009	11004/2010	28-03 D	332144	12239/2010
26-02	332116	12890/2010	29-02	332028	12853/2010
26-03	332000	12786/2010	30-04	331860	12595/2010
26-03	332161	12355/2010	30-99	331859	12594/2010
26-03	332163	12356/2010	30-99	331997	12062/2010
26-03	332164	12357/2010	30-99	331998	12065/2010
26-05 C	331987	12738/2010	31-00	331926	11863/2010
26-99	332120	12905/2010	31-00	331927	13064/2010
28-01	331949	12658/2010	31-00	331928	13065/2010
28-03 A	332143	10986/2010	31-00	331929	13066/2010
28-03 A	332144	12239/2010	31-00	332138	14765/2009
28-03 B	332102	12921/2010			
28-03 D	332143	10986/2010			

(21) Design Number: **11890/2010**
(22) Date of Filing Application: **13 May 2010**
(24) Date from which industrial property rights may have effect: **13 May 2010**
(54) Product in respect of which the design is registered: **Drinking vessels**
(51) International Design Classification: **07-01C**
(71) Name(s) and Address(s) of Applicant(s):
Diageo Ireland
St. James's Gate Dublin 8 Ireland
(72) Name(s) of Designer(s): **Peter Hayes**
(45) Registration Date: **22 July 2010**
(30) Convention priority data:
(31) Number (32) Date (33) Country
001668708 11 Feb 2010 EUROPEAN COMMUNITY
(56) Related Art Documents: **Not Applicable**
(57) Statement of Newness and Distinctiveness: **Nil**



(21) Design Number: **12166/2010**
(22) Date of Filing Application: **28 May 2010**
(24) Date from which industrial property rights may have effect: **28 May 2010**
(54) Product in respect of which the design is registered: **Jar**
(51) International Design Classification: **09-01C**
(71) Name(s) and Address(s) of Applicant(s):
Unilever PLC
Unilever House 100 Victoria Embankment London EC4Y 0DY United Kingdom
(72) Name(s) of Designer(s): **Timothy Hope Jebb and Benjamin James Lambert and Philip Alan Marlow and Benjamin Phalan Oates**
(45) Registration Date: **22 July 2010**
(30) Convention priority data:
(31) Number (32) Date (33) Country
4013754 14 Dec 2009 UNITED KINGDOM
(56) Related Art Documents: **Not Applicable**
(57) Statement of Newness and Distinctiveness: **Newness and distinctiveness is claimed in the visual features shown in solid lines in the representations.**



(21) Design Number: **12246/2010**

(22) Date of Filing Application: **31 May 2010**

(24) Date from which industrial property rights may have effect: **31 May 2010**

(54) Product in respect of which the design is registered: **Fence rail support bracket**

(51) International Design Classification: **08-08K**

(71) Name(s) and Address(s) of Applicant(s):

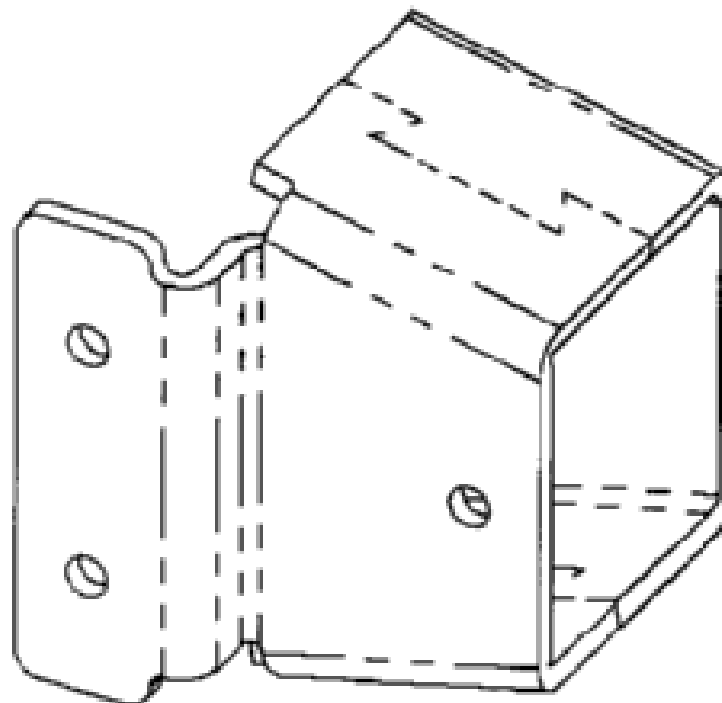
Bluedog Fences Australia Pty Ltd
Unit 3/119 Wicks Road North Ryde New South Wales 2113 Australia

(72) Name(s) of Designer(s): **James D.F. West**

(45) Registration Date: **22 July 2010**

(56) Related Art Documents: **Not Applicable**

(57) Statement of Newness and Distinctiveness: **Monopoly is claimed in the features of shape and configuration of a fence rail support bracket as shown in the representations.**



(21) Design Number: **12247/2010**

(22) Date of Filing Application: **31 May 2010**

(24) Date from which industrial property rights may have effect: **31 May 2010**

(54) Product in respect of which the design is registered: **Gate hinge spigot**

(51) International Design Classification: **08-06**

(71) Name(s) and Address(s) of Applicant(s):

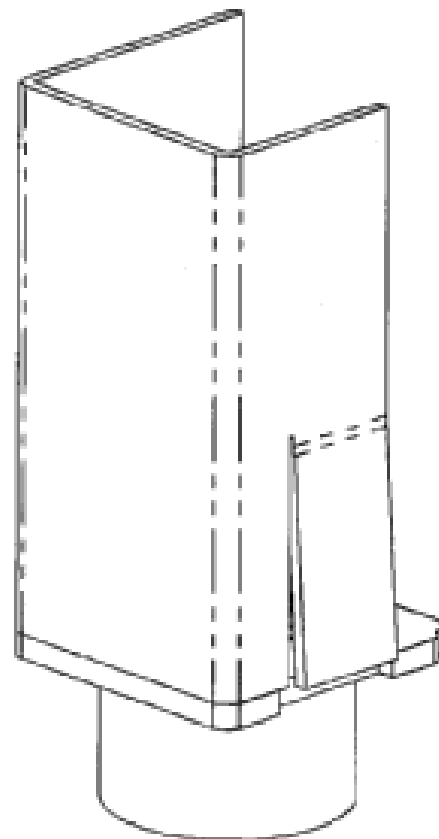
Bluedog Fences Australia Pty Ltd
Unit 3/119 Wicks Road North Ryde New South Wales 2113 Australia

(72) Name(s) of Designer(s): **James D.F. West**

(45) Registration Date: **22 July 2010**

(56) Related Art Documents: **Not Applicable**

(57) Statement of Newness and Distinctiveness: **Monopoly is claimed in the features of shape and configuration of a gate hinge spigot as shown in the representations.**



(21) Design Number: **12248/2010**

(22) Date of Filing Application: **31 May 2010**

(24) Date from which industrial property rights may have effect: **31 May 2010**

(54) Product in respect of which the design is registered: **Hinge bracket**

(51) International Design Classification: **08-08M, 08-06**

(71) Name(s) and Address(s) of Applicant(s):

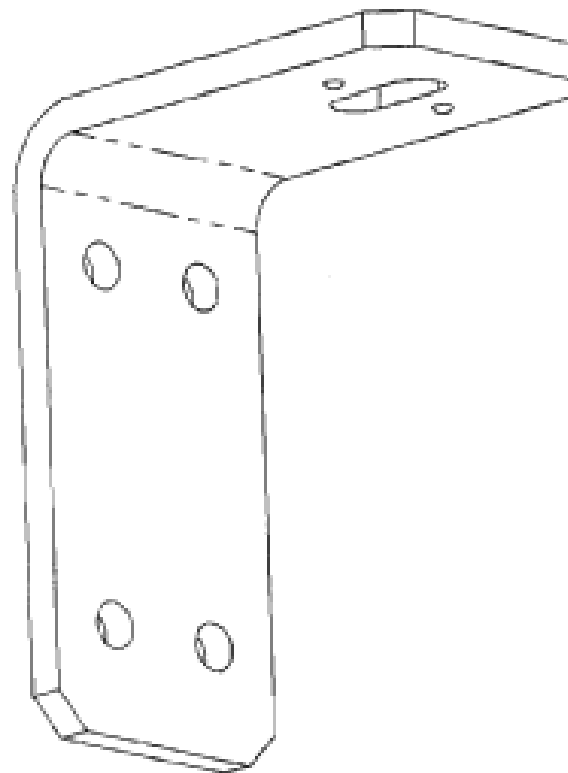
**Bluedog Fences Australia Pty Ltd
Unit 3/119 Wicks Road North Ryde New South Wales 2113 Australia**

(72) Name(s) of Designer(s): **James D.F. West**

(45) Registration Date: **22 July 2010**

(56) Related Art Documents: **Not Applicable**

(57) Statement of Newness and Distinctiveness: **Monopoly is claimed in the features of shape and configuration of the slot with small raised protrusions on either side as shown in detail on the broken view representations.**



(21) Design Number: **12249/2010**

(22) Date of Filing Application: **31 May 2010**

(24) Date from which industrial property rights may have effect: **31 May 2010**

(54) Product in respect of which the design is registered: **Fence rail internal mounting clip**

(51) International Design Classification: **08-08K**

(71) Name(s) and Address(s) of Applicant(s):

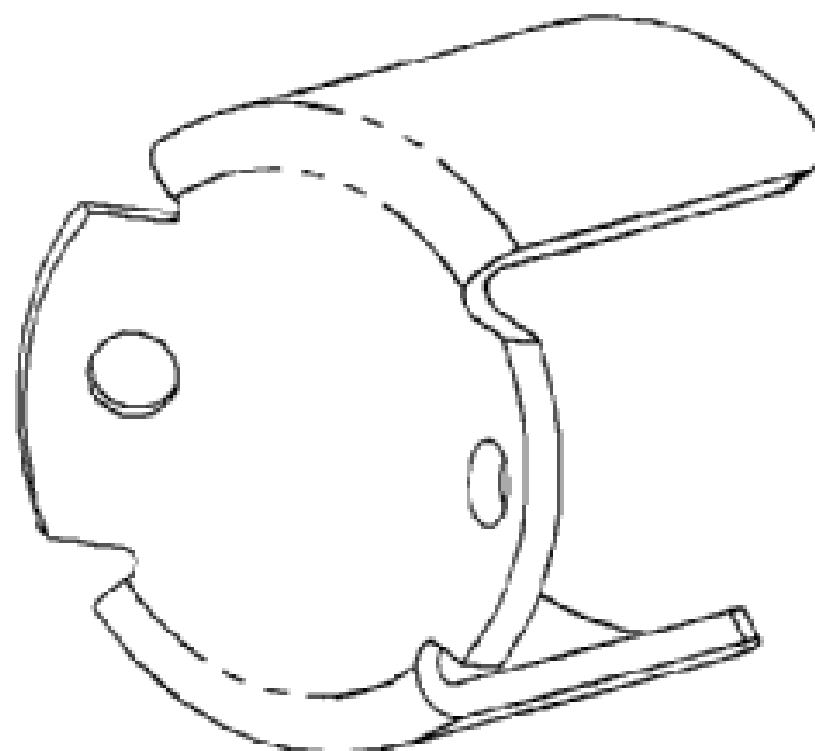
**Bluedog Fences Australia Pty Ltd
Unit 3/119 Wicks Road North Ryde New South Wales 2113 Australia**

(72) Name(s) of Designer(s): **James D.F. West**

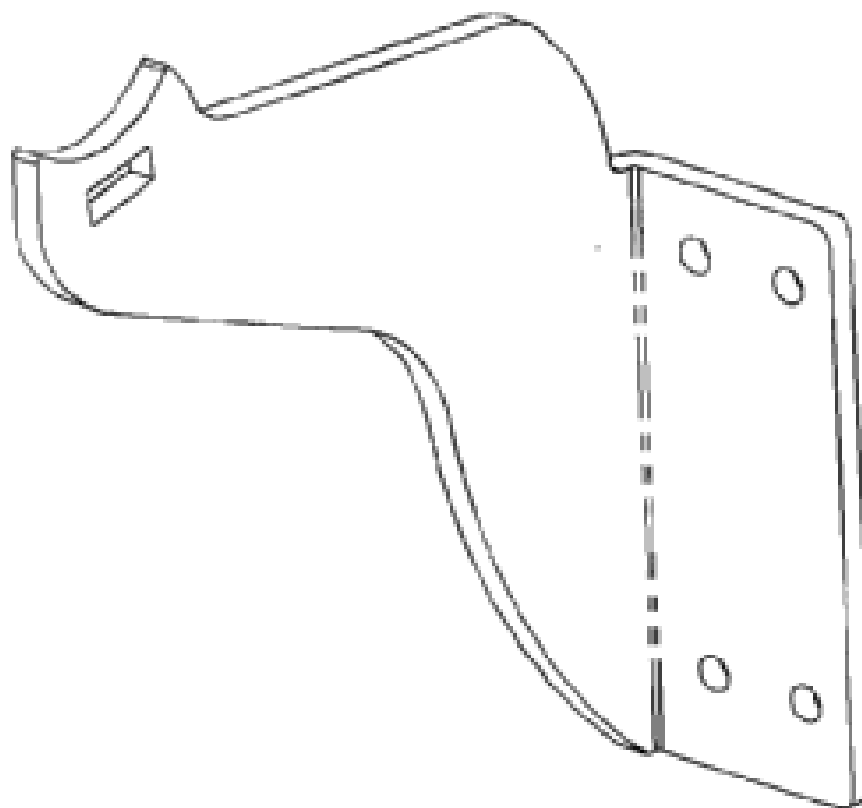
(45) Registration Date: **22 July 2010**

(56) Related Art Documents: **Not Applicable**

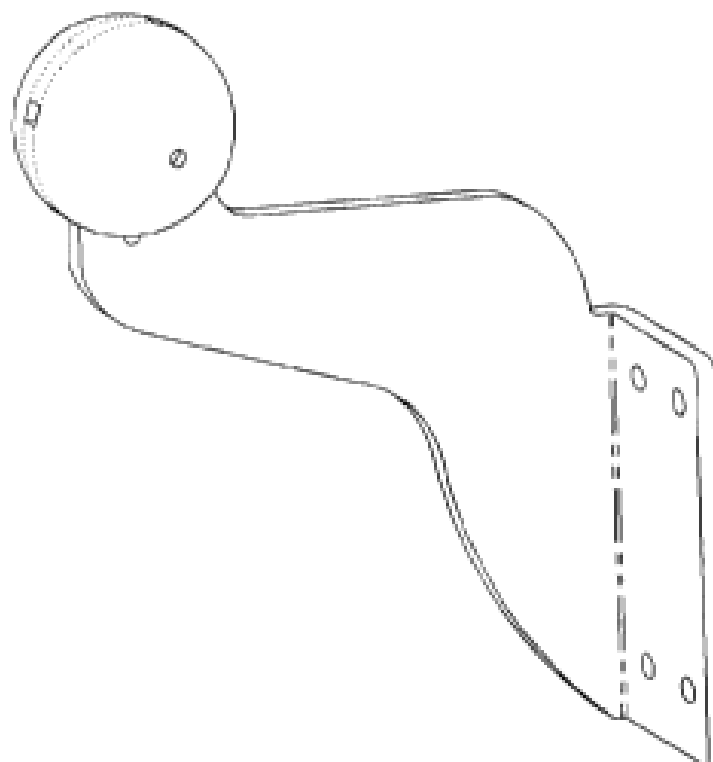
(57) Statement of Newness and Distinctiveness: **Monopoly is claimed in the features of shape and configuration of a fence rail mounting clip as shown in the representations.**



- (21) Design Number: **12250/2010**
(22) Date of Filing Application: **31 May 2010**
(24) Date from which industrial property rights may have effect: **31 May 2010**
(54) Product in respect of which the design is registered: **Fence rail support bracket**
(51) International Design Classification: **08-08K**
(71) Name(s) and Address(s) of Applicant(s):
Bluedog Fences Australia Pty Ltd
Unit 3/119 Wicks Road North Ryde New South Wales 2113 Australia
(72) Name(s) of Designer(s): **James D.F. West**
(45) Registration Date: **22 July 2010**
(56) Related Art Documents: **Not Applicable**
(57) Statement of Newness and Distinctiveness: **Monopoly is claimed in the features of shape and configuration of a fence rail support bracket as shown in the representations.**



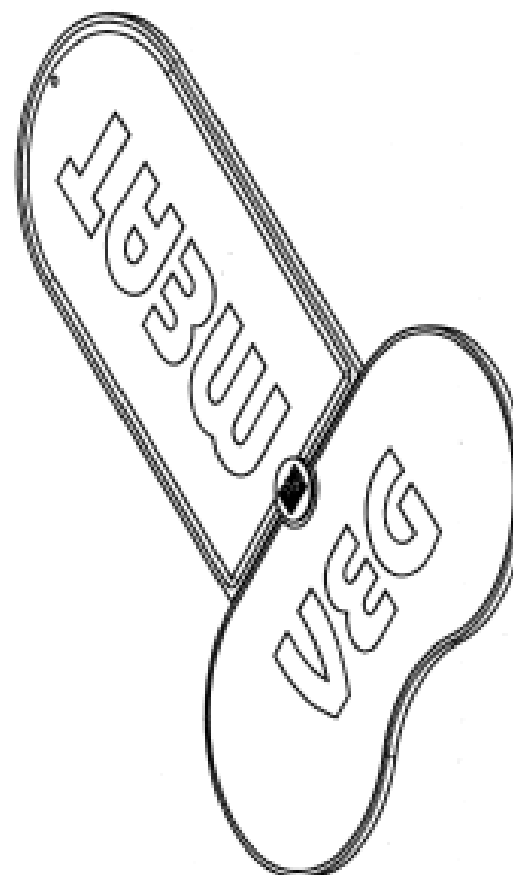
- (21) Design Number: **12251/2010**
(22) Date of Filing Application: **31 May 2010**
(24) Date from which industrial property rights may have effect: **31 May 2010**
(54) Product in respect of which the design is registered: **Fence rail support bracket**
(51) International Design Classification: **08-08K**
(71) Name(s) and Address(s) of Applicant(s):
Bluedog Fences Australia Pty Ltd
Unit 3/119 Wicks Road North Ryde New South Wales 2113 Australia
(72) Name(s) of Designer(s): **James D.F. West**
(45) Registration Date: **22 July 2010**
(56) Related Art Documents: **Not Applicable**
(57) Statement of Newness and Distinctiveness: **Monopoly is claimed in the features of shape and configuration of a fence rail support bracket as shown in the representations.**



- (21) Design Number: **12306/2010**
(22) Date of Filing Application: **05 July 2010**
(24) Date from which industrial property rights may have effect: **05 July 2010**
(54) Product in respect of which the design is registered: **Planter pots for gardens**
(51) International Design Classification: **11-02B**
(71) Name(s) and Address(s) of Applicant(s):
Rodney L. Miller
PO Box 1051 Croydon Victoria 3136 Australia
(72) Name(s) of Designer(s): **Rodney L. Miller**
(45) Registration Date: **22 July 2010**
(56) Related Art Documents: **Not Applicable**
(57) Statement of Newness and Distinctiveness: **An adjustable modular pot planter system for vertical mounting, with top down drainage for manual or drip watering.**



- (21) Design Number: **12397/2010**
(22) Date of Filing Application: **10 June 2010**
(24) Date from which industrial property rights may have effect: **10 June 2010**
(54) Product in respect of which the design is registered: **Interlocking food chopping boards**
(51) International Design Classification: **07-04**
(71) Name(s) and Address(s) of Applicant(s):
Seriously Functional Ltd
7 Church Bank Lower Binton Stratford Upon Avon Warwickshire
CV379TH United Kingdom
(72) Name(s) of Designer(s): **Seriously Functional Ltd**
(45) Registration Date: **22 July 2010**
(30) Convention priority data:
(31) Number (32) Date (33) Country
001664897-0001 03 Feb 2010 EUROPEAN COMMUNITY
(56) Related Art Documents: **Not Applicable**
(57) Statement of Newness and Distinctiveness: **The 2 boards interlock to form a fun symbolic representation of the male genitalia, using the euphemism of meat and 2 veg commonly associated with these parts.**



(21) Design Number: **12419/2010**

(22) Date of Filing Application: **11 June 2010**

(24) Date from which industrial property rights may have effect: **11 June 2010**

(54) Product in respect of which the design is registered: **Receiver**

(51) International Design Classification: **14-03NES, 14-01**

(71) Name(s) and Address(s) of Applicant(s):

**Dream Property GmbH
Pierbusch 26 44536 Lunen Germany**

(72) Name(s) of Designer(s): **Hans-Peter Constin and Aleksei Eisenach**

(45) Registration Date: **22 July 2010**

(30) Convention priority data:

(31) Number	(32) Date	(33) Country
001651860	23 Dec 2009	EUROPEAN COMMUNITY

(56) Related Art Documents: **Not Applicable**

(57) Statement of Newness and Distinctiveness: **Those features of the receiver depicted in the representations that are new and distinctive are the shape or configuration and/or pattern or ornamentation. The textual matter shown in the representations is not part of the design and is to be disregarded when considering the overall impression of the design.**



(21) Design Number: **12585/2010**

(22) Date of Filing Application: **23 June 2010**

(24) Date from which industrial property rights may have effect: **23 June 2010**

(54) Product in respect of which the design is registered: **Window and door latch**

(51) International Design Classification: **08-07**

(71) Name(s) and Address(s) of Applicant(s):

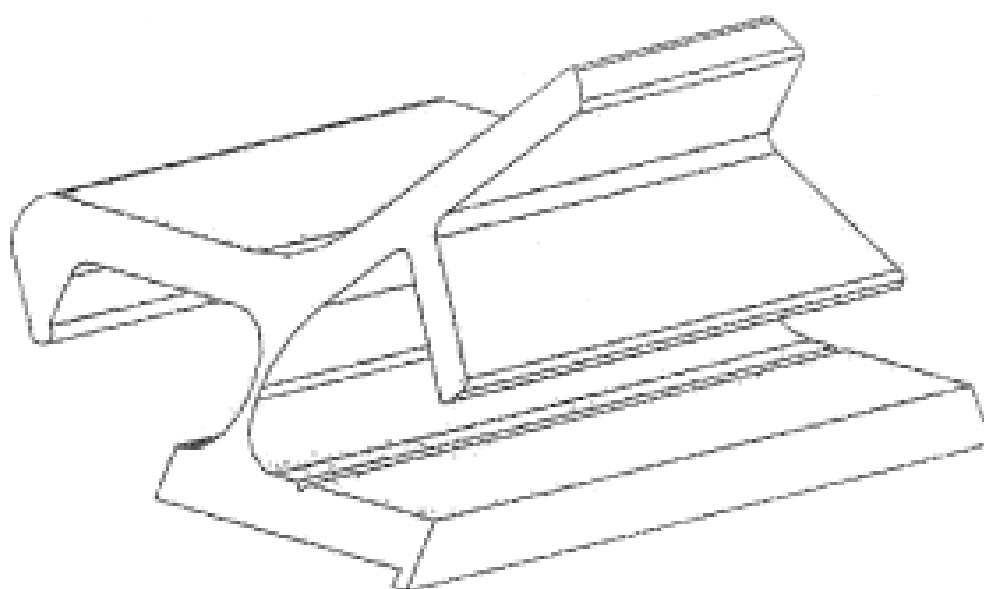
**Ronald Kennard Wright
c/- Pat and Maureen Harris PO Box 5871 Maroochydore South QLD
4858 Australia**

(72) Name(s) of Designer(s): **Patrick William Harris**

(45) Registration Date: **22 July 2010**

(56) Related Art Documents: **Not Applicable**

(57) Statement of Newness and Distinctiveness: **Newness and distinctiveness reside in the shape and configuration of the window and door latch as shown in the accompanying drawings wherein: Fig. 1 is a pictorial representation of the window and door latch from a rear side, top and one end in a nominal but not exclusive orientation; Fig. 2 is an elevation of the end of the window and door latch shown in Fig. 1 being a mirror image of the other end; Fig. 3 is an elevation of the top of the window and door latch shown in Fig. 1; and Fig. 4 is an elevation of the bottom side of the window and door latch shown in Fig. 1; and Fig. 5 is an elevation of the front of the window and door latch shown in Fig. 1.**



(21) Design Number: **12586/2010**

(22) Date of Filing Application: **23 June 2010**

(24) Date from which industrial property rights may have effect: **23 June 2010**

(54) Product in respect of which the design is registered: **Window and door latch**

(51) International Design Classification: **08-07**

(71) Name(s) and Address(s) of Applicant(s):

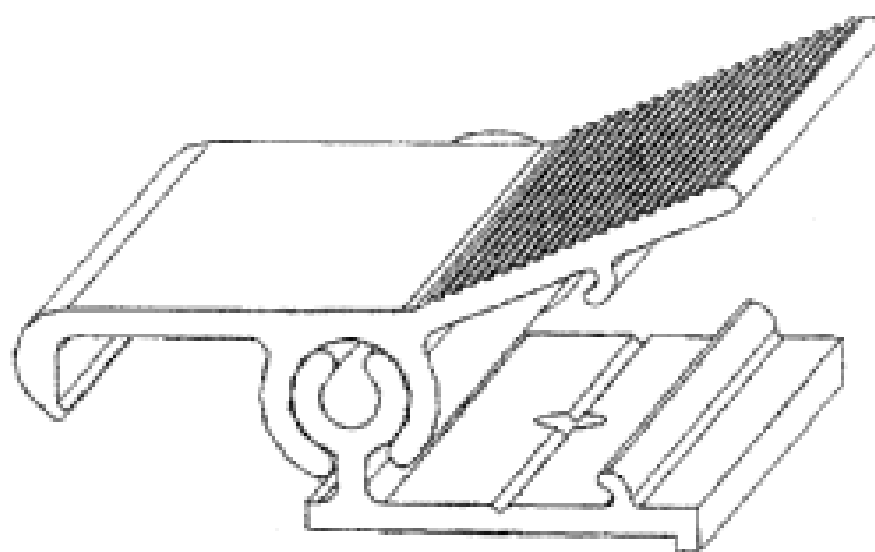
Ronald Kennard Wright
c/- Pat and Maureen Harris PO Box 5871 Maroochydore South QLD
4858 Australia

(72) Name(s) of Designer(s): **Patrick William Harris**

(45) Registration Date: **22 July 2010**

(56) Related Art Documents: **Not Applicable**

(57) Statement of Newness and Distinctiveness: **Newness and distinctiveness reside in the features of shape and configuration of the window and door latch as shown in the accompanying drawings wherein: Fig. 1 is a pictorial representation of the window and door latch formed from extruded parts of indefinite length from a rear side, top and one end in a nominal but not exclusive orientation, comprising two extrusions of indefinite length; Fig. 2 is an elevation of the rear side of the window and door latch shown in Fig. 1; Fig. 3 is an elevation of the end of the window and door latch shown in Fig. 1 being a mirror image of the other end; Fig. 4 is an elevation of the top of the window and door latch shown in Fig. 1; Fig. 5 is an elevation of the front side of the window and door latch shown in Fig. 1; and Fig. 6 is an elevation of the bottom side of the window and door latch shown in Fig. 1.**



(21) Design Number: **12588/2010**

(22) Date of Filing Application: **22 June 2010**

(24) Date from which industrial property rights may have effect: **22 June 2010**

(54) Product in respect of which the design is registered: **Child seat**

(51) International Design Classification: **06-01E**

(71) Name(s) and Address(s) of Applicant(s):

Sylvia Taylor
19 Chipping Dale Mangere Bridge Manukau City New Zealand

(72) Name(s) of Designer(s): **Sylvia Taylor**

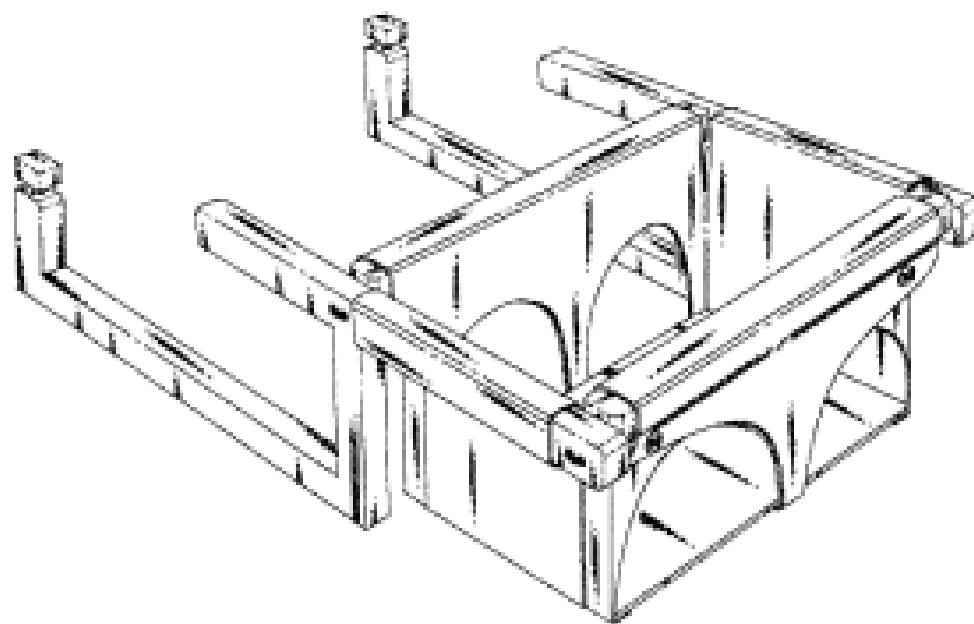
(45) Registration Date: **22 July 2010**

(30) Convention priority data:

(31) Number	(32) Date	(33) Country
413173	23 Dec 2009	NEW ZEALAND

(56) Related Art Documents: **Not Applicable**

(57) Statement of Newness and Distinctiveness: **This design is to be applied to a child seat; and novelty resides in features of shape and configuration as shown in the accompanying representations.**



(21) Design Number: **12594/2010**

(22) Date of Filing Application: **24 June 2010**

(24) Date from which industrial property rights may have effect: **24 June 2010**

(54) Product in respect of which the design is registered: **Liner for horse's boot**

(51) International Design Classification: **30-99**

(71) Name(s) and Address(s) of Applicant(s):

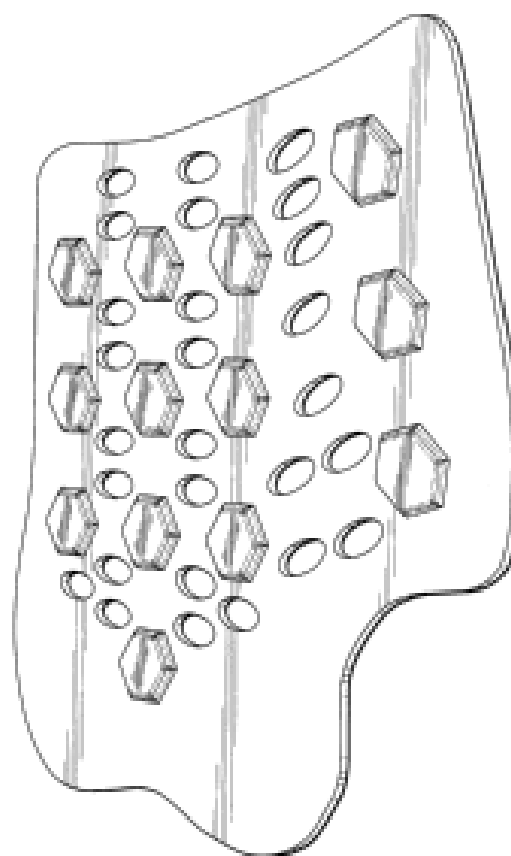
Margaret Mary Donnelly
Grooms Lodge Hog Lane Ashley Green Chesham Buckinghamshire
HP5 3PY United Kingdom

(72) Name(s) of Designer(s): **Margaret Mary Donnelly**

(45) Registration Date: **22 July 2010**

(56) Related Art Documents: **Not Applicable**

(57) Statement of Newness and Distinctiveness: **Newness and distinctiveness reside in the dimples and holes provided in the liner as shown in the representations. The number of dimples and holes and their spacing from one another may be varied.**



(21) Design Number: **12595/2010**

(22) Date of Filing Application: **24 June 2010**

(24) Date from which industrial property rights may have effect: **24 June 2010**

(54) Product in respect of which the design is registered: **Harness**

(51) International Design Classification: **30-04**

(71) Name(s) and Address(s) of Applicant(s):

The Company of Animals Limited
Ruxbury Farm St. Ann's Hill Road Chertsey Surrey KT16 9NL United
Kingdom

(72) Name(s) of Designer(s): **Roger Arthur Mugford**

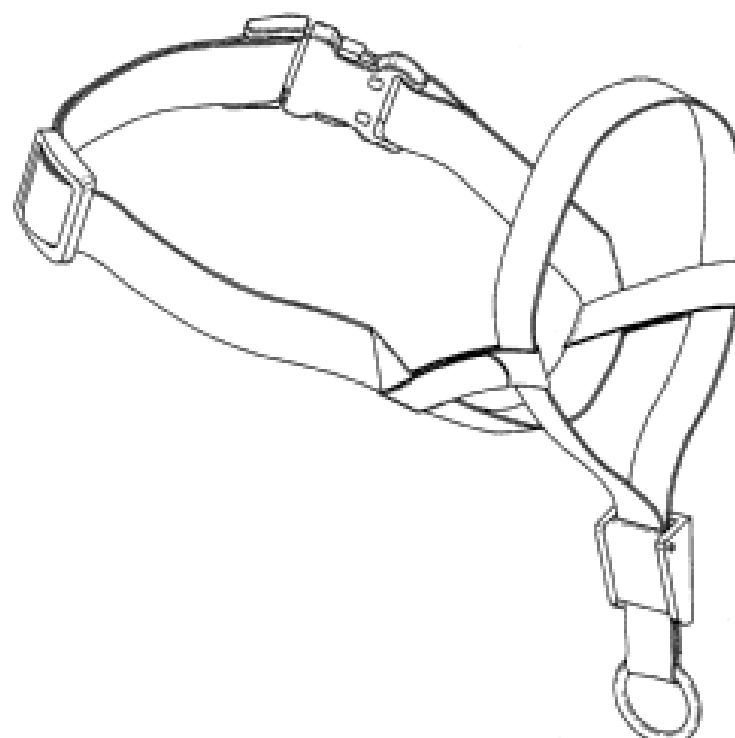
(45) Registration Date: **22 July 2010**

(30) Convention priority data:

(31) Number	(32) Date	(33) Country
001187033-0001	24 Dec 2009	EUROPEAN COMMUNITY

(56) Related Art Documents: **Not Applicable**

(57) Statement of Newness and Distinctiveness: **Newness and distinctiveness reside in the visual features of the design shown in the representations.**



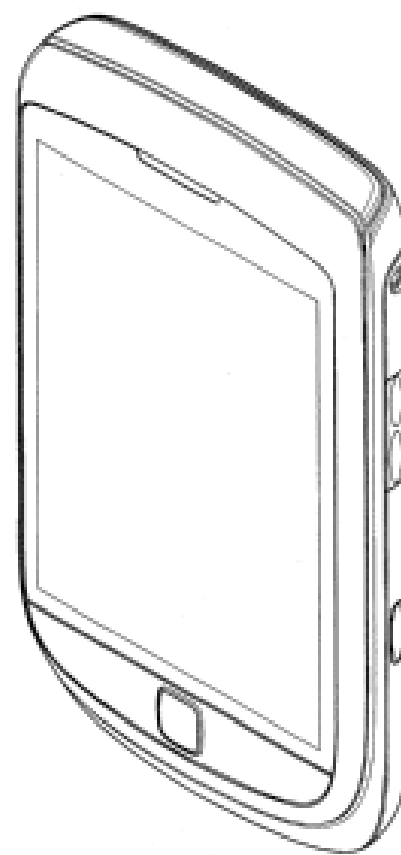
(21) Design Number: **12596/2010**
(22) Date of Filing Application: **24 June 2010**
(24) Date from which industrial property rights may have effect: **24 June 2010**
(54) Product in respect of which the design is registered: **Chair**
(51) International Design Classification: **06-01F**
(71) Name(s) and Address(s) of Applicant(s):
EREDU, S. Coop.
Ola Auzoa 4-20250 Legorreta (Gipuzkoa) Spain
(72) Name(s) of Designer(s): **Juan Carlos Olano Jauregui**
(45) Registration Date: **22 July 2010**
(56) Related Art Documents: **Not Applicable**
(57) Statement of Newness and Distinctiveness: **Nil**



(21) Design Number: **12597/2010**
(22) Date of Filing Application: **24 June 2010**
(24) Date from which industrial property rights may have effect: **24 June 2010**
(54) Product in respect of which the design is registered: **Infusion pump**
(51) International Design Classification: **24-01**
(71) Name(s) and Address(s) of Applicant(s):
Astra Tech AB
Aminogatan 1 SE-431 21 Molndal Sweden
(72) Name(s) of Designer(s): **Martin Nilsson and Erik Andreen and Yutaka Kataoka**
(45) Registration Date: **22 July 2010**
(30) Convention priority data:
(31) Number (32) Date (33) Country
001664251 02 Feb 2010 EUROPEAN COMMUNITY
(56) Related Art Documents: **Not Applicable**
(57) Statement of Newness and Distinctiveness: **Nil**



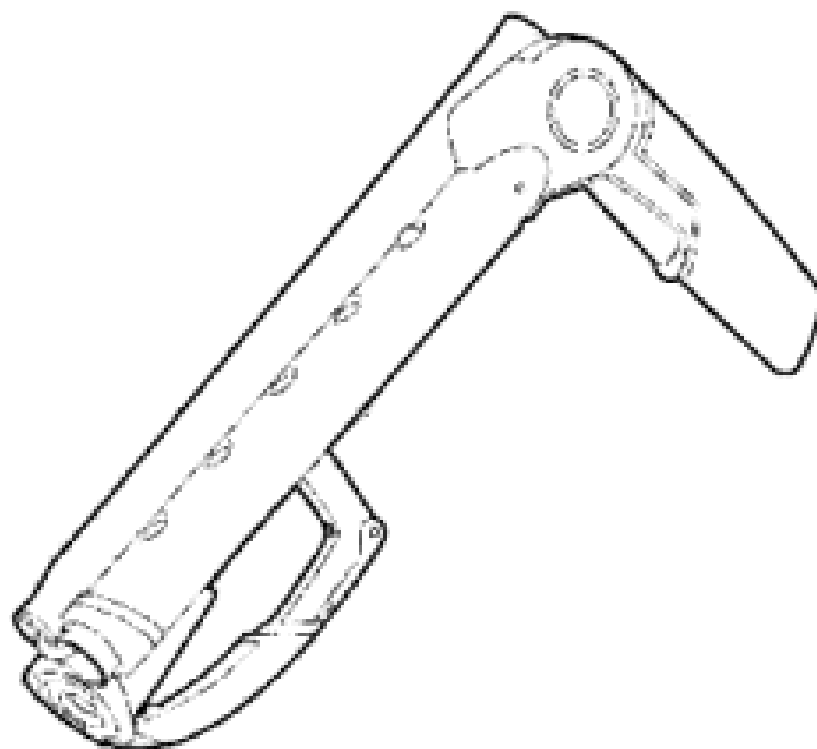
- (21) Design Number: **12606/2010**
(22) Date of Filing Application: **25 June 2010**
(24) Date from which industrial property rights may have effect: **25 June 2010**
(54) Product in respect of which the design is registered: **Handheld electronic device**
(51) International Design Classification: **14-03E**
(71) Name(s) and Address(s) of Applicant(s):
Research In Motion Limited
295 Phillip Street Waterloo Ontario N2L 3W8 Canada
(72) Name(s) of Designer(s): **Kwok Ching Leung and Min Zhu and Todd Andrew Wood**
(45) Registration Date: **22 July 2010**
(30) Convention priority data:
(31) Number (32) Date (33) Country
29/353991 18 Jan 2010 UNITED STATES OF AMERICA
(56) Related Art Documents: **Not Applicable**
(57) Statement of Newness and Distinctiveness: **Newness and distinctiveness is claimed in the features of shape and/or configuration of a handheld electronic device as illustrated in the accompanying representations.**



- (21) Design Number: **12607/2010**
(22) Date of Filing Application: **25 June 2010**
(24) Date from which industrial property rights may have effect: **25 June 2010**
(54) Product in respect of which the design is registered: **Tyre**
(51) International Design Classification: **12-15A**
(71) Name(s) and Address(s) of Applicant(s):
Continental Reifen Deutschland GmbH
Vahrenwalderstrasse 9 30165 Hannover Germany
(72) Name(s) of Designer(s): **Stefan Rittweger**
(45) Registration Date: **22 July 2010**
(30) Convention priority data:
(31) Number (32) Date (33) Country
001687138 26 Mar 2010 EUROPEAN COMMUNITY
(56) Related Art Documents: **Not Applicable**
(57) Statement of Newness and Distinctiveness: **Newness and distinctiveness resides in the visual features, including shape, configuration and pattern of a tread for a tyre as illustrated in the accompanying representations.**



(21) Design Number: **12608/2010**
(22) Date of Filing Application: **24 June 2010**
(24) Date from which industrial property rights may have effect: **24 June 2010**
(54) Product in respect of which the design is registered: **Walking and pickup stick**
(51) International Design Classification: **03-03**
(71) Name(s) and Address(s) of Applicant(s):
Richard Selwyn Jebson
Villa 102 166-186 Ruapehu Drive Palmerston North New Zealand
(72) Name(s) of Designer(s): **Richard Selwyn Jebson**
(45) Registration Date: **22 July 2010**
(30) Convention priority data:
(31) Number (32) Date (33) Country
413165 24 Dec 2009 NEW ZEALAND
(56) Related Art Documents: **Not Applicable**
(57) Statement of Newness and Distinctiveness: **Nil**



(21) Design Number: **12610/2010**
(22) Date of Filing Application: **25 June 2010**
(24) Date from which industrial property rights may have effect: **25 June 2010**
(54) Product in respect of which the design is registered: **Drill bit**
(51) International Design Classification: **08-01**
(71) Name(s) and Address(s) of Applicant(s):
Illinois Tool Works Inc.
3600 West Lake Avenue Glenview Illinois 60026-1215 United States of America
(72) Name(s) of Designer(s): **Rainer Lampe**
(45) Registration Date: **22 July 2010**
(30) Convention priority data:
(31) Number (32) Date (33) Country
001671413-0001 18 Feb 2010 EUROPEAN COMMUNITY
(56) Related Art Documents: **Not Applicable**
(57) Statement of Newness and Distinctiveness: **Those features of the drill bit depicted in the representations that are new and distinctive are the shape and/or configuration of the flute of the drill bit as shown in the accompanying representations. The features shown in the dotted windows are not part of the design and are to be disregarded when considering the overall impression of the design.**



(21) Design Number: **12612/2010**

(22) Date of Filing Application: **25 June 2010**

(24) Date from which industrial property rights may have effect: **25 June 2010**

(54) Product in respect of which the design is registered: **Air conditioner**

(51) International Design Classification: **23-04**

(71) Name(s) and Address(s) of Applicant(s):

Daikin Industries Ltd.

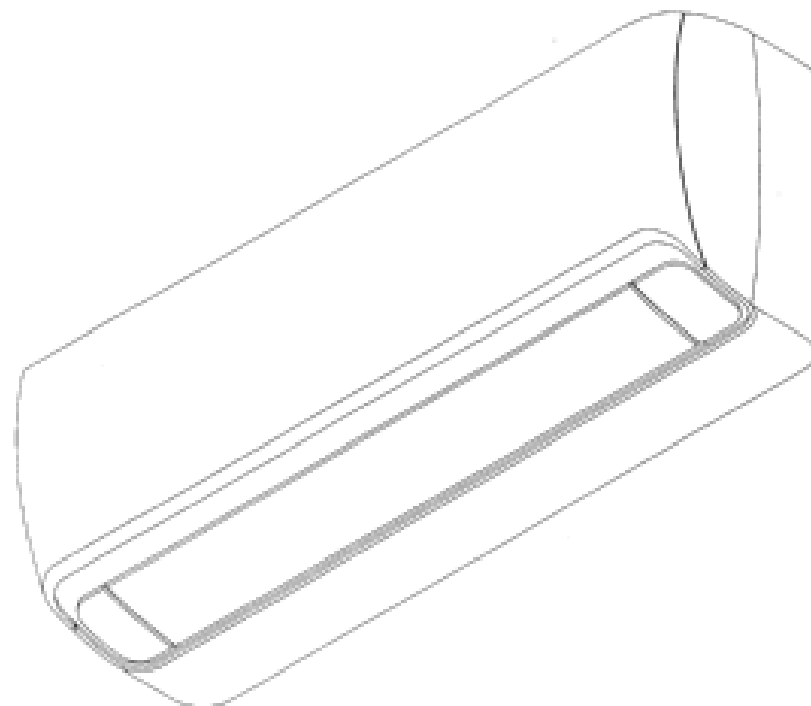
**Umeda Center Building 4-12 Nakazaki-Nishi 2-chome Kita-ku
Osaka-shi Osaka-fu Japan**

(72) Name(s) of Designer(s): **Kouichirou Seki**

(45) Registration Date: **22 July 2010**

(56) Related Art Documents: **Not Applicable**

(57) Statement of Newness and Distinctiveness: **Newness and distinctiveness of the design resides in the overall appearance of the design.**



(21) Design Number: **12771/2010**

(22) Date of Filing Application: **07 July 2010**

(24) Date from which industrial property rights may have effect: **07 July 2010**

(54) Product in respect of which the design is registered: **A small seating for a water watch water detection system**

(51) International Design Classification: **15-01**

(71) Name(s) and Address(s) of Applicant(s):

Responsive Engineering Australia Pty Ltd

64 Kembla Street Fyshwick ACT 2609 Australia

(72) Name(s) of Designer(s): **David Ronald Webster**

(45) Registration Date: **22 July 2010**

(56) Related Art Documents: **Not Applicable**

(57) Statement of Newness and Distinctiveness: **Nil**



- (21) Design Number: **12772/2010**
(22) Date of Filing Application: **07 July 2010**
(24) Date from which industrial property rights may have effect: **07 July 2010**
(54) Product in respect of which the design is registered: **An adaptor for a water watch water detection system**
(51) International Design Classification: **15-01**
(71) Name(s) and Address(s) of Applicant(s):
Responsive Engineering Australia Pty Ltd
64 Kembla Street Fyshwick ACT 2609 Australia
(72) Name(s) of Designer(s): **David Ronald Webster**
(45) Registration Date: **22 July 2010**
(56) Related Art Documents: **Not Applicable**
(57) Statement of Newness and Distinctiveness: **Nil**



- (21) Design Number: **12773/2010**
(22) Date of Filing Application: **07 July 2010**
(24) Date from which industrial property rights may have effect: **07 July 2010**
(54) Product in respect of which the design is registered: **A large seating for a water watch water detection system**
(51) International Design Classification: **15-01**
(71) Name(s) and Address(s) of Applicant(s):
Responsive Engineering Australia Pty Ltd
64 Kembla Street Fyshwick ACT 2609 Australia
(72) Name(s) of Designer(s): **David Ronald Webster**
(45) Registration Date: **22 July 2010**
(56) Related Art Documents: **Not Applicable**
(57) Statement of Newness and Distinctiveness: **Nil**



(21) Design Number: **12799/2010**

(22) Date of Filing Application: **08 July 2010**

(24) Date from which industrial property rights may have effect: **08 July 2010**

(54) Product in respect of which the design is registered: **Plinth**

(51) International Design Classification: **25-01B, 25-02A**

(71) Name(s) and Address(s) of Applicant(s):

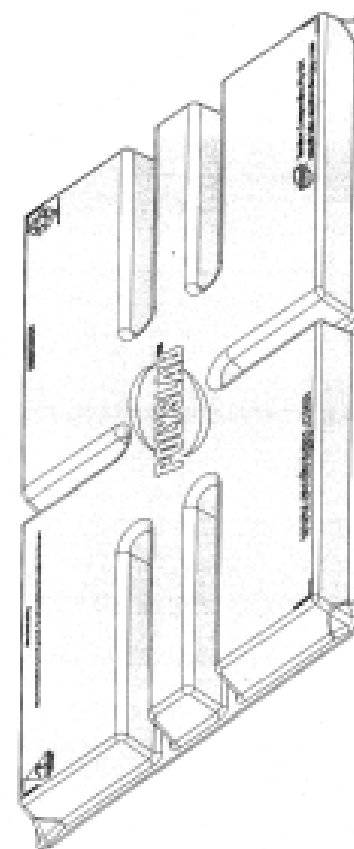
Ty Gerard Hermans
359 Macdonnell Road Clontarf Queensland 4019 Australia

(72) Name(s) of Designer(s): **Ty Gerard Hermans**

(45) Registration Date: **22 July 2010**

(56) Related Art Documents: **Not Applicable**

(57) Statement of Newness and Distinctiveness: **Newness and distinctiveness resides in the shape and configuration of a plinth as shown in the accompanying representations, wherein: Fig. 1 is a view of the plinth from above; Fig. 2 is a view of the plinth from below; Fig. 3 is a view of the plinth from front above one corner (opposite view corresponds); Fig. 4 is a view of the plinth from rear below one corner (opposite view corresponds).**



(21) Design Number: **12928/2010**

(22) Date of Filing Application: **11 June 2010**

(24) Date from which industrial property rights may have effect: **11 June 2010**

(54) Product in respect of which the design is registered: **Receiver**

(51) International Design Classification: **14-01, 14-03NES**

(71) Name(s) and Address(s) of Applicant(s):

Dream Property GmbH
Pierbusch 26 44536 Lunen Germany

(72) Name(s) of Designer(s): **Hans-Peter Constin and Aleksei Eisenach**

(45) Registration Date: **22 July 2010**

(30) Convention priority data:

(31) Number	(32) Date	(33) Country
001651860	23 Dec 2009	EUROPEAN COMMUNITY

(56) Related Art Documents: **Not Applicable**

(57) Statement of Newness and Distinctiveness: **Those features of the receiver depicted in the representations that are new and distinctive are the shape or configuration and/or pattern or ornamentation. The textual matter shown in the representations is not part of the design and is to be disregarded when considering the overall impression of the design.**



(21) Design Number: **11637/2010**

(22) Date of Filing Application: **28 April 2010**

(24) Date from which industrial property rights may have effect: **28 April 2010**

(54) Product in respect of which the design is registered: **Cafe table, stool, coffee table**

(51) International Design Classification: **06-01E, 06-03B**

(71) Name(s) and Address(s) of Applicant(s):

Insphere Pty Ltd

4/210 Alison Road Randwick New South Wales 2031 Australia

(72) Name(s) of Designer(s): **Murray Wilkinson**

(45) Registration Date: **23 July 2010**

(56) Related Art Documents: **Not Applicable**

(57) Statement of Newness and Distinctiveness: **Cut out leg detail, legs slot together in + fashion.**



(21) Design Number: **13015/2010**

(22) Date of Filing Application: **28 April 2010**

(24) Date from which industrial property rights may have effect: **28 April 2010**

(54) Product in respect of which the design is registered: **Chair**

(51) International Design Classification: **06-01F**

(71) Name(s) and Address(s) of Applicant(s):

Insphere Pty Ltd

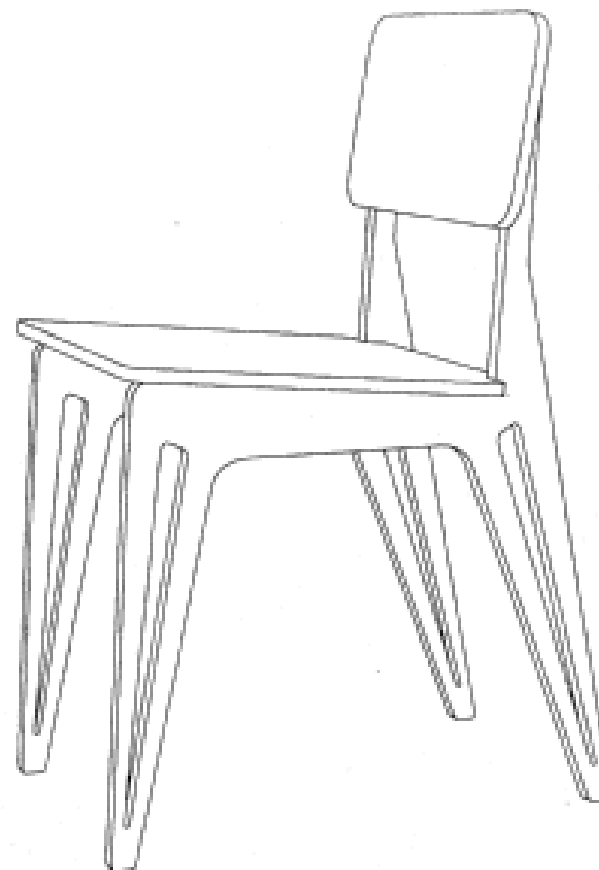
4 210 Alison Road Randwick New South Wales 2031 Australia

(72) Name(s) of Designer(s): **Murray Wilkinson**

(45) Registration Date: **23 July 2010**

(56) Related Art Documents: **Not Applicable**

(57) Statement of Newness and Distinctiveness: **Cut out leg detail, legs slot together in + fashion.**



(21) Design Number: **12475/2010**

(22) Date of Filing Application: **11 June 2010**

(24) Date from which industrial property rights may have effect: **11 June 2010**

(54) Product in respect of which the design is registered: **Unidirectional valve**

(51) International Design Classification: **24-04**

(71) Name(s) and Address(s) of Applicant(s):

3M Innovative Properties Company

3M Center Saint Paul Minnesota 55133-3427 United States of America

(72) Name(s) of Designer(s): **Thomas J. Xue and Michael K. Domroese and Philip G. Martin and David M. Blomberg and Nathan A. Abel**

(45) Registration Date: **23 July 2010**

(30) Convention priority data:

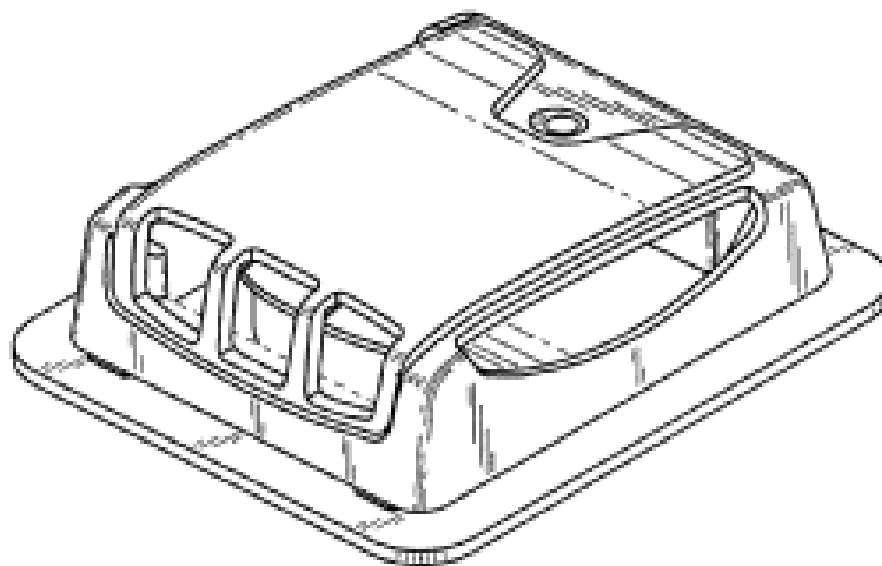
(31) Number
29/352087

(32) Date
16 Dec 2009

(33) Country
UNITED STATES OF AMERICA

(56) Related Art Documents: **Not Applicable**

(57) Statement of Newness and Distinctiveness: **Newness and distinctiveness is claimed in the features or shape and/or configuration of a unidirectional valve as shown in solid outline in the accompanying representations.**



(21) Design Number: **12587/2010**

(22) Date of Filing Application: **23 June 2010**

(24) Date from which industrial property rights may have effect: **23 June 2010**

(54) Product in respect of which the design is registered: **Flask for perfumery product**

(51) International Design Classification: **09-01G**

(71) Name(s) and Address(s) of Applicant(s):

Guerlain Societe Anonyme

68 Avenue Des Champs Elysees Paris 75008 France

(72) Name(s) of Designer(s): **Lorenz Baumer**

(45) Registration Date: **23 July 2010**

(30) Convention priority data:

(31) Number
001186548-0001

(32) Date
28 Dec 2009

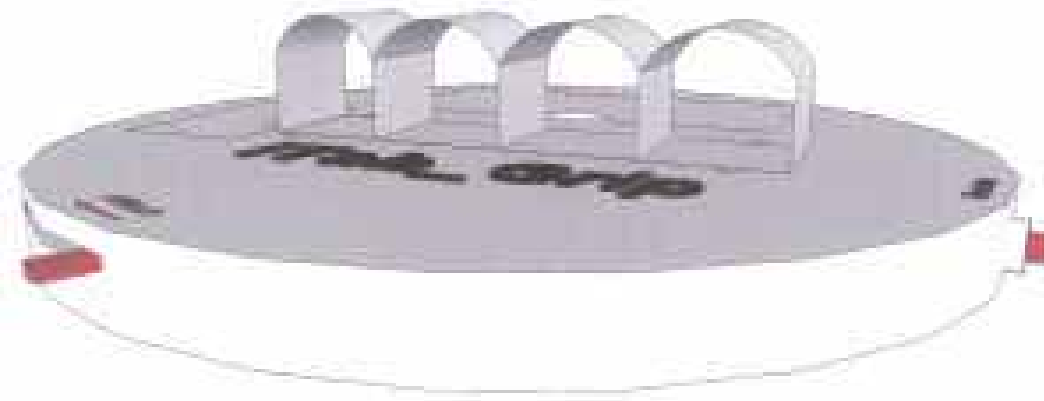
(33) Country
EUROPEAN COMMUNITY

(56) Related Art Documents: **Not Applicable**

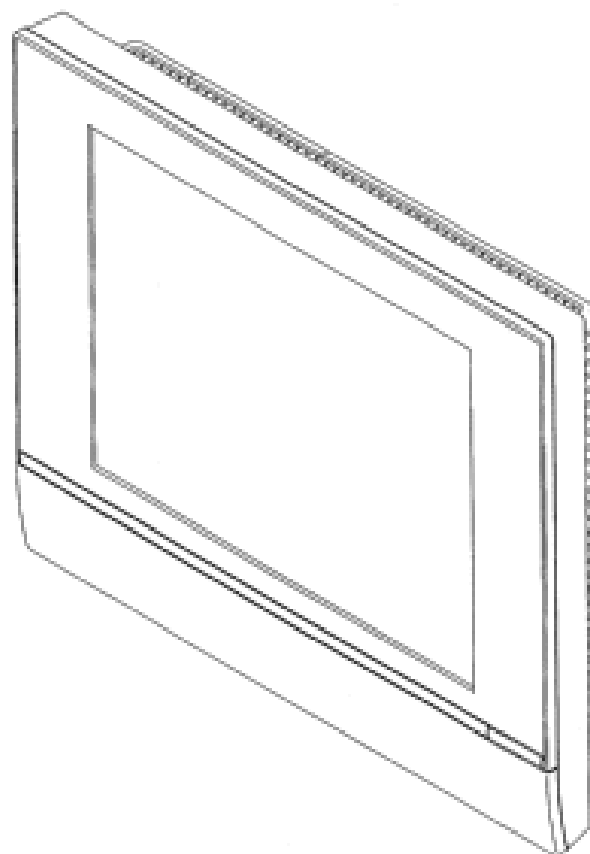
(57) Statement of Newness and Distinctiveness: **Nil**



- (21) Design Number: **12810/2010**
(22) Date of Filing Application: **09 July 2010**
(24) Date from which industrial property rights may have effect: **09 July 2010**
(54) Product in respect of which the design is registered: **Tablet and laptop computer grip device**
(51) International Design Classification: **14-02**
(71) Name(s) and Address(s) of Applicant(s):
Gregg Eichhorn
201/10 Jacques Avenue Bondi New South Wales 2026 Australia
(72) Name(s) of Designer(s): **Gregg Eichhorn**
(45) Registration Date: **23 July 2010**
(56) Related Art Documents: **Not Applicable**
(57) Statement of Newness and Distinctiveness: **The four finger rubberised grip that allows both left handed or right handed use. The product is not available on the market anywhere.**



- (21) Design Number: **12681/2010**
(22) Date of Filing Application: **30 June 2010**
(24) Date from which industrial property rights may have effect: **30 June 2010**
(54) Product in respect of which the design is registered: **Controller for air conditioner**
(51) International Design Classification: **23-04**
(71) Name(s) and Address(s) of Applicant(s):
Daikin Industries Ltd.
Umeda Center Building 4-12 Nakazaki-Nishi 2-chome Kita-ku
Osaka-shi Osaka-fu Japan
(72) Name(s) of Designer(s): **Hiroko Kashimoto**
(45) Registration Date: **23 July 2010**
(30) Convention priority data:
(31) Number (32) Date (33) Country
2010-001742 26 Jan 2010 JAPAN
(56) Related Art Documents: **Not Applicable**
(57) Statement of Newness and Distinctiveness: **The newness and distinctiveness of the design resides in the overall appearance of the design.**



(21) Design Number: **12682/2010**

(22) Date of Filing Application: **30 June 2010**

(24) Date from which industrial property rights may have effect: **30 June 2010**

(54) Product in respect of which the design is registered: **A sofa assembly**

(51) International Design Classification: **06-01G**

(71) Name(s) and Address(s) of Applicant(s):

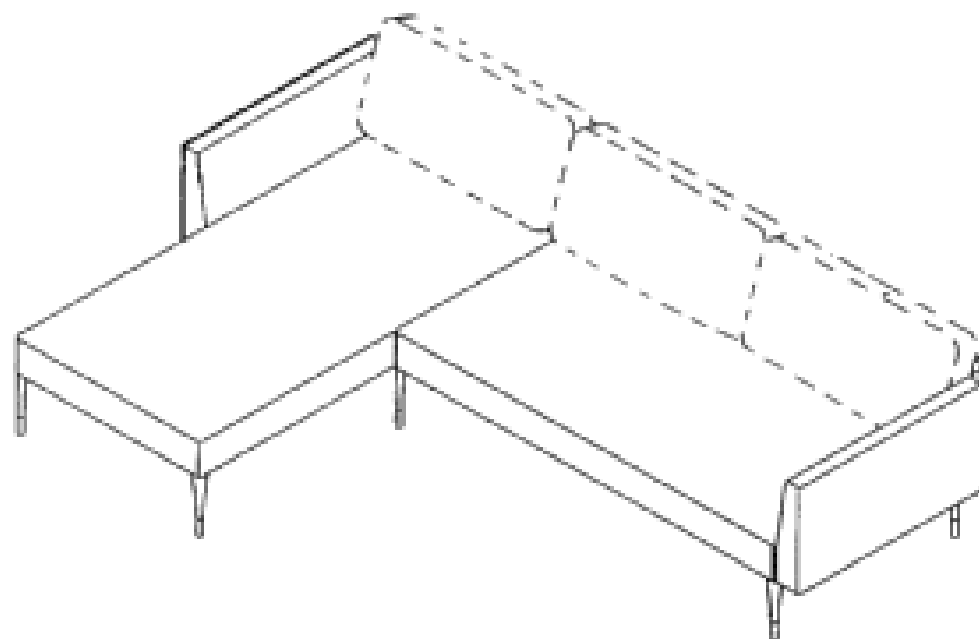
King Furniture (Australia) Pty Ltd
123 Turrella Street Turrella New South Wales 2205 Australia

(72) Name(s) of Designer(s): **Charles Seymour Wilson**

(45) Registration Date: **23 July 2010**

(56) Related Art Documents: **Not Applicable**

(57) Statement of Newness and Distinctiveness: **Newness and distinctiveness reside in the features of the design as shown in the representations excluding the features of the cushions shown in dotted lines in the representations.**



(21) Design Number: **12683/2010**

(22) Date of Filing Application: **30 June 2010**

(24) Date from which industrial property rights may have effect: **30 June 2010**

(54) Product in respect of which the design is registered: **A leg for an article of furniture**

(51) International Design Classification: **06-06E, 06-06G**

(71) Name(s) and Address(s) of Applicant(s):

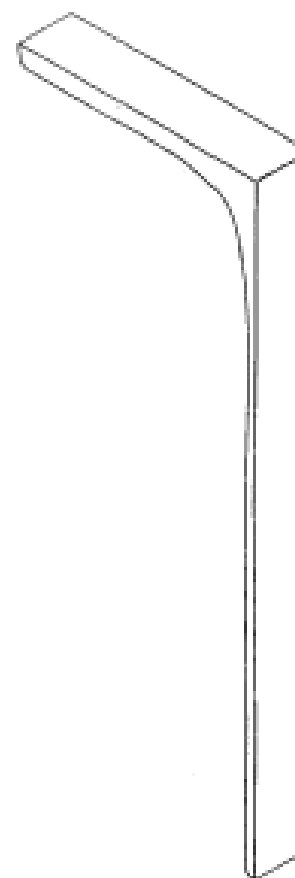
King Furniture (Australia) Pty Ltd
123 Turrella Street Turrella New South Wales 2205 Australia

(72) Name(s) of Designer(s): **Charles Seymour Wilson**

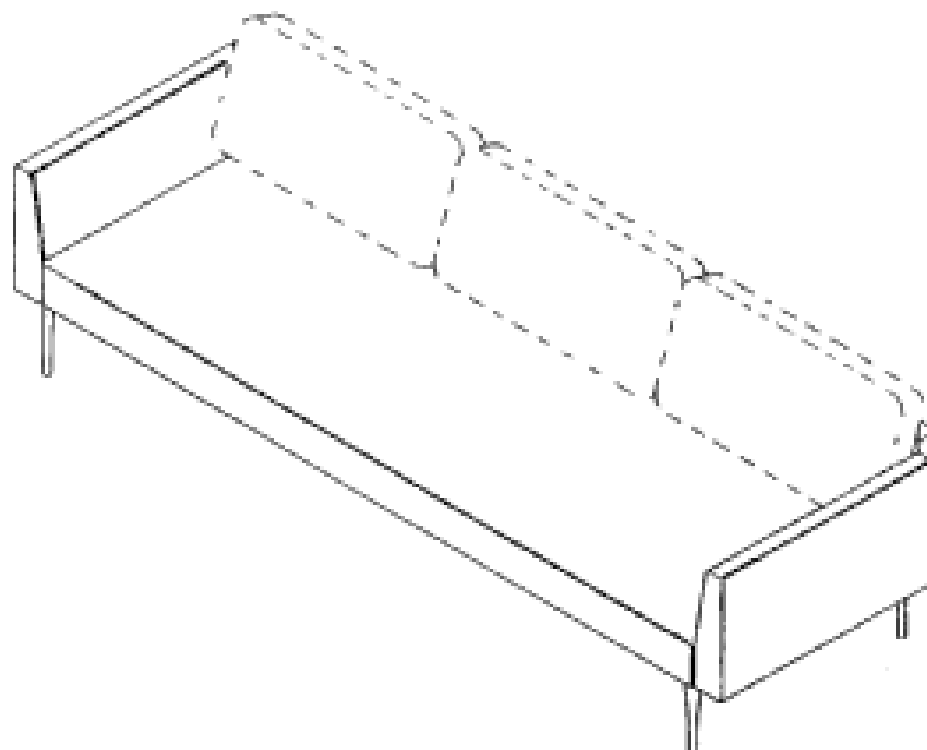
(45) Registration Date: **23 July 2010**

(56) Related Art Documents: **Not Applicable**

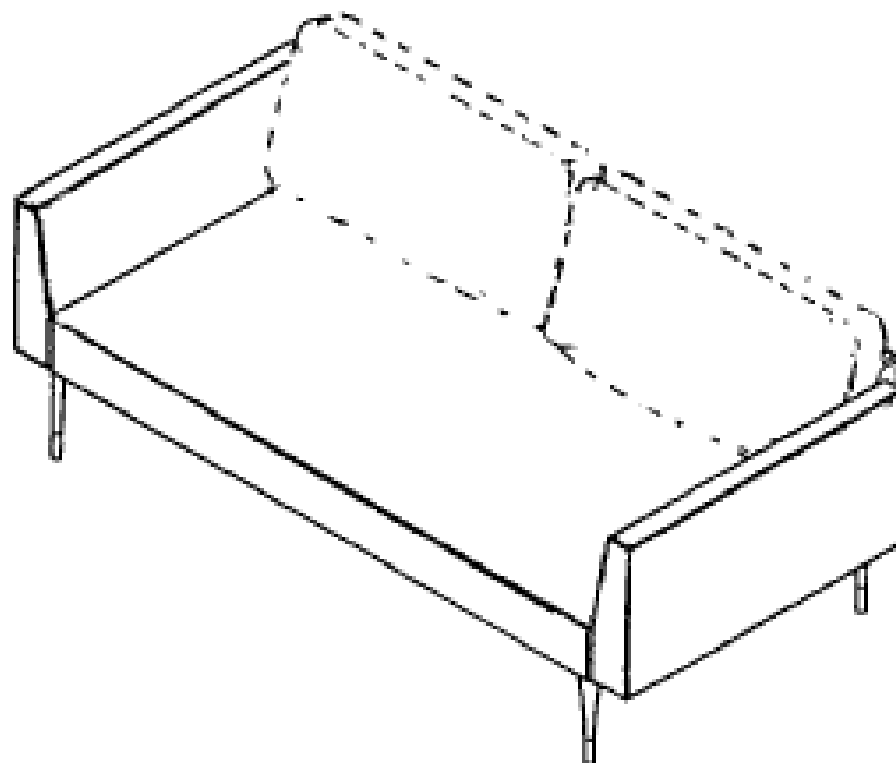
(57) Statement of Newness and Distinctiveness: **Newness and distinctiveness reside in the features of the design as shown in the representations.**



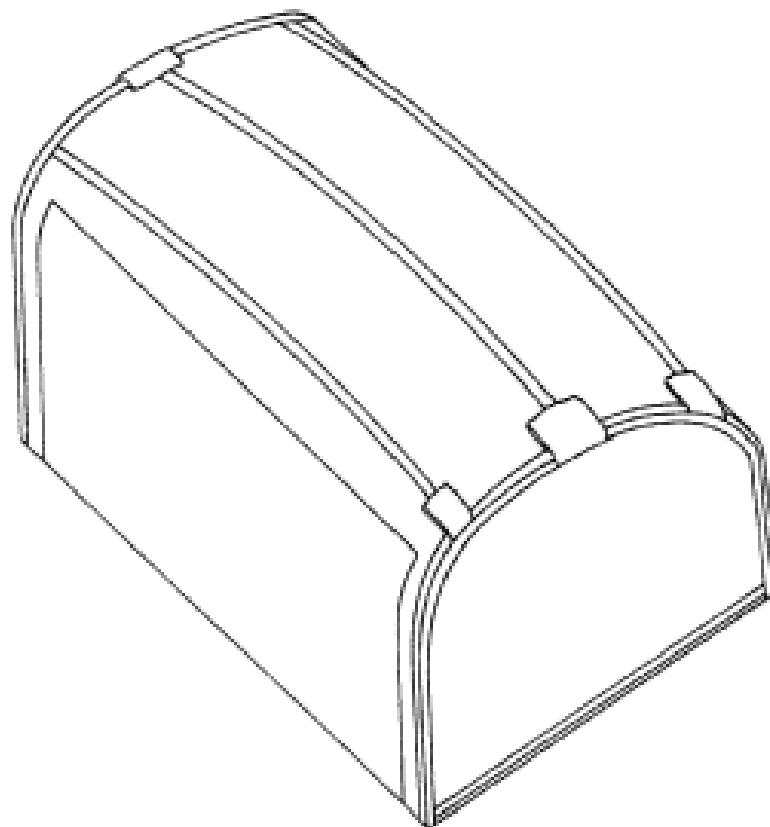
- (21) Design Number: **12685/2010**
(22) Date of Filing Application: **30 June 2010**
(24) Date from which industrial property rights may have effect: **30 June 2010**
(54) Product in respect of which the design is registered: **A sofa**
(51) International Design Classification: **06-01G**
(71) Name(s) and Address(s) of Applicant(s):
King Furniture (Australia) Pty Ltd
123 Turrella Street Turrella New South Wales 2205 Australia
(72) Name(s) of Designer(s): **Charles Seymour Wilson**
(45) Registration Date: **23 July 2010**
(56) Related Art Documents: **Not Applicable**
(57) Statement of Newness and Distinctiveness: **Newness and distinctiveness reside in the features of the design as shown in the representations excluding the features of the cushions shown in dotted lines in the representations.**



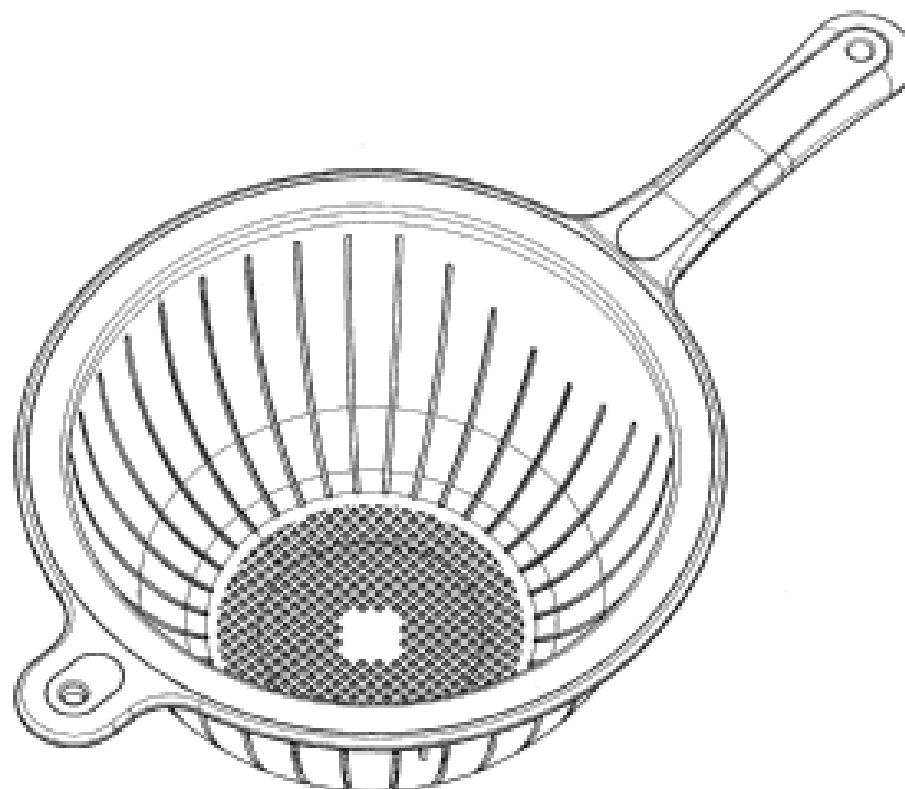
- (21) Design Number: **12686/2010**
(22) Date of Filing Application: **30 June 2010**
(24) Date from which industrial property rights may have effect: **30 June 2010**
(54) Product in respect of which the design is registered: **A sofa**
(51) International Design Classification: **06-01G**
(71) Name(s) and Address(s) of Applicant(s):
King Furniture (Australia) Pty Ltd
123 Turrella Street Turrella New South Wales 2205 Australia
(72) Name(s) of Designer(s): **Charles Seymour Wilson**
(45) Registration Date: **23 July 2010**
(56) Related Art Documents: **Not Applicable**
(57) Statement of Newness and Distinctiveness: **Newness and distinctiveness reside in the features of the design as shown in the representations excluding the features of the cushions shown in dotted lines in the representations.**



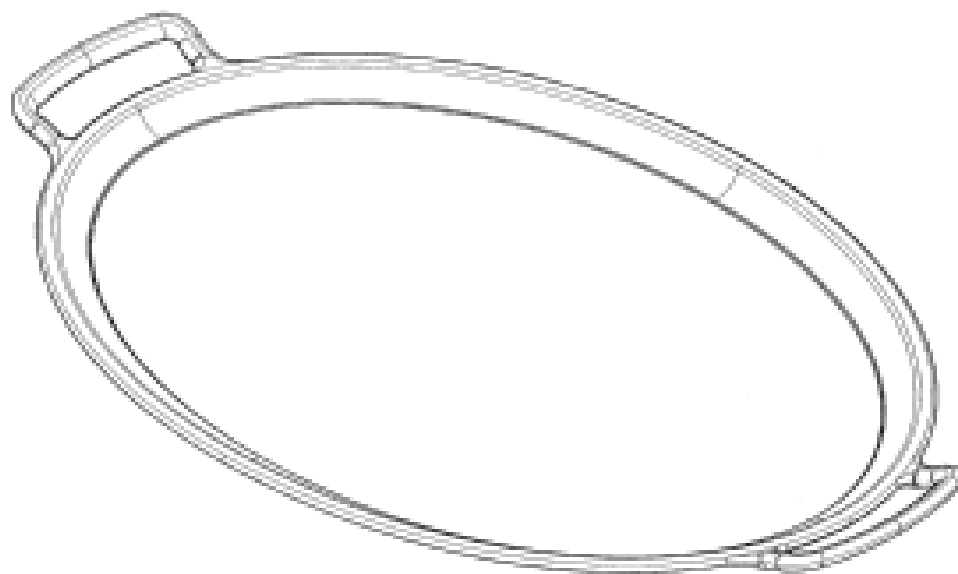
- (21) Design Number: **12687/2010**
(22) Date of Filing Application: **30 June 2010**
(24) Date from which industrial property rights may have effect: **30 June 2010**
(54) Product in respect of which the design is registered: **Bag with frames**
(51) International Design Classification: **03-01NES**
(71) Name(s) and Address(s) of Applicant(s):
Walser GmbH
Radetzkystrasse 114 6845 Hohenems Austria
(72) Name(s) of Designer(s): **Hans-Karl Walser**
(45) Registration Date: **23 July 2010**
(30) Convention priority data:
(31) Number (32) Date (33) Country
001188304-0002 11 Jan 2010 EUROPEAN COMMUNITY
(56) Related Art Documents: **Not Applicable**
(57) Statement of Newness and Distinctiveness: **Newness and distinctiveness reside in the features of the shape and configuration of the design as shown in the representations and in particular in the appearance of the roof which is domed in the direction of length and width by curved rods.**



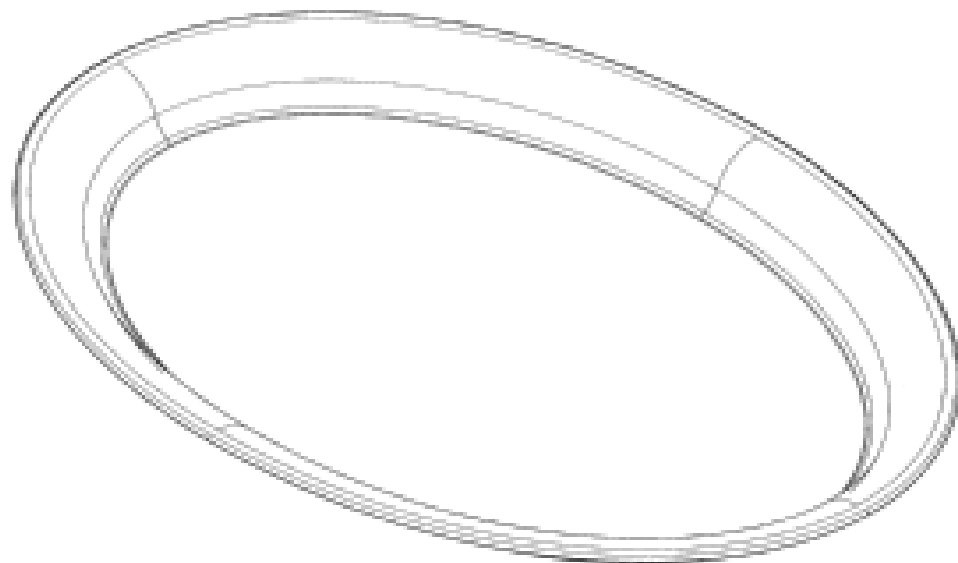
- (21) Design Number: **12689/2010**
(22) Date of Filing Application: **30 June 2010**
(24) Date from which industrial property rights may have effect: **30 June 2010**
(54) Product in respect of which the design is registered: **Colander**
(51) International Design Classification: **07-04**
(71) Name(s) and Address(s) of Applicant(s):
Poly Industries Pty Ltd
8 Green Street Revesby New South Wales 2212 Australia
(72) Name(s) of Designer(s): **Anthony Poly**
(45) Registration Date: **23 July 2010**
(56) Related Art Documents: **Not Applicable**
(57) Statement of Newness and Distinctiveness: **Newness and distinctiveness reside in the features of shape and/or configuration of the design as shown in the representations.**



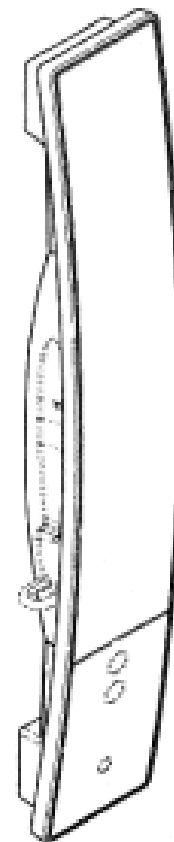
- (21) Design Number: **12690/2010**
(22) Date of Filing Application: **30 June 2010**
(24) Date from which industrial property rights may have effect: **30 June 2010**
(54) Product in respect of which the design is registered: **Tray**
(51) International Design Classification: **07-99A**
(71) Name(s) and Address(s) of Applicant(s):
Poly Industries Pty Ltd
8 Green Street Revesby New South Wales 2212 Australia
(72) Name(s) of Designer(s): **Anthony Poly**
(45) Registration Date: **23 July 2010**
(56) Related Art Documents: **Not Applicable**
(57) Statement of Newness and Distinctiveness: **Newness and distinctiveness reside in the features of shape and/or configuration of the design as shown in the representations.**



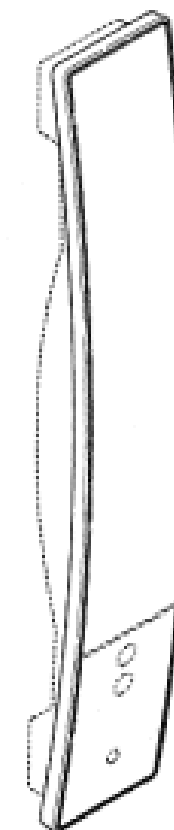
- (21) Design Number: **12691/2010**
(22) Date of Filing Application: **30 June 2010**
(24) Date from which industrial property rights may have effect: **30 June 2010**
(54) Product in respect of which the design is registered: **Tray**
(51) International Design Classification: **07-99A**
(71) Name(s) and Address(s) of Applicant(s):
Poly Industries Pty Ltd
8 Green Street Revesby New South Wales 2212 Australia
(72) Name(s) of Designer(s): **Anthony Poly**
(45) Registration Date: **23 July 2010**
(56) Related Art Documents: **Not Applicable**
(57) Statement of Newness and Distinctiveness: **Newness and distinctiveness reside in the features of shape and/or configuration of the design as shown in the representations.**



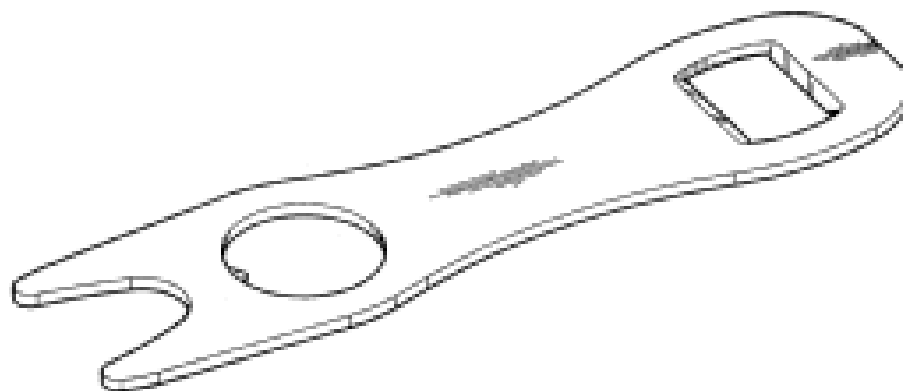
- (21) Design Number: **12626/2010**
- (22) Date of Filing Application: **28 June 2010**
- (24) Date from which industrial property rights may have effect: **28 June 2010**
- (54) Product in respect of which the design is registered: **Capture bar**
- (51) International Design Classification: **14-02**
- (71) Name(s) and Address(s) of Applicant(s):
Sanford, L.P.
2707 Butterfield Road Suite 100 Oak Brook IL 60523 United States of America
- (72) Name(s) of Designer(s): **Louis Frank Genatossio and Christopher M. Cacioppo and Manuel Perez and Hector Padilla and Timothy Higgins and Rick Burnham and Dan DeOreo**
- (45) Registration Date: **26 July 2010**
- (30) Convention priority data:
(31) Number (32) Date (33) Country
29/352,992 30 Dec 2009 UNITED STATES OF AMERICA
- (56) Related Art Documents: **Not Applicable**
- (57) Statement of Newness and Distinctiveness: **Nil**



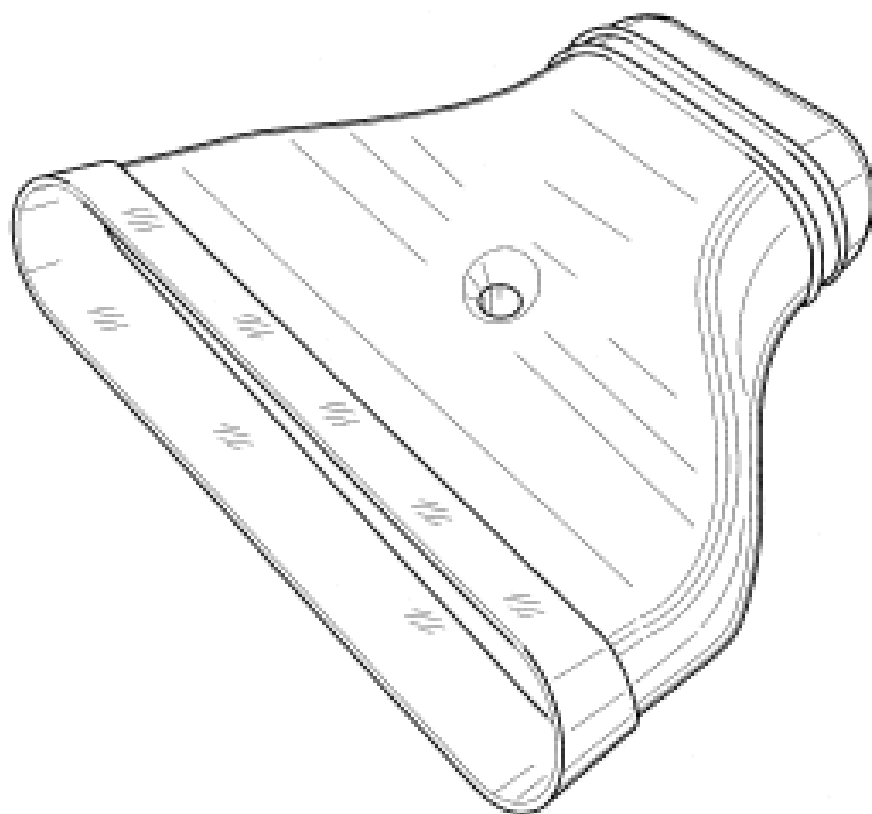
- (21) Design Number: **12627/2010**
- (22) Date of Filing Application: **28 June 2010**
- (24) Date from which industrial property rights may have effect: **28 June 2010**
- (54) Product in respect of which the design is registered: **Capture bar**
- (51) International Design Classification: **14-02**
- (71) Name(s) and Address(s) of Applicant(s):
Sanford, L.P.
2707 Butterfield Road Suite 100 Oak Brook IL 60523 United States of America
- (72) Name(s) of Designer(s): **Louis Frank Genatossio and Christopher M. Cacioppo and Manuel Perez and Hector Padilla and Timothy Higgins and Rick Burnham and Dan DeOreo**
- (45) Registration Date: **26 July 2010**
- (30) Convention priority data:
(31) Number (32) Date (33) Country
29/352,992 30 Dec 2009 UNITED STATES OF AMERICA
- (56) Related Art Documents: **Not Applicable**
- (57) Statement of Newness and Distinctiveness: **Nil**



- (21) Design Number: **12628/2010**
(22) Date of Filing Application: **28 June 2010**
(24) Date from which industrial property rights may have effect: **28 June 2010**
(54) Product in respect of which the design is registered: **Bottle top and speed pourer remover**
(51) International Design Classification: **07-06D**
(71) Name(s) and Address(s) of Applicant(s):
 Vincent Patsos
 11 Export Drive Molendinar Queensland 4214 Australia
 Matthew Patsos
 11 Export Drive Molendinar Queensland 4214 Australia
(72) Name(s) of Designer(s): **Chris Patsos and Vincent Patsos and Matthew Patsos**
(45) Registration Date: **26 July 2010**
(56) Related Art Documents: **Not Applicable**
(57) Statement of Newness and Distinctiveness: **Nil**



- (21) Design Number: **12638/2010**
(22) Date of Filing Application: **28 June 2010**
(24) Date from which industrial property rights may have effect: **28 June 2010**
(54) Product in respect of which the design is registered: **Air duct connector**
(51) International Design Classification: **23-04**
(71) Name(s) and Address(s) of Applicant(s):
 M & L Scott Pty. Ltd.
 27 Murdoch Street Clayton South Victoria 3169 Australia
(72) Name(s) of Designer(s): **Martin Laurence Scott**
(45) Registration Date: **26 July 2010**
(56) Related Art Documents: **Not Applicable**
(57) Statement of Newness and Distinctiveness: **Newness and distinctiveness reside in the features of shape and configuration of the air duct connector as shown in the accompanying representations.**



- (21) Design Number: **14463/2009**
(22) Date of Filing Application: **13 November 2009**
(24) Date from which industrial property rights may have effect: **13 November 2009**
(54) Product in respect of which the design is registered: **A Metal section**
(51) International Design Classification: **25-01K**
(71) Name(s) and Address(s) of Applicant(s):

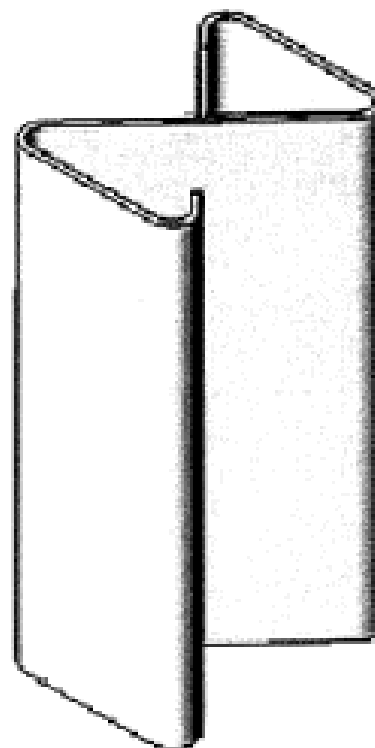
Industrial Galvanizers Corporation Pty Ltd
C/- Ingal Civil Products 57-65 Airds Road Minto New South Wales
2566 Australia

- (72) Name(s) of Designer(s): **Henry John Hare and Mark Whiteside**

(45) Registration Date: **26 July 2010**

(56) Related Art Documents: **Not Applicable**

- (57) Statement of Newness and Distinctiveness: **Newness and distinctiveness is claimed in those visual features depicted in unbroken lines of a metal section of indefinite length, having a first and second portion generally parallel to each other, joined by a third portion at an angle to each of the first and second portions in a generally Z-shaped manner, and the first and second portions terminating in free ends which generally extend towards each other.**



- (21) Design Number: **14462/2009**
(22) Date of Filing Application: **13 November 2009**
(24) Date from which industrial property rights may have effect: **13 November 2009**
(54) Product in respect of which the design is registered: **A component for a roadway barrier or guardrail barrier**
(51) International Design Classification: **25-02C**
(71) Name(s) and Address(s) of Applicant(s):

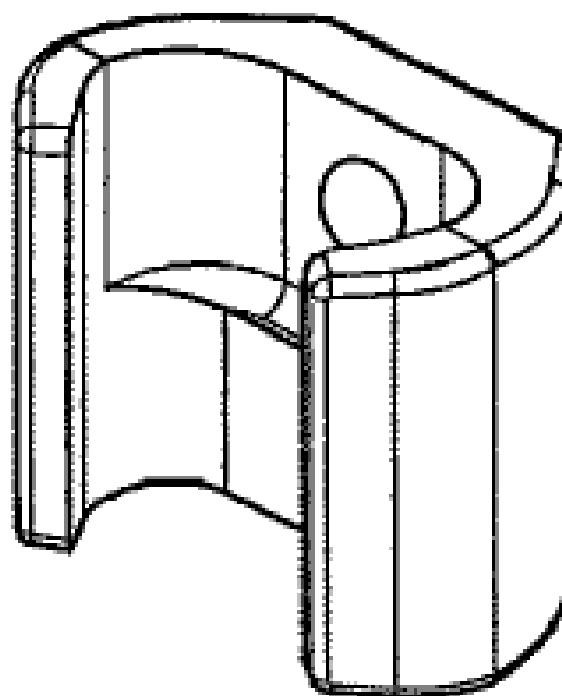
Industrial Galvanizers Corporation Pty Ltd
C/- Ingal Civil Products 57-65 Airds Road Minto New South Wales
2566 Australia

- (72) Name(s) of Designer(s): **Henry John Hare and Mark Whiteside**

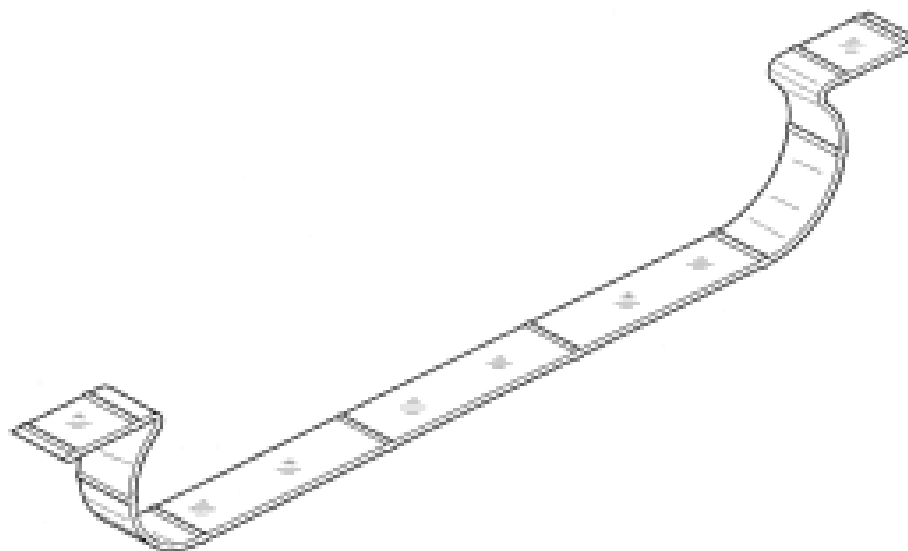
(45) Registration Date: **26 July 2010**

(56) Related Art Documents: **Not Applicable**

- (57) Statement of Newness and Distinctiveness: **Newness and distinctiveness resides in the shape and configuration of a component as illustrated in the attached figures in which some of the lines are chine or development lines which help to show the locations at which a change in shape or contour or section occurs, for the purpose of illustrating the shape and or configuration. These chine or development lines do not form part of the design.**

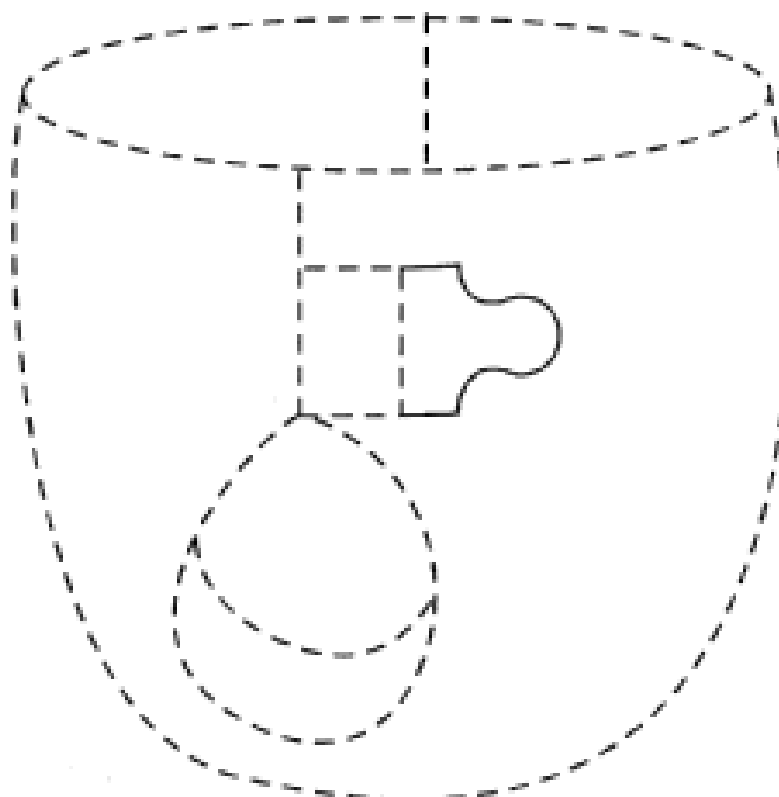


- (21) Design Number: **12639/2010**
- (22) Date of Filing Application: **28 June 2010**
- (24) Date from which industrial property rights may have effect: **28 June 2010**
- (54) Product in respect of which the design is registered: **Air duct strap**
- (51) International Design Classification: **23-04**
- (71) Name(s) and Address(s) of Applicant(s):
M & L Scott Pty. Ltd.
27 Murdoch Street Clayton South Victoria 3169 Australia
- (72) Name(s) of Designer(s): **Martin Laurence Scott**
- (45) Registration Date: **26 July 2010**
- (56) Related Art Documents: **Not Applicable**
- (57) Statement of Newness and Distinctiveness: **Newness and distinctiveness reside in the features of shape and configuration of the air duct strap as shown in the accompanying representations.**

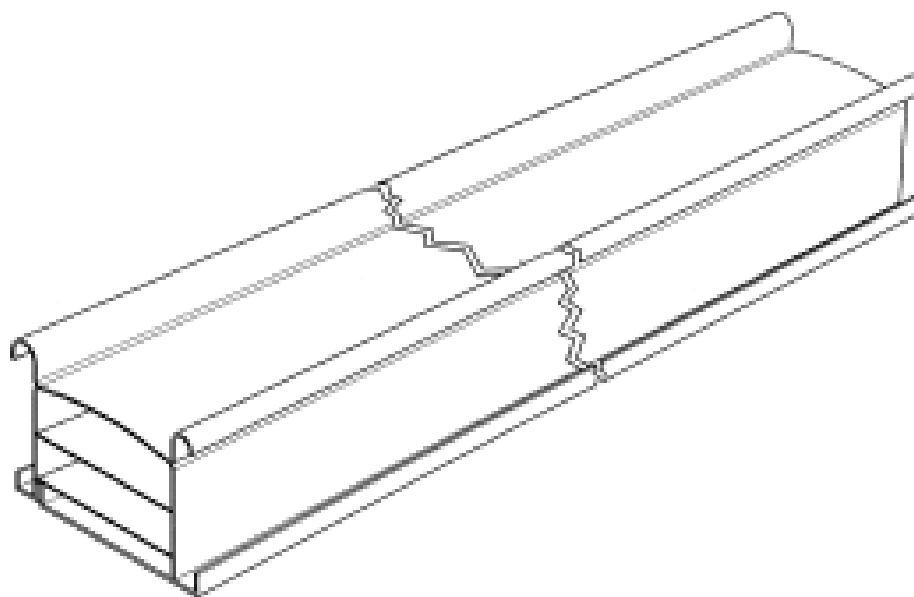


- (21) Design Number: **12647/2010**
- (22) Date of Filing Application: **28 June 2010**
- (24) Date from which industrial property rights may have effect: **28 June 2010**
- (54) Product in respect of which the design is registered: **Fastener tab for an absorbent article**
- (51) International Design Classification: **02-01B**
- (71) Name(s) and Address(s) of Applicant(s):
Kimberly-Clark Worldwide, Inc.
2300 Winchester Road Neenah Wisconsin 54956 United States of America
- (72) Name(s) of Designer(s): **Michael John Faulks and Janet Elaine Collins and Lisa LaRae Bushman and Connie May McMorrow and Christina Marie Rhein and Sara Jane Wille Stabelfeldt and Eric-John Raoul Gilgenbach and Matthew Edward Gerstle**
- (45) Registration Date: **26 July 2010**
- (30) Convention priority data:

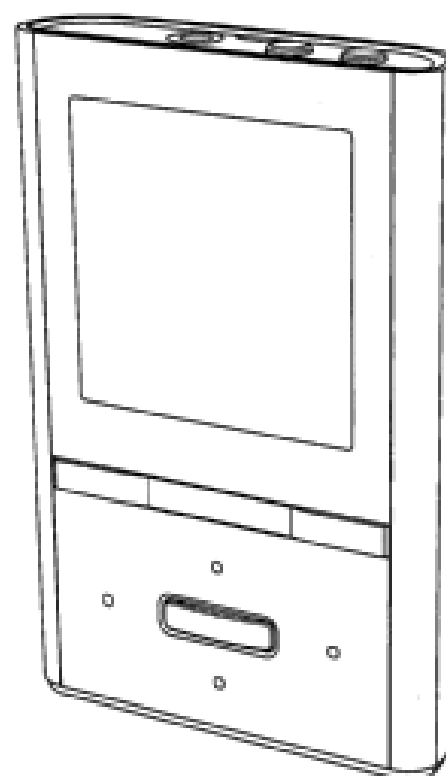
(31) Number	(32) Date	(33) Country
29/354865	29 Jan 2010	UNITED STATES OF AMERICA
- (56) Related Art Documents: **Not Applicable**
- (57) Statement of Newness and Distinctiveness: **Newness and distinctiveness is claimed in the features of of shape and/or configuration of a fastener tab for an an absorbent article as illustrated in continuous lines in the accompanying representations.**



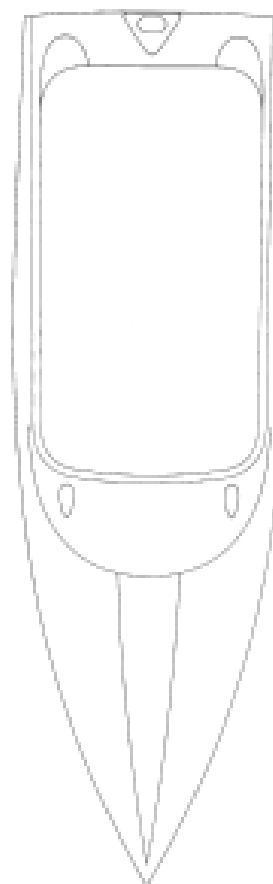
- (21) Design Number: **12648/2010**
(22) Date of Filing Application: **28 June 2010**
(24) Date from which industrial property rights may have effect: **28 June 2010**
(54) Product in respect of which the design is registered: **Building panel**
(51) International Design Classification: **25-01K**
(71) Name(s) and Address(s) of Applicant(s):
Stephen John Trower
8 Santa Monica Parade Iluka Western Australia 6028 Australia
Steven John Bedford
28 Harvest Terrace Scarborough Western Australia 6019 Australia
(72) Name(s) of Designer(s): **Stephen John Trower and Stephen John Bedford**
(45) Registration Date: **26 July 2010**
(56) Related Art Documents: **Not Applicable**
(57) Statement of Newness and Distinctiveness: **Newness and distinctiveness is claimed in the shape and/or configuration of a building panel of indefinite length as illustrated in the accompanying representations.**



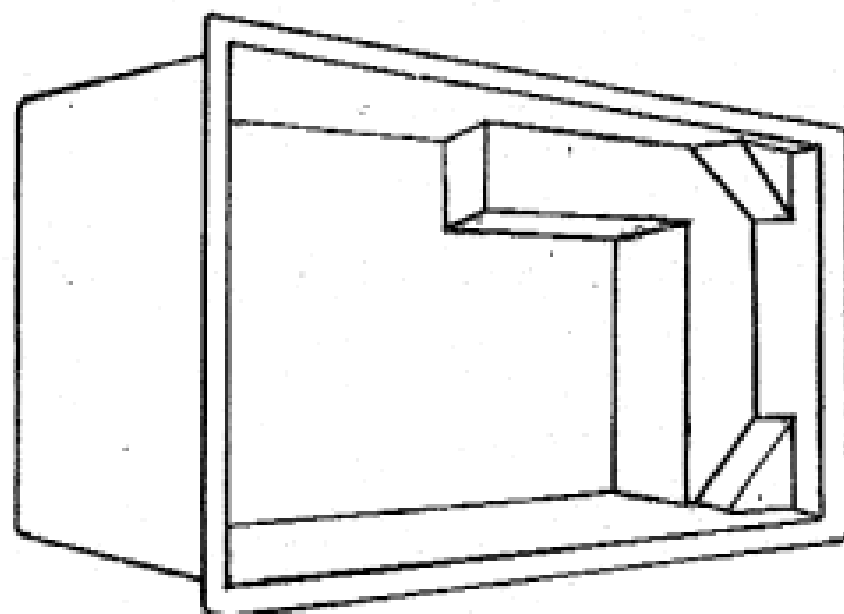
- (21) Design Number: **11983/2010**
(22) Date of Filing Application: **18 May 2010**
(24) Date from which industrial property rights may have effect: **18 May 2010**
(54) Product in respect of which the design is registered: **Digital audio player**
(51) International Design Classification: **14-01**
(71) Name(s) and Address(s) of Applicant(s):
Koninklijke Philips Electronics N.V.
Groenewoudseweg 1 5621 BA Eindhoven The Netherlands
(72) Name(s) of Designer(s): **Wai Chung David Lee**
(45) Registration Date: **27 July 2010**
(30) Convention priority data:
(31) Number (32) Date (33) Country
001640228-0005 25 Nov 2009 EUROPEAN COMMUNITY
(56) Related Art Documents: **Not Applicable**
(57) Statement of Newness and Distinctiveness: **Newness and distinctiveness reside in the features of shape and configuration of the design as shown in the representations.**



- (21) Design Number: **12141/2010**
- (22) Date of Filing Application: **27 May 2010**
- (24) Date from which industrial property rights may have effect: **27 May 2010**
- (54) Product in respect of which the design is registered: **Speedboat**
- (51) International Design Classification: **12-06A**
- (71) Name(s) and Address(s) of Applicant(s):
Rodney John Bickerton
608 River Road Lower Portland New South Wales 2756 Australia
- (72) Name(s) of Designer(s): **Rodney John Bickerton**
- (45) Registration Date: **27 July 2010**
- (56) Related Art Documents: **Not Applicable**
- (57) Statement of Newness and Distinctiveness: **Newness and distinctiveness is claimed in those features of shape and/or configuration of a speed boat as illustrated in the accompanying representations.**



- (21) Design Number: **12224/2010**
- (22) Date of Filing Application: **31 May 2010**
- (24) Date from which industrial property rights may have effect: **31 May 2010**
- (54) Product in respect of which the design is registered: **Swimming pool shell**
- (51) International Design Classification: **25-03**
- (71) Name(s) and Address(s) of Applicant(s):
Corey Chesson
3 Bi Lo Court Salisbury North South Australia 5108 Australia
- (72) Name(s) of Designer(s): **Corey Chesson**
- (45) Registration Date: **27 July 2010**
- (56) Related Art Documents: **Not Applicable**
- (57) Statement of Newness and Distinctiveness: **Nil**



(21) Design Number: **12346/2010**

(22) Date of Filing Application: **09 June 2010**

(24) Date from which industrial property rights may have effect: **09 June 2010**

(54) Product in respect of which the design is registered: **Utility grip**

(51) International Design Classification: **08-05F**

(71) Name(s) and Address(s) of Applicant(s):

**Sureguard Safety Australia Pty Ltd
34 Abington Crescent Glen Alpine New South Wales 2560 Australia**

(72) Name(s) of Designer(s): **Wayne Kopp**

(45) Registration Date: **27 July 2010**

(56) Related Art Documents: **Not Applicable**

(57) Statement of Newness and Distinctiveness: **Nil**



(21) Design Number: **12423/2010**

(22) Date of Filing Application: **10 June 2010**

(24) Date from which industrial property rights may have effect: **10 June 2010**

(54) Product in respect of which the design is registered: **Curtain track runner**

(51) International Design Classification: **08-08H**

(71) Name(s) and Address(s) of Applicant(s):

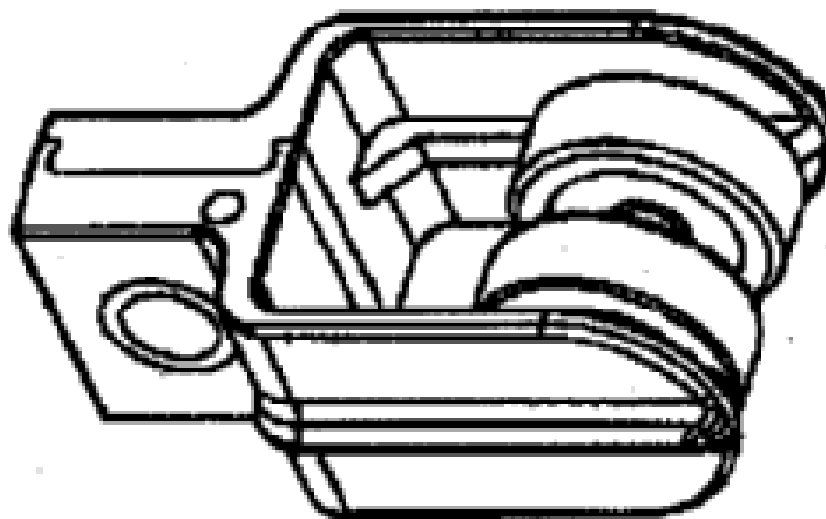
**Specialty Group International Ltd
PO Box 807 Tanglin Post Office 912427 Singapore**

(72) Name(s) of Designer(s): **Roger Lawrence Keane**

(45) Registration Date: **27 July 2010**

(56) Related Art Documents: **Not Applicable**

(57) Statement of Newness and Distinctiveness: **Runner features a unique alignment and snap-together locking design that holds the two halves together extremely strongly but can be separated easily with a screw driver. Also, the design features a unique hex recess accommodating an M8 nut allowing for rapid, single-tool installation.**



(21) Design Number: **12424/2010**

(22) Date of Filing Application: **10 June 2010**

(24) Date from which industrial property rights may have effect: **10 June 2010**

(54) Product in respect of which the design is registered: **Curtain track**

(51) International Design Classification: **08-08H**

(71) Name(s) and Address(s) of Applicant(s):

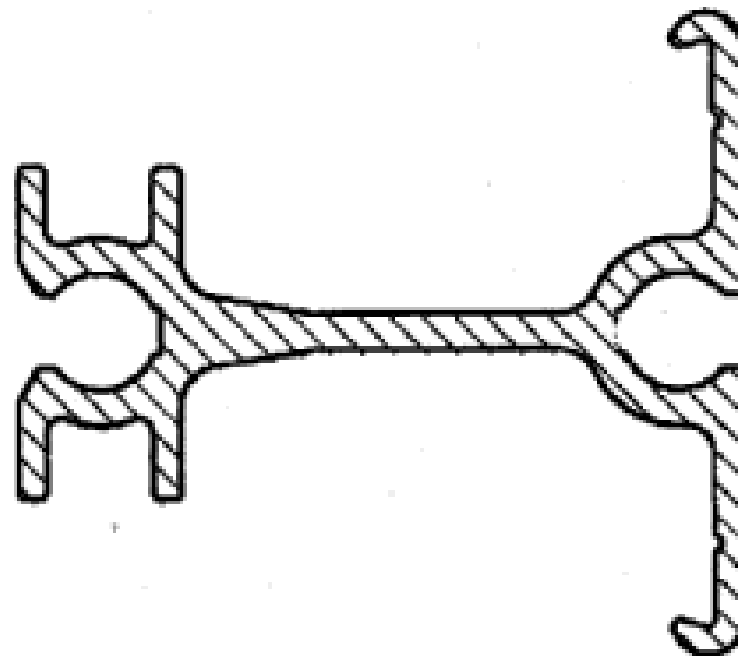
**Specialty Group International Ltd
PO Box 807 Tanglin Post Office 912427 Singapore**

(72) Name(s) of Designer(s): **Roger Lawrence Keane and Mark Ross and Craig Moore and Ian Hollander and Jim Dodd and Ian Gibb**

(45) Registration Date: **27 July 2010**

(56) Related Art Documents: **Not Applicable**

(57) Statement of Newness and Distinctiveness: **New and unique design profile for medium duty curtain track. .**



(21) Design Number: **12637/2010**

(22) Date of Filing Application: **28 June 2010**

(24) Date from which industrial property rights may have effect: **28 June 2010**

(54) Product in respect of which the design is registered: **A safety guard for a crow bar**

(51) International Design Classification: **08-08NES, 08-01**

(71) Name(s) and Address(s) of Applicant(s):

**Consolidated Plastics and Epoxy (Qld) Pty Ltd
8 Hamilton Street North Mackay Queensland 4740 Australia**

(72) Name(s) of Designer(s): **Gregory James Myer**

(45) Registration Date: **27 July 2010**

(56) Related Art Documents: **Not Applicable**

(57) Statement of Newness and Distinctiveness: **Organic flower shape.**



- (21) Design Number: **12665/2010**
(22) Date of Filing Application: **29 June 2010**
(24) Date from which industrial property rights may have effect: **29 June 2010**
(54) Product in respect of which the design is registered: **Baby capsule for stroller**
(51) International Design Classification: **12-12**
(71) Name(s) and Address(s) of Applicant(s):
Stokke AS
Hahjem NO-6260 Skodje Norway
(72) Name(s) of Designer(s): **Hilde Angelfoss and Bjorn Refsum**
(45) Registration Date: **27 July 2010**
(30) Convention priority data:
(31) Number (32) Date (33) Country
20100028 19 Jan 2010 NORWAY
(56) Related Art Documents: **Not Applicable**
(57) Statement of Newness and Distinctiveness: **Newness and distinctiveness resides in the features of shape and/or configuration of a baby capsule for stroller as illustrated in the accompanying representations.**



- (21) Design Number: **12666/2010**
(22) Date of Filing Application: **29 June 2010**
(24) Date from which industrial property rights may have effect: **29 June 2010**
(54) Product in respect of which the design is registered: **Stroller**
(51) International Design Classification: **12-12**
(71) Name(s) and Address(s) of Applicant(s):
Stokke AS
Hahjem NO-6260 Skodje Norway
(72) Name(s) of Designer(s): **Hilde Angelfoss and Bjorn Refsum**
(45) Registration Date: **27 July 2010**
(30) Convention priority data:
(31) Number (32) Date (33) Country
20100028 19 Jan 2010 NORWAY
(56) Related Art Documents: **Not Applicable**
(57) Statement of Newness and Distinctiveness: **Newness and distinctiveness resides in the features of shape and/or configuration of a stroller as illustrated in the accompanying representations.**



- (21) Design Number: **12667/2010**
(22) Date of Filing Application: **29 June 2010**
(24) Date from which industrial property rights may have effect: **29 June 2010**
(54) Product in respect of which the design is registered: **Baby capsule for stroller**
(51) International Design Classification: **12-12**
(71) Name(s) and Address(s) of Applicant(s):
Stokke AS
Hahjem NO-6260 Skodje Norway
(72) Name(s) of Designer(s): **Hilde Angelfoss and Bjorn Refsum**
(45) Registration Date: **27 July 2010**
(30) Convention priority data:
(31) Number (32) Date (33) Country
20100028 19 Jan 2010 NORWAY
(56) Related Art Documents: **Not Applicable**
(57) Statement of Newness and Distinctiveness: **Newness and distinctiveness resides in the features of shape and/or configuration of a baby capsule for stroller as illustrated in the accompanying representations.**



- (21) Design Number: **12668/2010**
(22) Date of Filing Application: **29 June 2010**
(24) Date from which industrial property rights may have effect: **29 June 2010**
(54) Product in respect of which the design is registered: **Stroller**
(51) International Design Classification: **12-12**
(71) Name(s) and Address(s) of Applicant(s):
Stokke AS
Hahjem NO-6260 Skodje Norway
(72) Name(s) of Designer(s): **Hilde Angelfoss and Bjorn Refsum**
(45) Registration Date: **27 July 2010**
(30) Convention priority data:
(31) Number (32) Date (33) Country
20100028 19 Jan 2010 NORWAY
(56) Related Art Documents: **Not Applicable**
(57) Statement of Newness and Distinctiveness: **Newness and distinctiveness resides in the features of shape and/or configuration of a stroller as illustrated in the accompanying representations.**



- (21) Design Number: **12669/2010**
(22) Date of Filing Application: **29 June 2010**
(24) Date from which industrial property rights may have effect: **29 June 2010**
(54) Product in respect of which the design is registered: **Baby capsule for stroller**
(51) International Design Classification: **12-12**
(71) Name(s) and Address(s) of Applicant(s):
Stokke AS
Hahjem NO-6260 Skodje Norway
(72) Name(s) of Designer(s): **Hilde Angelfoss and Bjorn Refsum**
(45) Registration Date: **27 July 2010**
(30) Convention priority data:
(31) Number (32) Date (33) Country
20100028 19 Jan 2010 NORWAY
(56) Related Art Documents: **Not Applicable**
(57) Statement of Newness and Distinctiveness: **Newness and distinctiveness resides in the features of shape and/or configuration of a baby capsule for stroller as illustrated in the accompanying representations.**



- (21) Design Number: **12670/2010**
(22) Date of Filing Application: **29 June 2010**
(24) Date from which industrial property rights may have effect: **29 June 2010**
(54) Product in respect of which the design is registered: **Stroller**
(51) International Design Classification: **12-12**
(71) Name(s) and Address(s) of Applicant(s):
Stokke AS
Hahjem NO-6260 Skodje Norway
(72) Name(s) of Designer(s): **Hilde Angelfoss and Bjorn Refsum**
(45) Registration Date: **27 July 2010**
(30) Convention priority data:
(31) Number (32) Date (33) Country
20100028 19 Jan 2010 NORWAY
(56) Related Art Documents: **Not Applicable**
(57) Statement of Newness and Distinctiveness: **Newness and distinctiveness resides in the features of shape and/or configuration of a stroller as illustrated in the accompanying representations.**



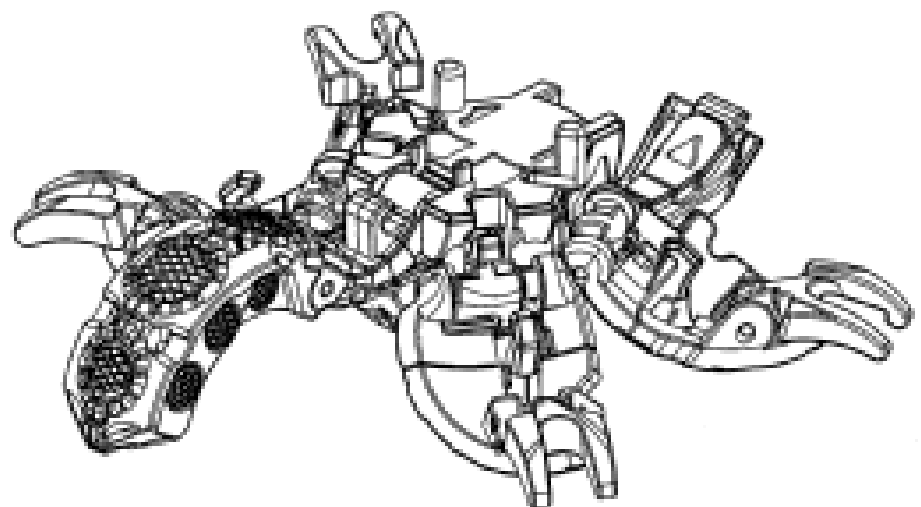
- (21) Design Number: **12674/2010**
(22) Date of Filing Application: **29 June 2010**
(24) Date from which industrial property rights may have effect: **29 June 2010**
(54) Product in respect of which the design is registered: **Multifunctional bathroom accessory**
(51) International Design Classification: **07-05D**
(71) Name(s) and Address(s) of Applicant(s):
Iain Ewing
14 Bluebell Street Mansfield Queensland 4122 Australia
(72) Name(s) of Designer(s): **Iain Ewing**
(45) Registration Date: **27 July 2010**
(56) Related Art Documents: **Not Applicable**
(57) Statement of Newness and Distinctiveness: **Newness and distinctiveness are claimed in the shape of the bathroom accessory.**



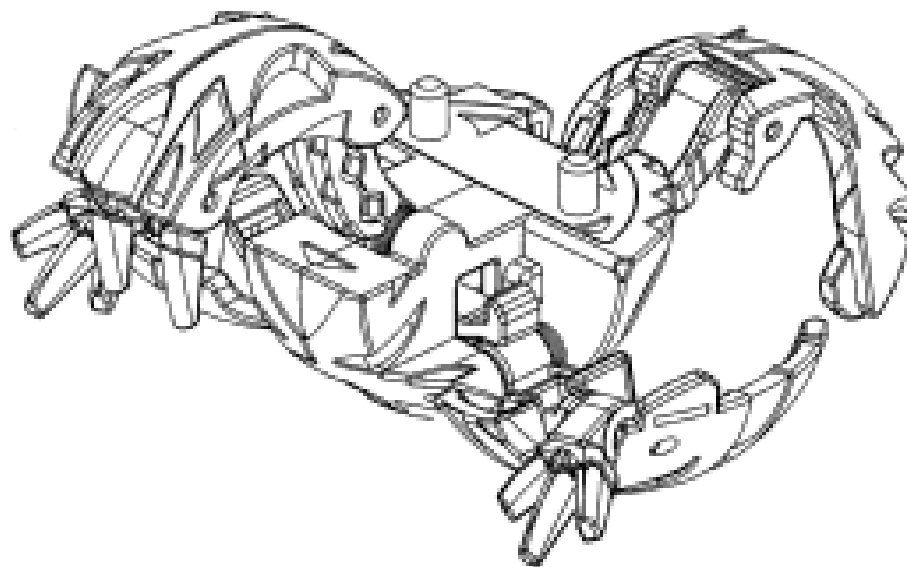
- (21) Design Number: **12693/2010**
(22) Date of Filing Application: **30 June 2010**
(24) Date from which industrial property rights may have effect: **30 June 2010**
(54) Product in respect of which the design is registered: **Transformable toy**
(51) International Design Classification: **21-01B**
(71) Name(s) and Address(s) of Applicant(s):
Spin Master Ltd
450 Front Street West Toronto M5V 1B6 Ontario Canada
(72) Name(s) of Designer(s): **Wataru Sato and Kohji Hirose and Richard Keuter**
(45) Registration Date: **27 July 2010**
(30) Convention priority data:

(31) Number	(32) Date	(33) Country
134064	15 Feb 2010	CANADA

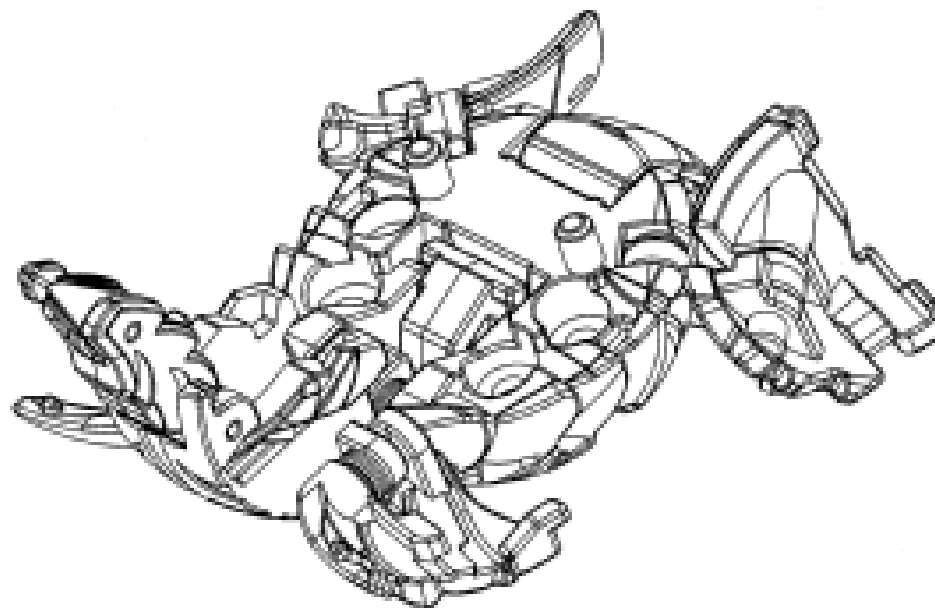
(56) Related Art Documents: **Not Applicable**
(57) Statement of Newness and Distinctiveness: **Nil**



(21) Design Number: **12694/2010**
(22) Date of Filing Application: **30 June 2010**
(24) Date from which industrial property rights may have effect: **30 June 2010**
(54) Product in respect of which the design is registered: **Transformable toy**
(51) International Design Classification: **21-01B**
(71) Name(s) and Address(s) of Applicant(s):
Spin Master Ltd
450 Front Street West Toronto M5V 1B6 Ontario Canada
(72) Name(s) of Designer(s): **Wataru Sato and Kohji Hirose and Richard Keuter**
(45) Registration Date: **27 July 2010**
(30) Convention priority data:
(31) Number (32) Date (33) Country
134065 15 Feb 2010 CANADA
(56) Related Art Documents: **Not Applicable**
(57) Statement of Newness and Distinctiveness: **Nil**



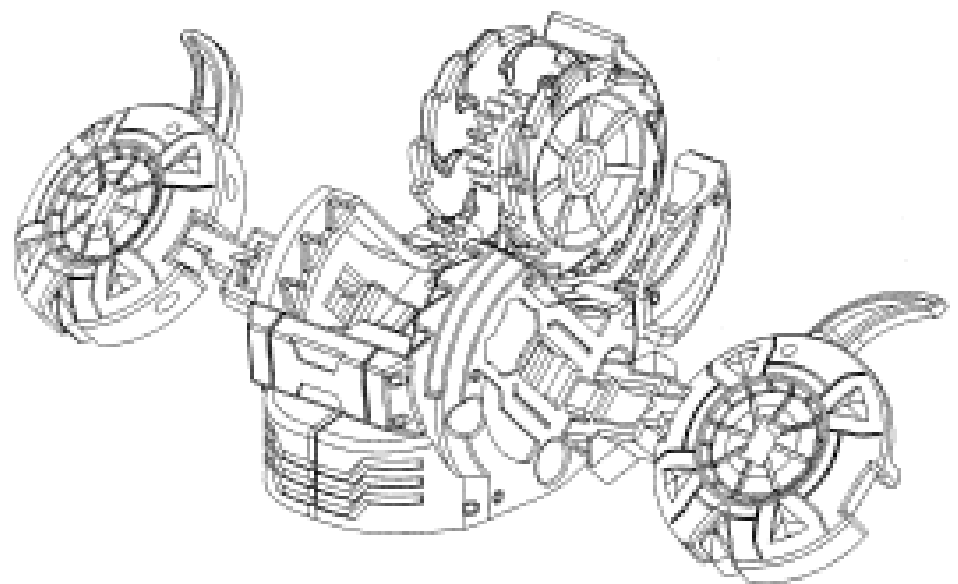
(21) Design Number: **12695/2010**
(22) Date of Filing Application: **30 June 2010**
(24) Date from which industrial property rights may have effect: **30 June 2010**
(54) Product in respect of which the design is registered: **Transformable toy**
(51) International Design Classification: **21-01B**
(71) Name(s) and Address(s) of Applicant(s):
Spin Master Ltd
450 Front Street West Toronto M5V 1B6 Ontario Canada
(72) Name(s) of Designer(s): **Wataru Sato and Kohji Hirose and Richard Keuter**
(45) Registration Date: **27 July 2010**
(30) Convention priority data:
(31) Number (32) Date (33) Country
134159 22 Feb 2010 CANADA
(56) Related Art Documents: **Not Applicable**
(57) Statement of Newness and Distinctiveness: **Nil**



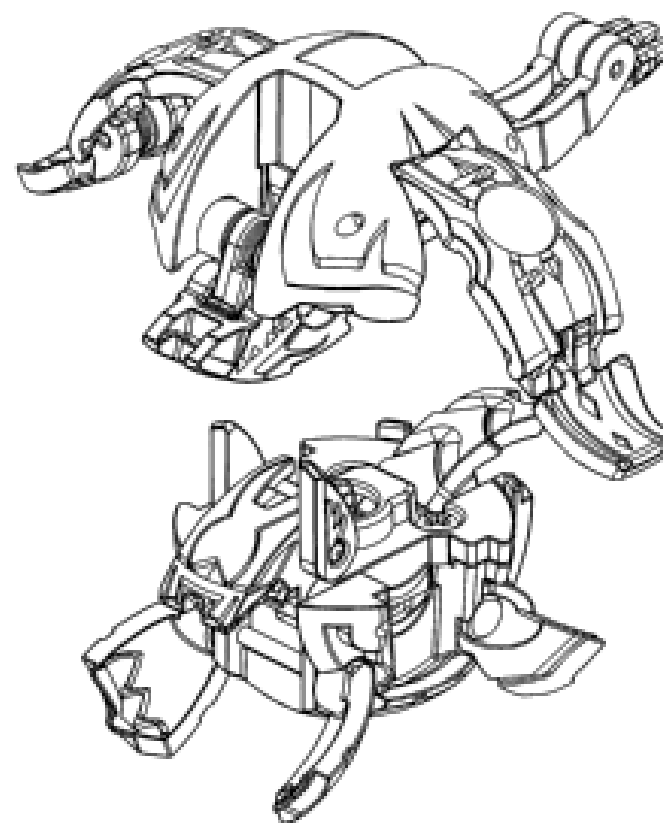
(21) Design Number: **12696/2010**
(22) Date of Filing Application: **30 June 2010**
(24) Date from which industrial property rights may have effect: **30 June 2010**
(54) Product in respect of which the design is registered: **Transformable toy**
(51) International Design Classification: **21-01B**
(71) Name(s) and Address(s) of Applicant(s):
Spin Master Ltd
450 Front Street West Toronto M5V 1B6 Ontario Canada
(72) Name(s) of Designer(s): **Wataru Sato and Kohji Hirose and Richard Keuter**
(45) Registration Date: **27 July 2010**
(30) Convention priority data:
(31) Number (32) Date (33) Country
134256 01 Mar 2010 CANADA
(56) Related Art Documents: **Not Applicable**
(57) Statement of Newness and Distinctiveness: **Nil**



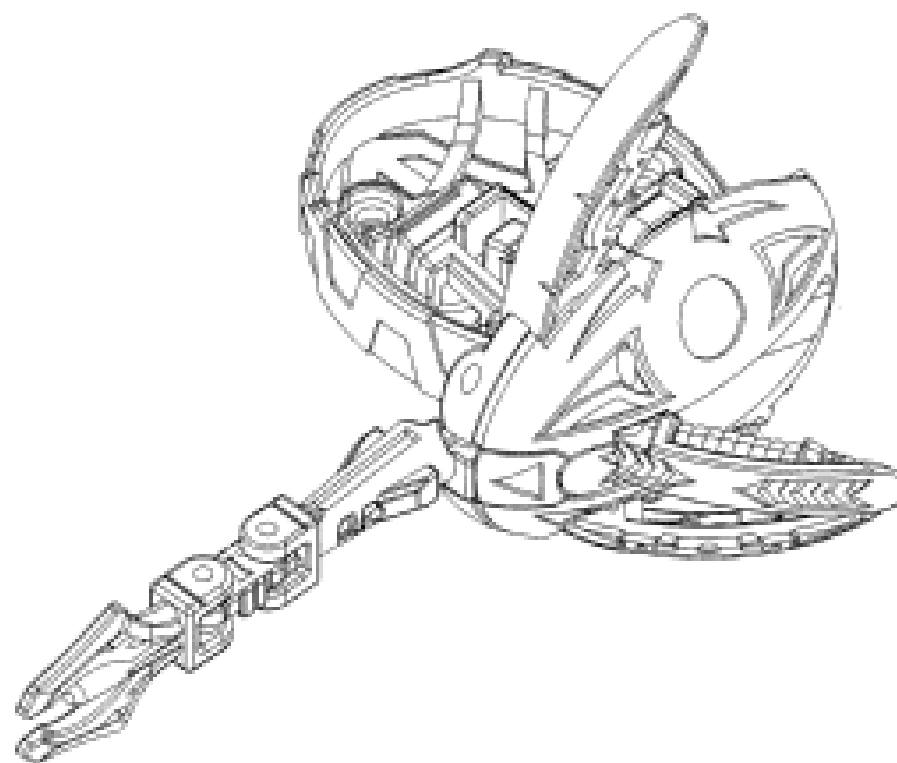
(21) Design Number: **12697/2010**
(22) Date of Filing Application: **30 June 2010**
(24) Date from which industrial property rights may have effect: **30 June 2010**
(54) Product in respect of which the design is registered: **Transformable toy**
(51) International Design Classification: **21-01B**
(71) Name(s) and Address(s) of Applicant(s):
Spin Master Ltd
450 Front Street West Toronto M5V 1B6 Ontario Canada
(72) Name(s) of Designer(s): **Wataru Sato and Kohji Hirose and Richard Keuter**
(45) Registration Date: **27 July 2010**
(30) Convention priority data:
(31) Number (32) Date (33) Country
133591 06 Jan 2010 CANADA
(56) Related Art Documents: **Not Applicable**
(57) Statement of Newness and Distinctiveness: **Nil**



(21) Design Number: **12698/2010**
(22) Date of Filing Application: **30 June 2010**
(24) Date from which industrial property rights may have effect: **30 June 2010**
(54) Product in respect of which the design is registered: **Transformable toy**
(51) International Design Classification: **21-01B**
(71) Name(s) and Address(s) of Applicant(s):
Spin Master Ltd
450 Front Street West Toronto M5V 1B6 Ontario Canada
(72) Name(s) of Designer(s): **Wataru Sato and Kohji Hirose and Richard Keuter**
(45) Registration Date: **27 July 2010**
(30) Convention priority data:
(31) Number (32) Date (33) Country
133714 14 Jan 2010 CANADA
(56) Related Art Documents: **Not Applicable**
(57) Statement of Newness and Distinctiveness: **Nil**



(21) Design Number: **12699/2010**
(22) Date of Filing Application: **30 June 2010**
(24) Date from which industrial property rights may have effect: **30 June 2010**
(54) Product in respect of which the design is registered: **Transformable toy**
(51) International Design Classification: **21-01B**
(71) Name(s) and Address(s) of Applicant(s):
Spin Master Ltd
450 Front Street West Toronto M5V 1B6 Ontario Canada
(72) Name(s) of Designer(s): **Wataru Sato and Kohji Hirose and Richard Keuter**
(45) Registration Date: **27 July 2010**
(30) Convention priority data:
(31) Number (32) Date (33) Country
133589 06 Jan 2010 CANADA
(56) Related Art Documents: **Not Applicable**
(57) Statement of Newness and Distinctiveness: **Nil**



(21) Design Number: **12700/2010**

(22) Date of Filing Application: **30 June 2010**

(24) Date from which industrial property rights may have effect: **30 June 2010**

(54) Product in respect of which the design is registered: **Transformable toy**

(51) International Design Classification: **21-01B**

(71) Name(s) and Address(s) of Applicant(s):

Spin Master Ltd
450 Front Street West Toronto M5V 1B6 Ontario Canada

(72) Name(s) of Designer(s): **Wataru Sato and Kohji Hirose and Richard Keuter**

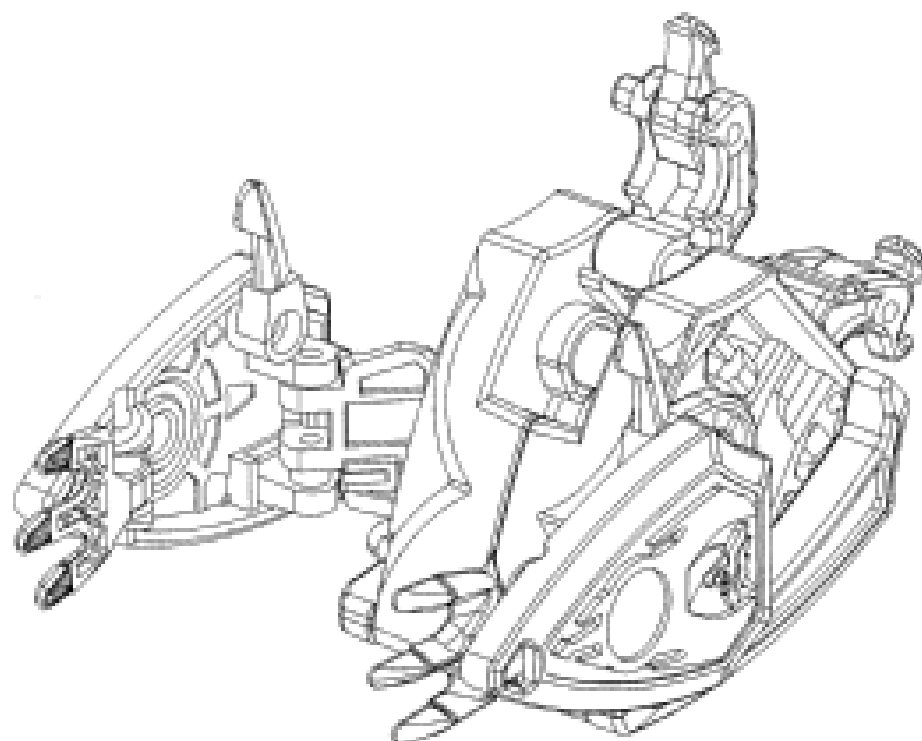
(45) Registration Date: **27 July 2010**

(30) Convention priority data:

(31) Number	(32) Date	(33) Country
133588	06 Jan 2010	CANADA

(56) Related Art Documents: **Not Applicable**

(57) Statement of Newness and Distinctiveness: **Nil**



(21) Design Number: **12701/2010**

(22) Date of Filing Application: **30 June 2010**

(24) Date from which industrial property rights may have effect: **30 June 2010**

(54) Product in respect of which the design is registered: **Transformable toy**

(51) International Design Classification: **21-01B**

(71) Name(s) and Address(s) of Applicant(s):

Spin Master Ltd
450 Front Street West Toronto M5V 1B6 Ontario Canada

(72) Name(s) of Designer(s): **Wataru Sato and Kohji Hirose and Richard Keuter**

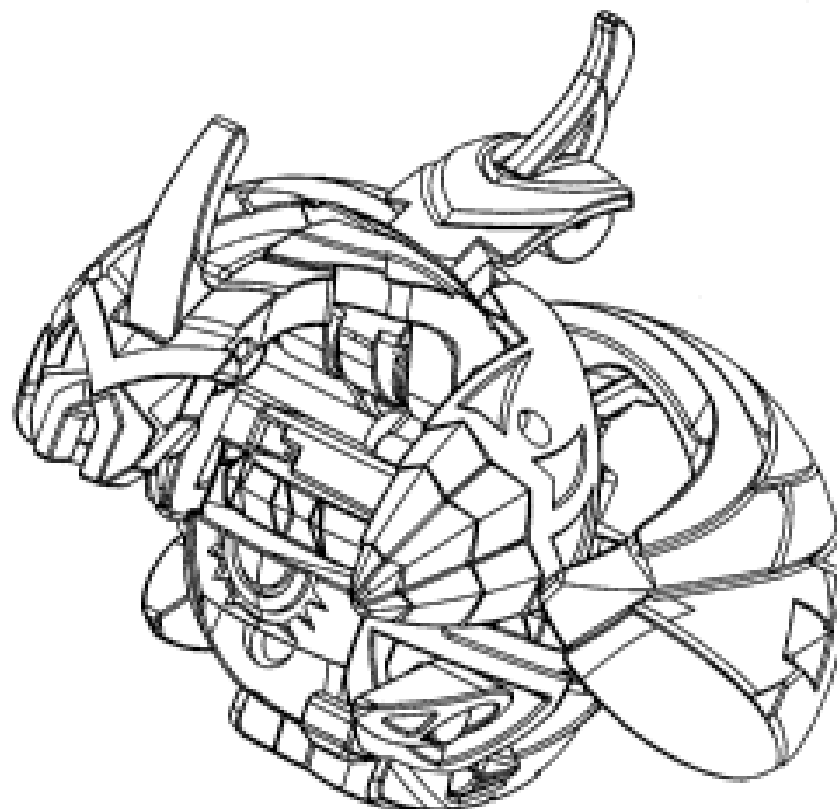
(45) Registration Date: **27 July 2010**

(30) Convention priority data:

(31) Number	(32) Date	(33) Country
133565	04 Jan 2010	CANADA

(56) Related Art Documents: **Not Applicable**

(57) Statement of Newness and Distinctiveness: **Nil**



(21) Design Number: **12702/2010**

(22) Date of Filing Application: **30 June 2010**

(24) Date from which industrial property rights may have effect: **30 June 2010**

(54) Product in respect of which the design is registered: **Transformable toy**

(51) International Design Classification: **21-01B**

(71) Name(s) and Address(s) of Applicant(s):

Spin Master Ltd

450 Front Street West Toronto M5V 1B6 Ontario Canada

(72) Name(s) of Designer(s): **Wataru Sato and Kohji Hirose and Richard Keuter**

(45) Registration Date: **27 July 2010**

(30) Convention priority data:

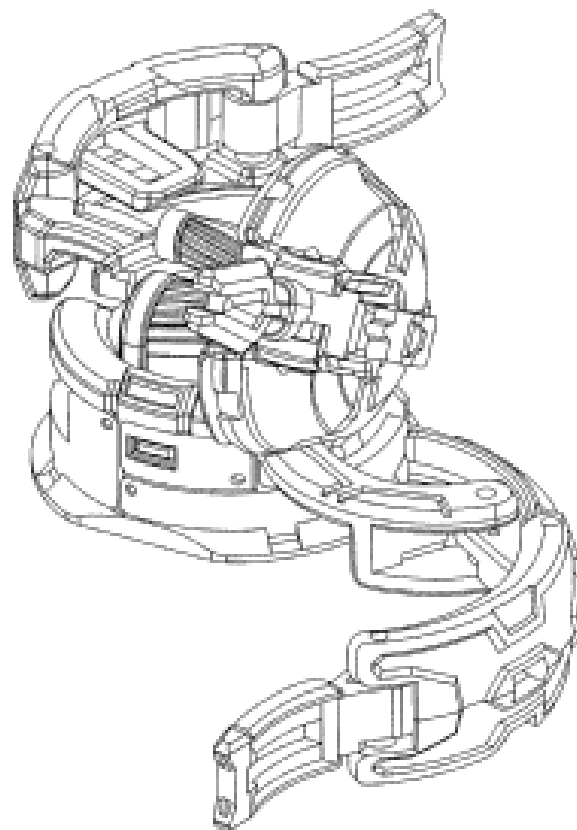
(31) Number
133590

(32) Date
06 Jan 2010

(33) Country
CANADA

(56) Related Art Documents: **Not Applicable**

(57) Statement of Newness and Distinctiveness: **Nil**



(21) Design Number: **12704/2010**

(22) Date of Filing Application: **29 June 2010**

(24) Date from which industrial property rights may have effect: **29 June 2010**

(54) Product in respect of which the design is registered: **Kids chair**

(51) International Design Classification: **06-01F**

(71) Name(s) and Address(s) of Applicant(s):

Globeworks Pty Ltd

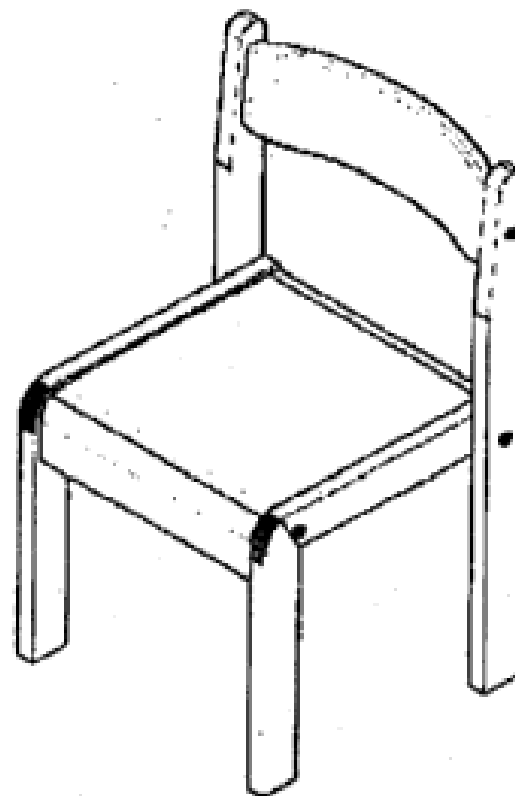
**Unit 6/2 Southridge Street Eastern Creek New South Wales 2766
Australia**

(72) Name(s) of Designer(s): **Gary Sher**

(45) Registration Date: **27 July 2010**

(56) Related Art Documents: **Not Applicable**

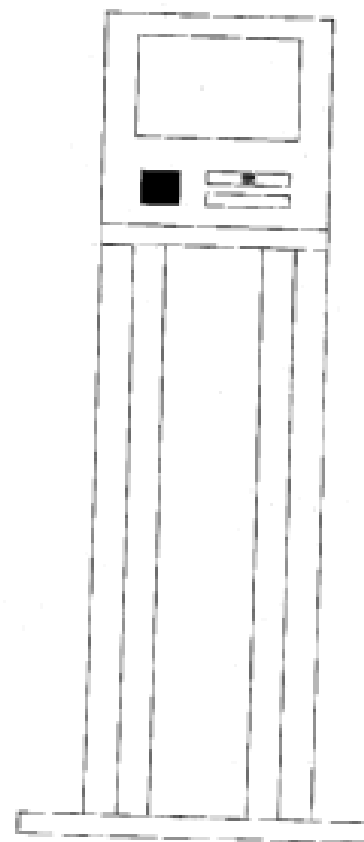
(57) Statement of Newness and Distinctiveness: **Nil**



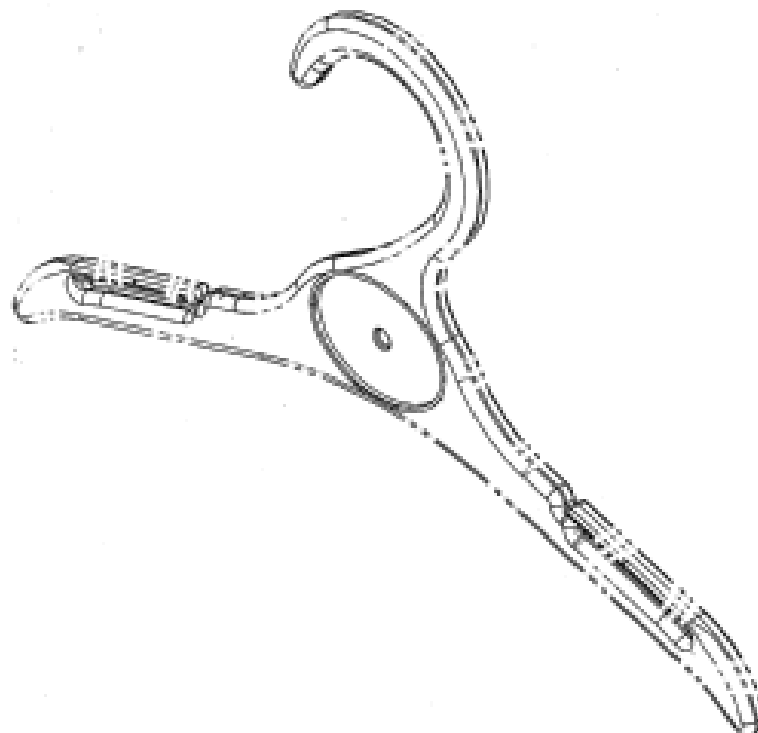
- (21) Design Number: **12706/2010**
(22) Date of Filing Application: **02 July 2010**
(24) Date from which industrial property rights may have effect: **02 July 2010**
(54) Product in respect of which the design is registered: **A container**
(51) International Design Classification: **09-01K**
(71) Name(s) and Address(s) of Applicant(s):
David Murray Melrose
88 Balmoral Road Mount Eden Auckland 1024 New Zealand
(72) Name(s) of Designer(s): **David Murray Melrose and Tania Maria Larsen and Andrew Candy and Campbell Melrose-Allen**
(45) Registration Date: **27 July 2010**
(30) Convention priority data:
(31) Number (32) Date (33) Country
413321 24 Feb 2010 NEW ZEALAND
(56) Related Art Documents: **Not Applicable**
(57) Statement of Newness and Distinctiveness: **Newness and distinctiveness in respect of its shape or configuration excluding any novelty in its neck and base portions.**



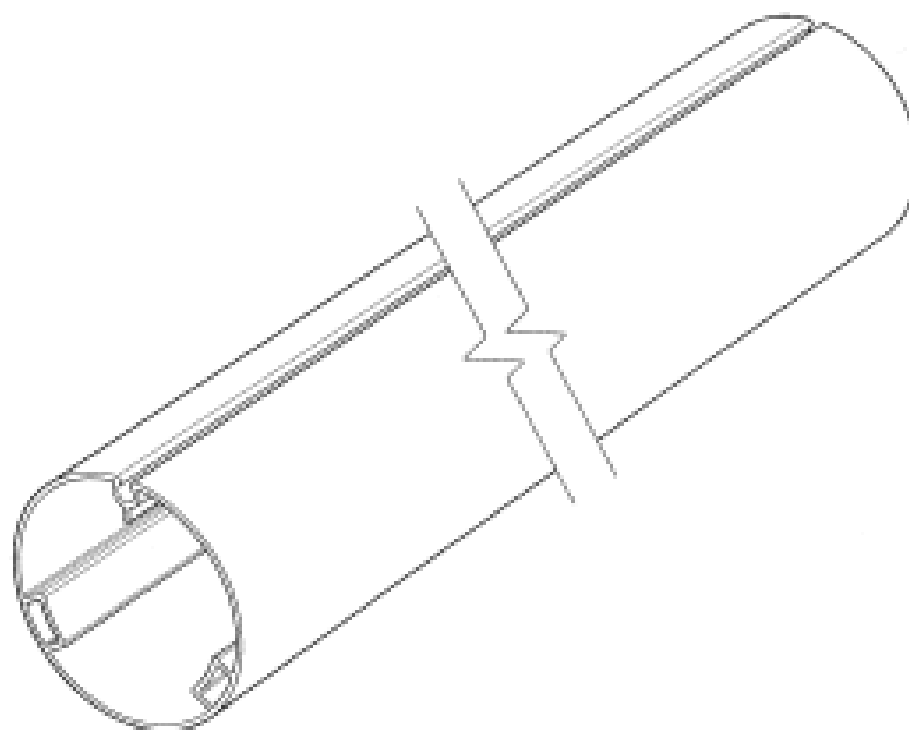
- (21) Design Number: **12711/2010**
(22) Date of Filing Application: **30 June 2010**
(24) Date from which industrial property rights may have effect: **30 June 2010**
(54) Product in respect of which the design is registered: **Bermel print and copy self serve station on a custom built secure stand with lockable rear component area**
(51) International Design Classification: **18-02**
(71) Name(s) and Address(s) of Applicant(s):
Bermel Business Systems Pty Ltd
Suite 10 895 Pacific Highway Pymble New South Wales 2073 Australia
(72) Name(s) of Designer(s): **Karen Heafey and Adrian Liu**
(45) Registration Date: **27 July 2010**
(56) Related Art Documents: **Not Applicable**
(57) Statement of Newness and Distinctiveness: **Stand display top allows for distinct vandal proof touch screen installation, recessed card reader and PC accessories. The stand has a collating shelf/ledge large enough for 2 A4 sheets of paper and a hand bag hook. All components are in a single area for ease of use for all users. The rear section housing system components locks.**



- (21) Design Number: **12712/2010**
(22) Date of Filing Application: **01 July 2010**
(24) Date from which industrial property rights may have effect: **01 July 2010**
(54) Product in respect of which the design is registered: **Hanger with recess for removable label plate**
(51) International Design Classification: **06-08**
(71) Name(s) and Address(s) of Applicant(s):
TIC Group Europe Ltd
48 Mayflower Road Park Street St Albans Herts AL2 2QW United Kingdom
(72) Name(s) of Designer(s): **Mark John O'Sullivan and Andrew Clifford**
(45) Registration Date: **27 July 2010**
(30) Convention priority data:
(31) Number (32) Date (33) Country
001190532-0002 15 Jan 2010 EUROPEAN COMMUNITY
(56) Related Art Documents: **Not Applicable**
(57) Statement of Newness and Distinctiveness: **Those features of the hanger with recess for removable label plate depicted in the representations that are new and distinctive are the shape and/or configuration of the recess area of the hanger. The features shown in broken line are not part of the design and are to be disregarded when considering the overall impression of the design.**



- (21) Design Number: **12713/2010**
(22) Date of Filing Application: **01 July 2010**
(24) Date from which industrial property rights may have effect: **01 July 2010**
(54) Product in respect of which the design is registered: **A top tube for a blind assembly**
(51) International Design Classification: **08-08H**
(71) Name(s) and Address(s) of Applicant(s):
Slidetrack Blinds Pty Ltd
10 Woodhouse Crescent Wattle Park South Australia 5066 Australia
(72) Name(s) of Designer(s): **Brian Lionel Zwar**
(45) Registration Date: **27 July 2010**
(56) Related Art Documents: **Not Applicable**
(57) Statement of Newness and Distinctiveness: **Nil**



- (21) Design Number: **12714/2010**
- (22) Date of Filing Application: **01 July 2010**
- (24) Date from which industrial property rights may have effect: **01 July 2010**
- (54) Product in respect of which the design is registered: **Heater**
- (51) International Design Classification: **23-03NES**
- (71) Name(s) and Address(s) of Applicant(s):

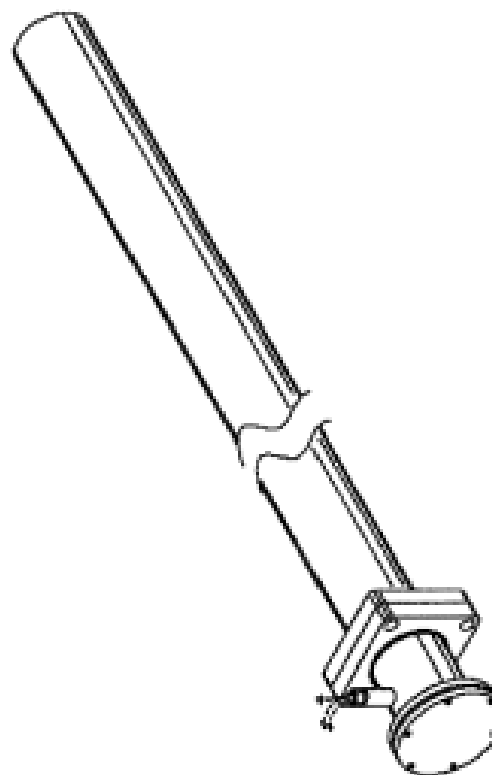
**Specified Electrical Process Heating Co. Australia Pty Ltd
5-7 Park Road Cheltenham Victoria 3192 Australia**

- (72) Name(s) of Designer(s): **Tony Bibby**

- (45) Registration Date: **27 July 2010**

- (56) Related Art Documents: **Not Applicable**

- (57) Statement of Newness and Distinctiveness: **Newness and distinctiveness is claimed in the shape and configuration of the heater shown in solid lines in the representations. In considering the extent of the design rights, the broken lines shown in the representations are for illustrative purposes only and do not form part of the design. Particular attention should be given to the shape and configuration of the end cap and the collar of the heater. As shown in the representations, the heating rod of the heater can be of variable length.**



- (21) Design Number: **11863/2010**
- (22) Date of Filing Application: **12 May 2010**
- (24) Date from which industrial property rights may have effect: **12 May 2010**
- (54) Product in respect of which the design is registered: **Hand blender**
- (51) International Design Classification: **31-00**
- (71) Name(s) and Address(s) of Applicant(s):

**Braun GmbH
Frankfurter Strasse 145 61476 Kronberg im Taunus Germany**

- (72) Name(s) of Designer(s): **Ludwig Littmann and Markus Orthey**

- (45) Registration Date: **27 July 2010**

- (30) Convention priority data:

(31) Number	(32) Date	(33) Country
523131301	26 Nov 2009	WORLD INTELLECTUAL PROPERTY ORGANIZATION (WIPO)

- (56) Related Art Documents: **Not Applicable**

- (57) Statement of Newness and Distinctiveness: **Those features of the hand blender depicted in the representations that are new and distinctive are the shape and/or configuration.**



(21) Design Number: **13064/2010**
(22) Date of Filing Application: **12 May 2010**
(24) Date from which industrial property rights may have effect: **12 May 2010**
(54) Product in respect of which the design is registered: **Combined holder/charger for a hand blender**
(51) International Design Classification: **31-00**
(71) Name(s) and Address(s) of Applicant(s):

Braun GmbH
Frankfurter Strasse 145 61476 Kronberg im Taunus Germany

(72) Name(s) of Designer(s): **Ludwig Littmann and Markus Orthey**

(45) Registration Date: **27 July 2010**

(30) Convention priority data:

(31) Number	(32) Date	(33) Country
523131301	26 Nov 2009	WORLD INTELLECTUAL PROPERTY ORGANIZATION (WIPO)

(62) Divisional of: **331926**

(56) Related Art Documents: **Not Applicable**

(57) Statement of Newness and Distinctiveness: **Those features of the combined holder/charger for a hand blender depicted in the representations that are new and distinctive are the shape and/or configuration. The cord of the combined holder/charger for a hand blender is not part of the design and is to be disregarded when considering the overall impression of the design.**



(21) Design Number: **13065/2010**
(22) Date of Filing Application: **12 May 2010**
(24) Date from which industrial property rights may have effect: **12 May 2010**
(54) Product in respect of which the design is registered: **Combined holder/charger for a hand blender**
(51) International Design Classification: **31-00**
(71) Name(s) and Address(s) of Applicant(s):

Braun GmbH
Frankfurter Strasse 145 61476 Kronberg im Taunus Germany

(72) Name(s) of Designer(s): **Ludwig Littmann and Markus Orthey**

(45) Registration Date: **27 July 2010**

(30) Convention priority data:

(31) Number	(32) Date	(33) Country
523131301	26 Nov 2009	WORLD INTELLECTUAL PROPERTY ORGANIZATION (WIPO)

(62) Divisional of: **331926**

(56) Related Art Documents: **Not Applicable**

(57) Statement of Newness and Distinctiveness: **Those features of the combined holder/charger for a hand blender depicted in the representations that are new and distinctive are the shape and/or configuration. The cord of the combined holder/charger for a hand blender is not part of the design and is to be disregarded when considering the overall impression of the design.**



(21) Design Number: **13066/2010**

(22) Date of Filing Application: **12 May 2010**

(24) Date from which industrial property rights may have effect: **12 May 2010**

(54) Product in respect of which the design is registered: **Hand blender with combined holder/charger**

(51) International Design Classification: **31-00**

(71) Name(s) and Address(s) of Applicant(s):

Braun GmbH
Frankfurter Strasse 145 61476 Kronberg im Taunus Germany

(72) Name(s) of Designer(s): **Ludwig Littmann and Markus Orthey**

(45) Registration Date: **27 July 2010**

(30) Convention priority data:

(31) Number	(32) Date	(33) Country
523131301	26 Nov 2009	WORLD INTELLECTUAL PROPERTY ORGANIZATION (WIPO)

(62) Divisional of: **331926**

(56) Related Art Documents: **Not Applicable**

(57) Statement of Newness and Distinctiveness: **Those features of the hand blender with combined holder/charger depicted in the representations that are new and distinctive are the shape and/or configuration. The cord of the hand blender with combined holder/charger is not part of the design and is to be disregarded when considering the overall impression of the design.**



(21) Design Number: **11593/2010**

(22) Date of Filing Application: **27 April 2010**

(24) Date from which industrial property rights may have effect: **27 April 2010**

(54) Product in respect of which the design is registered: **A water spray nozzle**

(51) International Design Classification: **08-08B**

(71) Name(s) and Address(s) of Applicant(s):

Minnovation Limited
Cliffe Hill Works Balne Lane Wakefield WF2 0DF England

(72) Name(s) of Designer(s): **George Albert Parrott**

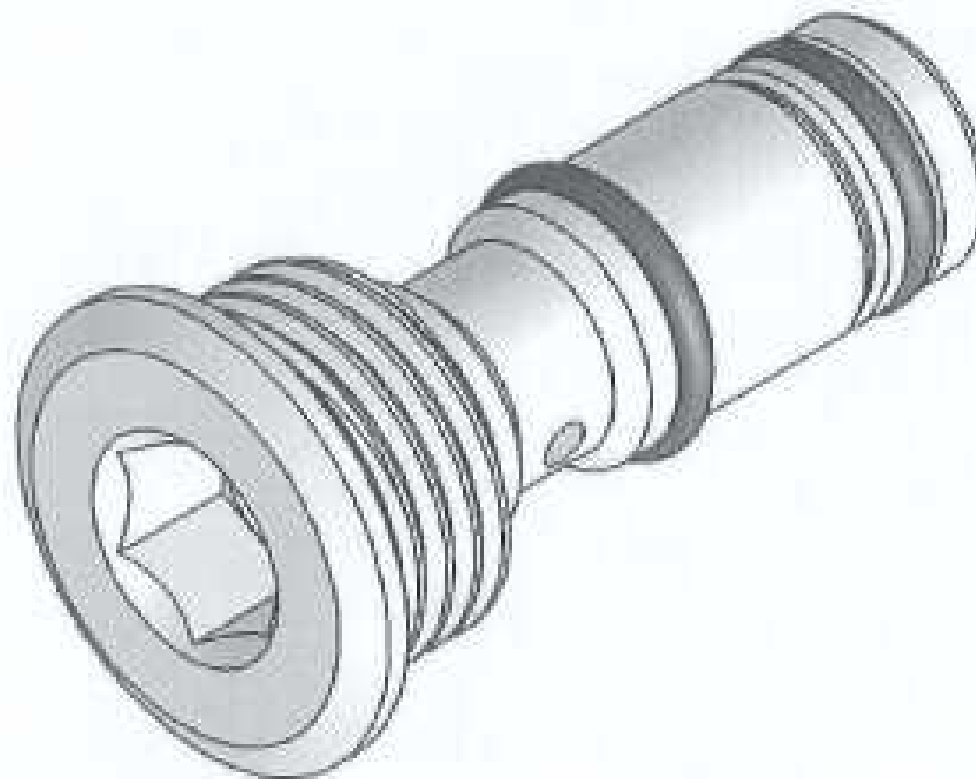
(45) Registration Date: **27 July 2010**

(30) Convention priority data:

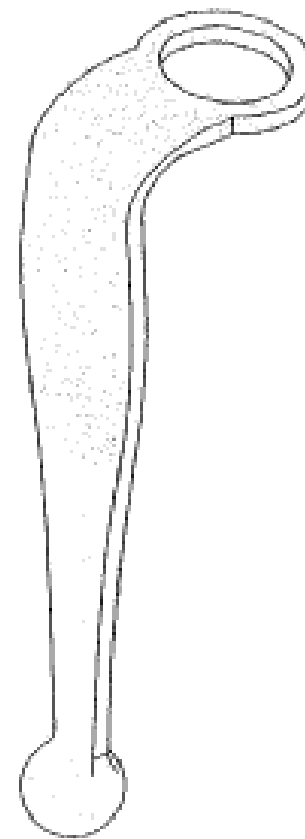
(31) Number	(32) Date	(33) Country
29/346013	26 Oct 2009	UNITED STATES OF AMERICA

(56) Related Art Documents: **Not Applicable**

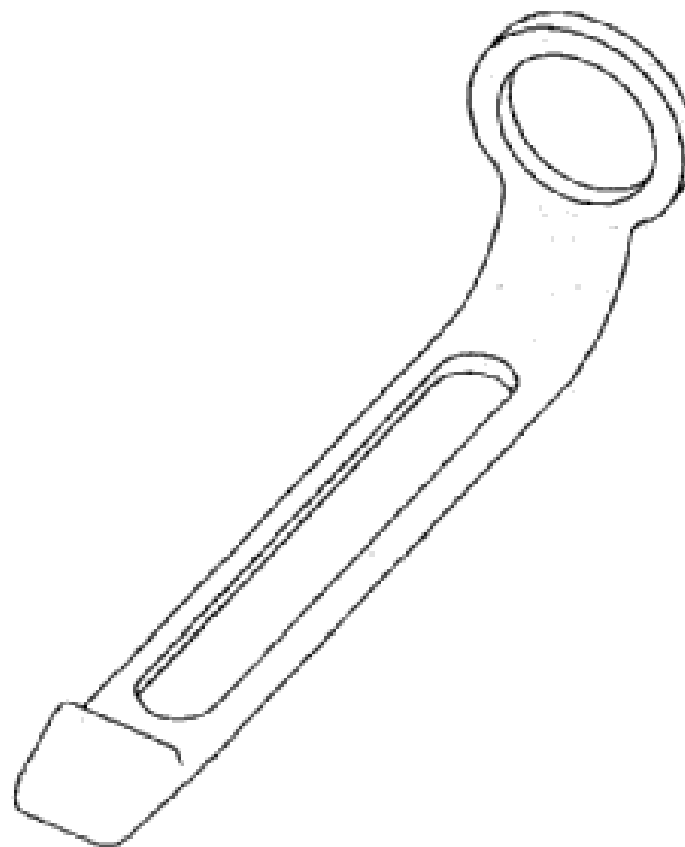
(57) Statement of Newness and Distinctiveness: **Nil**



- (21) Design Number: **11798/2010**
(22) Date of Filing Application: **07 May 2010**
(24) Date from which industrial property rights may have effect: **07 May 2010**
(54) Product in respect of which the design is registered: **Beaded pen clip**
(51) International Design Classification: **19-06, 08-08C**
(71) Name(s) and Address(s) of Applicant(s):
Ellen Charlesworth
6 Fremont Street Heathmont Victoria 3135 Australia
(72) Name(s) of Designer(s): **Ellen Charlesworth**
(45) Registration Date: **27 July 2010**
(56) Related Art Documents: **Not Applicable**
(57) Statement of Newness and Distinctiveness: **Newness and distinctiveness is claimed in the features of shape and/or configuration of the beaded pen clip as illustrated in the accompanying representations.**



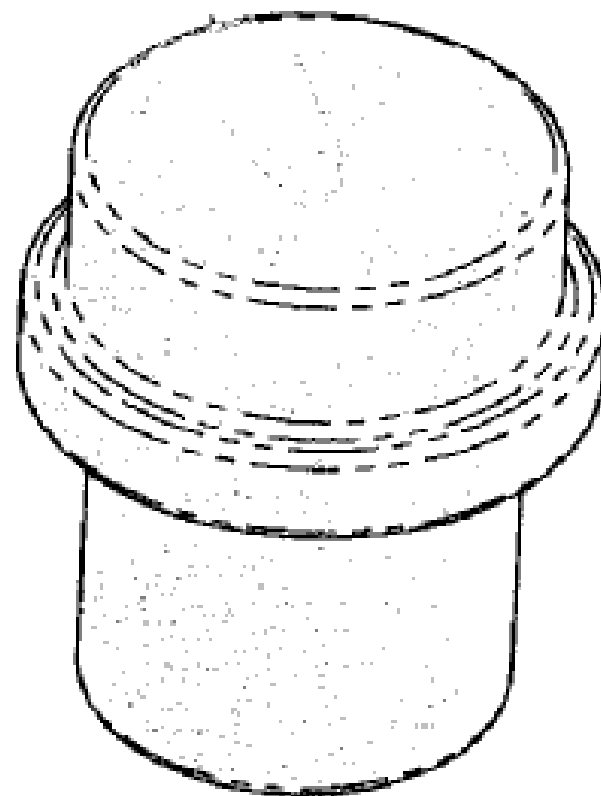
- (21) Design Number: **11799/2010**
(22) Date of Filing Application: **07 May 2010**
(24) Date from which industrial property rights may have effect: **07 May 2010**
(54) Product in respect of which the design is registered: **Elongate slot pen clip**
(51) International Design Classification: **19-06, 08-08C**
(71) Name(s) and Address(s) of Applicant(s):
Ellen Charlesworth
6 Fremont Street Heathmont Victoria 3135 Australia
(72) Name(s) of Designer(s): **Ellen Charlesworth**
(45) Registration Date: **27 July 2010**
(56) Related Art Documents: **Not Applicable**
(57) Statement of Newness and Distinctiveness: **Newness and distinctiveness is claimed in the features of shape and/or configuration of the elongate slot pen clip as illustrated in the accompanying representations.**



- (21) Design Number: **11800/2010**
- (22) Date of Filing Application: **07 May 2010**
- (24) Date from which industrial property rights may have effect: **07 May 2010**
- (54) Product in respect of which the design is registered: **Pen button**
- (51) International Design Classification: **19-06**
- (71) Name(s) and Address(s) of Applicant(s):

Ellen Charlesworth
6 Fremont Street Heathmont Victoria 3135 Australia

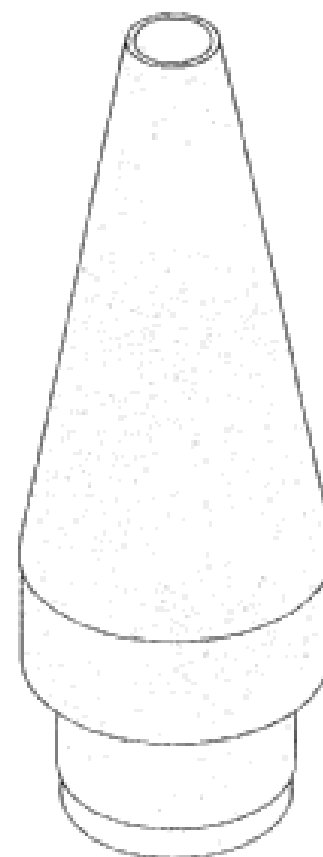
- (72) Name(s) of Designer(s): **Ellen Charlesworth**
- (45) Registration Date: **27 July 2010**
- (56) Related Art Documents: **Not Applicable**
- (57) Statement of Newness and Distinctiveness: **Newness and distinctiveness is claimed in the features of shape and/or configuration of the pen button as illustrated in the accompanying representations. The scope of the monopoly, the feature shown in broken lines are to be disregarded.**



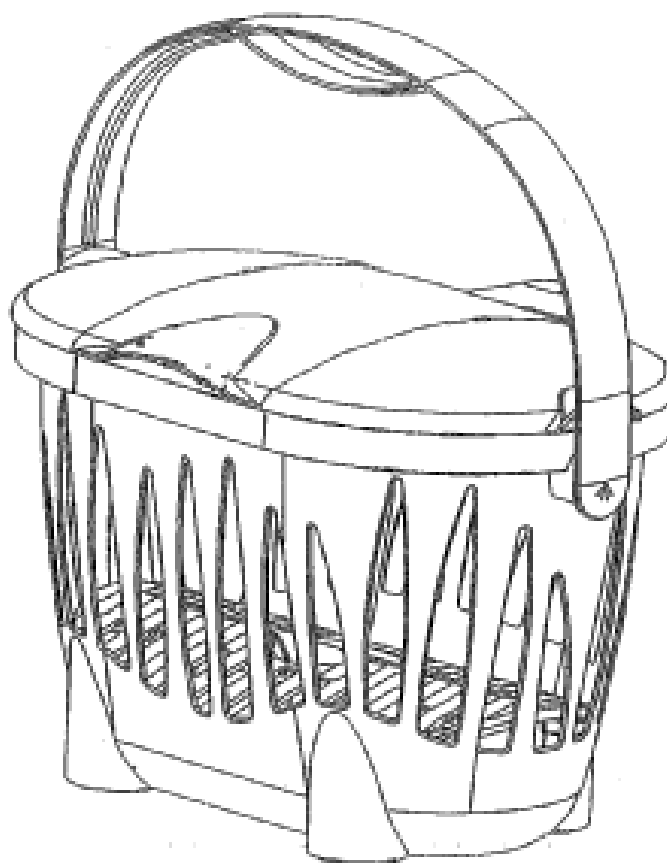
- (21) Design Number: **11801/2010**
- (22) Date of Filing Application: **07 May 2010**
- (24) Date from which industrial property rights may have effect: **07 May 2010**
- (54) Product in respect of which the design is registered: **Pen tip**
- (51) International Design Classification: **19-06**
- (71) Name(s) and Address(s) of Applicant(s):

Ellen Charlesworth
6 Fremont Street Heathmont Victoria 3135 Australia

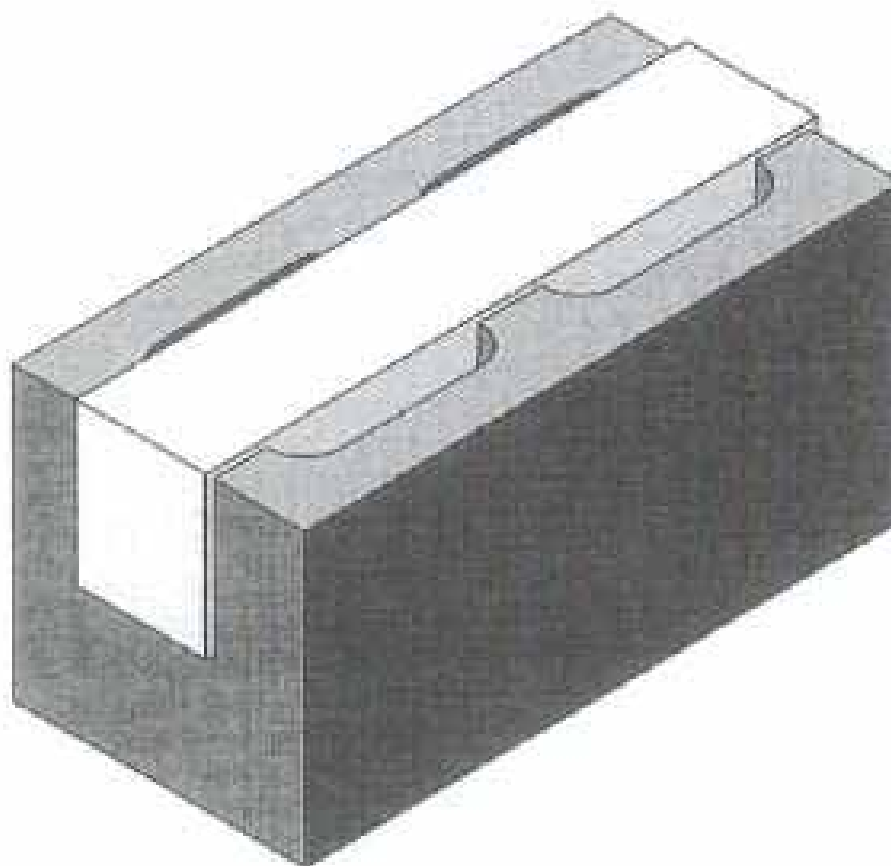
- (72) Name(s) of Designer(s): **Ellen Charlesworth**
- (45) Registration Date: **27 July 2010**
- (56) Related Art Documents: **Not Applicable**
- (57) Statement of Newness and Distinctiveness: **Newness and distinctiveness is claimed in the features of shape and/or configuration of the pen tip as illustrated in the accompanying representations.**



- (21) Design Number: **11806/2010**
(22) Date of Filing Application: **07 May 2010**
(24) Date from which industrial property rights may have effect: **07 May 2010**
(54) Product in respect of which the design is registered: **Container**
(51) International Design Classification: **07-01NES**
(71) Name(s) and Address(s) of Applicant(s):
SULO MGB Australia Pty Ltd
123 Wisemans Ferry Road Somersby New South Wales 2250 Australia
(72) Name(s) of Designer(s): **Thorsten Voss and Jon Pryor and John Kernahan and Vienna Spence**
(45) Registration Date: **27 July 2010**
(56) Related Art Documents: **Not Applicable**
(57) Statement of Newness and Distinctiveness: **Particular regard should be placed on the shape and configuration of the kitchen tidy body when assessing newness and distinctiveness. The handle design is included for context only.**



- (21) Design Number: **12717/2010**
(22) Date of Filing Application: **01 July 2010**
(24) Date from which industrial property rights may have effect: **01 July 2010**
(54) Product in respect of which the design is registered: **A block for building a wall**
(51) International Design Classification: **25-01A**
(71) Name(s) and Address(s) of Applicant(s):
Island Block & Paving Pty Ltd
Midlands Highway Breadalbane Tasmania 7300 Australia
(72) Name(s) of Designer(s): **Phil Thurlow**
(45) Registration Date: **27 July 2010**
(56) Related Art Documents: **Not Applicable**
(57) Statement of Newness and Distinctiveness: **Newness and distinctiveness is claimed in the features of shape and configuration of the block shown in the representations.**



(21) Design Number: **12718/2010**

(22) Date of Filing Application: **02 July 2010**

(24) Date from which industrial property rights may have effect: **02 July 2010**

(54) Product in respect of which the design is registered: **Plastic barchairs used to chair-up reinforcing steel prior to concrete pour**

(51) International Design Classification: **25-01B**

(71) Name(s) and Address(s) of Applicant(s):

Leeann Gallagher

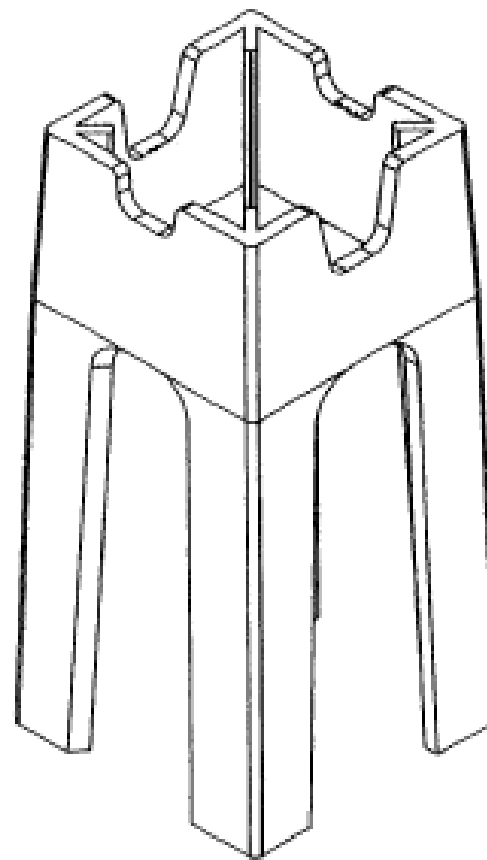
6 Pelican Place Woronora Heights New South Wales 2233 Australia

(72) Name(s) of Designer(s): **Martin Gallagher**

(45) Registration Date: **27 July 2010**

(56) Related Art Documents: **Not Applicable**

(57) Statement of Newness and Distinctiveness: **The new design is of squared shape unlike existing barchairs with different features.**



(21) Design Number: **12719/2010**

(22) Date of Filing Application: **02 July 2010**

(24) Date from which industrial property rights may have effect: **02 July 2010**

(54) Product in respect of which the design is registered: **Plastic barchairs used to chair-up reinforcing steel prior to concrete pour**

(51) International Design Classification: **25-01B**

(71) Name(s) and Address(s) of Applicant(s):

Leeann Gallagher

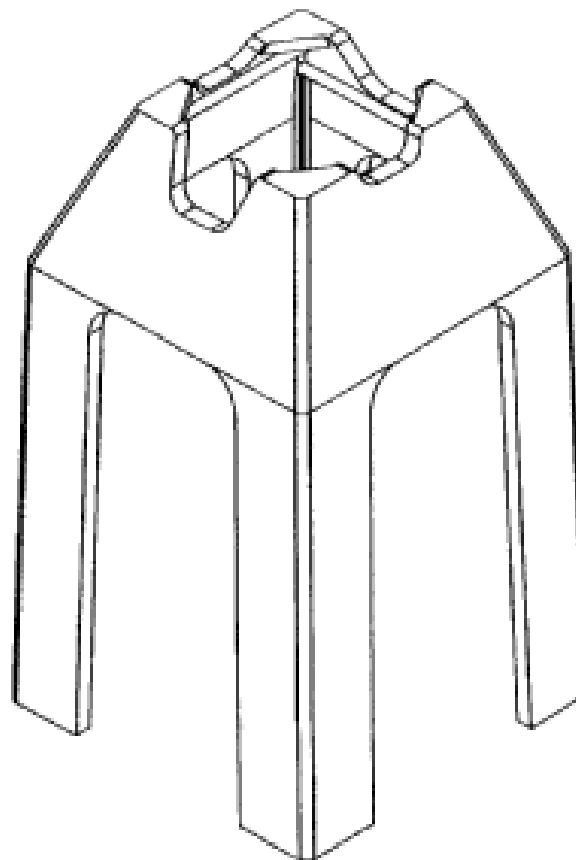
6 Pelican Place Woronora Heights New South Wales 2233 Australia

(72) Name(s) of Designer(s): **Martin Gallagher**

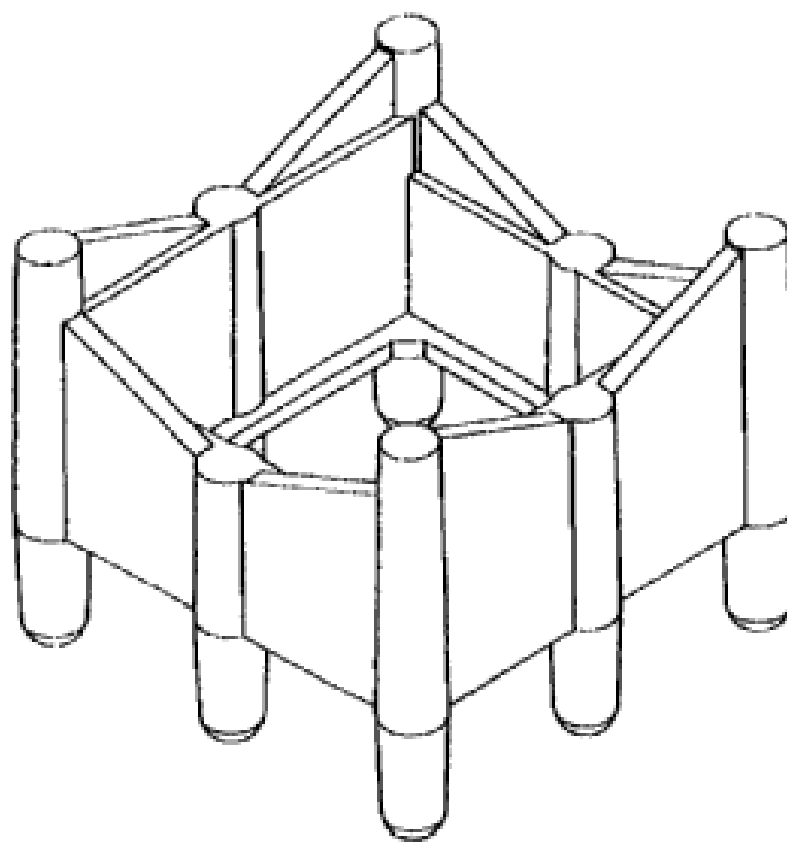
(45) Registration Date: **27 July 2010**

(56) Related Art Documents: **Not Applicable**

(57) Statement of Newness and Distinctiveness: **The new design is of squared shape unlike existing barchairs with different features.**



- (21) Design Number: **12720/2010**
- (22) Date of Filing Application: **02 July 2010**
- (24) Date from which industrial property rights may have effect: **02 July 2010**
- (54) Product in respect of which the design is registered: **Plastic barchairs used to chair-up reinforcing steel prior to concrete pour**
- (51) International Design Classification: **25-01B**
- (71) Name(s) and Address(s) of Applicant(s):
Leeann Gallagher
6 Pelican Place Woronora Heights New South Wales 2233 Australia
- (72) Name(s) of Designer(s): **Martin Gallagher**
- (45) Registration Date: **27 July 2010**
- (56) Related Art Documents: **Not Applicable**
- (57) Statement of Newness and Distinctiveness: **The new design is of squared shape unlike existing barchairs with different features.**



- (21) Design Number: **12727/2010**
- (22) Date of Filing Application: **02 July 2010**
- (24) Date from which industrial property rights may have effect: **02 July 2010**
- (54) Product in respect of which the design is registered: **Watch**
- (51) International Design Classification: **10-02**
- (71) Name(s) and Address(s) of Applicant(s):
Bulgari Time (Switzerland) SA
34 Rue de Monruz CH-2009 Neuchatel Switzerland
- (72) Name(s) of Designer(s): **Paolo Bulgari**
- (45) Registration Date: **27 July 2010**
- (30) Convention priority data:

(31) Number	(32) Date	(33) Country
DM 073001	26 Jan 2010	SWITZERLAND
- (56) Related Art Documents: **Not Applicable**
- (57) Statement of Newness and Distinctiveness: **Newness and distinctiveness is claimed in the features of shape and/or configuration of a watch as illustrated in the accompanying representations.**



(21) Design Number: **12728/2010**

(22) Date of Filing Application: **02 July 2010**

(24) Date from which industrial property rights may have effect: **02 July 2010**

(54) Product in respect of which the design is registered: **Audio listening system**

(51) International Design Classification: **14-01**

(71) Name(s) and Address(s) of Applicant(s):

Beats Electronics, LLC
2220 Colorado Avenue Santa Monica California 90404 United States of America

(72) Name(s) of Designer(s): **Robert Brunner and Victoria Slaker and Timothy Tan Leong Yew**

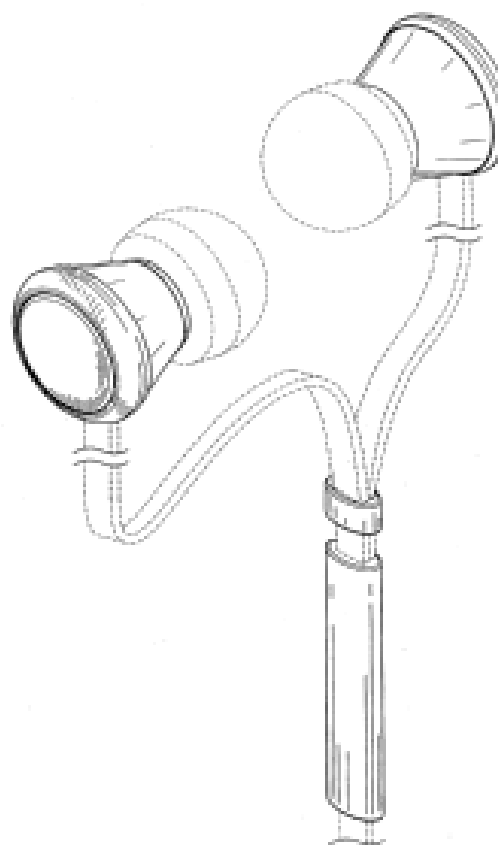
(45) Registration Date: **27 July 2010**

(30) Convention priority data:

(31) Number	(32) Date	(33) Country
29/353185	04 Jan 2010	UNITED STATES OF AMERICA

(56) Related Art Documents: **Not Applicable**

(57) Statement of Newness and Distinctiveness: **Newness and distinctiveness is claimed in those features of shape and/or configuration of an audio listening system as illustrated in continuous lines in the accompanying representations.**



(21) Design Number: **12729/2010**

(22) Date of Filing Application: **02 July 2010**

(24) Date from which industrial property rights may have effect: **02 July 2010**

(54) Product in respect of which the design is registered: **Headphone**

(51) International Design Classification: **14-01**

(71) Name(s) and Address(s) of Applicant(s):

Beats Electronics, LLC
2220 Colorado Avenue Santa Monica California 90404 United States of America

(72) Name(s) of Designer(s): **Robert Brunner and Kenny Sweet and Gregoire Vandebussche and Chris Fruhauf**

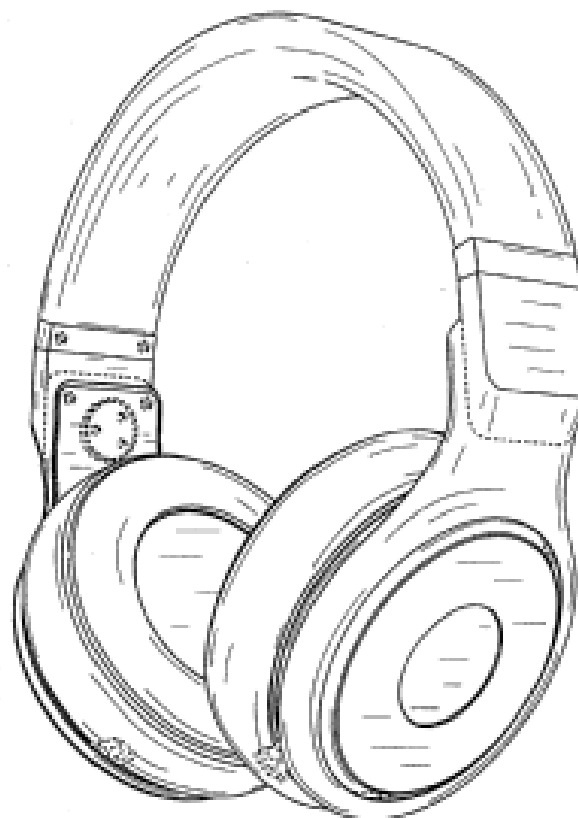
(45) Registration Date: **27 July 2010**

(30) Convention priority data:

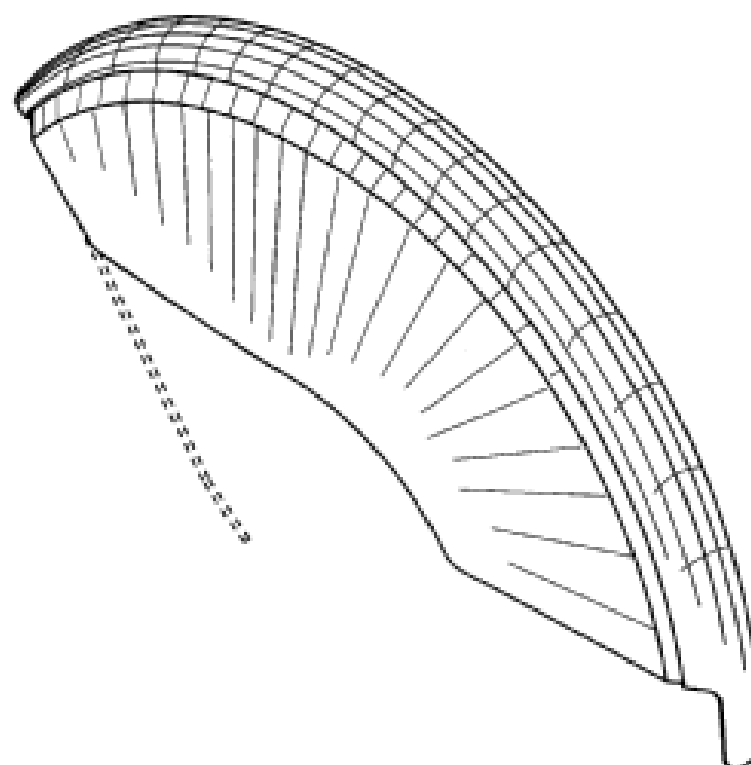
(31) Number	(32) Date	(33) Country
29/353186	04 Jan 2010	UNITED STATES OF AMERICA

(56) Related Art Documents: **Not Applicable**

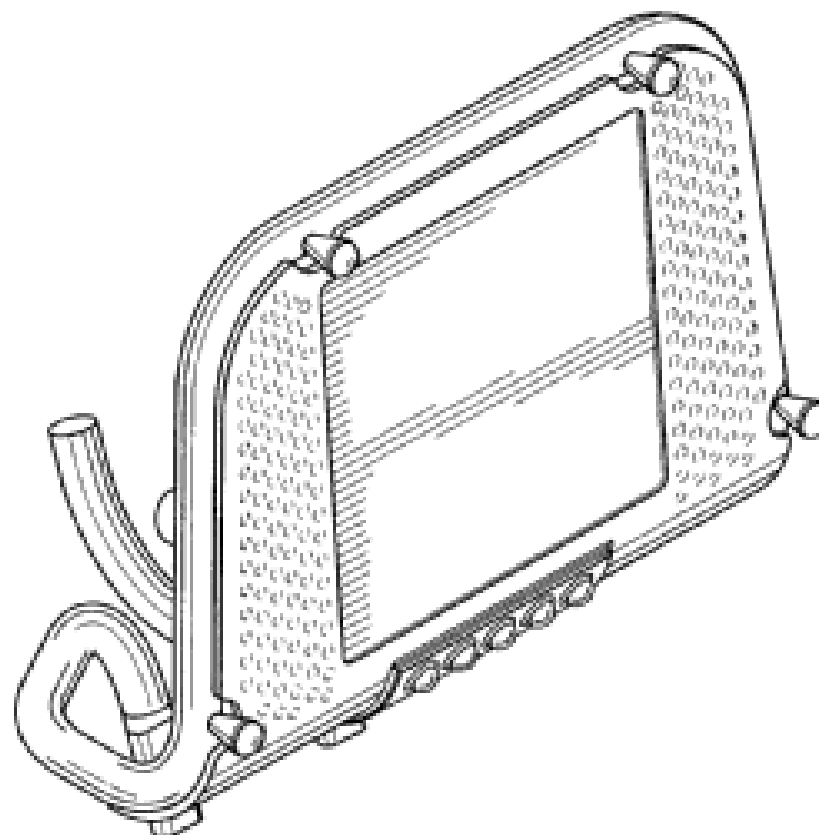
(57) Statement of Newness and Distinctiveness: **Newness and distinctiveness is claimed in those features of shape and/or configuration of a headphone as illustrated in continuous lines in the accompanying representations.**



- (21) Design Number: **12651/2010**
(22) Date of Filing Application: **29 June 2010**
(24) Date from which industrial property rights may have effect: **29 June 2010**
(54) Product in respect of which the design is registered: **Bicycle rear wheel cover**
(51) International Design Classification: **12-11**
(71) Name(s) and Address(s) of Applicant(s):
Societe de velo en libre-service
2113 32nd Avenue Lachine Montreal QC H8T 3J1 Canada
(72) Name(s) of Designer(s): **Michel Dallaire**
(45) Registration Date: **28 July 2010**
(30) Convention priority data:
(31) Number (32) Date (33) Country
001687393 26 Mar 2010 EUROPEAN COMMUNITY
(56) Related Art Documents: **Not Applicable**
(57) Statement of Newness and Distinctiveness: **The shape and/or configuration of the lower peripheral side edges of the bicycle rear wheel cover shown in solid lines in Figure 1 to 8 are new and distinctive. The bicycle shown in broken lines in Figures 9 to 10, is included for illustrated purposes only, and does not form part of the design.**



- (21) Design Number: **12652/2010**
(22) Date of Filing Application: **29 June 2010**
(24) Date from which industrial property rights may have effect: **29 June 2010**
(54) Product in respect of which the design is registered: **Bicycle basket**
(51) International Design Classification: **12-11**
(71) Name(s) and Address(s) of Applicant(s):
Societe de velo en libre-service
2113 32nd Avenue Lachine Montreal QC H8T 3J1 Canada
(72) Name(s) of Designer(s): **Michel Dallaire and Bruno Gauthier**
(45) Registration Date: **28 July 2010**
(30) Convention priority data:
(31) Number (32) Date (33) Country
001687401-0001 26 Mar 2010 EUROPEAN COMMUNITY
(56) Related Art Documents: **Not Applicable**
(57) Statement of Newness and Distinctiveness: **The shape and/or configuration of the screen on the front face of the basket, and/or the light housing located centrally in the lower front portion of the basket are new and distinctive. The bicycle shown in broken lines in Figure 9 is included for illustrated purposes only, and does not form part of the design.**



(21) Design Number: **12653/2010**

(22) Date of Filing Application: **29 June 2010**

(24) Date from which industrial property rights may have effect: **29 June 2010**

(54) Product in respect of which the design is registered: **Ring**

(51) International Design Classification: **11-01A**

(71) Name(s) and Address(s) of Applicant(s):

Bulgari S.p.A.
11 Lungotevere Marzio Rome Italy

(72) Name(s) of Designer(s): **Anish Kapoor**

(45) Registration Date: **28 July 2010**

(30) Convention priority data:

(31) Number	(32) Date	(33) Country
DM 072991	28 Jan 2010	SWITZERLAND

(56) Related Art Documents: **Not Applicable**

(57) Statement of Newness and Distinctiveness: **Newness and distinctiveness is claimed in the features of shape and/or configuration of a ring as illustrated in the accompanying representations.**



(21) Design Number: **12654/2010**

(22) Date of Filing Application: **29 June 2010**

(24) Date from which industrial property rights may have effect: **29 June 2010**

(54) Product in respect of which the design is registered: **Pacifier**

(51) International Design Classification: **24-04**

(71) Name(s) and Address(s) of Applicant(s):

MAM Babyartikel Gesellschaft m.b.H
Lorenz-Mandl-Gasse 50 1160 Wien Austria

(72) Name(s) of Designer(s): **Peter Rohrig and Ernst Beranek**

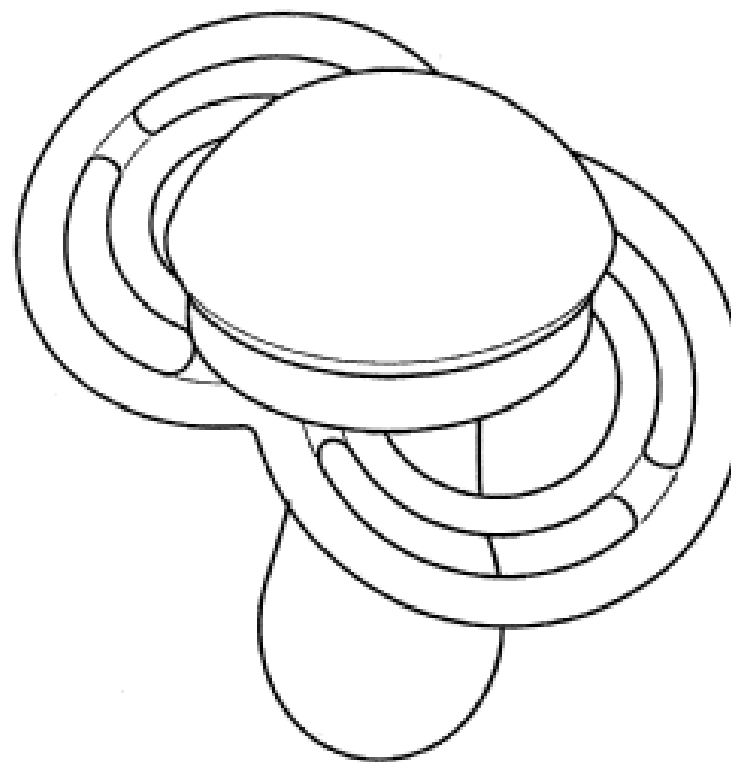
(45) Registration Date: **28 July 2010**

(30) Convention priority data:

(31) Number	(32) Date	(33) Country
1655333-0002	11 Jan 2010	EUROPEAN COMMUNITY

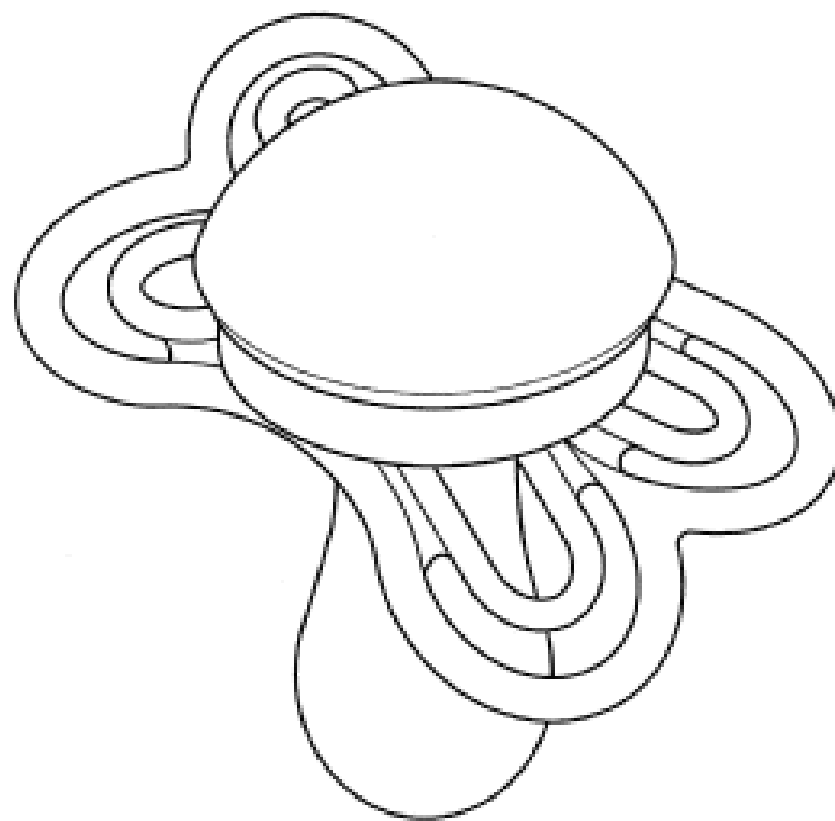
(56) Related Art Documents: **Not Applicable**

(57) Statement of Newness and Distinctiveness: **Newness and distinctiveness is claimed in the features of shape and/or configuration of the shield of a pacifier as illustrated in the accompanying representations.**

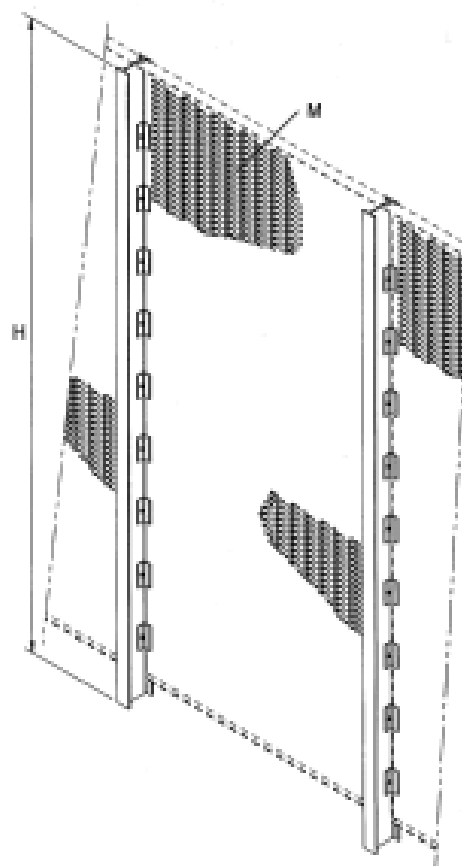


- (21) Design Number: **12655/2010**
- (22) Date of Filing Application: **29 June 2010**
- (24) Date from which industrial property rights may have effect: **29 June 2010**
- (54) Product in respect of which the design is registered: **Pacifier**
- (51) International Design Classification: **24-04**
- (71) Name(s) and Address(s) of Applicant(s):
MAM Babyartikel Gesellschaft m.b.H
Lorenz-Mandl-Gasse 50 1160 Wien Austria
- (72) Name(s) of Designer(s): **Peter Rohrig and Ernst Beranek**
- (45) Registration Date: **28 July 2010**
- (30) Convention priority data:

(31) Number	(32) Date	(33) Country
1655333-0001	11 Jan 2010	EUROPEAN COMMUNITY
- (56) Related Art Documents: **Not Applicable**
- (57) Statement of Newness and Distinctiveness: **Newness and distinctiveness is claimed in the features of shape and/or configuration of the shield of a pacifier as illustrated in the accompanying representations.**



- (21) Design Number: **12657/2010**
- (22) Date of Filing Application: **29 June 2010**
- (24) Date from which industrial property rights may have effect: **29 June 2010**
- (54) Product in respect of which the design is registered: **Fence**
- (51) International Design Classification: **25-02C**
- (71) Name(s) and Address(s) of Applicant(s):
Webforge Australia Pty Ltd
Eight Mile Plains Queensland 4113 Australia
- (72) Name(s) of Designer(s): **Antonios Karadaglis and Jeffrey Eric Newton**
- (45) Registration Date: **28 July 2010**
- (56) Related Art Documents: **Not Applicable**
- (57) Statement of Newness and Distinctiveness: **Those features of the fence depicted in the representations that are new and distinctive are the shape and/or configuration. The shape and/or configuration of the mesh insert marked "M" is to be disregarded when considering the overall impression of the design. The height and dimensions of the I-beams, one of which is marked "H" can vary. The height of the mesh marked "M" can vary. The fence depicted in the representations can be repeated to form a barrier of any length.**



(21) Design Number: **12658/2010**

(22) Date of Filing Application: **29 June 2010**

(24) Date from which industrial property rights may have effect: **29 June 2010**

(54) Product in respect of which the design is registered: **Tablet**

(51) International Design Classification: **28-01**

(71) Name(s) and Address(s) of Applicant(s):

The Procter & Gamble Company
One Procter & Gamble Plaza Cincinnati Ohio 45202 United States of America

(72) Name(s) of Designer(s): **Paul Leslie Barrass**

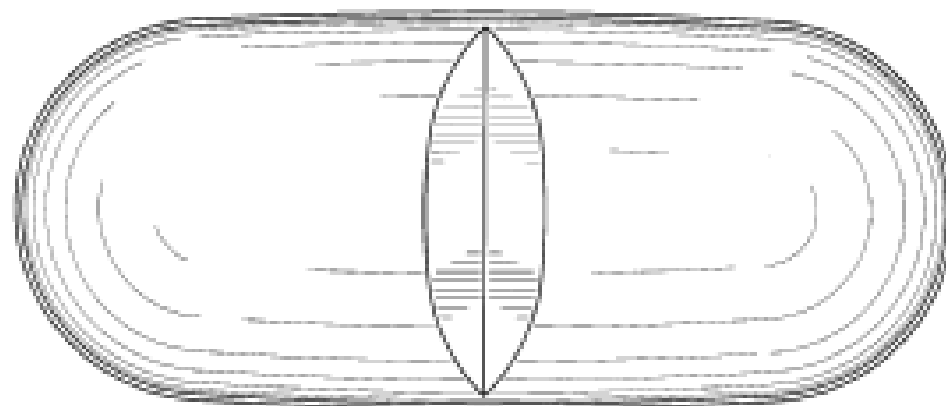
(45) Registration Date: **28 July 2010**

(30) Convention priority data:

(31) Number	(32) Date	(33) Country
29/353,068	31 Dec 2009	UNITED STATES OF AMERICA

(56) Related Art Documents: **Not Applicable**

(57) Statement of Newness and Distinctiveness: **Nil**



(21) Design Number: **12659/2010**

(22) Date of Filing Application: **29 June 2010**

(24) Date from which industrial property rights may have effect: **29 June 2010**

(54) Product in respect of which the design is registered: **Cartridge**

(51) International Design Classification: **09-05**

(71) Name(s) and Address(s) of Applicant(s):

The Procter & Gamble Company
One Procter & Gamble Plaza Cincinnati Ohio 45202 United States of America

(72) Name(s) of Designer(s): **Paul Leslie Barrass**

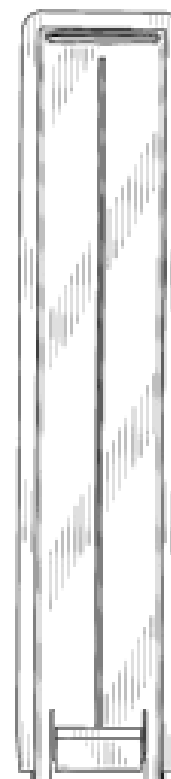
(45) Registration Date: **28 July 2010**

(30) Convention priority data:

(31) Number	(32) Date	(33) Country
29/353,069	31 Dec 2009	UNITED STATES OF AMERICA

(56) Related Art Documents: **Not Applicable**

(57) Statement of Newness and Distinctiveness: **Nil**



(21) Design Number: **12660/2010**

(22) Date of Filing Application: **29 June 2010**

(24) Date from which industrial property rights may have effect: **29 June 2010**

(54) Product in respect of which the design is registered: **Vehicle cargo tray**

(51) International Design Classification: **12-16K**

(71) Name(s) and Address(s) of Applicant(s):

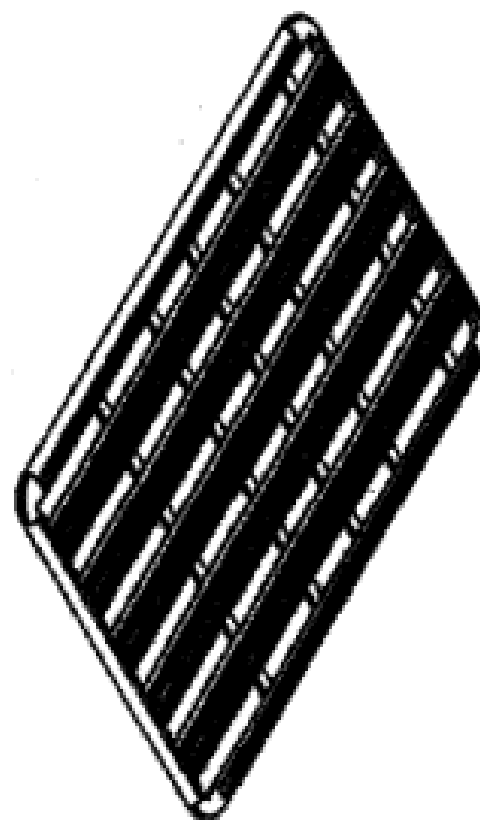
**Rhino Rack Australia Pty Limited
3 Pike Street Rydalmere New South Wales 2116 Australia**

(72) Name(s) of Designer(s): **Nigel Greig**

(45) Registration Date: **28 July 2010**

(56) Related Art Documents: **Not Applicable**

(57) Statement of Newness and Distinctiveness: **Newness and distinctiveness is claimed in the features of shape and/or configuration of a vehicle cargo tray as illustrated in the accompanying representations.**



(21) Design Number: **12661/2010**

(22) Date of Filing Application: **29 June 2010**

(24) Date from which industrial property rights may have effect: **29 June 2010**

(54) Product in respect of which the design is registered: **Vehicle cargo tray base support**

(51) International Design Classification: **12-16K**

(71) Name(s) and Address(s) of Applicant(s):

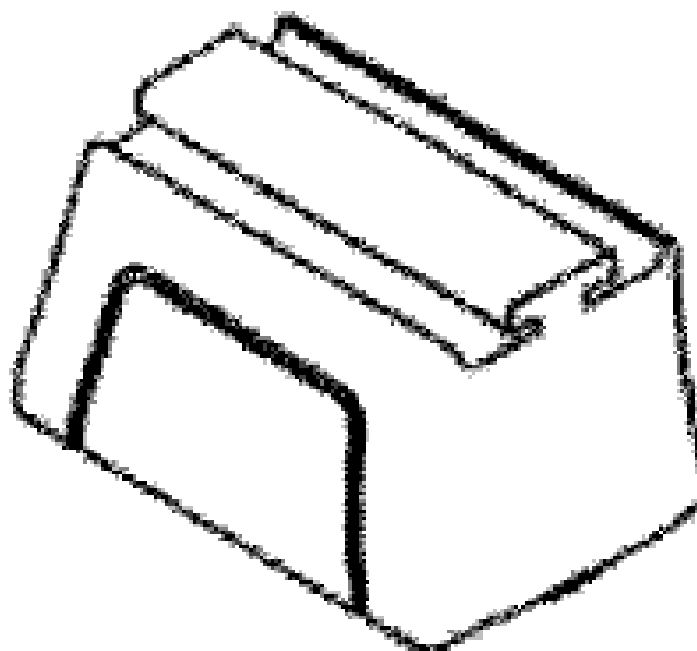
**Rhino Rack Australia Pty Limited
3 Pike Street Rydalmere New South Wales 2116 Australia**

(72) Name(s) of Designer(s): **Nigel Greig**

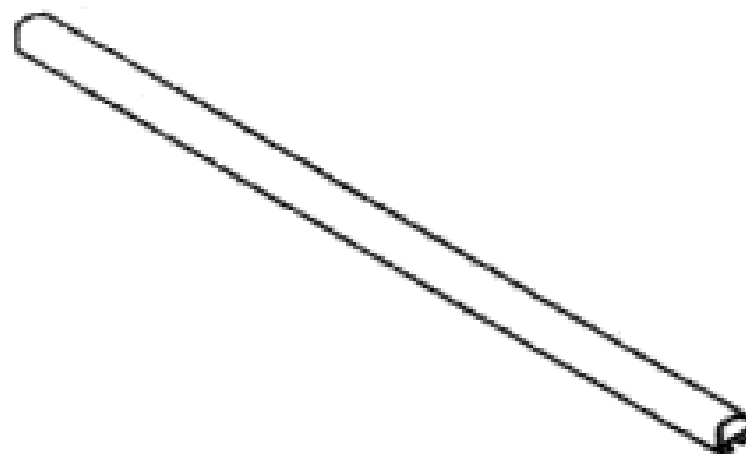
(45) Registration Date: **28 July 2010**

(56) Related Art Documents: **Not Applicable**

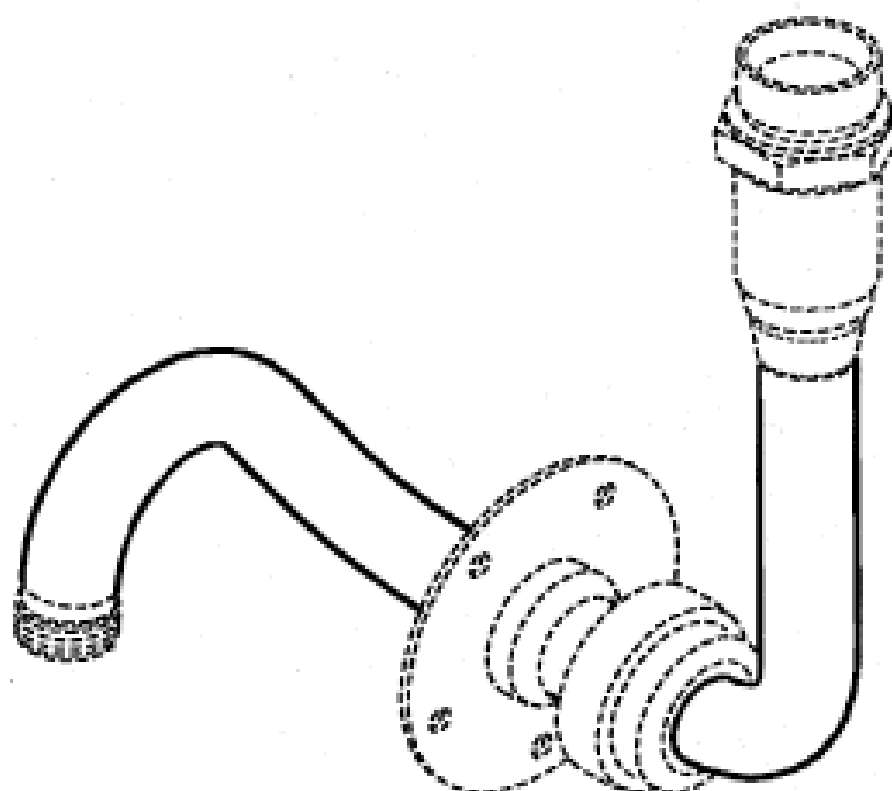
(57) Statement of Newness and Distinctiveness: **Newness and distinctiveness is claimed in the features of shape and/or configuration of a vehicle cargo tray base support as illustrated in the accompanying representations.**



- (21) Design Number: **12662/2010**
(22) Date of Filing Application: **29 June 2010**
(24) Date from which industrial property rights may have effect: **29 June 2010**
(54) Product in respect of which the design is registered: **Vehicle cargo tray rail element**
(51) International Design Classification: **12-16K**
(71) Name(s) and Address(s) of Applicant(s):
Rhino Rack Australia Pty Limited
3 Pike Street Rydalmere New South Wales 2116 Australia
(72) Name(s) of Designer(s): **Nigel Greig**
(45) Registration Date: **28 July 2010**
(56) Related Art Documents: **Not Applicable**
(57) Statement of Newness and Distinctiveness: **Newness and distinctiveness is claimed in the features of shape and/or configuration of a vehicle cargo tray rail element as illustrated in the accompanying representations.**



- (21) Design Number: **11886/2010**
(22) Date of Filing Application: **13 May 2010**
(24) Date from which industrial property rights may have effect: **13 May 2010**
(54) Product in respect of which the design is registered: **A hose reel conduit**
(51) International Design Classification: **23-01NES, 23-01B**
(71) Name(s) and Address(s) of Applicant(s):
JJ Fraser Engineering Limited
18 Peterkin Street Wingate Lower Hutt New Zealand
(72) Name(s) of Designer(s): **Martin Simpson and John James Fraser and Nathan Marchant**
(45) Registration Date: **28 July 2010**
(56) Related Art Documents: **Not Applicable**
(57) Statement of Newness and Distinctiveness: **Newness and distinctiveness reside in the features of shape and/or configuration of the hose reel conduit as shown in the representations. Newness and distinctiveness are not claimed for the features shown in broken lines, which are shown for illustrative purposes only.**



(21) Design Number: **11887/2010**

(22) Date of Filing Application: **13 May 2010**

(24) Date from which industrial property rights may have effect: **13 May 2010**

(54) Product in respect of which the design is registered: **A hose reel conduit**

(51) International Design Classification: **23-01NES, 23-01B**

(71) Name(s) and Address(s) of Applicant(s):

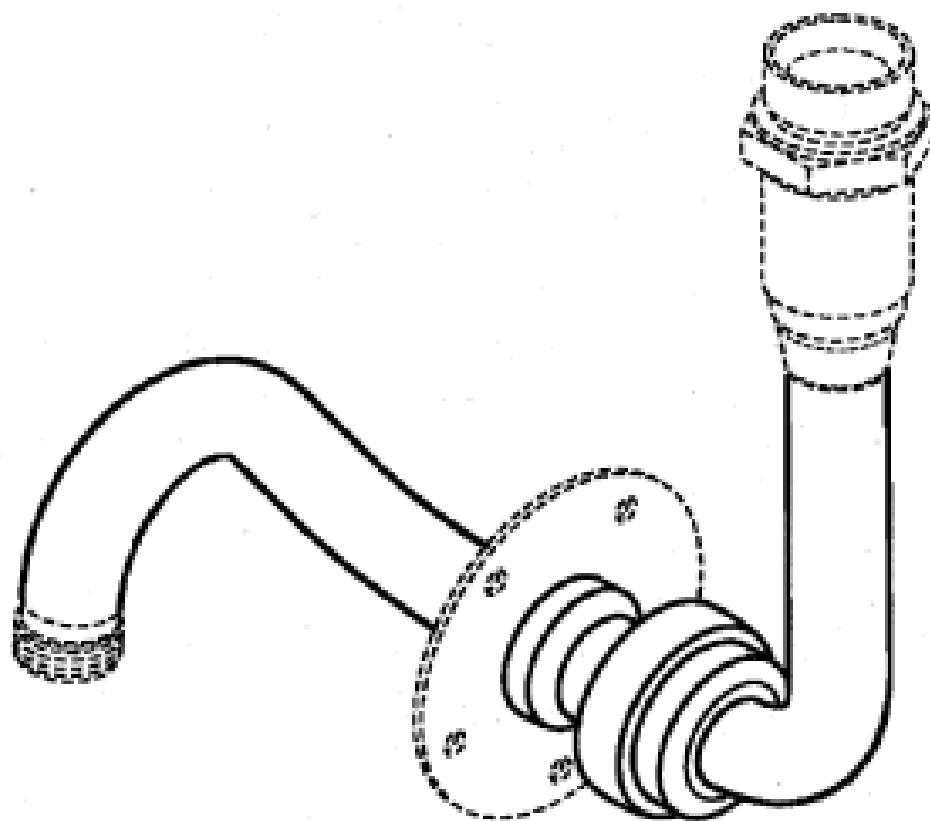
JJ Fraser Engineering Limited
18 Peterkin Street Wingate Lower Hutt New Zealand

(72) Name(s) of Designer(s): **Martin Simpson and John James Fraser and Nathan Marchant**

(45) Registration Date: **28 July 2010**

(56) Related Art Documents: **Not Applicable**

(57) Statement of Newness and Distinctiveness: **Newness and distinctiveness reside in the features of shape and/or configuration of the hose reel conduit as shown in the representations. Newness and distinctiveness are not claimed for the features shown in broken lines, which are shown for illustrative purposes only.**



(21) Design Number: **12745/2010**

(22) Date of Filing Application: **05 July 2010**

(24) Date from which industrial property rights may have effect: **05 July 2010**

(54) Product in respect of which the design is registered: **Cake container storer and lifter base**

(51) International Design Classification: **07-01NES**

(71) Name(s) and Address(s) of Applicant(s):

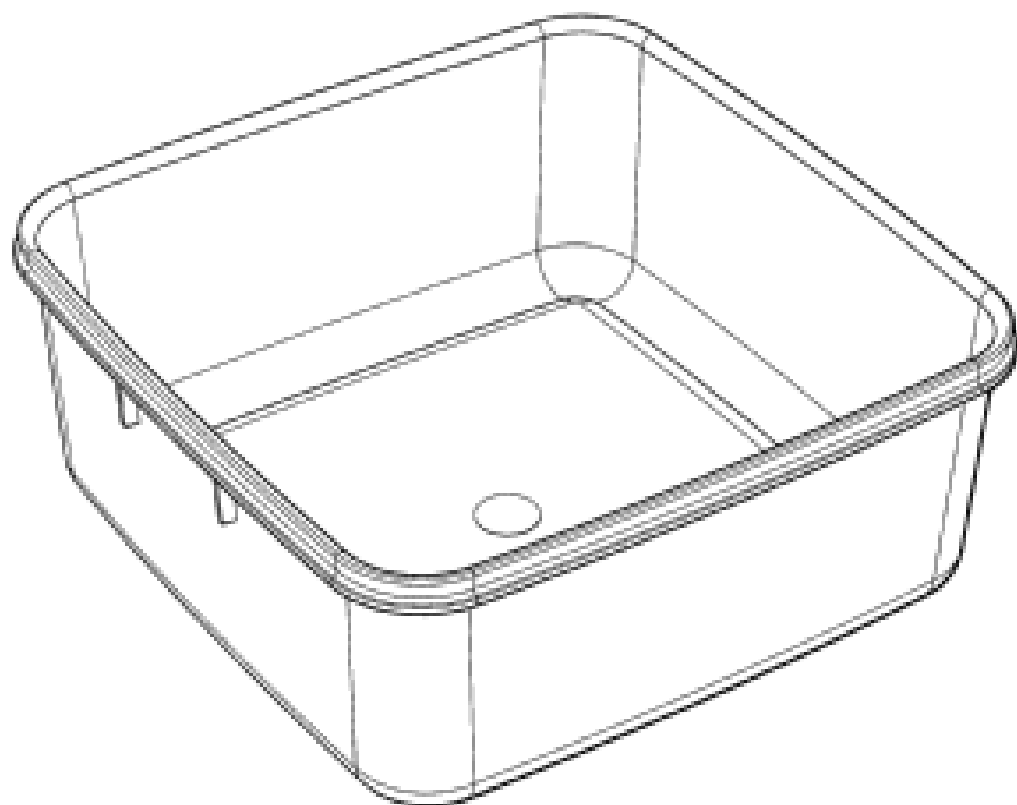
The Decor Corporation Pty Ltd
1314 Ferntree Gully Road Scoresby Victoria 3179 Australia

(72) Name(s) of Designer(s): **Arthur Richard Carlson**

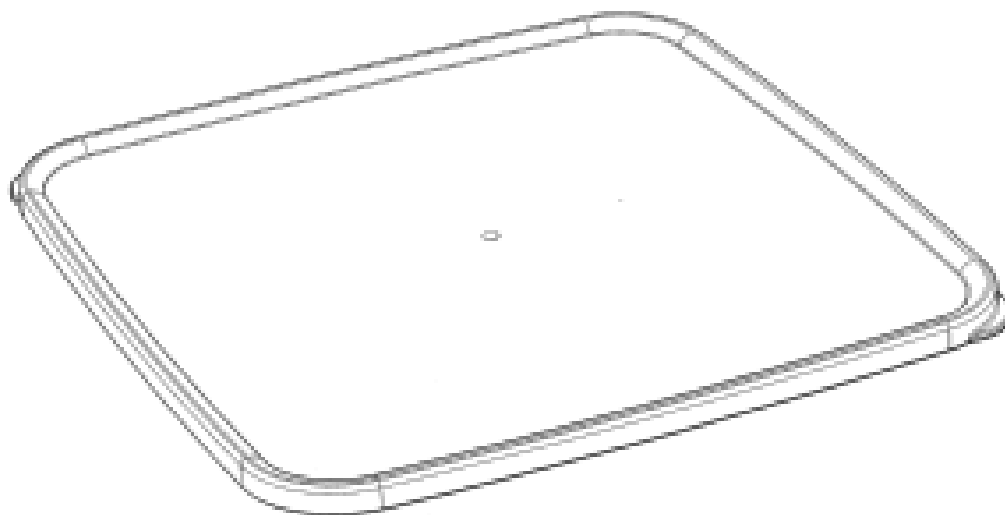
(45) Registration Date: **28 July 2010**

(56) Related Art Documents: **Not Applicable**

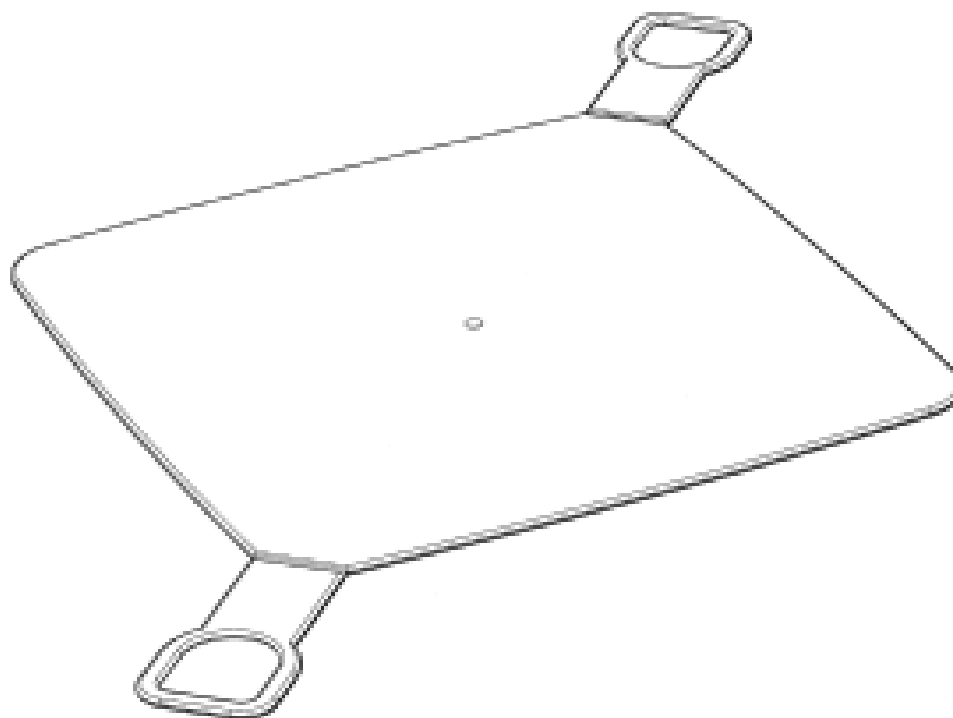
(57) Statement of Newness and Distinctiveness: **Nil**



- (21) Design Number: **12746/2010**
(22) Date of Filing Application: **05 July 2010**
(24) Date from which industrial property rights may have effect: **05 July 2010**
(54) Product in respect of which the design is registered: **Cake container storer and lifter lid**
(51) International Design Classification: **07-01NES**
(71) Name(s) and Address(s) of Applicant(s):
The Decor Corporation Pty Ltd
1314 Ferntree Gully Road Scoresby Victoria 3179 Australia
(72) Name(s) of Designer(s): **Arthur Richard Carlson**
(45) Registration Date: **28 July 2010**
(56) Related Art Documents: **Not Applicable**
(57) Statement of Newness and Distinctiveness: **Nil**



- (21) Design Number: **12747/2010**
(22) Date of Filing Application: **05 July 2010**
(24) Date from which industrial property rights may have effect: **05 July 2010**
(54) Product in respect of which the design is registered: **Cake container storer and lifter plate**
(51) International Design Classification: **07-01NES**
(71) Name(s) and Address(s) of Applicant(s):
The Decor Corporation Pty Ltd
1314 Ferntree Gully Road Scoresby Victoria 3179 Australia
(72) Name(s) of Designer(s): **Arthur Richard Carlson**
(45) Registration Date: **28 July 2010**
(56) Related Art Documents: **Not Applicable**
(57) Statement of Newness and Distinctiveness: **Nil**



(21) Design Number: **12748/2010**

(22) Date of Filing Application: **05 July 2010**

(24) Date from which industrial property rights may have effect: **05 July 2010**

(54) Product in respect of which the design is registered: **A tap assembly**

(51) International Design Classification: **23-01H**

(71) Name(s) and Address(s) of Applicant(s):

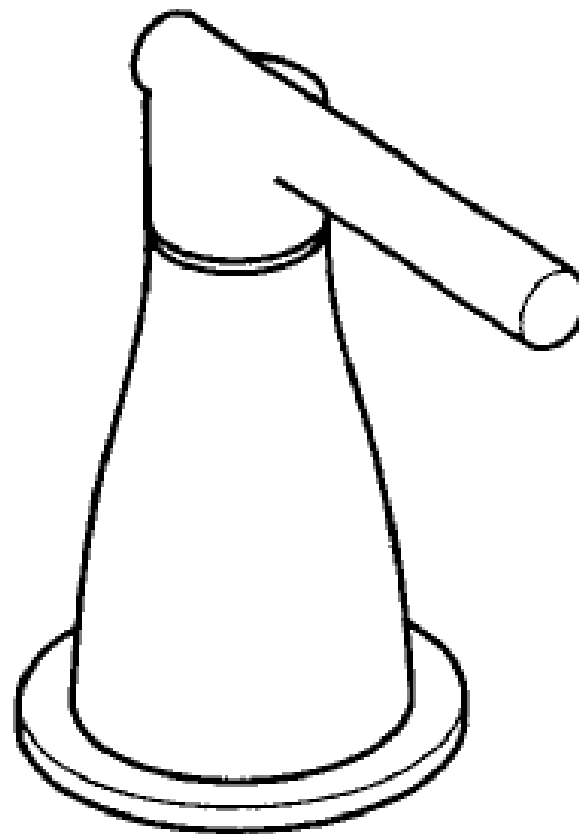
Caroma Industries Limited
10 Market Street Brisbane Queensland 4000 Australia

(72) Name(s) of Designer(s): **Stephen John Cummings and David Giorgio**

(45) Registration Date: **28 July 2010**

(56) Related Art Documents: **Not Applicable**

(57) Statement of Newness and Distinctiveness: **Newness and distinctiveness is claimed in the features of shape and/or configuration of a tap assembly as illustrated in the accompanying representations.**



(21) Design Number: **12749/2010**

(22) Date of Filing Application: **05 July 2010**

(24) Date from which industrial property rights may have effect: **05 July 2010**

(54) Product in respect of which the design is registered: **A spout assembly**

(51) International Design Classification: **23-01H**

(71) Name(s) and Address(s) of Applicant(s):

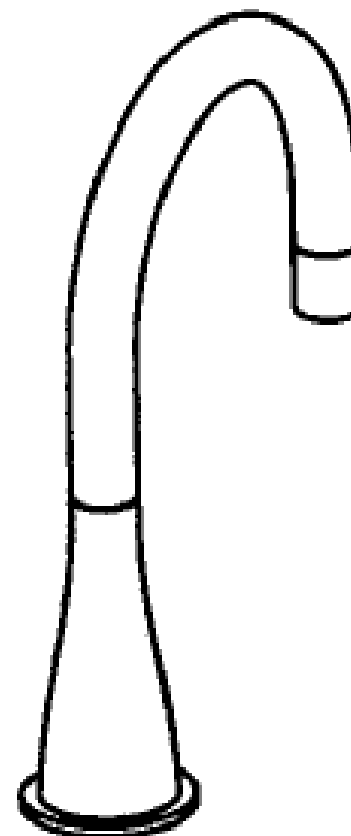
Caroma Industries Limited
10 Market Street Brisbane Queensland 4000 Australia

(72) Name(s) of Designer(s): **Stephen John Cummings and David Giorgio**

(45) Registration Date: **28 July 2010**

(56) Related Art Documents: **Not Applicable**

(57) Statement of Newness and Distinctiveness: **Newness and distinctiveness is claimed in the features of shape and/or configuration of a spout assembly as illustrated in the accompanying representations.**



(21) Design Number: **12750/2010**

(22) Date of Filing Application: **05 July 2010**

(24) Date from which industrial property rights may have effect: **05 July 2010**

(54) Product in respect of which the design is registered: **A mixer tap assembly**

(51) International Design Classification: **23-01H**

(71) Name(s) and Address(s) of Applicant(s):

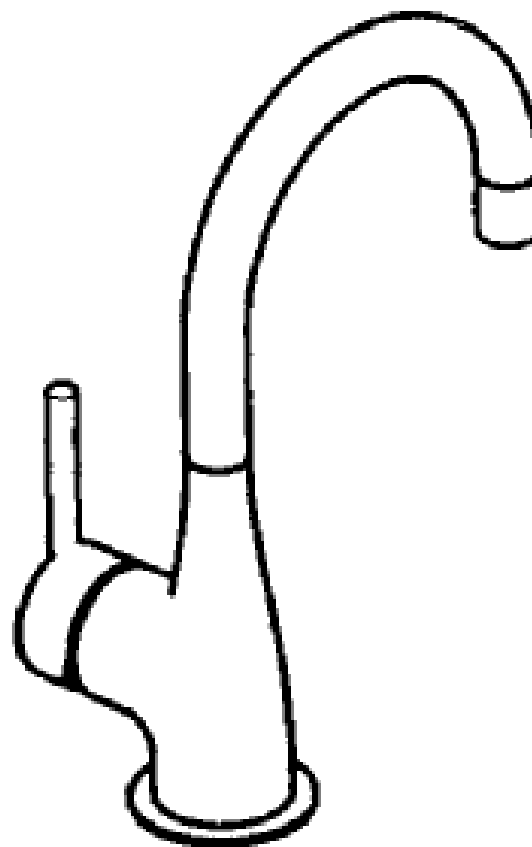
Caroma Industries Limited
10 Market Street Brisbane Queensland 4000 Australia

(72) Name(s) of Designer(s): **Stephen John Cummings and David Giorgio**

(45) Registration Date: **28 July 2010**

(56) Related Art Documents: **Not Applicable**

(57) Statement of Newness and Distinctiveness: **Newness and distinctiveness is claimed in the features of shape and/or configuration of a mixer tap assembly as illustrated in the accompanying representations.**



(21) Design Number: **12751/2010**

(22) Date of Filing Application: **05 July 2010**

(24) Date from which industrial property rights may have effect: **05 July 2010**

(54) Product in respect of which the design is registered: **A tap assembly**

(51) International Design Classification: **23-01H**

(71) Name(s) and Address(s) of Applicant(s):

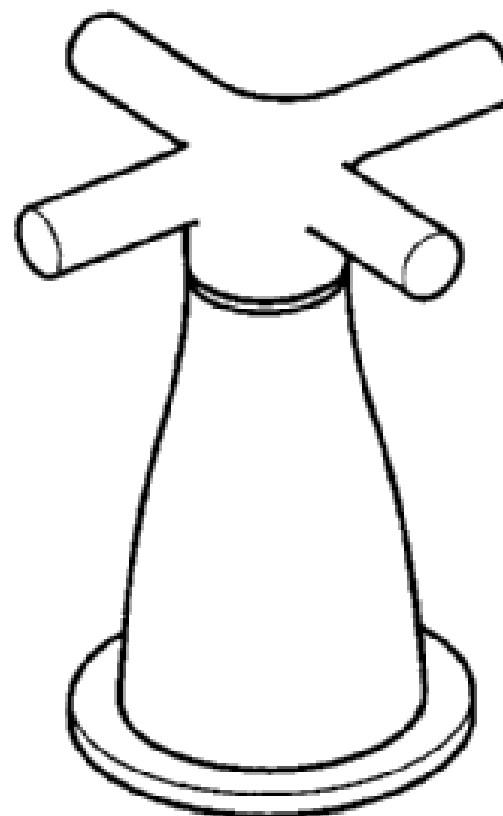
Caroma Industries Limited
10 Market Street Brisbane Queensland 4000 Australia

(72) Name(s) of Designer(s): **Stephen John Cummings and David Giorgio**

(45) Registration Date: **28 July 2010**

(56) Related Art Documents: **Not Applicable**

(57) Statement of Newness and Distinctiveness: **Newness and distinctiveness is claimed in the features of shape and/or configuration of a tap assembly as illustrated in the accompanying representations.**



(21) Design Number: **12752/2010**

(22) Date of Filing Application: **05 July 2010**

(24) Date from which industrial property rights may have effect: **05 July 2010**

(54) Product in respect of which the design is registered: **Remote control for air conditioner**

(51) International Design Classification: **14-03NES, 23-04**

(71) Name(s) and Address(s) of Applicant(s):

Daikin Industries Ltd.

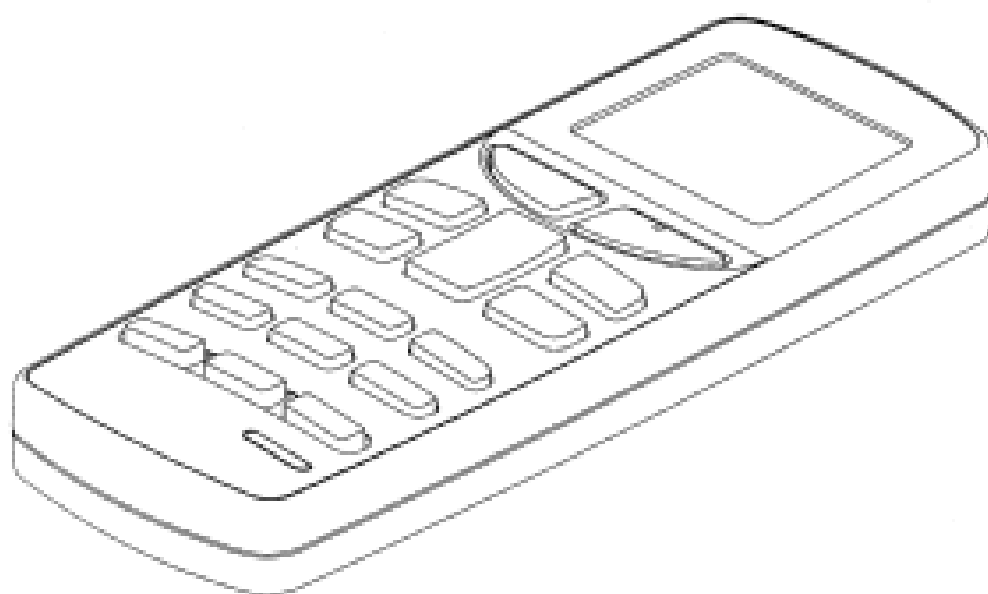
**Umeda Center Building 4-12 Nakazaki-Nishi 2-chome Kita-ku
Osaka-shi Osaka-fu Japan**

(72) Name(s) of Designer(s): **Masahiko Chouji**

(45) Registration Date: **28 July 2010**

(56) Related Art Documents: **Not Applicable**

(57) Statement of Newness and Distinctiveness: **The newness and distinctiveness of the design resides in the shape and arrangement of operation buttons on the surface of a remote control for an air conditioner as illustrated in the accompanying drawings.**



(21) Design Number: **12753/2010**

(22) Date of Filing Application: **05 July 2010**

(24) Date from which industrial property rights may have effect: **05 July 2010**

(54) Product in respect of which the design is registered: **Remote control for air conditioner**

(51) International Design Classification: **14-03NES, 23-04**

(71) Name(s) and Address(s) of Applicant(s):

Daikin Industries Ltd.

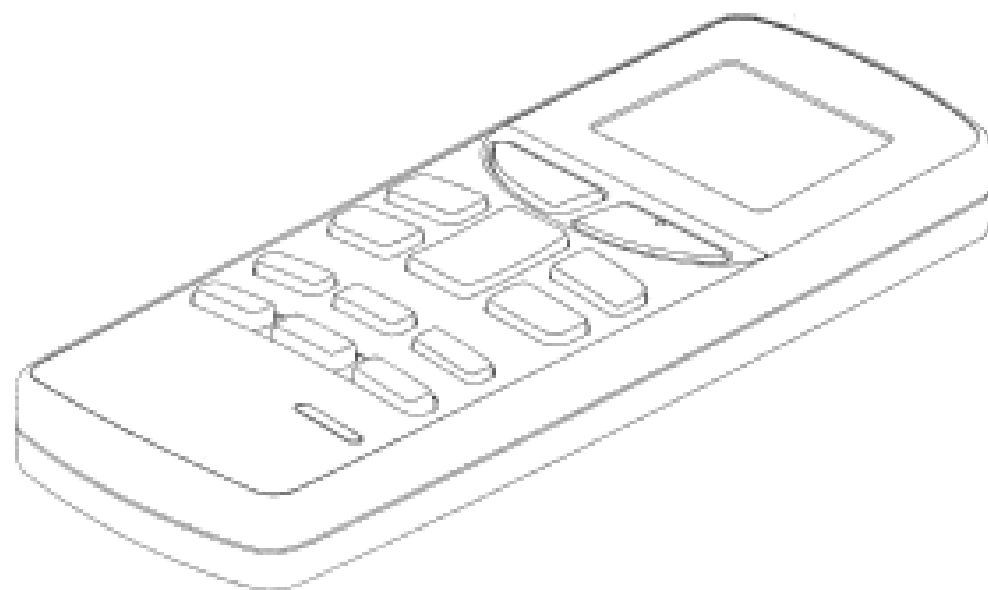
**Umeda Center Building 4-12 Nakazaki-Nishi 2-chome Kita-ku
Osaka-shi Osaka-fu Japan**

(72) Name(s) of Designer(s): **Masahiko Chouji**

(45) Registration Date: **28 July 2010**

(56) Related Art Documents: **Not Applicable**

(57) Statement of Newness and Distinctiveness: **The newness and distinctiveness of the design resides in the shape and arrangement of operation buttons on the surface of a remote control for an air conditioner as illustrated in the accompanying drawings.**



(21) Design Number: **10003/2010**

(22) Date of Filing Application: **05 January 2010**

(24) Date from which industrial property rights may have effect: **05 January 2010**

(54) Product in respect of which the design is registered: **A paint roller container**

(51) International Design Classification: **08-05L**

(71) Name(s) and Address(s) of Applicant(s):

Matsl Pty Ltd

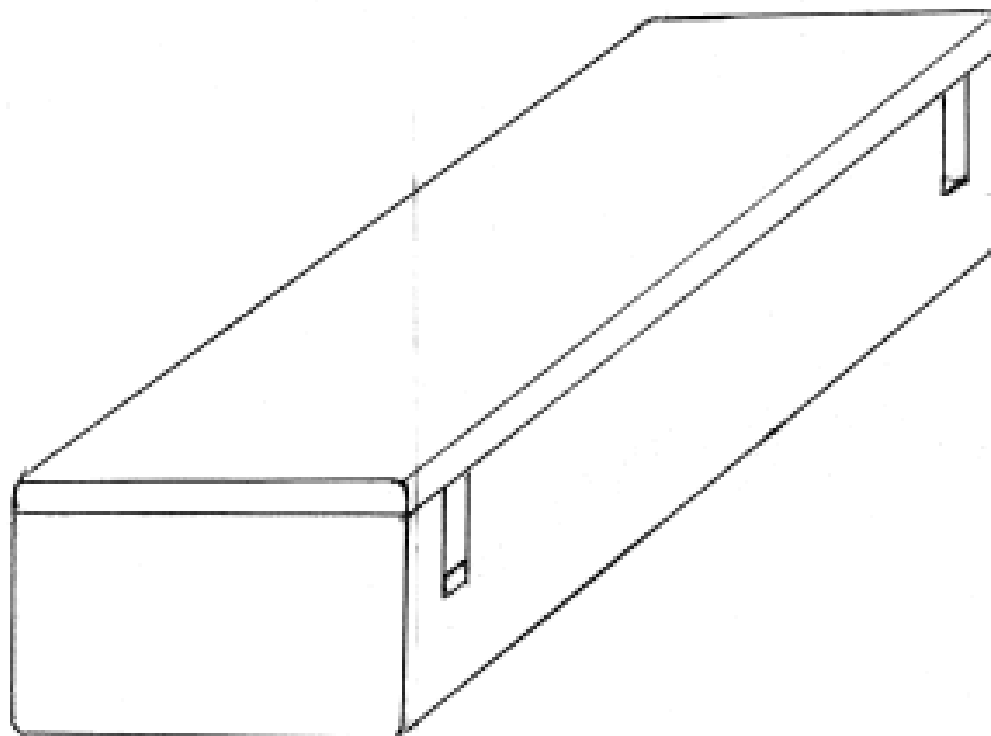
11 Periwinkle Court Tugun Queensland 4224 Australia

(72) Name(s) of Designer(s): **Michael Tarbuck**

(45) Registration Date: **29 July 2010**

(56) Related Art Documents: **Not Applicable**

(57) Statement of Newness and Distinctiveness: **This design enables containment of a saturated paint roller - without prior removal of paint roller from frame. Shape of roller is maintained with 4 small protrusions at base. 2 plugs (removable) seal the handle of roller frame in container. This design prevents drying out of paint roller up to 7 days.**



(21) Design Number: **11071/2010**

(22) Date of Filing Application: **24 March 2010**

(24) Date from which industrial property rights may have effect: **24 March 2010**

(54) Product in respect of which the design is registered: **Wall shelf unit**

(51) International Design Classification: **06-04NES**

(71) Name(s) and Address(s) of Applicant(s):

Albert Spiteri

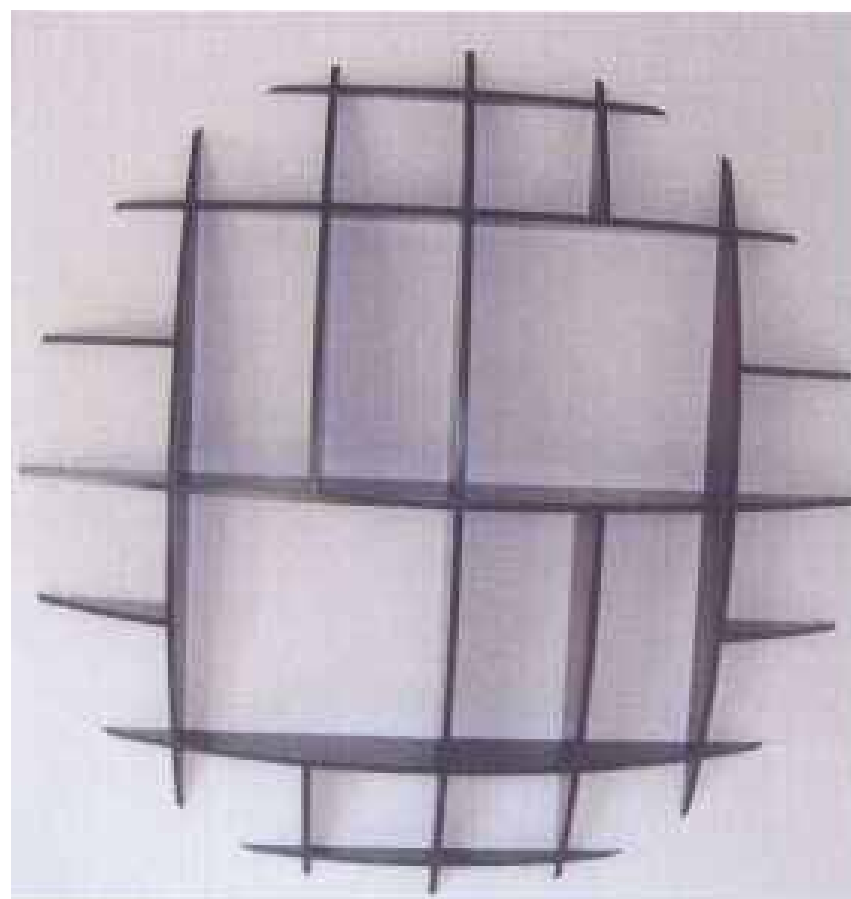
89 Newtown Street Armidale 2350 New South Wales Australia

(72) Name(s) of Designer(s): **Albert Jude Spiteri**

(45) Registration Date: **29 July 2010**

(56) Related Art Documents: **Not Applicable**

(57) Statement of Newness and Distinctiveness: **Components are cut on the curve, slotted and locked together to form lattitudinal and longitudinal divisions. The effect is of a globe-like structure protruding through a wall. Please see attachment 1.**



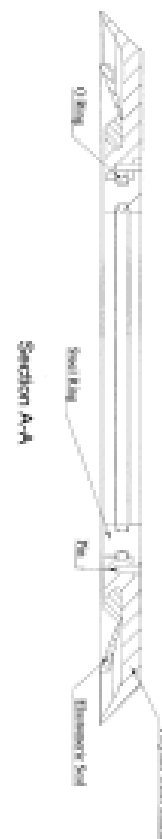
- (21) Design Number: **11072/2010**
(22) Date of Filing Application: **24 March 2010**
(24) Date from which industrial property rights may have effect: **24 March 2010**
(54) Product in respect of which the design is registered: **Wall fixture**
(51) International Design Classification: **06-04NES, 08-08L**
(71) Name(s) and Address(s) of Applicant(s):
Albert Spiteri
89 Newtown Street Armidale 2350 New South Wales Australia
(72) Name(s) of Designer(s): **Albert Jude Spiteri**
(45) Registration Date: **29 July 2010**
(56) Related Art Documents: **Not Applicable**
(57) Statement of Newness and Distinctiveness: **An aluminium grid section is fixed to the wall. The shelf components are locked to the grid to create a secure and stable load bearing fixture for the Lock and Load Shelf. Please see Attachment 2.**



- (21) Design Number: **12386/2010**
(22) Date of Filing Application: **10 June 2010**
(24) Date from which industrial property rights may have effect: **10 June 2010**
(54) Product in respect of which the design is registered: **Building panel of indefinite width and height**
(51) International Design Classification: **25-01D**
(71) Name(s) and Address(s) of Applicant(s):
Tektum Pty Ltd
4/124 Alison Road Randwick New South Wales 2031 Australia
(72) Name(s) of Designer(s): **Nicolas Perren**
(45) Registration Date: **29 July 2010**
(56) Related Art Documents: **Not Applicable**
(57) Statement of Newness and Distinctiveness: **Newness and distinctiveness resides in the visual features of the building panel of indefinite width and height shown in solid lines in the Figures. When determining whether the design is substantially similar in overall impression to another design no regard is to be had to those features shown in dashed outline.**



- (21) Design Number: **12650/2010**
- (22) Date of Filing Application: **29 June 2010**
- (24) Date from which industrial property rights may have effect: **29 June 2010**
- (54) Product in respect of which the design is registered: **"Bear shield" protective guard for roller bearings**
- (51) International Design Classification: **08-08B**
- (71) Name(s) and Address(s) of Applicant(s):
Interseal Pty Ltd
3 The Crescent Kingsgrove New South Wales 2208 Australia
- (72) Name(s) of Designer(s): **David Harley**
- (45) Registration Date: **29 July 2010**
- (56) Related Art Documents: **Not Applicable**
- (57) Statement of Newness and Distinctiveness: **The recipient has requested the owner to propose a solution to a performance and maintenance issue related to production equipment identified as "457 Sizing/PO Tooling". The recipient currently applies "Nilos" sealing rings as the sole sealing element. The current and previous arrangements have proven ineffective for the intended use as the bearing arrangement is exposed to liquid splash and various types of ingress which current products available have proven ineffective protectors and subsequently this leads to premature failure of the equipment. The owners' design meets the recipients' unmet need by incorporating the function of a shaft spacer, twin lip face seal, O Ring sealing system and protective cover. The owners design is a utilitised product incorporating various high performance industrial grade elastomers. The following document attached to this schedule outlines the owner's solution. Documents attached: 1 Document number: ISL10022010 - Bear Shield**



- (21) Design Number: **12676/2010**
- (22) Date of Filing Application: **29 June 2010**
- (24) Date from which industrial property rights may have effect: **29 June 2010**
- (54) Product in respect of which the design is registered: **Mayan legacy universal frame**
- (51) International Design Classification: **06-06H**
- (71) Name(s) and Address(s) of Applicant(s):
Maria Alicia Gambley
12 Sanicle Street Bald Hills Queensland 4036 Australia
- (72) Name(s) of Designer(s): **Maria Alicia Gambley**
- (45) Registration Date: **29 July 2010**
- (56) Related Art Documents: **Not Applicable**
- (57) Statement of Newness and Distinctiveness: **Our MLUF was designed to suit a wide variety of hammocks, in a portable frame. The legs are welded on the bottom of the base bar and the base bar is only one piece not 3 like other frames making it very stable and portable. The legs slide into the base and are only 2 pieces. The height and length are also distinct to other frames.**



(21) Design Number: **12677/2010**

(22) Date of Filing Application: **29 June 2010**

(24) Date from which industrial property rights may have effect: **29 June 2010**

(54) Product in respect of which the design is registered: **Steel roman arc**

(51) International Design Classification: **06-06H**

(71) Name(s) and Address(s) of Applicant(s):

Maria Alicia Gambley
12 Sanicle Street Bald Hills Queensland 4036 Australia

(72) Name(s) of Designer(s): **Maria Alicia Gambley**

(45) Registration Date: **29 July 2010**

(56) Related Art Documents: **Not Applicable**

(57) Statement of Newness and Distinctiveness: **Our SRA was designed to suit a wide variety of hammocks, in a very stable frame. This frame has a very distinct shape. Has 2 handles at the top of the upper bars to be able to pass the hammock through it and adjust the length of the hammock to suit the frame making it adjustable.**



(21) Design Number: **12684/2010**

(22) Date of Filing Application: **30 June 2010**

(24) Date from which industrial property rights may have effect: **30 June 2010**

(54) Product in respect of which the design is registered: **A leg for an article of furniture**

(51) International Design Classification: **06-06E, 06-06G**

(71) Name(s) and Address(s) of Applicant(s):

King Furniture (Australia) Pty Ltd
123 Turrella Street Turrella New South Wales 2205 Australia

(72) Name(s) of Designer(s): **Charles Seymour Wilson**

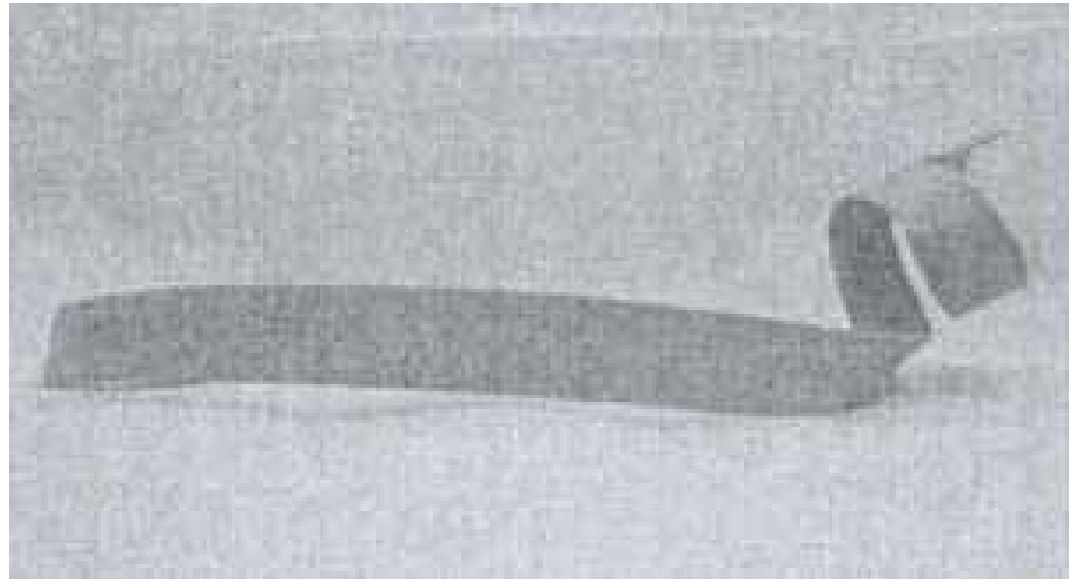
(45) Registration Date: **29 July 2010**

(56) Related Art Documents: **Not Applicable**

(57) Statement of Newness and Distinctiveness: **Newness and distinctiveness reside in the features of the design as shown in the representations.**



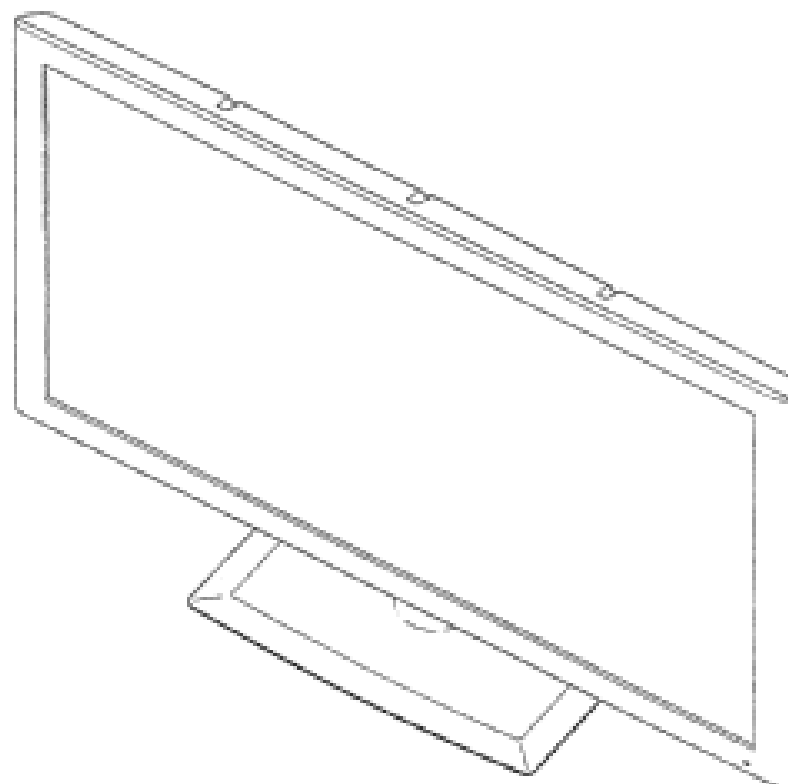
(21) Design Number: **12710/2010**
(22) Date of Filing Application: **01 July 2010**
(24) Date from which industrial property rights may have effect: **01 July 2010**
(54) Product in respect of which the design is registered: **Bottle holder**
(51) International Design Classification: **07-06A**
(71) Name(s) and Address(s) of Applicant(s):
MHCS
9 avenue de Champagne 51200 Epernay France
(72) Name(s) of Designer(s): **Julien Ceder**
(45) Registration Date: **29 July 2010**
(30) Convention priority data:
(31) Number (32) Date (33) Country
001654757-0001 07 Jan 2010 EUROPEAN COMMUNITY
(56) Related Art Documents: **Not Applicable**
(57) Statement of Newness and Distinctiveness: **Nil**



(21) Design Number: **12726/2010**
(22) Date of Filing Application: **05 July 2010**
(24) Date from which industrial property rights may have effect: **05 July 2010**
(54) Product in respect of which the design is registered: **A buggy**
(51) International Design Classification: **12-12**
(71) Name(s) and Address(s) of Applicant(s):
Love N Care Pty Ltd
5 Modal Crescent Canning Vale Western Australia 6155 Australia
(72) Name(s) of Designer(s): **Talal Elcheikh**
(45) Registration Date: **29 July 2010**
(56) Related Art Documents: **Not Applicable**
(57) Statement of Newness and Distinctiveness: **Nil**



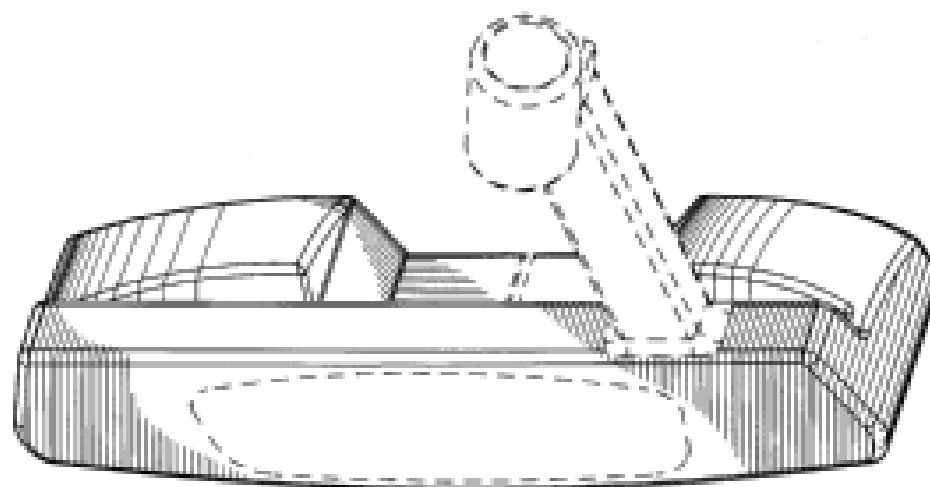
(21) Design Number: **12755/2010**
(22) Date of Filing Application: **05 July 2010**
(24) Date from which industrial property rights may have effect: **05 July 2010**
(54) Product in respect of which the design is registered: **LCD television receiver**
(51) International Design Classification: **14-03B**
(71) Name(s) and Address(s) of Applicant(s):
LG Electronics Inc.
20 Yeouido-dong Yeongdeungpo-gu Seoul 150-721 Republic of Korea
(72) Name(s) of Designer(s): **Eun Bong Lee and Yoo Seok Kim**
(45) Registration Date: **29 July 2010**
(30) Convention priority data:
(31) Number (32) Date (33) Country
30-2010-0000191 05 Jan 2010 REPUBLIC OF KOREA
(56) Related Art Documents: **Not Applicable**
(57) Statement of Newness and Distinctiveness: **Newness and distinctiveness of the design resides in the visual features of shape and configuration of the design shown in solid lines in the accompanying representations. No weight should be given to the features as shown in dotted lines in the representations.**



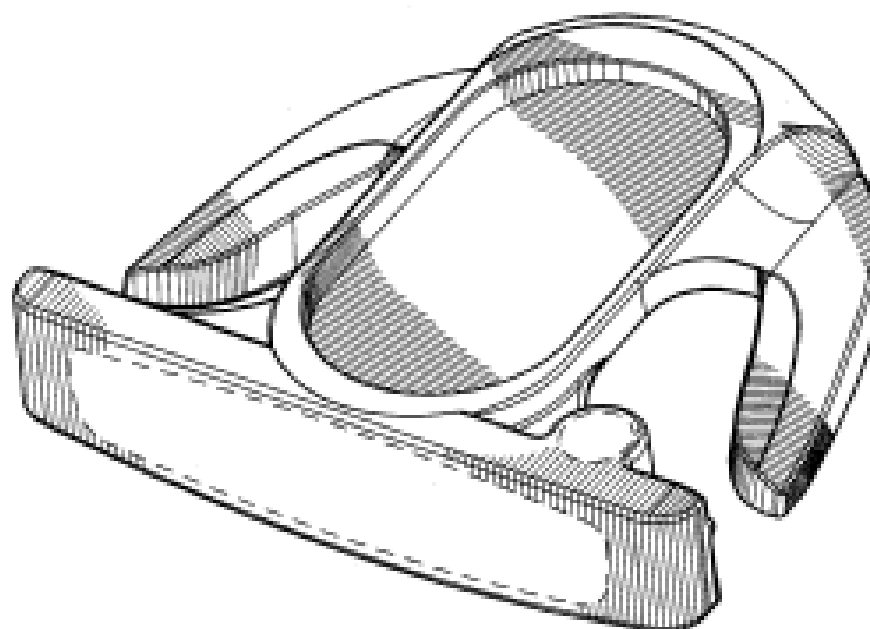
(21) Design Number: **12756/2010**
(22) Date of Filing Application: **05 July 2010**
(24) Date from which industrial property rights may have effect: **05 July 2010**
(54) Product in respect of which the design is registered: **An ornament**
(51) International Design Classification: **11-02E**
(71) Name(s) and Address(s) of Applicant(s):
Chunhui Pang
8/27 Wangee Road Lakemba New South Wales 2195 Australia
(72) Name(s) of Designer(s): **Chunhui Pang**
(45) Registration Date: **29 July 2010**
(56) Related Art Documents: **Not Applicable**
(57) Statement of Newness and Distinctiveness: **Newness and distinctiveness resides in the features of shape and configuration of an ornament as illustrated in the accompanying representations.**



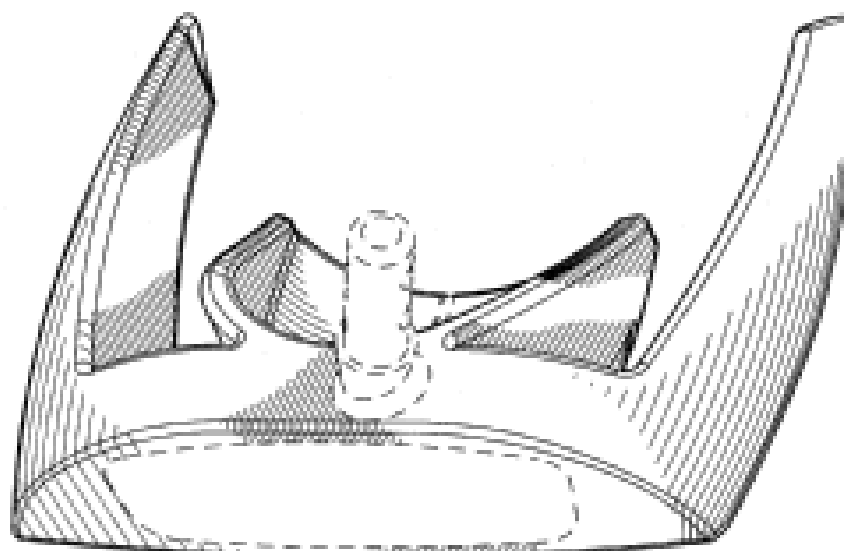
- (21) Design Number: **12762/2010**
(22) Date of Filing Application: **05 July 2010**
(24) Date from which industrial property rights may have effect: **05 July 2010**
(54) Product in respect of which the design is registered: **Golf club head**
(51) International Design Classification: **21-02C**
(71) Name(s) and Address(s) of Applicant(s):
Karsten Manufacturing Corporation
2201 West Desert Cove Phoenix Arizona 85029 United States of America
(72) Name(s) of Designer(s): **Anthony D. Serrano and Xiaojian Chen**
(45) Registration Date: **29 July 2010**
(30) Convention priority data:
(31) Number (32) Date (33) Country
29/358703 31 Mar 2010 UNITED STATES OF AMERICA
(56) Related Art Documents: **Not Applicable**
(57) Statement of Newness and Distinctiveness: **Newness and distinctiveness is claimed in the visual features shown in solid lines in the representations. In considering the extent of the design rights, the broken lines shown in the representations are for illustrative purposes only and do not form part of the design.**



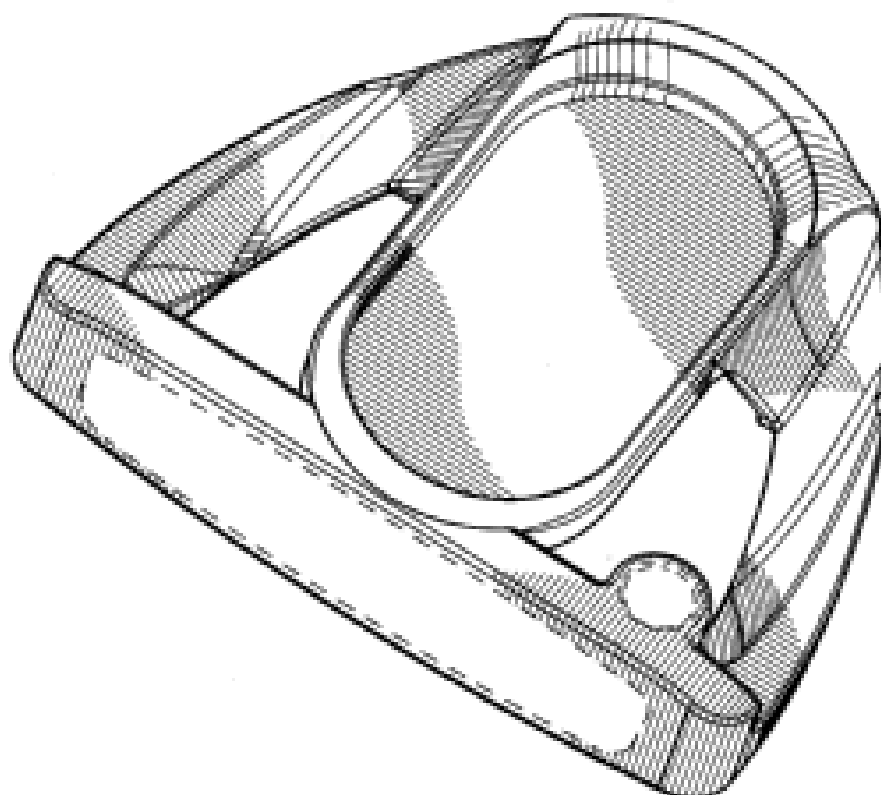
- (21) Design Number: **12763/2010**
(22) Date of Filing Application: **05 July 2010**
(24) Date from which industrial property rights may have effect: **05 July 2010**
(54) Product in respect of which the design is registered: **Golf club head**
(51) International Design Classification: **21-02C**
(71) Name(s) and Address(s) of Applicant(s):
Karsten Manufacturing Corporation
2201 West Desert Cove Phoenix Arizona 85029 United States of America
(72) Name(s) of Designer(s): **Anthony D. Serrano and Xiaojian Chen**
(45) Registration Date: **29 July 2010**
(30) Convention priority data:
(31) Number (32) Date (33) Country
29/358709 31 Mar 2010 UNITED STATES OF AMERICA
(56) Related Art Documents: **Not Applicable**
(57) Statement of Newness and Distinctiveness: **Newness and distinctiveness is claimed in the visual features shown in solid lines in the representations. In considering the extent of the design rights, the broken lines shown in the representations are for illustrative purposes only and do not form part of the design.**



- (21) Design Number: **12764/2010**
(22) Date of Filing Application: **05 July 2010**
(24) Date from which industrial property rights may have effect: **05 July 2010**
(54) Product in respect of which the design is registered: **Golf club head**
(51) International Design Classification: **21-02C**
(71) Name(s) and Address(s) of Applicant(s):
Karsten Manufacturing Corporation
2201 West Desert Cove Phoenix Arizona 85029 United States of America
(72) Name(s) of Designer(s): **Anthony D. Serrano and Xiaojian Chen and Brian J. McGuire**
(45) Registration Date: **29 July 2010**
(30) Convention priority data:
(31) Number (32) Date (33) Country
29/358700 31 Mar 2010 UNITED STATES OF AMERICA
(56) Related Art Documents: **Not Applicable**
(57) Statement of Newness and Distinctiveness: **Newness and distinctiveness is claimed in the visual features shown in solid lines in the representations. In considering the extent of the design rights, the broken lines shown in the representations are for illustrative purposes only and do not form any part of the design.**



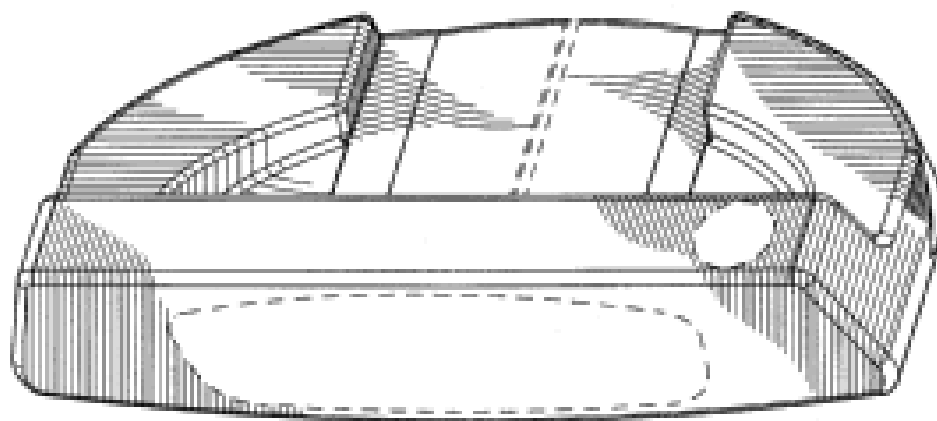
- (21) Design Number: **12765/2010**
(22) Date of Filing Application: **05 July 2010**
(24) Date from which industrial property rights may have effect: **05 July 2010**
(54) Product in respect of which the design is registered: **Golf club head**
(51) International Design Classification: **21-02C**
(71) Name(s) and Address(s) of Applicant(s):
Karsten Manufacturing Corporation
2201 West Desert Cove Phoenix Arizona 85029 United States of America
(72) Name(s) of Designer(s): **Anthony D. Serrano and Xiaojian Chen**
(45) Registration Date: **29 July 2010**
(30) Convention priority data:
(31) Number (32) Date (33) Country
29/358707 31 Mar 2010 UNITED STATES OF AMERICA
(56) Related Art Documents: **Not Applicable**
(57) Statement of Newness and Distinctiveness: **Newness and distinctiveness is claimed in the visual features shown in solid lines in the representations. In considering the extent of the design rights, the broken lines shown in the representations are for illustrative purposes only and do not form any part of the design.**



(19) AU

- (21) Design Number: **12766/2010**
- (22) Date of Filing Application: **05 July 2010**
- (24) Date from which industrial property rights may have effect: **05 July 2010**
- (54) Product in respect of which the design is registered: **Golf club head**
- (51) International Design Classification: **21-02C**
- (71) Name(s) and Address(s) of Applicant(s):
Karsten Manufacturing Corporation
2201 West Desert Cove Phoenix Arizona 85029 United States of America
- (72) Name(s) of Designer(s): **Anthony D. Serrano and Xiaojian Chen**
- (45) Registration Date: **29 July 2010**
- (30) Convention priority data:

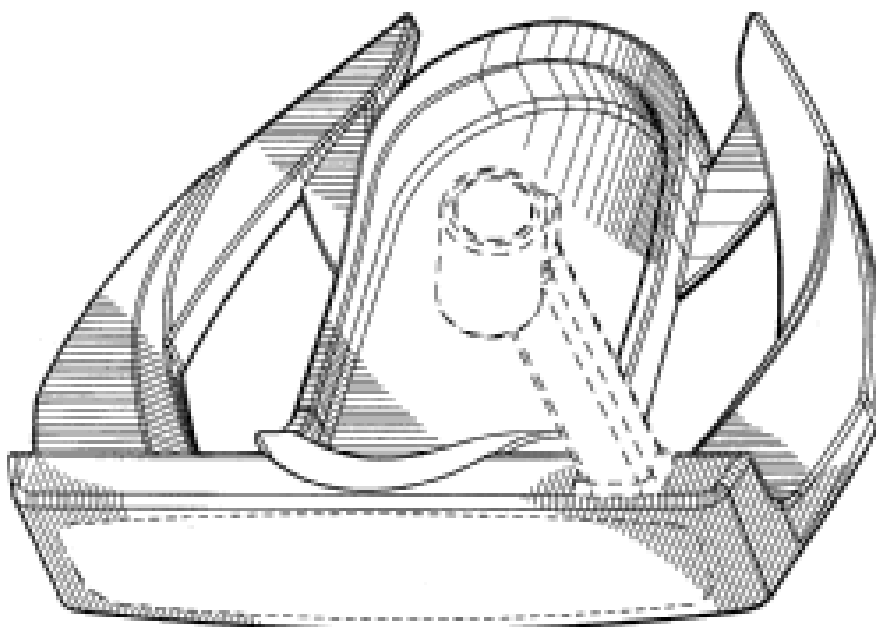
(31) Number	(32) Date	(33) Country
29/358701	31 Mar 2010	UNITED STATES OF AMERICA
- (56) Related Art Documents: **Not Applicable**
- (57) Statement of Newness and Distinctiveness: **Newness and distinctiveness is claimed in the visual features shown in solid lines in the representations. In considering the extent of the design rights, the broken lines shown in the representations are for illustrative purposes only and do not form any part of the design.**



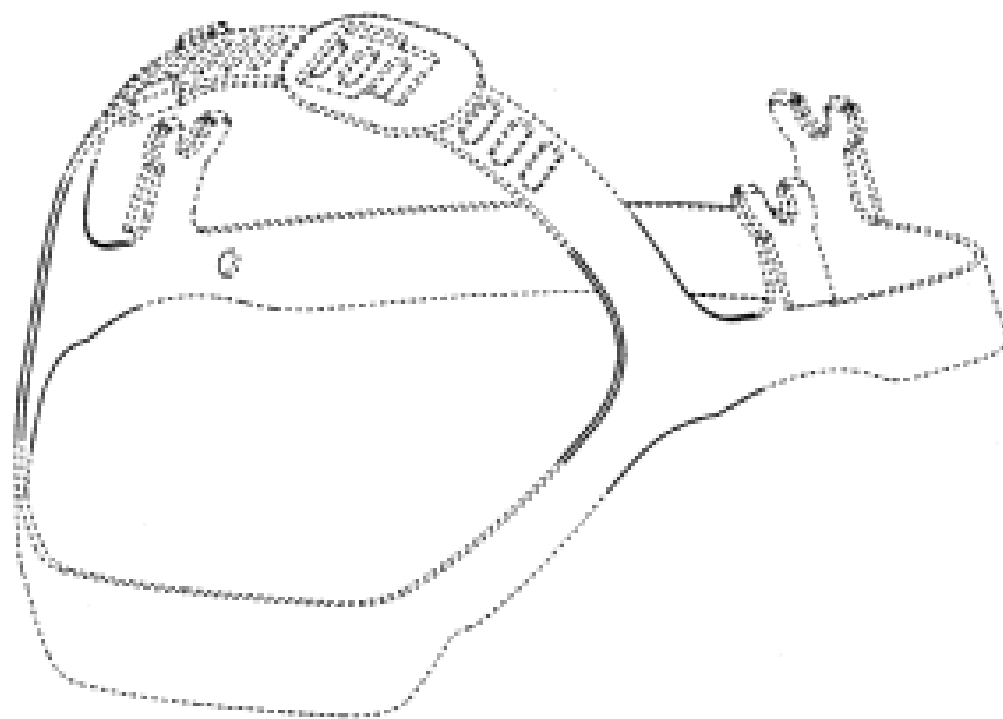
(19) AU

- (21) Design Number: **12767/2010**
- (22) Date of Filing Application: **05 July 2010**
- (24) Date from which industrial property rights may have effect: **05 July 2010**
- (54) Product in respect of which the design is registered: **Golf club head**
- (51) International Design Classification: **21-02C**
- (71) Name(s) and Address(s) of Applicant(s):
Karsten Manufacturing Corporation
2201 West Desert Cove Phoenix Arizona 85029 United States of America
- (72) Name(s) of Designer(s): **Anthony D. Serrano and Xiaojian Chen**
- (45) Registration Date: **29 July 2010**
- (30) Convention priority data:

(31) Number	(32) Date	(33) Country
29/358702	31 Mar 2010	UNITED STATES OF AMERICA
- (56) Related Art Documents: **Not Applicable**
- (57) Statement of Newness and Distinctiveness: **Newness and distinctiveness is claimed in the visual features shown in solid lines in the representations. In considering the extent of the design rights, the broken lines shown in the representations are for illustrative purposes only and do not form any part of the design.**



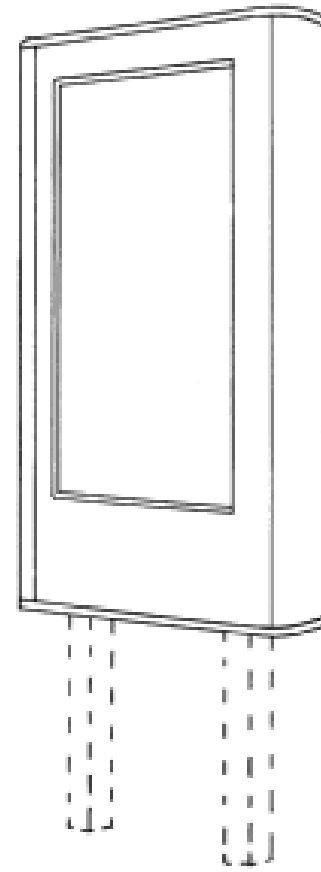
- (21) Design Number: **11663/2010**
(22) Date of Filing Application: **03 May 2010**
(24) Date from which industrial property rights may have effect: **03 May 2010**
(54) Product in respect of which the design is registered: **Head harness**
(51) International Design Classification: **02-03, 24-03, 24-99**
(71) Name(s) and Address(s) of Applicant(s):
3M Innovative Properties Company
3M Center Saint Paul Minnesota 55133-3427 United States of America
(72) Name(s) of Designer(s): **Jan L. Folkesson and Martin Sallander**
(45) Registration Date: **03 August 2010**
(30) Convention priority data:
(31) Number (32) Date (33) Country
1175616 03 Nov 2009 EUROPEAN COMMUNITY
(56) Related Art Documents: **Not Applicable**
(57) Statement of Newness and Distinctiveness: **Newness and distinctiveness is claimed in the features of shape and/or configuration of a head harness as shown in solid outline in the accompanying representations.**



- (21) Design Number: **11681/2010**
(22) Date of Filing Application: **05 May 2010**
(24) Date from which industrial property rights may have effect: **05 May 2010**
(54) Product in respect of which the design is registered: **Camera stabilization rig**
(51) International Design Classification: **16-05, 16-99**
(71) Name(s) and Address(s) of Applicant(s):
Shayne Christopher Thomson
Unit 11/22 Fairweather Street Yorkeys Knob Queensland 4878
Australia
Justin Kym Hoskins
Unit 11/22 Fairweather Street Yorkeys Knob Queensland 4878
Australia
(72) Name(s) of Designer(s): **Shayne C. Thomson and Justin Hoskins**
(45) Registration Date: **03 August 2010**
(56) Related Art Documents: **Not Applicable**
(57) Statement of Newness and Distinctiveness: **Nil**



- (21) Design Number: **12735/2010**
(22) Date of Filing Application: **05 July 2010**
(24) Date from which industrial property rights may have effect: **05 July 2010**
(54) Product in respect of which the design is registered: **Advertising board**
(51) International Design Classification: **20-03C**
(71) Name(s) and Address(s) of Applicant(s):
Live Board Holdings Pty Ltd
42/89 Jones Street Ultimo New South Wales 2007 Australia
(72) Name(s) of Designer(s): **Costa Koulis**
(45) Registration Date: **03 August 2010**
(56) Related Art Documents: **Not Applicable**
(57) Statement of Newness and Distinctiveness: **Newness and distinctiveness is claimed in the features of shape and/or configuration of an advertising board as depicted in continuous lines in the accompanying drawings.**



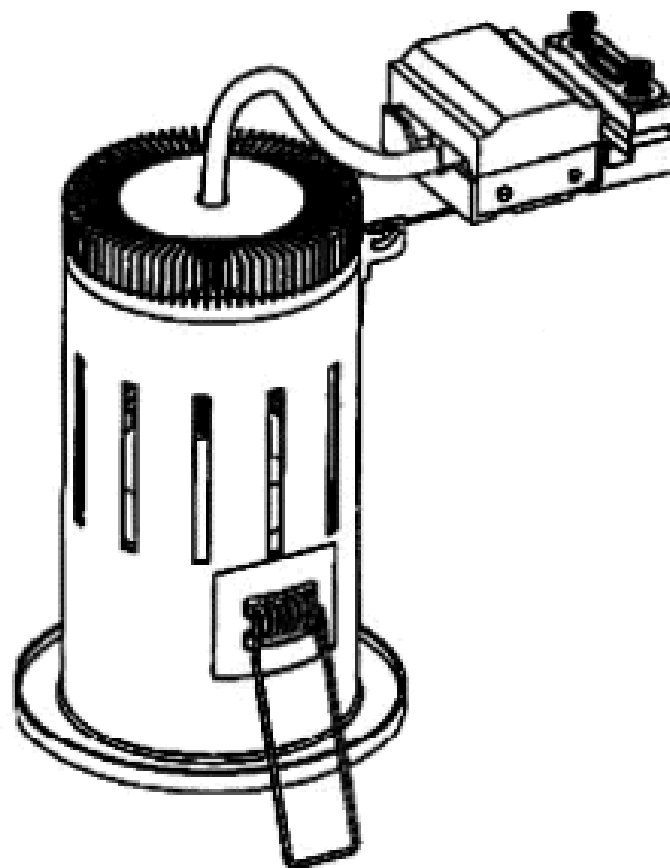
- (21) Design Number: **12736/2010**
(22) Date of Filing Application: **05 July 2010**
(24) Date from which industrial property rights may have effect: **05 July 2010**
(54) Product in respect of which the design is registered: **A bottle**
(51) International Design Classification: **09-01B**
(71) Name(s) and Address(s) of Applicant(s):
Golden Circle Limited
260 Earnshaw Road Northgate Queensland 4013 Australia
(72) Name(s) of Designer(s): **Michael Grima and Troy Nyssen and Andrew Kellock**
(45) Registration Date: **03 August 2010**
(56) Related Art Documents: **Not Applicable**
(57) Statement of Newness and Distinctiveness: **The shape and configuration of those parts of the design shown by means of solid lines in the representations are new and distinctive.**



- (21) Design Number: **12738/2010**
- (22) Date of Filing Application: **05 July 2010**
- (24) Date from which industrial property rights may have effect: **05 July 2010**
- (54) Product in respect of which the design is registered: **Downlights**
- (51) International Design Classification: **26-05C**
- (71) Name(s) and Address(s) of Applicant(s):

Liangju Wu
No. 19 Street 7 Bihu Haoting Flowery Country Garden Chencun
Shunde Foshan City Guangdong 528000 China

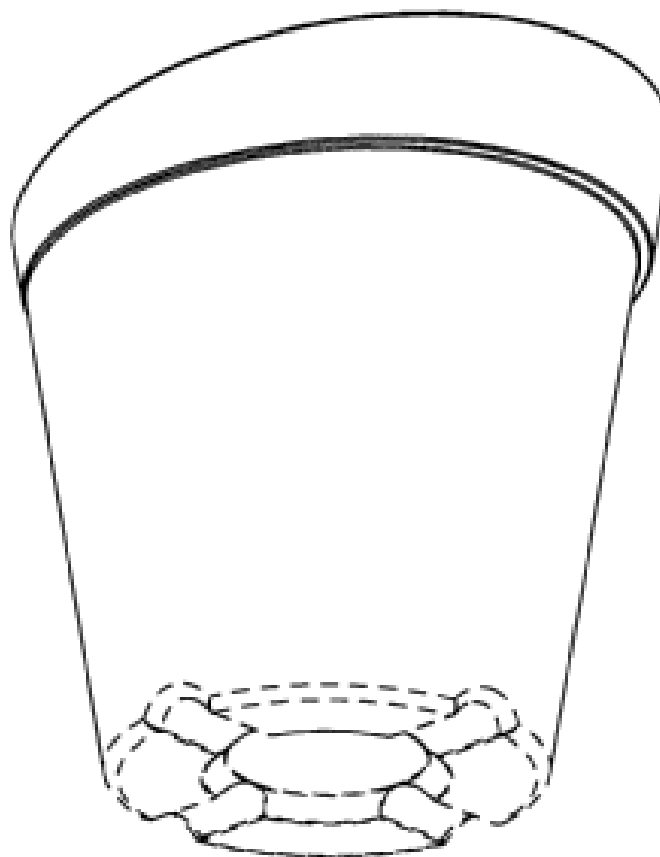
- (72) Name(s) of Designer(s): **Liangju Wu**
- (45) Registration Date: **03 August 2010**
- (30) Convention priority data:
 - (31) Number (32) Date (33) Country
 - 201030019691.2 05 Jan 2010 CHINA**
- (56) Related Art Documents: **Not Applicable**
- (57) Statement of Newness and Distinctiveness: **Newness and distinctiveness are claimed in the features of shape and configuration of a downlight, as illustrated in the accompanying representations.**



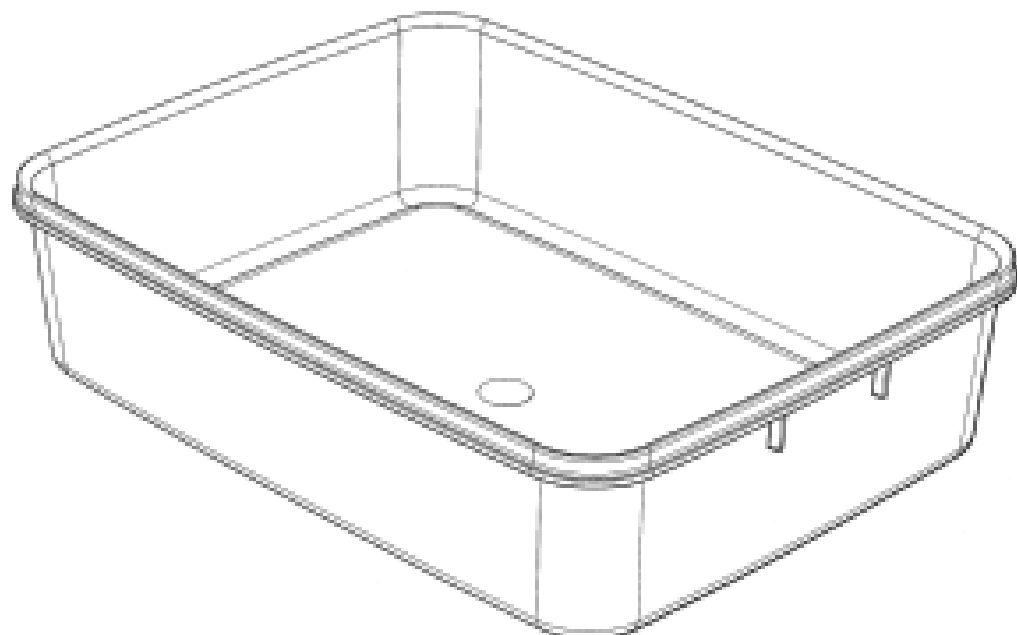
- (21) Design Number: **12741/2010**
- (22) Date of Filing Application: **05 July 2010**
- (24) Date from which industrial property rights may have effect: **05 July 2010**
- (54) Product in respect of which the design is registered: **Container**
- (51) International Design Classification: **11-02B**
- (71) Name(s) and Address(s) of Applicant(s):

Norwood Industries Pty Ltd
6 Wedgewood Road Hallam Victoria 3803 Australia

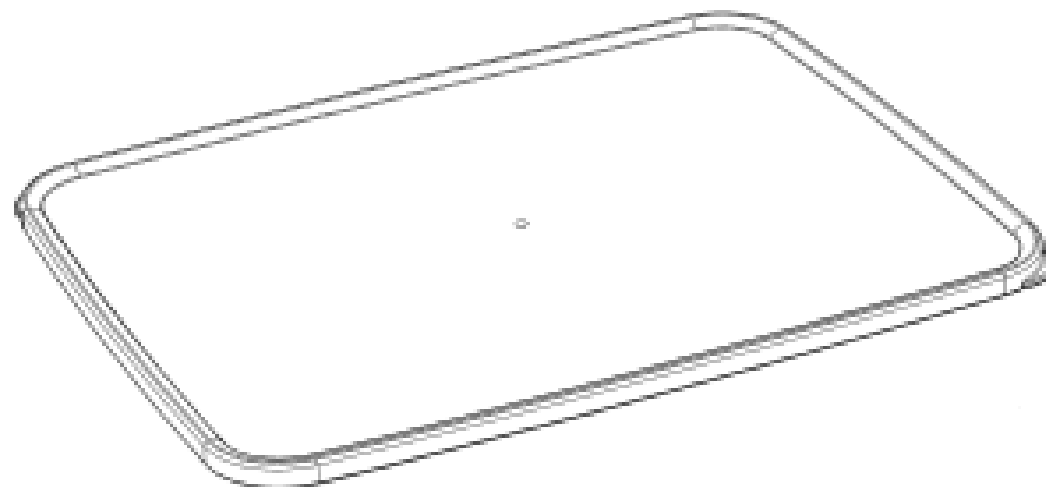
- (72) Name(s) of Designer(s): **Adam Hemmens**
- (45) Registration Date: **03 August 2010**
- (56) Related Art Documents: **Not Applicable**
- (57) Statement of Newness and Distinctiveness: **Those features of the container depicted in the representations that are new and distinctive are the shape and/or configuration. The features shown in broken lines are not part of the design and are to be disregarded when considering the overall impression of the design.**



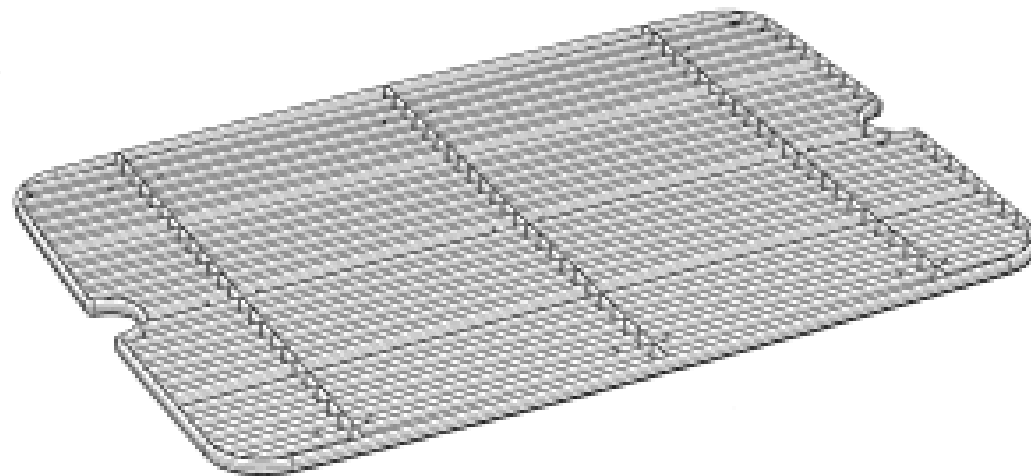
- (21) Design Number: **12742/2010**
(22) Date of Filing Application: **05 July 2010**
(24) Date from which industrial property rights may have effect: **05 July 2010**
(54) Product in respect of which the design is registered: **Base for cup cake storer**
(51) International Design Classification: **07-01NES**
(71) Name(s) and Address(s) of Applicant(s):
The Decor Corporation Pty Ltd
1314 Ferntree Gully Road Scoresby Victoria 3179 Australia
(72) Name(s) of Designer(s): **Arthur Richard Carlson**
(45) Registration Date: **03 August 2010**
(56) Related Art Documents: **Not Applicable**
(57) Statement of Newness and Distinctiveness: **Nil**



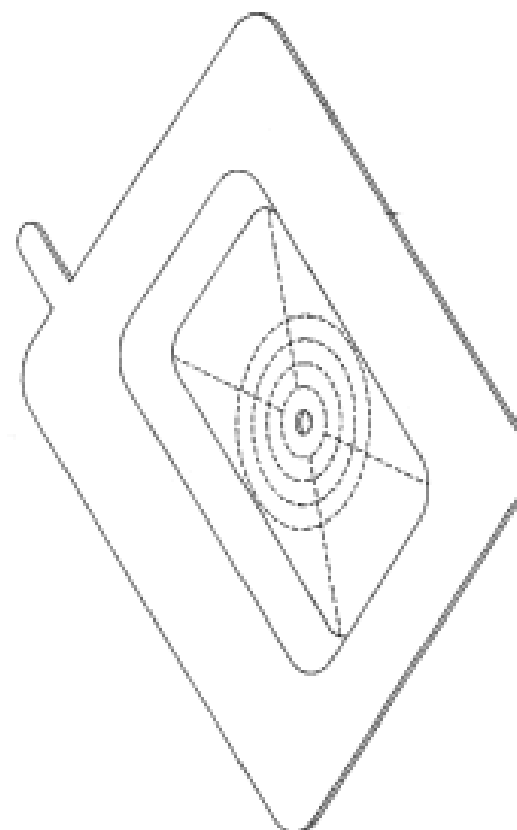
- (21) Design Number: **12743/2010**
(22) Date of Filing Application: **05 July 2010**
(24) Date from which industrial property rights may have effect: **05 July 2010**
(54) Product in respect of which the design is registered: **Lid for cup cake storer**
(51) International Design Classification: **07-01NES**
(71) Name(s) and Address(s) of Applicant(s):
The Decor Corporation Pty Ltd
1314 Ferntree Gully Road Scoresby Victoria 3179 Australia
(72) Name(s) of Designer(s): **Arthur Richard Carlson**
(45) Registration Date: **03 August 2010**
(56) Related Art Documents: **Not Applicable**
(57) Statement of Newness and Distinctiveness: **Nil**



- (21) Design Number: **12744/2010**
(22) Date of Filing Application: **05 July 2010**
(24) Date from which industrial property rights may have effect: **05 July 2010**
(54) Product in respect of which the design is registered: **Grid for cup cake storer**
(51) International Design Classification: **07-01NES**
(71) Name(s) and Address(s) of Applicant(s):
The Decor Corporation Pty Ltd
1314 Ferntree Gully Road Scoresby Victoria 3179 Australia
(72) Name(s) of Designer(s): **Arthur Richard Carlson**
(45) Registration Date: **03 August 2010**
(56) Related Art Documents: **Not Applicable**
(57) Statement of Newness and Distinctiveness: **Nil**



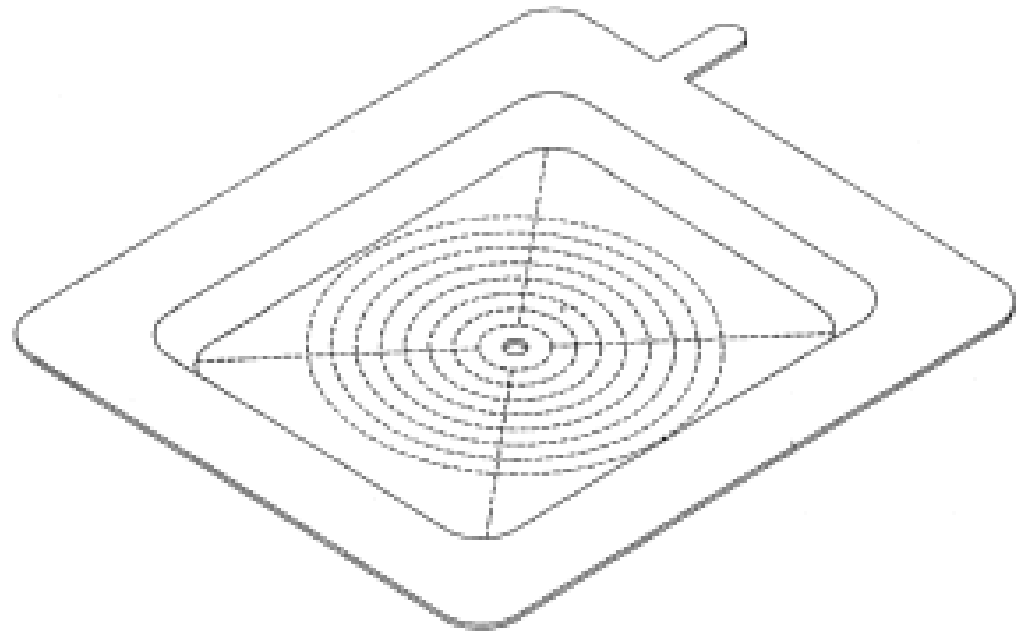
- (21) Design Number: **12774/2010**
(22) Date of Filing Application: **06 July 2010**
(24) Date from which industrial property rights may have effect: **06 July 2010**
(54) Product in respect of which the design is registered: **Blockout device**
(51) International Design Classification: **25-01A**
(71) Name(s) and Address(s) of Applicant(s):
Beta Vision Products Australia Pty Ltd
20 Cattle Street Edmonton Queensland 4869 Australia
(72) Name(s) of Designer(s): **Salvatore Vasta**
(45) Registration Date: **30 July 2010**
(56) Related Art Documents: **Not Applicable**
(57) Statement of Newness and Distinctiveness: **We wish to submit a Statement of Newness and Distinctiveness (set out below) in respect of particular visual features of "the design" but in doing so do not imply that other visual features of the design lack newness or distinctiveness. STATEMENT OF NEWNESS AND DISTINCTIVENESS The shape and configuration of the block out device is new and distinctive, irrespective of the configuration or arrangement, or the presence or absence, of the perforations which are indicated in the representations by broken lines.**



- (21) Design Number: **12775/2010**
- (22) Date of Filing Application: **06 July 2010**
- (24) Date from which industrial property rights may have effect: **06 July 2010**
- (54) Product in respect of which the design is registered: **Blockout device**
- (51) International Design Classification: **25-01A**
- (71) Name(s) and Address(s) of Applicant(s):

Beta Vision Products Australia Pty Ltd
20 Cattle Street Edmonton Queensland 4869 Australia

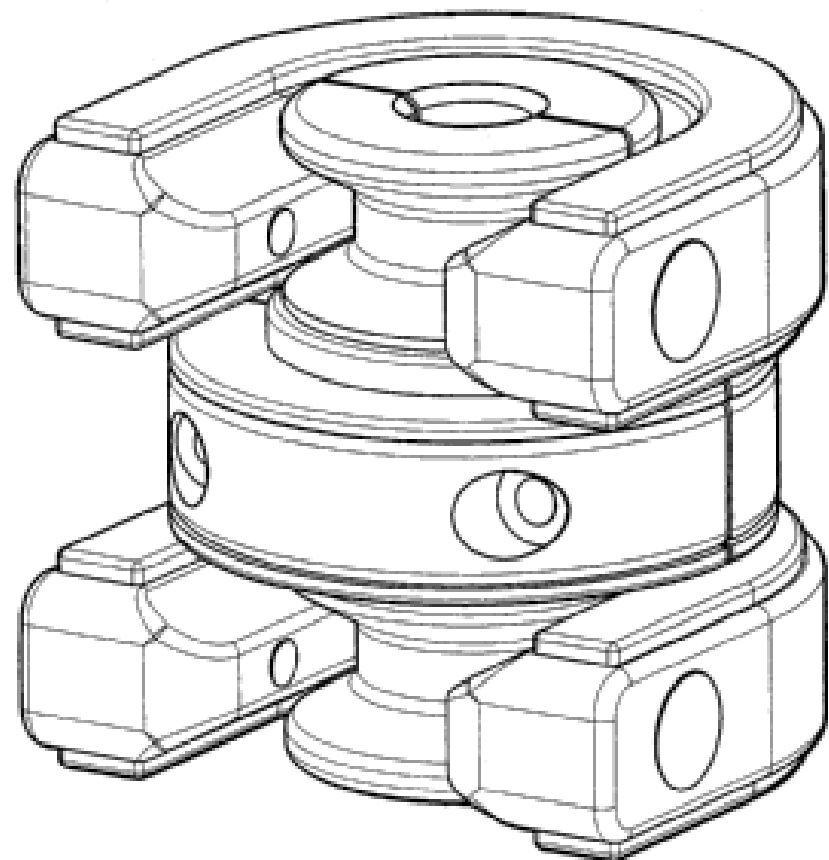
- (72) Name(s) of Designer(s): **Salvatore Vasta**
- (45) Registration Date: **30 July 2010**
- (56) Related Art Documents: **Not Applicable**
- (57) Statement of Newness and Distinctiveness: **We wish to submit a Statement of Newness and Distinctiveness (set out below) in respect of particular visual features of "the design" but in doing so do not imply that other visual features of the design lack newness or distinctiveness. STATEMENT OF NEWNESS AND DISTINCTIVENESS The shape and configuration of the block out device is new and distinctive, irrespective of the configuration or arrangement, or the presence or absence, of the perforations which are indicated in the representations by broken lines.**



- (21) Design Number: **12776/2010**
- (22) Date of Filing Application: **06 July 2010**
- (24) Date from which industrial property rights may have effect: **06 July 2010**
- (54) Product in respect of which the design is registered: **Louvre fixing clip assembly**
- (51) International Design Classification: **25-02K, 08-08NES**
- (71) Name(s) and Address(s) of Applicant(s):

Locker Group Pty Ltd
2 Cojo Place Dandenong South Victoria 3175 Australia

- (72) Name(s) of Designer(s): **Hima Cherukuvada and Michael Willmott**
- (45) Registration Date: **30 July 2010**
- (56) Related Art Documents: **Not Applicable**
- (57) Statement of Newness and Distinctiveness: **Each feature of the clip assembly design considered separately or in combination with any other feature or features.**



- (21) Design Number: **12777/2010**
(22) Date of Filing Application: **06 July 2010**
(24) Date from which industrial property rights may have effect: **06 July 2010**
(54) Product in respect of which the design is registered: **Cooking oven**
(51) International Design Classification: **07-02B**
(71) Name(s) and Address(s) of Applicant(s):

Sharp Kabushiki Kaisha
22-22 Nagaïke-cho Abeno-ku Osaka Japan

- (72) Name(s) of Designer(s): **Chikako Sakai and Naoya Kikumoto**

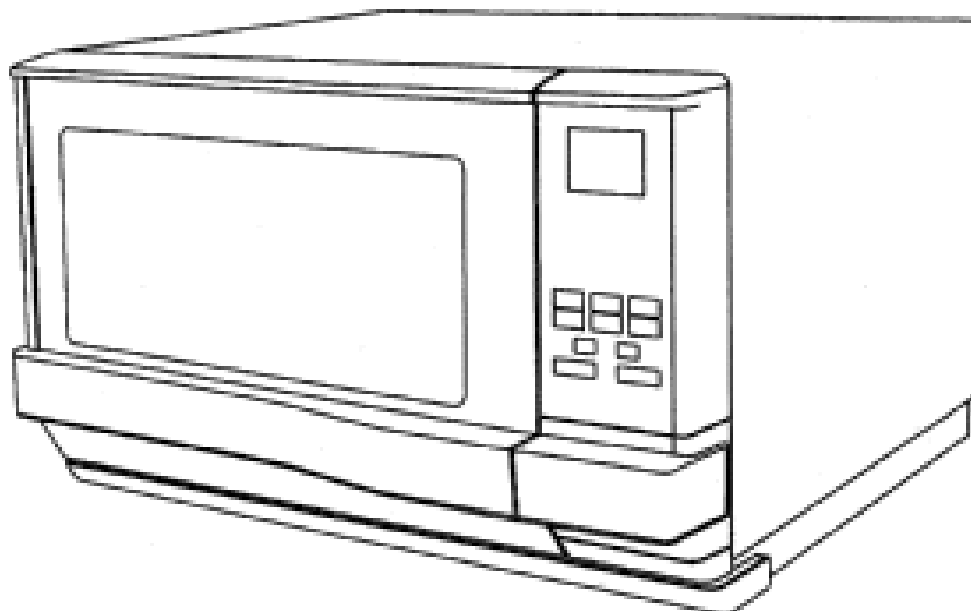
- (45) Registration Date: **30 July 2010**

- (30) Convention priority data:

(31) Number	(32) Date	(33) Country
2010-007025	24 Mar 2010	JAPAN

- (56) Related Art Documents: **Not Applicable**

- (57) Statement of Newness and Distinctiveness: **Newness and distinctiveness is claimed in the visual features shown in solid lines in the representations. The specific example indicia illustrated on the display is for illustrative purposes only.**



- (21) Design Number: **12778/2010**
(22) Date of Filing Application: **06 July 2010**
(24) Date from which industrial property rights may have effect: **06 July 2010**
(54) Product in respect of which the design is registered: **Spacer for a switch/outlet**
(51) International Design Classification: **13-03D**
(71) Name(s) and Address(s) of Applicant(s):

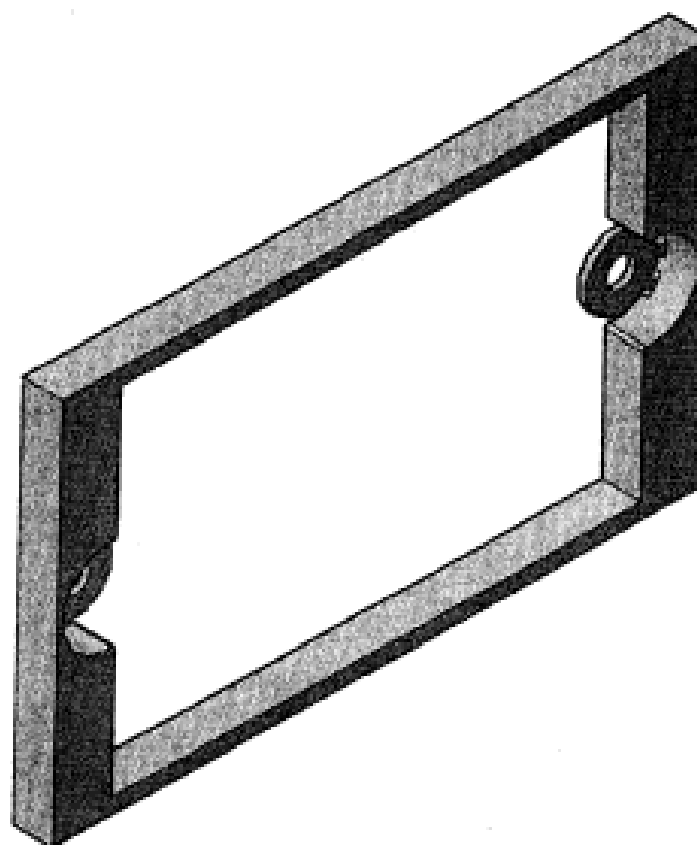
Ebony Developments Coffs Harbour Pty Ltd
8 Bellwood Place Korora New South Wales 2450 Australia

- (72) Name(s) of Designer(s): **Steve Black**

- (45) Registration Date: **30 July 2010**

- (56) Related Art Documents: **Not Applicable**

- (57) Statement of Newness and Distinctiveness: **Newness and distinctiveness is claimed in the features of shape and/or configuration of a spacer for a switch/outlet as illustrated in the accompanying representations.**



- (21) Design Number: **12062/2010**
(22) Date of Filing Application: **21 May 2010**
(24) Date from which industrial property rights may have effect: **21 May 2010**
(54) Product in respect of which the design is registered: **Horseshoe**
(51) International Design Classification: **30-99**
(71) Name(s) and Address(s) of Applicant(s):
Kerckhaert B.V.
Rapenburg 74-78 NL-4581 AE Vogelwaard Netherlands
(72) Name(s) of Designer(s): **Rudolf Karel Maria Kerckhaert**
(45) Registration Date: **30 July 2010**
(30) Convention priority data:
(31) Number (32) Date (33) Country
001179907-0004 24 Nov 2009 EUROPEAN COMMUNITY
(56) Related Art Documents: **Not Applicable**
(57) Statement of Newness and Distinctiveness: **Newness and distinctiveness is claimed in the features of shape and/or configuration of a Horseshoe as depicted in the accompanying drawings.**



- (21) Design Number: **12065/2010**
(22) Date of Filing Application: **21 May 2010**
(24) Date from which industrial property rights may have effect: **21 May 2010**
(54) Product in respect of which the design is registered: **Horseshoe**
(51) International Design Classification: **30-99**
(71) Name(s) and Address(s) of Applicant(s):
Kerckhaert B.V.
Rapenburg 74-78 NL-4581 AE Vogelwaard Netherlands
(72) Name(s) of Designer(s): **Rudolf Karel Maria Kerckhaert**
(45) Registration Date: **30 July 2010**
(30) Convention priority data:
(31) Number (32) Date (33) Country
001179907-0001 24 Nov 2009 EUROPEAN COMMUNITY
(56) Related Art Documents: **Not Applicable**
(57) Statement of Newness and Distinctiveness: **Newness and distinctiveness is claimed in the features of shape and/or configuration of a Horseshoe as depicted in the accompanying drawings.**



(21) Design Number: **12501/2010**

(22) Date of Filing Application: **16 June 2010**

(24) Date from which industrial property rights may have effect: **16 June 2010**

(54) Product in respect of which the design is registered: **A waste bin with pivot lid opener**

(51) International Design Classification: **09-09**

(71) Name(s) and Address(s) of Applicant(s):

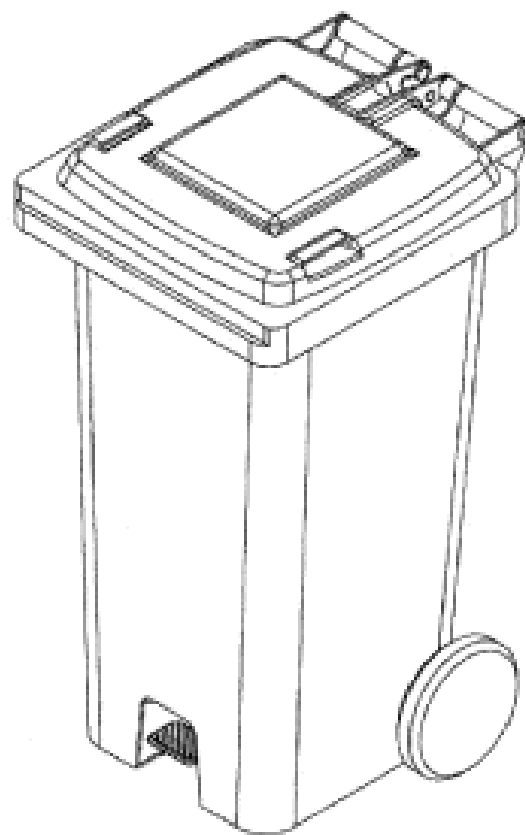
Kingsley Arthurson
7 Celia Place Coogee Perth Western Australia 6166 Australia

(72) Name(s) of Designer(s): **Kingsley Arthurson**

(45) Registration Date: **30 July 2010**

(56) Related Art Documents: **Not Applicable**

(57) Statement of Newness and Distinctiveness: **Monopoly is claimed in the features in shape and configuration of a waste bin as illustrated in the accompanying representations.**



(21) Design Number: **12786/2010**

(22) Date of Filing Application: **07 July 2010**

(24) Date from which industrial property rights may have effect: **07 July 2010**

(54) Product in respect of which the design is registered: **Luminaire for road lighting**

(51) International Design Classification: **26-03**

(71) Name(s) and Address(s) of Applicant(s):

Koninklijke Philips Electronics N.V.
Groenewoudseweg 1 5621 BA Eindhoven The Netherlands

(72) Name(s) of Designer(s): **Edward Xia**

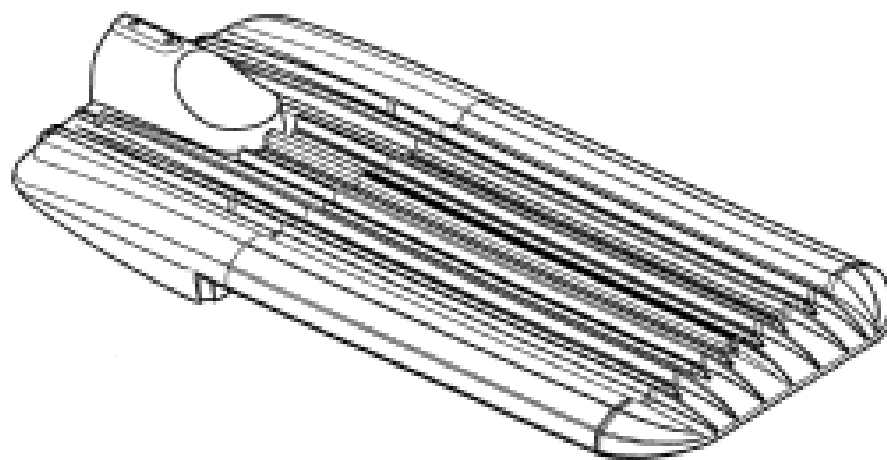
(45) Registration Date: **30 July 2010**

(30) Convention priority data:

(31) Number	(32) Date	(33) Country
001654526	07 Jan 2010	EUROPEAN COMMUNITY

(56) Related Art Documents: **Not Applicable**

(57) Statement of Newness and Distinctiveness: **Newness and distinctiveness reside in the features of shape and configuration of the design as shown in the representations.**



(21) Design Number: **12067/2010**

(22) Date of Filing Application: **21 May 2010**

(24) Date from which industrial property rights may have effect: **21 May 2010**

(54) Product in respect of which the design is registered: **Two-piece HVAC cover**

(51) International Design Classification: **23-04**

(71) Name(s) and Address(s) of Applicant(s):

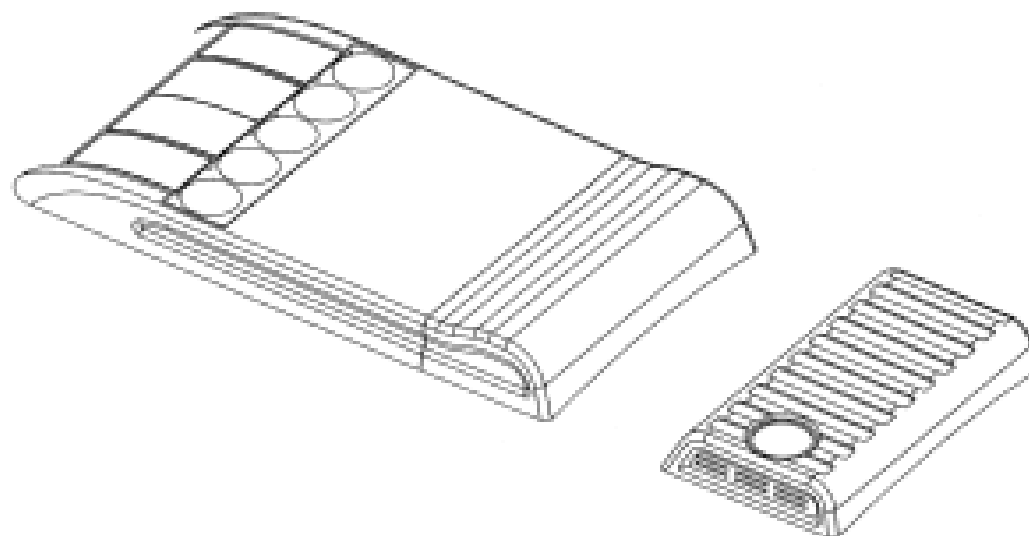
Thermo King Corporation
314 West 90th Street Minneapolis Minnesota 55420-3693 United States of America

(72) Name(s) of Designer(s): **Rongxiao Ju and Guohui Zhong and Wei Wu and Hongli Gong**

(45) Registration Date: **02 August 2010**

(56) Related Art Documents: **Not Applicable**

(57) Statement of Newness and Distinctiveness: **The HVAC cover shown in the representations comprises two pieces. The shape and configuration of the two-piece HVAC cover is new and distinctive. Newness and distinctiveness is not claimed in respect of the separation distance between the two pieces of the HVAC cover. Newness and distinctiveness is also not claimed in respect of the bus shown in broken lines in the representations.**



(21) Design Number: **12802/2010**

(22) Date of Filing Application: **08 July 2010**

(24) Date from which industrial property rights may have effect: **08 July 2010**

(54) Product in respect of which the design is registered: **Key blank**

(51) International Design Classification: **08-07**

(71) Name(s) and Address(s) of Applicant(s):

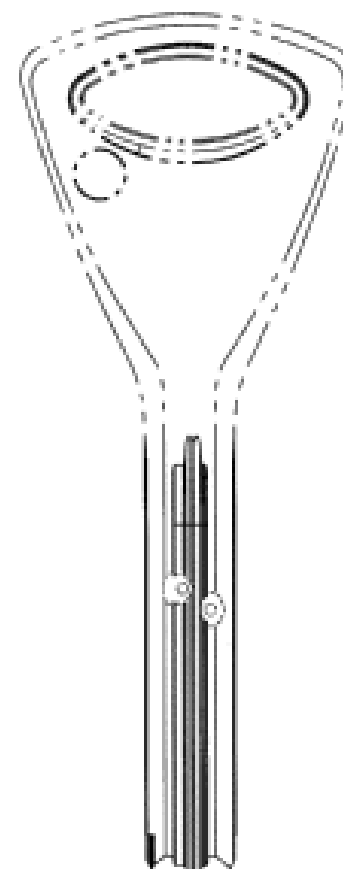
ASSA ABLOY Australia Pty Limited
235 Huntingdale Road Oakleigh Victoria 3166 Australia

(72) Name(s) of Designer(s): **Seppo Kiiski**

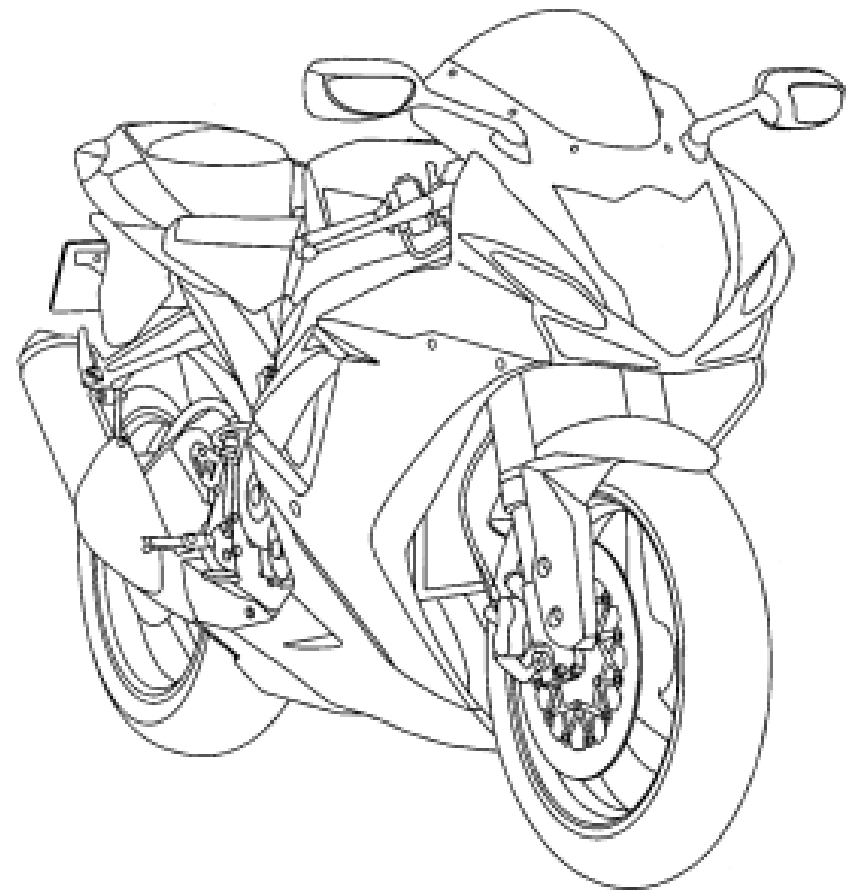
(45) Registration Date: **02 August 2010**

(56) Related Art Documents: **Not Applicable**

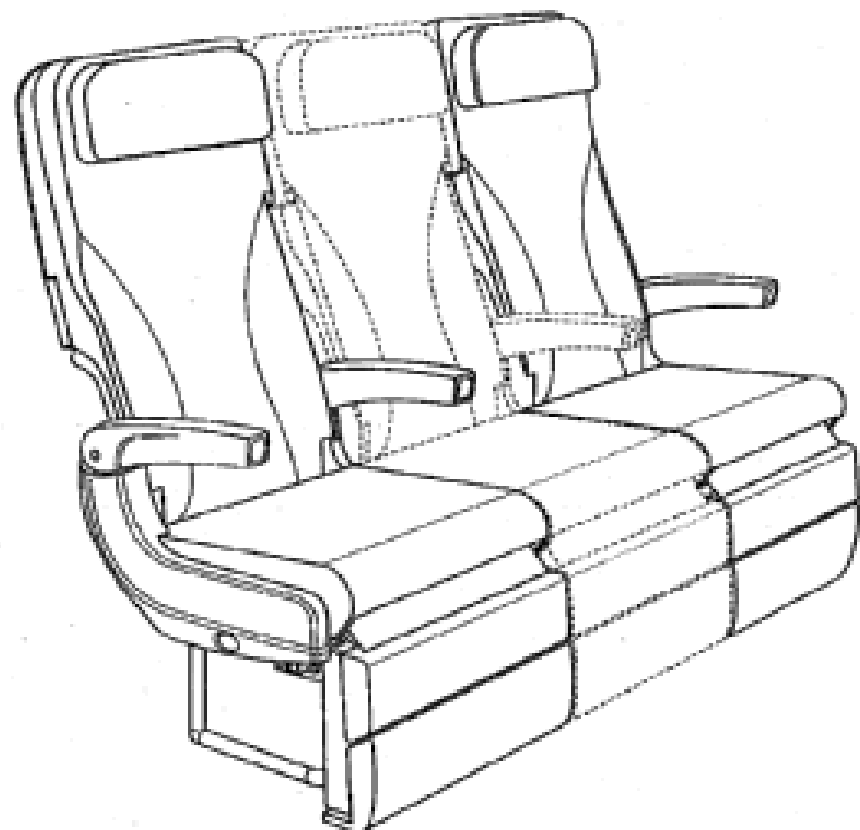
(57) Statement of Newness and Distinctiveness: **Those features of the key blank that are new and distinctive are the cross-sectional shape of the blade of the key blank as depicted in the profile of the key blank as shown in section A-A and B-B views. The shape and/or configuration of the head of the key blank and dimple bittings shown in broken line are not part of the design and are to be disregarded when considering the overall impression of the design.**



(21) Design Number: **12804/2010**
(22) Date of Filing Application: **09 July 2010**
(24) Date from which industrial property rights may have effect: **09 July 2010**
(54) Product in respect of which the design is registered: **Motorcycle**
(51) International Design Classification: **12-11**
(71) Name(s) and Address(s) of Applicant(s):
Suzuki Motor Corporation
300 Takatsuka-cho Minami-ku Hamamatsu-shi Shizuoka-Pref. Japan
(72) Name(s) of Designer(s): **Shigeru Uchiyama**
(45) Registration Date: **02 August 2010**
(30) Convention priority data:
(31) Number (32) Date (33) Country
2010-0543 12 Jan 2010 JAPAN
(56) Related Art Documents: **Not Applicable**
(57) Statement of Newness and Distinctiveness: **Nil**



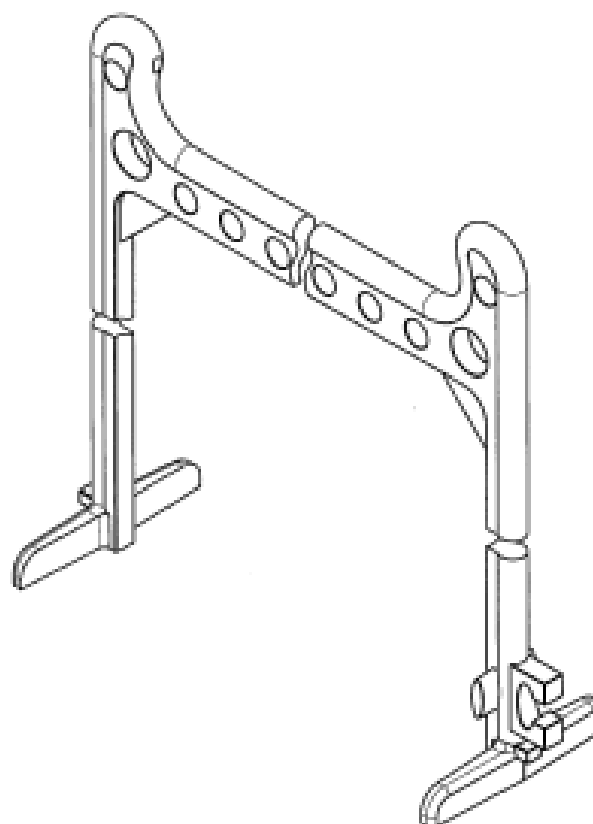
(21) Design Number: **12805/2010**
(22) Date of Filing Application: **08 July 2010**
(24) Date from which industrial property rights may have effect: **08 July 2010**
(54) Product in respect of which the design is registered: **Aircraft seat unit**
(51) International Design Classification: **06-01D**
(71) Name(s) and Address(s) of Applicant(s):
Air New Zealand Limited
185 Fanshawe Street Auckland 1010 New Zealand
(72) Name(s) of Designer(s): **Victoria Anne Bamford and Kerry Alan Reeves and Jamie Stewart Booth and Stuart Anthony Eric Hilton**
(45) Registration Date: **02 August 2010**
(30) Convention priority data:
(31) Number (32) Date (33) Country
413219 14 Jan 2010 NEW ZEALAND
(56) Related Art Documents: **Not Applicable**
(57) Statement of Newness and Distinctiveness: **Newness and distinctiveness are claimed in the shape and/or configuration of the aircraft seat unit shown in solid lines in the representations.**



- (21) Design Number: **12806/2010**
(22) Date of Filing Application: **07 July 2010**
(24) Date from which industrial property rights may have effect: **07 July 2010**
(54) Product in respect of which the design is registered: **Bar chair**
(51) International Design Classification: **25-01B**
(71) Name(s) and Address(s) of Applicant(s):

Michael Kym Hornsey
PO Box 754 Parkes New South Wales 2870 Australia

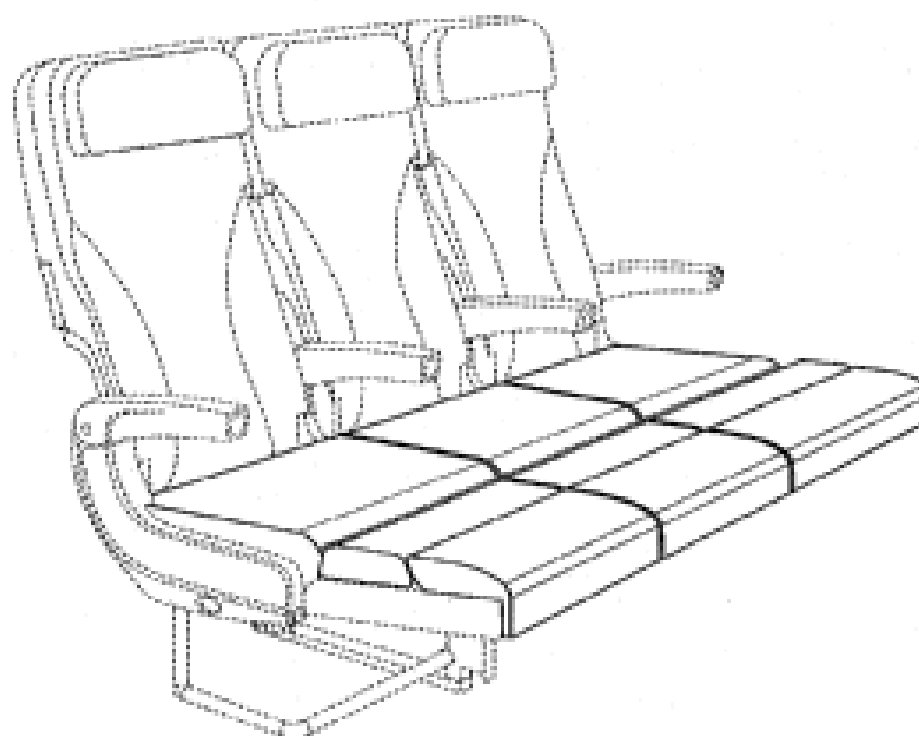
- (72) Name(s) of Designer(s): **Michael Kym Hornsey**
(45) Registration Date: **02 August 2010**
(56) Related Art Documents: **Not Applicable**
(57) Statement of Newness and Distinctiveness: **Newness and distinctiveness resides in the shape and/or configuration of the Bar Chair of variable height and width as shown in the accompanying representations.**



- (21) Design Number: **12807/2010**
(22) Date of Filing Application: **08 July 2010**
(24) Date from which industrial property rights may have effect: **08 July 2010**
(54) Product in respect of which the design is registered: **Aircraft seat unit**
(51) International Design Classification: **06-01D**
(71) Name(s) and Address(s) of Applicant(s):

Air New Zealand Limited
185 Fanshawe Street Auckland 1010 New Zealand

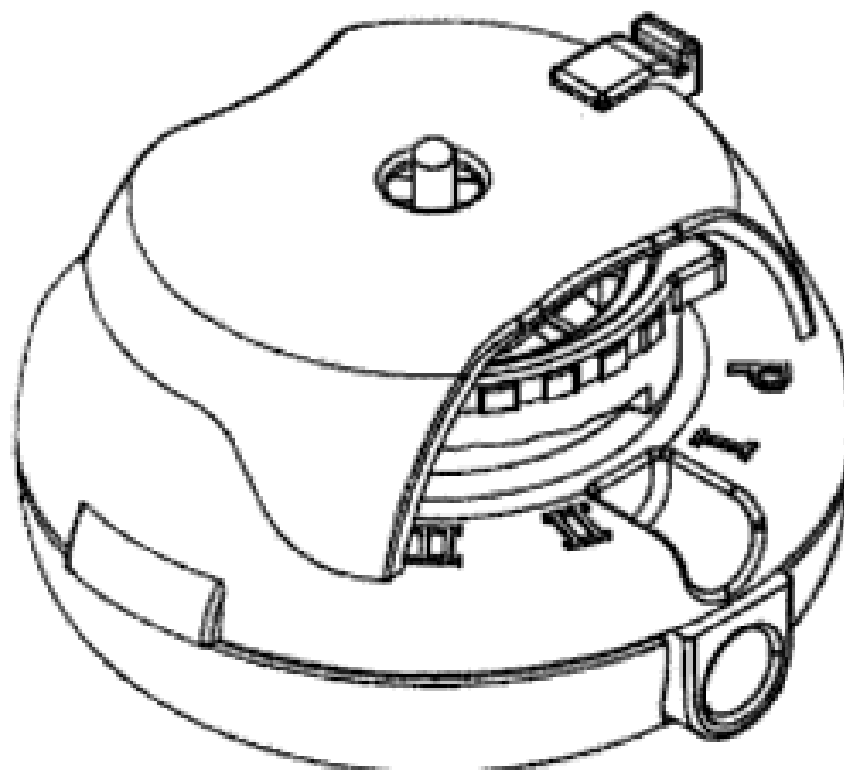
- (72) Name(s) of Designer(s): **Victoria Anne Bamford and Kerry Alan Reeves and Jamie Stewart Booth and Stuart Anthony Eric Hilton**
(45) Registration Date: **02 August 2010**
(30) Convention priority data:
(31) Number (32) Date (33) Country
413218 14 Jan 2010 NEW ZEALAND
(56) Related Art Documents: **Not Applicable**
(57) Statement of Newness and Distinctiveness: **Newness and distinctiveness are claimed in the shape and/or configuration of the aircraft seat unit shown in solid lines in the representations.**



- (21) Design Number: **12808/2010**
(22) Date of Filing Application: **08 July 2010**
(24) Date from which industrial property rights may have effect: **08 July 2010**
(54) Product in respect of which the design is registered: **Aircraft seat unit**
(51) International Design Classification: **06-01D**
(71) Name(s) and Address(s) of Applicant(s):
Air New Zealand Limited
185 Fanshawe Street Auckland 1010 New Zealand
(72) Name(s) of Designer(s): **Victoria Anne Bamford and Kerry Alan Reeves and Jamie Stewart Booth and Stuart Anthony Eric Hilton**
(45) Registration Date: **02 August 2010**
(30) Convention priority data:
(31) Number (32) Date (33) Country
413216 14 Jan 2010 NEW ZEALAND
(56) Related Art Documents: **Not Applicable**
(57) Statement of Newness and Distinctiveness: **Newness and distinctiveness are claimed in the shape and/or configuration of the aircraft seat unit shown in solid lines in the representations.**



- (21) Design Number: **12809/2010**
(22) Date of Filing Application: **09 July 2010**
(24) Date from which industrial property rights may have effect: **09 July 2010**
(54) Product in respect of which the design is registered: **Wound drainage flow control device**
(51) International Design Classification: **24-02**
(71) Name(s) and Address(s) of Applicant(s):
Research Medical Pty Ltd
18 Delambre Place Sorrento Western Australia 6020 Australia
(72) Name(s) of Designer(s): **Raymond Lawrence Stubber**
(45) Registration Date: **02 August 2010**
(56) Related Art Documents: **Not Applicable**
(57) Statement of Newness and Distinctiveness: **Newness and distinctiveness lie in the features of shape and configuration of the wound drainage flow control device shown in the accompanying representations.**



(21) Design Number: **11004/2010**
(22) Date of Filing Application: **22 March 2010**
(24) Date from which industrial property rights may have effect: **22 March 2010**
(54) Product in respect of which the design is registered: **A structure**
(51) International Design Classification: **25-04, 25-99**
(71) Name(s) and Address(s) of Applicant(s):

Delta System AS
Storebotn Naeringspark Kleppesto N-5300 Norway

(72) Name(s) of Designer(s): **Strand Gunnar**

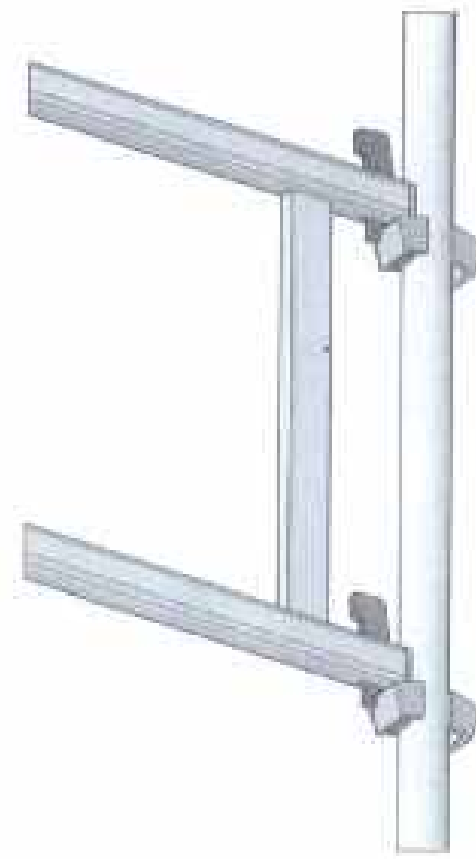
(45) Registration Date: **03 August 2010**

(30) Convention priority data:

(31) Number	(32) Date	(33) Country
2009 0470	21 Sep 2009	NORWAY

(56) Related Art Documents: **Not Applicable**

(57) Statement of Newness and Distinctiveness: **Nil**



(21) Design Number: **11040/2010**
(22) Date of Filing Application: **25 March 2010**
(24) Date from which industrial property rights may have effect: **25 March 2010**
(54) Product in respect of which the design is registered: **Preform**
(51) International Design Classification: **09-01NES**
(71) Name(s) and Address(s) of Applicant(s):

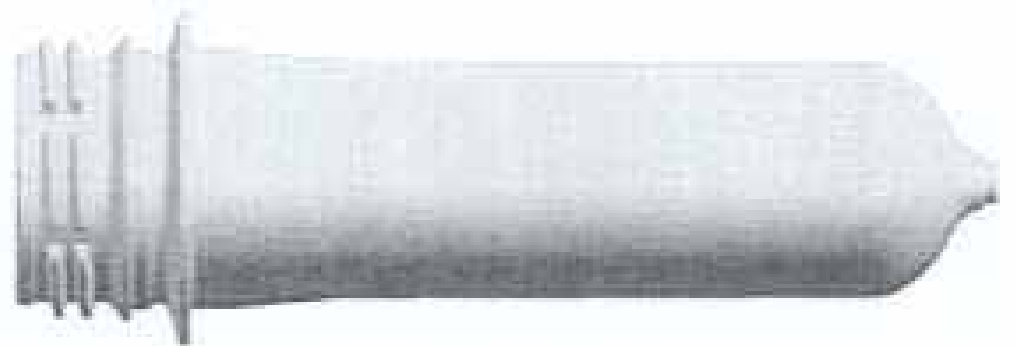
Coca-Cola Amatil (Aust) Limited
Level 15 71 Macquarie Street Sydney New South Wales 2000 Australia

(72) Name(s) of Designer(s): **Craig Walker**

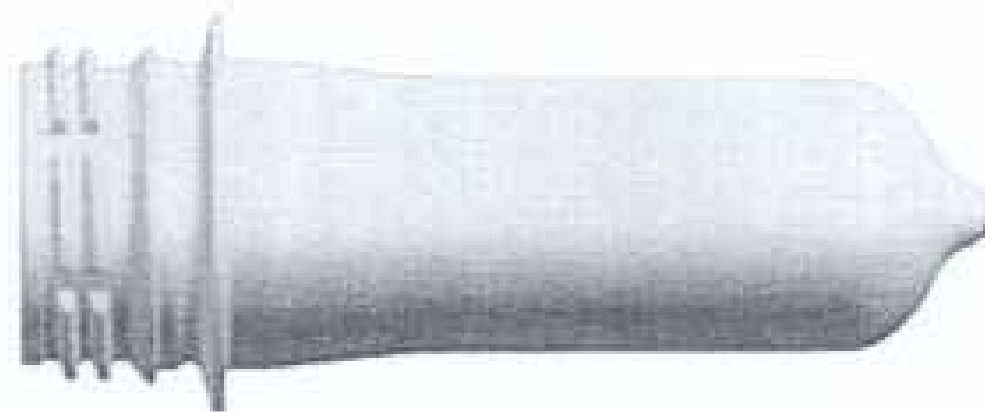
(45) Registration Date: **03 August 2010**

(56) Related Art Documents: **Not Applicable**

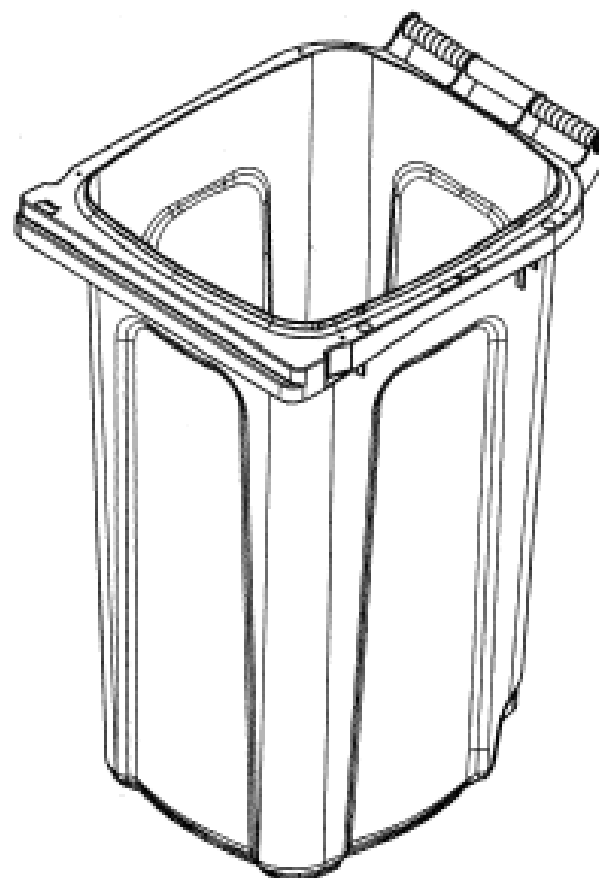
(57) Statement of Newness and Distinctiveness: **Nil**



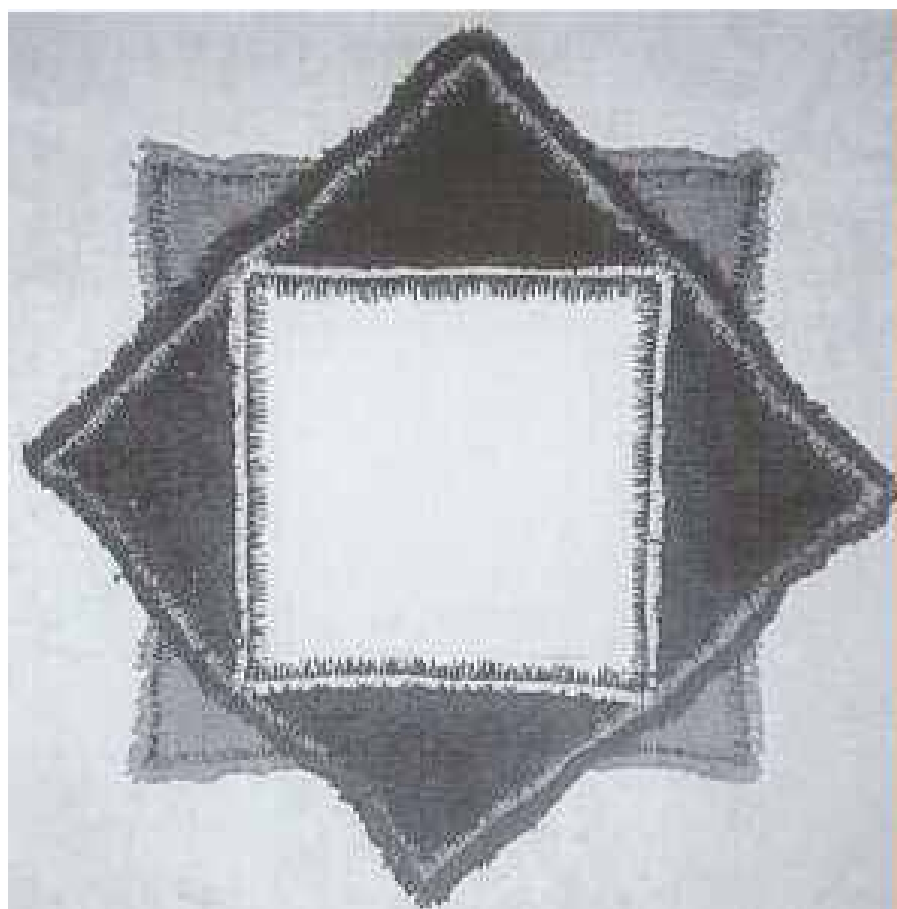
(21) Design Number: **11041/2010**
(22) Date of Filing Application: **25 March 2010**
(24) Date from which industrial property rights may have effect: **25 March 2010**
(54) Product in respect of which the design is registered: **Preform**
(51) International Design Classification: **09-01NES**
(71) Name(s) and Address(s) of Applicant(s):
Coca-Cola Amatil (Aust) Limited
Level 15 71 Macquarie Street Sydney New South Wales 2000 Australia
(72) Name(s) of Designer(s): **Craig Walker**
(45) Registration Date: **03 August 2010**
(56) Related Art Documents: **Not Applicable**
(57) Statement of Newness and Distinctiveness: **Nil**



(21) Design Number: **11292/2010**
(22) Date of Filing Application: **12 April 2010**
(24) Date from which industrial property rights may have effect: **12 April 2010**
(54) Product in respect of which the design is registered: **Bin body**
(51) International Design Classification: **09-09**
(71) Name(s) and Address(s) of Applicant(s):
SULO MGB Australia Pty Ltd
123 Wisemans Ferry Road Somersby New South Wales 2250 Australia
(72) Name(s) of Designer(s): **Thorsten Voss and Jon Pryor and John Kernahan and Vienna Spence**
(45) Registration Date: **03 August 2010**
(56) Related Art Documents: **Not Applicable**
(57) Statement of Newness and Distinctiveness: **Nil**



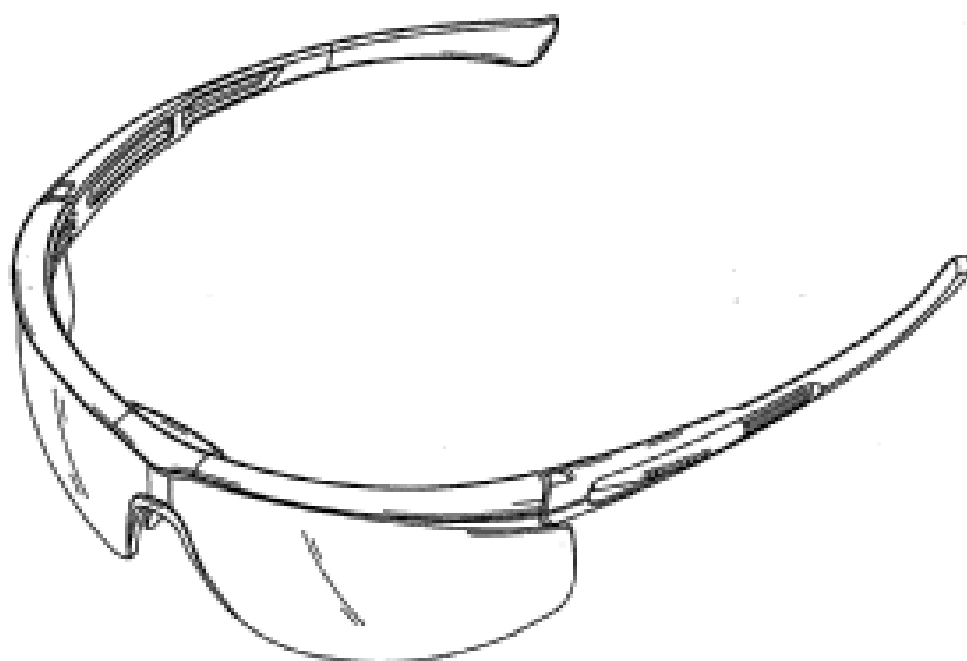
(21) Design Number: **12354/2010**
 (22) Date of Filing Application: **10 June 2010**
 (24) Date from which industrial property rights may have effect: **10 June 2010**
 (54) Product in respect of which the design is registered: **Drink coasters**
 (51) International Design Classification: **07-06B**
 (71) Name(s) and Address(s) of Applicant(s):
Kate Jordin
1 Roebuck Avenue Eagleby Queensland 4207 Australia
Leo McClellan
1 Roebuck Avenue Eagleby Queensland 4207 Australia
 (72) Name(s) of Designer(s): **Kate Jordin and Leo McClellan**
 (45) Registration Date: **03 August 2010**
 (56) Related Art Documents: **Not Applicable**
 (57) Statement of Newness and Distinctiveness: **Our 'Drink Mop' drink coasters have the features of a mop and are designed to disperse condensation and/or heat away from the surface it is placed on. Its visual appearance is formed from having two squares of terry towelling stitched together; the top piece is offset 45 degrees. On top of that is a patch, stitched on at a further 45 deg, this piece can be personalised with custom embroidery. Between the layers we insert a smaller square piece made of a stiff, water proof and heat resistant material which gives the coaster its stability and aids the dispersion of condensation. A decorative stitch borders each piece of material, sewn slightly in from the edge so that the edges fray and add to the "moppy" look.**



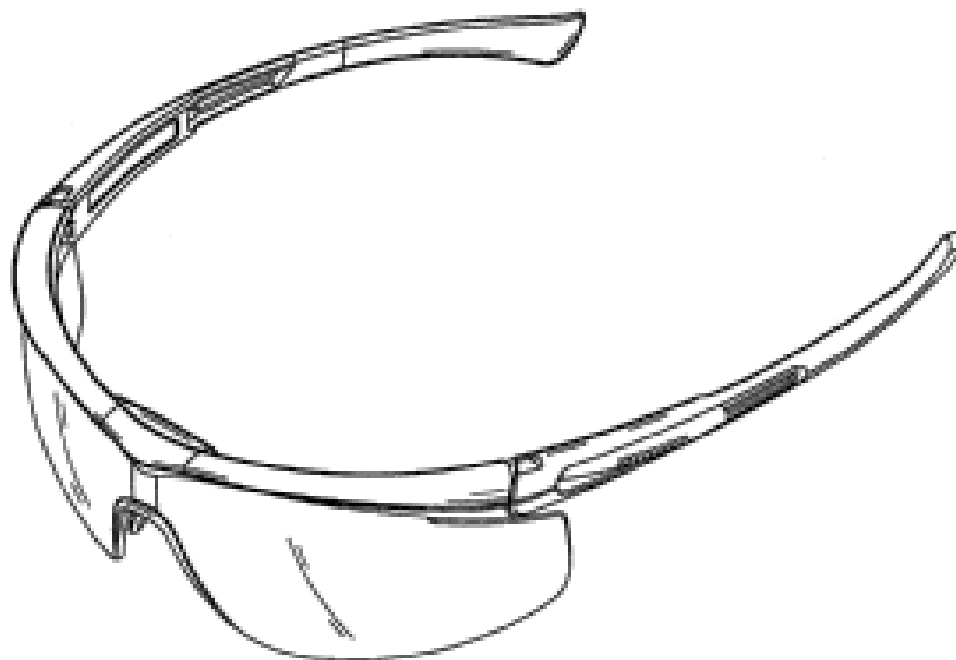
(21) Design Number: **12584/2010**
 (22) Date of Filing Application: **23 June 2010**
 (24) Date from which industrial property rights may have effect: **23 June 2010**
 (54) Product in respect of which the design is registered: **Eye protector**
 (51) International Design Classification: **16-06**
 (71) Name(s) and Address(s) of Applicant(s):
Honeywell International Inc.
101 Columbia Road Morristown New Jersey 07962 United States of America
 (72) Name(s) of Designer(s): **Marc Lamontagne**
 (45) Registration Date: **03 August 2010**
 (30) Convention priority data:

(31) Number	(32) Date	(33) Country
29/352692	23 Dec 2009	UNITED STATES OF AMERICA

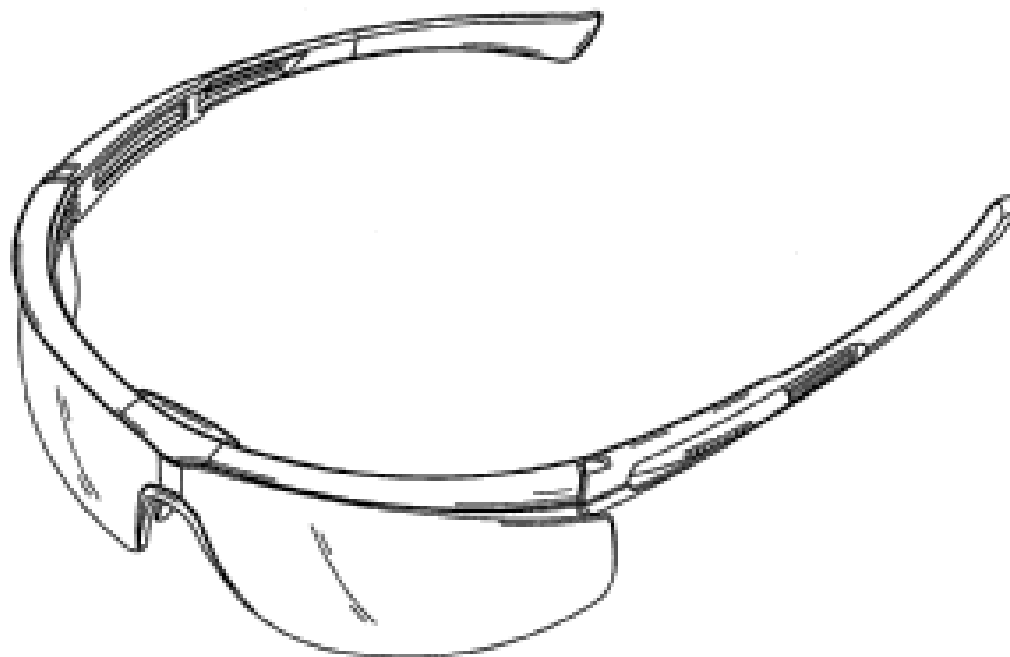
 (56) Related Art Documents: **Not Applicable**
 (57) Statement of Newness and Distinctiveness: **Nil**



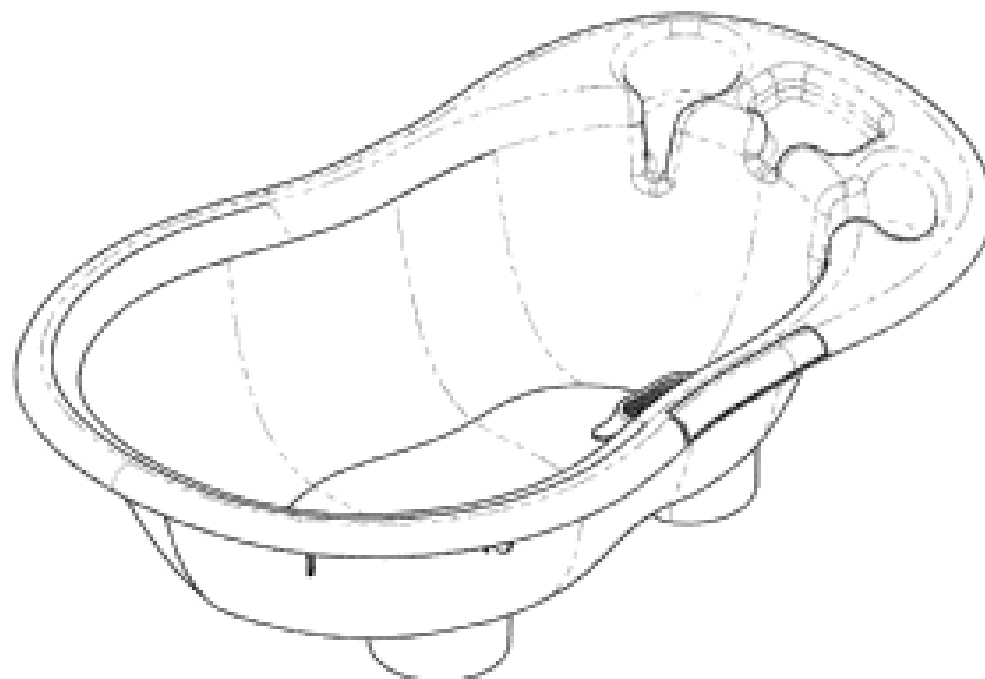
(21) Design Number: **13208/2010**
(22) Date of Filing Application: **23 June 2010**
(24) Date from which industrial property rights may have effect: **23 June 2010**
(54) Product in respect of which the design is registered: **Eye protector**
(51) International Design Classification: **16-06**
(71) Name(s) and Address(s) of Applicant(s):
Honeywell International Inc.
101 Columbia Road Morristown New Jersey 07962 United States of America
(72) Name(s) of Designer(s): **Marc Lamontagne**
(45) Registration Date: **03 August 2010**
(30) Convention priority data:
(31) Number (32) Date (33) Country
29/352692 23 Dec 2009 UNITED STATES OF AMERICA
(62) Divisional of: **332014**
(56) Related Art Documents: **Not Applicable**
(57) Statement of Newness and Distinctiveness: **Nil**



(21) Design Number: **13209/2010**
(22) Date of Filing Application: **23 June 2010**
(24) Date from which industrial property rights may have effect: **23 June 2010**
(54) Product in respect of which the design is registered: **Eye protector**
(51) International Design Classification: **16-06**
(71) Name(s) and Address(s) of Applicant(s):
Honeywell International Inc.
101 Columbia Road Morristown New Jersey 07962 United States of America
(72) Name(s) of Designer(s): **Marc Lamontagne**
(45) Registration Date: **03 August 2010**
(30) Convention priority data:
(31) Number (32) Date (33) Country
29/352692 23 Dec 2009 UNITED STATES OF AMERICA
(62) Divisional of: **332014**
(56) Related Art Documents: **Not Applicable**
(57) Statement of Newness and Distinctiveness: **Nil**



- (21) Design Number: **12715/2010**
(22) Date of Filing Application: **01 July 2010**
(24) Date from which industrial property rights may have effect: **01 July 2010**
(54) Product in respect of which the design is registered: **Bath**
(51) International Design Classification: **23-02B**
(71) Name(s) and Address(s) of Applicant(s):
Star Maid International Pty. Ltd.
15 Bryants Road Dandenong Victoria 3175 Australia
(72) Name(s) of Designer(s): **Ramaswamy Krishnamoorthy**
(45) Registration Date: **03 August 2010**
(56) Related Art Documents: **Not Applicable**
(57) Statement of Newness and Distinctiveness: **Nil**



- (21) Design Number: **12716/2010**
(22) Date of Filing Application: **01 July 2010**
(24) Date from which industrial property rights may have effect: **01 July 2010**
(54) Product in respect of which the design is registered: **Bucket**
(51) International Design Classification: **07-07B**
(71) Name(s) and Address(s) of Applicant(s):
Star Maid International Pty. Ltd.
15 Bryants Road Dandenong Victoria 3175 Australia
(72) Name(s) of Designer(s): **Ramaswamy Krishnamoorthy**
(45) Registration Date: **03 August 2010**
(56) Related Art Documents: **Not Applicable**
(57) Statement of Newness and Distinctiveness: **Nil**

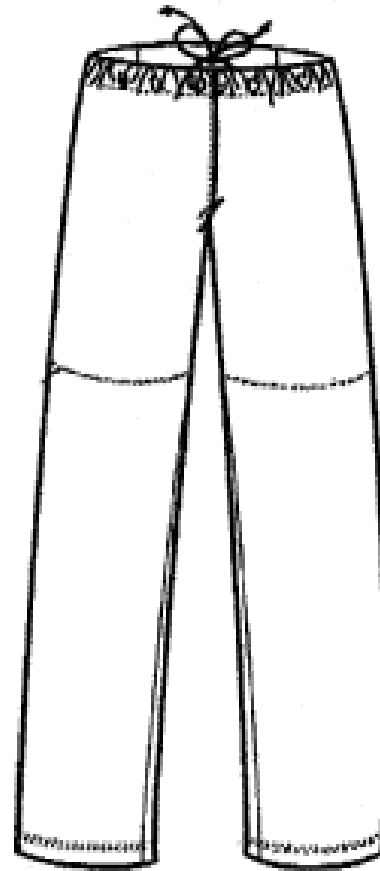


- (21) Design Number: **12721/2010**
(22) Date of Filing Application: **01 July 2010**
(24) Date from which industrial property rights may have effect: **01 July 2010**
(54) Product in respect of which the design is registered: **Yoga pant**
(51) International Design Classification: **02-02C**
(71) Name(s) and Address(s) of Applicant(s):

Sean Ashby
29 Carlisle Street Leichhardt New South Wales 2040 Australia

Guyon Holland
29 Carlisle Street Leichhardt New South Wales 2040 Australia

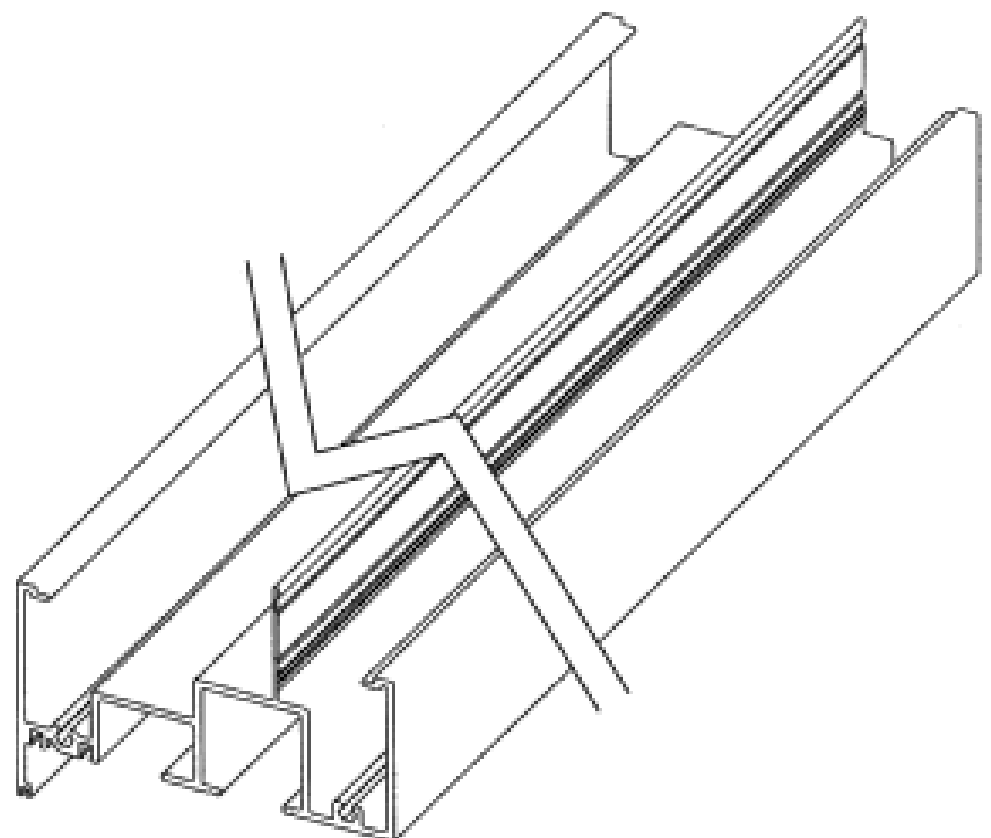
- (72) Name(s) of Designer(s): **Sean Ashby and Guyon Holland**
(45) Registration Date: **03 August 2010**
(56) Related Art Documents: **Not Applicable**
(57) Statement of Newness and Distinctiveness: **Designed a yoga pant/shorts that has a unique "U" shape seam in pants/short from the back of the garment at waist sideseam to below tailbone, that provides comfort during yoga as opposed to stand middle seam.**



- (21) Design Number: **12779/2010**
(22) Date of Filing Application: **05 July 2010**
(24) Date from which industrial property rights may have effect: **05 July 2010**
(54) Product in respect of which the design is registered: **Bottom rolling bi-fold head**
(51) International Design Classification: **25-01K, 25-02B**
(71) Name(s) and Address(s) of Applicant(s):

Dezinal Pty Ltd
C/- GCY Accountants Suites 1 & 2 Level 1 67 Lytton Road East
Brisbane Queensland 4169 Australia

- (72) Name(s) of Designer(s): **Ronald Maxwell**
(45) Registration Date: **03 August 2010**
(56) Related Art Documents: **Not Applicable**
(57) Statement of Newness and Distinctiveness: **A bottom rolling bi-fold door head and two piece sill to accommodate purpose built hardware and eliminate machining required for inserting individual hardware components and also allowing for future servicing.**



(21) Design Number: **12780/2010**

(22) Date of Filing Application: **05 July 2010**

(24) Date from which industrial property rights may have effect: **05 July 2010**

(54) Product in respect of which the design is registered: **Bottom rolling bi-fold weathered sill**

(51) International Design Classification: **25-01K, 25-02B**

(71) Name(s) and Address(s) of Applicant(s):

Dezinal Pty Ltd

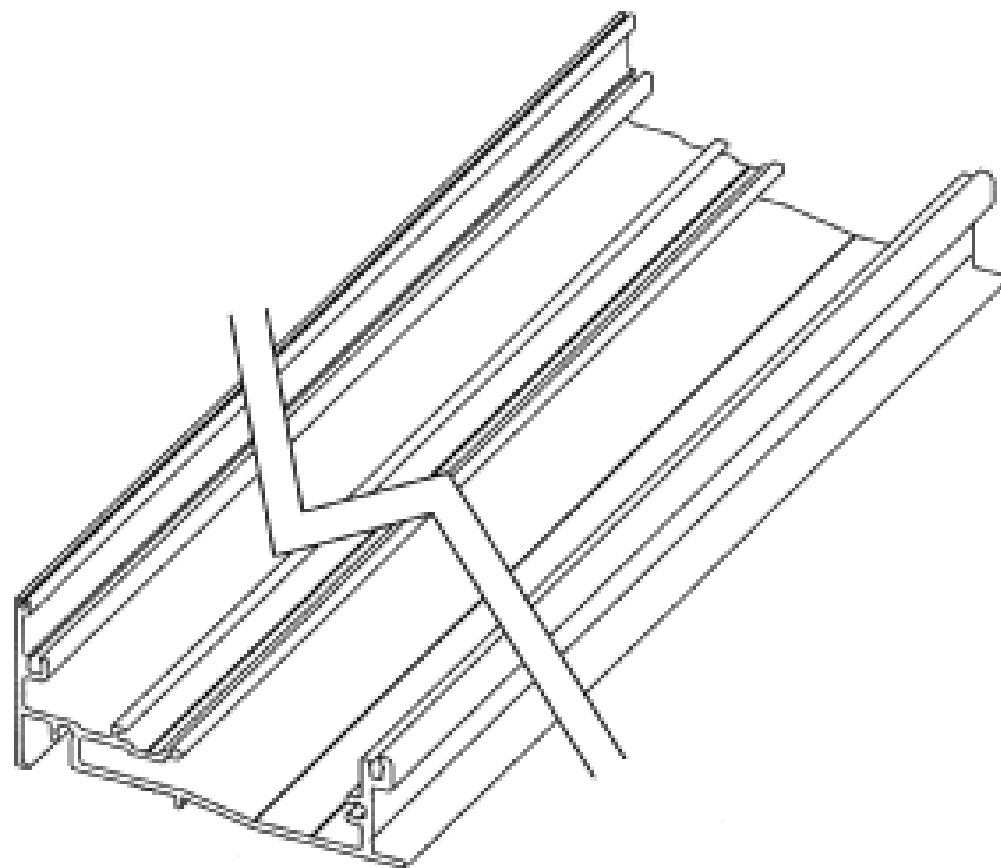
**C/- GCY Accountants Suites 1 & 2 Level 1 67 Lytton Road East
Brisbane Queensland 4169 Australia**

(72) Name(s) of Designer(s): **Ronald Maxwell**

(45) Registration Date: **03 August 2010**

(56) Related Art Documents: **Not Applicable**

(57) Statement of Newness and Distinctiveness: **BF42 accepts BF43 and forms a functional sill to accommodate purpose built hardware for bottom rolling bi-fold doors and eliminates machining required for inserting individual hardware components also allowing for future servicing.**



(21) Design Number: **12781/2010**

(22) Date of Filing Application: **05 July 2010**

(24) Date from which industrial property rights may have effect: **05 July 2010**

(54) Product in respect of which the design is registered: **Bottom rolling bi-fold weathered sill insert**

(51) International Design Classification: **25-01K, 25-02B**

(71) Name(s) and Address(s) of Applicant(s):

Dezinal Pty Ltd

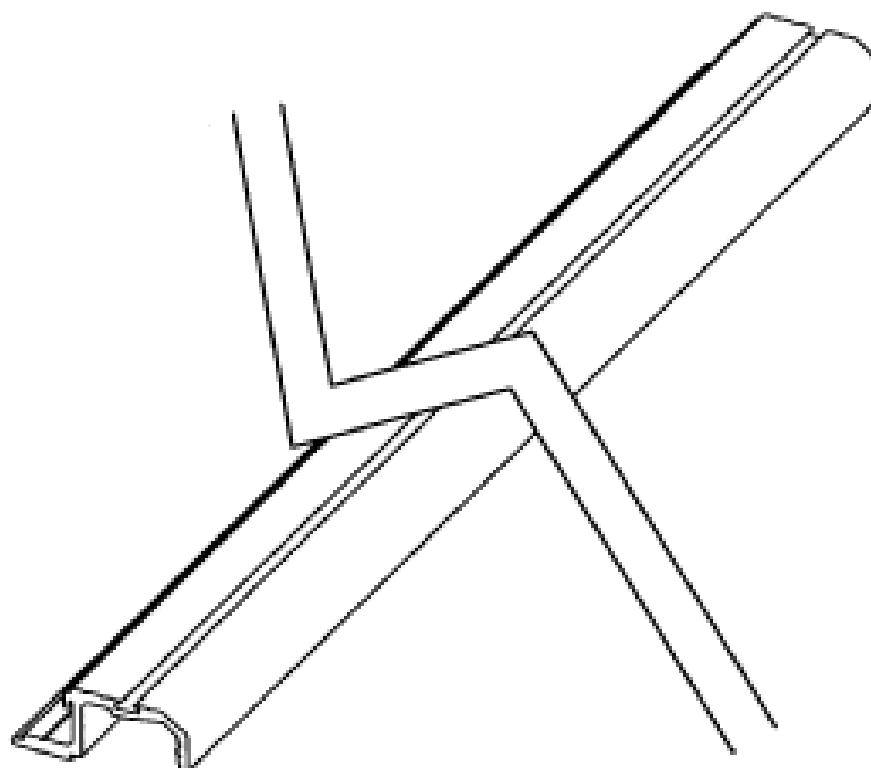
**C/- GCY Accountants Suites 1 & 2 Level 1 67 Lytton Road East
Brisbane Queensland 4169 Australia**

(72) Name(s) of Designer(s): **Ronald Maxwell**

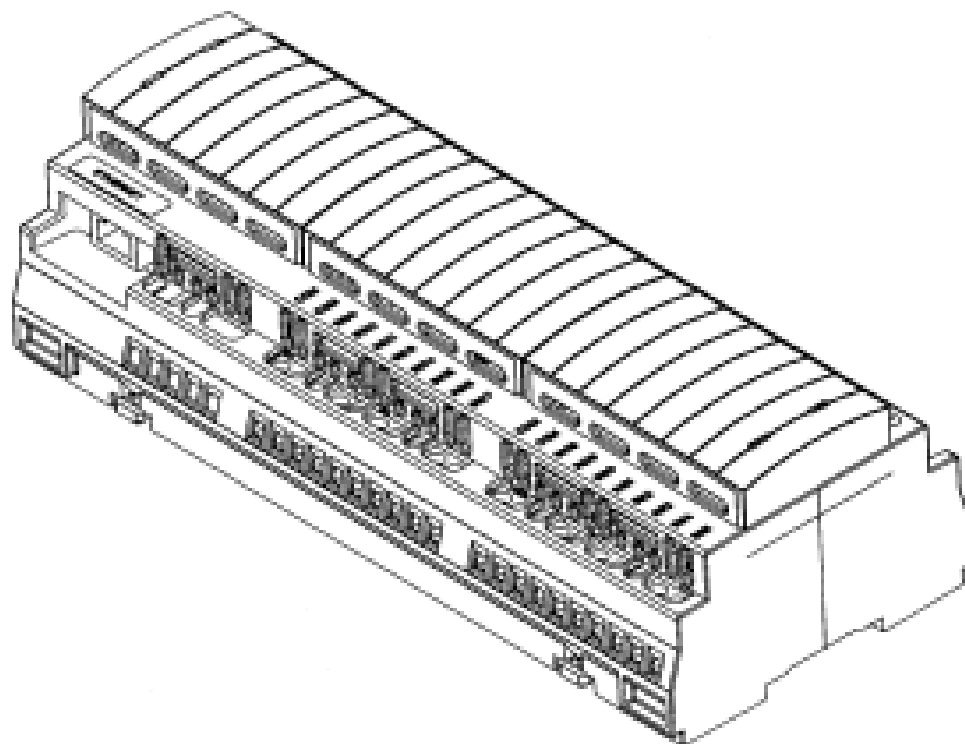
(45) Registration Date: **03 August 2010**

(56) Related Art Documents: **Not Applicable**

(57) Statement of Newness and Distinctiveness: **BF43 locates into BF42 and forms a functional sill to accommodate purpose built hardware for bottom rolling bi-fold doors and eliminates machining required for inserting individual hardware components also allowing for future servicing.**



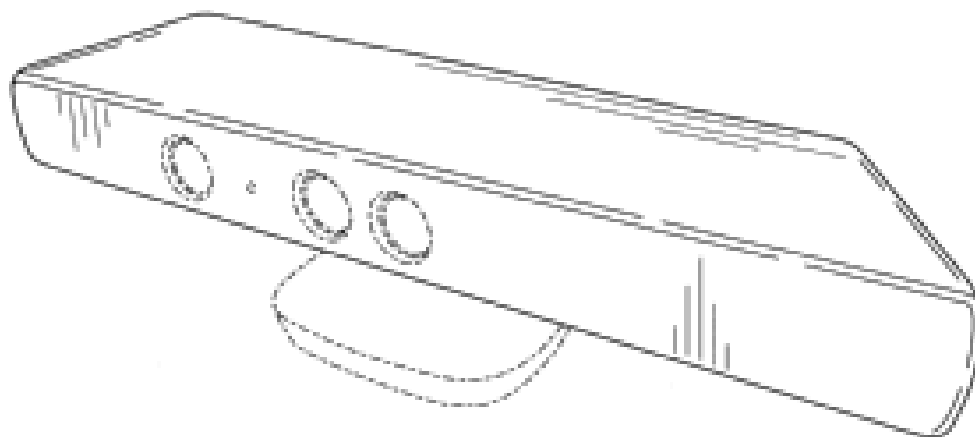
(21) Design Number: **12782/2010**
 (22) Date of Filing Application: **07 July 2010**
 (24) Date from which industrial property rights may have effect: **07 July 2010**
 (54) Product in respect of which the design is registered: **DALI controller**
 (51) International Design Classification: **13-03NES**
 (71) Name(s) and Address(s) of Applicant(s):
Clipsal Australia Pty Ltd
2 Solent Circuit Norwest Business Park Baulkham Hills New South
Wales 2153 Australia
 (72) Name(s) of Designer(s): **David Owen**
 (45) Registration Date: **03 August 2010**
 (56) Related Art Documents: **Not Applicable**
 (57) Statement of Newness and Distinctiveness: **Nil**



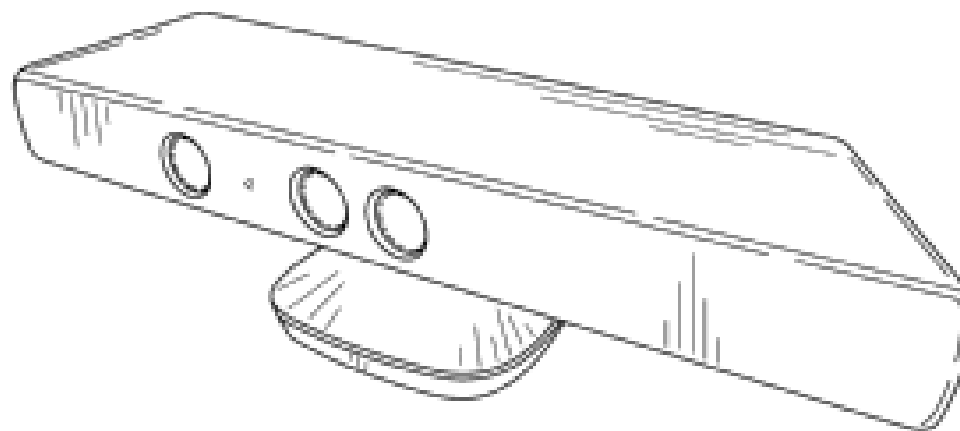
(21) Design Number: **12783/2010**
 (22) Date of Filing Application: **07 July 2010**
 (24) Date from which industrial property rights may have effect: **07 July 2010**
 (54) Product in respect of which the design is registered: **Motion sensor**
 (51) International Design Classification: **10-05**
 (71) Name(s) and Address(s) of Applicant(s):
Microsoft Corporation
One Microsoft Way Redmond Washington 98052 United States of
America
 (72) Name(s) of Designer(s): **John K. Ikeda and Steve Christopher and Scott**
Harold Wilson
 (45) Registration Date: **03 August 2010**
 (30) Convention priority data:

(31) Number	(32) Date	(33) Country
29/353406	07 Jan 2010	UNITED STATES OF AMERICA

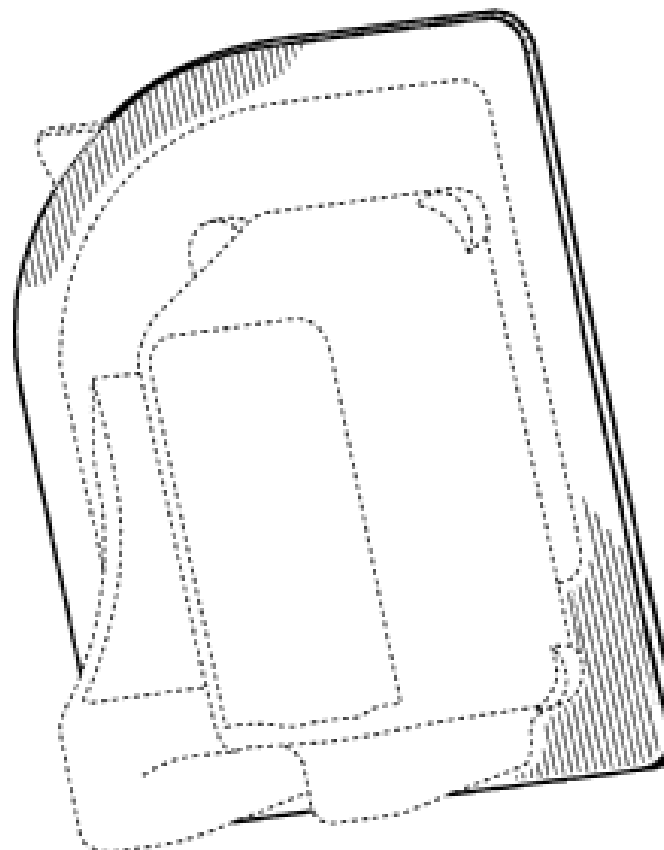
 (56) Related Art Documents: **Not Applicable**
 (57) Statement of Newness and Distinctiveness: **Newness and distinctiveness reside in the shape and/or configuration of a motion sensor as illustrated by solid lines in the representations. The features shown in discontinuous lines or broken outline are for illustrative purposes only and do not form part of the design.**



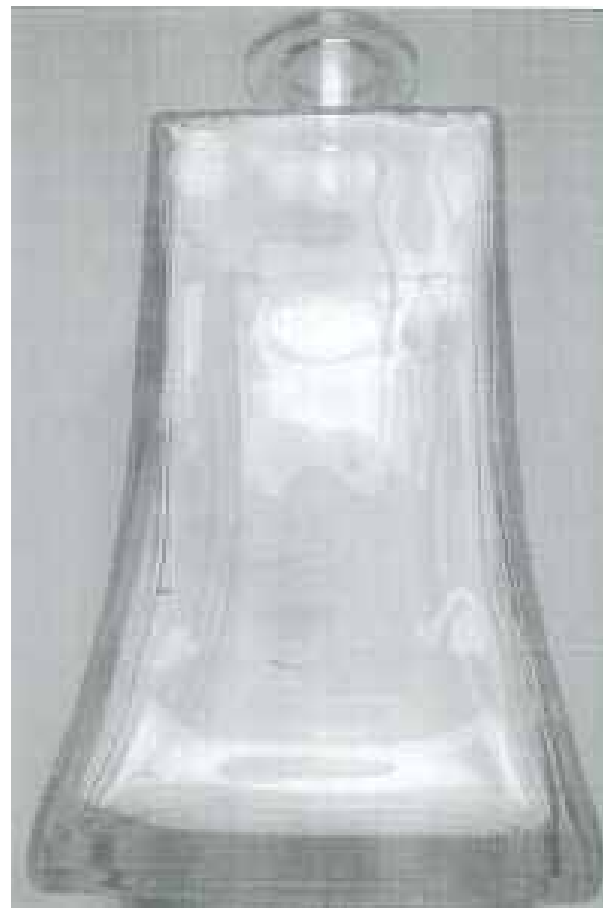
(21) Design Number: **12784/2010**
 (22) Date of Filing Application: **07 July 2010**
 (24) Date from which industrial property rights may have effect: **07 July 2010**
 (54) Product in respect of which the design is registered: **Motion sensor**
 (51) International Design Classification: **10-05**
 (71) Name(s) and Address(s) of Applicant(s):
Microsoft Corporation
One Microsoft Way Redmond Washington 98052 United States of America
 (72) Name(s) of Designer(s): **John K. Ikeda and Steve Christopher and Scott Harold Wilson**
 (45) Registration Date: **03 August 2010**
 (30) Convention priority data:
 (31) Number (32) Date (33) Country
29/353404 07 Jan 2010 UNITED STATES OF AMERICA
 (56) Related Art Documents: **Not Applicable**
 (57) Statement of Newness and Distinctiveness: **Newness and distinctiveness reside in the shape and/or configuration of a motion sensor as illustrated by solid lines in the representations. The features shown in discontinuous lines or broken outline are for illustrative purposes only and do not form part of the design.**



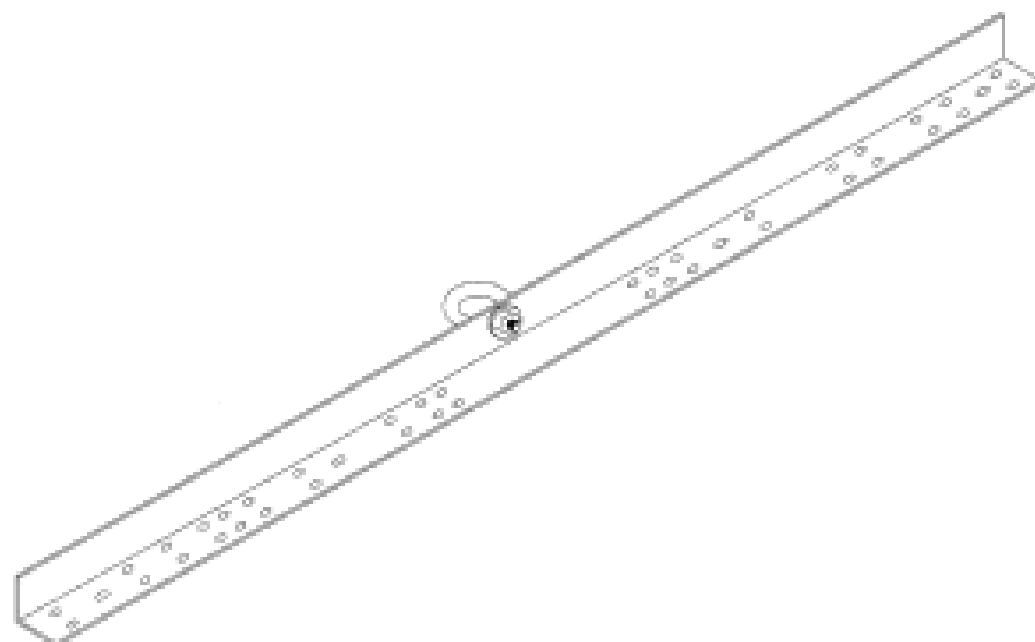
(21) Design Number: **12800/2010**
 (22) Date of Filing Application: **08 July 2010**
 (24) Date from which industrial property rights may have effect: **08 July 2010**
 (54) Product in respect of which the design is registered: **Blister card**
 (51) International Design Classification: **09-05**
 (71) Name(s) and Address(s) of Applicant(s):
McNeil-PPC Inc.
199 Grandview Road Skillman New Jersey 08558 United States of America
 (72) Name(s) of Designer(s): **Andrew Bontorno and Neil Sadler and Tyson Thorne**
 (45) Registration Date: **03 August 2010**
 (30) Convention priority data:
 (31) Number (32) Date (33) Country
29/353424 08 Jan 2010 UNITED STATES OF AMERICA
 (56) Related Art Documents: **Not Applicable**
 (57) Statement of Newness and Distinctiveness: **Newness and distinctiveness resides in the features of shape and/or configuration of a blister card shown in solid lines in the accompanying representations.**



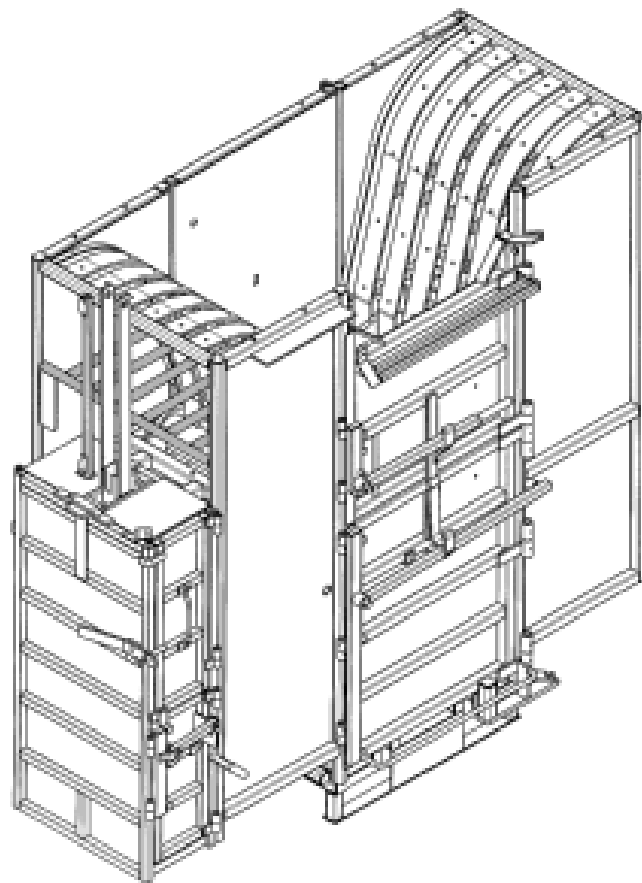
- (21) Design Number: **10476/2010**
(22) Date of Filing Application: **12 February 2010**
(24) Date from which industrial property rights may have effect: **12 February 2010**
(54) Product in respect of which the design is registered: **Bottle**
(51) International Design Classification: **09-01G**
(71) Name(s) and Address(s) of Applicant(s):
The Goldmakers of Australia Pty Ltd
14 Priestley Avenue Hoppers Crossing Victoria 3029 Australia
(72) Name(s) of Designer(s): **Robert McKerry**
(45) Registration Date: **03 August 2010**
(56) Related Art Documents: **Not Applicable**
(57) Statement of Newness and Distinctiveness: **Newness and distinctiveness is claimed in the features of shape and/or configuration of a bottle as illustrated in the accompanying representations.**



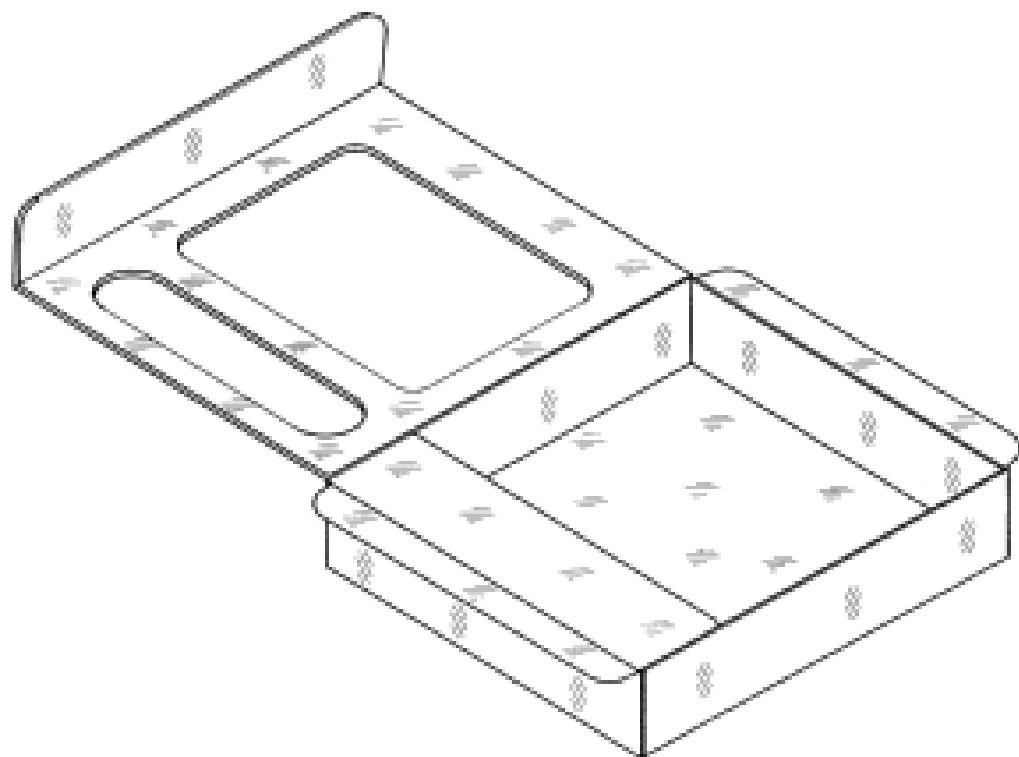
- (21) Design Number: **12853/2010**
(22) Date of Filing Application: **12 July 2010**
(24) Date from which industrial property rights may have effect: **12 July 2010**
(54) Product in respect of which the design is registered: **Roof anchor**
(51) International Design Classification: **08-08NES, 29-02**
(71) Name(s) and Address(s) of Applicant(s):
Johnathon Geoffrey Newitt
10 Valleyfield Road Sorell Tasmania 7172 Australia
(72) Name(s) of Designer(s): **Johnathon Geoffrey Newitt**
(45) Registration Date: **03 August 2010**
(56) Related Art Documents: **Not Applicable**
(57) Statement of Newness and Distinctiveness: **Newness and distinctiveness is claimed in the configuration of the holes and the orientation of the eye bolt as illustrated in the accompanying drawings.**



- (21) Design Number: **11580/2010**
(22) Date of Filing Application: **22 April 2010**
(24) Date from which industrial property rights may have effect: **22 April 2010**
(54) Product in respect of which the design is registered: **Waste compacting baler with small baler attached to side of the baler**
(51) International Design Classification: **09-09**
(71) Name(s) and Address(s) of Applicant(s):
Risoda Pty Ltd
14 Carl Baer Court Deepwater New South Wales 2371 Australia
(72) Name(s) of Designer(s): **Reginald Trethewey**
(45) Registration Date: **03 August 2010**
(56) Related Art Documents: **Not Applicable**
(57) Statement of Newness and Distinctiveness: **Visually a large square shape main baler unit with a smaller rectangular unit attached to the side of the square main unit.**



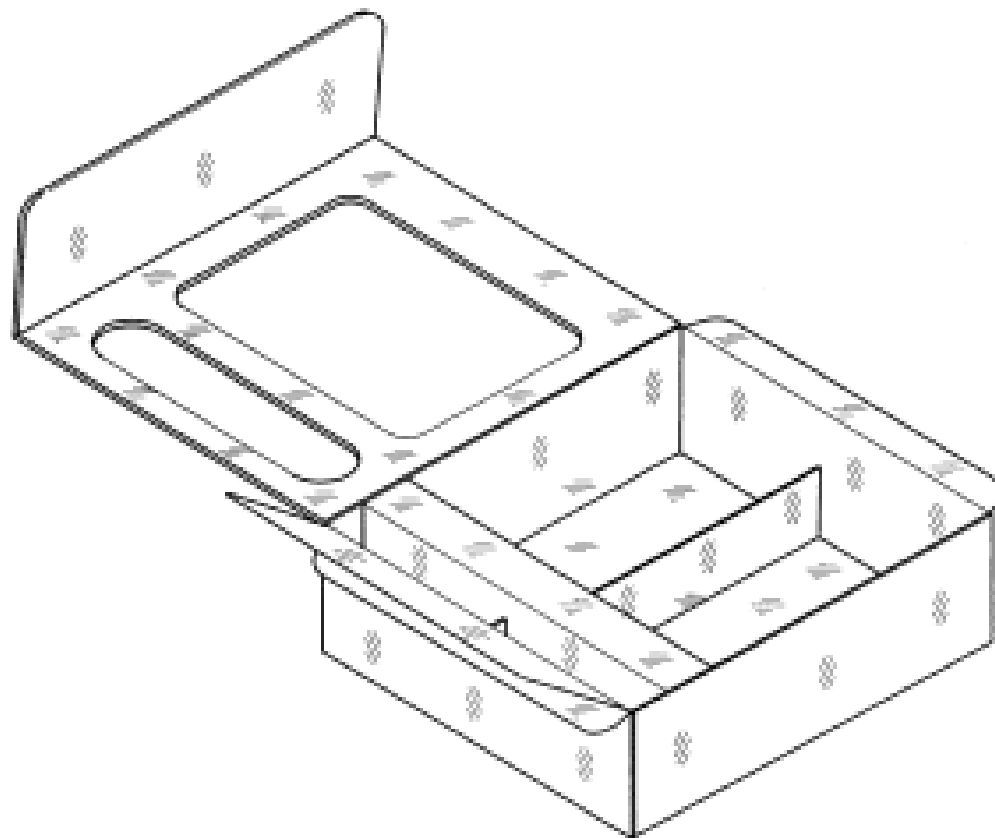
- (21) Design Number: **11956/2010**
(22) Date of Filing Application: **14 May 2010**
(24) Date from which industrial property rights may have effect: **14 May 2010**
(54) Product in respect of which the design is registered: **Packaging**
(51) International Design Classification: **09-03M**
(71) Name(s) and Address(s) of Applicant(s):
Bobux International Limited
C/- Blackmore Virtue & Owens 18 Broadway Street Newmarket New Zealand
(72) Name(s) of Designer(s): **Charles James Reynolds Griffin and Cameron Robinson**
(45) Registration Date: **03 August 2010**
(56) Related Art Documents: **Not Applicable**
(57) Statement of Newness and Distinctiveness: **Nil**



- (21) Design Number: **11957/2010**
- (22) Date of Filing Application: **14 May 2010**
- (24) Date from which industrial property rights may have effect: **14 May 2010**
- (54) Product in respect of which the design is registered: **Packaging**
- (51) International Design Classification: **09-03M**
- (71) Name(s) and Address(s) of Applicant(s):

Bobux International Limited
C/- Blackmore Virtue & Owens 18 Broadway Street Newmarket New Zealand

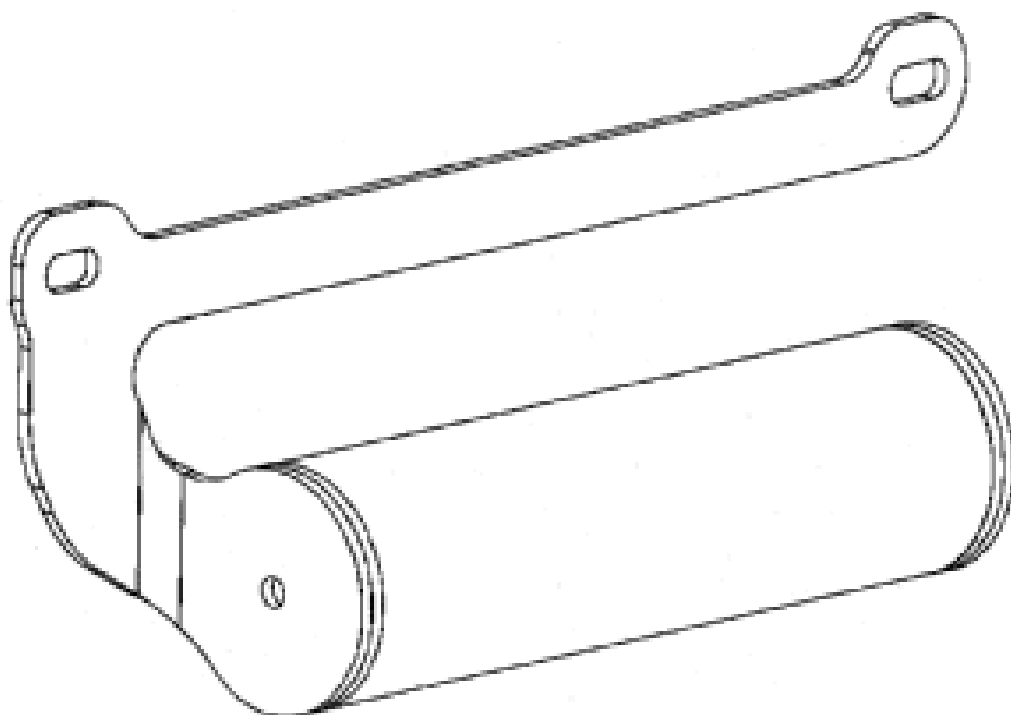
- (72) Name(s) of Designer(s): **Charles James Reynolds Griffin and Cameron Robinson**
- (45) Registration Date: **03 August 2010**
- (56) Related Art Documents: **Not Applicable**
- (57) Statement of Newness and Distinctiveness: **Nil**



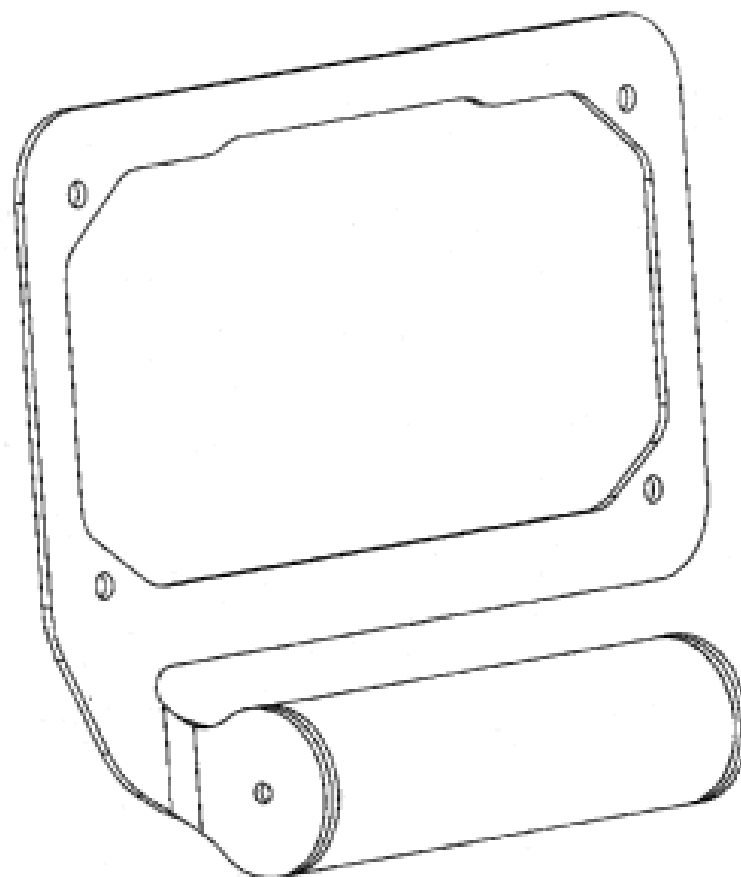
- (21) Design Number: **11969/2010**
- (22) Date of Filing Application: **18 May 2010**
- (24) Date from which industrial property rights may have effect: **18 May 2010**
- (54) Product in respect of which the design is registered: **Vehicle registration label holder**
- (51) International Design Classification: **12-16NES**
- (71) Name(s) and Address(s) of Applicant(s):

Paul Carter
PO Box 248 Ingle Farm South Australia 5098 Australia

- (72) Name(s) of Designer(s): **Paul Carter**
- (45) Registration Date: **03 August 2010**
- (56) Related Art Documents: **Not Applicable**
- (57) Statement of Newness and Distinctiveness: **Nil**



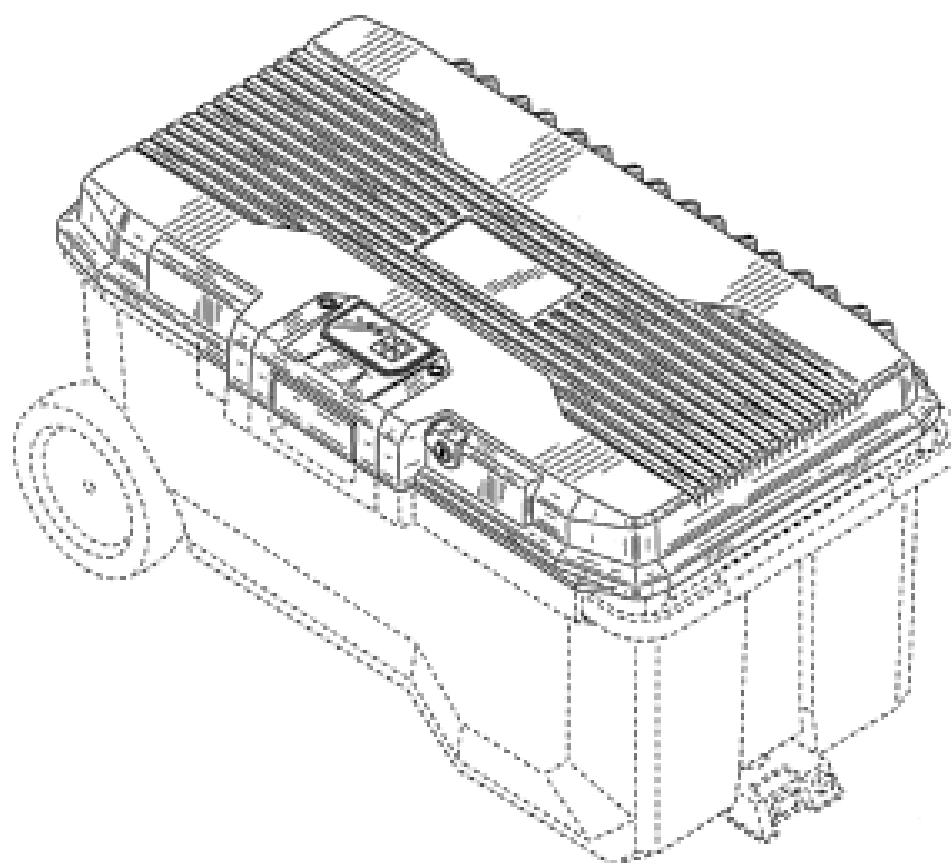
- (21) Design Number: **12008/2010**
(22) Date of Filing Application: **18 May 2010**
(24) Date from which industrial property rights may have effect: **18 May 2010**
(54) Product in respect of which the design is registered: **Vehicle number plate surround incorporating a tubular registration label holder**
(51) International Design Classification: **12-16NES**
(71) Name(s) and Address(s) of Applicant(s):
Paul Carter
PO Box 248 Ingle Farm South Australia 5098 Australia
(72) Name(s) of Designer(s): **Paul Carter**
(45) Registration Date: **03 August 2010**
(56) Related Art Documents: **Not Applicable**
(57) Statement of Newness and Distinctiveness: **Nil**



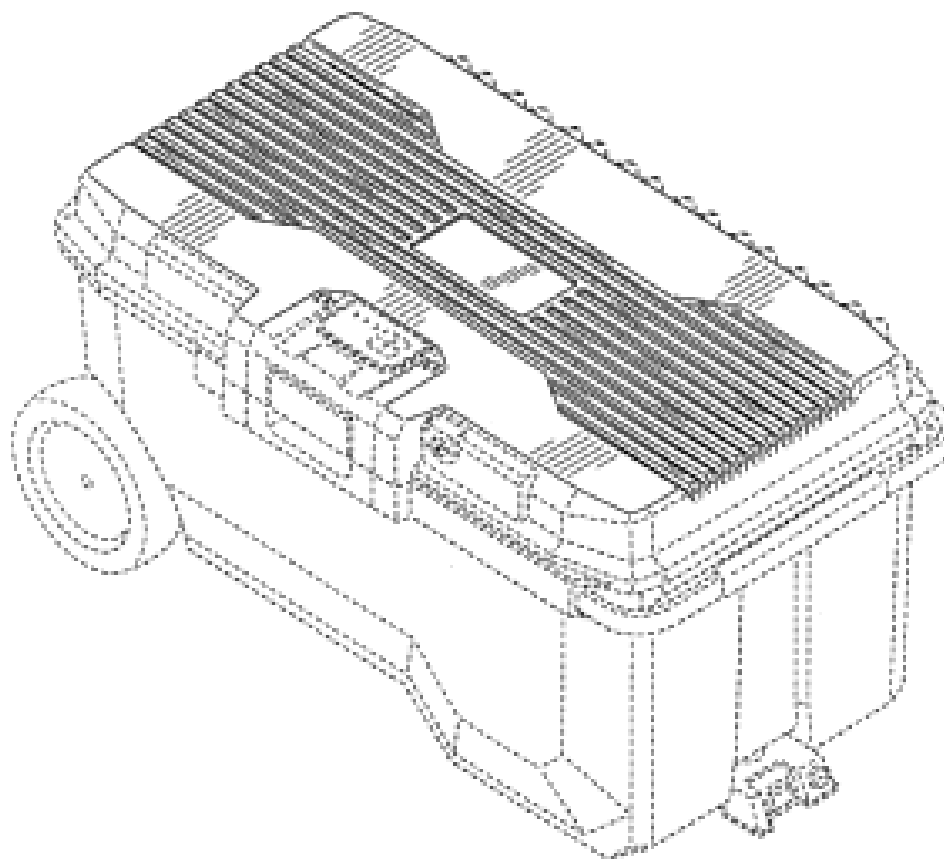
- (21) Design Number: **12545/2010**
(22) Date of Filing Application: **21 June 2010**
(24) Date from which industrial property rights may have effect: **21 June 2010**
(54) Product in respect of which the design is registered: **A container**
(51) International Design Classification: **09-03NES**
(71) Name(s) and Address(s) of Applicant(s):
The Stanley Works Israel, Ltd.
19 Ha'Melacha Street Rosh Ha'Ayin 48091 Israel
(72) Name(s) of Designer(s): **Gil Vilkomirski and Iftach Galler**
(45) Registration Date: **03 August 2010**
(30) Convention priority data:

(31) Number	(32) Date	(33) Country
29/352549	22 Dec 2009	UNITED STATES OF AMERICA

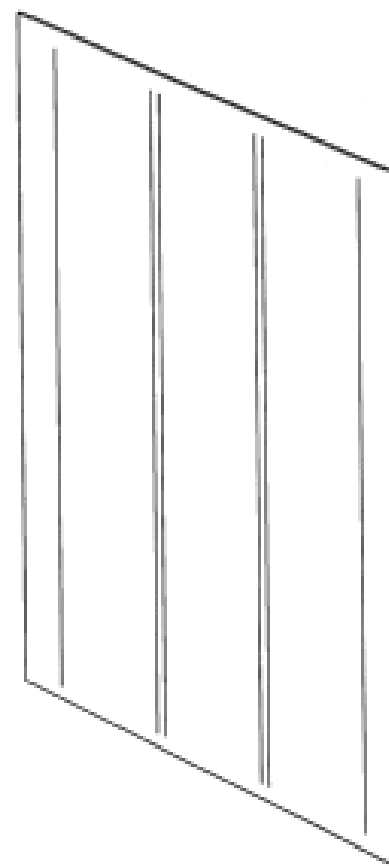
(56) Related Art Documents: **Not Applicable**
(57) Statement of Newness and Distinctiveness: **Newness and distinctiveness is claimed in the visual features shown in solid lines in the representations.**



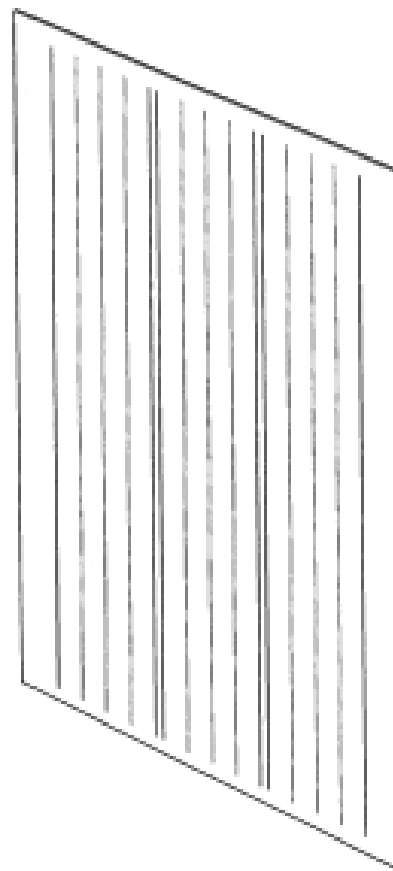
- (21) Design Number: **12546/2010**
(22) Date of Filing Application: **21 June 2010**
(24) Date from which industrial property rights may have effect: **21 June 2010**
(54) Product in respect of which the design is registered: **A container**
(51) International Design Classification: **09-03NES**
(71) Name(s) and Address(s) of Applicant(s):
The Stanley Works Israel, Ltd.
19 Ha'Melacha Street Rosh Ha'Ayin 48091 Israel
(72) Name(s) of Designer(s): **Gil Vilkomirski and Iftach Galler**
(45) Registration Date: **03 August 2010**
(30) Convention priority data:
(31) Number (32) Date (33) Country
29/352549 22 Dec 2009 UNITED STATES OF AMERICA
(56) Related Art Documents: **Not Applicable**
(57) Statement of Newness and Distinctiveness: **Newness and distinctiveness is claimed in the visual features shown in solid lines in the representations.**



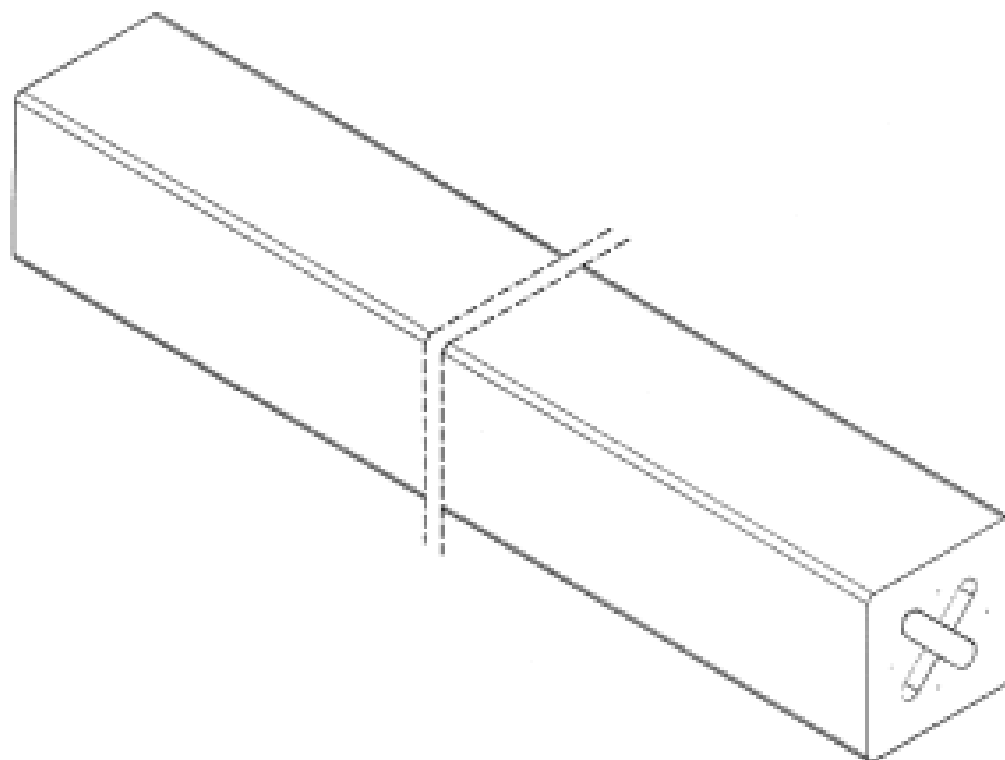
- (21) Design Number: **12813/2010**
(22) Date of Filing Application: **08 July 2010**
(24) Date from which industrial property rights may have effect: **08 July 2010**
(54) Product in respect of which the design is registered: **A blank for adhesive spines for covers/folders**
(51) International Design Classification: **19-04**
(71) Name(s) and Address(s) of Applicant(s):
Terese Lambert
Unit 2 154 Marion Road West Richmond South Australia 5033
Australia
(72) Name(s) of Designer(s): **Terese Lambert**
(45) Registration Date: **03 August 2010**
(56) Related Art Documents: **Not Applicable**
(57) Statement of Newness and Distinctiveness: **Nil**



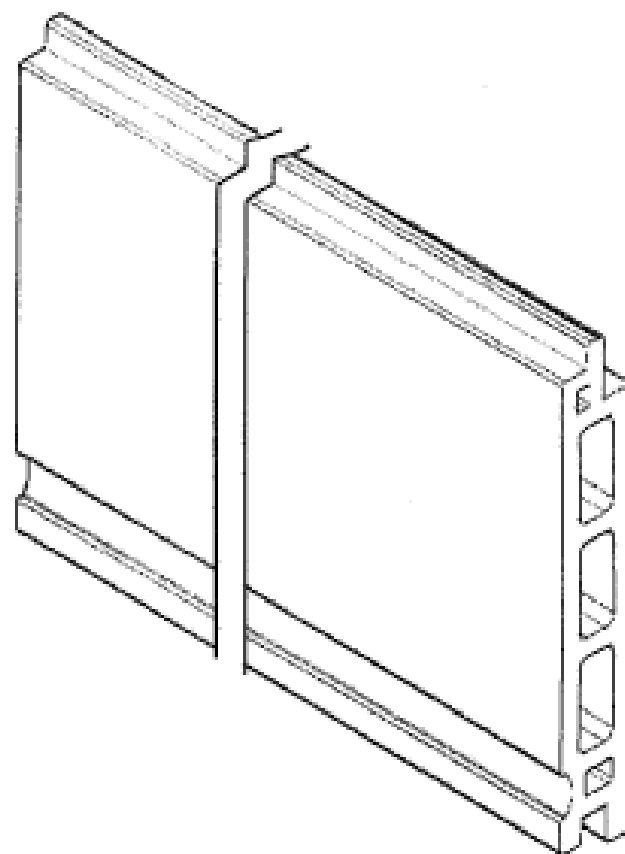
- (21) Design Number: **12814/2010**
(22) Date of Filing Application: **08 July 2010**
(24) Date from which industrial property rights may have effect: **08 July 2010**
(54) Product in respect of which the design is registered: **A blank for adhesive spines for covers/folders**
(51) International Design Classification: **19-04**
(71) Name(s) and Address(s) of Applicant(s):
Terese Lambert
Unit 2 154 Marion Road West Richmond South Australia 5033
Australia
(72) Name(s) of Designer(s): **Terese Lambert**
(45) Registration Date: **03 August 2010**
(56) Related Art Documents: **Not Applicable**
(57) Statement of Newness and Distinctiveness: **Nil**



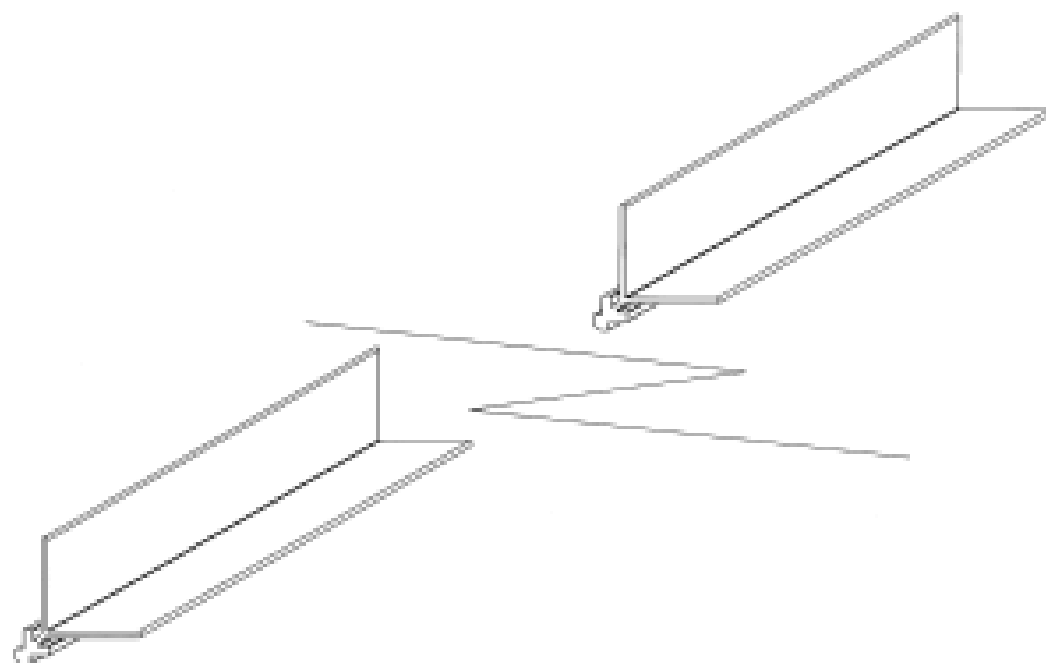
- (21) Design Number: **12816/2010**
(22) Date of Filing Application: **08 July 2010**
(24) Date from which industrial property rights may have effect: **08 July 2010**
(54) Product in respect of which the design is registered: **Batten of indefinite length**
(51) International Design Classification: **25-01K**
(71) Name(s) and Address(s) of Applicant(s):
Innowood International Australia Pty Ltd
126 O'Connell Street North Parramatta New South Wales 2151
Australia
(72) Name(s) of Designer(s): **Marco Faber and Enver Kolac**
(45) Registration Date: **03 August 2010**
(56) Related Art Documents: **Not Applicable**
(57) Statement of Newness and Distinctiveness: **Newness and distinctiveness is claimed in the features of shape and/or configuration of the cross-section of a batten of indefinite length as illustrated in the accompanying representations, wherein the cross-section of the batten is constant along its length.**



- (21) Design Number: **12817/2010**
(22) Date of Filing Application: **08 July 2010**
(24) Date from which industrial property rights may have effect: **08 July 2010**
(54) Product in respect of which the design is registered: **Cladding of indefinite length**
(51) International Design Classification: **25-01K**
(71) Name(s) and Address(s) of Applicant(s):
Innowood International Australia Pty Ltd
126 O'Connell Street North Parramatta New South Wales 2151
Australia
(72) Name(s) of Designer(s): **Marco Faber and Enver Kolac**
(45) Registration Date: **03 August 2010**
(56) Related Art Documents: **Not Applicable**
(57) Statement of Newness and Distinctiveness: **Newness and distinctiveness is claimed in the features of shape and/or configuration of the cross-section of a cladding of indefinite length as illustrated in the accompanying representations, particularly the groove and tongue portion of the cladding, wherein the cross-section of the cladding is constant along its length.**



- (21) Design Number: **12866/2010**
(22) Date of Filing Application: **13 July 2010**
(24) Date from which industrial property rights may have effect: **13 July 2010**
(54) Product in respect of which the design is registered: **90 degree single piece extrusion**
(51) International Design Classification: **25-01K**
(71) Name(s) and Address(s) of Applicant(s):
Agabow Pty Ltd Trading as Central Tablelands Commercial Industries
3 Watt Drive Bathurst New South Wales 2795 Australia
(72) Name(s) of Designer(s): **Eisse Woldhuis and Gregg Longmuir**
(45) Registration Date: **03 August 2010**
(56) Related Art Documents: **Not Applicable**
(57) Statement of Newness and Distinctiveness: **Nil**



(21) Design Number: **12867/2010**

(22) Date of Filing Application: **13 July 2010**

(24) Date from which industrial property rights may have effect: **13 July 2010**

(54) Product in respect of which the design is registered: **Four piece - double sided - radius extrusion**

(51) International Design Classification: **25-01K**

(71) Name(s) and Address(s) of Applicant(s):

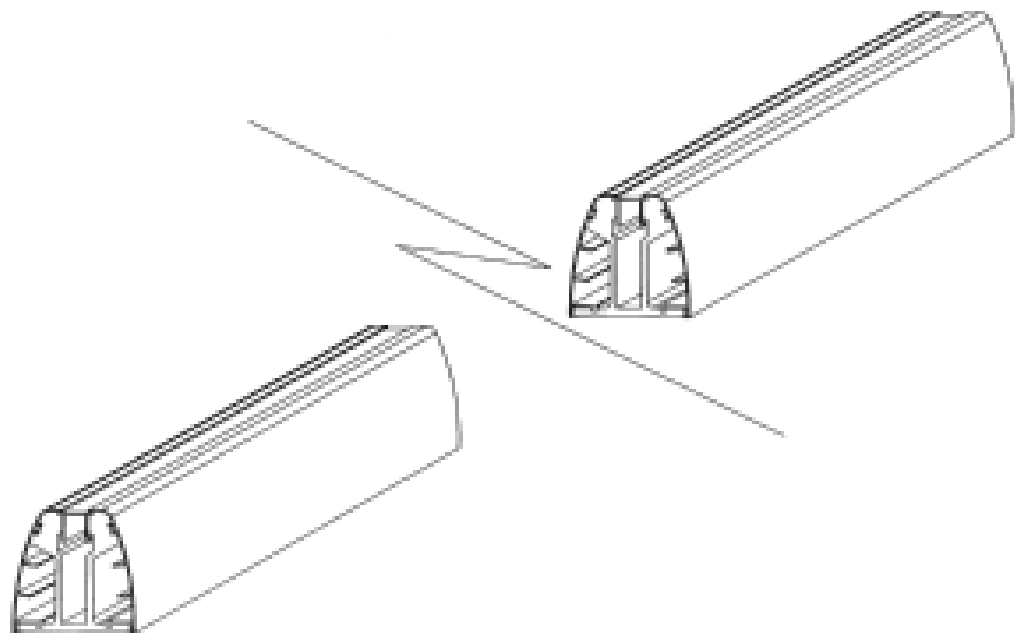
**Agabow Pty Ltd Trading as Central Tablelands Commercial Industries
3 Watt Drive Bathurst New South Wales 2795 Australia**

(72) Name(s) of Designer(s): **Eisse Woldhuis and Gregg Longmuir**

(45) Registration Date: **03 August 2010**

(56) Related Art Documents: **Not Applicable**

(57) Statement of Newness and Distinctiveness: **Nil**



(21) Design Number: **12868/2010**

(22) Date of Filing Application: **13 July 2010**

(24) Date from which industrial property rights may have effect: **13 July 2010**

(54) Product in respect of which the design is registered: **Three piece rectangular extrusion**

(51) International Design Classification: **25-01K**

(71) Name(s) and Address(s) of Applicant(s):

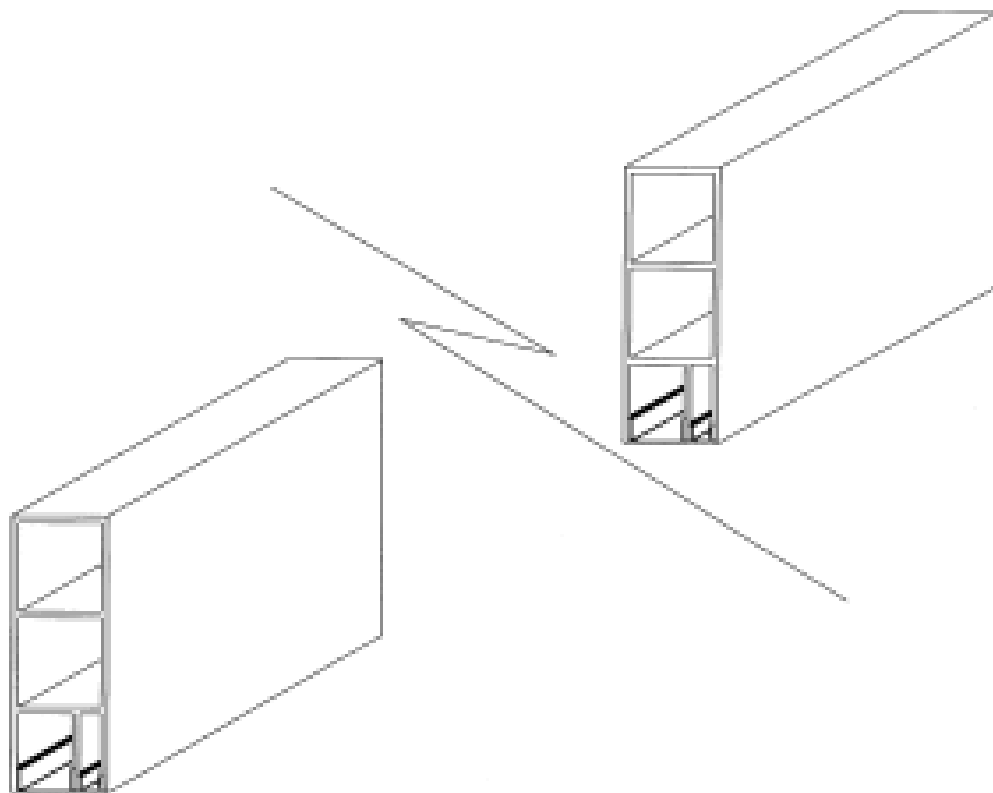
**Agabow Pty Ltd Trading as Central Tablelands Commercial Industries
3 Watt Drive Bathurst New South Wales 2795 Australia**

(72) Name(s) of Designer(s): **Eisse Woldhuis and Gregg Longmuir**

(45) Registration Date: **03 August 2010**

(56) Related Art Documents: **Not Applicable**

(57) Statement of Newness and Distinctiveness: **Nil**



(21) Design Number: **11484/2010**

(22) Date of Filing Application: **20 April 2010**

(24) Date from which industrial property rights may have effect: **20 April 2010**

(54) Product in respect of which the design is registered: **Decorative screens**

(51) International Design Classification: **05-06NES**

(71) Name(s) and Address(s) of Applicant(s):

Katherine Brennan

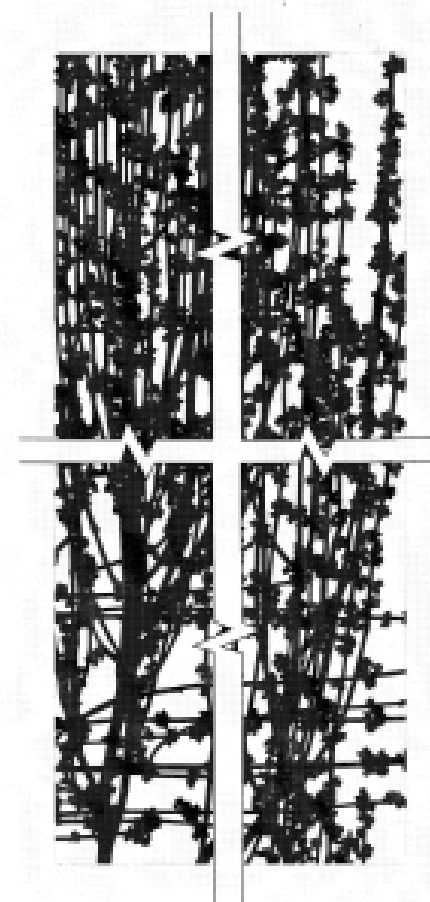
526 Malvern Road Prahran Victoria 3181 Australia

(72) Name(s) of Designer(s): **Katherine Brennan**

(45) Registration Date: **04 August 2010**

(56) Related Art Documents: **Not Applicable**

(57) Statement of Newness and Distinctiveness: **Nil**



(21) Design Number: **12084/2010**

(22) Date of Filing Application: **21 May 2010**

(24) Date from which industrial property rights may have effect: **21 May 2010**

(54) Product in respect of which the design is registered: **A round bath**

(51) International Design Classification: **23-02B**

(71) Name(s) and Address(s) of Applicant(s):

Decina Bathroomware Pty. Ltd.

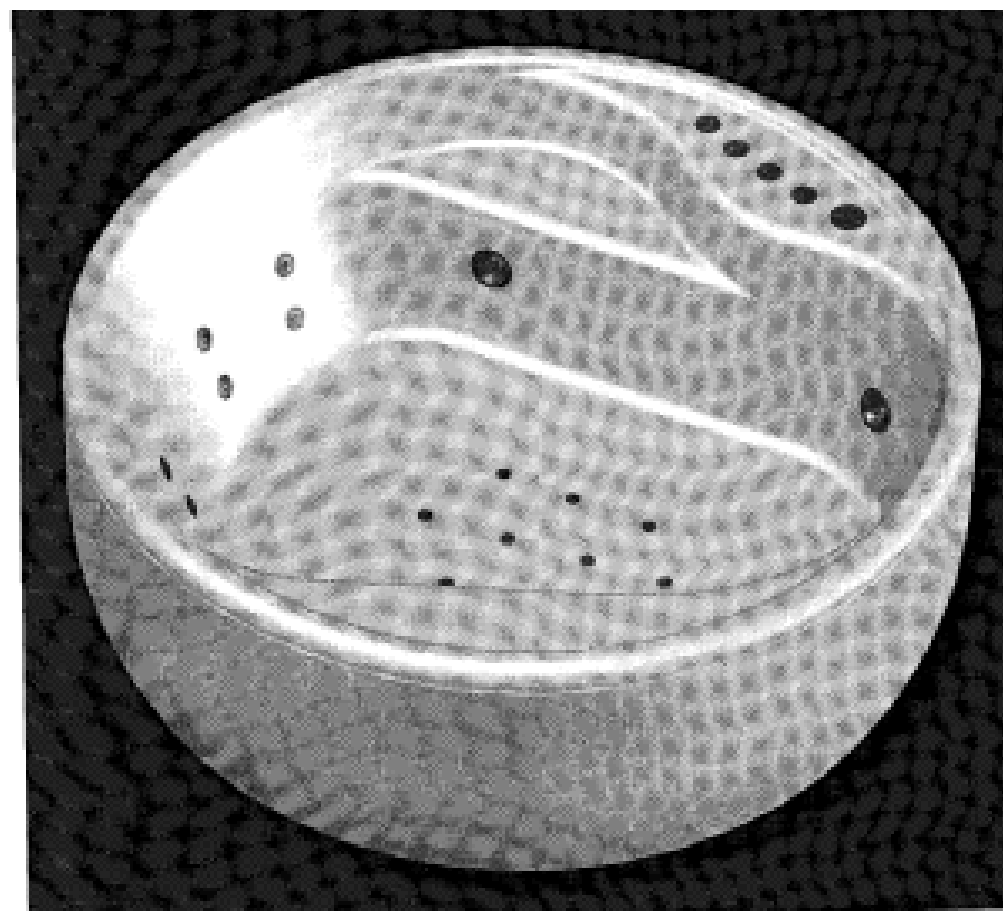
99 Colbalt Street Carole Park Queensland 4300 Australia

(72) Name(s) of Designer(s): **Michael John Dorrrough**

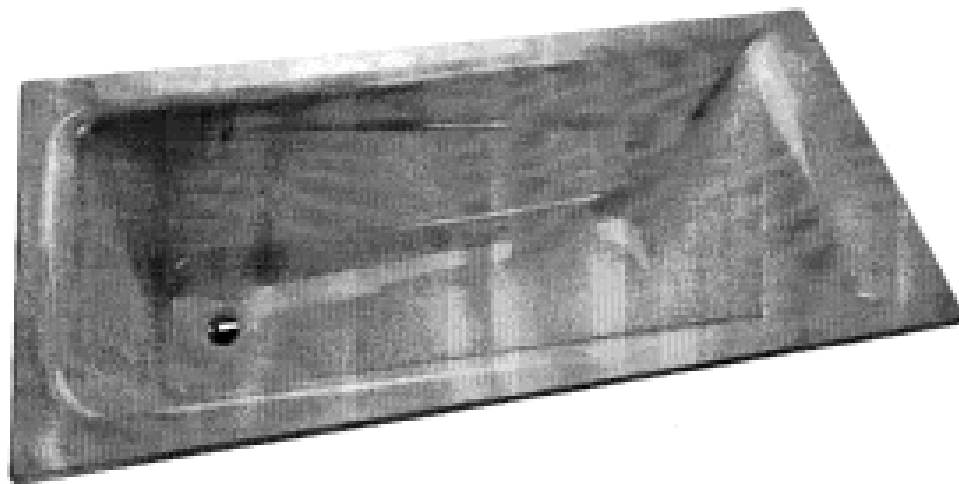
(45) Registration Date: **04 August 2010**

(56) Related Art Documents: **Not Applicable**

(57) Statement of Newness and Distinctiveness: **The shape and configuration of a bath as illustrated in the accompanying representations without regard to the water outlets.**



- (21) Design Number: **12088/2010**
(22) Date of Filing Application: **21 May 2010**
(24) Date from which industrial property rights may have effect: **21 May 2010**
(54) Product in respect of which the design is registered: **A bath**
(51) International Design Classification: **23-02B**
(71) Name(s) and Address(s) of Applicant(s):
Decina Bathroomware Pty Ltd
99 Cobalt Street Carole Park Queensland 4300 Australia
(72) Name(s) of Designer(s): **Michael John Dorrough**
(45) Registration Date: **04 August 2010**
(56) Related Art Documents: **Not Applicable**
(57) Statement of Newness and Distinctiveness: **The shape and configuration of a bath as illustrated in the accompanying representations without regard to the drain.**



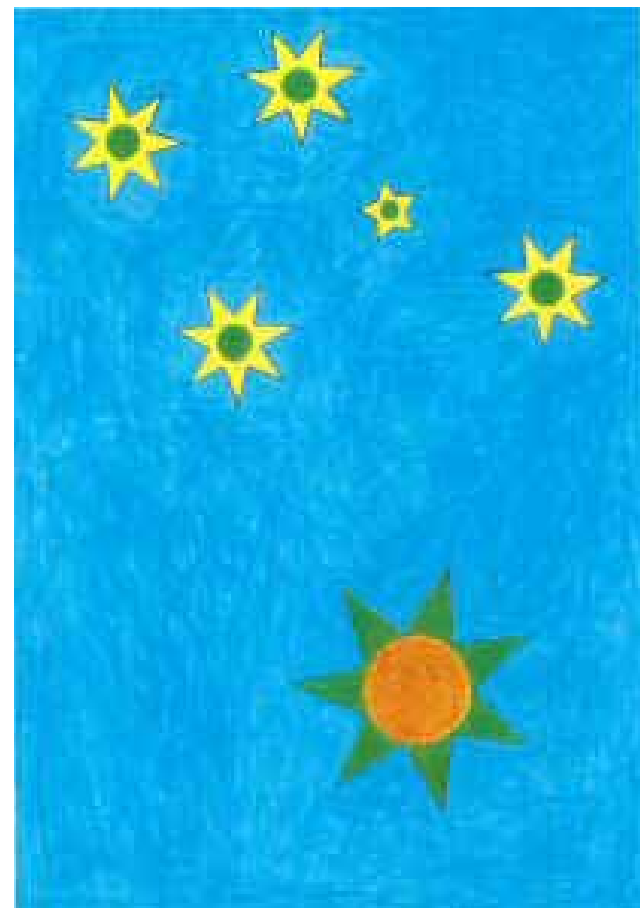
- (21) Design Number: **12126/2010**
(22) Date of Filing Application: **26 May 2010**
(24) Date from which industrial property rights may have effect: **26 May 2010**
(54) Product in respect of which the design is registered: **Bottle**
(51) International Design Classification: **09-01K**
(71) Name(s) and Address(s) of Applicant(s):
Unilever PLC
Unilever House 100 Victoria Embankment London EC4Y 0DY United Kingdom
(72) Name(s) of Designer(s): **Paul Lee Drake and Timothy Hope Jebb and Benjamin James Lambert and Philip Alan Marlow and Benjamin Phalan Oates**
(45) Registration Date: **04 August 2010**
(30) Convention priority data:
(31) Number (32) Date (33) Country
4013756 14 Dec 2009 UNITED KINGDOM
(56) Related Art Documents: **Not Applicable**
(57) Statement of Newness and Distinctiveness: **Newness and distinctiveness is claimed in the visual features of the gradual morphing of the cross-sectional configuration of the bottle from a symmetrical lateral oval shape at the base to asymmetric intersecting lateral curves at the top and/or the curve at the front being shallow and the curve at the rear being arcuate and/or the side ends becoming more angular to form an edge tilting towards the front.**



- (21) Design Number: **12217/2010**
(22) Date of Filing Application: **01 June 2010**
(24) Date from which industrial property rights may have effect: **01 June 2010**
(54) Product in respect of which the design is registered: **Ring**
(51) International Design Classification: **11-01A**
(71) Name(s) and Address(s) of Applicant(s):
Gregory John Riddleston
PO Box 333 Gladstone Queensland 4680 Australia
(72) Name(s) of Designer(s): **Gregory John Riddleston**
(45) Registration Date: **04 August 2010**
(56) Related Art Documents: **Not Applicable**
(57) Statement of Newness and Distinctiveness: **Ring design distinctive has inscription in shank "Fight to defend our rights and liberties" has distinctive pistols left and right hand side of the ring. Eureka flag will be done in oxidised silver. Rings can be done gold silver - produced individually.**



- (21) Design Number: **12270/2010**
(22) Date of Filing Application: **02 June 2010**
(24) Date from which industrial property rights may have effect: **02 June 2010**
(54) Product in respect of which the design is registered: **Flag**
(51) International Design Classification: **11-05**
(71) Name(s) and Address(s) of Applicant(s):
Peter Bortolin
184 Cavendish Street Stanmore New South Wales 2048 Australia
(72) Name(s) of Designer(s): **Peter Bortolin**
(45) Registration Date: **04 August 2010**
(56) Related Art Documents: **Not Applicable**
(57) Statement of Newness and Distinctiveness: **Sky blue background with the sun (orange/red) representing the aborigines people, with the stars in green and gold.**



(21) Design Number: **12558/2010**

(22) Date of Filing Application: **21 June 2010**

(24) Date from which industrial property rights may have effect: **21 June 2010**

(54) Product in respect of which the design is registered: **A clip**

(51) International Design Classification: **08-08NES**

(71) Name(s) and Address(s) of Applicant(s):

Trevor Jones

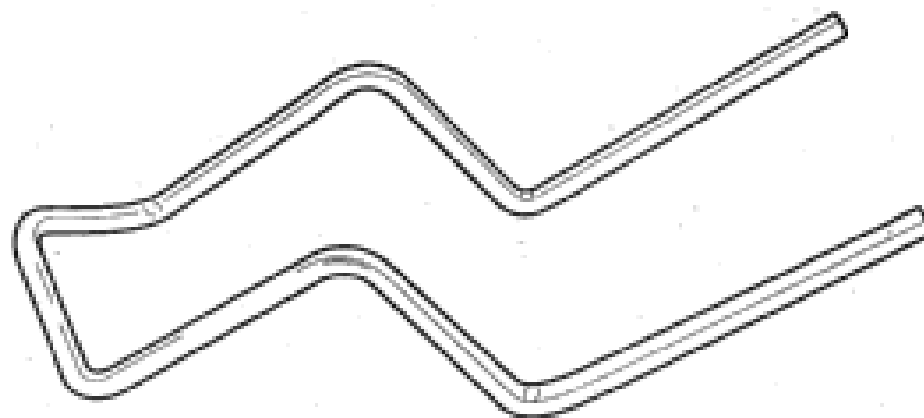
384 Martins Road Parafield Gardens South Australia 5107 Australia

(72) Name(s) of Designer(s): **Trevor Jones**

(45) Registration Date: **04 August 2010**

(56) Related Art Documents: **Not Applicable**

(57) Statement of Newness and Distinctiveness: **Nil**



(21) Design Number: **12563/2010**

(22) Date of Filing Application: **22 June 2010**

(24) Date from which industrial property rights may have effect: **22 June 2010**

(54) Product in respect of which the design is registered: **A lid**

(51) International Design Classification: **09-07B**

(71) Name(s) and Address(s) of Applicant(s):

Sud-Chemie Australia Pty Ltd

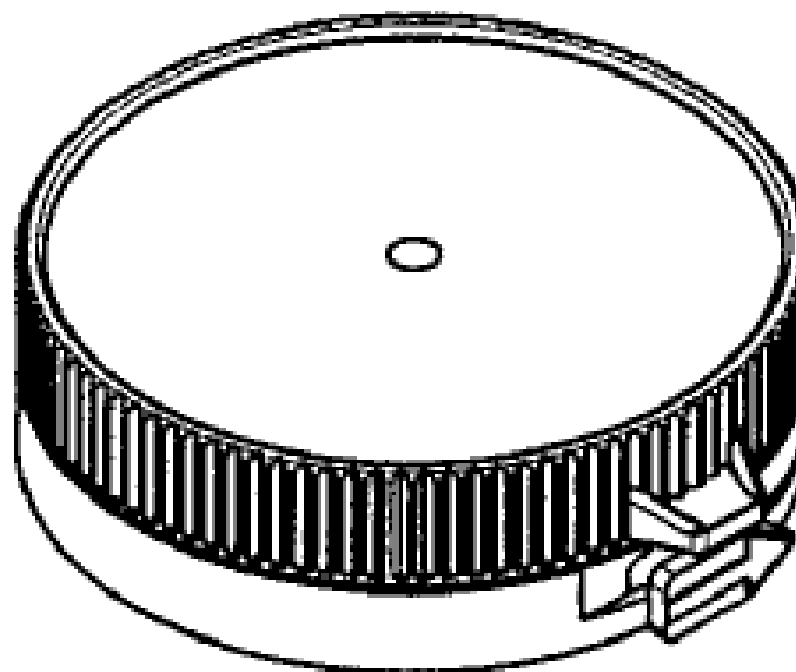
12 Peachtree Road Penrith New South Wales 2750 Australia

(72) Name(s) of Designer(s): **Franck Richir**

(45) Registration Date: **04 August 2010**

(56) Related Art Documents: **Not Applicable**

(57) Statement of Newness and Distinctiveness: **Newness and distinctiveness is claimed in the features of shape and/or configuration of a desiccant container in the underside of the lid illustrated in the accompanying representations.**



(21) Design Number: **12565/2010**

(22) Date of Filing Application: **22 June 2010**

(24) Date from which industrial property rights may have effect: **22 June 2010**

(54) Product in respect of which the design is registered: **Pet chew**

(51) International Design Classification: **01-06**

(71) Name(s) and Address(s) of Applicant(s):

**T.F.H. Publications, Inc.
One TFH Plaza Third and Union Avenues Neptune City New Jersey
07753 United States of America**

(72) Name(s) of Designer(s): **Glen S. Axelrod and Ajay Gajria and Nancy S. Rivadeneira**

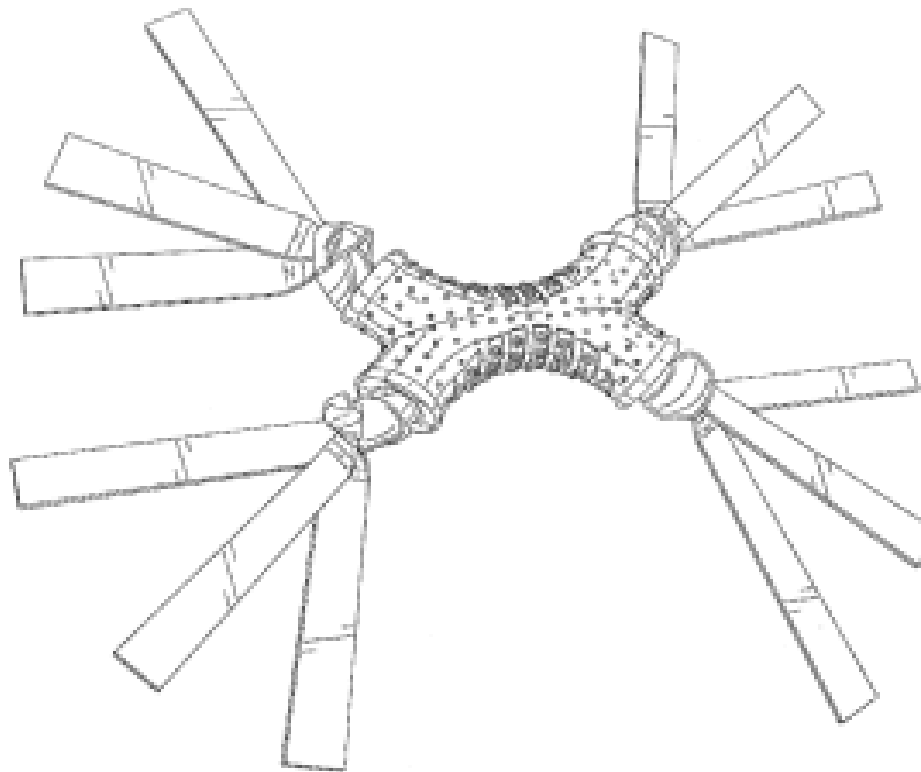
(45) Registration Date: **04 August 2010**

(30) Convention priority data:

(31) Number	(32) Date	(33) Country
29/352,679	23 Dec 2009	UNITED STATES OF AMERICA

(56) Related Art Documents: **Not Applicable**

(57) Statement of Newness and Distinctiveness: **The newness and distinctiveness of the design resides in the features of shape and/or configuration of the pet chew as shown in the accompanying representations.**



(21) Design Number: **12568/2010**

(22) Date of Filing Application: **22 June 2010**

(24) Date from which industrial property rights may have effect: **22 June 2010**

(54) Product in respect of which the design is registered: **A sole**

(51) International Design Classification: **02-04B**

(71) Name(s) and Address(s) of Applicant(s):

**Holster Fashion Pty Ltd
6-55 Gateway Drive Noosaville Queensland 4566 Australia**

(72) Name(s) of Designer(s): **Natalie Miller**

(45) Registration Date: **04 August 2010**

(56) Related Art Documents: **Not Applicable**

(57) Statement of Newness and Distinctiveness: **Newness and distinctiveness resides in the shape and configuration of a sole as illustrated in the accompanying representations. No newness or distinctiveness is claimed in the shape or configuration of the tread on the underside of the sole.**



(21) Design Number: **12636/2010**

(22) Date of Filing Application: **28 June 2010**

(24) Date from which industrial property rights may have effect: **28 June 2010**

(54) Product in respect of which the design is registered: **Louvre vent blade**

(51) International Design Classification: **25-02K**

(71) Name(s) and Address(s) of Applicant(s):

Fielders Australia Pty Ltd

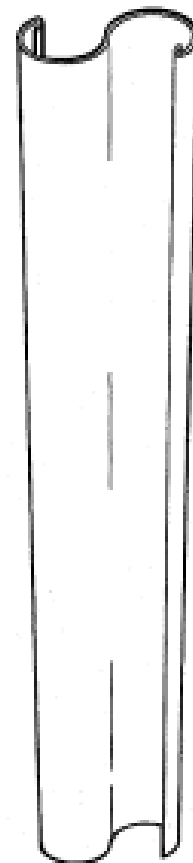
15 Railway Terrace Mile End South Australia 5031 Australia

(72) Name(s) of Designer(s): **Kevin Blaik**

(45) Registration Date: **04 August 2010**

(56) Related Art Documents: **Not Applicable**

(57) Statement of Newness and Distinctiveness: **Nil**



(21) Design Number: **12768/2010**

(22) Date of Filing Application: **06 July 2010**

(24) Date from which industrial property rights may have effect: **06 July 2010**

(54) Product in respect of which the design is registered: **Ceiling fan blade**

(51) International Design Classification: **23-04**

(71) Name(s) and Address(s) of Applicant(s):

Pan Air Electric Co., Ltd.

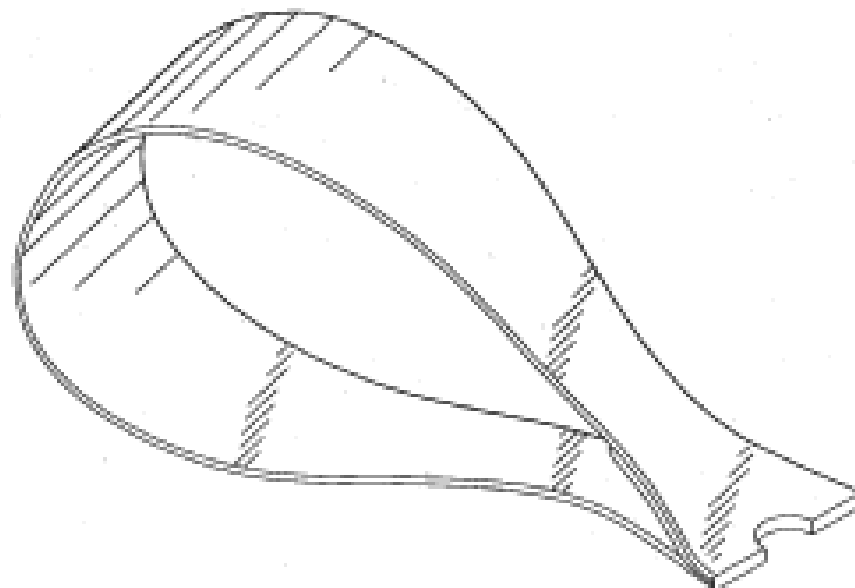
**No. 198 Sec. 5 Fengyuan Blvd Fengyuan City Taichung County 42084
Taiwan**

(72) Name(s) of Designer(s): **Ching-Wen Liu**

(45) Registration Date: **04 August 2010**

(56) Related Art Documents: **Not Applicable**

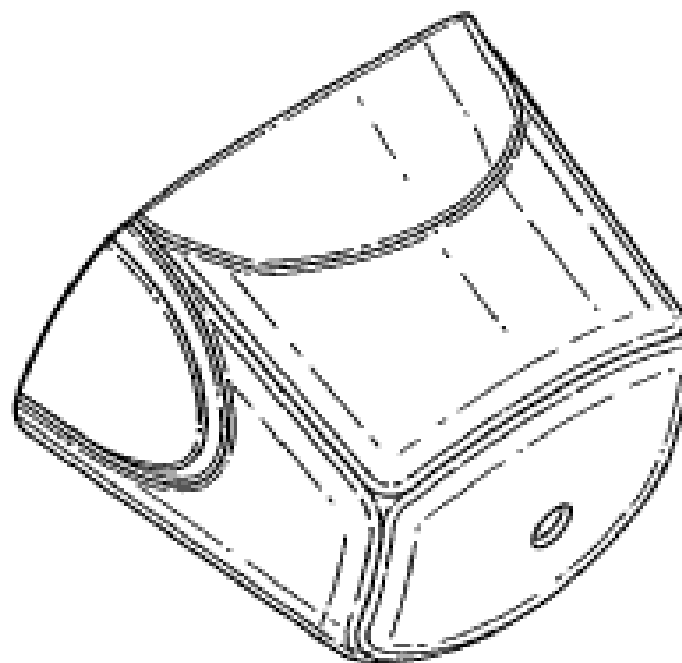
(57) Statement of Newness and Distinctiveness: **Newness and distinctiveness resides in the shape and configuration of the ceiling fan as shown in the accompanying figures.**



(21) Design Number: **12769/2010**
(22) Date of Filing Application: **06 July 2010**
(24) Date from which industrial property rights may have effect: **06 July 2010**
(54) Product in respect of which the design is registered: **Flask for perfumery products**
(51) International Design Classification: **09-01G**
(71) Name(s) and Address(s) of Applicant(s):
Guerlain Societe Anonyme
68 Avenue Des Champs Elysees Paris 75008 France
(72) Name(s) of Designer(s): **Jade Jagger**
(45) Registration Date: **04 August 2010**
(30) Convention priority data:
(31) Number (32) Date (33) Country
001188163-0001 07 Jan 2010 EUROPEAN COMMUNITY
(56) Related Art Documents: **Not Applicable**
(57) Statement of Newness and Distinctiveness: **Nil**



(21) Design Number: **12770/2010**
(22) Date of Filing Application: **06 July 2010**
(24) Date from which industrial property rights may have effect: **06 July 2010**
(54) Product in respect of which the design is registered: **Inhaler**
(51) International Design Classification: **24-04**
(71) Name(s) and Address(s) of Applicant(s):
Teva Pharmaceuticals Ireland
Computerweg 10 DR Utrecht NL-3542 Netherlands
(72) Name(s) of Designer(s): **Charles W. Sears**
(45) Registration Date: **04 August 2010**
(30) Convention priority data:
(31) Number (32) Date (33) Country
001188742-0001 08 Jan 2010 EUROPEAN COMMUNITY
(56) Related Art Documents: **Not Applicable**
(57) Statement of Newness and Distinctiveness: **Nil**



(21) Design Number: **12823/2010**

(22) Date of Filing Application: **09 July 2010**

(24) Date from which industrial property rights may have effect: **09 July 2010**

(54) Product in respect of which the design is registered: **Carpet**

(51) International Design Classification: **06-11**

(71) Name(s) and Address(s) of Applicant(s):

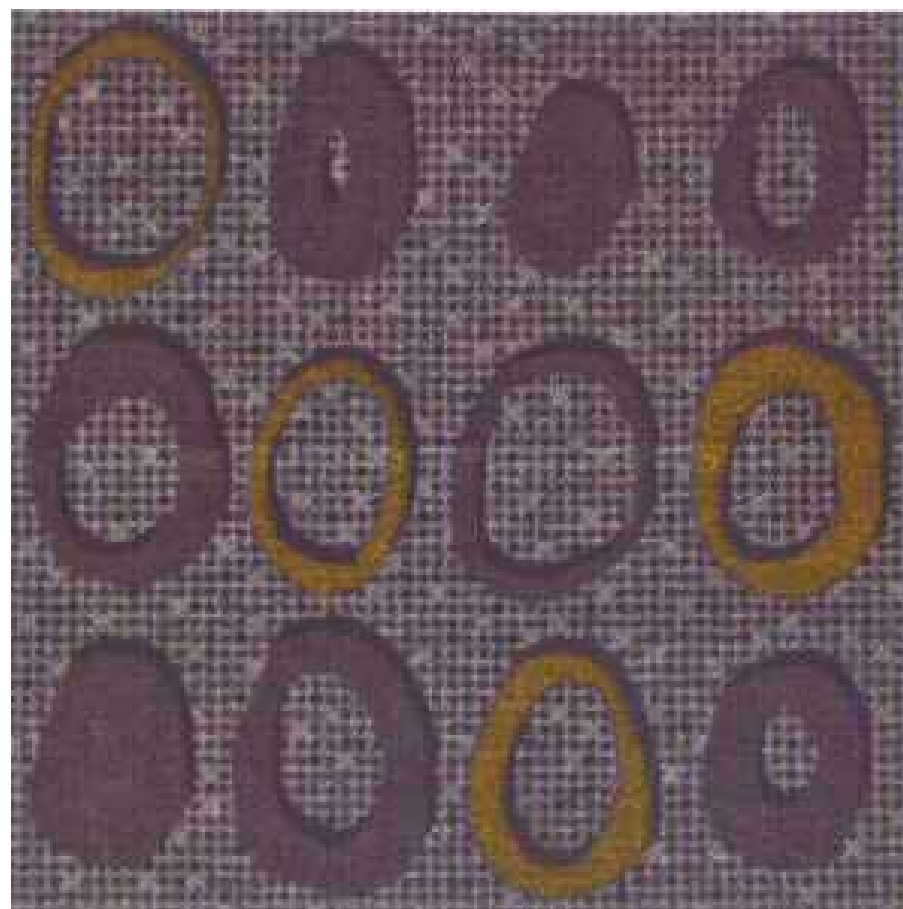
**Ontera Modular Carpets Pty Ltd
171 Briens Road Northmead New South Wales 2152 Australia**

(72) Name(s) of Designer(s): **Andrea Mercer and James Mfula and Maria Sifonios**

(45) Registration Date: **04 August 2010**

(56) Related Art Documents: **Not Applicable**

(57) Statement of Newness and Distinctiveness: **Those features of the carpet depicted in the representations that are new and distinctive are the pattern and/or ornamentation.**



(21) Design Number: **12824/2010**

(22) Date of Filing Application: **09 July 2010**

(24) Date from which industrial property rights may have effect: **09 July 2010**

(54) Product in respect of which the design is registered: **Carpet**

(51) International Design Classification: **06-11**

(71) Name(s) and Address(s) of Applicant(s):

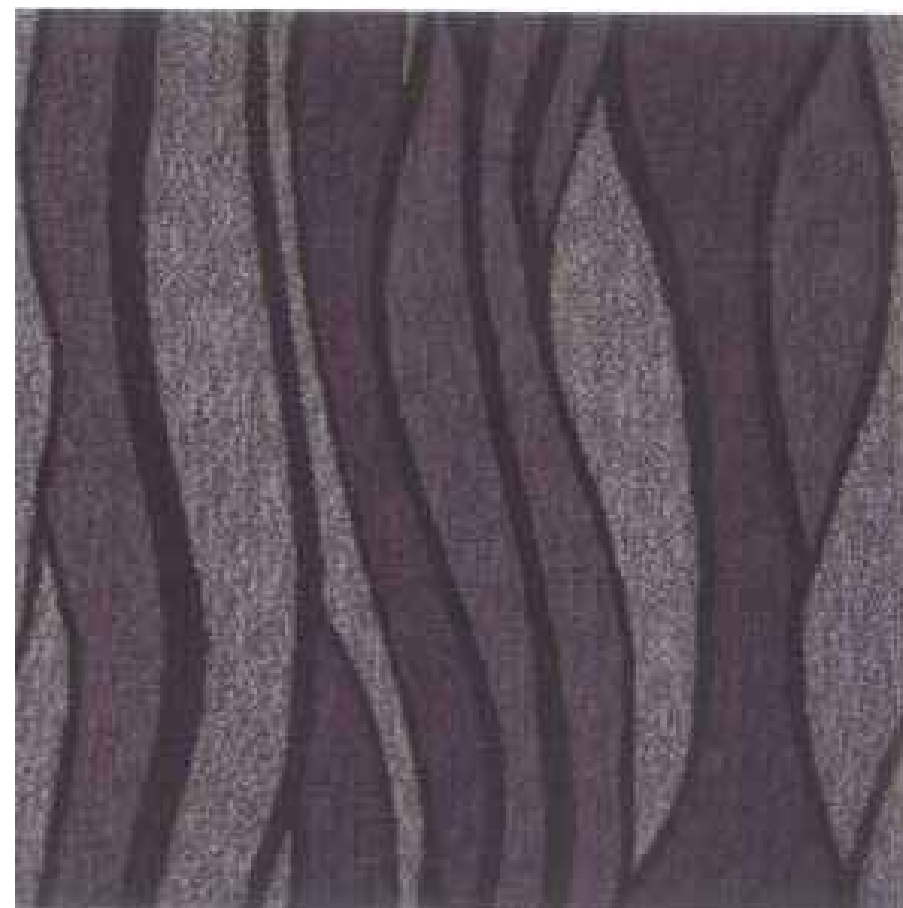
**Ontera Modular Carpets Pty Ltd
171 Briens Road Northmead New South Wales 2152 Australia**

(72) Name(s) of Designer(s): **Andrea Mercer**

(45) Registration Date: **04 August 2010**

(56) Related Art Documents: **Not Applicable**

(57) Statement of Newness and Distinctiveness: **Those features of the carpet depicted in the representations that are new and distinctive are the pattern and/or ornamentation.**



(21) Design Number: **12825/2010**

(22) Date of Filing Application: **09 July 2010**

(24) Date from which industrial property rights may have effect: **09 July 2010**

(54) Product in respect of which the design is registered: **Carpet**

(51) International Design Classification: **06-11**

(71) Name(s) and Address(s) of Applicant(s):

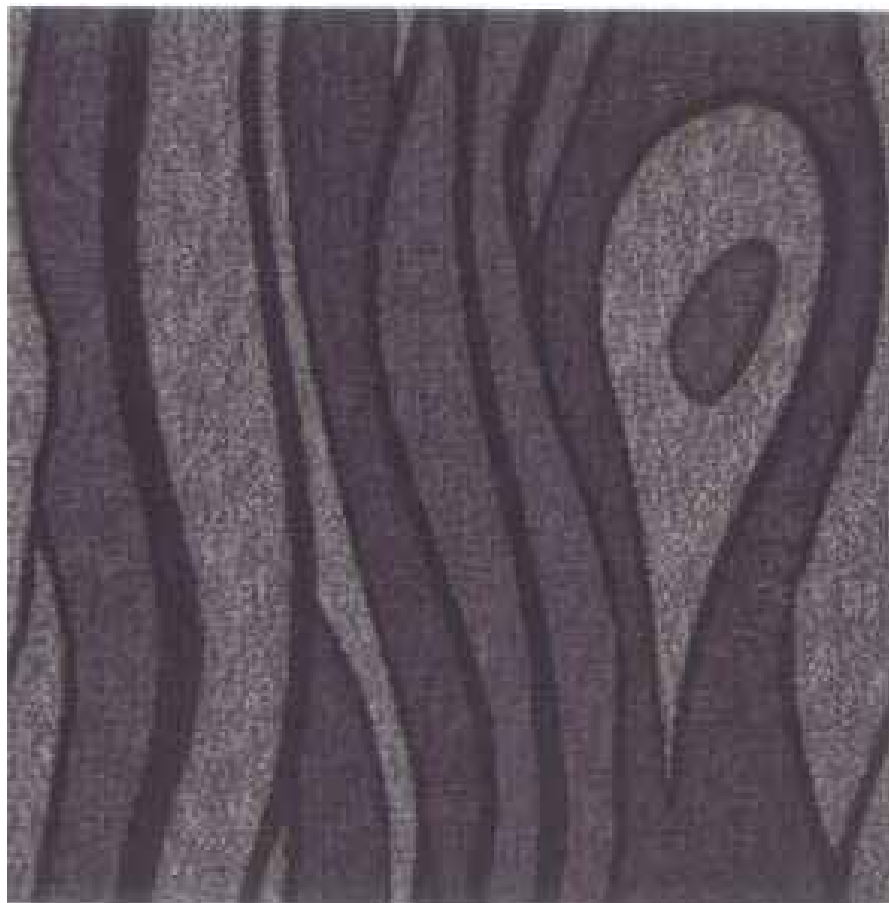
**Ontera Modular Carpets Pty Ltd
171 Briens Road Northmead New South Wales 2152 Australia**

(72) Name(s) of Designer(s): **Andrea Mercer**

(45) Registration Date: **04 August 2010**

(56) Related Art Documents: **Not Applicable**

(57) Statement of Newness and Distinctiveness: **Those features of the carpet depicted in the representations that are new and distinctive are the pattern and/or ornamentation.**



(21) Design Number: **12826/2010**

(22) Date of Filing Application: **09 July 2010**

(24) Date from which industrial property rights may have effect: **09 July 2010**

(54) Product in respect of which the design is registered: **Carpet**

(51) International Design Classification: **06-11**

(71) Name(s) and Address(s) of Applicant(s):

**Ontera Modular Carpets Pty Ltd
171 Briens Road Northmead New South Wales 2152 Australia**

(72) Name(s) of Designer(s): **Belinda McInerney**

(45) Registration Date: **04 August 2010**

(56) Related Art Documents: **Not Applicable**

(57) Statement of Newness and Distinctiveness: **Those features of the carpet depicted in the representations that are new and distinctive are the pattern and/or ornamentation.**



(21) Design Number: **12827/2010**

(22) Date of Filing Application: **09 July 2010**

(24) Date from which industrial property rights may have effect: **09 July 2010**

(54) Product in respect of which the design is registered: **Carpet**

(51) International Design Classification: **06-11**

(71) Name(s) and Address(s) of Applicant(s):

**Ontera Modular Carpets Pty Ltd
171 Briens Road Northmead New South Wales 2152 Australia**

(72) Name(s) of Designer(s): **James Mfula**

(45) Registration Date: **04 August 2010**

(56) Related Art Documents: **Not Applicable**

(57) Statement of Newness and Distinctiveness: **Those features of the carpet depicted in the representations that are new and distinctive are the pattern and/or ornamentation.**



(21) Design Number: **12828/2010**

(22) Date of Filing Application: **09 July 2010**

(24) Date from which industrial property rights may have effect: **09 July 2010**

(54) Product in respect of which the design is registered: **Carpet**

(51) International Design Classification: **06-11**

(71) Name(s) and Address(s) of Applicant(s):

**Ontera Modular Carpets Pty Ltd
171 Briens Road Northmead New South Wales 2152 Australia**

(72) Name(s) of Designer(s): **James Mfula and Maria Sifonios**

(45) Registration Date: **04 August 2010**

(56) Related Art Documents: **Not Applicable**

(57) Statement of Newness and Distinctiveness: **Those features of the carpet depicted in the representations that are new and distinctive are the pattern and/or ornamentation.**



(21) Design Number: **12829/2010**

(22) Date of Filing Application: **09 July 2010**

(24) Date from which industrial property rights may have effect: **09 July 2010**

(54) Product in respect of which the design is registered: **Carpet**

(51) International Design Classification: **06-11**

(71) Name(s) and Address(s) of Applicant(s):

**Ontera Modular Carpets Pty Ltd
171 Briens Road Northmead New South Wales 2152 Australia**

(72) Name(s) of Designer(s): **Andrea Mercer and Belinda McInerney**

(45) Registration Date: **04 August 2010**

(56) Related Art Documents: **Not Applicable**

(57) Statement of Newness and Distinctiveness: **Those features of the carpet depicted in the representations that are new and distinctive are the pattern and/or ornamentation.**



(21) Design Number: **12830/2010**

(22) Date of Filing Application: **09 July 2010**

(24) Date from which industrial property rights may have effect: **09 July 2010**

(54) Product in respect of which the design is registered: **Carpet**

(51) International Design Classification: **06-11**

(71) Name(s) and Address(s) of Applicant(s):

**Ontera Modular Carpets Pty Ltd
171 Briens Road Northmead New South Wales 2152 Australia**

(72) Name(s) of Designer(s): **Andrea Mercer and Belinda McInerney**

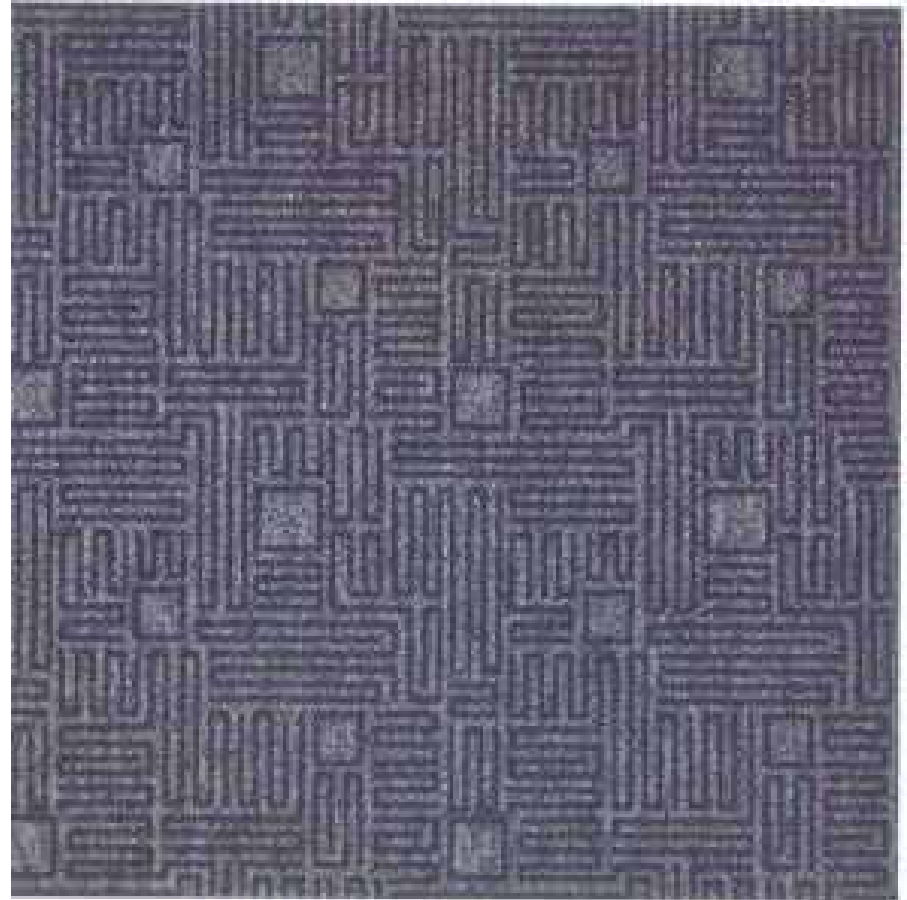
(45) Registration Date: **04 August 2010**

(56) Related Art Documents: **Not Applicable**

(57) Statement of Newness and Distinctiveness: **Those features of the carpet depicted in the representations that are new and distinctive are the pattern and/or ornamentation.**



- (21) Design Number: **12831/2010**
(22) Date of Filing Application: **09 July 2010**
(24) Date from which industrial property rights may have effect: **09 July 2010**
(54) Product in respect of which the design is registered: **Carpet**
(51) International Design Classification: **06-11**
(71) Name(s) and Address(s) of Applicant(s):
Ontera Modular Carpets Pty Ltd
171 Briens Road Northmead New South Wales 2152 Australia
(72) Name(s) of Designer(s): **James Mfula**
(45) Registration Date: **04 August 2010**
(56) Related Art Documents: **Not Applicable**
(57) Statement of Newness and Distinctiveness: **Those features of the carpet depicted in the representations that are new and distinctive are the pattern and/or ornamentation.**



- (21) Design Number: **11035/2010**
(22) Date of Filing Application: **24 March 2010**
(24) Date from which industrial property rights may have effect: **24 March 2010**
(54) Product in respect of which the design is registered: **Dress**
(51) International Design Classification: **02-02C**
(71) Name(s) and Address(s) of Applicant(s):
Alive Girl Pty Ltd
125-135 Langridge Street Collingwood Victoria 3066 Australia
(72) Name(s) of Designer(s): **Vanessa Kortlang**
(45) Registration Date: **03 August 2010**
(56) Related Art Documents: **Not Applicable**
(57) Statement of Newness and Distinctiveness: **Newness and distinctiveness is claimed in the shape, configuration, pattern and ornamentation of the dress shown in the accompanying representations, disregarding colour.**



- (21) Design Number: **13254/2010**
(22) Date of Filing Application: **24 March 2010**
(24) Date from which industrial property rights may have effect: **24 March 2010**
(54) Product in respect of which the design is registered: **Top**
(51) International Design Classification: **02-02NES**
(71) Name(s) and Address(s) of Applicant(s):
Alive Girl Pty Ltd
125-135 Langridge Street Collingwood Victoria 3066 Australia
(72) Name(s) of Designer(s): **Vanessa Kortlang**
(45) Registration Date: **03 August 2010**
(62) Divisional of: **332066**
(56) Related Art Documents: **Not Applicable**
(57) Statement of Newness and Distinctiveness: **Newness and distinctiveness is claimed in the shape, configuration, pattern and ornamentation of the top shown in the accompanying representations.**



- (21) Design Number: **13255/2010**
(22) Date of Filing Application: **24 March 2010**
(24) Date from which industrial property rights may have effect: **24 March 2010**
(54) Product in respect of which the design is registered: **Dress**
(51) International Design Classification: **02-02C**
(71) Name(s) and Address(s) of Applicant(s):
Alive Girl Pty Ltd
125-135 Langridge Street Collingwood Victoria 3066 Australia
(72) Name(s) of Designer(s): **Vanessa Kortlang**
(45) Registration Date: **03 August 2010**
(62) Divisional of: **332066**
(56) Related Art Documents: **Not Applicable**
(57) Statement of Newness and Distinctiveness: **Newness and distinctiveness is claimed in the shape and configuration of the dress shown in the accompanying representations.**



(21) Design Number: **14894/2009**

(22) Date of Filing Application: **14 December 2009**

(24) Date from which industrial property rights may have effect: **14 December 2009**

(54) Product in respect of which the design is registered: **Lockset**

(51) International Design Classification: **08-07**

(71) Name(s) and Address(s) of Applicant(s):

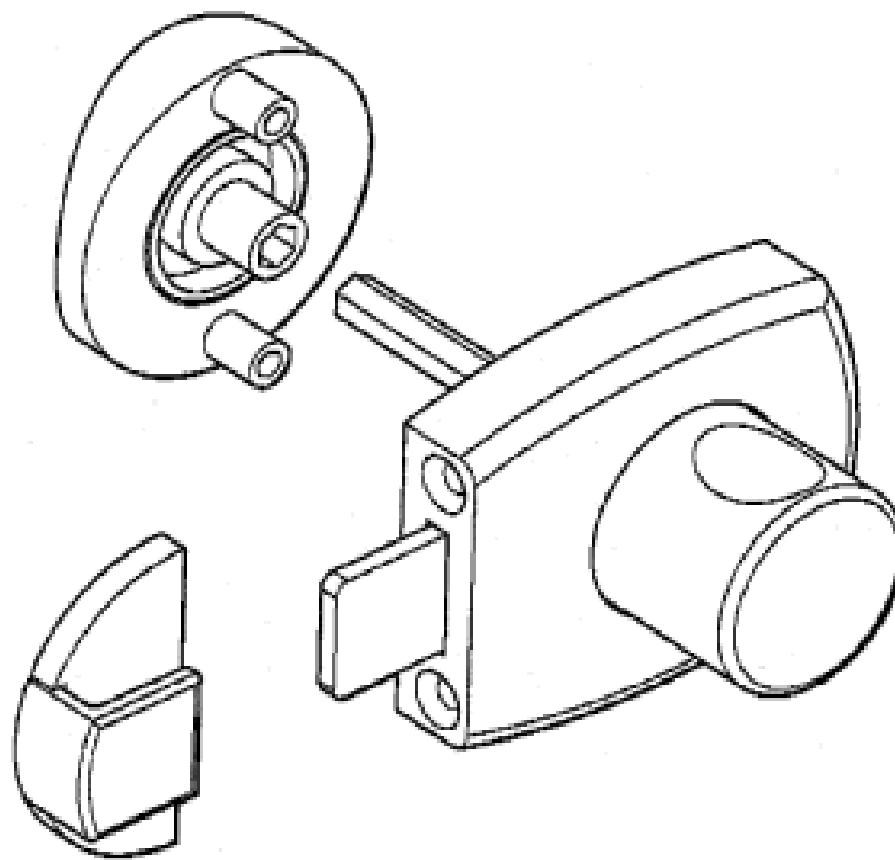
Metlam Australia Pty. Limited
17 Parker Road New Gisborne Victoria 3438 Australia

(72) Name(s) of Designer(s): **Brian Bishop**

(45) Registration Date: **04 August 2010**

(56) Related Art Documents: **Not Applicable**

(57) Statement of Newness and Distinctiveness: **Nil**



(21) Design Number: **10325/2010**

(22) Date of Filing Application: **28 January 2010**

(24) Date from which industrial property rights may have effect: **28 January 2010**

(54) Product in respect of which the design is registered: **Cable lock**

(51) International Design Classification: **08-07**

(71) Name(s) and Address(s) of Applicant(s):

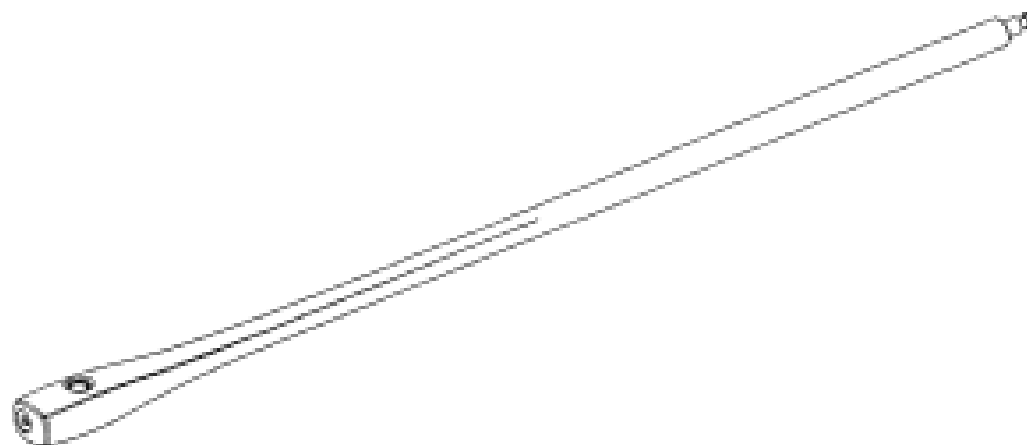
Knog Pty Ltd
453 Church Street Richmond Victoria 3121 Australia

(72) Name(s) of Designer(s): **Malcolm McKechnie and Hugo Davidson and Chris Bilanenko and Jonathan Chan and Kynan Taylor**

(45) Registration Date: **04 August 2010**

(56) Related Art Documents: **Not Applicable**

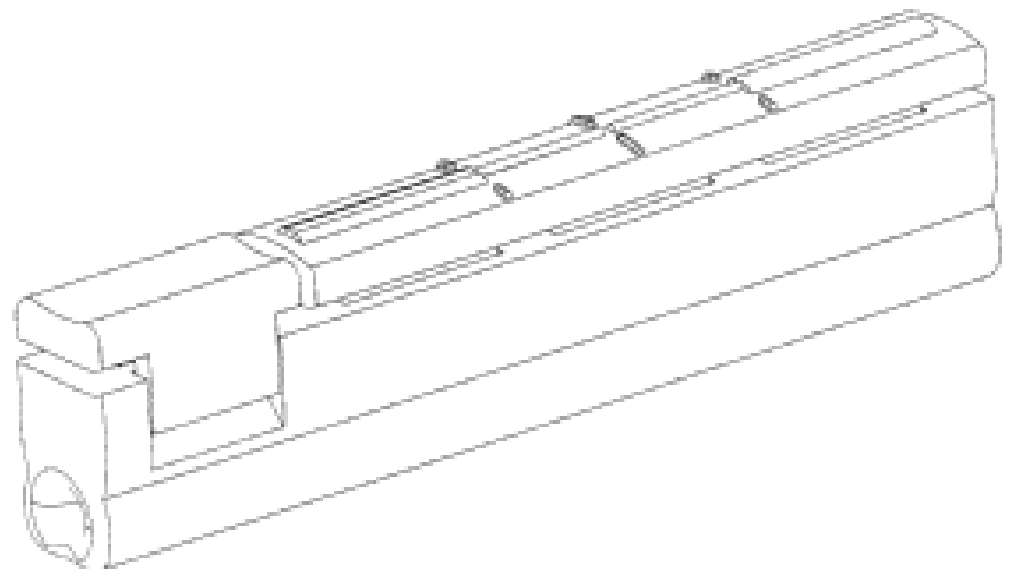
(57) Statement of Newness and Distinctiveness: **Newness and Distinctiveness are claimed in the features of shape and/or configuration of a cable lock, as illustrated in the accompanying representations.**



- (21) Design Number: **11093/2010**
(22) Date of Filing Application: **25 March 2010**
(24) Date from which industrial property rights may have effect: **25 March 2010**
(54) Product in respect of which the design is registered: **Preform**
(51) International Design Classification: **09-07NES, 09-01B, 15-09**
(71) Name(s) and Address(s) of Applicant(s):
Coca-Cola Amatil (Aust) Limited
Level 15 71 Macquarie Street Sydney New South Wales 2000 Australia
(72) Name(s) of Designer(s): **Craig Walker**
(45) Registration Date: **04 August 2010**
(56) Related Art Documents: **Not Applicable**
(57) Statement of Newness and Distinctiveness: **Nil**



- (21) Design Number: **12313/2010**
(22) Date of Filing Application: **04 June 2010**
(24) Date from which industrial property rights may have effect: **04 June 2010**
(54) Product in respect of which the design is registered: **Apparatus for mechanically splicing two optic fibres**
(51) International Design Classification: **08-05NES**
(71) Name(s) and Address(s) of Applicant(s):
ADC Communications (Australia) Pty Limited
2 Hereford Street Berkeley Vale New South Wales 2261 Australia
(72) Name(s) of Designer(s): **Brent David Allwood and Brett Hoe Slater and Bryce Lindsay Nicholls**
(45) Registration Date: **04 August 2010**
(56) Related Art Documents: **Not Applicable**
(57) Statement of Newness and Distinctiveness: **The features of shape and configuration of the apparatus for mechanically splicing two optic fibres shown in the accompanying representations are considered to be new and distinctive.**



(21) Design Number: **12533/2010**
(22) Date of Filing Application: **18 June 2010**
(24) Date from which industrial property rights may have effect: **18 June 2010**
(54) Product in respect of which the design is registered: **Identification device**
(51) International Design Classification: **10-06, 02-03**
(71) Name(s) and Address(s) of Applicant(s):

QinetiQ Limited
85 Buckingham Gate London SW1E 6PD United Kingdom

(72) Name(s) of Designer(s): **Eoin Seiorse O'Keefe and Adam Joseph Shohet and Martin Swan**

(45) Registration Date: **04 August 2010**

(30) Convention priority data:

(31) Number	(32) Date	(33) Country
4013819	18 Dec 2009	UNITED KINGDOM

(56) Related Art Documents: **Not Applicable**

(57) Statement of Newness and Distinctiveness: **Newness and distinctiveness is claimed in the visual features shown in solid lines in the representations. The article of headwear with which the device can be used as shown in broken lines does not form part of the design.**



(21) Design Number: **12541/2010**
(22) Date of Filing Application: **21 June 2010**
(24) Date from which industrial property rights may have effect: **21 June 2010**
(54) Product in respect of which the design is registered: **Nasal dilator**
(51) International Design Classification: **24-02**
(71) Name(s) and Address(s) of Applicant(s):

GlaxoSmithKline LLC
One Franklin Plaza 200 North 16th Street Philadelphia Pennsylvania 19102 United States of America

(72) Name(s) of Designer(s): **Kyle N. Brogden and Gustav R. Fenton and Snigdha Mishra**

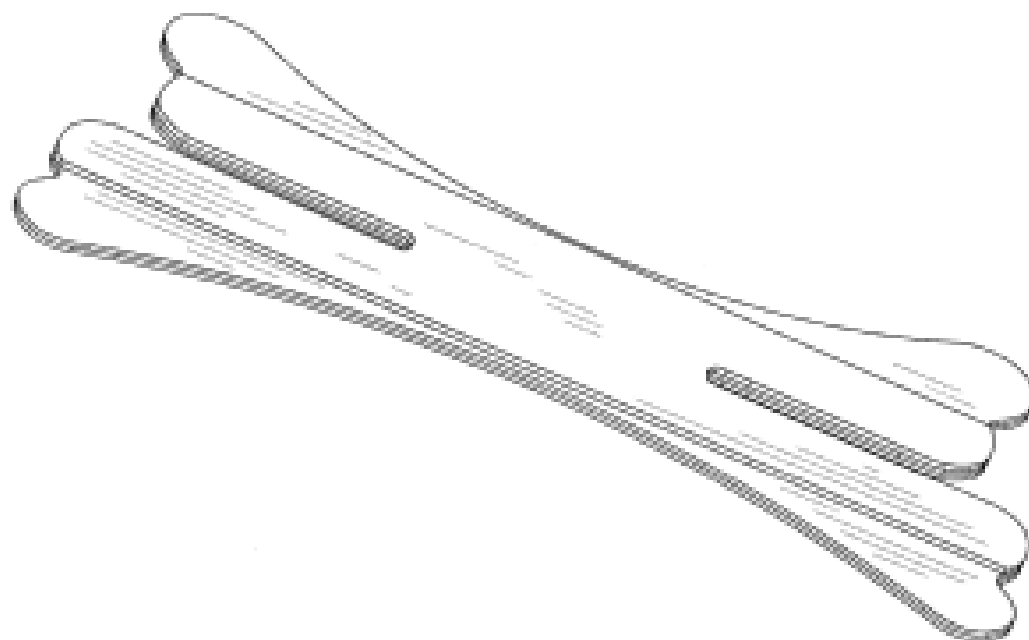
(45) Registration Date: **04 August 2010**

(30) Convention priority data:

(31) Number	(32) Date	(33) Country
29/352627	23 Dec 2009	UNITED STATES OF AMERICA

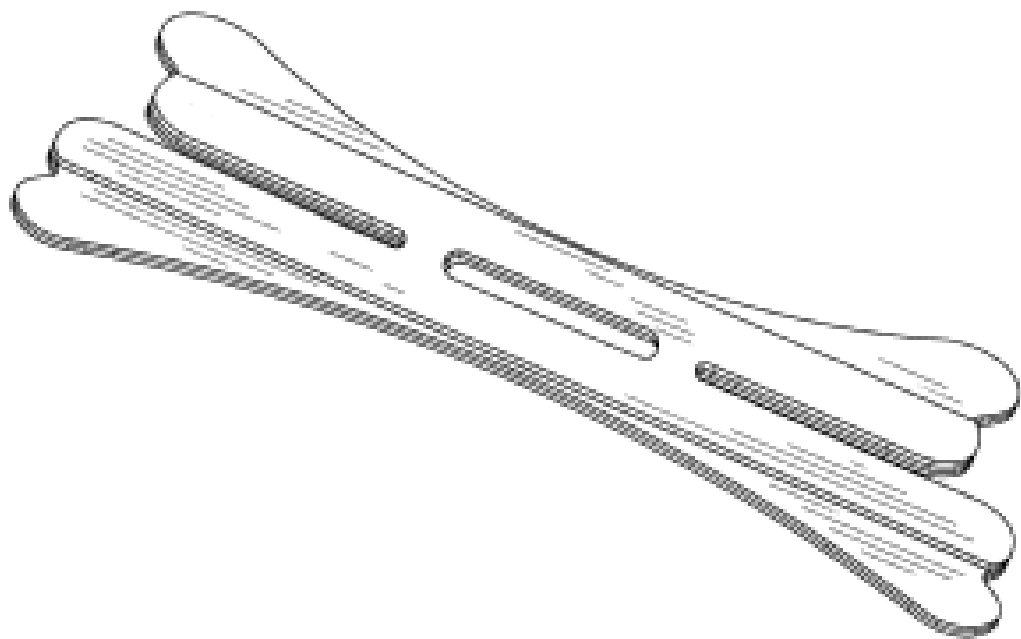
(56) Related Art Documents: **Not Applicable**

(57) Statement of Newness and Distinctiveness: **Nil**



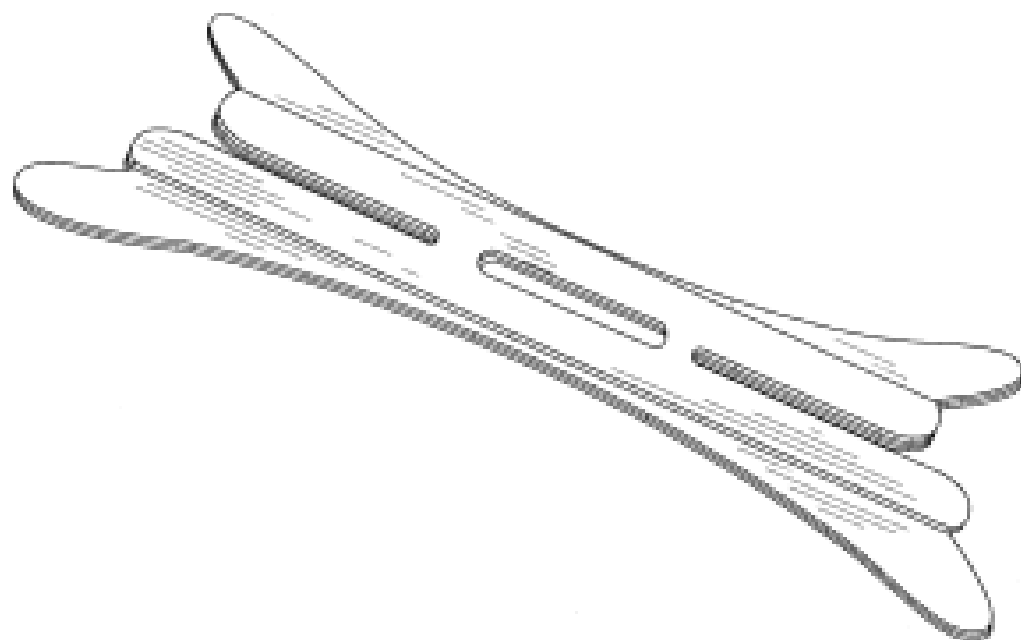
(19) AU

(21) Design Number: **12542/2010**
(22) Date of Filing Application: **21 June 2010**
(24) Date from which industrial property rights may have effect: **21 June 2010**
(54) Product in respect of which the design is registered: **Nasal dilator**
(51) International Design Classification: **24-02**
(71) Name(s) and Address(s) of Applicant(s):
GlaxoSmithKline LLC
One Franklin Plaza 200 North 16th Street Philadelphia Pennsylvania
19102 United States of America
(72) Name(s) of Designer(s): **Kyle N. Brogden and Gustav R. Fenton and**
Snigdha Mishra
(45) Registration Date: **04 August 2010**
(30) Convention priority data:
(31) Number (32) Date (33) Country
29/352627 23 Dec 2009 UNITED STATES OF AMERICA
(56) Related Art Documents: **Not Applicable**
(57) Statement of Newness and Distinctiveness: **Nil**

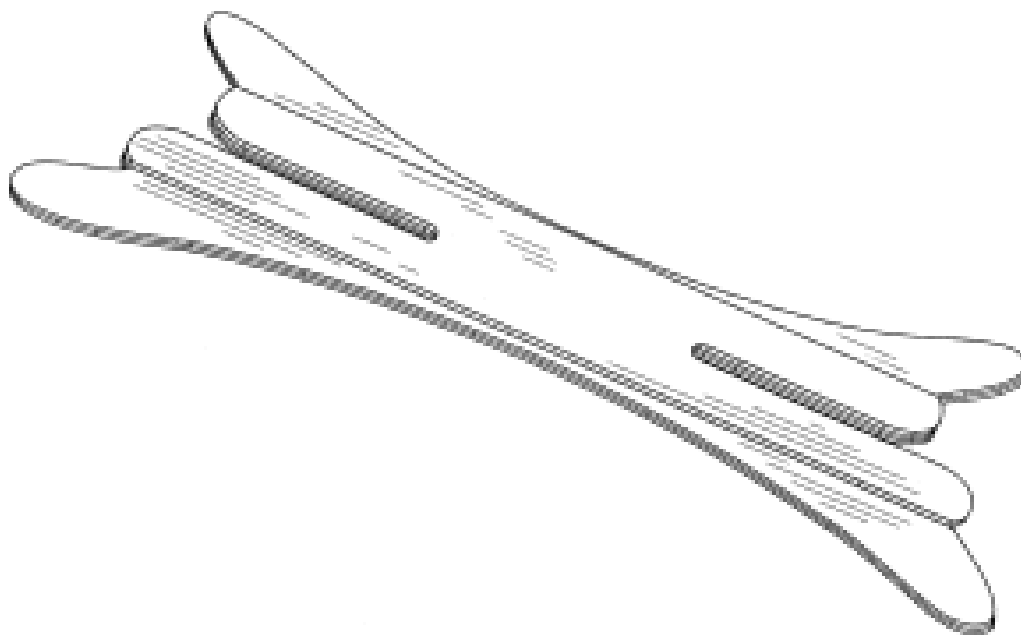


(19) AU

(21) Design Number: **12543/2010**
(22) Date of Filing Application: **21 June 2010**
(24) Date from which industrial property rights may have effect: **21 June 2010**
(54) Product in respect of which the design is registered: **Nasal dilator**
(51) International Design Classification: **24-02**
(71) Name(s) and Address(s) of Applicant(s):
GlaxoSmithKline LLC
One Franklin Plaza 200 North 16th Street Philadelphia Pennsylvania
19102 United States of America
(72) Name(s) of Designer(s): **Kyle N. Brogden and Gustav R. Fenton and**
Snigdha Mishra
(45) Registration Date: **04 August 2010**
(30) Convention priority data:
(31) Number (32) Date (33) Country
29/352627 23 Dec 2009 UNITED STATES OF AMERICA
(56) Related Art Documents: **Not Applicable**
(57) Statement of Newness and Distinctiveness: **Nil**



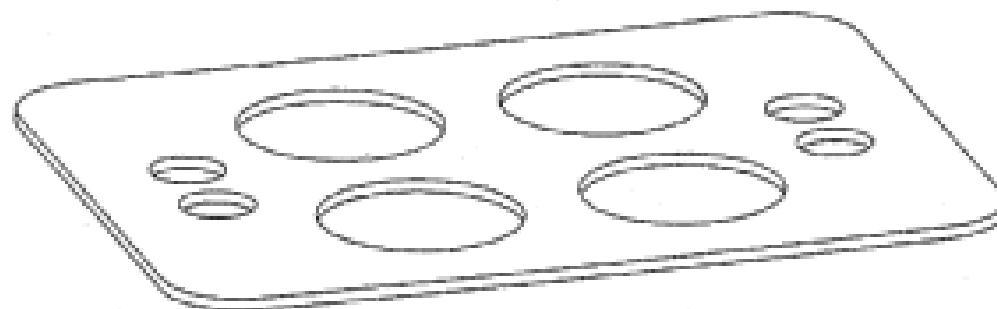
(21) Design Number: **12544/2010**
(22) Date of Filing Application: **21 June 2010**
(24) Date from which industrial property rights may have effect: **21 June 2010**
(54) Product in respect of which the design is registered: **Nasal dilator**
(51) International Design Classification: **24-02**
(71) Name(s) and Address(s) of Applicant(s):
GlaxoSmithKline LLC
One Franklin Plaza 200 North 16th Street Philadelphia Pennsylvania
19102 United States of America
(72) Name(s) of Designer(s): **Kyle N. Brogden and Gustav R. Fenton and**
Snigdha Mishra
(45) Registration Date: **04 August 2010**
(30) Convention priority data:
(31) Number (32) Date (33) Country
29/352627 23 Dec 2009 UNITED STATES OF AMERICA
(56) Related Art Documents: **Not Applicable**
(57) Statement of Newness and Distinctiveness: **Nil**



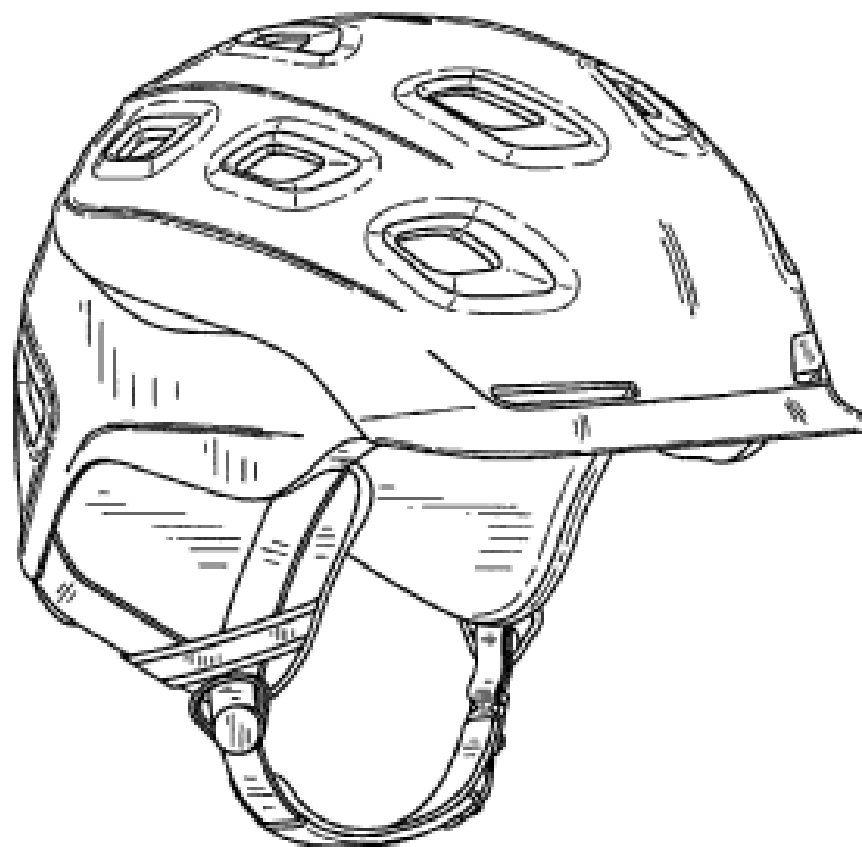
(21) Design Number: **12848/2010**
(22) Date of Filing Application: **09 July 2010**
(24) Date from which industrial property rights may have effect: **09 July 2010**
(54) Product in respect of which the design is registered: **A watering can**
(51) International Design Classification: **08-05A**
(71) Name(s) and Address(s) of Applicant(s):
Romuald Yip
61 Osprey Drive Illawong New South Wales 2234 Australia
(72) Name(s) of Designer(s): **Nicholas Leigh**
(45) Registration Date: **04 August 2010**
(56) Related Art Documents: **Not Applicable**
(57) Statement of Newness and Distinctiveness: **Newness and distinctiveness is**
claimed in the features of shape and/or configuration of a watering can
as illustrated in the accompanying representations.



(21) Design Number: **12850/2010**
 (22) Date of Filing Application: **08 July 2010**
 (24) Date from which industrial property rights may have effect: **08 July 2010**
 (54) Product in respect of which the design is registered: **A carrier for containers**
 (51) International Design Classification: **03-01D**
 (71) Name(s) and Address(s) of Applicant(s):
Jolt Corporation Australia Pty Ltd
PO Box 527 North Adelaide South Australia 5006 Australia
 (72) Name(s) of Designer(s): **Peter Ballard**
 (45) Registration Date: **04 August 2010**
 (56) Related Art Documents: **Not Applicable**
 (57) Statement of Newness and Distinctiveness: **Nil features shown in solid lines in the representations.**

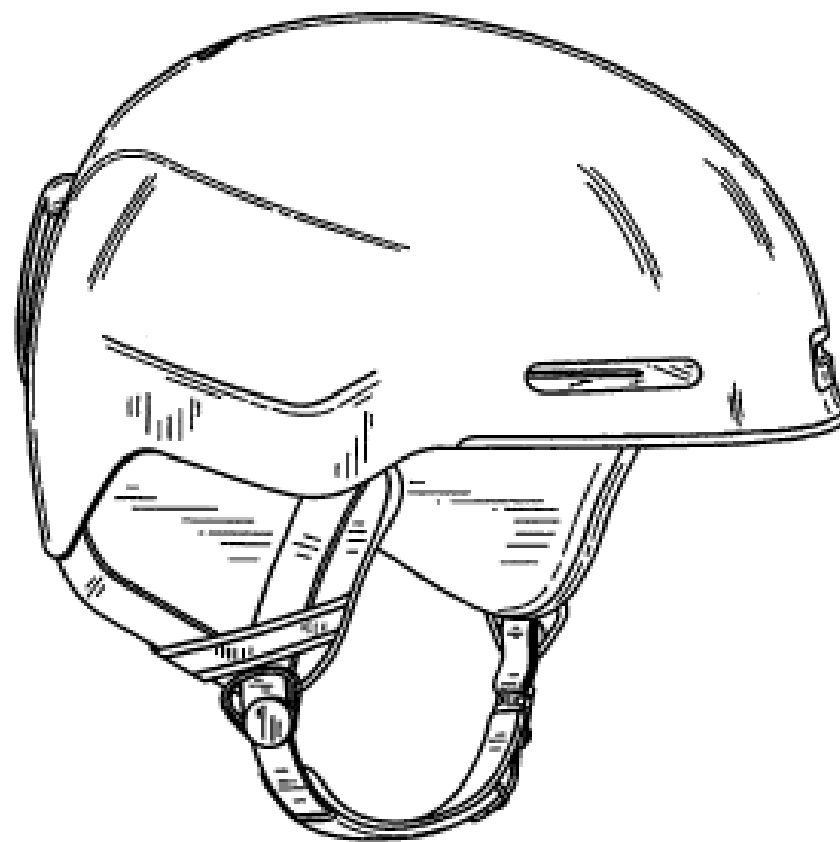


(21) Design Number: **12909/2010**
 (22) Date of Filing Application: **14 July 2010**
 (24) Date from which industrial property rights may have effect: **14 July 2010**
 (54) Product in respect of which the design is registered: **A helmet**
 (51) International Design Classification: **02-03**
 (71) Name(s) and Address(s) of Applicant(s):
Smith Optics, Inc.
280 Northwood Way Ketchum Idaho 83340 United States of America
 (72) Name(s) of Designer(s): **James A. Chilson and Dominique Aris and Eric Carlson**
 (45) Registration Date: **04 August 2010**
 (30) Convention priority data:
 (31) Number (32) Date (33) Country
29/353,852 14 Jan 2010 UNITED STATES OF AMERICA
 (56) Related Art Documents: **Not Applicable**
 (57) Statement of Newness and Distinctiveness: **The design is to be applied to a Helmet and the novelty resides in the features of shape and configuration of the Helmet as shown in the accompanying representations.**



(19) AU

- (21) Design Number: **12910/2010**
(22) Date of Filing Application: **14 July 2010**
(24) Date from which industrial property rights may have effect: **14 July 2010**
(54) Product in respect of which the design is registered: **A helmet**
(51) International Design Classification: **02-03**
(71) Name(s) and Address(s) of Applicant(s):
Smith Optics, Inc.
280 Northwood Way Ketchum Idaho 83340 United States of America
(72) Name(s) of Designer(s): **James A. Chilson and Dominique Aris and Eric Carlson**
(45) Registration Date: **04 August 2010**
(30) Convention priority data:
(31) Number (32) Date (33) Country
29/353,850 14 Jan 2010 UNITED STATES OF AMERICA
(56) Related Art Documents: **Not Applicable**
(57) Statement of Newness and Distinctiveness: **The design is to be applied to a Helmet and the novelty resides in the features of shape and configuration of the Helmet as shown in the accompanying representations.**



(19) AU

- (21) Design Number: **12961/2010**
(22) Date of Filing Application: **19 July 2010**
(24) Date from which industrial property rights may have effect: **19 July 2010**
(54) Product in respect of which the design is registered: **Headband, costume, headdress, gimmick, merchandise**
(51) International Design Classification: **11-99, 02-03**
(71) Name(s) and Address(s) of Applicant(s):
Joanne Kemerer
3/18 Roseview Way St Albans Park Victoria 3219 Australia
(72) Name(s) of Designer(s): **Joanne Kemerer**
(45) Registration Date: **04 August 2010**
(56) Related Art Documents: **Not Applicable**
(57) Statement of Newness and Distinctiveness: **Headband with cat ears designed with distinct Geelong Football Club colours, navy and white, to be marketed as football merchandise.**



(21) Design Number: **12962/2010**

(22) Date of Filing Application: **19 July 2010**

(24) Date from which industrial property rights may have effect: **19 July 2010**

(54) Product in respect of which the design is registered: **Headband, costume, headdress, gimmick, merchandise**

(51) International Design Classification: **02-03, 11-99**

(71) Name(s) and Address(s) of Applicant(s):

Joanne Kemerer

3/18 Roseview Way St Albans Park Victoria 3219 Australia

(72) Name(s) of Designer(s): **Joanne Kemerer**

(45) Registration Date: **04 August 2010**

(56) Related Art Documents: **Not Applicable**

(57) Statement of Newness and Distinctiveness: **Headband with cat ears designed with distinct Geelong Football Club colours, navy and white, to be marketed as football merchandise.**



(21) Design Number: **11102/2010**

(22) Date of Filing Application: **29 March 2010**

(24) Date from which industrial property rights may have effect: **29 March 2010**

(54) Product in respect of which the design is registered: **Boiler suit/overalls**

(51) International Design Classification: **02-02B**

(71) Name(s) and Address(s) of Applicant(s):

Nardia Baskerville

14 Cook Street Lidcombe New South Wales 2141 Australia

Tatjana Williams

14 Cook Street Lidcombe New South Wales 2141 Australia

(72) Name(s) of Designer(s): **Nardia Baskerville and Tatjana Williams**

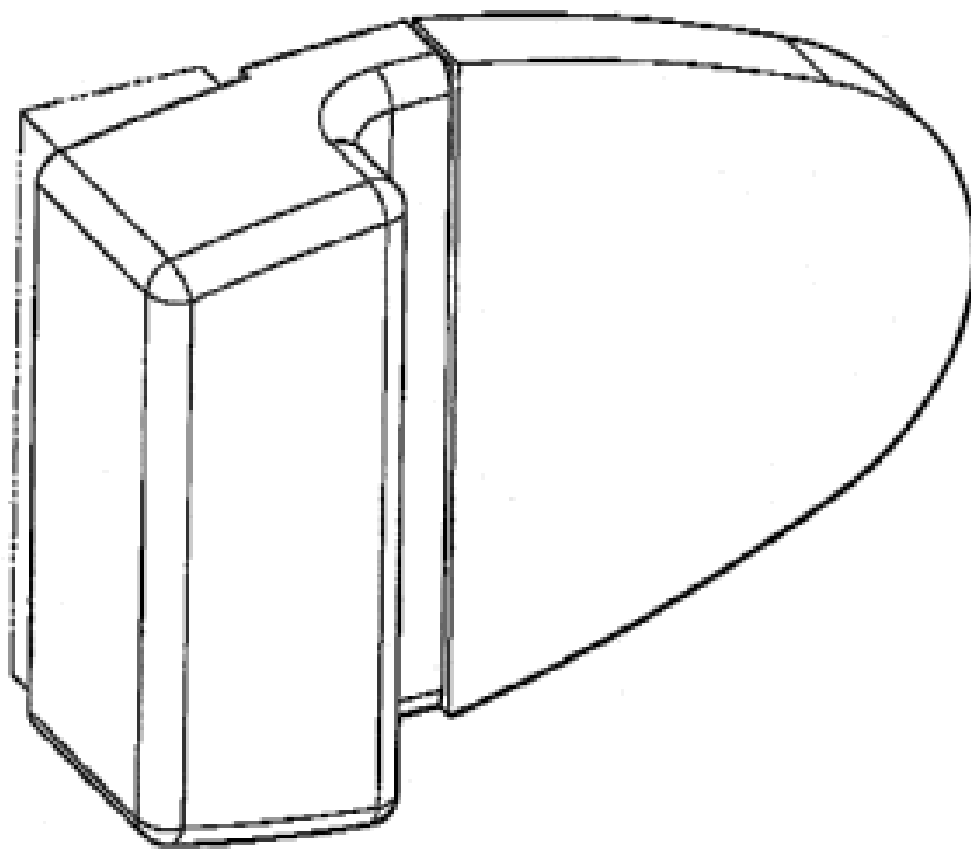
(45) Registration Date: **04 August 2010**

(56) Related Art Documents: **Not Applicable**

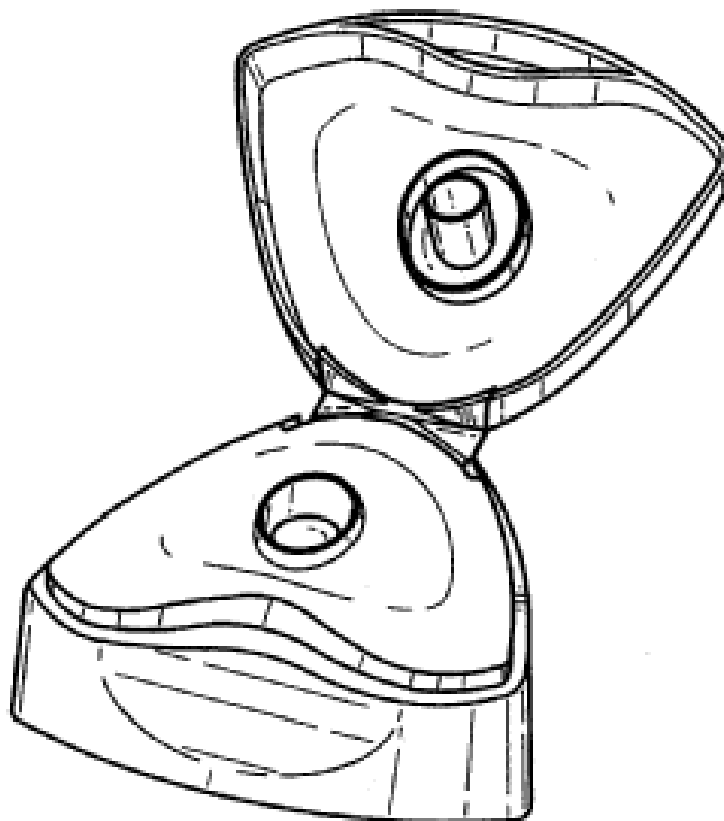
(57) Statement of Newness and Distinctiveness: **The Poko overalls are designed to unzip at the back without the need for full removal.**



- (21) Design Number: **11844/2010**
(22) Date of Filing Application: **11 May 2010**
(24) Date from which industrial property rights may have effect: **11 May 2010**
(54) Product in respect of which the design is registered: **Lock cover**
(51) International Design Classification: **08-07**
(71) Name(s) and Address(s) of Applicant(s):
Metlam Australia Pty. Limited
17 Parker Road New Gisborne Victoria 3438 Australia
(72) Name(s) of Designer(s): **Brian Bishop**
(45) Registration Date: **04 August 2010**
(56) Related Art Documents: **Not Applicable**
(57) Statement of Newness and Distinctiveness: **Nil**



- (21) Design Number: **12165/2010**
(22) Date of Filing Application: **28 May 2010**
(24) Date from which industrial property rights may have effect: **28 May 2010**
(54) Product in respect of which the design is registered: **Cap**
(51) International Design Classification: **09-07C**
(71) Name(s) and Address(s) of Applicant(s):
Unilever PLC
Unilever House 100 Victoria Embankment London EC4Y 0DY United Kingdom
(72) Name(s) of Designer(s): **Timothy Hope Jebb and Benjamin James Lambert and Philip Alan Marlow and Benjamin Phalan Oates**
(45) Registration Date: **04 August 2010**
(30) Convention priority data:
(31) Number (32) Date (33) Country
4013751 14 Dec 2009 UNITED KINGDOM
(56) Related Art Documents: **Not Applicable**
(57) Statement of Newness and Distinctiveness: **Newness and distinctiveness is claimed in the visual features of the cross-sectional configuration of the cap having asymmetric intersecting lateral curves, the curve at the front being shallow whereas the rear is arcuate and/or the intersections of the curves forming edges tilting towards the front and/or the forward sloping upper lid with thumb groove underneath.**



(21) Design Number: **12432/2010**

(22) Date of Filing Application: **15 June 2010**

(24) Date from which industrial property rights may have effect: **15 June 2010**

(54) Product in respect of which the design is registered: **Clamping bar**

(51) International Design Classification: **08-08D**

(71) Name(s) and Address(s) of Applicant(s):

Corie Braun

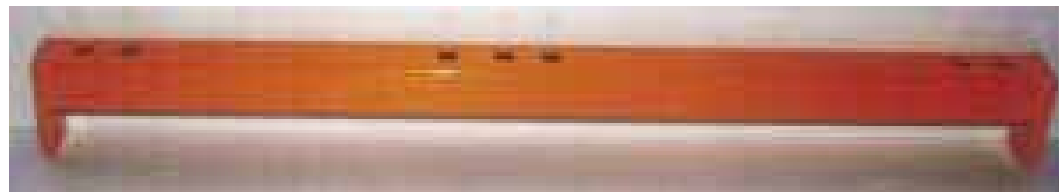
10-12 Sandstone Road Greenbank Queensland 4124 Australia

(72) Name(s) of Designer(s): **Corie Braun**

(45) Registration Date: **04 August 2010**

(56) Related Art Documents: **Not Applicable**

(57) Statement of Newness and Distinctiveness: **The new feature of the clamping bar is that I have added an extra hole beside the centered hole to incorporate a shackle padlock.**



(21) Design Number: **12833/2010**

(22) Date of Filing Application: **09 July 2010**

(24) Date from which industrial property rights may have effect: **09 July 2010**

(54) Product in respect of which the design is registered: **Carpet**

(51) International Design Classification: **06-11**

(71) Name(s) and Address(s) of Applicant(s):

Ontera Modular Carpets Pty Ltd

171 Briens Road Northmead New South Wales 2152 Australia

(72) Name(s) of Designer(s): **Andrea Mercer**

(45) Registration Date: **04 August 2010**

(56) Related Art Documents: **Not Applicable**

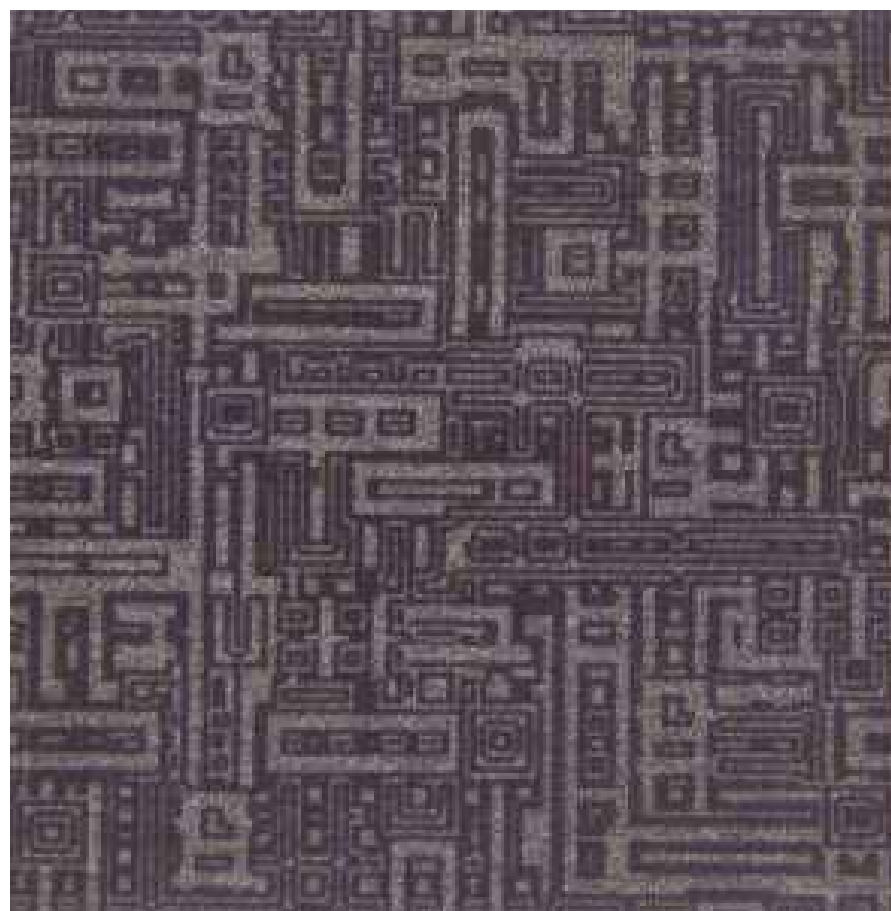
(57) Statement of Newness and Distinctiveness: **Those features of the carpet depicted in the representations that are new and distinctive are the pattern and/or ornamentation.**



- (21) Design Number: **12832/2010**
(22) Date of Filing Application: **09 July 2010**
(24) Date from which industrial property rights may have effect: **09 July 2010**
(54) Product in respect of which the design is registered: **Carpet**
(51) International Design Classification: **06-11**
(71) Name(s) and Address(s) of Applicant(s):
Ontera Modular Carpets Pty Ltd
171 Briens Road Northmead New South Wales 2152 Australia
(72) Name(s) of Designer(s): **James Mfula**
(45) Registration Date: **04 August 2010**
(56) Related Art Documents: **Not Applicable**
(57) Statement of Newness and Distinctiveness: **Those features of the carpet depicted in the representations that are new and distinctive are the pattern and/or ornamentation.**



- (21) Design Number: **12834/2010**
(22) Date of Filing Application: **09 July 2010**
(24) Date from which industrial property rights may have effect: **09 July 2010**
(54) Product in respect of which the design is registered: **Carpet**
(51) International Design Classification: **06-11**
(71) Name(s) and Address(s) of Applicant(s):
Ontera Modular Carpets Pty Ltd
171 Briens Road Northmead New South Wales 2152 Australia
(72) Name(s) of Designer(s): **James Mfula**
(45) Registration Date: **04 August 2010**
(56) Related Art Documents: **Not Applicable**
(57) Statement of Newness and Distinctiveness: **Those features of the carpet depicted in the representations that are new and distinctive are the pattern and/or ornamentation.**



- (21) Design Number: **12835/2010**
(22) Date of Filing Application: **09 July 2010**
(24) Date from which industrial property rights may have effect: **09 July 2010**
(54) Product in respect of which the design is registered: **Carpet**
(51) International Design Classification: **06-11**
(71) Name(s) and Address(s) of Applicant(s):
Ontera Modular Carpets Pty Ltd
171 Briens Road Northmead New South Wales 2152 Australia
(72) Name(s) of Designer(s): **Belinda McInerney**
(45) Registration Date: **04 August 2010**
(56) Related Art Documents: **Not Applicable**
(57) Statement of Newness and Distinctiveness: **Those features of the carpet depicted in the representations that are new and distinctive are the pattern and/or ornamentation.**



- (21) Design Number: **12870/2010**
(22) Date of Filing Application: **13 July 2010**
(24) Date from which industrial property rights may have effect: **13 July 2010**
(54) Product in respect of which the design is registered: **Mini loaf baking pan**
(51) International Design Classification: **07-02P**
(71) Name(s) and Address(s) of Applicant(s):
H&H Asia Ltd.
7F-1 No. 167 Fu Xing North Road Taipei 10547 Taiwan
(72) Name(s) of Designer(s): **Alison Bout**
(45) Registration Date: **05 August 2010**
(56) Related Art Documents: **Not Applicable**
(57) Statement of Newness and Distinctiveness: **Nil**



(21) Design Number: **12871/2010**

(22) Date of Filing Application: **13 July 2010**

(24) Date from which industrial property rights may have effect: **13 July 2010**

(54) Product in respect of which the design is registered: **Mini tart baking pan**

(51) International Design Classification: **07-02P**

(71) Name(s) and Address(s) of Applicant(s):

H&H Asia Ltd.

7F-1 No. 167 Fu Xing North Road Taipei 10547 Taiwan

(72) Name(s) of Designer(s): **Alison Bout**

(45) Registration Date: **05 August 2010**

(56) Related Art Documents: **Not Applicable**

(57) Statement of Newness and Distinctiveness: **Nil**



(21) Design Number: **12872/2010**

(22) Date of Filing Application: **13 July 2010**

(24) Date from which industrial property rights may have effect: **13 July 2010**

(54) Product in respect of which the design is registered: **Fluted 12-cup round muffin baking tray**

(51) International Design Classification: **07-02P**

(71) Name(s) and Address(s) of Applicant(s):

H&H Asia Ltd.

7F-1 No. 167 Fu Xing North Road Taipei 10547 Taiwan

(72) Name(s) of Designer(s): **Alison Bout**

(45) Registration Date: **05 August 2010**

(56) Related Art Documents: **Not Applicable**

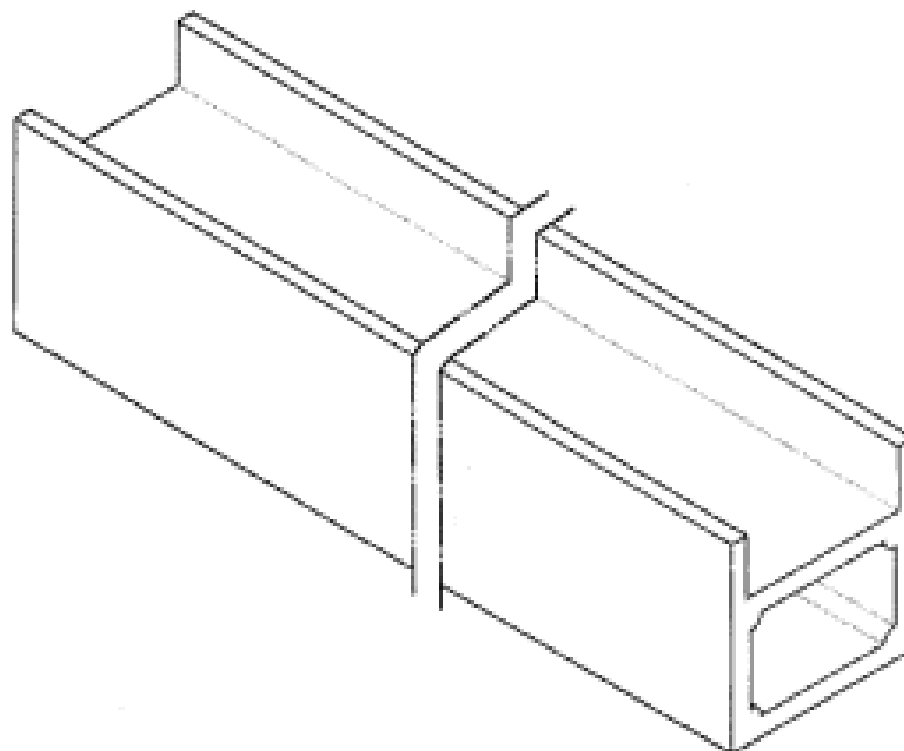
(57) Statement of Newness and Distinctiveness: **The newness and distinctiveness of this design resides in the shape, configuration and appearance of the twelve individual rounded muffin cups comprised in the baking tray and, in particular, in the shape of the scalloped edges of those round muffin cups as depicted in the attached representations.**



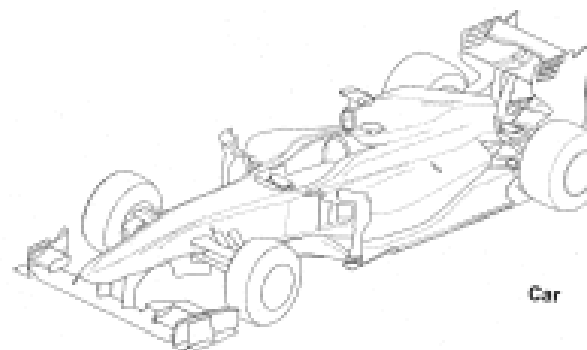
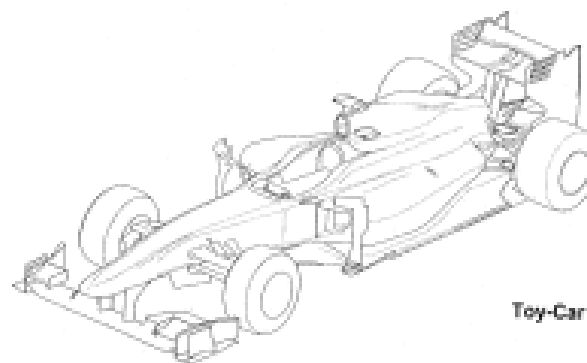
- (21) Design Number: **12873/2010**
(22) Date of Filing Application: **13 July 2010**
(24) Date from which industrial property rights may have effect: **13 July 2010**
(54) Product in respect of which the design is registered: **Fluted 12-cup square muffin baking tray**
(51) International Design Classification: **07-02P**
(71) Name(s) and Address(s) of Applicant(s):
H&H Asia Ltd.
7F-1 No. 167 Fu Xing North Road Taipei 10547 Taiwan
(72) Name(s) of Designer(s): **Alison Bout**
(45) Registration Date: **05 August 2010**
(56) Related Art Documents: **Not Applicable**
(57) Statement of Newness and Distinctiveness: **The newness and distinctiveness of this design resides in the shape and appearance of the twelve individual square muffin cups comprised in the baking tray and, in particular, in the shape of the scalloped edges of those muffin cups as depicted in the attached representations.**



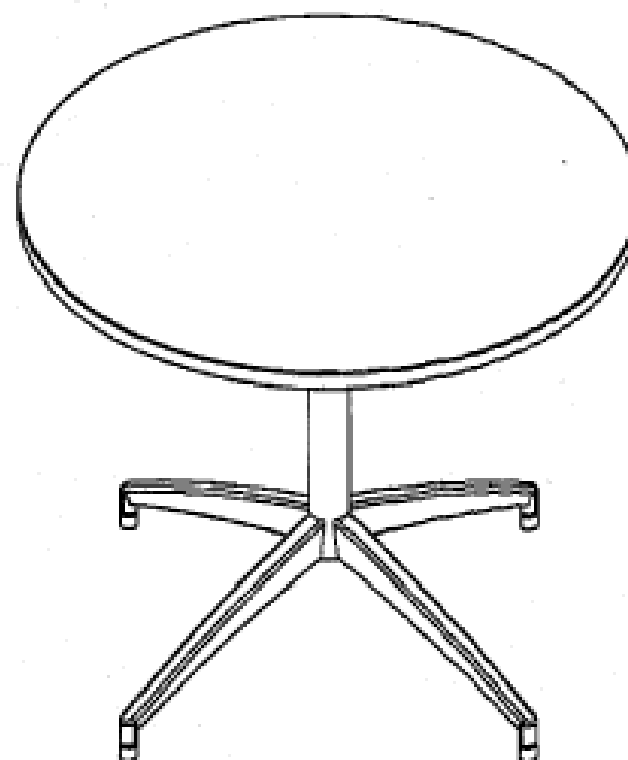
- (21) Design Number: **12874/2010**
(22) Date of Filing Application: **13 July 2010**
(24) Date from which industrial property rights may have effect: **13 July 2010**
(54) Product in respect of which the design is registered: **Facade of indefinite length**
(51) International Design Classification: **25-01C**
(71) Name(s) and Address(s) of Applicant(s):
Innowood International Australia Pty Ltd
126 O'Connell Street North Parramatta New South Wales 2151
Australia
(72) Name(s) of Designer(s): **Marco Faber and Enver Kolac**
(45) Registration Date: **05 August 2010**
(56) Related Art Documents: **Not Applicable**
(57) Statement of Newness and Distinctiveness: **Newness and distinctiveness is claimed in the features of shape and/or configuration of the cross-section of a facade of indefinite length as illustrated in the accompanying representations, wherein the cross-section of the facade is constant along its length.**



- (21) Design Number: **12876/2010**
(22) Date of Filing Application: **13 July 2010**
(24) Date from which industrial property rights may have effect: **13 July 2010**
(54) Product in respect of which the design is registered: **Car and toy-car**
(51) International Design Classification: **12-08, 21-01C**
(71) Name(s) and Address(s) of Applicant(s):
Ferrari S.p.A.
Via Emilia Est 1163 I-41100 Modena Italy
(72) Name(s) of Designer(s): **Nikolaos Tombazis**
(45) Registration Date: **05 August 2010**
(30) Convention priority data:
(31) Number (32) Date (33) Country
001657958 18 Jan 2010 EUROPEAN COMMUNITY
(56) Related Art Documents: **Not Applicable**
(57) Statement of Newness and Distinctiveness: **Those features of the car and toy-car depicted in the representations that are new and distinctive are the shape and/or configuration.**



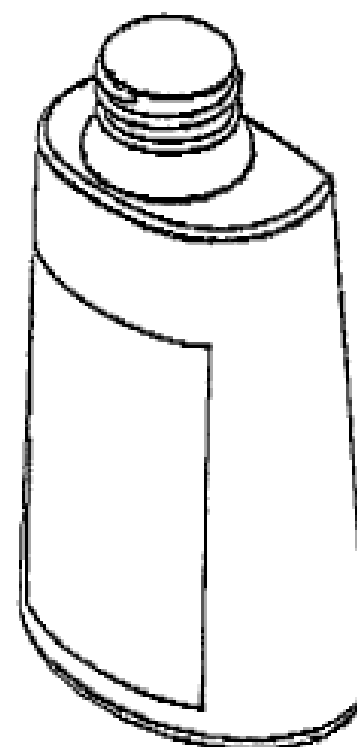
- (21) Design Number: **11901/2010**
(22) Date of Filing Application: **13 May 2010**
(24) Date from which industrial property rights may have effect: **13 May 2010**
(54) Product in respect of which the design is registered: **A table or desk**
(51) International Design Classification: **06-03B**
(71) Name(s) and Address(s) of Applicant(s):
Richard Simmons
7 Huxley Street Timaru New Zealand
(72) Name(s) of Designer(s): **Richard Simmons**
(45) Registration Date: **06 August 2010**
(30) Convention priority data:
(31) Number (32) Date (33) Country
412967 17 Nov 2009 NEW ZEALAND
(56) Related Art Documents: **Not Applicable**
(57) Statement of Newness and Distinctiveness: **The novelty claimed for the design resides in the features of the combination of the shape and/or configuration of the foot of the furniture item and ornament, the foot being translucent or transparent, all as shown in the representations, excluding the shape and configuration of the top of the furniture item, and of the post and the leg(s) between the top and the foot.**



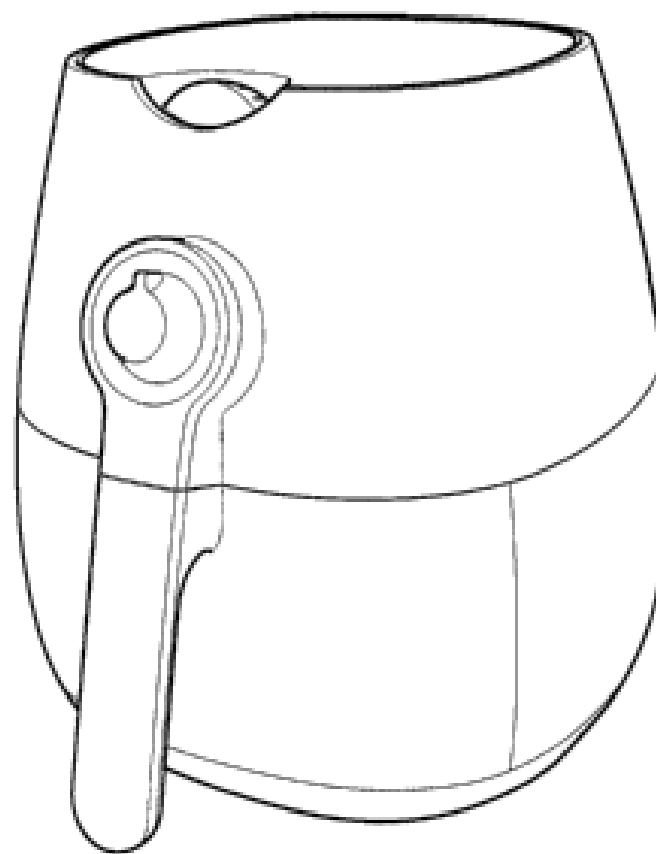
- (21) Design Number: **12707/2010**
(22) Date of Filing Application: **02 July 2010**
(24) Date from which industrial property rights may have effect: **02 July 2010**
(54) Product in respect of which the design is registered: **Hammer hook/hammer holder (toolbelt mounted)**
(51) International Design Classification: **08-08G**
(71) Name(s) and Address(s) of Applicant(s):
Mark Christian Angus
37 Denham Street Rockhampton Queensland 4700 Australia
(72) Name(s) of Designer(s): **Mark Christian Angus**
(45) Registration Date: **06 August 2010**
(56) Related Art Documents: **Not Applicable**
(57) Statement of Newness and Distinctiveness: **Lower hammer hook/holder safely and securely retains a narrow steel necked hammer just below the handle to allow for convenient and ergonomic hammer handle accessibility. The hammer (due to the majority of the weight in the head and neck section) is therefore naturally orientated with its handle facing upright at roughly 45 degrees**



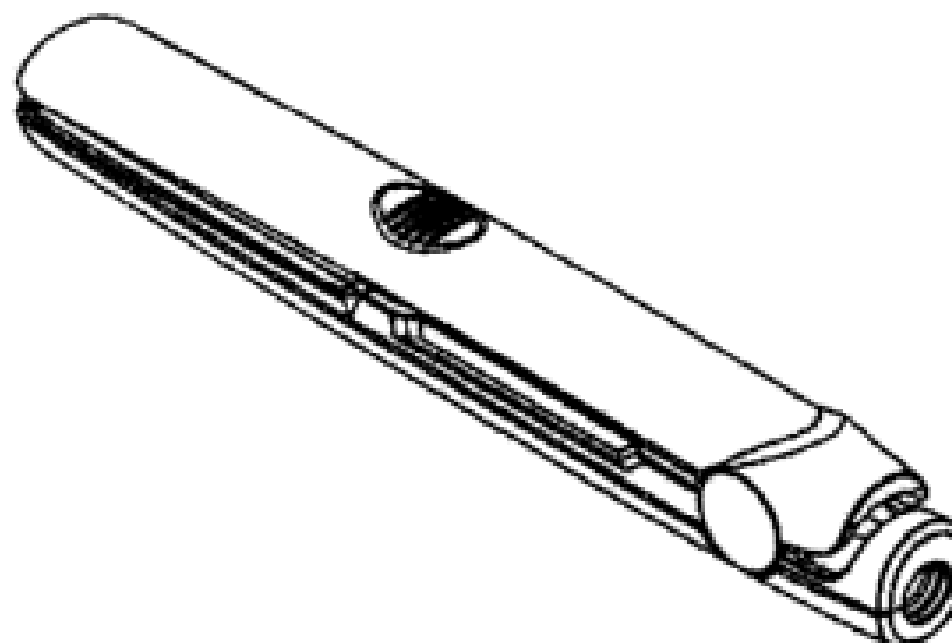
- (21) Design Number: **11777/2010**
(22) Date of Filing Application: **06 May 2010**
(24) Date from which industrial property rights may have effect: **06 May 2010**
(54) Product in respect of which the design is registered: **Bottle**
(51) International Design Classification: **09-01K**
(71) Name(s) and Address(s) of Applicant(s):
PZ Cussons (International) Limited
Manchester Business Park 3500 Aviator Way Manchester M22 5TG
United Kingdom
(72) Name(s) of Designer(s): **Colin O'Kell and Nigel Wolstenholme**
(45) Registration Date: **06 August 2010**
(30) Convention priority data:
(31) Number (32) Date (33) Country
4013127 05 Nov 2009 UNITED KINGDOM
(56) Related Art Documents: **Not Applicable**
(57) Statement of Newness and Distinctiveness: **The newness and distinctiveness of the designs resides in the shape and/or configuration of the BOTTLE shown in the representations.**



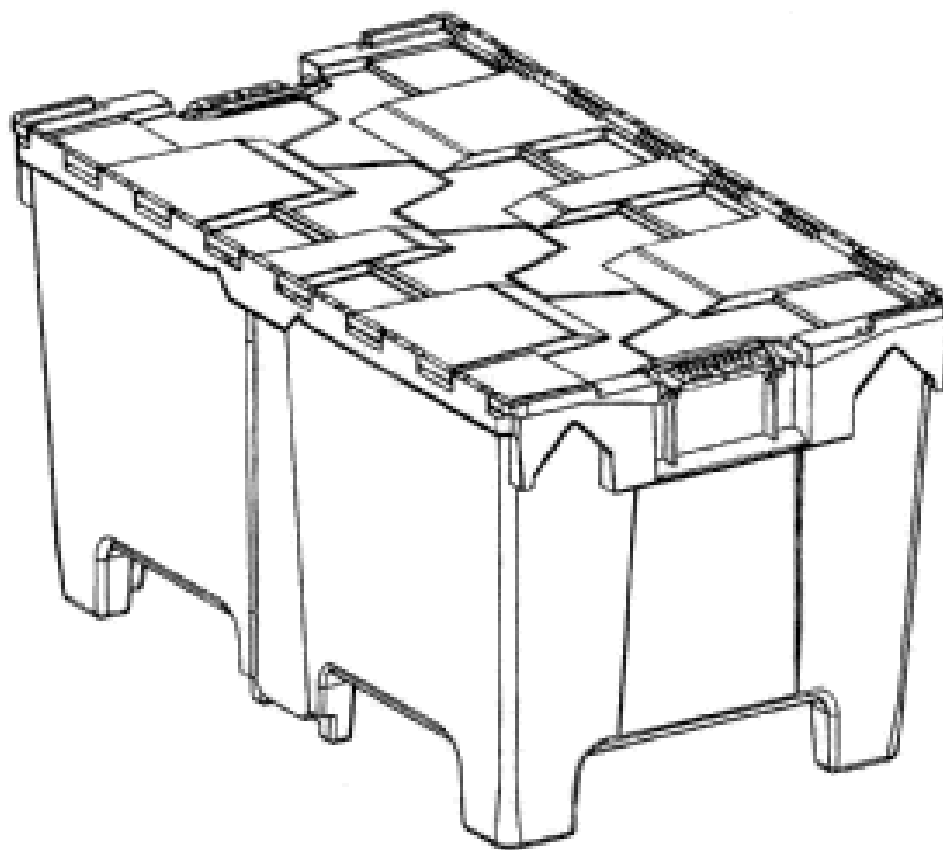
(21) Design Number: **12785/2010**
(22) Date of Filing Application: **07 July 2010**
(24) Date from which industrial property rights may have effect: **07 July 2010**
(54) Product in respect of which the design is registered: **Air fryer**
(51) International Design Classification: **07-02N**
(71) Name(s) and Address(s) of Applicant(s):
Koninklijke Philips Electronics N.V.
Groenewoudseweg 1 5621 BA Eindhoven The Netherlands
(72) Name(s) of Designer(s): **Georg Johann**
(45) Registration Date: **06 August 2010**
(30) Convention priority data:
(31) Number (32) Date (33) Country
001654591-0001 07 Jan 2010 EUROPEAN COMMUNITY
(56) Related Art Documents: **Not Applicable**
(57) Statement of Newness and Distinctiveness: **Newness and distinctiveness reside in the features of shape and configuration of the design as shown in the representations.**



(21) Design Number: **12921/2010**
(22) Date of Filing Application: **15 July 2010**
(24) Date from which industrial property rights may have effect: **15 July 2010**
(54) Product in respect of which the design is registered: **Hair iron**
(51) International Design Classification: **28-03B**
(71) Name(s) and Address(s) of Applicant(s):
GHD KOREA Inc.
110-2 Samgok-Ri Seonggeo-Eup Cheonan-Si Chungcheongnam-Do
South Korea
(72) Name(s) of Designer(s): **Hae Jin Kim**
(45) Registration Date: **06 August 2010**
(30) Convention priority data:
(31) Number (32) Date (33) Country
30-2010-0002503 21 Jan 2010 REPUBLIC OF KOREA
(56) Related Art Documents: **Not Applicable**
(57) Statement of Newness and Distinctiveness: **Nil**



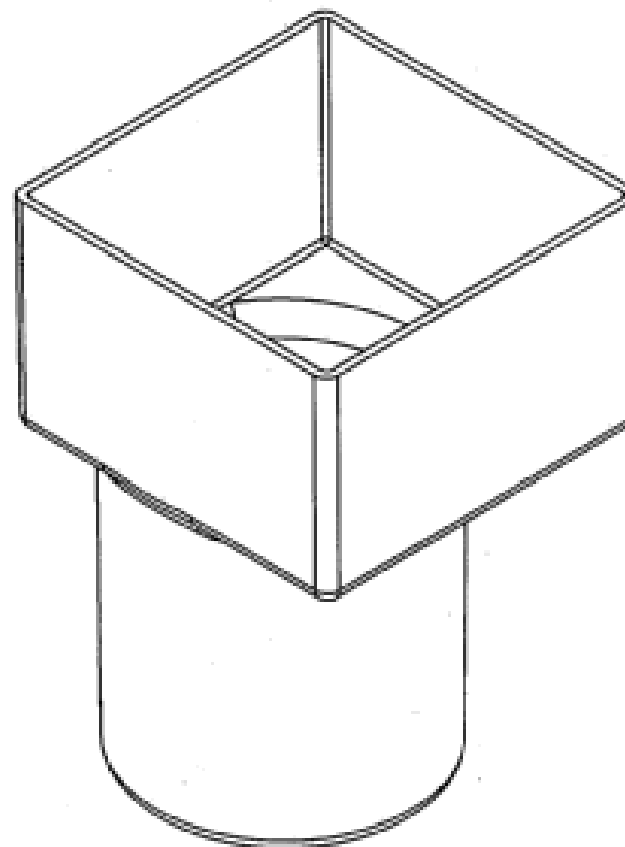
(21) Design Number: **12922/2010**
(22) Date of Filing Application: **14 July 2010**
(24) Date from which industrial property rights may have effect: **14 July 2010**
(54) Product in respect of which the design is registered: **Container for storage and transportation of goods**
(51) International Design Classification: **09-03K**
(71) Name(s) and Address(s) of Applicant(s):
Loadhog Limited
The Hog Works Carbrook Street Sheffield S9 2JE United Kingdom
(72) Name(s) of Designer(s): **Leigh Jowett**
(45) Registration Date: **06 August 2010**
(30) Convention priority data:
(31) Number (32) Date (33) Country
001730508 12 Jul 2010 EUROPEAN COMMUNITY
(56) Related Art Documents: **Not Applicable**
(57) Statement of Newness and Distinctiveness: **Nil**



(21) Design Number: **12923/2010**
(22) Date of Filing Application: **14 July 2010**
(24) Date from which industrial property rights may have effect: **14 July 2010**
(54) Product in respect of which the design is registered: **Building channel spring**
(51) International Design Classification: **08-08C**
(71) Name(s) and Address(s) of Applicant(s):
Martin Newton
Newton Pipe & Associated P/L 27 Jack Drive Redbank Plains Queensland 4301 Australia
(72) Name(s) of Designer(s): **Martin Newton**
(45) Registration Date: **06 August 2010**
(56) Related Art Documents: **Not Applicable**
(57) Statement of Newness and Distinctiveness: **Nil**

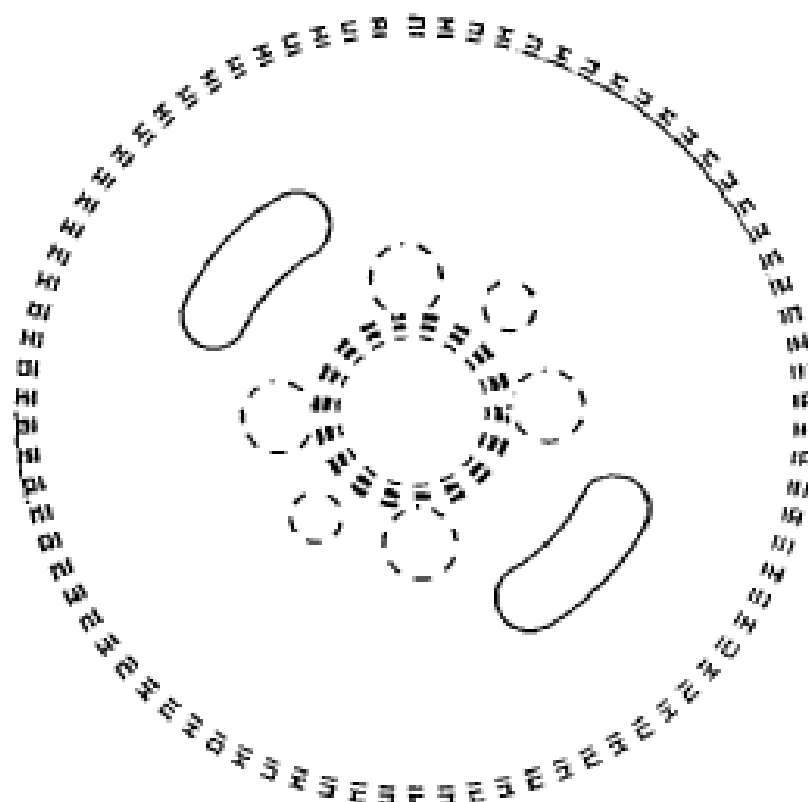


- (21) Design Number: **12925/2010**
- (22) Date of Filing Application: **14 July 2010**
- (24) Date from which industrial property rights may have effect: **14 July 2010**
- (54) Product in respect of which the design is registered: **Drink holder adaptor for vehicles**
- (51) International Design Classification: **12-16K**
- (71) Name(s) and Address(s) of Applicant(s):
S.A Concrete Systems Pty Ltd
2/32 Robertson Road Moana South Australia 5169 Australia
- (72) Name(s) of Designer(s): **Vanessa Dutton**
- (45) Registration Date: **06 August 2010**
- (56) Related Art Documents: **Not Applicable**
- (57) Statement of Newness and Distinctiveness: **Newness and distinctiveness resides in the features of shape and/or configuration of a drink holder adaptor for vehicles as illustrated in the accompanying representations.**

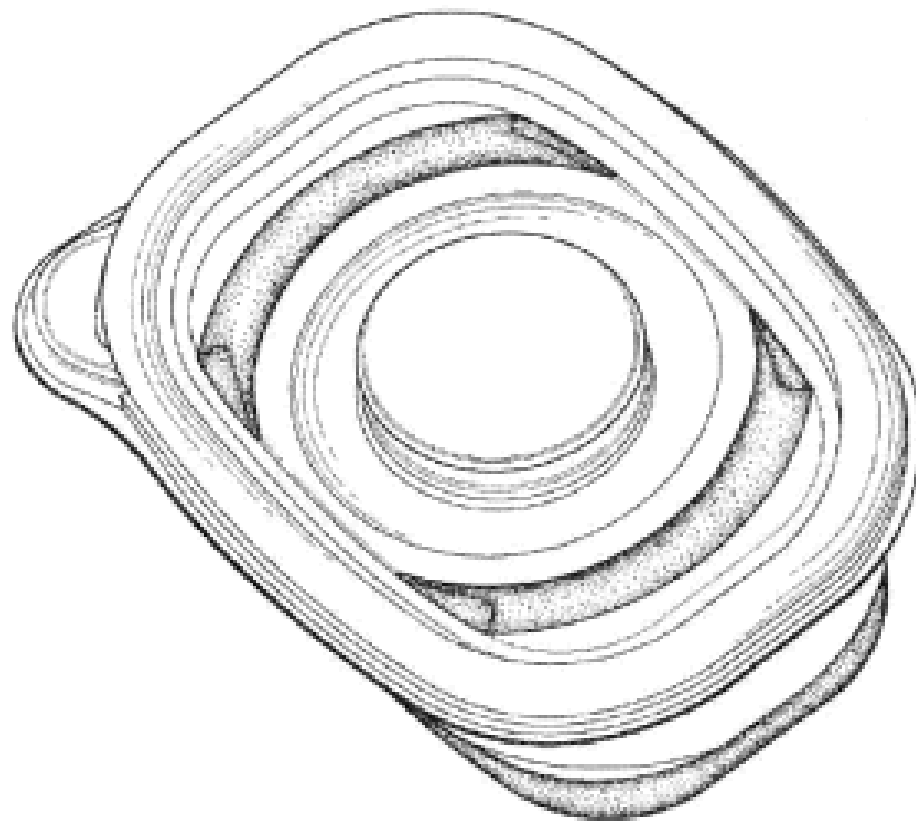


- (21) Design Number: **12927/2010**
- (22) Date of Filing Application: **13 July 2010**
- (24) Date from which industrial property rights may have effect: **13 July 2010**
- (54) Product in respect of which the design is registered: **Hole saw**
- (51) International Design Classification: **08-03**
- (71) Name(s) and Address(s) of Applicant(s):
Irwin Industrial Tool Company
8935 North Pointe Executive Drive Huntersville North Carolina 28078
United States of America
- (72) Name(s) of Designer(s): **Joseph Thomas Novak and Matthew Christopher Green and Robert Richard Zielonka and William B. Korb**
- (45) Registration Date: **06 August 2010**
- (30) Convention priority data:

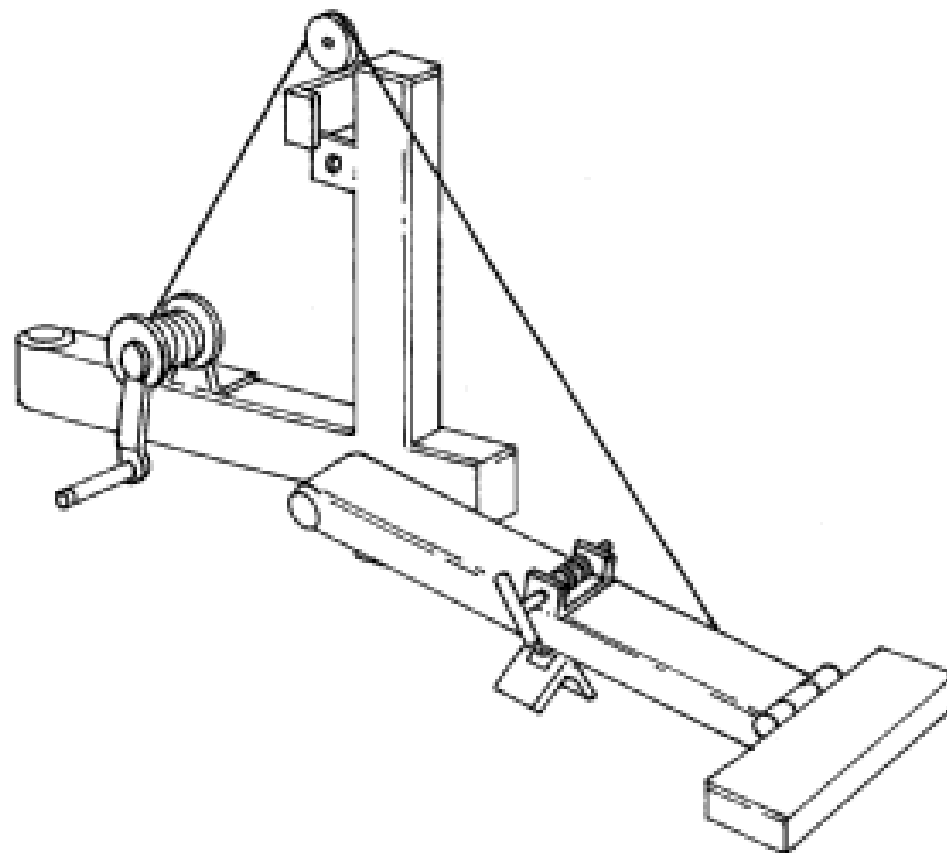
(31) Number	(32) Date	(33) Country
29/353,759	13 Jan 2010	UNITED STATES OF AMERICA
- (56) Related Art Documents: **Not Applicable**
- (57) Statement of Newness and Distinctiveness: **The newness and distinctiveness of the design resides in the shape and configuration of the slot openings defined in an end wall of a hole saw, as shown in solid lines in the accompanying representations.**



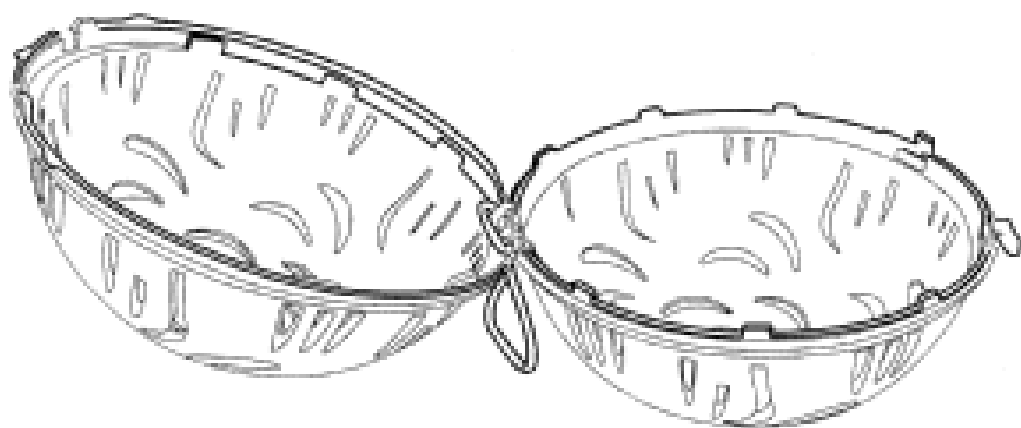
(21) Design Number: **12929/2010**
(22) Date of Filing Application: **14 July 2010**
(24) Date from which industrial property rights may have effect: **14 July 2010**
(54) Product in respect of which the design is registered: **Container for food**
(51) International Design Classification: **07-01NES**
(71) Name(s) and Address(s) of Applicant(s):
The Glad Products Company
1221 Broadway Oakland CA 94612 United States of America
(72) Name(s) of Designer(s): **John Rusnak and Edward B. Tucker and Nancy M. Mack-Robles**
(45) Registration Date: **06 August 2010**
(30) Convention priority data:
(31) Number (32) Date (33) Country
29/354,085 19 Jan 2010 UNITED STATES OF AMERICA
(56) Related Art Documents: **Not Applicable**
(57) Statement of Newness and Distinctiveness: **Nil**



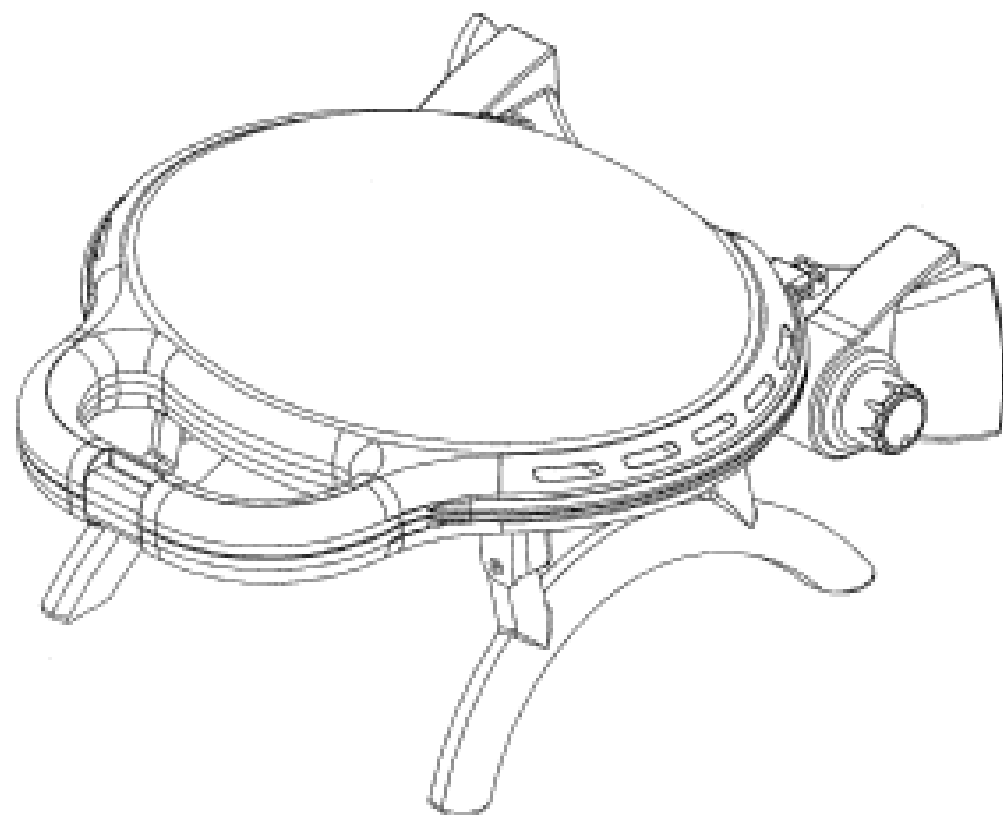
(21) Design Number: **14723/2009**
(22) Date of Filing Application: **03 December 2009**
(24) Date from which industrial property rights may have effect: **03 December 2009**
(54) Product in respect of which the design is registered: **Outboard motor carrier**
(51) International Design Classification: **12-05, 12-06NES**
(71) Name(s) and Address(s) of Applicant(s):
Gerard Francis Petrov
5 Graphic Court Beldon Western Australia 6027 Australia
Inga Christine Petrov
5 Graphic Court Beldon Western Australia 6027 Australia
(72) Name(s) of Designer(s): **Gerard Francis Petrov and Inga Christine Petrov**
(45) Registration Date: **06 August 2010**
(56) Related Art Documents: **Not Applicable**
(57) Statement of Newness and Distinctiveness: **The particular visual features of the design which are new and distinctive are; shape OR configuration.**



- (21) Design Number: **12862/2010**
(22) Date of Filing Application: **13 July 2010**
(24) Date from which industrial property rights may have effect: **13 July 2010**
(54) Product in respect of which the design is registered: **A holder for a brassiere while in a washing machine**
(51) International Design Classification: **02-01A**
(71) Name(s) and Address(s) of Applicant(s):
Zhang Zhifan
No. 95 Guhua Road Guraom Chaoyang Section Shantou Guangdong
515159 China
(72) Name(s) of Designer(s): **Zhang Zhifan**
(45) Registration Date: **06 August 2010**
(56) Related Art Documents: **Not Applicable**
(57) Statement of Newness and Distinctiveness: **Nil**



- (21) Design Number: **12863/2010**
(22) Date of Filing Application: **12 July 2010**
(24) Date from which industrial property rights may have effect: **12 July 2010**
(54) Product in respect of which the design is registered: **Cooking apparatus**
(51) International Design Classification: **07-02H**
(71) Name(s) and Address(s) of Applicant(s):
Foshan Shunde Everteam Industrial Co., Ltd
No. 27 East Rongqi Dadao Ronggui Shunde District Foshan City
Guangdong Province China
(72) Name(s) of Designer(s): **Zhiqiang Liang**
(45) Registration Date: **06 August 2010**
(30) Convention priority data:
(31) Number (32) Date (33) Country
201030159953.5 **30 Apr 2010** **CHINA**
(56) Related Art Documents: **Not Applicable**
(57) Statement of Newness and Distinctiveness: **Newness and distinctiveness is claimed in the features of shape and/or configuration of a cooking apparatus as illustrated in the accompanying representations. The bottom view may or may not form part of the design.**



(21) Design Number: **12864/2010**

(22) Date of Filing Application: **12 July 2010**

(24) Date from which industrial property rights may have effect: **12 July 2010**

(54) Product in respect of which the design is registered: **Cooking apparatus**

(51) International Design Classification: **07-02E**

(71) Name(s) and Address(s) of Applicant(s):

**Foshan Shunde Everteam Industrial Co., Ltd
No. 27 East Rongqi Dadao Ronggui Shunde District Foshan City
Guangdong Province China**

(72) Name(s) of Designer(s): **Zhiqiang Liang**

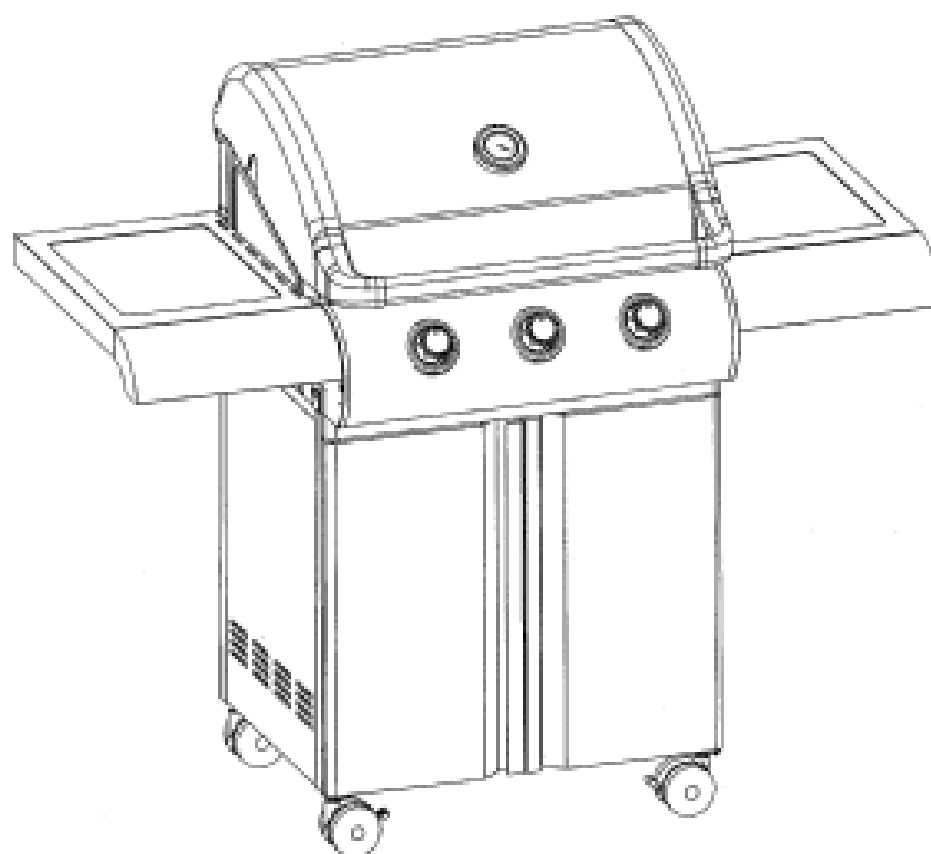
(45) Registration Date: **06 August 2010**

(30) Convention priority data:

(31) Number	(32) Date	(33) Country
200130146365.8	16 Apr 2010	CHINA

(56) Related Art Documents: **Not Applicable**

(57) Statement of Newness and Distinctiveness: **Newness and distinctiveness is claimed in the features of shape and/or configuration of a cooking apparatus as illustrated in the accompanying representations. The bottom view may or may not form part of the design.**



(21) Design Number: **12865/2010**

(22) Date of Filing Application: **12 July 2010**

(24) Date from which industrial property rights may have effect: **12 July 2010**

(54) Product in respect of which the design is registered: **Cooking apparatus**

(51) International Design Classification: **07-02E**

(71) Name(s) and Address(s) of Applicant(s):

**Foshan Shunde Everteam Industrial Co., Ltd
No. 27 East Rongqi Dadao Ronggui Shunde District Foshan City
Guangdong Province China**

(72) Name(s) of Designer(s): **Zhiqiang Liang**

(45) Registration Date: **06 August 2010**

(30) Convention priority data:

(31) Number	(32) Date	(33) Country
201030146369.6	16 Apr 2010	CHINA

(56) Related Art Documents: **Not Applicable**

(57) Statement of Newness and Distinctiveness: **Newness and distinctiveness is claimed in the features of shape and/or configuration of a cooking apparatus as illustrated in the accompanying representations. The bottom view may or may not form part of the design.**



(21) Design Number: **12882/2010**

(22) Date of Filing Application: **13 July 2010**

(24) Date from which industrial property rights may have effect: **13 July 2010**

(54) Product in respect of which the design is registered: **Mobile storage container**

(51) International Design Classification: **09-02NES**

(71) Name(s) and Address(s) of Applicant(s):

A-Line Switchboards Pty Ltd

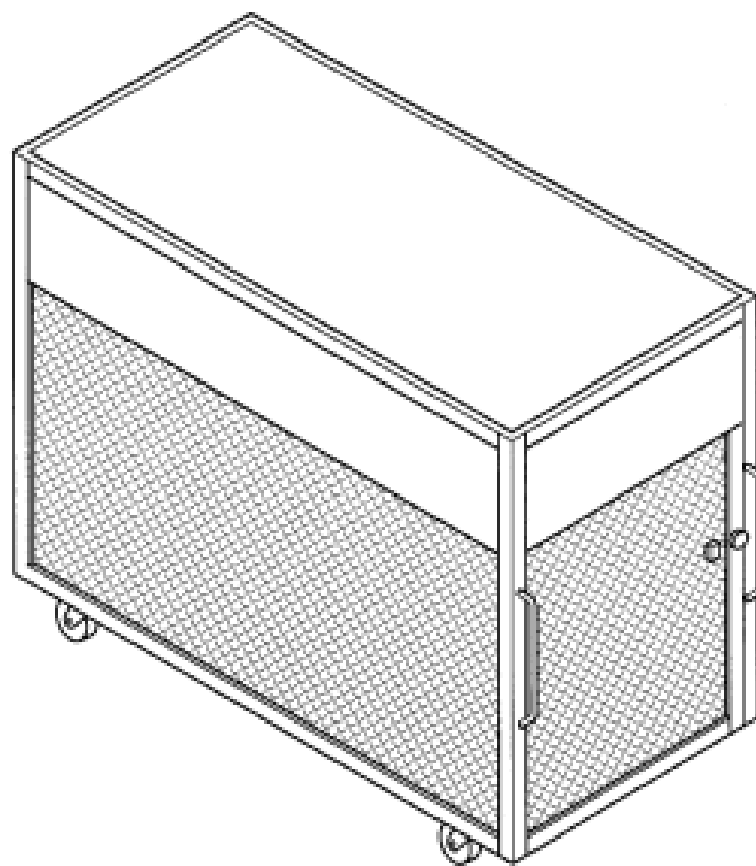
44 Levanswell Road Moorabbin Victoria 3189 Australia

(72) Name(s) of Designer(s): **Daniel Keith McMasters and David Blight**

(45) Registration Date: **06 August 2010**

(56) Related Art Documents: **Not Applicable**

(57) Statement of Newness and Distinctiveness: **Nil**



(21) Design Number: **12883/2010**

(22) Date of Filing Application: **13 July 2010**

(24) Date from which industrial property rights may have effect: **13 July 2010**

(54) Product in respect of which the design is registered: **Mobile storage container**

(51) International Design Classification: **09-02NES**

(71) Name(s) and Address(s) of Applicant(s):

A-Line Switchboards Pty Ltd

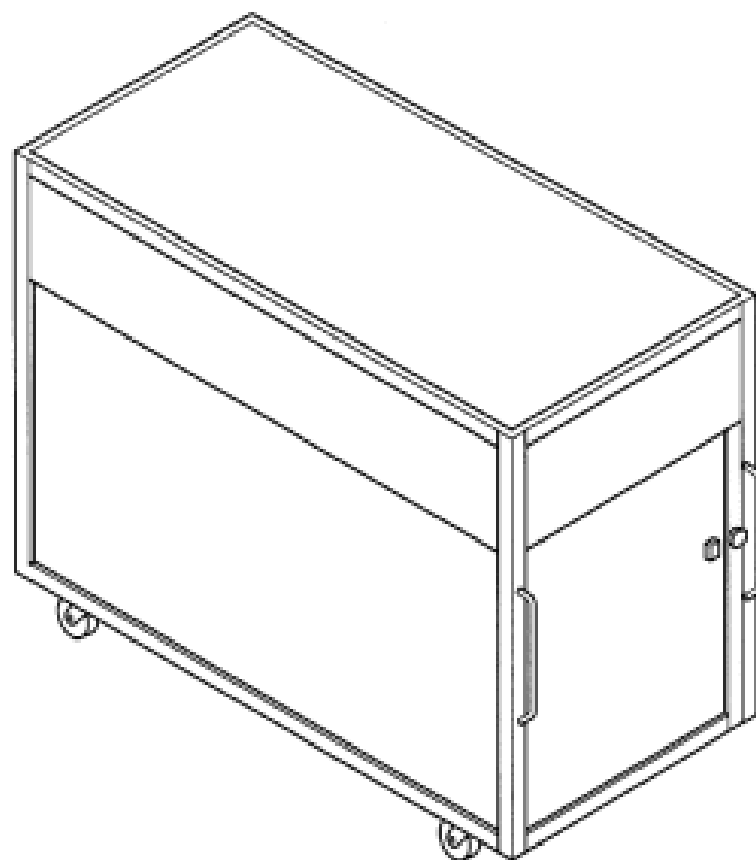
44 Levanswell Road Moorabbin Victoria 3189 Australia

(72) Name(s) of Designer(s): **Daniel Keith McMasters and David Blight**

(45) Registration Date: **06 August 2010**

(56) Related Art Documents: **Not Applicable**

(57) Statement of Newness and Distinctiveness: **Nil**



- (21) Design Number: **12884/2010**
(22) Date of Filing Application: **13 July 2010**
(24) Date from which industrial property rights may have effect: **13 July 2010**
(54) Product in respect of which the design is registered: **Leg joint for furniture**
(51) International Design Classification: **06-06C**
(71) Name(s) and Address(s) of Applicant(s):

BabyBjorn AB
Box 913 170 09 Solna Sweden

(72) Name(s) of Designer(s): **Hakan Bergkvist**

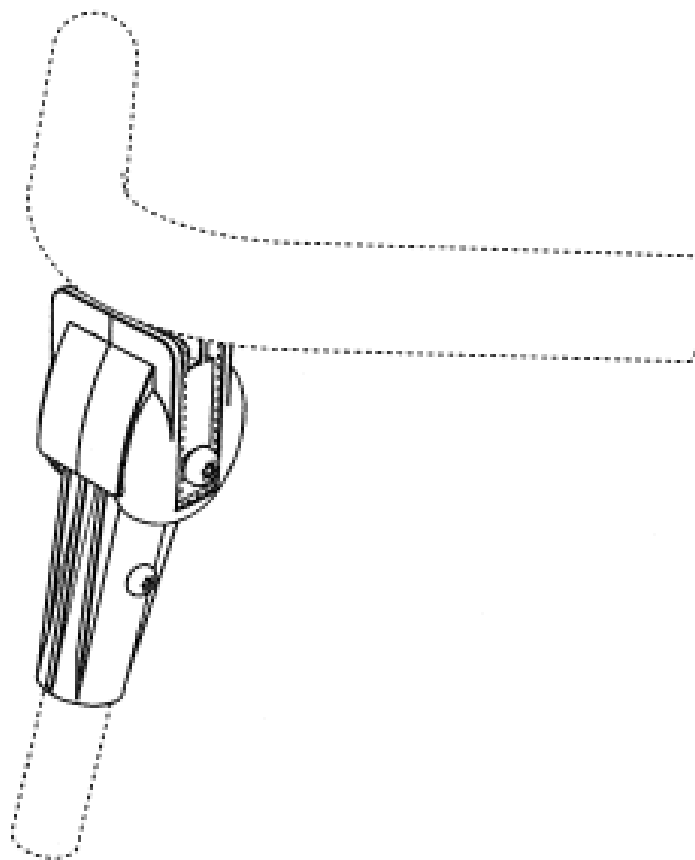
(45) Registration Date: **06 August 2010**

(30) Convention priority data:

(31) Number	(32) Date	(33) Country
001681701-0001	16 Mar 2010	EUROPEAN COMMUNITY

(56) Related Art Documents: **Not Applicable**

(57) Statement of Newness and Distinctiveness: **Newness and distinctiveness is claimed in the features of shape and/or configuration of a leg joint for furniture as illustrated in continuous lines in the accompanying representations.**



- (21) Design Number: **12890/2010**
(22) Date of Filing Application: **13 July 2010**
(24) Date from which industrial property rights may have effect: **13 July 2010**
(54) Product in respect of which the design is registered: **A lighting device**
(51) International Design Classification: **26-02**
(71) Name(s) and Address(s) of Applicant(s):

Eveready Battery Company, Inc.
533 Maryville University Drive St Louis Missouri 63141 United States of America

(72) Name(s) of Designer(s): **Ronald J. Kingston and Donwoong Kang and Scott W. Osiecki**

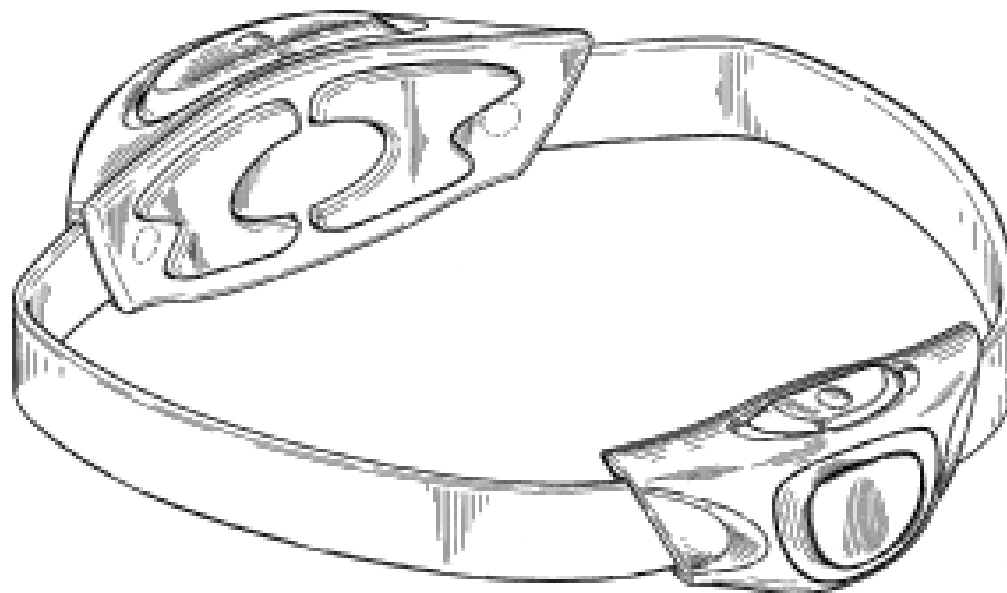
(45) Registration Date: **06 August 2010**

(30) Convention priority data:

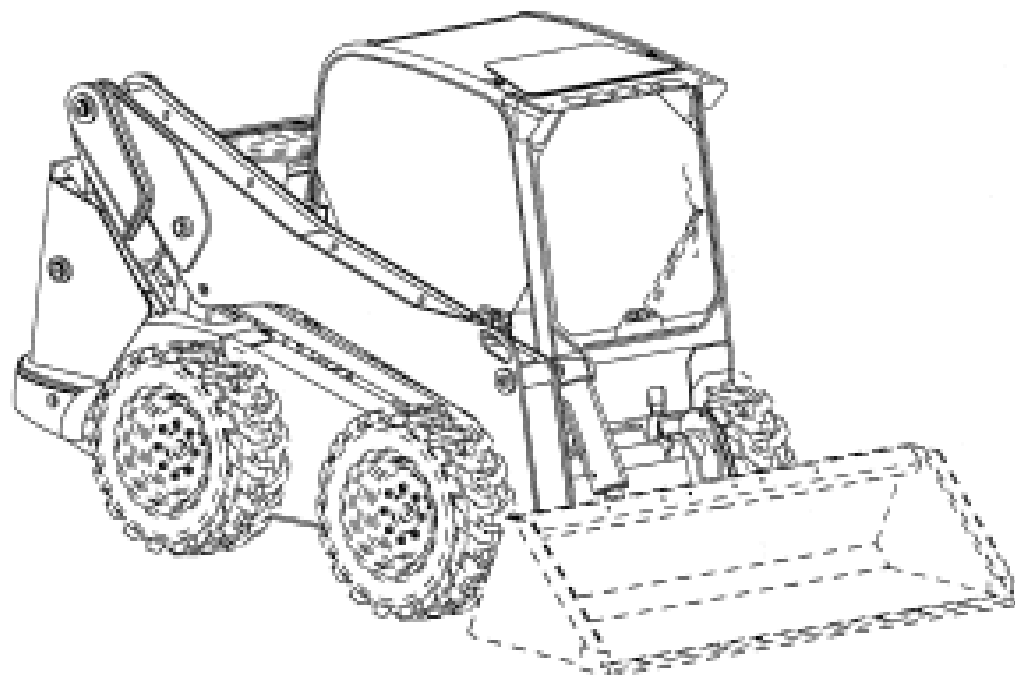
(31) Number	(32) Date	(33) Country
29/355488	09 Feb 2010	UNITED STATES OF AMERICA

(56) Related Art Documents: **Not Applicable**

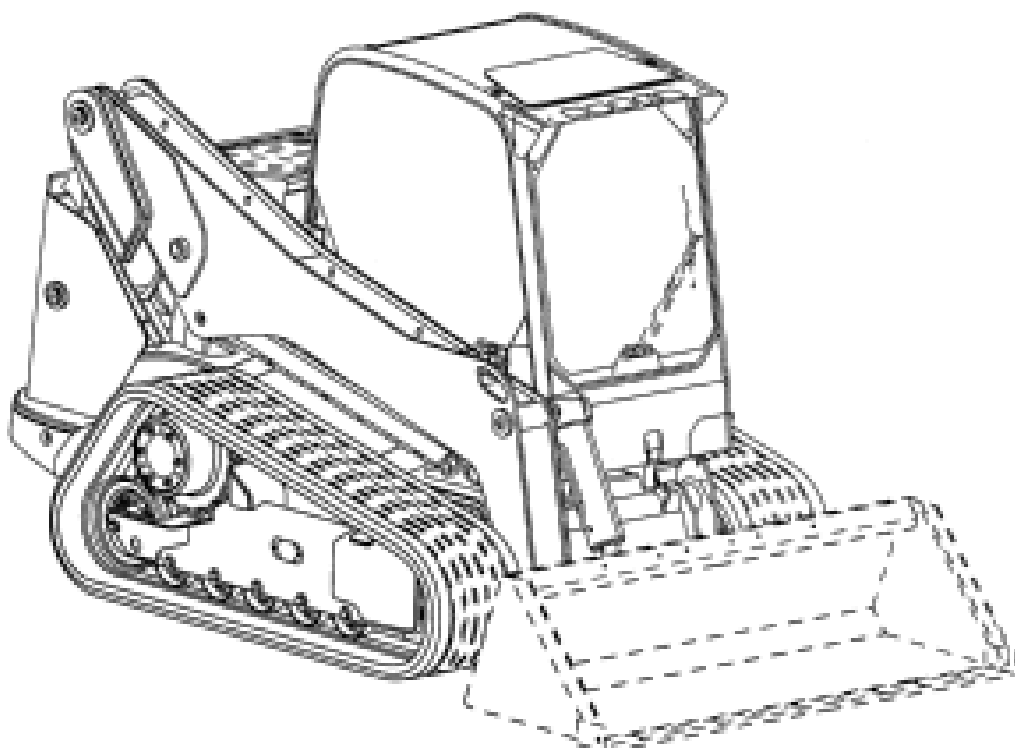
(57) Statement of Newness and Distinctiveness: **Newness and distinctiveness is claimed in those features of shape and or configuration of a Lighting Device as depicted in the representations in unbroken lines. The representations use broken lines, contour lines and shading to assist in the illustration of features of shape and or configuration. Such broken lines, contour lines and shading do not form part of the design.**



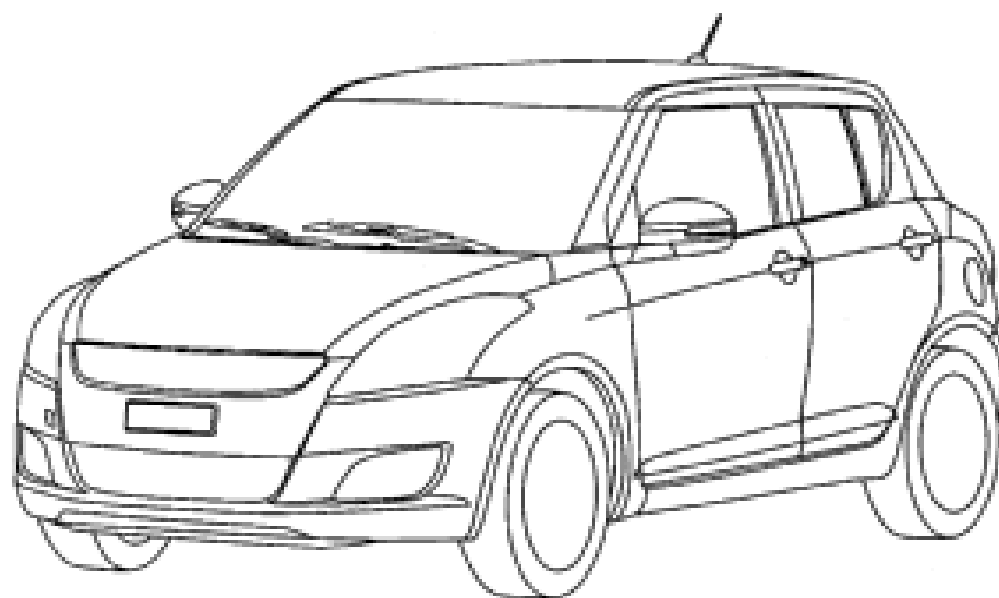
(21) Design Number: **12901/2010**
(22) Date of Filing Application: **15 July 2010**
(24) Date from which industrial property rights may have effect: **15 July 2010**
(54) Product in respect of which the design is registered: **Excavator**
(51) International Design Classification: **15-03A**
(71) Name(s) and Address(s) of Applicant(s):
J.C. Bamford Excavators Limited
Rocester Uttoxeter Staffordshire ST14 5JP United Kingdom
(72) Name(s) of Designer(s): **Gary Edmund Major and Patrick John Colaes and Andrew John Fayle**
(45) Registration Date: **06 August 2010**
(30) Convention priority data:
(31) Number (32) Date (33) Country
001669102-0001 11 Feb 2010 EUROPEAN COMMUNITY
(56) Related Art Documents: **Not Applicable**
(57) Statement of Newness and Distinctiveness: **Nil**



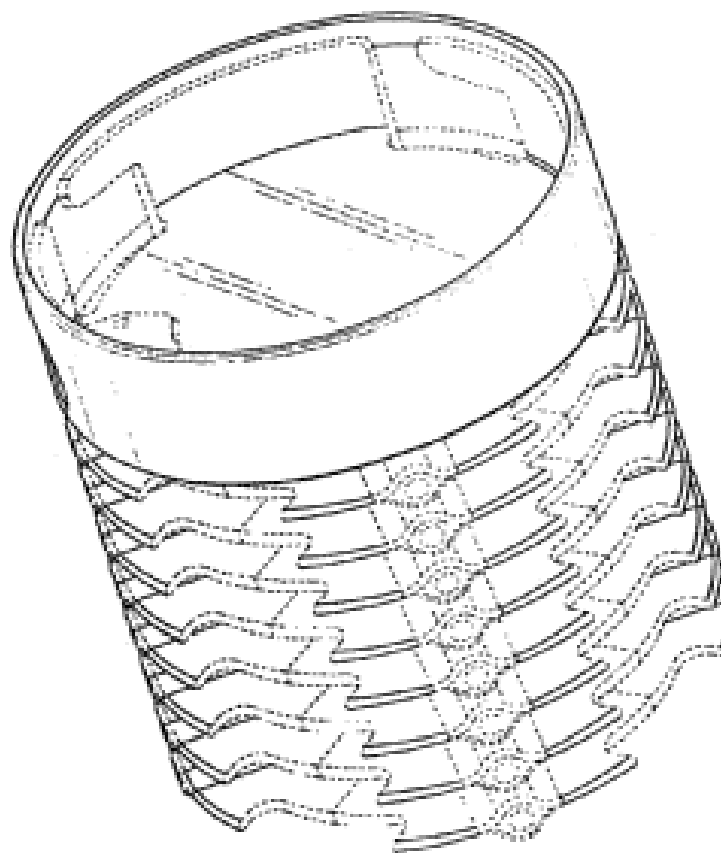
(21) Design Number: **12902/2010**
(22) Date of Filing Application: **15 July 2010**
(24) Date from which industrial property rights may have effect: **15 July 2010**
(54) Product in respect of which the design is registered: **Excavator**
(51) International Design Classification: **15-03A**
(71) Name(s) and Address(s) of Applicant(s):
J.C. Bamford Excavators Limited
Rocester Uttoxeter Staffordshire ST14 5JP United Kingdom
(72) Name(s) of Designer(s): **Gary Edmund Major and Patrick John Colaes and Andrew John Fayle**
(45) Registration Date: **06 August 2010**
(30) Convention priority data:
(31) Number (32) Date (33) Country
001669102-0002 11 Feb 2010 EUROPEAN COMMUNITY
(56) Related Art Documents: **Not Applicable**
(57) Statement of Newness and Distinctiveness: **Nil**



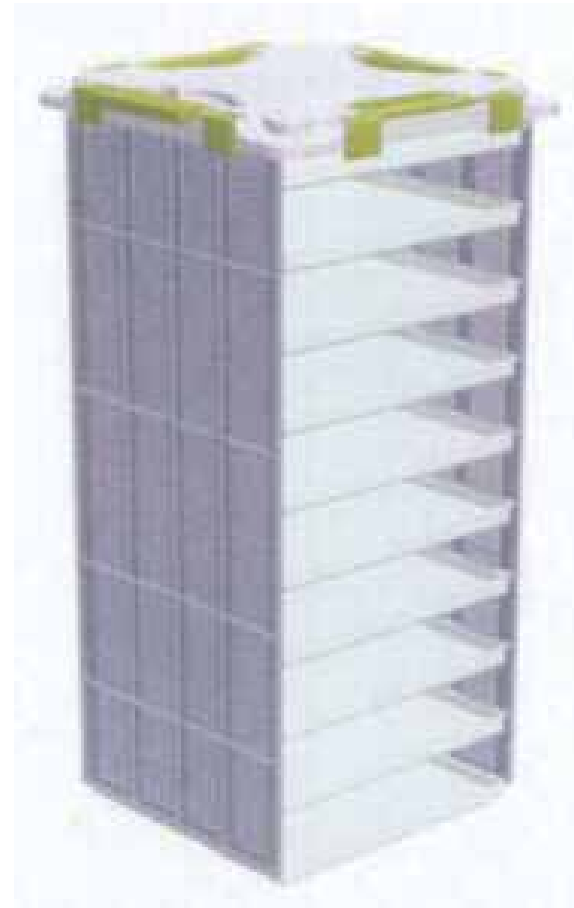
(21) Design Number: **12904/2010**
 (22) Date of Filing Application: **14 July 2010**
 (24) Date from which industrial property rights may have effect: **14 July 2010**
 (54) Product in respect of which the design is registered: **Automobile**
 (51) International Design Classification: **12-08**
 (71) Name(s) and Address(s) of Applicant(s):
Suzuki Motor Corporation
300 Takatsuka-cho Minami-ku Hamamatsu-shi Shizuoka-ken Japan
 (72) Name(s) of Designer(s): **Tetsuya Ozasa and Hisanori Matsushima and Hirohito Matsumoto**
 (45) Registration Date: **06 August 2010**
 (30) Convention priority data:
 (31) Number (32) Date (33) Country
2010-1069 19 Jan 2010 JAPAN
 (56) Related Art Documents: **Not Applicable**
 (57) Statement of Newness and Distinctiveness: **Monopoly is claimed in the features of shape and configuration as applied to an AUTOMOBILE, as shown in the attached representations.**



(21) Design Number: **12905/2010**
 (22) Date of Filing Application: **14 July 2010**
 (24) Date from which industrial property rights may have effect: **14 July 2010**
 (54) Product in respect of which the design is registered: **Socket and heat sink unit for use with a removable LED light module**
 (51) International Design Classification: **08-05P, 26-99**
 (71) Name(s) and Address(s) of Applicant(s):
Journee Lighting, Inc.
4607 Lakeview Canyon Road #500 Westlake Village California 91361
United States of America
 (72) Name(s) of Designer(s): **Clayton Alexander and Brandon Mundell and Robert Rippey III**
 (45) Registration Date: **06 August 2010**
 (30) Convention priority data:
 (31) Number (32) Date (33) Country
29/353914 15 Jan 2010 UNITED STATES OF AMERICA
 (56) Related Art Documents: **Not Applicable**
 (57) Statement of Newness and Distinctiveness: **Newness and distinctiveness is claimed in those features of shape and/or configuration of a socket and heat sink unit for use with a removable LED light module illustrated in continuous lines in the accompanying representations.**



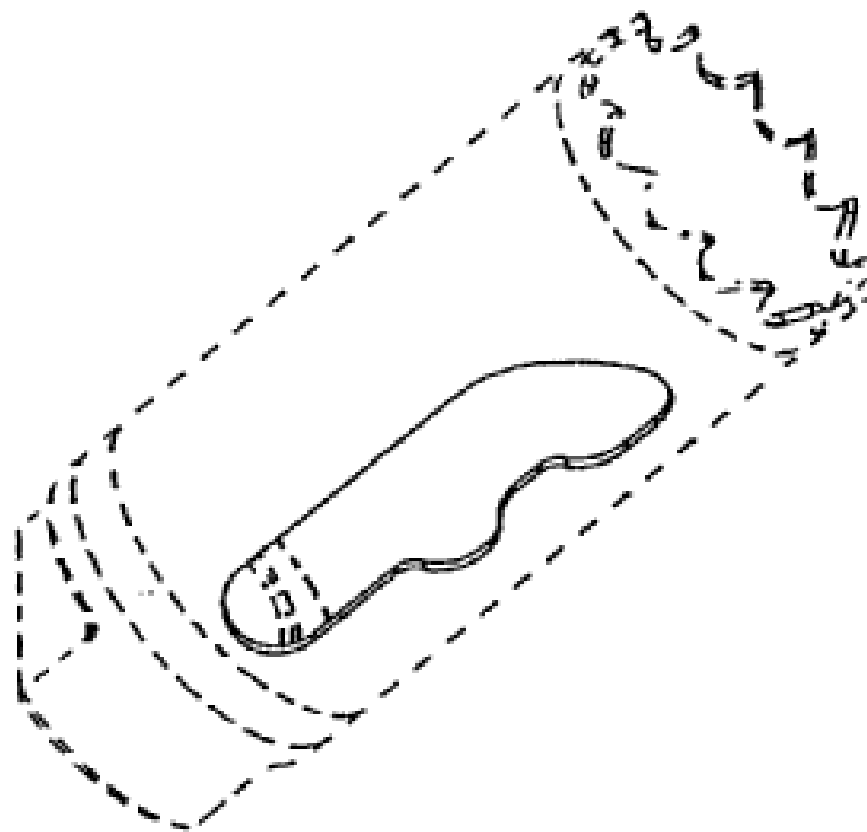
- (21) Design Number: **12911/2010**
(22) Date of Filing Application: **14 July 2010**
(24) Date from which industrial property rights may have effect: **14 July 2010**
(54) Product in respect of which the design is registered: **An insert for a container**
(51) International Design Classification: **09-03NES, 06-04NES**
(71) Name(s) and Address(s) of Applicant(s):
Foodcap International Limited
Suite 3 Level 3 8A Cleveland Road Parnell Auckland New Zealand
(72) Name(s) of Designer(s): **Roger Palmer**
(45) Registration Date: **06 August 2010**
(56) Related Art Documents: **Not Applicable**
(57) Statement of Newness and Distinctiveness: **Newness and distinctiveness resides in the shape and configuration of the insert for a container as shown in the accompanying figures.**



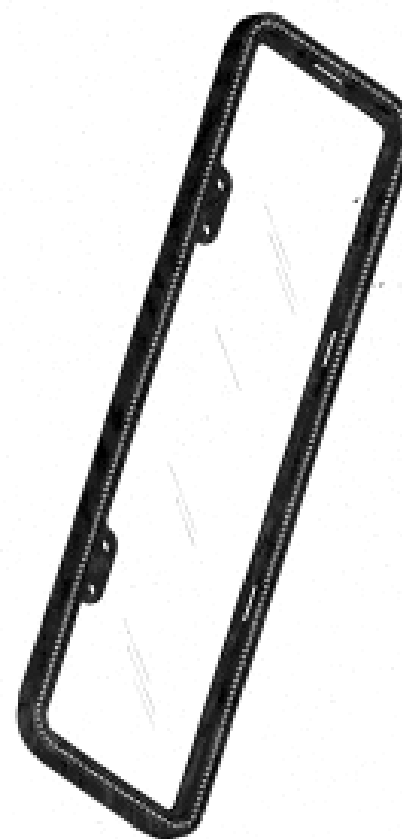
- (21) Design Number: **12912/2010**
(22) Date of Filing Application: **14 July 2010**
(24) Date from which industrial property rights may have effect: **14 July 2010**
(54) Product in respect of which the design is registered: **A container**
(51) International Design Classification: **09-03NES**
(71) Name(s) and Address(s) of Applicant(s):
Foodcap International Limited
Suite 3 Level 3 8A Cleveland Road Parnell Auckland New Zealand
(72) Name(s) of Designer(s): **Roger Palmer**
(45) Registration Date: **06 August 2010**
(56) Related Art Documents: **Not Applicable**
(57) Statement of Newness and Distinctiveness: **Newness and distinctiveness resides in the shape and configuration of the container as shown in the accompanying figures.**



- (21) Design Number: **12914/2010**
(22) Date of Filing Application: **13 July 2010**
(24) Date from which industrial property rights may have effect: **13 July 2010**
(54) Product in respect of which the design is registered: **Hole saw**
(51) International Design Classification: **08-03**
(71) Name(s) and Address(s) of Applicant(s):
Irwin Industrial Tool Company
8935 North Pointe Executive Drive Huntersville North Carolina 28078
United States of America
(72) Name(s) of Designer(s): **Joseph Thomas Novak and Matthew Christopher Green and Robert Richard Zielonka and William B. Korb**
(45) Registration Date: **06 August 2010**
(30) Convention priority data:
(31) Number (32) Date (33) Country
29/353,759 13 Jan 2010 UNITED STATES OF AMERICA
(56) Related Art Documents: **Not Applicable**
(57) Statement of Newness and Distinctiveness: **The newness and distinctiveness of the design resides in the shape and configuration of the slot opening defined in a sidewall of a hole saw, as shown in solid line in the accompanying representations.**



- (21) Design Number: **11995/2010**
(22) Date of Filing Application: **20 May 2010**
(24) Date from which industrial property rights may have effect: **20 May 2010**
(54) Product in respect of which the design is registered: **Number plate frame/cover**
(51) International Design Classification: **12-16NES**
(71) Name(s) and Address(s) of Applicant(s):
Tao Mai
51/1-9 Gray Street Sutherland New South Wales 2232 Australia
(72) Name(s) of Designer(s): **Tao Mai**
(45) Registration Date: **09 August 2010**
(56) Related Art Documents: **Not Applicable**
(57) Statement of Newness and Distinctiveness: **This is a design in relation to Number Plate Frames/Covers. The newness and distinctiveness of this design is the sparkling materials (diamonds/glass/crystal/ plastic) embedded in the front of the metal/plastic/wood/ frame.**



- (21) Design Number: **11073/2010**
(22) Date of Filing Application: **25 March 2010**
(24) Date from which industrial property rights may have effect: **25 March 2010**
(54) Product in respect of which the design is registered: **Preform**
(51) International Design Classification: **09-07NES**
(71) Name(s) and Address(s) of Applicant(s):
Coca-Cola Amatil (Aust) Limited
Level 15 71 Macquarie Street Sydney New South Wales 2000 Australia
(72) Name(s) of Designer(s): **Craig Walker**
(45) Registration Date: **09 August 2010**
(56) Related Art Documents: **Not Applicable**
(57) Statement of Newness and Distinctiveness: **Nil**



- (21) Design Number: **11380/2010**
(22) Date of Filing Application: **14 April 2010**
(24) Date from which industrial property rights may have effect: **14 April 2010**
(54) Product in respect of which the design is registered: **Women's fashion clothing**
(51) International Design Classification: **02-02C, 02-02NES**
(71) Name(s) and Address(s) of Applicant(s):
Forever New Clothing Pty Ltd
Ground Floor 714-716 High Street Kew Victoria 3101 Australia
(72) Name(s) of Designer(s): **Simon Edwards**
(45) Registration Date: **09 August 2010**
(56) Related Art Documents: **Not Applicable**
(57) Statement of Newness and Distinctiveness: **The particular visual features of the design which the Applicant hereby identifies as new and distinctive are as follows: women's fashion clothing, as illustrated in the accompanying representations.**



(21) Design Number: **13221/2010**

(22) Date of Filing Application: **14 April 2010**

(24) Date from which industrial property rights may have effect: **14 April 2010**

(54) Product in respect of which the design is registered: **Women's fashion clothing**

(51) International Design Classification: **02-02NES**

(71) Name(s) and Address(s) of Applicant(s):

Forever New Clothing Pty Ltd
Ground Floor 714-716 High Street Kew Victoria 3101 Australia

(72) Name(s) of Designer(s): **Simon Edwards**

(45) Registration Date: **09 August 2010**

(56) Related Art Documents: **Not Applicable**

(57) Statement of Newness and Distinctiveness: **The particular visual features of the design which the Applicant hereby identifies as new and distinctive are as follows: women's fashion clothing, as illustrated in the accompanying representations.**



(21) Design Number: **13222/2010**

(22) Date of Filing Application: **14 April 2010**

(24) Date from which industrial property rights may have effect: **14 April 2010**

(54) Product in respect of which the design is registered: **Women's fashion clothing**

(51) International Design Classification: **02-02NES**

(71) Name(s) and Address(s) of Applicant(s):

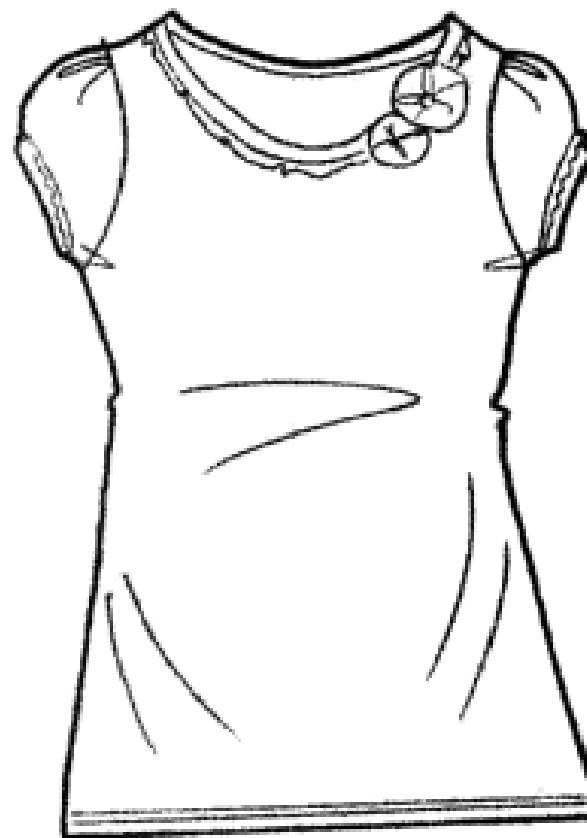
Forever New Clothing Pty Ltd
Ground Floor 714-716 High Street Kew Victoria 3101 Australia

(72) Name(s) of Designer(s): **Simon Edwards**

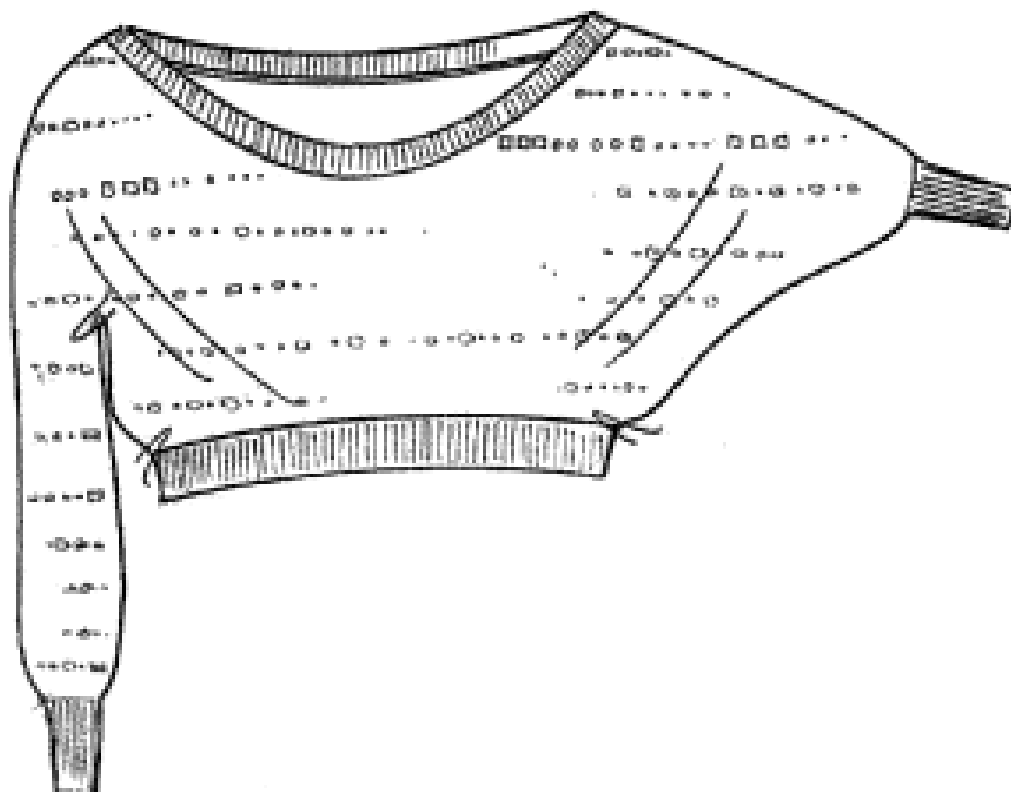
(45) Registration Date: **09 August 2010**

(56) Related Art Documents: **Not Applicable**

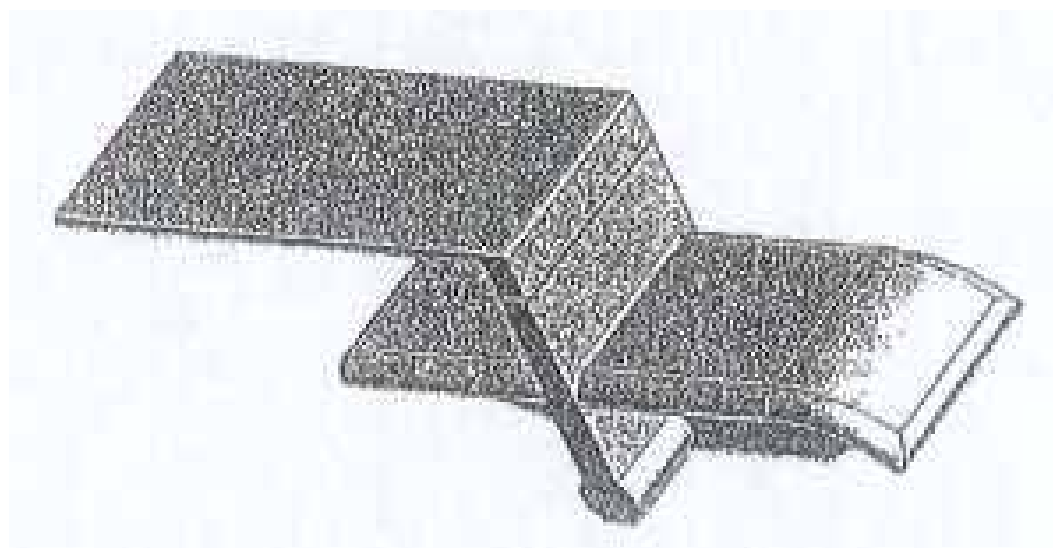
(57) Statement of Newness and Distinctiveness: **The particular visual features of the design which the Applicant hereby identifies as new and distinctive are as follows: women's fashion clothing, as illustrated in the accompanying representations.**



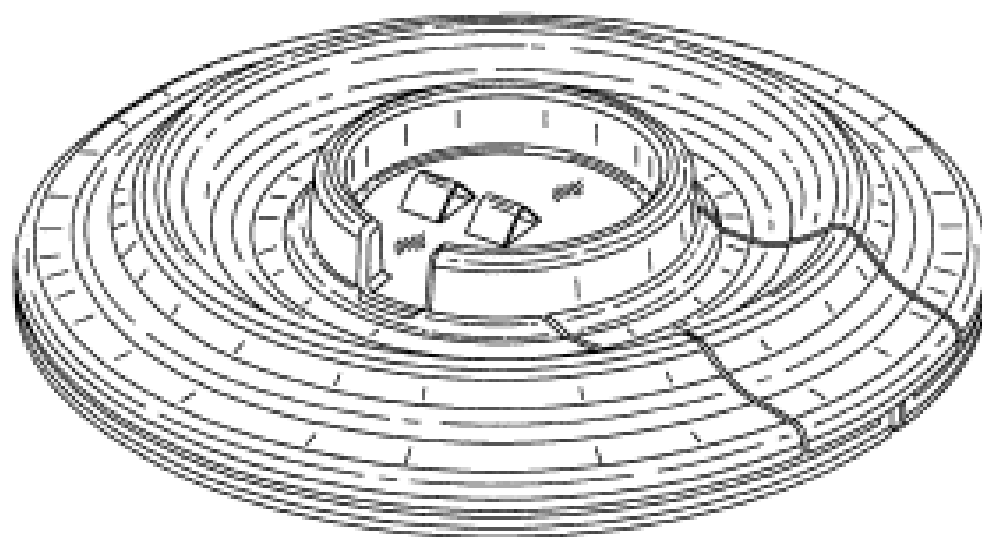
- (21) Design Number: **13223/2010**
- (22) Date of Filing Application: **14 April 2010**
- (24) Date from which industrial property rights may have effect: **14 April 2010**
- (54) Product in respect of which the design is registered: **Women's fashion clothing**
- (51) International Design Classification: **02-02NES**
- (71) Name(s) and Address(s) of Applicant(s):
Forever New Clothing Pty Ltd
Ground Floor 714-716 High Street Kew Victoria 3101 Australia
- (72) Name(s) of Designer(s): **Simon Edwards**
- (45) Registration Date: **09 August 2010**
- (56) Related Art Documents: **Not Applicable**
- (57) Statement of Newness and Distinctiveness: **The particular visual features of the design which the Applicant hereby identifies as new and distinctive are as follows: women's fashion clothing, as illustrated in the accompanying representations.**



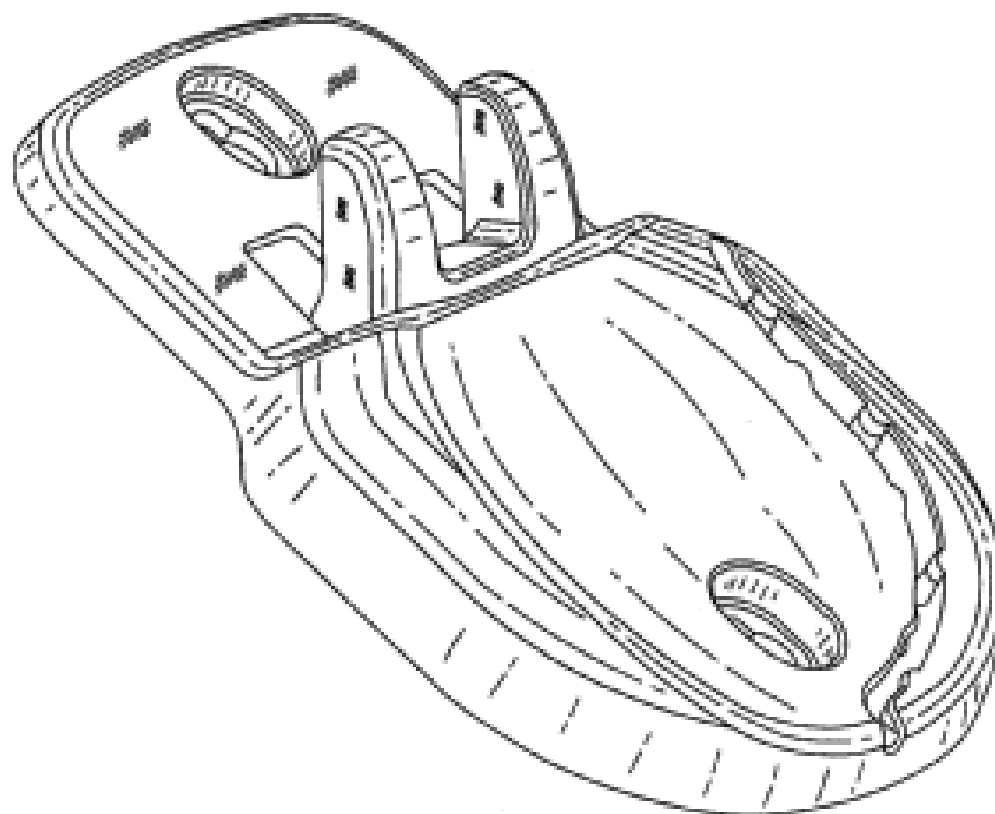
- (21) Design Number: **11603/2010**
- (22) Date of Filing Application: **23 April 2010**
- (24) Date from which industrial property rights may have effect: **23 April 2010**
- (54) Product in respect of which the design is registered: **Clip**
- (51) International Design Classification: **08-08C**
- (71) Name(s) and Address(s) of Applicant(s):
The Plasterboard Clip Company Ltd
Causeway House 1 Dane Street Bishop's Stortford Hertfordshire
England CM23 3BT United Kingdom
- (72) Name(s) of Designer(s): **Gary Michael Price**
- (45) Registration Date: **09 August 2010**
- (30) Convention priority data:
 - (31) Number (32) Date (33) Country
 - 1628207-0001-2 26 Oct 2009 EUROPEAN COMMUNITY**
- (56) Related Art Documents: **Not Applicable**
- (57) Statement of Newness and Distinctiveness: **Nil**



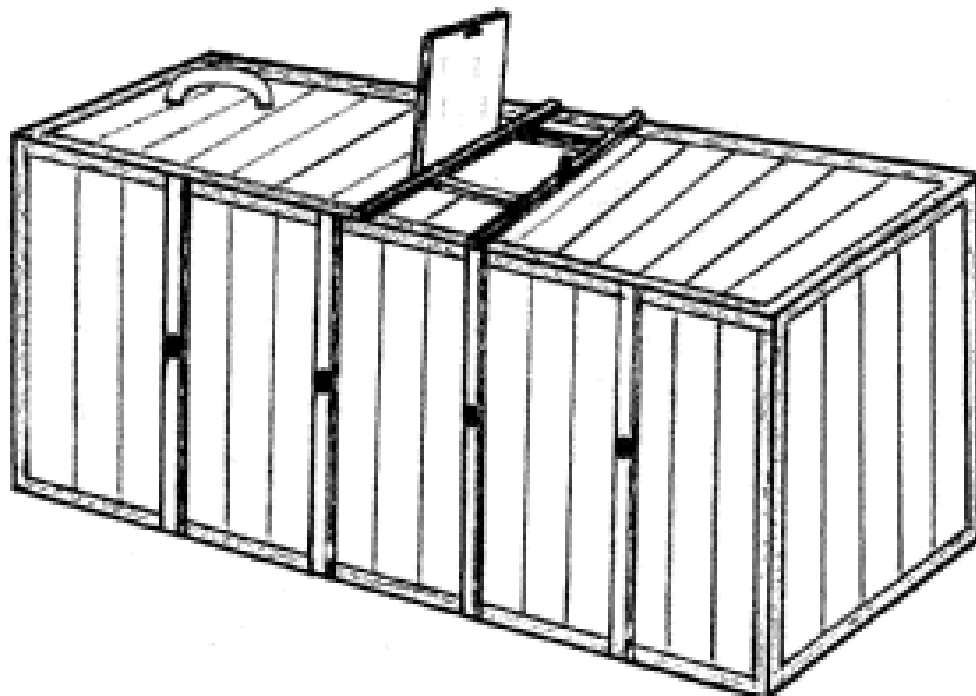
(21) Design Number: **12149/2010**
(22) Date of Filing Application: **27 May 2010**
(24) Date from which industrial property rights may have effect: **27 May 2010**
(54) Product in respect of which the design is registered: **Charger base for a hand-held vacuum cleaner**
(51) International Design Classification: **13-02**
(71) Name(s) and Address(s) of Applicant(s):
Black & Decker Inc.
1207 Drummond Plaza Newark Delaware 19711 United States of America
(72) Name(s) of Designer(s): **Stephen Houghton**
(45) Registration Date: **09 August 2010**
(30) Convention priority data:
(31) Number (32) Date (33) Country
001183941 11 Dec 2009 EUROPEAN COMMUNITY
(56) Related Art Documents: **Not Applicable**
(57) Statement of Newness and Distinctiveness: **Nil**



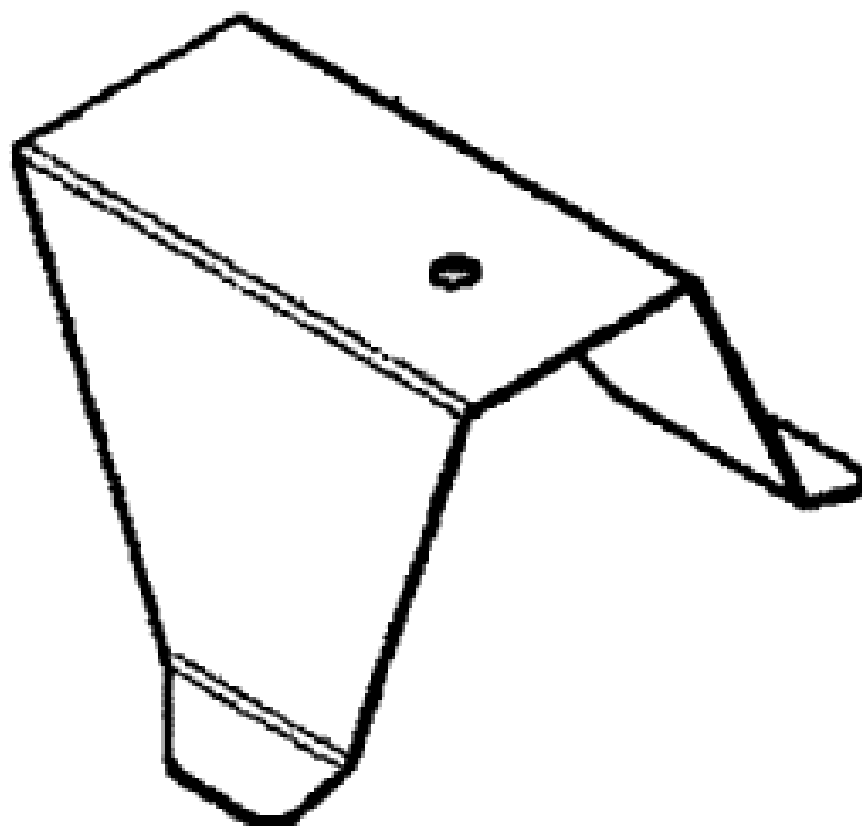
(21) Design Number: **12150/2010**
(22) Date of Filing Application: **27 May 2010**
(24) Date from which industrial property rights may have effect: **27 May 2010**
(54) Product in respect of which the design is registered: **Wall mounting bracket for a hand-held vacuum cleaner**
(51) International Design Classification: **08-08L**
(71) Name(s) and Address(s) of Applicant(s):
Black & Decker Inc.
1207 Drummond Plaza Newark Delaware 19711 United States of America
(72) Name(s) of Designer(s): **Stephen Houghton**
(45) Registration Date: **09 August 2010**
(30) Convention priority data:
(31) Number (32) Date (33) Country
001184279 14 Dec 2009 EUROPEAN COMMUNITY
(56) Related Art Documents: **Not Applicable**
(57) Statement of Newness and Distinctiveness: **Nil**



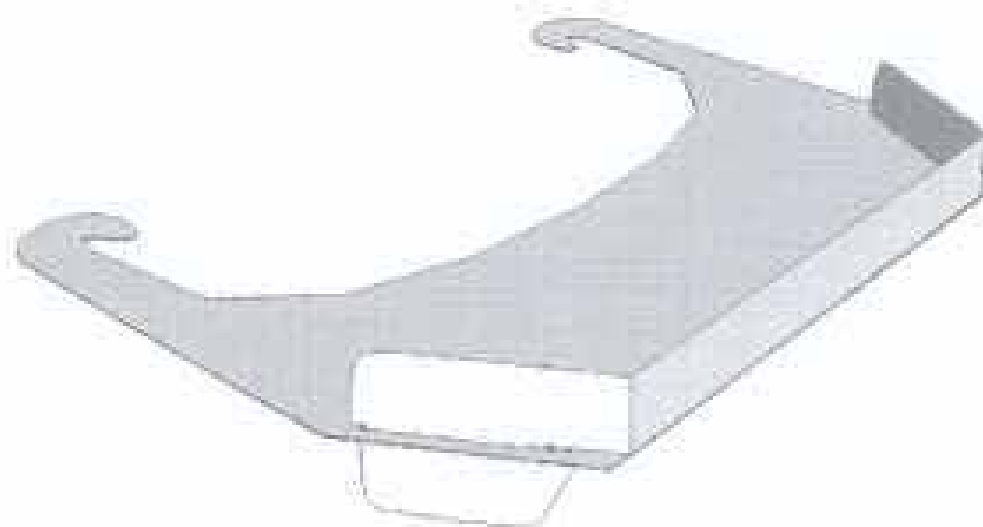
- (21) Design Number: **12323/2010**
(22) Date of Filing Application: **08 June 2010**
(24) Date from which industrial property rights may have effect: **08 June 2010**
(54) Product in respect of which the design is registered: **Water storage tank in shipping container**
(51) International Design Classification: **23-01F**
(71) Name(s) and Address(s) of Applicant(s):
Richard Johannes Cornelis Huisman
35 Highgrove Close Chambers Flat Queensland 4133 Australia
(72) Name(s) of Designer(s): **Richard Johannes Cornelis Huisman**
(45) Registration Date: **09 August 2010**
(56) Related Art Documents: **Not Applicable**
(57) Statement of Newness and Distinctiveness: **Newness and distinctiveness is claimed in the shape and configuration of a water storage tank built into a shipping container as shown in the accompanying drawn representations.**



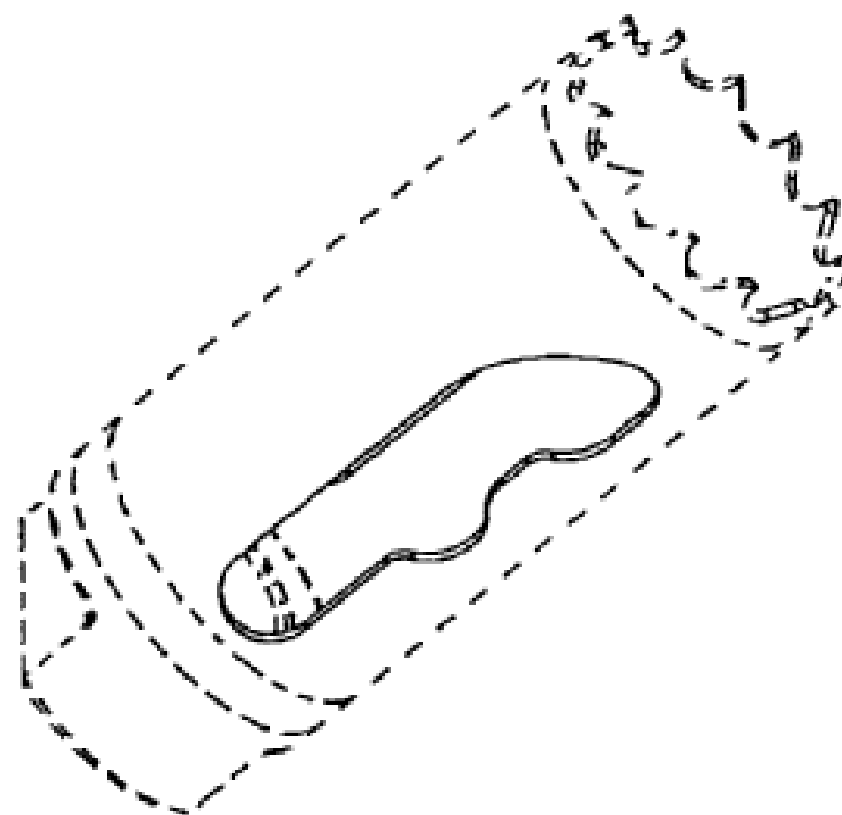
- (21) Design Number: **12930/2010**
(22) Date of Filing Application: **15 July 2010**
(24) Date from which industrial property rights may have effect: **15 July 2010**
(54) Product in respect of which the design is registered: **Deck saddle**
(51) International Design Classification: **08-08L**
(71) Name(s) and Address(s) of Applicant(s):
Top Idea Australia Pty Ltd
2/133 Long Street Smithfield New South Wales 2164 Australia
(72) Name(s) of Designer(s): **Richard Jelacic**
(45) Registration Date: **09 August 2010**
(56) Related Art Documents: **Not Applicable**
(57) Statement of Newness and Distinctiveness: **Nil**



- (21) Design Number: **12935/2010**
(22) Date of Filing Application: **16 July 2010**
(24) Date from which industrial property rights may have effect: **16 July 2010**
(54) Product in respect of which the design is registered: **Child / baby feeding tray**
(51) International Design Classification: **06-01E**
(71) Name(s) and Address(s) of Applicant(s):
William John Davy
8 Alkoomi Avenue Ferny Hills Brisbane Queensland 4055 Australia
(72) Name(s) of Designer(s): **William John Davy**
(45) Registration Date: **09 August 2010**
(56) Related Art Documents: **Not Applicable**
(57) Statement of Newness and Distinctiveness: **Self-supporting fold down flaps.**



- (21) Design Number: **12958/2010**
(22) Date of Filing Application: **13 July 2010**
(24) Date from which industrial property rights may have effect: **13 July 2010**
(54) Product in respect of which the design is registered: **Hole saw**
(51) International Design Classification: **08-03**
(71) Name(s) and Address(s) of Applicant(s):
Irwin Industrial Tool Company
8935 North Pointe Executive Drive Huntersville North Carolina 28078
United States of America
(72) Name(s) of Designer(s): **Joseph Thomas Novak and Matthew Christopher Green and Robert Richard Zielonka and William B. Korb**
(45) Registration Date: **09 August 2010**
(30) Convention priority data:
(31) Number (32) Date (33) Country
29/353,759 13 Jan 2010 UNITED STATES OF AMERICA
(56) Related Art Documents: **Not Applicable**
(57) Statement of Newness and Distinctiveness: **The newness and distinctiveness of the design resides in the shape and configuration of the slot openings defined in a sidewall of a hole saw, as shown in solid lines in the accompanying representations.**



(21) Design Number: **12960/2010**

(22) Date of Filing Application: **13 July 2010**

(24) Date from which industrial property rights may have effect: **13 July 2010**

(54) Product in respect of which the design is registered: **Hole saw**

(51) International Design Classification: **08-03**

(71) Name(s) and Address(s) of Applicant(s):

**Irwin Industrial Tool Company
8935 North Pointe Executive Drive Huntersville North Carolina 28078
United States of America**

(72) Name(s) of Designer(s): **Joseph Thomas Novak and Matthew Christopher Green and Robert Richard Zielonka and William B. Korb**

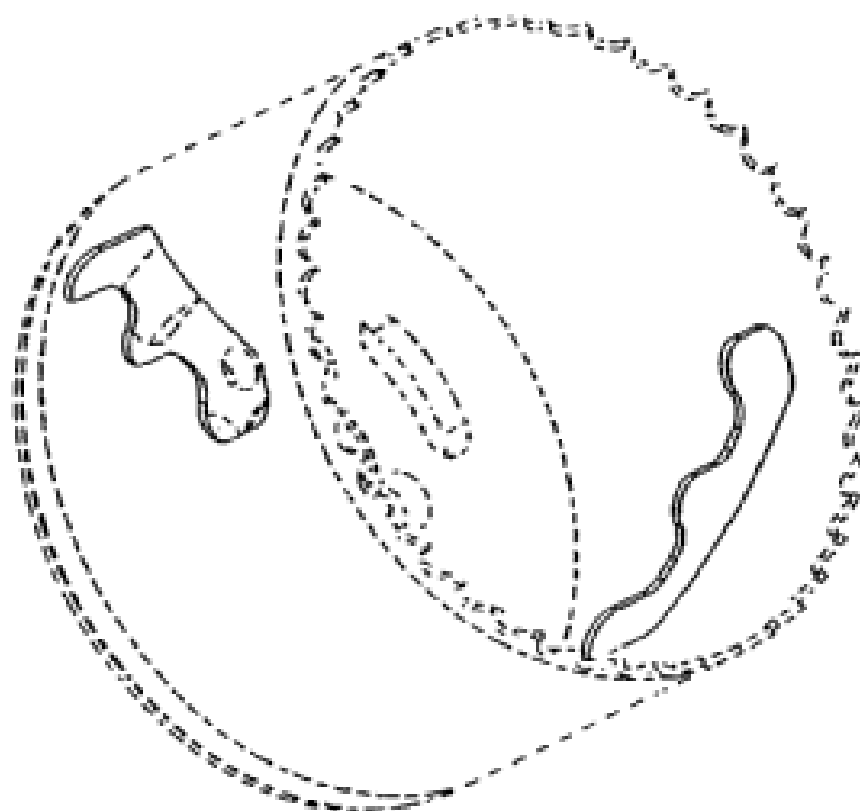
(45) Registration Date: **09 August 2010**

(30) Convention priority data:

(31) Number	(32) Date	(33) Country
29/353,759	13 Jan 2010	UNITED STATES OF AMERICA

(56) Related Art Documents: **Not Applicable**

(57) Statement of Newness and Distinctiveness: **The newness and distinctiveness of the design resides in the shape and configuration of the slot openings defined in a sidewall of a hole saw, as shown in solid lines in the accompanying representations.**



(21) Design Number: **14765/2009**

(22) Date of Filing Application: **04 December 2009**

(24) Date from which industrial property rights may have effect: **04 December 2009**

(54) Product in respect of which the design is registered: **Stand mixer**

(51) International Design Classification: **31-00**

(71) Name(s) and Address(s) of Applicant(s):

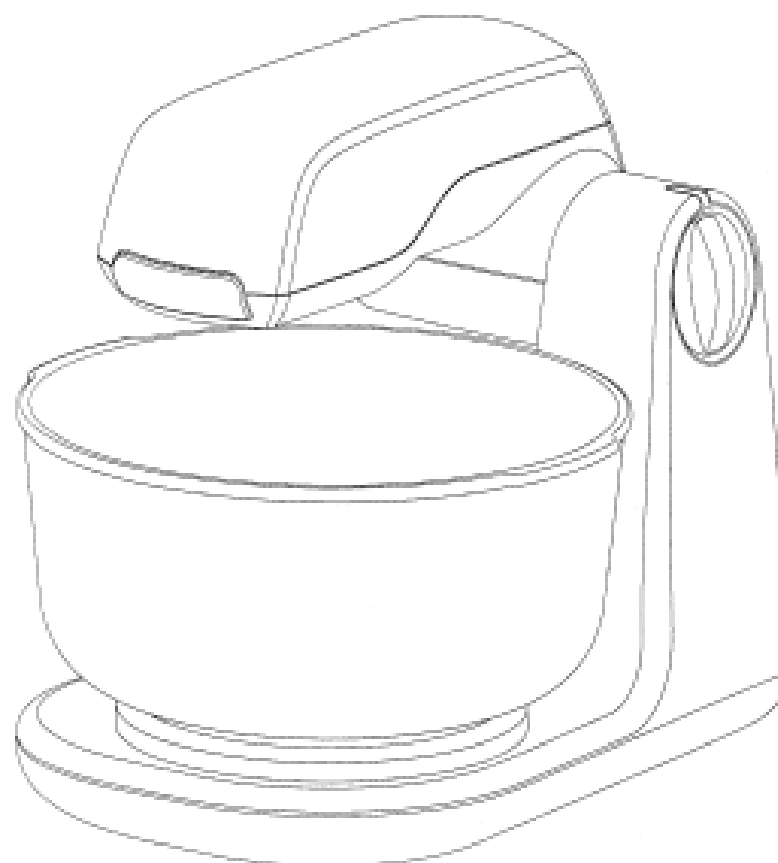
**Sunbeam Corporation Limited
Units 5 & 6 13 Lord Street Botany New South Wales 2019 Australia**

(72) Name(s) of Designer(s): **Andrew Grigor**

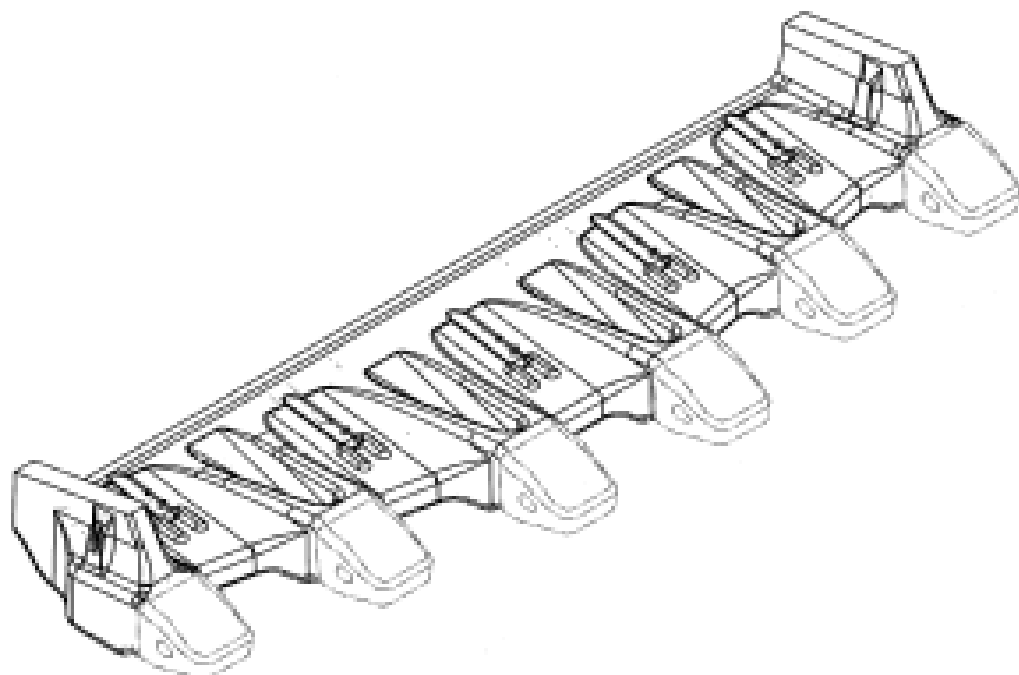
(45) Registration Date: **09 August 2010**

(56) Related Art Documents: **Not Applicable**

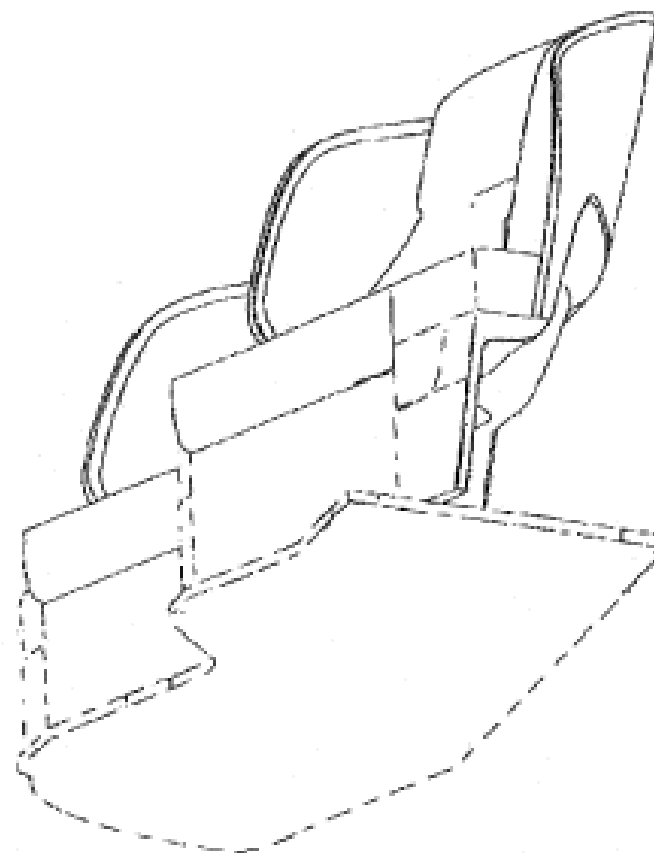
(57) Statement of Newness and Distinctiveness: **Newness and distinctiveness reside in the features of shape and/or configuration of a stand mixer as shown in the accompanying drawings.**



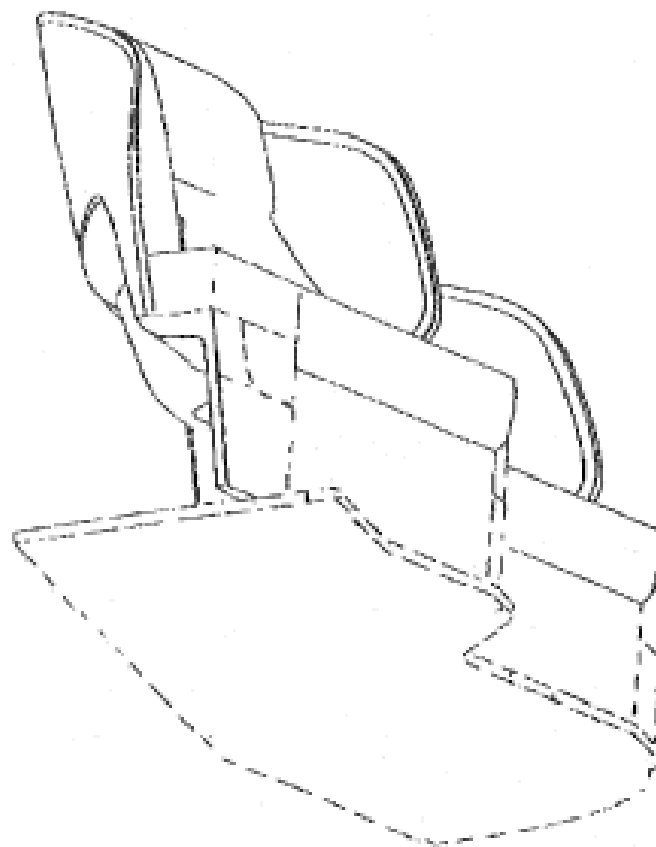
- (21) Design Number: **14861/2009**
(22) Date of Filing Application: **11 December 2009**
(24) Date from which industrial property rights may have effect: **11 December 2009**
(54) Product in respect of which the design is registered: **An excavator lip**
(51) International Design Classification: **15-03B**
(71) Name(s) and Address(s) of Applicant(s):
CQMS Pty Ltd
36 Enterprise Street Mackay Queensland 4740 Australia
(72) Name(s) of Designer(s): **Andrew Drager and Miguel Guimaraes and Paul Heaphy and Martial Vicq and Gerard Weber**
(45) Registration Date: **09 August 2010**
(56) Related Art Documents: **Not Applicable**
(57) Statement of Newness and Distinctiveness: **The newness and distinctiveness of the design resides in the shape and configuration and/or pattern and ornamentation of the AN EXCAVATOR LIP shown in the representations.**



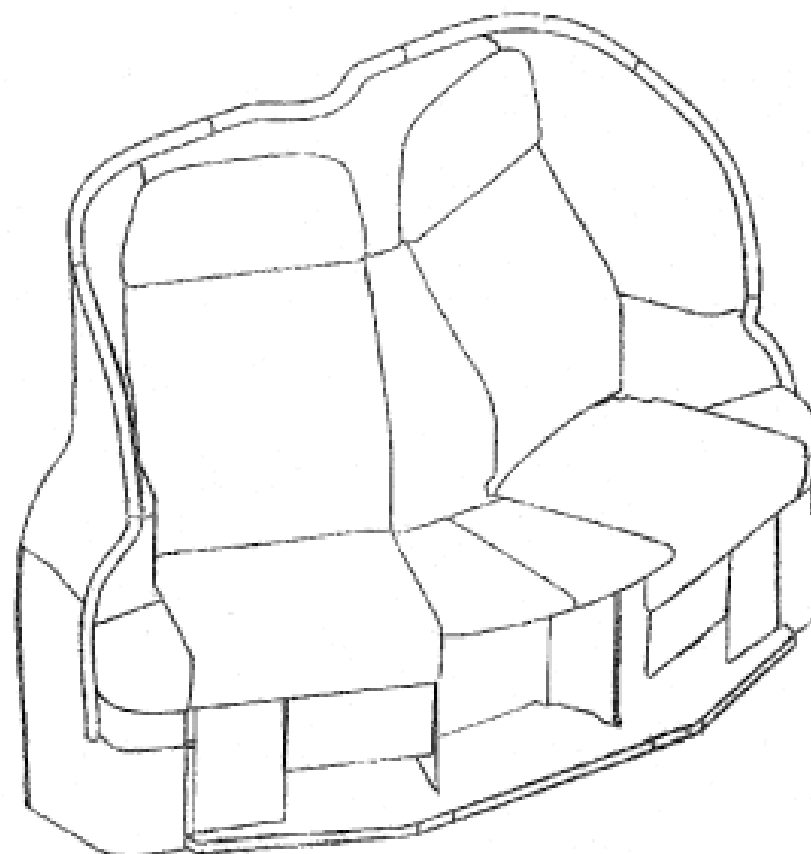
- (21) Design Number: **10117/2010**
(22) Date of Filing Application: **14 January 2010**
(24) Date from which industrial property rights may have effect: **14 January 2010**
(54) Product in respect of which the design is registered: **Aircraft seat**
(51) International Design Classification: **06-01D**
(71) Name(s) and Address(s) of Applicant(s):
Air New Zealand Limited
185 Fanshawe Street Auckland 1010 New Zealand
(72) Name(s) of Designer(s): **Glen Wilson Porter and Victoria Anne Bamford and Kerry Alan Reeves and Stuart Anthony Eric Hilton**
(45) Registration Date: **09 August 2010**
(30) Convention priority data:
(31) Number (32) Date (33) Country
413078 10 Dec 2009 NEW ZEALAND
(56) Related Art Documents: **Not Applicable**
(57) Statement of Newness and Distinctiveness: **Newness and distinctiveness is claimed in the shape and/or configuration of all the features illustrated in continuous lines in the accompanying drawings.**



- (21) Design Number: **10118/2010**
(22) Date of Filing Application: **14 January 2010**
(24) Date from which industrial property rights may have effect: **14 January 2010**
(54) Product in respect of which the design is registered: **Aircraft seat**
(51) International Design Classification: **06-01D**
(71) Name(s) and Address(s) of Applicant(s):
Air New Zealand Limited
185 Fanshawe Street Auckland 1010 New Zealand
(72) Name(s) of Designer(s): **Glen Wilson Porter and Victoria Anne Bamford and Kerry Alan Reeves and Stuart Anthony Eric Hilton**
(45) Registration Date: **09 August 2010**
(30) Convention priority data:
(31) Number (32) Date (33) Country
413107 16 Dec 2009 NEW ZEALAND
(56) Related Art Documents: **Not Applicable**
(57) Statement of Newness and Distinctiveness: **Newness and distinctiveness is claimed in the shape and/or configuration of all the features illustrated in continuous lines in the accompanying drawings.**

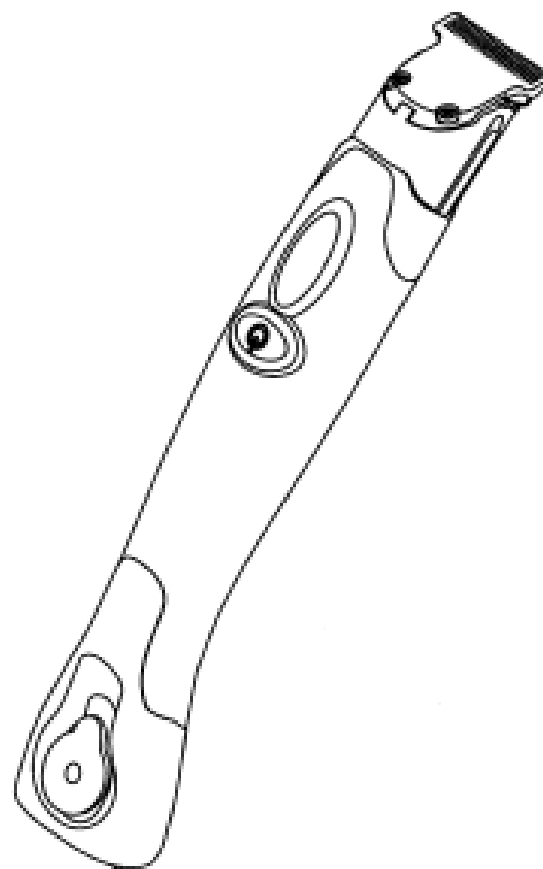


- (21) Design Number: **10119/2010**
(22) Date of Filing Application: **14 January 2010**
(24) Date from which industrial property rights may have effect: **14 January 2010**
(54) Product in respect of which the design is registered: **Aircraft seat**
(51) International Design Classification: **06-01D**
(71) Name(s) and Address(s) of Applicant(s):
Air New Zealand Limited
185 Fanshawe Street Auckland 1010 New Zealand
(72) Name(s) of Designer(s): **Glen Wilson Porter and Victoria Anne Bamford and Kerry Alan Reeves and Stuart Anthony Eric Hilton**
(45) Registration Date: **09 August 2010**
(30) Convention priority data:
(31) Number (32) Date (33) Country
413079 10 Dec 2009 NEW ZEALAND
(56) Related Art Documents: **Not Applicable**
(57) Statement of Newness and Distinctiveness: **Nil**



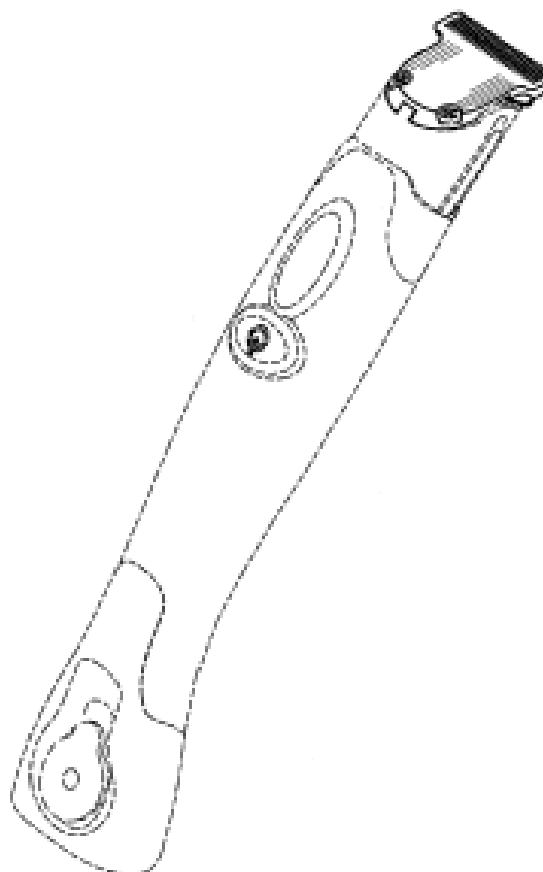
- (21) Design Number: **10986/2010**
- (22) Date of Filing Application: **22 March 2010**
- (24) Date from which industrial property rights may have effect: **22 March 2010**
- (54) Product in respect of which the design is registered: **Razor handle with trimmer**
- (51) International Design Classification: **28-03A, 28-03D**
- (71) Name(s) and Address(s) of Applicant(s):
Eveready Battery Company, Inc.
533 Maryville University Drive St Louis Missouri 63141 United States of America
- (72) Name(s) of Designer(s): **Jia Jun Shen**
- (45) Registration Date: **09 August 2010**
- (30) Convention priority data:

(31) Number	(32) Date	(33) Country
29/343929	22 Sep 2009	UNITED STATES OF AMERICA
- (56) Related Art Documents: **Not Applicable**
- (57) Statement of Newness and Distinctiveness: **Newness and distinctiveness is claimed in those features of shape and or configuration of a Razor Handle with Trimmer as depicted in the representations in unbroken lines.**



- (21) Design Number: **12239/2010**
- (22) Date of Filing Application: **22 March 2010**
- (24) Date from which industrial property rights may have effect: **22 March 2010**
- (54) Product in respect of which the design is registered: **Blade set for a safety razor with trimmer**
- (51) International Design Classification: **28-03A, 28-03D**
- (71) Name(s) and Address(s) of Applicant(s):
Eveready Battery Company, Inc.
533 Maryville University Drive St Louis Missouri 63141 United States of America
- (72) Name(s) of Designer(s): **Jia Jun Shen**
- (45) Registration Date: **09 August 2010**
- (30) Convention priority data:

(31) Number	(32) Date	(33) Country
29/343929	22 Sep 2009	UNITED STATES OF AMERICA
- (56) Related Art Documents: **Not Applicable**
- (57) Statement of Newness and Distinctiveness: **Newness and distinctiveness is claimed in those features of shape and or configuration of a blade set for a safety razor with trimmer as depicted in the representations in unbroken lines.**



- (21) Design Number: **12937/2010**
(22) Date of Filing Application: **16 July 2010**
(24) Date from which industrial property rights may have effect: **16 July 2010**
(54) Product in respect of which the design is registered: **Truss**
(51) International Design Classification: **25-02NES**
(71) Name(s) and Address(s) of Applicant(s):

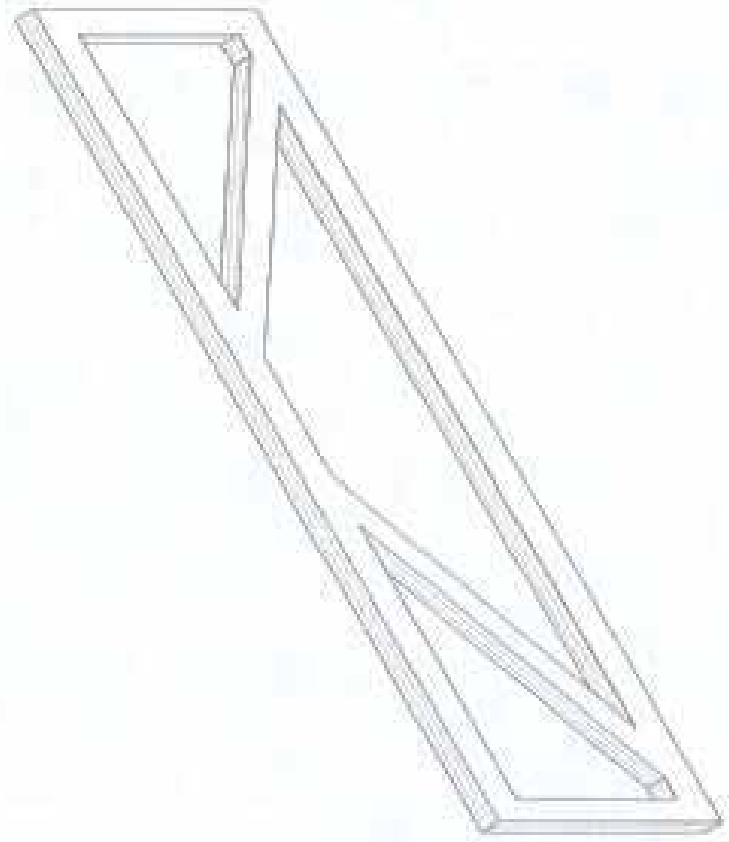
Christopher Bernard Devaney
Unit 1 No.5 Cassey Street Como Western Australia 6152 Australia

- (72) Name(s) of Designer(s): **Christopher Bernard Devaney**

- (45) Registration Date: **11 August 2010**

- (56) Related Art Documents: **Not Applicable**

- (57) Statement of Newness and Distinctiveness: **This unique design in "SINGLE SPAN" form makes use of a top chord and a bottom chord depicted as horizontal members, a vertical support member at each end and web members which connect between the top and bottom chords. The design incorporates four panel points along the length of the top chord being the intersection of the centreline of the top chord and the centrelines of the vertical member at each end and the intersection of the centreline of the top chord and centreline of each web member. And four panel points along the length of the bottom chord being the intersection of the centerline of the bottom chord and the centreline of the vertical member at each end and the intersection of the centreline of the bottom chord and centreline of each web member. The separation of the intersecting centerlines of top and bottom chords and each web member at panel points resulting in a total of eight panel points creates the unique appearance of the design.**



- (21) Design Number: **12938/2010**
(22) Date of Filing Application: **16 July 2010**
(24) Date from which industrial property rights may have effect: **16 July 2010**
(54) Product in respect of which the design is registered: **Broom block**
(51) International Design Classification: **04-01**
(71) Name(s) and Address(s) of Applicant(s):

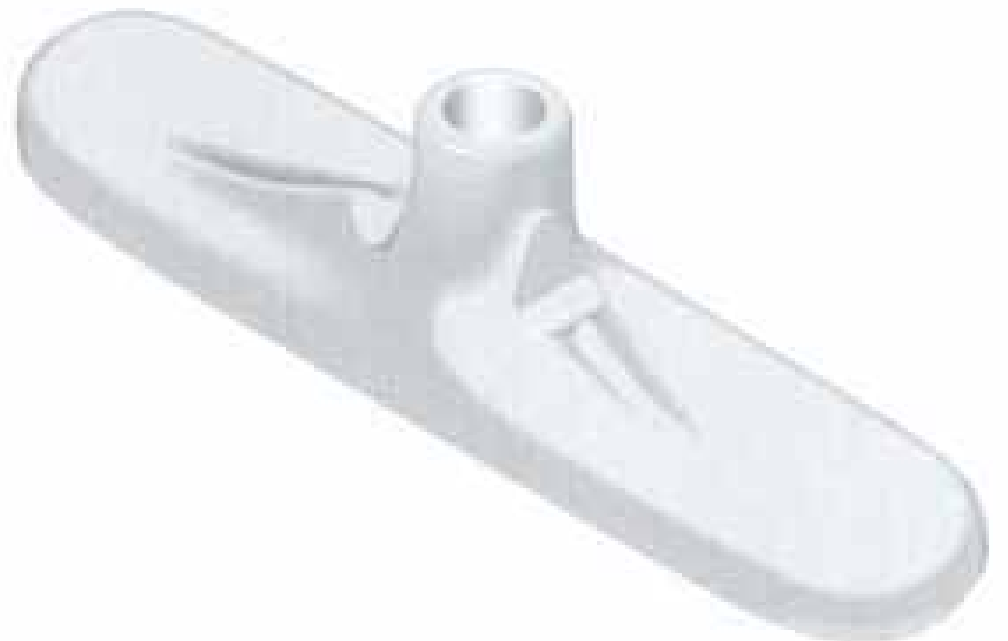
The Libman Company
220 North Sheldon Arcola Illinois 61910 United States of America

- (72) Name(s) of Designer(s): **Enzo Berti and J. Robert Libman**

- (45) Registration Date: **11 August 2010**

- (56) Related Art Documents: **Not Applicable**

- (57) Statement of Newness and Distinctiveness: **Newness and Distinctiveness resides in the features of shape and/or configuration of a broom block as illustrated in the accompanying representations. The specific colour illustrated in the representations of the design is exemplary only and is intended to represent any colour of the broom block.**



(21) Design Number: **12939/2010**

(22) Date of Filing Application: **16 July 2010**

(24) Date from which industrial property rights may have effect: **16 July 2010**

(54) Product in respect of which the design is registered: **Divided dish**

(51) International Design Classification: **07-01B**

(71) Name(s) and Address(s) of Applicant(s):

Snapware Corporation
3900 Hammer Avenue Mira Loma California 91752 United States of America

(72) Name(s) of Designer(s): **Justin Smyers**

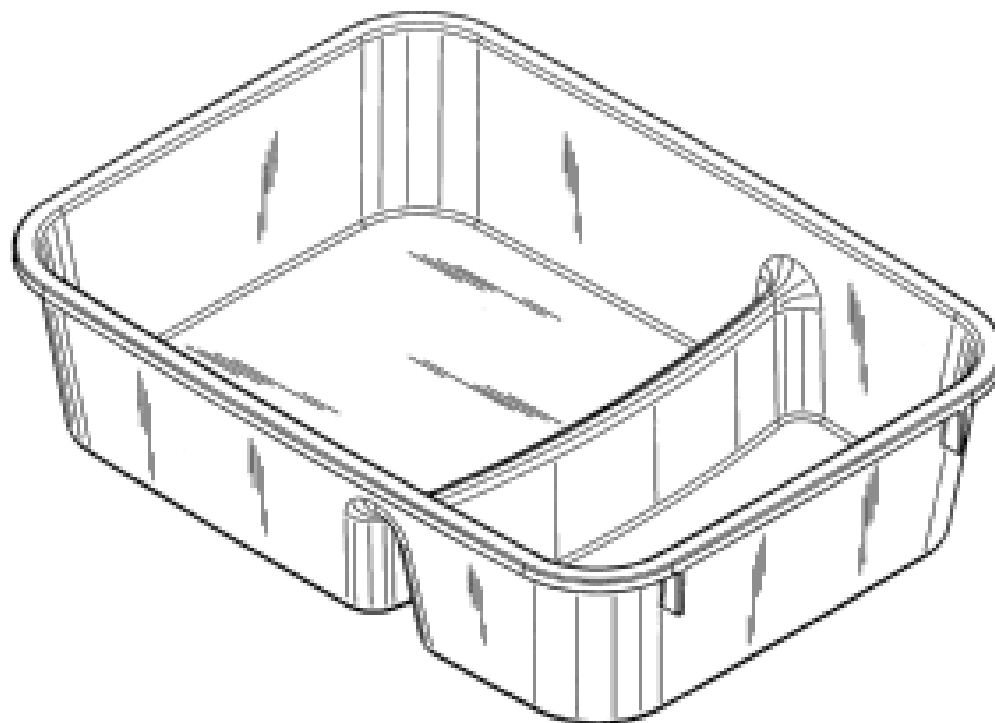
(45) Registration Date: **11 August 2010**

(30) Convention priority data:

(31) Number	(32) Date	(33) Country
29/354490	25 Jan 2010	UNITED STATES OF AMERICA

(56) Related Art Documents: **Not Applicable**

(57) Statement of Newness and Distinctiveness: **Newness and distinctiveness reside in the shape and configuration of a divided dish as illustrated in the accompanying representations.**



(21) Design Number: **12940/2010**

(22) Date of Filing Application: **16 July 2010**

(24) Date from which industrial property rights may have effect: **16 July 2010**

(54) Product in respect of which the design is registered: **Earphone**

(51) International Design Classification: **14-01**

(71) Name(s) and Address(s) of Applicant(s):

Kabushiki Kaisha Audio-Technica
2206 Naruse Machida-shi Tokyo Japan

(72) Name(s) of Designer(s): **Taira Ohori and Wataru Sakuma**

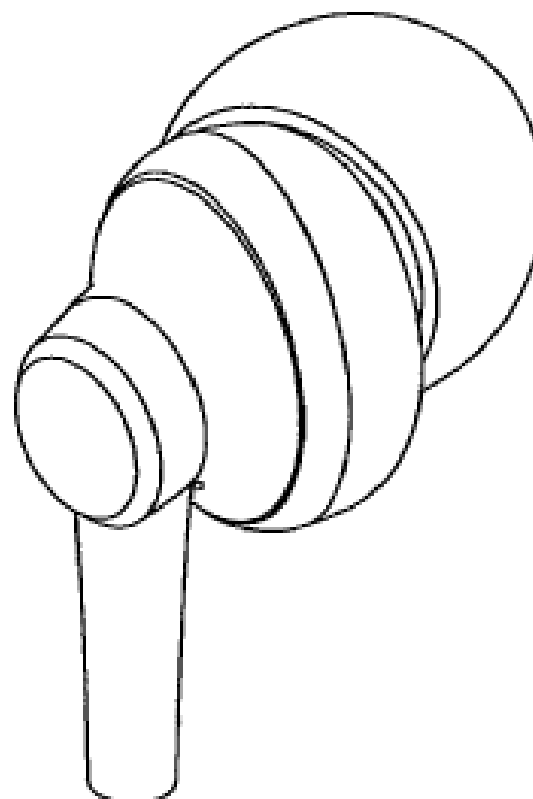
(45) Registration Date: **11 August 2010**

(30) Convention priority data:

(31) Number	(32) Date	(33) Country
2010-004654	26 Feb 2010	JAPAN

(56) Related Art Documents: **Not Applicable**

(57) Statement of Newness and Distinctiveness: **Newness and distinctiveness is claimed in the features of shape and/or configuration of a housing of an earphone as illustrated in the accompanying representations, the housing having a rounded shape from which a hemispherical - shaped earpiece and a columnar protrusion obliquely project from respective front and rear ends of the housing.**



- (21) Design Number: **12941/2010**
- (22) Date of Filing Application: **16 July 2010**
- (24) Date from which industrial property rights may have effect: **16 July 2010**
- (54) Product in respect of which the design is registered: **Earphone**
- (51) International Design Classification: **14-01**
- (71) Name(s) and Address(s) of Applicant(s):

**Kabushiki Kaisha Audio-Technica
2206 Naruse Machida-shi Tokyo Japan**

- (72) Name(s) of Designer(s): **Wataru Sakuma and Hiromich Ozawa**

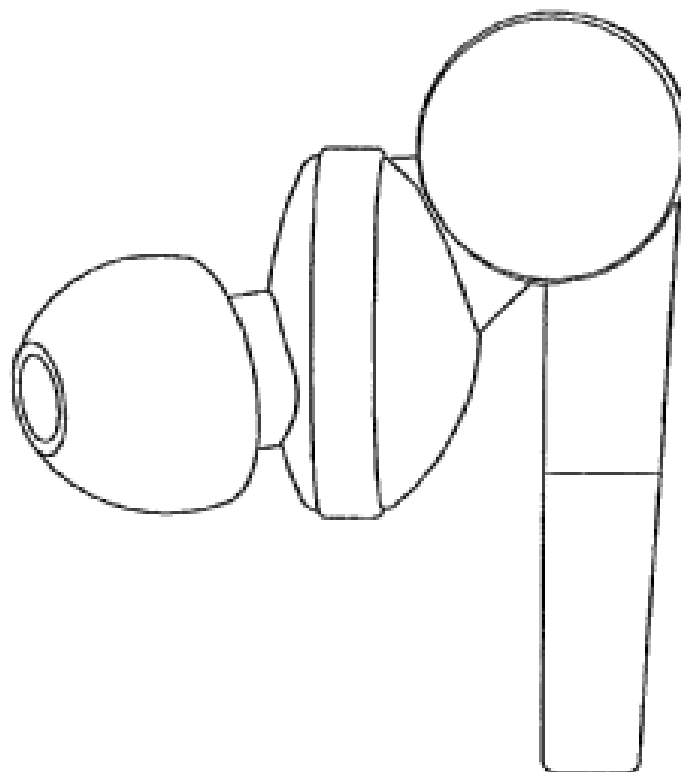
- (45) Registration Date: **11 August 2010**

- (30) Convention priority data:

(31) Number	(32) Date	(33) Country
2010-004653	26 Feb 2010	JAPAN

- (56) Related Art Documents: **Not Applicable**

- (57) Statement of Newness and Distinctiveness: **Newness and distinctiveness is claimed in the features of shape and/or configuration of a drum shaped chamber of the earphone as illustrated in the accompanying representations, the chamber being integrally provided at a rear and obliquely upward end of a housing of the earphone.**



- (21) Design Number: **12943/2010**
- (22) Date of Filing Application: **19 July 2010**
- (24) Date from which industrial property rights may have effect: **19 July 2010**
- (54) Product in respect of which the design is registered: **Decking**
- (51) International Design Classification: **25-02NES**
- (71) Name(s) and Address(s) of Applicant(s):

**Barry Joseph Richards
11 Mackerel Court Sorrento Western Australia 6020 Australia**

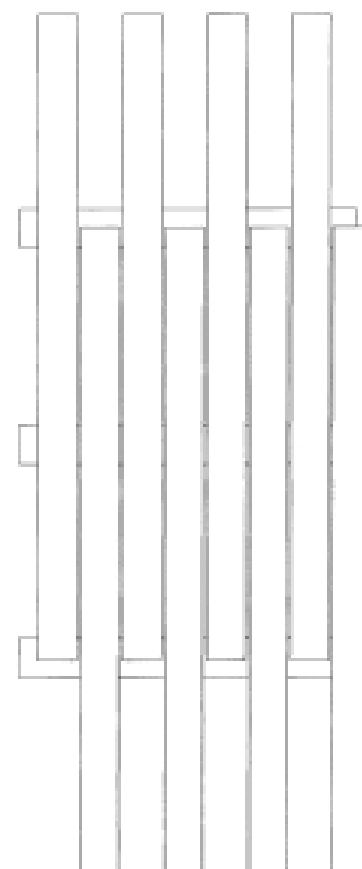
**Gary Robert Jones
11 Mackerel Court Sorrento Western Australia 6020 Australia**

- (72) Name(s) of Designer(s): **Gary Robert Jones and Barry Joseph Richards**

- (45) Registration Date: **11 August 2010**

- (56) Related Art Documents: **Not Applicable**

- (57) Statement of Newness and Distinctiveness: **Pre-fabricated interlocking modular decking panels manufactured in a staggered configuration so as to create the effect of continuous decking once installed or placed in situ.**



(21) Design Number: **12947/2010**

(22) Date of Filing Application: **16 July 2010**

(24) Date from which industrial property rights may have effect: **16 July 2010**

(54) Product in respect of which the design is registered: **Planter**

(51) International Design Classification: **11-02B**

(71) Name(s) and Address(s) of Applicant(s):

Dart Industries Inc
14901 S. Orange Blossom Trail Orlando Florida 32837 United States of America

(72) Name(s) of Designer(s): **Vincent Jalet**

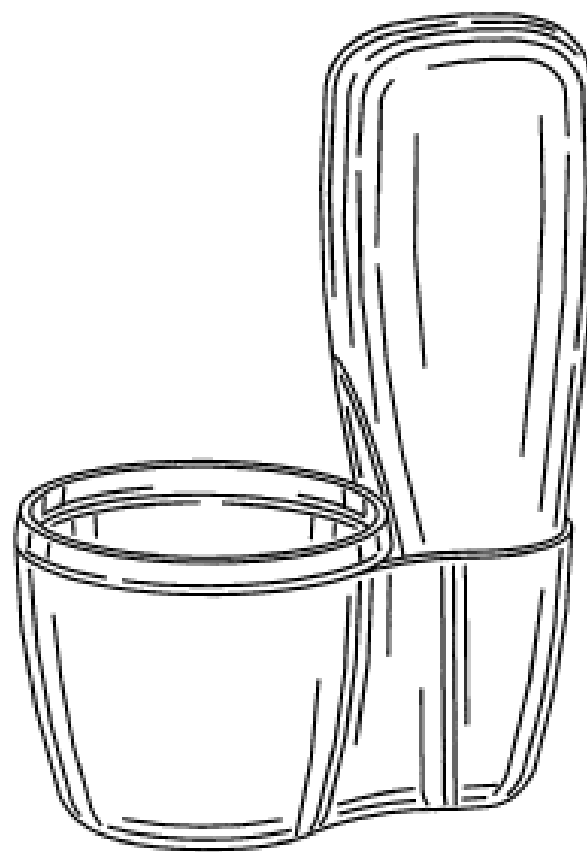
(45) Registration Date: **11 August 2010**

(30) Convention priority data:

(31) Number	(32) Date	(33) Country
29/349,335	25 Mar 2010	UNITED STATES OF AMERICA

(56) Related Art Documents: **Not Applicable**

(57) Statement of Newness and Distinctiveness: **Those features of the planter depicted in the representations that are new and distinctive are the shape and/or configuration**



(21) Design Number: **12952/2010**

(22) Date of Filing Application: **15 July 2010**

(24) Date from which industrial property rights may have effect: **15 July 2010**

(54) Product in respect of which the design is registered: **Wine cooler**

(51) International Design Classification: **07-07A**

(71) Name(s) and Address(s) of Applicant(s):

Ice Kool Promotions Pty Ltd
7 Lyons Street North Ballarat Victoria 3350 Australia

(72) Name(s) of Designer(s): **David Quayle**

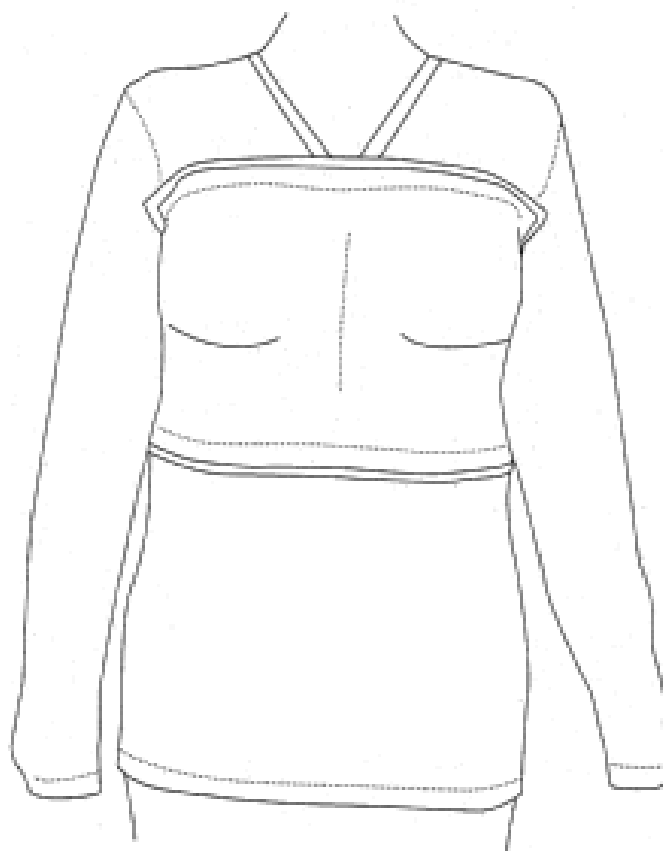
(45) Registration Date: **11 August 2010**

(56) Related Art Documents: **Not Applicable**

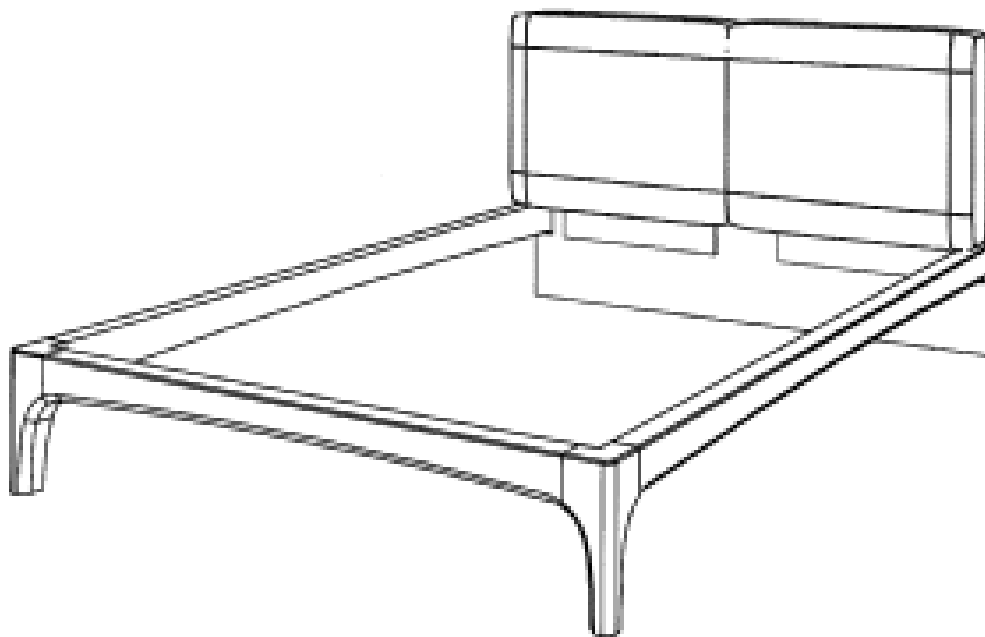
(57) Statement of Newness and Distinctiveness: **Monopoly is claimed in features of shape, pattern and configuration of the wine cooler with centre cooler apparatus detachable from the housing shell, as illustrated in the accompanying representations.**



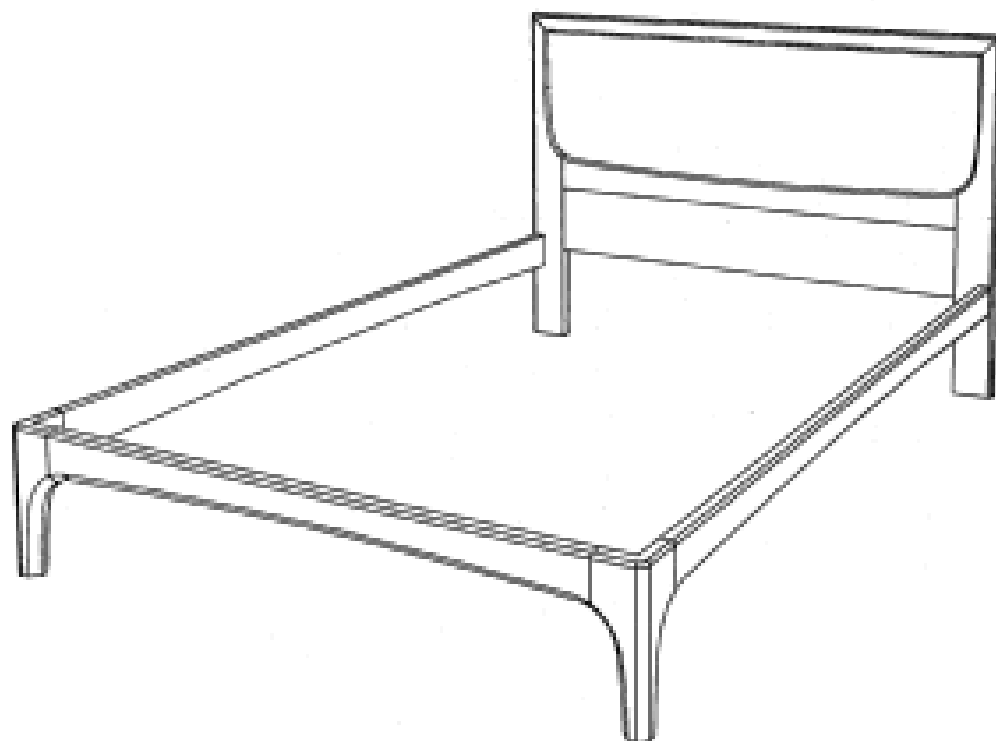
- (21) Design Number: **12953/2010**
- (22) Date of Filing Application: **16 July 2010**
- (24) Date from which industrial property rights may have effect: **16 July 2010**
- (54) Product in respect of which the design is registered: **Radiography or radiation treatment garment**
- (51) International Design Classification: **02-02NES, 24-99**
- (71) Name(s) and Address(s) of Applicant(s):
Robyn Lorraine Stanley
21 Isabella Street Tarragindi Queensland 4121 Australia
- (72) Name(s) of Designer(s): **Robyn Lorraine Stanley**
- (45) Registration Date: **11 August 2010**
- (56) Related Art Documents: **Not Applicable**
- (57) Statement of Newness and Distinctiveness: **Nil**



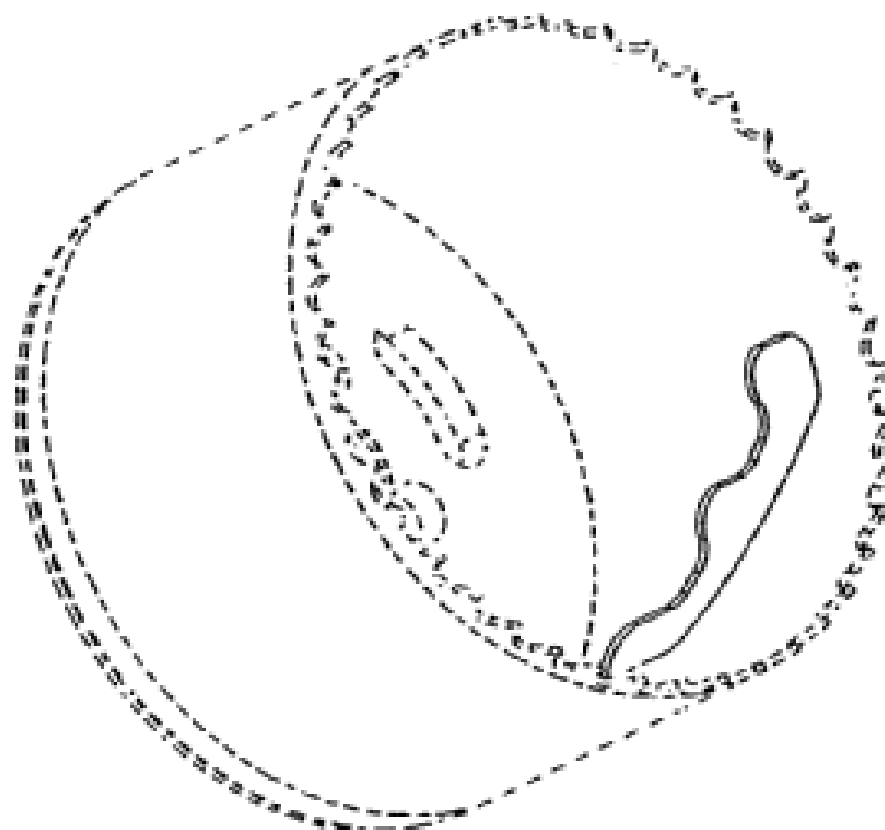
- (21) Design Number: **12954/2010**
- (22) Date of Filing Application: **15 July 2010**
- (24) Date from which industrial property rights may have effect: **15 July 2010**
- (54) Product in respect of which the design is registered: **Bed frame**
- (51) International Design Classification: **06-02**
- (71) Name(s) and Address(s) of Applicant(s):
David Durance
2/24 Cunningham Street Northcote Victoria 3070 Australia
- (72) Name(s) of Designer(s): **David Durance**
- (45) Registration Date: **11 August 2010**
- (56) Related Art Documents: **Not Applicable**
- (57) Statement of Newness and Distinctiveness: **Nil**



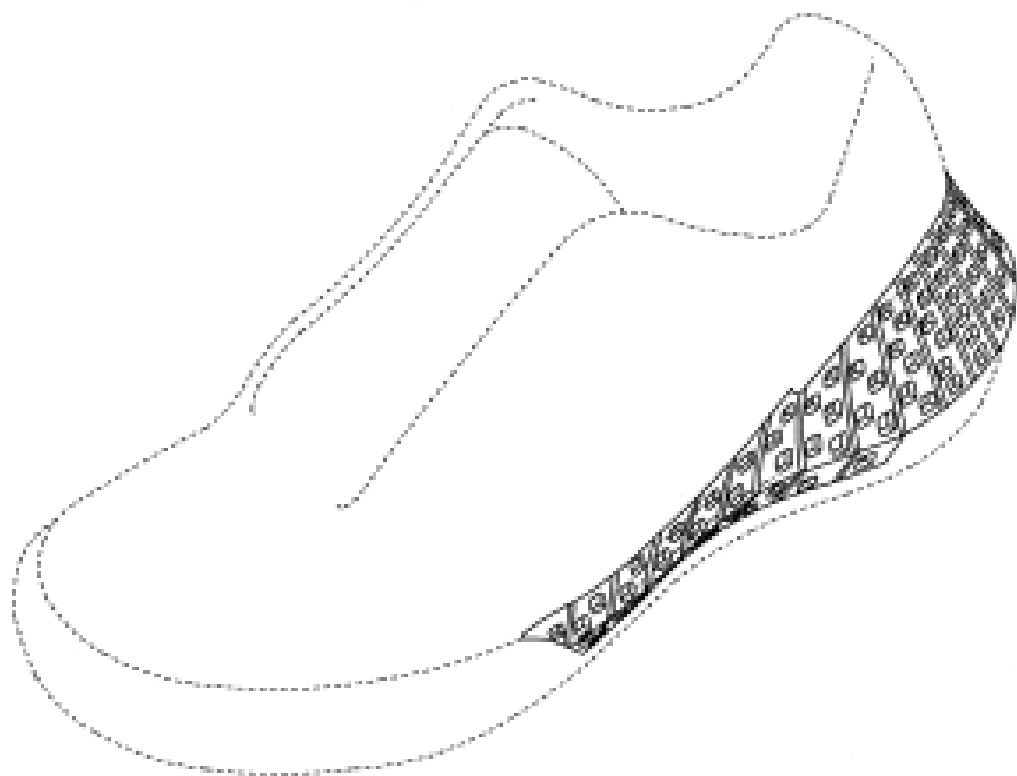
(21) Design Number: **12955/2010**
(22) Date of Filing Application: **15 July 2010**
(24) Date from which industrial property rights may have effect: **15 July 2010**
(54) Product in respect of which the design is registered: **Bed frame**
(51) International Design Classification: **06-02**
(71) Name(s) and Address(s) of Applicant(s):
David Durance
2/24 Cunningham Street Northcote Victoria 3070 Australia
(72) Name(s) of Designer(s): **David Durance**
(45) Registration Date: **11 August 2010**
(56) Related Art Documents: **Not Applicable**
(57) Statement of Newness and Distinctiveness: **Nil**



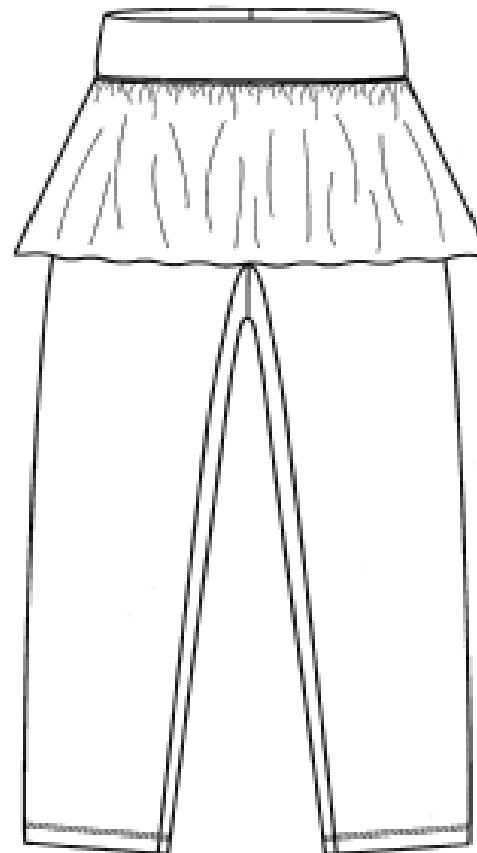
(21) Design Number: **12959/2010**
(22) Date of Filing Application: **13 July 2010**
(24) Date from which industrial property rights may have effect: **13 July 2010**
(54) Product in respect of which the design is registered: **Hole saw**
(51) International Design Classification: **08-03**
(71) Name(s) and Address(s) of Applicant(s):
Irwin Industrial Tool Company
8935 North Pointe Executive Drive Huntersville North Carolina 28078
United States of America
(72) Name(s) of Designer(s): **Joseph Thomas Novak and Matthew Christopher Green and Robert Richard Zielonka and William B. Korb**
(45) Registration Date: **11 August 2010**
(30) Convention priority data:
(31) Number (32) Date (33) Country
29/353,759 13 Jan 2010 UNITED STATES OF AMERICA
(56) Related Art Documents: **Not Applicable**
(57) Statement of Newness and Distinctiveness: **The newness and distinctiveness of the design resides in the shape and configuration of the slot openings defined in a sidewall of a hole saw, as shown in solid lines in the accompanying representations.**



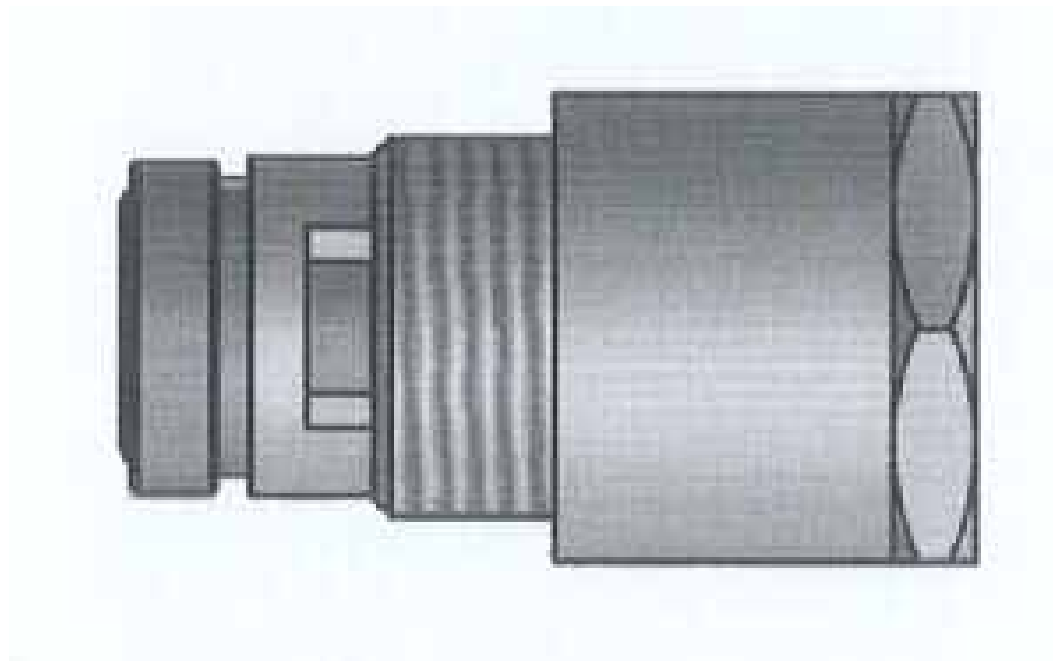
- (21) Design Number: **12975/2010**
(22) Date of Filing Application: **16 July 2010**
(24) Date from which industrial property rights may have effect: **16 July 2010**
(54) Product in respect of which the design is registered: **Footwear portion**
(51) International Design Classification: **02-04A**
(71) Name(s) and Address(s) of Applicant(s):
Deckers Outdoor Corporation
495-A South Fairview Avenue Goleta California 93117 United States of America
(72) Name(s) of Designer(s): **Lawrence Selbiger**
(45) Registration Date: **11 August 2010**
(30) Convention priority data:
(31) Number (32) Date (33) Country
29/361288 10 May 2010 UNITED STATES OF AMERICA
(56) Related Art Documents: **Not Applicable**
(57) Statement of Newness and Distinctiveness: **Newness and distinctiveness reside in the features of shape and configuration of the design shown in solid lines in the representations excluding those features shown in broken lines.**



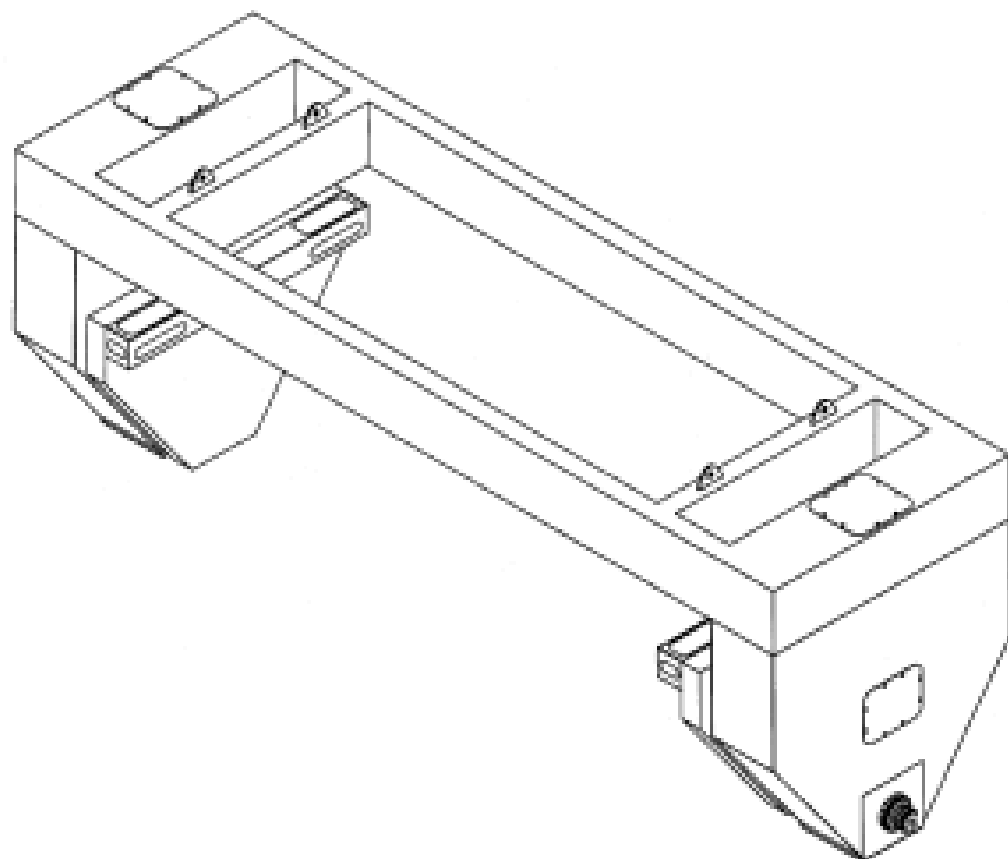
- (21) Design Number: **12977/2010**
(22) Date of Filing Application: **19 July 2010**
(24) Date from which industrial property rights may have effect: **19 July 2010**
(54) Product in respect of which the design is registered: **Skirt legging**
(51) International Design Classification: **02-02C**
(71) Name(s) and Address(s) of Applicant(s):
Elizabeth Ann O'Connor-Cowley
5 Thompson Street Bowen Hills Queensland 4006 Australia
(72) Name(s) of Designer(s): **Elizabeth Ann O'Connor-Cowley**
(45) Registration Date: **11 August 2010**
(56) Related Art Documents: **Not Applicable**
(57) Statement of Newness and Distinctiveness: **The design is distinct in that it incorporates both a skirt and legging into one garment.**



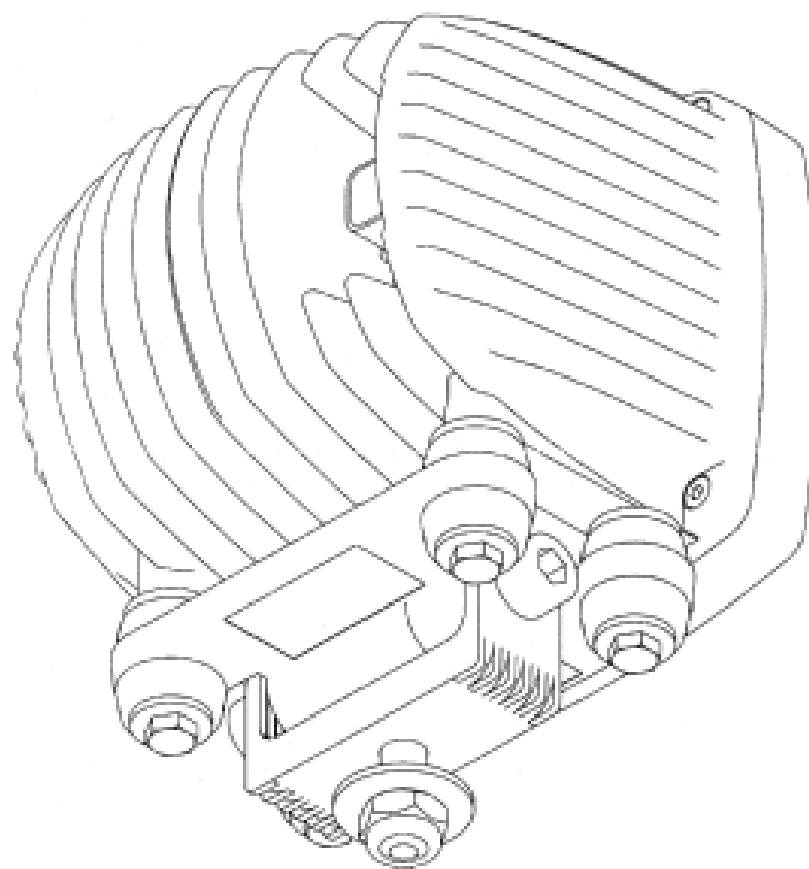
- (21) Design Number: **13152/2010**
(22) Date of Filing Application: **28 July 2010**
(24) Date from which industrial property rights may have effect: **28 July 2010**
(54) Product in respect of which the design is registered: **Adjustable tap seat extender**
(51) International Design Classification: **23-01H**
(71) Name(s) and Address(s) of Applicant(s):
Warren Ewing
19 Lockyer Drive Bray Park Queensland 4500 Australia
(72) Name(s) of Designer(s): **Warren Ewing**
(45) Registration Date: **11 August 2010**
(56) Related Art Documents: **Not Applicable**
(57) Statement of Newness and Distinctiveness: **Newness and distinctiveness are claimed in the shape and configuration of the tap seat extender depicted in the accompanying representations.**



- (21) Design Number: **12339/2010**
(22) Date of Filing Application: **07 June 2010**
(24) Date from which industrial property rights may have effect: **07 June 2010**
(54) Product in respect of which the design is registered: **A device for lifting and rotating containers**
(51) International Design Classification: **12-05**
(71) Name(s) and Address(s) of Applicant(s):
Australian Mobile Mining Equipment Systems and Accessories Pty. Limited
5 Sammut Street Smithfield New South Wales 2164 Australia
(72) Name(s) of Designer(s): **Murray Bridle**
(45) Registration Date: **10 August 2010**
(56) Related Art Documents: **Not Applicable**
(57) Statement of Newness and Distinctiveness: **Newness and distinctiveness is claimed in the shape and/or configuration of a device for lifting and rotating containers as illustrated in the accompanying representations.**



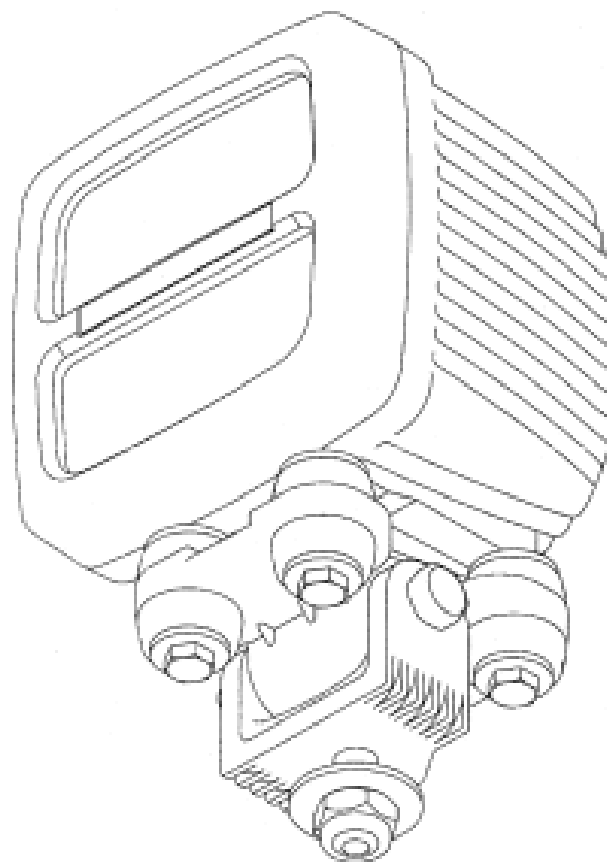
(21) Design Number: **12355/2010**
(22) Date of Filing Application: **09 June 2010**
(24) Date from which industrial property rights may have effect: **09 June 2010**
(54) Product in respect of which the design is registered: **Worklight**
(51) International Design Classification: **26-03**
(71) Name(s) and Address(s) of Applicant(s):
Herrmans Oy Ab
Pannaistentie 143 FI-68601 Pietarsaari Finland
(72) Name(s) of Designer(s): **Janne Lindholm and Jari Korpi**
(45) Registration Date: **10 August 2010**
(30) Convention priority data:
(31) Number (32) Date (33) Country
001676966-0003 03 Mar 2010 EUROPEAN COMMUNITY
(56) Related Art Documents: **Not Applicable**
(57) Statement of Newness and Distinctiveness: **Nil**



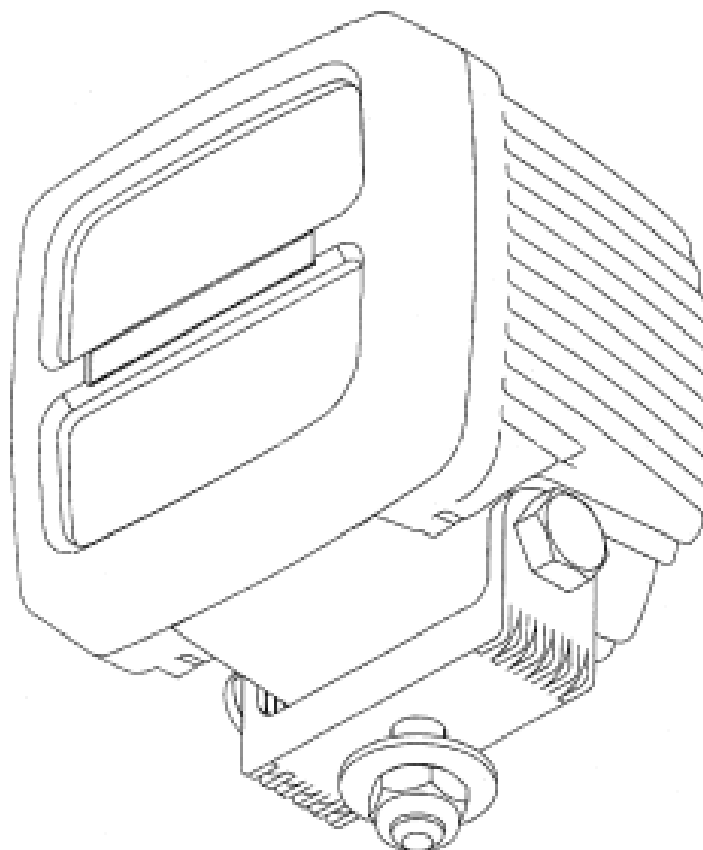
(21) Design Number: **12405/2010**
(22) Date of Filing Application: **11 June 2010**
(24) Date from which industrial property rights may have effect: **11 June 2010**
(54) Product in respect of which the design is registered: **School desk**
(51) International Design Classification: **06-03C**
(71) Name(s) and Address(s) of Applicant(s):
Q Products LLC
129 N Garden Avenue Clearwater FL 33755 United States of America
(72) Name(s) of Designer(s): **Guillermo Fuchs**
(45) Registration Date: **10 August 2010**
(56) Related Art Documents: **Not Applicable**
(57) Statement of Newness and Distinctiveness: **Nil**



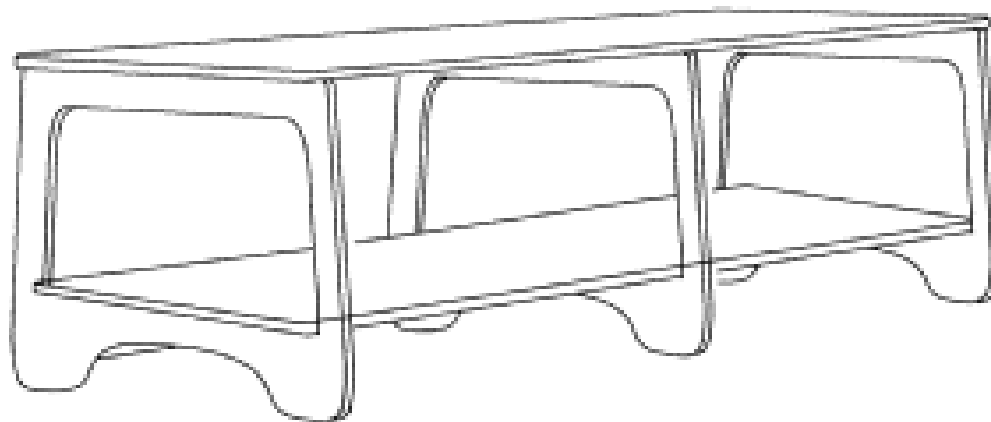
(21) Design Number: **12356/2010**
(22) Date of Filing Application: **09 June 2010**
(24) Date from which industrial property rights may have effect: **09 June 2010**
(54) Product in respect of which the design is registered: **Worklight**
(51) International Design Classification: **26-03**
(71) Name(s) and Address(s) of Applicant(s):
Herrmans Oy Ab
Pannaistentie 143 FI-68601 Pietarsaari Finland
(72) Name(s) of Designer(s): **Janne Lindholm and Jari Korpi**
(45) Registration Date: **10 August 2010**
(30) Convention priority data:
(31) Number (32) Date (33) Country
001676966-0002 03 Mar 2010 EUROPEAN COMMUNITY
(56) Related Art Documents: **Not Applicable**
(57) Statement of Newness and Distinctiveness: **Nil**



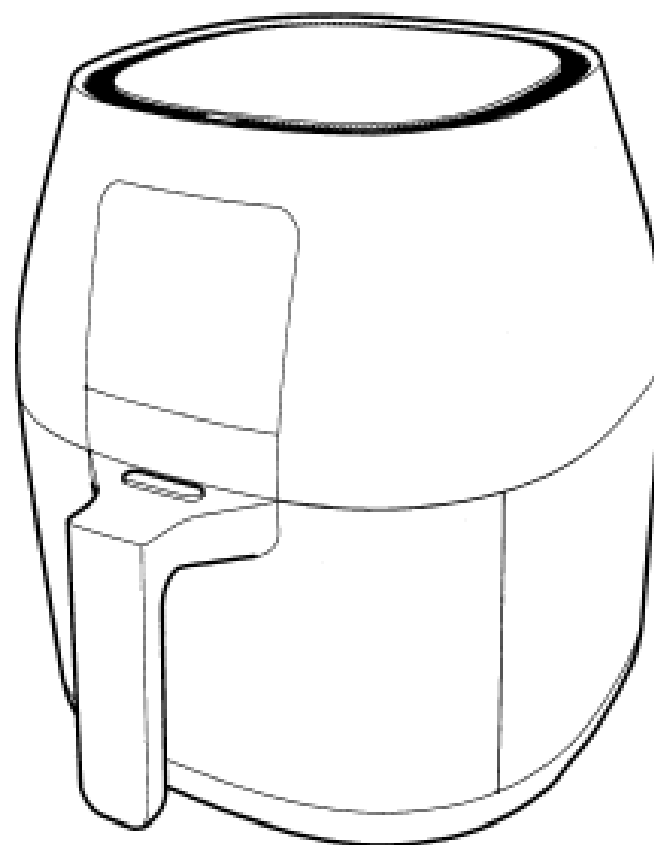
(21) Design Number: **12357/2010**
(22) Date of Filing Application: **09 June 2010**
(24) Date from which industrial property rights may have effect: **09 June 2010**
(54) Product in respect of which the design is registered: **Worklight**
(51) International Design Classification: **26-03**
(71) Name(s) and Address(s) of Applicant(s):
Herrmans Oy Ab
Pannaistentie 143 FI-68601 Pietarsaari Finland
(72) Name(s) of Designer(s): **Janne Lindholm and Jari Korpi**
(45) Registration Date: **10 August 2010**
(30) Convention priority data:
(31) Number (32) Date (33) Country
001676966-0001 03 Mar 2010 EUROPEAN COMMUNITY
(56) Related Art Documents: **Not Applicable**
(57) Statement of Newness and Distinctiveness: **Nil**



- (21) Design Number: **12724/2010**
(22) Date of Filing Application: **02 July 2010**
(24) Date from which industrial property rights may have effect: **02 July 2010**
(54) Product in respect of which the design is registered: **2 tier media unit**
(51) International Design Classification: **06-04NES**
(71) Name(s) and Address(s) of Applicant(s):
Insphere Pty Ltd
4/210 Alison Road Randwick New South Wales 2031 Australia
(72) Name(s) of Designer(s): **Murray Wilkinson**
(45) Registration Date: **10 August 2010**
(56) Related Art Documents: **Not Applicable**
(57) Statement of Newness and Distinctiveness: **Slot together flat pack design, laminate shelves.**



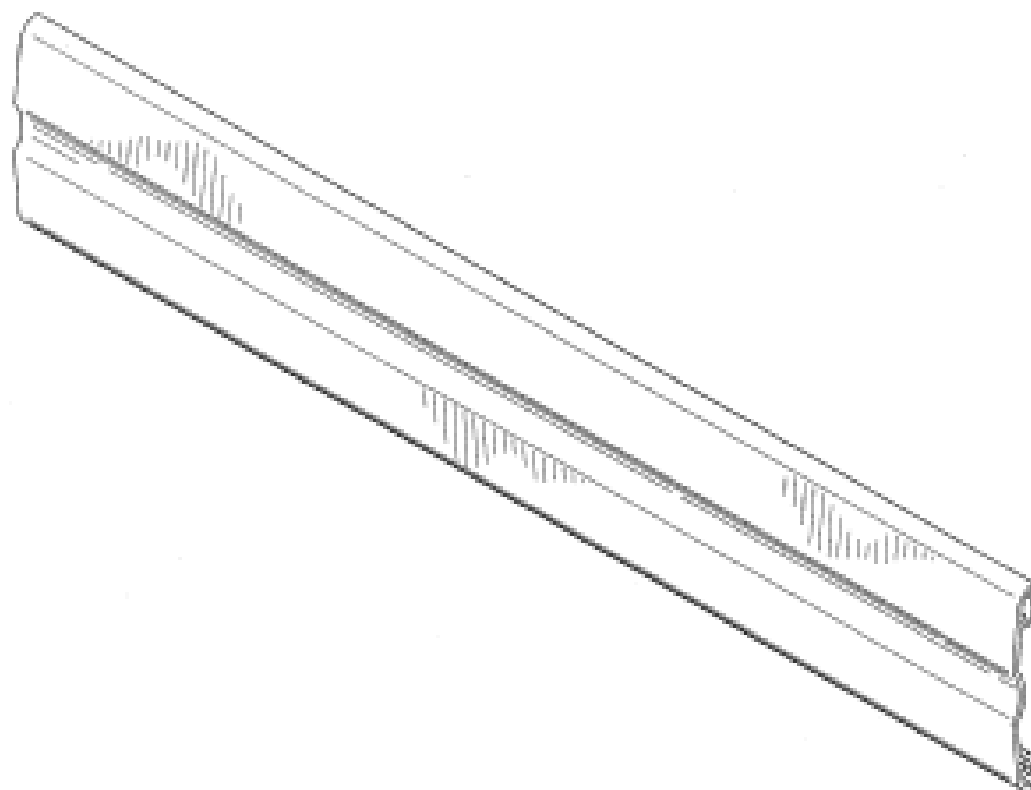
- (21) Design Number: **12854/2010**
(22) Date of Filing Application: **12 July 2010**
(24) Date from which industrial property rights may have effect: **12 July 2010**
(54) Product in respect of which the design is registered: **Air fryer**
(51) International Design Classification: **07-02N**
(71) Name(s) and Address(s) of Applicant(s):
Koninklijke Philips Electronics N.V.
Groenewoudseweg 1 5621 BA Eindhoven The Netherlands
(72) Name(s) of Designer(s): **Georg Johann**
(45) Registration Date: **10 August 2010**
(30) Convention priority data:
(31) Number (32) Date (33) Country
001656521-0001 14 Jan 2010 EUROPEAN COMMUNITY
(56) Related Art Documents: **Not Applicable**
(57) Statement of Newness and Distinctiveness: **Newness and distinctiveness reside in the features of the design as shown in the representations.**



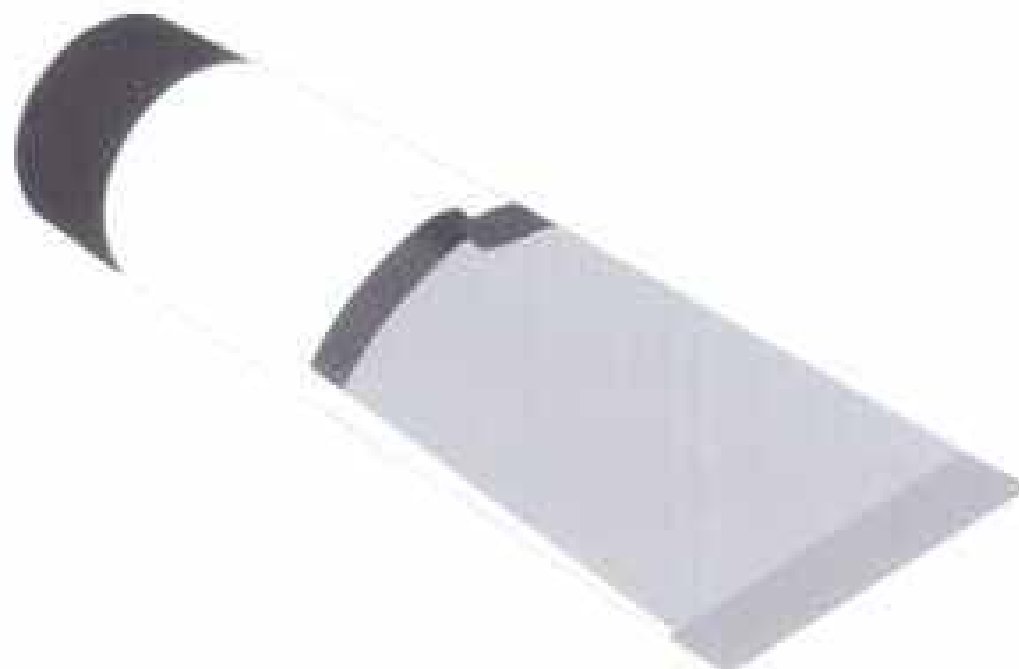
(21) Design Number: **12855/2010**
 (22) Date of Filing Application: **12 July 2010**
 (24) Date from which industrial property rights may have effect: **12 July 2010**
 (54) Product in respect of which the design is registered: **Cover for cable management raceway**
 (51) International Design Classification: **13-03C**
 (71) Name(s) and Address(s) of Applicant(s):
Chatsworth Products, Inc.
31425 Agoura Road Westlake Village CA 91361 United States of America
 (72) Name(s) of Designer(s): **D. Brian Donowho**
 (45) Registration Date: **10 August 2010**
 (30) Convention priority data:
 (31) Number (32) Date (33) Country
29/353951 16 Jan 2010 UNITED STATES OF AMERICA
 (56) Related Art Documents: **Not Applicable**
 (57) Statement of Newness and Distinctiveness: **Nil**



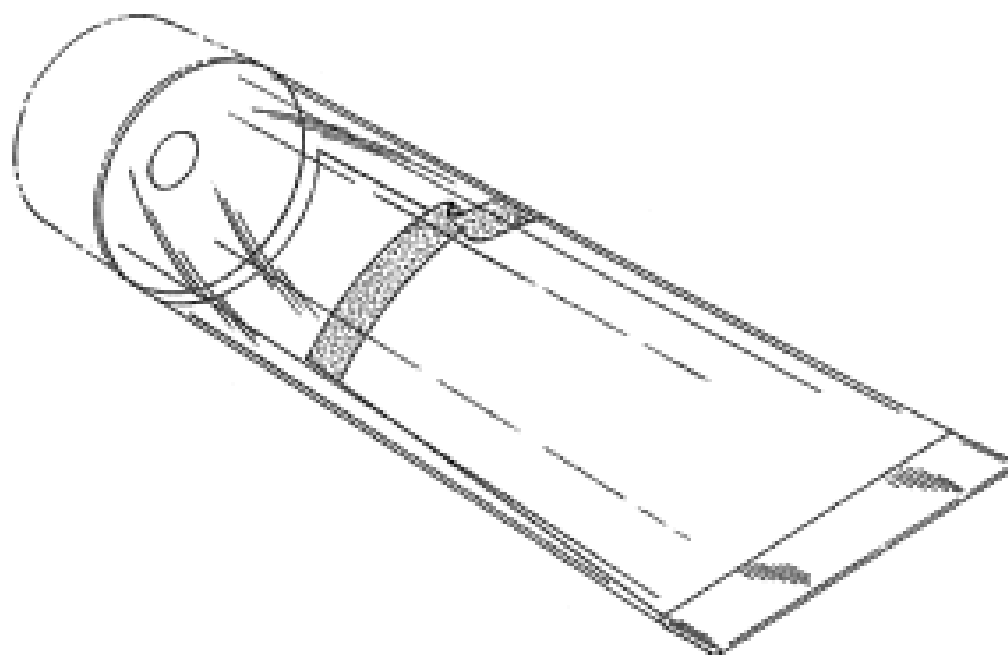
(21) Design Number: **12856/2010**
 (22) Date of Filing Application: **12 July 2010**
 (24) Date from which industrial property rights may have effect: **12 July 2010**
 (54) Product in respect of which the design is registered: **Cover for cable management raceway**
 (51) International Design Classification: **13-03C**
 (71) Name(s) and Address(s) of Applicant(s):
Chatsworth Products, Inc.
31425 Agoura Road Westlake Village CA 91361 United States of America
 (72) Name(s) of Designer(s): **D. Brian Donowho**
 (45) Registration Date: **10 August 2010**
 (30) Convention priority data:
 (31) Number (32) Date (33) Country
29/353952 16 Jan 2010 UNITED STATES OF AMERICA
 (56) Related Art Documents: **Not Applicable**
 (57) Statement of Newness and Distinctiveness: **Nil**



- (21) Design Number: **12857/2010**
(22) Date of Filing Application: **12 July 2010**
(24) Date from which industrial property rights may have effect: **12 July 2010**
(54) Product in respect of which the design is registered: **Capped container**
(51) International Design Classification: **09-05**
(71) Name(s) and Address(s) of Applicant(s):
Botanical Food Company Pty Ltd
Level 2 1 Collins Street Melbourne Victoria 3000 Australia
(72) Name(s) of Designer(s): **Allison Spence**
(45) Registration Date: **10 August 2010**
(56) Related Art Documents: **Not Applicable**
(57) Statement of Newness and Distinctiveness: **Nil**



- (21) Design Number: **12858/2010**
(22) Date of Filing Application: **12 July 2010**
(24) Date from which industrial property rights may have effect: **12 July 2010**
(54) Product in respect of which the design is registered: **Capped container**
(51) International Design Classification: **09-05**
(71) Name(s) and Address(s) of Applicant(s):
Botanical Food Company Pty Ltd
Level 2 1 Collins Street Melbourne Victoria 3000 Australia
(72) Name(s) of Designer(s): **Allison Spence**
(45) Registration Date: **10 August 2010**
(56) Related Art Documents: **Not Applicable**
(57) Statement of Newness and Distinctiveness: **The features of the capped container depicted in the representations that are new and distinctive are the pattern and/or ornamentation. Portions are opaque and portions are transparent, with the opaque ribbon portion of a colour which contrasts with the colour of the other opaque portions.**

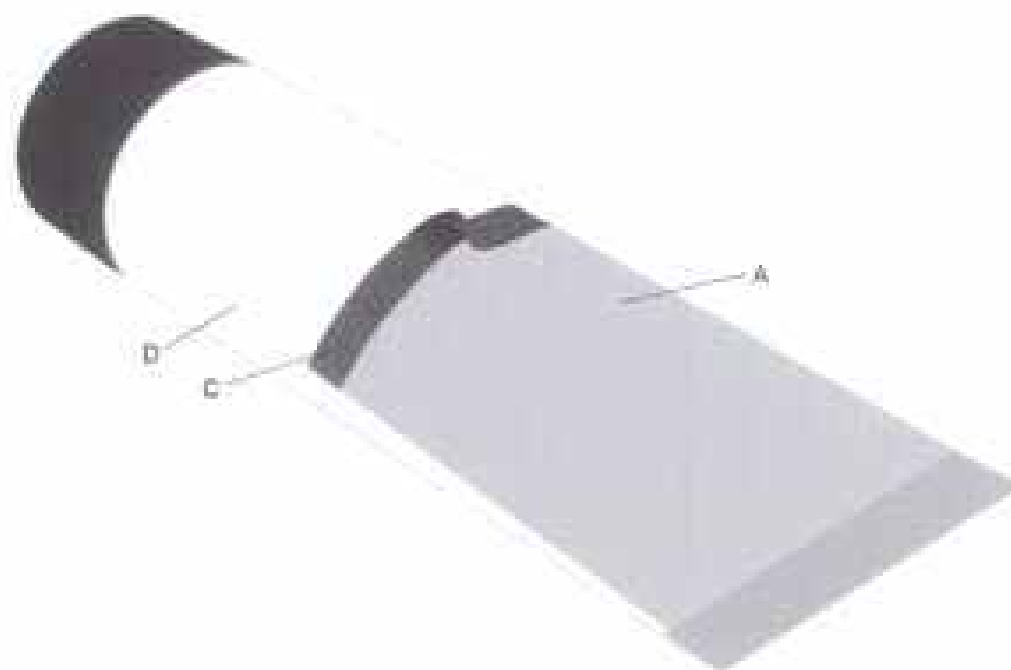


- (21) Design Number: **12859/2010**
(22) Date of Filing Application: **12 July 2010**
(24) Date from which industrial property rights may have effect: **12 July 2010**
(54) Product in respect of which the design is registered: **Capped container**
(51) International Design Classification: **09-05**
(71) Name(s) and Address(s) of Applicant(s):

Botanical Food Company Pty Ltd
Level 2 1 Collins Street Melbourne Victoria 3000 Australia

- (72) Name(s) of Designer(s): **Allison Spence**
(45) Registration Date: **10 August 2010**
(56) Related Art Documents: **Not Applicable**

- (57) Statement of Newness and Distinctiveness: **Those features of the capped container depicted in the representations that are new and distinctive are the pattern and/or ornamentation. The portions marked "A", "B" and "C" are opaque. The portions marked "D" is transparent. The ribbon portion marked "C" shown in Figures 1, 2, 4 and 5 is of a colour which contrasts with the colour of the opaque portion "A".**



- (21) Design Number: **12860/2010**
(22) Date of Filing Application: **12 July 2010**
(24) Date from which industrial property rights may have effect: **12 July 2010**
(54) Product in respect of which the design is registered: **Plush toy**
(51) International Design Classification: **21-01A**
(71) Name(s) and Address(s) of Applicant(s):

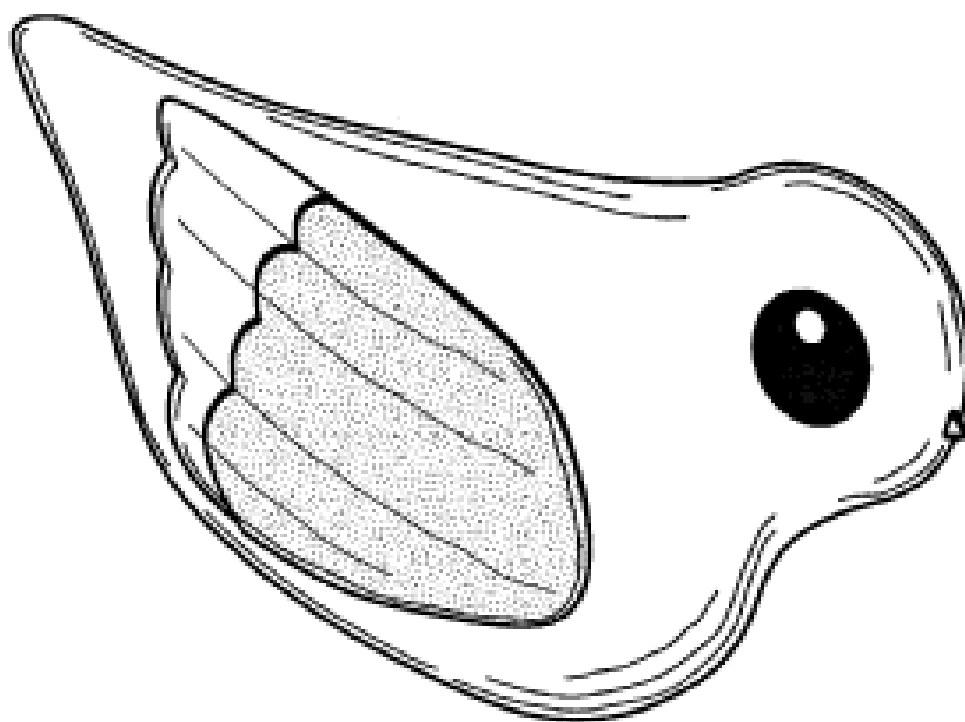
Plushy Feely Corporation
11 San Rafael Avenue San Anselmo California 94960 United States of America

- (72) Name(s) of Designer(s): **Nina Rappaport-Rowan**
(45) Registration Date: **10 August 2010**
(30) Convention priority data:

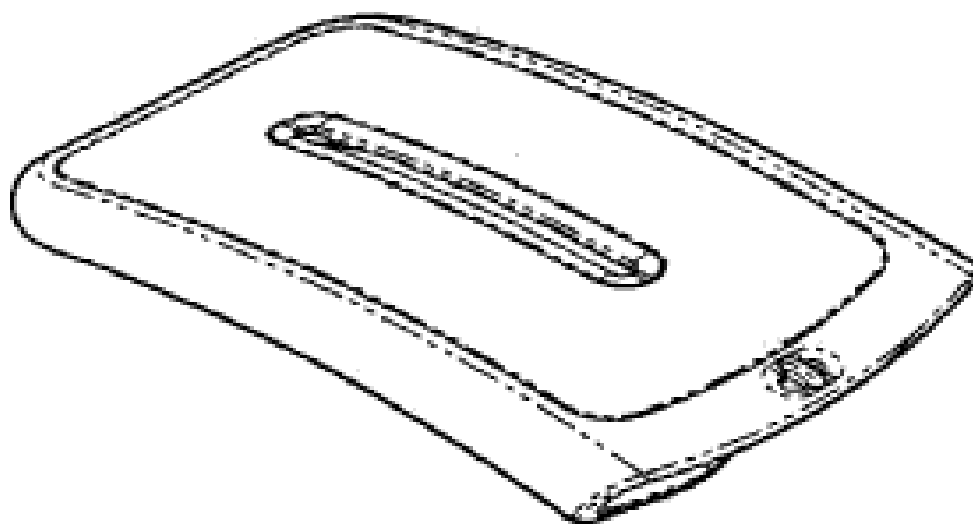
(31) Number	(32) Date	(33) Country
29/354933	29 Jan 2010	UNITED STATES OF AMERICA

- (56) Related Art Documents: **Not Applicable**

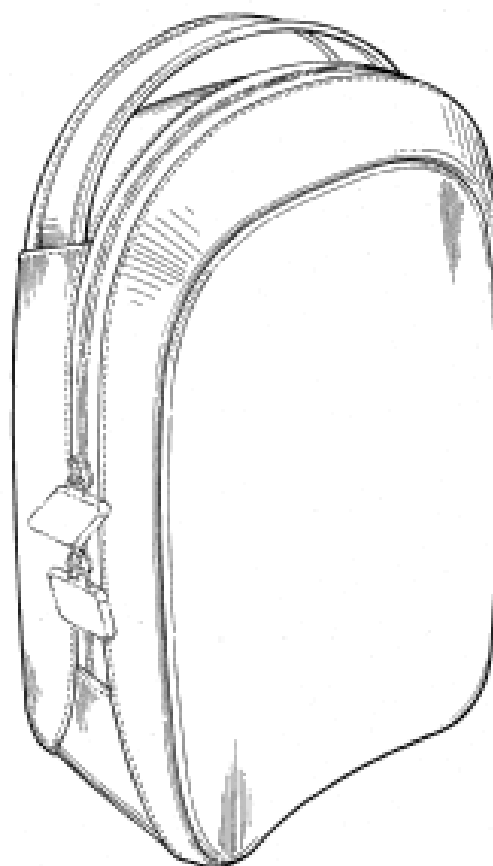
- (57) Statement of Newness and Distinctiveness: **Newness and distinctiveness resides in the features of shape and/or configuration of a plush toy as illustrated in the accompanying representations.**



- (21) Design Number: **13194/2010**
(22) Date of Filing Application: **27 July 2010**
(24) Date from which industrial property rights may have effect: **27 July 2010**
(54) Product in respect of which the design is registered: **Card holder**
(51) International Design Classification: **03-01B**
(71) Name(s) and Address(s) of Applicant(s):
K.W.A. Design Group Pty Ltd
W3B4 Level 3 Westside South Sydney Corporate Park 75-85
O'Riordan Street Alexandria 2015 New South Wales Australia
(72) Name(s) of Designer(s): **Kevin James Whitley and Teerasut Basil Smith**
and Gianfranco Lassandro
(45) Registration Date: **10 August 2010**
(56) Related Art Documents: **Not Applicable**
(57) Statement of Newness and Distinctiveness: **The newness and distinctiveness resides in the shape and configuration of the card holder features as depicted.**



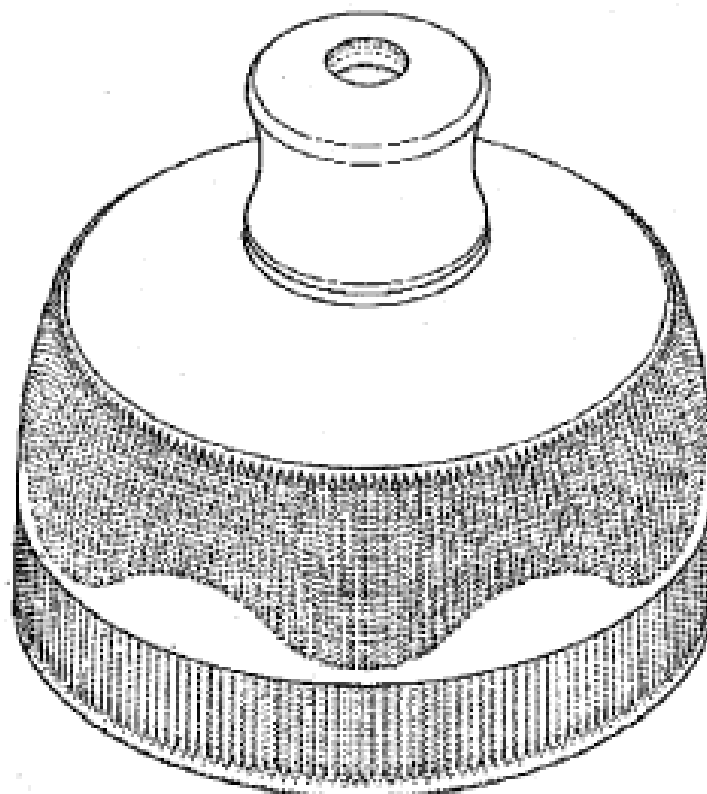
- (21) Design Number: **12978/2010**
(22) Date of Filing Application: **19 July 2010**
(24) Date from which industrial property rights may have effect: **19 July 2010**
(54) Product in respect of which the design is registered: **Bag**
(51) International Design Classification: **03-01A**
(71) Name(s) and Address(s) of Applicant(s):
Smash Enterprises Pty Ltd
11 Redland Drive Mitcham Victoria 3132 Australia
(72) Name(s) of Designer(s): **Michael Solly**
(45) Registration Date: **11 August 2010**
(56) Related Art Documents: **Not Applicable**
(57) Statement of Newness and Distinctiveness: **Newness and distinctiveness resides in the features of shape and/or configuration of a bag as shown in solid lines in the accompanying representations.**



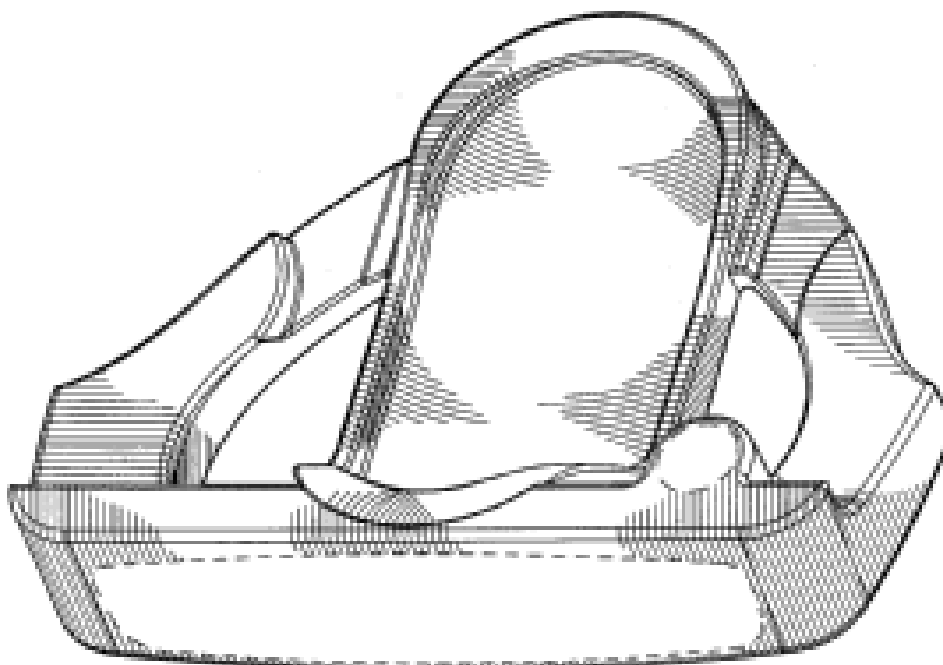
- (21) Design Number: **12981/2010**
(22) Date of Filing Application: **19 July 2010**
(24) Date from which industrial property rights may have effect: **19 July 2010**
(54) Product in respect of which the design is registered: **Carpet**
(51) International Design Classification: **06-11**
(71) Name(s) and Address(s) of Applicant(s):
Ontera Modular Carpets Pty Ltd
171 Briens Road Northmead New South Wales 2152 Australia
(72) Name(s) of Designer(s): **James Mfula and Maria Sifonios**
(45) Registration Date: **11 August 2010**
(56) Related Art Documents: **Not Applicable**
(57) Statement of Newness and Distinctiveness: **Those features of the carpet depicted in the representations that are new and distinctive are the pattern and/or ornamentation.**



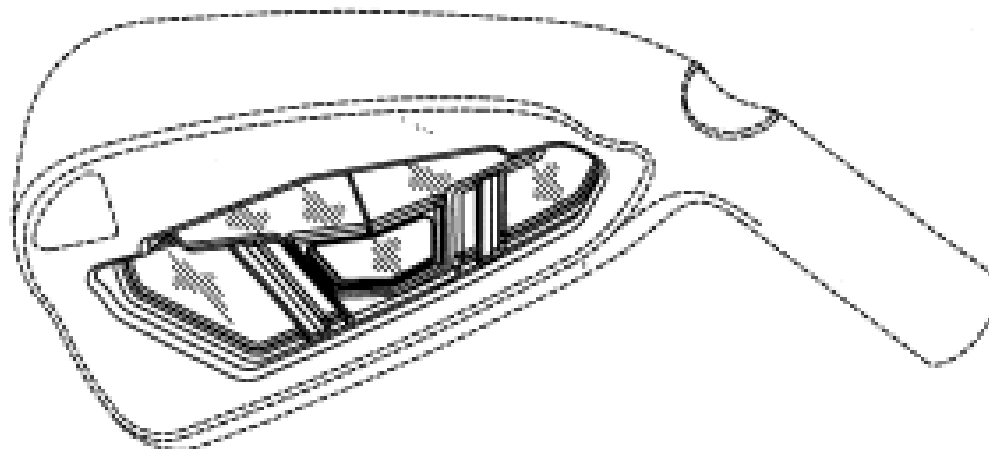
- (21) Design Number: **12992/2010**
(22) Date of Filing Application: **19 July 2010**
(24) Date from which industrial property rights may have effect: **19 July 2010**
(54) Product in respect of which the design is registered: **A sipper cap assembly**
(51) International Design Classification: **09-07B**
(71) Name(s) and Address(s) of Applicant(s):
Sistema Plastics Limited
80 Hugo Johnston Drive Penrose Auckland New Zealand
(72) Name(s) of Designer(s): **Allin Nicholas Russell and James Richard Manley and Brendan Jon Lindsay**
(45) Registration Date: **11 August 2010**
(30) Convention priority data:
(31) Number (32) Date (33) Country
413230 19 Jan 2010 NEW ZEALAND
(56) Related Art Documents: **Not Applicable**
(57) Statement of Newness and Distinctiveness: **The novelty claimed for the design resides in the features of shape and/or configuration all as shown in the representations.**



(21) Design Number: **12993/2010**
 (22) Date of Filing Application: **19 July 2010**
 (24) Date from which industrial property rights may have effect: **19 July 2010**
 (54) Product in respect of which the design is registered: **Golf club head**
 (51) International Design Classification: **21-02C**
 (71) Name(s) and Address(s) of Applicant(s):
Karsten Manufacturing Corporation
2201 West Desert Cove Phoenix Arizona 85029 United States of America
 (72) Name(s) of Designer(s): **Anthony D. Serrano and Xiaojian Chen**
 (45) Registration Date: **11 August 2010**
 (30) Convention priority data:
 (31) Number (32) Date (33) Country
29/363771 14 Jun 2010 UNITED STATES OF AMERICA
 (56) Related Art Documents: **Not Applicable**
 (57) Statement of Newness and Distinctiveness: **Newness and distinctiveness is claimed in the visual features shown in solid lines in the representations. In considering the extent of the design rights, the broken lines shown in the representations are for illustrative purposes only and do not form part of the design.**



(21) Design Number: **12994/2010**
 (22) Date of Filing Application: **19 July 2010**
 (24) Date from which industrial property rights may have effect: **19 July 2010**
 (54) Product in respect of which the design is registered: **Golf club head**
 (51) International Design Classification: **21-02C**
 (71) Name(s) and Address(s) of Applicant(s):
Karsten Manufacturing Corporation
2201 West Desert Cove Phoenix Arizona 85029 United States of America
 (72) Name(s) of Designer(s): **Michael R. Nicolette and Bradley D. Schweigert and Marty R. Jertson and Xiaojian Chen**
 (45) Registration Date: **11 August 2010**
 (30) Convention priority data:
 (31) Number (32) Date (33) Country
29/357783 17 Mar 2010 UNITED STATES OF AMERICA
 (56) Related Art Documents: **Not Applicable**
 (57) Statement of Newness and Distinctiveness: **Newness and distinctiveness is claimed in the visual features shown in solid lines in the representations. In considering the extent of the design rights, the broken lines shown in the representations are for illustrative purposes only and do not form part of the design.**



(19) AU

(21) Design Number: **12995/2010**

(22) Date of Filing Application: **19 July 2010**

(24) Date from which industrial property rights may have effect: **19 July 2010**

(54) Product in respect of which the design is registered: **Golf club head**

(51) International Design Classification: **21-02C**

(71) Name(s) and Address(s) of Applicant(s):

**Karsten Manufacturing Corporation
2201 West Desert Cove Phoenix Arizona 85029 United States of
America**

(72) Name(s) of Designer(s): **Bradley D. Schweigert**

(45) Registration Date: **11 August 2010**

(30) Convention priority data:

(31) Number	(32) Date	(33) Country
29/357788	17 Mar 2010	UNITED STATES OF AMERICA

(56) Related Art Documents: **Not Applicable**

(57) Statement of Newness and Distinctiveness: **Newness and distinctiveness is claimed in the visual features shown in solid lines in the representations. In considering the extent of the design rights, the broken lines shown in the representations are for illustrative purposes only and do not form part of the design.**

