



Australian Government

IP Australia

AUSTRALIAN OFFICIAL JOURNAL

OF

DESIGNS

Did you know a searchable version of this journal is now available online?

It's FREE and EASY to SEARCH.

Find it at

<http://pericles.ipaustralia.gov.au/ols/epublish/content/olsEpublications.jsp>
or using the "Online Journals" link on the IP Australia home page.

This Page Left Intentionally Blank

Contents

General Information & Notices

Proceedings Under the Designs Act 1906 preserved as a result of the provisions of Chapter 12 Part 2 of the Designs Act 2003

Extension of Period of Registration of Designs	2036
Names Registered - Alterations and Amendments	2036
Registrations Ceased	2036
Subsequent Owners Registered	2036

Proceedings Under the Designs Act 2003

Applications Lapsed	2047
Applications Lodged	2041
Certificate of Examination	2051
Corrigenda	2050
Extension of Period of Registration of Design	
Extension of Time Granted Under Section 137	2048
Names Registered - Alterations and Amendments	2049
Publication and Registration Proceedings	
Designs Registered 332180 to 332377.....	2052
Registrations Ceased	2048
Revocation of Design Registrations	2048
Subsequent Owners Registered	2048

This Page Left Intentionally Blank

For information on the following please see our website www.ipaustralia.gov.au or contact our Customer Service Network on 1300651010

[Editorial enquiries](#)

[Contact information](#)

[Freedom of Information ACT](#)

[Professional Standards Board](#)

[Sales](#)

[Requests for Information under Section 194 \(c\)](#)

[Country Codes](#)

[Trade Mark and Designs Hearing Sessions](#)

[INID \(Internationally agreed Numbers for the Identification of Data\)](#)

“INID” NUMBERS in use on Australian Design Documents

“INID” is an acronym for “Internationally agreed Numbers for the Identification of Data”.

(10) Data concerning the registration/renewal

- (11) Serial number of the registration and/or number of the design document
- (12) Plain language designation of the kind of published document
- (19) Identification, using the two-letter code according to WIPO Standard ST.3, of the authority publishing or registering the industrial design

(20) Data concerning the application

- (21) Serial number of the application
- (22) Date of filing of the application
- (24) Date from which the industrial design right has effect

(30) Data relating to priority under the Paris Convention

- (31) Serial number assigned to the priority application
- (32) Date of filing of the priority application
- (33) Two-letter code, according to WIPO Standard ST.3, identifying the authority with which the priority application was made

(40) Date(s) of making information available to the public

- (45) Date of publication of the registered industrial design by printing or similar process, or making it available to the public by any other means

(50) Miscellaneous Information

- (51) International Classification for Industrial Designs (class and subclass of the Locarno Classification)
- (54) Designation of article(s) or product(s) covered by the industrial design or title of the industrial design
- (55) Reproduction of the industrial design (e.g., drawing, photograph) and explanations relating to the reproduction
- (56) List of prior art documents, if separate from descriptive text
- (57) Description of characteristic features of the industrial design including indication of colours

(60) References to other legally related application(s) and registration(s)

- (62) Serial number(s) and, if available, filing date(s) of application(s), registration(s) or document(s) related by division
- (66) Serial number(s) of the application, or the registration, of the design(s) which is (are) a variant(s) of the present one

(70) Identification of parties concerned with the application or registration

- (71) Name(s) and address(es) of the applicant(s)
- (72) Name(s) of the creator(s) if known to be such
- (74) Name(s) and address(es) of the representative(s)

This Page Left Intentionally Blank

Nil notices for this journal issue.

Proceedings under the Designs Act 1906 preserved as a result of the provisions of Chapter 12 Part 2 of the Designs Act 2003.

This Page Left Intentionally Blank

Applications Lapsed

There were no Applications Lapsed under this section

Extension of Period of Registration of Designs

1st Period (Section 27A(8))

2nd Period (Section 27A(12))

156509 158470

3rd Period (Section 27A(13))

138577	139970	140018
140109	140113	140200
140212	140252	140453
140493	140494	140645
140646	140675	140982
141349	141750	142075
143201	143203	144081
144441		

Registrations Ceased

Note: Some of the following Registrations may have been previously advertised as ceased. In this instance, the previous advertisement still prevails.

122056	122982	122983
122984	123003	123039
123040	123041	123065
123129	123136	123143
123162	123372	123390
123445	123643	123848
123895	123900	124101
124102	124372	124595
125642	125643	125778
125779	126431	128612
128674	136615	136757
137934	137980	138064
138065	138105	138106
138153	138858	138860
139273	139274	139275
139276	139486	140309
140311	140370	142167
142331	142413	142564
144484	144485	144486
144487	144488	144489
144491	154819	155656
155847	155933	156040
156074	156075	156077
156096	156117	156155
156197	156212	156280
156335	156373	156542
156628	156739	156789
156868	156869	157042
157059	157172	157730

157731	158022	158080
158081	158143	158144
158173	158248	158387
158563		

Subsequent Owners Registered

(The name in parentheses is that of the subsequent owner)

151355	(H J Heinz Company Australia Ltd)	Cadbury Pty Ltd
151354	(H J Heinz Company Australia Ltd)	Cadbury Pty Ltd
152357	(H J Heinz Company Australia Ltd)	Cadbury Pty Ltd
123750	(Great Western Corporation Pty Ltd)	Osmundson Australia
123751	(Great Western Corporation Pty Ltd)	Osmundson Australia
123752	(Great Western Corporation Pty Ltd)	Osmundson Australia
123753	(Great Western Corporation Pty Ltd)	Osmundson Australia
127774	(Great Western Corporation Pty Ltd)	Osmundson Australia
153715	(Ames True Temper Australia Pty Ltd)	West Barrows Mix Pty Ltd Trading as Westmix of Versaci's
136594	(Ames True Temper Australia Pty Ltd)	West Barrows Mix Pty Ltd Trading as Westmix of Versaci's
153394	(Ames True Temper Australia Pty Ltd)	West Barrows Mix Pty Ltd Trading as Westmix of Versaci's
156421	(Ames True Temper Australia Pty Ltd)	West Barrows Mix Pty Ltd

Names Registered - Alterations and Amendments

(The name in parentheses is the new name of the proprietor)

125655	(The Performance Products Group Pty Ltd)	Carcraft Australia Pty Ltd
128551	(The Performance Products Group Pty Ltd)	Carcraft Australia Pty Ltd
137487	(The Performance Products Group Pty Ltd)	Carcraft Australia Pty Ltd
128692	(The Performance Products Group Pty Ltd)	Carcraft Australia Pty Ltd
129072	(The Performance Products Group Pty Ltd)	Carcraft Australia Pty Ltd

This Page Left Intentionally Blank

Proceedings under the Designs Act 2003.

This Page Left Intentionally Blank

Applications Lodged

Lodgement information is in the following order: **Applicant's Name**; International Classification, Name of Product, Lodgement Date and **Design Number**. If the applicant claims an earlier priority date under an International Convention, the Convention Country and the associated filing date are shown in parentheses before the Lodgement Date. Divisional information will also appear in parentheses before the Lodgement Date.

Abloy Oy; 08-07, Key grip, (EM, 12 Feb 2010) 10 Aug 2010	13408/2010	Australian Performance Development Pty Ltd; 12-16NES, Air intake snorkel for a vehicle, 12 Aug 2010	13489/2010
Abloy Oy; 08-07, Key shaft, (EM, 12 Feb 2010) 10 Aug 2010	13409/2010	Baines Masonary Blocks Pty Ltd; 25-01A, A masonry block, 19 Aug 2010	13573/2010
Abloy Oy; 08-07, Key shaft, (EM, 12 Feb 2010) 10 Aug 2010	13410/2010	Baines Masonary Blocks Pty Ltd; 25-01A, A masonry block, 19 Aug 2010	13576/2010
Abloy Oy; 08-07, Key shaft, (EM, 12 Feb 2010) 10 Aug 2010	13411/2010	Baines Masonary Blocks Pty Ltd; 25-01A, A masonry block, 19 Aug 2010	13571/2010
Abloy Oy; 08-07, Key shaft, (EM, 12 Feb 2010) 10 Aug 2010	13412/2010	Baines Masonary Blocks Pty Ltd; 25-01A, A masonry block, 19 Aug 2010	13572/2010
Abloy Oy; 08-07, Key shaft, (EM, 12 Feb 2010) 10 Aug 2010	13413/2010	Baines Masonary Blocks Pty Ltd; 25-01A, A masonry block, 19 Aug 2010	13574/2010
Abloy Oy; 08-07, Key shaft, (EM, 12 Feb 2010) 10 Aug 2010	13414/2010	Baines Masonary Blocks Pty Ltd; 25-01A, A masonry block, 19 Aug 2010	13575/2010
Abloy Oy; 08-07, Key, (EM, 12 Feb 2010) 10 Aug 2010	13407/2010	Barker, Lachlan Richard; 21-02D, Surfboard fins, 10 Aug 2010	13419/2010
Adbri Masonry Pty Ltd; 25-01A, Masonry block, 12 Aug 2010	13440/2010	Baskerville, Nardia; Williams, Tatjana; 02-02B, Apron, 10 Aug 2010	13417/2010
Aluminium Industries of Australia Pty Ltd; 25-01K, This is two part receiver - part b, used in a shower screen assembly, 12 Aug 2010	13437/2010	BeautyBank Inc; 09-01NES, Bottle with cap, (US, 06 Apr 2010) 27 Jul 2010	13388/2010
Aluminium Industries of Australia Pty Ltd; 25-01K, This is two part receiver - Part A, used in a shower screen assembly, 12 Aug 2010	13436/2010	Beba Enterprises Pty Ltd, as trustee for Danielle Vagner Family Trust; 02-02C, 02-02NES, Women's clothing, 17 Aug 2010	13542/2010
Amy, Leslie John; Bowater, Barry Thomson; 13-03B, Batter clamp assembly, 11 Aug 2010	13492/2010	Becton, Dickinson and Company; 24-02, Needle hub, (US, 17 Aug 2010) 20 Aug 2010	13601/2010
Amy, Leslie John; Bowater, Barry Thomson; 13-03B, Battery clamp assembly, 11 Aug 2010	13493/2010	Bongaards, Leo Trading as Eyeronec; 24-01, Digital microscope iridology/sclerology adaptor, 16 Aug 2010	13517/2010
Austin Engineering Ltd; 12-16B, Tray headboard, 16 Aug 2010	13530/2010	Boori International Pty Ltd; 06-02, Furniture, 06 Jul 2010	13521/2010
Austin Engineering Ltd; 12-16B, Tray, 16 Aug 2010	13533/2010	Boori International Pty Ltd; 06-02, Furniture, 06 Jul 2010	13520/2010
Austin Engineering Ltd; 12-16B, Tray frame, 16 Aug 2010	13534/2010	Bortolin, Peter; 11-05, Flag, 09 Aug 2010	13379/2010
Austin Engineering Ltd; 15-04, Mining tray, 18 Aug 2010	13545/2010	Bowater, Barry Thomson; Amy, Leslie John; 13-03B, Battery clamp assembly, 11 Aug 2010	13493/2010
Austin Engineering Ltd; 12-16B, Truck body tray canopy, 16 Aug 2010	13531/2010	Bowater, Barry Thomson; Amy, Leslie John; 13-03B, Batter clamp assembly, 11 Aug 2010	13492/2010
Austin Engineering Ltd; 12-16B, Truck body tray floor insert, 16 Aug 2010	13532/2010	Brown & Watson International Pty Ltd; 26-04, Lighting device, 19 Aug 2010	13558/2010
		BBC Furniture Pty Ltd; 06-01NES, Bed base, 10 Aug 2010	13356/2010
		BFX HO Pty Ltd; 06-03B, SmarTable student table - twist design. Incorporating design element No. 326042, 06 Aug 2010	13453/2010

BFX HO Pty Ltd; 06-03B, SmarTable student table - squeeze design. Incorporating design element No. 326042, 06 Aug 2010	13454/2010	Checkpoint Systems International GmbH; 25-01K, Set of support profile bars, (EM, 19 Feb 2010) 19 Aug 2010	13569/2010
BFX HO Pty Ltd; 06-03B, SmarTable student table - clique design. Incorporating design element No.326042, 06 Aug 2010	13455/2010	Code 3, Inc.; 26-04, Light emitting diode mini-light bar, (US, 24 Feb 2010) 16 Aug 2010	13536/2010
BFX HO Pty Ltd; 06-04NES, Cookie upholstered seating and storage design, 06 Aug 2010	13456/2010	Colgate-Palmolive Company; 04-02, Toothbrush handle with tissue cleaner, (US, 18 Dec 2009) 17 Jun 2010	13378/2010
BFX HO Pty Ltd; 06-01E, Portobello upholstered seating design, 06 Aug 2010	13457/2010	Colgate-Palmolive Company; 04-02, Toothbrush, (US, 18 Dec 2009) 17 Jun 2010	13380/2010
BFX HO Pty Ltd; 06-01G, Podiseum upholstered seating and storage design, 06 Aug 2010	13458/2010	Conair Corporation; 28-03B, Hair dryer, (US, 15 Apr 2010) 20 Aug 2010	13593/2010
Carter Holt Harvey Packaging Pty Limited; 09-03NES, A blank, 12 Aug 2010	13483/2010	Conair Corporation; 13-01, Electric motor, (US, 01 Apr 2010) 20 Aug 2010	13594/2010
Carter Holt Harvey Packaging Pty Limited; 09-03M, A box, 12 Aug 2010	13482/2010	Conair Corporation; 28-03B, Hair dryer, (US, 15 Apr 2010) 20 Aug 2010	13595/2010
Cassons Pty Ltd; 02-02C, Protective lining for jeans, 18 Aug 2010	13549/2010	Conair Corporation; 28-03B, Hair dryer, (US, 15 Apr 2010) 20 Aug 2010	13596/2010
Cassons Pty Ltd; 02-02C, Protective lining for jeans, 18 Aug 2010	13550/2010	Conair Corporation; 28-03B, Hair dryer, (US, 30 Apr 2010) 20 Aug 2010	13597/2010
Caterpillar Inc.; 15-04, Motor grader, (US, 08 Feb 2010) 09 Aug 2010	13363/2010	Conair Corporation; 28-03B, Hair dryer, (US, 30 Apr 2010) 20 Aug 2010	13591/2010
Caterpillar Inc.; 15-04, Cowl and grill assembly, (US, 08 Feb 2010) 09 Aug 2010	13364/2010	Conair Corporation; 28-03B, Hair dryer, (US, 15 Apr 2010) 20 Aug 2010	13592/2010
Caterpillar Inc.; 15-04, Wheel loader, (US, 09 Feb 2010) 09 Aug 2010	13360/2010	Cryovac Australia Pty Ltd; 07-01NES, Container, 13 Aug 2010	13503/2010
Caterpillar Inc.; 15-04, Motor grader, (US, 08 Feb 2010) 09 Aug 2010	13358/2010	D & D Group Pty Ltd; 08-07, Pull bolt, (US, 11 Feb 2010) 11 Aug 2010	13442/2010
Caterpillar Inc.; 15-04, Wheel loader, (US, 08 Feb 2010) 09 Aug 2010	13365/2010	D & D Group Pty Ltd; 08-07, Pull bolt, (US, 11 Feb 2010) 11 Aug 2010	13443/2010
Caterpillar Inc.; 15-04, Wheel loader, (US, 09 Feb 2010) 09 Aug 2010	13359/2010	Daniel Roth et Gerald Genta Haute Horlogerie SA; 10-02, Watch, (EM, 12 Feb 2010) 11 Aug 2010	13490/2010
Caterpillar Inc.; 15-04, Wheel loader, (US, 08 Feb 2010) 09 Aug 2010	13361/2010	Datco Aluminium Pty Ltd; 25-01K, 25-02B, 25-02H, Frame member, 13 Aug 2010	13506/2010
Caterpillar Inc.; 15-04, Wheel loader, (US, 08 Feb 2010) 09 Aug 2010	13357/2010	Datco Aluminium Pty Ltd; 25-01K, 25-02B, 25-02H, Frame member, 13 Aug 2010	13507/2010
Caterpillar Inc.; 15-04, Cab portion of a wheel loader, (US, 08 Feb 2010) 09 Aug 2010	13362/2010	Datco Aluminium Pty Ltd; 25-01K, 25-02B, 25-02H, Frame member, 13 Aug 2010	13505/2010
Chadwick, Robert S.; 20-03NES, Football logos, AFL logos and western front logos, 06 Aug 2010	13418/2010	Datco Aluminium Pty Ltd; 25-01K, 25-02B, 25-02H, Frame member, 13 Aug 2010	13504/2010
Checkpoint Systems International GmbH; 08-08N, Shelf adapter and holder, (EM, 22 Feb 2010) 20 Aug 2010	13578/2010	Dayco Products, LLC; 10-04, Gauge, (US, 01 Mar 2010) 09 Aug 2010	13355/2010

Dezinal Pty Ltd; 25-99, Acoustic door stop, 10 Aug 2010	13459/2010	Forever New Clothing Pty Ltd; 02-02C, Women's fashion clothing, 11 Feb 2010	13370/2010
Education Projects Pty Ltd; 21-01C, Solar boat, 12 Aug 2010	13475/2010	Forever New Clothing Pty Ltd; 02-02C, Women's fashion clothing, 11 Feb 2010	13371/2010
Education Projects Pty Ltd; 19-07, 21-01A, Spider, 12 Aug 2010	13494/2010	Forever New Clothing Pty Ltd; 02-02C, Women's fashion clothing, 11 Feb 2010	13372/2010
Electrolux Home Products Corporation N.V.; 15-05, Dishwasher panels, (EM, 12 Feb 2010) 12 Aug 2010	13461/2010	Forever New Clothing Pty Ltd; 02-02NES, Women's fashion clothing, 11 Feb 2010	13373/2010
Electrolux Home Products Corporation N.V.; 07-02A, 07-02C, Ovens, (EM, 15 Feb 2010) 12 Aug 2010	13462/2010	Forever New Clothing Pty Ltd; 02-02C, Women's fashion clothing, 11 Feb 2010	13374/2010
Electrolux Home Products Pty Limited; 07-02C, Handle, 13 Aug 2010	13515/2010	Forever New Clothing Pty Ltd; 02-02C, Women's fashion clothing, 11 Feb 2010	13375/2010
Electrolux Home Products Pty Limited; 07-02C, Handle, 13 Aug 2010	13516/2010	Forever New Clothing Pty Ltd; 02-02NES, Women's fashion clothing, 11 Feb 2010	13376/2010
Elsworthy, Cecelia Ann; 06-09, Octahedron pillow: a pillow in the shape of an octahedron made from various materials/colours, filled with polyester, fibre filling., 13 Aug 2010	13479/2010	Forever New Clothing Pty Ltd; 02-02NES, Women's fashion clothing, 11 Feb 2010	13377/2010
Elsworthy, Cecelia Ann; 06-09, Icosahedron pillow: a pillow in the shape of a icosahedron made from various material/colours, filled with polyester, fibre filling, 13 Aug 2010	13481/2010	Forever New Clothing Pty Ltd; 02-02NES, Women's fashion clothing, 11 Feb 2010	13368/2010
Elsworthy, Cecelia Ann; 06-09, Dodecahedron pillow: a pillow in the shape of a dodecahedron made from various materials/colours, filled with polyester, fibre filling., 13 Aug 2010	13480/2010	Formway Furniture Limited; 06-01F, A chair, (US, 24 Feb 2010) 19 Aug 2010	13563/2010
Elsworthy, Cecelia Ann; 06-09, Hexahedron pillow: A pillow in the shape of a hexahedron (or cube) made from various materials/colours, filled with, polyester fibre filling., 13 Aug 2010	13478/2010	Formway Furniture Limited; 06-01F, A chair, (US, 24 Feb 2010) 19 Aug 2010	13564/2010
Elsworthy, Cecelia Ann; 06-09, Star tetrahedron plush platonic pillow: a pillow in the shape of a star tetrahedron, made from various materials/, colours, filled with polyester fibre filling., 13 Aug 2010	13477/2010	Fox 40 International Inc.; 10-06, 21-01NES, Whistle with finger grip, (US, 08 Mar 2010) 23 Aug 2010	13589/2010
Endeavour Packaging Pty Ltd; 09-07C, A valve, 16 Aug 2010	13523/2010	Globee Limited; 19-07, A globe or a sphere of Sydney, (GB, 20 Feb 2010) 16 Aug 2010	13519/2010
Erskin-Smith, Craig Matthew; 24-04, A dental hygiene item, 12 Aug 2010	13470/2010	Go-Go-Station NZ Limited; 19-02, A desk organizer, (NZ, 01 Apr 2010) 10 Aug 2010	13354/2010
Forever New Clothing Pty Ltd; 02-02C, 02-02NES, Women's fashion clothing, 12 Aug 2010	13484/2010	Gravolin, Dennis Ronald; Gravolin, Sandra Lorraine; 08-08L, A bracket, 13 Aug 2010	13476/2010
Forever New Clothing Pty Ltd; 02-02C, 02-02NES, Women's fashion clothing, 12 Aug 2010	13485/2010	Gravolin, Dennis Ronald; Gravolin, Sandra Lorraine; 12-16L, A trailer plug, 20 Aug 2010	13570/2010
Forever New Clothing Pty Ltd; 02-02C, 02-02NES, Women's fashion clothing, 12 Aug 2010	13486/2010	Gravolin, Sandra Lorraine; Gravolin, Dennis Ronald; 12-16L, A trailer plug, 20 Aug 2010	13570/2010
Forever New Clothing Pty Ltd; 02-02NES, Women's fashion clothing, 11 Feb 2010	13369/2010	Gravolin, Sandra Lorraine; Gravolin, Dennis Ronald; 08-08L, A bracket, 13 Aug 2010	13476/2010
		Gripple Limited; 08-08NES, Connecting device for use with a wire, (EM, 12 May 2010) 10 Aug 2010	13415/2010

GM Global Technology Operations, Inc; 12-16B, Fender vent [L + R hand sides] B08-100601, B08-100602, 12 Aug 2010	13447/2010	Koninklijke Philips Electronics N.V.; 26-05A, Luminaire, (EM, 15 Feb 2010) 09 Aug 2010	13381/2010
GM Global Technology Operations, Inc; 12-16B, Bonnet scoop [L + R hand sides] 11D-100601, 11D-100602, 12 Aug 2010	13448/2010	Korlen Electric Appliances Co., Ltd.; 13-03NES, Circuit breaker, 12 Aug 2010	13450/2010
GM Global Technology Operations, Inc; 12-16B, Rear spoiler E08-100601, 12 Aug 2010	13449/2010	Koss Corporation; 14-01, Earphone, (US, 24 Feb 2010) 18 Aug 2010	13554/2010
GM Global Technology Operations, Inc.; 12-16A, A vehicle wheel, 20 Aug 2010	13603/2010	L. & A. Fazzini Manufacturing Pty Ltd; 25-02NES, Access panel, 17 Aug 2010	13540/2010
GM Global Technology Operations, Inc.; 12-16A, Vehicle wheel, 23 Aug 2010	13602/2010	Lauravale Pty Ltd; 14-03A, Handset, 12 Aug 2010	13460/2010
Halo Trademarks Limited; 06-01G, Armchair, (HK, 24 Feb 2010) 11 Aug 2010	13444/2010	Longyear TM, Inc.; 08-01, Drill bit with tapered waterway, (US, 26 Jan 2010) 24 May 2010	13487/2010
Harvest Box Pty Ltd; 09-03M, Postal delivery box, 20 Aug 2010	13590/2010	Longyear TM, Inc.; 08-01, Drill bit with tapered waterway, (US, 26 Jan 2010) 24 May 2010	13488/2010
Honda Motor Co., Ltd.; 12-08, Vehicle exterior, (US, 11 Jun 2010) 11 Aug 2010	13471/2010	Macro Appreciation Pty Ltd; 06-03NES, 06-04NES, Information display apparatus; interactive display apparatus; video display apparatus, 23 Aug 2010	13585/2010
Honda Motor Co., Ltd.; 26-06, Vehicle headlight, (US, 11 Feb 2010) 11 Aug 2010	13472/2010	Macsim Fastenings Pty Limited; 08-08A, An expansion sleeve for a masonry anchor, 19 Aug 2010	13551/2010
Honda Motor Co., Ltd.; 26-06, Vehicle tail light, (US, 11 Feb 2010) 11 Aug 2010	13473/2010	Majic Beauty Pty Ltd; 28-03NES, Cosmetic applicator, 11 Aug 2010	13452/2010
Innovative Service Inc.; 26-05A, Lamp, (CA, 23 Feb 2010) 19 Aug 2010	13560/2010	Marsh, Rosalind; 02-04C, Fashion leggings knee high for over jeans/trousers, or on legs, 19 Aug 2010	13546/2010
James Hardie Technology Limited; 25-01D, 25-02NES, Building panel joining element, 20 Aug 2010	13584/2010	McDonald, Neal; 11-01A, 11-01NES, Rubber ring protector for a jewellery ring, 10 Aug 2010	13435/2010
Johnson, Geoffrey; Johnson, Christine; 30-03, Slidable animal feeder, 19 Aug 2010	13557/2010	McGivern, William Thomas; 09-09, Bin liner, 16 Aug 2010	13528/2010
Johnson, Christine; Johnson, Geoffrey; 30-03, Slidable animal feeder, 19 Aug 2010	13557/2010	McGivern, William Thomas; 09-09, Bin liner, 16 Aug 2010	13529/2010
Joinlock Pty Ltd; 08-07, Arcuate connecting mechanism, 13 Aug 2010	13511/2010	McLellan, Brant Colyn; 26-03, A light, 12 Aug 2010	13465/2010
Joinlock Pty Ltd; 08-07, Connecting mechanism, 13 Aug 2010	13512/2010	McLellan, Brant Colyn; 26-03, A light, 12 Aug 2010	13466/2010
Jones, Neville Bryson; 06-01C, Kit construction spectator grandstand for permanent or temporary application, 09 Aug 2010	13416/2010	McLellan, Brant Colyn; 26-03, A light, 12 Aug 2010	13464/2010
Koninklijke Philips Electronics N.V.; 26-03, Luminaire for road lighting, (EM, 25 Feb 2010) 20 Aug 2010	13600/2010	Newman, John William Joseph; 25-03, Housing/building structure, 03 Aug 2010	13406/2010
Koninklijke Philips Electronics N.V.; 26-03, Luminaire for road lighting, (EM, 25 Feb 2010) 20 Aug 2010	13598/2010	Nulens Ltd; 24-03, 24-02, Haptics system for use in intraocular lens, 11 Aug 2010	13438/2010
Koninklijke Philips Electronics N.V.; 26-03, Luminaire for road lighting, (EM, 25 Feb 2010) 20 Aug 2010	13599/2010	Nulens Ltd; 24-03, 24-02, Haptics system for use in intraocular lens, 11 Aug 2010	13439/2010
Koninklijke Philips Electronics N.V.; 26-05A, Luminaire, (EM, 15 Feb 2010) 09 Aug 2010	13382/2010	ORIHRO Plantdew Co., Ltd.; 09-05, Packaging container, (JP, 18 Feb 2010) 18 Aug 2010	13543/2010
		ORIHRO Plantdew Co., Ltd.; 09-05, Packaging container, 18 Aug 2010	13544/2010

Parfums Givenchy, S.A.; 09-01G, Flask for perfumery products, (FR, 25 Feb 2010) 16 Aug 2010	13535/2010	Robert Welch Designs Limited; 07-03, A fork, 09 Aug 2010	13430/2010
Parsons Holdings (QLD) Pty Ltd, as Trustee for N & L Parsons Family Trust; 11-02NES, 20-03NES, A sign / table ornament, 19 Aug 2010	13552/2010	Robert Welch Designs Limited; 07-03, A spoon, 09 Aug 2010	13431/2010
Paxx Pty Ltd; 06-02, Furniture convertible from a bed to a table, (Divisional of 12789/2010) 05 Jul 2010	13568/2010	Robert Welch Designs Limited; 07-03, A knife, 09 Aug 2010	13432/2010
Philmac Pty Ltd; 09-07C, Grip ring, 16 Aug 2010	13539/2010	Robert Welch Designs Limited; 07-03, A fork, 09 Aug 2010	13433/2010
Pi-Design AG; 07-01F, Water carafe, (WO, 03 Mar 2010) 17 Aug 2010	13524/2010	Robert Welch Designs Limited; 07-03, A spoon, 09 Aug 2010	13434/2010
Polycom, Inc.; 14-01, 14-03A, Speakerphone, (US, 22 Mar 2010) 16 Aug 2010	13522/2010	Rope & Plastic Products Pty Ltd; 08-08NES, A two piece clip for clipping together a strap, 17 Aug 2010	13538/2010
Portola Packaging, Inc.; 09-07A, Bottom for dispensing closure, (US, 12 Feb 2010) 12 Aug 2010	13467/2010	Rush, Anita; 07-99NES, Tableware utensil used in food preparation for serving fingerfood as an alternative to a toothpick, 20 Aug 2010	13565/2010
Portola Packaging, Inc.; 09-07A, Dispensing closure, (US, 12 Feb 2010) 12 Aug 2010	13469/2010	Rush, Anita; 07-04, Tableware utensil used in drink preparation for serving beverages - hot and cold, 20 Aug 2010	13566/2010
Portola Packaging, Inc.; 09-07B, Lid for dispensing closure, (US, 12 Feb 2010) 12 Aug 2010	13468/2010	Rush, Anita; 07-04, Tableware utensil used in drink preparation for serving beverages - hot and cold, 20 Aug 2010	13567/2010
Price, Katherine; 02-01B, 02-02B, Cover for baby boys for use during nappy changing and/or bath time, 06 Aug 2010	13367/2010	Samar, LLC; 02-04A, Insole, (EM, 28 Apr 2010) 23 Aug 2010	13588/2010
Quan, Chau Thuan; 26-05B, A light, 18 Aug 2010	13553/2010	Scheppach Fabrikation von Holzbearbeitungsmaschinen GmbH; 15-09, Grinding machine, (EM, 26 Feb 2010) 10 Aug 2010	13420/2010
Rehau AG + Co; 08-05NES, Tool, (EM, 19 Feb 2010) 10 Aug 2010	13422/2010	Sequist Closures L.L.C.; 09-07A, Dispensing closure, (US, 13 Apr 2010) 13 Aug 2010	13497/2010
Rehau AG + Co; 08-05NES, Tool, (EM, 19 Feb 2010) 10 Aug 2010	13425/2010	Sequist Closures L.L.C.; 09-07A, Dispensing closure, (US, 13 Apr 2010) 13 Aug 2010	13498/2010
Rehau AG + Co; 08-05NES, Tool, (EM, 19 Feb 2010) 10 Aug 2010	13423/2010	Sequist Closures L.L.C.; 09-07A, Dispensing closure, (US, 13 Apr 2010) 13 Aug 2010	13499/2010
Rehau AG + Co; 08-05NES, Tool, (EM, 19 Feb 2010) 10 Aug 2010	13424/2010	Sharp Kabushiki Kaisha; 14-03B, Television set, (JP, 10 Mar 2010) 13 Aug 2010	13500/2010
Risoda Pty Ltd; 08-02, 08-05NES, , 16 Aug 2010	13518/2010	Sharp Kabushiki Kaisha; 14-03B, Television set, (JP, 10 Mar 2010) 13 Aug 2010	13501/2010
Risoda Pty Ltd; 09-09, , 16 Aug 2010	13502/2010	Sitland S.P.A.; 06-01F, Chair, (EM, 12 Apr 2010) 12 Aug 2010	13474/2010
Robert Welch Designs Limited; 07-03, A fork, 09 Aug 2010	13427/2010	So, Michael; 02-02C, Jeans to be worn for motorcycle riding or horse riding, 12 Aug 2010	13491/2010
Robert Welch Designs Limited; 07-03, A knife, 09 Aug 2010	13426/2010	Spyral Group Pty Ltd; 23-03G, 70 inch eyebrow oven hood, 16 Aug 2010	13513/2010
Robert Welch Designs Limited; 07-03, A spoon, 09 Aug 2010	13428/2010	Spyral Group Pty Ltd; 23-03G, 40 inch eyebrow oven hood, 16 Aug 2010	13514/2010
Robert Welch Designs Limited; 07-03, A knife, 09 Aug 2010	13429/2010		

St. Tropez Acquisition Co. Limited; 25-03, Booth, (EM, 15 Feb 2010) 13 Aug 2010	13509/2010	The Decor Corporation Pty Ltd; 07-01NES, Base for lunchbox, 09 Aug 2010	13401/2010
St. Tropez Acquisition Co. Limited; 25-03, Booth, (EM, 15 Feb 2010) 13 Aug 2010	13510/2010	The Decor Corporation Pty Ltd; 07-01NES, Base for lunchbox, 09 Aug 2010	13402/2010
Steele, Colin; 06-01NES, Meditation stool, 18 Aug 2010	13556/2010	The Decor Corporation Pty Ltd; 07-01NES, Lunchbox lid, 09 Aug 2010	13387/2010
Steendyk Holdings Pty Ltd; 26-05D, Light shade/lamp, 13 Aug 2010	13495/2010	The Decor Corporation Pty Ltd; 07-01F, Drink flask bottle, 09 Aug 2010	13394/2010
Steendyk Holdings Pty Ltd; 06-01E, Seating, 20 Aug 2010	13583/2010	The Decor Corporation Pty Ltd; 07-01NES, Base for lunchbox, 09 Aug 2010	13405/2010
Steendyk Holdings Pty Ltd; 09-09, Bin, 20 Aug 2010	13582/2010	The Decor Corporation Pty Ltd; 07-03, Cutlery combined, 09 Aug 2010	13386/2010
Steendyk Holdings Pty Ltd; 11-02B, Planter, 20 Aug 2010	13581/2010	The Decor Corporation Pty Ltd; 07-01NES, Lid and seal for lunchbox, 09 Aug 2010	13398/2010
Streamlight, Inc.; 26-02, Portable light having a rotatable head, (US, 09 Feb 2010) 09 Aug 2010	13366/2010	The Decor Corporation Pty Ltd; 07-01NES, Base for lunchbox, 09 Aug 2010	13399/2010
Sunbeam Products, Inc.; 15-99, Vacuum packaging device, (US, 22 Feb 2010) 20 Aug 2010	13580/2010	The Decor Corporation Pty Ltd; 07-01F, Bottle, 09 Aug 2010	13395/2010
Sunbeam Products, Inc.; 15-99, Vacuum packaging device, (US, 22 Feb 2010) 20 Aug 2010	13579/2010	The Decor Corporation Pty Ltd; 09-07B, Cap for flask, 09 Aug 2010	13384/2010
Swatch AG (Swatch SA) (Swatch Ltd); 10-07, Watch case, (CH, 05 Mar 2010) 18 Aug 2010	13537/2010	The Decor Corporation Pty Ltd; 07-01NES, Lunchbox lid, 09 Aug 2010	13385/2010
SSL Healthcare Italia S.P.A.; 02-04A, Sole for footwear, (WO, 24 Feb 2010) 10 Aug 2010	13421/2010	The Electric Bicycle Co. Pty. Ltd.; 12-11, Bicycle handle bar grip, 19 Aug 2010	13547/2010
SSL Healthcare Italia S.P.A.; 02-04B, Sole for footwear, (WO, 24 Feb 2010) 13 Aug 2010	13496/2010	The Electric Bicycle Co. Pty. Ltd.; 12-11, Bicycle carrier bag, 19 Aug 2010	13548/2010
The Decor Corporation Pty Ltd; 07-01NES, Lunchbox base, 09 Aug 2010	13390/2010	The Procter & Gamble Company; 09-03L, Container, (US, 17 Dec 2009) 17 Jun 2010	13525/2010
The Decor Corporation Pty Ltd; 07-01NES, Lunchbox base, 09 Aug 2010	13391/2010	The Procter & Gamble Company; 09-03L, Container, (US, 17 Dec 2009) 17 Jun 2010	13526/2010
The Decor Corporation Pty Ltd; 07-01NES, 08-07, Lunchbox latch, 09 Aug 2010	13392/2010	The Yokohama Rubber Co., Ltd.; 12-15B, Automobile tire tread, (JP, 19 Feb 2010) 17 Aug 2010	13541/2010
The Decor Corporation Pty Ltd; 07-01NES, Lunchbox lid, 09 Aug 2010	13393/2010	Thomas, Wayne David; Thomas, Denise Margaret; 23-01L, Roof/loft protector, 12 Aug 2010	13527/2010
The Decor Corporation Pty Ltd; 07-01NES, Lid and seal for lunchbox, 09 Aug 2010	13403/2010	Thomas, Denise Margaret; Thomas, Wayne David; 23-01L, Roof/loft protector, 12 Aug 2010	13527/2010
The Decor Corporation Pty Ltd; 07-06NES, Utensil, 09 Aug 2010	13404/2010	Tinpale Pty Ltd; 08-08L, 25-01C, Hip to girder truss bracket, 12 Aug 2010	13463/2010
The Decor Corporation Pty Ltd; 07-01NES, Lunchbox base, 09 Aug 2010	13389/2010	Toyota Jidosha Kabushiki Kaisha; 12-08, Automobile, 19 Aug 2010	13577/2010
The Decor Corporation Pty Ltd; 07-01NES, Vent and seal, 09 Aug 2010	13396/2010	Tytaz Holdings Limited; 08-99, Knot tying apparatus, (NZ, 16 Feb 2010) 11 Aug 2010	13441/2010
The Decor Corporation Pty Ltd; 07-01NES, Lid and seal for lunchbox, 09 Aug 2010	13397/2010	Vicmarc Machinery Pty Ltd; 08-06, Tool handles, 10 Aug 2010	13383/2010
The Decor Corporation Pty Ltd; 07-01NES, Lid and seal for lunchbox, 09 Aug 2010	13400/2010	Virtual Simulation Systems Pty Ltd; 16-02, Plastic panel, 19 Aug 2010	13555/2010

Vogel's Holding B.V.; 14-02, Accessory for computer games and game consoles, (EM, 11 Feb 2010) 11 Aug 2010	13445/2010	Woolly Pocket Corporation; 11-02C, Vertical hanging planter, (US, 10 Mar 2010) 19 Aug 2010	13561/2010
Vogel's Holding B.V.; 14-02, Accessory for computer games and game consoles, (EM, 11 Feb 2010) 11 Aug 2010	13446/2010	Xingtai Yatai Real Estate Development Co., Ltd.; 25-03, Building complex, (CN, 26 Apr 2010) 11 Aug 2010	13451/2010
Wenatex DAS Schlafsystem GmbH; 06-09, Mattress cover, (EM, 25 Mar 2010) 13 Aug 2010	13508/2010	ZarBe; 02-02C, Women's fashion - evening/formal/event dress for adult women, 20 Aug 2010	13586/2010
Williams, Tatjana; Baskerville, Nardia; 02-02B, Apron, 10 Aug 2010	13417/2010	ZarBe; 02-02C, Women's fashion - dress for adult women for events/parties/evening/anything, 20 Aug 2010	13587/2010
Woolly Pocket Corporation; 11-02C, Vertical hanging planter, (US, 10 Mar 2010) 19 Aug 2010	13562/2010		

Applications Lapsed

10376 / 2010 (02-03)	10377 / 2010 (02-03)
10402 / 2010 (08-01)	11230 / 2010 (09-09)
11933 / 2010 (99-00)	11981 / 2010 (07-02A)
12305 / 2010 (25-02C)	

Extension of Period of Registration of Designs

303978	304004	304513
304543	304834	304870
305072	305080	305081
305082	305132	305273
305279	305284	305357
305369	305370	305399
305400	305412	305415
305416	305465	305484
305492	305496	305497
305499	305510	305523
305525	305528	305558
305582	305592	305594
305604	305659	305660
305721	305723	305741
305761	305762	305763
305795	305796	305797
305798	305818	305819
305820	305821	305822
305843	305982	305983
305986	305987	305988
306009	306010	306011
306012	306041	306056
306060	306061	306102
306113	306142	306150
306195	306240	306241
306302	306303	306304
306311	306312	306313
306314	306315	306332
306333	306396	306397
306398	306399	306400
306401	306402	306403
306404	306405	306406
306407	306441	306442
306443	306444	306593
306601	306607	306673
306692	306697	306723
306855	306856	306885
306928	307045	307313
307397	307398	307580
308054	308236	308762

Revocation of Design Registrations

The following Design Registration(s) have been revoked and are taken never to have been registered:

- 327927 12-11
- 329677 08-01
- 329678 08-01

Registrations Ceased

302483	302484	302485
302486	302487	302619
302632	302633	302634
302635	302636	302639
302645	302646	302647
302648	302649	302650
302688	302689	302693
302694	302705	302706
302711	302820	302832
302872	302873	302915
302916	302964	302965
302966	302967	302968
302969	302972	302973
303148	303266	303267
303268	303401	303402
303403	303404	303479
303480	303483	303568
303569	303570	303700
303701	303702	303703
303704	303705	304489
304490	304491	304933
304976	304977	304979
304982	304985	304986
304996	305003	305170
305171	305180	305181
305182	305183	305184
305185	305186	305187
305316	305424	305425
305426	306537	306538
306598	306677	307565
317290	323072	327691

Extensions of time granted under Section 137

Applications lodged under section 137 for extension of time have been granted.

11723/2010 **Denneroll Industries International Pty Ltd**

11760/2010 **Education Projects Pty Ltd**

Subsequent Owners Registered

(The name in parentheses is that of the subsequent owner)

308489	(Kylie Ann Bickle) Urban Art Projects
320761	(AME Products Pty Ltd) LED Technologies Pty Ltd
327160	(Loggo IP Pty Ltd) Patrick Thornton
327161	(Loggo IP Pty Ltd) Patrick Thornton
327162	(Loggo IP Pty Ltd) Patrick Thornton
327173	(Loggo IP Pty Ltd) Patrick Thornton
327275	(Loggo IP Pty Ltd) Patrick Thornton
330733	(Loggo IP Pty Ltd) Patrick Thornton
311704	(Vectura Delivery Devices Limited) Vectura Group Plc

**Names Registered - Alterations and
Amendments**

(The name in parentheses is that of the subsequent
applicant)

329301 (**JamHub LLC**) BreezSong LLC.

Corrigenda

Number 331788

In Vol 24 , No 14 , page 1532 under the heading **Applications Lodged**; 3M Innovative Properties Company; 24-04, Unidirectional valve, (US, 16 Dec 2009) 11 June 2010 should be deleted.

Certificate(s) of Examination

Examination of the following Design Registration(s) has been completed. Infringement proceedings may now be commenced.

326763	08-01	17/08/2010
326764	08-01	17/08/2010
328410	02-02B	16/08/2010
329485	12-15A	11/08/2010
330587	10-07	19/08/2010
330618	14-02	19/08/2010
330746	03-01A	19/08/2010
330747	03-01A	19/08/2010
330748	03-01A	19/08/2010
330749	03-01A	19/08/2010
330858	21-02C	23/08/2010
330876	07-02B	11/08/2010
330877	07-02B	11/08/2010
331131	23-01F	24/08/2010
331132	23-01F	24/08/2010
331164	24-02	23/08/2010
331165	24-02	23/08/2010
331166	24-02	23/08/2010
331269	02-04C	20/08/2010
331325	21-02C	23/08/2010
331333	21-02C	23/08/2010

Publication and Registration Proceedings

Designs Registered

This section provides a concordance between design number and registration number of Designs covered in this journal. It also shows the main class and registration date.

This section covers Registration numbers 332180 to 332377 .

The registration number shown below should be used in all future correspondence.

Design Number	Registration Number	International Classification Code (IDC)	Registration Date	Design Number	Registration Number	International Classification Code (IDC)	Registration Date
14276/2009	332180	07-07A	11/08/2010	12996/2010	332184	25-01K	12/08/2010
15062/2009	332221	07-07A	17/08/2010	12998/2010	332186	08-08L	12/08/2010
10368/2010	332222	14-03NES	17/08/2010	13001/2010	332211	06-08	17/08/2010
10461/2010	332339	02-02NES	20/08/2010	13002/2010	332212	06-08	17/08/2010
10699/2010	332204	25-99	12/08/2010	13003/2010	332213	06-08	17/08/2010
10919/2010	332223	25-03	17/08/2010	13004/2010	332214	06-08	17/08/2010
10935/2010	332224	02-04A	17/08/2010	13005/2010	332215	07-05NES	17/08/2010
11182/2010	332209	07-04	16/08/2010	13006/2010	332216	07-05NES	17/08/2010
11672/2010	332210	02-04A	17/08/2010	13007/2010	332217	07-05NES	17/08/2010
11723/2010	332262	02-04A	18/08/2010	13008/2010	332188	07-05NES	12/08/2010
11888/2010	332208	06-06E	13/08/2010	13009/2010	332189	12-15A	12/08/2010
12082/2010	332257	08-01	18/08/2010	13010/2010	332308	25-03	19/08/2010
12160/2010	332194	11-01A	12/08/2010	13011/2010	332309	25-03	19/08/2010
12161/2010	332195	11-01NES	12/08/2010	13012/2010	332310	25-03	19/08/2010
12293/2010	332196	13-02	12/08/2010	13013/2010	332311	25-03	19/08/2010
12294/2010	332197	28-03A	12/08/2010	13014/2010	332190	07-06NES	12/08/2010
12295/2010	332198	13-02	12/08/2010	13016/2010	332283	08-08L	19/08/2010
12326/2010	332298	02-05	19/08/2010	13017/2010	332284	07-01NES	19/08/2010
12351/2010	332227	06-09	17/08/2010	13018/2010	332285	07-01NES	19/08/2010
12383/2010	332258	13-02	18/08/2010	13019/2010	332286	23-01L	19/08/2010
12398/2010	332206	14-03A	12/08/2010	13020/2010	332287	12-15C	19/08/2010
12417/2010	332263	15-05	18/08/2010	13021/2010	332288	08-08L	19/08/2010
12467/2010	332264	02-07D	18/08/2010	13030/2010	332218	08-01	17/08/2010
12482/2010	332199	04-02	12/08/2010	13031/2010	332219	12-16B	17/08/2010
12483/2010	332201	04-02	12/08/2010	13063/2010	332191	09-01H	12/08/2010
12491/2010	332299	09-03L	19/08/2010	13068/2010	332220	31-00	17/08/2010
12492/2010	332301	09-03L	19/08/2010	13072/2010	332243	19-06	18/08/2010
12532/2010	332265	08-08G	18/08/2010	13073/2010	332244	23-01NES	18/08/2010
12554/2010	332207	20-03NES	12/08/2010	13074/2010	332245	13-03NES	18/08/2010
12555/2010	332364	28-99	24/08/2010	13075/2010	332246	01-01	18/08/2010
12561/2010	332259	08-08K	18/08/2010	13076/2010	332247	13-01	18/08/2010
12634/2010	332365	09-07NES	24/08/2010	13077/2010	332248	01-01	18/08/2010
12635/2010	332366	09-07NES	24/08/2010	13078/2010	332249	01-01	18/08/2010
12656/2010	332282	16-06	18/08/2010	13079/2010	332250	13-01	18/08/2010
12688/2010	332203	07-04	12/08/2010	13080/2010	332251	01-01	18/08/2010
12731/2010	332205	12-99	12/08/2010	13081/2010	332252	01-06	18/08/2010
12739/2010	332277	06-02	18/08/2010	13083/2010	332289	01-01	19/08/2010
12740/2010	332279	06-02	18/08/2010	13086/2010	332290	12-16B	19/08/2010
12757/2010	332228	11-02E	17/08/2010	13087/2010	332291	12-16B	19/08/2010
12789/2010	332354	06-02	23/08/2010	13092/2010	332292	09-03M	19/08/2010
12790/2010	332225	02-04A	17/08/2010	13093/2010	332293	09-03M	19/08/2010
12791/2010	332226	02-04A	17/08/2010	13094/2010	332294	09-03M	19/08/2010
12801/2010	332187	08-03	12/08/2010	13095/2010	332295	09-03M	19/08/2010
12861/2010	332303	21-01A	19/08/2010	13096/2010	332296	09-03M	19/08/2010
12891/2010	332239	26-02	18/08/2010	13097/2010	332297	09-03M	19/08/2010
12892/2010	332240	26-02	18/08/2010	13104/2010	332253	23-04	18/08/2010
12893/2010	332241	26-04	18/08/2010	13105/2010	332254	23-04	18/08/2010
12895/2010	332242	13-03D	18/08/2010	13106/2010	332232	21-01N	18/08/2010
12926/2010	332335	12-16M	20/08/2010	13110/2010	332255	15-03C	18/08/2010
12974/2010	332231	21-03	18/08/2010	13111/2010	332256	15-03C	18/08/2010
12987/2010	332181	30-04	12/08/2010	13112/2010	332266	07-02K	18/08/2010
12988/2010	332182	09-03F	12/08/2010	13113/2010	332267	12-16C	18/08/2010
12990/2010	332183	11-03	12/08/2010	13114/2010	332268	15-03C	18/08/2010

Publication and Registration Proceedings - Designs Registered cont'd

Design Number	Registration Number	International Classification Code (IDC)	Registration Date	Design Number	Registration Number	International Classification Code (IDC)	Registration Date
13115/2010	332269	15-03C	18/08/2010	13212/2010	332367	06-06A	23/08/2010
13116/2010	332270	07-02L	18/08/2010	13213/2010	332368	02-02NES	23/08/2010
13117/2010	332271	13-02	18/08/2010	13214/2010	332369	02-02NES	23/08/2010
13118/2010	332272	26-03	18/08/2010	13216/2010	332370	07-01NES	23/08/2010
13120/2010	332273	26-03	18/08/2010	13226/2010	332355	07-01B	23/08/2010
13121/2010	332274	06-01NES	18/08/2010	13228/2010	332356	07-01B	23/08/2010
13122/2010	332275	06-01NES	18/08/2010	13229/2010	332357	07-01B	23/08/2010
13124/2010	332323	12-16C	20/08/2010	13230/2010	332358	07-01B	23/08/2010
13125/2010	332324	10-04	20/08/2010	13231/2010	332359	07-01B	23/08/2010
13129/2010	332325	12-15B	20/08/2010	13232/2010	332360	07-01B	23/08/2010
13130/2010	332326	12-15C	20/08/2010	13234/2010	332374	01-01	24/08/2010
13134/2010	332327	21-04	20/08/2010	13236/2010	332375	14-02	24/08/2010
13140/2010	332234	03-01B	18/08/2010	13237/2010	332376	08-08L	24/08/2010
13141/2010	332235	20-01	18/08/2010	13238/2010	332377	19-06	24/08/2010
13143/2010	332192	12-06C	12/08/2010	13246/2010	332304	08-07	19/08/2010
13144/2010	332236	21-04	18/08/2010	13247/2010	332305	08-07	19/08/2010
13145/2010	332237	04-02	18/08/2010	13248/2010	332306	08-07	19/08/2010
13146/2010	332238	04-02	18/08/2010	13249/2010	332307	08-07	19/08/2010
13147/2010	332328	13-03NES	20/08/2010	13266/2010	332276	06-01L	18/08/2010
13148/2010	332329	12-16B	20/08/2010	13271/2010	332334	25-01A	20/08/2010
13149/2010	332330	23-01B	20/08/2010	13276/2010	332352	09-07NES	20/08/2010
13150/2010	332331	23-01A	20/08/2010	13277/2010	332353	09-07NES	20/08/2010
13160/2010	332332	10-02	20/08/2010	13325/2010	332229	01-01	17/08/2010
13161/2010	332333	28-03NES	20/08/2010	13352/2010	332361	25-02K	23/08/2010
13166/2010	332281	25-03	18/08/2010	13368/2010	332340	02-02NES	20/08/2010
13167/2010	332317	25-03	19/08/2010	13369/2010	332341	02-02NES	20/08/2010
13168/2010	332230	25-03	17/08/2010	13370/2010	332342	02-02C	20/08/2010
13172/2010	332318	12-08	19/08/2010	13371/2010	332343	02-02C	20/08/2010
13173/2010	332319	06-01F	19/08/2010	13372/2010	332344	02-02C	20/08/2010
13174/2010	332320	06-01F	19/08/2010	13373/2010	332345	02-02NES	20/08/2010
13175/2010	332321	06-01F	19/08/2010	13374/2010	332346	02-02C	20/08/2010
13176/2010	332322	06-01F	19/08/2010	13375/2010	332347	02-02C	20/08/2010
13177/2010	332312	12-16NES	19/08/2010	13376/2010	332348	02-02NES	20/08/2010
13178/2010	332313	09-03NES	19/08/2010	13377/2010	332349	02-02NES	20/08/2010
13181/2010	332233	09-05	18/08/2010	13378/2010	332202	04-02	12/08/2010
13182/2010	332314	23-01H	19/08/2010	13380/2010	332200	04-02	12/08/2010
13185/2010	332315	13-02	19/08/2010	13397/2010	332362	07-01NES	23/08/2010
13186/2010	332316	23-01H	19/08/2010	13398/2010	332363	07-01NES	23/08/2010
13191/2010	332350	12-16M	20/08/2010	13487/2010	332260	08-01	18/08/2010
13193/2010	332351	09-01K	20/08/2010	13488/2010	332261	08-01	18/08/2010
13196/2010	332371	24-04	24/08/2010	13520/2010	332278	06-02	18/08/2010
13197/2010	332372	10-04	24/08/2010	13521/2010	332280	06-02	18/08/2010
13199/2010	332373	09-03M	24/08/2010	13525/2010	332300	09-03L	19/08/2010
13203/2010	332336	06-01H	20/08/2010	13526/2010	332302	09-03L	19/08/2010
13204/2010	332337	23-01H	20/08/2010				
13205/2010	332193	13-03D	12/08/2010				
13206/2010	332338	09-03F	20/08/2010				

Publication and Registration Proceedings
Class Listing of Designs Published or Registered

The following section shows an International Classification Code listing of the Registered or Published Designs covered in this supplement.

Classification	Registration Number	Design Number	Classification	Registration Number	Design Number
01-01	332229	13325/2010	06-09	332227	12351/2010
01-01	332246	13075/2010	06-10	332361	13352/2010
01-01	332248	13077/2010	07-01 B	332355	13226/2010
01-01	332249	13078/2010	07-01 B	332356	13228/2010
01-01	332251	13080/2010	07-01 B	332357	13229/2010
01-01	332289	13083/2010	07-01 B	332358	13230/2010
01-01	332374	13234/2010	07-01 B	332359	13231/2010
01-06	332252	13081/2010	07-01 B	332360	13232/2010
02-02 C	332342	13370/2010	07-01 NES	332284	13017/2010
02-02 C	332343	13371/2010	07-01 NES	332285	13018/2010
02-02 C	332344	13372/2010	07-01 NES	332362	13397/2010
02-02 C	332346	13374/2010	07-01 NES	332363	13398/2010
02-02 C	332347	13375/2010	07-01 NES	332370	13216/2010
02-02 NES	332339	10461/2010	07-02 K	332266	13112/2010
02-02 NES	332340	13368/2010	07-02 L	332270	13116/2010
02-02 NES	332341	13369/2010	07-04	332203	12688/2010
02-02 NES	332345	13373/2010	07-04	332209	11182/2010
02-02 NES	332348	13376/2010	07-05 NES	332188	13008/2010
02-02 NES	332349	13377/2010	07-05 NES	332215	13005/2010
02-02 NES	332368	13213/2010	07-05 NES	332216	13006/2010
02-02 NES	332369	13214/2010	07-05 NES	332217	13007/2010
02-04 A	332210	11672/2010	07-06 NES	332190	13014/2010
02-04 A	332224	10935/2010	07-07 A	332180	14276/2009
02-04 A	332225	12790/2010	07-07 A	332221	15062/2009
02-04 A	332226	12791/2010	08-01	332218	13030/2010
02-04 A	332262	11723/2010	08-01	332257	12082/2010
02-05	332298	12326/2010	08-01	332260	13487/2010
02-07 D	332264	12467/2010	08-01	332261	13488/2010
03-01 B	332234	13140/2010	08-03	332187	12801/2010
03-03	332336	13203/2010	08-07	332304	13246/2010
04-02	332199	12482/2010	08-07	332305	13247/2010
04-02	332200	13380/2010	08-07	332306	13248/2010
04-02	332201	12483/2010	08-07	332307	13249/2010
04-02	332202	13378/2010	08-08 G	332265	12532/2010
04-02	332237	13145/2010	08-08 K	332259	12561/2010
04-02	332238	13146/2010	08-08 L	332186	12998/2010
06-01 F	332319	13173/2010	08-08 L	332283	13016/2010
06-01 F	332320	13174/2010	08-08 L	332288	13021/2010
06-01 F	332321	13175/2010	08-08 L	332376	13237/2010
06-01 F	332322	13176/2010	09-01 C	332333	13161/2010
06-01 H	332336	13203/2010	09-01 H	332191	13063/2010
06-01 L	332276	13266/2010	09-01 K	332351	13193/2010
06-01 NES	332274	13121/2010	09-03 F	332182	12988/2010
06-01 NES	332275	13122/2010	09-03 F	332338	13206/2010
06-02	332277	12739/2010	09-03 L	332299	12491/2010
06-02	332278	13520/2010	09-03 L	332300	13525/2010
06-02	332279	12740/2010	09-03 L	332301	12492/2010
06-02	332280	13521/2010	09-03 L	332302	13526/2010
06-02	332354	12789/2010	09-03 M	332292	13092/2010
06-03 B	332208	11888/2010	09-03 M	332293	13093/2010
06-06 A	332367	13212/2010	09-03 M	332294	13094/2010
06-06 E	332208	11888/2010	09-03 M	332295	13095/2010
06-08	332211	13001/2010	09-03 M	332296	13096/2010
06-08	332212	13002/2010	09-03 M	332297	13097/2010
06-08	332213	13003/2010	09-03 M	332373	13199/2010
06-08	332214	13004/2010	09-03 NES	332313	13178/2010

Registration Proceedings - Class Listing of Designs Published or Registered cont'd

Classification	Registration Number	Design Number	Classification	Registration Number	Design Number
09-05	332233	13181/2010	17-02	332231	12974/2010
09-07 A	332365	12634/2010	19-06	332243	13072/2010
09-07 A	332366	12635/2010	19-06	332377	13238/2010
09-07 NES	332352	13276/2010	20-01	332235	13141/2010
09-07 NES	332353	13277/2010	20-03 NES	332207	12554/2010
09-07 NES	332365	12634/2010	21-01 A	332303	12861/2010
09-07 NES	332366	12635/2010	21-01 C	332180	14276/2009
10-02	332332	13160/2010	21-01 N	332232	13106/2010
10-04	332324	13125/2010	21-03	332231	12974/2010
10-04	332372	13197/2010	21-04	332236	13144/2010
11-01 A	332194	12160/2010	21-04	332327	13134/2010
11-01 NES	332195	12161/2010	23-01 A	332331	13150/2010
11-02 E	332228	12757/2010	23-01 B	332330	13149/2010
11-03	332183	12990/2010	23-01 H	332314	13182/2010
12-06 C	332192	13143/2010	23-01 H	332316	13186/2010
12-08	332318	13172/2010	23-01 H	332337	13204/2010
12-10	332205	12731/2010	23-01 L	332286	13019/2010
12-15 A	332189	13009/2010	23-01 NES	332244	13073/2010
12-15 B	332325	13129/2010	23-04	332253	13104/2010
12-15 C	332287	13020/2010	23-04	332254	13105/2010
12-15 C	332326	13130/2010	24-04	332371	13196/2010
12-16 B	332219	13031/2010	25-01 A	332334	13271/2010
12-16 B	332290	13086/2010	25-01 D	332184	12996/2010
12-16 B	332291	13087/2010	25-01 K	332184	12996/2010
12-16 B	332329	13148/2010	25-02 C	332259	12561/2010
12-16 C	332267	13113/2010	25-02 K	332361	13352/2010
12-16 C	332323	13124/2010	25-03	332223	10919/2010
12-16 M	332335	12926/2010	25-03	332230	13168/2010
12-16 M	332350	13191/2010	25-03	332281	13166/2010
12-16 NES	332258	12383/2010	25-03	332308	13010/2010
12-16 NES	332312	13177/2010	25-03	332309	13011/2010
12-99	332205	12731/2010	25-03	332310	13012/2010
13-01	332247	13076/2010	25-03	332311	13013/2010
13-01	332250	13079/2010	25-03	332317	13167/2010
13-02	332196	12293/2010	25-99	332204	10699/2010
13-02	332198	12295/2010	26-02	332239	12891/2010
13-02	332258	12383/2010	26-02	332240	12892/2010
13-02	332271	13117/2010	26-03	332272	13118/2010
13-02	332315	13185/2010	26-03	332273	13120/2010
13-03 D	332193	13205/2010	26-04	332241	12893/2010
13-03 D	332242	12895/2010	28-02	332364	12555/2010
13-03 E	332242	12895/2010	28-03 A	332197	12294/2010
13-03 NES	332245	13074/2010	28-03 A	332198	12295/2010
13-03 NES	332328	13147/2010	28-03 NES	332197	12294/2010
14-02	332375	13236/2010	28-03 NES	332198	12295/2010
14-03 A	332206	12398/2010	28-03 NES	332333	13161/2010
14-03 NES	332222	10368/2010	28-99	332364	12555/2010
15-03 C	332255	13110/2010	30-04	332181	12987/2010
15-03 C	332256	13111/2010	31-00	332220	13068/2010
15-03 C	332268	13114/2010			
15-03 C	332269	13115/2010			
15-05	332263	12417/2010			
16-06	332282	12656/2010			

(21) Design Number: **14276/2009**

(22) Date of Filing Application: **02 November 2009**

(24) Date from which industrial property rights may have effect: **02 November 2009**

(54) Product in respect of which the design is registered: **Remote control cooler**

(51) International Design Classification: **07-07A, 21-01C**

(71) Name(s) and Address(s) of Applicant(s):

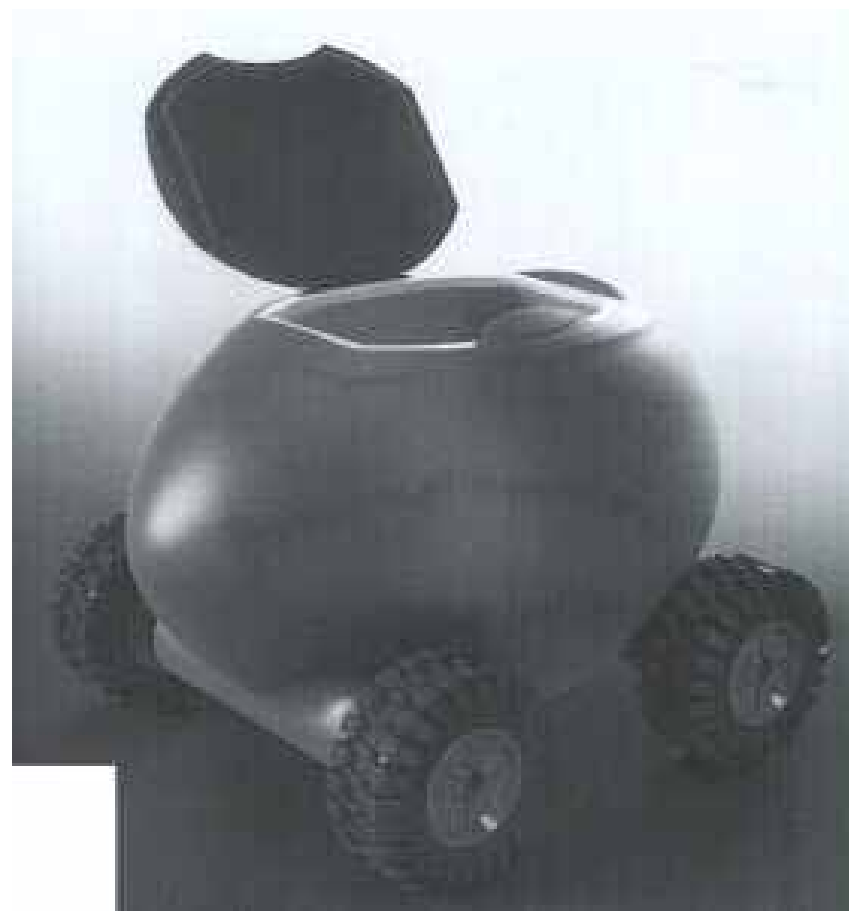
**Powersource Investments Pty Ltd
Level 1 176 Bridge Road Richmond Victoria 3121 Australia**

(72) Name(s) of Designer(s): **David Douglas**

(45) Registration Date: **11 August 2010**

(56) Related Art Documents: **Not Applicable**

(57) Statement of Newness and Distinctiveness: **The particular visual features of the design which the applicant hereby identifies as new and distinctive are as follows: A remote control cooler as illustrated in the accompanying representations.**



(21) Design Number: **12987/2010**

(22) Date of Filing Application: **19 July 2010**

(24) Date from which industrial property rights may have effect: **19 July 2010**

(54) Product in respect of which the design is registered: **Retractable leash**

(51) International Design Classification: **30-04**

(71) Name(s) and Address(s) of Applicant(s):

**LeashLocket, Ltd.
2442 South Downing Street Denver Colorado 80210 United States of America**

(72) Name(s) of Designer(s): **David Christopher Marshall**

(45) Registration Date: **12 August 2010**

(30) Convention priority data:

(31) Number	(32) Date	(33) Country
29/355372	05 Feb 2010	UNITED STATES OF AMERICA

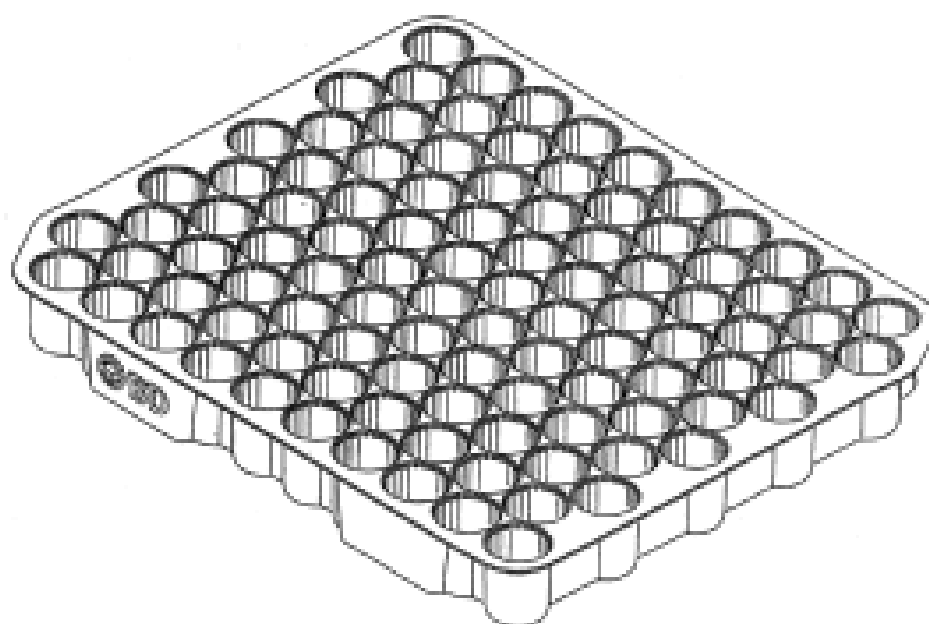
(56) Related Art Documents: **Not Applicable**

(57) Statement of Newness and Distinctiveness: **Newness and distinctiveness resides in the features of shape and/or configuration of a RETRACTABLE LEASH shown in solid lines as illustrated in the accompanying representations.**



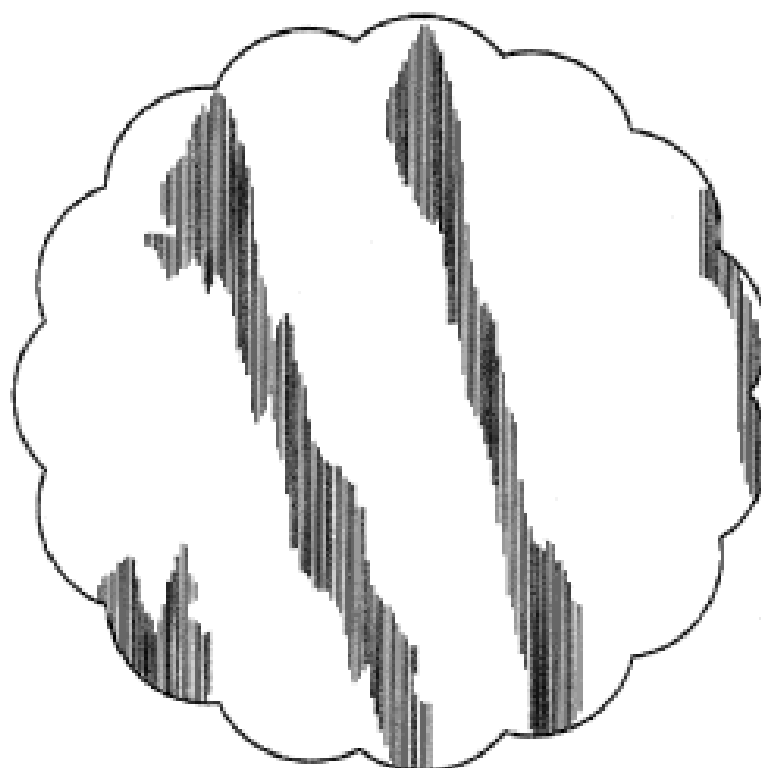
(19) AU

(21) Design Number: **12988/2010**
 (22) Date of Filing Application: **19 July 2010**
 (24) Date from which industrial property rights may have effect: **19 July 2010**
 (54) Product in respect of which the design is registered: **Transport tube holder assembly with internal and external ribs**
 (51) International Design Classification: **09-03F**
 (71) Name(s) and Address(s) of Applicant(s):
Becton, Dickinson and Company
1 Becton Drive Franklin Lakes New Jersey 07417 United States of America
 (72) Name(s) of Designer(s): **Kenneth Karpiloff**
 (45) Registration Date: **12 August 2010**
 (30) Convention priority data:
 (31) Number (32) Date (33) Country
29/354051 19 Jan 2010 UNITED STATES OF AMERICA
 (56) Related Art Documents: **Not Applicable**
 (57) Statement of Newness and Distinctiveness: **Newness and distinctiveness reside in the shape and configuration of the design as shown in the representations.**

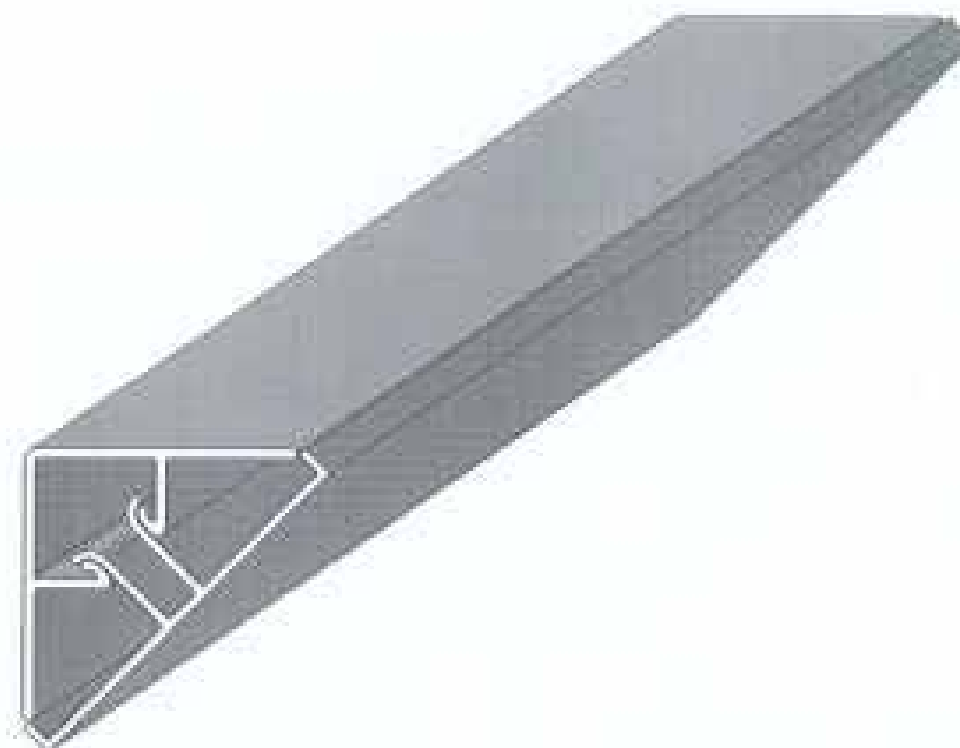


(19) AU

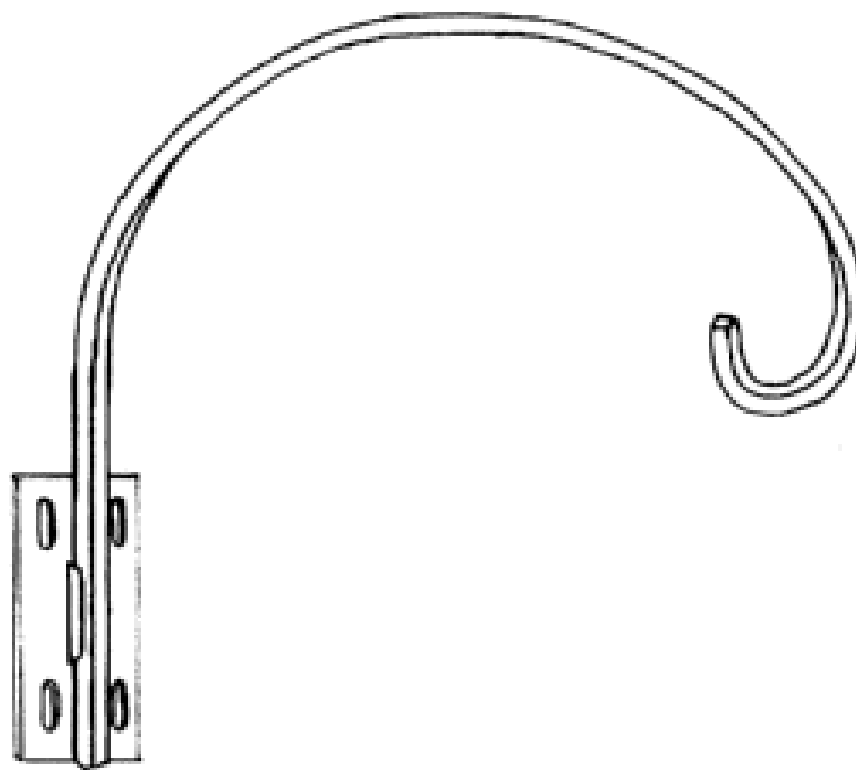
(21) Design Number: **12990/2010**
 (22) Date of Filing Application: **19 July 2010**
 (24) Date from which industrial property rights may have effect: **19 July 2010**
 (54) Product in respect of which the design is registered: **Patch**
 (51) International Design Classification: **11-03**
 (71) Name(s) and Address(s) of Applicant(s):
The Mainstreet Collection, Inc.
1201 West 4th Street Washington NC 27889 United States of America
 (72) Name(s) of Designer(s): **Tracy Mayo**
 (45) Registration Date: **12 August 2010**
 (30) Convention priority data:
 (31) Number (32) Date (33) Country
29/354,021 19 Jan 2010 UNITED STATES OF AMERICA
 (56) Related Art Documents: **Not Applicable**
 (57) Statement of Newness and Distinctiveness: **Newness and distinctiveness resides in the visual features of the design for a patch as shown in the accompanying illustration. The shading lines in the illustration form no part of the design.**



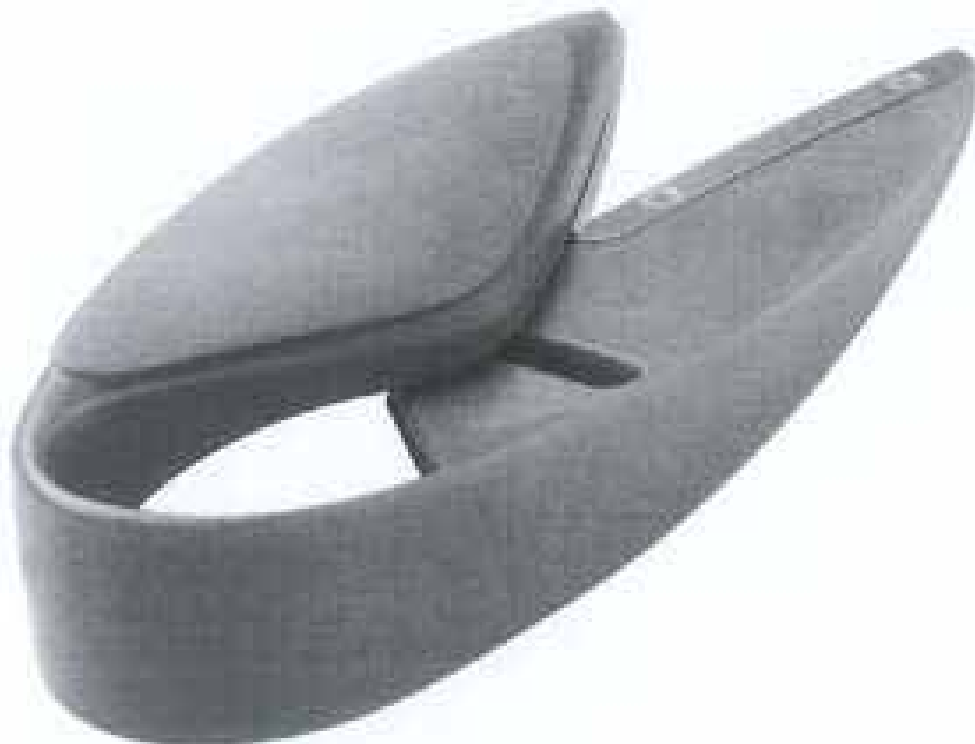
- (21) Design Number: **12996/2010**
(22) Date of Filing Application: **04 August 2010**
(24) Date from which industrial property rights may have effect: **04 August 2010**
(54) Product in respect of which the design is registered: **Quad (a type of panel joiner used in the building industry)**
(51) International Design Classification: **25-01K, 25-01D**
(71) Name(s) and Address(s) of Applicant(s):
Coastal Innovations Pty Ltd
453 Ocean Drive Laurieton New South Wales 2443 Australia
Tech Plas Extrusions Pty Ltd
321 Wentworth Avenue Pendle Hill New South Wales 2145 Australia
(72) Name(s) of Designer(s): **Alan Taylor and Grant McMillan**
(45) Registration Date: **12 August 2010**
(56) Related Art Documents: **Not Applicable**
(57) Statement of Newness and Distinctiveness: **Nil**



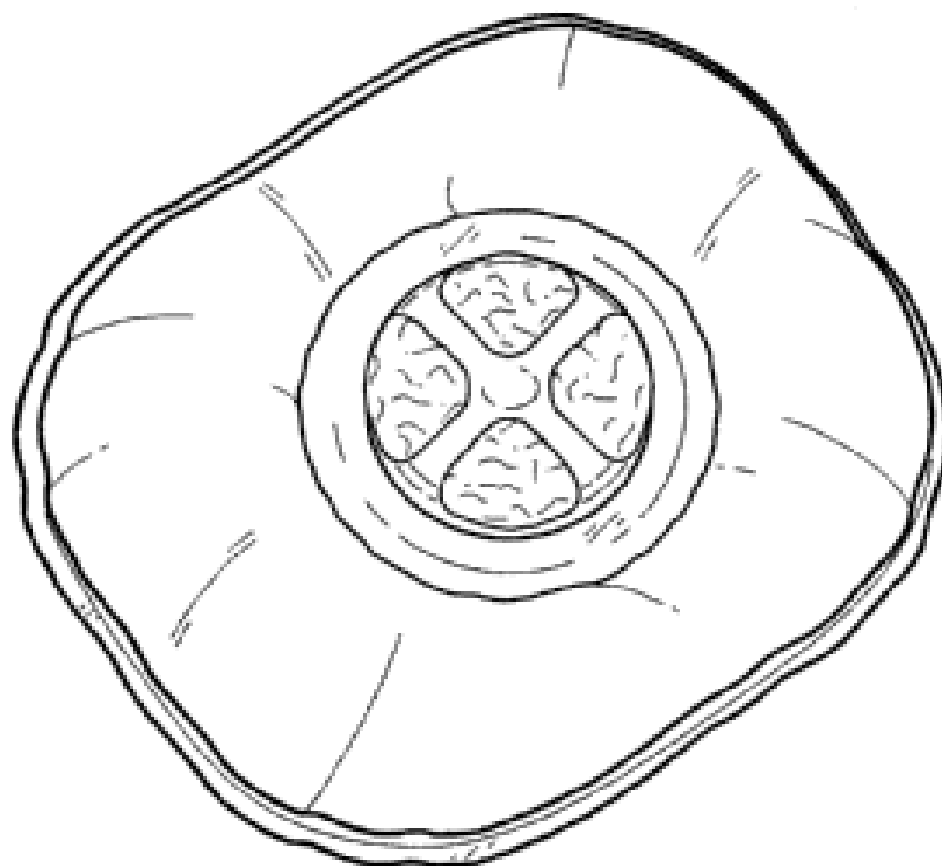
- (21) Design Number: **12998/2010**
(22) Date of Filing Application: **04 August 2010**
(24) Date from which industrial property rights may have effect: **04 August 2010**
(54) Product in respect of which the design is registered: **A bracket**
(51) International Design Classification: **08-08L**
(71) Name(s) and Address(s) of Applicant(s):
Krzysztof Roman Harezlak
8 Castaway Court Robina Queensland 4226 Australia
(72) Name(s) of Designer(s): **Krzysztof Roman Harezlak**
(45) Registration Date: **12 August 2010**
(56) Related Art Documents: **Not Applicable**
(57) Statement of Newness and Distinctiveness: **Newness and Distinctiveness is claimed in the shape and/or configuration of a bracket as illustrated in the attached representations in unbroken lines.**



- (21) Design Number: **12801/2010**
(22) Date of Filing Application: **08 July 2010**
(24) Date from which industrial property rights may have effect: **08 July 2010**
(54) Product in respect of which the design is registered: **Scissors**
(51) International Design Classification: **08-03**
(71) Name(s) and Address(s) of Applicant(s):
A W Faber-Castell (Aust) Pty Limited
1/69 O'Connell Street Smithfield New South Wales 2164 Australia
(72) Name(s) of Designer(s): **Atelier Papenfuss**
(45) Registration Date: **12 August 2010**
(56) Related Art Documents: **Not Applicable**
(57) Statement of Newness and Distinctiveness: **Nil**



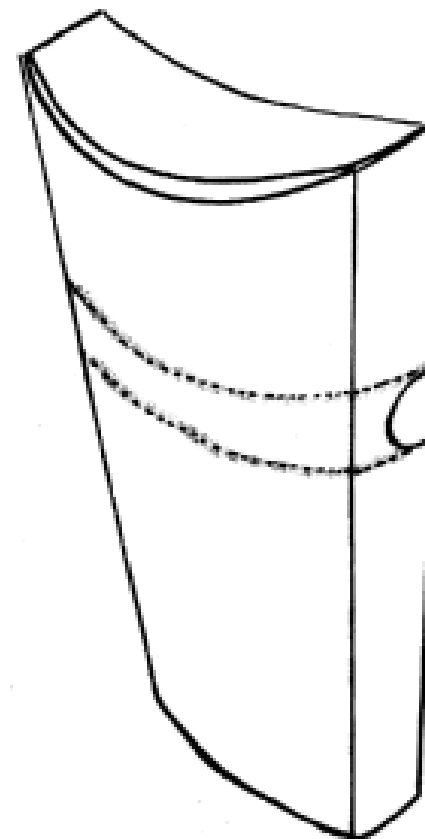
- (21) Design Number: **13008/2010**
(22) Date of Filing Application: **20 July 2010**
(24) Date from which industrial property rights may have effect: **20 July 2010**
(54) Product in respect of which the design is registered: **Capsule containing washing products**
(51) International Design Classification: **07-05NES**
(71) Name(s) and Address(s) of Applicant(s):
Reckitt Benckiser N.V.
Siriusdreef 14 Hoofddorp 2132 WT Netherlands
(72) Name(s) of Designer(s): **Jorg Pflug and Jordi Salvador**
(45) Registration Date: **12 August 2010**
(30) Convention priority data:
(31) Number (32) Date (33) Country
P001659053 20 Jan 2010 EUROPEAN COMMUNITY
(56) Related Art Documents: **Not Applicable**
(57) Statement of Newness and Distinctiveness: **Newness and distinctiveness of the capsule containing washing products resides in the features of shape, configuration, ornamentation and the pattern provided by the visible washing products contained in the capsule.**



(21) Design Number: **13009/2010**
(22) Date of Filing Application: **20 July 2010**
(24) Date from which industrial property rights may have effect: **20 July 2010**
(54) Product in respect of which the design is registered: **Tyre**
(51) International Design Classification: **12-15A**
(71) Name(s) and Address(s) of Applicant(s):
Continental Reifen Deutschland GmbH
Vahrenwalderstrasse 9 30165 Hannover Germany
(72) Name(s) of Designer(s): **Thomas Buchinger-Barnstorf**
(45) Registration Date: **12 August 2010**
(30) Convention priority data:
(31) Number (32) Date (33) Country
001700410 27 Apr 2010 EUROPEAN COMMUNITY
(56) Related Art Documents: **Not Applicable**
(57) Statement of Newness and Distinctiveness: **Newness and distinctiveness resides in the visual features, including shape, configuration and pattern, of a tread for a TYRE as shown in the accompanying representations.**



(21) Design Number: **13014/2010**
(22) Date of Filing Application: **20 July 2010**
(24) Date from which industrial property rights may have effect: **20 July 2010**
(54) Product in respect of which the design is registered: **A pie holder**
(51) International Design Classification: **07-06NES**
(71) Name(s) and Address(s) of Applicant(s):
Packaging Brands Limited
C/- Vantis Nexus House 2 Cray Road Sidcup Kent DA14 5DA United Kingdom
(72) Name(s) of Designer(s): **Daniel Alan Cato**
(45) Registration Date: **12 August 2010**
(30) Convention priority data:
(31) Number (32) Date (33) Country
413241 26 Jan 2010 NEW ZEALAND
(56) Related Art Documents: **Not Applicable**
(57) Statement of Newness and Distinctiveness: **Nil**



(21) Design Number: **13063/2010**

(22) Date of Filing Application: **22 July 2010**

(24) Date from which industrial property rights may have effect: **22 July 2010**

(54) Product in respect of which the design is registered: **Bottle**

(51) International Design Classification: **09-01H**

(71) Name(s) and Address(s) of Applicant(s):

**V & S Luksusowa Zielona Gora SA
ul Jednosci 59 65018 Zielona Gora Poland**

(72) Name(s) of Designer(s): **Piotr Kania**

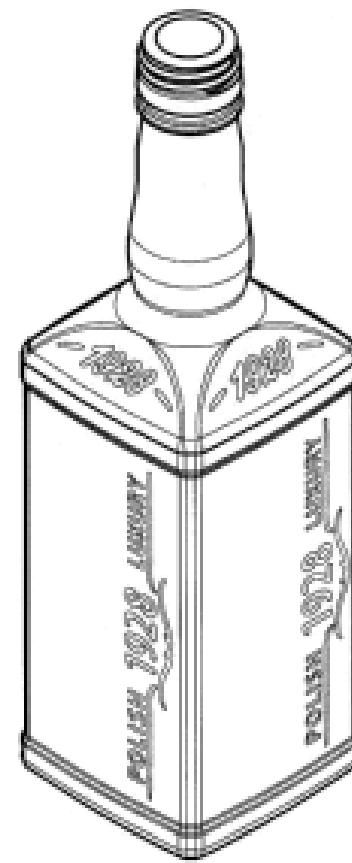
(45) Registration Date: **12 August 2010**

(30) Convention priority data:

(31) Number	(32) Date	(33) Country
001660432	22 Jan 2010	EUROPEAN COMMUNITY

(56) Related Art Documents: **Not Applicable**

(57) Statement of Newness and Distinctiveness: **Nil**



(21) Design Number: **13143/2010**

(22) Date of Filing Application: **27 July 2010**

(24) Date from which industrial property rights may have effect: **27 July 2010**

(54) Product in respect of which the design is registered: **A canoe**

(51) International Design Classification: **12-06C**

(71) Name(s) and Address(s) of Applicant(s):

**Ross David Cook
72 Rogers Parade West Everton Park Queensland 4053 Australia**

(72) Name(s) of Designer(s): **Ross David Cook**

(45) Registration Date: **12 August 2010**

(56) Related Art Documents: **Not Applicable**

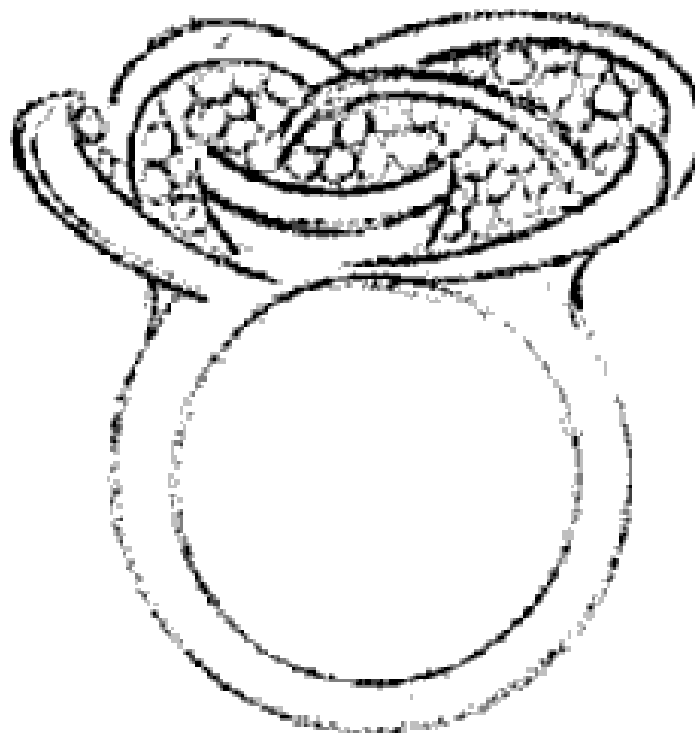
(57) Statement of Newness and Distinctiveness: **The whole product has unique and distinctive features as illustrated in the representations.**



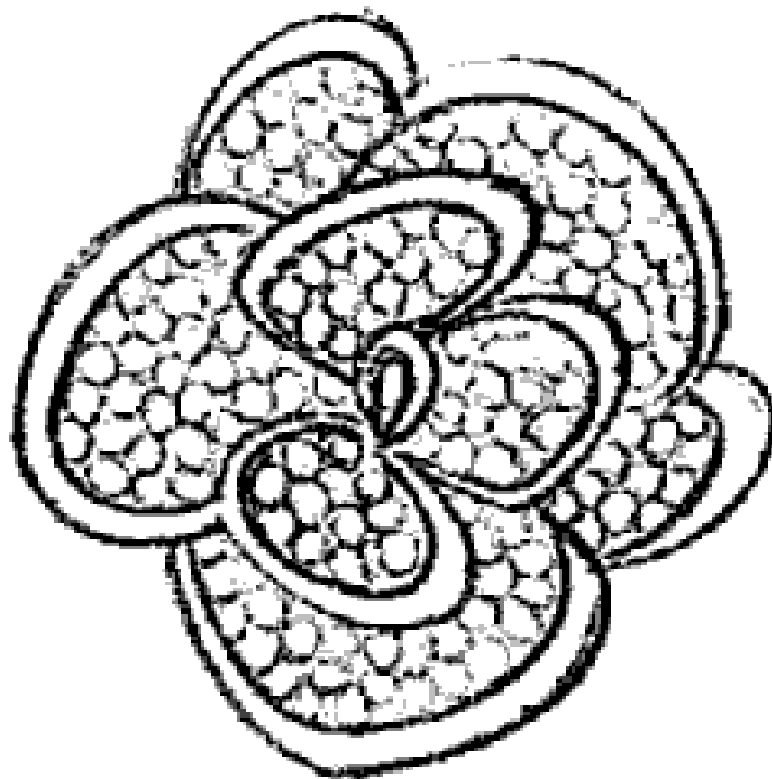
- (21) Design Number: **13205/2010**
(22) Date of Filing Application: **29 July 2010**
(24) Date from which industrial property rights may have effect: **29 July 2010**
(54) Product in respect of which the design is registered: **Media style bullnose wall plate recessed**
(51) International Design Classification: **13-03D**
(71) Name(s) and Address(s) of Applicant(s):
Bitek Pty Ltd
84 Sheppard Street Hume ACT 2620 Australia
(72) Name(s) of Designer(s): **Kazik Bialecki**
(45) Registration Date: **12 August 2010**
(56) Related Art Documents: **Not Applicable**
(57) Statement of Newness and Distinctiveness: **Media wall plate allowing cables to be fed through. Used in installations of plasma/LCD TV's where it is difficult to terminate. New LCD are very narrow thus a protruding is not always suitable.**



- (21) Design Number: **12160/2010**
(22) Date of Filing Application: **28 May 2010**
(24) Date from which industrial property rights may have effect: **28 May 2010**
(54) Product in respect of which the design is registered: **Design R191 - ring**
(51) International Design Classification: **11-01A**
(71) Name(s) and Address(s) of Applicant(s):
Georgini Holdings Pty Ltd
Unit 7 110-116 Bourke Road Alexandria New South Wales 2015 Australia
(72) Name(s) of Designer(s): **Gina Kougias**
(45) Registration Date: **12 August 2010**
(56) Related Art Documents: **Not Applicable**
(57) Statement of Newness and Distinctiveness: **Nil**



- (21) Design Number: **12161/2010**
(22) Date of Filing Application: **28 May 2010**
(24) Date from which industrial property rights may have effect: **28 May 2010**
(54) Product in respect of which the design is registered: **Design P366 - pendant**
(51) International Design Classification: **11-01NES**
(71) Name(s) and Address(s) of Applicant(s):
Georgini Holdings Pty Ltd
Unit 7 110-116 Bourke Road Alexandria New South Wales 2015
Australia
(72) Name(s) of Designer(s): **Gina Kougias**
(45) Registration Date: **12 August 2010**
(56) Related Art Documents: **Not Applicable**
(57) Statement of Newness and Distinctiveness: **Nil**



- (21) Design Number: **12293/2010**
(22) Date of Filing Application: **04 June 2010**
(24) Date from which industrial property rights may have effect: **04 June 2010**
(54) Product in respect of which the design is registered: **Charging apparatus**
(51) International Design Classification: **13-02**
(71) Name(s) and Address(s) of Applicant(s):
Thane International, Inc.
74-180 Calle Tampico La Quinta CA 92253 United States of America
(72) Name(s) of Designer(s): **Sladjana Tukulj-Popovic**
(45) Registration Date: **12 August 2010**
(30) Convention priority data:
(31) Number (32) Date (33) Country
001698739-0001 22 Apr 2010 EUROPEAN COMMUNITY
(56) Related Art Documents: **Not Applicable**
(57) Statement of Newness and Distinctiveness: **Nil**



(21) Design Number: **12294/2010**
(22) Date of Filing Application: **04 June 2010**
(24) Date from which industrial property rights may have effect: **04 June 2010**
(54) Product in respect of which the design is registered: **Hand-held unit in relation to cosmetic apparatus**
(51) International Design Classification: **28-03A, 28-03NES**
(71) Name(s) and Address(s) of Applicant(s):
Thane International, Inc.
74-180 Calle Tampico La Quinta CA 92253 United States of America
(72) Name(s) of Designer(s): **Sladjana Tukulj-Popovic**
(45) Registration Date: **12 August 2010**
(30) Convention priority data:
(31) Number (32) Date (33) Country
001698713-0001 22 Apr 2010 EUROPEAN COMMUNITY
(56) Related Art Documents: **Not Applicable**
(57) Statement of Newness and Distinctiveness: **Nil**

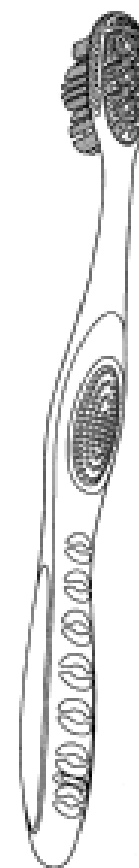


(21) Design Number: **12295/2010**
(22) Date of Filing Application: **04 June 2010**
(24) Date from which industrial property rights may have effect: **04 June 2010**
(54) Product in respect of which the design is registered: **Hand-held unit with charging apparatus in relation to cosmetic apparatus**
(51) International Design Classification: **13-02, 28-03A, 28-03NES**
(71) Name(s) and Address(s) of Applicant(s):
Thane International, Inc.
74-180 Calle Tampico La Quinta CA 92253 United States of America
(72) Name(s) of Designer(s): **Sladjana Tukulj-Popovic**
(45) Registration Date: **12 August 2010**
(30) Convention priority data:
(31) Number (32) Date (33) Country
001698713-0002 22 Apr 2010 EUROPEAN COMMUNITY
(56) Related Art Documents: **Not Applicable**
(57) Statement of Newness and Distinctiveness: **Nil**



- (21) Design Number: **12482/2010**
- (22) Date of Filing Application: **17 June 2010**
- (24) Date from which industrial property rights may have effect: **17 June 2010**
- (54) Product in respect of which the design is registered: **Toothbrush**
- (51) International Design Classification: **04-02**
- (71) Name(s) and Address(s) of Applicant(s):
Colgate-Palmolive Company
300 Park Avenue New York New York 10022 United States of America
- (72) Name(s) of Designer(s): **Eduardo Jimenez and Michael Rooney and Robert Moskovich and Andreas Wechsler and Joachim Storz and Raimund Klaussegger**
- (45) Registration Date: **12 August 2010**
- (30) Convention priority data:

(31) Number	(32) Date	(33) Country
29/352266	18 Dec 2009	UNITED STATES OF AMERICA
- (56) Related Art Documents: **Not Applicable**
- (57) Statement of Newness and Distinctiveness: **Newness and distinctiveness reside in the features of shape and configuration of the toothbrush in combination with the pattern and ornamentation applied to the elongate handle and the head of the toothbrush.**



- (21) Design Number: **13380/2010**
- (22) Date of Filing Application: **17 June 2010**
- (24) Date from which industrial property rights may have effect: **17 June 2010**
- (54) Product in respect of which the design is registered: **Toothbrush**
- (51) International Design Classification: **04-02**
- (71) Name(s) and Address(s) of Applicant(s):
Colgate-Palmolive Company
300 Park Avenue New York New York 10022 United States of America
- (72) Name(s) of Designer(s): **Eduardo Jimenez and Michael Rooney and Robert Moskovich and Andreas Wechsler and Joachim Storz and Raimund Klaussegger**
- (45) Registration Date: **12 August 2010**
- (30) Convention priority data:

(31) Number	(32) Date	(33) Country
29/352266	18 Dec 2009	UNITED STATES OF AMERICA
- (56) Related Art Documents: **Not Applicable**
- (57) Statement of Newness and Distinctiveness: **Newness and distinctiveness reside in the features of shape and configuration of the head of the toothbrush and more particularly the set of bristles situated on the head of the toothbrush. When determining whether the design is substantially similar in overall impression to another design, no regard is to be had to those features shown in the designs with dotted outline, which features are provided for illustrative purposes only. For instance the handle as shown in dotted outline could have any known shape and configuration adapted for the manipulation of the toothbrush.**



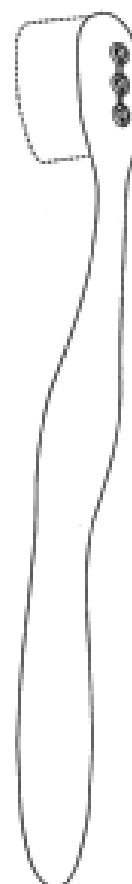
- (21) Design Number: **12483/2010**
- (22) Date of Filing Application: **17 June 2010**
- (24) Date from which industrial property rights may have effect: **17 June 2010**
- (54) Product in respect of which the design is registered: **Toothbrush handle with tissue cleaner**
- (51) International Design Classification: **04-02**
- (71) Name(s) and Address(s) of Applicant(s):
Colgate-Palmolive Company
300 Park Avenue New York New York 10022 United States of America
- (72) Name(s) of Designer(s): **Eduardo Jimenez and Michael Rooney and Robert Moskovich and Andreas Wechsler and Joachim Storz and Raimund Klaussegger**
- (45) Registration Date: **12 August 2010**
- (30) Convention priority data:

(31) Number	(32) Date	(33) Country
29/352267	18 Dec 2009	UNITED STATES OF AMERICA
- (56) Related Art Documents: **Not Applicable**
- (57) Statement of Newness and Distinctiveness: **Newness and distinctiveness reside in the features of shape and configuration of the toothbrush handle in combination with the pattern and ornamentation of the tissue cleaner applied to the head of the toothbrush. When determining whether the design is substantially similar in overall impression to another design, no regard is to be had to those features shown in the designs with dotted outline, which features are provided for illustrative purposes only. For instance the set of bristles as shown in dotted outline could have any known shape and configuration adapted for the cleaning of teeth.**



- (21) Design Number: **13378/2010**
- (22) Date of Filing Application: **17 June 2010**
- (24) Date from which industrial property rights may have effect: **17 June 2010**
- (54) Product in respect of which the design is registered: **Toothbrush handle with tissue cleaner**
- (51) International Design Classification: **04-02**
- (71) Name(s) and Address(s) of Applicant(s):
Colgate-Palmolive Company
300 Park Avenue New York New York 10022 United States of America
- (72) Name(s) of Designer(s): **Eduardo Jimenez and Michael Rooney and Robert Moskovich and Andreas Wechsler and Joachim Storz and Raimund Klaussegger**
- (45) Registration Date: **12 August 2010**
- (30) Convention priority data:

(31) Number	(32) Date	(33) Country
29/352267	18 Dec 2009	UNITED STATES OF AMERICA
- (56) Related Art Documents: **Not Applicable**
- (57) Statement of Newness and Distinctiveness: **Newness and distinctiveness reside in the features of shape and configuration of the toothbrush handle in combination with the pattern and ornamentation of the tissue cleaner applied to the head of the toothbrush. When determining whether the design is substantially similar in overall impression to another design, no regard is to be had to those features shown in the designs with dotted outline, which features are provided for illustrative purposes only. For instance the set of bristles as shown in dotted outline could have any known shape and configuration adapted for the cleaning of teeth.**



(21) Design Number: **12688/2010**

(22) Date of Filing Application: **30 June 2010**

(24) Date from which industrial property rights may have effect: **30 June 2010**

(54) Product in respect of which the design is registered: **Colander**

(51) International Design Classification: **07-04**

(71) Name(s) and Address(s) of Applicant(s):

Poly Industries Pty Ltd
8 Green Street Revesby New South Wales 2212 Australia

(72) Name(s) of Designer(s): **Anthony Poly**

(45) Registration Date: **12 August 2010**

(56) Related Art Documents: **Not Applicable**

(57) Statement of Newness and Distinctiveness: **Newness and distinctiveness reside in the following features of the design as shown in the representations: the components of the colander highlighted in green in the upper and lower isometric views being of a different colour to the other components of the colander.**



(21) Design Number: **10699/2010**

(22) Date of Filing Application: **25 February 2010**

(24) Date from which industrial property rights may have effect: **25 February 2010**

(54) Product in respect of which the design is registered: **Multi purpose garden bed**

(51) International Design Classification: **25-99**

(71) Name(s) and Address(s) of Applicant(s):

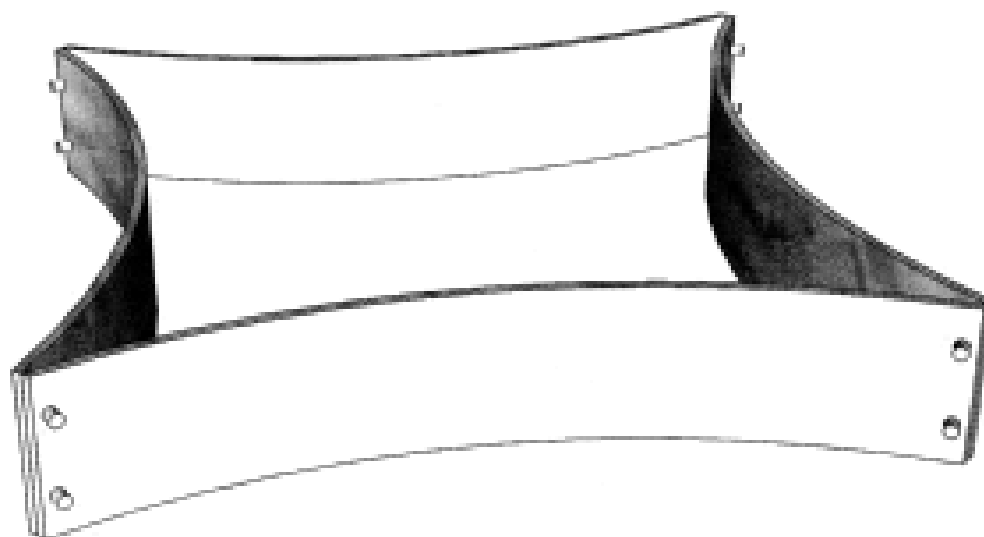
Casper van der Meer
31 Swan Point Esplanade Swan Point Tasmania 7275 Australia

(72) Name(s) of Designer(s): **Casper van der Meer**

(45) Registration Date: **12 August 2010**

(56) Related Art Documents: **Not Applicable**

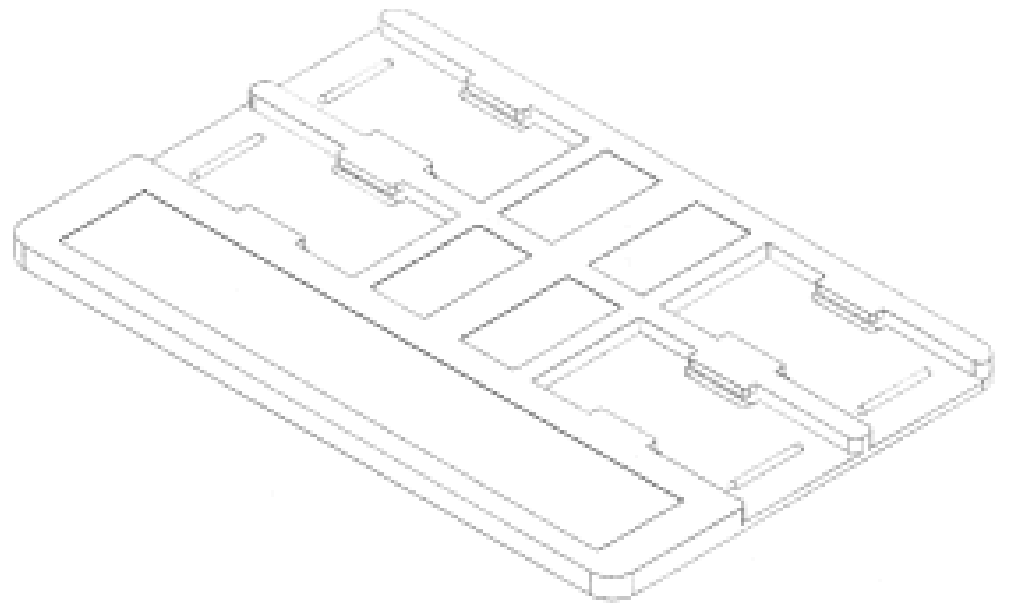
(57) Statement of Newness and Distinctiveness: **Newness and distinctiveness is claimed in the shape and configuration of a raised garden bed or sand box as illustrated in the accompanying representations.**



- (21) Design Number: **12731/2010**
(22) Date of Filing Application: **01 July 2010**
(24) Date from which industrial property rights may have effect: **01 July 2010**
(54) Product in respect of which the design is registered: **V-block for trailers**
(51) International Design Classification: **12-99, 12-10**
(71) Name(s) and Address(s) of Applicant(s):
Paramraj Singh Virdi
11 National Drive Hallam Victoria 3803 Australia
Kamaldeep Kaur Virdi
11 National Drive Hallam Victoria 3803 Australia
(72) Name(s) of Designer(s): **Paramraj Singh Virdi**
(45) Registration Date: **12 August 2010**
(56) Related Art Documents: **Not Applicable**
(57) Statement of Newness and Distinctiveness: **Shape and configuration. Clear transparent golden colour appearance.**



- (21) Design Number: **12398/2010**
(22) Date of Filing Application: **10 June 2010**
(24) Date from which industrial property rights may have effect: **10 June 2010**
(54) Product in respect of which the design is registered: **SIM card holder**
(51) International Design Classification: **14-03A**
(71) Name(s) and Address(s) of Applicant(s):
Benedict Donald Gale
Unit 24 Waters Edge Apartments 155 The Esplanade Cairns
Queensland 4870 Australia
Jason Paul Dwyer
Unit 24 Waters Edge Apartments 155 the Esplanade Cairns
Queensland 4870 Australia
(72) Name(s) of Designer(s): **Benedict Donald Gale and Jason Paul Dwyer**
(45) Registration Date: **12 August 2010**
(56) Related Art Documents: **Not Applicable**
(57) Statement of Newness and Distinctiveness: **The design relates to the overall appearance and particular visual features of a product, being a SIM card holder, having the pattern, shape, configuration and ornamentation as shown in the representations.**



(21) Design Number: **12554/2010**

(22) Date of Filing Application: **19 June 2010**

(24) Date from which industrial property rights may have effect: **19 June 2010**

(54) Product in respect of which the design is registered: **The safety weight is specifically designed to hold down temporary road traffic management signs.**

(51) International Design Classification: **20-03NES**

(71) Name(s) and Address(s) of Applicant(s):

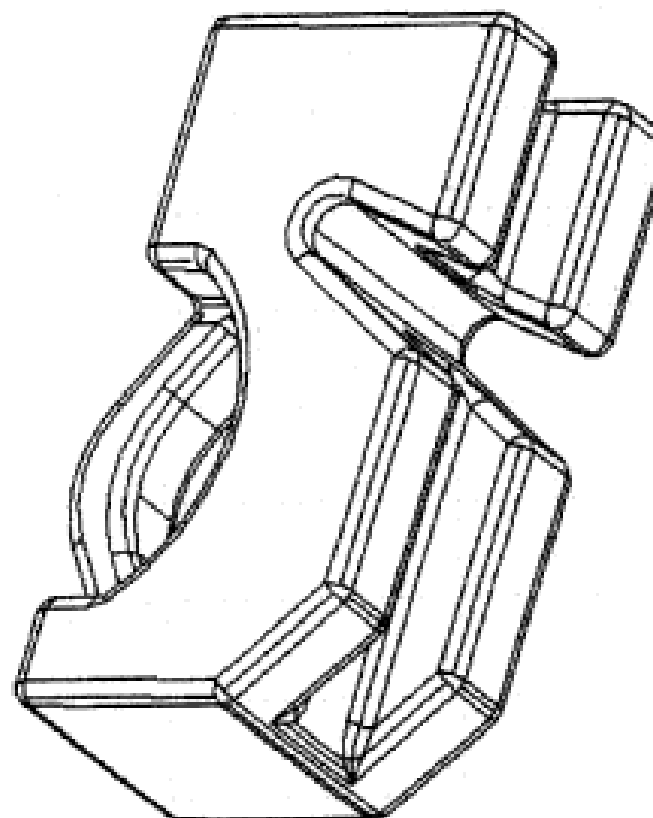
**Safe Concepts Pty Ltd
15 Ilford Street Vale Park South Australia 5081 Australia**

(72) Name(s) of Designer(s): **Ben Todd and Steven Pozzobon**

(45) Registration Date: **12 August 2010**

(56) Related Art Documents: **Not Applicable**

(57) Statement of Newness and Distinctiveness: **The safety weight is a solid cast iron product, it's features are specifically designed to hook and weigh down the frames of temporary road traffic signs. The features also include the weight to be stacked on top of each other for easy storage and handling, and the cut outs are designed to fit all road traffic management frames and legs.**



(21) Design Number: **11888/2010**

(22) Date of Filing Application: **13 May 2010**

(24) Date from which industrial property rights may have effect: **13 May 2010**

(54) Product in respect of which the design is registered: **A furniture leg**

(51) International Design Classification: **06-06E, 06-03B**

(71) Name(s) and Address(s) of Applicant(s):

**Richard Simmons
7 Huxley Street Timaru New Zealand**

(72) Name(s) of Designer(s): **Richard Simmons**

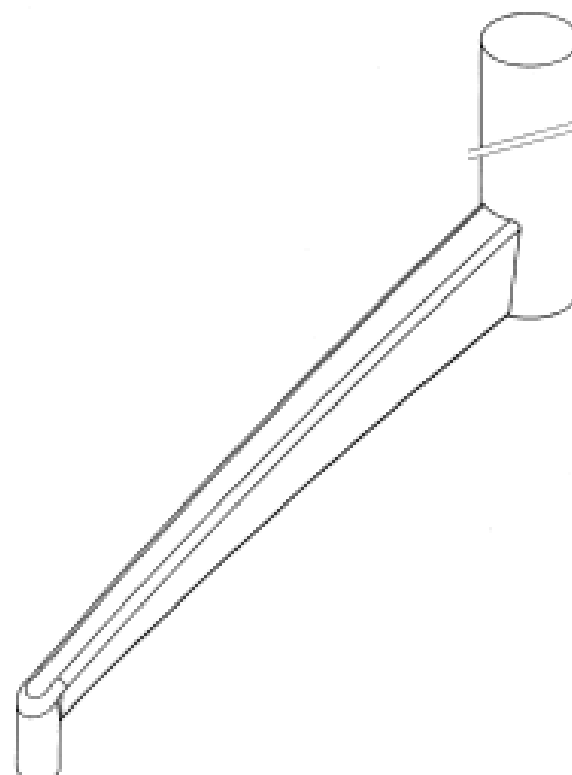
(45) Registration Date: **13 August 2010**

(30) Convention priority data:

(31) Number	(32) Date	(33) Country
412966	17 Nov 2009	NEW ZEALAND

(56) Related Art Documents: **Not Applicable**

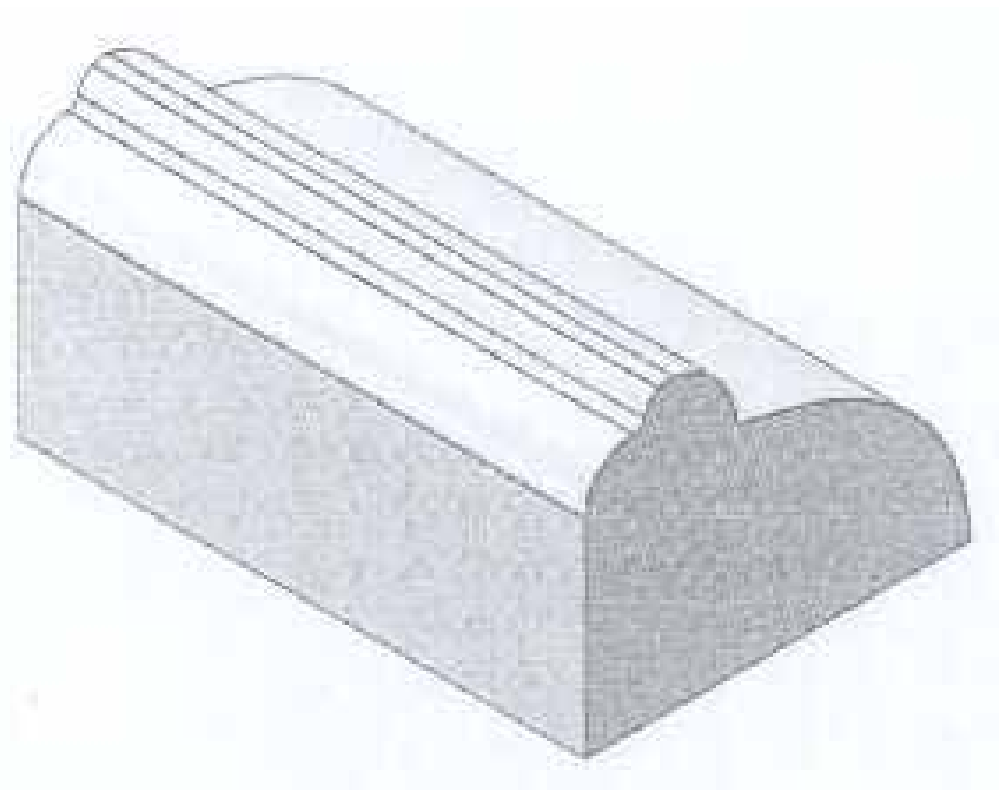
(57) Statement of Newness and Distinctiveness: **The novelty claimed for the design resides in the features of shape and/or configuration of the furniture leg as shown in the representations, excluding the shape and configuration of the post or stanchion part of the furniture leg and of the the castor(s) or feet carried by the leg.**



- (21) Design Number: **11182/2010**
(22) Date of Filing Application: **01 April 2010**
(24) Date from which industrial property rights may have effect: **01 April 2010**
(54) Product in respect of which the design is registered: **Chopping/cutting board for food preparation**
(51) International Design Classification: **07-04**
(71) Name(s) and Address(s) of Applicant(s):
Tom Warren
29 Elaine Avenue Avalon New South Wales 2107 Australia
Antony Helliard
29 Elaine Avenue Avalon New South Wales 2107 Australia
Paul Jones
29 Elaine Avenue Avalon New South Wales 2107 Australia
(72) Name(s) of Designer(s): **Tom Warren and Antony Helliard and Paul Jones**
(45) Registration Date: **16 August 2010**
(56) Related Art Documents: **Not Applicable**
(57) Statement of Newness and Distinctiveness: **Cutting/Chopping Board with a distinctive edge at rightangles with the rear of the board, the board also has distinctive parallel grooves on the base of the board.**



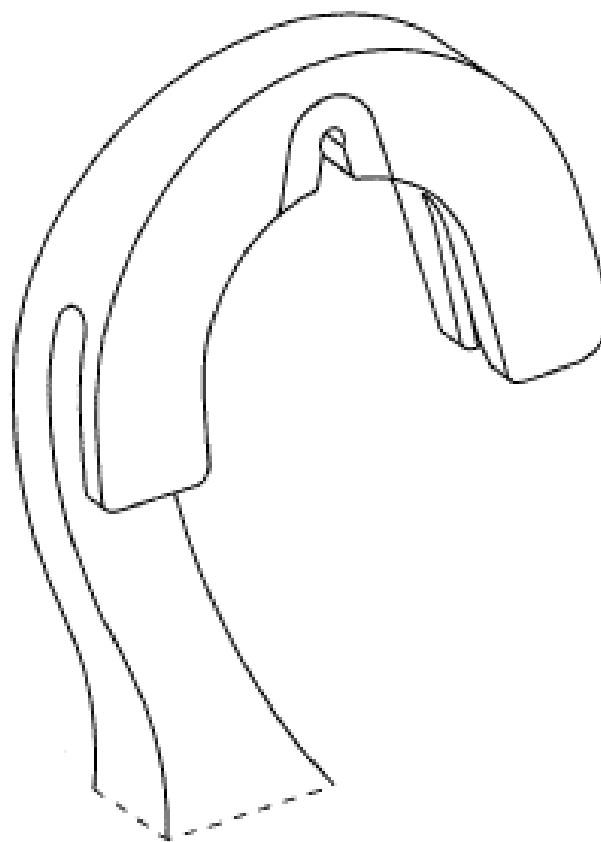
- (21) Design Number: **11672/2010**
(22) Date of Filing Application: **03 May 2010**
(24) Date from which industrial property rights may have effect: **03 May 2010**
(54) Product in respect of which the design is registered: **An orthotic device**
(51) International Design Classification: **02-04A**
(71) Name(s) and Address(s) of Applicant(s):
Denneroll Industries International Pty Ltd
48 Coogee Street Randwick New South Wales 2031 Australia
(72) Name(s) of Designer(s): **Adrian Dennewald**
(45) Registration Date: **17 August 2010**
(56) Related Art Documents: **Not Applicable**
(57) Statement of Newness and Distinctiveness: **The contoured shape of the orthotic device is specific to the curvature of the ideal human spine anatomy.**



- (21) Design Number: **13001/2010**
- (22) Date of Filing Application: **20 July 2010**
- (24) Date from which industrial property rights may have effect: **20 July 2010**
- (54) Product in respect of which the design is registered: **Coat hanger hook**
- (51) International Design Classification: **06-08**
- (71) Name(s) and Address(s) of Applicant(s):

Oriton Pty Ltd
68 Killara Road Campbellfield Victoria 3061 Australia

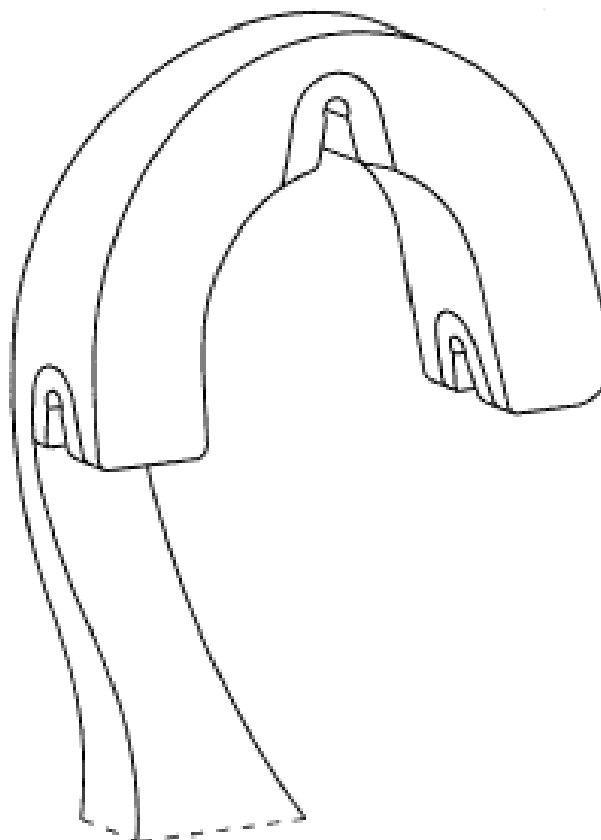
- (72) Name(s) of Designer(s): **Anthony Mooney and Jon Seddon**
- (45) Registration Date: **17 August 2010**
- (56) Related Art Documents: **Not Applicable**
- (57) Statement of Newness and Distinctiveness: **The shape and configuration of the Coat Hanger Hook is new and distinctive; the Coat Hanger Hook may be used in a coat hanger having any desired coat hanger body shape or configuration.**



- (21) Design Number: **13002/2010**
- (22) Date of Filing Application: **20 July 2010**
- (24) Date from which industrial property rights may have effect: **20 July 2010**
- (54) Product in respect of which the design is registered: **Coat hanger hook**
- (51) International Design Classification: **06-08**
- (71) Name(s) and Address(s) of Applicant(s):

Oriton Pty Ltd
68 Killara Road Campbellfield Victoria 3061 Australia

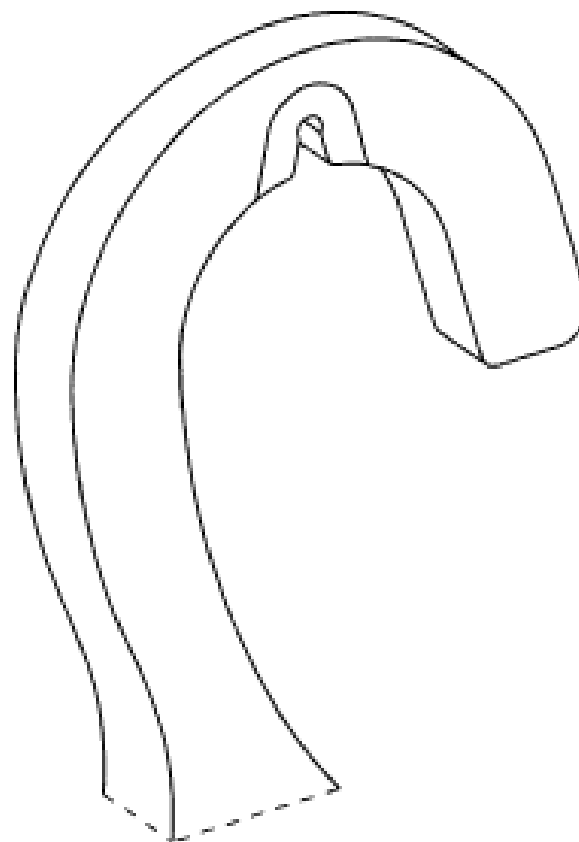
- (72) Name(s) of Designer(s): **Anthony Mooney and Jon Seddon**
- (45) Registration Date: **17 August 2010**
- (56) Related Art Documents: **Not Applicable**
- (57) Statement of Newness and Distinctiveness: **The shape and configuration of the Coat Hanger Hook is new and distinctive; the Coat Hanger Hook may be used in a coat hanger having any desired coat hanger body shape or configuration.**



- (21) Design Number: **13003/2010**
- (22) Date of Filing Application: **20 July 2010**
- (24) Date from which industrial property rights may have effect: **20 July 2010**
- (54) Product in respect of which the design is registered: **Coat hanger hook**
- (51) International Design Classification: **06-08**
- (71) Name(s) and Address(s) of Applicant(s):

Oriton Pty Ltd
68 Killara Road Campbellfield Victoria 3061 Australia

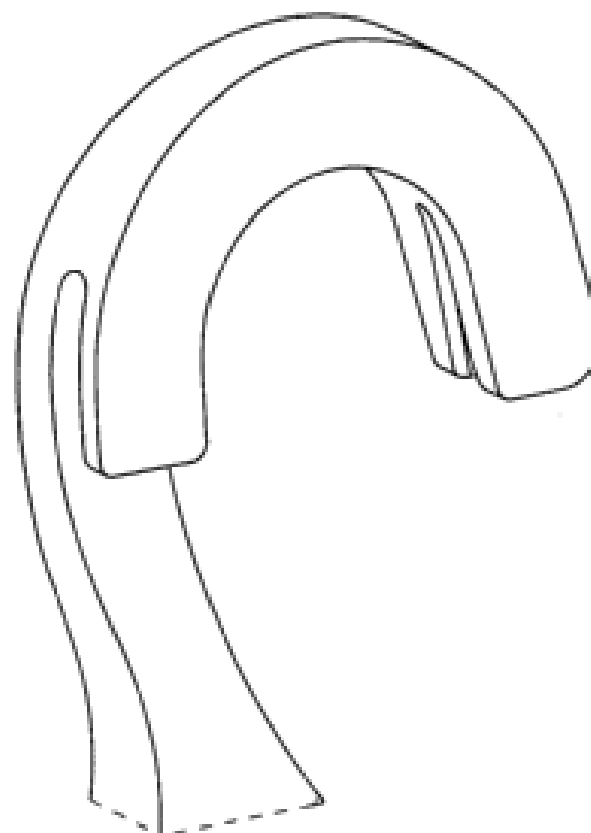
- (72) Name(s) of Designer(s): **Anthony Mooney and Jon Seddon**
- (45) Registration Date: **17 August 2010**
- (56) Related Art Documents: **Not Applicable**
- (57) Statement of Newness and Distinctiveness: **The shape and configuration of the Coat Hanger Hook is new and distinctive; the Coat Hanger Hook may be used in a coat hanger having any desired coat hanger body shape or configuration.**



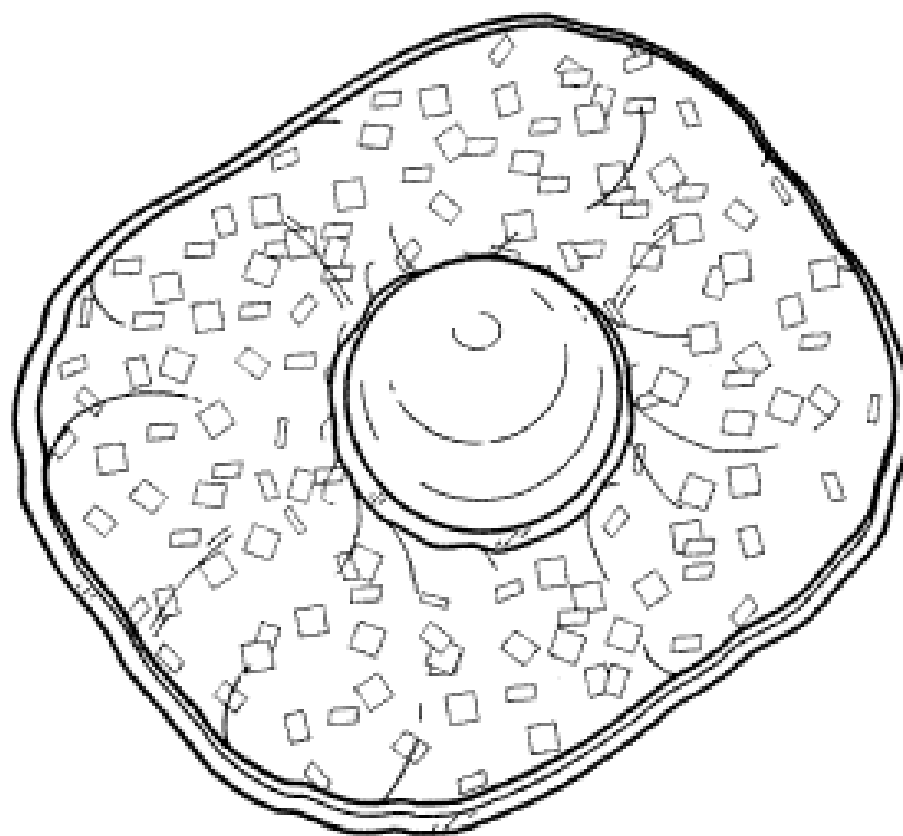
- (21) Design Number: **13004/2010**
- (22) Date of Filing Application: **20 July 2010**
- (24) Date from which industrial property rights may have effect: **20 July 2010**
- (54) Product in respect of which the design is registered: **Coat hanger hook**
- (51) International Design Classification: **06-08**
- (71) Name(s) and Address(s) of Applicant(s):

Oriton Pty Ltd
68 Killara Road Campbellfield Victoria 3061 Australia

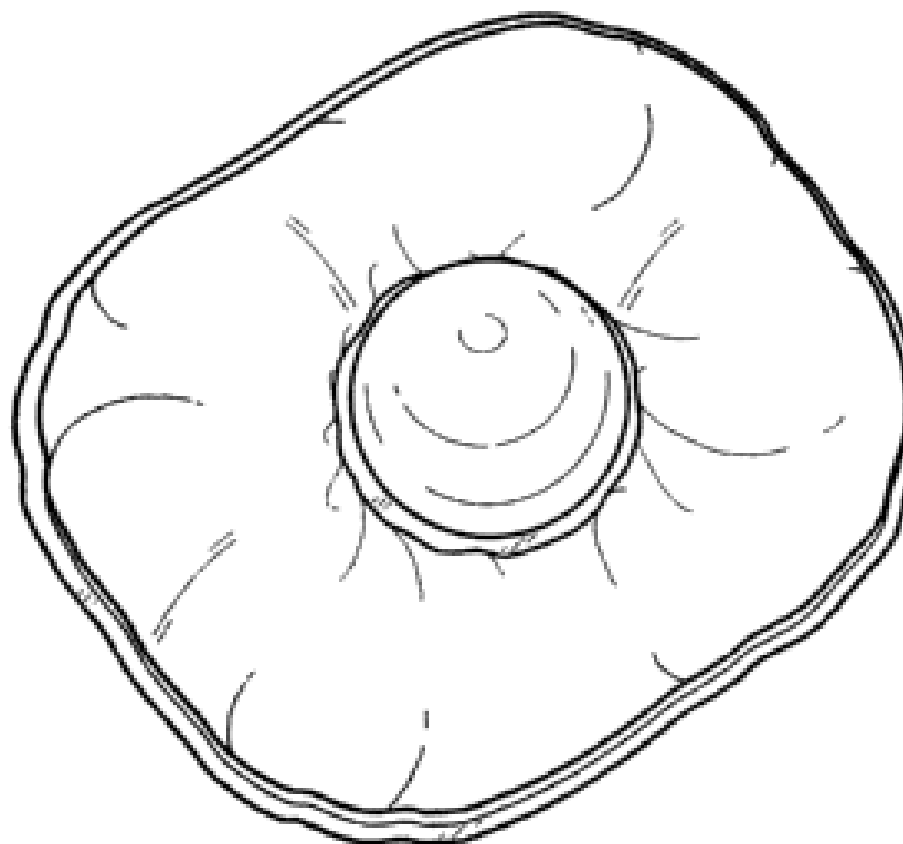
- (72) Name(s) of Designer(s): **Anthony Mooney and Jon Seddon**
- (45) Registration Date: **17 August 2010**
- (56) Related Art Documents: **Not Applicable**
- (57) Statement of Newness and Distinctiveness: **The shape and configuration of the Coat Hanger Hook is new and distinctive; the Coat Hanger Hook may be used in a coat hanger having any desired coat hanger body shape or configuration.**



- (21) Design Number: **13005/2010**
(22) Date of Filing Application: **20 July 2010**
(24) Date from which industrial property rights may have effect: **20 July 2010**
(54) Product in respect of which the design is registered: **Capsule containing washing products**
(51) International Design Classification: **07-05NES**
(71) Name(s) and Address(s) of Applicant(s):
Reckitt Benckiser N.V.
Siriusdreef 14 Hoofddorp 2132 WT Netherlands
(72) Name(s) of Designer(s): **Jorg Pflug and Jordi Salvador**
(45) Registration Date: **17 August 2010**
(30) Convention priority data:
(31) Number (32) Date (33) Country
P001659053 20 Jan 2010 EUROPEAN COMMUNITY
(56) Related Art Documents: **Not Applicable**
(57) Statement of Newness and Distinctiveness: **Newness and distinctiveness of the capsule containing washing products resides in the features of shape, configuration, ornamentation and the pattern provided by the visible washing products contained in the capsule.**



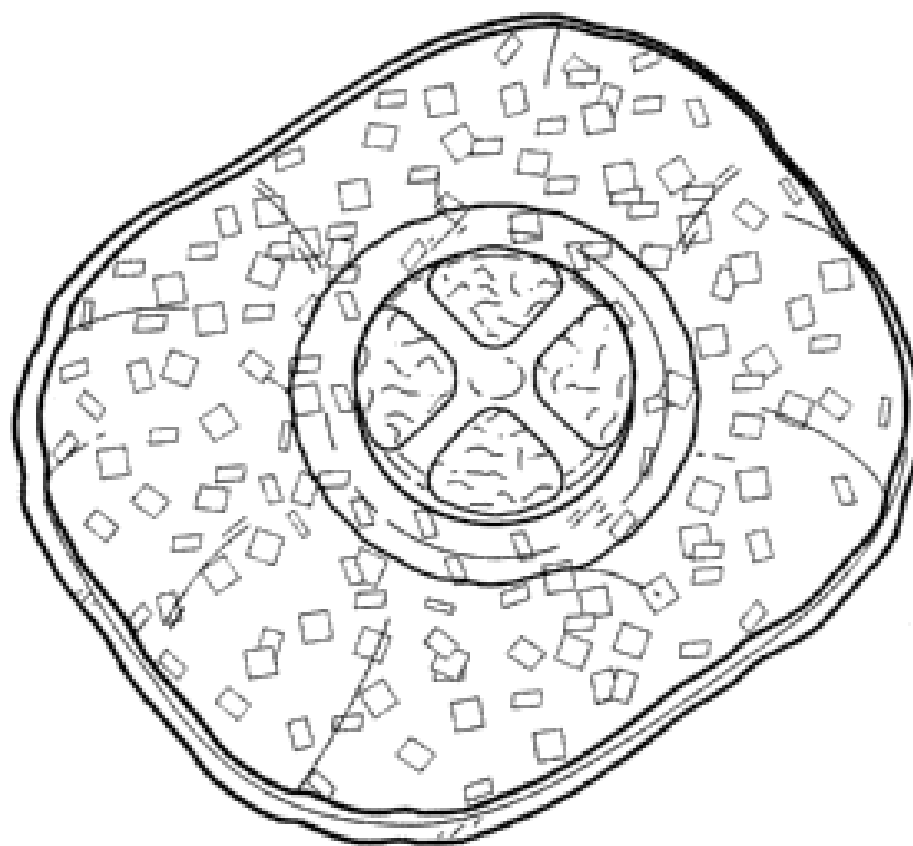
- (21) Design Number: **13006/2010**
(22) Date of Filing Application: **20 July 2010**
(24) Date from which industrial property rights may have effect: **20 July 2010**
(54) Product in respect of which the design is registered: **Capsule containing washing products**
(51) International Design Classification: **07-05NES**
(71) Name(s) and Address(s) of Applicant(s):
Reckitt Benckiser N.V.
Siriusdreef 14 Hoofddorp 2132 WT Netherlands
(72) Name(s) of Designer(s): **Jorg Pflug and Jordi Salvador**
(45) Registration Date: **17 August 2010**
(30) Convention priority data:
(31) Number (32) Date (33) Country
P001659053 20 Jan 2010 EUROPEAN COMMUNITY
(56) Related Art Documents: **Not Applicable**
(57) Statement of Newness and Distinctiveness: **Newness and distinctiveness of the capsule containing washing products resides in the features of shape and configuration of the capsule.**



(21) Design Number: **13007/2010**
 (22) Date of Filing Application: **20 July 2010**
 (24) Date from which industrial property rights may have effect: **20 July 2010**
 (54) Product in respect of which the design is registered: **Capsule containing washing products**
 (51) International Design Classification: **07-05NES**
 (71) Name(s) and Address(s) of Applicant(s):
Reckitt Benckiser N.V.
Siriusdreef 14 Hoofddorp 2132 WT Netherlands
 (72) Name(s) of Designer(s): **Jorg Pflug and Jordi Salvador**
 (45) Registration Date: **17 August 2010**
 (30) Convention priority data:

(31) Number	(32) Date	(33) Country
P001659053	20 Jan 2010	EUROPEAN COMMUNITY

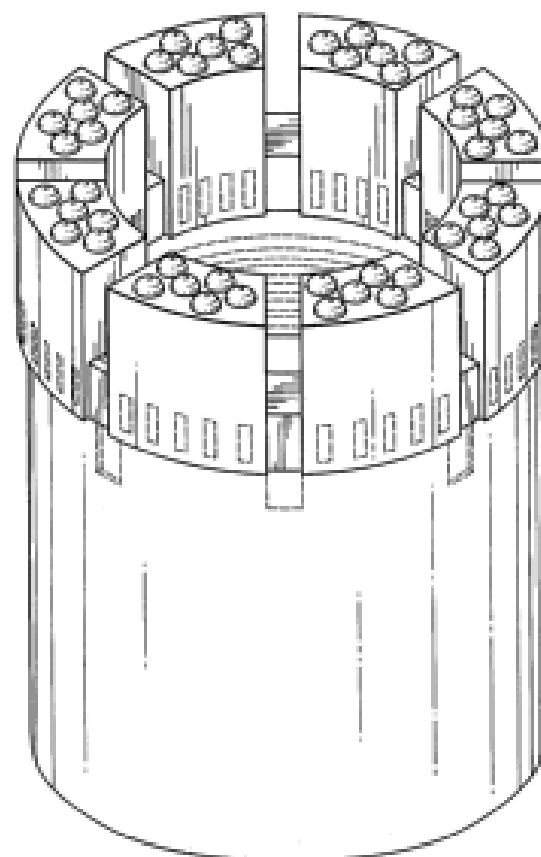
 (56) Related Art Documents: **Not Applicable**
 (57) Statement of Newness and Distinctiveness: **Newness and distinctiveness of the capsule containing washing products resides in the features of shape, configuration, ornamentation and the pattern provided by the visible washing products contained in the capsule.**



(21) Design Number: **13030/2010**
 (22) Date of Filing Application: **21 July 2010**
 (24) Date from which industrial property rights may have effect: **21 July 2010**
 (54) Product in respect of which the design is registered: **Drill bit**
 (51) International Design Classification: **08-01**
 (71) Name(s) and Address(s) of Applicant(s):
Longyear TM, Inc.
10808 South River Front Parkway Suite 600 South Jordan Utah 84095
United States of America
 (72) Name(s) of Designer(s): **Christian M. Lambert and Michael D. Rupp**
 (45) Registration Date: **17 August 2010**
 (30) Convention priority data:

(31) Number	(32) Date	(33) Country
29/354,596	26 Jan 2010	UNITED STATES OF AMERICA

 (56) Related Art Documents: **Not Applicable**
 (57) Statement of Newness and Distinctiveness: **Those features of the drill bit depicted in the representations that are new and distinctive are the shape and/or configuration. The features shown in broken lines are not part of the design and are to be disregarded when considering the overall impression of the design.**

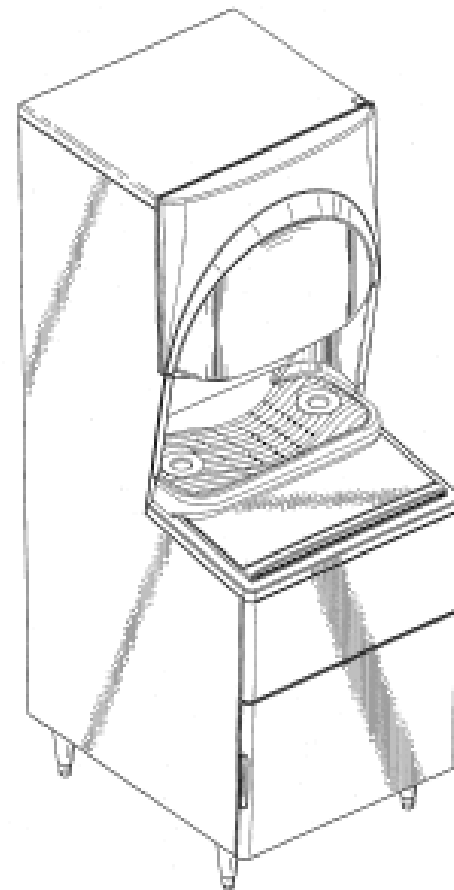


- (21) Design Number: **13031/2010**
- (22) Date of Filing Application: **21 July 2010**
- (24) Date from which industrial property rights may have effect: **21 July 2010**
- (54) Product in respect of which the design is registered: **Grill for a bonnet scoop**
- (51) International Design Classification: **12-16B**
- (71) Name(s) and Address(s) of Applicant(s):
Don Kyatt Spare Parts (West Melbourne) Pty Ltd
172 Roden Street West Melbourne Victoria 3003 Australia
- (72) Name(s) of Designer(s): **Frank Hutchinson**
- (45) Registration Date: **17 August 2010**
- (56) Related Art Documents: **Not Applicable**
- (57) Statement of Newness and Distinctiveness: **Nil**



- (21) Design Number: **13068/2010**
- (22) Date of Filing Application: **22 July 2010**
- (24) Date from which industrial property rights may have effect: **22 July 2010**
- (54) Product in respect of which the design is registered: **Beverage dispenser**
- (51) International Design Classification: **31-00**
- (71) Name(s) and Address(s) of Applicant(s):
The Coca-Cola Company
One Coca-Cola Plaza NW Atlanta Georgia 30313 United States of America
- (72) Name(s) of Designer(s): **Vincent Voron and Erika Gomez and Magnus Ahlstrom and Sonja Schiefer and Kon Euan Gerard Wong**
- (45) Registration Date: **17 August 2010**
- (30) Convention priority data:

(31) Number	(32) Date	(33) Country
29/355,053	02 Feb 2010	UNITED STATES OF AMERICA
- (56) Related Art Documents: **Not Applicable**
- (57) Statement of Newness and Distinctiveness: **Those features of the beverage dispenser depicted in the representations that are new and distinctive are the shape and/or configuration. The features shown in broken lines are not part of the design and are to be disregarded when considering the overall impression of the design.**



(21) Design Number: **15062/2009**

(22) Date of Filing Application: **24 December 2009**

(24) Date from which industrial property rights may have effect: **24 December 2009**

(54) Product in respect of which the design is registered: **Tradesman's lunchbox**

(51) International Design Classification: **07-07A**

(71) Name(s) and Address(s) of Applicant(s):

**Powersource Investments Pty Ltd
Level 1 176 Bridge Road Richmond Victoria 3121 Australia**

(72) Name(s) of Designer(s): **Jason Weiler**

(45) Registration Date: **17 August 2010**

(56) Related Art Documents: **Not Applicable**

(57) Statement of Newness and Distinctiveness: **The particular visual features of the design which the applicant hereby identifies as new and distinctiveness are as follows: A lunchbox as illustrated in the accompanying representations.**



(21) Design Number: **10368/2010**

(22) Date of Filing Application: **04 February 2010**

(24) Date from which industrial property rights may have effect: **04 February 2010**

(54) Product in respect of which the design is registered: **Antenna**

(51) International Design Classification: **14-03NES**

(71) Name(s) and Address(s) of Applicant(s):

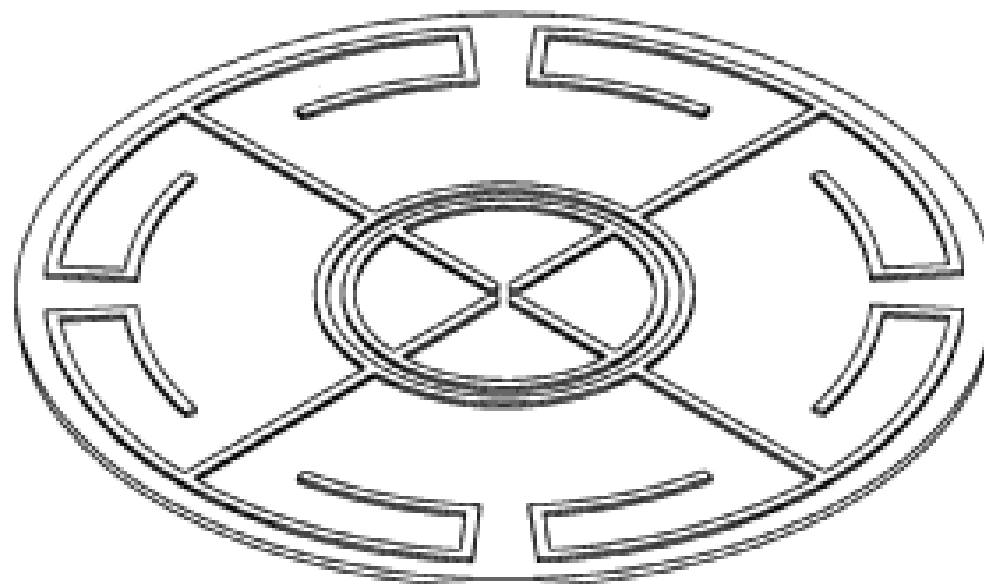
**Tagsys SAS
180 Chemin de Saint-Lambert 13821 La Penne-sur Huveaune France**

(72) Name(s) of Designer(s): **David Malcolm Hall**

(45) Registration Date: **17 August 2010**

(56) Related Art Documents: **Not Applicable**

(57) Statement of Newness and Distinctiveness: **Those features of the antenna depicted in the representations that are new and distinctive are the shape and/or configuration.**



(21) Design Number: **10919/2010**

(22) Date of Filing Application: **16 March 2010**

(24) Date from which industrial property rights may have effect: **16 March 2010**

(54) Product in respect of which the design is registered: **Letter box**

(51) International Design Classification: **25-03**

(71) Name(s) and Address(s) of Applicant(s):

Kevin Cochrane

10 James Cook Drive Cranbourne Victoria 3977 Australia

(72) Name(s) of Designer(s): **Kevin Cochrane**

(45) Registration Date: **17 August 2010**

(56) Related Art Documents: **Not Applicable**

(57) Statement of Newness and Distinctiveness: **The design focus is on the thickness or depth of the unit, which is only 50mm without furnishings. The design shows a one piece timber centre hollowed out to allow and hold letters and reinforced with ss surround. The design shows a broken, but full length line front view. This blends posting hole cover and conceals hinge.**



(21) Design Number: **10935/2010**

(22) Date of Filing Application: **09 March 2010**

(24) Date from which industrial property rights may have effect: **09 March 2010**

(54) Product in respect of which the design is registered: **Foot support apparatus**

(51) International Design Classification: **02-04A**

(71) Name(s) and Address(s) of Applicant(s):

Foot Supports International Limited

Suite 432 2A Byron Avenue Takapuna Auckland 0622 New Zealand

(72) Name(s) of Designer(s): **Joseph Paul Polifroni**

(45) Registration Date: **17 August 2010**

(30) Convention priority data:

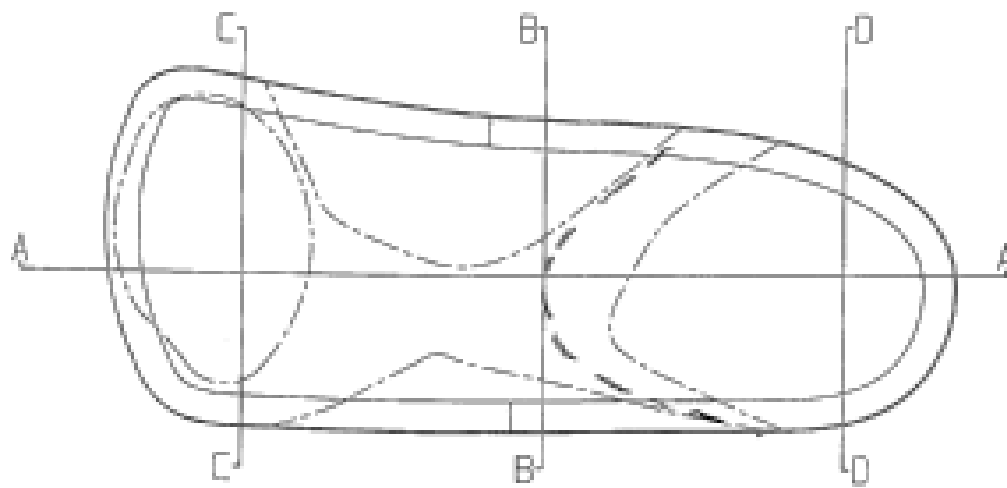
(31) Number
412701

(32) Date
15 Sep 2009

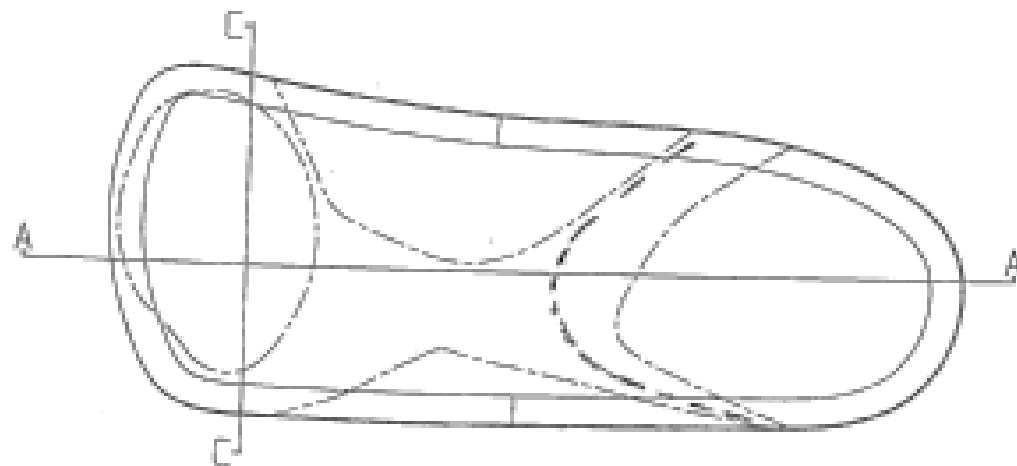
(33) Country
NEW ZEALAND

(56) Related Art Documents: **Not Applicable**

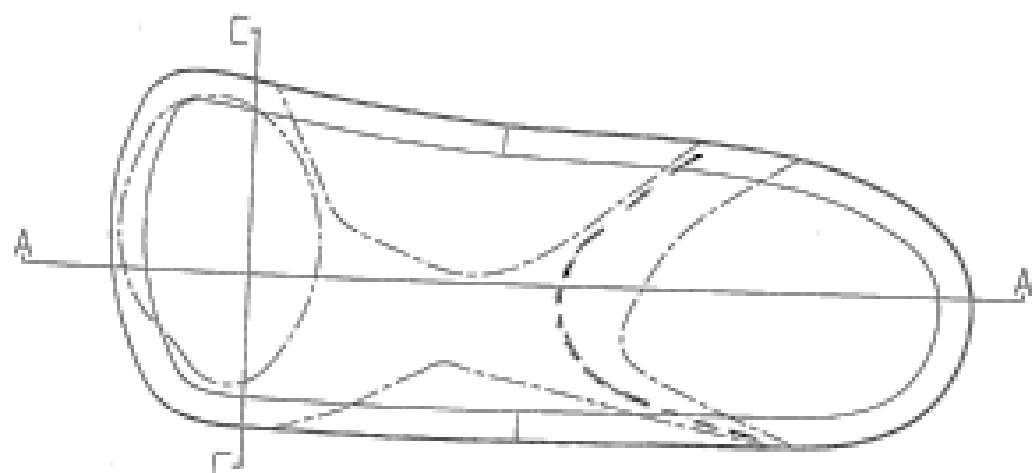
(57) Statement of Newness and Distinctiveness: **Nil**



(21) Design Number: **12790/2010**
 (22) Date of Filing Application: **09 March 2010**
 (24) Date from which industrial property rights may have effect: **09 March 2010**
 (54) Product in respect of which the design is registered: **Foot support apparatus**
 (51) International Design Classification: **02-04A**
 (71) Name(s) and Address(s) of Applicant(s):
Foot Supports International Limited
Suite 432 2A Byron Avenue Takapuna Auckland 0622 New Zealand
 (72) Name(s) of Designer(s): **Joseph Paul Polifroni**
 (45) Registration Date: **17 August 2010**
 (30) Convention priority data:
 (31) Number (32) Date (33) Country
412701 15 Sep 2009 NEW ZEALAND
 (56) Related Art Documents: **Not Applicable**
 (57) Statement of Newness and Distinctiveness: **Nil**



(21) Design Number: **12791/2010**
 (22) Date of Filing Application: **09 March 2010**
 (24) Date from which industrial property rights may have effect: **09 March 2010**
 (54) Product in respect of which the design is registered: **Foot support apparatus**
 (51) International Design Classification: **02-04A**
 (71) Name(s) and Address(s) of Applicant(s):
Foot Supports International Limited
Suite 432 2A Byron Avenue Takapuna Auckland 0622 New Zealand
 (72) Name(s) of Designer(s): **Joseph Paul Polifroni**
 (45) Registration Date: **17 August 2010**
 (30) Convention priority data:
 (31) Number (32) Date (33) Country
412701 15 Sep 2009 NEW ZEALAND
 (56) Related Art Documents: **Not Applicable**
 (57) Statement of Newness and Distinctiveness: **Nil**



(21) Design Number: **12351/2010**

(22) Date of Filing Application: **10 June 2010**

(24) Date from which industrial property rights may have effect: **10 June 2010**

(54) Product in respect of which the design is registered: **Therapeutic pillow**

(51) International Design Classification: **06-09**

(71) Name(s) and Address(s) of Applicant(s):

Cody Hanish

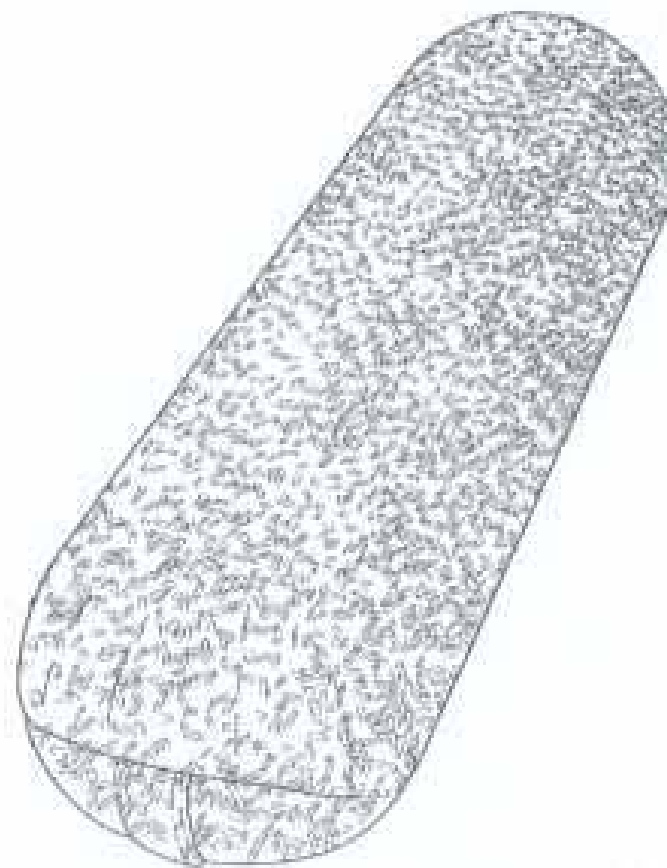
59/1-7 Pelican Street Surry Hills New South Wales 2010 Australia

(72) Name(s) of Designer(s): **Cody Hanish**

(45) Registration Date: **17 August 2010**

(56) Related Art Documents: **Not Applicable**

(57) Statement of Newness and Distinctiveness: **Nil**



(21) Design Number: **12757/2010**

(22) Date of Filing Application: **05 July 2010**

(24) Date from which industrial property rights may have effect: **05 July 2010**

(54) Product in respect of which the design is registered: **An ornament**

(51) International Design Classification: **11-02E**

(71) Name(s) and Address(s) of Applicant(s):

Chunhui Pang

8/27 Wangee Road Lakemba New South Wales 2195 Australia

(72) Name(s) of Designer(s): **Chunhui Pang**

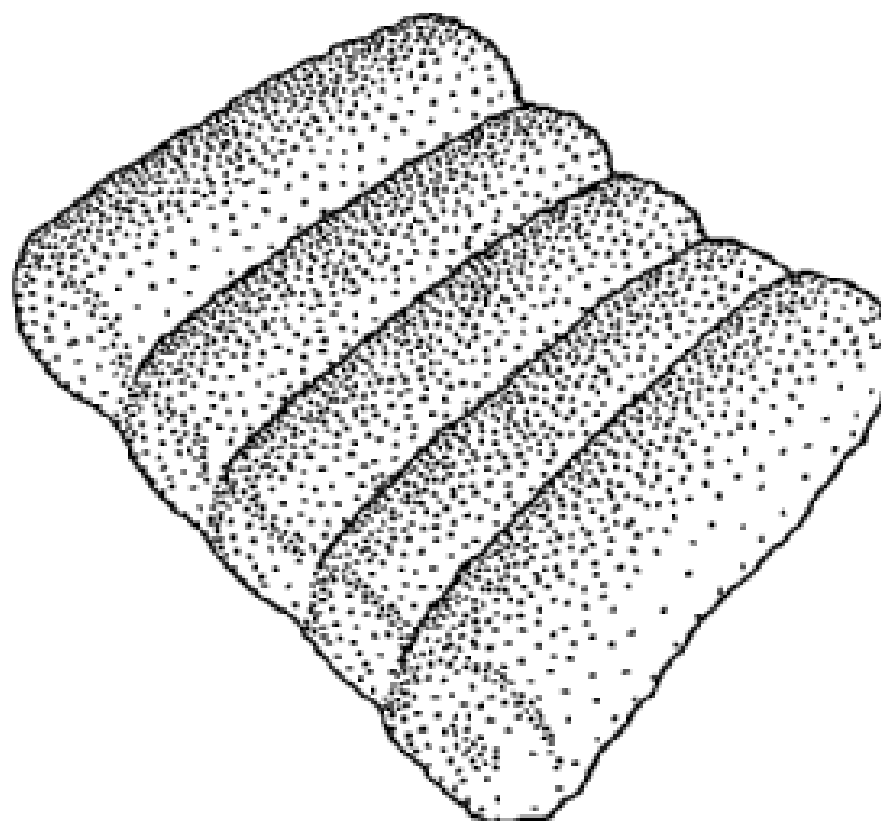
(45) Registration Date: **17 August 2010**

(56) Related Art Documents: **Not Applicable**

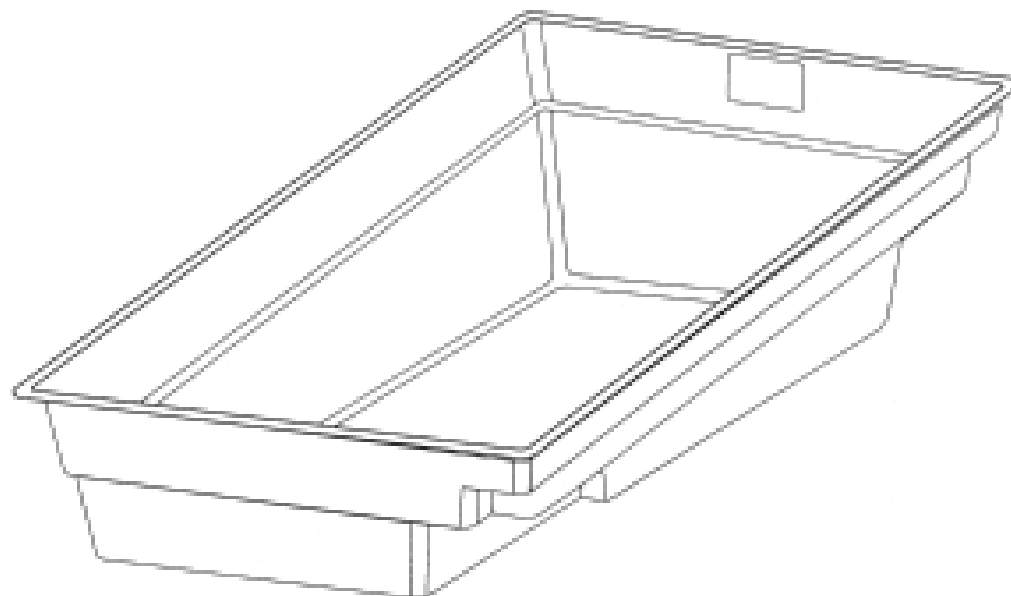
(57) Statement of Newness and Distinctiveness: **Newness and distinctiveness resides in the features of shape and configuration of an ornament as illustrated in the accompanying representations.**



(21) Design Number: **13325/2010**
(22) Date of Filing Application: **05 August 2010**
(24) Date from which industrial property rights may have effect: **05 August 2010**
(54) Product in respect of which the design is registered: **Cereal piece**
(51) International Design Classification: **01-01**
(71) Name(s) and Address(s) of Applicant(s):
General Mills, Inc.
Number One General Mills Boulevard PO Box 1113 Minnesota
Minneapolis 55440 United States of America
(72) Name(s) of Designer(s): **Patrick E. Allen and Gregory Flickinger**
(45) Registration Date: **17 August 2010**
(30) Convention priority data:
(31) Number (32) Date (33) Country
29/355,408 08 Feb 2010 UNITED STATES OF AMERICA
(56) Related Art Documents: **Not Applicable**
(57) Statement of Newness and Distinctiveness: **Nil**



(21) Design Number: **13168/2010**
(22) Date of Filing Application: **27 July 2010**
(24) Date from which industrial property rights may have effect: **27 July 2010**
(54) Product in respect of which the design is registered: **Swimming pool**
(51) International Design Classification: **25-03**
(71) Name(s) and Address(s) of Applicant(s):
Leisure Pools and Spas Manufacturing Pty Ltd
6 Computer Road Yatala Queensland 4207 Australia
(72) Name(s) of Designer(s): **Kerry Pain**
(45) Registration Date: **17 August 2010**
(56) Related Art Documents: **Not Applicable**
(57) Statement of Newness and Distinctiveness: **The newness and distinctiveness of the design resides in the shape and/or configuration of the swimming pool shown in the representations.**



(21) Design Number: **12974/2010**
(22) Date of Filing Application: **16 July 2010**
(24) Date from which industrial property rights may have effect: **16 July 2010**
(54) Product in respect of which the design is registered: **Noise maker**
(51) International Design Classification: **21-03, 17-02**
(71) Name(s) and Address(s) of Applicant(s):

Classbet Limited
Lanmor House 370/386 High Road Wembley Middlesex HA9 6AX
United Kingdom

(72) Name(s) of Designer(s): **Michael Zelouf**

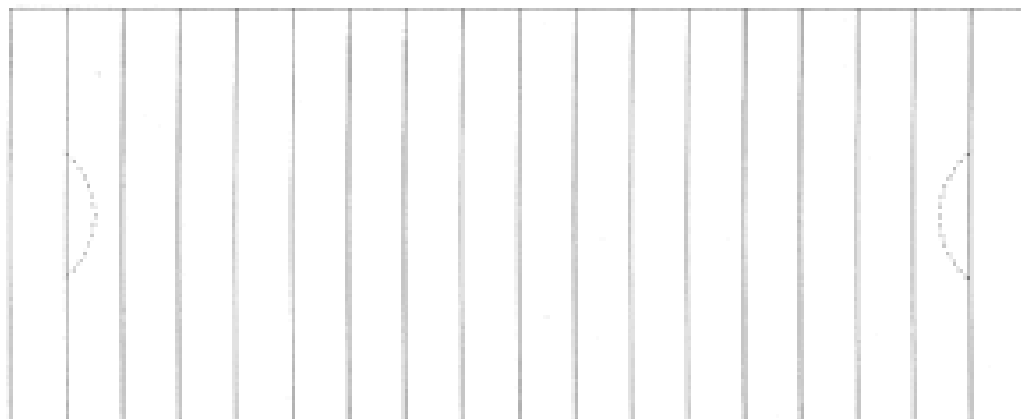
(45) Registration Date: **18 August 2010**

(30) Convention priority data:

(31) Number	(32) Date	(33) Country
4014285	28 Jan 2010	UNITED KINGDOM

(56) Related Art Documents: **Not Applicable**

(57) Statement of Newness and Distinctiveness: **Nil**



(21) Design Number: **13106/2010**
(22) Date of Filing Application: **23 July 2010**
(24) Date from which industrial property rights may have effect: **23 July 2010**
(54) Product in respect of which the design is registered: **Accessory for computer games and game consoles**
(51) International Design Classification: **21-01N**
(71) Name(s) and Address(s) of Applicant(s):

Vogel's Holding B.V.
Hondsruglaan 93 5628 DB Eindhoven Netherlands

(72) Name(s) of Designer(s): **F.G.M. van Alphen and R.F.A. Obdeijn**

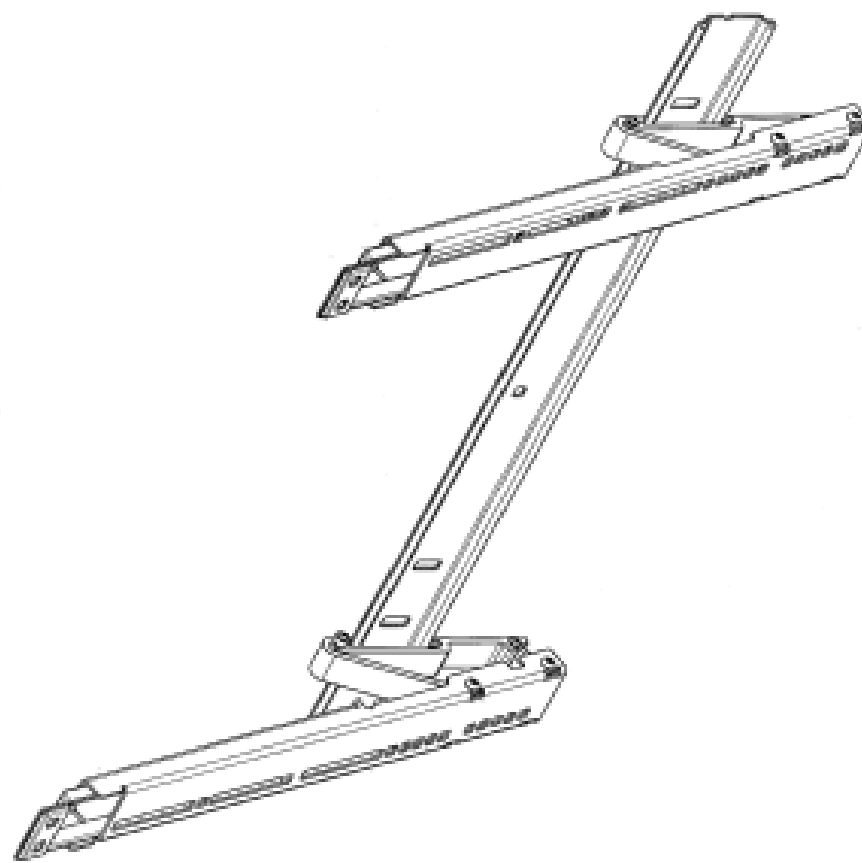
(45) Registration Date: **18 August 2010**

(30) Convention priority data:

(31) Number	(32) Date	(33) Country
001661257-0001	26 Jan 2010	EUROPEAN COMMUNITY

(56) Related Art Documents: **Not Applicable**

(57) Statement of Newness and Distinctiveness: **Nil**



(21) Design Number: **13181/2010**

(22) Date of Filing Application: **27 July 2010**

(24) Date from which industrial property rights may have effect: **27 July 2010**

(54) Product in respect of which the design is registered: **A cover for musical instruments**

(51) International Design Classification: **09-05**

(71) Name(s) and Address(s) of Applicant(s):

Theresa Gregory

16 Bushland Avenue Mount Pleasant New South Wales 2519 Australia

(72) Name(s) of Designer(s): **Theresa Gregory**

(45) Registration Date: **18 August 2010**

(56) Related Art Documents: **Not Applicable**

(57) Statement of Newness and Distinctiveness: **A knitted or crocheted decorative cover that can be drawn to any shape and may be closed at each end by the use of cords or sashes. It has apertures for bag/case or instrument straps/handles. It may have internal pockets, external pockets and an internal protective lining.**



(21) Design Number: **13140/2010**

(22) Date of Filing Application: **26 July 2010**

(24) Date from which industrial property rights may have effect: **26 July 2010**

(54) Product in respect of which the design is registered: **Tag**

(51) International Design Classification: **03-01B**

(71) Name(s) and Address(s) of Applicant(s):

Qantas Airways Limited

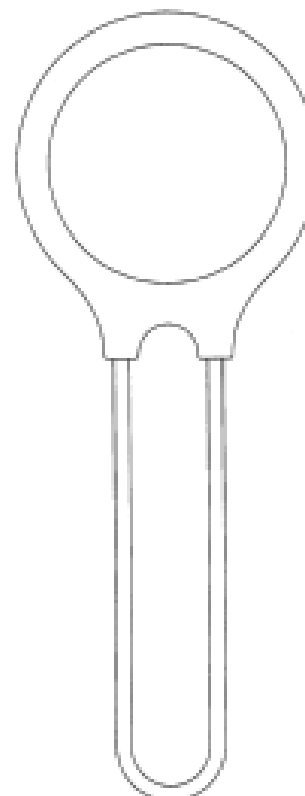
Level 9 203 Coward Street Mascot New South Wales 2020 Australia

(72) Name(s) of Designer(s): **Marc Newson**

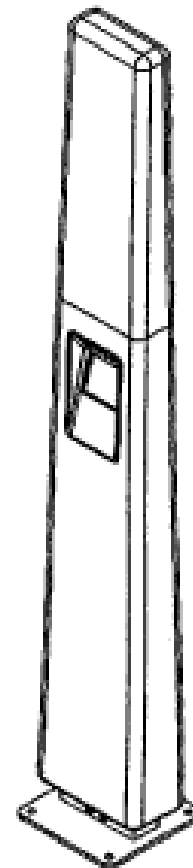
(45) Registration Date: **18 August 2010**

(56) Related Art Documents: **Not Applicable**

(57) Statement of Newness and Distinctiveness: **Newness and distinctiveness reside in the features of the design as shown in the representations.**



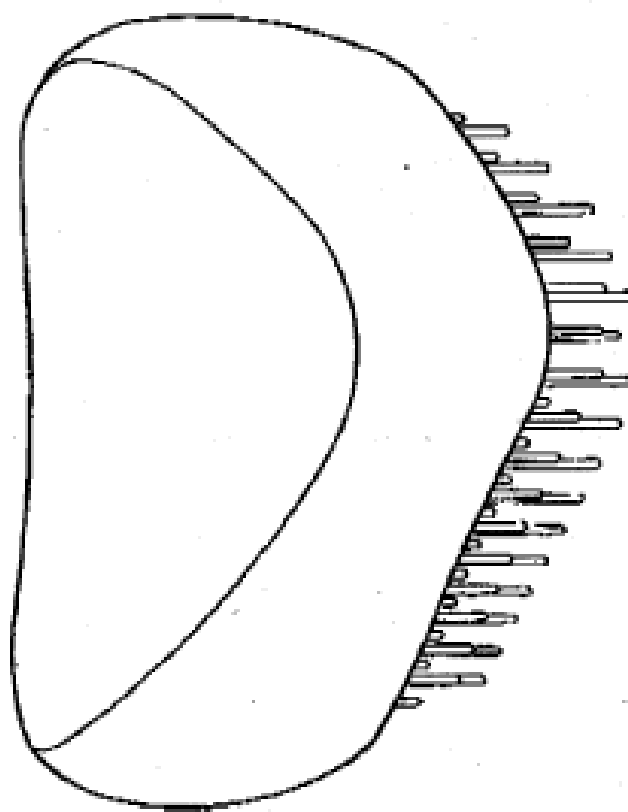
- (21) Design Number: **13141/2010**
(22) Date of Filing Application: **26 July 2010**
(24) Date from which industrial property rights may have effect: **26 July 2010**
(54) Product in respect of which the design is registered: **Kiosk**
(51) International Design Classification: **20-01**
(71) Name(s) and Address(s) of Applicant(s):
Qantas Airways Limited
Level 9 203 Coward Street Mascot New South Wales 2020 Australia
(72) Name(s) of Designer(s): **Marc Newson and Mark Armstrong and Henri Spaille**
(45) Registration Date: **18 August 2010**
(56) Related Art Documents: **Not Applicable**
(57) Statement of Newness and Distinctiveness: **Newness and distinctiveness reside in the features of the design as shown in the representations.**



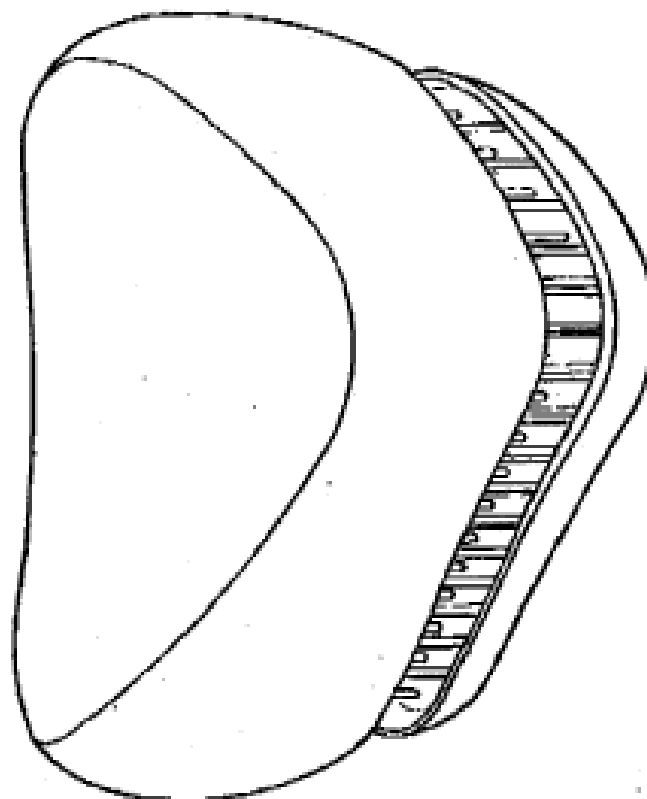
- (21) Design Number: **13144/2010**
(22) Date of Filing Application: **26 July 2010**
(24) Date from which industrial property rights may have effect: **26 July 2010**
(54) Product in respect of which the design is registered: **A tent**
(51) International Design Classification: **21-04**
(71) Name(s) and Address(s) of Applicant(s):
Kathmandu Limited
11 Mary Muller Drive Christchurch New Zealand
(72) Name(s) of Designer(s): **John Edward Atkinson**
(45) Registration Date: **18 August 2010**
(56) Related Art Documents: **Not Applicable**
(57) Statement of Newness and Distinctiveness: **Newness and distinctiveness reside in the features of shape and/or configuration of the tent, as shown in the representations. The features shown in broken lines are shown for illustrative purposes only and form no part of the claimed design.**



(21) Design Number: **13145/2010**
(22) Date of Filing Application: **27 July 2010**
(24) Date from which industrial property rights may have effect: **27 July 2010**
(54) Product in respect of which the design is registered: **Hair brush**
(51) International Design Classification: **04-02**
(71) Name(s) and Address(s) of Applicant(s):
Tangle Teezer Limited
Office 301 143 Acre Lane London SW2 5UA England
(72) Name(s) of Designer(s): **Cameron Bruce William Treeby and Julian Lesley Meagher**
(45) Registration Date: **18 August 2010**
(30) Convention priority data:
(31) Number (32) Date (33) Country
001194799 05 Feb 2010 EUROPEAN COMMUNITY
(56) Related Art Documents: **Not Applicable**
(57) Statement of Newness and Distinctiveness: **Nil**



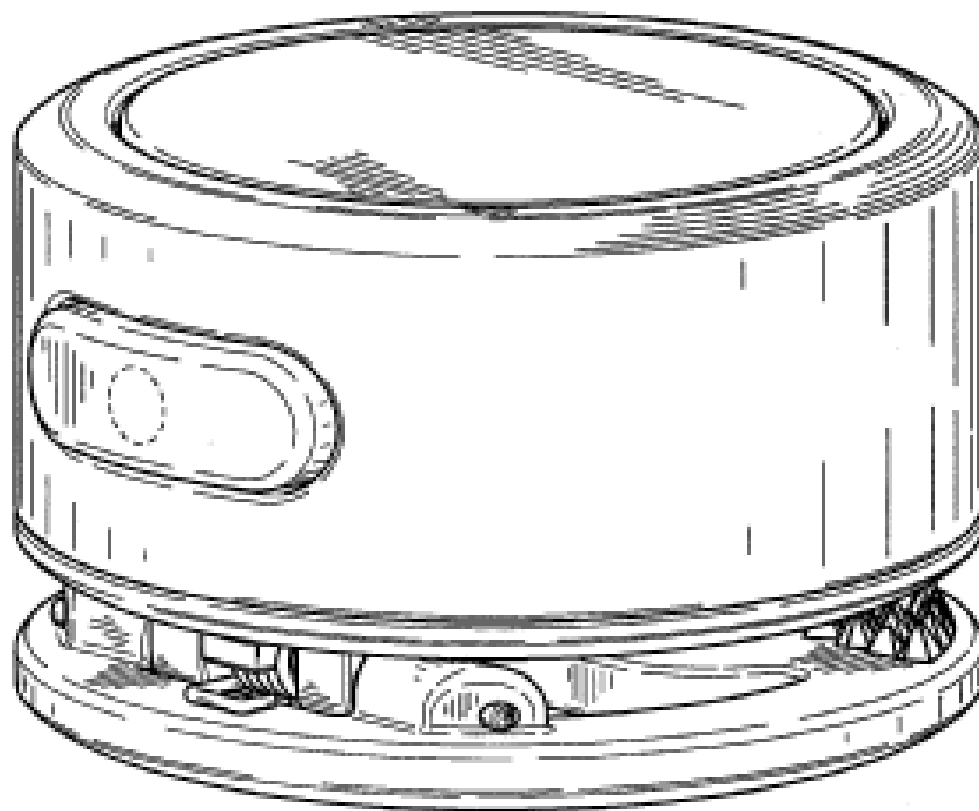
(21) Design Number: **13146/2010**
(22) Date of Filing Application: **27 July 2010**
(24) Date from which industrial property rights may have effect: **27 July 2010**
(54) Product in respect of which the design is registered: **Hair brush and cover**
(51) International Design Classification: **04-02**
(71) Name(s) and Address(s) of Applicant(s):
Tangle Teezer Limited
Office 301 143 Acre Lane London SW2 5UA England
(72) Name(s) of Designer(s): **Cameron Bruce William Treeby and Julian Lesley Meagher**
(45) Registration Date: **18 August 2010**
(30) Convention priority data:
(31) Number (32) Date (33) Country
001194799 05 Feb 2010 EUROPEAN COMMUNITY
(56) Related Art Documents: **Not Applicable**
(57) Statement of Newness and Distinctiveness: **Nil**



(21) Design Number: **12891/2010**
 (22) Date of Filing Application: **13 July 2010**
 (24) Date from which industrial property rights may have effect: **13 July 2010**
 (54) Product in respect of which the design is registered: **A lighting device**
 (51) International Design Classification: **26-02**
 (71) Name(s) and Address(s) of Applicant(s):
Eveready Battery Company, Inc.
533 Maryville University Drive St Louis Missouri 63141 United States of America
 (72) Name(s) of Designer(s): **Todd B. Abernethy and Donwoong Kang**
 (45) Registration Date: **18 August 2010**
 (30) Convention priority data:

(31) Number	(32) Date	(33) Country
29/355425	08 Feb 2010	UNITED STATES OF AMERICA

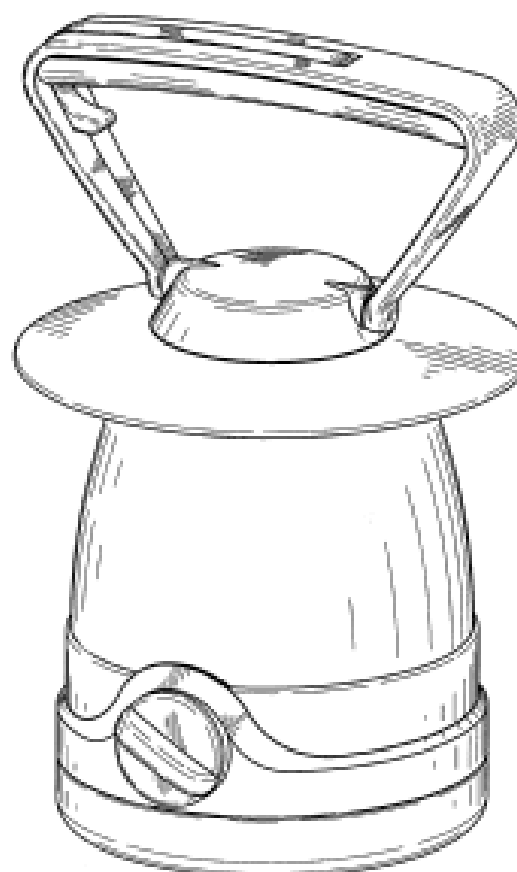
 (56) Related Art Documents: **Not Applicable**
 (57) Statement of Newness and Distinctiveness: **Newness and distinctiveness is claimed in those features of shape and or configuration of a Lighting Device as depicted in the representations in unbroken lines. The representations use broken lines, contour lines and shading to assist in the illustration of features of shape and or configuration. Such broken lines, contour lines and shading do not form part of the design.**



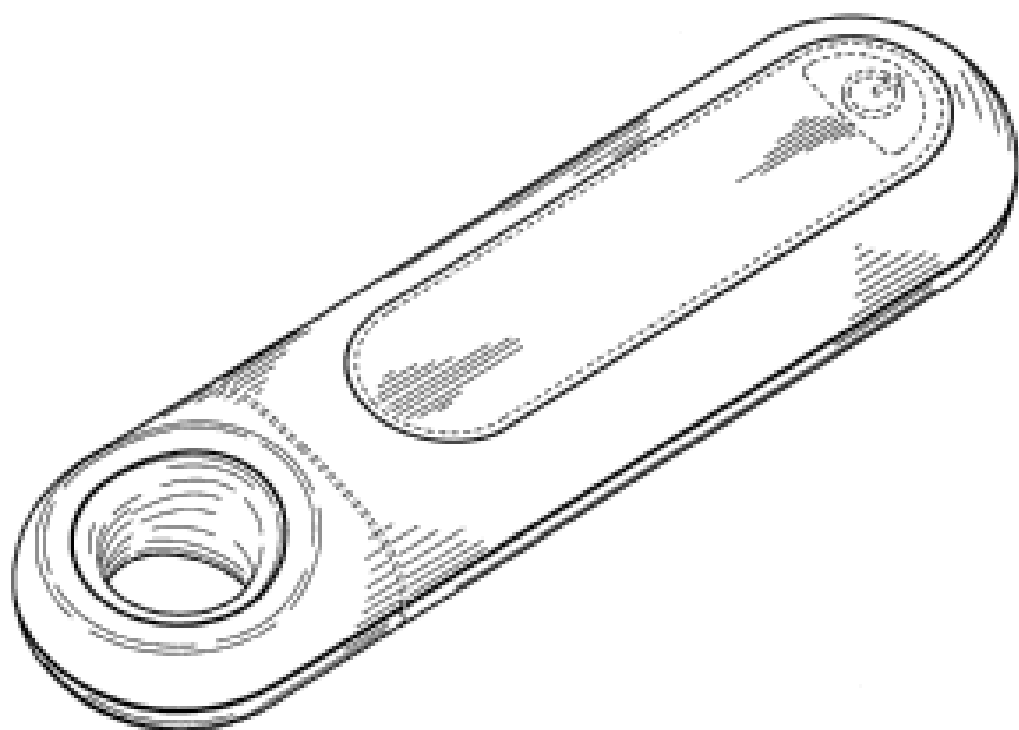
(21) Design Number: **12892/2010**
 (22) Date of Filing Application: **13 July 2010**
 (24) Date from which industrial property rights may have effect: **13 July 2010**
 (54) Product in respect of which the design is registered: **A lighting device**
 (51) International Design Classification: **26-02**
 (71) Name(s) and Address(s) of Applicant(s):
Eveready Battery Company, Inc.
533 Maryville University Drive St Louis Missouri 63141 United States of America
 (72) Name(s) of Designer(s): **Angelo Kotsis and Hugh F. Thomas**
 (45) Registration Date: **18 August 2010**
 (30) Convention priority data:

(31) Number	(32) Date	(33) Country
29/355436	08 Feb 2010	UNITED STATES OF AMERICA

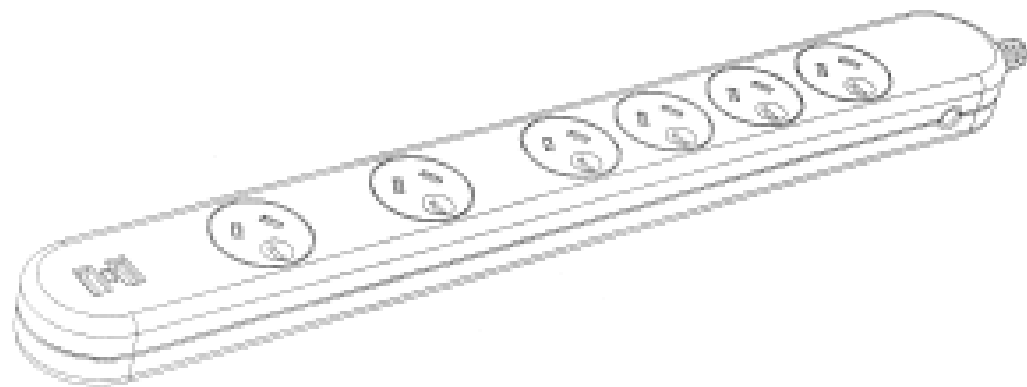
 (56) Related Art Documents: **Not Applicable**
 (57) Statement of Newness and Distinctiveness: **Newness and distinctiveness is claimed in those features of shape and or configuration of a Lighting Device as depicted in the representations in unbroken lines. The representations use broken lines, contour lines and shading to assist in the illustration of features of shape and or configuration. Such broken lines, contour lines and shading do not form part of the design.**



- (21) Design Number: **12893/2010**
(22) Date of Filing Application: **13 July 2010**
(24) Date from which industrial property rights may have effect: **13 July 2010**
(54) Product in respect of which the design is registered: **A lighting device**
(51) International Design Classification: **26-04**
(71) Name(s) and Address(s) of Applicant(s):
Eveready Battery Company, Inc.
533 Maryville University Drive St Louis Missouri 63141 United States of America
(72) Name(s) of Designer(s): **Todd B. Abernethy and Donwoong Kang and Scott W. Osiecki**
(45) Registration Date: **18 August 2010**
(30) Convention priority data:
(31) Number (32) Date (33) Country
29/355421 08 Feb 2010 UNITED STATES OF AMERICA
(56) Related Art Documents: **Not Applicable**
(57) Statement of Newness and Distinctiveness: **Newness and distinctiveness is claimed in those features of shape and or configuration of a Lighting Device as depicted in the representations in unbroken lines. The representations use broken lines, contour lines and shading to assist in the illustration of features of shape and or configuration. Such broken lines, contour lines and shading do not form part of the design.**



- (21) Design Number: **12895/2010**
(22) Date of Filing Application: **13 July 2010**
(24) Date from which industrial property rights may have effect: **13 July 2010**
(54) Product in respect of which the design is registered: **A powerboard**
(51) International Design Classification: **13-03D, 13-03E**
(71) Name(s) and Address(s) of Applicant(s):
Mort Bay Traders Pty Ltd
191 Darling Street Balmain New South Wales 2041 Australia
(72) Name(s) of Designer(s): **Simon Grigg**
(45) Registration Date: **18 August 2010**
(30) Convention priority data:
(31) Number (32) Date (33) Country
413448 23 Mar 2010 NEW ZEALAND
(56) Related Art Documents: **Not Applicable**
(57) Statement of Newness and Distinctiveness: **Newness and distinctiveness reside in the shape and configuration of the powerboard in combination with the configuration of the USB sockets.**



(21) Design Number: **13072/2010**
(22) Date of Filing Application: **23 July 2010**
(24) Date from which industrial property rights may have effect: **23 July 2010**
(54) Product in respect of which the design is registered: **Ballpoint pen**
(51) International Design Classification: **19-06**
(71) Name(s) and Address(s) of Applicant(s):

Kabushiki Kaisha Pilot Corporation
6-21 Kyobashi 2-chome Chuo-ku Tokyo 104-8304 Japan

(72) Name(s) of Designer(s): **Lode Soetewey**

(45) Registration Date: **18 August 2010**

(30) Convention priority data:

(31) Number	(32) Date	(33) Country
2010-001696	26 Jan 2010	JAPAN

(56) Related Art Documents: **Not Applicable**

(57) Statement of Newness and Distinctiveness: **Newness and distinctiveness is claimed in the features of shape and/or configuration of a ballpoint pen as illustrated in the accompanying representations.**



(21) Design Number: **13073/2010**
(22) Date of Filing Application: **23 July 2010**
(24) Date from which industrial property rights may have effect: **23 July 2010**
(54) Product in respect of which the design is registered: **Hose cuff**
(51) International Design Classification: **23-01NES**
(71) Name(s) and Address(s) of Applicant(s):

Zodiac Pool Systems, Inc.
6000 Condor Drive Moorpark CA 93021 United States of America

(72) Name(s) of Designer(s): **David Andrew Klimas**

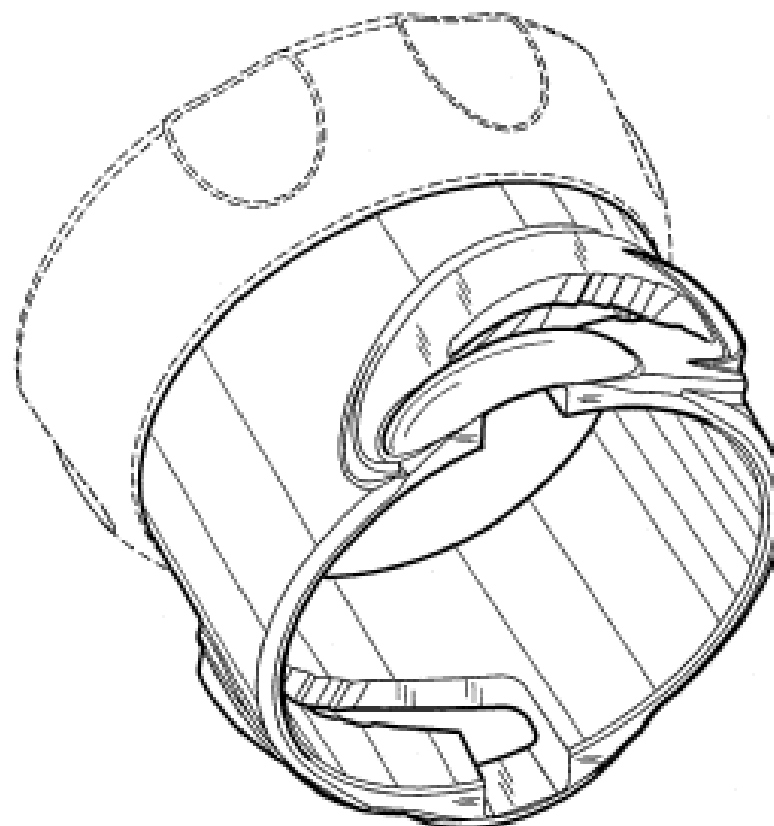
(45) Registration Date: **18 August 2010**

(30) Convention priority data:

(31) Number	(32) Date	(33) Country
29/348,682	28 Jan 2010	UNITED STATES OF AMERICA

(56) Related Art Documents: **Not Applicable**

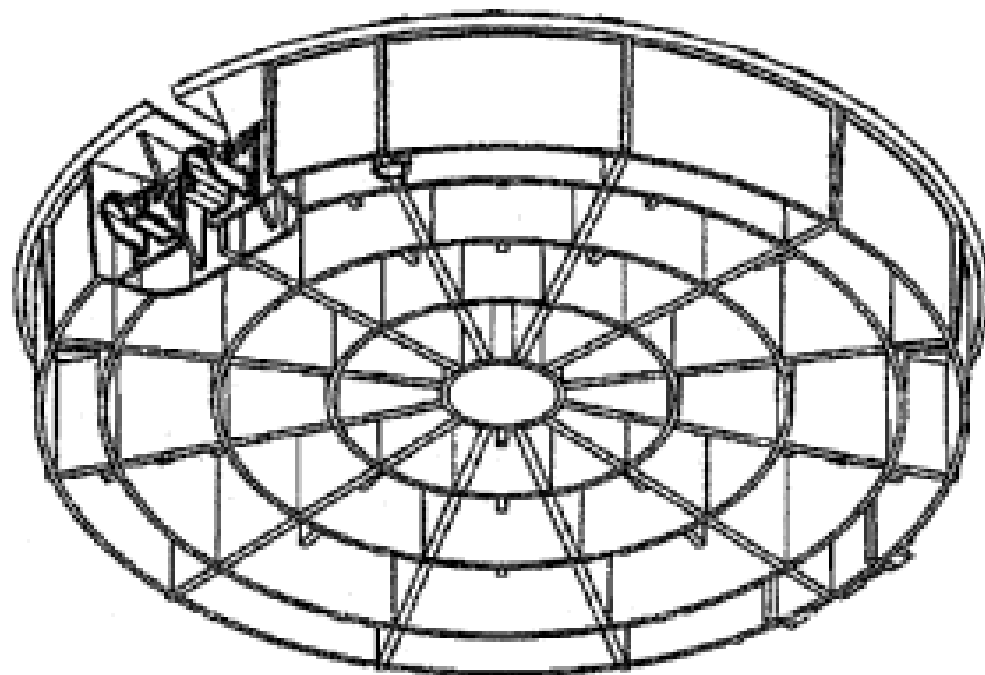
(57) Statement of Newness and Distinctiveness: **Newness and distinctiveness resides in the visual features of a HOSE CUFF as shown in solid outline in the accompanying drawings. When determining whether the HOSE CUFF is substantially similar in overall impression to another design, no regard is to be had to those features as shown in dotted outline in the accompanying drawings.**



- (21) Design Number: **13074/2010**
- (22) Date of Filing Application: **23 July 2010**
- (24) Date from which industrial property rights may have effect: **23 July 2010**
- (54) Product in respect of which the design is registered: **Cover**
- (51) International Design Classification: **13-03NES**
- (71) Name(s) and Address(s) of Applicant(s):

Transnet NZ Limited
20 Neil Park Drive East Tamaki Auckland New Zealand

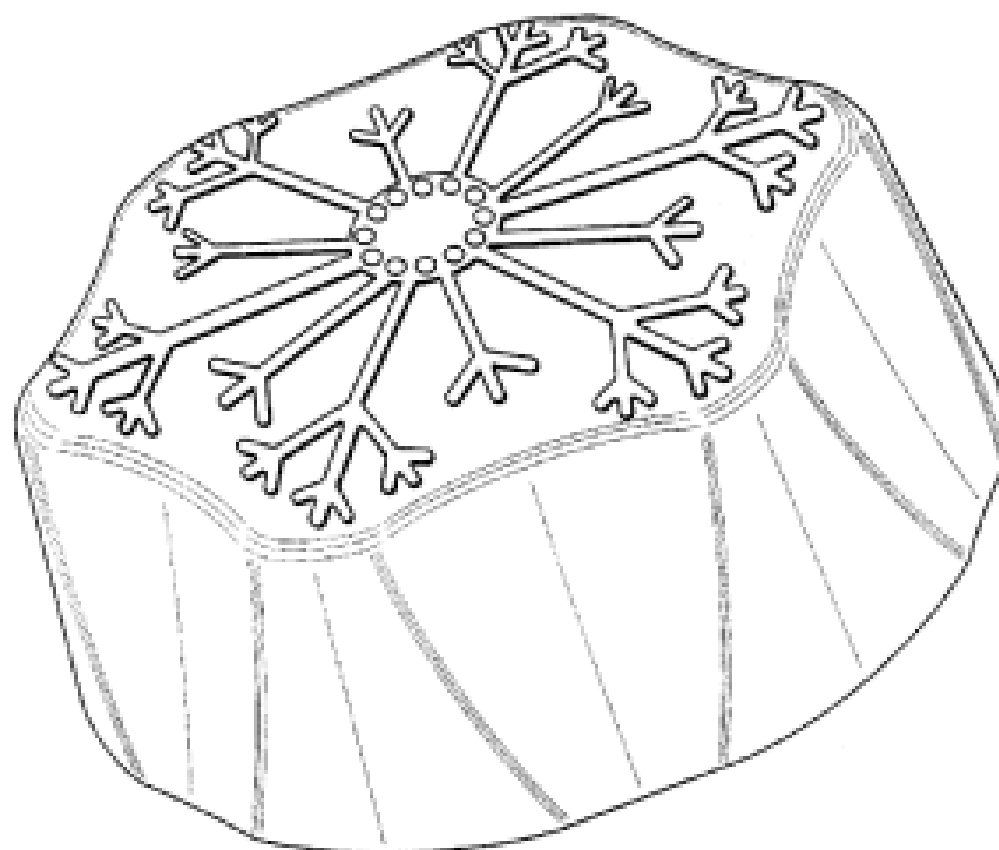
- (72) Name(s) of Designer(s): **Alexander Francis Ford**
- (45) Registration Date: **18 August 2010**
- (56) Related Art Documents: **Not Applicable**
- (57) Statement of Newness and Distinctiveness: **The novelty claimed for the design resides in the features of shape and/or configuration and/or ornamentation of the cover all as shown in the representations, excluding the shape and configuration of the latching mechanism.**



- (21) Design Number: **13075/2010**
- (22) Date of Filing Application: **23 July 2010**
- (24) Date from which industrial property rights may have effect: **23 July 2010**
- (54) Product in respect of which the design is registered: **Chocolate/confectionery**
- (51) International Design Classification: **01-01**
- (71) Name(s) and Address(s) of Applicant(s):

Mars, Incorporated
6885 Elm Street McLean Virginia 22101 United States of America

- (72) Name(s) of Designer(s): **Brent A. Anderson**
 - (45) Registration Date: **18 August 2010**
 - (30) Convention priority data:
- | | | |
|-------------------|--------------------|---------------------------------|
| (31) Number | (32) Date | (33) Country |
| 29/354,575 | 26 Jan 2010 | UNITED STATES OF AMERICA |
- (56) Related Art Documents: **Not Applicable**
 - (57) Statement of Newness and Distinctiveness: **Nil**



(21) Design Number: **13076/2010**
(22) Date of Filing Application: **23 July 2010**
(24) Date from which industrial property rights may have effect: **23 July 2010**
(54) Product in respect of which the design is registered: **Electric motor**
(51) International Design Classification: **13-01**
(71) Name(s) and Address(s) of Applicant(s):

SEW-EURODRIVE GmbH & Co. KG
Ernst-Blickle-Strasse 42 76646 Bruchsal Germany

(72) Name(s) of Designer(s): **Hans-Jurgen Lannoch**

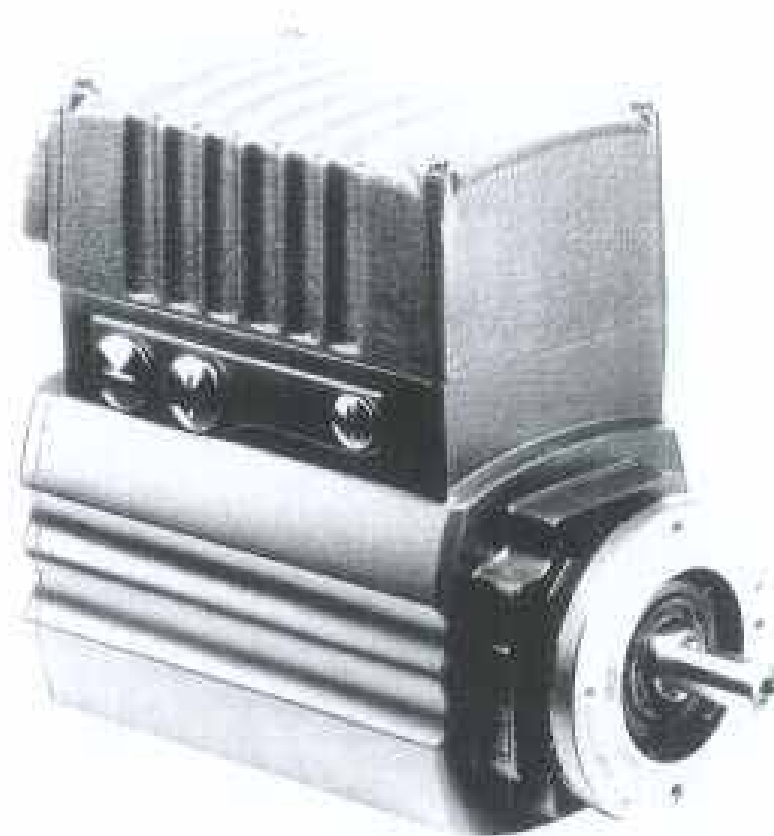
(45) Registration Date: **18 August 2010**

(30) Convention priority data:

(31) Number	(32) Date	(33) Country
DE402010000620803	Feb 2010	GERMANY

(56) Related Art Documents: **Not Applicable**

(57) Statement of Newness and Distinctiveness: **The features of shape and configuration of the electric motor shown in the representations are new and distinctive. Symbols and alpha numeric markings, including embossed text, shown in the representations is not part of the design and is to be disregarded when assessing whether this design is substantially similar in overall impression to another design.**



(21) Design Number: **13077/2010**
(22) Date of Filing Application: **23 July 2010**
(24) Date from which industrial property rights may have effect: **23 July 2010**
(54) Product in respect of which the design is registered: **Chocolate/Confectionery**
(51) International Design Classification: **01-01**
(71) Name(s) and Address(s) of Applicant(s):

Mars, Incorporated
6885 Elm Street McLean Virginia 22101 United States of America

(72) Name(s) of Designer(s): **Brent A. Anderson**

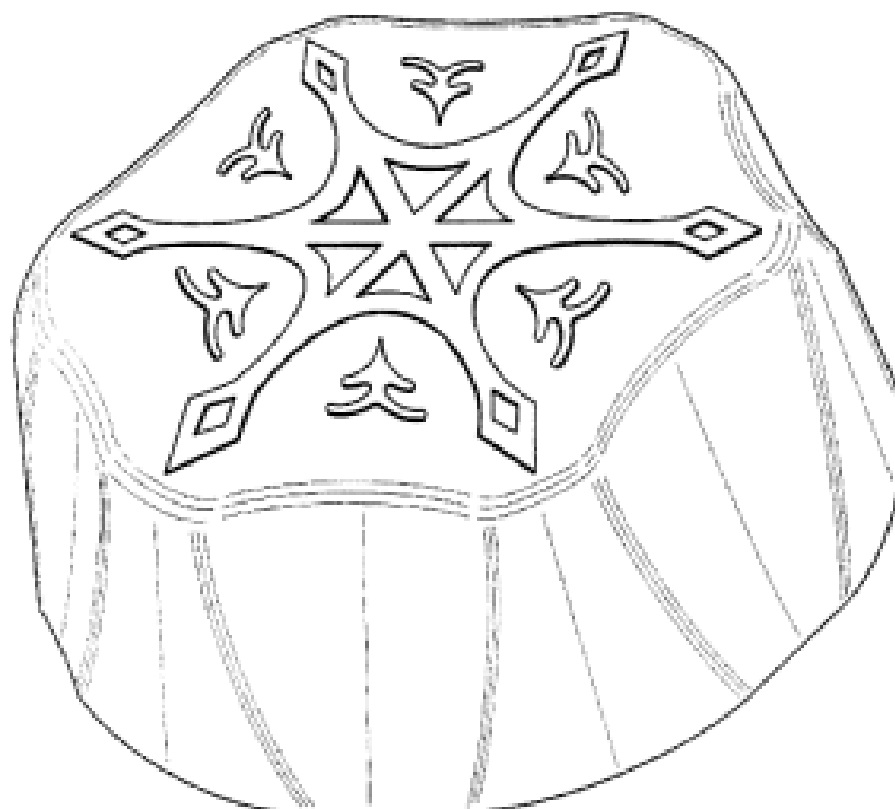
(45) Registration Date: **18 August 2010**

(30) Convention priority data:

(31) Number	(32) Date	(33) Country
29/354,575	26 Jan 2010	UNITED STATES OF AMERICA

(56) Related Art Documents: **Not Applicable**

(57) Statement of Newness and Distinctiveness: **Nil**



(21) Design Number: **13078/2010**

(22) Date of Filing Application: **23 July 2010**

(24) Date from which industrial property rights may have effect: **23 July 2010**

(54) Product in respect of which the design is registered:
Chocolate/Confectionery

(51) International Design Classification: **01-01**

(71) Name(s) and Address(s) of Applicant(s):

Mars, Incorporated
6885 Elm Street McLean Virginia 22101 United States of America

(72) Name(s) of Designer(s): **Brent A. Anderson**

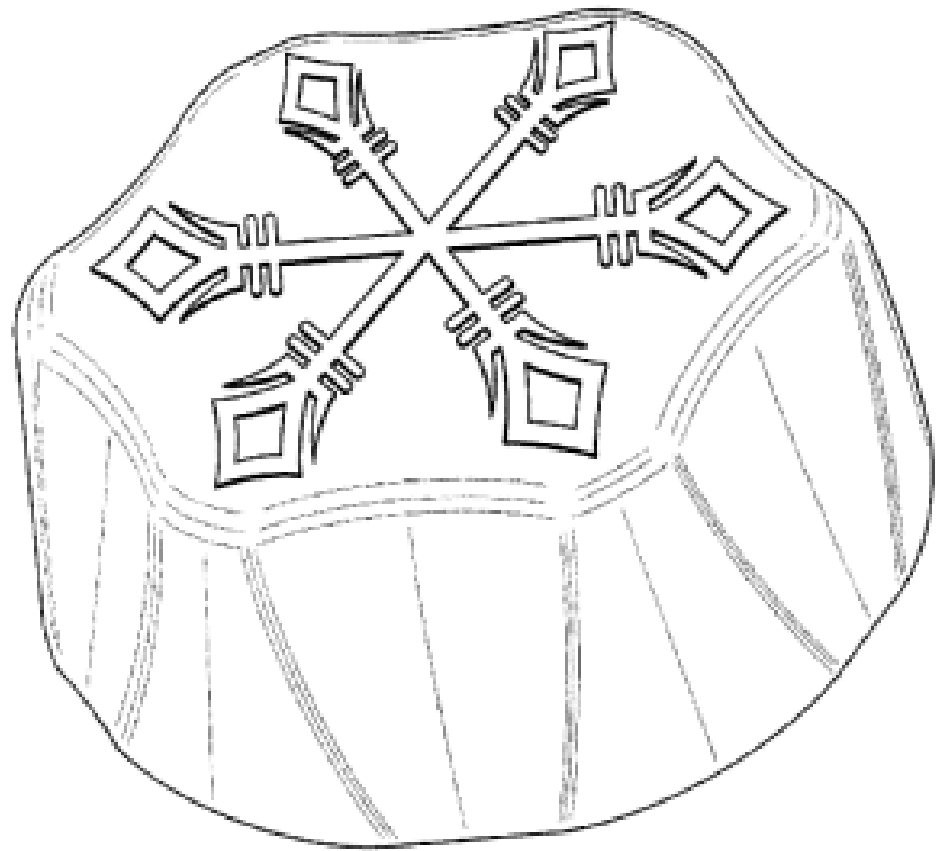
(45) Registration Date: **18 August 2010**

(30) Convention priority data:

(31) Number	(32) Date	(33) Country
29/354,575	26 Jan 2010	UNITED STATES OF AMERICA

(56) Related Art Documents: **Not Applicable**

(57) Statement of Newness and Distinctiveness: **Nil**



(21) Design Number: **13079/2010**

(22) Date of Filing Application: **23 July 2010**

(24) Date from which industrial property rights may have effect: **23 July 2010**

(54) Product in respect of which the design is registered: **Electric motor**

(51) International Design Classification: **13-01**

(71) Name(s) and Address(s) of Applicant(s):

SEW-EURODRIVE GmbH & Co. KG
Ernst-Blickle-Strasse 42 76646 Bruchsal Germany

(72) Name(s) of Designer(s): **Hans-Jurgen Lannoch**

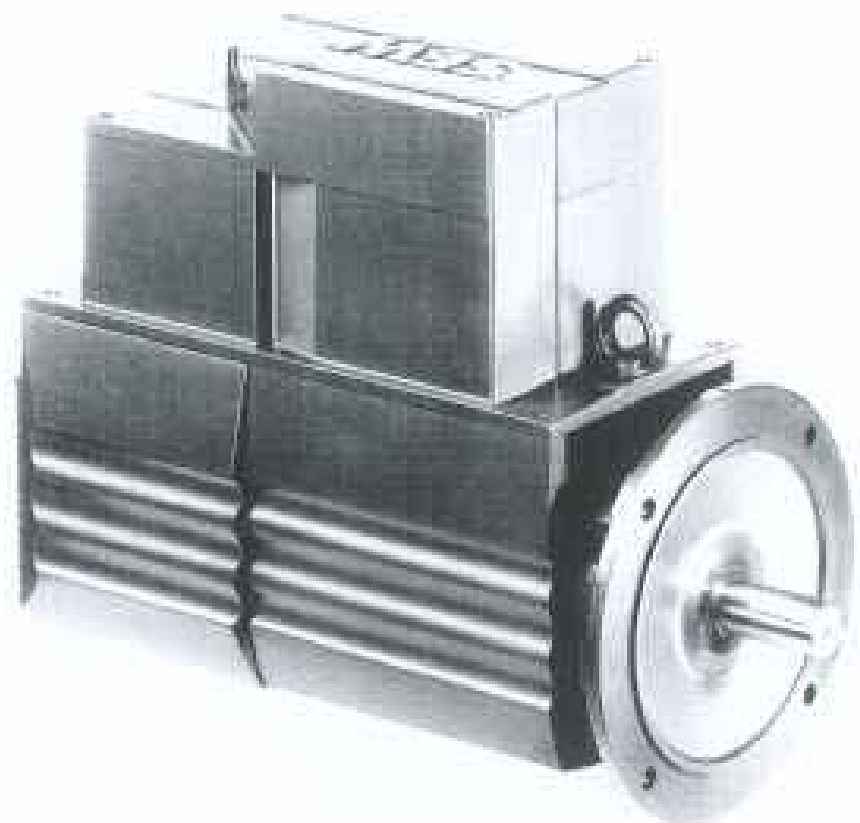
(45) Registration Date: **18 August 2010**

(30) Convention priority data:

(31) Number	(32) Date	(33) Country
DE402010000620803	Feb 2010	GERMANY

(56) Related Art Documents: **Not Applicable**

(57) Statement of Newness and Distinctiveness: **The features of shape and configuration of the electric motor shown in the representations are new and distinctive. Symbols and alpha numeric markings, including embossed text, shown in the representations is not part of the design and is to be disregarded when assessing whether this design is substantially similar in overall impression to another design.**



(19) AU

(21) Design Number: 13080/2010

(22) Date of Filing Application: 23 July 2010

(24) Date from which industrial property rights may have effect: 23 July 2010

(54) Product in respect of which the design is registered: **Chocolate/Confectionery**

(51) International Design Classification: 01-01

(71) Name(s) and Address(s) of Applicant(s):

Mars, Incorporated
6885 Elm Street McLean Virginia 22101 United States of America

(72) Name(s) of Designer(s): **Brent A. Anderson**

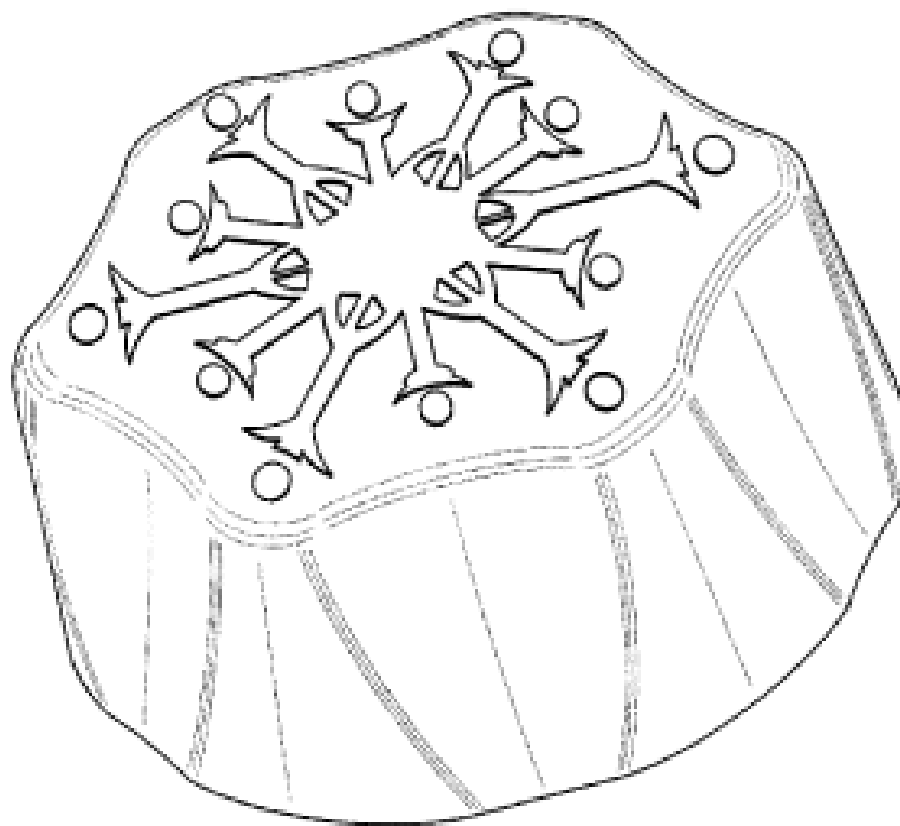
(45) Registration Date: 18 August 2010

(30) Convention priority data:

(31) Number	(32) Date	(33) Country
29/354,575	26 Jan 2010	UNITED STATES OF AMERICA

(56) Related Art Documents: **Not Applicable**

(57) Statement of Newness and Distinctiveness: **Nil**



(19) AU

(21) Design Number: 13081/2010

(22) Date of Filing Application: 23 July 2010

(24) Date from which industrial property rights may have effect: 23 July 2010

(54) Product in respect of which the design is registered: **Pet treat**

(51) International Design Classification: 01-06

(71) Name(s) and Address(s) of Applicant(s):

Mars, Incorporated
6885 Elm Street McLean Virginia 22101 United States of America

(72) Name(s) of Designer(s): **Cari Ann Enot and Peter Slusarczyk**

(45) Registration Date: 18 August 2010

(30) Convention priority data:

(31) Number	(32) Date	(33) Country
29/354,576	26 Jan 2010	UNITED STATES OF AMERICA

(56) Related Art Documents: **Not Applicable**

(57) Statement of Newness and Distinctiveness: **Nil**



- (21) Design Number: **13104/2010**
(22) Date of Filing Application: **23 July 2010**
(24) Date from which industrial property rights may have effect: **23 July 2010**
(54) Product in respect of which the design is registered: **A fan/air moving device**
(51) International Design Classification: **23-04**
(71) Name(s) and Address(s) of Applicant(s):
Das Werk Pty Ltd
PO Box 3006 Tamarama New South Wales 2026 Australia
(72) Name(s) of Designer(s): **Danny Gasser**
(45) Registration Date: **18 August 2010**
(56) Related Art Documents: **Not Applicable**
(57) Statement of Newness and Distinctiveness: **Newness and distinctiveness resides in the features of the shape and/or configuration of a fan as illustrated in the accompanying representations.**



- (21) Design Number: **13105/2010**
(22) Date of Filing Application: **23 July 2010**
(24) Date from which industrial property rights may have effect: **23 July 2010**
(54) Product in respect of which the design is registered: **A fan/air moving device**
(51) International Design Classification: **23-04**
(71) Name(s) and Address(s) of Applicant(s):
Das Werk Pty Ltd
PO Box 3006 Tamarama New South Wales 2026 Australia
(72) Name(s) of Designer(s): **Danny Gasser**
(45) Registration Date: **18 August 2010**
(56) Related Art Documents: **Not Applicable**
(57) Statement of Newness and Distinctiveness: **Newness and distinctiveness resides in the features of the shape and/or configuration of a fan as illustrated in the accompanying representations.**



(21) Design Number: **13110/2010**

(22) Date of Filing Application: **23 July 2010**

(24) Date from which industrial property rights may have effect: **23 July 2010**

(54) Product in respect of which the design is registered: **Teat cup liner head**

(51) International Design Classification: **15-03C**

(71) Name(s) and Address(s) of Applicant(s):

**DeLaval Holding AB
PO Box 39 Tumba SE-147 21 Sweden**

(72) Name(s) of Designer(s): **Anneli Lidmar**

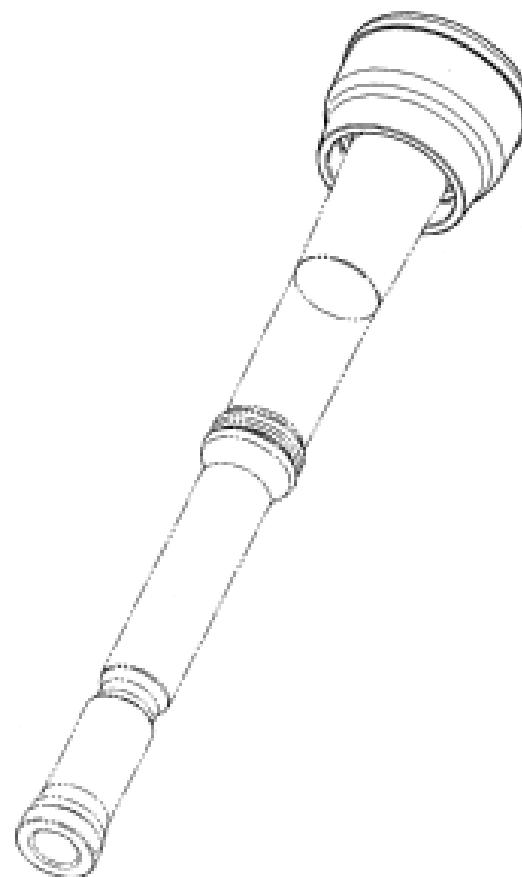
(45) Registration Date: **18 August 2010**

(30) Convention priority data:

(31) Number	(32) Date	(33) Country
001661380	26 Jan 2010	EUROPEAN COMMUNITY

(56) Related Art Documents: **Not Applicable**

(57) Statement of Newness and Distinctiveness: **The newness and distinctiveness of the design resides in the shape and/or configuration of the TEAT CUP LINER HEAD shown in the representations. In considering the extent of the monopoly protection, the features shown in broken outline are to be disregarded. The TEAT CUP LINER HEAD has an outer surface which is provided with a chamfer such that the upper part of the liner head has an external, outer diameter that is bigger than the external, outer diameter of the lower part of the liner head. The liner head is also provided with an upper rim portion at the upper end of the liner. The rim portion has an external, outer diameter that is bigger than the external diameter of the upper part of the liner head referred to above.**



(21) Design Number: **13111/2010**

(22) Date of Filing Application: **23 July 2010**

(24) Date from which industrial property rights may have effect: **23 July 2010**

(54) Product in respect of which the design is registered: **Teat cup liner head**

(51) International Design Classification: **15-03C**

(71) Name(s) and Address(s) of Applicant(s):

**DeLaval Holding AB
PO Box 39 Tumba SE-147 21 Sweden**

(72) Name(s) of Designer(s): **Anneli Lidmar**

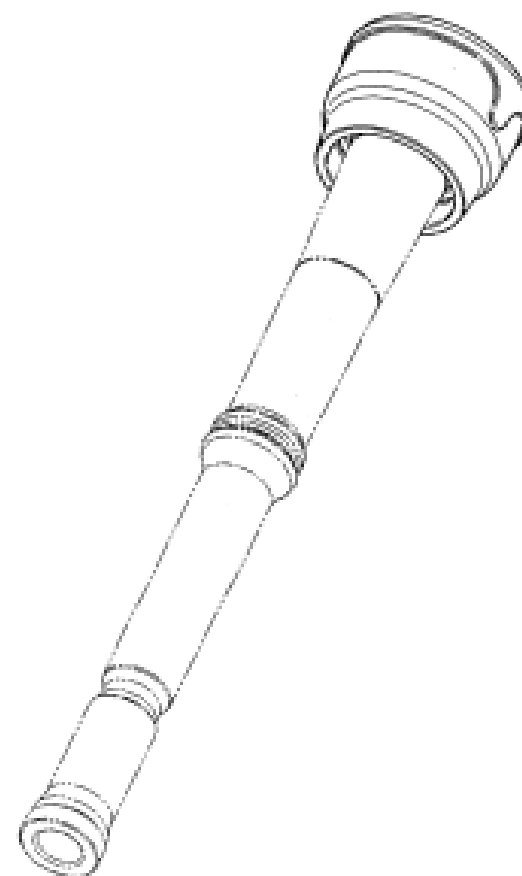
(45) Registration Date: **18 August 2010**

(30) Convention priority data:

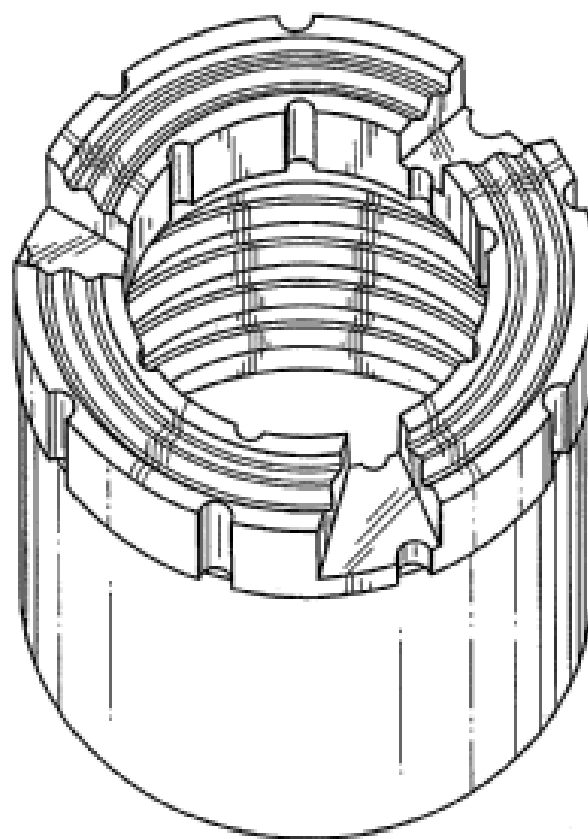
(31) Number	(32) Date	(33) Country
001661380	26 Jan 2010	EUROPEAN COMMUNITY

(56) Related Art Documents: **Not Applicable**

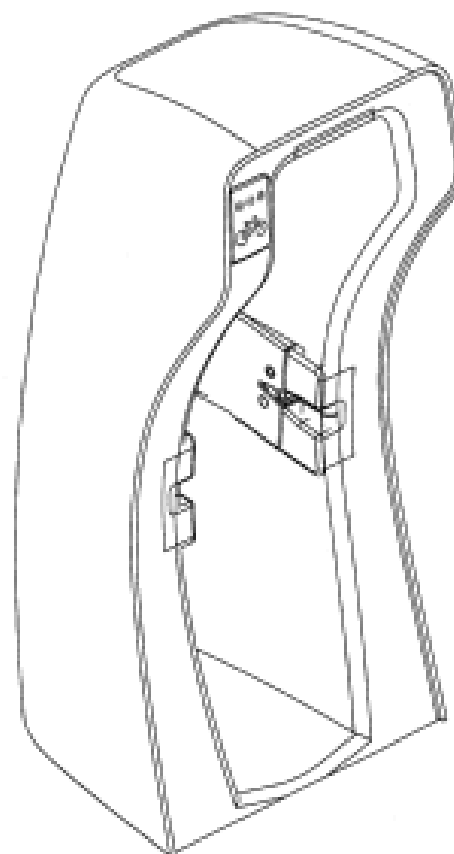
(57) Statement of Newness and Distinctiveness: **The newness and distinctiveness of the design resides in the shape and/or configuration of the TEAT CUP LINER HEAD shown in the representations. In considering the extent of the monopoly protection, the features shown in broken outline are to be disregarded. The TEAT CUP LINER HEAD has an outer surface which is provided with a chamfer such that the upper part of the liner head has an external, outer diameter that is bigger than the external, outer diameter of the lower part of the liner head. The liner head is also provided with an upper rim portion at the upper end of the liner. The rim portion has an external, outer diameter that is bigger than the external diameter of the upper part of the liner head referred to above.**



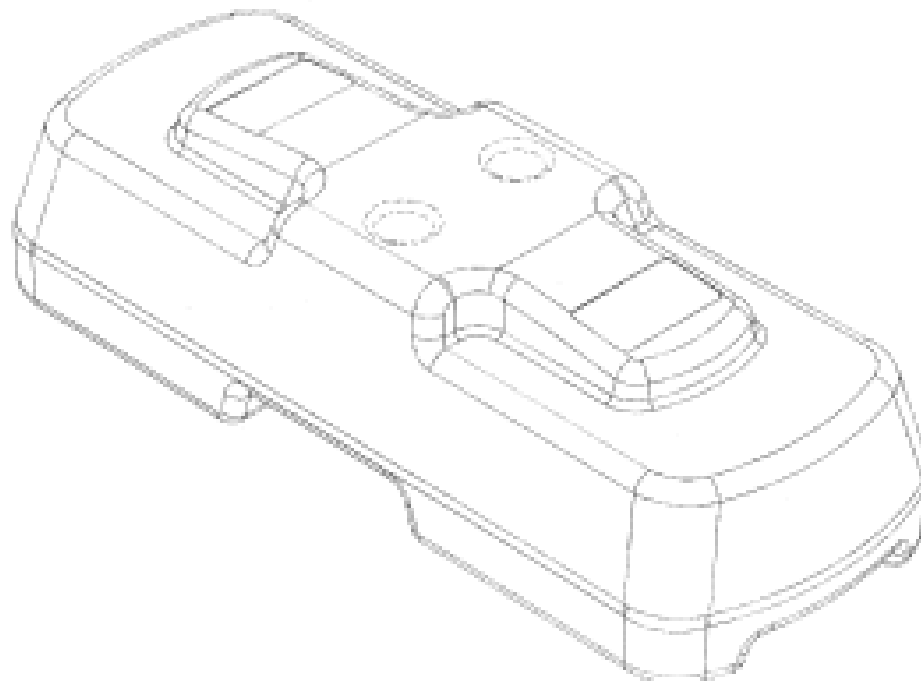
(21) Design Number: **12082/2010**
 (22) Date of Filing Application: **24 May 2010**
 (24) Date from which industrial property rights may have effect: **24 May 2010**
 (54) Product in respect of which the design is registered: **Drill bit with tapered waterway**
 (51) International Design Classification: **08-01**
 (71) Name(s) and Address(s) of Applicant(s):
Longyear TM, Inc.
10808 South River Front Parkway Suite 600 South Jordan Utah 84095
United States of America
 (72) Name(s) of Designer(s): **Christian M. Lambert and Cody A. Pearce and Michael D. Rupp**
 (45) Registration Date: **18 August 2010**
 (30) Convention priority data:
 (31) Number (32) Date (33) Country
29/354,579 26 Jan 2010 UNITED STATES OF AMERICA
 (56) Related Art Documents: **Not Applicable**
 (57) Statement of Newness and Distinctiveness: **Those features of the drill bit with the tapered waterway depicted in the representations that are new and distinctive are the shape and/or configuration. The features shown in broken lines are not part of the design and are to be disregarded when considering the overall impression of the design.**



(21) Design Number: **12383/2010**
 (22) Date of Filing Application: **09 June 2010**
 (24) Date from which industrial property rights may have effect: **09 June 2010**
 (54) Product in respect of which the design is registered: **Bicycle docking station**
 (51) International Design Classification: **13-02, 12-16NES**
 (71) Name(s) and Address(s) of Applicant(s):
Magna Marque International Inc.
337 Magna Drive Aurora Ontario L4G 7K1 Canada
 (72) Name(s) of Designer(s): **Matthew James Finbow**
 (45) Registration Date: **18 August 2010**
 (30) Convention priority data:
 (31) Number (32) Date (33) Country
29/351786 11 Dec 2009 UNITED STATES OF AMERICA
 (56) Related Art Documents: **Not Applicable**
 (57) Statement of Newness and Distinctiveness: **Newness and distinctiveness is claimed in the visual features shown in solid lines in the representations. The bicycle shown in broken lines does not form part of the design.**

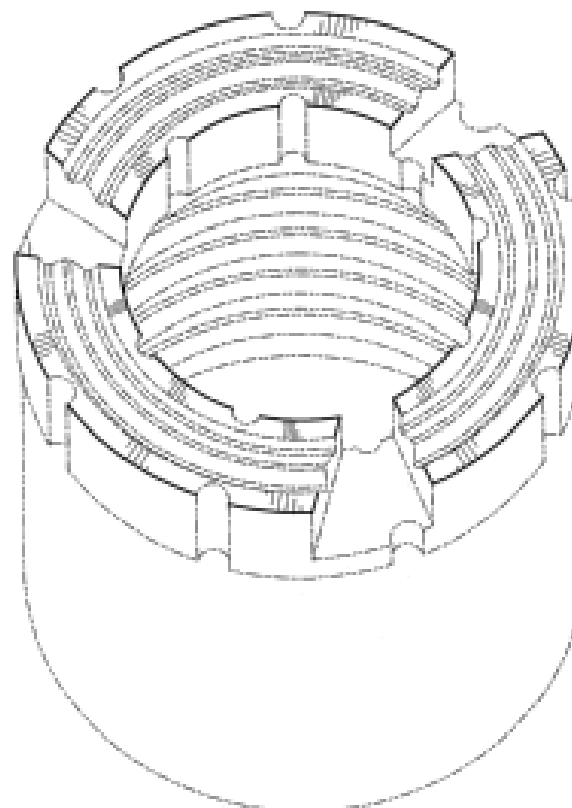


- (21) Design Number: **12561/2010**
- (22) Date of Filing Application: **24 June 2010**
- (24) Date from which industrial property rights may have effect: **24 June 2010**
- (54) Product in respect of which the design is registered: **Temporary fence base**
- (51) International Design Classification: **08-08K, 25-02C**
- (71) Name(s) and Address(s) of Applicant(s):
 - David Daniel Williams**
Unit 3 18 Gibberd Road Balcatta Western Australia 6021 Australia
 - David John Wilson**
Unit 3 18 Gibberd Road Balcatta Western Australia 6021 Australia
- (72) Name(s) of Designer(s): **Edward Joseph Khoury and Robert Culley and David Daniel Williams and David James Wilson**
- (45) Registration Date: **18 August 2010**
- (56) Related Art Documents: **Not Applicable**
- (57) Statement of Newness and Distinctiveness: **Newness and distinctiveness is claimed in the features of shape and/or configuration of a temporary fence base shown in solid lines in the representations.**

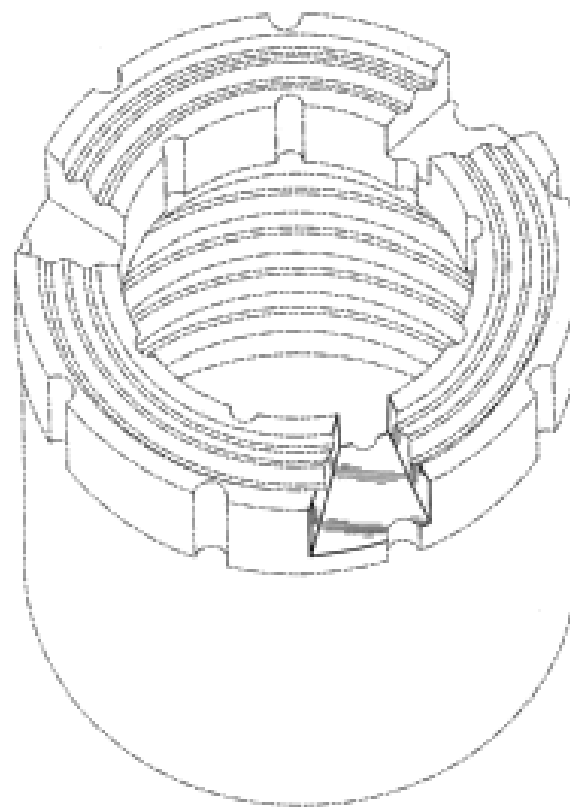


- (21) Design Number: **13487/2010**
- (22) Date of Filing Application: **24 May 2010**
- (24) Date from which industrial property rights may have effect: **24 May 2010**
- (54) Product in respect of which the design is registered: **Drill bit with tapered waterway**
- (51) International Design Classification: **08-01**
- (71) Name(s) and Address(s) of Applicant(s):
 - Longyear TM, Inc.**
10808 South River Front Parkway Suite 600 South Jordan Utah 84095
United States of America
- (72) Name(s) of Designer(s): **Cody A. Pearce and Christian M. Lambert and Michael D. Rupp**
- (45) Registration Date: **18 August 2010**
- (30) Convention priority data:

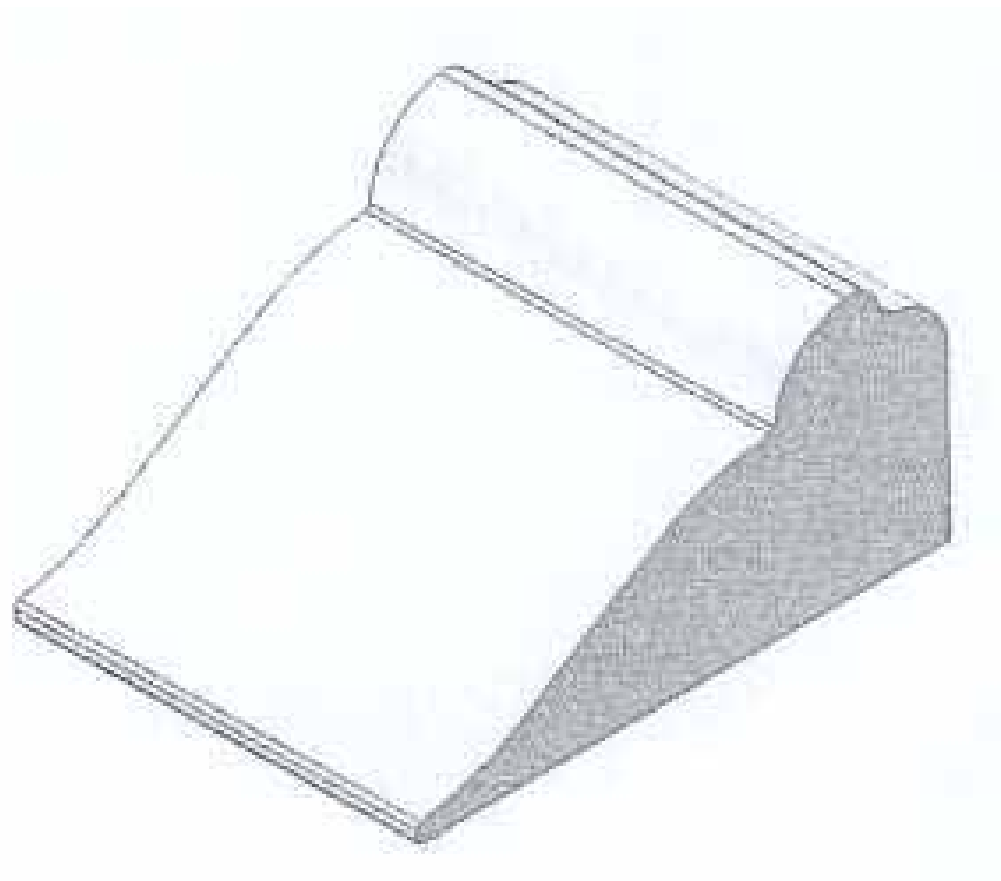
(31) Number	(32) Date	(33) Country
29/354,586	26 Jan 2010	UNITED STATES OF AMERICA
- (56) Related Art Documents: **Not Applicable**
- (57) Statement of Newness and Distinctiveness: **Those features of the drill bit with the tapered waterway depicted in the representations that are new and distinctive are the shape and/or configuration. The features shown in broken lines are not part of the design and are to be disregarded when considering the overall impression of the design.**



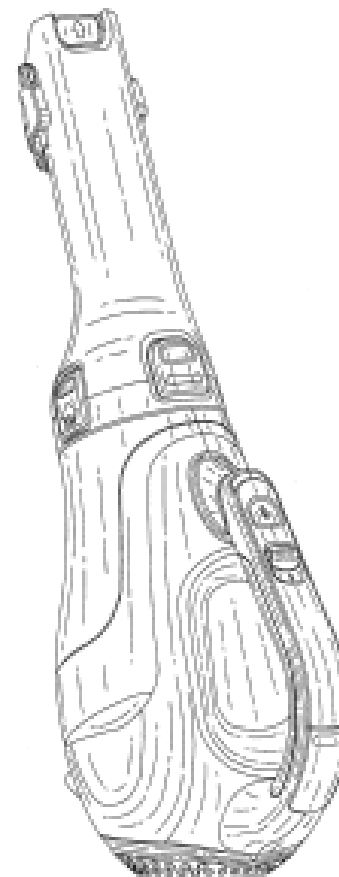
- (21) Design Number: **13488/2010**
(22) Date of Filing Application: **24 May 2010**
(24) Date from which industrial property rights may have effect: **24 May 2010**
(54) Product in respect of which the design is registered: **Drill bit with tapered waterway**
(51) International Design Classification: **08-01**
(71) Name(s) and Address(s) of Applicant(s):
Longyear TM, Inc.
10808 South River Front Parkway Suite 600 South Jordan Utah 84095
United States of America
(72) Name(s) of Designer(s): **Cody A. Pearce and Christian M. Lambert and Michael D. Rupp**
(45) Registration Date: **18 August 2010**
(30) Convention priority data:
(31) Number (32) Date (33) Country
29/354,592 26 Jan 2010 UNITED STATES OF AMERICA
(56) Related Art Documents: **Not Applicable**
(57) Statement of Newness and Distinctiveness: **Those features of the drill bit with the tapered waterway depicted in the representations that are new and distinctive are the shape and/or configuration. The features shown in broken lines are not part of the design and are to be disregarded when considering the overall impression of the design.**



- (21) Design Number: **11723/2010**
(22) Date of Filing Application: **03 May 2010**
(24) Date from which industrial property rights may have effect: **03 May 2010**
(54) Product in respect of which the design is registered: **An orthotic device**
(51) International Design Classification: **02-04A**
(71) Name(s) and Address(s) of Applicant(s):
Denneroll Industries International Pty Ltd
48 Coogee Street Randwick New South Wales 2031 Australia
(72) Name(s) of Designer(s): **Adrian Dennewald**
(45) Registration Date: **18 August 2010**
(56) Related Art Documents: **Not Applicable**
(57) Statement of Newness and Distinctiveness: **The contoured shape of the orthotic device is specific to the curvature of the ideal human spine anatomy.**



(21) Design Number: **12417/2010**
(22) Date of Filing Application: **11 June 2010**
(24) Date from which industrial property rights may have effect: **11 June 2010**
(54) Product in respect of which the design is registered: **Hand held vacuum cleaner**
(51) International Design Classification: **15-05**
(71) Name(s) and Address(s) of Applicant(s):
Black & Decker, Inc.
1207 Drummond Plaza Newark Delaware 19711 United States of America
(72) Name(s) of Designer(s): **Stephen Houghton**
(45) Registration Date: **18 August 2010**
(30) Convention priority data:
(31) Number (32) Date (33) Country
001185383 18 Dec 2009 EUROPEAN COMMUNITY
(56) Related Art Documents: **Not Applicable**
(57) Statement of Newness and Distinctiveness: **Nil**



(21) Design Number: **12467/2010**
(22) Date of Filing Application: **17 June 2010**
(24) Date from which industrial property rights may have effect: **17 June 2010**
(54) Product in respect of which the design is registered: **Threading applicators**
(51) International Design Classification: **02-07D**
(71) Name(s) and Address(s) of Applicant(s):
Elizabeth Maree See
22 Rosella Street Parrearra Queensland 4575 Australia
(72) Name(s) of Designer(s): **Elizabeth Maree See**
(45) Registration Date: **18 August 2010**
(56) Related Art Documents: **Not Applicable**
(57) Statement of Newness and Distinctiveness: **Threading applicators are of 20mm length, 3mm width, firm wall thickness, food grade straw product for use within the threading beauty industry.**



(21) Design Number: **12532/2010**

(22) Date of Filing Application: **18 June 2010**

(24) Date from which industrial property rights may have effect: **18 June 2010**

(54) Product in respect of which the design is registered: **Hook**

(51) International Design Classification: **08-08G**

(71) Name(s) and Address(s) of Applicant(s):

3M Innovative Properties Company
3M Center Post Office Box 33427 Saint Paul Minnesota 55133-3427
United States of America

(72) Name(s) of Designer(s): **Sean C. McGreevy and Dagmara Siemieniec and Andrea Daelli**

(45) Registration Date: **18 August 2010**

(30) Convention priority data:

(31) Number	(32) Date	(33) Country
29/352249	18 Dec 2009	UNITED STATES OF AMERICA

(56) Related Art Documents: **Not Applicable**

(57) Statement of Newness and Distinctiveness: **Newness and distinctiveness is claimed in the visual features shown in solid lines in the representations.**



(21) Design Number: **13112/2010**

(22) Date of Filing Application: **26 July 2010**

(24) Date from which industrial property rights may have effect: **26 July 2010**

(54) Product in respect of which the design is registered: **Kettle**

(51) International Design Classification: **07-02K**

(71) Name(s) and Address(s) of Applicant(s):

Wilton Industries, Inc.
2240 W.75th Street Woodridge IL 60517 United States of America

(72) Name(s) of Designer(s): **Komin Yamada**

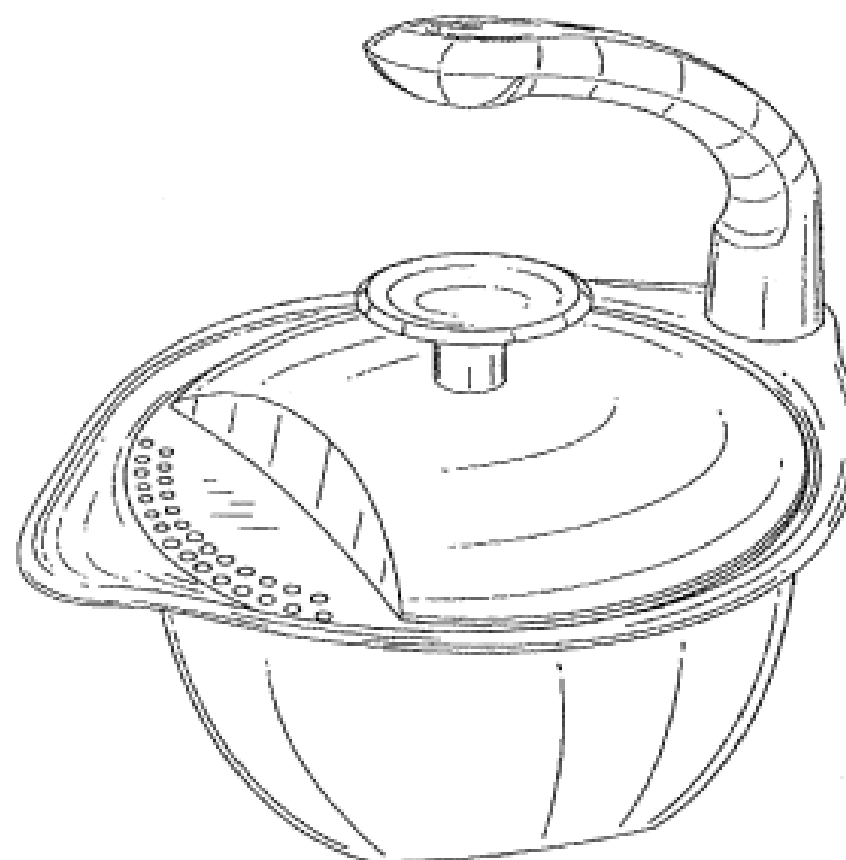
(45) Registration Date: **18 August 2010**

(30) Convention priority data:

(31) Number	(32) Date	(33) Country
29/355,891	16 Feb 2010	UNITED STATES OF AMERICA

(56) Related Art Documents: **Not Applicable**

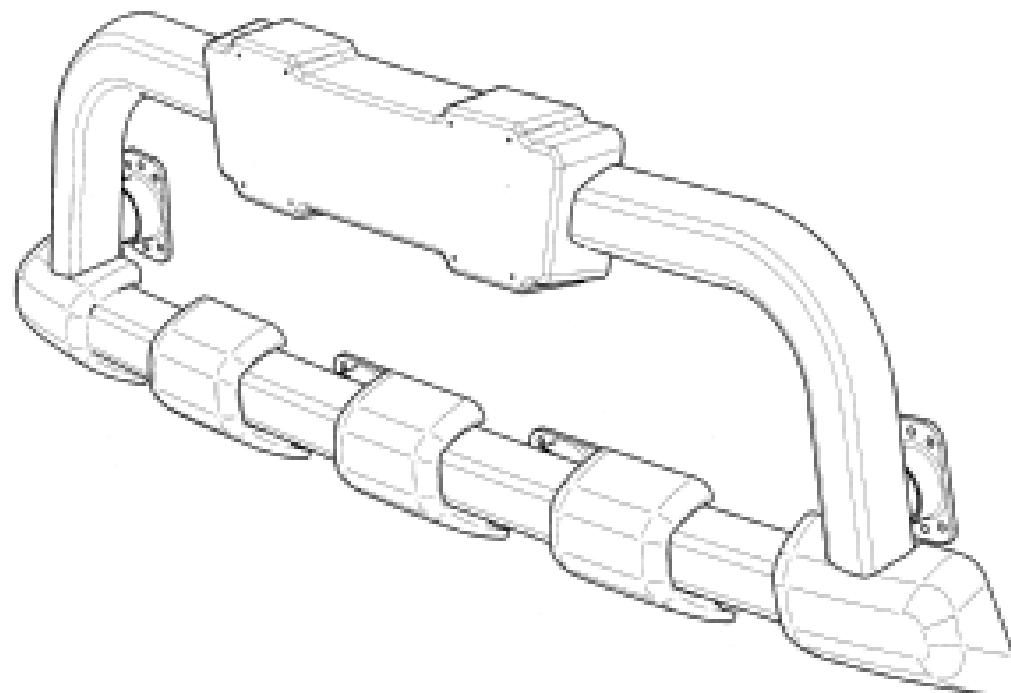
(57) Statement of Newness and Distinctiveness: **Nil**



- (21) Design Number: **13113/2010**
(22) Date of Filing Application: **26 July 2010**
(24) Date from which industrial property rights may have effect: **26 July 2010**
(54) Product in respect of which the design is registered: **A bumper guard**
(51) International Design Classification: **12-16C**
(71) Name(s) and Address(s) of Applicant(s):

Alexander Baumann
35 Tuena Street Mudgeeraba Queensland 4213 Australia

- (72) Name(s) of Designer(s): **Alexander Baumann**
(45) Registration Date: **18 August 2010**
(56) Related Art Documents: **Not Applicable**
(57) Statement of Newness and Distinctiveness: **Nil**



- (21) Design Number: **13114/2010**
(22) Date of Filing Application: **26 July 2010**
(24) Date from which industrial property rights may have effect: **26 July 2010**
(54) Product in respect of which the design is registered: **Teat cup liner head**
(51) International Design Classification: **15-03C**
(71) Name(s) and Address(s) of Applicant(s):

DeLaval Holding AB
PO Box 39 Tumba SE-147 21 Sweden

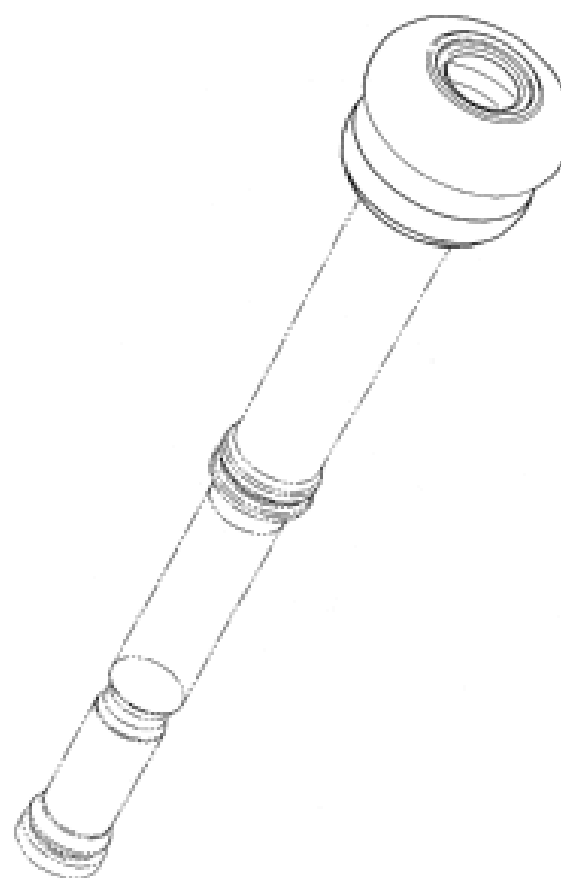
- (72) Name(s) of Designer(s): **Michael Persson**
(45) Registration Date: **18 August 2010**

(30) Convention priority data:

(31) Number	(32) Date	(33) Country
001692161	08 Apr 2010	EUROPEAN COMMUNITY

(56) Related Art Documents: **Not Applicable**

- (57) Statement of Newness and Distinctiveness: **The newness and distinctiveness of the design resides in the shape and/or configuration of the TEAT CUP LINER HEAD shown in the representations. In considering the extent of the monopoly protection, the features shown in broken outline are to be disregarded. The liner head has an outer surface that is parallel to the longitudinal axis of the liner. The surface forms two bulge parts and in between said bulge parts is a smooth, inwardly curved transition surface that has no sharp corners or similar where dirt may gather. The form of the outer surface resembles a sine curve. The transition surface forms an easily, grippable portion for a human being.**



(21) Design Number: **13115/2010**
 (22) Date of Filing Application: **26 July 2010**
 (24) Date from which industrial property rights may have effect: **26 July 2010**
 (54) Product in respect of which the design is registered: **Teat cup liner head**
 (51) International Design Classification: **15-03C**
 (71) Name(s) and Address(s) of Applicant(s):

DeLaval Holding AB
PO Box 39 Tumba SE-147 21 Sweden

(72) Name(s) of Designer(s): **Michael Persson**

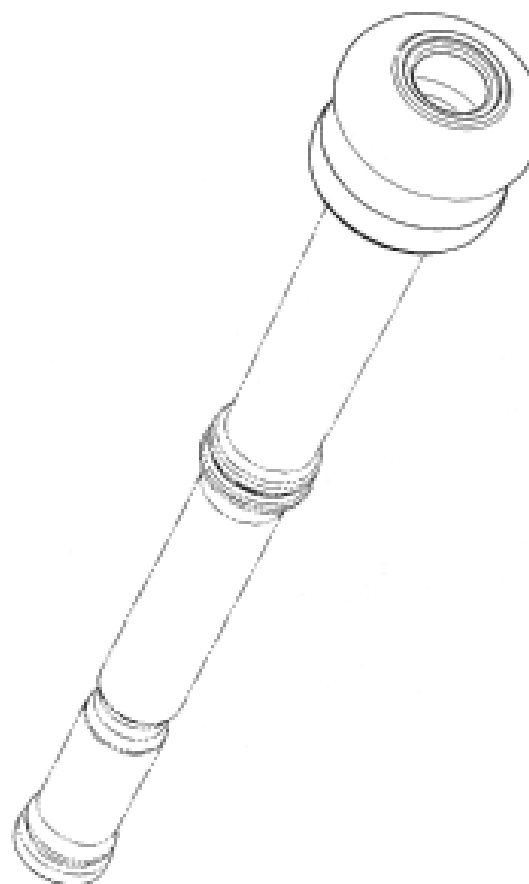
(45) Registration Date: **18 August 2010**

(30) Convention priority data:

(31) Number	(32) Date	(33) Country
001692161	08 Apr 2010	EUROPEAN COMMUNITY

(56) Related Art Documents: **Not Applicable**

(57) Statement of Newness and Distinctiveness: **The newness and distinctiveness of the design resides in the shape and/or configuration of the TEAT CUP LINER HEAD shown in the representations. In considering the extent of the monopoly protection, the features shown in broken outline are to be disregarded. The liner head has an outer surface that is parallel to the longitudinal axis of the liner. The surface forms two bulge parts and in between said bulge parts is a smooth, inwardly curved transition surface that has no sharp corners or similar where dirt may gather. The form of the outer surface resembles a sine curve. The transition surface forms an easily, grippable portion for a human being.**



(21) Design Number: **13116/2010**
 (22) Date of Filing Application: **26 July 2010**
 (24) Date from which industrial property rights may have effect: **26 July 2010**
 (54) Product in respect of which the design is registered: **Coffee maker**
 (51) International Design Classification: **07-02L**
 (71) Name(s) and Address(s) of Applicant(s):

The Coleman Company, Inc.
3600 North Hydraulic Wichita KS 67219 United States of America

(72) Name(s) of Designer(s): **Vance Moriarty and Jake L. Hillard and Daniel E. DeBrunner and Kyle R. Penner**

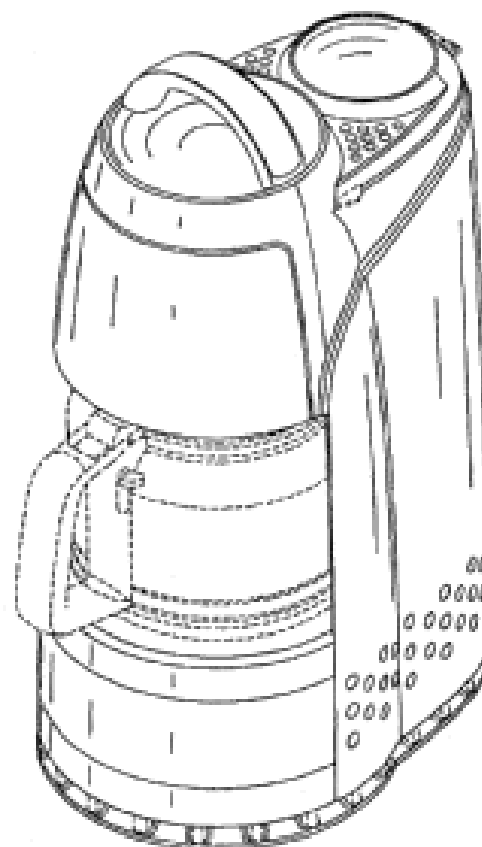
(45) Registration Date: **18 August 2010**

(30) Convention priority data:

(31) Number	(32) Date	(33) Country
29/354724	27 Jan 2010	UNITED STATES OF AMERICA

(56) Related Art Documents: **Not Applicable**

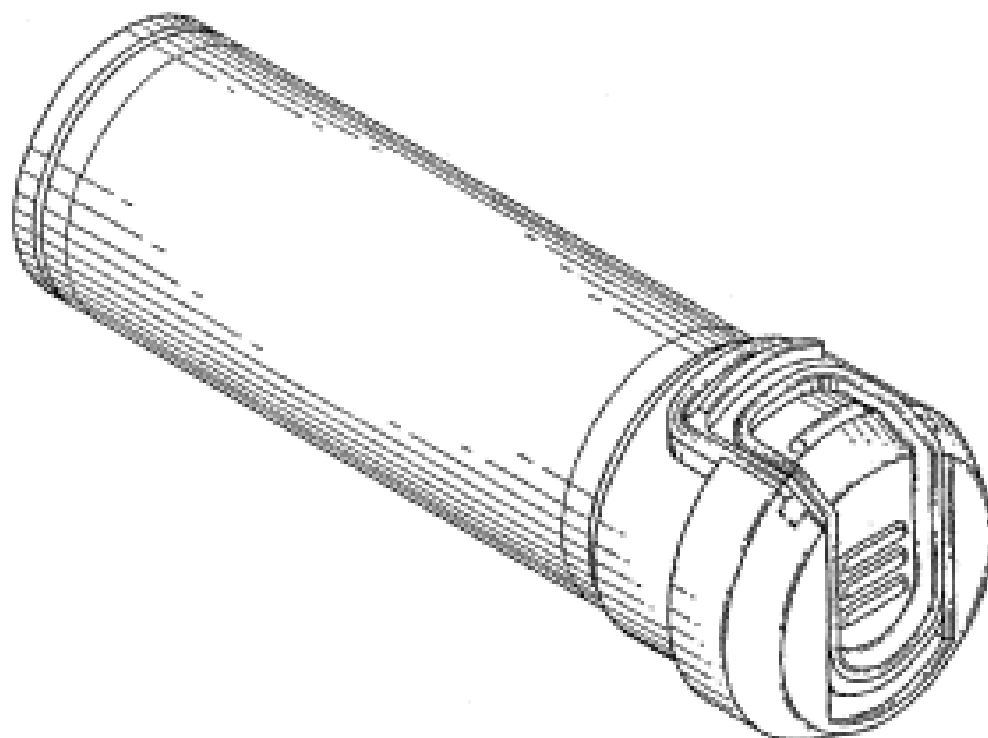
(57) Statement of Newness and Distinctiveness: **Newness and distinctiveness resides in the visual features of a COFFEE MAKER as shown in solid outline in the accompanying drawings. When determining whether the COFFEE MAKER is substantially similar in overall impression to another design, no regard is to be had to those features shown in dotted outline in the accompanying drawings, which features are provided for illustrative purposes only.**



(19) AU

- (21) Design Number: **13117/2010**
- (22) Date of Filing Application: **26 July 2010**
- (24) Date from which industrial property rights may have effect: **26 July 2010**
- (54) Product in respect of which the design is registered: **Battery pack**
- (51) International Design Classification: **13-02**
- (71) Name(s) and Address(s) of Applicant(s):
The Coleman Company, Inc.
3600 North Hydraulic Wichita KS 67219 United States of America
- (72) Name(s) of Designer(s): **Kevin J. Tarter and Byron N. Loibl and Daniel E. DeBrunner**
- (45) Registration Date: **18 August 2010**
- (30) Convention priority data:

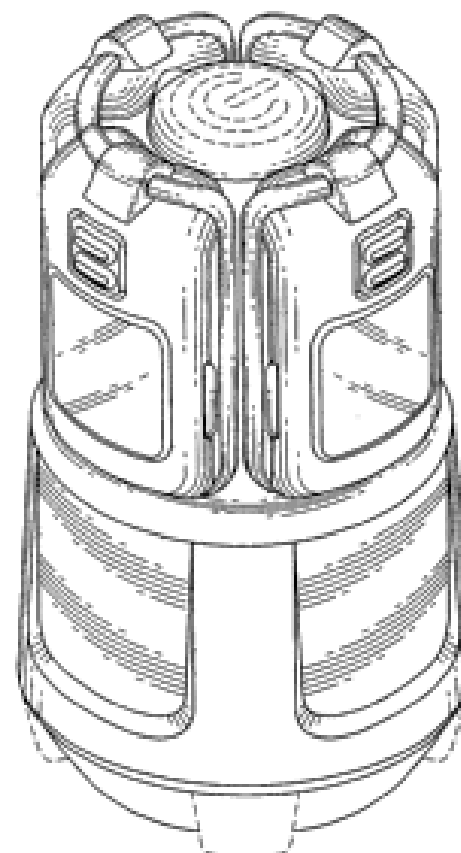
(31) Number	(32) Date	(33) Country
29/354720	27 Jan 2010	UNITED STATES OF AMERICA
- (56) Related Art Documents: **Not Applicable**
- (57) Statement of Newness and Distinctiveness: **Newness and distinctiveness resides in the visual features of a BATTERY PACK as shown in solid outline in the accompanying drawings. When determining whether the design is substantially similar in overall impression to another design, no regard is to be had to those features shown in dotted outline in the accompanying drawings, which features are provided for illustrative purposes only.**



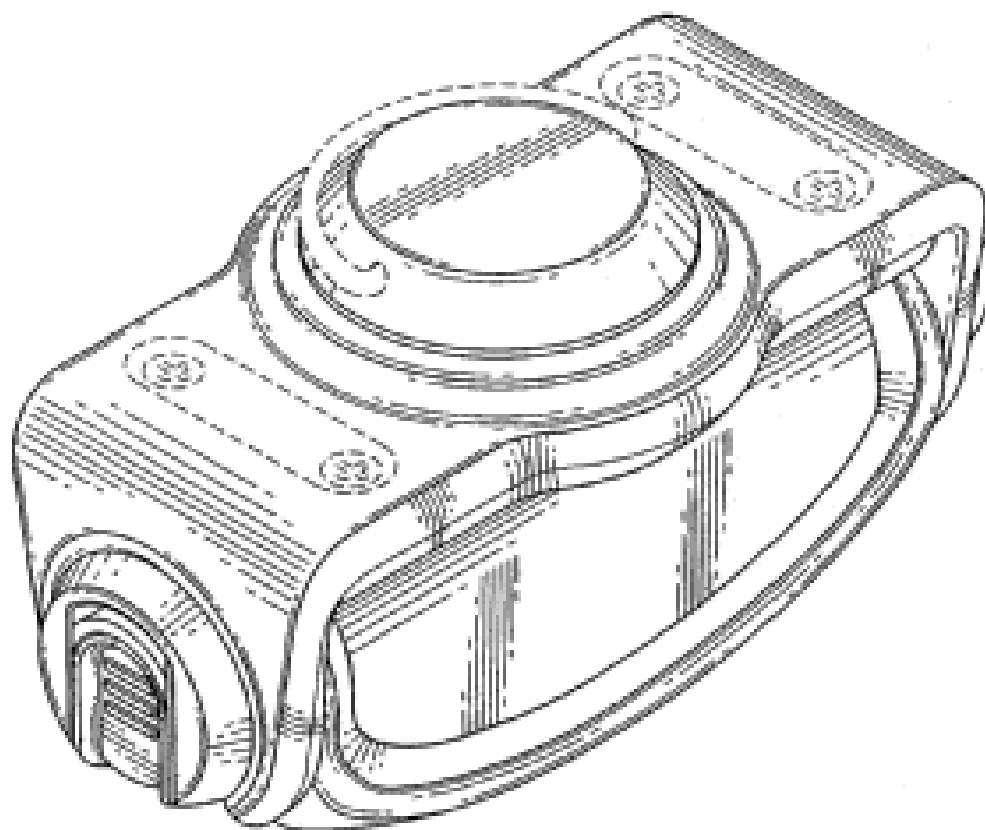
(19) AU

- (21) Design Number: **13118/2010**
- (22) Date of Filing Application: **26 July 2010**
- (24) Date from which industrial property rights may have effect: **26 July 2010**
- (54) Product in respect of which the design is registered: **Light**
- (51) International Design Classification: **26-03**
- (71) Name(s) and Address(s) of Applicant(s):
The Coleman Company, Inc.
3600 North Hydraulic Wichita KS 67219 United States of America
- (72) Name(s) of Designer(s): **Byron N. Loibl**
- (45) Registration Date: **18 August 2010**
- (30) Convention priority data:

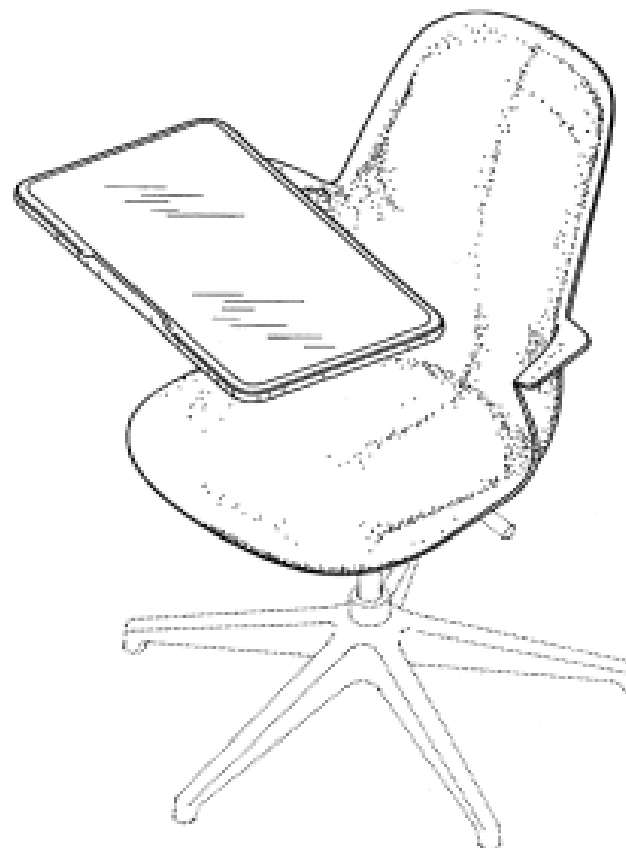
(31) Number	(32) Date	(33) Country
29/354722	27 Jan 2010	UNITED STATES OF AMERICA
- (56) Related Art Documents: **Not Applicable**
- (57) Statement of Newness and Distinctiveness: **Newness and distinctiveness resides in the visual features of a LIGHT as shown in solid outline in the accompanying drawings. When determining whether the design is substantially similar in overall impression to another design, no regard is to be had to those features shown in dotted outline in the accompanying drawings, which features are provided for illustrative purposes only.**



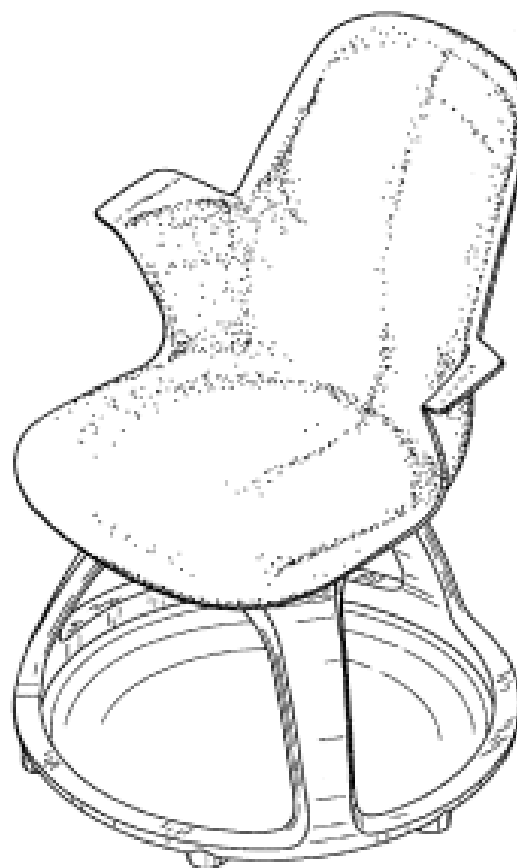
(21) Design Number: **13120/2010**
 (22) Date of Filing Application: **26 July 2010**
 (24) Date from which industrial property rights may have effect: **26 July 2010**
 (54) Product in respect of which the design is registered: **Tent light**
 (51) International Design Classification: **26-03**
 (71) Name(s) and Address(s) of Applicant(s):
The Coleman Company, Inc.
3600 North Hydraulic Wichita KS 67219 United States of America
 (72) Name(s) of Designer(s): **Daniel E. DeBrunner**
 (45) Registration Date: **18 August 2010**
 (30) Convention priority data:
 (31) Number (32) Date (33) Country
29/354731 27 Jan 2010 UNITED STATES OF AMERICA
 (56) Related Art Documents: **Not Applicable**
 (57) Statement of Newness and Distinctiveness: **Newness and distinctiveness resides in the visual features of a TENT LIGHT as shown in solid outline in the accompanying drawings. When determining whether the design is substantially similar in overall impression to another design, no regard is to be had to those features shown in dotted outline in the accompanying drawings, which features are provided for illustrative purposes only.**



(21) Design Number: **13121/2010**
 (22) Date of Filing Application: **26 July 2010**
 (24) Date from which industrial property rights may have effect: **26 July 2010**
 (54) Product in respect of which the design is registered: **Seating unit**
 (51) International Design Classification: **06-01NES**
 (71) Name(s) and Address(s) of Applicant(s):
Steelcase Inc.
901 44th Street S.E. PO Box 1967 Grand Rapids MI 49508 United States of America
 (72) Name(s) of Designer(s): **Sean M. Corcorran and Thomas Overthun and Elger Oberweiz and David J. Battey and Nikolaus William Charles Deevers and Keith Robert Machin and James N. Ludwig**
 (45) Registration Date: **18 August 2010**
 (30) Convention priority data:
 (31) Number (32) Date (33) Country
29/355,013 01 Feb 2010 UNITED STATES OF AMERICA
 (56) Related Art Documents: **Not Applicable**
 (57) Statement of Newness and Distinctiveness: **The newness and distinctiveness of the design resides in the features of pattern, ornamentation, shape and/or configuration shown in unbroken lines in the accompanying representations.**



- (21) Design Number: **13122/2010**
(22) Date of Filing Application: **26 July 2010**
(24) Date from which industrial property rights may have effect: **26 July 2010**
(54) Product in respect of which the design is registered: **Seating unit**
(51) International Design Classification: **06-01NES**
(71) Name(s) and Address(s) of Applicant(s):
Steelcase Inc.
901 44th Street S.E. PO Box 1967 Grand Rapids MI 49508 United States of America
(72) Name(s) of Designer(s): **Sean M. Corcorran and Thomas Overthun and Elger Oberweiz and David J. Battey and Nikolaus William Charles Deevers and Keith Robert Machin and James N. Ludwig**
(45) Registration Date: **18 August 2010**
(30) Convention priority data:
(31) Number (32) Date (33) Country
29/355,008 01 Feb 2010 UNITED STATES OF AMERICA
(56) Related Art Documents: **Not Applicable**
(57) Statement of Newness and Distinctiveness: **Nil**



- (21) Design Number: **13266/2010**
(22) Date of Filing Application: **03 August 2010**
(24) Date from which industrial property rights may have effect: **03 August 2010**
(54) Product in respect of which the design is registered: **Low chair**
(51) International Design Classification: **06-01L**
(71) Name(s) and Address(s) of Applicant(s):
Chris Hardy
PO Box 450 Mitchell ACT 2617 Australia
(72) Name(s) of Designer(s): **Chris Hardy**
(45) Registration Date: **18 August 2010**
(56) Related Art Documents: **Not Applicable**
(57) Statement of Newness and Distinctiveness: **Nil**



(21) Design Number: 12739/2010

(22) Date of Filing Application: 06 July 2010

(24) Date from which industrial property rights may have effect: 06 July 2010

(54) Product in respect of which the design is registered: Furniture

(51) International Design Classification: 06-02

(71) Name(s) and Address(s) of Applicant(s):

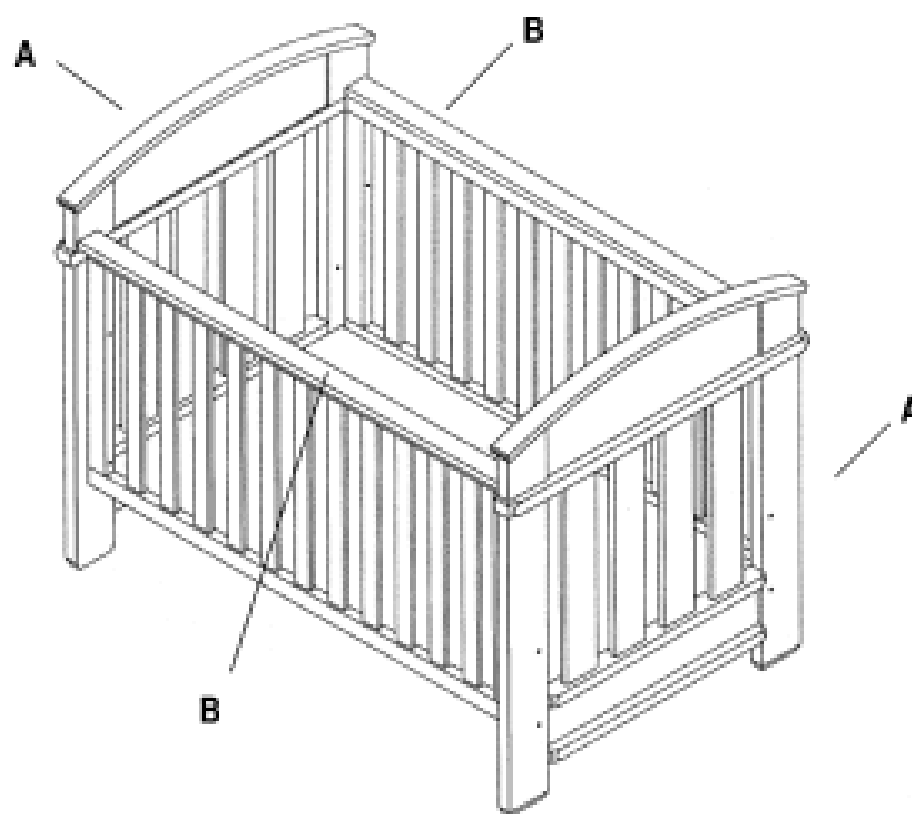
Boori International Pty Ltd
18-20 Charles Street St Marys New South Wales 2760 Australia

(72) Name(s) of Designer(s): Justin Chui

(45) Registration Date: 18 August 2010

(56) Related Art Documents: Not Applicable

(57) Statement of Newness and Distinctiveness: **Newness and distinctiveness of design is claimed in the features of shape and configuration applicable to an item of furniture. In considering the scope of the design registration, particular regard should be had to the end portions marked as A in the representations, and the top rails of the side portions marked as B in the representations.**



(21) Design Number: 13520/2010

(22) Date of Filing Application: 06 July 2010

(24) Date from which industrial property rights may have effect: 06 July 2010

(54) Product in respect of which the design is registered: Furniture

(51) International Design Classification: 06-02

(71) Name(s) and Address(s) of Applicant(s):

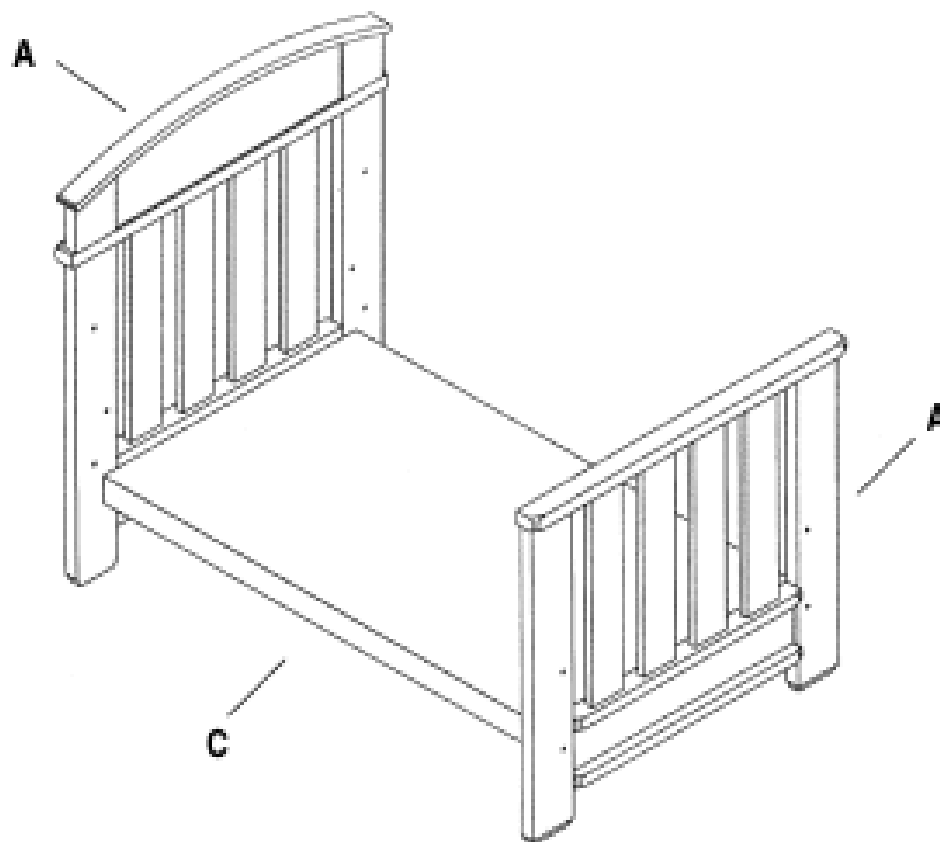
Boori International Pty Ltd
18-20 Charles Street St Marys New South Wales 2760 Australia

(72) Name(s) of Designer(s): Justin Chui

(45) Registration Date: 18 August 2010

(56) Related Art Documents: Not Applicable

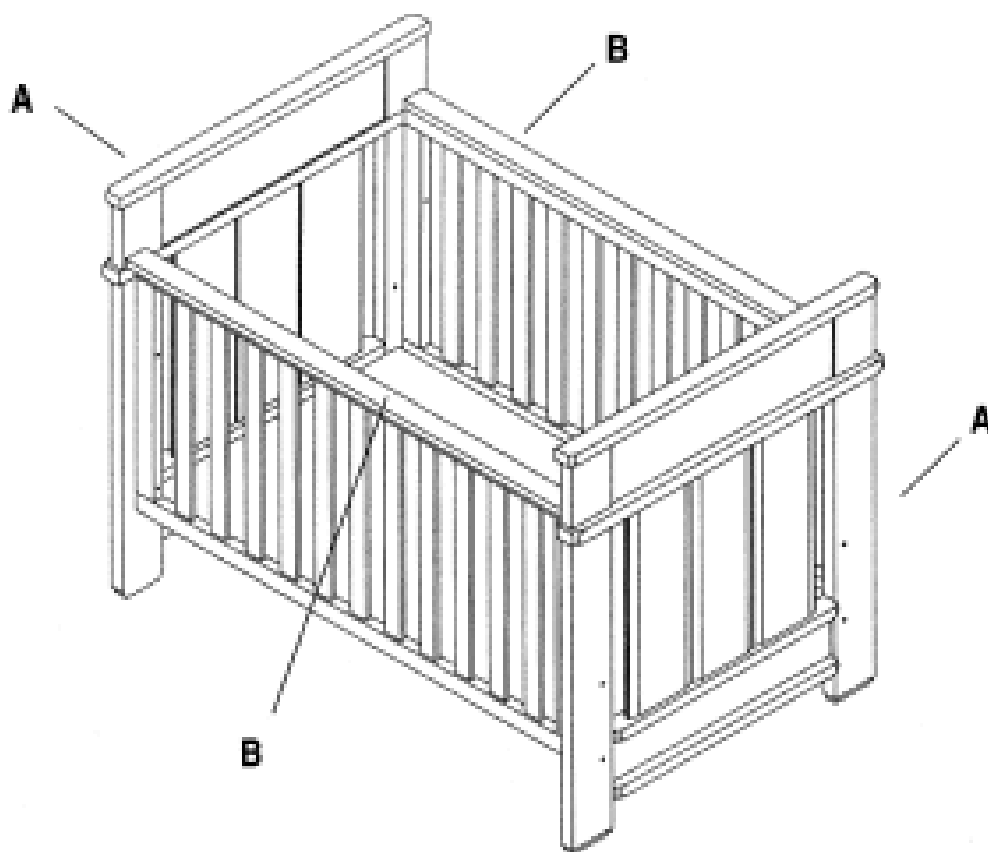
(57) Statement of Newness and Distinctiveness: **Newness and distinctiveness of the design is claimed in the features of shape and configuration applicable to an item of furniture. In considering the scope of the design registration, particular regard should be had to the end portions marked as A in the representations, and no regard should be had to the base portion marked as C in the representations. For example, the end portions marked as A are to be considered in assessing the overall impression of the design and it is irrelevant if the base portion marked as C is slatted, or a solid base, or of a larger or a smaller size.**



- (21) Design Number: **12740/2010**
- (22) Date of Filing Application: **06 July 2010**
- (24) Date from which industrial property rights may have effect: **06 July 2010**
- (54) Product in respect of which the design is registered: **Furniture**
- (51) International Design Classification: **06-02**
- (71) Name(s) and Address(s) of Applicant(s):

Boori International Pty Ltd
18-20 Charles Street St Marys New South Wales 2760 Australia

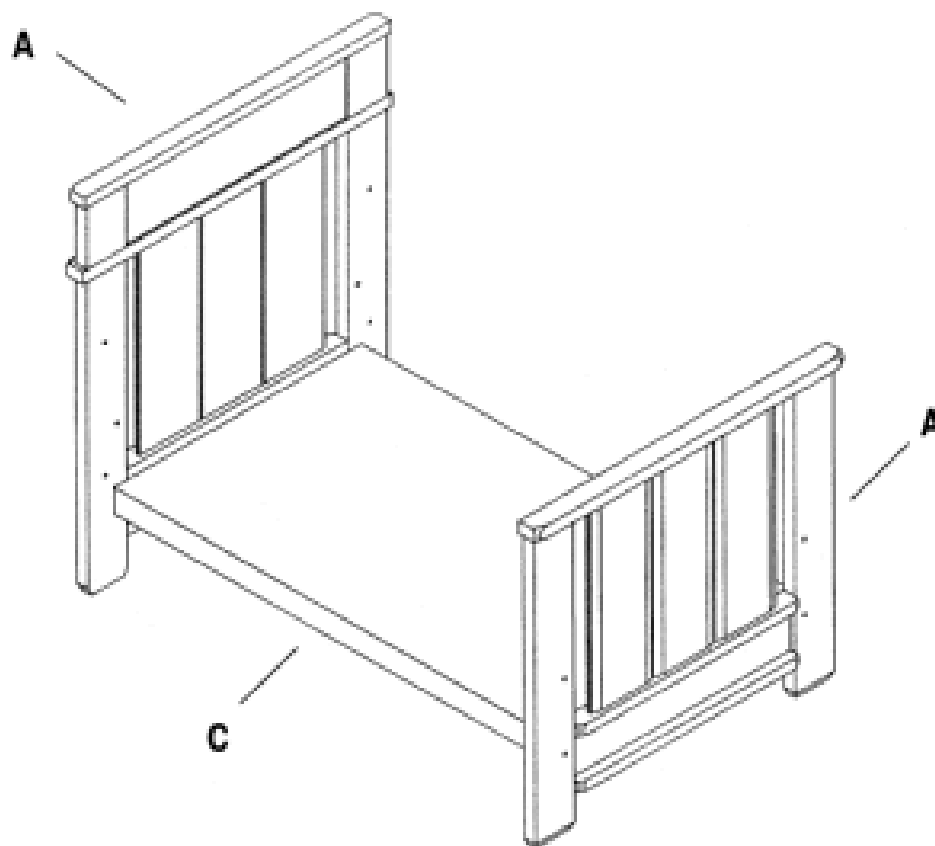
- (72) Name(s) of Designer(s): **Justin Chui**
- (45) Registration Date: **18 August 2010**
- (56) Related Art Documents: **Not Applicable**
- (57) Statement of Newness and Distinctiveness: **Newness and distinctiveness of design is claimed in the features of shape and configuration applicable to an item of furniture. In considering the scope of the design registration, particular regard should be had to the end portions marked as A in the representations, and the top rails of the side portions marked as B in the representations.**



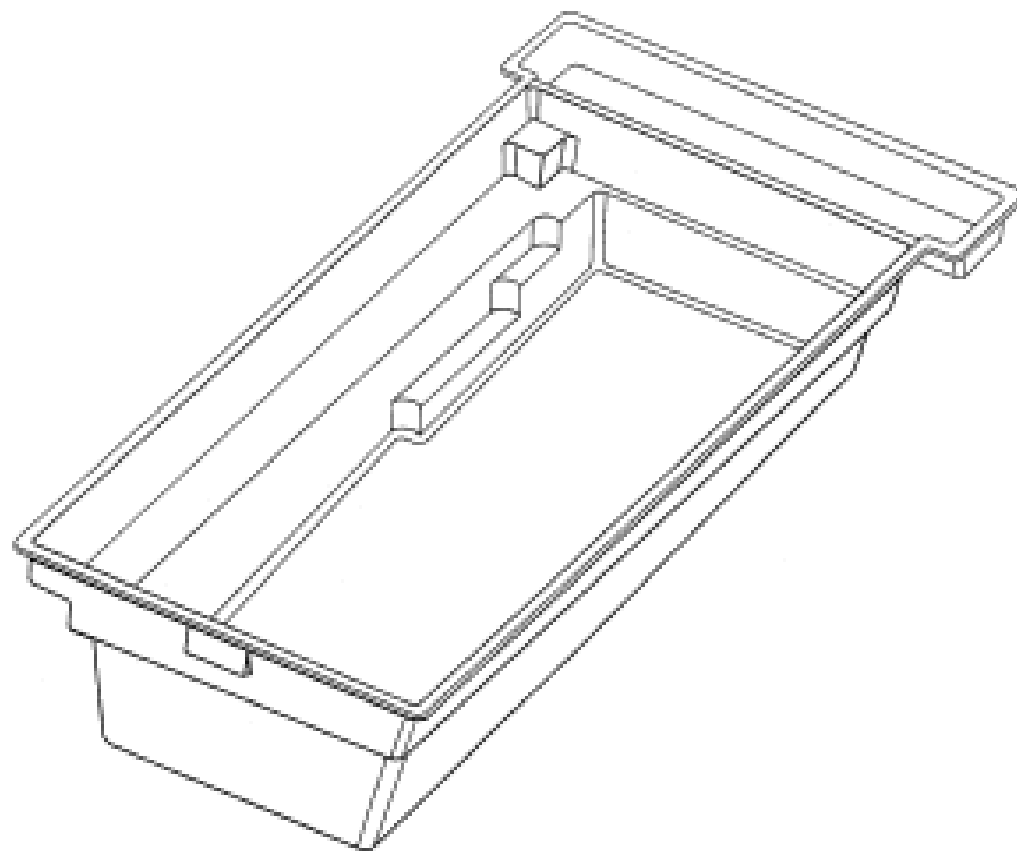
- (21) Design Number: **13521/2010**
- (22) Date of Filing Application: **06 July 2010**
- (24) Date from which industrial property rights may have effect: **06 July 2010**
- (54) Product in respect of which the design is registered: **Furniture**
- (51) International Design Classification: **06-02**
- (71) Name(s) and Address(s) of Applicant(s):

Boori International Pty Ltd
18-20 Charles Street St Marys New South Wales 2760 Australia

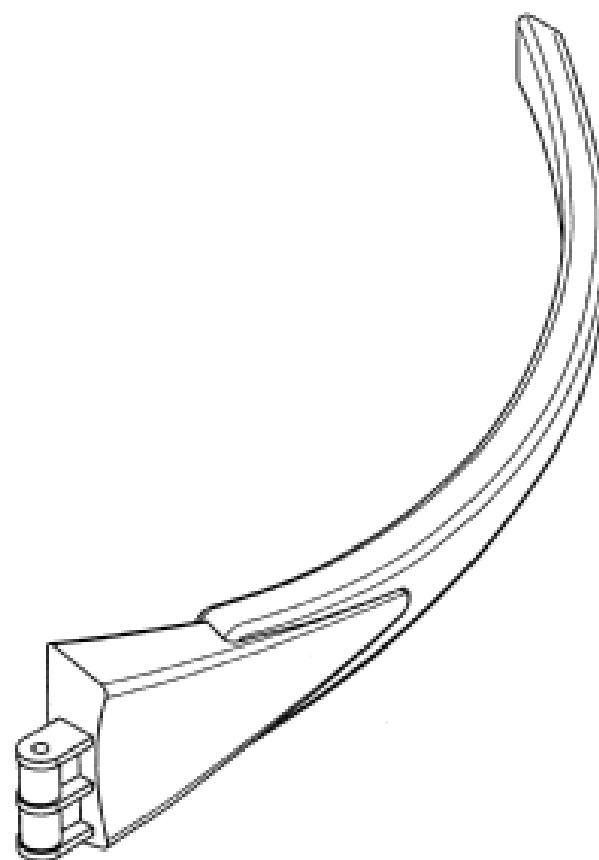
- (72) Name(s) of Designer(s): **Justin Chui**
- (45) Registration Date: **18 August 2010**
- (56) Related Art Documents: **Not Applicable**
- (57) Statement of Newness and Distinctiveness: **Newness and distinctiveness of the design is claimed in the features of shape and configuration applicable to an item of furniture. In considering the scope of the design registration, particular regard should be had to the end portions marked as A in the representations, and no regard should be had to the base portion marked as C in the representations. For example, the end portions marked as A are to be considered in assessing the overall impression of the design and it is irrelevant if the base portion marked as C is slatted, or a solid base, or of a larger or a smaller size.**



- (21) Design Number: **13166/2010**
(22) Date of Filing Application: **27 July 2010**
(24) Date from which industrial property rights may have effect: **27 July 2010**
(54) Product in respect of which the design is registered: **Swimming pool and roller cover box**
(51) International Design Classification: **25-03**
(71) Name(s) and Address(s) of Applicant(s):
Leisure Pools and Spas Manufacturing Pty Ltd
6 Computer Road Yatala Queensland 4207 Australia
(72) Name(s) of Designer(s): **Kerry Pain**
(45) Registration Date: **18 August 2010**
(56) Related Art Documents: **Not Applicable**
(57) Statement of Newness and Distinctiveness: **The newness and distinctiveness of the design resides in the shape and/or configuration of the swimming pool and roller cover box shown in the representations.**



- (21) Design Number: **12656/2010**
(22) Date of Filing Application: **29 June 2010**
(24) Date from which industrial property rights may have effect: **29 June 2010**
(54) Product in respect of which the design is registered: **Temple for viewing 3D glasses**
(51) International Design Classification: **16-06**
(71) Name(s) and Address(s) of Applicant(s):
X6D Ltd
199 Arch Makarios III Avenue Limassol 3030 Cyprus
(72) Name(s) of Designer(s): **Miha Dolinar and Jure Bezgovsek**
(45) Registration Date: **18 August 2010**
(30) Convention priority data:
(31) Number (32) Date (33) Country
29/353236 05 Jan 2010 UNITED STATES OF AMERICA
(56) Related Art Documents: **Not Applicable**
(57) Statement of Newness and Distinctiveness: **Newness and distinctiveness is claimed in the visual features shown in solid lines in the representations.**



(21) Design Number: **13016/2010**
(22) Date of Filing Application: **21 July 2010**
(24) Date from which industrial property rights may have effect: **21 July 2010**
(54) Product in respect of which the design is registered: **Mounting adapter**
(51) International Design Classification: **08-08L**
(71) Name(s) and Address(s) of Applicant(s):

Railblaza Limited
6 Tavern Road Silverdale Auckland 0932 New Zealand

(72) Name(s) of Designer(s): **Ross Gregory Pratt**

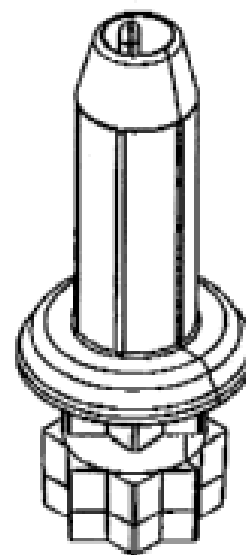
(45) Registration Date: **19 August 2010**

(30) Convention priority data:

(31) Number	(32) Date	(33) Country
413238	26 Jan 2010	NEW ZEALAND

(56) Related Art Documents: **Not Applicable**

(57) Statement of Newness and Distinctiveness: **Nil**



(21) Design Number: **13017/2010**
(22) Date of Filing Application: **20 July 2010**
(24) Date from which industrial property rights may have effect: **20 July 2010**
(54) Product in respect of which the design is registered: **Container**
(51) International Design Classification: **07-01NES**
(71) Name(s) and Address(s) of Applicant(s):

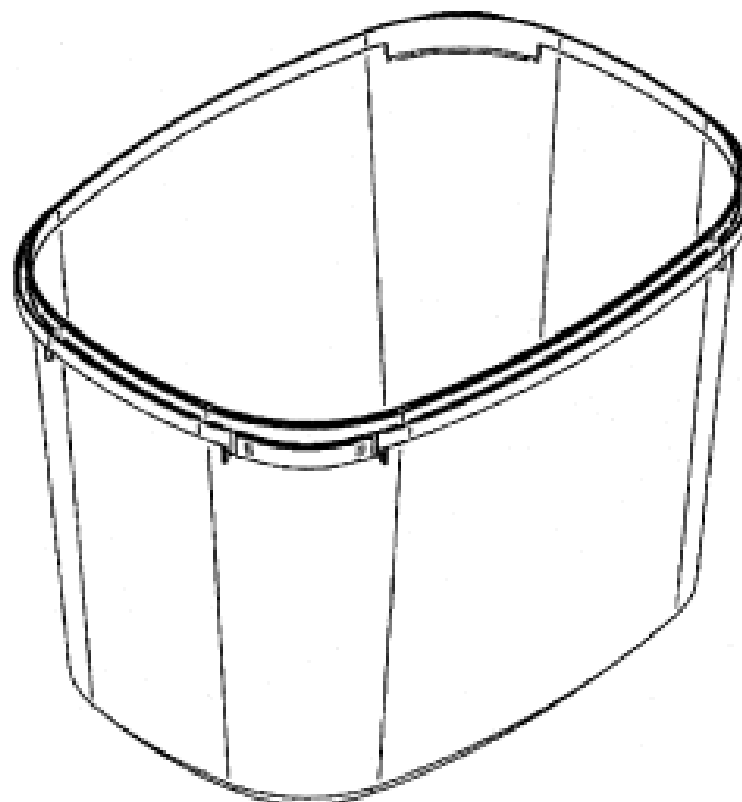
Alto Manufacturing Pty Ltd
225 Wellington Road Mulgrave Victoria 3170 Australia

(72) Name(s) of Designer(s): **Ian Janetzki and Paul Daffurn**

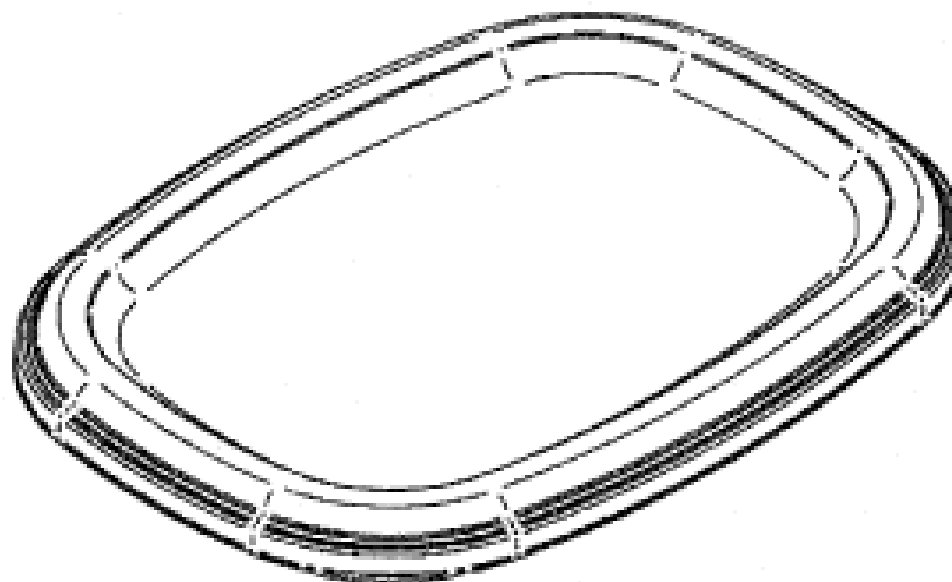
(45) Registration Date: **19 August 2010**

(56) Related Art Documents: **Not Applicable**

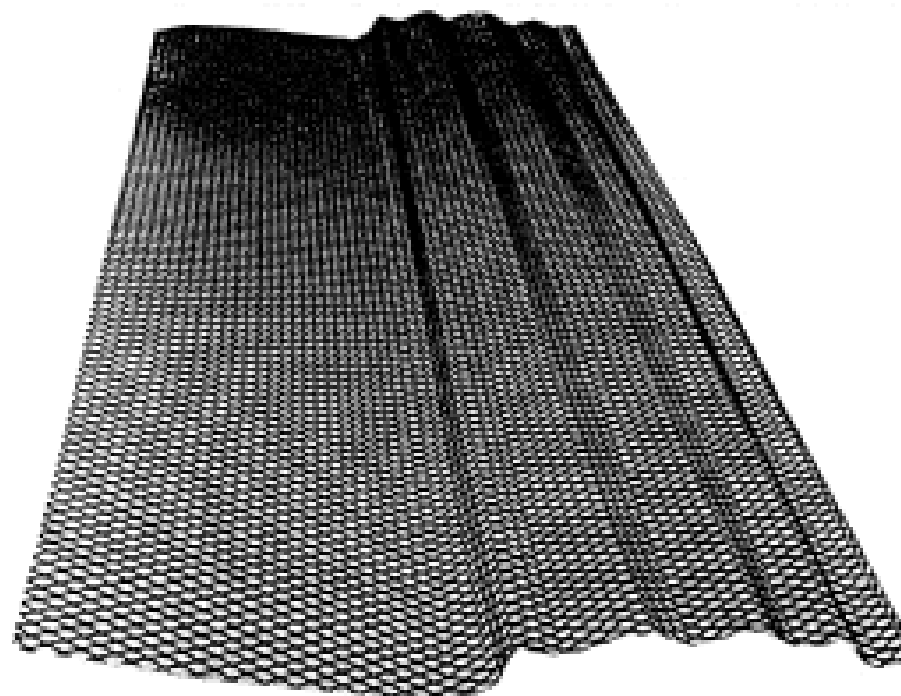
(57) Statement of Newness and Distinctiveness: **Nil**



- (21) Design Number: **13018/2010**
(22) Date of Filing Application: **20 July 2010**
(24) Date from which industrial property rights may have effect: **20 July 2010**
(54) Product in respect of which the design is registered: **Container lid**
(51) International Design Classification: **07-01NES**
(71) Name(s) and Address(s) of Applicant(s):
Alto Manufacturing Pty Ltd
225 Wellington Road Mulgrave Victoria 3170 Australia
(72) Name(s) of Designer(s): **Ian Janetzki and Paul Daffurn**
(45) Registration Date: **19 August 2010**
(56) Related Art Documents: **Not Applicable**
(57) Statement of Newness and Distinctiveness: **Nil**



- (21) Design Number: **13019/2010**
(22) Date of Filing Application: **22 July 2010**
(24) Date from which industrial property rights may have effect: **22 July 2010**
(54) Product in respect of which the design is registered: **Gutter guard**
(51) International Design Classification: **23-01L**
(71) Name(s) and Address(s) of Applicant(s):
Aussie Gutter Mate Pty Ltd
1163 Sandgate Road Nundah Queensland 4012 Australia
(72) Name(s) of Designer(s): **John McAndrew**
(45) Registration Date: **19 August 2010**
(56) Related Art Documents: **Not Applicable**
(57) Statement of Newness and Distinctiveness: **Outer section is of corrugated profile. Diamond mesh pattern runs across the profile.**



(21) Design Number: **13020/2010**

(22) Date of Filing Application: **21 July 2010**

(24) Date from which industrial property rights may have effect: **21 July 2010**

(54) Product in respect of which the design is registered: **Tyre**

(51) International Design Classification: **12-15C**

(71) Name(s) and Address(s) of Applicant(s):

**Continental Reifen Deutschland GmbH
Vahrenwalderstrasse 9 30165 Hannover Germany**

(72) Name(s) of Designer(s): **Qiao Xu**

(45) Registration Date: **19 August 2010**

(30) Convention priority data:

(31) Number	(32) Date	(33) Country
001699984	26 Apr 2010	EUROPEAN COMMUNITY

(56) Related Art Documents: **Not Applicable**

(57) Statement of Newness and Distinctiveness: **Newness and distinctiveness resides in the visual features, including shape, configuration and pattern, of a tread for a TYRE as shown in the accompanying representations.**



(21) Design Number: **13021/2010**

(22) Date of Filing Application: **21 July 2010**

(24) Date from which industrial property rights may have effect: **21 July 2010**

(54) Product in respect of which the design is registered: **Support**

(51) International Design Classification: **08-08L**

(71) Name(s) and Address(s) of Applicant(s):

**Railblaza Limited
6 Tavern Road Silverdale Auckland 0932 New Zealand**

(72) Name(s) of Designer(s): **Ross Gregory Pratt**

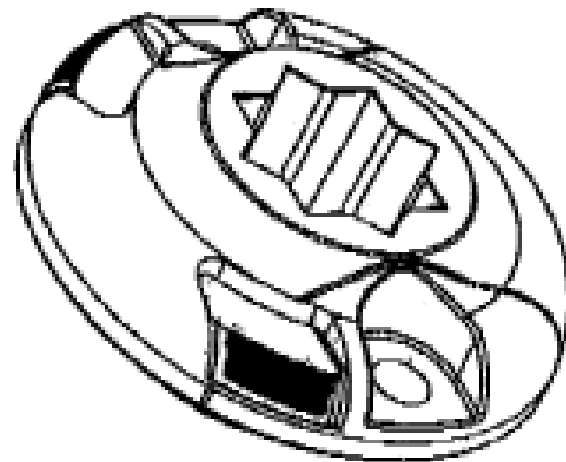
(45) Registration Date: **19 August 2010**

(30) Convention priority data:

(31) Number	(32) Date	(33) Country
413243	26 Jan 2010	NEW ZEALAND

(56) Related Art Documents: **Not Applicable**

(57) Statement of Newness and Distinctiveness: **Nil**



(21) Design Number: **13083/2010**

(22) Date of Filing Application: **23 July 2010**

(24) Date from which industrial property rights may have effect: **23 July 2010**

(54) Product in respect of which the design is registered:
Chocolate/Confectionery

(51) International Design Classification: **01-01**

(71) Name(s) and Address(s) of Applicant(s):

Mars, Incorporated

6885 Elm Street McLean Virginia 22101 United States of America

(72) Name(s) of Designer(s): **Brent A. Anderson and Kelli Babich and Jason Greer**

(45) Registration Date: **19 August 2010**

(30) Convention priority data:

(31) Number

(32) Date

(33) Country

29/357,973

19 Mar 2010

UNITED STATES OF AMERICA

(56) Related Art Documents: **Not Applicable**

(57) Statement of Newness and Distinctiveness: **Nil**



(21) Design Number: **13086/2010**

(22) Date of Filing Application: **23 July 2010**

(24) Date from which industrial property rights may have effect: **23 July 2010**

(54) Product in respect of which the design is registered: **An interior vehicle door panel with rectangular recesses**

(51) International Design Classification: **12-16B**

(71) Name(s) and Address(s) of Applicant(s):

Grant Moddejongen

551 Hawkesbury Road Anstead Queensland 4070 Australia

(72) Name(s) of Designer(s): **Grant Moddejongen**

(45) Registration Date: **19 August 2010**

(56) Related Art Documents: **Not Applicable**

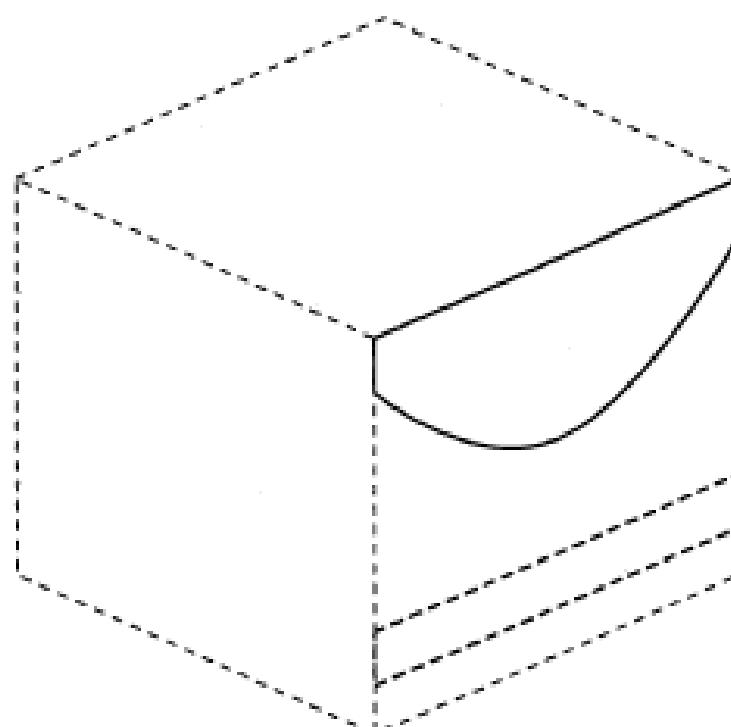
(57) Statement of Newness and Distinctiveness: **The shape and configuration of an interior vehicle door panel as illustrated in the accompanying representations.**



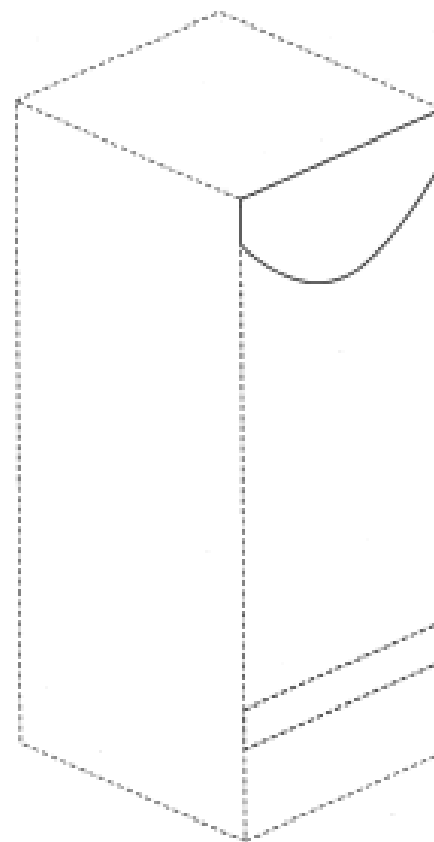
- (21) Design Number: **13087/2010**
(22) Date of Filing Application: **23 July 2010**
(24) Date from which industrial property rights may have effect: **23 July 2010**
(54) Product in respect of which the design is registered: **An interior vehicle door panel with circular recesses**
(51) International Design Classification: **12-16B**
(71) Name(s) and Address(s) of Applicant(s):
Grant Moddejongen
551 Hawkesbury Road Anstead Queensland 4070 Australia
(72) Name(s) of Designer(s): **Grant Moddejongen**
(45) Registration Date: **19 August 2010**
(56) Related Art Documents: **Not Applicable**
(57) Statement of Newness and Distinctiveness: **The shape and configuration of an interior vehicle door panel as illustrated in the accompanying representations.**



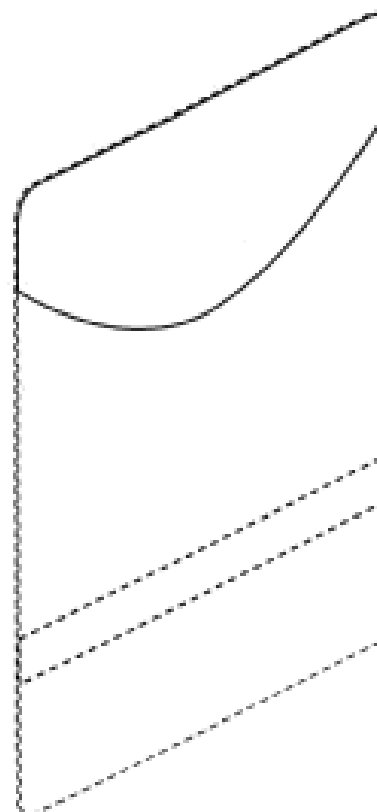
- (21) Design Number: **13092/2010**
(22) Date of Filing Application: **23 July 2010**
(24) Date from which industrial property rights may have effect: **23 July 2010**
(54) Product in respect of which the design is registered: **Packaging container with surface ornamentation**
(51) International Design Classification: **09-03M**
(71) Name(s) and Address(s) of Applicant(s):
The Procter & Gamble Company
One Procter & Gamble Plaza Cincinnati Ohio 45202 United States of America
(72) Name(s) of Designer(s): **Andrea Subler and Joseph Bohache and Aaron Burghard**
(45) Registration Date: **19 August 2010**
(30) Convention priority data:
(31) Number (32) Date (33) Country
29/354,434 25 Jan 2010 UNITED STATES OF AMERICA
(56) Related Art Documents: **Not Applicable**
(57) Statement of Newness and Distinctiveness: **Those features of the packaging for a container with surface ornamentation depicted in the representations that are new and distinctive are shape and/or configuration and/or ornamentation. The features shown in broken line are not part of the design and are to be disregarded when considering the overall impression of the design.**



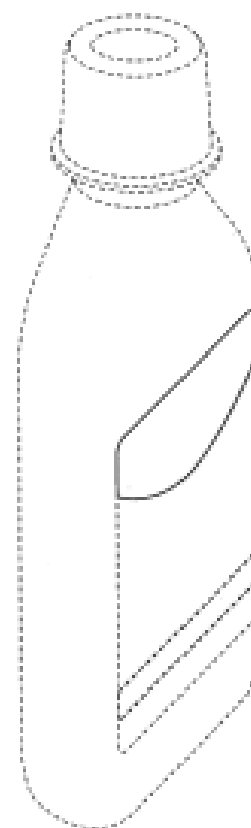
- (21) Design Number: **13093/2010**
(22) Date of Filing Application: **23 July 2010**
(24) Date from which industrial property rights may have effect: **23 July 2010**
(54) Product in respect of which the design is registered: **Packaging container with surface ornamentation**
(51) International Design Classification: **09-03M**
(71) Name(s) and Address(s) of Applicant(s):
The Procter & Gamble Company
One Procter & Gamble Plaza Cincinnati Ohio 45202 United States of America
(72) Name(s) of Designer(s): **Andrea Subler and Joseph Bohache and Aaron Burghard**
(45) Registration Date: **19 August 2010**
(30) Convention priority data:
(31) Number (32) Date (33) Country
29/354,434 25 Jan 2010 UNITED STATES OF AMERICA
(56) Related Art Documents: **Not Applicable**
(57) Statement of Newness and Distinctiveness: **Those features of the packaging for a container with surface ornamentation depicted in the representations that are new and distinctive are shape and/or configuration and/or ornamentation. The features shown in broken line are not part of the design and are to be disregarded when considering the overall impression of the design.**



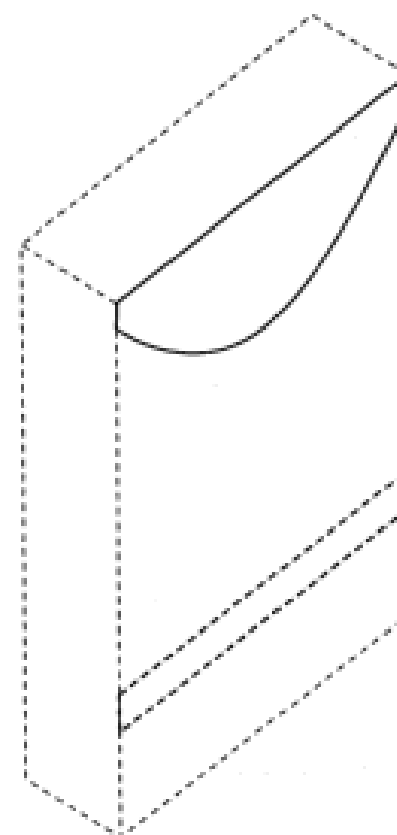
- (21) Design Number: **13094/2010**
(22) Date of Filing Application: **23 July 2010**
(24) Date from which industrial property rights may have effect: **23 July 2010**
(54) Product in respect of which the design is registered: **Packaging container with surface ornamentation**
(51) International Design Classification: **09-03M**
(71) Name(s) and Address(s) of Applicant(s):
The Procter & Gamble Company
One Procter & Gamble Plaza Cincinnati Ohio 45202 United States of America
(72) Name(s) of Designer(s): **Andrea Subler and Joseph Bohache and Aaron Burghard**
(45) Registration Date: **19 August 2010**
(30) Convention priority data:
(31) Number (32) Date (33) Country
29/354,434 25 Jan 2010 UNITED STATES OF AMERICA
(56) Related Art Documents: **Not Applicable**
(57) Statement of Newness and Distinctiveness: **Those features of the packaging for a container with surface ornamentation depicted in the representations that are new and distinctive are shape and/or configuration and/or ornamentation. The features shown in broken line are not part of the design and are to be disregarded when considering the overall impression of the design.**



- (21) Design Number: **13095/2010**
(22) Date of Filing Application: **23 July 2010**
(24) Date from which industrial property rights may have effect: **23 July 2010**
(54) Product in respect of which the design is registered: **Packaging container with surface ornamentation**
(51) International Design Classification: **09-03M**
(71) Name(s) and Address(s) of Applicant(s):
The Procter & Gamble Company
One Procter & Gamble Plaza Cincinnati Ohio 45202 United States of America
(72) Name(s) of Designer(s): **Andrea Subler and Joseph Bohache and Aaron Burghard**
(45) Registration Date: **19 August 2010**
(30) Convention priority data:
(31) Number (32) Date (33) Country
29/354,435 25 Jan 2010 UNITED STATES OF AMERICA
(56) Related Art Documents: **Not Applicable**
(57) Statement of Newness and Distinctiveness: **Those features of the packaging for a container with surface ornamentation depicted in the representations that are new and distinctive are shape and/or configuration and/or ornamentation. The features shown in broken line are not part of the design and are to be disregarded when considering the overall impression of the design.**



- (21) Design Number: **13096/2010**
(22) Date of Filing Application: **23 July 2010**
(24) Date from which industrial property rights may have effect: **23 July 2010**
(54) Product in respect of which the design is registered: **Packaging container with surface ornamentation**
(51) International Design Classification: **09-03M**
(71) Name(s) and Address(s) of Applicant(s):
The Procter & Gamble Company
One Procter & Gamble Plaza Cincinnati Ohio 45202 United States of America
(72) Name(s) of Designer(s): **Andrea Subler and Joseph Bohache and Aaron Burghard**
(45) Registration Date: **19 August 2010**
(30) Convention priority data:
(31) Number (32) Date (33) Country
29/354,435 25 Jan 2010 UNITED STATES OF AMERICA
(56) Related Art Documents: **Not Applicable**
(57) Statement of Newness and Distinctiveness: **Those features of the packaging for a container with surface ornamentation depicted in the representations that are new and distinctive are shape and/or configuration and/or ornamentation. The features shown in broken line are not part of the design and are to be disregarded when considering the overall impression of the design.**



(21) Design Number: **13097/2010**

(22) Date of Filing Application: **23 July 2010**

(24) Date from which industrial property rights may have effect: **23 July 2010**

(54) Product in respect of which the design is registered: **Packaging container with surface ornamentation**

(51) International Design Classification: **09-03M**

(71) Name(s) and Address(s) of Applicant(s):

**The Procter & Gamble Company
One Procter & Gamble Plaza Cincinnati Ohio 45202 United States of America**

(72) Name(s) of Designer(s): **Andrea Subler and Joseph Bohache and Aaron Burghard**

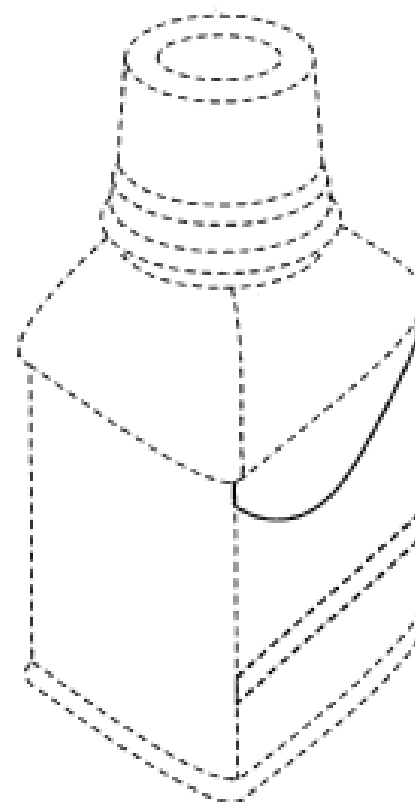
(45) Registration Date: **19 August 2010**

(30) Convention priority data:

(31) Number	(32) Date	(33) Country
29/354,438	25 Jan 2010	UNITED STATES OF AMERICA

(56) Related Art Documents: **Not Applicable**

(57) Statement of Newness and Distinctiveness: **Those features of the packaging for a container with surface ornamentation depicted in the representations that are new and distinctive are shape and/or configuration and/or ornamentation. The features shown in broken line are not part of the design and are to be disregarded when considering the overall impression of the design.**



(21) Design Number: **12326/2010**

(22) Date of Filing Application: **07 June 2010**

(24) Date from which industrial property rights may have effect: **07 June 2010**

(54) Product in respect of which the design is registered: **Tie**

(51) International Design Classification: **02-05**

(71) Name(s) and Address(s) of Applicant(s):

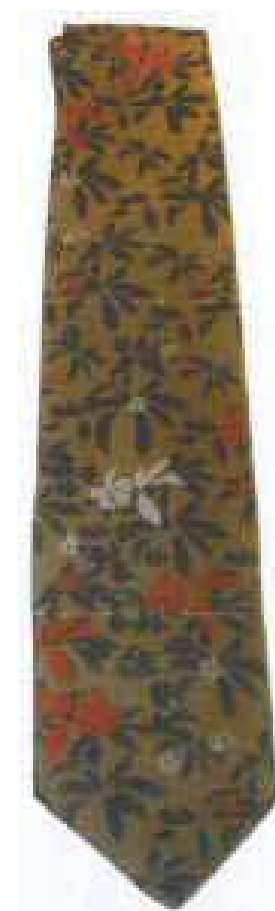
**Emporium Hotels Pty Ltd
1000 Ann Street Fortitude Valley Queensland 4006 Australia**

(72) Name(s) of Designer(s): **Francine John**

(45) Registration Date: **19 August 2010**

(56) Related Art Documents: **Not Applicable**

(57) Statement of Newness and Distinctiveness: **Frangipani flower design in Emporium Hotel corporate colours. This design was created for staff uniforms.**



(21) Design Number: **12491/2010**

(22) Date of Filing Application: **17 June 2010**

(24) Date from which industrial property rights may have effect: **17 June 2010**

(54) Product in respect of which the design is registered: **Container**

(51) International Design Classification: **09-03L**

(71) Name(s) and Address(s) of Applicant(s):

The Procter & Gamble Company
One Procter & Gamble Plaza Cincinnati Ohio 45202 United States of America

(72) Name(s) of Designer(s): **Frank Delmar Macaulay and Nancy W. Andrew**

(45) Registration Date: **19 August 2010**

(30) Convention priority data:

(31) Number	(32) Date	(33) Country
29/352,167	17 Dec 2009	UNITED STATES OF AMERICA

(56) Related Art Documents: **Not Applicable**

(57) Statement of Newness and Distinctiveness: **Those features of the container depicted in the representations that are new and distinctive are the pattern and/or ornamentation. The pattern and/or ornamentation may be in any colour or colours but not limited to a particular colour or colours. The features shown in broken lines are not part of the design and are to be disregarded when considering the overall impression of the design.**



(21) Design Number: **13525/2010**

(22) Date of Filing Application: **17 June 2010**

(24) Date from which industrial property rights may have effect: **17 June 2010**

(54) Product in respect of which the design is registered: **Container**

(51) International Design Classification: **09-03L**

(71) Name(s) and Address(s) of Applicant(s):

The Procter & Gamble Company
One Procter & Gamble Plaza Cincinnati Ohio 45202 United States of America

(72) Name(s) of Designer(s): **Frank Delmar Macaulay and Nancy W. Andrew**

(45) Registration Date: **19 August 2010**

(30) Convention priority data:

(31) Number	(32) Date	(33) Country
29/352,167	17 Dec 2009	UNITED STATES OF AMERICA

(56) Related Art Documents: **Not Applicable**

(57) Statement of Newness and Distinctiveness: **Those features of the container depicted in the representations that are new and distinctive are the pattern and/or ornamentation. The pattern and/or ornamentation may be in any colour or colours but not limited to a particular colour or colours. The features shown in broken lines are not part of the design and are to be disregarded when considering the overall impression of the design.**



(21) Design Number: **12492/2010**

(22) Date of Filing Application: **17 June 2010**

(24) Date from which industrial property rights may have effect: **17 June 2010**

(54) Product in respect of which the design is registered: **Container**

(51) International Design Classification: **09-03L**

(71) Name(s) and Address(s) of Applicant(s):

The Procter & Gamble Company
One Procter & Gamble Plaza Cincinnati Ohio 45202 United States of America

(72) Name(s) of Designer(s): **Frank Delmar Macaulay and Nancy W. Andrew**

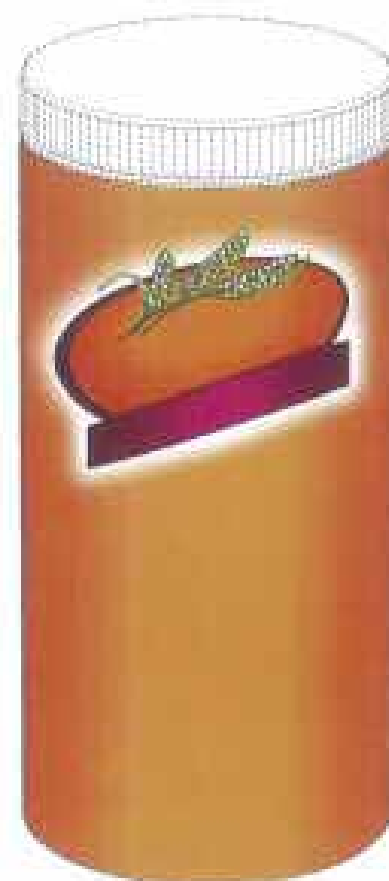
(45) Registration Date: **19 August 2010**

(30) Convention priority data:

(31) Number	(32) Date	(33) Country
29/352,167	17 Dec 2009	UNITED STATES OF AMERICA

(56) Related Art Documents: **Not Applicable**

(57) Statement of Newness and Distinctiveness: **Those features of the container depicted in the representations that are new and distinctive are the pattern and/or ornamentation. The features shown in broken lines are not part of the design and are to be disregarded when considering the overall impression of the design.**



(21) Design Number: **13526/2010**

(22) Date of Filing Application: **17 June 2010**

(24) Date from which industrial property rights may have effect: **17 June 2010**

(54) Product in respect of which the design is registered: **Container**

(51) International Design Classification: **09-03L**

(71) Name(s) and Address(s) of Applicant(s):

The Procter & Gamble Company
One Procter & Gamble Plaza Cincinnati Ohio 45202 United States of America

(72) Name(s) of Designer(s): **Frank Delmar Macaulay and Nancy W. Andrew**

(45) Registration Date: **19 August 2010**

(30) Convention priority data:

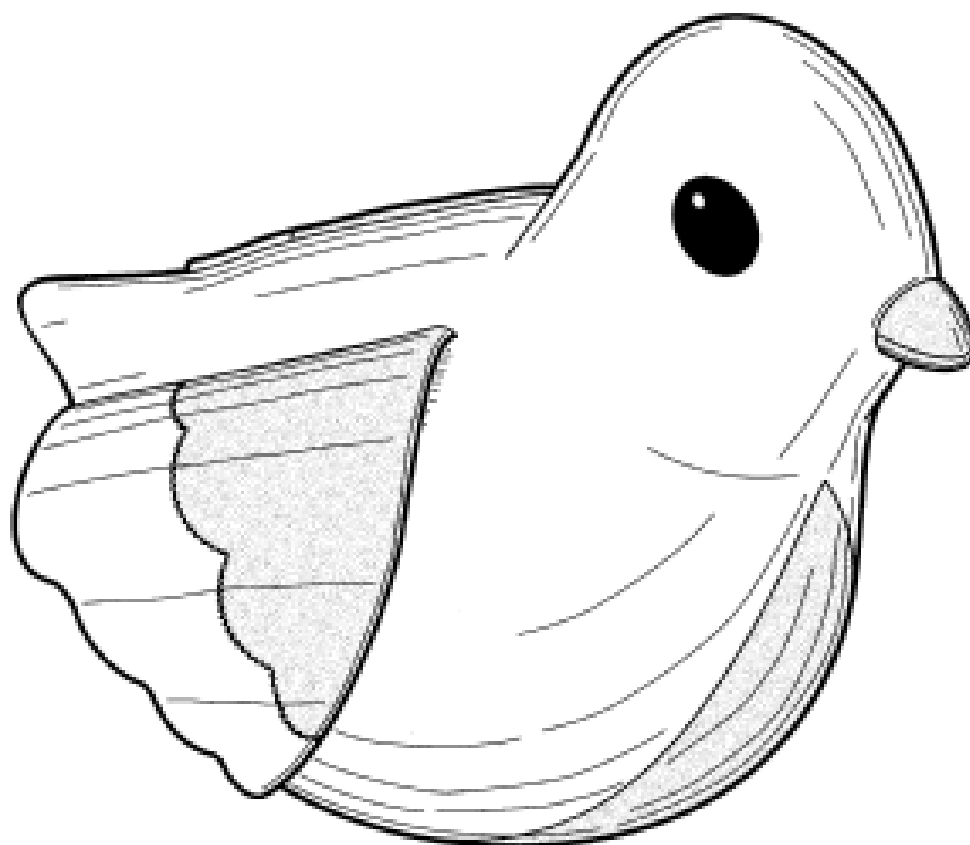
(31) Number	(32) Date	(33) Country
29/352,167	17 Dec 2009	UNITED STATES OF AMERICA

(56) Related Art Documents: **Not Applicable**

(57) Statement of Newness and Distinctiveness: **Those features of the container depicted in the representations that are new and distinctive are the pattern and/or ornamentation. The features shown in broken lines are not part of the design and are to be disregarded when considering the overall impression of the design.**



- (21) Design Number: **12861/2010**
(22) Date of Filing Application: **12 July 2010**
(24) Date from which industrial property rights may have effect: **12 July 2010**
(54) Product in respect of which the design is registered: **Plush toy**
(51) International Design Classification: **21-01A**
(71) Name(s) and Address(s) of Applicant(s):
Plushy Feely Corporation
11 San Rafael Avenue San Anselmo California 94960 United States of America
(72) Name(s) of Designer(s): **Nina Rappaport-Rowan**
(45) Registration Date: **19 August 2010**
(30) Convention priority data:
(31) Number (32) Date (33) Country
29/354938 29 Jan 2010 UNITED STATES OF AMERICA
(56) Related Art Documents: **Not Applicable**
(57) Statement of Newness and Distinctiveness: **Newness and distinctiveness resides in the features of shape and/or configuration of a PLUSH TOY as illustrated in the accompanying representations.**



- (21) Design Number: **13246/2010**
(22) Date of Filing Application: **02 August 2010**
(24) Date from which industrial property rights may have effect: **02 August 2010**
(54) Product in respect of which the design is registered: **Roller door lock**
(51) International Design Classification: **08-07**
(71) Name(s) and Address(s) of Applicant(s):
TNBT Holdings Pty Ltd
PO Box 841 Moorebank New South Wales 1875 Australia
(72) Name(s) of Designer(s): **Jonathan Woodcock**
(45) Registration Date: **19 August 2010**
(56) Related Art Documents: **Not Applicable**
(57) Statement of Newness and Distinctiveness: **The monopoly is claimed on the shape and configuration of the roller door lock fascia as illustrated in the representations.**



(21) Design Number: **13247/2010**

(22) Date of Filing Application: **02 August 2010**

(24) Date from which industrial property rights may have effect: **02 August 2010**

(54) Product in respect of which the design is registered: **Roller door lock**

(51) International Design Classification: **08-07**

(71) Name(s) and Address(s) of Applicant(s):

TNBT Holdings Pty Ltd
PO Box 841 Moorebank New South Wales 1875 Australia

(72) Name(s) of Designer(s): **Jonathan Woodcock**

(45) Registration Date: **19 August 2010**

(56) Related Art Documents: **Not Applicable**

(57) Statement of Newness and Distinctiveness: **The monopoly is claimed on the shape and configuration of the roller door lock fascia as illustrated in the representations.**



(21) Design Number: **13248/2010**

(22) Date of Filing Application: **02 August 2010**

(24) Date from which industrial property rights may have effect: **02 August 2010**

(54) Product in respect of which the design is registered: **Roller door lock**

(51) International Design Classification: **08-07**

(71) Name(s) and Address(s) of Applicant(s):

TNBT Holdings Pty Ltd
PO Box 841 Moorebank New South Wales 1875 Australia

(72) Name(s) of Designer(s): **Jonathan Woodcock**

(45) Registration Date: **19 August 2010**

(56) Related Art Documents: **Not Applicable**

(57) Statement of Newness and Distinctiveness: **The monopoly is claimed on the shape and configuration of the roller door lock fascia as illustrated in the representations.**



(21) Design Number: **13249/2010**

(22) Date of Filing Application: **02 August 2010**

(24) Date from which industrial property rights may have effect: **02 August 2010**

(54) Product in respect of which the design is registered: **Roller door lock**

(51) International Design Classification: **08-07**

(71) Name(s) and Address(s) of Applicant(s):

TNBT Holdings Pty Ltd
PO Box 841 Moorebank New South Wales 1875 Australia

(72) Name(s) of Designer(s): **Jonathan Woodcock**

(45) Registration Date: **19 August 2010**

(56) Related Art Documents: **Not Applicable**

(57) Statement of Newness and Distinctiveness: **The monopoly is claimed on the shape and configuration of the roller door lock fascia as illustrated in the representations.**



(21) Design Number: **13010/2010**

(22) Date of Filing Application: **21 July 2010**

(24) Date from which industrial property rights may have effect: **21 July 2010**

(54) Product in respect of which the design is registered: **Portable accommodation and/or office unit**

(51) International Design Classification: **25-03**

(71) Name(s) and Address(s) of Applicant(s):

Thayer Trent Newell
C/- 2524 Kyogle Road Uki New South Wales 2484 Australia

Geoffrey Edgar Wehrle
C/- 2524 Kyogle Road Uki New South Wales 2484 Australia

(72) Name(s) of Designer(s): **Thayer Trent Newell and Geoffrey Edgar Wehrle**

(45) Registration Date: **19 August 2010**

(56) Related Art Documents: **Not Applicable**

(57) Statement of Newness and Distinctiveness: **The monopoly is claimed in the features of shape and configuration of the Portable Accommodation and Office Unit as illustrated in the representations accompanying the application. Features of ornamentation are to be accorded lesser weight, in particular the shading/colour schemes shown in photographic view in the representations are for exemplary purposes only.**



- (21) Design Number: **13011/2010**
(22) Date of Filing Application: **21 July 2010**
(24) Date from which industrial property rights may have effect: **21 July 2010**
(54) Product in respect of which the design is registered: **Portable accommodation and/or office unit**
(51) International Design Classification: **25-03**
(71) Name(s) and Address(s) of Applicant(s):
Thayer Trent Newell
C/- 2524 Kyogle Road Uki New South Wales 2484 Australia
Geoffrey Edgar Wehrle
C/- 2524 Kyogle Road Uki New South Wales 2484 Australia
(72) Name(s) of Designer(s): **Thayer Trent Newell and Geoffrey Edgar Wehrle**
(45) Registration Date: **19 August 2010**
(56) Related Art Documents: **Not Applicable**
(57) Statement of Newness and Distinctiveness: **The monopoly is claimed in the features of shape and configuration of the Portable Accommodation and Office Unit as illustrated in the representations accompanying the application.**



- (21) Design Number: **13012/2010**
(22) Date of Filing Application: **21 July 2010**
(24) Date from which industrial property rights may have effect: **21 July 2010**
(54) Product in respect of which the design is registered: **Portable accommodation and/or office unit**
(51) International Design Classification: **25-03**
(71) Name(s) and Address(s) of Applicant(s):
Thayer Trent Newell
C/- 2524 Kyogle Road Uki New South Wales 2484 Australia
Geoffrey Edgar Wehrle
C/- 2524 Kyogle Road Uki New South Wales 2484 Australia
(72) Name(s) of Designer(s): **Thayer Trent Newell and Geoffrey Edgar Wehrle**
(45) Registration Date: **19 August 2010**
(56) Related Art Documents: **Not Applicable**
(57) Statement of Newness and Distinctiveness: **The monopoly is claimed in the features of shape and configuration of the Portable Accommodation and Office Unit as illustrated in the representations accompanying the application. Those features of the representations in respect of which the applicant for registration of the design wishes to claim a monopoly are the features of shape and configuration in combination as well as the particular shape or degree of the slope of the roof of the Unit. Features of pattern and ornamentation are to be accorded lesser weight, and in particular the shading/colour scheme shown in the photographic view in the representations is provided for exemplary purposes only.**



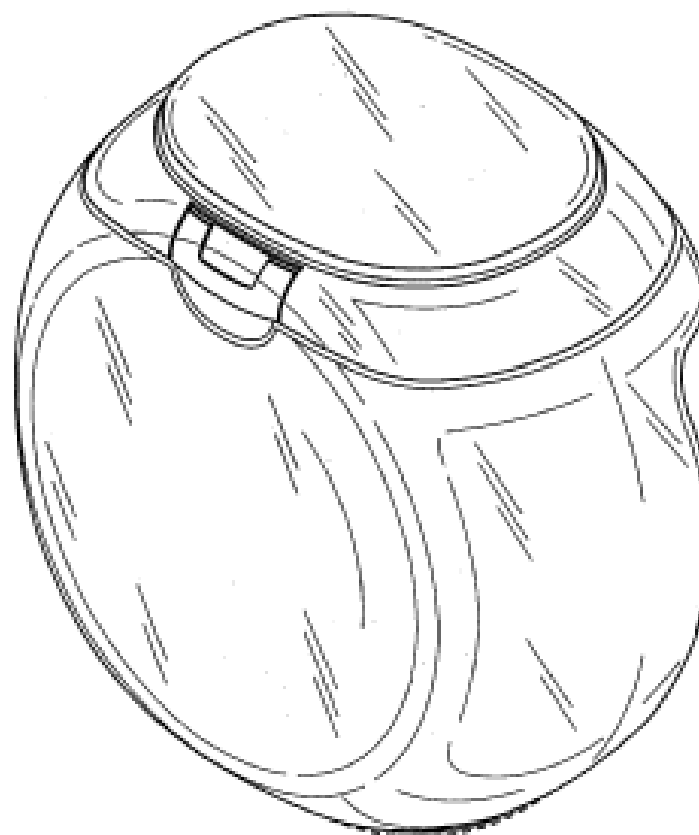
- (21) Design Number: **13013/2010**
(22) Date of Filing Application: **21 July 2010**
(24) Date from which industrial property rights may have effect: **21 July 2010**
(54) Product in respect of which the design is registered: **Portable accommodation and/or office unit**
(51) International Design Classification: **25-03**
(71) Name(s) and Address(s) of Applicant(s):
Thayer Trent Newell
C/- 2524 Kyogle Road Uki New South Wales 2484 Australia
Geoffrey Edgar Wehrle
C/- 2524 Kyogle Road Uki New South Wales 2484 Australia
(72) Name(s) of Designer(s): **Thayer Trent Newell and Geoffrey Edgar Wehrle**
(45) Registration Date: **19 August 2010**
(56) Related Art Documents: **Not Applicable**
(57) Statement of Newness and Distinctiveness: **The monopoly is claimed in the features of shape and configuration of the Portable Accommodation and Office Unit as illustrated in the representations accompanying the application. Those features of the representations in respect of which the applicant for registration of the design wishes to claim a monopoly are the features of shape and configuration in combination as well as the particular shape or degree of the slope of the roof of the Unit. Features of pattern and ornamentation are to be accorded lesser weight, and in particular the shading/colour scheme shown in the photographic view in the representations is provided for exemplary purposes only.**



- (21) Design Number: **13177/2010**
(22) Date of Filing Application: **27 July 2010**
(24) Date from which industrial property rights may have effect: **27 July 2010**
(54) Product in respect of which the design is registered: **Air intake snorkel for a vehicle**
(51) International Design Classification: **12-16NES**
(71) Name(s) and Address(s) of Applicant(s):
Australian Performance Development Pty Ltd
73 Merrindale Drive South Croydon Victoria 3136 Australia
(72) Name(s) of Designer(s): **Peter Luxon and Manvir Randhawa**
(45) Registration Date: **19 August 2010**
(56) Related Art Documents: **Not Applicable**
(57) Statement of Newness and Distinctiveness: **Newness and Distinctiveness is claimed in the features of shape and/or configuration of an air intake snorkel for a vehicle as illustrated in the accompanying representations.**



- (21) Design Number: **13178/2010**
(22) Date of Filing Application: **27 July 2010**
(24) Date from which industrial property rights may have effect: **27 July 2010**
(54) Product in respect of which the design is registered: **Container**
(51) International Design Classification: **09-03NES**
(71) Name(s) and Address(s) of Applicant(s):
The Procter & Gamble Company
One Procter & Gamble Plaza Cincinnati Ohio 45202 United States of America
(72) Name(s) of Designer(s): **Brian David Andres and Christopher Robert Kopulos**
(45) Registration Date: **19 August 2010**
(30) Convention priority data:
(31) Number (32) Date (33) Country
29/354,855 29 Jan 2010 UNITED STATES OF AMERICA
(56) Related Art Documents: **Not Applicable**
(57) Statement of Newness and Distinctiveness: **Those features of the container depicted in the representations that are new and distinctive are the shape and/or configuration. The feature shown in broken lines is not part of the design and is to be disregarded when considering the overall impression of the design.**



- (21) Design Number: **13182/2010**
(22) Date of Filing Application: **28 July 2010**
(24) Date from which industrial property rights may have effect: **28 July 2010**
(54) Product in respect of which the design is registered: **Twiner mixer tap**
(51) International Design Classification: **23-01H**
(71) Name(s) and Address(s) of Applicant(s):
Iain Ewing
14 Bluebell Street Mansfield Queensland 4122 Australia
(72) Name(s) of Designer(s): **Iain Ewing**
(45) Registration Date: **19 August 2010**
(56) Related Art Documents: **Not Applicable**
(57) Statement of Newness and Distinctiveness: **Newness and distinctiveness are claimed in the shape and configuration of the handle and body of the mixer in the accompanying representations.**



(21) Design Number: **13185/2010**

(22) Date of Filing Application: **27 July 2010**

(24) Date from which industrial property rights may have effect: **27 July 2010**

(54) Product in respect of which the design is registered: **Charging apparatus and portable power supply**

(51) International Design Classification: **13-02**

(71) Name(s) and Address(s) of Applicant(s):

ARK Corporation Pty Ltd

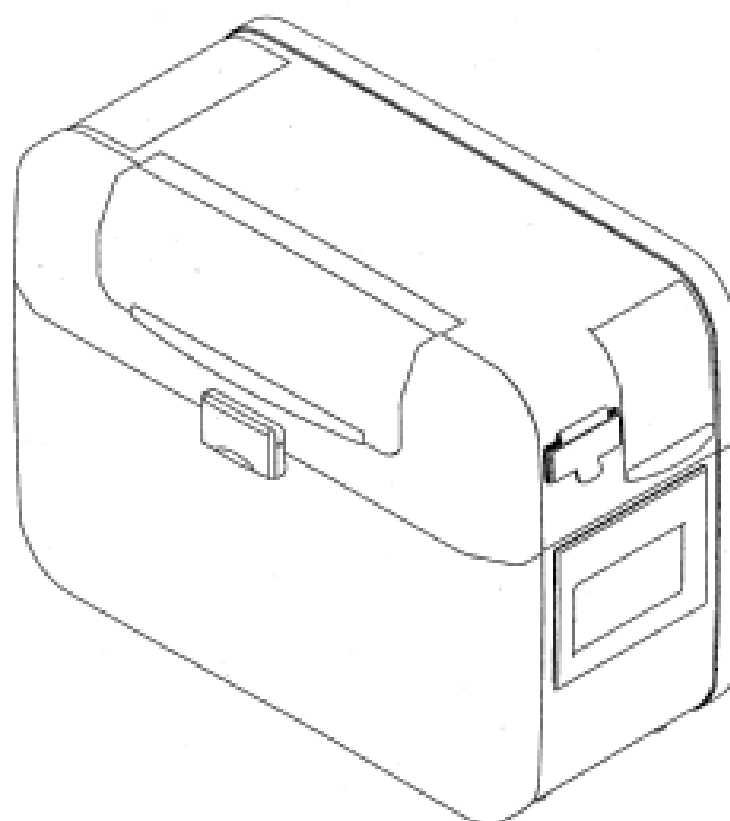
8 Smoothy Place Arndell Park New South Wales 2148 Australia

(72) Name(s) of Designer(s): **Andrew Reade and Richard Arakelian**

(45) Registration Date: **19 August 2010**

(56) Related Art Documents: **Not Applicable**

(57) Statement of Newness and Distinctiveness: **Newness and Distinctiveness is claimed in the shape and configuration of a battery box as shown in the representations.**



(21) Design Number: **13186/2010**

(22) Date of Filing Application: **28 July 2010**

(24) Date from which industrial property rights may have effect: **28 July 2010**

(54) Product in respect of which the design is registered: **Twiner mixer tap**

(51) International Design Classification: **23-01H**

(71) Name(s) and Address(s) of Applicant(s):

Iain Ewing

14 Bluebell Street Mansfield Queensland 4122 Australia

(72) Name(s) of Designer(s): **Iain Ewing**

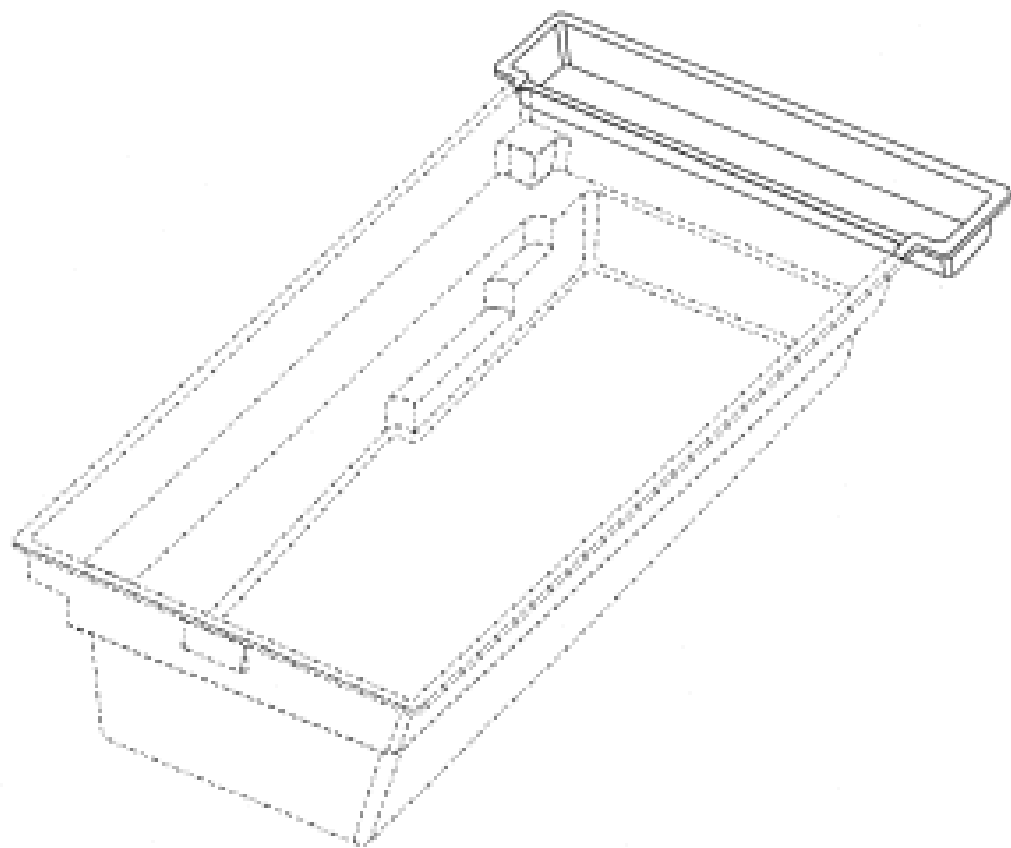
(45) Registration Date: **19 August 2010**

(56) Related Art Documents: **Not Applicable**

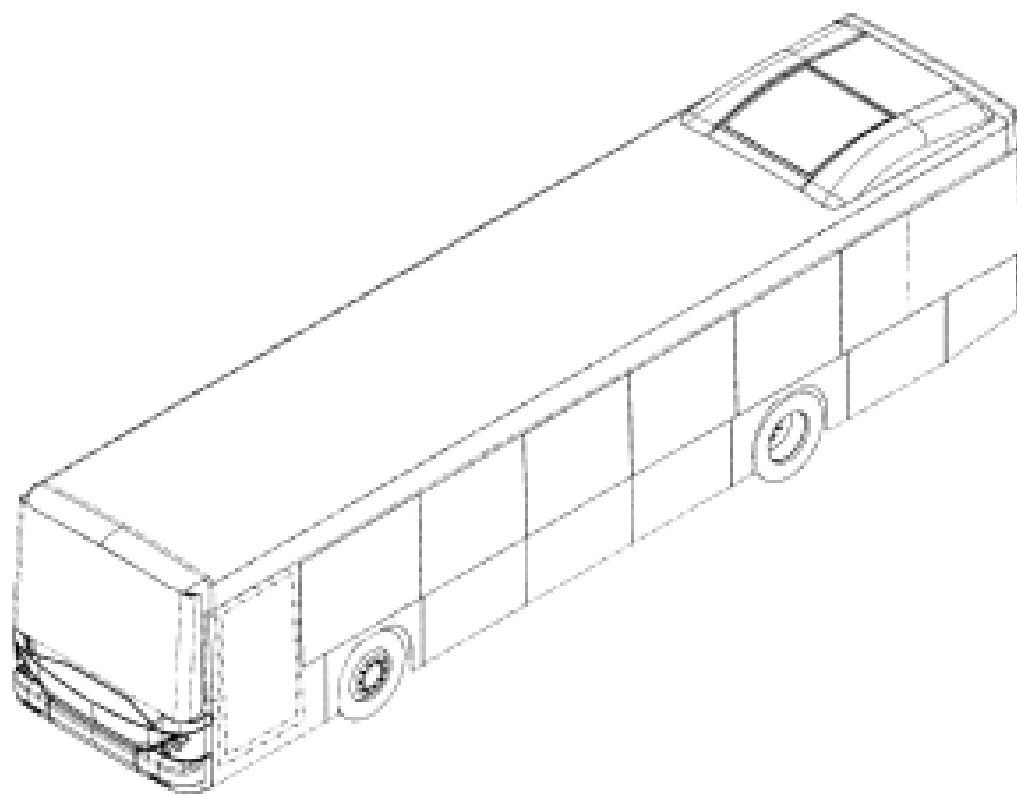
(57) Statement of Newness and Distinctiveness: **Newness and distinctiveness are claimed in the shape and configuration of the handle and body of the mixer in the accompanying representations.**



- (21) Design Number: **13167/2010**
(22) Date of Filing Application: **27 July 2010**
(24) Date from which industrial property rights may have effect: **27 July 2010**
(54) Product in respect of which the design is registered: **Roller cover box for swimming pool**
(51) International Design Classification: **25-03**
(71) Name(s) and Address(s) of Applicant(s):
Leisure Pools and Spas Manufacturing Pty Ltd
6 Computer Road Yatala Queensland 4207 Australia
(72) Name(s) of Designer(s): **Kerry Pain**
(45) Registration Date: **19 August 2010**
(56) Related Art Documents: **Not Applicable**
(57) Statement of Newness and Distinctiveness: **The newness and distinctiveness of the design resides in the shape and/or configuration of the roller cover box for swimming pool shown in the representations. In considering the scope of monopoly no reference is to be made to the features shown in broken outline which are provided for context only.**



- (21) Design Number: **13172/2010**
(22) Date of Filing Application: **27 July 2010**
(24) Date from which industrial property rights may have effect: **27 July 2010**
(54) Product in respect of which the design is registered: **A bus**
(51) International Design Classification: **12-08**
(71) Name(s) and Address(s) of Applicant(s):
Carrosserie Hess AG
Bielstrasse 7 CH-4512 Bellach Switzerland
(72) Name(s) of Designer(s): **Alex Naef**
(45) Registration Date: **19 August 2010**
(30) Convention priority data:
(31) Number (32) Date (33) Country
DM/073 754 16 Jun 2010 WORLD INTELLECTUAL PROPERTY ORGANIZATION (WIPO)
(56) Related Art Documents: **Not Applicable**
(57) Statement of Newness and Distinctiveness: **The shape and configuration of the portion of the roof shown by means of solid lines in the representations is new and distinctive.**



(21) Design Number: **13173/2010**

(22) Date of Filing Application: **27 July 2010**

(24) Date from which industrial property rights may have effect: **27 July 2010**

(54) Product in respect of which the design is registered: **Chair**

(51) International Design Classification: **06-01F**

(71) Name(s) and Address(s) of Applicant(s):

Kokuyo Co., Ltd.

**1-1 Oimazato Minami 6-Chome Higashinari-Ku Osaka-Shi Osaka-Fu
Japan**

(72) Name(s) of Designer(s): **Kazutaka Ooki**

(45) Registration Date: **19 August 2010**

(30) Convention priority data:

(31) Number
2010-003286

(32) Date
12 Feb 2010

(33) Country
JAPAN

(56) Related Art Documents: **Not Applicable**

(57) Statement of Newness and Distinctiveness: **The shape and configuration of the design is new and distinctive.**



(21) Design Number: **13174/2010**

(22) Date of Filing Application: **27 July 2010**

(24) Date from which industrial property rights may have effect: **27 July 2010**

(54) Product in respect of which the design is registered: **Chair**

(51) International Design Classification: **06-01F**

(71) Name(s) and Address(s) of Applicant(s):

Kokuyo Co., Ltd.

**1-1 Oimazato Minami 6-Chome Higashinari-Ku Osaka-Shi Osaka-Fu
Japan**

(72) Name(s) of Designer(s): **Kazutaka Ooki**

(45) Registration Date: **19 August 2010**

(30) Convention priority data:

(31) Number
2010-003287

(32) Date
12 Feb 2010

(33) Country
JAPAN

(56) Related Art Documents: **Not Applicable**

(57) Statement of Newness and Distinctiveness: **The shape and configuration of the design is new and distinctive.**



(21) Design Number: **13175/2010**

(22) Date of Filing Application: **27 July 2010**

(24) Date from which industrial property rights may have effect: **27 July 2010**

(54) Product in respect of which the design is registered: **Chair**

(51) International Design Classification: **06-01F**

(71) Name(s) and Address(s) of Applicant(s):

Kokuyo Co., Ltd.

**1-1 Oimazato Minami 6-Chome Higashinari-Ku Osaka-Shi Osaka-Fu
Japan**

(72) Name(s) of Designer(s): **Kazutaka Ooki**

(45) Registration Date: **19 August 2010**

(30) Convention priority data:

(31) Number
2010-003288

(32) Date
12 Feb 2010

(33) Country
JAPAN

(56) Related Art Documents: **Not Applicable**

(57) Statement of Newness and Distinctiveness: **The shape and configuration of the design is new and distinctive.**



(21) Design Number: **13176/2010**

(22) Date of Filing Application: **27 July 2010**

(24) Date from which industrial property rights may have effect: **27 July 2010**

(54) Product in respect of which the design is registered: **Chair**

(51) International Design Classification: **06-01F**

(71) Name(s) and Address(s) of Applicant(s):

Kokuyo Co., Ltd.

**1-1 Oimazato Minami 6-Chome Higashinari-Ku Osaka-Shi Osaka-Fu
Japan**

(72) Name(s) of Designer(s): **Kazutaka Ooki**

(45) Registration Date: **19 August 2010**

(30) Convention priority data:

(31) Number
2010-003289

(32) Date
12 Feb 2010

(33) Country
JAPAN

(56) Related Art Documents: **Not Applicable**

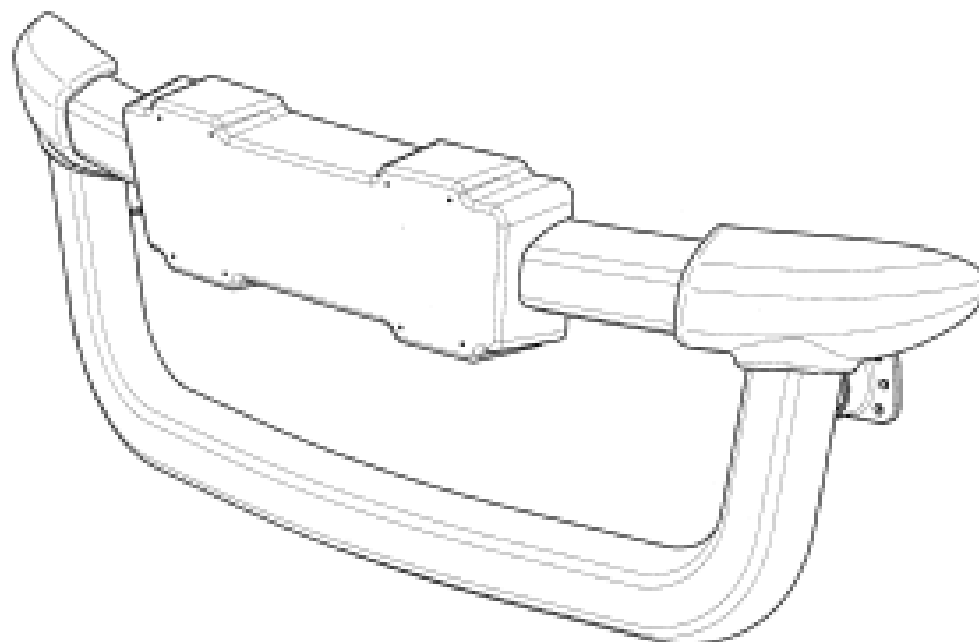
(57) Statement of Newness and Distinctiveness: **The shape and configuration of the design is new and distinctive.**



- (21) Design Number: **13124/2010**
(22) Date of Filing Application: **26 July 2010**
(24) Date from which industrial property rights may have effect: **26 July 2010**
(54) Product in respect of which the design is registered: **A bumper guard**
(51) International Design Classification: **12-16C**
(71) Name(s) and Address(s) of Applicant(s):

Alexander Baumann
35 Tuena Street Mudgeeraba Queensland 4213 Australia

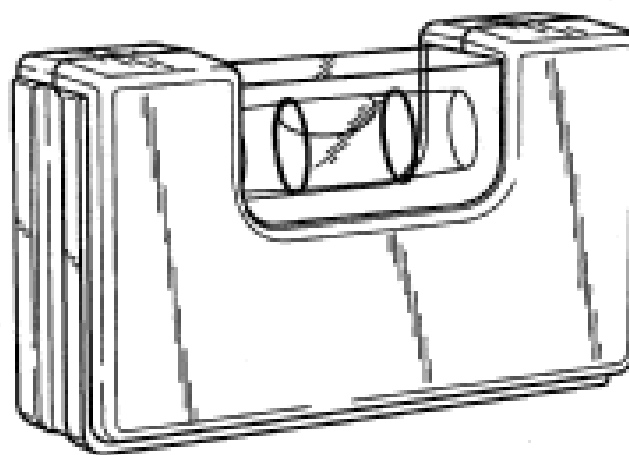
- (72) Name(s) of Designer(s): **Alexander Baumann**
(45) Registration Date: **20 August 2010**
(56) Related Art Documents: **Not Applicable**
(57) Statement of Newness and Distinctiveness: **Nil**



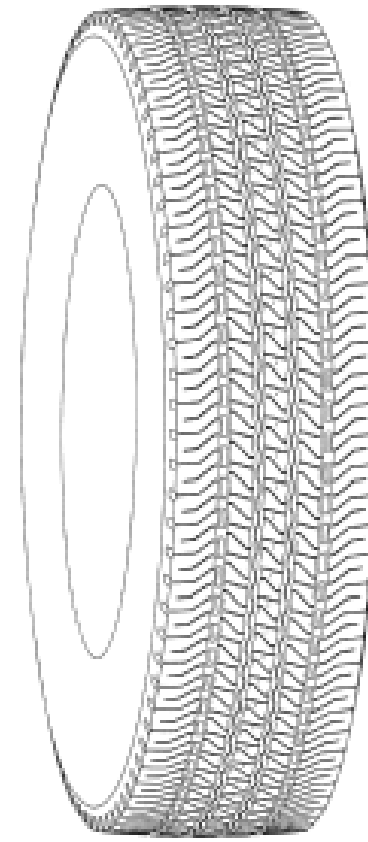
- (21) Design Number: **13125/2010**
(22) Date of Filing Application: **27 July 2010**
(24) Date from which industrial property rights may have effect: **27 July 2010**
(54) Product in respect of which the design is registered: **Spirit level**
(51) International Design Classification: **10-04**
(71) Name(s) and Address(s) of Applicant(s):

STABILA Messgerate Gustav Ullrich GmbH
Landauer Str. 45 76855 Annweiler Germany

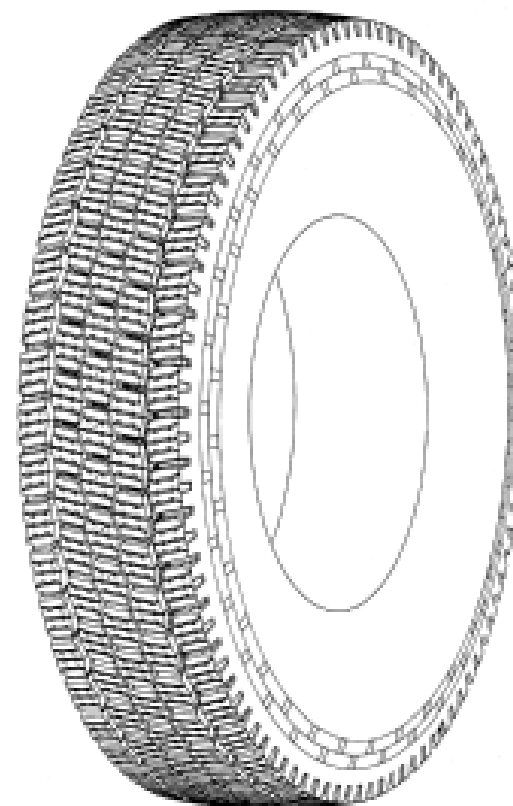
- (72) Name(s) of Designer(s): **Manfred Sabaschkow**
(45) Registration Date: **20 August 2010**
(30) Convention priority data:
(31) Number (32) Date (33) Country
001670746-0001 16 Feb 2010 EUROPEAN COMMUNITY
(56) Related Art Documents: **Not Applicable**
(57) Statement of Newness and Distinctiveness: **Visual features of the design which are new and distinctive are the features of shape and configuration of SPIRIT LEVEL as illustrated in the representations.**



- (21) Design Number: **13129/2010**
(22) Date of Filing Application: **27 July 2010**
(24) Date from which industrial property rights may have effect: **27 July 2010**
(54) Product in respect of which the design is registered: **A tyre**
(51) International Design Classification: **12-15B**
(71) Name(s) and Address(s) of Applicant(s):
Societe De Technologie Michelin
23 rue Breschet F-63000 Clermont-Ferrand Cedex France
Michelin Recherche et Technique S.A.
Route Louis Braille 10 et 12 CH-1763 Granges-Paccot Switzerland
(72) Name(s) of Designer(s): **Patrice Bonhomme and Celso Oliveira**
(45) Registration Date: **20 August 2010**
(30) Convention priority data:
(31) Number (32) Date (33) Country
10/0588 04 Feb 2010 FRANCE
(56) Related Art Documents: **Not Applicable**
(57) Statement of Newness and Distinctiveness: **Newness and distinctiveness resides in the appearance of the tread region of the tyre, the remainder of the tyre not forming part of the design.**



- (21) Design Number: **13130/2010**
(22) Date of Filing Application: **27 July 2010**
(24) Date from which industrial property rights may have effect: **27 July 2010**
(54) Product in respect of which the design is registered: **A tyre**
(51) International Design Classification: **12-15C**
(71) Name(s) and Address(s) of Applicant(s):
Societe De Technologie Michelin
23 rue Breschet F-63000 Clermont-Ferrand Cedex France
Michelin Recherche et Technique S.A.
Route Louis Braille 10 et 12 CH-1763 Granges-Paccot Switzerland
(72) Name(s) of Designer(s): **Charles Bradford Weaver and Renaud Durand and Hiroshi Ishikawa**
(45) Registration Date: **20 August 2010**
(30) Convention priority data:
(31) Number (32) Date (33) Country
10/0589 04 Feb 2010 FRANCE
(56) Related Art Documents: **Not Applicable**
(57) Statement of Newness and Distinctiveness: **Newness and distinctiveness resides in the appearance of the tread region of the tyre, the remainder of the tyre not forming part of the design.**



(21) Design Number: **13134/2010**

(22) Date of Filing Application: **27 July 2010**

(24) Date from which industrial property rights may have effect: **27 July 2010**

(54) Product in respect of which the design is registered: **Inflatable cinema**

(51) International Design Classification: **21-04**

(71) Name(s) and Address(s) of Applicant(s):

Jay A. Maxwell

5 Savannah Place Erskine Park New South Wales 2759 Australia

(72) Name(s) of Designer(s): **Jay A. Maxwell**

(45) Registration Date: **20 August 2010**

(56) Related Art Documents: **Not Applicable**

(57) Statement of Newness and Distinctiveness: **Nil**



(21) Design Number: **13147/2010**

(22) Date of Filing Application: **27 July 2010**

(24) Date from which industrial property rights may have effect: **27 July 2010**

(54) Product in respect of which the design is registered: **Vehicle recharge station**

(51) International Design Classification: **13-03NES**

(71) Name(s) and Address(s) of Applicant(s):

James David Blain

740 Lake Shore Lane Northville MI 48167 United States of America

(72) Name(s) of Designer(s): **James David Blain**

(45) Registration Date: **20 August 2010**

(30) Convention priority data:

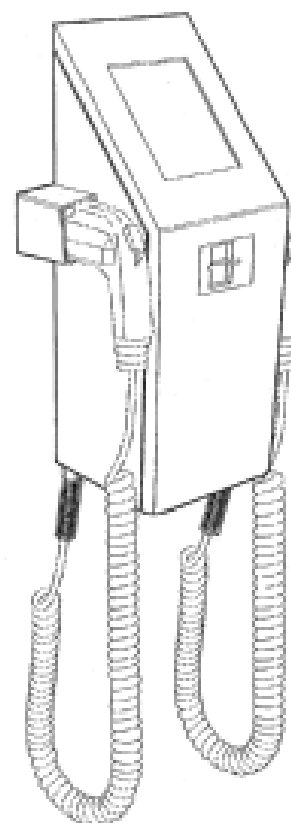
(31) Number
29/364650

(32) Date
25 Jun 2010

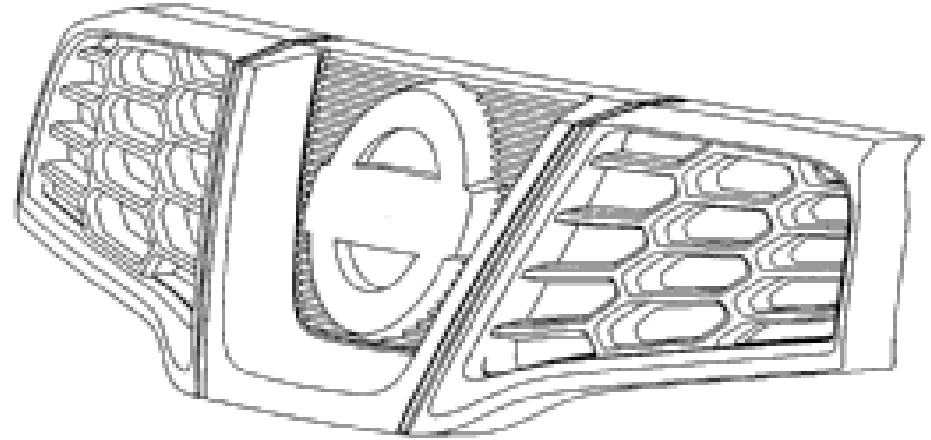
(33) Country
UNITED STATES OF AMERICA

(56) Related Art Documents: **Not Applicable**

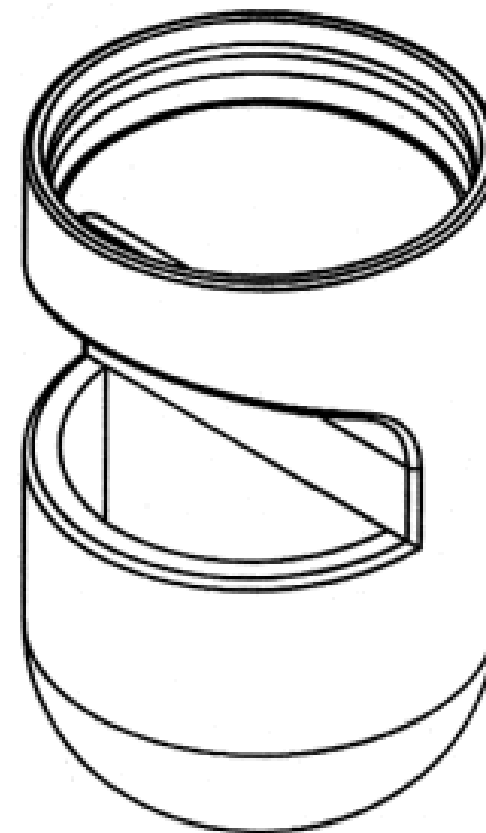
(57) Statement of Newness and Distinctiveness: **Newness and distinctiveness resides in the visual features, including shape and configuration, of a VEHICLE RECHARGE STATION as shown in solid outline in the accompanying drawings. When determining whether the design is substantially similar in overall impression to another design, no regard is to be had to those features shown in dotted outline in the accompanying drawings, which features are provided for illustrative purposes only.**



- (21) Design Number: **13148/2010**
(22) Date of Filing Application: **27 July 2010**
(24) Date from which industrial property rights may have effect: **27 July 2010**
(54) Product in respect of which the design is registered: **Radiator grill for automobile**
(51) International Design Classification: **12-16B**
(71) Name(s) and Address(s) of Applicant(s):
**Nissan Jidosha Kabushiki Kaisha also trading as Nissan Motor Co., Ltd.
No. 2 Takaracho Kanagawa-ku Yokohama-shi Kanagawa-ken Japan**
(72) Name(s) of Designer(s): **Giichi Endo**
(45) Registration Date: **20 August 2010**
(30) Convention priority data:
(31) Number (32) Date (33) Country
D2010-002238 01 Feb 2010 JAPAN
(56) Related Art Documents: **Not Applicable**
(57) Statement of Newness and Distinctiveness: **Newness and distinctiveness resides in the shape and configuration of a radiator grill for automobile shown in the representations.**



- (21) Design Number: **13149/2010**
(22) Date of Filing Application: **27 July 2010**
(24) Date from which industrial property rights may have effect: **27 July 2010**
(54) Product in respect of which the design is registered: **Plumbing trap assembly**
(51) International Design Classification: **23-01B**
(71) Name(s) and Address(s) of Applicant(s):
**Desert Eco Systems Pty Ltd
R/Off 4 Belinda Street Evandale South Australia 5069 Australia**
(72) Name(s) of Designer(s): **Bryan Terry and Mark Johnson**
(45) Registration Date: **20 August 2010**
(56) Related Art Documents: **Not Applicable**
(57) Statement of Newness and Distinctiveness: **Newness and distinctiveness resides in the shape and configuration of the plumbing trap piece as shown in the figures.**



(21) Design Number: **13150/2010**

(22) Date of Filing Application: **27 July 2010**

(24) Date from which industrial property rights may have effect: **27 July 2010**

(54) Product in respect of which the design is registered: **Plumbing adaptor**

(51) International Design Classification: **23-01A**

(71) Name(s) and Address(s) of Applicant(s):

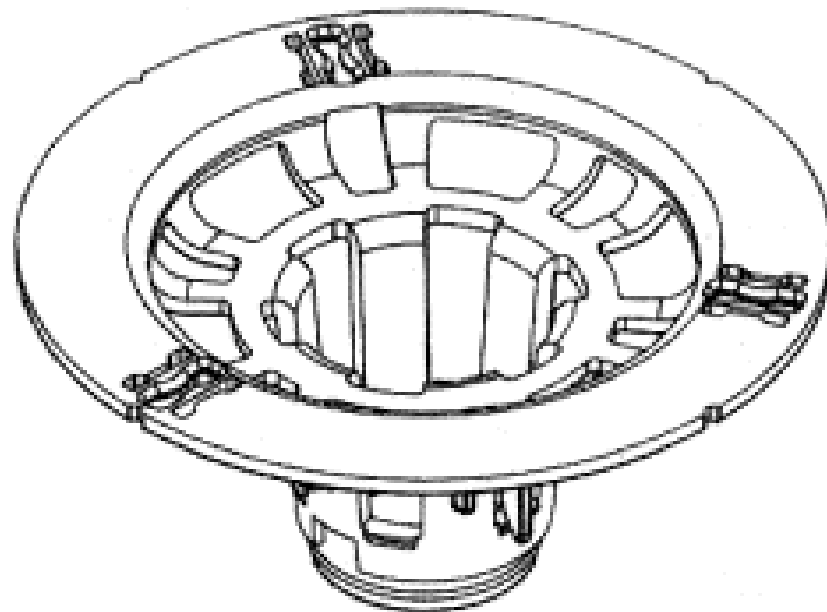
Desert Eco Systems Pty Ltd
R/Off 4 Belinda Street Evandale South Australia 5069 Australia

(72) Name(s) of Designer(s): **Bryan Terry and Mark Johnson**

(45) Registration Date: **20 August 2010**

(56) Related Art Documents: **Not Applicable**

(57) Statement of Newness and Distinctiveness: **Newness and distinctiveness resides in the shape and configuration of the plumbing adaptor piece as shown in the figures.**



(21) Design Number: **13160/2010**

(22) Date of Filing Application: **27 July 2010**

(24) Date from which industrial property rights may have effect: **27 July 2010**

(54) Product in respect of which the design is registered: **Slap-on watch**

(51) International Design Classification: **10-02**

(71) Name(s) and Address(s) of Applicant(s):

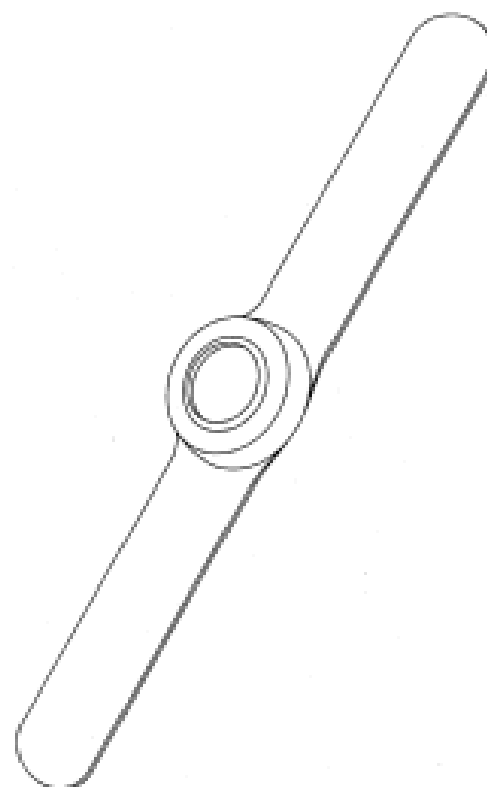
P.S.L. Limited
8th Floor Cheung Lung Industrial Building, 10 Cheung Yee Street,
Cheung Sha Wan, Kowloon Hong Kong

(72) Name(s) of Designer(s): **Chun Fai Leung**

(45) Registration Date: **20 August 2010**

(56) Related Art Documents: **Not Applicable**

(57) Statement of Newness and Distinctiveness: **Nil**



(21) Design Number: **13161/2010**

(22) Date of Filing Application: **28 July 2010**

(24) Date from which industrial property rights may have effect: **28 July 2010**

(54) Product in respect of which the design is registered: **Hair product container**

(51) International Design Classification: **28-03NES, 09-01C**

(71) Name(s) and Address(s) of Applicant(s):

Salesni Chand

23 Olive Road Hampton Park Victoria 3976 Australia

Sushil Chand

23 Olive Road Hampton Park Victoria 3976 Australia

(72) Name(s) of Designer(s): **Sushil Chand**

(45) Registration Date: **20 August 2010**

(56) Related Art Documents: **Not Applicable**

(57) Statement of Newness and Distinctiveness: **May be new artwork on bottles and lids or brand names.**



(21) Design Number: **13271/2010**

(22) Date of Filing Application: **04 August 2010**

(24) Date from which industrial property rights may have effect: **04 August 2010**

(54) Product in respect of which the design is registered: **A retaining wall block**

(51) International Design Classification: **25-01A**

(71) Name(s) and Address(s) of Applicant(s):

Adbri Masonry Pty Ltd

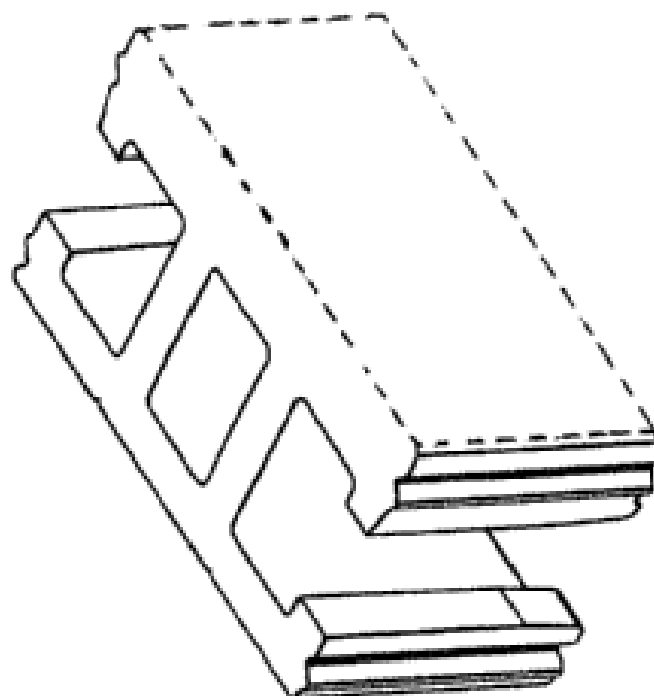
Level 1 157 Grenfell Street Adelaide South Australia 5000 Australia

(72) Name(s) of Designer(s): **John Kenneth Dyson**

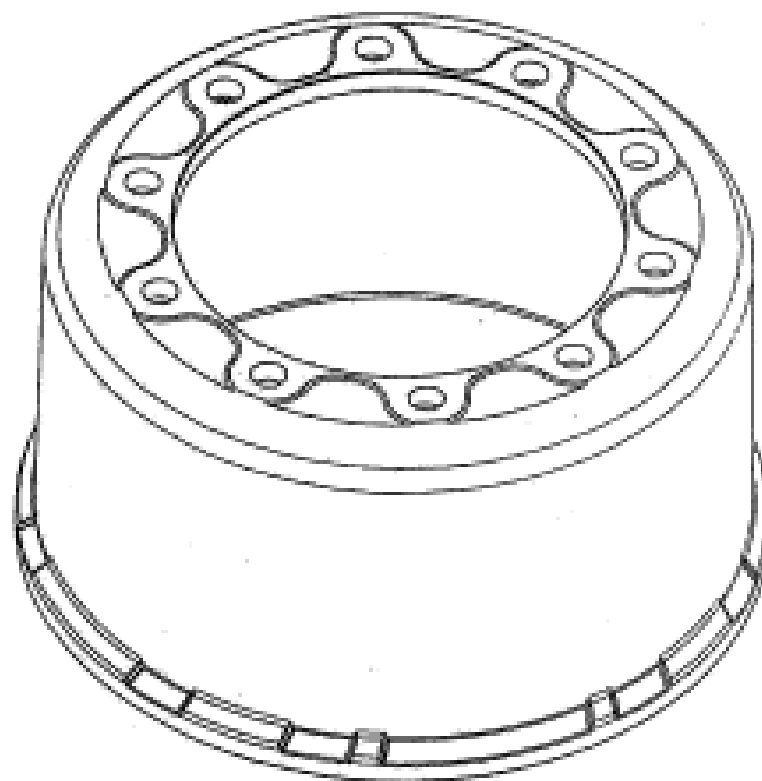
(45) Registration Date: **20 August 2010**

(56) Related Art Documents: **Not Applicable**

(57) Statement of Newness and Distinctiveness: **The newness and distinctiveness of the design resides in the shape and/or configuration of the masonry block shown in the representations.**



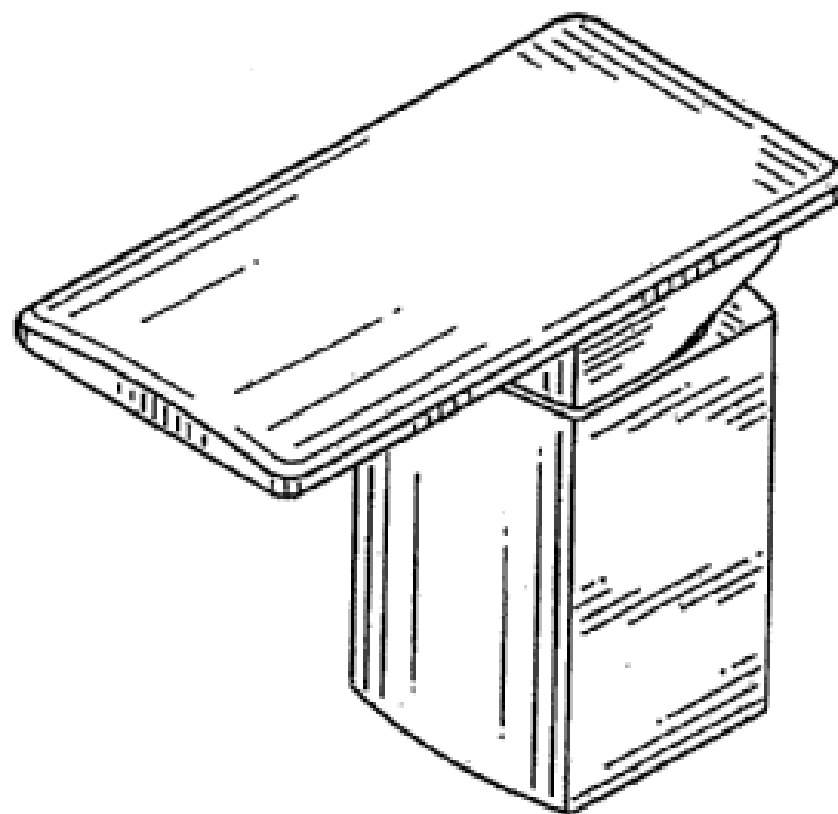
- (21) Design Number: **12926/2010**
(22) Date of Filing Application: **14 July 2010**
(24) Date from which industrial property rights may have effect: **14 July 2010**
(54) Product in respect of which the design is registered: **Brake drum**
(51) International Design Classification: **12-16M**
(71) Name(s) and Address(s) of Applicant(s):
BPW Bergische Achsen KG
Ohlerhammer 51674 Wiehl Germany
(72) Name(s) of Designer(s): **Michael Schwarz and Arthur Neumann and Bernd Rhein and Ulrich Kochl**
(45) Registration Date: **20 August 2010**
(30) Convention priority data:
(31) Number (32) Date (33) Country
001203590 23 Mar 2010 EUROPEAN COMMUNITY
(56) Related Art Documents: **Not Applicable**
(57) Statement of Newness and Distinctiveness: **Those features of the brake drum depicted in the representations that are new and distinctive are the shape and/or configuration.**



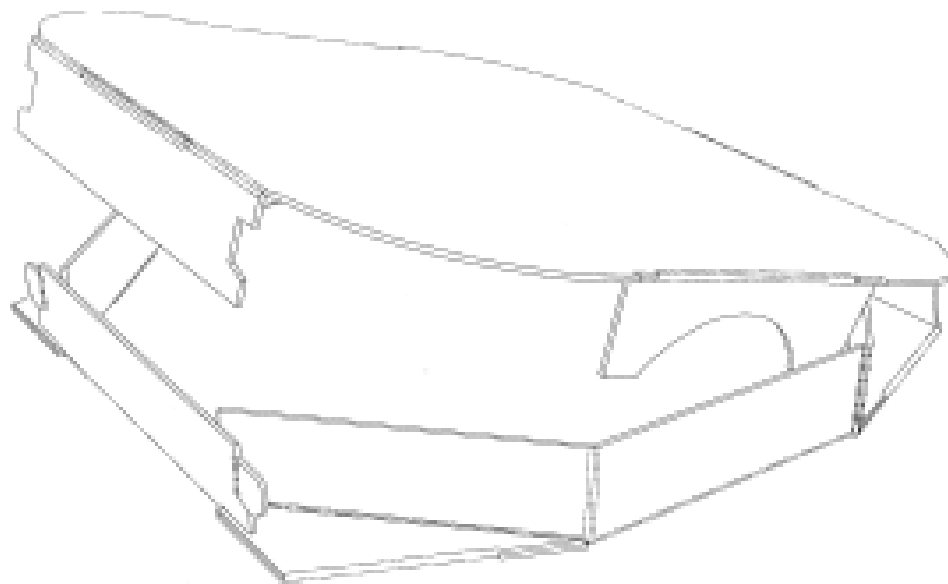
- (21) Design Number: **13203/2010**
(22) Date of Filing Application: **28 July 2010**
(24) Date from which industrial property rights may have effect: **28 July 2010**
(54) Product in respect of which the design is registered: **Folding canopy chair**
(51) International Design Classification: **06-01H, 03-03**
(71) Name(s) and Address(s) of Applicant(s):
Pro Performance Sports
5823 Newton Drive Suite 130 Carlsbad California 92008 United States of America
(72) Name(s) of Designer(s): **Thomas A. Quinn**
(45) Registration Date: **20 August 2010**
(30) Convention priority data:
(31) Number (32) Date (33) Country
29/355727 12 Feb 2010 UNITED STATES OF AMERICA
(56) Related Art Documents: **Not Applicable**
(57) Statement of Newness and Distinctiveness: **Newness and distinctiveness is claimed in those features of shape and/or configuration of a folding canopy chair illustrated in continuous lines in the accompanying representations.**



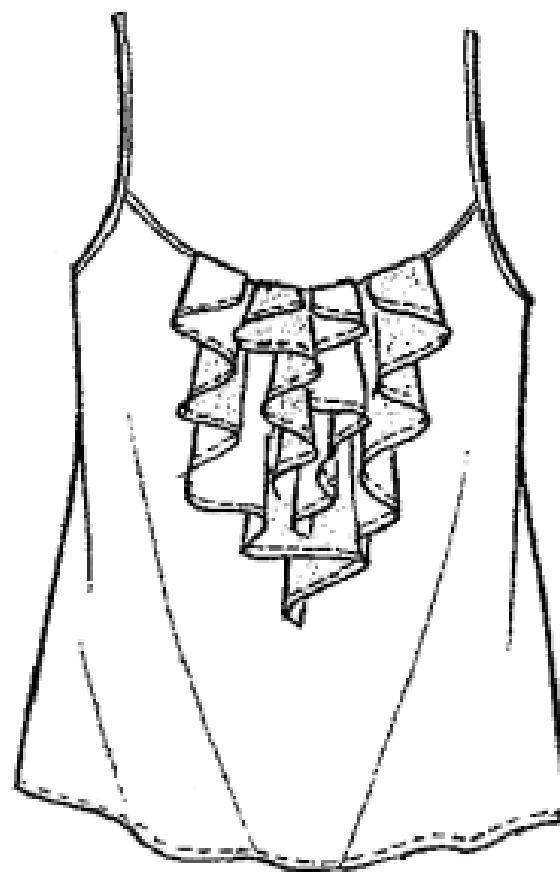
- (21) Design Number: **13204/2010**
(22) Date of Filing Application: **28 July 2010**
(24) Date from which industrial property rights may have effect: **28 July 2010**
(54) Product in respect of which the design is registered: **Plumbing control**
(51) International Design Classification: **23-01H**
(71) Name(s) and Address(s) of Applicant(s):
Kohler Co.
444 Highland Drive Kohler Wisconsin 53404 United States of America
(72) Name(s) of Designer(s): **Coralee S. Sandee and Howard M. Montgomery**
(45) Registration Date: **20 August 2010**
(30) Convention priority data:
(31) Number (32) Date (33) Country
29/354791 28 Jan 2010 UNITED STATES OF AMERICA
(56) Related Art Documents: **Not Applicable**
(57) Statement of Newness and Distinctiveness: **Newness and distinctiveness is claimed in those features of shape and/or configuration of a plumbing control as illustrated in continuous lines in the accompanying representations.**



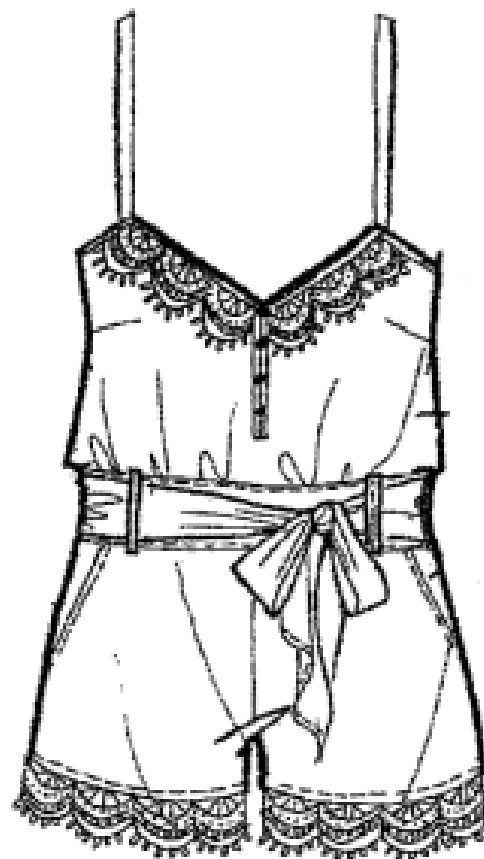
- (21) Design Number: **13206/2010**
(22) Date of Filing Application: **28 July 2010**
(24) Date from which industrial property rights may have effect: **28 July 2010**
(54) Product in respect of which the design is registered: **Carton for pizza and like products and blank for forming same**
(51) International Design Classification: **09-03F**
(71) Name(s) and Address(s) of Applicant(s):
Visy R & D Pty Ltd
Level 11 2 Southbank Boulevard Southbank Victoria 3006 Australia
(72) Name(s) of Designer(s): **Clint Paul Moka**
(45) Registration Date: **20 August 2010**
(56) Related Art Documents: **Not Applicable**
(57) Statement of Newness and Distinctiveness: **The features of the design which are new and distinctive are the features of shape and configuration of the carton and the blank for forming same as illustrated in the accompanying representations. In determining the scope of the monopoly in the registered design the shape or configuration of the angular walls should be given greater weight than the other shape or configuration features of the design of the blank and the carton as illustrated.**



- (21) Design Number: **10461/2010**
(22) Date of Filing Application: **11 February 2010**
(24) Date from which industrial property rights may have effect: **11 February 2010**
(54) Product in respect of which the design is registered: **Women's fashion clothing**
(51) International Design Classification: **02-02NES**
(71) Name(s) and Address(s) of Applicant(s):
Forever New Clothing Pty Ltd
Ground Floor 718 High Street Kew Victoria 3101 Australia
(72) Name(s) of Designer(s): **Dulcie Flynn**
(45) Registration Date: **20 August 2010**
(56) Related Art Documents: **Not Applicable**
(57) Statement of Newness and Distinctiveness: **The particular visual features of the design which the Applicant hereby identifies as new and distinctive are as follows: Women's Fashion Clothing, as illustrated in the accompanying representations.**



- (21) Design Number: **13368/2010**
(22) Date of Filing Application: **11 February 2010**
(24) Date from which industrial property rights may have effect: **11 February 2010**
(54) Product in respect of which the design is registered: **Women's fashion clothing**
(51) International Design Classification: **02-02NES**
(71) Name(s) and Address(s) of Applicant(s):
Forever New Clothing Pty Ltd
Ground Floor 718 High Street Kew Victoria 3101 Australia
(72) Name(s) of Designer(s): **Dulcie Flynn**
(45) Registration Date: **20 August 2010**
(56) Related Art Documents: **Not Applicable**
(57) Statement of Newness and Distinctiveness: **The particular visual features of the design which the Applicant hereby identifies as new and distinctive are as follows: Women's Fashion Clothing, as illustrated in the accompanying representations.**



(21) Design Number: 13369/2010

(22) Date of Filing Application: 11 February 2010

(24) Date from which industrial property rights may have effect: 11 February 2010

(54) Product in respect of which the design is registered: **Women's fashion clothing**

(51) International Design Classification: 02-02NES

(71) Name(s) and Address(s) of Applicant(s):

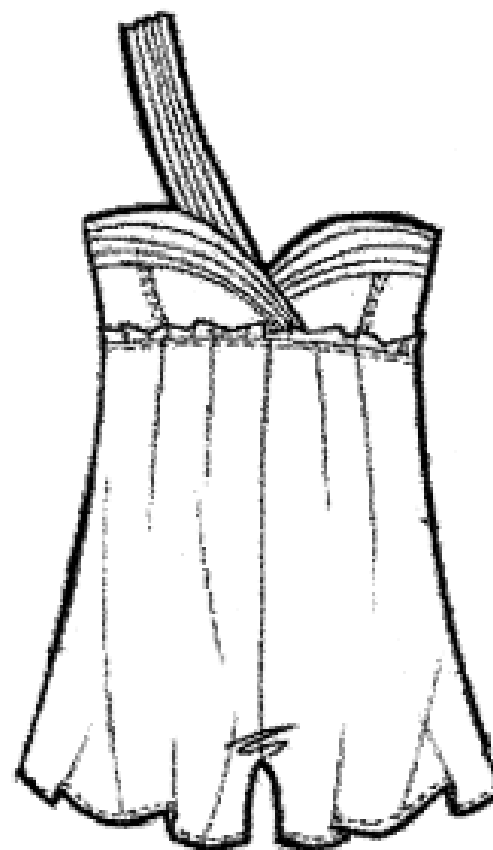
Forever New Clothing Pty Ltd
Ground Floor 718 High Street Kew Victoria 3101 Australia

(72) Name(s) of Designer(s): **Dulcie Flynn**

(45) Registration Date: **20 August 2010**

(56) Related Art Documents: **Not Applicable**

(57) Statement of Newness and Distinctiveness: **The particular visual features of the design which the Applicant hereby identifies as new and distinctive are as follows: Women's Fashion Clothing, as illustrated in the accompanying representations.**



(21) Design Number: 13370/2010

(22) Date of Filing Application: 11 February 2010

(24) Date from which industrial property rights may have effect: 11 February 2010

(54) Product in respect of which the design is registered: **Women's fashion clothing**

(51) International Design Classification: 02-02C

(71) Name(s) and Address(s) of Applicant(s):

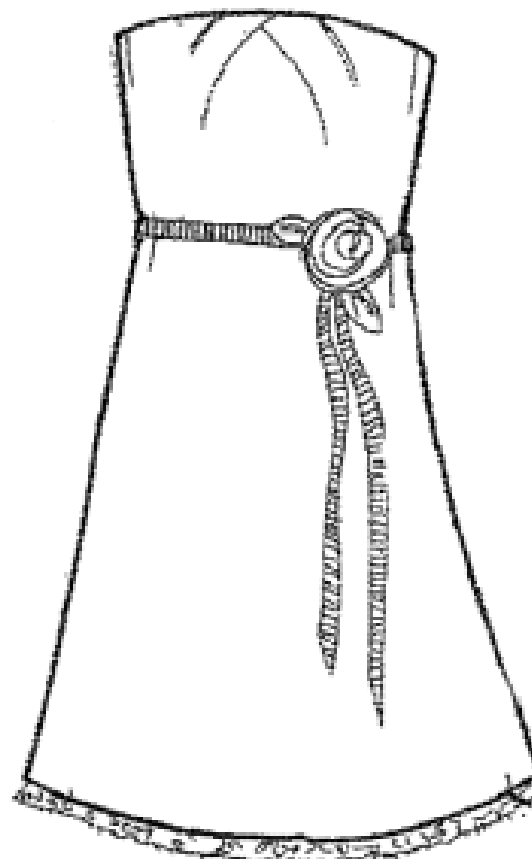
Forever New Clothing Pty Ltd
Ground Floor 718 High Street Kew Victoria 3101 Australia

(72) Name(s) of Designer(s): **Tristan Melle**

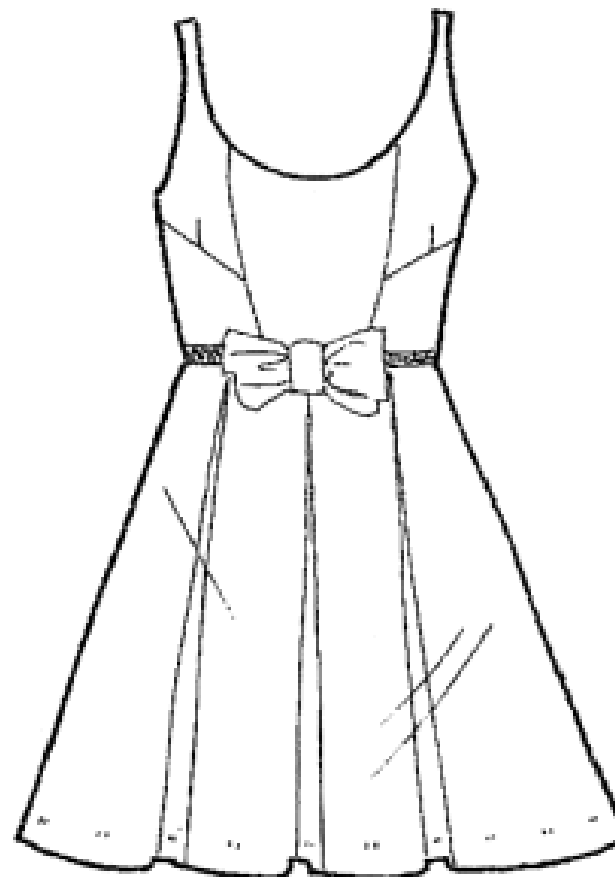
(45) Registration Date: **20 August 2010**

(56) Related Art Documents: **Not Applicable**

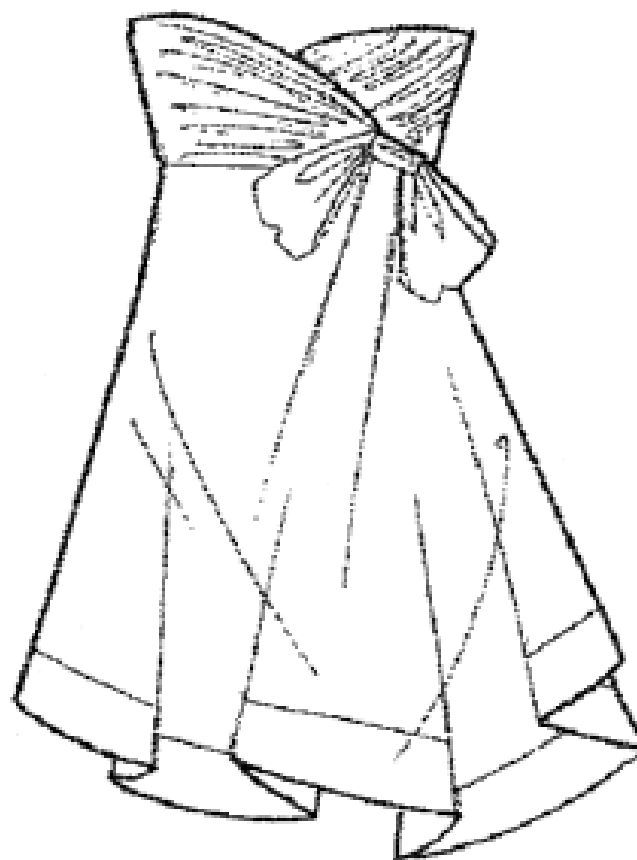
(57) Statement of Newness and Distinctiveness: **The particular visual features of the design which the Applicant hereby identifies as new and distinctive are as follows: Women's Fashion Clothing, as illustrated in the accompanying representations.**



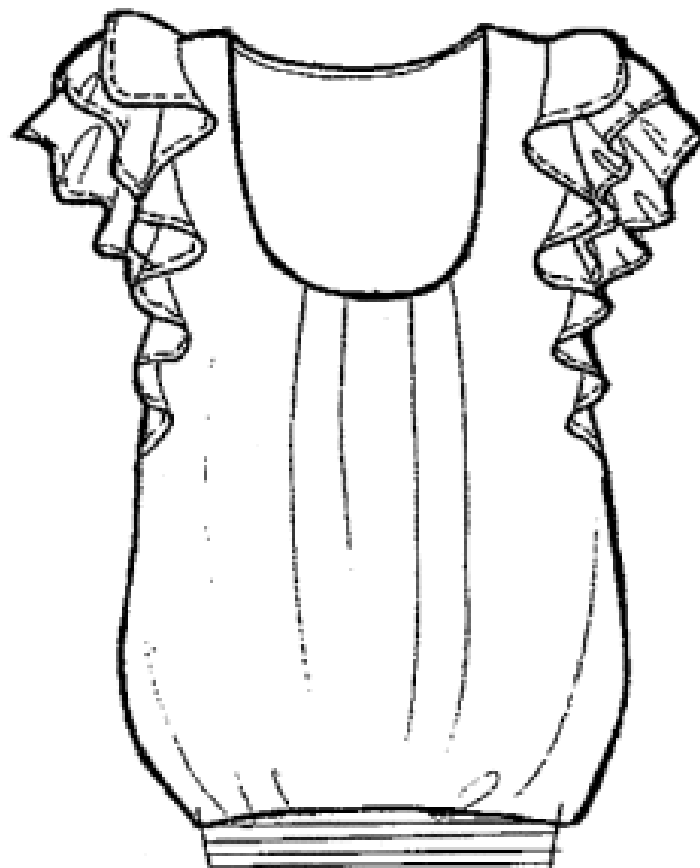
- (21) Design Number: **13371/2010**
(22) Date of Filing Application: **11 February 2010**
(24) Date from which industrial property rights may have effect: **11 February 2010**
(54) Product in respect of which the design is registered: **Women's fashion clothing**
(51) International Design Classification: **02-02C**
(71) Name(s) and Address(s) of Applicant(s):
Forever New Clothing Pty Ltd
Ground Floor 718 High Street Kew Victoria 3101 Australia
(72) Name(s) of Designer(s): **Tristan Melle**
(45) Registration Date: **20 August 2010**
(56) Related Art Documents: **Not Applicable**
(57) Statement of Newness and Distinctiveness: **The particular visual features of the design which the Applicant hereby identifies as new and distinctive are as follows: Women's Fashion Clothing, as illustrated in the accompanying representations.**



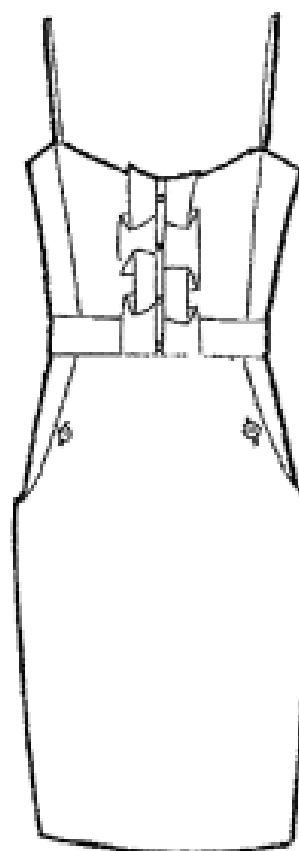
- (21) Design Number: **13372/2010**
(22) Date of Filing Application: **11 February 2010**
(24) Date from which industrial property rights may have effect: **11 February 2010**
(54) Product in respect of which the design is registered: **Women's fashion clothing**
(51) International Design Classification: **02-02C**
(71) Name(s) and Address(s) of Applicant(s):
Forever New Clothing Pty Ltd
Ground Floor 718 High Street Kew Victoria 3101 Australia
(72) Name(s) of Designer(s): **Tristan Melle**
(45) Registration Date: **20 August 2010**
(56) Related Art Documents: **Not Applicable**
(57) Statement of Newness and Distinctiveness: **The particular visual features of the design which the Applicant hereby identifies as new and distinctive are as follows: Women's Fashion Clothing, as illustrated in the accompanying representations.**



- (21) Design Number: **13373/2010**
- (22) Date of Filing Application: **11 February 2010**
- (24) Date from which industrial property rights may have effect: **11 February 2010**
- (54) Product in respect of which the design is registered: **Women's fashion clothing**
- (51) International Design Classification: **02-02NES**
- (71) Name(s) and Address(s) of Applicant(s):
Forever New Clothing Pty Ltd
Ground Floor 718 High Street Kew Victoria 3101 Australia
- (72) Name(s) of Designer(s): **Dulcie Flynn**
- (45) Registration Date: **20 August 2010**
- (56) Related Art Documents: **Not Applicable**
- (57) Statement of Newness and Distinctiveness: **The particular visual features of the design which the Applicant hereby identifies as new and distinctive are as follows: Women's Fashion Clothing, as illustrated in the accompanying representations.**



- (21) Design Number: **13374/2010**
- (22) Date of Filing Application: **11 February 2010**
- (24) Date from which industrial property rights may have effect: **11 February 2010**
- (54) Product in respect of which the design is registered: **Women's fashion clothing**
- (51) International Design Classification: **02-02C**
- (71) Name(s) and Address(s) of Applicant(s):
Forever New Clothing Pty Ltd
Ground Floor 718 High Street Kew Victoria 3101 Australia
- (72) Name(s) of Designer(s): **Tristan Melle**
- (45) Registration Date: **20 August 2010**
- (56) Related Art Documents: **Not Applicable**
- (57) Statement of Newness and Distinctiveness: **The particular visual features of the design which the Applicant hereby identifies as new and distinctive are as follows: Women's Fashion Clothing, as illustrated in the accompanying representations.**



- (21) Design Number: **13375/2010**
(22) Date of Filing Application: **11 February 2010**
(24) Date from which industrial property rights may have effect: **11 February 2010**
(54) Product in respect of which the design is registered: **Women's fashion clothing**
(51) International Design Classification: **02-02C**
(71) Name(s) and Address(s) of Applicant(s):
Forever New Clothing Pty Ltd
Ground Floor 718 High Street Kew Victoria 3101 Australia
(72) Name(s) of Designer(s): **Gemma Henderson**
(45) Registration Date: **20 August 2010**
(56) Related Art Documents: **Not Applicable**
(57) Statement of Newness and Distinctiveness: **The particular visual features of the design which the Applicant hereby identifies as new and distinctive are as follows: Women's Fashion Clothing, as illustrated in the accompanying representations.**



- (21) Design Number: **13376/2010**
(22) Date of Filing Application: **11 February 2010**
(24) Date from which industrial property rights may have effect: **11 February 2010**
(54) Product in respect of which the design is registered: **Women's fashion clothing**
(51) International Design Classification: **02-02NES**
(71) Name(s) and Address(s) of Applicant(s):
Forever New Clothing Pty Ltd
Ground Floor 718 High Street Kew Victoria 3101 Australia
(72) Name(s) of Designer(s): **Gemma Henderson**
(45) Registration Date: **20 August 2010**
(56) Related Art Documents: **Not Applicable**
(57) Statement of Newness and Distinctiveness: **The particular visual features of the design which the Applicant hereby identifies as new and distinctive are as follows: Women's Fashion Clothing, as illustrated in the accompanying representations.**



(21) Design Number: **13377/2010**

(22) Date of Filing Application: **11 February 2010**

(24) Date from which industrial property rights may have effect: **11 February 2010**

(54) Product in respect of which the design is registered: **Women's fashion clothing**

(51) International Design Classification: **02-02NES**

(71) Name(s) and Address(s) of Applicant(s):

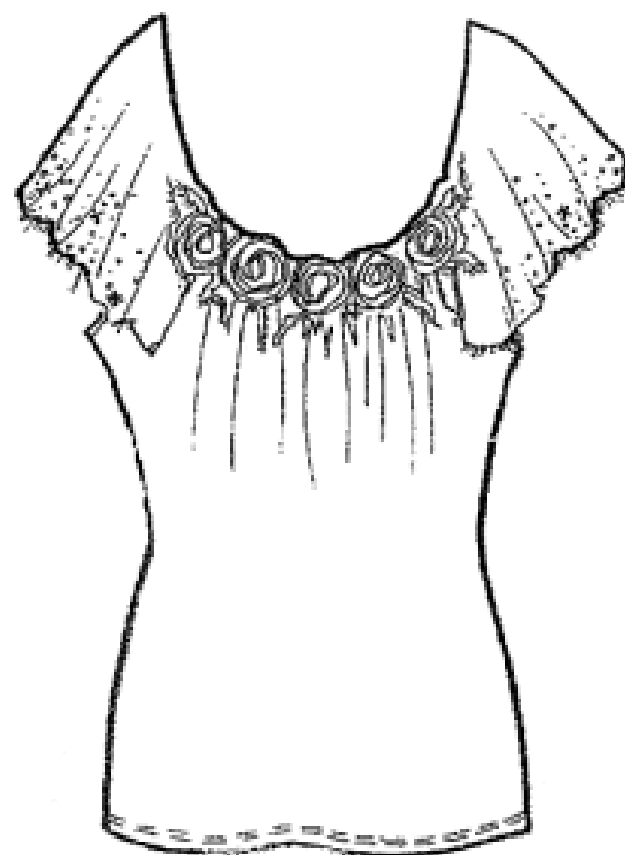
**Forever New Clothing Pty Ltd
Ground Floor 718 High Street Kew Victoria 3101 Australia**

(72) Name(s) of Designer(s): **Gemma Henderson**

(45) Registration Date: **20 August 2010**

(56) Related Art Documents: **Not Applicable**

(57) Statement of Newness and Distinctiveness: **The particular visual features of the design which the Applicant hereby identifies as new and distinctive are as follows: Women's Fashion Clothing, as illustrated in the accompanying representations.**



(21) Design Number: **13191/2010**

(22) Date of Filing Application: **29 July 2010**

(24) Date from which industrial property rights may have effect: **29 July 2010**

(54) Product in respect of which the design is registered: **Locking brake device for a jockey wheel**

(51) International Design Classification: **12-16M**

(71) Name(s) and Address(s) of Applicant(s):

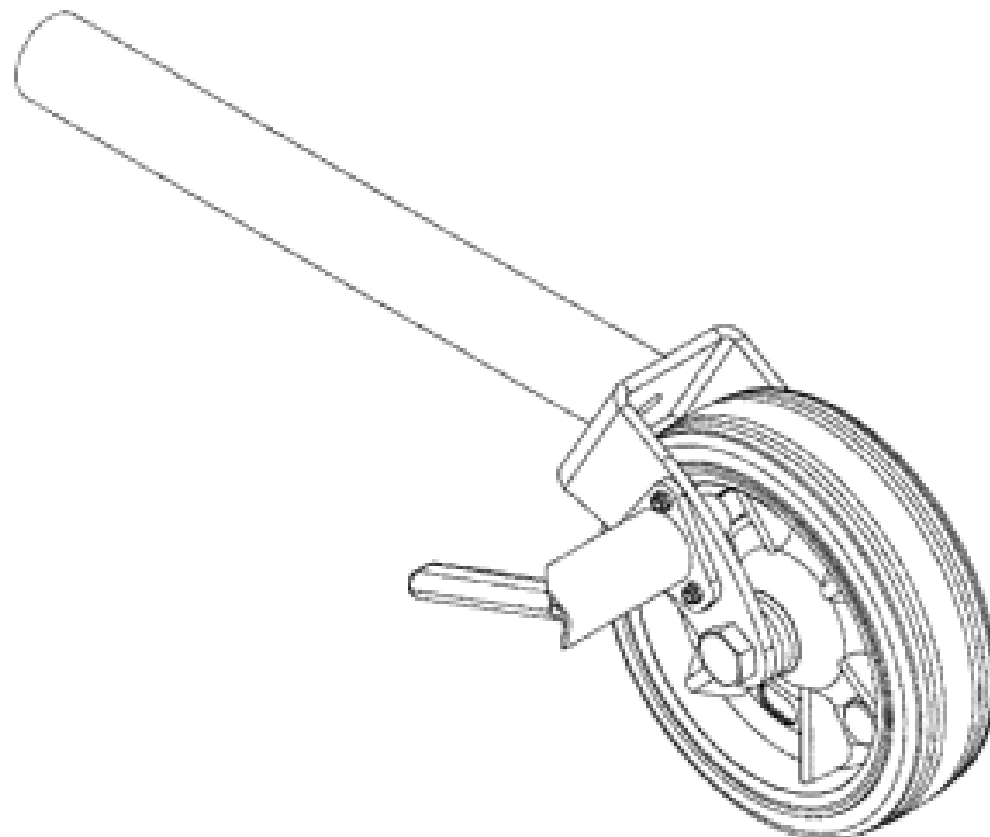
**AL-KO International Pty Ltd
67-91 Nathan Road Dandenong South Victoria 3175 Australia**

(72) Name(s) of Designer(s): **Slobodan Cabarkapa**

(45) Registration Date: **20 August 2010**

(56) Related Art Documents: **Not Applicable**

(57) Statement of Newness and Distinctiveness: **Monopoly is claimed in the shape, configuration and positioning of the pin and lever arrangement and elongated holes in the wheel rim for a jockey wheel locking brake device, as shown in the accompanying representations. No monopoly is claimed in the shape and/or configuration of the rest of the wheel, wheel bracket or long cylindrical member, as shown in the representations, and these features are to be disregarded in considering the scope of the monopoly in the design.**



(21) Design Number: **13193/2010**

(22) Date of Filing Application: **28 July 2010**

(24) Date from which industrial property rights may have effect: **28 July 2010**

(54) Product in respect of which the design is registered: **A container**

(51) International Design Classification: **09-01K**

(71) Name(s) and Address(s) of Applicant(s):

Sara Nicole Spence

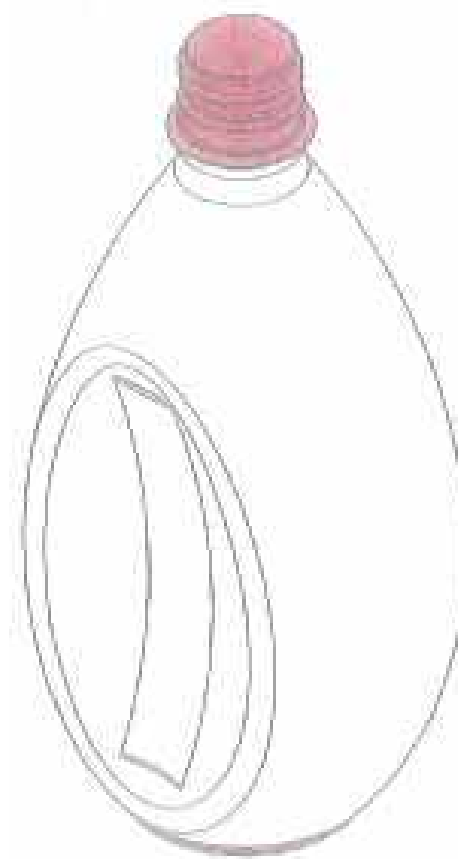
7/131 Barker Street Randwick New South Wales 2031 Australia

(72) Name(s) of Designer(s): **Sara Nicole Spence**

(45) Registration Date: **20 August 2010**

(56) Related Art Documents: **Not Applicable**

(57) Statement of Newness and Distinctiveness: **The design is to be applied to a container and the novelty of the design resides in the features of shape and/or configuration of the article as shown in the accompanying representations, excluding those features highlighted in red.**



(21) Design Number: **13276/2010**

(22) Date of Filing Application: **03 August 2010**

(24) Date from which industrial property rights may have effect: **03 August 2010**

(54) Product in respect of which the design is registered: **End closure for container**

(51) International Design Classification: **09-07NES**

(71) Name(s) and Address(s) of Applicant(s):

Irwin and Sheehan Pty Ltd

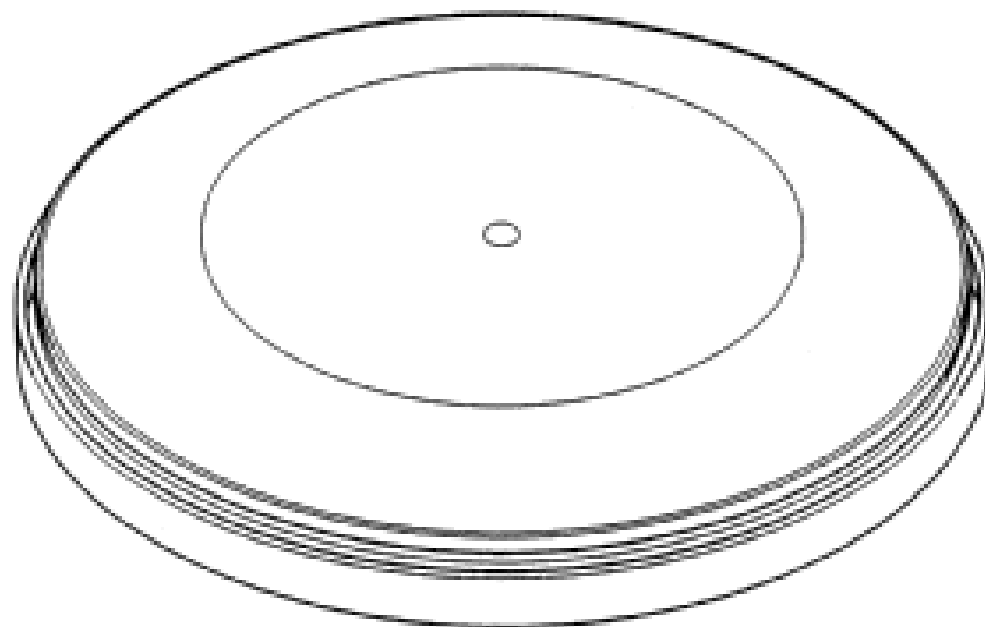
Cnr Joynton & O'Dea Avenue Waterloo New South Wales 2017 Australia

(72) Name(s) of Designer(s): **John Seymour Irwin**

(45) Registration Date: **20 August 2010**

(56) Related Art Documents: **Not Applicable**

(57) Statement of Newness and Distinctiveness: **Nil**



(21) Design Number: **13277/2010**

(22) Date of Filing Application: **03 August 2010**

(24) Date from which industrial property rights may have effect: **03 August 2010**

(54) Product in respect of which the design is registered: **End closure for container**

(51) International Design Classification: **09-07NES**

(71) Name(s) and Address(s) of Applicant(s):

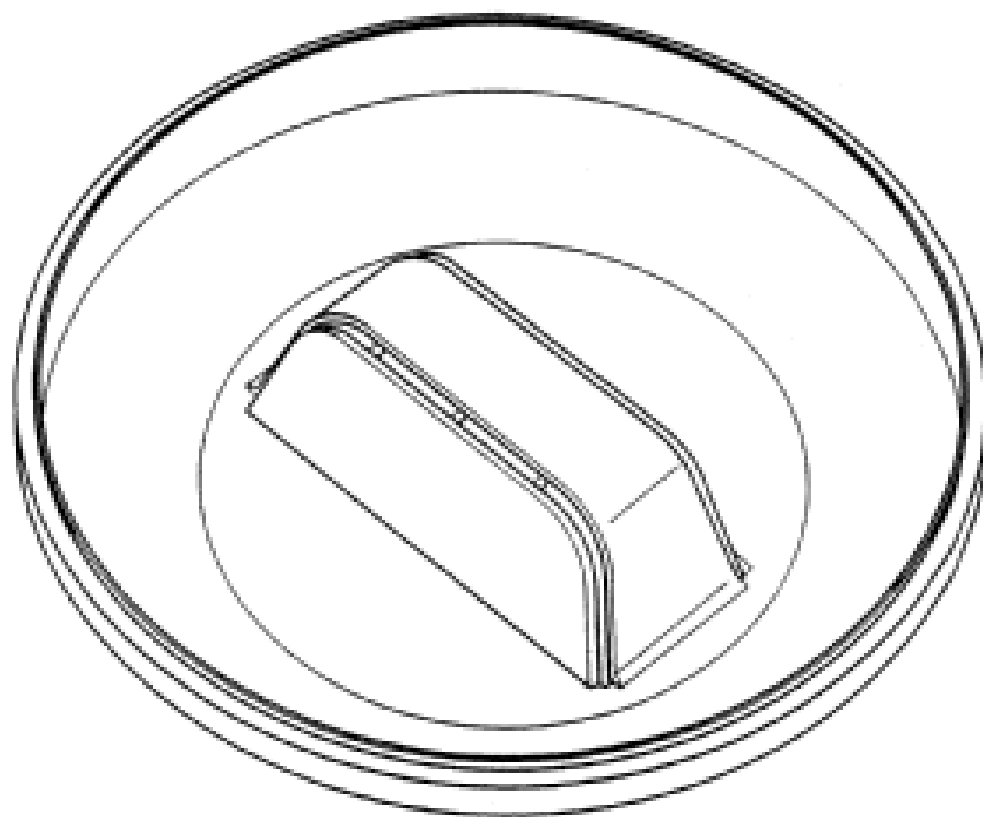
Irwin and Sheehan Pty Ltd
Cnr Joynton & O'Dea Avenue Waterloo New South Wales 2017
Australia

(72) Name(s) of Designer(s): **John Seymour Irwin**

(45) Registration Date: **20 August 2010**

(56) Related Art Documents: **Not Applicable**

(57) Statement of Newness and Distinctiveness: **Nil**



(21) Design Number: **12789/2010**

(22) Date of Filing Application: **05 July 2010**

(24) Date from which industrial property rights may have effect: **05 July 2010**

(54) Product in respect of which the design is registered: **A convertible bed**

(51) International Design Classification: **06-02**

(71) Name(s) and Address(s) of Applicant(s):

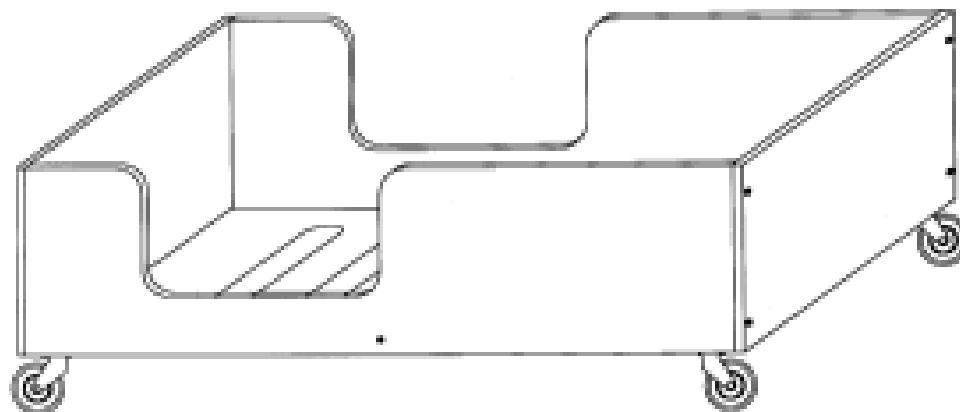
Paxx Pty Ltd
40 Empress Avenue Kingsville Victoria 3012 Australia

(72) Name(s) of Designer(s): **Andrew John Jordan and Sara-Jane Kristen Direen**

(45) Registration Date: **23 August 2010**

(56) Related Art Documents: **Not Applicable**

(57) Statement of Newness and Distinctiveness: **Newness and distinctiveness is claimed in the shape and/or configuration of a convertible bed as illustrated in the accompanying representations.**



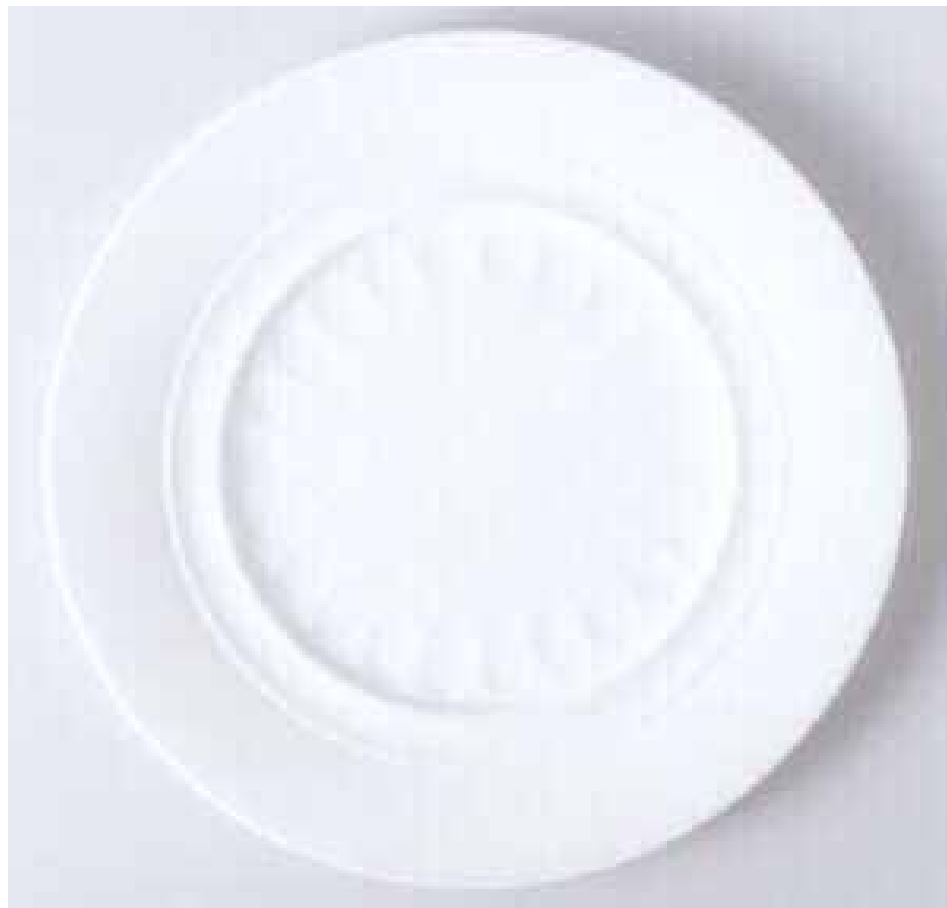
(21) Design Number: **13226/2010**
(22) Date of Filing Application: **29 July 2010**
(24) Date from which industrial property rights may have effect: **29 July 2010**
(54) Product in respect of which the design is registered: **Tableware**
(51) International Design Classification: **07-01B**
(71) Name(s) and Address(s) of Applicant(s):
Villeroy & Boch AG
Saaruferstrasse 14-18 D-66693 Mettlach Germany
(72) Name(s) of Designer(s): **Charlotte Weber**
(45) Registration Date: **23 August 2010**
(30) Convention priority data:
(31) Number (32) Date (33) Country
001663428-0015 29 Jan 2010 EUROPEAN COMMUNITY
(56) Related Art Documents: **Not Applicable**
(57) Statement of Newness and Distinctiveness: **Nil**



(21) Design Number: **13228/2010**
(22) Date of Filing Application: **29 July 2010**
(24) Date from which industrial property rights may have effect: **29 July 2010**
(54) Product in respect of which the design is registered: **Tableware**
(51) International Design Classification: **07-01B**
(71) Name(s) and Address(s) of Applicant(s):
Villeroy & Boch AG
Saaruferstrasse 14-18 D-66693 Mettlach Germany
(72) Name(s) of Designer(s): **Charlotte Weber**
(45) Registration Date: **23 August 2010**
(30) Convention priority data:
(31) Number (32) Date (33) Country
001669003-0002 11 Feb 2010 EUROPEAN COMMUNITY
(56) Related Art Documents: **Not Applicable**
(57) Statement of Newness and Distinctiveness: **Nil**



(21) Design Number: **13229/2010**
(22) Date of Filing Application: **29 July 2010**
(24) Date from which industrial property rights may have effect: **29 July 2010**
(54) Product in respect of which the design is registered: **Tableware**
(51) International Design Classification: **07-01B**
(71) Name(s) and Address(s) of Applicant(s):
Villeroy & Boch AG
Saaruferstrasse 14-18 D-66693 Mettlach Germany
(72) Name(s) of Designer(s): **Stefanie Hering**
(45) Registration Date: **23 August 2010**
(30) Convention priority data:
(31) Number (32) Date (33) Country
001669003-0012 11 Feb 2010 EUROPEAN COMMUNITY
(56) Related Art Documents: **Not Applicable**
(57) Statement of Newness and Distinctiveness: **Nil**



(21) Design Number: **13230/2010**
(22) Date of Filing Application: **29 July 2010**
(24) Date from which industrial property rights may have effect: **29 July 2010**
(54) Product in respect of which the design is registered: **Tableware**
(51) International Design Classification: **07-01B**
(71) Name(s) and Address(s) of Applicant(s):
Villeroy & Boch AG
Saaruferstrasse 14-18 D-66693 Mettlach Germany
(72) Name(s) of Designer(s): **Stefanie Hering**
(45) Registration Date: **23 August 2010**
(30) Convention priority data:
(31) Number (32) Date (33) Country
001669003-0013 11 Feb 2010 EUROPEAN COMMUNITY
(56) Related Art Documents: **Not Applicable**
(57) Statement of Newness and Distinctiveness: **Nil**



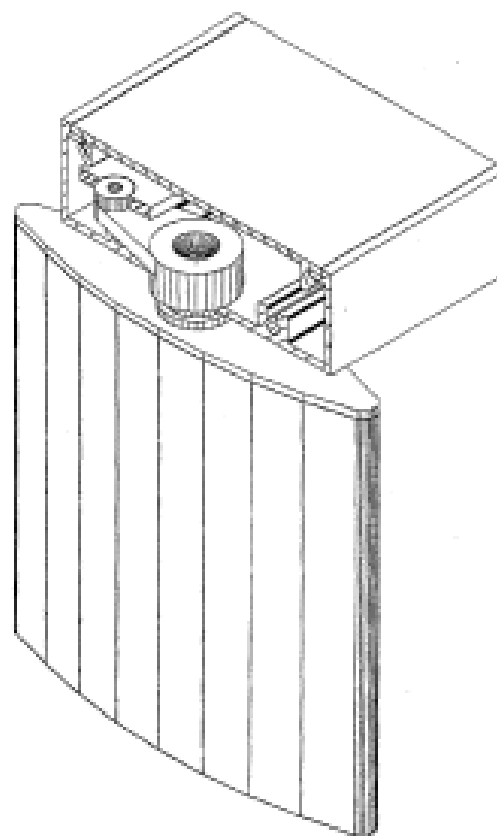
(21) Design Number: **13231/2010**
(22) Date of Filing Application: **29 July 2010**
(24) Date from which industrial property rights may have effect: **29 July 2010**
(54) Product in respect of which the design is registered: **Tableware**
(51) International Design Classification: **07-01B**
(71) Name(s) and Address(s) of Applicant(s):
Villeroy & Boch AG
Saaruferstrasse 14-18 D-66693 Mettlach Germany
(72) Name(s) of Designer(s): **Stefanie Hering**
(45) Registration Date: **23 August 2010**
(30) Convention priority data:
(31) Number (32) Date (33) Country
001669003-0014 11 Feb 2010 EUROPEAN COMMUNITY
(56) Related Art Documents: **Not Applicable**
(57) Statement of Newness and Distinctiveness: **Nil**



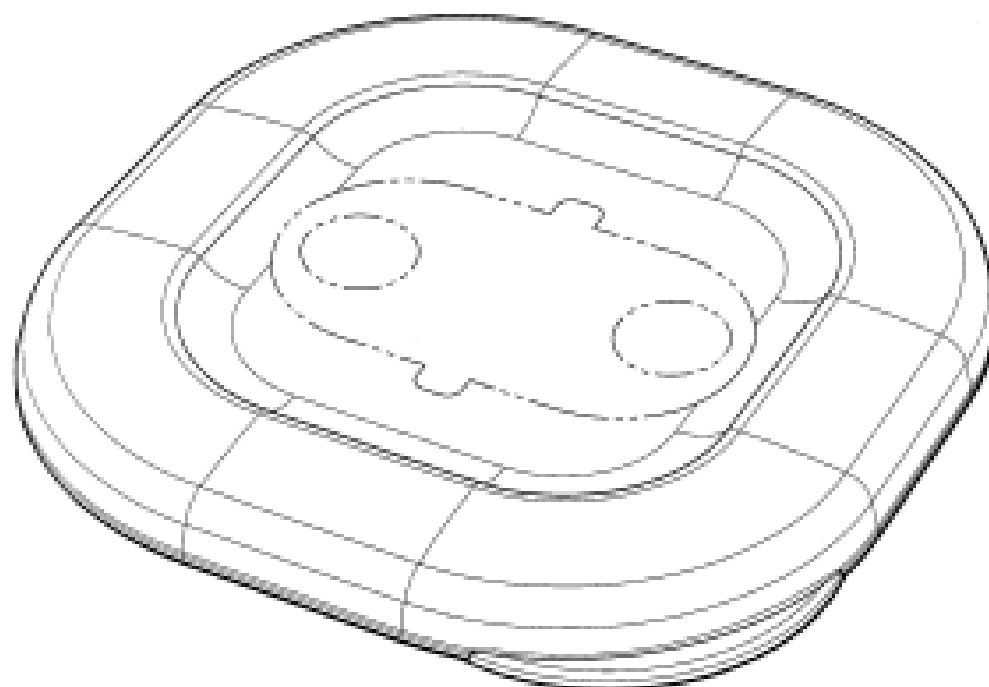
(21) Design Number: **13232/2010**
(22) Date of Filing Application: **29 July 2010**
(24) Date from which industrial property rights may have effect: **29 July 2010**
(54) Product in respect of which the design is registered: **Tableware**
(51) International Design Classification: **07-01B**
(71) Name(s) and Address(s) of Applicant(s):
Villeroy & Boch AG
Saaruferstrasse 14-18 D-66693 Mettlach Germany
(72) Name(s) of Designer(s): **Stefanie Hering**
(45) Registration Date: **23 August 2010**
(30) Convention priority data:
(31) Number (32) Date (33) Country
001669003-0015 11 Feb 2010 EUROPEAN COMMUNITY
(56) Related Art Documents: **Not Applicable**
(57) Statement of Newness and Distinctiveness: **Nil**



- (21) Design Number: **13352/2010**
(22) Date of Filing Application: **05 August 2010**
(24) Date from which industrial property rights may have effect: **05 August 2010**
(54) Product in respect of which the design is registered: **Pivot assembly for metal louvres**
(51) International Design Classification: **25-02K, 06-10**
(71) Name(s) and Address(s) of Applicant(s):
Twilight Beach Pty Ltd
3/3 Hutchinson Street Burleigh Heads Queensland 4220 Australia
(72) Name(s) of Designer(s): **Wilhelmus Steenland**
(45) Registration Date: **23 August 2010**
(56) Related Art Documents: **Not Applicable**
(57) Statement of Newness and Distinctiveness: **Nil**



- (21) Design Number: **13397/2010**
(22) Date of Filing Application: **09 August 2010**
(24) Date from which industrial property rights may have effect: **09 August 2010**
(54) Product in respect of which the design is registered: **Lid and seal for lunchbox**
(51) International Design Classification: **07-01NES**
(71) Name(s) and Address(s) of Applicant(s):
The Decor Corporation Pty Ltd
1314 Ferntree Gully Road Scoresby Victoria 3179 Australia
(72) Name(s) of Designer(s): **Jim Samartgis**
(45) Registration Date: **23 August 2010**
(56) Related Art Documents: **Not Applicable**
(57) Statement of Newness and Distinctiveness: **Nil**



(21) Design Number: **13398/2010**

(22) Date of Filing Application: **09 August 2010**

(24) Date from which industrial property rights may have effect: **09 August 2010**

(54) Product in respect of which the design is registered: **Lid and seal for lunchbox**

(51) International Design Classification: **07-01NES**

(71) Name(s) and Address(s) of Applicant(s):

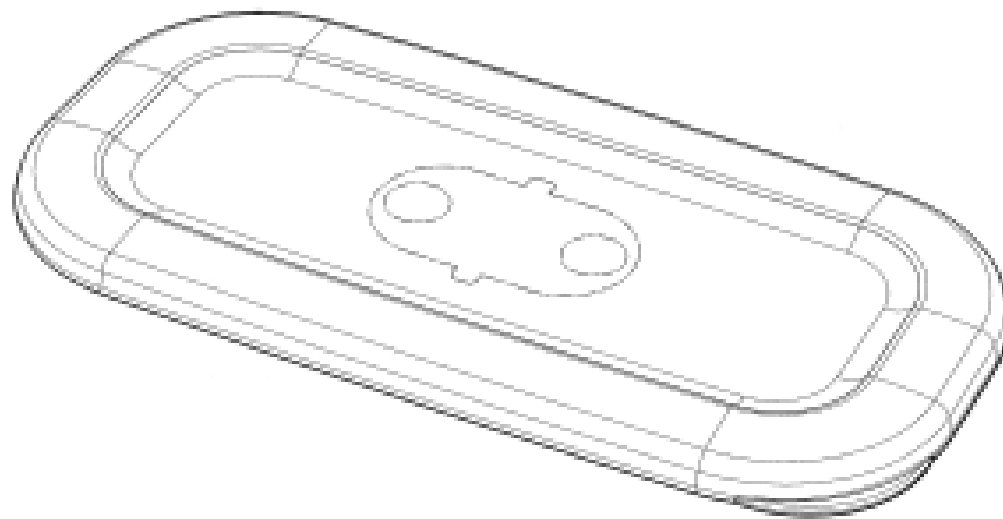
**The Decor Corporation Pty Ltd
1314 Ferntree Gully Road Scoresby Victoria 3179 Australia**

(72) Name(s) of Designer(s): **Jim Samartgis**

(45) Registration Date: **23 August 2010**

(56) Related Art Documents: **Not Applicable**

(57) Statement of Newness and Distinctiveness: **Nil**



(21) Design Number: **12555/2010**

(22) Date of Filing Application: **21 June 2010**

(24) Date from which industrial property rights may have effect: **21 June 2010**

(54) Product in respect of which the design is registered: **Cosmetic enhancement device**

(51) International Design Classification: **28-99, 28-02**

(71) Name(s) and Address(s) of Applicant(s):

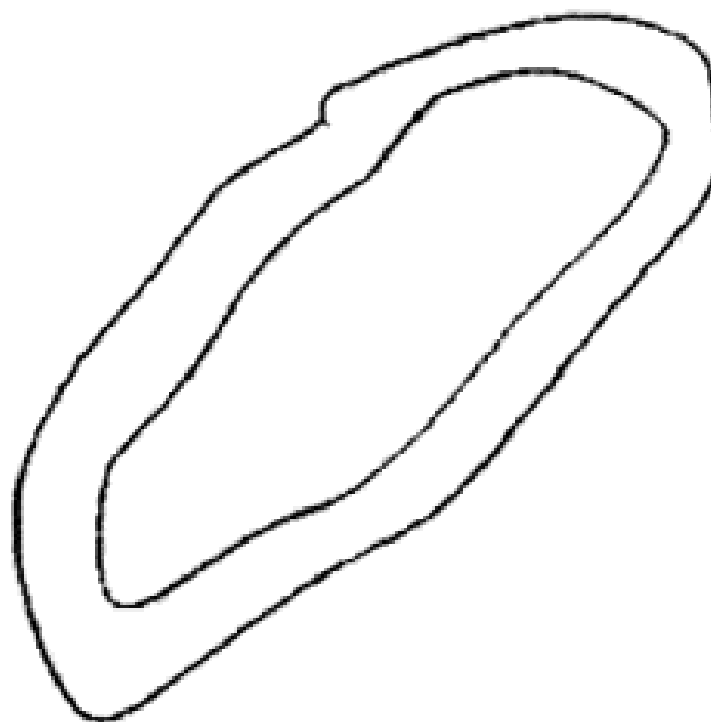
**Julie Levy
PO Box 307 Labrador Queensland 4215 Australia**

(72) Name(s) of Designer(s): **Julie Levy**

(45) Registration Date: **24 August 2010**

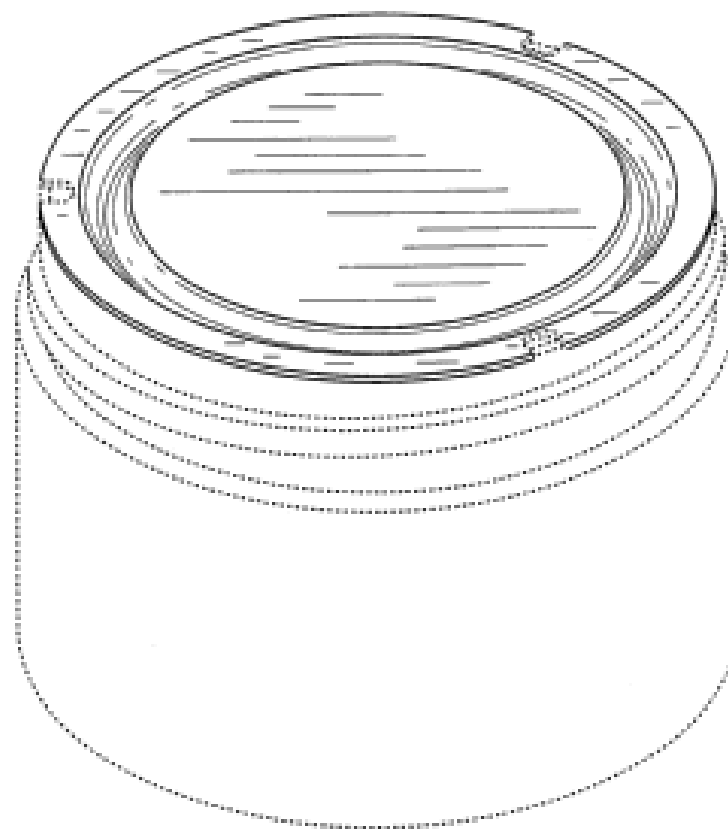
(56) Related Art Documents: **Not Applicable**

(57) Statement of Newness and Distinctiveness: **Nil**



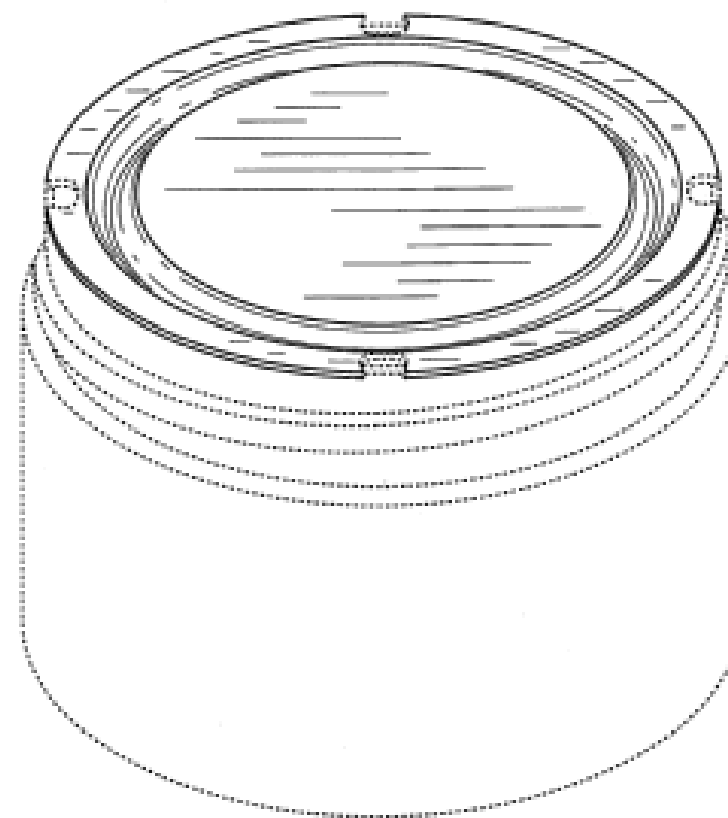
- (21) Design Number: **12634/2010**
- (22) Date of Filing Application: **28 June 2010**
- (24) Date from which industrial property rights may have effect: **28 June 2010**
- (54) Product in respect of which the design is registered: **Jar venting disc**
- (51) International Design Classification: **09-07NES, 09-07A**
- (71) Name(s) and Address(s) of Applicant(s):
Stiefel Laboratories, Inc.
255 Alhambra Circle Coral Gables Florida 33134 United States of America
- (72) Name(s) of Designer(s): **Steven G. Richardson**
- (45) Registration Date: **24 August 2010**
- (30) Convention priority data:

(31) Number	(32) Date	(33) Country
29/353046	31 Dec 2009	UNITED STATES OF AMERICA
- (56) Related Art Documents: **Not Applicable**
- (57) Statement of Newness and Distinctiveness: **Newness and distinctiveness is claimed in the visual features shown in the solid lines in the representations.**



- (21) Design Number: **12635/2010**
- (22) Date of Filing Application: **28 June 2010**
- (24) Date from which industrial property rights may have effect: **28 June 2010**
- (54) Product in respect of which the design is registered: **Jar venting disc**
- (51) International Design Classification: **09-07NES, 09-07A**
- (71) Name(s) and Address(s) of Applicant(s):
Stiefel Laboratories, Inc.
255 Alhambra Circle Coral Gables Florida 33134 United States of America
- (72) Name(s) of Designer(s): **Steven G. Richardson**
- (45) Registration Date: **24 August 2010**
- (30) Convention priority data:

(31) Number	(32) Date	(33) Country
29/353046	31 Dec 2009	UNITED STATES OF AMERICA
- (56) Related Art Documents: **Not Applicable**
- (57) Statement of Newness and Distinctiveness: **Newness and distinctiveness is claimed in the visual features shown in the solid lines in the representations.**



(21) Design Number: **13212/2010**

(22) Date of Filing Application: **29 July 2010**

(24) Date from which industrial property rights may have effect: **29 July 2010**

(54) Product in respect of which the design is registered: **Coat rack**

(51) International Design Classification: **06-06A**

(71) Name(s) and Address(s) of Applicant(s):

Olaf Sialkowski

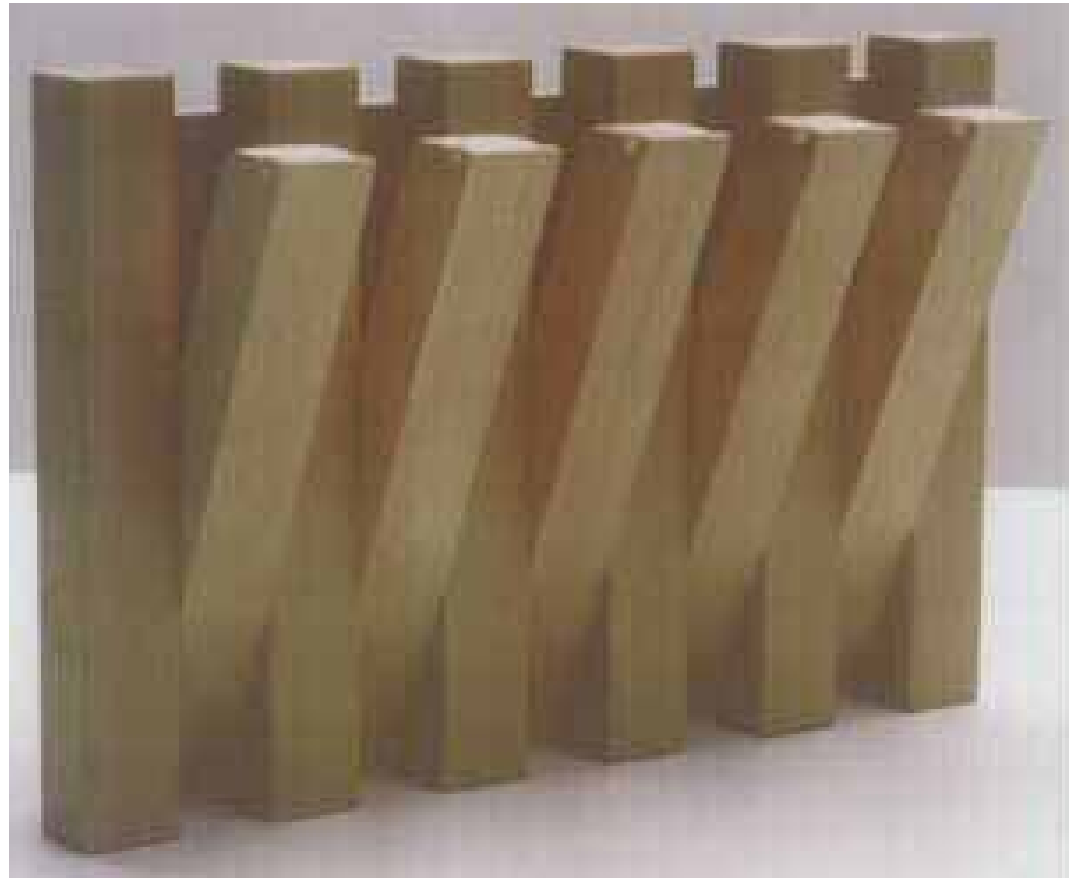
3 Oatley Road Paddington New South Wales 2021 Australia

(72) Name(s) of Designer(s): **Olaf Sialkowski**

(45) Registration Date: **23 August 2010**

(56) Related Art Documents: **Not Applicable**

(57) Statement of Newness and Distinctiveness: **Unusual art object turning into a wall garment hanger.**



(21) Design Number: **13213/2010**

(22) Date of Filing Application: **29 July 2010**

(24) Date from which industrial property rights may have effect: **29 July 2010**

(54) Product in respect of which the design is registered: **Article of clothing**

(51) International Design Classification: **02-02NES**

(71) Name(s) and Address(s) of Applicant(s):

Nextinct Pty Ltd

59A Goddard Street Lathlain Western Australia 6100 Australia

(72) Name(s) of Designer(s): **John Emery**

(45) Registration Date: **23 August 2010**

(56) Related Art Documents: **Not Applicable**

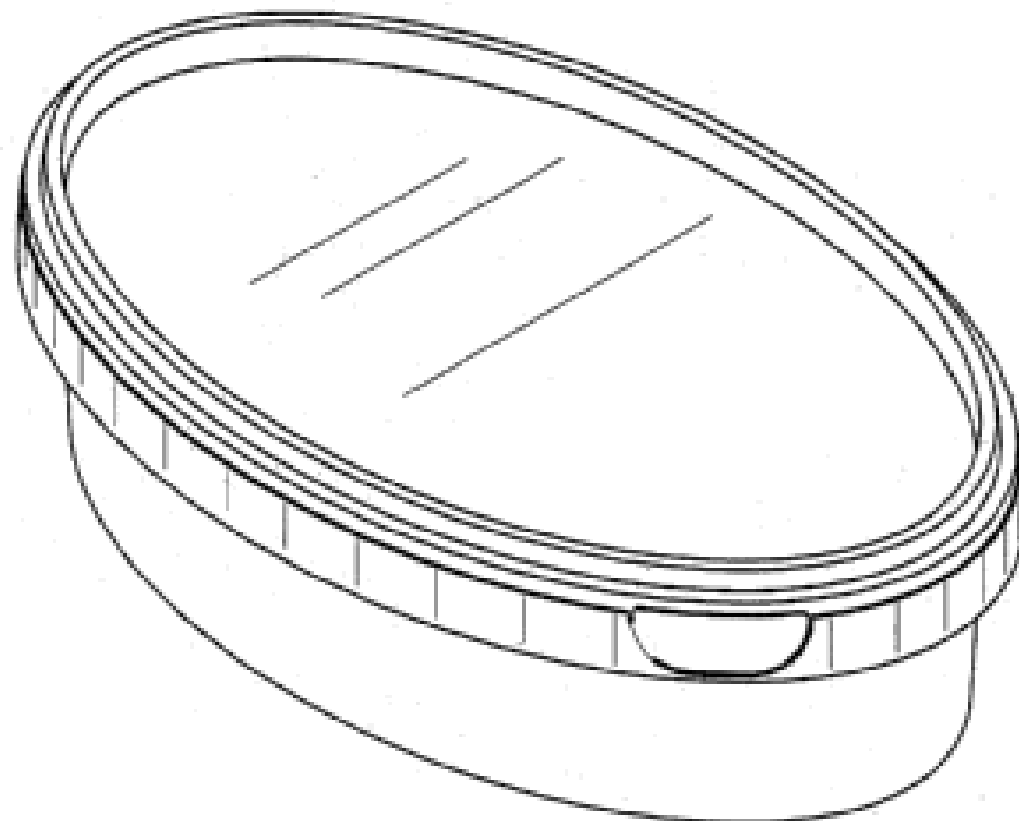
(57) Statement of Newness and Distinctiveness: **The newness and distinctiveness of the article of clothing resides in the pattern and/or ornamentation as shown in the accompanying representations, irrespective of the shape of the article of clothing.**



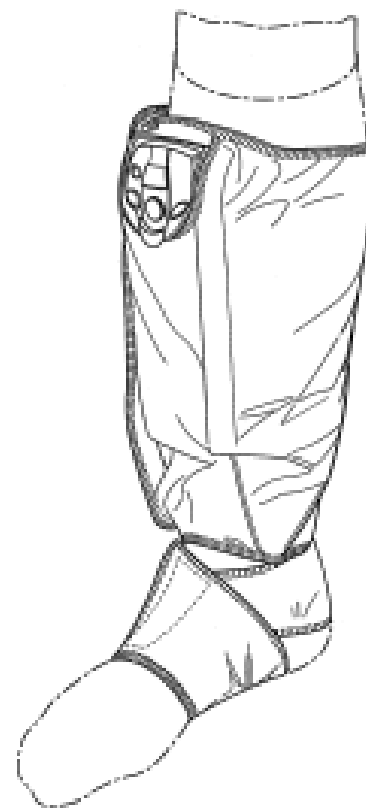
- (21) Design Number: **13214/2010**
(22) Date of Filing Application: **29 July 2010**
(24) Date from which industrial property rights may have effect: **29 July 2010**
(54) Product in respect of which the design is registered: **Article of clothing**
(51) International Design Classification: **02-02NES**
(71) Name(s) and Address(s) of Applicant(s):
Nextinct Pty Ltd
59A Goddard Street Lathlain Western Australia 6100 Australia
(72) Name(s) of Designer(s): **John Emery**
(45) Registration Date: **23 August 2010**
(56) Related Art Documents: **Not Applicable**
(57) Statement of Newness and Distinctiveness: **The newness and distinctiveness of the article of clothing resides in the pattern and/or ornamentation as shown in the accompanying representations, irrespective of the shape of the article of clothing.**



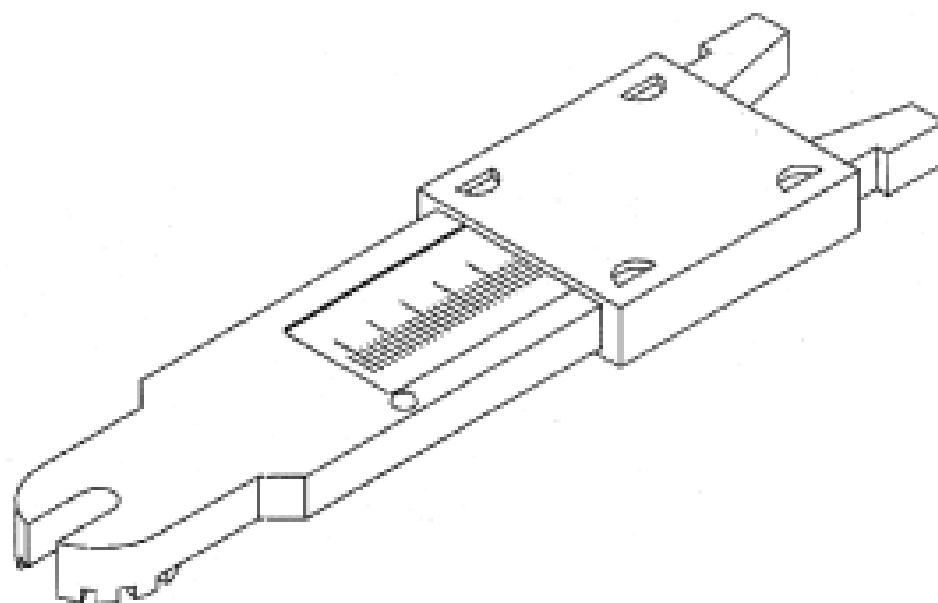
- (21) Design Number: **13216/2010**
(22) Date of Filing Application: **29 July 2010**
(24) Date from which industrial property rights may have effect: **29 July 2010**
(54) Product in respect of which the design is registered: **Oval food container with tamper-indicator**
(51) International Design Classification: **07-01NES**
(71) Name(s) and Address(s) of Applicant(s):
Timothy Mok
18 Downwind Court Birkdale Queensland 4159 Australia
(72) Name(s) of Designer(s): **Timothy Mok**
(45) Registration Date: **23 August 2010**
(56) Related Art Documents: **Not Applicable**
(57) Statement of Newness and Distinctiveness: **The design is to be applied to an oval food container with tamper indicator and the newness and distinctiveness resides in the features or the shape and/or configuration of the article as shown in the accompanying representations.**



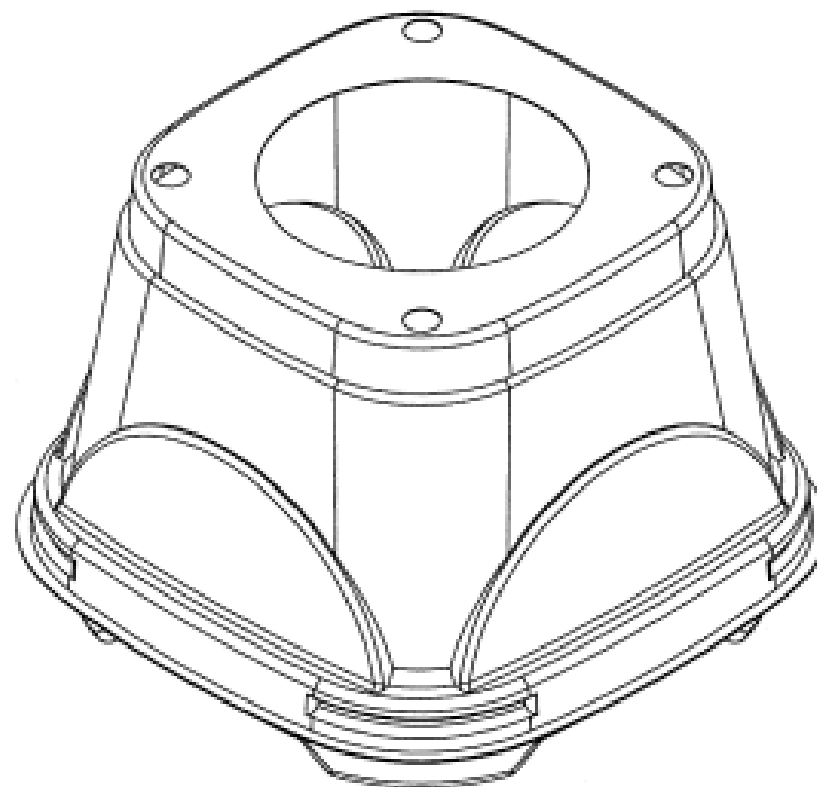
- (21) Design Number: **13196/2010**
(22) Date of Filing Application: **28 July 2010**
(24) Date from which industrial property rights may have effect: **28 July 2010**
(54) Product in respect of which the design is registered: **Medical compress**
(51) International Design Classification: **24-04**
(71) Name(s) and Address(s) of Applicant(s):
ConvaTec Technologies Inc.
3993 Howard Hughes Parkway Suite 250 Las Vegas NV 89169-6754
United States of America
(72) Name(s) of Designer(s): **Thomas Bergens and Wayne Lee Bonnefin and Anders Bostrom and Scott Robert Ian Henshaw and Andrew Lewis Heveran and Stefan Loof and Jochen Ratjen and Johan Svard and Ian Stewart Tabron and Susanne Wedbjer**
(45) Registration Date: **24 August 2010**
(30) Convention priority data:
(31) Number (32) Date (33) Country
001193700 01 Feb 2010 EUROPEAN COMMUNITY
(56) Related Art Documents: **Not Applicable**
(57) Statement of Newness and Distinctiveness: **Those features of the medical compress depicted in the representations that are new and distinctive are the shape and/or configuration. The leg portion marked "A" and the foot portions marked "B" are not part of the design and are to be disregarded when considering the overall impression of the design.**



- (21) Design Number: **13197/2010**
(22) Date of Filing Application: **28 July 2010**
(24) Date from which industrial property rights may have effect: **28 July 2010**
(54) Product in respect of which the design is registered: **Measuring gauge**
(51) International Design Classification: **10-04**
(71) Name(s) and Address(s) of Applicant(s):
Transnet NZ Limited
20 Neil Park Drive East Tamaki Auckland New Zealand
(72) Name(s) of Designer(s): **Spencer George Winn**
(45) Registration Date: **24 August 2010**
(56) Related Art Documents: **Not Applicable**
(57) Statement of Newness and Distinctiveness: **The novelty claimed for the design resides in the features of shape and/or configuration of the measuring gauge all as shown in the representations.**



(21) Design Number: **13199/2010**
 (22) Date of Filing Application: **29 July 2010**
 (24) Date from which industrial property rights may have effect: **29 July 2010**
 (54) Product in respect of which the design is registered: **Food container**
 (51) International Design Classification: **09-03M**
 (71) Name(s) and Address(s) of Applicant(s):
Direct Pack, Inc
12243 Branford Street Sun Valley California 91352 United States of America
 (72) Name(s) of Designer(s): **Craig R. Snedden and Gandhi B. Sifuentes and Cesar E. Ramirez**
 (45) Registration Date: **24 August 2010**
 (30) Convention priority data:
 (31) Number (32) Date (33) Country
29/362,669 28 May 2010 UNITED STATES OF AMERICA
 (56) Related Art Documents: **Not Applicable**
 (57) Statement of Newness and Distinctiveness: **Monopoly is claimed in the shape and configuration of the food container as illustrated in the accompanying representations.**



(21) Design Number: **13234/2010**
 (22) Date of Filing Application: **30 July 2010**
 (24) Date from which industrial property rights may have effect: **30 July 2010**
 (54) Product in respect of which the design is registered: **Lollipops**
 (51) International Design Classification: **01-01**
 (71) Name(s) and Address(s) of Applicant(s):
Perfetti Van Melle S.p.A.
Via XXV Aprile 7 Lainate Italy
 (72) Name(s) of Designer(s): **Alessandro Bottini**
 (45) Registration Date: **24 August 2010**
 (30) Convention priority data:
 (31) Number (32) Date (33) Country
001664228 02 Feb 2010 EUROPEAN COMMUNITY
 (56) Related Art Documents: **Not Applicable**
 (57) Statement of Newness and Distinctiveness: **The particular visual features of the design which are new and distinctive are shape OR configuration.**



(21) Design Number: **13236/2010**
(22) Date of Filing Application: **30 July 2010**
(24) Date from which industrial property rights may have effect: **30 July 2010**
(54) Product in respect of which the design is registered: **Mouse for notebook**
(51) International Design Classification: **14-02**
(71) Name(s) and Address(s) of Applicant(s):

Koninklijke Philips Electronics N.V.
Groenewoudseweg 1 5621 BA Eindhoven The Netherlands

(72) Name(s) of Designer(s): **Holger Hoehn and Feng Huan Gu**

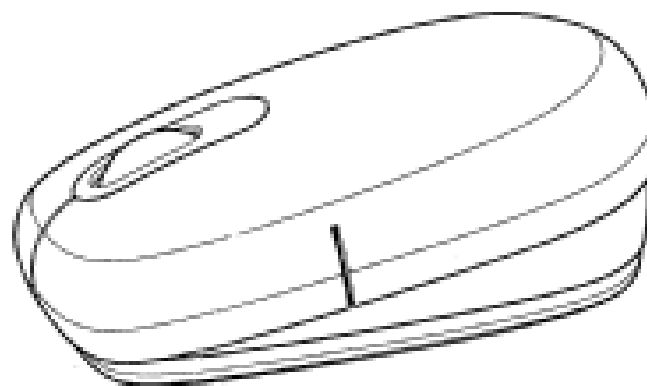
(45) Registration Date: **24 August 2010**

(30) Convention priority data:

(31) Number	(32) Date	(33) Country
001665209	03 Feb 2010	EUROPEAN COMMUNITY

(56) Related Art Documents: **Not Applicable**

(57) Statement of Newness and Distinctiveness: **Newness and distinctiveness reside in the shape and configuration of the design as shown in the representations.**



(21) Design Number: **13237/2010**
(22) Date of Filing Application: **30 July 2010**
(24) Date from which industrial property rights may have effect: **30 July 2010**
(54) Product in respect of which the design is registered: **Bracket**
(51) International Design Classification: **08-08L**
(71) Name(s) and Address(s) of Applicant(s):

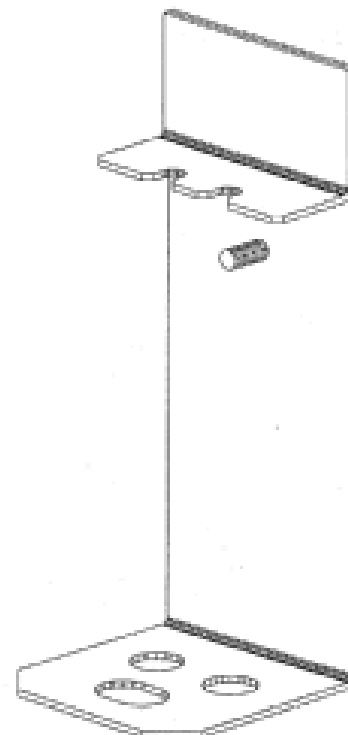
Aqualutions Australia Pty Ltd
18 Cardiff Court Dry Creek South Australia 5094 Australia

(72) Name(s) of Designer(s): **Trevor Hills and Andrew Hills**

(45) Registration Date: **24 August 2010**

(56) Related Art Documents: **Not Applicable**

(57) Statement of Newness and Distinctiveness: **Nil**



(21) Design Number: **13238/2010**
(22) Date of Filing Application: **30 July 2010**
(24) Date from which industrial property rights may have effect: **30 July 2010**
(54) Product in respect of which the design is registered: **Writing instrument**
(51) International Design Classification: **19-06**
(71) Name(s) and Address(s) of Applicant(s):

Prodir S.A.
Zona Industriale 1/2 C.P. 580 6802 Riviera Switzerland

(72) Name(s) of Designer(s): **Giorgio Pagani**

(45) Registration Date: **24 August 2010**

(30) Convention priority data:

(31) Number	(32) Date
DM/073211	25 Feb 2010

(33) Country
**WORLD INTELLECTUAL
PROPERTY ORGANIZATION
(WIPO)**

(56) Related Art Documents: **Not Applicable**

(57) Statement of Newness and Distinctiveness: **Nil**

